



# Illustrated Parts Manual

## *Model* **600AJ HC3**

PVC  
2001

P/N  
31215882

May 31, 2021 - Rev C

**ANSI**

**CE**



**AS/NZS**



An Oshkosh Corporation Company





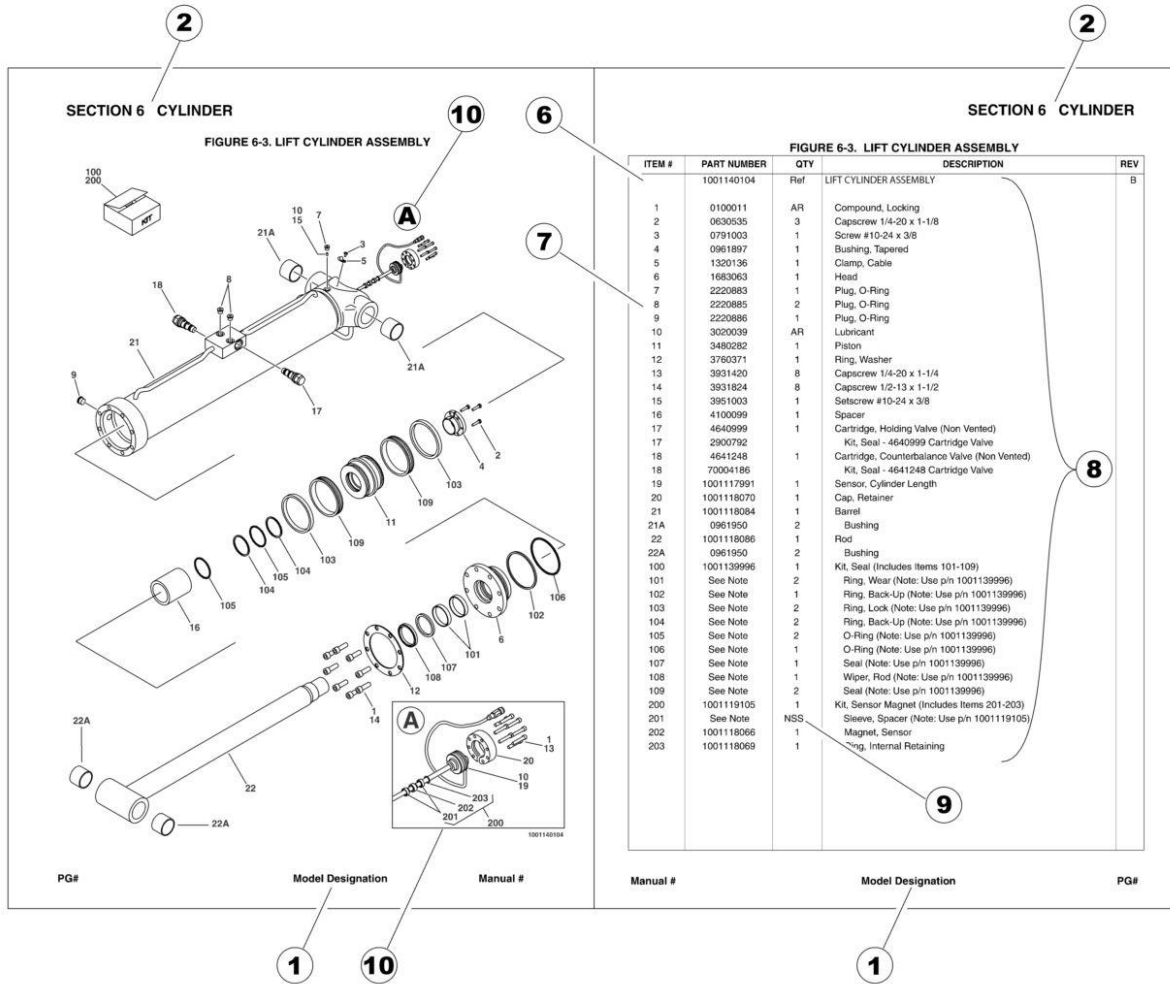
## **REVISION LOG**

**February 15, 2020 - A - Original Issue of Manual (Edited to B/M 1001245251 Revision C)**

**January 15, 2021 - B - Revised Manual (Edited to B/M 1001245251 Revision K)**

**May 31, 2021 - C - Revised Manual (Edited to B/M 1001245251 Revision K)**

# GENERAL INFORMATION



## 1) MACHINE IDENTIFICATION

Machines are identified by model and in some cases a combination of models, serial number (SN) or regional standard (i.e ANSI, CE, CSA). Components may also be identified by SN or manufacturer. Common components that may be identified by these characteristics are engines and hydraulic components.

## 2) PARTS MANUAL ORGANIZATION

Product information in this manual is organized under section titles. Frame, Cylinder, Hydraulic and Electrical are a few examples. Each section is organized by figure and page number. The information within the Figure is then organized by item number, part number, description and corresponding illustration (s).

## 3) TABLE OF CONTENTS (NOT SHOWN)

A table of contents is found toward the beginning of the manual. Figure number, description and page number are provided for quick reference to the page containing the related information.

## 4) RECOMMENDED SPARE PARTS (NOT SHOWN)

The Recommended Spare Parts List, located near the end of the manual, reference most frequently used maintenance parts.

## 5) PART NUMBER INDEX (NOT SHOWN)

A numerical index listing all part numbers and the corresponding page number(s) appears at the back of the manual.

## GENERAL INFORMATION

### 6) NON-SERVICED PARTS

In some instances, it is necessary to display non-serviced parts, assemblies or installations. In the case of assemblies and installations there will be a Ref in the Qty. column. In case of parts that are not available for service within assemblies or components, there will be a NSS (Not Sold Separately) or NLA (No Longer Available) listed in the Qty. column of the manual.

### 7) PARTS LIST ITEM NUMBERS

Numbers shown in the item# column correspond to numbers used in the associated illustration (s). Item numbers which are missing from the sequence in the parts list are not used on that page.

### 8) INDENTED PARTS DESCRIPTION

An indented part description is included in the item under which it is indented.

### 9) ABBREVIATION AND SYMBOLS

AC.....	Alternating Current	L.....	Liter
ADE.....	Advanced Design Electronics	LB(LBS).....	Pounds
AG.....	Agricultural	LCD.....	Liquid Crystal Display
ANSI.....	American National Standards Institute	LED.....	Light Emitting Diodes
AR.....	As Required	LH.....	Left Hand
ASSY.....	Assembly	LRC.....	Low Rated Countries
AUS.....	Australia	LSS.....	Load Sensing System
AUX.....	Auxiliary	M(m).....	Metric/Meter
AWG.....	American Wire Gauge	MM(mm).....	Milimeter
B/M.....	Bill of Material	mA.....	Miliamps
CAC.....	Charge Air Cooler	NLA.....	No Longer Available
CE.....	European Conformity	NPT.....	National Pipe Threads
CCW.....	Counter Clockwise	NSS.....	Not Sold Separately
CM.....	Centimeter	OD.....	Outside Diameter
CW.....	Clockwise	ORB.....	O-Ring Boss
CSA.....	Canadian Standards Association	ORFS.....	O-Ring Face Seal
CYL.....	Cylinder	OZ (oz).....	Ounces
DIA.....	Diameter	PG.....	Page
DC.....	Direct Current	PN.....	Part Number
DEF.....	Diesel Exhaust Fluid	QT(qt.).....	Quarts
EMS.....	Emergency Stop	QTY.....	Quantity
ENG.....	Engine	REF.....	Reference
FT(ft).....	Feet	REV.....	Revision Level
GA(Ga).....	Gauge	RH.....	Right Hand
HRC.....	High Rated Countries	SAE.....	Society of Automotive Engineers
HVAC.....	Heating, Ventilating, and Air Conditioning	SN.....	Serial Number
HYD.....	Hydraulic	SPEC(S).....	Specifications
Hz.....	Hertz	T/T.....	Turntable
ID.....	Inside Diameter	UGM.....	Universal Ground Module
IN.....	inches	V.....	Volts
ISO.....	International Organization for Standards	W.....	Watts
JIC.....	Joint Industry Council	#.....	Number
KG.....	Kilogram		

### 10) ILLUSTRATION REFERENCE LETTERS

When necessary, illustrations may contain reference letters that are intended to track information (i. e. hoses, harnesses) from one point to another or to track visual enlargement of components to show details that may be located in another area on the illustration.

*Note: Due to continuous product improvements, JLG Industries, Inc. reserves the right to make specification changes without prior notification. Contact JLG Industries, Inc. for updated information.*



# TABLE OF CONTENTS

SECTION 1 - FRAME.....	15
FIGURE 1-1. AXLE INSTALLATION (WITHOUT TOW PACKAGE).....	16
FIGURE 1-2. AXLE INSTALLATION (WITH TOW PACKAGE) .....	18
FIGURE 1-3. STEERING INSTALLATION (WITHOUT TOW PACKAGE) (USA BUILT MACHINES).....	20
FIGURE 1-4. STEERING INSTALLATION (WITH TOW PACKAGE) .....	22
FIGURE 1-5. WHEEL DRIVE INSTALLATION.....	24
FIGURE 1-6. DRIVE MOTOR ASSEMBLY .....	26
FIGURE 1-7. DRIVE HUB ASSEMBLY .....	28
FIGURE 1-8. FLOW DIVIDER ASSEMBLY.....	32
FIGURE 1-9. TIRE AND WHEEL INSTALLATION - FOAM FILLED.....	34
FIGURE 1-10. TIRE AND WHEEL INSTALLATION - FOAM FILLED NON-MARKING.....	36
FIGURE 1-11. FRAME SHIELDS INSTALLATION – 2WS (8FT/2.4M WIDE MACHINES).....	38
FIGURE 1-12. TOW PACKAGE INSTALLATION (ANSI SPECS) (OPTIONAL).....	40
FIGURE 1-13. TOW PACKAGE INSTALLATION (CSA SPECS) (OPTIONAL).....	42
FIGURE 1-14. TOW PACKAGE INSTALLATION (CE SPECS) (OPTIONAL).....	44
FIGURE 1-15. TOW BAR ASSEMBLY.....	46
FIGURE 1-16. LP TANKS INSTALLATION.....	48
SECTION 2 - TURNTABLE.....	51
FIGURE 2-1. CONTROL VALVES INSTALLATION - DEUTZ D2011 ENGINES .....	52
FIGURE 2-2. CONTROL VALVES INSTALLATION - DEUTZ TD2.9L4, DEUTZ TD2.2L3 STAGE V & FORD ENGINES.....	54
FIGURE 2-3. MAIN VALVE BLOCK ASSEMBLY – 2WS (USA BUILT MACHINES).....	56
FIGURE 2-4. AUXILIARY PUMP INSTALLATION.....	60
FIGURE 2-5. AUXILIARY PUMP INSTALLATION WITH BATTERY DISCONNECT .....	62
FIGURE 2-6. AUXILIARY PUMP ASSEMBLY.....	64
FIGURE 2-7. SWING DRIVE INSTALLATION .....	66
FIGURE 2-8. SWING MOTOR/HUB ASSEMBLY.....	68
FIGURE 2-9. TURNTABLE BEARING INSTALLATION .....	72
FIGURE 2-10. TURNTABLE LOCK INSTALLATION (DEUTZ D2011 & FORD ENGINE MACHINES).....	74
FIGURE 2-11. TURNTABLE LOCK INSTALLATION (DEUTZ TD2.9L4 & DEUTZ TD2.2L3 STAGE V ENGINE MACHINES).....	76
FIGURE 2-12. ROTARY COUPLING INSTALLATION.....	78
FIGURE 2-13. TANK INSTALLATION – DEUTZ D2011 ENGINE.....	80
FIGURE 2-14. TANK INSTALLATION – DEUTZ TD2.9L4 & TD2.2L3 STAGE V ENGINES.....	82
FIGURE 2-15. TANK INSTALLATION – FORD ENGINE .....	84
FIGURE 2-16. HYDRAULIC OIL TANK ASSEMBLY.....	86
FIGURE 2-17. HYDRAULIC OIL COOLER INSTALLATION - DEUTZ D2011 ENGINES (OPTIONAL).....	88
FIGURE 2-18. HYDRAULIC OIL COOLER INSTALLATION - DEUTZ TD2.2L3 STAGE V ENGINES (OPTIONAL) .....	90
FIGURE 2-19. HYDRAULIC OIL COOLER INSTALLATION - DEUTZ TD2.9L4 ENGINES (OPTIONAL).....	92
FIGURE 2-20. HYDRAULIC OIL COOLER INSTALLATION – FORD ENGINES (OPTIONAL) .....	94
FIGURE 2-21. GROUND CONTROL BOX ASSEMBLY (DEUTZ D2011 ENGINE) (ALL SPECS EXCEPT CE SPECS) .....	96
FIGURE 2-22. GROUND CONTROL BOX ASSEMBLY (DEUTZ D2011 ENGINE) (CE SPECS).....	100
FIGURE 2-23. GROUND CONTROL BOX ASSEMBLY (DEUTZ TD2.2L3 ENGINE) .....	104
FIGURE 2-24. GROUND CONTROL BOX ASSEMBLY (DEUTZ TD2.9L4 ENGINE) .....	108
FIGURE 2-25. GROUND CONTROL BOX ASSEMBLY (FORD ENGINE).....	112
FIGURE 2-26. LIGHT PANEL INSTALLATION – GROUND CONTROL.....	116

# TABLE OF CONTENTS

FIGURE 2-27. CRIBBING ENABLE SWITCH INSTALLATION.....	118
FIGURE 2-28. ALARM INSTALLATION.....	120
FIGURE 2-29. ALARM (WHITE NOISE AMBIENT) INSTALLATION.....	122
FIGURE 2-30. STROBE LIGHT INSTALLATION (AMBER).....	124
FIGURE 2-31. STROBE LIGHT INSTALLATION (BLUE).....	126
FIGURE 2-32. STROBE LIGHT INSTALLATION (RED).....	128
FIGURE 2-33. HOODS INSTALLATION – DEUTZ D2011 ENGINES WITHOUT NOISE REDUCTION (ABS).....	130
FIGURE 2-34. HOODS INSTALLATION – DEUTZ D2011 ENGINES WITH NOISE REDUCTION (ABS).....	134
FIGURE 2-35. HOODS INSTALLATION – DEUTZ TD2.2L3 STAGE V ENGINES (ABS).....	138
FIGURE 2-36. HOODS INSTALLATION – DEUTZ TD2.9L4 AND FORD DF 2.5L ENGINES (ABS).....	142
FIGURE 2-37. NOISE REDUCTION INSTALLATION - DEUTZ D2011 & DEUTZ TD2.9L4 ENGINES.....	146
FIGURE 2-38. NOISE REDUCTION INSTALLATION - DEUTZ TD2.2L3 ENGINES.....	148
SECTION 3 - ENGINE.....	151
FIGURE 3-1. DEUTZ D2011 ENGINE INSTALLATION – WITHOUT ARCTIC PACKAGE.....	152
FIGURE 3-2. DEUTZ D2011 ENGINE INSTALLATION – WITH ARCTIC PACKAGE.....	154
FIGURE 3-3. DEUTZ D2011 ENGINE/PUMP SUB-ASSEMBLY – WITHOUT ARCTIC PACKAGE.....	156
FIGURE 3-4. DEUTZ D2011 ENGINE/PUMP SUB-ASSEMBLY – WITH ARCTIC PACKAGE.....	158
FIGURE 3-5. DEUTZ D2011 ENGINE ASSEMBLY – WITHOUT ARCTIC PACKAGE.....	160
FIGURE 3-6. DEUTZ D2011 ENGINE ASSEMBLY – WITH ARCTIC PACKAGE.....	164
FIGURE 3-7. DEUTZ D2011 ENGINE COMPONENTS.....	168
FIGURE 3-8. DEUTZ TD2.2L3 (STAGE V) ENGINE INSTALLATION.....	172
FIGURE 3-9. DEUTZ TD2.2L3 (STAGE V) ENGINE/PUMP SUB-ASSEMBLY.....	176
FIGURE 3-10. DEUTZ TD2.2L3 (STAGE V) ENGINE ASSEMBLY.....	178
FIGURE 3-11. DEUTZ TD2.2L3 (STAGE V) ENGINE COMPONENTS.....	184
FIGURE 3-12. DEUTZ TD2.9L4 - 49HP ENGINE INSTALLATION - WITHOUT ARCTIC PACKAGE.....	188
FIGURE 3-13. DEUTZ TD2.9L4 - 49HP ENGINE INSTALLATION - WITHOUT ARCTIC PACKAGE.....	192
FIGURE 3-14. DEUTZ TD2.9L4 - 49HP ENGINE/PUMP SUB-ASSEMBLY – WITHOUT ARCTIC PACKAGE.....	196
FIGURE 3-15. DEUTZ TD2.9L4 - 49HP ENGINE/PUMP SUB-ASSEMBLY – WITH ARCTIC PACKAGE.....	198
FIGURE 3-16. DEUTZ TD2.9L4 - 49HP ENGINE ASSEMBLY – WITHOUT ARCTIC PACKAGE.....	200
FIGURE 3-17. DEUTZ TD2.9L4 - 49HP ENGINE ASSEMBLY – WITH ARCTIC PACKAGE.....	206
FIGURE 3-18. DEUTZ TD2.9L4 - 49HP ENGINE COMPONENTS.....	212
FIGURE 3-19. DEUTZ TD2.9L4 - 63HP ENGINE INSTALLATION - WITHOUT ARCTIC PACKAGE.....	216
FIGURE 3-20. DEUTZ TD2.9L4 - 63HP ENGINE INSTALLATION - WITH ARCTIC PACKAGE.....	220
FIGURE 3-21. DEUTZ TD2.9L4 - 63HP ENGINE/PUMP SUB-ASSEMBLY – WITHOUT ARCTIC PACKAGE.....	224
FIGURE 3-22. DEUTZ TD2.9L4 - 63HP ENGINE/PUMP SUB-ASSEMBLY – WITH ARCTIC PACKAGE.....	226
FIGURE 3-23. DEUTZ TD2.9L4 - 63HP ENGINE ASSEMBLY – WITHOUT ARCTIC PACKAGE.....	228
FIGURE 3-24. DEUTZ TD2.9L4 - 63HP ENGINE ASSEMBLY – WITH ARCTIC PACKAGE.....	234
FIGURE 3-25. DEUTZ TD2.9L4 - 63HP ENGINE COMPONENTS.....	240
FIGURE 3-26. BRACKET ASSEMBLY - FUEL PUMP AND FILTER (DEUTZ D2.9L4 ENGINE).....	244
FIGURE 3-27. BREATHER HEATER INSTALLATION - DEUTZ D2.9L4 ENGINES WITH ARCTIC PACKAGE (USA BUILT MACHINES).....	246
FIGURE 3-28. FORD ENGINE INSTALLATION - WITHOUT ARCTIC PACKAGE.....	248
FIGURE 3-29. FORD ENGINE INSTALLATION - WITH ARCTIC PACKAGE.....	252
FIGURE 3-30. FORD ENGINE/PUMP SUB-ASSEMBLY - WITHOUT ARCTIC PACKAGE.....	256
FIGURE 3-31. FORD ENGINE/PUMP SUB-ASSEMBLY - WITH ARCTIC PACKAGE.....	258

# TABLE OF CONTENTS

FIGURE 3-32. FORD ENGINE ASSEMBLY - WITHOUT ARCTIC PACKAGE .....	260
FIGURE 3-33. FORD ENGINE ASSEMBLY - WITH ARCTIC PACKAGE .....	266
FIGURE 3-34. PUMP COUPLING AND FUEL SYSTEM ASSEMBLY (FORD ENGINES).....	272
FIGURE 3-35. FORD ENGINE COMPONENTS.....	274
FIGURE 3-36. DRIVE BELT INSTALLATION - FORD ENGINES MACHINES WITHOUT GENERATORS.....	278
FIGURE 3-37. PUMP COUPLING KIT - DEUTZ ENGINES .....	280
FIGURE 3-38. PISTON PUMP ASSEMBLY - DEUTZ ENGINES.....	282
FIGURE 3-39. PISTON PUMP ASSEMBLY - FORD ENGINES.....	286
FIGURE 3-40. GEAR PUMP ASSEMBLY .....	290
FIGURE 3-41. SPARK ARRESTOR MUFFLER INSTALLATION - DEUTZ D2011 ENGINES .....	292
FIGURE 3-42. EXHAUST PIPE INSTALLATION - FORD ENGINES .....	294
FIGURE 3-43. FUEL-WATER SEPARATOR INSTALLATION - DEUTZ D2011 ENGINES (OPTIONAL) .....	296
FIGURE 3-44. RIGHT ENGINE SUPPORT INSTALLATION (DEUTZ D2011 ENGINES MACHINES WITHOUT GENERATORS) .....	298
FIGURE 3-45. RIGHT ENGINE SUPPORT INSTALLATION (DEUTZ D2011 ENGINES MACHINES WITH GENERATORS)....	300
FIGURE 3-46. RIGHT ENGINE SUPPORT INSTALLATION (DEUTZ TD2.2L3 ENGINES MACHINES WITHOUT GENERATORS) .....	302
FIGURE 3-47. RIGHT ENGINE SUPPORT INSTALLATION (DEUTZ TD2.2L3 ENGINES MACHINES WITH GENERATORS) .....	304
FIGURE 3-48. RIGHT ENGINE SUPPORT INSTALLATION (DEUTZ TD2.9L4 ENGINES MACHINES WITHOUT GENERATORS) .....	306
FIGURE 3-49. RIGHT ENGINE SUPPORT INSTALLATION (DEUTZ TD2.9L4 ENGINES MACHINES WITH GENERATORS) .....	308
FIGURE 3-50. ENGINE TRAY JACK INSTALLATION - DEUTZ D2011 ENGINES.....	310
FIGURE 3-51. ENGINE TRAY JACK INSTALLATION - DEUTZ TD2.9L4 & TD2.2L3 STAGE V ENGINES.....	312
FIGURE 3-52. ENGINE TRAY JACK INSTALLATION - FORD ENGINES.....	314
FIGURE 3-53. 2500W/110V/60HZ GENERATOR INSTALLATION - DEUTZ D2011 ENGINES.....	316
FIGURE 3-54. 2500W/110V/60HZ GENERATOR INSTALLATION - DEUTZ TD2.9L4 ENGINES.....	318
FIGURE 3-55. 2500W/220V/50HZ GENERATOR INSTALLATION - DEUTZ D2011 ENGINES (ANSI EXPORT AND CHINA SPECS) .....	322
FIGURE 3-56. 2500W GENERATOR INSTALLATION - FORD ENGINES .....	324
FIGURE 3-57. 4000W/60HZ GENERATOR INSTALLATION - DEUTZ D2011 ENGINES .....	328
FIGURE 3-58. 4000W/50HZ GENERATOR INSTALLATION - DEUTZ D2011 ENGINES .....	332
FIGURE 3-59. 4000W/50HZ GENERATOR INSTALLATION - DEUTZ TD2.2L3 ENGINES .....	336
FIGURE 3-60. 4000W/60HZ GENERATOR INSTALLATION - DEUTZ TD2.9L4 ENGINES.....	340
FIGURE 3-61. 4000W/50HZ GENERATOR INSTALLATION - DEUTZ TD2.9L4 ENGINES.....	344
FIGURE 3-62. 7500W/60HZ SKYPOWER GENERATOR INSTALLATION - DEUTZ D2011 ENGINES.....	348
FIGURE 3-63. 7500W/50HZ SKYPOWER GENERATOR INSTALLATION - DEUTZ D2011 ENGINES.....	352
FIGURE 3-64. 7500W/50HZ SKYPOWER GENERATOR INSTALLATION - DEUTZ TD2.2L3 STAGE V ENGINES.....	356
FIGURE 3-65. 7500W/60HZ SKYPOWER GENERATOR INSTALLATION - DEUTZ TD2.9L4 ENGINES .....	360
FIGURE 3-66. 7500W/60HZ SKYPOWER GENERATOR INSTALLATION - FORD ENGINES.....	364
SECTION 4 - BOOM .....	369
FIGURE 4-1. BOOMS AND CYLINDERS INSTALLATION .....	370
FIGURE 4-2. TOWER BOOM ASSEMBLY .....	372
FIGURE 4-3. MAIN BOOM ASSEMBLY.....	374
FIGURE 4-4. JIB BOOM ASSEMBLY.....	376
FIGURE 4-5. ROTATOR ASSEMBLY .....	378
FIGURE 4-6. PLATFORM SUPPORT INSTALLATION.....	380

# TABLE OF CONTENTS

FIGURE 4-7. POWER TRACK INSTALLATION - MAIN BOOM .....	382
FIGURE 4-8. POWER TRACK INSTALLATION - TOWER BOOM .....	384
FIGURE 4-9. CONTROL VALVES INSTALLATION - DEUTZ D2011 AND STAGE V ENGINES .....	386
FIGURE 4-10. CONTROL VALVES INSTALLATION - DEUTZ TD2.9L4 & FORD ENGINES .....	388
FIGURE 4-11. BOOM VALVE ASSEMBLY .....	390
FIGURE 4-12. BOOM VALVES AND LIMIT SWITCHES INSTALLATION .....	392
SECTION 5 - PLATFORM .....	395
FIGURE 5-1. PLATFORM ASSEMBLY - 30IN X 4FT (76.2CM X 1.22M) WITH SWING GATE .....	396
FIGURE 5-2. PLATFORM ASSEMBLY - 30IN X 5FT (76CM X 1.52M) - GATE ENTRY .....	398
FIGURE 5-3. PLATFORM ASSEMBLY - 36IN X 6FT (91.5CM X 1.83M) WITH SWING GATE .....	400
FIGURE 5-4. PLATFORM ASSEMBLY - 36IN X 8FT (91.5CM X 2.44M) WITH SWING GATE .....	402
FIGURE 5-5. PLATFORM ASSEMBLY - 30IN X 3FT (76CM X .91M) - DROP BAR ENTRY .....	404
FIGURE 5-6. PLATFORM ASSEMBLY - 30IN X 4FT (76.2CM X 1.22M) WITH DROP BAR .....	406
FIGURE 5-7. PLATFORM ASSEMBLY - 30IN X 5FT (76CM X 1.52M) - DROP BAR ENTRY .....	408
FIGURE 5-8. PLATFORM ASSEMBLY - 36IN X 6FT (91.5CM X 1.83M) WITH DROP BAR .....	410
FIGURE 5-9. PLATFORM ASSEMBLY - 36IN X 8FT (91.5CM X 2.44M) WITH DROP BAR .....	412
FIGURE 5-10. PLATFORM ASSEMBLY - 36IN X 6FT (91.5CM X 1.83M) WITH FALL ARREST .....	414
FIGURE 5-11. PLATFORM ASSEMBLY - 36IN X 8FT (91.5CM X 2.44M) WITH FALL ARREST .....	416
FIGURE 5-12. PLATFORM ASSEMBLY - 36IN X 6FT (91.5CM X 1.83M) TRI-ENTRY WITH SWING GATE .....	418
FIGURE 5-13. PLATFORM ASSEMBLY - 36IN X 8FT (91.5CM X 2.44M) TRI-ENTRY WITH SWING GATE .....	420
FIGURE 5-14. PLATFORM ASSEMBLY - 36IN X 6FT (91.5CM X 1.83M) TRI-ENTRY WITH DROPBAR .....	422
FIGURE 5-15. PLATFORM ASSEMBLY - 36IN X 8FT (91.5CM X 2.44M) TRI-ENTRY WITH DROPBAR (USA BUILT MACHINES) .....	424
FIGURE 5-16. TRAY ASSEMBLY .....	426
FIGURE 5-17. CONSOLE AND FOOT SWITCH INSTALLATION .....	428
FIGURE 5-18. CONSOLE BOX ASSEMBLY WITH FOOTSWITCH (USA BUILT MACHINES) .....	430
FIGURE 5-19. FOOTSWITCH ASSEMBLY .....	434
FIGURE 5-20. CONTROLLER ASSEMBLY- DRIVE/STEER .....	436
FIGURE 5-21. CONTROLLER ASSEMBLY - LIFT/SWING .....	438
FIGURE 5-22. CRAB STEER SWITCH INSTALLATION - 4WS (WITHOUT TOW PACKAGE) (USA BUILT MACHINES) .....	442
FIGURE 5-23. CRAB STEER SWITCH INSTALLATION - 4WS (WITH TOW PACKAGE) (USA BUILT MACHINES) .....	444
FIGURE 5-24. STEER SWITCH INSTALLATION – 4WS (CHINA BUILT MACHINES) .....	446
FIGURE 5-25. LIGHT PANEL INSTALLATION .....	448
FIGURE 5-26. SKYEYE INSTALLATION .....	450
FIGURE 5-27. SKYGUARD BAR INSTALLATION .....	452
FIGURE 5-28. SKYLINE INSTALLATION (Prior to SN 0300279212) .....	454
FIGURE 5-29. SKYLINE INSTALLATION (SN 0300279212 to Present) .....	456
FIGURE 5-30. SKYGLAZIER INSTALLATION (ALL SPECS EXCEPT CHINA & JAPANESE SPECS) (OPTIONAL) .....	458
FIGURE 5-31. SKYCUTTER INSTALLATION (OPTIONAL) .....	460
FIGURE 5-32. PLASMA CUTTER ASSEMBLY .....	462
FIGURE 5-33. SKYWELDER/SKYCUTTER COMBO INSTALLATION (60HZ) (OPTIONAL) .....	464
FIGURE 5-34. SKYWELDER INSTALLATION (50HZ) (OPTIONAL) .....	466
FIGURE 5-35. SKYWELDER INSTALLATION (60HZ) (OPTIONAL) .....	468
FIGURE 5-36. WELDER ASSEMBLY .....	470
FIGURE 5-37. SKYWELDER PREP PACKAGE (60HZ) (OPTIONAL) .....	472



# TABLE OF CONTENTS

FIGURE 5-38. SKYWELDER LOCKING BRACKET INSTALLATION (OPTIONAL).....	474
FIGURE 5-39. PIPE RACKS INSTALLATION (ANSI AND CSA SPECS) (OPTIONAL).....	476
FIGURE 5-40. PIPE RACKS INSTALLATION (AUSTRALIAN SPECS) (OPTIONAL).....	478
FIGURE 5-41. SOFT TOUCH SYSTEM INSTALLATION - 6FT/1.8M PLATFORMS (OPTIONAL).....	480
FIGURE 5-42. SOFT TOUCH SYSTEM INSTALLATION - 6FT/1.8M FALL ARREST PLATFORMS (OPTIONAL).....	482
FIGURE 5-43. SOFT TOUCH SYSTEM INSTALLATION - 8FT/2.44M PLATFORM (OPTIONAL).....	484
FIGURE 5-44. SOFT TOUCH SYSTEM INSTALLATION - 8FT/2.44M FALL ARREST PLATFORM (OPTIONAL).....	486
FIGURE 5-45. PLATFORM PADDING INSTALLATION (30IN/76CM DEPTH PLATFORMS) (ANSI, ANSI EXPORT, CSA AND CHINA SPECS) (OPTIONAL).....	488
FIGURE 5-46. FALL ARREST (BOLT-ON) INSTALLATION - 30IN X 4FT PLATFORM (ALL SPECS EXCEPT CE SPECS) (OPTIONAL).....	490
FIGURE 5-47. FALL ARREST (BOLT-ON) INSTALLATION - 30IN X 5FT PLATFORM (ALL SPECS EXCEPT CE SPECS) (OPTIONAL).....	492
FIGURE 5-48. FALL ARREST (BOLT-ON) INSTALLATION - 36IN X 6FT PLATFORM (ALL SPECS EXCEPT CE SPECS) (OPTIONAL).....	494
FIGURE 5-49. FALL ARREST (BOLT-ON) INSTALLATION - 36IN X 6FT TRI-ENTRY PLATFORM (ALL SPECS EXCEPT CE SPECS) (OPTIONAL).....	496
FIGURE 5-50. FALL ARREST (BOLT-ON) INSTALLATION - 36IN X 8FT PLATFORM (ALL SPECS EXCEPT SPECS) (OPTIONAL).....	498
SECTION 6 - CYLINDER.....	501
FIGURE 6-1. AXLE LOCKOUT CYLINDER ASSEMBLY.....	502
FIGURE 6-2. LEVEL (PLATFORM SLAVE) CYLINDER ASSEMBLY.....	504
FIGURE 6-3. LEVEL (UPRIGHT) CYLINDER ASSEMBLY.....	506
FIGURE 6-4. LIFT CYLINDER ASSEMBLY - JIB.....	508
FIGURE 6-5. LIFT CYLINDER ASSEMBLY - JIB.....	510
FIGURE 6-6. LIFT CYLINDER ASSEMBLY - JIB.....	512
FIGURE 6-7. LIFT CYLINDER ASSEMBLY - MAIN BOOM.....	514
FIGURE 6-8. LIFT CYLINDER ASSEMBLY - MAIN BOOM.....	516
FIGURE 6-9. MASTER CYLINDER ASSEMBLY.....	518
FIGURE 6-10. STEER CYLINDER ASSEMBLY.....	520
FIGURE 6-11. TELESCOPE CYLINDER ASSEMBLY - MAIN BOOM.....	522
FIGURE 6-12. TELESCOPE CYLINDER ASSEMBLY - TOWER BOOM.....	524
SECTION 7 - HYDRAULIC.....	527
FIGURE 7-1. DRIVE HYDRAULIC DIAGRAM - 4WD/2WS WITHOUT ARCTIC PACKAGE.....	528
FIGURE 7-2. DRIVE HYDRAULIC DIAGRAM - 4WD/2WS WITH ARCTIC PACKAGE.....	532
FIGURE 7-3. FLUSHING LOOP HYDRAULIC INSTALLATION - 4WD.....	536
FIGURE 7-4. HYDRAULIC DIAGRAM - STANDARD (DEUTZ D2011 ENGINE).....	538
FIGURE 7-5. HYDRAULIC DIAGRAM - STANDARD (DEUTZ TD2.9L4 & DEUTZ TD2.2L3 STAGE V ENGINES).....	544
FIGURE 7-6. HYDRAULIC DIAGRAM - STANDARD (FORD ENGINES).....	550
FIGURE 7-7. HYDRAULIC DIAGRAM - OSCILLATING AXLE.....	556
FIGURE 7-8. HYDRAULIC DIAGRAM - TOW BAR.....	558
SECTION 8 - ELECTRICAL.....	561
FIGURE 8-1. AC CABLE CONNECTOR INSTALLATION - 110V/220V (MACHINES NO GENERATOR) (ANSI EXPORT, AUSTRALIAN, CE AND CHINA SPECS).....	562
FIGURE 8-2. AC CABLE CONNECTOR INSTALLATION – SKYPOWER (MACHINES NO GENERATOR) (ALL SPECS).....	564

# TABLE OF CONTENTS

FIGURE 8-3. AC CABLE CONNECTOR INSTALLATION – 4000W GENERATOR (MACHINES NO GENERATOR) (ALL SPECS EXCEPT AUSTRALIAN AND CE SPECS).....	566
FIGURE 8-4. AC BOX AT PLATFORM INSTALLATION - 110V GFI RECEPTACLE (MACHINES WITH 2500W GENERATOR/NO GENERATOR OPTIONS) (ALL SPECS EXCEPT AUSTRALIAN AND CE SPECS) .....	568
FIGURE 8-5. AC BOX AT PLATFORM INSTALLATION - 220V RECEPTACLE (MACHINES WITH 2500W GENERATOR/NO GENERATOR OPTIONS) (ANSI, CSA AND JAPANESE SPECS) .....	570
FIGURE 8-6. AC BOX AT PLATFORM INSTALLATION - BOX WITH COVER (2X4 BOX) (ANSI EXPORT SPECS) (4000W GENERATOR) .....	572
FIGURE 8-7. AC BOX AT PLATFORM INSTALLATION – DUAL AC 110V GFI (MACHINES WITH 2500W GENERATOR) (ANSI EXPORT AND CHINA SPECS) .....	574
FIGURE 8-8. AC BOX AT PLATFORM INSTALLATION - 110V IEC YELLOW (CE SPECS).....	576
FIGURE 8-9. AC BOX AT PLATFORM INSTALLATION - 110V IEC 60309 YELLOW (CE SPECS) (4000W GENERATOR).....	578
FIGURE 8-10. AC BOX AT PLATFORM INSTALLATION - 220V IEC BLUE (CE SPECS) .....	580
FIGURE 8-11. AC BOX AT PLATFORM INSTALLATION - 220V IEC BLUE (CE SPECS) (2500W GENERATOR) .....	582
FIGURE 8-12. AC BOX AT PLATFORM INSTALLATION - 220V IEC 60309 BLUE (CE SPECS) (4000W GENERATOR) .....	584
FIGURE 8-13. AC BOX AT PLATFORM INSTALLATION - 220V CEE7 POST GROUND (CE SPECS).....	586
FIGURE 8-14. AC BOX AT PLATFORM INSTALLATION - 220V CEE7 POST GROUND (CE SPECS) (2500W GENERATOR).....	588
FIGURE 8-15. AC BOX AT PLATFORM INSTALLATION - 220V CEE7 POST GROUND (2X4 BOX) (CE SPECS) (4000W GENERATOR) .....	590
FIGURE 8-16. AC BOX AT PLATFORM INSTALLATION - 220V CEE7 SIDE GROUND (CE SPECS) .....	592
FIGURE 8-17. AC BOX AT PLATFORM INSTALLATION - 220V CEE7 SIDE GROUND (CE SPECS) (2500W GENERATOR) .....	594
FIGURE 8-18. AC BOX AT PLATFORM INSTALLATION - 220V CEE7 SIDE GROUND (2X4 BOX) (CE SPECS) (4000W GENERATOR) .....	596
FIGURE 8-19. AC BOX AT PLATFORM INSTALLATION - 220V AFSINT 107 (CE SPECS).....	598
FIGURE 8-20. AC BOX AT PLATFORM INSTALLATION - 220V AFSINT 107 (CE SPECS) (2500W GENERATOR).....	600
FIGURE 8-21. AC BOX AT PLATFORM INSTALLATION - 220V AFSINT 107 KEYED GROUND (2X4 BOX) (CE SPECS) (4000W GENERATOR) .....	602
FIGURE 8-22. AC BOX AT PLATFORM INSTALLATION - 240V GFCI RECEPTACLE (ANSI, ANSI EXPORT, CHINA, CSA AND JAPANESE SPECS WITH 4000W SKYPOWER GENERATOR) .....	604
FIGURE 8-23. AC BOX AT PLATFORM INSTALLATION - 240V GFCI RECEPTACLE (ANSI AND CSA SPECS WITH 7500W SKYPOWER GENERATOR).....	606
FIGURE 8-24. BATTERY DISCONNECT SWITCH INSTALLATION – DEUTZ D2011 ENGINES .....	608
FIGURE 8-25. BATTERY DISCONNECT SWITCH INSTALLATION (DEUTZ TD2.9L4, DEUTZ D2.9L4, DEUTZ TD2.2L3 STAGE V AND FORD DF2.5L ENGINES) (USA BUILT MACHINES) .....	610
FIGURE 8-26. BEACON LIGHT HARNESS (BLUE AND RED BEACON LIGHT) .....	612
FIGURE 8-27. BOOM CABLES INSTALLATION - WITH 2500W GENERATOR OR NO GENERATOR.....	614
FIGURE 8-28. BOOM CABLE INSTALLATION - WITH 4000W/50HZ GENERATOR.....	616
FIGURE 8-29. BOOM CABLES INSTALLATION - WITH 4000W/60HZ GENERATOR .....	618
FIGURE 8-30. BOOM CABLE INSTALLATION - WITH 7500W GENERATOR .....	620
FIGURE 8-31. BOOM CABLE - MAIN BOOM.....	622
FIGURE 8-32. BOOM CABLE - TOWER BOOM (WITHOUT ARCTIC PACKAGE).....	624
FIGURE 8-33. BREAKER BOX KIT - SINGLE DOUBLE POLE BREAKER (WITH 4000W/50HZ GENERATOR).....	626
FIGURE 8-34. BREAKER BOX KIT - 30MA/16 AMP (WITH GENERATOR) .....	628
FIGURE 8-35. ENGINE HARNESS ASSEMBLY (DEUTZ D2011 ENGINES) .....	630
FIGURE 8-36. ENGINE HARNESS ASSEMBLY (DEUTZ TD2.9L4 & DEUTZ DT2.2L3 STAGE V ENGINES).....	632
FIGURE 8-37. ENGINE HARNESS - DEUTZ TD2.2L3 ENGINES.....	634
FIGURE 8-38. ENGINE HARNESS - DEUTZ TD2.9L4 ENGINES.....	638
FIGURE 8-39. ENGINE HARNESS ASSEMBLY (FORD DF2.5L ENGINES) .....	642
FIGURE 8-40. FUEL HARNESS - DEUTZ TD2.2L3 (STAGE V) ENGINE .....	644

# TABLE OF CONTENTS

FIGURE 8-41. FUEL HARNESS - DEUTZ TD2.9L4 ENGINES.....	646
FIGURE 8-42. FULL EXTENSION PROXIMITY HARNESS.....	648
FIGURE 8-43. GENERATOR TO CONTROL BOX HARNESS - 4000W.....	650
FIGURE 8-44. GENERATOR TO CONTROL BOX HARNESS (7500W GENERATOR).....	652
FIGURE 8-45. GENERATOR HARNESS - 7500W GENERATOR.....	654
FIGURE 8-46. GENERATOR TO ENGINE HARNESS - 2500W.....	656
FIGURE 8-47. GENERATOR TO ENGINE HARNESS - 4000W.....	658
FIGURE 8-48. GENERATOR TO ENGINE HARNESS - 7500W SKYPOWER GENERATOR (DEUTZ D2011 ONLY).....	660
FIGURE 8-49. GENERATOR TO REAR OF BOOM HARNESS - 110V.....	662
FIGURE 8-50. GENERATOR TO REAR OF BOOM HARNESS - 220V.....	664
FIGURE 8-51. GROUND CONTROL BOX HARNESS.....	666
FIGURE 8-52. MID PROXIMITY HARNESS.....	668
FIGURE 8-53. PLATFORM CONSOLE BOX HARNESS.....	670
FIGURE 8-54. RECEPTACLE BOX KIT - 110V IEC YELLOW (CE SPEC).....	672
FIGURE 8-55. RECEPTACLE BOX KIT - 220V IEC BLUE (CE SPEC).....	674
FIGURE 8-56. RECEPTACLE BOX KIT - 220V IEC BLUE (CE SPECS) (2500W GENERATOR).....	676
FIGURE 8-57. RECEPTACLE BOX KIT - 220V CEE7 POST GROUND WITHOUT 2500W GENERATOR (2X4 BOX) (CE SPECS).....	678
FIGURE 8-58. RECEPTACLE BOX KIT - 220V CEE7 POST GROUND (2X4 BOX) (CE SPECS) (2500W GENERATOR).....	680
FIGURE 8-59. RECEPTACLE BOX KIT - 220V CEE7 SIDE GROUND (CE SPEC).....	682
FIGURE 8-60. RECEPTACLE BOX KIT - 220V CEE7 SIDE GROUND (2X4 BOX) (CE SPECS) (2500W GENERATOR).....	684
FIGURE 8-61. RECEPTACLE BOX KIT - 220V AFSINT 107 (CE SPEC).....	686
FIGURE 8-62. RECEPTACLE BOX KIT - 220V AFSINT 107 KEYED GROUND (2X4 BOX) (CE SPECS) (2500W GENERATOR).....	688
FIGURE 8-63. SKYEYE INTERMEDIATE HARNESS.....	690
FIGURE 8-64. SKYEYE EMITTER HARNESS.....	692
FIGURE 8-65. SKYEYE RECEIVER HARNESS.....	694
FIGURE 8-66. SKYLINE HARNESS.....	696
FIGURE 8-67. SKYGUARD INTERFACE HARNESS.....	698
FIGURE 8-68. VALVE HARNESS - BOOM VALVE.....	700
FIGURE 8-69. VALVE HARNESS - MAIN CONTROL VALVE.....	702
FIGURE 8-70. WHITE NOISE ALARM HARNESS.....	704
SECTION 9 - DECALS.....	707
FIGURE 9-1. DECAL INSTALLATION - ANSI SPECS.....	708
FIGURE 9-2. DECAL INSTALLATION - AUSTRALIAN SPECS.....	710
FIGURE 9-3. DECAL INSTALLATION - BRAZIL SPECS.....	712
FIGURE 9-4. DECAL INSTALLATION - CE SPECS.....	714
FIGURE 9-5. DECAL INSTALLATION - CHINESE SPECS (SIMPLIFIED).....	716
FIGURE 9-6. DECAL INSTALLATION - CHINESE SPECS (TRADITIONAL).....	718
FIGURE 9-7. DECAL INSTALLATION - CSA SPECS.....	720
FIGURE 9-8. DECAL INSTALLATION - JAPANESE SPECS.....	722
FIGURE 9-9. DECAL INSTALLATION - KOREAN SPECS.....	724
FIGURE 9-10. DECAL INSTALLATION - LATIN AMERICAN SPECS (USA BUILT MACHINES).....	726
FIGURE 9-11. DECAL INSTALLATION - OPTIONS.....	728
FIGURE 9-12. SKYCUTTER DECAL INSTALLATION (ALL SPECS EXCEPT AUSTRALIAN, CE & JAPANESE SPECS).....	732

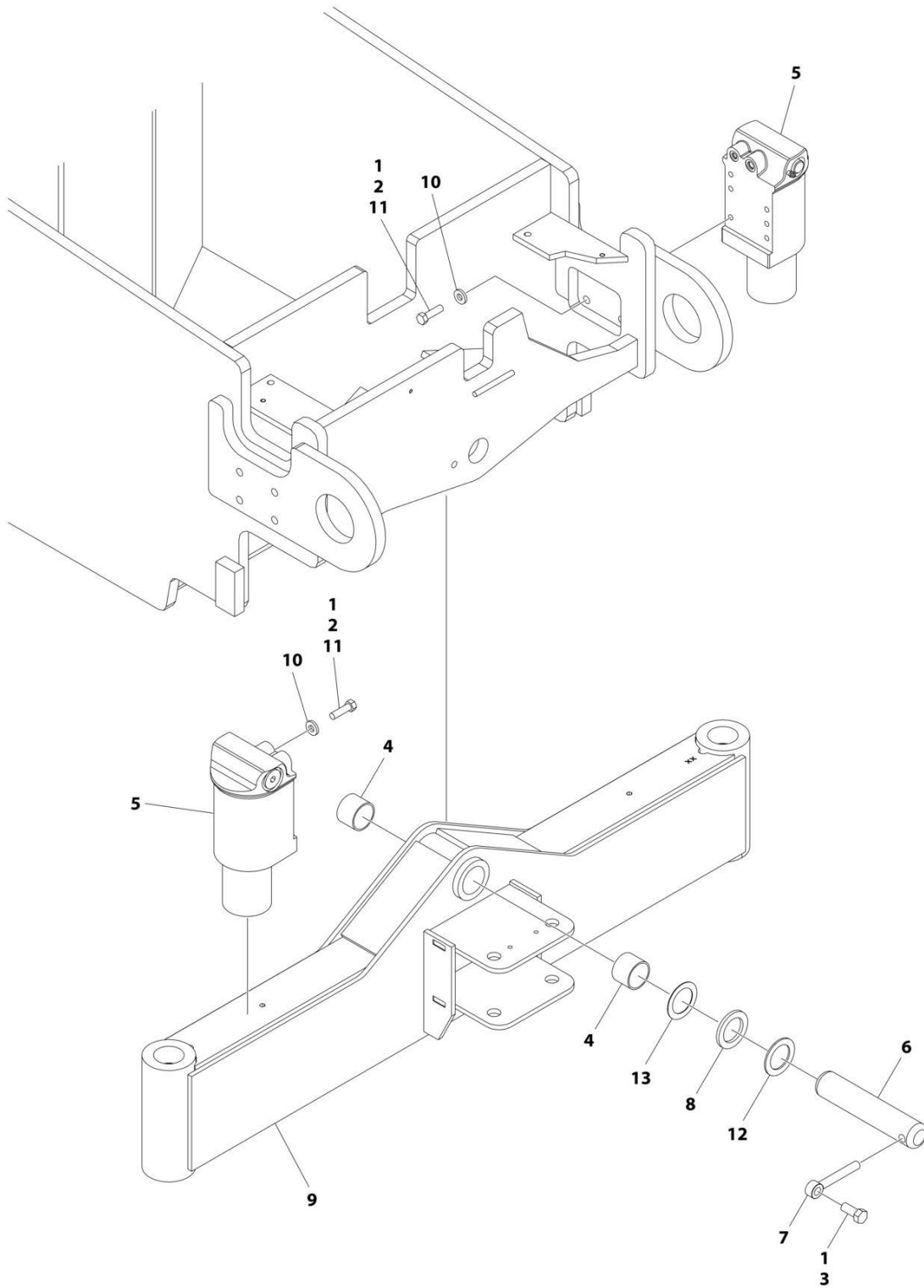
# TABLE OF CONTENTS

FIGURE 9-13. SKYCUTTER DECAL INSTALLATION (JAPANESE SPECS) .....	734
FIGURE 9-14. SKYWELDER DECAL INSTALLATION - 50HZ.....	736
FIGURE 9-15. SKYWELDER DECAL INSTALLATION - 60HZ.....	738
SECTION 10 - RECOMMENDED SERVICE PARTS STOCK.....	741
FIGURE 10-1. MODEL 600AJ RECOMMENDED SERVICE PARTS STOCK .....	742
SECTION 11 - SPECIAL OPTIONS .....	745
FIGURE 11-1. SPECIAL OPTIONS .....	746
PART NUMBER INDEX.....	751

**SECTION 1 - FRAME**

# SECTION 1 - FRAME

## FIGURE 1-1. AXLE INSTALLATION (WITHOUT TOW PACKAGE)



ART\_1001148168

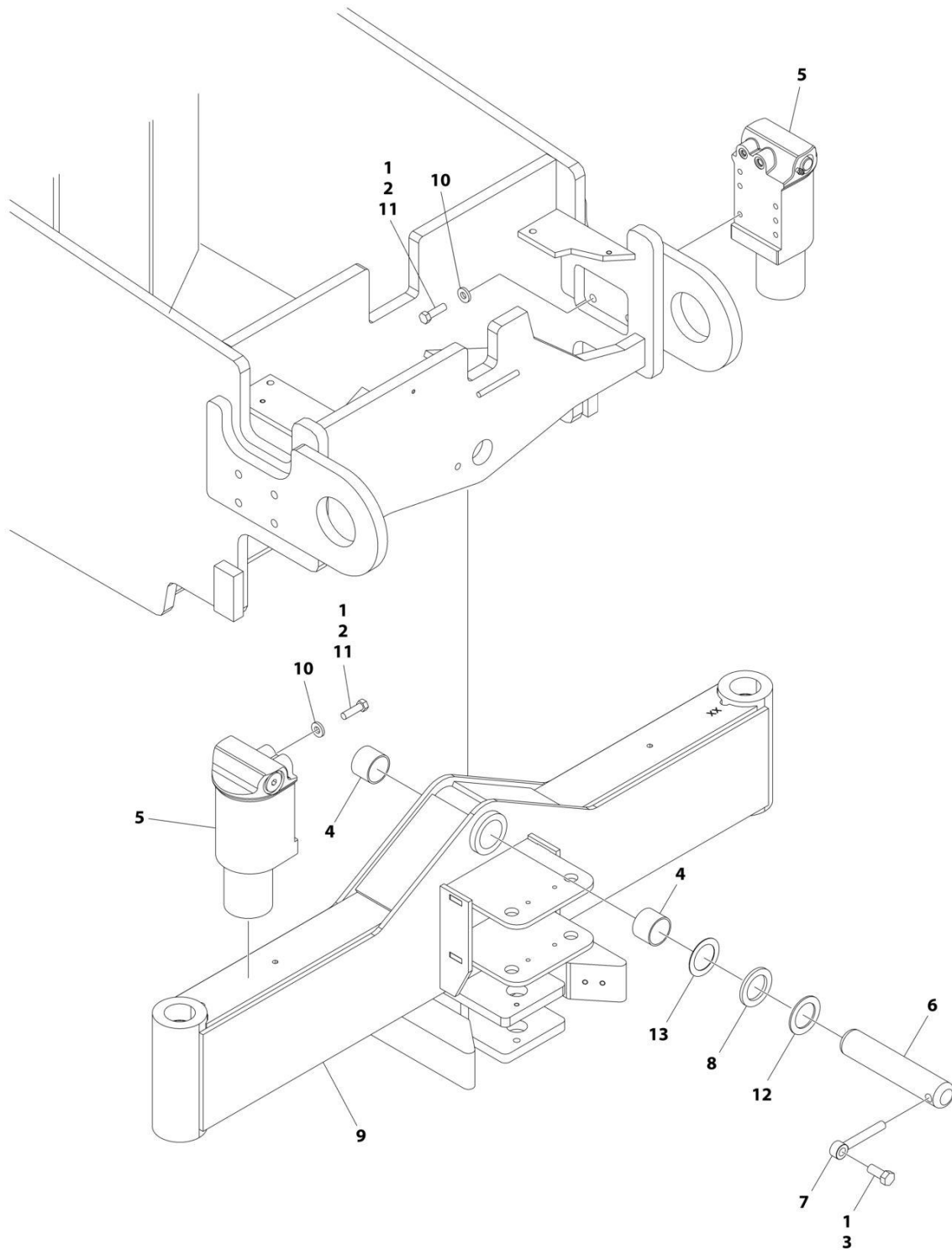
## SECTION 1 - FRAME

### FIGURE 1-1. AXLE INSTALLATION (WITHOUT TOW PACKAGE)

ITEM	PART NUMBER	QTY	DESCRIPTION	REV
	1001148168	Ref	AXLE INSTALLATION - OSCILLATING	C
1	0100011	AR	Compound, Locking	
2	0641814	8	Bolt 1/2 x 1-3/4	
3	0642012	1	Bolt 5/8 x 1-1/2	
4	0961950	2	Bearing	
5	1684465	2	Lockout Cylinder Assembly (See Separate Breakdown in CYLINDER SECTION)	
6	3423184	1	Pin	
7	3841258	1	Keeper, Pin	
8	4740158	AR	Thrustwasher	
9	1001148171	1	Axle Weldment	
10	4891800	8	Washer 1/2 Hardened	
11	0100038	AR	Primer, Locking	
12	4740229	AR	Thrustwasher	
13	4071101	AR	Shim (18Ga)	

# SECTION 1 - FRAME

## FIGURE 1-2. AXLE INSTALLATION (WITH TOW PACKAGE)



ART\_1001148170



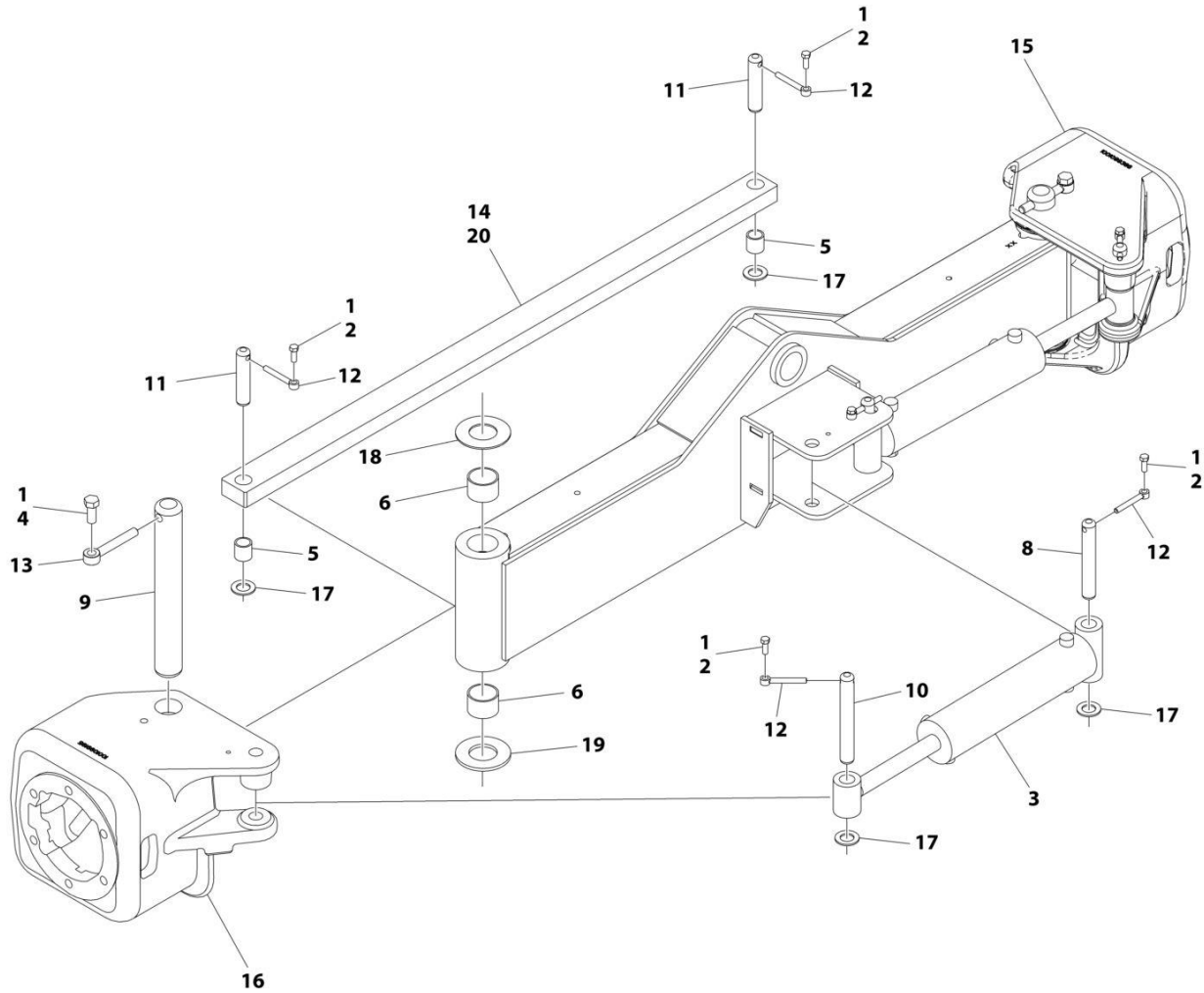
# SECTION 1 - FRAME

## FIGURE 1-2. AXLE INSTALLATION (WITH TOW PACKAGE)

ITEM	PART NUMBER	QTY	DESCRIPTION	REV
	1001148170	Ref	AXLE INSTALLATION - OSCILLATING	C
1	0100011	AR	Compound, Locking	
2	0641814	8	Bolt 1/2 x 1-3/4	
3	0642012	1	Bolt 5/8 x 1-1/2	
4	0961950	2	Bearing	
5	1684465	2	Axle Lockout Cylinder Assembly (See Separate Breakdown in CYLINDER SECTION)	
6	3423184	1	Pin	
7	3841258	1	Keeper, Pin	
8	4740158	1	Thrustwasher	
9	1001148172	1	Axle Weldment	
10	4891800	8	Washer 1/2 Hardened	
11	0100038	AR	Primer, Locking	
12	4071101	AR	Shim (18Ga)	
13	4740229	AR	Thrustwasher	

# SECTION 1 - FRAME

FIGURE 1-3. STEERING INSTALLATION (WITHOUT TOW PACKAGE) (USA BUILT MACHINES)



ART\_1001148162

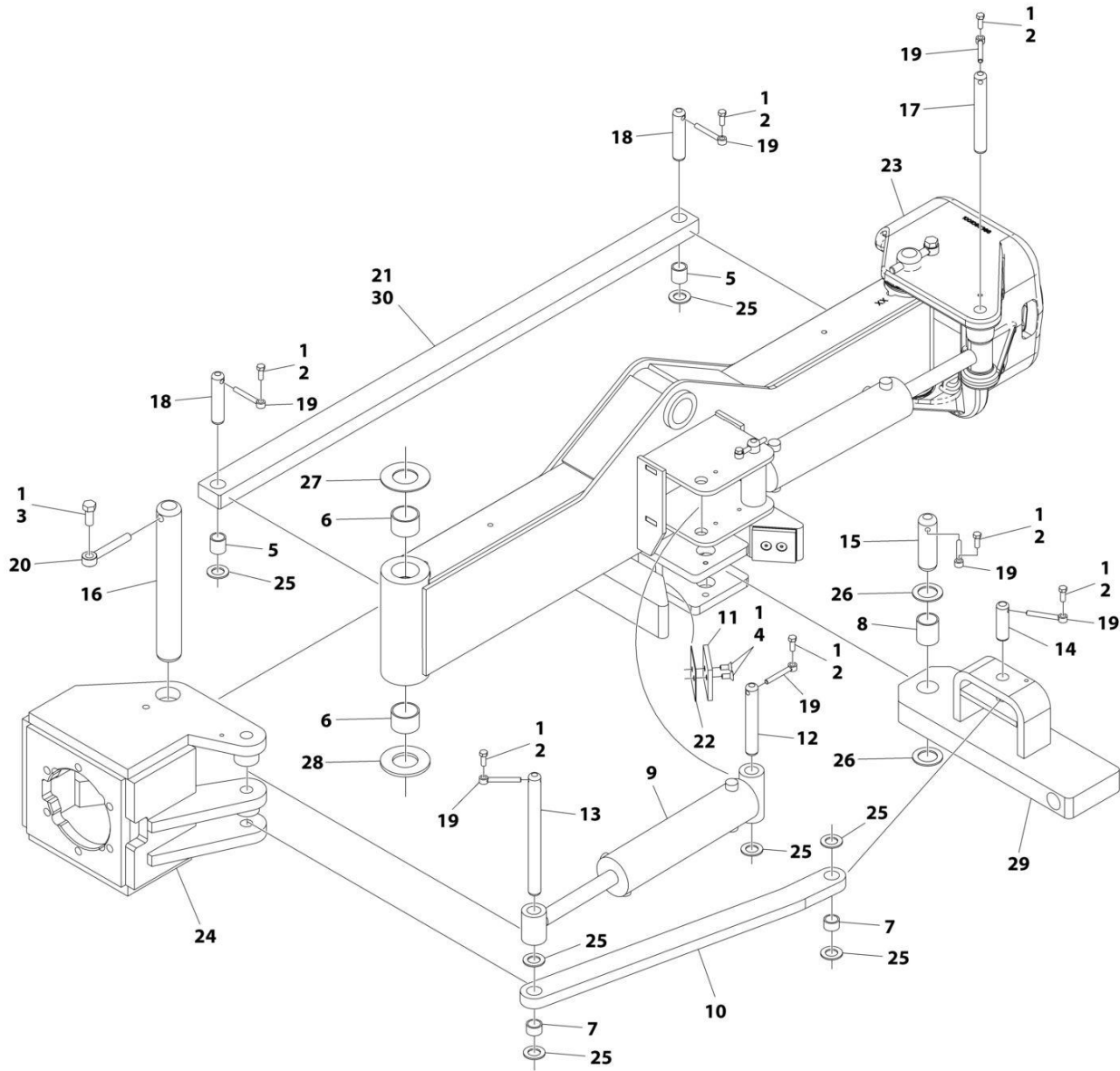
## SECTION 1 - FRAME

**FIGURE 1-3. STEERING INSTALLATION (WITHOUT TOW PACKAGE) (USA BUILT MACHINES)**

ITEM	PART NUMBER	QTY	DESCRIPTION	REV
	1001148162	Ref	STEERING INSTALLATION – 4WD/2WS	D
1	0100011	AR	Compound, Locking	
2	0641608	6	Bolt 3/8 x 1	
3	1001097242	2	Steer Cylinder Assembly (See Separate Breakdown in CYLINDER SECTION)	
4	0642012	2	Bolt 5/8 x 1-1/2	
5	0962356	2	Bushing (Part of item 20)	
6	0962131	4	Bushing	
8	3422326	2	Pin	
9	3422900	2	Pin	
10	3422902	1	Pin	
11	3422903	2	Pin	
12	3841143	6	Keeper, Pin	
13	3841258	2	Keeper, Pin	
14	1001155574	NLA	Tie-Rod (Part of Item 20) (Use Item 20 as replacement)	
15	1001099387	1	Spindle (LH)	
16	1001099196	1	Spindle (RH)	
17	4740111	6	Thrustwasher	
18	4740256	2	Thrustwasher	
19	4740463	2	Thrustwasher	
20	1001276664	1	Tie-Rod Assembly (Includes Items 5 & 14)	

# SECTION 1 - FRAME

## FIGURE 1-4. STEERING INSTALLATION (WITH TOW PACKAGE)



ART\_1001148164

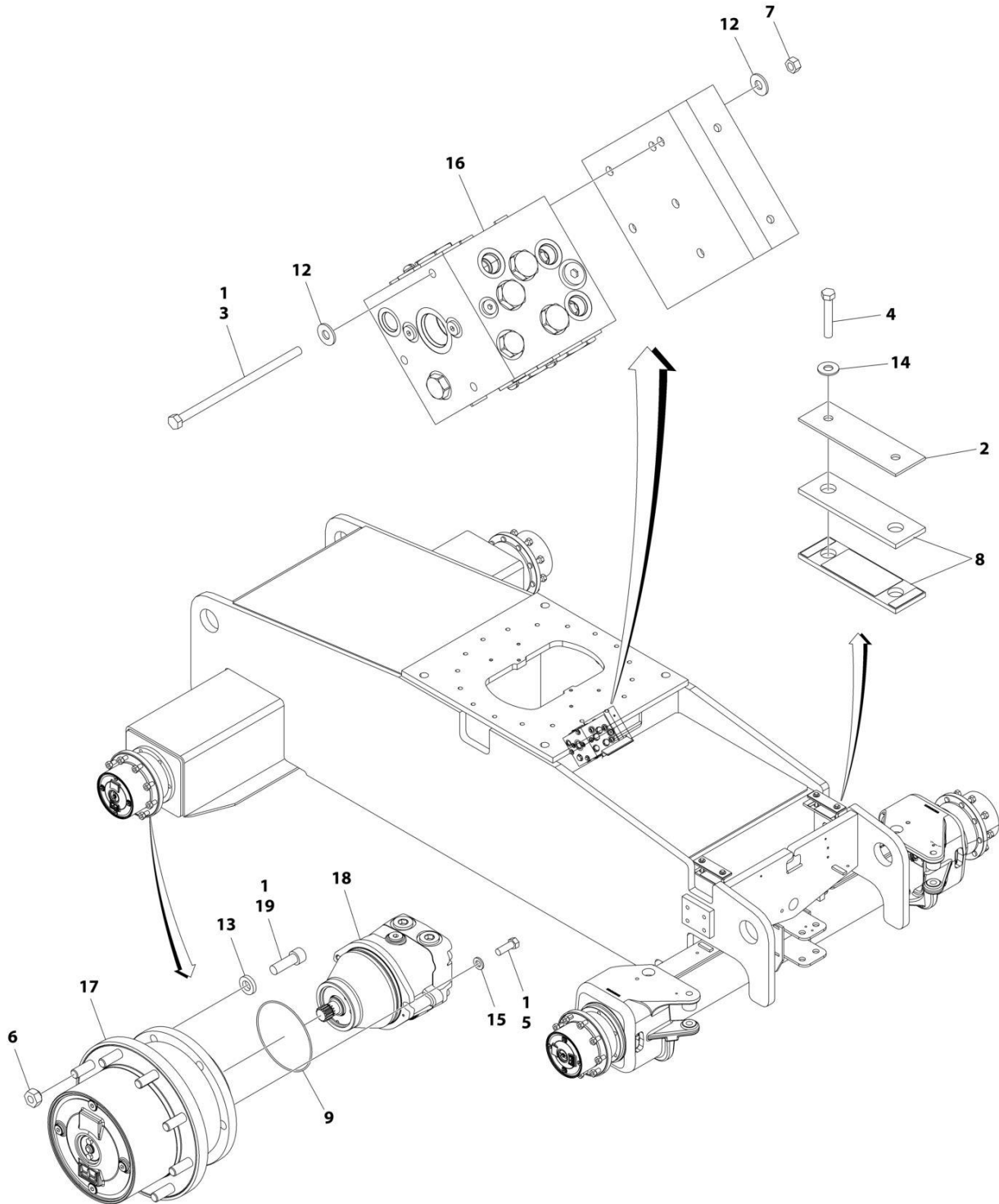
## SECTION 1 - FRAME

**FIGURE 1-4. STEERING INSTALLATION (WITH TOW PACKAGE)**

ITEM	PART NUMBER	QTY	DESCRIPTION	REV
	1001148164	Ref	STEERING INSTALLATION - 4WD/2WS	C
1	0100011	AR	Compound, Locking	
2	0641608	8	Bolt 3/8 x 1	
3	0642012	2	Bolt 5/8 x 1-1/2	
4	0741607	4	Screw 3/8 x 7/8	
5	0962356	2	Bushing	
6	0962131	4	Bushing	
7	0962292	2	Bushing	
8	0962348	1	Bushing	
9	1001097242	2	Steer Cylinder Assembly (See Separate Breakdown in CYLINDER SECTION)	
10	1001148178	1	Link	
11	3340966	2	Pad	
12	3422326	2	Pin	
13	3422567	1	Pin	
14	3422813	1	Pin	
15	3422848	1	Pin	
16	3422900	2	Pin	
17	3422902	1	Pin	
18	3422903	2	Pin	
19	3841143	8	Keeper, Pin	
20	3841258	2	Keeper, Pin	
21	1001155574	1	Tie-Rod	
22	4071059	2	Shim	
23	1001099387	1	Spindle (LH)	
24	4130399	1	Spindle (RH)	
25	4740111	9	Thrustwasher	
26	4740155	2	Thrustwasher	
27	4740256	2	Thrustwasher	
28	4740463	2	Thrustwasher	
29	4846935	1	Pivot	

# SECTION 1 - FRAME

## FIGURE 1-5. WHEEL DRIVE INSTALLATION



ART\_1001136668

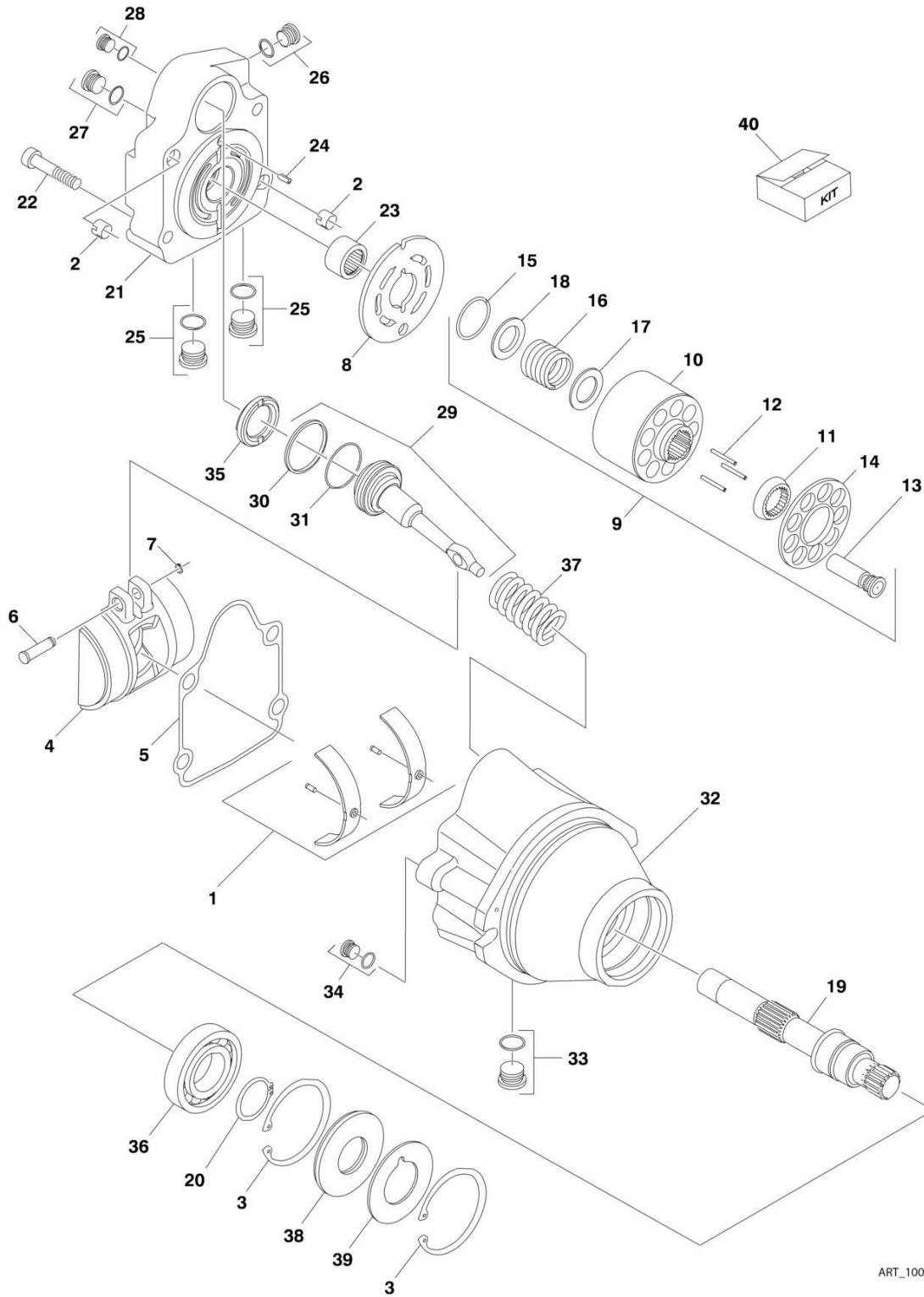
# SECTION 1 - FRAME

## FIGURE 1-5. WHEEL DRIVE INSTALLATION

ITEM	PART NUMBER	QTY	DESCRIPTION	REV
	1001136668	Ref	WHEEL DRIVE INSTALLATION - 4WD/2WS	H
1	0100011	AR	Compound, Locking	
2	0363012	2	Clamp	
3	0641552	3	Bolt 5/16 x 6-1/2	
4	0641618	4	Bolt 3/8 x 2-1/4	
5	0681710	4	Bolt 7/16 x 1-1/4 Grade 8	
6	3300106	36	Nut, Wheel	
7	3311505	3	Nut 5/16	
8	3340911	4	Rubber, Clamp	
9	3790158	4	O-Ring	
12	4751500	4	Washer 5/16	
13	4740393	24	Washer 5/8 Hardened	
14	4751600	4	Washer 3/8	
15	5241000	8	Washer M10 Hardened	
16	1001098503	1	Flow Divider Valve Assembly (See Separate Breakdown in this Section)	
17	1001113984	4	Drive Hub Assembly (See Separate Breakdown in this Section)	
18	1001135600	4	Drive Motor Assembly Options (See Separate Breakdown in this Section)	
19	3932030	24	Capscrew 5/8 x 1-7/8	
22	4060807	AR	Flex Trim (Not Shown)	

# SECTION 1 - FRAME

## FIGURE 1-6. DRIVE MOTOR ASSEMBLY





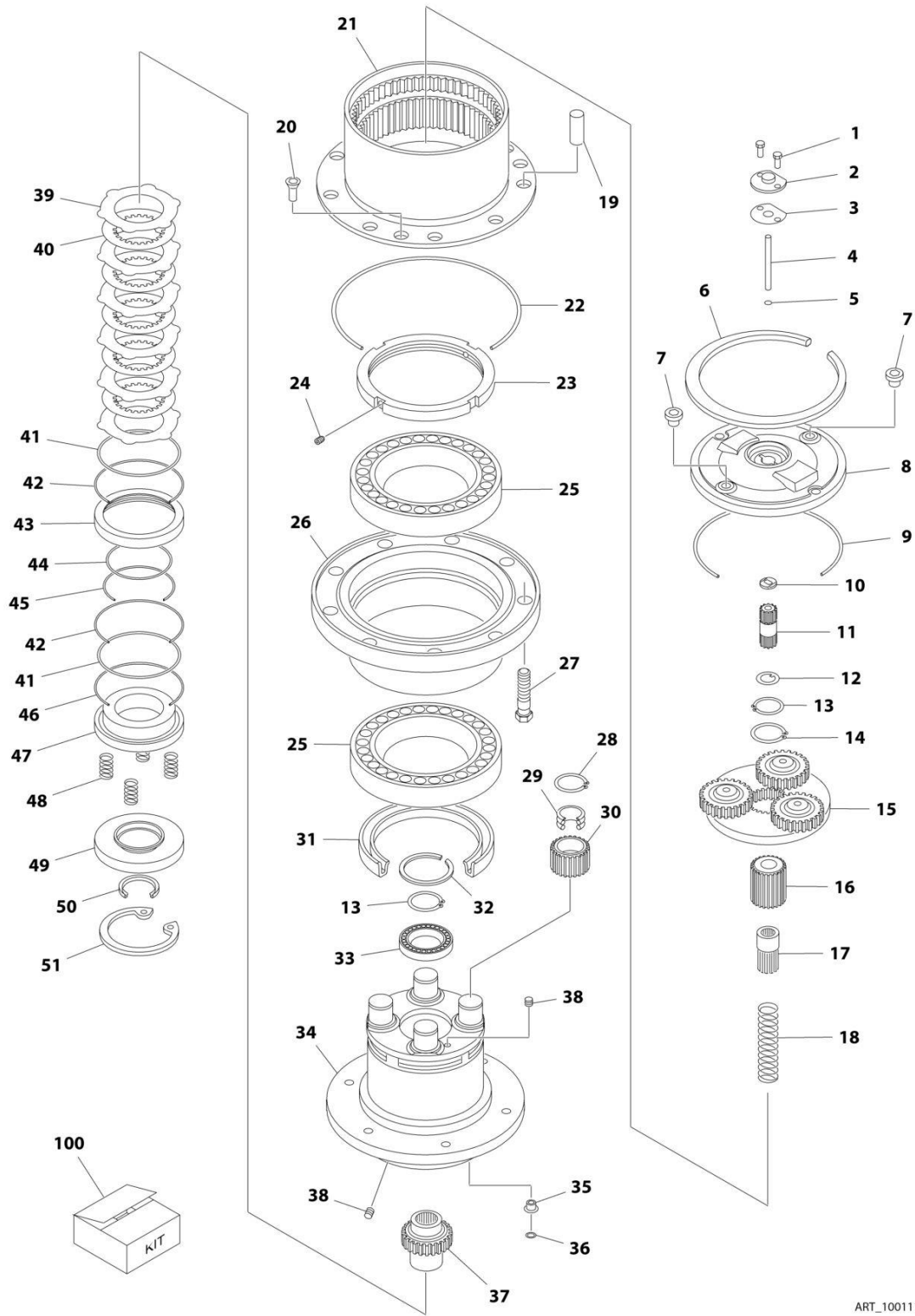
# SECTION 1 - FRAME

## FIGURE 1-6. DRIVE MOTOR ASSEMBLY

ITEM	PART NUMBER	QTY	DESCRIPTION	REV
	1001135600	Ref	DRIVE MOTOR ASSEMBLY	C
1	70000852	1	Swash Plate Bearing Kit	
2	70003628	2	Pin	
3	70007438	2	Ring, Retaining	
4	70000853	1	Swash Plate	
5	See Note	NSS	Gasket (Note: Use Item 40)	
6	70004201	1	Pin	
7	70004202	1	Ring, Retaining	
8	70000854	1	Plate, Valve	
9	7027740	1	Cylinder Block Kit (Includes Items 10-18)	
10	7027740	1	Block, Cylinder	
11	70000854	1	Guide, Slipper Retainer	
12	7021275	3	Pin, Slipper Hold Down	
13	70004203	9	Piston Assembly	
14	70000857	1	Retainer, Slipper	
15	7022311	1	Ring, Retaining	
16	7024867	1	Spring	
17	7024868	1	Washer	
18	7022314	1	Retainer, Spring	
19	70000858	1	Shaft	
20	7007439	1	Ring, Retaining	
21	70004204	1	Cap, End - Axial	
22	7022368	4	Capscrew	
23	7021249	1	Bearing, Needle	
24	7007446	1	Pin	
25	7007419	2	Plug with O-Ring	
25	See Note	NSS	O-Ring (Note: Not Sold Separately - Purchase Item 25 or 40)	
26	7007420	1	Plug with O-Ring	
26	70000862	1	O-Ring (Note: Not Sold Separately - Purchase Item 26 or 40)	
27	7022321	1	Plug with O-Ring	
27	70000862	1	O-Ring (Note: Not Sold Separately - Purchase Item 27 or 40)	
28	7007420	1	Plug with O-Ring	
28	70000862	1	O-Ring (Note: Not Sold Separately - Purchase Item 28 or 40)	
29	70004205	1	Servo - 4WD	
30	See Note	NSS	Ring, Piston (Note: Not Sold Separately - Purchase Item 29 or 40)	
31	See Note	NSS	O-Ring (Note: Not Sold Separately - Purchase Item 29 or 40)	
32	See Note	NSS	Housing (Note: Not Available - Purchase Complete Motor)	
33	7022321	1	Plug with O-Ring	
33	70000862	1	O-Ring (Note: Not Sold Separately - Purchase Item 33 or 40)	
34	70002133	1	Plug with O-Ring	
34	70000862	1	O-Ring (Note: Not Sold Separately - Purchase Item 34 or 40)	
35	70004205	1	Stop (4WD Motor Only)	
36	70002176	1	Bearing	
37	70000861	1	Spring	
38	See Note	NSS	Seal, Lip (Note: Use Item 40)	
39	7022371	1	Washer, Support	
40	70000862	1	Seal Kit (Includes Items 5, 30, 31, 38 and Plug O-Rings)	

# SECTION 1 - FRAME

## FIGURE 1-7. DRIVE HUB ASSEMBLY



ART\_1001113984

# SECTION 1 - FRAME

## FIGURE 1-7. DRIVE HUB ASSEMBLY

ITEM	PART NUMBER	QTY	DESCRIPTION	REV
	1001113984	Ref	DRIVE HUB ASSEMBLY	E
1	70004353	2	Screw	
2	70005298	1	Cover, Disengagement	
3	70002201	1	Gasket	
4	70002059	1	Pin, Disengagement	
5	See Note	NSS	O-Ring (Note: Use Item 100)	
6	70005299	1	Ring	
7	70002057	4	Plug	
8	70005300	1	Cover	
9	See Note	NSS	O-Ring (Note: Use Item 100)	
10	70002054	1	Shim	
11	70005301	1	Pinion	
12	70005302	1	Shim	
13	70004355	2	Ring, Outer Retention	
14	70004356	1	Ring, Inner Retention	
15	70005303	1	Reduction Gear Assembly	
16	70005304	1	Pinion	
17	70005305	1	Coupling, Disengagement Half	
18	70005306	1	Spring, Disengagement	
19	70005307	9	Plug	
20	70004361	3	Screw	
21	70005308	1	Ring, Planetary	
22	See Note	NSS	O-Ring (Note: Use Item 100)	
23	70005309	1	Nut, Ring	
24	70004363	2	Screw	
25	70005311	2	Bearing	
26	70004365	1	Support, Hub	
27	70005312	9	Column	
28	70004367	4	Ring, Outer Retention	
29	70005313	4	Bearing	
30	70004369	4	Wheel, Planet	
31	See Note	NSS	Seal, Oil (Note: Use Item 100)	
32	70004370	1	Ring	
33	70004371	1	Bearing	
34	70005314	1	Axle, Stub	
35	70005315	1	Plug	
36	See Note	NSS	O-Ring (Note: Use Item 100)	
37	70005316	1	Shaft, Input	
38	70004447	2	Plug	
39	70002027	6	Disc, Steel	
40	70002026	5	Disc, Sintered	
41	See Note	NSS	Seal (Note: Use Item 100)	
42	See Note	NSS	O-Ring (Note: Use Item 100)	
43	70005317	1	Spacer	
44	See Note	NSS	Seal (Note: Use Item 100)	
45	See Note	NSS	O-Ring (Note: Use Item 100)	
46	See Note	NSS	O-Ring (Note: Use Item 100)	
47	70005318	1	Piston	
48	70002020	6	Spring, Brake	
49	70005319	1	Spacer	

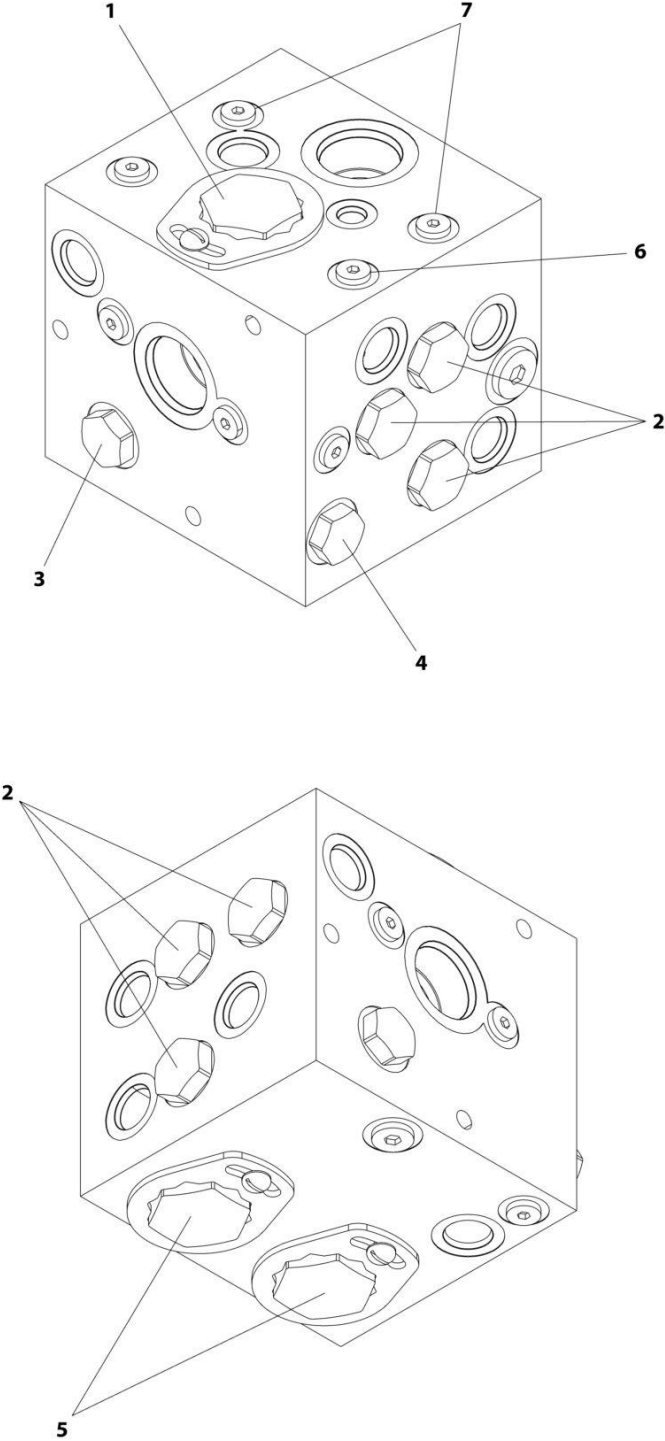
## SECTION 1 - FRAME

ITEM	PART NUMBER	QTY	DESCRIPTION	REV
50	See Note	NSS	Seal, Oil (Note: Use Item 100)	
51	70005320	1	Ring, Inner Retention	
100	70005321	1	Seal Kit (Includes Items 5, 9, 22, 31, 36, 41, 42, 44, 45, 46 & 50)	



**SECTION 1 - FRAME**

**FIGURE 1-8. FLOW DIVIDER ASSEMBLY**



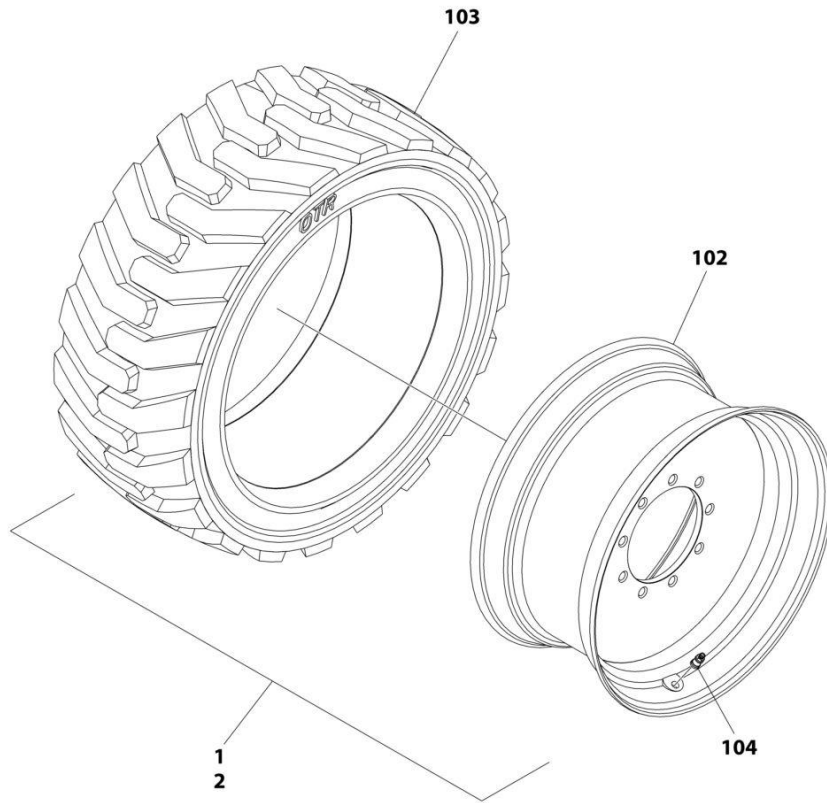
ART\_1001098503

FIGURE 1-8. FLOW DIVIDER ASSEMBLY

ITEM	PART NUMBER	QTY	DESCRIPTION	REV
	1001098503	Ref	FLOW DIVIDER ASSEMBLY - 4WD	C
1	7023933	1	Valve, Cartridge (Flow Divider)	
1	7021625	1	Seal Kit - Flow Divider Cartridge	
2		Ref	Valve, Cartridge (Check) Options:	
2	7022397	6	Valve p/n 4641410	
2	7022399	6	Seal Kit - Check Cartridge	
2	70003408	6	Valve p/n 1001098503	
2	7022399	6	Seal Kit - Check Cartridge	
3	7023935	1	Valve, Cartridge (Check)	
3	7023936	1	Seal Kit - Check Cartridge	
4	7024892	1	Valve, Cartridge (Check)	
4	7023936	1	Seal Kit - Check Cartridge	
5	7023917	2	Valve, Cartridge (Flow Divider)	
5	7021625	2	Seal Kit - Flow Divider Cartridge	
6	70002063	1	Plug, Orifice	
7	70002064	2	Plug, Orifice	

# SECTION 1 - FRAME

## FIGURE 1-9. TIRE AND WHEEL INSTALLATION - FOAM FILLED



ART\_4520346



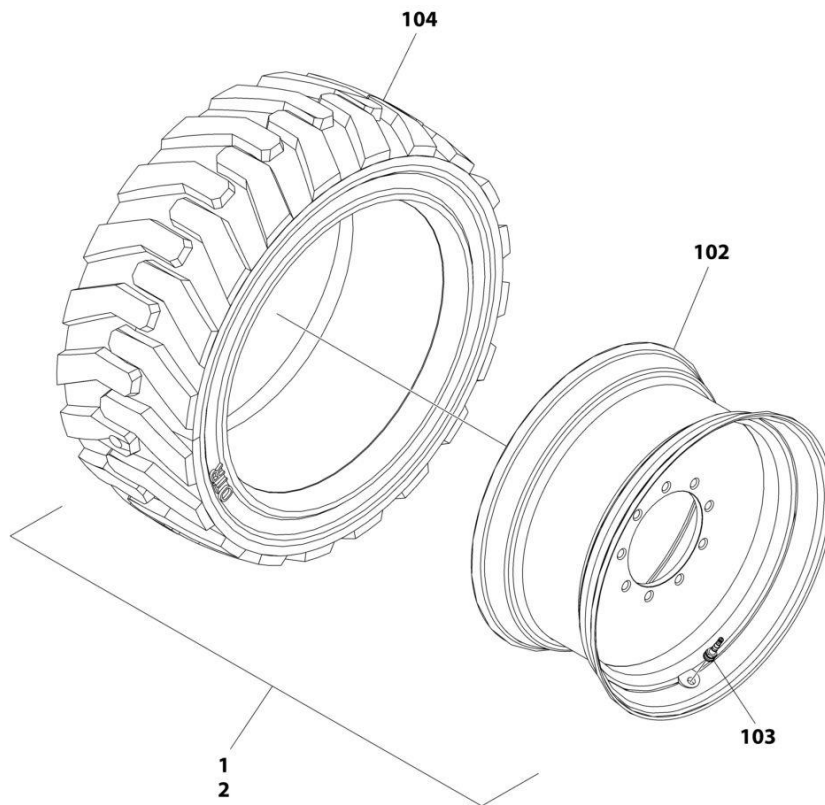
## SECTION 1 - FRAME

**FIGURE 1-9. TIRE AND WHEEL INSTALLATION - FOAM FILLED**

ITEM	PART NUMBER	QTY	DESCRIPTION	REV
	4520346	Ref	TIRE AND WHEEL INSTALLATION - FOAM FILLED	C
		Ref	Note: Assemblies may require ballast/foam filling to manufacturer's specifications prior to installing on a machine. Refer to Operation and Safety or Service and Maintenance Manuals.	
		Ref	Note: Purchase individual tire and/or rim only if able to foam fill tire and wheel assembly, otherwise, purchase complete assembly.	
1	4520344	2	Tire and Wheel Assembly - Foam-Filled (Left Side)	H
2	4520345	2	Tire and Wheel Assembly - Foam-Filled (Right Side)	H
102	4520287	AR	Rim, Wheel (1 Per Assembly)	
103	4520288	AR	Tire - IN355/55D625 (1 Per Assembly)	
104	4640113	AR	Valve, Air (1 Per Assembly)	

# SECTION 1 - FRAME

## FIGURE 1-10. TIRE AND WHEEL INSTALLATION - FOAM FILLED NON-MARKING



ART\_1001231678

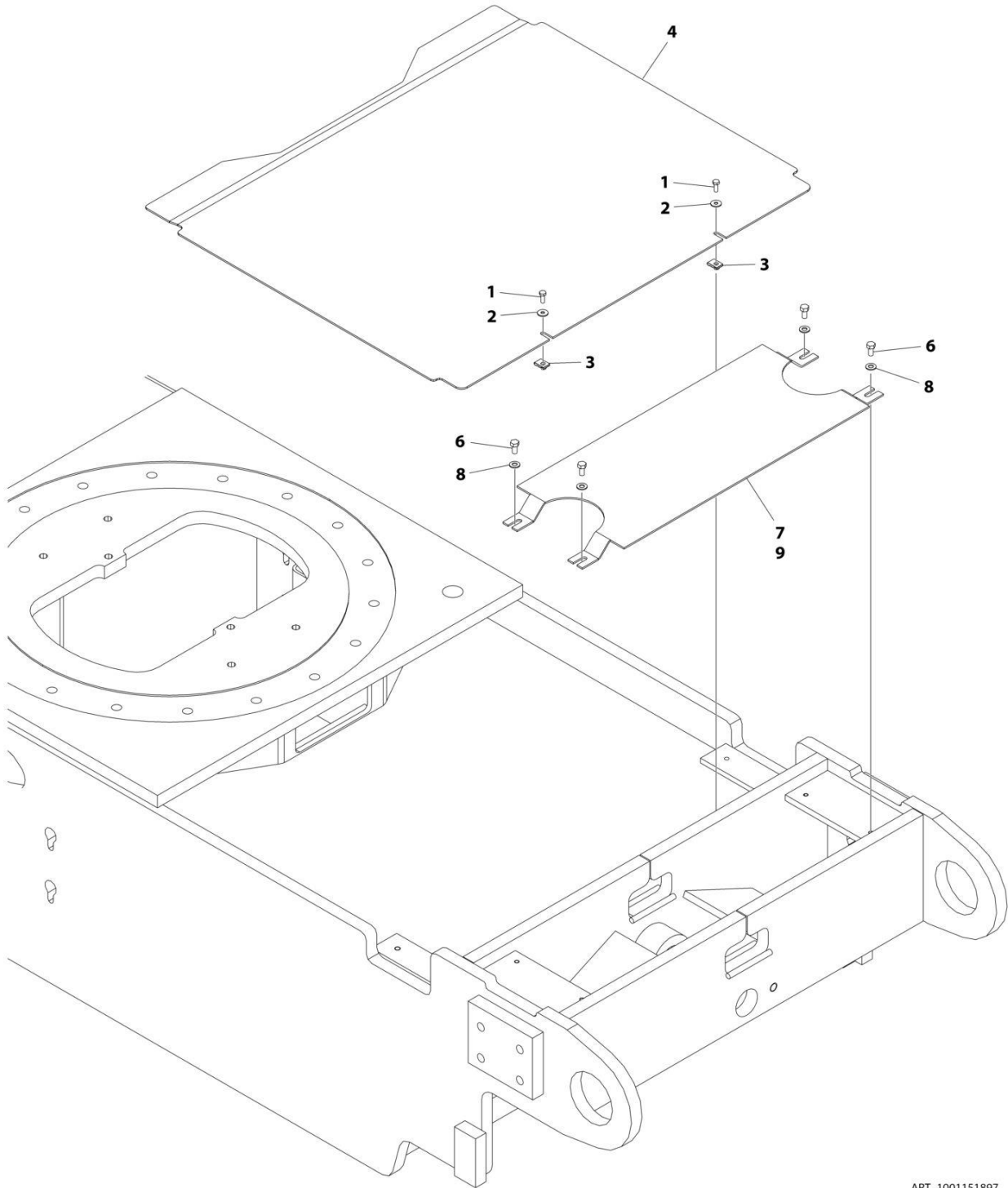
## SECTION 1 - FRAME

**FIGURE 1-10. TIRE AND WHEEL INSTALLATION - FOAM FILLED NON-MARKING**

ITEM	PART NUMBER	QTY	DESCRIPTION	REV
	1001231678	Ref	TIRE AND WHEEL INSTALLATION - FOAM FILLED NON - MARKING	A
		Ref	Note: Assemblies may require ballast/foam filling to manufacturer's specifications prior to installing on a machine. Refer to Operation and Safety or Service and Maintenance Manuals.	
		Ref	Note: Purchase individual tire and/or rim only if able to foam fill tire and wheel assembly, otherwise, purchase complete assembly.	
1	1001231676	2	Tire and Wheel Assembly - Foam-Filled (Left Side)	C
2	1001231677	2	Tire and Wheel Assembly - Foam-Filled (Right Side)	B
102	4520287	AR	Rim, Wheel (1 Per Assembly)	
103	4641122	AR	Valve, Air (1 Per Assembly)	
104	1001184881	AR	Tire - IN355/55D625 (1 Per Assembly)	

# SECTION 1 - FRAME

FIGURE 1-11. FRAME SHIELDS INSTALLATION – 2WS (8FT/2.4M WIDE MACHINES)



ART\_1001151897

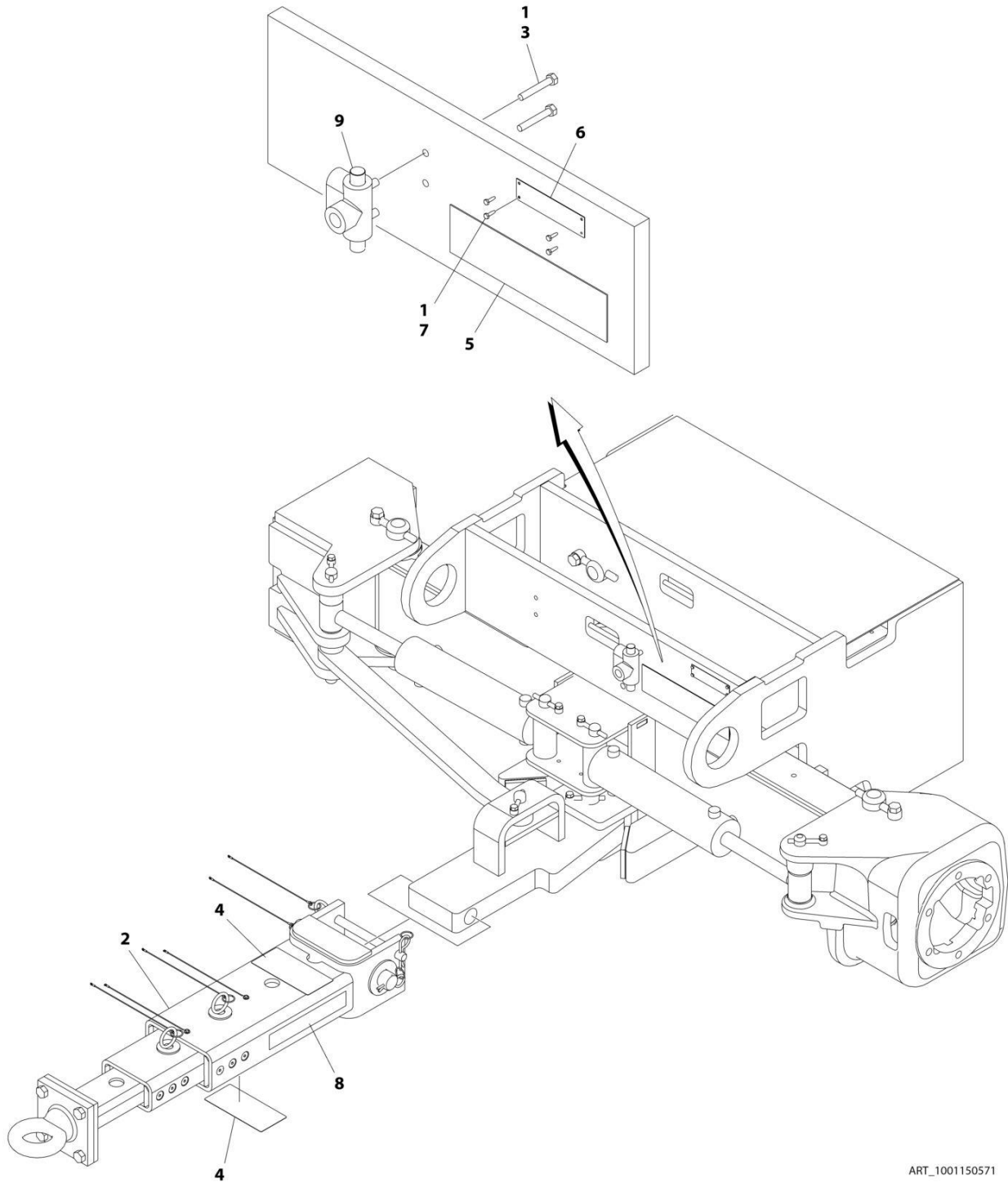
## SECTION 1 - FRAME

**FIGURE 1-11. FRAME SHIELDS INSTALLATION – 2WS (8FT/2.4M WIDE MACHINES)**

ITEM	PART NUMBER	QTY	DESCRIPTION	REV
	1001151897	Ref	FRAME SHIELDS INSTALLATION	C
1	0760608	2	Bolt M6 x 16	
2	4811702	2	Washer M6	
3	1001130220	2	Nut, Tinnerman M6	
4	1001151584	1	Shield, Frame - Front	
6	0641505	4	Bolt 5/16 x 5/8	
7	4060804	1	Flex-Trim	
8	4711500	4	Washer 5/16	
9	1001161761	1	Shield, Frame - Rear	

# SECTION 1 - FRAME

FIGURE 1-12. TOW PACKAGE INSTALLATION (ANSI SPECS) (OPTIONAL)



ART\_1001150571

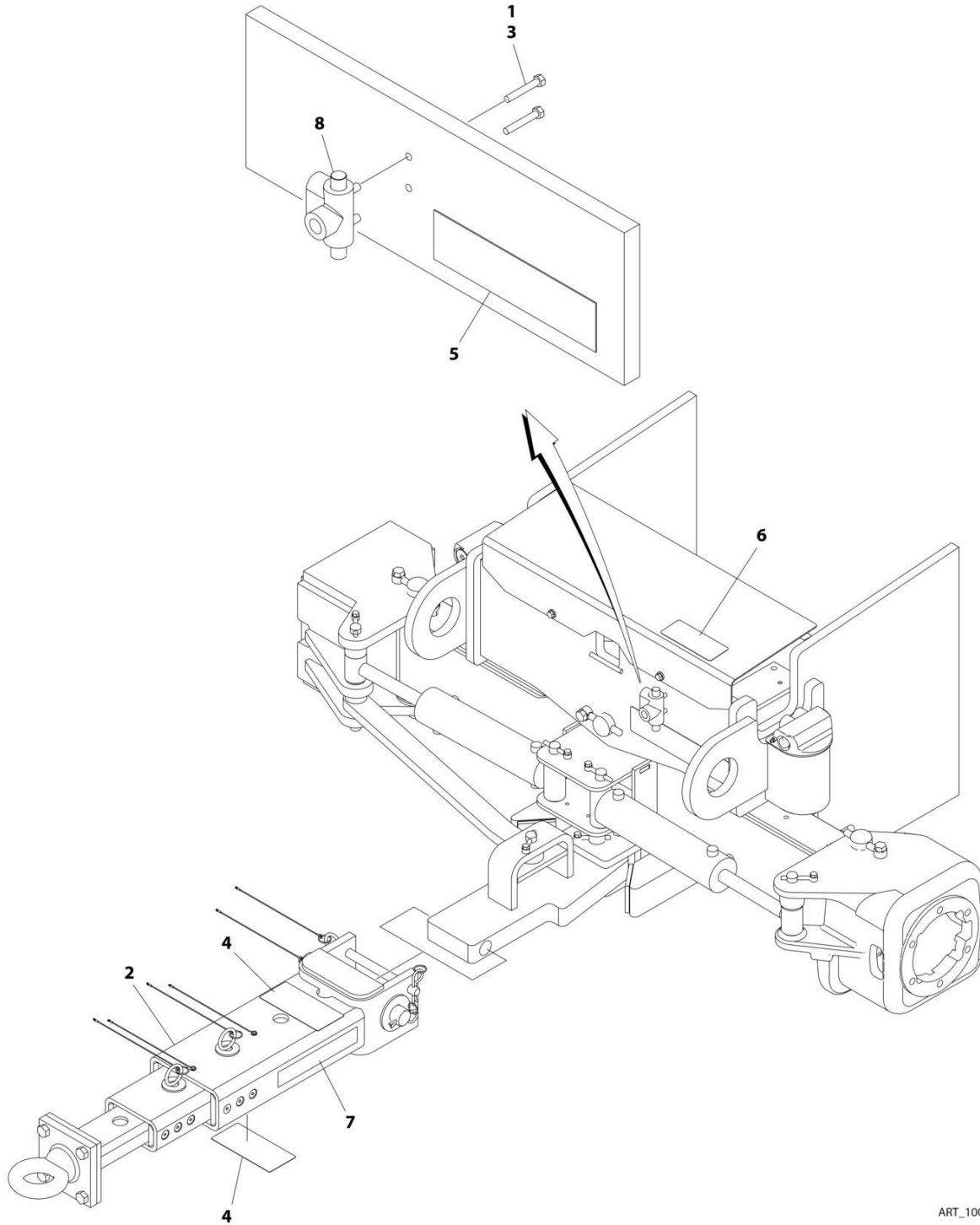
## SECTION 1 - FRAME

**FIGURE 1-12. TOW PACKAGE INSTALLATION (ANSI SPECS) (OPTIONAL)**

ITEM	PART NUMBER	QTY	DESCRIPTION	REV
	1001150571	Ref	TOW BAR INSTALLATION	D
1	0100011	AR	Compound, Locking	
2	0270528	1	Tow Bar Assembly (See Separate Breakdown in this Section)	
3	0641516	2	Bolt 5/16 x 2	
4	1704578	2	Decal - Crushing	
5	1705090	1	Decal - Towing Instruction	
6	3250872	1	Nameplate - Steer/Tow Select	
7	3940604	4	Screw #6 x 1/2	
8	4420051	AR	Tape, Safety	
9	4640261	1	Valve, Float Position	

# SECTION 1 - FRAME

## FIGURE 1-13. TOW PACKAGE INSTALLATION (CSA SPECS) (OPTIONAL)



ART\_1001150570



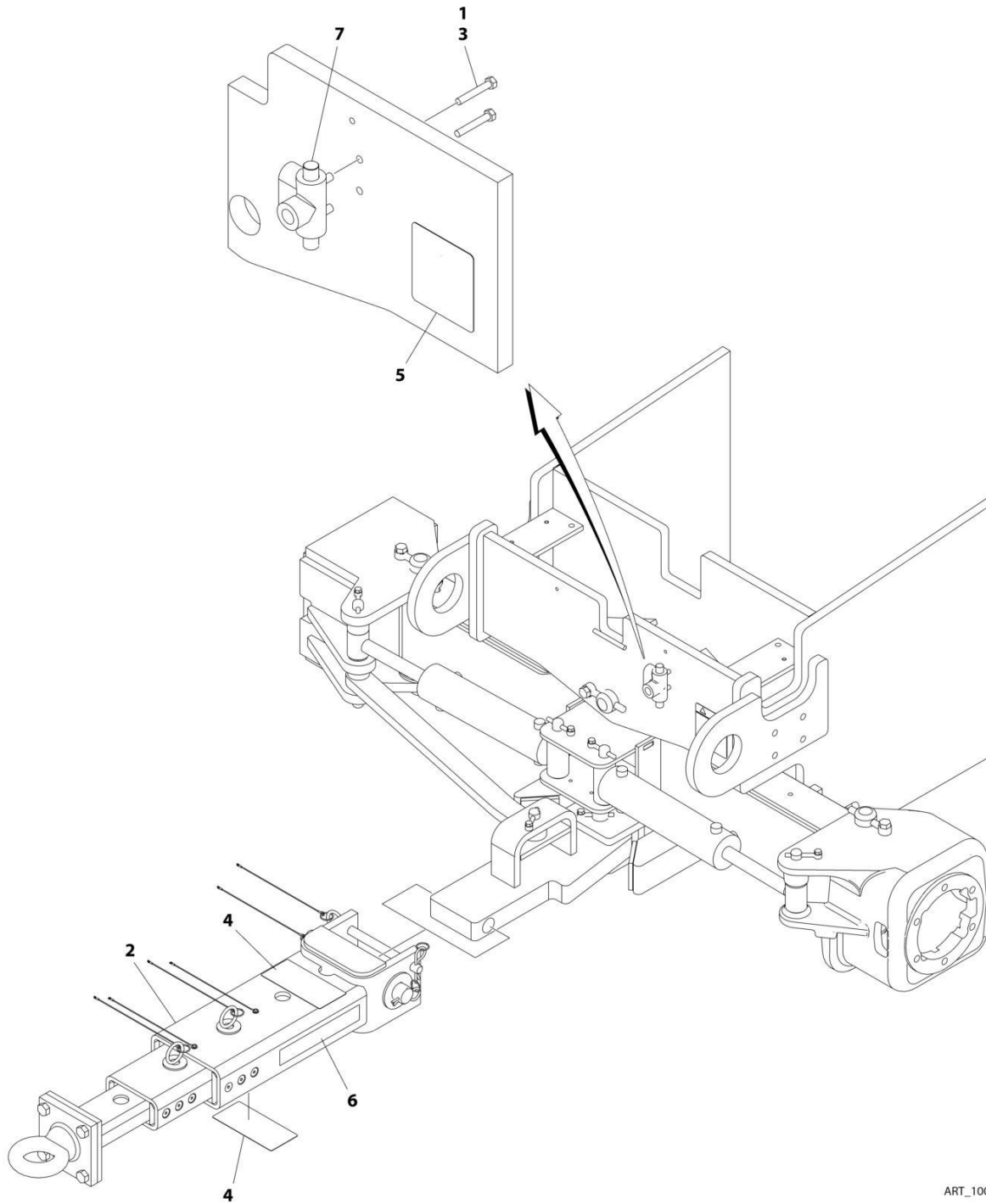
## SECTION 1 - FRAME

**FIGURE 1-13. TOW PACKAGE INSTALLATION (CSA SPECS) (OPTIONAL)**

ITEM	PART NUMBER	QTY	DESCRIPTION	REV
	1001150570	Ref	TOW BAR INSTALLATION	D
1	0100011	AR	Compound, Locking	
2	0270528	1	Tow Bar Assembly (See Separate Breakdown in this Section)	
3	0641516	2	Bolt 5/16 x 2	
4	1706593	2	Decal - Crushing	
5	1705820	1	Decal - Towing Instruction	
6	1704272	1	Nameplate - Steer/Tow Select	
7	4420051	AR	Tape, Safety	
8	4640261	1	Valve, Float Position	

# SECTION 1 - FRAME

FIGURE 1-14. TOW PACKAGE INSTALLATION (CE SPECS) (OPTIONAL)



ART\_1001150569

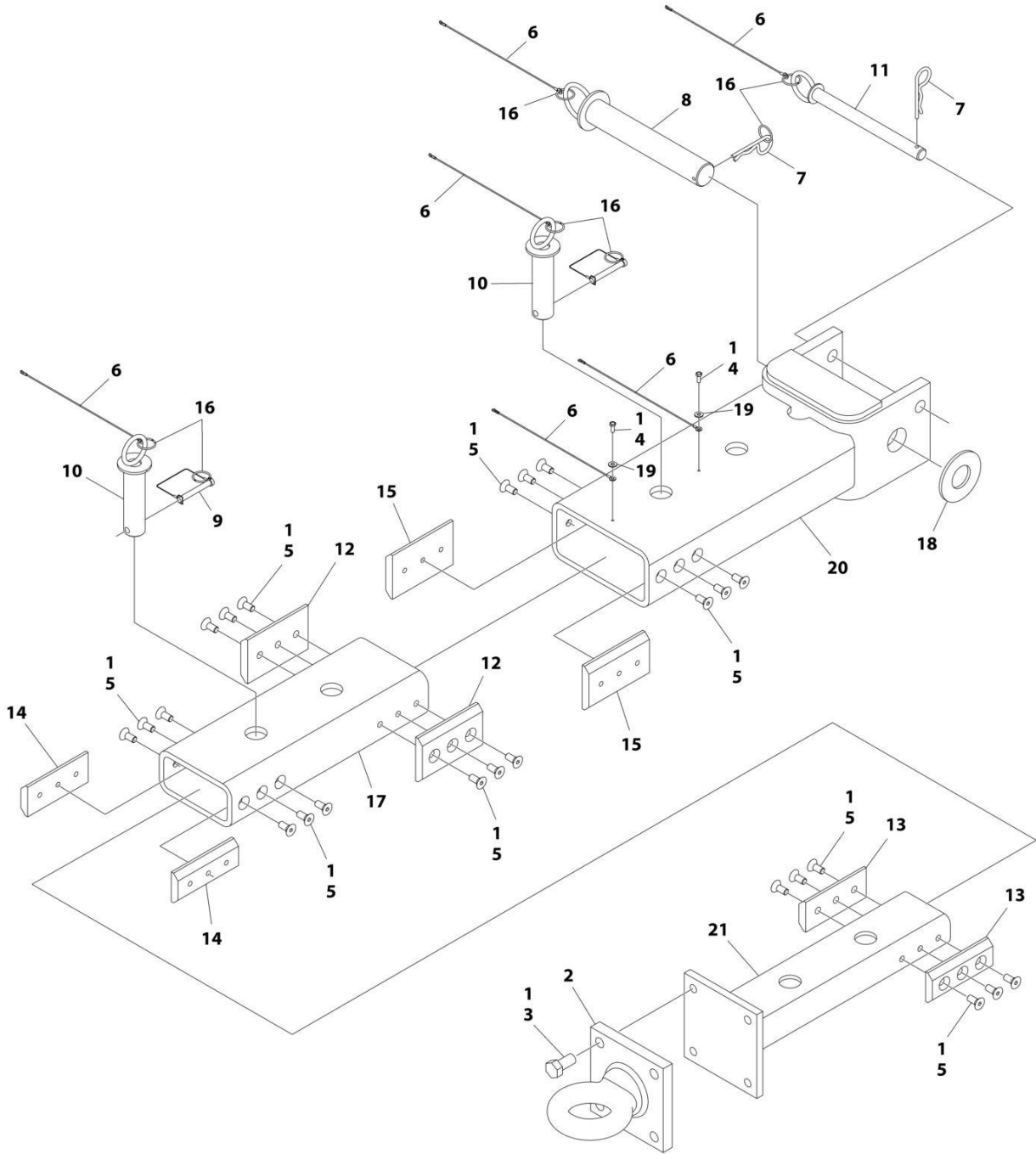
## SECTION 1 - FRAME

**FIGURE 1-14. TOW PACKAGE INSTALLATION (CE SPECS) (OPTIONAL)**

ITEM	PART NUMBER	QTY	DESCRIPTION	REV
	1001150569	Ref	TOW BAR INSTALLATION	A
1	0100011	AR	Compound, Locking	
2	0270528	1	Tow Bar Assembly (See Separate Breakdown in this Section)	
3	0641516	2	Bolt 5/16 x 2	
4	1706960	2	Decal - Crushing	
5	1706957	1	Decal - Towing Instruction	
6	4420051	AR	Tape, Safety	
7	4640261	1	Valve, Float Position	

# SECTION 1 - FRAME

## FIGURE 1-15. TOW BAR ASSEMBLY



ART\_0270528

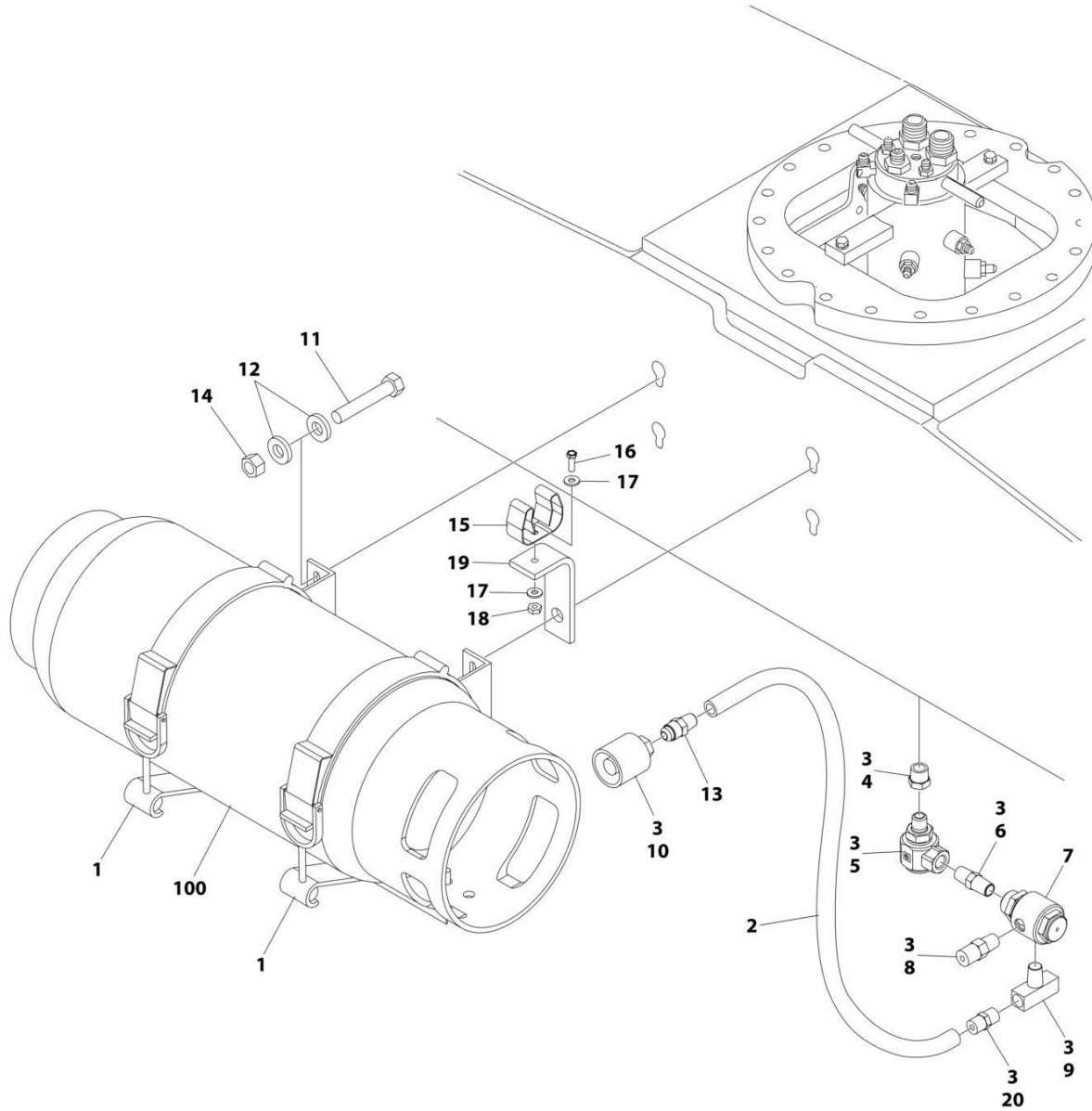
# SECTION 1 - FRAME

## FIGURE 1-15. TOW BAR ASSEMBLY

ITEM	PART NUMBER	QTY	DESCRIPTION	REV
	0270528	Ref	TOW BAR ASSEMBLY	B
1	0100011	AR	Compound, Locking	
2	0362910	1	Pintle, Draw Eye	
3	0642010	4	Bolt 5/8 x 1-1/4	
4	0721004	2	Screw, Hex Machine	
5	0741607	24	Screw, Countersunk 3/8 x 7/8	
6	1060584	6	Cable, Lanyard	
7	3420372	2	Pin, Cotter	
8	3420447	1	Pin, Towing	
9	3421565	2	Pin, Snap	
10	3422841	2	Pin	
11	3422847	1	Pin	
12	3572009	2	Plate, Slide Stop	
13	3572010	2	Plate, Slide Stop	
14	3572011	2	Plate, Slide Stop	
15	3572012	2	Plate, Slide Stop	
16	3760170	8	Ring, Split	
17	4568133	1	Tube, Tow Bar	
18	4740036	1	Washer	
19	4751000	2	Washer #10	
20	4846295	1	Tow Bar Attach Weldment	
21	4846296	1	Pintle Attach Weldment	

# SECTION 1 - FRAME

## FIGURE 1-16. LP TANKS INSTALLATION



ART\_1001151010\_E

# SECTION 1 - FRAME

## FIGURE 1-16. LP TANKS INSTALLATION

ITEM	PART NUMBER	QTY	DESCRIPTION	REV
	1001151010	Ref	LP TANK BRACKETS INSTALLATION	E
1	1320220	2	Clamp	
1	1320127	2	Clamp, Toggle (1 Per Clamp)	
2	2720144	2	Hose	
3	0100020	AR	Sealant, Pipe	
4	2221197	1	Fitting, Reducer	
5	1001247358	1	Fitting, 90 Swivel	
6	2220261	1	Fitting, Nipple	
7	2180388	1	Fitting, Bulkhead	
8	2180389	1	Valve, Relief	
9	2220418	1	Fitting, Tee	
10	2180387	2	Fitting, Straight	
11	0641617	8	Bolt 3/8 x 2-1/8	
12	4751600	16	Washer 3/8	
13	2180418	2	Fitting, Connector	
14	3311605	8	Nut 3/8	
15	1320218	2	Clamp, Spring	
16	0720804	2	Screw #8 x 1/2	
17	4750800	4	Washer #8	
18	3310805	2	Nut #8	
19	0181949	2	Angle, Support	
20	2221024	2	Fitting, Union Ball Check	
100	4400275	1	Tank, LP - 43.5 Lbs. (Aluminum)	
100	4400420	1	Tank, LP - 43.5 Lbs. (Steel)	

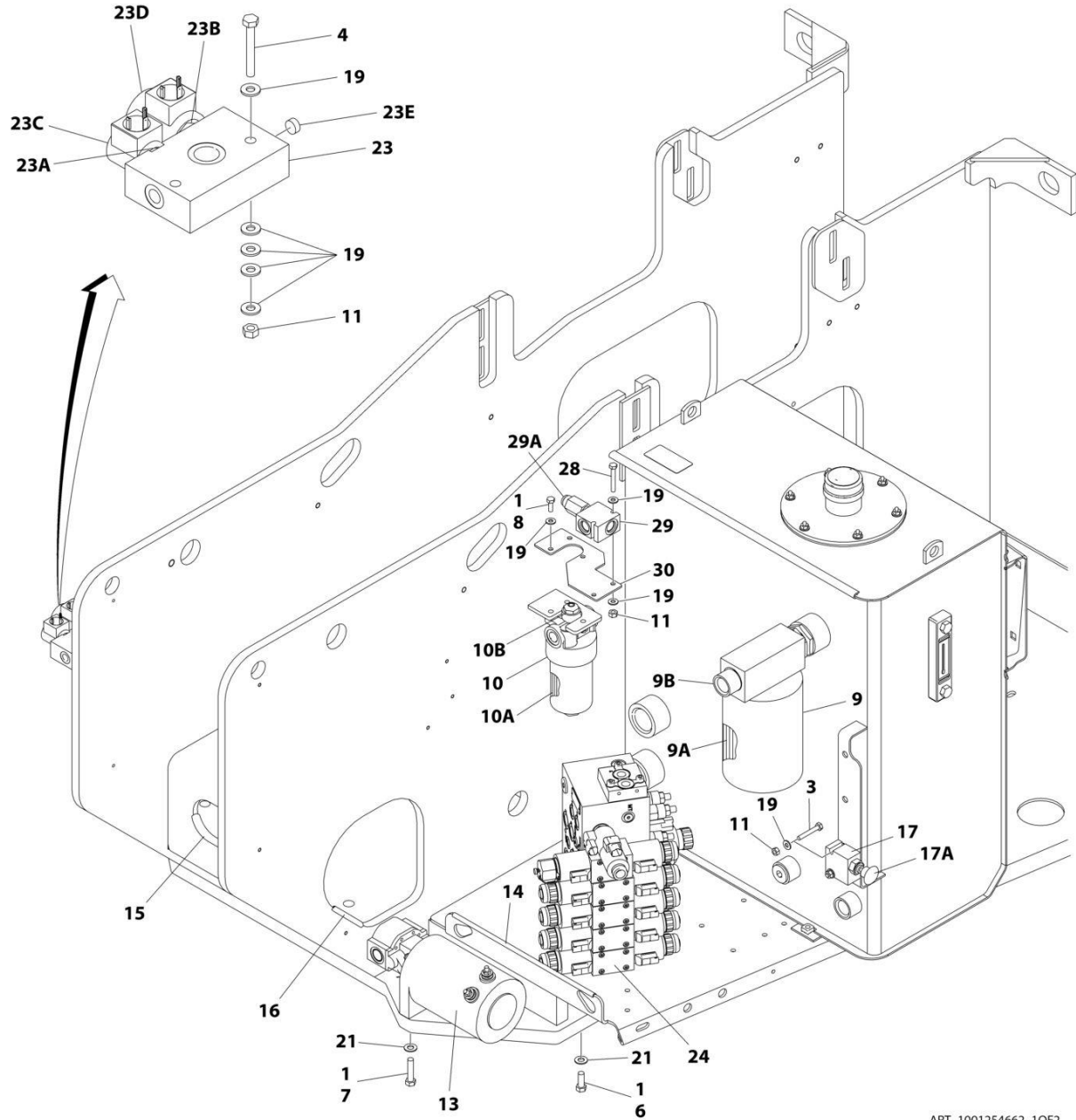




**SECTION 2 - TURNTABLE**

# SECTION 2 - TURNTABLE

## FIGURE 2-1. CONTROL VALVES INSTALLATION - DEUTZ D2011 ENGINES



ART\_1001254662\_10F2

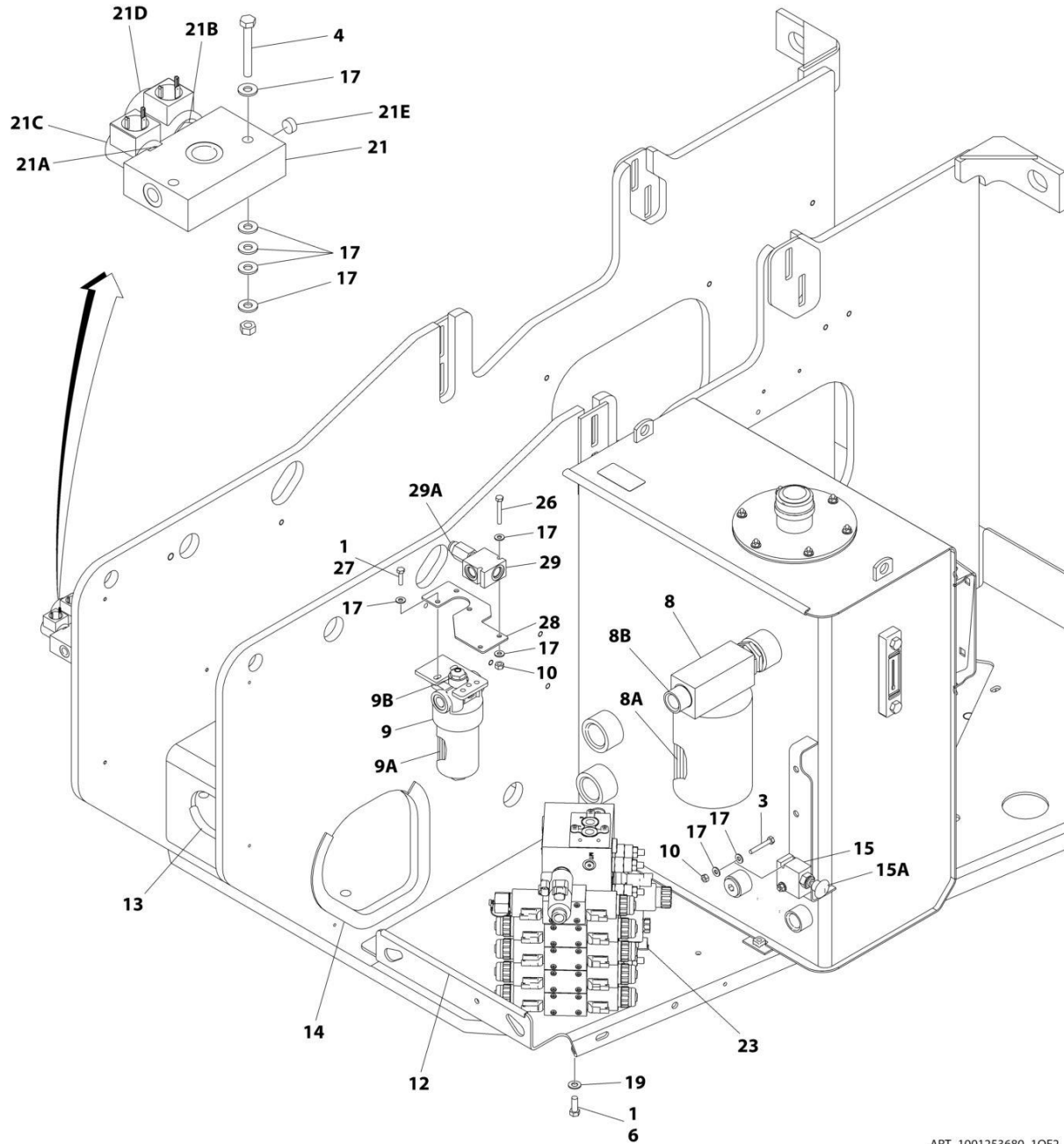
## SECTION 2 - TURNTABLE

**FIGURE 2-1. CONTROL VALVES INSTALLATION - DEUTZ D2011 ENGINES**

ITEM	PART NUMBER	QTY	DESCRIPTION	REV
	1001254662	Ref	CONTROL VALVES INSTALLATION	B
1	0100011	AR	Compound, Locking	
3	0641414	2	Bolt 1/4 x 1-3/4	
4	0641416	2	Bolt 1/4 x 2	
6	0641608	3	Bolt 3/8 x 1	
7	0641613	2	Bolt 3/8 x 1-5/8	
8	0651406	3	Bolt 1/4 x 3/4	
9	2120164	1	Return Filter Assembly	B
9A	2120149	1	Element, Filter	
9B	7020021	1	Manual Indicator	
10	2120209	1	Hydraulic Pressure Filter Assembly	
10A	2120210	1	Element, Filter	
10B	7020020	1	Manual Indicator	
10C	70000934	1	O-Ring, Filter Bowl (Not Shown)	
11	3311405	8	Nut 1/4	
13	3600365	1	Auxiliary Pump Assembly (See Separate Breakdown in this Section)	
14	4060804	AR	Trim-Loc 3/16	
15	4060807	AR	Trim-Loc 3/8	
16	4060918	AR	Trim-Loc 5/8	
17	4640866	1	Manual Pull Valve Assembly	
17	2900708	1	Seal Kit - 4640866 Valve	
17A	7012959	1	Knob	
19	4711400	25	Washer 1/4	
21	4711600	5	Washer 3/8	
23	1001099391	1	Brake/Selector Valve Assembly	
23A	7012941	1	Cartridge without Coil	
23A	7010543	1	Seal Kit - 7012941 Cartridge	
23B	7012995	1	Cartridge without Coil	
23B	7012518	1	Seal Kit - 7012995 Cartridge	
23C	7012944	1	Coil	
23D	7012943	1	Coil	
23E	70002209	1	Orifice	
25	1001152887	1	Main Valve Block Assembly - 2WS (See Separate Breakdown in this Section)	
28	0641415	2	Capscrew 1/4 x 1-7/8	
29	1001271534	1	Valve, Direct Acting Relief.	
29A	70007677	1	Cartridge	
29A	7017496	1	Seal Kit	
30	1001271582	1	Mount	

# SECTION 2 - TURNTABLE

## FIGURE 2-2. CONTROL VALVES INSTALLATION - DEUTZ DT2.9L4, DEUTZ TD2.2L3 STAGE V & FORD ENGINES



ART\_1001253680\_10F2

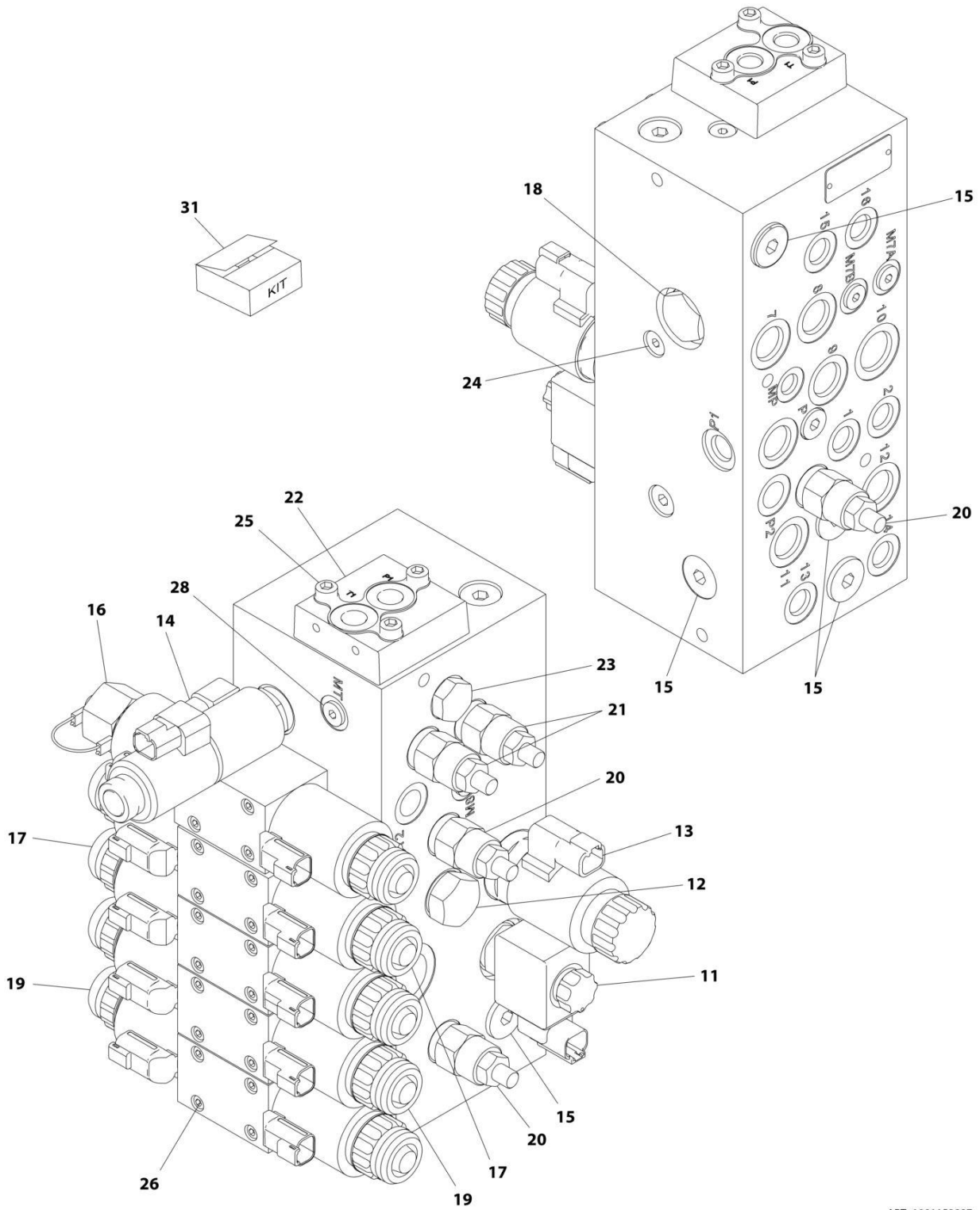
## SECTION 2 - TURNTABLE

**FIGURE 2-2. CONTROL VALVES INSTALLATION - DEUTZ DT2.9L4, DEUTZ TD2.2L3 STAGE V & FORD ENGINES**

ITEM	PART NUMBER	QTY	DESCRIPTION	REV
	1001253680	Ref	CONTROL VALVES INSTALLATION	B
1	0100011	AR	Compound, Locking	
3	0641414	2	Bolt 1/4 x 1-3/4	
4	0641416	2	Bolt 1/4 x 2	
6	0641608	3	Bolt 3/8 x 1	
8	2120164	1	Return Filter Assembly	B
8A	2120149	1	Element, Filter	
8B	7020021	1	Manual Indicator	
9	2120209	1	Hydraulic Pressure Filter Assembly	
9A	2120210	1	Element, Filter	
9B	7020020	1	Manual Indicator	
9C	70000934	1	O-Ring, Filter Bowl (Not Shown)	
10	3311405	6	Nut 1/4	
12	4060804	AR	Trim-Loc 3/16	
13	4060807	AR	Trim-Loc 3/8	
14	4060918	AR	Trim-Loc 5/8	
15	4640866	1	Manual Pull Valve Assembly	
15	2900708	1	Seal Kit - 4640866 Valve	
15A	7012959	1	Knob	
17	4711400	25	Washer 1/4	
19	4711600	3	Washer 3/8	
21	1001099391	1	Brake/Selector Valve Assembly	
21A	7012941	1	Cartridge without Coil	
21A	7010543	1	Seal Kit - 7012941 Cartridge	
21B	7012995	1	Cartridge without Coil	
21B	7012518	1	Seal Kit - 7012995 Cartridge	
21C	7012944	1	Coil	
21D	7012943	1	Coil	
21E	70002209	1	Orifice	
23	1001152887	1	Main Valve Block Assembly - 2WS (See Separate Breakdown in this Section)	
26	0641415	2	Capscrew 1/4 x 1-7/8	
27	0651408	3	Capscrew 1/4 x 1	
28	1001271582	1	Mount	
29	1001271534	1	Valve, Direct Acting Relief	
29A	70007677	1	Cartridge	
29A	7017496	1	Seal Kit	

# SECTION 2 - TURNTABLE

## FIGURE 2-3. MAIN VALVE BLOCK ASSEMBLY – 2WS (USA BUILT MACHINES)



ART\_1001152887

# SECTION 2 - TURNTABLE

**FIGURE 2-3. MAIN VALVE BLOCK ASSEMBLY – 2WS (USA BUILT MACHINES)**

ITEM	PART NUMBER	QTY	DESCRIPTION	REV
	1001152887	Ref	MAIN VALVE BLOCK ASSEMBLY - 2WS	F
11	70004652	1	Valve, Cartridge Less Coil (Dump)	
11	70023867	1	Seal kit - 70004652 Valve	
11	70004653	1	Coil	
11	70004654	1	Nut, Coil	
12	70004655	1	Valve, Cartridge	
12	70004656	1	Seal Kit - 70004655 Valve	
13	70004657	1	Valve, Cartridge Less Coil	
13	70004594	1	Seal Kit - 70004657 Valve	
13	70004595	1	Coil	
13	70004597	1	Nut, Coil	
13	70004596	1	O-Ring, Pole Tube	
14	70004659	1	Valve, Cartridge Less Coil (Steer)	
14	70004660	1	Seal - Kit - 70004659 Valve	
14	80434249	2	Coil	
14	70004661	1	Nut, Coil	
14	70024457	1	O-Ring, Pole Tube (Upper)	
14	70004662	1	O-Ring, Pole Tube (Lower)	
15	70023859	5	Valve, Cartridge	
16	70004663	1	Valve Assembly (Lower Lift)	
16	7012773	1	Seal Kit - 70004663 Valve	
16	70004660	2	Coil	
16	7021375	1	Nut, Coil (Plastic)	
16	70004661	2	O-Ring, Pole Tube	
16	70003525	1	Not, Coil (Aluminum)	
16	70004664	1	Lanyard	
17	70004459	2	Valve Assembly (Upper Tele and Lower Tele)	
17	7012773	1	Seal Kit - 70004459 Valve	
17	70004460	2	Coil	
17	7021375	2	Nut, Coil	
17	70004661	2	O-Ring, Pole Tube	
18	70004665	1	Valve, Cartridge	
18	70023862	1	Seal Kit - 70004665 Valve	
19	70004666	2	Valve Assembly (Swing and Upper Lift)	
19	7012773	1	Seal Kit - 70004666 Valve	
19	70004463	2	Coil	
19	7021375	2	Nut, Coil	
19	70004461	2	O-Ring, Pole Tube	
20	70003019	3	Valve, Cartridge	
20	70004052	3	Seal Kit - 70003019	
21	70003019	2	Valve, Cartridge	
21	70004052	2	Seal Kit - 70003019 Valve	
22	70004667	1	Cover	
23	2220886	1	Plug	
24	70004668	1	Plug	
25	70005201	3	Capscrew	
26	7018942	20	Capscrew	
27	70005202	2	O-Ring (Not Shown - Located under Item 22)	
28	70002758	6	Plug 7/16	
29	70004617	4	Plug 9/16 (Not Shown)	

## SECTION 2 - TURNTABLE

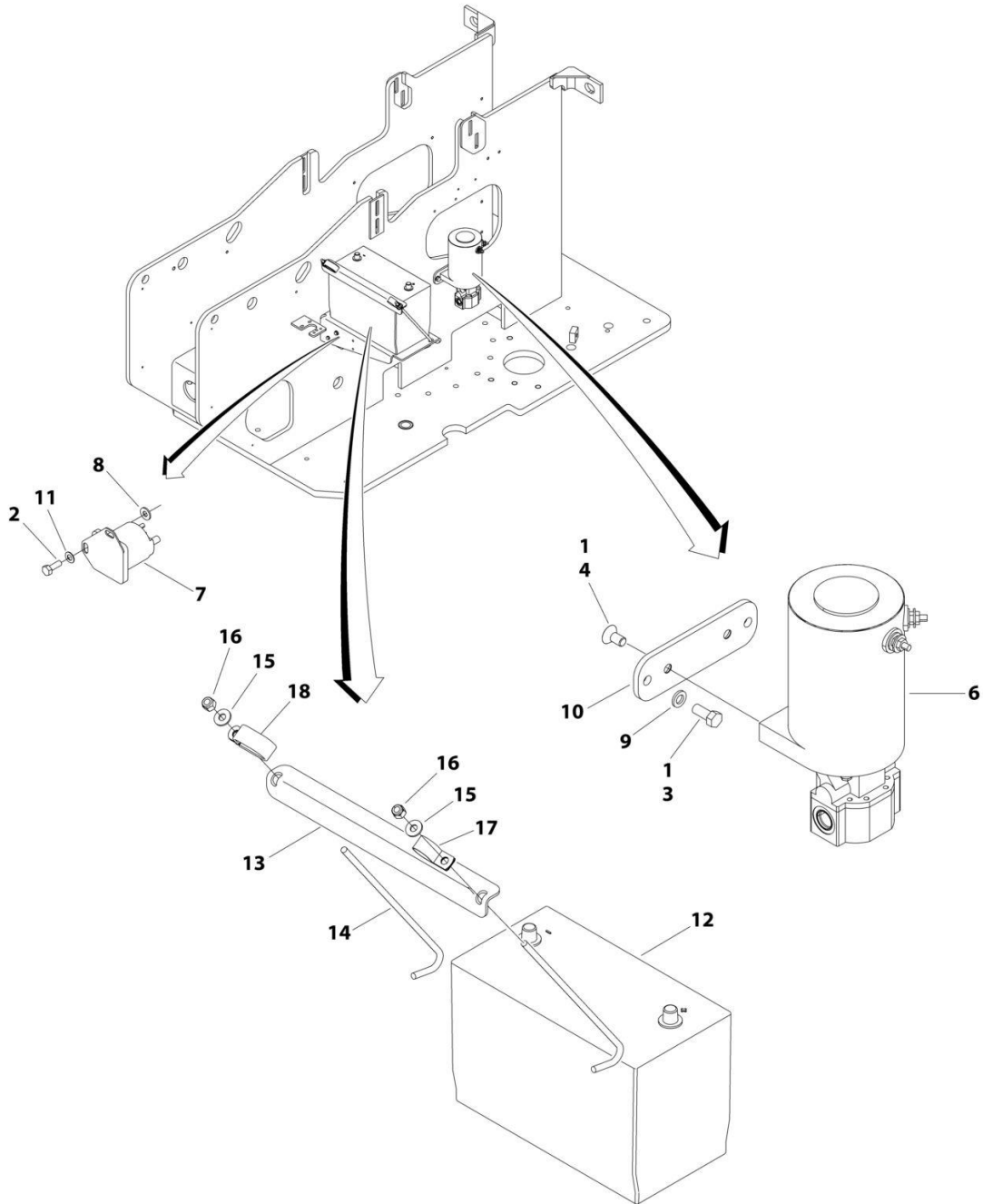
ITEM	PART NUMBER	QTY	DESCRIPTION	REV
30	70002759	1	Plug 3/4 (Not Shown - Located under Item 73)	
31	70005232	1	Bolt Kit	





# SECTION 2 - TURNTABLE

## FIGURE 2-4. AUXILIARY PUMP INSTALLATION



ART\_1001137895

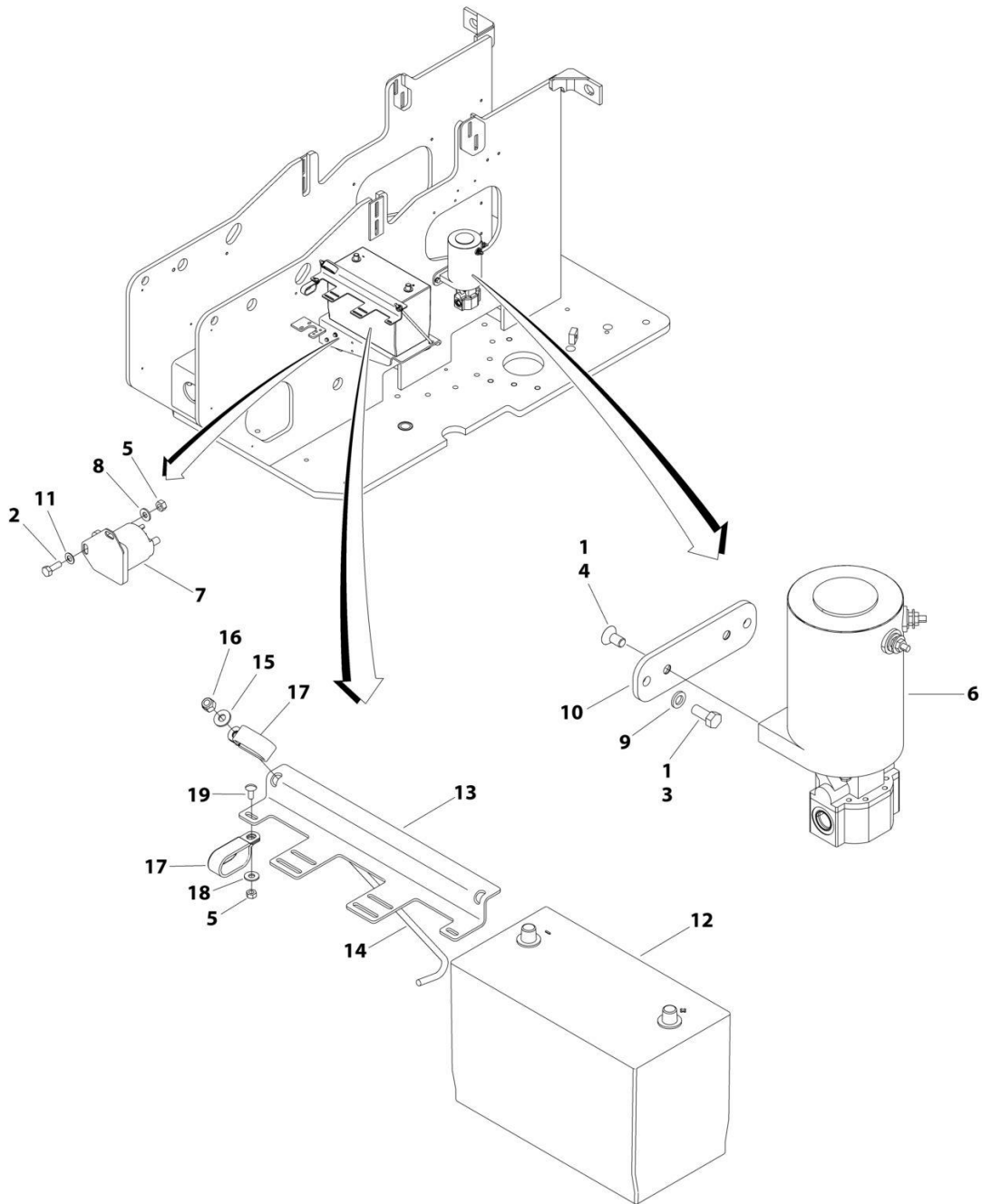
**SECTION 2 - TURNTABLE**

**FIGURE 2-4. AUXILIARY PUMP INSTALLATION**

ITEM	PART NUMBER	QTY	DESCRIPTION	REV
	1001137895	Ref	AUXILIARY PUMP INSTALLATION	D
1	0100011	AR	Compound, Locking	
2	0641406	2	Bolt 1/4 x 3/4	
3	0641607	2	Bolt 3/8 x 7/8	
4	0741606	2	Screw, Countersunk 1/4 x 3/4	
5	3311405	2	Nut 1/4	
6	3600365	1	Auxiliary Pump Assembly (See Separate Breakdown in this Section)	
7	3740067	1	Relay	
8	4711400	3	Washer 1/4	
9	4761600	2	Washer 3/8	
10	1001144041	1	Plate	
11	4791400	1	Washer 1/4	
12	0400075	1	Battery	
13	91401281	1	Bracket	
14	1001093382	2	Bolt, J Bolt	
15	4751500	2	Washer 5/16	
16	88521205	2	Nut 5/16	
17	8406201	1	Clip	
18	1321716	1	Clamp	

## SECTION 2 - TURNTABLE

FIGURE 2-5. AUXILIARY PUMP INSTALLATION WITH BATTERY DISCONNECT



ART\_1001239291

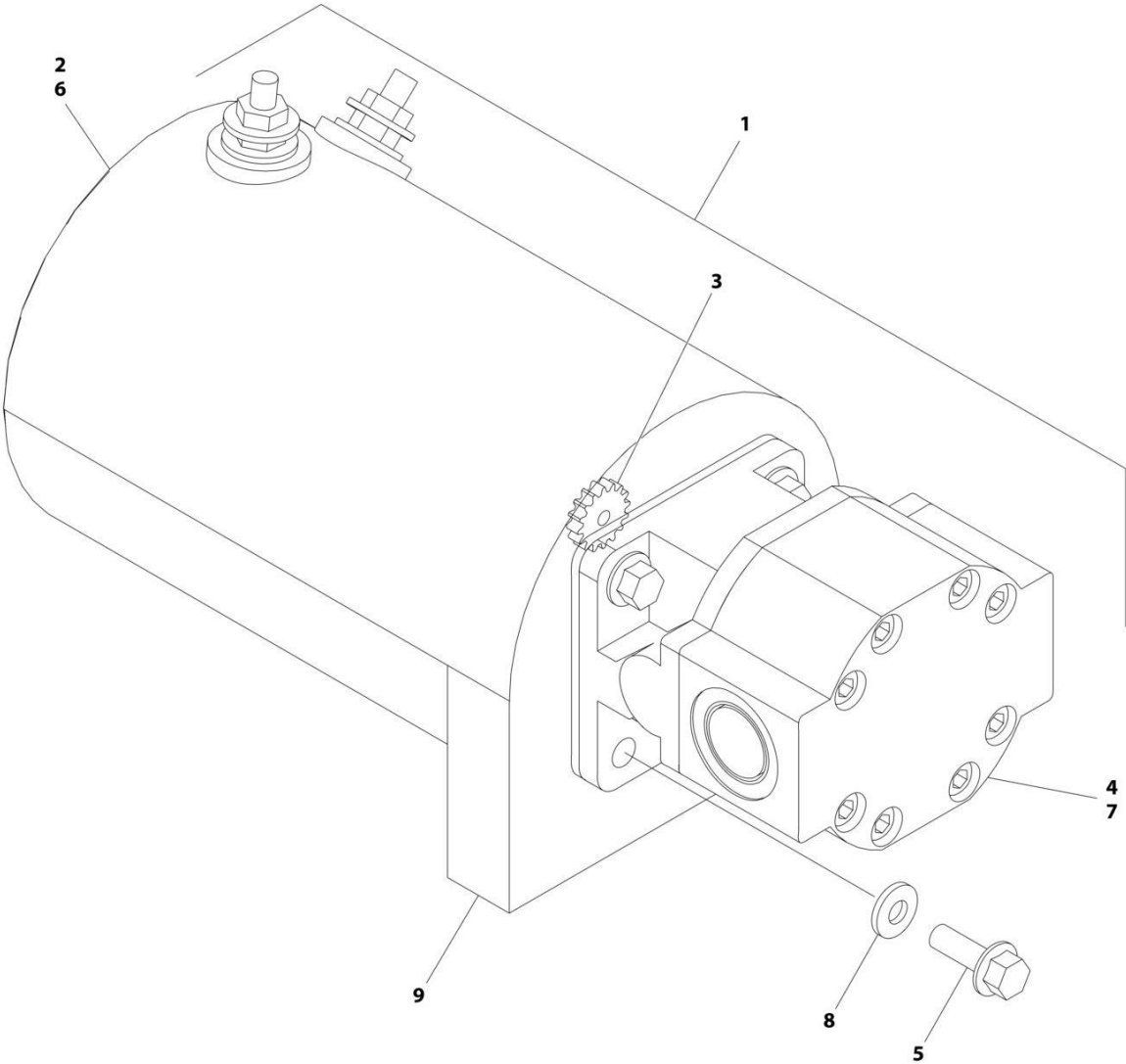
# SECTION 2 - TURNTABLE

**FIGURE 2-5. AUXILIARY PUMP INSTALLATION WITH BATTERY DISCONNECT**

ITEM	PART NUMBER	QTY	DESCRIPTION	REV
	1001239291	Ref	AUXILIARY PUMP WITH BATTERY DISCONNECT INSTALLATION	A
1	0100011	AR	Compound, Locking	
2	0641406	2	Bolt 1/4 x 3/4	
3	0641607	2	Bolt 3/8 x 7/8	
4	0741606	2	Screw, Countersunk 1/4 x 3/4	
5	3311405	3	Nut 1/4	
6	3600365	1	Auxiliary Pump Assembly (See Separate Breakdown in this Section)	
7	3740067	1	Relay	
8	4711400	3	Washer 1/4	
9	4761600	2	Washer 3/8	
10	1001144041	1	Plate	
11	4791400	1	Washer 1/4	
12	0400075	1	Battery	
13	1001236303	1	Plate	
14	1001093382	2	Bolt, J Bolt	
15	4751500	2	Washer 5/16	
16	88521205	2	Nut 5/16	
17	1321716	1	Clamp	
18	4751400	1	Washer 1/4	
19	88411013	1	Bolt 1/4 x 3/4	

**SECTION 2 - TURNTABLE**

**FIGURE 2-6. AUXILIARY PUMP ASSEMBLY**



ART\_3600365

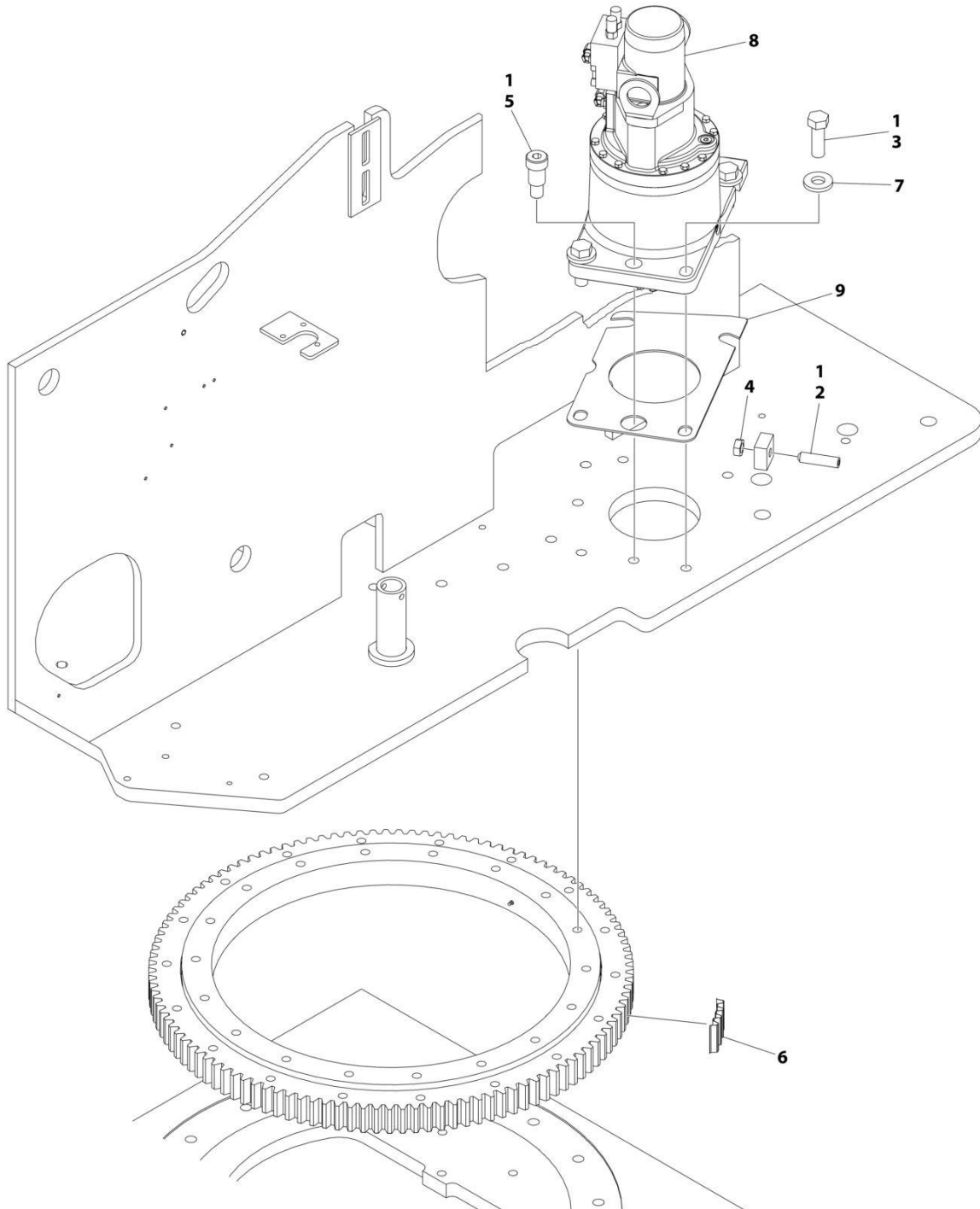
**SECTION 2 - TURNTABLE**

**FIGURE 2-6. AUXILIARY PUMP ASSEMBLY**

ITEM	PART NUMBER	QTY	DESCRIPTION	REV
1	3600365	Ref	AUXILIARY PUMP ASSEMBLY	B
2	7004290	1	Replacement Motor with Endhead Item 15H (was p/n 7011067)	
2	7004248	1	Replacement Motor without Endhead Item 15H	
2	7011065	1	Brush Kit - 7011067 Motor	
3	7011063	1	Coupling	
4	7011064	1	Replacement Pump	
4	7011066	1	Seal Kit - 7011064 Pump	
4	7004290	1	Relief Valve (Note: Not Available - Replace Complete Pump)	
5	7011043	4	Bolt (Mounts Pump to Mounting Bracket)	
6	See Note	2	Bolt (Motor to Bracket) (Note: Not Available for Purchase)	
7	7011044	1	Gasket	
8	7011048	4	Washer	
9	7011062	4	Endhead, Motor	

# SECTION 2 - TURNTABLE

## FIGURE 2-7. SWING DRIVE INSTALLATION



ART\_1001152181



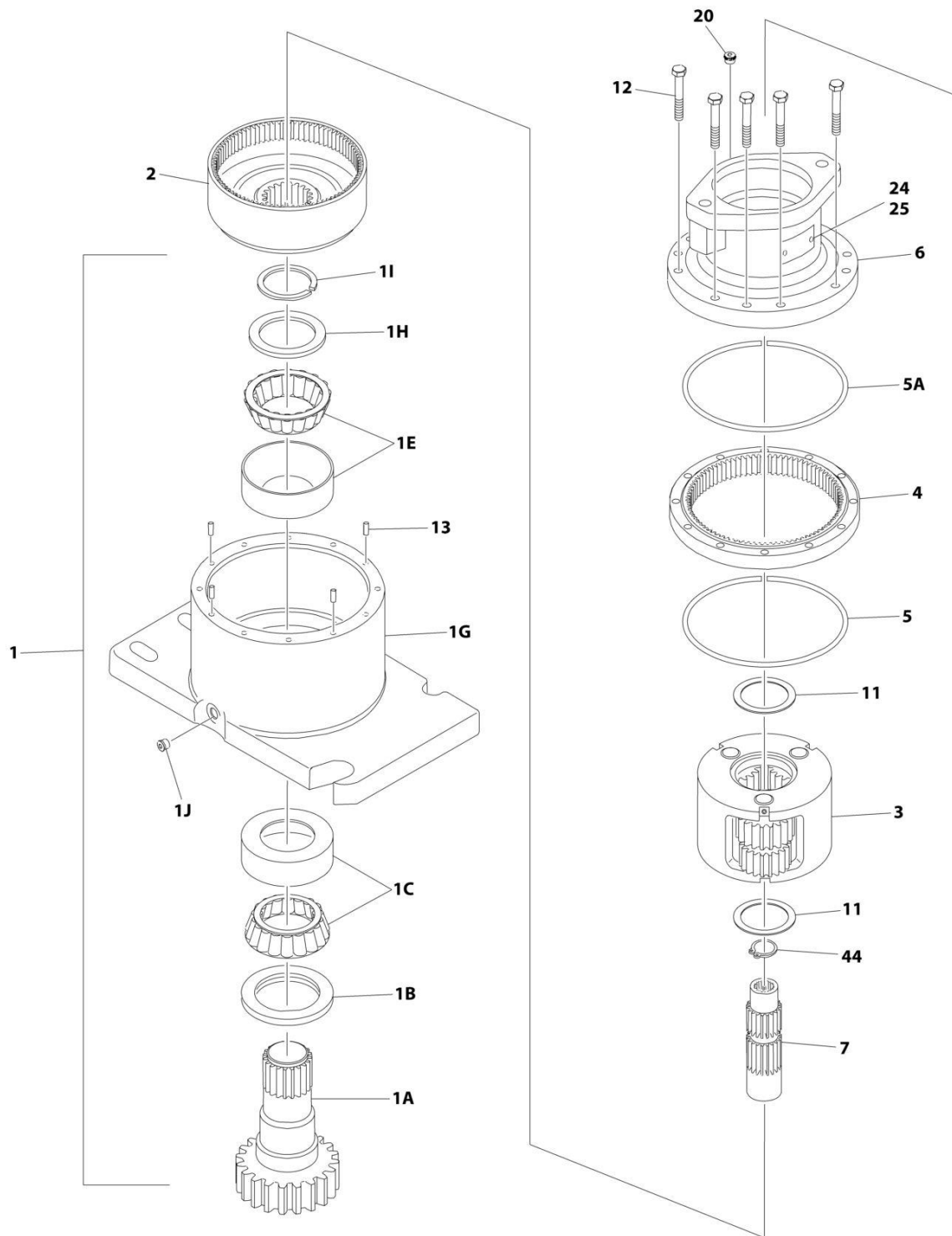
**SECTION 2 - TURNTABLE**

**FIGURE 2-7. SWING DRIVE INSTALLATION**

<b>ITEM</b>	<b>PART NUMBER</b>	<b>QTY</b>	<b>DESCRIPTION</b>	<b>REV</b>
	1001152181	Ref	SWING DRIVE INSTALLATION	E
1	0100019	AR	Compound, Locking	
2	3952020	1	Setscrew 5/8 x 2-1/2	
3	0682218	4	Bolt 3/4 x 2-1/4 Grade 8	
4	3312002	1	Nut, Jam 5/8	
5	3900293	1	Capscrew 1 x 1-1/4	
6	1001125492	1	Shim	
7	4740057	4	Flatwasher, Hardened	
8	1001229810	1	Swing Hub Assembly (See Separate Breakdown in this section)	
9	1001152234	1	Plate, Spacer	

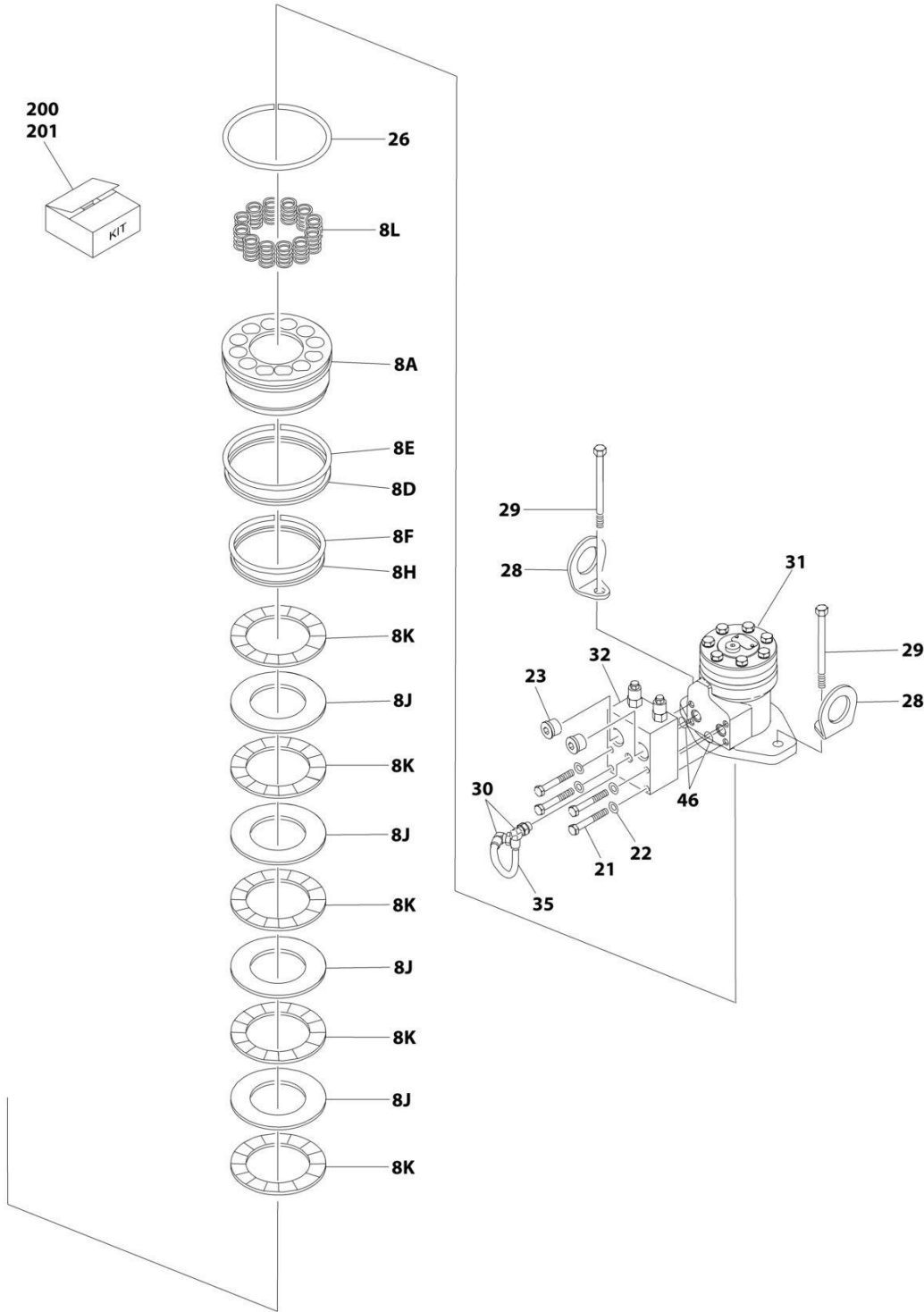
# SECTION 2 - TURNTABLE

## FIGURE 2-8. SWING MOTOR/HUB ASSEMBLY



ART\_1001229810\_10F2

# SECTION 2 - TURNTABLE



ART\_1001229810\_20F2

## SECTION 2 - TURNTABLE

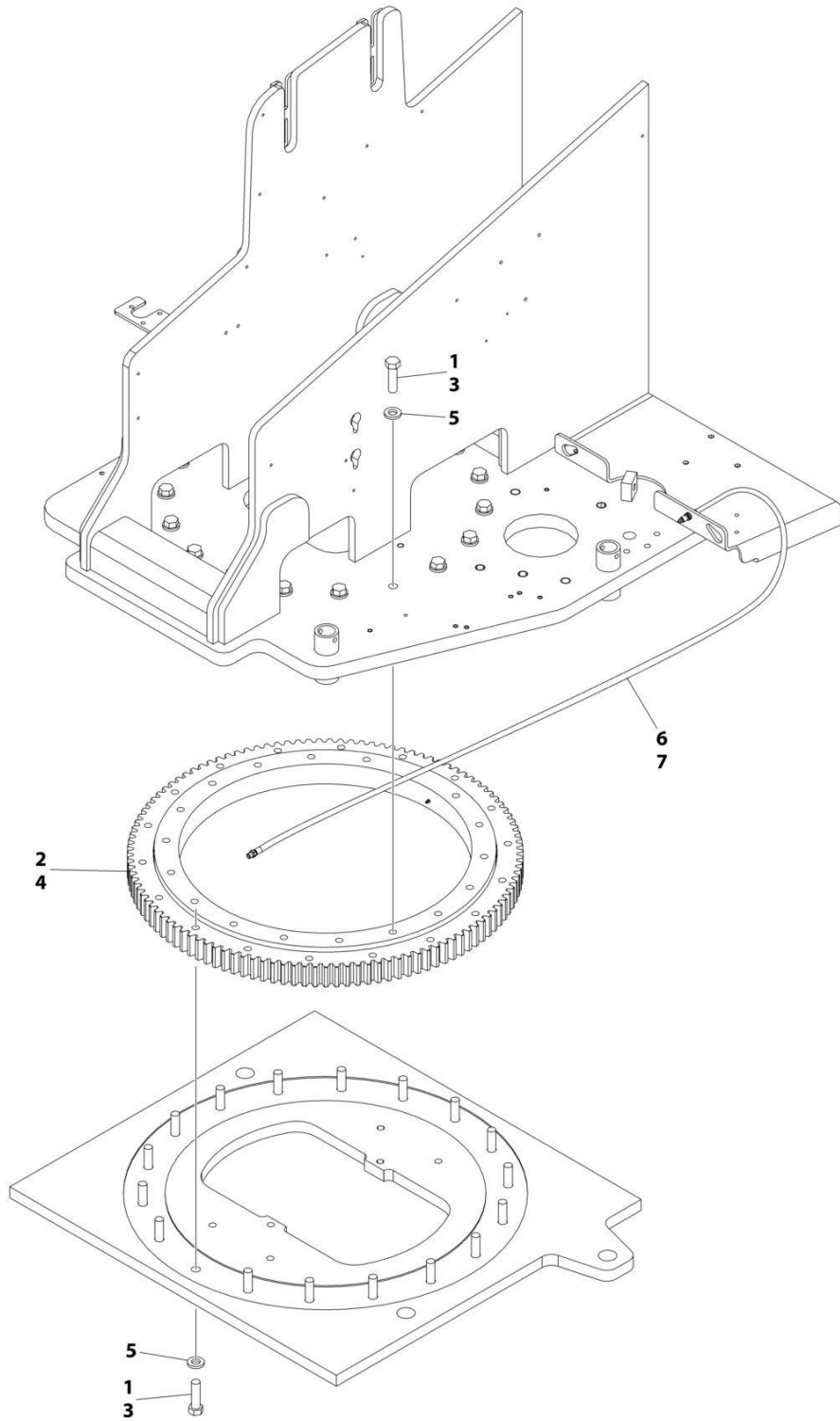
**FIGURE 2-8. SWING MOTOR/HUB ASSEMBLY**

ITEM	PART NUMBER	QTY	DESCRIPTION	REV
	1001229810	Ref	SWING MOTOR/HUB ASSEMBLY	C
1	See Note	1	Housing/Shaft Assembly (Note: Not Available - Purchase Individual Components)	
1A	7010492	1	Shaft, Output	
1B	7000228	1	Seal, Lip	
1C	7000255	1	Bearing Kit (Includes Cup and Cone)	
1E	7000257	1	Bearing Kit (Includes Cup and Cone)	
1G	7024762	1	Housing	
1H	7007633	1	Washer, Thrust	
1I	7000229	1	Ring, Retaining	
1J	7017072	1	Plug, Pipe	
2	7000246	1	Gear, Internal	
3	7000247	1	Carrier Assembly	
4	7000248	1	Gear, Ring	
5	7000230	1	O-Ring	
5A	7017070	1	O-Ring	
6	1001229810	NSS	Housing, Brake (Note: Not Available - Purchase Complete Assembly)	
7	70005203	1	Gear, Sun	
8A	70004037	1	Piston	
8D	70004041	1	O-Ring	
8E	70004044	1	Ring, Back-up	
8F	70004042	1	O-Ring	
8H	70004043	1	Ring, Back-up	
8J	70002085	4	Disc, Rotor	
8K	70002085	5	Disc, Stator	
8L	70002066	14	Spring	
11	7000253	2	Washer, Thrust	
12	7000217	12	Bolt 3/8 x 2-1/4 Grade 8	
13	7017080	4	Pin, Dowel	
20	7017072	1	Plug, Pipe	
21	7024704	4	Bolt 5/16 x 2 Grade 8	
22	70004045	4	Washer	
23	7017023	2	Plug, Pipe	
24	See Note	NSS	Plate, ID (Note: Not Available for Purchase)	
25	See Note	NSS	Rivet (Note: Not Available for Purchase)	
26	7024763	1	O-Ring	
28	See Note	NSS	Lug, Lifting (Note: Not Available for Purchase)	
29	70004040	2	Bolt 1/2 x 1 (Grade 8)	
30	7017085	2	Elbow	
31	70006304	1	Motor Assembly	
32	7024784	1	Valve Assembly - Complete (No Serviceable Parts)	
35	70004047	1	Tube	
44	7017028	1	Ring, Internal Retaining	
45	7000213	2	O-Ring	
		Ref	KIT OPTIONS:	
200	7024100	1	Seal Kit - Swing Hub (Includes Items 1B, 1I, 5, 5A & 11)	
201	70002085	1	Disc Kit - Swing Brake (Includes Items 8J & 8K)	



# SECTION 2 - TURNTABLE

## FIGURE 2-9. TURNTABLE BEARING INSTALLATION



ART\_1001150391

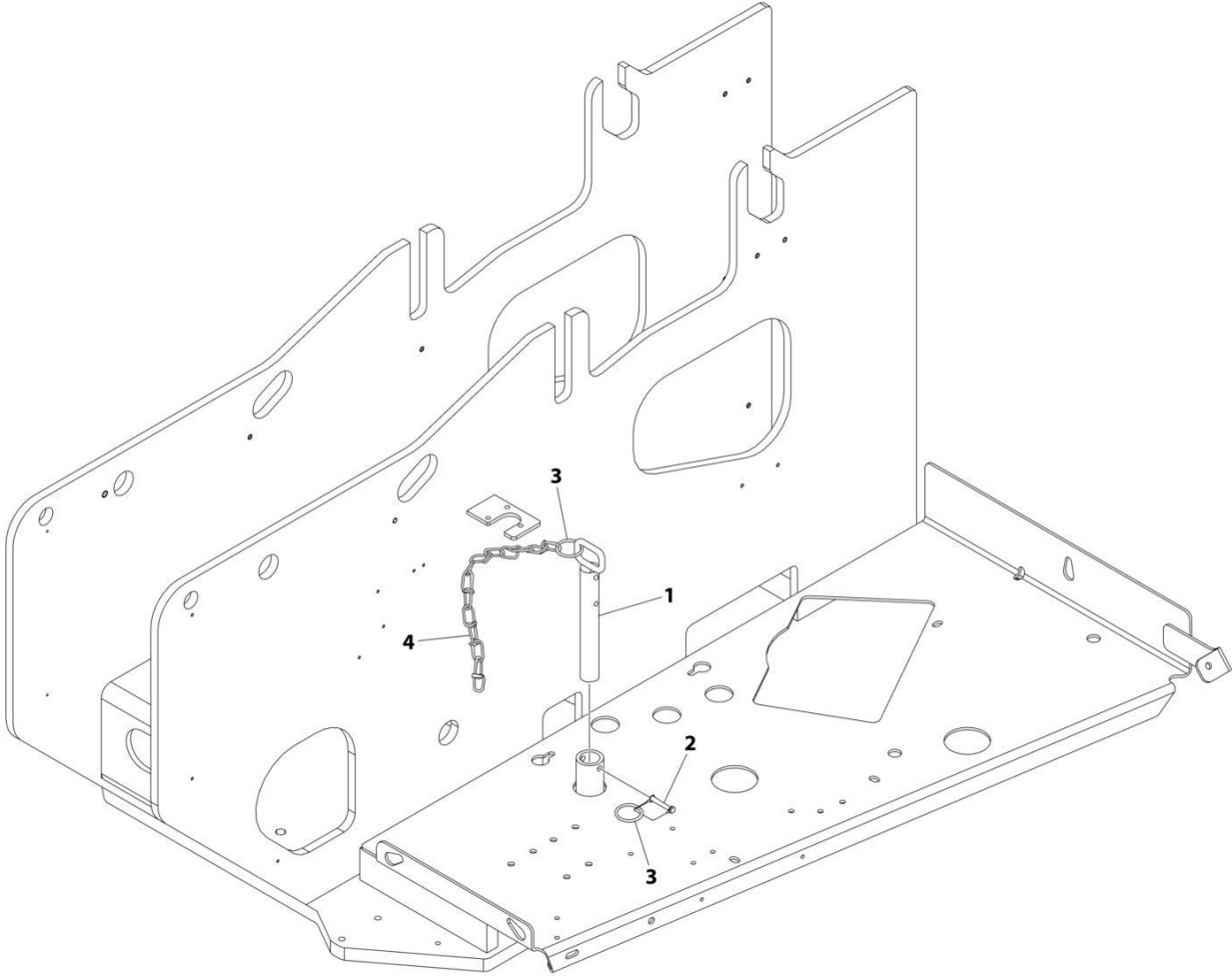
**SECTION 2 - TURNTABLE**

**FIGURE 2-9. TURNTABLE BEARING INSTALLATION**

<b>ITEM</b>	<b>PART NUMBER</b>	<b>QTY</b>	<b>DESCRIPTION</b>	<b>REV</b>
	1001150391	Ref	TURNTABLE BEARING AND REMOTE LUBE INSTALLATION	C
1	0100019	AR	Compound, Locking	
2	0440207	1	Bearing, Turntable	
3	0682018	36	Bolt 5/8 x 2-1/4 Grade 8	
4	3020029	AR	Lubricant	
5	4892000	36	Washer 5/8 Hardened	
6	0100011	AR	Compound, Locking	
7	1001149927	1	Hose (Includes Grease Fitting and Adapter Fittings)	

# SECTION 2 - TURNTABLE

FIGURE 2-10. TURNTABLE LOCK INSTALLATION (DEUTZ D2011 & FORD ENGINE MACHINES)



ART\_0255410



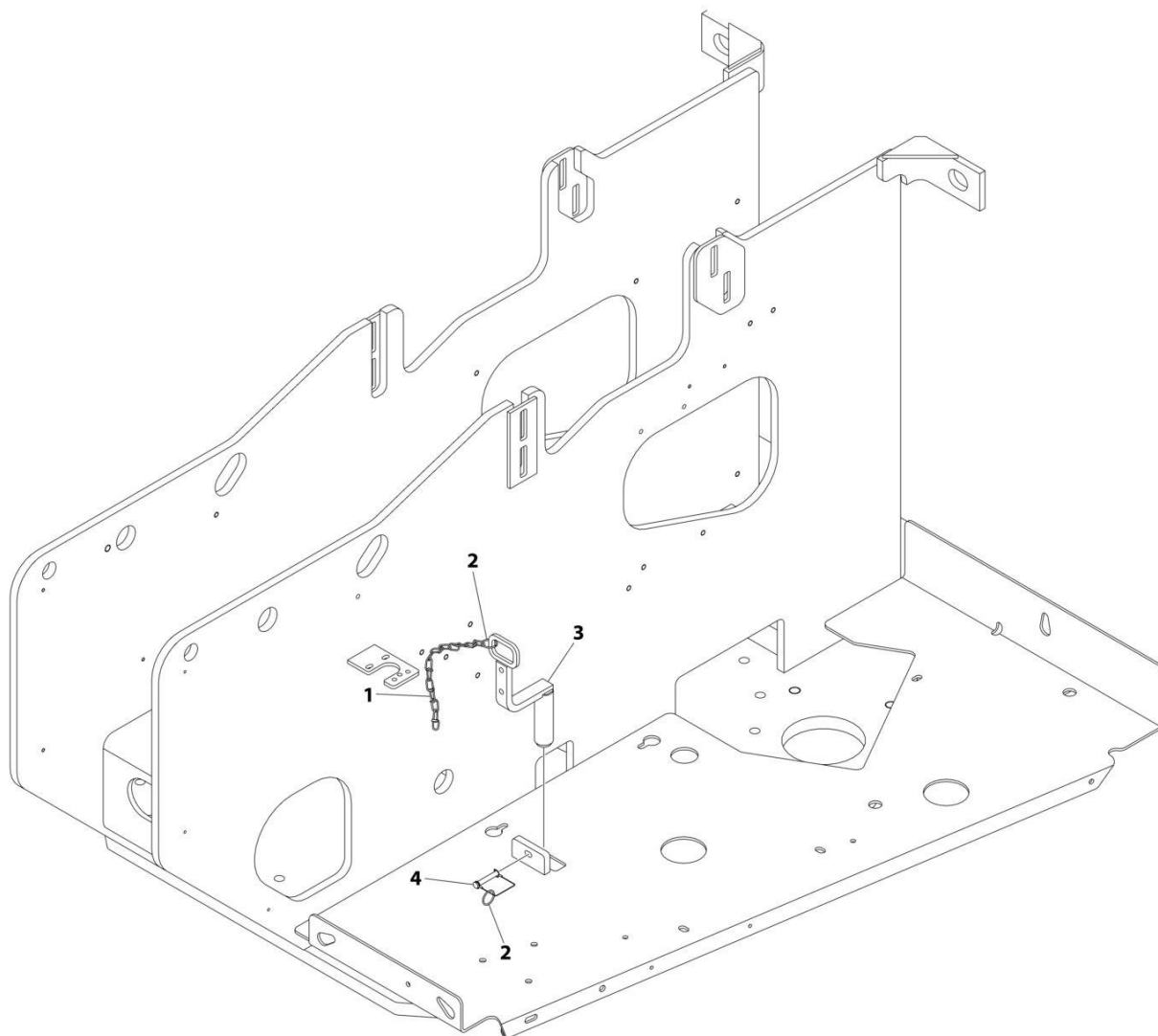
**SECTION 2 - TURNTABLE**

**FIGURE 2-10. TURNTABLE LOCK INSTALLATION (DEUTZ D2011 & FORD ENGINE MACHINES)**

ITEM	PART NUMBER	QTY	DESCRIPTION	REV
	0255410	Ref	TURNTABLE LOCK INSTALLATION	B
1	4844958	1	Pin	
2	3421565	1	Pin, Snap	
3	3760170	2	Ring, Quick Release	
4	1260017	9 in /23cm	Chain	

## SECTION 2 - TURNTABLE

FIGURE 2-11. TURNTABLE LOCK INSTALLATION (DEUTZ TD2.9L4 & DEUTZ TD2.2L3 STAGE V ENGINE MACHINES)



ART\_1001137885

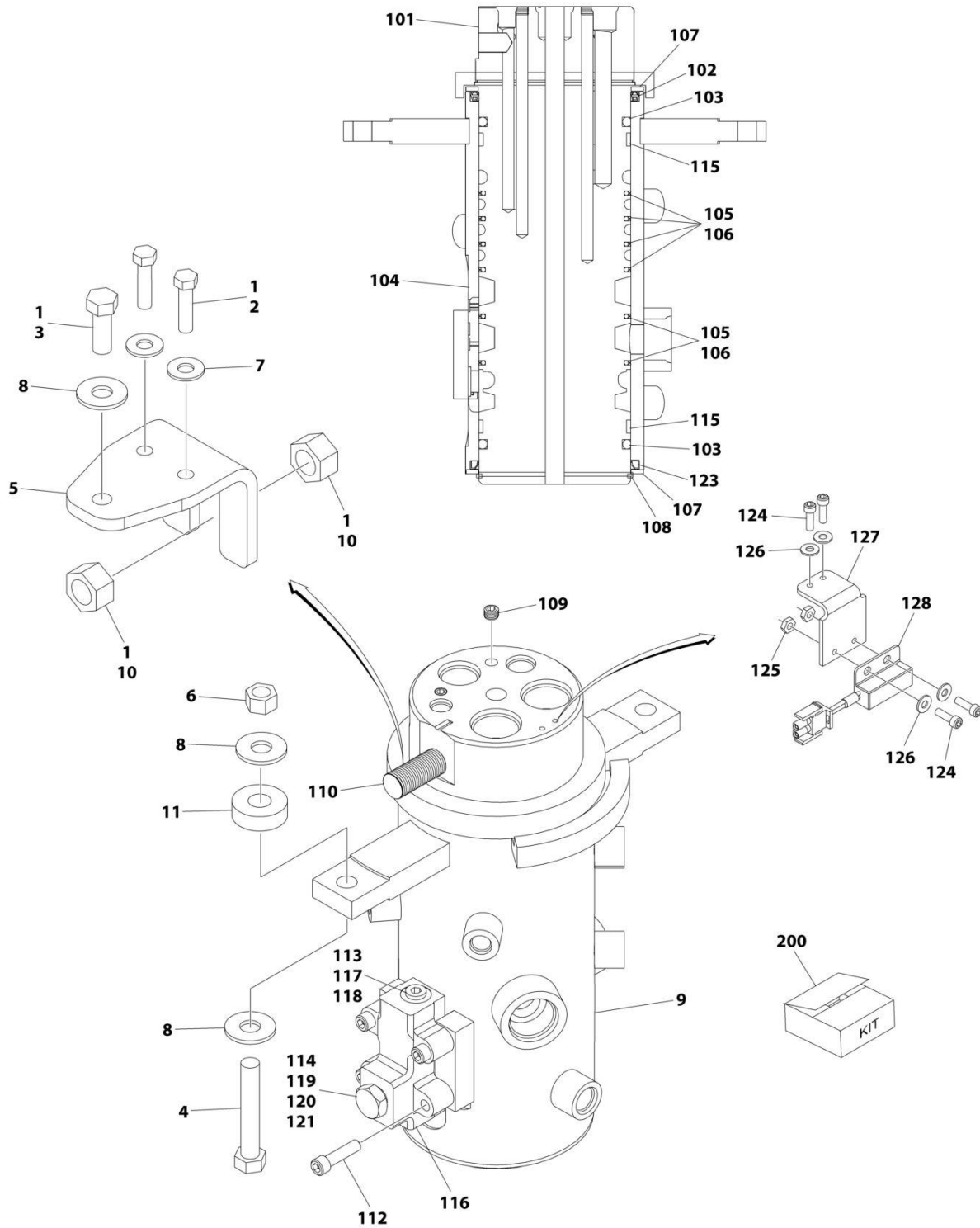
**SECTION 2 - TURNTABLE**

**FIGURE 2-11. TURNTABLE LOCK INSTALLATION (DEUTZ TD2.9L4 & DEUTZ TD2.2L3 STAGE V ENGINE MACHINES)**

<b>ITEM</b>	<b>PART NUMBER</b>	<b>QTY</b>	<b>DESCRIPTION</b>	<b>REV</b>
	1001137885	Ref	TURNTABLE LOCK INSTALLATION	A
1	1260017	9 in /23cm	Chain	
2	3760170	2	Ring, Quick Release	
3	1001137896	1	Pin	
4	1001145292	1	Pin, Snap	

# SECTION 2 - TURNTABLE

## FIGURE 2-12. ROTARY COUPLING INSTALLATION



ART\_1001107498

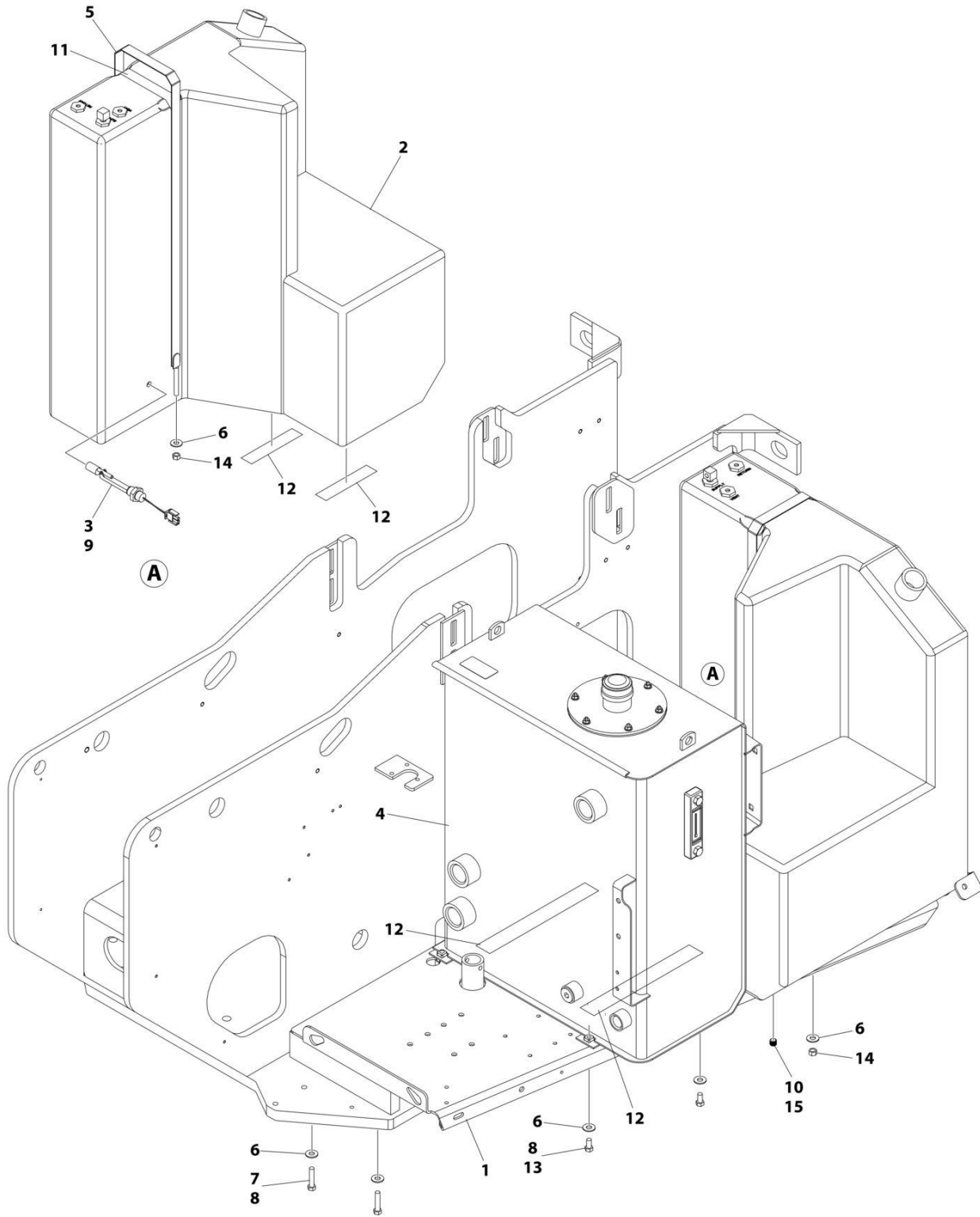
## SECTION 2 - TURNTABLE

### FIGURE 2-12. ROTARY COUPLING INSTALLATION

ITEM	PART NUMBER	QTY	DESCRIPTION	REV
	1001107498	Ref	ROTARY COUPLING INSTALLATION	B
1	0100011	AR	Compound, Locking	
2	0641612	2	Bolt 3/8 x 1-1/2	
3	0641811	1	Bolt 1/2 x 1-3/8	
4	0641824	2	Bolt 1/2 x 3	
5	0903056	1	Bracket	
6	3271805	2	Nut 1/2	
7	4751600	2	Washer 3/8	
8	4751800	5	Washer 1/2	
9	1001106974	1	Coupling, Rotary (See Items 101-121 for Breakdown)	
10	3322201	2	Nut 3/4	
11	1001178789	2	Shim	
	1001106974	Ref	ROTARY COUPLING ASSEMBLY	B
101	See Note	NSS	Body (Note: Not Available - Purchase Complete Assembly)	
102	70001248	1	Seal	
103	See Note	NSS	O-Ring (Note: Use Item 200A or 200B) (Note: Use Item 200A or 200B)	
104	See Note	NSS	Housing (Note: Not Available - Purchase Complete Assembly)	
105	70001248	6	Seal, Cap	
106	70001248	6	O-Ring	
107	7026503	2	Ring	
108	7026504	1	Ring, Retaining	
109	80934561	2	Plug	
110	See Note	1	Lug, Torque (Note: Not Available for Purchase)	
112	7026197	4	Bolt 5/16 x 1-1/4	
113	See Note	NSS	O-Ring (Note: Use Item 200A or 200B)	
114	See Note	NSS	O-Ring (Note: Use Item 200A or 200B)	
115	See Note	NSS	Bearing (Note: Use Item 200A or 200B)	
116	7024404	1	Block Valve Assembly	
117	7026505	1	Plug	
118	7026506	1	Valve, Check	
119	7026507	1	Plug	
120	7024404	1	Plunger, Valve (Note: Not Available for Purchase)	
121	7026509	1	Spring, Compression	
122	See Note	NSS	Protective Netting (Not Shown) (Note: Not Available for Purchase)	
123	70001248	1	Seal	
124	See Note	NSS	Screw, Socket Head #10 x 1/2 (Note: Not Available for Purchase)	
125	See Note	NSS	Nut #10 (Note: Not Available for Purchase)	
126	See Note	NSS	Washer #10 (Note: Not Available for Purchase)	
127	70003454	1	Bracket, Switch Mounting	
128	4360517	1	Switch, Proximity	
200	70001248	1	Seal Kit (Includes Items 102, 103, 105, 106, 113, 114, 115 & 123)	

# SECTION 2 - TURNTABLE

## FIGURE 2-13. TANK INSTALLATION – DEUTZ D2011 ENGINE



ART\_1001152066

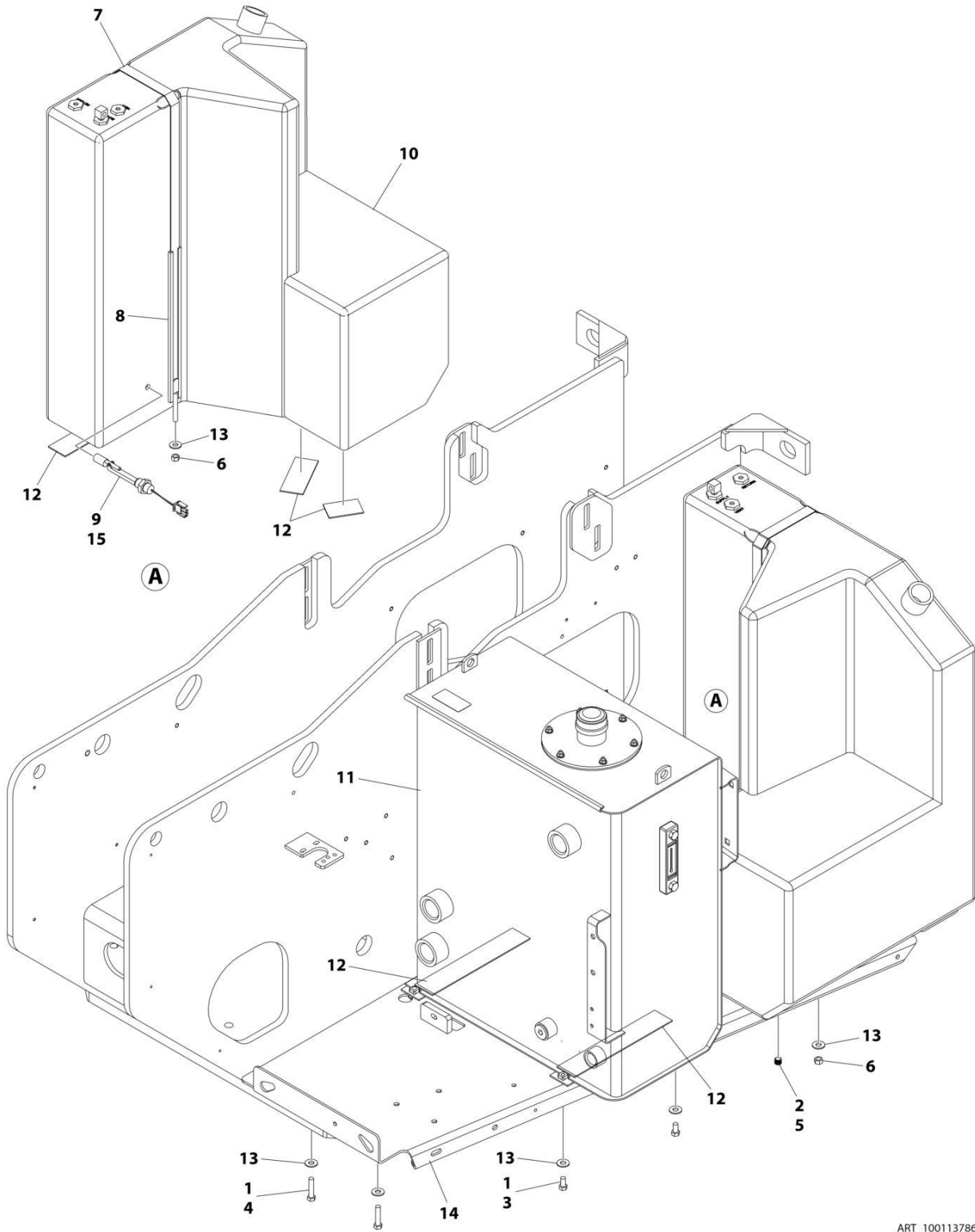
## SECTION 2 - TURNTABLE

### FIGURE 2-13. TANK INSTALLATION – DEUTZ D2011 ENGINE

ITEM	PART NUMBER	QTY	DESCRIPTION	REV
	1001152066	Ref	TANK INSTALLATION	C
1	1001152428	1	Tray	
2	1001173896	1	Tank, Fuel	
2	7016314	1	Cap, Fuel (Non-Locking)	
2	7019658	1	Fitting, 90 with Pick up Tube	
3	4360436	1	Switch, Fuel Level	
4	1001151268	1	Hydraulic Oil Tank Assembly (See Separate Breakdown in this Section)	
5	4240102	1	Strap, Tank	
6	4751600	10	Washer 3/8	
7	0641614	4	Bolt 3/8 x 1-3/4	
8	0100011	AR	Compound, Locking	
9	1001182997	AR	Sealant, Pipe	
10	2200222	1	Plug	
11	4280295	18 in /46cm	Strip, Protective	
12	4420038	AR	Tape, Rubber	
13	0641606	4	Bolt 3/8 x 3/4	
14	3311601	2	Nut 3/8	
15	0100020	AR	Sealant	

# SECTION 2 - TURNTABLE

## FIGURE 2-14. TANK INSTALLATION – DEUTZ TD2.9L4 & TD2.2L3 STAGE V ENGINES



ART\_1001137865



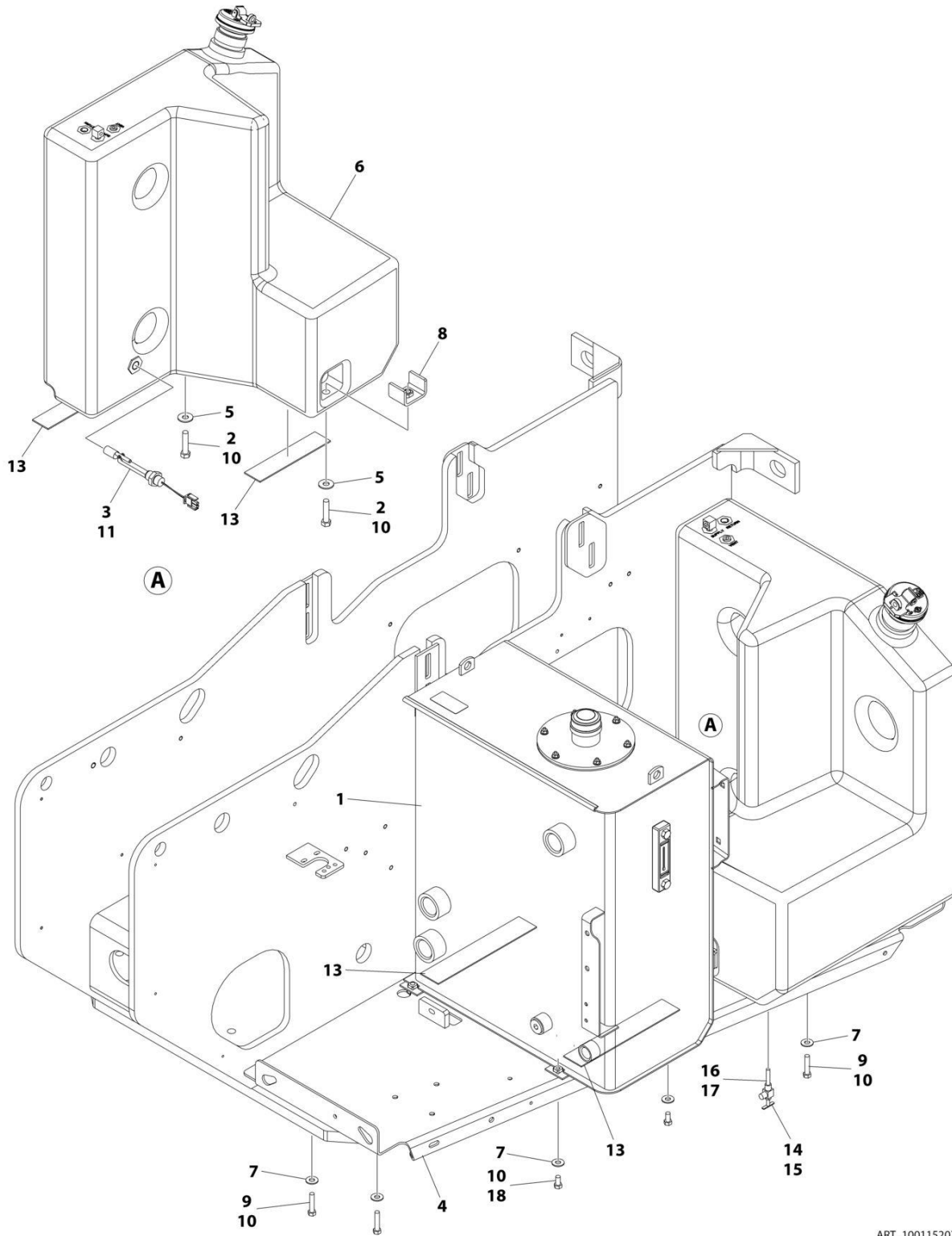
## SECTION 2 - TURNTABLE

**FIGURE 2-14. TANK INSTALLATION – DEUTZ TD2.9L4 & TD2.2L3 STAGE V ENGINES**

ITEM	PART NUMBER	QTY	DESCRIPTION	REV
	1001137865	Ref	TANK INSTALLATION	F
1	0100011	AR	Compound, Locking	
2	0100020	AR	Sealant	
3	0641606	4	Bolt 3/8 x 3/4	
4	0641614	4	Bolt 3/8 x 1-3/4	
5	2200222	1	Plug	
6	3311601	2	Nut 3/8	
7	4240102	1	Strap, Tank	
8	4280295	18 in /46cm	Strip, Protective	
9	4360436	1	Switch, Fuel Level	
10	1001173896	1	Tank, Fuel	
10	7016314	1	Cap (Non-Locking)	
10	7019658	1	Fitting, 90 with Pick up Tube	
11	1001151268	1	Hydraulic Oil Tank Assembly (See Separate Breakdown in this Section)	
12	4420038	AR	Tape, Rubber	
13	4751600	10	Washer 3/8	
14	1001137863	1	Tray	
15	1001182997	AR	Sealant, Pipe	

# SECTION 2 - TURNTABLE

## FIGURE 2-15. TANK INSTALLATION – FORD ENGINE



ART\_1001152070

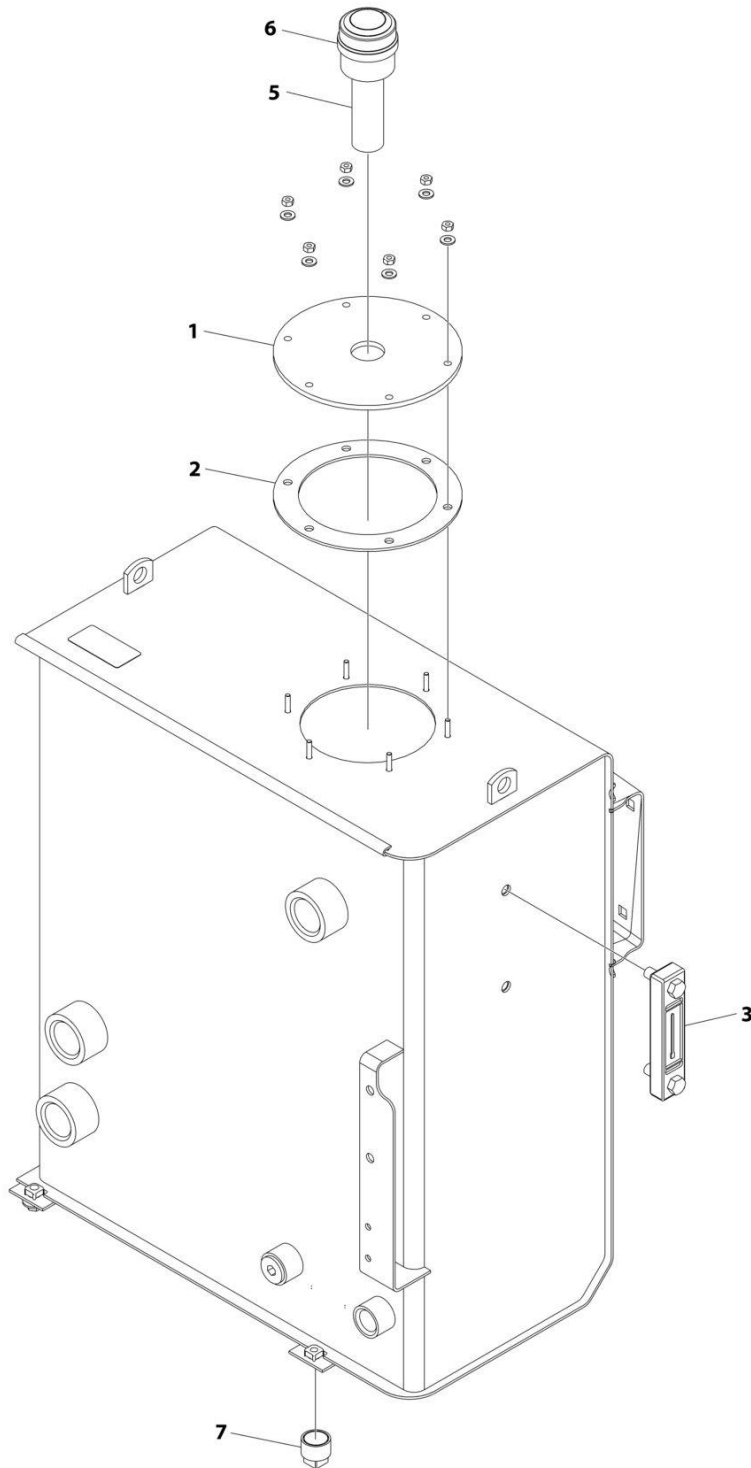
# SECTION 2 - TURNTABLE

**FIGURE 2-15. TANK INSTALLATION – FORD ENGINE**

ITEM	PART NUMBER	QTY	DESCRIPTION	REV
	1001152070	Ref	TANK INSTALLATION	D
1	1001151268	1	Hydraulic Oil Tank Assembly (See Separate Breakdown in this Section)	
2	0641818	2	Bolt 1/2 x 2-1/4	
3	4360436	1	Switch, Fuel Level	
4	1001137863	1	Tray	
5	4751800	2	Washer 1/2	
6	1001111514	1	Tank, Fuel	
6	70002715	1	Cap (Non-Locking)	
6	70002716	1	Adpater, Cap	
6	70004149	1	Fitting with Pick up Tube	
7	4751600	8	Washer 3/8	
8	1001118133	2	Bracket	
9	0641614	4	Bolt 3/8 x 1-3/4	
10	0100011	AR	Compound, Locking	
11	1001182997	AR	Sealant, Pipe	
13	4420038	AR	Tape, Rubber	
14	4641022	1	Valve, Needle	
15	0100020	AR	Sealant	
16	0100062	AR	Retaining Compound #680	
17	4568119	1	Tube, Fuel	
18	0641606	4	Bolt 3/8 x 3/4	

# SECTION 2 - TURNTABLE

## FIGURE 2-16. HYDRAULIC OIL TANK ASSEMBLY



ART\_1001151268

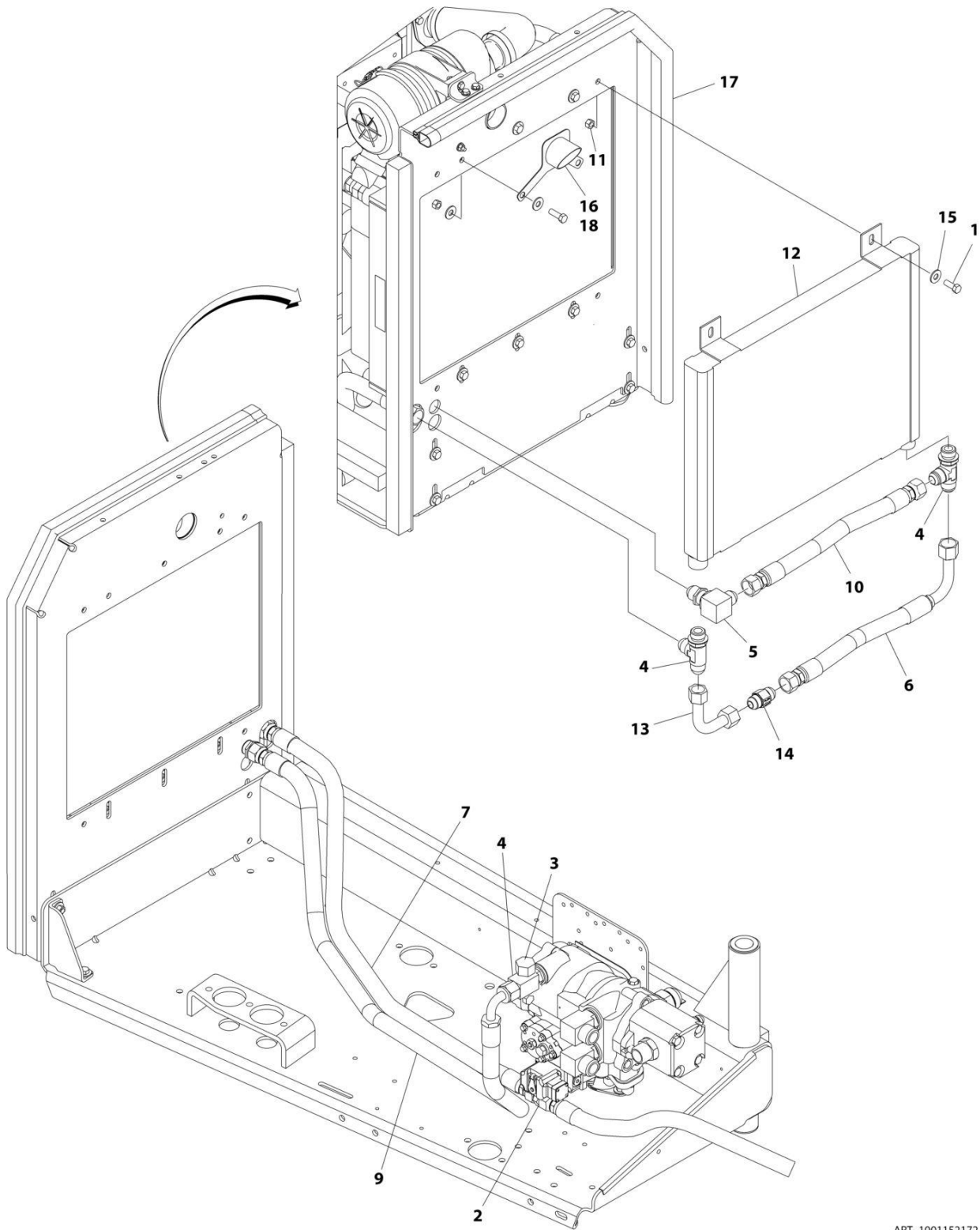
**SECTION 2 - TURNTABLE**

**FIGURE 2-16. HYDRAULIC OIL TANK ASSEMBLY**

ITEM	PART NUMBER	QTY	DESCRIPTION	REV
	1001151268	Ref	HYDRAULIC OIL TANK ASSEMBLY	H
1	7024439	1	Cover	
2	7024440	1	Gasket	
3	7024441	1	Gauge, Sight	
5	7024443	1	Neck, Fill (Helgensen Brand)	
5	See Note	NSS	Neck, Fill (Hydac Brand) (Note: Use Item 70004862)	
5	7024445	1	Screen (Helgensen Brand)	
5	See Note	NSS	Screen (Hydac Brand) (Note: Use Item 70004862)	
6	7024444	1	Breather/Fill Cap (Helgensen Brand)	
6	70004862	1	Breather/Fill Cap/Strainer Kit (Hydac Brand)	
7	7024446	1	Plug, Magnetic	

## SECTION 2 - TURNTABLE

FIGURE 2-17. HYDRAULIC OIL COOLER INSTALLATION - DEUTZ D2011 ENGINES (OPTIONAL)



ART\_1001152172

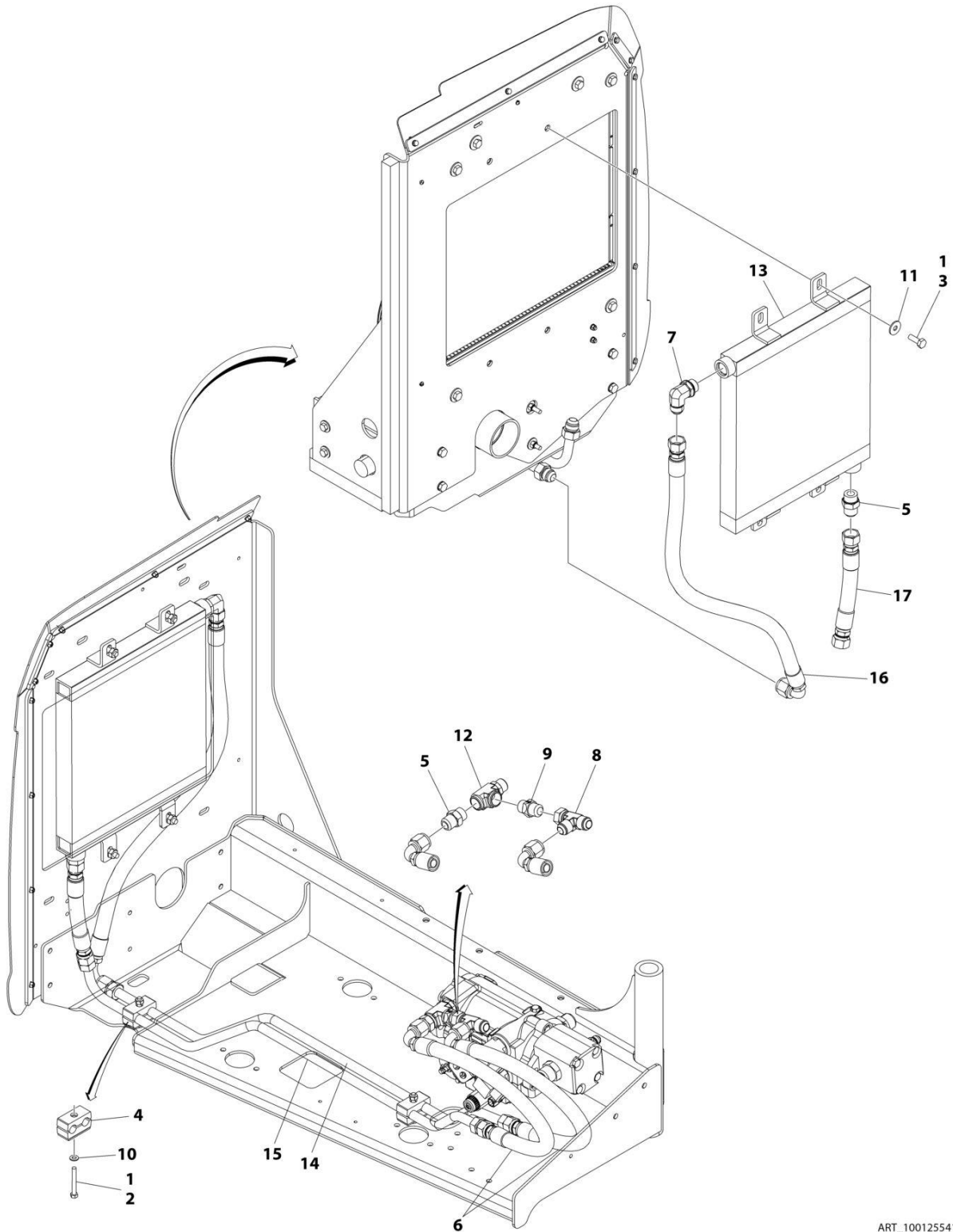
## SECTION 2 - TURNTABLE

**FIGURE 2-17. HYDRAULIC OIL COOLER INSTALLATION - DEUTZ D2011 ENGINES (OPTIONAL)**

ITEM	PART NUMBER	QTY	DESCRIPTION	REV
	1001152172	Ref	HYDRAULIC OIL COOLER INSTALLATION	C
1	0641608	4	Bolt 3/8 x 1	
2	2220513	1	Fitting, Straight JIC/JIC	
3	2220518	1	Fitting, Cap	
4	2220738	3	Fitting, Tee JIC/ORB/JIC	
5	2230046	1	Fitting, 90 JIC/JIC	
6	2752659	1	Hose	
7	2752661	1	Hose	
9	2753354	1	Hose	
10	2750949	1	Hose	
11	3311605	4	Nut 3/8	
12	3620034	1	Cooler, Hydraulic Oil	
13	4567123	1	Tube 90	
14	4640990	1	Valve, Check	
15	4751600	4	Washer 3/8	
16	0100087	AR	Adhesive	
17	1001157604	5 ft /1.52m	Seal	
18	1001158720	1	Shroud	

## SECTION 2 - TURNTABLE

FIGURE 2-18. HYDRAULIC OIL COOLER INSTALLATION - DEUTZ TD2.2L3 STAGE V ENGINES (OPTIONAL)



ART\_1001255413



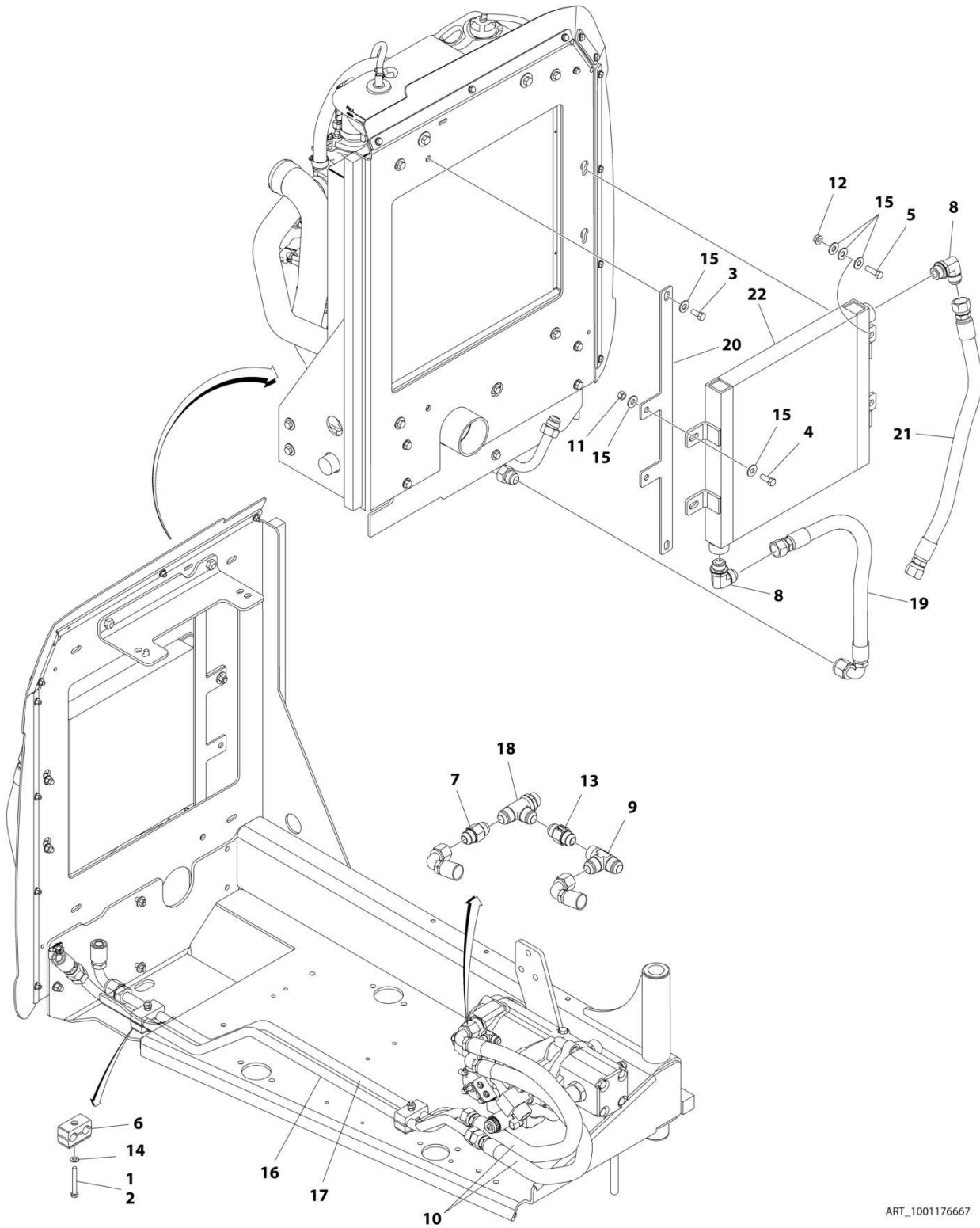
**SECTION 2 - TURNTABLE**

**FIGURE 2-18. HYDRAULIC OIL COOLER INSTALLATION - DEUTZ TD2.2L3 STAGE V ENGINES (OPTIONAL)**

ITEM	PART NUMBER	QTY	DESCRIPTION	REV
	1001255413	Ref	HYDRAULIC OIL COOLER INSTALLATION	A
1	0100011	AR	Compound, Locking	
2	0641520	2	Bolt 5/16 x 2-1/2	
3	0701014	4	Bolt M10 x 30	
4	1320162	2	Clamp	
5	2220451	2	Fitting, Straight JIC/ORB	
6	2752530	2	Hose	
7	2220578	1	Fitting, 90 JIC/ORB	
8	2220700	1	Fitting, Tee JIC/FSJIC/JIC	
9	4641264	1	Valve, Check	
10	4711500	2	Washer 5/16	
11	4812002	4	Washer M10	
12	1001143812	1	Fitting, Tee ORB/ORB/ORB	
13	1001183924	1	Cooler, Hydraulic Oil	
14	1001249448	1	Tube	
15	1001249449	1	Tube	
16	1001253805	1	Hose	
17	1001253806	1	Hose	

# SECTION 2 - TURNTABLE

## FIGURE 2-19. HYDRAULIC OIL COOLER INSTALLATION - DEUTZ TD2.9L4 ENGINES (OPTIONAL)



ART\_1001176667

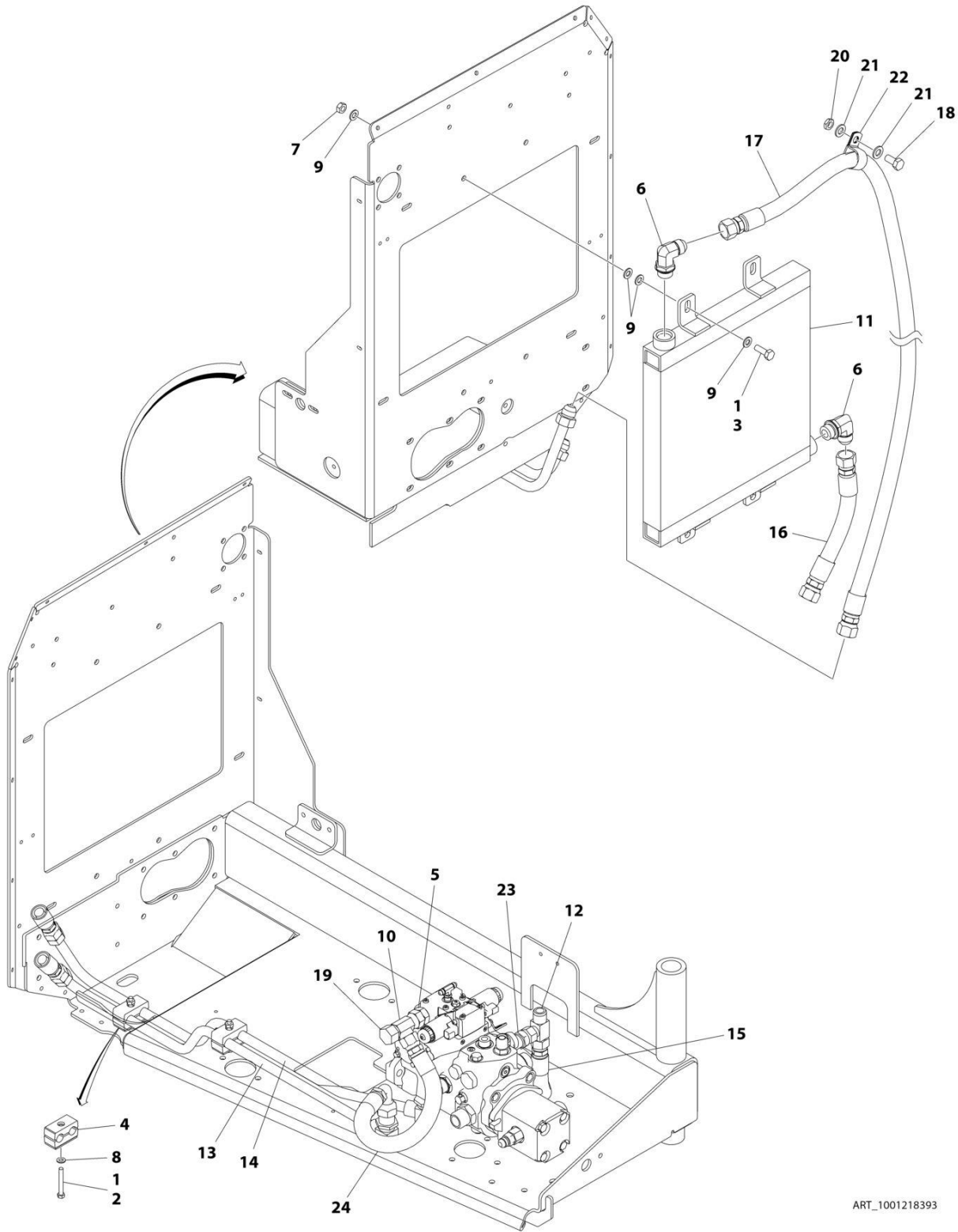
## SECTION 2 - TURNTABLE

**FIGURE 2-19. HYDRAULIC OIL COOLER INSTALLATION - DEUTZ TD2.9L4 ENGINES (OPTIONAL)**

ITEM	PART NUMBER	QTY	DESCRIPTION	REV
	1001176667	Ref	HYDRAULIC OIL COOLER INSTALLATION	C
1	0100011	AR	Compound, Locking	
2	0641520	2	Bolt 5/16 x 2-1/2	
3	0641607	2	Bolt 3/8 x 7/8	
4	0641608	2	Bolt 3/8 x 1	
5	0641610	2	Bolt 3/8 x 1-1/4	
6	1320162	2	Clamp	
7	2220451	1	Fitting, Straight JIC/ORB	
8	2220578	2	Fitting, 90 JIC/ORB	
9	2220700	1	Fitting, Tee JIC/FSJIC/JIC	
10	2752530	2	Hose	
11	3271601	2	Nut 3/8	
12	3311608	2	Nut 3/8	
13	4641264	1	Valve, Check	
14	4711500	2	Washer 5/16	
15	4751600	12	Washer 3/8	
16	1001143765	1	Tube	
17	1001143766	1	Tube	
18	1001143812	1	Fitting, Tee ORB/ORB/ORB	
19	1001145706	1	Hose	
20	1001176666	1	Plate	
21	1001177090	1	Hose	
22	1001183924	1	Cooler, Hydraulic Oil	

# SECTION 2 - TURNTABLE

## FIGURE 2-20. HYDRAULIC OIL COOLER INSTALLATION – FORD ENGINES (OPTIONAL)



ART\_1001218393

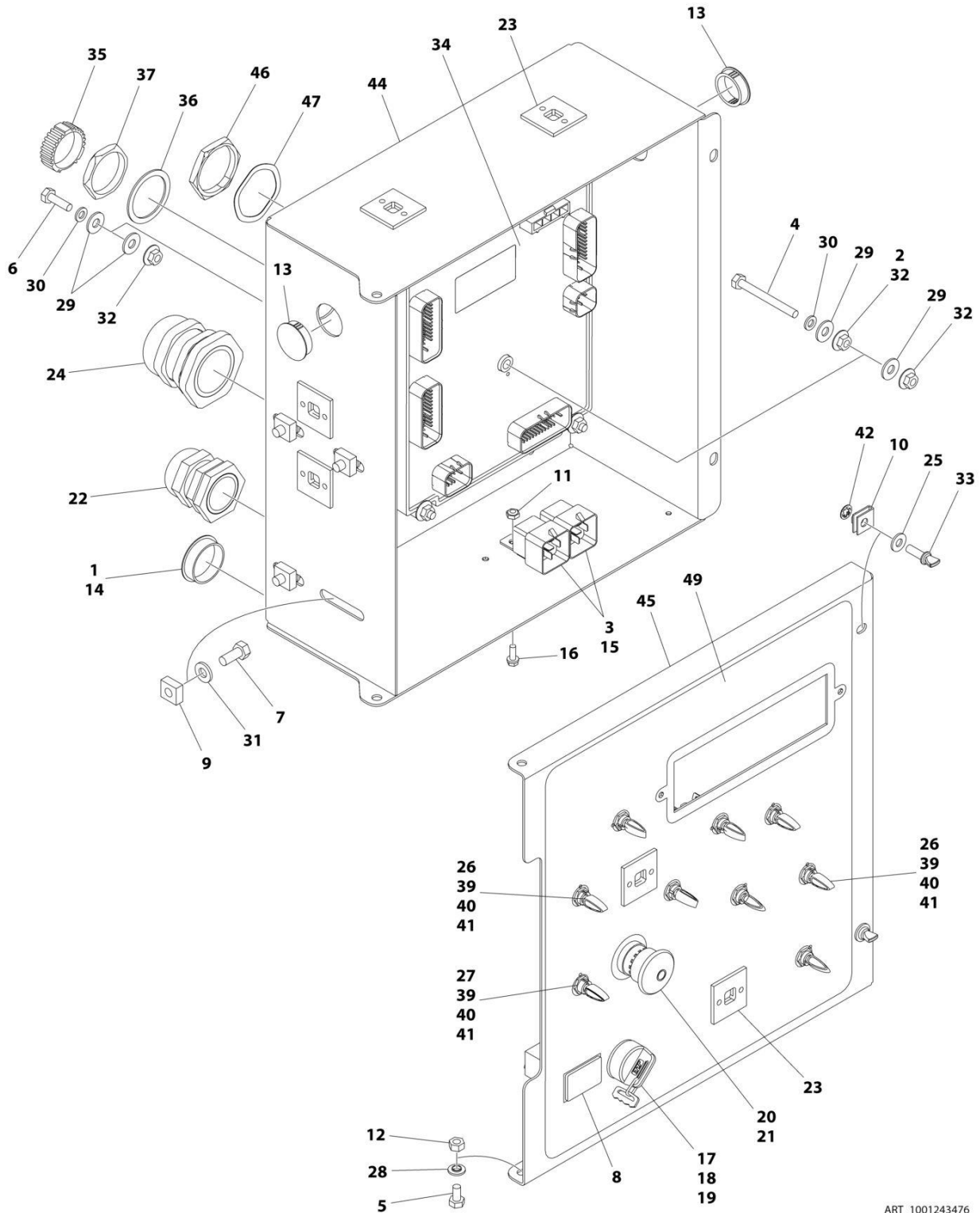
## SECTION 2 - TURNTABLE

**FIGURE 2-20. HYDRAULIC OIL COOLER INSTALLATION – FORD ENGINES (OPTIONAL)**

ITEM	PART NUMBER	QTY	DESCRIPTION	REV
	1001218393	Ref	HYDRAULIC OIL COOLER INSTALLATION	C
1	0100011	AR	Compound, Locking	
2	0641520	2	Bolt 5/16 x 2-1/2	
3	0771014	4	Bolt M10 x 30	
4	1320162	2	Clamp	
5	2220451	1	Fitting, Straight JIC/ORB	
6	2220578	2	Fitting, 90 JIC/ORB	
7	3291001	4	Nut M10	
8	4711500	2	Washer 5/16	
9	4812000	16	Washer M10	
10	2220700	1	Fitting, Tee JIC/FSJIC/JIC	
11	1001183924	1	Cooler, Hydraulic Oil	
12	2220682	1	Fitting, Tee JIC/JIC/JIC	
13	1001218394	1	Tube	
14	1001218395	1	Tube	
15	1001219457	1	Hose	
16	1001219458	1	Hose	
17	1001096398	1	Hose	
18	0771212	1	Bolt M12 x 25	
19	2220518	1	Fitting, Cap	
20	3291202	1	Nut M12	
21	4812100	2	Washer M12	
22	8406302	1	Clamp	
23	1001179156	1	Valve, Check	
24	1001221621	1	Hose	

# SECTION 2 - TURNTABLE

FIGURE 2-21. GROUND CONTROL BOX ASSEMBLY (DEUTZ D2011 ENGINE) (ALL SPECS EXCEPT CE SPECS)



ART\_1001243476

## SECTION 2 - TURNTABLE

**FIGURE 2-21. GROUND CONTROL BOX ASSEMBLY (DEUTZ D2011 ENGINE) (ALL SPECS EXCEPT CE SPECS)**

ITEM	PART NUMBER	QTY	DESCRIPTION	REV
	1001243476	Ref	GROUND CONTROL BOX ASSEMBLY	A
1	0100009	AR	Sealant	
2	0100011	AR	Compound, Locking	
3	0100048	AR	Grease, Dielectric	
4	0630548	5	Bolt, 2-1/2 Tap	
5	0641404	2	Bolt 1/4 x 1/2	
6	0641407	1	Bolt 1/4 x 7/8	
7	0641506	4	Bolt 5/16 x 3/4	
8	2420172	1	Gauge, Hourmeter	
9	3300205	4	Nut, Retainer	
10	3300353	2	Nut, Tinnerman	
11	3300408	2	Nut, Plastic Insert	
12	3311405	2	Nut 1/4	
13	3520031	2	Plug	
14	3520035	1	Plug, Cap	
15	3740049	2	Relay	
16	3900268	2	Screw #10 x 1/2	
17	3910804	6	Screw #8 x 1/4	
18	4070991	1	Shim	
19	4360469	1	Switch, Key	
19	2860030	1	Key Replacement	
20	4360475	1	Switch, Emergency Stop	
20	7020175	1	Cap, Mushroom	
20	7020176	1	Block, Contact	
21	4360476	1	Switch, Contact Block	
22	4460426	1	Connector, Strain Relief	
23	4460488	6	Mounting Base, Terminal	
24	4460526	1	Connector, Strain Relief	
25	4711400	2	Washer 1/4	
26	4740397	8	Spacer	
27	4740444	1	Washer	
28	4740518	2	Washer	
29	4751400	12	Washer 1/4	
30	4761400	6	Washer 1/4	
31	4891500	4	Washer 5/16	
32	77143013	11	Nut 1/4-20	
33	1001103308	2	Screw 1/4	
34	1001103667	1	Module, Ground Control	
		Ref	Note: Re-calibration Required when Replaced.	
35	1001106736	1	Cap, Dust	
36	1001125784	1	Washer, Terminal	
37	1001125785	1	Nut, Terminal	
38	1001154392	1	Harness, Valve (Not Shown - See Separate Breakdown in ELECTRICAL SECTION)	
39	1001155043	9	Washer	
40	1001155044	9	Nut 15/32-32	
41	1001155045	9	Switch, Toggle	
42	1001188874	2	Nut	

## SECTION 2 - TURNTABLE

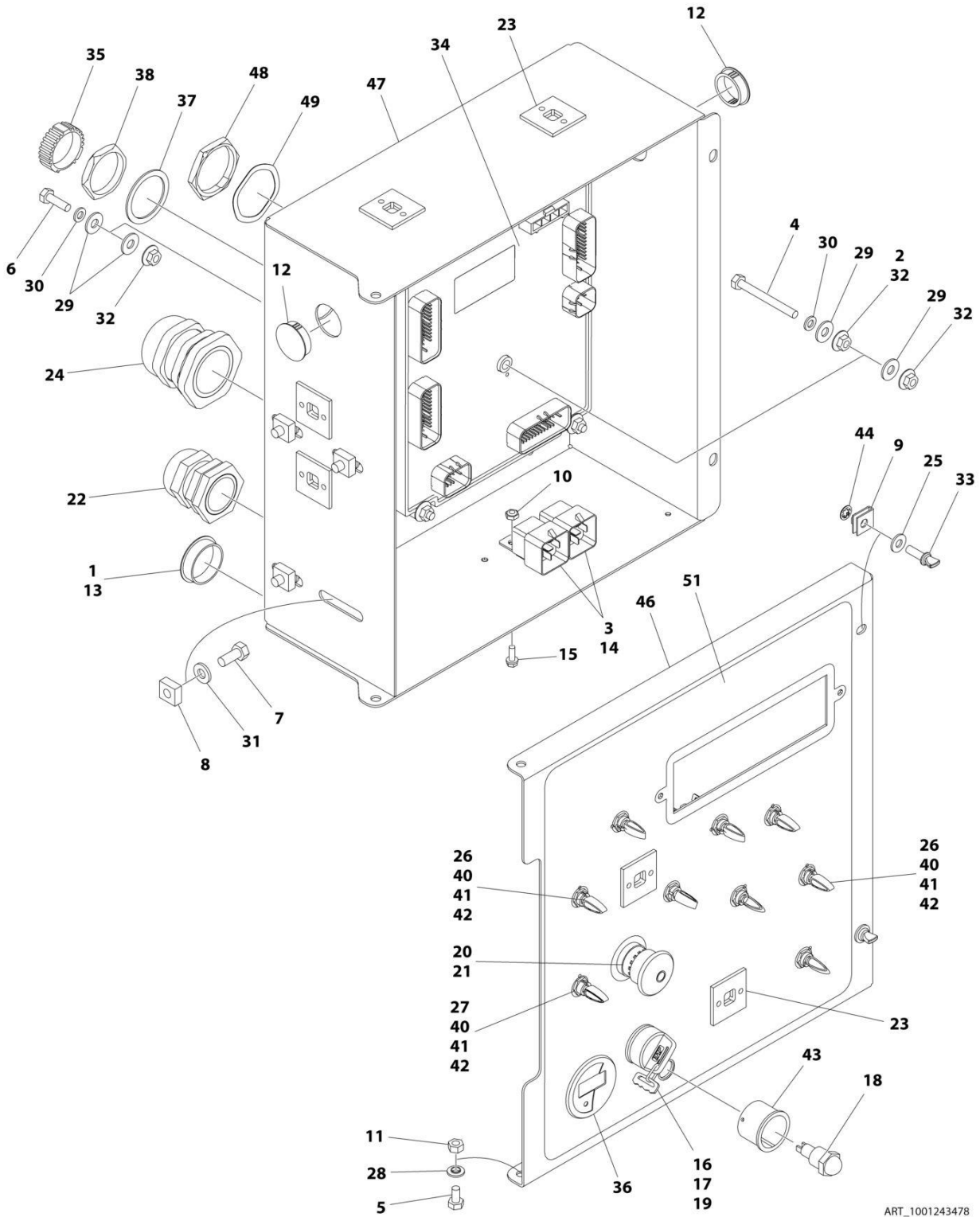
ITEM	PART NUMBER	QTY	DESCRIPTION	REV
43	1001191868	1	Harness, Deutz D2011 Engine (Not Shown - See Separate Breakdown in ELECTRICAL SECTION)	
44	1001201996	1	Box	
45	1001204150	1	Lid	
46	1001205043	1	Nut, Terminal	
47	1001205044	1	Washer, Terminal	
48	1001243263	1	Harness, Ground Control Box (Not Shown - See Separate Breakdown in ELECTRICAL SECTION)	
49	1001243568	1	Decal, Faceplate	





# SECTION 2 - TURNTABLE

## FIGURE 2-22. GROUND CONTROL BOX ASSEMBLY (DEUTZ D2011 ENGINE) (CE SPECS)



ART\_1001243478

## SECTION 2 - TURNTABLE

**FIGURE 2-22. GROUND CONTROL BOX ASSEMBLY (DEUTZ D2011 ENGINE) (CE SPECS)**

ITEM	PART NUMBER	QTY	DESCRIPTION	REV
	1001243478	Ref	GROUND CONTROL BOX ASSEMBLY	A
1	0100009	AR	Sealant	
2	0100011	AR	Compound, Locking	
3	0100048	AR	Grease, Dielectric	
4	0630548	5	Bolt, 2-1/2 Tap	
5	0641404	2	Bolt 1/4 x 1/2	
6	0641407	1	Bolt 1/4 x 7/8	
7	0641506	4	Bolt 5/16 x 3/4	
8	3300205	4	Nut, Retainer	
9	3300353	2	Nut, Tinnerman	
10	3300408	2	Nut, Plastic Insert	
11	3311405	2	Nut 1/4	
12	3520031	2	Plug	
13	3520035	1	Plug, Cap	
14	3740049	2	Relay	
15	3900268	2	Screw #10 x 1/2	
16	3910804	6	Screw #8 x 1/4	
17	4070991	1	Shim	
18	4360387	1	Switch, Push Button	
19	4360469	1	Switch, Key	
19	2860030	1	Key Replacement	
20	4360475	1	Switch, Emergency Stop	
20	7020175	1	Cap, Mushroom	
20	7020176	1	Block, Contact	
21	4360476	1	Switch, Contact Block	
22	4460426	1	Connector, Strain Relief	
23	4460488	6	Mounting Base, Terminal	
24	4460526	1	Connector, Strain Relief	
25	4711400	2	Washer 1/4	
26	4740397	8	Spacer	
27	4740444	1	Washer	
28	4740518	2	Washer	
29	4751400	12	Washer 1/4	
30	4761400	6	Washer 1/4	
31	4891500	4	Washer 5/16	
32	77143013	11	Nut 1/4-20	
33	1001103308	2	Screw 1/4	
34	1001103667	1	Module, Ground Control	
		Ref	Note: Re-calibration Required when Replaced.	
35	1001106736	1	Cap, Dust	
36	1001109503	1	Gauge, Hourmeter	
37	1001125784	1	Washer, Terminal	
38	1001125785	1	Nut, Terminal	
39	1001154392	1	Harness, Valve (Not Shown - See Separate Breakdown in ELECTRICAL SECTION)	
40	1001155043	9	Washer	
41	1001155044	9	Nut 15/32-32	
42	1001155045	9	Switch, Toggle	
43	1001176469	1	Shroud	
44	1001188874	2	Nut	

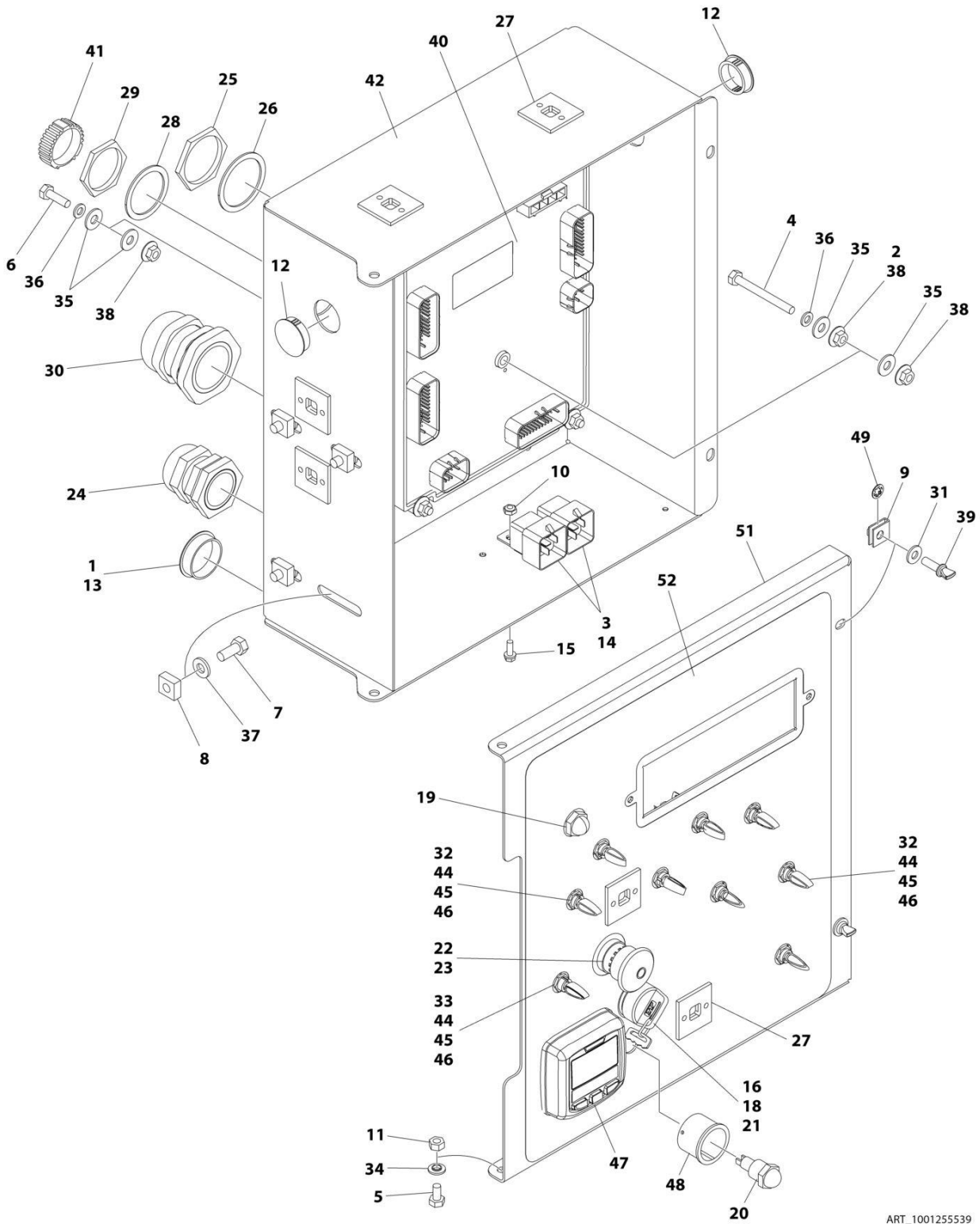
## SECTION 2 - TURNTABLE

ITEM	PART NUMBER	QTY	DESCRIPTION	REV
45	1001191868	1	Harness, Deutz D2011 Engine (Not Shown - See Separate Breakdown in ELECTRICAL SECTION)	
46	1001201995	1	Lid	
47	1001201996	1	Box	
48	1001205043	1	Nut, Terminal	
49	1001205044	1	Washer, Terminal	
50	1001243263	1	Harness, Ground Control Box (Not Shown - See Separate Breakdown in ELECTRICAL SECTION)	
51	1001243567	1	Decal, Faceplate	



# SECTION 2 - TURNTABLE

## FIGURE 2-23. GROUND CONTROL BOX ASSEMBLY (DEUTZ TD2.2L3 ENGINE)



ART\_1001255539

## SECTION 2 - TURNTABLE

**FIGURE 2-23. GROUND CONTROL BOX ASSEMBLY (DEUTZ TD2.2L3 ENGINE)**

ITEM	PART NUMBER	QTY	DESCRIPTION	REV
	1001255539	Ref	GROUND CONTROL BOX ASSEMBLY	C
1	0100009	AR	Sealant	
2	0100011	AR	Compound, Locking	
3	0100048	AR	Grease, Dielectric	
4	0630548	5	Bolt, 2-1/2 Tap	
5	0641404	2	Bolt 1/4 x 1/2	
6	0641407	1	Bolt 1/4 x 7/8	
7	0641506	4	Bolt 5/16 x 3/4	
8	3300205	4	Nut, Retainer	
9	3300353	2	Nut, Tinnerman	
10	3300408	2	Nut, Plastic Insert	
11	3311405	2	Nut 1/4	
12	3520031	2	Plug	
13	3520035	1	Plug, Cap	
14	3740049	1	Relay	
15	3900268	1	Screw #10 x 1/2	
16	3910804	6	Screw #8 x 1/4	
18	4070991	1	Shim	
19	4360274	1	Switch, Push Button	
20	4360387	1	Switch, Push Button	
21	4360469	1	Switch, Key	
21	2860030	1	Key Replacement	
22	4360475	1	Switch, Emergency Stop	
22	7020175	1	Cap, Mushroom	
22	7020176	1	Block, Contact	
23	4360476	1	Switch, Contact Block	
24	4460426	1	Connector, Strain Relief	
25	4460470	1	Nut, Terminal	
26	4460471	1	Washer, Terminal	
27	4460488	6	Mounting Base, Terminal	
28	4460496	1	Washer, Terminal	
29	4460497	1	Nut, Terminal	
30	4460526	1	Connector, Strain Relief	
31	4711400	2	Washer 1/4	
32	4740397	8	Spacer	
33	4740444	1	Washer	
34	4740518	2	Washer	
35	4751400	12	Washer 1/4	
36	4761400	6	Washer 1/4	
37	4891500	4	Washer 5/16	
38	77143013	11	Nut 1/4-20	
39	1001103308	2	Screw 1/4	
40	1001103667	1	Module, Ground Control	
		Ref	Note: Re-calibration Required when Replaced.	
41	1001106736	1	Cap, Dust	
42	1001152175	1	Box	
43	1001154392	1	Harness, Valve (Not Shown - See Separate Breakdown in ELECTRICAL SECTION)	
44	1001155043	9	Washer	
45	1001155044	9	Nut 15/32-32	

## SECTION 2 - TURNTABLE

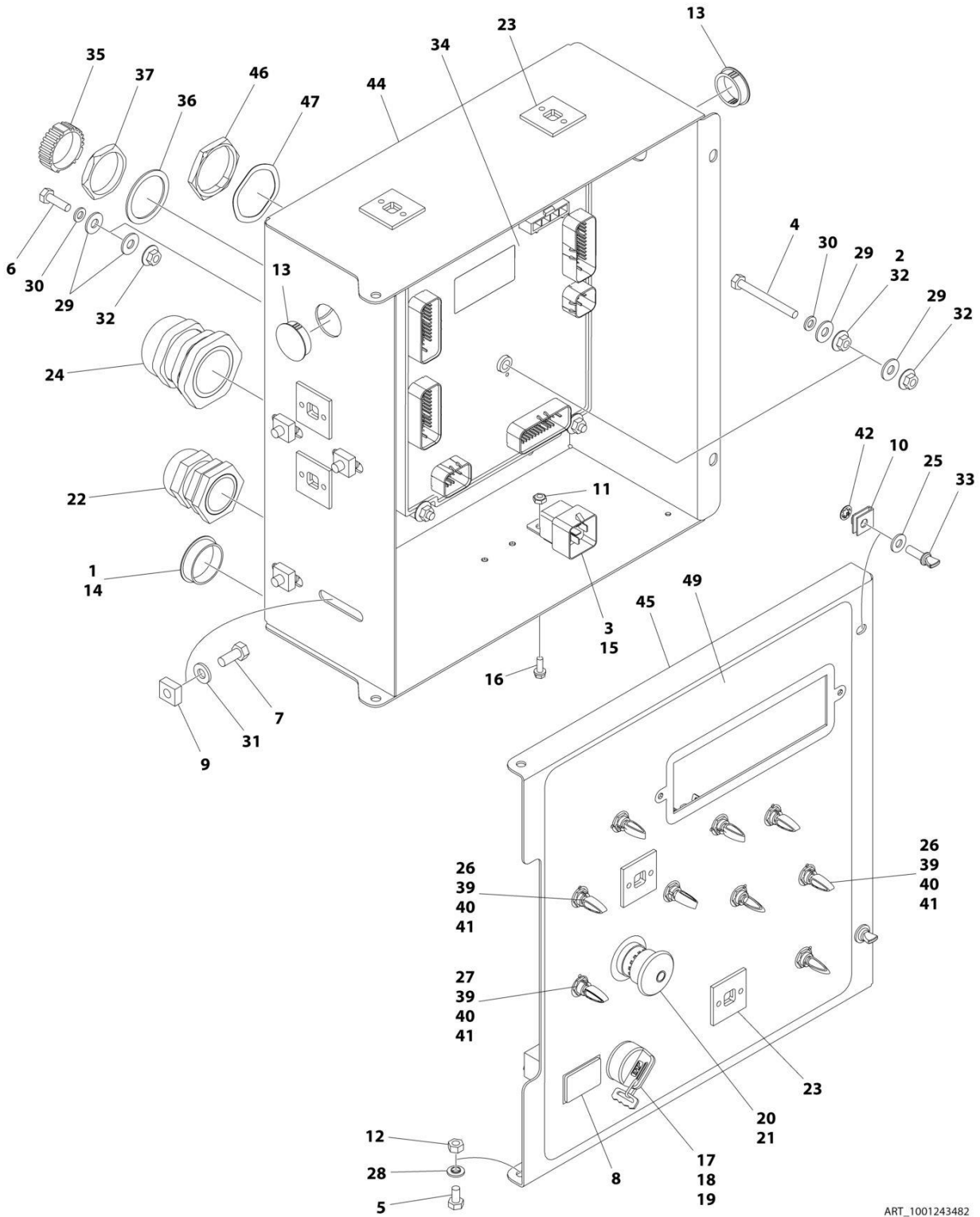
ITEM	PART NUMBER	QTY	DESCRIPTION	REV
46	1001155045	9	Switch, Toggle	
47	1001171482	1	Gauge	
48	1001176469	1	Shroud	
49	1001188874	2	Nut	
50	1001191866	1	Harness, Deutz Engine (Not Shown - See Separate Breakdown in ELECTRICAL Section)	
51	1001237023	1	Lid	
52	1001237026	1	Decal, Faceplate	
53	1001243263	1	Harness, Ground Control Box (Not Shown - See Separate Breakdown in ELECTRICAL SECTION)	





# SECTION 2 - TURNTABLE

## FIGURE 2-24. GROUND CONTROL BOX ASSEMBLY (DEUTZ TD2.9L4 ENGINE)



ART\_1001243482

## SECTION 2 - TURNTABLE

**FIGURE 2-24. GROUND CONTROL BOX ASSEMBLY (DEUTZ TD2.9L4 ENGINE)**

ITEM	PART NUMBER	QTY	DESCRIPTION	REV
	1001243482	Ref	GROUND CONTROL BOX ASSEMBLY	A
1	0100009	AR	Sealant	
2	0100011	AR	Compound, Locking	
3	0100048	AR	Grease, Dielectric	
4	0630548	5	Bolt, 2-1/2 Tap	
5	0641404	2	Bolt 1/4 x 1/2	
6	0641407	1	Bolt 1/4 x 7/8	
7	0641506	4	Bolt 5/16 x 3/4	
8	2420172	1	Gauge, Hourmeter	
9	3300205	4	Nut, Retainer	
10	3300353	2	Nut, Tinnerman	
11	3300408	2	Nut, Plastic Insert	
12	3311405	2	Nut 1/4	
13	3520031	2	Plug	
14	3520035	1	Plug, Cap	
15	3740049	1	Relay	
16	3900268	1	Screw #10 x 1/2	
17	3910804	6	Screw #8 x 1/4	
18	4070991	1	Shim	
19	4360469	1	Switch, Key	
19	2860030	1	Key Replacement	
20	4360475	1	Switch, Emergency Stop	
20	7020175	1	Cap, Mushroom	
20	7020176	1	Block, Contact	
21	4360476	1	Switch, Contact Block	
22	4460426	1	Connector, Strain Relief	
23	4460488	6	Mounting Base, Terminal	
24	4460526	1	Connector, Strain Relief	
25	4711400	2	Washer 1/4	
26	4740397	8	Spacer	
27	4740444	1	Washer	
28	4740518	2	Washer	
29	4751400	12	Washer 1/4	
30	4761400	6	Washer 1/4	
31	4891500	4	Washer 5/16	
32	77143013	11	Nut 1/4-20	
33	1001103308	2	Screw 1/4	
34	1001103667	1	Module, Ground Control	
		Ref	Note: Re-calibration Required when Replaced.	
35	1001106736	1	Cap, Dust	
36	1001125784	1	Washer, Terminal	
37	1001125785	1	Nut, Terminal	
38	1001154392	1	Harness, Valve (Not Shown - See Separate Breakdown in ELECTRICAL SECTION)	
39	1001155043	9	Washer	
40	1001155044	9	Nut 15/32-32	
41	1001155045	9	Switch, Toggle	
42	1001188874	2	Nut	
43	1001191866	1	Harness, Deutz TD2.9L4 Engine (Not Shown - See Separate Breakdown in ELECTRICAL SECTION)	

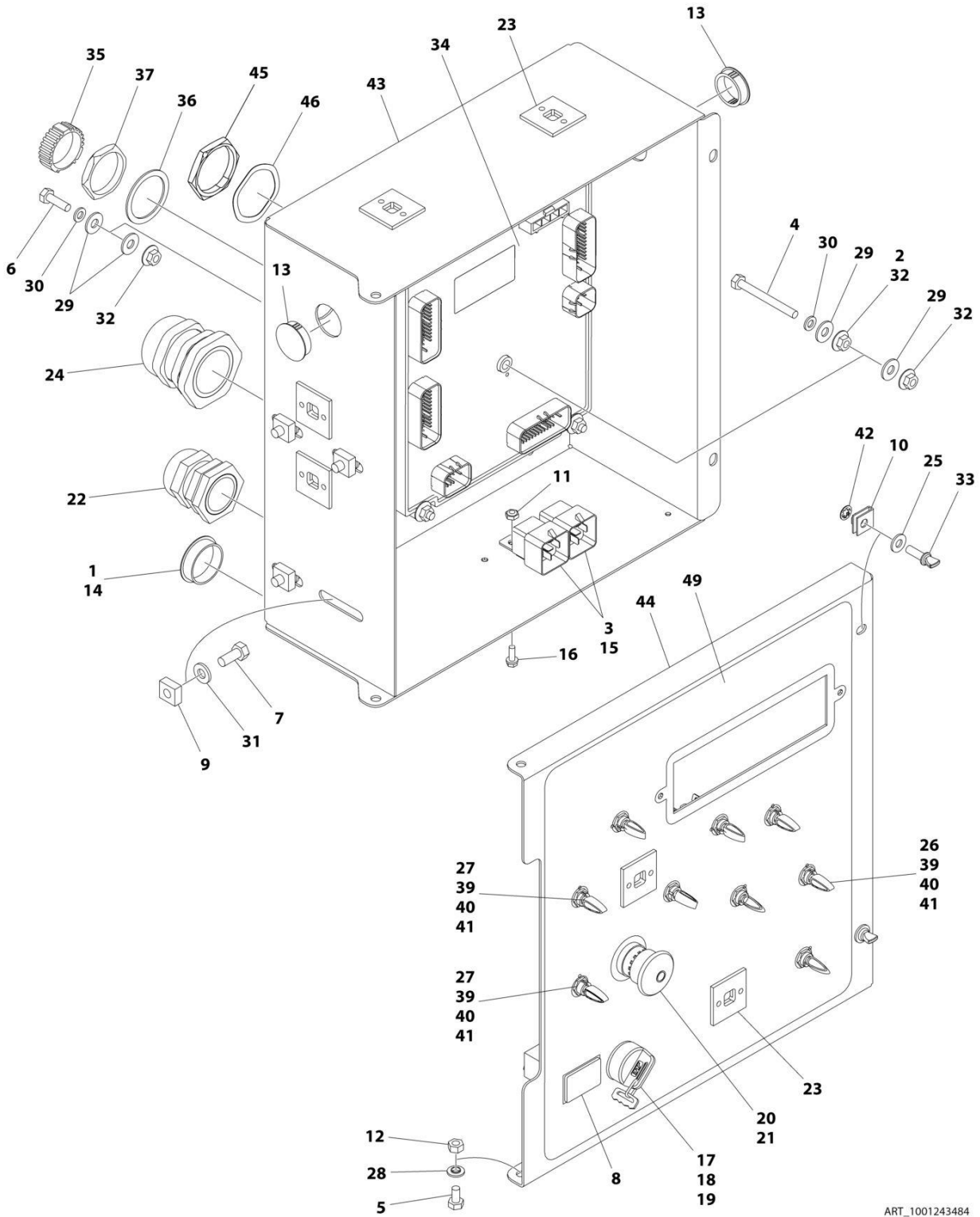
## SECTION 2 - TURNTABLE

ITEM	PART NUMBER	QTY	DESCRIPTION	REV
44	1001201996	1	Box	
45	1001204150	1	Lid	
46	1001205043	1	Nut, Terminal	
47	1001205044	1	Washer, Terminal	
48	1001243263	1	Harness, Ground Control Box (Not Shown - See Separate Breakdown in ELECTRICAL SECTION)	
49	1001243568	1	Decal, Faceplate	



# SECTION 2 - TURNTABLE

## FIGURE 2-25. GROUND CONTROL BOX ASSEMBLY (FORD ENGINE)



ART\_1001243484

## SECTION 2 - TURNTABLE

**FIGURE 2-25. GROUND CONTROL BOX ASSEMBLY (FORD ENGINE)**

ITEM	PART NUMBER	QTY	DESCRIPTION	REV
	1001243484	Ref	GROUND CONTROL BOX ASSEMBLY	A
1	0100009	AR	Sealant	
2	0100011	AR	Compound, Locking	
3	0100048	AR	Grease, Dielectric	
4	0630548	5	Bolt, 2-1/2 Tap	
5	0641404	2	Bolt 1/4 x 1/2	
6	0641407	1	Bolt 1/4 x 7/8	
7	0641506	4	Bolt 5/16 x 3/4	
8	2420172	1	Gauge, Hourmeter	
9	3300205	4	Nut, Retainer	
10	3300353	2	Nut, Tinnerman	
11	3300408	2	Nut, Plastic Insert	
12	3311405	2	Nut 1/4	
13	3520031	2	Plug	
14	3520035	1	Plug, Cap	
15	3740049	2	Relay	
16	3900268	2	Screw #10 x 1/2	
17	3910804	6	Screw #8 x 1/4	
18	4070991	1	Shim	
19	4360469	1	Switch, Key	
19	2860030	1	Key Replacement	
20	4360475	1	Switch, Emergency Stop	
20	7020175	1	Cap, Mushroom	
20	7020176	1	Block, Contact	
21	4360476	1	Switch, Contact Block	
22	4460426	1	Connector, Strain Relief	
23	4460488	6	Mounting Base, Terminal	
24	4460526	1	Connector, Strain Relief	
25	4711400	2	Washer 1/4	
26	4740397	8	Spacer	
27	4740444	1	Washer	
28	4740518	2	Washer	
29	4751400	12	Washer 1/4	
30	4761400	6	Washer 1/4	
31	4891500	4	Washer 5/16	
32	77143013	11	Nut 1/4-20	
33	1001103308	2	Screw 1/4	
34	1001103667	1	Module, Ground Control	
		Ref	Note: Re-calibration Required when Replaced.	
35	1001106736	1	Cap, Dust	
36	1001125784	1	Washer, Terminal	
37	1001125785	1	Nut, Terminal	
38	1001154392	1	Harness, Valve (Not Shown - See Separate Breakdown in ELECTRICAL SECTION)	
39	1001155043	9	Washer	
40	1001155044	9	Nut 15/32-32	
41	1001155045	9	Switch, Toggle	
42	1001188874	2	Nut	
43	1001201996	1	Box	
44	1001204150	1	Lid	

## SECTION 2 - TURNTABLE

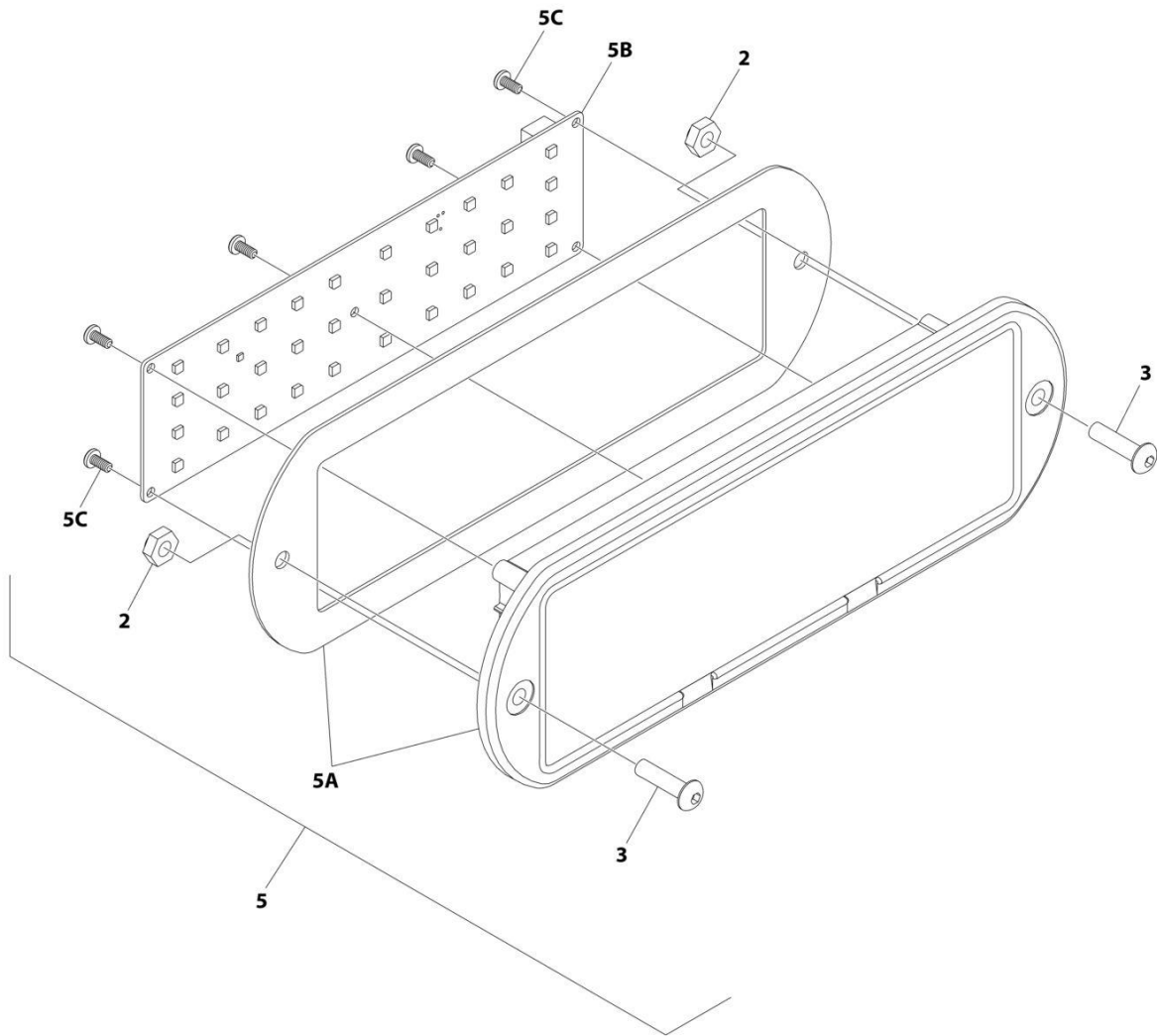
ITEM	PART NUMBER	QTY	DESCRIPTION	REV
45	1001205043	1	Nut, Terminal	
46	1001205044	1	Washer, Terminal	
47	1001214507	1	Harness, Ford DF 2.5L Engine (Not Shown - See Separate Breakdown in ELECTRICAL SECTION)	
48	1001243263	1	Harness, Ground Control Box (Not Shown - See Separate Breakdown in ELECTRICAL SECTION)	
49	1001243568	1	Decal, Faceplate	





# SECTION 2 - TURNTABLE

## FIGURE 2-26. LIGHT PANEL INSTALLATION – GROUND CONTROL



ART\_1001241403\_10F2

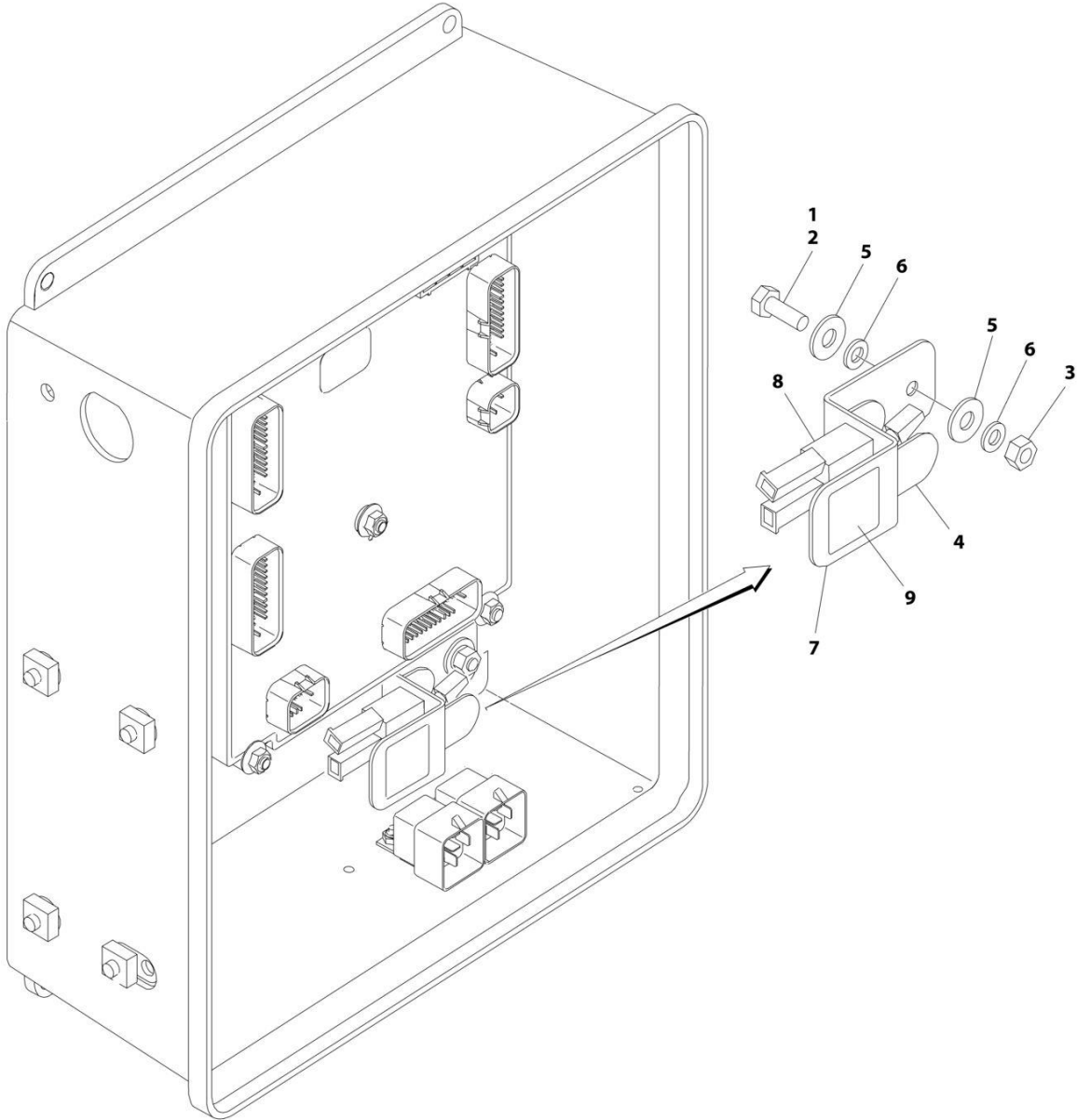
**SECTION 2 - TURNTABLE**

**FIGURE 2-26. LIGHT PANEL INSTALLATION – GROUND CONTROL**

<b>ITEM</b>	<b>PART NUMBER</b>	<b>QTY</b>	<b>DESCRIPTION</b>	<b>REV</b>
	1001241403	Ref	LIGHT PANEL INSTALLATION - GROUND CONTROL	C
2	3300408	2	Nut, Nylon Insert	
3	0630518	2	Screw #10 x 3/4	
5	1001238674	1	Light Panel Assembly	H
5A	1001236092	1	Lens Assembly (Includes Housing Shell, Decal/Lens with Icons & Gasket)	
5B	1001238732	1	Panel, LED Light	
5C		Ref	Screw	

## SECTION 2 - TURNTABLE

FIGURE 2-27. CRIBBING ENABLE SWITCH INSTALLATION



ART\_1001115918

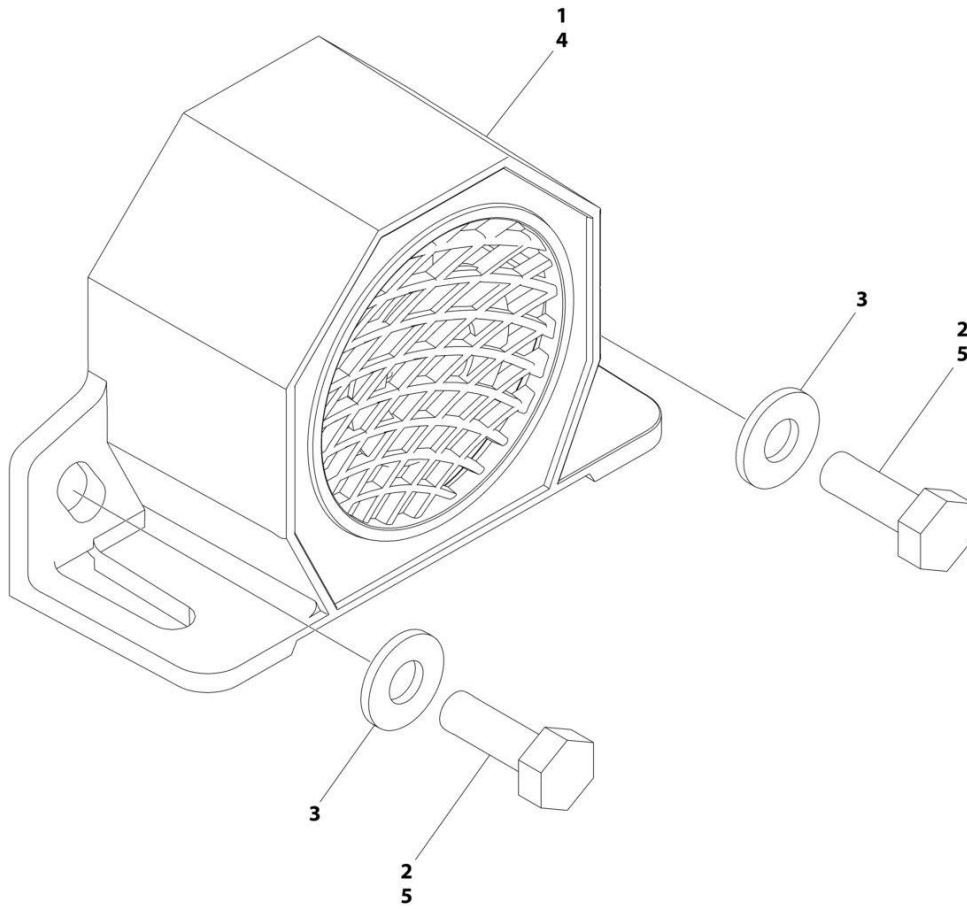
**SECTION 2 - TURNTABLE**

**FIGURE 2-27. CRIBBING ENABLE SWITCH INSTALLATION**

<b>ITEM</b>	<b>PART NUMBER</b>	<b>QTY</b>	<b>DESCRIPTION</b>	<b>REV</b>
	1001115918	Ref	CRIBBING ENABLE SWITCH INSTALLATION	A
1	0100011	AR	Compound, Locking	
2	0641406	1	Bolt 1/4 x 3/4	
3	3311401	1	Nut 1/4	
4	4060906	1	Guard, Switch	
5	4751400	2	Washer 1/4	
6	4761400	2	Washer 1/4	
7	1001115889	1	Bracket	
8	1001115915	1	Cribbing Enable Harness	
8	4360336	1	Switch, Toggle	
8	4460226	2	Socket, Female	
9	1001115967	1	Decal - Cribbing	

## SECTION 2 - TURNTABLE

FIGURE 2-28. ALARM INSTALLATION



ART\_1001160074

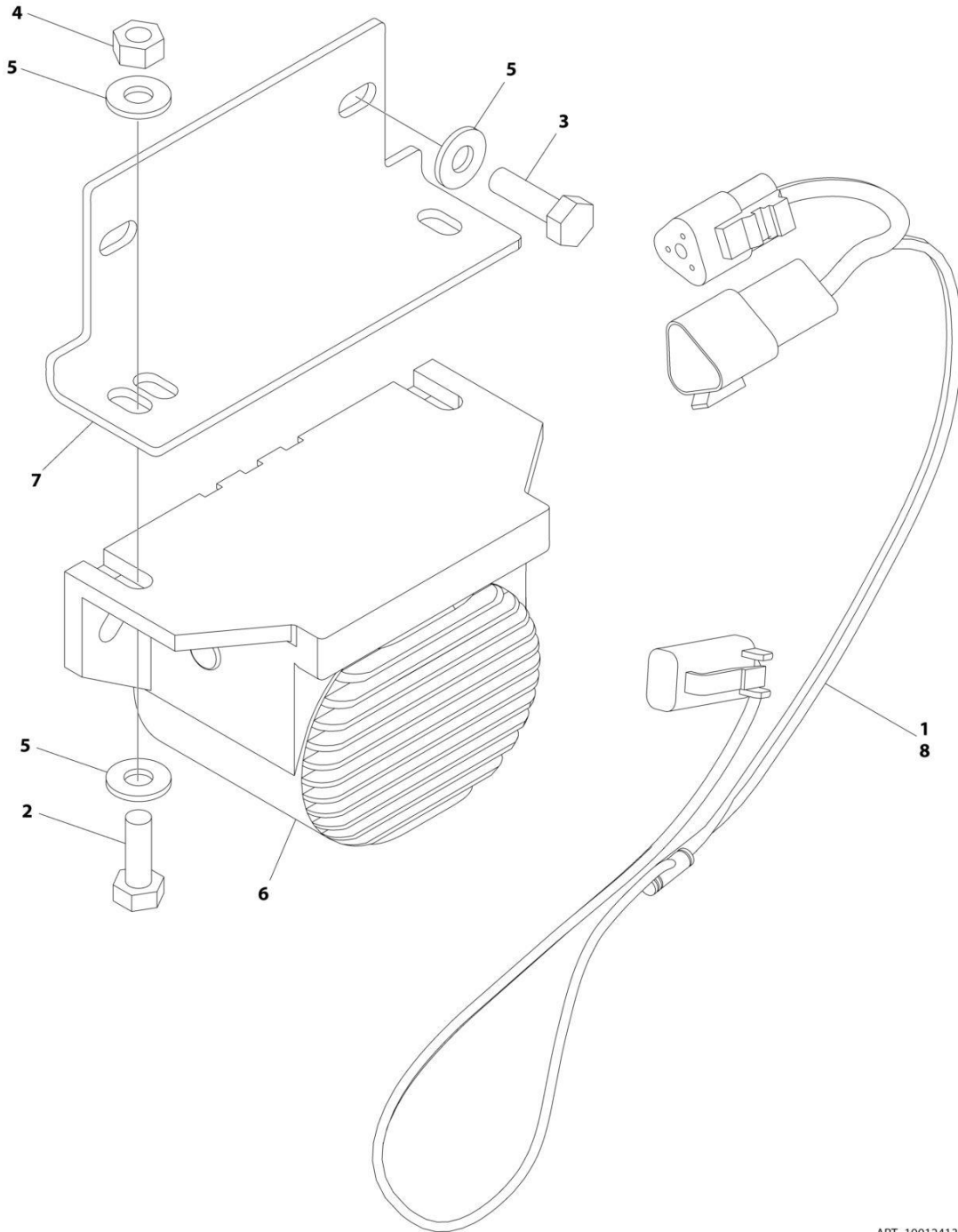
**SECTION 2 - TURNTABLE**

**FIGURE 2-28. ALARM INSTALLATION**

<b>ITEM</b>	<b>PART NUMBER</b>	<b>QTY</b>	<b>DESCRIPTION</b>	<b>REV</b>
	1001160074	Ref	ALARMS INSTALLATION	A
1	0140044	1	Alarm	
2	0641406	2	Bolt 1/4 x 3/4	
3	4711400	2	Washer 1/4	
4	0100048	AR	Compound, Dielectric	
5	0100011	AR	Compound, Locking	

# SECTION 2 - TURNTABLE

## FIGURE 2-29. ALARM (WHITE NOISE AMBIENT) INSTALLATION



ART\_1001241384



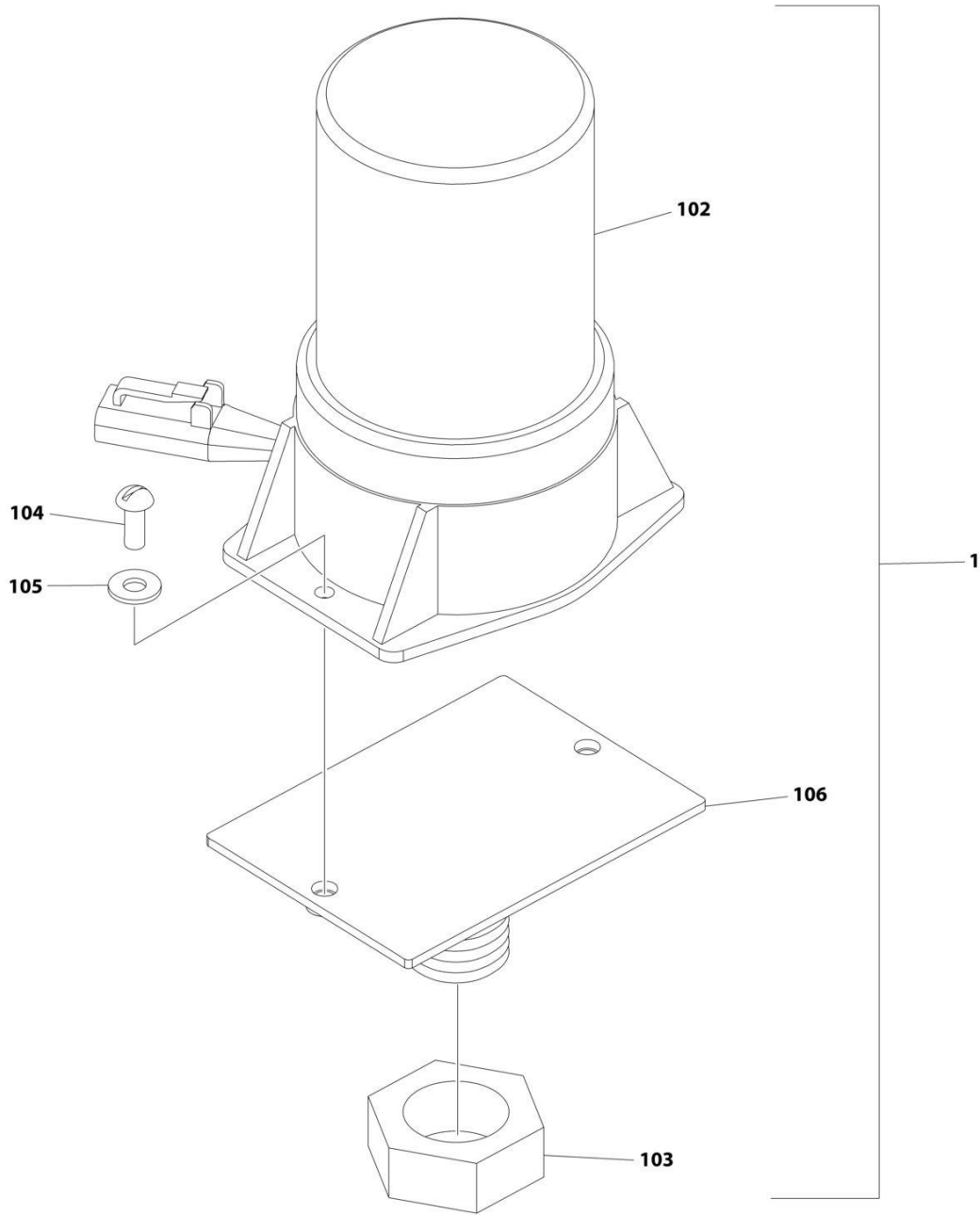
**SECTION 2 - TURNTABLE**

**FIGURE 2-29. ALARM (WHITE NOISE AMBIENT) INSTALLATION**

ITEM	PART NUMBER	QTY	DESCRIPTION	REV
	1001241384	Ref	BACKUP ALARM AMBIENT (WHITE NOISE) INSTALLATION	B
1	0100048	AR	Grease, Dielectric	
2	0641406	2	Bolt 1/4 x 3/4	
3	0641407	2	Bolt 1/4 x 7/8	
4	3311405	2	Nut 1/4	
5	4711400	6	Washer 1/4	
6	1001182806	1	Alarm	
6	4460897	1	Connector - 2 Position	
6	4460464	2	Pin, Male	
7	1001231886	1	Plate	
8	1001231007	1	Harness, White Noise Motion Alarm (See Separate Breakdown in ELECTRICAL SECTION)	

# SECTION 2 - TURNTABLE

## FIGURE 2-30. STROBE LIGHT INSTALLATION (AMBER)



ART\_1001160077

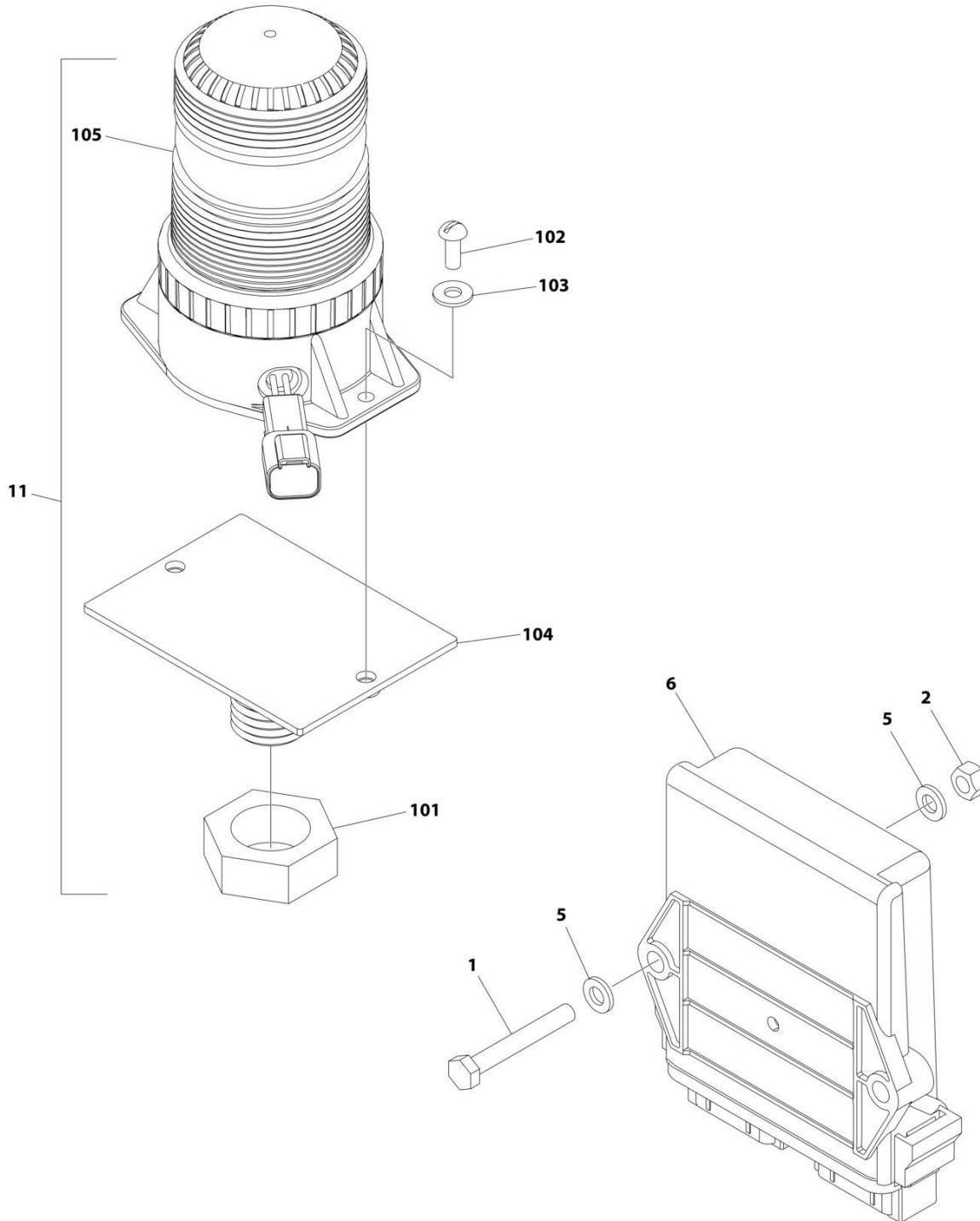
**SECTION 2 - TURNTABLE**

**FIGURE 2-30. STROBE LIGHT INSTALLATION (AMBER)**

<b>ITEM</b>	<b>PART NUMBER</b>	<b>QTY</b>	<b>DESCRIPTION</b>	<b>REV</b>
	1001160077	Ref	STROBE LIGHT INSTALLATION (AMBER)	B
1	1001150406	1	Strobe Light Assembly (Includes Items 102-106)	D
102	2920161	1	Strobe Light/Harness Assembly	
102	7016319	1	Bulb	
102	7016372	1	Lens	
103	3312602	1	Nut 1	
104	3900085	2	Screw #10 x 1/2	
105	4751000	2	Washer 1/4	
106	1001149994	1	Mount, Strobe	

# SECTION 2 - TURNTABLE

## FIGURE 2-31. STROBE LIGHT INSTALLATION (BLUE)



ART\_1001242251

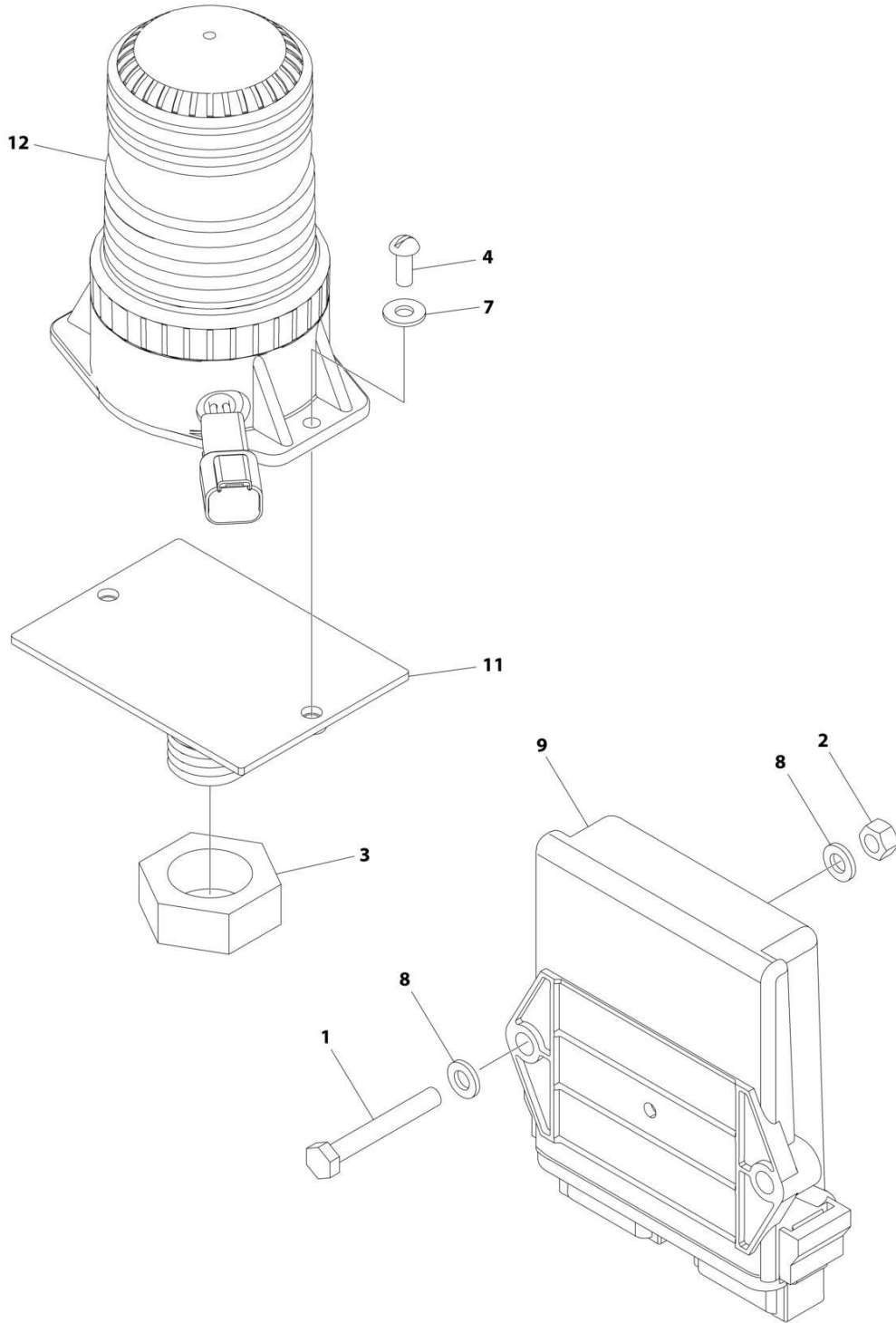
**SECTION 2 - TURNTABLE**

**FIGURE 2-31. STROBE LIGHT INSTALLATION (BLUE)**

ITEM	PART NUMBER	QTY	DESCRIPTION	REV
	1001242251	Ref	STROBE LIGHT INSTALLATION (BLUE)	A
1	0700617	2	Bolt M6 x 45	
2	3290607	2	Nut M6 x 1	
3	4240032	AR	Tie-Strap (Not Shown)	
4	4460488	AR	Mounting Base (Not Shown)	
5	4811700	4	Washer M6	
6	1001142683	1	Module, Control Beacon	
7	1001142736	1	Harness, Beacon Control (Not Shown - See Separate Breakdown in ELECTRICAL SECTION)	
11	1001217005	1	Blue Beacon Light Kit (See Items 101-105 for Breakdown)	
101	3312602	1	Nut 1	
102	3900085	2	Screw 10 x 1/2	
103	4751000	2	Washer #10	
104	1001149994	1	Mount, Beacon	
105	1001200910	1	Light, Strobe	
105	7028909	1	Connector - 2 Position	
105	4460943	2	Pin, Male	

# SECTION 2 - TURNTABLE

## FIGURE 2-32. STROBE LIGHT INSTALLATION (RED)



ART\_1001242252

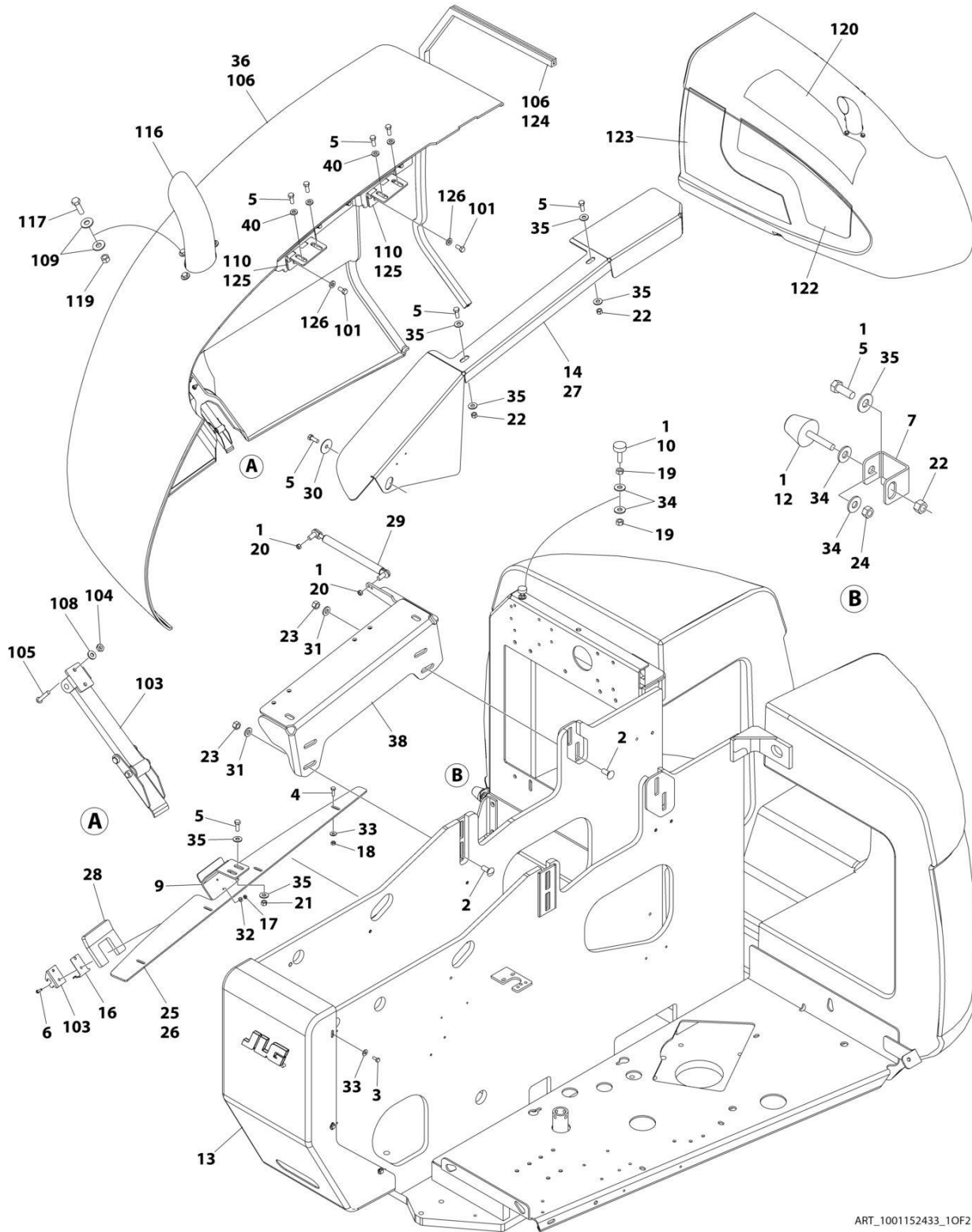
**SECTION 2 - TURNTABLE**

**FIGURE 2-32. STROBE LIGHT INSTALLATION (RED)**

ITEM	PART NUMBER	QTY	DESCRIPTION	REV
	1001242252	Ref	STROBE LIGHT INSTALLATION (RED)	A
1	0700617	2	Bolt M6 x 45	
2	3290607	2	Nut M6 x 1	
3	3312602	1	Nut 1	
4	3900085	2	Screw 10 x 1/2	
5	4240032	AR	Tie-Strap (Not Shown)	
6	4460488	AR	Mounting Base (Not Shown)	
7	4751000	2	Washer #10	
8	4811700	4	Washer M6	
9	1001142683	1	Module, Control Beacon	
10	1001142736	1	Harness, Beacon Control (Not Shown - See Separate Breakdown in ELECTRICAL SECTION)	
11	1001149994	1	Mount, Beacon	
12	1001207004	1	Light, Strobe	
12	7028909	1	Connector - 2 Position	
12	4460943	2	Pin, Male	

# SECTION 2 - TURNTABLE

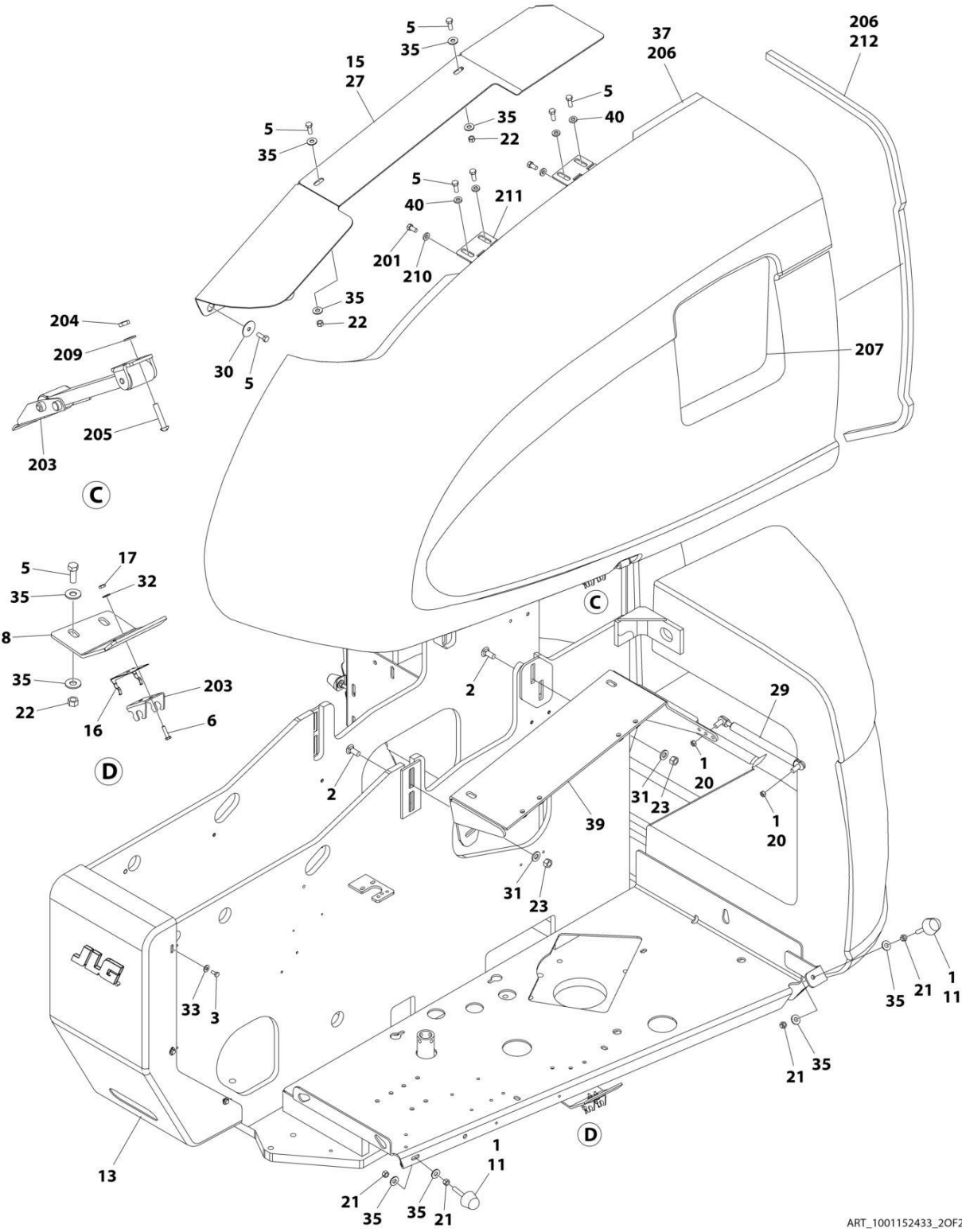
## FIGURE 2-33. HOODS INSTALLATION – DEUTZ D2011 ENGINES WITHOUT NOISE REDUCTION (ABS)



ART\_1001152433\_10F2



# SECTION 2 - TURNTABLE



ART\_1001152433\_20F2

## SECTION 2 - TURNTABLE

**FIGURE 2-33. HOODS INSTALLATION – DEUTZ D2011 ENGINES WITHOUT NOISE REDUCTION (ABS)**

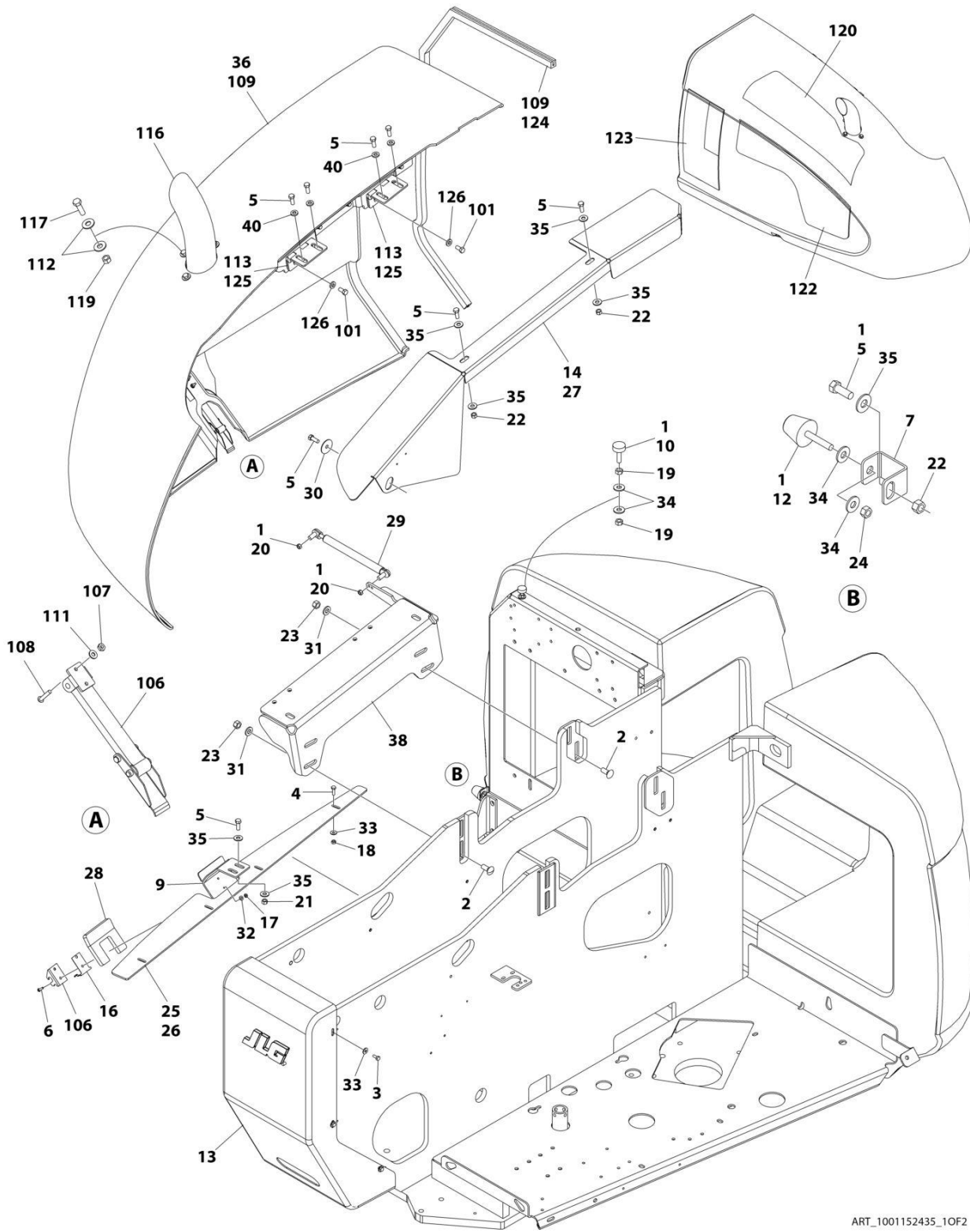
ITEM	PART NUMBER	QTY	DESCRIPTION	REV
		Ref	Note: replacement decals must be ordered separately.	
	1001152433	Ref	HOODS INSTALLATION	I
1	0100011	AR	Compound, Locking	
2	0630507	8	Bolt, Carriage 1/2 x 1-1/4	
3	0641405	6	Bolt 1/4 x 3/4	
4	0641407	4	Bolt 1/4 x 7/8	
5	0641608	19	Bolt 3/8 x 1	
6	0721006	4	Bolt #10 x 3/4	
7	0902219	1	Bracket, Bumper	
8	1001137876	1	Bracket, Latch - Tank Side	
9	0902335	1	Bracket, Latch - Engine Side	
10	0940049	1	Bumper	
11	0940071	2	Bumper	
12	0940088	1	Bumper	
13	1670767	1	Cover, Turntable	
14	2680433	1	Spacer, Hood (Engine Side)	
15	2680434	1	Spacer, Hood (Tank Side)	
16	2940188	2	Latch, Spring Clip	
17	3311005	4	Nut #10	
18	3311405	4	Nut 1/4	
19	3311501	2	Nut 5/16	
20	3311505	4	Nut 5/16	
21	3311601	6	Nut 3/8	
22	3311605	7	Nut 3/8	
23	3311805	8	Nut 1/2	
24	3321501	2	Nut 5/16	
25	3539923	1	Plate, Seal	
26	3960389	3.5 ft/1m	Seal, Bulb	
27	3960418	7 ft/2.1m	Seal	
28	3960467	1	Seal, Foam	
29	4160143	2	Spring, Gas	
30	4740076	2	Washer, Fender	
31	4740171	8	Washer 1/2 Hardened	
32	4751000	4	Washer #10	
33	4751400	10	Washer 1/4	
34	4751500	4	Washer 5/16	
35	4751600	21	Washer 3/8	
38	1001235948	1	Mount - Engine Side	
39	1001152557	1	Mount - Tank Side	
40	4891600	8	Washer 3/8 Hardened	
	1001294637	Ref	HOOD KIT (Includes Items 101 & 201)	A
101	1001160004	Ref	HOOD - ENGINE SIDE	I
102	0641606	4	Bolt 3/8 x 3/4	
103	2940088	1	Latch	
104	3311005	2	Nut #10	
105	3911016	2	Screw #10 x 1	
106	1001164281	2.5 ft /0.78m	Seal	
108	4711000	2	Washer #10	

**SECTION 2 - TURNTABLE**

ITEM	PART NUMBER	QTY	DESCRIPTION	REV
109	4751600	6	Washer 3/8	
110	1001188467	2	Hinge	
116	1001160598	1	Outlet, Exhaust	
117	0641610	3	Bolt 3/8 x 1-1/4	
119	3311605	3	Nut 3/8	
120	1001160961	1	Insulation	
122	1001160963	1	Insulation	
123	1001160964	1	Insulation	
124	4060805	64 in /1.6m	Flex-Trim	
125	1001169610	2	Spacer, Hinge	
126	4891600	4	Washer 3/8 Hardened	
201	1001160003	Ref	HOOD TANK SIDE	H
202	0641606	4	Bolt 3/8 x 3/4	
203	2940088	1	Latch	
204	3311005	2	Nut #10	
205	3911016	2	Screw #10 x 1	
206	1001164281	3 ft /0.91m	Seal	
207	1001166394	4.5 ft /1.4m	Seal	
209	4751000	2	Washer #10	
210	4891600	4	Washer 3/8 Hardened	
211	1001188467	2	Hinge	
212	4060805	62 in /1.6m	Flex-Trim	

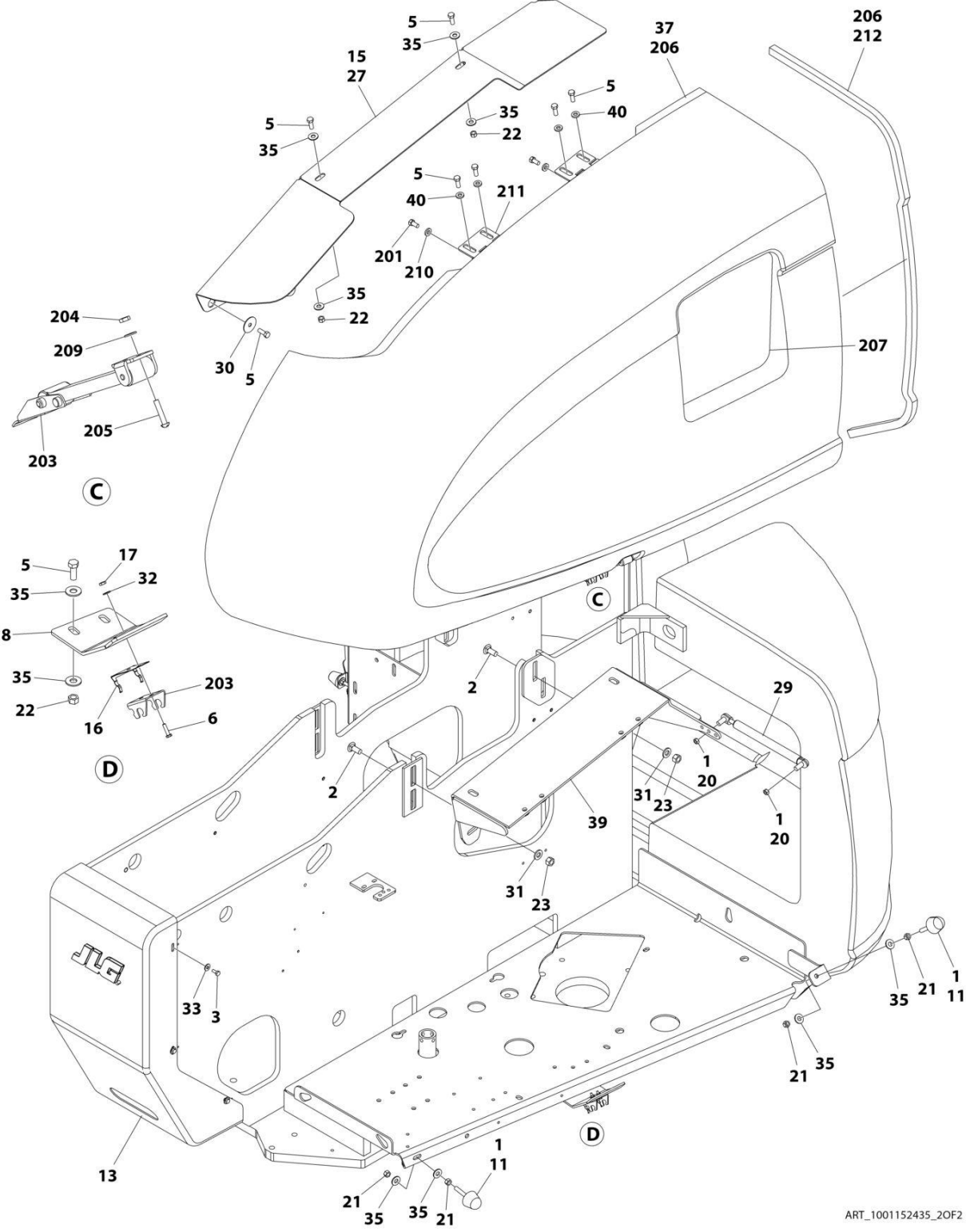
# SECTION 2 - TURNTABLE

FIGURE 2-34. HOODS INSTALLATION – DEUTZ D2011 ENGINES WITH NOISE REDUCTION (ABS)



ART\_1001152435\_10F2

# SECTION 2 - TURNTABLE



ART\_1001152435\_20F2

## SECTION 2 - TURNTABLE

FIGURE 2-34. HOODS INSTALLATION – DEUTZ D2011 ENGINES WITH NOISE REDUCTION (ABS)

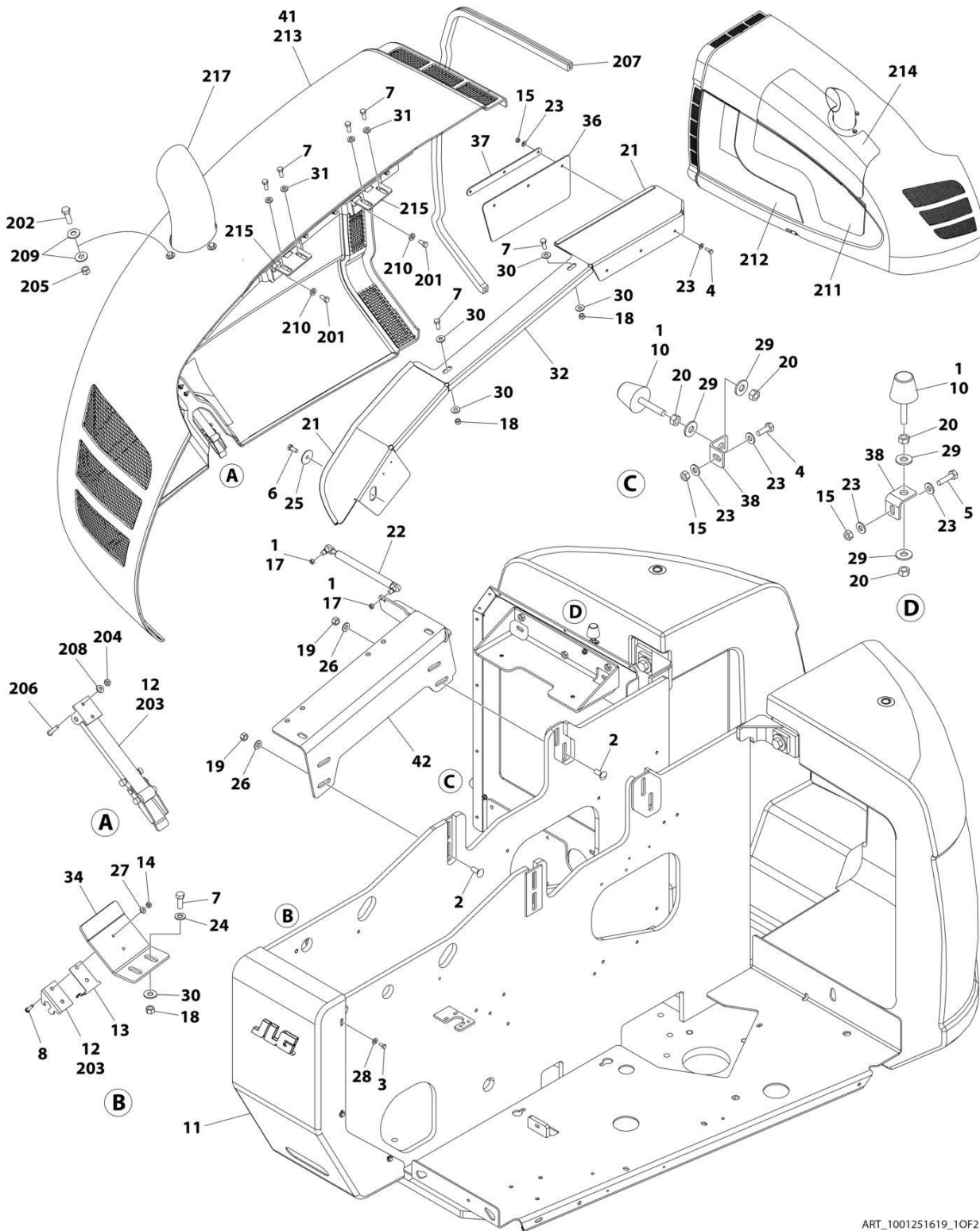
ITEM	PART NUMBER	QTY	DESCRIPTION	REV
	See Note	Ref	Note: replacement decals must be ordered separately.	
	1001152435	Ref	HOODS INSTALLATION	K
1	0100011	AR	Compound, Locking	
2	0630507	8	Bolt, Carriage 1/2 x 1-1/4	
3	0641405	6	Bolt 1/4 x 3/4	
4	0641407	4	Bolt 1/4 x 7/8	
5	0641608	19	Bolt 3/8 x 1	
6	0721006	4	Bolt #10 x 3/4	
7	0902219	1	Bracket, Bumper	
8	1001137876	1	Bracket, Latch - Tank Side	
9	0902335	1	Bracket, Latch - Engine Side	
10	0940049	1	Bumper	
11	0940071	2	Bumper	
12	0940088	1	Bumper	
13	1670767	1	Cover, Turntable	
14	2680433	1	Spacer, Hood (Engine Side)	
15	2680434	1	Spacer, Hood (Tank Side)	
16	2940188	2	Latch, Spring Clip	
17	3311005	4	Nut #10	
18	3311405	4	Nut 1/4	
19	3311501	2	Nut 5/16	
20	3311505	4	Nut 5/16	
21	3311601	6	Nut 3/8	
22	3311605	7	Nut 3/8	
23	3311805	8	Nut 1/2	
24	3321501	2	Nut 5/16	
25	3539923	1	Plate, Seal	
26	3960389	3.5 ft/1m	Seal, Bulb	
27	3960418	7 ft/2.1m	Seal	
28	3960467	1	Seal, Foam	
29	4160143	2	Spring, Gas	
30	4740076	2	Washer, Fender	
31	4740171	8	Washer 1/2 Hardened	
32	4751000	4	Washer #10	
33	4751400	10	Washer 1/4	
34	4751500	4	Washer 5/16	
35	4751600	21	Washer 3/8	
36	1001160034	1	Hood - Engine Side (See Items 101-126 for Breakdown)	
37	1001160003	1	Hood - Tank Side (See Items 201-212 for Breakdown)	
38	1001235948	1	Mount - Engine Side	
39	1001152557	1	Mount - Tank Side	
40	4891600	8	Washer 3/8 Hardened	
100	1001294604	Ref	HOOD KIT (Includes Items 101 & 201)	A
101	1001160034	Ref	HOOD - ENGINE SIDE (Includes Items 102-126)	K
102	0641606	4	Bolt 3/8 x 3/4	
106	2940088	1	Latch	
107	3311005	2	Nut #10	
108	3911016	2	Screw #10 x 1	
109	1001164281	2.5 ft /0.76m	Seal	

**SECTION 2 - TURNTABLE**

ITEM	PART NUMBER	QTY	DESCRIPTION	REV
111	4711000	2	Washer #10	
112	4751600	6	Washer 3/8	
113	1001188467	2	Hinge	
116	1001160598	1	Outlet, Exhaust	
117	0641610	3	Bolt 3/8 x 1-1/4	
119	3311605	3	Nut 3/8	
120	1001160961	1	Insulation	
122	1001160963	1	Insulation	
123	1001161027	1	Insulation	
124	4060805	64 in /1.6m	Flex-Trim	
125	1001169610	2	Spacer, Hinge	
126	4891600	4	Washer 3/8 Hardened	
201	1001160003	Ref	HOOD TANK SIDE (Includes Items 202-212)	H
202	0641606	4	Bolt 3/8 x 3/4	
203	2940088	1	Latch	
204	3311005	2	Nut #10	
205	3911016	2	Screw #10 x 1	
206	1001164281	3 ft /0.91m	Seal	
207	1001166394	4.5 ft /1.4m	Seal	
209	4751000	2	Washer #10	
210	4891600	4	Washer 3/8 Hardened	
211	1001188467	2	Hinge	
212	4060805	62 in /1.6m	Flex-Trim	

# SECTION 2 - TURNTABLE

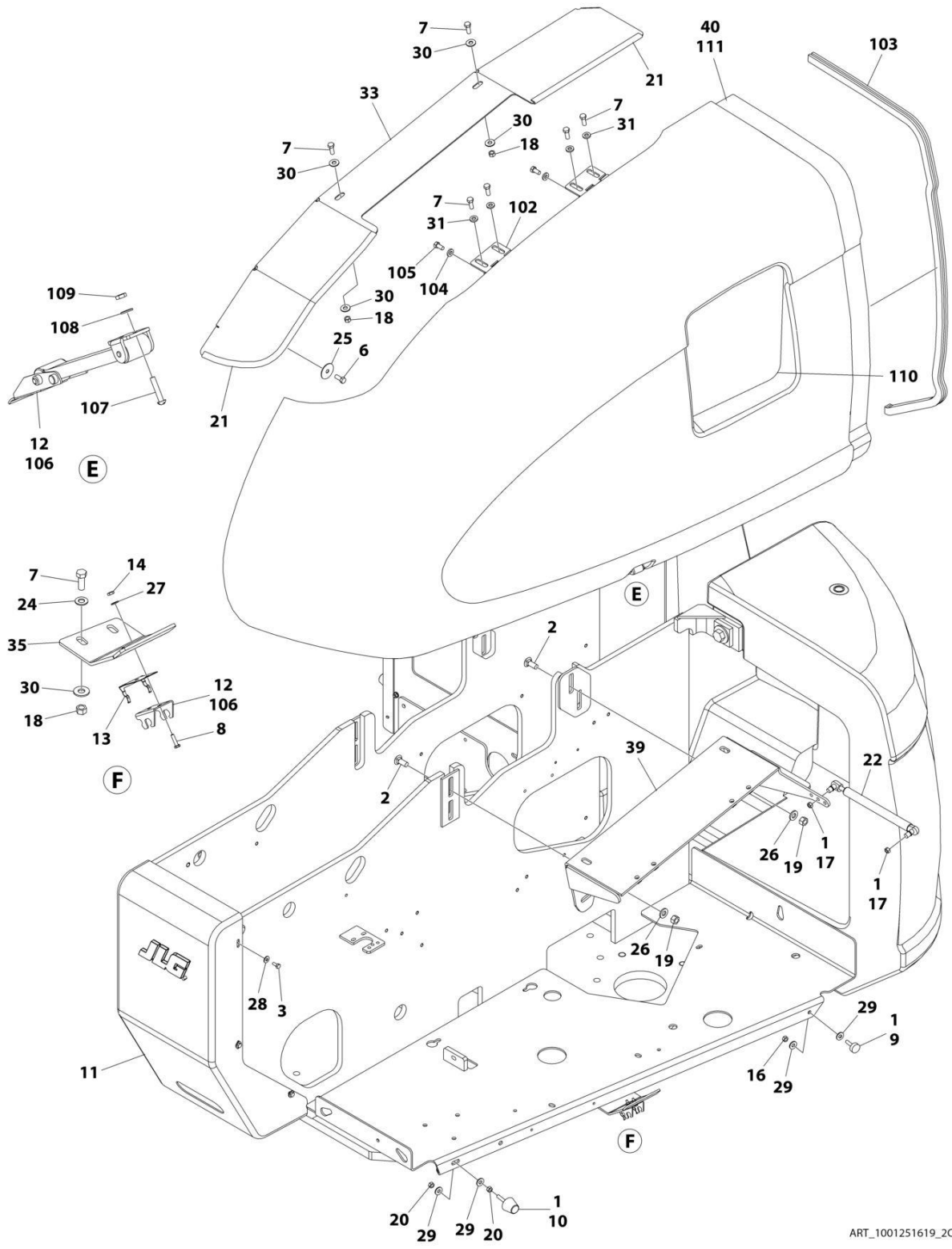
## FIGURE 2-35. HOODS INSTALLATION – DEUTZ TD2.2L3 STAGE V ENGINES (ABS)



ART\_1001251619\_10F2



# SECTION 2 - TURNTABLE



ART\_1001251619\_20F2

## SECTION 2 - TURNTABLE

FIGURE 2-35. HOODS INSTALLATION – DEUTZ TD2.2L3 STAGE V ENGINES (ABS)

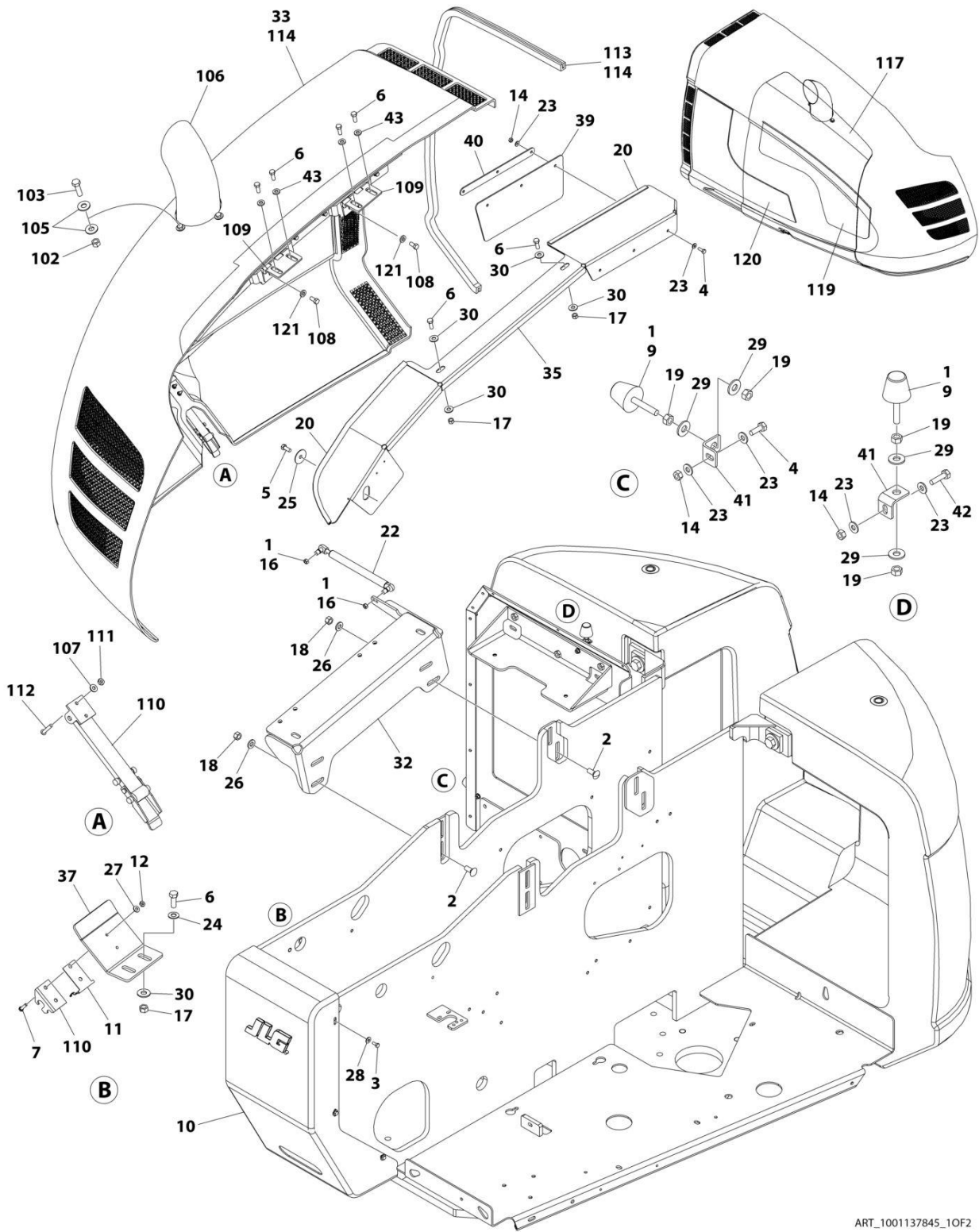
ITEM	PART NUMBER	QTY	DESCRIPTION	REV
	See Note	Ref	Note: replacement decals must be ordered separately.	
	1001251619	Ref	HOODS INSTALLATION	E
1	0100011	AR	Compound, Locking	
2	0630507	8	Bolt, Carriage 1/2 x 1-1/4	
3	0641405	6	Bolt 1/4 x 3/4	
4	0641406	4	Bolt 1/4 x 3/4	
5	0641408	1	Bolt 1/4 x 1	
6	0641607	2	Bolt 3/8 x 7/8	
7	0641608	16	Bolt 3/8 x 1	
8	0721006	4	Bolt #10 x 3/4	
9	0940049	1	Bumper	
10	0940088	3	Bumper	
11	1670767	1	Cover, Turntable	
12	2940088	2	Latch	
13	2940188	2	Latch, Spring Clip	
14	3311005	4	Nut #10	
15	3311405	5	Nut 1/4	
16	3311501	1	Nut 5/16	
17	3311505	4	Nut 5/16	
18	3311605	8	Nut 3/8	
19	3311805	8	Nut 1/2	
20	3321501	6	Nut 5/16	
21	3960418	7 ft/2.1m	Seal	
22	4160143	2	Spring, Gas	
23	4711400	10	Washer 1/4	
24	4711600	4	Washer 3/8	
25	4740076	2	Washer, Fender	
26	4740171	8	Washer 1/2 Hardened	
27	4751000	4	Washer #10	
28	4751400	6	Washer 1/4	
29	4751500	8	Washer 5/16	
30	4751600	12	Washer 3/8	
31	4891600	8	Washer 3/8 Hardened	
32	1001137853	1	Spacer, Hood (Engine Side)	
33	1001137854	1	Spacer, Hood (Tank Side)	
34	1001137875	1	Bracket, Latch - Engine Side	
35	1001137876	1	Bracket, Latch - Tank Side	
36	1001137878	1	Rubber, Baffle	
37	1001137879	1	Bracket, Baffle	
38	1001137886	2	Bracket, Bumper	
39	1001152557	1	Mount - Tank Side	
40	1001160190	1	Hood - Tank Side (See Items 202-211 for Breakdown)	
41	1001251618	1	Hood - Engine Side (See Items 201-217 for Breakdown)	
42	1001253100	1	Mount - Engine Side	
43	3960467	1	Seal	
100	1001294603	Ref	HOOD KIT (Includes Items 101 & 201)	A
	1001160190	Ref	HOOD TANK SIDE (Includes Items 102-111)	G
102	1001188467	2	Hinge	
103	3960462	5 ft /1.52m	Seal	

**SECTION 2 - TURNTABLE**

ITEM	PART NUMBER	QTY	DESCRIPTION	REV
104	4891600	4	Washer 3/8 Hardened	
105	0641606	4	Bolt 3/8 x 3/4	
106	2940088	1	Latch	
107	3911016	2	Screw #10 x 1	
108	4751000	2	Washer #10	
109	3311005	2	Nut #10	
110	1001166394	4.5 ft /1.4m	Seal	
111	1001164281	2.5 ft /0.8m	Seal	
201	1001251618	Ref	HOOD - ENGINE SIDE	D
201	0641606	4	Bolt 3/8 x 3/4	
202	0641610	3	Bolt 3/8 x 1-1/4	
203	2940088	1	Latch	
204	3311005	2	Nut #10	
205	3311605	3	Nut 3/8	
206	3911016	2	Screw #10 x 1	
207	3960462	5 ft /1.52m	Seal	
208	4751000	2	Washer #10	
209	4751600	6	Washer 3/8	
210	4891600	4	Washer 3/8 Hardened	
211	1001160963	1	Insulation	
212	1001160964	1	Insulation	
213	1001164281	2.5 ft /0.76m	Seal	
214	1001258377	1	Insulation	
215	1001188467	2	Hinge	
217	1001252082	1	Outlet, Exhaust	

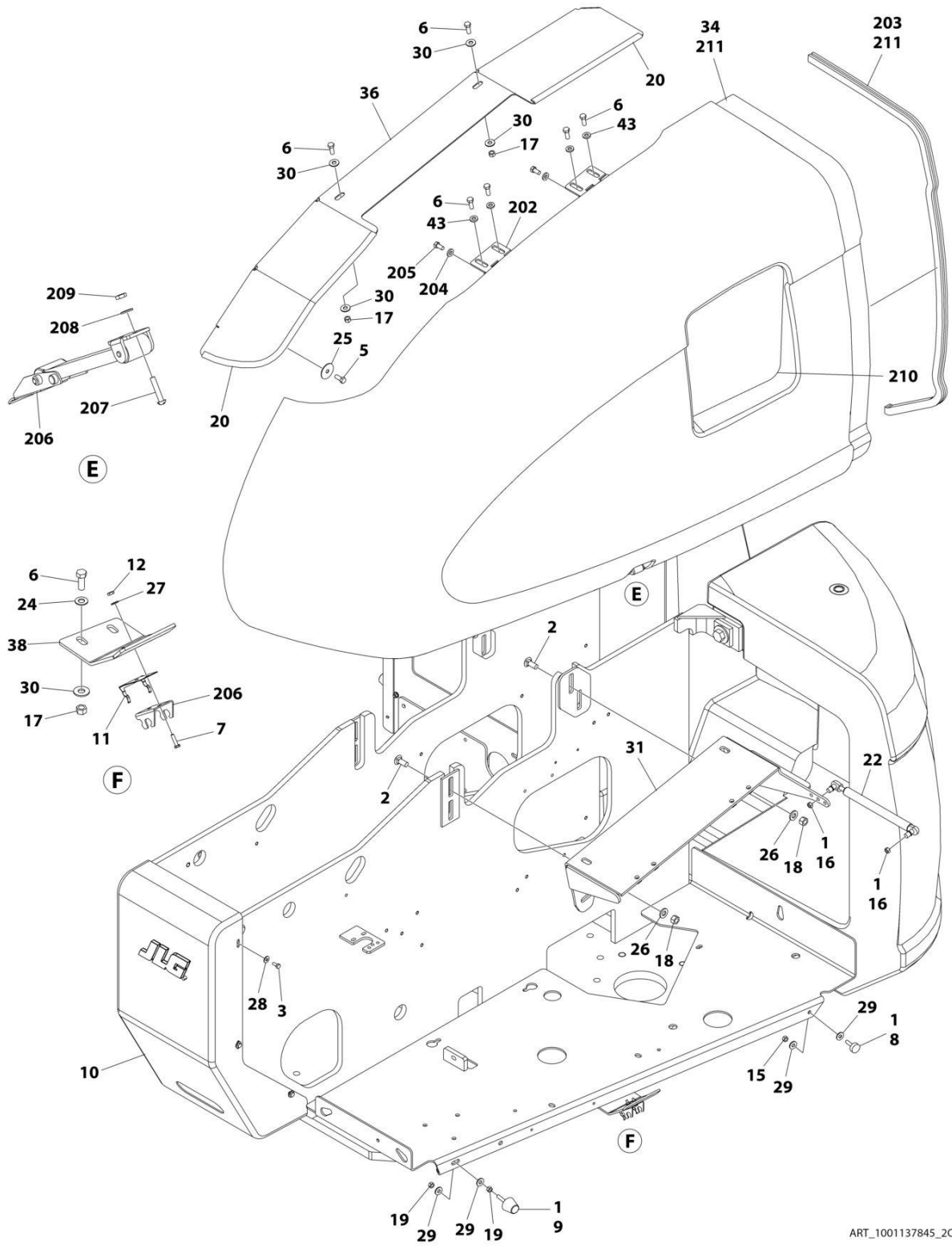
# SECTION 2 - TURNTABLE

## FIGURE 2-36. HOODS INSTALLATION – DEUTZ TD2.9L4 AND FORD DF 2.5L ENGINES (ABS)



ART\_1001137845\_10F2

# SECTION 2 - TURNTABLE



ART\_1001137845\_20F2

## SECTION 2 - TURNTABLE

FIGURE 2-36. HOODS INSTALLATION – DEUTZ TD2.9L4 AND FORD DF 2.5L ENGINES (ABS)

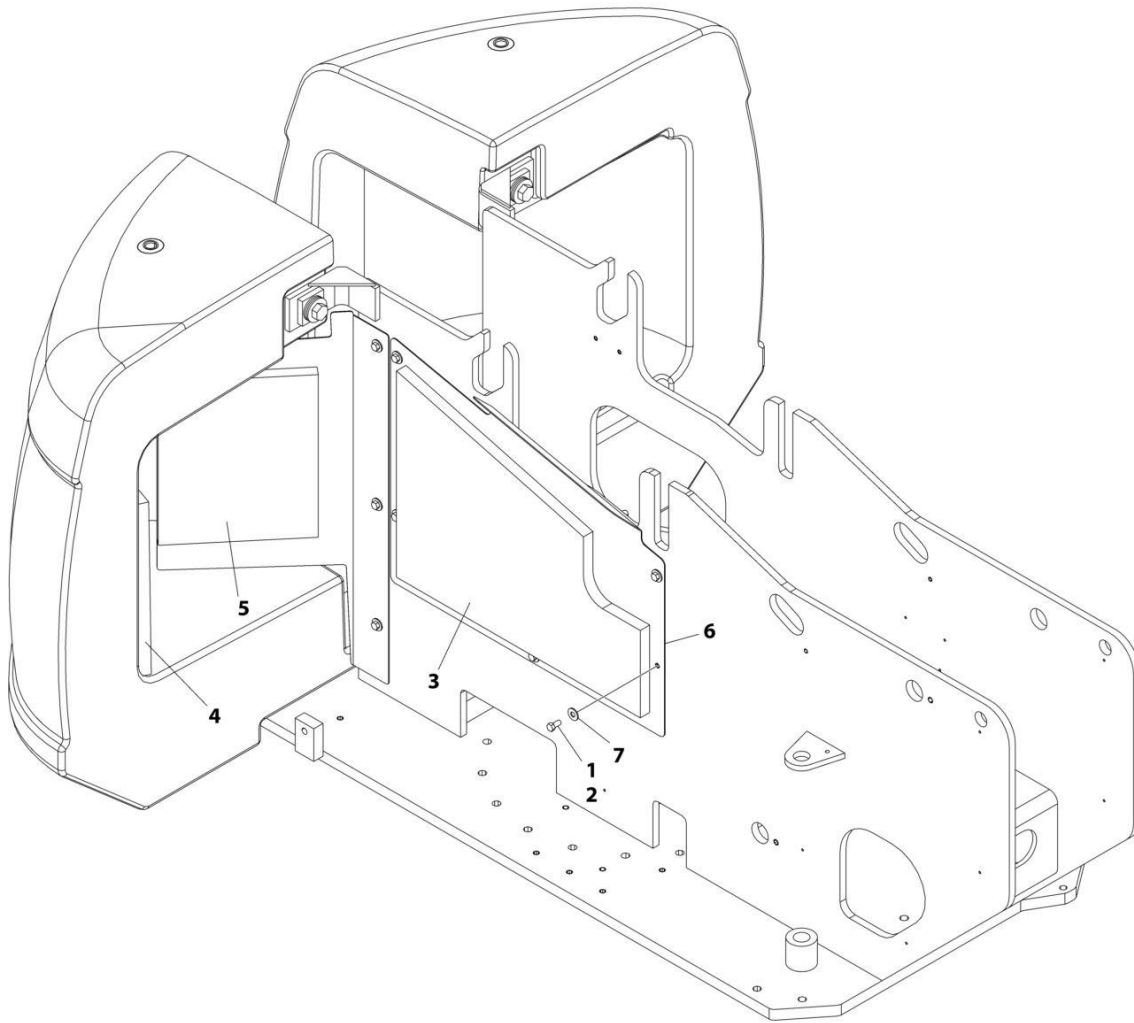
ITEM	PART NUMBER	QTY	DESCRIPTION	REV
	See Note	Ref	Note: replacement decals must be ordered separately.	
	1001137845	Ref	HOODS INSTALLATION	I
1	0100011	AR	Compound, Locking	
2	0630507	8	Bolt, Carriage 1/2 x 1-1/4	
3	0641405	6	Bolt 1/4 x 3/4	
4	0641406	4	Bolt 1/4 x 3/4	
5	0641607	2	Bolt 3/8 x 7/8	
6	0641608	16	Bolt 3/8 x 1	
7	0721006	4	Bolt #10 x 3/4	
8	0940049	1	Bumper	
9	0940088	3	Bumper	
10	1670767	1	Cover, Turntable	
11	2940188	2	Latch, Spring Clip	
12	3311005	4	Nut #10	
14	3311405	5	Nut 1/4	
15	3311501	1	Nut 5/16	
16	3311505	4	Nut 5/16	
17	3311605	8	Nut 3/8	
18	3311805	8	Nut 1/2	
19	3321501	6	Nut 5/16	
20	3960418	7 ft/2.1m	Seal	
22	4160143	2	Spring, Gas	
23	4711400	10	Washer 1/4	
24	4711600	4	Washer 3/8	
25	4740076	2	Washer, Fender	
26	4740171	8	Washer 1/2 Hardened	
27	4751000	4	Washer #10	
28	4751400	6	Washer 1/4	
29	4751500	8	Washer 5/16	
30	4751600	12	Washer 3/8	
31	1001152557	1	Mount - Tank Side	
32	1001235948	1	Mount - Engine Side	
35	1001137853	1	Spacer, Hood (Engine Side)	
36	1001137854	1	Spacer, Hood (Tank Side)	
37	1001137875	1	Bracket, Latch - Engine Side	
38	1001137876	1	Bracket, Latch - Tank Side	
39	1001137878	1	Rubber, Baffle	
40	1001137879	1	Bracket, Baffle	
41	1001137886	2	Bracket, Bumper	
42	0641408	1	Bolt 1/4 x 1	
43	4891600	8	Washer 3/8 Hardened	
100	1001294703	Ref	HOOD KIT (Includes Items 101 & 201)	A
101	1001160189	Ref	HOOD - ENGINE SIDE (Includes items 102-121)	G
102	3311605	3	Nut 3/8	
103	0641610	3	Bolt 3/8 x 1-1/4	
105	4751600	6	Washer 3/8	
106	1001137860	1	Outlet, Exhaust	
107	4751000	2	Washer #10	
108	0641606	4	Bolt 3/8 x 3/4	
109	1001188467	2	Hinge	

**SECTION 2 - TURNTABLE**

ITEM	PART NUMBER	QTY	DESCRIPTION	REV
110	2940088	1	Latch	
111	3311005	2	Nut #10	
112	3911016	2	Screw #10 x 1	
113	3960462	5 ft /1.52m	Seal	
114	1001164281	2.5 ft /0.76m	Seal	
117	1001165741	1	Insulation	
119	1001160963	1	Insulation	
120	1001160964	1	Insulation	
121	4891600	4	Washer 3/8 Hardened	
201	1001160190	Ref	HOOD TANK SIDE (Includes items 202-211)	G
202	1001188467	2	Hinge	
203	3960462	5 ft /1.52m	Seal	
204	4891600	4	Washer 3/8 Hardened	
205	0641606	4	Bolt 3/8 x 3/4	
206	2940088	1	Latch	
207	3911016	2	Screw #10 x 1	
208	4751000	2	Washer #10	
209	3311005	2	Nut #10	
210	1001166394	4.5 ft /1.4m	Seal	
211	1001164281	2.6 ft /0.8m	Seal	

## SECTION 2 - TURNTABLE

FIGURE 2-37. NOISE REDUCTION INSTALLATION - DEUTZ D2011 & DEUTZ TD2.9L4 ENGINES



ART\_1001152325



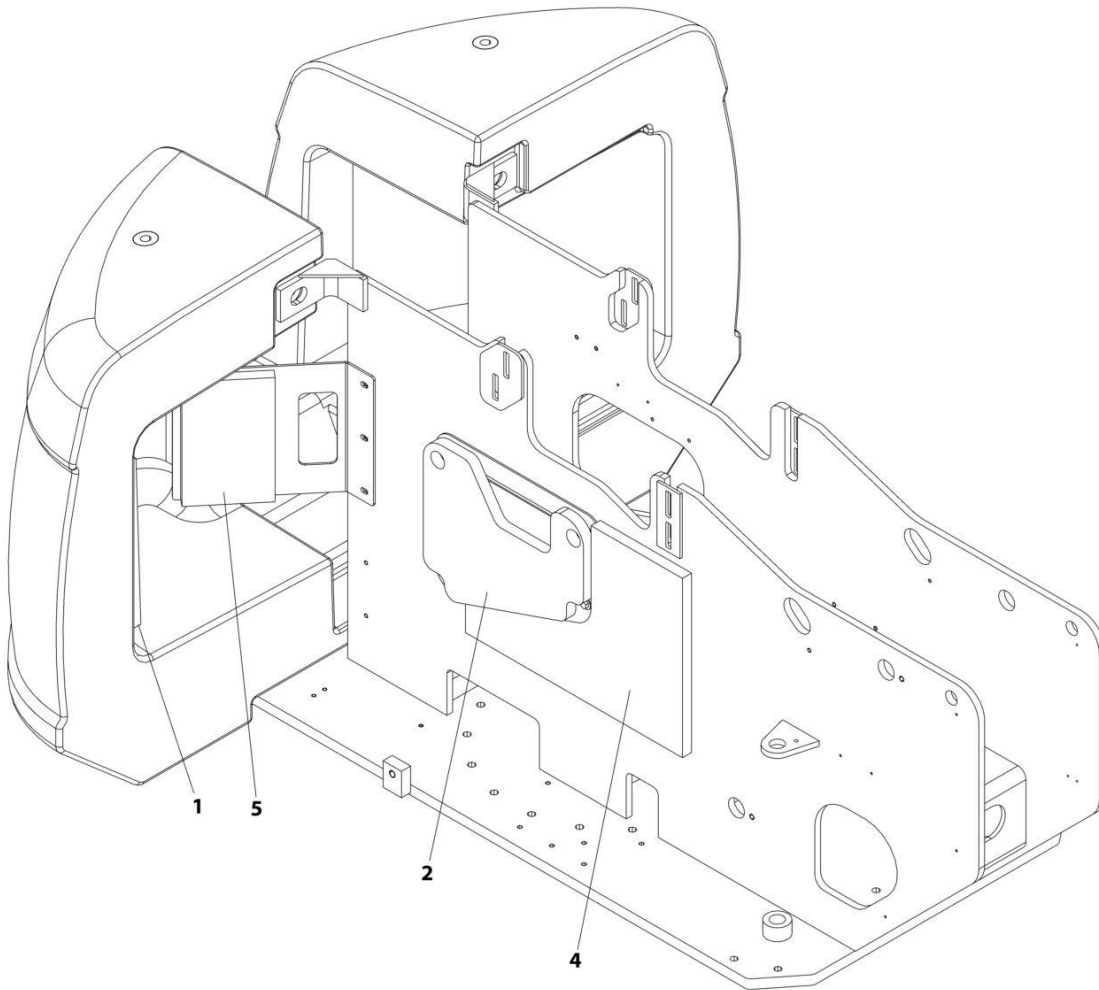
**SECTION 2 - TURNTABLE**

**FIGURE 2-37. NOISE REDUCTION INSTALLATION - DEUTZ D2011 & DEUTZ TD2.9L4 ENGINES**

ITEM	PART NUMBER	QTY	DESCRIPTION	REV
	1001152325	Ref	NOISE REDUCTION INSTALLATION	A
1	0100011	AR	Compound, Locking	
2	0641606	5	Bolt 3/8 x 3/4	
3	2820078	1	Foam, Acoustical	
4	2820082	1	Foam, Acoustical	
5	2820083	1	Foam, Acoustical	
6	3539988	1	Plate, Baffle	
7	4751600	5	Washer 3/8	

## SECTION 2 - TURNTABLE

FIGURE 2-38. NOISE REDUCTION INSTALLATION - DEUTZ TD2.2L3 ENGINES



ART\_1001255777

**SECTION 2 - TURNTABLE**

**FIGURE 2-38. NOISE REDUCTION INSTALLATION - DEUTZ TD2.2L3 ENGINES**

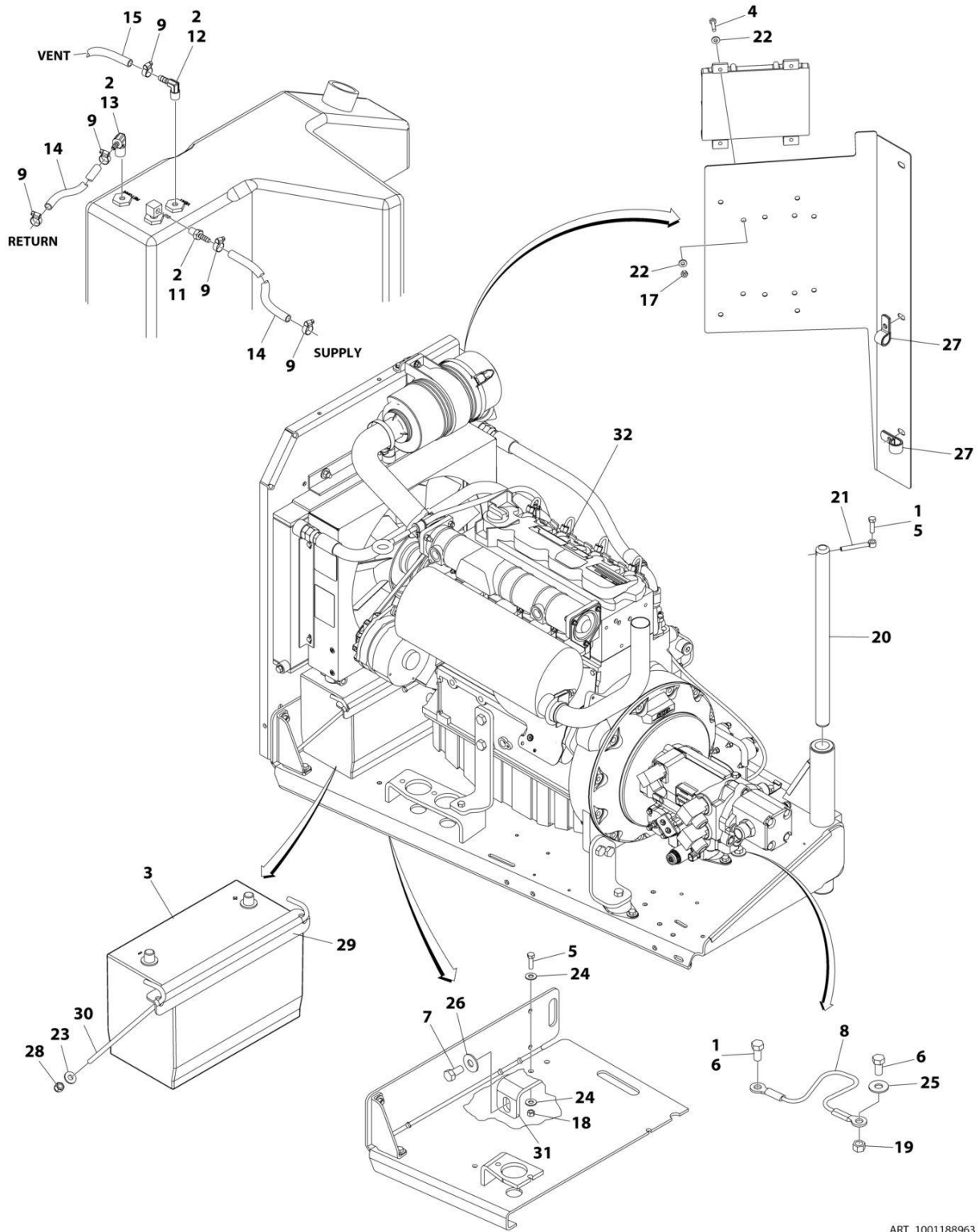
<b>ITEM</b>	<b>PART NUMBER</b>	<b>QTY</b>	<b>DESCRIPTION</b>	<b>REV</b>
	1001255777	Ref	NOISE REDUCTION INSTALLATION	C
1	2820082	1	Foam, Acoustical	
2	1001254499	1	Insulate, Foam	
4	1001254738	1	Insulate, Foam	
5	1001254769	1	Insulate, Foam	



**SECTION 3 - ENGINE**

# SECTION 3 - ENGINE

## FIGURE 3-1. DEUTZ D2011 ENGINE INSTALLATION – WITHOUT ARCTIC PACKAGE



ART\_1001188963

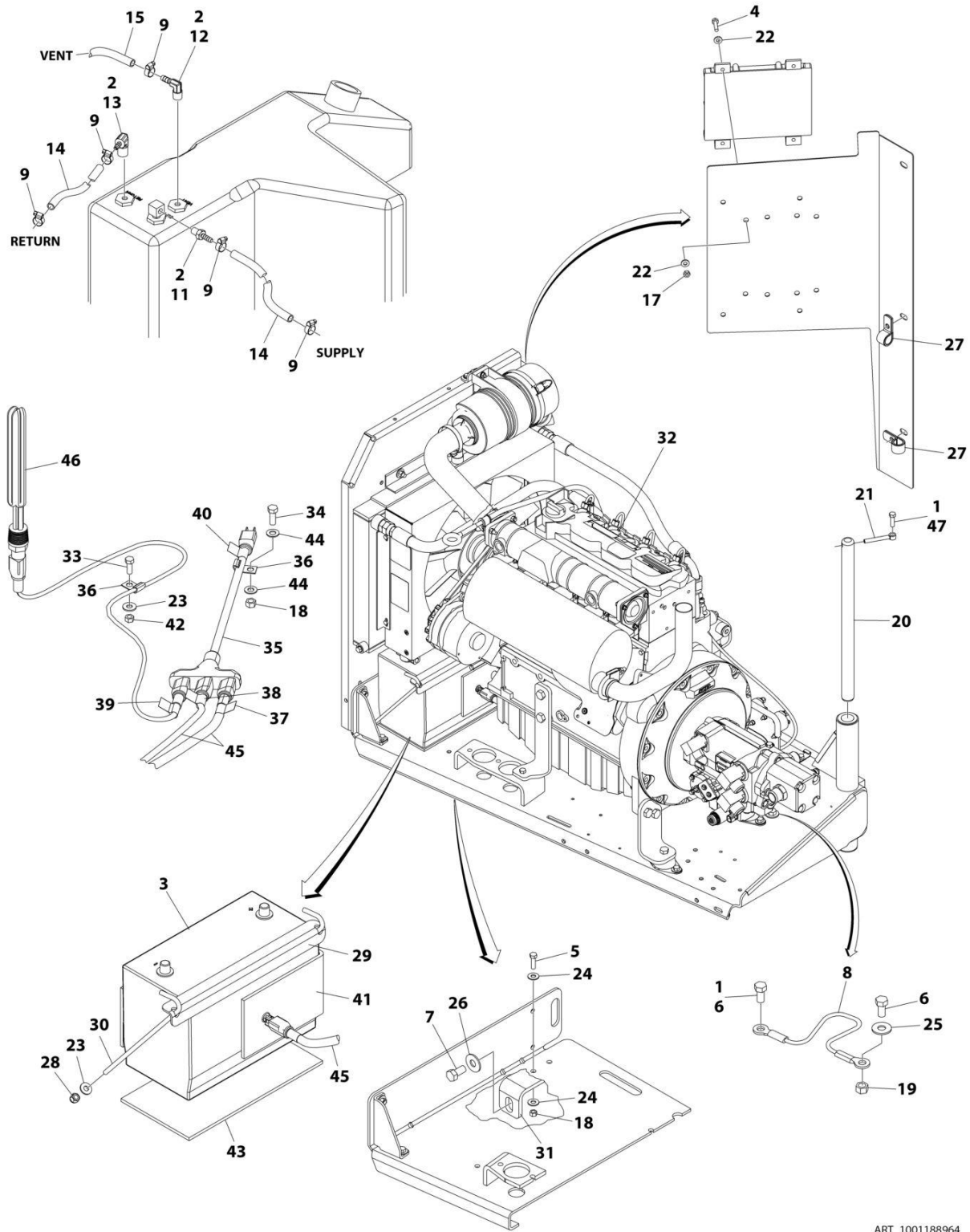
## SECTION 3 - ENGINE

**FIGURE 3-1. DEUTZ D2011 ENGINE INSTALLATION – WITHOUT ARCTIC PACKAGE**

ITEM	PART NUMBER	QTY	DESCRIPTION	REV
	1001188963	Ref	DEUTZ D2011 ENGINE INSTALLATION	B
1	0100011	AR	Compound, Locking	
2	0100020	AR	Sealant, Pipe	
3	0400075	1	Battery	
4	0641409	4	Bolt 1/4 x 1-1/8	
5	0641610	3	Bolt 3/8 x 1-1/4	
6	0641808	2	Bolt 1/2 x 1	
7	0642010	1	Bolt 5/8 x 1-1/4	
8	1060637	1	Cable, Lanyard	
9	1320022	5	Clamp, Hose	
10	1701505	1	Decal - Diesel (Not Shown - Located on Hood)	
11	2180348	1	Fitting, Straight Barbed	
12	2220313	1	Fitting, 90	
13	2221176	1	Fitting, Straight Barbed	
14	2720058	24 ft /7.3m	Hose	
15	2750532	6 ft /1.8m	Hose	
16	1001241578	1	Battery Cable Kit (No Info at Time of Printing)	A
17	3311405	4	Nut 1/4	
18	3311605	2	Nut 3/8	
19	3311805	1	Nut 1/2	
20	3422448	1	Pin, Pivot	
21	3841143	1	Pin, Keeper	
22	4711400	8	Washer 1/4	
23	4751500	2	Washer 5/16	
24	4751600	4	Washer 3/8	
25	4751800	1	Washer 1/2	
26	4752000	1	Washer 5/8	
27	85941017	2	Clamp	
28	88521205	2	Nut 5/16	
29	91401281	1	Hold-down, Battery	
30	1001093382	2	J-Bolt	
31	1001151070	1	Angle	
32	1001188954	1	Engine Assembly with Pumps (See Separate Breakdown in this Section)	

# SECTION 3 - ENGINE

## FIGURE 3-2. DEUTZ D2011 ENGINE INSTALLATION – WITH ARCTIC PACKAGE



ART\_1001188964



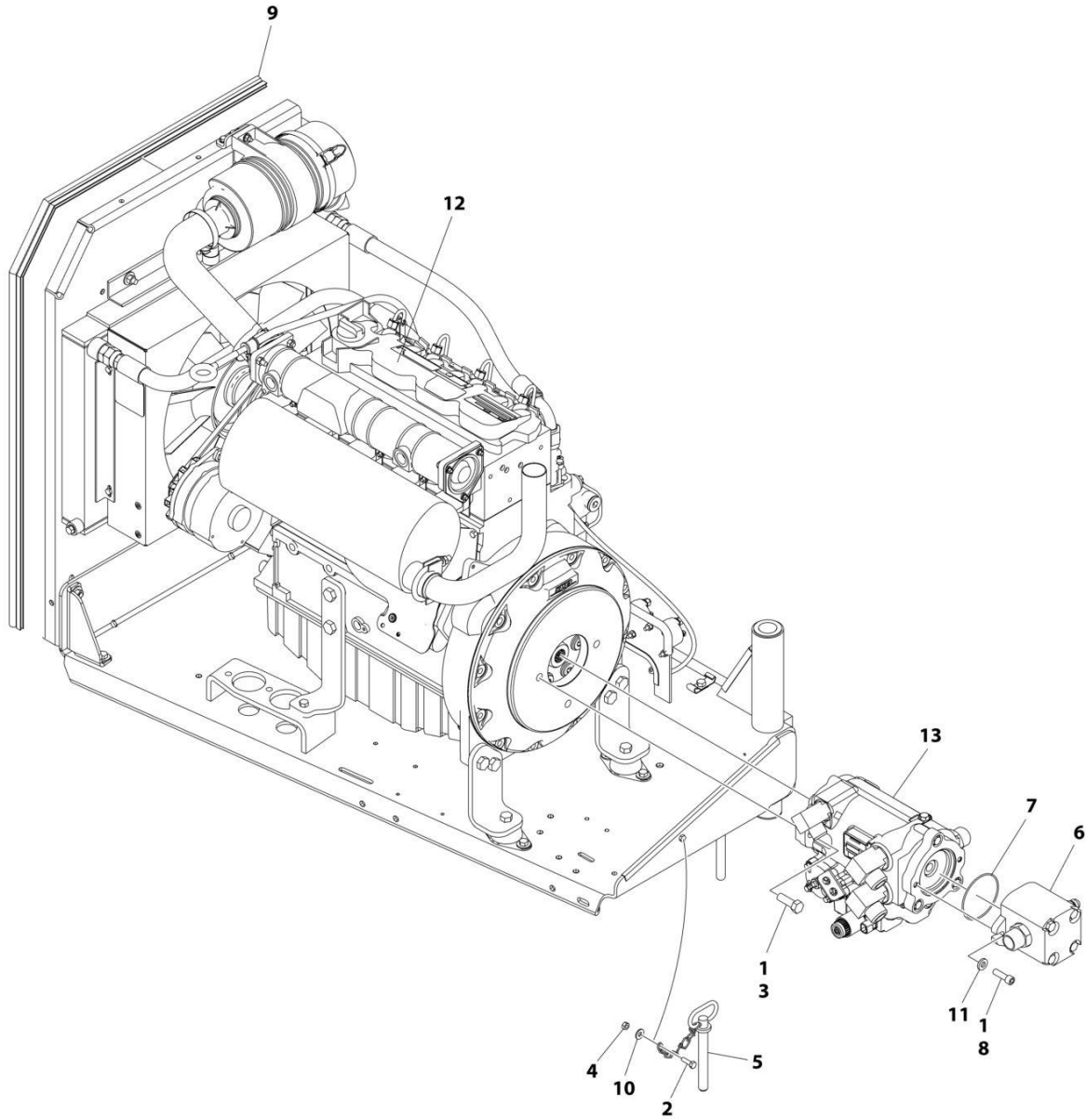
## SECTION 3 - ENGINE

**FIGURE 3-2. DEUTZ D2011 ENGINE INSTALLATION – WITH ARCTIC PACKAGE**

ITEM	PART NUMBER	QTY	DESCRIPTION	REV
	1001188964	Ref	DEUTZ D2011 ENGINE INSTALLATION	D
1	0100011	AR	Compound, Locking	
2	0100020	AR	Sealant, Pipe	
3	0400075	1	Battery	
4	0641409	4	Bolt 1/4 x 1-1/8	
5	0641610	2	Bolt 3/8 x 1-1/4	
6	0641808	2	Bolt 1/2 x 1	
7	0642010	1	Bolt 5/8 x 1-1/4	
8	1060637	1	Cable, Lanyard	
9	1320022	5	Clamp, Hose	
10	1701505	1	Decal - Diesel (Not Shown - Located on Hood)	
11	2180348	1	Fitting, Straight Barbed	
12	2220313	1	Fitting, 90	
13	2221176	1	Fitting, Straight Barbed	
14	2720058	24 ft /7.3m	Hose	
15	2750532	6 ft /1.8m	Hose	
16	1001241578	1	Battery Cable Kit (No Info at Time of Printing)	
17	3311405	4	Nut 1/4	
18	3311605	3	Nut 3/8	
19	3311805	1	Nut 1/2	
20	3422448	1	Pin, Pivot	
21	3841143	1	Pin, Keeper	
22	4711400	8	Washer 1/4	
23	4751500	3	Washer 5/16	
24	4751600	4	Washer 3/8	
25	4751800	1	Washer 1/2	
26	4752000	1	Washer 5/8	
27	85941017	2	Clamp	
28	88521205	2	Nut 5/16	
29	91401281	1	Hold-down, Battery	
30	1001093382	2	J-Bolt	
31	1001151070	1	Angle	
32	1001188955	1	Engine Assembly with Pumps (See Separate Breakdown in this Section)	
33	0641507	1	Bolt 5/16 x 7/8	
34	0641608	1	Bolt 3/8 x 1	
35	1060626	1	Cord, 3-Way Extension	
36	1320223	2	Clamp	
37	1702941	1	Decal - Battery Heater	
38	1702942	1	Decal - Engine Block Heater	
39	1702943	1	Decal - Hydraulic Tank Heater	
40	1702944	1	Decal - Heater Cord	
41	2580024	1	Heater, Battery	
42	3311505	1	Nut 5/16	
43	3980007	1	Seat, Battery	
44	4711600	2	Washer 3/8	
45	1001150918	2	Cable, Immersion Heater	
46	1001188972	1	Heater, Hydraulic Tank	

# SECTION 3 - ENGINE

## FIGURE 3-3. DEUTZ D2011 ENGINE/PUMP SUB-ASSEMBLY – WITHOUT ARCTIC PACKAGE



ART\_1001188954

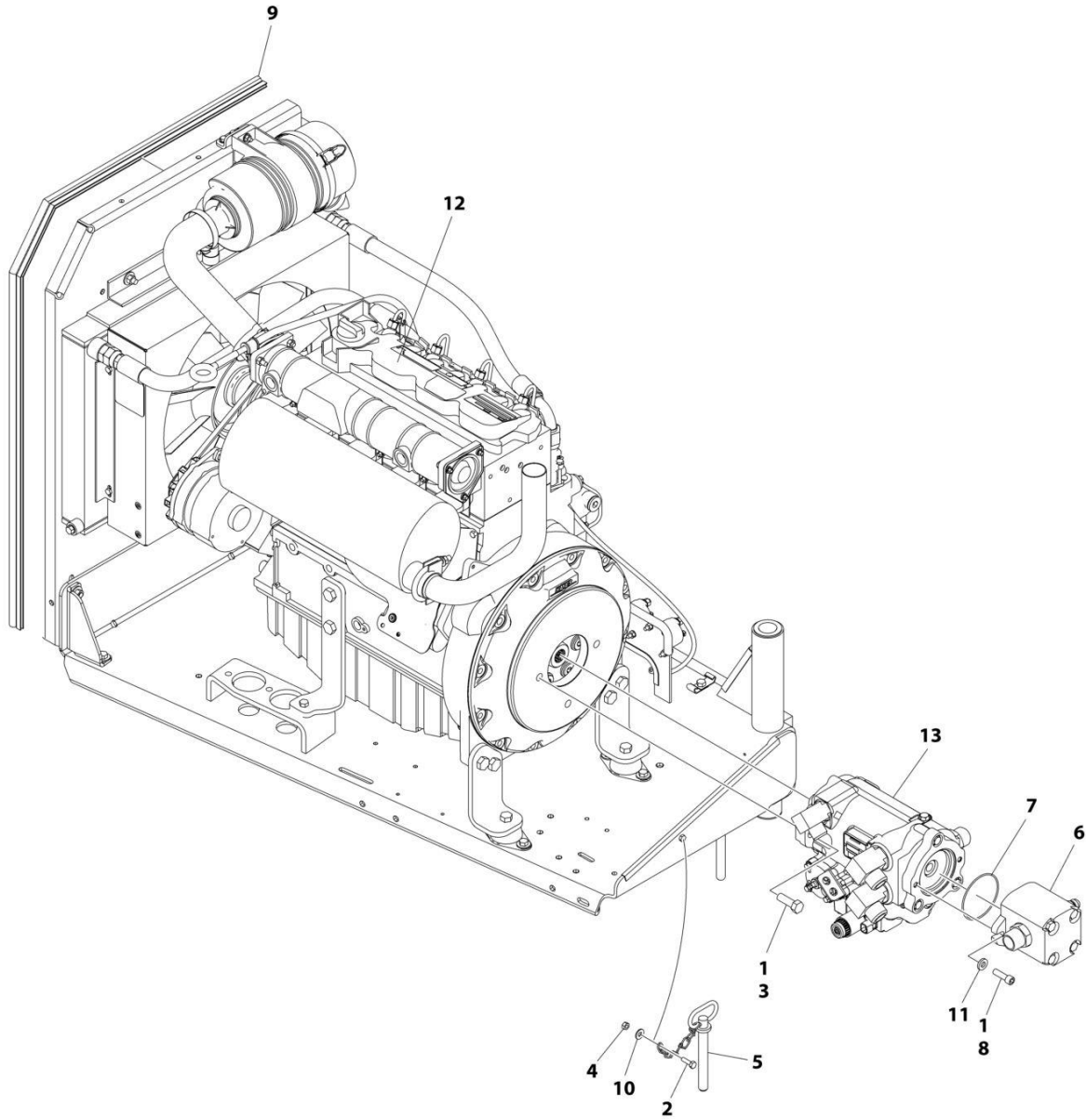
## SECTION 3 - ENGINE

**FIGURE 3-3. DEUTZ D2011 ENGINE/PUMP SUB-ASSEMBLY – WITHOUT ARCTIC PACKAGE**

ITEM	PART NUMBER	QTY	DESCRIPTION	REV
	1001188954	Ref	DEUTZ D2011 ENGINE/PUMP SUB-ASSEMBLY	B
1	0100011	AR	Compound, Locking	
2	0641407	1	Bolt 1/4 x 7/8	
3	0641812	2	Bolt 1/2 x 1-1/2	
4	3311405	1	Nut 1/4	
5	3422533	1	Pin, Hitch	
6	3600395	1	Gear Pump Assembly with Fittings (See Separate Breakdown in this section)	
7	3790152	1	O-Ring	
8	3931620	2	Capscrew 3/8 x 1-1/4	
9	3960389	5 ft /1.5m	Seal	
10	4751400	1	Washer 1/4	
11	4891600	2	Washer 3/8 Hardened	
12	1001150158	1	Engine Assembly (See Separate Breakdown in this Section)	
13	1001188952	1	Piston Pump Assembly with Fittings (See Separate Breakdown in this section)	

# SECTION 3 - ENGINE

## FIGURE 3-4. DEUTZ D2011 ENGINE/PUMP SUB-ASSEMBLY – WITH ARCTIC PACKAGE



ART\_1001188955

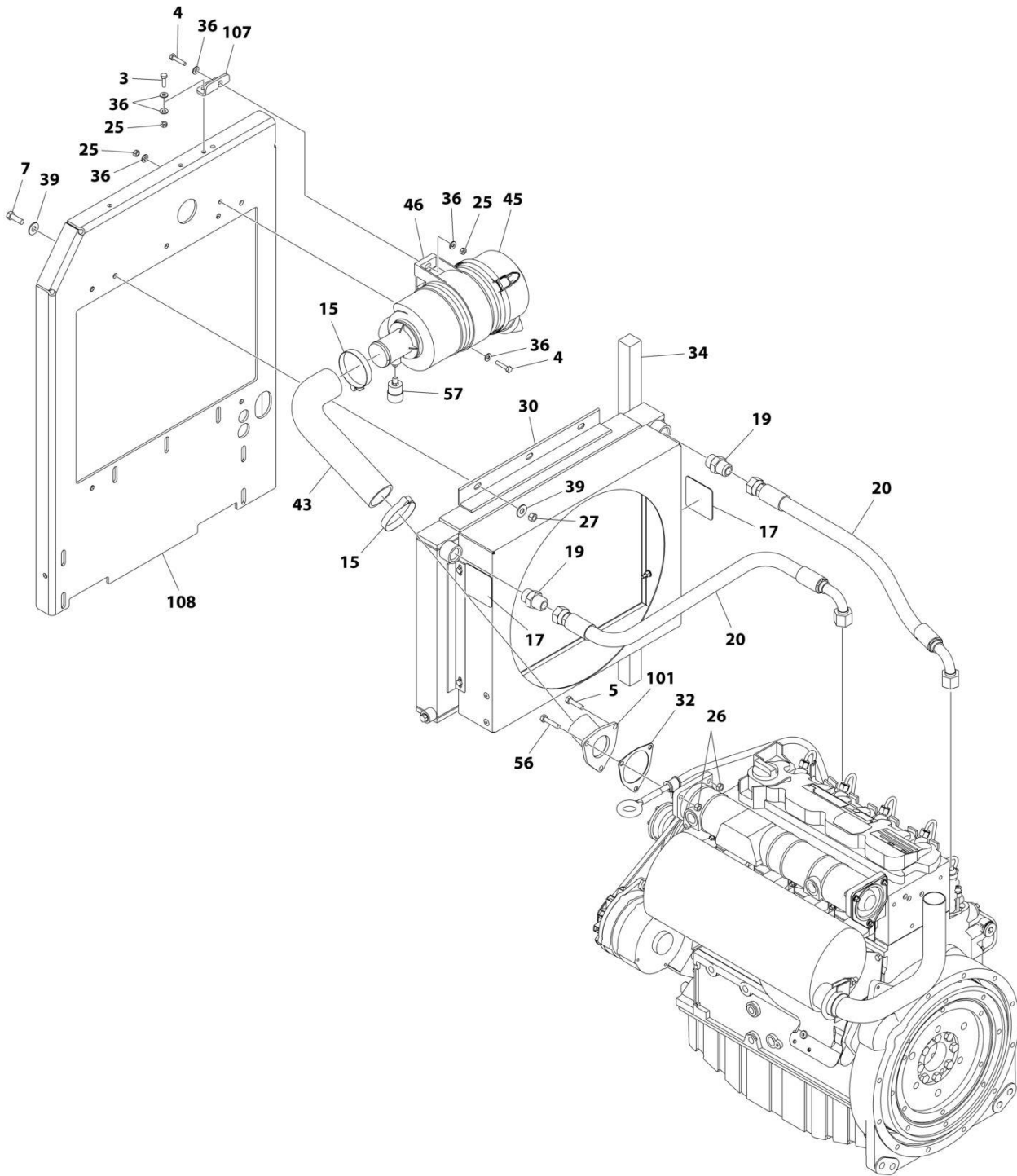
## SECTION 3 - ENGINE

**FIGURE 3-4. DEUTZ D2011 ENGINE/PUMP SUB-ASSEMBLY – WITH ARCTIC PACKAGE**

ITEM	PART NUMBER	QTY	DESCRIPTION	REV
	1001188955	Ref	DEUTZ D2011 ENGINE/PUMP SUB-ASSEMBLY	A
1	0100011	AR	Compound, Locking	
2	0641407	1	Bolt 1/4 x 7/8	
3	0641812	2	Bolt 1/2 x 1-1/2	
4	3311405	1	Nut 1/4	
5	3422533	1	Pin, Hitch	
6	3600395	1	Gear Pump Assembly with Fittings (See Separate Breakdown in this section)	
7	3790152	1	O-Ring	
8	3931620	2	Capscrew 3/8 x 1-1/4	
9	3960389	5 ft /1.5m	Seal	
10	4751400	1	Washer 1/4	
11	4891600	2	Washer 3/8 Hardened	
12	1001150179	1	Engine Assembly (See Separate Breakdown in this Section)	
13	1001188952	1	Piston Pump Assembly with Fittings (See Separate Breakdown in this section)	

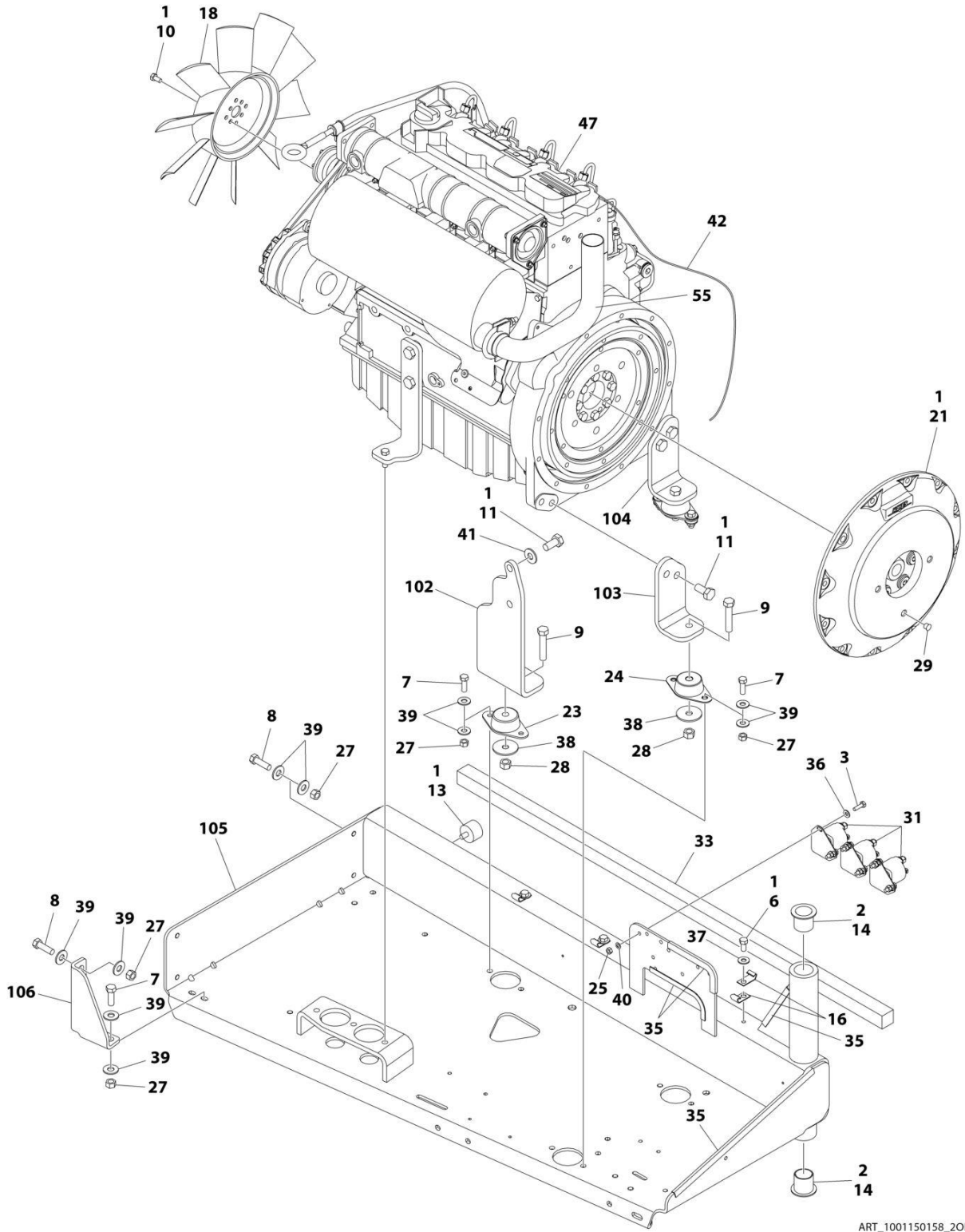
# SECTION 3 - ENGINE

## FIGURE 3-5. DEUTZ D2011 ENGINE ASSEMBLY – WITHOUT ARCTIC PACKAGE



ART\_1001150158\_10F2

# SECTION 3 - ENGINE



ART\_1001150158\_20F2

## SECTION 3 - ENGINE

FIGURE 3-5. DEUTZ D2011 ENGINE ASSEMBLY – WITHOUT ARCTIC PACKAGE

ITEM	PART NUMBER	QTY	DESCRIPTION	REV
	1001150158	Ref	DEUTZ D2011 ENGINE ASSEMBLY	M
1	0100011	AR	Compound, Locking	
2	0100062	AR	Compound, Locking	
3	0641407	8	Bolt 1/4 x 7/8	
4	0641410	2	Bolt 1/4 x 1-1/4	
5	0641510	2	Bolt 5/16 x 1- 1/4	
6	0641606	3	Bolt 3/8 x 3/4	
7	0641609	14	Bolt 3/8 x 1-1/8	
8	0641610	4	Bolt 3/8 x 1-1/4	
9	0641820	3	Bolt 1/2 x 2-1/2	
10	0700808	4	Bolt M8 x 16mm	
11	0771414	6	Bolt M14 x 30	
13	0940070	1	Bumper	
14	0961986	2	Bushing, Flanged	
15	1320016	2	Clamp	
16	1320223	4	J-Clip	
17	1703162	2	Decal - Caution Fan Blade	
18	2060025	1	Fan	
19	2220451	2	Fitting, Straight	
20	2720398	2	Hose, Oil Cooler	
21	2902065	1	Kit, Pump Coupling (See Separate Breakdown in this Section)	
23	3200401	1	Mount, Motor (Front)	
24	3200406	2	Mount, Motor (Rear)	
25	3311405	10	Nut 1/4	
26	3311505	3	Nut 5/16	
27	3311605	18	Nut 3/8	
28	3311805	3	Nut 1/2	
29	3520054	2	Plug, Hole	
30	1001150998	1	Radiator	
31	3740067	3	Relay	
32	3960407	1	Gasket, Air Intake	
33	3960468	1	Seal	
34	3960469	1	Seal	
35	4060805	37 in /1m	Flex-Trim	
36	4711400	14	Washer 1/4	
37	4711600	3	Washer 3/8	
38	4740274	3	Washer, Snubbing	
39	4751600	36	Washer 3/8	
40	4791400	6	Starwasher 1/4	
41	4812200	2	Washer M14	
42	4923379	1	Harness, Glow Plug	
43	1001130041	1	Elbow	
45	1001141693	1	Air Cleaner Assembly	
45	70003783	1	Element, Filter	
46	1001141694	1	Clamp, Air Filter	
47	1001146368	Ref	Deutz D2011 Engine Components (See Separate Breakdown in this Section)	
55	1001151251	1	Pipe, Exhaust	
56	0641512	1	Bolt 5/16 x 1-1/2	
57	1001143390	1	Indicator, Air Filter Service	

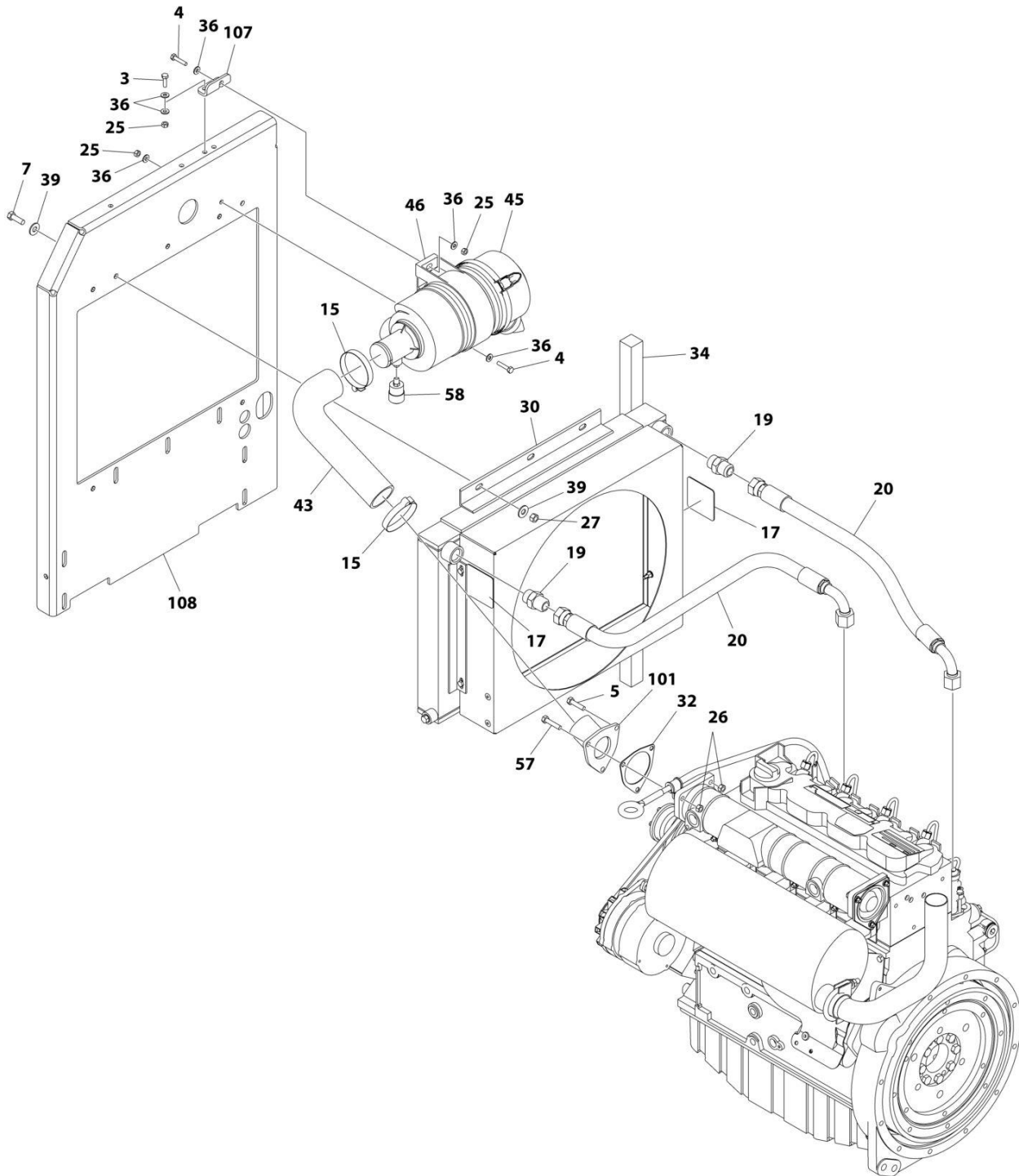


## SECTION 3 - ENGINE

ITEM	PART NUMBER	QTY	DESCRIPTION	REV
100	1001265493	1	Kit – Engine Parts	A
101	1001139819	1	Adapter, Air Intake	
102	1001149704	1	Support, Engine (Front)	
103	1001149705	1	Support, Engine (Rear)	
104	1001149706	1	Support, Engine (Rear)	
105	1001149793	1	Tray	
106	1001150915	1	Support	
107	1001151078	1	Angle	
108	1001151206	1	Plate, Radiator Mounting	

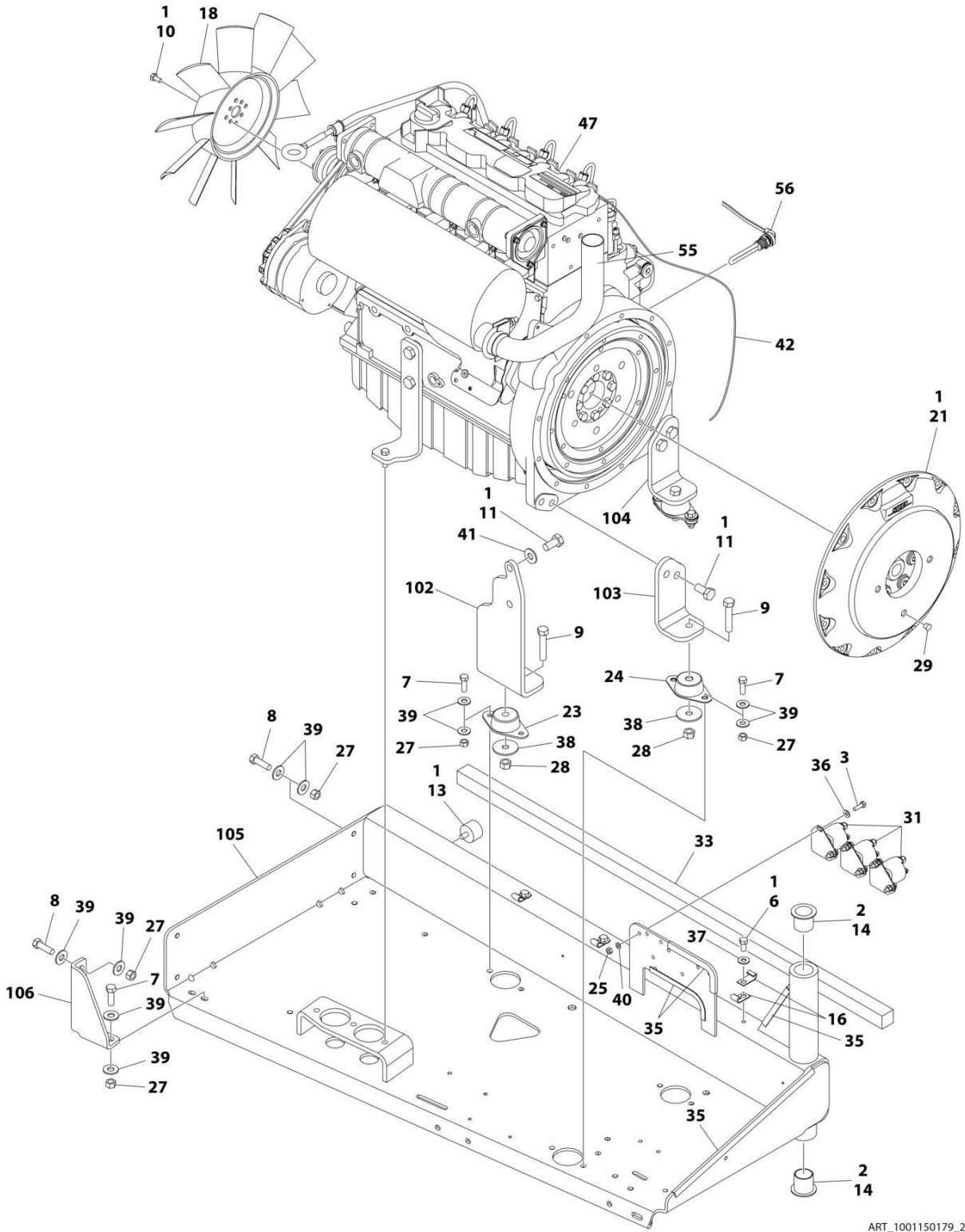
# SECTION 3 - ENGINE

## FIGURE 3-6. DEUTZ D2011 ENGINE ASSEMBLY – WITH ARCTIC PACKAGE



ART\_1001150179\_10F2

# SECTION 3 - ENGINE



ART\_1001150179\_2OF2

## SECTION 3 - ENGINE

FIGURE 3-6. DEUTZ D2011 ENGINE ASSEMBLY – WITH ARCTIC PACKAGE

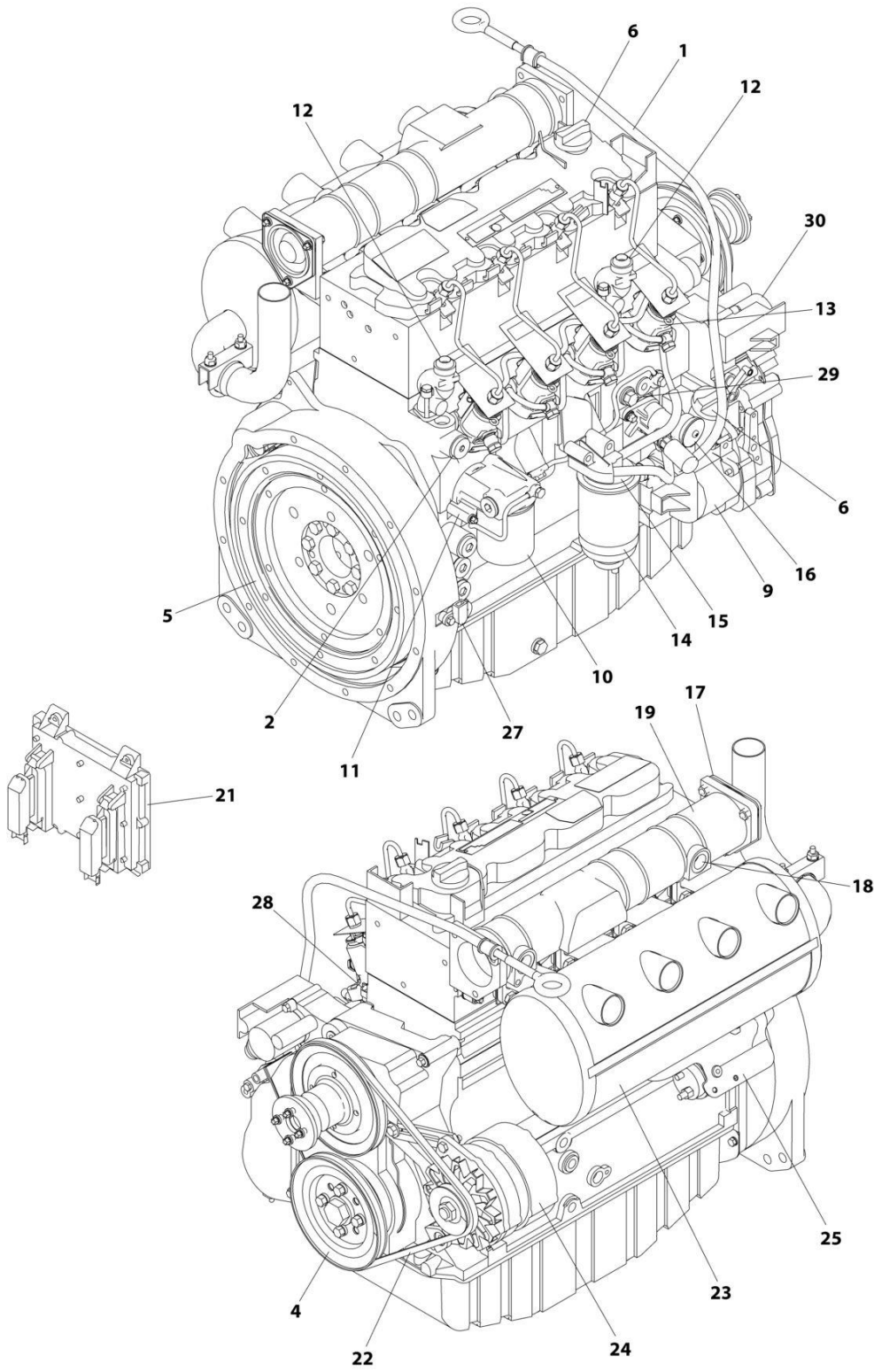
ITEM	PART NUMBER	QTY	DESCRIPTION	REV
	1001150179	Ref	DEUTZ D2011 ENGINE ASSEMBLY	K
1	0100011	AR	Compound, Locking	
2	0100062	AR	Compound, Locking	
3	0641407	8	Bolt 1/4 x 7/8	
4	0641410	2	Bolt 1/4 x 1-1/4	
5	0641510	2	Bolt 5/16 x 1-1/4	
6	0641606	3	Bolt 3/8 x 3/4	
7	0641609	14	Bolt 3/8 x 1-1/8	
8	0641610	4	Bolt 3/8 x 1-1/4	
9	0641820	3	Bolt 1/2 x 2-1/2	
10	0700808	4	Bolt M8 x 16mm	
11	0771414	6	Bolt M14 x 30	
13	0940070	1	Bumper	
14	0961986	2	Bushing, Flanged	
15	1320016	2	Clamp	
16	1320223	4	J-Clip	
17	1703162	2	Decal - Caution Fan Blade	
18	2060025	1	Fan	
19	2220451	2	Fitting, Straight	
20	2720398	2	Hose, Oil Cooler	
21	2902065	1	Kit, Pump Coupling (See Separate Breakdown in this Section)	
23	3200401	1	Mount, Motor (Front)	
24	3200406	2	Mount, Motor (Rear)	
25	3311405	10	Nut 1/4	
26	3311505	3	Nut 5/16	
27	3311605	18	Nut 3/8	
28	3311805	3	Nut 1/2	
29	3520054	2	Plug, Hole	
30	1001150998	1	Radiator	
31	3740067	3	Relay	
32	3960407	1	Gasket, Air Intake	
33	3960468	1	Seal	
34	3960469	1	Seal	
35	4060805	37 in /1m	Flex-Trim	
36	4711400	14	Washer 1/4	
37	4711600	3	Washer 3/8	
38	4740274	3	Washer, Snubbing	
39	4751600	36	Washer 3/8	
40	4791400	6	Starwasher 1/4	
41	4812200	2	Washer M14	
42	4923379	1	Harness, Glow Plug	
43	1001130041	1	Elbow	
45	1001141693	1	Air Cleaner Assembly	
45	70003783	1	Element, Filter	
46	1001141694	1	Clamp, Air Filter	
47	1001146368	Ref	Deutz D2011 Engine Components (See Separate Breakdown in this Section)	
55	1001151251	1	Pipe, Exhaust	
56	2580062	1	Heater, Engine Block	
57	0641512	1	Bolt 5/16 x 1-1/2	

## SECTION 3 - ENGINE

ITEM	PART NUMBER	QTY	DESCRIPTION	REV
58	1001143390	1	Indicator, Air Filter Service	
100	1001265493	1	Mounting Kit (Not Shown)	
101	1001139819	1	Adapter, Air Intake	
102	1001149704	1	Support, Engine (Front)	
103	1001149705	1	Support, Engine (Rear)	
104	1001149706	1	Support, Engine (Rear)	
105	1001149793	1	Tray	
106	1001150915	1	Support	
107	1001151078	1	Angle	
108	1001151206	1	Plate, Radiator Mounting	

# SECTION 3 - ENGINE

## FIGURE 3-7. DEUTZ D2011 ENGINE COMPONENTS



ART\_1001146368

## SECTION 3 - ENGINE

**FIGURE 3-7. DEUTZ D2011 ENGINE COMPONENTS**

ITEM	PART NUMBER	QTY	DESCRIPTION	REV
	1001146368	Ref	DEUTZ D2011 ENGINE COMPONENTS	E
1	7026631	1	Dipstick	
1	7020487	1	O-Ring, Dipstick	
1	70001002	1	Tube, Dipstick	
1	7020403	1	Seal, Dipstick Tube	
2	70003475	1	Thermostat	
2	7020460	1	Spring, Compression	
3	70002718	1	Seal, Rear Main (Not Shown)	
4	70005479	1	Pulley	
5	70001870	1	Flywheel	
5	7024579	1	Ring Gear	
6	7020465	2	Cap, Filler	
7	70003456	1	Gasket, Head (Not Shown)	
7	70003457	1	Gasket, Head (Not Shown)	
7	70003003	1	Gasket, Head (Not Shown)	
8	7020431	1	Gasket, Valve Cover (Not Shown)	
9	70001850	1	Pump, Oil Lube	
9	7020468	1	Seal Between Oil Pump and Engine Block (Not Shown)	
10	7016331	1	Filter, Oil	
11	70003472	1	Bracket, Oil Filter (Includes Spring, Control Valve, Temperature Sensor, Seal and Plug)	
11	7027236	1	Sensor, Temperature	
11	70003473	1	Gasket, Oil Filter Bracket to Engine Block	
12	70004268	2	Fitting, Radiator Connector (Located Between Item 220 and Engine Block)	
12	70004269	2	Seal for Radiator Connector Fitting	
13	70003478	4	Injector, Fuel	
13	70003136	4	Seal	
13		Ref	Pump, Injector Options:	
13	70000912	1	Series A Injector	
13	70000913	4	Series B Injector	
13	70000914	1	Series C Injector	
13	70000915	1	Series D Injector	
14	7016328	1	Filter, Fuel	
15	70001423	1	Bracket, Fuel Filter	
16	70000916	1	Pump Fuel Supply	
16	70001435	1	Repair Kit for Pump	
16	70000919	1	Hand Pump	
16	70000918	1	Seal, Hand Pump	
16	70000917	1	O-Seal Between Fuel Pump and Engine Block (Not Shown)	
17	70003469	1	Flange	
17	70003468	1	O-Seal	
18	70025084	1	Plug	
19	70003470	1	Manifold, Intake	
19	70001871	4	Gasket, Intake Manifold to Engine Block (Not Shown)	
20	70001847	1	Breather Valve (Not Shown - Located on Front Cover)	
20	70001126	1	Seal, Breather Valve	
21	7027795	1	Module, Control	
22	7020408	1	V-Belt	
23	7000695	1	Muffler (Includes Saddle Clamp)	

## SECTION 3 - ENGINE

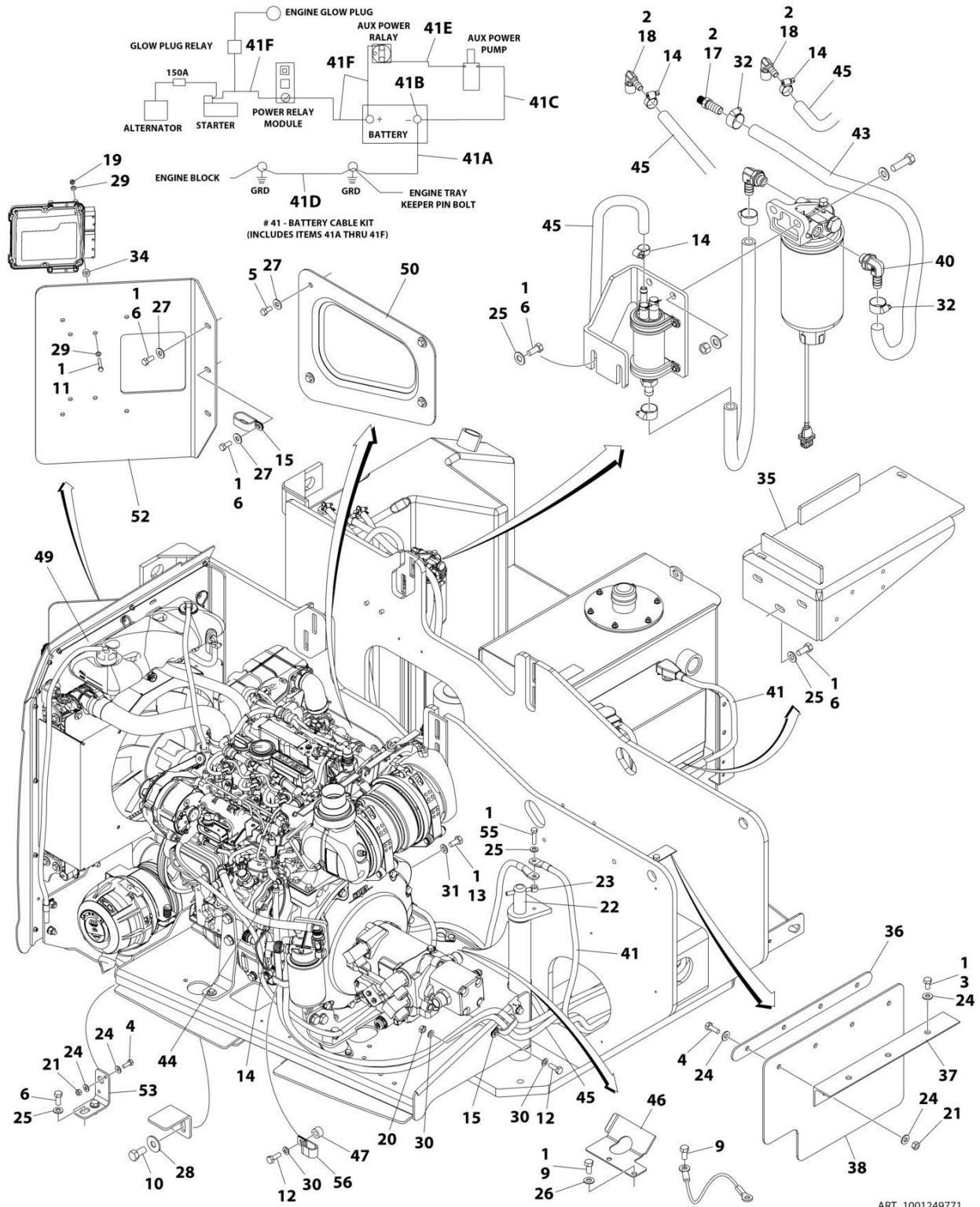
ITEM	PART NUMBER	QTY	DESCRIPTION	REV
23	7020471	4	Gasket, Exhaust Manifold (Not Shown)	
23	70004270	8	Stud, Exhaust Manifold (Not Shown)	
24	70004056	1	Alternator	
24	70001868	1	Regulator, Voltage Options (Not Shown)	
24	70001866	1	Gasket for Voltage Regulator (Not Shown)	
24	70002234	1	Bracket, Adjusting (Not Shown)	
24	70000851	1	Bracket, Mounting (Not Shown)	
25	7020479	1	Starter	
25	70004058	1	Relay	
25	70001498	1	Shield, Starter Heat	
26	70004059	1	Plug- In Connector for Analyzer (Not Shown)	
26	7027796	1	Harness, Module to Engine Harness (Not Shown)	
26	70004060	1	Plug- In Connector on p/n 7027796 Harness (Not Shown)	
26	70001872	1	Harness, Engine (Not Shown)	
26	70004103	1	Harness, Alternator (Not Shown)	
26	70004271	1	Harness, Starter (Not Shown)	
27	70004272	1	Sensor, Speed	
27	70003932	1	Spacer	
28	7027791	1	Transmitter, Temperature	
29	7027790	1	Sensor, Oil Pressure	
30	7027792	1	Actuator, Throttle	
30	7027276	1	Spring, Actuator	
31	70000345	4	Plug, Glow (Not Shown)	
32	70004273	1	Set, Engine Gasket (Not Shown)	





# SECTION 3 - ENGINE

## FIGURE 3-8. DEUTZ TD2.2L3 (STAGE V) ENGINE INSTALLATION



ART\_1001249771

## SECTION 3 - ENGINE

**FIGURE 3-8. DEUTZ TD2.2L3 (STAGE V) ENGINE INSTALLATION**

ITEM	PART NUMBER	QTY	DESCRIPTION	REV
	1001249771	Ref	DEUTZ TD2.2L3 (STAGE V) ENGINES INSTALLATION	H
1	0100011	AR	Compound, Locking	
2	0100020	AR	Sealant, Pipe	
3	0641404	3	Bolt 1/4 x 1/2	
4	0641406	5	Bolt 1/4 x 3/4	
5	0641606	4	Bolt 3/8 x 3/4	
6	0641607	12	Bolt 3/8 x 7/8	
7	0641608	1	Bolt 3/8 x 1	
9	0641808	4	Bolt 1/2 x 1	
10	0642010	1	Bolt 5/8 x 1-1/4	
11	0700616	4	Bolt M6 x 40	
12	0761014	2	Bolt M10 x 30	
13	0771212	1	Bolt M12 x 25 Grade 10.9	
14	1320022	5	Clamp	
15	1321716	2	P-Clamp	
16	1701505	1	Decal - Diesel (Not Shown - Located on Hood)	
17	2180832	1	Fitting, Straight Barbed	
18	2220313	2	Fitting, 90 Barbed	
19	3290601	4	Nut M6	
20	3291001	1	Nut M10	
21	3311405	5	Nut 1/4	
22	3422448	1	Pin, Pivot	
23	3841143	1	Pin, Keeper	
24	4711400	13	Washer 1/4	
25	4711600	10	Washer 3/8	
26	4711800	2	Washer 1/2	
27	4751600	7	Washer 3/8	
28	4752000	1	Washer 5/8	
29	4811700	8	Washer M6	
30	4812000	3	Washer M10	
31	4812100	1	Washer M12	
32	8405006	2	Clamp	
33	8406201	6	Clip (Not Shown)	
34	1001110425	4	Spacer	
35	1001137868	1	Bracket, Battery	
36	1001137880	1	Bracket, Baffle	
37	1001137881	1	Angle	
38	1001137882	1	Support, Rubber	
39	1001138491	1	Harness, Fuel Pump (Pump requiring Push-on Terminals) (Not Shown - See Separate Breakdown in ELECTRICAL Section)	
40	1001142501	1	Fitting, 90 Barbed	
41	1001145047	1	Battery Cable Kit	
41A	7027072	1	Cable, Battery (Black) (Battery - to Tray Pivot Grd)	
41B	8270147	1	Terminal, Battery (With Boot)	
41B	See Note	1	Boot, Black (Note: Not Available for Purchase)	
41C	7027073	1	Cable, Battery (Black) (Battery - to Aux Pump and Relay Grd)	
41C	See Note	1	Boot, Black (Note: Not Available for Purchase)	
41D	7027074	1	Cable, Battery (Black) (Engine to Tray Pivot Grd)	
41E	7027075	1	Cable (Red) (Aux Relay to Aux Pump)	
41E	70003952	2	Boot, Red	

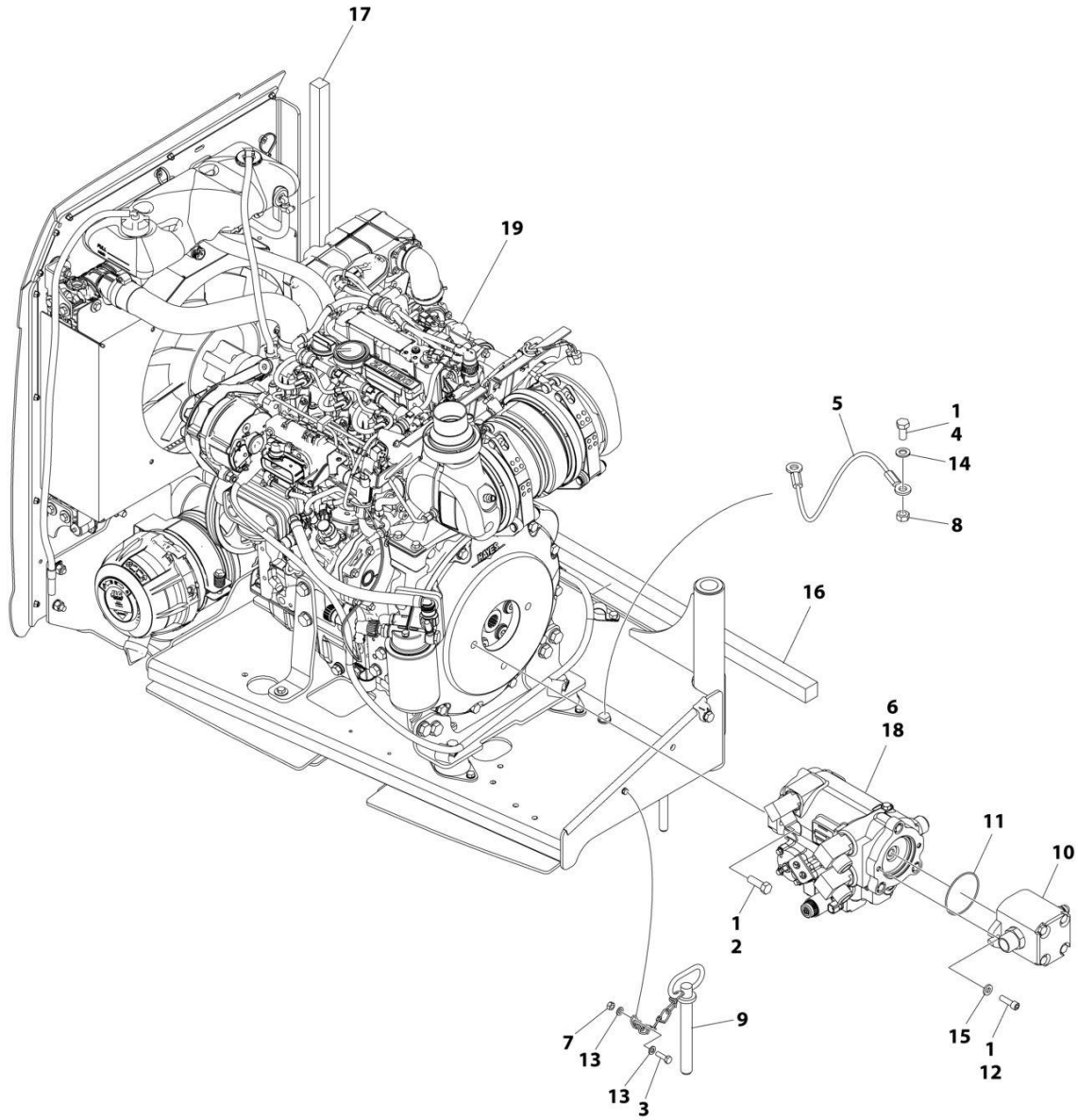
## SECTION 3 - ENGINE

ITEM	PART NUMBER	QTY	DESCRIPTION	REV
41F	7027076	1	Cable (Red) (Battery + to Aux Relay/Power Module/Starter)	
41F	See Note	1	Boot, Red (Battery) (Note: Not Available for Purchase)	
42	1001146588	1	Tie-Strap (Not Shown)	
43	1001154405	3 ft/ 0.9m	Hose	
44	1001155823	1	Fitting, 90 Quick Disconnect	
45	1001165035	23.5 ft/ 7.2m	Hose	
46	1001172793	1	Guide, Hose	
47	1001220266	1	Spacer	
49	1001249682	1	Engine Assembly with Pumps (See Separate Breakdown in this Section)	
50	1001260654	1	Cover	
52	1001137866	1	Plate, Baffle	
53	1001256879	1	Bracket	
54	4240099	AR	Tie-Strap (Not Shown)	
55	0641612	1	Bolt 3/8 x 1-1/2	
56	1001026127	1	Clamp	



# SECTION 3 - ENGINE

## FIGURE 3-9. DEUTZ TD2.2L3 (STAGE V) ENGINE/PUMP SUB-ASSEMBLY



ART\_1001249682

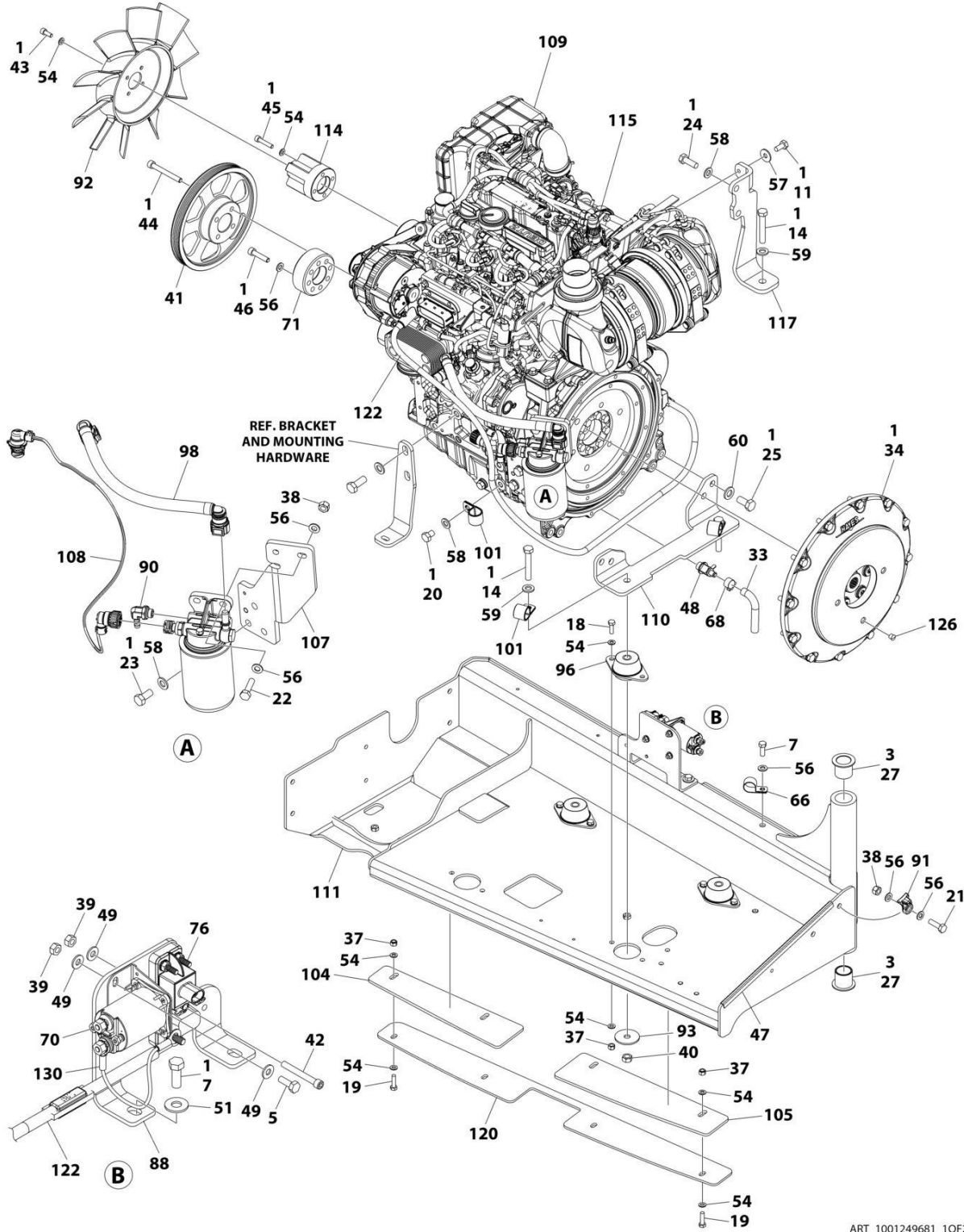
## SECTION 3 - ENGINE

**FIGURE 3-9. DEUTZ TD2.2L3 (STAGE V) ENGINE/PUMP SUB-ASSEMBLY**

ITEM	PART NUMBER	QTY	DESCRIPTION	REV
	1001249682	Ref	DEUTZ TD2.9L4 ENGINE/PUMP SUB-ASSEMBLY	B
1	0100011	AR	Compound, Locking	
2	0641812	2	Bolt 1/2 x 1-1/2	
3	0700610	1	Bolt M6 x 20	
4	0761212	1	Bolt M12 x 25	
5	1060637	1	Lanyard	
6	3020037	AR	Grease, Pump Coupling	
7	3290601	1	Nut M6	
8	3291201	1	Nut M12	
9	3422533	1	Pin, Hitch	
10	3600395	1	Gear Pump Assembly with Fittings (See Separate Breakdown in this Section)	
11	3790152	1	O-Ring	
12	3931620	2	Bolt 3/8 x 1-1/4	
13	4811700	2	Washer M6	
14	4812100	1	Washer M12	
15	4891600	2	Washer 3/8 Hardened	
16	1001137873	1	Seal	
17	1001137874	1	Seal	
18	1001188952	1	Pump Assembly with Fittings (See Separate Breakdown in this Section)	
19	1001249681	1	Engine Assembly (See Separate Breakdown in this Section)	

# SECTION 3 - ENGINE

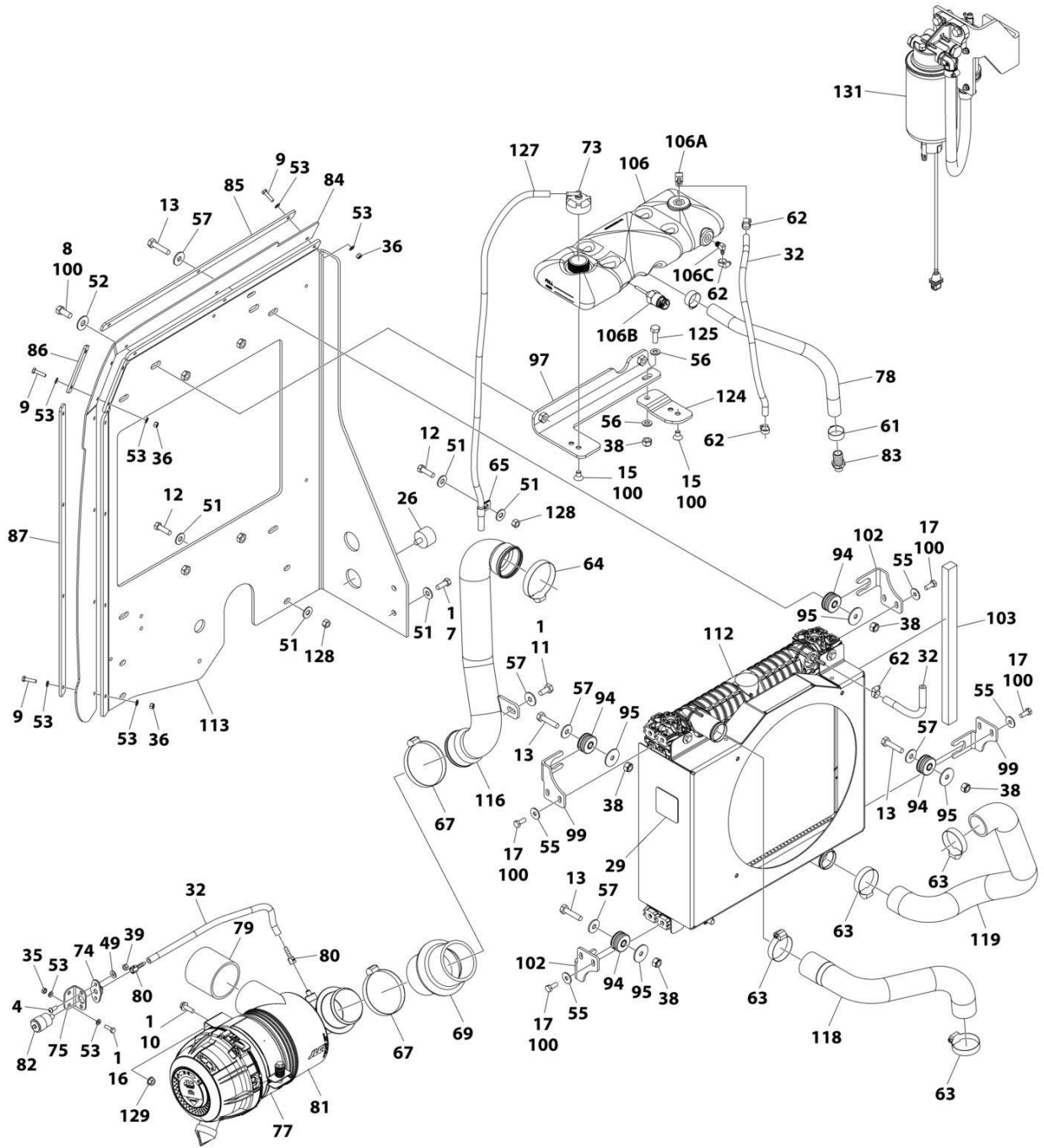
## FIGURE 3-10. DEUTZ TD2.2L3 (STAGE V) ENGINE ASSEMBLY



ART\_1001249681\_10F2



# SECTION 3 - ENGINE



ART\_1001249681\_2OF2

## SECTION 3 - ENGINE

**FIGURE 3-10. DEUTZ TD2.2L3 (STAGE V) ENGINE ASSEMBLY**

ITEM	PART NUMBER	QTY	DESCRIPTION	REV
	1001249681	Ref	DEUTZ TD2.9L4 ENGINE ASSEMBLY	K
1	0100011	AR	Compound, Locking	
3	0100062	AR	Adhesive	
4	0630407	2	Screw 1/4 x 5/8	
5	0641406	5	Bolt 1/4 x 3/4	
7	0641608	5	Bolt 3/8 x 1	
8	0641708	2	Bolt 7/16 x 1	
9	0700612	9	Bolt M6 x 25	
10	5250812	2	Bolt M8 x 25	
11	0701012	1	Bolt M10 x 25	
12	0641610	4	Screw 3/8 x 1-1/4	
13	0701017	4	Bolt M10 x 45	
14	0711223	3	Bolt M12 x 75	
15	0741605	2	Screw, Flathead 3/8 x 5/8	
16	0760610	2	Bolt M6 x 20	
17	0760810	8	Bolt M8 x 20	
18	0760812	6	Bolt M8 x 25	
19	0760814	4	Bolt M8 x 30	
20	0761212	1	Bolt M12 x 25	
21	0761015	1	Bolt M10 x 35	
22	0761016	2	Bolt M10 x 40	
23	0761214	3	Bolt M12 x 30	
24	0711215	2	Bolt M12 x 35	
25	0771414	4	Bolt M14 x 30	
26	0940070	1	Bumper	
27	0961986	2	Bushing, Flanged	
28	1062255	1	Tie-Strap (Not Shown)	
29	1703162	1	Decal - Fan Blade	
32	2720015	42 in / 1.06m	Hose	
33	2720340	6 in / 15cm	Hose	
34	2902065	1	Kit, Pump Coupling (See Separate Breakdown in this Section)	
35	3290601	2	Nut M6	
36	3290605	9	Nut M6	
37	3290805	10	Nut M8	
38	3291005	8	Nut M10	
39	3311405	5	Nut 1/4	
40	3331211	3	Nut M12	
41	1001260432	1	Pulley	
42	3931432	1	Capscrew 1/4 x 2	
43	4031908	4	Capscrew M8 x 20	
44	1001261085	4	Capscrew M10 x 85 Grade 10.9	
45	4031912	4	Capscrew M8 x 40	
46	1001261045	4	Capscrew M10 x 45 Grade 10.9	
47	4060805	14 in / 36cm	Flex-Trim	
48	4640751	1	Valve, Oil Drain	
49	4711400	7	Washer 1/4	
51	4751600	12	Washer 3/8	

## SECTION 3 - ENGINE

ITEM	PART NUMBER	QTY	DESCRIPTION	REV
52	4751700	2	Washer 7/16	
53	4811700	22	Washer M6	
54	4811900	28	Washer M8	
55	4811902	8	Washer M8	
56	4812000	13	Washer M10	
57	4812002	5	Washer M10	
58	4812100	6	Washer M12	
59	5241200	3	Washer M12	
60	4812200	4	Washer M14	
61	8405007	2	Clamp	
62	8405009	4	Clamp	
63	8405104	4	Clamp	
64	8405204	1	Clamp	
65	8406110	1	Clip	
66	8406201	1	Clip	
67	8410011	2	Clamp	
68	8410013	1	Clamp	
69	91403244	1	Hose	
70	1001117308	1	Relay	
71	1001258800	1	Adapter	
73	1001136834	1	Cap, Tank	
74	1001138173	1	Support	
75	1001138175	1	Bracket	
76	1001138228	1	Relay, Power Module	
76	70023593	1	Fuse 30Amp (Battery Output)	
76	70023592	1	Fuse 20Amp (Switched Output)	
77	1001186426	1	Clamp	
78	1001141370	1	Hose	
79	1001141585	1	Hose, Air Inlet	
80	1001141995	2	Fitting, Straight Barbed	
81	1001189979	1	Air Cleaner Assembly Filter Element	
81	70005008	1	Element, Filter (Not Shown)	
82	1001143390	1	Indicator, Service	
83	1001143797	1	Fitting, Straight Barbed	
84	1001144409	1	Panel, Rubber	
85	1001144410	1	Bracket, Panel Clamp	
86	1001144411	1	Bracket, Panel Clamp	
87	1001144412	1	Bracket, Panel Clamp	
88	1001258252	1	Plate, Relay Mounting	
89	1001146588	6	Tie-Strap (Not Shown)	
90	1001152489	1	Fitting, 90 Barbed	
91	1001156107	1	Holder, Cable	
92	1001165849	1	Fan	
93	1001168018	3	Washer	
94	1001169054	4	Isolator	
95	1001169138	4	Washer	
96	1001166718	3	Mount, Motor	
97	1001260413	1	Bracket, Tank	
98	1001177359	1	Hose	
99	1001178223	2	Bracket	
100	1001180620	AR	Adhesive	

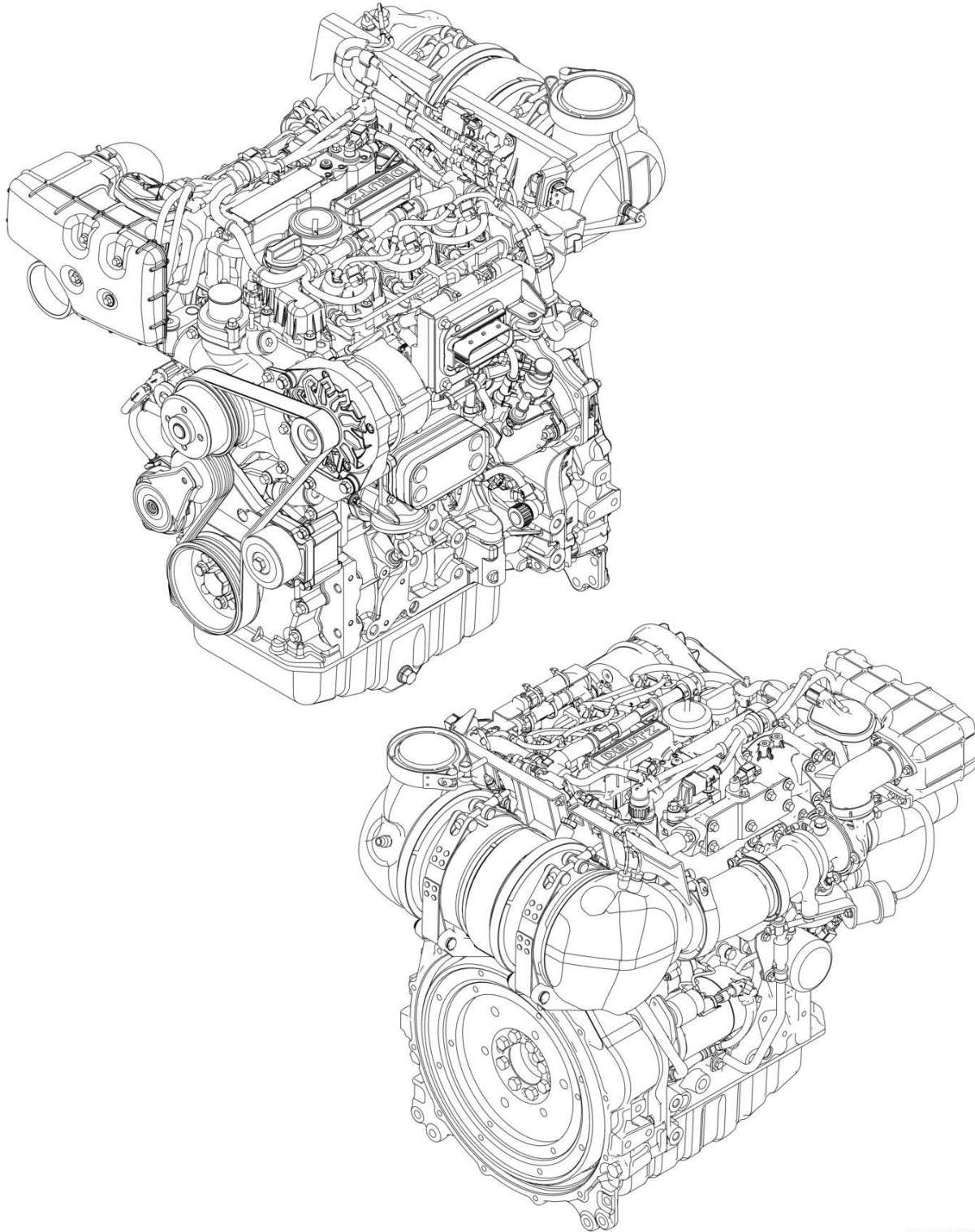
## SECTION 3 - ENGINE

ITEM	PART NUMBER	QTY	DESCRIPTION	REV
101	1001191620	3	Clamp	
102	1001204325	2	Bracket	
103	1001269861	1	Seal	
104	1001219454	1	Seal	
105	1001219456	1	Seal	
106	1001230635	1	Tank	
106A	1001134488	1	Fitting, 90 Barbed	
106B	1001138827	1	Sensor, Coolant Level	
106C	1001140564	1	Fitting, 90 Barbed	
107	1001237947	1	Mount	
108	1001245913	1	Harness, Deutz Fuel Filter (See Separate Breakdown in ELECTRICAL Section)	
109	1001246012	1	Deutz TD2.2L3 (Stage V) Engines (See Separate Breakdown in this Section)	
110	1001246813	1	Mount, Rear Engine	
111	1001247029	1	Support, Engine Tray	
112	1001247716	1	Radiator and Shroud Assembly	
112	1001250607	1	Radiator	
112	1001247714	1	Shroud	
113	1001248434	1	Mount	
114	1001248608	1	Adapter	
115	1001249045	1	Pipe, Exhaust	
116	1001249232	1	Pipe	
117	1001249234	1	Mount, Engine	
118	1001249261	1	Hose, Radiator - Upper	
119	1001249705	1	Hose, Radiator - Lower	
120	1001251131	1	Plate	
121	1001253798	1	Harness, Engine (Not Shown - See Separate Breakdown in ELECTRICAL Section)	
122	1001143907	1	Cable, Alternator Power	
123	4240099	AR	Tie-Strap (Not Shown)	
124	1001260412	1	Bracket, Surge Tank	
125	0761014	1	Bolt M10 x 30	
126	3520054	1	Plug	
127	1001138248	38 in/ 1m	Tube	
128	3271605	4	Nut Grade 8	
129	5260800	2	Nut M8	
130	1001141304	1	Wire	
131	1001235949	1	Bracket, Fuel Pump/Filter Assembly (See Separate Breakdown in this Section)	



## SECTION 3 - ENGINE

FIGURE 3-11. DEUTZ TD2.2L3 (STAGE V) ENGINE COMPONENTS



ART\_1001246012

## SECTION 3 - ENGINE

**FIGURE 3-11. DEUTZ TD2.2L3 (STAGE V) ENGINE COMPONENTS**

ITEM	PART NUMBER	QTY	DESCRIPTION	REV
	1001246012	Ref	DEUTZ ENGINE COMPONENTS	C
		Ref	Note: For complete list of parts, contact JLG Parts Department	
		Ref	Air Intake System Components	
		Ref	Turbocharger	
		Ref	Cooling System Components	
		Ref	Pump, Coolant (Includes Gasket & Seals)	
	70007603	1	Thermostat	
	70005184	1	O-Ring	
	70005931	1	Gasket	
	70025142	1	Cover	
		Ref	Electrical System Components	
	70029512	1	Module, ECU/ECM	
	70006652	1	Generator (Includes Controller, Fan & Hardware)	
	70124507	1	Starter (Includes Solenoid & Relay)	
	70005648	1	Relay, Starter	
	70026210	1	Sender, Tacho-Generator (Speed) (On Rear of Block & Cover) (Includes Seal)	
	70024922	1	Sender, Temperature (Includes Seal) (On Air Intake Manifold)	
	70024507	1	Sensor, Pressure (Includes Seal) (On Air Intake Manifold)	
	70024504	1	Sensor, Pressure (Includes Seal) (On Fuel Filter & Side of Block)	
		Ref	Sensor, Pressure (Includes Seal) (On Exhaust Manifold)	
		Ref	Sensor, Temperature (Includes Seal) (On Exhaust Manifold)	
		Ref	Plug, Glow	
		Ref	Exhaust System Components	
		Ref	Valve, EGR	
	70025130	8	Bolt, Exhaust Manifold	
		Ref	Gasket, Exhaust Manifold	
		Ref	Outlet, Muffler	
		Ref	Muffler	
		Ref	Bracket, Muffler Mounting	
		Ref	Compensator, Exhaust	
		Ref	Fuel System Components	
	70024924	1	Pump, High Pressure	
	70025181	4	Injector (Includes Sealing washer, Clamp & O-Ring)	
	70006144	1	Pump, Fuel Supply (Includes Clamps)	
	70024961	1	Filter, Fuel (Pre-Filter Assembly) (Includes Head, Spin on filter, Sensor Cable & Seal)	
	70025153	1	Filter, Fuel Spin On	
	70024513	1	Sensor Cable (Includes Seal)	
	70025160	1	Filter, Fuel (Assembly) (Includes Head & Spin on Filter)	
	70025161	1	Filter, Fuel Spin On	
	70004508	1	Vol. Control Valve (Includes O-Ring & Gasket)	
		Ref	Lubricating System Components	
	7020465	2	Cap, Oil Fill	
	70005941	2	Plug, Oil Drain	
	70005942	2	Seal, Oil Drain Plug	
		Ref	Pump, Oil (Includes Seal & Gasket)	
	7016331	1	Filter, Oil	
	70123584	1	Cooler, Oil	
		Ref	Dipstick (Includes Seal)	

## SECTION 3 - ENGINE

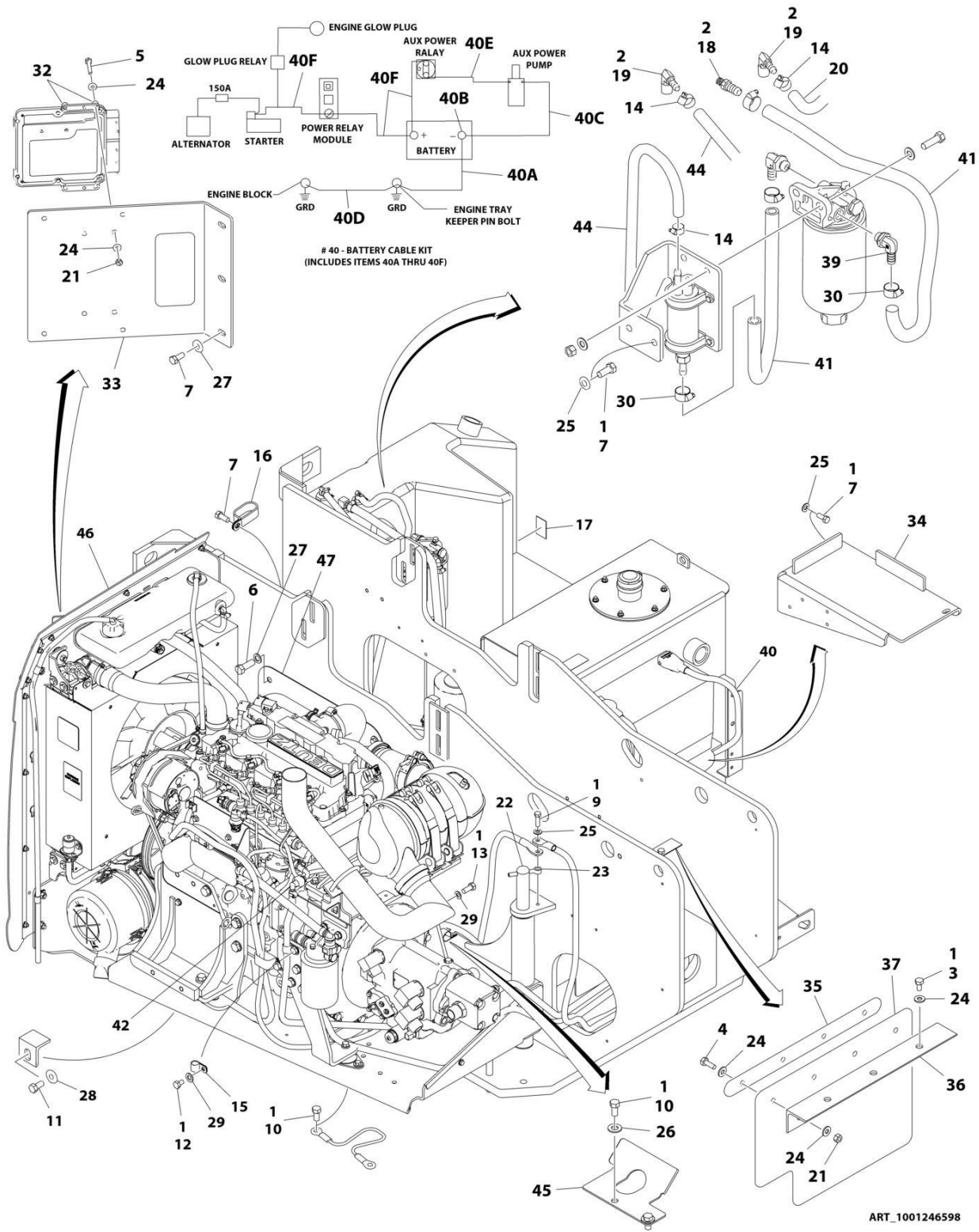
ITEM	PART NUMBER	QTY	DESCRIPTION	REV
		Ref	Mechanical Components	
		Ref	Flywheel (includes Gear)	
	70004277	1	V-Belt	
	70025477	1	Belt Tensioner	





# SECTION 3 - ENGINE

## FIGURE 3-12. DEUTZ TD2.9L4 - 49HP ENGINE INSTALLATION - WITHOUT ARCTIC PACKAGE



## SECTION 3 - ENGINE

**FIGURE 3-12. DEUTZ TD2.9L4 - 49HP ENGINE INSTALLATION - WITHOUT ARCTIC PACKAGE**

ITEM	PART NUMBER	QTY	DESCRIPTION	REV
	1001246598	Ref	DEUTZ D2.9L4 ENGINE INSTALLATION	C
1	0100011	AR	Compound, Locking	
2	0100020	AR	Sealant, Pipe	
3	0641404	3	Bolt 1/4 x 1/2	
4	0641406	4	Bolt 1/4 x 3/4	
5	0641412	4	Bolt 1/4 x 1-1/2	
6	0641606	4	Bolt 3/8 x 3/4	
7	0641607	9	Bolt 3/8 x 7/8	
8	0641608	2	Bolt 3/8 x 1 (Not Shown)	
9	0641612	1	Bolt 3/8 x 1-1/2	
10	0641808	3	Bolt 3/8 x 1	
11	0642010	1	Bolt 5/8 x 1-1/4	
12	0761008	1	Bolt M10 x 16	
13	0771212	1	Bolt M12 x 25 Grade 10.9	
14	1320022	5	Clamp	
15	1320061	1	Clamp	
16	1321716	1	P-Clamp	
17	1701505	1	Decal - Diesel (Not Shown - Located on Hood)	
18	2180832	1	Fitting, Straight Barbed	
19	2220313	2	Fitting, 90 Barbed	
20	2750532	5 ft /1.6m	Hose	
21	3311405	8	Nut 1/4	
22	3422448	1	Pin, Pivot	
23	3841143	1	Pin, Keeper	
24	4711400	19	Washer 1/4	
25	4711600	6	Washer 3/8	
26	4711800	2	Washer 1/2	
27	4751600	7	Washer 3/8	
28	4752000	1	Washer 5/8	
29	4812100	2	Washer M12	
30	8405006	2	Clamp	
31	8406201	4	Clip (Not Shown)	
32	1001110425	4	Spacer	
33	1001137866	1	Plate, Baffle	
34	1001137868	1	Bracket, Battery	
35	1001137880	1	Bracket, Baffle	
36	1001137881	1	Angle	
37	1001137882	1	Support, Rubber	
38	1001138491	1	Harness, Fuel Pump (Pump requiring Push-on Terminals) (Not Shown - See Separate Breakdown in ELECTRICAL SECTION)	
39	1001142501	1	Fitting, 90 Barbed	
40	1001145047	1	Battery Cable Kit	
40A	7027072	1	Cable, Battery (Black) (Battery - to Tray Pivot Grd)	
40B	8270147	1	Terminal, Battery (With Boot)	
40B	See Note	1	Boot, Black (Note: Not Available for Purchase)	
40C	7027073	1	Cable, Battery (Black) (Battery - to Aux Pump and Relay Grds)	
40C	See Note	1	Boot, Black (Note: Not Available for Purchase)	
40D	7027074	1	Cable, Battery (Black) (Engine to Tray Pivot Grd)	
40E	7027075	1	Cable (Red) (Aux Relay to Aux Pump)	
40E	70003952	2	Boot, Red	

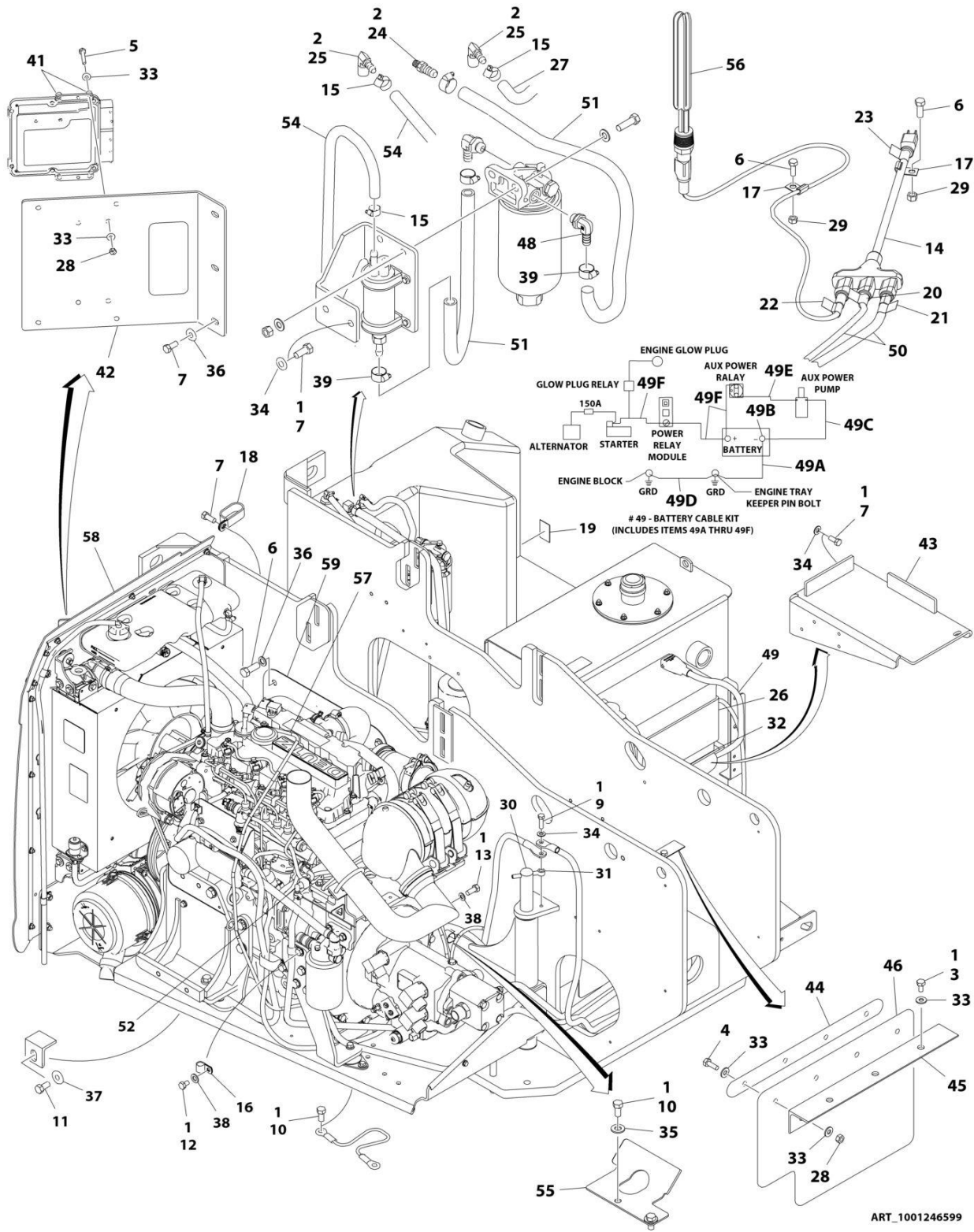
## SECTION 3 - ENGINE

ITEM	PART NUMBER	QTY	DESCRIPTION	REV
40F	7027076	1	Cable (Red) (Battery + to Aux Relay/Power Module/Starter)	
40F	See Note	1	Boot, Red (Battery) (Note: Not Available for Purchase)	
41	1001154405	3 ft /.9m	Hose	
42	1001155823	1	Fitting, 90 Quick Disconnect	
44	1001165035	23.5 ft /7.2m	Hose	
45	1001172793	1	Guide, Hose	
46	1001246594	1	Engine Assembly with Pumps (See Separate Breakdown in this Section)	
47	1001252521	1	Cover	



# SECTION 3 - ENGINE

FIGURE 3-13. DEUTZ TD2.9L4 - 49HP ENGINE INSTALLATION - WITHOUT ARCTIC PACKAGE



## SECTION 3 - ENGINE

**FIGURE 3-13. DEUTZ TD2.9L4 - 49HP ENGINE INSTALLATION - WITHOUT ARCTIC PACKAGE**

ITEM	PART NUMBER	QTY	DESCRIPTION	REV
	1001246599	Ref	DEUTZ D2.9L4 ENGINE INSTALLATION	C
1	0100011	AR	Compound, Locking	
2	0100020	AR	Sealant, Pipe	
3	0641404	3	Bolt 1/4 x 1/2	
4	0641406	4	Bolt 1/4 x 3/4	
5	0641412	4	Bolt 1/4 x 1-1/2	
6	0641606	6	Bolt 3/8 x 3/4	
7	0641607	9	Bolt 3/8 x 7/8	
8	0641608	2	Bolt 3/8 x 1 (Not Shown)	
9	0641612	1	Bolt 3/8 x 1-1/2	
10	0641808	3	Bolt 1/2 x 1	
11	0642010	1	Bolt 5/8 x 1-1/4	
12	0761008	1	Bolt M10 x 16	
13	0771212	1	Bolt M12 x 25 Grade 10.9	
14	1060626	1	Cord, 3 Way Extension	
15	1320022	5	Clamp	
16	1320061	1	Clamp	
17	1320223	2	Clamp	
18	1321716	1	P-Clamp	
19	1701505	1	Decal - Diesel (Not Shown - Located on Hood)	
20	1702941	1	Decal - Battery Heater	
21	1702942	1	Decal - Engine Block Heater	
22	1702943	1	Decal - Hydraulic Tank Heater	
23	1702944	1	Decal - Heater Cord	
24	2180832	1	Fitting, Straight Barbed	
25	2220313	2	Fitting, 90 Barbed	
26	2580024	1	Heater, Battery	
27	2750532	5 ft /1.6m	Hose	
28	3311405	8	Nut 1/4	
29	3311605	2	Nut 3/8	
30	3422448	1	Pin, Pivot	
31	3841143	1	Pin, Keeper	
32	3980007	1	Seat, Battery	
33	4711400	19	Washer 1/4	
34	4711600	8	Washer 3/8	
35	4711800	2	Washer 1/2	
36	4751600	7	Washer 3/8	
37	4752000	1	Washer 5/8	
38	4812100	2	Washer M12	
39	8405006	2	Clamp	
40	8406201	4	Clip (Not Shown)	
41	1001110425	4	Spacer	
42	1001137866	1	Plate, Baffle	
43	1001137868	1	Bracket, Battery	
44	1001137880	1	Bracket, Baffle	
45	1001137881	1	Angle	
46	1001137882	1	Support, Rubber	
47	1001138491	1	Harness, Fuel Pump (Pump requiring Push-on Terminals) (Not Shown - See Separate Breakdown in ELECTRICAL SECTION)	
48	1001142501	1	Fitting, 90 Barbed	

## SECTION 3 - ENGINE

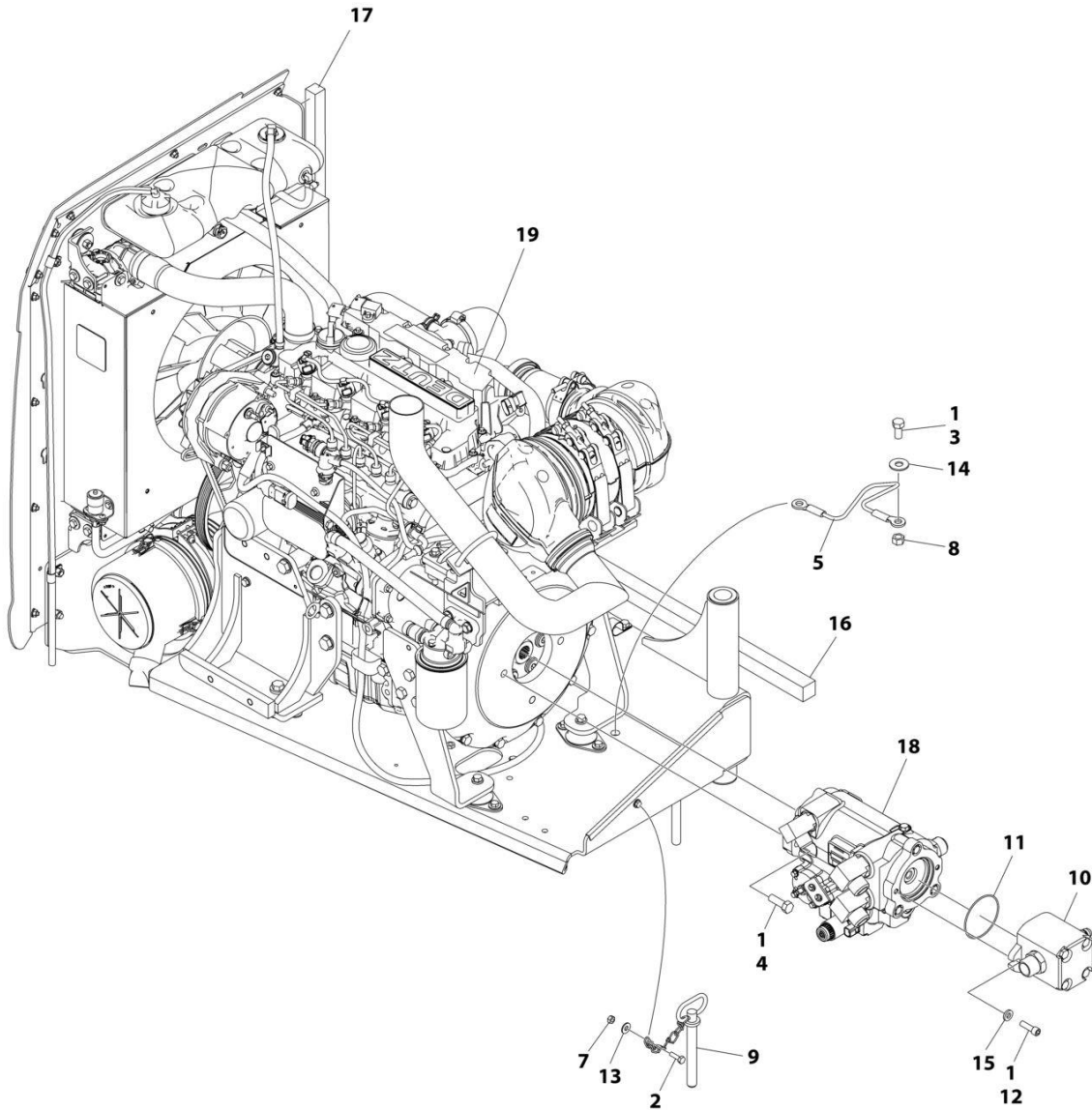
ITEM	PART NUMBER	QTY	DESCRIPTION	REV
49	1001145047	1	Battery Cable Kit	
49A	7027072	1	Cable, Battery (Black) (Battery - to Tray Pivot Grd)	
49B	8270147	1	Terminal, Battery (With Boot)	
49B	See Note	1	Boot, Black (Note: Not Available for Purchase)	
49C	7027073	1	Cable, Battery (Black) (Battery - to Aux Pump and Relay Grds)	
49C	See Note	1	Boot, Black (Note: Not Available for Purchase)	
49D	7027074	1	Cable, Battery (Black) (Engine to Tray Pivot Grd)	
49E	7027075	1	Cable (Red) (Aux Relay to Aux Pump)	
49E	70003952	2	Boot, Red	
49F	7027076	1	Cable (Red) (Battery + to Aux Relay/Power Module/Starter)	
49F	See Note	1	Boot, Red (Battery) (Note: Not Available for Purchase)	
50	1001150918	1	Cable, Immersion Heater	
51	1001154405	3 ft /.9m	Hose	
52	1001155823	1	Fitting, 90 Quick Disconnect	
54	1001165035	23.5 ft /7.2m	Hose	
55	1001172793	1	Guide, Hose	
56	1001188972	1	Heater, Hydraulic Tank	
57	1001233763	1	Breather Heater Installation (Not Shown - See Separate Breakdown in this Section)	
58	1001246592	1	Engine Assembly with Pumps (See Separate Breakdown in this Section)	
59	1001252521	1	Cover	





# SECTION 3 - ENGINE

## FIGURE 3-14. DEUTZ TD2.9L4 - 49HP ENGINE/PUMP SUB-ASSEMBLY – WITHOUT ARCTIC PACKAGE



ART\_1001246592

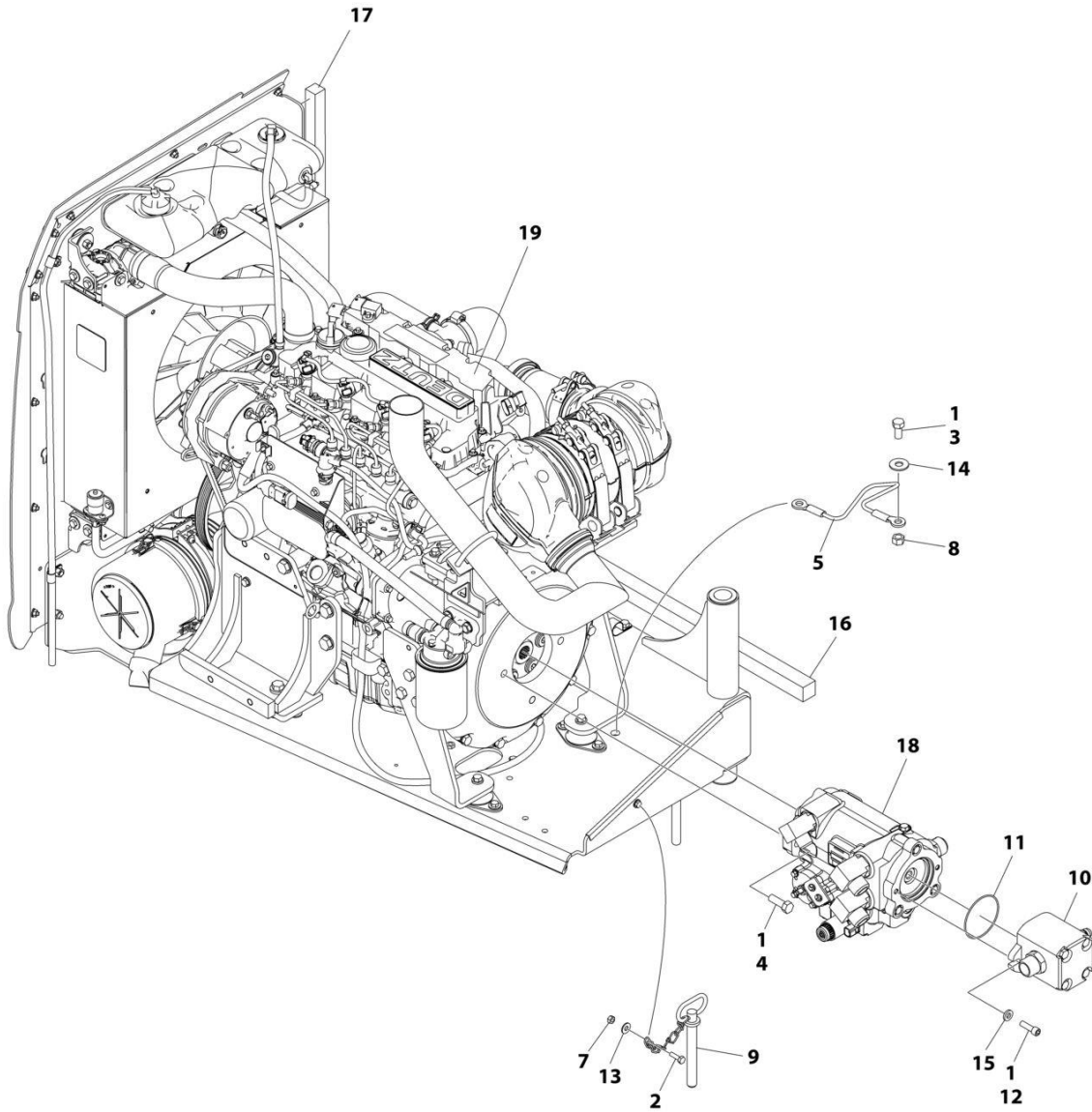
## SECTION 3 - ENGINE

**FIGURE 3-14. DEUTZ TD2.9L4 - 49HP ENGINE/PUMP SUB-ASSEMBLY – WITHOUT ARCTIC PACKAGE**

ITEM	PART NUMBER	QTY	DESCRIPTION	REV
	1001246592	Ref	DEUTZ D2.9L4 ENGINE/PUMP SUB-ASSEMBLY	C
1	0100011	AR	Compound, Locking	
2	0641406	1	Bolt 1/4 x 3/4	
3	0641808	1	Bolt 1/2 x 1	
4	0641812	2	Bolt 1/2 x 1-1/2	
5	1060637	1	Lanyard	
7	3311405	1	Nut 1/4	
8	3311801	1	Nut 1/2	
9	3422533	1	Pin, Hitch	
10	3600395	1	Gear Pump Assembly with Fittings (See Separate Breakdown in this Section)	
11	3790152	1	O-Ring	
12	3931620	2	Bolt 3/8 x 1-1/4	
13	4711400	2	Washer 1/4	
14	4751800	1	Washer 1/2	
15	4891600	2	Washer 3/8 Hardened	
16	1001137873	1	Seal	
17	1001137874	1	Seal	
18	1001188952	1	Pump Assembly with Fittings (See Separate Breakdown in this Section)	
19	1001246590	1	Engine Assembly (See Separate Breakdown in this Section)	

# SECTION 3 - ENGINE

## FIGURE 3-15. DEUTZ TD2.9L4 - 49HP ENGINE/PUMP SUB-ASSEMBLY – WITH ARCTIC PACKAGE



ART\_1001246594

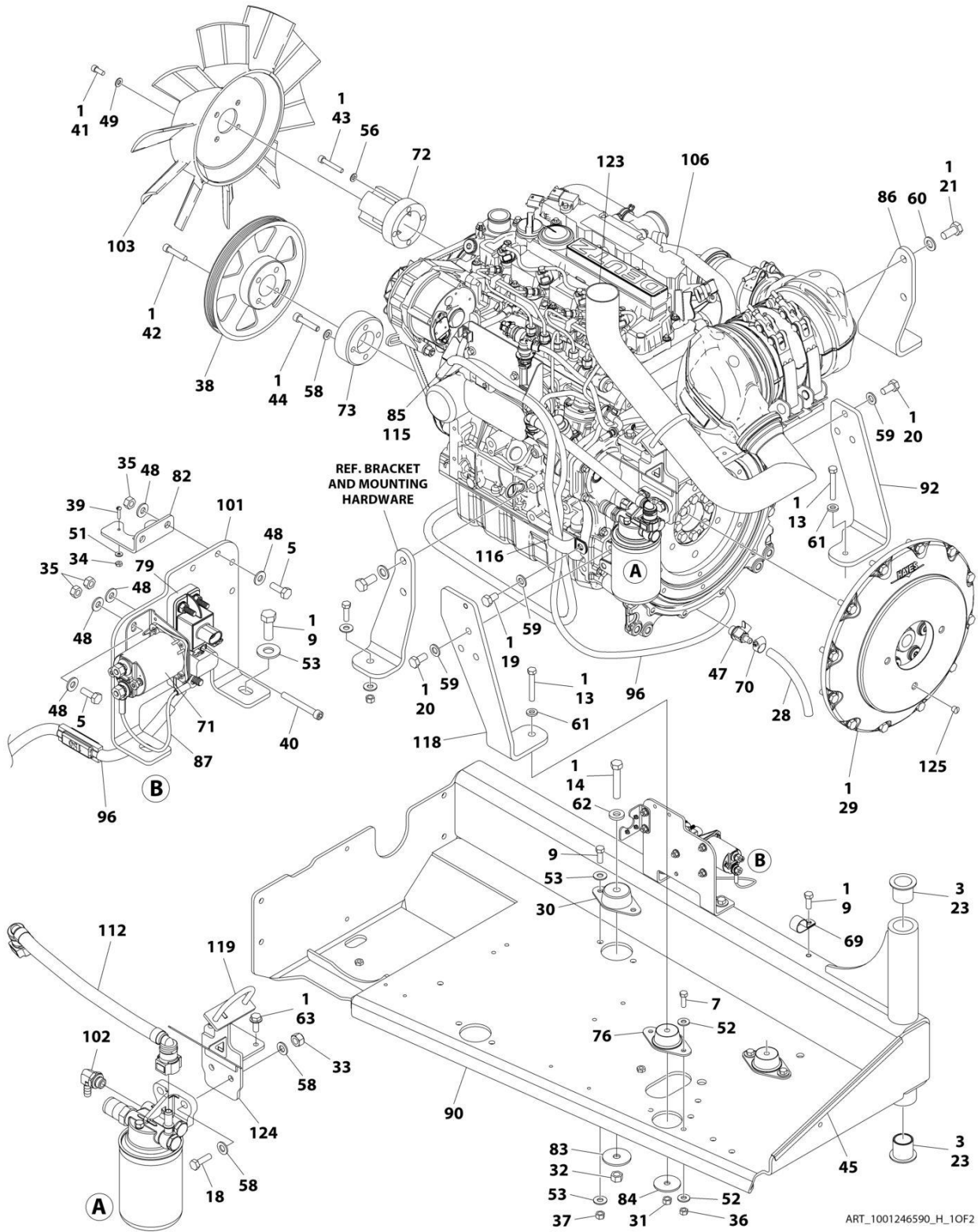
## SECTION 3 - ENGINE

**FIGURE 3-15. DEUTZ TD2.9L4 - 49HP ENGINE/PUMP SUB-ASSEMBLY – WITH ARCTIC PACKAGE**

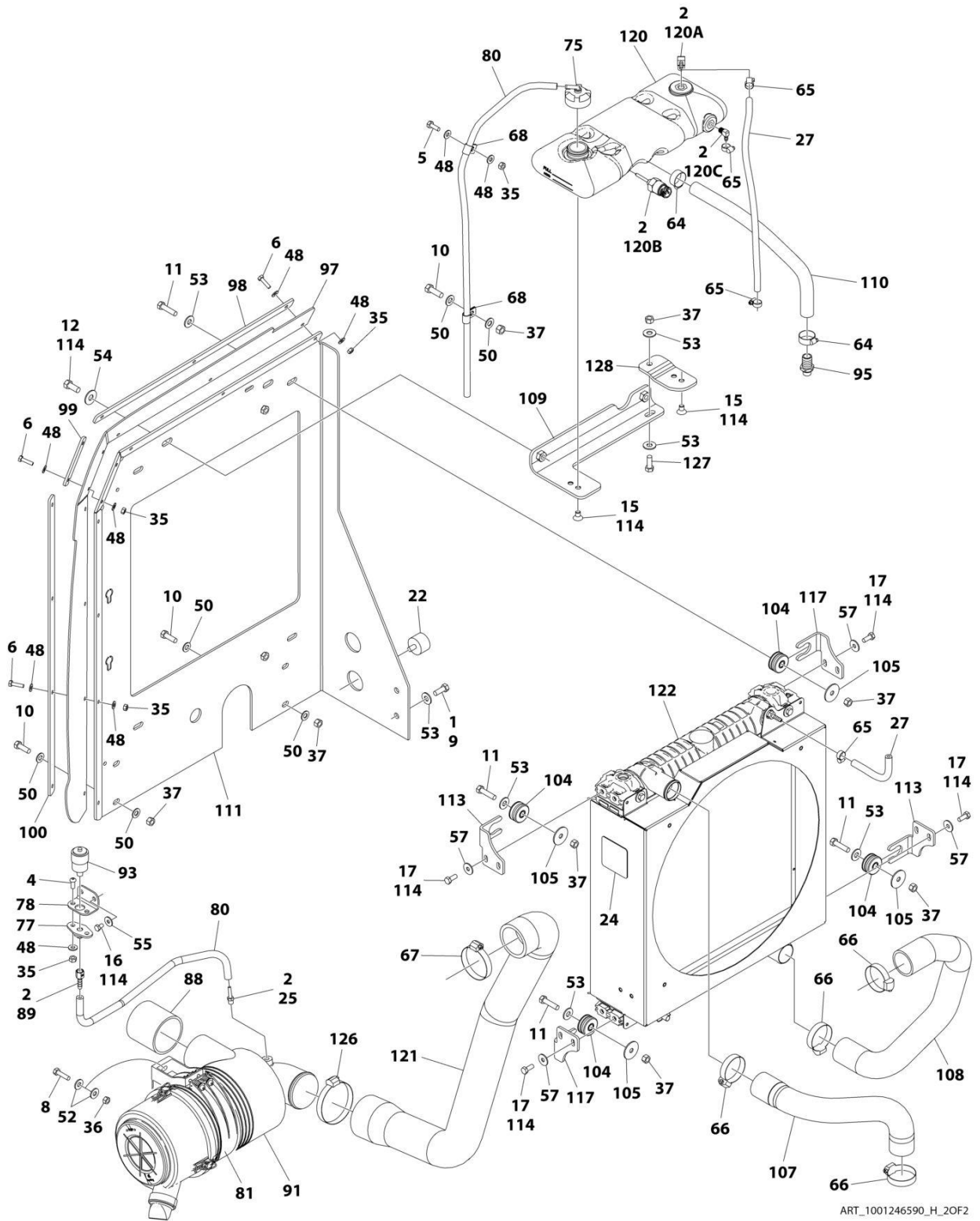
ITEM	PART NUMBER	QTY	DESCRIPTION	REV
	1001246594	Ref	DEUTZ D2.9L4 ENGINE/PUMP SUB-ASSEMBLY	C
1	0100011	AR	Compound, Locking	
2	0641406	1	Bolt 1/4 x 3/4	
3	0641808	1	Bolt 1/2 x 1	
4	0641812	2	Bolt 1/2 x 1-1/2	
5	1060637	1	Lanyard	
7	3311405	1	Nut 1/4	
8	3311801	1	Nut 1/2	
9	3422533	1	Pin, Hitch	
10	3600395	1	Gear Pump Assembly with Fittings (See Separate Breakdown in this Section)	
11	3790152	1	O-Ring	
12	3931620	2	Bolt 3/8 x 1-1/4	
13	4711400	2	Washer 1/4	
14	4751800	1	Washer 1/2	
15	4891600	2	Washer 3/8 Hardened	
16	1001137873	1	Seal	
17	1001137874	1	Seal	
18	1001188952	1	Pump Assembly with Fittings (See Separate Breakdown in this Section)	
19	1001246593	1	Engine Assembly (See Separate Breakdown in this Section)	

# SECTION 3 - ENGINE

## FIGURE 3-16. DEUTZ TD2.9L4 - 49HP ENGINE ASSEMBLY – WITHOUT ARCTIC PACKAGE



# SECTION 3 - ENGINE



ART\_1001246590\_H\_2OF2

## SECTION 3 - ENGINE

FIGURE 3-16. DEUTZ TD2.9L4 - 49HP ENGINE ASSEMBLY – WITHOUT ARCTIC PACKAGE

ITEM	PART NUMBER	QTY	DESCRIPTION	REV
	1001246590	Ref	DEUTZ D2.9L4 ENGINE ASSEMBLY	H
1	0100011	AR	Compound, Locking	
2	0100020	AR	Sealant	
3	0100062	AR	Adhesive	
4	0630407	2	Screw 1/4 x 5/8	
5	0641406	5	Bolt 1/4 x 3/4	
6	0641408	9	Bolt 1/4 x 1	
7	0641508	4	Bolt 5/16 x 1	
8	0641510	2	Bolt 5/16 x 1-1/4	
9	0641608	7	Bolt 3/8 x 1	
10	0641609	4	Bolt 3/8 x 1-1/8	
11	0641612	4	Bolt 3/8 x 1-1/2	
12	0641708	2	Bolt 7/16 x 1	
13	0681620	2	Bolt 3/8 x 2-1/2 Grade 8	
14	0681822	1	Bolt 1/2 x 2-3/4 Grade 8	
15	0741605	2	Screw, Flathead 3/8 x 5/8	
16	0760605	2	Bolt M6 x 10	
17	0760810	8	Bolt M8 x 20	
18	0761015	2	Bolt M10 x 35	
19	0761210	1	Bolt M12 x 20	
20	0771212	6	Bolt M12 x 25 Grade 10.9	
21	0771414	2	Bolt M14 x 30	
22	0940070	1	Bumper	
23	0961986	2	Bushing, Flanged	
24	1703162	1	Decal - Fan Blade	
25	2220315	1	Fitting, Straight Barbed	
27	2720015	26 in /.9m	Hose	
28	2720340	16 in /40.6cm	Hose	
29	2902065	1	Kit, Pump Coupling (See Separate Breakdown in this section)	
30	3200401	1	Mount, Motor	
31	3271601	2	Nut 3/8 Grade 8	
32	3271801	1	Nut 1/2 Grade 8	
33	3291005	2	Nut M10	
34	3310401	3	Nut #4	
35	3311405	17	Nut 1/4	
36	3311505	6	Nut 5/16	
37	3311605	11	Nut 3/8	
38	3580320	1	Pulley	
39	3910408	3	Screw #4 x 1/2	
40	3931432	1	Capscrew 1/4 x 2	
41	3931512	4	Capscrew 5/16 x 3/4	
42	3931628	4	Capscrew 3/8 x 1-3/4	
43	4031914	4	Capscrew M8 x 50	
44	4032014	4	Capscrew M10 x 50	
45	4060805	14 in /36cm	Flex-Trim	
46	4240099	AR	Tie-Strap (Not Shown)	
47	4640751	1	Valve, Oil Drain	
48	4711400	31	Washer 1/4	



## SECTION 3 - ENGINE

ITEM	PART NUMBER	QTY	DESCRIPTION	REV
49	4711500	4	Washer 5/16	
50	4711600	8	Washer 3/8	
51	4750400	3	Washer #4	
52	4751500	12	Washer 5/16	
53	4751600	14	Washer 3/8	
54	4751700	2	Washer 7/16	
55	4811702	2	Washer M6	
56	4811900	4	Washer M8	
57	4811902	8	Washer M8	
58	4812000	8	Washer M10	
59	4812100	7	Washer M12	
60	4812200	2	Washer M14	
61	4891600	2	Washer 3/8 Hardened	
62	4891800	1	Washer 1/2 Hardened	
63	5250810	2	Bolt M8 x 20	
64	8405007	2	Clamp	
65	8405009	4	Clamp	
66	8405104	4	Clamp	
67	8405204	1	Clamp	
68	8406110	2	Clip	
69	8406201	1	Clip	
70	8410013	1	Clamp	
71	1001117308	1	Relay	
72	1001135138	1	Adapter	
73	1001135679	1	Adapter	
75	1001136834	1	Cap, Tank	
76	1001138170	2	Mount, Motor	
77	1001138173	1	Support	
78	1001138175	1	Bracket	
79	1001138228	1	Relay, Power Module	
79	70023593	1	Fuse 30Amp (Battery Output)	
79	70023592	1	Fuse 20Amp (Switched Output)	
80	1001138248	67 in /1.7m	Tube	
81	1001138557	1	Clamp	
82	1001139240	1	Bracket	
83	1001139409	1	Washer, Special	
84	1001139429	2	Washer, Special	
85	1001140312	1	Heater, Engine Block	
86	1001140454	1	Mount, Front Engine	
87	1001141304	1	Harness, Glow Plug	
88	1001141585	1	Hose, Air Inlet	
89	1001141995	1	Fitting, Straight Barbed	
90	1001142538	1	Support	
91	1001142615	1	Air Cleaner Assembly Filter Element	
91	91403102	1	Element, Filter (Not Shown)	
92	1001142635	1	Mount, Rear Engine	
93	1001143390	1	Indicator, Service	
94	1001143726	1	Harness, Engine (Not Shown - See Separate Breakdown in ELECTRICAL SECTION)	
95	1001143797	1	Fitting, Straight Barbed	
96	1001143907	1	Cable, Alternator Power	

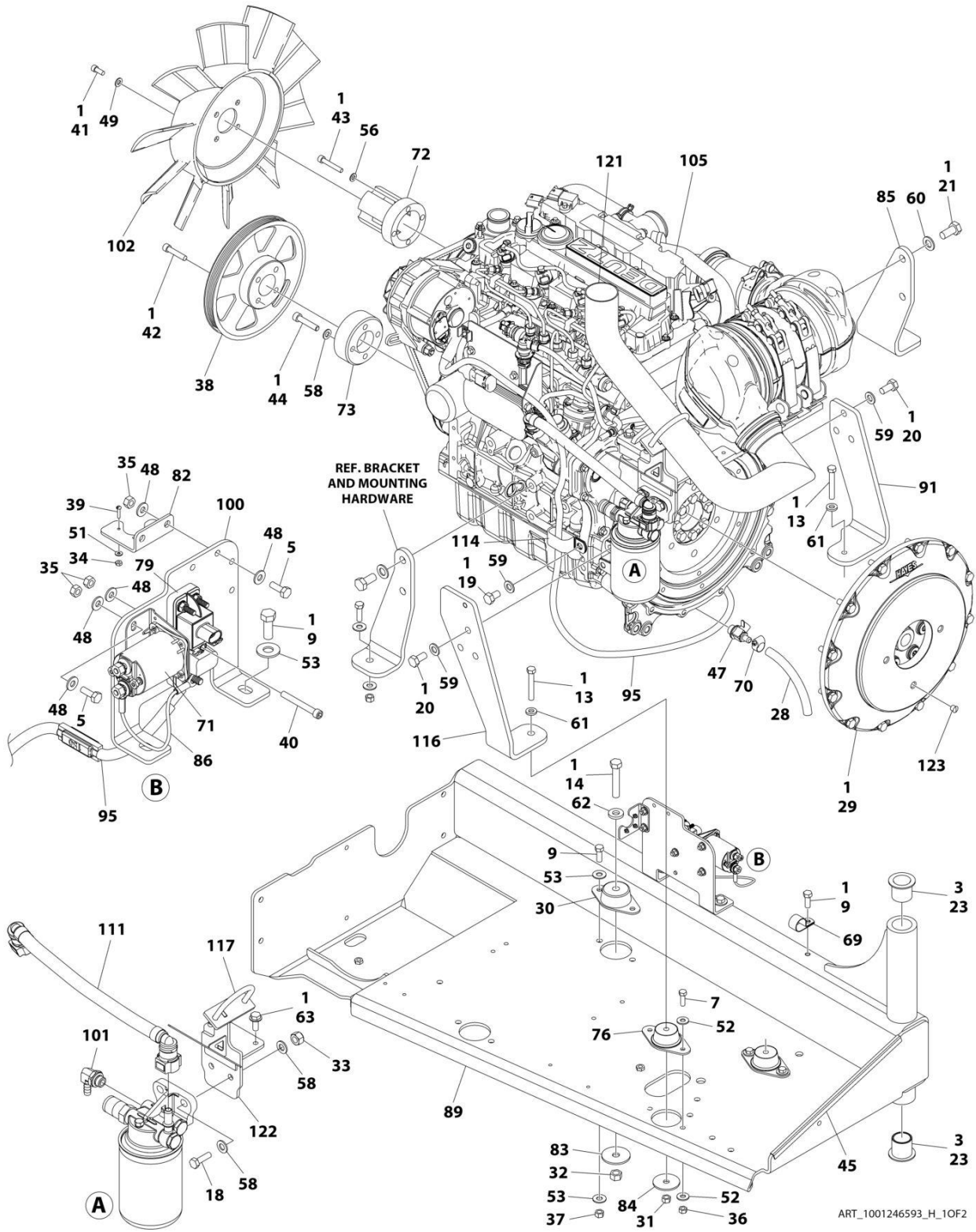
## SECTION 3 - ENGINE

ITEM	PART NUMBER	QTY	DESCRIPTION	REV
97	1001144409	1	Panel, Rubber	
98	1001144410	1	Bracket, Panel Clamp	
99	1001144411	1	Bracket, Panel Clamp	
100	1001144412	1	Bracket, Panel Clamp	
101	1001145154	1	Plate, Relay Mounting	
102	1001152489	1	Fitting, 90 Barbed	
103	1001165849	1	Fan	
104	1001169054	4	Isolator	
105	1001169138	4	Washer	
106	1001170617	1	Deutz D2.9L4 Engine Components (See Separate Breakdown in this Section)	
107	1001176225	1	Hose, Radiator - Upper	
108	1001176226	1	Hose, Radiator - Lower	
109	1001260413	1	Bracket, Tank	
110	1001176511	1	Hose	
111	1001176723	1	Plate Radiator Mounting	
112	1001177359	1	Hose	
113	1001178223	2	Bracket	
114	1001180620	AR	Adhesive	
115	1001181895	AR	Adhesive	
116	1001181899	1	Clamp	
117	1001204325	2	Bracket	
118	1001205051	1	Mount, Rear Engine	
119	1001228506	1	Bolt, U-Bolt	
120	1001230635	1	Tank	
120A	1001134488	1	Fitting, 90 Barbed	
120B	1001138827	1	Sensor, Coolant Level	
120C	1001140564	1	Fitting, 90 Barbed	
121	1001247105	1	Hose, Inlet	
122	1001247676	1	Radiator and Shroud Assembly	
122	1001203495	1	Radiator	
122	1001247564	1	Shroud	
123	1001248477	1	Pipe, Exhaust	
124	1001248480	1	Bracket	
125	3520054	1	Plug	
126	8410011	1	Clamp	
127	0681608	1	Bolt 3/8 x 1	
128	1001260412	1	Bracket	
129	1001162335	1	Bracket, Fuel Pump/Filter Assembly (Not Shown) (See Separate Breakdown in this Section)	

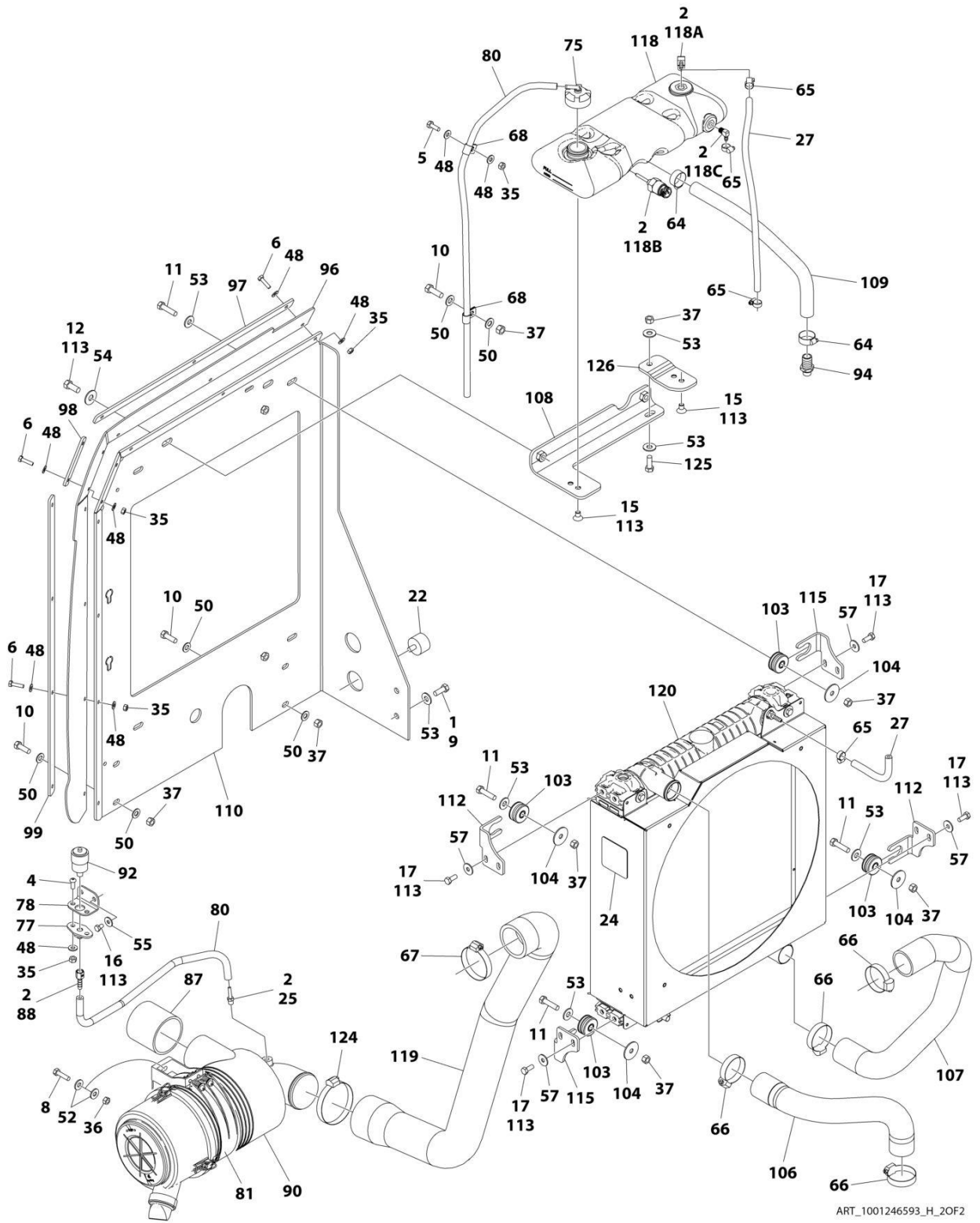


# SECTION 3 - ENGINE

## FIGURE 3-17. DEUTZ TD2.9L4 - 49HP ENGINE ASSEMBLY – WITH ARCTIC PACKAGE



# SECTION 3 - ENGINE



ART\_1001246593\_H\_20F2

## SECTION 3 - ENGINE

FIGURE 3-17. DEUTZ TD2.9L4 - 49HP ENGINE ASSEMBLY – WITH ARCTIC PACKAGE

ITEM	PART NUMBER	QTY	DESCRIPTION	REV
	1001246593	Ref	DEUTZ D2.9L4 ENGINE ASSEMBLY	H
1	0100011	AR	Compound, Locking	
2	0100020	AR	Sealant	
3	0100062	AR	Adhesive	
4	0630407	2	Screw 1/4 x 5/8	
5	0641406	5	Bolt 1/4 x 3/4	
6	0641408	9	Bolt 1/4 x 1	
7	0641508	4	Bolt 5/16 x 1	
8	0641510	2	Bolt 5/16 x 1-1/4	
9	0641608	7	Bolt 3/8 x 1	
10	0641609	4	Bolt 3/8 x 1-1/8	
11	0641612	4	Bolt 3/8 x 1-1/2	
12	0641708	2	Bolt 7/16 x 1	
13	0681620	2	Bolt 3/8 x 2-1/2 Grade 8	
14	0681822	1	Bolt 1/2 x 2-3/4 Grade 8	
15	0741605	2	Screw, Flathead 3/8 x 5/8	
16	0760605	2	Bolt M6 x 10	
17	0760810	8	Bolt M8 x 20	
18	0761015	2	Bolt M10 x 35	
19	0761210	1	Bolt M12 x 20	
20	0771212	6	Bolt M12 x 25 Grade 10.9	
21	0771414	2	Bolt M14 x 30	
22	0940070	1	Bumper	
23	0961986	2	Bushing, Flanged	
24	1703162	1	Decal - Fan Blade	
25	2220315	1	Fitting, Straight Barbed	
27	2720015	26 in /.9m	Hose	
28	2720340	16 in /40.6cm	Hose	
29	2902065	1	Kit, Pump Coupling (See Separate Breakdown in this Section)	
30	3200401	1	Mount, Motor	
31	3271601	2	Nut 3/8 Grade 8	
32	3271801	1	Nut 1/2 Grade 8	
33	3291005	2	Nut M10	
34	3310401	3	Nut #4	
35	3311405	17	Nut 1/4	
36	3311505	6	Nut 5/16	
37	3311605	11	Nut 3/8	
38	3580320	1	Pulley	
39	3910408	3	Screw #4 x 1/2	
40	3931432	1	Capscrew 1/4 x 2	
41	3931512	4	Capscrew 5/16 x 3/4	
42	3931628	4	Capscrew 3/8 x 1-3/4	
43	4031914	4	Capscrew M8 x 50	
44	4032014	4	Capscrew M10 x 50	
45	4060805	14 in /36cm	Flex-Trim	
46	4240099	AR	Tie-Strap (Not Shown)	
47	4640751	1	Valve, Oil Drain	
48	4711400	31	Washer 1/4	

## SECTION 3 - ENGINE

ITEM	PART NUMBER	QTY	DESCRIPTION	REV
49	4711500	4	Washer 5/16	
50	4711600	8	Washer 3/8	
51	4750400	3	Washer #4	
52	4751500	12	Washer 5/16	
53	4751600	14	Washer 3/8	
54	4751700	2	Washer 7/16	
55	4811702	2	Washer M6	
56	4811900	4	Washer M8	
57	4811902	8	Washer M8	
58	4812000	8	Washer M10	
59	4812100	7	Washer M12	
60	4812200	2	Washer M14	
61	4891600	2	Washer 3/8 Hardened	
62	4891800	1	Washer 1/2 Hardened	
63	5250810	2	Bolt M8 x 20	
64	8405007	2	Clamp	
65	8405009	4	Clamp	
66	8405104	4	Clamp	
67	8405204	1	Clamp	
68	8406110	2	Clip	
69	8406201	1	Clip	
70	8410013	1	Clamp	
71	1001117308	1	Relay	
72	1001135138	1	Adapter	
73	1001135679	1	Adapter	
75	1001136834	1	Cap, Tank	
76	1001138170	2	Mount, Motor	
77	1001138173	1	Support	
78	1001138175	1	Bracket	
79	1001138228	1	Relay, Power Module	
79	70023593	1	Fuse 30Amp (Battery Output)	
79	70023592	1	Fuse 20Amp (Switched Output)	
80	1001138248	67 in /1.7m	Tube	
81	1001138557	1	Clamp	
82	1001139240	1	Bracket	
83	1001139409	1	Washer, Special	
84	1001139429	2	Washer, Special	
85	1001140454	1	Mount, Front Engine	
86	1001141304	1	Harness, Glow Plug	
87	1001141585	1	Hose, Air Inlet	
88	1001141995	1	Fitting, Straight Barbed	
89	1001142538	1	Support	
90	1001142615	1	Air Cleaner Assembly Filter Element	
90	91403102	1	Element, Filter (Not Shown)	
91	1001142635	1	Mount, Rear Engine	
92	1001143390	1	Indicator, Service	
93	1001143726	1	Harness, Engine (Not Shown - See Separate Breakdown in ELECTRICAL SECTION)	
94	1001143797	1	Fitting, Straight Barbed	
95	1001143907	1	Cable, Alternator Power	
96	1001144409	1	Panel, Rubber	

## SECTION 3 - ENGINE

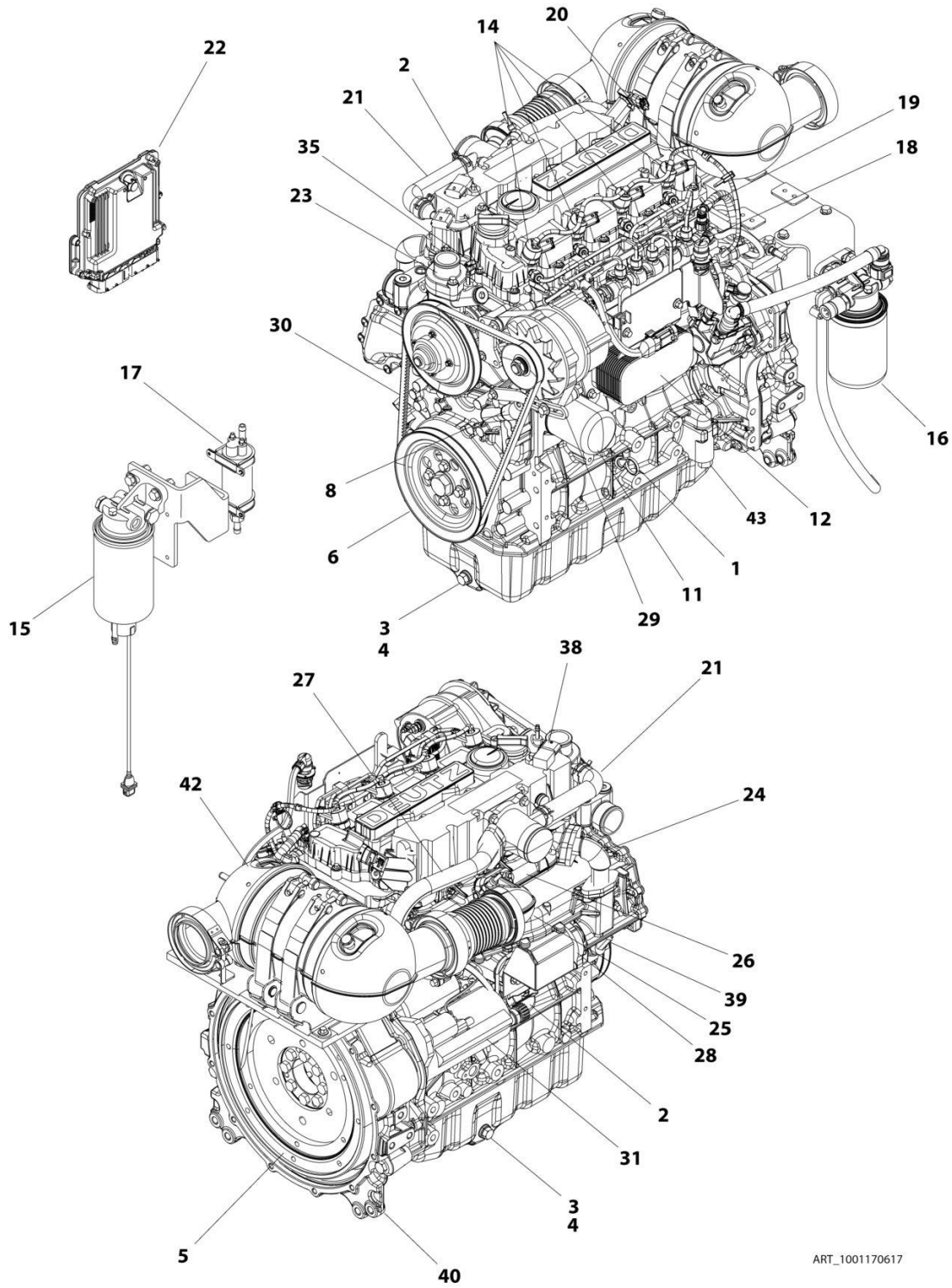
ITEM	PART NUMBER	QTY	DESCRIPTION	REV
97	1001144410	1	Bracket, Panel Clamp	
98	1001144411	1	Bracket, Panel Clamp	
99	1001144412	1	Bracket, Panel Clamp	
100	1001145154	1	Plate, Relay Mounting	
101	1001152489	1	Fitting, 90 Barbed	
102	1001165849	1	Fan	
103	1001169054	4	Isolator	
104	1001169138	4	Washer	
105	1001170617	1	Deutz D2.9L4 Engine Components (See Separate Breakdown in this Section)	
106	1001176225	1	Hose, Radiator - Upper	
107	1001176226	1	Hose, Radiator - Lower	
108	1001260413	1	Bracket, Tank	
109	1001176511	1	Hose	
110	1001176723	1	Plate Radiator Mounting	
111	1001177359	1	Hose	
112	1001178223	2	Bracket	
113	1001180620	AR	Adhesive	
114	1001181899	1	Clamp	
115	1001204325	2	Bracket	
116	1001205051	1	Mount, Rear Engine	
117	1001228506	1	Bolt, U-Bolt	
118	1001230635	1	Tank	
118A	1001134488	1	Fitting, 90 Barbed	
118B	1001138827	1	Sensor, Coolant Level	
118C	1001140564	1	Fitting, 90 Barbed	
119	1001247105	1	Hose, Inlet	
120	1001247676	1	Radiator and Shroud Assembly	
120	1001203495	1	Radiator	
120	1001247564	1	Shroud	
121	1001248477	1	Pipe, Exhaust	
122	1001248480	1	Bracket	
123	3520054	1	Plug	
124	8410011	1	Clamp	
125	0681608	1	Bolt 3/8 x 1	
126	1001260412	1	Bracket	
127	1001162335	1	Bracket, Fuel Pump/Filter Assembly (Not Shown) (See Separate Breakdown in this Section)	





# SECTION 3 - ENGINE

## FIGURE 3-18. DEUTZ TD2.9L4 - 49HP ENGINE COMPONENTS



ART\_1001170617

## SECTION 3 - ENGINE

**FIGURE 3-18. DEUTZ TD2.9L4 - 49HP ENGINE COMPONENTS**

ITEM	PART NUMBER	QTY	DESCRIPTION	REV
	1001170617	Ref	ENGINE COMPONENTS - DEUTZ D2.9L4 ENGINE	E
1	70024904	1	Dipstick	
1	70024905	1	O-Ring	
2	7020465	2	Cap, Filler	
3	70025088	2	Plug, Oil	
4	7020404	2	Ring, Sealing	
5	70001870	1	Flywheel	
5	7024579	1	Ring, Gear	
6	70025198	1	Pulley, Crank	
7	70024906	1	Gasket, Head (Not Shown)	
7	70025195	1	Gasket, Valve Cover (Not Shown)	
7	70005171	1	Gasket, Valve Cover (Not Shown)	
8	70025076	1	Valve	
8	70025091	1	Plug	
8	70025176	1	Spring	
8	70025082	1	Seal	
9	70004280	1	Seal, Crankshaft (Front) (Not Shown)	
9	70002718	1	Seal, Crankshaft (Rear) (Not Shown)	
10	70005172	1	Pump, Oil Lube (Not Shown)	
10	70025135	1	O-Ring (Not Shown)	
10	70005173	1	Gasket (Not Shown)	
11	7016331	1	Filter, Oil	
12	70004275	1	Cooler, Oil	
12	70024925	1	Gasket	
13	70025171	1	Pipe, Oil Suction (Not Shown)	
14	70004281	4	Injector, Fuel	
14	70025140	4	Washer, Sealing	
14	70025146	4	Clamp (Top of Injector)	
14	70025145	4	O-Ring	
14	70025154	4	Shoe, Clamping	
15	70024961	1	Bracket, Fuel Filter	
15	1001225430	1	Filter, Fuel	
15	70024513	1	Cable, Sensor	
15	70025239	1	Seal	
16	70025160	1	Bracket, Fuel Filter	
16	1001225431	1	Filter, Fuel	
16	70024504	1	Sensor, Pressure	
16	70024920	1	O-Ring	
16	70004513	2	Ring, Sealing	
17	70005174	NLA	Pump, Fuel (Use p/n 1001226098)	
17	70025144	2	Clamp	
18	70025151	1	Rail, Fuel	
18	70025235	1	Repair Kit	
18	70025240	1	O-Ring	
19	70025182	1	Line, Fuel (Cylinder 1 + 2)	
19	70025183	1	Line, Fuel (Cylinder 3 + 4)	
19	70025184	1	Line, Fuel (Fuel Rail to Pump)	
20	70024502	1	Fuel Return Pipe	
20	70025185	1	Hose, Fuel	
20	70025101	2	Clamp	

## SECTION 3 - ENGINE

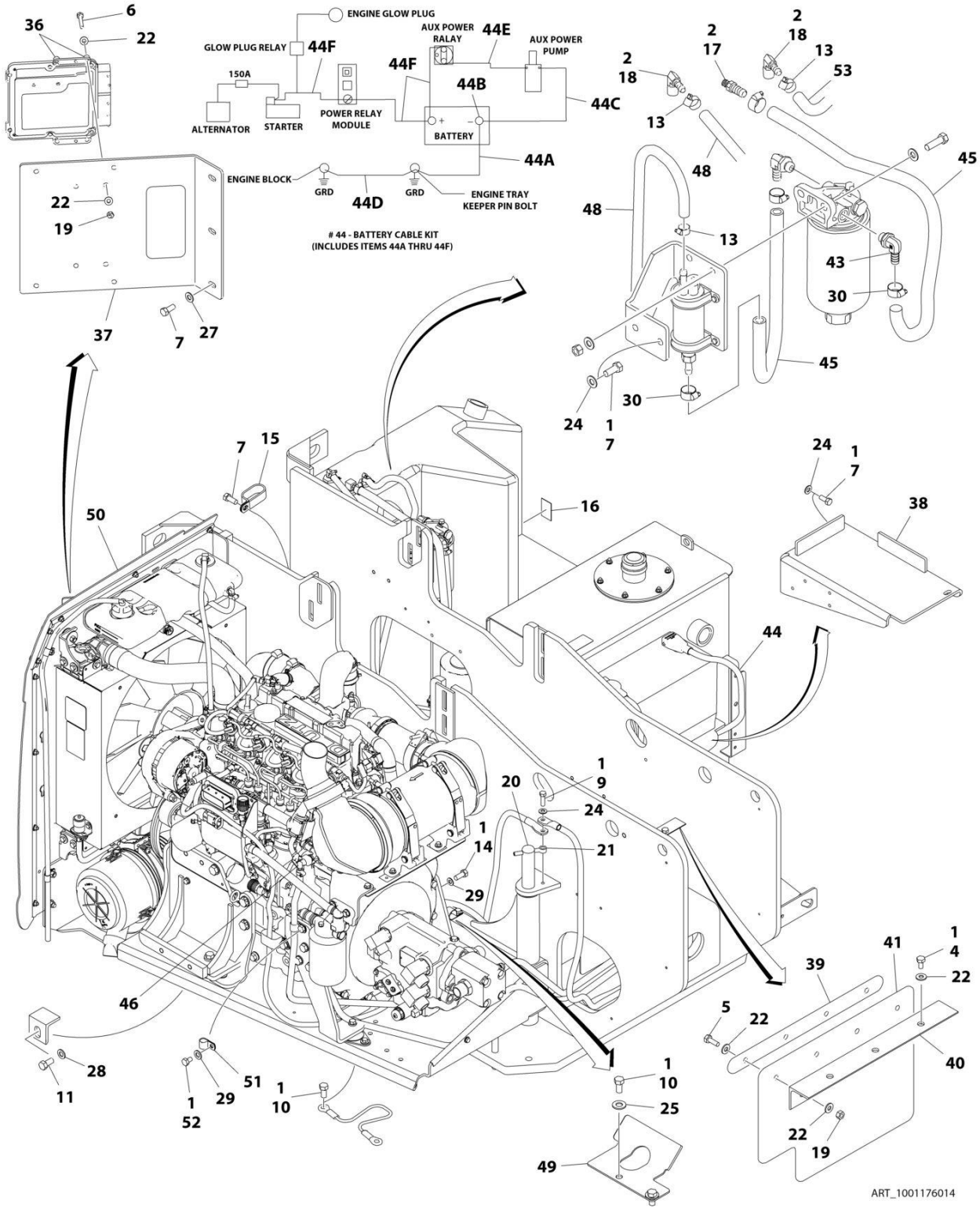
ITEM	PART NUMBER	QTY	DESCRIPTION	REV
20	70025109	2	Clamp	
20	70025115	1	Clamp, Pipe	
20	70025133	1	Hose	
20	70025148	1	Connector, Plug-in	
21	70005182	1	Elbow, Air Charger	
21	70005176	1	O-Ring	
21	70005177	1	Gasket	
21	70005180	1	Line, Breather	
21	70005181	1	O-Ring	
21	70005183	1	Line, Breather	
21	70025111	2	Clamp	
22	70025210	1	Module, ECU	
23	70024910	1	Pump, Water	
23	70025084	1	Plug	
23	7020492	1	O-Ring	
23	70025200	1	Seal	
23	70024473	1	Thermostat	
23	70005184	1	O-Ring (Thermostat)	
23	70025142	1	Cover, Thermostat	
23	70025159	1	Pulley, Water Pump	
24	70025177	1	Pipe	
24	70025179	1	Gasket	
25	70005185	1	Manifold	
25	70024912	1	Gasket	
26	70004282	1	Manifold, Exhaust	
26	70025164	1	Gasket, Exhaust Manifold	
27	70005186	1	Pipe	
27	70025179	1	Gasket (Two Hole)	
27	70025180	1	Gasket (Three Hole)	
28	70004283	1	Module, ERG	
28	70005188	1	Valve, Control	
28	70005189	1	O-Ring	
29	70024914	1	Alternator	
29	70025149	1	Regulator	
29	70025131	1	Fan	
29	70025150	1	Pulley	
29	70025191	1	Plate, Retaining	
29	70025201	1	Bracket, Alternator	
30	70024913	1	V-Belt	
31	70024915	1	Starter	
32	70025231	1	Harness, Glow Plug (Not Shown)	
32	70025233	1	Connector (Not Shown)	
33	70025221	1	Connector, Plug-In (Not Shown)	
33	70025781	1	Connector, Plug-In (Not Shown)	
33	70025779	1	Ring, Fastening (Not Shown)	
34	70004284	1	Harness, Engine (Not Shown)	
34	70025165	1	Plate, Retaining (Not Shown)	
34	70025216	1	Adapter (Not Shown)	
34	70025215	1	Bracket, Fixing (Not Shown)	
34	70025228	2	Bracket (Not Shown)	
34	70025226	1	Connector, Plug-In (Not Shown)	

## SECTION 3 - ENGINE

ITEM	PART NUMBER	QTY	DESCRIPTION	REV
34	70025220	5	Connector, Plug-In (Not Shown)	
34	70025222	3	Connector, Plug-In (Not Shown)	
34	70025223	1	Connector, Plug-In (Not Shown)	
34	70025219	1	Connector, Plug-In (Not Shown)	
34	70025238	1	Connector, Plug-In (Not Shown)	
34	70025221	2	Connector, Plug-In (Not Shown)	
34	70025217	8	Clamp (Not Shown)	
34	70025213	2	Clip (Not Shown)	
34	70025209	1	Bracket (Not Shown)	
34	70025225	1	Support (Not Shown)	
34	70025218	3	Clamp (Not Shown)	
34	70025237	1	Connector, Plug-In (Not Shown)	
34	70025214	1	Cap (Not Shown)	
34	70025224	2	Clamp (Not Shown)	
34	70025166	1	Support, Harness (Not Shown)	
34	70025211	1	Plate, Retaining (Not Shown)	
34	70025189	1	Plate, Retaining (Not Shown)	
34	70025236	1	Support, Harness (Not Shown)	
35	70024918	1	Sender, Temperature	
36	70024504	1	Sensor, Pressure (Not Shown - Located Left Side Front)	
36	70024920	1	O-Ring (Not Shown)	
37	70024503	1	Sensor, Speed (Not Shown)	
37	70005191	1	O-Ring	
38	70024507	1	Sensor, Pressure	
38	70025120	1	Seal	
39	70024503	1	Sensor, Speed	
39	70024917	1	Seal	
40	70025192	1	Housing	
40	70025113	2	Pin	
41	70000345	4	Plug, Glow (Not Shown)	
42	70005446	1	Outlet, Muffler	
42	70025241	1	Clip	
42	70025242	2	Gasket	
42	70004504	1	Compensator	
42	70024512	1	Clamp	
42	70025877	1	Clamp	
43	70124530	1	Valve, Relief	
43	70025660	1	Plug	
43	70124538	1	Spring	
43	70104570	1	Seal	

# SECTION 3 - ENGINE

## FIGURE 3-19. DEUTZ TD2.9L4 - 63HP ENGINE INSTALLATION - WITHOUT ARCTIC PACKAGE



ART\_1001176014

## SECTION 3 - ENGINE

**FIGURE 3-19. DEUTZ TD2.9L4 - 63HP ENGINE INSTALLATION - WITHOUT ARCTIC PACKAGE**

ITEM	PART NUMBER	QTY	DESCRIPTION	REV
	1001176014	Ref	DEUTZ TD2.9L4 ENGINE INSTALLATION	F
1	0100011	AR	Compound, Locking	
2	0100020	AR	Sealant, Pipe	
4	0641404	3	Bolt 1/4 x 1/2	
5	0641406	4	Bolt 1/4 x 3/4	
6	0641412	4	Bolt 1/4 x 1-1/2	
7	0641607	9	Bolt 3/8 x 7/8	
8	0641608	2	Bolt 3/8 x 1 (Not Shown)	
9	0641612	1	Bolt 3/8 x 1-1/2	
10	0641808	3	Bolt 1/2 x 1	
11	0642010	1	Bolt 5/8 x 1-1/4	
13	1320022	5	Clamp	
14	0771212	1	Bolt M12 x 25	
15	1321716	1	P-Clamp	
16	1701505	1	Decal - Diesel	
17	2180832	1	Fitting, Straight Barbed	
18	2220313	2	Fitting, 90 Barbed	
19	3311405	8	Nut 1/4	
20	3422448	1	Pin, Pivot	
21	3841143	1	Pin, Keeper	
22	4711400	19	Washer 1/4	
24	4711600	6	Washer 3/8	
25	4711800	2	Washer 1/2	
27	4751600	3	Washer 3/8	
28	4752000	1	Washer 5/8	
29	4812100	2	Washer M12	
30	8405006	2	Clamp	
32	8406201	4	Clip (Not Shown)	
36	1001110425	4	Spacer	
37	1001137866	1	Plate, Baffle	
38	1001137868	1	Bracket, Battery	
39	1001137880	1	Bracket, Baffle	
40	1001137881	1	Angle	
41	1001137882	1	Support, Rubber	
42	1001138491	1	Harness, Fuel Pump (Pump requiring Push-on Terminals) (Not Shown - See Separate Breakdown in ELECTRICAL Section)	
43	1001142501	1	Fitting, 90 Barbed	
44	1001145047	1	Battery Cable Kit	
44A	7027072	1	Cable, Battery (Black) (Battery - to Tray Pivot Grd)	
44B	8270147	1	Terminal, Battery (With Boot)	
44B	See Note	1	Boot, Black (Note: Not Available for Purchase)	
44C	7027073	1	Cable, Battery (Black) (Battery - to Aux Pump and Relay Grds)	
44C	See Note	1	Boot, Black (Note: Not Available for Purchase)	
44D	7027074	1	Cable, Battery (Black) (Engine to Tray Pivot Grd)	
44E	7027075	1	Cable (Red) (Aux Relay to Aux Pump)	
44E	70003952	2	Boot, Red	
44F	7027076	1	Cable (Red) (Battery + to Aux Relay/Power Module/Starter)	
44F	See Note	1	Boot, Red (Battery) (Note: Not Available for Purchase)	
45	1001154405	3 ft /0.9m	Hose	
46	1001155823	1	Fitting, 90 Quick Disconnect	

### SECTION 3 - ENGINE

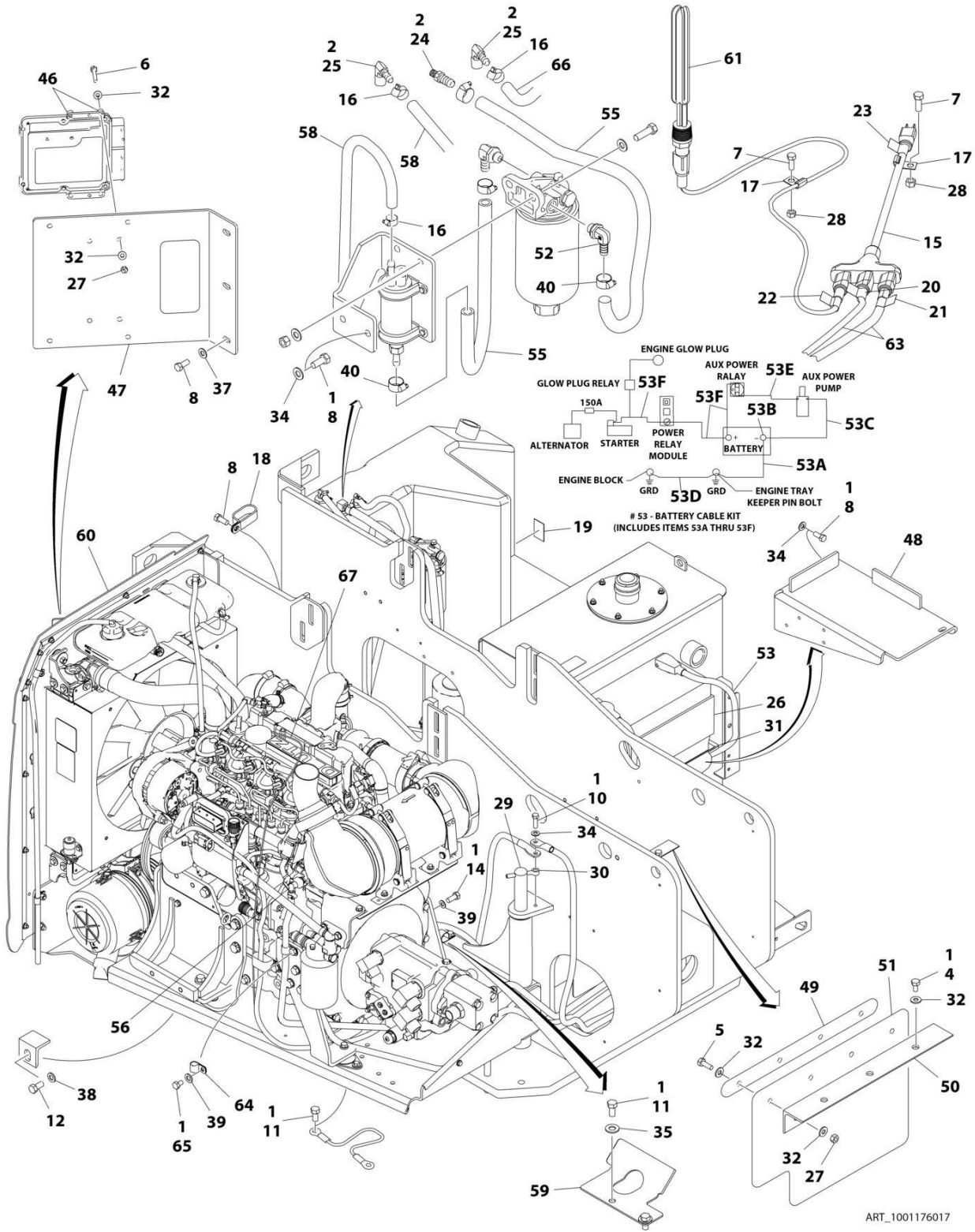
ITEM	PART NUMBER	QTY	DESCRIPTION	REV
48	1001165035	23.5 ft /7.2m	Hose	
49	1001172793	1	Guide, Hose	
50	1001176013	1	Engine Assembly with Pumps (See Separate Breakdown in this Section)	
51	1320061	1	Clamp	
52	0761008	1	Bolt M10 x 16	
53	2750532	5 ft /1.6m	Hose	





# SECTION 3 - ENGINE

FIGURE 3-20. DEUTZ TD2.9L4 - 63HP ENGINE INSTALLATION - WITH ARCTIC PACKAGE



ART\_1001176017

## SECTION 3 - ENGINE

**FIGURE 3-20. DEUTZ TD2.9L4 - 63HP ENGINE INSTALLATION - WITH ARCTIC PACKAGE**

ITEM	PART NUMBER	QTY	DESCRIPTION	REV
	1001176017	Ref	DEUTZ TD2.9L4 ENGINE INSTALLATION	H
1	0100011	AR	Compound, Locking	
2	0100020	AR	Sealant, Pipe	
4	0641404	3	Bolt 1/4 x 1/2	
5	0641406	4	Bolt 1/4 x 3/4	
6	0641412	4	Bolt 1/4 x 1-1/2	
7	0641606	2	Bolt 3/8 x 3/4	
8	0641607	9	Bolt 3/8 x 7/8	
9	0641608	2	Bolt 3/8 x 1 (Not Shown)	
10	0641612	1	Bolt 3/8 x 1-1/2	
11	0641808	3	Bolt 1/2 x 1	
12	0642010	1	Bolt 5/8 x 1-1/4	
14	0771212	1	Bolt M12 x 25	
15	1060626	1	Cord, 3 Way Extension	
16	1320022	5	Clamp	
17	1320223	2	Clamp	
18	1321716	1	P-Clamp	
19	1701505	1	Decal - Diesel	
20	1702941	1	Decal - Battery Heater	
21	1702942	1	Decal - Engine Block Heater	
22	1702943	1	Decal - Hydraulic Tank Heater	
23	1702944	1	Decal - Heater Cord	
24	2180832	1	Fitting, Straight Barbed	
25	2220313	2	Fitting, 90 Barbed	
26	2580024	1	Heater, Battery	
27	3311405	8	Nut 1/4	
28	3311605	2	Nut 3/8	
29	3422448	1	Pin, Pivot	
30	3841143	1	Pin, Keeper	
31	3980007	1	Seat, Battery	
32	4711400	19	Washer 1/4	
34	4711600	8	Washer 3/8	
35	4711800	2	Washer 1/2	
37	4751600	3	Washer 3/8	
38	4752000	1	Washer 5/8	
39	4812100	2	Washer M12	
40	8405006	2	Clamp	
42	8406201	4	Clip (Not Shown)	
46	1001110425	4	Spacer	
47	1001137866	1	Plate, Baffle	
48	1001137868	1	Bracket, Battery	
49	1001137880	1	Bracket, Baffle	
50	1001137881	1	Angle	
51	1001137882	1	Support, Rubber	
52	1001142501	1	Fitting, 90 Barbed	
53	1001145047	1	Battery Cable Kit	
53A	7027072	1	Cable, Battery (Black) (Battery - to Tray Pivot Grd)	
53B	8270147	1	Terminal, Battery (With Boot)	
53B	See Note	1	Boot, Black (Note: Not Available for Purchase)	
53C	7027073	1	Cable, Battery (Black) (Battery - to Aux Pump and Relay Grds)	

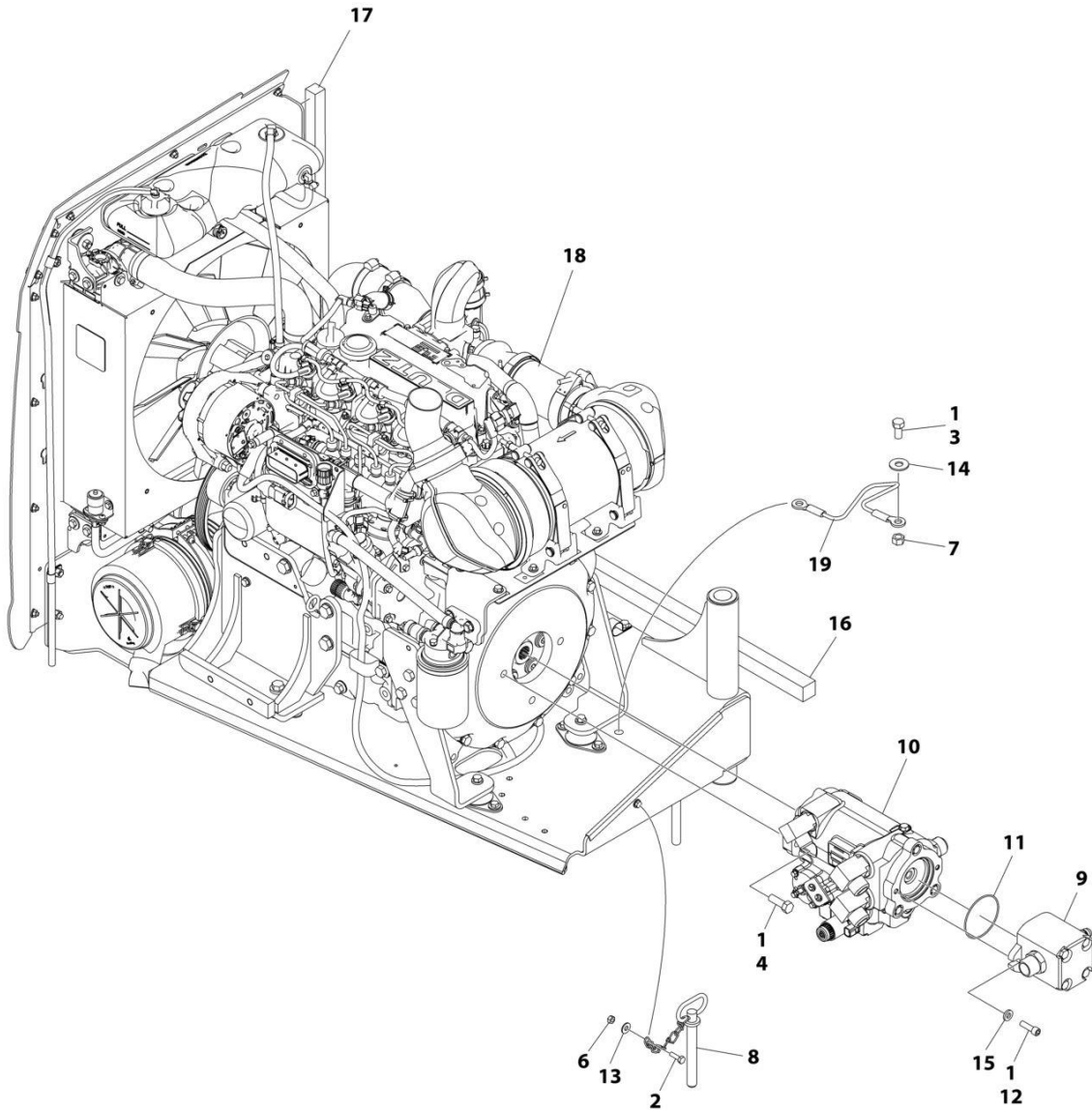
## SECTION 3 - ENGINE

ITEM	PART NUMBER	QTY	DESCRIPTION	REV
53C	See Note	1	Boot, Black (Note: Not Available for Purchase)	
53D	7027074	1	Cable, Battery (Black) (Engine to Tray Pivot Grd)	
53E	7027075	2	Cable (Red) (Aux Relay to Aux Pump)	
53E	70003952	2	Boot, Red	
53F	7027076	1	Cable (Red) (Battery + to Aux Relay/Power Module/Starter)	
53F	See Note	1	Boot, Red (Battery) (Note: Not Available for Purchase)	
55	1001154405	3 ft /0.9m	Hose	
56	1001155823	1	Fitting, 90 Quick Disconnect	
58	1001165035	23.5 ft /7.2m	Hose	
59	1001172793	1	Guide, Hose	
60	1001176016	1	Engine Assembly with Pumps (See Separate Breakdown in this Section)	
61	1001188972	1	Heater, Hydraulic Tank	
62	1001138491	1	Harness, Fuel Pump (Pump requiring Push-on Terminals) (Not Shown - See Separate Breakdown in ELECTRICAL Section)	
63	1001150918	1	Cable, Immersion Heater	
64	1320061	1	Clamp	
65	0761008	1	Bolt M10 x 16	
66	2750532	5 ft /1.6m	Hose	
67	1001233763	1	Breather Heater Installation (See Separate Breakdown in this Section)	



# SECTION 3 - ENGINE

## FIGURE 3-21. DEUTZ TD2.9L4 - 63HP ENGINE/PUMP SUB-ASSEMBLY – WITHOUT ARCTIC PACKAGE



ART\_1001176013

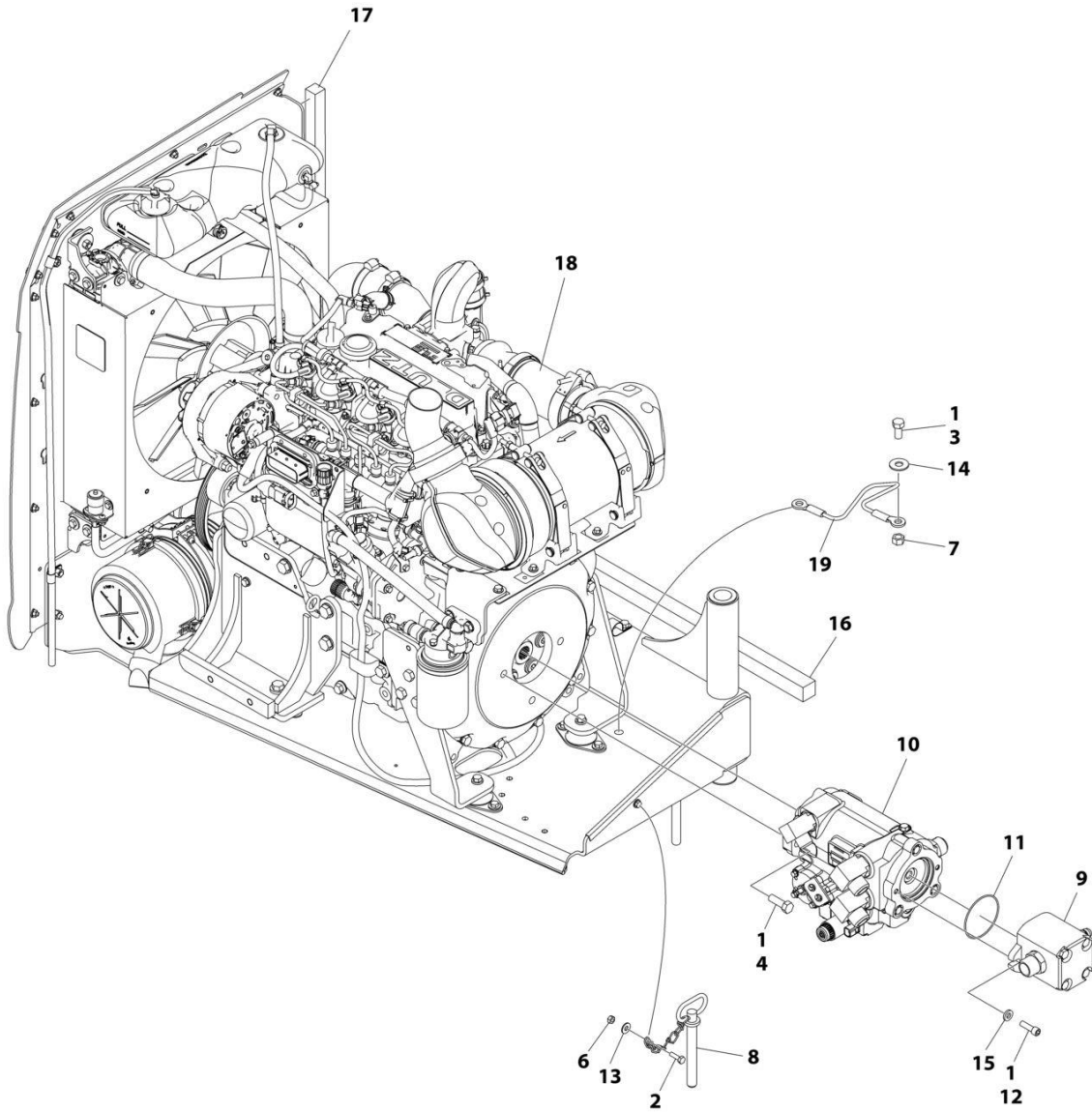
## SECTION 3 - ENGINE

**FIGURE 3-21. DEUTZ TD2.9L4 - 63HP ENGINE/PUMP SUB-ASSEMBLY – WITHOUT ARCTIC PACKAGE**

ITEM	PART NUMBER	QTY	DESCRIPTION	REV
	1001176013	Ref	DEUTZ TD2.9L4 ENGINE/PUMP SUB-ASSEMBLY	F
1	0100011	AR	Compound, Locking	
2	0641406	1	Bolt 1/4 x 3/4	
3	0641808	1	Bolt 1/2 x 1	
4	0641812	2	Bolt 1/2 x 1-1/2	
6	3311405	1	Nut 1/4	
7	3311801	1	Nut 1/2	
8	3422533	1	Pin, Hitch	
9	3600395	1	Gear Pump Assembly with Fittings (See Separate Breakdown in this Section)	
10	1001188952	1	Pump Assembly with Fittings (See Separate Breakdown in this Section)	
11	3790152	1	O-Ring	
12	3931620	2	Bolt 3/8 x 1-1/4	
13	4711400	2	Washer 1/4	
14	4751800	1	Washer 1/2	
15	4891600	2	Washer 3/8 Hardened	
16	1001137873	1	Seal	
17	1001137874	1	Seal	
18	1001176012	1	Engine Assembly (See Separate Breakdown in this Section)	
19	1060637	1	Lanyard	

# SECTION 3 - ENGINE

FIGURE 3-22. DEUTZ TD2.9L4 - 63HP ENGINE/PUMP SUB-ASSEMBLY – WITH ARCTIC PACKAGE



ART\_1001176016



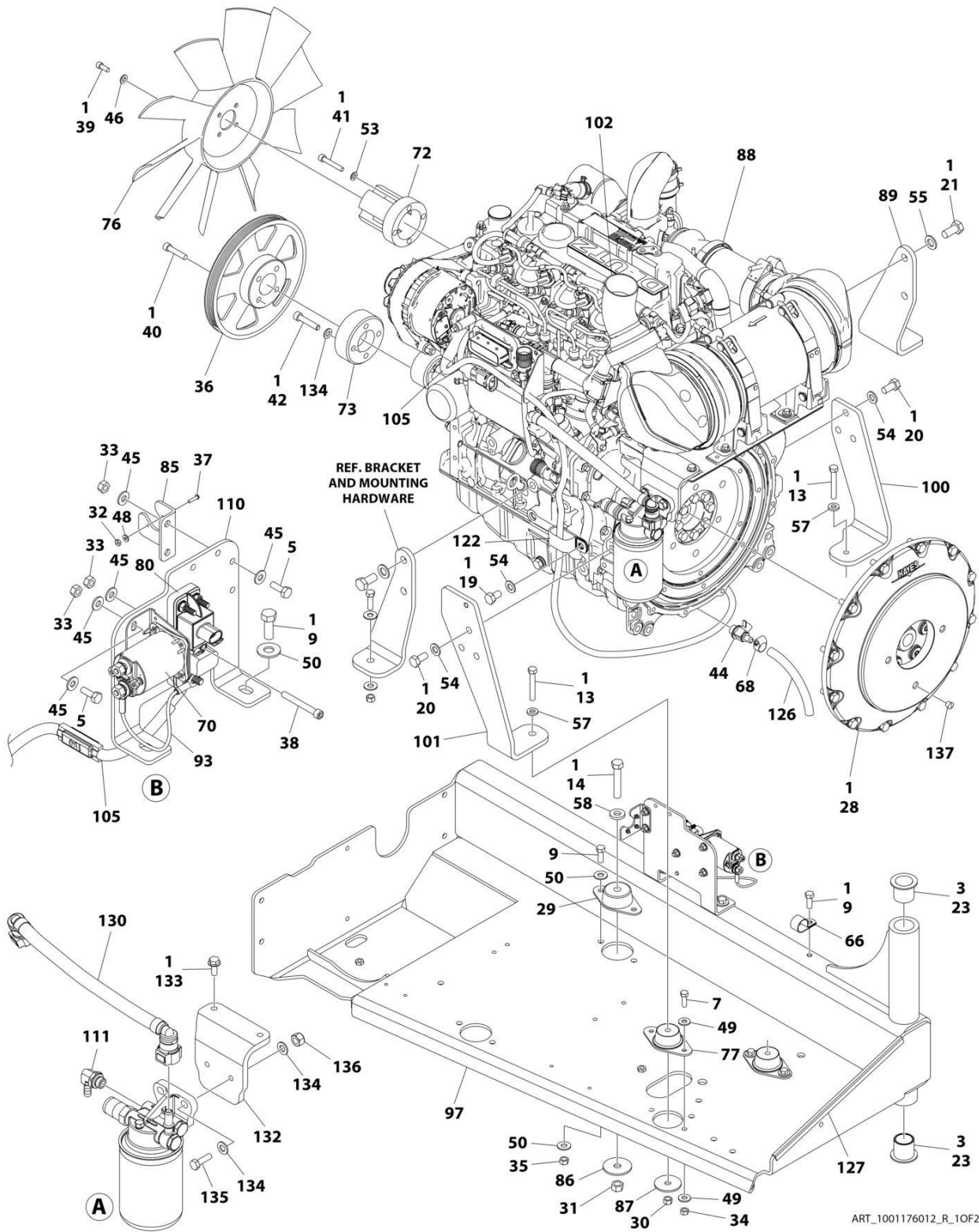
## SECTION 3 - ENGINE

**FIGURE 3-22. DEUTZ TD2.9L4 - 63HP ENGINE/PUMP SUB-ASSEMBLY – WITH ARCTIC PACKAGE**

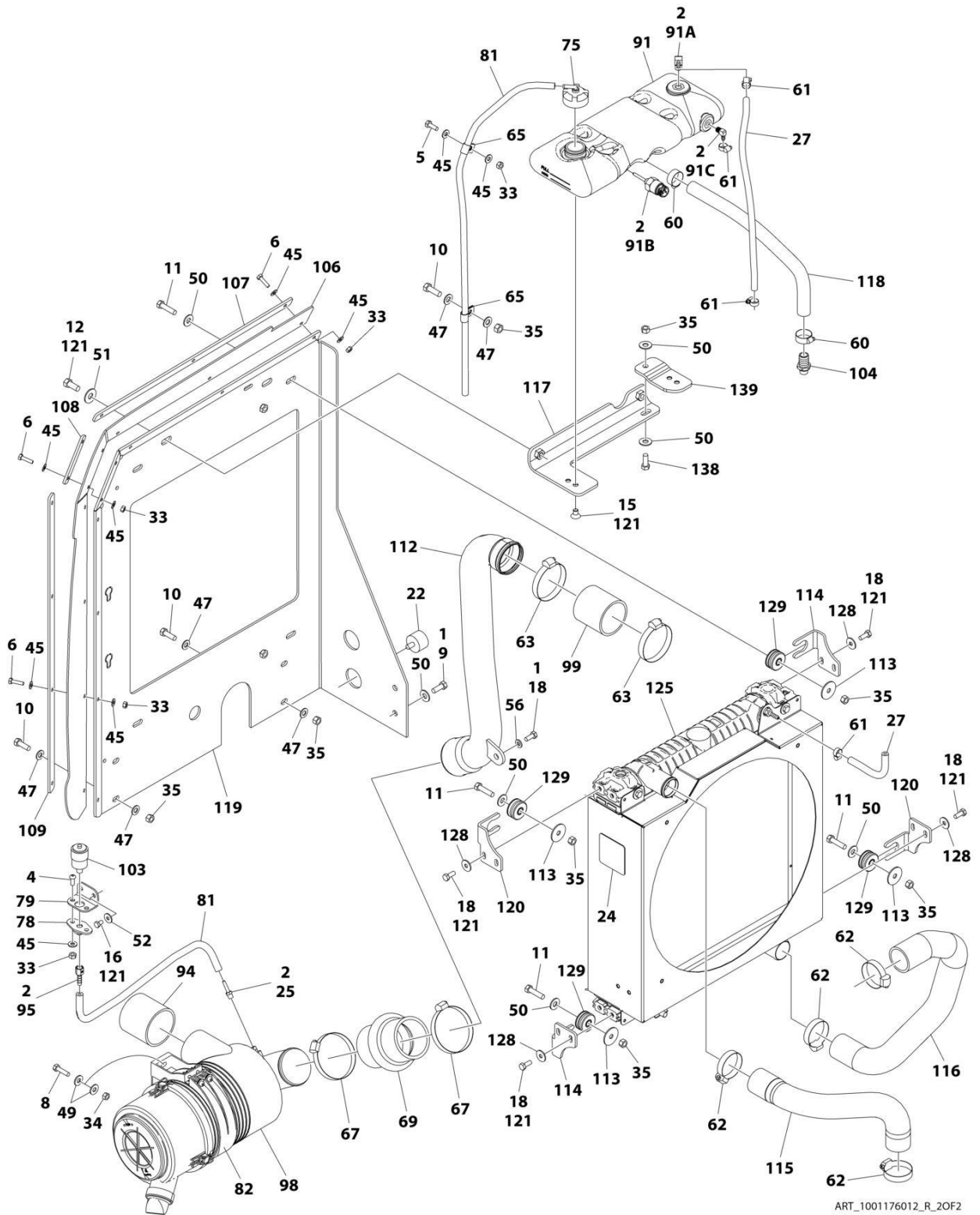
ITEM	PART NUMBER	QTY	DESCRIPTION	REV
	1001176016	Ref	DEUTZ TD2.9L4 ENGINE/PUMP SUB-ASSEMBLY	E
1	0100011	AR	Compound, Locking	
2	0641406	1	Bolt 1/4 x 3/4	
3	0641808	1	Bolt 1/2 x 1	
4	0641812	2	Bolt 1/2 x 1-1/2	
6	3311405	1	Nut 1/4	
7	3311801	1	Nut 1/2	
8	3422533	1	Pin, Hitch	
9	3600395	1	Gear Pump Assembly with Fittings (See Separate Breakdown in this Section)	
10	1001188952	1	Pump Assembly with Fittings (See Separate Breakdown in this Section)	
11	3790152	1	O-Ring	
12	3931620	2	Bolt 3/8 x 1-1/4	
13	4711400	2	Washer 1/4	
14	4751800	1	Washer 1/2	
15	4891600	2	Washer 3/8 Hardened	
16	1001137873	1	Seal	
17	1001137874	1	Seal	
18	1001176015	1	Engine Assembly (See Separate Breakdown in this Section)	
19	1060637	1	Lanyard	

# SECTION 3 - ENGINE

## FIGURE 3-23. DEUTZ TD2.9L4 - 63HP ENGINE ASSEMBLY – WITHOUT ARCTIC PACKAGE



# SECTION 3 - ENGINE



ART\_1001176012\_R\_20F2

## SECTION 3 - ENGINE

FIGURE 3-23. DEUTZ TD2.9L4 - 63HP ENGINE ASSEMBLY – WITHOUT ARCTIC PACKAGE

ITEM	PART NUMBER	QTY	DESCRIPTION	REV
	1001176012	Ref	DEUTZ TD2.9L4 ENGINE ASSEMBLY	R
1	0100011	AR	Compound, Locking	
2	0100020	AR	Sealant	
3	0100062	AR	Adhesive	
4	0630407	2	Screw 1/4 x 5/8	
5	0641406	5	Bolt 1/4 x 3/4	
6	0641408	9	Bolt 1/4 x 1	
7	0641508	4	Bolt 5/16 x 1	
8	0641510	2	Bolt 5/16 x 1-1/4	
9	0641608	7	Bolt 3/8 x 1	
10	0641609	4	Bolt 3/8 x 1-1/8	
11	0641612	4	Bolt 3/8 x 1-1/2	
12	0641708	2	Bolt 7/16 x 1	
13	0681620	2	Bolt 3/8 x 2-1/2 Grade 8	
14	0681822	1	Bolt 1/2 x 2-3/4 Grade 8	
15	0741605	2	Screw, Flathead 3/8 x 5/8	
16	0760605	2	Bolt M6 x 10	
18	0760810	9	Bolt M8 x 20	
19	0761210	1	Bolt M12 x 20	
20	0771212	6	Bolt M12 x 25 Grade 10.9	
21	0771414	2	Bolt M14 x 30	
22	0940070	1	Bumper	
23	0961986	2	Bushing, Flanged	
24	1703162	1	Decal - Fan Blade	
25	2220315	1	Fitting, Straight Barbed	
27	2720015	26 in /.9m	Hose	
28	2902065	1	Kit, Pump Coupling (See Separate Breakdown in this Section)	
29	3200401	2	Mount, Motor	
30	3271601	2	Nut 3/8 Grade 8	
31	3271801	2	Nut 1/2 Grade 8	
32	3310401	3	Nut #4	
33	3311405	17	Nut 1/4	
34	3311505	6	Nut 5/16	
35	3311605	11	Nut 3/8	
36	3580320	1	Pulley	
37	3910408	3	Screw #4 x 1/2	
38	3931432	1	Capscrew 1/4 x 2	
39	3931512	4	Capscrew 5/16 x 3/4	
40	3931628	4	Capscrew 3/8 x 1-3/4	
41	4031914	4	Capscrew M8 x 50	
42	4032014	4	Capscrew M10 x 50	
43	4240099	AR	Tie-Strap (Not Shown)	
44	4640751	1	Valve, Oil Drain	
45	4711400	31	Washer 1/4	
46	4711500	4	Washer 5/16	
47	4711600	8	Washer 3/8	
48	4750400	3	Washer #4	
49	4751500	12	Washer 5/16	
50	4751600	14	Washer 3/8	
51	4751700	2	Washer 7/16	

## SECTION 3 - ENGINE

ITEM	PART NUMBER	QTY	DESCRIPTION	REV
52	4811702	2	Washer M6	
53	4811900	4	Washer M8	
54	4812100	7	Washer M12	
55	4812200	2	Washer M14	
56	4891500	1	Washer 5/16 Hardened	
57	4891600	2	Washer 3/8 Hardened	
58	4891800	4	Washer 1/2 Hardened	
60	8405007	2	Clamp	
61	8405009	4	Clamp	
62	8405104	4	Clamp	
63	8405204	2	Clamp	
65	8406110	2	Clip	
66	8406201	1	Clip	
67	8410011	2	Clamp	
68	8410013	1	Clamp	
69	91403244	1	Hose	
70	1001117308	1	Relay	
72	1001135138	1	Adapter	
73	1001135679	1	Adapter	
75	1001136834	1	Cap, Tank	
76	1001137276	1	Fan	
77	1001138170	2	Mount, Motor	
78	1001138173	1	Support	
79	1001138175	1	Bracket	
80	1001138228	1	Relay, Power Module	
80	70023593	1	Fuse 30Amp (Battery Output)	
80	70023592	1	Fuse 20Amp (Switched Output)	
81	1001138248	67 in /1.7m	Tube	
82	1001138557	1	Clamp	
85	1001139240	1	Bracket	
86	1001139409	1	Washer, Special	
87	1001139429	2	Washer, Special	
88	1001249942	1	Deutz TD2.9L4 Engine Components (See Separate Breakdown in this Section)	
89	1001140454	1	Mount, Front Engine	
91	1001230635	1	Tank	
91A	1001134488	1	Fitting, 90 Barbed	
91B	1001138827	1	Sensor, Coolant Level	
91C	1001140564	1	Fitting, 90 Barbed	
93	1001141304	1	Harness, Glow Plug	
94	1001141585	1	Hose, Air Inlet	
95	1001141995	1	Fitting, Straight Barbed	
97	1001142538	1	Support	
98	1001142615	1	Air Cleaner Assembly Filter Element	
98	91403102	1	Element, Filter (Not Shown)	
99	1001142623	1	Hose, Inlet	
100	1001142635	1	Mount, Rear Engine	
101	1001205051	1	Mount, Rear Engine	
102	1001142689	1	Pipe, Exhaust	
103	1001143390	1	Indicator, Service	
104	1001143797	1	Fitting, Straight Barbed	

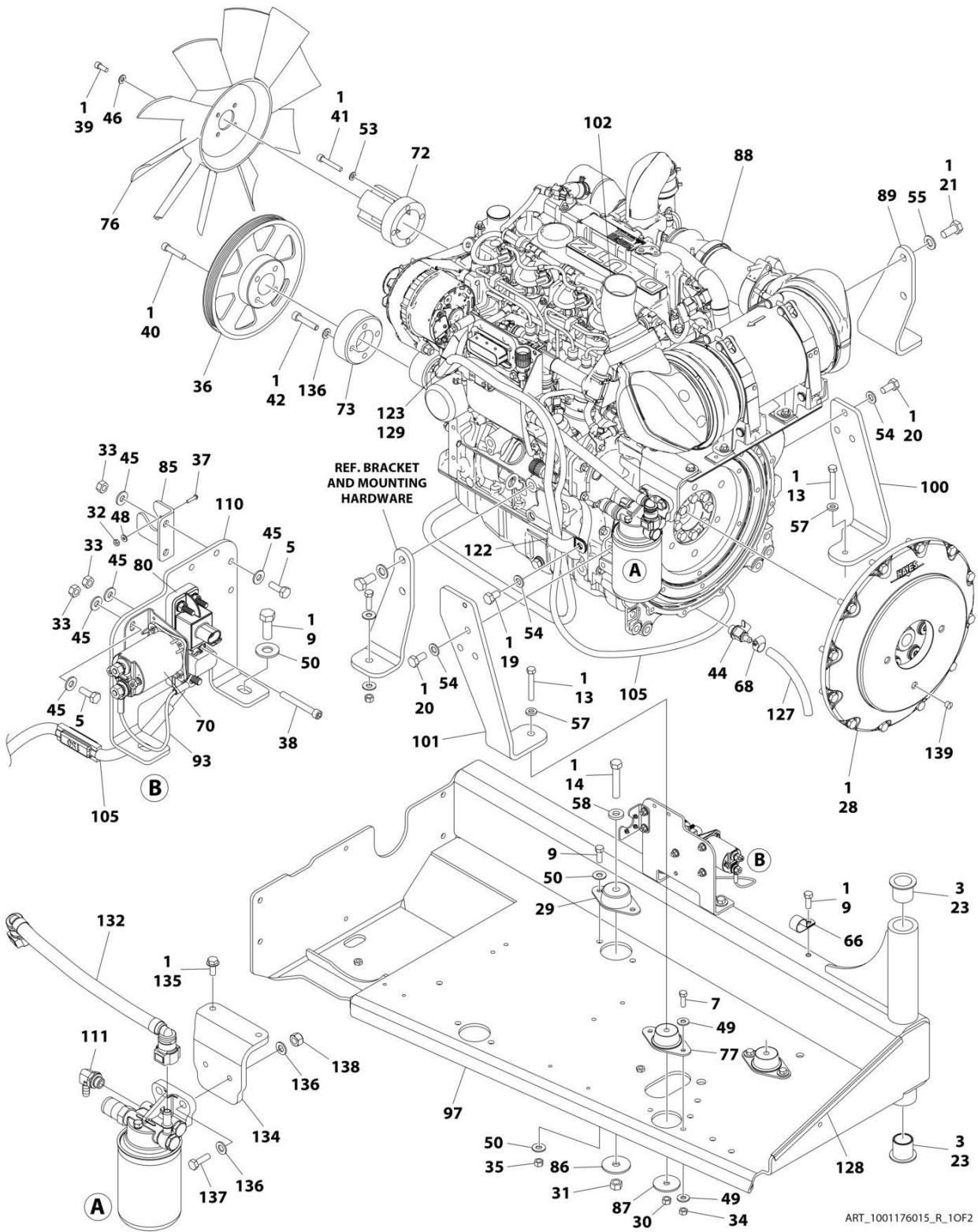
## SECTION 3 - ENGINE

ITEM	PART NUMBER	QTY	DESCRIPTION	REV
105	1001143907	1	Cable, Alternator Power	
106	1001144409	1	Panel, Rubber	
107	1001144410	1	Bracket, Panel Clamp	
108	1001144411	1	Bracket, Panel Clamp	
109	1001144412	1	Bracket, Panel Clamp	
110	1001145154	1	Plate, Relay Mounting	
111	1001152489	1	Fitting, 90 Barbed	
112	1001165842	1	Pipe	
113	1001169138	4	Washer	
114	1001204325	2	Bracket	
115	1001176225	1	Hose, Radiator - Upper	
116	1001176226	1	Hose, Radiator - Lower	
117	1001260413	1	Bracket, Tank	
118	1001176511	1	Hose	
119	1001176723	1	Plate Radiator Mounting	
120	1001178223	2	Bracket	
121	1001180620	AR	Adhesive	
122	1001181899	1	Clamp	
123	1001143726	1	Harness, Engine (Not Shown - See Separate Breakdown in ELECTRICAL SECTION)	
125	1001167041	1	Radiator and Shroud Assembly	
125	1001203495	1	Radiator	
125	1001204491	1	Shroud	
126	2720340	6 in /15cm	Hose	
127	4060805	14 in / 36cm	Flex-Trim	
128	4811902	8	Washer M8	
129	1001169054	4	Isolator	
130	1001177359	1	Hose	
132	1001178876	1	Mount	
133	5250810	2	Bolt M8 x 20	
134	4812000	8	Washer M10	
135	0761015	2	Bolt M10 x 35	
136	3291005	2	Nut M10	
137	3520054	1	Plug	
138	0681608	1	Bolt 3/8 x 1 (Grade 8)	
139	1001260412	1	Bracket	



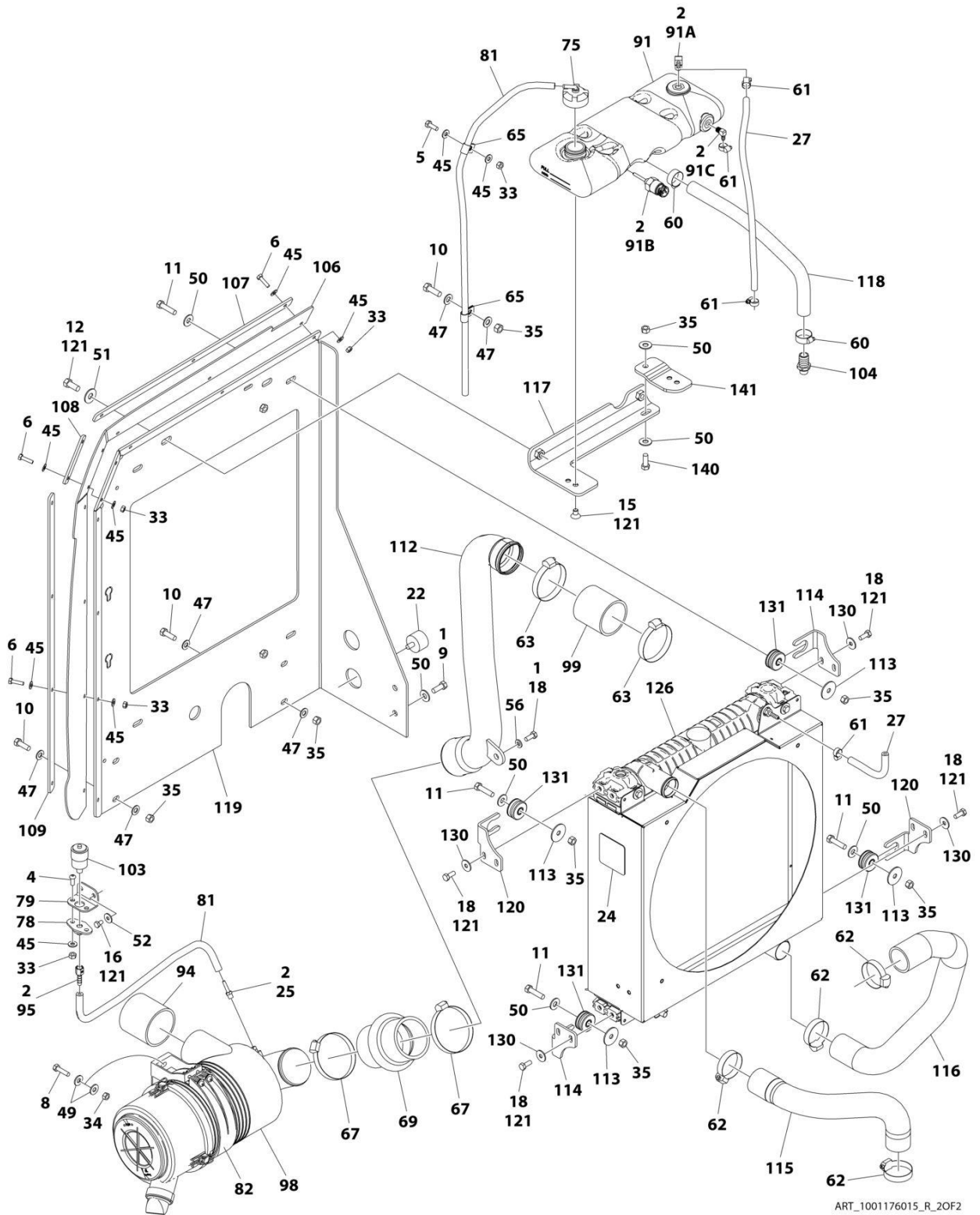
# SECTION 3 - ENGINE

## FIGURE 3-24. DEUTZ TD2.9L4 - 63HP ENGINE ASSEMBLY – WITH ARCTIC PACKAGE





# SECTION 3 - ENGINE



ART\_1001176015\_R\_20F2

## SECTION 3 - ENGINE

FIGURE 3-24. DEUTZ TD2.9L4 - 63HP ENGINE ASSEMBLY – WITH ARCTIC PACKAGE

ITEM	PART NUMBER	QTY	DESCRIPTION	REV
	1001176015	Ref	DEUTZ TD2.9L4 ENGINE ASSEMBLY	R
1	0100011	AR	Compound, Locking	
2	0100020	AR	Sealant	
3	0100062	AR	Adhesive	
4	0630407	2	Screw 1/4 x 5/8	
5	0641406	5	Bolt 1/4 x 3/4	
6	0641408	9	Bolt 1/4 x 1	
7	0641508	4	Bolt 5/16 x 1	
8	0641510	2	Bolt 5/16 x 1-1/4	
9	0641608	7	Bolt 3/8 x 1	
10	0641609	4	Bolt 3/8 x 1-1/8	
11	0641612	4	Bolt 3/8 x 1-1/2	
12	0641708	2	Bolt 7/16 x 1	
13	0681620	2	Bolt 3/8 x 2-1/2 Grade 8	
14	0681822	1	Bolt 1/2 x 2-3/4 Grade 8	
15	0741605	2	Screw, Flathead 3/8 x 5/8	
16	0760605	2	Bolt M6 x 10	
18	0760810	9	Bolt M8 x 20	
19	0761210	1	Bolt M12 x 20	
20	0771212	6	Bolt M12 x 25 Grade 10.9	
21	0771414	2	Bolt M14 x 30	
22	0940070	1	Bumper	
23	0961986	2	Bushing, Flanged	
24	1703162	1	Decal - Fan Blade	
25	2220315	1	Fitting, Straight Barbed	
27	2720015	26 in /.9m	Hose	
28	2902065	1	Kit, Pump Coupling (See Separate Breakdown in this Section)	
29	3200401	2	Mount, Motor	
30	3271601	2	Nut 3/8 Grade 8	
31	3271801	1	Nut 1/2 Grade 8	
32	3310401	3	Nut #4	
33	3311405	17	Nut 1/4	
34	3311505	6	Nut 5/16	
35	3311605	11	Nut 3/8	
36	3580320	1	Pulley	
37	3910408	3	Screw #4 x 1/2	
38	3931432	1	Capscrew 1/4 x 2	
39	3931512	4	Capscrew 5/16 x 3/4	
40	3931628	4	Capscrew 3/8 x 1-3/4	
41	4031914	4	Capscrew M8 x 50	
42	4032014	4	Capscrew M10 x 50	
43	4240099	AR	Tie-Strap (Not Shown)	
44	4640751	1	Valve, Oil Drain	
45	4711400	31	Washer 1/4	
46	4711500	4	Washer 5/16	
47	4711600	8	Washer 3/8	
48	4750400	3	Washer #4	
49	4751500	12	Washer 5/16	
50	4751600	14	Washer 3/8	
51	4751700	2	Washer 7/16	

## SECTION 3 - ENGINE

ITEM	PART NUMBER	QTY	DESCRIPTION	REV
52	4811702	2	Washer M6	
53	4811900	4	Washer M8	
54	4812100	7	Washer M12	
55	4812200	2	Washer M14	
56	4891500	1	Washer 5/16 Hardened	
57	4891600	2	Washer 3/8 Hardened	
58	4891800	1	Washer 1/2 Hardened	
60	8405007	2	Clamp	
61	8405009	4	Clamp	
62	8405104	4	Clamp	
63	8405204	2	Clamp	
65	8406110	2	Clip	
66	8406201	1	Clip	
67	8410011	2	Clamp	
68	8410013	1	Clamp	
69	91403244	1	Hose	
70	1001117308	1	Relay	
72	1001135138	1	Adapter	
73	1001135679	1	Adapter	
75	1001136834	1	Cap, Tank	
76	1001137276	1	Fan	
77	1001138170	2	Mount, Motor	
78	1001138173	1	Support	
79	1001138175	1	Bracket	
80	1001138228	1	Relay, Power Module	
80	70023593	1	Fuse 30Amp (Battery Output)	
80	70023592	1	Fuse 20Amp (Switched Output)	
81	1001138248	67 in/1.7m	Tube	
82	1001138557	1	Clamp	
85	1001139240	1	Bracket	
86	1001139409	1	Washer, Special	
87	1001139429	2	Washer, Special	
88	1001249942	1	Deutz TD2.9L4 Engine Components (See Separate Breakdown in this Section)	
89	1001140454	1	Mount, Front Engine	
91	1001230635	1	Tank	
91A	1001134488	1	Fitting, 90 Barbed	
91B	1001138827	1	Sensor, Coolant Level	
91C	1001140564	1	Fitting, 90 Barbed	
93	1001141304	1	Harness, Glow Plug	
94	1001141585	1	Hose, Air Inlet	
95	1001141995	1	Fitting, Straight Barbed	
97	1001142538	1	Support	
98	1001142615	1	Air Cleaner Assembly Filter Element	
98	91403102	1	Element, Filter (Not Shown)	
99	1001142623	1	Hose, Inlet	
100	1001142635	1	Mount, Rear Engine	
101	1001205051	1	Mount, Rear Engine	
102	1001142689	1	Pipe, Exhaust	
103	1001143390	1	Indicator, Service	
104	1001143797	1	Fitting, Straight Barbed	
105	1001143907	1	Cable, Alternator Power	

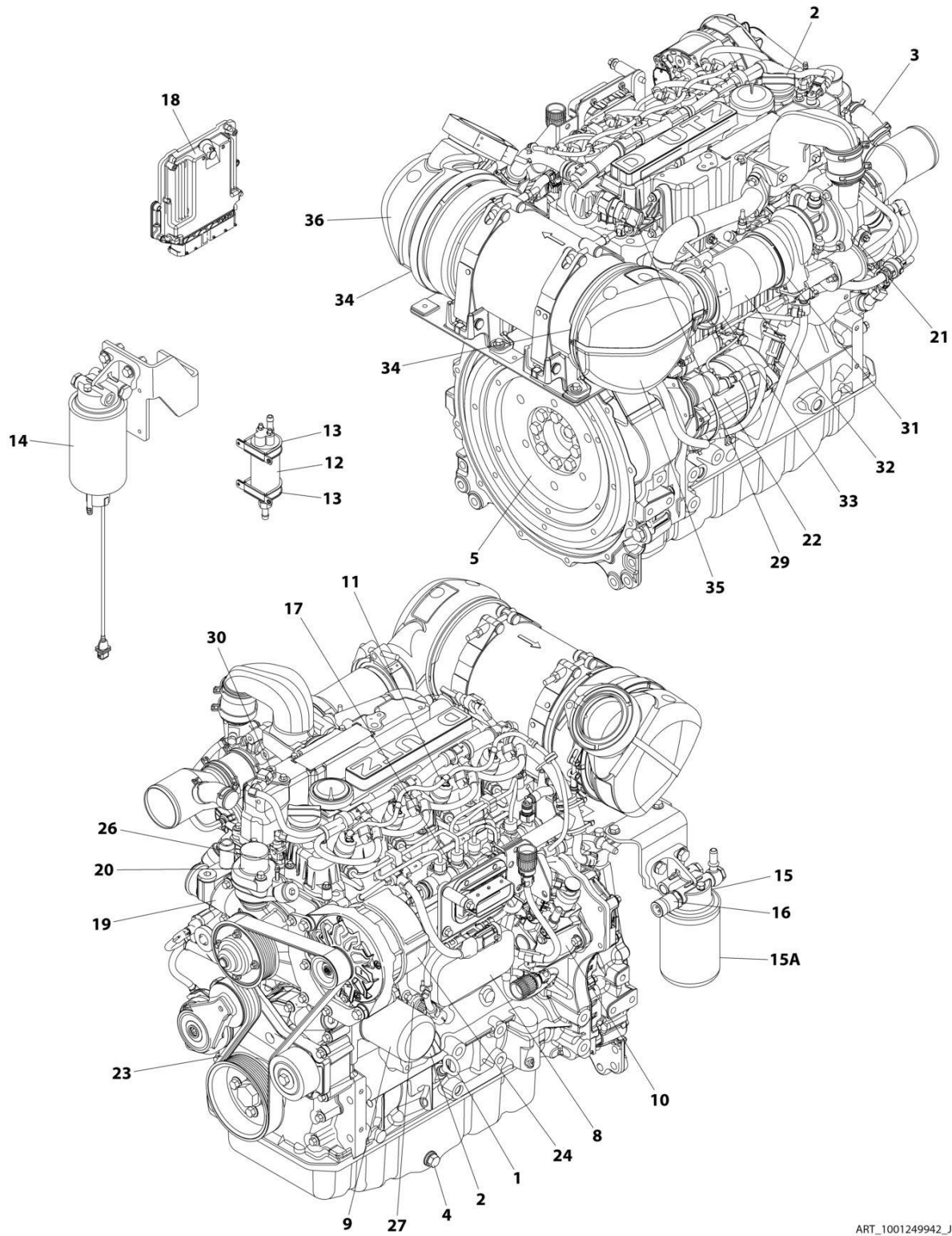
## SECTION 3 - ENGINE

ITEM	PART NUMBER	QTY	DESCRIPTION	REV
106	1001144409	1	Panel, Rubber	
107	1001144410	1	Bracket, Panel Clamp	
108	1001144411	1	Bracket, Panel Clamp	
109	1001144412	1	Bracket, Panel Clamp	
110	1001145154	1	Plate, Relay Mounting	
111	1001152489	1	Fitting, 90 Barbed	
112	1001165842	1	Pipe	
113	1001169138	4	Washer	
114	1001204325	2	Bracket	
115	1001176225	1	Hose, Radiator - Upper	
116	1001176226	1	Hose, Radiator - Lower	
117	1001260413	1	Bracket, Tank	
118	1001176511	1	Hose	
119	1001176723	1	Plate Radiator Mounting	
120	1001178223	2	Bracket	
121	1001180620	AR	Adhesive	
122	1001181899	1	Clamp	
123	1001140312	1	Heater, Engine Block	
124	1001143726	1	Harness, Engine (Not Shown - See Separate Breakdown in ELECTRICAL SECTION)	
126	1001167041	1	Radiator & Shroud Assembly	
126	1001203495	1	Radiator	
126	1001204491	1	Shroud	
127	2720340	6 in /15cm	Hose	
128	4060805	14 in / 36cm	Flex-Trim	
129	1001181895	AR	Adhesive	
130	4811902	8	Washer M8	
131	1001169054	4	Isolator	
132	1001177359	1	Hose	
134	1001178876	1	Mount	
135	5250810	2	Bolt M8 x 20	
136	4812000	8	Washer M10	
137	0761015	2	Bolt M10 x 35	
138	3291005	2	Nut M10	
139	3520054	1	Plug	
140	0681608	1	Bolt 3/8 x 1 (Grade 8)	
141	1001260412	1	Bracket	



# SECTION 3 - ENGINE

## FIGURE 3-25. DEUTZ TD2.9L4 - 63HP ENGINE COMPONENTS



ART\_1001249942\_JLG

## SECTION 3 - ENGINE

**FIGURE 3-25. DEUTZ TD2.9L4 - 63HP ENGINE COMPONENTS**

ITEM	PART NUMBER	QTY	DESCRIPTION	REV
	1001249942	Ref	ENGINE COMPONENTS - DEUTZ TD2.9L4	A
1	70024904	1	Dipstick	
1	70024905	1	Seal	
2	7020465	2	Cap, Oil Fill	
3	70025111	2	Clamp	
3	70005920	1	Hose, Breather	
4	70005941	2	Plug	
4	70005942	2	Seal	
5	70001870	1	Flywheel with Ring Gear	
5	7024579	1	Gear, Ring	
6		Ref	Gasket and Seal Options (Not Shown)	
6	70004279	1	Gasket Kit	
6	70024906	1	Gasket, Head	
6	70025205	1	Gasket, Small Valve Cover	
6	70005171	1	Gasket, Large Valve Cover	
6	70005176	1	O-Seal, Valve Cover to Air Charge Elbow	
6	70005177	1	Gasket, Air Charge Pipe to Head	
6	70031095	3	Gasket, Air Charge Pipe & EGR Pipe	
6	70025164	1	Gasket, Exhaust Manifold to Head	
6	70007354	1	Gasket, EGR Pipe to EGR Valve	
6	70007326	1	Gasket, EGR Valve to Housing	
7	70005172	1	Pump, Oil Lube (Not Shown - Located Front Left Side)	
7	70025135	1	O-Ring	
7	70005173	1	Gasket	
8	70024494	1	Cooler, Oil	
8	70024925	1	Gasket	
9	7016331	1	Filter, Oil	
10	70024924	1	Pump, High Pressure (Not Shown - Located Front Left Side)	
10	70025152	1	O-Ring (Between Pump and Spacer)	
10	70024517	1	O-Ring (Between Spacer and Engine Block)	
10	70004505	1	Valve, Overflow	
10	70004506	1	O-Ring	
10	70004507	1	O-Ring	
10	70004508	1	Valve, Volume Control	
10	70004509	1	O-Ring	
10	70004510	1	O-Ring	
11	70025181	4	Injector Fuel	
11	70025140	4	Washer, Sealing	
11	70025146	4	Clamp (Top of Injector)	
11	70025145	4	O-Seal	
11	70025154	4	Shoe, Clamping	
11	70000345	4	Plug, Glow	
11	70025231	1	Harness, Glow Plug (Not Shown)	
12	70006144	1	Pump, Fuel	
13	70025144	2	Clamp	
14	70024961	1	Filter, Fuel	
14	70025153	1	Element, Filter	
14	70024513	1	Cable, Sensor	
14	70025239	1	Seal	
15	70029451	1	Filter With Head	

## SECTION 3 - ENGINE

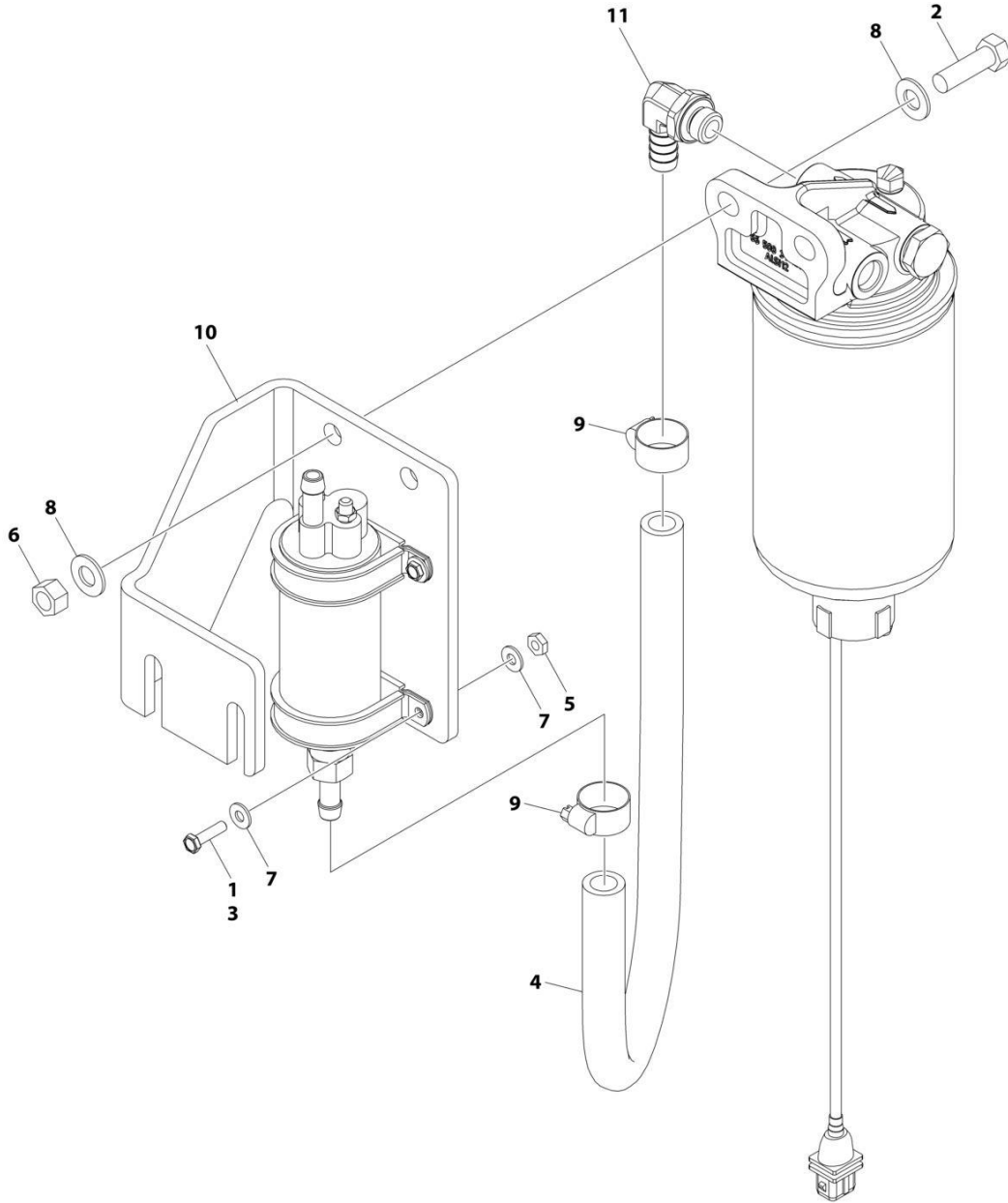
ITEM	PART NUMBER	QTY	DESCRIPTION	REV
15A	70025161	1	Filter, Fuel	
16	70028538	1	Sensor, Pressure	
16	70024920	1	Seal	
17	70025151	1	Rail, Fuel	
17	70025235	1	Repair Kit	
17	70025182	1	Line, Fuel (Cylinders 1 & 2)	
17	70025183	1	Line, Fuel (Cylinders 3 & 4)	
17	70025184	1	Line, Fuel (To Rail)	
18	70025210	1	ECU (Engine Control Unit)	
19	70029797	1	Pump, Water	
19	70025200	1	Seal	
19	70007325	1	Gasket	
20	70005929	1	Thermostat	
20	70005184	1	O-Seal	
20	70025142	1	Cover, Thermostat	
20	70005931	1	Gasket	
21	70004276	1	Turbocharger	
21	70024912	1	Gasket, Square	
21	70024509	1	Gasket, Return Line	
21	70006294	1	O-Seal	
22	70024915	1	Starter	
22	70005648	1	Relay	
22	70005647	1	Solenoid	
23	70004277	1	Belt Drive	
24	70006652	1	Alternator	
24	70006653	1	Regulator, Voltage	
25	70007489	1	Harness, Engine (Not Shown)	
26	70028540	1	Sender, Temperature	
27	70028538	1	Sensor, Pressure	
27	70024920	1	Seal	
28	70026210	2	Sensor, Speed (Not Shown - Located Left Side Front and Flywheel Housing)	
28	70024917	1	Seal (Cam Shaft Speed Sensor)	
28	70005191	1	Seal (Flywheel Shaft Speed Sensor)	
29	70024507	1	Sensor, Pressure	
29	70025120	1	Seal	
30	70024922	1	Sender, Temperature	
30	70025212	1	O-Seal	
31	70005527	1	Clamp	
31	70025788	1	Nut	
32	70004504	1	Compensator	
33	70025242	1	Gasket	
33	70029433	1	Clamp	
34	70029517	2	Clamp	
34	70029520	2	Gasket	
35	70007355	1	Inlet	
36	70007331	1	Outlet	





# SECTION 3 - ENGINE

## FIGURE 3-26. BRACKET ASSEMBLY - FUEL PUMP AND FILTER (DEUTZ D2.9L4 ENGINE)



ART\_1001162335

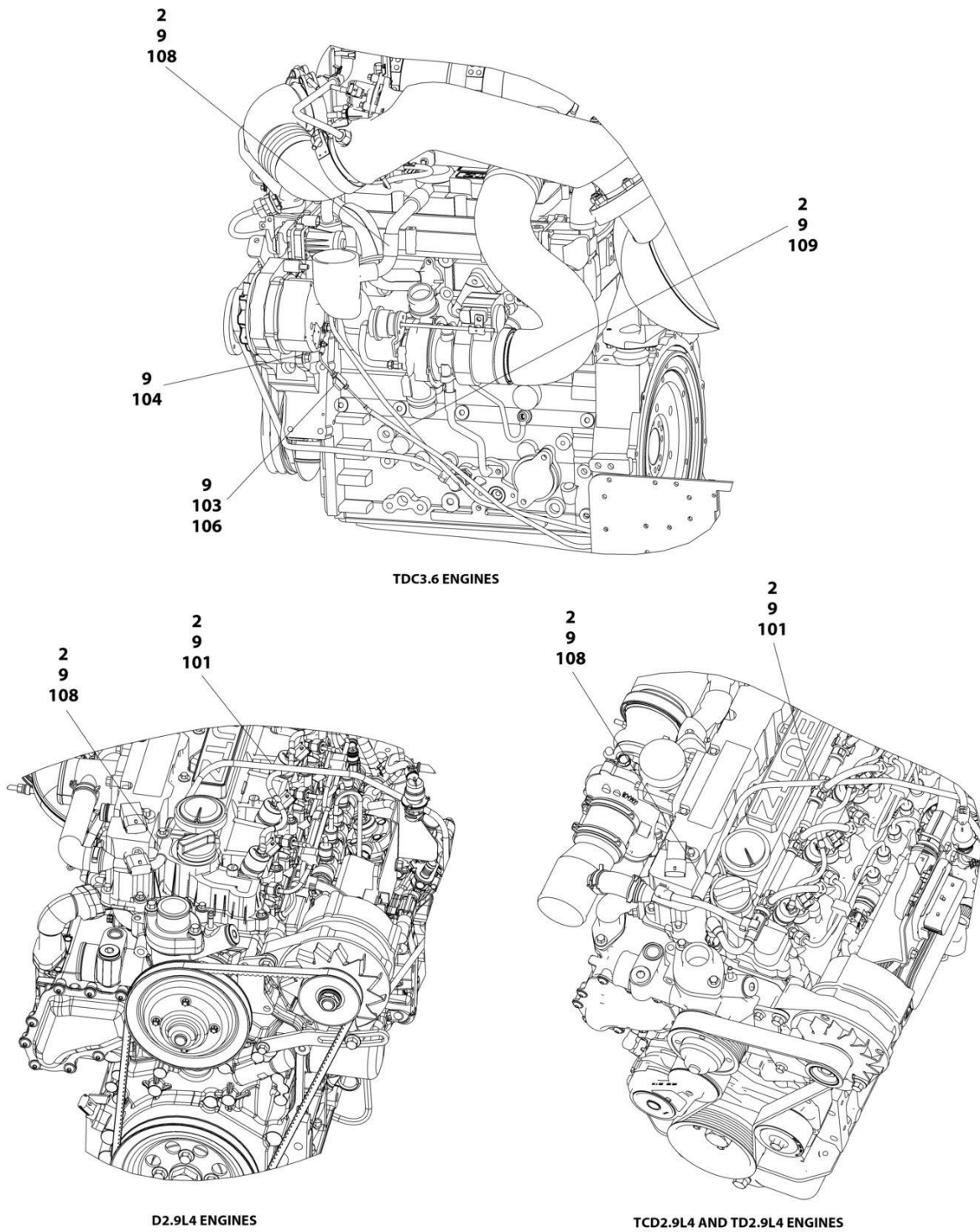
## SECTION 3 - ENGINE

**FIGURE 3-26. BRACKET ASSEMBLY - FUEL PUMP AND FILTER (DEUTZ D2.9L4 ENGINE)**

ITEM	PART NUMBER	QTY	DESCRIPTION	REV
	1001162335	Ref	BRACKET ASSEMBLY - FUEL PUMP AND FILTER (DEUTZ D2.9L4 ENGINE)	E
1	0100011	AR	Compound, Locking	
2	0641610	2	Bolt 3/8 x 1-1/4	
3	0721006	4	Bolt #10 x 3/4	
4	1001154405	AR	Hose	
5	3311001	4	Nut #10	
6	3311605	2	Nut 3/8	
7	4711000	8	Washer #10	
8	4711600	4	Washer 3/8	
9	8405006	2	Clamp	
10	1001141870	1	Plate, Fuel Pump Mount	
11	1001142501	1	Fitting, Elbow Barbed	

# SECTION 3 - ENGINE

## FIGURE 3-27. BREATHER HEATER INSTALLATION - DEUTZ D2.9L4 ENGINES WITH ARCTIC PACKAGE (USA BUILT MACHINES)



ART\_1001233763

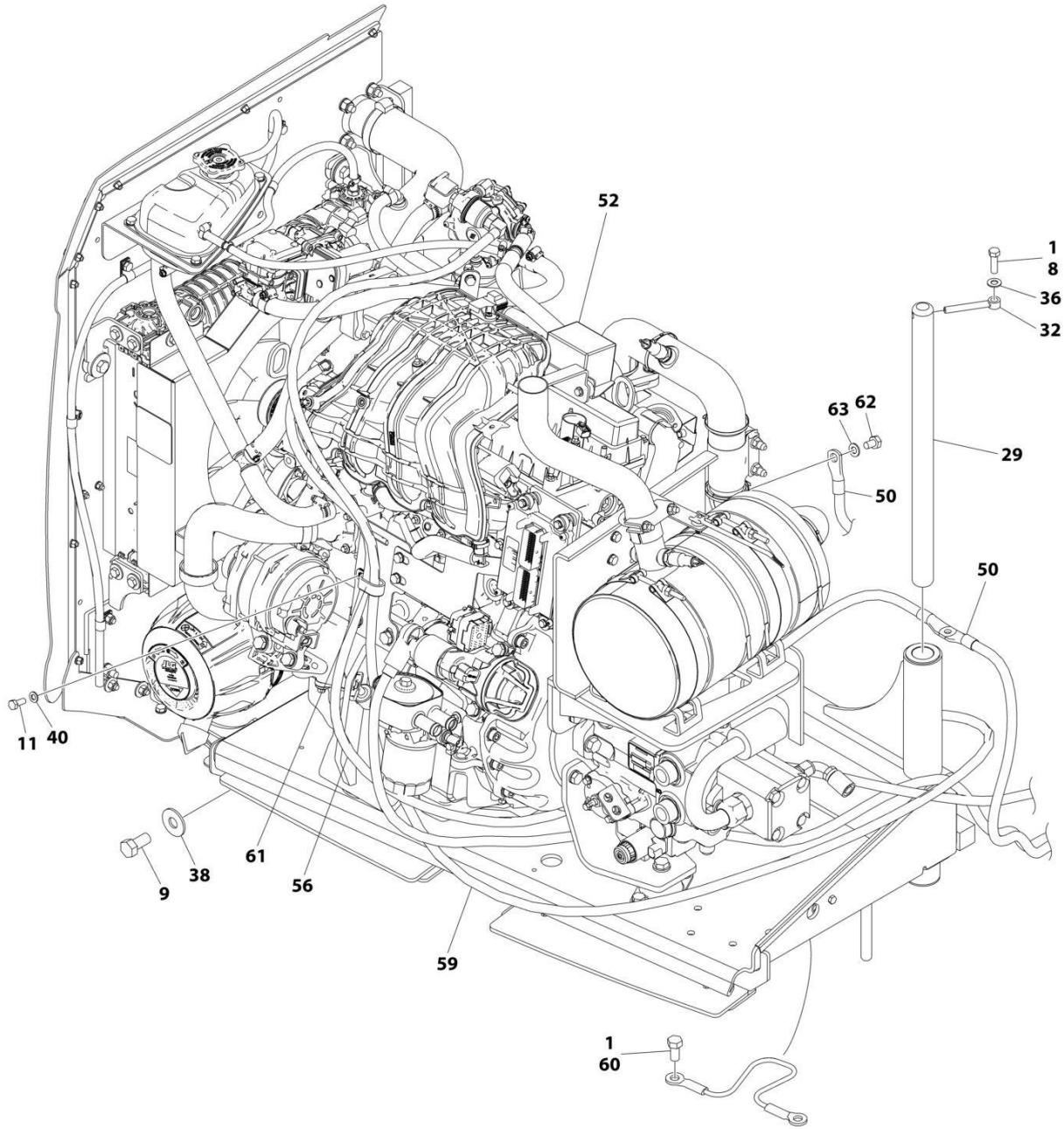
## SECTION 3 - ENGINE

**FIGURE 3-27. BREATHER HEATER INSTALLATION - DEUTZ D2.9L4 ENGINES WITH ARCTIC PACKAGE (USA BUILT MACHINES)**

ITEM	PART NUMBER	QTY	DESCRIPTION	REV
	1001233763	Ref	BREATHER HEATER INSTALLATION - DEUTZ ENGINES	D
2	4240099	AR	Tie-Strap	
9	1001243895	1	Breather Heater Harness	C
101	2820035	AR	Insulation	
103	2400060	1	Fuseholder with Cover	
104	4460043	1	Terminal, Ring	
105	4460722	1	Terminal, Ring (Not Shown)	
106	1001196634	1	Fuse - 2 Amp	
108	1001232842	1	Breather Heater Kit	

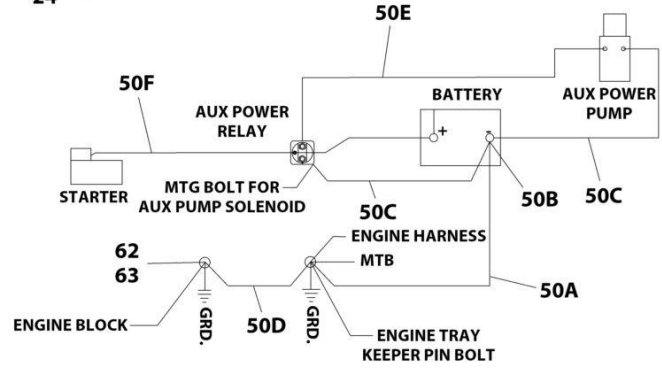
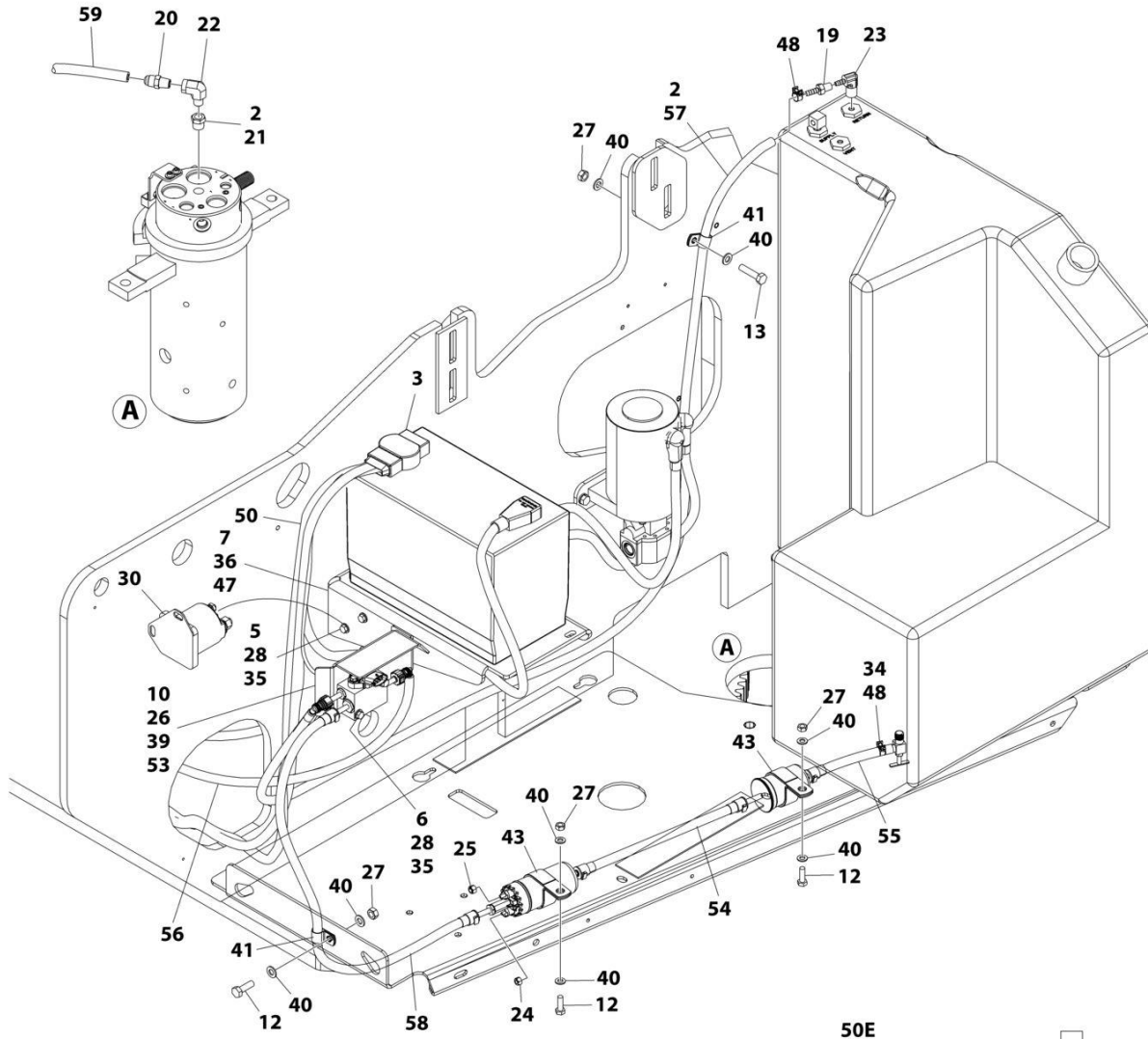
# SECTION 3 - ENGINE

## FIGURE 3-28. FORD ENGINE INSTALLATION - WITHOUT ARCTIC PACKAGE



ART\_1001216912\_H\_10F2

# SECTION 3 - ENGINE



BATTERY CABLE KIT - ITEM 50

ART\_1001216912\_H\_20F2

## SECTION 3 - ENGINE

FIGURE 3-28. FORD ENGINE INSTALLATION - WITHOUT ARCTIC PACKAGE

ITEM	PART NUMBER	QTY	DESCRIPTION	REV
	1001216912	Ref	FORD ENGINE INSTALLATION	H
1	0100011	AR	Compound, Locking	
2	0100020	AR	Sealant	
3	0100048	AR	Grease, Terminal	
5	0641406	2	Bolt 1/4 x 3/4	
6	0641416	2	Bolt 1/4 x 2	
7	0641607	3	Bolt 3/8 x 7/8	
8	0641612	1	Bolt 3/8 x 1-1/2	
9	0642010	1	Bolt 5/8 x 1-1/4	
10	0760612	2	Bolt M6 x 25	
11	0760810	1	Bolt M8 x 20	
12	0760812	3	Bolt M8 x 25	
13	0760815	1	Bolt M8 x 35	
17	1701542	1	Decal - Gas (Not Shown)	
18	1701543	2	Decal - LPG (Not Shown)	
19	2180348	1	Fitting, Straight NPT/Barbed	
20	2180418	1	Fitting, Straight	
21	2221197	1	Fitting, Straight NPT	
22	1001247359	1	Fitting, Straight	
23	2221176	1	Fitting, 90	
24	3290405	1	Nut M4	
25	3290505	1	Nut M5	
26	3290605	2	Nut M6	
27	3290801	4	Nut M8	
28	3311405	4	Nut 1/4	
29	3422448	1	Pin	
30	3740067	1	Relay	
31	3790012	1	O-Ring (Not Shown - Located on Platform Console Box)	
32	3841143	1	Keeper, Pin	
33	4360336	1	Switch, Toggle (Not Shown - Located on Platform Console Box)	
34	1001221488	1	Tube, Fuel Line	
35	4711400	6	Washer 1/4	
36	4711600	4	Washer 3/8	
38	4752000	1	Washer 5/8	
39	4811702	4	Washer M6	
40	4811900	9	Washer M8	
41	8406101	2	Clip	
43	85941018	2	Clamp	
47	1001137868	1	Bracket, Battery	
48	1001174486	2	Clamp	
50	1001215142	1	Battery Cable Kit	C
50A	7027073	1	Cable, Battery - Ground to Battery -	
50B	8270147	1	Terminal, Battery with Boot	
50C	7027072	1	Cable, Battery - Auxiliary Pump/Relay to Battery -	
50D	70009018	1	Cable, Battery - Engine to Ground	
50E	7027075	1	Cable, Battery - Auxiliary Relay to Auxiliary Pump	
50F	70009019	1	Cable, Battery - Starter/Auxiliary Relay to Battery +	
52	1001216911	1	Engine Assembly with Pumps (See Separate Breakdown in this Section)	
53	1001217645	1	Bracket	

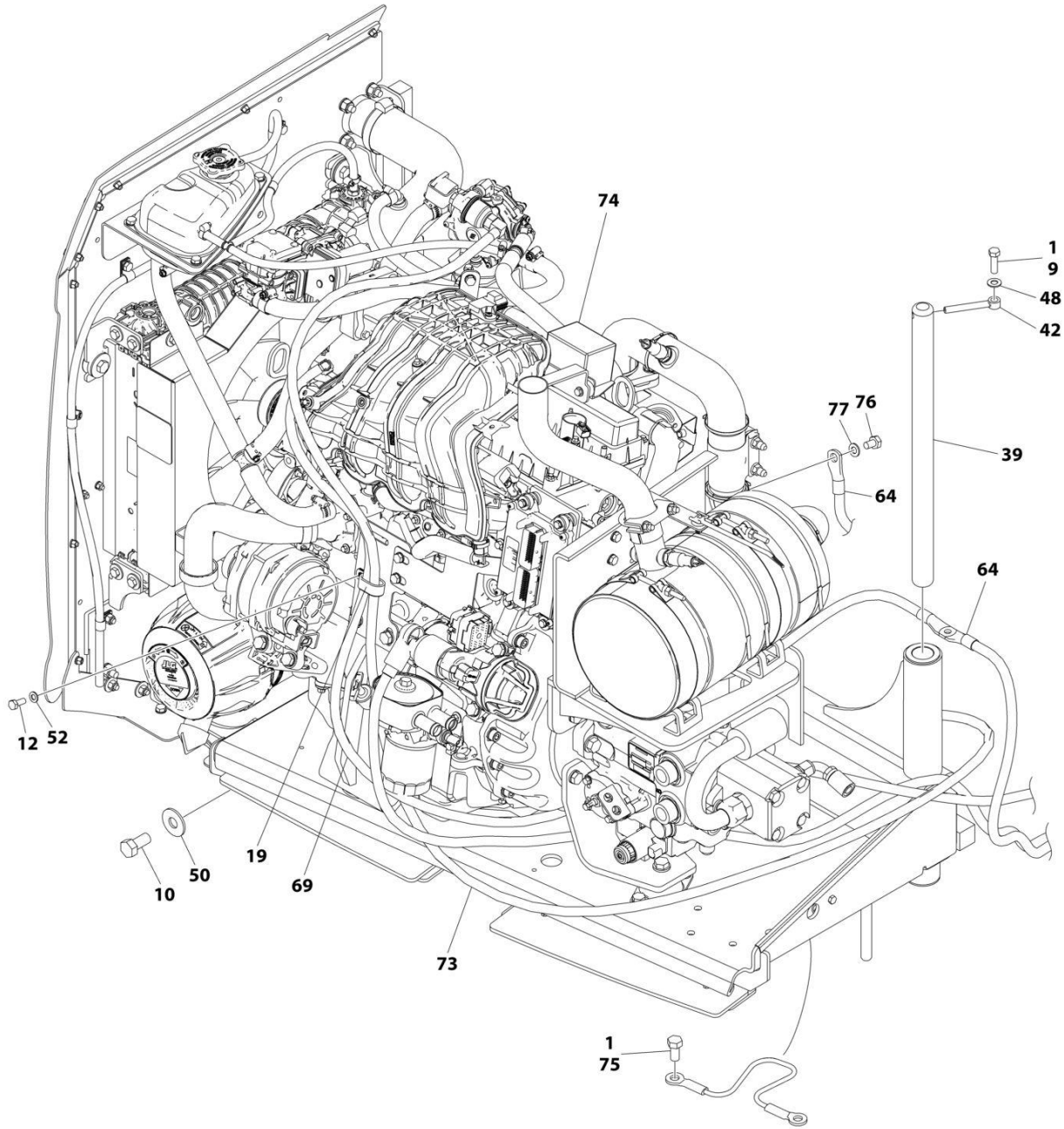


## SECTION 3 - ENGINE

ITEM	PART NUMBER	QTY	DESCRIPTION	REV
54	1001217418	1	Hose	
55	1001217419	1	Hose	
56	1001217420	1	Hose	
57	1001217421	1	Hose	
58	1001217422	1	Hose	
59	1001218638	1	Hose	
60	0641808	1	Bolt 1/2 x 1	
61	1321283	1	Clamp	
62	0761008	1	Bolt M10 x 16	
63	4812000	1	Washer M10	

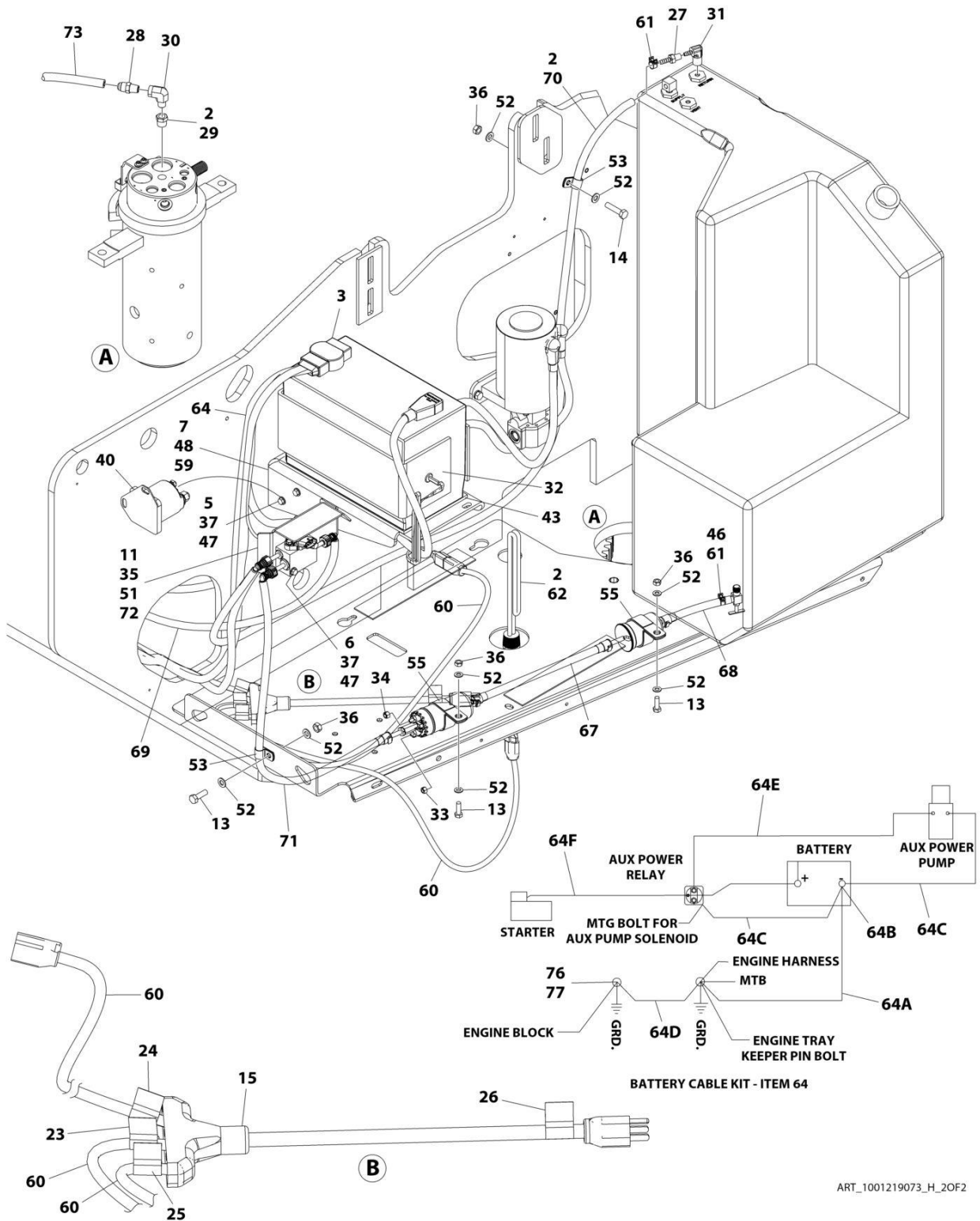
# SECTION 3 - ENGINE

## FIGURE 3-29. FORD ENGINE INSTALLATION - WITH ARCTIC PACKAGE



ART\_1001219073\_H\_10F2

# SECTION 3 - ENGINE



ART\_1001219073\_H\_20F2

## SECTION 3 - ENGINE

**FIGURE 3-29. FORD ENGINE INSTALLATION - WITH ARCTIC PACKAGE**

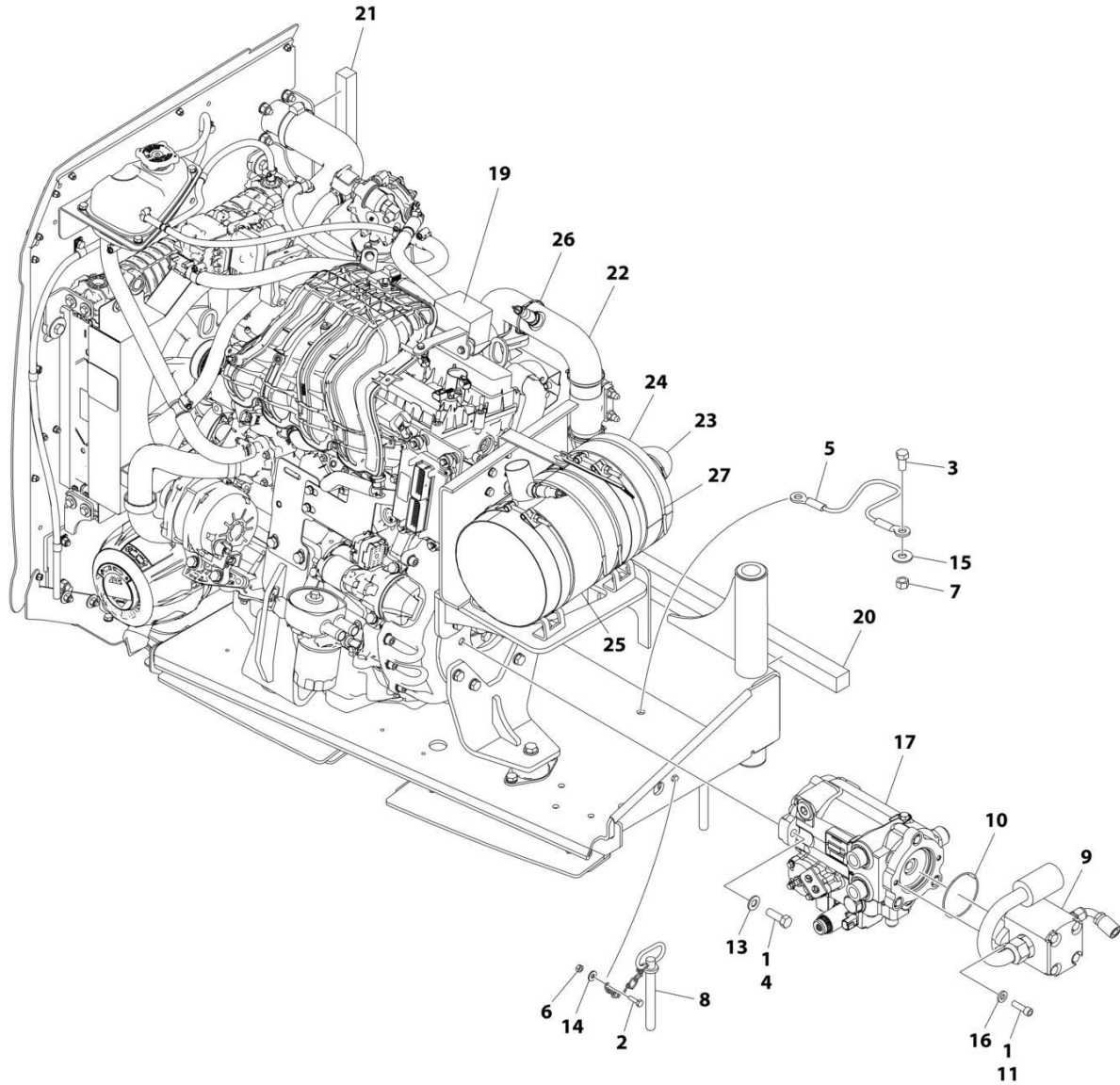
ITEM	PART NUMBER	QTY	DESCRIPTION	REV
	1001219073	Ref	FORD ENGINE INSTALLATION	H
1	0100011	AR	Compound, Locking	
2	0100020	AR	Sealant	
3	0100048	AR	Grease, Terminal	
5	0641406	2	Bolt 1/4 x 3/4	
6	0641416	2	Bolt 1/4 x 2	
7	0641607	3	Bolt 3/8 x 7/8	
9	0641612	1	Bolt 3/8 x 1-1/2	
10	0642010	1	Bolt 5/8 x 1-1/4	
11	0760612	2	Bolt M6 x 25	
12	0760810	1	Bolt M8 x 20	
13	0760812	3	Bolt M8 x 25	
14	0760815	1	Bolt M8 x 35	
15	1060626	1	Plug, 3 Way	
19	1321283	1	Clamp	
21	1701542	1	Decal - Gas (Not Shown)	
22	1701543	2	Decal - LPG (Not Shown)	
23	1702941	1	Decal - Battery Heater	
24	1702942	1	Decal - Engine Block Heater	
25	1702943	1	Decal - Hydraulic Tank Heater	
26	1702944	1	Decal - Heater Cord	
27	2180348	1	Fitting, Straight NPT/Barbed	
28	2180418	1	Fitting, Straight	
29	2221197	1	Fitting, Straight NPT	
30	1001247359	1	Fitting, Straight	
31	2221176	1	Fitting, 90	
32	2580024	1	Heater, Battery	
33	3290405	1	Nut M4	
34	3290505	1	Nut M5	
35	3290605	2	Nut M6	
36	3290801	4	Nut M8	
37	3311405	4	Nut 1/4	
39	3422448	1	Pin	
40	3740067	1	Relay	
41	3790012	1	O-Ring (Not Shown - Located on Platform Console Box)	
42	3841143	1	Keeper, Pin	
43	3980007	1	Seal, Battery	
44	4240099	AR	Tie-Strap (Not Shown)	
45	4360336	1	Switch, Toggle (Not Shown - Located on Platform Console Box)	
46	1001221488	1	Tube, Fuel Line	
47	4711400	6	Washer 1/4	
48	4711600	4	Washer 3/8	
50	4752000	1	Washer 5/8	
51	4811702	4	Washer M6	
52	4811900	9	Washer M8	
53	8406101	2	Clip	
55	85941018	2	Clamp	
59	1001137868	1	Bracket, Battery	
60	1001150918	1	Cable, Immersion Heater	
61	1001174486	2	Clamp	

## SECTION 3 - ENGINE

ITEM	PART NUMBER	QTY	DESCRIPTION	REV
62	1001188972	1	Heater, Hydraulic Tank	C
64	1001215142	1	Battery Cable Kit	
64A	7027073	1	Cable, Battery - Ground to Battery -	
64B	8270147	1	Terminal, Battery with Boot	
64C	7027072	1	Cable, Battery - Auxiliary Pump/Relay to Battery -	
64D	70009018	1	Cable, Battery - Engine to Ground	
64E	7027075	1	Cable, Battery - Auxiliary Relay to Auxiliary Pump	
64F	70009019	1	Cable, Battery - Starter/Auxiliary Relay to Battery +	
67	1001217418	1	Hose	
68	1001217419	1	Hose	
69	1001217420	1	Hose	
70	1001217421	1	Hose	
71	1001217422	1	Hose	
72	1001217645	1	Bracket	
73	1001218638	1	Hose	
74	1001219072	1	Engine Assembly with Pumps (See Separate Breakdown in this Section)	
75	0641808	1	Bolt 1/2 x 1	
76	0761008	1	Bolt M10 x 16	
77	4812000	1	Washer M10	

# SECTION 3 - ENGINE

## FIGURE 3-30. FORD ENGINE/PUMP SUB-ASSEMBLY - WITHOUT ARCTIC PACKAGE



ART\_1001216911

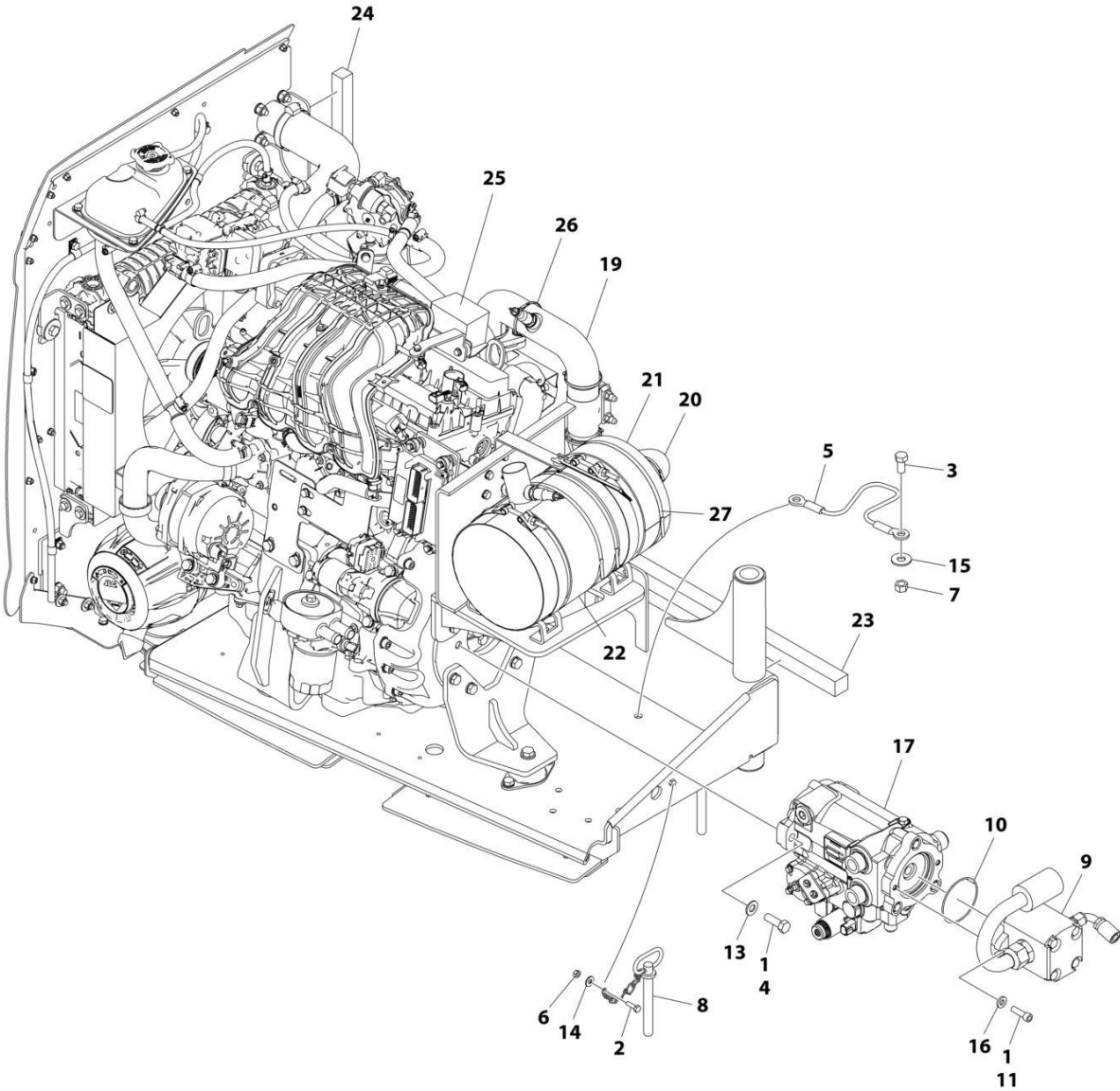
## SECTION 3 - ENGINE

**FIGURE 3-30. FORD ENGINE/PUMP SUB-ASSEMBLY - WITHOUT ARCTIC PACKAGE**

ITEM	PART NUMBER	QTY	DESCRIPTION	REV
	1001216911	Ref	FORD ENGINE AND PUMP SUB-ASSEMBLY	F
1	0100011	AR	Compound, Locking	
2	0641407	1	Bolt 1/4 x 7/8	
3	0641808	1	Bolt 1/2 x 1	
4	0681812	2	Bolt 1/2 x 1-1/2	
5	1060637	1	Cable, Lanyard	
6	3311405	1	Nut 1/4	
7	3311805	1	Nut 1/2	
8	3422533	1	Pin	
9	3600395	1	Gear Pump and Fittings Assembly (See Separate Breakdown in this Section)	
10	3790152	1	O-Ring	
11	3931620	2	Capscrew 3/8 x 1-1/4	
13	4711800	2	Washer 1/2	
14	4751400	1	Washer 1/4	
15	4751800	1	Washer 1/2	
16	4891600	2	Washer 3/8	
17	1001188953	1	Piston Pump and Fitting Assembly (See Separate Breakdown in this Section)	
19	1001215413	1	Engine Assembly (See Separate Breakdown in this Section)	
20	1001217170	1	Seal	
21	1001217184	1	Seal	
22	1001216532	1	Insulate, Exhaust Pipe	
23	1001216533	1	Insulate, Exhaust Pipe	
24	1001216534	1	Insulate, Muffler	
25	1001216535	1	Insulate, Muffler	
26	1001100825	6	Strap	
27	1001221464	3	Strap	

# SECTION 3 - ENGINE

## FIGURE 3-31. FORD ENGINE/PUMP SUB-ASSEMBLY - WITH ARCTIC PACKAGE



ART\_1001219072



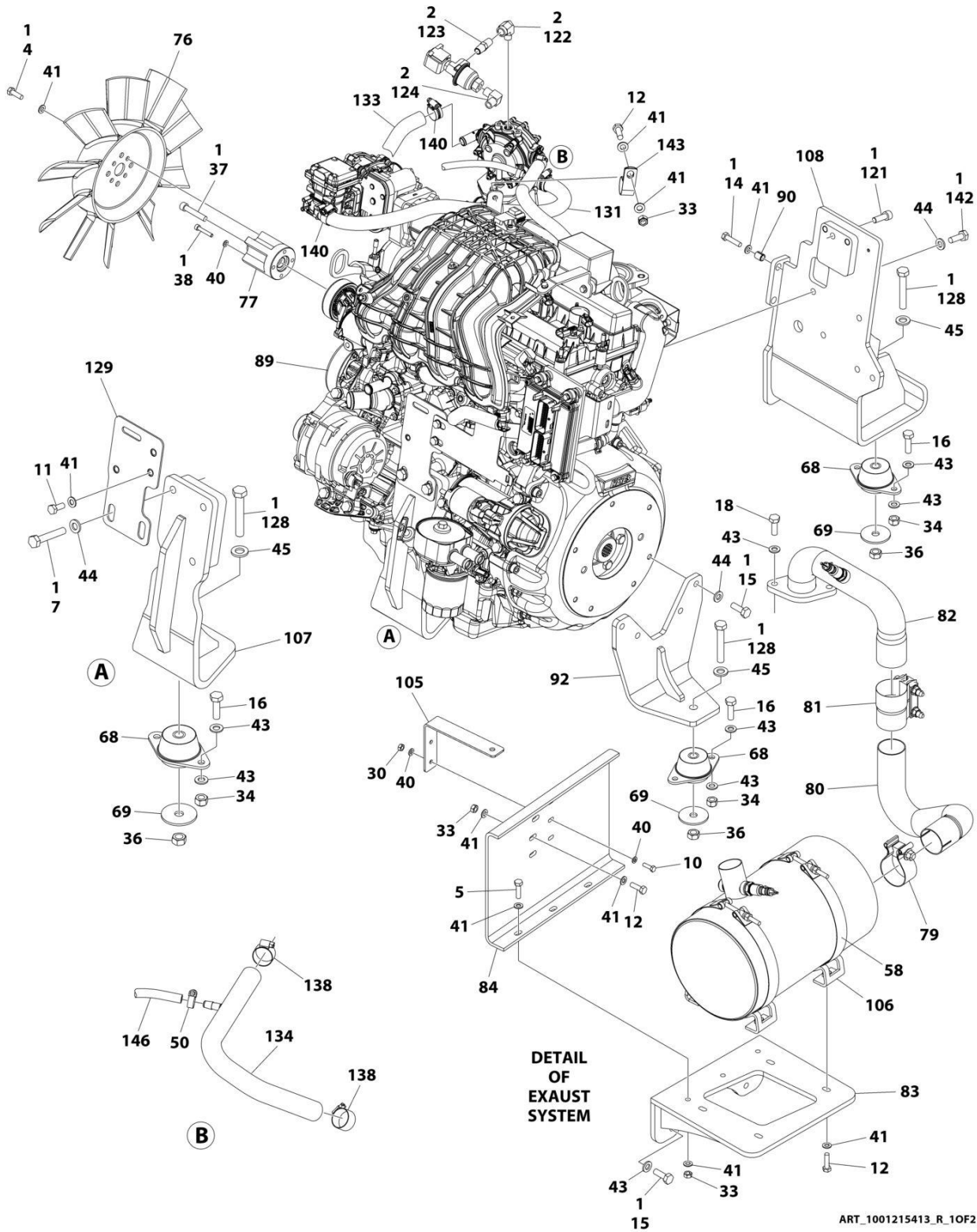
## SECTION 3 - ENGINE

**FIGURE 3-31. FORD ENGINE/PUMP SUB-ASSEMBLY - WITH ARCTIC PACKAGE**

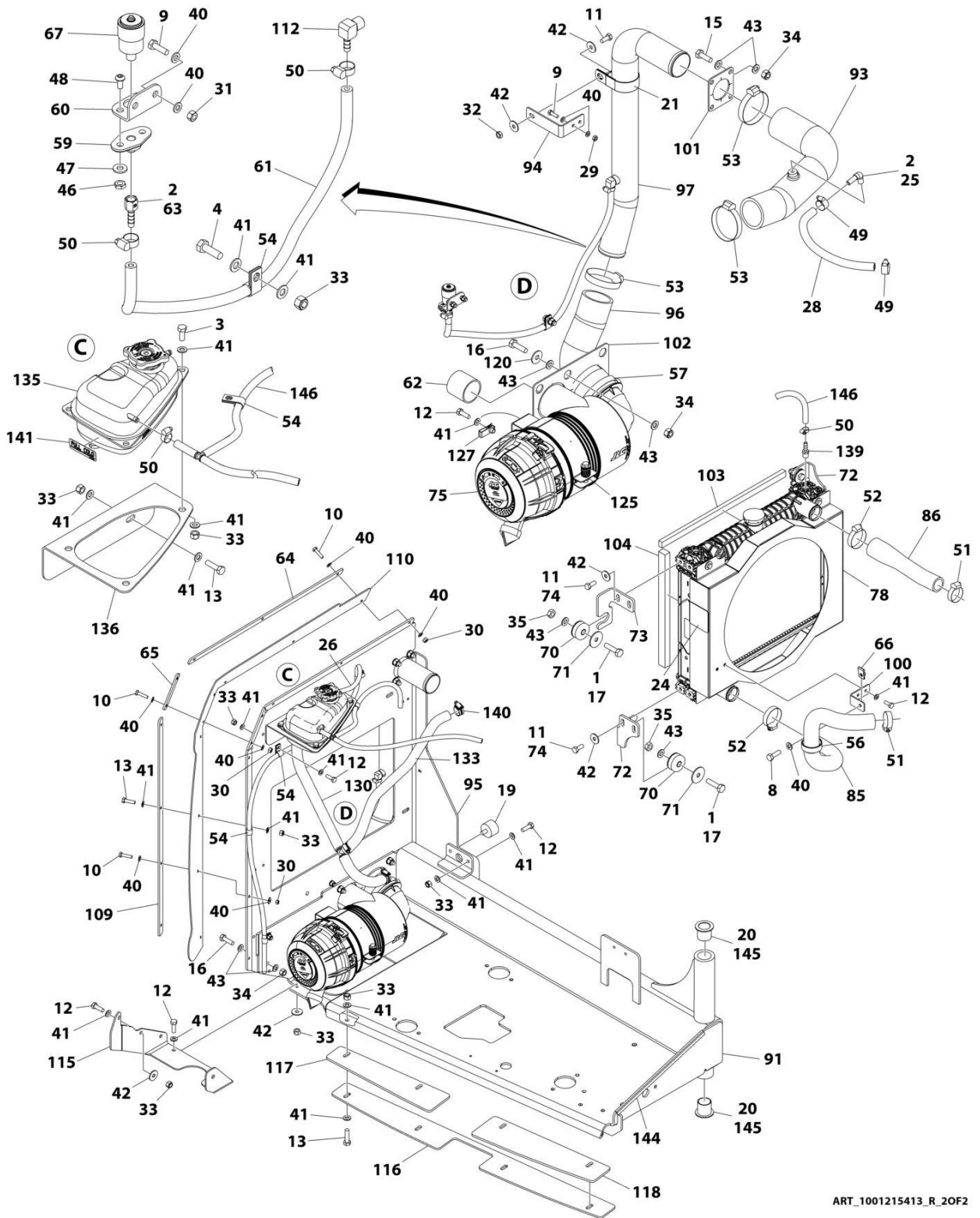
ITEM	PART NUMBER	QTY	DESCRIPTION	REV
	1001219072	Ref	FORD ENGINE AND PUMP SUB-ASSEMBLY	E
1	0100011	AR	Compound, Locking	
2	0641407	1	Bolt 1/4 x 7/8	
3	0641808	1	Bolt 1/2 x 1	
4	0681812	2	Bolt 1/2 x 1-1/2	
5	1060637	1	Cable, Lanyard	
6	3311405	1	Nut 1/4	
7	3311805	1	Nut 1/2	
8	3422533	1	Pin	
9	3600395	1	Gear Pump and Fittings Assembly (See Separate Breakdown in this Section)	
10	3790152	1	O-Ring	
11	3931620	2	Capscrew 3/8 x 1-1/4	
13	4711800	2	Washer 1/2	
14	4751400	1	Washer 1/4	
15	4751800	1	Washer 1/2	
16	4891600	2	Washer 3/8	
17	1001188953	1	Piston Pump and Fitting Assembly (See Separate Breakdown in this Section)	
19	1001216532	1	Insulate, Exhaust Pipe	
20	1001216533	1	Insulate, Exhaust Pipe	
21	1001216534	1	Insulate, Muffler	
22	1001216535	1	Insulate, Muffler	
23	1001217170	1	Seal	
24	1001217184	1	Seal	
25	1001219071	1	Engine Assembly (See Separate Breakdown in this Section)	
26	1001100825	6	Strap	
27	1001221464	3	Strap	

# SECTION 3 - ENGINE

## FIGURE 3-32. FORD ENGINE ASSEMBLY - WITHOUT ARCTIC PACKAGE



# SECTION 3 - ENGINE



ART\_1001215413\_R\_20F2

## SECTION 3 - ENGINE

FIGURE 3-32. FORD ENGINE ASSEMBLY - WITHOUT ARCTIC PACKAGE

ITEM	PART NUMBER	QTY	DESCRIPTION	REV
	1001215413	Ref	FORD ENGINE ASSEMBLY	R
1	0100011	AR	Compound, Locking	
2	0100020	AR	Sealant	
3	0700810	3	Bolt M8 x 20	
4	0700812	5	Bolt M8 x 25	
5	0700814	3	Bolt M8 x 30	
7	0711020	3	Bolt M10 x 60	
8	0760608	2	Bolt M6 x 16	
9	0760610	4	Bolt M6 x 20	
10	0760612	10	Bolt M6 x 25	
11	0760810	11	Bolt M8 x 20	
12	0760812	19	Bolt M8 x 25	
13	0760814	8	Bolt M8 x 30	
14	0760815	2	Bolt M8 x 35	
15	0761014	11	Bolt M10 x 30	
16	0761015	13	Bolt M10 x 35	
17	0761016	4	Bolt M10 x 40	
18	0771014	2	Bolt M10 x 30	
19	0940070	1	Bumper	
20	0961986	2	Bearing	
21	1320110	1	Clamp	
22	1001187781	1	Tie-Strap (Not Shown)	
24	1703162	2	Decal - Fan Blade	
25	2180467	1	Fitting, Straight NPT/Barbed	
26	2720058	AR	Hose	
28	1001165035	11 in /26cm	Hose	
29	3290601	2	Nut M6	
30	3290605	10	Nut M6	
31	3290607	2	Nut M6	
32	3290801	1	Nut M8	
33	3290805	27	Nut M8	
34	3291005	17	Nut M10	
35	3291001	4	Nut M10	
36	3291201	3	Nut M12	
37	3931632	1	Capscrew 3/8 x 2	
38	4031711	4	Capscrew M6 x 35	
39	4240099	AR	Tie-Strap (Not Shown)	
40	4811700	34	Washer M6	
41	4811900	64	Washer M8	
42	4811902	15	Washer M8	
43	4812000	43	Washer M10	
44	5241000	12	Washer M10	
45	5241200	3	Washer M10	
46	8305401	2	Nut 1/4	
47	8307109	2	Washer 1/4	
48	8310548	2	Screw 1/4 x 1/2	
49	8405006	2	Clamp	
50	8405009	5	Clamp	
51	8405102	2	Clamp	

## SECTION 3 - ENGINE

ITEM	PART NUMBER	QTY	DESCRIPTION	REV
52	8405104	2	Clamp	
53	8405203	3	Clamp	
54	8406109	6	Clip	
56	8410001	1	Clamp	
57	8410011	1	Clamp	
58	1001128901	2	Strap, Clamp	
59	1001138173	1	Support	
60	1001138175	1	Bracket	
61	1001138248	31 in/ 77cm	Tube, Nylon	
62	1001141585	1	Hose, Air Cleaner Inlet	
63	1001141995	1	Fitting, Straight NPT/Barbed	
64	1001144410	1	Panel, Clamp	
65	1001144411	1	Panel, Clamp	
66	1001149160	1	Nut, Tinnerman M8	
67	1001149639	1	Indicator, Restriction	
68	1001191610	3	Mount, Motor	
69	1001168018	3	Washer	
70	1001169054	4	Isolator	
71	1001169138	4	Pad	
72	1001170035	2	Bracket	
73	1001176329	2	Bracket	
74	1001180620	AR	Adhesive	
75	1001189979	1	Air Filter Assembly	
75	70005008	1	Element, Filter	
76	1001223042	1	Fan	
77	1001215647	1	Spacer, Fan	
78	1001223923	1	Radiator and Shroud Assembly	
78	1001224010	1	Radiator	
78	1001223922	1	Shroud	
79	1001215681	1	Clamp	
80	1001215899	1	Pipe, Exhaust Inlet	
81	1001215974	1	Clamp	
82	1001216075	1	Pipe, Exhaust Inlet	
83	1001216086	1	Bracket	
84	1001216092	1	Shield, Heat	
85	1001216204	1	Hose, Radiator (Lower)	
86	1001216205	1	Hose, Radiator (Upper)	
89	1001216910	1	Ford Engine Prep Assembly (See Separate Breakdown in this Section)	
90	1001216919	2	Sleeve	
91	1001216951	1	Tray	
92	1001290252	1	Mount, Engine (Rear)	
93	1001217032	1	Tube, Air Intake	
94	1001217046	1	Bracket	
95	1001217082	1	Plate, Radiator	
96	1001217089	1	Tube, Intake (Lower)	
97	1001217090	1	Tube, Intake (Intermediate)	
100	1001217146	1	Support	
101	1001217174	1	Seal	
102	1001217175	1	Seal	
103	1001217183	2	Seal	

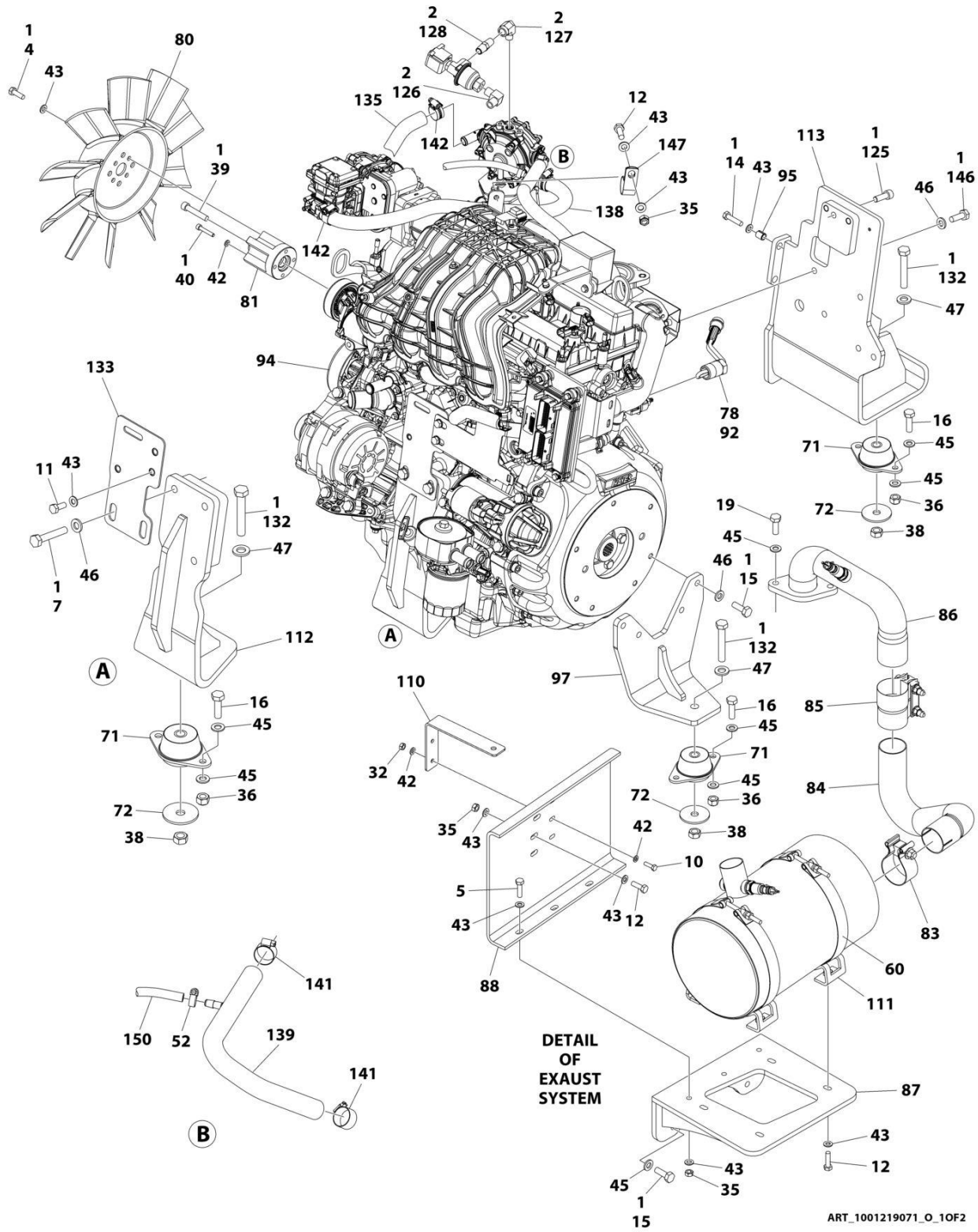
## SECTION 3 - ENGINE

ITEM	PART NUMBER	QTY	DESCRIPTION	REV
104	1001217185	2	Seal	
105	1001217186	1	Support	
106	1001217543	2	Mount	
107	1001218362	1	Mount, Engine (Front Left)	
108	1001218449	1	Mount, Engine (Front Right)	
109	1001218599	1	Panel, Clamp	
110	1001218600	1	Panel, Rubber	
112	1001134488	1	Fitting, 90 Barbed	
115	1001219445	1	Seal	
116	1001219448	1	Plate	
117	1001219454	1	Seal	
118	1001219456	1	Seal	
120	4812002	6	Washer M10	
121	5272010	1	Capscrew M10 x 30	
122	1001247359	1	Fitting, 90	
123	2220261	1	Fitting, Straight	
124	2180504	1	Fitting, Straight	
125	1001186426	1	Clamp, Air Cleaner	
127	1001221615	2	Nut, Tinnerman M8	
128	0711223	3	Bolt M12 x 75	
129	1001222033	1	Plate	
130	1001224489	1	Hose	
131	1001216531	1	Hose	
133	1001224486	1	Hose	
134	1001227666	1	Hose	
135	1001223584	1	Tank	
136	1001224419	1	Bracket	
138	8410009	2	Clamp	
139	2180348	1	Fitting, Straight Barbed	
140	1001173535	6	Clamp	
141	1001225510	1	Decal - Full Cold	
142	0711014	5	Bolt M10 x 30	
143	8406201	1	Clip	
144	4060805	16 in/.4m	Flex-Trim	
145	0100062	AR	Adhesive	
146	1001227667	1	Hose (Includes Tee)	
147	1001303818	1	Washer M10 (Not Shown)	



# SECTION 3 - ENGINE

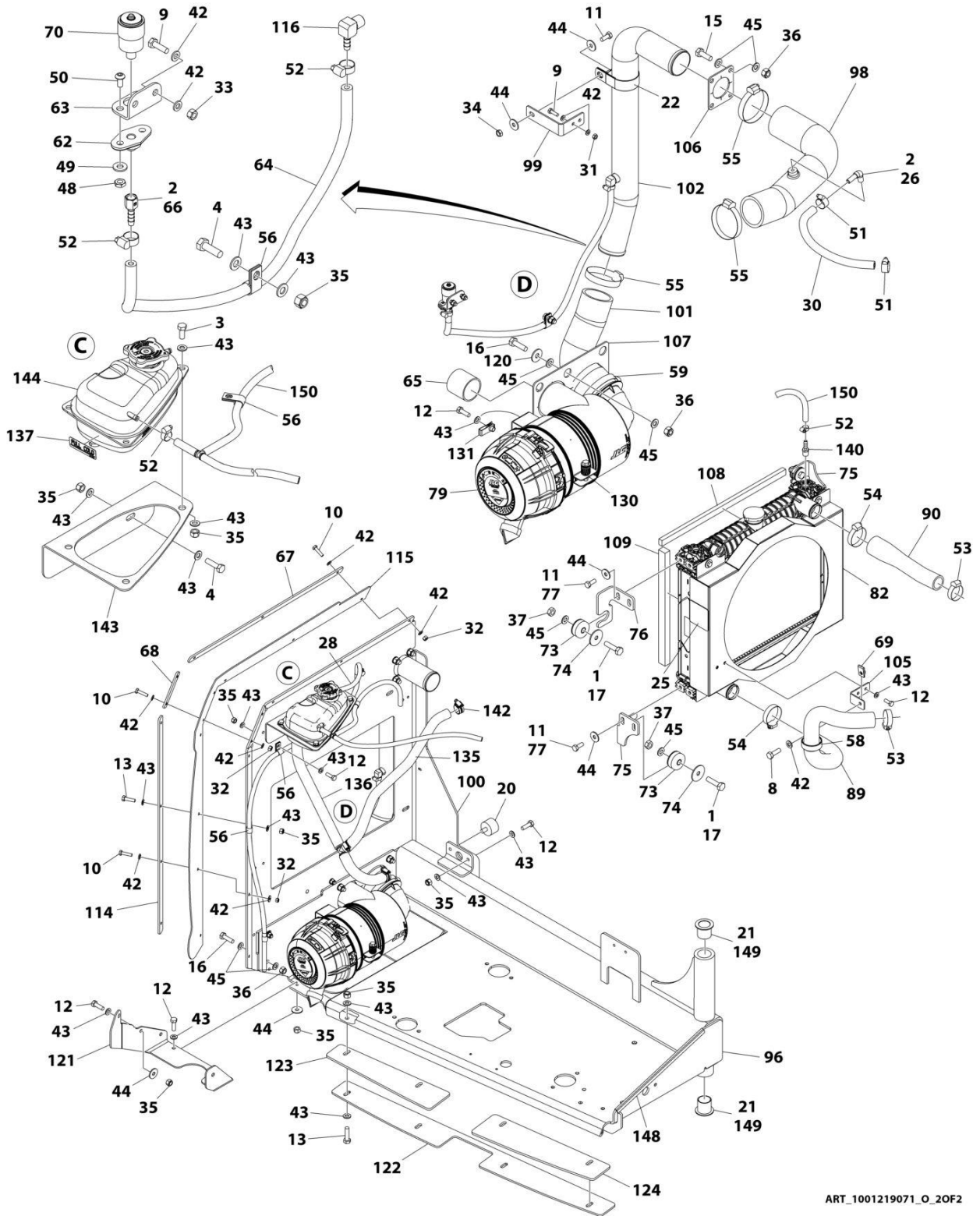
## FIGURE 3-33. FORD ENGINE ASSEMBLY - WITH ARCTIC PACKAGE



ART\_1001219071\_o\_10F2



# SECTION 3 - ENGINE



ART\_1001219071\_O\_20F2

## SECTION 3 - ENGINE

FIGURE 3-33. FORD ENGINE ASSEMBLY - WITH ARCTIC PACKAGE

ITEM	PART NUMBER	QTY	DESCRIPTION	REV
	1001219071	Ref	FORD ENGINE ASSEMBLY	O
1	0100011	AR	Compound, Locking	
2	0100020	AR	Sealant	
3	0700810	3	Bolt M8 x 20	
4	0700812	5	Bolt M8 x 25	
5	0700814	3	Bolt M8 x 30	
7	0711020	3	Bolt M10 x 60	
8	0760608	2	Bolt M6 x 16	
9	0760610	4	Bolt M6 x 20	
10	0760612	10	Bolt M6 x 25	
11	0760810	11	Bolt M8 x 20	
12	0760812	19	Bolt M8 x 25	
13	0760814	8	Bolt M8 x 30	
14	0760815	2	Bolt M8 x 35	
15	0761014	11	Bolt M10 x 30	
16	0761015	13	Bolt M10 x 35	
17	0761016	4	Bolt M10 x 40	
19	0771014	2	Bolt M10 x 30	
20	0940070	1	Bumper	
21	0961986	2	Bearing	
22	1320110	1	Clamp	
23	1001187781	1	Tie-Strap (Not Shown)	
25	1703162	2	Decal - Fan Blade	
26	2180467	1	Fitting, Straight NPT/Barbed	
28	2720058	AR	Hose	
30	1001165035	11 in /26cm	Hose	
31	3290601	2	Nut M6	
32	3290605	10	Nut M6	
33	3290607	2	Nut M6	
34	3290801	1	Nut M8	
35	3290805	27	Nut M8	
36	3291005	17	Nut M10	
37	3291001	4	Nut M10	
38	3291201	3	Nut M12	
39	3931632	1	Capscrew 3/8 x 2	
40	4031711	4	Capscrew M6 x 35	
41	4240099	AR	Tie-Strap (Not Shown)	
42	4811700	34	Washer M6	
43	4811900	64	Washer M8	
44	4811902	15	Washer M8	
45	4812000	43	Washer M10	
46	5241000	12	Washer M10	
47	5241200	3	Washer M10	
48	8305401	2	Nut 1/4	
49	8307109	2	Washer 1/4	
50	8310548	2	Screw 1/4 x 1/2	
51	8405006	2	Clamp	
52	8405009	5	Clamp	
53	8405102	2	Clamp	

## SECTION 3 - ENGINE

ITEM	PART NUMBER	QTY	DESCRIPTION	REV
54	8405104	2	Clamp	
55	8405203	3	Clamp	
56	8406109	6	Clip	
58	8410001	1	Clamp	
59	8410011	1	Clamp	
60	1001128901	2	Strap, Clamp	
62	1001138173	1	Support	
63	1001138175	1	Bracket	
64	1001138248	31 in/ 77cm	Tube, Nylon	
65	1001141585	1	Hose, Air Cleaner Inlet	
66	1001141995	1	Fitting, Straight NPT/Barbed	
67	1001144410	1	Panel, Clamp	
68	1001144411	1	Panel, Clamp	
69	1001149160	1	Nut, Tinnerman M8	
70	1001149639	1	Indicator, Restriction	
71	1001191610	3	Mount, Motor	
72	1001168018	3	Washer	
73	1001169054	4	Isolator	
74	1001169138	4	Pad	
75	1001170035	2	Bracket	
76	1001176329	2	Bracket	
77	1001180620	AR	Adhesive	
78	1001181895	AR	Adhesive	
79	1001189979	1	Air Filter Assembly	
79	70005008	1	Element, Filter	
80	1001223042	1	Fan	
81	1001215647	1	Spacer, Fan	
82	1001223923	1	Radiator and Shroud Assembly	
82	1001224010	1	Radiator	
82	1001223922	1	Shroud	
83	1001215681	1	Clamp	
84	1001215899	1	Pipe, Exhaust Inlet	
85	1001215974	1	Clamp	
86	1001216075	1	Pipe, Exhaust Inlet	
87	1001216086	1	Bracket	
88	1001216092	1	Shield, Heat	
89	1001216204	1	Hose, Radiator (Lower)	
90	1001216205	1	Hose, Radiator (Upper)	
92	1001216393	1	Heater, Engine Block	
94	1001216910	1	Ford Engine Prep Assembly (See Separate Breakdown in this Section)	
95	1001216919	2	Sleeve	
96	1001216951	1	Tray	
97	1001290252	1	Mount, Engine (Rear)	
98	1001217032	1	Tube, Air Intake	
99	1001217046	1	Bracket	
100	1001217082	1	Plate, Radiator	
101	1001217089	1	Tube, Intake (Lower)	
102	1001217090	1	Tube, Intake (Intermediate)	
105	1001217146	1	Support	
106	1001217174	1	Seal	

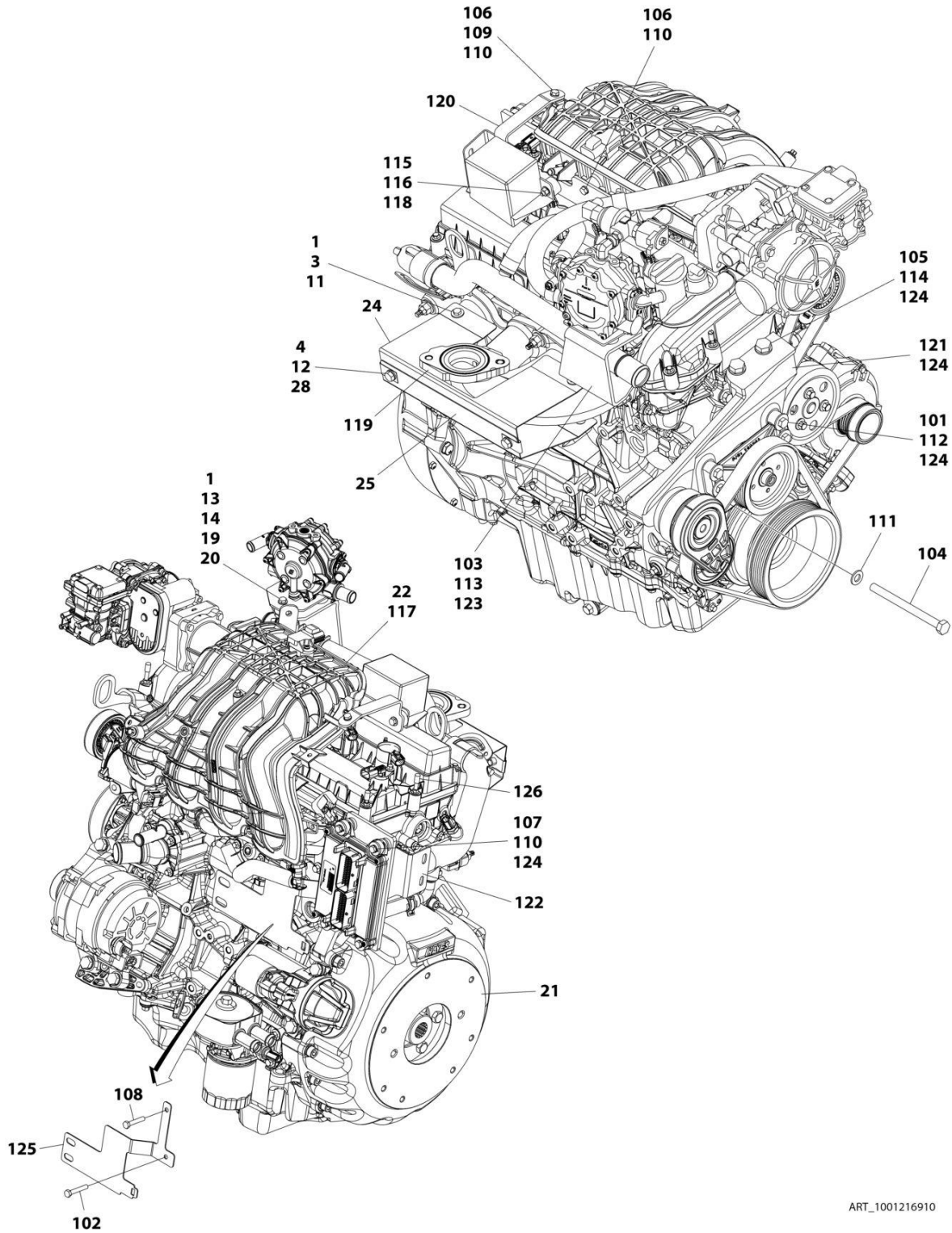
## SECTION 3 - ENGINE

ITEM	PART NUMBER	QTY	DESCRIPTION	REV
107	1001217175	1	Seal	
108	1001217183	2	Seal	
109	1001217185	2	Seal	
110	1001217186	1	Support	
111	1001217543	2	Mount	
112	1001218362	1	Mount, Engine (Front Left)	
113	1001218449	1	Mount, Engine (Front Right)	
114	1001218599	1	Panel, Clamp	
115	1001218600	1	Panel, Rubber	
116	1001134488	1	Fitting, 90 Barbed	
120	4812002	6	Washer M10	
121	1001219445	1	Seal	
122	1001219448	1	Plate	
123	1001219454	1	Seal	
124	1001219456	1	Seal	
125	5272010	1	Capscrew M10 x 30	
126	2180504	1	Fitting, Straight	
127	1001247359	1	Fitting, 90	
128	2220261	1	Fitting, Straight	
130	1001186426	1	Clamp, Air Cleaner	
131	1001221615	2	Nut, Tinnerman M8	
132	0711223	3	Bolt M12 x 75	
133	1001222033	1	Plate	
135	1001224486	1	Hose	
136	1001224489	1	Hose	
137	1001225510	1	Decal - Full Cold	
138	1001216531	1	Hose	
139	1001227666	1	Hose	
140	2180348	1	Fitting, Straight Barbed	
141	8410009	2	Clamp	
142	1001173535	6	Clamp	
143	1001224419	1	Bracket	
144	1001223584	1	Tank	
146	0711014	5	Bolt M10 x 30	
147	8406201	1	Clip	
148	4060805	16 in/.4m	Flex-Trim	
149	0100062	AR	Adhesive	
150	1001227667	1	Hose (Includes Tee)	
151	1001303818	1	Washer M10 (Not Shown)	



# SECTION 3 - ENGINE

## FIGURE 3-34. PUMP COUPLING AND FUEL SYSTEM ASSEMBLY (FORD ENGINES)



ART\_1001216910

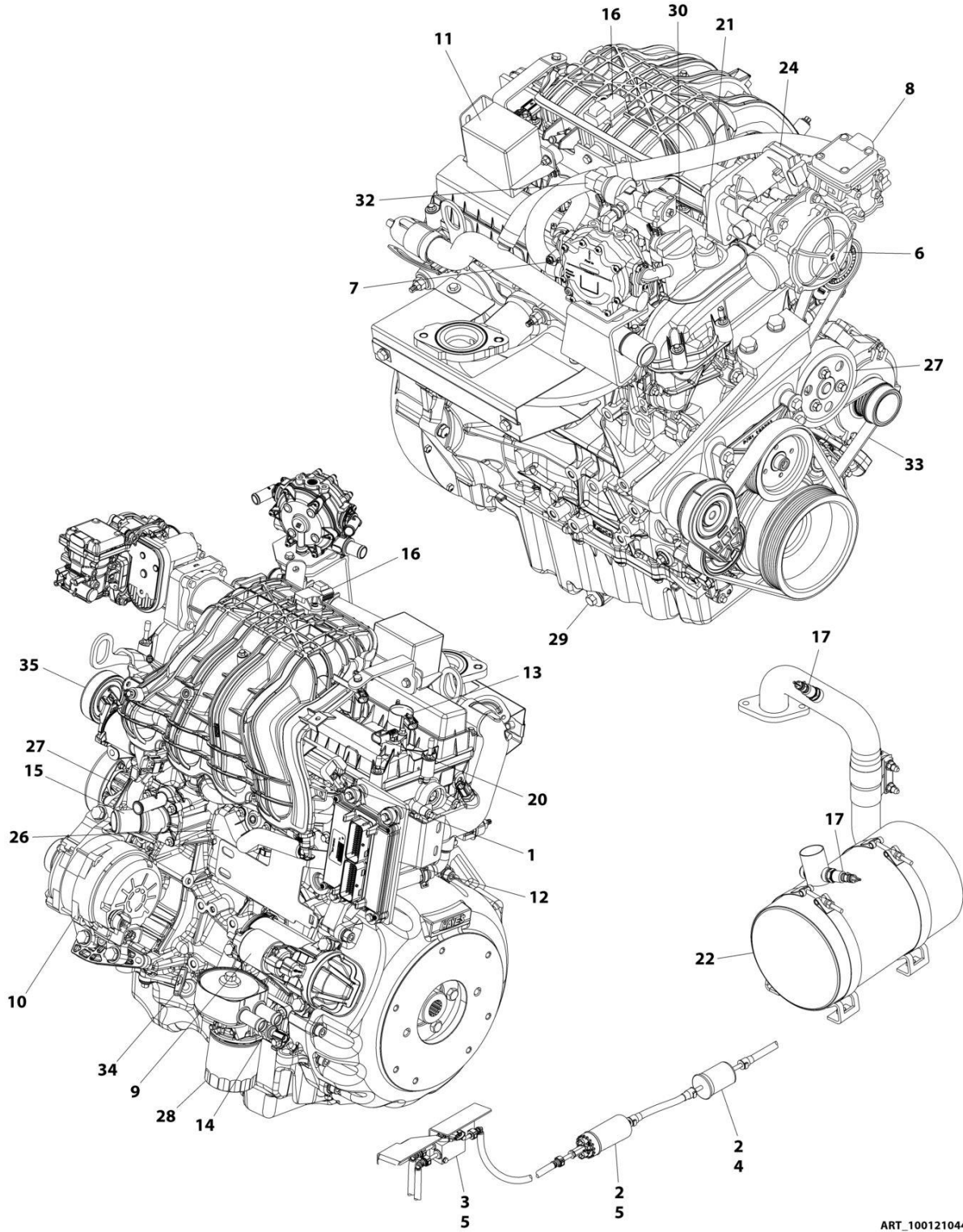
## SECTION 3 - ENGINE

**FIGURE 3-34. PUMP COUPLING AND FUEL SYSTEM ASSEMBLY (FORD ENGINES)**

ITEM	PART NUMBER	QTY	DESCRIPTION	REV
	1001216910	Ref	FORD ENGINE PREP ASSEMBLY	F
1	0100011	AR	Compound, Locking	
3	0760605	4	Bolt M6 x 10	
4	0760807	2	Bolt M8 x 14	
11	4811702	4	Washer M6	
12	4811900	2	Washer M8	
13	5250605	3	Bolt M6 x 10	
14	5260600	1	Nut M6 Class 10	
19	1001211794	3	Mount, Isolator	
20	1001227769	1	Plate	
21	1001213810	1	Pump Coupling Kit	
21	70006134	1	Coupling	
21	70006135	1	Housing	
21	70006136	1	Hardware Kit	
22	1001216065	1	Ford Engine Assembly (See Items 101-126 for Breakdown)	
24	1001216768	1	Bracket	
25	1001216769	1	Bracket	
28	1001149160	2	Nut, Tinnerman M8	
	1001216065	Ref	FORD ENGINE PREP ASSEMBLY - BRACKETS/EXHAUST MANIFOLD	M
101	0700816	4	Bolt M8 x 40	
102	0700818	1	Bolt M8 x 50	
103	0701014	2	Bolt M10 x 30	
104	0710827	1	Bolt M8 x 100 Grade 10.9	
105	0711216	2	Bolt M12 x 40	
106	0760610	3	Bolt M6 x 20	
107	0760615	4	Bolt M6 x 35	
108	0760817	1	Bolt M8 x 45	
109	3290601	1	Nut M6	
110	4811700	8	Washer M6	
111	4811900	1	Washer M8	
112	4811902	4	Washer M8	
113	4812000	1	Washer M10	
114	4812100	2	Washer M12	
115	5250605	2	Bolt M6 x 10	
116	5260600	2	Nut M6 Class 10	
117	1001210448	1	Engine, Ford 2.5L (See Separate Breakdown in this Section)	
118	1001211794	2	Mount	
119	1001214827	1	Manifold, Exhaust	
120	1001215384	1	Bracket	
121	1001216071	1	Bracket	
122	1001216144	1	Support, Muffler	
123	1001227772	1	Mount, Vaporizer	
124	0100011	AR	Compound, Locking	
125	1001221545	1	Plate	
126	1001222641	6	Cap	

# SECTION 3 - ENGINE

## FIGURE 3-35. FORD ENGINE COMPONENTS



ART\_1001210448



## SECTION 3 - ENGINE

### FIGURE 3-35. FORD ENGINE COMPONENTS

ITEM	PART NUMBER	QTY	DESCRIPTION	REV
	1001210448	Ref	FORD ENGINE COMPONENTS	H
1	70006145	4	Injector, Fuel	
1	70006147	1	Rail, Fuel	
2	70006150	1	Pump, Fuel	
2	70006154	1	Fitting M10	
3	70006151	1	Block, Fuel	
3	70006152	2	Fitting SAE6	
3	70006153	1	Fitting SAE3	
3	70006189	1	Harness, Fuel Block	
4	70006155	1	Filter, Fuel	
5	7022162	8	Clamp	
5	70006157	8	Clip, Fuel Quick Disconnect	
6	70006158	1	Mixer, LP	
6	70006168	1	Mixer Diaphragm Replacement Kit	
6	70006159	1	Adapter, Mixer to Governor	
6	70006160	1	O-Ring, Mixer to Adapter	
6	70006161	1	Seal, Mixer to Adapter	
7	70006162	1	Regulator, LP Vapor	
7	70006166	2	Fitting	
7	70006167	1	Fitting, Straight	
7	70006165	2	Isolator, Rubber	
8	70006163	1	Regulator, Direct Electronic Pressure	
8	70006164	1	Adapter, Fitting 90	
9	70006169	1	Starter	
9	70006233	1	Harness, Alternator/Starter	
10	70006170	1	Alternator	
11	70006173	1	Cover, Relay Box	
11	70006171	2	Relay (Fuel Pump & Power)	
11	70006172	1	Relay (Starter)	
11	70006175	1	Fuse - 20Amp (Starter)	
11	70006174	1	Decal - Relay Box Cover	
11	70006188	1	Harness, Engine	
11	70006165	2	Isolator, Rubber	
12	70006176	1	Module - Engine Control Unit (ECU/GCP)	
12	70006191	1	Software & Diagnostic Cable	
13	70006177	4	Coil and Boot Assembly	
13	70006178	4	Plug, Spark	
14	70006179	1	Switch, Oil Pressure	
15	70006180	1	Sensor, Knock	
16	70006181	1	Sensor, TMAP	
17	70006182	2	Sensor, O2	
18	70006183	1	Sensor, Coolant Temperature (Not Shown - Located Rear of Engine Block)	
19	70006184	1	Sensor, Crank Position (Not Shown - Located at Front RH Side of Block)	
20	70006185	1	Sensor, Cam Position	
21	70006186	1	Solenoid, Timing	
21	70006187	1	Grommet, Rubber	
22	70006194	1	Muffler	
22	70006195	1	Plug (Located at Muffler Outlet)	

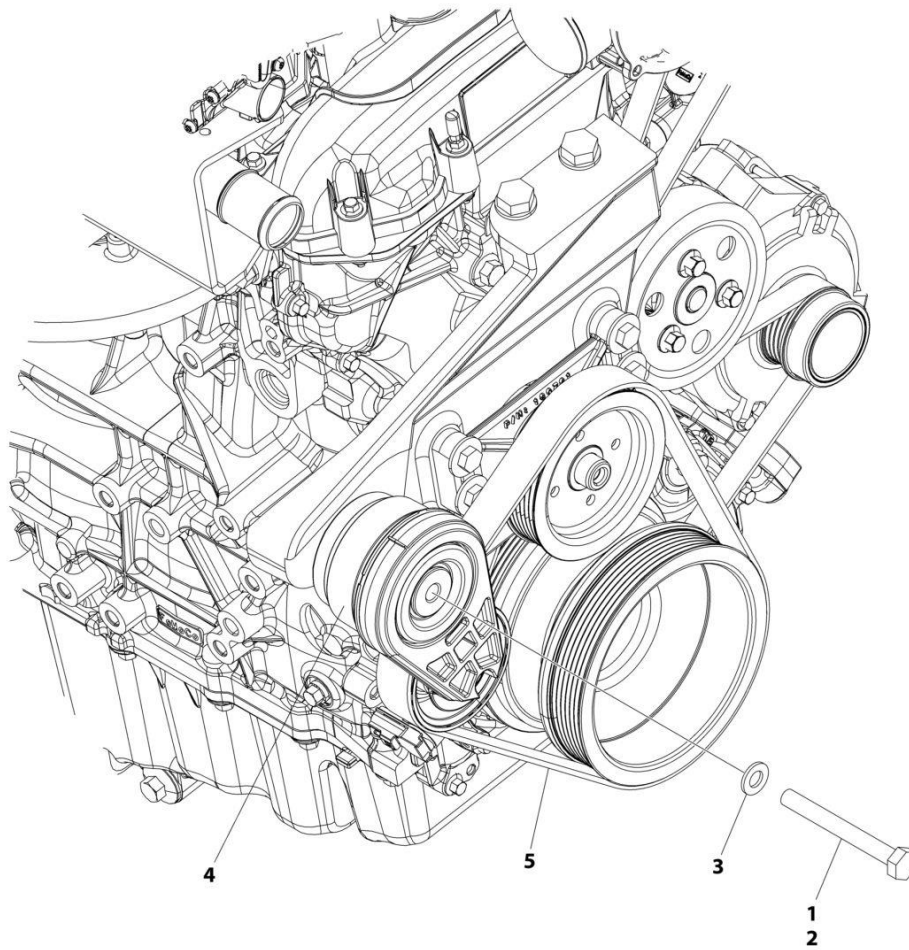
## SECTION 3 - ENGINE

ITEM	PART NUMBER	QTY	DESCRIPTION	REV
23		Ref	Gasket Options (Not Shown)	
23	70006196	1	Gasket, Exhaust Manifold to Head	
23	70006197	1	Gasket, Exhaust Manifold Outlet	
23	70006200	1	Gasket, Intake Manifold to Head	
23	70006219	1	Gasket Set - Camshaft Cover	
23	70006225	1	Gasket, Cylinder Head	
24	70006198	1	Governor	
24	7027404	1	Gasket, Governor Actuator	
24	70006199	1	Gasket, Governor to Intake Manifold Adapter	
25	70006203	1	Flywheel (Not Shown)	
26	70006205	1	Thermostat (Includes Housing)	
26	70006206	1	Gasket, Water Inlet	
27	70006207	1	Pump, Water	
27	70006208	1	O-Ring, Water Pump	
27	See Note	NSS	Pulley, Water Pump (Note: Not Available for Purchase at This Time)	
28	70006213	1	Filter, Oil	
29	70006215	1	Plug, Oil Drain	
29	70006217	1	Gasket, Oil Drain Plug	
30	70006221	1	Cap, Oil Fill	
31	70006232	1	Sensor, Crank (Not Shown)	
32	70006235	1	Valve, Lock-Off (Includes Filter)	
33	70006202	1	Belt	
34	70006236	1	Dipstick	
35	70007108	1	Belt Tensioner	



## SECTION 3 - ENGINE

FIGURE 3-36. DRIVE BELT INSTALLATION - FORD ENGINES MACHINES WITHOUT GENERATORS



ART\_1001220404

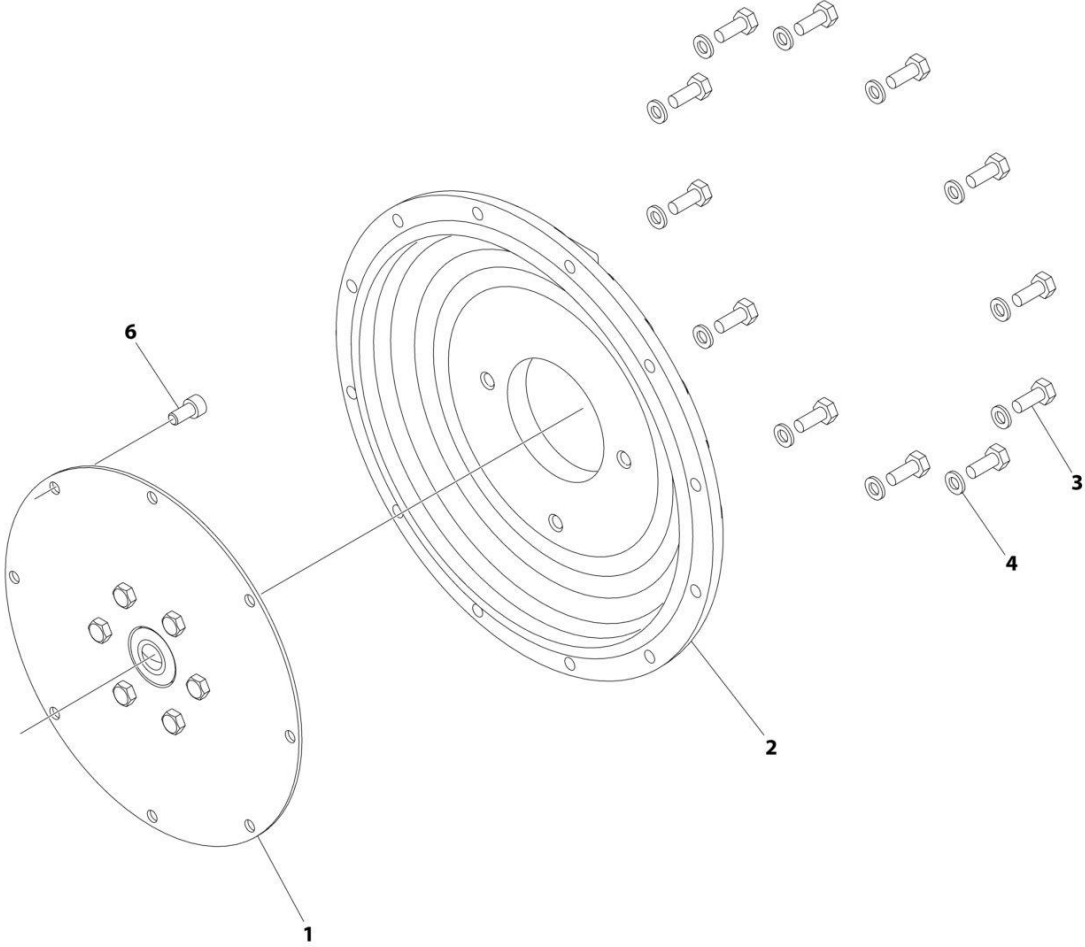
## SECTION 3 - ENGINE

**FIGURE 3-36. DRIVE BELT INSTALLATION - FORD ENGINES MACHINES WITHOUT GENERATORS**

ITEM	PART NUMBER	QTY	DESCRIPTION	REV
	1001220404	Ref	DRIVE BELT INSTALLATION	C
1	0100011	AR	Compound, Locking	
2	0701026	1	Bolt M10 x 90	
3	4812002	1	Washer M10	
4	1001216300	1	Pulley	
5	1001216619	1	V-Belt	

**SECTION 3 - ENGINE**

**FIGURE 3-37. PUMP COUPLING KIT - DEUTZ ENGINES**



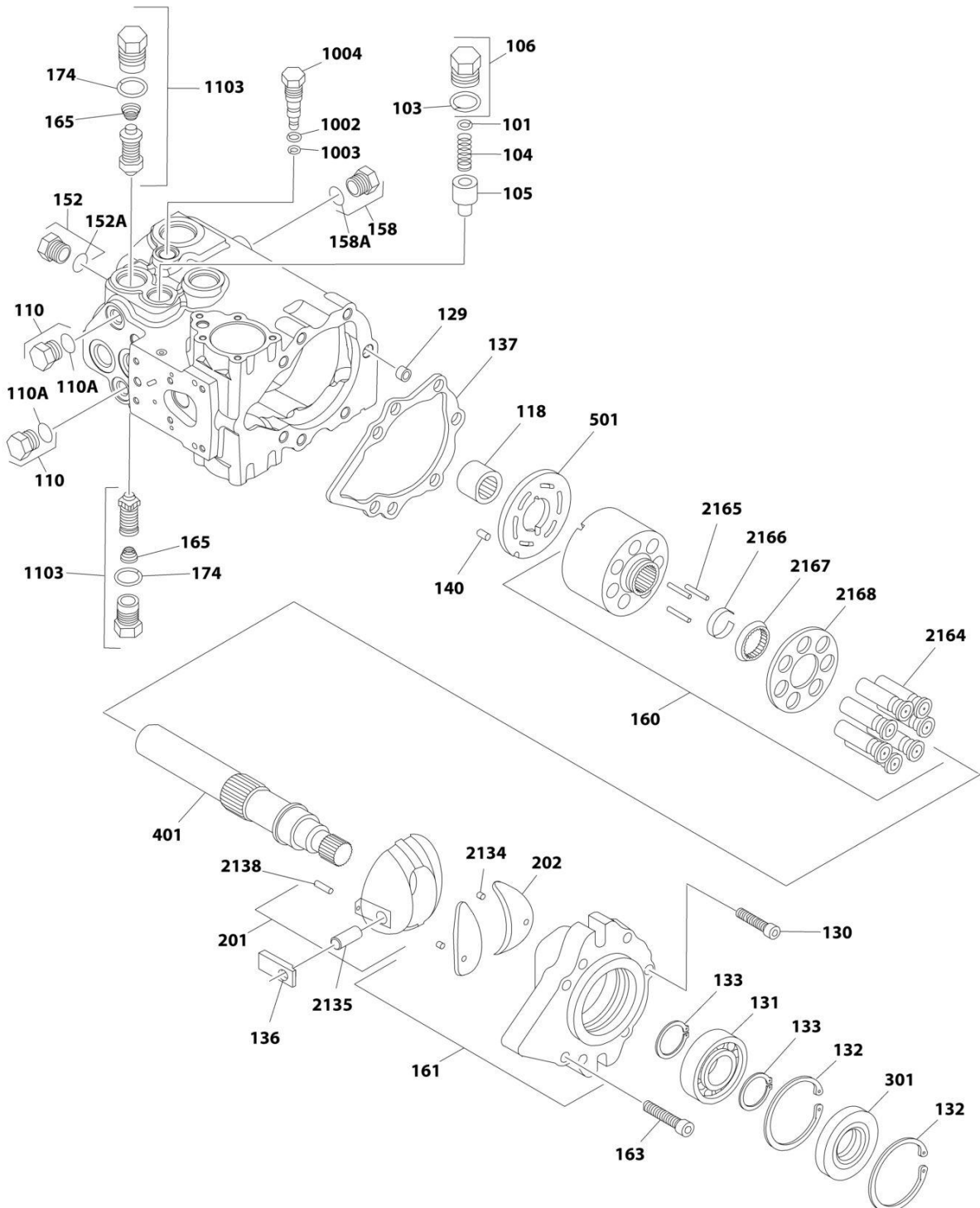
ART\_2902065

**SECTION 3 - ENGINE****FIGURE 3-37. PUMP COUPLING KIT - DEUTZ ENGINES**

<b>ITEM</b>	<b>PART NUMBER</b>	<b>QTY</b>	<b>DESCRIPTION</b>	<b>REV</b>
	2902065	Ref	PUMP COUPLING KIT	L
1	70000793	1	Coupling, Hayes	
2	See Note	NSS	Plate, Pump Adapter (Note: Use p/n 2902065)	
3	See Note	NSS	Bolt M10 x 30 Grade 10.9 (Note: Use p/n 2902065)	
4	See Note	NSS	Washer M10 (Note: Use p/n 2902065)	
6	See Note	NSS	Bolt M10 x 20 Grade 10.9 (Note: Use p/n 2902065)	

# SECTION 3 - ENGINE

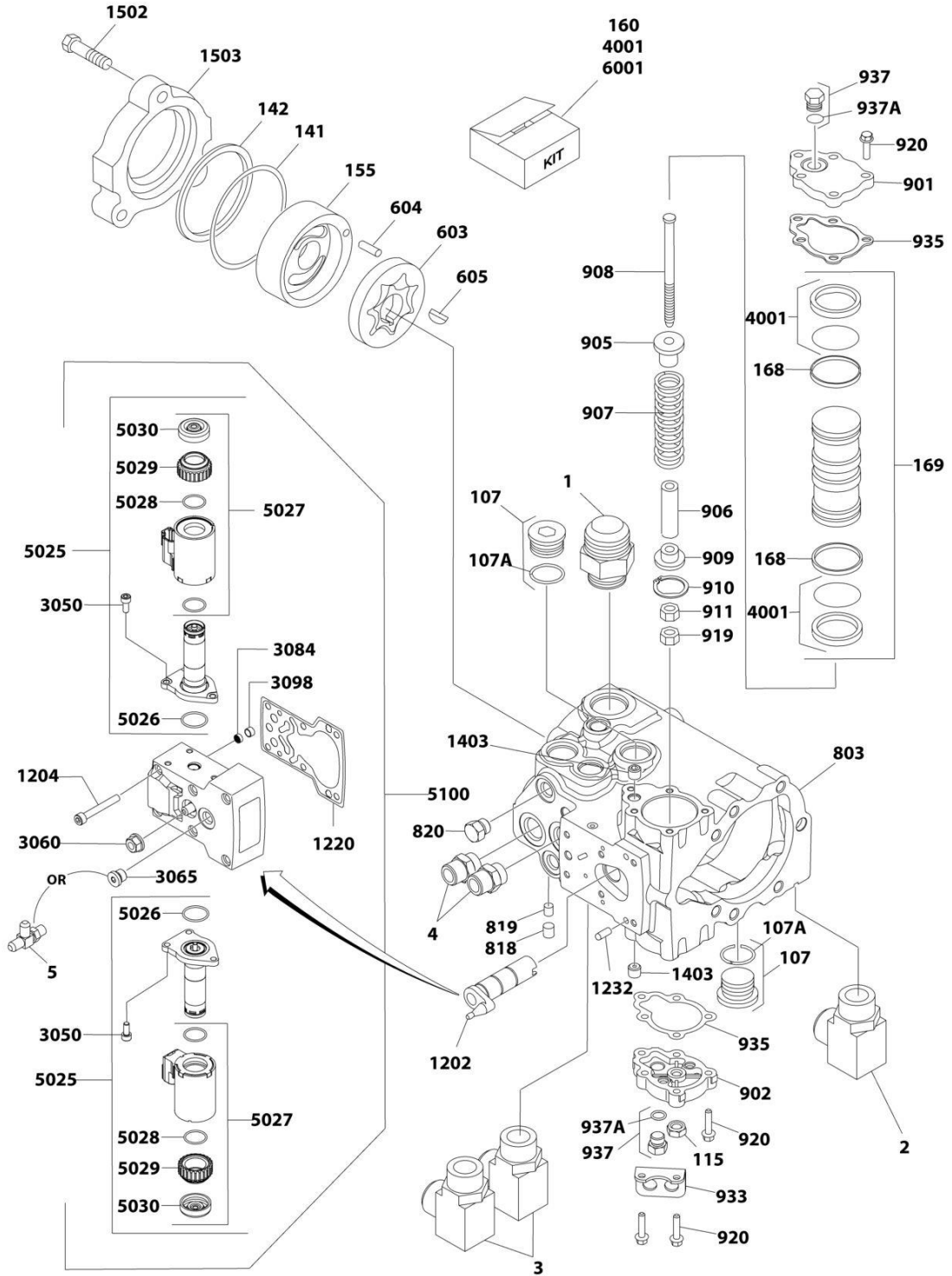
## FIGURE 3-38. PISTON PUMP ASSEMBLY - DEUTZ ENGINES



ART\_1001188952\_10F2



# SECTION 3 - ENGINE



ART\_1001188952\_20F2

## SECTION 3 - ENGINE

### FIGURE 3-38. PISTON PUMP ASSEMBLY - DEUTZ ENGINES

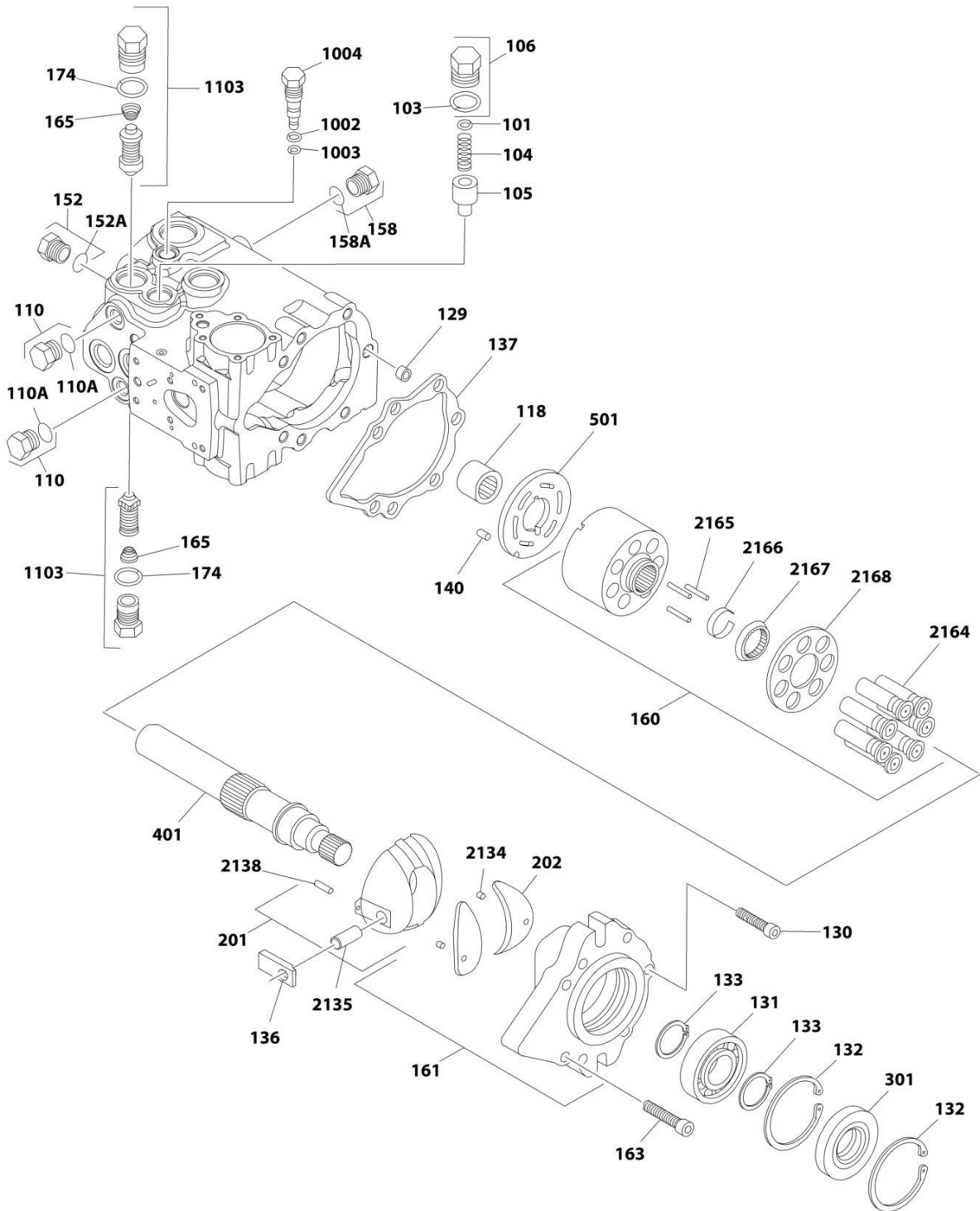
ITEM	PART NUMBER	QTY	DESCRIPTION	REV
	1001188952	Ref	PUMP AND FITTING ASSEMBLY	A
1	2220377	1	Fitting, Straight JIC/ORB	
2	2220578	1	Fitting, 90 JIC/ORB	
3	2220646	2	Fitting, 90 JIC/ORB	
4	2220947	2	Fitting, Straight JIC/ORB	
5	2221034	1	Fitting, Tee JIC/ORB	
	1001186542	1	PISTON PUMP ASSEMBLY	B
101	7007413	1	Shim Kit	
103	7007415	1	O-Ring (Part of Item 106)	
104	7021200	1	Spring, Relief Valve	
105	7007417	1	Valve, Relief	
106	7024874	2	Plug (Includes Items 103)	
107	7007419	2	Plug	
107A	7007418	2	O-Ring	
110	7007420	2	Plug	
110A	7021256	2	O-Ring	
115	7007423	1	Nut, Special	
118	7007425	1	Bearing, Needle	
129	7007435	1	Pin, Spring	
130	7021202	1	Screw	
131	70002176	1	Bearing, Ball	
132	7007438	2	Ring, Retainer	
133	7007439	2	Ring	
136	7007442	1	Sleeve, Bearing	
137	7007443	1	Gasket, Front Cover	
140	7007446	1	Pin	
141	7021233	1	O-Ring	
142	7007448	1	Ring, Load Temper	
152	7007420	1	Plug Assembly	
152A	7021256	1	O-Ring	
155	70005466	1	Cover, Gerotor	
158	7007208	1	Plug	
158A	7007207	1	O-Ring	
160	7010116	1	Cylinder Block Kit (Includes Items 2164-2168)	
161	7024875	1	Cover Assembly - Front (Includes Items 202 & 2134)	
163	7021207	6	Screw	
165	70005467	2	Spring	
168	7021210	2	Bearing	
169	70005468	1	Servo Piston Assembly (Includes Items 168 & 4001)	
174	7007418	2	O-Ring	
201	7007457	1	Swash Plate Assembly (Includes Items 2135 & 2138)	
202	7021212	1	Journal, Bearing	
301	7007459	1	Seal, Lip	
401	7010121	1	Shaft, Main Pump	
501	7021214	1	Plate, Valve	
603	7007463	1	Gerotor Assembly	
604	7007464	1	Pin	
605	7007465	1	Key, Woodruff	
803	See Note	NSS	Housing, Pump (Note: Use p/n 1001186542)	
818	70005469	1	Plug	

## SECTION 3 - ENGINE

ITEM	PART NUMBER	QTY	DESCRIPTION	REV
819	70005470	1	Plug	
820	70005469	1	Plug	
901	7021219	1	Cover, Servo (With Adjuster)	
902	7021220	1	Cover, Servo (Without Adjuster)	
905	7023979	1	Guide, Spring	
906	7007484	1	Stop, Servo	
907	7007485	1	Spring	
908	7021221	1	Screw	
909	7007487	1	Guide, Spring	
910	7007488	1	Ring, Retaining	
911	7021222	1	Locknut	
919	7021206	1	Nut	
920	7021223	10	Screw	
933	7021201	1	Bracket, Lifting	
935	7007422	2	Gasket, Servo Cover	
937	7007420	2	Plug	
937A	7021256	2	O-Ring	
1002	7007450	1	Ring, Back-up	
1003	70005471	1	O-Ring	
1004	7024877	1	Valve, Bypass	
1103	7024851	2	Valve, Pressure Relief (Includes Items 165 & 174)	
1202	70005472	1	Sleeve	
1204	70002156	6	Screw	
1220	70002154	1	Gasket	
1232	70002157	2	Pin	
1403	7007477	2	Plug, Orifice (.37)	
1502	7007453	3	Bolt, Hex	
1503	7007476	1	Adapter, Auxiliary Pump	
2134	7021203	2	Pin, Spring	
2135	7007441	1	Handle, Pin	
2138	7007444	1	Pin	
2164	7010117	7	Piston Assembly	
2165	7007431	3	Pin, Slipper Holddown	
2166	7007430	1	Retainer	
2167	7007434	1	Guide, Retainer	
2168	7010119	1	Retainer, Slipper	
3050	70002150	6	Screw	
3060	70005473	1	Nut, Seal	
3065	70002151	1	Plug	
3084	70002134	1	Screen	
3098	70002153	1	Ring	
4001	7007412	1	Seal Kit - Servo Piston	
5025	70002147	2	Solenoid Assembly (Includes Items 5026-5030)	
5026	70002148	2	O-Ring	
5027	70002149	2	Coil Assembly (Includes Items 5028-5030)	
5028	70005474	2	O-Ring	
5029	70005475	2	Screw	
5030	70005476	2	Cap	
5100	70002146	1	EDC Assembly (Includes Items 1204, 1220, 3050-3098 & 5025-5030)	
6001	7021232	1	Seal Kit - Complete (Includes Items 103, 137, 141, 142, 168, 174, 301, 935, 1002, 1003, 4001 and Plug O-Ring)	

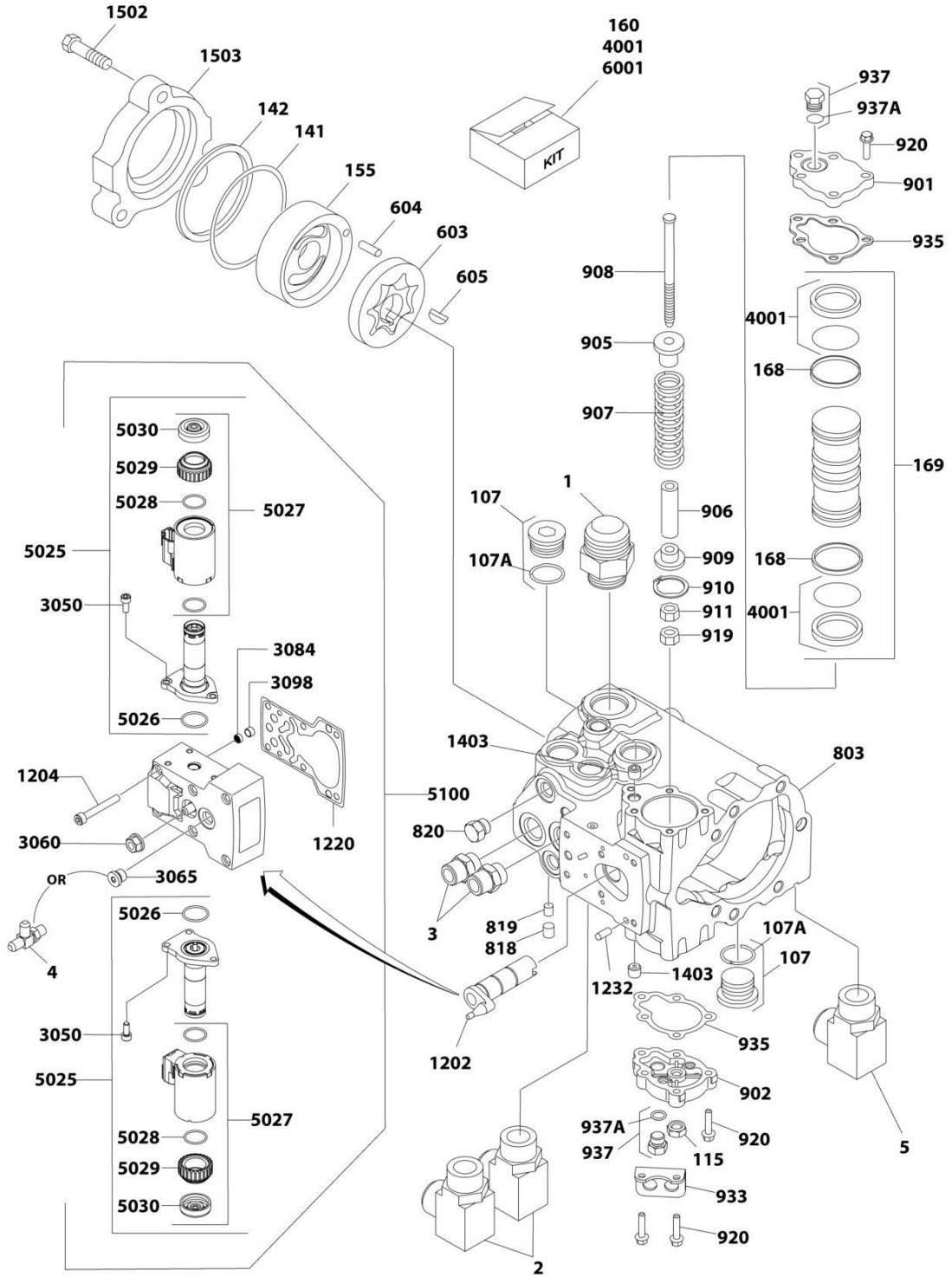
# SECTION 3 - ENGINE

## FIGURE 3-39. PISTON PUMP ASSEMBLY - FORD ENGINES



ART\_1001188953\_10F2

# SECTION 3 - ENGINE



ART\_1001188953\_20F2

## SECTION 3 - ENGINE

### FIGURE 3-39. PISTON PUMP ASSEMBLY - FORD ENGINES

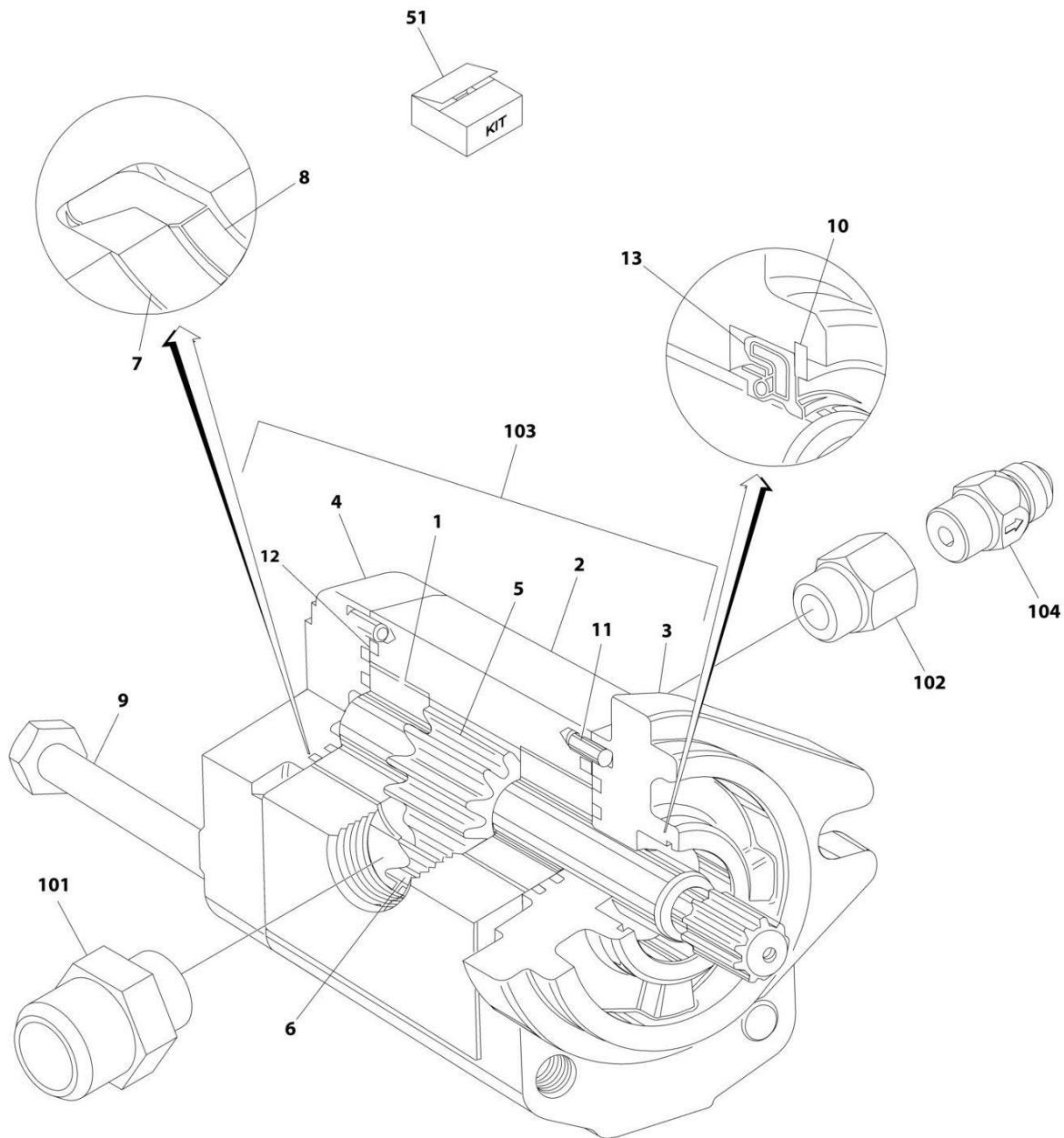
ITEM	PART NUMBER	QTY	DESCRIPTION	REV
	1001188953	Ref	PUMP AND FITTING ASSEMBLY	A
1	2220377	1	Fitting, Straight JIC/ORB	
2	2220451	1	Fitting, Straight JIC/ORB	
3	2220646	2	Fitting, 90 JIC/ORB	
4	2220947	2	Fitting, Straight JIC/ORB	
5	2220711	1	Fitting, Tee JIC/ORB	
	1001186542	Ref	PISTON PUMP ASSEMBLY	B
101	7007413	1	Shim Kit	
103	7007415	1	O-Ring (Part of Item 106)	
104	7021200	1	Spring, Relief Valve	
105	7007417	1	Valve, Relief	
106	7024874	2	Plug (Includes Items 103)	
107	7007419	2	Plug	
107A	7007418	2	O-Ring	
110	7007420	2	Plug	
110A	7021256	2	O-Ring	
115	7007423	1	Nut, Special	
118	7007425	1	Bearing, Needle	
129	7007435	1	Pin, Spring	
130	7021202	1	Screw	
131	70002176	1	Bearing, Ball	
132	7007438	2	Ring, Retainer	
133	7007439	2	Ring	
136	7007442	1	Sleeve, Bearing	
137	7007443	1	Gasket, Front Cover	
140	7007446	1	Pin	
141	7021233	1	O-Ring	
142	7007448	1	Ring, Load Temper	
152	7007420	1	Plug Assembly	
152A	7021256	1	O-Ring	
155	70005466	1	Cover, Gerotor	
158	7007208	1	Plug	
158A	7007207	1	O-Ring	
160	7010116	1	Cylinder Block Kit (Includes Items 2164-2168)	
161	7024875	1	Cover Assembly - Front (Includes Items 202 & 2134)	
163	7021207	6	Screw	
165	70005467	2	Spring	
168	7021210	2	Bearing	
169	70005468	1	Servo Piston Assembly (Includes Items 168 & 4001)	
174	7007418	2	O-Ring	
201	7007457	1	Swash Plate Assembly (Includes Items 2135 & 2138)	
202	7021212	1	Journal, Bearing	
301	7007459	1	Seal, Lip	
401	7010121	1	Shaft, Main Pump	
501	7021214	1	Plate, Valve	
603	7007463	1	Gerotor Assembly	
604	7007464	1	Pin	
605	7007465	1	Key, Woodruff	
803	See Note	NSS	Housing, Pump (Note: Use p/n 1001186542)	
818	70005469	1	Plug	

## SECTION 3 - ENGINE

ITEM	PART NUMBER	QTY	DESCRIPTION	REV
819	70005470	1	Plug	
820	70005469	1	Plug	
901	7021219	1	Cover, Servo (With Adjuster)	
902	7021220	1	Cover, Servo (Without Adjuster)	
905	7023979	1	Guide, Spring	
906	7007484	1	Stop, Servo	
907	7007485	1	Spring	
908	7021221	1	Screw	
909	7007487	1	Guide, Spring	
910	7007488	1	Ring, Retaining	
911	7021222	1	Locknut	
919	7021206	1	Nut	
920	7021223	10	Screw	
933	7021201	1	Bracket, Lifting	
935	7007422	2	Gasket, Servo Cover	
937	7007420	2	Plug	
937A	7021256	2	O-Ring	
1002	7007450	1	Ring, Back-up	
1003	70005471	1	O-Ring	
1004	7024877	1	Valve, Bypass	
1103	7024851	2	Valve, Pressure Relief (Includes Items 165 & 174)	
1202	70005472	1	Sleeve	
1204	70002156	6	Screw	
1220	70002154	1	Gasket	
1232	70002157	2	Pin	
1403	7007477	2	Plug, Orifice (.37)	
1502	7007453	3	Bolt, Hex	
1503	7007476	1	Adapter, Auxiliary Pump	
2134	7021203	2	Pin, Spring	
2135	7007441	1	Handle, Pin	
2138	7007444	1	Pin	
2164	7010117	7	Piston Assembly	
2165	7007431	3	Pin, Slipper Holddown	
2166	7007430	1	Retainer	
2167	7007434	1	Guide, Retainer	
2168	7010119	1	Retainer, Slipper	
3050	70002150	6	Screw	
3060	70005473	1	Nut, Seal	
3065	70002151	1	Plug	
3084	70002134	1	Screen	
3098	70002153	1	Ring	
4001	7007412	1	Seal Kit - Servo Piston	
5025	70002147	2	Solenoid Assembly (Includes Items 5026-5030)	
5026	70002148	2	O-Ring	
5027	70002149	2	Coil Assembly (Includes Items 5028-5030)	
5028	70005474	2	O-Ring	
5029	70005475	2	Screw	
5030	70005476	2	Cap	
5100	70002146	1	EDC Assembly (Includes Items 1204, 1220, 3050-3098 & 5025-5030)	
6001	7021232	1	Seal Kit - Complete (Includes Items 103, 137, 141, 142, 168, 174, 301, 935, 1002, 1003, 4001 and Plug O-Ring)	

# SECTION 3 - ENGINE

## FIGURE 3-40. GEAR PUMP ASSEMBLY



ART\_3600242



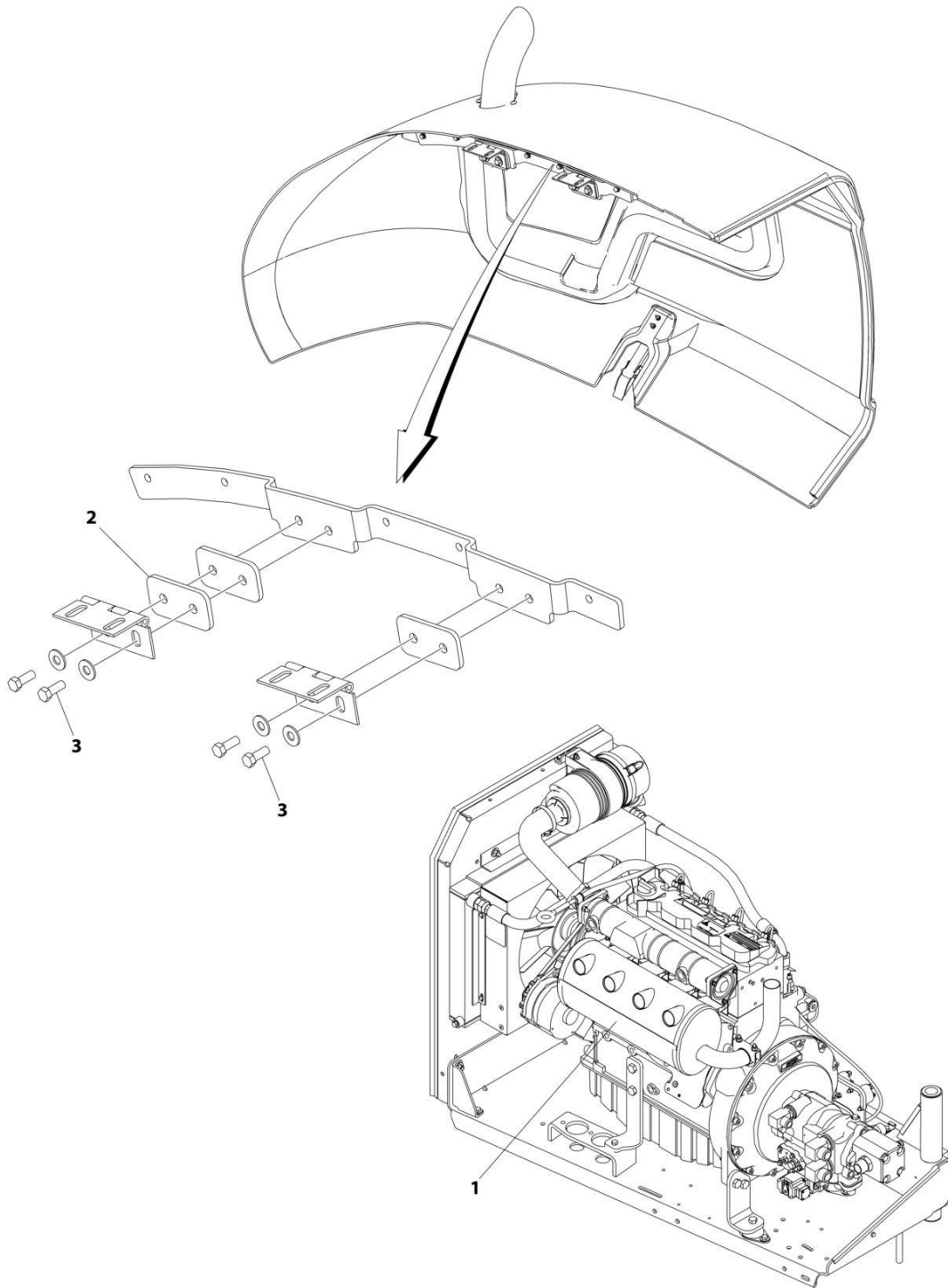
## SECTION 3 - ENGINE

### FIGURE 3-40. GEAR PUMP ASSEMBLY

ITEM	PART NUMBER	QTY	DESCRIPTION	REV
	3600242	Ref	GEAR PUMP ASSEMBLY	
1	7010105	2	Bearing/Bushing	
2	See Note	NSS	Housing (Note: Use Item 3600242)	
3	See Note	NSS	Flange (Note: Use Item 3600242)	
4	7010103	1	Cover	
5	7012987	1	Gear, Drive	
6	7012988	1	Gear, Idler	
7	See Note	NSS	Ring, Anti-Extrusion (Note: Use Item 51)	
8	See Note	NSS	Seal (Note: Use Item 51)	
9	See Note	4	Bolt (Note: Not Available for Purchase)	
10	7010104	1	Ring, Retaining	
11	See Note	NSS	Pin, Dowel (Note: Not Available for Purchase)	
12	See Note	NSS	Seal, O-Ring (Note: Use Item 51)	
13	See Note	NSS	Seal, Shaft (Note: Use Item 51)	
51	7007489	1	Seal Kit (Includes Items 7, 8, 12 & 13)	
	3600395	Ref	GEAR PUMP AND FITTING ASSEMBLY	B
101	2220376	1	Fitting, Straight	
102	2220810	1	Fitting, Reducer	
103	3600242	1	Pump (Includes Items 1 - 13)	
104	4640744	1	Fitting, Check Valve	

# SECTION 3 - ENGINE

## FIGURE 3-41. SPARK ARRESTOR MUFFLER INSTALLATION - DEUTZ D2011 ENGINES



ART\_1001182906

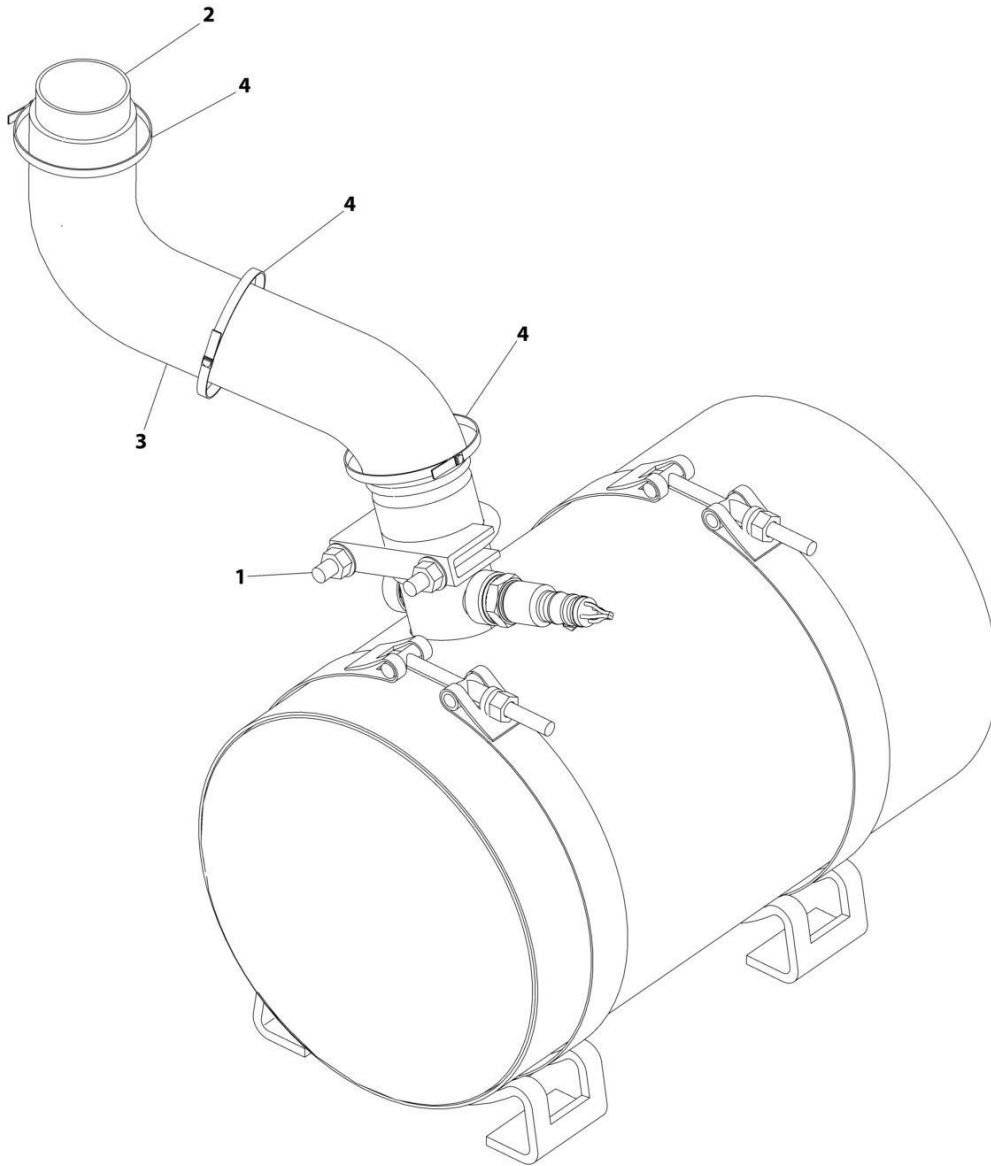
## SECTION 3 - ENGINE

**FIGURE 3-41. SPARK ARRESTOR MUFFLER INSTALLATION - DEUTZ D2011 ENGINES**

ITEM	PART NUMBER	QTY	DESCRIPTION	REV
	1001182906	Ref	MUFFLER INSTALLATION SPARK ARRESTOR	B
1	3220103	1	Muffler	
2	1001169610	1	Spacer	
3	0641608	4	Bolt 3/8 x 1	

# SECTION 3 - ENGINE

## FIGURE 3-42. EXHAUST PIPE INSTALLATION - FORD ENGINES



ART\_1001220215

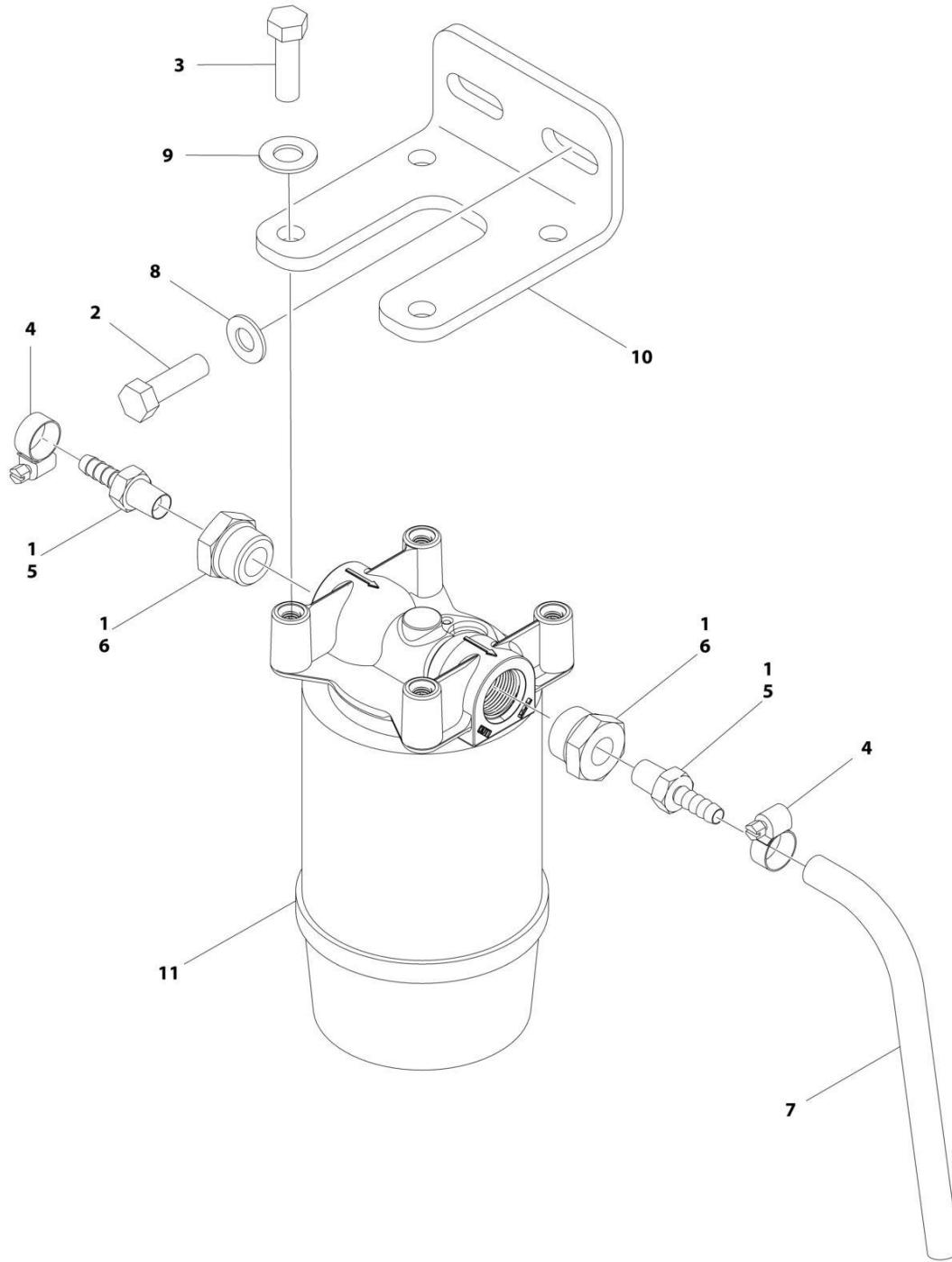
## SECTION 3 - ENGINE

### FIGURE 3-42. EXHAUST PIPE INSTALLATION - FORD ENGINES

ITEM	PART NUMBER	QTY	DESCRIPTION	REV
	1001220215	Ref	EXHAUST PIPE INSTALLATION	B
1	1001221397	1	Clamp	
2	1001216160	1	Pipe, Tail	
3	1001216536	1	Insulate	
4	1001100825	3	Strap	

# SECTION 3 - ENGINE

## FIGURE 3-43. FUEL-WATER SEPARATOR INSTALLATION - DEUTZ D2011 ENGINES (OPTIONAL)



ART\_1001199784

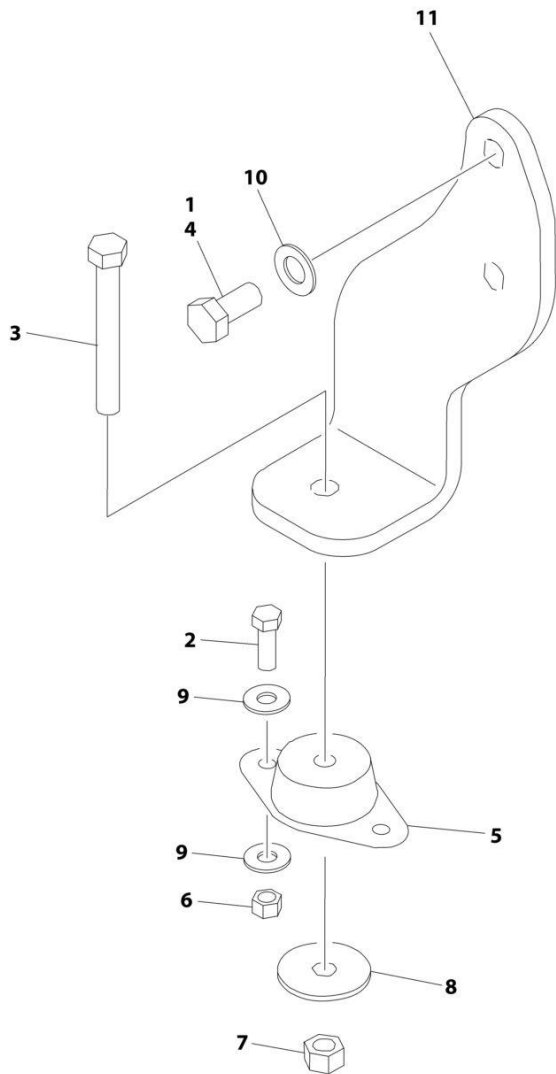
## SECTION 3 - ENGINE

**FIGURE 3-43. FUEL-WATER SEPARATOR INSTALLATION - DEUTZ D2011 ENGINES (OPTIONAL)**

ITEM	PART NUMBER	QTY	DESCRIPTION	REV
	1001199784	Ref	FUEL-WATER SEPARATOR INSTALLATION	A
1	0100079	AR	Sealant	
2	0641607	2	Bolt 3/8 x 7/8	
3	0641610	4	Bolt 3/8 x 1-1/4	
4	1320022	2	Clamp	
5	2180348	2	Fitting, Straight	
6	2220816	2	Fitting, Straight	
7	2720058	12 in /31cm	Hose	
8	4711600	2	Washer 3/8	
9	4711700	4	Washer 7/16	
10	1001188884	1	Bracket	
11	1001188887	1	Fuel/Water Separator Assembly	
11	1001202280	1	Head	
11	1001202281	1	Element	

# SECTION 3 - ENGINE

FIGURE 3-44. RIGHT ENGINE SUPPORT INSTALLATION (DEUTZ D2011 ENGINES MACHINES WITHOUT GENERATORS)



ART\_1001151253



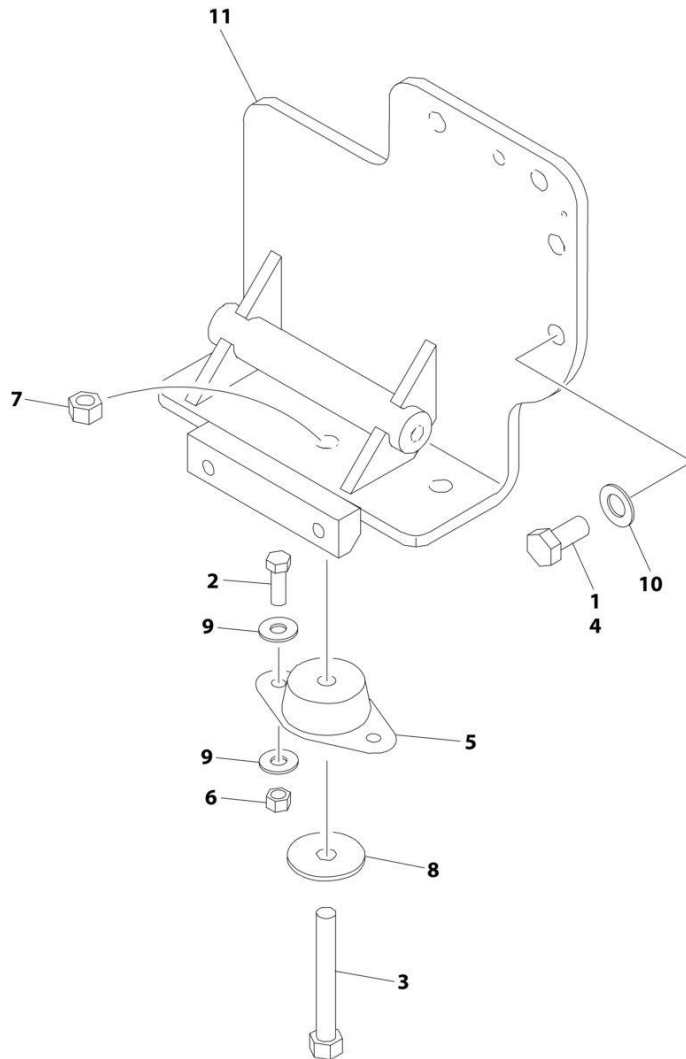
## SECTION 3 - ENGINE

**FIGURE 3-44. RIGHT ENGINE SUPPORT INSTALLATION (DEUTZ D2011 ENGINES MACHINES WITHOUT GENERATORS)**

ITEM	PART NUMBER	QTY	DESCRIPTION	REV
	1001151253	Ref	RIGHT ENGINE SUPPORT INSTALLATION	A
1	0100011	AR	Compound, Locking	
2	0641609	2	Bolt 3/8 x 1-1/8	
3	0641820	1	Bolt 1/2 x 2-1/2	
4	0711414	2	Bolt M14 x 30 Grade 10.9	
5	3200401	1	Mount, Motor	
6	3311605	2	Nut 3/8	
7	3311805	1	Nut 1/2	
8	4740274	1	Washer	
9	4751600	4	Washer 3/8	
10	4812200	2	Washer M14	
11	1001149703	1	Support, Engine (Right Front)	

# SECTION 3 - ENGINE

FIGURE 3-45. RIGHT ENGINE SUPPORT INSTALLATION (DEUTZ D2011 ENGINES MACHINES WITH GENERATORS)



ART\_1001151252

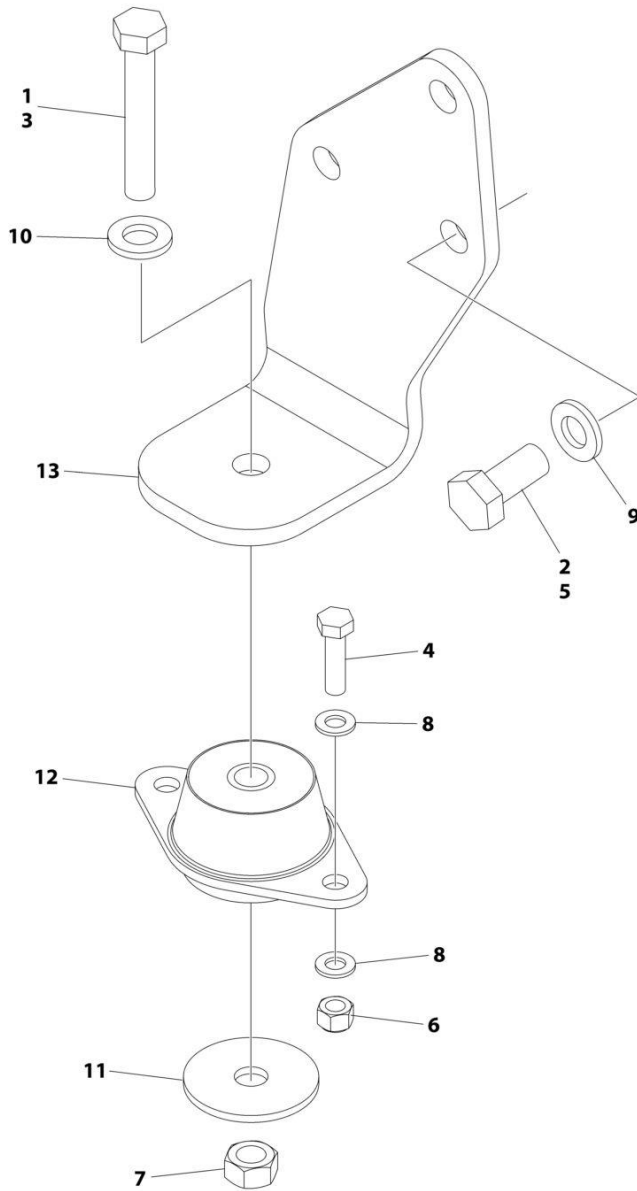
## SECTION 3 - ENGINE

**FIGURE 3-45. RIGHT ENGINE SUPPORT INSTALLATION (DEUTZ D2011 ENGINES MACHINES WITH GENERATORS)**

ITEM	PART NUMBER	QTY	DESCRIPTION	REV
	1001151252	Ref	RIGHT ENGINE SUPPORT INSTALLATION	B
1	0100011	AR	Compound, Locking	
2	0641609	2	Bolt 3/8 x 1-1/8	
3	0641818	1	Bolt 1/2 x 2-1/2	
4	0711414	3	Bolt M14 x 30 Grade 10.9	
5	3200401	1	Mount, Motor	
6	3311605	2	Nut 3/8	
7	3311805	1	Nut 1/2	
8	4740274	1	Washer	
9	4751600	4	Washer 3/8	
10	4812200	3	Washer M14	
11	1001150890	1	Support, Engine (Right Front)	

# SECTION 3 - ENGINE

## FIGURE 3-46. RIGHT ENGINE SUPPORT INSTALLATION (DEUTZ TD2.2L3 ENGINES MACHINES WITHOUT GENERATORS)



ART\_1001255419

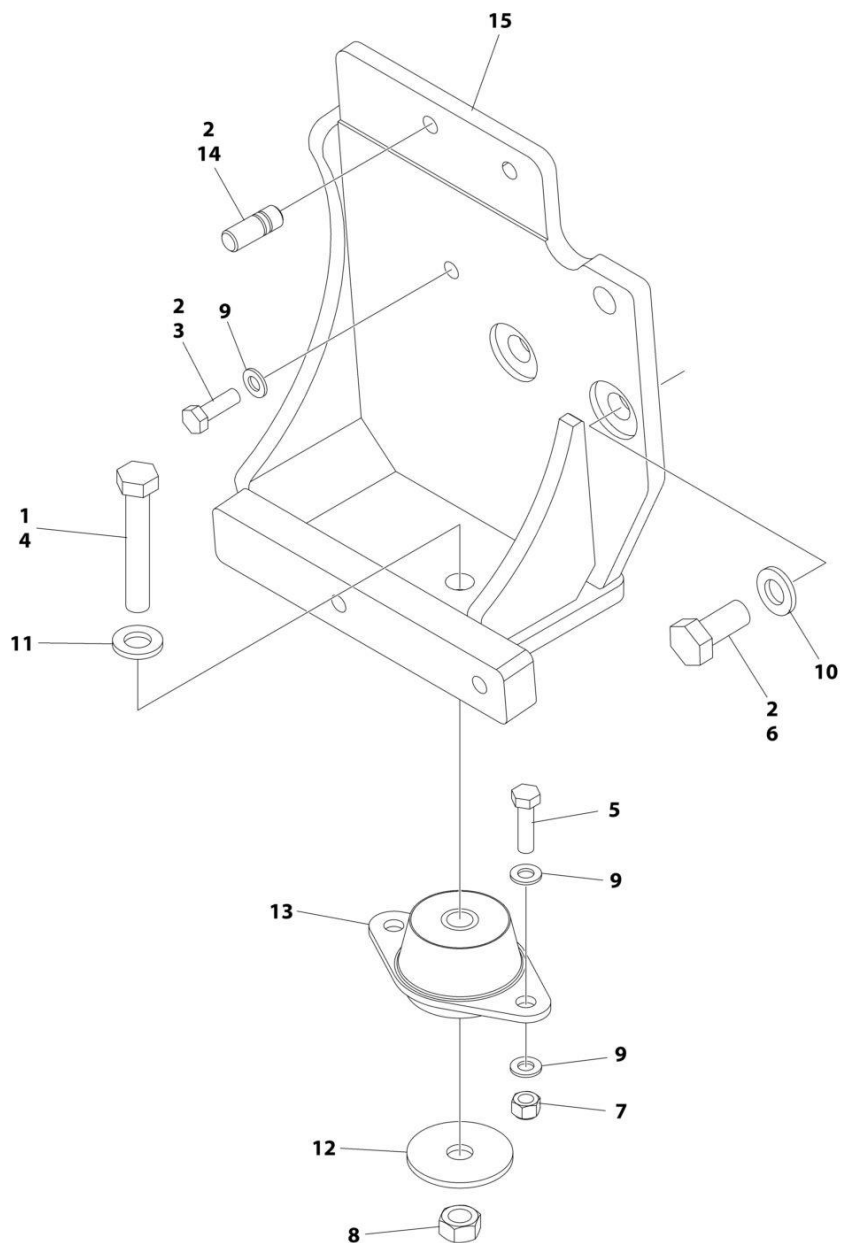
## SECTION 3 - ENGINE

**FIGURE 3-46. RIGHT ENGINE SUPPORT INSTALLATION (DEUTZ TD2.2L3 ENGINES MACHINES WITHOUT GENERATORS)**

ITEM	PART NUMBER	QTY	DESCRIPTION	REV
	1001255419	Ref	RIGHT ENGINE SUPPORT INSTALLATION	B
1	0100011	AR	Compound, Locking	
2	0100019	AR	Compound, Locking	
3	0711223	1	Bolt M12 x 75	
4	0700814	2	Bolt M8 x 30	
5	0771414	3	Bolt M14 x 30	
6	3290805	2	Nut M8	
7	3331211	1	Nut M12	
8	4811900	4	Washer M8	
9	4812200	3	Washer M14	
10	5241200	1	Washer M12 Hardened	
11	1001168018	1	Washer, Snubbing	
12	1001166718	1	Mount, Motor	
13	1001249986	1	Support, Engine (Right Front)	

# SECTION 3 - ENGINE

## FIGURE 3-47. RIGHT ENGINE SUPPORT INSTALLATION (DEUTZ TD2.2L3 ENGINES MACHINES WITH GENERATORS)



ART\_1001255418

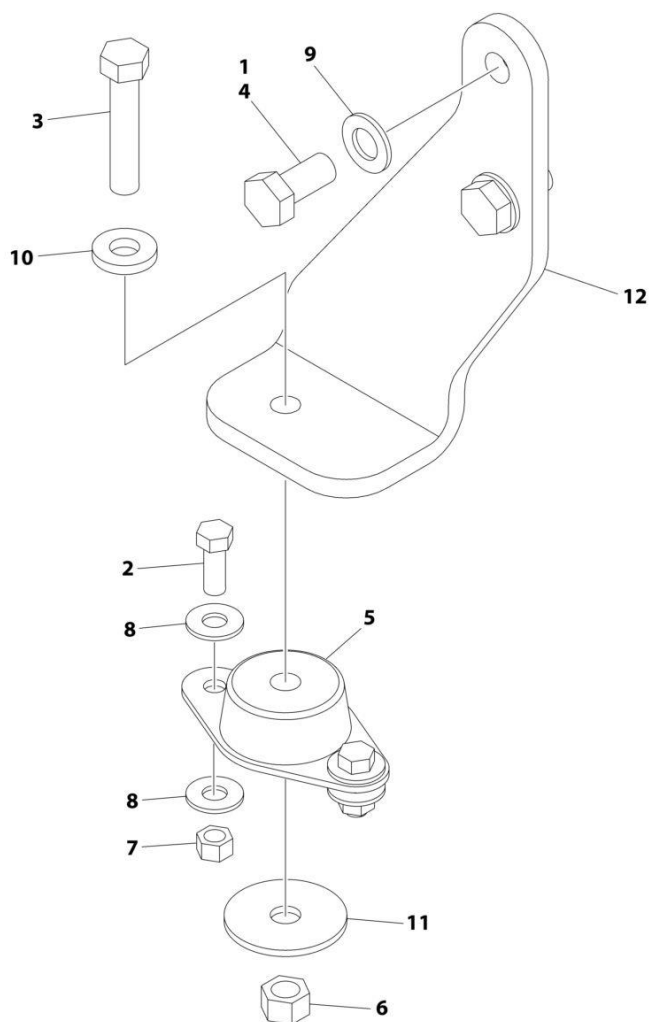
## SECTION 3 - ENGINE

**FIGURE 3-47. RIGHT ENGINE SUPPORT INSTALLATION (DEUTZ TD2.2L3 ENGINES MACHINES WITH GENERATORS)**

ITEM	PART NUMBER	QTY	DESCRIPTION	REV
	1001255418	Ref	RIGHT ENGINE SUPPORT INSTALLATION	B
1	0100011	AR	Compound, Locking	
2	0100019	AR	Compound, Locking	
3	0700812	1	Bolt M8 x 25	
4	0711223	1	Bolt M12 x 75	
5	0700814	2	Bolt M8 x 30	
6	0771414	3	Bolt M14 x 30	
7	3290805	2	Nut M8	
8	3331211	1	Nut M12	
9	4811900	5	Washer M8	
10	4812200	3	Washer M14	
11	5241200	1	Washer M12 Hardened	
12	1001168018	1	Washer, Snubbing	
13	1001166718	1	Mount, Motor	
14	1001196382	1	Stud	
15	1001247178	1	Support, Engine (Right Front)	

# SECTION 3 - ENGINE

## FIGURE 3-48. RIGHT ENGINE SUPPORT INSTALLATION (DEUTZ TD2.9L4 ENGINES MACHINES WITHOUT GENERATORS)



ART\_1001177043



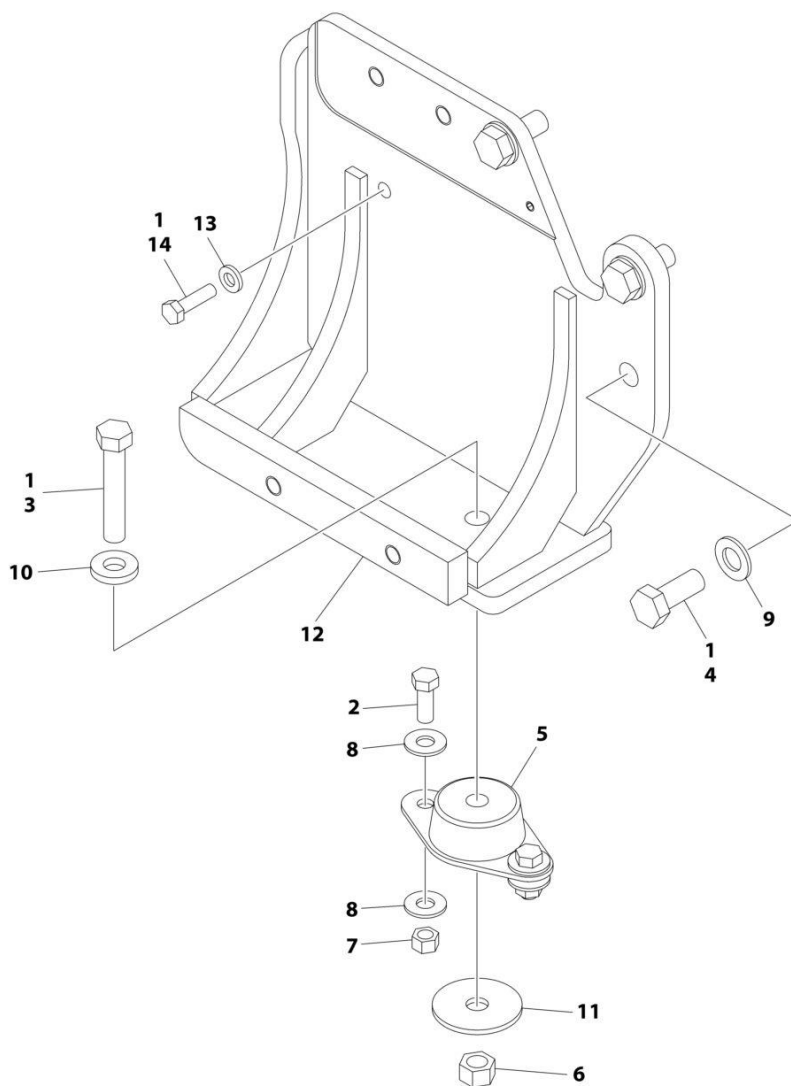
## SECTION 3 - ENGINE

**FIGURE 3-48. RIGHT ENGINE SUPPORT INSTALLATION (DEUTZ TD2.9L4 ENGINES MACHINES WITHOUT GENERATORS)**

ITEM	PART NUMBER	QTY	DESCRIPTION	REV
	1001177043	Ref	RIGHT ENGINE SUPPORT INSTALLATION	A
1	0100011	AR	Compound, Locking	
2	0641608	2	Bolt 3/8 x 1	
3	0681820	1	Bolt 1/2 x 2-1/2	
4	0771414	2	Bolt M14 x 30 Grade 10.9	
5	3200401	1	Mount, Motor	
6	3271801	1	Nut 1/2	
7	3311605	2	Nut 3/8	
8	4751600	4	Washer 3/8	
9	4812200	2	Washer M14	
10	4891800	1	Washer 1/2 Hardened	
11	1001139409	1	Washer, Snubbing	
12	1001177038	1	Support, Engine (Right Front)	

# SECTION 3 - ENGINE

## FIGURE 3-49. RIGHT ENGINE SUPPORT INSTALLATION (DEUTZ TD2.9L4 ENGINES MACHINES WITH GENERATORS)



ART\_1001177399

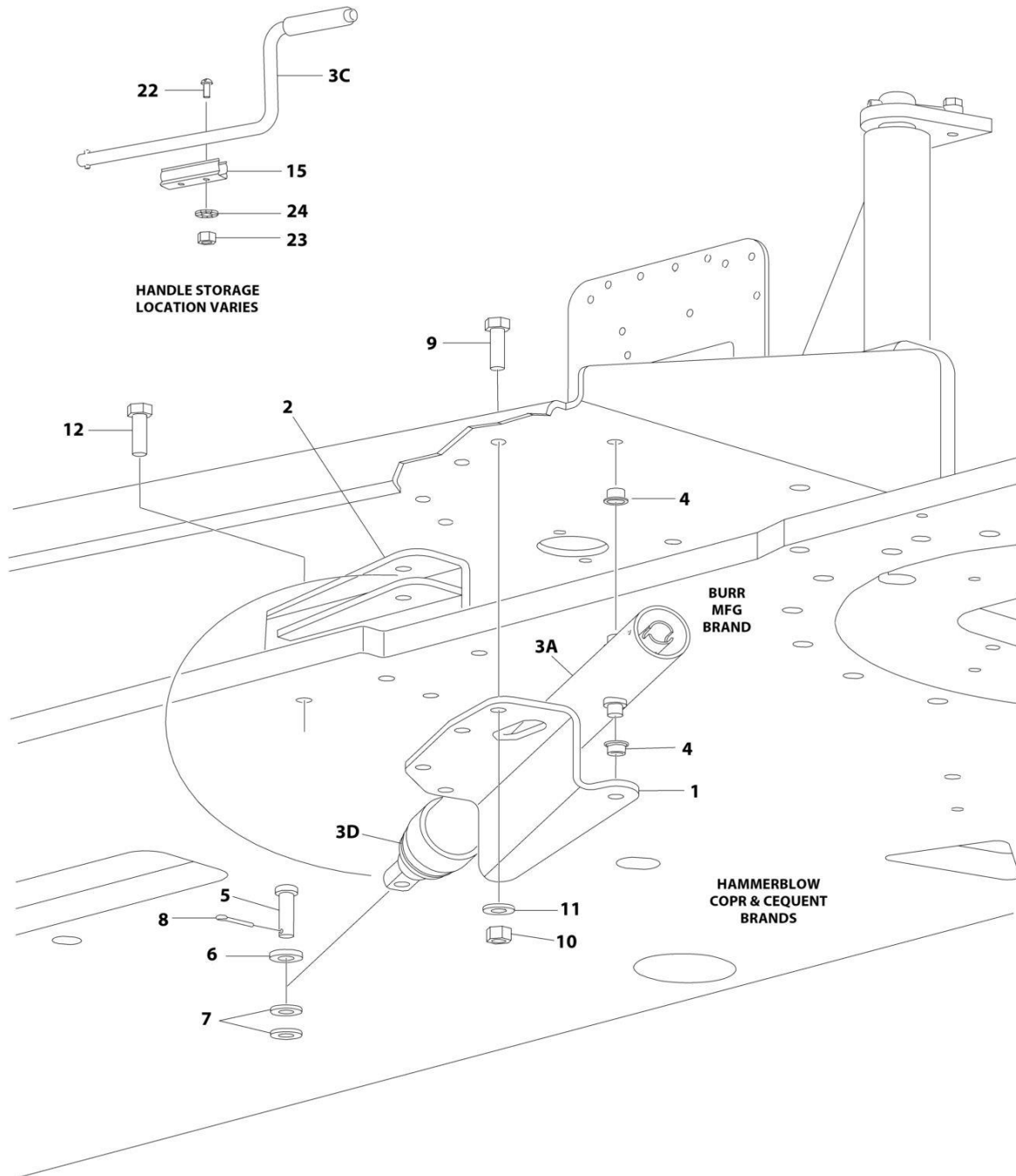
## SECTION 3 - ENGINE

**FIGURE 3-49. RIGHT ENGINE SUPPORT INSTALLATION (DEUTZ TD2.9L4 ENGINES MACHINES WITH GENERATORS)**

ITEM	PART NUMBER	QTY	DESCRIPTION	REV
	1001177399	Ref	RIGHT ENGINE SUPPORT INSTALLATION	B
1	0100011	AR	Compound, Locking	
2	0641608	2	Bolt 3/8 x 1	
3	0681822	1	Bolt 1/2 x 2-3/4 Grade 8	
4	0771415	3	Bolt M14 x 35	
5	3200401	1	Mount, Motor	
6	3271801	1	Nut 1/2 Grade 8	
7	3311605	2	Nut 3/8	
8	4751600	4	Washer 3/8	
9	4812200	2	Washer M14	
10	4891800	1	Washer 1/2 Hardened	
11	1001139409	1	Washer, Snubbing	
12	1001202368	1	Support, Engine (Right Front)	
13	5240800	1	Washer M8 Hardened	
14	0700814	1	Bolt M8 x 30	

# SECTION 3 - ENGINE

## FIGURE 3-50. ENGINE TRAY JACK INSTALLATION - DEUTZ D2011 ENIGNES



ART\_0255880

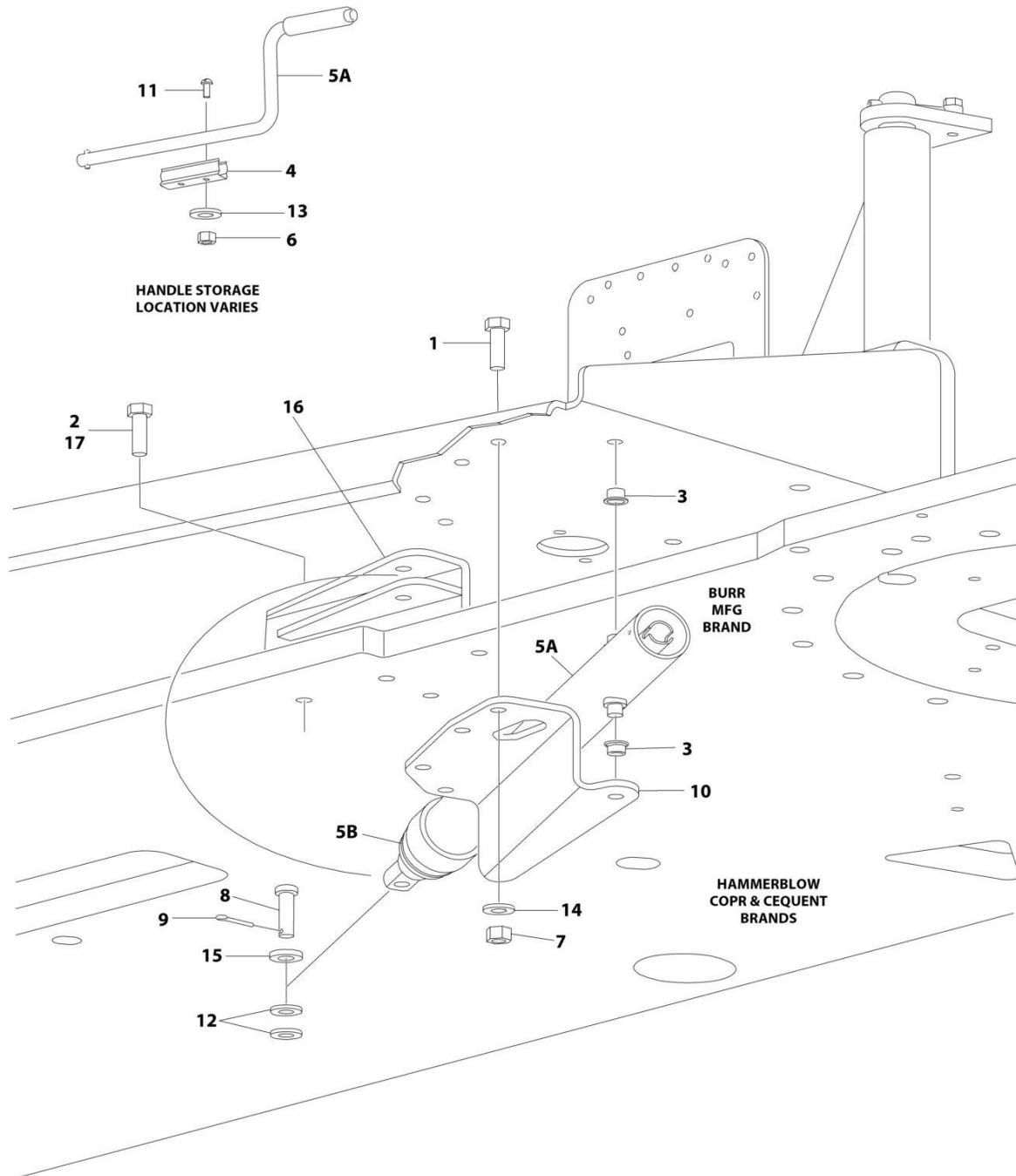
## SECTION 3 - ENGINE

**FIGURE 3-50. ENGINE TRAY JACK INSTALLATION - DEUTZ D2011 ENIGNES**

ITEM	PART NUMBER	QTY	DESCRIPTION	REV
	0255880	Ref	ENGINE TRAY JACK INSTALLATION	6-H
1	3537445	1	Bracket	
2	4845163	1	Bracket	
3	2840018	1	Hydraulic Jack Assembly (Not Shown)	
3A		Ref	Burr Manufacturing Brand	
3B		Ref	Hammer blow Corp and Cequent Brands	
3C		Ref	Handle Options:	
3C	7016374	1	Burr Manufacturing Brand	
3C	7024598	1	Hammer blow Corp and Cequent Brands	
3D	7016322	1	Wiper (Burr Manufacturing Brand Only)	
4	0962051	2	Bushing, Flanged	
5	3430816	1	Pin, Clevis	
6	4891800	1	Washer 1/2 Hardened	
7	4711800	2	Washer 1/2	
8	3450404	1	Pin, Cotter 1/8 x 1	
9	0641609	4	Bolt 3/8 x 1-1/8	
10	3311605	4	Nut 3/8	
11	4891600	4	Washer 3/8	
12	0641810	4	Bolt 1/2 x 1-1/4	
15	1380147	1	Clip, Spring	
22	3910608	2	Screw #6 x 1	
23	3310601	2	Nut #6	
24	4770600	2	Washer #6	

# SECTION 3 - ENGINE

## FIGURE 3-51. ENGINE TRAY JACK INSTALLATION - DEUTZ TD2.9L4 & TD2.2L3 STAGE V ENGINES



ART\_1001137891

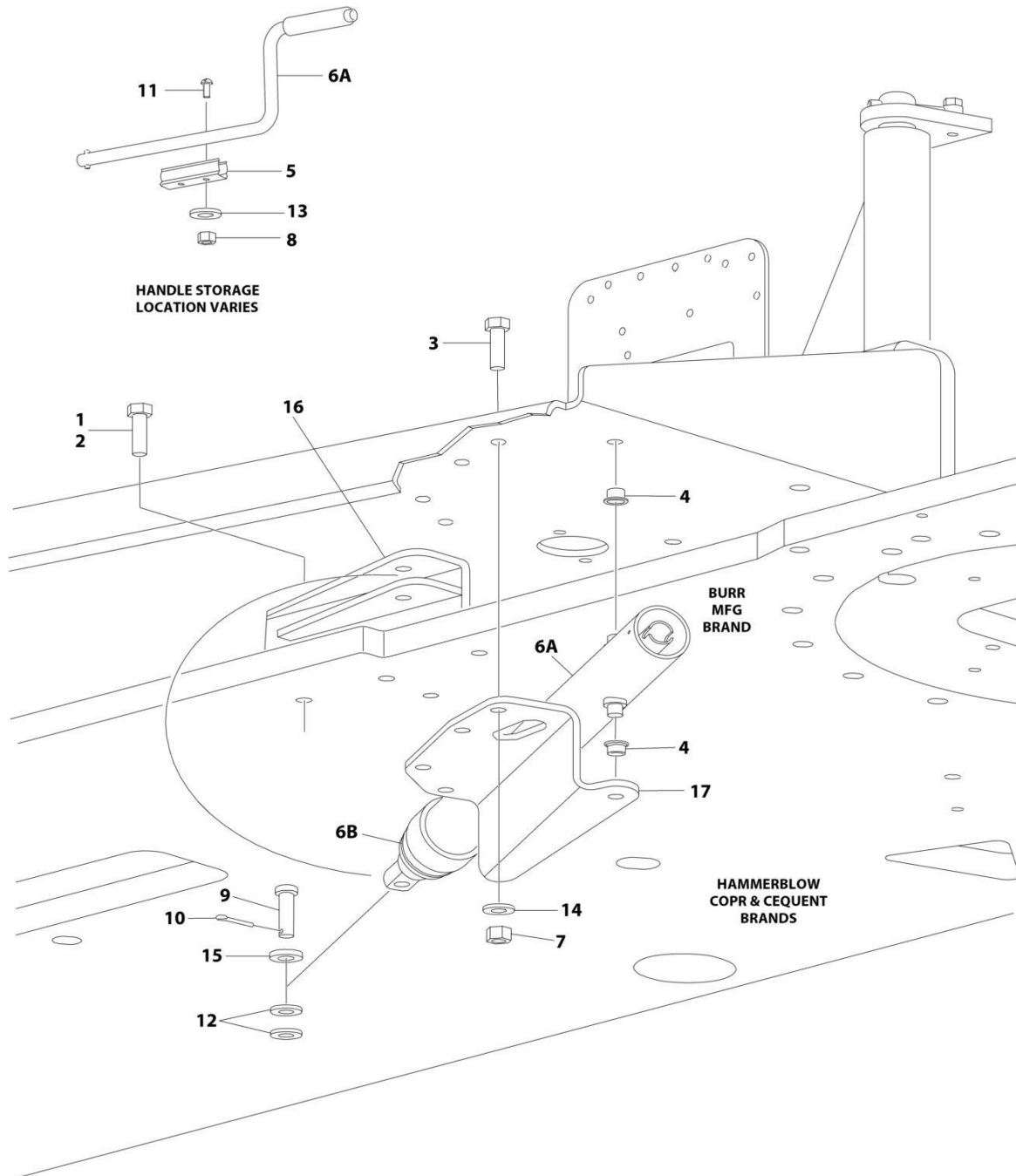
## SECTION 3 - ENGINE

**FIGURE 3-51. ENGINE TRAY JACK INSTALLATION - DEUTZ TD2.9L4 & TD2.2L3 STAGE V ENGINES**

ITEM	PART NUMBER	QTY	DESCRIPTION	REV
	1001137891	Ref	ENGINE TRAY JACK INSTALLATION	B
1	0641609	4	Bolt 3/8 x 1-1/8	
2	0641810	4	Bolt 1/2 x 1-1/4	
3	0962051	2	Bushing, Flanged	
4	1380147	1	Clip, Spring	
5	2840016	1	Jack and Handle Assembly (Not Shown)	
5A		Ref	Handle Options:	
5A	7016374	1	Burr Manufacturing Brand	
5A	7024598	1	Hammer blow Corp Brand	
5B	7016322	1	Wiper (Burr Manufacturing Brand Only)	
6	3310601	2	Nut #6	
7	3311605	4	Nut 3/8	
8	3430816	1	Pin, Clevis	
9	3450404	1	Pin, Cotter 1/8 x 1	
10	3537445	1	Bracket	
11	3910608	2	Screw #6 x 1	
12	4711800	6	Washer 1/2	
13	4770600	2	Washer #6	
14	4891600	4	Washer 3/8	
15	4891800	1	Washer 1/2 Hardened	
16	1001137892	1	Bracket	
17	0100011	AR	Compound, Locking	

# SECTION 3 - ENGINE

## FIGURE 3-52. ENGINE TRAY JACK INSTALLATION - FORD ENIGNES



ART\_1001218548



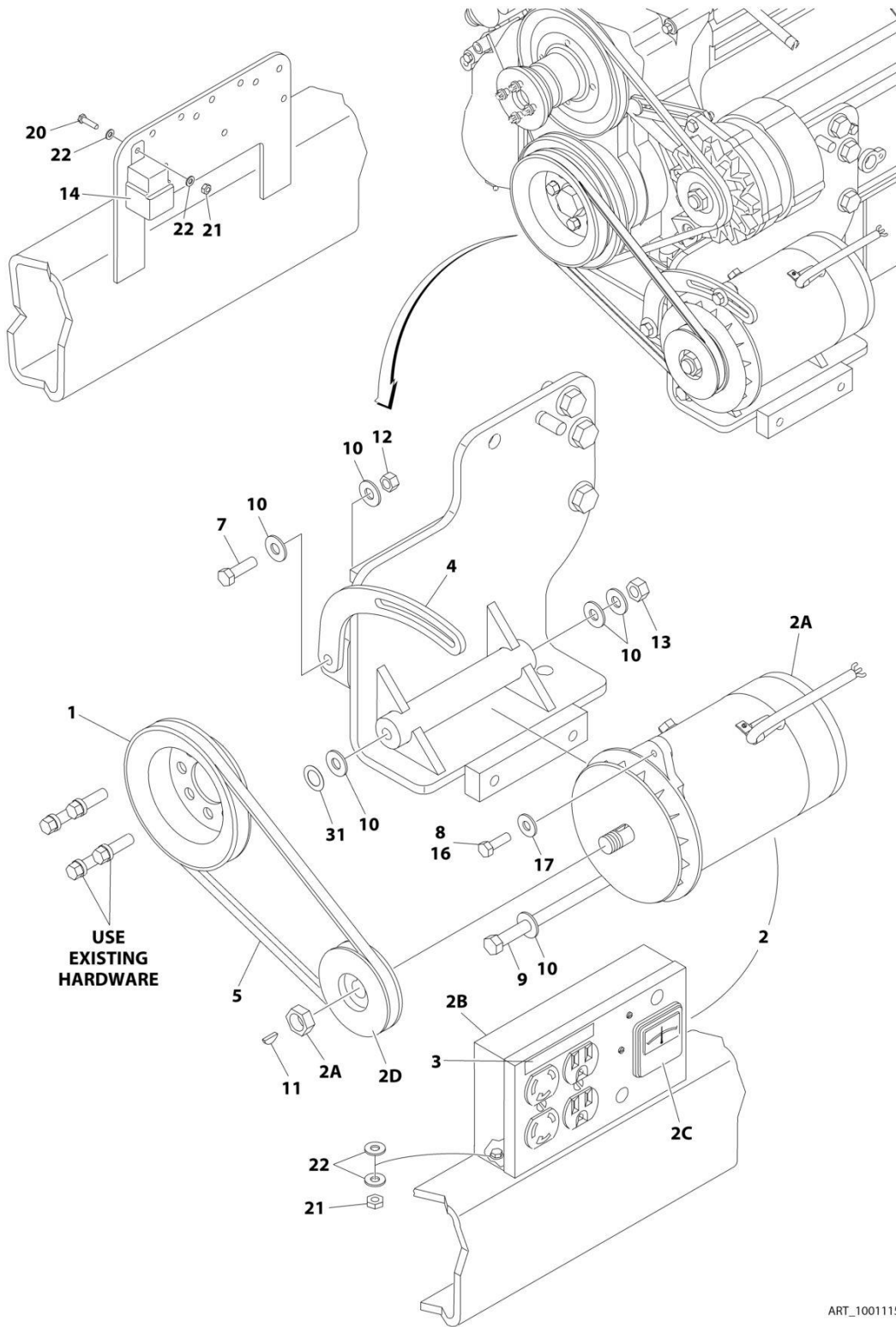
## SECTION 3 - ENGINE

**FIGURE 3-52. ENGINE TRAY JACK INSTALLATION - FORD ENIGNES**

ITEM	PART NUMBER	QTY	DESCRIPTION	REV
	1001218548	Ref	ENGINE TRAY JACK INSTALLATION	A
1	0100011	AR	Compound, Locking	
2	0641810	4	Bolt 1/2 x 1-1/4	
3	0761014	3	Bolt M10 x 30	
4	0962051	2	Bushing, Flanged	
5	1380147	1	Clip, Spring	
6	2840016	1	Jack and Handle Assembly (Not Shown)	
6A		Ref	Handle Options:	
6A	7016374	1	Burr Manufacturing Brand	
6A	7024598	1	Hammer blow Corp Brand	
6B	7016322	1	Wiper (Burr Manufacturing Brand Only)	
7	3291007	3	Nut M10	
8	3310601	2	Nut #6	
9	3430816	1	Pin, Clevis	
10	3450404	1	Pin, Cotter 1/8 x 1	
11	3910608	2	Screw #6 x 1	
12	4711800	6	Washer 1/2	
13	4770600	2	Washer #6	
14	4812000	6	Washer M10	
15	4891800	1	Washer 1/2 Hardened	
16	1001137892	1	Bracket	
17	1001218547	1	Bracket	

# SECTION 3 - ENGINE

## FIGURE 3-53. 2500W/110V/60HZ GENERATOR INSTALLATION - DEUTZ D2011 ENGINES



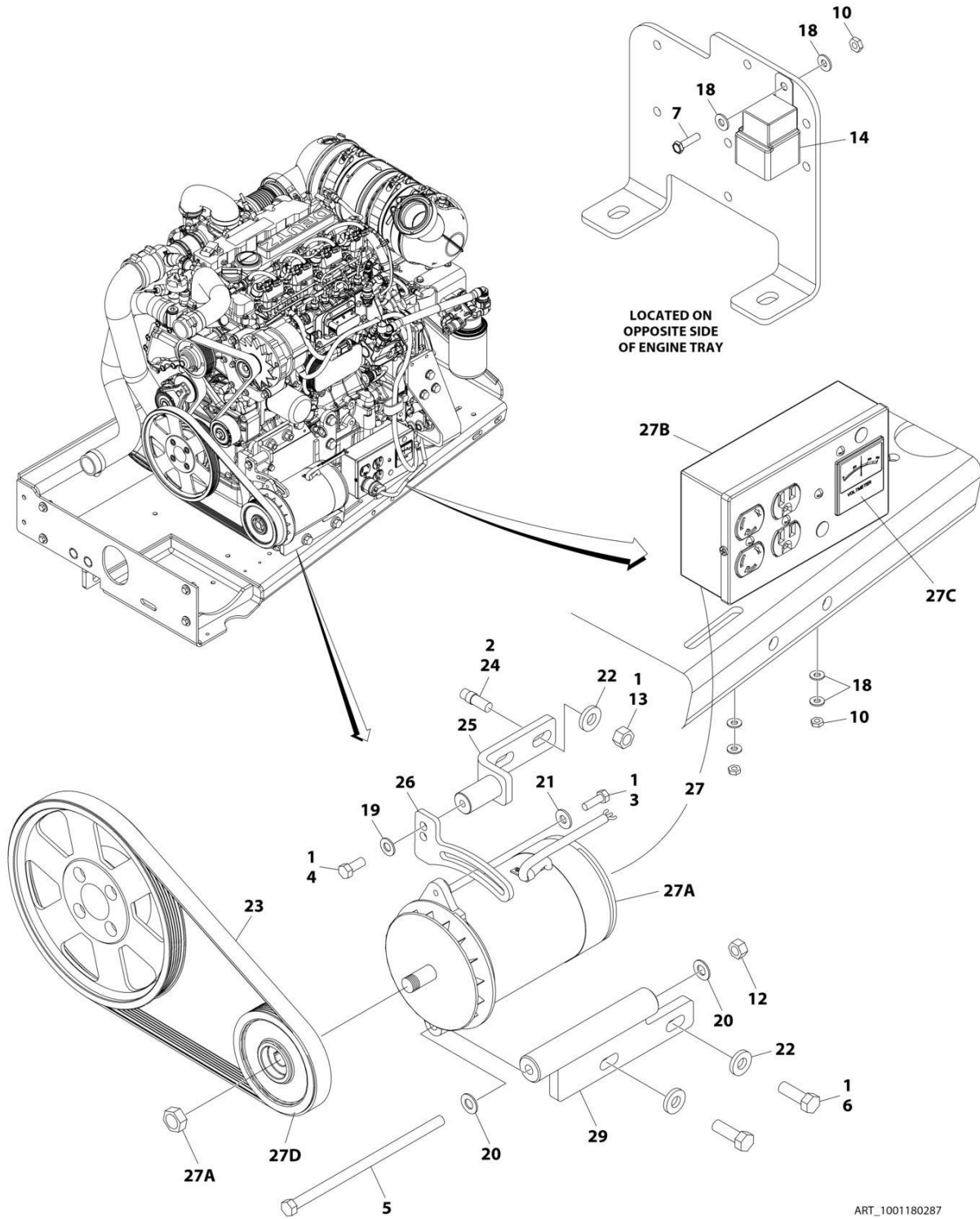
## SECTION 3 - ENGINE

**FIGURE 3-53. 2500W/110V/60HZ GENERATOR INSTALLATION - DEUTZ D2011 ENGINES**

ITEM	PART NUMBER	QTY	DESCRIPTION	REV
	1001115405	Ref	2500W GENERATOR INSTALLATION - 110V/60Hz	B
1	3580158	1	Pulley	
2	2460055	1	Generator and Control Box Assembly:	
2A	7012558	1	Generator Only - 110V/60Hz	
2A		Ref	Note: Replacement Generators come standard with p/n 3580134 pulley. This pulley may not be correct for all applications. Refer to pulley options below.	
2A	7026199	1	Armature with Slip Rings	
2A	7012513	4	Cap, Brush Holder	
2A	7020108	4	Brush	
2A	7020109	4	Holder, Brush	
2A	7012514	1	Fan	
2A	7020110	1	Bell, Front	
2A	7020111	1	Bell, Rear	
2A	7020190	1	Bearing	
2B	7019680	1	Box, Control	
2B		Ref	Receptacle Options:	
2B	4460190	1	Receptacle, Standard	
2B	4460027	1	Receptacle, Twistlock	
2B	4360542	1	Breaker, Circuit	
2B	3520028	1	Plug, Hole	
2C	2420203	1	Voltmeter	
2D	3580276	1	Pulley	
2D	7027887	1	Key, Woodruff	
3	3251243	1	Decal - 110V/60Hz	
4	0200742	1	Arm, Adjusting	
5	0480121	1	V-Belt	
7	0641610	1	Bolt 3/8 x 1-1/4	
8	0100011	AR	Compound, Locking	
9	0641772	1	Bolt 7/16 x 9	
10	4751600	6	Washer 3/8	
11	2860012	1	Key, Woodruff	
12	3311605	1	Nut 3/8	
13	3311705	1	Nut 7/16	
14	3740080	1	Relay	
16	0641508	1	Bolt 5/16 x 1	
17	4751500	AR	Washer 5/16	
18	1001112588	1	Wiring Diagram Components (Not Shown)	
18	1001112589	1	Generator Harness (Not Shown)	
18	4922641	1	Generator ON/OFF Switch Harness (Not Shown - Located at Platform)	
20	0721006	AR	Bolt #10 x 3/4	
21	3311005	3	Nut #10	
22	4751000	AR	Washer #10	
25	4360336	1	Switch, Toggle (Not Shown - Located at Platform)	
26	4740397	1	Bushing (Not Shown - Located at Platform)	
27	4060802	1	Guard, Switch (Not Shown - Located at Platform)	
29	2820031	4 in/ 10cm	Heat Shrink (Not Shown - Located at Platform)	
30	3251102	1	Decal (Not Shown - Located at Platform)	
31	4070585	AR	Shim	

# SECTION 3 - ENGINE

## FIGURE 3-54. 2500W/110V/60HZ GENERATOR INSTALLATION - DEUTZ TD2.9L4 ENGINES



ART\_1001180287

## SECTION 3 - ENGINE

**FIGURE 3-54. 2500W/110V/60HZ GENERATOR INSTALLATION - DEUTZ TD2.9L4 ENGINES**

ITEM	PART NUMBER	QTY	DESCRIPTION	REV
	1001180287	Ref	2500W GENERATOR INSTALLATION - DEUTZ TD2.9L4 (OPTIONAL)	C
1	0100011	AR	Compound, Locking	
2	0100019	AR	Compound, Locking	
3	0641508	1	Bolt 5/16 x 1	
4	0641607	1	Bolt 3/8 x 7/8	
5	0641772	1	Bolt 7/16 x 9	
6	0641812	2	Bolt 1/2 x 1-1/2	
7	0721006	1	Screw #10 x 3/4	
8	2820031	AR	Heat Shrink (Not Shown - Located at Platform)	
9	3251102	1	Name Plate - Generator On (Not Shown - Located at Platform)	
10	3311005	3	Nut #10	
12	3311705	1	Nut 7/16	
13	3311801	2	Nut 1/2	
14	3740080	1	Relay	
15	4060802	1	Guard, Switch (Not Shown - Located at Platform)	
16	4240018	AR	Strap, Cable Tie (Not Shown)	
17	4360336	1	Switch, Toggle (Not Shown - Located at Platform)	
18	4711000	6	Washer #10	
19	4711600	1	Washer 3/8	
20	4711700	2	Washer 7/16	
21	4751500	1	Washer 5/16	
22	4891800	4	Washer 1/2	
23	1001148138	1	V-Belt	
24	1001163599	2	Stud	
25	1001216015	1	Bracket	
26	1001179837	1	Arm, Adjustment	
27	1001180001	1	Generator and Control Box Assembly	
27A	7012558	1	Generator Only - 110V/60Hz	
27A		Ref	Note: Replacement Generators come standard with p/n 3580134 pulley. This pulley may not be correct for all applications. Refer to pulley options below.	
27A	7026199	1	Armature with Slip Rings	
27A	7012513	4	Cap, Brush Holder	
27A	7020108	4	Brush	
27A	7020109	4	Holder, Brush	
27A	7012514	1	Fan	
27A	7020110	1	Bell, Front	
27A	7020111	1	Bell, Rear	
27A	7020190	2	Bearing	
27B	7019680	1	Box, Control - 110V/60Hz	
27B		Ref	Receptacle Options:	
27B	4460190	1	Receptacle, Standard (110V Only)	
27B	4460027	1	Receptacle, Twistlock (110V Only)	
27B	4360542	1	Breaker, Circuit	
27B	3520028	1	Plug, Hole	
27C	2420203	1	Voltmeter	
27D	3580276	1	Pulley	
27D	7027887	1	Key, Woodruff	
28		Ref	Wiring Diagram Components (Not Shown)	

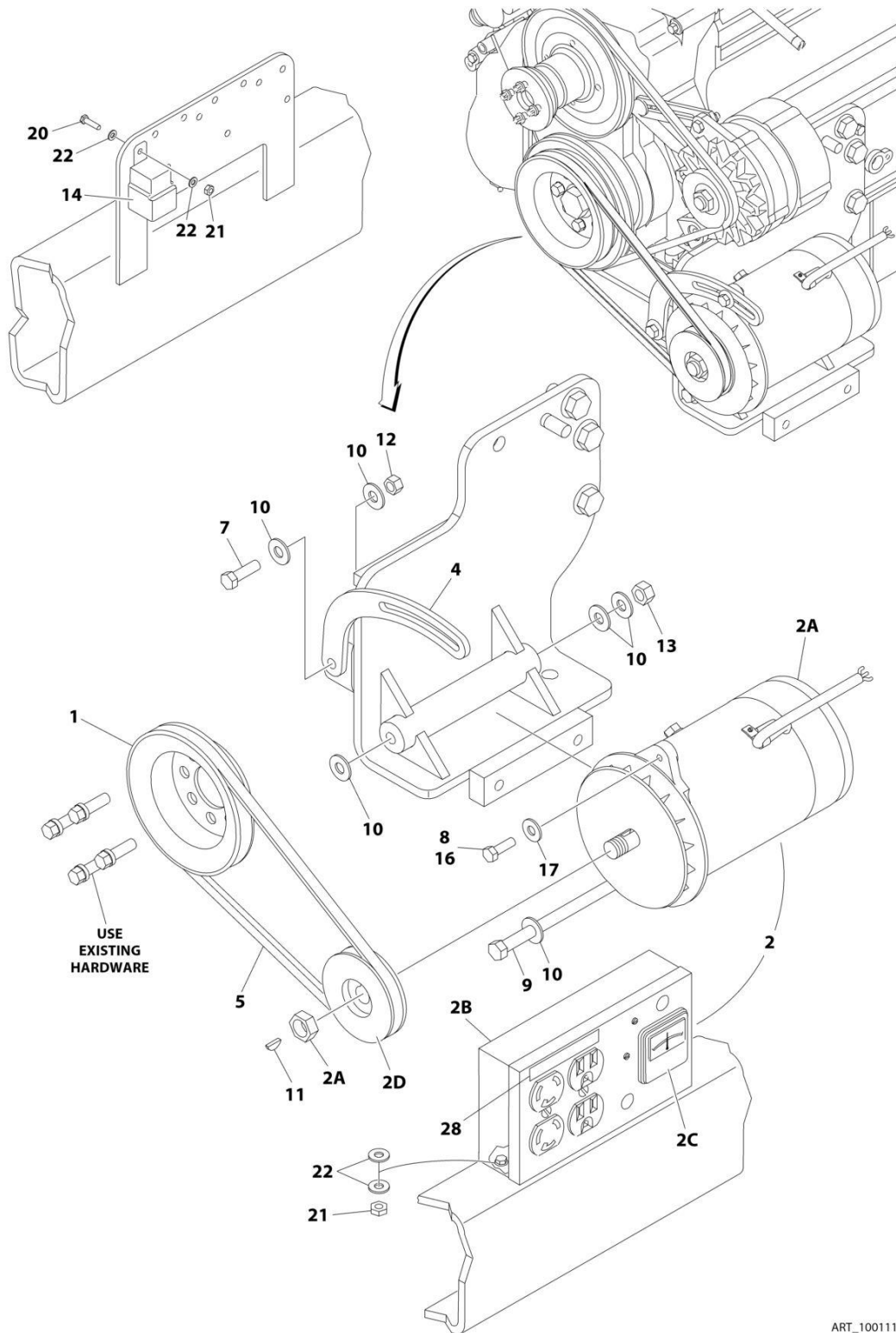
## SECTION 3 - ENGINE

ITEM	PART NUMBER	QTY	DESCRIPTION	REV
28	4922641	1	Generator On/Off Switch Harness (Not Shown - Located at Platform)	
28	1001180052	1	Generator Harness (Not Shown)	
29	1001181243	1	Mount, Generator	



# SECTION 3 - ENGINE

FIGURE 3-55. 2500W/220V/50HZ GENERATOR INSTALLATION - DEUTZ D2011 ENGINES (ANSI EXPORT AND CHINA SPECS)



ART\_100115406



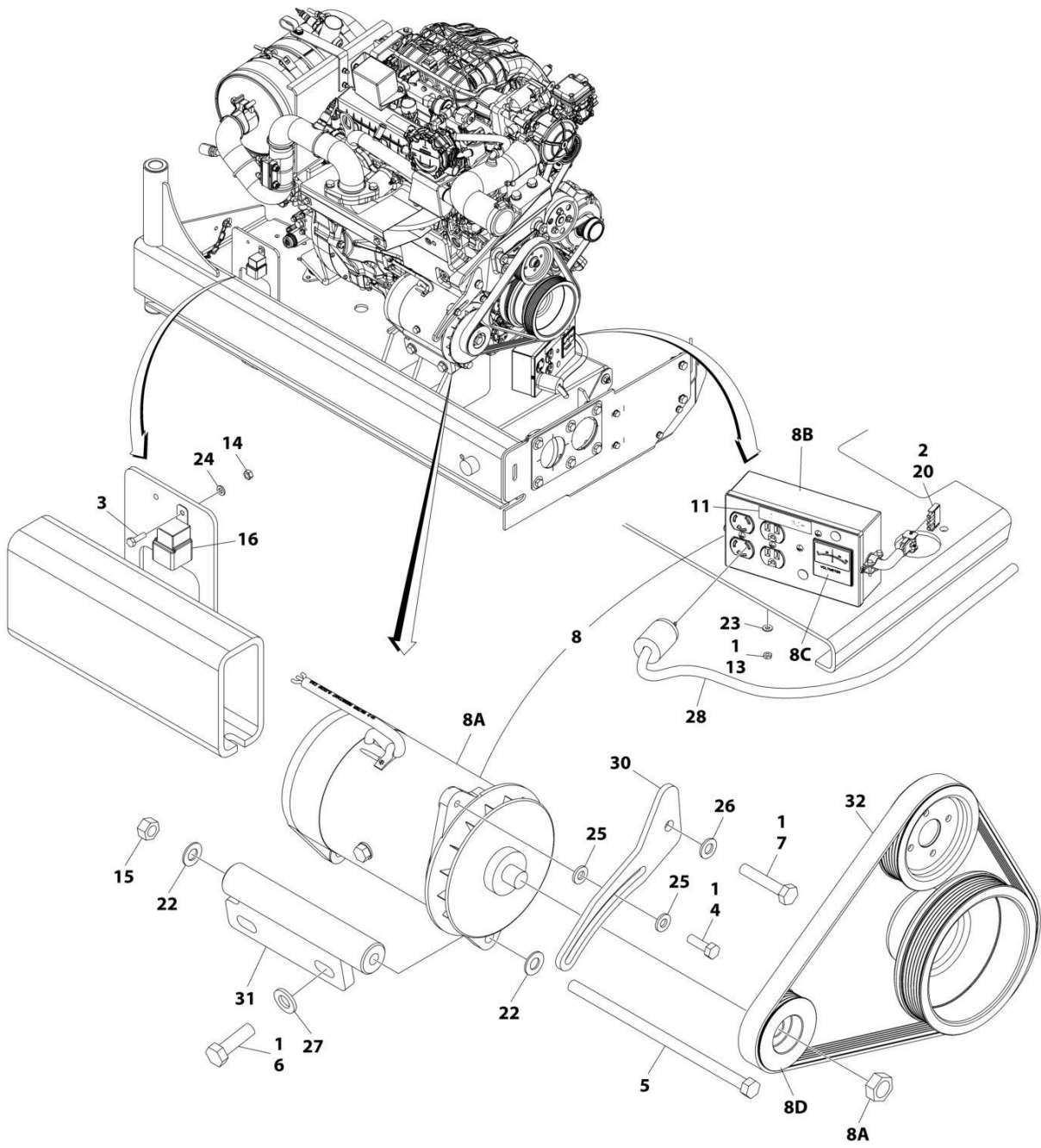
## SECTION 3 - ENGINE

**FIGURE 3-55. 2500W/220V/50HZ GENERATOR INSTALLATION - DEUTZ D2011 ENGINES (ANSI EXPORT AND CHINA SPECS)**

ITEM	PART NUMBER	QTY	DESCRIPTION	REV
	1001115406	Ref	2500W GENERATOR INSTALLATION - 220V/50Hz	B
1	3580158	1	Pulley	
2	2460056	1	Generator and Control Box Assembly:	
2A	1001100321	1	Generator Only	
2A		Ref	Note: Replacement Generators come standard with p/n 3580134 pulley. This pulley may not be correct for all applications. Refer to pulley options below.	
2A	70000123	1	Armature with Slip Rings	
2A	7012513	4	Cap, Brush Holder	
2A	7020108	4	Brush	
2A	7020109	4	Holder, Brush	
2A	7012514	1	Fan	
2A	7020110	1	Bell, Front	
2A	7020111	1	Bell, Rear	
2A	7020190	1	Bearing	
2B	70000127	1	Box, Control	
2B		Ref	Receptacle Options:	
2B	70000124	1	Receptacle, Double	
2B	70000125	1	Receptacle, Single	
2B	70000126	1	Breaker, Circuit:	
2B	3520028	1	Plug, Hole	
2C	7020192	1	Voltmeter	
2D	3580134	1	Pulley	
2D	7027887	1	Key, Woodruff	
4	0200742	1	Arm, Adjusting	
5	0480121	1	V-Belt	
7	0641610	1	Bolt 3/8 x 1-1/4	
8	0100011	AR	Compound, Locking	
9	0641772	1	Bolt 7/16 x 9	
10	4751600	6	Washer 3/8	
11	2860012	1	Key, Woodruff	
12	3311605	1	Nut 3/8	
13	3311705	1	Nut 7/16	
14	3740080	1	Relay	
16	0641508	1	Bolt 5/16 x 1	
17	4751500	AR	Washer 5/16	
18	1001112588	1	Wiring Diagram Components (Not Shown)	
18	4922641	1	Generator ON/OFF Switch Harness (Not Shown - Located at Platform)	
18	1001112589	1	Generator Harness (Not Shown)	
20	0721006	1	Bolt #10 x 3/4	
21	3311005	1	Nut #10	
22	4751000	1	Washer #10	
25	4360336	1	Switch, Toggle (Not Shown - Located at Platform)	
26	4740397	1	Bushing (Not Shown - Located at Platform)	
27	4060802	1	Guard, Switch (Not Shown - Located at Platform)	
28	3252507	2	Decal - 220V - 50Hz	
29	2820031	4 in/10cm	Heat Shrink (Not Shown - Located at Platform)	
30	3251102	1	Decal (Not Shown - Located at Platform)	

# SECTION 3 - ENGINE

## FIGURE 3-56. 2500W GENERATOR INSTALLATION - FORD ENGINES



ART\_1001217188

## SECTION 3 - ENGINE

**FIGURE 3-56. 2500W GENERATOR INSTALLATION - FORD ENGINES**

ITEM	PART NUMBER	QTY	DESCRIPTION	REV
	1001217188	Ref	2500W GENERATOR INSTALLATION	G
1	0100011	AR	Compound, Locking	
2	0100048	AR	Grease, Dielectric	
3	0760610	1	Bolt M6 x 20	
4	0641508	1	Bolt 5/16 x 1	
5	0641772	1	Bolt 7/16 x 9	
6	0761216	2	Bolt M12 x 40	
7	0761019	1	Bolt M10 x 55	
8	2460051	1	Generator and Control Box Assembly	
8A	7012558	1	Generator Only - 110V/60Hz	
		Ref	Note: Replacement Generators come standard with pin 3580134 pulley. This pulley may not be correct for all applications. Refer to pulley options below.	
8A	7026199	1	Armature with Slip Rings	
8A	7012513	4	Cap, Brush Holder	
8A	7020108	4	Brush	
8A	7020109	4	Holder, Brush	
8A	7012514	1	Fan	
8A	7020110	1	Bell, Front	
8A	7020111	1	Bell, Rear	
8A	7020190	2	Bearing	
8B	7019680	1	Box, Control - 110V/60Hz	
8B		Ref	Receptacle Options:	
8B	4460190	Ref	Receptacle, Standard (110V Only)	
8B	4460027	1	Receptacle, Twistlock (110V Only)	
8B	4360542	1	Breaker, Circuit	
8B	3520028	1	Plug, Hole	
8C	2420203	1	Voltmeter	
8D	3580324	1	Pulley	
8D	7027887	1	Key, Woodruff	
9	2820031	1	Heat Shrink (Not Shown - Located at Platform)	
10	3251102	1	Nameplate Generator (Not Shown - Located at Platform)	
11	3251243	1	Decal - 120V-60Hz	
13	3311005	2	Nut #10	
14	3290601	1	Nut M6	
15	3311705	1	Nut 7/16	
16	3740080	1	Relay	
17	4060802	1	Guard Switch (Not Shown - Located at Platform)	
18	4240099	AR	Tie-Strap (Not Shown)	
19	4360336	1	Switch, Toggle (Not Shown - Located at Platform)	
20	4460321	1	Plug, Male - 4 Position	
21	4460906	1	Socket, Female (Not Shown)	
22	4711700	2	Washer 7/16	
23	4751000	2	Washer #10	
24	4811700	1	Washer M6	
25	4891500	2	Washer 5/16	
26	4812000	1	Washer M10	
27	5241200	2	Washer M12	
28	4921829	1	Harness, Inverter	
30	1001219632	1	Arm, Adjustment	

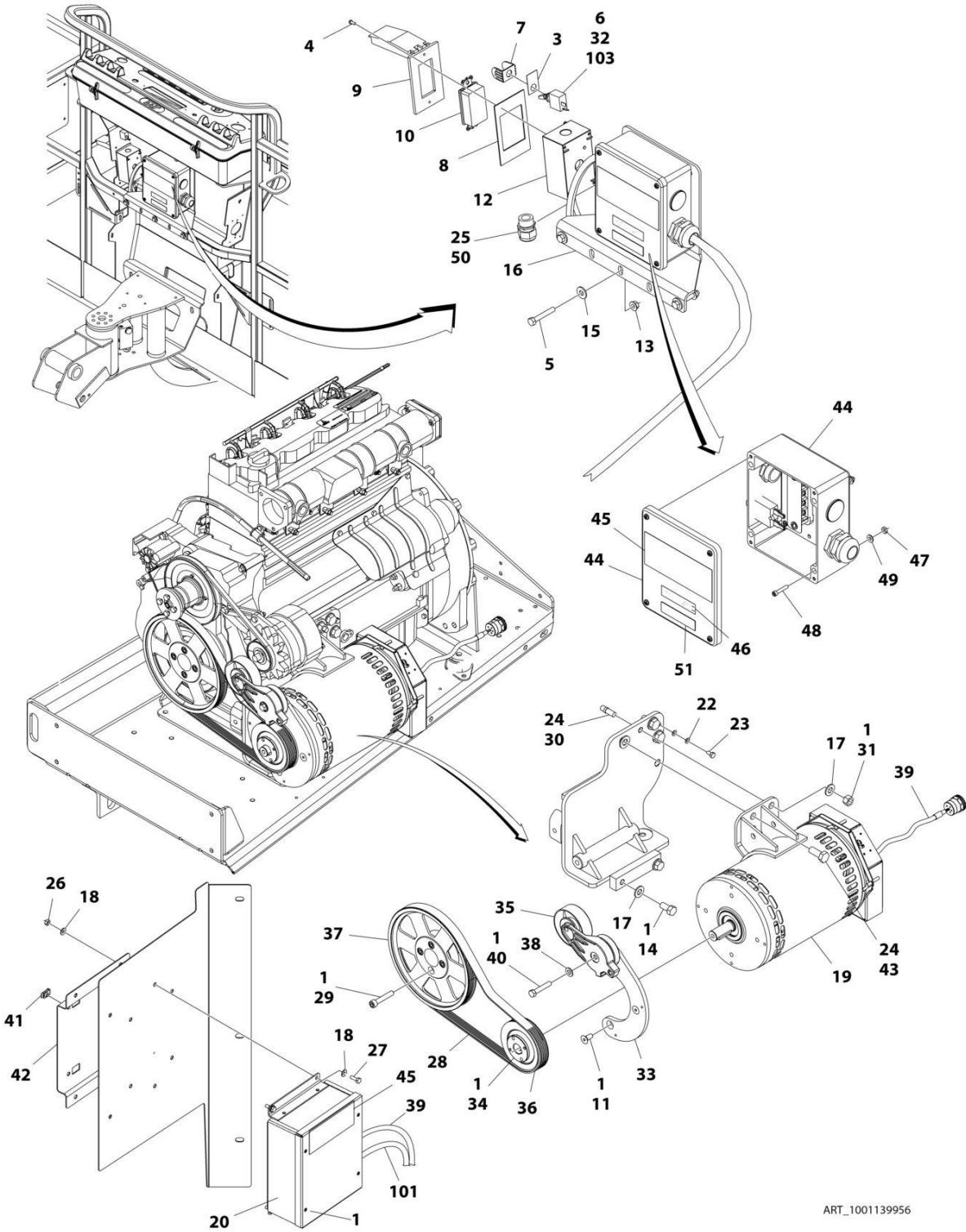
## SECTION 3 - ENGINE

ITEM	PART NUMBER	QTY	DESCRIPTION	REV
31	1001219630	1	Mount, Generator	
32	1001216391	1	V-Belt	



# SECTION 3 - ENGINE

## FIGURE 3-57. 4000W/60HZ GENERATOR INSTALLATION - DEUTZ D2011 ENGINES



ART\_1001139956

## SECTION 3 - ENGINE

**FIGURE 3-57. 4000W/60HZ GENERATOR INSTALLATION - DEUTZ D2011 ENGINES**

ITEM	PART NUMBER	QTY	DESCRIPTION	REV
	1001139956	Ref	4000W/60Hz Generator Installation - Deutz D2011 Engines	B
1	0100011	1	Compound, Locking	
3	3251102	1	Nameplate, Generator	
4	3910606	4	Screw #6 x 3/8	
5	0641516	3	Bolt 5/16 x 2	
6	4360336	1	Switch, Toggle	
7	4060802	1	Guard, Switch	
8	3960422	1	Gasket, AC Receptacle	
9	1001110873	1	Cover, Gang Vertical Receptacle GFCI	
10	4460346	1	Receptacle	
11	0741607	3	Screw 3/8 x 7/8	
12	0860038	1	Box, Switch-Weatherhead	
13	3311508	3	Nut 5/16	
14	0641808	2	Bolt 1/2 x 1	
15	4751500	3	Washer 5/16	
16	0902888	1	Bracket, Junction Box	
17	4711800	3	Washer 1/2	
18	4711400	8	Washer 1/4	
19	1001129858	1	Generator Assembly	
19	70003709	1	Ring, Retaining (External)	
19	70003708	1	Ring, Retaining (Internal)	
19	70001966	1	Bearing	
19	70004092	1	Endbell (Shaft End)	
19	70004171	1	Key	
19	70004676	1	Rotor	
19	70004684	1	Stator	
19	70004678	1	Endbell (Rear)	
19	70004679	1	Cover, Endbell (Rear)	
19	70004680	1	Enclosure, Wiring	
19	70004685	1	Cover, Enclosure	
19	70004682	1	Switch, Reset (Located on Enclosure Cover)	
19	70004098	1	Connector, Strain Relief (Located on Enclosure Cover)	
20	1001138566	1	Box, Control	
20	70006552	1	Capacitor	
20	70006553	1	Relay	
21	4240018	AR	Tie-Strap (Not Shown)	
22	4791400	2	Washer 1/4	
23	0641404	1	Bolt 1/4 x 1/2	
24	0100019	AR	Compound, Locking	
25	4460071	1	Connector, Strain Relief	
26	3311405	4	Nut 1/4	
27	0641406	4	Bolt 1/4 x 3/4	
28	0480129	1	Belt, Generator	
29	4032015	4	Capscrew M10 x 55	
30	4300157	1	Stud	
31	3311801	1	Nut 1/2	
32	2820031	AR	Heat Shrink	
33	1001139357	1	Mount, Tensioner	
34	0962520	1	Bushing, Split	
35	3580317	1	Tensioner, Belt with Pulley	

## SECTION 3 - ENGINE

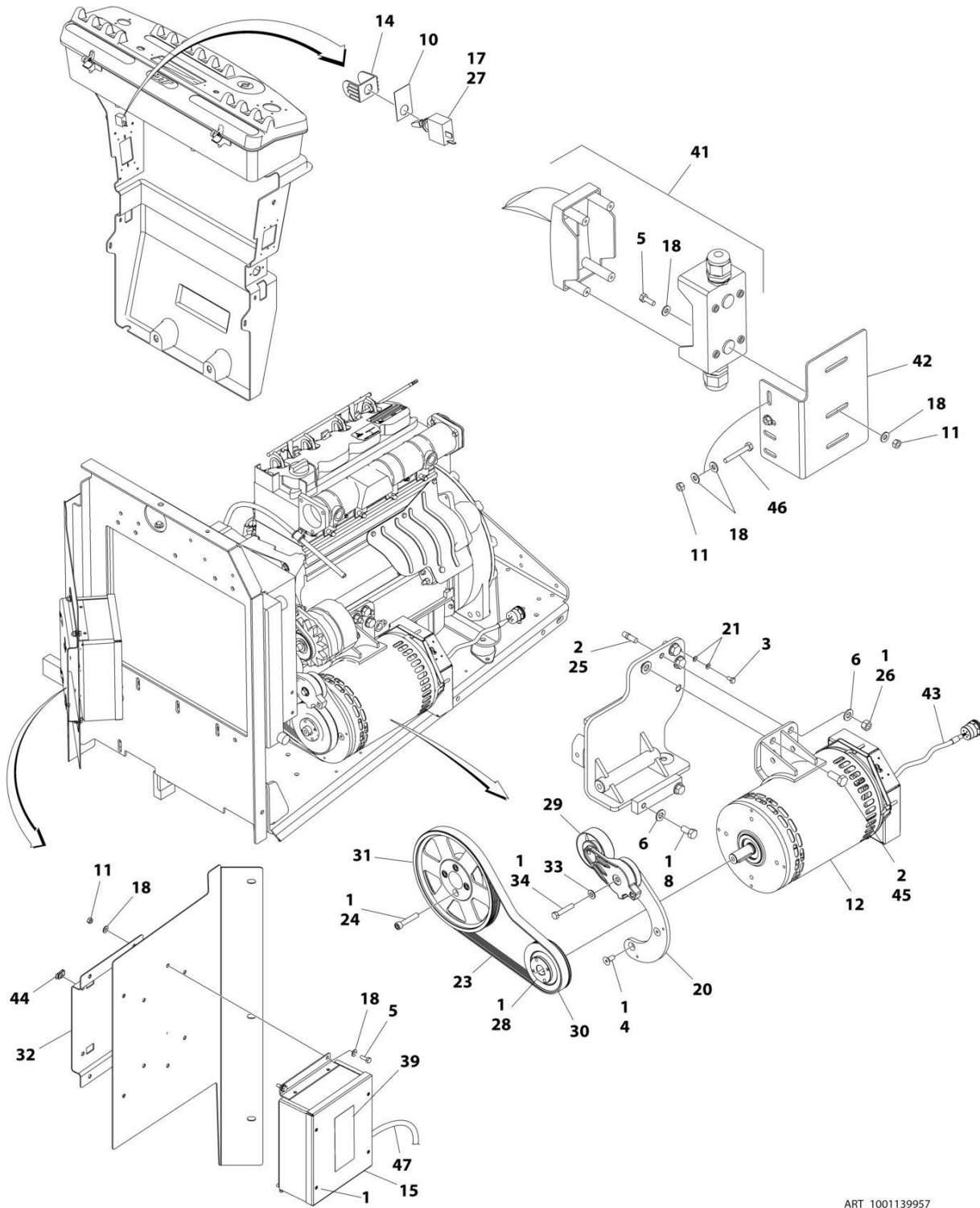
ITEM	PART NUMBER	QTY	DESCRIPTION	REV
36	3580318	1	Pulley, Generator	
37	3580320	1	Pulley, Engine Deutz	
38	4711600	1	Washer 3/8	
39	1001152532	1	Harness, Generator (See Separate Breakdown in ELECTRICAL Section)	
40	0641616	1	Bolt 3/8 x 2	
41	3300454	4	Nut, U-Style 1/4	
42	3575863	1	Plate	
43	0771415	1	Bolt M14 x 35 Grade 10.9	
44	1001152457	1	Junction Box Assembly	
44	3300396	1	Cover, Breaker	
44	4360070	1	Breaker, Circuit - 15Amp	
44	4460425	1	Connector, Strain Relief (LH Side)	
44	4460426	1	Connector, Strain Relief (RH Side)	
44	1001152530	1	Block, Terminal	
44	1001158363	1	Cover, Terminal Block	
44	1001153260	1	Decal - Wiring Diagram	
45	1705387	3	Decal - Hazardous Voltage	
46	3251243	1	Decal, 120V-60Hz	
47	3311005	4	Nut #10	
48	3931016	4	Capscrew #10 x 1	
49	4751000	4	Washer #10	
50	0100020	AR	Sealant	
51	1705374	1	Decal, 240V-60Hz	
		Ref	ELECTRICAL DIAGRAM COMPONENTS	
101	1001153197	1	Harness, Generator (See Separate Breakdown in ELECTRICAL Section)	
103	4922641	1	Harness, Switch	





# SECTION 3 - ENGINE

## FIGURE 3-58. 4000W/50HZ GENERATOR INSTALLATION - DEUTZ D2011 ENGINES



ART\_1001139957

## SECTION 3 - ENGINE

**FIGURE 3-58. 4000W/50HZ GENERATOR INSTALLATION - DEUTZ D2011 ENGINES**

ITEM	PART NUMBER	QTY	DESCRIPTION	REV
	1001139957	Ref	4000W/50HZ Generator Installation - Deutz D2011 Engines	D
1	0100011	AR	Compound, Locking	
2	0100019	AR	Compound, Locking	
3	0641404	1	Bolt 1/4 x 1/2	
4	0741607	3	Screw 3/8 x 7/8	
5	0641406	6	Bolt 1/4 x 3/4	
6	4711800	3	Washer 1/2	
8	0641808	2	Bolt 1/2 x 1	
10	3251102	1	Nameplate, Generator	
11	3311405	8	Nut 1/4	
12	1001138565	1	Generator Assembly	
12	70003709	1	Ring, Retaining (External)	
12	70003708	1	Ring, Retaining (Internal)	
12	70001966	1	Bearing	
12	70004092	1	Endbell (Shaft End)	
12	70004171	1	Key	
12	70004676	1	Rotor	
12	70004677	1	Stator	
12	70004678	1	Endbell (Rear)	
12	70004679	1	Cover, Endbell (Rear)	
12	70004680	1	Enclosure, Wiring	
12	70004681	1	Cover, Enclosure	
12	70004682	1	Switch, Reset (Located on Enclosure Cover)	
12	70004683	1	Connector, Strain Relief (Located on Enclosure Cover)	
14	4060802	1	Guard, Switch	
15	1001138566	1	Box, Control	
15	70006552	1	Capacitor	
15	70006553	1	Relay	
16	4240018	AR	Tie-Strap (Not Shown)	
17	4360336	1	Switch, Toggle	
17	4922641	1	Harness, On/Off Switch	
18	4711400	16	Washer 1/4	
20	1001139357	1	Mount, Tensioner	
21	4791400	2	Washer 1/4	
23	0480126	1	Belt, Generator	
24	4032015	4	Capscrew M10 x 55	
25	4300157	1	Stud	
26	3311801	1	Nut 1/2	
27	2820031	AR	Heat Shrink	
28	0962520	1	Bushing, Split	
29	3580317	1	Tensioner, Belt with Pulley	
30	3580319	1	Pulley, Generator	
31	3580320	1	Pulley, Engine Deutz	
32	3575863	1	Plate	
33	4711600	1	Washer 3/8	
34	0641616	1	Bolt 3/8 x 2	
39	1705489	2	Decal - Hazardous Voltage	
41	1001096070	1	Breaker Box Kit (Not Shown) (See Separate Breakdown in ELECTRICAL SECTION)	
42	1001153636	1	Bracket	

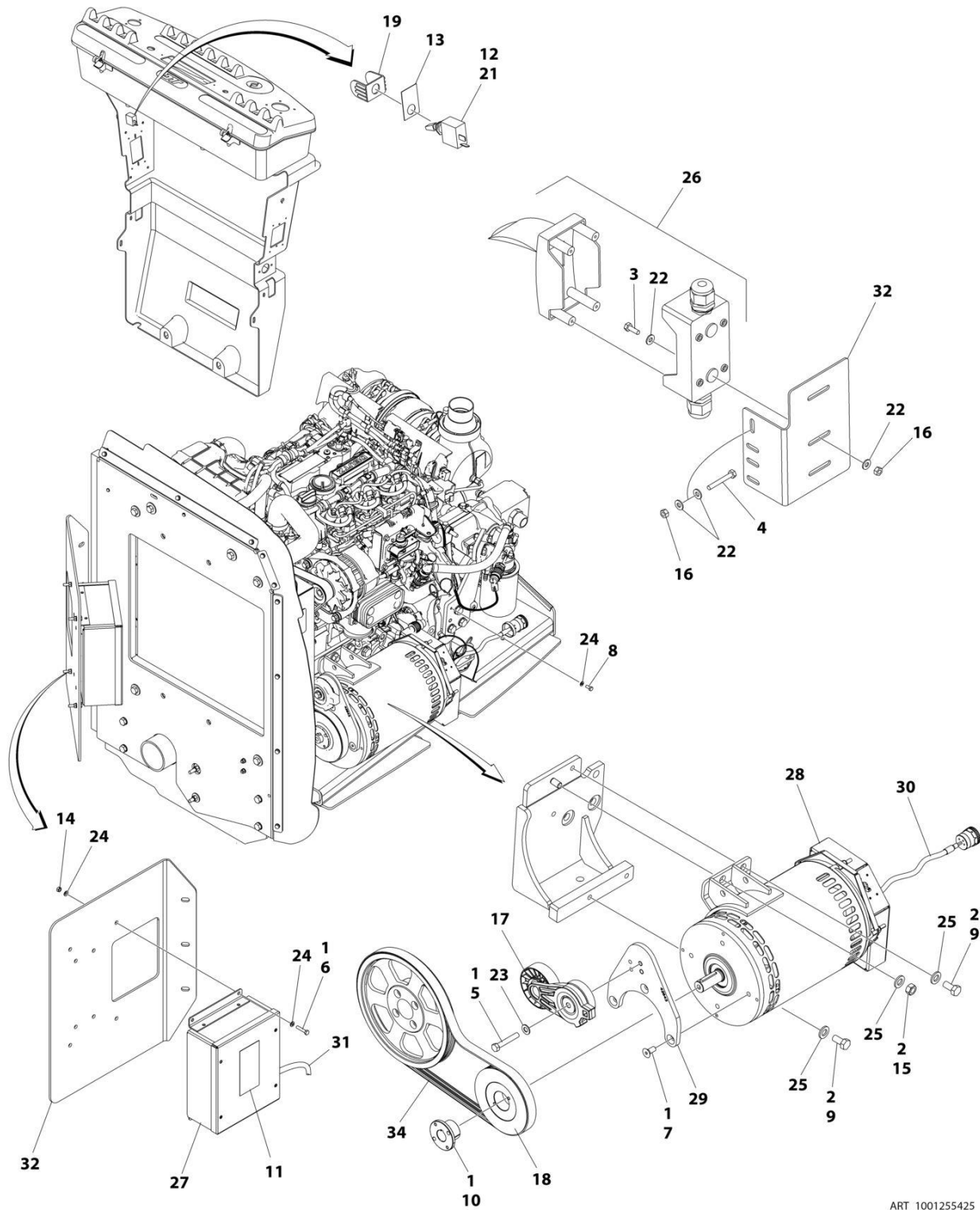
## SECTION 3 - ENGINE

ITEM	PART NUMBER	QTY	DESCRIPTION	REV
43	1001152532	1	Harness, Generator (See Separate Breakdown in ELECTRICAL SECTION)	
44	3300454	4	Nut, U-Style 1/4	
45	0771415	1	Bolt M14 x 35 Grade 10.9	
46	0641415	2	Capscrew 1/4 x 1-7/8	
47	1001153197	1	Harness, Generator (See Separate Breakdown in ELECTRICAL SECTION)	



# SECTION 3 - ENGINE

## FIGURE 3-59. 4000W/50HZ GENERATOR INSTALLATION - DEUTZ TD2.2L3 ENGINES



ART\_1001255425

## SECTION 3 - ENGINE

**FIGURE 3-59. 4000W/50HZ GENERATOR INSTALLATION - DEUTZ TD2.2L3 ENGINES**

ITEM	PART NUMBER	QTY	DESCRIPTION	REV
	1001255425	Ref	4000W/50HZ Generator Installation - Deutz TD2.2L3 (Stage V) Engines	B
1	0100011	AR	Compound, Locking	
2	0100019	AR	Compound, Locking	
3	0641406	2	Bolt 1/4 x 3/4	
4	0641415	2	Bolt 1/4 x 1-7/8	
5	0641618	1	Bolt 3/8 x 2-1/4	
6	0700614	4	Bolt M6 x 30	
7	0741607	3	Screw 3/8 x 7/8	
8	0760607	1	Bolt M6 x 14	
9	0761212	3	Bolt M12 x 25	
10	0962520	1	Bushing, Split	
11	1705489	2	Decal - Hazardous Voltage	
12	2820031	AR	Heat Shrink	
13	3252764	1	Nameplate	
14	3290601	4	Nut M6	
15	3291201	1	Nut M12	
16	3311405	4	Nut 1/4	
17	3580317	1	Tensioner, Belt with Pulley	
18	3580319	1	Pulley, Generator	
19	4060802	1	Guard, Switch	
20	4240018	AR	Tie-Strap (Not Shown)	
21	4360336	1	Switch, Toggle	
21	4922641	1	Harness, On/Off Switch	
22	4711400	8	Washer 1/4	
23	4711600	1	Washer 3/8	
24	4811700	9	Washer M6	
25	5241200	4	Washer M12	
26	1001096070	1	Breaker Box Kit (See Separate Breakdown in ELECTRICAL SECTION)	
27	1001138566	1	Box, Control	
27	70006552	1	Capacitor	
27	70006553	1	Relay	
28	1001140347	1	Generator Assembly	
28	70003709	1	Ring, Retaining (External)	
28	70003708	1	Ring, Retaining (Internal)	
28	70001966	1	Bearing	
28	70004092	1	Endbell (Shaft End)	
28	70004099	1	Key	
28	70004676	1	Rotor	
28	70004686	1	Stator	
28	70004678	1	Endbell (Rear)	
28	70004679	1	Cover, Endbell (Rear)	
28	70004680	1	Enclosure, Wiring	
28	70004681	1	Cover, Enclosure	
28	70004682	1	Switch, Reset (Located on Enclosure Cover)	
28	70004683	1	Connector, Strain Relief (Located on Enclosure Cover)	
28	4460224	1	Receptacle, Female - 6 Position (Connects to Generator Harness)	
28	4460294	6	Pin, Male (Use with p/n 4460224)	

## SECTION 3 - ENGINE

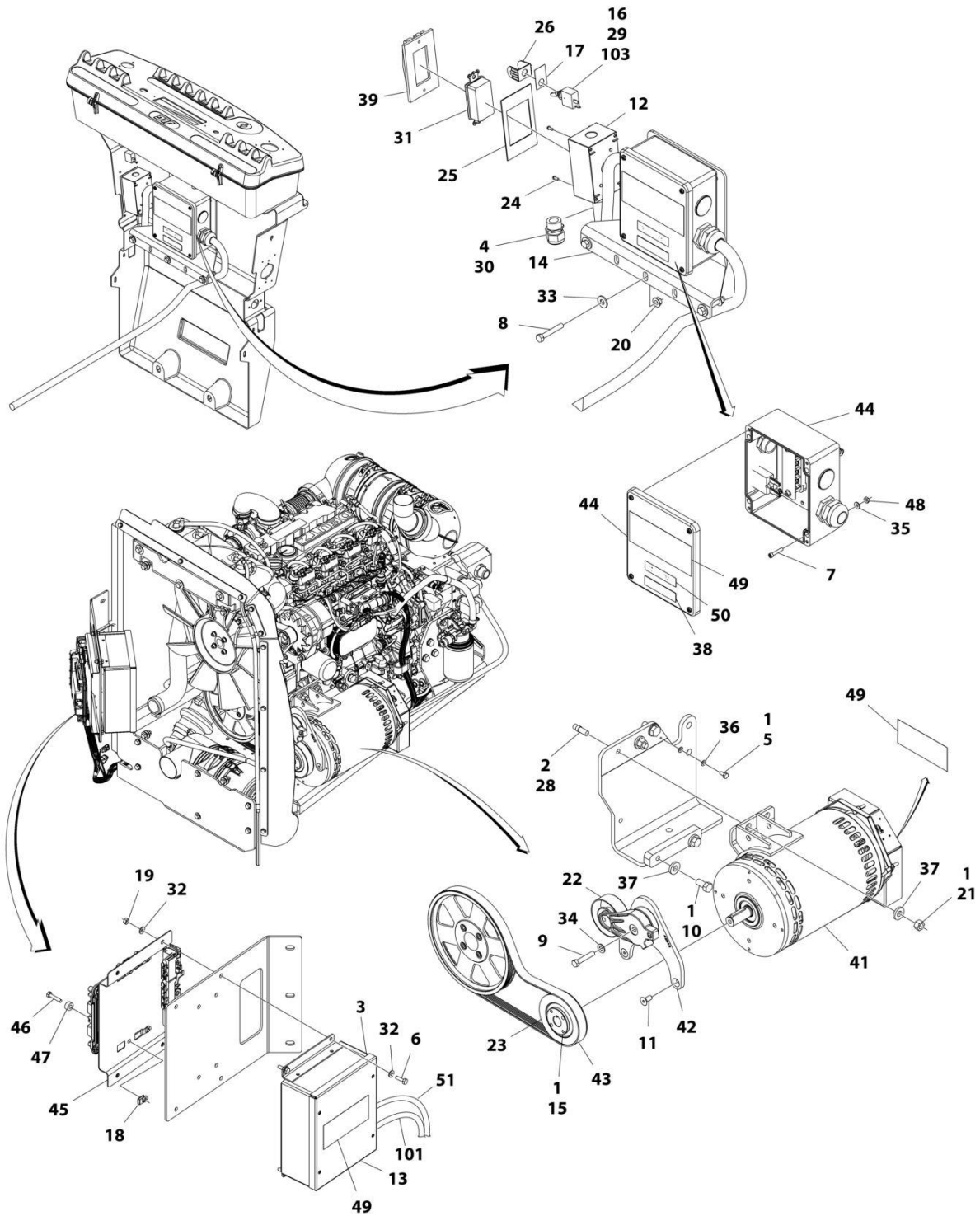
ITEM	PART NUMBER	QTY	DESCRIPTION	REV
28	4460807	6	Seal, Terminal (Use with p/n 4460224)	
28	4460808	1	Seal, Interface (Use with p/n 4460224)	
29	1001142643	1	Support, Gen Tensioner	
30	1001152532	1	Harness, Generator (See Separate Breakdown in ELECTRICAL SECTION)	
31	1001153197	1	Harness, Generator (See Separate Breakdown in ELECTRICAL SECTION)	
32	1001153636	1	Bracket	
33	1001175632	1	Wire	
34	1001214683	1	Belt, Generator	





# SECTION 3 - ENGINE

## FIGURE 3-60. 4000W/60HZ GENERATOR INSTALLATION - DEUTZ TD2.9L4 ENGINES



ART\_1001171126

## SECTION 3 - ENGINE

**FIGURE 3-60. 4000W/60HZ GENERATOR INSTALLATION - DEUTZ TD2.9L4 ENGINES**

ITEM	PART NUMBER	QTY	DESCRIPTION	REV
	1001171126	Ref	4000W/60HZ Generator Installation	B
1	0100011	AR	Compound, Locking	
2	0100019	AR	Compound, Locking	
3	0100048	AR	Grease, Dielectric	
4	0100079	AR	Sealant	
5	0641404	1	Bolt 1/4 x 1/2	
6	0641407	4	Bolt 1/4 x 7/8	
7	3931016	4	Capscrew #10 x 1	
8	0641516	3	Bolt 5/16 x 2	
9	0641616	1	Bolt 3/8 x 2	
10	0641808	2	Bolt 1/2 x 1	
11	0741607	3	Screw, Flathead 3/8 x 7/8	
12	0860038	1	Box, Switch	
13	1001138566	1	Box, Control	
13	70006552	1	Capacitor	
13	70006553	1	Relay	
14	0902888	1	Bracket, Junction Box	
15	0962520	1	Bushing, Split	
16	2820031	0.33 ft /.10m	Heat Shrink	
17	3251102	1	Nameplate, Generator	
18	3300454	4	Nut, U-Style 1/4	
19	3311405	4	Nut 1/4	
20	3311508	3	Nut 5/16	
21	3311801	2	Nut 1/2	
22	3580317	1	Tensioner, Belt with Pulley	
23	3580318	1	Pulley, Generator	
24	3910606	4	Screw #6 x 3/8	
25	3960422	1	Gasket, AC Receptacle	
26	4060802	1	Guard, Switch	
27	4240018	AR	Tie-Strap (Not Shown)	
28	1001163599	2	Stud	
29	4360336	1	Switch, Toggle	
30	4460071	1	Connector, Strain Relief	
31	4460346	1	Receptacle	
32	4711400	8	Washer 1/4	
33	4751500	3	Washer 5/16	
34	4711600	1	Washer 3/8	
35	4751000	4	Washer #10	
36	4791400	2	Washer 1/4	
37	4891800	4	Washer 1/2	
38	1705374	1	Decal, 240V	
39	1001110873	1	Cover, Receptacle	
41	1001140346	1	Generator Assembly	
41	70003709	1	Ring, Retaining (External)	
41	70003708	1	Ring, Retaining (Internal)	
41	70001966	1	Bearing	
41	70004092	1	Endbell (Shaft End)	
41	70004099	1	Key	
41	70004676	1	Rotor	

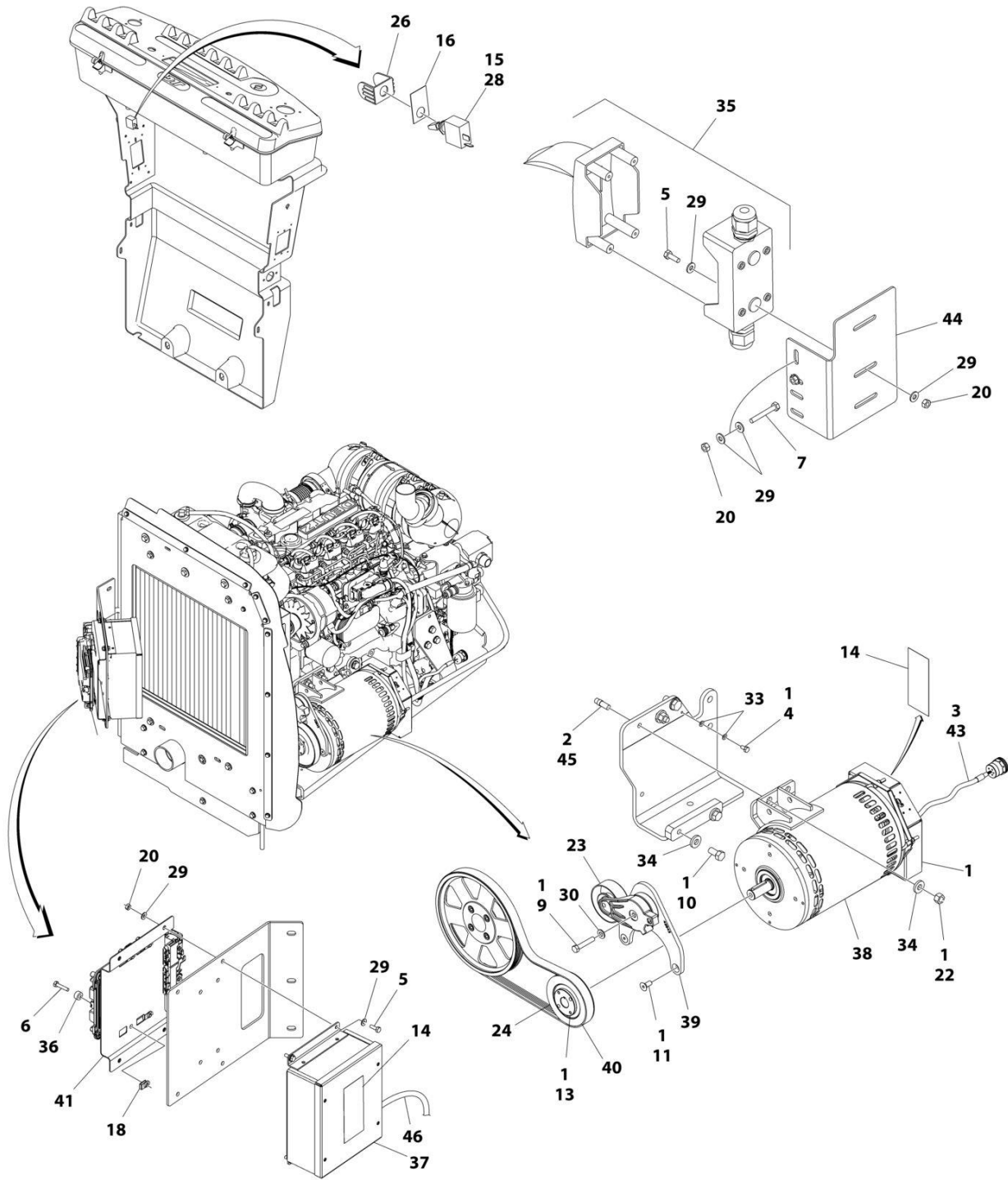
## SECTION 3 - ENGINE

ITEM	PART NUMBER	QTY	DESCRIPTION	REV
41	70004687	1	Stator	
41	70004678	1	Endbell (Rear)	
41	70004679	1	Cover, Endbell (Rear)	
41	70004680	1	Enclosure, Wiring	
41	70004685	1	Cover, Enclosure	
41	70004682	1	Switch, Reset (Located on Enclosure Cover)	
41	70004098	1	Connector, Strain Relief (Located on Enclosure Cover)	
41	4460224	1	Receptacle, Female - 6 Position (Connects to Generator Harness)	
41	4460294	6	Pin, Male (Use with p/n 4460224)	
41	4460807	6	Seal, Terminal (Use with p/n 4460224)	
41	4460808	1	Seal, Interface (Use with p/n 4460224)	
42	1001142643	1	Support, Gen Tensioner	
43	1001142646	1	Belt, Generator	
44	1001152457	1	Junction Box Assembly	
44	3300396	1	Cover, Breaker	
44	4360070	1	Breaker, Circuit - 15Amp	
44	4460425	1	Connector, Strain Relief (LH Side)	
44	4460426	1	Connector, Strain Relief (RH Side)	
44	1001152530	1	Block, Terminal	
44	1001158363	1	Cover, Terminal Block	
44	1001153260	1	Decal - Wiring Diagram	
45	1001145330	1	Bracket	
46	0641410	4	Bolt 1/4 x 1-1/4	
47	1001110425	4	Spacer	
48	3311005	4	Nut #10	
49	1705387	3	Decal - Hazardous Voltage	
50	3251243	1	Decal, 120V-60Hz	
51	1001152532	1	Harness, Generator (See Separate Breakdown in ELECTRICAL SECTION)	
		Ref	ELECTRICAL DIAGRAM COMPONENTS	
101	1001153259	1	Harness, Generator	
103	4922641	1	Harness, Switch	



# SECTION 3 - ENGINE

## FIGURE 3-61. 4000W/50HZ GENERATOR INSTALLATION - DEUTZ TD2.9L4 ENGINES



ART\_1001171268

## SECTION 3 - ENGINE

**FIGURE 3-61. 4000W/50HZ GENERATOR INSTALLATION - DEUTZ TD2.9L4 ENGINES**

ITEM	PART NUMBER	QTY	DESCRIPTION	REV
	1001171268	Ref	4000W/50HZ Generator Installation	C
1	0100011	AR	Compound, Locking	
2	0100019	AR	Compound, Locking	
3	0100048	AR	Grease, Dielectric	
4	0641404	1	Bolt 1/4 x 1/2	
5	0641406	6	Bolt 1/4 x 3/4	
6	0641410	4	Bolt 1/4 x 1-1/4	
7	0641415	2	Bolt 1/4 x 1-7/8	
9	0641618	1	Bolt 3/8 x 2-1/4	
10	0641808	2	Bolt 1/2 x 1	
11	0741607	3	Screw, Flathead 3/8 x 7/8	
13	0962520	1	Bushing, Split	
14	1705489	2	Decal - Hazardous Voltage	
15	2820031	0.33 ft /.10m	Heat Shrink	
16	3251102	1	Nameplate, Generator	
18	3300454	4	Nut, U-Style 1/4	
20	3311405	4	Nut 1/4	
22	3311801	2	Nut 1/2	
23	3580317	1	Tensioner, Belt with Pulley	
24	3580319	1	Pulley, Generator	
26	4060802	1	Guard, Switch	
27	4240018	AR	Tie-Strap (Not Shown)	
28	4360336	1	Switch, Toggle	
29	4711400	16	Washer 1/4	
30	4711600	1	Washer 3/8	
33	4791400	2	Washer 1/4	
34	4891800	4	Washer 1/2	
35	1001096070	1	Breaker Box Kit (Not Shown) (See Separate Breakdown in ELECTRICAL SECTION)	
36	1001110425	4	Spacer	
37	1001138566	1	Box, Control	
37	70006552	1	Capacitor	
37	70006553	1	Relay	
38	1001140347	1	Generator Assembly	
38	70003709	1	Ring, Retaining (External)	
38	70003708	1	Ring, Retaining (Internal)	
38	70001966	1	Bearing	
38	70004092	1	Endbell (Shaft End)	
38	70004099	1	Key	
38	70004676	1	Rotor	
38	70004686	1	Stator	
38	70004678	1	Endbell (Rear)	
38	70004679	1	Cover, Endbell (Rear)	
38	70004680	1	Enclosure, Wiring	
38	70004681	1	Cover, Enclosure	
38	70004682	1	Switch, Reset (Located on Enclosure Cover)	
38	70004683	1	Connector, Strain Relief (Located on Enclosure Cover)	
38	4460224	1	Receptacle, Female - 6 Position (Connects to Generator Harness)	

## SECTION 3 - ENGINE

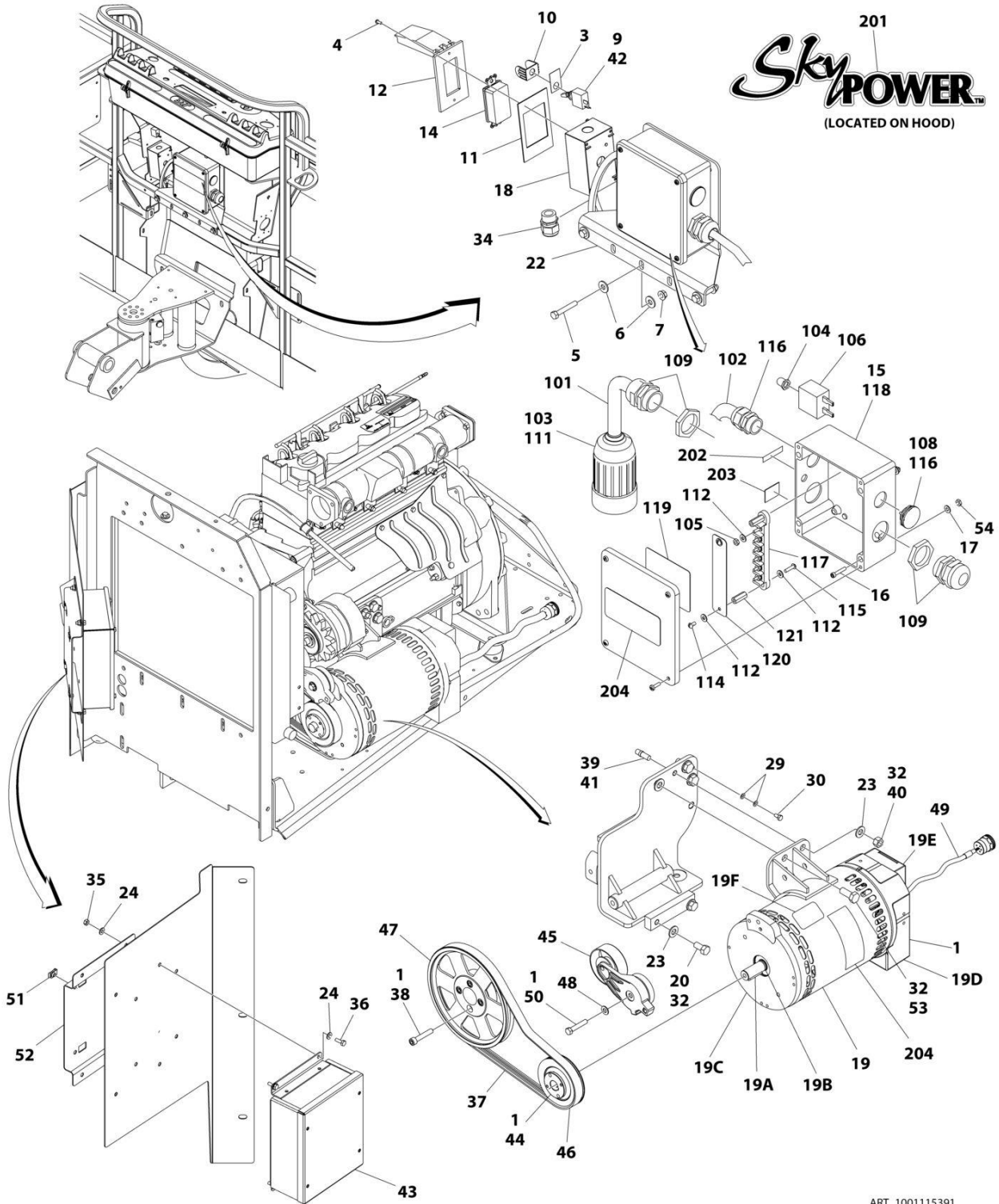
ITEM	PART NUMBER	QTY	DESCRIPTION	REV
38	4460294	6	Pin, Male (Use with p/n 4460224)	
38	4460807	6	Seal, Terminal (Use with p/n 4460224)	
38	4460808	1	Seal, INterface (Use with p/n 4460224)	
39	1001142643	1	Support, Gen Tensioner	
40	1001142645	1	Belt	
41	1001145330	1	Bracket	
43	1001152532	1	Harness, Generator (See Separate Breakdown in ELECTRICAL SECTION)	
44	1001153636	1	Bracket	
45	1001163599	2	Stud	
46	1001153259	1	Harness, Generator	





# SECTION 3 - ENGINE

## FIGURE 3-62. 7500W/60HZ SKYPOWER GENERATOR INSTALLATION - DEUTZ D2011 ENGINES



## SECTION 3 - ENGINE

**FIGURE 3-62. 7500W/60HZ SKYPOWER GENERATOR INSTALLATION - DEUTZ D2011 ENGINES**

ITEM	PART NUMBER	QTY	DESCRIPTION	REV
	1001115391	Ref	7500W/60HZ SKYPOWER GENERATOR INSTALLATION	F
1	0100011	AR	Compound, Locking	
3	3252764	1	Nameplate	
4	3910606	4	Screw #6 x 3/8	
5	0641516	3	Bolt 5/16 x 2	
6	4711500	6	Washer	
7	3311505	3	Nut 5/16	
9	4360336	1	Switch, Toggle	
10	4060802	1	Guard, Switch	
11	3960422	1	Gasket	
12	1001110873	1	Cover, Receptacle	
14	4460346	1	Receptacle	
15	1001157592	Ref	Junction Box Assembly Options (See Items 101-121 for Breakdown)	
16	3931016	4	Capscrew #10 x 1	
17	4751000	4	Washer #10	
18	0860038	1	Box, Switch	
19	2460048	1	Generator Assembly	D
19	70001100	1	Rotor (Includes p/n 70001384 & 70000863) (Not Shown)	
19	70001384	1	Bearing, Ball Radial (Not Shown)	
19	70000863	1	Fan (Not Shown)	
19	70002088	1	Stator (Not Shown)	
19	70002297	1	Stud	
19	70003631	1	Brushholder Assembly (Not Shown)	
19A	70004171	1	Key	
19B	70001966	1	Bearing, Ball Radial (Located in Belt Tensioner Endbell)	
19B	70003708	1	Ring, Internal Retaining (Located in Belt Tensioner Endbell)	
19B	70003709	1	Ring, External Retaining (Located in Belt Tensioner Endbell)	
19C	70001953	1	Endbell, Belt Tensioner	
19D	70004169	1	Endbell, Brush Block	
19E	70002290	1	Shroud	
19E	7027799	1	Block, Connector 6 Position (Not Shown)	
19E	7026626	1	Connector - 6 Position with Seal (Not Shown)	
19E	70002460	1	Nut, Brass (Attaches p/n 7027799 to Cover) (Not Shown)	
19E	7024485	1	Breaker, Circuit 30Amp (Not Shown)	
19E	70001696	1	Boot, Breaker (Not Shown)	
19E	7026597	1	Connector, W/Leads (Not Shown)	
19E	7026188	1	Clamp, Cable (Not Shown)	
19E	70003708	1	Ring, Retaining (Internal) (Not Shown)	
19E	70003709	1	Ring, Retaining (External) (Not Shown)	
19E	70004169	1	Plate, End Panel	
19E	70001974	1	Decal - Terminal Connections	
19F	70001973	1	Decal - Warning Moving Parts	
20	0641808	2	Bolt 1/2 x 1	
22	0902888	1	Bracket, Box Mounting	
23	4711800	3	Washer 1/2	
24	4711400	8	Washer 1/4	
28	4240018	AR	Tie-Strap (Not Shown)	
29	4791400	2	Starwasher 1/4	
30	0641403	1	Bolt 1/4 x 3/8	

## SECTION 3 - ENGINE

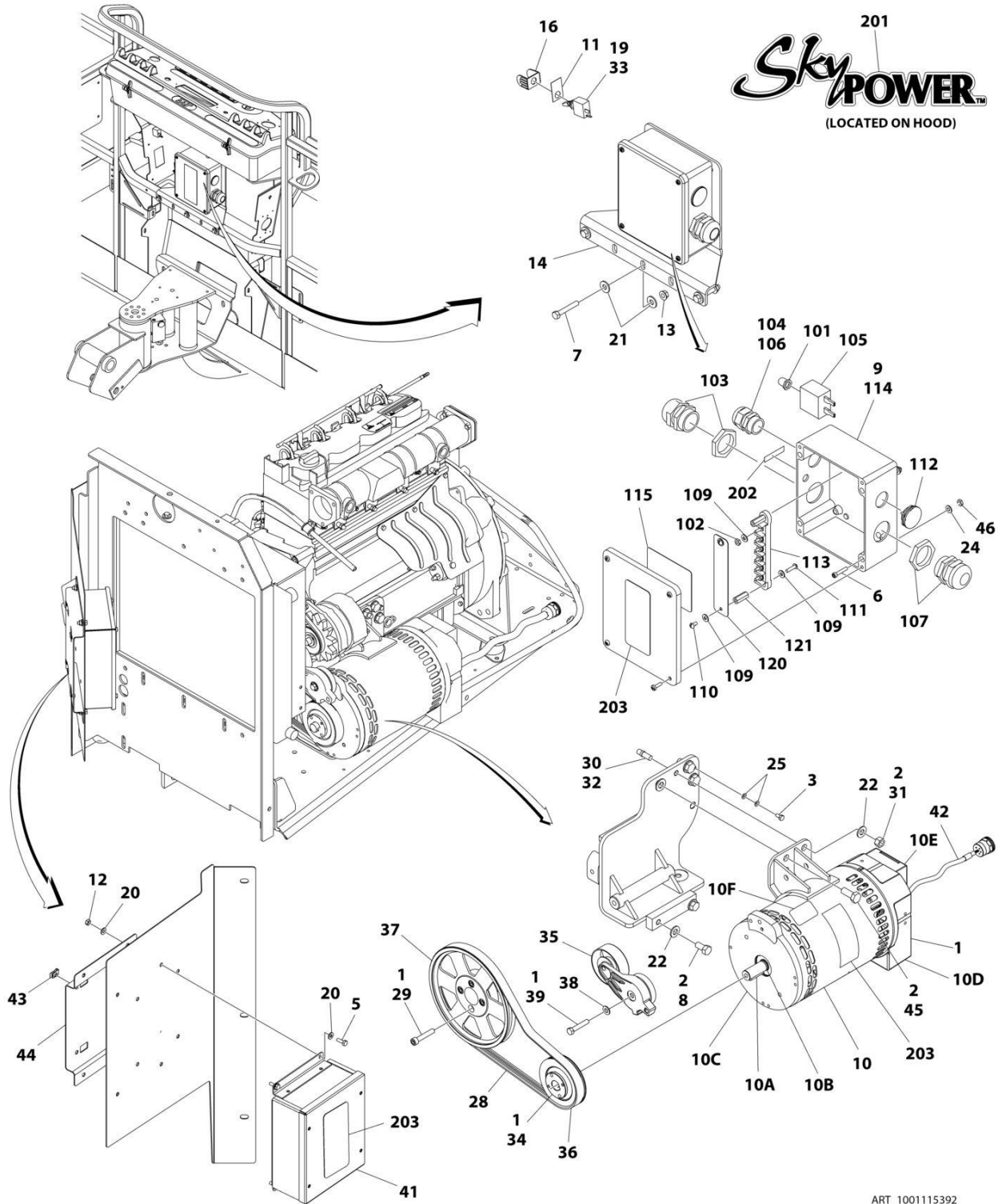
ITEM	PART NUMBER	QTY	DESCRIPTION	REV
32	0100019	AR	Compound, Locking	
34	4460071	1	Connector, Strain Relief	
35	3311405	4	Nut 1/4	
36	0641406	4	Bolt 1/4 x 3/4	
37	0480129	1	Belt, Drive	
38	4032015	4	Capscrew M10 x 55	
39	4300157	1	Stud	
40	3311801	1	Nut 1/2	
41	0100062	AR	Adhesive	
42	2820031	1	Insulator	
43	0861538	1	Control Box Assembly	
43	7024488	1	Card, Circuit - Generator Power	
43	See Note	1	Fuse (Note: Not Available - Purchase Locally)	
43	7024489	1	Card, Circuit - Control	
		Ref	Note: Same Circuit Card (p/n 7024489) is used for both 60Hz and 50Hz. When replacing card, rocker switch on card must be set for required application	
43	70000619	1	Harness, Circuit Card	
44	0962520	1	Bushing, Split Taper	
45	3580317	1	Tensioner, Belt	
46	3580318	1	Pulley	
47	3580320	1	Pulley	
48	4711600	1	Washer 3/8	
49	4922925	1	Harness, Generator (See Separate Breakdown in ELECTRICAL SECTION)	
50	0641618	1	Bolt 3/8 x 2-1/4	
51	3300454	4	Nut Special 1/4	
52	3575863	1	Plate, EMR2 Mount	
53	0771415	1	Bolt M14 x 35	
54	3311005	4	Nut #10	
	1001157592	Ref	JUNCTION BOX ASSEMBLY	D
101	1060343	AR	Cable, Electrical 10/4	
102	1001179154	2 ft/.6m	Cable, Electrical 12/3	
103	1671092	1	Cover	
104	3300396	1	Cover, Fuse	
105	3311001	6	Nut #10	
106	4360070	1	Circuit Breaker - 15 Amp	
108	4460425	1	Strain Relief, Terminal	
109	4460426	2	Connector, Strain Relief	
111	4460963	1	Connector	
112	4711000	10	Washer #10	
114	10702077	2	Screw #10 x 3/8	
115	10702082	2	Screw #10 x 3/4	
116	1001152525	1	Plug, Hole	
117	1001157520	1	Block, Terminal - 6 Pole	
118	1001157521	1	Box, Junction	
119	1001157528	1	Decal - Wiring Schematic	
120	1001158007	1	Cover, PVC	
121	1001158008	2	Stand-Off	
	0272435	Ref	DECAL INSTALLATION	D
201	1705460	2	Decal - SkyPower	
202	3251243	1	Decal - 120V - 60Hz (Located on Opposite Side)	

## SECTION 3 - ENGINE

ITEM	PART NUMBER	QTY	DESCRIPTION	REV
203	1705375	1	Decal - 240V - 3 Phase	B
204	1705387	3	Decal, Hazardous Voltage	
	1001157769	Ref	ELECTRICAL DIAGRAM COMPONENTS	
301	1001152429	1	Generator Harness (Not Shown - See Separate Breakdown in ELECTRICAL SECTION)	
304	4922641	1	Switch Harness (Not Shown)	

# SECTION 3 - ENGINE

## FIGURE 3-63. 7500W/50HZ SKYPOWER GENERATOR INSTALLATION - DEUTZ D2011 ENGINES



ART\_1001115392

## SECTION 3 - ENGINE

**FIGURE 3-63. 7500W/50HZ SKYPOWER GENERATOR INSTALLATION - DEUTZ D2011 ENGINES**

ITEM	PART NUMBER	QTY	DESCRIPTION	REV
	1001115392	Ref	7500W/50HZ SKYPOWER GENERATOR INSTALLATION	E
1	0100011	AR	Compound, Locking	
2	0100019	AR	Compound, Locking	
3	0641403	1	Bolt 1/4 x 3/8	
5	0641406	4	Bolt 1/4 x 3/4	
6	3931016	4	Capscrew #10 x 1	
7	0641516	3	Bolt 5/16 x 2	
8	0641808	2	Bolt 1/2 x 1	
9	1001157525	Ref	Junction Box Assembly Options (See Items 101-121 for Breakdown)	
10	2460048	1	Generator Assembly	D
10	70001100	1	Rotor (Includes p/n 70001384 & 70000863) (Not Shown)	
10	70001384	1	Bearing, Ball Radial (Not Shown)	
10	70000863	1	Fan (Not Shown)	
10	70002088	1	Stator (Not Shown)	
10	70002297	1	Stud	
10	70003631	1	Brushholder Assembly (Not Shown)	
10A	70004171	1	Key	
10B	70001966	1	Bearing, Ball Radial (Located in Belt Tensioner Endbell)	
10B	70003708	1	Ring, Internal Retaining (Located in Belt Tensioner Endbell)	
10B	70003709	1	Ring, External Retaining (Located in Belt Tensioner Endbell)	
10C	70001953	1	Endbell, Belt Tensioner	
10D	70004169	1	Endbell, Brush Block	
10E	70002290	1	Shroud	
10E	7027799	1	Block, Connector 6 Position (Not Shown)	
10E	7026626	1	Connector - 6 Position with Seal (Not Shown)	
10E	70002460	1	Nut, Brass (Attaches p/n 7027799 to Cover) (Not Shown)	
10E	7024485	1	Breaker, Circuit 30Amp (Not Shown)	
10E	70001696	1	Boot, Breaker (Not Shown)	
10E	7026597	1	Connector, W/Leads (Not Shown)	
10E	7026188	1	Clamp, Cable (Not Shown)	
10E	70003708	1	Ring, Retaining (Internal) (Not Shown)	
10E	70003709	1	Ring, Retaining (External) (Not Shown)	
10E	70004169	1	Plate, End Panel	
10E	70001974	1	Decal - Terminal Connections	
10F	70001973	1	Decal - Warning Moving Parts	
11	3252764	1	Nameplate	
12	3311405	4	Nut 1/4	
13	3311505	3	Nut 5/16	
14	0902888	1	Bracket, Box Mounting	
16	4060802	1	Guard, Switch	
18	4240018	AR	Tie-Strap (Not Shown)	
19	4360336	1	Switch, Toggle	
20	4711400	8	Washer 1/4	
21	4711500	6	Washer	
22	4711800	3	Washer 1/2	
24	4751000	4	Washer #10	
25	4791400	2	Starwasher 1/4	
28	0480126	1	Belt, Drive	
29	4032015	4	Capscrew M10 x 55	

## SECTION 3 - ENGINE

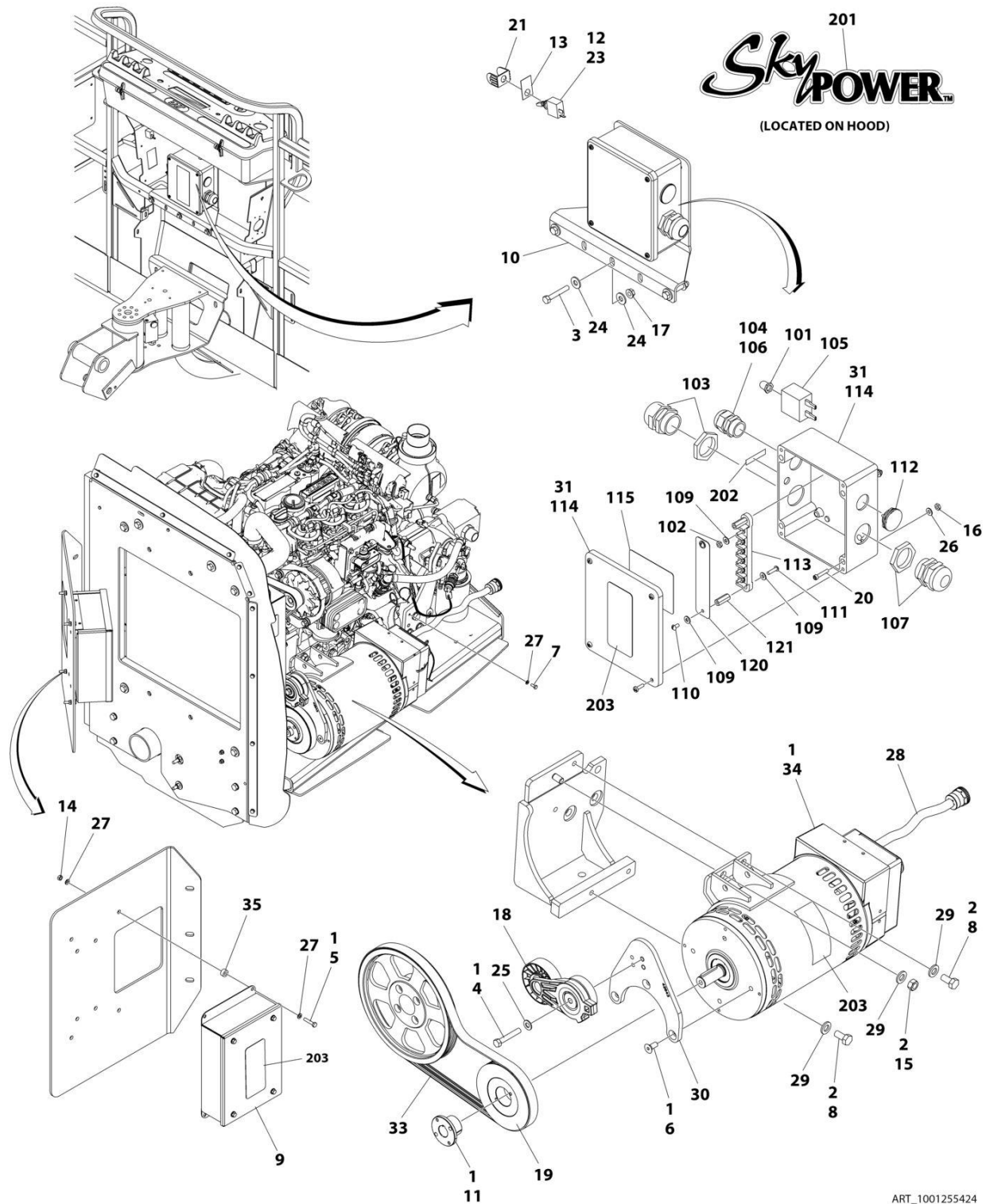
ITEM	PART NUMBER	QTY	DESCRIPTION	REV
30	4300157	1	Stud	
31	3311801	1	Nut 1/2	
32	0100062	AR	Adhesive	
33	2820031	1	Insulator	
34	0962520	1	Bushing, Split Taper	
35	3580317	1	Tensioner, Belt	
36	3580319	1	Pulley	
37	3580320	1	Pulley	
38	4711600	1	Washer 3/8	
39	0641618	1	Bolt 3/8 x 2-1/4	
41	0861572	1	Control Box Assembly	
41	7024488	1	Card, Circuit - Generator Power	
41	See Note	1	Fuse (Note: Not Available - Purchase Locally)	
41	7024489	1	Card, Circuit - Control	
		Ref	"Note: Same Circuit Card (p/n 7024489) is used for both 60Hz and 50Hz. When replacing card, rocker switch on card must be set for required application."	
41	70000619	1	Harness, Circuit Card	
42	4922925	1	Harness, Generator (See Separate Breakdown in ELECTRICAL SECTION)	
43	3300454	4	Nut Special 1/4	
44	3575863	1	Plate, EMR2 Mount	
45	0771415	1	Bolt M14 x 35	
46	3311005	4	Nut #10	
	1001157525	Ref	JUNCTION BOX ASSEMBLY	B
101	3300396	1	Cover, Fuse	
102	3311001	6	Nut #10	
103	3520189	1	Plug	
104	3520192	1	Plug	
105	4360070	1	Circuit Breaker - 15 Amp	
106	4460425	1	Strain Relief, Terminal	
107	4460426	2	Connector, Strain Relief	
109	4711000	10	Washer #10	
110	10702077	2	Screw #10 x 3/8	
111	10702082	2	Screw #10 x 3/4	
112	1001152525	1	Plug, Hole	
113	1001157520	1	Block, Terminal - 6 Pole	
114	1001157521	1	Box, Junction	
115	1001157528	1	Decal - Wiring Schematic	
120	1001158007	1	Cover, PVC	
121	1001158008	2	Stand-Off	
	0272589	Ref	DECAL INSTALLATION	A
201	1705460	2	Decal - SkyPower	
202	1705461	1	Decal - 240V - 3 Phase	
203	1705489	Ref	Decal, Hazardous Voltage	
	1001157769	Ref	ELECTRICAL DIAGRAM COMPONENTS	B
301	1001152429	1	Generator Harness (Not Shown - See Separate Breakdown in ELECTRICAL SECTION)	
304	4922641	1	Switch Harness (Not Shown)	





# SECTION 3 - ENGINE

FIGURE 3-64. 7500W/50HZ SKYPOWER GENERATOR INSTALLATION - DEUTZ TD2.2L3 STAGE V ENGINES



## SECTION 3 - ENGINE

**FIGURE 3-64. 7500W/50HZ SKYPOWER GENERATOR INSTALLATION - DEUTZ TD2.2L3 STAGE V ENGINES**

ITEM	PART NUMBER	QTY	DESCRIPTION	REV
	1001255424	Ref	7500W/50HZ SKYPOWER GENERATOR INSTALLATION	B
1	0100011	AR	Compound, Locking	
2	0100019	AR	Compound, Locking	
3	0641516	3	Bolt 5/16 x 2	
4	0641618	1	Bolt 3/8 x 2-1/4	
5	0700614	4	Bolt M6 x 30	
6	0741607	3	Screw, Flathead 3/8 x 7/8	
7	0760607	1	Bolt M6 x 14	
8	0761212	3	Bolt M12 x 25	
9	0861572	1	Control Box Assembly	
9	7024488	1	Card, Circuit - Generator Power	
9	See Note	1	Fuse (Note: Not Available - Purchase Locally)	
9	7024489	1	Card, Circuit - Control	
		Ref	"Note: Same Circuit Card (p/n 7024489) is used for both 60Hz and 50Hz. When replacing card, rocker switch on card must be set for required application."	
9	70000619	1	Harness, Circuit Card	
10	0902888	1	Bracket, Box Mounting	
11	0962520	1	Bushing, Split Taper	
12	2820031	AR	Insulator	
13	3252764	1	Nameplate	
14	3290601	4	Nut M6	
15	3291201	1	Nut M12	
16	3311005	4	Nut #10	
17	3311505	3	Nut 5/16	
18	3580317	1	Tensioner, Belt	
19	3580319	1	Pulley	
20	3931016	4	Capscrew #10 x 1	
21	4060802	1	Guard, Switch	
22	4240018	AR	Tie-Strap (Not Shown)	
23	4360336	1	Switch, Toggle	
24	4711500	6	Washer	
25	4711800	1	Washer 1/2	
26	4751000	4	Washer #10	
27	4811700	9	Washer M6	
28	4922925	1	Harness, Generator (See Separate Breakdown in ELECTRICAL SECTION)	
29	5241200	4	Washer M12	
30	1001142643	1	Support, Gen Tensioner	
31	1001157525	Ref	Junction Box Assembly Options (See Items 101-121 for Breakdown)	
33	1001214683	1	Belt, Generator	
34	1001248105	1	Generator Assembly - 50Hz (Note: No service parts available at time of printing)	
35	1001110425	1	Spacer	
	1001157525	Ref	JUNCTION BOX ASSEMBLY	B
101	3300396	1	Cover, Fuse	
102	3311001	6	Nut #10	
103	3520189	1	Plug	
104	3520192	1	Plug	

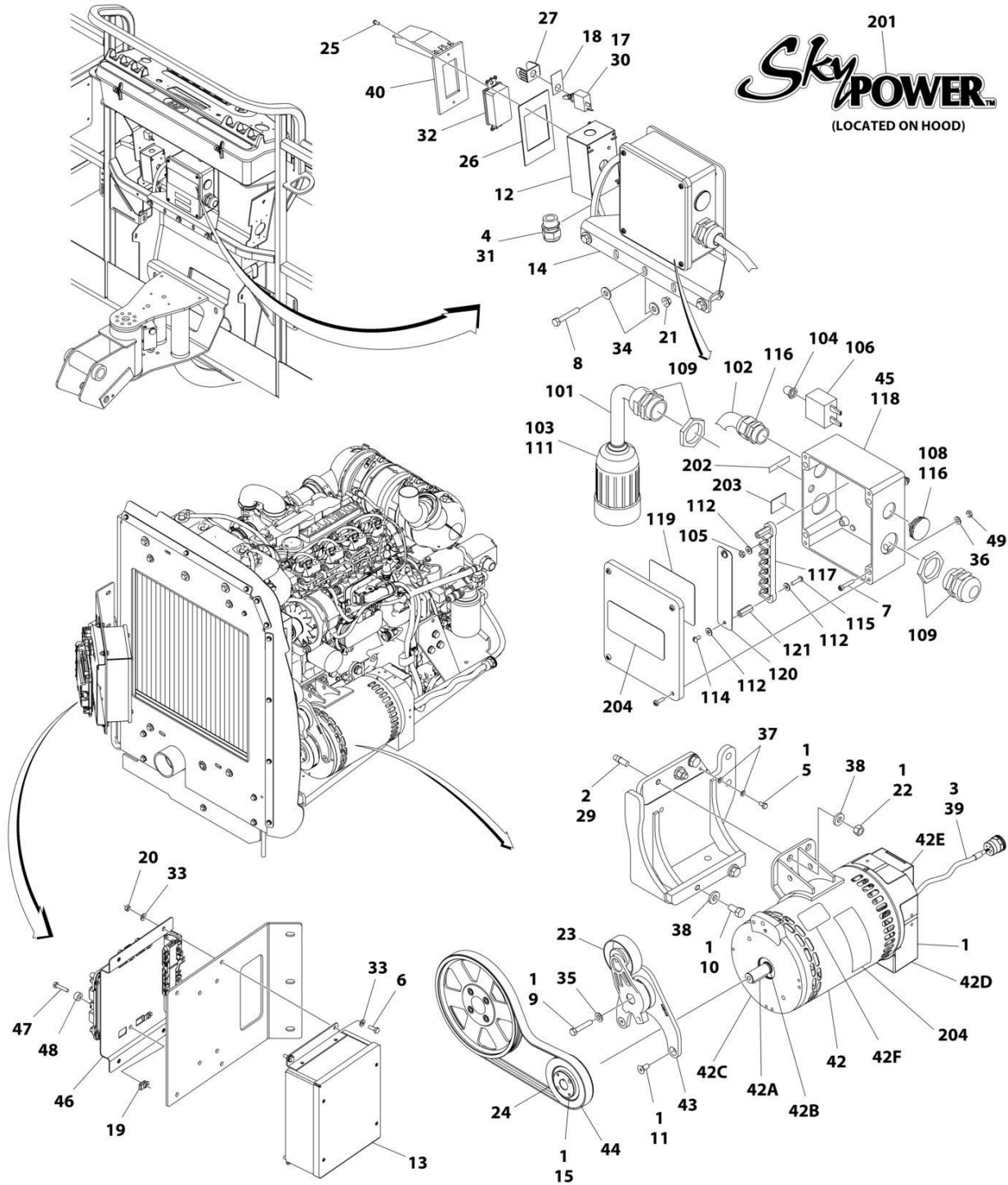
## SECTION 3 - ENGINE

ITEM	PART NUMBER	QTY	DESCRIPTION	REV
105	4360070	1	Circuit Breaker - 15 Amp	
106	4460425	1	Strain Relief, Terminal	
107	4460426	2	Connector, Strain Relief	
109	4711000	10	Washer #10	
110	10702077	2	Screw #10 x 3/8	
111	10702082	2	Screw #10 x 3/4	
112	1001152525	1	Plug, Hole	
113	1001157520	1	Block, Terminal - 6 Pole	
114	1001157521	1	Box, Junction	
115	1001157528	1	Decal - Wiring Schematic	
120	1001158007	1	Cover, PVC	
121	1001158008	2	Stand-Off	
	0272589	Ref	DECAL INSTALLATION	A
201	1705460	2	Decal - SkyPower	
202	1705461	1	Decal - 240V - 3 Phase	
203	1705489	Ref	Decal, Hazardous Voltage	
	1001157769	Ref	ELECTRICAL DIAGRAM COMPONENTS	B
301	1001152429	1	Generator Harness (Not Shown - See Separate Breakdown in ELECTRICAL SECTION)	
304	4922641	1	Switch Harness (Not Shown)	



# SECTION 3 - ENGINE

## FIGURE 3-65. 7500W/60HZ SKYPOWER GENERATOR INSTALLATION - DEUTZ TD2.9L4 ENGINES



ART\_1001145227

## SECTION 3 - ENGINE

**FIGURE 3-65. 7500W/60HZ SKYPOWER GENERATOR INSTALLATION - DEUTZ TD2.9L4 ENGINES**

ITEM	PART NUMBER	QTY	DESCRIPTION	REV
	1001145227	Ref	7500W/60HZ SKYPOWER GENERATOR INSTALLATION	G
1	0100011	AR	Compound, Locking	
2	0100019	AR	Compound, Locking	
3	0100048	AR	Grease, Dielectric	
4	0100079	AR	Sealant	
5	0641404	1	Bolt 1/4 x 1/2	
6	0641407	4	Bolt 1/4 x 7/8	
7	3931016	4	Capscrew #10 x 1	
8	0641516	3	Bolt 5/16 x 2	
9	0641616	1	Bolt 3/8 x 2	
10	0641808	2	Bolt 1/2 x 1	
11	0741607	3	Screw, Flathead 3/8 x 7/8	
12	0860038	1	Box, Switch	
13	0861538	1	Control Box Assembly	
13	7024488	1	Card, Circuit - Generator Power	
13	See Note	1	Fuse (Note: Not Available - Purchase Locally)	
13	7024489	1	Card, Circuit - Control	
		Ref	Note: Same Circuit Card (p/n 7024489) is used for both 60Hz and 50Hz. When replacing card, rocker switch on card must be set for required application.	
13	70000619	1	Harness, Circuit Card	
14	0902888	1	Bracket, Box Mounting	
15	0962520	1	Bushing, Split Taper	
17	2820031	1	Insulator	
18	3252764	1	Nameplate	
19	3300454	4	Nut Special 1/4	
20	3311405	4	Nut 1/4	
21	3311505	3	Nut 5/16	
22	3311801	2	Nut 1/2	
23	3580317	1	Tensioner, Belt	
24	3580318	1	Pulley	
25	3910606	4	Screw #6 x 3/8	
26	3960422	1	Gasket	
27	4060802	1	Guard, Switch	
28	4240018	AR	Tie-Strap (Not Shown)	
29	1001163599	2	Stud	
30	4360336	1	Switch, Toggle	
31	4460071	1	Connector, Strain Relief	
32	4460346	1	Receptacle	
33	4711400	8	Washer 1/4	
34	4711500	6	Washer	
35	4711600	1	Washer 3/8	
36	4751000	4	Washer #10	
37	4791400	2	Starwasher 1/4	
38	4891800	4	Washer 1/2	
39	4922925	1	Harness, Generator (See Separate Breakdown in ELECTRICAL SECTION)	
40	1001110873	1	Cover, Receptacle	
42	1001212223	1	Generator Assembly	
42	70001100	1	Rotor (Includes p/n 70001384 & 70000863) (Not Shown)	

## SECTION 3 - ENGINE

ITEM	PART NUMBER	QTY	DESCRIPTION	REV
42	70001384	1	Bearing, Ball Radial (Not Shown)	
42	70000863	1	Fan (Not Shown)	
42	70006093	1	Stator (Not Shown)	
42	70002297	1	Stud	
42	70003631	1	Brushholder Assembly (Not Shown)	
42A	70004099	1	Key	
42B	70001966	1	Bearing, Ball Radial (Located in Belt Tensioner Endbell)	
42B	70003708	1	Ring, Internal Retaining (Located in Belt Tensioner Endbell)	
42B	70003709	1	Ring, External Retaining (Located in Belt Tensioner Endbell)	
42C	70004092	1	Endbell, Belt Tensioner	
42D	70004094	1	Endbell, Brush Block	
42E	70006094	1	Shroud	
42E	70002291	1	Insulator, Endbell	
42E	7027799	1	Block, Connector - 6 Position (Not Shown)	
42E	70002460	1	Nut, Brass (Attaches p/n 7027799 to Cover) (Not Shown)	
42E	70006095	1	Breaker, Circuit 30Amp (Not Shown)	
42E	70006096	1	Boot, Breaker (Not Shown)	
42E	7026626	1	Connector, 6 Position (Includes Seal) (Not Shown - Plugs into Item 45)	
42E	7026597	1	Connector with Leads (Not Shown)	
42E	70004098	1	Clamp, Cable (Not Shown)	
42E	70006097	1	Plate, End Panel	
42E	70001974	1	Decal - Terminal Connections	
42F	70001973	1	Decal - Warning Moving Parts	
43	1001142643	1	Support, Gen Tensioner	
44	1001142646	1	Belt, Generator	
45	1001157592	Ref	Junction Box Assembly Options (See Items 101-121 for Breakdown)	
46	1001145330	1	Bracket	
47	0641410	4	Bolt 1/4 x 1-1/4	
48	1001110425	4	Spacer	
49	3311005	4	Nut #10	
	1001157592	Ref	JUNCTION BOX ASSEMBLY	D
101	1060343	AR	Cable, Electrical 10/4	
102	1001179154	2 ft /0.6m	Cable, Electrical 12/3	
103	1671092	1	Cover	
104	3300396	1	Cover, Fuse	
105	3311001	6	Nut #10	
106	4360070	1	Circuit Breaker - 15 Amp	
108	4460425	1	Strain Relief, Terminal	
109	4460426	2	Connector, Strain Relief	
111	4460963	1	Connector	
112	4711000	10	Washer #10	
114	10702077	2	Screw #10 x 3/8	
115	10702082	2	Screw #10 x 3/4	
116	1001152525	1	Plug, Hole	
117	1001157520	1	Block, Terminal - 6 Pole	
118	1001157521	1	Box, Junction	
119	1001157528	1	Decal - Wiring Schematic	
120	1001158007	1	Cover, PVC	
121	1001158008	2	Stand-Off	
	0272435	Ref	DECAL INSTALLATION	D

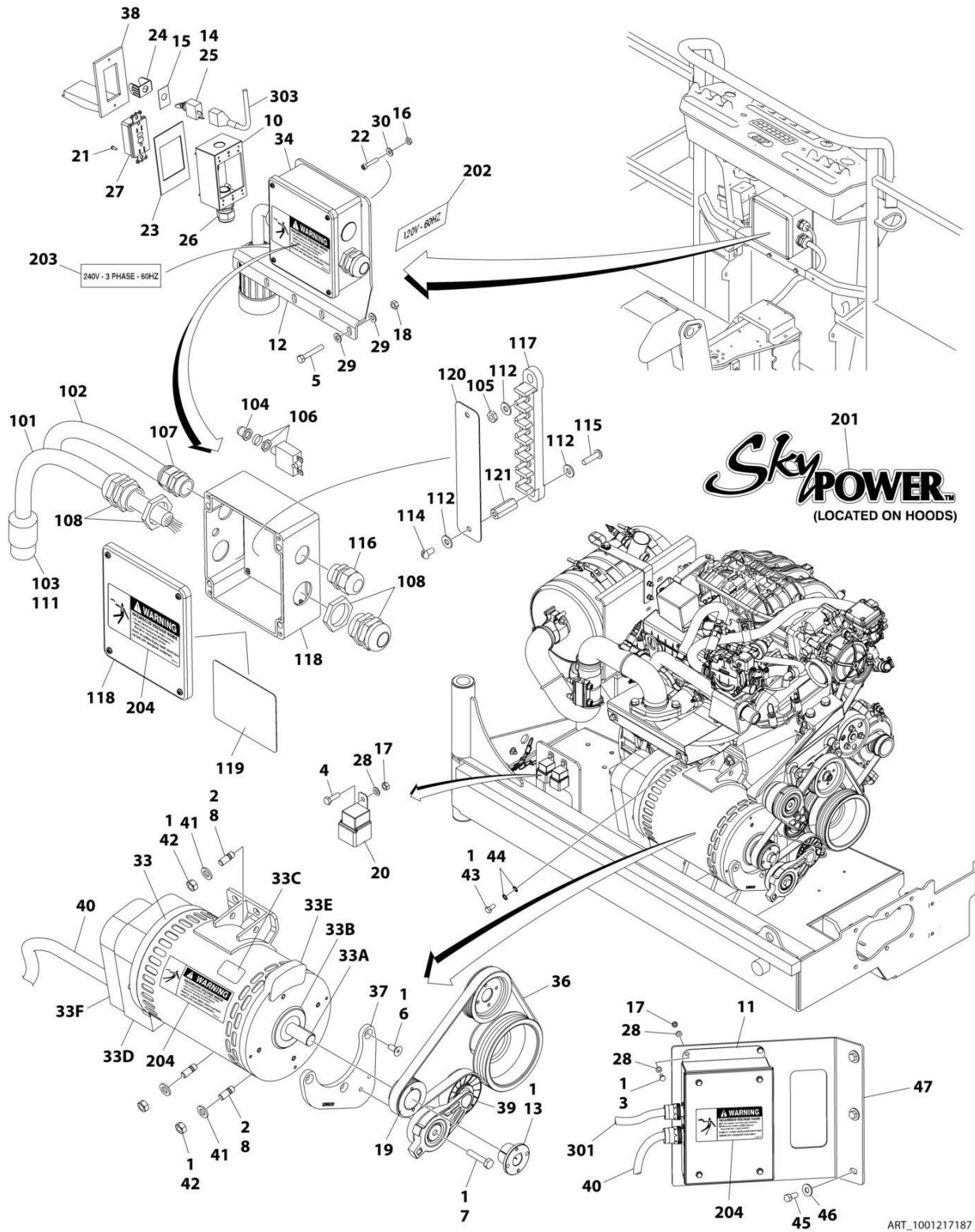


## SECTION 3 - ENGINE

ITEM	PART NUMBER	QTY	DESCRIPTION	REV
201	1705460	2	Decal - SkyPower	A
202	3251243	1	Decal - 120V - 60Hz (Located on Opposite Side)	
203	1705375	1	Decal - 240V - 3 Phase	
204	1705387	3	Decal, Hazardous Voltage	
	1001157770	Ref	ELECTRICAL DIAGRAM COMPONENTS	
301	1001119968	1	Generator Harness (Not Shown - See Separate Breakdown in ELECTRICAL SECTION)	
303	4922641	1	Switch Harness (Not Shown)	

# SECTION 3 - ENGINE

FIGURE 3-66. 7500W/60HZ SKYPOWER GENERATOR INSTALLATION - FORD ENGINES



## SECTION 3 - ENGINE

**FIGURE 3-66. 7500W/60HZ SKYPOWER GENERATOR INSTALLATION - FORD ENGINES**

ITEM	PART NUMBER	QTY	DESCRIPTION	REV
	1001217187	Ref	7500W/60HZ SKYPOWER GENERATOR INSTALLATION	F
1	0100011	AR	Compound, Locking	
2	0100019	AR	Compound, Locking	
3	0760608	4	Bolt M6 x 16	
4	0760610	2	Bolt M6 x 20	
5	0641516	3	Bolt 5/16 x 2	
6	0741607	3	Screw 3/8 x 7/8	
7	0761018	1	Bolt M10 x 50	
8	1001196382	4	Stud	
10	0860038	1	Box, Switch	
11	0861538	1	Control Box Assembly	
11	7024488	1	Card, Circuit - Generator Power	
11	See Note	1	Fuse (Note: Not Available - Purchase Locally)	
11	7024489	1	Card, Circuit - Control	
11	70000619	1	Harness, Circuit Card	
12	0902888	1	Bracket, Box Mounting	
13	0962520	1	Bushing, Spilt Taper	
14	2820031	1	Heat Shrink	
15	3252764	1	Nameplate - AC & Weld	
16	3311005	4	Nut #10	
17	3290601	6	Nut M6	
18	3311505	3	Nut 5/16	
19	3580314	1	Pulley	
20	3740080	2	Relay	
21	3910606	2	Screw #6 x 3/8	
22	3931016	4	Capscrew #10 x 1	
23	3960422	1	Gasket	
24	4060802	1	Guard, Switch	
25	4360336	1	Switch, Toggle	
26	4460071	1	Connector, Strain Relief	
27	4460346	1	Receptacle	
28	4811700	10	Washer #10	
29	4711500	6	Washer 5/16	
30	4751000	4	Washer #10	
33	1001136104	1	Generator Assembly	
33	70003631	1	Brushholder Assembly (Not Shown)	
33	7024485	1	Breaker, Circuit 30Amp (Not Shown)	
33	70001696	1	Boot, Breaker (Not Shown)	
33	70001966	1	Bearing, Ball Radial (Located in Belt Tensioner Endbell - Not Shown)	
33	7027799	1	Block, Connector 6 Position (Not Shown)	
33	70002460	6	Nut, Brass (Attaches p/n 7027799 to Cover) (Not Shown)	
33	7026188	1	Clamp, Cable (Not Shown)	
33	7026597	1	Connector, W/Leads (Not Shown)	
33	7026626	1	Connector - 6 Position with Seal (Not Shown)	
33	70002088	1	Stator (Not Shown)	
33	70004169	1	Panel, End (Not Shown)	
33	70001974	1	Decal - Terminal Connections (Not Shown)	
33	70000863	1	Fan (Not Shown)	
33	70002297	4	Stud (Not Shown)	

## SECTION 3 - ENGINE

ITEM	PART NUMBER	QTY	DESCRIPTION	REV
33A	70004171	1	Key	
33A	70001100	1	Armature, Generator (Includes Radial Ball Bearing on End with Brushes and Fan)	
33A	70001384	1	Bearing, Ball Radial	
33B	70001966	1	Bearing, Radial Ball	
33B	70003708	1	Ring, Internal Retaining (Located in Belt Tensioner Endbell)	
33B	70003709	1	Ring, External Retaining (Located in Belt Tensioner Endbell)	
33C	70001973	1	Decal - Warning Moving Parts	
33D	70004169	1	Endbell, Brush Block	
33E	70001953	1	Endbell, Belt Tensioner	
33F	70004169	1	Endbell, Shroud Assembly	
34	1001157592	1	Junction Box Assembly (See Items 101-121 for Breakdown)	
36	1001216390	1	V-Belt	
37	1001218930	1	Mount, Tensioner	
38	1001110873	1	Cover, Receptacle	
39	3580317	1	Tensioner, Belt	
40	4922925	1	Harness, Generator (See Separate Breakdown in ELECTRICAL SECTION)	
41	5241200	4	Washer M12	
42	3291201	4	Nut M12	
43	0760606	1	Bolt M6 x 12	
44	4871700	2	Washer M6	
45	0641607	3	Bolt 3/8 x 7/8	
46	4751600	3	Washer 3/8	
47	1001137866	1	Bracket	
	1001157592	Ref	JUNCTION BOX ASSEMBLY	C
101	1060343	1.5 ft /0.5m	Cable, Electrical - 10/4	
102	1001179154	2.5 ft /0.8m	Cable Electrical - 12/3	
103	1671092	1	Cover, Connector	
104	3300396	1	Cover, Fuse	
105	3311001	6	Nut #10	
106	4360070	1	Breaker, Circuit 15Amp	
107	4460425	1	Connector, Strain Relief	
108	4460426	2	Connector, Strain Relief	
111	4460963	1	Receptacle	
112	4711000	10	Washer #10	
114	10702077	2	Screw #10 x 3/8	
115	10702082	2	Screw #10 x 3/4	
116	1001152525	1	Plug, Hole	
117	1001157520	1	Block, Terminal Pole	
118	1001157521	1	Box, Junction	
119	1001157528	1	Decal - Box Junction	
120	1001158007	1	Cover	
121	1001158008	2	Standoff	
	0272435	Ref	DECAL INSTALLATION	D
201	1705460	2	Decal - SkyPower	
202	3251243	1	Decal - 120V - 60Hz (Located on Opposite Side)	
203	1705375	1	Decal - 240V - 3 Phase	
204	1705387	3	Decal, Hazardous Voltage	
	1001221498	Ref	ELECTRICAL DIAGRAM COMPONENTS	B

## SECTION 3 - ENGINE

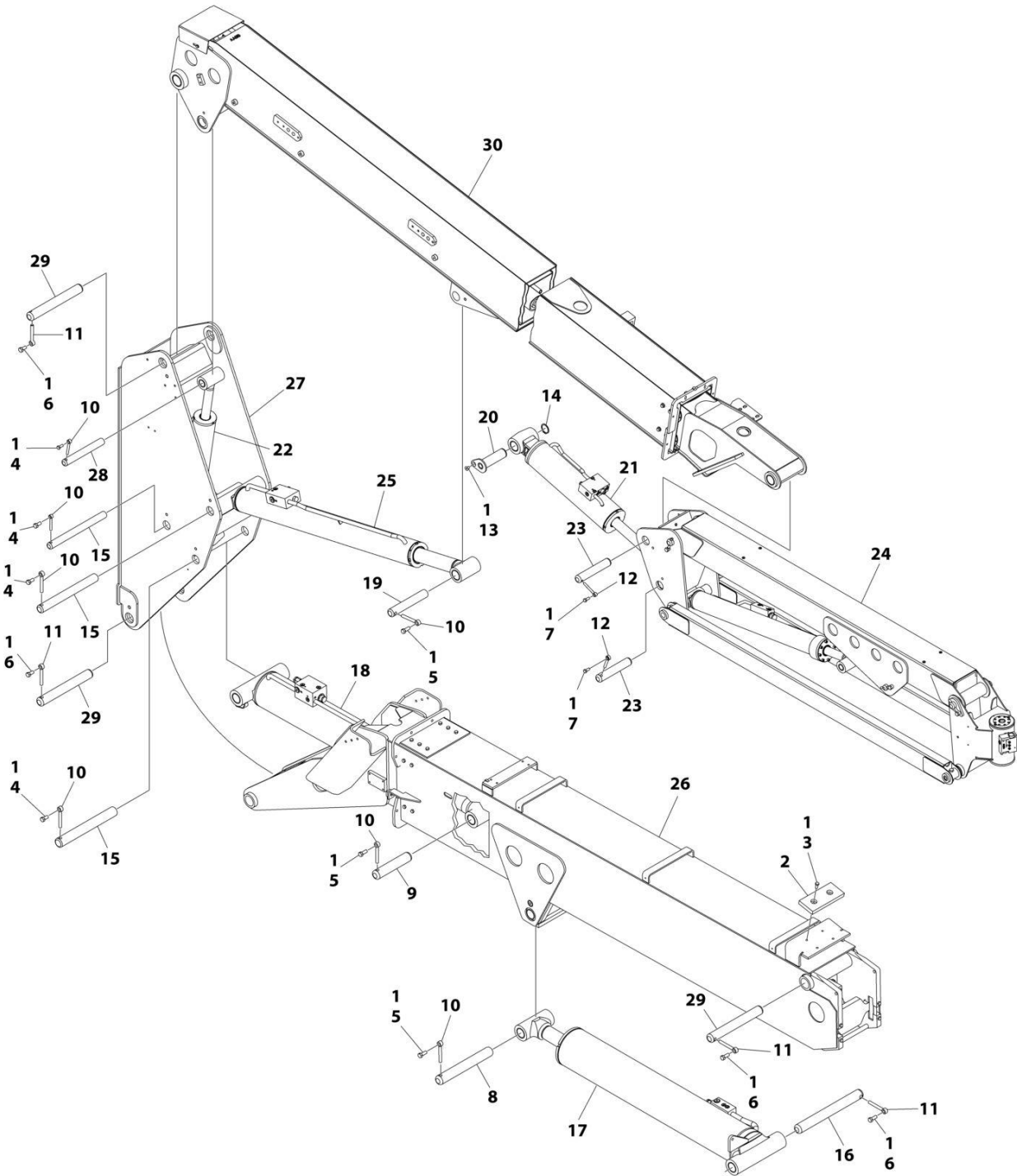
ITEM	PART NUMBER	QTY	DESCRIPTION	REV
301	1001257972	1	Generator Harness (See Separate Breakdown in ELECTRICAL SECTION)	A
303	4922641	1	Switch Harness	



**SECTION 4 - BOOM**

# SECTION 4 - BOOM

## FIGURE 4-1. BOOMS AND CYLINDERS INSTALLATION



ART\_1001246978



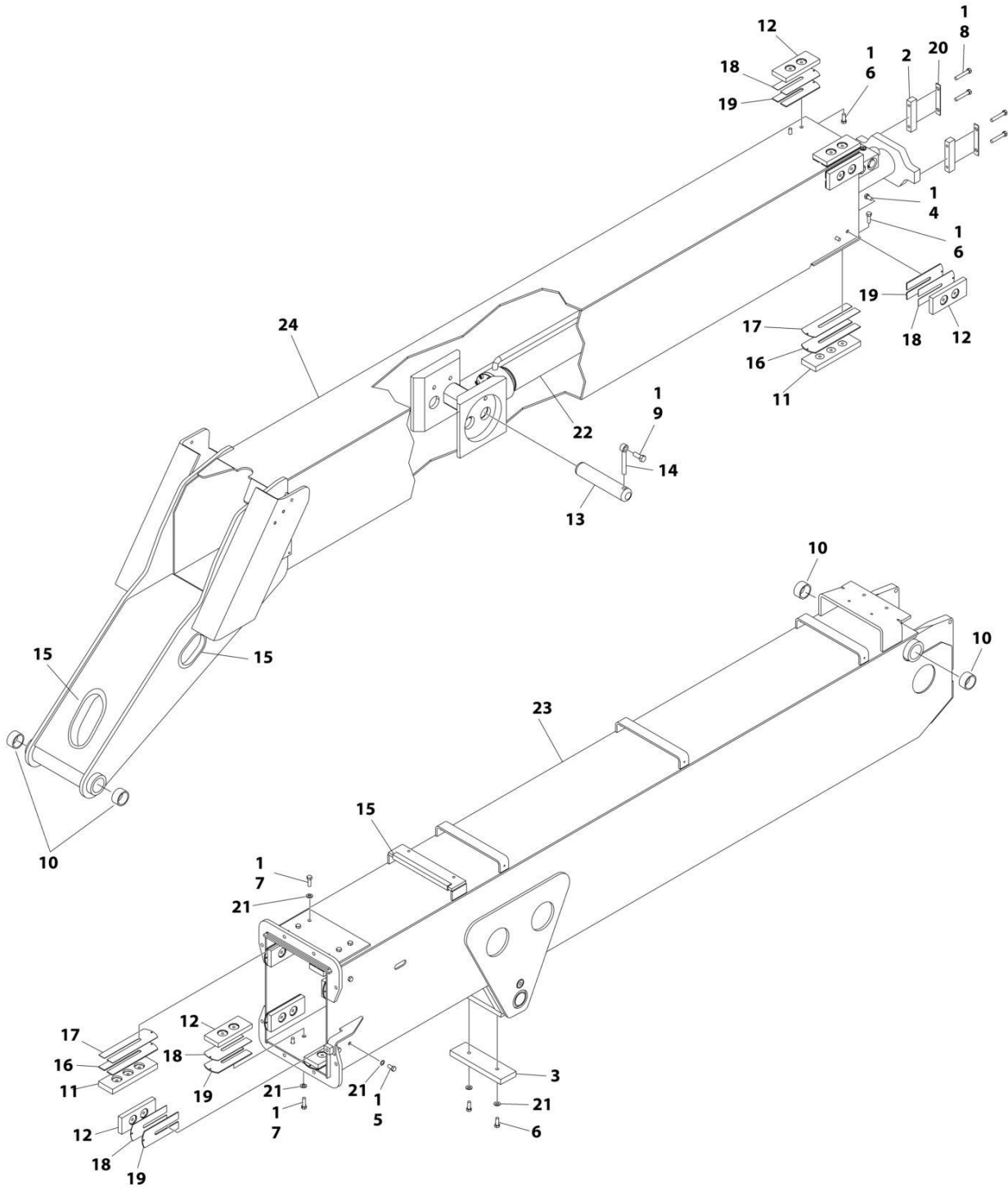
## SECTION 4 - BOOM

**FIGURE 4-1. BOOMS AND CYLINDERS INSTALLATION**

ITEM	PART NUMBER	QTY	DESCRIPTION	REV
	1001246978	Ref	BOOMS AND CYLINDERS INSTALLATION	E
1	0100011	AR	Compound, Locking	
2	0561076	1	Block, Boom Rest	
3	0641607	2	Bolt 3/8 x 7/8	
4	0641809	4	Bolt 1/2 x 1-1/8	
5	0641810	3	Bolt 1/2 x 1-1/4	
6	0642012	4	Bolt 5/8 x 1-1/2	
7	0761212	2	Bolt M12 x 25	
8	1001267717	1	Pin	
9	3422575	1	Pin	
10	3841203	7	Keeper, Pin - 1/2	
11	3841258	4	Keeper, Pin	
12	3841709	2	Keeper, Pin - 1/2	
13	1001137032	1	Screw M10 x 16	
14	1001138671	1	Ring, Retaining	
15	1001155093	3	Pin	
16	1001267716	1	Pin	
17	1001261003	1	Tower Lift Cylinder Assembly (See Separate Breakdown in CYLINDER SECTION)	
18	1001228042	1	Upright Level Cylinder Assembly (See Separate Breakdown in CYLINDER SECTION)	
19	1001237138	1	Pin	
20	1001237142	1	Pin	
21	1001237697	1	Platform (Slave) Level Cylinder Assembly (See Separate Breakdown in CYLINDER SECTION)	
22	1001237698	1	Master Cylinder Assembly (See Separate Breakdown in CYLINDER SECTION)	
23	1001237949	1	Pin	
24	1001238328	1	Jib Boom Assembly (See Separate Breakdown in this Section)	
25	1001245761	1	Main Lift Cylinder Assembly (See Separate Breakdown in CYLINDER SECTION)	
26	1001246934	1	Tower Boom Assembly (See Separate Breakdown in this Section)	
27	1001246951	1	Upright	
28	1001246952	1	Pin	
29	1001246974	3	Pin	
30	1001248265	1	Main Boom Assembly (See Separate Breakdown in this Section)	

# SECTION 4 - BOOM

## FIGURE 4-2. TOWER BOOM ASSEMBLY



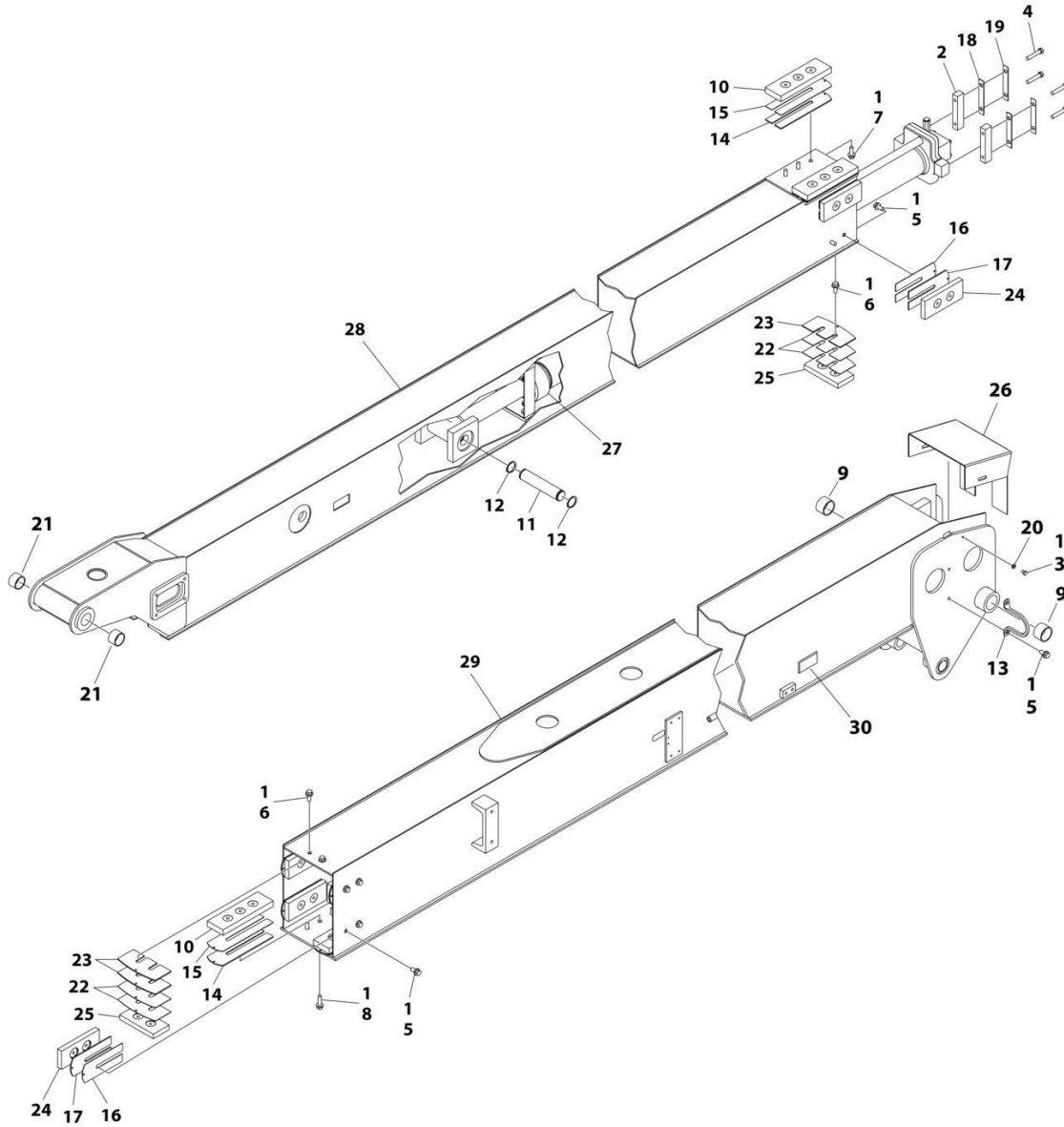
ART\_1001246934

FIGURE 4-2. TOWER BOOM ASSEMBLY

ITEM	PART NUMBER	QTY	DESCRIPTION	REV
	1001246934	Ref	TOWER BOOM ASSEMBLY	B
1	0100011	AR	Compound, Locking	
2	0561185	2	Block, Attach	
3	0561248	1	Block, Boom Rest	
4	0641606	8	Bolt 3/8 x 3/4	
5	0641607	8	Bolt 3/8 x 7/8	
6	0641608	12	Bolt 3/8 x 1	
7	0641610	10	Bolt 3/8 x 1-1/4	
8	0641616	4	Bolt 3/8 x 2	
9	0641810	1	Bolt 1/2 x 1-1/4	
10	0962036	4	Bushing	
11	3340871	4	Pad, Wear	
12	3340881	12	Pad, Wear	
13	3422575	1	Pin	
14	3841203	1	Keeper, Pin	
15	4060808	AR	Flex-Trim	
16	4070863	4	Shim .12	
17	4070864	4	Shim .05	
18	4070897	10	Shim .05	
19	4070898	12	Shim .12	
20	4070929	AR	Shim	
21	4711600	20	Washer 3/8	
22	1001228006	1	Cylinder Assembly - Tower Telescope (See Separate Breakdown in CYLINDER SECTION)	
23	1001246935	1	Base, Boom	
24	1001246936	1	Fly, Boom	

# SECTION 4 - BOOM

## FIGURE 4-3. MAIN BOOM ASSEMBLY



ART\_1001248265

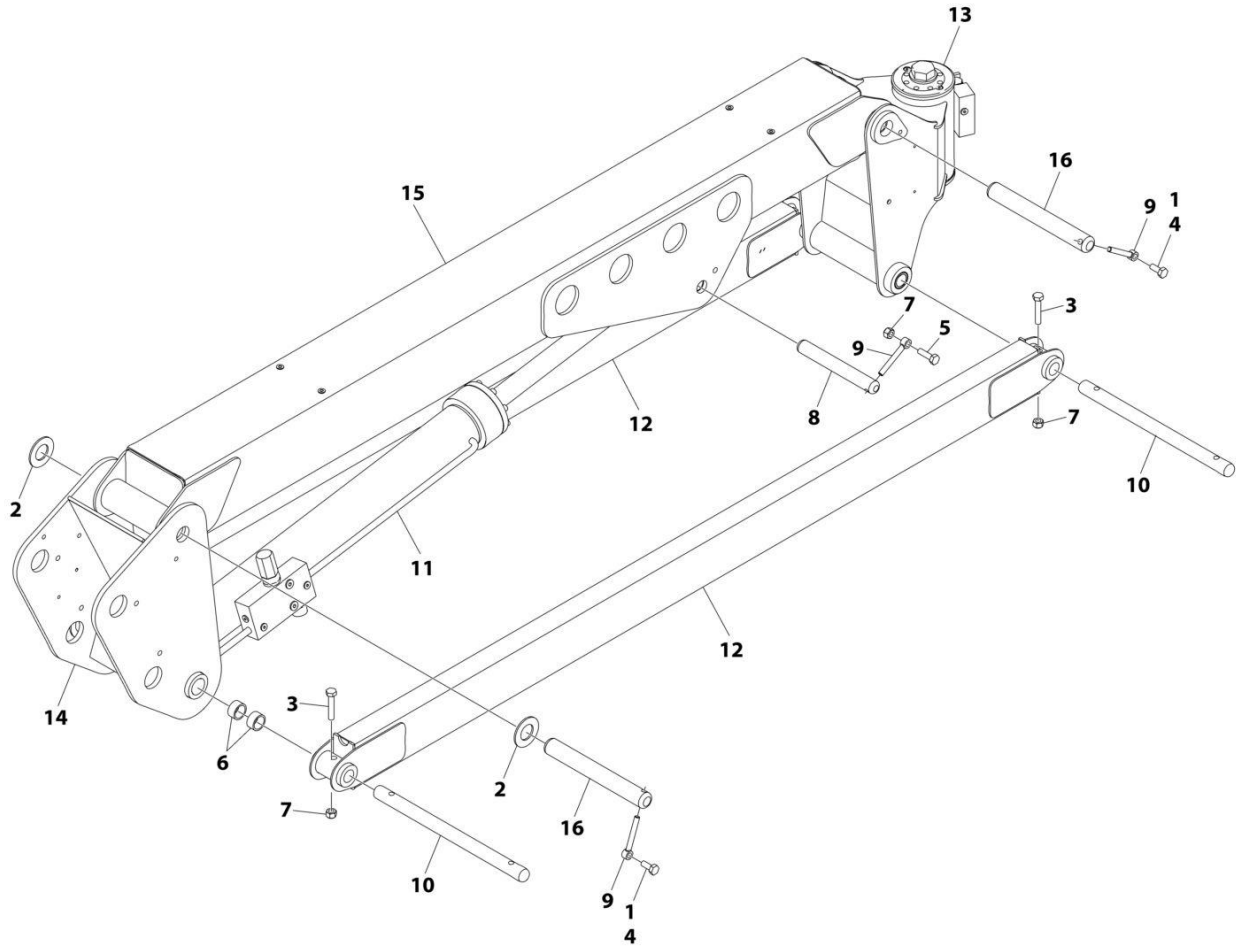
## SECTION 4 - BOOM

### FIGURE 4-3. MAIN BOOM ASSEMBLY

ITEM	PART NUMBER	QTY	DESCRIPTION	REV
	1001248265	Ref	BOOM ASSEMBLY	B
1	0100011	AR	Compound, Locking	
2	0561185	2	Block	
3	0641403	2	Bolt 1/4 x 3/8	
4	0641616	4	Bolt 3/8 x 2	
5	0811606	18	Bolt 3/8 x 3/4	
6	0811607	4	Bolt 3/8 x 7/8	
7	0811608	6	Bolt 3/8 x 1	
8	0811610	6	Bolt 3/8 x 1-1/4	
9	0962036	2	Bushing	
10	3340871	4	Pad, Wear	
11	3422457	1	Pin	
12	3760133	2	Ring, Retaining	
13	3841340	1	Loop, Hose	
14	4070863	4	Shim .12	
15	4070864	4	Shim .05	
16	4070897	8	Shim .05	
17	4070898	8	Shim .12	
18	4070929	AR	Shim	
19	4071007	AR	Shim	
20	4751200	2	Washer #12	
21	1001118666	2	Bushing	
22	1001136590	2	Shim 18Ga	
23	1001138436	4	Shim 11Ga	
24	1001148652	8	Pad, Wear	
25	1001152127	2	Pad, Wear	
26	1001162828	1	Cover, Boom	
27	1001228007	1	Telescope Cylinder Assembly (See Separate Breakdown in CYLINDER SECTION)	
28	1001248248	1	Fly, Boom	
29	1001248261	1	Base, Boom	
30	1001250737	3	Cover	

# SECTION 4 - BOOM

## FIGURE 4-4. JIB BOOM ASSEMBLY



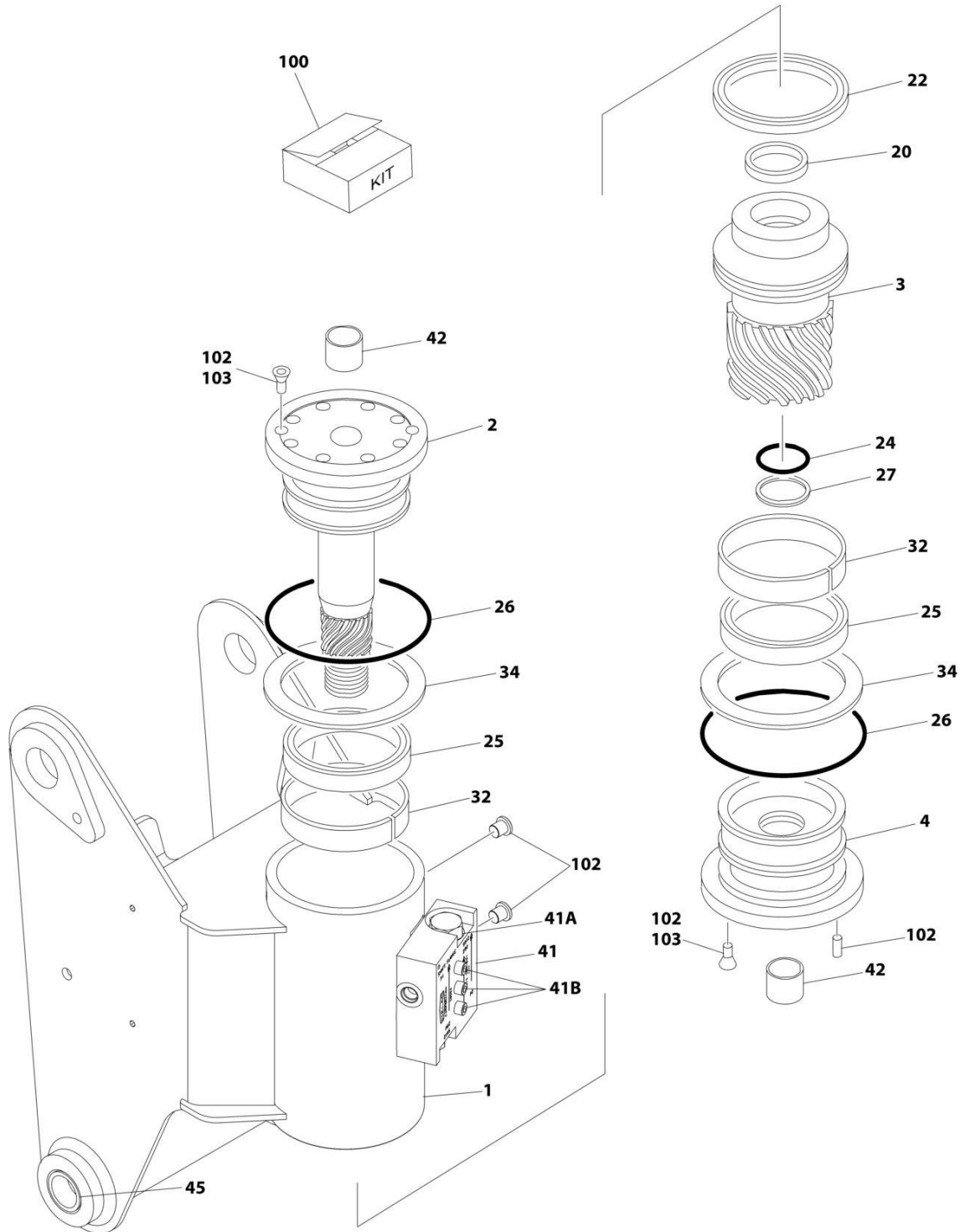
ART\_1001238328\_F

FIGURE 4-4. JIB BOOM ASSEMBLY

ITEM	PART NUMBER	QTY	DESCRIPTION	REV
	1001238328	Ref	JIB BOOM ASSEMBLY	F
1	0100011	AR	Compound, Locking	
2	0440162	2	Thrustwasher 0.188IN Thick	
2	0440237	1	Thrustwasher 0.125IN Thick	
3	0701020	1	Bolt M10 x 60	
4	0761012	2	Bolt M10 x 25	
5	0761015	1	Bolt M10 x 35	
6	0961947	4	Bearing 1IN ID x 1.25IN OD x 5/8IN L	
6	1001134289	4	Bearing 1IN ID x 1.5IN OD x 1IN L	
7	3291005	5	Nut M10	
8	3422867	1	Pin	
9	3841143	3	Keeper, Pin	
10	3422861	1	Pin	
11	1001264991	1	Lift Cylinder Assembly - Jib (See Separate Breakdown in CYLINDER SECTION)	
12	4844817	1	Link	
13	1001234811	1	Rotator Assembly (See Separate Breakdown in this Section)	
14	1001238168	1	Pivot	
15	1001238333	1	Tube (Upper)	
15	0962155	1	Bushing	
16	1001238398	2	Pin	

# SECTION 4 - BOOM

## FIGURE 4-5. ROTATOR ASSEMBLY



ART\_1001234811

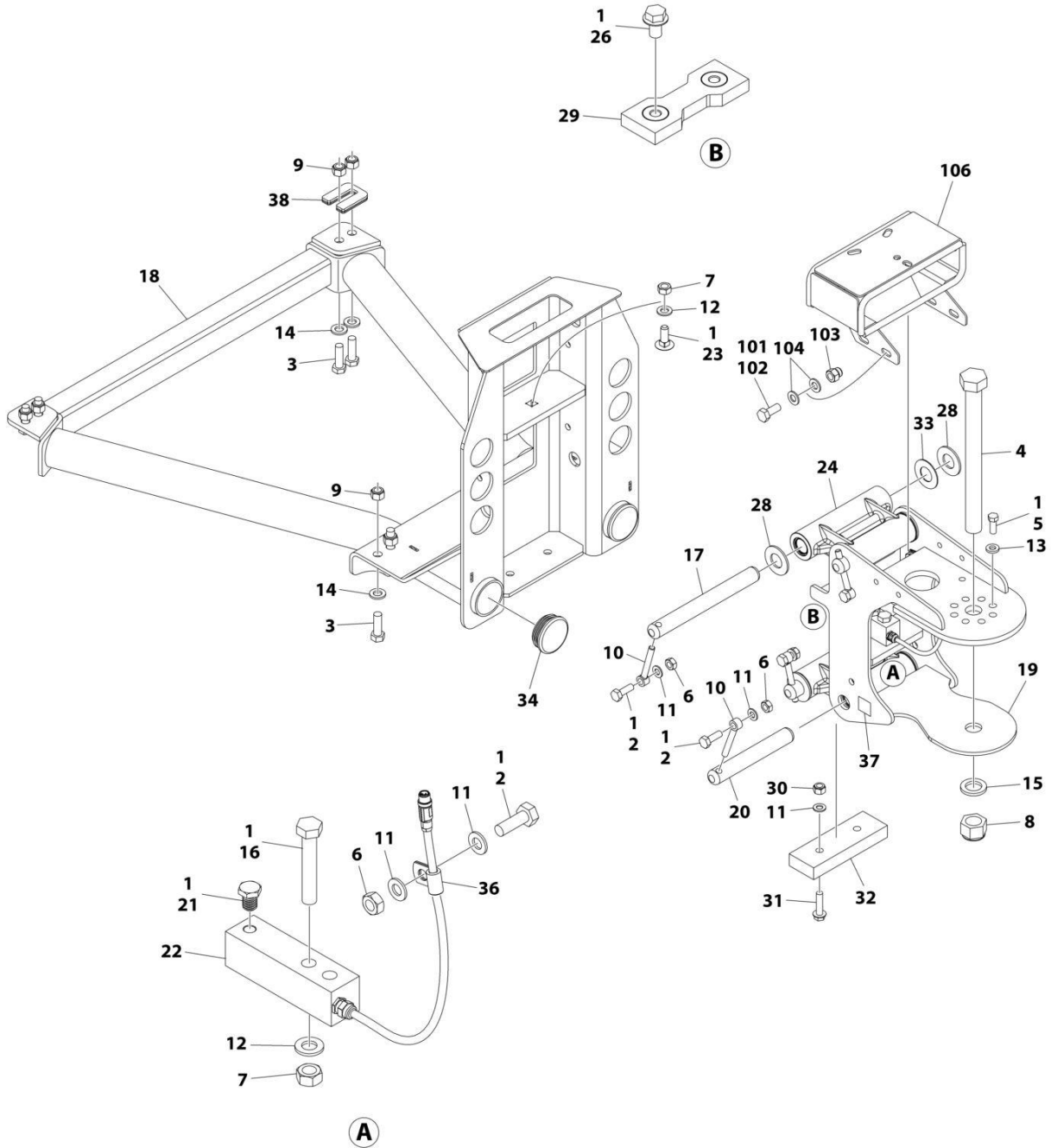


FIGURE 4-5. ROTATOR ASSEMBLY

ITEM	PART NUMBER	QTY	DESCRIPTION	REV
	1001234811	Ref	ROTATOR ASSEMBLY	B
1	See Note	NSS	Housing/Ring Gear Assembly (Note: Not Available - Purchase Complete Rotator Assembly)	
2	7017162	1	Shaft Weldment	
3	7017163	1	Piston/Sleeve Assembly	
4	7017164	1	Cap, End	
20	See Note	NSS	T-Seal (Note: Use Item 100)	
22	See Note	NSS	T-Seal (Note: Use Item 100)	
24	See Note	NSS	O-Ring (Note: Use Item 100)	
25	See Note	NSS	Seal (Note: Use Item 100)	
26	See Note	NSS	O-Ring (Note: Use Item 100)	
27	See Note	NSS	Ring, Back-up (Note: Use Item 100)	
32	See Note	NSS	Ring, Wear (Note: Use Item 101)	
34	See Note	NSS	Washer, Thrust (Note: Use Item 101)	
41	7017172	AR	Valve Assembly	
41A	7017192	2	Cartridge, Valve	
41A	See Note	NSS	Seal Kit - 7017192 Valve (Note: Not Available for Purchase)	
41B	See Note	3	Bolt 1/4-20NC x 1-1/2 Grade 8 (Note: Not Available - Purchase Locally)	
42	7017195	2	Bushing	
45	0961947	2	Bushing 1IN ID x 1.25IN OD x 5/8IN L	
45	1001134289	2	Bushing 1IN ID x 1.5IN OD x 1IN L	
100	70000342	1	Seal Kit (Includes Items 20, 22, 24, 25, 27 & 33)	
101	7017159	1	Bearing Kit (Includes Items 32 & 34)	
102	7017142	1	Hardware Kit	
103	70001697	4	Screw, Countersunk 1/4 x 3/8 Grade 8	

# SECTION 4 - BOOM

## FIGURE 4-6. PLATFORM SUPPORT INSTALLATION



ART\_1001167596\_N

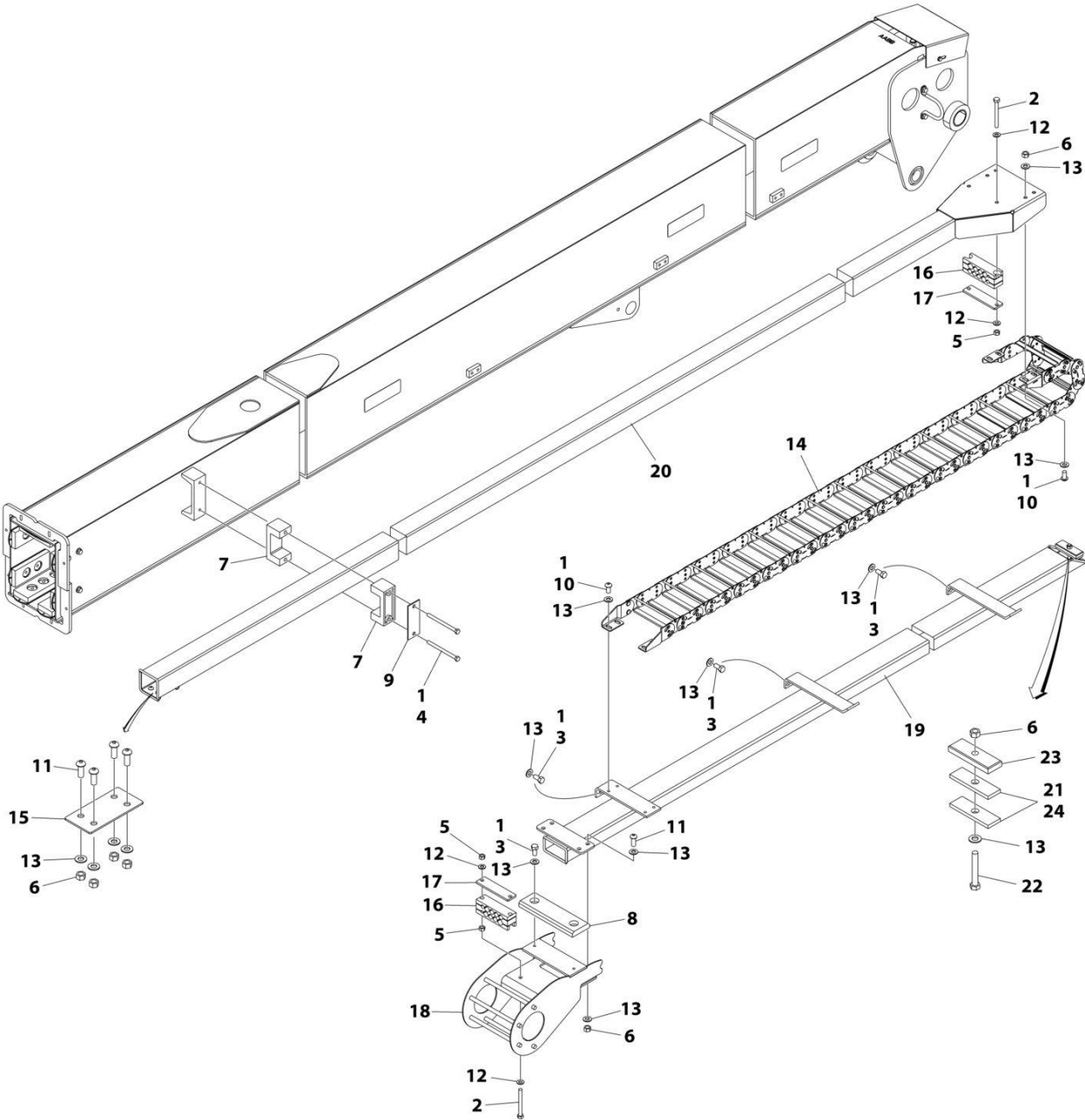
## SECTION 4 - BOOM

### FIGURE 4-6. PLATFORM SUPPORT INSTALLATION

ITEM	PART NUMBER	QTY	DESCRIPTION	REV
	1001167596	Ref	PLATFORM SUPPORT INSTALLATION	N
1	0100011	AR	Compound, Locking	
2	0761014	5	Bolt M10 x 30	
3	0761216	8	Bolt M12 x 40	
4	1001255133	1	Bolt 1 x 11 GRD8	
5	0681608	8	Bolt 3/8 x 1 GRD8	
6	3291001	5	Nut M10	
7	3291201	3	Nut M12	
8	1001174040	1	Nut 1	
9	3291205	8	Nut M12	
10	3841143	4	Keeper, Pin	
11	4812000	8	Washer M10	
12	4812100	3	Washer M12	
13	4891600	8	Washer 3/8	
14	5241200	8	Washer M12	
15	4892600001	1	Washer 1	
16	1001098828	2	Bolt M12 x 70 CL10.9	
17	1001167565	2	Pin	
18	1001200494	1	Support, Platform	
19	1001167567	1	Support, Rotator	
20	1001168402	2	Pin	
21	1001188622	1	Screw	
22	1001247468	1	Loadcell	
23	1001188844	1	Bolt M12 x 35	
24	1001201351	2	Link	
24	1001187382	4	Bearing	
24	1001187383	4	Seal	
26	5251008	2	Bolt M10 x 16 CL10.9	
28	1001189002	8	Bearing	
29	1001190985	1	Pad, Wear	
30	3291005	2	Nut M10	
31	5251016	2	Bolt M10 x 40 CL10.9	
32	1001200491	1	Pad, Wear	
33	1001189001	4	Bearing	
34	1001204725	2	Plug	
36	91203039	1	Clamp	
37	1001216630	2	Decal - Tie Down/No Lift	
38	1001238421	Ref	Kit, Platform Leveling (Not Shown)	
	1001202687	Ref	VALVE MOUNT INSTALLATION	B
101	0100011	AR	Compound, Locking	
102	0760810	4	Bolt M8 x 20	
103	3290806	4	Nut M8	
104	4811900	8	Washer M8	
106	1001208994	1	Mount, Valve	

# SECTION 4 - BOOM

## FIGURE 4-7. POWER TRACK INSTALLATION - MAIN BOOM



ART\_1001250387

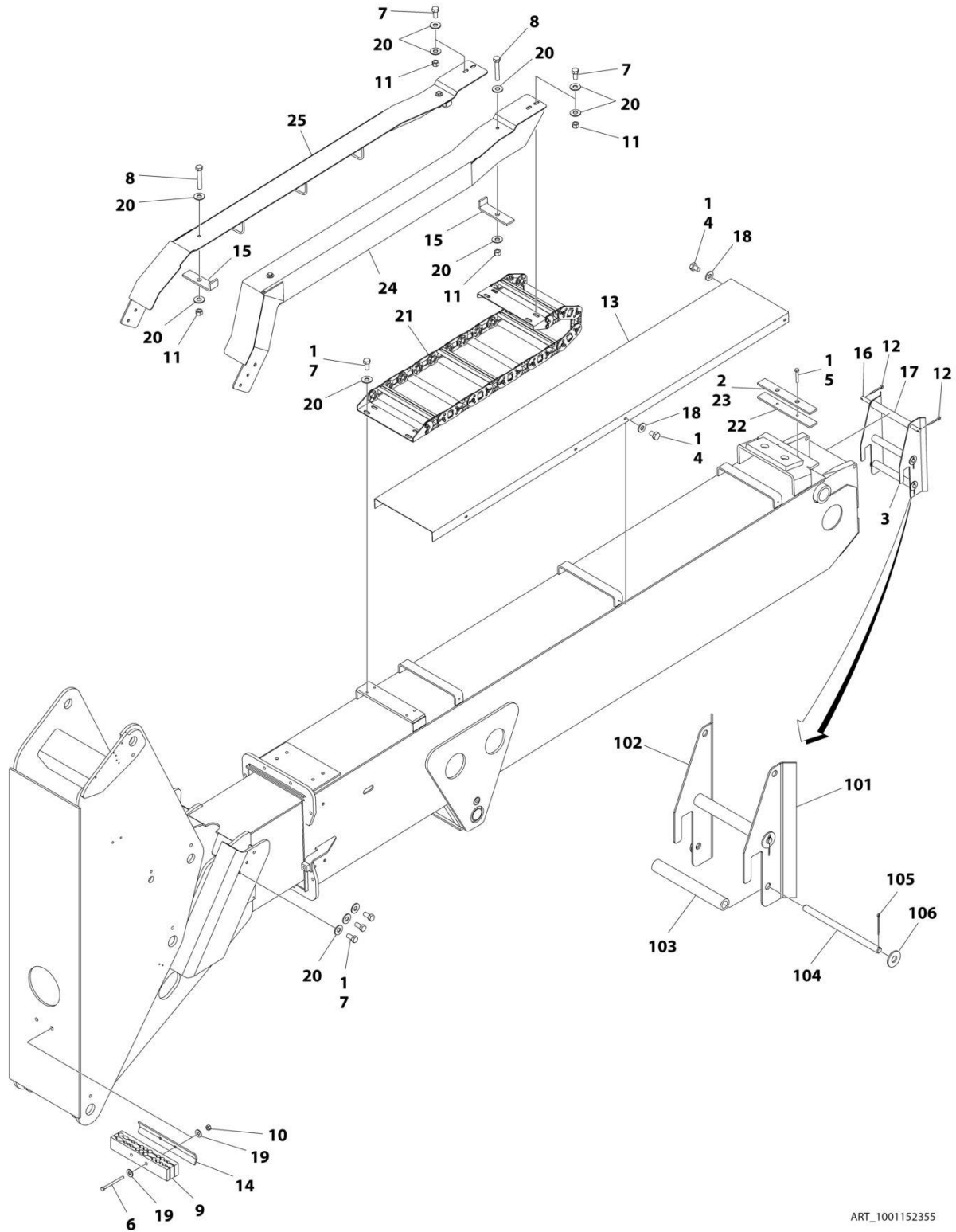
## SECTION 4 - BOOM

### FIGURE 4-7. POWER TRACK INSTALLATION - MAIN BOOM

ITEM	PART NUMBER	QTY	DESCRIPTION	REV
	1001250387	Ref	POWER TRACK INSTALLATION - MAIN BOOM	E
1	0100011	AR	Compound, Locking	
2	0641524	4	Bolt 5/16 x 3	
3	0641606	8	Bolt 3/8 x 3/4	
4	0641640	2	Bolt 3/8 x 5	
5	3271505	6	Nut 5/16	
6	3271605	13	Nut 3/8	
7	3340764	2	Pad	
8	3340840	1	Pad	
9	3538758	1	Plate	
10	3900283	8	Screw 3/8 x 3/4	
11	3900316	8	Screw 3/8 x 1	
12	4711500	8	Washer 5/16	
13	4711600	33	Washer 3/8	
14	1001255961	1	Power Track Assembly	
14	70007467	1	Repair Section	
14	70007466	1	Mounting Feet Kit	
15	1001176899	1	Plate	
16	1001253817	2	Clamp	
17	1001249824	2	Plate	
18	1001250384	1	Mount	
19	1001250722	1	Mount	
20	1001250900	1	Tube, Push	
21	0100081	AR	Adhesive	
22	0641620	1	Bolt 3/8 x 2-1/2	
23	1320289	1	Clamp	
24	3340943	2	Pad	

# SECTION 4 - BOOM

## FIGURE 4-8. POWER TRACK INSTALLATION - TOWER BOOM



ART\_1001152355

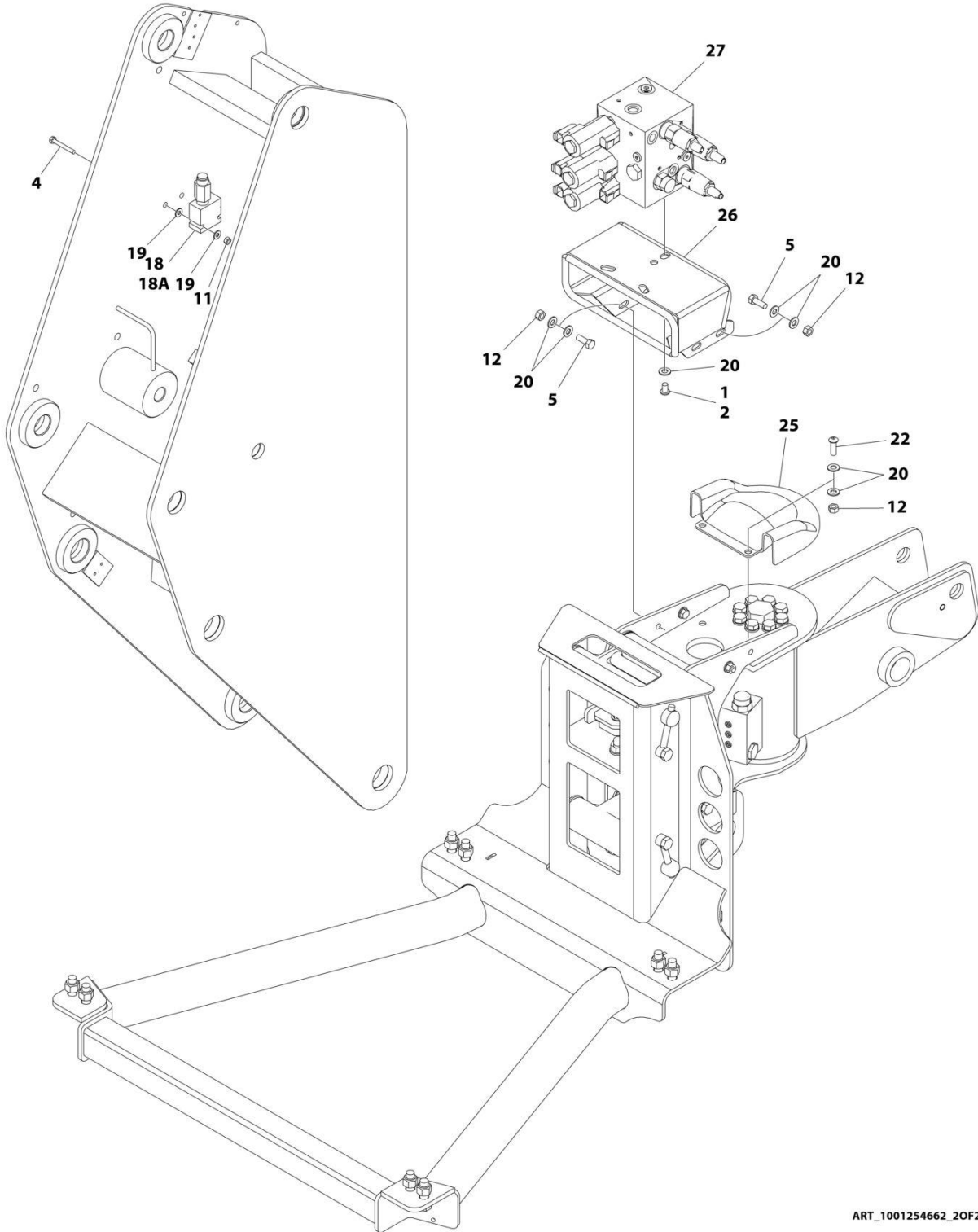
## SECTION 4 - BOOM

**FIGURE 4-8. POWER TRACK INSTALLATION - TOWER BOOM**

ITEM	PART NUMBER	QTY	DESCRIPTION	REV
	1001152355	Ref	POWER TRACK INSTALLATION	D
1	0100011	AR	Compound, Locking	
2	0100081	AR	Adhesive	
3	0257573	1	Roller Hanger Assembly (Includes Items 101-106)	
4	0641403	6	Bolt 1/4 x 3/8	
5	0641516	2	Bolt 5/16 x 2	
6	0641532	2	Bolt 5/16 x 4	
7	0641606	14	Bolt 3/8 x 3/4	
8	0641618	4	Bolt 3/8 x 2-1/4	
9	1320243	1	Clamp, Block	
10	3311505	2	Nut 5/16	
11	3311605	8	Nut 3/8	
12	3450606	2	Pin, Cotter	
13	3539228	1	Plate, Cover	
14	3570374	1	Plate	
15	1001232880	4	Plate	
16	3841295	1	Rod	
17	4567241	1	Tube	
18	4711400	6	Washer 1/4	
19	4751500	4	Washer 5/16	
20	4751600	26	Washer 3/8	
21	1001099835	1	Power Track Assembly	
21	70002001	AR	Repair Section	
21	70002002	1	Mounting Bracket Kit	
22	1001110500	1	Plate	
23	1001110501	1	Pad	
24	1001151542	1	Bracket	
25	1001151586	1	Bracket	
	0257573	Ref	ROLLER HANGER ASSEMBLY	B
101	3570277	1	Plate (Left Side)	
102	3570270	1	Plate (Right Side)	
103	4567241	2	Roller, Tube	
104	3841347	2	Rod	
105	3450306	4	Pin, Cotter	
106	4751800	4	Washer 1/2	

# SECTION 4 - BOOM

## FIGURE 4-9. CONTROL VALVES INSTALLATION - DEUTZ D2011 AND STAGE V ENGINES



ART\_1001254662\_20F2



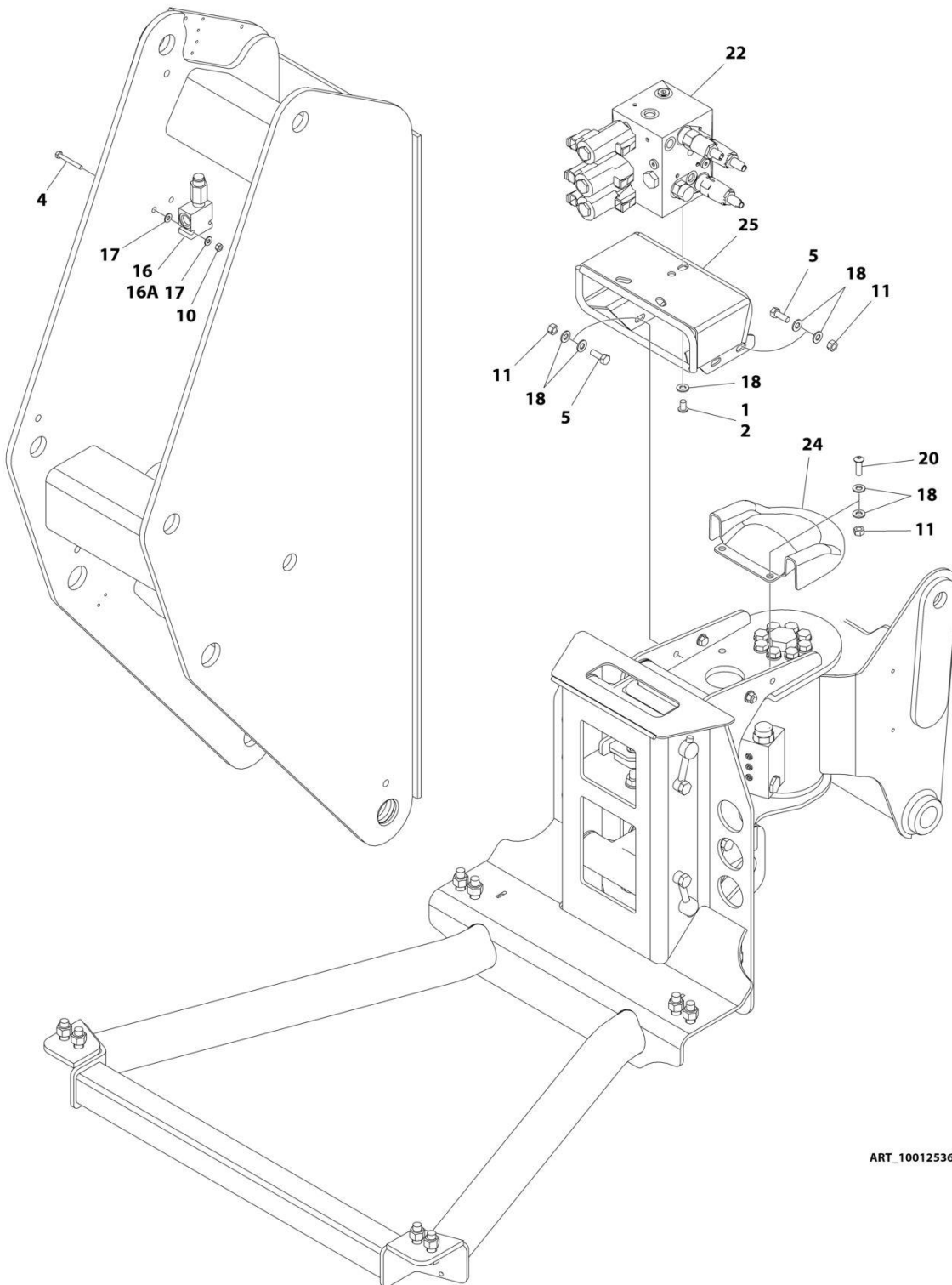
## SECTION 4 - BOOM

**FIGURE 4-9. CONTROL VALVES INSTALLATION - DEUTZ D2011 AND STAGE V ENGINES**

ITEM	PART NUMBER	QTY	DESCRIPTION	REV
	1001254662	Ref	CONTROL VALVES INSTALLATION	B
1	0100011	AR	Compound, Locking	
2	0630467	3	Screw 5/6-18 x 1/2	
4	0641416	2	Bolt 1/4 x 2	
5	0641507	4	Bolt 5/16 x 7/8	
11	3311405	2	Nut 1/4-20	
12	3311505	6	Nut 5/16	
18	4640929	1	Valve Assembly - Relief	
18A	7012970	1	Cartridge Valve	
18A	7012953	1	Seal Kit - 7012970 Valve	
19	4711400	4	Washer 1/4	
20	4711500	15	Washer 5/16	
22	88261024	2	Screw 5/16 x 1	
25	1001207969	1	Cover	
26	1001208994	1	Mount	
27	1001253677	1	Control Valve Assembly (See Separate Breakdown in this Section)	

# SECTION 4 - BOOM

## FIGURE 4-10. CONTROL VALVES INSTALLATION - DEUTZ TD2.9L4 & FORD ENGINES



ART\_1001253680\_20F2

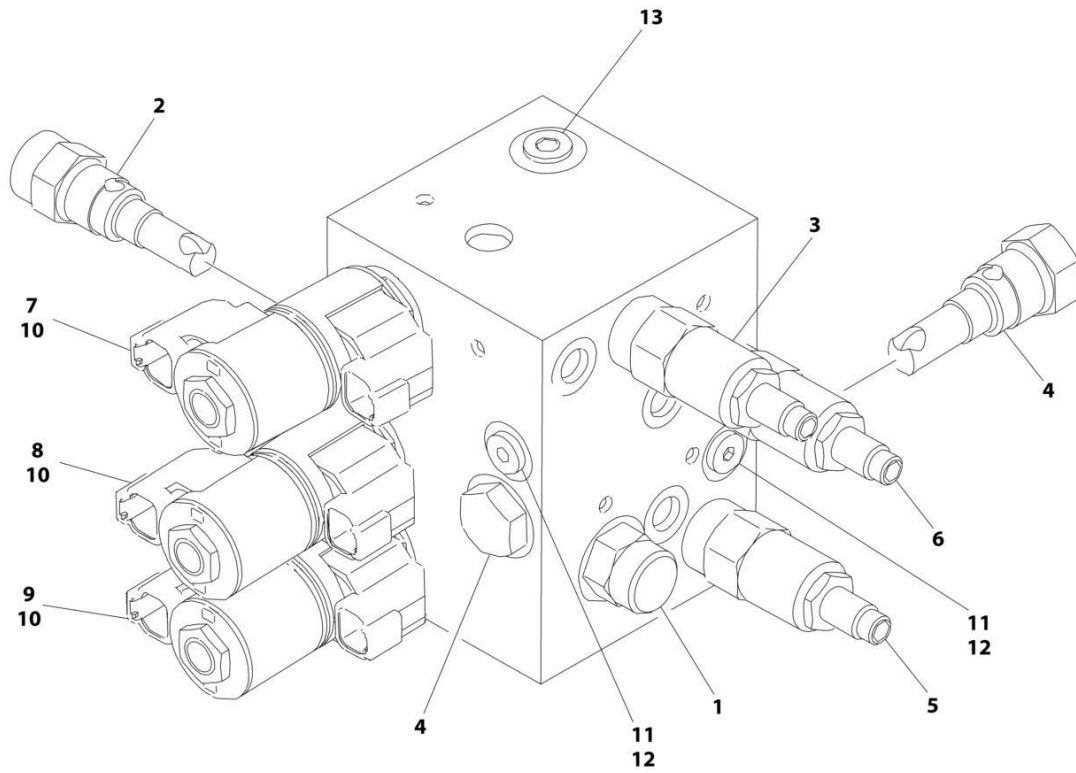
## SECTION 4 - BOOM

**FIGURE 4-10. CONTROL VALVES INSTALLATION - DEUTZ TD2.9L4 & FORD ENGINES**

ITEM	PART NUMBER	QTY	DESCRIPTION	REV
	1001253680	Ref	CONTROL VALVES INSTALLATION	B
1	0100011	AR	Compound, Locking	
2	0630467	3	Screw 5/6-18 x 1/2	
4	0641416	2	Bolt 1/4 x 2	
5	0641507	4	Bolt 5/16 x 7/8	
10	3311405	2	Nut 1/4-20	
11	3311505	6	Nut 5/16	
16	4640929	1	Valve Assembly - Relief	
16A	7012970	1	Cartridge Valve	
16A	7012953	1	Seal Kit - 7012970 Valve	
17	4711400	4	Washer 1/4	
18	4711500	15	Washer 5/16	
20	88261024	2	Screw 5/16 x 1	
22	1001253677	1	Control Valve Assembly (See Separate Breakdown in this Section)	
24	1001207969	1	Cover	
25	1001208994	1	Mount	

# SECTION 4 - BOOM

## FIGURE 4-11. BOOM VALVE ASSEMBLY



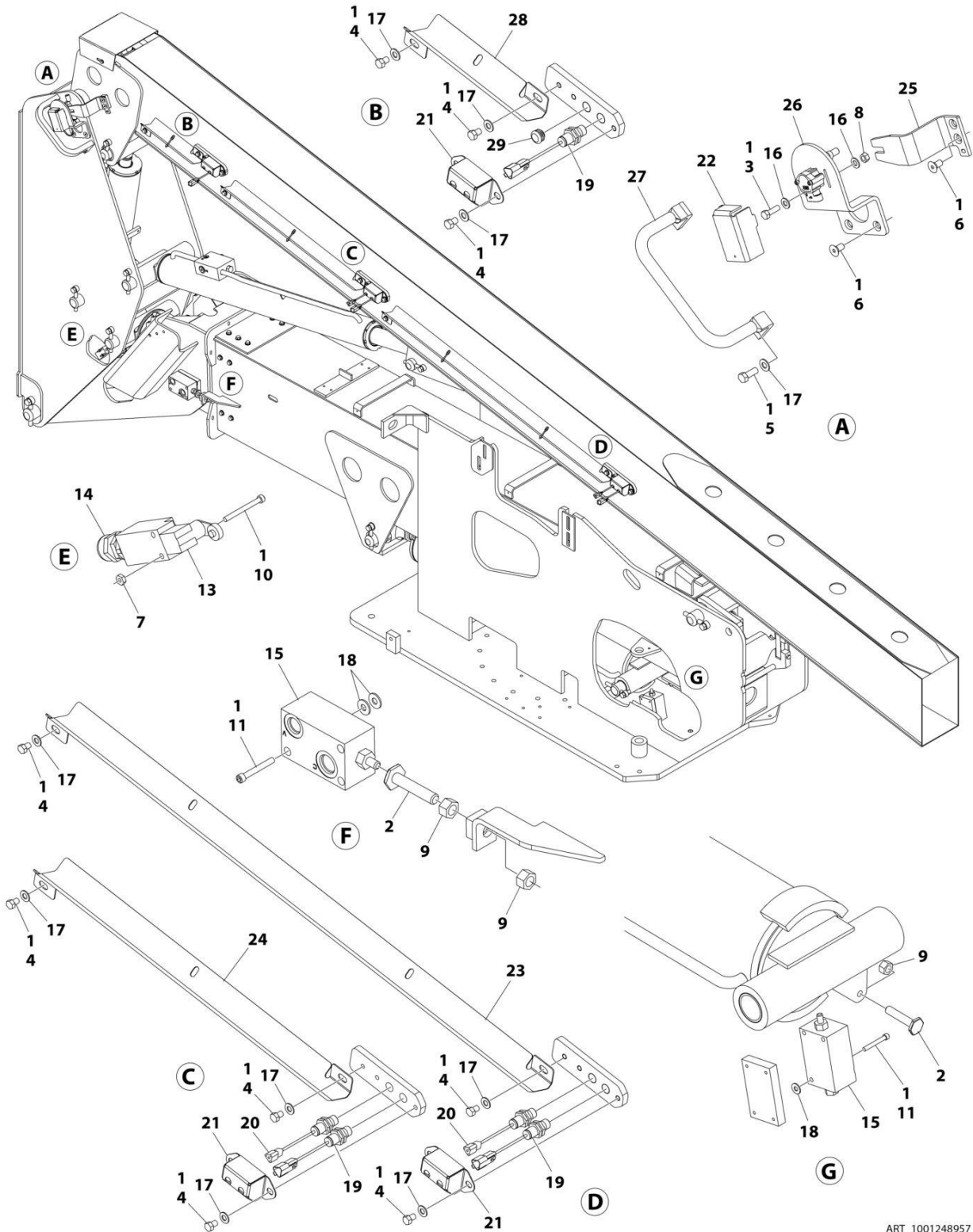
ART\_1001253677

FIGURE 4-11. BOOM VALVE ASSEMBLY

ITEM	PART NUMBER	QTY	DESCRIPTION	REV
	1001253677	Ref	BOOM VALVE ASSEMBLY	B
1	7012989	1	Valve, Flow	
1	7012953	1	Seal Kit - 7012989 Valve	
2	7012965	1	Valve, Flow	
2	7012953	1	Seal Kit - 7012965 Valve	
3	70004151	1	Valve, Relief	
3	7021653	1	Seal Kit - 70003962 Valve	
4	7012914	2	Valve, Cartridge	
4	7012918	2	Seal Kit - 7012914 Valve	
5	7023911	1	Valve, Relief	
5	7012967	1	Seal Kit - 7023911 Valve	
6	70007446	1	Valve, Relief	
6	7012998	1	Seal Kit - 70007446 Valve	
7	7017452	1	Valve, Solenoid (Jib)	
7	7017402	2	Seal Kit - 7017452 Valve	
8	7017452	1	Valve, Solenoid (Platform Level)	
8	7017402	1	Seal Kit - 7017452 Valve	
9	7017452	1	Valve, Solenoid (Rotator)	
9	7017402	2	Seal Kit - 7017452 Valve	
10	70002386	6	Coil	
11	70002064	2	Plug, Orifice	
12	2220883	2	Plug	
13	91164079	1	Plug	

# SECTION 4 - BOOM

## FIGURE 4-12. BOOM VALVES AND LIMIT SWITCHES INSTALLATION



ART\_1001248957

## SECTION 4 - BOOM

**FIGURE 4-12. BOOM VALVES AND LIMIT SWITCHES INSTALLATION**

ITEM	PART NUMBER	QTY	DESCRIPTION	REV
	1001248957	Ref	BOOM VALVES AND LIMIT SWITCHES INSTALLATION	D
1	0100011	AR	Compound, Locking	
2	0630427	2	Bolt	
3	0641508	1	Bolt 5/16 x 1	
4	0641604	12	Bolt 3/8 x 1/2	
5	0641608	2	Bolt 3/8 x 1	
6	0741606	4	Screw 3/8 x 3/4	
7	3310801	2	Nut #8	
8	3311501	1	Nut 5/6	
9	3311801	3	Nut 1/2	
10	3930828	2	Capscrew #8 x 1-3/4	
11	3931430	6	Capscrew 1/4 x 1-7/8	
12	4240033	5	Tie-Strap (Not Shown)	
13	4360578	1	Switch, Limit	
14	4460968	1	Connector, Strain Relief	
15	4641436	2	Valve, 2-Way	
16	4711500	2	Washer 5/16	
17	4711600	14	Washer 3/8	
18	4751400	9	Washer 1/4	
19	1001170847	3	Sensor, Proximity	
20	1001182570	2	Sensor, Proximity	
21	1001204715	3	Bracket	
22	1001211588	1	Shield	
23	1001238138	1	Angle	
24	1001238327	1	Angle	
25	1001248958	1	Plate	
26	1001248962	1	Sensor, Angle	
27	1001263612	1	Bar, Guard	
28	1001250531	1	Plate	
29	3520193	1	Plug	

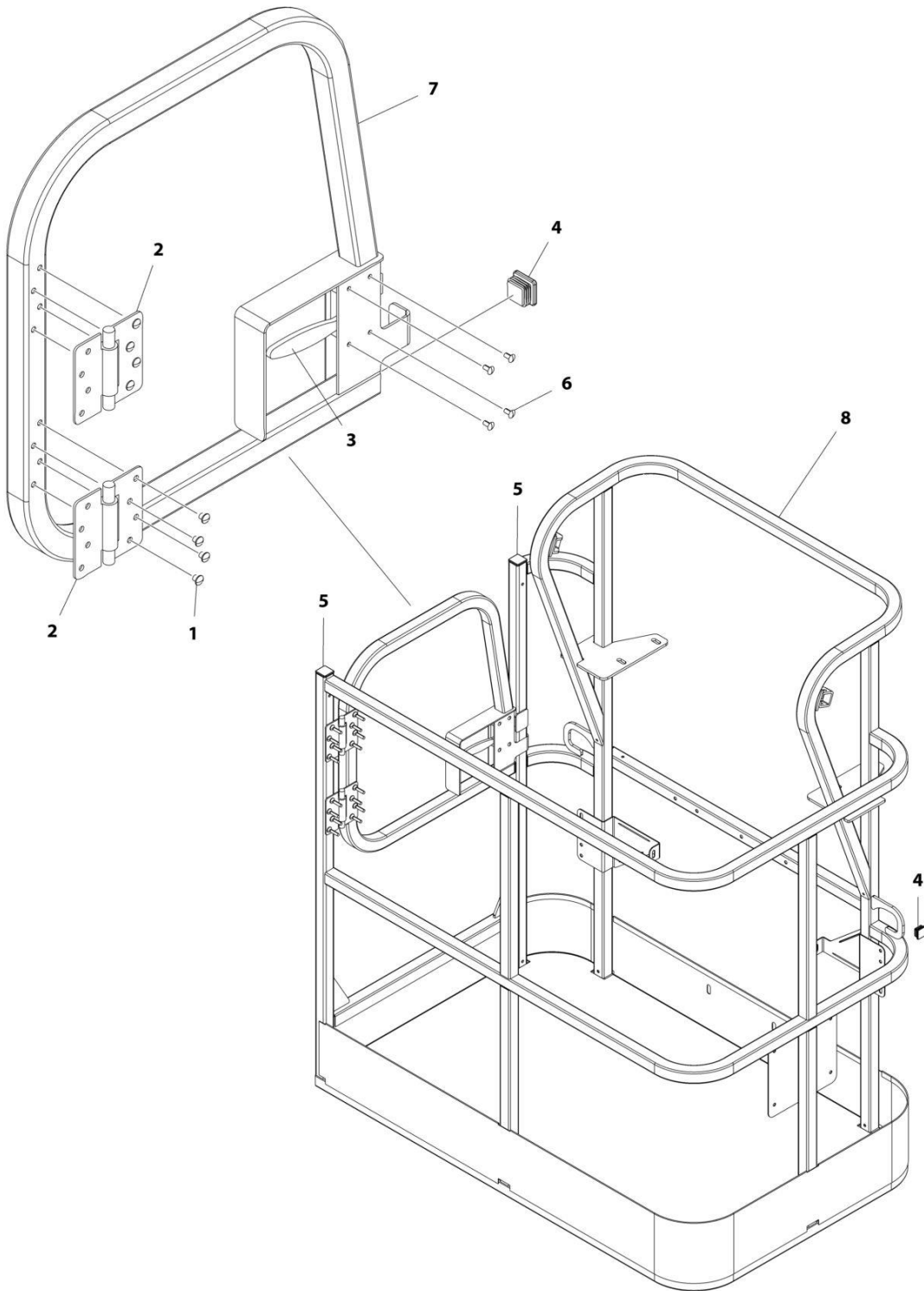




**SECTION 5 - PLATFORM**

# SECTION 5 - PLATFORM

FIGURE 5-1. PLATFORM ASSEMBLY - 30IN X 4FT (76.2CM X 1.22M) WITH SWING GATE



ART\_1001186387

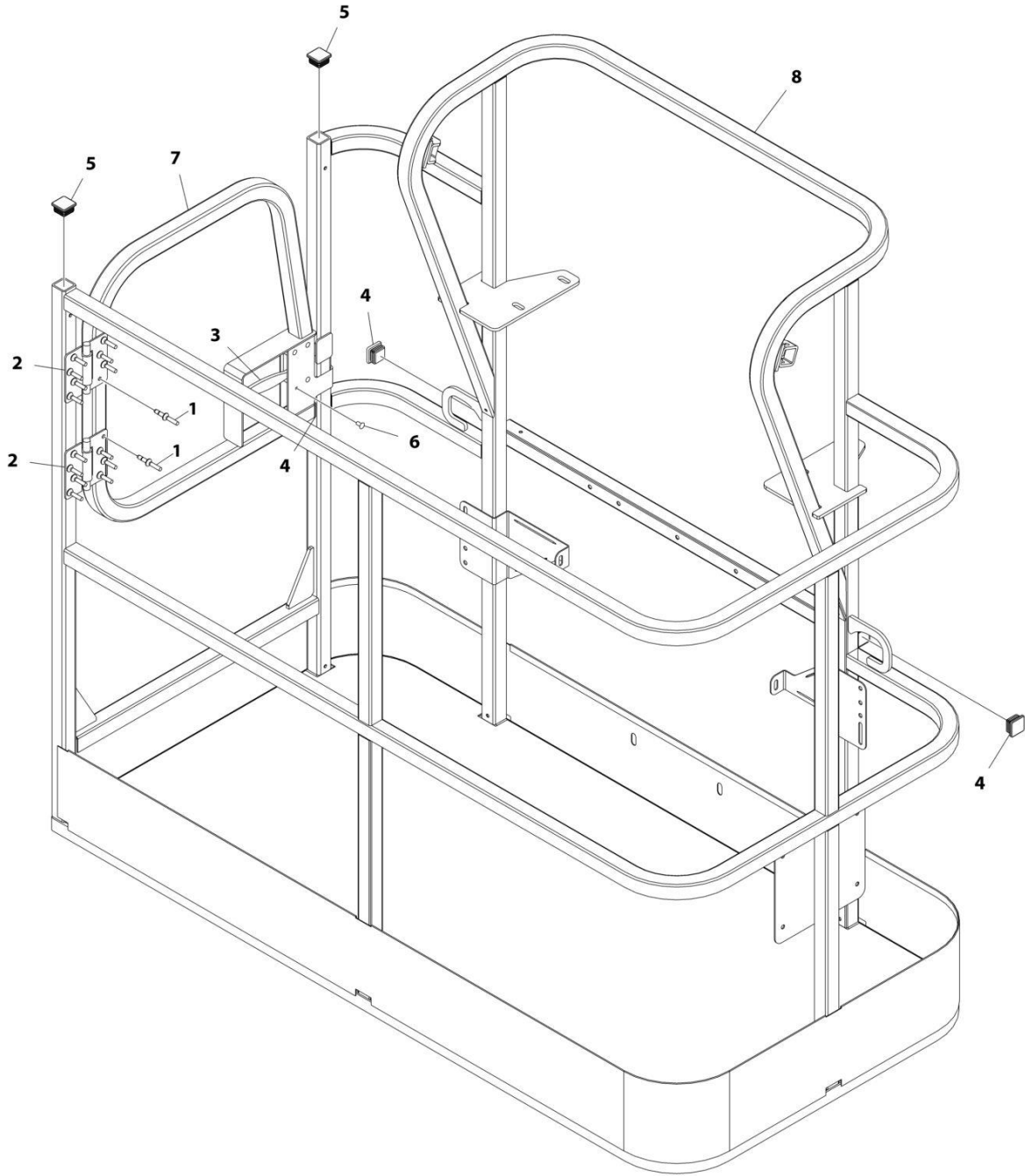
## SECTION 5 - PLATFORM

**FIGURE 5-1. PLATFORM ASSEMBLY - 30IN X 4FT (76.2CM X 1.22M) WITH SWING GATE**

ITEM	PART NUMBER	QTY	DESCRIPTION	REV
	1001186387	Ref	PLATFORM ASSEMBLY	C
		Ref	Note: Platform and Mesh must be ordered separately for Platforms with Mesh. See SPECIAL OPTIONS SECTION for Mesh Installations.	
		Ref	Note: Replacement Decals Must be Ordered Separately - See DECALS SECTION.	
1	2080040	16	Fastener, Huck	
2	2600281	2	Hinge, Self-Closing	
3	2940074	1	Latch	
4	3520072	3	Plug	
5	3520198	2	Plug	
6	3820020	4	Rivet	
7	1001144629	1	Gate	
8	See Note	1	Platform (Note: Not Available - Purchase Platform Assembly)	

# SECTION 5 - PLATFORM

FIGURE 5-2. PLATFORM ASSEMBLY - 30IN X 5FT (76CM X 1.52M) - GATE ENTRY



ART\_1001186386

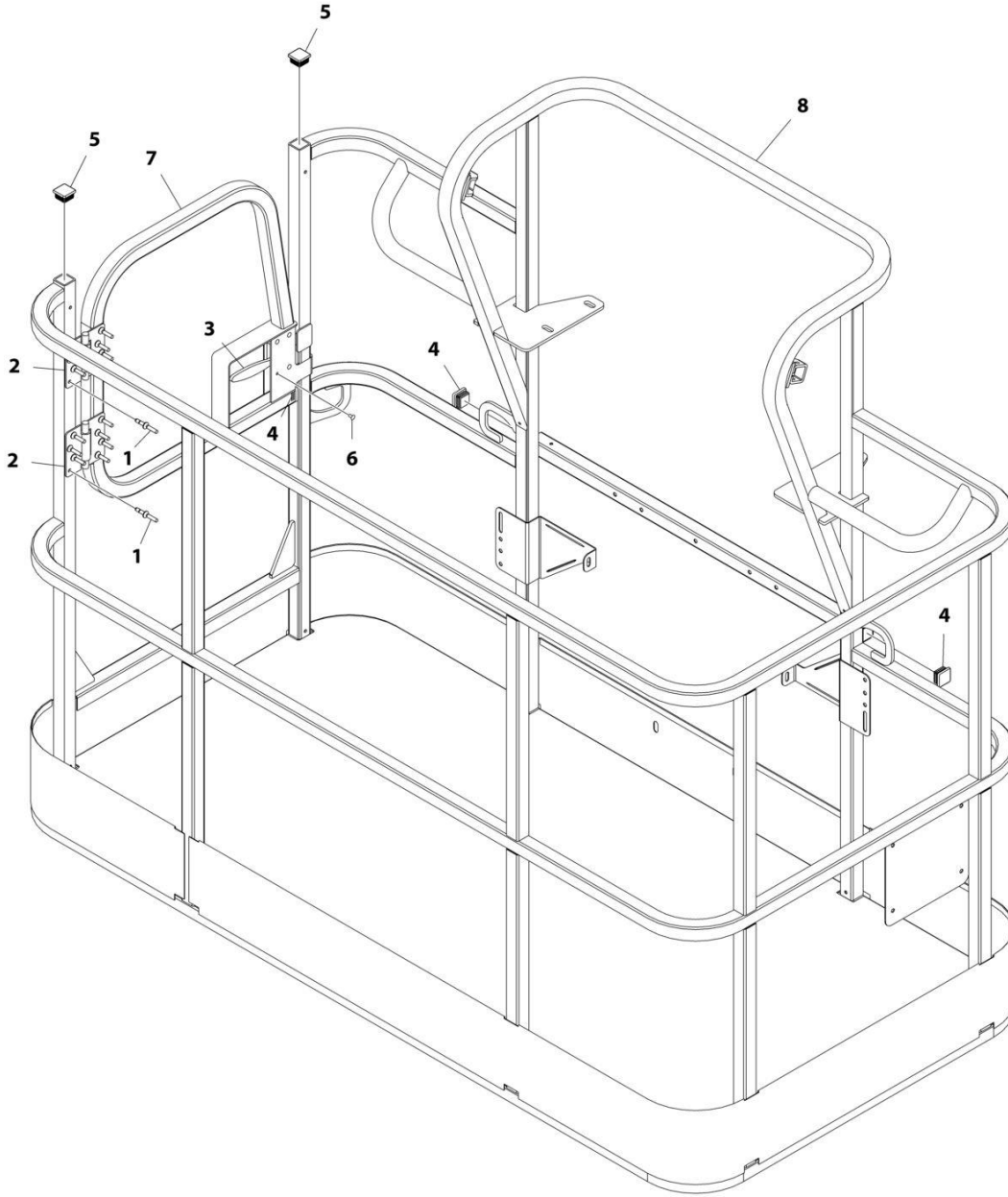
## SECTION 5 - PLATFORM

**FIGURE 5-2. PLATFORM ASSEMBLY - 30IN X 5FT (76CM X 1.52M) - GATE ENTRY**

ITEM	PART NUMBER	QTY	DESCRIPTION	REV
	1001186386	Ref	PLATFORM ASSEMBLY	C
		Ref	Note: Platform and Mesh must be ordered separately for Platforms with Mesh. See SPECIAL OPTIONS SECTION for Mesh Installations.	
		Ref	Note: Replacement Decals Must be Ordered Separately - See DECALS SECTION.	
1	2080040	16	Fastener, Huck	
2	2600281	2	Hinge, Self-Closing	
3	2940074	1	Latch	
4	3520072	3	Plug	
5	3520198	2	Plug	
6	3820020	4	Rivet	
7	1001144629	1	Gate	
8	See Note	NSS	Platform (Note: Not Available - Purchase Platform Assembly)	

# SECTION 5 - PLATFORM

FIGURE 5-3. PLATFORM ASSEMBLY - 36IN X 6FT (91.5CM X 1.83M) WITH SWING GATE



ART\_1001186384

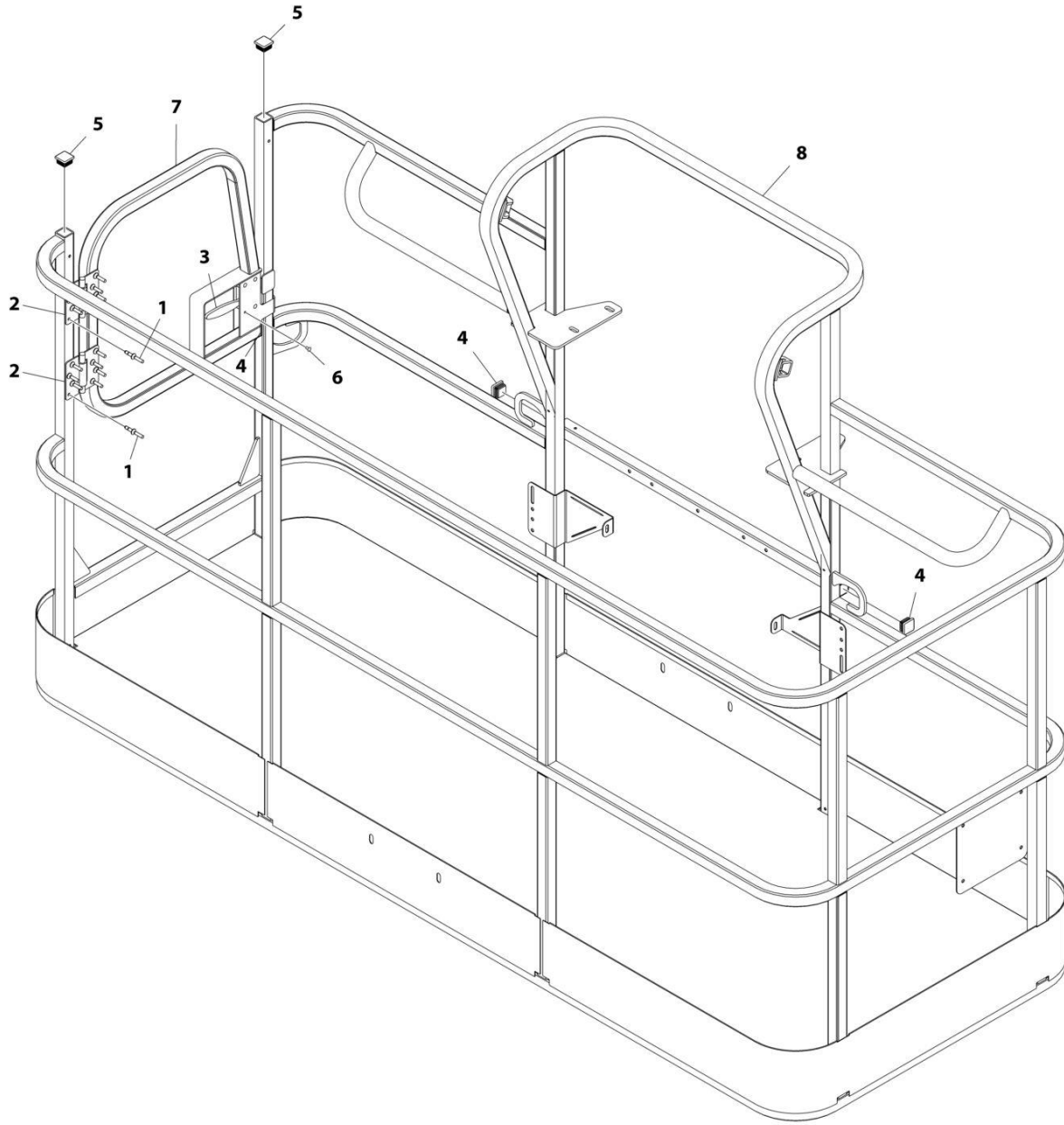
## SECTION 5 - PLATFORM

**FIGURE 5-3. PLATFORM ASSEMBLY - 36IN X 6FT (91.5CM X 1.83M) WITH SWING GATE**

ITEM	PART NUMBER	QTY	DESCRIPTION	REV
	1001186384	Ref	PLATFORM ASSEMBLY - 36IN X 6FT (91.5CM X 1.83M) WITH SWING GATE	C
	See Note	Ref	Note: Platform and Mesh must be ordered separately for Platforms with Mesh. See SPECIAL OPTIONS SECTION for Mesh Installations.	
	See Note	Ref	Note: Replacement Decals Must be Ordered Separately - See DECALS SECTION.	
1	2080040	16	Fastener, Huck	
2	2600281	2	Hinge	
3	2940074	1	Latch	
4	3520072	3	Plug	
5	3520198	2	Plug	
6	3820020	4	Rivet	
7	1001144629	1	Gate	
8	See Note	NSS	Platform (Note: Not Available - Purchase Platform Assembly)	

# SECTION 5 - PLATFORM

FIGURE 5-4. PLATFORM ASSEMBLY - 36IN X 8FT (91.5CM X 2.44M) WITH SWING GATE



ART\_1001186383



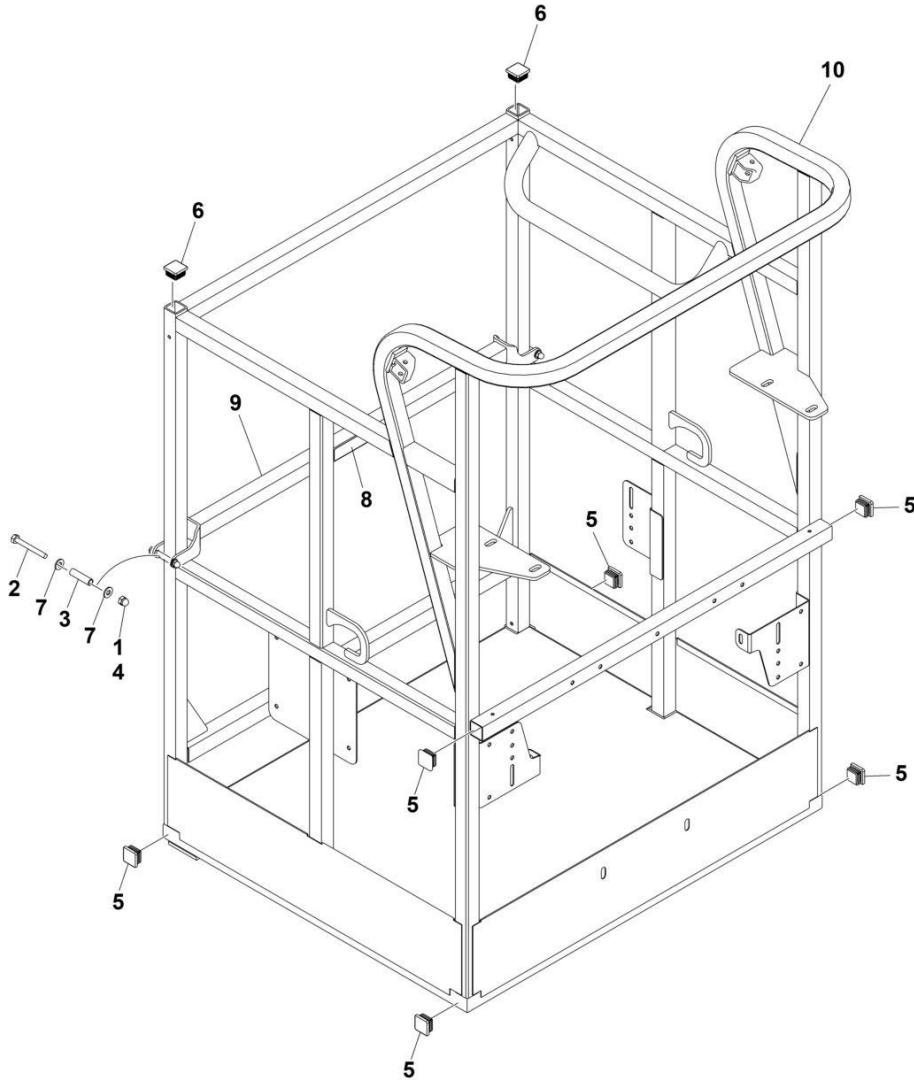
## SECTION 5 - PLATFORM

**FIGURE 5-4. PLATFORM ASSEMBLY - 36IN X 8FT (91.5CM X 2.44M) WITH SWING GATE**

ITEM	PART NUMBER	QTY	DESCRIPTION	REV
	1001186383	Ref	PLATFORM ASSEMBLY - 36IN X 8FT (91.5CM X 2.44M) WITH SWING GATE	D
		Ref	Note: Platform and Mesh must be ordered separately for Platforms with Mesh. See SPECIAL OPTIONS SECTION for Mesh Installations.	
		Ref	Note: Replacement Decals Must be Ordered Separately - See DECALS SECTION.	
1	2080040	16	Fastener, Huck	
2	2600281	2	Hinge	
3	2940074	1	Latch	
4	3520072	3	Plug	
5	3520198	2	Plug	
6	3820020	4	Rivet	
7	1001144629	1	Gate	
8	See Note	NSS	Platform (Note: Not Available - Purchase Platform Assembly)	

# SECTION 5 - PLATFORM

FIGURE 5-5. PLATFORM ASSEMBLY - 30IN X 3FT (76CM X .91M) - DROP BAR ENTRY



ART\_1001228215

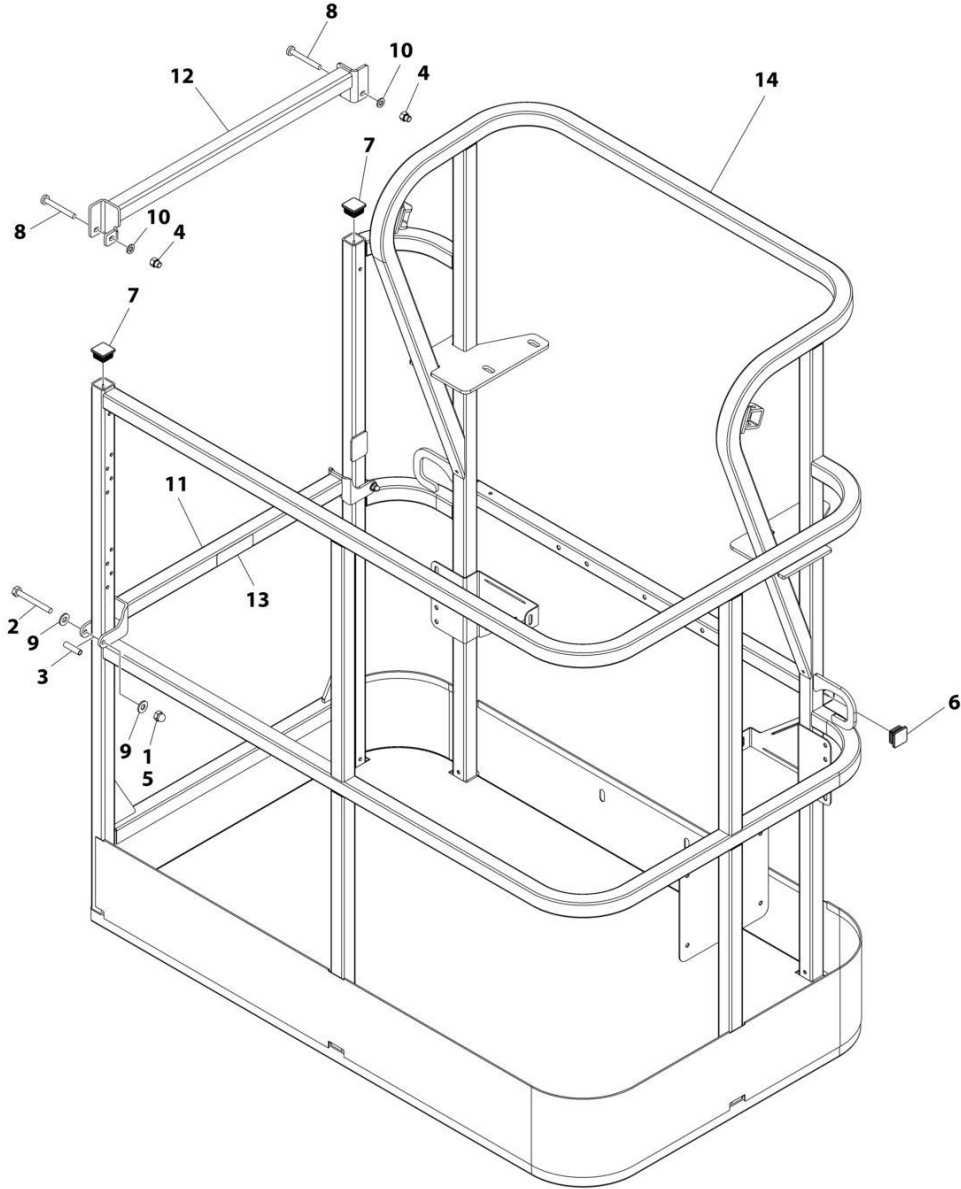
## SECTION 5 - PLATFORM

**FIGURE 5-5. PLATFORM ASSEMBLY - 30IN X 3FT (76CM X .91M) - DROP BAR ENTRY**

ITEM	PART NUMBER	QTY	DESCRIPTION	REV
	1001228215	Ref	PLATFORM ASSEMBLY	A
	See Note	Ref	Note: Platform and Mesh must be ordered separately for Platforms with Mesh. See SPECIAL OPTIONS SECTION for Mesh Installations.	
	See Note	Ref	Note: Replacement Decals Must be Ordered Separately - See DECAL SECTION.	
1	0100011	AR	Compound, Locking	
2	0641418	2	Bolt 1/4 x 2-1/4	
3	0961845	2	Bushing	
4	3300151	2	Nut 1/4	
5	3520072	6	Cap, Plug	
6	3520198	2	Cap, Plug	
7	4711400	4	Washer 1/4	
8	1001140429	1	Decal - Drop Bar	
9	1001226872	1	Bar, Drop	
10	See Note	NSS	Platform (Note: Not Available - Purchase Platform Assembly)	

# SECTION 5 - PLATFORM

FIGURE 5-6. PLATFORM ASSEMBLY - 30IN X 4FT (76.2CM X 1.22M) WITH DROP BAR



ART\_1001186375

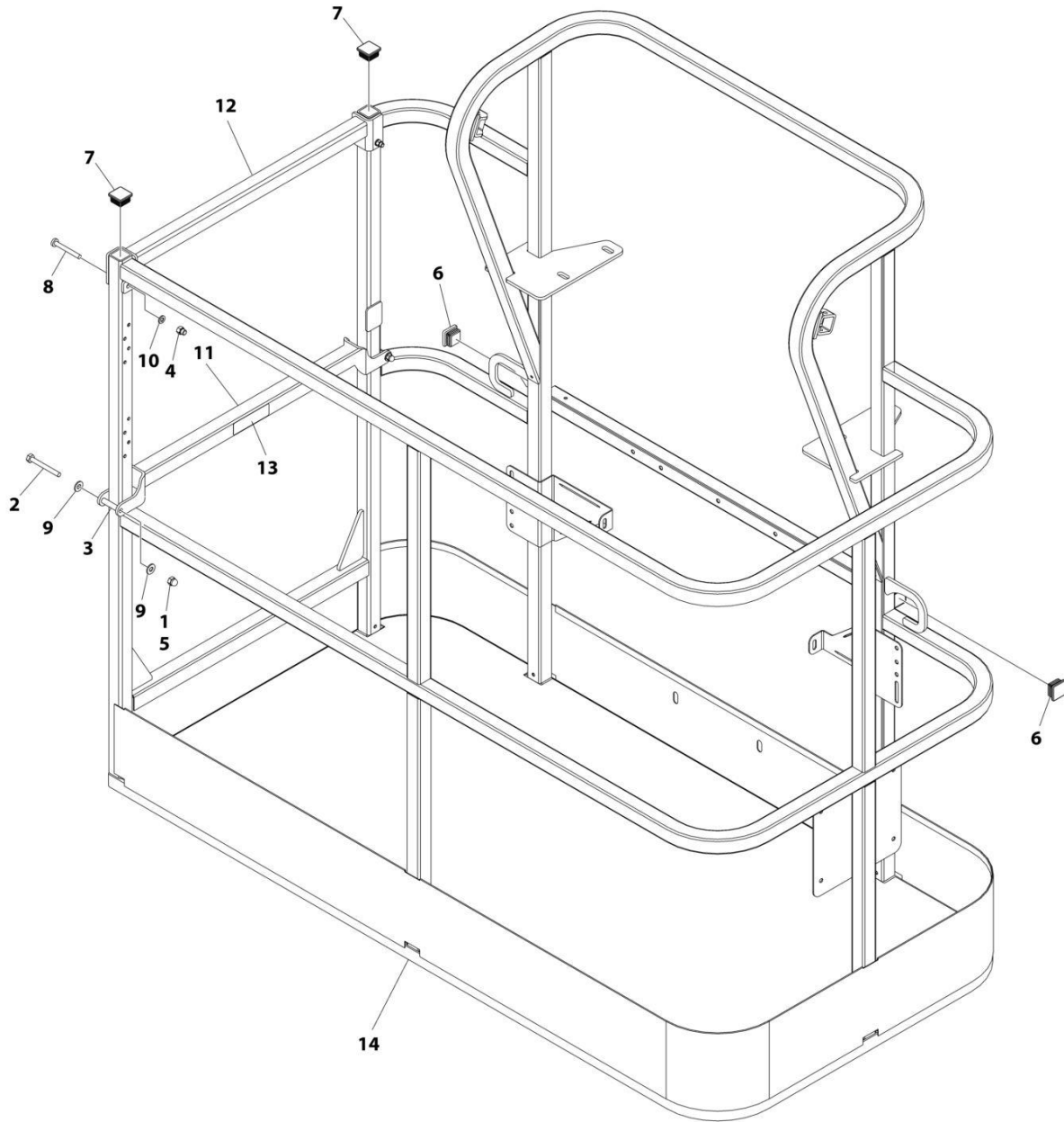
## SECTION 5 - PLATFORM

**FIGURE 5-6. PLATFORM ASSEMBLY - 30IN X 4FT (76.2CM X 1.22M) WITH DROP BAR**

ITEM	PART NUMBER	QTY	DESCRIPTION	REV
	1001186375	Ref	PLATFORM ASSEMBLY	B
		Ref	Note: Platform and Mesh must be ordered separately for Platforms with Mesh. See SPECIAL OPTIONS SECTION for Mesh Installations.	
		Ref	Note: Replacement Decals Must be Ordered Separately - See DECALS SECTION.	
1	0100011	AR	Compound, Locking	
2	0641418	2	Bolt 1/4 x 2-1/4	
3	0961845	2	Bushing	
4	3290606	2	Nut M6	
5	3300151	2	Nut 1/4	
6	3520072	2	Plug	
7	3520198	2	Plug	
8	4010618	2	Screw M6 x 50	
9	4711400	4	Washer 1/4	
10	4811700	2	Washer M6	
11	1001138494	1	Bar, Drop	
12	1001138514	1	Rail - Top	
13	1001140429	1	Decal - Drop Bar	
14	See Note	1	Platform (Note: Not Available - Purchase Platform Assembly)	

# SECTION 5 - PLATFORM

FIGURE 5-7. PLATFORM ASSEMBLY - 30IN X 5FT (76CM X 1.52M) - DROP BAR ENTRY



ART\_1001186377

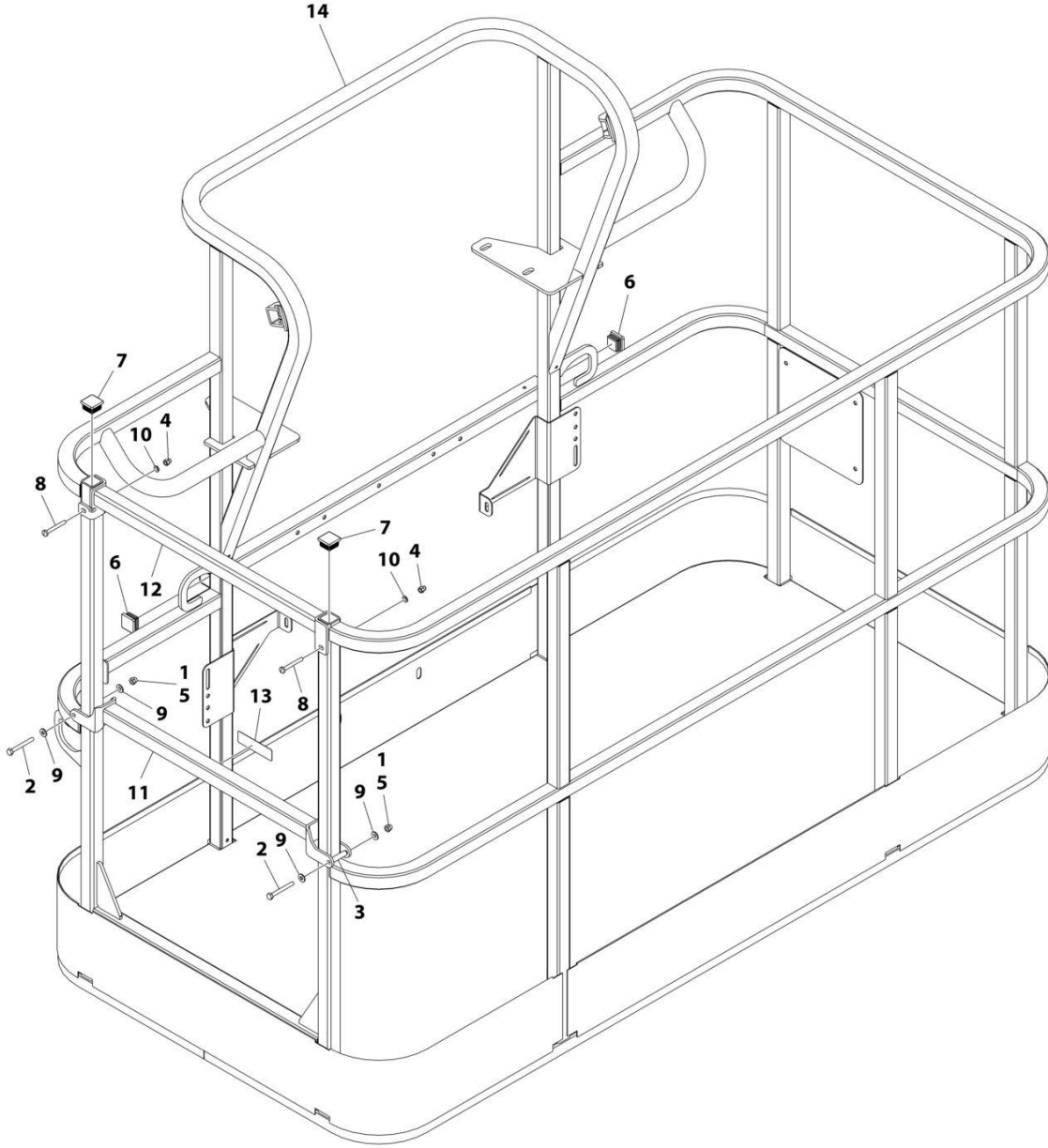
## SECTION 5 - PLATFORM

**FIGURE 5-7. PLATFORM ASSEMBLY - 30IN X 5FT (76CM X 1.52M) - DROP BAR ENTRY**

ITEM	PART NUMBER	QTY	DESCRIPTION	REV
	1001186377	Ref	PLATFORM ASSEMBLY	C
		Ref	Note: Platform and Mesh must be ordered separately for Platforms with Mesh. See SPECIAL OPTIONS SECTION for Mesh Installations.	
		Ref	Note: Replacement Decals Must be Ordered Separately - See DECALS SECTION.	
1	0100011	AR	Compound, Locking	
2	0641420	2	Bolt 1/4 x 2-1/2	
3	0961845	2	Bushing	
4	3290606	2	Nut M6	
5	3300151	2	Nut 1/4	
6	3520072	2	Plug	
7	3520198	2	Plug	
8	4010618	2	Screw M6 x 50	
9	4711400	4	Washer 1/4	
10	4811700	2	Washer M6	
11	1001138494	1	Bar, Drop	
12	1001138514	1	Rail (Top)	
13	1001140429	1	Decal - Drop Bar	
14	See Note	NSS	Platform (Note: Not Available - Purchase Platform Assembly)	

# SECTION 5 - PLATFORM

FIGURE 5-8. PLATFORM ASSEMBLY - 36IN X 6FT (91.5CM X 1.83M) WITH DROP BAR



ART\_1001186379



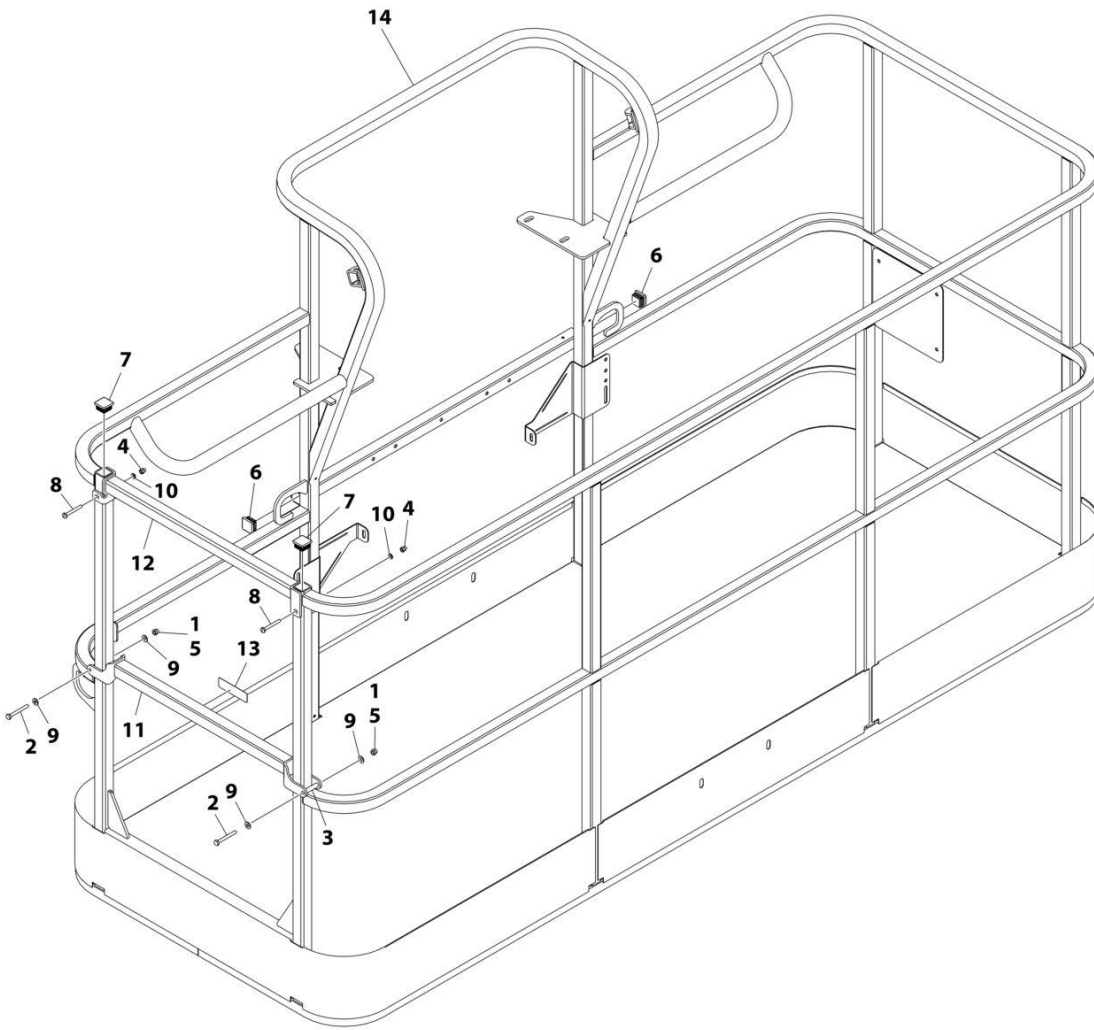
## SECTION 5 - PLATFORM

**FIGURE 5-8. PLATFORM ASSEMBLY - 36IN X 6FT (91.5CM X 1.83M) WITH DROP BAR**

ITEM	PART NUMBER	QTY	DESCRIPTION	REV
	1001186379	Ref	PLATFORM ASSEMBLY - 36IN X 6FT (91.5CM X 1.83M) WITH DROP BAR	B
		Ref	Note: Platform and Mesh must be ordered separately for Platforms with Mesh. See SPECIAL OPTIONS SECTION for Mesh Installations.	
		Ref	Note: Replacement Decals Must be Ordered Separately - See DECALS SECTION.	
1	0100011	AR	Compound, Locking	
2	0641418	2	Bolt 1/4 x 2-1/4	
3	0961845	2	Bushing	
4	3290606	2	Nut M6	
5	3300151	2	Nut 1/4	
6	3520072	2	Plug	
7	3520198	2	Plug	
8	4010618	2	Screw M6 x 50	
9	4711400	4	Washer 1/4	
10	4811700	2	Washer M6	
11	1001138494	1	Bar, Drop	
12	1001138514	1	Rail (Top)	
13	1001140429	1	Decal - Drop Bar	
14	See Note	NSS	Platform (Note: Not Available - Purchase Platform Assembly)	

# SECTION 5 - PLATFORM

FIGURE 5-9. PLATFORM ASSEMBLY - 36IN X 8FT (91.5CM X 2.44M) WITH DROP BAR



ART\_1001186382

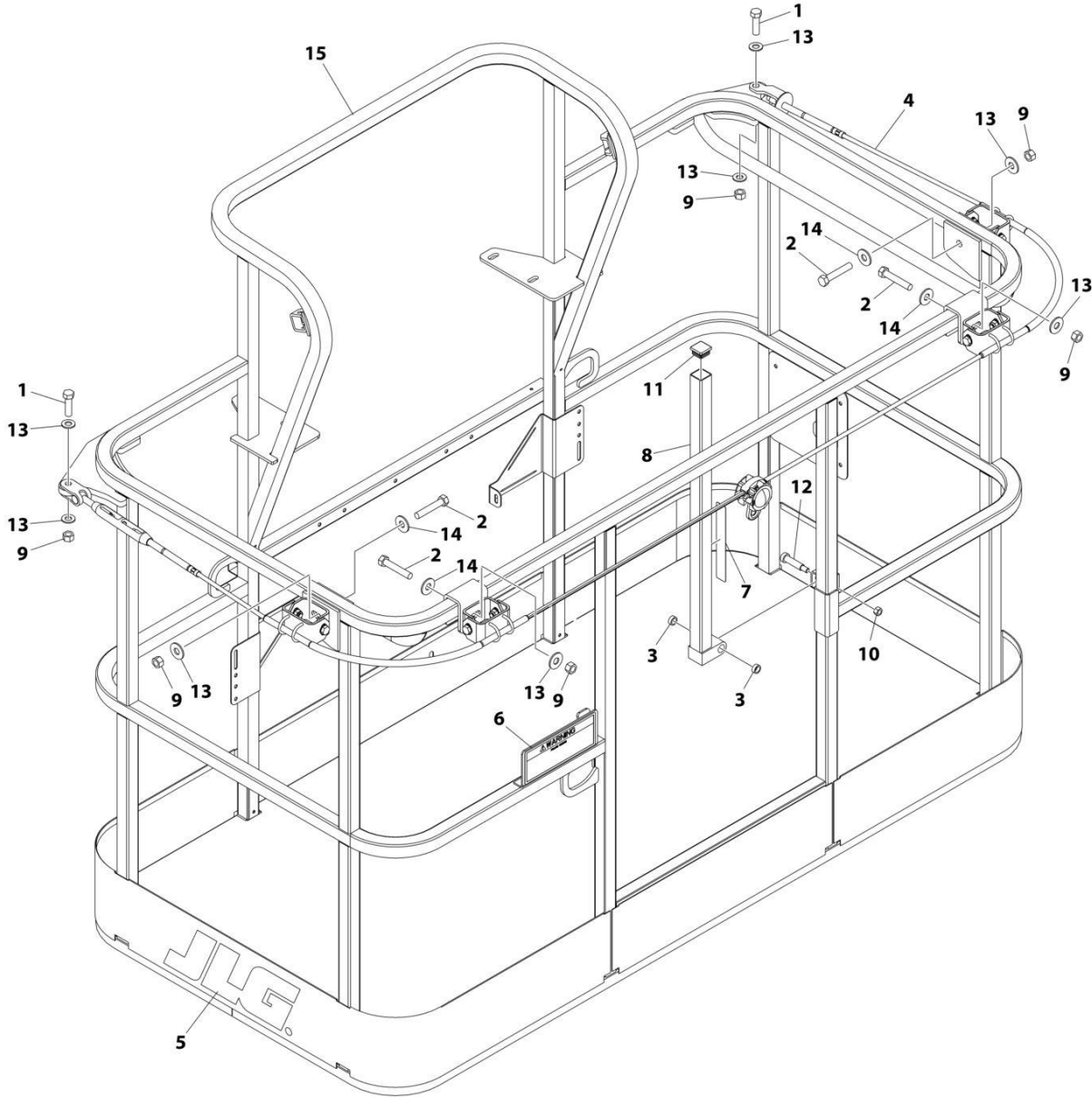
## SECTION 5 - PLATFORM

**FIGURE 5-9. PLATFORM ASSEMBLY - 36IN X 8FT (91.5CM X 2.44M) WITH DROP BAR**

ITEM	PART NUMBER	QTY	DESCRIPTION	REV
	1001186382	Ref	PLATFORM ASSEMBLY - 36IN X 8FT (91.5CM X 2.44M) WITH DROP BAR	C
		Ref	Note: Platform and Mesh must be ordered separately for Platforms with Mesh. See SPECIAL OPTIONS SECTION for Mesh Installations.	
		Ref	Note: Replacement Decals Must be Ordered Separately - See DECALS SECTION.	
1	0100011	AR	Compound, Locking	
2	0641418	2	Bolt 1/4 x 2-1/4	
3	0961845	2	Bushing	
4	3290606	2	Nut M6	
5	3300151	2	Nut 1/4	
6	3520072	2	Plug	
7	3520198	2	Plug	
8	4010618	2	Screw M6 x 50	
9	4711400	4	Washer 1/4	
10	4811700	2	Washer M6	
11	1001138494	1	Bar, Drop	
12	1001138514	1	Rail (Top)	
13	1001140429	1	Decal - Drop Bar	
14	See Note	NSS	Platform (Note: Not Available - Purchase Platform Assembly)	

# SECTION 5 - PLATFORM

FIGURE 5-10. PLATFORM ASSEMBLY - 36IN X 6FT (91.5CM X 1.83M) WITH FALL ARREST



ART\_1001186333

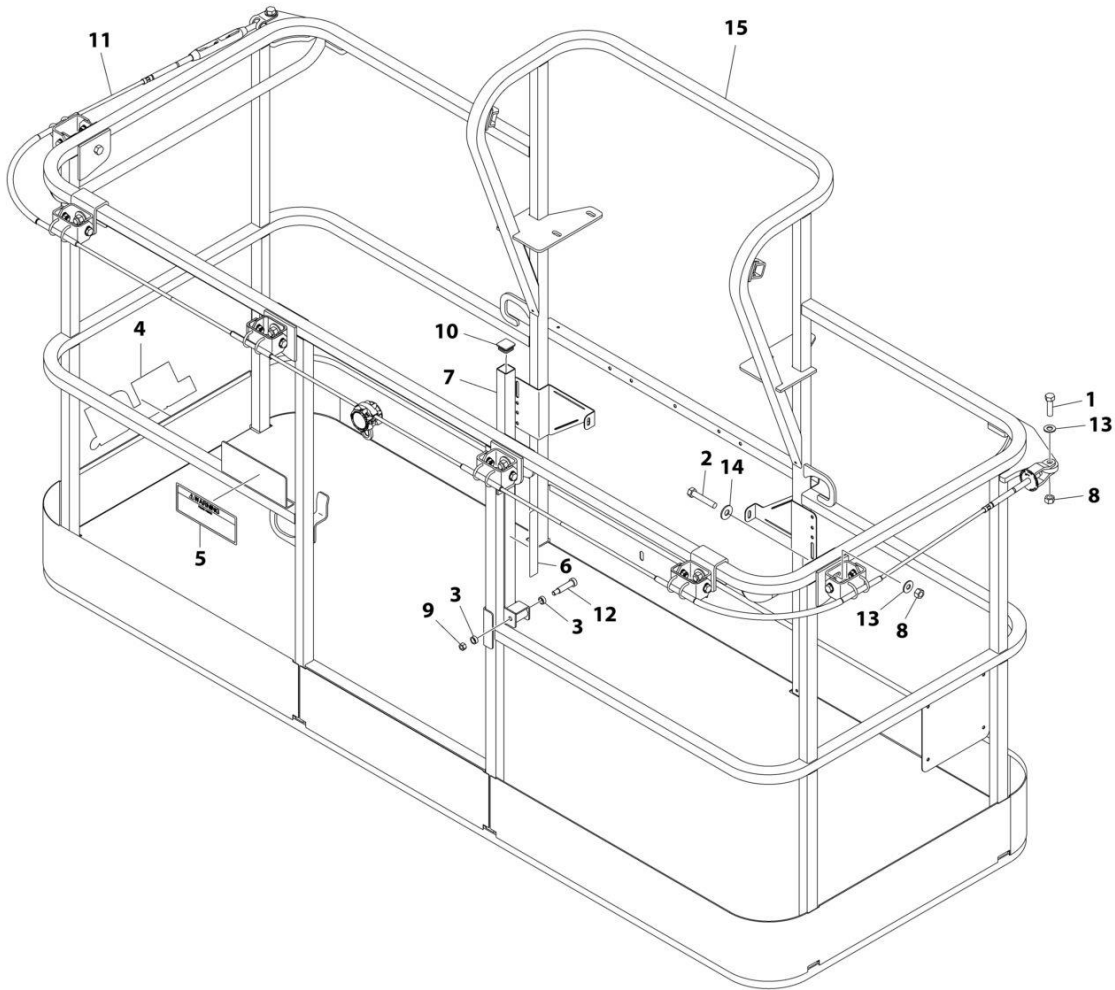
## SECTION 5 - PLATFORM

**FIGURE 5-10. PLATFORM ASSEMBLY - 36IN X 6FT (91.5CM X 1.83M) WITH FALL ARREST**

ITEM	PART NUMBER	QTY	DESCRIPTION	REV
	1001186333	Ref	PLATFORM ASSEMBLY	C
		Ref	Note: Replacement Decals Must be Ordered Separately - See DECALS SECTION.	
1	0681814	2	Bolt 1/2 x 1-3/4 Grade 8	
2	0681822	4	Bolt 1/2 x 2-3/4 Grade 8	
3	0962270	2	Bearing	
4	1001203655	1	Cable	
5	1702773	1	Decal - JLG	
6	1705014	1	Decal - Safety	
7	1706385	1	Decal - Drop Bar	
8	2410014	1	Bar, Drop	
9	3271805	6	Nut 1/2 Grade 8	
10	3311605	1	Nut 3/8	
11	3520072	1	Plug	
12	3900054	1	Bolt 1/2 x 1-3/4	
13	4711800	8	Washer 1/2	
14	4751800	4	Washer 1/2	
15	See Note	NSS	Platform (Note: Not Available - Purchase Platform Assembly)	

# SECTION 5 - PLATFORM

FIGURE 5-11. PLATFORM ASSEMBLY - 36IN X 8FT (91.5CM X 2.44M) WITH FALL ARREST



ART\_1001186334

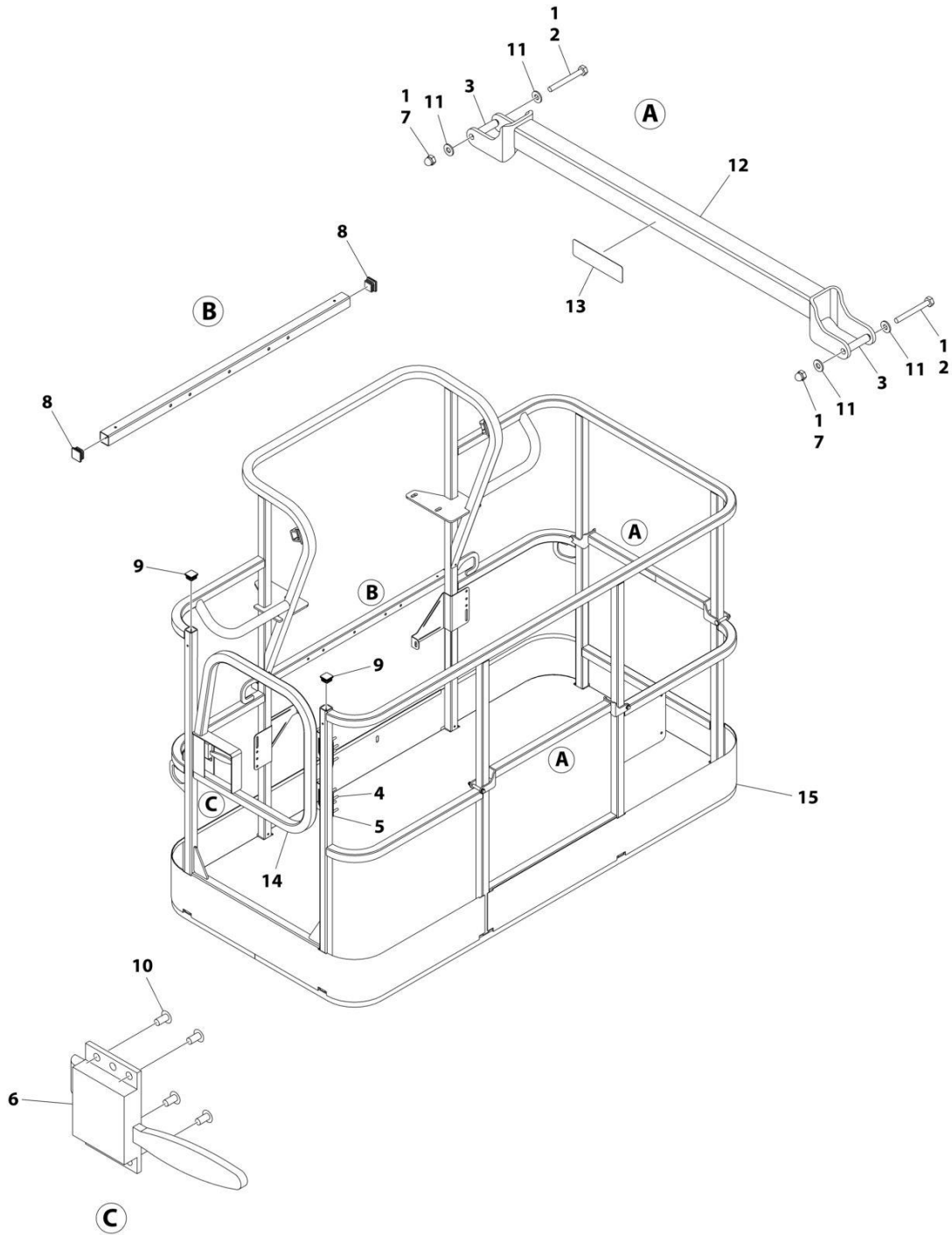
## SECTION 5 - PLATFORM

**FIGURE 5-11. PLATFORM ASSEMBLY - 36IN X 8FT (91.5CM X 2.44M) WITH FALL ARREST**

ITEM	PART NUMBER	QTY	DESCRIPTION	REV
	1001186334	Ref	PLATFORM ASSEMBLY	D
		Ref	Note: Replacement Decals Must be Ordered Separately - See DECALS SECTION.	
1	0681814	2	Bolt 1/2 x 1-3/4 Grade 8	
2	0681822	6	Bolt 1/2 x 2-3/4 Grade 8	
3	0962270	2	Bearing	
4	1702773	1	Decal - JLG	
5	1705014	1	Decal - Safety	
6	1706385	1	Decal - Drop Bar	
7	2410014	1	Bar, Drop	
8	3271805	8	Nut 1/2 Grade 8	
9	3311605	1	Nut 3/8	
10	3520072	1	Plug	
11	1001203656	1	Cable	
12	3900054	1	Bolt 1/2 x 1-3/4	
13	4711800	2	Washer 1/2	
14	4751800	6	Washer 1/2	
15	See Note	NSS	Platform (Note: Purchase Platform Assembly)	

# SECTION 5 - PLATFORM

FIGURE 5-12. PLATFORM ASSEMBLY - 36IN X 6FT (91.5CM X 1.83M) TRI-ENTRY WITH SWING GATE



ART\_1001228376



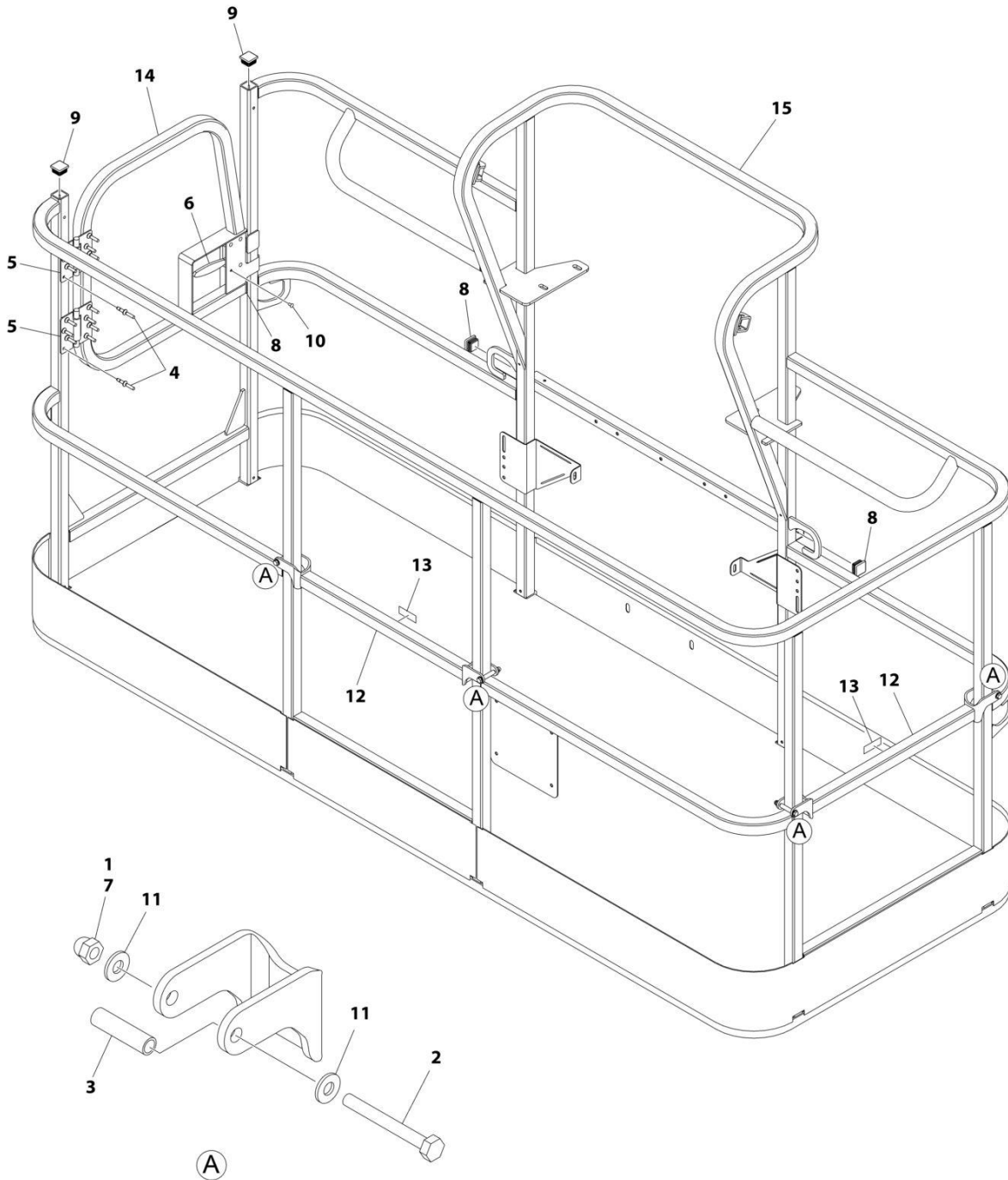
## SECTION 5 - PLATFORM

**FIGURE 5-12. PLATFORM ASSEMBLY - 36IN X 6FT (91.5CM X 1.83M) TRI-ENTRY WITH SWING GATE**

ITEM	PART NUMBER	QTY	DESCRIPTION	REV
	1001228376	Ref	PLATFORM ASSEMBLY - 36IN x 6FT (91.5CM x 1.83M)	B
		Ref	Note: Platform and Mesh must be ordered separately for Platforms with Mesh. See SPECIAL OPTIONS SECTION for Mesh Installations.	
		Ref	Note: Replacement Decals Must be Ordered Separately - See DECAL SECTION.	
1	0100011	AR	Compound, Locking	
2	0641418	4	Bolt 1/4 x 2-1/4	
3	0961845	4	Bushing	
4	2080040	16	Fastener	
5	2600281	2	Hinge	
6	2940074	1	Latch	
7	3300151	4	Nut 1/4	
8	3520072	3	Plug	
9	3520198	2	Plug	
10	3820020	4	Rivet	
11	4711400	8	Washer 1/4	
12	1001138494	2	Bar, Drop	
13	1001140429	2	Decal - Drop Bar	
14	1001144629	1	Gate	
15	See Note	NSS	Platform (Note: Not Available - Purchase Platform Assembly)	

# SECTION 5 - PLATFORM

FIGURE 5-13. PLATFORM ASSEMBLY - 36IN X 8FT (91.5CM X 2.44M) TRI-ENTRY WITH SWING GATE



ART\_1001228243

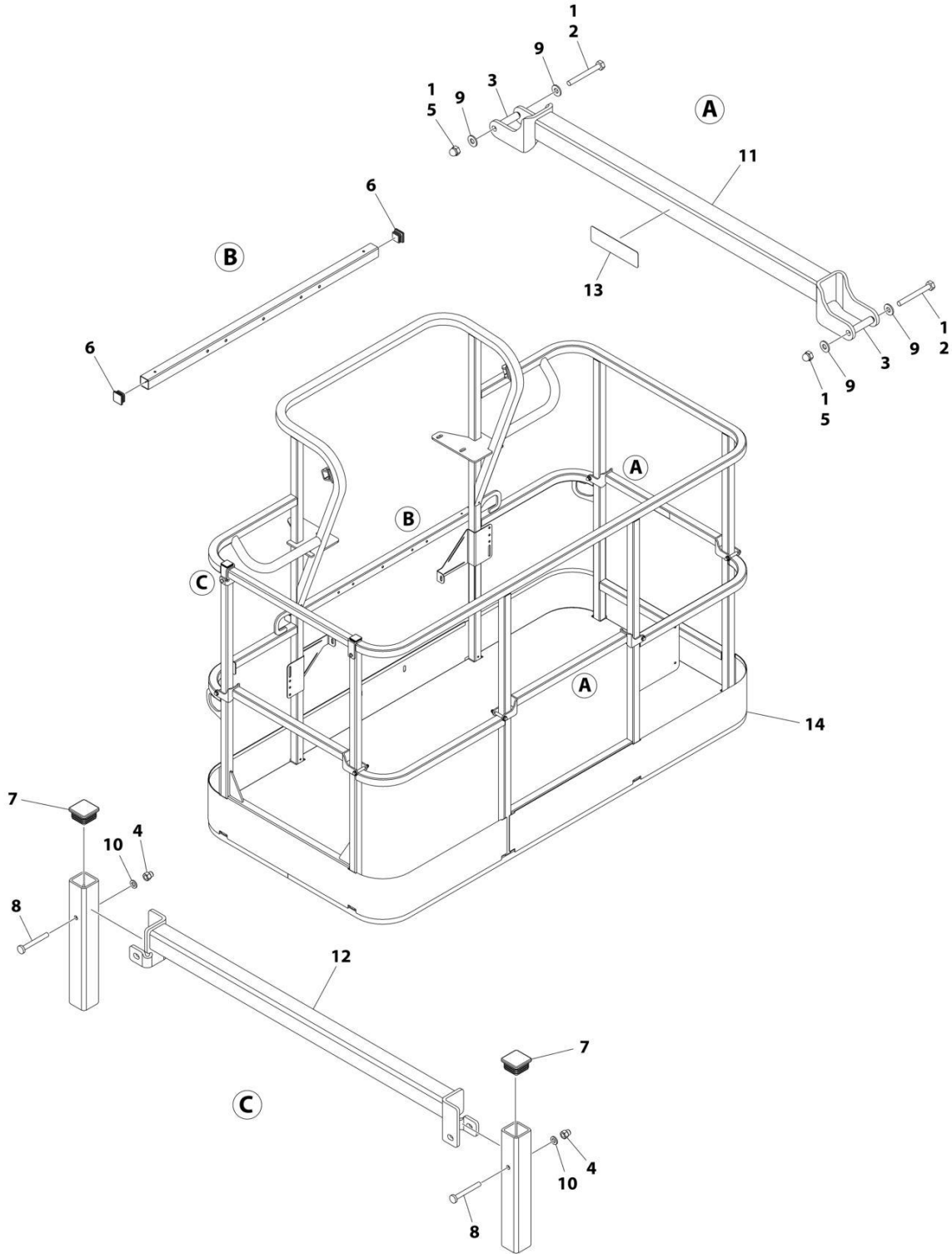
## SECTION 5 - PLATFORM

**FIGURE 5-13. PLATFORM ASSEMBLY - 36IN X 8FT (91.5CM X 2.44M) TRI-ENTRY WITH SWING GATE**

ITEM	PART NUMBER	QTY	DESCRIPTION	REV
	1001228243	Ref	PLATFORM ASSEMBLY - 36IN X 8FT (91.5CM X 2.44M) WITH TRI-ENTRY	A
		Ref	Note: Platform and Mesh must be ordered separately for Platforms with Mesh. See SPECIAL OPTIONS SECTION for Mesh Installations.	
1	0100011	AR	Compound, Locking	
2	0641418	4	Bolt 1/4 x 2-1/4	
3	0961845	4	Bushing	
4	2080040	16	Fastener, Huck	
5	2600281	2	Hinge, Self-Closing	
6	2940074	1	Latch	
7	3300151	4	Nut 1/4	
8	3520072	3	Cap, Plug	
9	3520198	2	Cap, Plug	
10	3820020	4	Rivet	
11	4711400	8	Washer 1/4	
12	1001138494	2	Bar, Drop	
13	1001140429	2	Decal - Drop Bar	
14	1001144629	1	Gate, Weldment	
15	See Note	1	Platform (Note: Not Available - Purchase Platform Assembly)	

# SECTION 5 - PLATFORM

FIGURE 5-14. PLATFORM ASSEMBLY - 36IN X 6FT (91.5CM X 1.83M) TRI-ENTRY WITH DROPBAR



ART\_1001228377

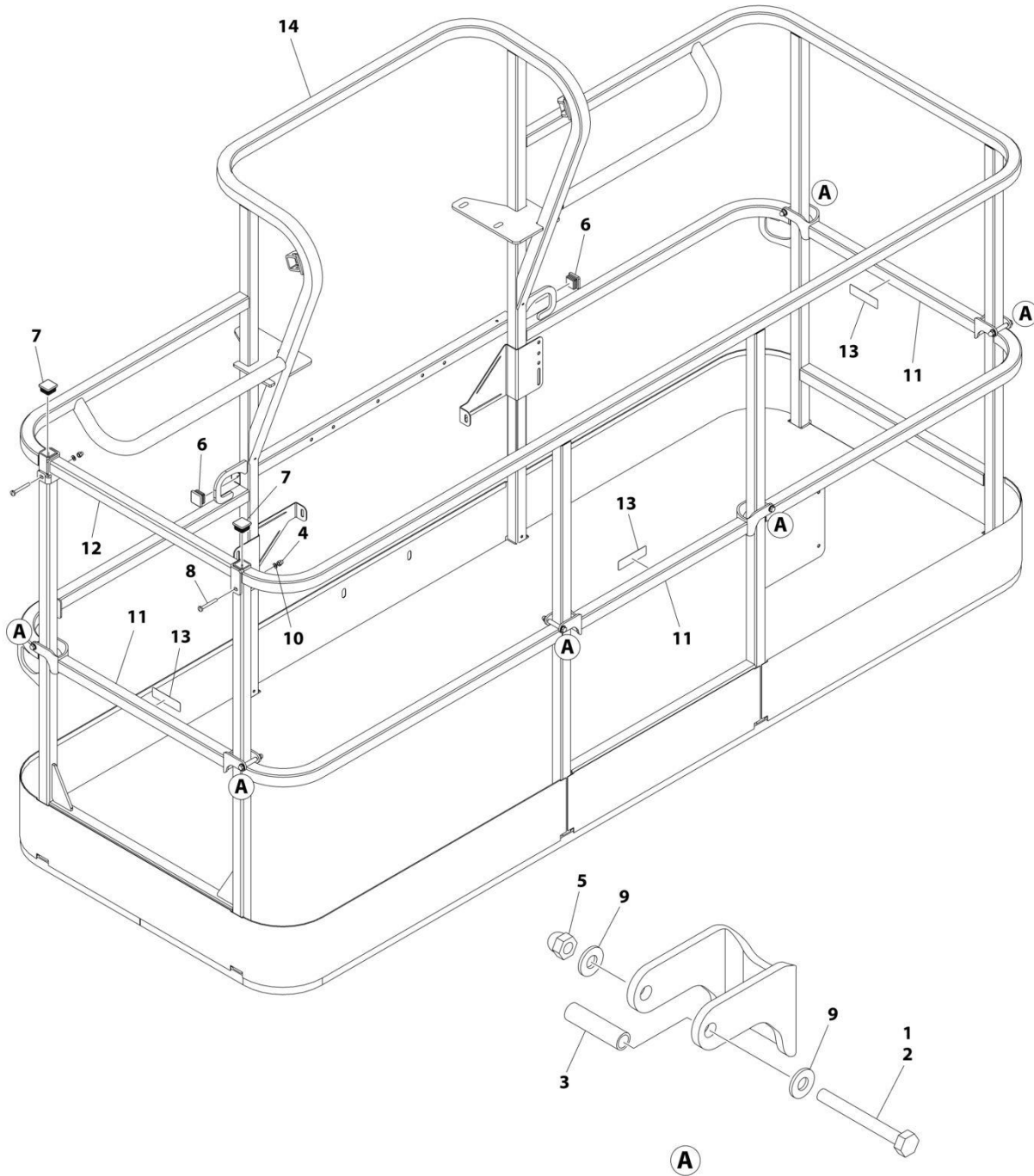
## SECTION 5 - PLATFORM

**FIGURE 5-14. PLATFORM ASSEMBLY - 36IN X 6FT (91.5CM X 1.83M) TRI-ENTRY WITH DROPBAR**

ITEM	PART NUMBER	QTY	DESCRIPTION	REV
	1001228377	Ref	PLATFORM ASSEMBLY - 36IN x 6FT (91.5CM x 1.83M)	B
		Ref	Note: Platform and Mesh must be ordered separately for Platforms with Mesh. See SPECIAL OPTIONS SECTION for Mesh Installations.	
		Ref	Note: Replacement Decals Must be Ordered Separately - See DECAL SECTION.	
1	0100011	1	Compound, Locking	
2	0641418	6	Bolt 1/4 x 2-1/4	
3	0961845	6	Bushing	
4	3290606	2	Nut M6	
5	3300151	6	Nut 1/4	
6	3520072	2	Plug	
7	3520198	2	Plug	
8	4010618	2	Screw M6 x 50	
9	4711400	12	Washer 1/4	
10	4811700	2	Washer M6	
11	1001138494	3	Bar, Drop	
12	1001138514	1	Rail (Top)	
13	1001140429	3	Decal - Drop Bar	
14	See Note	NSS	Platform, Weldment (Note: Not Available - Purchase Platform Assembly)	

# SECTION 5 - PLATFORM

FIGURE 5-15. PLATFORM ASSEMBLY - 36IN X 8FT (91.5CM X 2.44M) TRI-ENTRY WITH DROPBAR  
(USA BUILT MACHINES)



ART\_1001228375

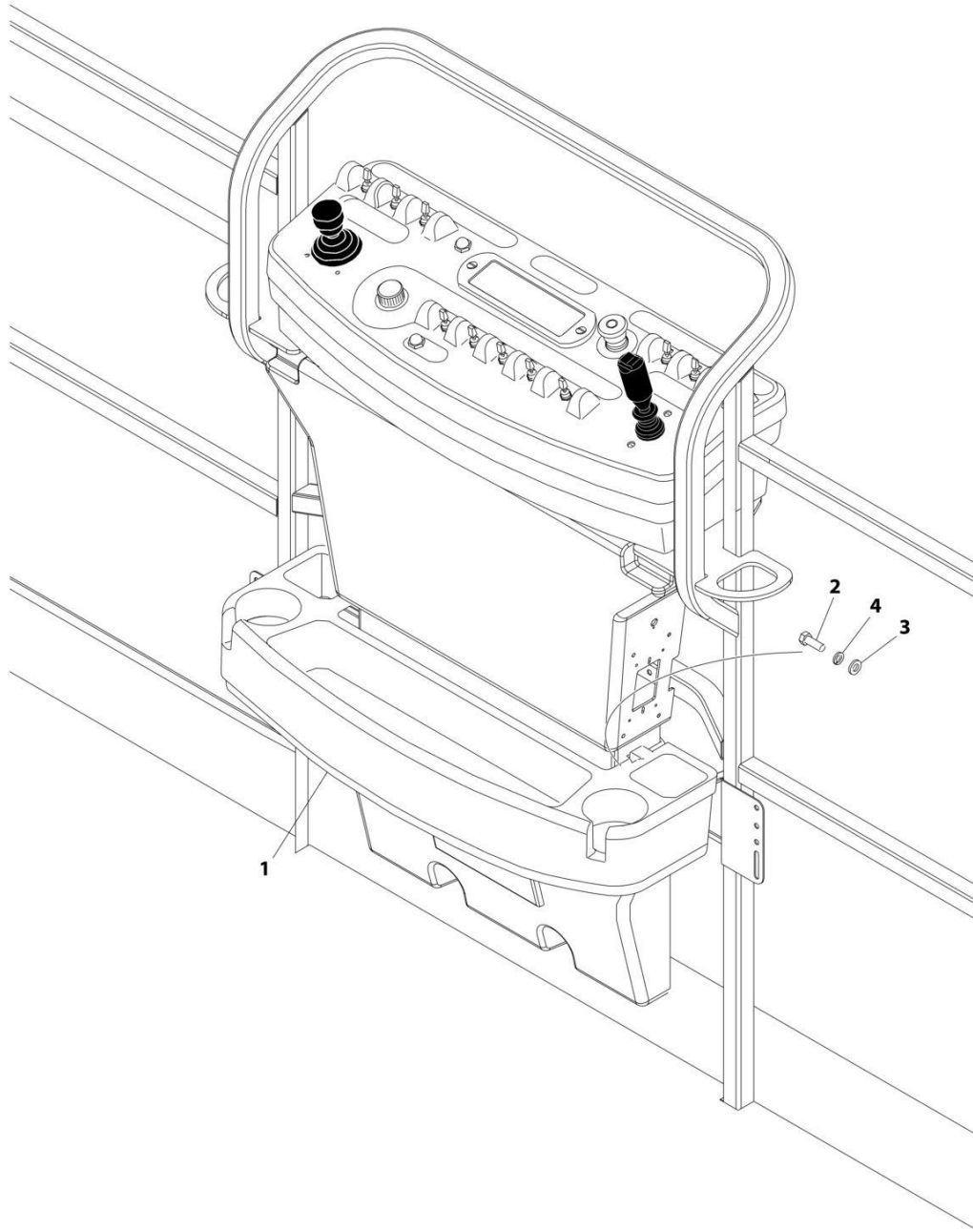
## SECTION 5 - PLATFORM

**FIGURE 5-15. PLATFORM ASSEMBLY - 36IN X 8FT (91.5CM X 2.44M) TRI-ENTRY WITH DROPBAR  
(USA BUILT MACHINES)**

ITEM	PART NUMBER	QTY	DESCRIPTION	REV
	1001228375	Ref	PLATFORM ASSEMBLY - 36IN X 8FT (91.5CM X 2.44M) WITH TRI-ENTRY	A
		Ref	Note: Platform and Mesh must be ordered separately for Platforms with Mesh. See SPECIAL OPTIONS SECTION for Mesh Installations.	
		Ref	Note: Replacement Decals Must be Ordered Separately - See DECAL SECTION.	
1	0100011	AR	Compound, Locking	
2	0641418	6	Bolt 1/4 x 2-1/4	
3	0961845	6	Bushing	
4	3290606	2	Nut M6 x 1	
5	3300151	6	Nut 1/4	
6	3520072	2	Cap, Plug	
7	3520198	2	Cap, Plug	
8	4010618	2	Screw M6 x 50	
9	4711400	12	Washer 1/4	
10	4811700	2	Washer M6	
11	1001138494	3	Bar, Drop	
12	1001138514	1	Rail (Top)	
13	1001140429	3	Decal - Drop Bar	
14	See Note	1	Platform (Note: Not Available - Purchase Platform Assembly)	

# SECTION 5 - PLATFORM

## FIGURE 5-16. TRAY ASSEMBLY



ART\_1580012



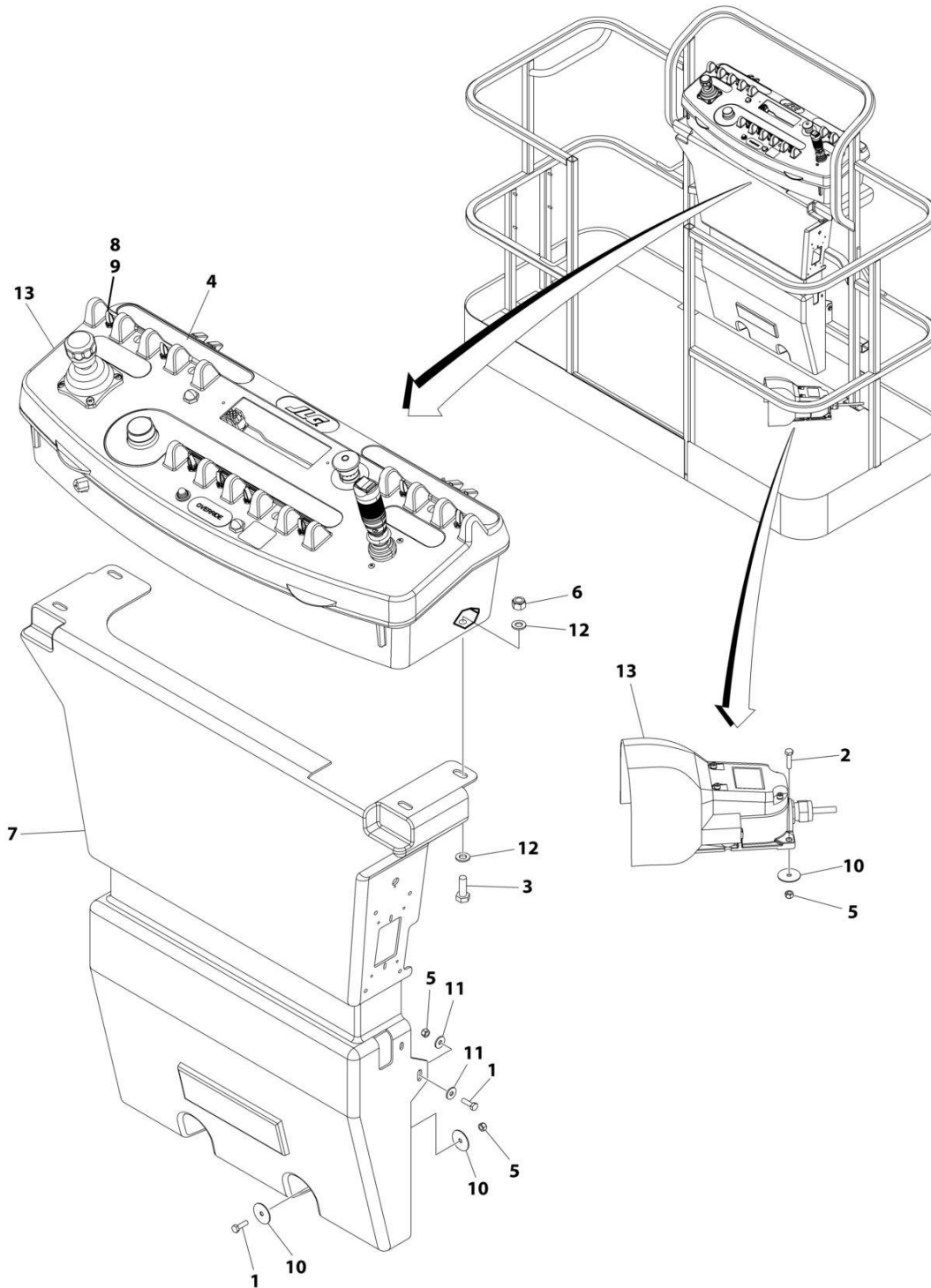
## SECTION 5 - PLATFORM

### FIGURE 5-16. TRAY ASSEMBLY

ITEM	PART NUMBER	QTY	DESCRIPTION	REV
	1580012	Ref	TRAY ASSEMBLY	C
1	See Note	NSS	Tray, Storage (Center) (Note: Purchase p/n 1580012)	
2	0641406	2	Bolt 1/4 x 3/4	
3	4751400	2	Washer 1/4	
4	4761400	2	Washer 1/4	

# SECTION 5 - PLATFORM

## FIGURE 5-17. CONSOLE AND FOOT SWITCH INSTALLATION



ART\_1001243748

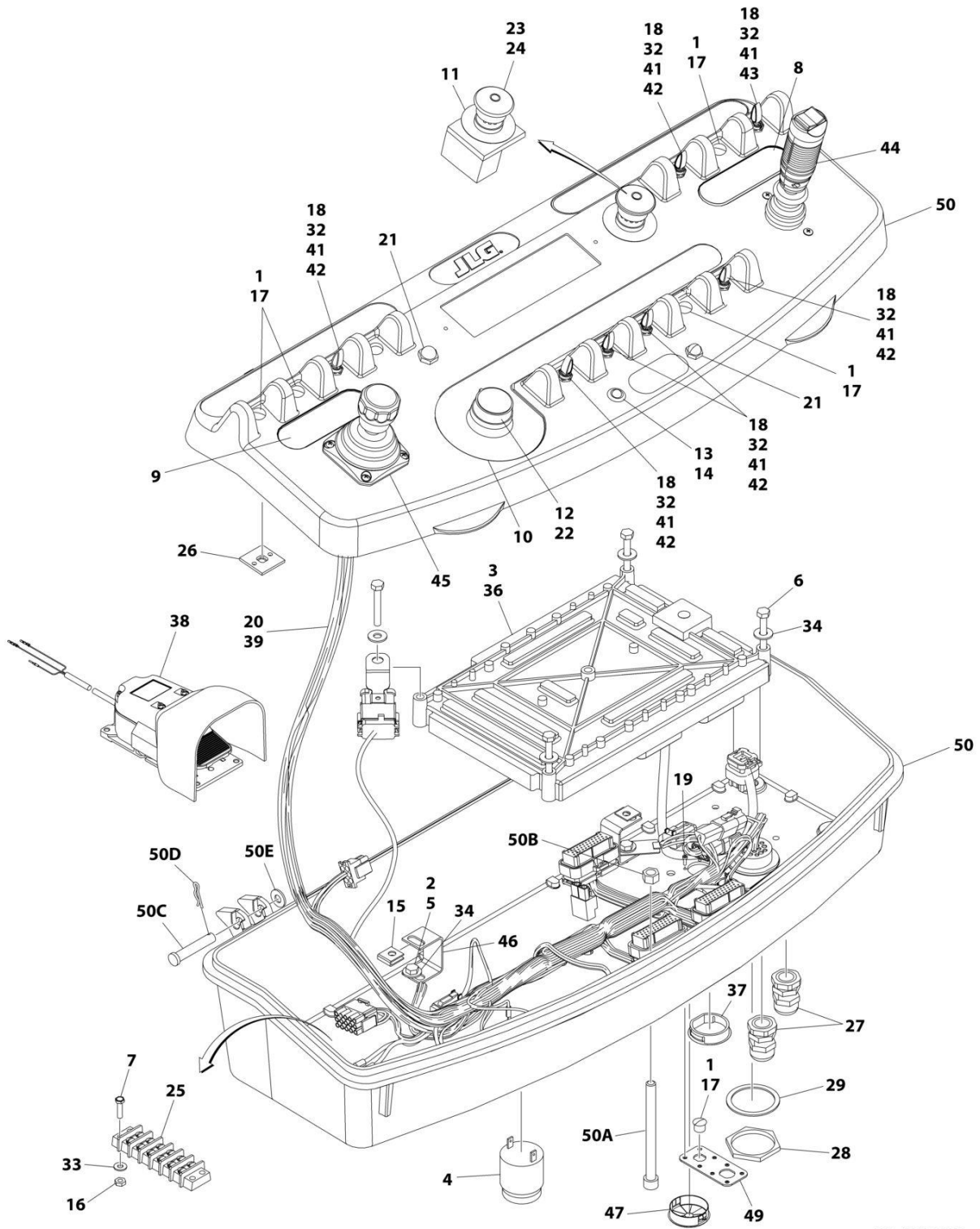
## SECTION 5 - PLATFORM

### FIGURE 5-17. CONSOLE AND FOOT SWITCH INSTALLATION

ITEM	PART NUMBER	QTY	DESCRIPTION	REV
	1001243748	Ref	PLATFORM CONSOLE AND FOOTSWITCH INSTALLATION	C
1	0641406	4	Bolt 1/4 x 3/4	
2	0641408	3	Bolt 1/4 x 1	
3	0641610	4	Bolt 3/8 x 1-1/4	
4	1001184626	1	Decal - Horn	
5	3311405	7	Nut 1/4	
6	3311605	4	Nut 3/8	
7	3380434	1	Panel	
8	3790012	1	O-Ring	
9	4360331	1	Switch, Toggle	
10	4740362	7	Washer	
11	4751400	4	Washer 1/4	
12	4761600	8	Washer 3/8	
13	1001243723	1	Platform Console Assembly (See Separate Breakdown in this Section)	

# SECTION 5 - PLATFORM

## FIGURE 5-18. CONSOLE BOX ASSEMBLY WITH FOOTSWITCH (USA BUILT MACHINES)



ART\_1001243723

## SECTION 5 - PLATFORM

**FIGURE 5-18. CONSOLE BOX ASSEMBLY WITH FOOTSWITCH (USA BUILT MACHINES)**

ITEM	PART NUMBER	QTY	DESCRIPTION	REV
	1001243723	Ref	CONSOLE BOX ASSEMBLY	C
1	0100009	AR	Sealant	
2	0100035	AR	Compound, Locking	
3	0100048	AR	Grease, Dielectric	
4	0140011	1	Alarm	
5	0641404	4	Bolt 1/4 x 1/2	
6	0641414	4	Bolt 1/4 x 1-3/4	
7	0721006	1	Bolt #10 x 3/4	
8	1702565	1	Decal - Drive and Steer	
9	1702566	1	Decal - Lift and Swing	
10	1702567	1	Decal - Function Speed	
11	1704260	1	Decal - Emergency Stop	
12	2560136	1	Handle, Knob	
13	2920028	1	Light, Indicator	
14	2920029	1	Bulb, Light	
15	3300353	4	Nut, Tinnerman	
16	3311005	4	Nut #10	
17	3520054	5	Plug	
18	3790012	7	O-Ring	
19	3900349	8	Capscrew M2.5 x 8	
20	1001243984	1	Platform Console Harness (See Separate Breakdown in ELECTRICAL SECTION)	
21	4360387	2	Switch, Push Button	
22	4360407	1	Controller, Speed	
22	4460224	1	Receptacle, Female - 6 Position	
22	4460226	6	Socket, Female	
22	See Note	1	Gasket "Top Hat" (Included with Switch) (Note: Not Available - Purchase Complete Controller)	
22	70003784	1	Seal	
23	4360475	1	Switch, Emergency Stop	
23	7020175	1	Cap, Red	
23	7020176	1	Block, Contact	
24	4360476	1	Contact, Switch	
25	4460007	1	Bussbar	
26	4460234	3	Mount, Tie-Strap	
27	4460428	2	Connector, Strain Relief	
28	4460470	1	Nut, Terminal	
29	4460471	1	Washer, Terminal	
31	4460708	1	Connector - 15 Position (Not Shown)	
32	4740397	1	Washer	
33	4751000	2	Washer #10	
34	4751400	8	Washer 1/4	
35	4922666	1	Analyzer Harness (Not SHown)	
35	4460761	1	Receptacle, Female - 4 Position	
35	4460227	4	Pin, Male	
36	1001106938	1	Module, Platform (Note: Re-calibration Required when Replaced)	
37	1001110434	1	Plug	
38	1001117174	1	Footswitch Assembly (See Separate Breakdown in this Section)	
39	1001139135	1	Boom Valve Harness (Not Shown - See Separate Breakdown in ELECTRICAL SECTION)	

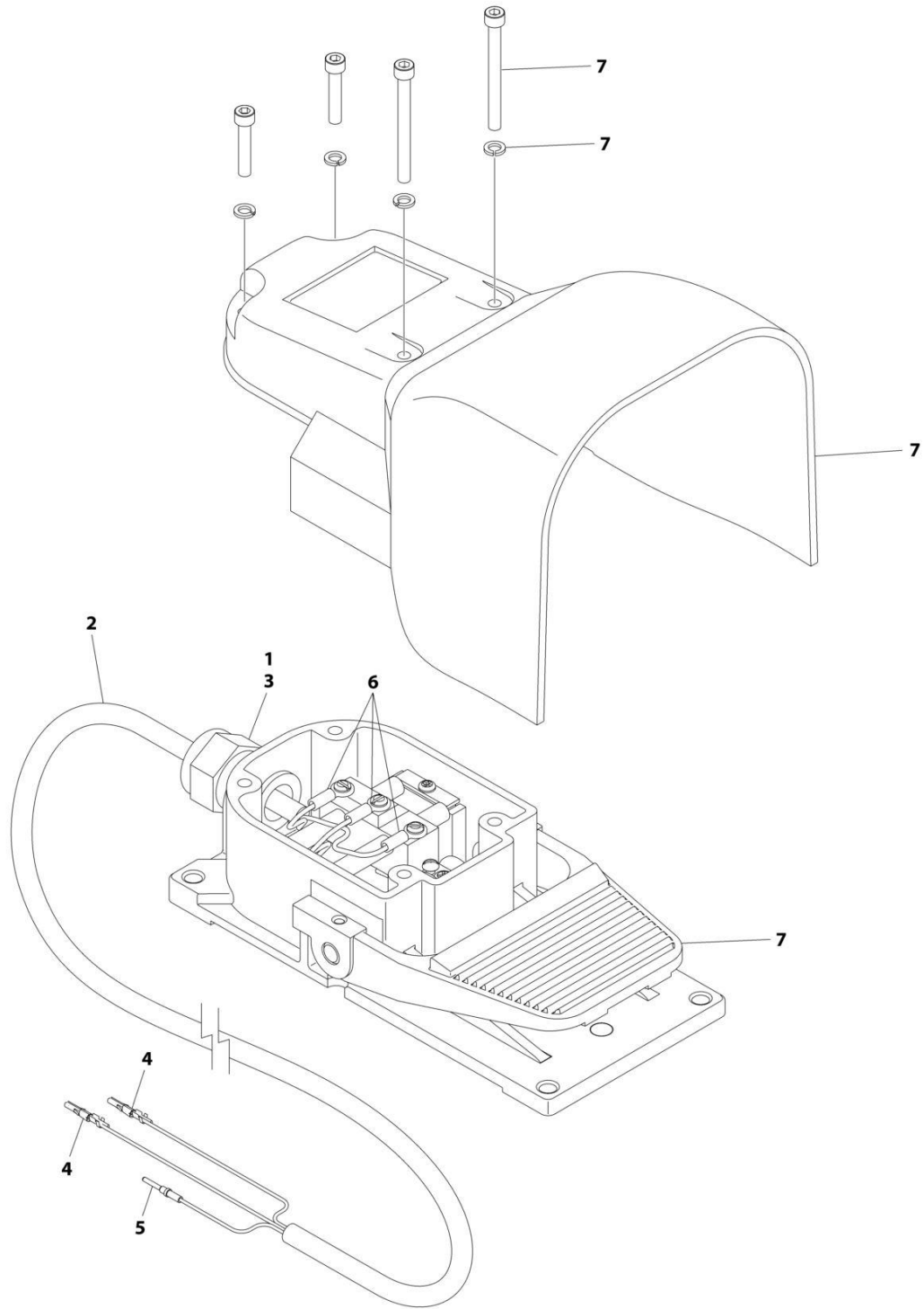
## SECTION 5 - PLATFORM

ITEM	PART NUMBER	QTY	DESCRIPTION	REV
41	1001155044	7	Nut 15/32	
42	1001155045	6	Switch, Toggle	
43	1001159256	1	Switch, Toggle	
44	1001166538	NLA	Controller Assembly (Drive and Steer) (Use p/n 1001212415) (See Separate Breakdown in this Section)	
45	1001166539	NLA	Controller Assembly (Lift and Swing) (Use p/n 1001129555) (See Separate Breakdown in this Section)	
46	1001172760	4	Bracket	
47	1001185281	1	Plug	
49	1001213882	1	Mount	
50	1001215228	1	Console Box Assembly	
50A	0630568	1	Capscrew 3/8 x 4-1/2	
50B	3311601	1	Nut 3/8	
50C	3430616	2	Pin	
50D	3470003	2	Hairpin	
50E	4711600	2	Washer 3/8	



# SECTION 5 - PLATFORM

## FIGURE 5-19. FOOTSWITCH ASSEMBLY



ART\_1001117174



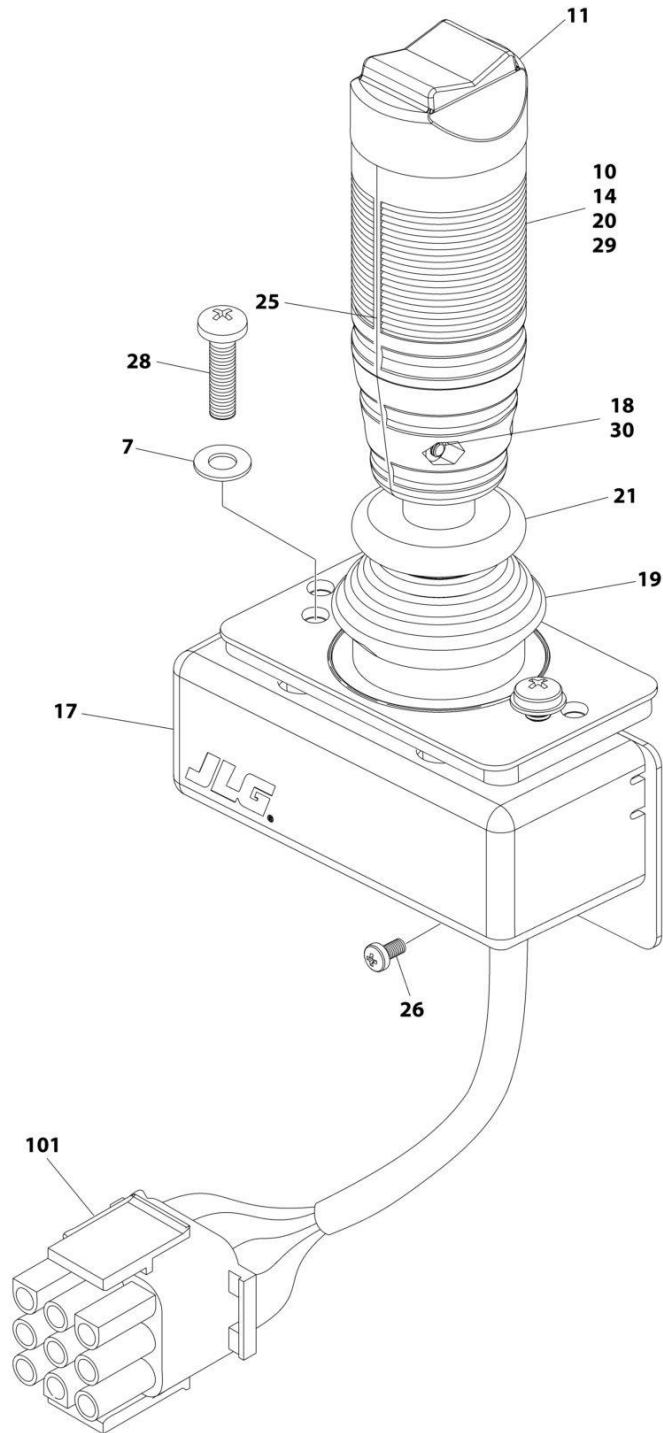
## SECTION 5 - PLATFORM

### FIGURE 5-19. FOOTSWITCH ASSEMBLY

ITEM	PART NUMBER	QTY	DESCRIPTION	REV
	1001117174	Ref	FOOTSWITCH ASSEMBLY	C
1	0100020	AR	Sealant	
2	1060918	7.5 ft/ 2.3m	Cable, Electrical - 18/3	
3	4460071	1	Connector, Strain Relief	
4	4460226	2	Socket, Female	
5	4460464	1	Pin, Male	
6	1001098122	3	Terminal	
7	1001117172	1	Footswitch	
7	70002902	1	Switch, 20Amp	
7	70002903	1	Gasket	
7	70002905	1	Cover	
7	70002904	1	Kit, Replacement Bolt	

# SECTION 5 - PLATFORM

## FIGURE 5-20. CONTROLLER ASSEMBLY- DRIVE/STEER



ART\_1001166538

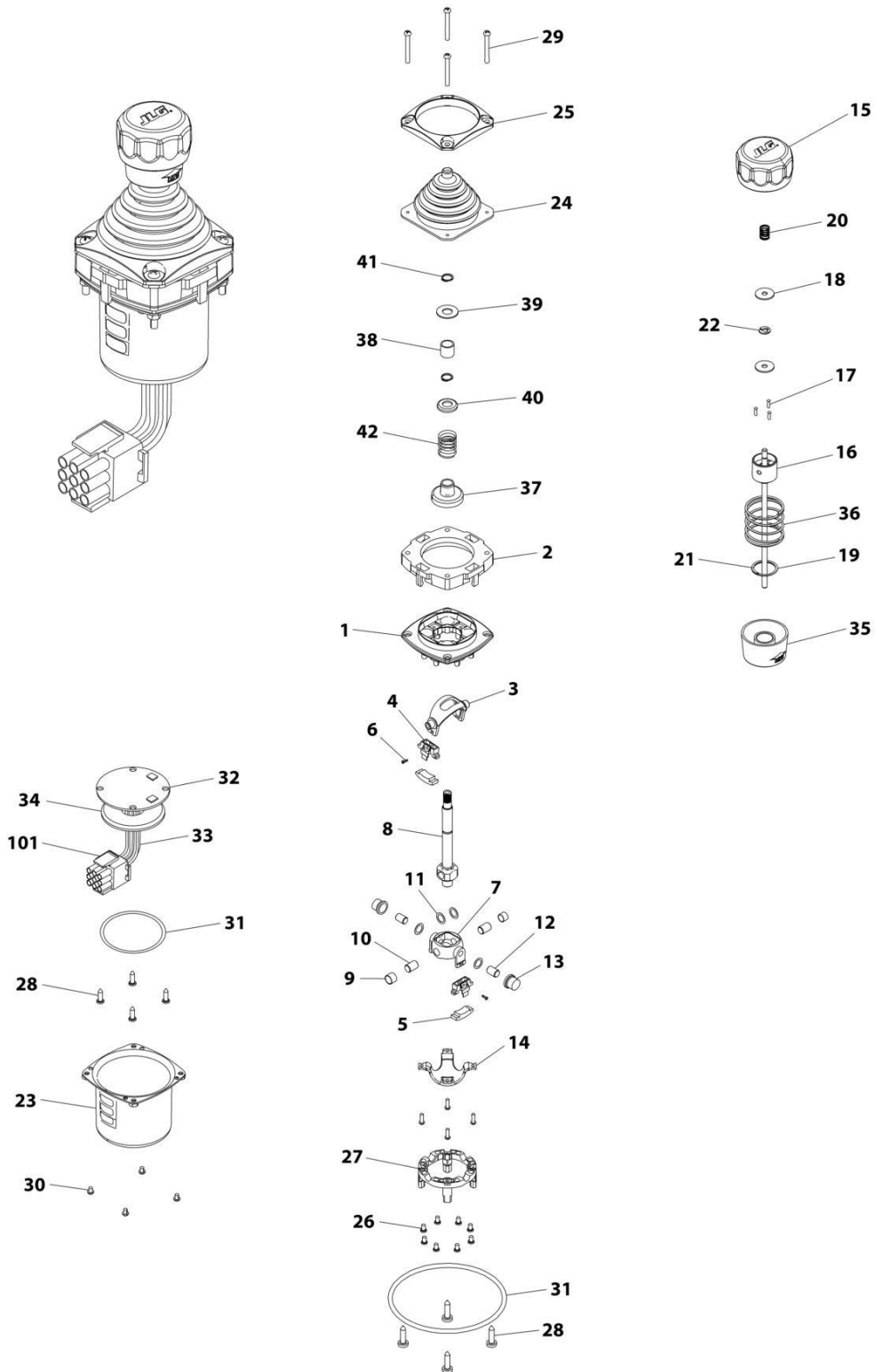
## SECTION 5 - PLATFORM

**FIGURE 5-20. CONTROLLER ASSEMBLY- DRIVE/STEER**

ITEM	PART NUMBER	QTY	DESCRIPTION	REV
	1001166538	Ref	CONTROLLER ASSEMBLY - DRIVE AND STEER	G
		Ref	Note: For Replacement, Use p/n 1001212415.	
7	70004738	2	Washer	
10	70004739	1	Roller	
11	70004740	1	Boot, Switch	
14	70004741	2	Half, Handle	
17	70004742	1	Enclosure	
18	70004743	4	Nut	
19	70004744	NLA	Boot, Controller (Use p/n 70005230 Boot/Base Assembly)	
20	70004745	NLA	Tube, Locking (Use p/n 70005230 Boot/Base Assembly)	
21	70004746	NLA	Disc, Locking (Use p/n 70005230 Boot/Base Assembly)	
25	70004747	2	Seal, Rope	
26	70004748	1	Screw M3 x 6	
28	70004749	2	Screw M5 x 20	
29	70004750	1	Pin, Dowel	
30	70004751	4	Screw M3 x 16	
101	4460265	1	Connector - 9 Position	
101	4460226	7	Socket, Female	

# SECTION 5 - PLATFORM

## FIGURE 5-21. CONTROLLER ASSEMBLY - LIFT/SWING



ART\_1001166539

## SECTION 5 - PLATFORM

### FIGURE 5-21. CONTROLLER ASSEMBLY - LIFT/SWING

ITEM	PART NUMBER	QTY	DESCRIPTION	REV
	1001166539	Ref	CONTROLLER ASSEMBLY	E
		Ref	Note: Original Equipment Controller May Have Been Replaced with Service Replacement Controller. Visually Identify Controller Before Ordering Parts.	
		Ref	Note: For Replacement, Use p/n 1001129555	
1	See Note	NSS	Main Cast Body (Note: Not Available - Purchase Complete Assembly)	
2	70004752	1	Adapter	
3	See Note	NSS	Pivot Arm, Plastic (Note: Not Available - Purchase Complete Assembly)	
4	See Note	NSS	Holder, Magnet (Note: Not Available - Purchase Complete Assembly)	
5	See Note	NSS	Arc, Magnet (Note: Not Available - Purchase Complete Assembly)	
6	See Note	NSS	Screw (Note: Not Available for Purchase)	
7	See Note	NSS	Pivot Arm, Cast (Note: Not Available - Purchase Complete Assembly)	
8	See Note	NSS	Shaft, Main (Note: Not Available - Purchase Complete Assembly)	
9	See Note	NSS	Bearing (Note: Not Available - Purchase Complete Assembly)	
10	See Note	NSS	Pin (Note: Not Available - Purchase Complete Assembly)	
11	See Note	NSS	Shim (Note: Not Available - Purchase Complete Assembly)	
12	See Note	NSS	Pin (Note: Not Available - Purchase Complete Assembly)	
13	See Note	NSS	Bearing (Note: Not Available - Purchase Complete Assembly)	
14	See Note	NSS	Dome, Centering (Note: Not Available - Purchase Complete Assembly)	
15	70004753	1	Cap	
16	70004754	1	Insert, Cap	
17	70004755	3	Pin	
18	70004756	2	Washer	
19	70004757	1	Pin, Centering	
20	70004758	1	Spring	
21	70004759	1	Ring, Retaining	
22	70004760	1	E-Ring	
23	70004761	1	Can, Enclosure	
24	70004762	1	Boot	
25	70004763	1	Bezel	
26	See Note	NSS	Screw (Note: Not Available for Purchase)	
27	See Note	NSS	Base Mounting (Note: Not Available - Purchase Complete Assembly)	
28	See Note	NSS	Screw (Note: Not Available for Purchase)	
29	70004764	4	Screw	
30	70004765	4	Screw	
31	70004766	1	O-Ring	
32	See Note	NSS	Plate (Note: Not Available - Purchase Complete Assembly)	
33	See Note	NSS	Harness (Note: Not Available - Purchase Complete Assembly)	
34	70004767	1	Grommet, Rubber	
35	70004768	1	Housing	
36	70004769	1	Spring	
37	70004770	1	Stopper	
38	70004771	1	Spacer	
39	70004772	1	Washer	
40	70004773	1	Disc	

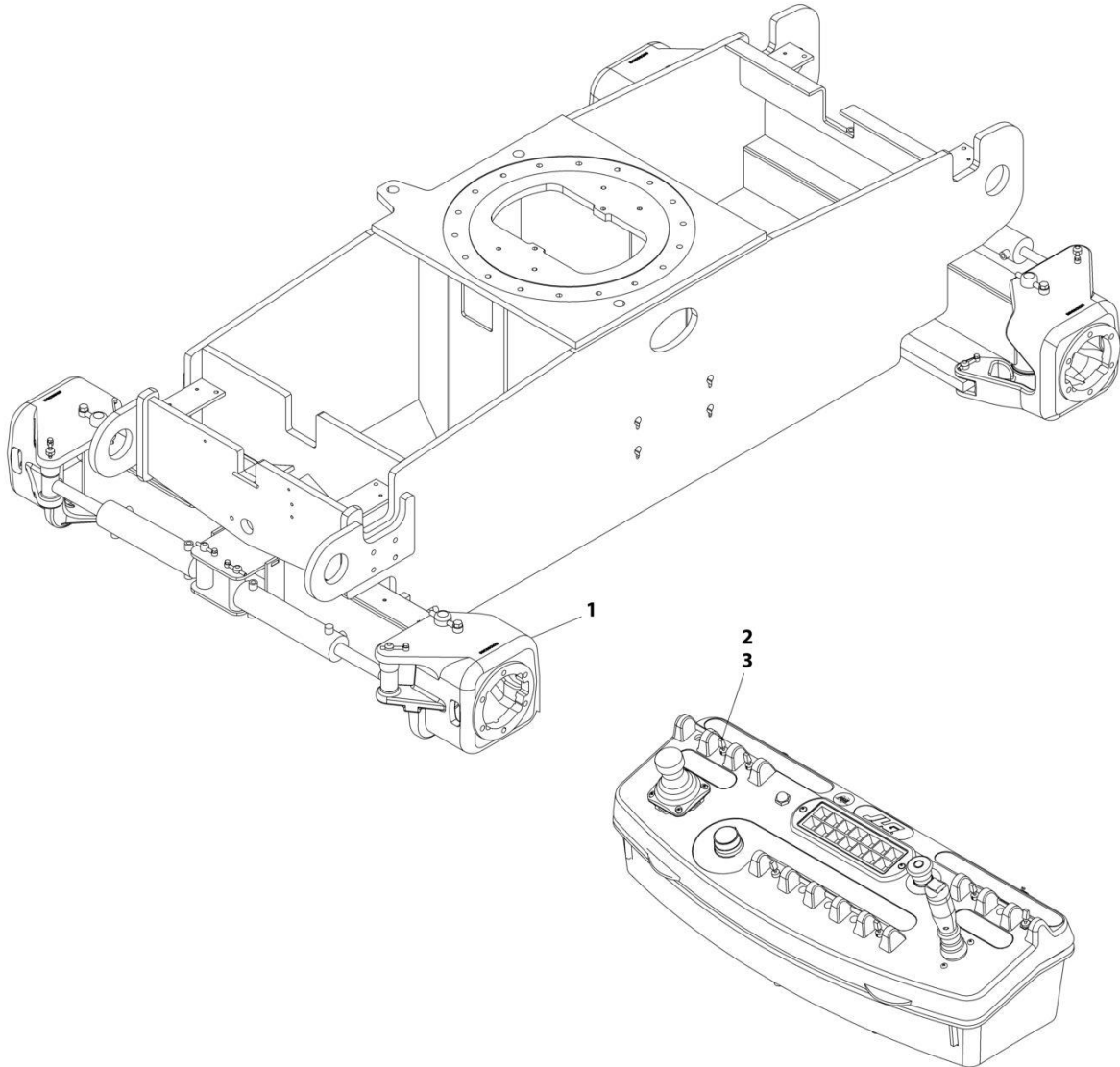
## SECTION 5 - PLATFORM

ITEM	PART NUMBER	QTY	DESCRIPTION	REV
41	70004774	2	Ring, Retaining	
42	70004775	1	Spring	
101	4460265	1	Connector - 9 Position	
101	4460226	6	Socket, Female	



# SECTION 5 - PLATFORM

FIGURE 5-22. CRAB STEER SWITCH INSTALLATION - 4WS (WITHOUT TOW PACKAGE) (USA BUILT MACHINES)



ART\_1001148163



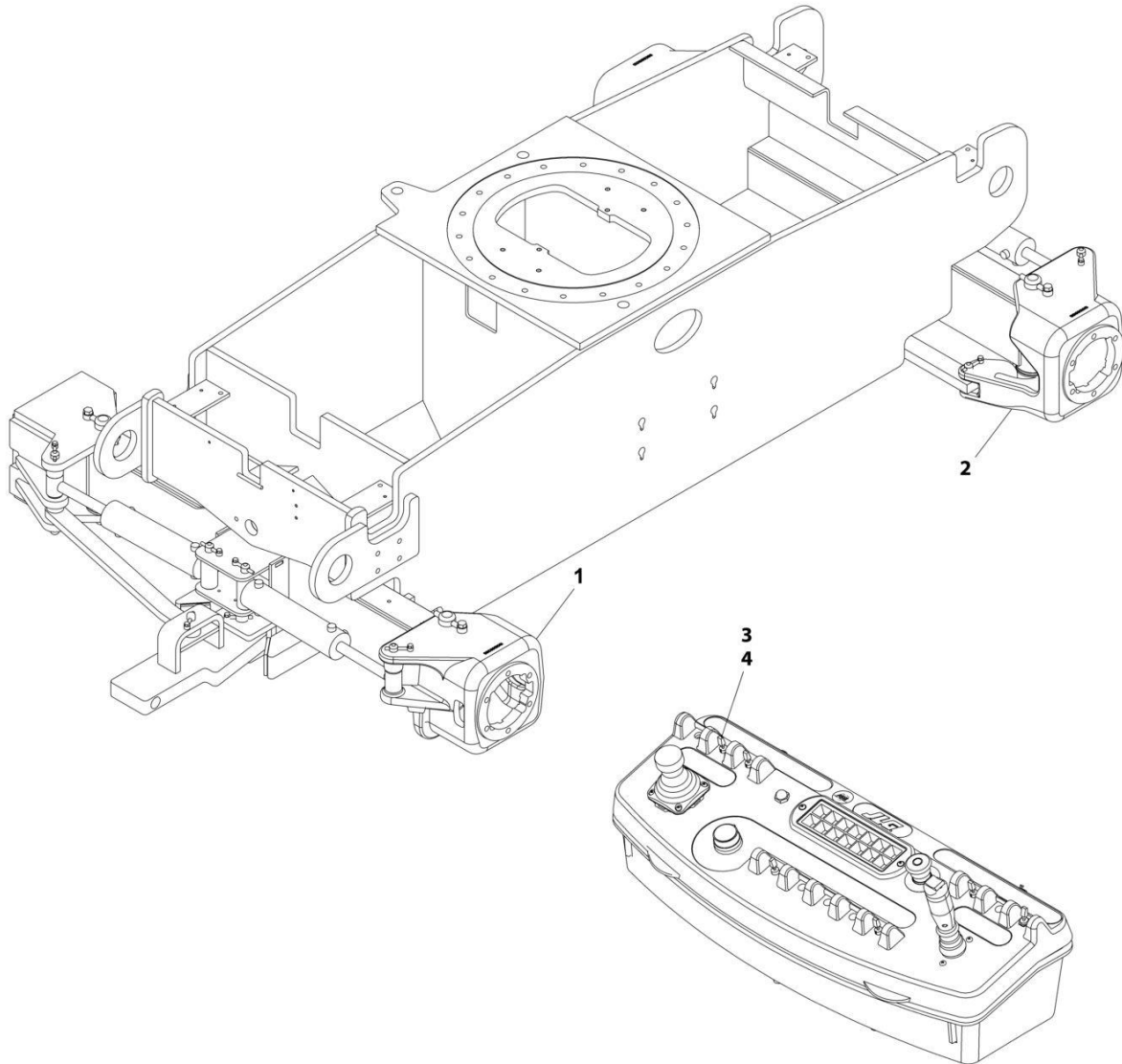
## SECTION 5 - PLATFORM

**FIGURE 5-22. CRAB STEER SWITCH INSTALLATION - 4WS (WITHOUT TOW PACKAGE) (USA BUILT MACHINES)**

ITEM	PART NUMBER	QTY	DESCRIPTION	REV
1	1001148163	Ref	CRAB STEER SWITCH INSTALLATION - 4WS	B
	1001148162	Ref	Steering Installation (Crab Steer) (See Separate Breakdown in FRAME SECTION)	
2	4360331	1	Switch, Toggle	
3	3790012	1	O-Ring	

# SECTION 5 - PLATFORM

FIGURE 5-23. CRAB STEER SWITCH INSTALLATION - 4WS (WITH TOW PACKAGE) (USA BUILT MACHINES)



ART\_1001148166

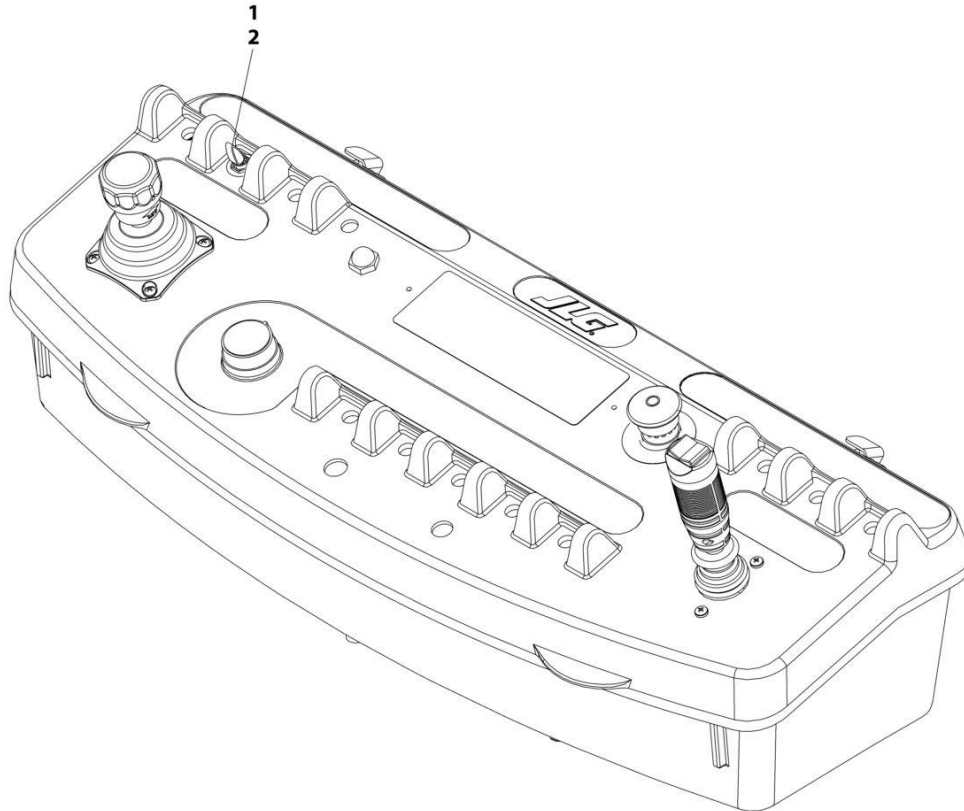
## SECTION 5 - PLATFORM

**FIGURE 5-23. CRAB STEER SWITCH INSTALLATION - 4WS (WITH TOW PACKAGE) (USA BUILT MACHINES)**

ITEM	PART NUMBER	QTY	DESCRIPTION	REV
1	1001148166	Ref	CRAB STEER SWITCH INSTALLATION - 4WS	B
	1001148164	Ref	Steering Installation (Not Shown - See Separate Breakdown in FRAME SECTION)	
2	1001148162	Ref	Steering Installation (Crab Steer) (Not Shown - See Separate Breakdown in FRAME SECTION)	
3	4360331	1	Switch, Toggle	
4	3790012	1	O-Ring	

## SECTION 5 - PLATFORM

FIGURE 5-24. STEER SWITCH INSTALLATION – 4WS (CHINA BUILT MACHINES)



ART\_0258945

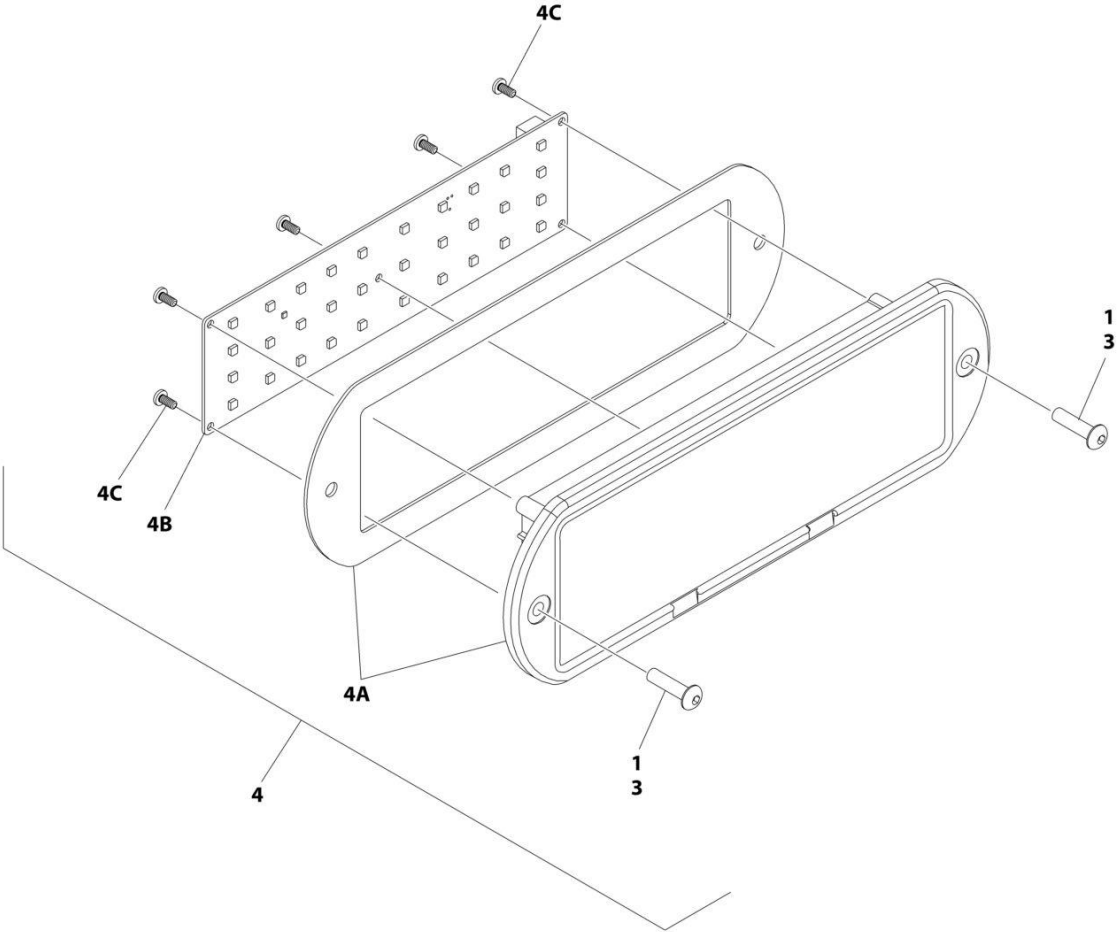
## SECTION 5 - PLATFORM

**FIGURE 5-24. STEER SWITCH INSTALLATION – 4WS (CHINA BUILT MACHINES)**

ITEM	PART NUMBER	QTY	DESCRIPTION	REV
	0258945	Ref	STEER SWITCH INSTALLATION - 4WS	A
1	4360331	1	Switch, Toggle	
2	3790012	1	O-Ring	

**SECTION 5 - PLATFORM**

**FIGURE 5-25. LIGHT PANEL INSTALLATION**



ART\_1001241403\_2OF2

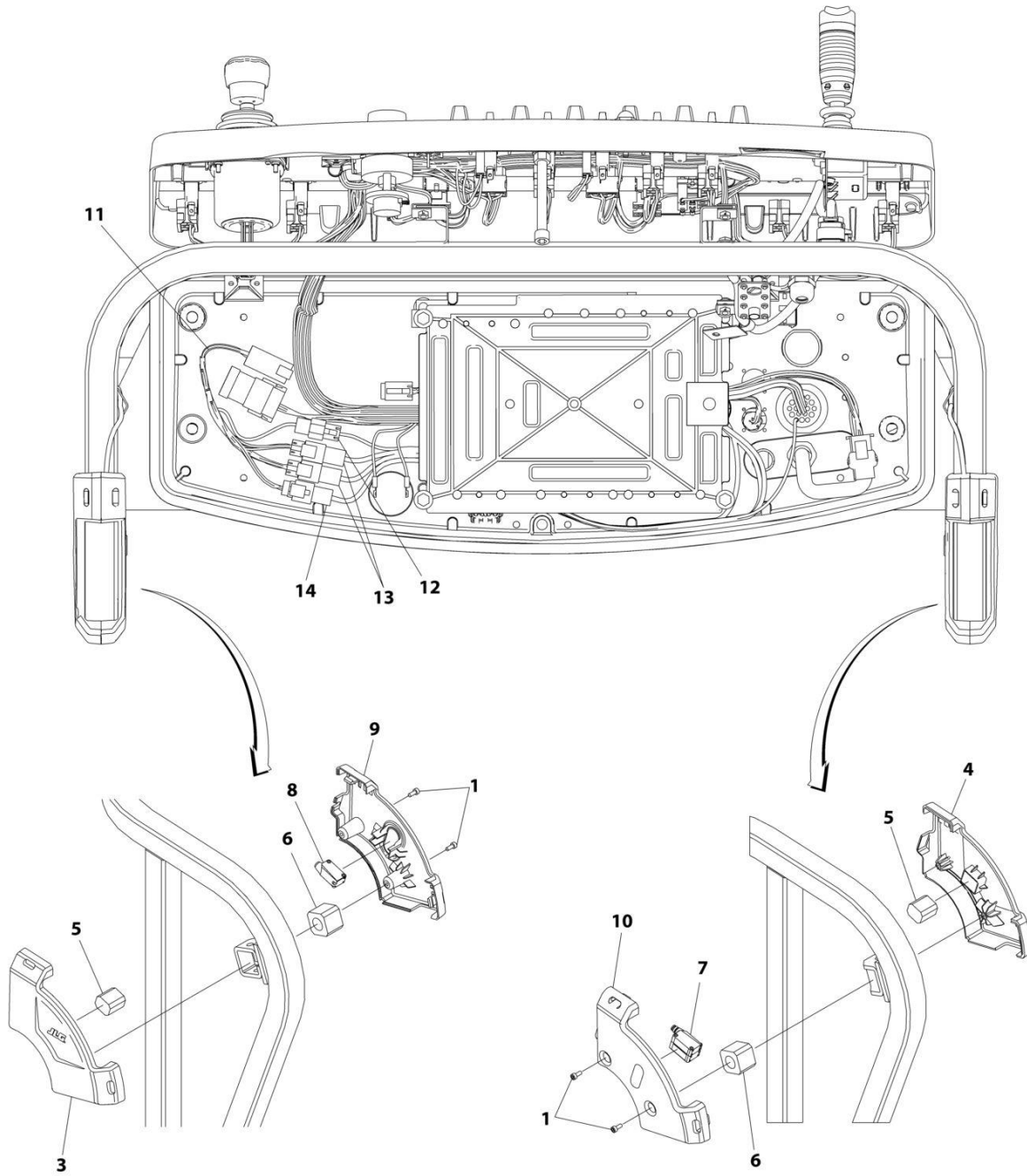
## SECTION 5 - PLATFORM

### FIGURE 5-25. LIGHT PANEL INSTALLATION

ITEM	PART NUMBER	QTY	DESCRIPTION	REV
	1001241403	Ref	LIGHT PANEL INSTALLATION - PLATFORM CONSOLE	C
1	3300408	1	Nut, Nylon Insert	
3	0630518	2	Screw #10 x 3/4	
4	1001238672	1	Light Panel Electrical Assembly	H
4A	1001236089	1	Lens Assembly (Includes Housing Shell, Decal/Lens with Icons & Gasket)	
4B	1001238732	1	Panel, LED Light	
4C		Ref	Screw	

# SECTION 5 - PLATFORM

## FIGURE 5-26. SKYEYE INSTALLATION



ART\_1001229341



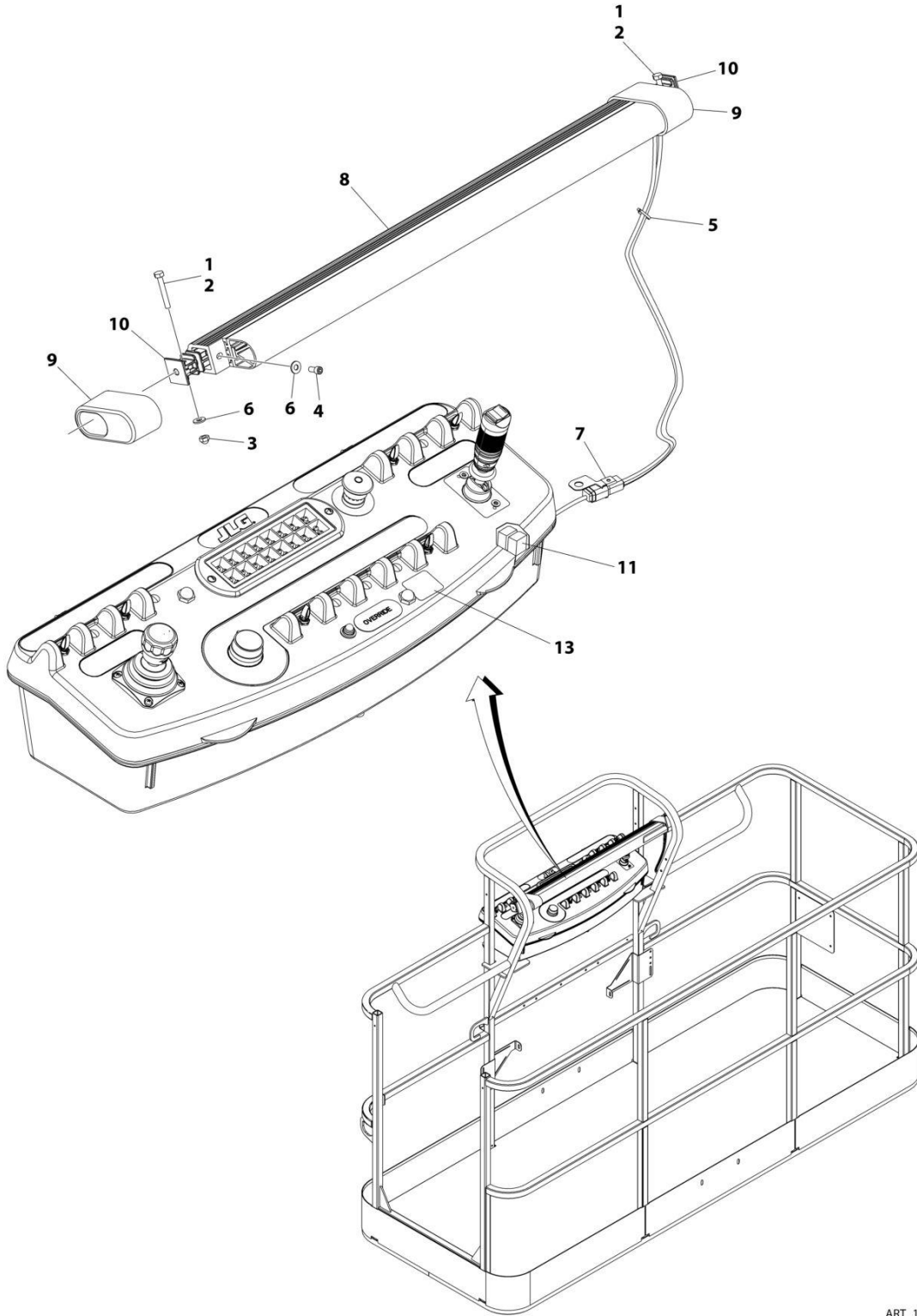
## SECTION 5 - PLATFORM

### FIGURE 5-26. SKYEYE INSTALLATION

ITEM	PART NUMBER	QTY	DESCRIPTION	REV
	1001229341	Ref	SKYEYE INSTALLATION	B
1	4031505	4	Bolt M4 x 10	
2	4240033	AR	Tie-Strap (Not Shown)	
3	1001227633	1	Housing, LH Outer	
4	1001227634	1	Housing, RH Outer	
5	1001227985	2	Shim	
6	1001227987	2	Shim	
7	1001228224	2	Sensor, Receiver	
8	1001228225	1	Sensor, Emitter	
9	1001232164	1	Housing, LH Inner	
10	1001232165	1	Housing, RH Inner	
11	1001237865	1	Harness, Skyeeye Intermediate (See Separate Breakdown in ELECTRICAL Section)	
12	1001238319	NLA	Harness, Skyeeye Drain Jumper	
12	1001187674	1	Plug, Male - 2 Position	
12	4460942	1	Terminal	
12	4460466	1	Plug, Terminal	
12	4460508	1	Pin, Male	
13	1001237863	2	Harness, Skyeeye Receiver (See Separate Breakdown in ELECTRICAL Section)	
14	1001237864	1	Harness, Skyeeye Emitter (See Separate Breakdown in ELECTRICAL Section)	

# SECTION 5 - PLATFORM

## FIGURE 5-27. SKYGUARD BAR INSTALLATION



ART\_1001238495

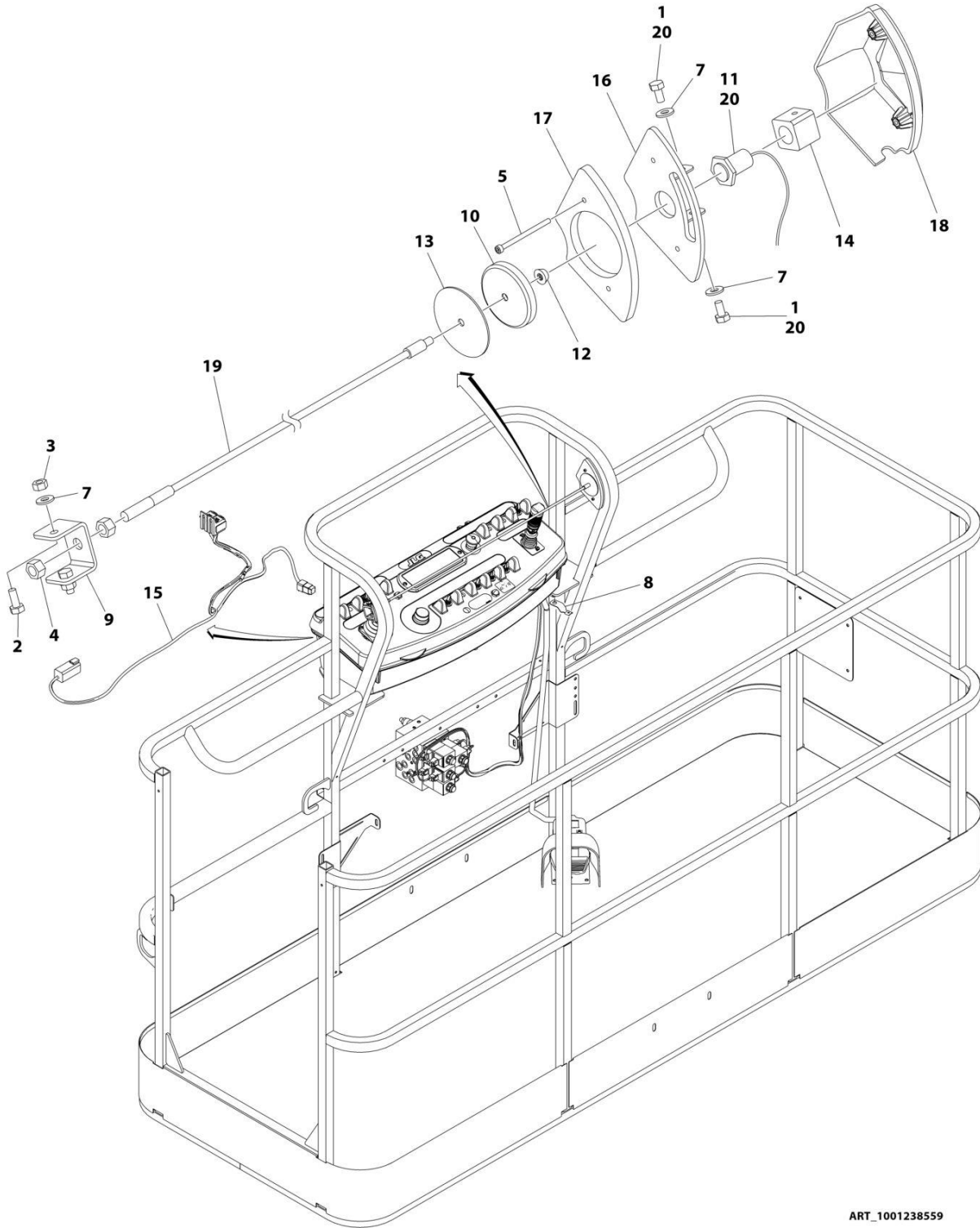
## SECTION 5 - PLATFORM

**FIGURE 5-27. SKYGUARD BAR INSTALLATION**

ITEM	PART NUMBER	QTY	DESCRIPTION	REV
	1001238495	Ref	SKYGUARD BAR INSTALLATION	A
1	0100011	AR	Compound, Locking	
2	0641414	2	Bolt 1/4 x 1-3/4	
3	3300430	2	Nut 1/4	
4	3931408	2	Capscrew 1/4 x 1/2	
5	4240033	8	Tie-Strap	
6	4711400	6	Washer 1/4	
7	1001120328	1	Mount	
8	1001137673	1	SkyGuard Switch Assembly	
9	1001186517	2	Cover, Platform Sensor	
10	1001209664	2	Support, Block	
11	1001186431	2	Relay	
12	1001225580	1	Interface Harness Assembly (Not Shown - Located Inside Console Box) (See Separate Breakdown in ELECTRICAL Section)	
13	1001144433	1	Decal - No Weight SkyGuard	

**SECTION 5 - PLATFORM**

**FIGURE 5-28. SKYLINE INSTALLATION (Prior to SN 0300279212)**



ART\_1001238559

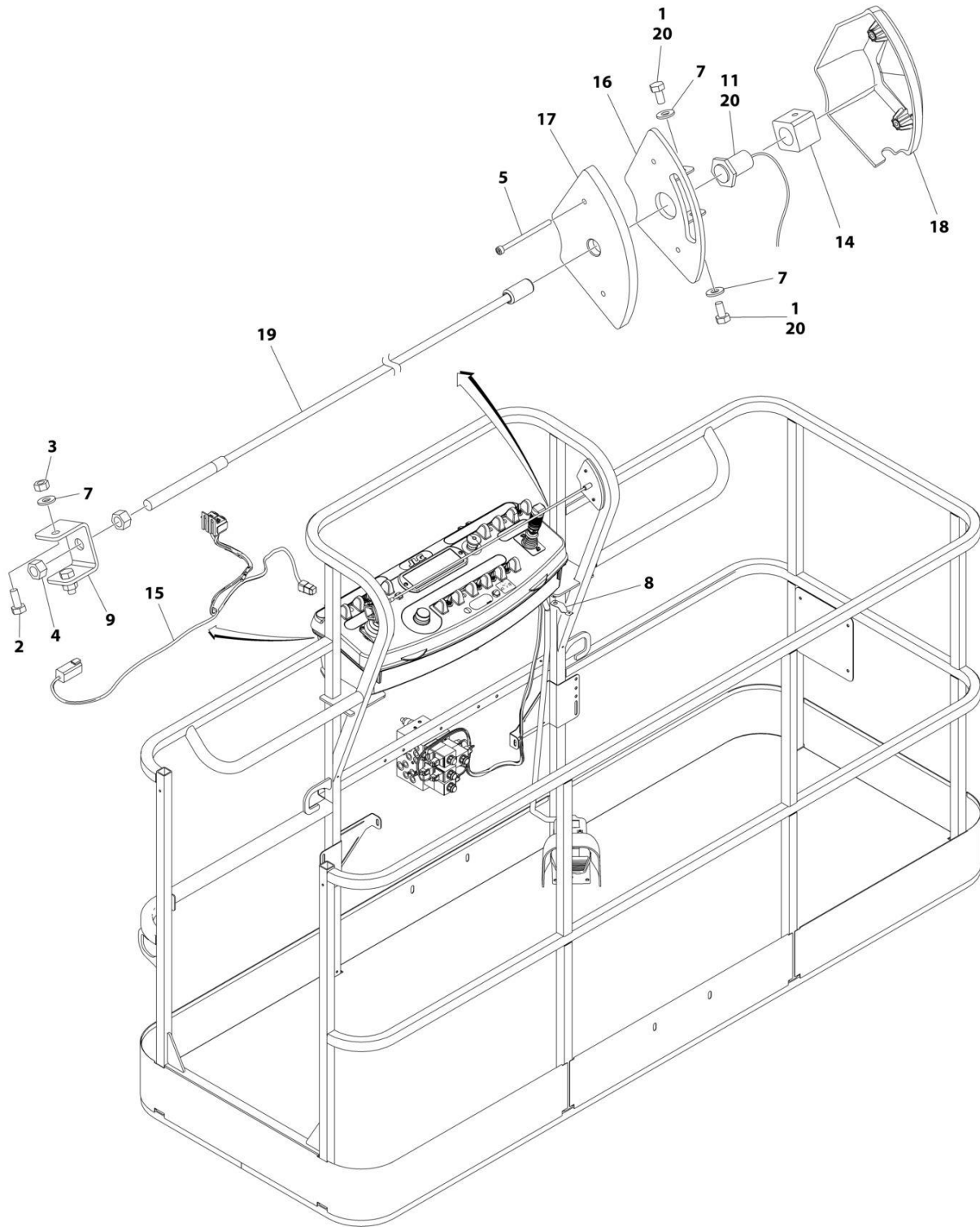
## SECTION 5 - PLATFORM

**FIGURE 5-28. SKYLINE INSTALLATION (Prior to SN 0300279212)**

ITEM	PART NUMBER	QTY	DESCRIPTION	REV
	1001238559	Ref	SKYLINE INSTALLATION	B
1	0641404	2	Bolt 1/4 x 1/2	
2	0641405	2	Bolt 1/4 x 5/8	
3	3311405	2	Nut 1/4	
4	3311601	2	Nut 3/8	
5	4031516	2	Capscrew M4 x 60	
6	4240033	AR	Tie-Strap (Not Shown)	
7	4711400	4	Washer 1/4	
8	1001120328	1	Mount	
9	1001232642	1	Bracket	
10	1001232650	1	Magnet	
11	1001232667	1	Sensor, Proximity	
12	1001235011	1	Nut	
13	1001235013	1	Washer	
14	1001236552	1	Block	
15	1001238418	1	Harness, Skyline (See Separate Breakdown in ELECTRICAL Section)	
16	1001238472	1	Mount	
17	1001238477	1	Housing, LH	
18	1001241965	1	Housing, RH	
19	1001238824	1	Rope	
20	0100011	AR	Compound, Locking	

# SECTION 5 - PLATFORM

FIGURE 5-29. SKYLINE INSTALLATION (SN 0300279212 to Present)



ART\_1001238559\_D

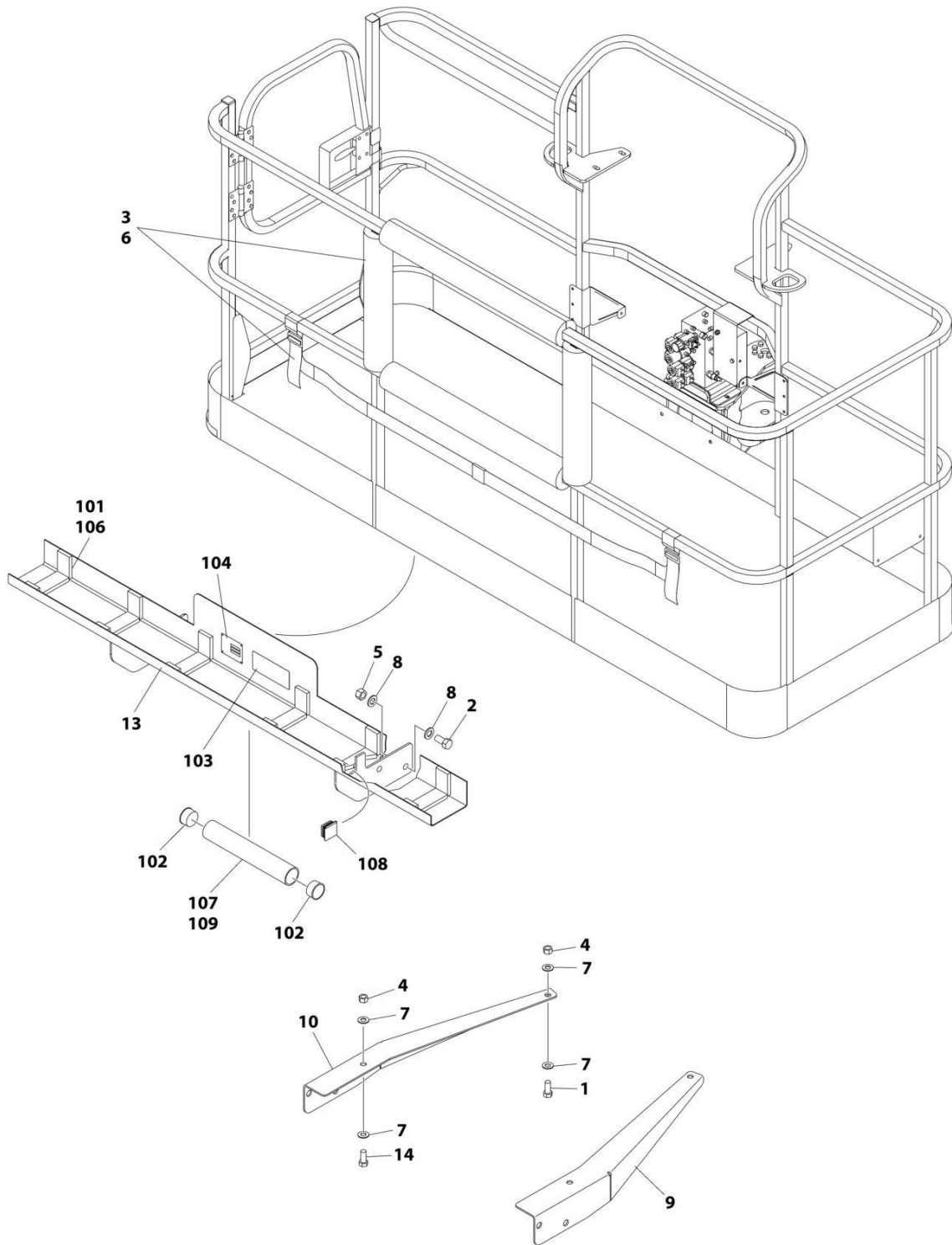
## SECTION 5 - PLATFORM

**FIGURE 5-29. SKYLINE INSTALLATION (SN 0300279212 to Present)**

ITEM	PART NUMBER	QTY	DESCRIPTION	REV
	1001238559	Ref	SKYLINE INSTALLATION	D
1	0641404	2	Bolt 1/4 x 1/2	
2	0641405	2	Bolt 1/4 x 5/8	
3	3311405	2	Nut 1/4	
4	3311601	2	Nut 3/8	
5	4031516	2	Capscrew M4 x 60	
6	4240033	AR	Tie-Strap (Not Shown)	
7	4711400	4	Washer 1/4	
8	1001120328	1	Mount	
9	1001232642	1	Bracket	
11	1001232667	1	Sensor, Proximity	
11	1001311034	1	Sensor, Proximity	
14	1001236552	1	Block	
15	1001238418	1	Harness, Skyline (See Separate Breakdown in ELECTRICAL Section)	
16	1001238472	1	Mount	
17	1001254473	1	Housing, LH	
18	1001241965	1	Housing, RH	
19	1001254472	1	Rod	
20	0100011	AR	Compound, Locking	

# SECTION 5 - PLATFORM

## FIGURE 5-30. SKYGLAZIER INSTALLATION (ALL SPECS EXCEPT CHINA & JAPANESE SPECS) (OPTIONAL)



ART\_1001172578\_C



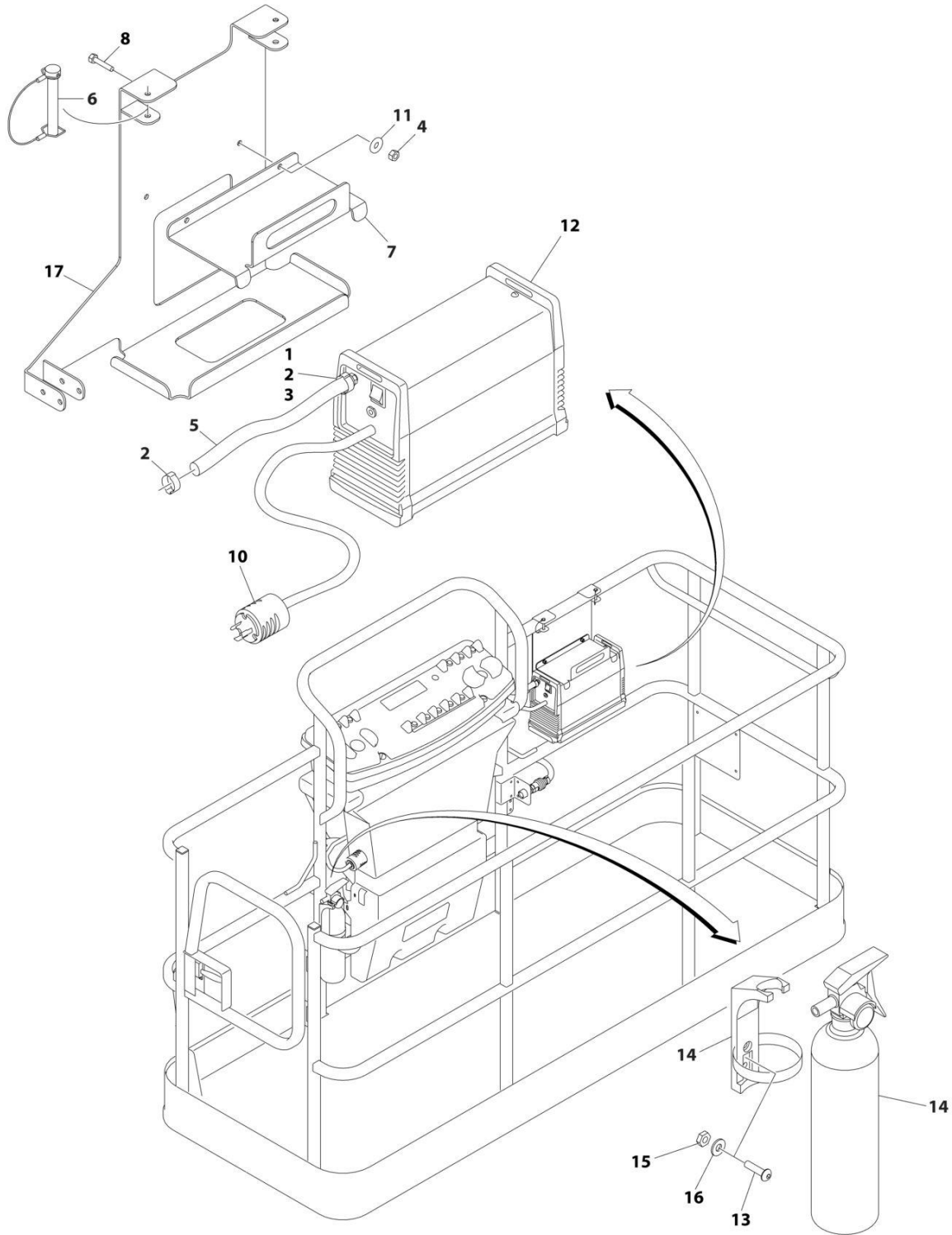
## SECTION 5 - PLATFORM

**FIGURE 5-30. SKYGLAZIER INSTALLATION (ALL SPECS EXCEPT CHINA & JAPANESE SPECS)  
(OPTIONAL)**

ITEM	PART NUMBER	QTY	DESCRIPTION	REV
	1001172578	Ref	SKYGLAZIER INSTALLATION	C
1	0642012	2	Bolt 5/8 x 1-1/2	
2	0642212	4	Bolt 3/4 x 1-1/2	
3	2902212	1	Bumpers and Strap Kit	
3	0940102	1	Bumper Only	
3	4240149	1	Strap Only	
4	3312005	1	Nut 5/8	
5	3312205	4	Nut 3/4	
6	4420014	AR	Tape	
7	4712000	6	Washer 5/8	
8	4712200	8	Washer 3/4	
9	1001099366	1	Support	
10	1001099367	1	Support	
13	1001172577	1	Tray Assembly (See Items 101-109 for Breakdown)	
14	8310129	2	Bolt 3/4 x 2-1/2	
	1001172577	Ref	TRAY ASSEMBLY	C
101	0100081	AR	Adhesive	
102	1120555	2	Cap, Tube	
103	1701509	1	Decal - Manual	
104	See Note	NSS	Nameplate - Serial Number (Note: Not Available for Purchase)	
106	3340956	1	Pad Kit	
107	3460334	1	Tube	
108	3520071	2	Plug	
109	4420066	AR	Tape, Double Sided	

# SECTION 5 - PLATFORM

## FIGURE 5-31. SKYCUTTER INSTALLATION (OPTIONAL)



ART\_1001098149\_D

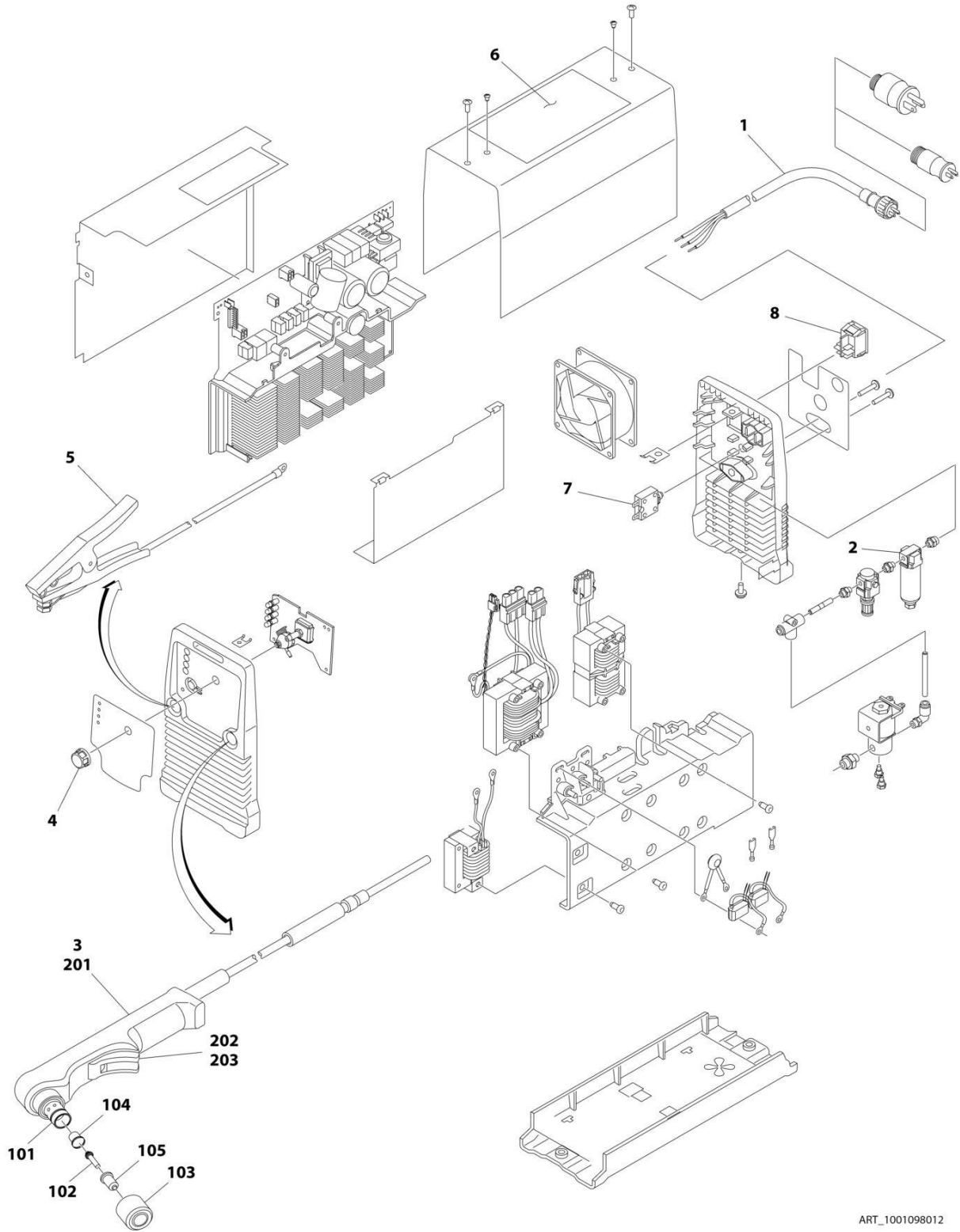
## SECTION 5 - PLATFORM

**FIGURE 5-31. SKYCUTTER INSTALLATION (OPTIONAL)**

ITEM	PART NUMBER	QTY	DESCRIPTION	REV
	1001098149	Ref	SKYCUTTER INSTALLATION	D
		Ref	Note: When replacing platform on machines with SkyCutter option, new bracket p/n 1001145405 must be purchased to accommodate SkyCutter components.	
1	0100020	AR	Sealant	
2	1320177	2	Clamp, Hose	
3	2180832	1	Fitting, NPT/Barbed	
4	3290605	2	Nut M6	
5	2720160	3 ft /.9m	Hose	
6	3421453	3	Pin	
7	3576799	1	Plate, Hold-Down	
8	4010608	2	Screw M6 x 16	
10	4460971	1	Plug, Twistlock	
11	4811700	2	Washer M6	
12	1001098012	1	Plasma Cutter Assembly (See Separate Breakdown in this Section)	
13	0630518	2	Screw #10 x 3/4	
14	2030010	1	Extinguisher, Fire	
15	3311005	2	Nut #10	
16	4751000	2	Washer #10	
17	1001145405	1	Support	

# SECTION 5 - PLATFORM

## FIGURE 5-32. PLASMA CUTTER ASSEMBLY



ART\_1001098012

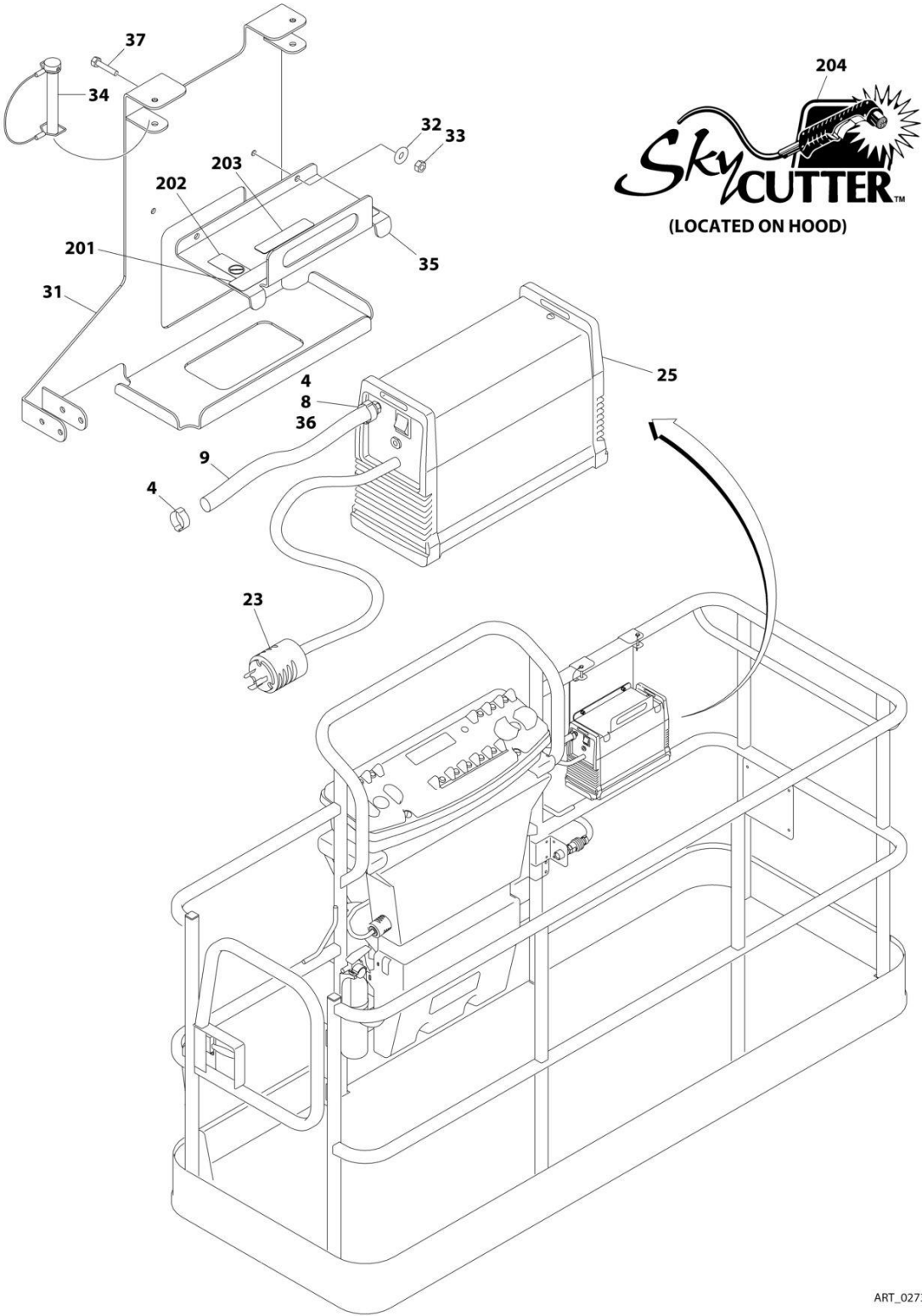
## SECTION 5 - PLATFORM

### FIGURE 5-32. PLASMA CUTTER ASSEMBLY

ITEM	PART NUMBER	QTY	DESCRIPTION	REV
	1001098012	Ref	PLASMA CUTTER ASSEMBLY	A
		Ref	Note: For Other Components, contact your Miller Welder Dealer.	
1	70001424	1	Cable, Power	
1	70001425	1	Decal - Voltage Warning	
2	70001427	1	Filter, Regulator	
3	70001428	1	Torch Assembly (See Items 101-203 for Breakdown)	
4	7024471	1	Knob	
5	70001429	1	Clamp with Cable	
6	70001430	1	Decal - Caution	
7	70001431	1	Breaker, Circuit	
8	70001432	1	Switch, Rocker	
	70001428	Ref	TORCH ASSEMBLY	
101	7024530	1	O-Ring	
102	7024531	1	Electrode	
103	7024532	1	Cup, Retaining	
104	7024533	1	Swirl Ring	
105	7024534	1	Tip	
201	7024535	1	Handle, Torch	
202	7024536	1	Switch	
203	7024537	1	Trigger	

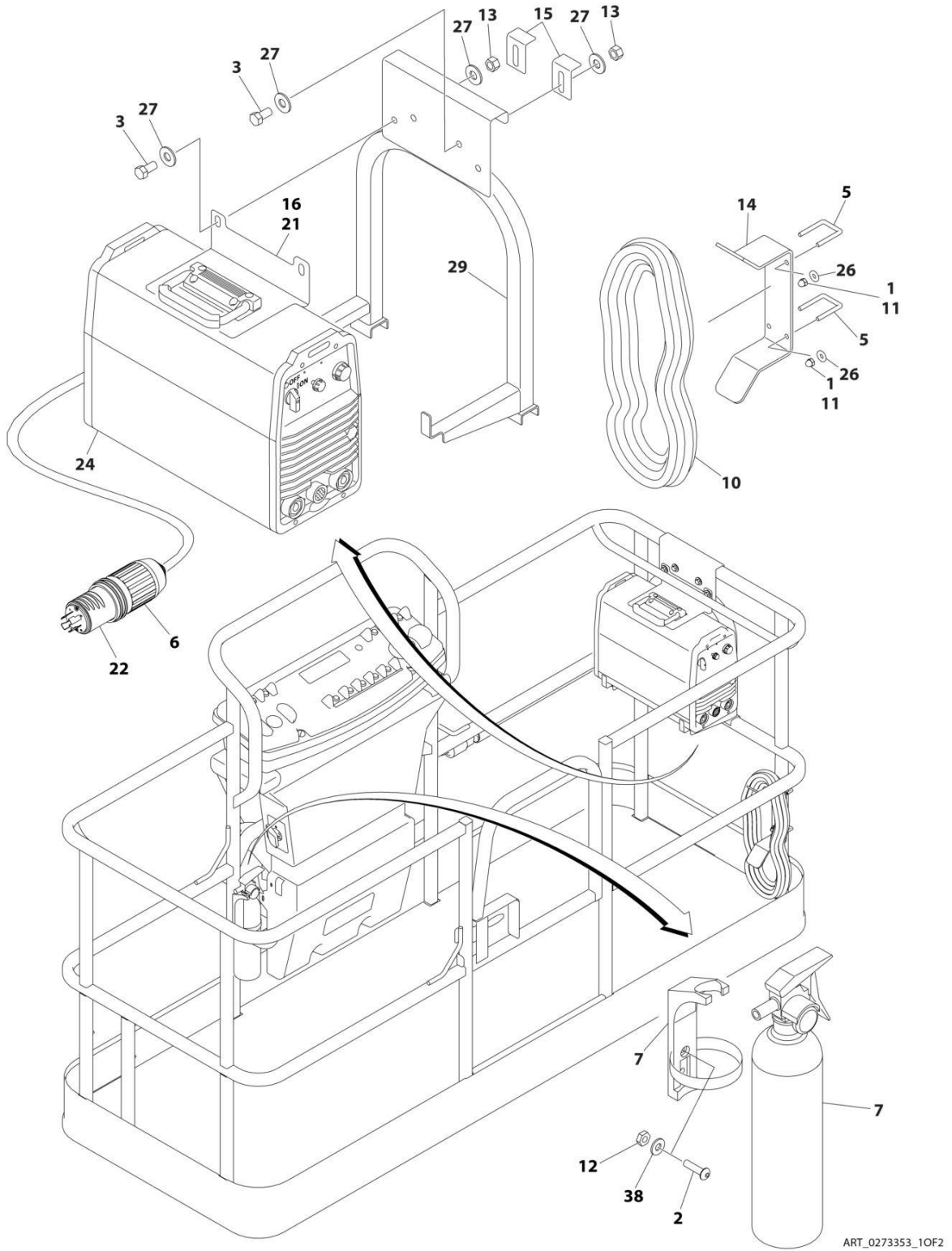
**SECTION 5 - PLATFORM**

**FIGURE 5-33. SKYWELDER/SKYCUTTER COMBO INSTALLATION (60HZ) (OPTIONAL)**



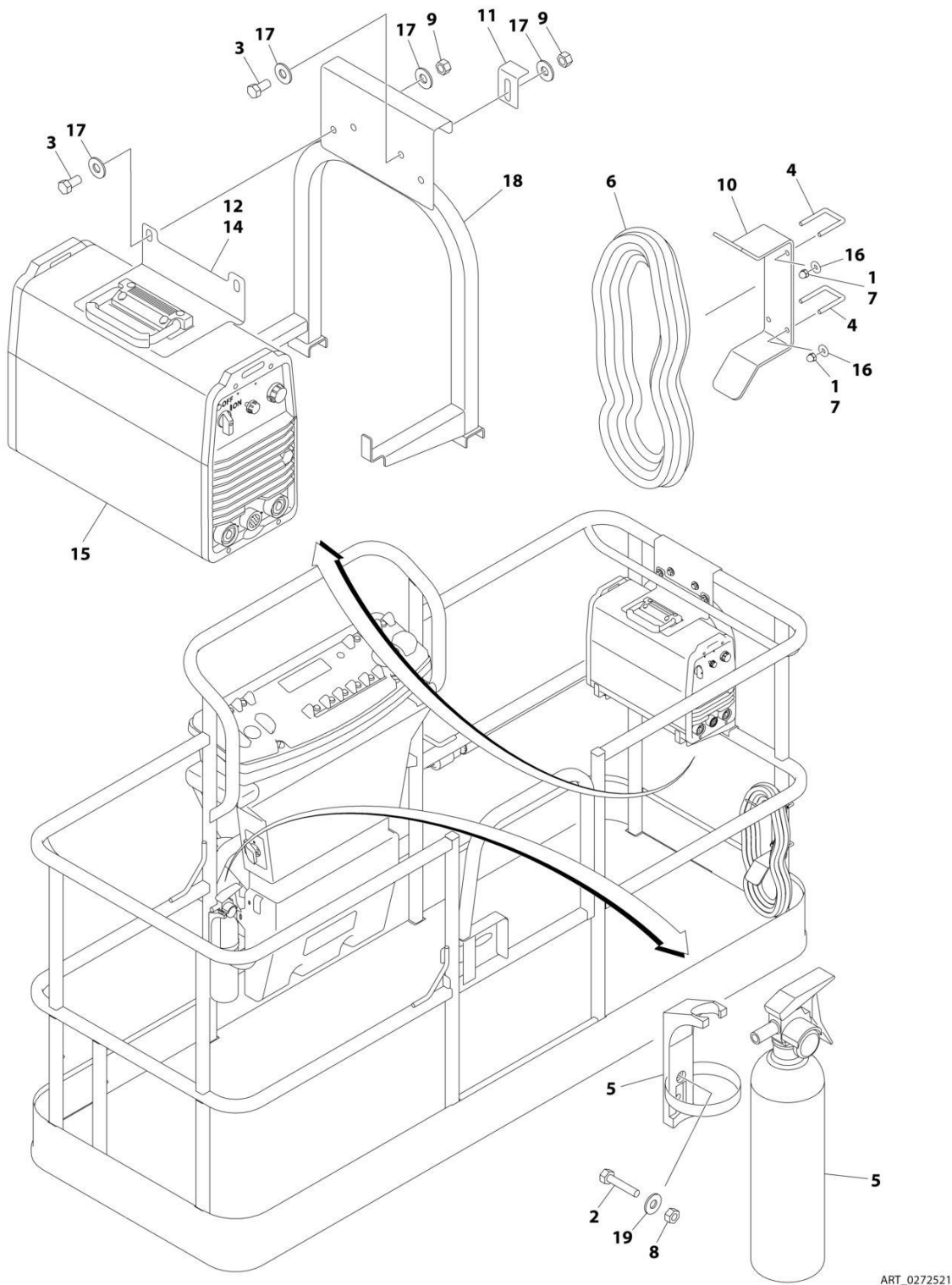
ART\_0273353\_20F2

# SECTION 5 - PLATFORM



# SECTION 5 - PLATFORM

## FIGURE 5-34. SKYWELDER INSTALLATION (50HZ) (OPTIONAL)





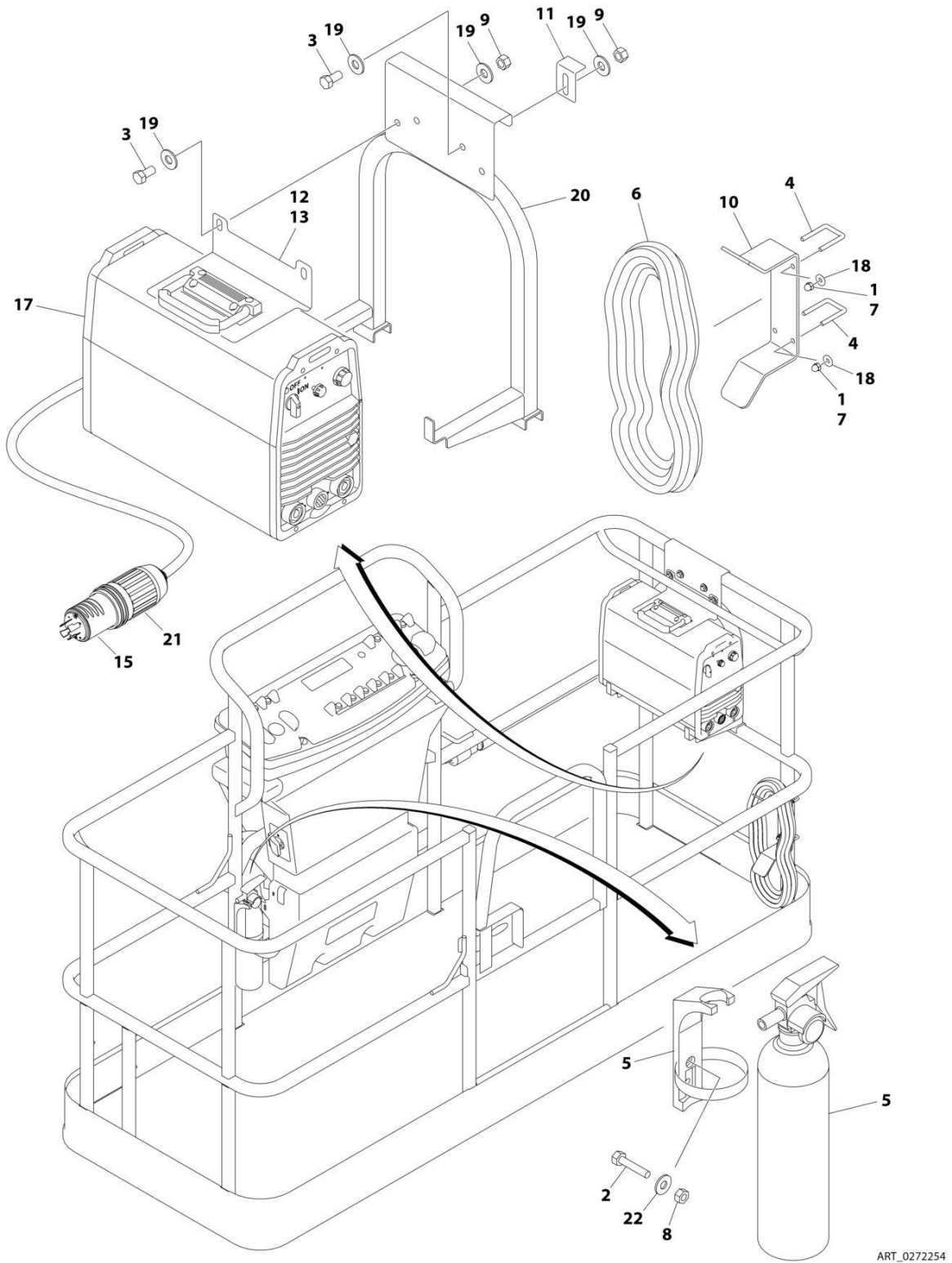
## SECTION 5 - PLATFORM

**FIGURE 5-34. SKYWELDER INSTALLATION (50HZ) (OPTIONAL)**

ITEM	PART NUMBER	QTY	DESCRIPTION	REV
	0272521	Ref	SKYWELDER INSTALLATION	F
1	0100011	AR	Compound, Locking	
2	0630518	2	Screw #10 x 3/4	
3	0641606	4	Bolt 3/8 x 3/4	
4	1320302	2	U-Clamp	
5	2030010	1	Extinguisher, Fire	
6	2902217	1	Weld Leads Kit	
7	3300151	4	Nut 1/4	
8	3311005	2	Nut #10	
9	3311605	4	Nut 3/8	
10	3573400	1	Bracket	
11	3577121	2	Angle	
12	3573642	1	Plate	
13	4240099	AR	Tie-Strap (Not Shown)	
14	4420037	AR	Tape	
15	4530028	1	Welder Assembly (See Separate Breakdown in this Section)	
16	4751400	4	Washer 1/4	
17	4751600	8	Washer 3/8	
18	4846627	1	Support	
19	4751000	2	Washer #10	

# SECTION 5 - PLATFORM

## FIGURE 5-35. SKYWELDER INSTALLATION (60HZ) (OPTIONAL)



ART\_0272254

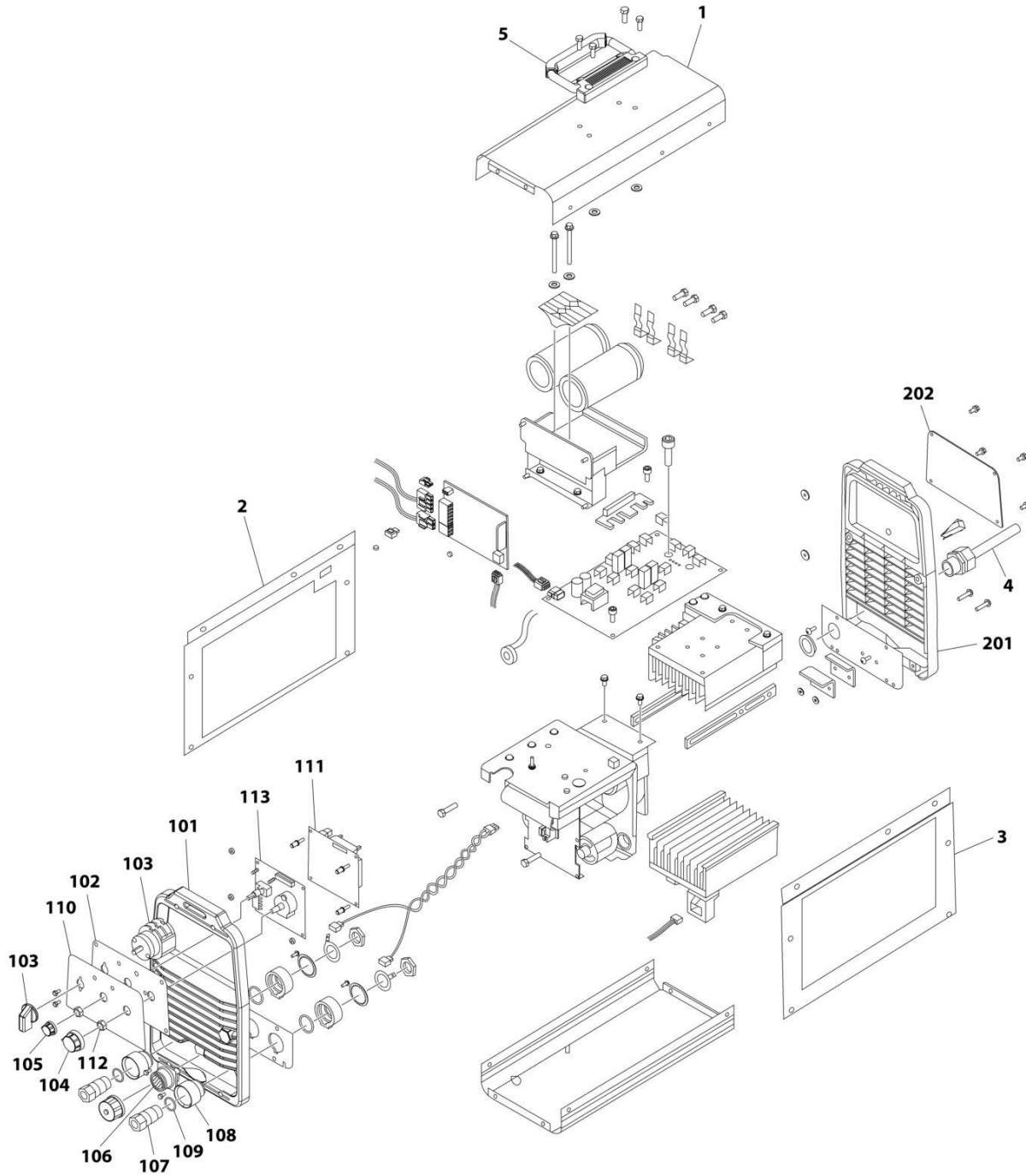
## SECTION 5 - PLATFORM

**FIGURE 5-35. SKYWELDER INSTALLATION (60HZ) (OPTIONAL)**

ITEM	PART NUMBER	QTY	DESCRIPTION	REV
	0272254	Ref	SKYWELDER INSTALLATION	1
1	0100011	AR	Compound, Locking	
2	0630518	2	Screw #10 x 3/4	
3	0641606	4	Bolt 3/8 x 3/4	
4	1320302	2	U-Clamp	
5	2030010	1	Extinguisher, Fire	
6	2902217	1	Weld Leads Kit	
7	3300151	4	Nut 1/4	
8	3311005	2	Nut #10	
9	3311605	4	Nut 3/8	
10	3573400	1	Bracket	
11	3577121	2	Angle	
12	3573642	1	Plate	
13	4420037	AR	Tape	
14	4240099	AR	Tie-Strap (Not Shown)	
15	4460962	1	Plug, Male Twistlock	
17	4530028	1	Welder Assembly (See Separate Breakdown in this Section)	
18	4751400	4	Washer 1/4	
19	4751600	8	Washer 3/8	
20	4846627	1	Support	
21	1671093	1	Cover, Plug	
22	4751000	2	Washer #10	

# SECTION 5 - PLATFORM

## FIGURE 5-36. WELDER ASSEMBLY



ART\_4530028

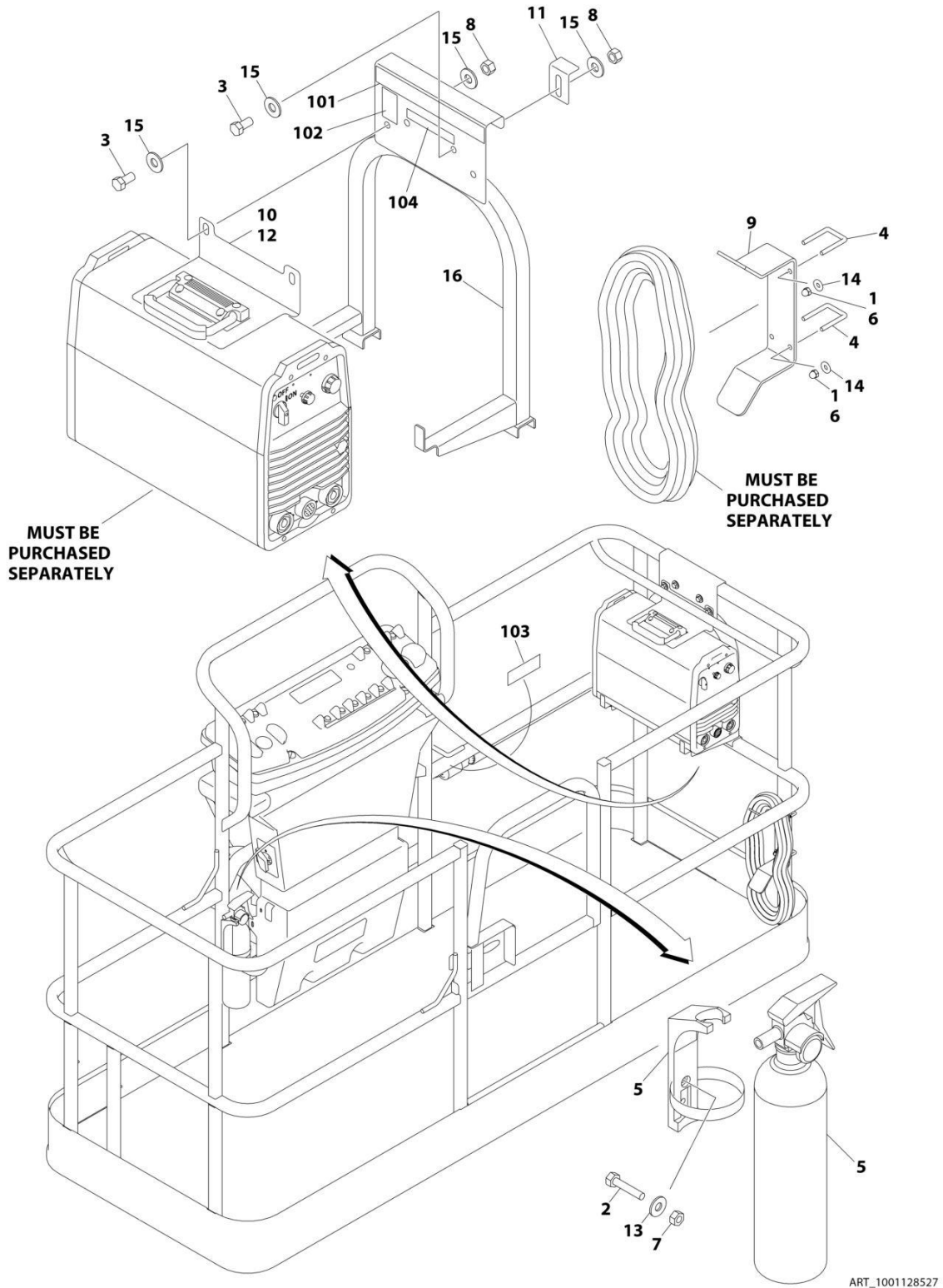
## SECTION 5 - PLATFORM

### FIGURE 5-36. WELDER ASSEMBLY

ITEM	PART NUMBER	QTY	DESCRIPTION	REV
	4530028	Ref	WELDER ASSEMBLY	B
		Ref	Note: For Other Components, contact your Miller Welder Dealer.	
1	7027773	1	Cover, Top	
1	7027774	1	Decal - Static Precautionary Warning	
2	See Note	NSS	Panel, LH Side (Note: Part of Item 1. Purchase Item 1)	
3	See Note	NSS	Panel, RH Side (Note: Part of Item 1. Purchase Item 1)	
4	7024467	1	Cable, Power	
4	7027775	1	Decal - Electrical Shock Warning (Not Shown)	
5	7027776	1	Handle, Carrying	
101	7024462	1	Panel, Front	
102	7024463	1	Panel, Console	
103	7024469	1	Switch with Lead	
104	7024470	1	Knob	
105	7024471	1	Knob	
106	7024472	1	Receptacle with Leads and Plugs	
107	7024473	2	Receptacle, Twistlock Female	
108	7024474	2	Insulator	
109	7024475	2	O-Ring	
110	7027777	1	Nameplate	
111	7027779	1	Circuit Card Assembly (Process Control)	
112	7024478	2	Nut	
113	7027778	1	Circuit Card Assembly (Operator Interface)	
201	7024462	1	Panel, Rear	
202	7027780	1	Panel, Cover	

# SECTION 5 - PLATFORM

## FIGURE 5-37. SKYWELDER PREP PACKAGE (60HZ) (OPTIONAL)



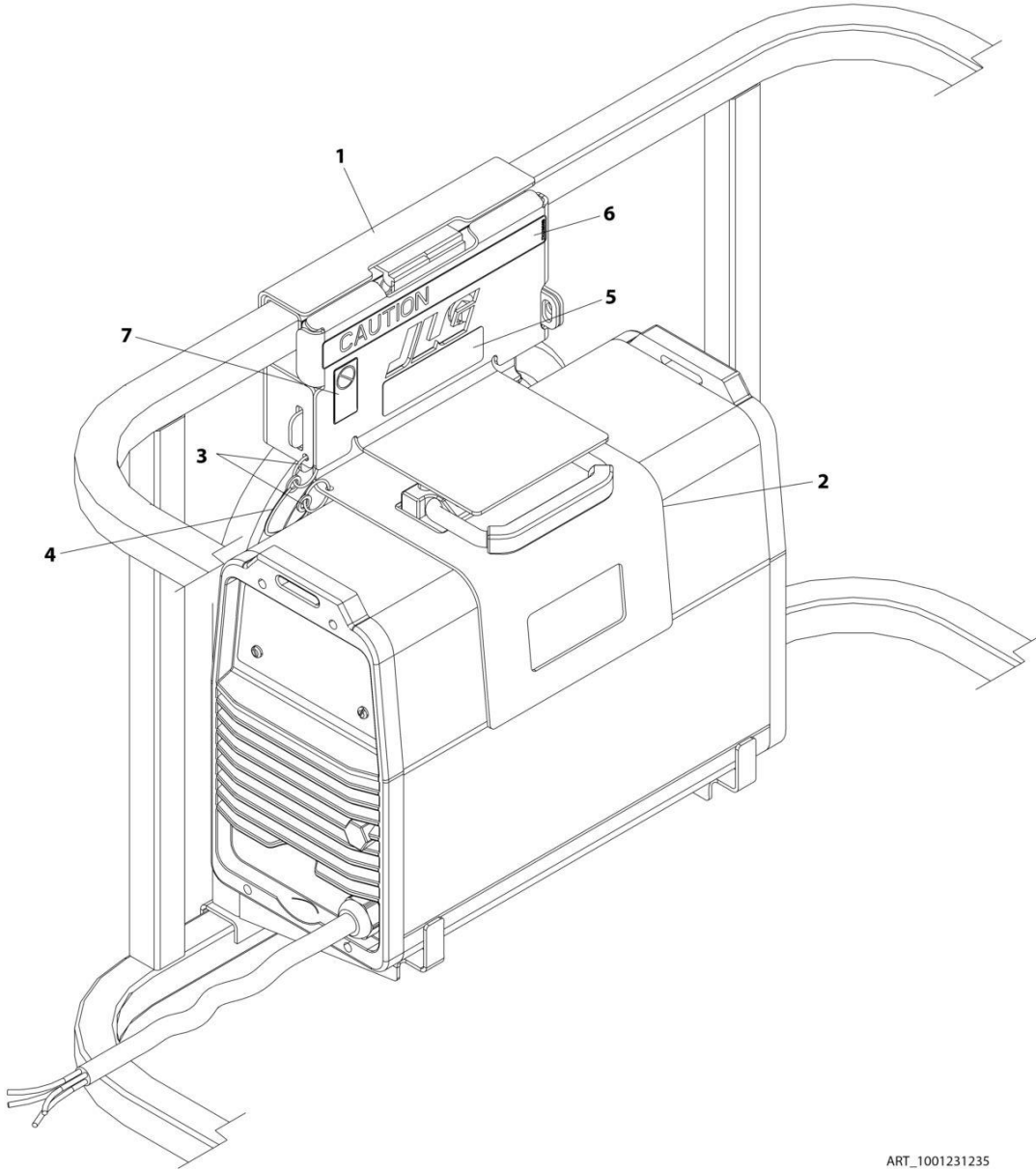
## SECTION 5 - PLATFORM

**FIGURE 5-37. SKYWELDER PREP PACKAGE (60HZ) (OPTIONAL)**

ITEM	PART NUMBER	QTY	DESCRIPTION	REV
	1001128527	Ref	SKYWELDER PREP PACKAGE (60HZ)	B
1	0100011	AR	Compound, Locking	
2	0630518	2	Screw #10 x 3/4	
3	0641606	4	Bolt 3/8 x 3/4	
4	1320302	2	U-Clamp	
5	2030010	1	Extinguisher, Fire	
6	3300151	4	Nut 1/4	
7	3311005	2	Nut #10	
8	3311605	4	Nut 3/8	
9	3573400	1	Bracket	
10	3573642	1	Plate	
11	3577121	2	Angle	
12	4420037	AR	Tape	
13	4751000	2	Washer #10	
14	4751400	4	Washer 1/4	
15	4751600	8	Washer 3/8	
16	4846627	1	Support	
	1001128556	Ref	SKYWELDER DECAL INSTALLATION	C
101	1702868	1	Decal - No Hands	
102	1705305	1	Decal - Weld Lead	
103	1705375	1	Decal - 240V - 3 Phase - 60Hz	
104	1001228988	1	Decal - Weight	

# SECTION 5 - PLATFORM

FIGURE 5-38. SKYWELDER LOCKING BRACKET INSTALLATION (OPTIONAL)



ART\_1001231235



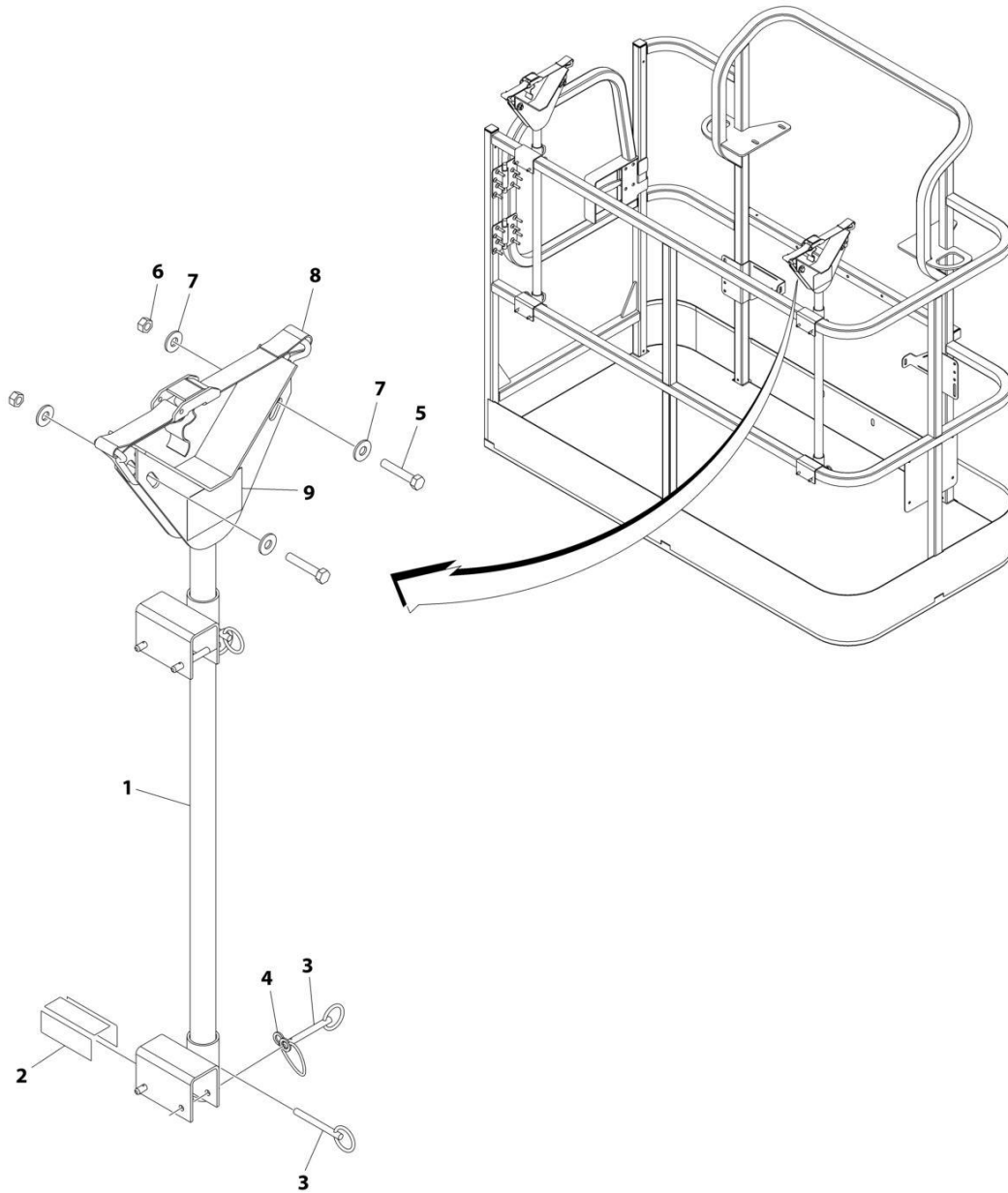
## SECTION 5 - PLATFORM

**FIGURE 5-38. SKYWELDER LOCKING BRACKET INSTALLATION (OPTIONAL)**

ITEM	PART NUMBER	QTY	DESCRIPTION	REV
	1001231235	Ref	SKYWELDER LOCKING BRACKET INSTALLATION	A
1	1001231180	1	Bracket	
2	1001231183	1	Plate	
3	3760170	2	Ring	
4	1060379	1	Lanyard	
5	1001228988	1	Decal - Weight	
6	1702868	1	Decal - No Hands	
7	1705305	1	Decal - Weld Lead	

# SECTION 5 - PLATFORM

FIGURE 5-39. PIPE RACKS INSTALLATION (ANSI AND CSA SPECS) (OPTIONAL)



ART\_0257728

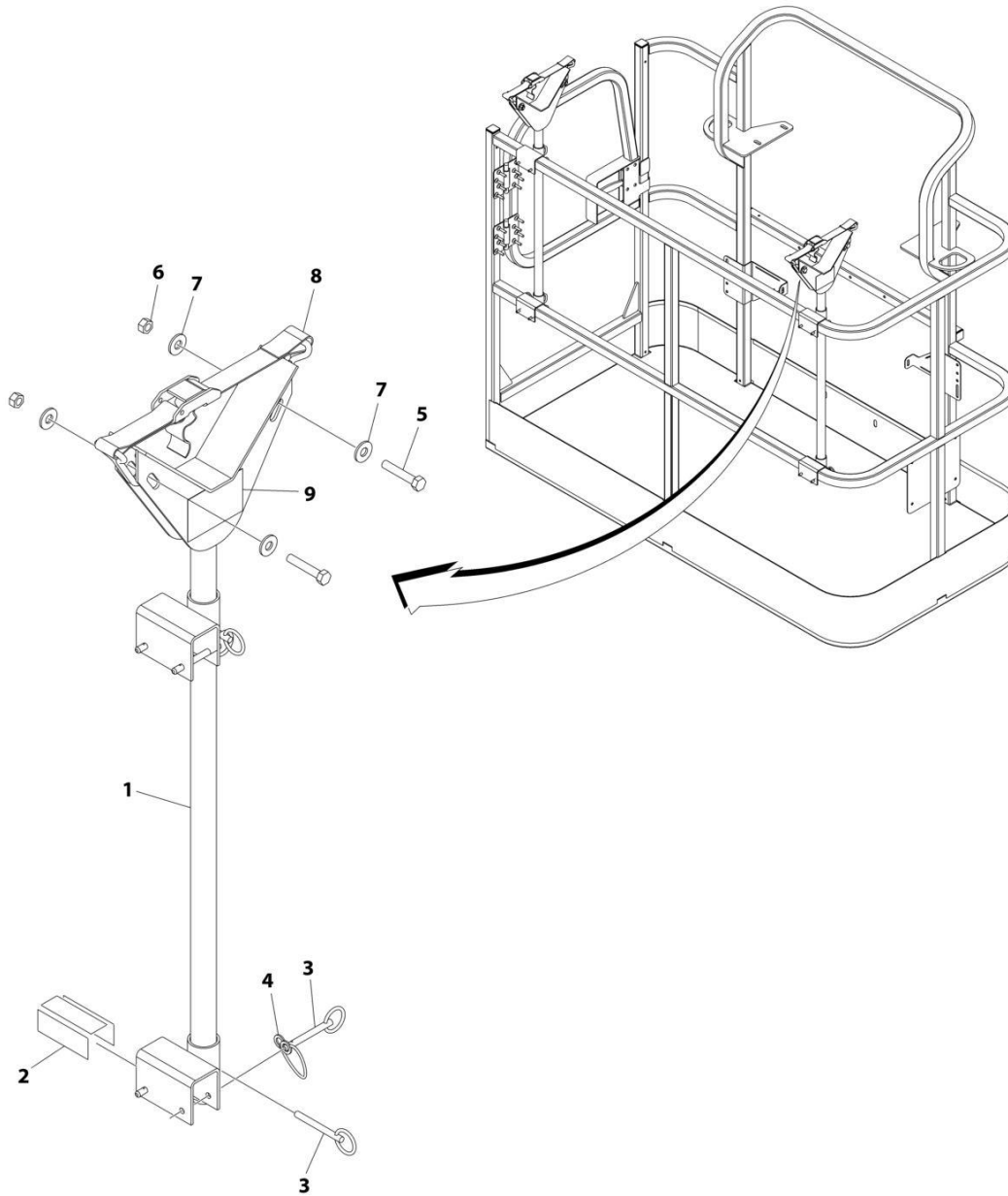
## SECTION 5 - PLATFORM

**FIGURE 5-39. PIPE RACKS INSTALLATION (ANSI AND CSA SPECS) (OPTIONAL)**

ITEM	PART NUMBER	QTY	DESCRIPTION	REV
	0257728	Ref	PIPE RACK INSTALLATION	3/E
1	4845582	2	Rack, Pipe	
2	4420062	AR	Tape	
3	3422661	10	Pin	
4	1060379	4	Lanyard	
5	0641514	4	Bolt 5/16 x 1-3/4	
6	3311505	4	Nut 5/16	
7	4751500	8	Washer 5/16	
8	0480100	2	Tie-Down	
11	1001252946	2	Decal - Tube Rack Cap (1)	
12	1001252947	2	Decal - Tube Rack Cap (2)	

# SECTION 5 - PLATFORM

## FIGURE 5-40. PIPE RACKS INSTALLATION (AUSTRALIAN SPECS) (OPTIONAL)



ART\_0274661

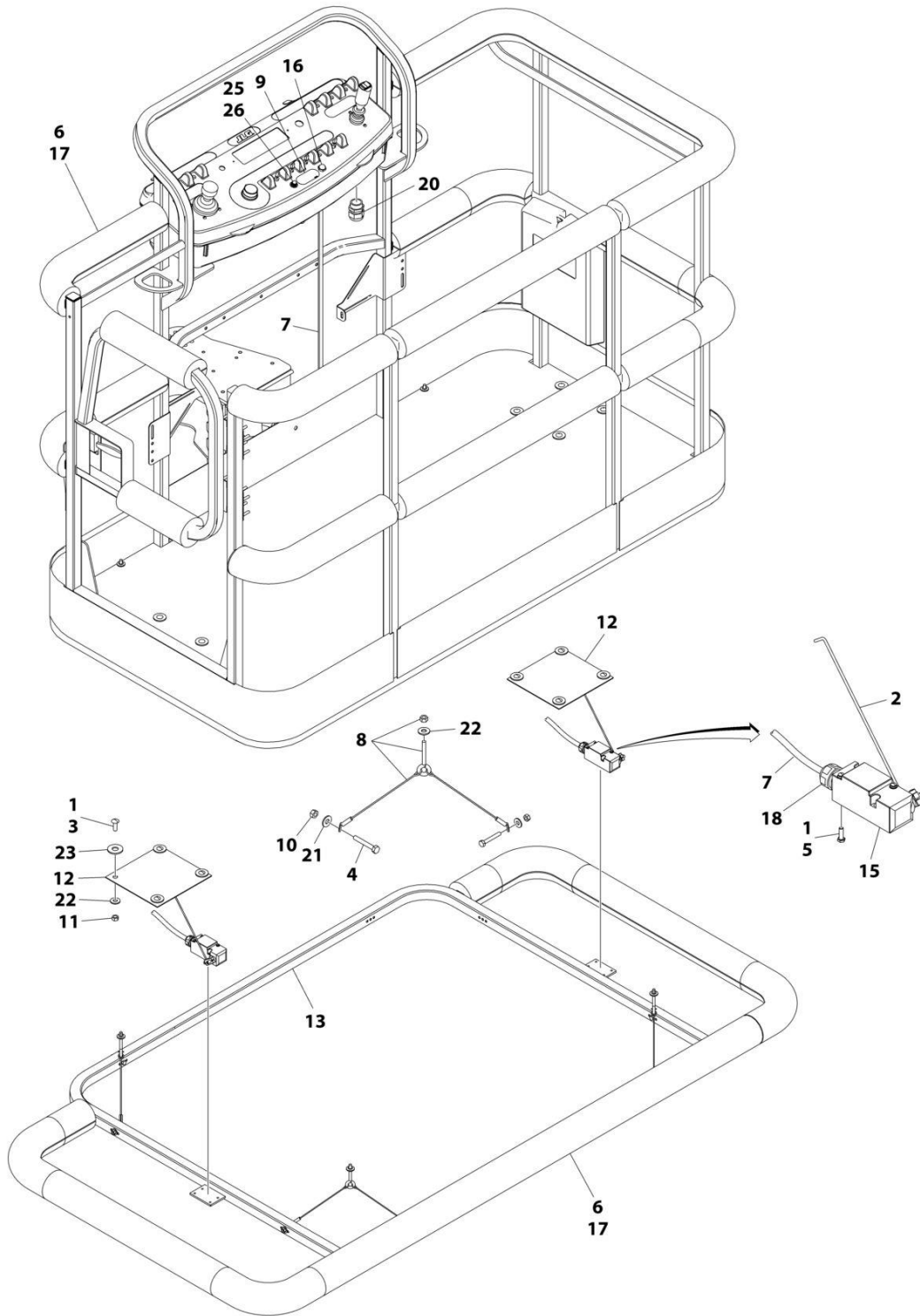
## SECTION 5 - PLATFORM

**FIGURE 5-40. PIPE RACKS INSTALLATION (AUSTRALIAN SPECS) (OPTIONAL)**

ITEM	PART NUMBER	QTY	DESCRIPTION	REV
	0274661	Ref	PIPE RACK INSTALLATION	3/C
1	4845582	2	Rack, Pipe	
2	4420062	AR	Tape	
3	3422661	10	Pin	
4	1060379	4	Lanyard	
5	0641514	4	Bolt 5/16 x 1-3/4	
6	3311505	4	Nut 5/16	
7	4751500	8	Washer 5/16	
8	0480100	2	Tie-Down	
9	1706510	2	Decal - Capacity	

# SECTION 5 - PLATFORM

## FIGURE 5-41. SOFT TOUCH SYSTEM INSTALLATION - 6FT/1.8M PLATFORMS (OPTIONAL)



ART\_0273824

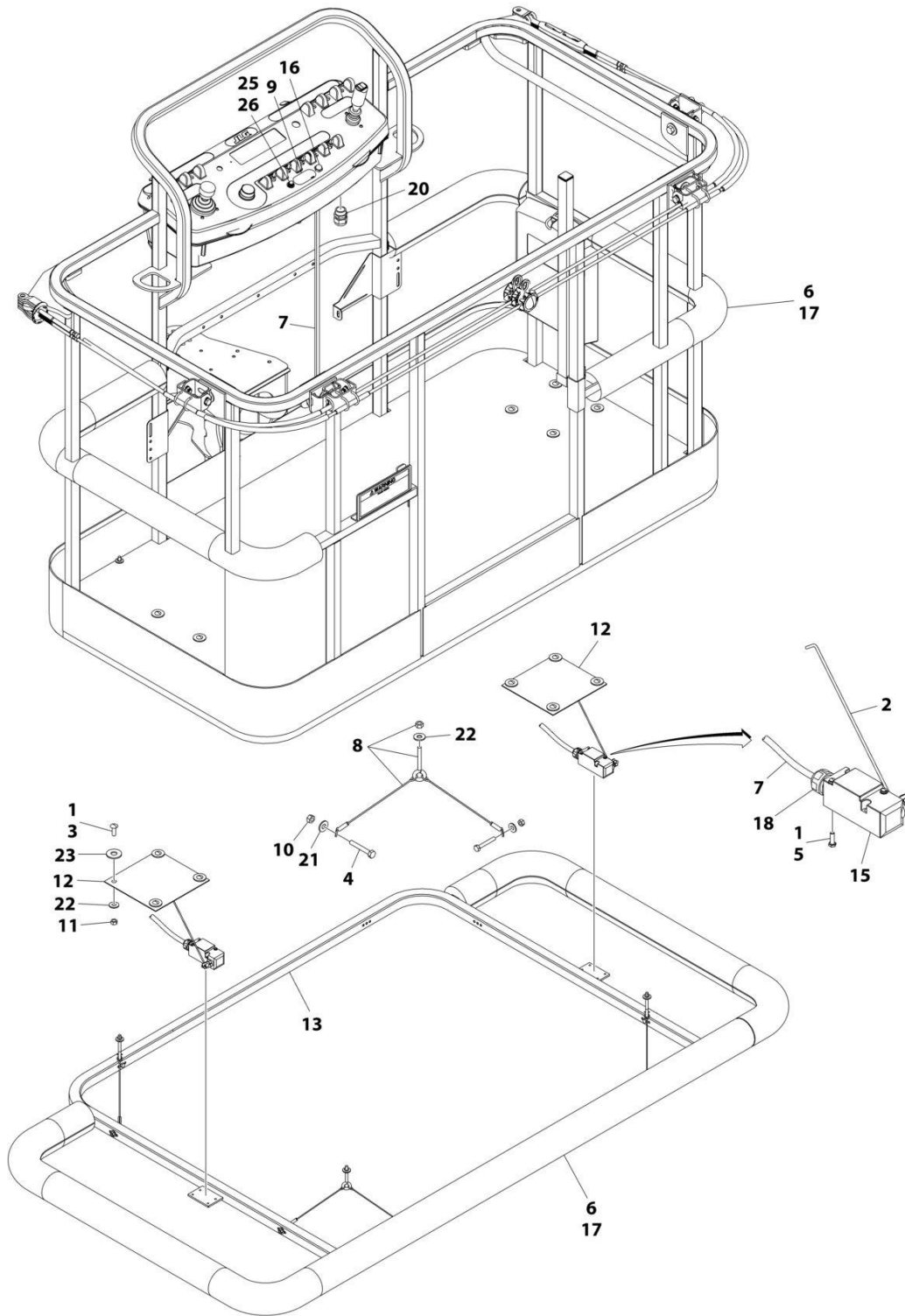
## SECTION 5 - PLATFORM

**FIGURE 5-41. SOFT TOUCH SYSTEM INSTALLATION - 6FT/1.8M PLATFORMS (OPTIONAL)**

ITEM	PART NUMBER	QTY	DESCRIPTION	REV
	0273824	Ref	SOFT TOUCH SYSTEM INSTALLATION	D
1	0100011	AR	Compound, Locking	
2	0200048	2	Arm, Switch	
3	0630462	8	Bolt	
4	0641414	8	Bolt 1/4 x 1-3/4	
5	0731005	4	Bolt #10 x 5/8	
6	0940134	1	Bumper Kit (Includes Corners and Enough Straight Material for One Platform)	
6	0940092	AR	Bumper (Corner)	
6	0940094	AR	Bumper (12ft Length)	
7	1060341	23 ft/7m	Cable, Soft Touch - 16/2	
8	1060903	4	Wire Rope and Eyebolt Assembly	
9	1702938	1	Decal - Soft Touch Override	
10	3311401	8	Nut 1/4	
11	3311501	8	Nut 5/16	
12	3575359	2	Plate, Switch Strike	
13	3641569	1	Rail, Soft Touch	
14	4240099	7	Tie-Strap (Not Shown)	
15	4360057	2	Switch, Limit	
16	4360387	1	Switch, Push Button	
17	4420068	AR	Tape, Adhesive	
17	1001197017	AR	Tie-Strap	
18	4460049	2	Connector, Strain Relief	
19	4460234	7	Tie-Strap (Not Shown)	
20	4460425	1	Connector, Strain Relief	
21	4751400	8	Washer 1/4	
22	4751500	12	Washer 5/16	
23	4751800	8	Washer 1/2	
24	4933218	1	Wiring Diagram (Not Shown - Reference Only)	
25	2920028	1	Light, Indicator	
26	2920029	1	Bulb, Light	

# SECTION 5 - PLATFORM

## FIGURE 5-42. SOFT TOUCH SYSTEM INSTALLATION - 6FT/1.8M FALL ARREST PLATFORMS (OPTIONAL)



ART\_1001108256



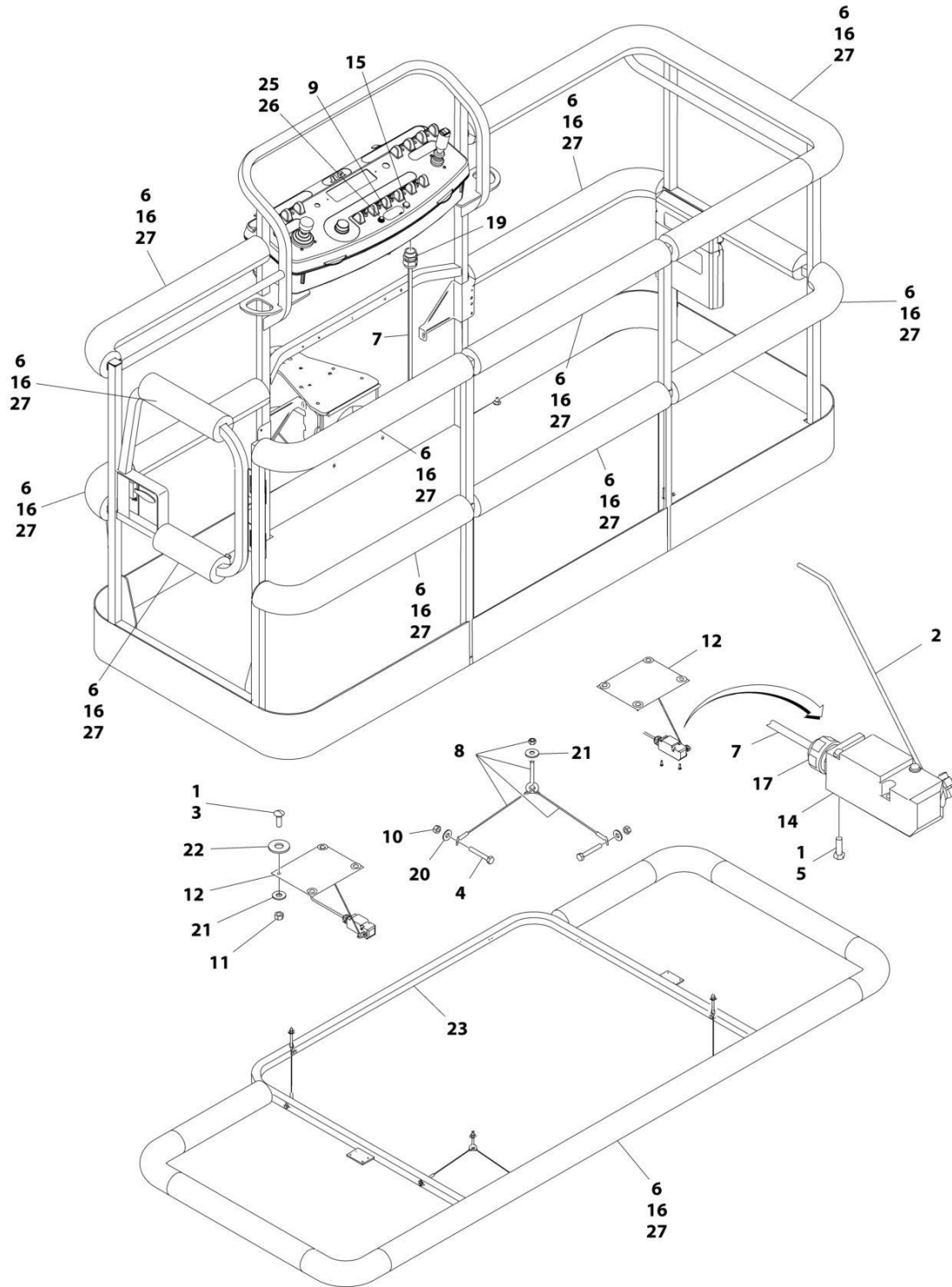
## SECTION 5 - PLATFORM

**FIGURE 5-42. SOFT TOUCH SYSTEM INSTALLATION - 6FT/1.8M FALL ARREST PLATFORMS (OPTIONAL)**

ITEM	PART NUMBER	QTY	DESCRIPTION	REV
	1001108256	Ref	SOFT TOUCH INSTALLATION	C
1	0100011	AR	Compound, Locking	
2	0200048	2	Arm, Switch	
3	0630462	8	Bolt	
4	0641414	8	Bolt 1/4 x 1-3/4	
5	0731005	4	Bolt #10 x 5/8	
6	0940177	1	Bumper Kit (Includes Corners and Enough Straight Material for One Platform)	
6	0940092	8	Bumper (Corner)	
6	0940094	AR	Bumper (12ft Length)	
7	1060341	23 ft/7m	Cable, Soft Touch - 16/2	
8	1060903	4	Wire Rope and Eyebolt Assembly	
9	1702938	1	Decal - Soft Touch Override	
10	3311401	8	Nut 1/4	
11	3311501	8	Nut 5/16	
12	3575359	2	Plate, Switch Strike	
13	3641569	1	Rail, Soft Touch	
14	4240099	7	Tie-Strap (Not Shown)	
15	4360057	2	Switch, Limit	
16	4360387	1	Switch, Push Button	
17	4420068	AR	Tape, Adhesive	
17	1001197017	AR	Tie-Strap	
18	4460049	2	Connector, Strain Relief	
19	4460234	7	Tie-Strap (Not Shown)	
20	4460425	1	Connector, Strain Relief	
21	4751400	8	Washer 1/4	
22	4751500	9	Washer 5/16	
23	4751800	8	Washer 1/2	
25	2920028	1	Light, Indicator	
26	2920029	1	Bulb, Light	

# SECTION 5 - PLATFORM

## FIGURE 5-43. SOFT TOUCH SYSTEM INSTALLATION - 8FT/2.44M PLATFORM (OPTIONAL)



ART\_0272427

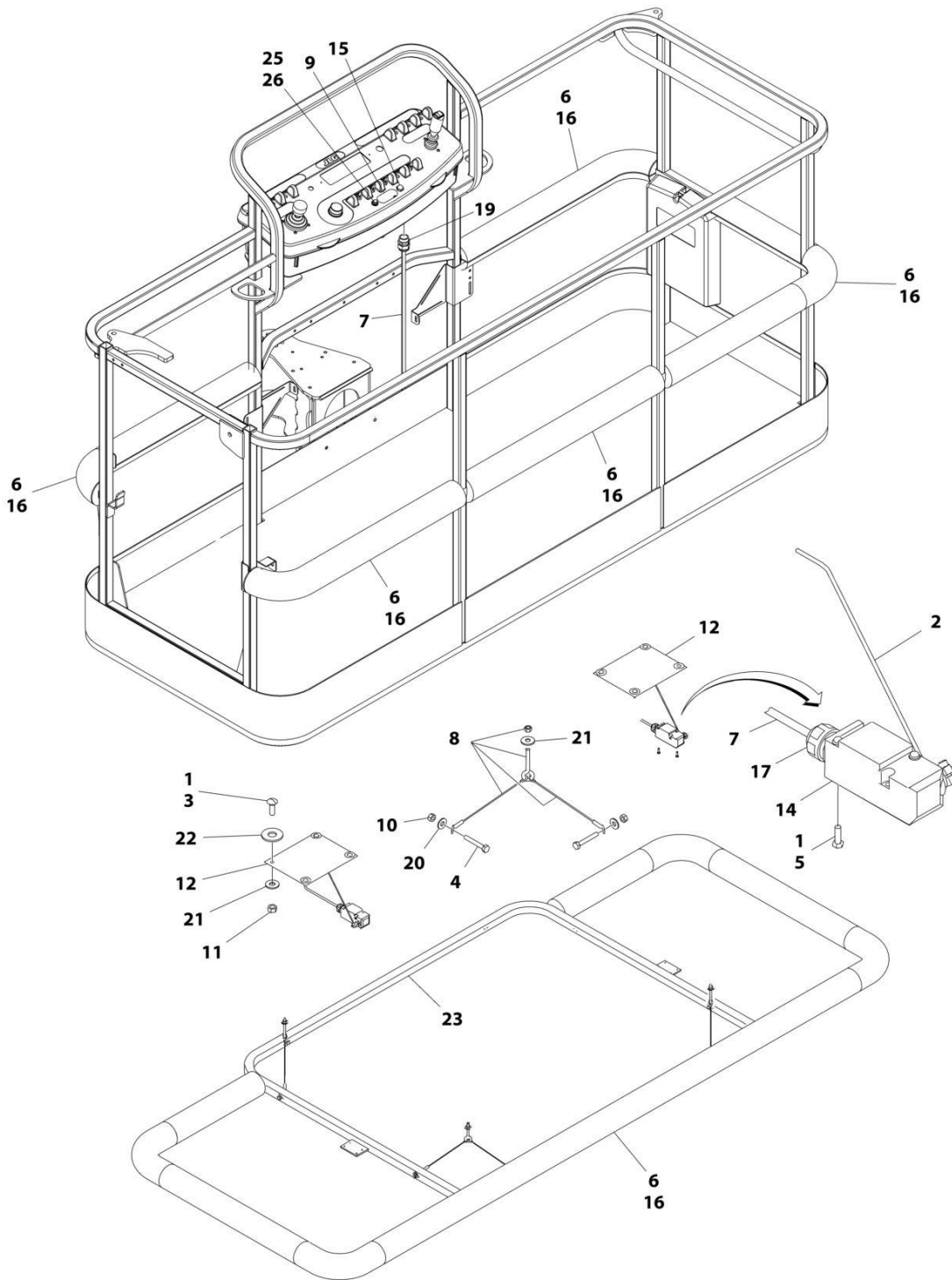
## SECTION 5 - PLATFORM

**FIGURE 5-43. SOFT TOUCH SYSTEM INSTALLATION - 8FT/2.44M PLATFORM (OPTIONAL)**

ITEM	PART NUMBER	QTY	DESCRIPTION	REV
	0272427	Ref	SOFT TOUCH SYSTEM INSTALLATION	G
1	0100011	AR	Compound, Locking	
2	0200048	2	Arm, Switch	
3	0630462	8	Bolt	
4	0641414	8	Bolt 1/4 x 1-3/4	
5	0721005	4	Bolt #10 x 5/8	
6	0940103	1	Bumper Kit (Includes Corners and Enough Straight Material for One Platform)	
6	0940092	12	Bumper (Corner)	
6	0940094	AR	Bumper (12ft Length)	
7	1060341	23 ft/7m	Cable, Electrical - 16/2	
8	1060903	4	Wire Rope and Eyebolt Assembly	
9	1702938	1	Decal - Soft Touch Override	
10	3311401	8	Nut 1/4	
11	3311501	8	Nut 5/16	
12	3574091	2	Plate, Switch Strike	
13	4240099	7	Tie-Strap (Not Shown)	
14	4360057	2	Switch, Limit	
15	4360387	1	Switch, Push Button	
16	4420068	AR	Tape, Adhesive	
16	1001197017	AR	Tie-Strap	
17	4460049	2	Connector, Strain Relief	
18	4460234	7	Tie-Strap (Not Shown)	
19	4460425	1	Connector, Strain Relief	
20	4751400	8	Washer 1/4	
21	4751500	12	Washer 5/16	
22	4751800	8	Washer 1/2	
23	4846673	1	Rail, Soft Touch	
24	4933218	1	Soft Touch Wiring Diagram (Not Shown - Reference Only)	
25	2920028	1	Light, Indicator	
26	2920029	1	Bulb, Light	

# SECTION 5 - PLATFORM

## FIGURE 5-44. SOFT TOUCH SYSTEM INSTALLATION - 8FT/2.44M FALL ARREST PLATFORM (OPTIONAL)



ART\_0273706

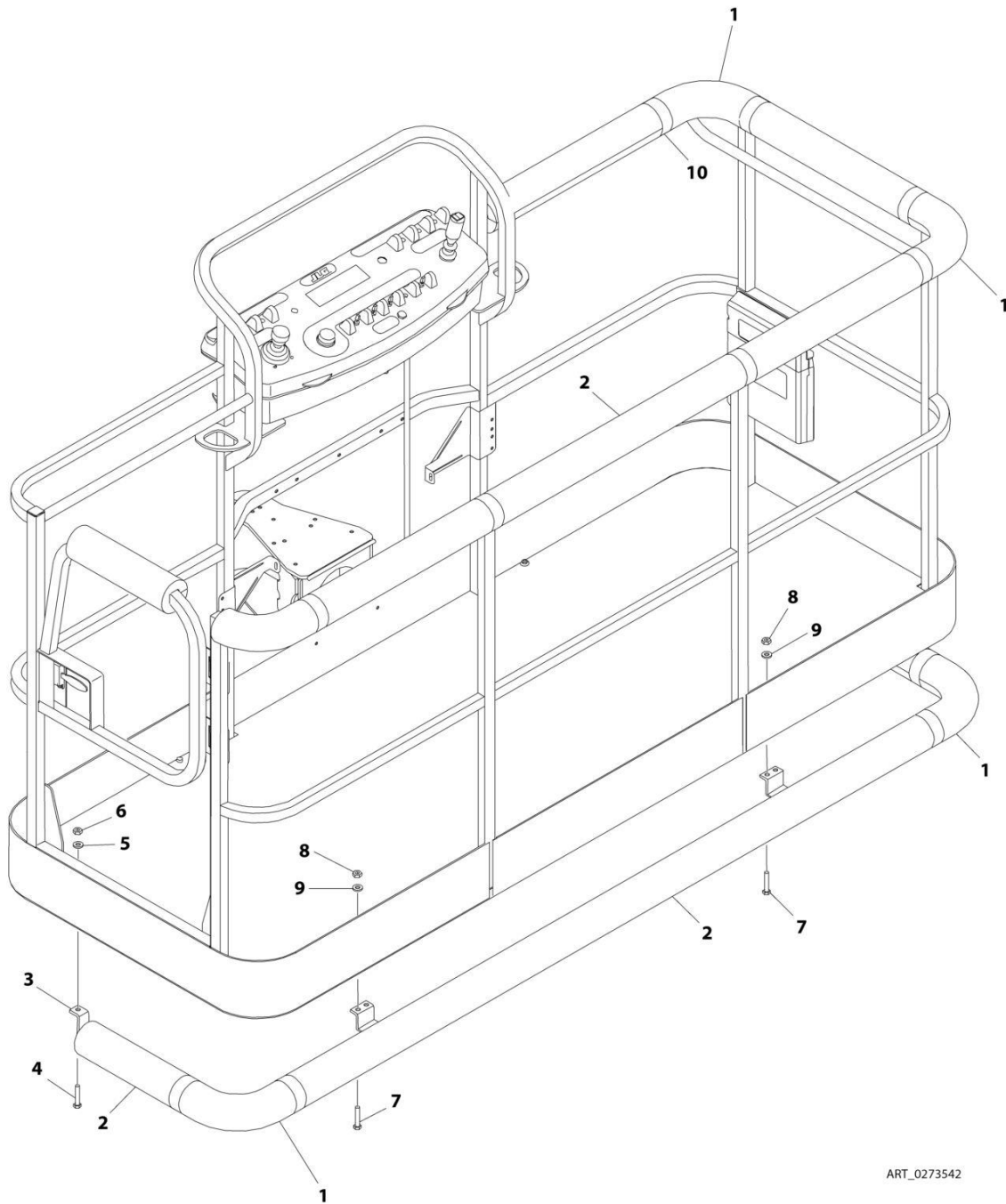
## SECTION 5 - PLATFORM

**FIGURE 5-44. SOFT TOUCH SYSTEM INSTALLATION - 8FT/2.44M FALL ARREST PLATFORM (OPTIONAL)**

ITEM	PART NUMBER	QTY	DESCRIPTION	REV
	0273706	Ref	SOFT TOUCH INSTALLATION	D
1	0100011	AR	Compound, Locking	
2	0200048	2	Arm, Switch	
3	0630462	8	Bolt	
4	0641414	8	Bolt 1/4 x 1-3/4	
5	0721005	4	Bolt #10 x 5/8	
6	0940133	1	Bumper Kit (Includes Corners and Enough Straight Material for One Platform)	
6	0940092	8	Bumper (Corner)	
6	0940094	AR	Bumper (12ft Length)	
7	1060341	23 ft/7m	Cable, Soft Touch - 16/2	
8	1060903	4	Wire Rope and Eyebolt Assembly	
9	1702938	1	Decal - Soft Touch Override	
10	3311401	8	Nut 1/4	
11	3311501	8	Nut 5/16	
12	3574091	2	Plate, Switch Strike	
13	4240099	7	Tie-Strap (Not Shown)	
14	4360057	2	Switch, Limit	
15	4360387	1	Switch, Push Button	
16	4420068	AR	Tape, Adhesive	
16	1001197017	AR	Tie-Strap	
17	4460049	2	Connector, Strain Relief	
18	4460234	7	Tie-Strap (Not Shown)	
19	4460425	1	Connector, Strain Relief	
20	4751400	8	Washer 1/4	
21	4751500	12	Washer 5/16	
22	4751800	8	Washer 1/2	
23	4846673	1	Rail, Soft Touch	
25	2920028	1	Light, Indicator	
26	2920029	1	Bulb, Light	

# SECTION 5 - PLATFORM

FIGURE 5-45. PLATFORM PADDING INSTALLATION (30IN/76CM DEPTH PLATFORMS) (ANSI, ANSI EXPORT, CSA AND CHINA SPECS) (OPTIONAL)



ART\_0273542

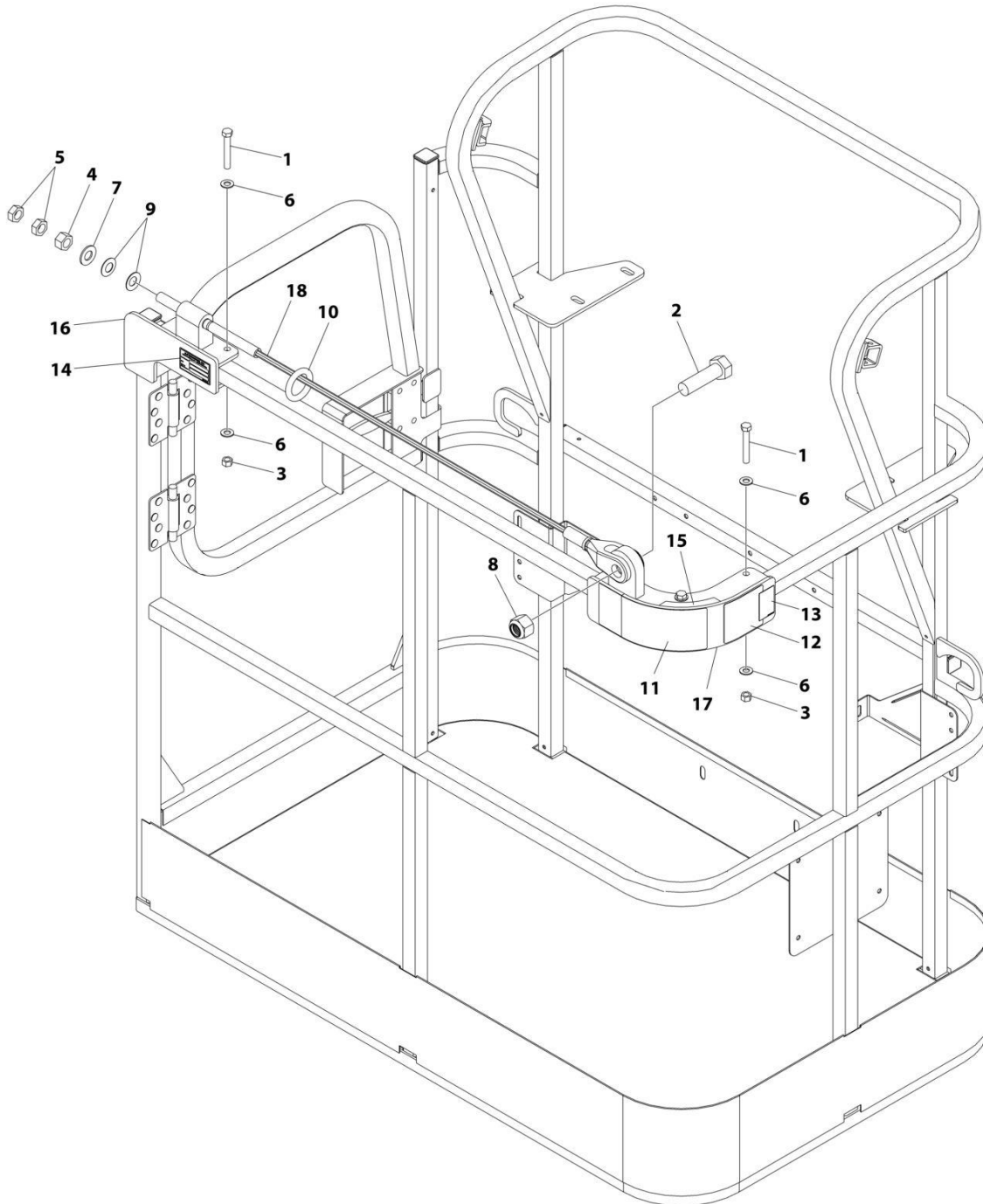
## SECTION 5 - PLATFORM

**FIGURE 5-45. PLATFORM PADDING INSTALLATION (30IN/76CM DEPTH PLATFORMS) (ANSI, ANSI EXPORT, CSA AND CHINA SPECS) (OPTIONAL)**

ITEM	PART NUMBER	QTY	DESCRIPTION	REV
	0273542	Ref	PADDING INSTALLATION (30 X 48 SIDE ENTRY PLATFORM)	A
1	0940092	4	Bumper, Pad (Corner)	
2	0940094	9 ft /2.7m	Bumper, Pad (Square Tubing)	
3	0940131	1	Bumper, Rail	
4	0641516	2	Bolt 5/16 x 2	
5	4751500	2	Washer 5/16	
6	3311505	2	Nut 5/16	
7	0641813	4	Bolt 1/2 x 1-5/8	
8	3311805	4	Nut 1/2	
9	4891800	4	Washer 1/2 Hardened	
10	4420068	30 ft /9.1m	Tape	

# SECTION 5 - PLATFORM

FIGURE 5-46. FALL ARREST (BOLT-ON) INSTALLATION - 30IN X 4FT PLATFORM (ALL SPECS EXCEPT CE SPECS) (OPTIONAL)



ART\_1001261338



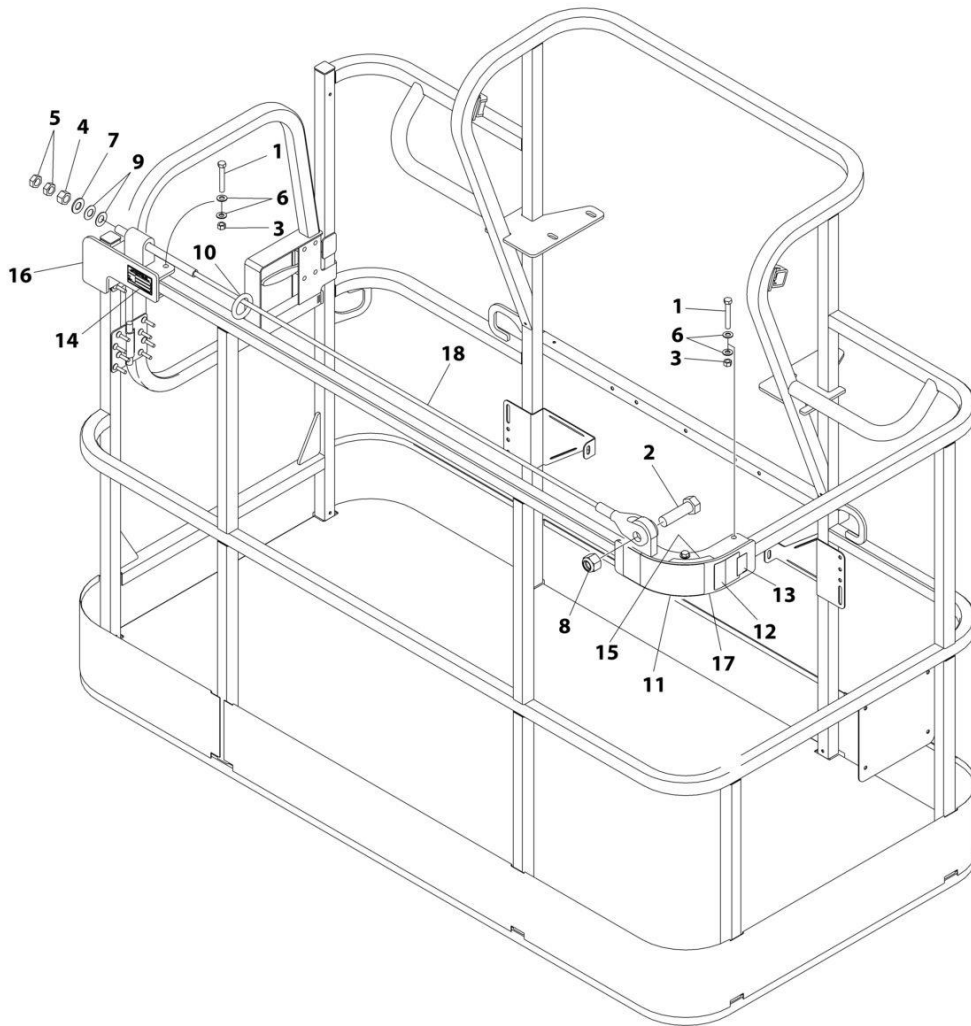
## SECTION 5 - PLATFORM

**FIGURE 5-46. FALL ARREST (BOLT-ON) INSTALLATION - 30IN X 4FT PLATFORM (ALL SPECS EXCEPT CE SPECS) (OPTIONAL)**

ITEM	PART NUMBER	QTY	DESCRIPTION	REV
	1001261338	Ref	FALL ARREST INSTALLATION	A
1	0681620	6	Bolt 3/8 x 2-1/2	
2	0682424	1	Bolt 7/8 x 3	
3	3271605	6	Nut 3/8	
4	3272001	1	Nut 5/8	
5	3312002	2	Nut 5/8	
6	4711600	12	Washer 3/8	
7	4712000	1	Washer 5/8	
8	88521214	1	Nut 7/8	
9	1001236891	2	Washer	
10	1001236895	1	Ring	
11	1001238263	1	Decal - Warning Falling Hazard	
12	1001248140	1	Decal - Bolt Fall Arrest Re-Cert	
13	1001248141	1	Decal - Incription	
14	See Note	NSS	Nameplate - Manufacturers Serial Number (Note: Not Available for Purchase)	
15	1001252629	1	Decal - Weight	
16	1001257271	1	Bracket (RH)	
17	1001257274	1	Bracket (LH)	
18	1001261335	1	Rope	

# SECTION 5 - PLATFORM

FIGURE 5-47. FALL ARREST (BOLT-ON) INSTALLATION - 30IN X 5FT PLATFORM (ALL SPECS EXCEPT CE SPECS) (OPTIONAL)



ART\_1001257275

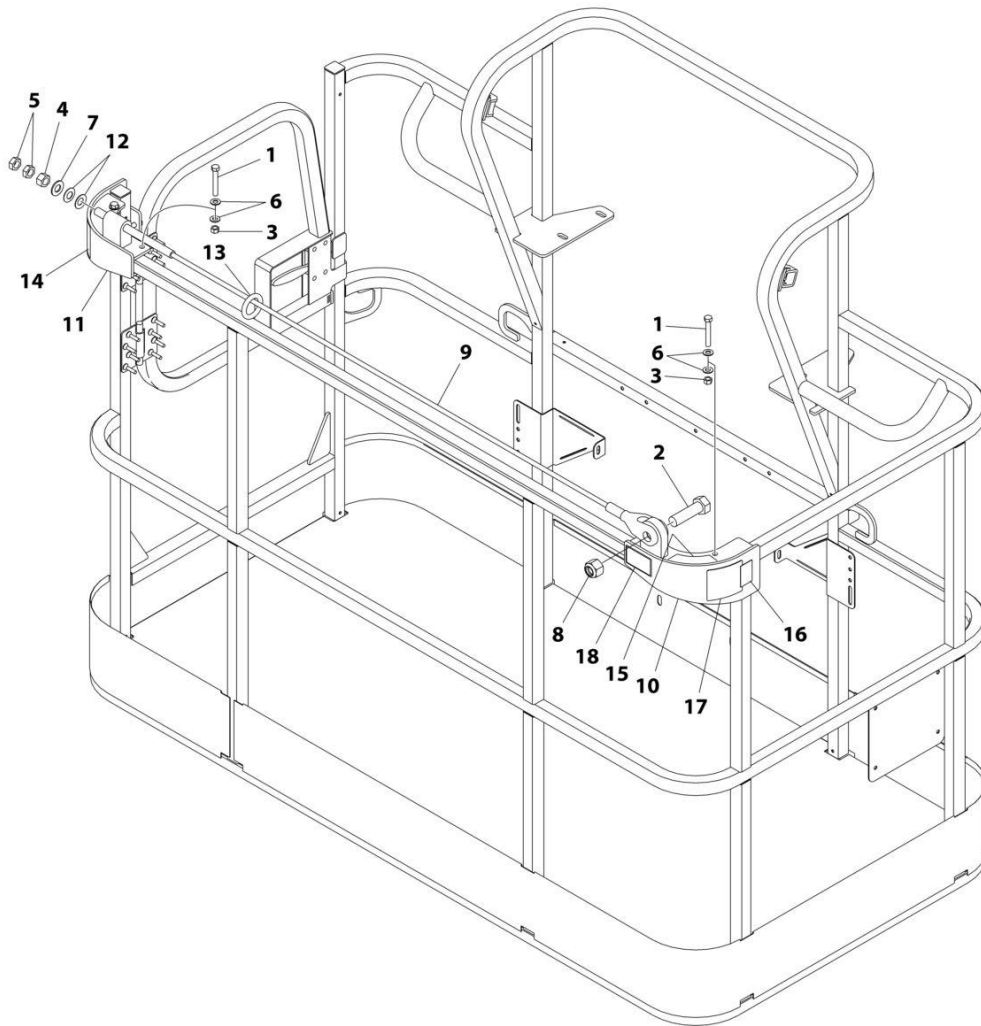
## SECTION 5 - PLATFORM

**FIGURE 5-47. FALL ARREST (BOLT-ON) INSTALLATION - 30IN X 5FT PLATFORM (ALL SPECS EXCEPT CE SPECS) (OPTIONAL)**

ITEM	PART NUMBER	QTY	DESCRIPTION	REV
	1001257275	Ref	FALL ARREST INSTALLATION (BOLT - ON) 6FT/1.82M PLATFORM	A
1	0681620	6	Bolt 3/8 x 2-1/2	
2	0682424	1	Bolt 7/8 x 3	
3	3271605	6	Nut 3/8	
4	3272001	1	Nut 5/8	
5	3312002	2	Nut 5/8	
6	4711600	12	Washer 3/8	
7	4712000	1	Washer 5/8	
8	88521214	1	Nut 7/8	
9	1001236891	2	Washer	
10	1001236895	1	Ring	
11	1001238263	1	Decal - Warning Falling Hazard	
12	1001248140	1	Decal - Bolt Fall Arrest Re-Cert	
13	1001248141	1	Decal - Incrption	
14	See Note	NSS	Nameplate - Manufacturers Serial Number (Note: Not Available for Purchase)	
15	1001252629	1	Decal - Weight	
16	1001257271	1	Bracket (RH)	
17	1001257274	1	Bracket (LH)	
18	1001258005	1	Rope	

# SECTION 5 - PLATFORM

FIGURE 5-48. FALL ARREST (BOLT-ON) INSTALLATION - 36IN X 6FT PLATFORM (ALL SPECS EXCEPT CE SPECS) (OPTIONAL)



ART\_1001236747

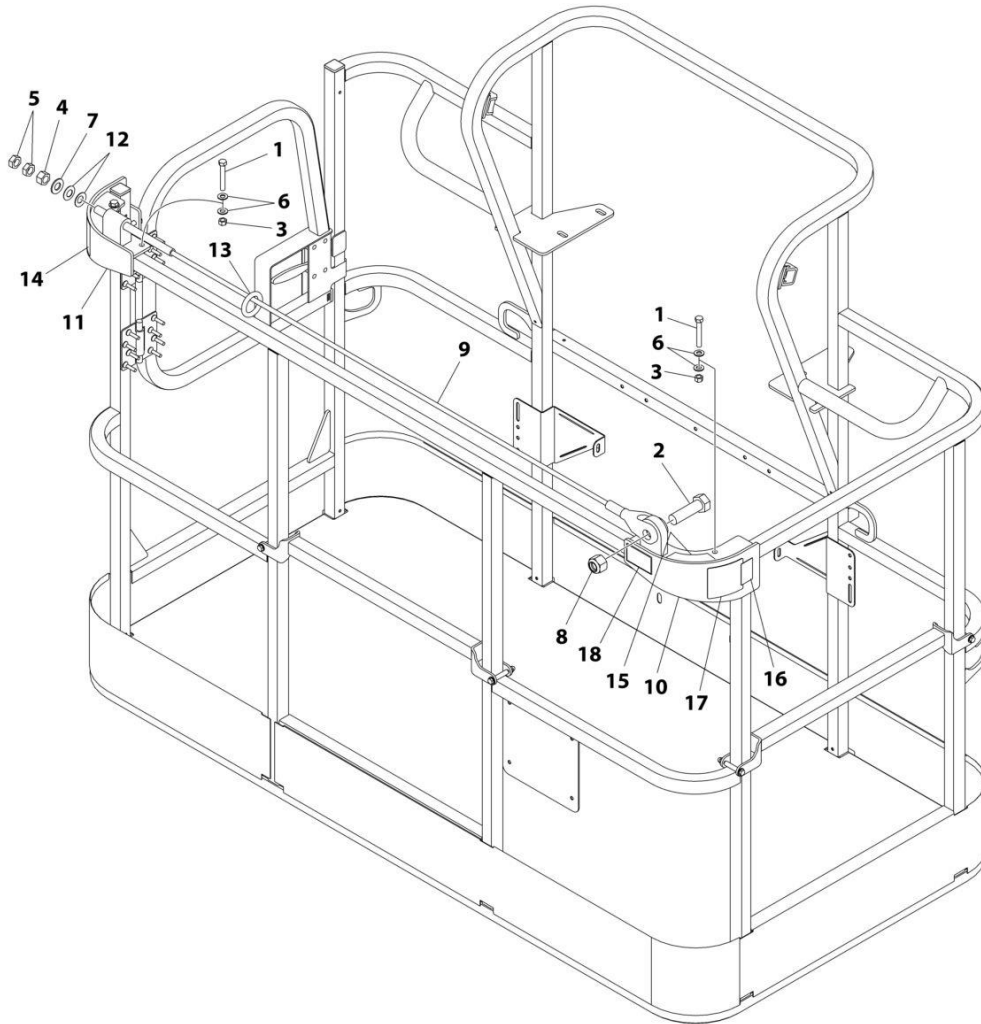
## SECTION 5 - PLATFORM

**FIGURE 5-48. FALL ARREST (BOLT-ON) INSTALLATION - 36IN X 6FT PLATFORM (ALL SPECS EXCEPT CE SPECS) (OPTIONAL)**

ITEM	PART NUMBER	QTY	DESCRIPTION	REV
	1001236747	Ref	FALL ARREST INSTALLATION (BOLT - ON) 6FT/1.82M PLATFORM	C
1	0681620	6	Bolt 3/8 x 2-1/2	
2	0682424	1	Bolt 7/8 x 3	
3	3271605	6	Nut 3/8	
4	3272001	1	Nut 5/8	
5	3312002	2	Nut 5/8	
6	4711600	12	Washer 3/8	
7	4712000	1	Washer 5/8	
8	88521214	1	Nut 7/8	
9	1001231950	1	Rope	
10	1001232010	1	Bracket (RH)	
11	1001232011	1	Bracket (LH)	
12	1001236891	2	Washer	
13	1001236895	1	Ring	
14	1001238263	1	Decal - Warning Falling Hazard	
15	1001252629	1	Decal - Weight	
16	1001248140	1	Decal - Bolt Fall Arrest Re-Cert	
17	1001248141	1	Decal - Inscription	

# SECTION 5 - PLATFORM

FIGURE 5-49. FALL ARREST (BOLT-ON) INSTALLATION - 36IN X 6FT TRI-ENTRY PLATFORM (ALL SPECS EXCEPT CE SPECS) (OPTIONAL)



ART\_1001238463

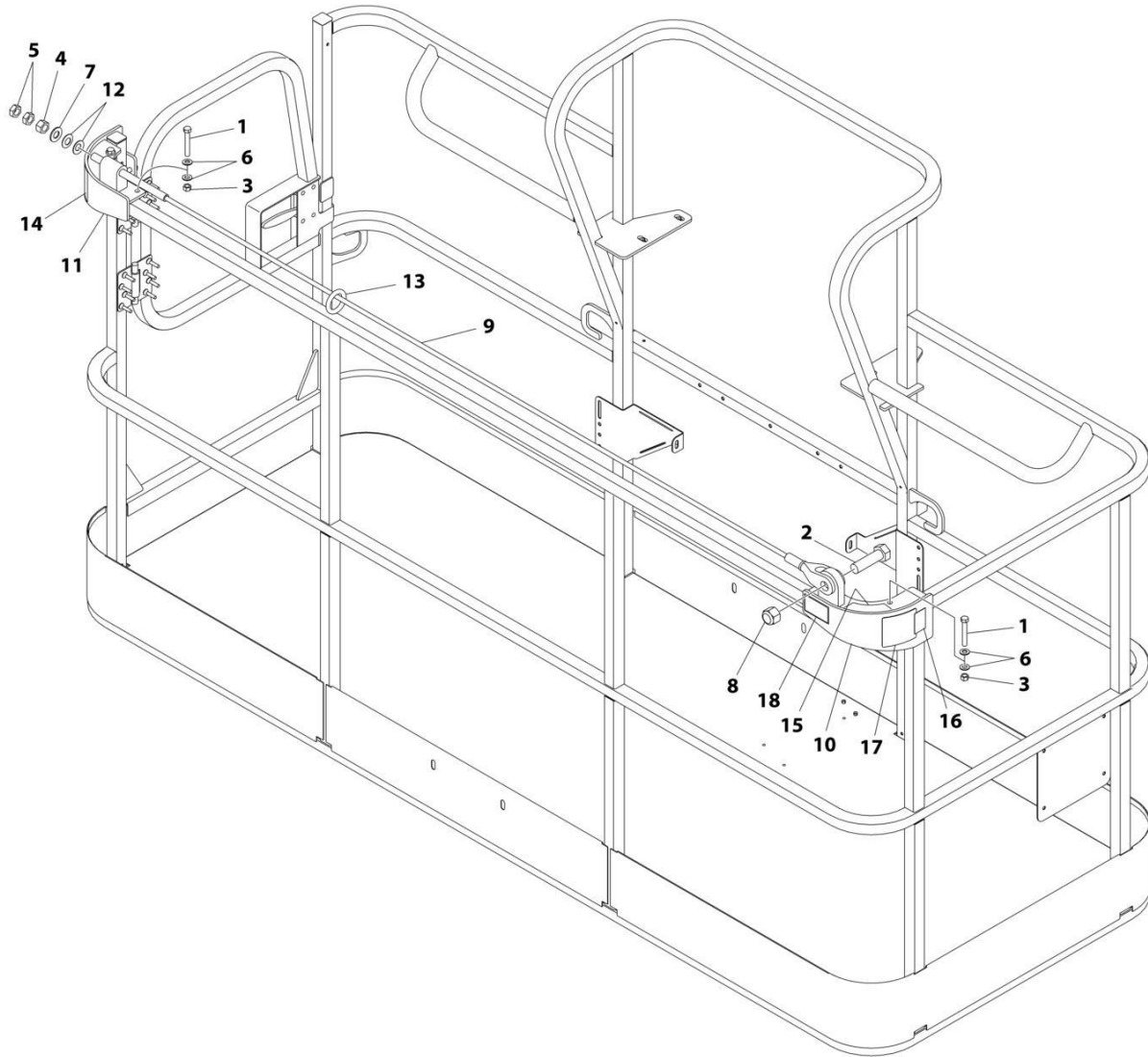
## SECTION 5 - PLATFORM

**FIGURE 5-49. FALL ARREST (BOLT-ON) INSTALLATION - 36IN X 6FT TRI-ENTRY PLATFORM (ALL SPECS EXCEPT CE SPECS) (OPTIONAL)**

ITEM	PART NUMBER	QTY	DESCRIPTION	REV
	1001238463	Ref	FALL ARREST INSTALLATION (BOLT - ON) 6FT/1.82M PLATFORM	C
1	0681620	6	Bolt 3/8 x 2-1/2	
2	0682424	1	Bolt 7/8 x 3	
3	3271605	6	Nut 3/8	
4	3272001	1	Nut 5/8	
5	3312002	2	Nut 5/8	
6	4711600	12	Washer 3/8	
7	4712000	1	Washer 5/8	
8	88521214	1	Nut 7/8	
9	1001231950	1	Rope	
10	1001232010	1	Bracket (RH)	
11	1001232011	1	Bracket (LH)	
12	1001236891	2	Washer	
13	1001236895	1	Ring	
14	1001238263	1	Decal - Warning Falling Hazard	
15	1001252629	1	Decal - Weight	
16	1001248140	1	Decal - Bolt Fall Arrest Re-Cert	
17	1001248141	1	Decal - Inscription	

# SECTION 5 - PLATFORM

FIGURE 5-50. FALL ARREST (BOLT-ON) INSTALLATION - 36IN X 8FT PLATFORM (ALL SPECS EXCEPT SPECS) (OPTIONAL)



ART\_1001236746



## SECTION 5 - PLATFORM

**FIGURE 5-50. FALL ARREST (BOLT-ON) INSTALLATION - 36IN X 8FT PLATFORM (ALL SPECS EXCEPT SPECS) (OPTIONAL)**

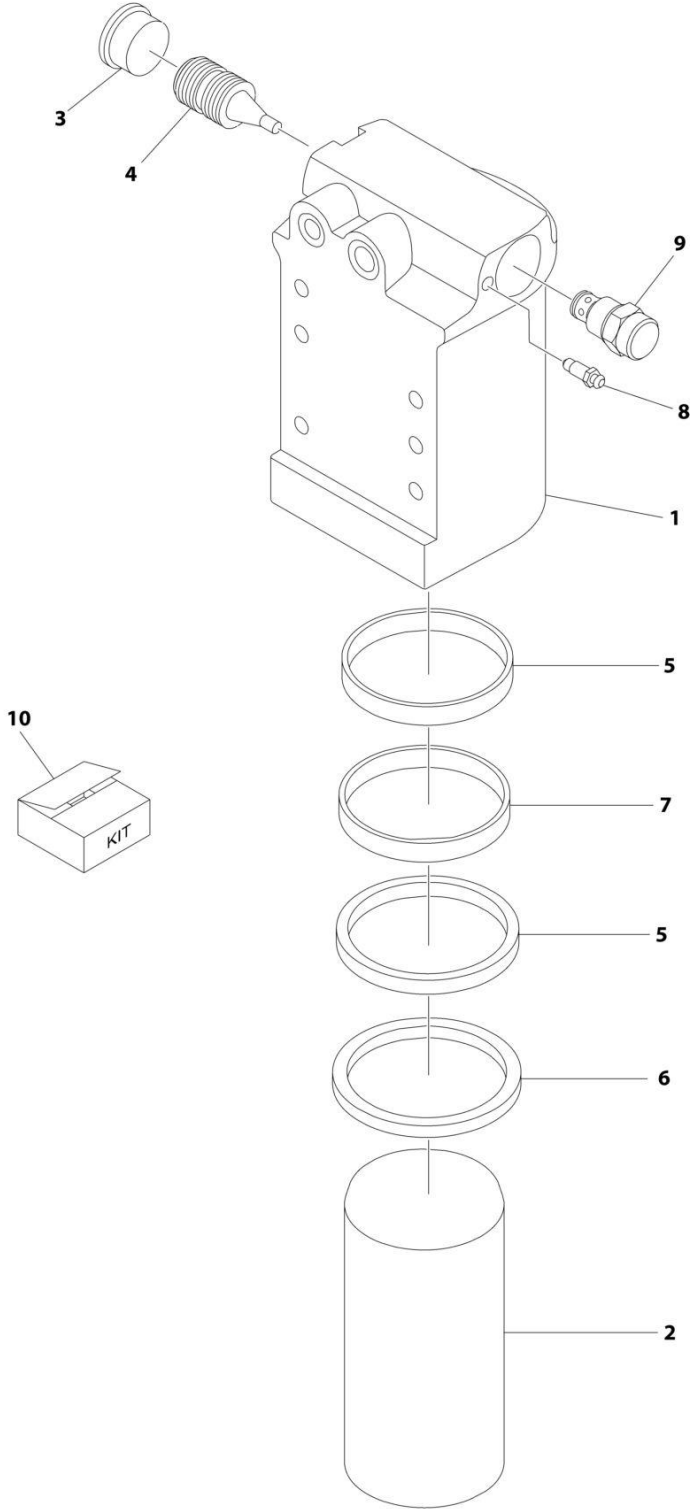
ITEM	PART NUMBER	QTY	DESCRIPTION	REV
	1001236746	Ref	FALL ARREST INSTALLATION (BOLT - ON) 8FT/2.4M PLATFORM	C
1	0681620	6	Bolt 3/8 x 2-1/2	
2	0682424	1	Bolt 7/8 x 3	
3	3271605	6	Nut 3/8	
4	3272001	1	Nut 5/8	
5	3312002	2	Nut 5/8	
6	4711600	12	Washer 3/8	
7	4712000	1	Washer 5/8	
8	88521214	1	Nut 7/8	
9	1001231949	1	Rope	
10	1001232010	1	Bracket (RH)	
11	1001232011	1	Bracket (LH)	
12	1001236891	2	Washer	
13	1001236895	1	Ring	
14	1001238263	1	Decal - Warning Falling Hazard	
15	1001252629	1	Decal - Weight 23LBS/10.4KG	
16	1001248140	1	Decal - Bolt Fall Arrest Re-Cert	
17	1001248141	1	Decal - Inscription	



**SECTION 6 - CYLINDER**

**SECTION 6 - CYLINDER**

**FIGURE 6-1. AXLE LOCKOUT CYLINDER ASSEMBLY**



ART\_1684465

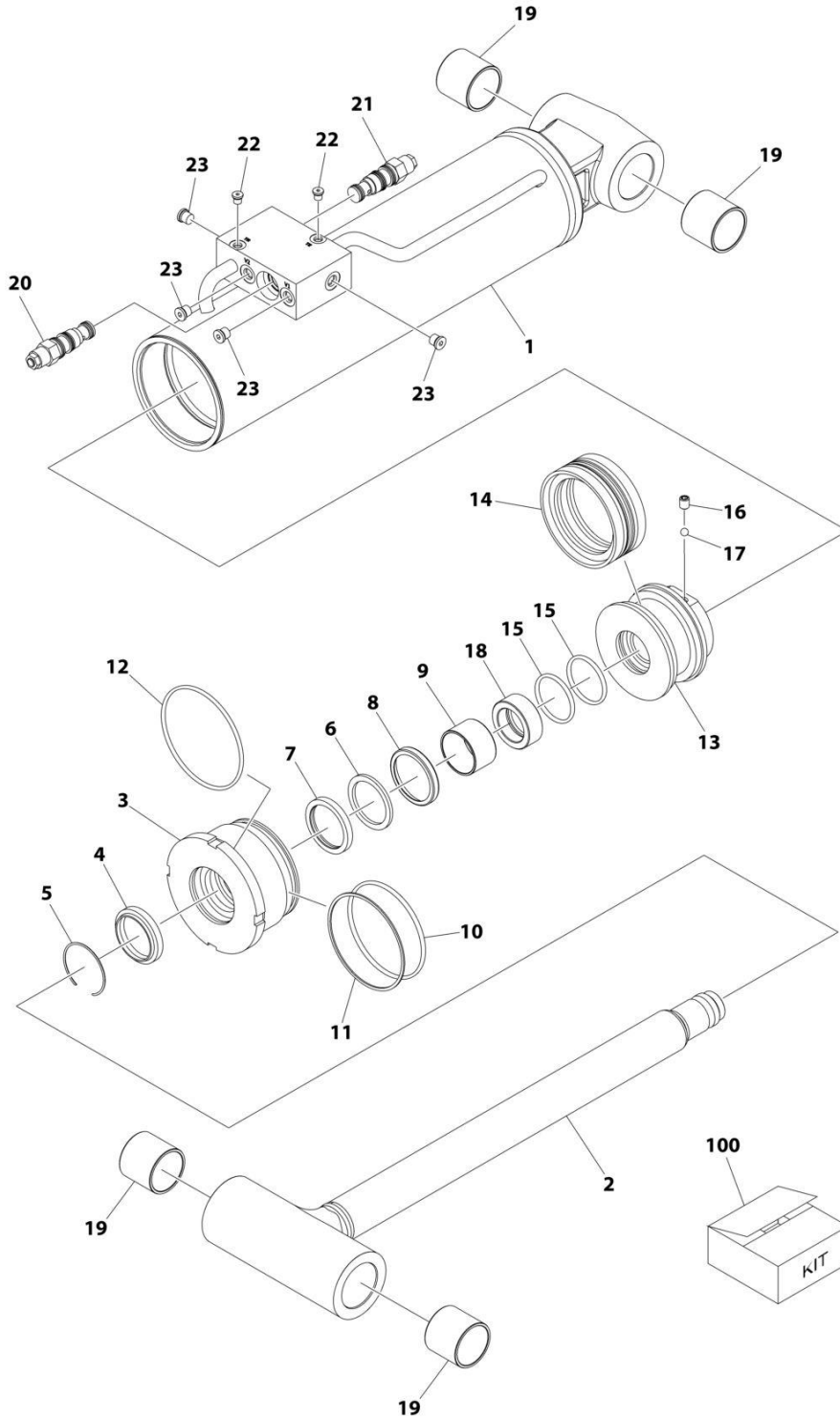
## SECTION 6 - CYLINDER

**FIGURE 6-1. AXLE LOCKOUT CYLINDER ASSEMBLY**

ITEM	PART NUMBER	QTY	DESCRIPTION	REV
	1684465	Ref	AXLE LOCKOUT CYLINDER ASSEMBLY	J
		Ref	Note: Original Cylinder may have been replaced with Service Replacement. Identify PN Stamped on Cylinder Before Ordering Parts.	
1	0370026	1	Barrel	
2	1684290	1	Rod	
3	2220890	1	Plug	
4	3480288	1	Piston, Pilot	
5	See Note	NSS	Ring, Wear (Note: Use Item 110)	
6	See Note	NSS	Wiper (Note: Use Item 110)	
7	See Note	NSS	Seal, Rod (Note: Use Item 110)	
8	4640858	1	Bleeder	
9	4641390	1	Cartridge, Valve	
9	7017496	1	Seal Kit	
10	2902266	1	Seal Kit (Includes Items 105-107)	

# SECTION 6 - CYLINDER

## FIGURE 6-2. LEVEL (PLATFORM SLAVE) CYLINDER ASSEMBLY



ART\_1001237697

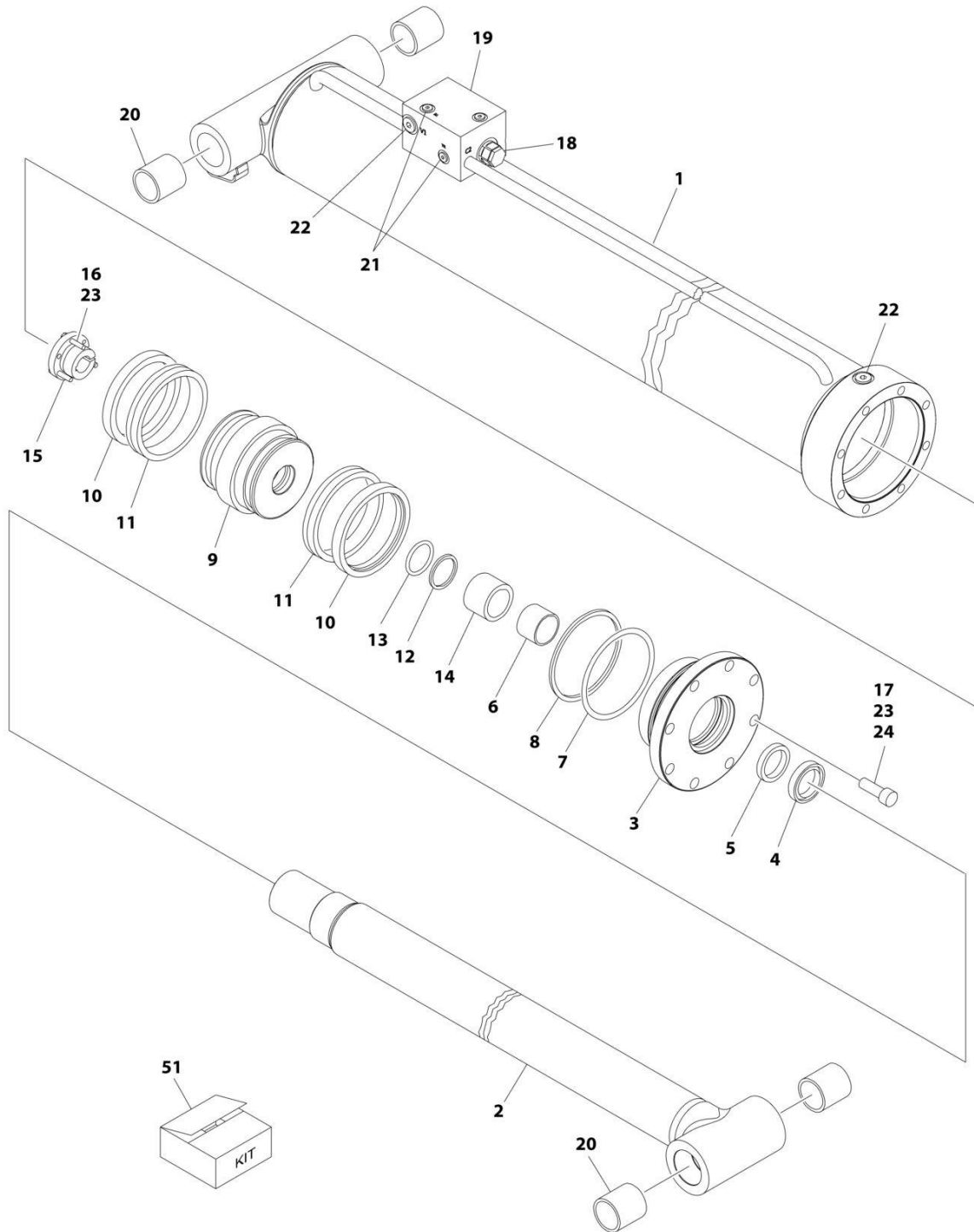
## SECTION 6 - CYLINDER

**FIGURE 6-2. LEVEL (PLATFORM SLAVE) CYLINDER ASSEMBLY**

ITEM	PART NUMBER	QTY	DESCRIPTION	REV
	1001237697	Ref	LEVEL (PLATFORM SLAVE) CYLINDER ASSEMBLY	B
		Ref	Note: Original Cylinder May Have Been Replaced with Service Replacement. Identify PN Stamped on Cylinder Before Ordering Parts.	
1	See Note	NSS	Barrel (Note: Use PN 1001237697)	
2	70007168	1	Rod	
3	70007157	1	Head	
4	See Note	NSS	Wiper (Note: Use Item 100)	
5	70002410	1	Ring, Retaining	
6	See Note	NSS	Seal, Rod (Note: Use Item 100)	
7	See Note	NSS	Ring, Back-up (Note: Use Item 100)	
8	See Note	NSS	Ring (Note: Use Item 100)	
9	70004237	1	Bearing, Dry	
10	See Note	NSS	O-Ring (Note: Use Item 100)	
11	See Note	NSS	Ring, Back-up (Note: Use Item 100)	
12	See Note	NSS	O-Ring (Note: Use Item 100)	
13	70007161	1	Piston	
14	See Note	NSS	Seal, Piston (Note: Use Item 100)	
15	See Note	NSS	O-Ring (Note: Use Item 100)	
16	70023369	1	Setscrew	
17	70022564	1	Ball	
18	70007169	1	Spacer	
19	70007159	4	Bearing	
20	1001168209	1	Cartridge, Valve	
20	2900770	1	Seal Kit - 1001168209 Valve	
21	1001168210	1	Cartridge, Valve	
21	2900770	1	Seal Kit - 1001168210 Valve	
22	2220881	2	Plug, O-Ring 5/16	
23	2220883	4	Plug 7/16	
100	70007160	1	Seal Kit - 1001237697 Cylinder (Includes Items 4, 6, 7, 8, 10, 11, 12, 14 & 15)	

# SECTION 6 - CYLINDER

## FIGURE 6-3. LEVEL (UPRIGHT) CYLINDER ASSEMBLY



ART\_1001228042



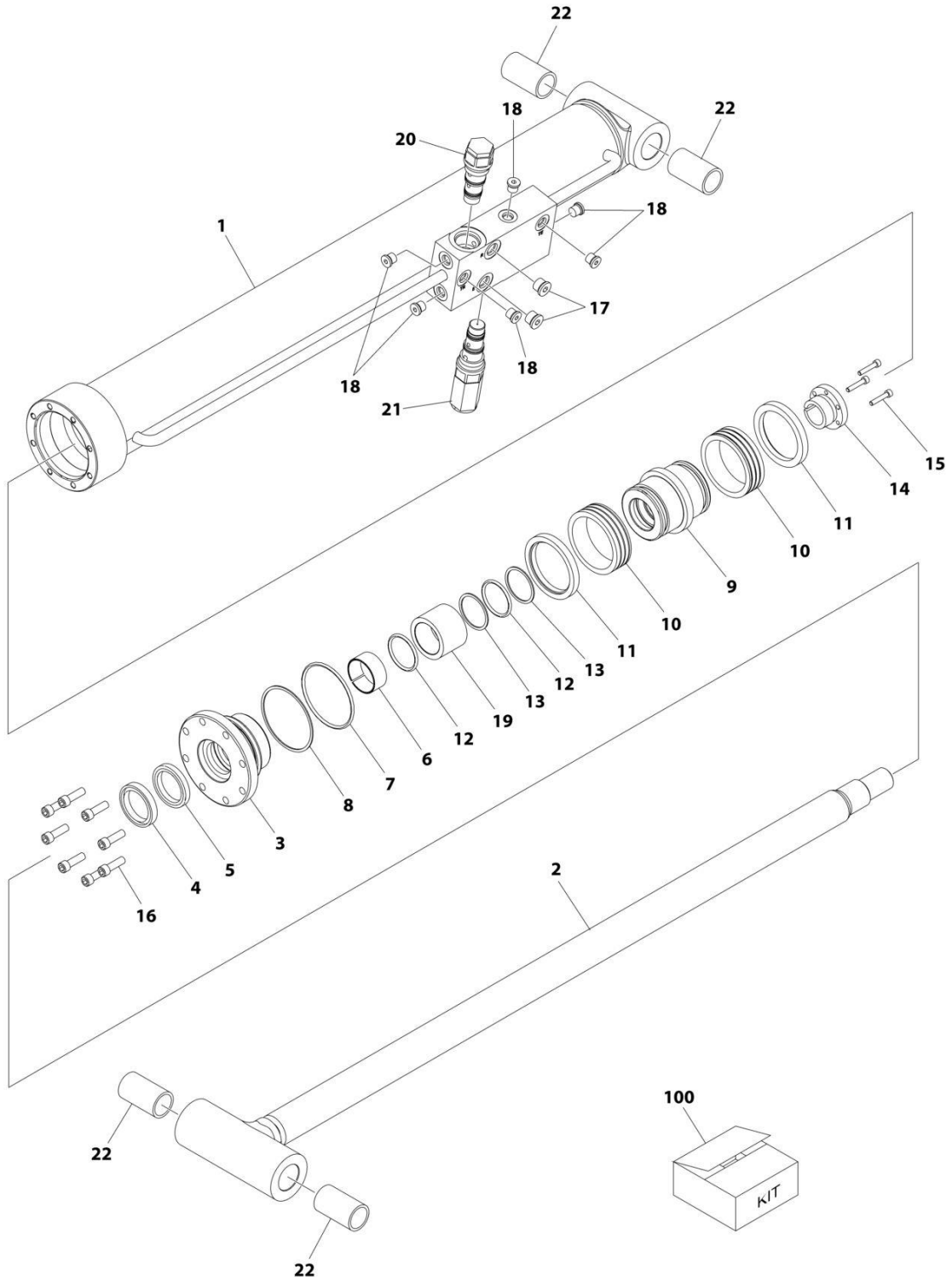
## SECTION 6 - CYLINDER

**FIGURE 6-3. LEVEL (UPRIGHT) CYLINDER ASSEMBLY**

ITEM	PART NUMBER	QTY	DESCRIPTION	REV
	1001228042	Ref	UPRIGHT LEVEL CYLINDER ASSEMBLY	E
		Ref	Note: Original Equipment components may have been replaced with Service Replacement components part. Identify p/n stamped on cylinder before ordering parts.	
1	See Note	NSS	Barrel (Note: Not Available for Purchase)	
2	70006489	1	Rod	
3	70006488	1	Head	
4	See Note	NSS	Wiper (Note: Use Item 51)	
5	See Note	NSS	Seal, Rod (Note: Use Item 51)	
6	See Note	NSS	Ring, Wear (Note: Use Item 51)	
7	See Note	NSS	O-Ring (Note: Use Item 51)	
8	See Note	NSS	Ring, Back-up (Note: Use Item 51)	
9	70006487	1	Piston	
10	See Note	NSS	Ring, Lock (Note: Use Item 51)	
11	See Note	NSS	Seal, Hydrolock (Note: Use Item 51)	
12	See Note	NSS	O-Ring (Note: Use Item 51)	
13	See Note	NSS	Ring, Back-up (Note: Use Item 51)	
14	70006486	1	Spacer, Tube	
15	0961898	1	Bushing, Tapered (Use Item #16 in place of supplied bolts)	
16	0630536	3	Bolt 3/8 x 1-1/2	
17	3932032	8	Bolt, Socket Head 5/16 x 2	
18	4640509	1	Cartridge, Valve	
18	2900792	1	Seal Kit - 4640509 Valve	
19	4640605	1	Cartridge, Valve	
19	2900792	1	Seal Kit - 4640605 Valve	
20	0961949	4	Bushing	
21	2220883	5	Plug, O-Ring	
22	2220886	AR	Plug, O-Ring	
23	0100011	AR	Compound, Locking	
24	0100038	AR	Primer, Locking	
51	2901285	1	Seal Kit (Includes Items 4-8 & 10-13)	

# SECTION 6 - CYLINDER

## FIGURE 6-4. LIFT CYLINDER ASSEMBLY - JIB



ART\_1001259137

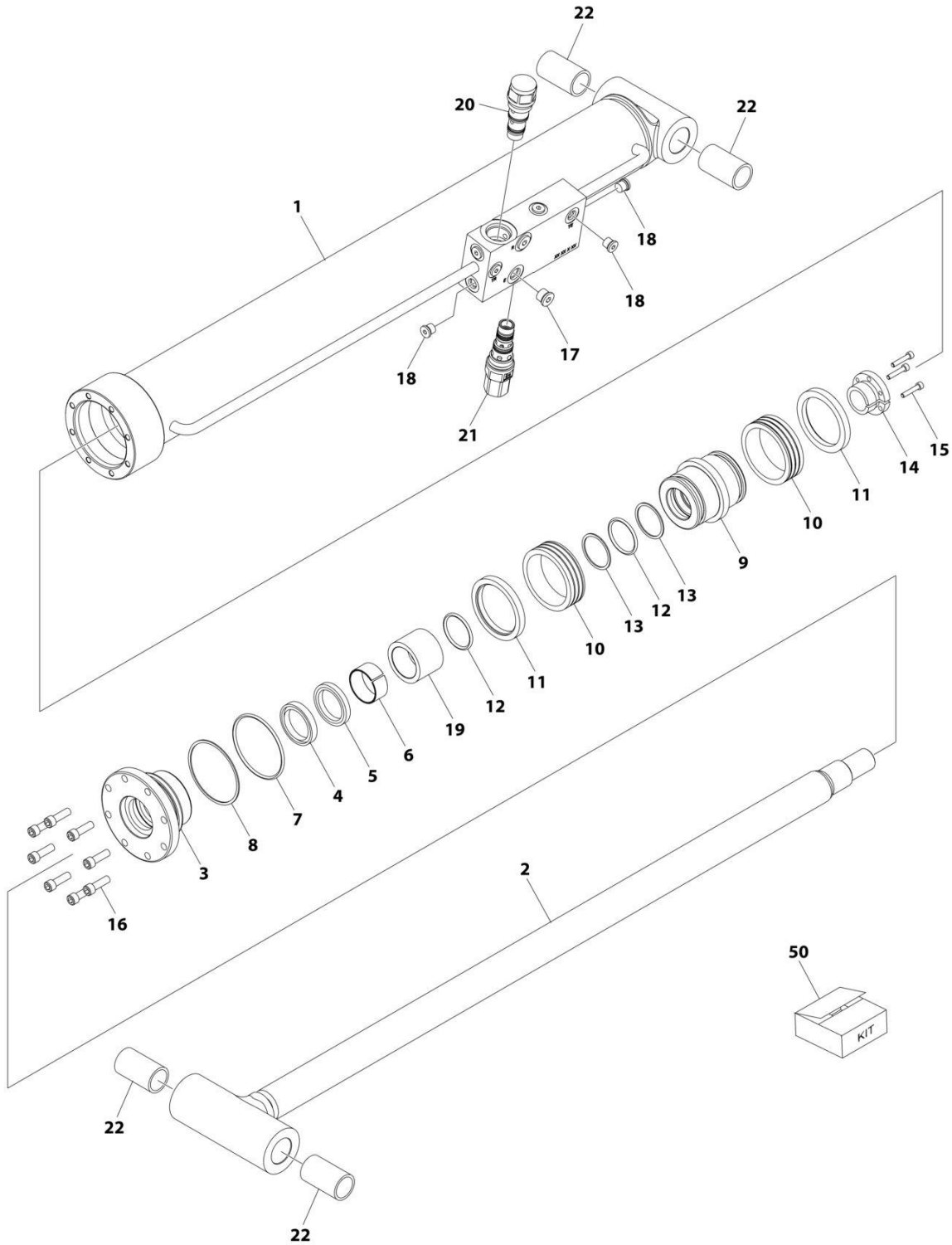
## SECTION 6 - CYLINDER

**FIGURE 6-4. LIFT CYLINDER ASSEMBLY - JIB**

ITEM	PART NUMBER	QTY	DESCRIPTION	REV
	1001259137	Ref	LIFT CYLINDER ASSEMBLY - JIB	B
		Ref	Note: Original Cylinder May Have Been Replaced with Service Replacement. Identify PN Stamped on Cylinder Before Ordering Parts.	
1	See Note	NSS	Barrel (Note: Not Available for Purchase)	
2	70006734	1	Rod	
3	70006649	1	Head	
4	See Note	NSS	Wiper (Note: Use Item 100)	
5	See Note	NSS	Seal, Rod (Note: Use Item 100)	
6	See Note	NSS	Ring, Wear (Note: Use Item 100)	
7	See Note	NSS	O-Ring (Note: Use Item 100)	
8	See Note	NSS	Ring, Back-up (Note: Use Item 100)	
9	70006650	1	Piston	
10	See Note	NSS	Seal (Note: Use Item 100)	
11	See Note	NSS	Ring, Lock (Note: Use Item 100)	
12	See Note	NSS	O-Ring (Note: Use Item 100)	
13	See Note	NSS	Ring, Back-up (Note: Use Item 100)	
14	0961893	1	Bushing, Tapered	
15	0630534	3	Capscrew, Socket Head #10 x 1	
16	70006735	8	Capscrew 5/16	
17	2220885	2	Plug, O-Ring	
18	2220883	6	Plug, O-Ring	
19	70006736	1	Spacer	
20	4640509	1	Cartridge, Valve	
20	2900792	1	Seal Kit - 4640509 Valve	
21	1001259138	1	Cartridge, Valve	
21	70004186	1	Seal Kit - 1001259138 Valve	
22	0962336	4	Bushing	
100	1001138795	1	Seal Kit (Includes Items 4-8 & 10-13)	

# SECTION 6 - CYLINDER

## FIGURE 6-5. LIFT CYLINDER ASSEMBLY - JIB



ART\_1001264302

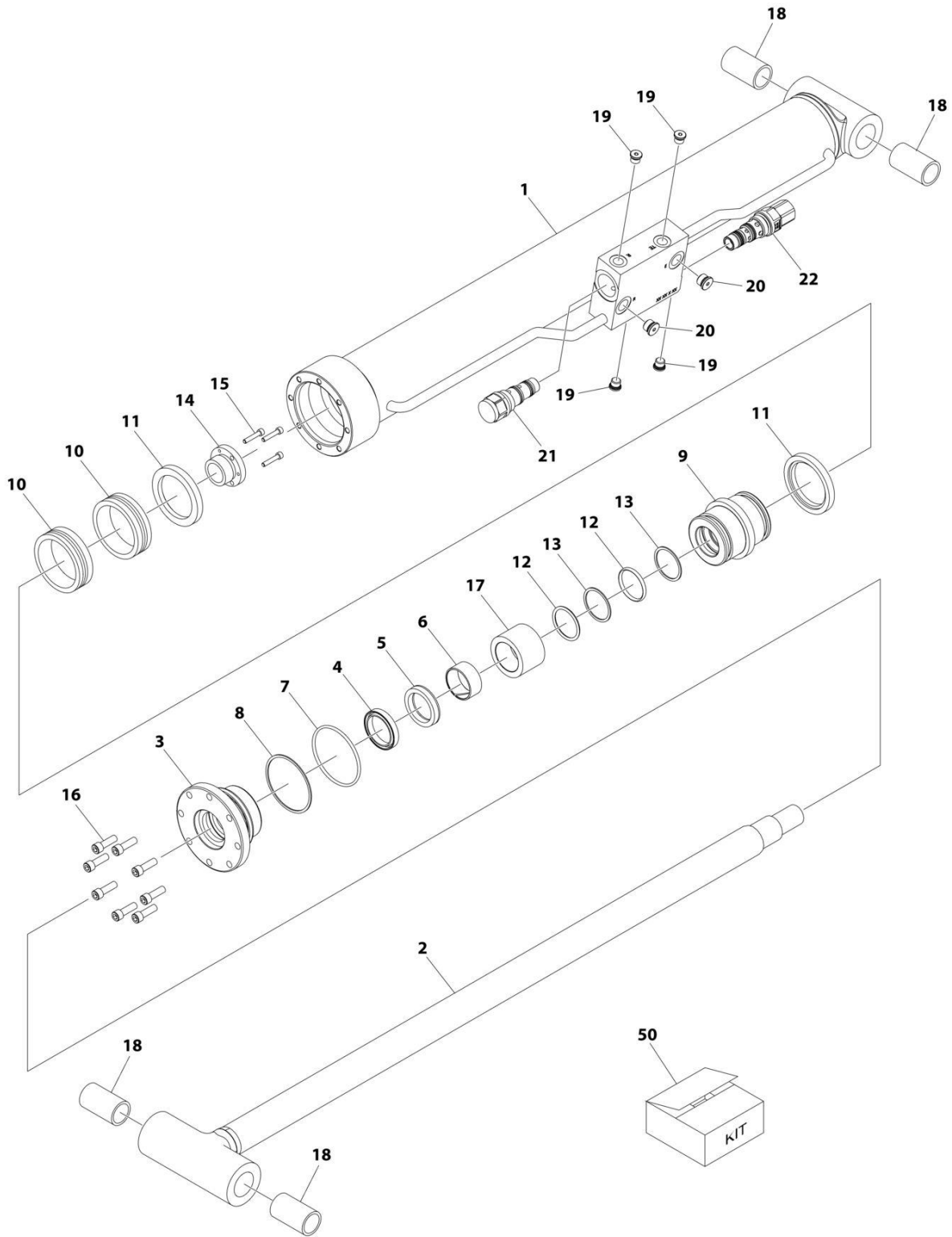
## SECTION 6 - CYLINDER

**FIGURE 6-5. LIFT CYLINDER ASSEMBLY - JIB**

ITEM	PART NUMBER	QTY	DESCRIPTION	REV
	1001264302	Ref	LIFT CYLINDER ASSEMBLY - JIB	B
		Ref	Note: Original Cylinder May Have Been Replaced with Service Replacement. Identify PN Stamped on Cylinder Before Ordering Parts.	
1	See Note	NSS	Barrel	
2	70006734	1	Rod	
3	70006649	1	Head	
4	See Note	NSS	Wiper (Note: Use Item 50)	
5	See Note	NSS	Seal, Rod (Note: Use Item 50)	
6	See Note	NSS	Ring, Wear (Note: Use Item 50)	
7	See Note	NSS	O-Ring (Note: Use Item 50)	
8	See Note	NSS	Ring, Back-up (Note: Use Item 50)	
9	70006650	1	Piston	
10	See Note	NSS	Seal (Note: Use Item 50)	
11	See Note	NSS	Ring, Lock (Note: Use Item 50)	
12	See Note	NSS	O-Ring (Note: Use Item 50)	
13	See Note	NSS	Ring, Back-up (Note: Use Item 50)	
14	0961893	1	Bushing, Tapered	
15	0630534	3	Capscrew	
16	70006735	8	Capscrew	
17	2220885	2	Plug	
18	2220883	6	Plug	
19	70006736	1	Spacer	
20	4640509	1	Cartridge, Counterbalance Valve	
20	2900792	1	Seal Kit - 4640509 Valve	
21	1001263800	1	Cartridge, Counterbalance Valve	
21	70004186	1	Seal Kit - 1001263800 Valve	
22	0962336	4	Bushing	
50	1001138795	1	Seal Kit (Includes Items 4-8 & 10-13)	

# SECTION 6 - CYLINDER

## FIGURE 6-6. LIFT CYLINDER ASSEMBLY - JIB



ART\_1001264991

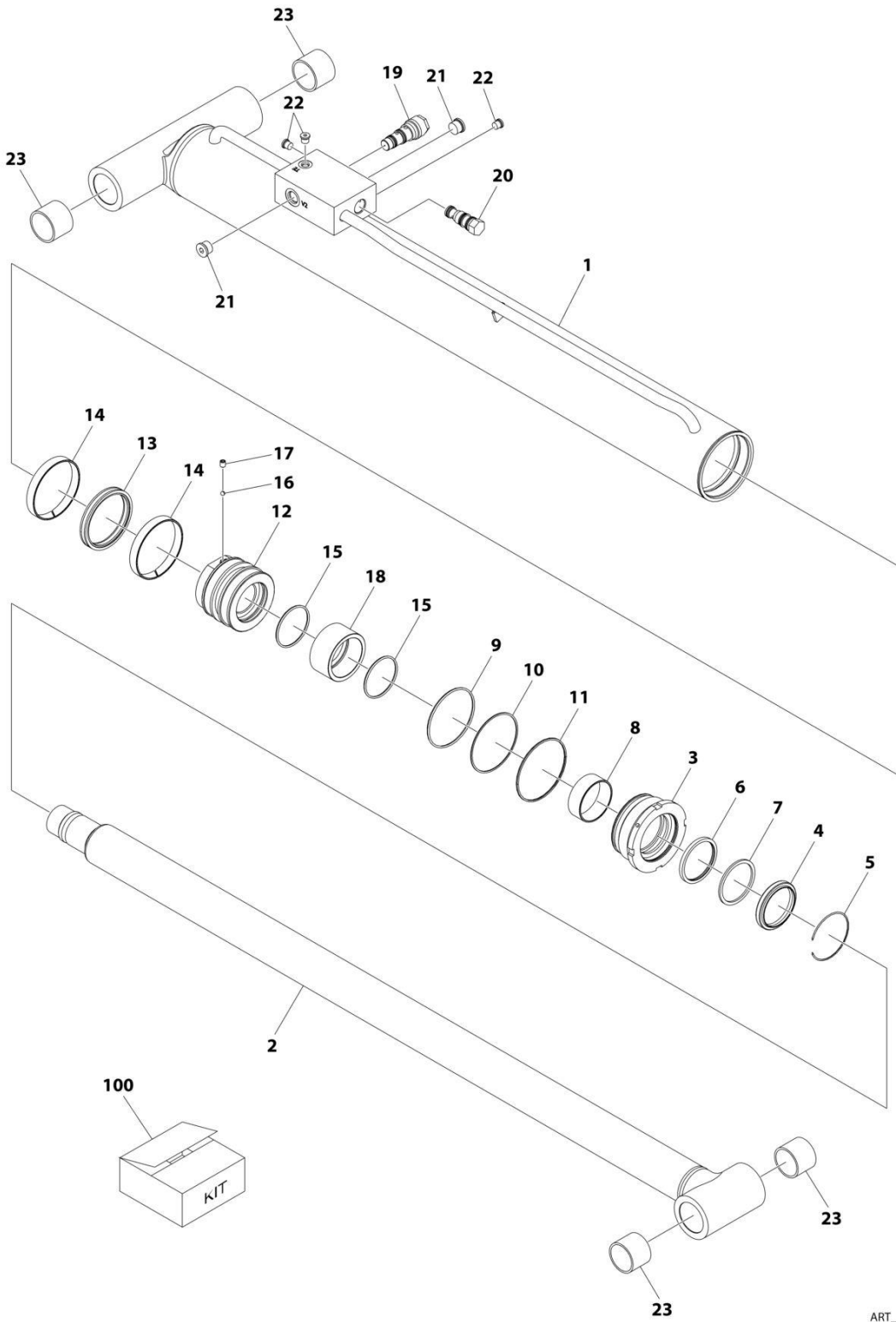
## SECTION 6 - CYLINDER

**FIGURE 6-6. LIFT CYLINDER ASSEMBLY - JIB**

ITEM	PART NUMBER	QTY	DESCRIPTION	REV
	1001264991	Ref	LIFT CYLINDER ASSEMBLY - JIB	B
		Ref	Note: Original Cylinder May Have Been Replaced with Service Replacement. Identify PN Stamped on Cylinder Before Ordering Parts.	
1	See Note	NSS	Barrel (Note: Use PN 1001264991)	
2	70006734	1	Rod	
3	70006649	1	Head	
4	See Note	NSS	Wiper (Note: Use Item 50)	
5	See Note	NSS	Seal, Rod (Note: Use Item 50)	
6	See Note	NSS	Ring, Wear (Note: Use Item 50)	
7	See Note	NSS	O-Ring (Note: Use Item 50)	
8	See Note	NSS	Ring, Back-up (Note: Use Item 50)	
9	70006650	1	Piston	
10	See Note	NSS	Ring, Hydro Lock (Note: Use Item 50)	
11	See Note	NSS	Ring, Guide Lock (Note: Use Item 50)	
12	See Note	NSS	O-Ring (Note: Use Item 50)	
13	See Note	NSS	Ring, Back-up (Note: Use Item 50)	
14	0961893	1	Bushing, Tapered	
15	0630534	3	Capscrew	
16	70006735	8	Capscrew	
17	70006736	1	Spacer	
18	0962336	4	Bearing	
19	70023370	4	Plug	
20	70023371	2	Plug	
21	4640509	1	Cartridge, Counterbalance Valve	
21	2900792	1	Seal Kit - 4640509 Valve	
22	1001263800	1	Cartridge, Counterbalance Valve	
22	70004186	1	Seal Kit - 1001263800 Valve	
50	1001138795	1	Seal Kit - 1001264991 Cylinder (Includes Items 4-8 & 10-13)	

# SECTION 6 - CYLINDER

## FIGURE 6-7. LIFT CYLINDER ASSEMBLY - MAIN BOOM



ART\_1001245761



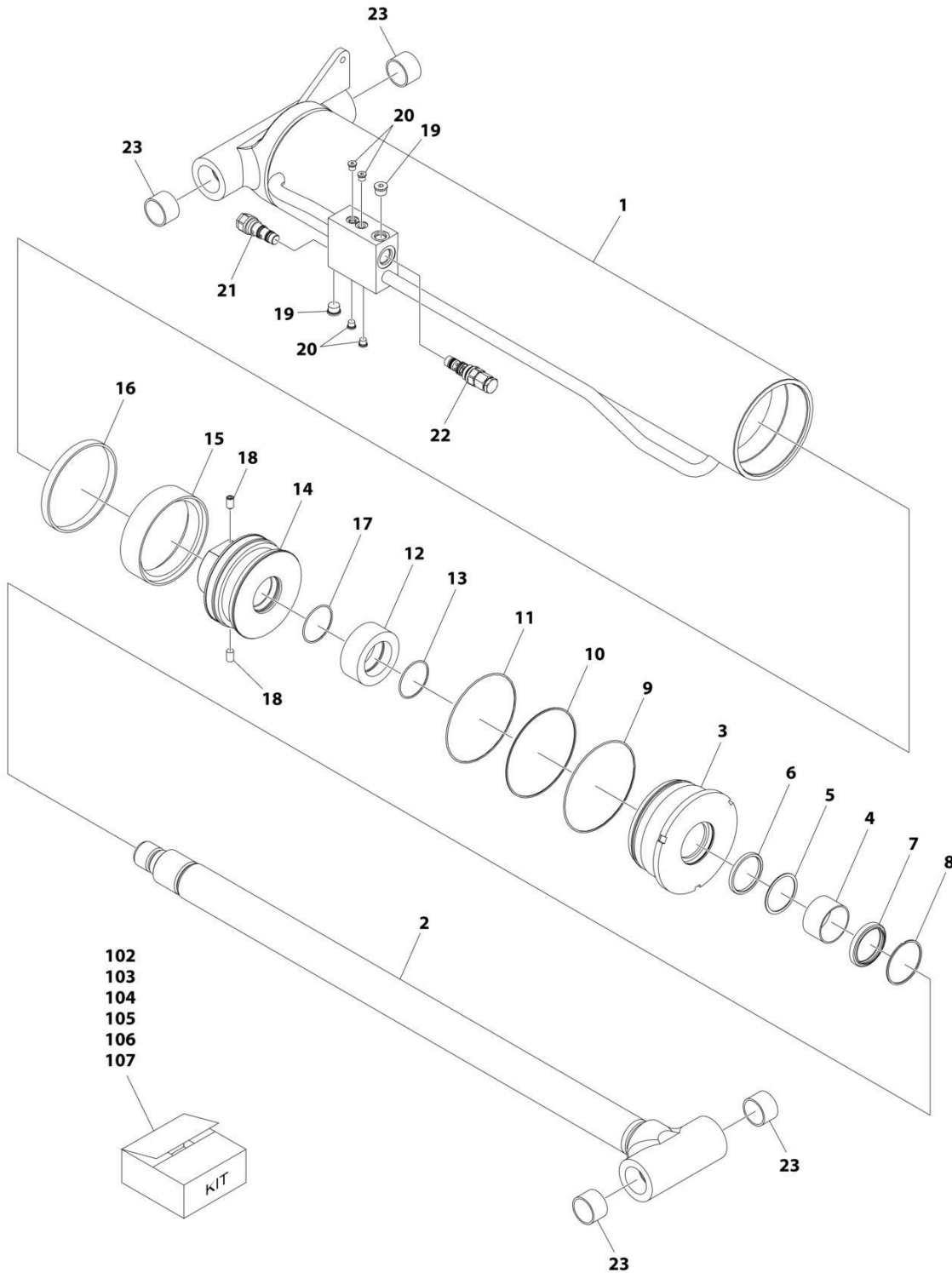
## SECTION 6 - CYLINDER

**FIGURE 6-7. LIFT CYLINDER ASSEMBLY - MAIN BOOM**

ITEM	PART NUMBER	QTY	DESCRIPTION	REV
	1001245761	Ref	LIFT CYLINDER ASSEMBLY - MAIN BOOM	B
		Ref	Note: Original Cylinder May Have Been Replaced with Service Replacement. Identify PN Stamped on Cylinder Before Ordering Parts.	
1	See Note	NSS	Barrel (Use p/n 1001228092)	
2	70007451	1	Rod	
3	70007051	1	Head	
4	See Note	NSS	Wiper (Note: Use Item 100)	
5	70050795	1	Ring, Retainer	
6	See Note	NSS	Seal, Rod (Note: Use Item 100)	
7	See Note	NSS	Ring, Back-up (Note: Use Item 100)	
8	70007052	1	Ring, Wear	
9	See Note	NSS	O-Ring (Note: Use Item 100)	
10	See Note	NSS	Ring, Back-up (Note: Use Item 100)	
11	See Note	NSS	O-Ring (Note: Use Item 100)	
12	70007452	1	Piston	
13	See Note	NSS	Seal (Note: Use Item 100)	
14	See Note	NSS	Ring, Wear (Note: Use Item 100)	
15	See Note	NSS	O-Ring (Note: Use Item 100)	
16	70022564	1	Ball	
17	70023369	1	Setscrew M8 x 10	
18	70007453	1	Spacer	
19	4640509	1	Cartridge, Counterbalance Valve	
19	2900792	1	Seal Kit - 4640509 Cartridges	
20	4640438	1	Cartridge, Check Valve	
20	2900770	1	Seal Kit - 4640438 Valve	
21	2220886	2	Plug 3/4	
22	2220883	3	Plug #4	
23	70007454	4	Bearing	
100	70007455	1	Seal Kit - 1001228092 Cylinder (Includes item 4, 6, 7, 8-10 & 13-15)	

# SECTION 6 - CYLINDER

## FIGURE 6-8. LIFT CYLINDER ASSEMBLY - MAIN BOOM



ART\_1001261003

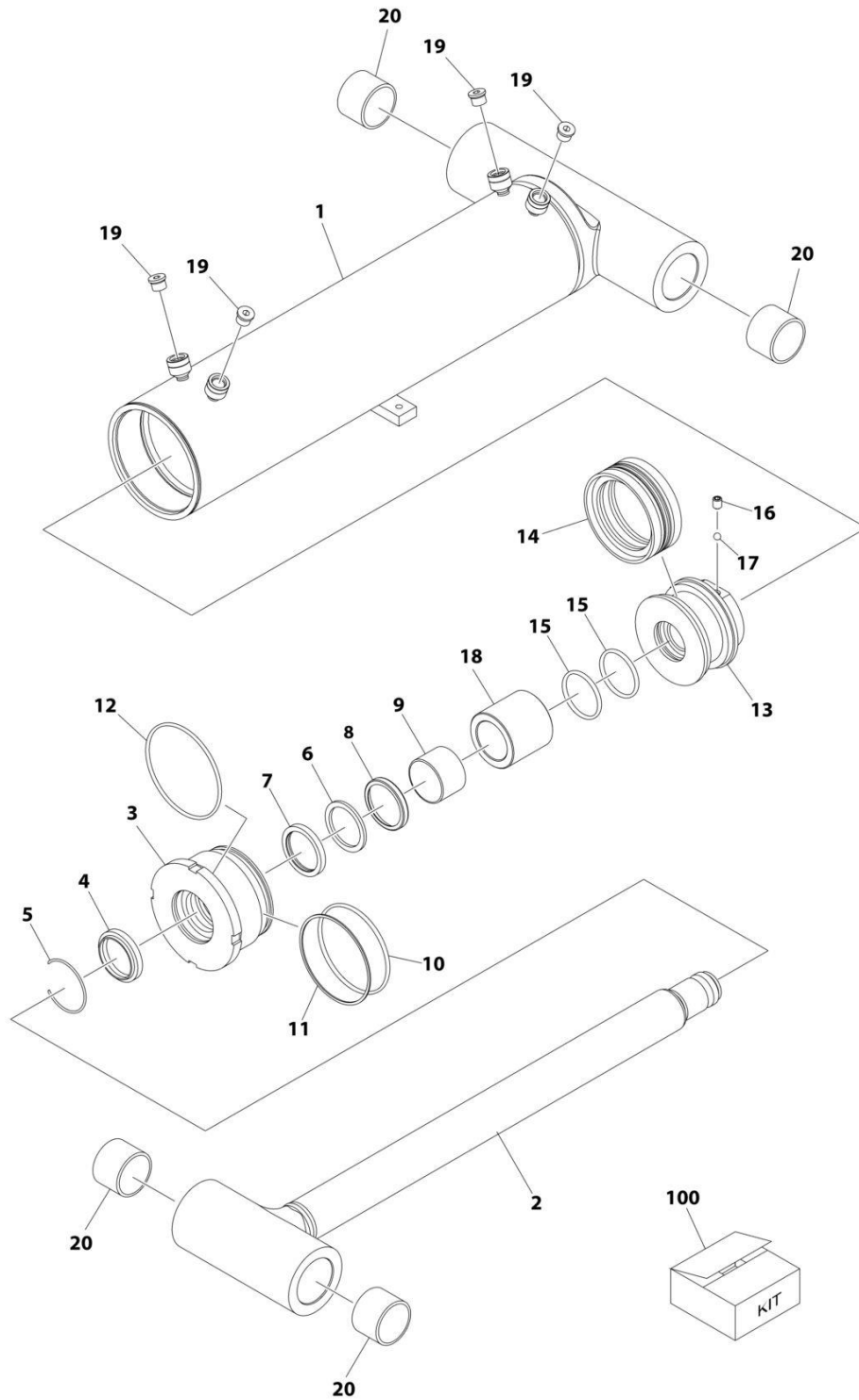
## SECTION 6 - CYLINDER

**FIGURE 6-8. LIFT CYLINDER ASSEMBLY - MAIN BOOM**

ITEM	PART NUMBER	QTY	DESCRIPTION	REV
	1001261003	Ref	LIFT CYLINDER ASSEMBLY - MAIN BOOM	A
		Ref	Note: Original Cylinder May Have Been Replaced with Service Replacement. Identify PN Stamped on Cylinder Before Ordering Parts.	
1	See Note	NSS	Barrel (Use p/n 1001261003)	
2	See Note	NSS	Rod (Use Item 102)	
3	See Note	NSS	Head (Use Item 103)	
4	See Note	NSS	Ring, Wear (Use Item 103)	
5	See Note	NSS	O-Ring (Note: Use Item 104)	
6	See Note	NSS	Ring, Back-up (Note: Use Item 104)	
7	See Note	NSS	Wiper (Note: Use Item 104)	
8	See Note	NSS	Ring, Retainer (Note: Use Item 104)	
9	See Note	NSS	O-Ring (Note: Use Item 104)	
10	See Note	NSS	Ring, Back-Up (Note: Use Item 104)	
11	See Note	NSS	O-Ring (Note: Use Item 104)	
12	See Note	NSS	Spacer (Note: Use Item 105)	
13	See Note	NSS	O-Ring (Note: Use Item 105)	
14	See Note	NSS	Piston (Note: Use Item 106)	
15	See Note	NSS	Seal (Note: Use Item 104)	
16	See Note	NSS	Ring, Wear (Note: Use Item 104)	
17	See Note	NSS	O-Ring (Note: Use Item 104)	
18	See Note	NSS	Setscrew (Note: Use Item 106)	
19	See Note	NSS	Plug 3/4	
20	See Note	NSS	Plug 7/16	
21	4640509	1	Cartridge, Counterbalance Valve	
21	2900792	1	Seal Kit - 4640509 Valve	
22	4640605	1	Cartridge, Counterbalance Valve	
22	2900792	1	Seal Kit - 4640605 Valve	
23	0961949	4	Bearing	
102	70007460	1	Rod Kit (Includes Item 2 & 23)	
103	70007461	1	Rod Cover Kit (Includes Item 3 & 4)	
104	70007462	1	Seal Kit (Includes Item 5-11 & 15-17)	
105	70007463	1	Spacer Kit (Includes Item 12 & 13)	
106	70007464	1	Piston Kit (Includes Item 14 & 18)	
107	70007465	1	Plug Kit (Includes Item 20)	

# SECTION 6 - CYLINDER

## FIGURE 6-9. MASTER CYLINDER ASSEMBLY



ART\_1001237698

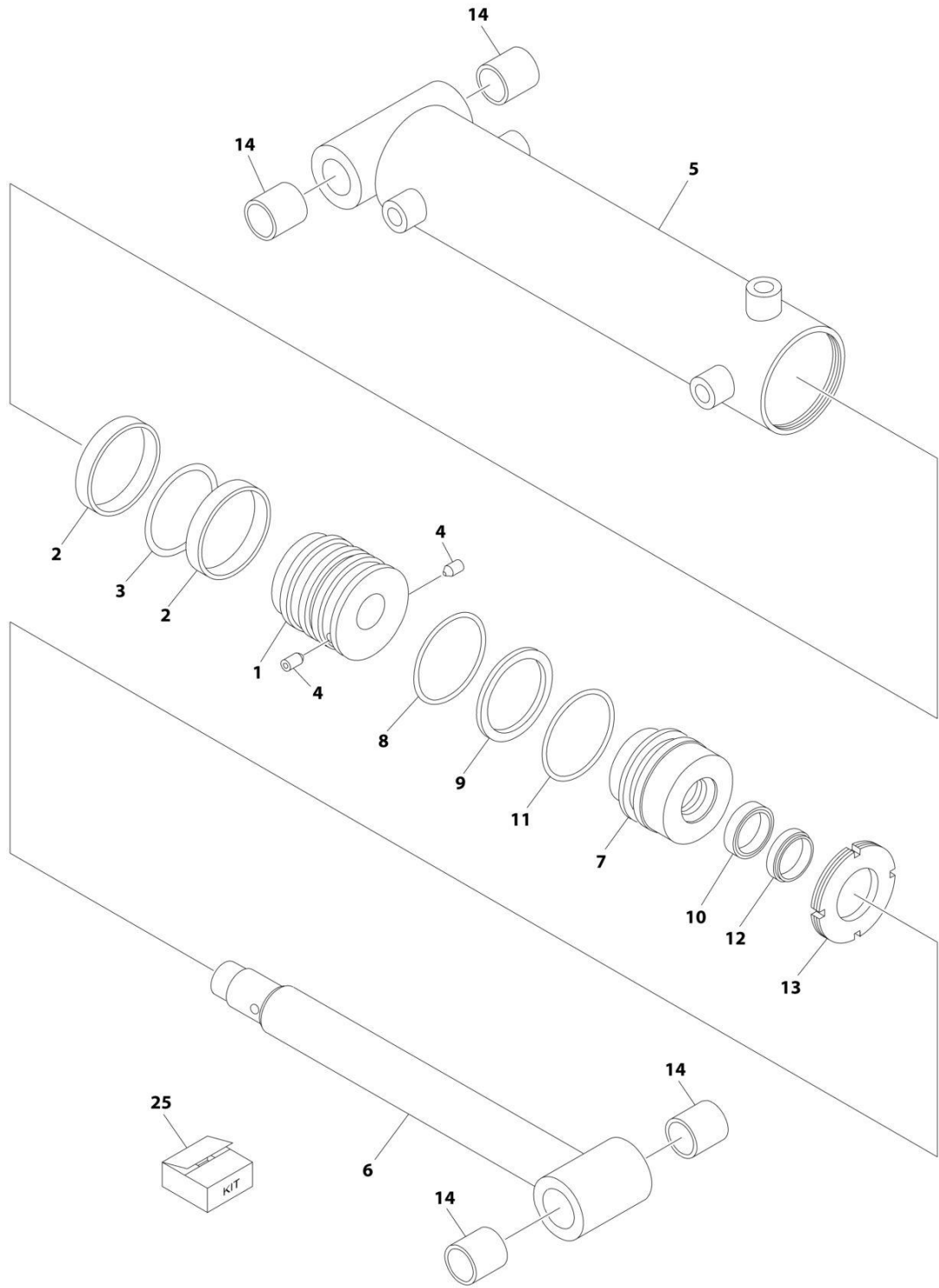
## SECTION 6 - CYLINDER

### FIGURE 6-9. MASTER CYLINDER ASSEMBLY

ITEM	PART NUMBER	QTY	DESCRIPTION	REV
	1001237698	Ref	MASTER CYLINDER ASSEMBLY	B
		Ref	Note: Original Cylinder May Have Been Replaced with Service Replacement. Identify PN Stamped on Cylinder Before Ordering Parts.	
1	See Note	NSS	Barrel	
2	70007156	1	Rod	
3	70007157	1	Head, Cylinder	
4	See Note	NSS	Wiper (Note: Use Item 100)	
5	70002410	1	Ring, Retaining	
6	See Note	NSS	Seal, Rod (Note: Use Item 100)	
7	See Note	NSS	Ring, Back-up (Note: Use Item 100)	
8	See Note	1	Ring (Note: Use Item 100)	
9	70004237	1	Bearing, Dry	
10	See Note	NSS	O-Ring (Note: Use Item 100)	
11	See Note	NSS	Ring, Back-up (Note: Use Item 100)	
12	See Note	NSS	O-Ring (Note: Use Item 100)	
13	70007161	1	Piston	
14	See Note	NSS	Seal, Piston	
15	See Note	NSS	O-Ring (Note: Use Item 100)	
16	70023369	1	Setscrew M8 x 31.75	
17	70022564	1	Ball	
18	70007158	1	Spacer	
19	2220885	1	Plug 9/16	
20	70005145	4	Bearing	
100	70005146	1	Seal Kit - 1001237698 Cylinder (Includes Items 4, 6, 7, 8, 10, 11, 12, 14 & 15)	

# SECTION 6 - CYLINDER

## FIGURE 6-10. STEER CYLINDER ASSEMBLY



ART\_1001097242

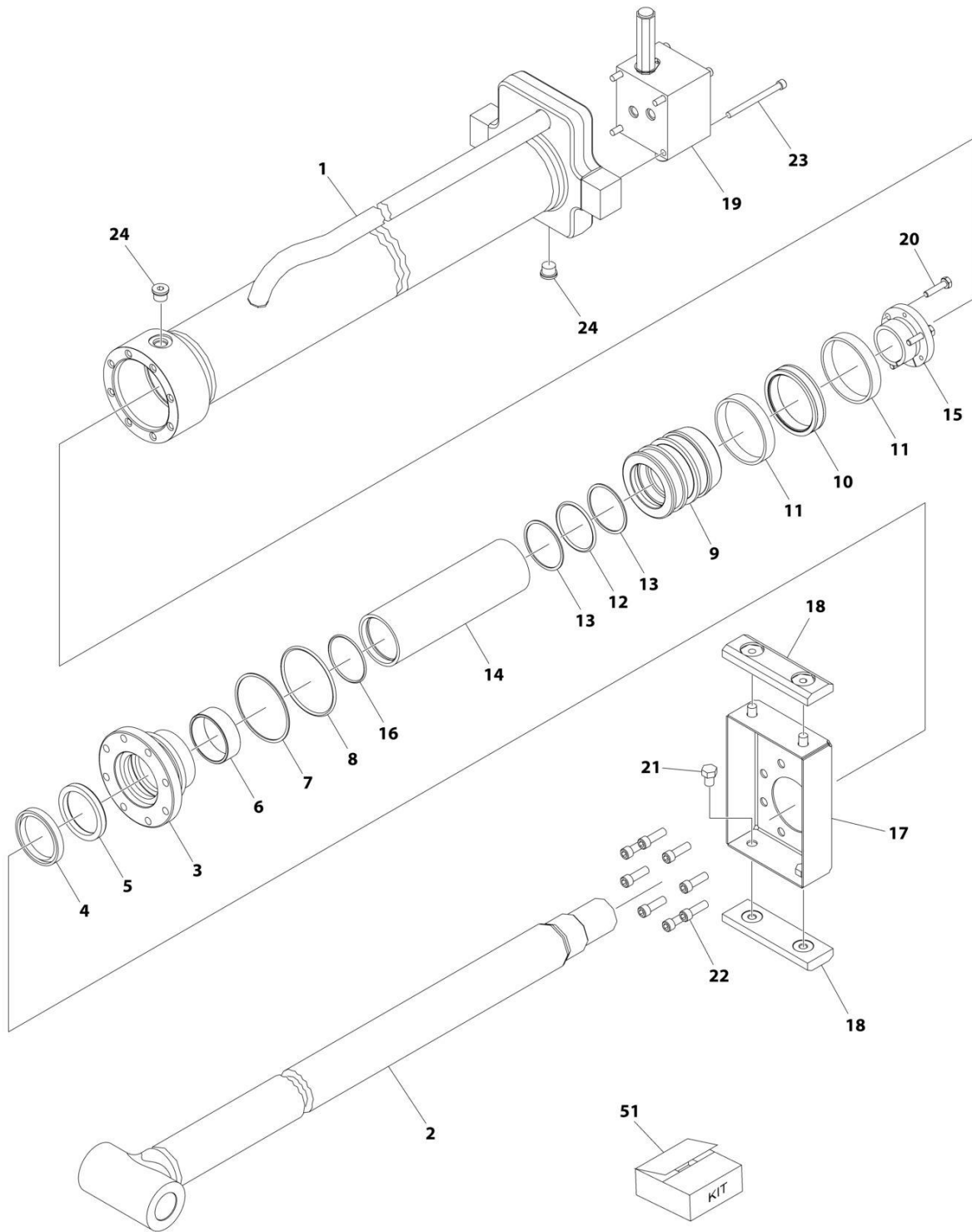
## SECTION 6 - CYLINDER

**FIGURE 6-10. STEER CYLINDER ASSEMBLY**

ITEM	PART NUMBER	QTY	DESCRIPTION	REV
	1001097242	Ref	STEER CYLINDER ASSEMBLY	A
		Ref	Note: Original Cylinder may have been replaced with Service Replacement. Identify PN Stamped on Cylinder Before Ordering Parts.	
1	70002752	1	Piston	
1	0100011	AR	Compound, Locking	
1	0100038	AR	Primer, Locking	
2	See Note	NSS	Seal (Note: Use Item 25)	
3	See Note	NSS	O-Ring (Note: Use Item 25)	
4	70002745	2	Setscrew	
5	70002753	1	Barrel	
6	70002754	1	Rod	
7	70002755	1	Head	
8	See Note	NSS	O-Ring (Note: Use Item 25)	
9	See Note	NSS	Ring, Back-Up (Note: Use Item 25)	
10	See Note	NSS	Seal (Note: Use Item 25)	
11	See Note	NSS	O-Ring (Note: Use Item 25)	
12	See Note	NSS	Wiper (Note: Use Item 25)	
13	70002756	1	Nut, Spanner	
13	0100011	AR	Compound, Locking	
13	0100038	AR	Primer, Locking	
14	0962356	4	Bushing	
25	70002757	1	Seal Kit (Includes Items 2, 3 & 8-12)	

# SECTION 6 - CYLINDER

## FIGURE 6-11. TELESCOPE CYLINDER ASSEMBLY - MAIN BOOM



ART\_1001228007



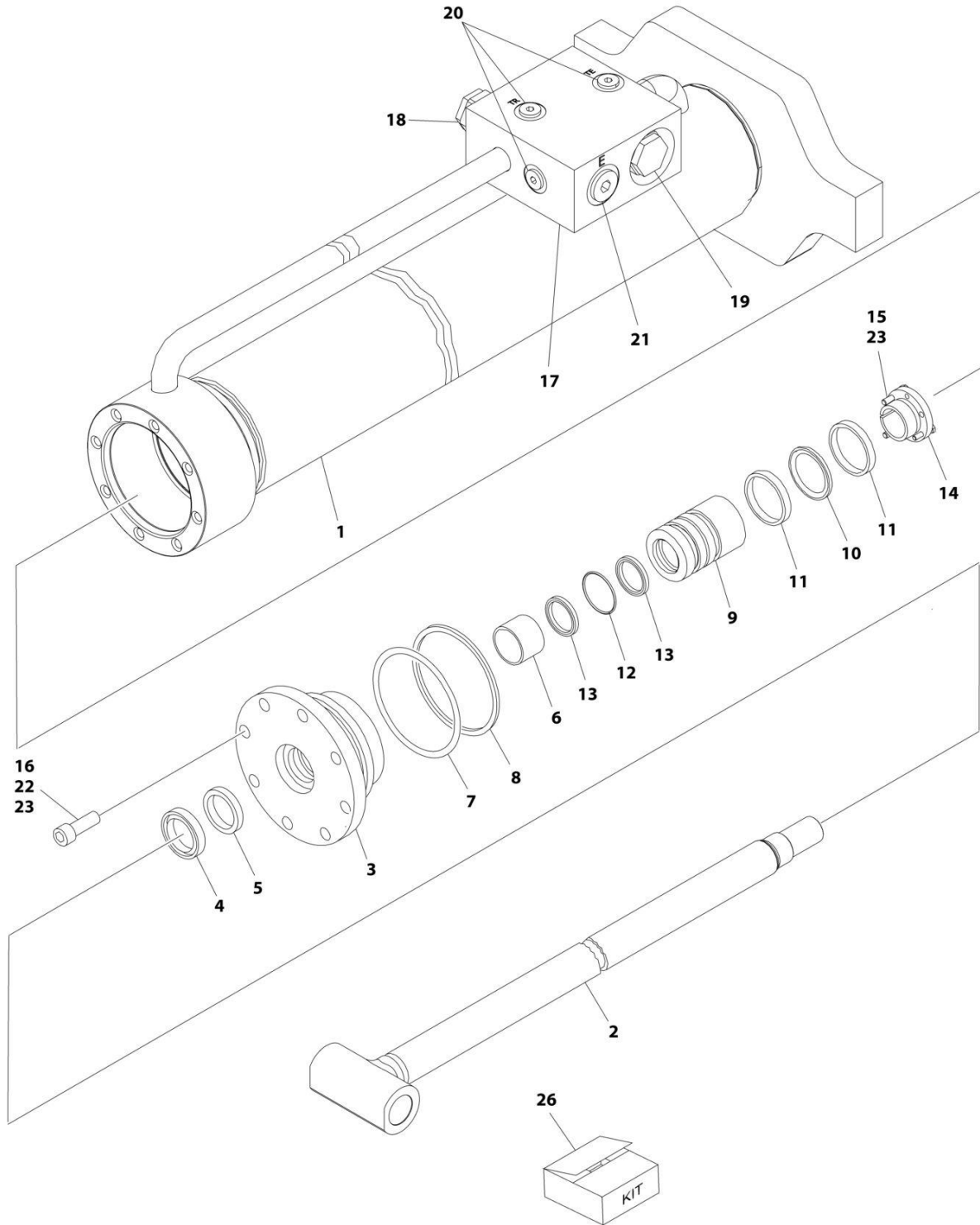
## SECTION 6 - CYLINDER

**FIGURE 6-11. TELESCOPE CYLINDER ASSEMBLY - MAIN BOOM**

ITEM	PART NUMBER	QTY	DESCRIPTION	REV
	1001228007	Ref	TELESCOPE CYLINDER ASSEMBLY	E
		Ref	Note: Original Cylinder may have been replaced with Service Replacement. Identify PN Stamped on Cylinder Before Ordering Parts.	
1	See Note	NSS	Barrel (Note: Use p/n 1001228007)	
2	70006654	1	Rod	
3	70006483	1	Head	
4	See Note	NSS	Wiper (Note: Use Item 51)	
5	See Note	NSS	Seal, Rod (Note: Use Item 51)	
6	See Note	NSS	Ring, Wear (Note: Use Item 51)	
7	See Note	NSS	O-Ring (Note: Use Item 51)	
8	See Note	NSS	Ring, Back-up (Note: Use Item 51)	
9	70006482	1	Piston	
10	See Note	NSS	Seal (Note: Use Item 51)	
11	See Note	NSS	Ring, Wear (Note: Use Item 51)	
12	See Note	NSS	O-Ring (Note: Use Item 51)	
13	See Note	NSS	Ring, Back-up (Note: Use Item 51)	
14	70006655	1	Spacer	
15	0961896	1	Bushing, Tapered	
16	See Note	NSS	O-Ring (Note: Use Item 51)	
17	3538247	1	Plate, Wear Pad Mounting	
18	3340608	2	Pad, Wear	
19	4640862	1	Valve Block Assembly (Note: No Service Part Available - Replace Complete Assembly)	
20	0630535	3	Bolt 1/4 x 1-1/8	
21	0641604	4	Bolt 3/8 x 1/2	
22	3931516	8	Capscrew 5/16 x 1	
22	0100038	AR	Primer, Locking	
22	0100011	AR	Compound, Locking	
23	3931448	4	Capscrew 1/4 x 3	
24	2220885	AR	Plug, O-Ring	
51	2901861	1	Seal Kit - 1001228007 Cylinder (Includes Item 4-8, 10-13 & 16)	

# SECTION 6 - CYLINDER

## FIGURE 6-12. TELESCOPE CYLINDER ASSEMBLY - TOWER BOOM



ART\_1001228006

## SECTION 6 - CYLINDER

**FIGURE 6-12. TELESCOPE CYLINDER ASSEMBLY - TOWER BOOM**

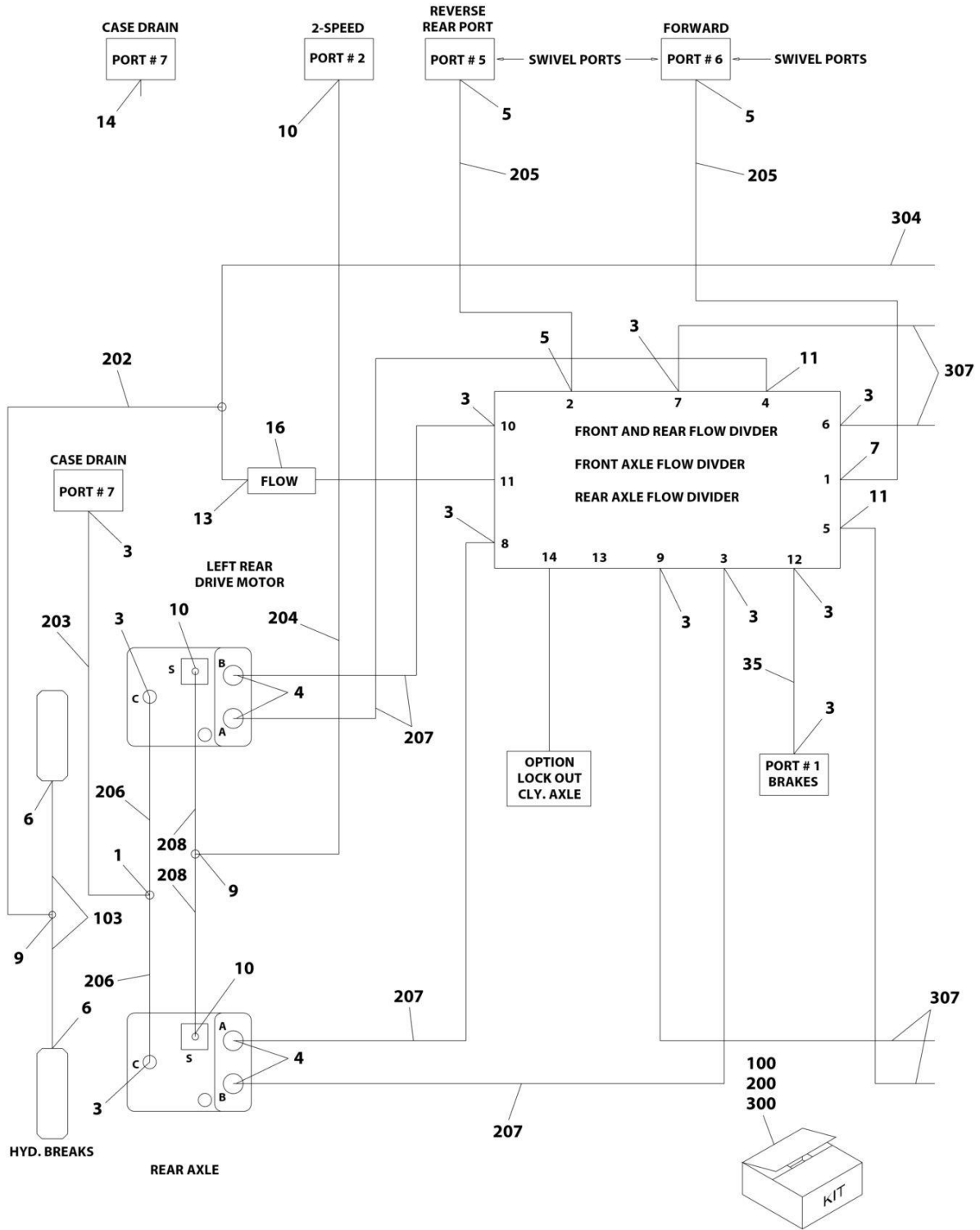
ITEM	PART NUMBER	QTY	DESCRIPTION	REV
	1001228006	Ref	TELESCOPE CYLINDER ASSEMBLY - TOWER BOOM	D
		Ref	Note: Original Equipment components may have been replaced with Service Replacement components part. Identify p/n stamped on cylinder before ordering parts.	
1	See Note	NSS	Barrel (Note: Not Available for Purchase)	
2	70006484	1	Rod	
3	70006483	1	Head	
4	See Note	NSS	Wiper (Note: Use Item 26)	
5	See Note	NSS	Seal, Rod (Note: Use Item 26)	
6	See Note	NSS	Ring, Wear (Note: Use Item 26)	
7	See Note	NSS	O-Ring (Note: Use Item 26)	
8	See Note	NSS	Ring, Back-Up (Note: Use Item 26)	
9	70006482	1	Piston	
10	See Note	NSS	T-Seal (Note: Use Item 26)	
11	See Note	NSS	Ring, Wear (Note: Use Item 26)	
12	See Note	NSS	O-Ring (Note: Use Item 26)	
13	See Note	NSS	Ring, Back-Up (Note: Use Item 26)	
14	0961896	1	Bushing, Tapered	
15	0630535	3	Bolt 1/4 x 1-1/8	
16	3931516	8	Capscrew 5/16 x 1	
17	4640647	1	Cartridge, Valve	
17	2900770	1	Seal Kit - 4640647 Valve	
18	4640509	2	Cartridge, Valve	
18	2900792	2	Seal Kit - 4640509 Valve	
19	4640999	1	Cartridge, Valve	
19	2900792	1	Seal Kit - 4640999 Valve	
20	2220883	3	Plug, O-Ring	
21	2220886	2	Plug, O-Ring	
22	0100038	AR	Primer, Locking	
23	0100011	AR	Compound, Locking	
26	2901861	1	Seal Kit - 1001228006 Cylinder (Includes Items 4-8 & 10-13)	



**SECTION 7 - HYDRAULIC**

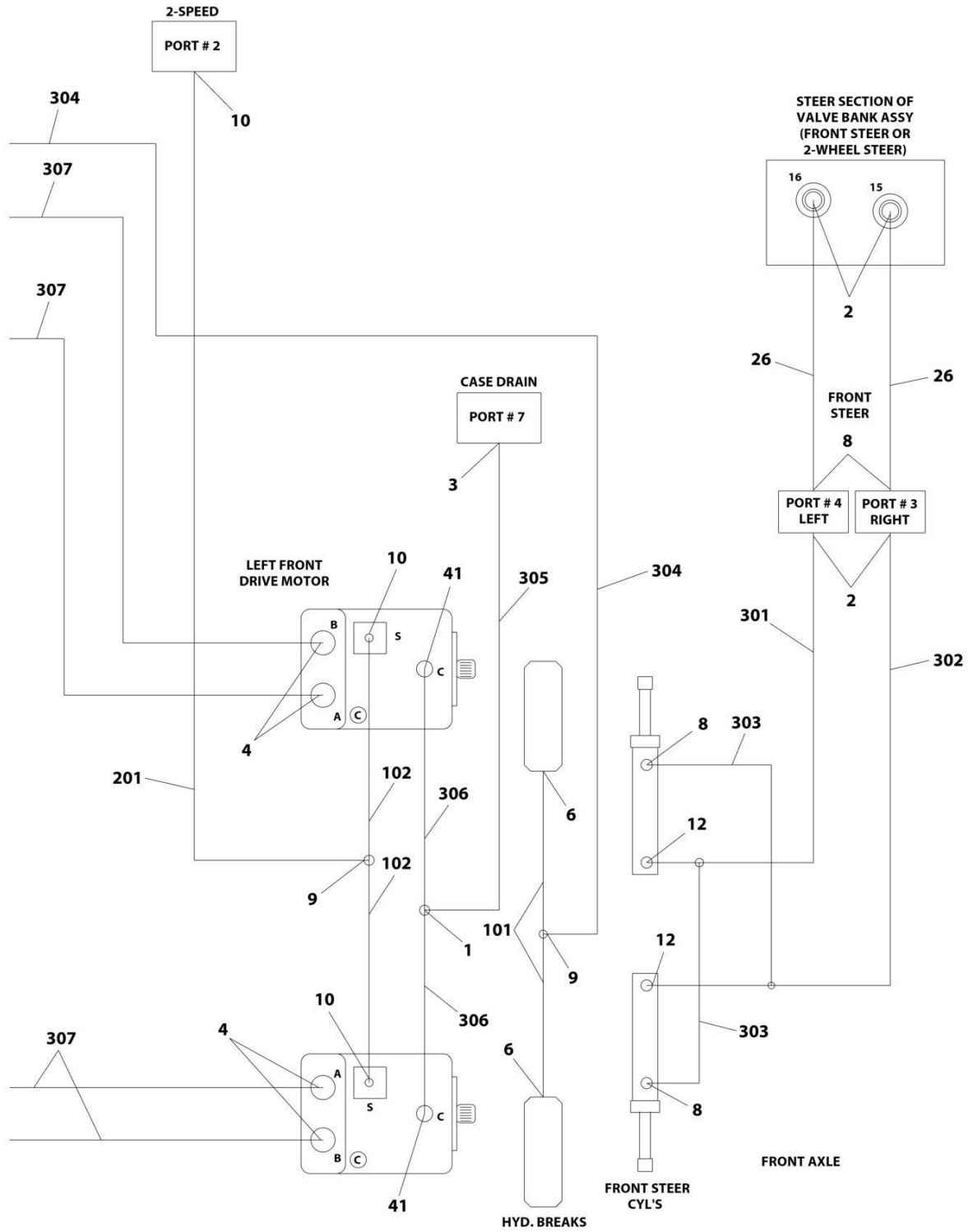
# SECTION 7 - HYDRAULIC

FIGURE 7-1. DRIVE HYDRAULIC DIAGRAM - 4WD/2WS WITHOUT ARCTIC PACKAGE



ART\_1001140418\_1OF2

# SECTION 7 - HYDRAULIC



ART\_1001140418\_2OF2

# SECTION 7 - HYDRAULIC

**FIGURE 7-1. DRIVE HYDRAULIC DIAGRAM - 4WD/2WS WITHOUT ARCTIC PACKAGE**

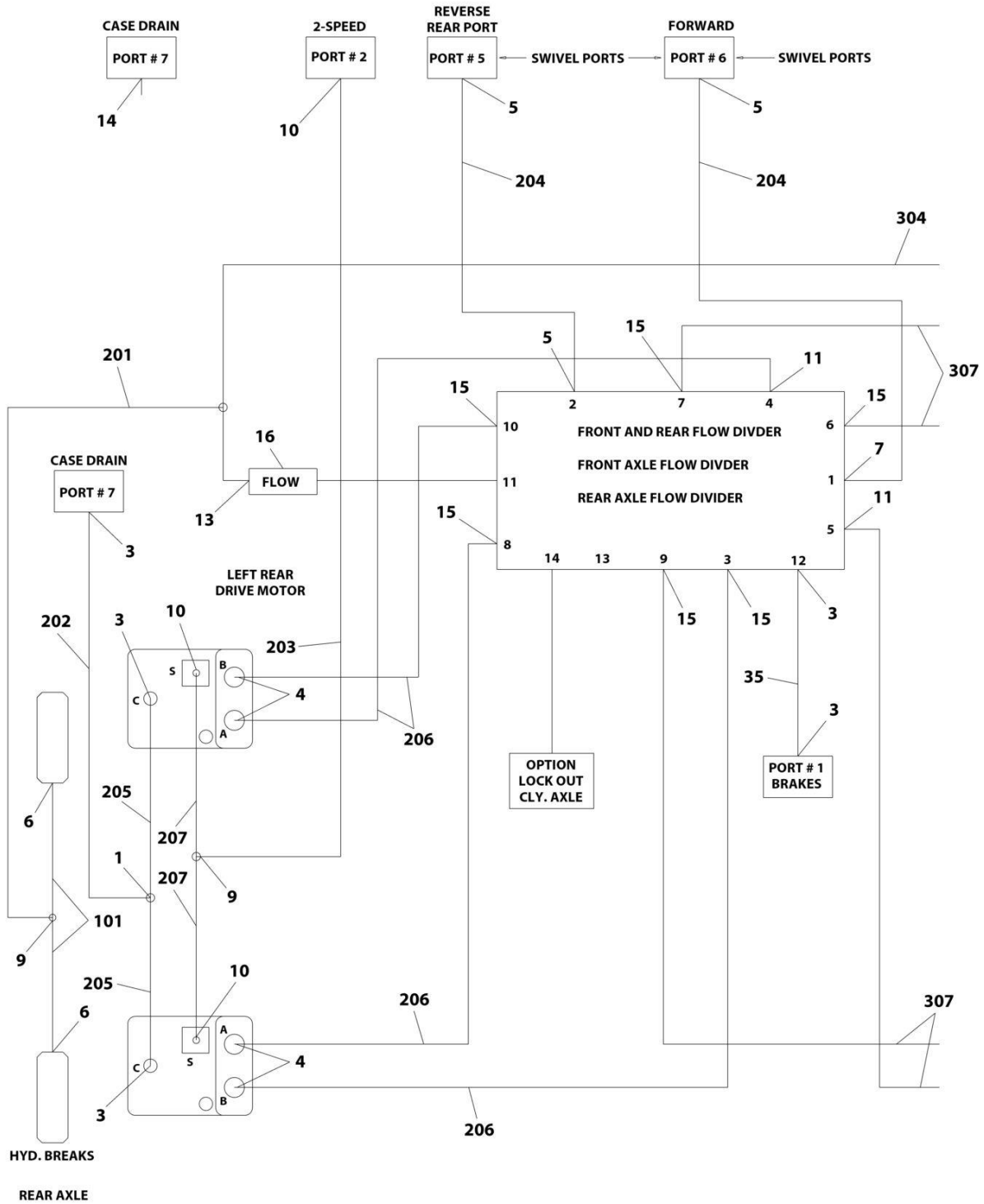
ITEM	PART NUMBER	QTY	DESCRIPTION	REV
	1001140418	Ref	DRIVE HYDRAULIC DIAGRAM - 4WD/2WS	E
1	2220362	2	Fitting, Tee JIC/JIC/JIC	
2	2220371	4	Fitting, Straight JIC/ORB	
3	2220373	12	Fitting, Straight JIC/ORB	
4	2220375	8	Fitting, Straight JIC/ORB	
5	2220377	3	Fitting, Straight JIC/ORB	
6	2220415	4	Fitting, Straight JIC/ORB	
7	2220646	1	Fitting, 90 JIC/ORB	
8	2220473	4	Fitting, 90 JIC/ORB	
9	2220504	4	Fitting, Tee JIC/JIC/JIC	
10	2220582	6	Fitting, Straight JIC/ORB	
11	2220596	2	Fitting, 90 JIC/ORB	
12	2220606	2	Fitting, Tee JIC/ORB/JIC	
13	2220861	1	Fitting, Tee JIC/FSJIC/JIC	
14	2220237	1	Fitting, Plug ORB	
16	4641284	1	Valve, Check	
26	2752620	2	Hose	
35	2753929	1	Hose	
41	2220474	2	Fitting, 90 JIC/ORB	
100	1001269814	1	Hose Assembly - Axle Kit	
101	2753926	2	Hose	
102	1001140451	2	Hose	
103	1001152527	2	Hose	
200	1001269815	1	Hose Assembly - Rear Kit	
201	2752592	1	Hose	
202	2752910	1	Hose	
203	2752928	1	Hose	
204	2753924	1	Hose	
205	2754227	2	Hose	
206	1001140449	2	Hose	
207	1001151358	4	Hose	
208	1001152527	2	Hose	
300	1001269816	1	Hose Assembly - Front Kit	
301	2752475	1	Hose	
302	2752611	1	Hose	
303	2753397	2	Hose	
304	2754229	1	Hose	
305	2754231	1	Hose	
306	1001140455	2	Hose	
307	1001152491	4	Hose	





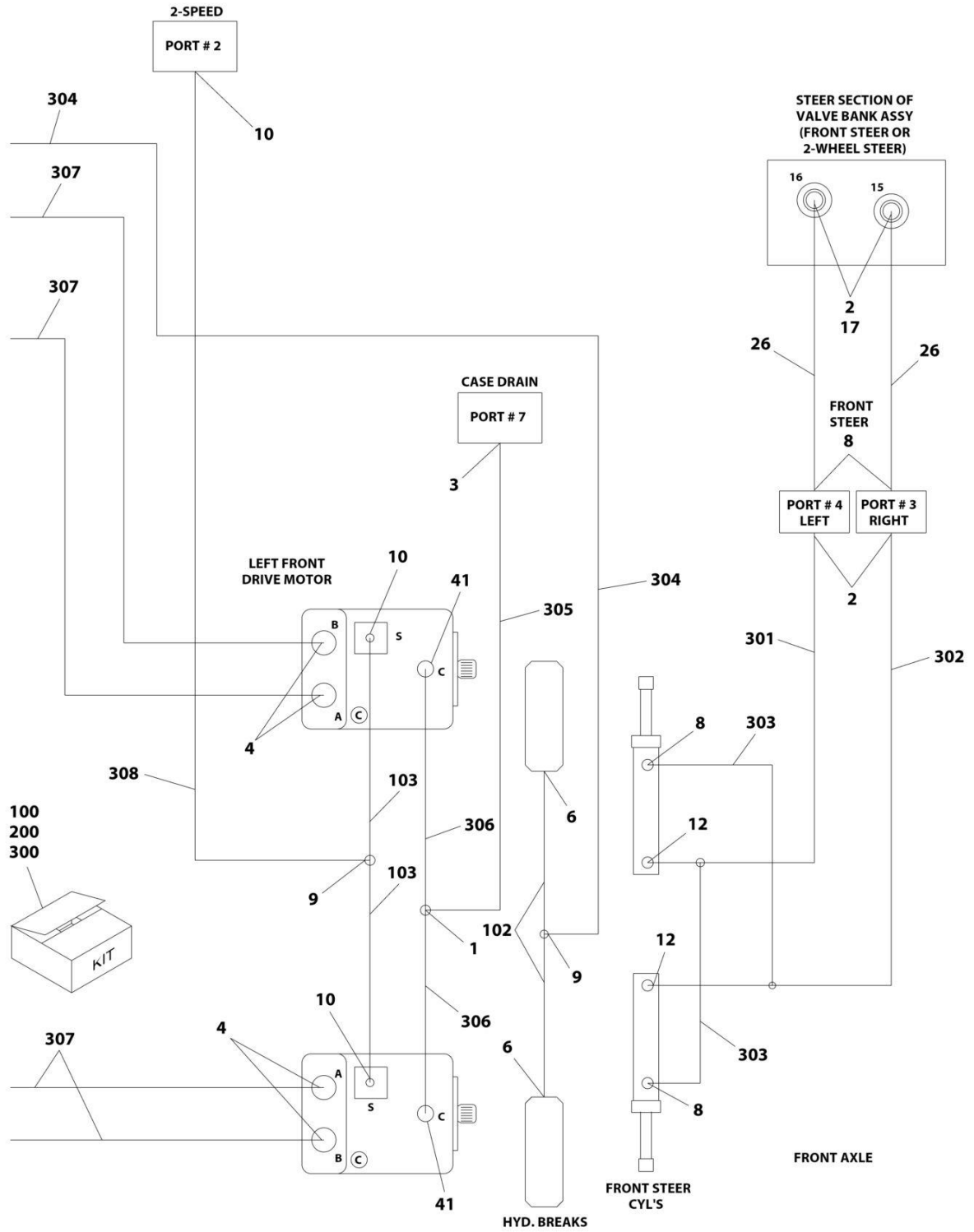
# SECTION 7 - HYDRAULIC

FIGURE 7-2. DRIVE HYDRAULIC DIAGRAM - 4WD/2WS WITH ARCTIC PACKAGE



ART\_1001140420\_1OF2

# SECTION 7 - HYDRAULIC



ART\_1001140420\_20F2

## SECTION 7 - HYDRAULIC

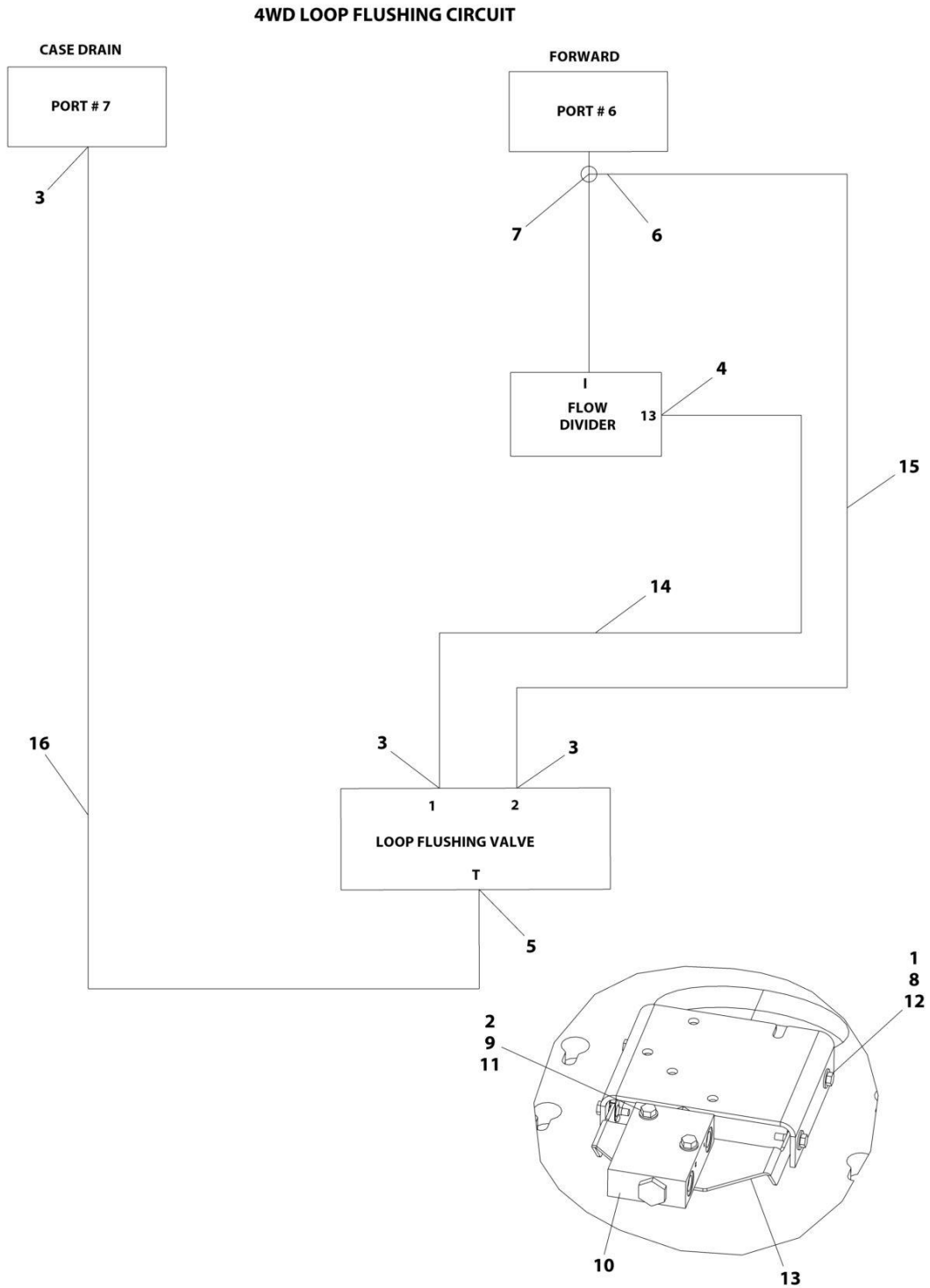
**FIGURE 7-2. DRIVE HYDRAULIC DIAGRAM - 4WD/2WS WITH ARCTIC PACKAGE (USA BUILT MACHINES)**

ITEM	PART NUMBER	QTY	DESCRIPTION	REV
	1001140420	Ref	DRIVE HYDRAULIC DIAGRAM - 4WD/2WS	E
1	2220362	2	Fitting, Tee JIC/JIC/JIC	
2	2220371	4	Fitting, Straight JIC/ORB	
3	2220373	6	Fitting, Straight JIC/ORB	
4	2220375	8	Fitting, Straight JIC/ORB	
5	2220377	3	Fitting, Straight JIC/ORB	
6	2220415	4	Fitting, Straight JIC/ORB	
7	2220646	1	Fitting, 90 JIC/ORB	
8	2220473	4	Fitting, 90 JIC/ORB	
9	2220504	4	Fitting, Tee JIC/JIC/JIC	
10	2220582	6	Fitting, Straight JIC/ORB	
11	2220596	2	Fitting, 90 JIC/ORB	
12	2220606	2	Fitting, Tee JIC/ORB/JIC	
13	2220861	1	Fitting, Tee JIC/FSJIC/JIC	
14	2220237	1	Fitting, Plug ORB	
15	2220500	6	Fitting, 45 JIC/ORB	
16	4641284	1	Valve, Check	
17	2220507	2	Fitting, 90	
26	2752620	2	Hose	
35	2752929	1	Hose	
41	2220474	2	Fitting, 90 JIC/ORB	
100	1001269817	1	Hose Assembly - Axle Kit	
101	2752592	2	Hose	
102	2754731	2	Hose	
103	1001140456	2	Hose	
200	1001269818	1	Hose Assembly - Rear Kit	
201	2752910	1	Hose	
202	2752928	1	Hose	
203	2753924	1	Hose	
204	2754227	2	Hose	
205	1001140449	2	Hose	
206	1001151358	4	Hose	
207	1001152527	2	Hose	
300	1001269819	1	Hose Assembly - Front Kit	
301	2752475	1	Hose	
302	2752611	1	Hose	
303	2753397	2	Hose	
304	2754229	1	Hose	
305	2754231	1	Hose	
306	1001140458	2	Hose	
307	1001152499	4	Hose	
308	1001152527	1	Hose	



# SECTION 7 - HYDRAULIC

## FIGURE 7-3. FLUSHING LOOP HYDRAULIC INSTALLATION - 4WD



ART\_1001152619

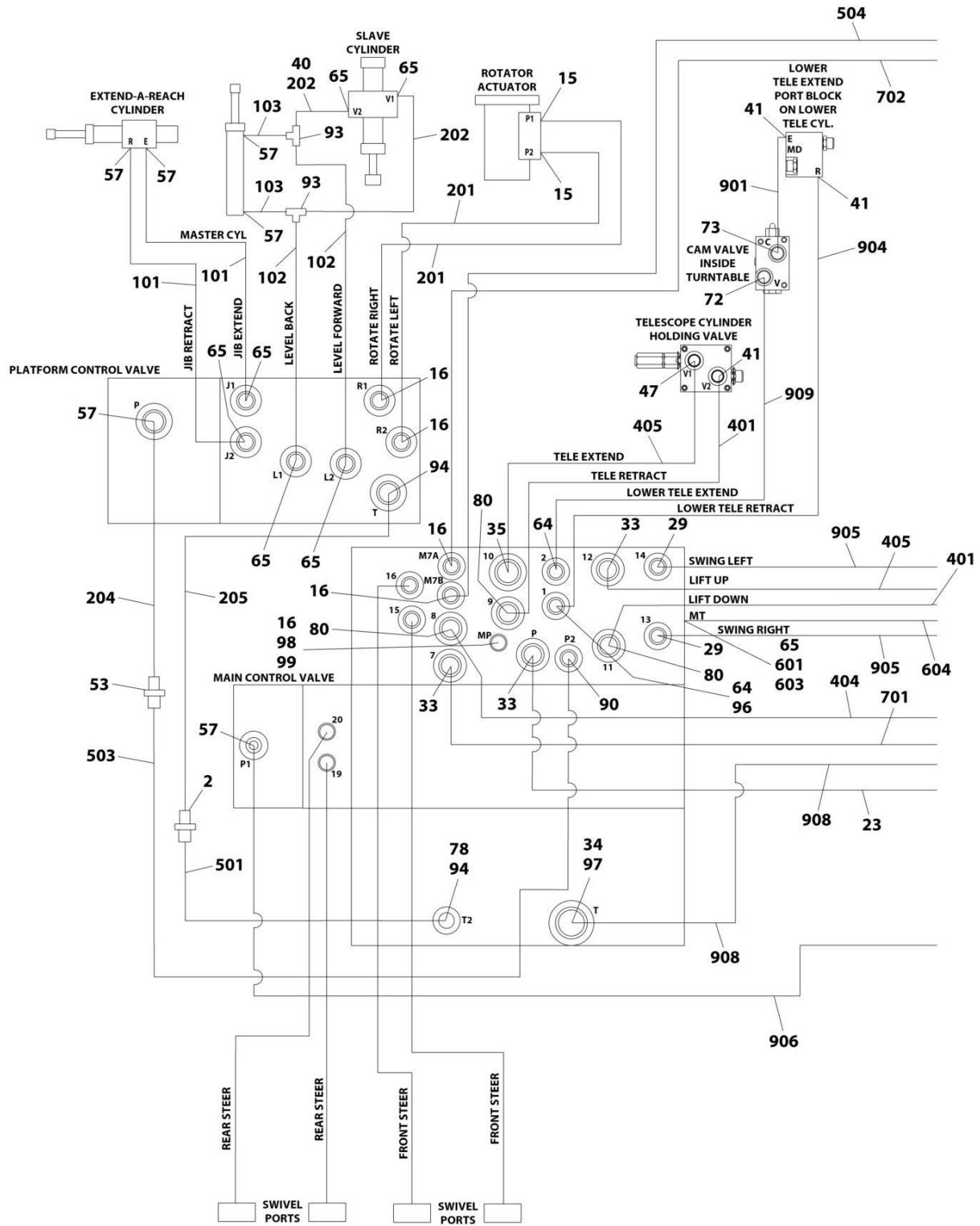
## SECTION 7 - HYDRAULIC

**FIGURE 7-3. FLUSHING LOOP HYDRAULIC INSTALLATION - 4WD**

ITEM	PART NUMBER	QTY	DESCRIPTION	REV
	1001152619	Ref	FLUSHING LOOP HYDRAULIC INSTALLATION - 4WD	C
1	0641408	4	Bolt 1/4 x 1	
2	0641516	2	Bolt 5/16 x 2	
3	2220371	3	Fitting, Straight JIC/ORB	
4	2220372	1	Fitting, Straight JIC/ORB	
5	2220473	1	Fitting, 90 JIC/ORB	
6	2220623	1	Fitting, Straight JIC/FSJIC	
7	2221026	1	Fitting, Tee JIC/ORB/JIC	
8	3300454	4	Nut 1/4	
9	3311505	2	Nut 5/16	
10	1001224927	1	Valve, Flushing Loop	
10	7024881	1	Piston, Pilot	
10	7021639	2	Cartridge, Check Valve	
10	2900756	2	Seal Kit - 7021639 Valve	
11	4711500	4	Washer 5/16	
12	4751400	4	Washer 1/4	
13	1001150612	1	Bracket14	
14	1001152635	1	Hose	
15	1001152636	1	Hose	
16	1001152637	1	Hose	

# SECTION 7 - HYDRAULIC

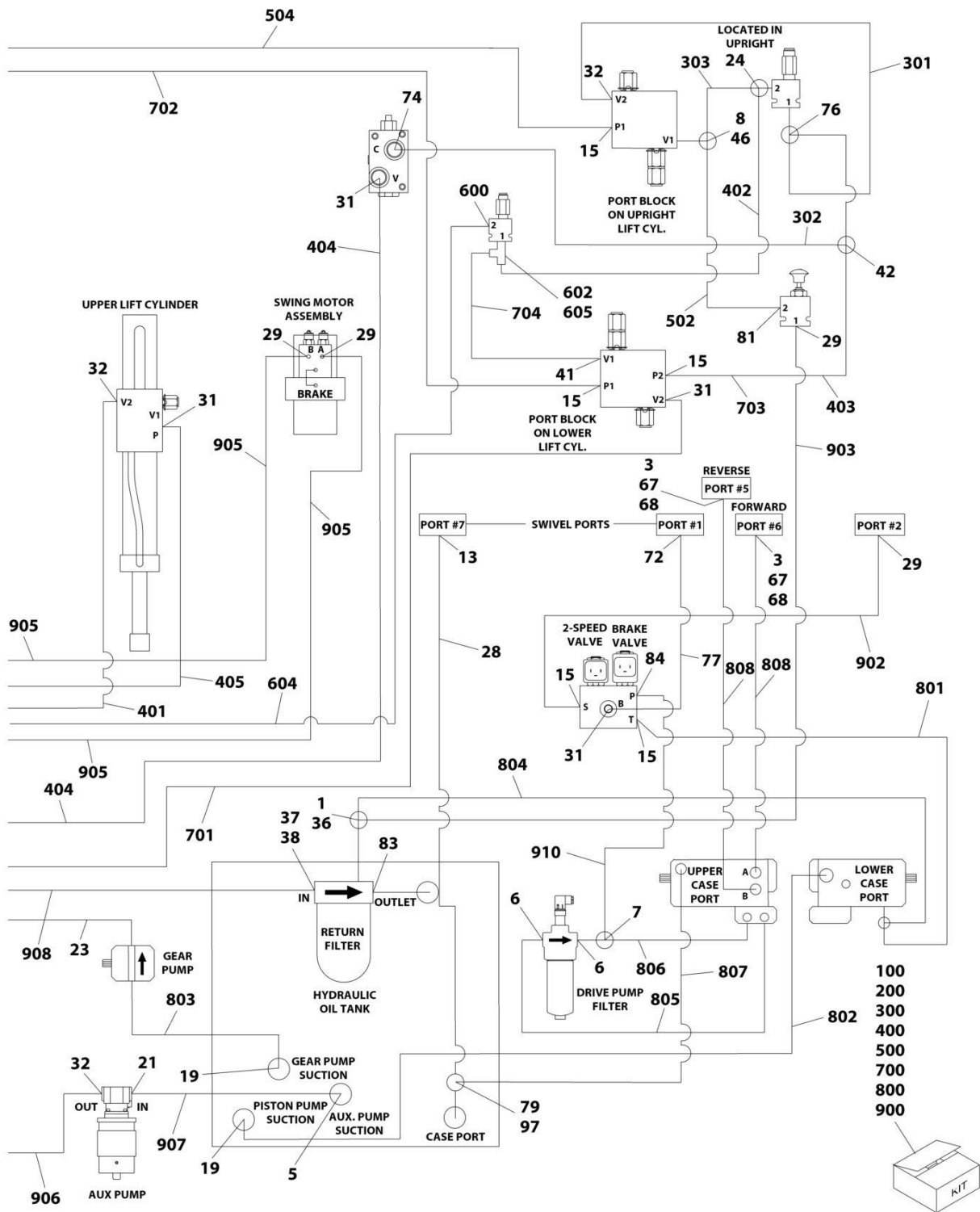
## FIGURE 7-4. HYDRAULIC DIAGRAM - STANDARD (DEUTZ D2011 ENGINE)



ART\_1001254622\_1OF2



# SECTION 7 - HYDRAULIC



ART\_1001254622\_2OF2

# SECTION 7 - HYDRAULIC

**FIGURE 7-4. HYDRAULIC DIAGRAM - STANDARD (DEUTZ D2011 ENGINE)**

ITEM	PART NUMBER	QTY	DESCRIPTION	REV
	1001254622	Ref	HYDRAULIC DIAGRAM - STANDARD	E
1	2220605	1	Fitting, Tee JIC/FSJIC/JIC	
2	2220512	1	Fitting, Straight JIC/JIC	
3	2220377	2	Fitting, Straight JIC/ORB	
5	2220578	1	Fitting, 90 JIC/ORB	
6	2221042	2	Fitting, 90 JIC/ORB	
7	2220948	1	Fitting, Tee JIC/FSJIC/JIC	
8	2220618	1	Fitting, Straight JIC/FSJIC	
13	2220375	1	Fitting, Straight JIC/ORB	
15	2220466	7	Fitting, 90 JIC/ORB	
16	2220415	5	Fitting, Straight JIC/ORB	
19	2220379	2	Fitting, Straight JIC/ORB	
21	2220567	1	Fitting, 90 JIC/ORB	
23	2752929	1	Hose	
24	2220602	1	Fitting, Tee JIC/ORB/JIC	
28	2753968	1	Hose	
29	2220582	6	Fitting, Straight JIC/ORB	
31	2220596	4	Fitting, 90 JIC/ORB	
32	2220628	3	Fitting, 90 JIC/ORB	
33	2220381	3	Fitting, Straight JIC/ORB	
34	2220451	1	Fitting, Straight JIC/ORB	
35	2220374	1	Fitting, Straight JIC/ORB	
36	2220574	1	Fitting, Straight JIC/NPTF	
37	2220921	1	Fitting, Straight FORB/ORB	
38	2220498	1	Fitting, 45 JIC/ORB	
40	1001257430	1	Cover, Hose Wrap	
41	2220372	4	Fitting, Straight JIC/ORB	
42	2221065	1	Fitting, Tee JIC/FSJIC/JIC	
46	2220999	1	Fitting, Tee JIC/ORB/JIC	
47	2220500	1	Fitting, 45 JIC/ORB	
53	2220511	1	Fitting, Straight JIC/JIC	
57	2220473	6	Fitting, 90 JIC/ORB	
64	2220998	2	Fitting, Straight JIC/ORB	
65	2220603	7	Fitting, Straight JIC/ORB	
67	0100011	AR	Compound, Locking	
68	0100038	AR	Primer, Locking	
69	1703534	2	Decal - Hose Tags (Not Shown)	
72	2220373	2	Fitting, Straight JIC/ORB	
73	2220947	1	Fitting, Straight JIC/ORB	
74	2221036	1	Fitting, 90 JIC/ORB	
76	2221053	1	Fitting, Tee JIC/ORB/JIC	
77	2752519	1	Hose	
78	2220386	1	Fitting, 90 JIC/FSJIC	
79	2220738	1	Fitting, Tee JIC/ORB/JIC	
80	1001104423	3	Fitting, Straight JIC/ORB	
81	2220472	1	Fitting, 90 JIC/ORB	
83	2220893	1	Fitting, Straight ORB/ORB	
84	2220474	1	Fitting, 90 JIC/ORB	
90	80233041	1	Valve, Check	
93	2220490	2	Fitting, Tee JIC/JIC/JIC	

## SECTION 7 - HYDRAULIC

ITEM	PART NUMBER	QTY	DESCRIPTION	REV
94	2220600	2	Fitting, Straight JIC/ORB	
96	2220657	1	Fitting, 45 JIC/FSJIC	
97	2220409	2	Fitting, 45 JIC/FSJIC	
98	2752995	1	Hose	
99	91143177	1	Fitting, Test	
100	1001254955	1	Hose, Kit (Upper)	
101	1001155672	2	Hose	
102	1001155673	2	Hose	
103	1001254948	2	Hose	
200	1001254954	1	Hose, Kit (Upper)	
201	1001155669	2	Hose	
202	1001119602	2	Hose	
204	1001254949	1	Hose	
205	1001254950	1	Hose	
300	1001255599	1	Hose, Kit (Lower)	
301	2752462	1	Hose	
302	2753134	1	Hose	
303	2752497	2	Hose	
400	1001272631	1	Hose, Kit (Lower)	
401	2753055	2	Hose	
402	1001271833	1	Hose	
403	2752991	1	Hose	
404	2753135	1	Hose	
405	2752939	2	Hose	
500	1001212515	1	Hose, Kit (Lower)	
501	1001161036	1	Hose	
502	2752990	1	Hose	
503	1001161030	1	Hose	
504	2752987	1	Hose	
600	2220371	1	Fitting, Straight JIC/ORB	
601	2220516	1	Fitting, Cap FJIC	
602	2220606	1	Fitting, Tee JIC/ORB/JIC	
603	2220635	1	Fitting, Tee JIC/FSJIC/JIC	
604	1001271835	1	Hose	
605	8760268	1	Fitting, 90 JIC/FSJIC	
700	1001274367	1	Hose, Kit (Turntable)	
701	2752506	1	Hose	
702	2752593	1	Hose	
703	2752985	1	Hose	
704	1001271832	1	Hose	
800	1001269809	1	Hose, Kit (Turntable E/S)	
801	2752573	1	Hose	
802	2752723	1	Hose	
803	2752724	1	Hose	
804	2753390	1	Hose	
805	2754329	1	Hose	
806	2754330	1	Hose	
807	1001093549	1	Hose	
808	1001150715	2	Hose	
900	1001269810	1	Hose, Kit (Turntable T/S)	
901	2753132	1	Hose	

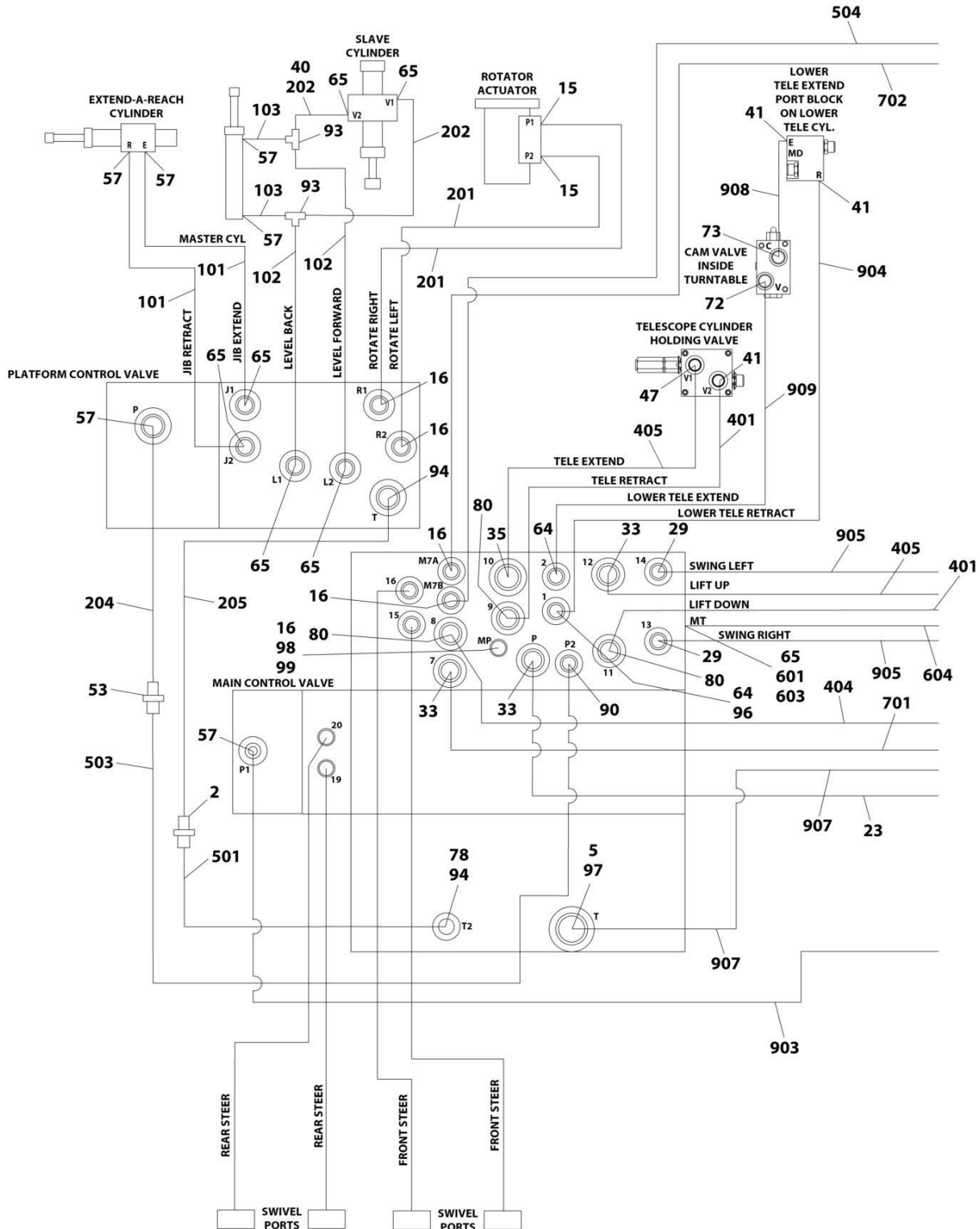
## SECTION 7 - HYDRAULIC

ITEM	PART NUMBER	QTY	DESCRIPTION	REV
902	2751396	1	Hose	
903	2752453	1	Hose	
904	2752484	1	Hose	
905	2752600	2	Hose	
906	2752635	1	Hose	
907	2752656	1	Hose	
908	2752783	1	Hose	
909	2753133	1	Hose	
910	2754328	1	Hose	



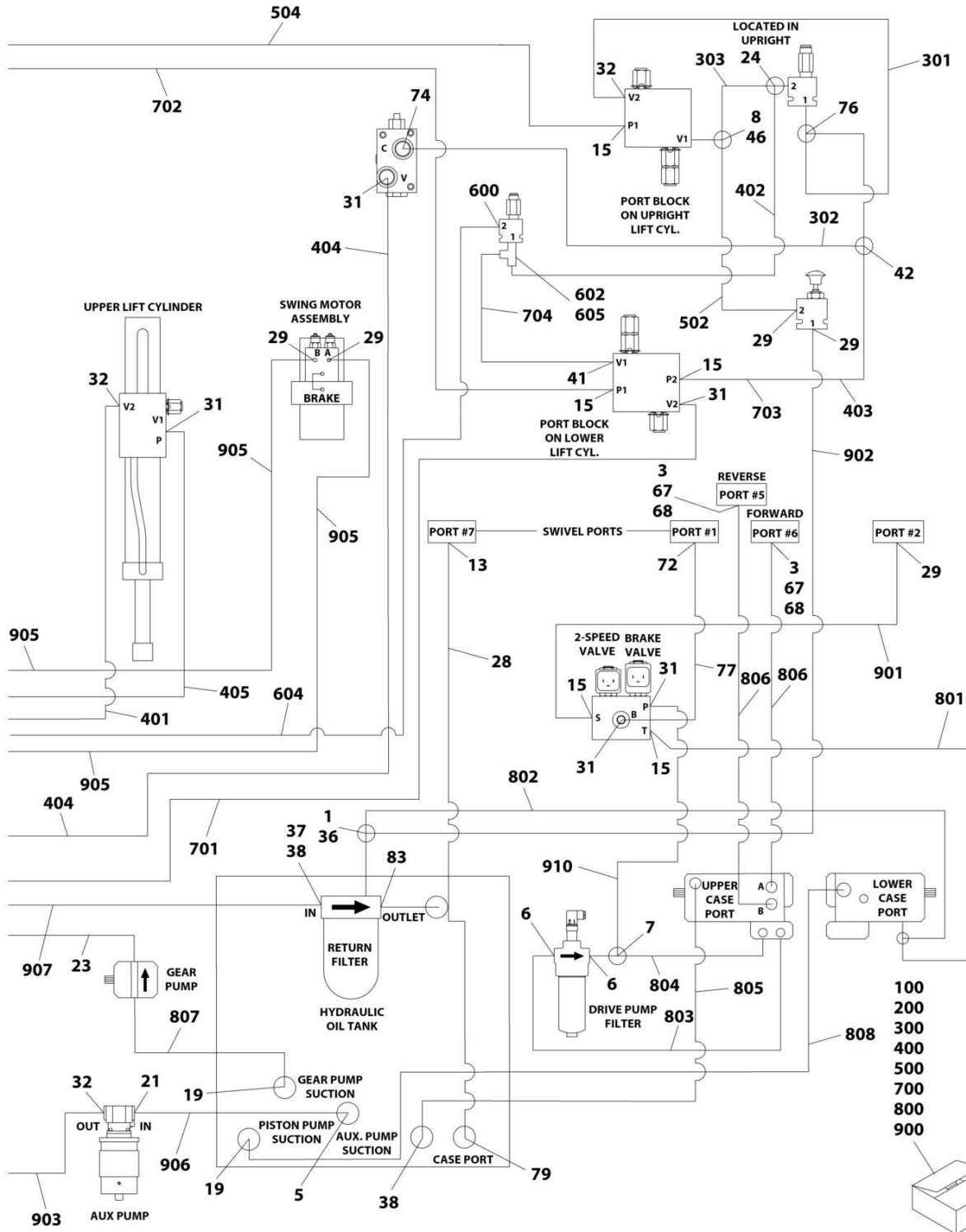
# SECTION 7 - HYDRAULIC

FIGURE 7-5. HYDRAULIC DIAGRAM - STANDARD (DEUTZ TD2.9L4 & DEUTZ TD2.2L3 STAGE V ENGINES)



ART\_1001253684\_10F2

# SECTION 7 - HYDRAULIC



ART\_1001253684\_2OF2

## SECTION 7 - HYDRAULIC

**FIGURE 7-5. HYDRAULIC DIAGRAM - STANDARD (DEUTZ TD2.9L4 & DEUTZ TD2.2L3 STAGE V ENGINES)**

ITEM	PART NUMBER	QTY	DESCRIPTION	REV
	1001253684	Ref	HYDRAULIC DIAGRAM - STANDARD	F
1	2220605	1	Fitting, Tee JIC/FSJIC/JIC	
2	2220512	1	Fitting, Straight JIC/JIC	
3	2220377	2	Fitting, Straight JIC/ORB	
5	2220451	1	Fitting, Straight JIC/ORB	
6	2221042	2	Fitting, 90 JIC/ORB	
7	2220948	1	Fitting, Tee JIC/FSJIC/JIC	
8	2220618	1	Fitting, Straight JIC/FSJIC	
13	2220375	1	Fitting, Straight JIC/ORB	
15	2220466	7	Fitting, 90 JIC/ORB	
16	2220415	4	Fitting, Straight JIC/ORB	
19	2220379	2	Fitting, Straight JIC/ORB	
21	2220567	1	Fitting, 90 JIC/ORB	
23	2752929	1	Hose	
24	2220602	1	Fitting, Tee JIC/ORB/JIC	
28	2753968	1	Hose	
29	2220582	7	Fitting, Straight JIC/ORB	
31	2220596	5	Fitting, 90 JIC/ORB	
32	2220628	3	Fitting, 90 JIC/ORB	
33	2220381	3	Fitting, Straight JIC/ORB	
35	2220374	1	Fitting, Straight JIC/ORB	
36	2220574	1	Fitting, Straight JIC/NPTF	
37	2220921	1	Fitting, Straight FORB/ORB	
38	2220498	2	Fitting, 45 JIC/ORB	
40	1001257430	1	Cover, Hose Wrap	
41	2220372	4	Fitting, Straight JIC/ORB	
42	2221065	1	Fitting, Tee JIC/FSJIC/JIC	
46	2220999	1	Fitting, Tee JIC/ORB/JIC	
47	2220500	1	Fitting, 45 JIC/ORB	
53	2220511	1	Fitting, Straight JIC/JIC	
57	2220473	6	Fitting, 90 JIC/ORB	
64	2220998	2	Fitting, Straight JIC/ORB	
65	2220603	7	Fitting, Straight JIC/ORB	
67	0100011	AR	Compound, Locking	
68	0100038	AR	Primer, Locking	
69	1703534	2	Decal - Hose Tags (Not Shown)	
72	2220373	1	Fitting, Straight JIC/ORB	
73	2220947	1	Fitting, Straight JIC/ORB	
74	2221036	1	Fitting, 90 JIC/ORB	
76	2221053	1	Fitting, Tee JIC/ORB/JIC	
77	2752519	1	Hose	
78	2220386	1	Fitting, 90 JIC/FSJIC	
79	2220578	1	Fitting, 90 JIC/ORB	
80	1001104423	3	Fitting, Straight JIC/ORB	
83	2220893	1	Fitting, Straight ORB/ORB	
90	80233041	1	Valve, Check	
93	2220490	2	Fitting, Tee JIC/JIC/JIC	
94	2220600	2	Fitting, Straight JIC/ORB	
96	2220657	1	Fitting, 45 JIC/FSJIC	



## SECTION 7 - HYDRAULIC

ITEM	PART NUMBER	QTY	DESCRIPTION	REV
97	2220409	1	Fitting, 45 JIC/FSJIC	
98	2752995	1	Hose	
99	91143177	1	Fitting, Test	
100	1001254955	1	Hose, Kit (Upper)	
101	1001155672	2	Hose	
102	1001155673	2	Hose	
103	1001254948	2	Hose	
200	1001254954	1	Hose, Kit (Upper)	
201	1001155669	2	Hose	
202	1001119602	2	Hose	
204	1001254949	1	Hose	
205	1001254950	1	Hose	
300	1001255599	1	Hose, Kit (Lower)	
301	2752462	1	Hose	
302	2753134	1	Hose	
303	2752497	1	Hose	
400	1001272631	1	Hose, Kit (Lower)	
401	2753055	2	Hose	
402	1001271833	1	Hose	
403	2752991	1	Hose	
404	2753135	1	Hose	
405	2752939	2	Hose	
500	1001212515	1	Hose, Kit (Lower)	
501	1001161036	1	Hose	
502	2752990	1	Hose	
503	1001161030	1	Hose	
504	2752987	1	Hose	
600	2220371	1	Fitting, Straight JIC/ORB	
601	2220516	1	Fitting, Cap FJIC	
602	2220606	1	Fitting, Tee JIC/ORB/JIC	
603	2220635	1	Fitting, Tee JIC/FSJIC/JIC	
604	1001271835	1	Hose	
605	8760268	1	Fitting, 90 JIC/FSJIC	
700	1001274367	1	Hose, Kit (Turntable)	
701	2752506	1	Hose	
702	2752593	1	Hose	
703	2752985	1	Hose	
704	1001271832	1	Hose	
800	1001269812	1	Hose, Kit (Turntable E/S)	
801	2753002	1	Hose	
802	2753390	1	Hose	
803	2754329	1	Hose	
804	2754330	1	Hose	
805	1001150714	1	Hose	
806	1001150715	2	Hose	
807	1001150718	1	Hose	
808	1001172535	1	Hose	
900	1001269807	1	Hose, Kit (Turntable T/S)	
901	2751396	1	Hose	
902	2752453	1	Hose	
903	2752478	1	Hose	

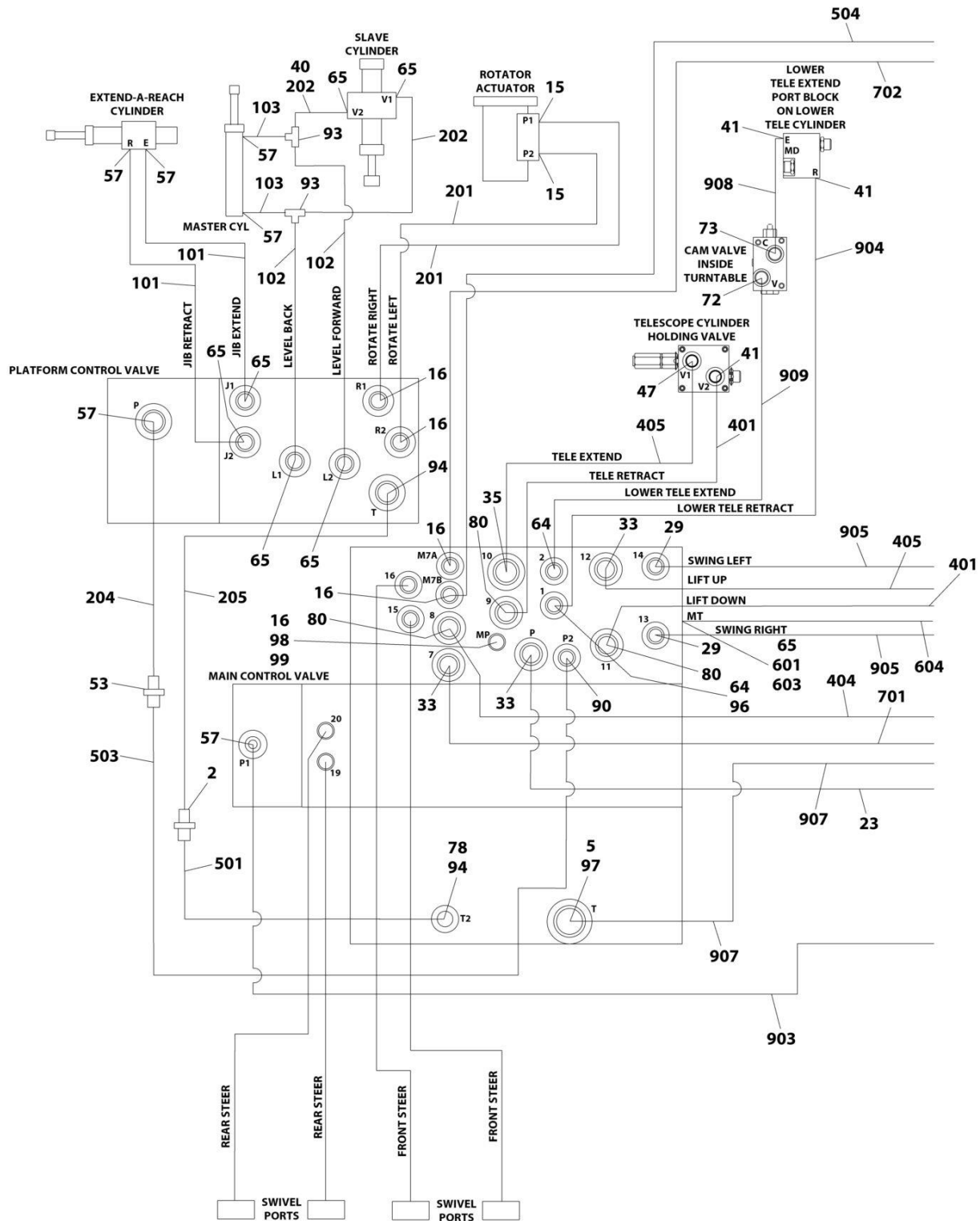
## SECTION 7 - HYDRAULIC

ITEM	PART NUMBER	QTY	DESCRIPTION	REV
904	2752484	1	Hose	
905	2752600	2	Hose	
906	2752656	1	Hose	
907	2752783	1	Hose	
908	2753132	1	Hose	
909	2753133	1	Hose	
910	1001150717	1	Hose	



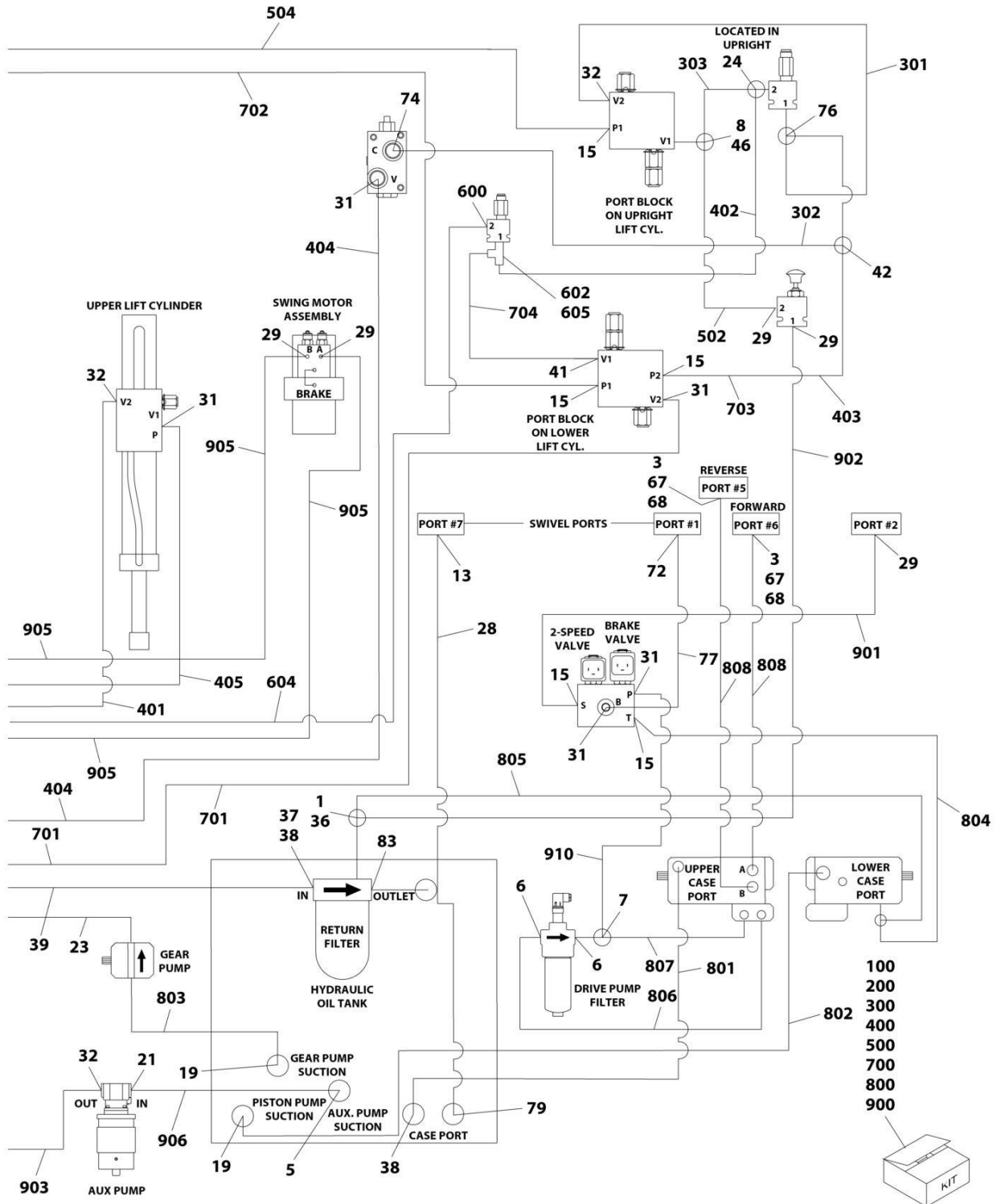
# SECTION 7 - HYDRAULIC

## FIGURE 7-6. HYDRAULIC DIAGRAM - STANDARD (FORD ENGINES)



ART\_1001254623\_1OF2

# SECTION 7 - HYDRAULIC



ART\_1001254623\_2OF2

# SECTION 7 - HYDRAULIC

## FIGURE 7-6. HYDRAULIC DIAGRAM - STANDARD (FORD ENGINES)

ITEM	PART NUMBER	QTY	DESCRIPTION	REV
	1001254623	Ref	HYDRAULIC DIAGRAM - STANDARD	E
1	2220605	1	Fitting, Tee JIC/FSJIC/JIC	
2	2220512	1	Fitting, Straight JIC/JIC	
3	2220377	2	Fitting, Straight JIC/ORB	
5	2220451	2	Fitting, Straight JIC/ORB	
6	2221042	2	Fitting, 90 JIC/ORB	
7	2220948	1	Fitting, Tee JIC/FSJIC/JIC	
8	2220618	1	Fitting, Straight JIC/FSJIC	
13	2220375	1	Fitting, Straight JIC/ORB	
15	2220466	7	Fitting, 90 JIC/ORB	
16	2220415	5	Fitting, Straight JIC/ORB	
19	2220379	2	Fitting, Straight JIC/ORB	
21	2220567	1	Fitting, 90 JIC/ORB	
23	2752929	1	Hose	
24	2220602	1	Fitting, Tee JIC/ORB/JIC	
28	2753968	1	Hose	
29	2220582	7	Fitting, Straight JIC/ORB	
31	2220596	5	Fitting, 90 JIC/ORB	
32	2220628	3	Fitting, 90 JIC/ORB	
33	2220381	3	Fitting, Straight JIC/ORB	
35	2220374	1	Fitting, Straight JIC/ORB	
36	2220574	1	Fitting, Straight JIC/NPTF	
37	2220921	1	Fitting, Straight FORB/ORB	
38	2220498	2	Fitting, 45 JIC/ORB	
40	1001257430	1	Cover, Hose Wrap	
41	2220372	4	Fitting, Straight JIC/ORB	
42	2221065	1	Fitting, Tee JIC/FSJIC/JIC	
46	2220999	1	Fitting, Tee JIC/ORB/JIC	
47	2220500	1	Fitting, 45 JIC/ORB	
53	2220511	1	Fitting, Straight JIC/JIC	
57	2220473	6	Fitting, 90 JIC/ORB	
64	2220998	2	Fitting, Straight JIC/ORB	
65	2220603	7	Fitting, Straight JIC/ORB	
67	0100011	AR	Compound, Locking	
68	0100038	AR	Primer, Locking	
69	1703534	2	Decal - Hose Tags (Not Shown)	
72	2220373	2	Fitting, Straight JIC/ORB	
73	2220947	1	Fitting, Straight JIC/ORB	
74	2221036	1	Fitting, 90 JIC/ORB	
76	2221053	1	Fitting, Tee JIC/ORB/JIC	
77	2752519	1	Hose	
78	2220386	1	Fitting, 90 JIC/FSJIC	
79	2220578	1	Fitting, 90 JIC/ORB	
80	1001104423	3	Fitting, Straight JIC/ORB	
83	2220893	1	Fitting, Straight ORB/ORB	
90	80233041	1	Valve, Check	
93	2220490	2	Fitting, Tee JIC/JIC/JIC	
94	2220600	2	Fitting, Straight JIC/ORB	
96	2220657	1	Fitting, 45 JIC/FSJIC	
97	2220409	2	Fitting, 45 JIC/FSJIC	

## SECTION 7 - HYDRAULIC

ITEM	PART NUMBER	QTY	DESCRIPTION	REV
98	2752995	1	Hose	
99	91143177	1	Fitting, Test	
100	1001254955	1	Hose, Kit (Upper)	
101	1001155672	2	Hose	
102	1001155673	2	Hose	
103	1001254948	2	Hose	
200	1001254954	1	Hose, Kit (Upper)	
201	1001155669	2	Hose	
202	1001119602	2	Hose	
204	1001254949	1	Hose	
205	1001254950	1	Hose	
300	1001255599	1	Hose, Kit (Lower)	
301	2752462	1	Hose	
302	2753134	1	Hose	
303	2752497	2	Hose	
400	1001272631	1	Hose, Kit (Lower)	
401	2753055	2	Hose	
402	1001271833	1	Hose	
403	2752991	1	Hose	
404	2753135	1	Hose	
405	2752939	2	Hose	
500	1001212515	1	Hose, Kit (Lower)	
501	1001161036	1	Hose	
502	2752990	1	Hose	
503	1001161030	1	Hose	
504	2752987	1	Hose	
600	2220371	1	Fitting, Straight JIC/ORB	
601	2220516	1	Fitting, Cap FJIC	
602	2220606	1	Fitting, Tee JIC/ORB/JIC	
603	2220635	1	Fitting, Tee JIC/FSJIC/JIC	
604	1001271835	1	Hose	
605	8760268	1	Fitting, 90 JIC/ORB	
700	1001274367	1	Hose, Kit (Turntable)	
701	2752506	1	Hose	
702	2752593	1	Hose	
703	2752985	1	Hose	
704	1001271832	1	Hose	
800	1001269806	1	Hose, Kit (Turntable E/S)	
801	2751362	1	Hose	
802	2752723	1	Hose	
803	2752724	1	Hose	
804	2753000	1	Hose	
805	2753390	1	Hose	
806	2754329	1	Hose	
807	2754330	1	Hose	
808	1001150715	2	Hose	
900	1001269807	1	Hose, Kit (Turntable T/S)	
901	2751396	1	Hose	
902	2752453	1	Hose	
903	2752478	1	Hose	
904	2752484	1	Hose	

## SECTION 7 - HYDRAULIC

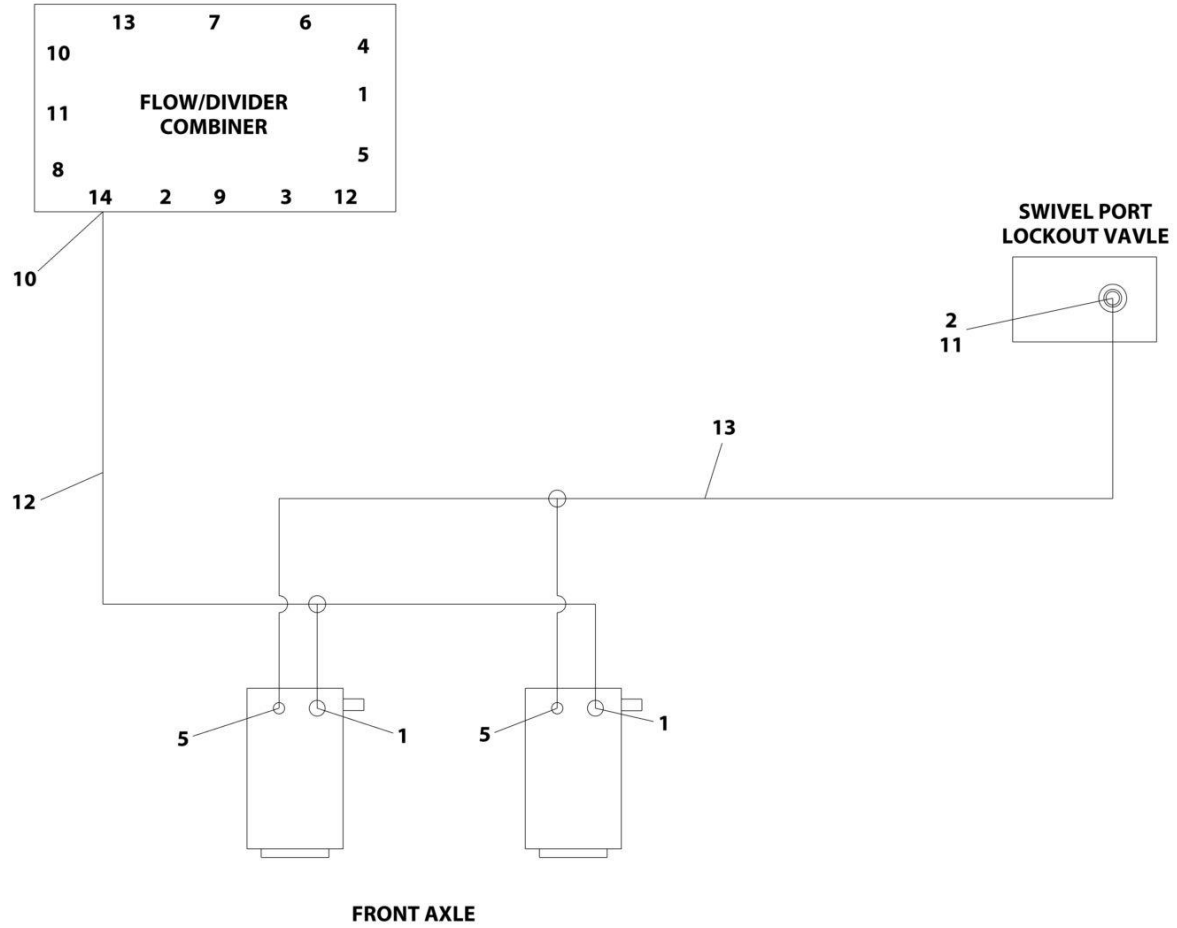
ITEM	PART NUMBER	QTY	DESCRIPTION	REV
905	2752600	2	Hose	
906	2752656	1	Hose	
907	2752783	1	Hose	
908	2753132	1	Hose	
909	2753133	1	Hose	
910	1001150717	1	Hose	





# SECTION 7 - HYDRAULIC

## FIGURE 7-7. HYDRAULIC DIAGRAM - OSCILLATING AXLE



ART\_1001151349

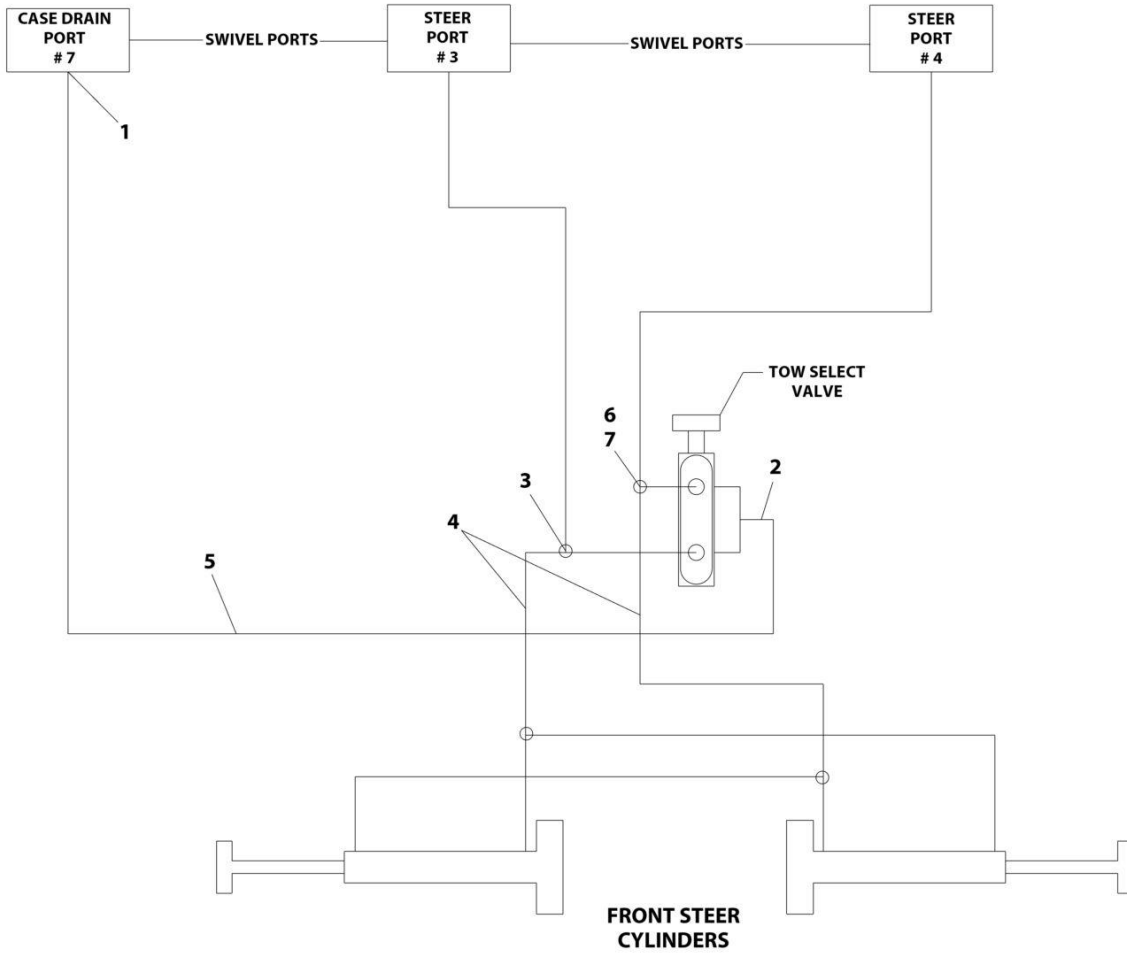
## SECTION 7 - HYDRAULIC

### FIGURE 7-7. HYDRAULIC DIAGRAM - OSCILLATING AXLE

ITEM	PART NUMBER	QTY	DESCRIPTION	REV
	1001151349	Ref	AXLE LOCKOUT DIAGRAM - OSCILLATING AXLE	C
1	2220371	2	Fitting, Straight JIC/ORB	
2	2220468	1	Fitting, Straight JIC/ORB	
5	2220415	2	Fitting, Straight JIC/ORB	
10	2220473	1	Fitting, 90 JIC/ORB	
11	2220654	1	Fitting, 90 JIC/FSJIC	
12	1001188890	1	Hose	
13	1001188891	1	Hose	

# SECTION 7 - HYDRAULIC

## FIGURE 7-8. HYDRAULIC DIAGRAM - TOW BAR



ART\_2792630

## SECTION 7 - HYDRAULIC

### FIGURE 7-8. HYDRAULIC DIAGRAM - TOW BAR

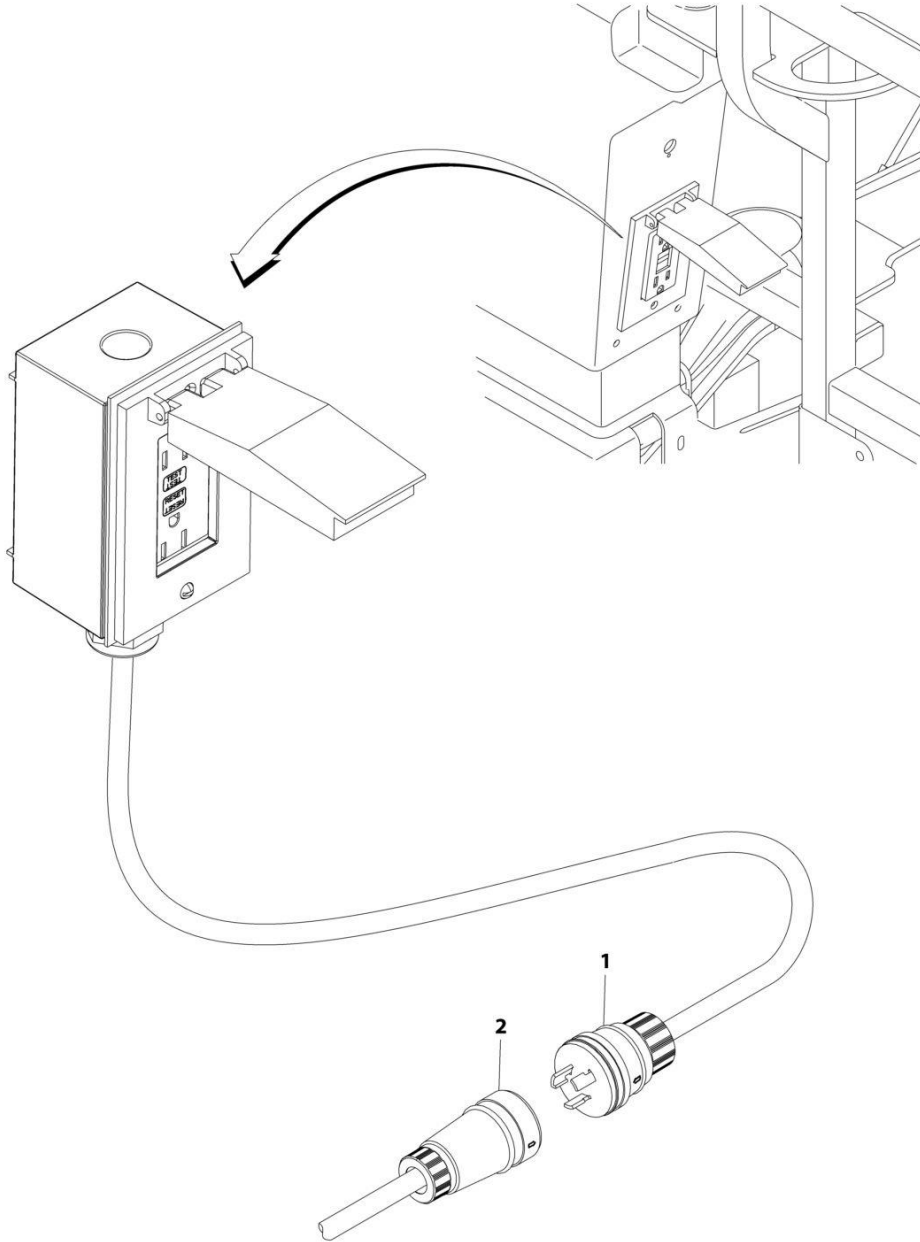
ITEM	PART NUMBER	QTY	DESCRIPTION	REV
	2792630	Ref	TOW BAR DIAGRAM	C
1	2220473	1	Fitting, 90 JIC/ORB	
2	2220628	1	Fitting, 90 JIC/ORB	
3	2221053	1	Fitting, Tee JIC/ORB/JIC	
4	1001113790	2	Hose	
5	1001113818	1	Hose	
6	2220372	1	Fitting, Straight JIC/ORB	
7	2220635	1	Fitting, Tee JIC/FSJIC/JIC	



**SECTION 8 - ELECTRICAL**

## SECTION 8 - ELECTRICAL

**FIGURE 8-1. AC CABLE CONNECTOR INSTALLATION - 110V/220V (MACHINES NO GENERATOR)  
(ANSI EXPORT, AUSTRALIAN, CE AND CHINA SPECS)**



ART\_1001213655



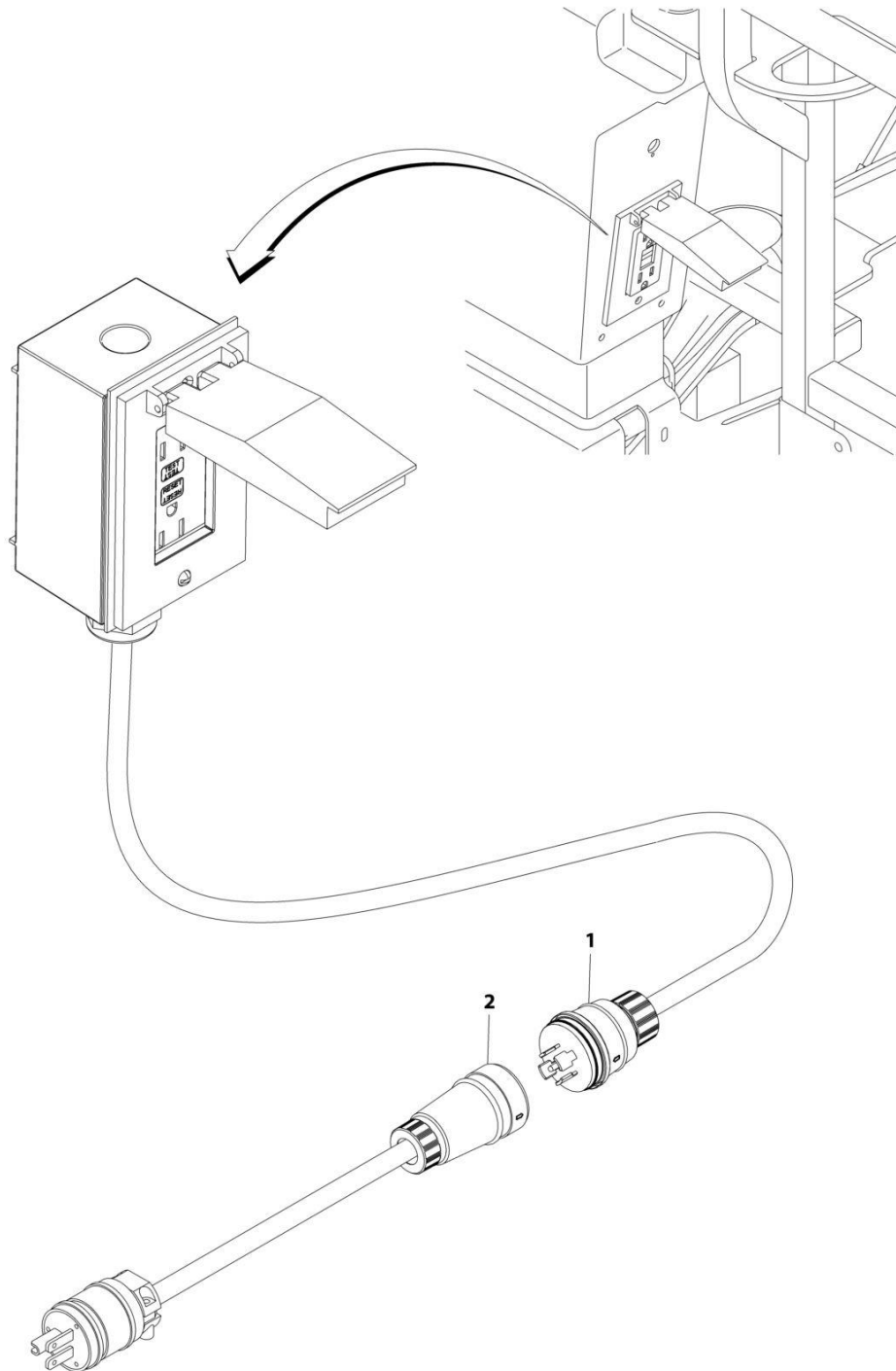
## SECTION 8 - ELECTRICAL

**FIGURE 8-1. AC CABLE CONNECTOR INSTALLATION - 110V/220V (MACHINES NO GENERATOR)  
(ANSI EXPORT, AUSTRALIAN, CE AND CHINA SPECS)**

ITEM	PART NUMBER	QTY	DESCRIPTION	REV
	1001213655	Ref	AC CABLE INSTALLATION - 110V/220V	A
1	1001214095	1	Plug, Male	
2	1001214096	1	Plug, Female	

## SECTION 8 - ELECTRICAL

FIGURE 8-2. AC CABLE CONNECTOR INSTALLATION – SKYPOWER (MACHINES NO GENERATOR)  
(ALL SPECS)



ART\_0272433

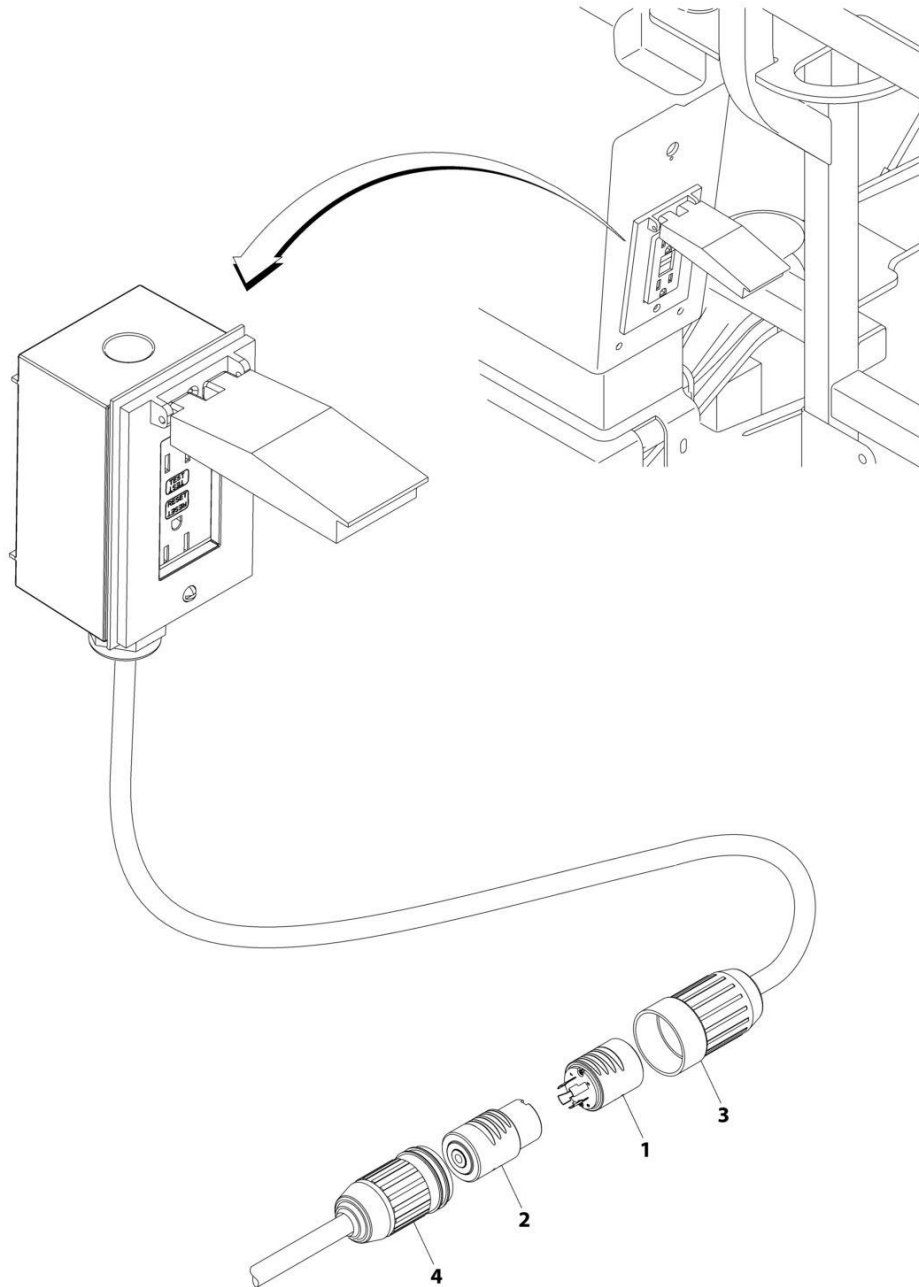
## SECTION 8 - ELECTRICAL

**FIGURE 8-2. AC CABLE CONNECTOR INSTALLATION – SKYPOWER (MACHINES NO GENERATOR)  
(ALL SPECS)**

ITEM	PART NUMBER	QTY	DESCRIPTION	REV
	0272433	Ref	AC CABLE INSTALLATION - 110V/220V	D
1	1001218622	1	Plug, Male	
2	1001218623	1	Plug, Female	

## SECTION 8 - ELECTRICAL

**FIGURE 8-3. AC CABLE CONNECTOR INSTALLATION – 4000W GENERATOR (MACHINES NO GENERATOR) (ALL SPECS EXCEPT AUSTRALIAN AND CE SPECS)**



ART\_1001160272

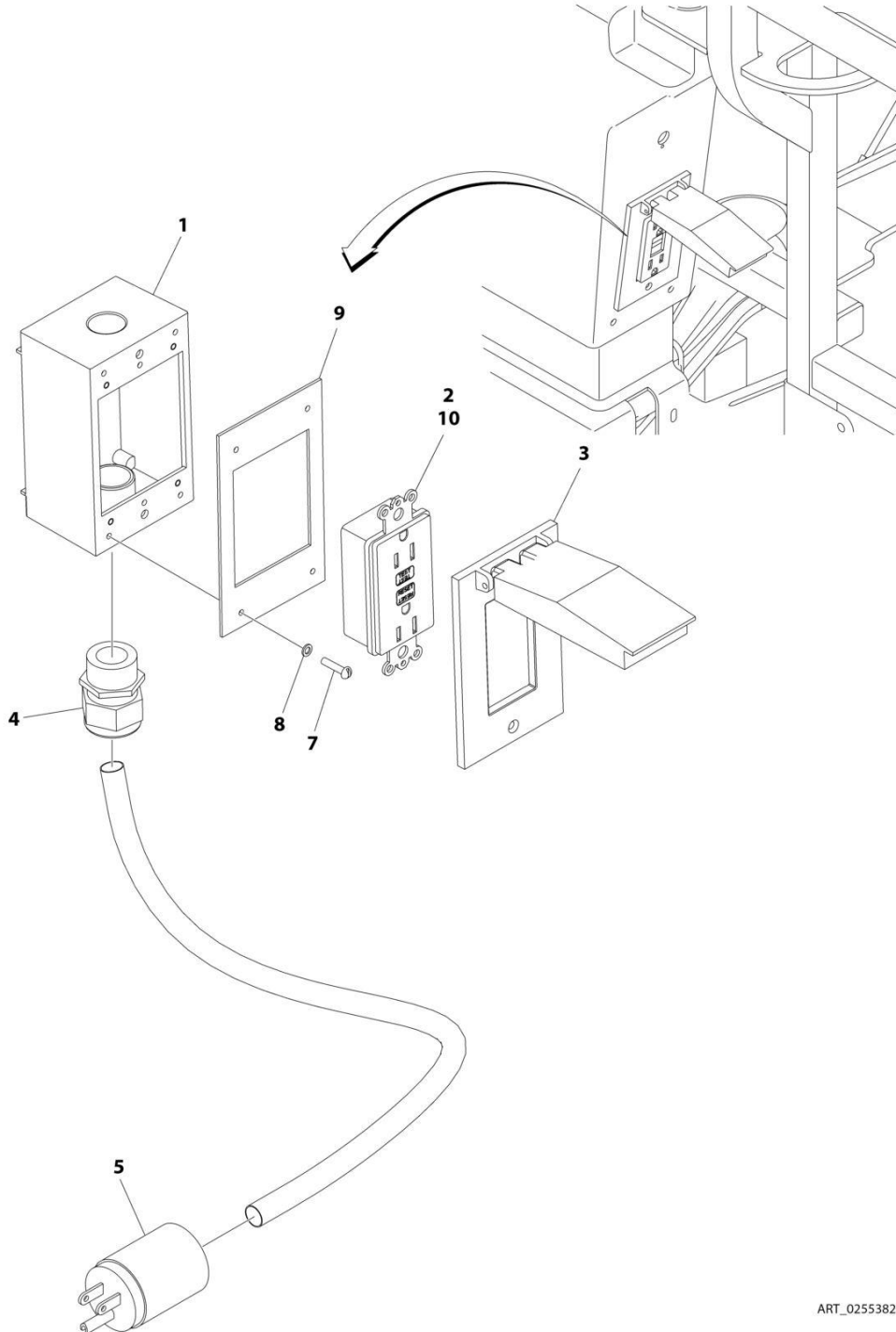
## SECTION 8 - ELECTRICAL

**FIGURE 8-3. AC CABLE CONNECTOR INSTALLATION – 4000W GENERATOR (MACHINES NO GENERATOR) (ALL SPECS EXCEPT AUSTRALIAN AND CE SPECS)**

ITEM	PART NUMBER	QTY	DESCRIPTION	REV
	1001160272	Ref	AC CABLE CONNECTOR INSTALLATION – 4000W GENERATOR	A
1	4460962	1	Plug, Male	
2	4460963	1	Connector	
3	1671092	1	Cover	
4	1671093	1	Plug	

## SECTION 8 - ELECTRICAL

**FIGURE 8-4. AC BOX AT PLATFORM INSTALLATION - 110V GFI RECEPTACLE (MACHINES WITH 2500W GENERATOR/NO GENERATOR OPTIONS) (ALL SPECS EXCEPT AUSTRALIAN AND CE SPECS)**



ART\_0255382

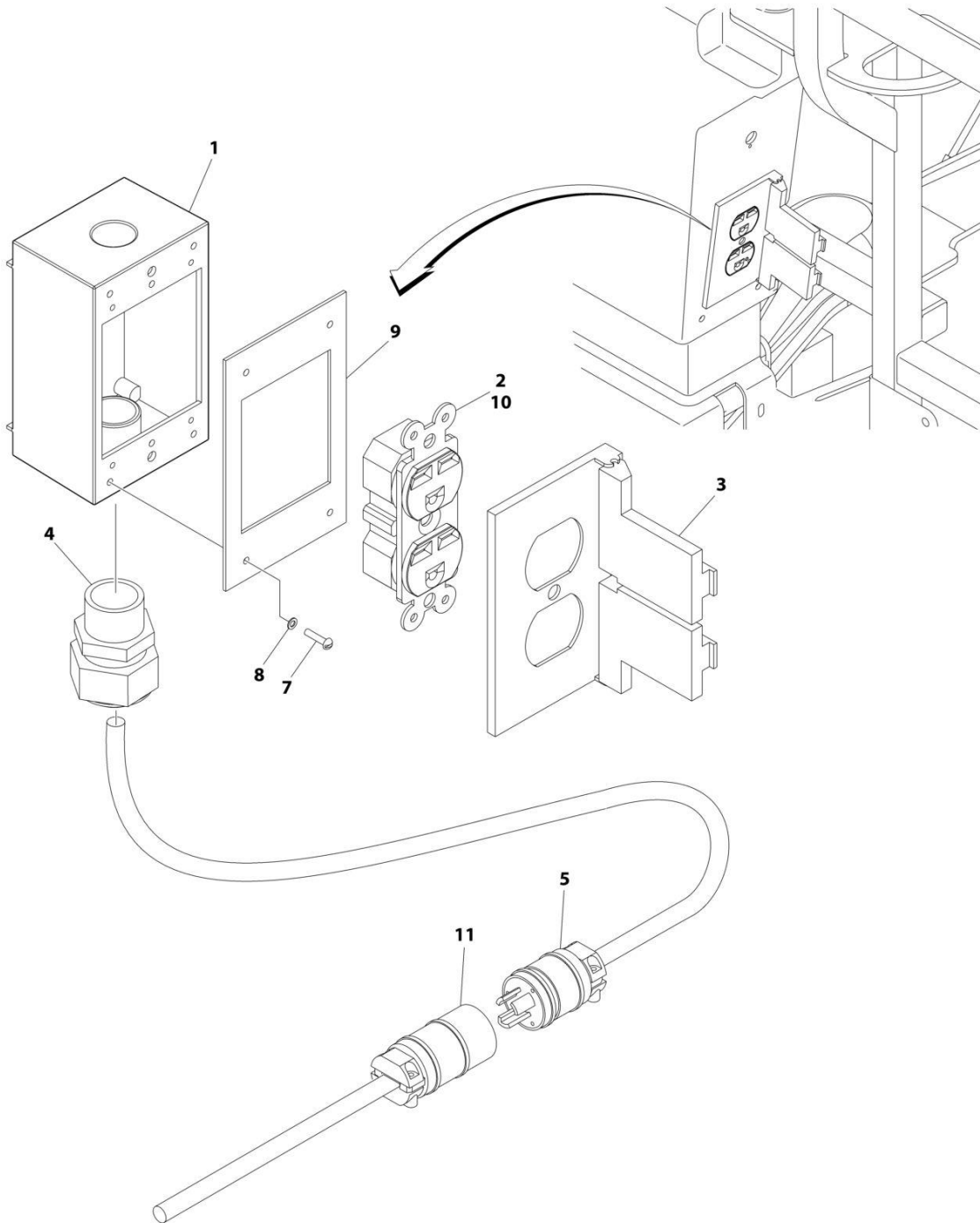
## SECTION 8 - ELECTRICAL

**FIGURE 8-4. AC BOX AT PLATFORM INSTALLATION - 110V GFI RECEPTACLE (MACHINES WITH 2500W GENERATOR/NO GENERATOR OPTIONS) (ALL SPECS EXCEPT AUSTRALIAN AND CE SPECS)**

ITEM	PART NUMBER	QTY	DESCRIPTION	REV
	0255382	Ref	AC BOX AT PLATFORM INSTALLATION - 110V	C
1	0860038	1	Box, Switch	
2	4460346	1	Receptacle	
3	1001110873	1	Shield, Cover	
4	4460071	1	Connector, Strain Relief	
5	1001227309	1	Plug, Male	
7	3910610	4	Screw #6 x 5/8	
8	4760600	4	Washer #6	
9	3960422	1	Gasket	
10	4460315	1	Terminal, Spade	
18	4460205	1	Plug, Male (Not Shown - Located at turntable base)	

## SECTION 8 - ELECTRICAL

FIGURE 8-5. AC BOX AT PLATFORM INSTALLATION - 220V RECEPTACLE (MACHINES WITH 2500W GENERATOR/NO GENERATOR OPTIONS) (ANSI, CSA AND JAPANESE SPECS)



ART\_0257176



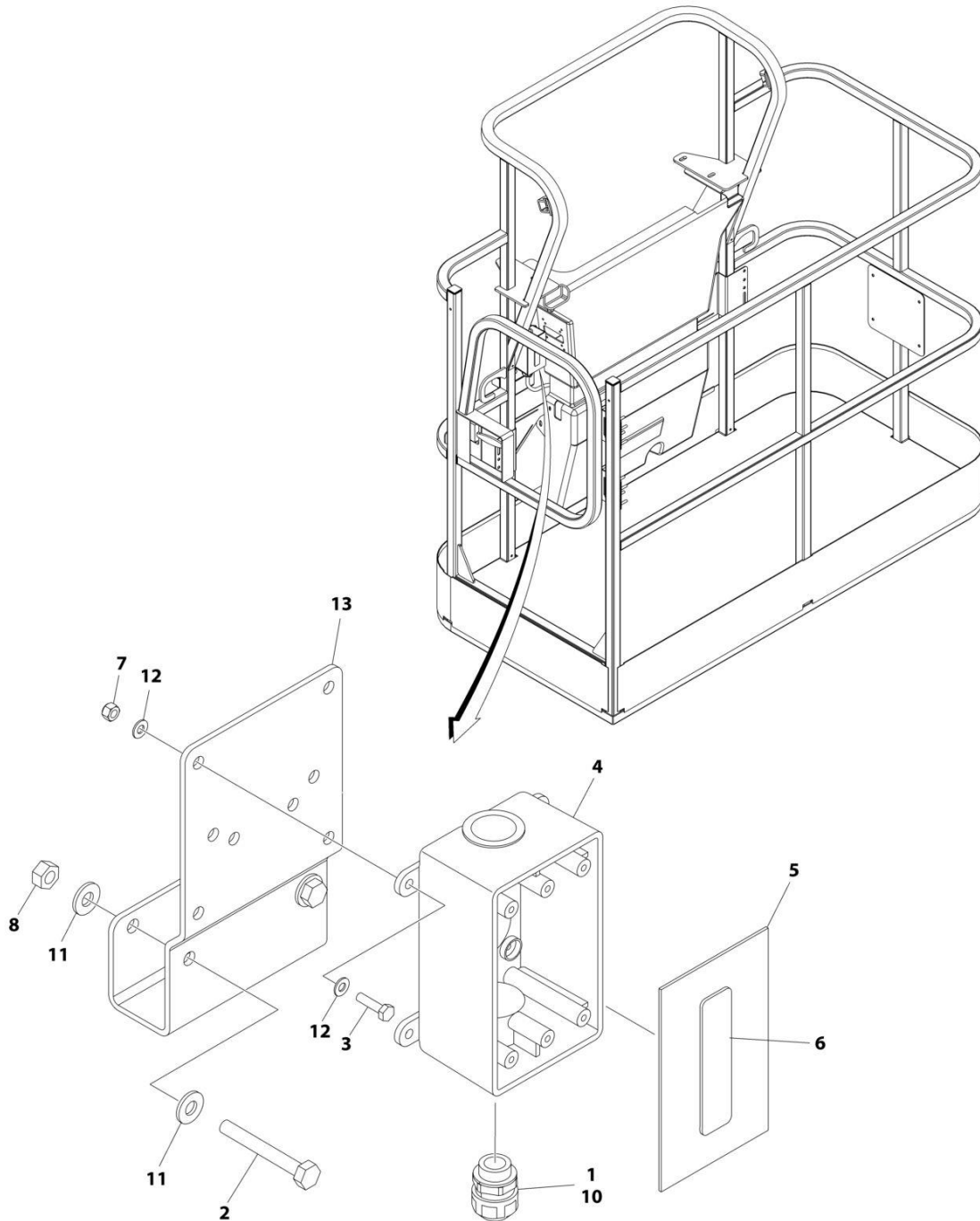
## SECTION 8 - ELECTRICAL

**FIGURE 8-5. AC BOX AT PLATFORM INSTALLATION - 220V RECEPTACLE (MACHINES WITH 2500W GENERATOR/NO GENERATOR OPTIONS) (ANSI, CSA AND JAPANESE SPECS)**

ITEM	PART NUMBER	QTY	DESCRIPTION	REV
	0257176	Ref	AC BOX AT PLATFORM INSTALLATION - 220V	C
1	0860038	1	Box, Switch	
2	4460125	1	Receptacle	
3	4060092	1	Shield, Cover	
4	4460071	1	Connector, Strain Relief	
5	1001227309	1	Plug, Male	
7	3910610	4	Screw #6 x 5/8	
8	4760600	4	Washer #6	
9	3960422	1	Gasket	
10	4460315	1	Terminal, Spade	
11	1001227310	1	Connector, Female	
18	4460233	1	Plug (Not Shown - Located at turntable base)	

# SECTION 8 - ELECTRICAL

FIGURE 8-6. AC BOX AT PLATFORM INSTALLATION - BOX WITH COVER (2X4 BOX) (ANSI EXPORT SPECS) (4000W GENERATOR)



ART\_1001194365

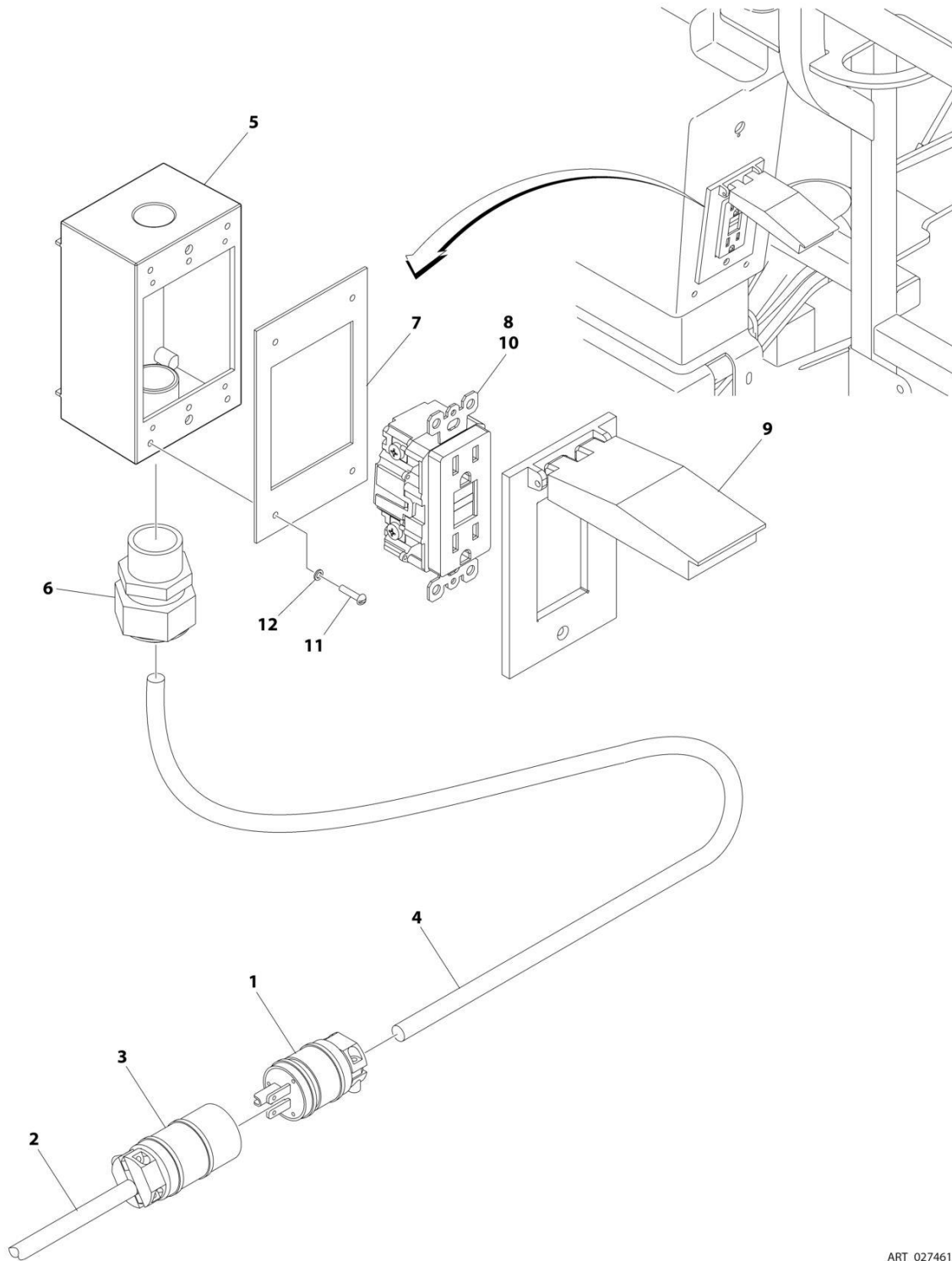
## SECTION 8 - ELECTRICAL

**FIGURE 8-6. AC BOX AT PLATFORM INSTALLATION - BOX WITH COVER (2X4 BOX) (ANSI EXPORT SPECS) (4000W GENERATOR)**

ITEM	PART NUMBER	QTY	DESCRIPTION	REV
	1001194365	Ref	AC BOX AT PLATFORM INSTALLATION - BOX WITH COVER (2X4 BOX)	A
1	0100020	AR	Sealant	
2	0641416	2	Bolt 1/4 x 2	
3	0700408	4	Bolt M4 x 16	
4	0861731	1	Box, Switch	
5	1670603	1	Cover	
6	3251242	1	Decal - 240V/50Hz	
7	3290405	4	Nut M4	
8	3311405	2	Nut 1/4	
9	4460384	3	Terminal (Not Shown)	
10	4460662	1	Connector, Strain Relief	
11	4711400	4	Washer 1/4	
12	4811400	8	Washer M4	
13	1001193018	1	Bracket, AC Receptacle	

# SECTION 8 - ELECTRICAL

FIGURE 8-7. AC BOX AT PLATFORM INSTALLATION – DUAL AC 110V GFI (MACHINES WITH 2500W GENERATOR) (ANSI EXPORT AND CHINA SPECS)



ART\_0274618

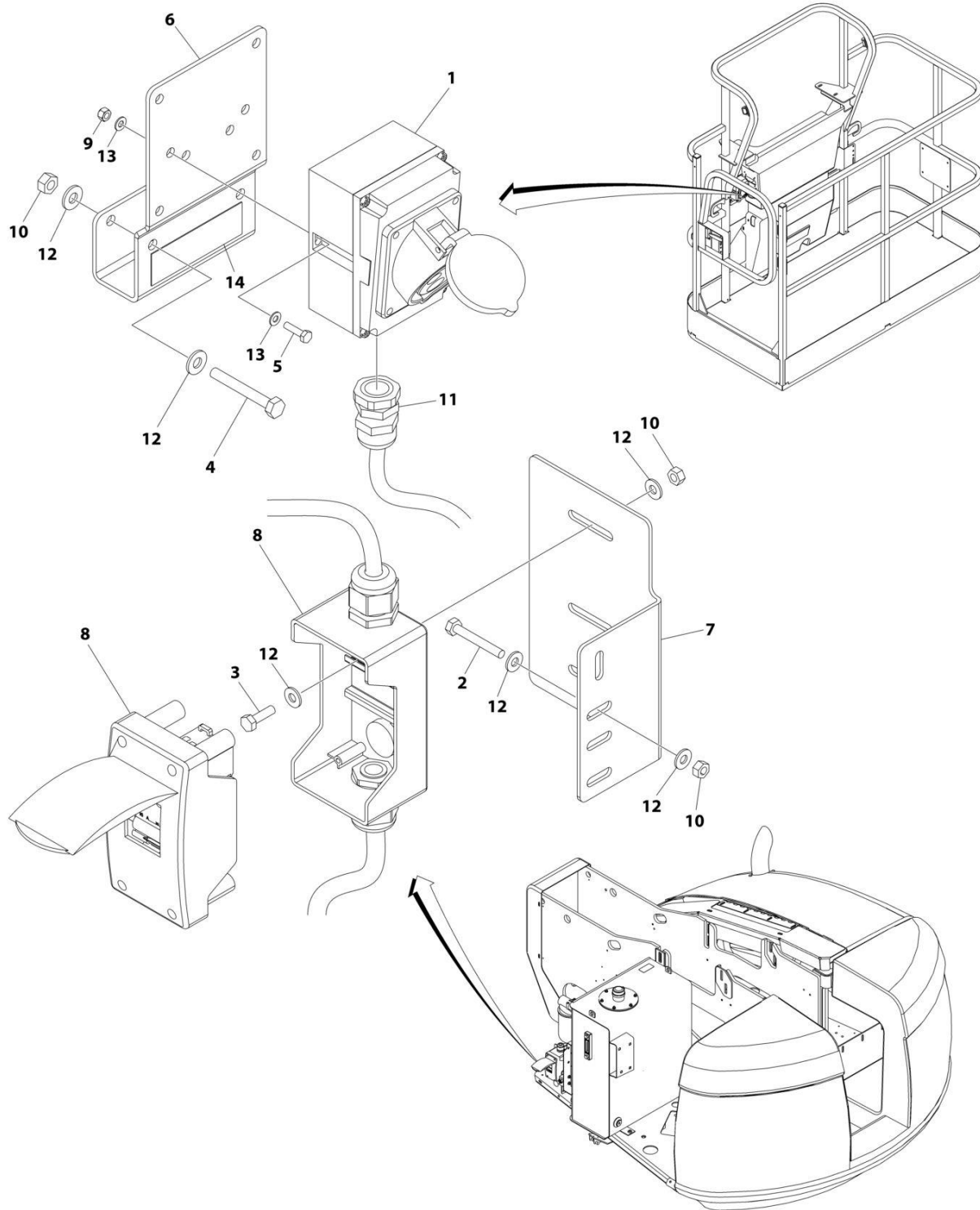
## SECTION 8 - ELECTRICAL

**FIGURE 8-7. AC BOX AT PLATFORM INSTALLATION – DUAL AC 110V GFI (MACHINES WITH 2500W GENERATOR) (ANSI EXPORT AND CHINA SPECS)**

ITEM	PART NUMBER	QTY	DESCRIPTION	REV
	0274618	Ref	AC BOX AT PLATFORM INSTALLATION – DUAL AC 110V GFI	2
1	4460205	4	Plug, Male	
2	4922892	1	Cable, Electrical 12/3 (Tower Boom)	
3	4460134	2	Plug, Female	
4	4922894	1	Cable, Electrical 12/3 (Main Boom)	
5	0860038	1	Box, Switch	
6	4460071	1	Connector, Strain Relief	
7	3960422	1	Gasket	
8	4460346	1	Receptacle	
9	1001110873	1	Shield, Cover	
10	4460315	1	Terminal, Spade	
11	3910606	4	Screw #6 x 3/8	
12	4760600	4	Washer #6	

# SECTION 8 - ELECTRICAL

## FIGURE 8-8. AC BOX AT PLATFORM INSTALLATION - 110V IEC YELLOW (CE SPECS)



ART\_0275656

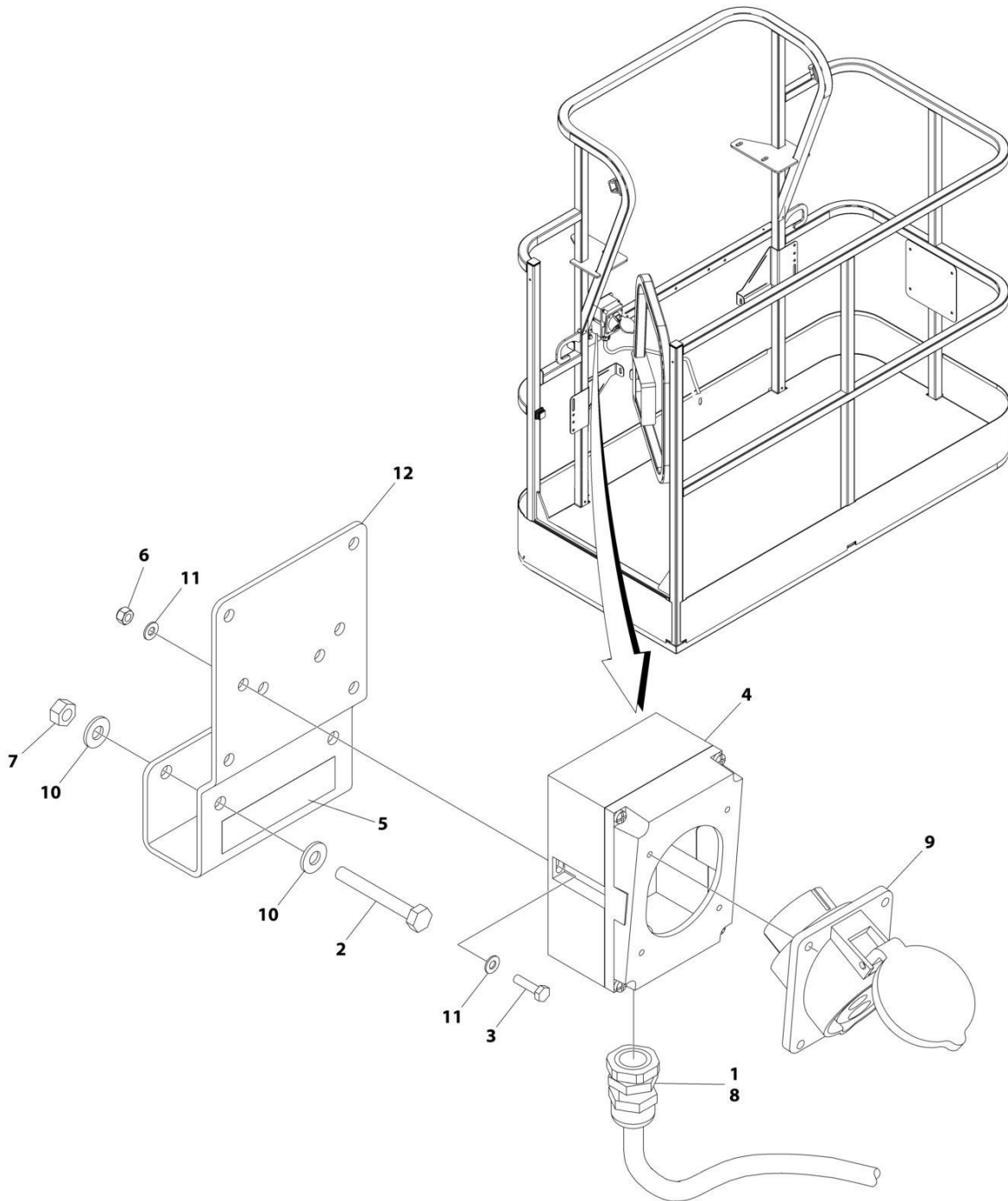
## SECTION 8 - ELECTRICAL

**FIGURE 8-8. AC BOX AT PLATFORM INSTALLATION - 110V IEC YELLOW (CE SPECS)**

ITEM	PART NUMBER	QTY	DESCRIPTION	REV
	0275656	Ref	AC BOX AT PLATFORM INSTALLATION - 110V IEC YELLOW	F
1	0275216	1	Receptacle Box Kit (See Separate Breakdown in this Section)	
2	0641415	2	Bolt 1/4 x 1-7/8	
3	0641407	2	Bolt 1/4 x 7/8	
4	0641416	2	Bolt 1/4 x 2	
5	0700408	2	Bolt M4 x 16	
6	1001193018	1	Bracket	
7	1001153636	1	Bracket	
8	1001096070	1	Breaker Box Kit (See Separate Breakdown in this Section)	
9	3290405	2	Nut M4	
10	3311405	6	Nut 1/4	
11	4460968	1	Connector, Strain Relief	
12	4711400	12	Washer 1/4	
13	4811400	4	Washer M4	
14	1705325	2	Decal - 110V	

# SECTION 8 - ELECTRICAL

FIGURE 8-9. AC BOX AT PLATFORM INSTALLATION - 110V IEC 60309 YELLOW (CE SPECS) (4000W GENERATOR)



ART\_1001194203



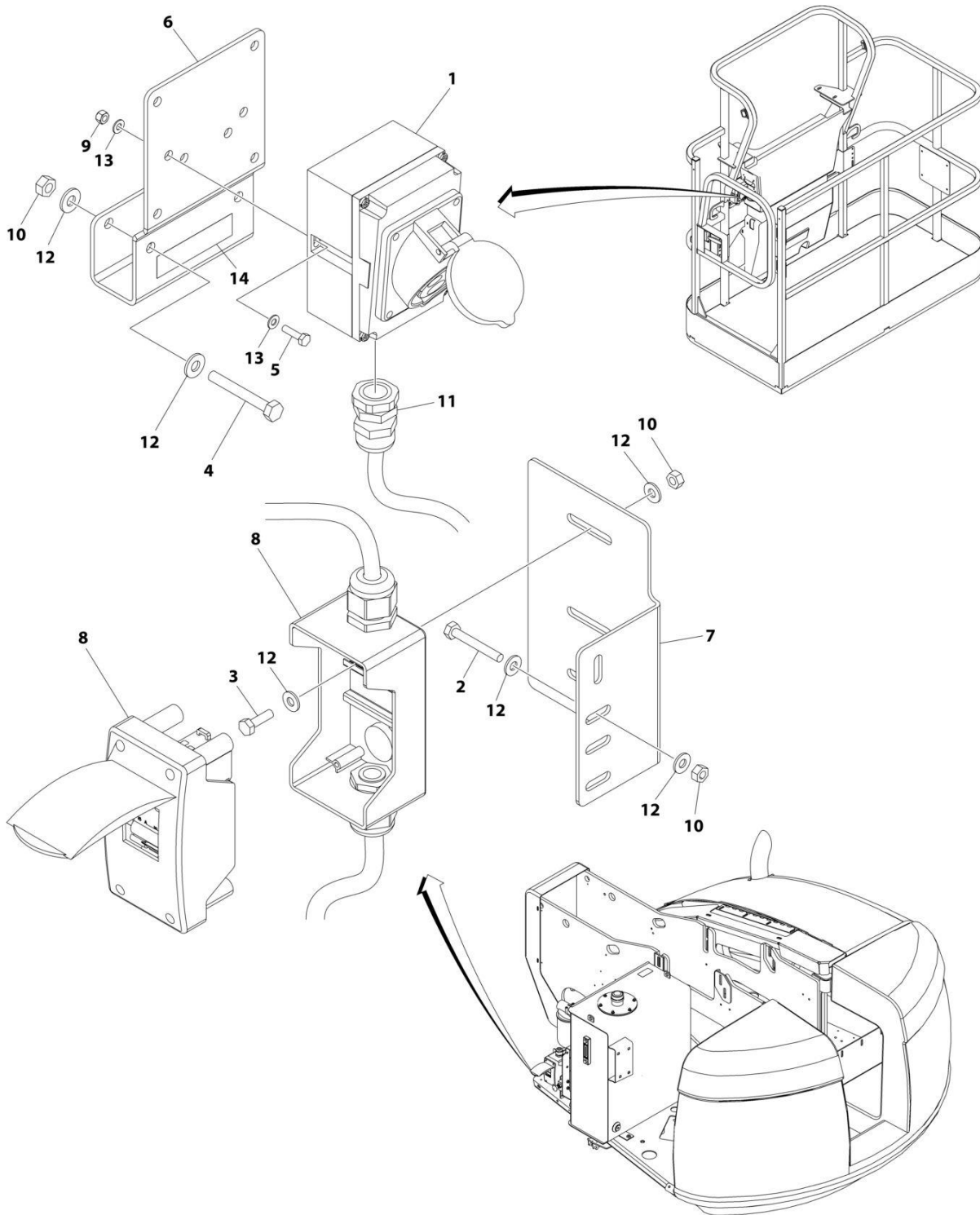
## SECTION 8 - ELECTRICAL

**FIGURE 8-9. AC BOX AT PLATFORM INSTALLATION - 110V IEC 60309 YELLOW (CE SPECS) (4000W GENERATOR)**

ITEM	PART NUMBER	QTY	DESCRIPTION	REV
	1001194203	Ref	AC BOX AT PLATFORM INSTALLATION	B
1	0100020	AR	Sealant, Pipe	
2	0641416	2	Bolt 1/4 x 2	
3	0700408	2	Bolt M4 x 16	
4	0861781	1	Box, Switch	
5	1705325	1	Decal - 110V	
6	3290405	2	Nut M4	
7	3311405	2	Nut 1/4	
8	4460968	1	Connector, Strain Relief	
9	4461198	1	Receptacle	
10	4711400	4	Washer 1/4	
11	4811400	4	Washer M4	
12	1001193018	1	Bracket, AC Receptacle	

# SECTION 8 - ELECTRICAL

## FIGURE 8-10. AC BOX AT PLATFORM INSTALLATION - 220V IEC BLUE (CE SPECS)



ART\_0275652

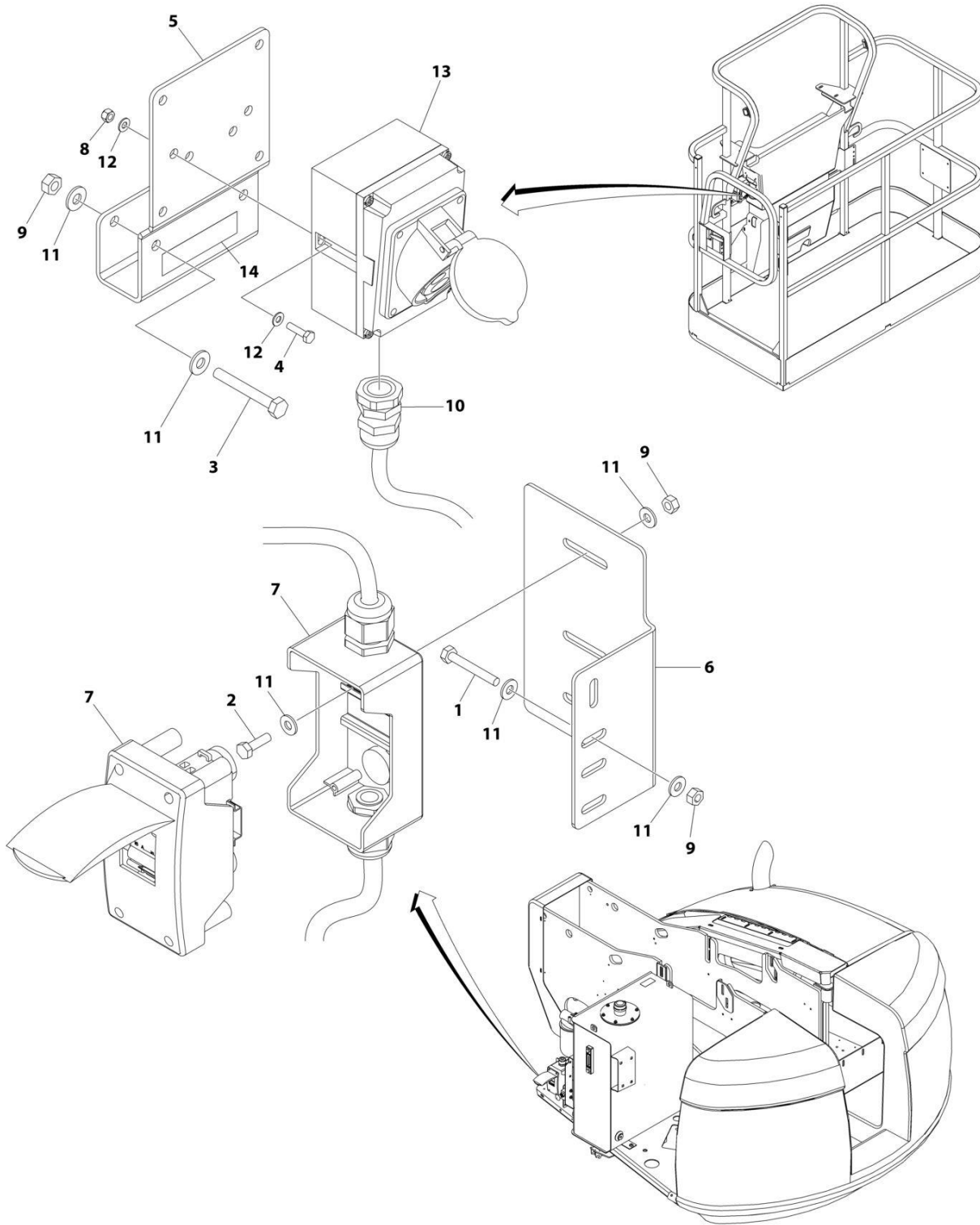
## SECTION 8 - ELECTRICAL

**FIGURE 8-10. AC BOX AT PLATFORM INSTALLATION - 220V IEC BLUE (CE SPECS)**

ITEM	PART NUMBER	QTY	DESCRIPTION	REV
	0275652	Ref	AC BOX AT PLATFORM INSTALLATION - 220V IEC BLUE	F
1	0275217	1	Receptacle Box Kit (See Separate Breakdown in this Section)	
2	0641415	2	Bolt 1/4 x 1-7/8	
3	0641407	2	Bolt 1/4 x 7/8	
4	0641416	2	Bolt 1/4 x 2	
5	0700408	2	Bolt M4 x 16	
6	1001193018	1	Bracket	
7	1001153636	1	Bracket	
8	1001096070	1	Breaker Box Kit (See Separate Breakdown in this Section)	
9	3290405	2	Nut M4	
10	3311405	6	Nut 1/4	
11	4460968	1	Connector, Strain Relief	
12	4711400	12	Washer 1/4	
13	4811400	4	Washer M4	
14	3252507	1	Decal - 240V-50/60Hz	

# SECTION 8 - ELECTRICAL

FIGURE 8-11. AC BOX AT PLATFORM INSTALLATION - 220V IEC BLUE (CE SPECS) (2500W GENERATOR)



ART\_1001100401

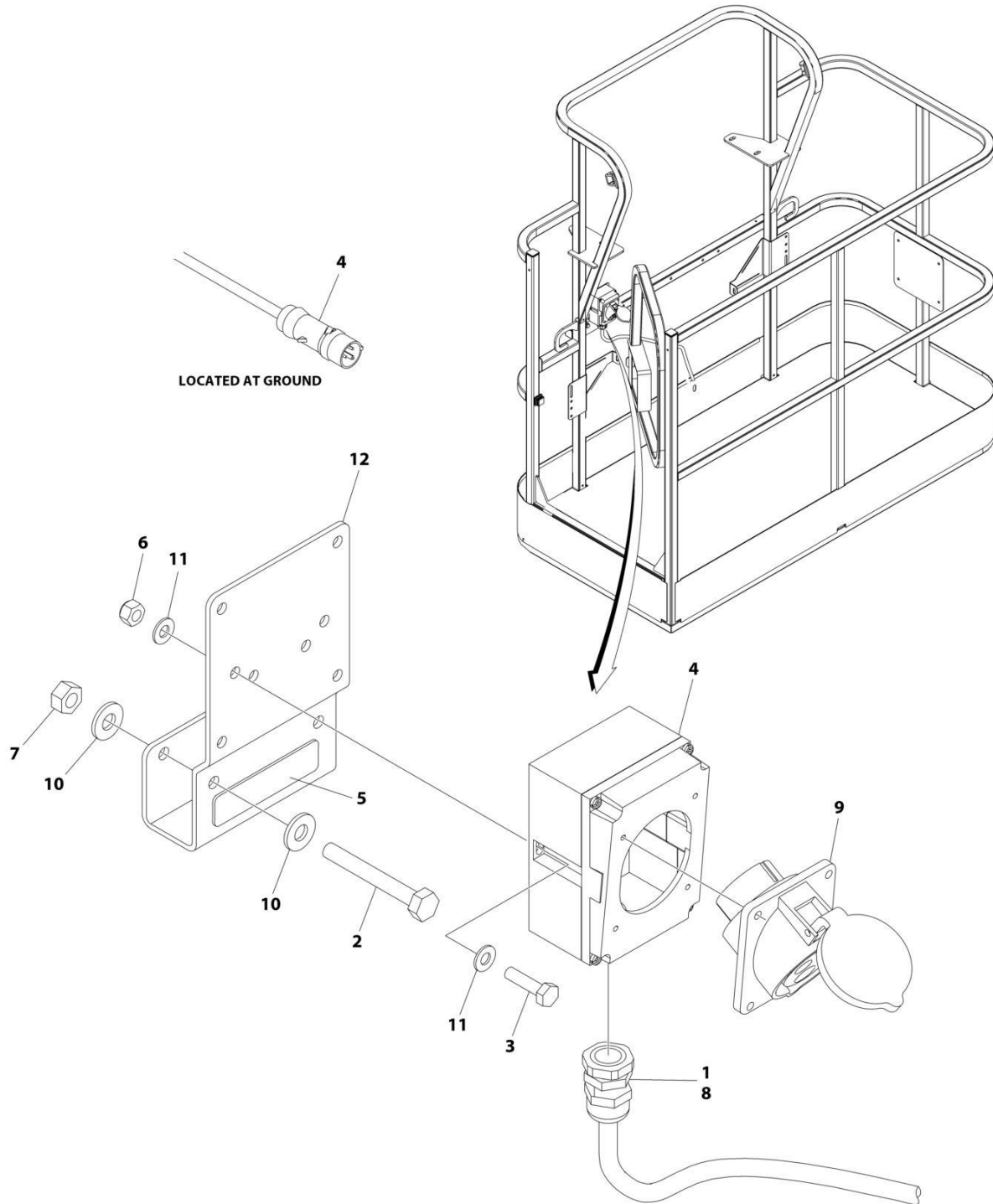
## SECTION 8 - ELECTRICAL

**FIGURE 8-11. AC BOX AT PLATFORM INSTALLATION - 220V IEC BLUE (CE SPECS) (2500W GENERATOR)**

ITEM	PART NUMBER	QTY	DESCRIPTION	REV
	1001100401	Ref	AC BOX AT PLATFORM INSTALLATION	F
1	0641415	2	Bolt 1/4 x 1-7/8	
2	0641407	2	Bolt 1/4 x 7/8	
3	0641416	2	Bolt 1/4 x 2	
4	0700408	2	Bolt M4 x 16	
5	1001193018	1	Bracket	
6	1001153636	1	Bracket	
7	1001109554	1	Breaker Box Kit (See Separate Breakdown in this Section)	
8	3290405	2	Nut M4	
9	3311405	6	Nut 1/4	
10	4460662	1	Connector, Strain Relief	
11	4711400	12	Washer 1/4	
12	4811400	8	Washer M4	
13	1001100342	1	Receptacle Box Kit (See Separate Breakdown in this Section)	
14	3252507	1	Decal - 240V-50/60Hz	

# SECTION 8 - ELECTRICAL

FIGURE 8-12. AC BOX AT PLATFORM INSTALLATION - 220V IEC 60309 BLUE (CE SPECS) (4000W GENERATOR)



ART\_1001194204

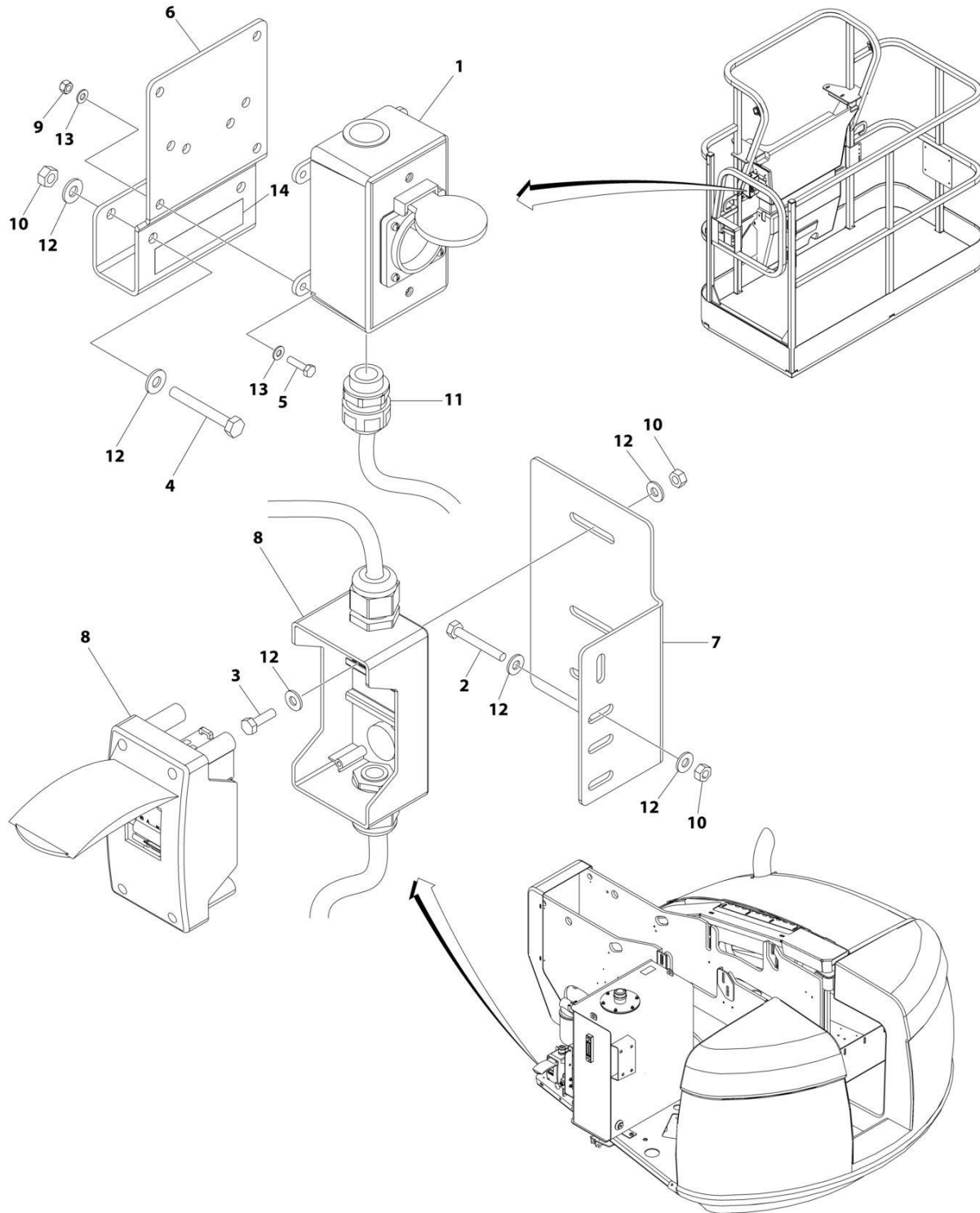
## SECTION 8 - ELECTRICAL

**FIGURE 8-12. AC BOX AT PLATFORM INSTALLATION - 220V IEC 60309 BLUE (CE SPECS) (4000W GENERATOR)**

ITEM	PART NUMBER	QTY	DESCRIPTION	REV
	1001194204	Ref	AC BOX AT PLATFORM INSTALLATION	B
1	0100020	AR	Sealant, Pipe	
2	0641416	2	Bolt 1/4 x 2	
3	0700408	2	Bolt M4 x 16	
4	0861781	1	Box, Switch	
5	3251242	1	Decal - 240V/50Hz	
6	3290405	2	Nut M4	
7	3311405	2	Nut 1/4	
8	4460968	1	Connector, Strain Relief	
9	4461201	1	Receptacle	
10	4711400	4	Washer 1/4	
11	4811400	4	Washer M4	
12	1001193018	1	Bracket, AC Receptacle	

# SECTION 8 - ELECTRICAL

FIGURE 8-13. AC BOX AT PLATFORM INSTALLATION - 220V CEE7 POST GROUND (CE SPECS)



ART\_0275653



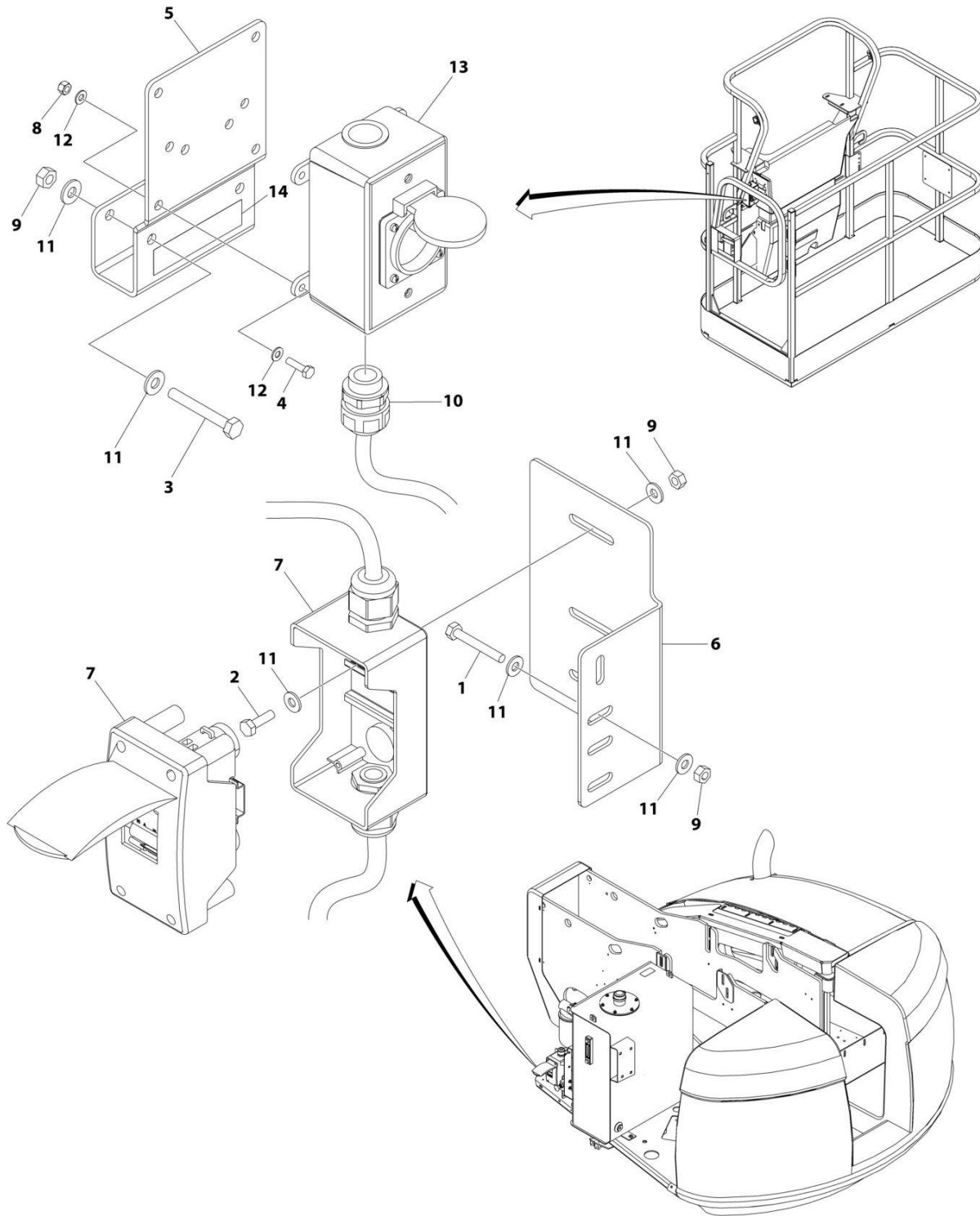
## SECTION 8 - ELECTRICAL

**FIGURE 8-13. AC BOX AT PLATFORM INSTALLATION - 220V CEE7 POST GROUND (CE SPECS)**

ITEM	PART NUMBER	QTY	DESCRIPTION	REV
	0275653	Ref	AC BOX AT PLATFORM INSTALLATION	G
1	0275452	1	Receptacle Box Kit - 220V CEE7 Post Ground 21in x 4in (See Separate Breakdown in this Section)	
2	0641415	2	Bolt 1/4 x 1-7/8	
3	0641407	2	Bolt 1/4 x 7/8	
4	0641416	2	Bolt 1/4 x 2	
5	0700408	4	Bolt M4 x 16	
6	1001193018	1	Bracket	
7	1001153636	1	Bracket	
8	1001096070	1	Breaker Box Kit (See Separate Breakdown in this Section)	
9	3290405	4	Nut M4	
10	3311405	6	Nut 1/4	
11	4460662	1	Connector, Strain Relief	
12	4711400	12	Washer 1/4	
13	4811400	8	Washer M4	
14	3252507	1	Decal - 240V-50/60Hz	

# SECTION 8 - ELECTRICAL

FIGURE 8-14. AC BOX AT PLATFORM INSTALLATION - 220V CEE7 POST GROUND (CE SPECS)  
(2500W GENERATOR)



ART\_1001100397

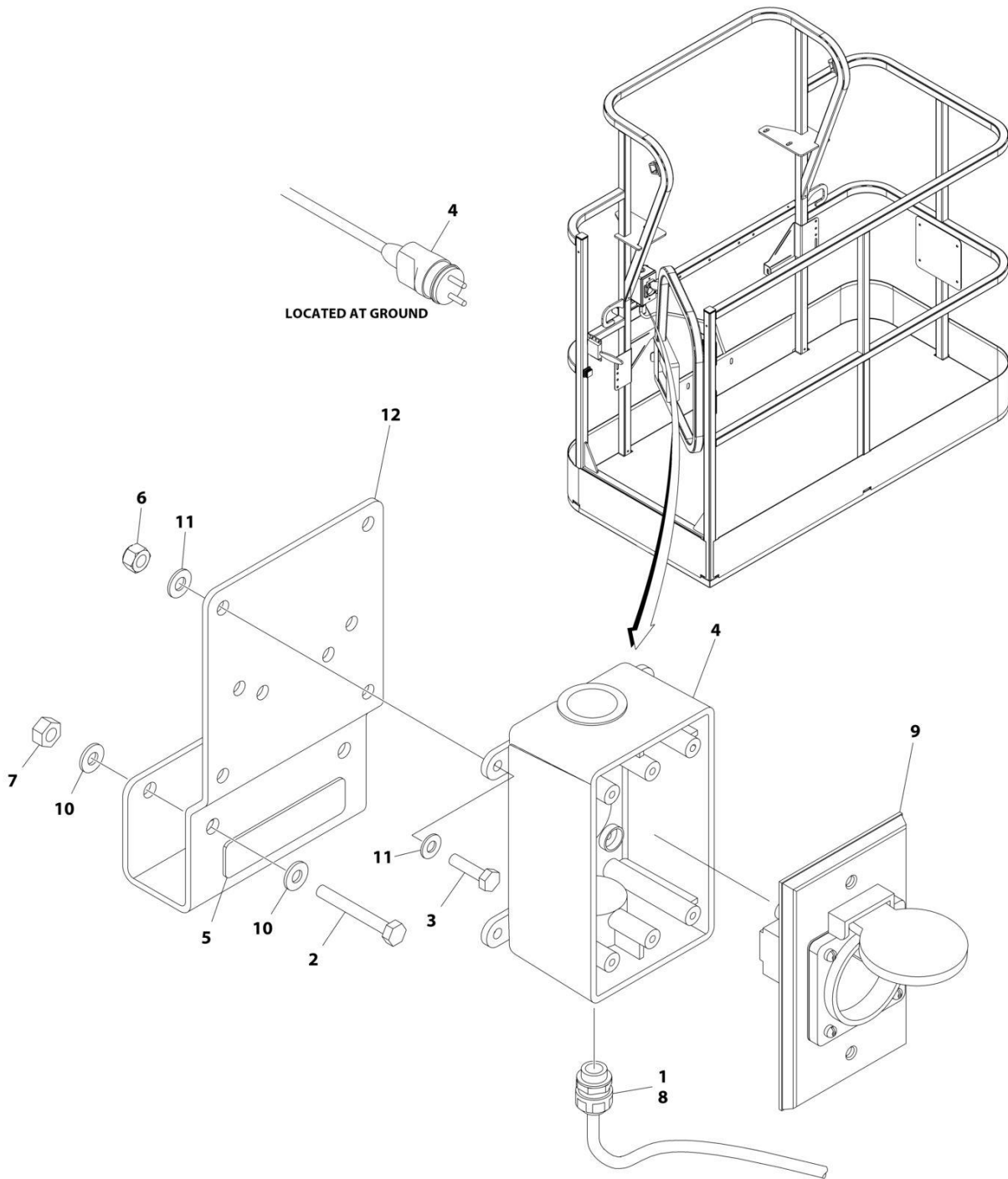
## SECTION 8 - ELECTRICAL

**FIGURE 8-14. AC BOX AT PLATFORM INSTALLATION - 220V CEE7 POST GROUND (CE SPECS)  
(2500W GENERATOR)**

ITEM	PART NUMBER	QTY	DESCRIPTION	REV
	1001100397	Ref	AC BOX AT PLATFORM INSTALLATION	H
1	0641415	2	Bolt 1/4 x 1-7/8	
2	0641407	2	Bolt 1/4 x 7/8	
3	0641416	2	Bolt 1/4 x 2	
4	0700408	4	Bolt M4 x 16	
5	1001193018	1	Bracket	
6	1001153636	1	Bracket	
7	1001109554	1	Breaker Box Kit (See Separate Breakdown in this Section)	
8	3290405	4	Nut M4	
9	3311405	6	Nut 1/4	
10	4460662	1	Connector, Strain Relief	
11	4711400	12	Washer 1/4	
12	4811400	8	Washer M4	
13	1001100345	1	Receptacle Box Kit (See Separate Breakdown in this Section)	
14	3252507	1	Decal - 240V-50/60Hz	

# SECTION 8 - ELECTRICAL

FIGURE 8-15. AC BOX AT PLATFORM INSTALLATION - 220V CEE7 POST GROUND (2X4 BOX) (CE SPECS) (4000W GENERATOR)



ART\_1001194197

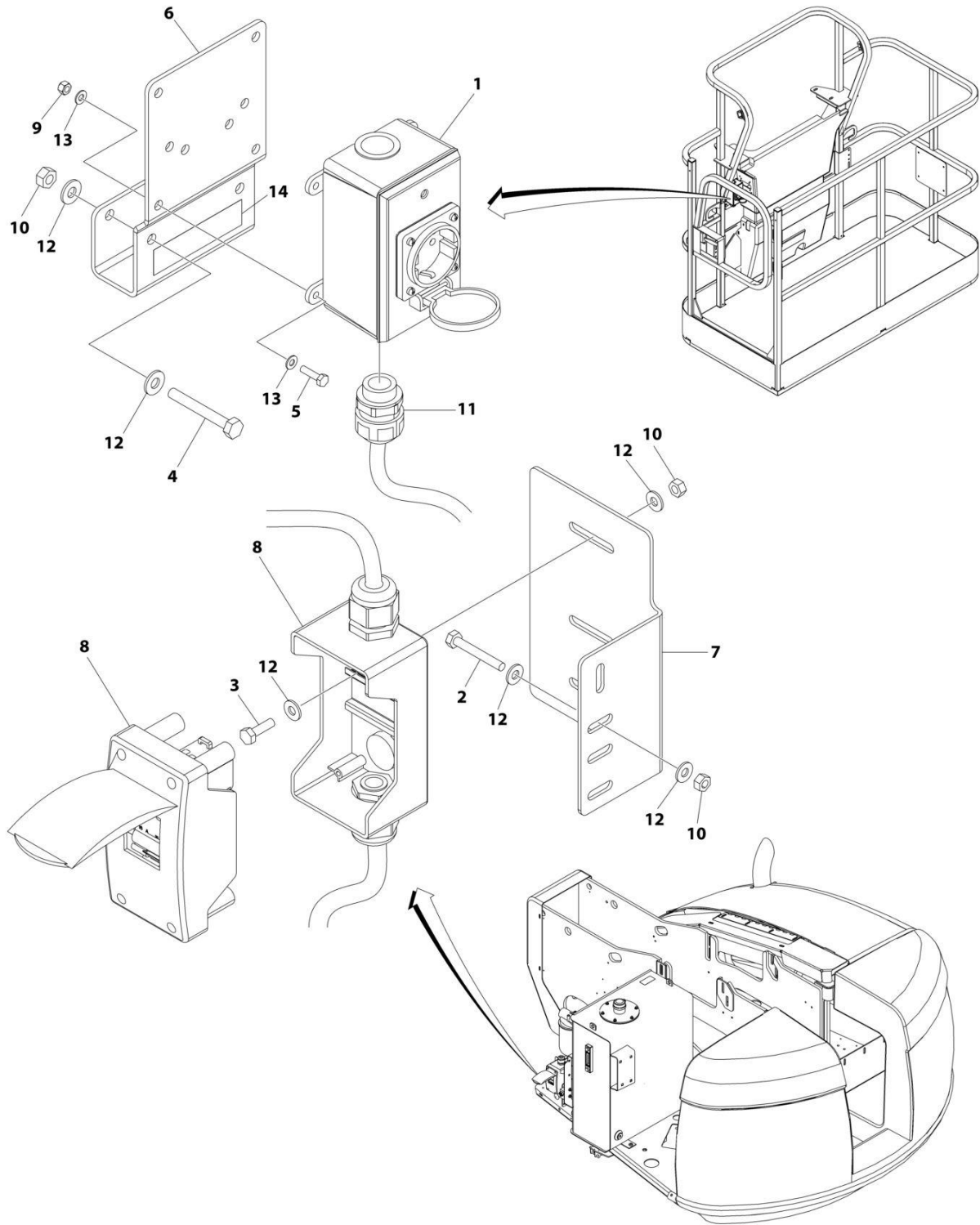
## SECTION 8 - ELECTRICAL

**FIGURE 8-15. AC BOX AT PLATFORM INSTALLATION - 220V CEE7 POST GROUND (2X4 BOX) (CE SPECS) (4000W GENERATOR)**

ITEM	PART NUMBER	QTY	DESCRIPTION	REV
	1001194197	Ref	AC BOX AT PLATFORM INSTALLATION	B
1	0100020	AR	Sealant, Pipe	
2	0641416	2	Bolt 1/4 x 2	
3	0700408	4	Bolt M4 x 16	
4	0861731	1	Box, Switch	
5	3251242	1	Decal - 240V/50Hz	
6	3290405	4	Nut M4	
7	3311405	2	Nut 1/4	
8	4460662	1	Connector, Strain Relief	
9	4461244	1	Receptacle	
10	4711400	4	Washer 1/4	
11	4811400	8	Washer M4	
12	1001193018	1	Bracket, AC Receptacle	
13	4460806	2	Terminal, Fork (Not Shown)	
14	1001205958	1	Terminal (Not Shown)	

# SECTION 8 - ELECTRICAL

FIGURE 8-16. AC BOX AT PLATFORM INSTALLATION - 220V CEE7 SIDE GROUND (CE SPECS)



ART\_0275654

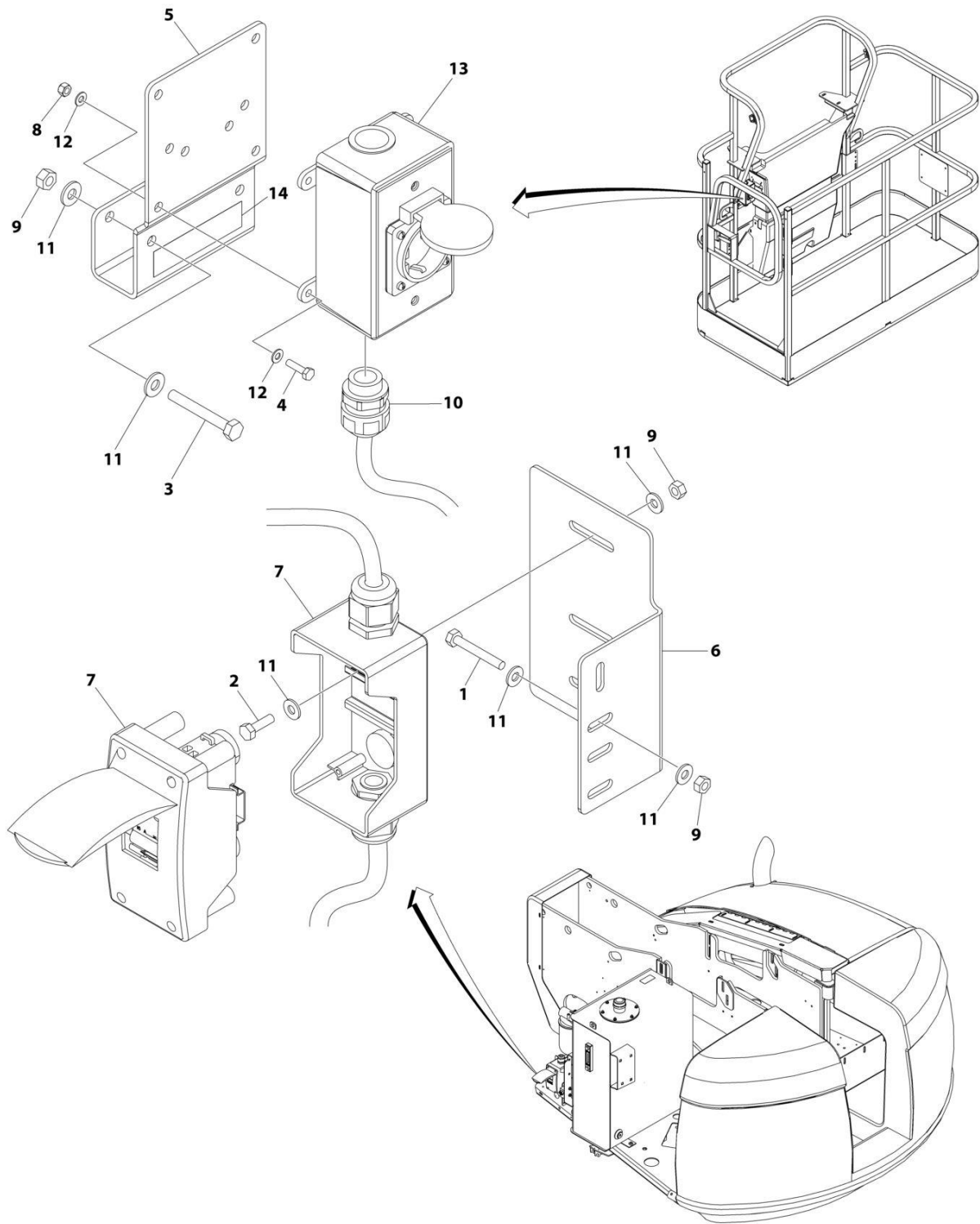
## SECTION 8 - ELECTRICAL

**FIGURE 8-16. AC BOX AT PLATFORM INSTALLATION - 220V CEE7 SIDE GROUND (CE SPECS)**

ITEM	PART NUMBER	QTY	DESCRIPTION	REV
	0275654	Ref	AC BOX AT PLATFORM INSTALLATION - 220V CEE7 2X4 BOX SIDE GROUND	G
1	0275453	1	Receptacle Box Kit (See Separate Breakdown in this Section)	
2	0641415	2	Bolt 1/4 x 1-7/8	
3	0641407	2	Bolt 1/4 x 7/8	
4	0641416	2	Bolt 1/4 x 2	
5	0700408	4	Bolt M4 x 16	
6	1001193018	1	Bracket	
7	1001153636	1	Bracket	
8	1001096070	1	Breaker Box Kit (See Separate Breakdown in this Section)	
9	3290405	4	Nut M4	
10	3311405	6	Nut 1/4	
11	4460662	1	Connector, Strain Relief	
12	4711400	12	Washer 1/4	
13	4811400	8	Washer M4	
14	3252507	1	Decal - 240V-50/60Hz	

# SECTION 8 - ELECTRICAL

FIGURE 8-17. AC BOX AT PLATFORM INSTALLATION - 220V CEE7 SIDE GROUND (CE SPECS)  
(2500W GENERATOR)



ART\_1001100398



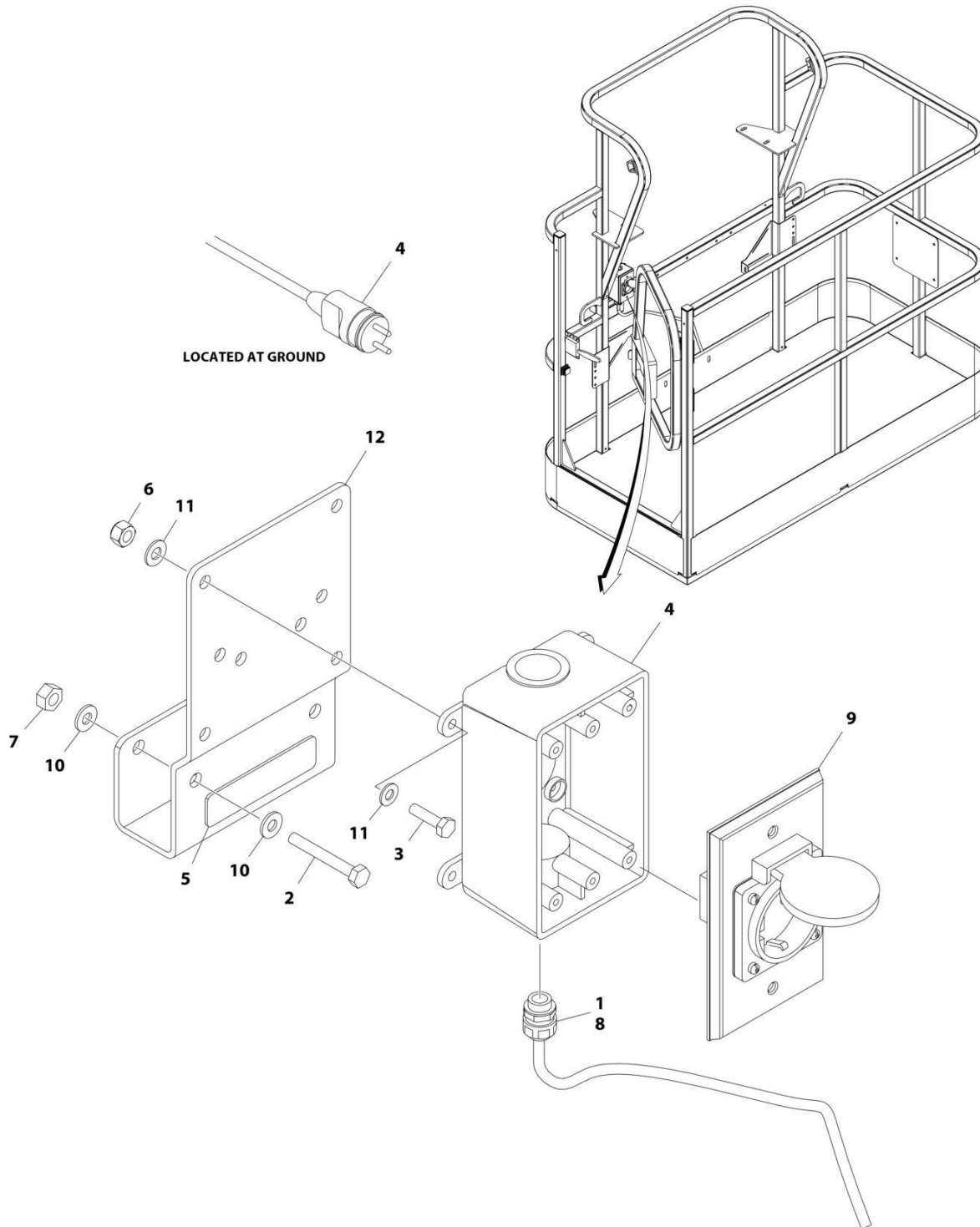
## SECTION 8 - ELECTRICAL

**FIGURE 8-17. AC BOX AT PLATFORM INSTALLATION - 220V CEE7 SIDE GROUND (CE SPECS)  
(2500W GENERATOR)**

ITEM	PART NUMBER	QTY	DESCRIPTION	REV
	1001100398	Ref	AC BOX AT PLATFORM INSTALLATION	H
1	0641415	2	Bolt 1/4 x 1-7/8	
2	0641407	2	Bolt 1/4 x 7/8	
3	0641416	2	Bolt 1/4 x 2	
4	0700408	4	Bolt M4 x 16	
5	1001193018	1	Bracket	
6	1001153636	1	Bracket	
7	1001109554	1	Breaker Box Kit (See Separate Breakdown in this Section)	
8	3290405	4	Nut M4	
9	3311405	6	Nut 1/4	
10	4460662	1	Connector, Strain Relief	
11	4711400	12	Washer 1/4	
12	4811400	8	Washer M4	
13	1001100347	1	Receptacle Box Kit (See Separate Breakdown in this Section)	
14	3252507	1	Decal - 240V-50/60Hz	

# SECTION 8 - ELECTRICAL

FIGURE 8-18. AC BOX AT PLATFORM INSTALLATION - 220V CEE7 SIDE GROUND (2X4 BOX) (CE SPECS) (4000W GENERATOR)



ART\_1001194198

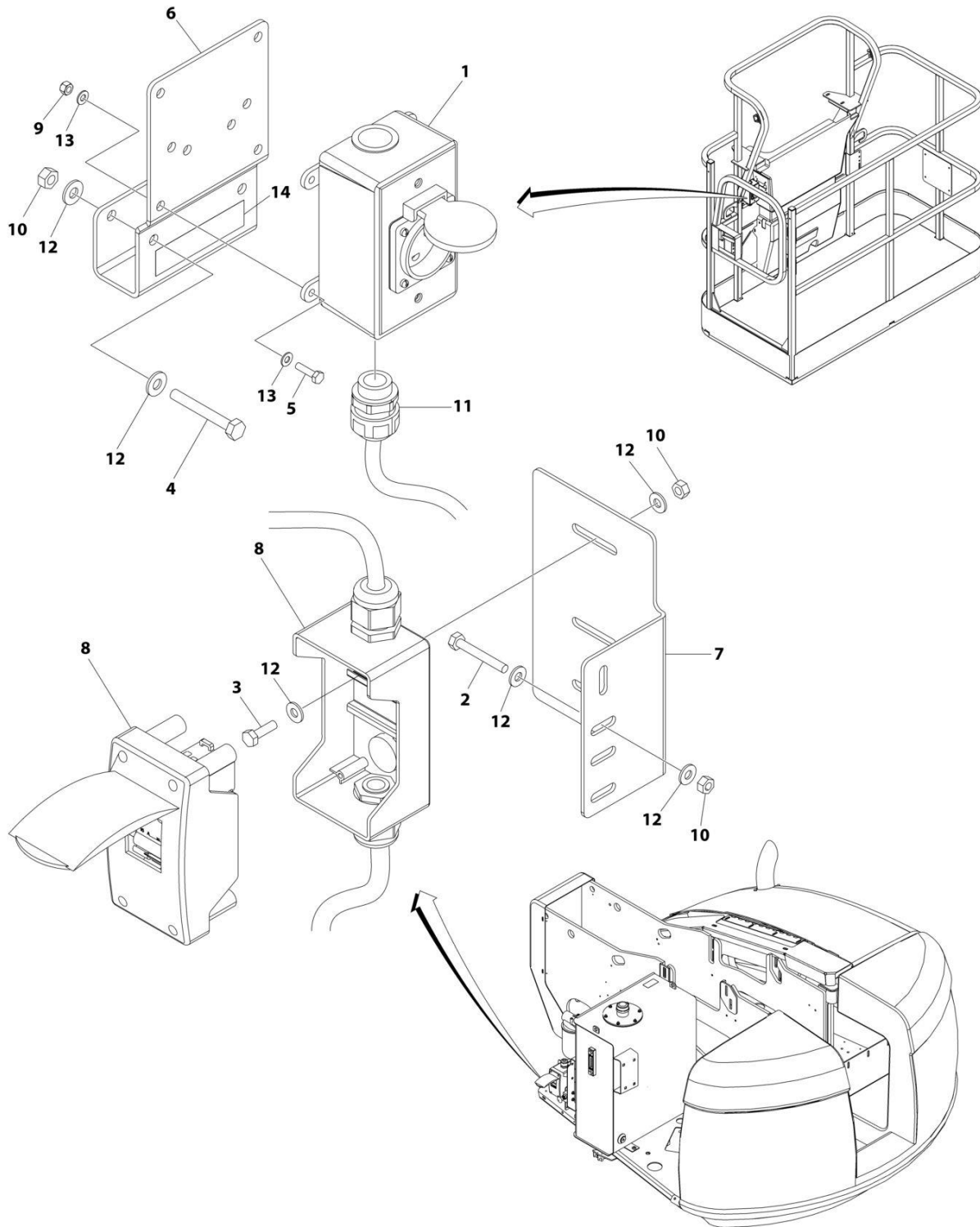
## SECTION 8 - ELECTRICAL

**FIGURE 8-18. AC BOX AT PLATFORM INSTALLATION - 220V CEE7 SIDE GROUND (2X4 BOX) (CE SPECS) (4000W GENERATOR)**

ITEM	PART NUMBER	QTY	DESCRIPTION	REV
	1001194198	Ref	AC BOX AT PLATFORM INSTALLATION	B
1	0100020	AR	Sealant, Pipe	
2	0641416	2	Bolt 1/4 x 2	
3	0700408	4	Bolt M4 x 16	
4	0861731	1	Box, Switch	
5	3251242	1	Decal - 240V/50Hz	
6	3290405	4	Nut M4	
7	3311405	2	Nut 1/4	
8	4460662	1	Connector, Strain Relief	
9	4461245	1	Receptacle	
10	4711400	4	Washer 1/4	
11	4811400	8	Washer M4	
12	1001193018	1	Bracket, AC Receptacle	
13	4460806	2	Terminal, Fork (Not Shown)	
14	1001205958	1	Terminal (Not Shown)	

# SECTION 8 - ELECTRICAL

## FIGURE 8-19. AC BOX AT PLATFORM INSTALLATION - 220V AFSINT 107 (CE SPECS)



ART\_0275660

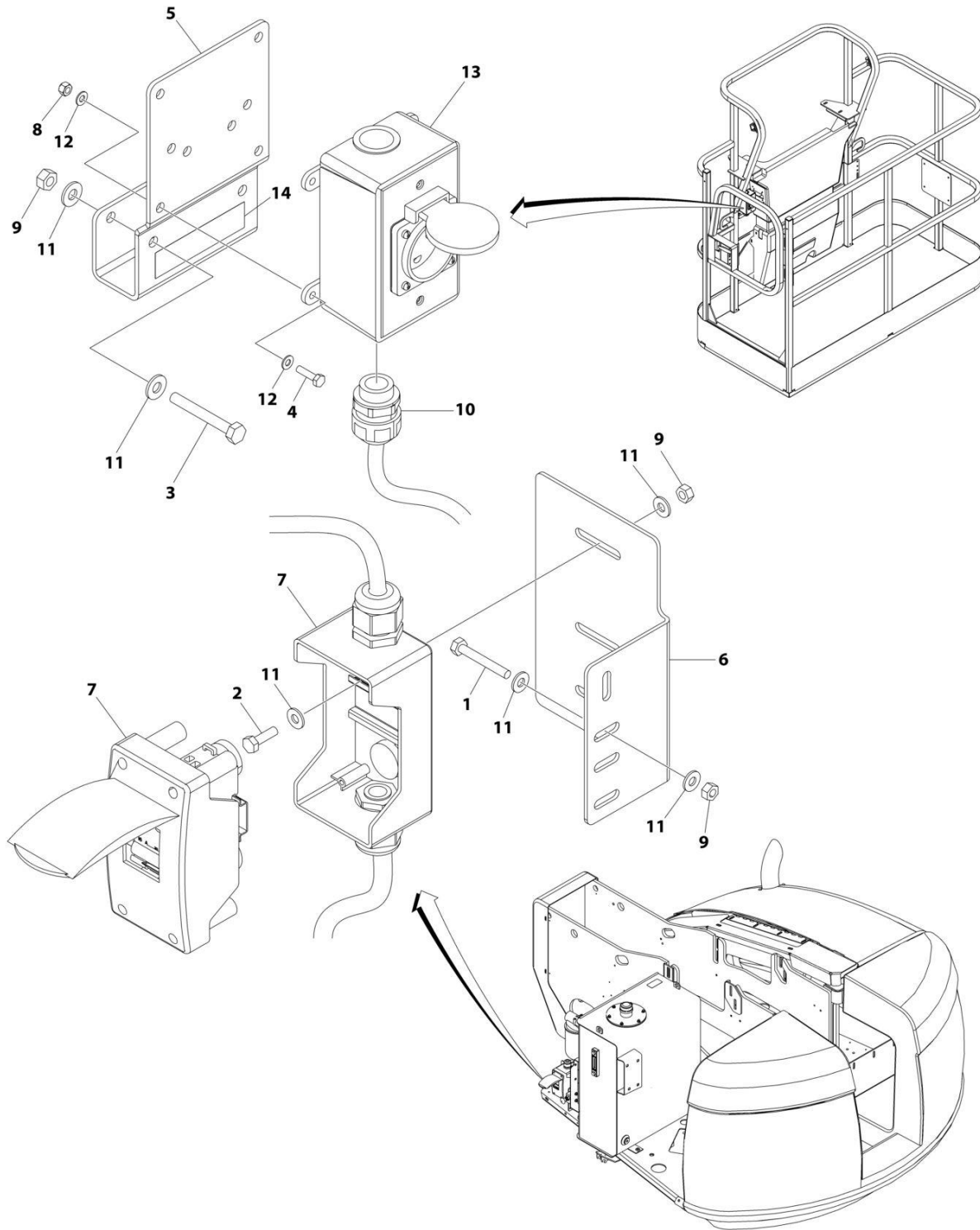
## SECTION 8 - ELECTRICAL

**FIGURE 8-19. AC BOX AT PLATFORM INSTALLATION - 220V AFSINT 107 (CE SPECS)**

ITEM	PART NUMBER	QTY	DESCRIPTION	REV
	0275660	Ref	AC BOX AT PLATFORM INSTALLATION - 220V AFSINT 107	G
1	0275454	1	Receptacle Box Kit (See Separate Breakdown in this Section)	
2	0641415	2	Bolt 1/4 x 1-7/8	
3	0641407	2	Bolt 1/4 x 7/8	
4	0641416	2	Bolt 1/4 x 2	
5	0700408	4	Bolt M4 x 16	
6	1001193018	1	Bracket	
7	1001153636	1	Bracket	
8	1001096070	1	Breaker Box Kit (See Separate Breakdown in this Section)	
9	3290405	4	Nut M4	
10	3311405	6	Nut 1/4	
11	4460662	1	Connector, Strain Relief	
12	4711400	12	Washer 1/4	
13	4811400	8	Washer M4	
14	3252507	1	Decal - 240V-50/60Hz	

# SECTION 8 - ELECTRICAL

FIGURE 8-20. AC BOX AT PLATFORM INSTALLATION - 220V AFSINT 107 (CE SPECS) (2500W GENERATOR)



ART\_1001100399

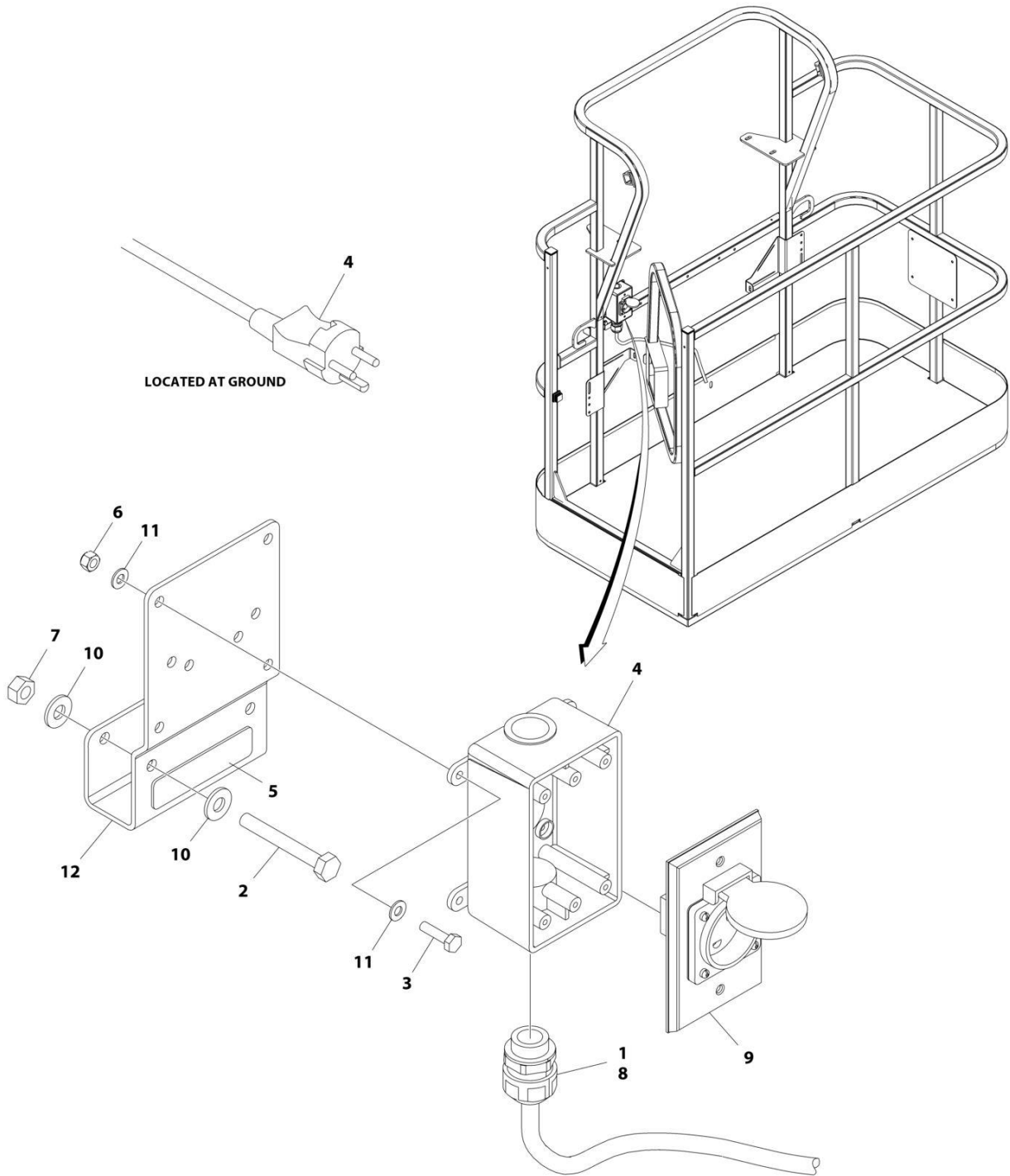
## SECTION 8 - ELECTRICAL

**FIGURE 8-20. AC BOX AT PLATFORM INSTALLATION - 220V AFSINT 107 (CE SPECS) (2500W GENERATOR)**

ITEM	PART NUMBER	QTY	DESCRIPTION	REV
	1001100399	Ref	AC BOX AT PLATFORM INSTALLATION	G
1	0641415	2	Bolt 1/4 x 1-7/8	
2	0641407	2	Bolt 1/4 x 7/8	
3	0641416	2	Bolt 1/4 x 2	
4	0700408	4	Bolt M4 x 16	
5	1001193018	1	Bracket	
6	1001153636	1	Bracket	
7	1001109554	1	Breaker Box Kit (See Separate Breakdown in this Section)	
8	3290405	4	Nut M4	
9	3311405	6	Nut 1/4	
10	4460662	1	Connector, Strain Relief	
11	4711400	12	Washer 1/4	
12	4811400	8	Washer M4	
13	1001100346	1	Receptacle Box Kit (See Separate Breakdown in this Section)	
14	3252507	1	Decal - 240V-50/60Hz	

# SECTION 8 - ELECTRICAL

**FIGURE 8-21. AC BOX AT PLATFORM INSTALLATION - 220V AFSINT 107 KEYED GROUND (2X4 BOX) (CE SPECS) (4000W GENERATOR)**



ART\_1001194200



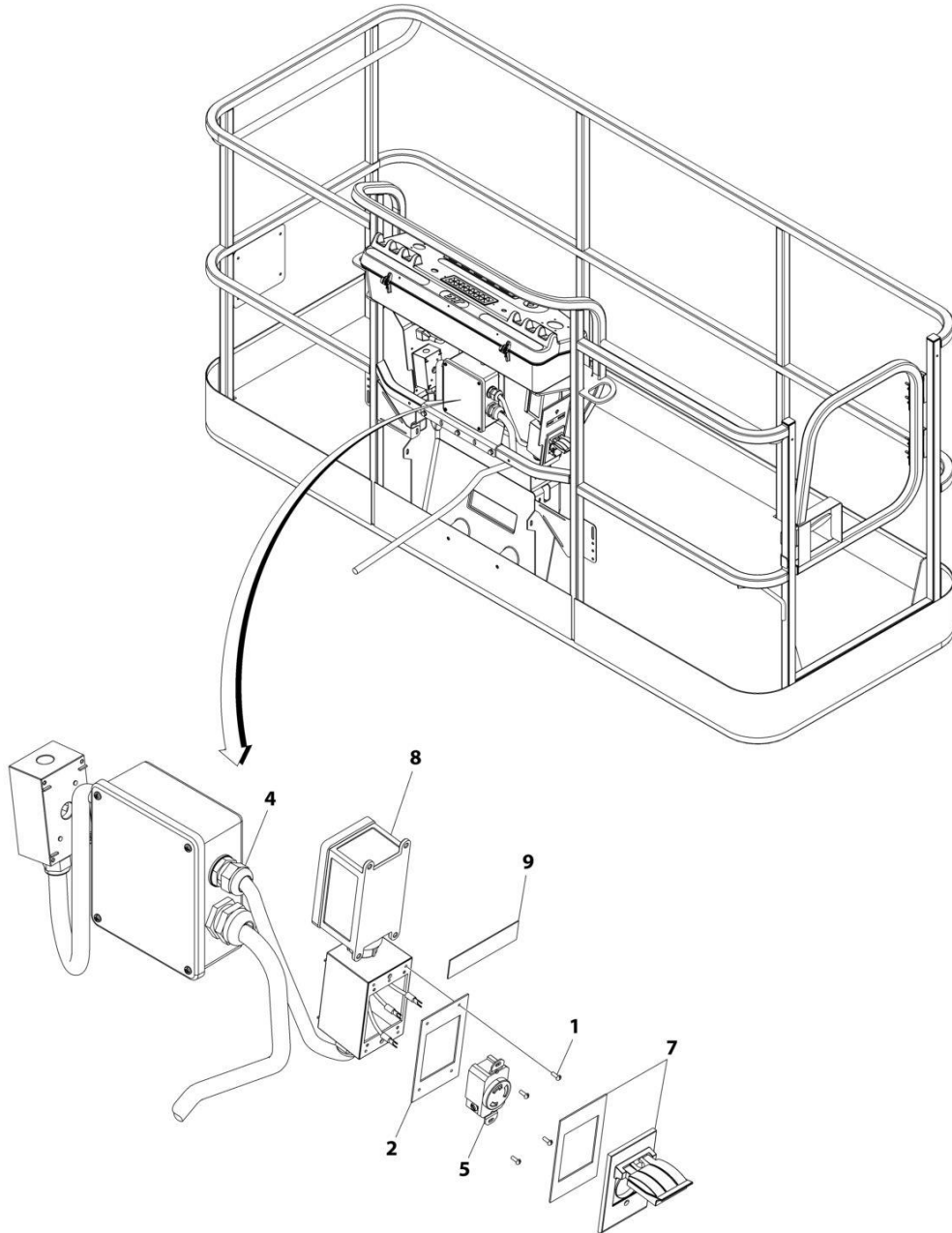
## SECTION 8 - ELECTRICAL

**FIGURE 8-21. AC BOX AT PLATFORM INSTALLATION - 220V AFSINT 107 KEYED GROUND (2X4 BOX) (CE SPECS) (4000W GENERATOR)**

ITEM	PART NUMBER	QTY	DESCRIPTION	REV
	1001194200	Ref	AC BOX AT PLATFORM INSTALLATION	B
1	0100020	AR	Sealant, Pipe	
2	0641416	2	Bolt 1/4 x 2	
3	0700408	4	Bolt M4 x 16	
4	0861731	1	Box, Switch	
5	3251242	1	Decal - 240V/50Hz	
6	3290405	4	Nut M4	
7	3311405	2	Nut 1/4	
8	4460662	1	Connector, Strain Relief	
9	4461246	1	Receptacle	
10	4711400	4	Washer 1/4	
11	4811400	8	Washer M4	
12	1001193018	1	Bracket, AC Receptacle	
13	1001205958	1	Terminal (Not Shown)	

## SECTION 8 - ELECTRICAL

**FIGURE 8-22. AC BOX AT PLATFORM INSTALLATION - 240V GFCI RECEPTACLE (ANSI, ANSI EXPORT, CHINA, CSA AND JAPANESE SPECS WITH 4000W SKYPOWER GENERATOR)**



ART\_1001171131

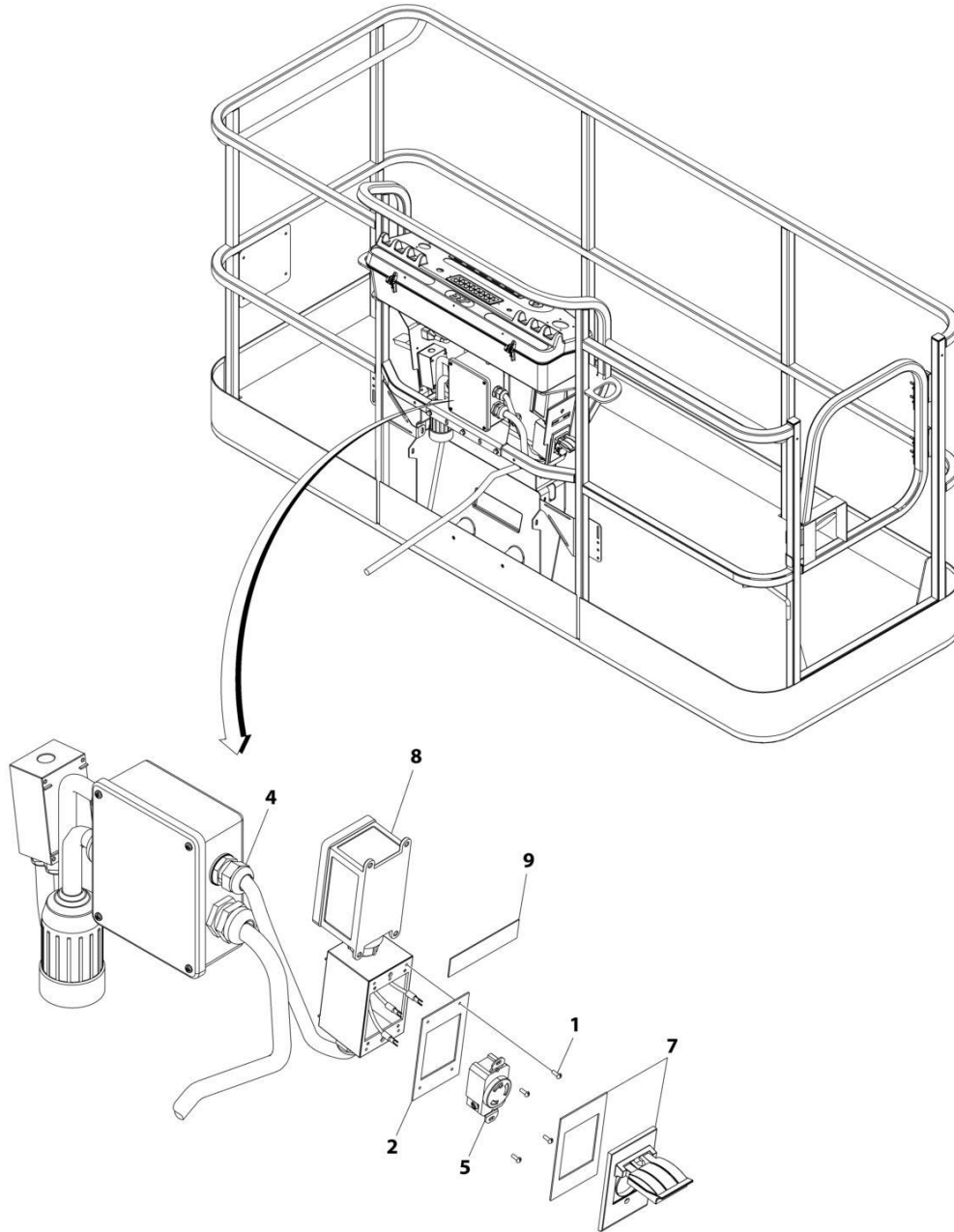
## SECTION 8 - ELECTRICAL

**FIGURE 8-22. AC BOX AT PLATFORM INSTALLATION - 240V GFCI RECEPTACLE (ANSI, ANSI EXPORT, CHINA, CSA AND JAPANESE SPECS WITH 4000W SKYPOWER GENERATOR)**

ITEM	PART NUMBER	QTY	DESCRIPTION	REV
	1001171131	Ref	AC BOX AT PLATFORM INSTALLATION - 240V RECEPTACLE	B
1	3910606	4	Screw 6 x 3/8	
2	3960422	1	Gasket	
3	4240018	AR	Tie-Strap (Not Shown)	
4	4460425	1	Connector, Strain Relief	
5	1001176862	1	Receptacle	
7	1001110872	1	Cover, Receptacle	
8	1001159120	1	Receptacle/Breaker Box Assembly	
8	1001148675	1	Box, Receptacle	
8	1001159118	1	Breaker GFCI 30Amp 240VAC	
8	4460612	1	Connector, Strain Relief	
8	1001159119	1	Connector (Between Boxes)	
9	1705374	1	Decal - 240V/60Hz	

## SECTION 8 - ELECTRICAL

FIGURE 8-23. AC BOX AT PLATFORM INSTALLATION - 240V GFCI RECEPTACLE (ANSI AND CSA SPECS WITH 7500W SKYPOWER GENERATOR)



ART\_1001159121

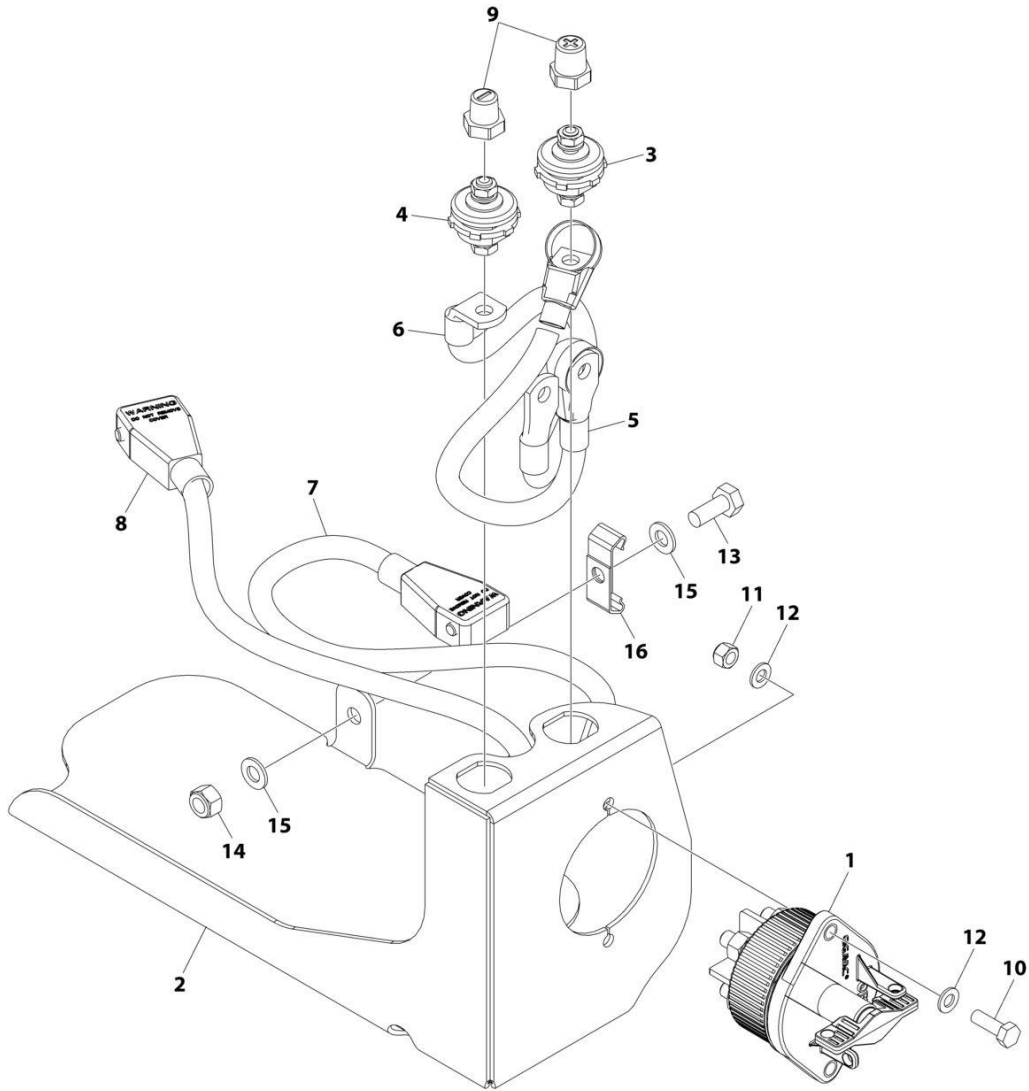
## SECTION 8 - ELECTRICAL

**FIGURE 8-23. AC BOX AT PLATFORM INSTALLATION - 240V GFCI RECEPTACLE (ANSI AND CSA SPECS WITH 7500W SKYPOWER GENERATOR)**

ITEM	PART NUMBER	QTY	DESCRIPTION	REV
	1001159121	Ref	AC BOX AT PLATFORM INSTALLATION - 240V RECEPTACLE	B
1	3910606	4	Screw 6 x 3/8	
2	3960422	1	Gasket	
3	4240018	AR	Tie-Strap (Not Shown)	
4	4460425	1	Connector, Strain Relief	
5	4460958	1	Receptacle	
7	1001110872	1	Cover, Receptacle	
8	1001159120	1	Receptacle/Breaker Box Assembly	
8	1001148675	1	Box, Receptacle	
8	1001159118	1	Breaker Box Assembly	
8	4460612	1	Connector, Strain Relief	
8	1001159119	1	Connector (Between Boxes)	
9	1705374	1	Decal - 240V/60Hz	

# SECTION 8 - ELECTRICAL

## FIGURE 8-24. BATTERY DISCONNECT SWITCH INSTALLATION – DEUTZ D2011 ENGINES



ART\_1001214396

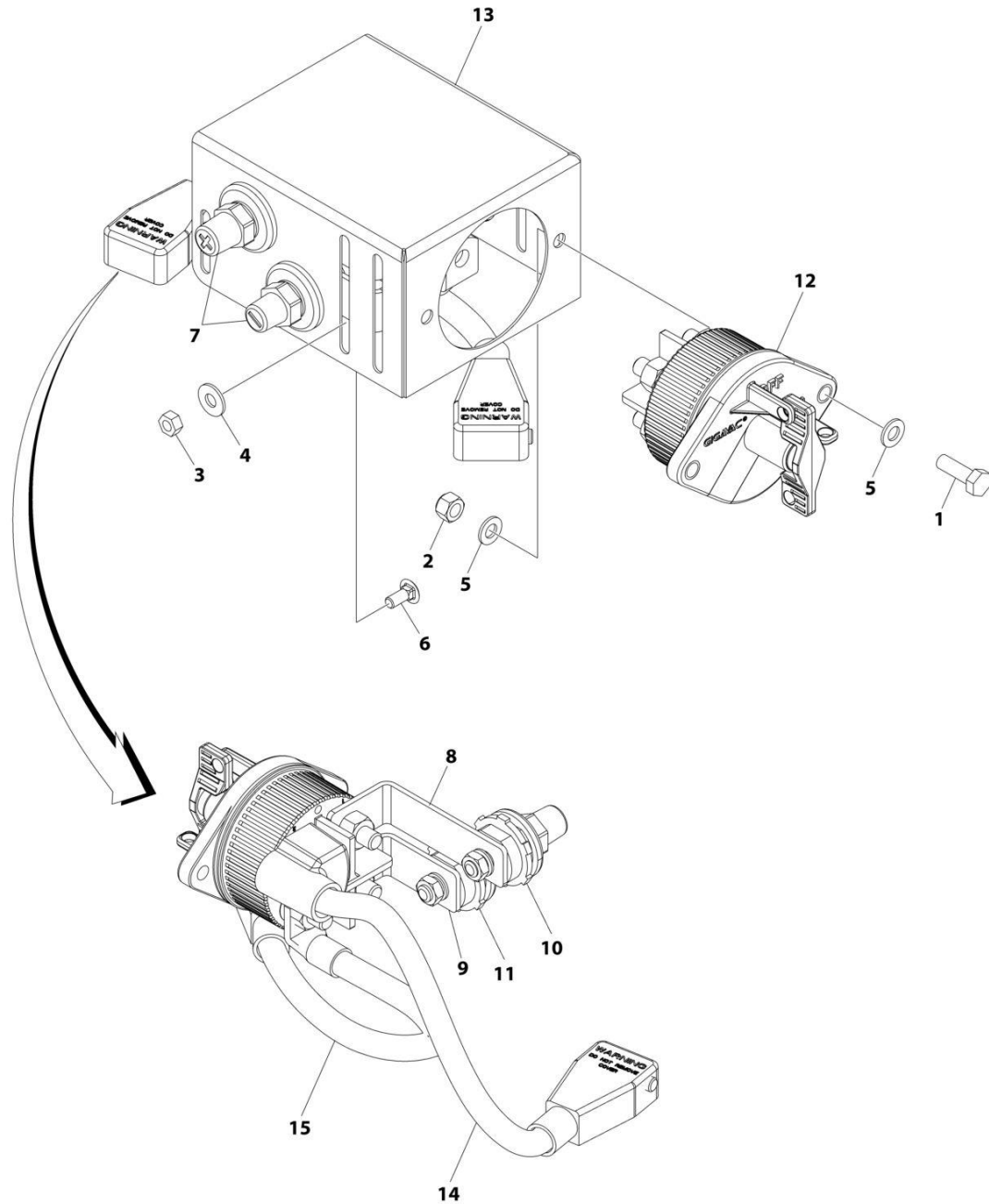
## SECTION 8 - ELECTRICAL

**FIGURE 8-24. BATTERY DISCONNECT SWITCH INSTALLATION – DEUTZ D2011 ENGINES**

ITEM	PART NUMBER	QTY	DESCRIPTION	REV
	1001214396	Ref	BATTERY DISCONNECT SWITCH INSTALLATION	B
1	1001225346	1	Switch	
2	1001226529	1	Mount	
3	1001214570	1	Connector (Red)	
4	1001214571	1	Connector (Black)	
5	1001236375	1	Cable (Positive)	
6	1001236376	1	Cable (Negative)	
7	1001236377	1	Cable (Positive)	
8	1001236378	1	Cable (Negative)	
9	1001206476	1	Connector	
10	0760812	2	Bolt M8 x 25	
11	3290805	2	Nut M8	
12	4811900	4	Washer M8	
13	0761012	1	Bolt M10 x 25	
14	3291005	1	Nut M10	
15	4812000	2	Washer M10	
16	1320223	2	Clamp	

## SECTION 8 - ELECTRICAL

FIGURE 8-25. BATTERY DISCONNECT SWITCH INSTALLATION (DEUTZ TD2.9L4, DEUTZ D2.9L4, DEUTZ TD2.2L3 STAGE V AND FORD DF2.5L ENGINES) (USA BUILT MACHINES)



ART\_1001236304



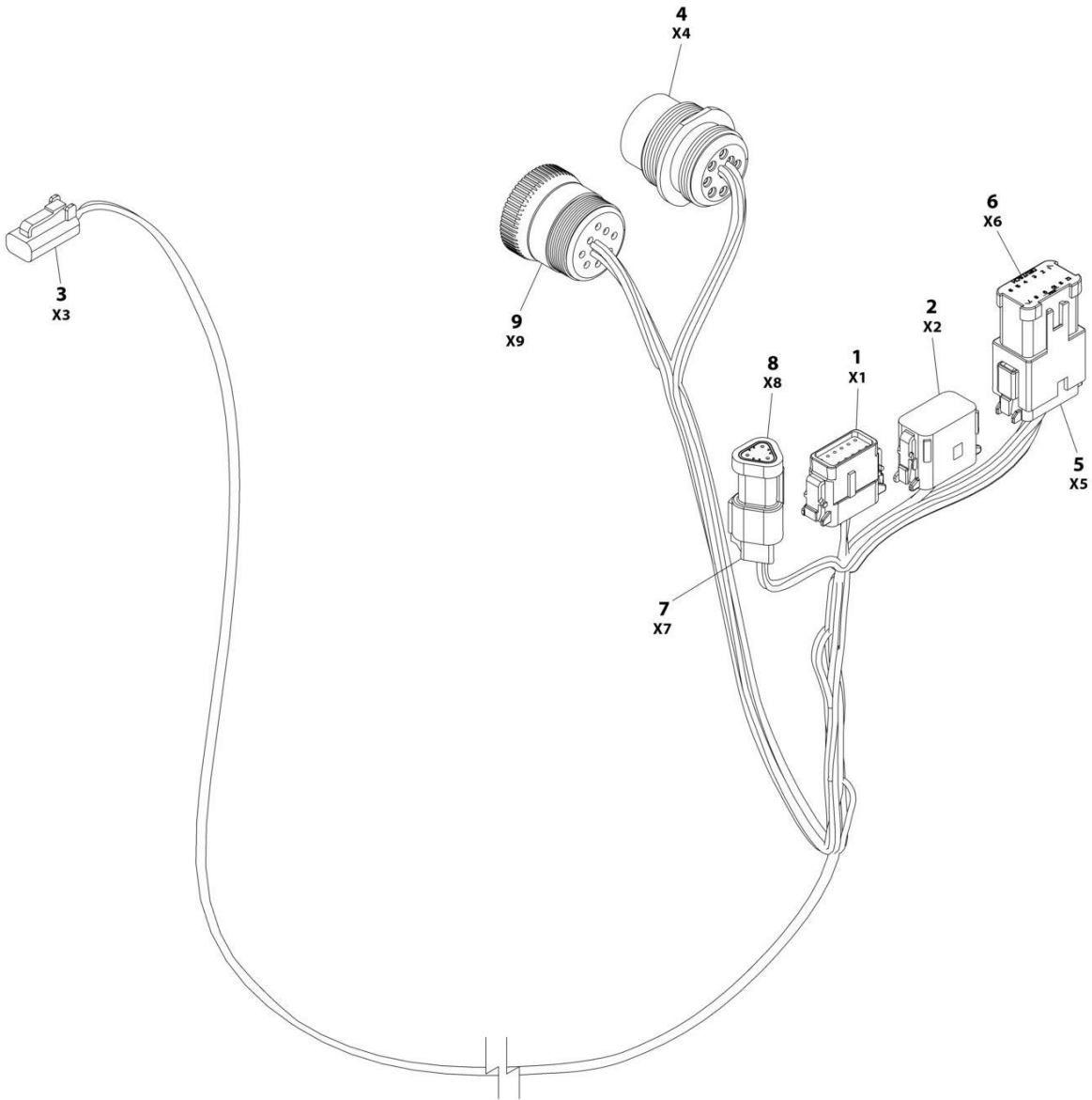
## SECTION 8 - ELECTRICAL

**FIGURE 8-25. BATTERY DISCONNECT SWITCH INSTALLATION (DEUTZ TD2.9L4, DEUTZ D2.9L4, DEUTZ TD2.2L3 STAGE V AND FORD DF2.5L ENGINES) (USA BUILT MACHINES)**

ITEM	PART NUMBER	QTY	DESCRIPTION	REV
	1001236304	Ref	BATTERY DISCONNECT SWITCH INSTALLATION	A
1	0760812	2	Bolt M8 x 25	
2	3290805	2	Nut M8	
3	3311405	3	Nut 1/4	
4	4751400	3	Washer 1/4	
5	4811900	4	Washer M8	
6	88411013	3	Bolt 1/4 x 3/4	
7	1001206476	1	Connectors, Post	
8	1001209432	1	Bussbar	
9	1001209474	1	Bussbar	
10	1001214570	1	Connector (Red)	
11	1001214571	1	Connector (Black)	
12	1001225346	1	Switch, Battery	
13	1001226531	1	Mount	
14	1001236504	1	Cable, Battery (+)	
15	1001236505	1	Cable, Battery (-)	

# SECTION 8 - ELECTRICAL

## FIGURE 8-26. BEACON LIGHT HARNESS (BLUE AND RED BEACON LIGHT)



ART\_1001142736

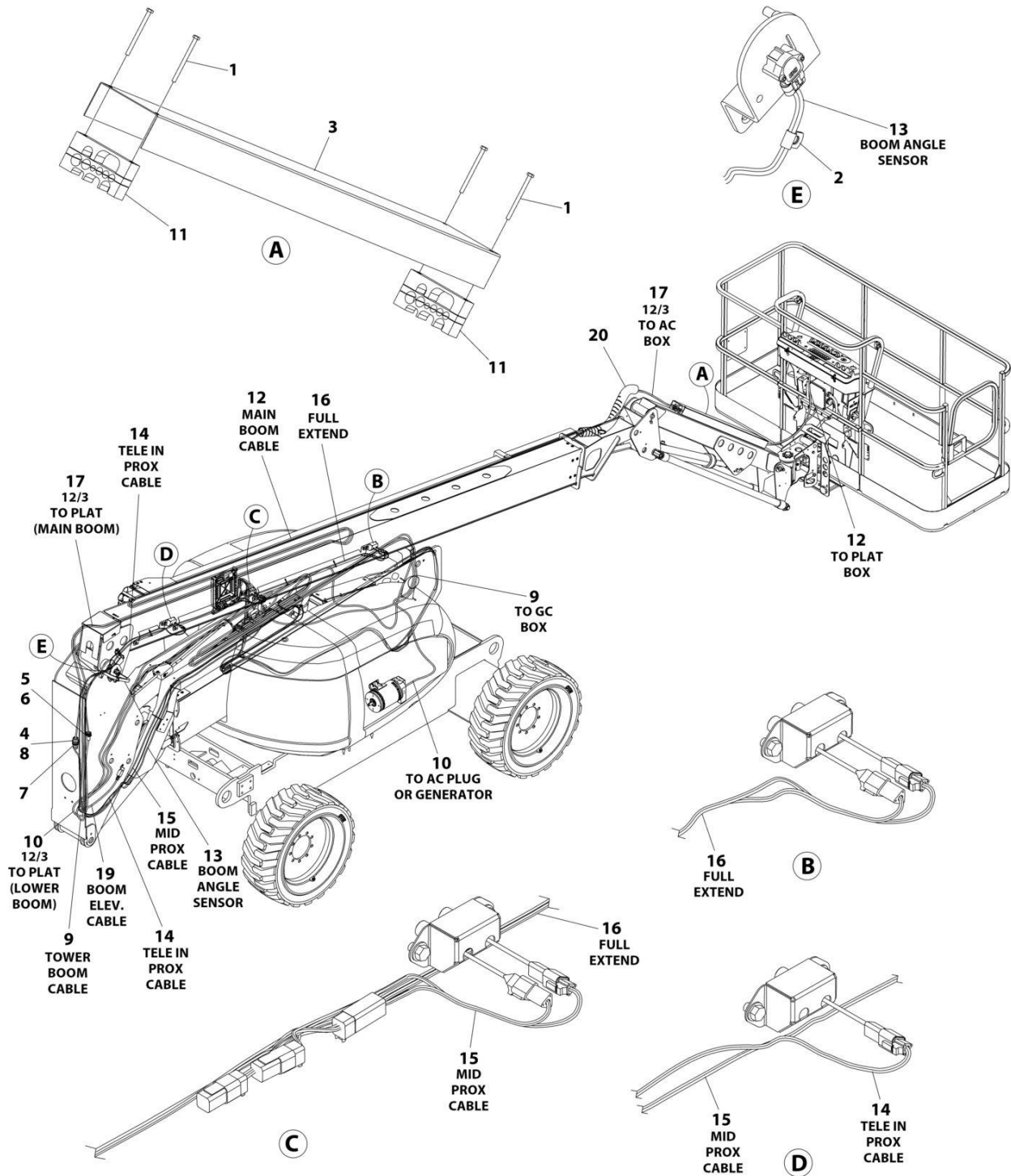
## SECTION 8 - ELECTRICAL

**FIGURE 8-26. BEACON LIGHT HARNESS (BLUE AND RED BEACON LIGHT)**

ITEM	PART NUMBER	QTY	DESCRIPTION	REV
	1001142736	Ref	STROBE LIGHT HARNESS	F
1	1001116808	1	Plug, Male - 12 Position	
1	4460928	3	Socket, Female	
1	4460518	9	Plug, Terminal	
2	1001116774	1	Plug, Male - 12 Position	
2	4460928	3	Socket, Female	
2	4460518	9	Plug, Terminal	
3	4460891	1	Plug, Male - 2 Position	
3	4460465	2	Socket, Female	
4	1001112612	1	Connector - 9 Position	
4	4460464	6	Pin, Male	
4	4460466	3	Plug, Terminal	
5	4460933	1	Plug, Male - 12 Position	
5	4460465	12	Socket, Female	
6	1001119020	1	Bussbar - 12 Position	
7	4461095	1	Plug, Male - 3 Position	
7	4460465	3	Socket, Female	
8	4461070	1	Bussbar - 3 Position	
9	1001112796	1	Connector - 9 Position	
9	4460465	6	Socket, Female	
9	4460466	3	Plug, Terminal	

# SECTION 8 - ELECTRICAL

FIGURE 8-27. BOOM CABLES INSTALLATION - WITH 2500W GENERATOR OR NO GENERATOR



ART\_1001256026

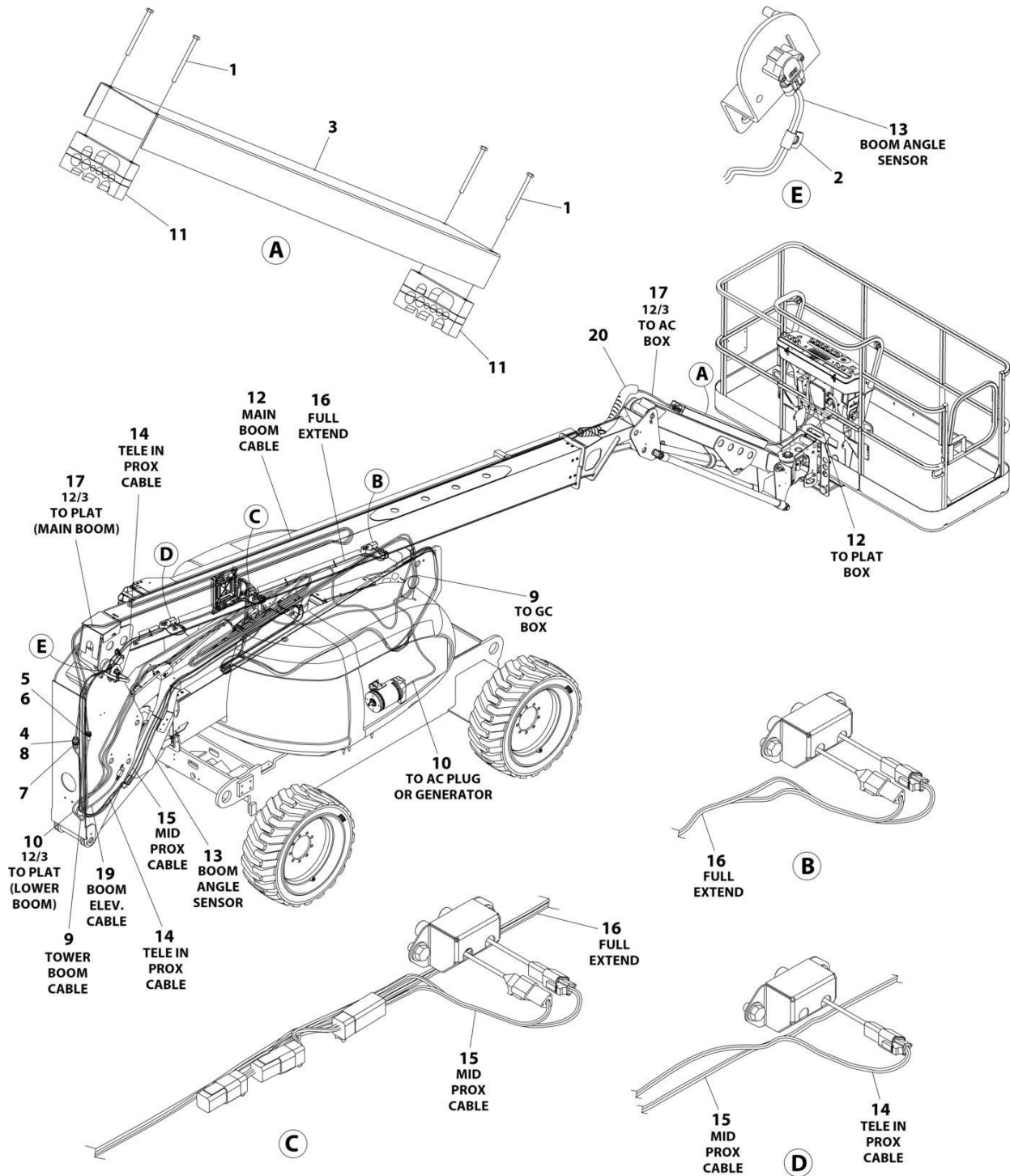
## SECTION 8 - ELECTRICAL

**FIGURE 8-27. BOOM CABLES INSTALLATION - WITH 2500W GENERATOR OR NO GENERATOR**

ITEM	PART NUMBER	QTY	DESCRIPTION	REV
	1001256026	Ref	BOOM CABLES INSTALLATION	D
1	0700624	4	Bolt M6 x 80	
2	1320263	1	Clamp	
3	1671034	1	Cover	
4	2820031	AR	Heat Shrink	
5	4460466	8	Plug, Terminal	
6	4460473	1	Clamp, Cable	
7	4460865	1	Connector - 19 Pin Plug	
8	4460866	1	Connector - 19 Pin Receptacle	
9	4922494	1	Boom Cable - Tower Boom (See Separate Breakdown in this Section)	
10	4922893	1	Cable, Electrical - 12/3 (Tower Boom)	
11	1001165350	2	Block, Clamp	
12	1001254463	1	Boom Cable - Main Boom (See Separate Breakdown in this Section)	
13	1001254465	1	Sensor, Harness - Boom Angle	
13	1001230931	1	Connector - 6 Position	
13	1001116748	6	Terminal	
14	1001254466	1	Sensor, Harness - Tele in Prox	
14	4460539	1	Plug, Male - 3 Position	
14	4460465	3	Socket, Female	
15	1001254467	1	Sensor, Harness - Mid Prox (See Separate Breakdown in this Section)	
16	1001254468	1	Sensor, Harness - Full Extension (See Separate Breakdown in this Section)	
17	1001257325	1	Cable, Electrical - 12/3 (Main Boom)	
18	4240033	1	Tie - Strap (Not Shown)	
19	1061033	1	Cable, Electrical - 18/2	
20	1001181923	1	Hose Shield	

# SECTION 8 - ELECTRICAL

## FIGURE 8-28. BOOM CABLE INSTALLATION - WITH 4000W/50HZ GENERATOR



ART\_1001256026

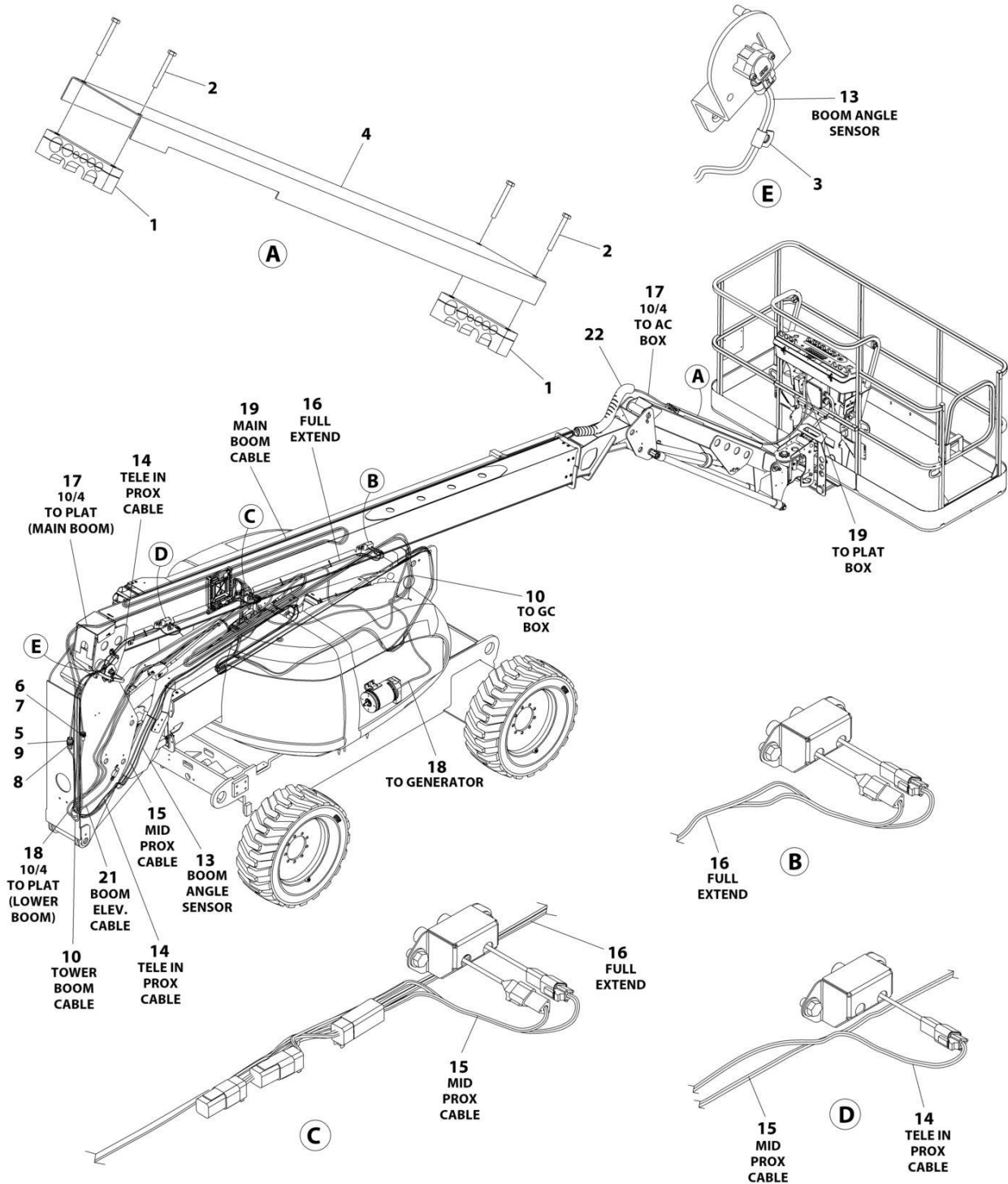
## SECTION 8 - ELECTRICAL

**FIGURE 8-28. BOOM CABLE INSTALLATION - WITH 4000W/50HZ GENERATOR**

ITEM	PART NUMBER	QTY	DESCRIPTION	REV
	1001256026	Ref	BOOM CABLES INSTALLATION	D
1	0700624	4	Bolt M6 x 80	
2	1320263	1	Clamp	
3	1671034	1	Cover	
4	2820031	AR	Heat Shrink	
5	4460466	8	Plug, Terminal	
6	4460473	1	Clamp, Cable	
7	4460865	1	Connector - 19 Pin Plug	
8	4460866	1	Connector - 19 Pin Receptacle	
9	4922494	1	Boom Cable - Tower Boom (See Separate Breakdown in this Section)	
10	4922893	1	Cable, Electrical - 12/3 (Tower Boom)	
11	1001165350	2	Block, Clamp	
12	1001254463	1	Boom Cable - Main Boom (See Separate Breakdown in this Section)	
13	1001254465	1	Sensor, Harness - Boom Angle	
13	1001230931	1	Connector - 6 Position	
13	1001116748	6	Terminal	
14	1001254466	1	Sensor, Harness - Tele in Prox	
14	4460539	1	Plug, Male - 3 Position	
14	4460465	3	Socket, Female	
15	1001254467	1	Sensor, Harness - Mid Prox (See Separate Breakdown in this Section)	
16	1001254468	1	Sensor, Harness - Full Extension (See Separate Breakdown in this Section)	
17	1001257325	1	Cable, Electrical - 12/3 (Main Boom)	
18	4240033	1	Tie - Strap (Not Shown)	
19	1061033	1	Cable, Electrical - 18/2	
20	1001181923	1	Hose Shield	

# SECTION 8 - ELECTRICAL

## FIGURE 8-29. BOOM CABLES INSTALLATION - WITH 4000W/60HZ GENERATOR



ART\_1001256028



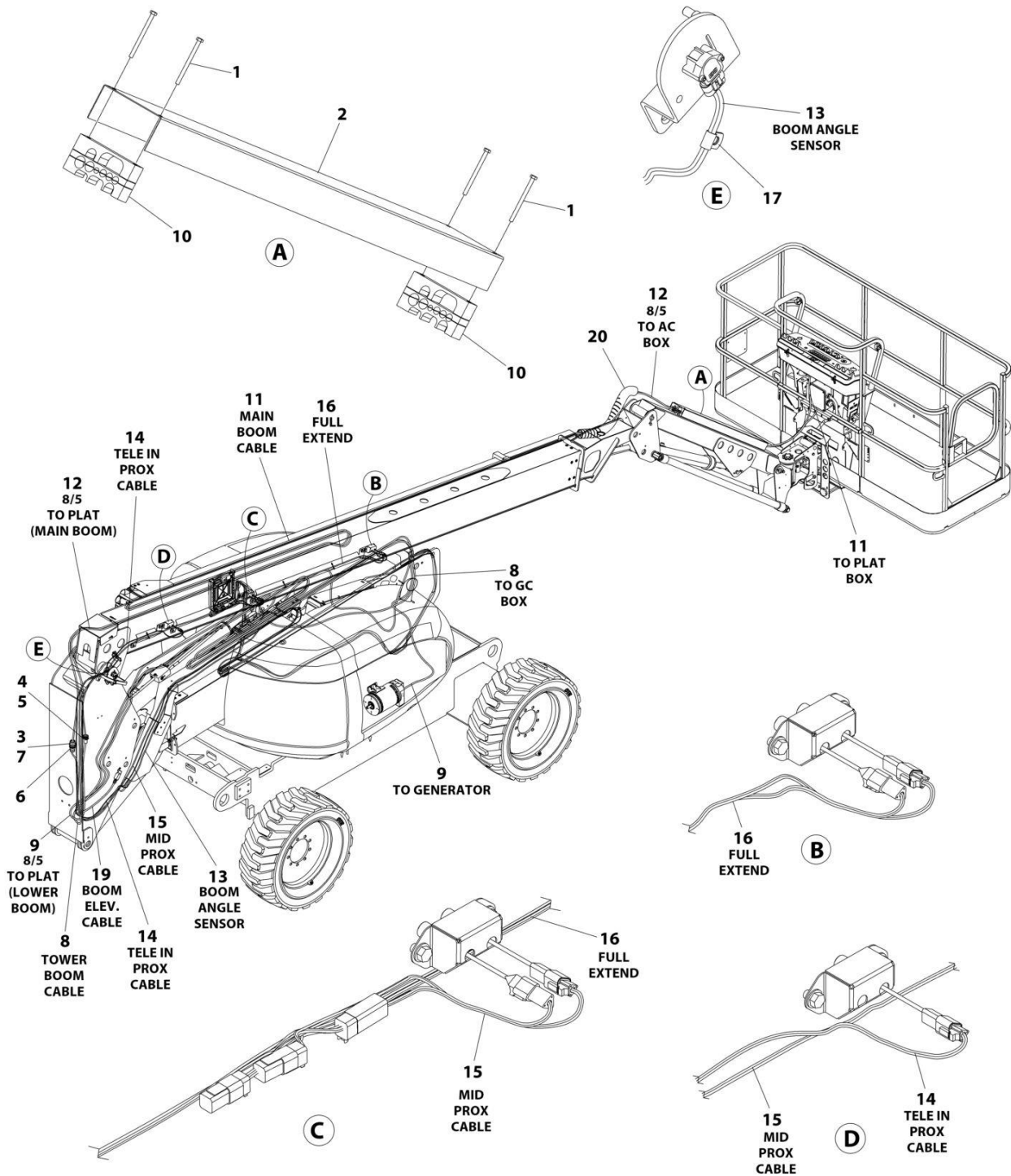
## SECTION 8 - ELECTRICAL

**FIGURE 8-29. BOOM CABLES INSTALLATION - WITH 4000W/60HZ GENERATOR**

ITEM	PART NUMBER	QTY	DESCRIPTION	REV
	1001256028	Ref	BOOM CABLES INSTALLATION	D
1	0561237	2	Block, Clamp	
2	0700618	4	Bolt M6 x 50	
3	1320263	1	Clamp	
4	1670769	1	Cover	
5	2820031	AR	Heat Shrink	
6	4460466	8	Plug, Terminal	
7	4460473	1	Clamp, Cable	
8	4460865	1	Connector - 19 Pin Plug	
9	4460866	1	Connector - 19 Pin Receptacle	
10	4922494	1	Boom Cable - Tower Boom (See Separate Breakdown in this Section)	
13	1001254465	1	Sensor, Harness - Boom Angle	
13	1001230931	1	Connector - 6 Position	
13	1001116748	6	Terminal	
14	1001254466	1	Sensor, Harness - Tele in Prox	
14	4460539	1	Plug, Male - 3 Position	
14	4460465	3	Socket, Female	
15	1001254467	1	Sensor, Harness - Mid Prox (See Separate Breakdown in this Section)	
16	1001254468	1	Sensor, Harness - Full Extension (See Separate Breakdown in this Section)	
17	1001257326	1	Cable, Electrical - 10/4 (Main Boom)	
18	1001156490	1	Cable, Electrical - 10/4 (Tower Boom)	
19	1001254463	1	Boom Cable - Main Boom (See Separate Breakdown in this Section)	
20	4240033	1	Tie - Strap (Not Shown)	
21	1061033	1	Cable, Electrical 18/2	
22	1001181923	1	Hose Shield	

# SECTION 8 - ELECTRICAL

## FIGURE 8-30. BOOM CABLE INSTALLATION - WITH 7500W GENERATOR



ART\_1001250983

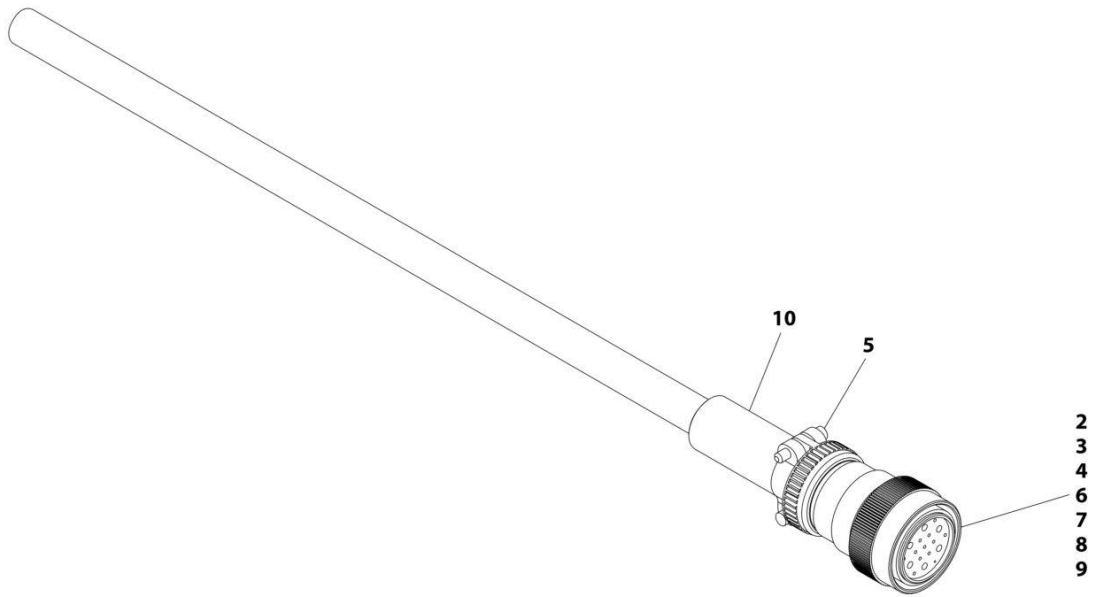
## SECTION 8 - ELECTRICAL

**FIGURE 8-30. BOOM CABLE INSTALLATION - WITH 7500W GENERATOR**

ITEM	PART NUMBER	QTY	DESCRIPTION	REV
	1001250983	Ref	BOOM CABLES INSTALLATION	D
1	0700624	4	Bolt M6 x 80	
2	1671034	1	Cover	
3	2820031	AR	Heat Shrink	
4	4460466	8	Plug, Terminal	
5	4460473	1	Clamp, Cable	
6	4460865	1	Connector - 19 Pin Plug	
7	4460866	1	Connector - 19 Pin Receptacle	
8	4922494	1	Boom Cable - Tower Boom (See Separate Breakdown in this Section)	
9	4922811	1	Cable, Electrical - 8/5 (Tower Boom)	
10	1001165350	2	Block, Clamp	
11	1001254463	1	Boom Cable - Main Boom (See Separate Breakdown in this Section)	
12	1001254464	1	Cable, Electrical - 8/5 (Main Boom)	
13	1001254465	1	Sensor, Harness - Boom Angle	
13	1001230931	1	Connector - 6 Position	
13	1001116748	6	Terminal	
14	1001254466	1	Sensor, Harness - Tele in Prox	
14	4460539	1	Plug, Male - 3 Position	
14	4460465	3	Socket, Female	
15	1001254467	1	Sensor, Harness - Mid Prox (See Separate Breakdown in this Section)	
16	1001254468	1	Sensor, Harness - Full Extension (See Separate Breakdown in this Section)	
17	1320263	1	Clamp	
18	4240033	1	Tie - Strap (Not Shown)	
19	1061033	1	Cable, Electrical 18/2	
20	1001181923	1	Hose Shield	

# SECTION 8 - ELECTRICAL

## FIGURE 8-31. BOOM CABLE - MAIN BOOM



ART\_1001254463

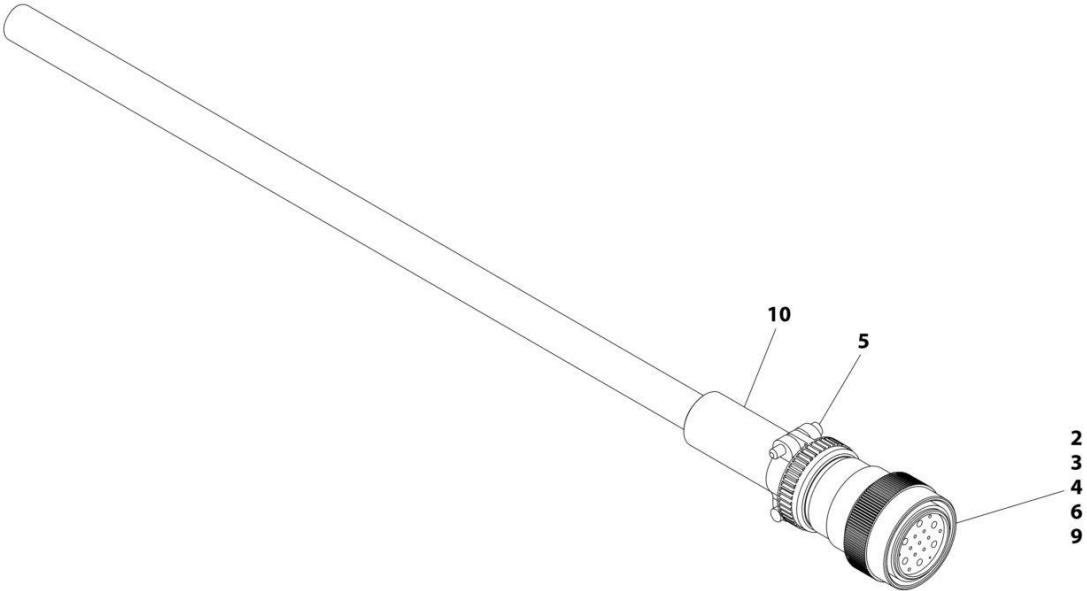
## SECTION 8 - ELECTRICAL

### FIGURE 8-31. BOOM CABLE - MAIN BOOM

ITEM	PART NUMBER	QTY	DESCRIPTION	REV
	1001254463	Ref	BOOM CABLE - MAIN BOOM	A
2	4460465	11	Socket, Female	
3	4460865	1	Connector - 19 Position	
4	4460509	4	Socket, Female	
5	4460473	1	Clamp	
6	4460466	4	Plug, Terminal	
7	4460464	11	Pin, Male	
8	4460508	4	Pin, Male	
9	2820118	AR	Heatshrink, Clear	
10	1001226400	1	Insulate, Heatshrink	

**SECTION 8 - ELECTRICAL**

**FIGURE 8-32. BOOM CABLE - TOWER BOOM (WITHOUT ARCTIC PACKAGE)**



ART\_4922494

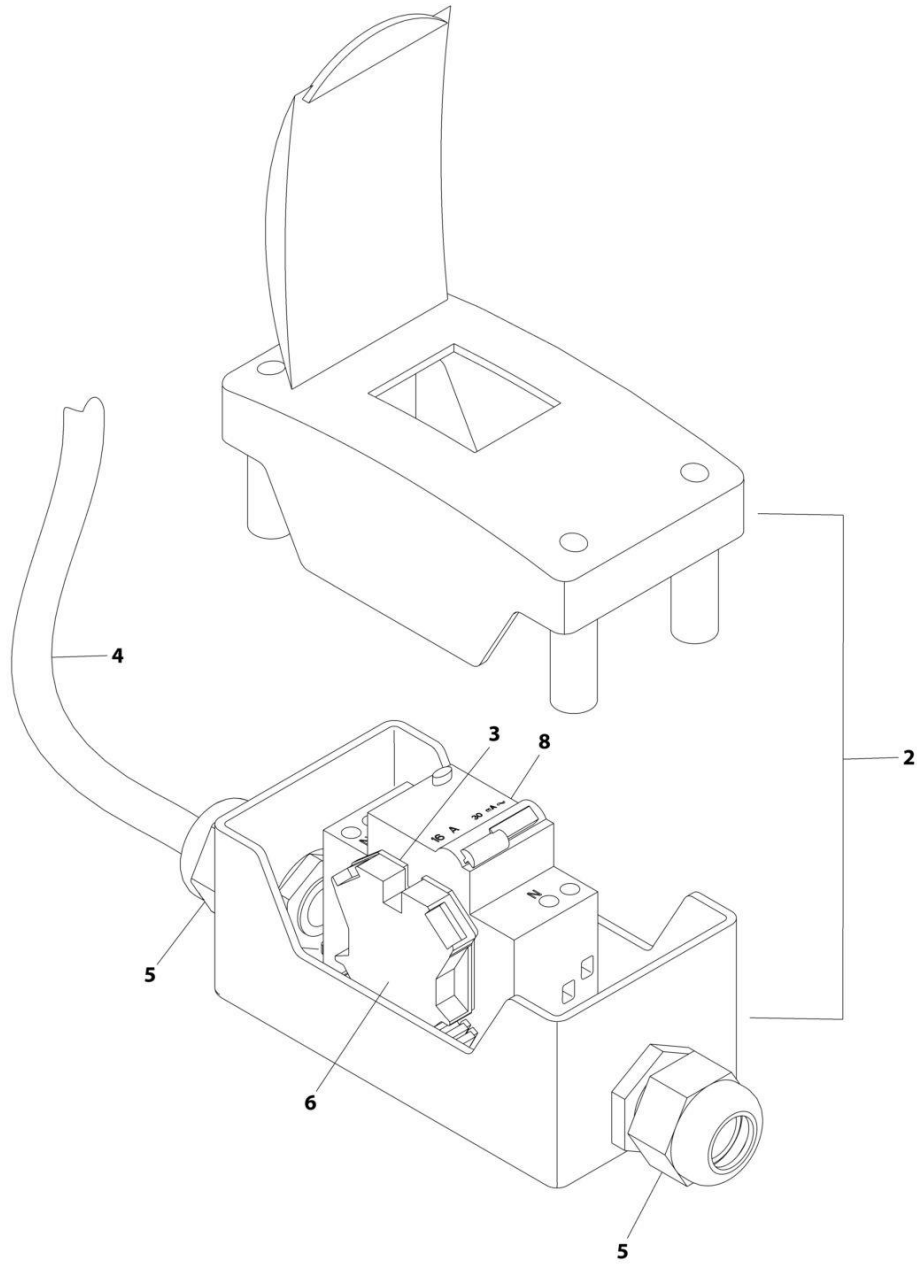
## SECTION 8 - ELECTRICAL

**FIGURE 8-32. BOOM CABLE - TOWER BOOM (WITHOUT ARCTIC PACKAGE)**

ITEM	PART NUMBER	QTY	DESCRIPTION	REV
	4922494	Ref	BOOM CABLE - TOWER BOOM	C
2	4460465	22	Socket, Female	
3	4460865	1	Connector - 19 Position	
4	4460509	8	Socket, Female	
5	4460473	1	Clamp	
6	4460466	4	Plug, Terminal	
9	2820118	AR	Heatshrink, Clear	
10	1001226400	1	Insulate, Heatshrink	

# SECTION 8 - ELECTRICAL

## FIGURE 8-33. BREAKER BOX KIT - SINGLE DOUBLE POLE BREAKER (WITH 4000W/50HZ GENERATOR)



ART\_1001096070



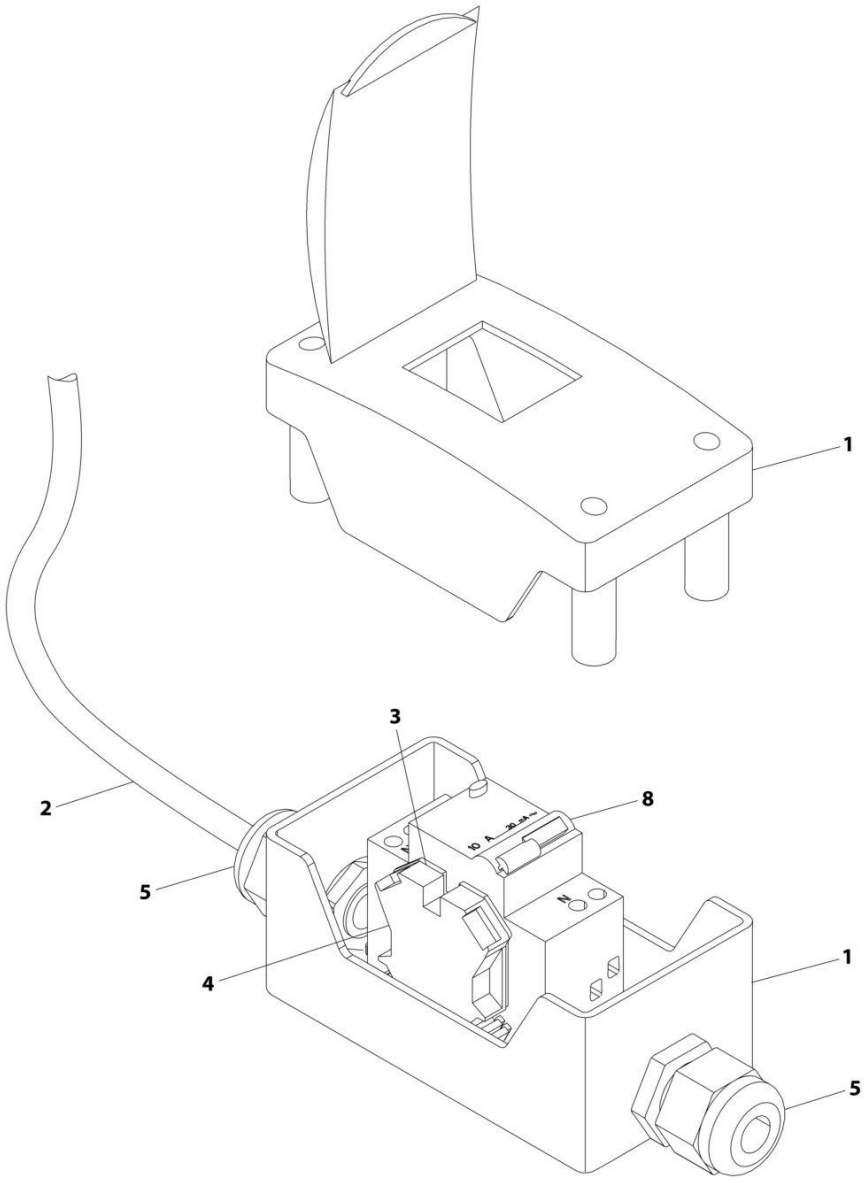
## SECTION 8 - ELECTRICAL

**FIGURE 8-33. BREAKER BOX KIT - SINGLE DOUBLE POLE BREAKER (WITH 4000W/50HZ GENERATOR)**

ITEM	PART NUMBER	QTY	DESCRIPTION	REV
	1001096070	Ref	BREAKER BOX KIT	E
2	0861880	1	Box	
3	4460956	1	Barrier, Terminal Block End	
4	1060908	12 ft/ 3.6m	Cable, 12/3	
5	1001097150	2	Connector, Strain Relief	
6	4460957	1	Block, Terminal	
8	1001181045	1	Breaker, 16Amp	

**SECTION 8 - ELECTRICAL**

**FIGURE 8-34. BREAKER BOX KIT - 30MA/16 AMP (WITH GENERATOR)**



ART\_1001109554

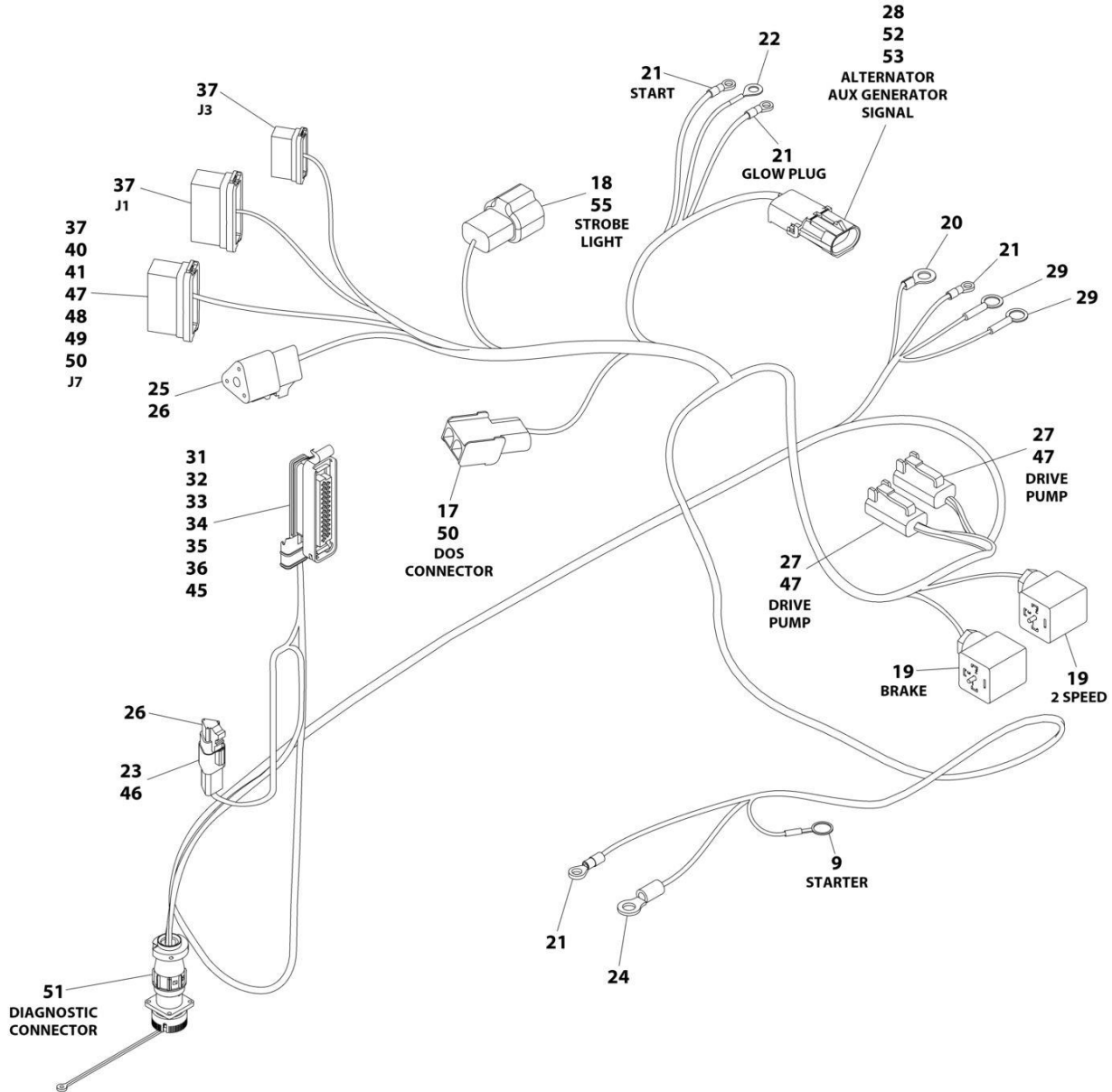
## SECTION 8 - ELECTRICAL

**FIGURE 8-34. BREAKER BOX KIT - 30MA/16 AMP (WITH GENERATOR)**

ITEM	PART NUMBER	QTY	DESCRIPTION	REV
	1001109554	Ref	BREAKER BOX KIT - 30mA/16 AMP	C
1	0861880	1	Box, Breaker	
2	1060908	12 ft /3.6m	Cable, Electrical 12/3	
3	4460956	1	Barrier, Terminal Block End	
4	4460957	1	Block, Terminal	
5	1001097150	2	Connector, Strain Relief	
8	1001181046	1	Breaker, Double 30mA/16Amp	

# SECTION 8 - ELECTRICAL

## FIGURE 8-35. ENGINE HARNESS ASSEMBLY (DEUTZ D2011 ENGINES)



ART\_1001191868

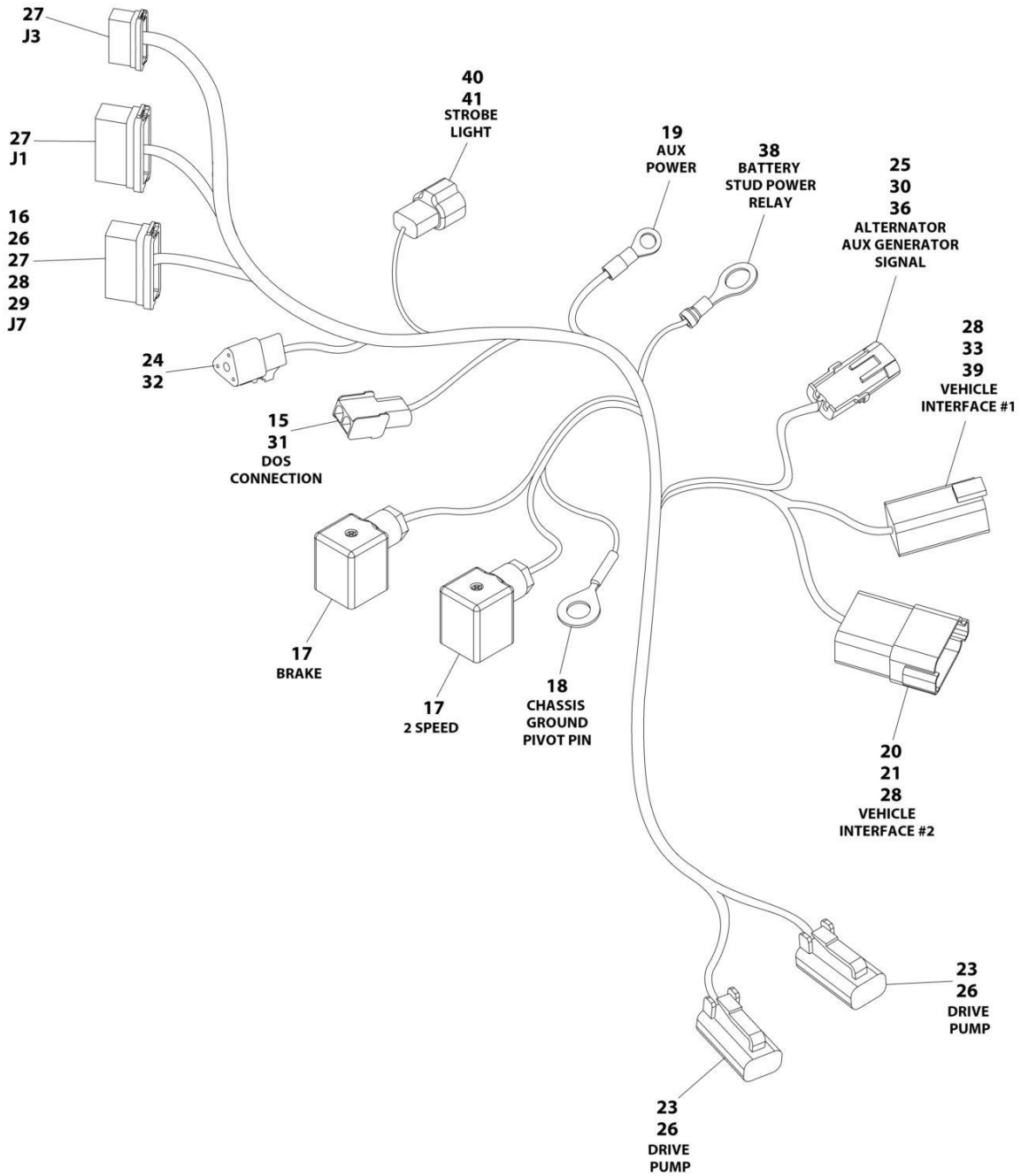
## SECTION 8 - ELECTRICAL

**FIGURE 8-35. ENGINE HARNESS ASSEMBLY (DEUTZ D2011 ENGINES)**

ITEM	PART NUMBER	QTY	DESCRIPTION	REV
	1001191868	Ref	ENGINE HARNESS - DEUTZ D2011 ENGINES	C
9	4460142	1	Terminal, Ring	
17	4460424	1	Connector - 2 Position	
18	4460464	2	Pin, Male	
19	1001263923	2	DIN Connector without Diode	
20	4460312	1	Terminal, Ring	
21	4460313	4	Terminal, Ring	
22	4460019	1	Terminal, Ring	
23	4461070	1	Connector with Resistor - 3 Position	
24	4460043	1	Terminal, Ring	
25	4460539	1	Connector - 3 Position	
26	4460944	6	Socket, Female	
27	4460891	2	Connector - 2 Position	
28	4460458	6	Seal, Terminal	
29	4460256	2	Terminal, Ring	
31	4461052	1	Connector - 25 Position	
32	4461005	5	Terminal	
33	4461060	2	Terminal	
34	4461006	5	Seal, Terminal	
35	4461054	2	Seal, Terminal	
36	4461008	18	Plug, Terminal	
37	4460871	10	Socket, Female	
40	4460464	1	Pin, Male	
41	4460887	1	Pin, Male	
45	4461053	1	Cover, Plug	
46	4461095	1	Connector - 3 Position	
47	4460465	6	Socket, Female	
48	4460259	1	Terminal	
49	4460260	1	Housing, Terminal	
50	4460226	2	Socket, Female	
51	2902443	1	Receptacle Kit	
51	4461071	8	Socket, Female	
51	4461072	1	Receptacle with Flange - 8 Position	
51	4461073	1	Cap, Dust	
51	4461074	1	Shell, Black	
52	4461157	1	Connector - 2 Position	
53	4460979	2	Pin, Male	
55	4460897	1	Connector - 2 Position	

# SECTION 8 - ELECTRICAL

## FIGURE 8-36. ENGINE HARNESS ASSEMBLY (DEUTZ TD2.9L4 & DEUTZ DT2.2L3 STAGE V ENGINES)



ART\_1001191866

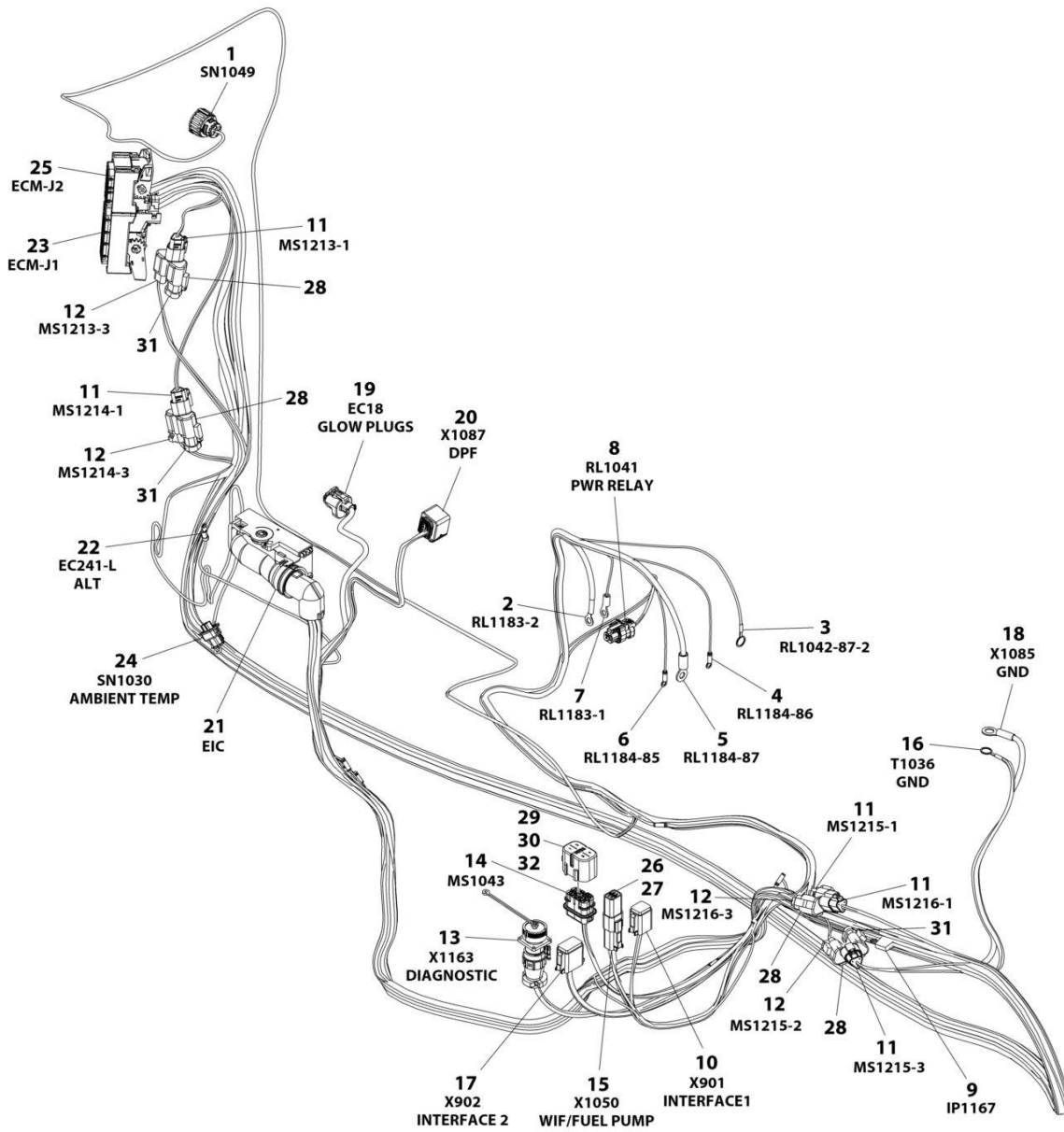
## SECTION 8 - ELECTRICAL

**FIGURE 8-36. ENGINE HARNESS ASSEMBLY (DEUTZ TD2.9L4 & DEUTZ DT2.2L3 STAGE V ENGINES)**

ITEM	PART NUMBER	QTY	DESCRIPTION	REV
	1001191866	Ref	ENGINE HARNESS	D
15	4460424	1	Connector - 2 Position	
16	4460268	1	Socket, Female	
17	1001263923	2	DIN Connector without Diode	
18	4460019	1	Terminal, Ring	
19	4460313	1	Terminal, Ring	
20	4460931	1	Connector - 8 Position	
21	4460466	4	Plug, Terminal	
23	4460891	2	Connector - 2 Position	
24	4460539	1	Connector - 3 Position	
25	4460458	2	Seal, Terminal	
26	4460465	7	Socket, Female	
27	4460871	11	Socket, Female	
28	4460464	8	Pin, Male	
29	4460887	1	Pin, Male	
30	4461157	1	Connector - 2 Position	
31	4460226	2	Socket, Female	
32	4460944	3	Socket, Female	
33	4460899	1	Connector - 6 Position	
36	4460979	2	Pin, Male	
38	4460738	1	Terminal, Ring	
39	4460943	3	Pin, Male	
40	4460897	1	Connector - 2 Position	
41	1001116693	2	Pin, Male	

# SECTION 8 - ELECTRICAL

## FIGURE 8-37. ENGINE HARNESS - DEUTZ TD2.2L3 ENGINES



ART\_1001253798



## SECTION 8 - ELECTRICAL

**FIGURE 8-37. ENGINE HARNESS - DEUTZ TD2.2L3 ENGINES**

ITEM	PART NUMBER	QTY	DESCRIPTION	REV
	1001253798	Ref	ENGINE HARNESS	D
1	1001133714	1	Connector - 4 Position	
1	1001133715	3	Terminal	
1	1001135651	1	Plug, Terminal	
1	1001135650	3	Seal	
2	1001117106	1	Terminal, Ring	
3	4460703	1	Terminal, Ring	
4	4460247	1	Terminal, Ring	
5	1001117107	1	Terminal, Ring	
6	4460247	1	Terminal, Ring	
7	4460043	1	Terminal, Ring	
8	1001116952	1	Plug, Male - 2 Position	
8	4460465	2	Socket, Female	
9	1001170764	1	Holder, Fuse	
9	1001197719	1	Resistor 0.5 Watt	
10	4460894	1	Plug, Male - 6 Position	
10	4460465	2	Socket, Female	
10	4460944	2	Socket, Female	
10	4460466	2	Plug, Terminal	
11	1001116812	5	Connector, 3 Position	
11	4460944	10	Socket, Female	
11	4460466	5	Plug, Terminal	
12	4460539	4	Plug, Male - 3 Position	
12	4460944	8	Socket, Female	
12	4460466	4	Plug, Terminal	
13	2902443	1	Receptacle Kit	
13	4461071	6	Terminal	
14	80484084	1	Plug, Male - 8 Position	
14	1001116728	4	Terminal	
14	1001116727	4	Plug, Terminal	
14	4460458	4	Plug, Terminal	
15	4460884	1	Plug, Male - 4 Position	
15	4460465	3	Socket, Female	
15	4460942	1	Socket, Female	
16	4460019	1	Terminal, Ring	
17	4460930	1	Plug, Male - 8 Position	
17	4460465	1	Socket, Female	
17	4460466	7	Plug, Terminal	
18	8220164	1	Terminal, Ring	
19	1001253873	1	Connector, 1 Position	
19	1001142940	1	Terminal	
19	1001142941	1	Seal	
20	1001239202	1	Connector - 8 Position	
20	1001126363	7	Terminal	
20	1001126391	1	Seal, Terminal	
20	1001126364	7	Seal, Terminal	
21	1001126362	1	Connector - 62 Position	
21	1001126363	37	Terminal	
21	1001126365	2	Terminal	
21	1001126391	9	Plug, Terminal	

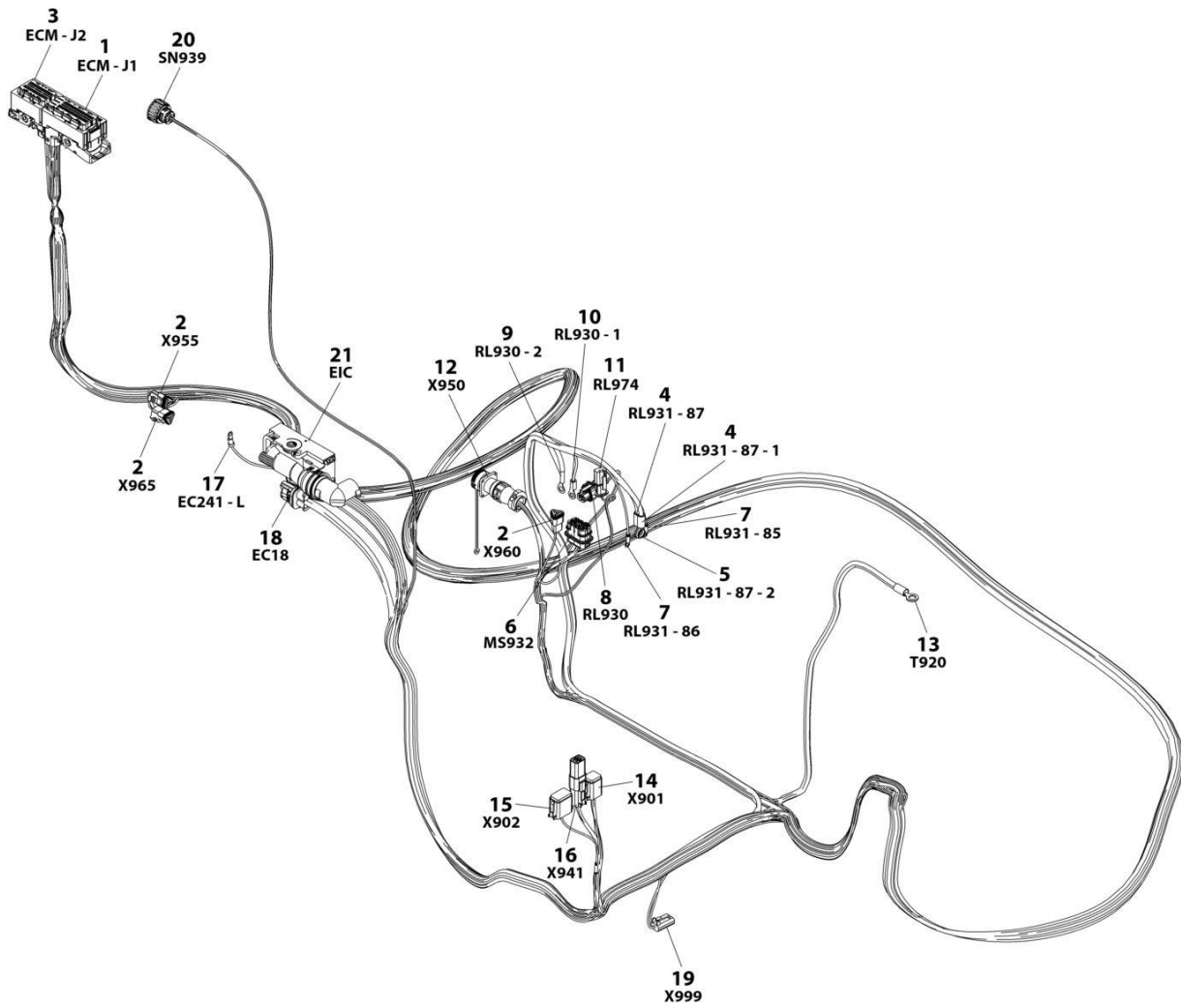
## SECTION 8 - ELECTRICAL

ITEM	PART NUMBER	QTY	DESCRIPTION	REV
21	4461008	4	Plug, Terminal	
21	1001126392	10	Terminal	
21	1001126364	37	Seal, Terminal	
21	1001223459	10	Seal, Terminal	
21	4461054	2	Seal	
22	4460042	1	Terminal, Ring	
23	1001133956	1	Connector - 94 Position	
23	1001126351	3	Terminal	
23	1001182361	6	Terminal	
23	1001252527	4	Terminal	
23	1001230934	25	Terminal	
23	1001230935	55	Plug, Terminal	
23	1001230936	1	Plug, Terminal	
23	1001182365	6	Seal, Terminal	
24	1001126487	1	Connector - 2 Position	
24	1001167635	2	Terminal	
24	1001126485	2	Seal	
25	1001133957	1	Connector - 60 Position	
25	1001126351	11	Terminal	
25	1001230934	26	Terminal	
25	1001230935	10	Plug, Terminal	
25	1001230936	13	Plug, Terminal	
26	4460466	4	Plug, Terminal	
27	4460932	1	Receptacle, Bussbar - 4 Position	
28	4460945	4	Connector, 3-Way Tee	
29	8229242	1	Fuse 5Amp	
30	80983191	1	Fuse, 10Amp	
31	1001116815	3	Plug, Male - 3 Position	
32	1001147264	1	Cap	



# SECTION 8 - ELECTRICAL

## FIGURE 8-38. ENGINE HARNESS - DEUTZ TD2.9L4 ENGINES



ART\_1001143726

## SECTION 8 - ELECTRICAL

**FIGURE 8-38. ENGINE HARNESS - DEUTZ TD2.9L4 ENGINES**

ITEM	PART NUMBER	QTY	DESCRIPTION	REV
	1001143726	Ref	ENGINE HARNESS	L
1	1001133956	1	Connector - 94 Position	
1	1001126351	2	Terminal	
1	1001126352	6	Terminal	
1	1001126384	21	Terminal	
1	1001126357	2	Plug, Terminal	
1	1001126356	63	Plug, Terminal	
2	4461095	3	Plug, Male - 3 Position	
2	4460944	6	Socket, Female	
2	4460466	3	Plug, Terminal	
3	1001133957	1	Connector - 60 Position	
3	1001126351	13	Terminal	
3	1001126384	17	Terminal	
3	1001126357	11	Plug, Terminal	
3	1001126356	19	Plug, Terminal	
4	1001117107	2	Terminal, Ring	
5	4460703	1	Terminal, Ring	
6	80484084	1	Plug, Male - 8 Position	
6	8229242	1	Fuse - 5Amp	
6	80983191	1	Fuse - 10Amp	
6	1001116728	4	Socket, Female	
6	1001116727	4	Plug, Terminal	
6	4460458	4	Seal, Terminal	
6	1001147264	1	Cap	
7	4460247	2	Terminal, Ring	
8	1001116952	1	Plug, Male - 2 Position	
8	4460465	2	Socket, Female	
9	1001117106	1	Terminal, Ring	
10	4460043	1	Terminal, Ring	
11	1001138110	1	Connector - 2 Position	
11	1001138111	2	Terminal	
11	1001138113	2	Seal	
12	2902443	1	Receptacle Kit	
12	4461073	1	Cap, Dust	
12	4461071	6	Terminal	
13	8220115	1	Terminal, Ring	
14	4460894	1	Plug, Male - 6 Position	
14	4460465	3	Socket, Female	
14	4460944	2	Socket, Female	
14	4460466	1	Plug, Terminal	
15	4460930	1	Plug, Male - 8 Position	
15	4460465	1	Socket, Female	
15	4460466	7	Plug, Terminal	
16	1001220379	1	Plug, Male - 4 Position	
16	4460465	2	Socket, Female	
16	4460942	2	Socket, Female	
16	4460932	1	Receptacle, Bussbar - 4 Position	
17	4460042	1	Terminal, Ring	
18	1001142938	1	Plug, Male - 2 Position	
18	1001142940	2	Terminal	

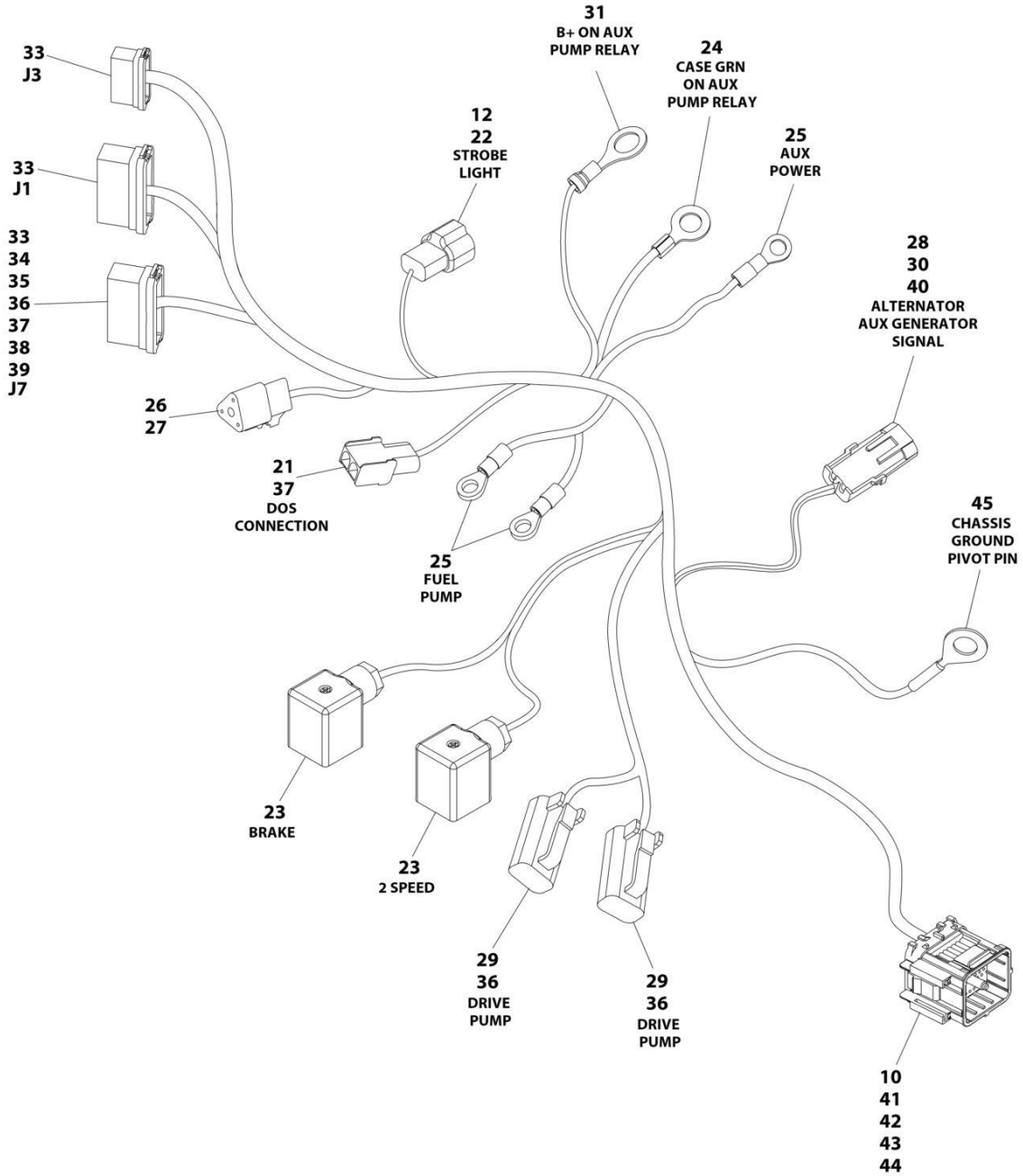
## SECTION 8 - ELECTRICAL

ITEM	PART NUMBER	QTY	DESCRIPTION	REV
18	1001142941	2	Seal	
19	4460891	1	Plug, Male - 4 Position	
19	4460465	2	Socket, Female	
19	1001171403	1	Resistor Assembly	
19	4460897	1	Receptacle, Female - 4 Position	
20	1001133714	1	Connector - 4 Position	
20	1001133715	3	Terminal	
20	1001135650	3	Seal, Terminal	
20	1001135651	1	Plug, Terminal	
21	1001126362	1	Connector - 62 Position	
21	1001126363	23	Terminal	
21	1001126392	10	Terminal	
21	1001126365	2	Terminal	
21	1001126391	23	Plug, Terminal	
21	4461008	4	Plug, Terminal	
21	1001256506	2	Seal, Terminal	
21	1001126364	21	Seal, Terminal	
21	1001223459	10	Seal, Terminal	
21	4461008	4	Plug, Terminal	
21	1001151856	1	Elbow	



# SECTION 8 - ELECTRICAL

FIGURE 8-39. ENGINE HARNESS ASSEMBLY (FORD DF2.5L ENGINES)



ART\_1001214507



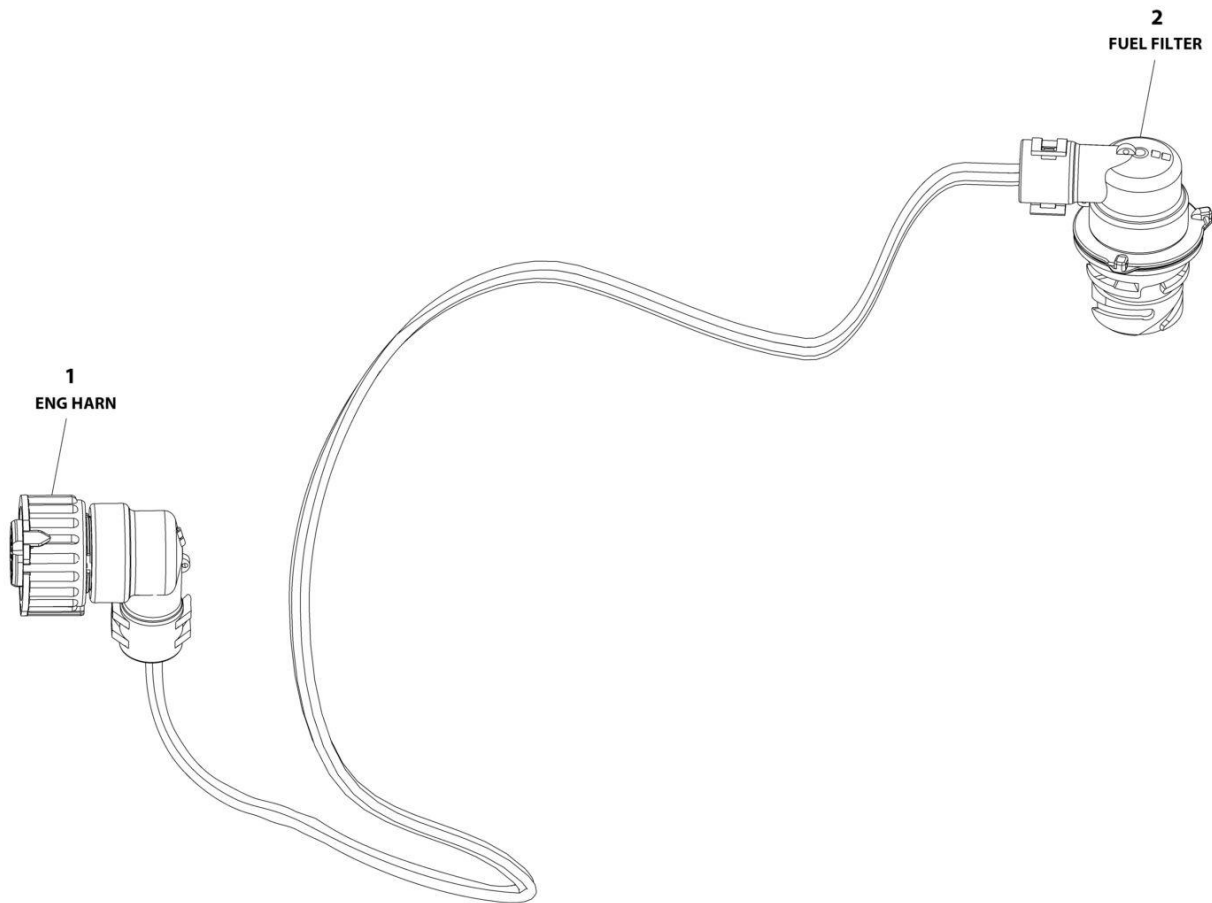
## SECTION 8 - ELECTRICAL

**FIGURE 8-39. ENGINE HARNESS ASSEMBLY (FORD DF2.5L ENGINES)**

ITEM	PART NUMBER	QTY	DESCRIPTION	REV
	1001214507	Ref	ENGINE HARNESS – FORD DF2.5L ENGINES	F
10	1001216213	3	Plug, Terminal	
12	4460897	1	Connector - 2 Position	
21	4460424	1	Connector - 2 Position	
22	1001116693	2	Pin, Male	
23	1001263923	2	DIN Connector without Diode	
24	4460312	1	Terminal, Ring	
25	4460313	3	Terminal, Ring	
26	4460539	1	Connector - 3 Position	
27	4460944	3	Socket, Female	
28	4461157	1	Connector - 2 Position	
29	4460891	2	Connector - 2 Position	
30	4460458	2	Seal, Terminal	
31	4460738	1	Terminal, Ring	
33	4460871	9	Socket, Female	
34	4460464	1	Pin, Male	
35	4460887	1	Pin, Male	
36	4460465	6	Socket, Female	
37	4460226	3	Socket, Female	
38	4460259	1	Terminal	
39	4460260	1	Housing, Terminal	
40	4460979	2	Pin, Male	
41	1001215016	1	Connector - 42 Position	
42	1001215091	5	Terminal	
43	1001215534	33	Plug, Terminal	
44	1001216212	1	Terminal	
45	4460019	1	Terminal, Ring	

## SECTION 8 - ELECTRICAL

FIGURE 8-40. FUEL HARNESS - DEUTZ TD2.2L3 (STAGE V) ENGINE



ART\_1001245913

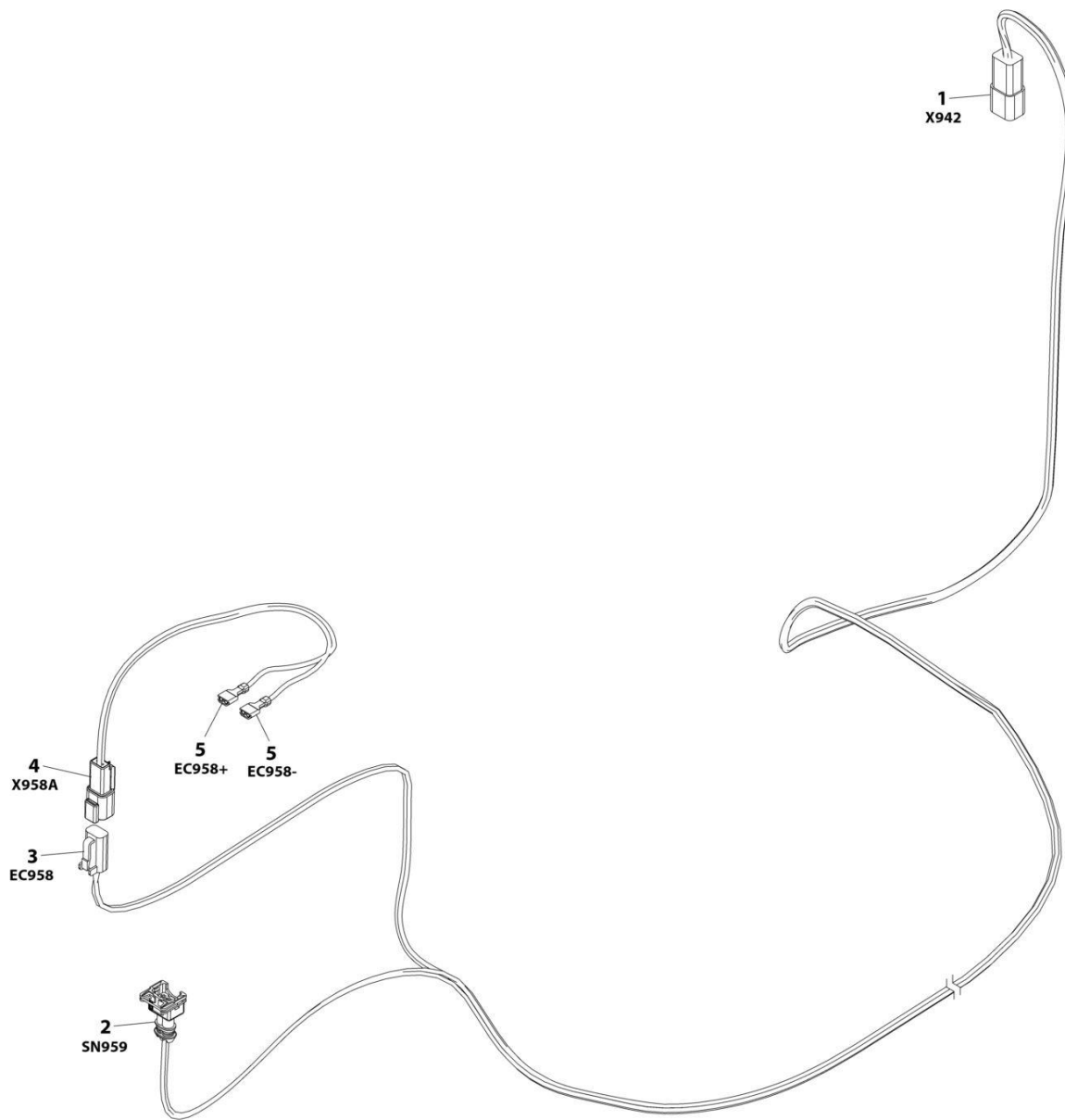
## SECTION 8 - ELECTRICAL

**FIGURE 8-40. FUEL HARNESS - DEUTZ TD2.2L3 (STAGE V) ENGINE**

ITEM	PART NUMBER	QTY	DESCRIPTION	REV
	1001245913	Ref	FUEL HARNESS - DEUTZ (STAGE V) ENGINE	D
1	1001148842	1	Connector - 4 Position	
1	1001148841	4	Pin, Male	
1	1001135650	4	Seal	
2	1001133714	1	Plug, Male - 4 Position	
2	1001133715	4	Socket, Female	
2	1001135650	4	Seal	

# SECTION 8 - ELECTRICAL

## FIGURE 8-41. FUEL HARNESS - DEUTZ TD2.9L4 ENGINES



ART\_1001138491

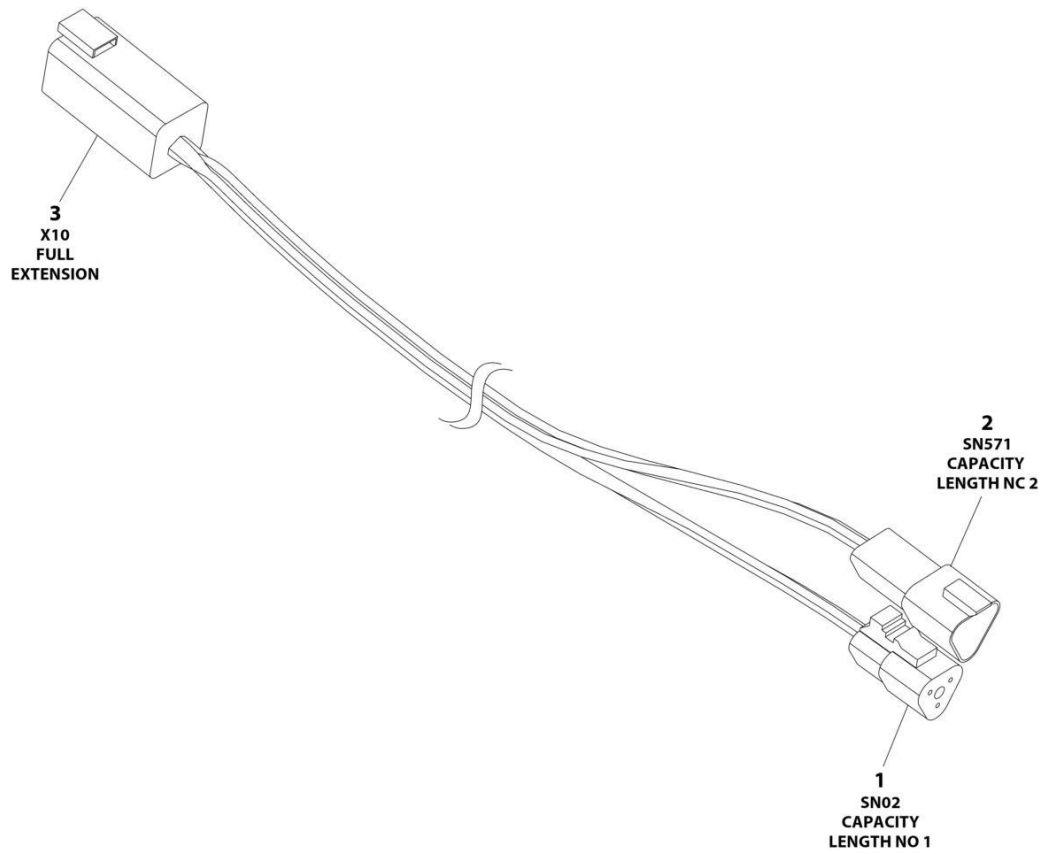
## SECTION 8 - ELECTRICAL

### FIGURE 8-41. FUEL HARNESS - DEUTZ TD2.9L4 ENGINES

ITEM	PART NUMBER	QTY	DESCRIPTION	REV
	1001138491	Ref	FUEL PUMP HARNESS	D
1	4460932	1	Receptacle, Female - 4 Position	
1	4460941	2	Pin, Male	
1	4460464	2	Pin, Male	
2	1001116983	1	Plug, Male - 2 Position	
2	1001116710	2	Socket, Female	
2	4461054	2	Seal	
3	4460891	1	Plug, Male - 2 Position	
3	4460942	2	Socket, Female	
4	4460897	1	Connector - 2 Position	
4	4460941	2	Pin, Male	
5	8220051	2	Terminal, Ring	

# SECTION 8 - ELECTRICAL

## FIGURE 8-42. FULL EXTENSION PROXIMITY HARNESS



ART\_1001254468

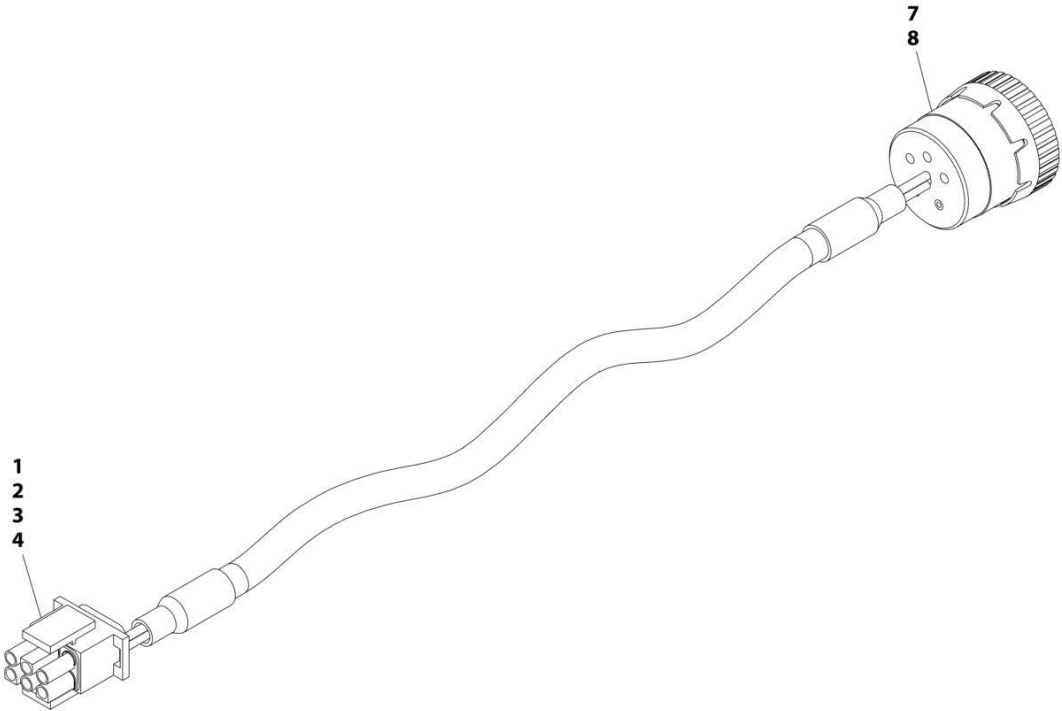
## SECTION 8 - ELECTRICAL

### FIGURE 8-42. FULL EXTENSION PROXIMITY HARNESS

ITEM	PART NUMBER	QTY	DESCRIPTION	REV
	1001254468	Ref	FULL EXTENTION PROXIMITY HARNESS	A
1	4460539	1	Plug, Male - 3 Position	
1	4460465	3	Socket, Female	
2	4460536	1	Receptacle, Female - 3 Position	
2	4640464	3	Pin, Male	
3	4460899	1	Receptacle, Female - 6 Position	
3	4460464	6	Pin, Male	

**SECTION 8 - ELECTRICAL**

**FIGURE 8-43. GENERATOR TO CONTROL BOX HARNESS - 4000W**



ART\_1001152532



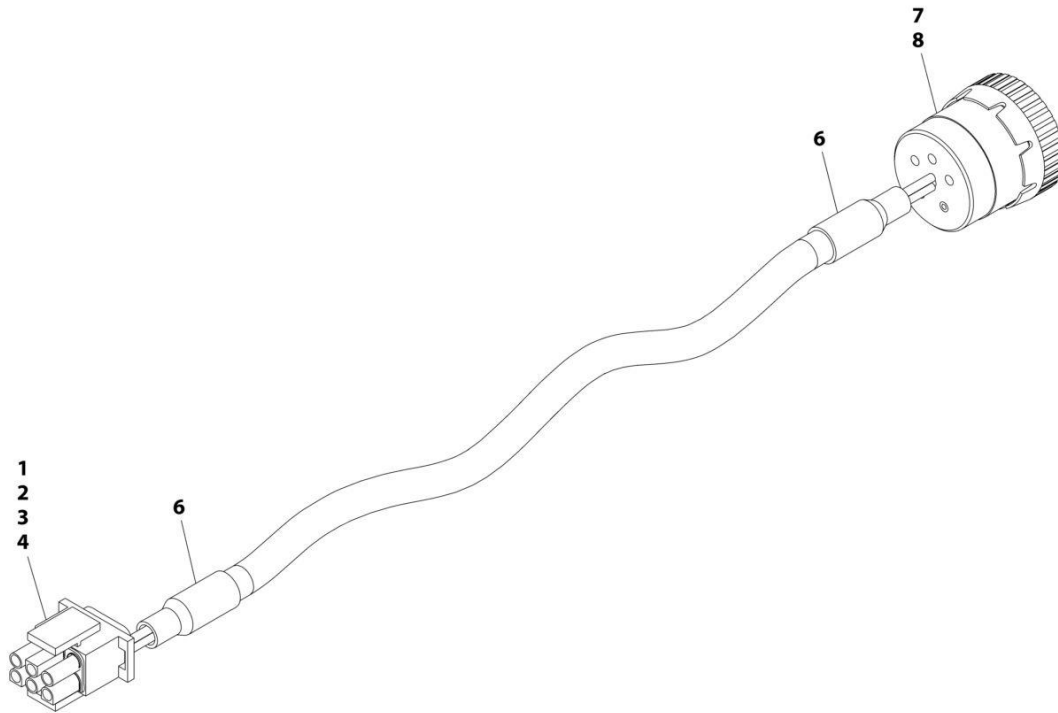
## SECTION 8 - ELECTRICAL

**FIGURE 8-43. GENERATOR TO CONTROL BOX HARNESS - 4000W**

ITEM	PART NUMBER	QTY	DESCRIPTION	REV
	1001152532	Ref	GENERATOR HARNESS	A
1	4460225	1	Connector - 6 Position	
2	4460268	2	Socket, Female	
3	4460807	1	Seal	
4	4460808	1	Seal	
7	4460465	2	Socket, Female	
8	77363233	1	Connector - 6 Position	

# SECTION 8 - ELECTRICAL

FIGURE 8-44. GENERATOR TO CONTROL BOX HARNESS (7500W GENERATOR)



ART\_4922925

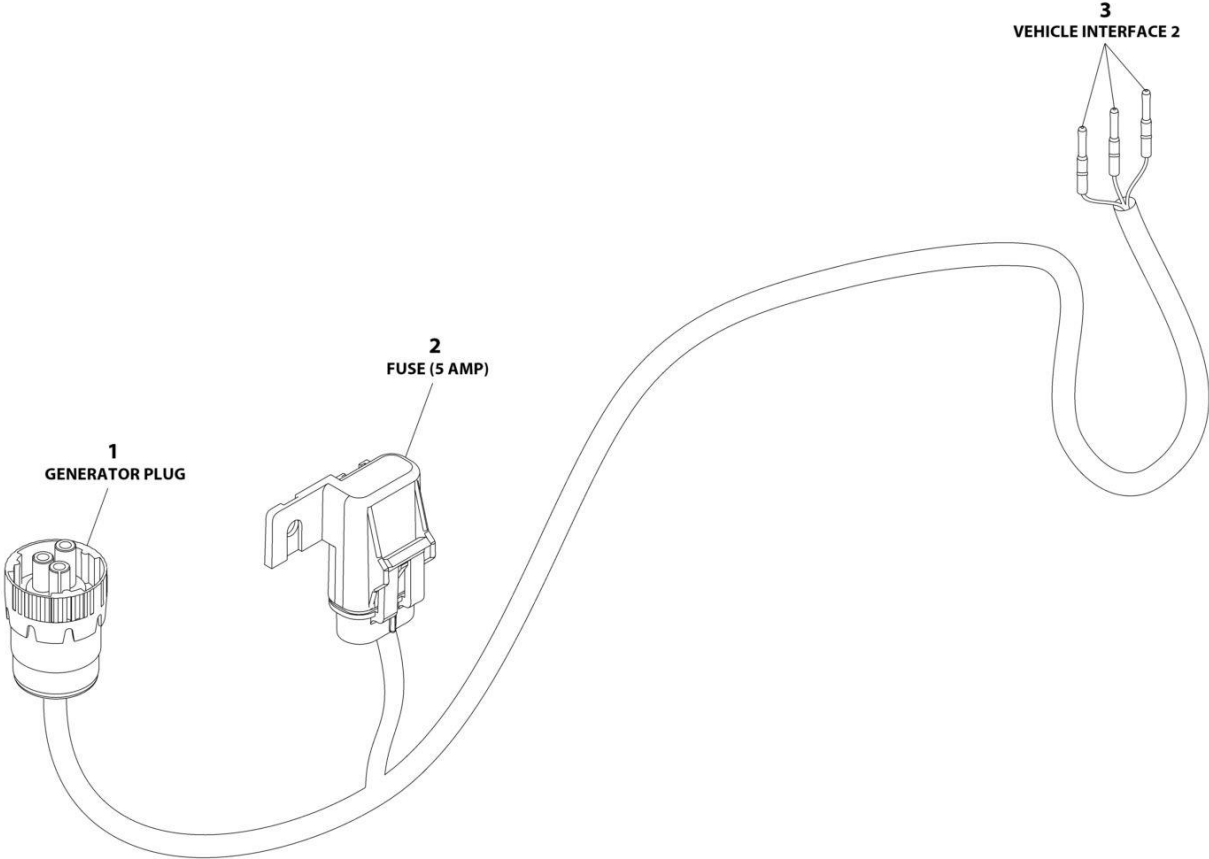
## SECTION 8 - ELECTRICAL

**FIGURE 8-44. GENERATOR TO CONTROL BOX HARNESS (7500W GENERATOR)**

ITEM	PART NUMBER	QTY	DESCRIPTION	REV
	4922925	Ref	GENERATOR TO CONTROL BOX HARNESS (7500W GENERATOR)	C
1	4460225	1	Plug, Male - 2 Position	
2	4460268	6	Socket, Female	
3	4460807	1	Seal	
4	4460808	1	Seal	
6	2820019	AR	Heat Shrink	
7	4460465	6	Socket, Female	
8	77363233	1	Connector - 6 Position	

**SECTION 8 - ELECTRICAL**

**FIGURE 8-45. GENERATOR HARNESS - 7500W GENERATOR**



ART\_1001119968

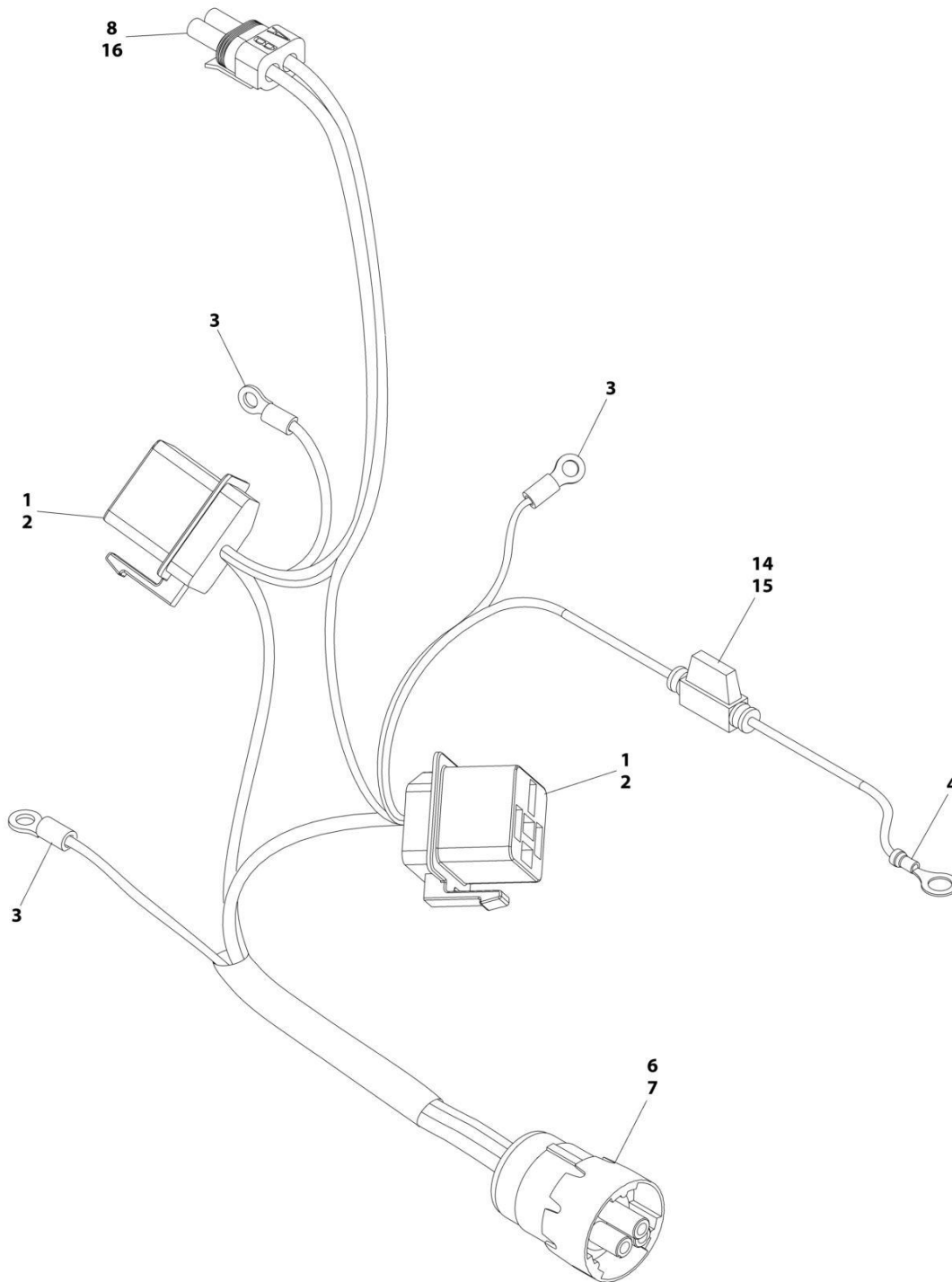
## SECTION 8 - ELECTRICAL

### FIGURE 8-45. GENERATOR HARNESS - 7500W GENERATOR

ITEM	PART NUMBER	QTY	DESCRIPTION	REV
	1001119968	Ref	GENERATOR HARNESS - 7500W GENERATOR	C
1	4460967	1	Connector - 3 Position	
1	4460465	3	Socket, Female	
2	1001117078	1	Connector, Metri-Pack with 5Amp Fuse	
3	4460465	3	Socket, Female	

# SECTION 8 - ELECTRICAL

## FIGURE 8-46. GENERATOR TO ENGINE HARNESS - 2500W



ART\_1001221208

## SECTION 8 - ELECTRICAL

### FIGURE 8-46. GENERATOR TO ENGINE HARNESS - 2500W

ITEM	PART NUMBER	QTY	DESCRIPTION	REV
	1001221208	Ref	GENERATOR TO ENGINE HARNESS	A
1	4460374	2	Plug, Sealed Relay	
2	4460375	8	Terminal	
3	4460043	3	Terminal, Ring	
4	4460670	1	Terminal, Ring	
6	4460967	1	Plug, Male - 3 Position	
7	4460465	3	Socket, Female	
8	4460742	1	Plug, Male - 2 Position	
14	2400060	1	Fuseholder (Includes Cover)	
15	2400064	1	Fuse - 5Amp	
16	4460743	2	Socket, Female	

# SECTION 8 - ELECTRICAL

## FIGURE 8-47. GENERATOR TO ENGINE HARNESS - 4000W



ART\_1001153197



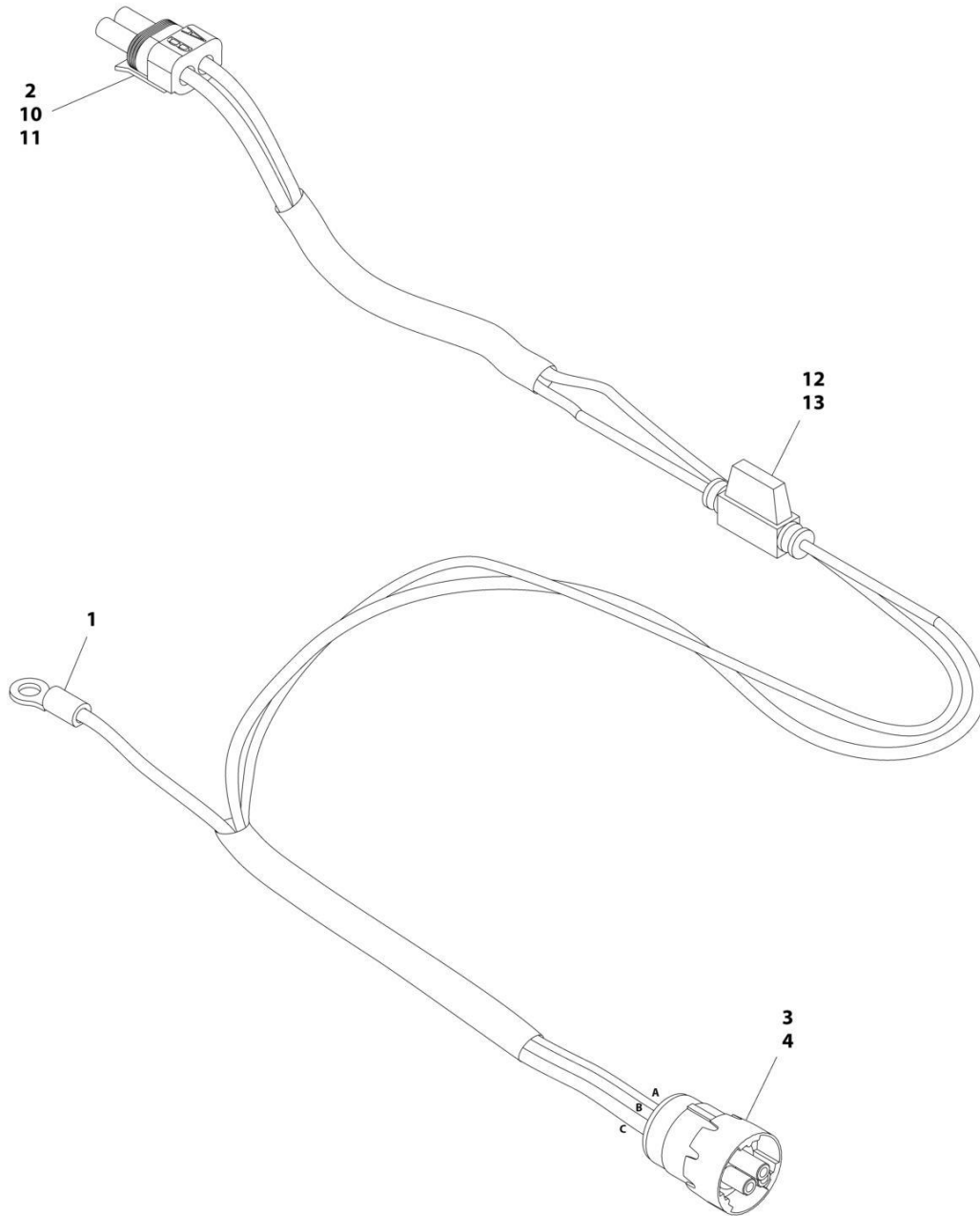
## SECTION 8 - ELECTRICAL

### FIGURE 8-47. GENERATOR TO ENGINE HARNESS - 4000W

ITEM	PART NUMBER	QTY	DESCRIPTION	REV
	1001153197	Ref	GENERATOR TO ENGINE HARNESS	B
1	4460967	1	Plug, Male - 3 Position	
1	4460465	2	Socket, Female	
2	4460043	1	Terminal, Ring	
3	4460742	1	Plug, Male - 2 Position	
3	4460743	1	Socket, Female	
3	4460458	1	Seal, Terminal	
3	1001116727	1	Plug, Terminal	

# SECTION 8 - ELECTRICAL

FIGURE 8-48. GENERATOR TO ENGINE HARNESS - 7500W SKYPOWER GENERATOR (DEUTZ D2011 ONLY)



ART\_1001152429

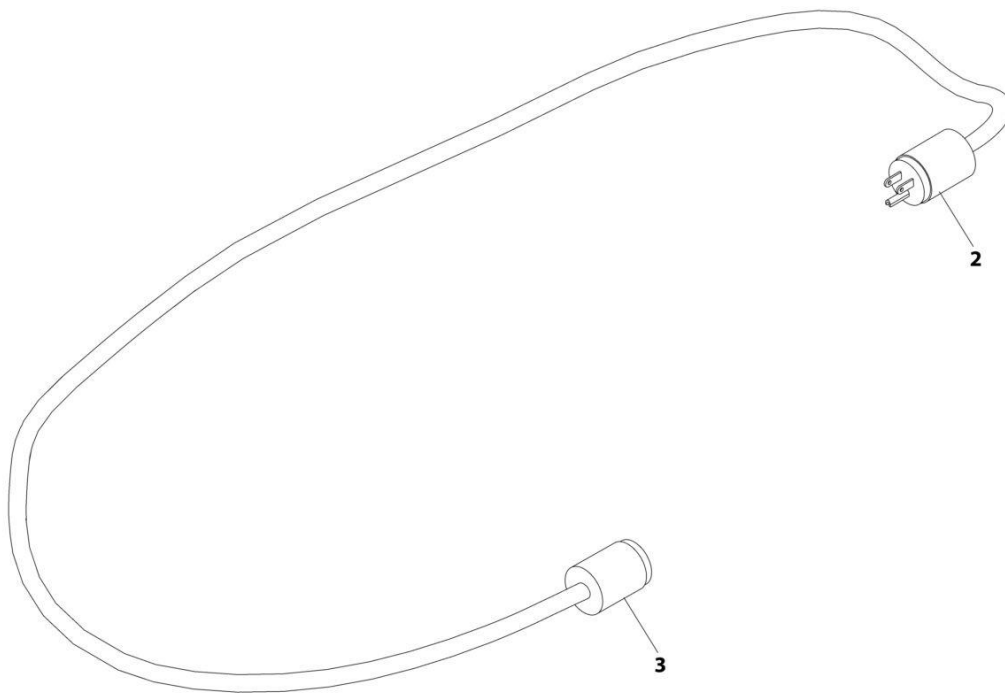
## SECTION 8 - ELECTRICAL

**FIGURE 8-48. GENERATOR TO ENGINE HARNESS - 7500W SKYPOWER GENERATOR (DEUTZ D2011 ONLY)**

ITEM	PART NUMBER	QTY	DESCRIPTION	REV
	1001152429	Ref	GENERATOR TO ENGINE HARNESS	C
1	4460043	1	Terminal, Ring	
2	4460742	1	Plug, Male - 2 Position	
3	4460967	1	Connector - 3 Position	
4	4460465	3	Socket, Female	
10	4460743	2	Terminal, Female	
11	4460458	2	Seal	
12	2400060	1	Fuseholder (Includes Cover)	
13	2400064	1	Fuse - 5Amp	

# SECTION 8 - ELECTRICAL

FIGURE 8-49. GENERATOR TO REAR OF BOOM HARNESS - 110V



ART\_4921829

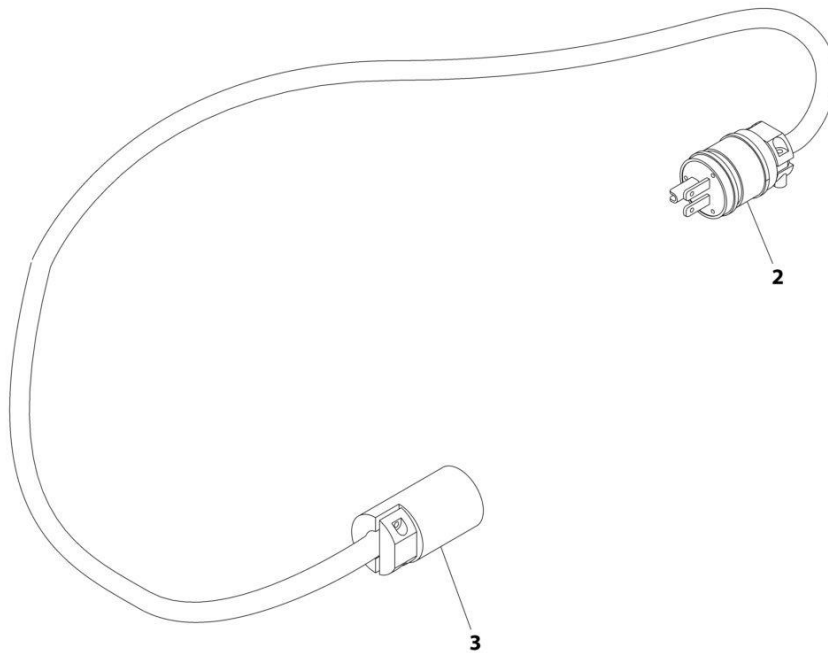
## SECTION 8 - ELECTRICAL

**FIGURE 8-49. GENERATOR TO REAR OF BOOM HARNESS - 110V**

ITEM	PART NUMBER	QTY	DESCRIPTION	REV
	4921829	Ref	GENERATOR TO REAR OF BOOM HARNESS - 110V	Z-A
2	4460205	1	Plug, Male	
3	4460134	1	Connector, Female	

# SECTION 8 - ELECTRICAL

FIGURE 8-50. GENERATOR TO REAR OF BOOM HARNESS - 220V



ART\_4921954

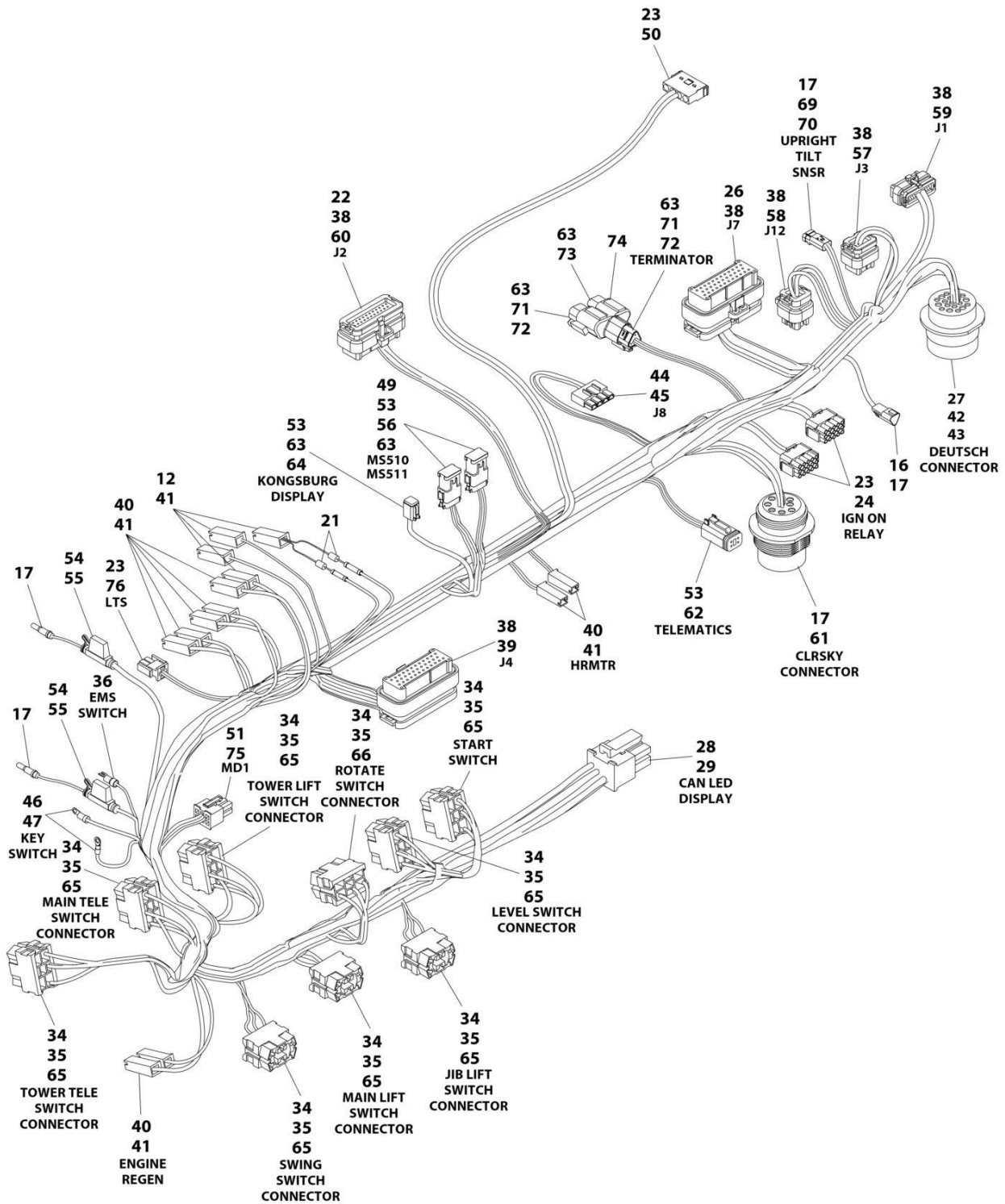
## SECTION 8 - ELECTRICAL

**FIGURE 8-50. GENERATOR TO REAR OF BOOM HARNESS - 220V**

ITEM	PART NUMBER	QTY	DESCRIPTION	REV
	4921954	Ref	GENERATOR TO REAR OF BOOM HARNESS - 220V	2
2	4460233	1	Terminal, Plug	
3	4460701	1	Terminal, Connector	

# SECTION 8 - ELECTRICAL

## FIGURE 8-51. GROUND CONTROL BOX HARNESS



ART\_1001243263\_F



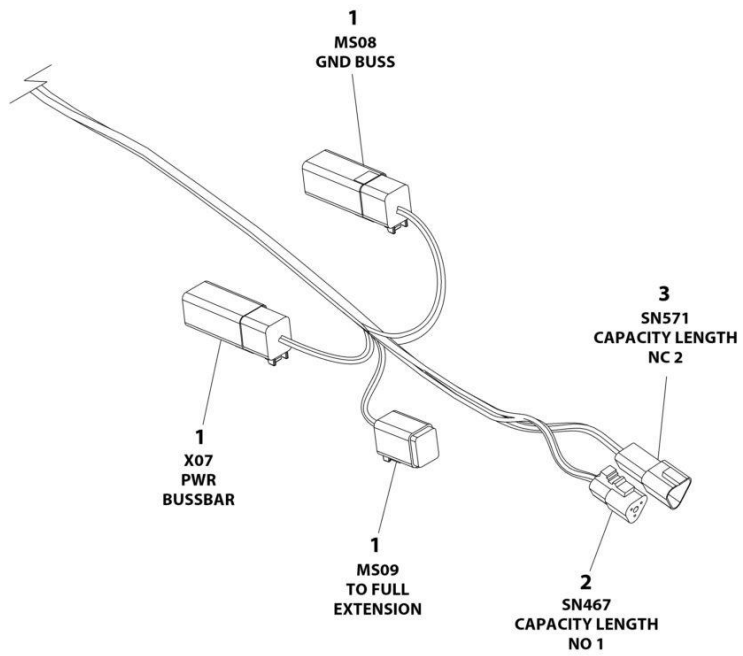
## SECTION 8 - ELECTRICAL

### FIGURE 8-51. GROUND CONTROL BOX HARNESS

ITEM	PART NUMBER	QTY	DESCRIPTION	REV
	1001243263	Ref	GROUND CONTROL BOX HARNESS	F
12	4460297	4	Terminal	
16	4460536	1	Receptacle, Female - 3 Position	
17	4460943	12	Pin, Male	
21	3990010	2	Diode, 6 Amp	
22	4460905	2	Seal, Terminal	
23	4460227	34	Pin, Male	
24	4460434	2	Plug Male - 15 Position	
26	4460873	1	Connector - 35 Position	
27	4460508	3	Terminal	
28	1001237667	1	Plug Male - 6 Position	
29	1001237668	5	Terminal	
34	1001159186	18	Terminal	
35	4460418	9	Connector, Switch	
36	4460806	5	Terminal, Fork	
38	4460871	73	Socket, Female	
39	4460876	1	Connector - 35 Position	
40	4460259	9	Terminal	
41	4460260	13	Housing, Terminal	
42	4460464	10	Pin, Male	
43	4460866	1	Connector - 19 Position	
44	4460878	1	Plug Male - 4 Position	
45	4460887	3	Terminal	
46	4460142	4	Terminal, Ring	
47	4460313	3	Terminal	
49	1001119020	1	Connector, Buss Bar - 12 Position	
50	4460761	1	Receptacle, Female - 4 Position	
51	4460868	AR	Terminal	
53	4460465	30	Socket, Female	
54	2400060	2	Fuse Holder, Includes Cover	
55	8229242	2	Fuse 5Amp	
56	4460933	2	Plug, Male - 12 Position	
57	4460872	1	Connector - 14 Position	
58	1001113961	1	Connector - 8 Position	
59	4460874	1	Connector - 35 Position	
60	4460875	1	Connector - 35 Position	
61	1001112612	1	Connector - 9 Position	
62	4460884	1	Plug, Male - 4 Position	
63	4460466	9	Plug, Terminal	
64	4460894	1	Plug, Male - 6 Position	
65	4460419	8	Terminal	
66	1001191598	1	Terminal	
69	1001229530	1	Receptacle, Female - 3 Position	
70	1001200497	1	Plug, Male - 3 Position	
71	1001116812	2	Plug, Male - 3 Position	
72	4460944	2	Socket, Female	
73	1001116815	1	Plug, Male - 3 Position	
74	4460945	1	Connector, 3-Way Tee	
75	4460877	1	Terminal	
76	4460320	1	Connector - 2 Position	

# SECTION 8 - ELECTRICAL

## FIGURE 8-52. MID PROXIMITY HARNESS



ART\_1001254467

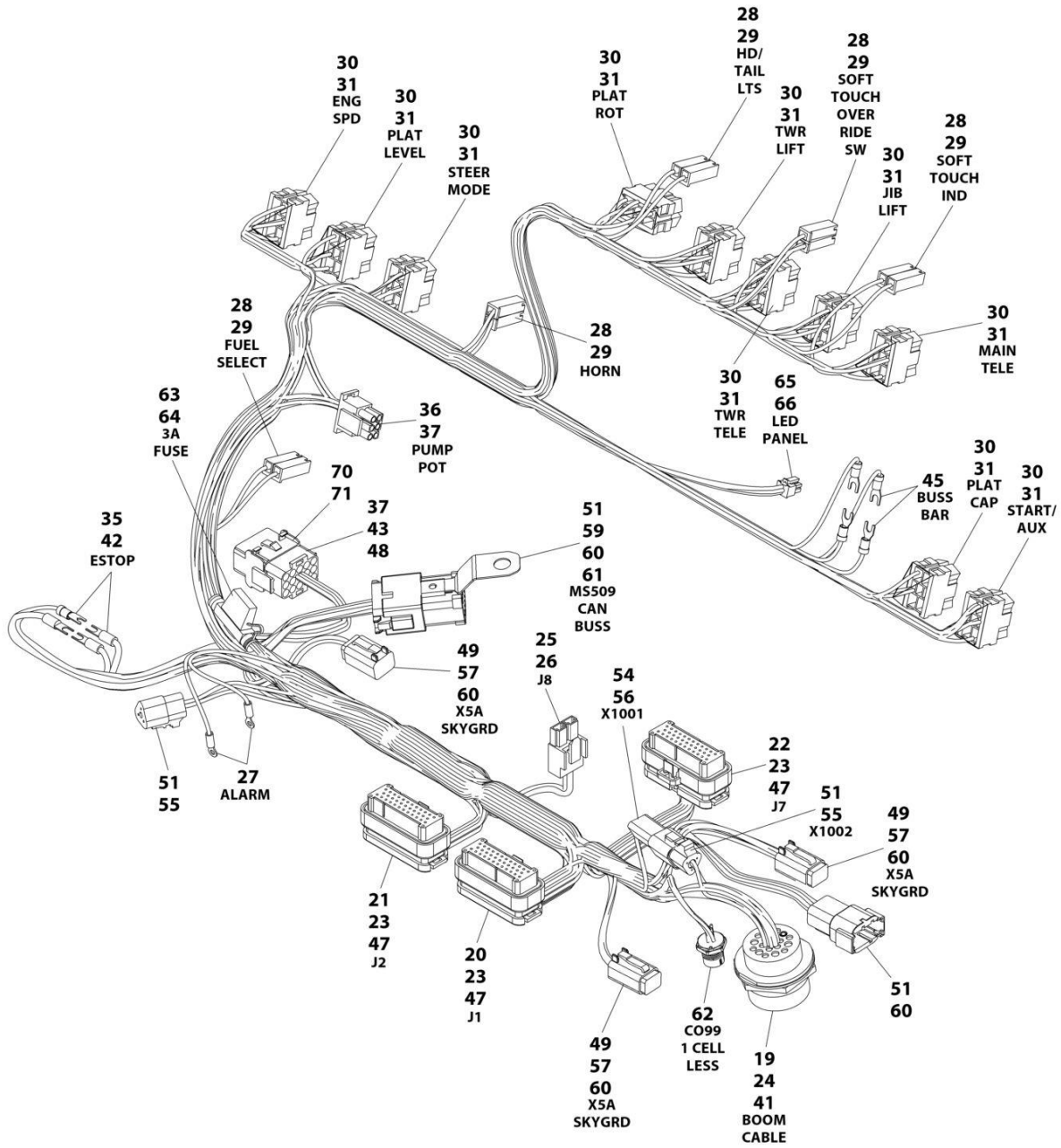
## SECTION 8 - ELECTRICAL

### FIGURE 8-52. MID PROXIMITY HARNESS

ITEM	PART NUMBER	QTY	DESCRIPTION	REV
	1001254467	Ref	MID PROXIMITY HARNESS	B
1	4460894	3	Plug, Male - 6 Position	
1	4460465	16	Socket, Female	
1	4460466	2	Plug, Terminal	
1	4460892	2	Busbar - 6 Position	
2	4460539	1	Plug, Male - 3 Position	
2	4460465	3	Socket, Female	
3	4460536	1	Receptacle, Female - 3 Position	
3	4640464	3	Pin, Male	

# SECTION 8 - ELECTRICAL

## FIGURE 8-53. PLATFORM CONSOLE BOX HARNESS



ART\_1001243984

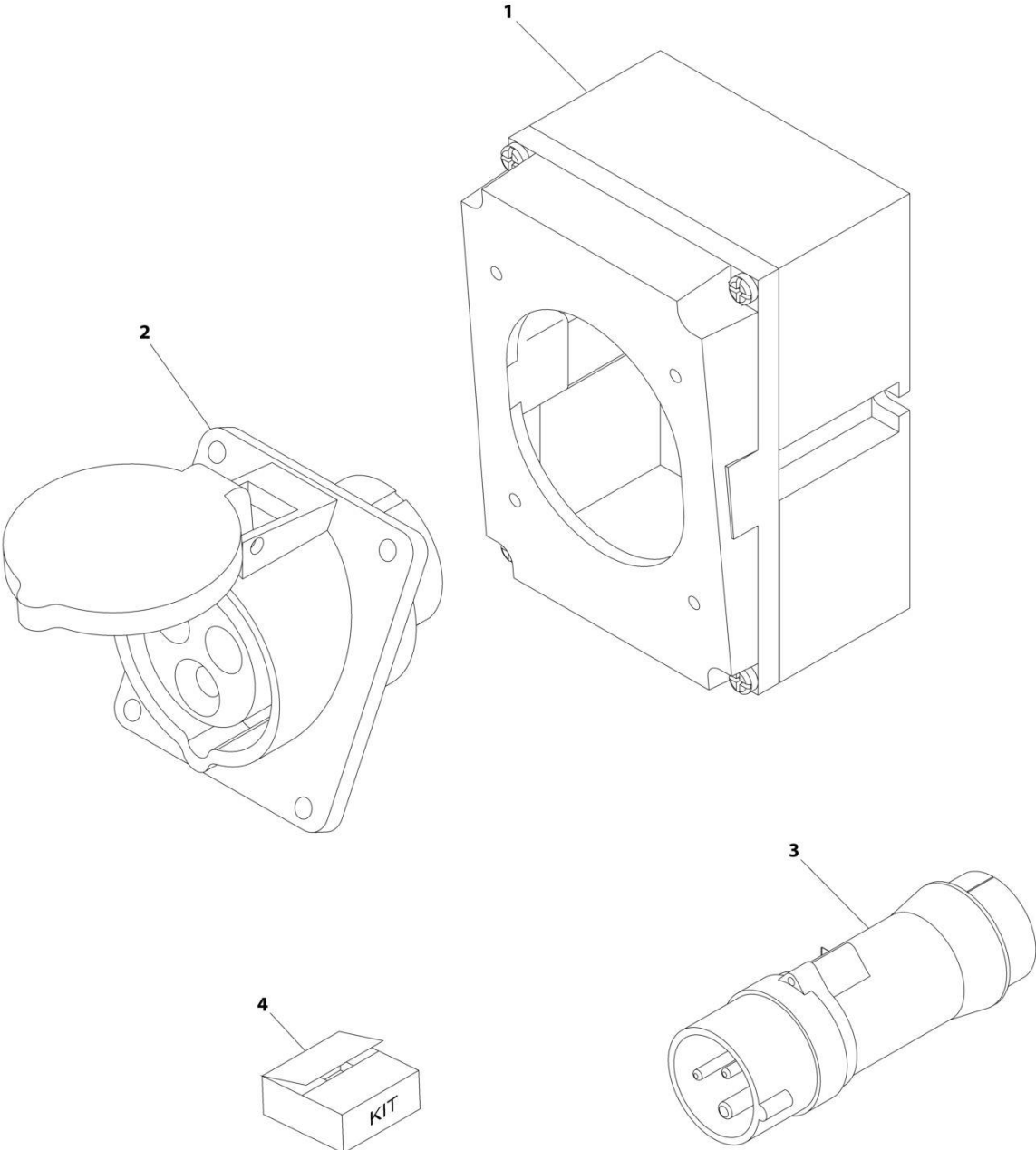
## SECTION 8 - ELECTRICAL

**FIGURE 8-53. PLATFORM CONSOLE BOX HARNESS**

ITEM	PART NUMBER	QTY	DESCRIPTION	REV
	1001243984	Ref	PLATFORM CONSOLE BOX HARNESS	F
19	4460866	1	Connector - 19 Position	
20	4460874	1	Connector - 35 Position	
21	4460875	1	Connector - 35 Position	
22	4460873	1	Connector - 35 Position	
23	4460871	81	Socket, Female	
24	4460464	7	Pin, Male	
25	4460879	1	Plug, Male - 2 Position	
26	4460887	2	Terminal	
27	1001098122	2	Terminal, Ring	
28	4460260	10	Housing, Terminal	
29	4460259	10	Terminal	
30	4460418	9	Connector, Switch	
31	4460419	27	Terminal	
32	4120035	14	Socket, Light (Not Shown)	
33	4460634	14	Socket, Lamp (Single Wire) (Not Shown)	
34	4460635	14	Socket, Lamp (Double Wire) (Not Shown)	
35	4460888	3	Terminal, Fork	
36	4460225	1	Plug, Male - 6 Position	
37	4460227	31	Pin, Male	
41	4460508	3	Pin, Male	
42	4460806	1	Terminal, Fork	
43	4460434	2	Connector - 15 Position	
44	2920129	14	Bulb (Not Shown)	
45	4460183	4	Terminal, Fork	
46	4460016	2	Terminal (Not Shown)	
47	4460905	24	Plug, Terminal	
48	4460267	1	Pin, Male	
49	4460465	5	Socket, Female	
51	4460944	11	Socket, Female	
54	4460536	1	Receptacle, Female - 3 Position	
55	4460539	1	Plug, Male - 3 Position	
56	4460943	3	Pin, Male	
57	4460894	2	Plug, Male - 6 Position	
59	4460933	1	Plug, Male - 12 Position	
60	4460466	5	Plug, Terminal	
61	1001119020	1	Connector, Buss Bar - 12 Position	
62	1001213447	1	Connector - 5 Position	
63	2400060	1	Fuseholder Includes Cover	
64	8229249	1	Fuse, 3 Amp	
65	1001237667	1	Plug, Male - 6 Position	
66	1001237668	4	Socket, Female	
70	4460708	1	Connector - 15 Position	
71	4460226	2	Socket, Female	

**SECTION 8 - ELECTRICAL**

**FIGURE 8-54. RECEPTACLE BOX KIT - 110V IEC YELLOW (CE SPEC)**



ART\_0275216

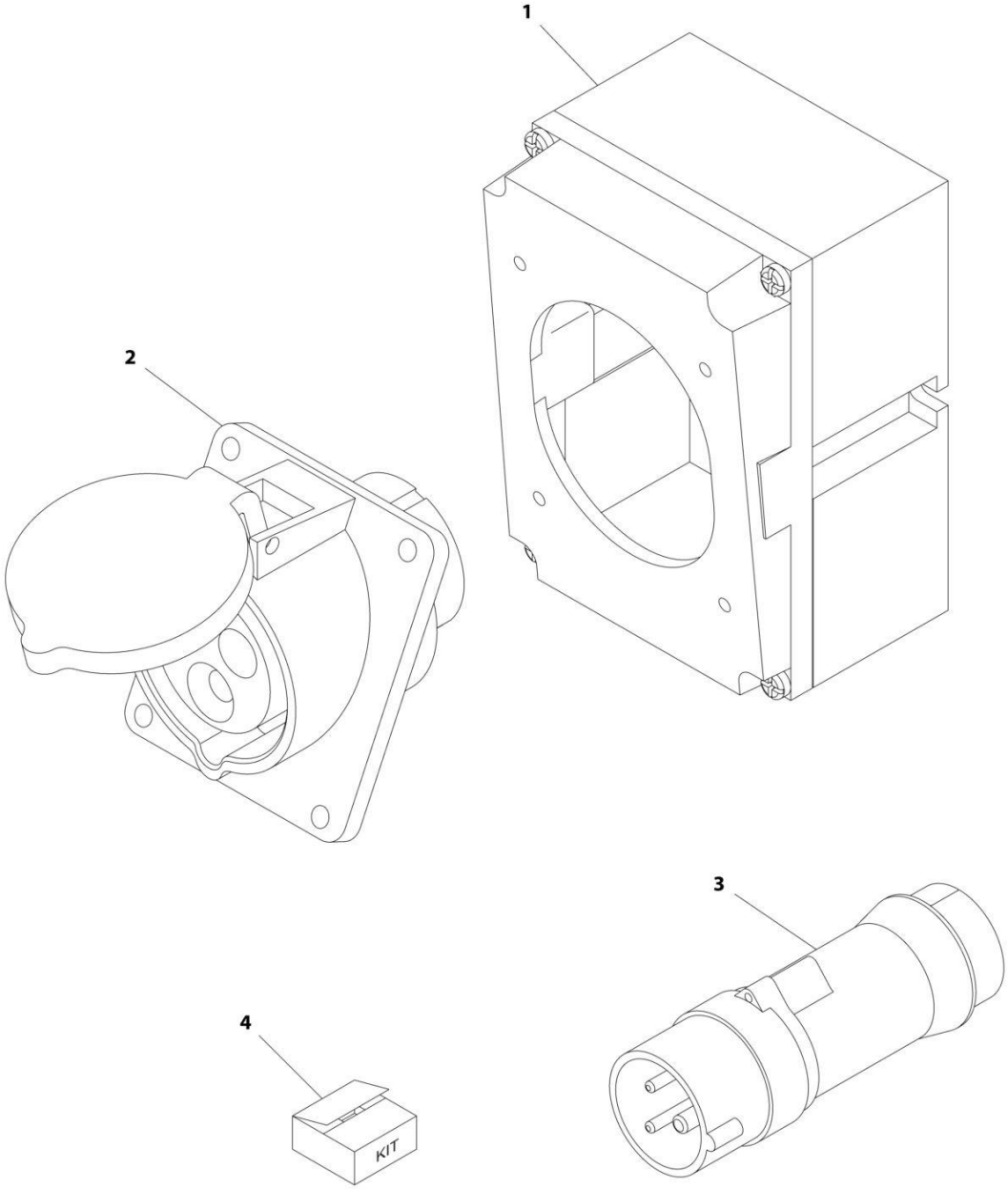
## SECTION 8 - ELECTRICAL

**FIGURE 8-54. RECEPTACLE BOX KIT - 110V IEC YELLOW (CE SPEC)**

ITEM	PART NUMBER	QTY	DESCRIPTION	REV
	0275216	Ref	RECEPTACLE BOX KIT - 110V IEC YELLOW	B
1	0861781	1	Box, Switch	
2	4461198	1	Receptacle	
3	4461196	1	Plug, Male	
4	1001100341	1	Plug and Socket Kit (Includes Items 1-3 and Female Plug p/n 4461197)	

**SECTION 8 - ELECTRICAL**

**FIGURE 8-55. RECEPTACLE BOX KIT - 220V IEC BLUE (CE SPEC)**



ART\_0275217



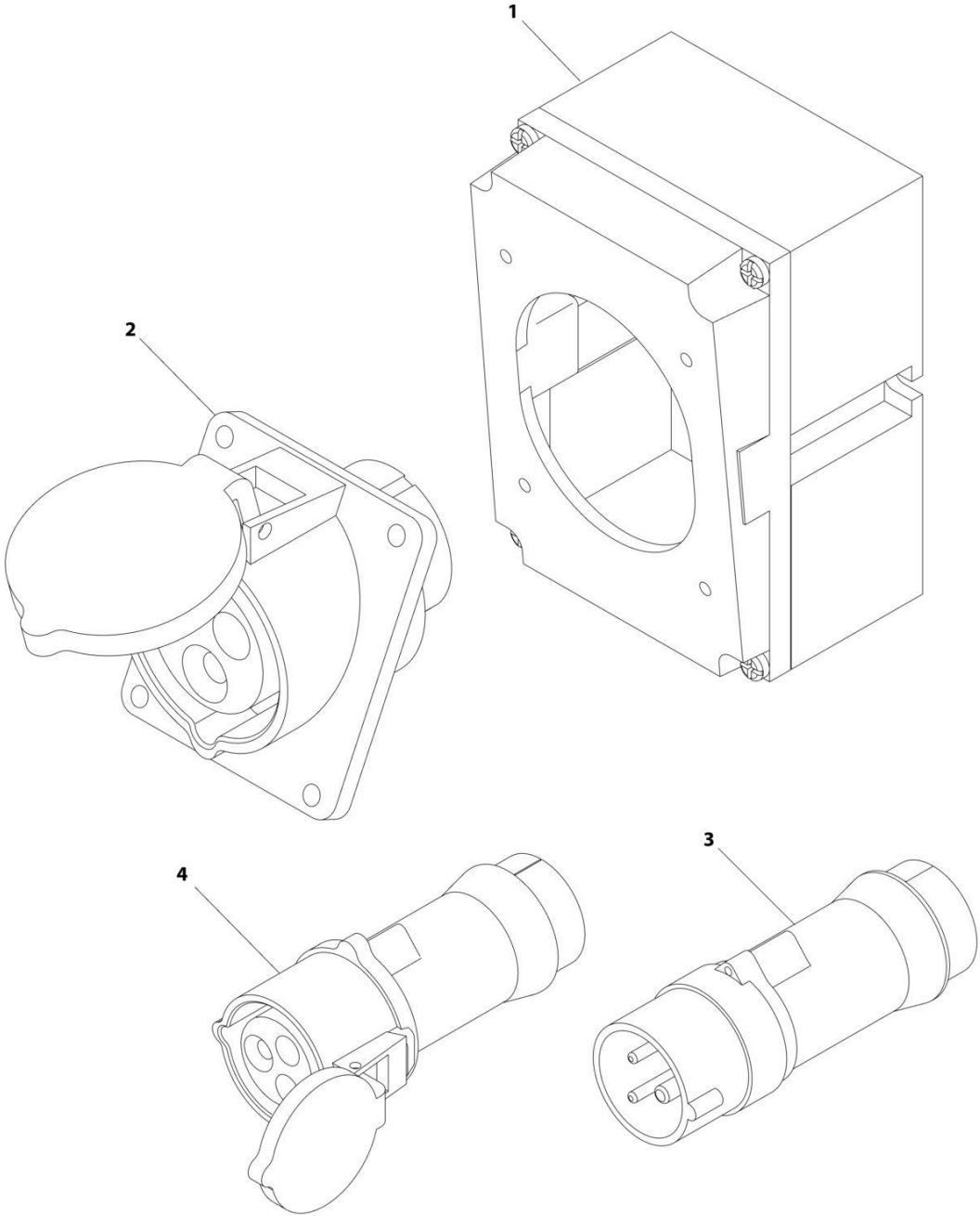
## SECTION 8 - ELECTRICAL

**FIGURE 8-55. RECEPTACLE BOX KIT - 220V IEC BLUE (CE SPEC)**

ITEM	PART NUMBER	QTY	DESCRIPTION	REV
	0275217	Ref	RECEPTACLE BOX KIT - 220V IEC BLUE	B
1	0861781	1	Box, Switch	
2	4461201	1	Receptacle	
3	4461199	1	Plug, Male	
4	1001100342	1	Plug and Socket Kit (Includes Items 1-3 and Female Plug p/n 4461200)	

**SECTION 8 - ELECTRICAL**

**FIGURE 8-56. RECEPTACLE BOX KIT - 220V IEC BLUE (CE SPECS) (2500W GENERATOR)**



ART\_1001100342

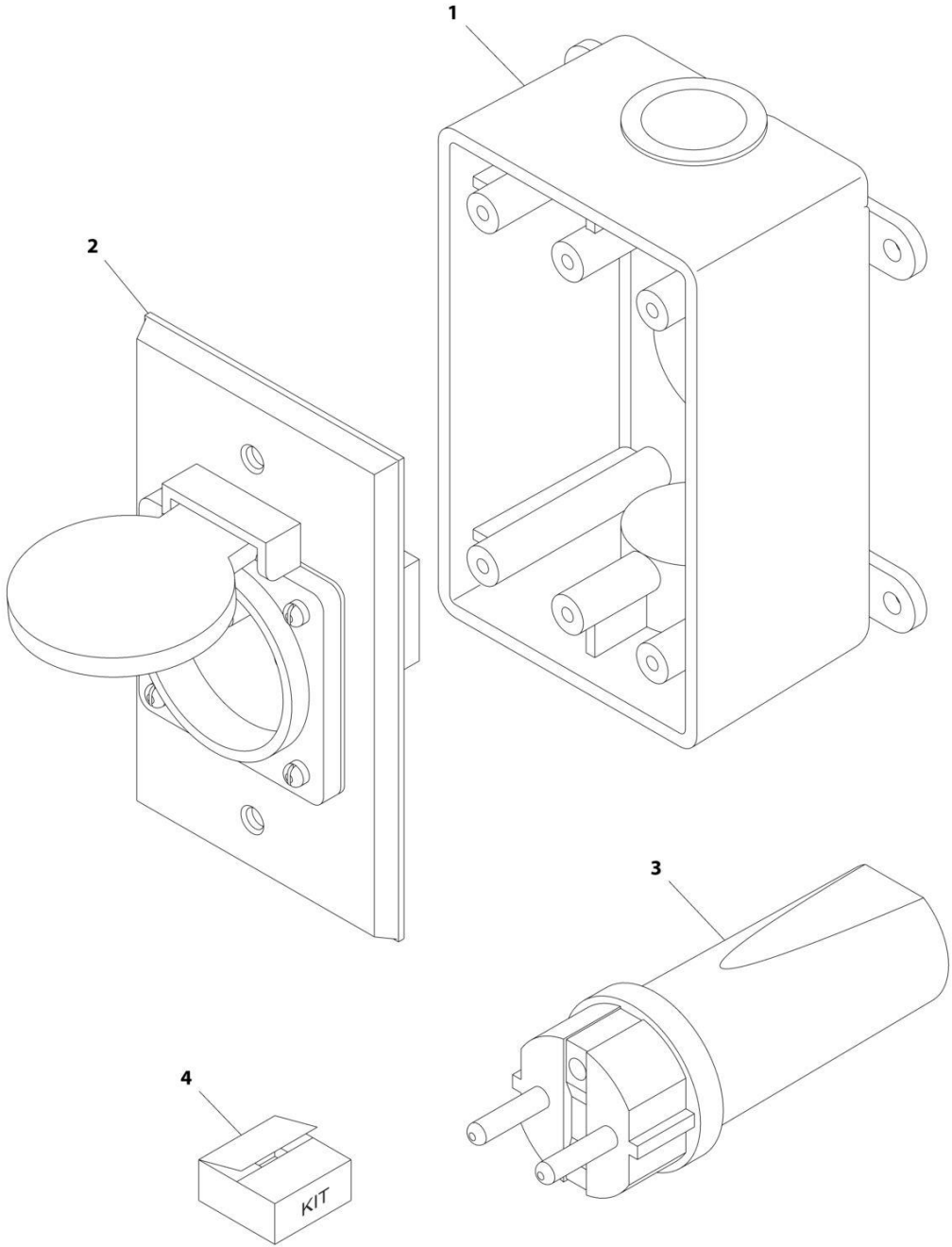
## SECTION 8 - ELECTRICAL

**FIGURE 8-56. RECEPTACLE BOX KIT - 220V IEC BLUE (CE SPECS) (2500W GENERATOR)**

ITEM	PART NUMBER	QTY	DESCRIPTION	REV
	1001100342	Ref	RECEPTACLE BOX KIT - 220V IEC BLUE WITH 2500W GENERATOR (CE & UK CA SPECS)	2
1	0861781	1	Box, Switch	
2	4461201	1	Receptacle	
3	4461199	1	Plug, Male	
4	4461200	1	Plug, Female	

# SECTION 8 - ELECTRICAL

FIGURE 8-57. RECEPTACLE BOX KIT - 220V CEE7 POST GROUND WITHOUT 2500W GENERATOR (2X4 BOX) (CE SPECS)



ART\_0275452

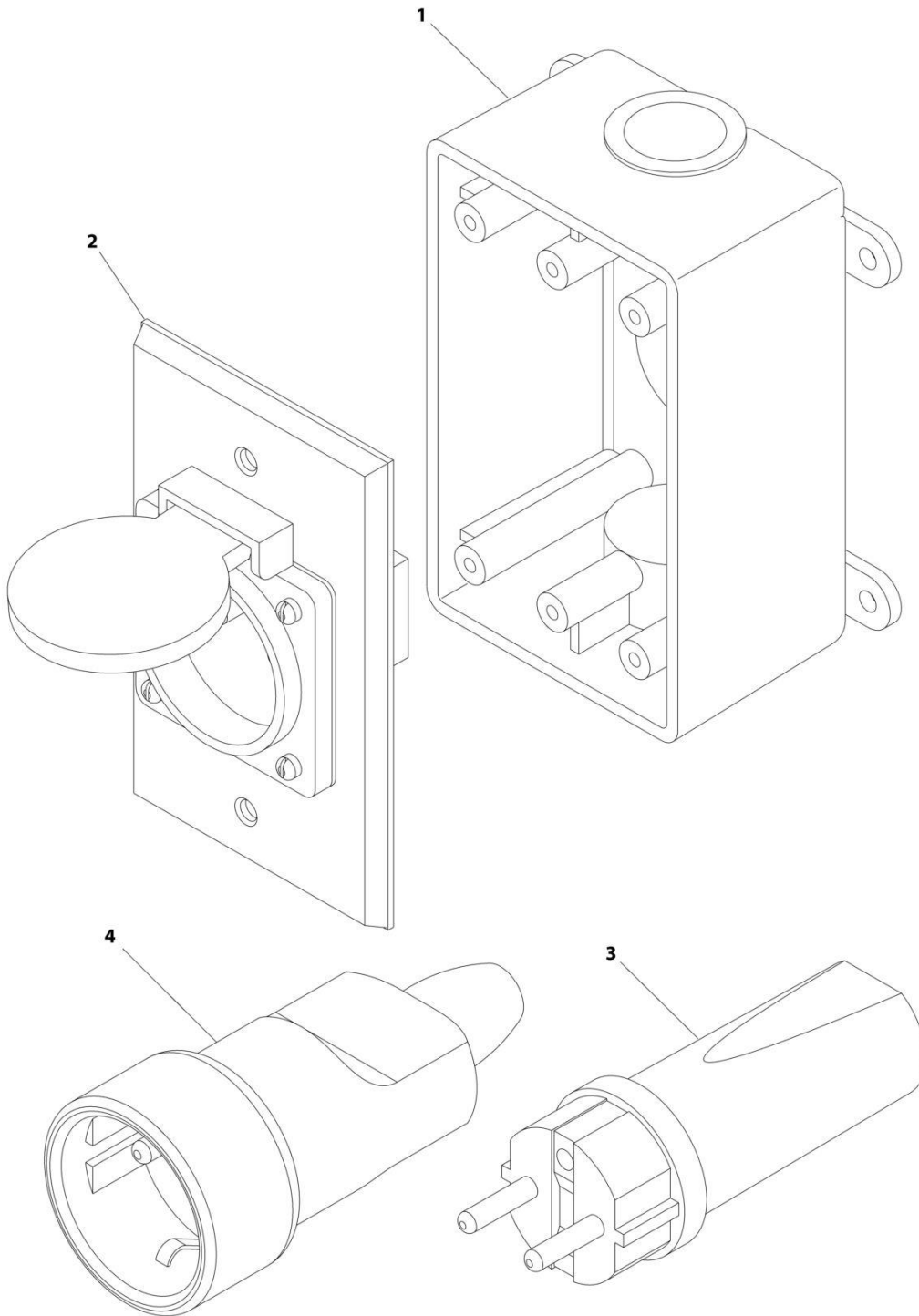
## SECTION 8 - ELECTRICAL

**FIGURE 8-57. RECEPTACLE BOX KIT - 220V CEE7 POST GROUND WITHOUT 2500W GENERATOR (2X4 BOX) (CE SPECS)**

ITEM	PART NUMBER	QTY	DESCRIPTION	REV
	0275452	Ref	RECEPTACLE BOX KIT - 220V CEE7 POST GROUND	C
1	0861731	1	Box, Switch	
2	4461244	1	Receptacle	
3	4461205	1	Plug, Male	
4	1001100345	1	Plug and Socket Kit (Includes Items 1-3 and Female Plug p/n 4461206)	

## SECTION 8 - ELECTRICAL

FIGURE 8-58. RECEPTACLE BOX KIT - 220V CEE7 POST GROUND (2X4 BOX) (CE SPECS) (2500W GENERATOR)



ART\_1001100345

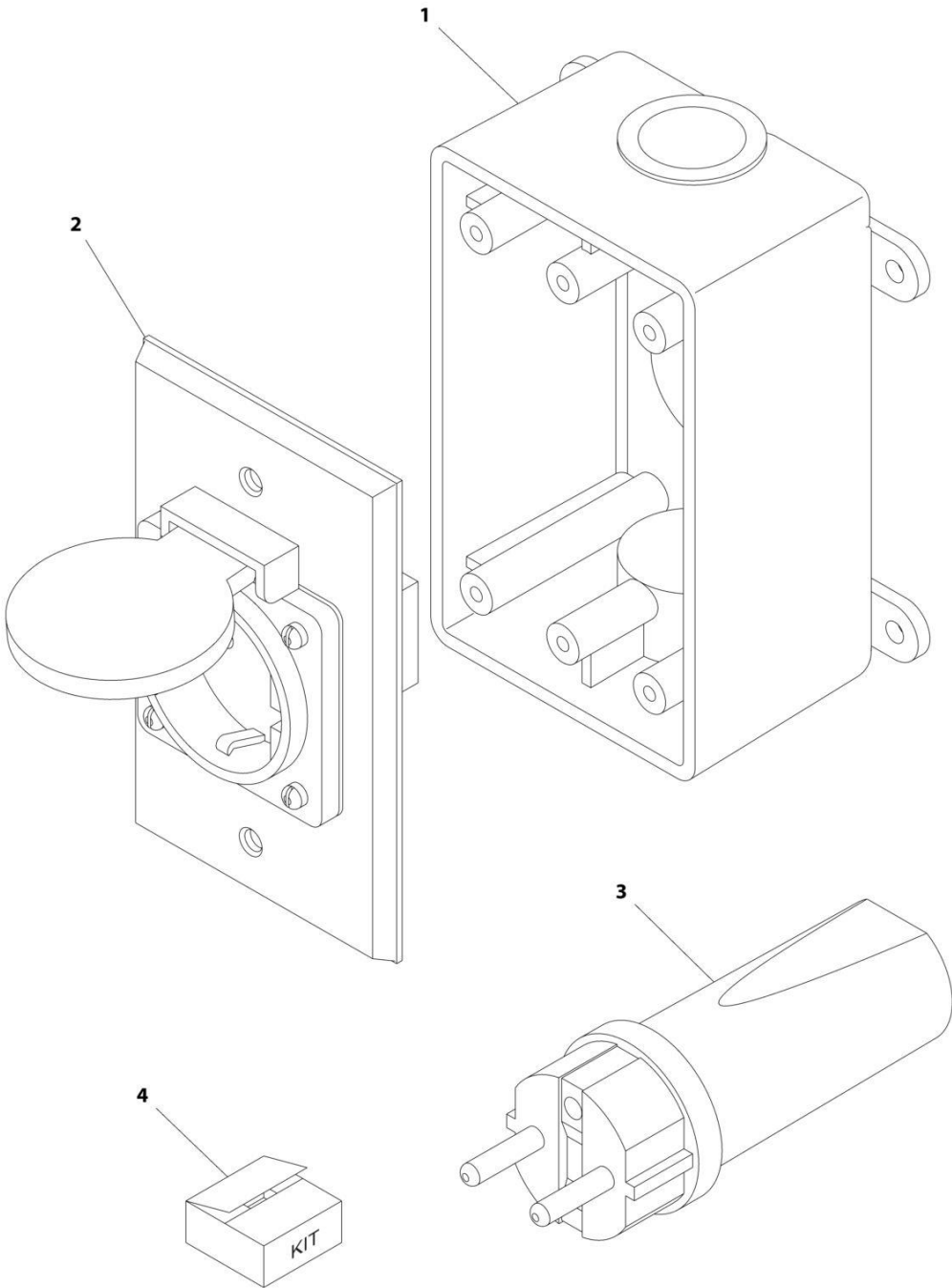
## SECTION 8 - ELECTRICAL

**FIGURE 8-58. RECEPTACLE BOX KIT - 220V CEE7 POST GROUND (2X4 BOX) (CE SPECS) (2500W GENERATOR)**

ITEM	PART NUMBER	QTY	DESCRIPTION	REV
	1001100345	Ref	RECEPTACLE BOX KIT - 220V CEE7 POST GROUND	C
1	0861731	1	Box, Switch	
2	4461244	1	Receptacle	
3	4461205	1	Plug, Male	
4	4461203	1	Plug, Female	

**SECTION 8 - ELECTRICAL**

**FIGURE 8-59. RECEPTACLE BOX KIT - 220V CEE7 SIDE GROUND (CE SPEC)**



ART\_0275453



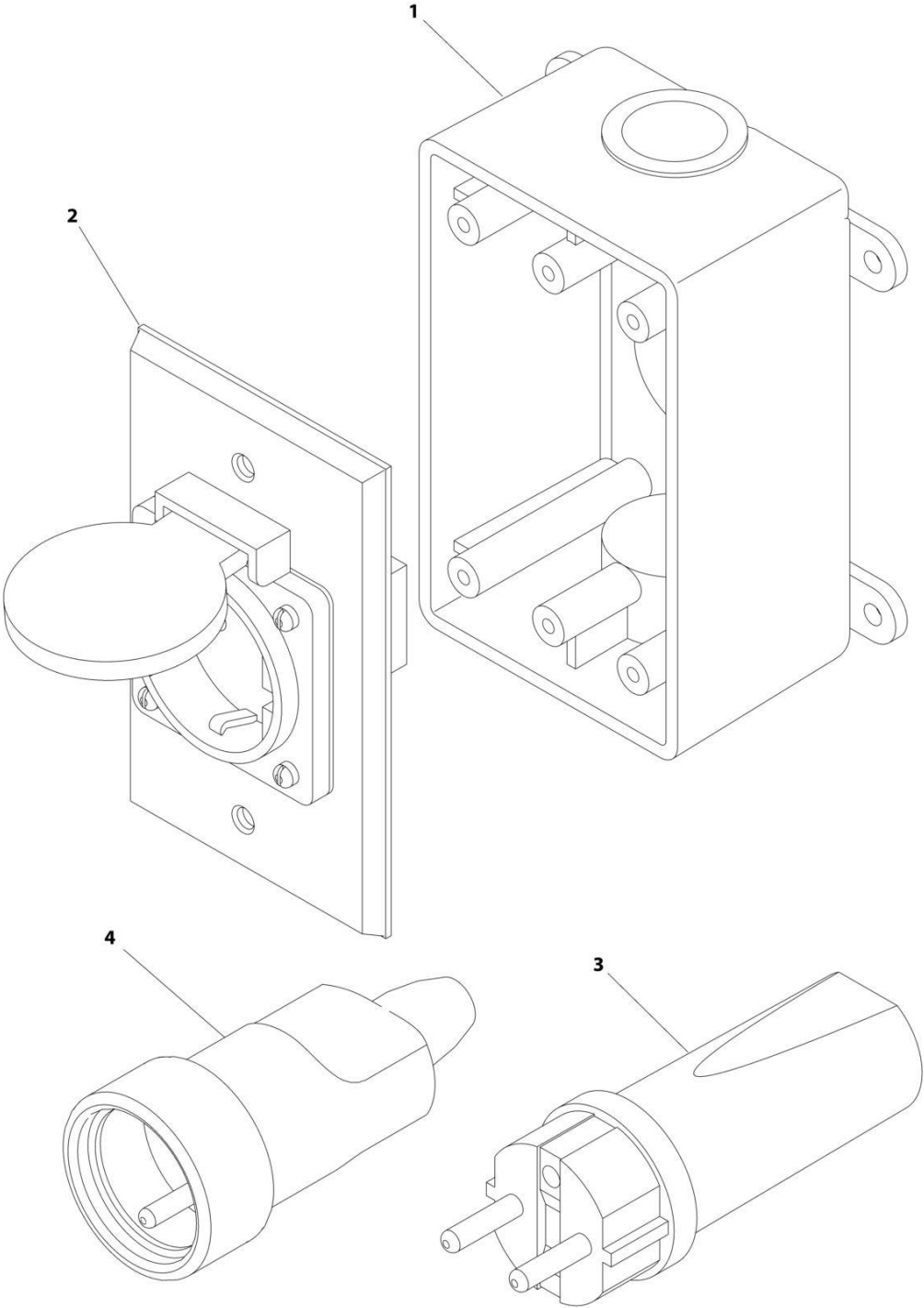
## SECTION 8 - ELECTRICAL

**FIGURE 8-59. RECEPTACLE BOX KIT - 220V CEE7 SIDE GROUND (CE SPEC)**

ITEM	PART NUMBER	QTY	DESCRIPTION	REV
	0275453	Ref	RECEPTACLE BOX KIT - 220V CEE7 SIDE GROUND	B
1	0861731	1	Box, Switch	
2	4461245	1	Receptacle	
3	4461205	1	Plug, Male	
4	1001100347	1	Plug and Socket Kit (Includes Items 1-3 and Female Plug p/n 4461206)	

**SECTION 8 - ELECTRICAL**

**FIGURE 8-60. RECEPTACLE BOX KIT - 220V CEE7 SIDE GROUND (2X4 BOX) (CE SPECS) (2500W GENERATOR)**



ART\_1001100347

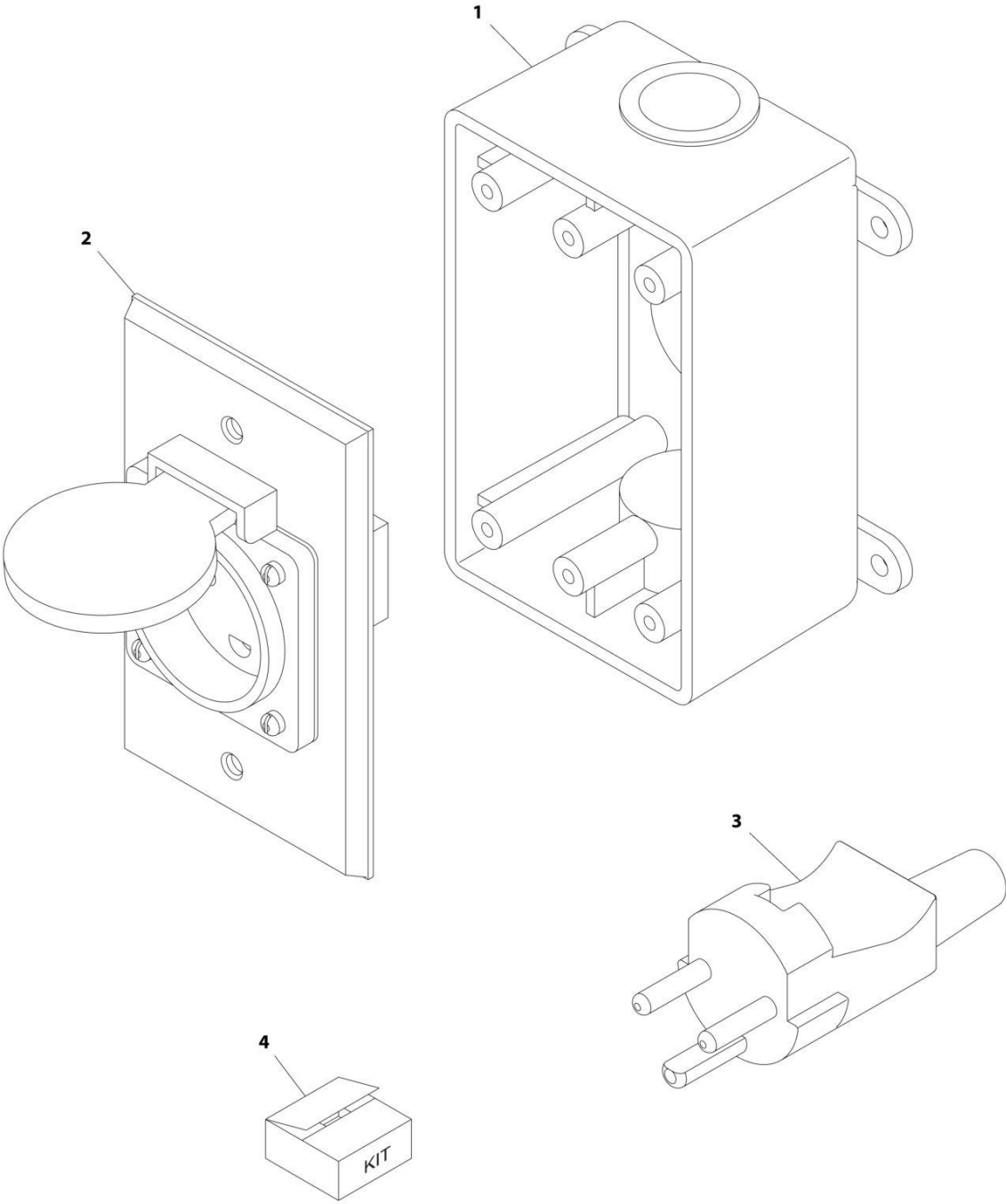
## SECTION 8 - ELECTRICAL

**FIGURE 8-60. RECEPTACLE BOX KIT - 220V CEE7 SIDE GROUND (2X4 BOX) (CE SPECS) (2500W GENERATOR)**

ITEM	PART NUMBER	QTY	DESCRIPTION	REV
	1001100347	Ref	RECEPTACLE BOX KIT - 220V CEE7 SIDE GROUND	3
1	0861731	1	Box, Switch	
2	4461245	1	Receptacle	
3	4461205	1	Plug, Male	
4	4461206	1	Plug, Female	

**SECTION 8 - ELECTRICAL**

**FIGURE 8-61. RECEPTACLE BOX KIT - 220V AFSINT 107 (CE SPEC)**



ART\_0275454

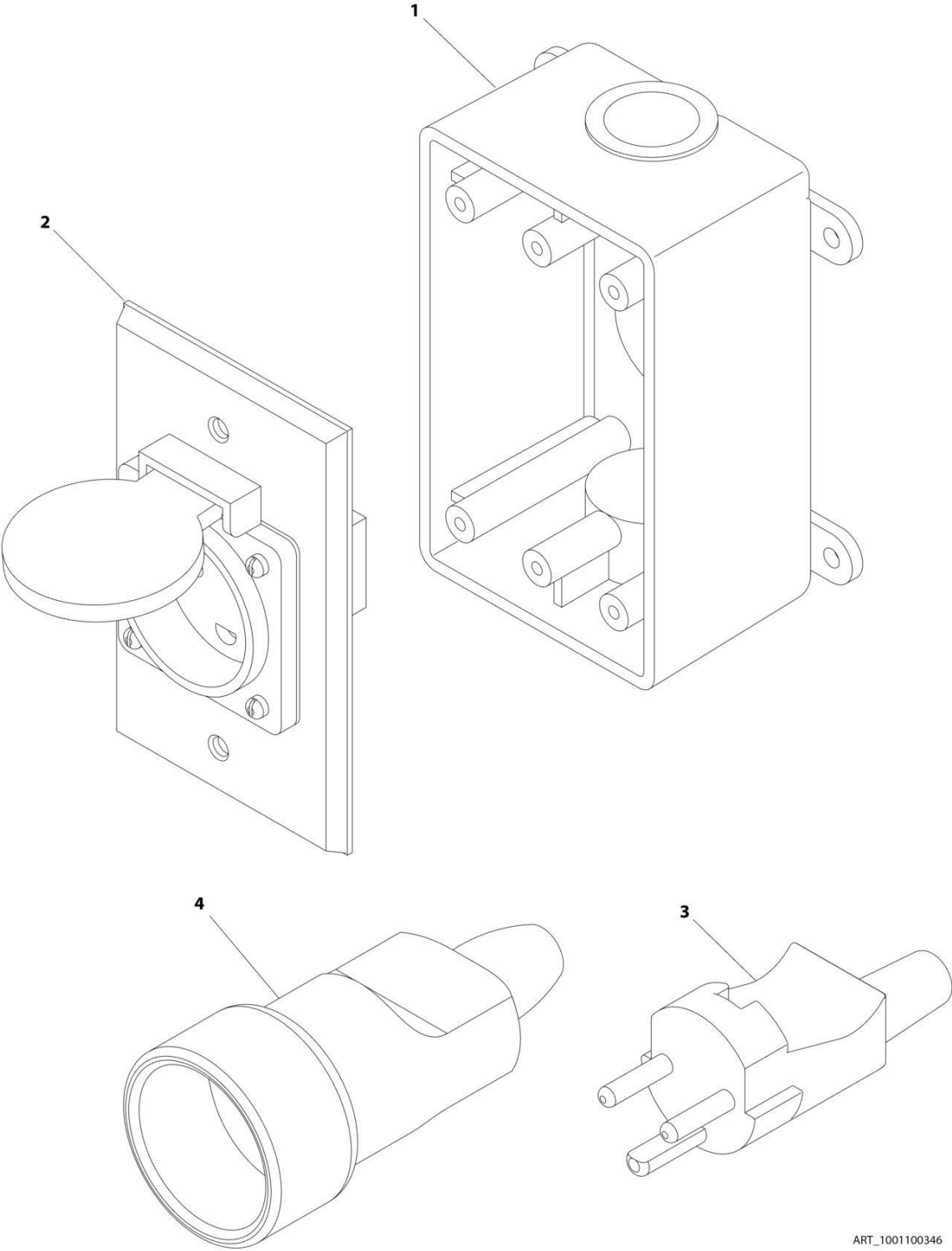
## SECTION 8 - ELECTRICAL

**FIGURE 8-61. RECEPTACLE BOX KIT - 220V AFSINT 107 (CE SPEC)**

ITEM	PART NUMBER	QTY	DESCRIPTION	REV
	0275454	Ref	RECEPTACLE BOX KIT - 220V AFSINT 107	B
1	0861731	1	Box, Switch	
2	4461246	1	Receptacle	
3	4461249	1	Plug, Male	
4	1001100346	1	Plug and Socket Kit (Includes Items 1-3 and Female Plug p/n 4461250)	

**SECTION 8 - ELECTRICAL**

**FIGURE 8-62. RECEPTACLE BOX KIT - 220V AFSINT 107 KEYED GROUND (2X4 BOX) (CE SPECS)  
(2500W GENERATOR)**



ART\_1001100346

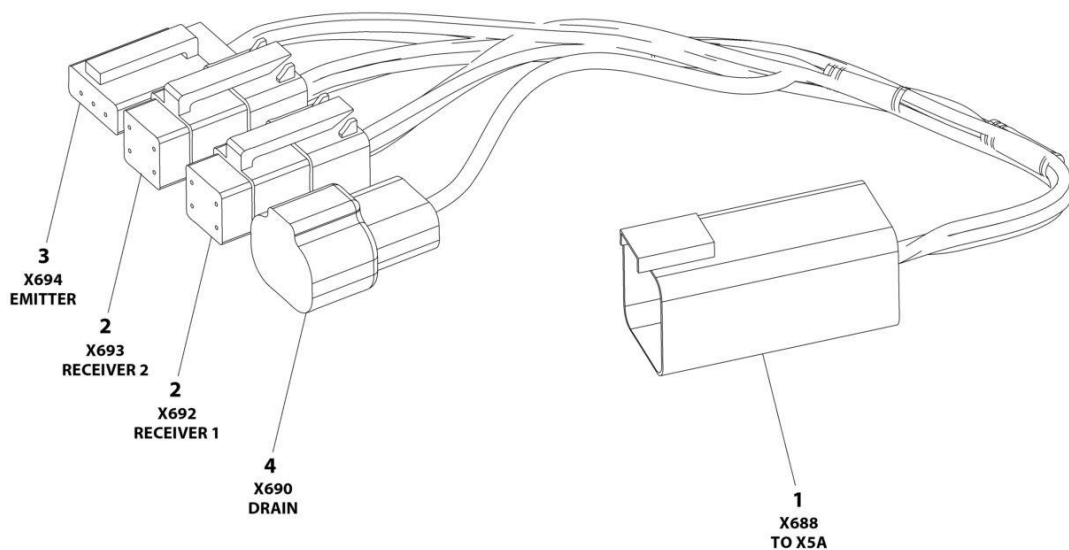
## SECTION 8 - ELECTRICAL

**FIGURE 8-62. RECEPTACLE BOX KIT - 220V AFSINT 107 KEYED GROUND (2X4 BOX) (CE SPECS)  
(2500W GENERATOR)**

ITEM	PART NUMBER	QTY	DESCRIPTION	REV
	1001100346	Ref	RECEPTACLE BOX KIT - 220V AFSINT 107 KEYED GROUND WITH 2500W GENERATOR (2X4 BOX) (CE & UK CA SPECS)	2
1	0861731	1	Box, Switch	
2	4461246	1	Receptacle	
3	4461249	1	Plug, Male	
4	4461250	1	Plug, Female	

# SECTION 8 - ELECTRICAL

## FIGURE 8-63. SKYEYE INTERMEDIATE HARNESS



ART\_1001237865



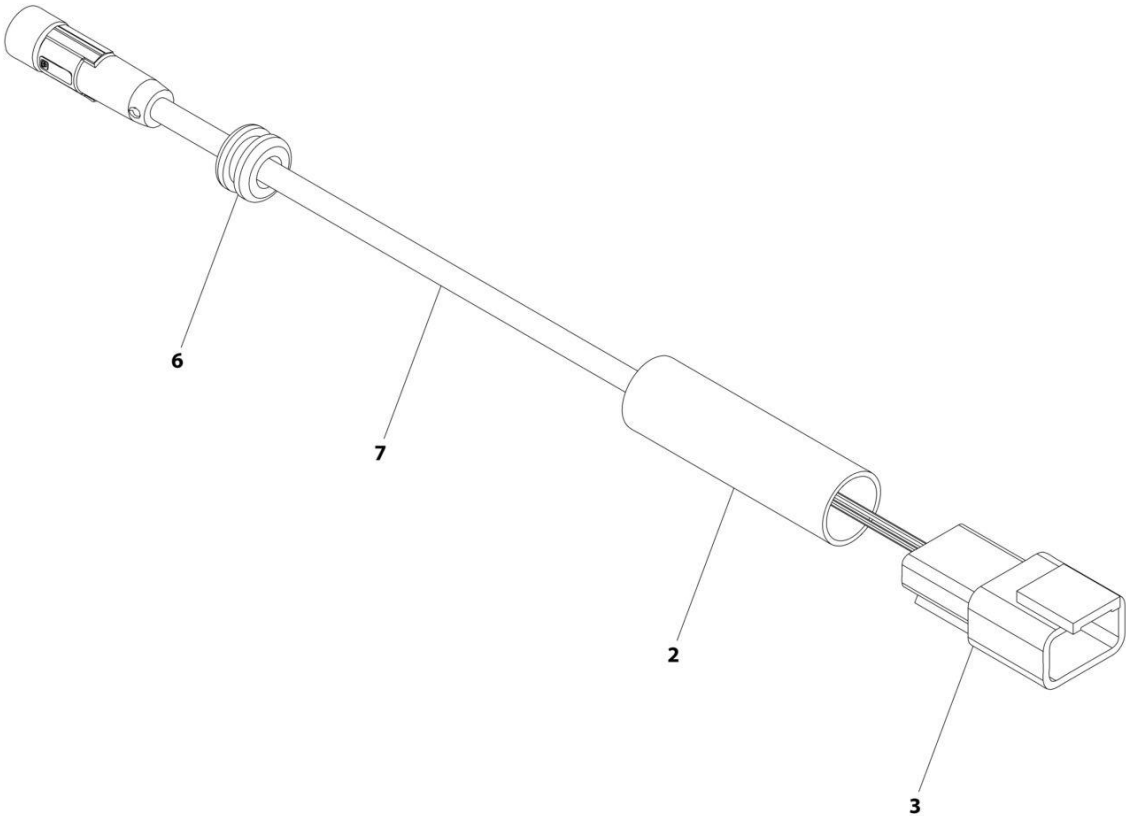
## SECTION 8 - ELECTRICAL

### FIGURE 8-63. SKYEYE INTERMEDIATE HARNESS

ITEM	PART NUMBER	QTY	DESCRIPTION	REV
	1001237865	Ref	SKYEYE INTERMEDIATE HARNESS	A
1	4460899	1	Connector - 6 Position	
1	4460943	4	Pin, Male	
1	4460466	2	Plug, Terminal	
2	4461077	2	Connector - 4 Position	
2	1001119619	8	Socket, Female	
3	4460911	1	Connector - 3 Position	
3	1001119619	3	Socket, Female	
4	1001187681	1	Connector - 2 Position	
4	4460941	1	Pin, Male	
4	4460466	1	Plug, Terminal	

**SECTION 8 - ELECTRICAL**

**FIGURE 8-64. SKYEYE EMITTER HARNESS**



ART\_1001237864

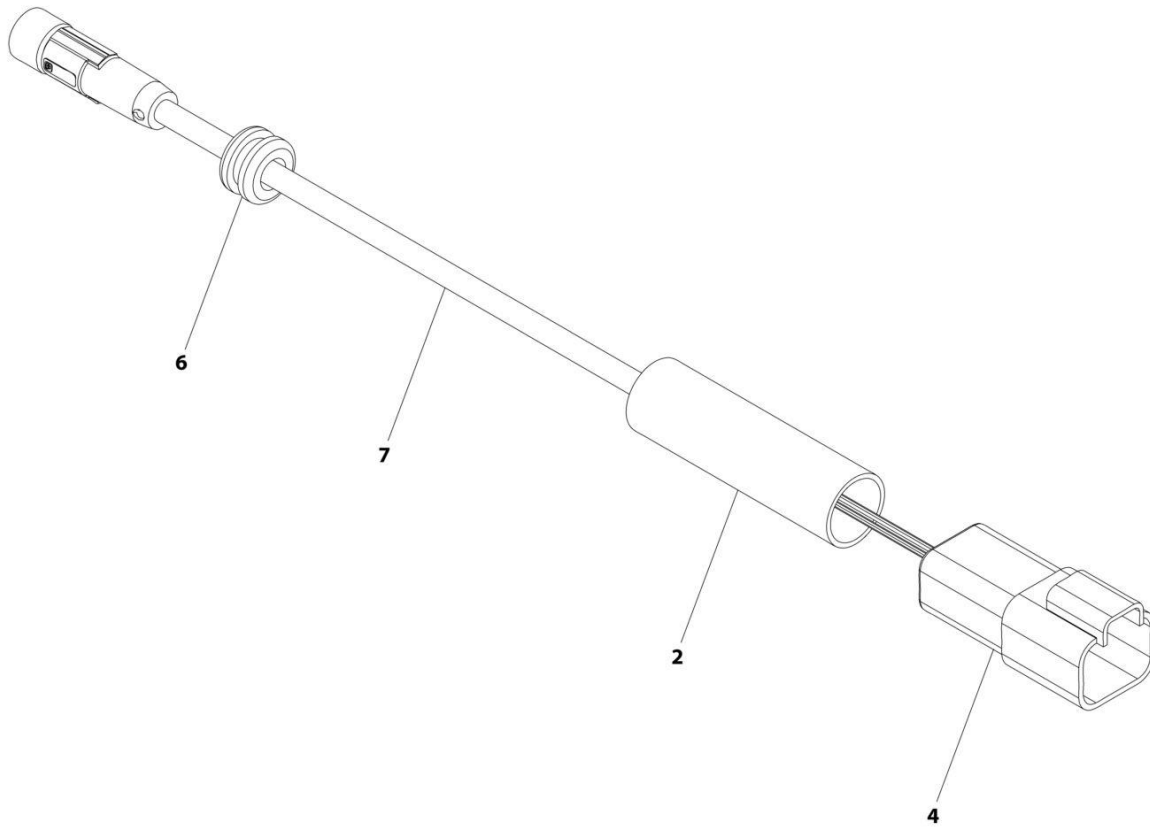
## SECTION 8 - ELECTRICAL

### FIGURE 8-64. SKYEYE EMITTER HARNESS

ITEM	PART NUMBER	QTY	DESCRIPTION	REV
	1001237864	Ref	SKYEYE EMITTER HARNESS	A
2	2820247	AR	Tubing, Heat Shrink	
3	4460910	1	Connector - 3 Position	
3	1001119620	3	Pin, Male	
6	1001227996	1	Grommet	
7	1001237862	1	Cable, M8 Female Cordset	

# SECTION 8 - ELECTRICAL

## FIGURE 8-65. SKYEYE RECEIVER HARNESS



ART\_1001237863

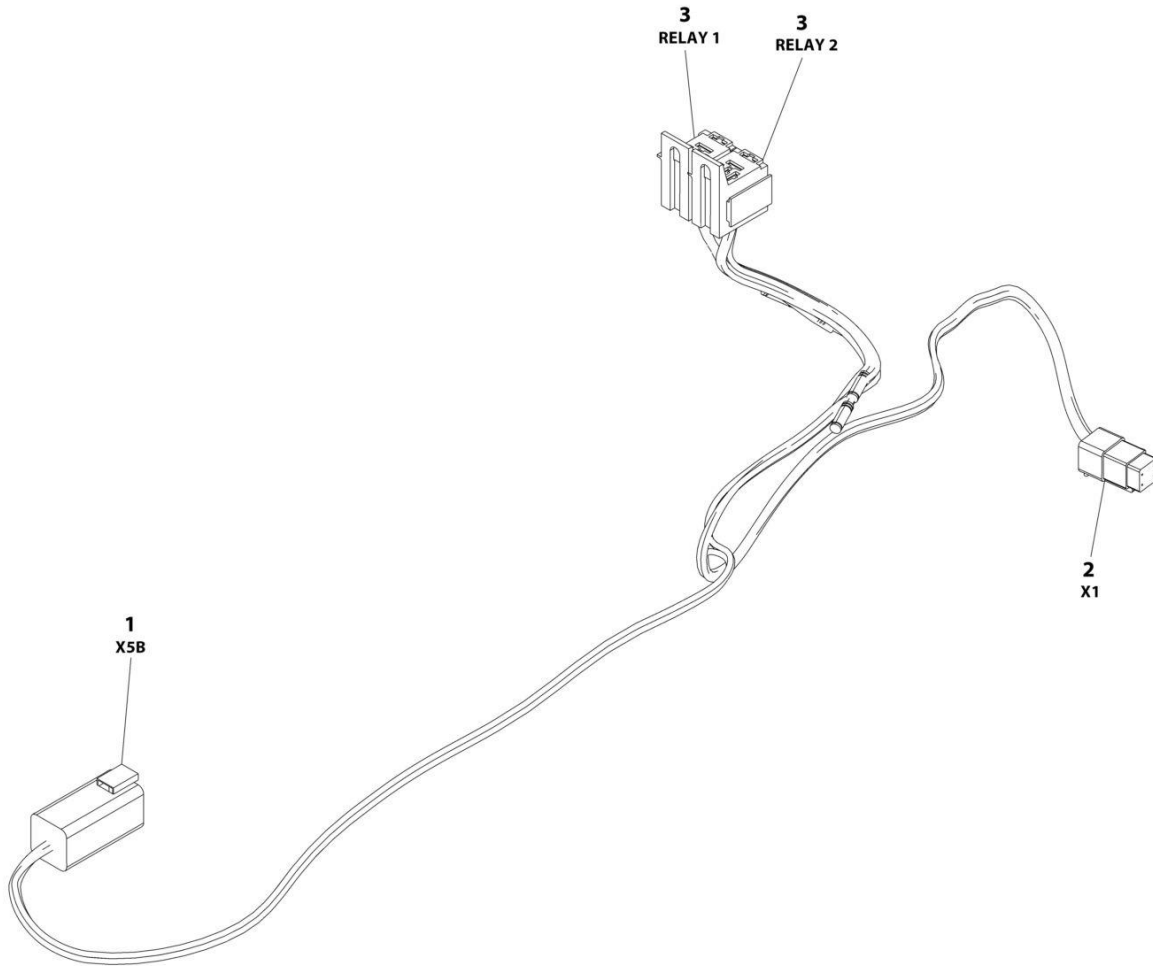
## SECTION 8 - ELECTRICAL

### FIGURE 8-65. SKYEYE RECEIVER HARNESS

ITEM	PART NUMBER	QTY	DESCRIPTION	REV
	1001237863	Ref	SKYEYE RECEIVER HARNESS	A
2	2820247	AR	Tubing, Heat Shrink	
4	1001097051	1	Connector - 4 Position	
4	1001119620	4	Pin, Male	
6	1001227996	1	Grommet	
7	1001237862	1	Cable, M8 Female Cordset	

# SECTION 8 - ELECTRICAL

## FIGURE 8-66. SKYLINE HARNESS



ART\_1001238418

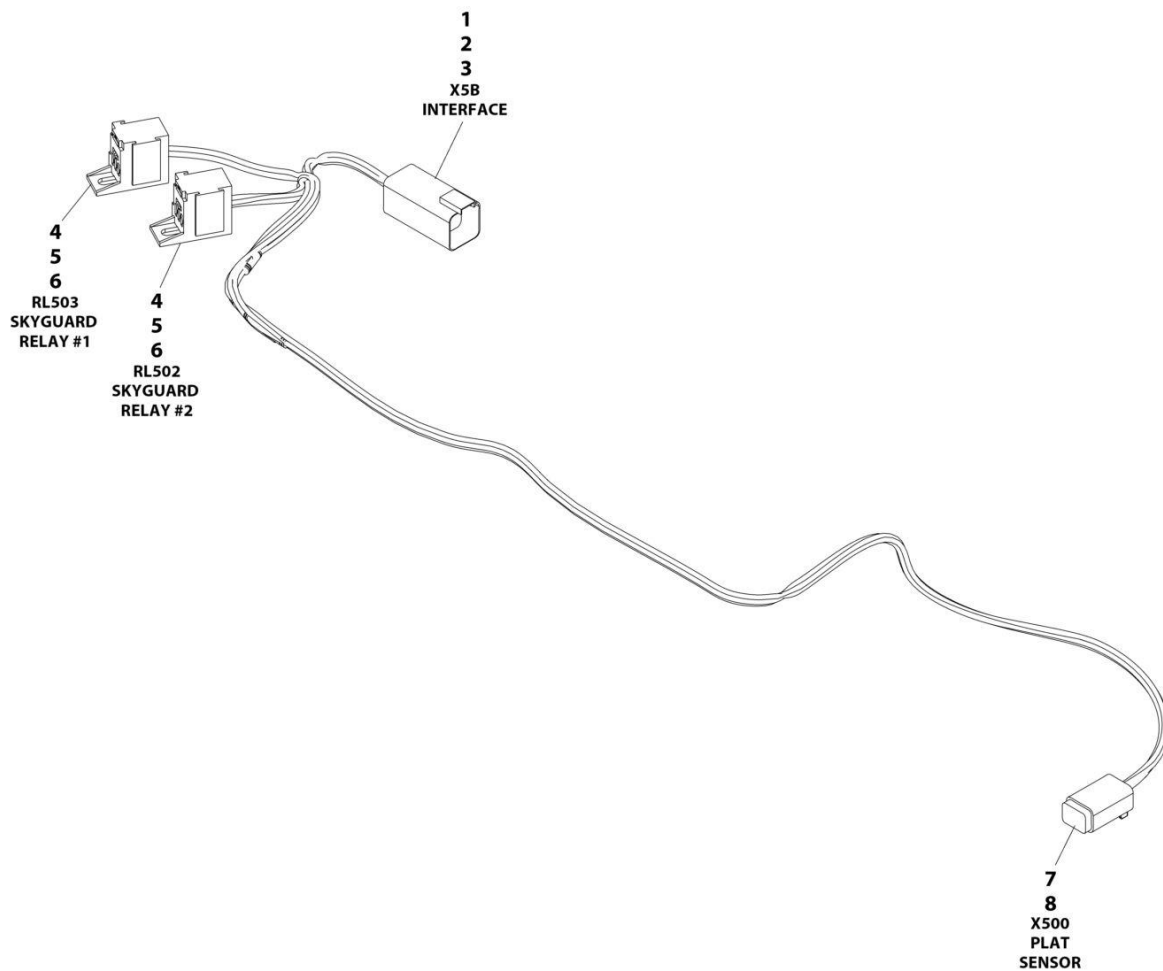
## SECTION 8 - ELECTRICAL

### FIGURE 8-66. SKYLINE HARNESS

ITEM	PART NUMBER	QTY	DESCRIPTION	REV
	1001238418	Ref	SKYLINE HARNESS	B
1	4460899	1	Connector - 6 Position	
1	4460464	4	Pin, Male	
1	4460466	2	Plug, Terminal	
2	4461077	1	Connector - 4 Position	
2	1001126009	4	Socket, Female	
3	1001186432	2	Plug, Relay	
3	1001118388	5	Terminal	
3	1001118384	3	Terminal	
3	3740086	2	Relay	

# SECTION 8 - ELECTRICAL

## FIGURE 8-67. SKYGUARD INTERFACE HARNESS



ART\_1001225580



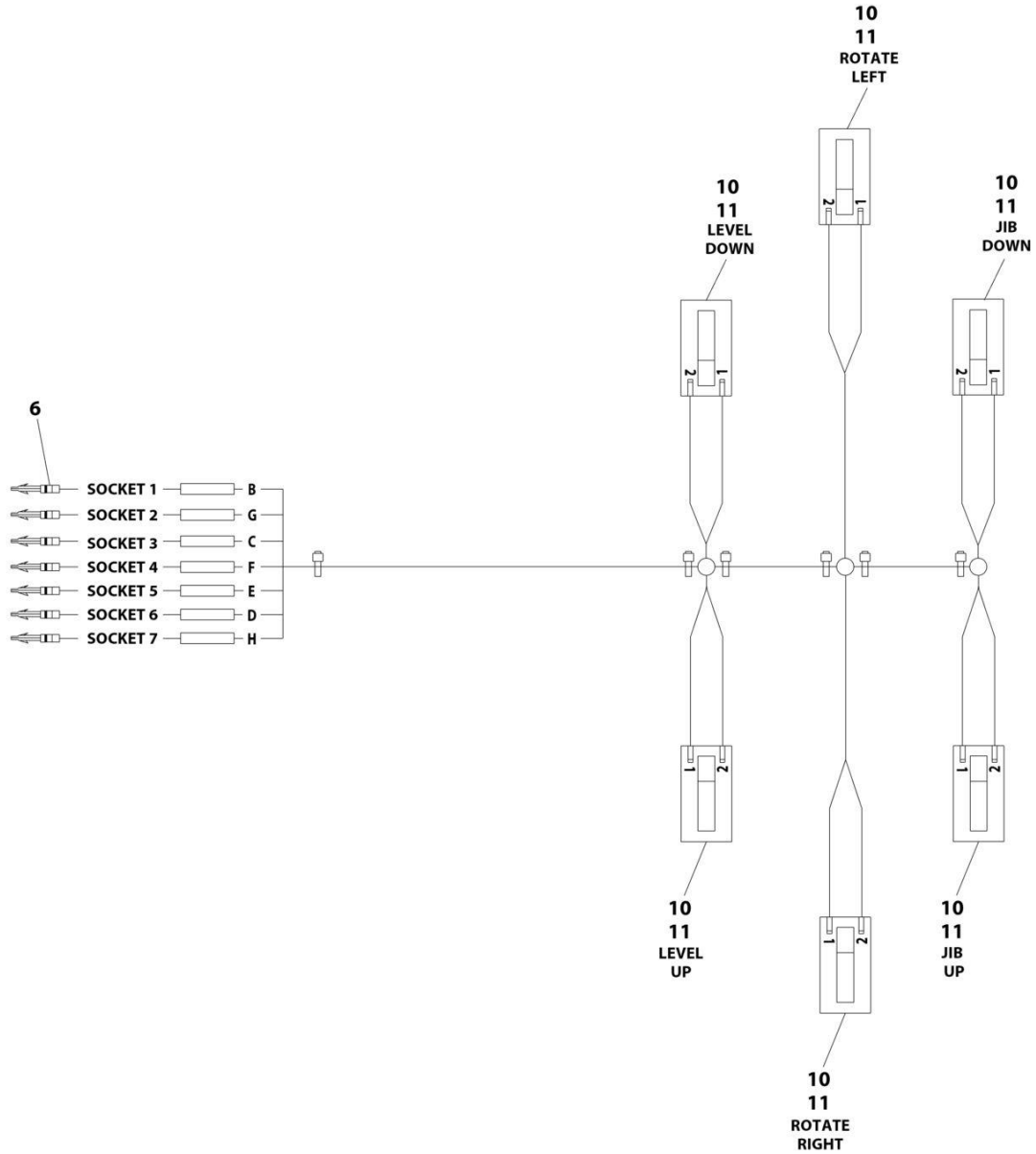
## SECTION 8 - ELECTRICAL

### FIGURE 8-67. SKYGUARD INTERFACE HARNESS

ITEM	PART NUMBER	QTY	DESCRIPTION	REV
	1001225580	Ref	INTERFACE HARNESS - WITH 1 CELL LSS	D
1	4460899	1	Connector	
2	4460464	4	Terminal	
3	4460466	2	Plug	
4	1001186432	2	Connector	
5	1001116720	4	Terminal	
6	1001118388	4	Terminal	
7	4460884	1	Connector	
8	4460465	4	Terminal	

# SECTION 8 - ELECTRICAL

## FIGURE 8-68. VALVE HARNESS - BOOM VALVE



ART\_1001139135

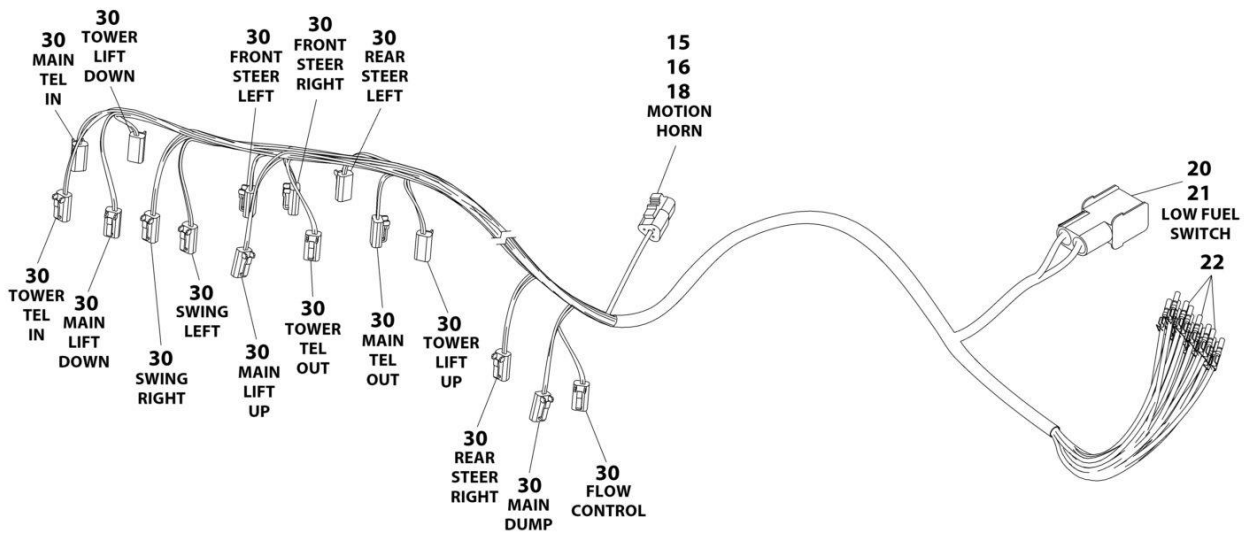
## SECTION 8 - ELECTRICAL

### FIGURE 8-68. VALVE HARNESS - BOOM VALVE

ITEM	PART NUMBER	QTY	DESCRIPTION	REV
	1001139135	Ref	BOOM VALVE HARNESS	3
6	4460226	7	Terminal, Socket	
10	4460891	6	Deutsch connector	
11	1001116692	12	Socket	

# SECTION 8 - ELECTRICAL

## FIGURE 8-69. VALVE HARNESS - MAIN CONTROL VALVE



ART\_1001154392

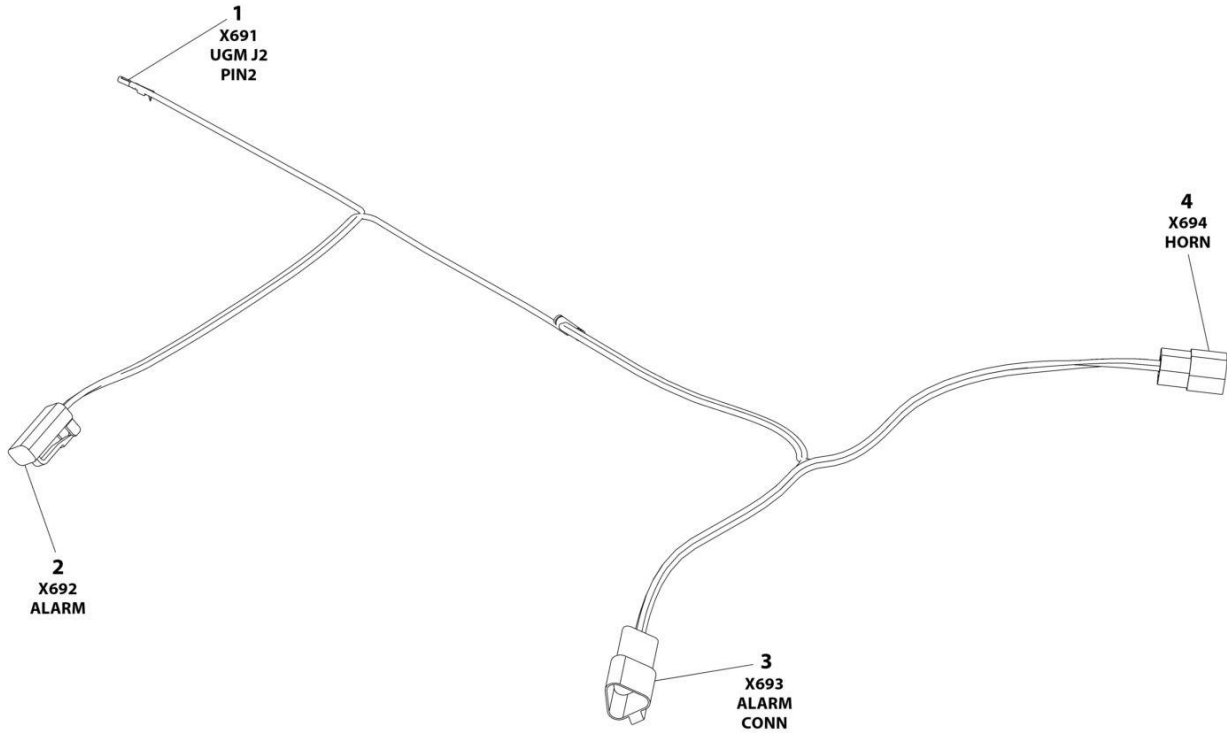
## SECTION 8 - ELECTRICAL

### FIGURE 8-69. VALVE HARNESS - MAIN CONTROL VALVE

ITEM	PART NUMBER	QTY	DESCRIPTION	REV
	1001154392	Ref	VALVE HARNESS - MAIN VALVE	C
15	4460539	1	Connector - 3 Position	
16	1001116692	34	Socket, Female	
18	4460466	1	Plug, Terminal	
19	4460267	5	Pin, Male (Not Shown)	
20	4460424	1	Plug, Male - 2 Position	
21	4460268	2	Socket, Female	
22	4460871	26	Socket, Female	
28	4240032	AR	Tie-Strap (Not Shown)	
30	4460891	16	Connector - 2 Position	

# SECTION 8 - ELECTRICAL

## FIGURE 8-70. WHITE NOISE ALARM HARNESS



ART\_1001231007

## SECTION 8 - ELECTRICAL

### FIGURE 8-70. WHITE NOISE ALARM HARNESS

ITEM	PART NUMBER	QTY	DESCRIPTION	REV
	1001231007	Ref	WHITE NOISE ALARM INSTALLATION	B
1	4460871	1	Terminal	
2	4460891	1	Plug, Male - 2 Position	
2	4460465	2	Socket, Female	
3	4460536	1	Receptacle, Female - 3 Position	
3	4460464	3	Pin, Male	
4	4460539	1	Plug, Male - 3 Position	
4	4460465	3	Socket, Female	





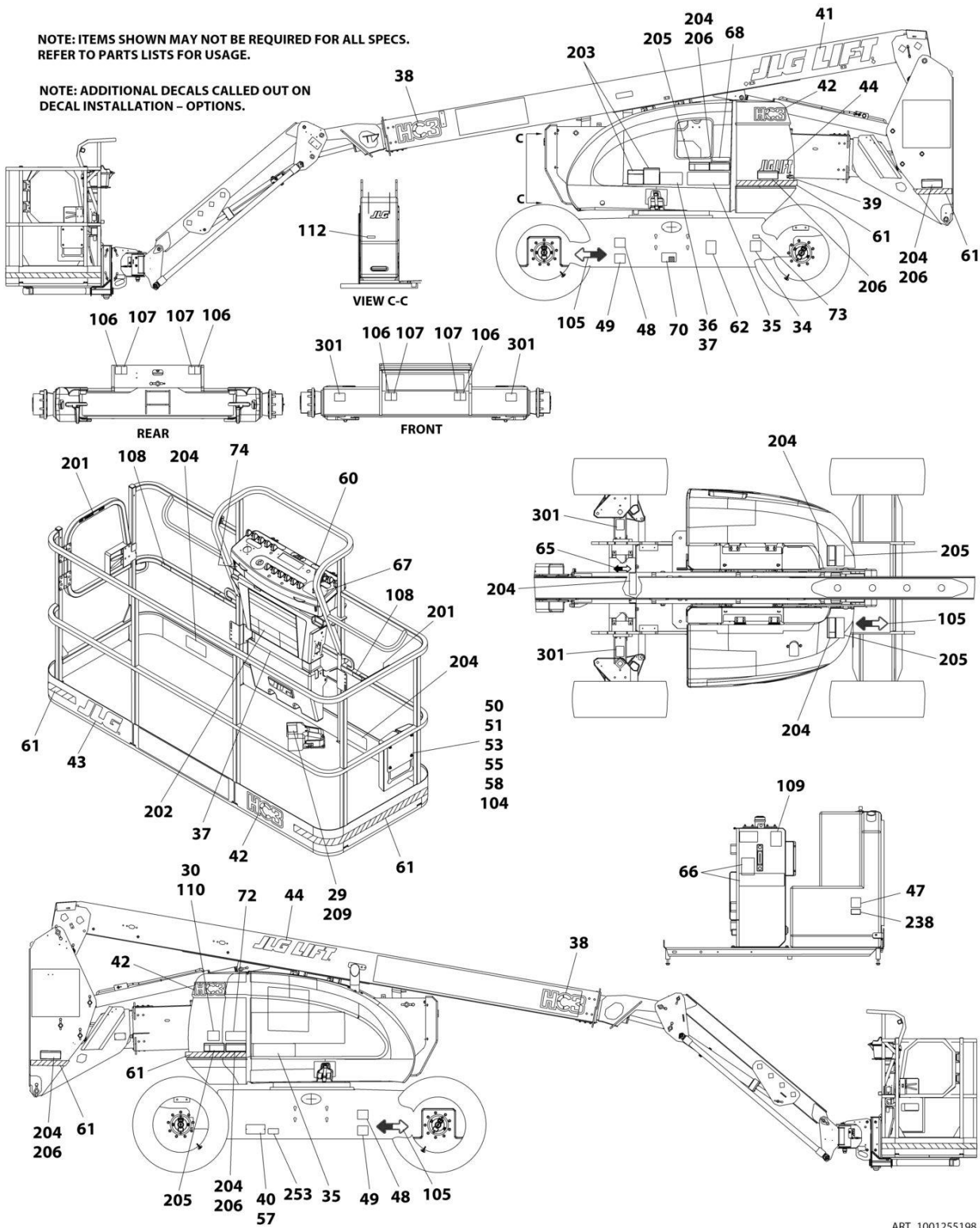
**SECTION 9 - DECALS**

# SECTION 9 - DECALS

## FIGURE 9-1. DECAL INSTALLATION - ANSI SPECS

NOTE: ITEMS SHOWN MAY NOT BE REQUIRED FOR ALL SPECS.  
REFER TO PARTS LISTS FOR USAGE.

NOTE: ADDITIONAL DECALS CALLED OUT ON  
DECAL INSTALLATION - OPTIONS.



ART\_1001255198

## SECTION 9 - DECALS

**FIGURE 9-1. DECAL INSTALLATION - ANSI SPECS**

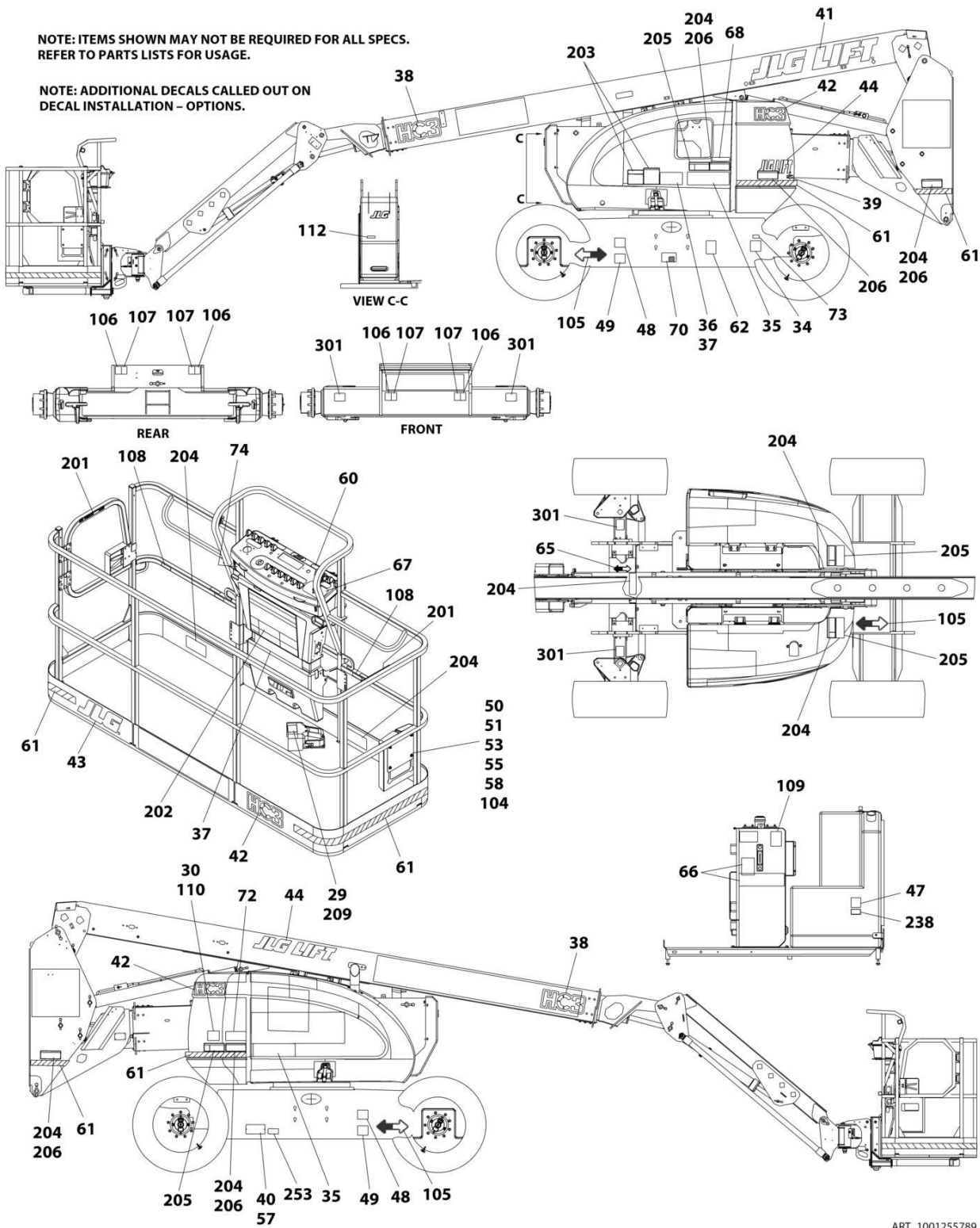
ITEM	PART NUMBER	QTY	DESCRIPTION	REV
	1001255198	Ref	DECAL INSTALLATION	E
	1001255196	Ref	DECAL REFERENCE CHART	C
29	3252347	1	Nameplate - Footswitch	
34	See Note	NSS	Decal - Bar Code (Note: Not Available for Purchase)	
35	1001267311	2	Decal - 600AJ	
36	1001234426	1	Decal - Warning	
37	1001234425	1	Decal - Warning	
39	1704885	1	Decal - Website	
50	0100011	AR	Compound, Locking	
51	0641406	4	Bolt 1/4 x 3/4	
53	0860520	1	Box, Manual Storage	
55	3311405	4	Nut 1/4	
57	3820001	2	Rivet	
58	4751400	8	Washer 1/4	
60	1001184618	1	Decal - Stop	
61	4420051	22 ft/6.7m	Tape, Safety	
62	1001131269	1	Decal - Patent	
65	1703687	1	Decal - Direction Arrow	
66	1702265	1	Decal - Upright Level Over-Ride	
67	1705351	1	Decal - Drive/Steer Instructions	
70	1001223055	1	Decal - Yearly Inspection	
72	1001284696	1	Decal - Lift Diagram	
73	1001223453	1	Decal - ICES	
100	2902303	1	Decal Kit - Master (Includes Items 104-112)	
104	1701509	1	Decal - Manual	
105	1701529	6	Decal - Arrow	
106	1703811	4	Decal - Tie Down/Lift	
107	1703814	6	Decal - Tie Down	
108	1704277	4	Decal - Attach Lanyard Here	
109	1704412	1	Decal - Hydraulic Oil Chart	
112	3251243	1	Nameplate - 120V-60Hz	
200	2902307	1	Decal Kit - Country Spec (Includes Items 201-206)	
201	1702868	2	Decal - No Hands	
202	1703797	1	Decal - Warning/Danger	
203	1705336	1	Decal - Warning Inspection (MTB)	
204	1703804	5	Decal - Warning Crushing	
205	1703805	4	Decal - Danger Electrocution	
206	1703953	4	Decal - Warning Crushing	
300	1001255795	1	Decal Max Tire Load Kit (Includes Item 301)	
301	1001255794	4	Decal - Max Tire Load	

# SECTION 9 - DECALS

## FIGURE 9-2. DECAL INSTALLATION - AUSTRALIAN SPECS

NOTE: ITEMS SHOWN MAY NOT BE REQUIRED FOR ALL SPECS.  
REFER TO PARTS LISTS FOR USAGE.

NOTE: ADDITIONAL DECALS CALLED OUT ON  
DECAL INSTALLATION - OPTIONS.



ART\_1001255789

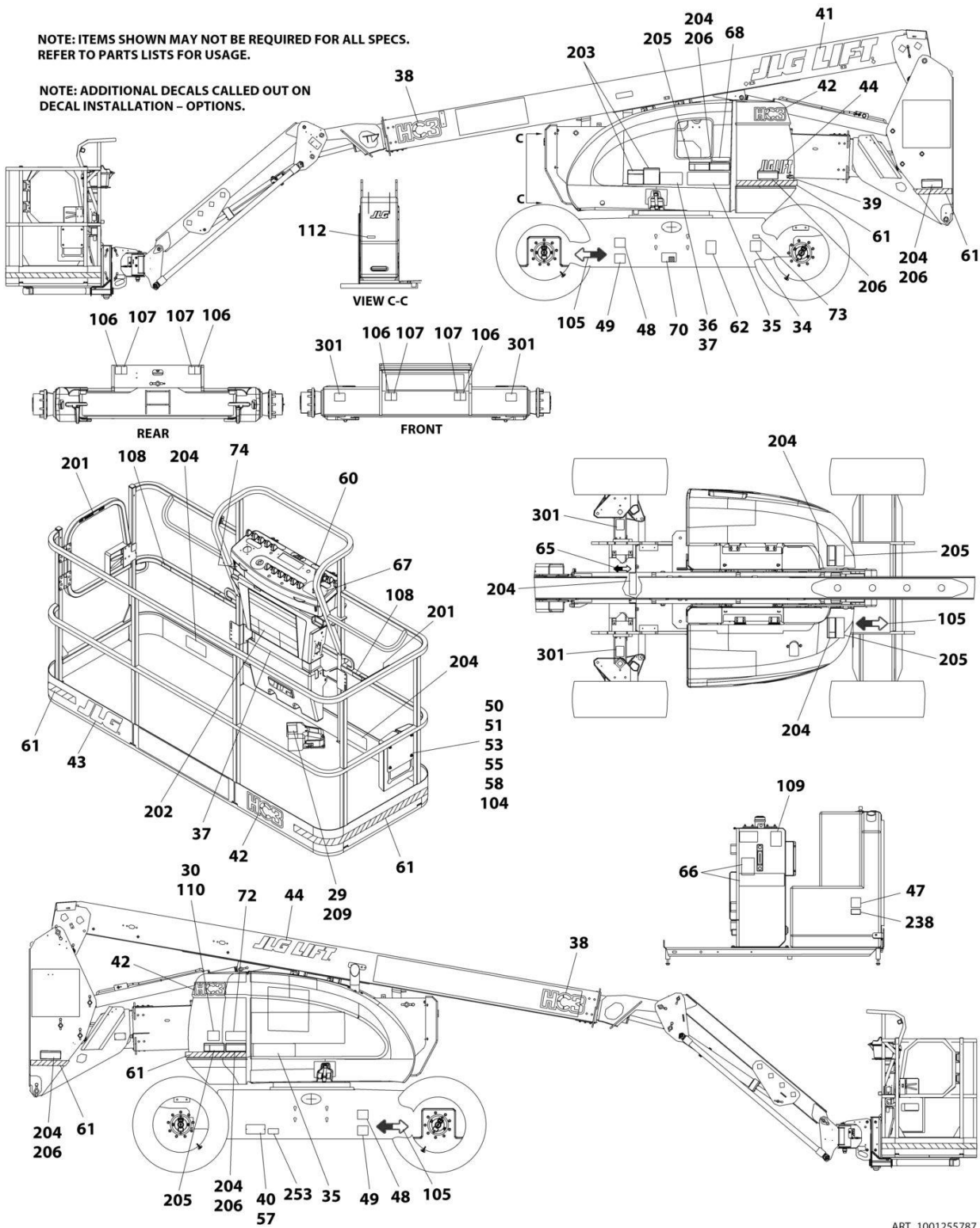
## SECTION 9 - DECALS

**FIGURE 9-2. DECAL INSTALLATION - AUSTRALIAN SPECS**

ITEM	PART NUMBER	QTY	DESCRIPTION	REV
	1001255789	Ref	DECAL INSTALLATION	D
	1001255196	Ref	DECAL REFERENCE CHART	C
34	See Note	NSS	Decal - Bar Code (Note: Not Available for Purchase)	
35	1702819	2	Decal - 600AJ	
35	1001267311	1	Decal - 600AJ	
37	1001234439	2	Decal - Warning	
39	1704885	1	Decal - Website	
50	0100011	AR	Compound, Locking	
51	0641406	4	Bolt 1/4 x 3/4	
53	0860520	1	Box, Manual Storage	
55	3311405	4	Nut 1/4	
57	3820001	2	Rivet	
58	4751400	8	Washer 1/4	
60	1001184618	1	Decal - Stop	
61	4420051	22 ft/6.7m	Tape, Safety	
65	1703687	1	Decal - Direction Arrow	
66	1705977	1	Decal - Upright Level Over-Ride	
67	1001112551	1	Decal - Drive/Steer Instructions	
72	1001255926	1	Decal - Lift Diagram	
72	1001284696	1	Decal - Lift Diagram	
100	2902303	1	Decal Kit - Master (Includes Items 104-110)	
104	1701509	1	Decal - Manual	
105	1701529	6	Decal - Arrow	
106	1703811	4	Decal - Tie Down/Lift	
107	1703814	6	Decal - Tie Down	
108	1704277	4	Decal - Attach Lanyard Here	
109	1704412	1	Decal - Hydraulic Oil Chart	
110	1705084	1	Decal - Sound Power	
200	2902329	1	Decal Kit - Country Spec (Includes Items 202-209)	
202	1705921	1	Decal -Warning/Danger	
203	1705822	1	Decal - Warning Inspection (MTB)	
204	1701518	10	Decal -Warning Crushing	
205	1705961	5	Decal - Danger Electrocution	
209	1705828	1	Decal - Footswitch	
300	1001255795	1	Decal Max Tire Load Kit (Includes Item 301)	
301	1001255794	4	Decal - Max Tire Load	

# SECTION 9 - DECALS

## FIGURE 9-3. DECAL INSTALLATION - BRAZIL SPECS



## SECTION 9 - DECALS

### FIGURE 9-3. DECAL INSTALLATION - BRAZIL SPECS

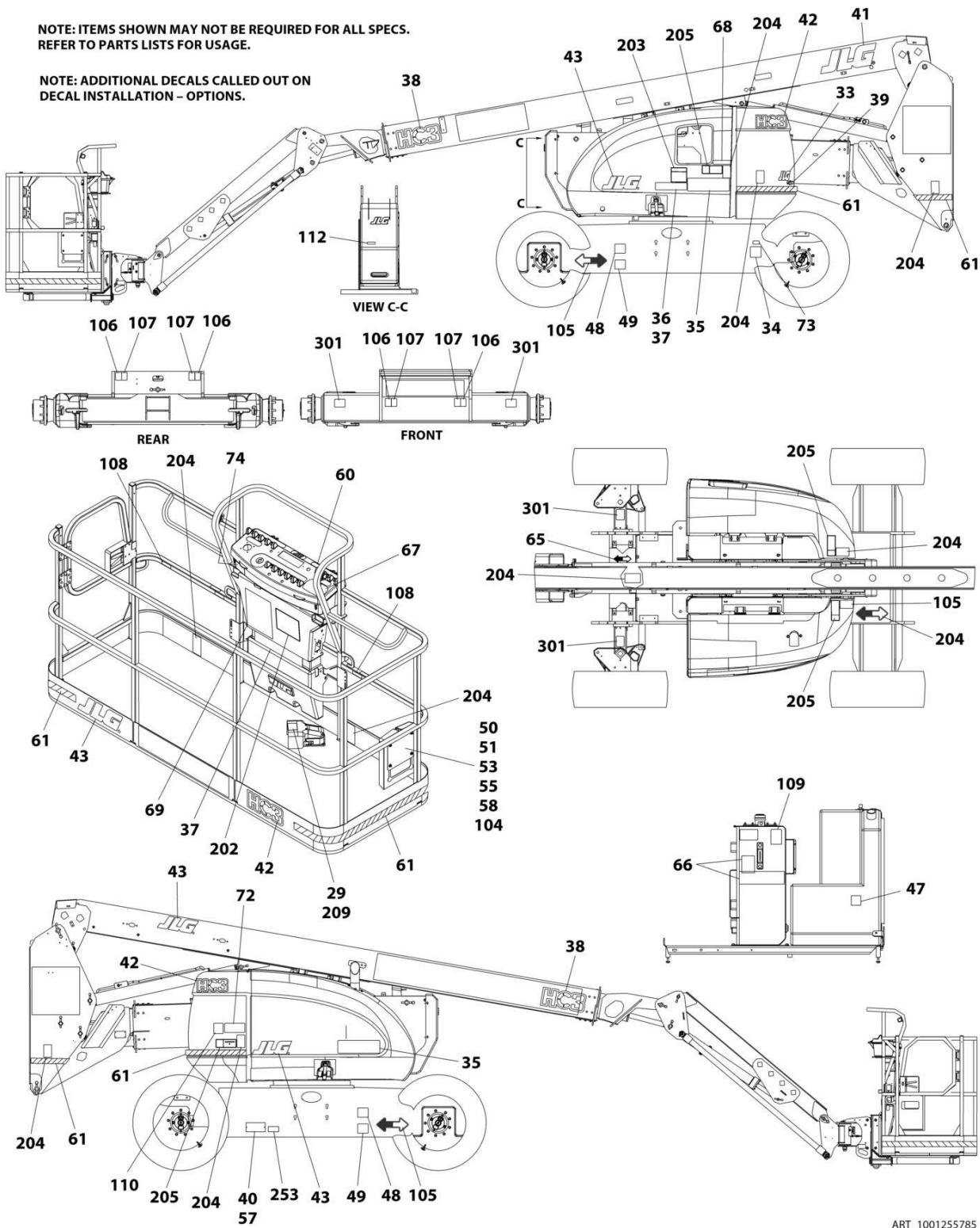
ITEM	PART NUMBER	QTY	DESCRIPTION	REV
	1001255787	Ref	DECAL INSTALLATION	D
	1001255196	Ref	DECAL REFERENCE CHART	C
34	See Note	NSS	Decal - Bar Code (Note: Not Available for Purchase)	
35	1001267311	2	Decal - 600AJ	
36	1001255915	1	Decal - Warning	
37	1001255914	1	Decal - Warning	
39	1704885	1	Decal - Website	
50	0100011	AR	Compound, Locking	
51	0641406	4	Bolt 1/4 x 3/4	
53	0860520	1	Box, Manual Storage	
55	3311405	4	Nut 1/4	
57	3820001	2	Rivet	
58	4751400	8	Washer 1/4	
60	1001184618	1	Decal - Stop	
61	4420051	22 ft/6.7m	Tape, Safety	
65	1703687	1	Decal - Direction Arrow	
66	1703544	1	Decal - Upright Level Over-Ride	
67	1705905	1	Decal - Drive/Steer Instructions	
70	1001224052	1	Decal - Yearly Inspection	
70	1001267885	1	Decal - Yearly Inspection	
72	1001284696	1	Decal - Lift Diagram	
100	2902303	1	Decal Kit - Master (Includes Items 104-109)	
104	1701509	1	Decal - Manual	
105	1701529	6	Decal - Arrow	
106	1703811	4	Decal - Tie Down/Lift	
107	1703814	6	Decal - Tie Down	
108	1704277	4	Decal - Attach Lanyard Here	
109	1704412	1	Decal - Hydraulic Oil Chart	
200	2902312	1	Decal Kit - Country Spec (Includes Items 201-209)	
201	1705967	2	Decal - No Hands	
202	1705895	1	Decal - Warning/Danger	
203	1705896	1	Decal - Warning Inspection (MTB)	
204	1705898	5	Decal - Warning Crushing	
205	1705897	5	Decal - Danger Electrocution	
206	1705903	7	Decal - Warning Crushing	
209	1705902	1	Decal - Footswitch	
300	1001255795	1	Decal Max Tire Load Kit (Includes Item 301)	
301	1001255794	4	Decal- Max Tire Load	

# SECTION 9 - DECALS

## FIGURE 9-4. DECAL INSTALLATION - CE SPECS

NOTE: ITEMS SHOWN MAY NOT BE REQUIRED FOR ALL SPECS.  
REFER TO PARTS LISTS FOR USAGE.

NOTE: ADDITIONAL DECALS CALLED OUT ON  
DECAL INSTALLATION - OPTIONS.



ART\_1001255785



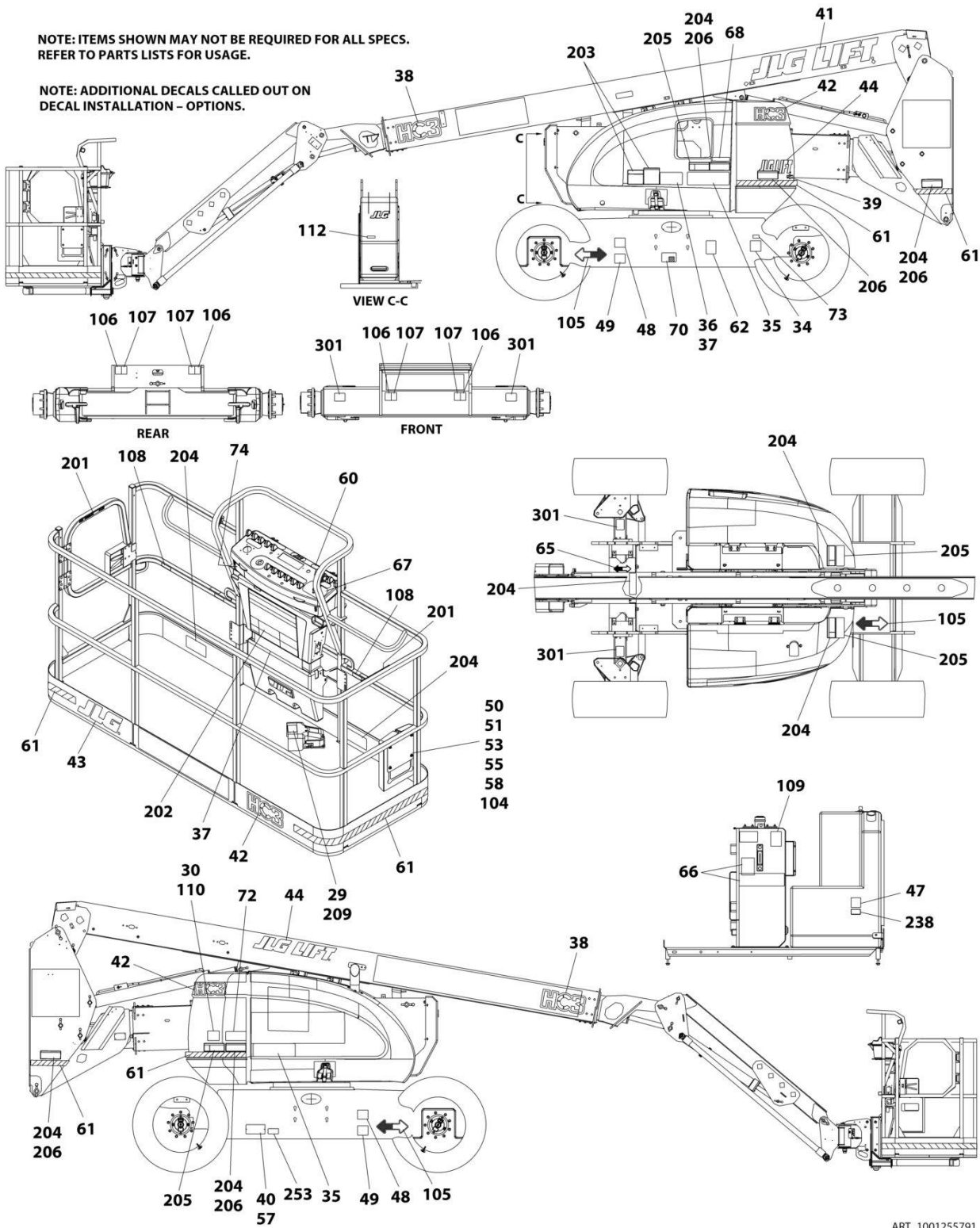
## SECTION 9 - DECALS

**FIGURE 9-4. DECAL INSTALLATION - CE SPECS**

ITEM	PART NUMBER	QTY	DESCRIPTION	REV
	1001255785	Ref	DECAL INSTALLATION	E
	1001257285	Ref	DECAL REFERENCE CHART	B
34	See Note	NSS	Decal - Bar Code (Note: Not Available for Purchase)	
35	1001267311	2	Decal - 600AJ	
36	1001234439	1	Decal - Capacity	
37	1001234439	1	Decal - Capacity	
50	0100011	AR	Compound, Locking	
51	0641406	4	Bolt 1/4 x 3/4	
53	0860520	1	Box, Manual Storage	
55	3311405	4	Nut 1/4	
57	3820001	2	Rivet	
58	4751400	8	Washer 1/4	
60	1001184618	1	Decal - Stop	
61	4420051	22 ft/6.7m	Decal - Warning Stripe	
65	1703687	1	Decal - Direction Arrow	
66	1705977	1	Decal - Upright Level Over-Ride	
72	1001284696	1	Decal - Lift Diagram	
100	2902303	1	Decal Kit - Master (Includes Items 104-110)	
104	1701509	1	Decal - Manual	
105	1701529	3	Decal - Arrow	
106	1703811	4	Decal - Tie Down/Lift	
107	1703814	4	Decal - Tie Down	
108	1704277	3	Decal - Attach Lanyard Here	
109	1704412	1	Decal - Hydraulic Oil Chart	
200	2902329	1	Decal Kit - Country Spec (Includes Items 202-209)	
202	1705921	1	Decal - Tipping/Electrical Platform	
203	1705822	1	Decal - Electrical/Safety Manual	
204	1701518	10	Decal - Warning Crushing	
205	1705961	4	Decal - Danger Electrocution	
209	1705828	4	Decal - Footswitch	
300	1001255795	1	Decal Max Tire Load Kit (Includes Item 301)	
301	1001255794	4	Decal - Max Tire Load	

# SECTION 9 - DECALS

## FIGURE 9-5. DECAL INSTALLATION - CHINESE SPECS (SIMPLIFIED)



ART\_1001255791

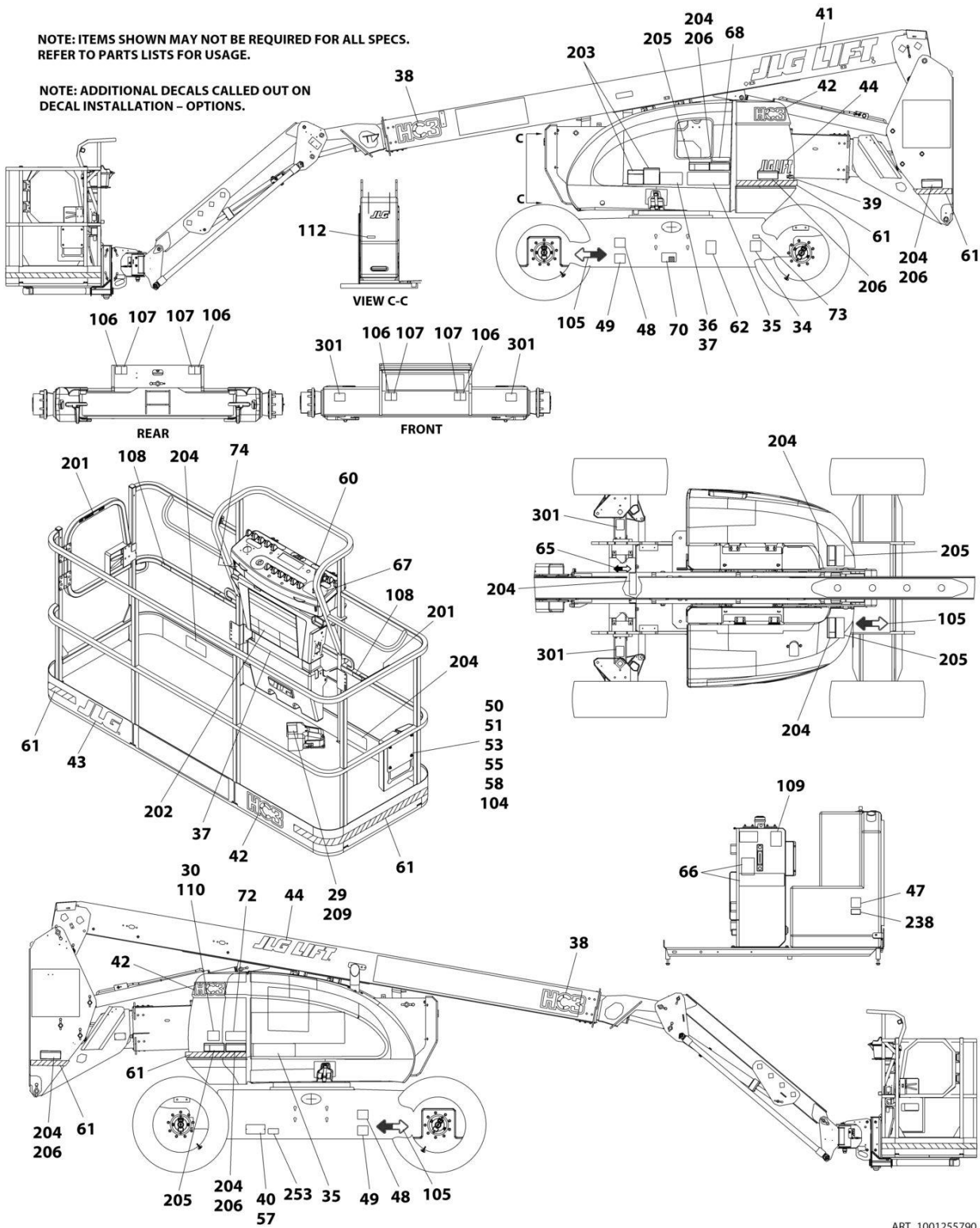
## SECTION 9 - DECALS

**FIGURE 9-5. DECAL INSTALLATION - CHINESE SPECS (SIMPLIFIED)**

ITEM	PART NUMBER	QTY	DESCRIPTION	REV
	1001255791	Ref	DECAL INSTALLATION	D
	1001255196	Ref	DECAL REFERENCE CHART	C
34	See Note	NSS	Decal - Bar Code (Note: Not Available for Purchase)	
35	1001267311	1	Decal - 600AJ	
36	1001235402	1	Decal - Warning	
37	1001235401	1	Decal - Warning	
39	1704885	1	Decal - Website	
50	0100011	AR	Compound, Locking	
51	0641406	4	Bolt 1/4 x 3/4	
53	0860520	1	Box, Manual Storage	
55	3311405	4	Nut 1/4	
57	3820001	2	Rivet	
58	4751400	8	Washer 1/4	
60	1001184618	1	Decal - Stop	
61	4420051	22 ft/6.7m	Tape, Safety	
65	1703687	1	Decal - Direction Arrow	
66	1001116861	1	Decal - Upright Level Over-Ride	
67	1705430	1	Decal - Drive/Steer Instructions	
70	1001224051	1	Decal - Yearly Inspection	
72	1001284696	1	Decal - Lift Diagram	
100	2902303	1	Decal Kit - Master (Includes Items 104-112)	
104	1701509	1	Decal - Manual	
105	1701529	6	Decal - Arrow	
106	1703811	4	Decal - Tie Down/Lift	
107	1703814	6	Decal - Tie Down	
108	1704277	4	Decal - Attach Lanyard Here	
109	1704412	1	Decal - Hydraulic Oil Chart	
112	3251243	1	Nameplate - 120V-60Hz	
200	1001116844	1	Decal Kit - Country Spec (Includes Items 201-209)	
201	1705968	2	Decal - No Hands	
202	1001116847	1	Decal - Warning/Danger	
203	1001116848	2	Decal - Warning Inspection (MTB)	
204	1001116850	6	Decal - Warning Crushing	
205	1703937	5	Decal - Danger Electrocution	
206	1001116845	7	Decal - Warning Crushing	
209	1001116852	1	Decal - Foot Switch	
300	1001255795	1	Decal Max Tire Load Kit (Includes Item 301)	
301	1001255794	4	Decal - Max Tire Load	

# SECTION 9 - DECALS

## FIGURE 9-6. DECAL INSTALLATION - CHINESE SPECS (TRADITIONAL)



## SECTION 9 - DECALS

**FIGURE 9-6. DECAL INSTALLATION - CHINESE SPECS (TRADITIONAL)**

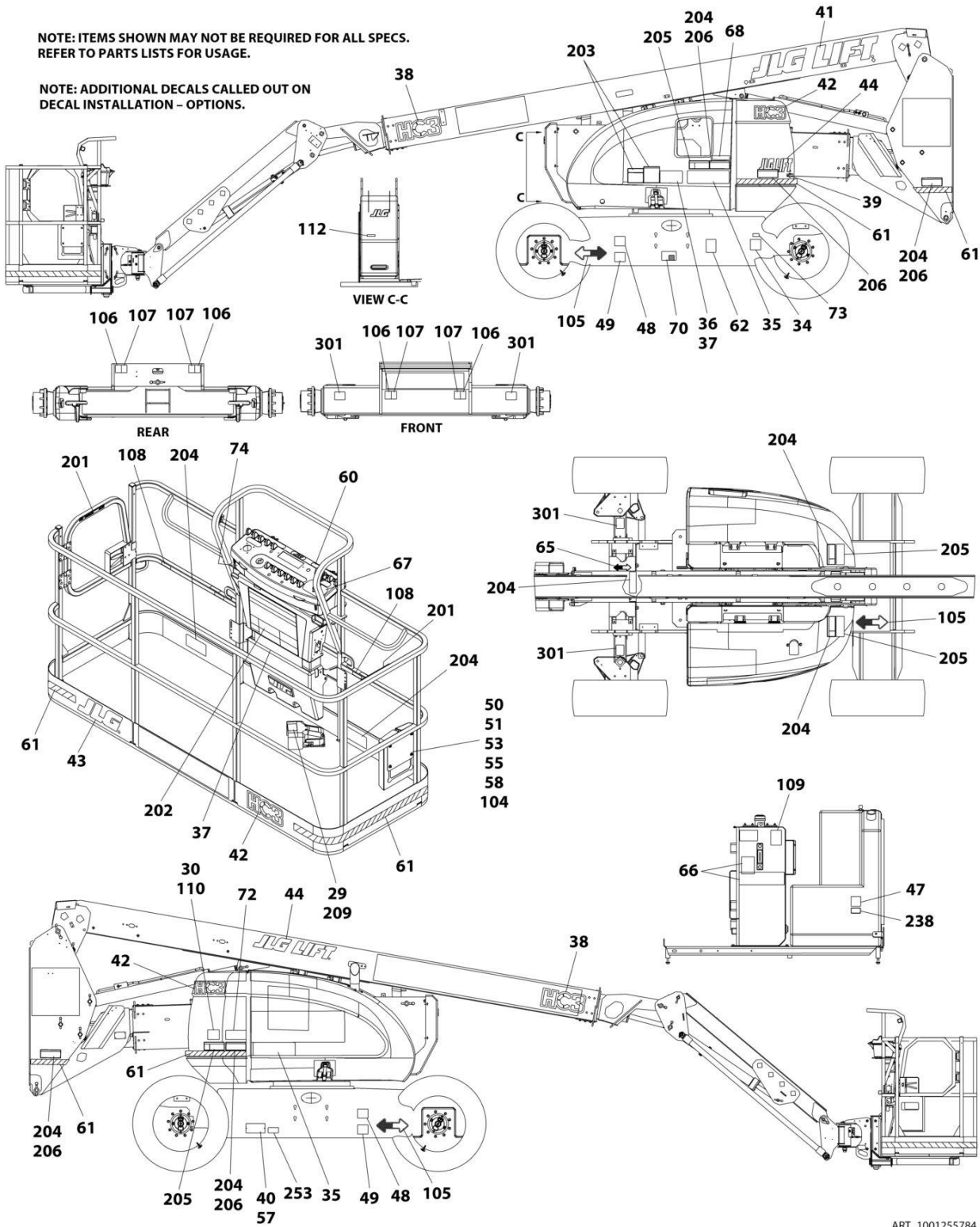
ITEM	PART NUMBER	QTY	DESCRIPTION	REV
	1001255790	Ref	DECAL INSTALLATION	D
	1001255196	Ref	DECAL REFERENCE CHART	C
34	See Note	NSS	Decal - Bar Code (Note: Not Available for Purchase)	
35	1001267311	1	Decal - 600AJ	
36	1001234436	1	Decal - Warning	
37	1001234435	1	Decal - Warning	
39	1704885	1	Decal - Website	
50	0100011	AR	Compound, Locking	
51	0641406	4	Bolt 1/4 x 3/4	
53	0860520	1	Box, Manual Storage	
55	3311405	4	Nut 1/4	
57	3820001	2	Rivet	
58	4751400	8	Washer 1/4	
60	1001184618	1	Decal - Stop	
61	4420051	22 ft/6.7m	Tape, Safety	
65	1703687	1	Decal - Direction Arrow	
66	1001116862	1	Decal - Upright Level Over-Ride	
67	1001116863	1	Decal - Drive/Steer Instructions	
70	1001224050	1	Decal - Yearly Inspection	
72	1001284696	1	Decal - Lift Diagram	
100	2902303	1	Decal Kit - Master (Includes Items 104-112)	
104	1701509	1	Decal - Manual	
105	1701529	6	Decal - Arrow	
106	1703811	4	Decal - Tie Down/Lift	
107	1703814	6	Decal - Tie Down	
108	1704277	4	Decal - Attach Lanyard Here	
109	1704412	1	Decal - Hydraulic Oil Chart	
112	3251243	1	Nameplate - 120V-60Hz	
200	2902309	1	Decal Kit - Country Spec (Includes Items 201-209)	
201	1001116846	2	Decal - No Hands	
202	1703925	1	Decal - Warning/Danger	
203	1001116849	2	Decal - Warning Inspection (MTB)	
204	1703949	5	Decal - Warning Crushing	
205	1001116851	5	Decal - Danger Electrocution	
206	1703943	7	Decal - Warning Crushing	
209	1703982	1	Decal - Foot Switch	
300	1001255795	1	Decal Max Tire Load Kit (Includes Item 301)	
301	1001255794	4	Decal - Max Tire Load	

# SECTION 9 - DECALS

## FIGURE 9-7. DECAL INSTALLATION - CSA SPECS

NOTE: ITEMS SHOWN MAY NOT BE REQUIRED FOR ALL SPECS.  
REFER TO PARTS LISTS FOR USAGE.

NOTE: ADDITIONAL DECALS CALLED OUT ON  
DECAL INSTALLATION - OPTIONS.



ART\_1001255784

## SECTION 9 - DECALS

**FIGURE 9-7. DECAL INSTALLATION - CSA SPECS**

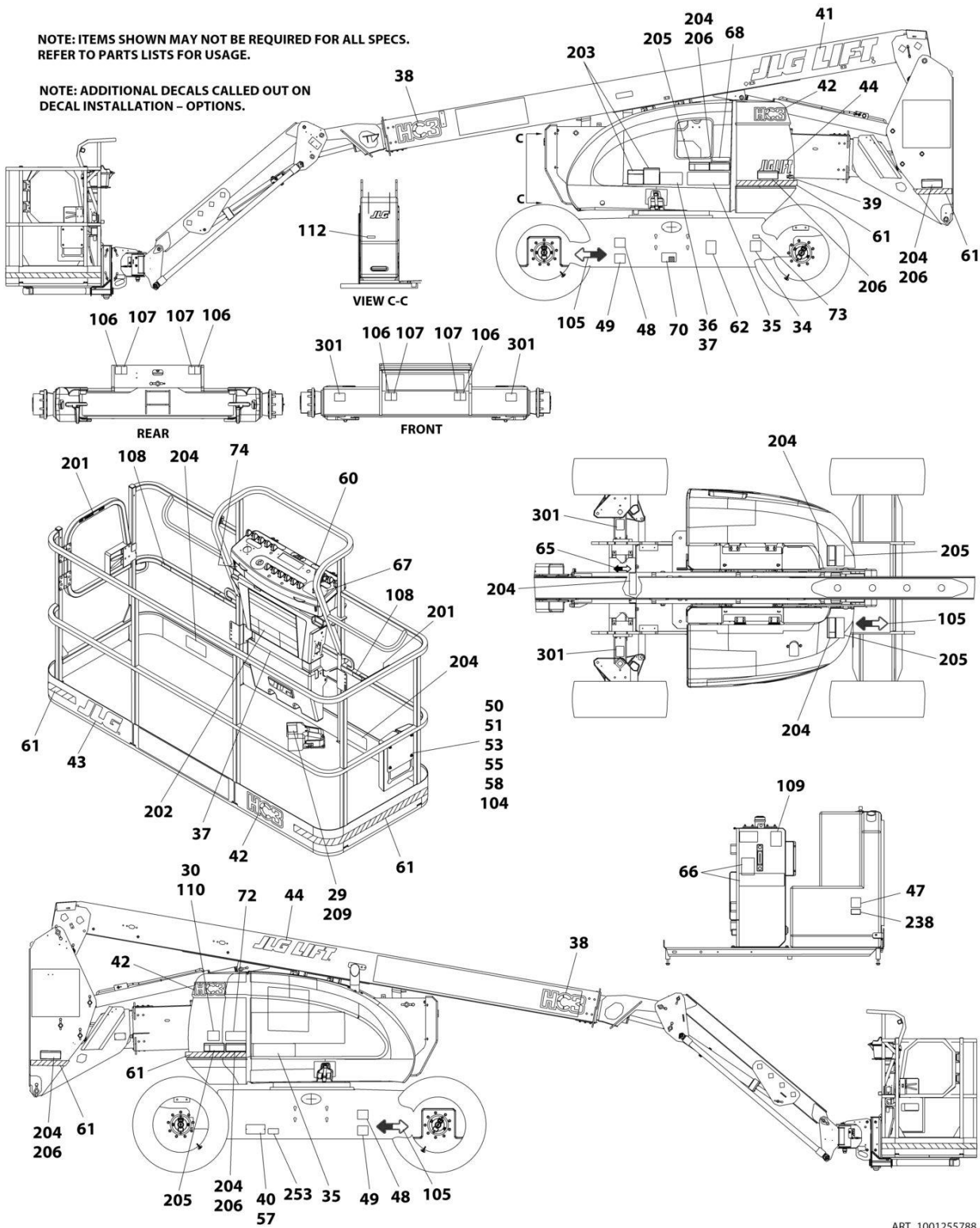
ITEM	PART NUMBER	QTY	DESCRIPTION	REV
	1001255784	Ref	DECAL INSTALLATION	D
	1001255196	Ref	DECAL REFERENCE CHART	C
34	See Note	NSS	Decal - Bar Code (Note: Not Available for Purchase)	
35	1001267311	2	Decal - 600AJ	
36	1001234434	1	Decal - Warning	
37	1001234433	1	Decal - Warning	
39	1704885	1	Decal - Website	
50	0100011	AR	Compound, Locking	
51	0641406	4	Bolt 1/4 x 3/4	
53	0860520	1	Box, Manual Storage	
55	3311405	4	Nut 1/4	
57	3820001	2	Rivet	
58	4751400	8	Washer 1/4	
60	1001184618	1	Decal - Stop.	
61	4420051	22 ft/6.7m	Tape, Safety	
62	1001131269	1	Decal - Patent	
65	1703687	1	Decal - Direction Arrow	
66	1703990	1	Decal - Upright Level Over-Ride	
67	1705429	1	Decal - Drive/Steer Instructions	
70	1001223971	1	Decal - Yearly Inspection	
72	1001284696	1	Decal - Lift Diagram	
73	1001223453	1	Decal - ICES	
100	2902303	1	Decal Kit - Master (Includes Items 104-112)	
104	1701509	1	Decal - Manual	
105	1701529	6	Decal - Arrow	
106	1703811	4	Decal - Tie Down/Lift	
107	1703814	6	Decal - Tie Down	
108	1704277	4	Decal - Attach Lanyard Here	
109	1704412	1	Decal - Hydraulic Oil Chart	
112	3251243	1	Nameplate - 120V-60Hz	
200	2902322	1	Decal Kit - Country Spec (Includes Items 201-209)	
201	1704000	2	Decal - No Hands	
202	1703624	1	Decal - Warning/Danger	
203	1705347	1	Decal - Warning Inspection (MTB)	
204	1703948	5	Decal - Warning Crushing	
205	1703936	5	Decal - Danger Electrocution	
206	1703942	7	Decal - Warning Crushing	
209	1703984	1	Decal - Footswitch	
300	1001255795	1	Decal Max Tire Load Kit (Includes Item 301)	
301	1001255794	4	Decal - Max Tire Load	

# SECTION 9 - DECALS

## FIGURE 9-8. DECAL INSTALLATION - JAPANESE SPECS

NOTE: ITEMS SHOWN MAY NOT BE REQUIRED FOR ALL SPECS.  
REFER TO PARTS LISTS FOR USAGE.

NOTE: ADDITIONAL DECALS CALLED OUT ON  
DECAL INSTALLATION - OPTIONS.



ART\_1001255788



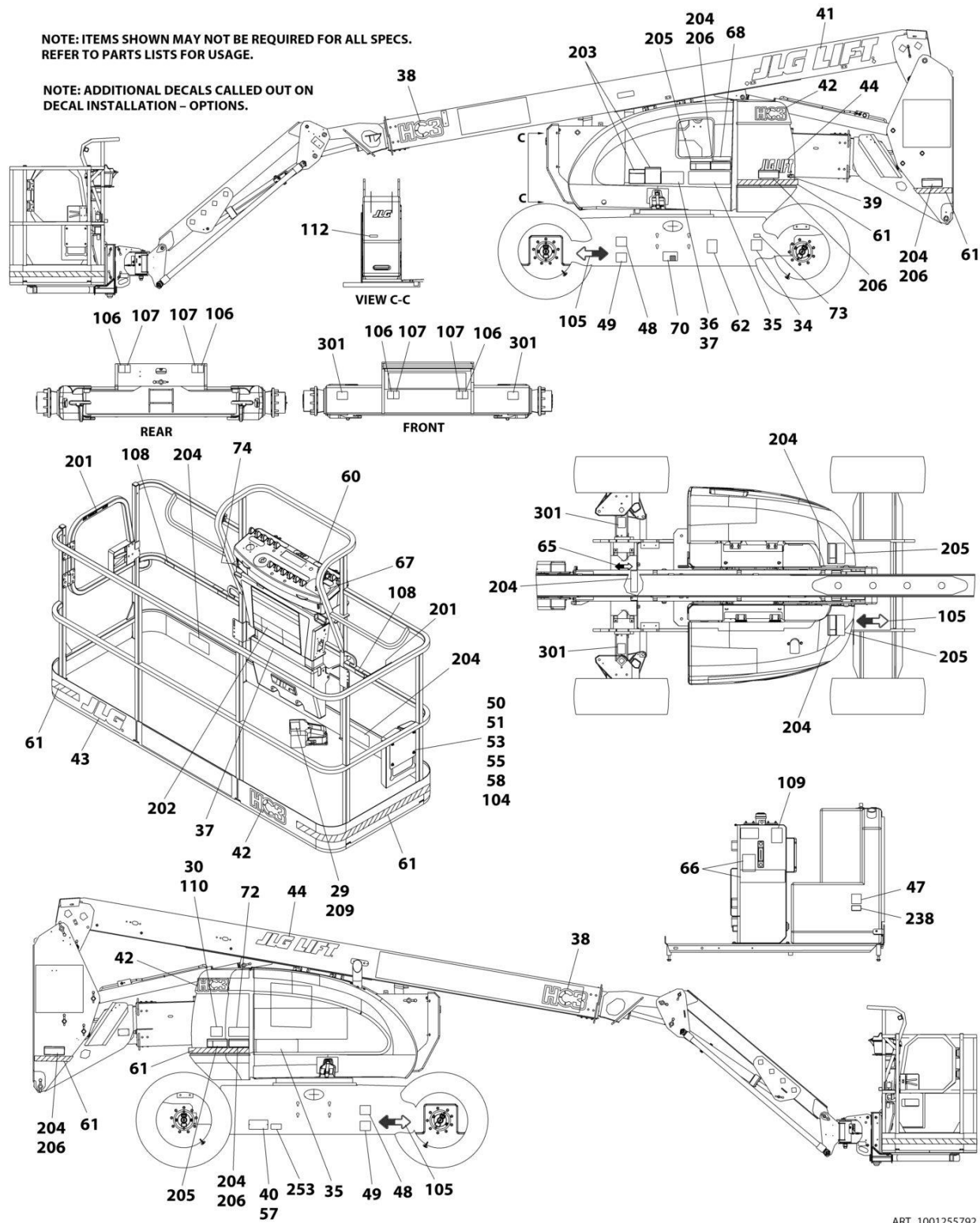
## SECTION 9 - DECALS

**FIGURE 9-8. DECAL INSTALLATION - JAPANESE SPECS**

ITEM	PART NUMBER	QTY	DESCRIPTION	REV
	1001255788	Ref	DECAL INSTALLATION	D
	1001255196	Ref	DECAL REFERENCE CHART	C
34	See Note	NSS	Decal - Bar Code (Note: Not Available for Purchase)	
35	1001267311	2	Decal - 600AJ	
35	1001234429	1	Decal - Warning	
36	1001234428	1	Decal - Warning	
39	1704885	1	Decal - Website	
50	0100011	AR	Compound, Locking	
51	0641406	4	Bolt 1/4 x 3/4	
53	0860520	1	Box, Manual Storage	
55	3311405	4	Nut 1/4	
57	3820001	2	Rivet	
58	4751400	8	Washer 1/4	
60	1001184618	1	Decal - Stop	
61	4420051	22 ft/6.7m	Tape, Safety	
65	1703687	1	Decal - Direction Arrow	
66	1702271	1	Decal - Upright Level Over-Ride	
67	1705426	1	Decal - Drive/Steer Instructions	
70	1001224053	1	Decal - Yearly Inspection	
72	1001284696	1	Decal - Lift Diagram	
100	2902303	1	Decal Kit - Master (Includes Items 104-112)	
104	1701509	1	Decal - Manual	
105	1701529	6	Decal - Arrow	
106	1703811	4	Decal - Tie Down/Lift	
107	1703814	6	Decal - Tie Down	
108	1704277	4	Decal - Attach Lanyard Here	
109	1704412	1	Decal - Hydraulic Oil Chart	
112	3251243	1	Nameplate - 120V-60Hz	
200	2902308	1	Decal Kit - Country Spec (Includes Items 202-209)	
202	1703926	1	Decal - Warning/Danger	
203	1705344	1	Decal - Warning Inspection (MTB)	
204	1703950	5	Decal - Warning Crushing	
205	1703938	5	Decal - Danger Electrocution	
206	1703944	7	Decal - Warning Crushing	
209	1703980	1	Decal - Footswitch	
300	1001255795	1	Decal Max Tire Load Kit (Includes Item 301)	
301	1001255794	4	Decal - Max Tire Load	

# SECTION 9 - DECALS

## FIGURE 9-9. DECAL INSTALLATION - KOREAN SPECS



ART\_1001255792

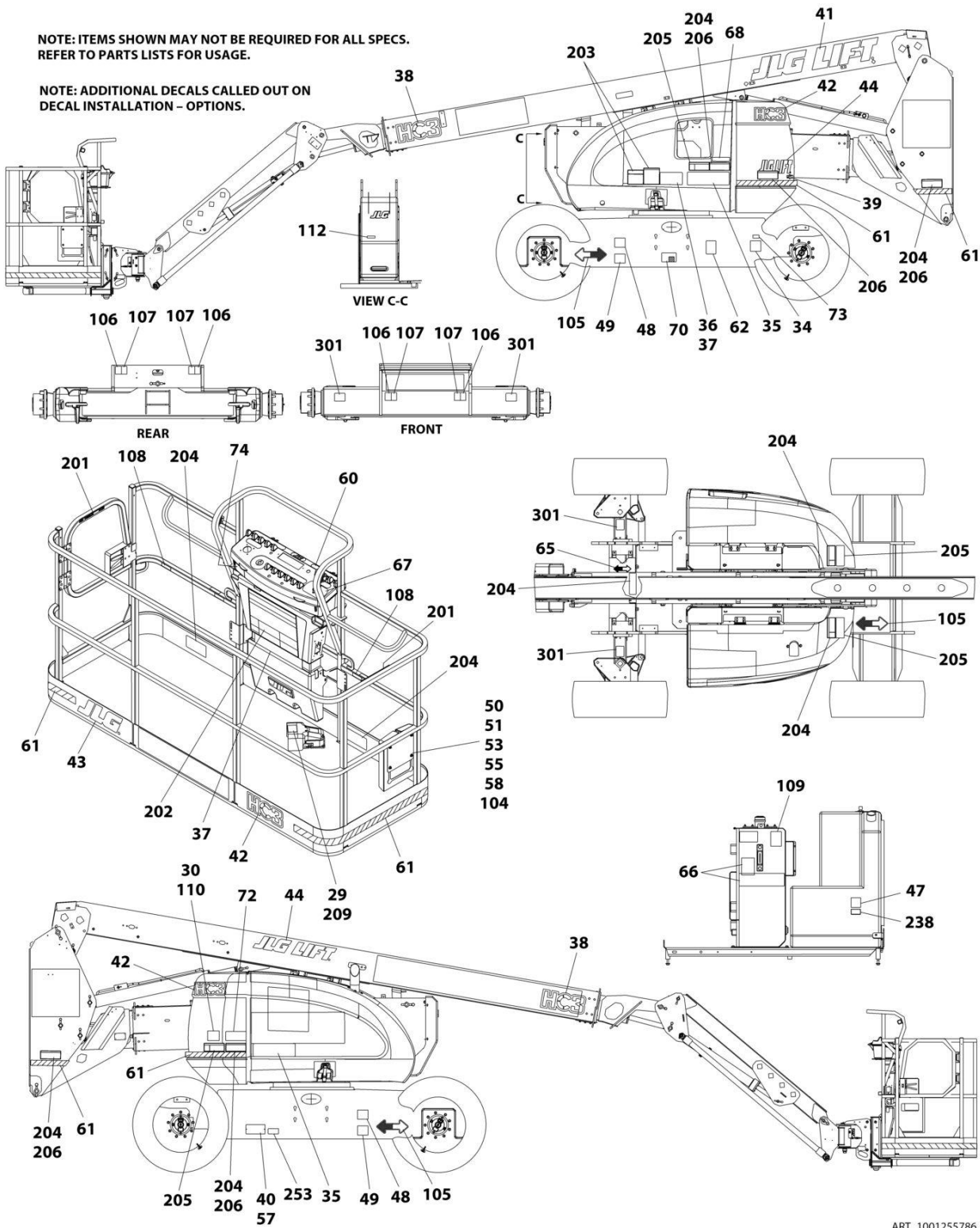
## SECTION 9 - DECALS

**FIGURE 9-9. DECAL INSTALLATION - KOREAN SPECS**

ITEM	PART NUMBER	QTY	DESCRIPTION	REV
	1001255792	Ref	DECAL INSTALLATION	D
	1001255196	Ref	DECAL REFERENCE CHART	C
34	See Note	NSS	Decal - Bar Code (Note: Not Available for Purchase)	
35	1001267311	1	Decal - 600AJ	
36	1001235585	1	Decal - Warning	
37	1001234430	1	Decal - Warning	
39	1704885	1	Decal - Website	
50	0100011	AR	Compound, Locking	
51	0641406	4	Bolt 1/4 x 3/4	
53	0860520	1	Box, Manual Storage	
55	3311405	4	Nut 1/4	
57	3820001	2	Rivet	
58	4751400	8	Washer 1/4	
60	1001184618	1	Decal - Stop	
61	4420051	22 ft/6.7m	Tape, Safety	
65	1703687	1	Decal - Direction Arrow	
66	1703987	1	Decal - Upright Level Over-Ride	
67	1705427	1	Decal - Drive/Steer Instructions	
70	1001224048	1	Decal - Yearly Inspection	
72	1001284696	1	Decal - Lift Diagram	
100	2902303	1	Decal Kit - Master (Includes Items 104-112)	
104	1701509	1	Decal - Manual	
105	1701529	6	Decal - Arrow	
106	1703811	4	Decal - Tie Down/Lift	
107	1703814	6	Decal - Tie Down	
108	1704277	4	Decal - Attach Lanyard Here	
109	1704412	1	Decal - Hydraulic Oil Chart	
112	3251243	1	Nameplate - 120V-60Hz	
200	2902310	1	Decal Kit - Country Spec (Includes Items 201-209)	
201	1705969	2	Decal - No Hands	
202	1703927	1	Decal - Warning/Danger	
203	1705345	1	Decal - Warning Inspection (MTB)	
204	1703951	5	Decal - Warning Crushing	
205	1703939	5	Decal - Danger Electrocution	
206	1703945	7	Decal - Warning Crushing	
209	1703981	1	Decal - Footswitch	
300	1001255795	1	Decal Max Tire Load Kit (Includes Item 301)	
301	1001255794	4	Decal - Max Tire Load	

# SECTION 9 - DECALS

## FIGURE 9-10. DECAL INSTALLATION - LATIN AMERICAN SPECS (USA BUILT MACHINES)



ART\_1001255786

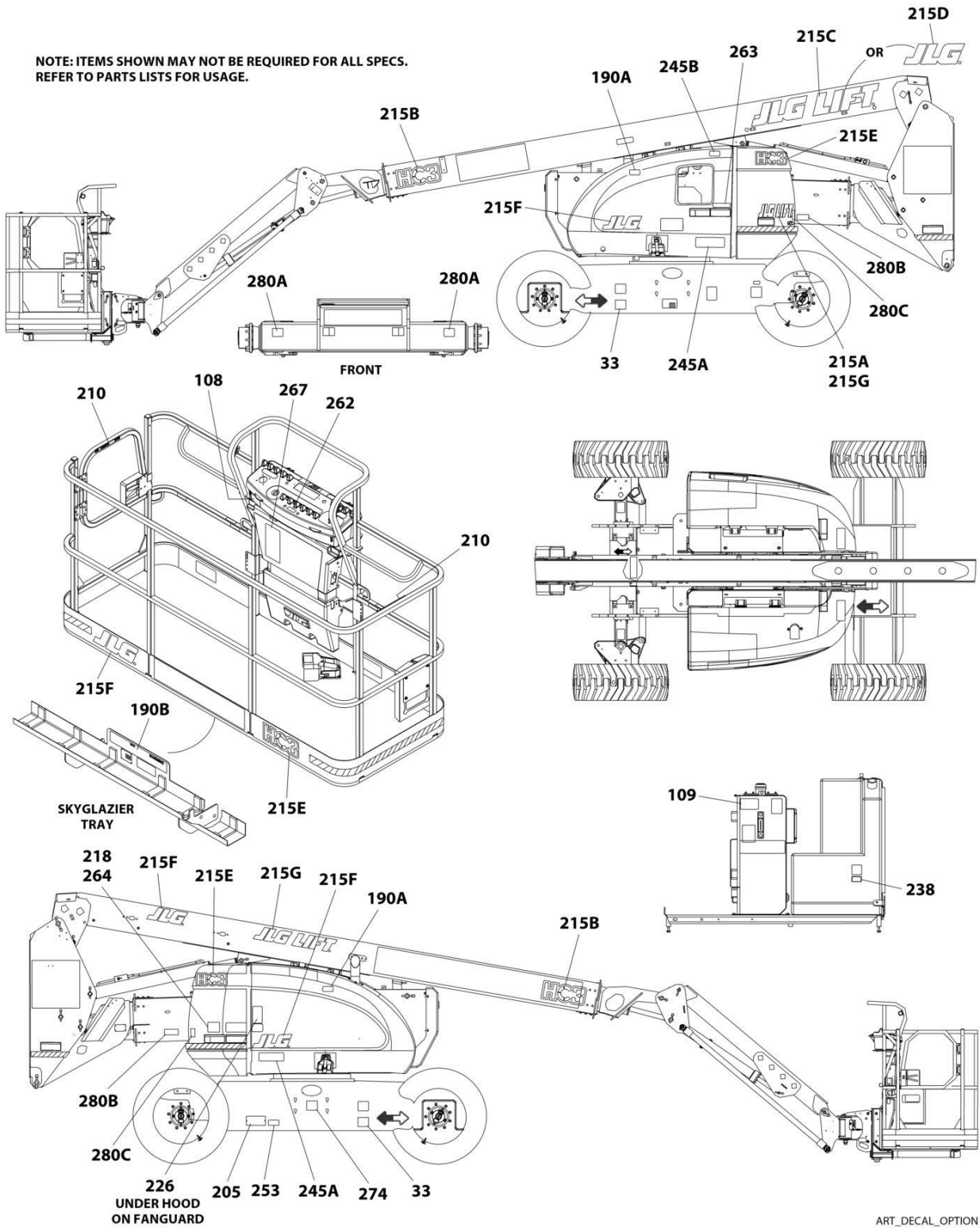
## SECTION 9 - DECALS

**FIGURE 9-10. DECAL INSTALLATION - LATIN AMERICAN SPECS (USA BUILT MACHINES)**

ITEM	PART NUMBER	QTY	DESCRIPTION	REV
	1001255786	Ref	DECAL INSTALLATION	D
	1001255196	Ref	DECAL REFERENCE CHART	C
34	See Note	NSS	Decal - Bar Code (Note: Not Available for Purchase)	
35	1001267311	2	Decal - 600AJ	
36	1001234432	1	Decal - Warning	
37	1001234431	1	Decal - Warning	
39	1704885	1	Decal - Website	
50	0100011	AR	Compound, Locking	
51	0641406	4	Bolt 1/4 x 3/4	
53	0860520	1	Box, Manual Storage	
55	3311405	4	Nut 1/4	
57	3820001	2	Rivet	
58	4751400	8	Washer 1/4	
60	1001184618	1	Decal - Stop	
61	4420051	22 ft/6.7m	Tape, Safety	
65	1703687	1	Decal - Direction Arrow	
66	1702617	1	Decal - Upright Level Over-Ride	
67	1705910	1	Decal - Drive/Steer Instructions	
70	1001224049	1	Decal - Yearly Inspection	
72	1001284696	1	Decal - Lift Diagram	
100	2902303	1	Decal Kit - Master (Includes Items 104-112)	
104	1701509	1	Decal - Manual	
105	1701529	6	Decal - Arrow	
106	1703811	4	Decal - Tie Down/Lift	
107	1703814	6	Decal - Tie Down	
108	1704277	4	Decal - Attach Lanyard Here	
109	1704412	1	Decal - Hydraulic Oil Chart	
112	3251243	1	Nameplate - 120V-60Hz	
200	2902311	1	Decal Kit - Country Spec (Includes Items 201-209)	
201	1704001	2	Decal - No Hands	
202	1703923	1	Decal - Warning/Danger	
203	1705917	1	Decal - Warning Inspection (MTB)	
204	1703947	5	Decal - Warning Crushing	
205	1703935	5	Decal - Danger Electrocution	
206	1703941	7	Decal - Warning Crushing	
209	1703983	1	Decal - Footswitch	
300	1001255795	1	Decal Max Tire Load Kit (Includes Item 301)	
301	1001255794	4	Decal - Max Tire Load	

# SECTION 9 - DECALS

## FIGURE 9-11. DECAL INSTALLATION - OPTIONS



## SECTION 9 - DECALS

**FIGURE 9-11. DECAL INSTALLATION - OPTIONS**

ITEM	PART NUMBER	QTY	DESCRIPTION	REV
	1001255196	Ref	DECAL INSTALLATION - REFERENCE CHART (ALL SPECS EXCEPT CE SPECS)	C
	1001257285	Ref	DECAL INSTALLATION - REFERENCE CHART (CE SPECS)	B
	1001245251	Ref	DECAL INSTALLATION - OPTIONS	C
33	1700818	1	Decal - Fuel (LP Gas Machines) (English Language) (ANSI and Australian Specs)	
33	1704271	1	Decal - Fuel (LP Gas Machines) (English/French Languages) (CSA Specs)	
33	1702720	1	Decal - Fuel (LP Gas Machines) (English/Spanish Languages) (ANSI Export and China Specs)	
108	1001231801	1	Decal - Warning Proposition 65 (ANSI Specs)	
109	1702788	1	Decal - Biodegradable Hydraulic Fluid (English Language) (ANSI, Australian, CE & CSA Specs)	
109	1703479	1	Decal - Biodegradable Hydraulic Fluid (German Language) (CE Specs)	
109	1704174	Ref	Decal - Biodegradable (Synthetic) Hydraulic Fluid (English Language)	
109	1704175	Ref	Decal - Biodegradable (Synthetic) Hydraulic Fluid (German Language)	
190		Ref	Decal Installation - SkyGlazier Options:	
190	1001262102	Ref	Decal Installation - SkyGlazier (ANSI/ANSI EXPORT/CSA Specs)	A
190	1001262105	Ref	Decal Installation - SkyGlazier (Australian Specs)	A
190	1001262104	Ref	Decal Installation - SkyGlazier (Brazil Specs) (Portuguese Language)	A
190	1001262103	Ref	Decal Installation - SkyGlazier (Brazil/Latin American Specs) (Spanish Language)	A
190	1001262247	Ref	Decal Installation - SkyGlazier (CE Specs - Danish Language)	A
190	1001262240	Ref	Decal Installation - SkyGlazier (CE Specs - French Language)	A
190	1001262241	Ref	Decal Installation - SkyGlazier (CE Specs - German Language)	A
190	1001262242	Ref	Decal Installation - SkyGlazier (CE Specs - Italian Language)	A
190	1001262245	Ref	Decal Installation - SkyGlazier (CE Specs - Portuguese Language)	A
190	1001262244	Ref	Decal Installation - SkyGlazier (CE Specs - Spanish Language)	A
190	1001262246	Ref	Decal Installation - SkyGlazier (CE Specs - Swedish Language)	A
190	1001262243	Ref	Decal Installation - SkyGlazier (CE Specs - UK English Language)	A
190A	1705358	2	Decal - SkyGlazier	
190B		Ref	Decal - SkyGlazier Capacity Options:	
190B	1001259018	2	Decal - SkyGlazier Capacity (ANSI/ANSI Export/CSA Specs)	
190B	1001262117	2	Decal - SkyGlazier Capacity (Australian Specs)	
190B	1001262116	2	Decal - SkyGlazier Capacity (Brazil Specs) (Portuguese Language)	
190B	1001262115	2	Decal - SkyGlazier Capacity (Brazil/Latin American Specs) (Spanish Language)	
190B	1001262239	2	Decal - SkyGlazier Capacity (CE Specs - Danish Language)	
190B	1001262232	2	Decal - SkyGlazier Capacity (CE Specs - French Language)	
190B	1001262233	2	Decal - SkyGlazier Capacity (CE Specs - German Language)	
190B	1001262234	2	Decal - SkyGlazier Capacity (CE Specs - Italian Language)	
190B	1001262237	2	Decal - SkyGlazier Capacity (CE Specs - Portuguese Language)	
190B	1001262238	2	Decal - SkyGlazier Capacity (CE Specs - Swedish Language)	

## SECTION 9 - DECALS

ITEM	PART NUMBER	QTY	DESCRIPTION	REV
190B	1001262235	2	Decal - SkyGlazier Capacity (CE Specs - UK English Language)	
205	See Note	1	Nameplate - Manufacturers Serial Number (Note: Not Available for Purchase)	
210	1702868	2	Decal - No Hands (English Language)	
210	1705968	2	Decal - No Hands (English/Chinese Language) (Simplified)	
210	1001116846	2	Decal - No Hands (English/Chinese Language) (Traditional)	
210	1704000	2	Decal - No Hands (English/French Language)	
210	1705969	2	Decal - No Hands (English/Korean Language)	
210	1705967	2	Decal - No Hands (English/Portuguese Language)	
210	1704001	2	Decal - No Hands (English/Spanish Language)	
215	1001255780	Ref	Decal - Logo Installation (All Specs Except CE Specs)	B
215	1001257137	Ref	Decal - Logo Installation (CE Specs)	A
215A	1701435	1	Decal - JLG Lift (CE Specs)	
215B	1001256906	2	Decal - HC3	
215C	1702861	1	Decal - JLG Lift (All Specs Except CE Specs)	
215D	1001159323	1	Decal - JLG (CE Specs)	
215E	1001244212	3	Decal - HC3	
215F	1702773	AR	Decal - JLG	
215G	1702860	2	Decal - JLG Lift (All Specs Except CE Specs)	
218	3251813	1	Decal - USA (All Specs Except Australian, CE & Japanese Specs)	
226	1704972	1	Decal - Warning Explosion/ Fire (English Language) (Diesel Machines) (ANSI Specs)	
226	1706098	1	Decal - Warning Explosion/Fire (English Language) (Diesel Machines) (Australian & CE Specs)	
226	1706059	1	Decal - Warning Explosion/Fire (English/Portuguese Language) (Diesel Machines) (Brazil Specs)	
226	1706060	1	Decal - Warning Explosion/Fire (English/Chinese Language) (Diesel Machines) (Chinese Specs)	
226	1706064	1	Decal - Warning Explosion/Fire (English Language) (Diesel Machines) (CSA Specs)	
226	1706062	1	Decal - Warning Explosion/Fire (English/Japanese Language) (Diesel Machines) (Japanese Specs)	
226	1706061	1	Decal - Warning Explosion/Fire (English/Korean Language) (Diesel Machines) (Korean Specs)	
226	1706063	1	Decal - Warning Explosion/Fire - (English/Spanish Language) (Diesel Machines) (Latin American Specs)	
238	1001125387	1	Decal - Ultra Low Sulfur Fuel (Diesel Machines) (ANSI, ANSI Export (HRC), China & CSA Specs)	
238	1001139654	1	Decal - Ultra Low Sulfur Fuel (Diesel Machines) (CE, China, & Japanese Specs)	
245	1001127095	Ref	Decal Installation - ClearSky (Machines with ClearSky Option)	
245A	1001116208	2	Decal - ClearSky	
245B	1001120989	1	Decal - Radio Frequency	
253	1001143852	1	Decal - Emission Compliance (Diesel Machines) (ANSI Export (LRC), Australian, CE & Chinese Specs)	
262	1001141300	1	Decal - SkyGuard Override (Machines without Soft Touch Option)	
262	1001141302	1	Decal - SkyGuard Override (Machines with Soft Touch Option)	
263	1001197408	1	Decal - MSSO (CE Specs)	
264	1001273784	1	Decal - Sound Power (100dB) (CE Specs)	
267	1001200124	1	Decal - Quick Start Guide (Danish Language)	
267	1001200121	1	Decal - Quick Start Guide (Dutch Language)	
267	1001180861	1	Decal - Quick Start Guide (English Language)	
267	1001200120	1	Decal - Quick Start Guide (French Language)	

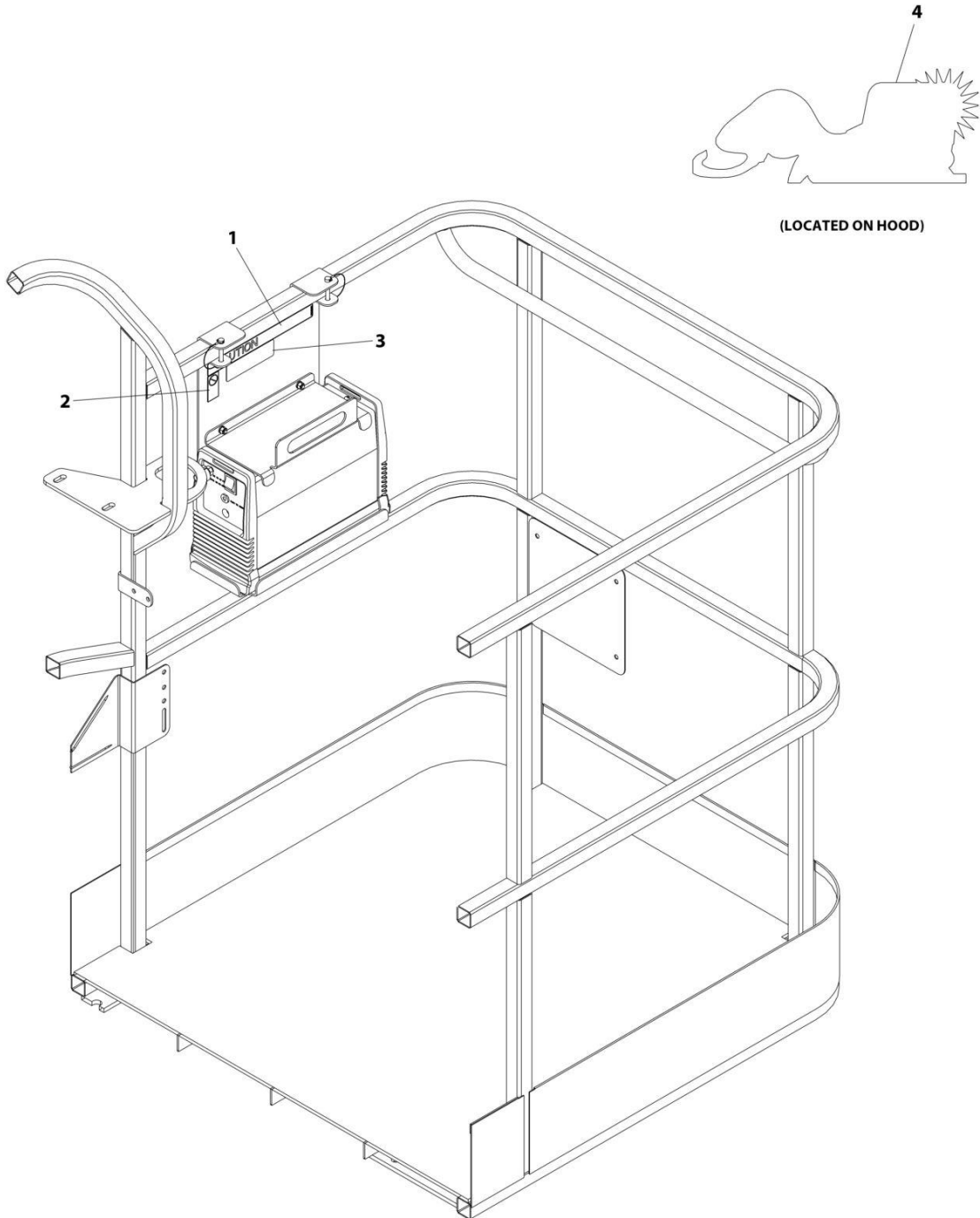


## SECTION 9 - DECALS

ITEM	PART NUMBER	QTY	DESCRIPTION	REV
267	1001200122	1	Decal - Quick Start Guide (German Language)	
267	1001200127	1	Decal - Quick Start Guide (Norwegian Language)	
267	1001200125	1	Decal - Quick Start Guide (Swedish Language)	
267	1001200126	1	Decal - Quick Start Guide (Spanish Language)	
274	1001214030	Ref	Decal - EAC Installation (C.I.S and Russia Specs)	
274	1001173703	1	Decal - EAC	
280	1001220864	Ref	Decal Kit - Boom Transport Position	
280A	1001220512	2	Decal - Lower Boom	
280B	1001220510	2	Decal - Warning Arrow	
280C	1001220511	2	Decal - Warning Stripe	

# SECTION 9 - DECALS

FIGURE 9-12. SKYCUTTER DECAL INSTALLATION (ALL SPECS EXCEPT AUSTRALIAN, CE & JAPANESE SPECS)



ART\_0272599

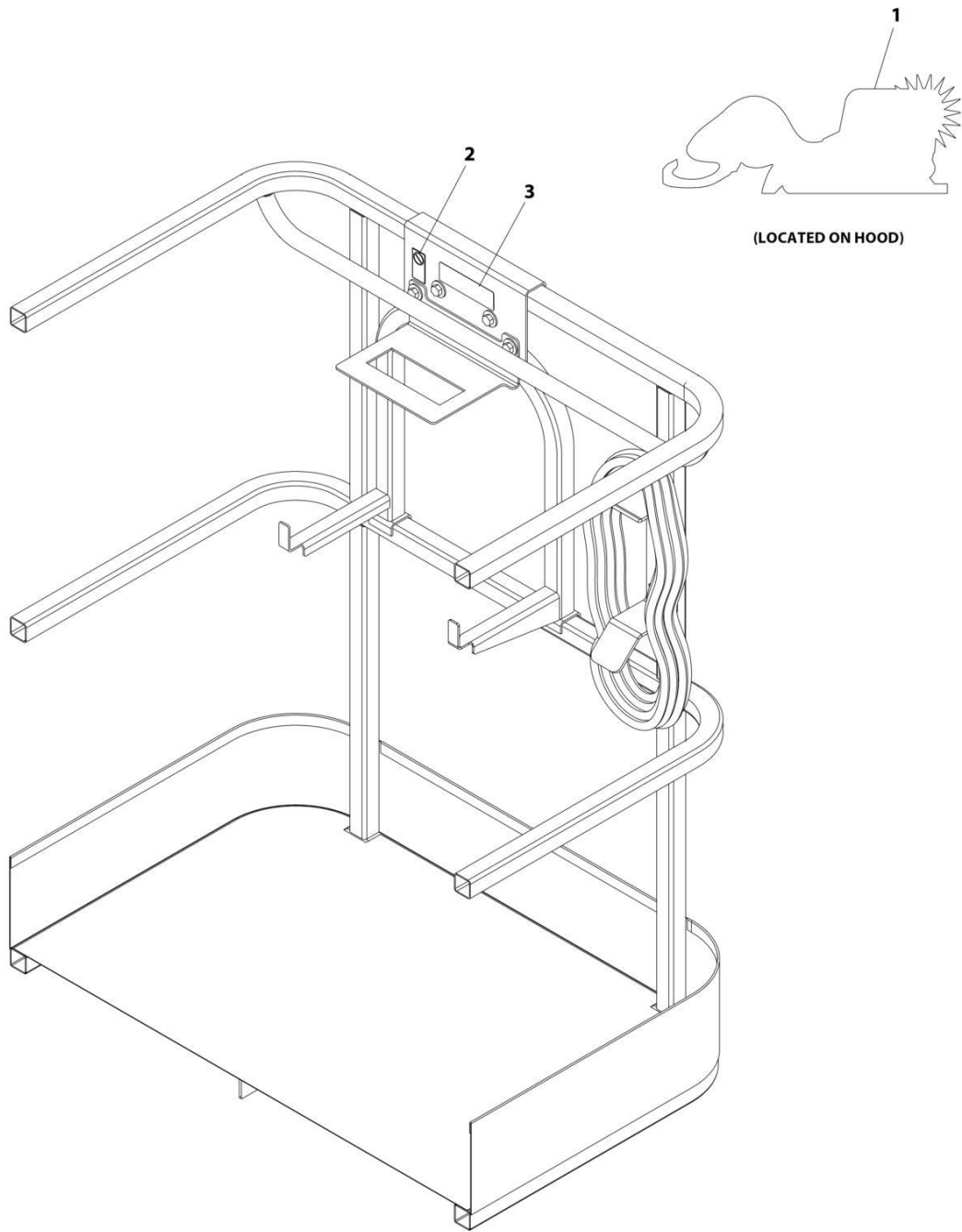
## SECTION 9 - DECALS

**FIGURE 9-12. SKYCUTTER DECAL INSTALLATION (ALL SPECS EXCEPT AUSTRALIAN, CE & JAPANESE SPECS)**

ITEM	PART NUMBER	QTY	DESCRIPTION	REV
	0272599	Ref	SKYCUTTER DECAL INSTALLATION	C
1	1702868	1	Decal - No Hands	
2	1705305	1	Decal - Weld Leads	
3	1001252627	1	Decal - Weight	
4	1705490	2	Decal - SkyCutter	

# SECTION 9 - DECALS

FIGURE 9-13. SKYCUTTER DECAL INSTALLATION (JAPANESE SPECS)



ART\_0272607\_C

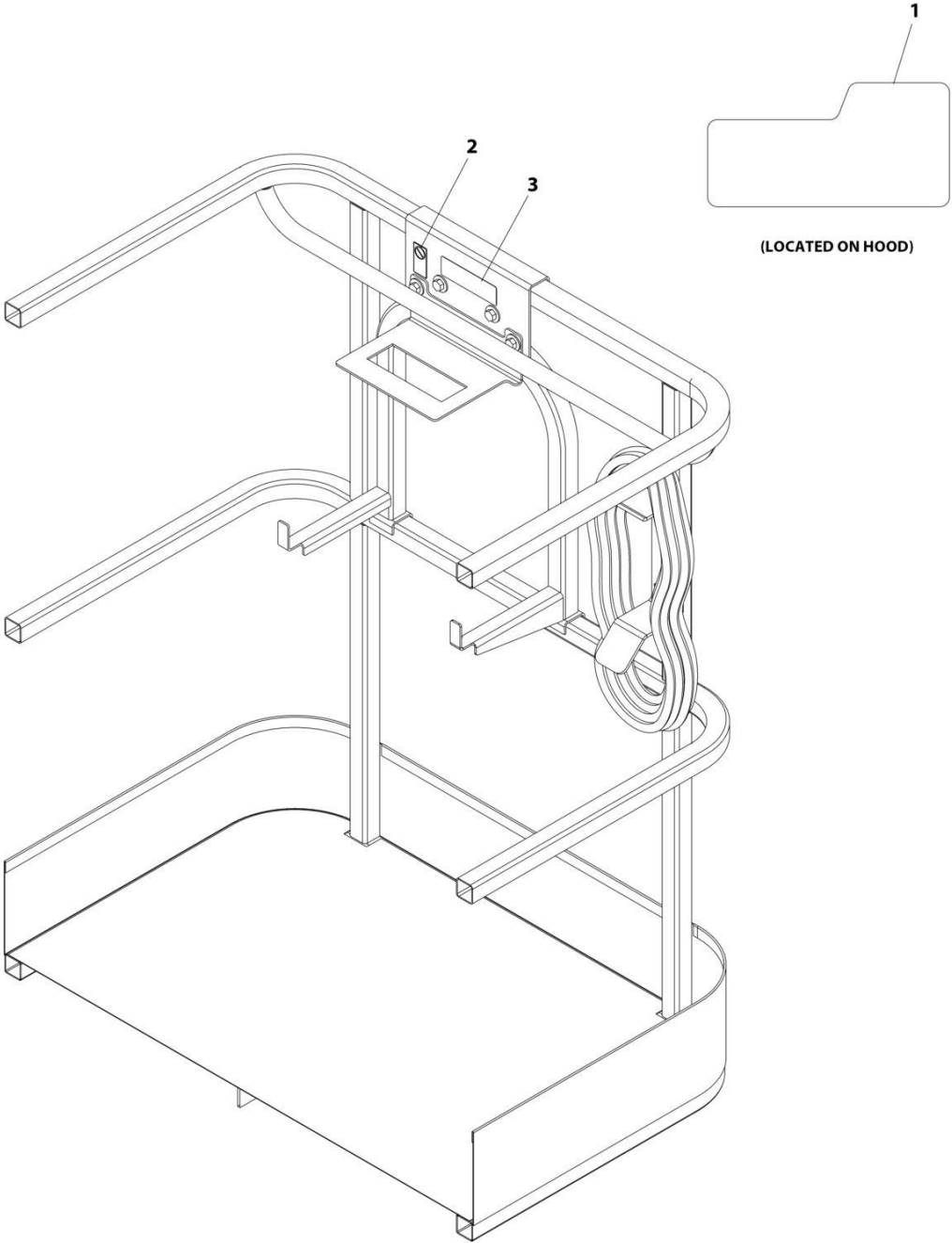
## SECTION 9 - DECALS

**FIGURE 9-13. SKYCUTTER DECAL INSTALLATION (JAPANESE SPECS)**

ITEM	PART NUMBER	QTY	DESCRIPTION	REV
	0272607	1	SKYCUTTER DECAL INSTALLATION	C
1	1705490	2	Decal - SkyCutter	
2	1705305	1	Decal - Weld Lead	
3	1001252627	1	Decal - Weight	

**SECTION 9 - DECALS**

**FIGURE 9-14. SKYWELDER DECAL INSTALLATION - 50HZ**



ART\_0272588

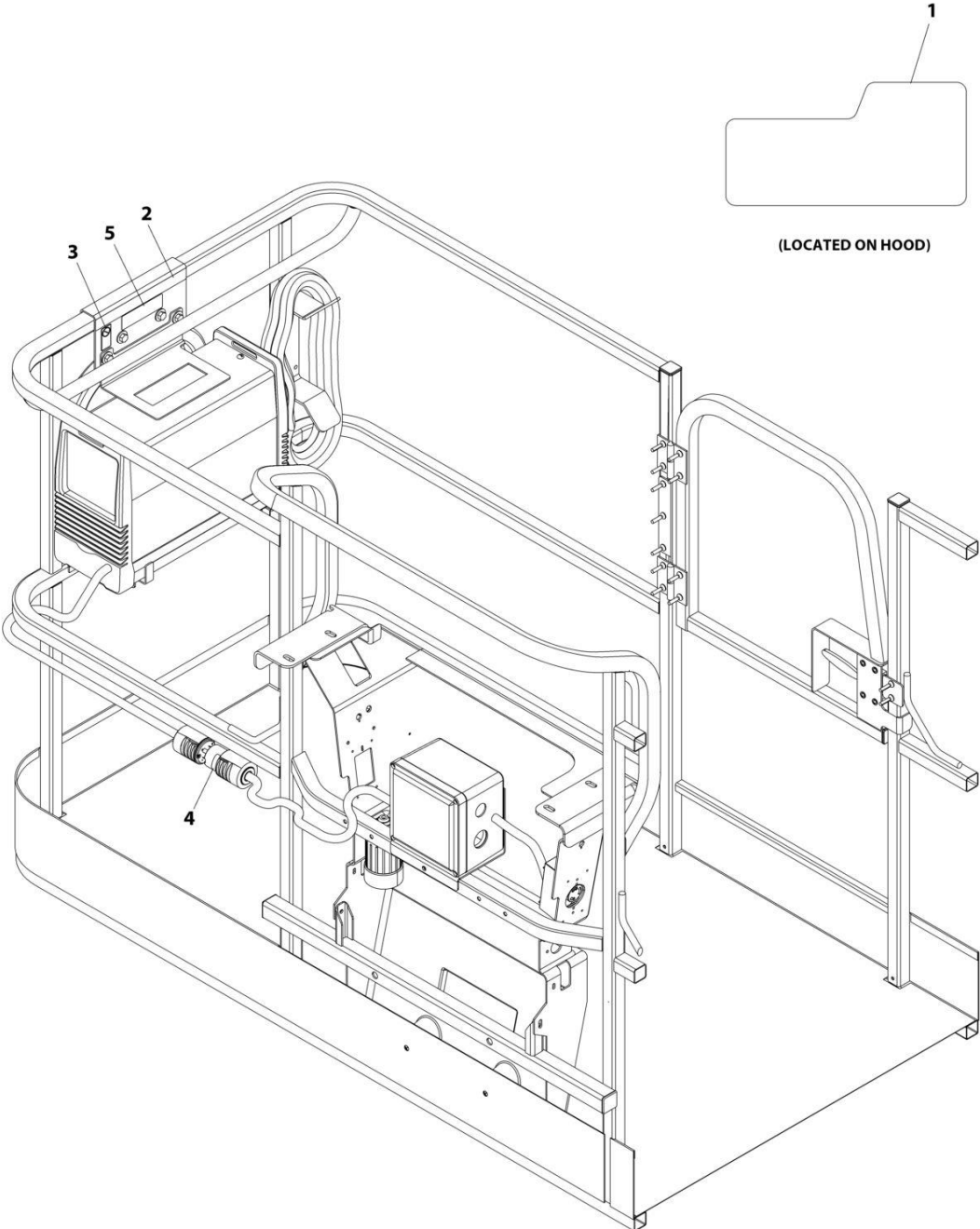
## SECTION 9 - DECALS

**FIGURE 9-14. SKYWELDER DECAL INSTALLATION - 50HZ**

ITEM	PART NUMBER	QTY	DESCRIPTION	REV
	0272588	Ref	SKYWELDER DECAL INSTALLATION - 50Hz	B
1	1705355	2	Decal - SkyWelder	
2	1705305	1	Decal - Weld Lead	
3	1001228988	1	Decal - Weight	

**SECTION 9 - DECALS**

**FIGURE 9-15. SKYWELDER DECAL INSTALLATION - 60HZ**



ART\_0272448



## SECTION 9 - DECALS

### FIGURE 9-15. SKYWELDER DECAL INSTALLATION - 60HZ

ITEM	PART NUMBER	QTY	DESCRIPTION	REV
	0272448	Ref	SKYWELDER DECAL INSTALLATION - 60Hz	B
1	1705355	2	Decal - SkyWelder	
2	1702868	1	Decal - No Hands	
3	1705305	1	Decal - Weld Lead	
4	1705375	1	Decal - 240V - 3 Phase - 60Hz	
5	1001228988	1	Decal - Weight	



## **SECTION 10 - RECOMMENDED SERVICE PARTS STOCK**

## **SECTION 10 - RECOMMENDED SERVICE PARTS STOCK**

# SECTION 10 - RECOMMENDED SERVICE PARTS STOCK

## FIGURE 10-1. MODEL 600AJ RECOMMENDED SERVICE PARTS STOCK

ITEM	PART NUMBER	QTY	DESCRIPTION	REV
	See Note	Ref	Note: The following list will service one machine (built to current production per date on the front cover) with emergency repair parts which can be installed in the field. Parts from the list should be replaced when inventory is depleted to keep service parts stock supplied. For further information, contact your JLG dealer or the JLG Industries Parts Department.	
		Ref	STANDARD PARTS	
	2120149	12	Element, Filter	
	2120210	12	Element, Filter	
	7012944	1	Coil	
	7012943	1	Coil	
	70004653	1	Coil	
	70004595	1	Coil	
	80434249	1	Coil	
	70004660	1	Coil	
	70004463	1	Coil	
	3740049	1	Relay	
	4360469	1	Switch, Key	
	2860030	1	Key, Replacement	
	4360475	1	Switch, Mushroom	
	4360476	1	Contact, Switch Block	
	1001155045	1	Switch, Toggle	
	4360387	1	Switch, Push Button	
	70007467	1	Repair Section - Power Track (Main Boom)	
	70002001	1	Repair Section - Power Track (Tower Boom)	
	70002386	1	Coil	
	2940074	1	Latch	
	4360331	1	Switch, Toggle	
	4360407	1	Controller	
	1001159256	1	Switch, Toggle	
	1001212415	1	Controller Kit (Drive & Steer)	
	1001129555	1	Controller Kit (Lift & Swing)	
	8229242	2	Fuse, 5Amp	
	80983191	2	Fuse, 10Amp	
	8229249	2	Fuse 3Amp	
		Ref	VARIABLE PARTS	
	4360517	1	Switch	
	7024444	1	Cap, Breather (Helgensen Brand)	
	70004862	1	Cap, Breather (Hydac Brand)	
	1001103667	1	Module, Ground Control	
	70003783	12	Element, Air Cleaner (Deutz D2011 Engine)	
	7016331	12	Element, Oil Filter (Deutz D2011 Engine)	
	7016328	12	Element, Fuel Filter (Deutz D2011 Engine)	
	7027795	1	Module, Engine Control (Deutz D2011 Engine)	
	70023593	2	Fuse - 30Amp (Deutz TD2.9L4 Engines)	
	70023592	2	Fuse - 20Amp (Deutz TD2.9L4 Engines)	
	1001196634	2	Fuse - 2Amp (Deutz TD2.9L4 Engines)	
	91403102	12	Element, Air Cleaner (Deutz TD2.9L4 Engine)	
	7016331	12	Element, Oil Filter (Deutz TD2.9L4 Engine)	

## SECTION 10 - RECOMMENDED SERVICE PARTS STOCK

ITEM	PART NUMBER	QTY	DESCRIPTION	REV
	1001225430	1	Element, Fuel Filter (Deutz TD2.9L4 - 49HP Engine)	
	1001225431	1	Module, Engine Control (Deutz TD2.9L4 - 49 HP Engine)	
	70025153	12	Element, Fuel Filter (Deutz TD2.9L4 - 63 HP Engine)	
	70025161	12	Element, Fuel Filter (Deutz TD2.9L4 - 63 HP Engine)	
	70004283	1	Element, Fuel Filter (Deutz TD2.9L4 - 49HP Engine)	
	70025210	1	Module, Engine Control (Deutz TD2.9L4 -63 HP Engine)	
	3740067	1	Relay (Deutz D2011 & Ford Engines)	
	70006171	1	Relay, Fuel Pump & Power (Ford Engines)	
	70006175	2	Fuse - 20Amp (Ford Engines)	
	70005008	12	Element, Air Cleaner (Ford Engine)	
	70006213	12	Element, Oil Filter (Ford Engine)	
	1001202281	4	Element, Fuel/Water Separater (Deutz Engines)	
	70006155	12	Element, Fuel Filter (Ford Engine)	
	70006176	1	Module, Engine Control (Ford Engine)	
	3740080	1	Relay (Machines with 2500W Generator)	
	4360336	1	Switch, Toggle (Machines with Generator)	
	1001247468	1	Cell, Platform Load	
	4360578	1	Switch, Limit - Boom	
	1001170847	1	Sensor, Proximity - Boom	
	1001182570	1	Sensor, Proximity - Boom	
	1001248962	1	Sensor, Angle - Boom	
	1001106938	1	Module, Platform	
	1001117174	1	Footswitch	
	1001228224	1	Sensor, Receiver (Machine with SkyEye)	
	1001228225	1	Sensor, Emitter (Machine with SkyEye)	
	1001137673	1	Switch Assembly (Machines with SkyGuard)	
	1001232667	1	Sensor, Proximity (Machines with SkyLine)	
	4360057	1	Switch, Limit (Machines with Soft-Touch)	
	1001225346	1	Switch, Disconnect (Machines with Battery Disconnect)	
	1001181045	1	Breaker 16Amp (CE Specs)	
	1001181046	1	Breaker 30mA/16Amp (CE Specs)	
	2400064	2	Fuse 5Amp (Machines with 2500W Generator)	



**SECTION 11 - SPECIAL OPTIONS**

# SECTION 11 - SPECIAL OPTIONS

## FIGURE 11-1. SPECIAL OPTIONS

ITEM	PART NUMBER	QTY	DESCRIPTION	REV
		Ref	Note: This list is to accommodate machines ordered with special equipment. Options may not be applicable to all models. For more specific parts information contact JLG Parts Department.	
		Ref	MISCELLANEOUS SPECIAL OPTIONS	
	1001204884	Ref	Air Intake Shut-off Valve Installation (Deutz DT2.9L4 - 63HP Engines) (ANSI & CSA Specs)	
	1001247570	Ref	Air Intake Shut-off Valve Installation (Deutz DT2.9L4 - 49HP Engines) (ANSI & CSA Specs)	
	1001253151	Ref	Airline to Platform Installation	
	1001254024	Ref	Bellows Installation - Boom	
	1001251379	Ref	Bellows Installation - Chassis	
	1001253466	Ref	Boom Wiper Installation	
	1001172045	Ref	Cable/Ladder Carrier Installation	
		Ref	ClearSky (Telematics) Add-on Kits (Dealer Installed)	
	1001242409	Ref	ClearSky (Telematics) Access Control Add-on Kit (Dealer Installed) (ANSI, ANSI Export and CSA Specs)	
	1001243183	NLA	ClearSky (Telematics) Add-on Kit (Dealer Installed) (Use PN 1001265378) (ANSI, ANSI Export and CSA Specs)	
	1001265378	Ref	ClearSky (Telematics) Add-on Kit (Dealer Installed) (ANSI, ANSI Export and CSA Specs)	
	1001246142	Ref	ClearSky (Telematics) Added-on Kit (Dealer Installed) (Australian Specs)	
	1001243184	Ref	ClearSky (Telematics) Added-on Kit (Dealer Installed) (CE Specs)	
		Ref	ClearSky Telematics Installation (Factory Installed) (USA Built Machines)	
	1001227472	Ref	ClearSky Telematics - Canbus (ANSI and CSA Specs)	
	1001228946	Ref	ClearSky Telematics - Canbus (ANSI Export and CE Specs)	
	1001246522	Ref	ClearSky Telematics - Canbus (Australian Specs)	
	1001246523	Ref	ClearSky Telematics - Canbus (China Specs)	
	1001229107	Ref	ClearSky Telematics 3-Wire Connection (ANSI and CSA Specs)	
	1001233237	Ref	ClearSky Telematics 3-Wire Connection (ANSI Export and CE Specs)	
		Ref	Cold Weather Package	
	1001152340	Ref	Cold Weather Package - Deutz D2011 Engines	
	0274883	Ref	Cold Weather Package with Transformer- Deutz D2011 Engines	
	1001151900	Ref	Cold Weather Package - Deutz TD2.9L4 Engines	
	1001217832	Ref	Cold Weather Package - Ford Engines	
	1001157013	Ref	Counterweight Installation (Required for Soft Touch Systems) (USA Built Machines)	
	0257195	Ref	Decal - Government Warranty	
		Ref	Decal Kits Options:	
	2902307	Ref	Decal Kit - Country Spec (ANSI and ANSI Export)	
	2902329	Ref	Decal Kit - Country Spec (Australian and CE)	
	2902312	Ref	Decal Kit - Country Spec (Brazil)	
	2902322	Ref	Decal Kit - Country Spec (CSA)	
	1001116844	Ref	Decal Kit - Country Spec (Chinese - Simplified)	
	2902309	Ref	Decal Kit - Country Spec (Chinese - Traditional)	
	2902308	Ref	Decal Kit - Country Spec (Japanese)	
	2902310	Ref	Decal Kit - Country Spec (Korean)	
	2902311	Ref	Decal Kit - Country Spec (Latin America)	



## SECTION 11 - SPECIAL OPTIONS

ITEM	PART NUMBER	QTY	DESCRIPTION	REV
	2902303	Ref	Decal Kit - Master	
	1001238895	Ref	Decal Kit - Platform	
	1001119561	Ref	Decal Kit - Platform Console Box	
	4932990	Ref	Drive Cutout Kit (Above Elevation Beyond Transport)	
	4932993	Ref	Drive Cutout Kit (Above Elevation Tilt) (All Specs except CE & CSA Specs Only)	
		Ref	Electrical Connector Kits	
	1001148902	Ref	Amp/Tyco Electrical Connector Kit	
	1001148903	Ref	Deutsch DT Electrical Connector Kit	
	1001148904	Ref	Deutsch HD Electrical Connector Kit	
	1001148905	Ref	Packard Electrical Connector Kit	
	1001148906	Ref	Various Electrical Connectors Kit	
	1001218022	Ref	Engine Block Heater Installations (Ford Engines Only)	
	1001237883	Ref	Fall Arrest (Bolt-on) Add-on Kit (6ft/1.82m Platform (ANSI, ANSI Export, CHINA, CSA & Japanese Specs Only) (Fits Platform p/ns 1001186384 & 1001144024)	
	1001237882	Ref	Fall Arrest (Bolt-on) Add-on Kit (8ft/2.4m Platform (ANSI, ANSI Export, CHINA, CSA & Japanese Specs Only) (Fits Platform p/ns 1001186383 & 1001144023)	
		Ref	Fan Cover/Guard Options:	
	1001182599	Ref	Fan Guard Installation (Deutz D2011 Engines)	
	1001258140	Ref	Fan Guard Installation (Deutz TD2.3L3 Stage V Engines)	
	1001177694	Ref	Fan Guard Installation (Deutz TD2.9L4 Engines)	
	1001093389	Ref	Fan Cover Installation (Ford DF 2.5L Engines)	
		Ref	Filter Kits:	
		Ref	Combined Filter Kit (Hydraulic/Air and Fuel/Engine Oil)	
	1001166960	1	Deutz D2011 Engine	
	1001181148	1	Deutz TD2.9L4 Engine	
	1001114042	1	Ford DF2.5L Engine	
	1001139099	Ref	Fire Extinguisher Installation	
	1001117294	Ref	Footswitch Shield (Arctic Package)	
	1001202749	Ref	Fuel Cap Cover Installation (Black) (All Machines) (Note: Lock p/n 1001102157 Must be purchased separately)	
	1001191395	Ref	Fuel Cap Cover Installation (Green) (Diesel Machines) (Note: Lock p/n 1001102157 Must be purchased separately)	
	1001247338	Ref	Fuel Cap Cover Installation (Red) (Gasoline Machines) (Note: Lock p/n 1001102157 Must be purchased separately)	
		Ref	Hose Kits (Contact JLG Customer Service for contents of kits):	
	1001272631	Ref	Hose Kit - Lower Boom	
	1001209629	Ref	Hose Kit - Platform Valve	
	1001239617	Ref	Hose Kit - Power Track Upper	
	2910100	Ref	Hose/Cable Chafe Protection Kit	
	1001241406	Ref	Hostile Environment Add-on Kit (7FT Chassis)	
	1001094475	Ref	Hourmeter for Generator Installation	
	1001229940	Ref	Hydraulic Tank Locker Installation (China Built Machines)	
	0274200	Ref	Lights Installation - Chassis Lights	
	1001176296	Ref	Lights Installation - Headlights/Tailights	
	0273492	Ref	Lights Installation - Platform Worklights	
	0274180	Ref	Lights Installation - Platform Flood Lights	
	1001236951	Ref	Low Temperature Cut-out Switch Installation (Russian Specs)	
	1001204296	Ref	Oil Cooler Replacement Kit (Deutz TD2.9L4 Engine Only) (RCP to Ymer Cooler)	
	1580013	Ref	Platform Corner Storage Tray	

## SECTION 11 - SPECIAL OPTIONS

ITEM	PART NUMBER	QTY	DESCRIPTION	REV
	1001195304	Ref	Platform Console Cover Installation (Clear Polycarbonate)	
	1001110974	Ref	Platform Console Cover Installation (Steel) (All Specs except Australian Specs)	
	1001125230	Ref	Platform Console Cover Installation (Steel) (Chinese Specs)	
	1001125229	Ref	Platform Console Cover Installation (Steel) (Korean Specs)	
		Ref	Platform Entry Kit	
	1001142504	Ref	Kit, Replace Swing Gate with Drop Bar	
	1001142505	Ref	Kit, Replace Drop Bar with Swing Gate	
		Ref	Platform Mesh to Top Rail Add-on Kits:	
	1001214552	Ref	30in x 4ft (76cm x 1.22m) with Gate	
	1001214559	Ref	30in x 5ft (76cm x 1.52m) with Gate	
	1001214561	Ref	36in x 6ft (91.5cm x 1.83m) with Gate	
	1001214562	Ref	36in x 8ft (91.5cm x 2.44m) with Gate	
		Ref	Platform Mesh to Top Rail Installations	
	0273147	Ref	30in x 4ft (76cm x 1.22m)	
	0273146	Ref	30in x 5ft (76cm x 1.52m)	
	0273149	Ref	36in x 6ft (91.5cm x 1.83m)	
	0273145	Ref	36in x 8ft (91.5cm x 2.44m)	
		Ref	Platform Mesh to Mid Rail Add-on Kits:	
	1001214478	Ref	30in x 4ft (76cm x 1.22m) with Gate	
	1001214515	Ref	30in x 5ft (76cm x 1.52m) with Gate	
	1001214540	Ref	36in x 6ft (91.5cm x 1.83m) with Gate	
	1001214548	Ref	36in x 8ft (91.5cm x 2.44m) with Gate	
		Ref	Platform Mesh to Mid Rail Installation	
	1001140318	Ref	30in x 4ft (76cm x 1.22m)	
	1001140315	Ref	30in x 5ft (76cm x 1.52m)	
	1001138772	Ref	36in x 6ft (91.5cm x 1.83m)	
	1001138773	Ref	36in x 8ft (91.5cm x 2.44m)	
		Ref	Platform, Top Rail Extension	
	0272733	Ref	3ft x 6ft Platforms	
	0272725	Ref	3ft x 8ft Platforms	
	1001209059	Ref	Platform Work Surface Installation	
	1001171018	Ref	RCD Box Installation (Brazil Spec)	
	1001099572	Ref	Security Lock (Programmable) Installation (USA Built Machines)	
	1001190884	Ref	Service Kits and Tools	P
	1001247073	Ref	SkyEye Retrofit Kit	
	1001241547	Ref	SkyEye Housing Kit (LH)	
	1001241548	Ref	SkyEye Housing Kit (RH)	
		Ref	SkyGuard Component Options:	
	1001206477	Ref	SkyGuard Complete Add-on Kit (Blue Beacon)	
	1001210026	Ref	SkyGuard Complete Add-on Kit (Red Beacon)	
	1001249052	Ref	SkyGuard Retrofit Kit	
	1001137672	Ref	SkyGuard Platform Sensor Kit	
	1001137440	1	SkyGuard Platform Sensor Harness	
	1001186431	2	Relay	
	1001232643	NLA	SkyLine Kit (Use PN 1001262016)	
	1001262016	1	SkyLine Kit	
	1001253945	Ref	SkySense/Enhanced Detection System (EDS) Level 1 (2 Bar) Installation (Factory Installed)	
	1001253946	Ref	SkySense/Enhanced Detection System (EDS) Level 2 (3 Bar) Installation (Factory Installed)	

## SECTION 11 - SPECIAL OPTIONS

ITEM	PART NUMBER	QTY	DESCRIPTION	REV
	1001252033	Ref	SkySense/Enhanced Detection System (EDS) Level 1 (2-Bar) Add-on Kit (Dealer Installed)	
	1001252034	Ref	SkySense/Enhanced Detection System (EDS) Level 2 (3-Bar) Add-on Kit (Dealer Installed)	
	1001253618	Ref	SkySense/Enhanced Detection System (EDS) Level 1 (2-Bar) Service Kit (Dealer Installed)	
	1001253619	Ref	SkySense/Enhanced Detection System (EDS) Level 2 (3-Bar) Service Kit (Dealer Installed)	
	1001121592	Ref	Soft-Touch Add-on Kit (36x72 Platform) (Dealer Installed)	
	1001121593	Ref	Soft-Touch Add-on Kit (36x96 Platform) (Dealer Installed)	
		Ref	Strobe Light Installations (Amber)	
	1001152965	Ref	Platform Mounted	
	1001154231	Ref	Platform/Ground Mounted	
		Ref	Tools for Service	
	2901443	1	Analyzer Kit	
	1001249695	1	Analyzer and Cable Kit	
	1001249941	1	Analyzer and Cable Kit (Battery Powered)	
	1001137005	1	Software Cable Kit	
	7002840	1	Antirodation Pin Removal Tool	
	8896941	1	Wire Stripper	
	7002821	1	Wire Crimper (To install wire ends to wires)	
	7002823	1	Pin/Socket Extractor - Universal (To Remove Pins/Sockets from Connectors)	
	4460467	1	Extractor - 16-18 Gauge (For Removal of Pin/Sockets from Deutsch Connectors)	
	4460510	1	Extractor - 12-14 Gauge (For Removal of Pin/Sockets from Deutsch Connectors)	
	7002822	1	Screwdriver, Potentiometer (To Adjust Drive Controllers)	
	7016654	1	Screwdriver, Magnetic	
	7004275	1	Seal Installation Tool - 1in	
	7004276	1	Seal Installation Tool - 1 1/2in	
	7002826	1	Seal Installation Tool - 2in	
	7016655	1	Wire Rope Sheave Gauge	
	7016652	1	Huck Bolt Fastener (For Small Huck Bolts Only)	
	2900838	1	U.S. Standards Fastener (Hardware) Kit	
	7014676	1	U.S. Standards Tool Kit	
	1001258951	Ref	Tower Stow Indicator Add-on Kit (Dealer Installed)	
	1001263579	Ref	Tower Stow Sensor Add-on Kit (Dealer Installed)	
	1001238825	Ref	Turntable Bearing Kit	
	1001262959	Ref	Voltage Regulator Re-Location Kit (Used with ClearSky)	
	2910167	Ref	Wear Pad Kit	



**PART NUMBER INDEX**

## SECTION 11 - SPECIAL OPTIONS

0100009.....97, 101, 105, 109, 113, 431	0257195 ..... 746	0630536 ..... 507	0641532.....385
0100011.... 17, 19, 21, 23, 25, 41, 43, 45, 47, 53, 55, 61, 63, 73, 79, 81, 83, 85, 91, 93, 95, 97, 101, 105, 109, 113, 119, 121, 132, 136, 140, 144, 147, 153, 155, 157, 159, 162, 166, 173, 177, 180, 189, 193, 197, 199, 202, 208, 217, 221, 225, 227, 230, 236, 245, 250, 254, 257, 259, 262, 268, 273, 279, 299, 301, 303, 305, 307, 309, 313, 315, 317, 319, 323, 325, 329, 333, 337, 341, 345, 349, 353, 357, 361, 365, 371, 373, 375, 377, 381, 383, 385, 387, 389, 393, 405, 407, 409, 411, 413, 419, 421, 423, 425, 453, 455, 457, 467, 469, 473, 481, 483, 485, 487, 507, 521, 523, 525, 540, 546, 552, 709, 711, 713, 715, 717, 719, 721, 723, 725, 727	0257573 ..... 385	0630548 ..... 97, 101, 105, 109, 113	0641552.....25
010001967, 73, 303, 305, 319, 329, 333, 337, 341, 345, 350, 353, 357, 361, 365	0257728 ..... 477	0630568 ..... 432	0641604.....393, 523
0100020....49, 81, 83, 85, 153, 155, 173, 189, 193, 202, 208, 217, 221, 230, 236, 250, 254, 262, 268, 330, 435, 461, 573, 579, 585, 591, 597, 603	0258945 ..... 447	0641403 ... 349, 353, 375, 385	0641606..81, 83, 85, 132, 133, 136, 137, 141, 144, 145, 147, 162, 166, 173, 189, 193, 221, 373, 383, 385, 467, 469, 473
0100035.....431	0270528 .... 41, 43, 45, 47	0641404 ..... 97, 101, 105, 109, 113, 173, 189, 193, 217, 221, 329, 333, 341, 345, 361, 431, 455, 457	0641607..61, 63, 93, 140, 144, 173, 189, 193, 217, 221, 250, 254, 297, 319, 366, 371, 373
010003817, 19, 507, 521, 523, 525, 540, 546, 552	0272254 ..... 469	0641405 ... 132, 136, 140, 144, 455, 457	0641608....21, 23, 53, 55, 89, 93, 132, 136, 140, 144, 155, 173, 180, 189, 193, 202, 208, 217, 221, 230, 236, 293, 307, 309, 373, 393
0100048.....97, 101, 105, 109, 113, 121, 123, 250, 254, 325, 341, 345, 361, 431	0272427 ..... 485	064140661, 63, 119, 121, 123, 140, 144, 173, 180, 189, 193, 197, 199, 202, 208, 217, 221, 225, 227, 230, 236, 250, 254, 329, 333, 337, 345, 350, 353, 427, 429, 709, 711, 713, 715, 717, 719, 721, 723, 725, 727	0641609....162, 166, 202, 208, 230, 236, 299, 301, 311, 313
0100062.....85, 162, 166, 180, 202, 208, 230, 236, 264, 270, 350, 354	0272433 ..... 565	0641407 ..... 97, 101, 105, 109, 113, 123, 132, 136, 157, 159, 162, 166, 257, 259, 341, 361, 577, 581, 583, 587, 589, 593, 595, 599, 601	0641610.....93, 133, 137, 141, 144, 153, 155, 162, 166, 180, 245, 297, 317, 323, 373, 429
0100079.....297, 341, 361	0272448 ..... 739	0641409 ..... 153, 155	0641612.....79, 174, 189, 193, 202, 208, 217, 221, 230, 236, 250, 254
0100081.....383, 385, 459	0272521 ..... 467	0641410 ... 162, 166, 342, 345, 362	0641613.....53
0100087.....89	0272588 ..... 737	0641411 ... 189, 193, 217, 221	0641614.....81, 83, 85
0140011.....431	0272589 ..... 354, 358	0641412 ... 189, 193, 217, 221	0641616....330, 333, 341, 361, 373, 375
0140044.....121	0272599 ..... 733	0641413 ... 153, 155, 166, 173, 189, 193, 197, 199, 202, 208, 217, 221, 225, 227, 230, 236, 250, 254, 329, 333, 337, 345, 350, 353, 427, 429, 709, 711, 713, 715, 717, 719, 721, 723, 725, 727	0641617.....49
0181949.....49	0272607 ..... 735	064141453, 55, 431, 453, 481, 483, 485, 487	0641618.....25, 337, 345, 350, 354, 357, 385
0200048....481, 483, 485, 487	0272725 ..... 748	064141553, 55, 334, 337, 345, 577, 581, 583, 587, 589, 593, 595, 599, 601	0641620.....383
0200742.....317, 323	0272733 ..... 748	064141653, 55, 250, 254, 387, 389, 573, 577, 579, 581, 583, 585, 587, 589, 591, 593, 595, 597, 599, 601, 603	0641640.....383
0255382.....569	0273145 ..... 748	0641418 ... 405, 407, 411, 413, 419, 421, 423, 425	0641708....180, 202, 208, 230, 236
0255410.....75	0273146 ..... 748	0641420 ..... 409	0641772....317, 319, 323, 325
0255880.....311	0273147 ..... 748	0641505 ..... 39	0641808....153, 155, 173, 189, 193, 197, 199, 217, 221, 225, 227, 251, 255, 257, 259, 329, 333, 341, 345, 349, 353, 361
0257176.....571	0273149 ..... 748	0641506 ..... 97, 101, 105, 109, 113	0641809.....371
	0273492 ..... 747	0641507 .... 155, 387, 389	0641810....311, 313, 315, 371, 373
	0273542 ..... 489	0641508 ... 202, 208, 230, 236, 317, 319, 323, 325, 393	0641811.....79
	0273706 ..... 487	0641510 ... 162, 166, 202, 208, 230, 236	0641812....157, 159, 177, 197, 199, 225, 227, 319
	0273824 ..... 481	0641512 ..... 162, 166	0641813.....489
	0274180 ..... 747	0641514 ..... 477, 479	0641814.....17, 19
	0274200 ..... 747	0641516 .41, 43, 45, 329, 341, 349, 353, 357, 361, 365, 385, 489, 537	0641818.....85, 301
	0274618 ..... 575	0641520 ..... 91, 93, 95	0641820....162, 166, 299
	0274661 ..... 479	0641524 ..... 383	0641824.....79
	0274883 ..... 746		0642010.....47, 153, 155, 173, 189, 193, 217, 221, 250, 254
	0275216 ..... 577, 673		0642012....17, 19, 21, 23, 371, 459
	0275217 ..... 581, 675		0642212.....459
	0275452 ..... 587, 679		0651406.....53
	0275453 ..... 593, 683		0651408.....55
	0275454 ..... 599, 687		
	0275652 ..... 581		
	0275653 ..... 587		
	0275654 ..... 593		
	0275656 ..... 577		
	0275660 ..... 599		
	0362910 ..... 47		
	0363012 ..... 25		
	0370026 ..... 503		
	0400075.61, 63, 153, 155		
	0440162 ..... 377		
	0440207 ..... 73		
	0440237 ..... 377		
	0480100 ..... 477, 479		
	0480121 ..... 317, 323		
	0480126 ..... 333, 353		
	0480129 ..... 329, 350		
	0561076 ..... 371		
	0561185 ..... 373, 375		
	0561237 ..... 619		
	0561248 ..... 373		
	0630407 ... 180, 202, 208, 230, 236		
	0630427 ..... 393		
	0630462 ... 481, 483, 485, 487		
	0630467 ..... 387, 389		
	0630507 ... 132, 136, 140, 144		
	0630518 ... 117, 449, 461, 467, 469, 473		
	0630534 ... 509, 511, 513		
	0630535 ..... 523, 525		

## SECTION 11 - SPECIAL OPTIONS

0681608 ... 204, 210, 232, 238, 381	0760612 ... 250, 254, 262, 268	0940088.... 132, 136, 140, 144	1001100346 ..... 601, 687, 689
0681620 ... 202, 208, 230, 236, 491, 493, 495, 497, 499	0760615 ..... 273	0940092.... 481, 483, 485, 487, 489	1001100347 ..... 595, 683, 685
0681710 ..... 25	0760807 ..... 273	0940094.... 481, 483, 485, 487, 489	1001100397 ..... 589
0681812 ..... 257, 259	0760810 ... 180, 202, 208, 230, 236, 250, 254, 262, 268, 381	0940102..... 459	1001100398 ..... 595
0681814 ..... 415, 417	0760812 ... 180, 250, 254, 262, 268, 609, 611	0940103..... 485	1001100399 ..... 601
0681820 ..... 307	0760814 ... 180, 262, 268	0940131..... 489	1001100401 ..... 583
0681822 ... 202, 208, 230, 236, 309, 415, 417	0760815 ... 250, 254, 262, 268	0940133..... 487	1001100825 ..... 257, 259, 295
0682018 ..... 73	0760817 ..... 273	0940134..... 481	1001103308 97, 101, 105, 109, 113
0682218 ..... 67	0761008 ... 189, 193, 218, 222, 251, 255	0940177..... 483	1001103667 97, 101, 105, 109, 113, 742
0682424 ... 491, 493, 495, 497, 499	0761010 ..... 377, 609	0961845... 405, 407, 409, 411, 413, 419, 421, 423, 425	1001104423 ..... 540, 546, 552
0700408 ... 573, 577, 579, 581, 583, 585, 587, 589, 591, 593, 595, 597, 599, 601, 603	0761014 ... 173, 182, 262, 268, 315, 381	0961893..... 509, 511, 513	1001106736 97, 101, 105, 109, 113
0700610 ..... 177	0761015 ... 180, 202, 208, 232, 238, 262, 268, 377	0961898..... 507	1001106938 ..... 431, 743
0700612 ..... 180	0761016 ... 180, 262, 268	0961947..... 377, 379	1001106974 ..... 79
0700614 ..... 337, 357	0761018 ..... 365	0961949..... 507, 517	1001107498 ..... 79
0700616 ..... 173	0761019 ..... 325	0961950..... 17, 19	1001108256 ..... 483
0700617 ..... 127, 129	0761210 ... 202, 208, 230, 236	0961986.... 162, 166, 180, 202, 208, 230, 236, 262, 268	1001109503 ..... 101
0700618 ..... 619	0761212 ... 177, 180, 337, 357, 371	0962036..... 373, 375	1001109554 ..... 583, 589, 595, 601, 629
0700624 ... 615, 617, 621	0761214 ..... 180	0962051..... 311, 313, 315	1001110425 ..... 173, 189, 193, 217, 221, 342, 345, 357, 362
0700808 ..... 162, 166	0761216 ..... 325, 381	0962131..... 21, 23	1001110434 ..... 431
0700810 ..... 262, 268	0771014 ..... 95, 262, 268	0962155..... 377	1001110500 ..... 385
0700812 ... 262, 268, 305	0771212 ... 95, 173, 189, 193, 202, 208, 217, 221, 230, 236	0962270..... 415, 417	1001110501 ..... 385
0700814 ... 262, 268, 303, 305, 309	0771414 ... 162, 166, 180, 202, 208, 230, 236, 303, 305, 307	0962292..... 23	1001110872 ..... 605, 607
0700816 ..... 273	0771415 ... 309, 330, 334, 350, 354	0962336..... 509, 511, 513	1001110873 ..... 329, 341, 349, 361, 366, 569, 575
0700818 ..... 273	0811606 ..... 375	0962348..... 23	1001110974 ..... 748
0701012 ..... 180	0811607 ..... 375	0962356..... 21, 23, 521	1001111514 ..... 85
0701014 ..... 91, 273	0811608 ..... 375	0962520.... 329, 333, 337, 341, 345, 350, 354, 357, 361, 365	1001112551 ..... 711
0701017 ..... 180	0811610 ..... 375	1001026127 ..... 174	1001112588 ..... 317, 323
0701020 ..... 377	0860038 ... 329, 341, 349, 361, 365, 569, 571, 575	1001093382 .. 61, 63, 153, 155	1001112589 ..... 317, 323
0701026 ..... 279	0860520 ... 709, 711, 713, 715, 717, 719, 721, 723, 725, 727	1001093389 ..... 747	1001112612 ..... 613, 667
0710827 ..... 273	0861538 ... 350, 361, 365	1001093549 ..... 541	1001112796 ..... 613
0711014 ..... 264, 270	0861572 ..... 354, 357	1001094475 ..... 747	1001113790 ..... 559
0711020 ..... 262, 268	0861731 ... 573, 591, 597, 603, 679, 681, 683, 685, 687, 689	1001096070 ..... 333, 337, 345, 577, 581, 587, 593, 599, 627	1001113818 ..... 559
0711215 ..... 180	0861781 ... 579, 585, 673, 675, 677	1001096670 ..... 333, 337, 345, 577, 581, 587, 593, 599, 627	1001113961 ..... 667
0711216 ..... 273	0861880 ..... 627, 629	1001096700 ..... 333, 337, 345, 577, 581, 587, 593, 599, 627	1001113984 ..... 25, 29
0711223 ... 180, 264, 270, 303, 305	0902219 ..... 132, 136	1001096700 ..... 333, 337, 345, 577, 581, 587, 593, 599, 627	1001114042 ..... 747
0711414 ..... 299, 301	0902335 ..... 132, 136	1001096700 ..... 333, 337, 345, 577, 581, 587, 593, 599, 627	1001114042 ..... 747
0720804 ..... 49	0902888 ... 329, 341, 349, 353, 357, 361, 365	1001097051 ..... 695	1001115391 ..... 349
0721004 ..... 47	0903056 ..... 79	1001097150 ..... 627, 629	1001115392 ..... 353
0721005 ..... 485, 487	0940049 ... 132, 136, 140, 144	1001097242 .. 21, 23, 521	1001115405 ..... 317
0721006 ... 132, 136, 140, 144, 245, 317, 319, 323, 431	0940070 ... 162, 166, 180, 202, 208, 230, 236, 262, 268	1001098012 ..... 461, 463	1001115406 ..... 323
0731005 ..... 481, 483	0940071 ..... 132, 136	1001098122 ..... 435, 671	1001115889 ..... 119
0741605 ... 180, 202, 208, 230, 236		1001098149 ..... 461	1001115915 ..... 119
0741606 ..... 61, 63, 393		1001098503 ..... 25, 33	1001115918 ..... 119
0741607 23, 47, 329, 333, 337, 341, 345, 357, 361, 365		1001098828 ..... 381	1001115967 ..... 119
0760605 ... 202, 208, 230, 236, 273		1001099196 ..... 21	1001116208 ..... 730
0760606 ..... 366		1001099366 ..... 459	1001116692 ..... 701, 703
0760607 ..... 337, 357		1001099367 ..... 459	1001116693 ..... 633, 643
0760608 ..... 39, 262, 268, 365		1001099387 ..... 21, 23	1001116710 ..... 647
0760610 ... 180, 262, 268, 273, 325, 365		1001099391 ..... 53, 55	1001116720 ..... 699
		1001099572 ..... 748	1001116727 ..... 635, 639, 659
		1001099835 ..... 385	1001116728 ..... 635, 639
		1001100321 ..... 323	1001116748 ..... 615, 617, 619, 621
		1001100341 ..... 673	1001116774 ..... 613
		1001100342 ..... 583, 675, 677	1001116808 ..... 613
		1001100345 ..... 589, 679, 681	1001116812 ..... 635, 667

## SECTION 11 - SPECIAL OPTIONS

1001116815.....636, 667	1001128901 ..... 263, 269	1001138113 ..... 639	1001141370.....181
1001116844.....717, 746	1001129555 ..... 742	1001138170 ..... 203, 209, 231, 237	1001141585..... 181, 203, 209, 231, 237, 263, 269
1001116845.....717	1001129858 ..... 329	1001138173 ..... 181, 203, 209, 231, 237, 263, 269	1001141693..... 162, 166
1001116846.....719, 730	1001130041 ..... 162, 166	1001138175 ..... 181, 203, 209, 231, 237, 263, 269	1001141694..... 162, 166
1001116847.....717	1001130220 ..... 39	1001138228 ..... 181, 203, 209, 231, 237	1001141870.....245
1001116848.....717	1001131269 ..... 709, 721	1001138248 ..... 182, 203, 209, 231, 237, 263, 269	1001141995..... 181, 203, 209, 231, 237, 263, 269
1001116849.....719	1001133714 ..... 635, 640, 645	1001138436 ..... 375	1001142501..... 173, 189, 193, 217, 221, 245
1001116850.....717	1001133715 ..... 635, 640, 645	1001138491 ..... 173, 189, 193, 217, 222, 647	1001142504.....748
1001116851.....719	1001133956 ..... 636, 639	1001138494 ..... 407, 409, 411, 413, 419, 421, 423, 425	1001142505.....748
1001116852.....717	1001133957 ..... 636, 639	1001138514 ..... 407, 409, 411, 413, 423, 425	1001142538.....203, 209, 231, 237
1001116861.....717	1001134289 ..... 377, 379	1001138557 ..... 203, 209, 231, 237	1001142615.....203, 209, 231, 237
1001116862.....719	1001134488 ..... 182, 204, 210, 231, 237, 264, 270	1001138565 ..... 333	1001142623.....231, 237
1001116863.....719	1001135138 ..... 203, 209, 231, 237	1001138566 ..... 329, 333, 337, 341, 345	1001142635.....203, 209, 231, 237
1001116952.....635, 639	1001135600 ..... 25, 27	1001138671 ..... 371	1001142643.....338, 342, 346, 357, 362
1001116983.....647	1001135650 ..... 635, 640, 645	1001138772 ..... 748	1001142645.....346
1001117078.....655	1001135651 ..... 635, 640	1001138773 ..... 748	1001142646.....342, 362
1001117106.....635, 639	1001135679 ..... 203, 209, 231, 237	1001138795 ..... 509, 511, 513	1001142683..... 127, 129
1001117107.....635, 639	1001136104 ..... 365	1001138827 ..... 182, 204, 210, 231, 237	1001142689.....231, 237
1001117172.....435	1001136590 ..... 375	1001139099 ..... 747	1001142736..... 127, 129, 613
1001117174.....431, 435, 743	1001136668 ..... 25	1001139135 ..... 431, 701	1001142938..... 639
1001117294.....747	1001136834 ..... 181, 203, 209, 231, 237	1001139240 ..... 203, 209, 231, 237	1001142940..... 635, 639
1001117308.....181, 203, 209, 231, 237	1001137005 ..... 749	1001139357 ..... 329, 333	1001142941..... 635, 640
1001118133.....85	1001137032 ..... 371	1001139409 ..... 203, 209, 231, 237, 307, 309	1001143390..... 162, 167, 181, 203, 209, 231, 237
1001118384.....697	1001137276 ..... 231, 237	1001139429 ..... 203, 209, 231, 237	1001143726..... 203, 209, 232, 238, 639
1001118388.....697, 699	1001137440 ..... 748	1001139654 ..... 730	1001143765.....93
1001118666.....375	1001137672 ..... 748	1001139819 ..... 163, 167	1001143766.....93
1001119020.....613, 667, 671	1001137673 ..... 453, 743	1001139956 ..... 329	1001143797..... 181, 203, 209, 231, 237
1001119561.....747	1001137674 ..... 177, 197, 199, 225, 227	1001139957 ..... 333	1001143812.....91, 93
1001119602.....541, 547, 553	1001137845 ..... 144	1001140312 ..... 203, 238	1001143852.....730
1001119619.....691	1001137853 ..... 140, 144	1001140315 ..... 748	1001143907..... 182, 203, 209, 232, 237
1001119620.....693, 695	1001137854 ..... 140, 144	1001140318 ..... 748	1001144041.....61, 63
1001119968.....363, 655	1001137860 ..... 144	1001140346 ..... 341	1001144409..... 181, 204, 209, 232, 238
1001120328.....453, 455, 457	1001137863 ..... 83, 85	1001140347 ..... 337, 345	1001144410..... 181, 204, 210, 232, 238, 263, 269
1001120989.....730	1001137865 ..... 83	1001140418 ..... 530	1001144411..... 181, 204, 210, 232, 238, 263, 269
1001121592.....749	1001137866 ..... 174, 189, 193, 217, 221, 366	1001140420 ..... 534	1001144412..... 181, 204, 210, 232, 238
1001121593.....749	1001137868 ..... 173, 189, 193, 217, 221, 250, 254	1001140429 ..... 405, 407, 409, 411, 413, 419, 421, 423, 425	1001144433.....453
1001125229.....748	1001137873 ..... 177, 197, 199, 225, 227	1001140449 ..... 530, 534	1001144629.....397, 399, 401, 403, 419, 421
1001125230.....748	1001137874 ..... 177, 197, 199, 225, 227	1001140451 ..... 530	1001145047..... 173, 189, 194, 217, 221
1001125387 .....730	1001137875 ..... 140, 144	1001140454 ..... 203, 209, 231, 237	1001145154.....204, 210, 232, 238
1001125492.....67	1001137876 ..... 132, 136, 140, 144	1001140455 ..... 530	1001145227.....361
1001125784 97, 101, 109, 113	1001137877 ..... 140, 144	1001140456 ..... 534	1001145292.....77
1001125785 97, 101, 109, 113	1001137878 ..... 140, 144	1001140458 ..... 534	1001145330.....342, 346, 362
1001126009.....697	1001137879 ..... 140, 144	1001140564 ..... 182, 204, 210, 231, 237	1001145405.....461
1001126351.....636, 639	1001137880 ..... 173, 189, 193, 217, 221	1001141300 ..... 730	1001145706.....93
1001126352.....639	1001137881 ..... 173, 189, 193, 217, 221	1001141302 ..... 730	1001146368..... 162, 166, 169
1001126356.....639	1001137882 ..... 173, 189, 193, 217, 221	1001141304 ..... 182, 203, 209, 231, 237	1001146588..... 174, 181
1001126357 .....639	1001137885 ..... 77		
1001126362.....635, 640	1001137886 ..... 140, 144		
1001126363.....635, 640	1001137887 ..... 313		
1001126364.....635, 636, 640	1001137888 ..... 313, 315		
1001126365 .....635, 640	1001137889 ..... 61		
1001126384.....639	1001137890 ..... 77		
1001126391 .....635, 640	1001137891 ..... 61		
1001126392.....636, 640	1001137892 ..... 77		
1001126485.....636	1001137893 ..... 61		
1001126487.....636	1001137894 ..... 77		
1001127095.....730	1001137895 ..... 61		
1001128527 .....473	1001137896 ..... 77		
1001128556.....473	1001138110 ..... 639		
	1001138111 ..... 639		



## SECTION 11 - SPECIAL OPTIONS

1001147264 ..... 636, 639	1001152070..... 85	1001157521.....350, 354, 358, 362, 366	1001166960 ..... 747
1001148138 ..... 319	1001152127..... 375	1001157525.....353, 354, 357	1001167041 ..... 232, 238
1001148162 21, 443, 445	1001152172..... 89	1001157528.....350, 354, 358, 362, 366	1001167565 ..... 381
1001148163 ..... 443	1001152175..... 105	1001157592.....349, 350, 362, 366	1001167567 ..... 381
1001148164 ..... 23, 445	1001152181..... 67	1001157604.....89	1001167596 ..... 381
1001148166 ..... 445	1001152234..... 67	1001157769.....351, 354, 358	1001167635 ..... 636
1001148168 ..... 17	1001152325..... 147	1001157770 .....363	1001168018 ..... 181, 263, 269, 303, 305
1001148170 ..... 19	1001152340..... 746	1001158007.....350, 354, 358, 362, 366	1001168209 ..... 505
1001148171 ..... 17	1001152355..... 385	1001158008.....350, 354, 358, 362, 366	1001168210 ..... 505
1001148172 ..... 19	1001152428..... 81	1001158363.....330, 342	1001168402 ..... 381
1001148178 ..... 23	1001152429.....351, 354, 358, 661	1001158720.....89	1001169054 ..... 181, 204, 210, 232, 238, 263, 269
1001148652 ..... 375	1001152433..... 132	1001159118.....605, 607	1001169138 ..... 181, 204, 210, 232, 238, 263, 269
1001148675 ..... 605, 607	1001152435..... 136	1001159119.....605, 607	1001169610 ..... 133, 137, 293
1001148841 ..... 645	1001152457..... 330, 342	1001159120.....605, 607	1001170035 ..... 263, 269
1001148842 ..... 645	1001152489..... 181, 204, 210, 232, 238	1001159121 .....607	1001170617 ..... 204, 210, 213
1001148902 ..... 747	1001152491..... 530	1001159186 .....667	1001170764 ..... 635
1001148903 ..... 747	1001152499..... 534	1001159256.....432, 742	1001170847 ..... 393, 743
1001148904 ..... 747	1001152525..... 350, 354, 358, 362, 366	1001159323.....730	1001171018 ..... 748
1001148905 ..... 747	1001152527..... 530, 534	1001160003..... 133, 136, 137	1001171126 ..... 341
1001148906 ..... 747	1001152530..... 330, 342	1001160004.....132	1001171131 ..... 605
1001149160 ..... 263, 269, 273	1001152532..... 330, 334, 338, 342, 346, 651	1001160034.....136	1001171268 ..... 345
1001149639 ..... 263, 269	1001152557..... 132, 136, 140, 144	1001160077 .....121	1001171403 ..... 640
1001149703 ..... 299	1001152619..... 537	1001160074 .....125	1001171482 ..... 106
1001149704 ..... 163, 167	1001152635..... 537	1001160189.....144	1001172045 ..... 746
1001149705 ..... 163, 167	1001152636..... 537	1001160190..... 140, 145	1001172535 ..... 547
1001149706 ..... 163, 167	1001152637..... 537	1001160272.....567	1001172577 ..... 459
1001149793 ..... 163, 167	1001152887..... 53, 55, 57	1001160598..... 133, 137	1001172578 ..... 459
1001149927 ..... 73	1001152965..... 749	1001160961..... 133, 137	1001172760 ..... 432
1001149994 ..... 125, 127, 129	1001153197..... 330, 334, 338, 659	1001160963..... 133, 137, 141, 145	1001172793 ..... 174, 190, 194, 218, 222
1001150158 ..... 157, 162	1001153259..... 342, 346	1001160964..... 133, 141, 145	1001173535 ..... 264, 270
1001150179 ..... 159, 166	1001153260..... 330, 342	1001161027 .....137	1001173703 ..... 731
1001150391 ..... 73	1001153636..... 333, 338, 346, 577, 581, 583, 587, 589, 593, 595, 599, 601	1001161030.....541, 547, 553	1001173896 ..... 81, 83
1001150406 ..... 125	1001154231..... 749	1001161036.....541, 547, 553	1001174040 ..... 381
1001150569 ..... 45	1001154392 97, 101, 105, 109, 113, 703	1001161761 .....39	1001174486 ..... 250, 254
1001150570 ..... 43	1001154405..... 174, 190, 194, 217, 222, 245	1001162335.....204, 210, 245	1001175632 ..... 338
1001150571 ..... 41	1001155043 97, 101, 105, 109, 113	1001162828.....375	1001176012 ..... 225, 230
1001150612 ..... 537	1001155044 97, 101, 105, 109, 113, 432	1001163599.....319, 341, 346, 361	1001176013 ..... 218, 225
1001150714 ..... 547	1001155045 97, 101, 106, 109, 113, 432, 742	1001164281 .....132, 133, 136, 137, 141, 145	1001176014 ..... 217
1001150715 ..... 541, 547, 553	1001155093..... 371	1001165035..... 174, 190, 194, 218, 222, 262, 268	1001176015 ..... 227, 236
1001150717 ..... 548, 554	1001155574..... 21, 23	1001165350.....615, 617, 621	1001176016 ..... 222, 227
1001150718 ..... 547	1001155669..... 541, 547, 553	1001165741 .....145	1001176017 ..... 221
1001150890 ..... 301	1001155672..... 541, 547, 553	1001165842.....232, 238	1001176225 ..... 204, 210, 232, 238
1001150915 ..... 163, 167	1001155673..... 541, 547, 553	1001165849..... 181, 204, 210	1001176226 ..... 204, 210, 232, 238
1001150918 ..... 155, 194, 222, 254	1001155823..... 174, 190, 194, 217, 222	1001166394..... 133, 137, 141, 145	1001176296 ..... 747
1001150998 ..... 162, 166	1001156107..... 181	1001166538..... 432, 437	1001176329 ..... 263, 269
1001151010 ..... 49	1001156490..... 619	1001166539..... 432, 439	1001176469 ..... 101, 106
1001151070 ..... 153, 155	1001157013..... 746	1001166718..... 181, 303, 305	1001176511 ..... 204, 210, 232, 238
1001151078 ..... 163, 167	1001157520..... 350, 354, 358, 362, 366		1001176666 ..... 93
1001151206 ..... 163, 167			1001176667 ..... 93
1001151251 ..... 162, 166			1001176723 ..... 204, 210, 232, 238
1001151252 ..... 301			1001176862 ..... 605
1001151253 ..... 299			1001176899 ..... 383
1001151268 ... 81, 83, 85, 87			1001177038 ..... 307
1001151349 ..... 557			1001177043 ..... 307
1001151358 ..... 530, 534			1001177090 ..... 93
1001151542 ..... 385			1001177359 ..... 181, 204, 210, 232, 238
1001151584 ..... 39			
1001151586 ..... 385			
1001151856 ..... 640			
1001151897 ..... 39			
1001151900 ..... 746			
1001152066 ..... 81			

## SECTION 11 - SPECIAL OPTIONS

1001177399.....309	1001188884.....297	1001203495.....204, 210, 232, 238	1001215647.....263, 269
1001177694.....747	1001188887.....297	1001203655.....415	1001215681.....263, 269
1001178223.....181, 204, 210, 232, 238	1001188890.....557	1001203656.....417	1001215899.....263, 269
1001178789.....79	1001188891.....557	1001204150 98, 110, 113	1001215974.....263, 269
1001178876.....232, 238	1001188952.....157, 159, 177, 197, 199, 225, 227, 284	1001204296.....747	1001216015.....319
1001179154.....350, 362, 366	1001188953.....257, 259, 288	1001204325.....182, 204, 210, 232, 238	1001216065.....273
1001179156.....95	1001188954.....153, 157	1001204491.....232, 238	1001216071.....273
1001179837.....319	1001188955.....155, 159	1001204715.....393	1001216075.....263, 269
1001180001.....319	1001188963.....153	1001204725.....381	1001216086.....263, 269
1001180052.....320	1001188964.....155	1001204884.....746	1001216092.....263, 269
1001180287.....319	1001188972.....155, 194, 222, 255	1001205043 98, 102, 110, 114	1001216144.....273
1001180620.....181, 204, 210, 232, 238, 263, 269	1001189001.....381	1001205044 98, 102, 110, 114	1001216160.....295
1001180861.....730	1001189002.....381	1001205051.....204, 210, 231, 237	1001216204.....263, 269
1001181045.....627, 743	1001189979.....181, 263, 269	1001205958.....591, 597, 603	1001216205.....263, 269
1001181046.....629, 743	1001190884.....748	1001206476.....609, 611	1001216212.....643
1001181148.....747	1001190985.....381	1001206477.....748	1001216213.....643
1001181243.....320	1001191395.....747	1001207004.....129	1001216300.....279
1001181895.....204, 238, 269	1001191598.....667	1001207969.....387, 389	1001216390.....366
1001181899.....204, 210, 232, 238	1001191610.....263, 269	1001208994.....381, 387, 389	1001216391.....326
1001181923.....615, 617, 619, 621	1001191620.....182	1001209059.....748	1001216393.....269
1001182361.....636	1001191866.....106, 109, 633	1001209432.....611	1001216531.....264, 270
1001182365.....636	1001191868 98, 102, 631	1001209474.....611	1001216532.....257, 259
1001182570.....393, 743	1001193018.....573, 577, 579, 581, 583, 585, 587, 589, 591, 593, 595, 597, 599, 601, 603	1001209629.....747	1001216533.....257, 259
1001182599.....747	1001194197.....591	1001209664.....453	1001216534.....257, 259
1001182806.....123	1001194198.....597	1001210026.....748	1001216535.....257, 259
1001182906.....293	1001194200.....603	1001210448.....273, 275	1001216536.....295
1001182997.....81, 83, 85	1001194203.....579	1001211588.....393	1001216619.....279
1001183924.....91, 93, 95	1001194204.....585	1001211794.....273	1001216630.....381
1001184618.....709, 711, 713, 715, 717, 719, 721, 723, 725, 727	1001194365.....573	1001212223.....361	1001216768.....273
1001184626.....429	1001195304.....748	1001212415.....742	1001216769.....273
1001184881.....37	1001196382.....305, 365	1001212515.....541, 547, 553	1001216910.....263, 269, 273
1001185281.....432	1001196634.....247, 742	1001213447.....671	1001216911.....250, 257
1001186333.....415	1001197017.....481, 483, 485, 487	1001213655.....563	1001216912.....250
1001186334.....417	1001197408.....730	1001213810.....273	1001216919.....263, 269
1001186375.....407	1001197719.....635	1001213882.....432	1001216951.....263, 269
1001186377.....409	1001199784.....297	1001214030.....731	1001217005.....127
1001186379.....411	1001200120.....730	1001214095.....563	1001217032.....263, 269
1001186382.....413	1001200121.....730	1001214096.....563	1001217046.....263, 269
1001186383.....403	1001200122.....731	1001214396.....609	1001217082.....263, 269
1001186384.....401	1001200124.....730	1001214478.....748	1001217089.....263, 269
1001186386.....399	1001200125.....731	1001214507.....114, 643	1001217090.....263, 269
1001186387.....397	1001200126.....731	1001214515.....748	1001217146.....263, 269
1001186426.....181, 264, 270	1001200127.....731	1001214540.....748	1001217170.....257, 259
1001186431.....453, 748	1001200491.....381	1001214548.....748	1001217174.....263, 269
1001186432.....697, 699	1001200494.....381	1001214552.....748	1001217175.....263, 270
1001186517.....453	1001200497.....667	1001214559.....748	1001217183.....263, 270
1001186542.....284, 288	1001200910.....127	1001214561.....748	1001217184.....257, 259
1001187382.....381	1001201351.....381	1001214562.....748	1001217185.....264, 270
1001187383.....381	1001201995.....102	1001214570.....609, 611	1001217186.....264, 270
1001187674.....451	1001201996 98, 102, 110, 113	1001214571.....609, 611	1001217187.....365
1001187681.....691	1001202280.....297	1001214683.....338, 357	1001217188.....325
1001187781.....262, 268	1001202281.....297, 743	1001214827.....273	1001217418.....251, 255
1001188467.....133, 137, 140, 141, 144, 145	1001202368.....309	1001215016.....643	1001217419.....251, 255
1001188622.....381	1001202687.....381	1001215091.....643	1001217420.....251, 255
1001188844.....381	1001202749.....747	1001215142.....250, 255	1001217421.....251, 255
1001188874 97, 101, 106, 109, 113		1001215228.....432	1001217422.....251, 255
		1001215384.....273	1001217543.....264, 270
		1001215413.....257, 262	1001217645.....250, 255
		1001215534.....643	1001217832.....746
			1001218022.....747
			1001218362.....264, 270
			1001218393.....95
			1001218394.....95
			1001218395.....95
			1001218449.....264, 270
			1001218547.....315

## SECTION 11 - SPECIAL OPTIONS

1001218548 ..... 315	1001227309..... 569, 571	1001234428 ..... 723	1001238477 ..... 455
1001218599 ..... 264, 270	1001227310..... 571	1001234429 ..... 723	1001238495 ..... 453
1001218600 ..... 264, 270	1001227472..... 746	1001234430 ..... 725	1001238559 ..... 455, 457
1001218622 ..... 565	1001227633..... 451	1001234431 ..... 727	1001238672 ..... 449
1001218623 ..... 565	1001227634..... 451	1001234432 ..... 727	1001238674 ..... 117
1001218638 ..... 251, 255	1001227666..... 264, 270	1001234433 ..... 721	1001238732 ..... 117, 449
1001218930 ..... 366	1001227667..... 264, 270	1001234434 ..... 721	1001238824 ..... 455
1001219071 ..... 259, 268	1001227769..... 273	1001234435 ..... 719	1001238825 ..... 749
1001219072 ..... 255, 259	1001227772..... 273	1001234436 ..... 719	1001238895 ..... 747
1001219073 ..... 254	1001227985..... 451	1001234439 ..... 711, 715	1001239202 ..... 635
1001219445 ..... 264, 270	1001227987..... 451	1001234811 ..... 377, 379	1001239291 ..... 63
1001219448 ..... 264, 270	1001227996..... 693, 695	1001235011 ..... 455	1001239617 ..... 747
1001219454 ..... 182, 264, 270	1001228006..... 373, 525	1001235013 ..... 455	1001241384 ..... 123
1001219456 ..... 182, 264, 270	1001228007..... 375, 523	1001235401 ..... 717	1001241403 ..... 117, 449
1001219457 ..... 95	1001228042..... 371, 507	1001235402 ..... 717	1001241406 ..... 747
1001219458 ..... 95	1001228215..... 405	1001235585 ..... 725	1001241547 ..... 748
1001219630 ..... 326	1001228224..... 451, 743	1001235948 ..... 132, 136, 144	1001241548 ..... 748
1001219632 ..... 325	1001228225..... 451, 743	1001235949 ..... 182	1001241578 ..... 153, 155
1001220215 ..... 295	1001228243..... 421	1001236089 ..... 449	1001241965 ..... 455, 457
1001220266 ..... 174	1001228375..... 425	1001236092 ..... 117	1001242251 ..... 127
1001220379 ..... 639	1001228376..... 419	1001236303 ..... 63	1001242252 ..... 129
1001220404 ..... 279	1001228377..... 423	1001236304 ..... 611	1001242409 ..... 746
1001220510 ..... 731	1001228506..... 204, 210	1001236375 ..... 609	1001243183 ..... 746
1001220511 ..... 731	1001228946..... 746	1001236376 ..... 609	1001243184 ..... 746
1001220512 ..... 731	1001228988..... 473, 475, 737, 739	1001236377 ..... 609	1001243263 98, 102, 106, 110, 114, 667
1001220864 ..... 731	1001229107..... 746	1001236378 ..... 609	1001243476 ..... 97
1001221208 ..... 657	1001229341..... 451	1001236504 ..... 611	1001243478 ..... 101
1001221397 ..... 295	1001229530..... 667	1001236505 ..... 611	1001243482 ..... 109
1001221464 ..... 257, 259	1001229810..... 67, 70	1001236552 ..... 455, 457	1001243484 ..... 113
1001221488 ..... 250, 254	1001229940..... 747	1001236746 ..... 499	1001243567 ..... 102
1001221498 ..... 366	1001230635..... 182, 204, 210, 231, 237	1001236747 ..... 495	1001243568 98, 110, 114
1001221545 ..... 273	1001230931..... 615, 617, 619, 621	1001236891 ..... 491, 493, 495, 497, 499	1001243723 ..... 429, 431
1001221615 ..... 264, 270	1001230934..... 636	1001236895 ..... 491, 493, 495, 497, 499	1001243748 ..... 429
1001221621 ..... 95	1001230935..... 636	1001236951 ..... 747	1001243895 ..... 247
1001222033 ..... 264, 270	1001230936..... 636	1001237023 ..... 106	1001243984 ..... 431, 671
1001222641 ..... 273	1001231007..... 123, 705	1001237026 ..... 106	1001244212 ..... 730
1001223042 ..... 263, 269	1001231180..... 475	1001237138 ..... 371	1001245251 ..... 729
1001223055 ..... 709	1001231183..... 475	1001237142 ..... 371	1001245761 ..... 371, 515
1001223453 ..... 709, 721	1001231235..... 475	1001237667 ..... 667, 671	1001245913 ..... 182, 645
1001223459 ..... 636, 640	1001231676..... 37	1001237668 ..... 667, 671	1001246012 ..... 182, 185
1001223584 ..... 264, 270	1001231677..... 37	1001237697 ..... 371, 505	1001246142 ..... 746
1001223922 ..... 263, 269	1001231678..... 37	1001237698 ..... 371, 519	1001246522 ..... 746
1001223923 ..... 263, 269	1001231801..... 729	1001237862 ..... 693, 695	1001246523 ..... 746
1001223971 ..... 721	1001231886..... 123	1001237863 ..... 451, 695	1001246590 ..... 197, 202
1001224010 ..... 263, 269	1001231949..... 499	1001237864 ..... 451, 693	1001246592 ..... 194, 197
1001224048 ..... 725	1001231950..... 495, 497	1001237865 ..... 451, 691	1001246593 ..... 199, 208
1001224049 ..... 727	1001232010..... 495, 497, 499	1001237882 ..... 747	1001246594 ..... 190, 199
1001224050 ..... 719	1001232011..... 495, 497, 499	1001237883 ..... 747	1001246598 ..... 189
1001224051 ..... 717	1001232164..... 451	1001237947 ..... 182	1001246599 ..... 193
1001224052 ..... 713	1001232165..... 451	1001237949 ..... 371	1001246813 ..... 182
1001224053 ..... 723	1001232642..... 455, 457	1001238138 ..... 393	1001246934 ..... 371, 373
1001224419 ..... 264, 270	1001232643..... 748	1001238168 ..... 377	1001246935 ..... 373
1001224486 ..... 264, 270	1001232650..... 455	1001238263 ..... 491, 493, 495, 497, 499	1001246936 ..... 373
1001224489 ..... 264, 270	1001232667..... 455, 457, 743	1001238319 ..... 451	1001246951 ..... 371
1001224927 ..... 537	1001232842..... 247	1001238327 ..... 393	1001246952 ..... 371
1001225346 ..... 609, 611, 743	1001232880..... 385	1001238328 ..... 371, 377	1001246974 ..... 371
1001225430 ..... 213, 743	1001233237..... 746	1001238333 ..... 377	1001246978 ..... 371
1001225431 ..... 213, 743	1001233763..... 194, 222, 247	1001238398 ..... 377	1001247029 ..... 182
1001225510 ..... 264, 270	1001234425..... 709	1001238418 ..... 455, 457, 697	1001247073 ..... 748
1001225580 ..... 453, 699	1001234426..... 709	1001238421 ..... 381	1001247105 ..... 204, 210
1001226400 ..... 623, 625		1001238463 ..... 497	1001247178 ..... 305
1001226529 ..... 609		1001238472 ..... 455, 457	1001247338 ..... 747
1001226531 ..... 611			1001247358 ..... 49
1001226872 ..... 405			1001247359 ..... 250, 254, 264, 270
			1001247468 ..... 381, 743

## SECTION 11 - SPECIAL OPTIONS

1001247564.....204, 210	1001253684..... 546	1001255795 ..... 709, 711, 713, 715, 717, 719, 721, 723, 725, 727	1001263612.....393
1001247570.....746	1001253798..... 182, 635	1001255914 ..... 713	1001263800.....511, 513
1001247676.....204, 210	1001253805..... 91	1001255915 ..... 713	1001263923.....631, 633, 643
1001247714.....182	1001253806..... 91	1001255926 ..... 711	1001264302.....511
1001247716.....182	1001253817 ..... 383	1001255961 ..... 383	1001264991.....377, 513
1001248105.....357	1001253873 ..... 635	1001256026 ..... 615, 617	1001265378.....746
1001248140.....491, 493, 495, 497, 499	1001253945 ..... 748	1001256028 ..... 619	1001265493.....163, 167
1001248141.....491, 493, 495, 497, 499	1001253946 ..... 748	1001256506 ..... 640	1001267311.....709, 711, 713, 715, 717, 719, 721, 723, 725, 727
1001248248.....375	1001254024 ..... 746	1001256879 ..... 174	1001267716.....371
1001248261.....375	1001254463 ..... 615, 617, 619, 621, 623	1001256906 ..... 730	1001267717.....371
1001248265.....371, 375	1001254464 ..... 621	1001257137 ..... 730	1001267885.....713
1001248434.....182	1001254465 ..... 615, 617, 619, 621	1001257271 ..... 491, 493	1001269806.....553
1001248477.....204, 210	1001254466 ..... 615, 617, 619, 621	1001257274 ..... 491, 493	1001269807.....547, 553
1001248480.....204, 210	1001254467 ..... 615, 617, 619, 621, 669	1001257275 ..... 493	1001269809.....541
1001248608.....182	1001254468 ..... 615, 617, 619, 621, 649	1001257285 ..... 715, 729	1001269810.....541
1001248957.....393	1001254472 ..... 457	1001257325 ..... 615, 617	1001269812.....547
1001248958.....393	1001254473 ..... 457	1001257326 ..... 619	1001269814.....530
1001248962.....393, 743	1001254499 ..... 149	1001257430 ..... 540, 546, 552	1001269815.....530
1001249045.....182	1001254622 ..... 540	1001257972 ..... 367	1001269816.....530
1001249052.....748	1001254623 ..... 552	1001258005 ..... 493	1001269817.....534
1001249232.....182	1001254662 ..... 53, 387	1001258140 ..... 747	1001269818.....534
1001249234.....182	1001254663 ..... 552	1001258252 ..... 181	1001269819.....534
1001249261.....182	1001254662 ..... 53, 387	1001258377 ..... 141	1001269861.....182
1001249448.....91	1001254738 ..... 149	1001258800 ..... 181	1001271534.....53, 55
1001249449.....91	1001254769 ..... 149	1001258951 ..... 749	1001271582.....53, 55
1001249681.....177, 180	1001254948 ..... 541, 547, 553	1001259018 ..... 729	1001271832.....541, 547, 553
1001249682.....174, 177	1001254949 ..... 541, 547, 553	1001259137 ..... 509	1001271833.....541, 547, 553
1001249695.....749	1001254950 ..... 541, 547, 553	1001259138 ..... 509	1001271835.....541, 547, 553
1001249705.....182	1001254954 ..... 541, 547, 553	1001260412 ..... 182, 204, 210, 232, 238	1001272631.....541, 547, 553, 747
1001249771.....173	1001254955 ..... 541, 547, 553	1001260413 ..... 181, 204, 210, 232, 238	1001273784.....730
1001249824.....383	1001255133 ..... 381	1001260432 ..... 180	1001274367.....541, 547, 553
1001249941.....749	1001255196 ..... 709, 711, 713, 717, 719, 721, 723, 725, 727, 729	1001260654 ..... 174	1001276664.....21
1001249942.....231, 237, 241	1001255198 ..... 709	1001261003 ..... 371, 517	1001284696.....709, 711, 713, 715, 717, 719, 721, 723, 725, 727
1001249986.....303	1001255413 ..... 91	1001261045 ..... 180	1001290252.....263, 269
1001250384.....383	1001255418 ..... 305	1001261085 ..... 180	1001294603.....140
1001250387.....383	1001255419 ..... 303	1001261335 ..... 491	1001294604.....136
1001250531.....393	1001255424 ..... 357	1001261338 ..... 491	1001294637.....132
1001250607.....182	1001255425 ..... 337	1001262016 ..... 748	1001294703.....144
1001250722.....383	1001255539 ..... 105	1001262102 ..... 729	1001303818.....264, 270
1001250737.....375	1001255599 ..... 541, 547, 553	1001262103 ..... 729	1001311034.....457
1001250900.....383	1001255777 ..... 149	1001262104 ..... 729	1060341.....481, 483, 485, 487
1001250983.....621	1001255780 ..... 730	1001262105 ..... 729	1060343.....350, 362, 366
1001251131.....182	1001255784 ..... 721	1001262115 ..... 729	1060379.....475, 477, 479
1001251379.....746	1001255785 ..... 715	1001262116 ..... 729	1060584.....47
1001251618.....140, 141	1001255786 ..... 727	1001262117 ..... 729	1060626.....155, 193, 221, 254
1001251619.....140	1001255787 ..... 713	1001262232 ..... 729	1060637.....153, 155, 177, 197, 199, 225, 227, 257, 259
1001252033.....749	1001255788 ..... 723	1001262233 ..... 729	1060903.....481, 483, 485, 487
1001252034.....749	1001255789 ..... 711	1001262234 ..... 729	1060908.....627, 629
1001252082.....141	1001255790 ..... 719	1001262235 ..... 730	1060918.....435
1001252521.....190, 194	1001255791 ..... 717	1001262237 ..... 729	1061033.....615, 617, 619, 621
1001252527.....636	1001255792 ..... 725	1001262238 ..... 729	1062255.....180
1001252627.....733, 735	1001255794 ..... 709, 711, 713, 715, 717, 719, 721, 723, 725, 727	1001262239 ..... 729	
1001252629.....491, 493, 495, 497, 499		1001262240 ..... 729	
1001252946.....477		1001262241 ..... 729	
1001252947.....477		1001262242 ..... 729	
1001253100.....140		1001262243 ..... 729	
1001253151.....746		1001262244 ..... 729	
1001253466.....746		1001262245 ..... 729	
1001253618.....749		1001262246 ..... 729	
1001253619.....749		1001262247 ..... 729	
1001253677.....387, 389, 391		1001262959 ..... 749	
1001253680.....55, 389		1001263579 ..... 749	

## SECTION 11 - SPECIAL OPTIONS

10702077 . 350, 354, 358, 362, 366	1702938 ... 481, 483, 485, 487	1704412....709, 711, 713, 715, 717, 719, 721, 723, 725, 727	2030010 ... 461, 467, 469, 473
10702082 . 350, 354, 358, 362, 366	1702941 ... 155, 193, 221, 254	1704578.....41	2060025..... 162, 166
1120555 ..... 459	1702942 ... 155, 193, 221, 254	1704885....709, 711, 713, 717, 719, 721, 723, 725, 727	2080040... 397, 399, 401, 403, 419, 421
1260017 ..... 75, 77	1702943 ... 155, 193, 221, 254	1704972.....730	2120149..... 53, 55, 742
1320016 ..... 162, 166	1702944 ... 155, 193, 221, 254	1705014.....415, 417	2120164..... 53, 55
1320022 ... 153, 155, 173, 189, 193, 217, 221, 297	1703162 ... 162, 166, 180, 202, 208, 230, 236, 262, 268	1705084.....711	2120209..... 53, 55
1320061 ... 189, 193, 218, 222	1703479 ..... 729	1705090.....41	2120210..... 53, 55, 742
1320110 ..... 262, 268	1703534 .... 540, 546, 552	1705305....473, 475, 733, 735, 737, 739	2180348 ... 153, 155, 250, 254, 264, 270, 297
1320127 ..... 49	1703544 ..... 713	1705335..... 737, 739	2180387 ..... 49
1320162 ..... 91, 93, 95	1703624 ..... 721	1705355..... 729	2180388 ..... 49
1320177 ..... 461	1703687 ... 709, 711, 713, 715, 717, 719, 721, 723, 725, 727	1705358.....729	2180389 ..... 49
1320218 ..... 49	1703797 ..... 709	1705374....330, 341, 605, 607	2180418 ..... 49, 250, 254
1320220 ..... 49	1703804 ..... 709	1705375....351, 363, 366, 473, 739	2180467 ..... 262, 268
1320223 ... 155, 162, 166, 193, 221, 609	1703811 ... 709, 711, 713, 715, 717, 719, 721, 723, 725, 727	1705387....330, 342, 351, 363, 366	2180504 ..... 264, 270
1320243 ..... 385	1703814 ... 709, 711, 713, 715, 717, 719, 721, 723, 725, 727	1705426.....723	2180832... 173, 189, 193, 217, 221, 461
1320263 ... 615, 617, 619, 621	1703923 ..... 727	1705427 ..... 725	2200222 ..... 81, 83
1320289 ..... 383	1703925 ..... 719	1705429 ..... 721	2220237 ..... 530, 534
1320302 .... 467, 469, 473	1703926 ..... 723	1705430 ..... 717	2220261 ..... 49, 264, 270
1321283 ..... 251, 254	1703927 ..... 725	1705460....350, 354, 358, 363, 366	2220313... 153, 155, 173, 189, 193, 217, 221
132171661, 63, 173, 189, 193, 217, 221	1703935 ..... 727	1705461.....354, 358	2220315... 202, 208, 230, 236
1380147 .... 311, 313, 315	1703936 ..... 721	1705489....333, 337, 345, 354, 358	2220362 ..... 530, 534
1580012 ..... 427	1703937 ..... 717	1705490.....733, 735	2220371 ... 530, 534, 537, 541, 547, 553, 557
1580013 ..... 747	1703938 ..... 723	1705820.....43	2220372... 537, 540, 546, 552, 559
1670603 ..... 573	1703939 ..... 725	1705822.....711, 715	2220373... 530, 534, 540, 546, 552
1670767 ... 132, 136, 140, 144	1703941 ..... 727	1705828.....711, 715	2220374 .... 540, 546, 552
1670769 ..... 619	1703942 ..... 721	1705895..... 713	2220375 ... 530, 534, 540, 546, 552
1671034 .... 615, 617, 621	1703943 ..... 719	1705896.....713	2220376 ..... 291
1671092 ... 350, 362, 366, 567	1703944 ..... 723	1705897 ..... 713	2220377 ... 284, 288, 530, 534, 540, 546, 552
1671093 ..... 469, 567	1703945 ..... 725	1705898.....713	2220379 .... 540, 546, 552
1684290 ..... 503	1703947 ..... 727	1705902.....713	2220381 .... 540, 546, 552
1684465 ..... 17, 19, 503	1703948 ..... 721	1705903.....713	2220386 .... 540, 546, 552
1700818 ..... 729	1703949 ..... 719	1705905.....713	2220409 .... 541, 547, 552
1701435 ..... 730	1703950 ..... 723	1705910.....727	2220415... 530, 534, 540, 546, 552, 557
1701505 ... 153, 155, 173, 189, 193, 217, 221	1703951 ..... 725	1705917 ..... 727	2220418 ..... 49
1701509 ... 459, 709, 711, 713, 715, 717, 719, 721, 723, 725, 727	1703953 ..... 709	1705921 ..... 711, 715	2220451 . 91, 93, 95, 162, 166, 288, 540, 546, 552
1701518 ..... 711, 715	1703980 ..... 723	1705961.....711, 715	2220466 .... 540, 546, 552
1701529 ... 709, 711, 713, 715, 717, 719, 721, 723, 725, 727	1703981 ..... 725	1705967.....713, 730	2220468 ..... 557
1701542 ..... 250, 254	1703982 ..... 719	1705968.....717, 730	2220472 ..... 540
1701543 ..... 250, 254	1703983 ..... 727	1705969.....725, 730	2220473 ... 530, 534, 537, 540, 546, 552, 557, 559
1702265 ..... 709	1703984 ..... 721	1705977 ..... 711, 715	2220474 .... 530, 534, 540
1702271 ..... 723	1703987 ..... 725	1706059.....730	2220490 .... 540, 546, 552
1702565 ..... 431	1703990 ..... 721	1706060.....730	2220498 .... 540, 546, 552
1702566 ..... 431	1704000 ..... 721, 730	1706061.....730	2220500 ... 534, 540, 546, 552
1702567 ..... 431	1704001 ..... 727, 730	1706062.....730	2220504 ..... 530, 534
1702617 ..... 727	1704174 ..... 729	1706063.....730	2220507 ..... 534
1702720 ..... 729	1704175 ..... 729	1706064.....730	2220511 .... 540, 546, 552
1702773 .... 415, 417, 730	1704260 ..... 431	1706098.....730	2220512 .... 540, 546, 552
1702788 ..... 729	1704271 ..... 729	1706385..... 415, 417	2220513 ..... 89
1702819 ..... 711	1704272 ..... 43	1706510.....479	2220516 .... 541, 547, 553
1702860 ..... 730	1704277 ... 709, 711, 713, 715, 717, 719, 721, 723, 725, 727	1706593.....43	2220518 ..... 89, 95
1702861 ..... 730		1706957.....45	2220567 .... 540, 546, 552
1702868 ... 473, 475, 709, 730, 733, 739		1706960.....45	2220574 .... 540, 546, 552

## SECTION 11 - SPECIAL OPTIONS

2220578...91, 93, 95, 284, 540, 546, 552	2580024 ... 155, 193, 221, 254	2754227 ..... 530, 534	3200401.... 162, 166, 202, 208, 230, 236, 299, 301, 307, 309
2220582.... 530, 534, 540, 546, 552	2580062 ..... 166	2754229 ..... 530, 534	3200406..... 162, 166
2220596.... 530, 534, 540, 546, 552	2600281 ... 397, 399, 401, 403, 419, 421	2754231 ..... 530, 534	3220103..... 293
2220600.... 541, 546, 552	2680433 ..... 132, 136	2754328 ..... 542	3250872..... 41
2220602.... 540, 546, 552	2680434 ..... 132, 136	2754329 .... 541, 547, 553	3251102.... 317, 319, 323, 325, 329, 333, 341, 345
2220603.... 540, 546, 552	2720015 ... 180, 202, 208, 230, 236	2754330 .... 541, 547, 553	3251242.... 573, 585, 591, 597, 603
2220605.... 540, 546, 552	2720058 ... 153, 155, 262, 268, 297	2754731 ..... 534	3251243.... 317, 325, 330, 342, 350, 363, 366, 709, 717, 719, 721, 723, 725, 727
2220606.... 530, 534, 541, 547, 553	2720144 ..... 49	2792630 ..... 559	3251813..... 730
2220618.... 540, 546, 552	2720160 ..... 461	2820019 ..... 653	3252347..... 709
2220623..... 537	2720340 ... 180, 202, 208, 232, 238	2820031 ... 317, 319, 323, 325, 329, 333, 337, 341, 345, 350, 354, 357, 361, 365, 615, 617, 619, 621	3252507.... 323, 581, 583, 587, 589, 593, 595, 599, 601
2220628.... 540, 546, 552, 559	2720398 ..... 162, 166	2820035 ..... 247	3252764.... 337, 349, 353, 357, 361, 365
2220635.... 541, 547, 553, 559	2750532 ... 153, 155, 189, 193, 218, 222	2820078 ..... 147	3271505..... 383
2220646.... 284, 288, 530, 534	2750949 ..... 89	2820082 ..... 147, 149	3271601..... 93, 202, 208, 230, 236
2220654..... 557	2751362 ..... 553	2820083 ..... 147	3271605.... 182, 383, 491, 493, 495, 497, 499
2220657.... 541, 546, 552	2751396 .... 542, 547, 553	2820118 ..... 623, 625	3271801.... 202, 208, 230, 236, 307, 309
2220682..... 95	2751396 .... 542, 547, 553	2820247 ..... 693, 695	3271805..... 79, 415, 417
2220700..... 91, 93, 95	2752453 .... 542, 547, 553	2840016 ..... 313, 315	3272001.... 491, 493, 495, 497, 499
2220711 ..... 288	2752462 .... 541, 547, 553	2840018 ..... 311	3290405.... 250, 254, 573, 577, 579, 581, 583, 585, 587, 589, 591, 593, 595, 597, 599, 601, 603
2220738 ..... 89, 540	2752475 ..... 530, 534	2860012 ..... 317, 323	3290505..... 250, 254
2220810 ..... 291	2752478 ..... 547, 553	2860030 .... 97, 101, 105, 109, 113, 742	3290601.... 173, 177, 180, 262, 268, 273, 325, 337, 357, 365
2220816 ..... 297	2752484 .... 542, 548, 553	2900708 ..... 53, 55	3290605.... 180, 250, 254, 262, 268, 461
2220861 ..... 530, 534	2752497 .... 541, 547, 553	2900756 ..... 537	3290606.... 407, 409, 411, 413, 423, 425
2220881 ..... 505	2752506 .... 541, 547, 553	2900770 .... 505, 515, 525	3290607.... 127, 129, 262, 268
2220883.... 391, 505, 507, 509, 511, 515, 525	2752519 .... 540, 546, 552	2900792 ... 507, 509, 511, 513, 515, 517, 525	3290801.... 250, 254, 262, 268
2220885.... 509, 511, 519, 523	2752530 ..... 91, 93	2900838 ..... 749	3290805.... 180, 262, 268, 303, 305, 609, 611
2220886..... 57, 507, 515, 525	2752573 ..... 541	2901285 ..... 507	3290806..... 381
2220890..... 503	2752592 ..... 530, 534	2901443 ..... 749	3291001..... 95, 173, 262, 268, 381
2220893.... 540, 546, 552	2752593 .... 541, 547, 553	2901861 ..... 523, 525	3291005.... 180, 202, 208, 232, 238, 262, 268, 377, 381, 609
2220921 .... 540, 546, 552	2752600 .... 542, 548, 554	2902065 ... 162, 166, 180, 202, 208, 230, 236, 281	3291007..... 315
2220947 .... 284, 288, 540, 546, 552	2752611 ..... 530, 534	2902212 ..... 459	3291201.... 177, 262, 268, 337, 357, 366, 381
2220948.... 540, 546, 552	2752620 ..... 530, 534	2902217 ..... 467, 469	3291202..... 95
2220998.... 540, 546, 552	2752635 ..... 542	2902266 ..... 503	3291205..... 381
2220999.... 540, 546, 552	2752656 .... 542, 548, 554	2902303 ... 709, 711, 713, 715, 717, 719, 721, 723, 725, 727, 747	3300106..... 25
2221024..... 49	2752659 ..... 89	2902307 ..... 709, 746	3300151.... 405, 407, 409, 411, 413, 419, 421, 423, 425, 467, 469, 473
2221026..... 537	2752661 ..... 89	2902308 ..... 723, 746	3300205.... 97, 101, 105, 109, 113
2221034..... 284	2752661 ..... 89	2902309 ..... 719, 746	
2221036.... 540, 546, 552	2752723 ..... 541, 553	2902310 ..... 725, 746	
2221042.... 540, 546, 552	2752724 ..... 541, 553	2902311 ..... 727, 746	
2221053.... 540, 546, 552, 559	2752783 .... 542, 548, 554	2902312 ..... 713, 746	
2221065.... 540, 546, 552	2752910 ..... 530, 534	2902322 ..... 721, 746	
2221176.... 153, 155, 250, 254	2752928 ..... 530, 534	2902329 .... 711, 715, 746	
2221197 ..... 49, 250, 254	2752929 ... 534, 540, 546, 552	2902443 .... 631, 635, 639	
2230046..... 89	2752939 .... 541, 547, 553	2910100 ..... 747	
2400060.... 247, 657, 661, 667, 671	2752985 .... 541, 547, 553	2910167 ..... 749	
2400064.... 657, 661, 743	2752987 .... 541, 547, 553	2920028 ... 431, 481, 483, 485, 487	
2410014..... 415, 417	2752990 .... 541, 547, 553	2920029 ... 431, 481, 483, 485, 487	
2420172..... 97, 109, 113	2752991 .... 541, 547, 553	2920129 ..... 671	
2420203.... 317, 319, 325	2752995 .... 541, 547, 553	2920161 ..... 125	
2460048..... 349, 353	2753000 ..... 553	2940074 ... 397, 399, 401, 403, 419, 421, 742	
2460051..... 325	2753002 ..... 547	2940088 ... 132, 133, 136, 137, 140, 141, 145	
2460055..... 317	2753055 .... 541, 547, 553	2940188 ... 132, 136, 140, 144	
2460056..... 323	2753132 .... 541, 548, 554	3020029 ..... 73	
2560136..... 431	2753133 .... 542, 548, 554	3020037 ..... 177	
	2753134 .... 541, 547, 553		
	2753135 .... 541, 547, 553		
	2753354 ..... 89		
	2753390 .... 541, 547, 553		
	2753397 ..... 530, 534		
	2753924 ..... 530, 534		
	2753926 ..... 530		
	2753929 ..... 530		
	2753968 .... 540, 546, 552		

## SECTION 11 - SPECIAL OPTIONS

3300353 ..... 97, 101, 105, 109, 113, 431	3311801 ... 197, 199, 225, 227, 319, 329, 333, 341, 345, 350, 354, 361, 393	3520054.....162, 166, 182, 204, 210, 232, 238, 431	3790152... 157, 159, 177, 197, 199, 225, 227, 257, 259
3300396... 330, 342, 350, 354, 357, 362, 366	3311805 ... 132, 136, 140, 144, 153, 155, 162, 166, 257, 259, 299, 301, 489	3520071.....459	3790158 ..... 25
3300408 ..... 97, 101, 105, 109, 113, 117, 449	3312002 ..... 67, 491, 493, 495, 497, 499	3520072....397, 399, 401, 403, 405, 407, 409, 411, 413, 415, 417, 419, 421, 423, 425	3820001... 709, 711, 713, 715, 717, 719, 721, 723, 725, 727
3300430 ..... 453	3312005 ..... 459	3520189.....354, 357	3820020... 397, 399, 401, 403, 419, 421
3300454... 330, 334, 341, 345, 350, 354, 361, 537	3312205 ..... 459	3520192.....354, 357	384114321, 23, 153, 155, 173, 189, 193, 217, 221, 250, 254, 377, 381
3310401 ... 202, 208, 230, 236	3312602 .... 125, 127, 129	3520193.....393	3841203 ..... 371, 373
3310601 .... 311, 313, 315	3321501 ... 132, 136, 140, 144	3520198....397, 399, 401, 403, 405, 407, 409, 411, 413, 419, 421, 423, 425	3841258... 17, 19, 21, 23, 371
3310801 ..... 393	3322201 ..... 79	3537445.....311, 313	3841295 ..... 385
3310805 ..... 49	3331211 .... 180, 303, 305	3538247 ..... 523	3841340 ..... 375
3311001 ... 245, 350, 354, 357, 362, 366	3340608 ..... 523	3538758.....383	3841347 ..... 385
3311005 ... 132, 133, 136, 137, 140, 141, 144, 145, 317, 319, 323, 325, 330, 342, 350, 354, 357, 362, 365, 431, 461, 467, 469, 473	3340764 ..... 383	3539228.....385	3841709 ..... 371
3311401 ... 119, 481, 483, 485, 487	3340840 ..... 383	3539923..... 132, 136	3900054 ..... 415, 417
3311405 ... 53, 55, 61, 63, 97, 101, 105, 109, 113, 123, 132, 136, 140, 144, 153, 155, 157, 159, 162, 166, 173, 180, 189, 193, 197, 199, 202, 208, 217, 221, 225, 227, 230, 236, 250, 254, 257, 259, 329, 333, 337, 341, 345, 350, 353, 361, 387, 389, 429, 455, 457, 573, 577, 579, 581, 583, 585, 587, 589, 591, 593, 595, 597, 599, 601, 603, 611, 709, 711, 713, 715, 717, 719, 721, 723, 725, 727	3340871 ..... 373, 375	3539988.....147	3900085 .... 125, 127, 129
3311501 ... 132, 136, 140, 144, 393, 481, 483, 485, 487	3340881 ..... 373	3570270.....385	3900268 .... 97, 101, 105, 109, 113
3311505 ..... 25, 132, 136, 140, 144, 155, 162, 166, 202, 208, 230, 236, 349, 353, 357, 361, 365, 385, 387, 389, 477, 479, 489, 537	3340911 ..... 25	3570277 ..... 385	3900283 ..... 383
3311508 ..... 329, 341	3340943 ..... 383	3572009.....47	3900293 ..... 67
331160181, 83, 132, 136, 432, 455, 457	3340956 ..... 459	3572010.....47	3900316 ..... 383
331160549, 89, 132, 133, 136, 137, 140, 141, 144, 153, 155, 162, 166, 193, 202, 208, 221, 230, 236, 245, 299, 301, 307, 309, 311, 313, 317, 323, 385, 415, 417, 429, 467, 469, 473	3340966 ..... 23	3572011.....47	3900349 ..... 431
3311608 ..... 93	3380434 ..... 429	3572012.....47	3910408 ... 202, 208, 230, 236
3311705 ... 317, 319, 323, 325	3420372 ..... 47	3573400....467, 469, 473	3910606 ... 329, 341, 349, 361, 365, 575, 605, 607
	3420447 ..... 47	3573642....467, 469, 473	3910608 .... 311, 313, 315
	3421453 ..... 461	3574091.....485, 487	3910610 ..... 569, 571
	3421565 ..... 47, 75	3575359.....481, 483	3910804 .... 97, 101, 105, 109, 113
	3422326 ..... 21, 23	3575863....330, 333, 350, 354	3911016 ... 132, 133, 136, 137, 141, 145
	3422448 ... 153, 155, 173, 189, 193, 217, 221, 250, 254	3576799.....461	3930828 ..... 393
	3422457 ..... 375	3577121....467, 469, 473	3931016 ... 330, 341, 349, 353, 357, 361, 365
	3422533 ... 157, 159, 177, 197, 199, 225, 227, 257, 259	3580134.....323	3931408 ..... 453
	3422567 ..... 23	3580158.....317, 323	3931430 ..... 393
	3422575 ..... 371, 373	3580276.....317, 319	3931432 ... 180, 202, 208, 230, 236
	3422661 ..... 477, 479	3580314.....365	3931448 ..... 523
	3422813 ..... 23	3580317....329, 333, 337, 341, 345, 350, 354, 357, 361, 366	3931512 ... 202, 208, 230, 236
	3422841 ..... 47	3580318....330, 341, 350, 361	3931516 ..... 523, 525
	3422847 ..... 47	3580319....333, 337, 345, 354, 357	3931620 ... 157, 159, 177, 197, 199, 225, 227, 257, 259
	3422848 ..... 23	3580320....202, 208, 230, 236, 330, 333, 350, 354	3931628 ... 202, 208, 230, 236
	3422861 ..... 377	3580324.....325	3931632 ..... 262, 268
	3422867 ..... 377	3600242.....291	3932030 ..... 25
	3422900 ..... 21, 23	3600365....53, 61, 63, 65	3932032 ..... 507
	3422902 ..... 21, 23	3600395....157, 159, 177, 197, 199, 225, 227, 257, 259, 291	3940604 ..... 41
	3422903 ..... 21, 23	3620034.....89	3952020 ..... 67
	3423184 ..... 17, 19	3641569.....481, 483	3960389 ... 132, 136, 157, 159
	3430616 ..... 432	3740049....97, 101, 105, 109, 113, 742	3960407 ..... 162, 166
	3430816 .... 311, 313, 315	374006761, 63, 162, 166, 250, 254, 743	3960418 ... 132, 136, 140, 144
	3450306 ..... 385	3740080....317, 319, 323, 325, 365, 743	3960422 ... 329, 341, 349, 361, 365, 569, 571, 575, 605, 607
	3450404 .... 311, 313, 315	3740086.....697	3960462 .... 140, 141, 145
	3450606 ..... 385	3760133.....375	
	3460334 ..... 459	3760170...47, 75, 77, 475	
	3470003 ..... 432	3790012....250, 254, 429, 431, 443, 445, 447	
	3480288 ..... 503		
	3520028 ... 317, 319, 323, 325		
	3520031 ..... 97, 101, 105, 109, 113		
	3520035 ..... 97, 101, 105, 109, 113		

## SECTION 11 - SPECIAL OPTIONS

3960467.....132, 136, 140	4360070... 330, 342, 350,	4460259 ... 631, 643, 667,	4460526.....97, 101, 105,
3960468.....162, 166	354, 358, 362, 366	671	109, 113
3960469.....162, 166	4360274.....105	4460260 ... 631, 643, 667,	4460536.... 649, 667, 669,
3980007.... 155, 193, 221,	4360331 ... 429, 443, 445,	671	671, 705
254	447, 742	4460265 ..... 437, 440	4460539.... 615, 617, 619,
3990010.....667	4360336... 119, 250, 254,	4460267 ..... 671, 703	621, 631, 633, 635,
4010608.....461	317, 319, 323, 325,	4460268 ... 633, 651, 653,	643, 649, 669, 671,
4010618.... 407, 409, 411,	329, 333, 337, 341,	703	703, 705
413, 423, 425	345, 349, 353, 357,	4460294 .... 337, 342, 346	4460612.....605, 607
4031505.....451	361, 365, 743	4460297 ..... 667	4460634.....671
4031516.....455, 457	4360387 ... 101, 105, 431,	4460312 ..... 631, 643	4460635.....671
4031711.....262, 268	481, 483, 485, 487, 742	4460313 ... 631, 633, 643,	4460662.... 573, 583, 587,
4031908.....180	4360407 ..... 431, 742	667	589, 591, 593, 595,
4031912.....180	4360436 ..... 81, 83, 85	4460315 .... 569, 571, 575	597, 599, 601, 603
4031914.... 202, 208, 230,	4360469 .... 97, 101, 105,	4460320 ..... 667	4460670.....657
236	109, 113, 742	4460321 ..... 325	4460701.....665
4032014.... 202, 208, 230,	4360475 .... 97, 101, 105,	4460346 ... 329, 341, 349,	4460703.....635, 639
236	109, 113, 431, 742	361, 365, 569, 575	4460708.....431, 671
4032015.... 329, 333, 350,	4360476 .... 97, 101, 105,	4460374 ..... 657	4460722.....247
353	109, 113, 431, 742	4460375 ..... 657	4460738.....633, 643
4060092.....571	4360517 ..... 79, 742	4460384 ..... 573	4460742.... 657, 659, 661
4060802.... 317, 319, 323,	4360542 ... 317, 319, 325	4460418 ..... 667, 671	4460743.... 657, 659, 661
325, 329, 333, 337,	4360578 ..... 393, 743	4460419 ..... 667, 671	4460761.....431, 667
341, 345, 349, 353,	4400275 ..... 49	4460424 ... 631, 633, 643,	4460806.... 591, 597, 667,
357, 361, 365	4400420 ..... 49	703	671
4060804.....39, 53, 55	4420014 ..... 459	4460425 ... 330, 342, 350,	4460807.... 338, 342, 346,
4060805.... 133, 137, 162,	4420037 .... 467, 469, 473	354, 358, 362, 366,	651, 653
166, 180, 202, 208,	4420038 ..... 81, 83, 85	481, 483, 485, 487,	4460808.... 338, 342, 346,
232, 238, 264, 270	4420051 . 41, 43, 45, 709,	605, 607	651, 653
4060807.....25, 53, 55	711, 713, 715, 717,	4460426 .... 97, 101, 105,	4460865.... 615, 617, 619,
4060808.....373	719, 721, 723, 725, 727	109, 113, 330, 342,	621, 623, 625
4060906.....119	4420062 ..... 477, 479	350, 354, 358, 362, 366	4460866.... 615, 617, 619,
4060918.....53, 55	4420066 ..... 459	4460428 ..... 431	621, 667, 671
4070585.....317	4420068 ... 481, 483, 485,	4460434 ..... 667, 671	4460868.....667
4070863.....373, 375	487, 489	4460458 ... 631, 633, 635,	4460871.... 631, 633, 643,
4070864.....373, 375	4460007 ..... 431	639, 643, 659, 661	667, 671, 703, 705
4070897.....373, 375	4460016 ..... 671	4460464 ... 123, 435, 613,	4460872.....667
4070898.....373, 375	4460019 ... 631, 633, 635,	623, 631, 633, 643,	4460873.....667, 671
4070929.....373, 375	643	647, 649, 667, 671,	4460874.....667, 671
4070991.... 97, 101, 105,	4460027 ... 317, 319, 325	697, 699, 705	4460875.....667, 671
109, 113	4460042 ..... 636, 639	4460465 ... 613, 615, 617,	4460876.....667
4071007.....375	4460043 ... 247, 631, 635,	619, 621, 623, 625,	4460877.....667
4071059.....23	639, 657, 659, 661	631, 633, 635, 639,	4460878.....667
4071101.....17, 19	4460049 ... 481, 483, 485,	640, 643, 649, 651,	4460879.....671
4120035.....671	487	653, 655, 657, 659,	4460884.... 635, 667, 699
4130399.....23	4460071 ... 329, 341, 350,	661, 667, 669, 671,	4460887.... 631, 633, 643,
4160143.... 132, 136, 140,	361, 365, 435, 569,	699, 705	667, 671
144	571, 575	4460466 ... 451, 613, 615,	4460888.....671
4240018.... 319, 329, 333,	4460125 ..... 571	617, 619, 621, 623,	4460891.... 613, 631, 633,
337, 341, 345, 349,	4460134 ..... 575, 663	625, 633, 635, 636,	640, 643, 647, 701,
353, 357, 361, 605, 607	4460142 ..... 631, 667	639, 667, 669, 671,	703, 705
4240032.... 127, 129, 703	4460183 ..... 671	691, 697, 699, 703	4460892.....669
4240033.... 393, 451, 453,	4460190 .... 317, 319, 325	4460467 ..... 749	4460894.... 635, 639, 667,
455, 457, 615, 617,	4460205 .... 569, 575, 663	4460470 ..... 105, 431	669, 671
619, 621	4460224 ... 337, 342, 345,	4460471 ..... 105, 431	4460897.... 123, 631, 633,
4240099.... 174, 182, 202,	431	4460473 ... 615, 617, 619,	640, 643, 647
208, 230, 236, 247,	4460225 .... 651, 653, 671	621, 623, 625	4460899.... 633, 649, 691,
254, 262, 268, 325,	4460226 ... 119, 431, 435,	4460488 .... 97, 101, 105,	697, 699
467, 469, 481, 483,	437, 440, 631, 633,	109, 113, 127, 129	4460905.....667, 671
485, 487	643, 671, 701	4460496 ..... 105	4460906.....325
4240102.....81, 83	4460227 ... 431, 667, 671	4460497 ..... 105	4460910.....693
4240149.....459	4460233 ..... 571, 665	4460508 ... 451, 623, 667,	4460911.....691
4280295.....81, 83	4460234 ... 431, 481, 483,	671	4460928.....613
4300157.... 329, 333, 350,	485, 487	4460509 ..... 623, 625	4460930.....635, 639
354	4460247 ..... 635, 639	4460510 ..... 749	4460931.....633
4360057.... 481, 483, 485,	4460256 ..... 631	4460518 ..... 613	4460932.... 636, 639, 647
487, 743			4460933.... 613, 667, 671



## SECTION 11 - SPECIAL OPTIONS

4460941 ..... 647, 691	4640744 ..... 291	4740171.... 132, 136, 140, 144	479140061, 63, 162, 166, 329, 333, 341, 345, 349, 353, 361
4460942 ... 451, 635, 639, 647	4640751 ... 180, 202, 208, 230, 236	4740229..... 17, 19	4811400... 573, 577, 579, 581, 583, 585, 587, 589, 591, 593, 595, 597, 599, 601, 603
4460943 ... 127, 129, 633, 667, 671, 691	4640858 ..... 503	4740256..... 21, 23	4811700... 127, 129, 173, 177, 181, 262, 268, 273, 325, 337, 357, 365, 407, 409, 411, 413, 423, 425, 461
4460944 ... 631, 633, 635, 639, 643, 667, 671	4640862 ..... 523	4740274.... 162, 166, 299, 301	4811702.... 39, 203, 209, 231, 237, 250, 254, 273
4460945 ..... 636, 667	4640866 ..... 53, 55	4740362..... 429	4811900... 181, 203, 209, 231, 237, 250, 254, 262, 268, 273, 303, 305, 381, 609, 611
4460956 ..... 627, 629	4640929 ..... 387, 389	4740393..... 25	4811902... 181, 203, 209, 232, 238, 262, 268, 273
4460957 ..... 627, 629	4640990 ..... 89	4740397..... 97, 101, 105, 109, 113, 317, 323, 431	4812000.... 95, 173, 181, 203, 209, 232, 238, 251, 255, 262, 268, 273, 315, 325, 381, 609
4460958 ..... 607	4641022 ..... 85	4740444..... 97, 101, 105, 109, 113	4812002.... 91, 181, 264, 270, 279
4460962 ..... 469, 567	4641122 ..... 37	4740463..... 21, 23	4812100.... 95, 173, 177, 181, 189, 193, 203, 209, 217, 221, 231, 237, 273, 381
4460963 ... 350, 362, 366, 567	4641264 ..... 91, 93	4740518..... 97, 101, 105, 109, 113	4812200... 162, 166, 181, 203, 209, 231, 237, 299, 301, 303, 305, 307, 309
4460967 ... 655, 657, 659, 661	4641284 ..... 530, 534	4750400.... 203, 209, 230, 236	4844817 ..... 377
4460968 ... 393, 577, 579, 581, 585	4641390 ..... 503	4750800..... 49	4844958 ..... 75
4460971 ..... 461	4641436 ..... 393	4751000..... 47, 125, 127, 129, 132, 133, 136, 137, 140, 141, 144, 145, 317, 323, 325, 330, 341, 349, 353, 357, 361, 365, 431, 461, 467, 469, 473	4845163 ..... 311
4460979 .... 631, 633, 643	4711000 ... 132, 137, 245, 319, 350, 354, 358, 362, 366	4751200..... 375	4845582 ..... 477, 479
4461005 ..... 631	4711400 ... 53, 55, 61, 63, 97, 101, 105, 109, 113, 121, 123, 140, 144, 153, 155, 162, 166, 173, 180, 189, 193, 197, 199, 202, 208, 217, 221, 225, 227, 230, 236, 250, 254, 329, 333, 337, 341, 345, 349, 353, 361, 385, 387, 389, 405, 407, 409, 411, 413, 419, 421, 423, 425, 453, 455, 457, 573, 577, 579, 581, 583, 585, 587, 589, 591, 593, 595, 597, 599, 601, 603	475140063, 97, 101, 105, 109, 113, 119, 132, 136, 140, 144, 157, 159, 257, 259, 393, 427, 429, 431, 467, 469, 473, 481, 483, 485, 487, 537, 611, 709, 711, 713, 715, 717, 719, 721, 723, 725, 727	4846295 ..... 47
4461006 ..... 631	4711500 ... 39, 91, 93, 95, 203, 209, 230, 236, 349, 353, 357, 361, 365, 383, 387, 389, 393, 537	4751600.... 25, 49, 79, 81, 83, 85, 89, 93, 132, 133, 136, 137, 140, 141, 144, 147, 153, 155, 162, 166, 173, 180, 189, 193, 203, 209, 217, 221, 230, 236, 299, 301, 307, 309, 317, 323, 366, 385, 467, 469, 473	4846296 ..... 47
4461008 .... 631, 636, 640	471160053, 55, 140, 144, 155, 162, 166, 173, 189, 193, 203, 209, 217, 221, 230, 236, 245, 250, 254, 297, 319, 330, 333, 337, 341, 345, 350, 354, 361, 373, 383, 393, 432, 491, 493, 495, 497, 499	4751800.... 181, 203, 209, 230, 236	4846627 .... 467, 469, 473
4461052 ..... 631	4711800 ... 173, 189, 193, 217, 221, 257, 259, 311, 313, 315, 329, 333, 349, 353, 357, 415, 417	475180079, 85, 153, 155, 197, 199, 225, 227, 257, 259, 385, 415, 417, 481, 483, 485, 487	4846673 ..... 485, 487
4461053 ..... 631	4712000 ... 459, 491, 493, 495, 497, 499	4751954..... 153, 155, 173, 189, 193, 217, 221, 250, 254	4846935 ..... 23
4461054 .... 631, 636, 647	4712200 ..... 459	4760600..... 569, 571, 575	4871700 ..... 366
4461060 ..... 631	4740036 ..... 47	4761400..... 97, 101, 105, 109, 113, 119, 427	4891500.... 97, 101, 105, 109, 113, 231, 237, 325
4461070 ..... 613, 631	4740057 ..... 67	4761600..... 61, 63, 429	4891600... 132, 133, 136, 137, 140, 141, 144, 145, 157, 159, 177, 197, 199, 203, 209, 225, 227, 231, 237, 257, 259, 311, 313, 381
4461071 .... 631, 635, 639	4740076 ... 132, 136, 140, 144	4770600.... 311, 313, 315	489180017, 19, 203, 209, 231, 237, 307, 309, 311, 313, 315, 319, 341, 345, 361, 489
4461072 ..... 631	4740111 ..... 21, 23		4892000 ..... 73
4461073 ..... 631, 639	4740155 ..... 23		4892600001 ..... 381
4461074 ..... 631	4740158 ..... 17, 19		4921829 ..... 325, 663
4461077 ..... 691, 697			4921954 ..... 665
4461095 .... 613, 631, 639			4922494... 615, 617, 619, 621, 625
4461157 .... 631, 633, 643			4922641 ... 317, 320, 323, 330, 333, 337, 342, 351, 354, 358, 363, 367
4461196 ..... 673			4922666 ..... 431
4461198 ..... 579, 673			4922811 ..... 621
4461199 ..... 675, 677			
4461200 ..... 677			
4461201 ... 585, 675, 677			
4461203 ..... 681			
4461205 ... 679, 681, 683, 685			
4461206 ..... 685			
4461244 .... 591, 679, 681			
4461245 .... 597, 683, 685			
4461246 .... 603, 687, 689			
4461249 ..... 687, 689			
4461250 ..... 689			
4520287 ..... 35, 37			
4520288 ..... 35			
4520344 ..... 35			
4520345 ..... 35			
4520346 ..... 35			
4530028 .... 467, 469, 471			
4567123 ..... 89			
4567241 ..... 385			
4568119 ..... 85			
4568133 ..... 47			
4640113 ..... 35			
4640261 ..... 41, 43, 45			
4640438 ..... 515			
4640464 ..... 649, 669			
4640509 ... 507, 509, 511, 513, 515, 517, 525			
4640605 ..... 507, 517			
4640647 ..... 525			

## SECTION 11 - SPECIAL OPTIONS

4922892.....575	70001432.....463	7000257.....70	70004151.....391
4922893.....615, 617	70001435.....169	70002715.....85	70004169..349, 353, 365, 366
4922894.....575	70001498.....170	70002716.....85	70004171..329, 333, 349, 353, 366
4922925....350, 354, 357, 361, 366, 653	70001696..349, 353, 365	70002718.....169, 213	70004186...509, 511, 513
4923379.....162, 166	70001697.....379	70002745.....521	70004201.....27
4932990.....747	70001847.....169	70002752.....521	70004202.....27
4932993.....747	70001850.....169	70002753.....521	70004203.....27
4933218.....481, 485	70001866.....170	70002754.....521	70004204.....27
5240800.....309	70001868.....170	70002755.....521	70004205.....27
5241000.....25, 262, 268	70001870..169, 213, 241	70002756.....521	70004237.....505, 519
5241200....181, 262, 268, 303, 305, 325, 337, 357, 366, 381	70001871.....169	70002757.....521	70004268.....169
5250605.....273	70001872.....170	70002758.....57	70004269.....169
5250810....203, 209, 232, 238	70001953..349, 353, 366	70002759.....58	70004270.....170
5250812.....180	70001966..329, 333, 337, 341, 345, 349, 353, 362, 365, 366	70002902.....435	70004271.....170
5251008.....381	70001973..349, 353, 362, 366	70002903.....435	70004272.....170
5251016.....381	70001974..349, 353, 362, 365	70002904.....435	70004273.....170
5260600.....273	70002001.....385, 742	70002905.....435	70004275.....213
5260800.....182	70002002.....385	70003003.....169	70004276.....242
5272010.....264, 270	70002020.....29	70003019.....57	70004277.....186, 242
70000123.....323	70002026.....29	70003136.....169	70004279.....241
70000124.....323	70002027.....29	70003408.....33	70004280.....213
70000125.....323	70002027.....29	70003454.....79	70004281.....213
70000126.....323	70002054.....29	70003456.....169	70004282.....214
70000127.....323	70002057.....29	70003457.....169	70004283.....214, 743
70000342.....379	70002059.....29	70003468.....169	70004284.....214
70000345...170, 215, 241	70002063.....33	70003469.....169	70004353.....29
70000619..350, 354, 357, 361, 365	70002064.....33, 391	70003470.....169	70004355.....29
70000793.....281	70002066.....70	70003472.....169	70004356.....29
70000851.....170	70002085.....70	70003473.....169	70004361.....29
70000852.....27	70002088..349, 353, 365	70003478.....169	70004363.....29
70000853.....27	7000213.....70	70003525.....57	70004365.....29
70000854.....27	70002133.....27	70003628.....27	70004367.....29
70000857.....27	70002134.....285, 289	70003631..349, 353, 362, 365	70004369.....29
70000858.....27	70002146.....285, 289	70003708..329, 333, 337, 341, 345, 349, 353, 362, 366	70004370.....29
70000861.....27	70002147.....285, 289	70003709..329, 333, 337, 341, 345, 349, 353, 362, 366	70004371.....29
70000862.....27	70002148.....285, 289	70003783..162, 166, 742	70004447.....29
70000863..349, 353, 362, 365	70002149.....285, 289	70003784.....431	70004459.....57
70000912.....169	70002150.....285, 289	70003932.....170	70004460.....57
70000913.....169	70002151.....285, 289	70003952..173, 189, 194, 217, 222	70004461.....57
70000914.....169	70002153.....285, 289	70004037.....70	70004463.....57, 742
70000915.....169	70002154.....285, 289	70004040.....70	70004504.....215, 242
70000916.....169	70002156.....285, 289	70004041.....70	70004505.....241
70000917.....169	70002157.....285, 289	70004042.....70	70004506.....241
70000918.....169	7000217.....70	70004043.....70	70004507.....241
70000919.....169	70002176....27, 284, 288	70004044.....70	70004508.....185, 241
70000934.....53, 55	70002201.....29	70004045.....70	70004509.....241
70001002.....169	70002209.....53, 55	70004047.....70	70004510.....241
70001100..349, 353, 361, 366	70002234.....170	70004052.....57	70004513.....213
70001126.....169	7000228.....70	70004056.....170	70004594.....57
70001248.....79	7000229.....70	70004058.....170	70004595.....57, 742
70001384..349, 353, 362, 366	70002290.....349, 353	70004059.....170	70004596.....57
70001423.....169	70002291.....362	70004060.....170	70004597.....57
70001424.....463	70002297..349, 353, 362, 365	70004092..329, 333, 337, 341, 345, 362	70004617.....57
70001425.....463	7000230.....70	70004094.....362	70004652.....57
70001427.....463	70002386.....391, 742	70004098..329, 342, 362	70004653.....57, 742
70001428.....463	70002410.....505, 519	70004099..337, 341, 345, 362	70004654.....57
70001429.....463	7000246.....70	70004103.....170	70004655.....57
70001430.....463	70002460..349, 353, 362, 365	70004149.....85	70004656.....57
70001431.....463	7000247.....70		70004657.....57
	7000248.....70		70004659.....57
	7000253.....70		70004660.....57, 742
	7000255.....70		70004661.....57
			70004662.....57
			70004663.....57
			70004664.....57

## SECTION 11 - SPECIAL OPTIONS

70004665 .....	57	70005174 .....	213	70006134 .....	273	70006235 .....	276
70004666 .....	57	70005176 .....	214, 241	70006135 .....	273	70006236 .....	276
70004667 .....	57	70005177 .....	214, 241	70006136 .....	273	70006294 .....	242
70004668 .....	57	70005180 .....	214	70006144 .....	185, 241	70006304 .....	70
70004676 . 329, 333, 337, 341, 345		70005181 .....	214	70006145 .....	275	70006482 .....	523, 525
70004677 .....	333	70005182 .....	214	70006147 .....	275	70006483 .....	523, 525
70004678 . 329, 333, 337, 342, 345		70005183 .....	214	70006150 .....	275	70006484 .....	525
70004679 . 329, 333, 337, 342, 345		70005184 .. 185, 214, 242		70006151 .....	275	70006486 .....	507
70004680 . 329, 333, 337, 342, 345		70005185 .....	214	70006152 .....	275	70006487 .....	507
70004681 .. 333, 337, 345		70005186 .....	214	70006153 .....	275	70006488 .....	507
70004682 . 329, 333, 337, 342, 345		70005188 .....	214	70006154 .....	275	70006489 .....	507
70004683 .. 333, 337, 345		70005189 .....	214	70006155 .....	275, 743	70006552 . 329, 333, 337, 341, 345	
70004684 .....	329	70005191 .....	215, 242	70006157 .....	275	70006553 . 329, 333, 337, 341, 345	
70004685 .....	329, 342	70005201 .....	57	70006158 .....	275	70006649 .. 509, 511, 513	
70004686 .....	337, 345	70005202 .....	57	70006159 .....	275	70006650 .. 509, 511, 513	
70004687 .....	342	70005203 .....	70	70006160 .....	275	70006652 .....	185, 242
70004738 .....	437	70005232 .....	58	70006161 .....	275	70006653 .....	242
70004739 .....	437	70005298 .....	29	70006162 .....	275	70006654 .....	523
70004740 .....	437	70005299 .....	29	70006163 .....	275	70006655 .....	523
70004741 .....	437	70005300 .....	29	70006164 .....	275	70006734 .. 509, 511, 513	
70004742 .....	437	70005301 .....	29	70006165 .....	275	70006735 .. 509, 511, 513	
70004743 .....	437	70005302 .....	29	70006166 .....	275	70006736 .. 509, 511, 513	
70004744 .....	437	70005303 .....	29	70006167 .....	275	7000695 .....	169
70004745 .....	437	70005304 .....	29	70006168 .....	275	70007051 .....	515
70004746 .....	437	70005305 .....	29	70006169 .....	275	70007052 .....	515
70004747 .....	437	70005306 .....	29	70006170 .....	275	70007108 .....	276
70004748 .....	437	70005307 .....	29	70006171 .....	275, 743	70007156 .....	519
70004749 .....	437	70005308 .....	29	70006172 .....	275	70007157 .....	505, 519
70004750 .....	437	70005309 .....	29	70006173 .....	275	70007158 .....	519
70004751 .....	437	70005311 .....	29	70006174 .....	275	70007159 .....	505
70004752 .....	439	70005312 .....	29	70006175 .....	275, 743	70007160 .....	505
70004753 .....	439	70005313 .....	29	70006176 .....	275, 743	70007161 .....	505, 519
70004754 .....	439	70005314 .....	29	70006177 .....	275	70007168 .....	505
70004755 .....	439	70005315 .....	29	70006178 .....	275	70007169 .....	505
70004756 .....	439	70005316 .....	29	70006179 .....	275	70007325 .....	242
70004757 .....	439	70005317 .....	29	70006180 .....	275	70007326 .....	241
70004758 .....	439	70005318 .....	29	70006181 .....	275	70007331 .....	242
70004759 .....	439	70005319 .....	29	70006182 .....	275	70007354 .....	241
70004760 .....	439	70005320 .....	30	70006183 .....	275	70007355 .....	242
70004761 .....	439	70005321 .....	30	70006184 .....	275	70007438 .....	27
70004762 .....	439	70005446 .....	215	70006185 .....	275	70007446 .....	391
70004763 .....	439	70005466 .....	284, 288	70006186 .....	275	70007451 .....	515
70004764 .....	439	70005467 .....	284, 288	70006187 .....	275	70007452 .....	515
70004765 .....	439	70005468 .....	284, 288	70006188 .....	275	70007453 .....	515
70004766 .....	439	70005469 . 284, 285, 288, 289		70006189 .....	275	70007454 .....	515
70004767 .....	439	70005470 .....	285, 289	70006191 .....	275	70007455 .....	515
70004768 .....	439	70005471 .....	285, 289	70006194 .....	275	70007460 .....	517
70004769 .....	439	70005472 .....	285, 289	70006195 .....	275	70007461 .....	517
70004770 .....	439	70005473 .....	285, 289	70006196 .....	276	70007462 .....	517
70004771 .....	439	70005474 .....	285, 289	70006197 .....	276	70007463 .....	517
70004772 .....	439	70005475 .....	285, 289	70006198 .....	276	70007464 .....	517
70004773 .....	439	70005476 .....	285, 289	70006199 .....	276	70007465 .....	517
70004774 .....	440	70005479 .....	169	70006200 .....	276	70007466 .....	383
70004775 .....	440	70005477 .....	242	70006202 .....	276	70007467 .....	383, 742
70004862 .....	87, 742	70005478 .....	242	70006203 .....	276	70007489 .....	242
70005008 . 181, 263, 269, 743		70005479 .....	242	70006205 .....	276	70007603 .....	185
70005145 .....	519	70005527 .....	242	70006206 .....	276	70007677 .....	53, 55
70005146 .....	519	70005647 .....	242	70006207 .....	276	70009018 .....	250, 255
70005171 .....	213, 241	70005648 .....	185, 242	70006208 .....	276	70009019 .....	250, 255
70005172 .....	213, 241	70005920 .....	241	70006213 .....	276, 743	70022564 .. 505, 515, 519	
70005173 .....	213, 241	70005929 .....	242	70006215 .....	276	70023369 .. 505, 515, 519	
		70005931 .....	185, 242	70006217 .....	276	70023370 .....	513
		70005941 .....	185, 241	70006219 .....	276	70023371 .....	513
		70005942 .....	185, 241	70006221 .....	276	70023592 . 181, 203, 209, 231, 237, 742	
		70006093 .....	362	70006225 .....	276		
		70006094 .....	362	70006232 .....	276		
		70006095 .....	362	70006233 .....	275		
		70006096 .....	362				
		70006097 .....	362				

## SECTION 11 - SPECIAL OPTIONS

70023593..181, 203, 209, 231, 237, 742	70025179..... 214	7004276 ..... 749	7012514.... 317, 319, 323, 325
70023859.....57	70025180..... 214	7004290 ..... 65	7012518.....53, 55
70023862.....57	70025181..... 185, 241	70050795 ..... 515	7012558.... 317, 319, 325
70023867.....57	70025182..... 213, 242	7007207 ..... 284, 288	7012773.....57
70024457.....57	70025183..... 213, 242	7007208 ..... 284, 288	7012914.....391
70024473.....214	70025184..... 213, 242	7007412 ..... 285, 289	7012918.....391
70024494.....241	70025185..... 213	7007413 ..... 284, 288	7012941.....53, 55
70024502.....213	70025189..... 215	7007415 ..... 284, 288	7012943..... 53, 55, 742
70024503.....215	70025191..... 214	7007417 ..... 284, 288	7012944..... 53, 55, 742
70024504... 185, 213, 215	70025192..... 215	7007418 ..... 284, 288	7012953.... 387, 389, 391
70024507... 185, 215, 242	70025195..... 213	7007419 ..... 27, 284, 288	7012959..... 53, 55
70024509.....242	70025198..... 213	7007420 ..... 27, 284, 285, 288, 289	7012965.....391
70024512.....215	70025200..... 214, 242	7007422 ..... 285, 289	7012967.....391
70024513... 185, 213, 241	70025201..... 214	7007423 ..... 284, 288	7012970..... 387, 389
70024517.....241	70025205..... 241	7007425 ..... 284, 288	7012987.....291
70024904..... 213, 241	70025209..... 215	7007430 ..... 285, 289	7012988.....291
70024905..... 213, 241	70025210.. 214, 242, 743	7007431 ..... 285, 289	7012989.....391
70024906..... 213, 241	70025211..... 215	7007433 ..... 285, 289	7012995..... 53, 55
70024910.....214	70025212..... 242	7007434 ..... 285, 289	7012998.....391
70024912..... 214, 242	70025213..... 215	7007435 ..... 284, 288	7014676.....749
70024913.....214	70025214..... 215	7007438 ..... 284, 288	7016314..... 81, 83
70024914.....214	70025215..... 214	7007439 ..... 27, 284, 288	7016319.....125
70024915..... 214, 242	70025216..... 214	7007441 ..... 285, 289	7016322.... 311, 313, 315
70024917..... 215, 242	70025217..... 215	7007442 ..... 284, 288	7016328..... 169, 742
70024918..... 215	70025218..... 215	7007443 ..... 284, 288	7016331.... 169, 185, 213, 241, 742
70024920... 213, 215, 242	70025219..... 215	7007444 ..... 285, 289	7016372.....125
70024922..... 185, 242	70025220..... 215	7007446 ..... 27, 284, 288	7016374.... 311, 313, 315
70024924..... 185, 241	70025221..... 214, 215	7007448 ..... 284, 288	7016652.....749
70024925..... 213, 241	70025222..... 215	7007450 ..... 285, 289	7016654.....749
70024961... 185, 213, 241	70025223..... 215	7007453 ..... 285, 289	7016655.....749
70025076..... 213	70025224..... 215	7007457 ..... 284, 288	7017023.....70
70025082..... 213	70025225..... 215	7007459 ..... 284, 288	7017028.....70
70025084..... 169, 214	70025226..... 214	7007463 ..... 284, 288	7017070.....70
70025088..... 213	70025228..... 214	7007464 ..... 284, 288	7017072.....70
70025091..... 213	70025231..... 214, 241	7007465 ..... 284, 288	7017080.....70
70025101..... 213	70025233..... 214	7007476 ..... 285, 289	7017085.....70
70025109..... 214	70025235..... 213, 242	7007477 ..... 285, 289	7017142.....379
70025111..... 214, 241	70025236..... 215	7007484 ..... 285, 289	7017159.....379
70025113..... 215	70025237..... 215	7007485 ..... 285, 289	7017162.....379
70025115..... 214	70025238..... 215	7007487 ..... 285, 289	7017163.....379
70025120..... 215, 242	70025239..... 213, 241	7007488 ..... 285, 289	7017164.....379
70025130..... 185	70025240..... 213	7007489 ..... 291	7017172.....379
70025131..... 214	70025241..... 215	7007633 ..... 70	7017192.....379
70025133..... 214	70025242..... 215, 242	7010103 ..... 291	7017195.....379
70025135..... 213, 241	70025477 ..... 186	7010104 ..... 291	7017402.....391
70025140..... 213, 241	70025660..... 215	7010105 ..... 291	7017452.....391
70025142... 185, 214, 242	70025779..... 214	7010116 ..... 284, 288	7017496..... 53, 55, 503
70025144..... 213, 241	70025781..... 214	7010117 ..... 285, 289	7018942.....57
70025145..... 213, 241	70025788 ..... 242	7010119 ..... 285, 289	7019658..... 81, 83
70025146..... 213, 241	70025877 ..... 215	7010121 ..... 284, 288	7020020.... 317, 319, 325
70025148..... 214	70026210..... 185, 242	70104570 ..... 215	7020021..... 53, 55
70025149..... 214	7002821 ..... 749	7010492 ..... 70	7020108.... 317, 319, 323, 325
70025150..... 214	7002822 ..... 749	7010543 ..... 53, 55	7020109.... 317, 319, 323, 325
70025151..... 213, 242	7002823 ..... 749	7011043 ..... 65	7020110.... 317, 319, 323, 325
70025152..... 241	7002826 ..... 749	7011044 ..... 65	7020111.... 317, 319, 323, 325
70025153... 185, 241, 743	7002840 ..... 749	7011048 ..... 65	7020175..... 97, 101, 105, 109, 113, 431
70025154..... 213, 241	70028538 ..... 242	7011062 ..... 65	7020176.... 97, 101, 105, 109, 113, 431
70025159..... 214	70028540 ..... 242	7011063 ..... 65	
70025160..... 185, 213	70029433 ..... 242	7011064 ..... 65	
70025161... 185, 242, 743	70029451 ..... 241	7011065 ..... 65	
70025164..... 214, 241	70029512 ..... 185	7011066 ..... 65	
70025165..... 214	70029517 ..... 242	70123584 ..... 185	
70025166..... 215	70029520 ..... 242	70124507 ..... 185	
70025171..... 213	70029797 ..... 242	70124530 ..... 215	
70025176..... 213	70031095 ..... 241	70124538 ..... 215	
70025177..... 214	7004248 ..... 65	7012513 ... 317, 319, 323, 325	
	7004275 ..... 749		

## SECTION 11 - SPECIAL OPTIONS

7020190 ... 317, 319, 323, 325	7024100 ..... 70	7026506.....79	8229249 ..... 671, 742
7020192 ..... 323	7024404 ..... 79	7026507.....79	8270147 ... 173, 189, 194, 217, 221, 250, 255
7020403 ..... 169	7024439 ..... 87	7026509.....79	8305401 ..... 262, 268
7020404 ..... 213	7024440 ..... 87	7026597....349, 353, 362, 365	8307109 ..... 262, 268
7020408 ..... 169	7024441 ..... 87	7026626....349, 353, 362, 365	8310129 ..... 459
7020431 ..... 169	7024443 ..... 87	7026631.....169	8310548 ..... 262, 268
7020460 ..... 169	7024444 ..... 87, 742	7027072....173, 189, 194, 217, 221, 250, 255	8405006... 173, 189, 193, 217, 221, 245, 262, 268
7020465 ... 169, 185, 213, 241	7024445 ..... 87	7027073....173, 189, 194, 217, 221, 250, 255	8405007 ... 181, 203, 209, 231, 237
7020468 ..... 169	7024446 ..... 87	7027074....173, 189, 194, 217, 222	8405009... 181, 203, 209, 231, 237, 262, 268
7020471 ..... 170	7024462 ..... 471	7027075....173, 189, 194, 217, 222, 250, 255	8405102 ..... 262, 268
7020479 ..... 170	7024463 ..... 471	7027076....174, 190, 194, 217, 222	8405104... 181, 203, 209, 231, 263, 269
7020487 ..... 169	7024467 ..... 471	7027236.....169	8405203 ..... 263, 269
7020492 ..... 214	7024469 ..... 471	7027276.....170	8405204... 181, 203, 209, 231, 237
7021200 ..... 284, 288	7024470 ..... 471	7027404.....276	8406101 ..... 250, 254
7021201 ..... 285, 289	7024471 ..... 463, 471	7027740.....27	8406109 ..... 263, 269
7021202 ..... 284, 288	7024472 ..... 471	7027773.....471	8406110... 181, 203, 209, 231, 237
7021203 ..... 285, 289	7024473 ..... 471	7027774.....471	8406201 .... 61, 173, 181, 189, 193, 203, 209, 217, 221, 231, 237, 264, 270
7021206 ..... 285, 289	7024474 ..... 471	7027775.....471	8406302 ..... 95
7021207 ..... 284, 288	7024475 ..... 471	7027776.....471	8410001 ..... 263, 269
7021210 ..... 284, 288	7024478 ..... 471	7027777.....471	8410009 ..... 264, 270
7021212 ..... 284, 288	7024485 ... 349, 353, 365	7027778.....471	8410011 ... 181, 204, 210, 231, 237, 263, 269
7021214 ..... 284, 288	7024488 ... 350, 354, 357, 361, 365	7027779.....471	8410013... 181, 203, 209, 231, 237
7021219 ..... 285, 289	7024489 ... 350, 354, 357, 361, 365	7027790.....170	85941017 ..... 153, 155
7021220 ..... 285, 289	7024530 ..... 463	7027791.....170	85941018 ..... 250, 254
7021221 ..... 285, 289	7024531 ..... 463	7027792.....170	8760268 .... 541, 547, 553
7021222 ..... 285, 289	7024532 ..... 463	7027795.....169, 742	88261024 ..... 387, 389
7021223 ..... 285, 289	7024533 ..... 463	7027796.....170	88411013 ..... 63, 611
7021232 ..... 285, 289	7024534 ..... 463	7027799....349, 353, 362, 365	88521205 .... 61, 63, 153, 155
7021233 ..... 284, 288	7024535 ..... 463	7027887 .... 317, 319, 323, 325	88521214 . 491, 493, 495, 497, 499
7021249 ..... 27	7024536 ..... 463	7028909.....127, 129	8896941 ..... 749
7021256 ... 284, 285, 288, 289	7024537 ..... 463	77143013....97, 101, 105, 109, 113	91143177 .. 541, 547, 553
7021275 ..... 27	7024579 ... 169, 213, 241	77363233.....651, 653	91164079 ..... 391
7021375 ..... 57	7024598 ... 311, 313, 315	80233041...540, 546, 552	91203039 ..... 381
7021625 ..... 33	7024704 ..... 70	80434249.....57, 742	91401281 .... 61, 153, 155
7021639 ..... 537	7024762 ..... 70	80484084.....635, 639	91403102 . 203, 209, 231, 237, 742
7021653 ..... 391	7024763 ..... 70	80934561.....79	91403244.. 181, 231, 237
7022162 ..... 275	7024784 ..... 70	80983191...636, 639, 742	
7022311 ..... 27	7024851 ..... 285, 289	8220051.....647	
7022314 ..... 27	7024867 ..... 27	8220115.....639	
7022321 ..... 27	7024868 ..... 27	8220164.....635	
7022368 ..... 27	7024874 ..... 284, 288	8229242....636, 639, 667, 742	
7022371 ..... 27	7024875 ..... 284, 288		
7022397 ..... 33	7024877 ..... 285, 289		
7022399 ..... 33	7024881 ..... 537		
7023911 ..... 391	7024892 ..... 33		
7023917 ..... 33	7026188 ... 349, 353, 365		
7023933 ..... 33	7026197 ..... 79		
7023935 ..... 33	7026199 ... 317, 319, 325		
7023936 ..... 33	7026503 ..... 79		
7023979 ..... 285, 289	7026504 ..... 79		
	7026505 ..... 79		



**Corporate Office  
JLG Industries, Inc.  
1 JLG Drive  
McConnellsburg, PA 17233-9533 USA  
☎ (717) 485-5161 (Corporate)  
☎ (877) 554-5438 (Customer Support)  
📠 (717) 485-6417**

**Visit our website for JLG Worldwide Locations.  
[www.jlg.com](http://www.jlg.com)**



**OSHKOSH™**