



# Illustrated Parts Manual

*Model*  
**600AJ**

PVC  
2201

P/N  
31219925

January 9, 2023 - Rev C

**ANSI**

**CE**



**UK  
CA**

**AS/NZS**



An Oshkosh Corporation Company



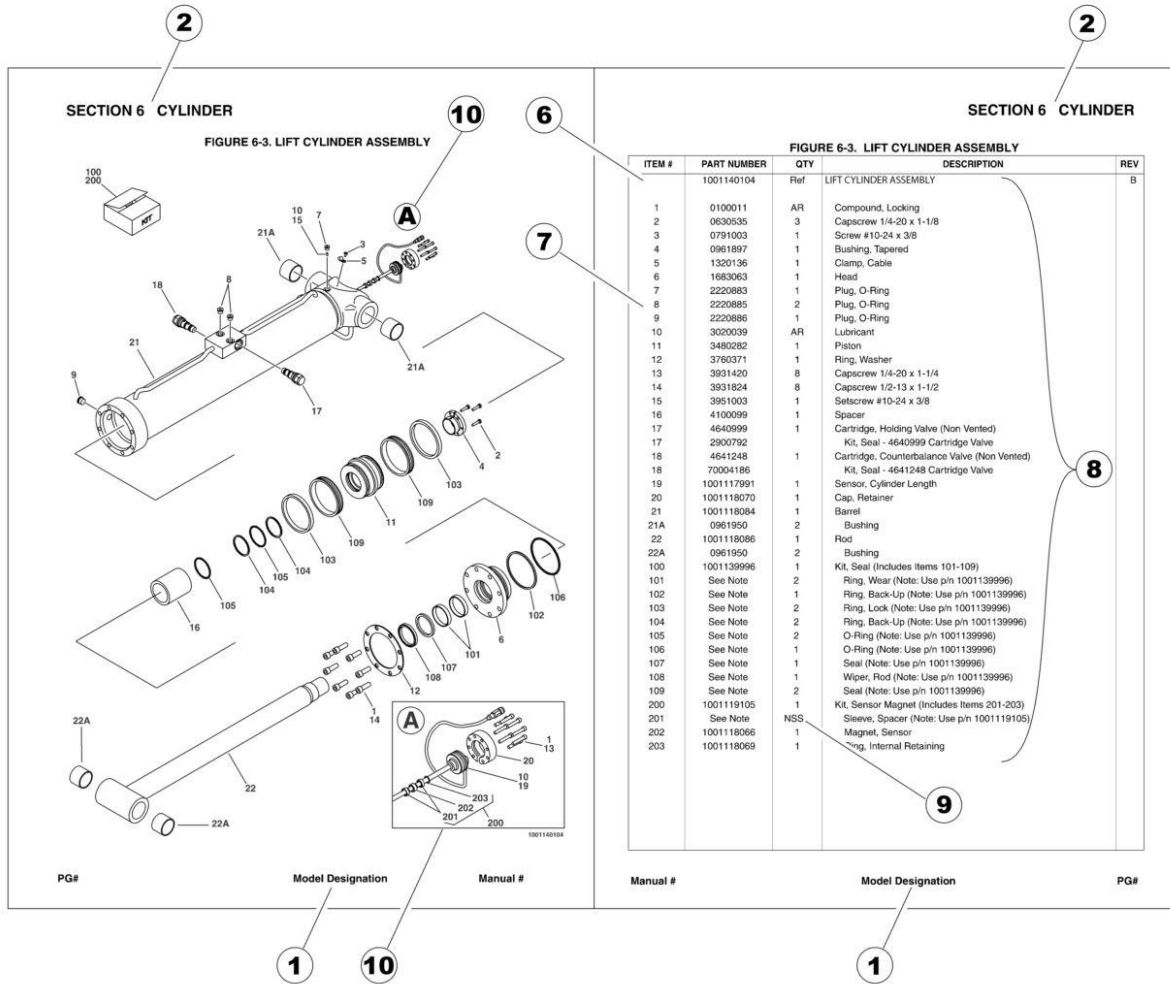
## **REVISION LOG**

**January 10, 2022 - A - Original Issue of Manual (Edited to B/M 1001245477 Revision V)**

**July 11, 2022 - B - Revised Manual (Edited to B/M 1001245477 Revision X)**

**January 9, 2023 - C - Revised Manual (Edited to B/M 1001245477 Revision X)**

# GENERAL INFORMATION



## 1) MACHINE IDENTIFICATION

Machines are identified by model and in some cases a combination of models, serial number (SN) or regional standard (i.e ANSI, CE, CSA). Components may also be identified by SN or manufacturer. Common components that may be identified by these characteristics are engines and hydraulic components.

## 2) PARTS MANUAL ORGANIZATION

Product information in this manual is organized under section titles. Frame, Cylinder, Hydraulic and Electrical are a few examples. Each section is organized by figure and page number. The information within the Figure is then organized by item number, part number, description and corresponding illustration (s).

## 3) TABLE OF CONTENTS (NOT SHOWN)

A table of contents is found toward the beginning of the manual. Figure number, description and page number are provided for quick reference to the page containing the related information.

## 4) RECOMMENDED SPARE PARTS (NOT SHOWN)

The Recommended Spare Parts List, located near the end of the manual, reference most frequently used maintenance parts.

## 5) PART NUMBER INDEX (NOT SHOWN)

A numerical index listing all part numbers and the corresponding page number(s) appears at the back of the manual.

## GENERAL INFORMATION

### 6) NON-SERVICED PARTS

In some instances, it is necessary to display non-serviced parts, assemblies or installations. In the case of assemblies and installations there will be a Ref in the Qty. column. In case of parts that are not available for service within assemblies or components, there will be a NSS (Not Sold Separately) or NLA (No Longer Available) listed in the Qty. column of the manual.

### 7) PARTS LIST ITEM NUMBERS

Numbers shown in the item# column correspond to numbers used in the associated illustration (s). Item numbers which are missing from the sequence in the parts list are not used on that page.

### 8) INDENTED PARTS DESCRIPTION

An indented part description is included in the item under which it is indented.

### 9) ABBREVIATION AND SYMBOLS

AC.....	Alternating Current	L.....	Liter
ADE.....	Advanced Design Electronics	LB(LBS).....	Pounds
AG.....	Agricultural	LCD.....	Liquid Crystal Display
ANSI.....	American National Standards Institute	LED.....	Light Emitting Diodes
AR.....	As Required	LH.....	Left Hand
ASSY.....	Assembly	LRC.....	Low Rated Countries
AUS.....	Australia	LSS.....	Load Sensing System
AUX.....	Auxiliary	M(m).....	Metric/Meter
AWG.....	American Wire Gauge	MM(mm).....	Milimeter
B/M.....	Bill of Material	mA.....	Miliamps
CAC.....	Charge Air Cooler	NLA.....	No Longer Available
CE.....	European Conformity	NPT.....	National Pipe Threads
CCW.....	Counter Clockwise	NSS.....	Not Sold Separately
CM.....	Centimeter	OD.....	Outside Diameter
CW.....	Clockwise	ORB.....	O-Ring Boss
CSA.....	Canadian Standards Association	ORFS.....	O-Ring Face Seal
CYL.....	Cylinder	OZ (oz).....	Ounces
DIA.....	Diameter	PG.....	Page
DC.....	Direct Current	PN.....	Part Number
DEF.....	Diesel Exhaust Fluid	QT(qt.).....	Quarts
EMS.....	Emergency Stop	QTY.....	Quantity
ENG.....	Engine	REF.....	Reference
FT(ft).....	Feet	REV.....	Revision Level
GA(Ga).....	Gauge	RH.....	Right Hand
HRC.....	High Rated Countries	SAE.....	Society of Automotive Engineers
HVAC.....	Heating, Ventilating, and Air Conditioning	SN.....	Serial Number
HYD.....	Hydraulic	SPEC(S).....	Specifications
Hz.....	Hertz	T/T.....	Turntable
ID.....	Inside Diameter	UGM.....	Universal Ground Module
IN.....	inches	V.....	Volts
ISO.....	International Organization for Standards	W.....	Watts
JIC.....	Joint Industry Council	#.....	Number
KG.....	Kilogram		

### 10) ILLUSTRATION REFERENCE LETTERS

When necessary, illustrations may contain reference letters that are intended to track information (i. e. hoses, harnesses) from one point to another or to track visual enlargement of components to show details that may be located in another area on the illustration.

*Note: Due to continuous product improvements, JLG Industries, Inc. reserves the right to make specification changes without prior notification. Contact JLG Industries, Inc. for updated information.*



# TABLE OF CONTENTS

SECTION 1 - FRAME.....	19
FIGURE 1-1. AXLE INSTALLATION - FIXED (WITHOUT TOW PACKAGE) (7FT/2.1M WIDE MACHINES) .....	20
FIGURE 1-2. AXLE INSTALLATION - FIXED (WITHOUT TOW PACKAGE) (8FT/2.4M WIDE MACHINES) .....	22
FIGURE 1-3. AXLE INSTALLATION - OSCILLATING (WITH TOW PACKAGE) (7FT/2.1M WIDE MACHINES).....	24
FIGURE 1-4. AXLE INSTALLATION - OSCILLATING (WITHOUT TOW PACKAGE) (7FT/2.1M WIDE MACHINES) .....	26
FIGURE 1-5. AXLE INSTALLATION - OSCILLATING (WITHOUT TOW PACKAGE) (8FT/2.4M WIDE MACHINES) (MACHINES WITH SN STARTING WITH 03) .....	28
FIGURE 1-6. AXLE INSTALLATION - OSCILLATING (WITHOUT TOW PACKAGE) (8FT/2.4M WIDE MACHINES) (MACHINES WITH SN STARTING WITH B3).....	30
FIGURE 1-7. AXLE INSTALLATION - OSCILLATING (WITH TOW PACKAGE) (8FT/2.4M WIDE MACHINES).....	32
FIGURE 1-8. STEERING INSTALLATION - 2WD/2WS (8FT/2.4M WIDE MACHINES WITHOUT TOW PACKAGE) .....	34
FIGURE 1-9. STEERING INSTALLATION - 2WD/2WS (8FT/2.4M WIDE MACHINES WITH TOW PACKAGE).....	36
FIGURE 1-10. STEERING INSTALLATION - 2WD/4WS (7FT/2.1M WIDE MACHINES WITHOUT TOW PACKAGE) .....	38
FIGURE 1-11. STEERING INSTALLATION - 2WD/4WS (7FT/2.1M WIDE MACHINES WITH TOW PACKAGE).....	40
FIGURE 1-12. STEERING INSTALLATION - 4WD/2WS & 4WD/4WS (8FT/2.4M WIDE MACHINES WITHOUT TOW PACKAGE) .....	42
FIGURE 1-13. STEERING INSTALLATION - 4WD/2WS (8FT/2.4M WIDE MACHINES WITH TOW PACKAGE).....	44
FIGURE 1-14. HUB ASSEMBLY .....	46
FIGURE 1-15. WHEEL DRIVE INSTALLATION - 2WD/2WS .....	48
FIGURE 1-16. WHEEL DRIVE INSTALLATION - 2WD/4WS .....	50
FIGURE 1-17. WHEEL DRIVE INSTALLATION - 4WD/2WS .....	52
FIGURE 1-18. WHEEL DRIVE INSTALLATION - 4WD/4WS .....	54
FIGURE 1-19. TIRE AND WHEEL INSTALLATION - FOAM FILLED.....	56
FIGURE 1-20. TIRE AND WHEEL INSTALLATION - FOAM FILLED NON-MARKING.....	58
FIGURE 1-21. TIRE AND WHEEL INSTALLATION - SOLIDBOSS .....	60
FIGURE 1-22. TIRE AND WHEEL INSTALLATION - SOLIDBOSS NON-MARKING.....	62
FIGURE 1-23. TIRE AND WHEEL INSTALLATION - TURF .....	64
FIGURE 1-24. DRIVE HUB ASSEMBLY .....	66
FIGURE 1-25. DRIVE MOTOR ASSEMBLY - 2WD .....	70
FIGURE 1-26. DRIVE MOTOR ASSEMBLY - 4WD .....	72
FIGURE 1-27. FLOW DIVIDER VALVE ASSEMBLY – 2WD .....	74
FIGURE 1-28. FLOW DIVIDER VALVE ASSEMBLY – 4WD .....	76
FIGURE 1-29. FRAME SHIELDS INSTALLATION – 2WS (7FT/2.1M WIDE MACHINES) .....	78
FIGURE 1-30. FRAME SHIELDS INSTALLATION – 2WS (8FT/2.4M WIDE MACHINES) .....	80
FIGURE 1-31. FRAME SHIELDS INSTALLATION – 4WS (8FT/2.4M WIDE MACHINES) .....	82
FIGURE 1-32. TOW PACKAGE INSTALLATION (ANSI SPECS) .....	84
FIGURE 1-33. TOW PACKAGE INSTALLATION (CSA SPECS) .....	86
FIGURE 1-34. TOW PACKAGE INSTALLATION (CE, RUSSIA & UK CA SPECS).....	88
FIGURE 1-35. TOW BAR ASSEMBLY.....	90
SECTION 2 - TURNTABLE.....	93
FIGURE 2-1. CONTROL VALVES INSTALLATION - 2WS WITH DEUTZ D2011 AND DEUTZ D2011 (STAGE V) ENGINES.....	94
FIGURE 2-2. CONTROL VALVES INSTALLATION – 2WS WITH DEUTZ TD2.3L3, DEUTZ TD2.9L4, DEUTZ TD2.9L4 (STAGE V), DEUTZ D2.9L4 (CHINA IV) AND FORD ENGINES .....	96
FIGURE 2-3. CONTROL VALVES INSTALLATION – 4WS WITH DEUTZ D2011 AND DEUTZ D2011 (STAGE V) ENGINES.....	98

# TABLE OF CONTENTS

FIGURE 2-4. CONTROL VALVES INSTALLATION – 4WS WITH DEUTZ TD2.3L3, DEUTZ TD2.9L4, DEUTZ TD2.9L4 (STAGE V), DEUTZ D2.9L4 (CHINA IV) AND FORD ENGINES.....	100
FIGURE 2-5. MAIN VALVE BLOCK ASSEMBLY – 2WS.....	102
FIGURE 2-6. MAIN VALVE BLOCK ASSEMBLY – 4WS.....	106
FIGURE 2-7. AUXILIARY PUMP INSTALLATION – DEUTZ TD2.9L4, DEUTZ D2.9L4, DEUTZ D2.9L4 (CHINA IV) AND FORD ENGINES.....	110
FIGURE 2-8. AUXILIARY PUMP WITH BATTERY DISCONNECT INSTALLATION – DEUTZ TD2.2L3 (STAGE V), DEUTZ TD2.9L4, DEUTZ D2.9L4, DEUTZ D2.9L4 (CHINA IV) AND FORD ENGINES.....	112
FIGURE 2-9. AUXILIARY PUMP ASSEMBLY.....	114
FIGURE 2-10. SWING DRIVE INSTALLATION.....	116
FIGURE 2-11. SWING MOTOR/HUB ASSEMBLY.....	118
FIGURE 2-12. TURNTABLE BEARING INSTALLATION.....	122
FIGURE 2-13. TURNTABLE LOCK INSTALLATION – DEUTZ D2011 AND FORD DF 2.5L ENGINE MACHINES.....	124
FIGURE 2-14. TURNTABLE LOCK INSTALLATION – DEUTZ TD2.2L3 (STAGE V), DEUTZ TD2.9L4 AND DEUTZ D2.9L4 (CHINA IV) ENGINE MACHINES.....	126
FIGURE 2-15. ROTARY COUPLING INSTALLATION – 2WS.....	128
FIGURE 2-16. ROTARY COUPLING INSTALLATION – 4WS.....	130
FIGURE 2-17. TANK INSTALLATION – DEUTZ D2011 ENGINE (MACHINES WITH SN STARTING WITH 03).....	132
FIGURE 2-18. TANK INSTALLATION – DEUTZ D2011 ENGINE (MACHINES WITH SN STARTING WITH B3).....	134
FIGURE 2-19. TANK INSTALLATION – DEUTZ TD2.2L3 (STAGE V) AND DEUTZ TD2.9L4 ENGINE (MACHINES WITH SN STARTING WITH 03).....	136
FIGURE 2-20. TANK INSTALLATION – DEUTZ TD2.2L3 (STAGE V), DEUTZ TD2.9L4 AND DEUTZ D2.9L4 (CHINA IV) ENGINE (MACHINES WITH SN STARTING WITH B3).....	138
FIGURE 2-21. TANK INSTALLATION – FORD DF 2.5L ENGINE.....	140
FIGURE 2-22. HYDRAULIC OIL TANK ASSEMBLY (MACHINES WITH SN STARTING WITH 03).....	142
FIGURE 2-23. HYDRAULIC OIL TANK ASSEMBLY (MACHINES WITH SN STARTING WITH B3).....	144
FIGURE 2-24. LP TANK BRACKET INSTALLATION – FORD DF 2.5L (8FT/2.4M WIDE MACHINES).....	146
FIGURE 2-25. LP TANK BRACKET INSTALLATION – FORD DF 2.5L (7FT/2.1M WIDE MACHINES).....	148
FIGURE 2-26. HYDRAULIC OIL COOLER INSTALLATION - DEUTZ D2011 ENGINES.....	150
FIGURE 2-27. HYDRAULIC OIL COOLER INSTALLATION - DEUTZ TD2.2L3 ENGINES.....	152
FIGURE 2-28. HYDRAULIC OIL COOLER INSTALLATION (DUETZ D2.9L4 (CHINA IV) ENGINES).....	154
FIGURE 2-29. HYDRAULIC OIL COOLER INSTALLATION - DEUTZ TD2.9L4 ENGINES.....	156
FIGURE 2-30. HYDRAULIC OIL COOLER INSTALLATION – FORD DF 2.5L ENGINES.....	158
FIGURE 2-31. GROUND CONTROL BOX ASSEMBLY - DEUTZ D2011 ENGINE - WITHOUT TILT SENSOR.....	160
FIGURE 2-32. GROUND CONTROL BOX ASSEMBLY - DEUTZ D2011 ENGINE - WITH TILT SENSOR.....	164
FIGURE 2-33. GROUND CONTROL BOX ASSEMBLY – DEUTZ D2011 ENGINE AND TOWER STOW - WITHOUT TILT SENSOR.....	168
FIGURE 2-34. GROUND CONTROL BOX ASSEMBLY – DEUTZ D2011 ENGINE AND TOWER STOW - WITH TILT SENSOR.....	172
FIGURE 2-35. GROUND CONTROL BOX ASSEMBLY - DEUTZ D2011 ENGINES AND MSSO.....	176
FIGURE 2-36. GROUND CONTROL BOX ASSEMBLY - DEUTZ D2011 ENGINES AND TOWER STOW AND MSSO.....	180
FIGURE 2-37. GROUND CONTROL BOX ASSEMBLY - DEUTZ TD2.2L3 (STAGE V) ENGINES.....	184
FIGURE 2-38. GROUND CONTROL BOX ASSEMBLY – DEUTZ TD2.2L3 (STAGE V) ENGINES AND TOWER STOW.....	188
FIGURE 2-39. GROUND CONTROL BOX ASSEMBLY - DEUTZ TD2.9L4, DEUTZ D2.9L4 AND DEUTZ D2.9L4 (CHINA IV) ENGINES - WITHOUT TILT SENSOR.....	192
FIGURE 2-40. GROUND CONTROL BOX ASSEMBLY - DEUTZ TD2.9L4, DEUTZ D2.9L4 AND DEUTZ D2.9L4 (CHINA IV) ENGINES - WITH TILT SENSOR.....	196
FIGURE 2-41. GROUND CONTROL BOX ASSEMBLY – DEUTZ TD2.9L4, DEUTZ D2.9L4 AND DEUTZ D2.9L4 (CHINA IV) ENGINES AND TOWER STOW - WITHOUT TILT SENSOR.....	200



# TABLE OF CONTENTS

FIGURE 2-42. GROUND CONTROL BOX ASSEMBLY – DEUTZ TD2.9L4, DEUTZ D2.9L4 AND DEUTZ D2.9L4 (CHINA IV) ENGINES AND TOWER STOW - WITH TILT SENSOR .....	204
FIGURE 2-43. GROUND CONTROL BOX ASSEMBLY – FORD DF 2.5L ENGINE - WITHOUT TILT SENSOR .....	208
FIGURE 2-44. GROUND CONTROL BOX ASSEMBLY – FORD DF 2.5L ENGINE - WITH TILT SENSOR.....	212
FIGURE 2-45. GROUND CONTROL BOX ASSEMBLY – FORD DF 2.5L ENGINE AND TOWER STOW - WITHOUT TILT SENSOR .....	216
FIGURE 2-46. GROUND CONTROL BOX ASSEMBLY – FORD DF 2.5L ENGINE AND TOWER STOW - WITH TILT SENSOR .....	220
FIGURE 2-47. LIGHT PANEL INSTALLATION – GROUND CONTROL.....	224
FIGURE 2-48. CRIBBING ENABLE SWITCH INSTALLATION .....	226
FIGURE 2-49. ALARMS INSTALLATION.....	228
FIGURE 2-50. BACKUP ALARM (WHITE NOISE) INSTALLATION.....	230
FIGURE 2-51. BACKUP ALARM AMBIENT (WHITE NOISE) INSTALLATION.....	232
FIGURE 2-52. HEAD AND TAIL LIGHTS INSTALLATION (OPTIONAL) .....	234
FIGURE 2-53. CHASSIS ILLUMINATION LIGHTS INSTALLATION (OPTIONAL) .....	236
FIGURE 2-54. STROBE LIGHT INSTALLATION (AMBER) .....	238
FIGURE 2-55. STROBE LIGHT INSTALLATION (BLUE).....	240
FIGURE 2-56. STROBE LIGHT INSTALLATION (RED) .....	242
FIGURE 2-57. ENGINE TRAY JACK INSTALLATION – DEUTZ D2011 ENGINES.....	244
FIGURE 2-58. ENGINE TRAY JACK INSTALLATION – DEUTZ TD2.2L3 (STAGE V), DEUTZ TD2.9L4 AND DEUTZ D2.9L4 (CHINA IV) ENGINES.....	246
FIGURE 2-59. ENGINE TRAY JACK INSTALLATION – FORD DF 2.5L ENGINES .....	248
FIGURE 2-60. HOODS INSTALLATION – DEUTZ D2011 ENGINES WITHOUT NOISE REDUCTION (ABS) .....	250
FIGURE 2-61. HOODS INSTALLATION – DEUTZ D2011 ENGINES WITH NOISE REDUCTION (ABS).....	254
FIGURE 2-62. HOODS INSTALLATION – DEUTZ TD2.2L3 (STAGE V) ENGINES (ABS) .....	258
FIGURE 2-63. HOODS INSTALLATION – DEUTZ TD2.9L4, DEUTZ D2.9L4, DEUTZ D2.9L4 (CHINAIV) AND FORD DF 2.5L ENGINES (ABS).....	262
FIGURE 2-64. NOISE REDUCTION INSTALLATION - DEUTZ ENGINES .....	266
FIGURE 2-65. NOISE REDUCTION INSTALLATION - DEUTZ TD2.2L3 (STAGE V) AND DEUTZ D2.9L4 (CHINA IV) ENGINES .....	268
SECTION 3 - ENGINE .....	271
FIGURE 3-1. DEUTZ D2011 ENGINE INSTALLATION - DANFOSS PISTON PUMP (WITHOUT ARCTIC PACKAGE).....	272
FIGURE 3-2. DEUTZ D2011 ENGINE INSTALLATION - HENGLI PISTON PUMP (WITHOUT ARCTIC PACKAGE).....	274
FIGURE 3-3. DEUTZ D2011 ENGINE INSTALLATION - DANFOSS PISTON PUMP (WITH ARCTIC PACKAGE) .....	276
FIGURE 3-4. DEUTZ D2011 ENGINE INSTALLATION - HENGLI PISTON PUMP (WITH ARCTIC PACKAGE) .....	278
FIGURE 3-5. DEUTZ D2011 ENGINE/PUMP SUB-ASSEMBLY - DANFOSS PISTON PUMP (WITHOUT ARCTIC PACKAGE).....	282
FIGURE 3-6. DEUTZ D2011 ENGINE/PUMP SUB-ASSEMBLY - HENGLI PISTON PUMP (WITHOUT ARCTIC PACKAGE) ...	284
FIGURE 3-7. DEUTZ D2011 ENGINE/PUMP SUB-ASSEMBLY - DANFOSS PISTON PUMP (WITH ARCTIC PACKAGE).....	286
FIGURE 3-8. DEUTZ D2011 ENGINE/PUMP SUB-ASSEMBLY - HENGLI PISTON PUMP (WITH ARCTIC PACKAGE).....	288
FIGURE 3-9. DEUTZ D2011 ENGINE ASSEMBLY - WITHOUT ARCTIC PACKAGE .....	290
FIGURE 3-10. DEUTZ D2011 ENGINE ASSEMBLY - WITH ARCTIC PACKAGE.....	294
FIGURE 3-11. DEUTZ D2011 ENGINE COMPONENTS .....	298
FIGURE 3-12. DEUTZ TD2.2L3 (STAGE V) ENGINES INSTALLATION - DANFOSS PISTON PUMP (WITHOUT ARCTIC PACKAGE ) .....	302
FIGURE 3-13. DEUTZ TD2.2L3 (STAGE V) ENGINE/PUMP SUB-ASSEMBLY - DANFOSS PISTON PUMP (WITHOUT ARCTIC PACKAGE) .....	306
FIGURE 3-14. DEUTZ TD2.2L3 (STAGE V) ENGINES ASSEMBLY - WITHOUT ARCTIC PACKAGE.....	308

# TABLE OF CONTENTS

FIGURE 3-15. DEUTZ TD2.2L3 (STAGE V) ENGINE COMPONENTS.....	314
FIGURE 3-16. DEUTZ D2.9L4 (49HP) ENGINE INSTALLATION - DANFOSS PISTON PUMP (WITHOUT ARCTIC PACKAGE) .....	318
FIGURE 3-17. DEUTZ D2.9L4 (49HP) ENGINE INSTALLATION - HENGLI PISTON PUMP (WITHOUT ARCTIC PACKAGE) ..	322
FIGURE 3-18. DEUTZ D2.9L4 (49HP) ENGINE INSTALLATION - DANFOSS PISTON PUMP (WITH ARCTIC PACKAGE).....	326
FIGURE 3-19. DEUTZ D2.9L4 (49HP) ENGINE INSTALLATION - HENGLI PISTON PUMP (WITH ARCTIC PACKAGE).....	330
FIGURE 3-20. DEUTZ D2.9L4 (49HP) ENGINE/PUMP SUB-ASSEMBLY - DANFOSS PISTON PUMP (WITHOUT ARCTIC PACKAGE).....	334
FIGURE 3-21. DEUTZ D2.9L4 (49HP) ENGINE/PUMP SUB-ASSEMBLY - HENGLI PISTON PUMP (WITHOUT ARCTIC PACKAGE).....	336
FIGURE 3-22. DEUTZ D2.9L4 (49HP) ENGINE/PUMP SUB-ASSEMBLY - DANFOSS PISTON PUMP (WITH ARCTIC PACKAGE).....	338
FIGURE 3-23. DEUTZ D2.9L4 (49HP) ENGINE/PUMP SUB-ASSEMBLY - HENGLI PISTON PUMP (WITH ARCTIC PACKAGE) .....	340
FIGURE 3-24. DEUTZ D2.9L4 (49HP) ENGINE ASSEMBLY - WITHOUT ARCTIC PACKAGE .....	342
FIGURE 3-25. DEUTZ D2.9L4 (49HP) ENGINE ASSEMBLY - WITH ARCTIC PACKAGE .....	348
FIGURE 3-26. DEUTZ D2.9L4 (49HP) ENGINE COMPONENTS .....	354
FIGURE 3-27. DEUTZ D2.9L4 ENGINE INSTALLATION (CHINA IV) .....	358
FIGURE 3-28. DEUTZ D2.9L4 ENGINE ASSEMBLY WITH PUMPS (CHINA IV) .....	362
FIGURE 3-29. DEUTZ D2.9L4 ENGINE ASSEMBLY (CHINA IV) .....	364
FIGURE 3-30. DEUTZ D2.9L4 ENGINE COMPONENTS (CHINA IV).....	370
FIGURE 3-31. RADIATOR ASSEMBLY - DEUTZ D2.9L4 ENGINE (CHINA IV).....	372
FIGURE 3-32. DEUTZ TD2.9L4 (67HP) ENGINE INSTALLATION - DANFOSS PISTON PUMP (WITHOUT ARCTIC PACKAGE) .....	374
FIGURE 3-33. DEUTZ TD2.9L4 (67HP) ENGINE INSTALLATION - DANFOSS PISTON PUMP (WITH ARCTIC PACKAGE) ..	378
FIGURE 3-34. DEUTZ TD2.9L4 (67HP) ENGINE/PUMP SUB-ASSEMBLY - DANFOSS PISTON PUMP (WITHOUT ARCTIC PACKAGE).....	382
FIGURE 3-35. DEUTZ TD2.9L4 (67HP) ENGINE/PUMP SUB-ASSEMBLY - DANFOSS PISTON PUMP (WITH ARCTIC PACKAGE).....	384
FIGURE 3-36. DEUTZ TD2.9L4 (67HP) ENGINE ASSEMBLY - WITHOUT ARCTIC PACKAGE .....	386
FIGURE 3-37. DEUTZ TD2.9L4 (67HP) ENGINE ASSEMBLY - WITH ARCTIC PACKAGE.....	392
FIGURE 3-38. DEUTZ TD2.9L4 (67HP) ENGINE COMPONENTS .....	398
FIGURE 3-39. BRACKET ASSEMBLY - FUEL PUMP AND FILTER (DEUTZ D2.2L3 (STAGE V) ENGINES) .....	402
FIGURE 3-40. BRACKET ASSEMBLY - FUEL PUMP AND FILTER (DEUTZ D2.9L4 ENGINE) .....	404
FIGURE 3-41. BREATHER HEATER INSTALLATION - DEUTZ D2.9L4 ENGINES WITH ARCTIC PACKAGE .....	406
FIGURE 3-42. FORD ENGINE INSTALLATION - WITHOUT ARCTIC PACKAGE .....	408
FIGURE 3-43. FORD ENGINE INSTALLATION - WITH ARCTIC PACKAGE .....	412
FIGURE 3-44. FORD ENGINE/PUMP SUB-ASSEMBLY - WITHOUT ARCTIC PACKAGE .....	416
FIGURE 3-45. FORD ENGINE/PUMP SUB-ASSEMBLY - WITH ARCTIC PACKAGE.....	418
FIGURE 3-46. FORD ENGINE ASSEMBLY - WITHOUT ARCTIC PACKAGE .....	420
FIGURE 3-47. FORD ENGINE ASSEMBLY - WITH ARCTIC PACKAGE.....	426
FIGURE 3-48. FORD ENGINE COMPONENTS .....	432
FIGURE 3-49. DRIVE BELT INSTALLATION - FORD ENGINES MACHINES WITHOUT GENERATORS .....	436
FIGURE 3-50. PUMP COUPLING KIT - DEUTZ ENGINES.....	438
FIGURE 3-51. PUMP COUPLING AND FUEL SYSTEM ASSEMBLY - FORD ENGINES.....	440
FIGURE 3-52. PISTON PUMP ASSEMBLY - DEUTZ ENGINES - DANFOSS .....	442
FIGURE 3-53. PISTON PUMP ASSEMBLY WITH FITTINGS - DEUTZ ENGINES - HENGLI.....	446
FIGURE 3-54. PISTON PUMP - HENGLI .....	448

# TABLE OF CONTENTS

FIGURE 3-55. PISTON PUMP ASSEMBLY - FORD ENGINES.....	450
FIGURE 3-56. GEAR PUMP ASSEMBLY .....	454
FIGURE 3-57. SPARK ARRESTOR MUFFLER INSTALLATION - DEUTZ D2011 ENGINES .....	456
FIGURE 3-58. EXHAUST PIPE INSTALLATION - FORD DF 2.5L ENGINES .....	458
FIGURE 3-59. FUEL PUMP AND FILTER ASSEMBLY (DEUTZ D2.9L4 (CHINA IV) ENGINE) .....	460
FIGURE 3-60. FUEL-WATER SEPARATOR INSTALLATION - DEUTZ D2011 AND DEUTZ D2011 STAGE V ENGINES .....	462
FIGURE 3-61. FUEL/WATER SEPARATOR INSTALLATION DUETZ D2.9L4 (CHINA IV) ENGINE.....	464
FIGURE 3-62. RIGHT ENGINE SUPPORT INSTALLATION (DEUTZ D2011 ENGINES MACHINES WITHOUT GENERATORS) .....	466
FIGURE 3-63. RIGHT ENGINE SUPPORT INSTALLATION (DEUTZ D2011 ENGINES MACHINES WITH GENERATORS)....	468
FIGURE 3-64. RIGHT ENGINE SUPPORT INSTALLATION (DEUTZ TD2.2L3 (STAGE V) ENGINES MACHINES WITHOUT GENERATORS) .....	470
FIGURE 3-65. RIGHT ENGINE SUPPORT INSTALLATION (DEUTZ TD2.2L3 (STAGE V) ENGINES MACHINES WITH GENERATORS) .....	472
FIGURE 3-66. RIGHT ENGINE SUPPORT INSTALLATION (DEUTZ TD2.9L4 AND DEUTZ D2.9L4 ENGINES MACHINES WITHOUT GENERATORS).....	474
FIGURE 3-67. RIGHT ENGINE SUPPORT INSTALLATION (DEUTZ TD2.9L4 AND DEUTZ D2.9L4 ENGINES MACHINES WITH GENERATORS) .....	476
FIGURE 3-68. RIGHT ENGINE SUPPORT INSTALLATION (DUETZ D2.9L4 (CHINA IV) ENGINES).....	478
FIGURE 3-69. 2500W/110V/60HZ GENERATOR INSTALLATION - DEUTZ D2011 ENGINES.....	480
FIGURE 3-70. 2500W/110V/60HZ GENERATOR INSTALLATION - DEUTZ TD2.9L4 ENGINES.....	482
FIGURE 3-71. 2500W/220V/50HZ GENERATOR INSTALLATION - DEUTZ D2011 ENGINES (ANSI EXPORT, AUSTRALIAN AND CHINA SPECS).....	486
FIGURE 3-72. 2500W/220V/50HZ GENERATOR INSTALLATION - DEUTZ D2011 ENGINES (ANSI EXPORT, CHINA AND RUSSIA SPECS).....	488
FIGURE 3-73. 2500W/60HZ GENERATOR INSTALLATION - FORD ENGINES .....	490
FIGURE 3-74. 4000W/60HZ GENERATOR INSTALLATION - DEUTZ D2011 ENGINES .....	494
FIGURE 3-75. 4000W/50HZ GENERATOR INSTALLATION - DEUTZ D2011 ENGINES .....	498
FIGURE 3-76. 4000W/50HZ GENERATOR INSTALLATION - DEUTZ TD2.2L3 (STAGE V) ENGINES .....	502
FIGURE 3-77. 4000W/60HZ GENERATOR INSTALLATION - DEUTZ TD2.9L4 AND DEUTZ D2.9L4 ENGINES .....	506
FIGURE 3-78. 4000W/50HZ GENERATOR INSTALLATION - DEUTZ TD2.9L4 AND DEUTZ D2.9L4 ENGINES .....	510
FIGURE 3-79. 7500W/60HZ SKYPOWER GENERATOR INSTALLATION - DEUTZ D2011 ENGINES.....	514
FIGURE 3-80. 7500W/50HZ SKYPOWER GENERATOR INSTALLATION - DEUTZ D2011 ENGINES.....	518
FIGURE 3-81. 7500W/60HZ SKYPOWER GENERATOR INSTALLATION - DEUTZ TD2.9L4 AND DEUTZ D2.9L4 ENGINES	522
FIGURE 3-82. 7500W/60HZ SKYPOWER GENERATOR INSTALLATION - FORD ENGINES.....	526
SECTION 4 - BOOM .....	531
FIGURE 4-1. JIB BOOM ASSEMBLY (SN 0300292423 to Present, SN 0300286728 through 0300286731, Including B300015405 and 0300291013).....	532
FIGURE 4-2. BOOMS AND CYLINDERS INSTALLATION - WITHOUT ARCTIC PACKAGE (Prior to SN 0300292423, Prior to SN B300015405, Except SN 0300286728 through 0300286731, Excluding 0300291013) .....	534
FIGURE 4-3. BOOMS AND CYLINDERS INSTALLATION - WITHOUT ARCTIC PACKAGE (SN 0300292423 to Present, SN 0300286728 through 0300286731, Including 0300291013) .....	536
FIGURE 4-4. BOOMS AND CYLINDERS INSTALLATION - WITHOUT ARCTIC PACKAGE (SN B300015405 to Present) .....	538
FIGURE 4-5. BOOMS AND CYLINDERS INSTALLATION - WITH ARCTIC PACKAGE (Prior to SN 0300292423, Prior to SN B300015405, Except SN 0300286728 through 0300286731, Excluding 0300291013) .....	540
FIGURE 4-6. BOOMS AND CYLINDERS INSTALLATION - WITHOUT ARCTIC PACKAGE (SN 0300292423 to Present, SN 0300286728 through 0300286731, Including 0300291013) .....	542
FIGURE 4-7. BOOMS AND CYLINDERS INSTALLATION - WITH ARCTIC PACKAGE (SN B300015405 to Present).....	544

# TABLE OF CONTENTS

FIGURE 4-8. TOWER BOOM ASSEMBLY (Prior to SN 0300292423, Prior to SN B300015405, Except SN 0300286728 through 0300286731, Excluding 0300291013).....	546
FIGURE 4-9. TOWER BOOM ASSEMBLY (SN 0300292423 to Present, SN 0300286728 through 0300286731, Including 0300291013).....	548
FIGURE 4-10. TOWER BOOM ASSEMBLY (SN B300015405 to Present).....	550
FIGURE 4-11. MAIN BOOM ASSEMBLY (Prior to SN 0300292423, Prior to SN B300015405, Except SN 0300286728 through 0300286731, Excluding 0300291013).....	552
FIGURE 4-12. MAIN BOOM ASSEMBLY (SN 0300292423 to Present, SN 0300286728 through 0300286731, Including 0300291013).....	554
FIGURE 4-13. MAIN BOOM ASSEMBLY (SN B300015405 to Present).....	556
FIGURE 4-14. JIB BOOM ASSEMBLY (Prior to SN 0300292423, Prior to SN B300015405, Except SN 0300286728 through 0300286731, Excluding 0300291013).....	558
FIGURE 4-15. ROTATOR ASSEMBLY.....	560
FIGURE 4-16. PLATFORM SUPPORT INSTALLATION.....	562
FIGURE 4-17. POWER TRACK INSTALLATION - MAIN BOOM.....	564
FIGURE 4-18. POWER TRACK INSTALLATION - TOWER BOOM.....	566
FIGURE 4-19. CONTROL VALVES INSTALLATION – 2WS WITH DEUTZ D2011 ENGINES.....	568
FIGURE 4-20. CONTROL VALVES INSTALLATION – 4WS WITH DEUTZ D2011 ENGINES.....	570
FIGURE 4-21. CONTROL VALVES INSTALLATION – 2WS WITH DEUTZ TD2.3L3, DEUTZ TD2.9L4, DEUTZ TD2.9L4 (STAGE V), DEUTZ D2.9L4 (CHINA IV) AND FORD ENGINES.....	572
FIGURE 4-22. CONTROL VALVES INSTALLATION – 4WS WITH DEUTZ TD2.3L3, DEUTZ TD2.9L4, DEUTZ TD2.9L4 (STAGE V), DEUTZ D2.9L4 (CHINA IV) AND FORD ENGINES.....	574
FIGURE 4-23. CONTROL VALVE ASSEMBLY.....	576
FIGURE 4-24. BOOM VALVES AND LIMIT SWITCHES INSTALLATION.....	578
FIGURE 4-25. BOOM VALVES AND LIMIT SWITCHES INSTALLATION - WITH TOWER STOW.....	580
FIGURE 4-26. TRANSPORT POSITION SWITCH INSTALLATION.....	582
SECTION 5 - PLATFORM.....	585
FIGURE 5-1. PLATFORM ASSEMBLY - 30IN X 4FT (76.2CM X 1.22M) WITH SWING GATE.....	586
FIGURE 5-2. PLATFORM ASSEMBLY - 30IN X 5FT (76CM X 1.52M) WITH SWING GATE.....	588
FIGURE 5-3. PLATFORM ASSEMBLY - 36IN X 6FT (91.5CM X 1.83M) WITH SWING GATE.....	590
FIGURE 5-4. PLATFORM ASSEMBLY - 36IN X 8FT (91.5CM X 2.44M) WITH SWING GATE.....	592
FIGURE 5-5. PLATFORM ASSEMBLY - 30IN X 3FT (76CM X .91M) WITH DROP BAR.....	594
FIGURE 5-6. PLATFORM ASSEMBLY - 30IN X 4FT (76.2CM X 1.22M) WITH DROP BAR.....	596
FIGURE 5-7. PLATFORM ASSEMBLY - 30IN X 5FT (76CM X 1.52M) WITH DROP BAR.....	598
FIGURE 5-8. PLATFORM ASSEMBLY - 36IN X 6FT (91.5CM X 1.83M) WITH DROP BAR.....	600
FIGURE 5-9. PLATFORM ASSEMBLY - 36IN X 8FT (91.5CM X 2.44M) WITH DROP BAR.....	602
FIGURE 5-10. PLATFORM ASSEMBLY - 36IN X 6FT (91.5CM X 1.83M) WITH FALL ARREST.....	604
FIGURE 5-11. PLATFORM ASSEMBLY - 36IN X 8FT (91.5CM X 2.44M) WITH FALL ARREST.....	606
FIGURE 5-12. PLATFORM ASSEMBLY - 36IN X 6FT (91.5CM X 1.83M) TRI-ENTRY WITH SWING GATE.....	608
FIGURE 5-13. PLATFORM ASSEMBLY - 36IN X 8FT (91.5CM X 2.44M) TRI-ENTRY WITH SWING GATE.....	610
FIGURE 5-14. PLATFORM ASSEMBLY - 36IN X 6FT (91.5CM X 1.83M) TRI-ENTRY WITH DROP BAR.....	612
FIGURE 5-15. PLATFORM ASSEMBLY - 36IN X 8FT (91.5CM X 2.44M) TRI-ENTRY WITH DROPBAR.....	614
FIGURE 5-16. TRAY ASSEMBLY.....	616
FIGURE 5-17. CONSOLE AND FOOT SWITCH INSTALLATION (WITHOUT TOWER STOW).....	618
FIGURE 5-18. CONSOLE AND FOOT SWITCH INSTALLATION (WITH TOWER STOW).....	620
FIGURE 5-19. CONSOLE BOX ASSEMBLY WITH FOOTSWITCH (WITHOUT TOWER STOW).....	622
FIGURE 5-20. CONSOLE BOX ASSEMBLY WITH FOOTSWITCH (WITH TOWER STOW).....	626

# TABLE OF CONTENTS

FIGURE 5-21. FOOTSWITCH ASSEMBLY.....	630
FIGURE 5-22. CONTROLLER ASSEMBLY- DRIVE/STEER .....	632
FIGURE 5-23. CONTROLLER ASSEMBLY - LIFT/SWING.....	634
FIGURE 5-24. CRAB STEER SWITCH INSTALLATION - 4WS (WITHOUT TOW PACKAGE) .....	638
FIGURE 5-25. CRAB STEER SWITCH INSTALLATION - 4WS (WITH TOW PACKAGE).....	640
FIGURE 5-26. STEER SWITCH INSTALLATION – 4WS.....	642
FIGURE 5-27. LIGHT PANEL INSTALLATION .....	644
FIGURE 5-28. SKYEYE INSTALLATION .....	646
FIGURE 5-29. SKYGUARD BAR INSTALLATION .....	648
FIGURE 5-30. SKYLINE INSTALLATION .....	650
FIGURE 5-31. SKYWELDER/SKYCUTTER COMBO INSTALLATION (60HZ) (ANSI, ANSI EXPORT, CSA, AUSTRALIAN, CHINA AND JAPANESE SPECS) .....	652
FIGURE 5-32. SKYWELDER INSTALLATION (50HZ).....	656
FIGURE 5-33. SKYWELDER INSTALLATION (60HZ).....	658
FIGURE 5-34. SKYCUTTER INSTALLATION (ANSI, ANSI EXPORT, CSA, CHINA AND JAPANESE SPECS) .....	660
FIGURE 5-35. PLASMA CUTTER ASSEMBLY.....	662
FIGURE 5-36. WELDER ASSEMBLY .....	664
FIGURE 5-37. SKYWELDER PREP PACKAGE (60HZ) .....	666
FIGURE 5-38. SKYWELDER LOCKING BRACKET INSTALLATION .....	668
FIGURE 5-39. SOFT TOUCH INSTALLATION - 6FT (1.83M) FALL ARREST PLATFORM .....	670
FIGURE 5-40. SOFT TOUCH SYSTEM INSTALLATION - 6FT/1.8M PLATFORMS .....	672
FIGURE 5-41. SOFT TOUCH SYSTEM INSTALLATION - 8FT/2.44M PLATFORM.....	674
FIGURE 5-42. SOFT TOUCH INSTALLATION - 8FT (2.4M) FALL ARREST PLATFORM .....	676
FIGURE 5-43. SKYGLAZIER INSTALLATION (ALL SPECS EXCEPT AUSTRALIAN AAND JAPANESE SPECS).....	678
FIGURE 5-44. SKYGLAZIER INSTALLATION (ANSI EXPORT AND AUSTRALIAN SPECS).....	680
FIGURE 5-45. FALL ARREST INSTALLATION (BOLT-ON) (4FT/1.22M PLATFORM) .....	682
FIGURE 5-46. FALL ARREST INSTALLATION (BOLT-ON EXTERNAL) (5FT/1.52M PLATFORM) .....	684
FIGURE 5-47. FALL ARREST INSTALLATION (BOLT-ON EXTERNAL) (6FT/1.82M PLATFORM) .....	686
FIGURE 5-48. FALL ARREST INSTALLATION (BOLT-ON EXTERNAL) (6FT/1.82M TRI-ENTRY PLATFORM) .....	688
FIGURE 5-49. FALL ARREST INSTALLATION (BOLT-ON EXTERNAL) (8FT/2.4M PLATFORM) .....	690
FIGURE 5-50. USB CHARGER INSTALLATION .....	692
SECTION 6 - CYLINDER.....	695
FIGURE 6-1. CYLINDERS INSTALLATION .....	696
FIGURE 6-2. AXLE LOCKOUT CYLINDER ASSEMBLY (MACHINES WITH SN STARTING WITH 03).....	698
FIGURE 6-3. AXLE LOCKOUT CYLINDER ASSEMBLY (MACHINES WITH SN STARTING WITH B3) .....	700
FIGURE 6-4. LEVEL (PLATFORM SLAVE) CYLINDER ASSEMBLY (SAE AND METRIC MATERIAL BOOMS) .....	702
FIGURE 6-5. LEVEL (UPRIGHT) CYLINDER ASSEMBLY (Prior to SN 03002924230, Prior to SN B300015405, Except SN 0300286728 through 0300286731, Excluding 0300291013) .....	704
FIGURE 6-6. LEVEL (UPRIGHT) CYLINDER ASSEMBLY (SN 0300292423 to Present, SN B300015405 to Present, SN 0300286728 through 0300286731, Including 0300291013) .....	706
FIGURE 6-7. LIFT CYLINDER ASSEMBLY - JIB (Prior to SN 03002924230, Prior to SN B300015405, Except SN 0300286728 through 0300286731, Excluding 0300291013) .....	708
FIGURE 6-8. LIFT CYLINDER ASSEMBLY - JIB (SN 0300292423 to Present, SN B300015405 to Present, SN 0300286728 through 0300286731, Including 0300291013) .....	710
FIGURE 6-9. LIFT CYLINDER ASSEMBLY - MAIN BOOM (Prior to SN 03002924230, Prior to SN B300015405, Except SN 0300286728 through 0300286731, Excluding 0300291013, 0300292087, 0300292098, 0300292099, 0300292238, 0300292239 and 0300292386).....	712

# TABLE OF CONTENTS

FIGURE 6-10. LIFT CYLINDER ASSEMBLY - MAIN BOOM (SN 0300292430 to Present, SN B300015405 to Present, SN 0300286728 through 0300286731, Including 0300291013, 0300292087, 0300292098, 0300292099, 0300292238, 0300292239 and 0300292386) .....	714
FIGURE 6-11. LIFT CYLINDER ASSEMBLY - TOWER BOOM .....	716
FIGURE 6-12. MASTER CYLINDER ASSEMBLY .....	718
FIGURE 6-13. STEER CYLINDER ASSEMBLY (7FT/2.1M WIDE MACHINES) .....	720
FIGURE 6-14. STEER CYLINDER ASSEMBLY (8FT/2.4M WIDE MACHINES) .....	722
FIGURE 6-15. TELESCOPE CYLINDER ASSEMBLY - MAIN BOOM (Prior to SN 03002924230, Prior to SN B300015405, Except SN 0300286728 through 0300286731, Excluding 0300291013) .....	724
FIGURE 6-16. TELESCOPE CYLINDER ASSEMBLY - MAIN BOOM (SN 0300292423 to Present, SN B300015405 to Present, SN 0300286728 through 0300286731, Including 0300291013) .....	726
FIGURE 6-17. TELESCOPE CYLINDER ASSEMBLY - TOWER BOOM (Prior to SN 03002924230, Prior to SN B300015405, Except SN 0300286728 through 0300286731, Excluding 0300291013) .....	728
FIGURE 6-18. TELESCOPE CYLINDER ASSEMBLY - TOWER BOOM (SN 0300292423 to Present, SN B300015405 to Present, SN 0300286728 through 0300286731, Including 0300291013) .....	730
SECTION 7 - HYDRAULIC .....	733
FIGURE 7-1. DRIVE HYDRAULIC DIAGRAM - 2WD/2WS .....	734
FIGURE 7-2. DRIVE HYDRAULIC DIAGRAM - 2WD/4WS .....	738
FIGURE 7-3. DRIVE HYDRAULIC DIAGRAM - 4WD/2WS WITHOUT ARCTIC PACKAGE .....	742
FIGURE 7-4. DRIVE HYDRAULIC DIAGRAM - 4WD/2WS WITH ARCTIC PACKAGE .....	746
FIGURE 7-5. DRIVE HYDRAULIC DIAGRAM - 4WD/4WS WITHOUT ARCTIC PACKAGE .....	750
FIGURE 7-6. DRIVE HYDRAULIC DIAGRAM - 4WD/4WS WITH ARCTIC PACKAGE .....	754
FIGURE 7-7. FLUSHING LOOP HYDRAULIC INSTALLATION - 2WD .....	758
FIGURE 7-8. FLUSHING LOOP HYDRAULIC INSTALLATION - 4WD .....	760
FIGURE 7-9. HYDRAULIC DIAGRAM – STANDARD (DEUTZ D2011 ENGINES).....	762
FIGURE 7-10. HYDRAULIC DIAGRAM - STANDARD (DEUTZ TD2.2L3 (STAGE V), DEUTZ D2.9L4 (CHINA IV) AND DEUTZ TD2.9L4 ENGINES) .....	766
FIGURE 7-11. HYDRAULIC DIAGRAM – STANDARD (FORD ENGINES) .....	770
FIGURE 7-12. HYDRAULIC DIAGRAM - OSCILLATING AXLE (7FT/2.1M WIDE MACHINES) .....	774
FIGURE 7-13. HYDRAULIC DIAGRAM - OSCILLATING AXLE (8FT/2.4M WIDE MACHINES) .....	776
FIGURE 7-14. HYDRAULIC DIAGRAM – TOW BAR.....	778
SECTION 8 - ELECTRICAL.....	781
FIGURE 8-1. 600AJ ELECTRICAL LAYOUT .....	782
FIGURE 8-2. AC CABLE CONNECTOR INSTALLATION - 110V/220V (MACHINES NO GENERATOR) (ANSI EXPORT, AUSTRALIAN, CHINA, RUSSIA, CE & UK CA SPECS).....	792
FIGURE 8-3. AC CABLE CONNECTOR INSTALLATION – SKYPOWER (MACHINES NO GENERATOR) (ALL SPECS EXCEPT CE & UK CA SPECS).....	794
FIGURE 8-4. AC CABLE CONNECTOR INSTALLATION – 4000W GENERATOR (MACHINES NO GENERATOR) (ALL SPECS EXCEPT AUSTRALIAN, RUSSIA, CE & UK CA SPECS).....	796
FIGURE 8-5. AC BOX AT PLATFORM INSTALLATION - 110V GFI RECEPTACLE (MACHINES WITH 2500W GENERATOR/NO GENERATOR OPTIONS) (ALL SPECS EXCEPT AUSTRALIAN, RUSSIA, CE & UK CA SPECS) .....	798
FIGURE 8-6. AC BOX AT PLATFORM INSTALLATION - 220V RECEPTACLE (MACHINES WITH 2500W GENERATOR/NO GENERATOR OPTIONS) (ANSI, ANSI EXPORT, CSA, CHINA AND JAPANESE SPECS).....	800
FIGURE 8-7. AC BOX AT PLATFORM INSTALLATION - BOX WITH COVER (2X4 BOX) (4000W GENERATOR) (ALL SPECS EXCEPT ANSI AND CSA SPECS) .....	802
FIGURE 8-8. AC BOX AT PLATFORM INSTALLATION – DUAL AC 110V GFI (MACHINES WITH 2500W GENERATOR) (ANSI EXPORT AND CHINA SPECS) .....	804
FIGURE 8-9. AC BOX AT PLATFORM MID-BOOM PLUG INSTALLATION (WITHOUT 7500W SKYPOWER GENERATOR).....	806
FIGURE 8-10. AC BOX AT PLATFORM INSTALLATION - 110V IEC YELLOW (CE, RUSSIA & UK CA SPECS) .....	808

# TABLE OF CONTENTS

FIGURE 8-11. AC BOX AT PLATFORM INSTALLATION - 110V IEC 60309 YELLOW (4000W GENERATOR) (CE, RUSSIA & UK CA SPECS) .....	810
FIGURE 8-12. AC BOX AT PLATFORM INSTALLATION - 220V IEC BLUE (CE, RUSSIA & UK CA SPECS) .....	812
FIGURE 8-13. AC BOX AT PLATFORM INSTALLATION - 220V IEC BLUE (2500W GENERATOR) (CE, RUSSIA & UK CA SPECS) .....	814
FIGURE 8-14. AC BOX AT PLATFORM INSTALLATION - 220V IEC 60309 BLUE (4000W GENERATOR) (CE, RUSSIA & UK CA SPECS) .....	816
FIGURE 8-15. AC BOX AT PLATFORM INSTALLATION - 220V CEE7 POST GROUND (CE, RUSSIA & UK CA SPECS).....	818
FIGURE 8-16. AC BOX AT PLATFORM INSTALLATION - 220V CEE7 POST GROUND (2500W GENERATOR) (CE, RUSSIA & UK CA SPECS) .....	820
FIGURE 8-17. AC BOX AT PLATFORM INSTALLATION - 220V CEE7 POST GROUND (2X4 BOX) (4000W GENERATOR) (CE, RUSSIA & UK CA SPECS).....	822
FIGURE 8-18. AC BOX AT PLATFORM INSTALLATION - 220V CEE7 SIDE GROUND (CE, RUSSIA & UK CA SPECS) .....	824
FIGURE 8-19. AC BOX AT PLATFORM INSTALLATION - 220V CEE7 SIDE GROUND (2500W GENERATOR) (CE, RUSSIA & UK CA SPECS) .....	826
FIGURE 8-20. AC BOX AT PLATFORM INSTALLATION - 220V CEE7 SIDE GROUND (2X4 BOX) (4000W GENERATOR) (CE, RUSSIA & UK CA SPECS).....	828
FIGURE 8-21. AC BOX AT PLATFORM INSTALLATION - 220V AFSINT 107 (CE, RUSSIA & UK CA SPECS).....	830
FIGURE 8-22. AC BOX AT PLATFORM INSTALLATION - 220V AFSINT 107 (2500W GENERATOR) (CE, RUSSIA & UK CA SPECS) .....	832
FIGURE 8-23. AC BOX AT PLATFORM INSTALLATION - 220V AFSINT 107 KEYED GROUND (2X4 BOX) (4000W GENERATOR) (CE, RUSSIA & UK CA SPECS).....	834
FIGURE 8-24. AC BOX AT PLATFORM INSTALLATION - 240V GFCI RECEPTACLE (4000W SKYPOWER GENERATOR) (ANSI, ANSI EXPORT, CHINA, CSA AND JAPANESE SPECS) .....	836
FIGURE 8-25. AC BOX AT PLATFORM INSTALLATION - 240V GFCI RECEPTACLE (7500W SKYPOWER GENERATOR) (ANSI AND CSA SPECS).....	838
FIGURE 8-26. BATTERY DISCONNECT SWITCH INSTALLATION - DEUTZ D2011 ENGINES.....	840
FIGURE 8-27. BATTERY DISCONNECT SWITCH INSTALLATION (DEUTZ TD2.2L3 (STAGE V), DEUTZ TD2.9L4, DEUTZ D2.9L4, DEUTZ D2.9L4 (CHINA IV) AND FORD DF2.5L ENGINES) .....	842
FIGURE 8-28. BEACON LIGHT HARNESS (BLUE AND RED BEACON LIGHT).....	844
FIGURE 8-29. BOOM VALVE HARNESS .....	846
FIGURE 8-30. BREAKER BOX KIT - SINGLE DOUBLE POLE BREAKER (WITH 4000W/50HZ GENERATOR) .....	848
FIGURE 8-31. BREAKER BOX KIT - 30MA/16 AMP (WITH GENERATOR) .....	850
FIGURE 8-32. BOOM CABLES INSTALLATION - WITH 2500W GENERATOR OR NO GENERATOR AND WITHOUT ARCTIC PACKAGE (ANSI, CSA, AND JAPANESE SPECS) (MACHINES WITH SN STARTING WITH 03).....	852
FIGURE 8-33. BOOM CABLES INSTALLATION – WITH 2500W GENERATOR OR NO GENERATOR AND WITHOUT ARCTIC PACKAGE (CE, RUSSIA & UK CA SPECS) (MACHINES WITH SN STARTING WITH 03).....	854
FIGURE 8-34. BOOM CABLES INSTALLATION - WITH 2500W GENERATOR OR NO GENERATOR WITHOUT AND ARCTIC PACKAGE (ANSI EXPORT, AUSTRALIAN, RUSSIA AND CHINA SPECS) (MACHINES WITH SN STARTING WITH 03).....	856
FIGURE 8-35. BOOM CABLES INSTALLATION - WITH 2500W GENERATOR OR NO GENERATOR AND WITH ARCTIC PACKAGE (ANSI, ANSI EXPORT, CSA, RUSSIA AND CHINA SPECS) (MACHINES WITH SN STARTING WITH 03).....	858
FIGURE 8-36. BOOM CABLES INSTALLATION – WITH 2500W GENERATOR (FORD DF 2.5L ENGINES) (ALL SPECS EXCEPT AUSTRALIAN, RUSSIA, CE & UK CA SPECS) .....	860
FIGURE 8-37. BOOM CABLES INSTALLATION – WITH 4000W GENERATOR (ALL SPECS EXCEPT AUSTRALIAN, RUSSIA, CE & UK CA SPECS).....	862
FIGURE 8-38. BOOM CABLES INSTALLATION - WITH 7500W GENERATOR WITHOUT ARCTIC PACKAGE (ANSI, ANSI EXPORT, CSA, CHINA SPECS) (MACHINES WITH SN STARTING WITH 03).....	864
FIGURE 8-39. BOOM CABLES INSTALLATION – WITH 7500W GENERATOR WITHOUT ARCTIC PACKAGE (RUSSIA SPEC) (MACHINES WITH SN STARTING WITH 03) .....	866
FIGURE 8-40. BOOM CABLES INSTALLATION - WITH 7500W GENERATOR WITHOUT ARCTIC PACKAGE (AUSTRALIAN AND JAPANESE SPECS) (MACHINES WITH SN STARTING WITH 03).....	868

# TABLE OF CONTENTS

FIGURE 8-41. BOOM CABLES INSTALLATION - WITH 7500W GENERATOR WITHOUT ARCTIC PACKAGE (ANSI EXPORT CIS, AND CHINA SPECS) (MACHINES WITH SN STARTING WITH B3) .....	870
FIGURE 8-42. BOOM CABLES INSTALLATION - WITH 7500W GENERATOR WITHOUT ARCTIC PACKAGE (AUSTRALAIN SPECS).....	872
FIGURE 8-43. BOOM CABLES INSTALLATION - WITH 7500W GENERATOR AND ARCTIC PACKAGE (ANSI, ANSI EXPORT, CSA AND CHINA SPECS).....	874
FIGURE 8-44. BOOM CABLE - MAIN BOOM (WITHOUT ARCTIC PACKAGE) .....	876
FIGURE 8-45. BOOM CABLE - MAIN BOOM (WITH ARCTIC PACKAGE).....	878
FIGURE 8-46. BOOM CABLE - TOWER BOOM (WITHOUT ARCTIC PACKAGE).....	880
FIGURE 8-47. BOOM CABLE - TOWER BOOM (WITH ARCTIC PACKAGE) .....	882
FIGURE 8-48. ENGINE HARNESS ASSEMBLY (DEUTZ D2011 ENGINES) .....	884
FIGURE 8-49. ENGINE HARNESS (DEUTZ TD2.9L4 ENGINES) .....	886
FIGURE 8-50. ENGINE HARNESS - DEUTZ TD2.2L3 (STAGE V) ENGINES.....	888
FIGURE 8-51. ENGINE HARNESS - DEUTZ TD2.9L4 AND D2.9L4 ENGINES.....	892
FIGURE 8-52. ENGINE HARNESS - DEUTZ D2.9L4 (CHINE IV) ENGINES.....	896
FIGURE 8-53. ENGINE HARNESS (FORD DF2.5L ENGINES) .....	900
FIGURE 8-54. FUEL HARNESS - DEUTZ TD2.2L3 (STAGE V) ENGINES .....	902
FIGURE 8-55. FUEL HARNESS - DEUTZ TCD2.9L4 ENGINES AND DEUTZ D2.9L4 ENGINES.....	904
FIGURE 8-56. GENERATOR TO CONTROL BOX HARNESS (4000W GENERATOR) .....	906
FIGURE 8-57. GENERATOR TO CONTROL BOX HARNESS (7500W GENERATOR) .....	908
FIGURE 8-58. GENERATOR HARNESS - 7500W GENERATOR .....	910
FIGURE 8-59. GENERATOR TO ENGINE HARNESS - 4000W GENERATOR.....	912
FIGURE 8-60. GENERATOR TO ENGINE HARNESS - 7500W SKYPOWER GENERATOR (DEUTZ D2011 ONLY).....	914
FIGURE 8-61. GENERATOR TO ENGINE HARNESS - 7500W SKYPOWER GENERATOR (FORD ENGINES ONLY) .....	916
FIGURE 8-62. GENERATOR TO REAR OF BOOM HARNESS - 110V .....	918
FIGURE 8-63. GENERATOR TO REAR OF BOOM HARNESS - 220V .....	920
FIGURE 8-64. GROUND CONTROL BOX HARNESS .....	922
FIGURE 8-65. PLATFORM CONSOLE BOX HARNESS.....	926
FIGURE 8-66. RECEPTACLE BOX KIT - 110V IEC YELLOW (CE, RUSSIA, & UK CA SPEC).....	928
FIGURE 8-67. RECEPTACLE BOX KIT - 220V IEC BLUE (CE, RUSSIA & UK CA SPEC) .....	930
FIGURE 8-68. RECEPTACLE BOX KIT - 220V IEC BLUE (2500W GENERATOR) (CE, RUSSIA & UK CA SPECS) .....	932
FIGURE 8-69. RECEPTACLE BOX KIT - 220V CEE7 POST GROUND WITHOUT 2500W GENERATOR (2X4 BOX) (CE, RUSSIA & UK CA SPECS) .....	934
FIGURE 8-70. RECEPTACLE BOX KIT - 220V CEE7 POST GROUND (2X4 BOX) (2500W GENERATOR) (CE, RUSSIA & UK CA SPECS).....	936
FIGURE 8-71. RECEPTACLE BOX KIT - 220V CEE7 SIDE GROUND (CE, RUSSIA & UK CA SPEC).....	938
FIGURE 8-72. RECEPTACLE BOX KIT - 220V CEE7 SIDE GROUND (2X4 BOX) (2500W GENERATOR) (CE, RUSSIA & UK CA SPECS).....	940
FIGURE 8-73. RECEPTACLE BOX KIT - 220V AFSINT 107 (CE, RUSSIA & UK CA SPEC).....	942
FIGURE 8-74. RECEPTACLE BOX KIT - 220V AFSINT 107 KEYED GROUND (2X4 BOX) (2500W GENERATOR) (CE, RUSSIA & UK CA SPECS).....	944
FIGURE 8-75. SKYEYE INTERMEDIATE HARNESS .....	946
FIGURE 8-76. SKYEYE EMITTER HARNESS .....	948
FIGURE 8-77. SKYEYE RECEIVER HARNESS.....	950
FIGURE 8-78. SKYLINE HARNESS .....	952
FIGURE 8-79. SKYGUARD INTERFACE HARNESS.....	954
FIGURE 8-80. STROBE LIGHT HARNESS (AMBER).....	956
FIGURE 8-81. TILT SENSOR HARNESS.....	958



# TABLE OF CONTENTS

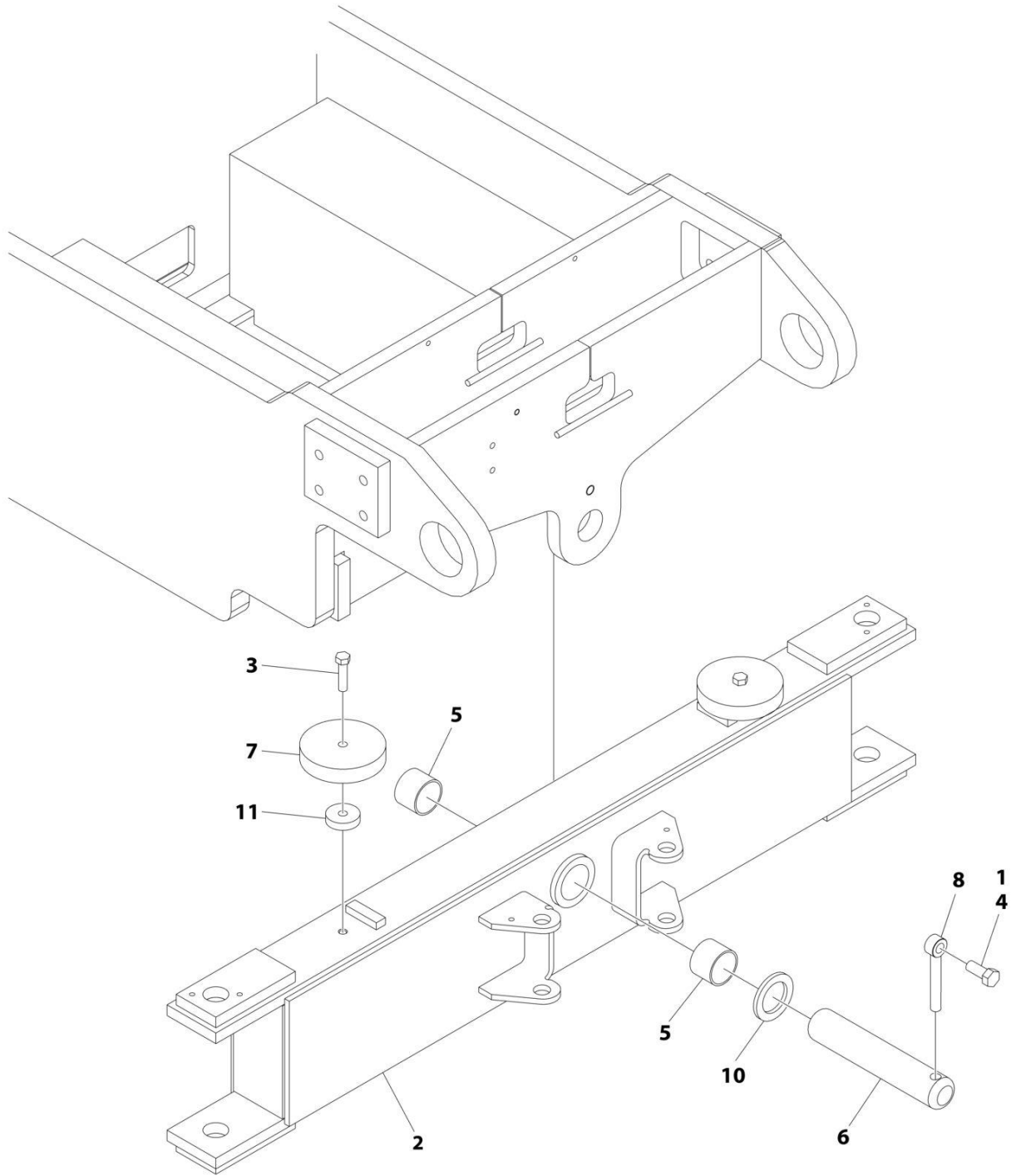
FIGURE 8-82. VALVE HARNESS .....	960
FIGURE 8-83. WHITE NOISE ALARM HARNESS.....	962
SECTION 9 - DECALS.....	965
FIGURE 9-1. DECAL INSTALLATION - ANSI SPECS .....	966
FIGURE 9-2. DECAL INSTALLATION - AUSTRALIAN SPECS.....	968
FIGURE 9-3. DECAL INSTALLATION - BRAZILIAN SPECS.....	970
FIGURE 9-4. DECAL INSTALLATION - CE & UK CA SPECS .....	972
FIGURE 9-5. DECAL INSTALLATION - CHINESE SPECS (TRADITIONAL) .....	974
FIGURE 9-6. DECAL INSTALLATION - CHINESE SPECS (SIMPLIFIED) .....	976
FIGURE 9-7. DECAL INSTALLATION - CSA SPECS.....	978
FIGURE 9-8. DECAL INSTALLATION - JAPANESE SPECS.....	980
FIGURE 9-9. DECAL INSTALLATION - KOREAN SPECS .....	982
FIGURE 9-10. DECAL INSTALLATION – LATIN AMERICAN SPECS (MACHINES WITH SN STARTING WITH 03) (MACHINES WITH SN STARTING WITH B3 SEE BUILD SHEET)DECAL INSTALLATION - KOREAN SPECS (MACHINES WITH SN STARTING WITH 03)BOOM CABLES INSTALLATION - WITH 7500W GENERATOR WITHOUT ARCTIC PACKAGE (ANSI EXPORT CIS, AND CHINA SPECS) BOOM CABLES INSTALLATION - WITH 7500W 50HZ GENERATOR WITHOUT ARCTIC PACKAGE (ANSI EXPORT, CHINA AND AUSTRALIAN SPECS).....	984
FIGURE 9-11. DECAL INSTALLATION - OPTIONS (ALL SPECS EXCEPT CE & UK CA SPECS).....	986
FIGURE 9-12. DECAL INSTALLATION - OPTIONS (CE & UK CA SPECS).....	990
FIGURE 9-13. SKYCUTTER DECAL INSTALLATION (ANSI, ANSI EXPORT, CSA AND CHINA SPECS) .....	994
FIGURE 9-14. SKYCUTTER DECAL INSTALLATION (JAPANESE SPECS).....	996
FIGURE 9-15. SKYWELDER DECAL INSTALLATION - 50HZ .....	998
FIGURE 9-16. SKYWELDER DECAL INSTALLATION - 60HZ .....	1000
SECTION 10 - RECOMMENDED SERVICE PARTS STOCK .....	1003
FIGURE 10-1. RECOMMENDED SERVICE PARTS STOCK .....	1004
SECTION 11 - SPECIAL OPTIONS.....	1007
FIGURE 11-1. SPECIAL OPTIONS/ACCESSORIES/KITS .....	1008
PART NUMBER INDEX .....	1013



**SECTION 1 - FRAME**

# SECTION 1 - FRAME

FIGURE 1-1. AXLE INSTALLATION - FIXED (WITHOUT TOW PACKAGE) (7FT/2.1M WIDE MACHINES)



ART\_0274054

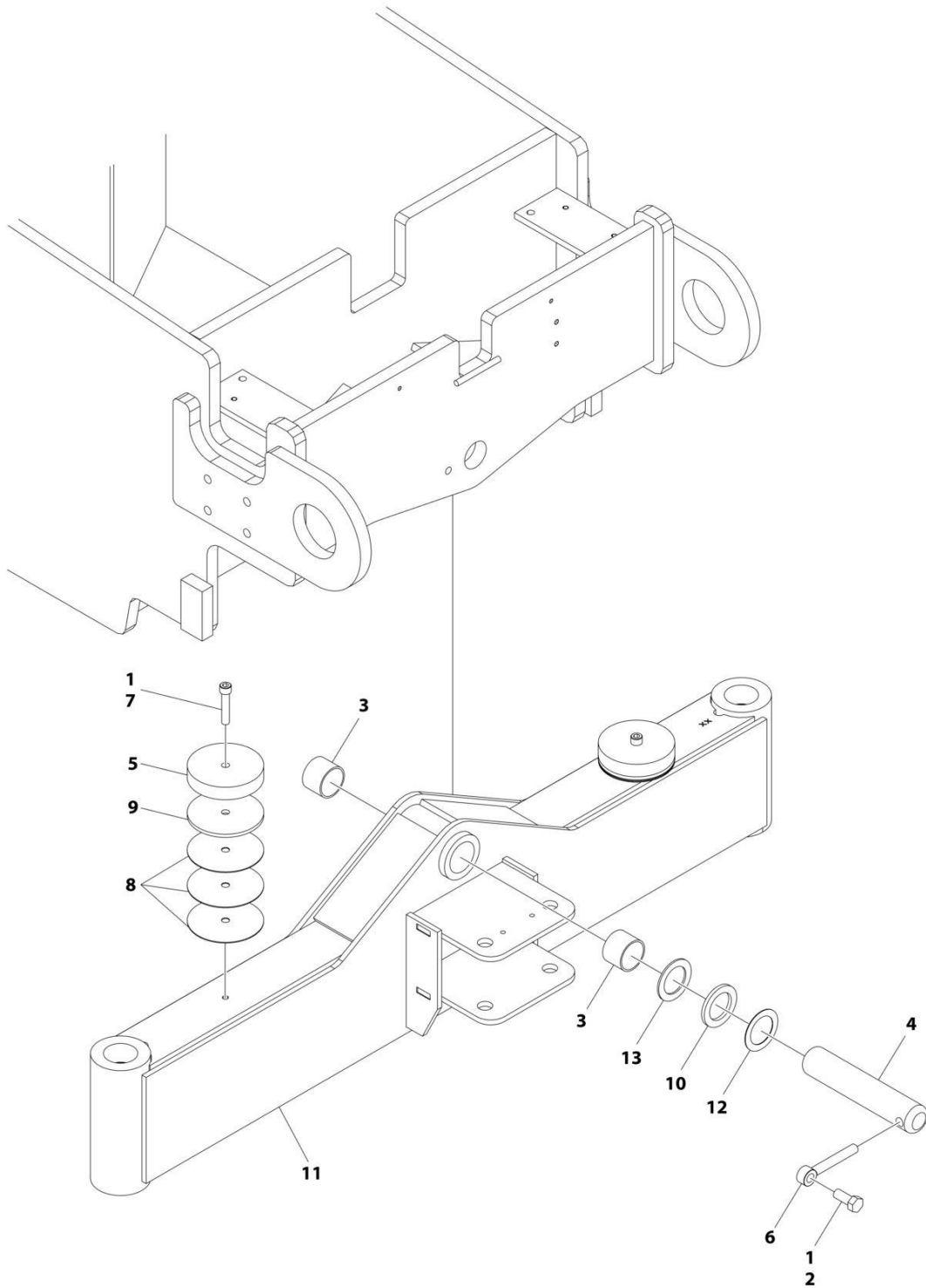
## SECTION 1 - FRAME

**FIGURE 1-1. AXLE INSTALLATION - FIXED (WITHOUT TOW PACKAGE) (7FT/2.1M WIDE MACHINES)**

ITEM	PART NUMBER	QTY	DESCRIPTION	REV
	0274054	Ref	AXLE INSTALLATION - FIXED	C
1	0100011	AR	Compound, Locking	
2	0280171	1	Axle Weldment	
3	0641816	2	Bolt 1/2 x 2	
4	0642012	1	Bolt 5/8 x 1-1/2	
5	0961950	2	Bearing	
6	1001185030	1	Pin	
7	3539877	2	Plate, Stop	
8	3841258	1	Keeper, Pin	
10	4740158	1	Thrustwasher	
11	4740542	2	Spacer	

# SECTION 1 - FRAME

FIGURE 1-2. AXLE INSTALLATION - FIXED (WITHOUT TOW PACKAGE) (8FT/2.4M WIDE MACHINES)



ART\_1001148169

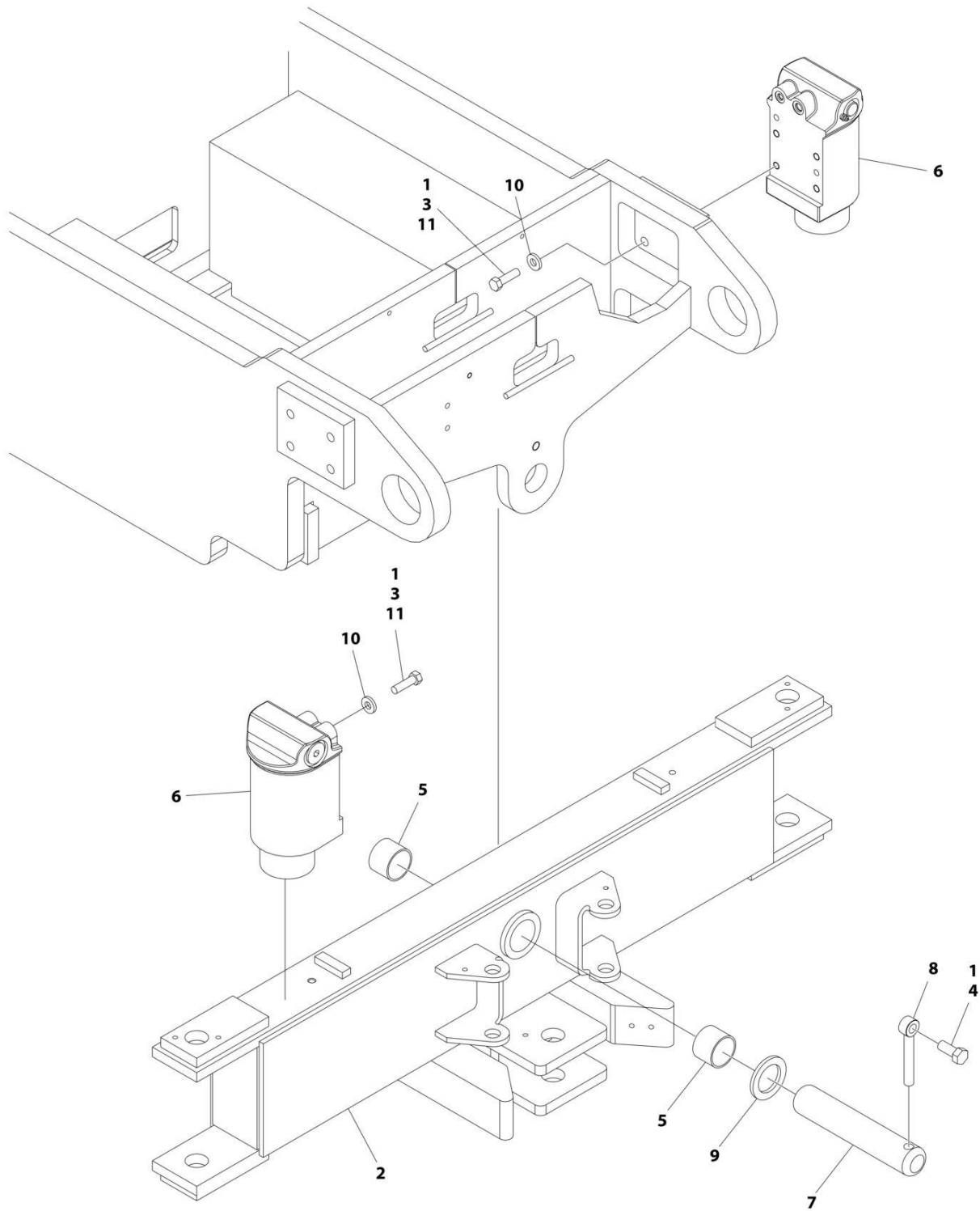
## SECTION 1 - FRAME

**FIGURE 1-2. AXLE INSTALLATION - FIXED (WITHOUT TOW PACKAGE) (8FT/2.4M WIDE MACHINES)**

ITEM	PART NUMBER	QTY	DESCRIPTION	REV
	1001148169	Ref	AXLE INSTALLATION - FIXED	C
1	0100011	AR	Compound, Locking	
2	0642012	1	Bolt 5/8 x 1-1/2	
3	0961950	2	Bearing	
4	3423184	1	Pin	
5	3539877	2	Plate, Stop	
6	3841258	1	Keeper, Pin	
7	3931840	2	Capscrew 1/2 x 2-1/2	
8	4070944	6	Shim (.06)	
9	4070945	2	Shim (.25)	
10	4740158	AR	Thrustwasher	
11	1001148171	Ref	Axle Weldment	
12	4071101	AR	Shim	
13	4740229	AR	Thrustwasher	

# SECTION 1 - FRAME

FIGURE 1-3. AXLE INSTALLATION - OSCILLATING (WITH TOW PACKAGE) (7FT/2.1M WIDE MACHINES)



ART\_0274256



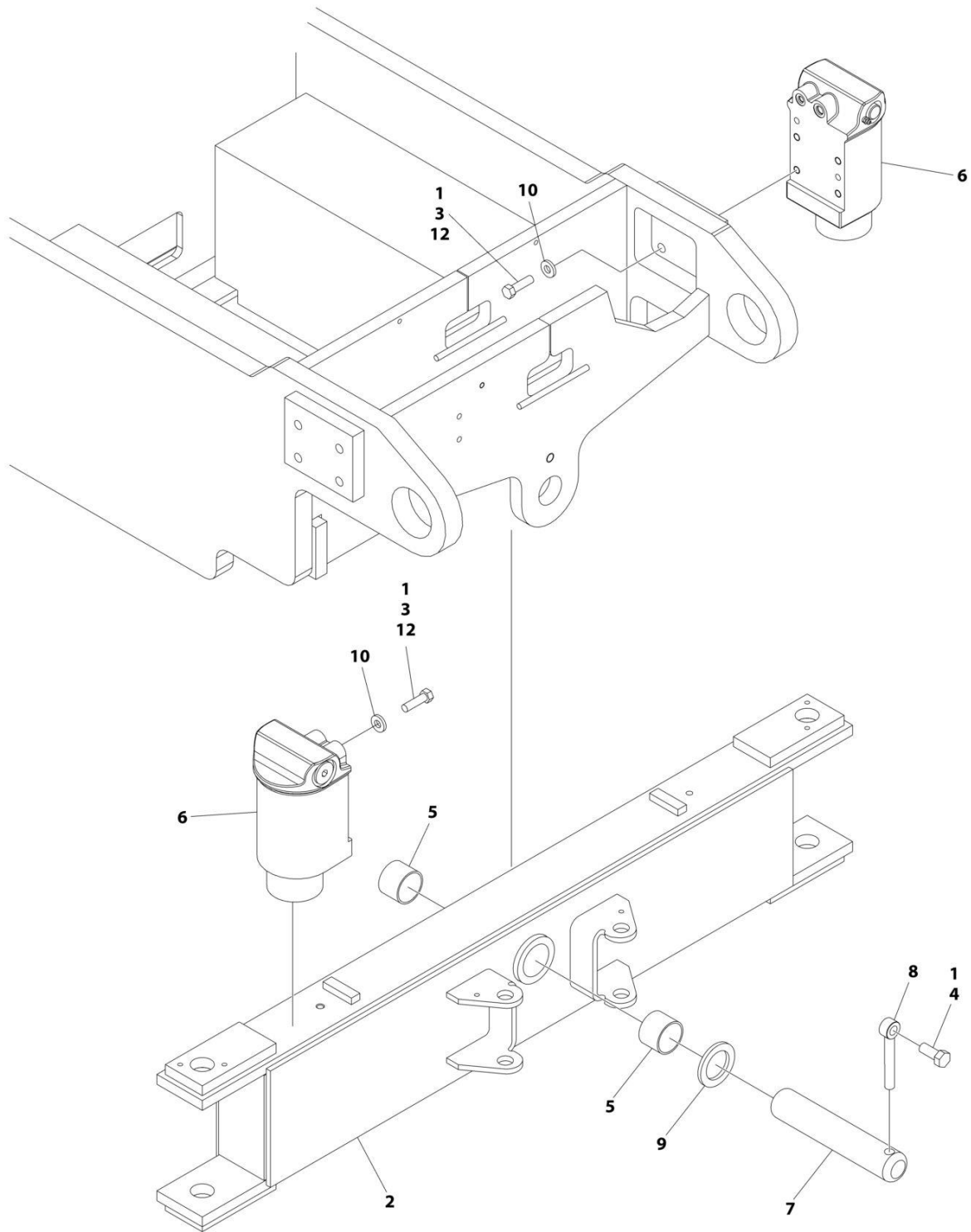
## SECTION 1 - FRAME

**FIGURE 1-3. AXLE INSTALLATION - OSCILLATING (WITH TOW PACKAGE) (7FT/2.1M WIDE MACHINES)**

ITEM	PART NUMBER	QTY	DESCRIPTION	REV
	0274256	Ref	AXLE INSTALLATION - OSCILLATING	C
1	0100011	AR	Compound, Locking	
2	0280185	1	Axle Weldment	
3	0641814	8	Bolt 1/2 x 1-3/4	
4	0642012	1	Bolt 5/8 x 1-1/2	
5	0961950	2	Bearing	
6	1684465	2	Axle Lockout Cylinder Assembly (See Separate Breakdown in CYLINDER SECTION)	
7	1001185030	1	Pin	
8	3841258	1	Keeper, Pin	
9	4740158	1	Thrustwasher	
10	4891800	8	Washer 1/2 Hardened	
11	0100038	AR	Primer, Locking	
12	2792690	1	Hydraulic Diagram (Not Shown - See Separate Breakdown in HYDRAULIC SECTION)	

# SECTION 1 - FRAME

FIGURE 1-4. AXLE INSTALLATION - OSCILLATING (WITHOUT TOW PACKAGE) (7FT/2.1M WIDE MACHINES)



ART\_0274047

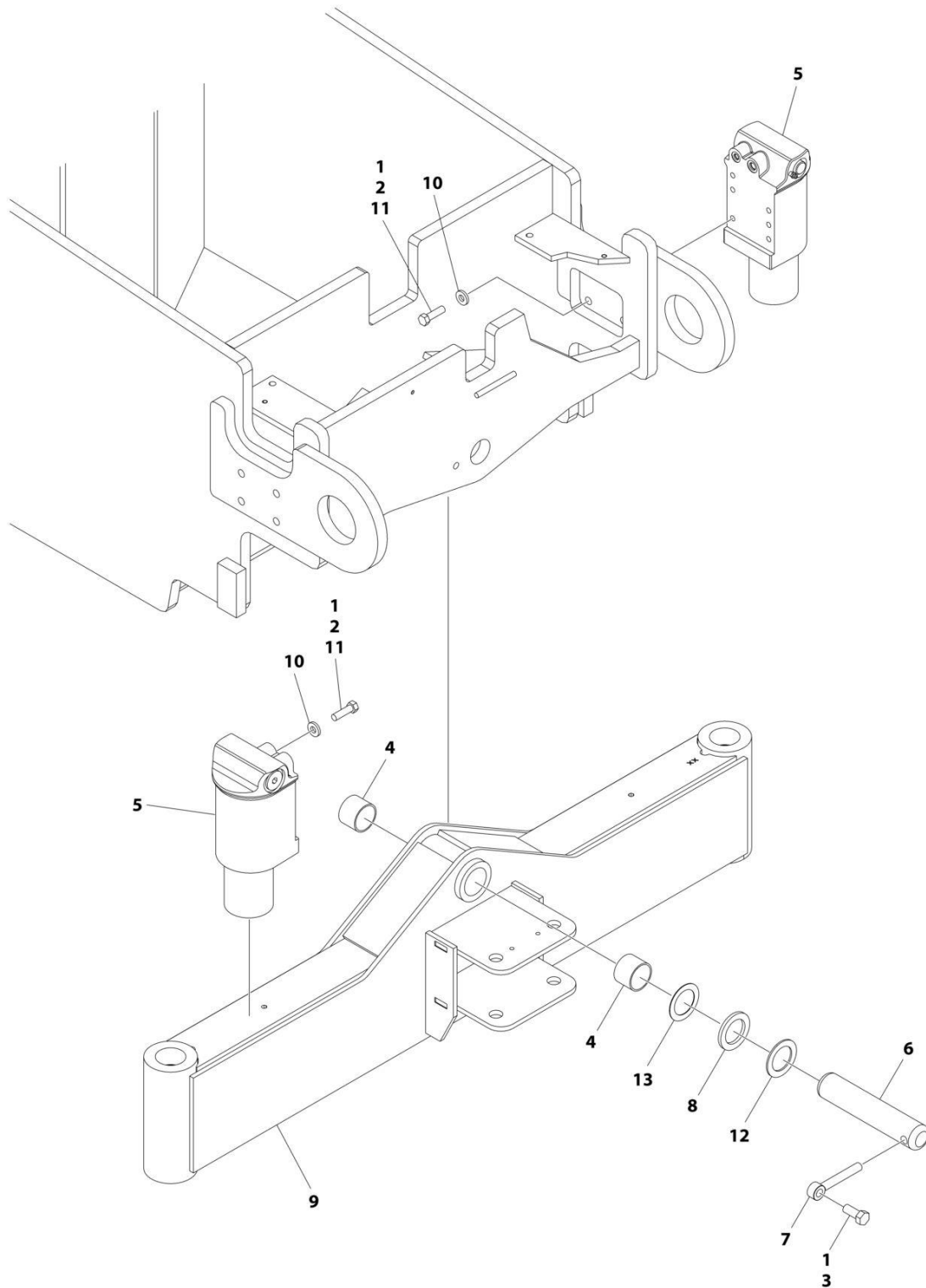
## SECTION 1 - FRAME

**FIGURE 1-4. AXLE INSTALLATION - OSCILLATING (WITHOUT TOW PACKAGE) (7FT/2.1M WIDE MACHINES)**

ITEM	PART NUMBER	QTY	DESCRIPTION	REV
	0274047	Ref	AXLE INSTALLATION - OSCILLATING	C
1	0100011	AR	Compound, Locking	
2	0280171	1	Axle Weldment	
3	0641814	8	Bolt 1/2 x 1-3/4	
4	0642012	1	Bolt 5/8 x 1-1/2	
5	0961950	2	Bearing	
6	1684465	2	Axle Lockout Cylinder Assembly (See Separate Breakdown in CYLINDER SECTION)	
7	1001185030	1	Pin	
8	3841258	1	Keeper, Pin	
9	4740158	1	Thrustwasher	
10	4891800	8	Washer 1/2 Hardened	
11	2792690	1	Hydraulic Diagram (See Separate Breakdown in HYDRAULIC SECTION)	
12	0100038	AR	Primer, Locking	

# SECTION 1 - FRAME

FIGURE 1-5. AXLE INSTALLATION - OSCILLATING (WITHOUT TOW PACKAGE) (8FT/2.4M WIDE MACHINES) (MACHINES WITH SN STARTING WITH 03)



ART\_1001148168

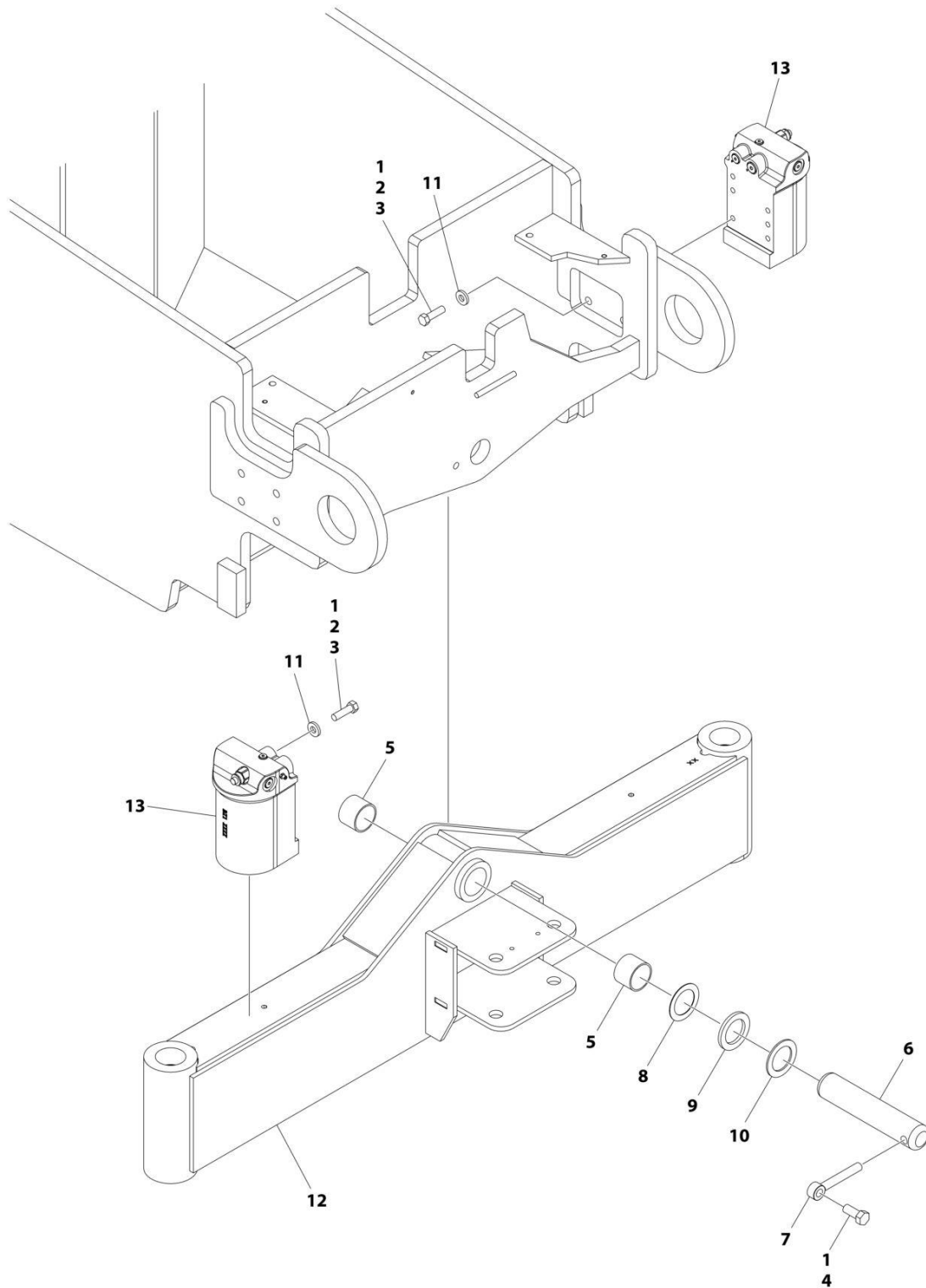
## SECTION 1 - FRAME

**FIGURE 1-5. AXLE INSTALLATION - OSCILLATING (WITHOUT TOW PACKAGE) (8FT/2.4M WIDE MACHINES) (MACHINES WITH SN STARTING WITH 03)**

ITEM	PART NUMBER	QTY	DESCRIPTION	REV
	1001148168	Ref	AXLE INSTALLATION - OSCILLATING	C
1	0100011	AR	Compound, Locking	
2	0641814	8	Bolt 1/2 x 1-3/4	
3	0642012	1	Bolt 5/8 x 1-1/2	
4	0961950	2	Bearing	
5	1684465	2	Lockout Cylinder Assembly (See Separate Breakdown in CYLINDER SECTION)	
6	3423184	1	Pin	
7	3841258	1	Keeper, Pin	
8	4740158	AR	Thrustwasher	
9	1001148171	1	Axle Weldment	
10	4891800	8	Washer 1/2 Hardened	
11	0100038	AR	Primer, Locking	
12	4740229	AR	Thrustwasher	
13	4071101	AR	Shim (18Ga)	

# SECTION 1 - FRAME

FIGURE 1-6. AXLE INSTALLATION - OSCILLATING (WITHOUT TOW PACKAGE) (8FT/2.4M WIDE MACHINES) (MACHINES WITH SN STARTING WITH B3)



ART\_1001265538

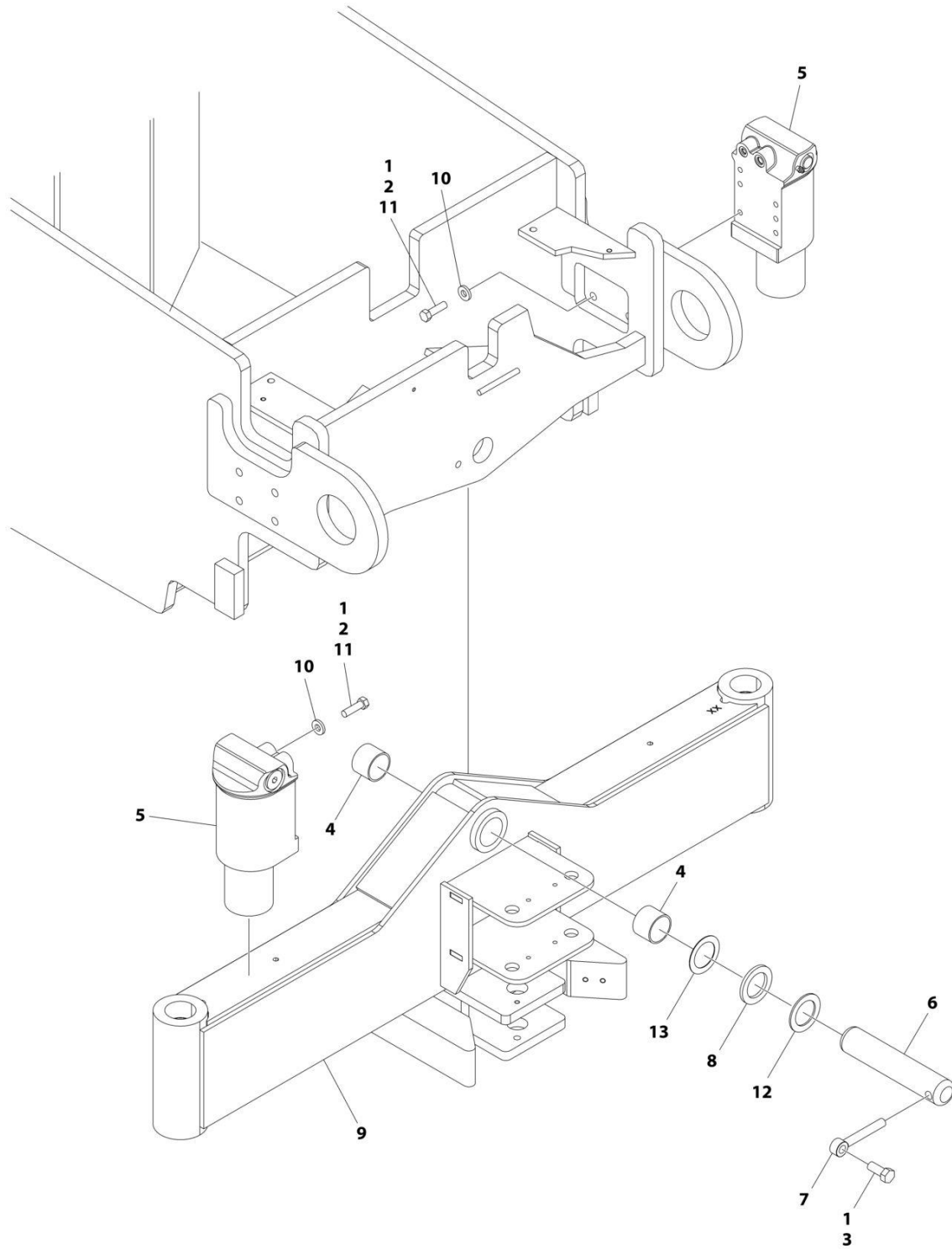
## SECTION 1 - FRAME

**FIGURE 1-6. AXLE INSTALLATION - OSCILLATING (WITHOUT TOW PACKAGE) (8FT/2.4M WIDE MACHINES) (MACHINES WITH SN STARTING WITH B3)**

ITEM	PART NUMBER	QTY	DESCRIPTION	REV
	1001265538	Ref	AXLE INSTALLATION - OSCILLATING	A
1	0100011	AR	Compound, Locking	
2	0100038	AR	Primer, Locking	
3	0641814	8	Bolt 1/2 x 1-3/4	
4	0642012	1	Bolt 5/8 x 1-1/2	
5	0961950	2	Bearing	
6	3423184	1	Pin	
7	3841258	1	Keeper, Pin	
8	4071101	AR	Shim (18Ga)	
9	4740158	AR	Thrustwasher	
10	4740229	AR	Thrustwasher	
11	4891800	8	Washer 1/2	
12	1001148171	1	Axle Weldment	
13	1001256181	2	Lockout Cylinder Assembly (See Separate Breakdown in CYLINDER Section)	

# SECTION 1 - FRAME

## FIGURE 1-7. AXLE INSTALLATION - OSCILLATING (WITH TOW PACKAGE) (8FT/2.4M WIDE MACHINES)



ART\_1001148170



## SECTION 1 - FRAME

**FIGURE 1-7. AXLE INSTALLATION - OSCILLATING (WITH TOW PACKAGE) (8FT/2.4M WIDE MACHINES)**

ITEM	PART NUMBER	QTY	DESCRIPTION	REV
	1001148170	Ref	AXLE INSTALLATION - OSCILLATING	C
1	0100011	AR	Compound, Locking	
2	0641814	8	Bolt 1/2 x 1-3/4	
3	0642012	1	Bolt 5/8 x 1-1/2	
4	0961950	2	Bearing	
5	1684465	2	Axle Lockout Cylinder Assembly (See Separate Breakdown in CYLINDER SECTION)	
6	3423184	1	Pin	
7	3841258	1	Keeper, Pin	
8	4740158	1	Thrustwasher	
9	1001148172	1	Axle Weldment	
10	4891800	8	Washer 1/2 Hardened	
11	0100038	AR	Primer, Locking	
12	4071101	AR	Shim (18Ga)	
13	4740229	AR	Thrustwasher	



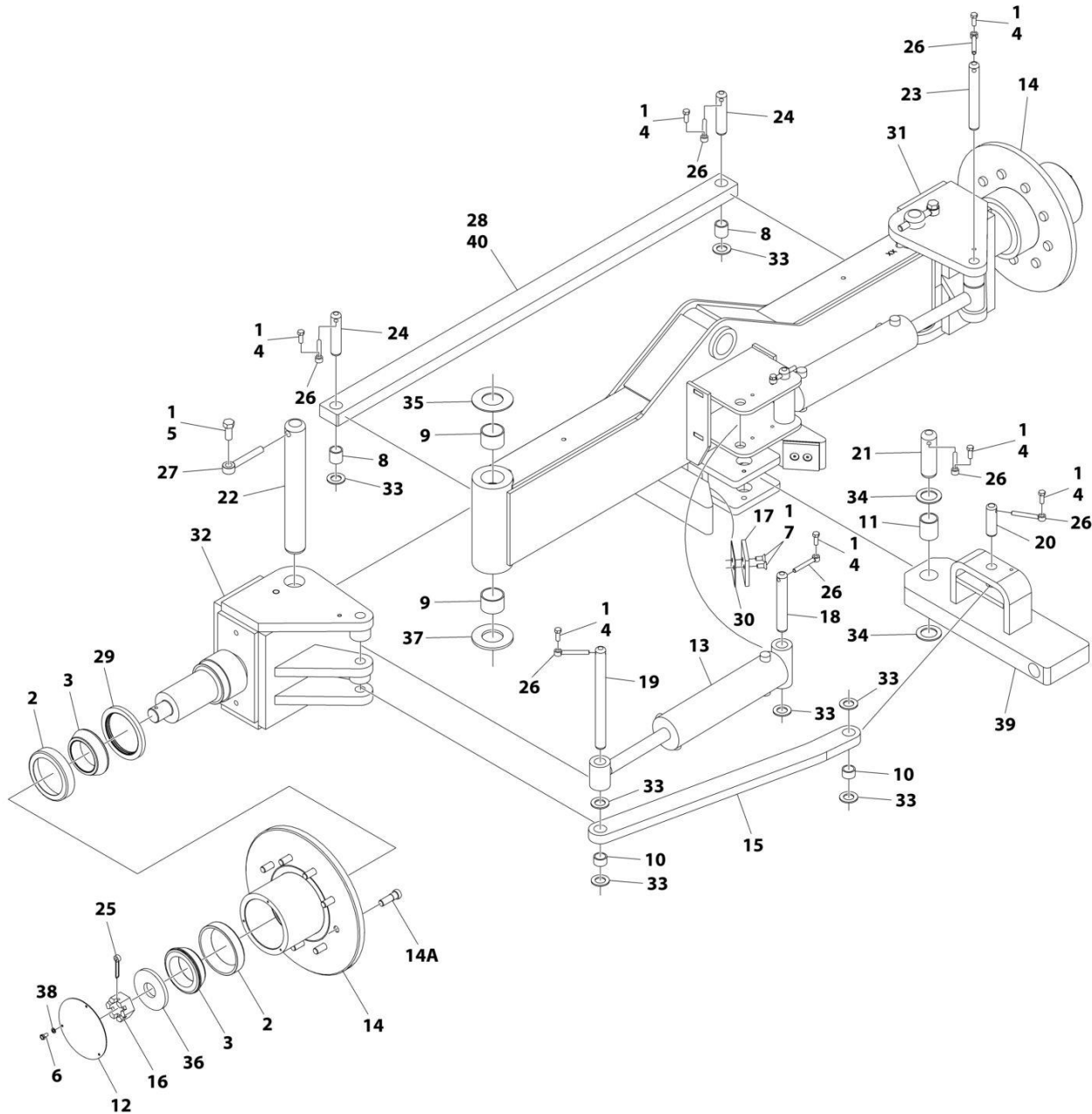
## SECTION 1 - FRAME

**FIGURE 1-8. STEERING INSTALLATION - 2WD/2WS (8FT/2.4M WIDE MACHINES WITHOUT TOW PACKAGE)**

ITEM	PART NUMBER	QTY	DESCRIPTION	REV
	1001148161	Ref	STEERING INSTALLATION – 2WD/2WS	E
1	0100011	AR	Compound, Locking	
4	0641608	6	Bolt 3/8 x 1	
6	0642012	2	Bolt 5/8 x 1-1/2	
8	0962356	2	Bushing (Part of Item 33)	
9	0962131	4	Bushing	
11	1001097242	2	Steer Cylinder Assembly (See Separate Breakdown in CYLINDER SECTION)	
12	4130410	2	Hub Assembly (See Separate Breakdown in this Section)	
14	3422326	2	Pin	
15	3422900	2	Pin	
16	3422902	1	Pin	
17	3422903	2	Pin	
18	3841143	6	Keeper, Pin	
19	3841258	2	Keeper, Pin	
20	1001155574	NLA	Tie-Rod (Part of Item 33) (Use Item 33 as replacement)	
22	1001099387	1	Spindle (LH)	
23	1001099196	1	Spindle (RH)	
24	4740111	6	Thrustwasher	
25	4740256	2	Thrustwasher	
27	4740463	2	Thrustwasher	
30	0682022	12	Bolt 5/8 x 2-3/4 Grade 8	
31	3272001	12	Nut 5/8 Grade 8	
32	4892000	24	Washer 5/8 Hardened	
33	1001276664	1	Tie-Rod Assembly (Includes Items 8 & 20)	

# SECTION 1 - FRAME

## FIGURE 1-9. STEERING INSTALLATION - 2WD/2WS (8FT/2.4M WIDE MACHINES WITH TOW PACKAGE)



ART\_1001148165

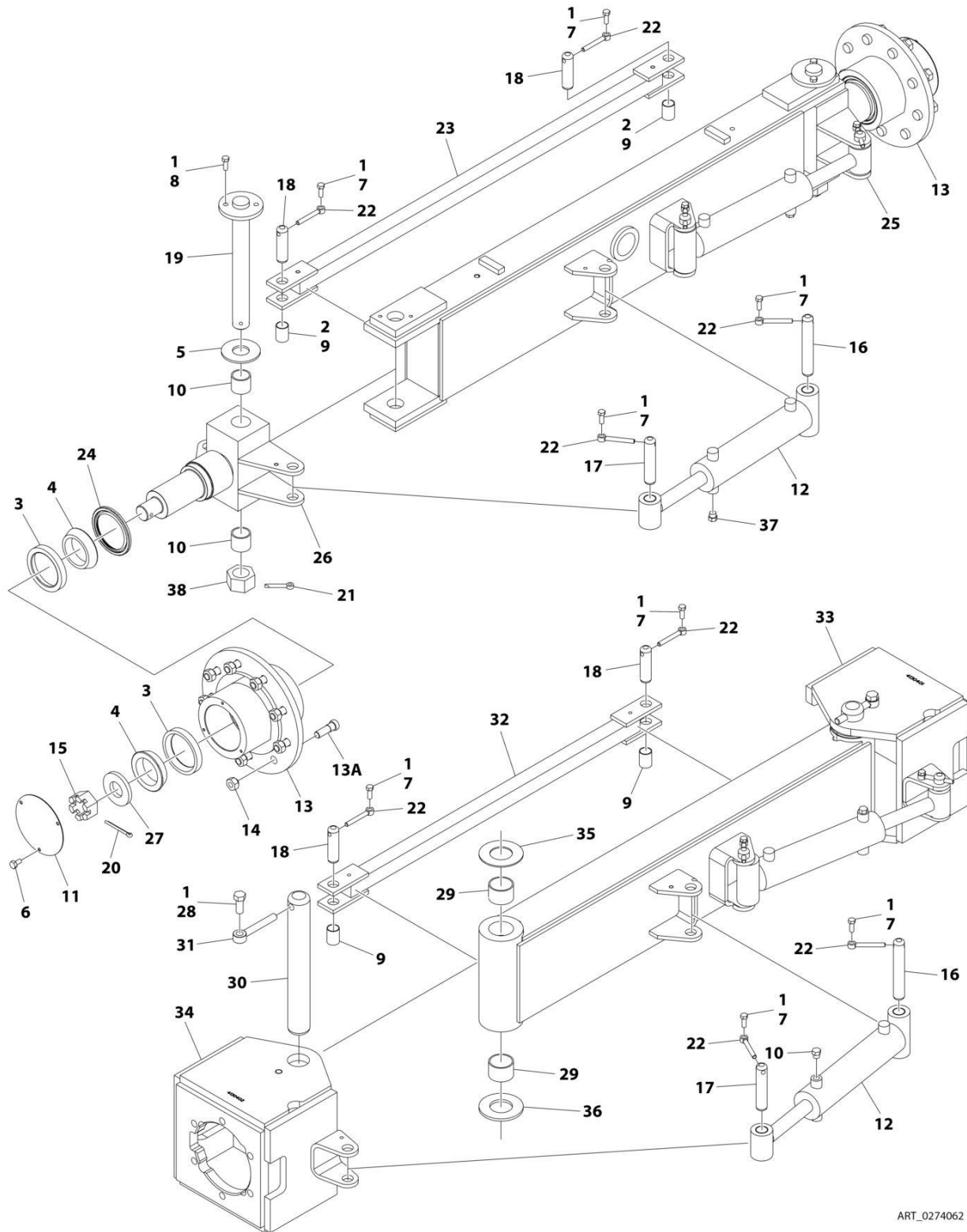
## SECTION 1 - FRAME

**FIGURE 1-9. STEERING INSTALLATION - 2WD/2WS (8FT/2.4M WIDE MACHINES WITH TOW PACKAGE)**

ITEM	PART NUMBER	QTY	DESCRIPTION	REV
	1001148165	Ref	STEERING INSTALLATION - 2WD/2WS	D
1	0100011	AR	Compound, Locking	
2	0440170	4	Cone, Bearing	
3	0440171	4	Cup, Bearing	
4	0641608	8	Bolt 3/8 x 1	
5	0642012	2	Bolt 5/8 x 1-1/2	
6	0721003	6	Bolt #10 x 3/8	
7	0741607	4	Screw 3/8 x 7/8	
8	0962356	2	Bushing (Part of item 40)	
9	0962131	4	Bushing	
10	0962292	2	Bushing	
11	0962348	1	Bushing	
12	1120304	2	Cap, Hub	
13	1001097242	2	Steer Cylinder Assembly (See Separate Breakdown in CYLINDER SECTION)	
14	2780271	2	Hub	
14A	0630490	18	Stud, Wheel (9 Per Hub)	
15	1001148178	1	Link	
16	3323403	2	Nut, Slotted 1-1/2	
17	3340966	2	Pad	
18	3422326	2	Pin	
19	3422567	1	Pin	
20	3422813	1	Pin	
21	3422848	1	Pin	
22	3422900	2	Pin	
23	3422902	1	Pin	
24	3422903	2	Pin	
25	3451010	1	Pin, Cotter 5/8 x 2-1/2	
26	3841143	8	Keeper, Pin	
27	3841258	2	Keeper, Pin	
28	1001155574	NLA	Tie-Rod (Part of Item 40) (Use Item 40 as replacement)	
29	3960343	2	Seal, Grease	
30	4071059	2	Shim	
31	4130396	1	Spindle (LH)	
32	4130400	1	Spindle (RH)	
33	4740111	9	Thrustwasher	
34	4740155	2	Thrustwasher	
35	4740256	2	Thrustwasher	
36	4740283	2	Washer, Hardened	
37	4740463	2	Thrustwasher	
38	4761000	6	Washer #10	
39	4846935	1	Pivot	
40	1001276664	1	Tie-Rod Assembly (Includes Items 8 & 28)	

# SECTION 1 - FRAME

## FIGURE 1-10. STEERING INSTALLATION - 2WD/4WS (7FT/2.1M WIDE MACHINES WITHOUT TOW PACKAGE)



ART\_0274062

## SECTION 1 - FRAME

**FIGURE 1-10. STEERING INSTALLATION - 2WD/4WS (7FT/2.1M WIDE MACHINES WITHOUT TOW PACKAGE)**

ITEM	PART NUMBER	QTY	DESCRIPTION	REV
	0274062	Ref	STEERING INSTALLATION	1
1	0100011	AR	Compound, Locking	
2	0100063	AR	Adhesive	
3	0440018	4	Cup, Bearing	
4	0440019	4	Cone, Bearing	
5	0440161	2	Thrustwasher	
6	0641404	6	Bolt 1/4 x 1/2	
7	0641608	12	Bolt 3/8 x 1	
8	0681608	4	Bolt 3/8 x 1 (Grade 8)	
9	0962005	4	Bushing	
10	0962272	4	Bushing	
11	1120460	2	Cap, Hub	
12	1684418	4	Steer Cylinder Assembly (See Separate Breakdown in CYLINDER SECTION)	
13	2780276	2	Hub	
13A	0630490	18	Stud, Wheel (9 Per Hub)	
14	3300106	18	Nut, Wheel	
15	3323403	2	Nut, Slotted 1-1/2	
16	3422426	4	Pin	
17	3422429	4	Pin	
18	3422430	4	Pin	
19	3423175	2	Kingpin	
20	3450810	2	Pin, Cotter 1/4 x 2-1/2	
21	3451010	2	Pin, Cotter 5/16 x 2-1/2	
22	3841143	12	Keeper	
23	3841263	1	Tie-Rod	
24	3960098	2	Seal	
25	4130413	1	Spindle (RH)	
26	4130414	1	Spindle (LH)	
27	4740016	2	Washer, Hardened	
28	0642012	2	Bolt 5/8 x 1/1/2	
29	0962131	4	Bearing	
30	3422900	2	Kingpin	
31	3841258	2	Keeper	
32	2841677	1	Tie-Rod	
33	4130401	1	Spindle (LH)	
34	4130402	1	Spindle (RH)	
35	4740256	2	Thrustwasher	
36	4740463	2	Thrustwasher	
37	2220237	4	Plug	
38	3313403	2	Nut, Slotted 1-1/2	
39	4360331	1	Switch, Toggle (Crab Steer) (Not Shown - Located on Platform Console Box)	
40	3790012	1	O-Ring, Toggle (Crab Steer) (Not Shown - Located on Platform Console Box)	





## SECTION 1 - FRAME

**FIGURE 1-11. STEERING INSTALLATION - 2WD/4WS (7FT/2.1M WIDE MACHINES WITH TOW PACKAGE)**

ITEM	PART NUMBER	QTY	DESCRIPTION	REV
	0274257	Ref	STEERING INSTALLATION	C
1	0440018	4	Cup, Bearing	
2	0440019	4	Cone, Bearing	
3	0440161	4	Thrustwasher	
4	0641404	6	Bolt 1/4 x 1/2	
5	0641608	8	Bolt 3/8 x 1	
6	0681608	4	Bolt 3/8 x 1 (Grade 8)	
7	0741607	4	Screw 3/8 x 7/8	
8	0962005	2	Bushing	
9	0962272	4	Bushing	
10	0962292	2	Bushing	
11	0962348	1	Bushing	
12	1120460	2	Cap, Hub	
13	1684418	4	Steer Cylinder Assembly (See Separate Breakdown in CYLINDER SECTION)	
14	2780276	2	Hub	
14A	0630490	18	Stud, Wheel (9 Per Hub)	
15	2980125	1	Pivot	
16	3300106	18	Nut, Wheel	
17	3323403	2	Nut, Slotted 1-1/2	
18	3340966	2	Pad	
19	3422327	1	Pin	
20	3422426	2	Pin	
21	3422429	1	Pin	
22	3422430	2	Pin	
23	3422813	1	Pin	
24	3422848	1	Pin	
25	3423175	2	Kingpin	
26	3451010	4	Pin, Cotter 5/16 x 2-1/2	
27	3575716	1	Link	
28	3841143	6	Keeper	
29	3841263	1	Tie-Rod	
30	3960098	2	Seal	
31	4071059	2	Shim	
32	4130413	1	Spindle (RH)	
33	4130414	1	Spindle (LH)	
34	4740016	2	Washer, Hardened	
35	4740111	4	Thrustwasher	
36	4740155	2	Thrustwasher	
37	4740184	1	Washer, Special	
38	0100011	AR	Compound, Locking	
39	3313403	2	Nut, Slotted 1-1/2	
40	4360331	1	Switch, Toggle (Crab Steer) (Not Shown - Located on Platform Console Box)	
41	3790012	1	O-Ring, Toggle (Crab Steer) (Not Shown - Located on Platform Console Box)	



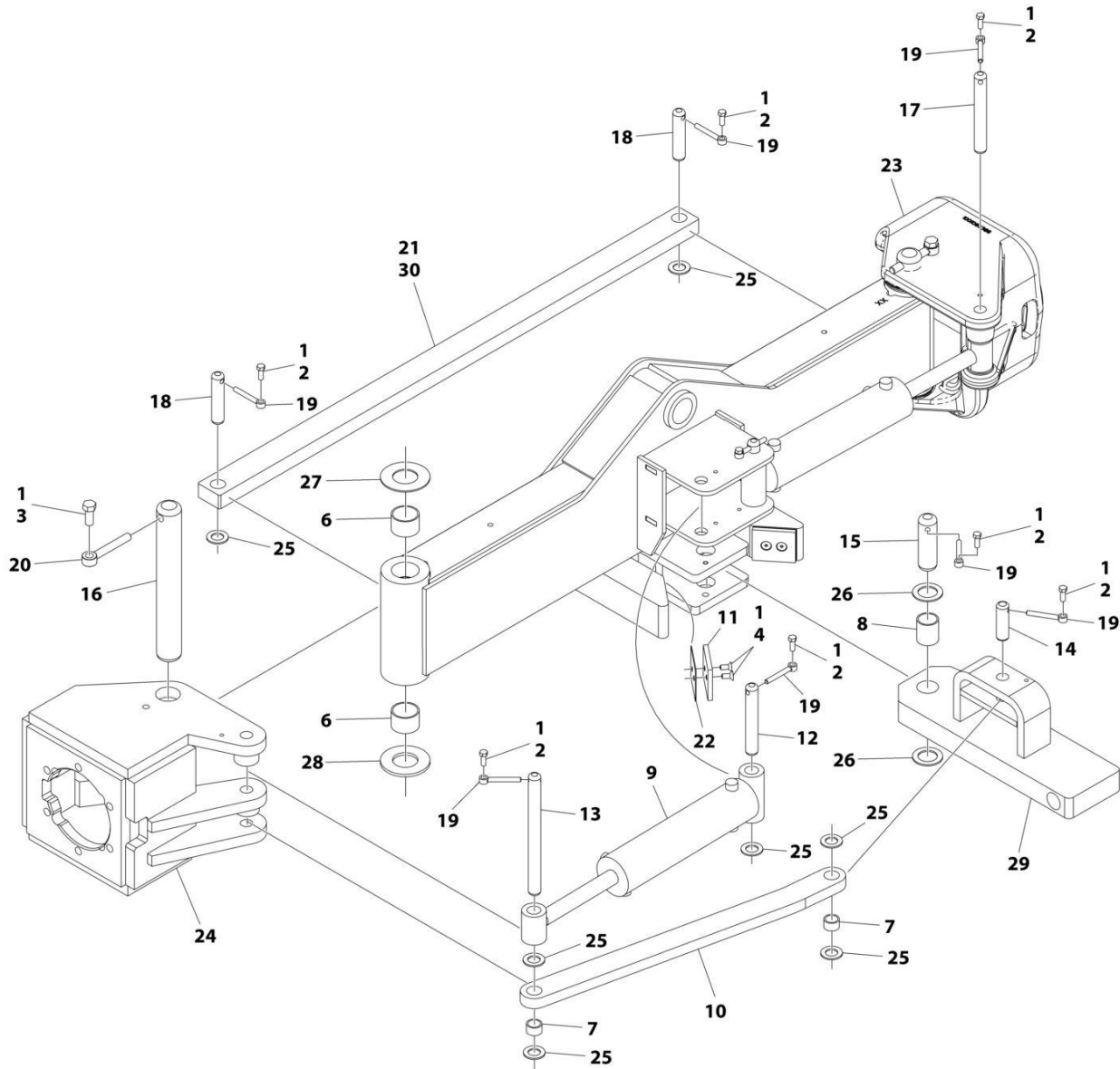
## SECTION 1 - FRAME

**FIGURE 1-12. STEERING INSTALLATION - 4WD/2WS & 4WD/4WS (8FT/2.4M WIDE MACHINES WITHOUT TOW PACKAGE)**

ITEM	PART NUMBER	QTY	DESCRIPTION	REV
	1001148162	Ref	STEERING INSTALLATION – 4WD/2WS	D
1	0100011	AR	Compound, Locking	
2	0641608	6	Bolt 3/8 x 1	
3	1001097242	2	Steer Cylinder Assembly (See Separate Breakdown in CYLINDER SECTION)	
4	0642012	2	Bolt 5/8 x 1-1/2	
5	0962356	2	Bushing (Part of item 20)	
6	0962131	4	Bushing	
8	3422326	2	Pin	
9	3422900	2	Pin	
10	3422902	1	Pin	
11	3422903	2	Pin	
12	3841143	6	Keeper, Pin	
13	3841258	2	Keeper, Pin	
14	1001155574	NLA	Tie-Rod (Part of Item 20) (Use Item 20 as replacement)	
15	1001099387	1	Spindle (LH)	
16	1001099196	1	Spindle (RH)	
17	4740111	6	Thrustwasher	
18	4740256	2	Thrustwasher	
19	4740463	2	Thrustwasher	
20	1001276664	1	Tie-Rod Assembly (Includes Items 5 & 14)	

# SECTION 1 - FRAME

## FIGURE 1-13. STEERING INSTALLATION - 4WD/2WS (8FT/2.4M WIDE MACHINES WITH TOW PACKAGE)



ART\_1001148164\_D

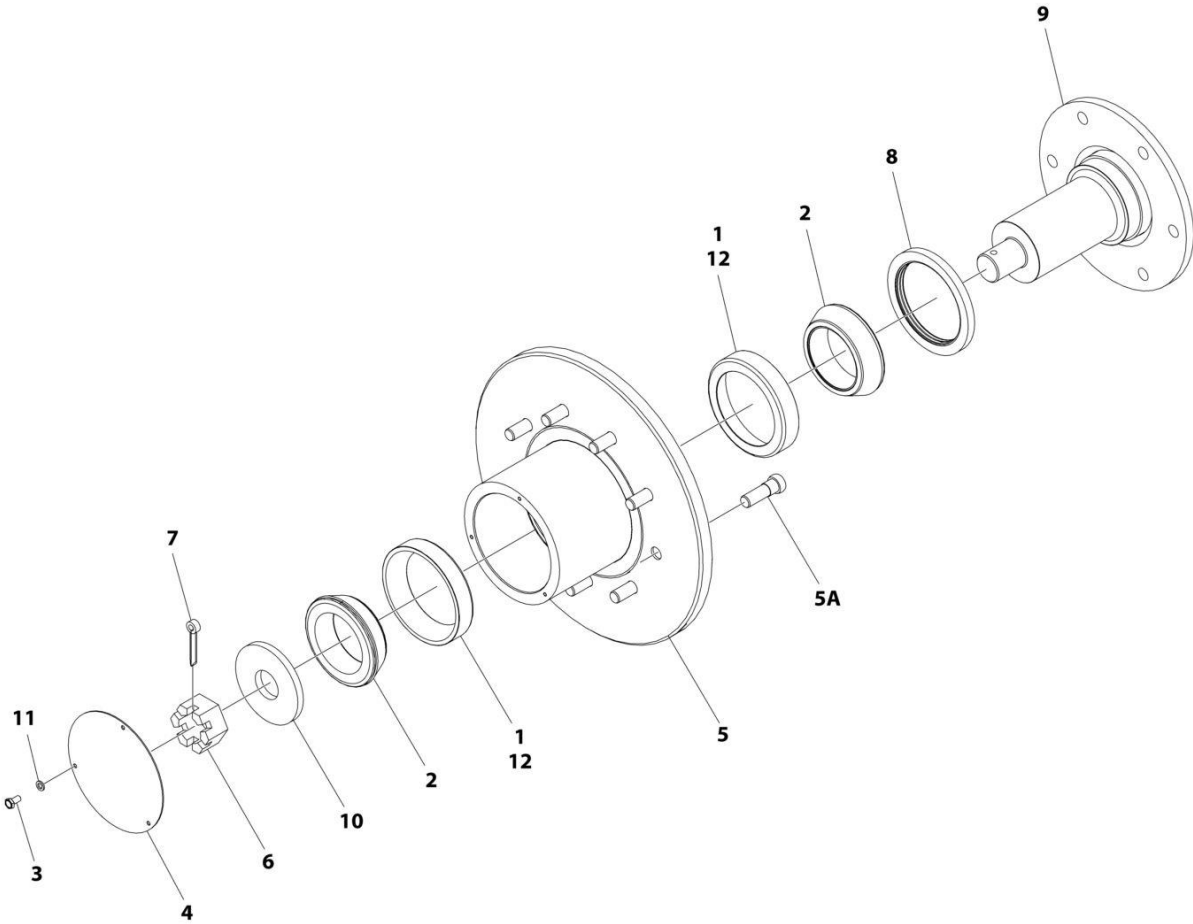
## SECTION 1 - FRAME

**FIGURE 1-13. STEERING INSTALLATION - 4WD/2WS (8FT/2.4M WIDE MACHINES WITH TOW PACKAGE)**

ITEM	PART NUMBER	QTY	DESCRIPTION	REV
	1001148164	Ref	STEERING INSTALLATION - 4WD/2WS	D
1	0100011	AR	Compound, Locking	
2	0641608	8	Bolt 3/8 x 1	
3	0642012	2	Bolt 5/8 x 1-1/2	
4	0741607	4	Screw 3/8 x 7/8	
5	0962356	2	Bearing (Part of item 30)	
6	0962131	4	Bushing	
7	0962292	2	Bushing	
8	0962348	1	Bushing	
9	1001097242	2	Steer Cylinder Assembly (See Separate Breakdown in CYLINDER Section)	
10	1001148178	1	Link	
11	3340966	2	Pad	
12	3422326	2	Pin	
13	3422567	1	Pin	
14	3422813	1	Pin	
15	3422848	1	Pin	
16	3422900	2	Pin	
17	3422902	1	Pin	
18	3422903	2	Pin	
19	3841143	8	Keeper, Pin	
20	3841258	2	Keeper, Pin	
21	1001155574	NLA	Tie-Rod (Part of Item 30) (Use Item 30 as replacement)	
22	4071059	2	Shim	
23	1001099387	1	Spindle (LH)	
24	4130399	1	Spindle (RH)	
25	4740111	9	Thrustwasher	
26	4740155	2	Thrustwasher	
27	4740256	2	Thrustwasher	
28	4740463	2	Thrustwasher	
29	4846935	1	Pivot	
30	1001276664	1	Tie-Rod Assembly (Includes Items 5 & 21)	

**SECTION 1 - FRAME**

**FIGURE 1-14. HUB ASSEMBLY**



ART\_4130410

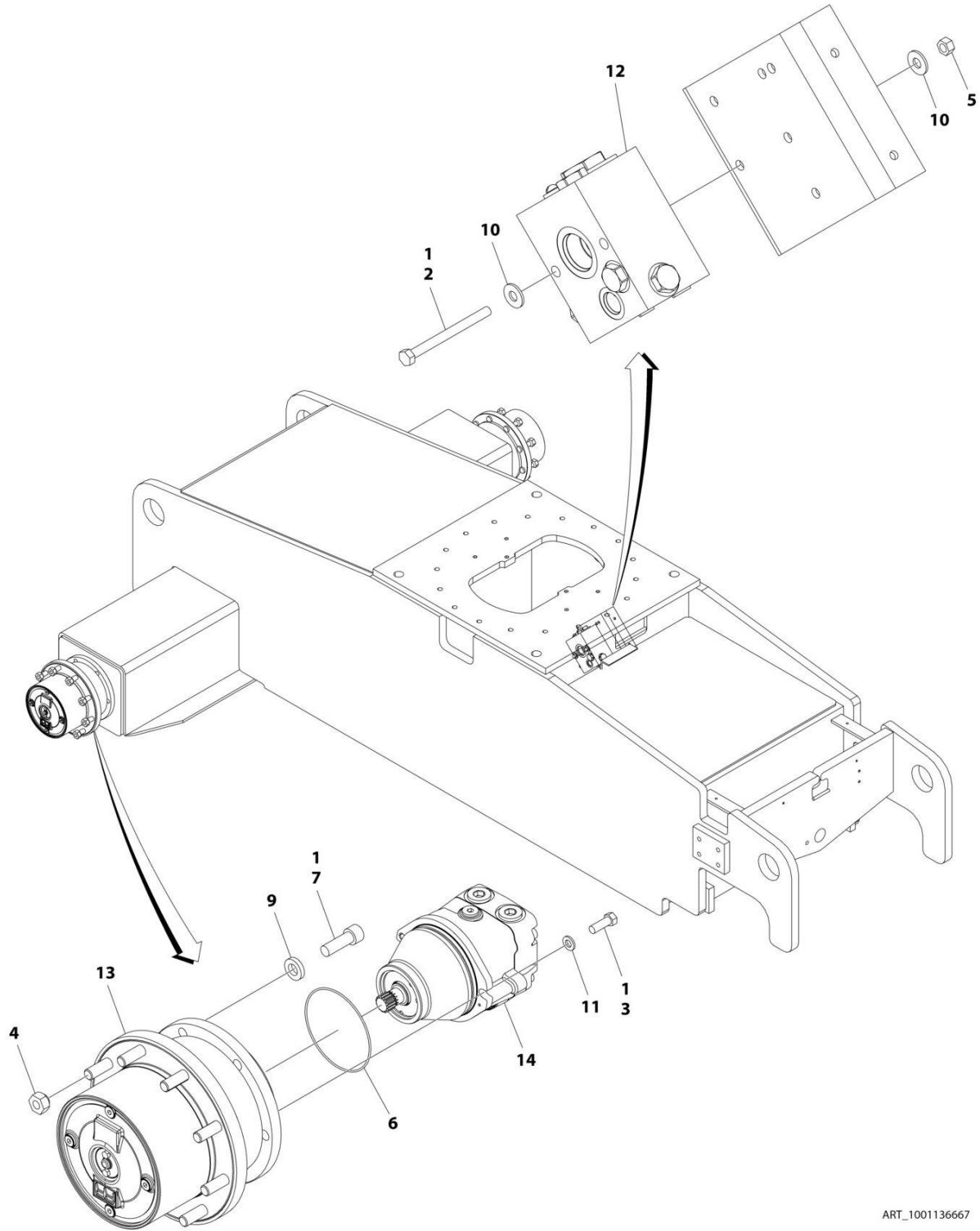
# SECTION 1 - FRAME

## FIGURE 1-14. HUB ASSEMBLY

ITEM	PART NUMBER	QTY	DESCRIPTION	REV
	4130410	Ref	HUB ASSEMBLY	C
1	0440170	2	Cone, Bearing	
2	0440171	2	Cup, Bearing	
3	0721003	3	Bolt #10 x 3/8	
4	1120304	1	Cap, Hub	
5	2780271	1	Hub	
5A	0630490	9	Stud, Wheel	
6	3323403	1	Nut, Slotted 1-1/2	
7	3451010	1	Pin, Cotter 5/8 x 2-1/2	
8	3960343	1	Seal, Grease	
9	4130409	1	Adapter, Spindle	
10	4740283	1	Washer, Hardened	
11	4761000	3	Washer #10	
12	3020017	AR	Grease, Bearing	

# SECTION 1 - FRAME

## FIGURE 1-15. WHEEL DRIVE INSTALLATION - 2WD/2WS



ART\_1001136667



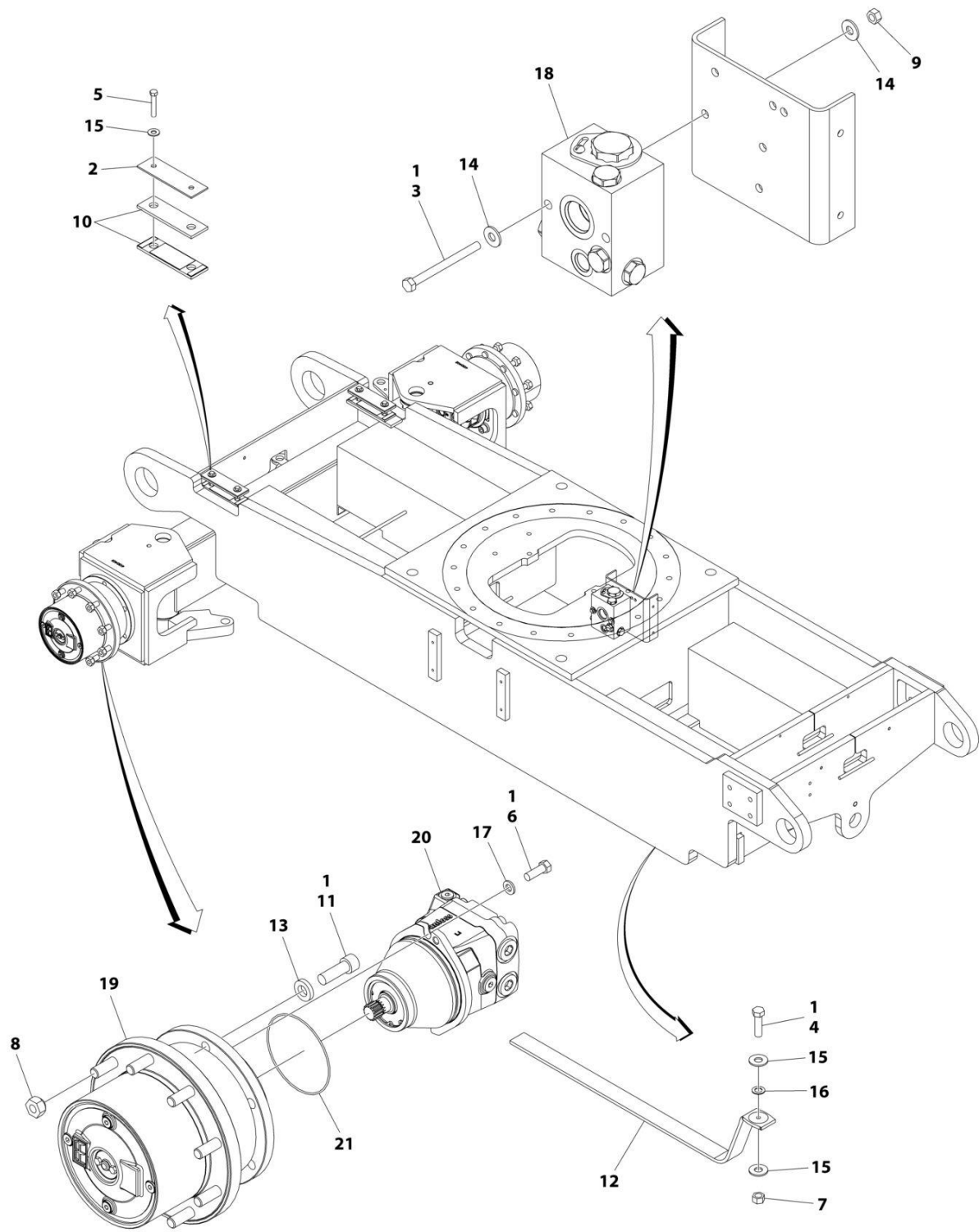
## SECTION 1 - FRAME

**FIGURE 1-15. WHEEL DRIVE INSTALLATION - 2WD/2WS**

ITEM	PART NUMBER	QTY	DESCRIPTION	REV
	1001136667	Ref	WHEEL DRIVE INSTALLATION - 2WD/2WS	F
1	0100011	AR	Compound, Locking	
2	0641530	2	Bolt 7/16 x 1-1/4	
3	0681710	4	Bolt 7/16 x 1-1/4	
4	3300106	18	Nut, Wheel	
5	3311505	2	Nut 5/16	
6	3790158	2	O-Ring	
7	3932030	12	Capscrew 5/8 x 1-7/8	
8	4060807	AR	Flex Trim (Not Shown)	
9	4740393	12	Washer 5/8 Hardened	
10	4751500	4	Washer 5/16	
11	5241000	4	Washer M10 Hardened	
12	1001100120	1	Flow Divider Valve Assembly (See Separate Breakdown in this Section)	
13	1001113984	2	Drive Hub Assembly (See Separate Breakdown in this Section)	
14	1001136672	2	Drive Motor Assembly Options (See Separate Breakdown in this Section)	

# SECTION 1 - FRAME

## FIGURE 1-16. WHEEL DRIVE INSTALLATION - 2WD/4WS



ART\_1001136670

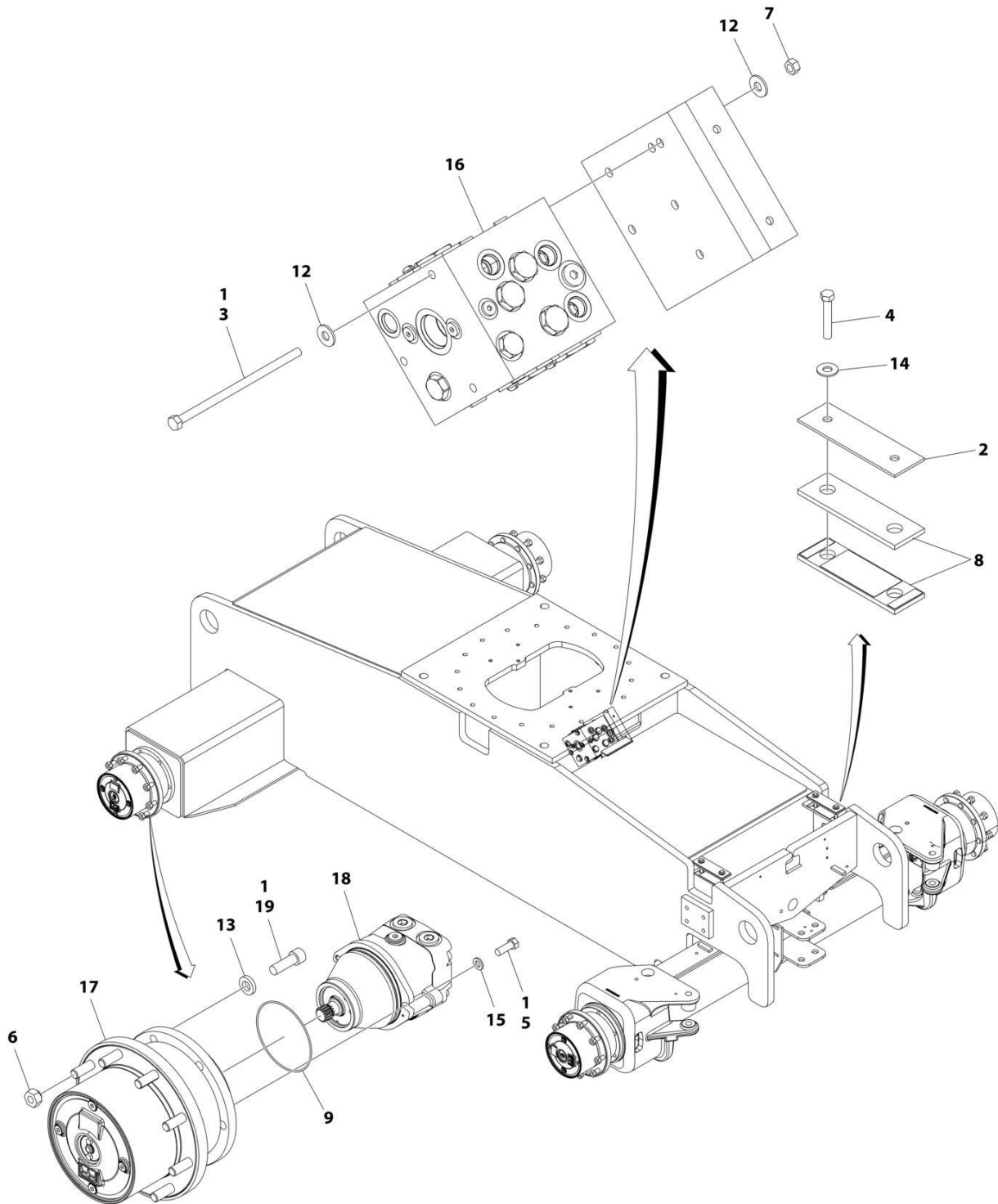
## SECTION 1 - FRAME

**FIGURE 1-16. WHEEL DRIVE INSTALLATION - 2WD/4WS**

ITEM	PART NUMBER	QTY	DESCRIPTION	REV
	1001136670	Ref	WHEEL DRIVE INSTALLATION - 2WD/4WS	E
1	0100011	AR	Compound, Locking	
2	0363012	2	Clamp	
3	0641530	2	Bolt 5/16 x 3-3/4	
4	0641611	1	Bolt 3/8 1-3/8	
5	0641618	4	Bolt 3/8 x 2-1/4	
6	0681710	4	Bolt 7/16 x 1-1/4 Grade 8	
7	3271601	1	Nut 3/8	
8	3300106	18	Nut, Wheel	
9	3311505	2	Nut 5/16	
10	3340911	4	Rubber, Clamp	
11	3932030	12	Capscrew 5/8 x 1-7/8	
12	4240084	1	Strap, Anti-Static	
13	4740393	12	Washer 5/8 Hardened	
14	4751500	4	Washer 5/16	
15	4751600	6	Washer 3/8	
16	4791600	1	Washer 3/8	
17	5241000	4	Washer M10 Hardened	
18	1001100120	1	Flow Divider Valve Assembly (See Separate Breakdown in this Section)	
19	1001113984	2	Drive Hub Assembly (See Separate Breakdown in this Section)	
20	1001136672	2	Drive Motor Assembly Options (See Separate Breakdown in this Section)	
21	3790158	2	O-Ring	

# SECTION 1 - FRAME

## FIGURE 1-17. WHEEL DRIVE INSTALLATION - 4WD/2WS



ART\_1001136668

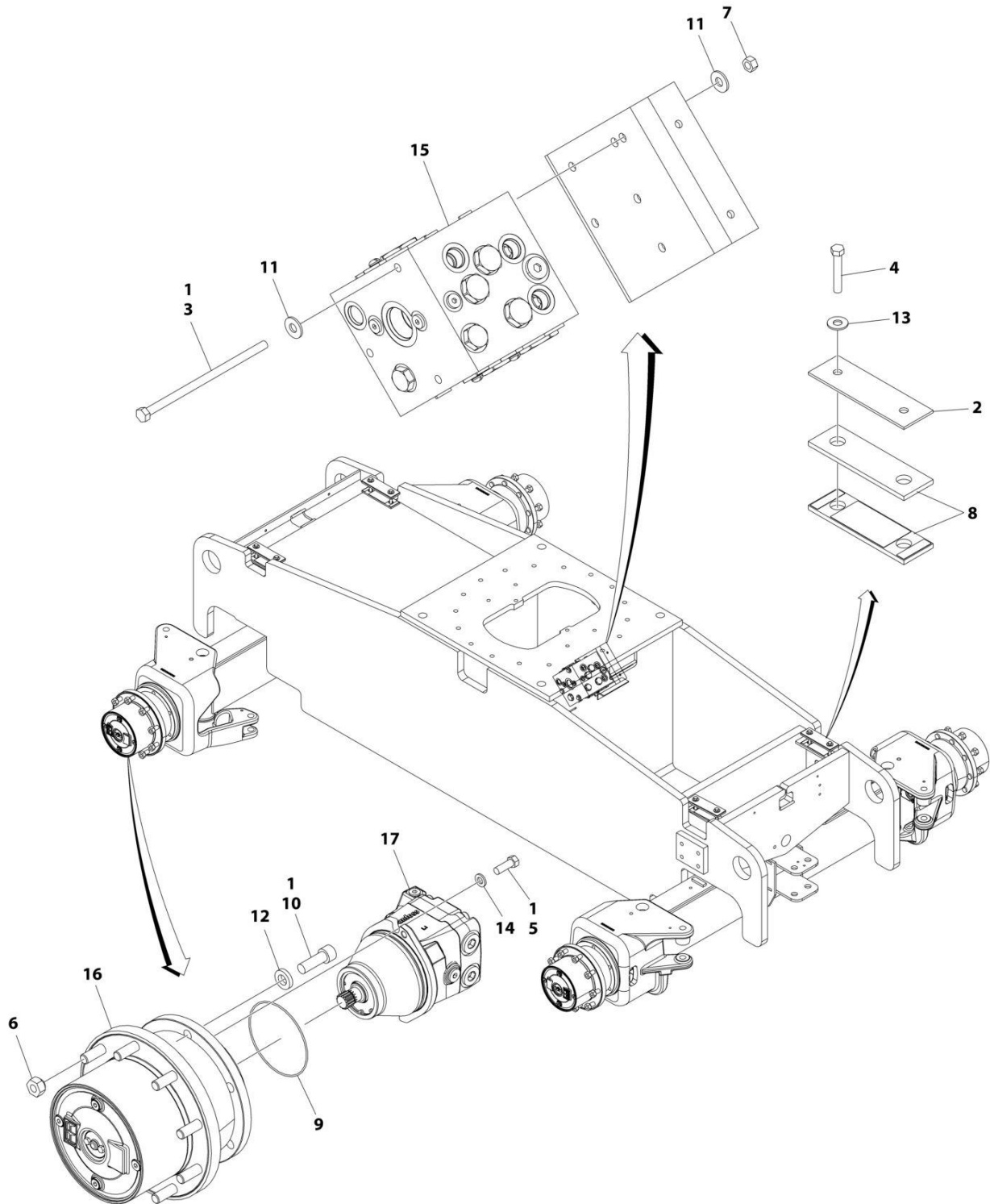
## SECTION 1 - FRAME

**FIGURE 1-17. WHEEL DRIVE INSTALLATION - 4WD/2WS**

ITEM	PART NUMBER	QTY	DESCRIPTION	REV
	1001136668	Ref	WHEEL DRIVE INSTALLATION - 4WD/2WS	H
1	0100011	AR	Compound, Locking	
2	0363012	2	Clamp	
3	0641552	3	Bolt 5/16 x 6-1/2	
4	0641618	4	Bolt 3/8 x 2-1/4	
5	0681710	4	Bolt 7/16 x 1-1/4 Grade 8	
6	3300106	36	Nut, Wheel	
7	3311505	3	Nut 5/16	
8	3340911	4	Rubber, Clamp	
9	3790158	4	O-Ring	
12	4751500	4	Washer 5/16	
13	4740393	24	Washer 5/8 Hardened	
14	4751600	4	Washer 3/8	
15	5241000	8	Washer M10 Hardened	
16	1001098503	1	Flow Divider Valve Assembly (See Separate Breakdown in this Section)	
17	1001113984	4	Drive Hub Assembly (See Separate Breakdown in this Section)	
18	1001135600	4	Drive Motor Assembly Options (See Separate Breakdown in this Section)	
19	3932030	24	Capscrew 5/8 x 1-7/8	
22	4060807	AR	Flex Trim (Not Shown)	

# SECTION 1 - FRAME

## FIGURE 1-18. WHEEL DRIVE INSTALLATION - 4WD/4WS



ART\_1001136669

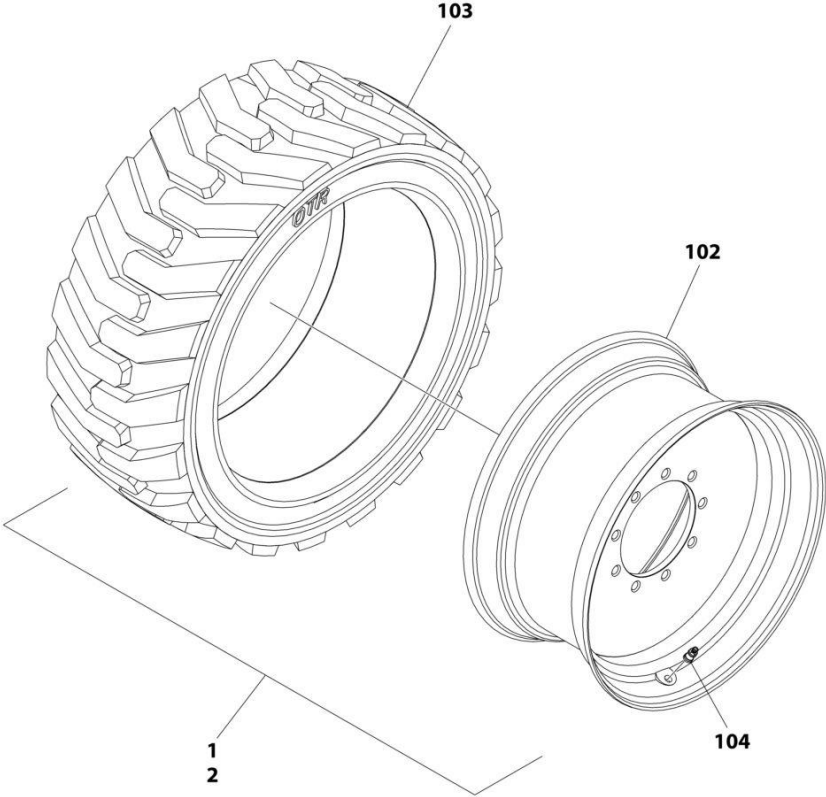
## SECTION 1 - FRAME

**FIGURE 1-18. WHEEL DRIVE INSTALLATION - 4WD/4WS**

ITEM	PART NUMBER	QTY	DESCRIPTION	REV
	1001136669	Ref	WHEEL DRIVE INSTALLATION - 4WD/4WS	G
1	0100011	AR	Compound, Locking	
2	0363012	2	Clamp	
3	0641552	3	Bolt 5/16 x 6-1/2	
4	0641618	8	Bolt 3/8 x 2-1/4	
5	0681710	8	Bolt 7/16 x 1-1/4 Grade 8	
6	3300106	36	Nut, Wheel	
7	3311505	3	Nut 5/16	
8	3340911	8	Rubber, Clamp	
9	3790158	4	O-Ring	
10	3932030	24	Capscrew 5/8 x 1-7/8	
11	4751500	6	Washer 5/16	
12	4740393	24	Washer 5/8 Hardened	
13	4751600	8	Washer 3/8	
14	5241000	8	Washer M10 Hardened	
15	1001098503	1	Flow Divider Valve Assembly (See Separate Breakdown in this Section)	
16	1001113984	4	Drive Hub Assembly (See Separate Breakdown in this Section)	
17	1001135600	4	Drive Motor Assembly Options (See Separate Breakdown in this Section)	

**SECTION 1 - FRAME**

**FIGURE 1-19. TIRE AND WHEEL INSTALLATION - FOAM FILLED**



ART\_4520346



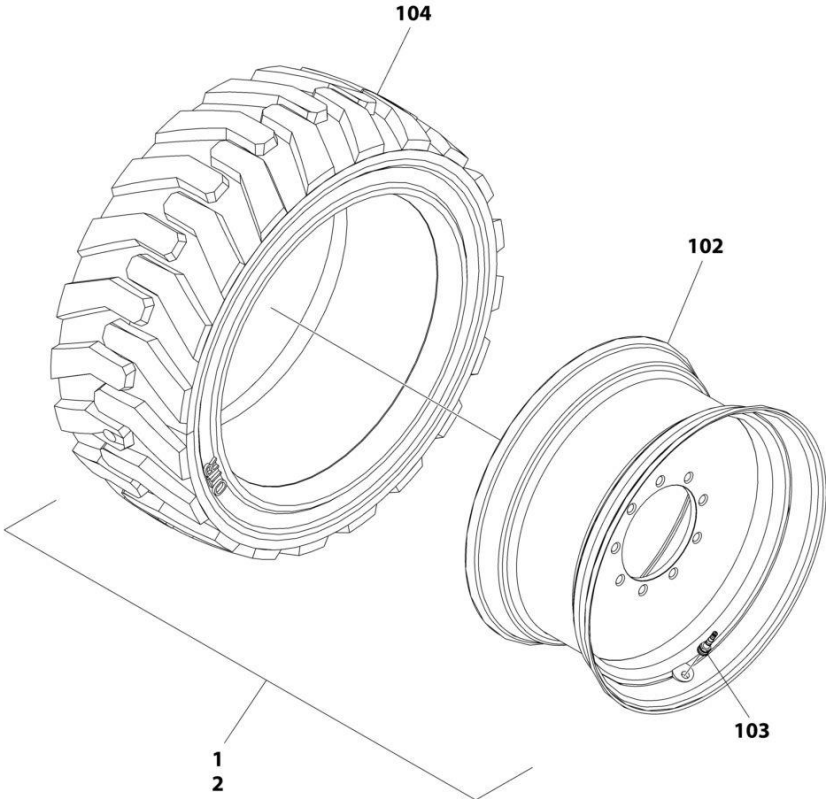
## SECTION 1 - FRAME

**FIGURE 1-19. TIRE AND WHEEL INSTALLATION - FOAM FILLED**

ITEM	PART NUMBER	QTY	DESCRIPTION	REV
	4520346	Ref	TIRE AND WHEEL INSTALLATION - FOAM FILLED	C
		Ref	Note: Assemblies may require ballast/foam filling to manufacturer's specifications prior to installing on a machine. Refer to Operation and Safety or Service and Maintenance Manuals.	
		Ref	Note: Purchase individual tire and/or rim only if able to foam fill tire and wheel assembly, otherwise, purchase complete assembly.	
1	4520344	2	Tire and Wheel Assembly - Foam-Filled (Left Side)	H
2	4520345	2	Tire and Wheel Assembly - Foam-Filled (Right Side)	H
102	4520287	AR	Rim, Wheel (1 Per Assembly)	
103	4520288	AR	Tire - IN355/55D625 (1 Per Assembly)	
104	4640113	AR	Valve, Air (1 Per Assembly)	

**SECTION 1 - FRAME**

**FIGURE 1-20. TIRE AND WHEEL INSTALLATION - FOAM FILLED NON-MARKING**



ART\_1001231678

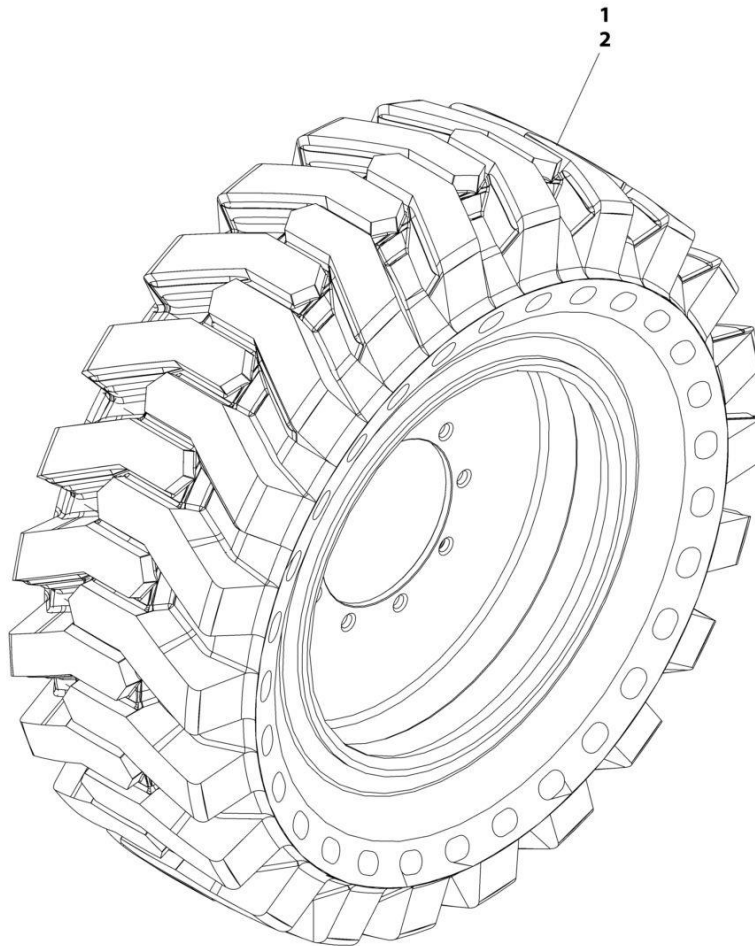
## SECTION 1 - FRAME

**FIGURE 1-20. TIRE AND WHEEL INSTALLATION - FOAM FILLED NON-MARKING**

ITEM	PART NUMBER	QTY	DESCRIPTION	REV
	1001231678	Ref	TIRE AND WHEEL INSTALLATION - FOAM FILLED NON - MARKING	A
		Ref	Note: Assemblies may require ballast/foam filling to manufacturer's specifications prior to installing on a machine. Refer to Operation and Safety or Service and Maintenance Manuals.	
		Ref	Note: Purchase individual tire and/or rim only if able to foam fill tire and wheel assembly, otherwise, purchase complete assembly.	
1	1001231676	2	Tire and Wheel Assembly - Foam-Filled (Left Side)	C
2	1001231677	2	Tire and Wheel Assembly - Foam-Filled (Right Side)	B
102	4520287	AR	Rim, Wheel (1 Per Assembly)	
103	4641122	AR	Valve, Air (1 Per Assembly)	
104	1001184881	AR	Tire - IN355/55D625 (1 Per Assembly)	

# SECTION 1 - FRAME

FIGURE 1-21. TIRE AND WHEEL INSTALLATION - SOLIDBOSS



ART\_1001147067

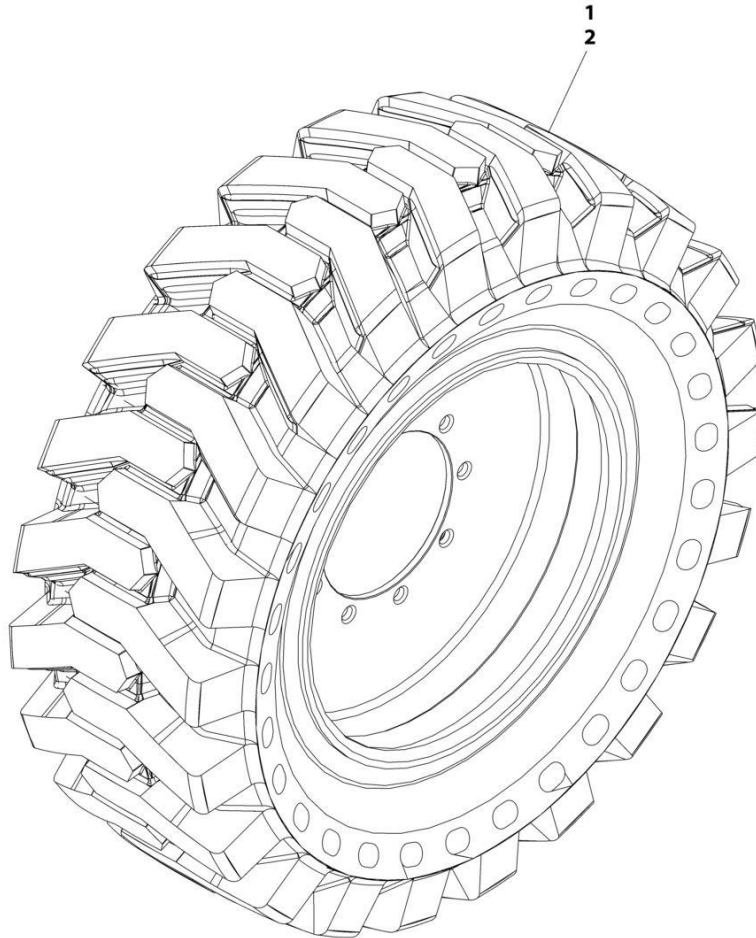
## SECTION 1 - FRAME

**FIGURE 1-21. TIRE AND WHEEL INSTALLATION - SOLIDBOSS**

ITEM	PART NUMBER	QTY	DESCRIPTION	REV
	1001147067	Ref	TIRE AND WHEEL INSTALLATION - SOLIDBOSS	C
1	1001207345	2	Tire and Wheel Assembly - Left Side	
2	1001207346	2	Tire and Wheel Assembly - Right Side	

## SECTION 1 - FRAME

FIGURE 1-22. TIRE AND WHEEL INSTALLATION - SOLIDBOSS NON-MARKING



ART\_1001147068

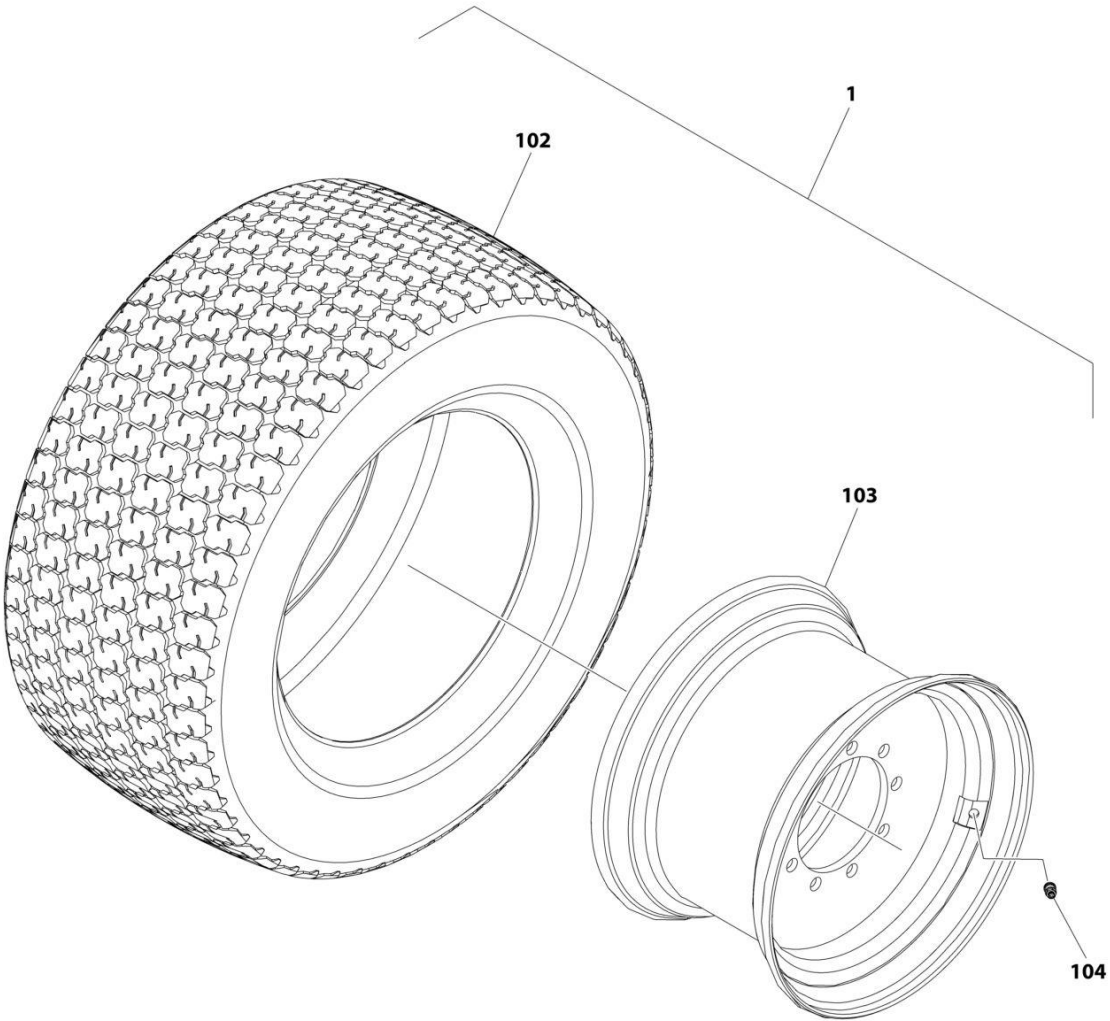
## SECTION 1 - FRAME

**FIGURE 1-22. TIRE AND WHEEL INSTALLATION - SOLIDBOSS NON-MARKING**

ITEM	PART NUMBER	QTY	DESCRIPTION	REV
	1001147068	Ref	TIRE AND WHEEL INSTALLATION - SOLIDBOSS NON - MARKING	B
1	1001214747	2	Tire and Wheel Assembly - Left Side	
2	1001214748	2	Tire and Wheel Assembly - Right Side	

**SECTION 1 - FRAME**

**FIGURE 1-23. TIRE AND WHEEL INSTALLATION - TURF**



ART\_1001272547



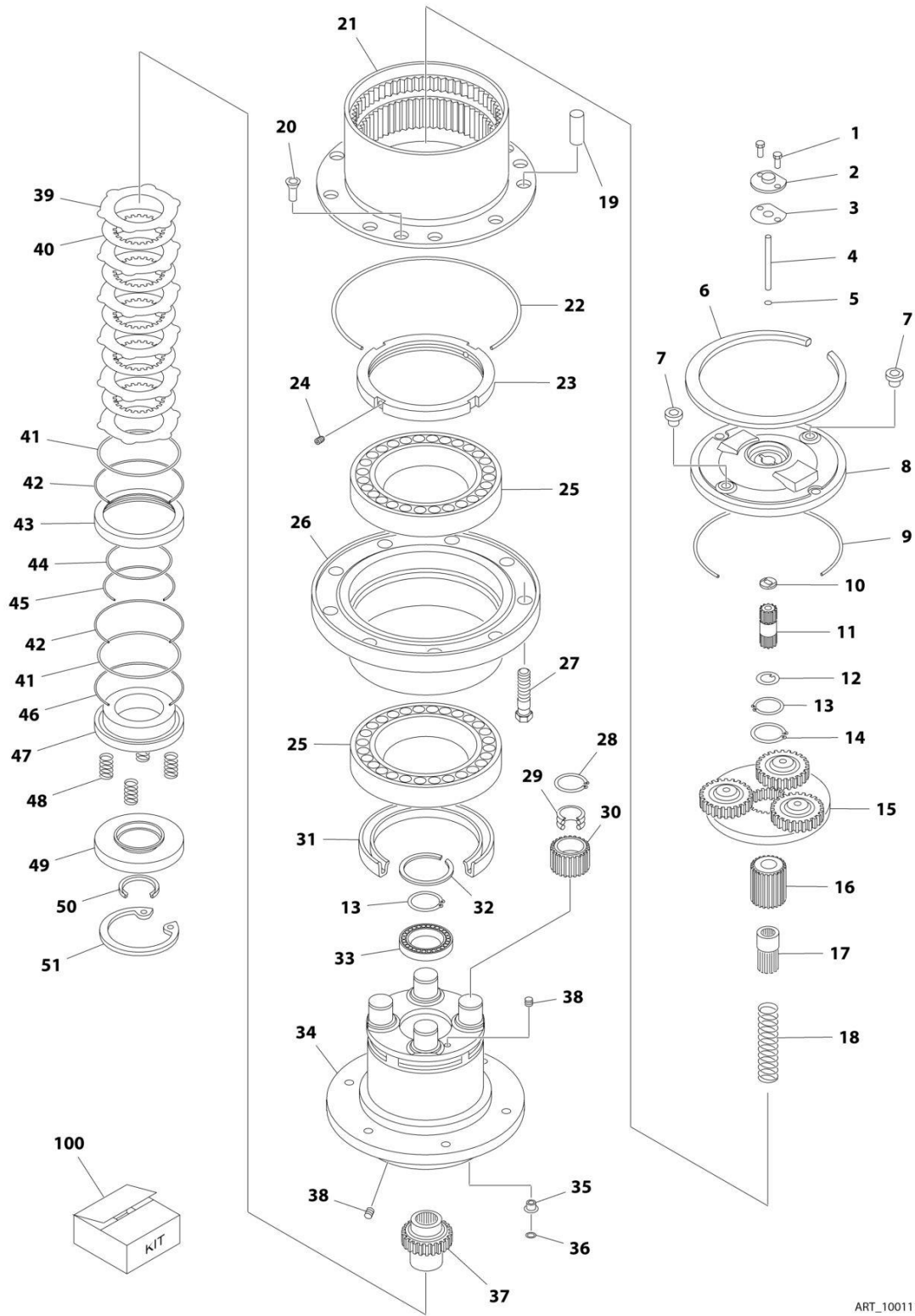
**SECTION 1 - FRAME**

**FIGURE 1-23. TIRE AND WHEEL INSTALLATION - TURF**

<b>ITEM</b>	<b>PART NUMBER</b>	<b>QTY</b>	<b>DESCRIPTION</b>	<b>REV</b>
	1001272547	Ref	TIRE AND WHEEL INSTALLATION - TURF	A
1	1001272546	4	Tire and Wheel Assembly	
102	4520256	1	Tire, 41/18LL x 22.5	
103	4520672	1	Wheel, Sand Tire 22.5 x 14	
104	4640113	1	Valve, Tire	

# SECTION 1 - FRAME

## FIGURE 1-24. DRIVE HUB ASSEMBLY



ART\_1001113984

# SECTION 1 - FRAME

## FIGURE 1-24. DRIVE HUB ASSEMBLY

ITEM	PART NUMBER	QTY	DESCRIPTION	REV
	1001113984	Ref	DRIVE HUB ASSEMBLY	E
1	70004353	2	Screw	
2	70005298	1	Cover, Disengagement	
3	70002201	1	Gasket	
4	70002059	1	Pin, Disengagement	
5	See Note	NSS	O-Ring (Note: Use Item 100)	
6	70005299	1	Ring	
7	70002057	4	Plug	
8	70005300	1	Cover	
9	See Note	NSS	O-Ring (Note: Use Item 100)	
10	70002054	1	Shim	
11	70005301	1	Pinion	
12	70005302	1	Shim	
13	70004355	2	Ring, Outer Retention	
14	70004356	1	Ring, Inner Retention	
15	70005303	1	Reduction Gear Assembly	
16	70005304	1	Pinion	
17	70005305	1	Coupling, Disengagement Half	
18	70005306	1	Spring, Disengagement	
19	70005307	9	Plug	
20	70004361	3	Screw	
21	70005308	1	Ring, Planetary	
22	See Note	NSS	O-Ring (Note: Use Item 100)	
23	70005309	1	Nut, Ring	
24	70004363	2	Screw	
25	70005311	2	Bearing	
26	70004365	1	Support, Hub	
27	70005312	9	Column	
28	70004367	4	Ring, Outer Retention	
29	70005313	4	Bearing	
30	70004369	4	Wheel, Planet	
31	See Note	NSS	Seal, Oil (Note: Use Item 100)	
32	70004370	1	Ring	
33	70004371	1	Bearing	
34	70005314	1	Axle, Stub	
35	70005315	1	Plug	
36	See Note	NSS	O-Ring (Note: Use Item 100)	
37	70005316	1	Shaft, Input	
38	70004447	2	Plug	
39	70002027	6	Disc, Steel	
40	70002026	5	Disc, Sintered	
41	See Note	NSS	Seal (Note: Use Item 100)	
42	See Note	NSS	O-Ring (Note: Use Item 100)	
43	70005317	1	Spacer	
44	See Note	NSS	Seal (Note: Use Item 100)	
45	See Note	NSS	O-Ring (Note: Use Item 100)	
46	See Note	NSS	O-Ring (Note: Use Item 100)	
47	70005318	1	Piston	
48	70002020	6	Spring, Brake	
49	70005319	1	Spacer	

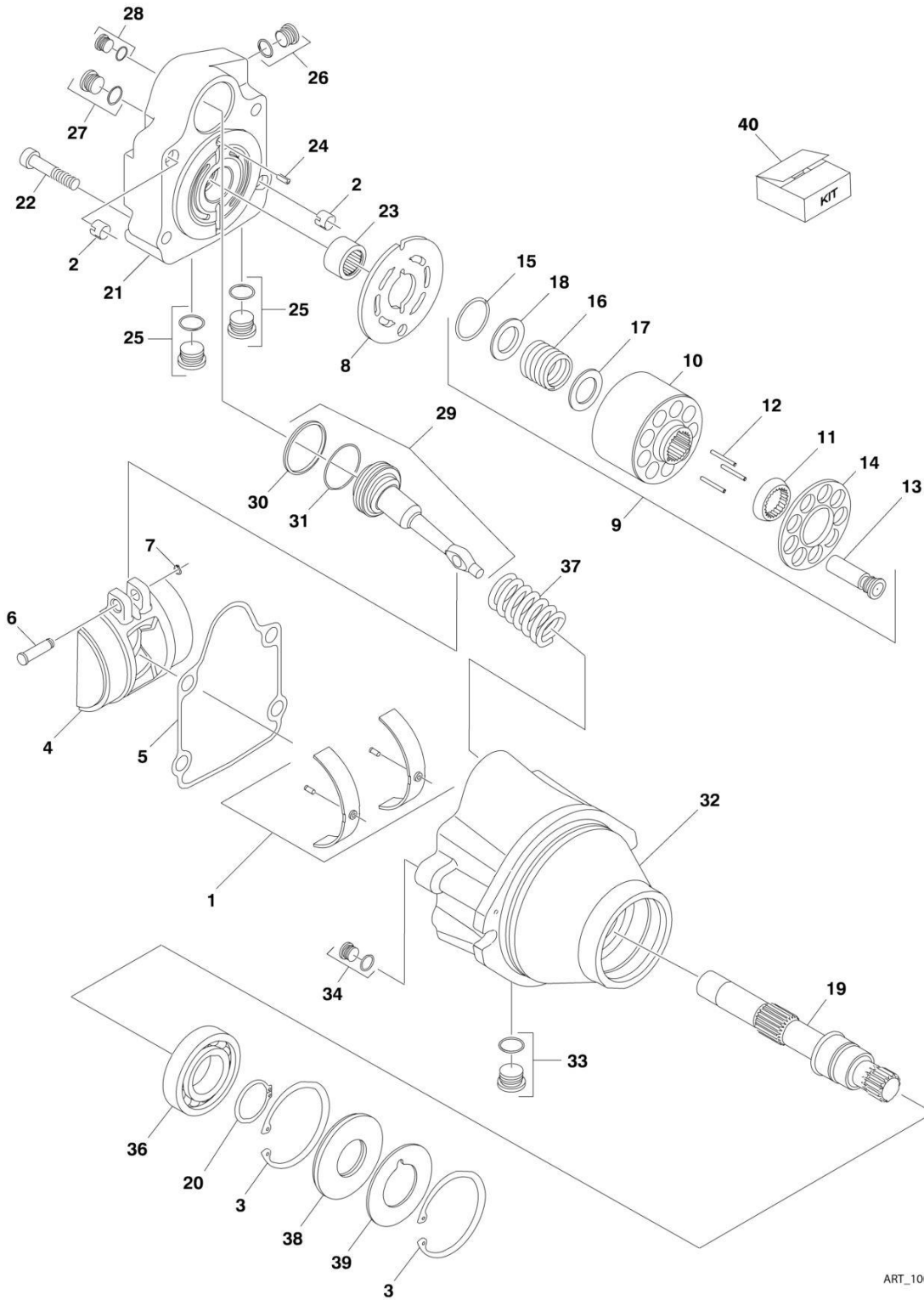
## SECTION 1 - FRAME

ITEM	PART NUMBER	QTY	DESCRIPTION	REV
50	See Note	NSS	Seal, Oil (Note: Use Item 100)	
51	70005320	1	Ring, Inner Retention	
100	70005321	1	Seal Kit (Includes Items 5, 9, 22, 31, 36, 41, 42, 44, 45, 46 & 50)	



# SECTION 1 - FRAME

## FIGURE 1-25. DRIVE MOTOR ASSEMBLY - 2WD



ART\_1001136672

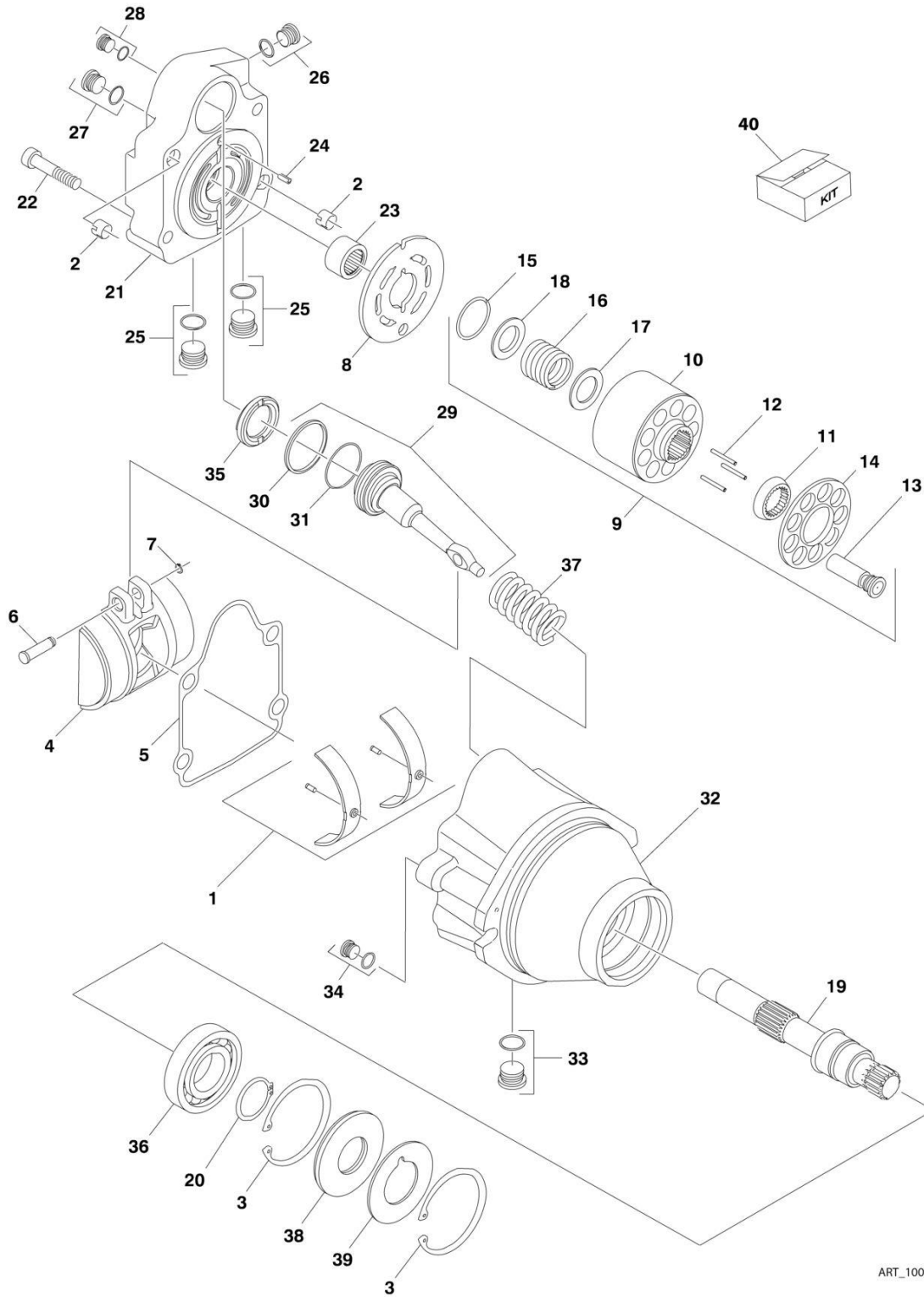
# SECTION 1 - FRAME

## FIGURE 1-25. DRIVE MOTOR ASSEMBLY - 2WD

ITEM	PART NUMBER	QTY	DESCRIPTION	REV
	1001136672	Ref	DRIVE MOTOR ASSEMBLY	C
1	70000852	1	Swash Plate Bearing Kit	
2	70003628	2	Pin	
3	70007438	2	Ring, Retaining	
4	70000853	1	Swash Plate	
5	See Note	NSS	Gasket (Note: Use Item 40)	
6	70004201	1	Pin	
7	70004202	1	Ring, Retaining	
8	70000854	1	Plate, Valve	
9	7027740	1	Cylinder Block Kit (Includes Items 10-18)	
10	7027740	1	Block, Cylinder	
11	70000854	1	Guide, Slipper Retainer	
12	7021275	3	Pin, Slipper Hold Down	
13	70004203	9	Piston Assembly	
14	70000857	1	Retainer, Slipper	
15	7022311	1	Ring, Retaining	
16	7024867	1	Spring	
17	7024868	1	Washer	
18	7022314	1	Retainer, Spring	
19	70000858	1	Shaft	
20	7007439	1	Ring, Retaining	
21	70004204	1	Cap, End - Axial	
22	7022368	4	Capscrew	
23	7021249	1	Bearing, Needle	
24	7007446	1	Pin	
25	7007419	2	Plug with O-Ring	
25	See Note	NSS	O-Ring (Note: Not Sold Separately - Purchase Item 25 or 40)	
26	7007420	1	Plug with O-Ring	
26	70000862	1	O-Ring (Note: Not Sold Separately - Purchase Item 26 or 40)	
27	7022321	1	Plug with O-Ring	
27	70000862	1	O-Ring (Note: Not Sold Separately - Purchase Item 27 or 40)	
28	7007420	1	Plug with O-Ring	
28	70000862	1	O-Ring (Note: Not Sold Separately - Purchase Item 28 or 40)	
29	70004207	1	Servo Piston Assembly	
30	See Note	NSS	Ring, Piston (Note: Not Sold Separately - Purchase Item 29 or 40)	
31	See Note	NSS	O-Ring (Note: Not Sold Separately - Purchase Item 29 or 40)	
32	See Note	NSS	Housing (Note: Not Available - Purchase Complete Motor)	
33	7022321	1	Plug with O-Ring	
33	70000862	1	O-Ring (Note: Not Sold Separately - Purchase Item 33 or 40)	
34	70002133	1	Plug with O-Ring	
34	70000862	1	O-Ring (Note: Not Sold Separately - Purchase Item 34 or 40)	
36	70002176	1	Bearing	
37	70000861	1	Spring	
38	See Note	NSS	Seal, Lip (Note: Use Item 40)	
39	7022371	1	Washer, Support	
40	70000862	1	Seal Kit (Includes Items 5, 30, 31, 38 and Plug O-Rings)	

# SECTION 1 - FRAME

## FIGURE 1-26. DRIVE MOTOR ASSEMBLY - 4WD



ART\_1001135600



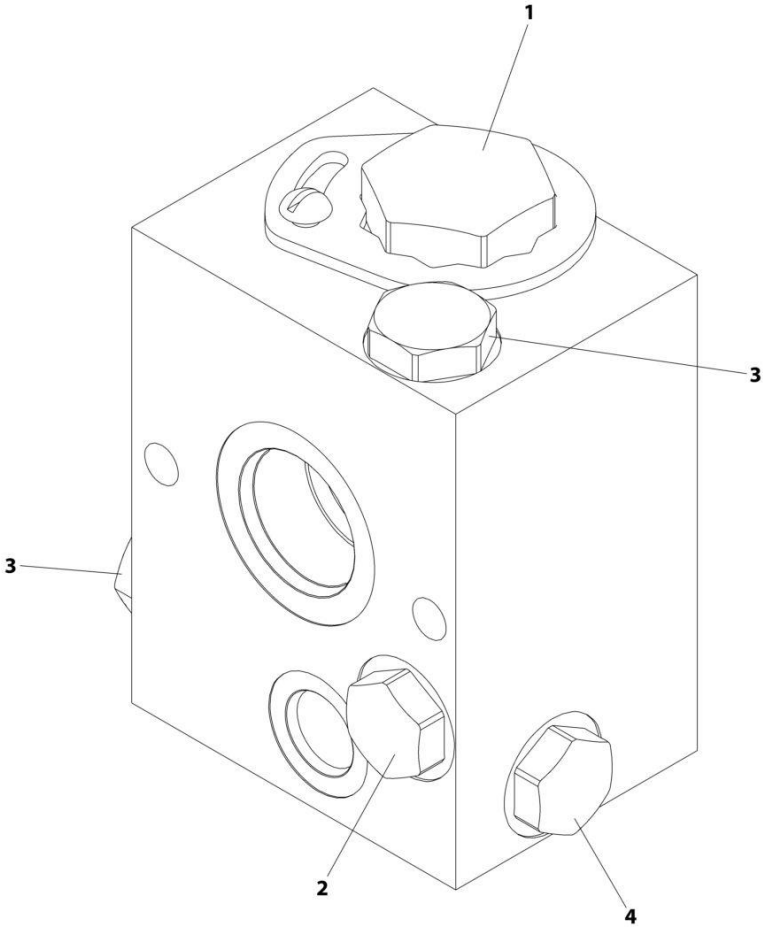
# SECTION 1 - FRAME

## FIGURE 1-26. DRIVE MOTOR ASSEMBLY - 4WD

ITEM	PART NUMBER	QTY	DESCRIPTION	REV
	1001135600	Ref	DRIVE MOTOR ASSEMBLY	C
1	70000852	1	Swash Plate Bearing Kit	
2	70003628	2	Pin	
3	70007438	2	Ring, Retaining	
4	70000853	1	Swash Plate	
5	See Note	NSS	Gasket (Note: Use Item 40)	
6	70004201	1	Pin	
7	70004202	1	Ring, Retaining	
8	70000854	1	Plate, Valve	
9	7027740	1	Cylinder Block Kit (Includes Items 10-18)	
10	7027740	1	Block, Cylinder	
11	70000854	1	Guide, Slipper Retainer	
12	7021275	3	Pin, Slipper Hold Down	
13	70004203	9	Piston Assembly	
14	70000857	1	Retainer, Slipper	
15	7022311	1	Ring, Retaining	
16	7024867	1	Spring	
17	7024868	1	Washer	
18	7022314	1	Retainer, Spring	
19	70000858	1	Shaft	
20	7007439	1	Ring, Retaining	
21	70004204	1	Cap, End - Axial	
22	7022368	4	Capscrew	
23	7021249	1	Bearing, Needle	
24	7007446	1	Pin	
25	7007419	2	Plug with O-Ring	
25	See Note	NSS	O-Ring (Note: Not Sold Separately - Purchase Item 25 or 40)	
26	7007420	1	Plug with O-Ring	
26	70000862	1	O-Ring (Note: Not Sold Separately - Purchase Item 26 or 40)	
27	7022321	1	Plug with O-Ring	
27	70000862	1	O-Ring (Note: Not Sold Separately - Purchase Item 27 or 40)	
28	7007420	1	Plug with O-Ring	
28	70000862	1	O-Ring (Note: Not Sold Separately - Purchase Item 28 or 40)	
29	70004205	1	Servo - 4WD	
30	See Note	NSS	Ring, Piston (Note: Not Sold Separately - Purchase Item 29 or 40)	
31	See Note	NSS	O-Ring (Note: Not Sold Separately - Purchase Item 29 or 40)	
32	See Note	NSS	Housing (Note: Not Available - Purchase Complete Motor)	
33	7022321	1	Plug with O-Ring	
33	70000862	1	O-Ring (Note: Not Sold Separately - Purchase Item 33 or 40)	
34	70002133	1	Plug with O-Ring	
34	70000862	1	O-Ring (Note: Not Sold Separately - Purchase Item 34 or 40)	
35	70004205	1	Stop (4WD Motor Only)	
36	70002176	1	Bearing	
37	70000861	1	Spring	
38	See Note	NSS	Seal, Lip (Note: Use Item 40)	
39	7022371	1	Washer, Support	
40	70000862	1	Seal Kit (Includes Items 5, 30, 31, 38 and Plug O-Rings)	

**SECTION 1 - FRAME**

**FIGURE 1-27. FLOW DIVIDER VALVE ASSEMBLY – 2WD**



ART\_1001100120\_C

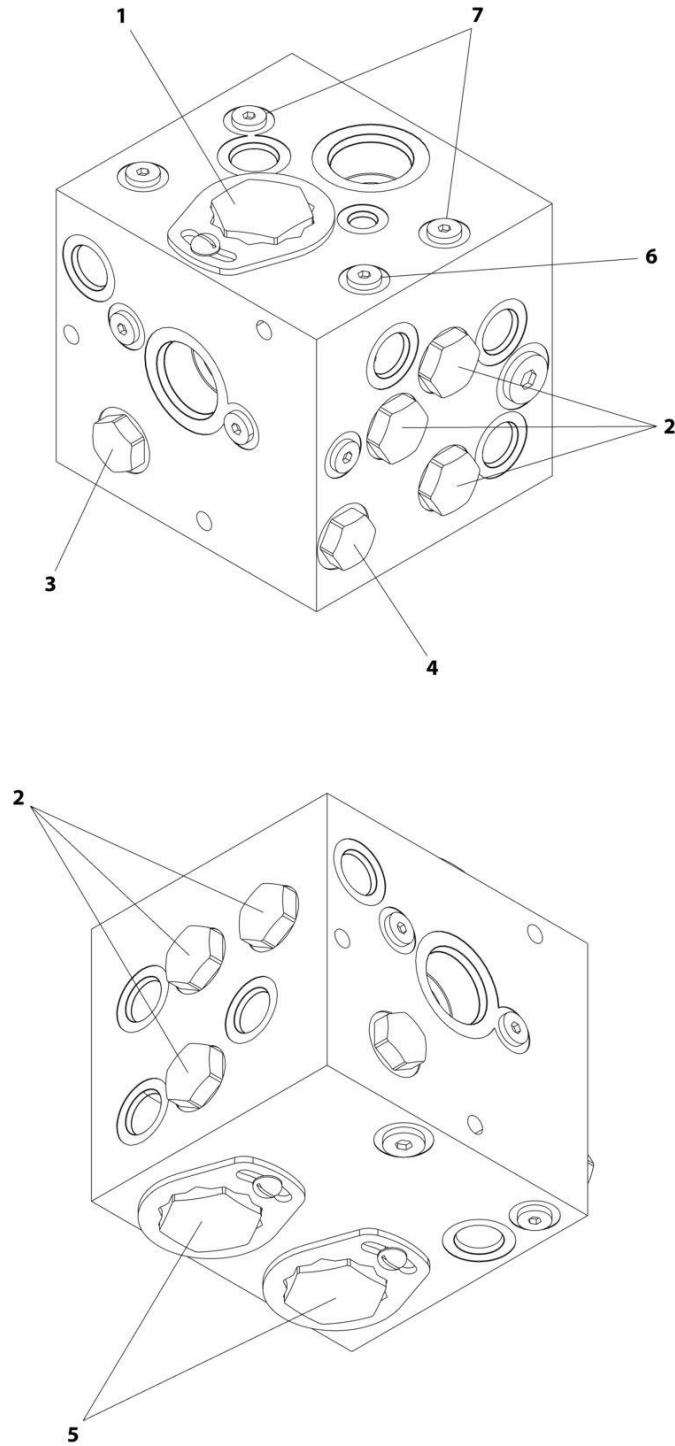
## SECTION 1 - FRAME

**FIGURE 1-27. FLOW DIVIDER VALVE ASSEMBLY – 2WD**

ITEM	PART NUMBER	QTY	DESCRIPTION	REV
	1001100120	Ref	FLOW DIVIDER ASSEMBLY - 2WD	C
1	70004017	1	Valve, Cartridge (Flow Divider)	
1	7021625	1	Seal Kit - Flow Divider Cartridge	
1	70000781	1	Locking Kit	
2	7024892	1	Valve, Cartridge (Check)	
2	7023936	1	Seal Kit - Check Cartridge	
3	7022397	2	Valve, Cartridge (Check)	
3	7022399	2	Seal Kit - Check Cartridge	
4	7023935	1	Valve, Cartridge (Check)	
4	7023936	1	Seal Kit - Check Cartridge	

# SECTION 1 - FRAME

FIGURE 1-28. FLOW DIVIDER VALVE ASSEMBLY – 4WD



ART\_1001098503

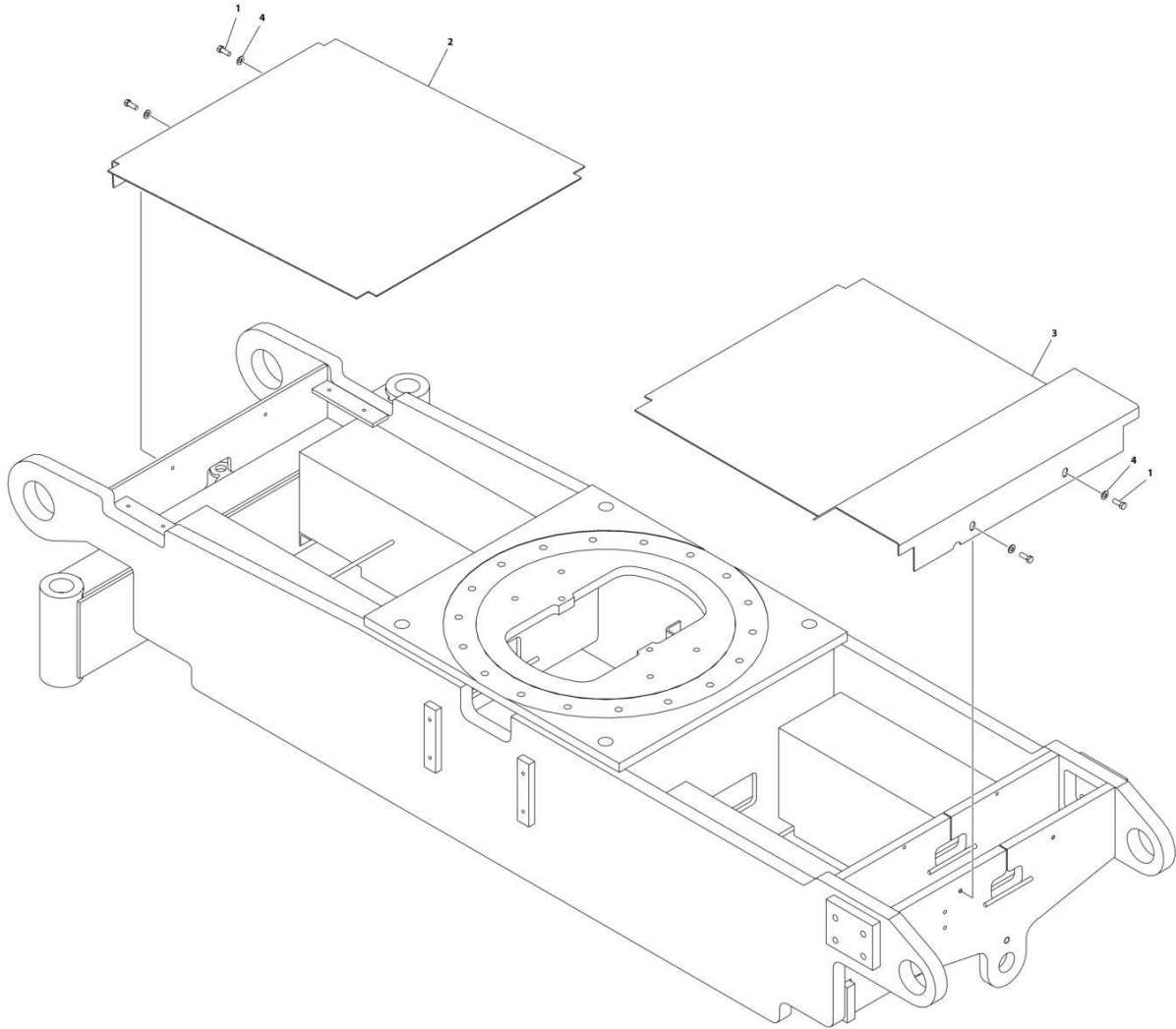
## SECTION 1 - FRAME

**FIGURE 1-28. FLOW DIVIDER VALVE ASSEMBLY – 4WD**

ITEM	PART NUMBER	QTY	DESCRIPTION	REV
	1001098503	Ref	FLOW DIVIDER ASSEMBLY - 4WD	C
1	7023933	1	Valve, Cartridge (Flow Divider)	
1	7021625	1	Seal Kit - Flow Divider Cartridge	
2		Ref	Valve, Cartridge (Check) Options:	
2	7022397	6	Valve p/n 4641410	
2	7022399	6	Seal Kit - Check Cartridge	
2	70003408	6	Valve p/n 1001098503	
2	7022399	6	Seal Kit - Check Cartridge	
3	7023935	1	Valve, Cartridge (Check)	
3	7023936	1	Seal Kit - Check Cartridge	
4	7024892	1	Valve, Cartridge (Check)	
4	7023936	1	Seal Kit - Check Cartridge	
5	7023917	2	Valve, Cartridge (Flow Divider)	
5	7021625	2	Seal Kit - Flow Divider Cartridge	
6	70002063	1	Plug, Orifice	
7	70002064	2	Plug, Orifice	

# SECTION 1 - FRAME

FIGURE 1-29. FRAME SHIELDS INSTALLATION – 2WS (7FT/2.1M WIDE MACHINES)



ART\_274229

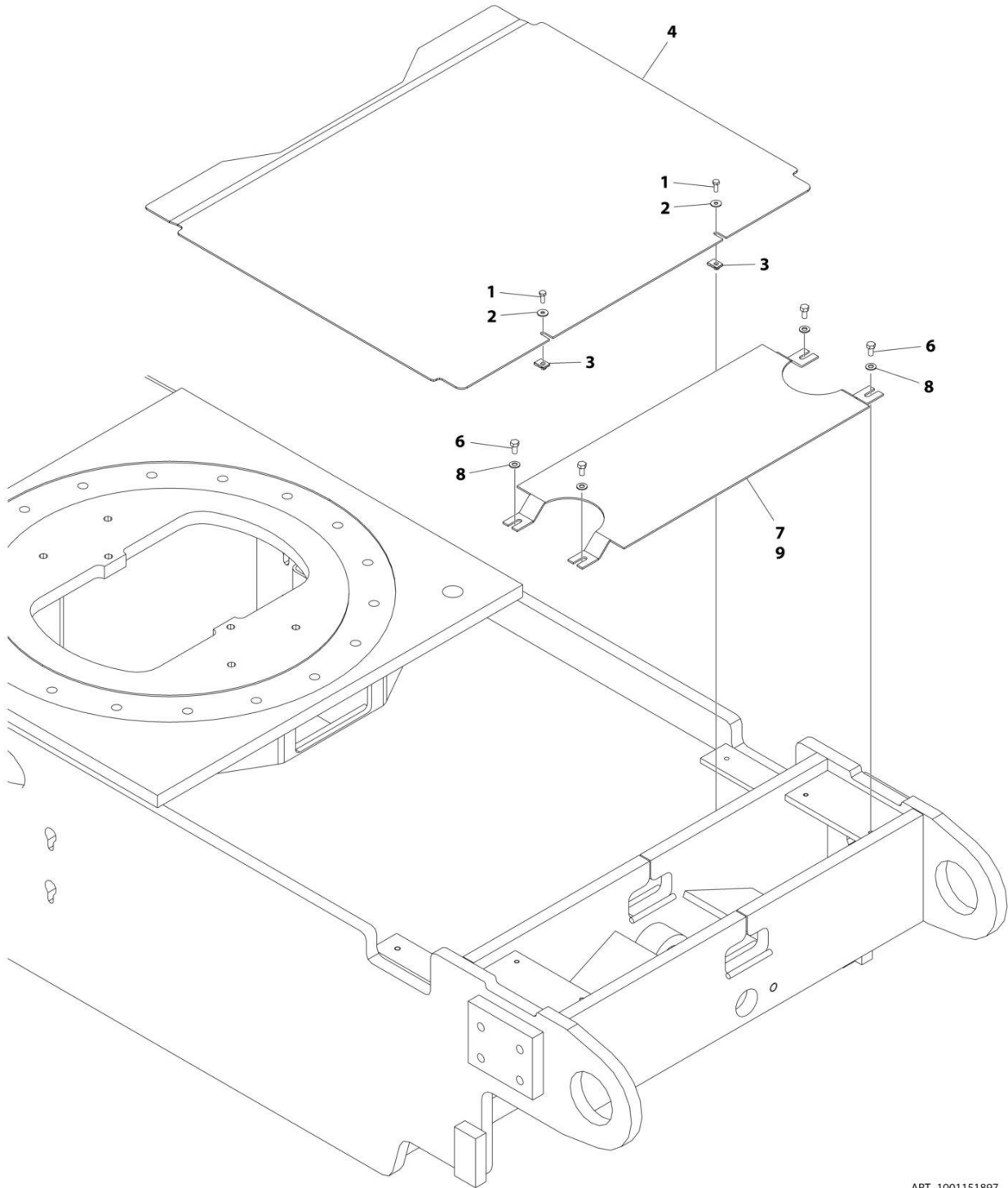
**SECTION 1 - FRAME**

**FIGURE 1-29. FRAME SHIELDS INSTALLATION – 2WS (7FT/2.1M WIDE MACHINES)**

<b>ITEM</b>	<b>PART NUMBER</b>	<b>QTY</b>	<b>DESCRIPTION</b>	<b>REV</b>
	0274229	Ref	FRAME SHIELDS INSTALLATION	C
1	0760608	4	Bolt M6 x 16	
2	3380558	1	Shield, Frame - Front	
3	3380560	1	Shield, Frame - Rear	
4	4751600	4	Washer 3/8	

# SECTION 1 - FRAME

FIGURE 1-30. FRAME SHIELDS INSTALLATION – 2WS (8FT/2.4M WIDE MACHINES)



ART\_1001151897



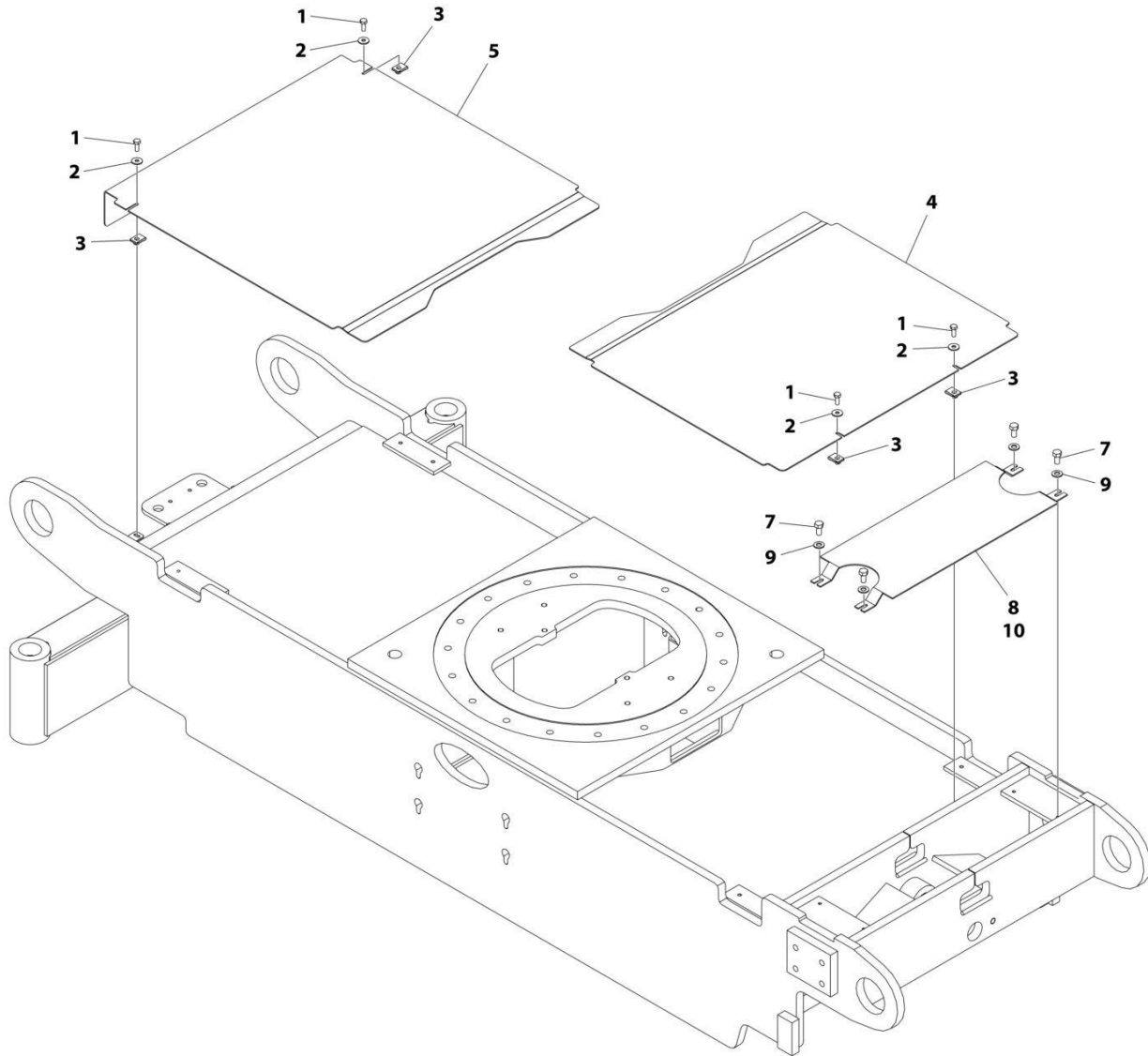
## SECTION 1 - FRAME

**FIGURE 1-30. FRAME SHIELDS INSTALLATION – 2WS (8FT/2.4M WIDE MACHINES)**

ITEM	PART NUMBER	QTY	DESCRIPTION	REV
	1001151897	Ref	FRAME SHIELDS INSTALLATION	C
1	0760608	2	Bolt M6 x 16	
2	4811702	2	Washer M6	
3	1001130220	2	Nut, Tinnerman M6	
4	1001151584	1	Shield, Frame - Front	
6	0641505	4	Bolt 5/16 x 5/8	
7	4060804	1	Flex-Trim	
8	4711500	4	Washer 5/16	
9	1001161761	1	Shield, Frame - Rear	

# SECTION 1 - FRAME

FIGURE 1-31. FRAME SHIELDS INSTALLATION – 4WS (8FT/2.4M WIDE MACHINES)



ART\_1001152049

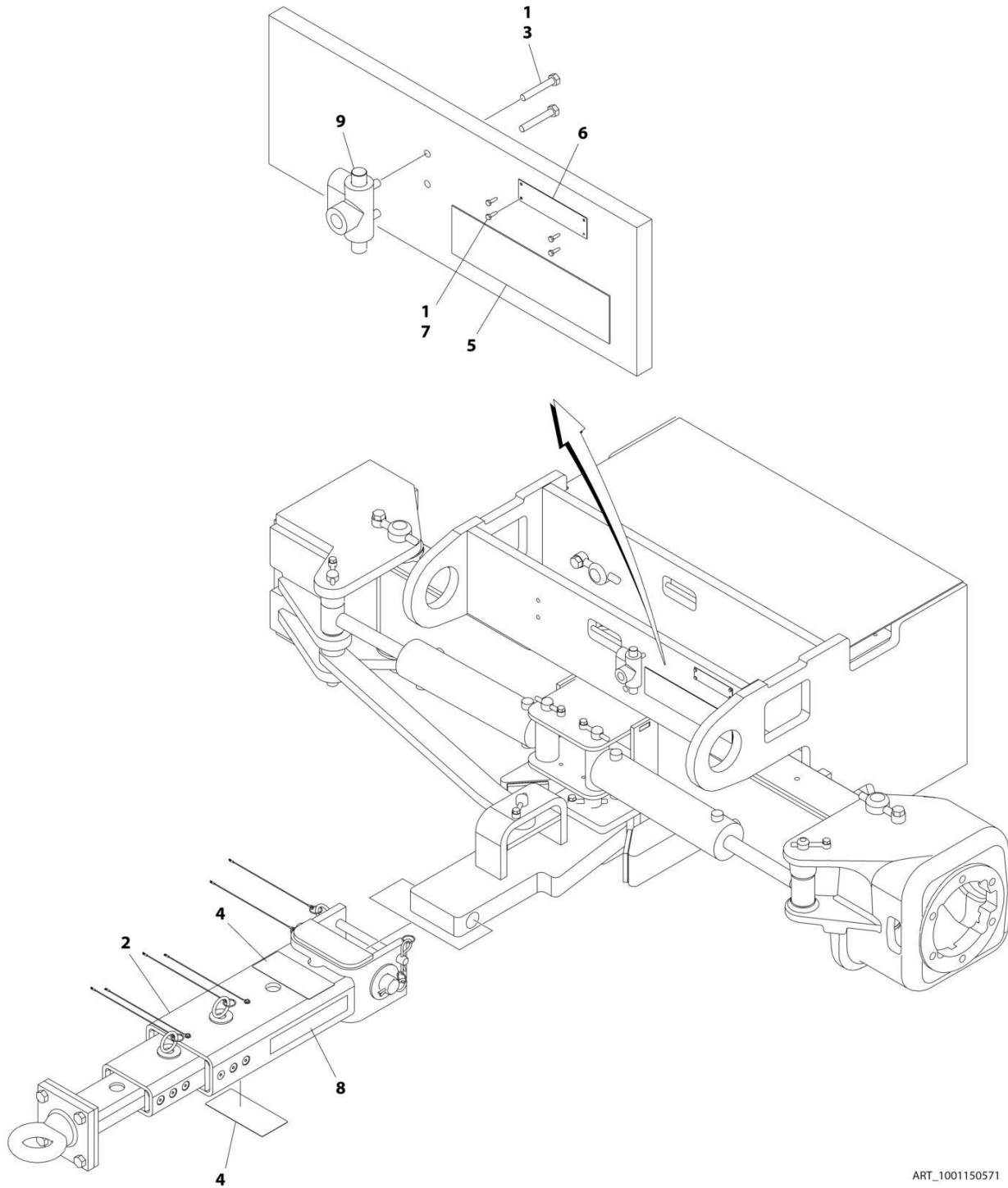
## SECTION 1 - FRAME

**FIGURE 1-31. FRAME SHIELDS INSTALLATION – 4WS (8FT/2.4M WIDE MACHINES)**

ITEM	PART NUMBER	QTY	DESCRIPTION	REV
	1001152049	Ref	FRAME SHIELDS INSTALLATION	C
1	0760608	4	Bolt M6 x 16	
2	4811702	4	Washer M6	
3	1001130220	4	Nut, Tinnerman M6	
4	1001151584	1	Shield, Frame - Front	
5	1001152046	1	Shield, Frame - Rear	
7	0641505	4	Bolt 5/16 x 5/8	
8	4060804	1	Flex-Trim	
9	4711500	4	Washer 5/16	
10	1001161761	1	Shield, Frame - Rear	

# SECTION 1 - FRAME

## FIGURE 1-32. TOW PACKAGE INSTALLATION (ANSI SPECS)



ART\_1001150571

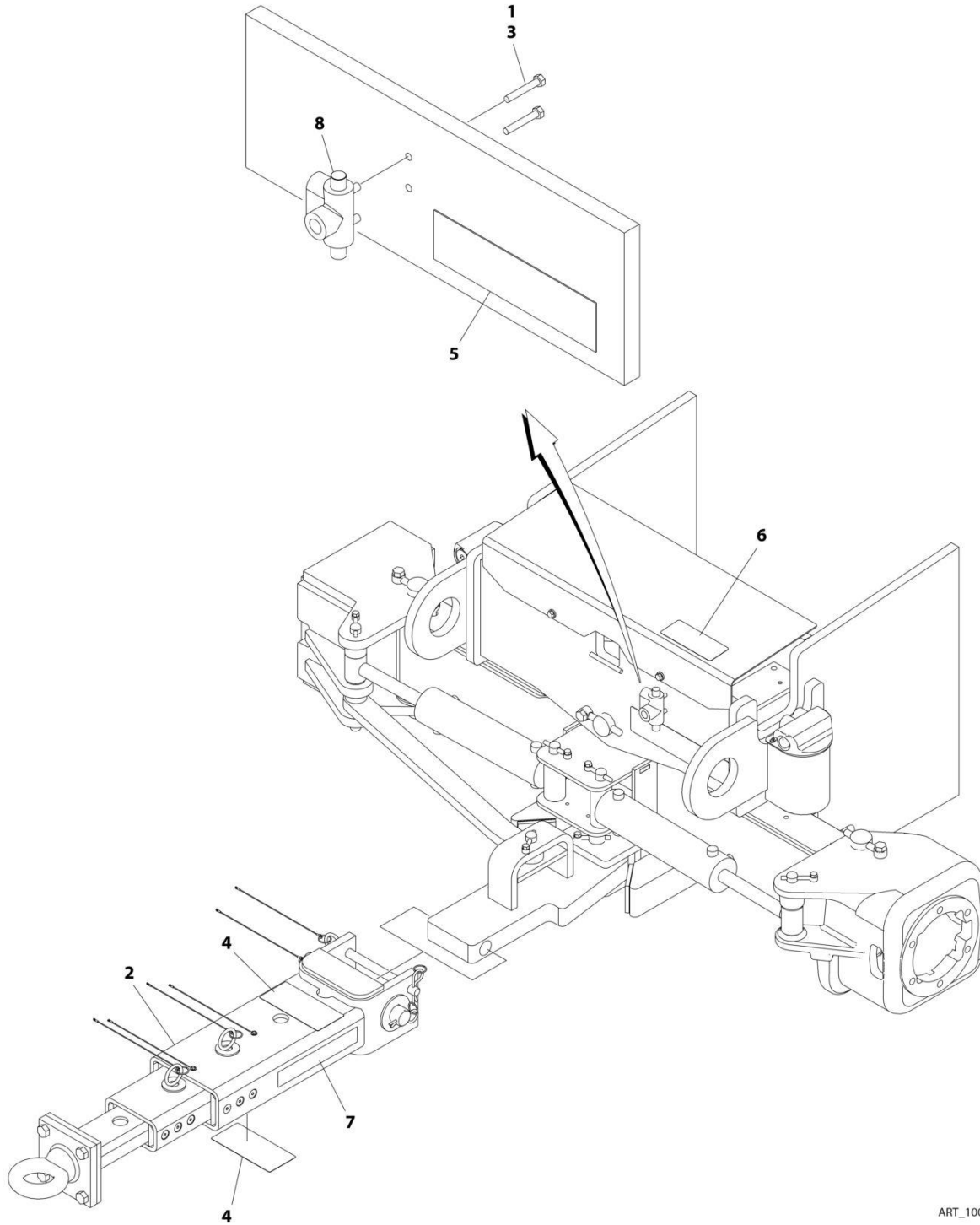
## SECTION 1 - FRAME

### FIGURE 1-32. TOW PACKAGE INSTALLATION (ANSI SPECS)

ITEM	PART NUMBER	QTY	DESCRIPTION	REV
	1001150571	Ref	TOW BAR INSTALLATION	D
1	0100011	AR	Compound, Locking	
2	0270528	1	Tow Bar Assembly (See Separate Breakdown in this Section)	
3	0641516	2	Bolt 5/16 x 2	
4	1704578	2	Decal - Crushing	
5	1705090	1	Decal - Towing Instruction	
6	3250872	1	Nameplate - Steer/Tow Select	
7	3940604	4	Screw #6 x 1/2	
8	4420051	AR	Tape, Safety	
9	4640261	1	Valve, Float Position	

# SECTION 1 - FRAME

## FIGURE 1-33. TOW PACKAGE INSTALLATION (CSA SPECS)



ART\_1001150570

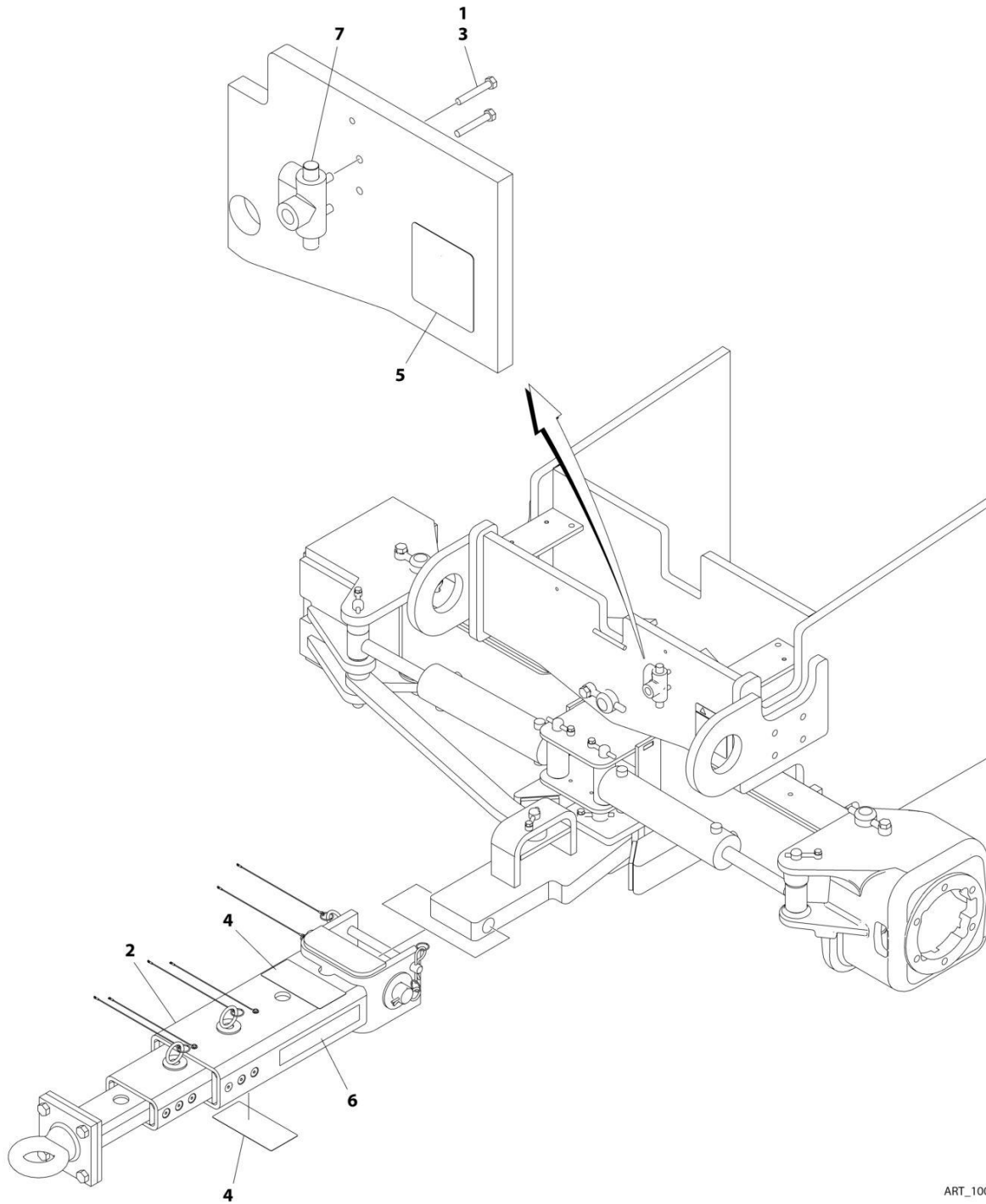
## SECTION 1 - FRAME

### FIGURE 1-33. TOW PACKAGE INSTALLATION (CSA SPECS)

ITEM	PART NUMBER	QTY	DESCRIPTION	REV
	1001150570	Ref	TOW BAR INSTALLATION	D
1	0100011	AR	Compound, Locking	
2	0270528	1	Tow Bar Assembly (See Separate Breakdown in this Section)	
3	0641516	2	Bolt 5/16 x 2	
4	1706593	2	Decal - Crushing	
5	1705820	1	Decal - Towing Instruction	
6	1704272	1	Nameplate - Steer/Tow Select	
7	4420051	AR	Tape, Safety	
8	4640261	1	Valve, Float Position	

# SECTION 1 - FRAME

FIGURE 1-34. TOW PACKAGE INSTALLATION (CE, RUSSIA & UK CA SPECS)



ART\_1001150569



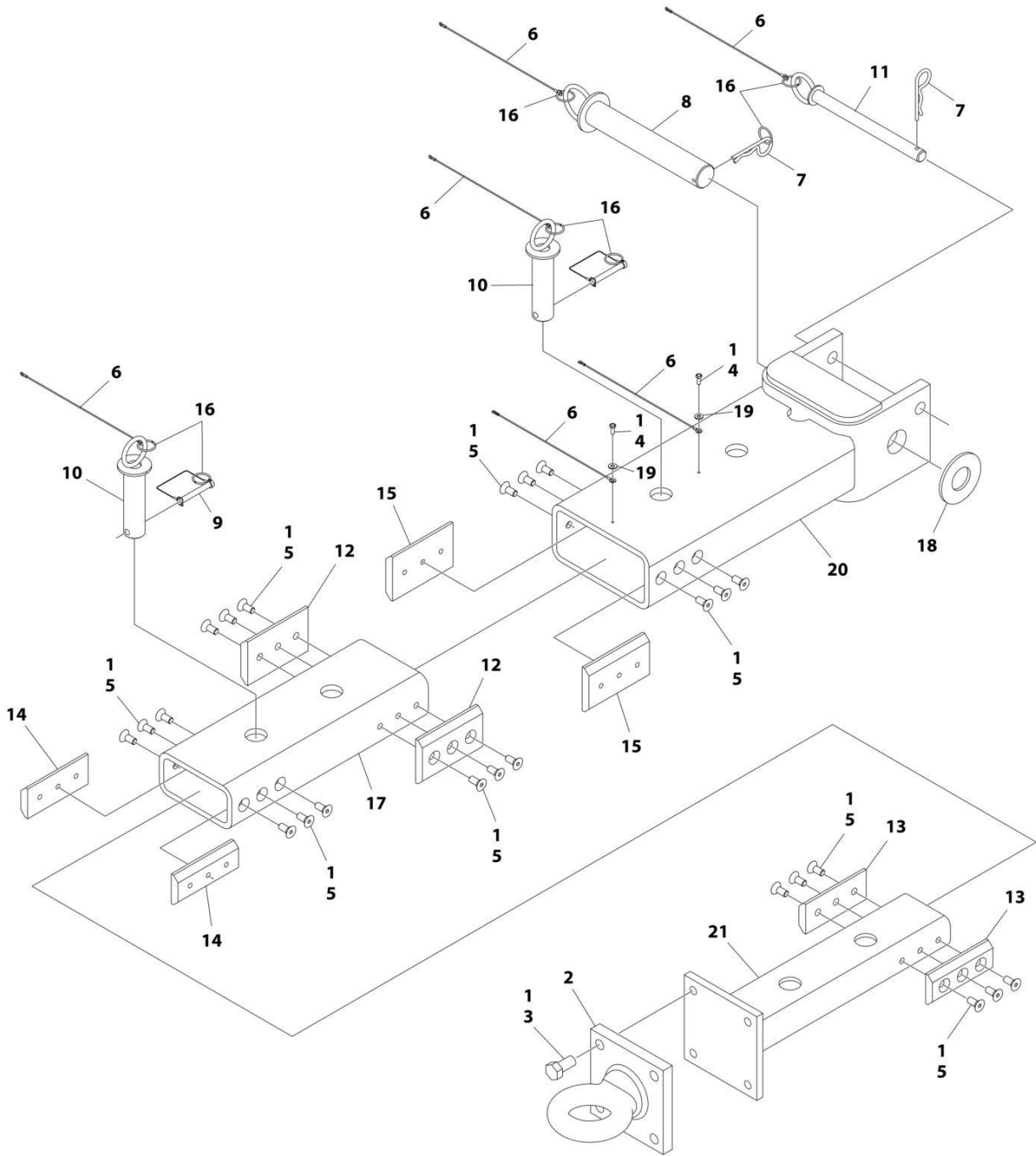
## SECTION 1 - FRAME

**FIGURE 1-34. TOW PACKAGE INSTALLATION (CE, RUSSIA & UK CA SPECS)**

ITEM	PART NUMBER	QTY	DESCRIPTION	REV
	1001150569	Ref	TOW BAR INSTALLATION	A
1	0100011	AR	Compound, Locking	
2	0270528	1	Tow Bar Assembly (See Separate Breakdown in this Section)	
3	0641516	2	Bolt 5/16 x 2	
4	1706960	2	Decal - Crushing	
5	1706957	1	Decal - Towing Instruction	
6	4420051	AR	Tape, Safety	
7	4640261	1	Valve, Float Position	

# SECTION 1 - FRAME

## FIGURE 1-35. TOW BAR ASSEMBLY



ART\_0270528

# SECTION 1 - FRAME

## FIGURE 1-35. TOW BAR ASSEMBLY

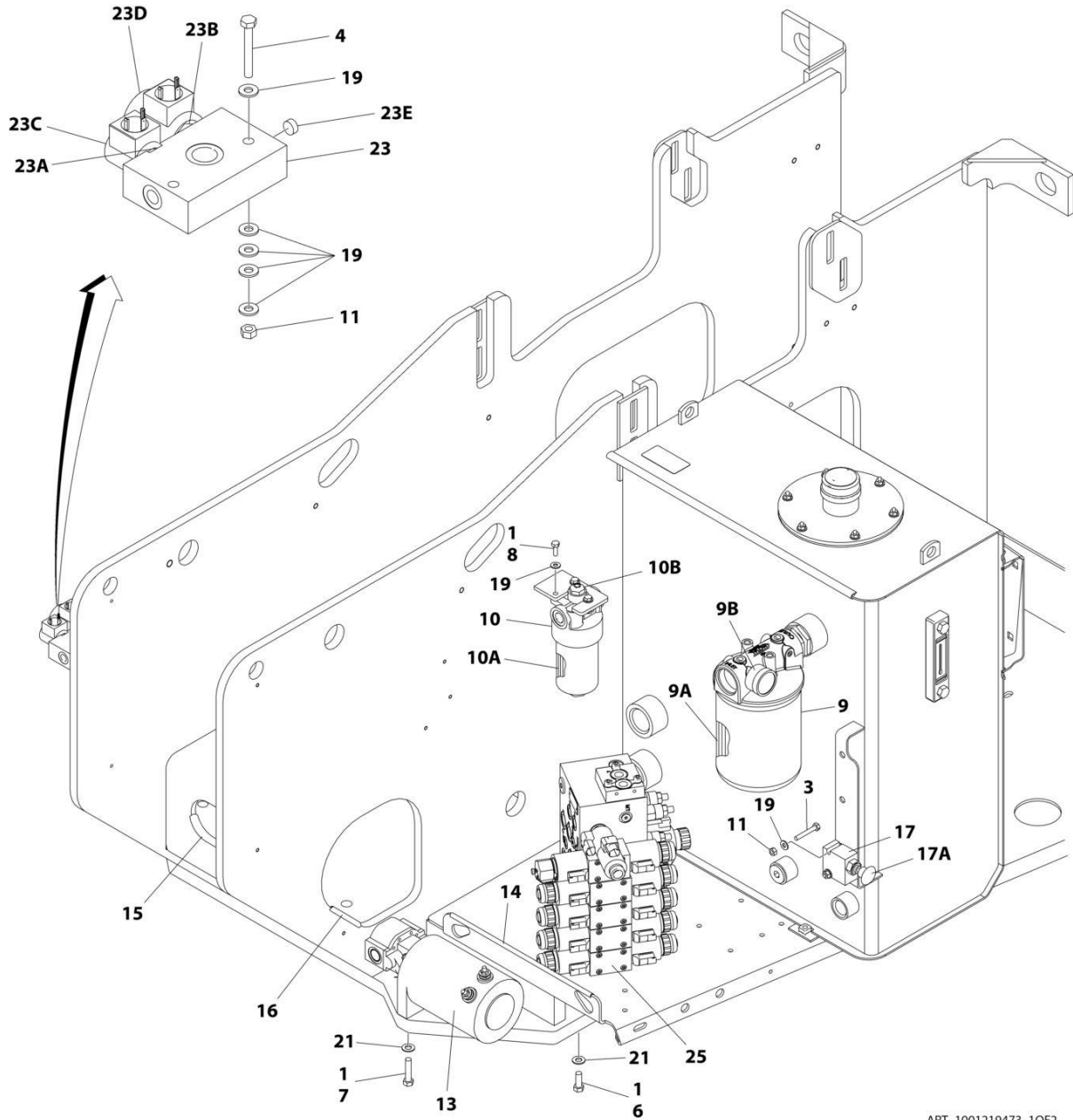
ITEM	PART NUMBER	QTY	DESCRIPTION	REV
	0270528	Ref	TOW BAR ASSEMBLY	B
1	0100011	AR	Compound, Locking	
2	0362910	1	Pintle, Draw Eye	
3	0642010	4	Bolt 5/8 x 1-1/4	
4	0721004	2	Screw, Hex Machine	
5	0741607	24	Screw, Countersunk 3/8 x 7/8	
6	1060584	6	Cable, Lanyard	
7	3420372	2	Pin, Cotter	
8	3420447	1	Pin, Towing	
9	3421565	2	Pin, Snap	
10	3422841	2	Pin	
11	3422847	1	Pin	
12	3572009	2	Plate, Slide Stop	
13	3572010	2	Plate, Slide Stop	
14	3572011	2	Plate, Slide Stop	
15	3572012	2	Plate, Slide Stop	
16	3760170	8	Ring, Split	
17	4568133	1	Tube, Tow Bar	
18	4740036	1	Washer	
19	4751000	2	Washer #10	
20	4846295	1	Tow Bar Attach Weldment	
21	4846296	1	Pintle Attach Weldment	



**SECTION 2 - TURNTABLE**

# SECTION 2 - TURNTABLE

## FIGURE 2-1. CONTROL VALVES INSTALLATION - 2WS WITH DEUTZ D2011 AND DEUTZ D2011 (STAGE V) ENGINES



ART\_1001219473\_1OF2

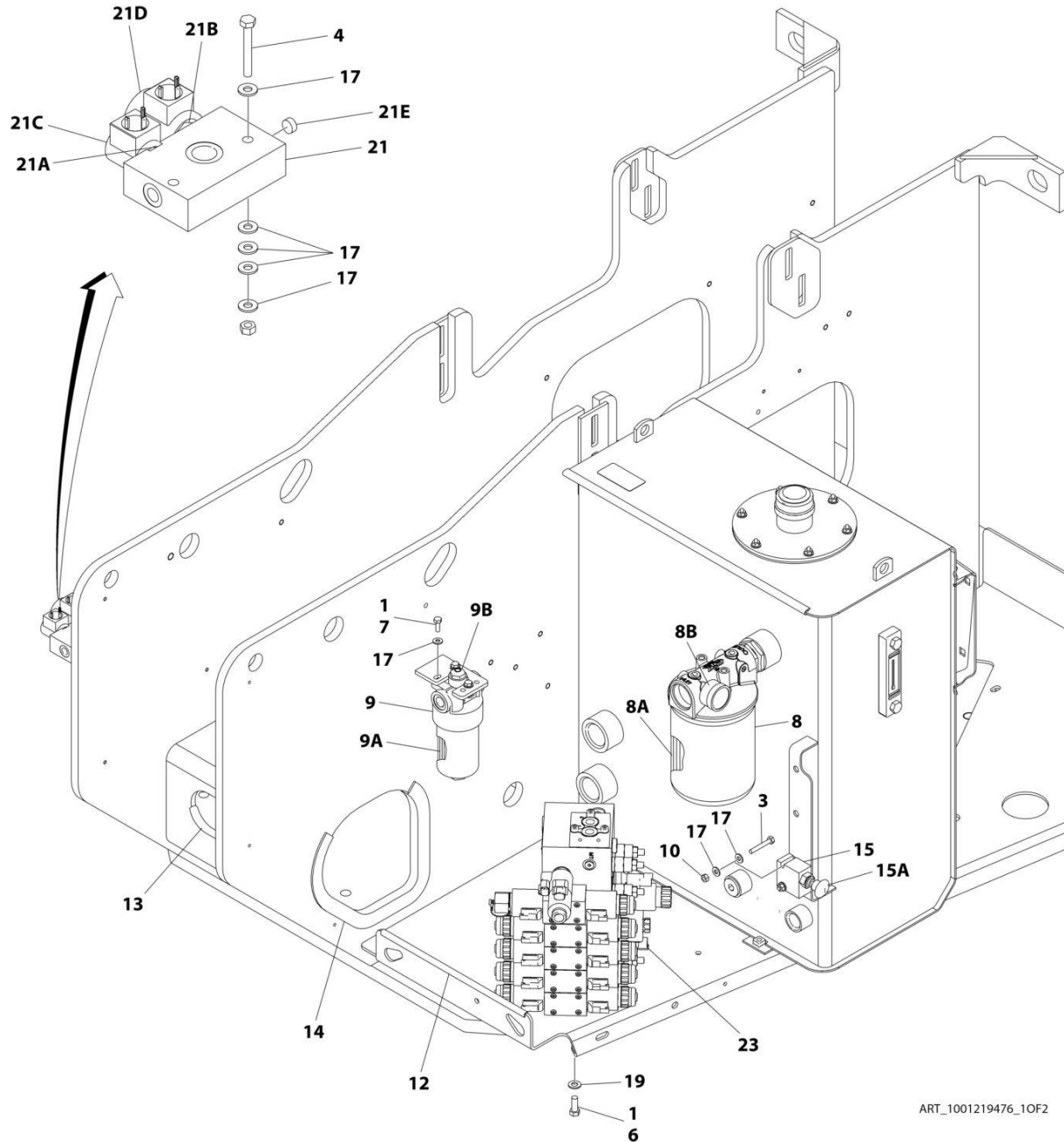
## SECTION 2 - TURNTABLE

**FIGURE 2-1. CONTROL VALVES INSTALLATION - 2WS WITH DEUTZ D2011 AND DEUTZ D2011  
(STAGE V) ENGINES**

ITEM	PART NUMBER	QTY	DESCRIPTION	REV
	1001219473	Ref	CONTROL VALVES INSTALLATION - 2WS	B
1	0100011	AR	Compound, Locking	
3	0641414	2	Bolt 1/4 x 1-3/4	
4	0641416	2	Bolt 1/4 x 2	
6	0641608	3	Bolt 3/8 x 1	
7	0641613	2	Bolt 3/8 x 1-5/8	
8	0651406	3	Bolt 1/4 x 3/4	
9	2120164	1	Return Filter Assembly	C
9A	2120149	1	Element, Filter	
9B	7020021	1	Manual Indicator	
10	2120209	1	Hydraulic Pressure Filter Assembly	
10A	2120210	1	Element, Filter	
10B	7020020	1	Manual Indicator	
10C	70000934	1	O-Ring, Filter Bowl (Not Shown)	
11	3311405	4	Nut 1/4	
13	3600365	1	Auxiliary Pump Assembly (See Separate Breakdown in this Section)	
14	4060804	AR	Trim-Loc 3/16	
15	4060807	AR	Trim-Loc 3/8	
16	4060918	AR	Trim-Loc 5/8	
17	4640866	1	Manual Pull Valve Assembly	
17	2900708	1	Seal Kit - 4640866 Valve	
17A	7012959	1	Knob	
19	4711400	17	Washer 1/4	
21	4711600	5	Washer 3/8	
23	1001099391	1	Brake/Selector Valve Assembly	
23A	7012941	1	Cartridge without Coil	
23A	7010543	1	Seal Kit - 7012941 Cartridge	
23B	7012995	1	Cartridge without Coil	
23B	7012518	1	Seal Kit - 7012995 Cartridge	
23C	7012944	1	Coil	
23D	7012943	1	Coil	
23E	70002209	1	Orifice	
25	1001152887	1	Main Valve Block Assembly - 2WS (See Separate Breakdown in this Section)	

## SECTION 2 - TURNTABLE

FIGURE 2-2. CONTROL VALVES INSTALLATION – 2WS WITH DEUTZ TD2.3L3, DEUTZ TD2.9L4, DEUTZ TD2.9L4 (STAGE V), DEUTZ D2.9L4 (CHINA IV) AND FORD ENGINES



ART\_1001219476\_1OF2



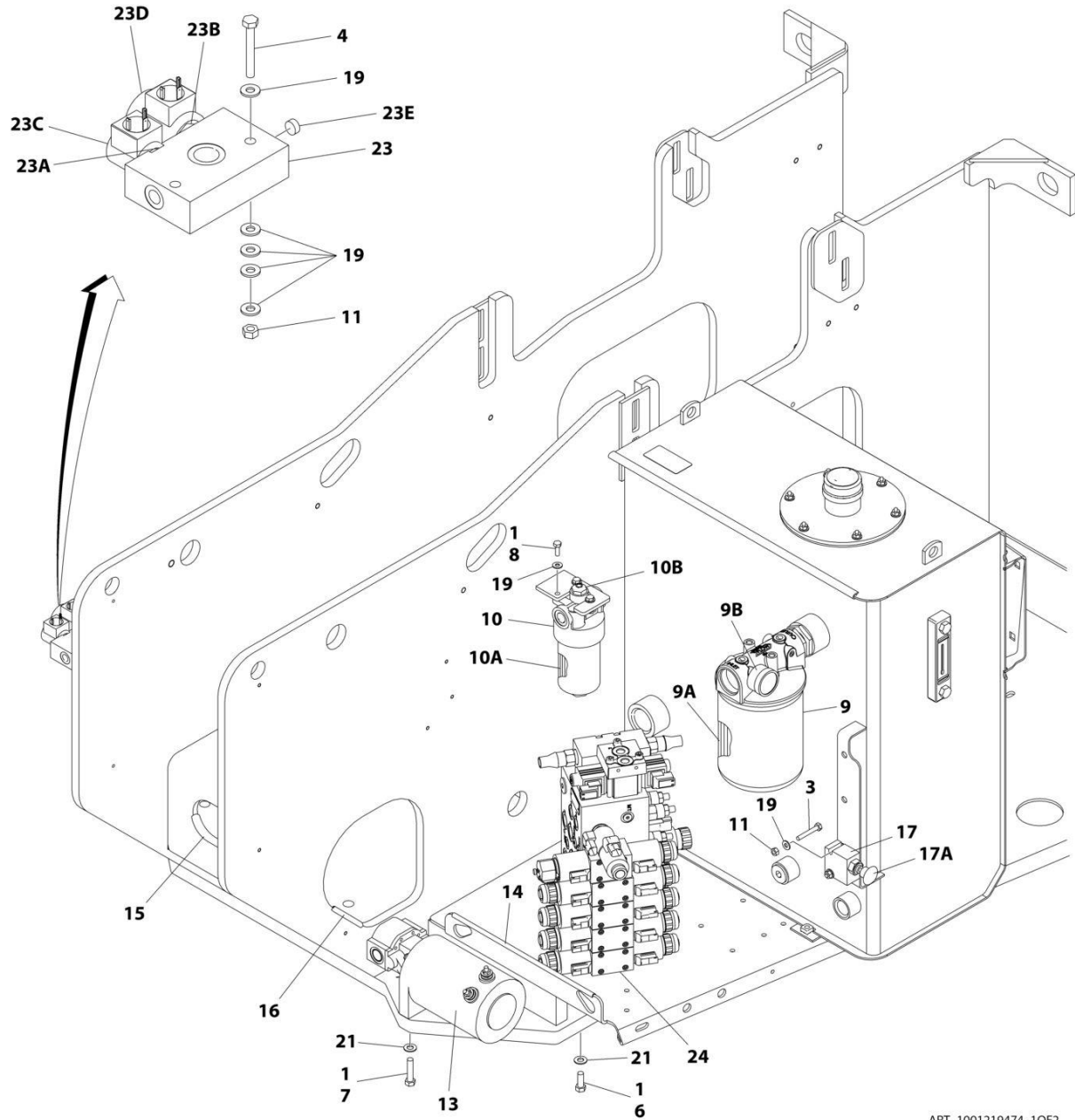
## SECTION 2 - TURNTABLE

**FIGURE 2-2. CONTROL VALVES INSTALLATION – 2WS WITH DEUTZ TD2.3L3, DEUTZ TD2.9L4, DEUTZ TD2.9L4 (STAGE V), DEUTZ D2.9L4 (CHINA IV) AND FORD ENGINES**

ITEM	PART NUMBER	QTY	DESCRIPTION	REV
	1001219476	Ref	CONTROL VALVES INSTALLATION	B
1	0100011	AR	Compound, Locking	
3	0641414	2	Bolt 1/4 x 1-3/4	
4	0641416	2	Bolt 1/4 x 2	
6	0641608	3	Bolt 3/8 x 1	
7	0651406	3	Bolt 1/4 x 3/4	
8	2120164	1	Return Filter Assembly	C
8A	2120149	1	Element, Filter	
8B	7020021	1	Manual Indicator	
9	2120209	1	Hydraulic Pressure Filter Assembly	
9A	2120210	1	Element, Filter	
9B	7020020	1	Manual Indicator	
9C	70000934	1	O-Ring, Filter Bowl (Not Shown)	
10	3311405	2	Nut 1/4	
12	4060804	AR	Trim-Loc 3/16	
13	4060807	AR	Trim-Loc 3/8	
14	4060918	AR	Trim-Loc 5/8	
15	4640866	1	Manual Pull Valve Assembly	
15	2900708	1	Seal Kit - 4640866 Valve	
15A	7012959	1	Knob	
17	4711400	17	Washer 1/4	
19	4711600	3	Washer 3/8	
21	1001099391	1	Brake/Selector Valve Assembly	
21A	7012941	1	Cartridge without Coil	
21A	7010543	1	Seal Kit - 7012941 Cartridge	
21B	7012995	1	Cartridge without Coil	
21B	7012518	1	Seal Kit - 7012995 Cartridge	
21C	7012944	1	Coil	
21D	7012943	1	Coil	
21E	70002209	1	Orifice	
23	1001152887	1	Main Valve Block Assembly (See Separate Breakdown in this Section)	

## SECTION 2 - TURNTABLE

FIGURE 2-3. CONTROL VALVES INSTALLATION – 4WS WITH DEUTZ D2011 AND DEUTZ D2011 (STAGE V) ENGINES



ART\_1001219474\_1OF2

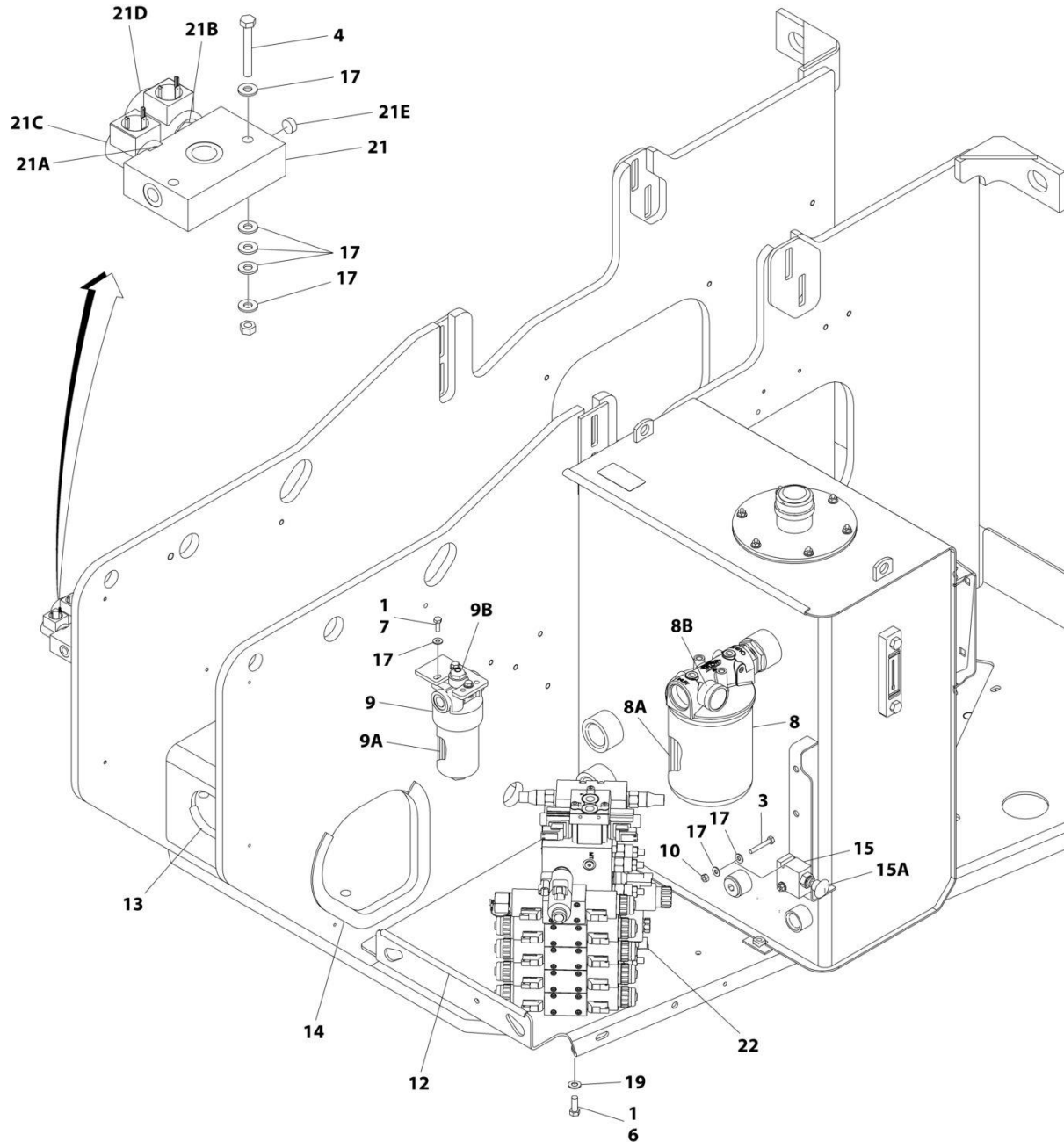
## SECTION 2 - TURNTABLE

**FIGURE 2-3. CONTROL VALVES INSTALLATION – 4WS WITH DEUTZ D2011 AND DEUTZ D2011  
(STAGE V) ENGINES**

ITEM	PART NUMBER	QTY	DESCRIPTION	REV
	1001219474	Ref	CONTROL VALVES INSTALLATION - 4WS	B
1	0100011	AR	Compound, Locking	
3	0641414	2	Bolt 1/4 x 1-3/4	
4	0641416	2	Bolt 1/4 x 2	
6	0641608	3	Bolt 3/8 x 1	
7	0641613	2	Bolt 3/8 x 1-5/8	
8	0651406	3	Bolt 1/4 x 3/4	
9	2120164	1	Return Filter Assembly	C
9A	2120149	1	Element, Filter	
9B	7020021	1	Manual Indicator	
10	2120209	1	Hydraulic Pressure Filter Assembly	
10A	2120210	1	Element, Filter	
10B	7020020	1	Manual Indicator	
10C	70000934	1	O-Ring, Filter Bowl (Not Shown)	
11	3311405	4	Nut 1/4	
13	3600365	1	Auxiliary Pump Assembly (See Separate Breakdown in this Section)	
14	4060804	AR	Trim-Loc 3/16	
15	4060807	AR	Trim-Loc 3/8	
16	4060918	AR	Trim-Loc 5/8	
17	4640866	1	Manual Pull Valve Assembly	
17	2900708	1	Seal Kit - 4640866 Valve	
17A	7012959	1	Knob	
19	4711400	17	Washer 1/4	
21	4711600	5	Washer 3/8	
23	1001099391	1	Brake/Selector Valve Assembly	
23A	7012941	1	Cartridge without Coil	
23A	7010543	1	Seal Kit - 7012941 Cartridge	
23B	7012995	1	Cartridge without Coil	
23B	7012518	1	Seal Kit - 7012995 Cartridge	
23C	7012944	1	Coil	
23D	7012943	1	Coil	
23E	70002209	1	Orifice	
24	1001152561	1	Main Valve Block Assembly - 4WS (See Separate Breakdown in this Section)	

## SECTION 2 - TURNTABLE

FIGURE 2-4. CONTROL VALVES INSTALLATION – 4WS WITH DEUTZ TD2.3L3, DEUTZ TD2.9L4, DEUTZ TD2.9L4 (STAGE V), DEUTZ D2.9L4 (CHINA IV) AND FORD ENGINES



ART\_1001219478\_10F2

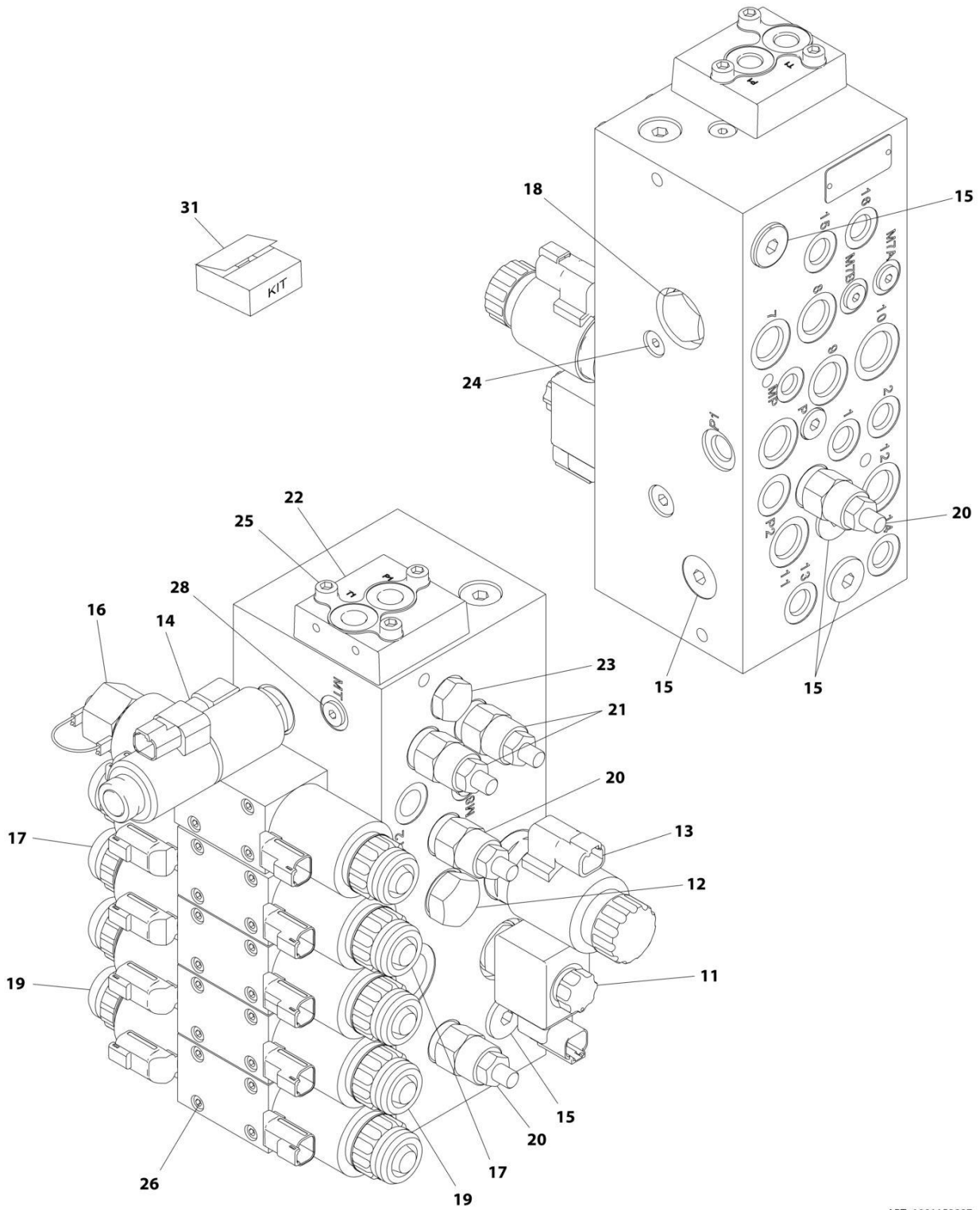
## SECTION 2 - TURNTABLE

**FIGURE 2-4. CONTROL VALVES INSTALLATION – 4WS WITH DEUTZ TD2.3L3, DEUTZ TD2.9L4, DEUTZ TD2.9L4 (STAGE V), DEUTZ D2.9L4 (CHINA IV) AND FORD ENGINES**

ITEM	PART NUMBER	QTY	DESCRIPTION	REV
	1001219478	Ref	CONTROL VALVES INSTALLATION - 4WS	B
1	0100011	AR	Compound, Locking	
3	0641414	2	Bolt 1/4 x 1-3/4	
4	0641416	2	Bolt 1/4 x 2	
6	0641608	3	Bolt 3/8 x 1	
7	0651406	3	Bolt 1/4 x 3/4	
8	2120164	1	Return Filter Assembly	C
8A	2120149	1	Element, Filter	
8B	7020021	1	Manual Indicator	
9	2120209	1	Hydraulic Pressure Filter Assembly	
9A	2120210	1	Element, Filter	
9B	7020020	1	Manual Indicator	
9C	70000934	1	O-Ring, Filter Bowl (Not Shown)	
10	3311405	2	Nut 1/4	
12	4060804	AR	Trim-Loc 3/16	
13	4060807	AR	Trim-Loc 3/8	
14	4060918	AR	Trim-Loc 5/8	
15	4640866	1	Manual Pull Valve Assembly	
15	2900708	1	Seal Kit - 4640866 Valve	
15A	7012959	1	Knob	
17	4711400	17	Flatwasher 1/4	
19	4711600	3	Flatwasher 3/8	
21	1001099391	1	Brake/Selector Valve Assembly	
21A	7012941	1	Cartridge without Coil	
21A	7010543	1	Seal Kit - 7012941 Cartridge	
21B	7012995	1	Cartridge without Coil	
21B	7012518	1	Seal Kit - 7012995 Cartridge	
21C	7012944	1	Coil	
21D	7012943	1	Coil	
21E	70002209	1	Orifice	
22	1001152561	1	Main Valve Block Assembly - 4WS (See Separate Breakdown in this Section)	

# SECTION 2 - TURNTABLE

## FIGURE 2-5. MAIN VALVE BLOCK ASSEMBLY – 2WS



ART\_1001152887

## SECTION 2 - TURNTABLE

### FIGURE 2-5. MAIN VALVE BLOCK ASSEMBLY – 2WS

ITEM	PART NUMBER	QTY	DESCRIPTION	REV
	1001152887	Ref	MAIN VALVE BLOCK ASSEMBLY - 2WS	F
11	70004652	1	Valve, Cartridge Less Coil (Dump)	
11	70023867	1	Seal kit - 70004652 Valve	
11	70004653	1	Coil	
11	70004654	1	Nut, Coil	
12	70004655	1	Valve, Cartridge	
12	70004656	1	Seal Kit - 70004655 Valve	
13	70004657	1	Valve, Cartridge Less Coil	
13	70004594	1	Seal Kit - 70004657 Valve	
13	70004595	1	Coil	
13	70004597	1	Nut, Coil	
13	70004596	1	O-Ring, Pole Tube	
14	70004659	1	Valve, Cartridge Less Coil (Steer)	
14	70004660	1	Seal - Kit - 70004659 Valve	
14	80434249	2	Coil	
14	70004661	1	Nut, Coil	
14	70024457	1	O-Ring, Pole Tube (Upper)	
14	70004662	1	O-Ring, Pole Tube (Lower)	
15	70023859	5	Valve, Cartridge	
16	70004663	1	Valve Assembly (Lower Lift)	
16	7012773	1	Seal Kit - 70004663 Valve	
16	70004660	2	Coil	
16	7021375	1	Nut, Coil (Plastic)	
16	70004661	2	O-Ring, Pole Tube	
16	70003525	1	Not, Coil (Aluminum)	
16	70004664	1	Lanyard	
17	70004459	2	Valve Assembly (Upper Tele and Lower Tele)	
17	7012773	1	Seal Kit - 70004459 Valve	
17	70004460	2	Coil	
17	7021375	2	Nut, Coil	
17	70004661	2	O-Ring, Pole Tube	
18	70004665	1	Valve, Cartridge	
18	70023862	1	Seal Kit - 70004665 Valve	
19	70004666	2	Valve Assembly (Swing and Upper Lift)	
19	7012773	1	Seal Kit - 70004666 Valve	
19	70004463	2	Coil	
19	7021375	2	Nut, Coil	
19	70004461	2	O-Ring, Pole Tube	
20	70003019	3	Valve, Cartridge	
20	70004052	3	Seal Kit - 70003019	
21	70003019	2	Valve, Cartridge	
21	70004052	2	Seal Kit - 70003019 Valve	
22	70004667	1	Cover	
23	2220886	1	Plug	
24	70004668	1	Plug	
25	70005201	3	Capscrew	
26	7018942	20	Capscrew	
27	70005202	2	O-Ring (Not Shown - Located under Item 22)	
28	70002758	6	Plug 7/16	
29	70004617	4	Plug 9/16 (Not Shown)	

## SECTION 2 - TURNTABLE

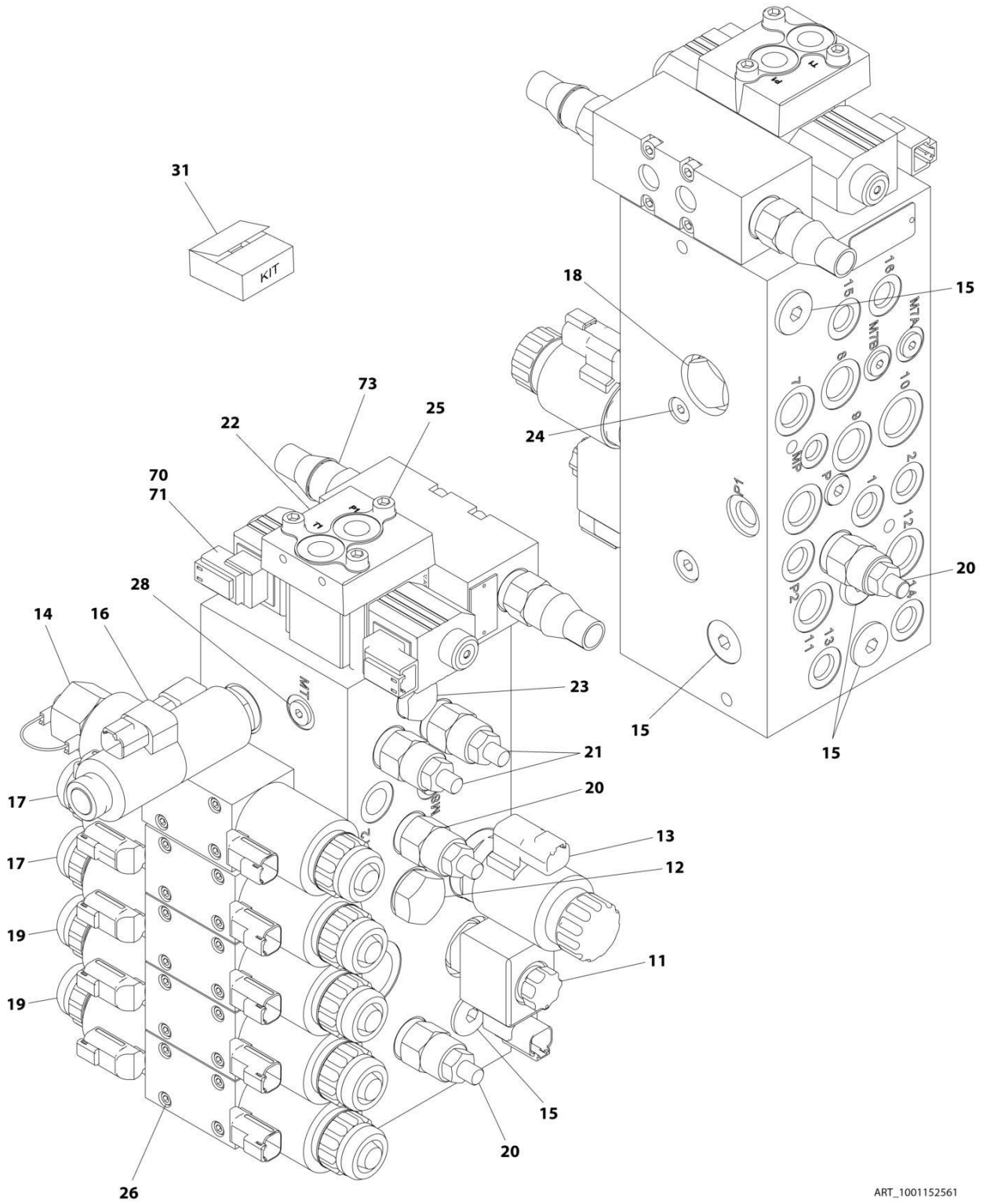
ITEM	PART NUMBER	QTY	DESCRIPTION	REV
30	70002759	1	Plug 3/4 (Not Shown - Located under Item 73)	
31	70005232	1	Bolt Kit	





# SECTION 2 - TURNTABLE

## FIGURE 2-6. MAIN VALVE BLOCK ASSEMBLY – 4WS



ART\_1001152561

## SECTION 2 - TURNTABLE

### FIGURE 2-6. MAIN VALVE BLOCK ASSEMBLY – 4WS

ITEM	PART NUMBER	QTY	DESCRIPTION	REV
	1001152561	Ref	MAIN VALVE BLOCK ASSEMBLY - 4WS	H
11	70004652	1	Valve, Cartridge Less Coil (Dump)	
11	70023867	1	Seal kit - 70004652 Valve	
11	70004653	1	Coil	
11	70004654	1	Nut, Coil	
12	70004655	1	Valve, Cartridge	
12	70004656	1	Seal Kit - 70004655 Valve	
13	70004657	1	Valve, Cartridge Less Coil	
13	70004594	1	Seal Kit - 70004657 Valve	
13	70004595	1	Coil	
13	70004597	1	Nut, Coil	
13	70004596	1	O-Ring, Pole Tube	
14	70004659	1	Valve, Cartridge Less Coil (Steer)	
14	70004660	1	Seal - Kit - 70004659 Valve	
14	80434249	2	Coil	
14	70004661	1	Nut, Coil	
14	70024457	1	O-Ring, Pole Tube (Upper)	
14	70004662	1	O-Ring, Pole Tube (Lower)	
15	70023859	5	Valve, Cartridge	
16	70004663	1	Valve Assembly (Lower Lift)	
16	7012773	1	Seal Kit - 70004663 Valve	
16	70004460	2	Coil	
16	7021375	1	Nut, Coil (Plastic)	
16	70004661	2	O-Ring, Pole Tube	
16	70003525	1	Not, Coil (Aluminum)	
16	70004664	1	Lanyard	
17	70004459	2	Valve Assembly (Upper Tele and Lower Tele)	
17	7012773	1	Seal Kit - 70004459 Valve	
17	70004460	2	Coil	
17	7021375	2	Nut, Coil	
17	70004661	2	O-Ring, Pole Tube	
18	70004665	1	Valve, Cartridge	
18	70023862	1	Seal Kit - 70004665 Valve	
19	70004666	2	Valve Assembly (Swing and Upper Lift)	
19	7012773	1	Seal Kit - 70004666 Valve	
19	70004463	2	Coil	
19	7021375	2	Nut, Coil	
19	70004461	2	O-Ring, Pole Tube	
20	70003019	3	Valve, Cartridge	
20	70004052	3	Seal Kit - 70003019	
21	70003019	2	Valve, Cartridge	
21	70004052	2	Seal Kit - 70003019 Valve	
22	70004667	1	Cover	
23	70004670	1	Plug	
24	70004665	1	Plug	
25	70021202	1	Bolt Kit	
26	7018942	20	Capscrew	
27	70005202	2	O-Ring (Not Shown - Located under Item 22)	
28	70002758	6	Plug 7/16	
29	70004617	4	Plug 9/16 (Not Shown)	

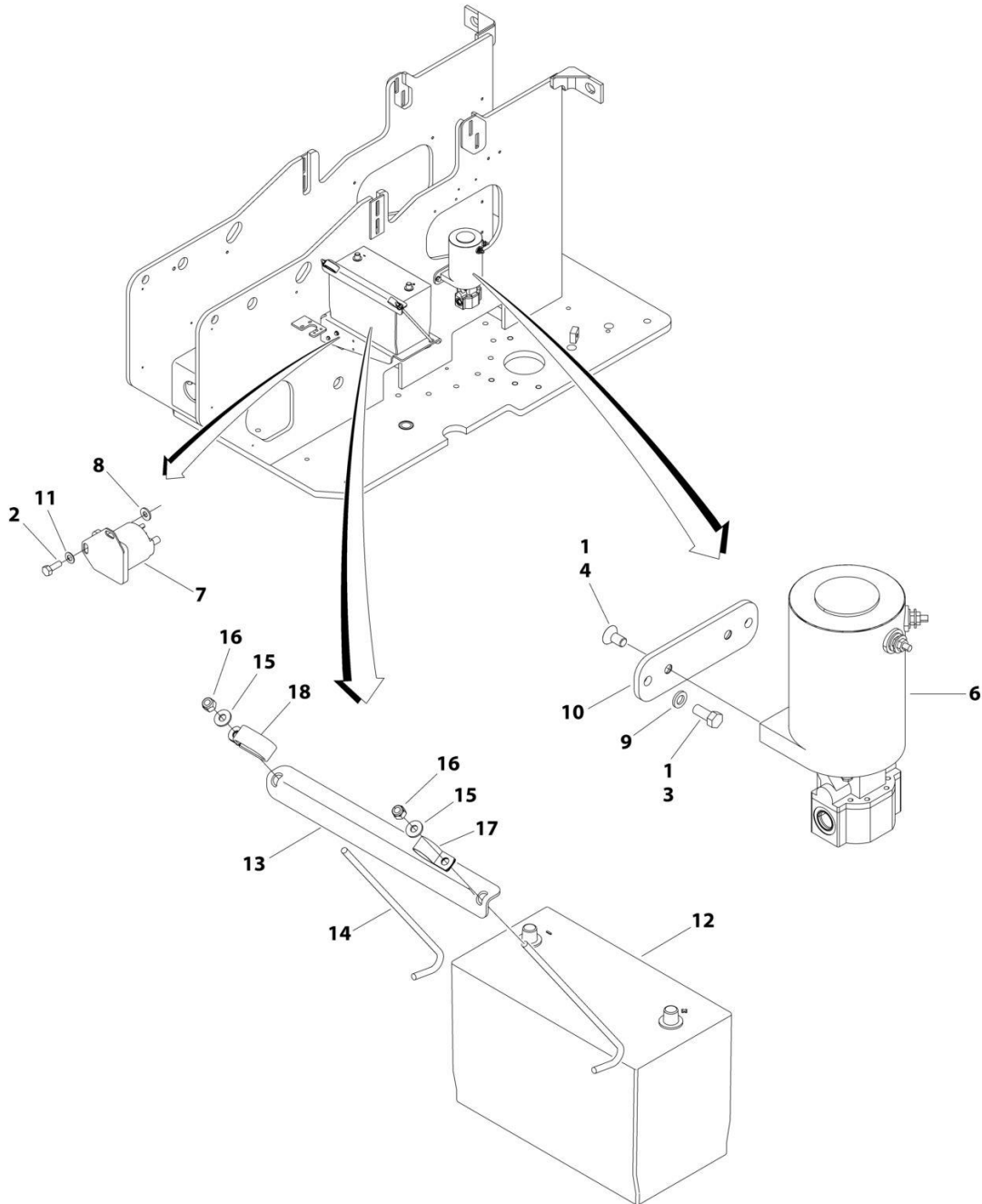
## SECTION 2 - TURNTABLE

ITEM	PART NUMBER	QTY	DESCRIPTION	REV
30	70002759	1	Plug 3/4 (Not Shown - Located under Item 73)	
31	70005232	1	Bolt Kit	
32	91474405	2	O-Rings (Not Shown - Located under Item 73)	
70	70004671	1	Valve Assembly (4WS Rear Steer)	
70	70004672	1	Seal Kit - 70004671 Valve	
71	70004673	2	Coil (4WS Rear Steer)	
73	70004674	2	Valve, Cartridge (4WS Rear Steer)	
73	70004052	2	Seal Kit - 70004052 Valve	



## SECTION 2 - TURNTABLE

FIGURE 2-7. AUXILIARY PUMP INSTALLATION – DEUTZ TD2.9L4, DEUTZ D2.9L4, DEUTZ D2.9L4 (CHINA IV) AND FORD ENGINES



ART\_1001137895

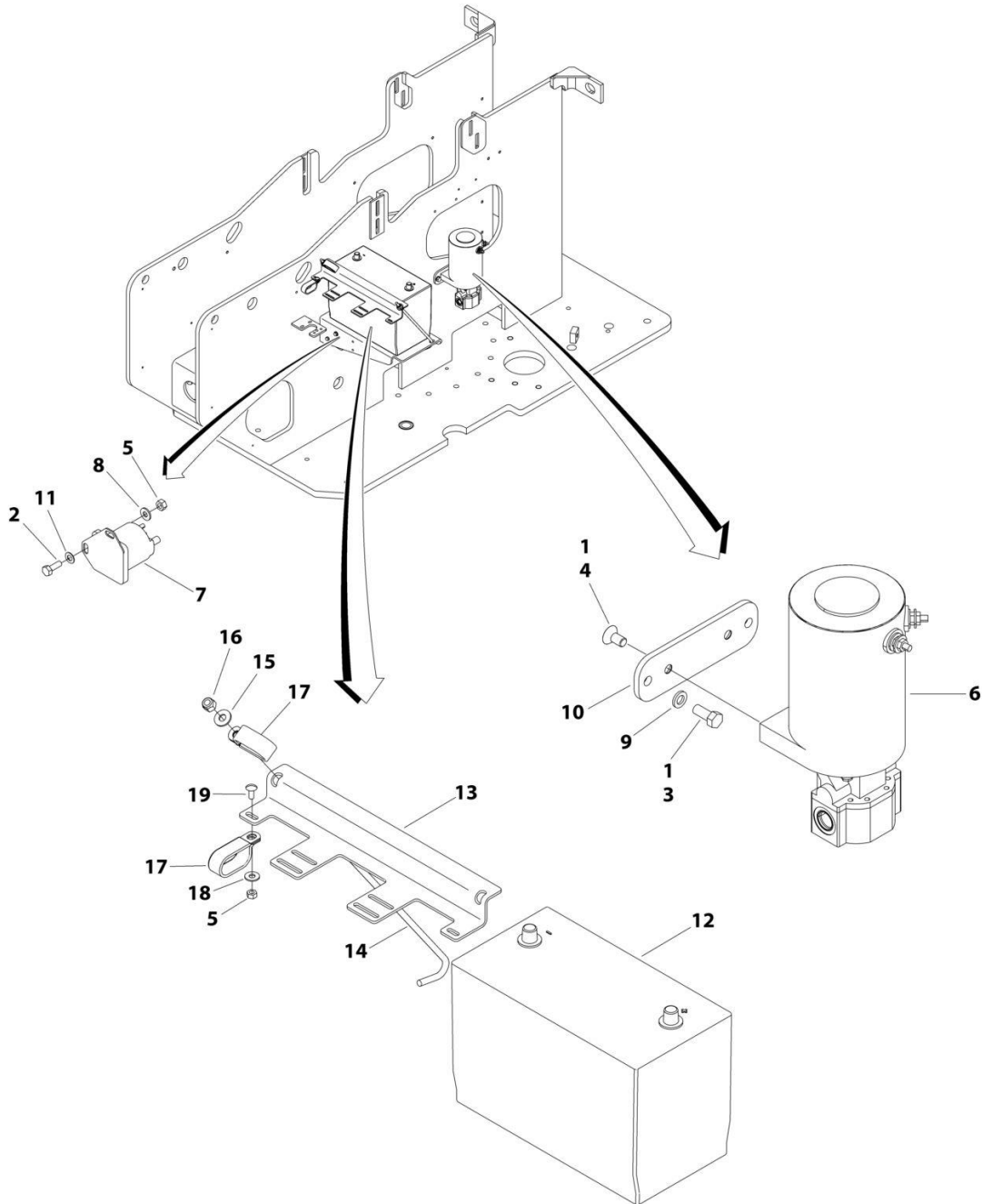
## SECTION 2 - TURNTABLE

**FIGURE 2-7. AUXILIARY PUMP INSTALLATION – DEUTZ TD2.9L4, DEUTZ D2.9L4, DEUTZ D2.9L4  
(CHINA IV) AND FORD ENGINES**

ITEM	PART NUMBER	QTY	DESCRIPTION	REV
	1001137895	Ref	AUXILIARY PUMP INSTALLATION	D
1	0100011	AR	Compound, Locking	
2	0641406	2	Bolt 1/4 x 3/4	
3	0641607	2	Bolt 3/8 x 7/8	
4	0741606	2	Screw, Countersunk 1/4 x 3/4	
5	3311405	2	Nut 1/4	
6	3600365	1	Auxiliary Pump Assembly (See Separate Breakdown in this Section)	
7	3740067	1	Relay	
8	4711400	3	Washer 1/4	
9	4761600	2	Washer 3/8	
10	1001144041	1	Plate	
11	4791400	1	Washer 1/4	
12	0400075	1	Battery	
13	91401281	1	Bracket	
14	1001093382	2	Bolt, J Bolt	
15	4751500	2	Washer 5/16	
16	88521205	2	Nut 5/16	
17	8406201	1	Clip	
18	1321716	1	Clamp	

## SECTION 2 - TURNTABLE

FIGURE 2-8. AUXILIARY PUMP WITH BATTERY DISCONNECT INSTALLATION – DEUTZ TD2.2L3 (STAGE V), DEUTZ TD2.9L4, DEUTZ D2.9L4, DEUTZ D2.9L4 (CHINA IV) AND FORD ENGINES



ART\_1001239291



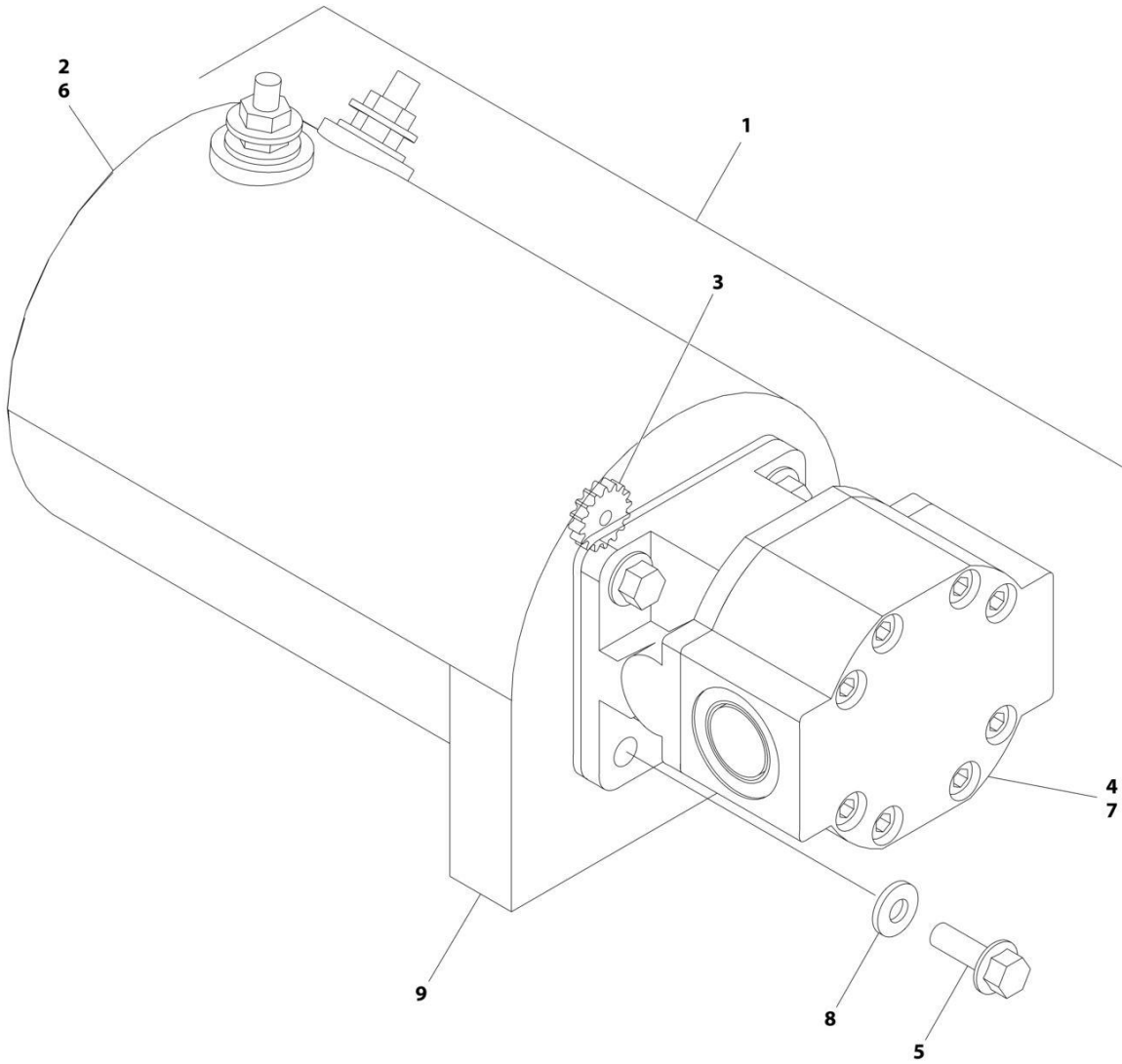
## SECTION 2 - TURNTABLE

**FIGURE 2-8. AUXILIARY PUMP WITH BATTERY DISCONNECT INSTALLATION – DEUTZ TD2.2L3 (STAGE V), DEUTZ TD2.9L4, DEUTZ D2.9L4, DEUTZ D2.9L4 (CHINA IV) AND FORD ENGINES**

ITEM	PART NUMBER	QTY	DESCRIPTION	REV
	1001239291	Ref	AUXILIARY PUMP WITH BATTERY DISCONNECT INSTALLATION	A
1	0100011	AR	Compound, Locking	
2	0641406	2	Bolt 1/4 x 3/4	
3	0641607	2	Bolt 3/8 x 7/8	
4	0741606	2	Screw, Countersunk 1/4 x 3/4	
5	3311405	3	Nut 1/4	
6	3600365	1	Auxiliary Pump Assembly (See Separate Breakdown in this Section)	
7	3740067	1	Relay	
8	4711400	3	Washer 1/4	
9	4761600	2	Washer 3/8	
10	1001144041	1	Plate	
11	4791400	1	Washer 1/4	
12	0400075	1	Battery	
13	1001236303	1	Plate	
14	1001093382	2	Bolt, J Bolt	
15	4751500	2	Washer 5/16	
16	88521205	2	Nut 5/16	
17	1321716	1	Clamp	
18	4751400	1	Washer 1/4	
19	88411013	1	Bolt 1/4 x 3/4	

# SECTION 2 - TURNTABLE

## FIGURE 2-9. AUXILIARY PUMP ASSEMBLY



ART\_3600365

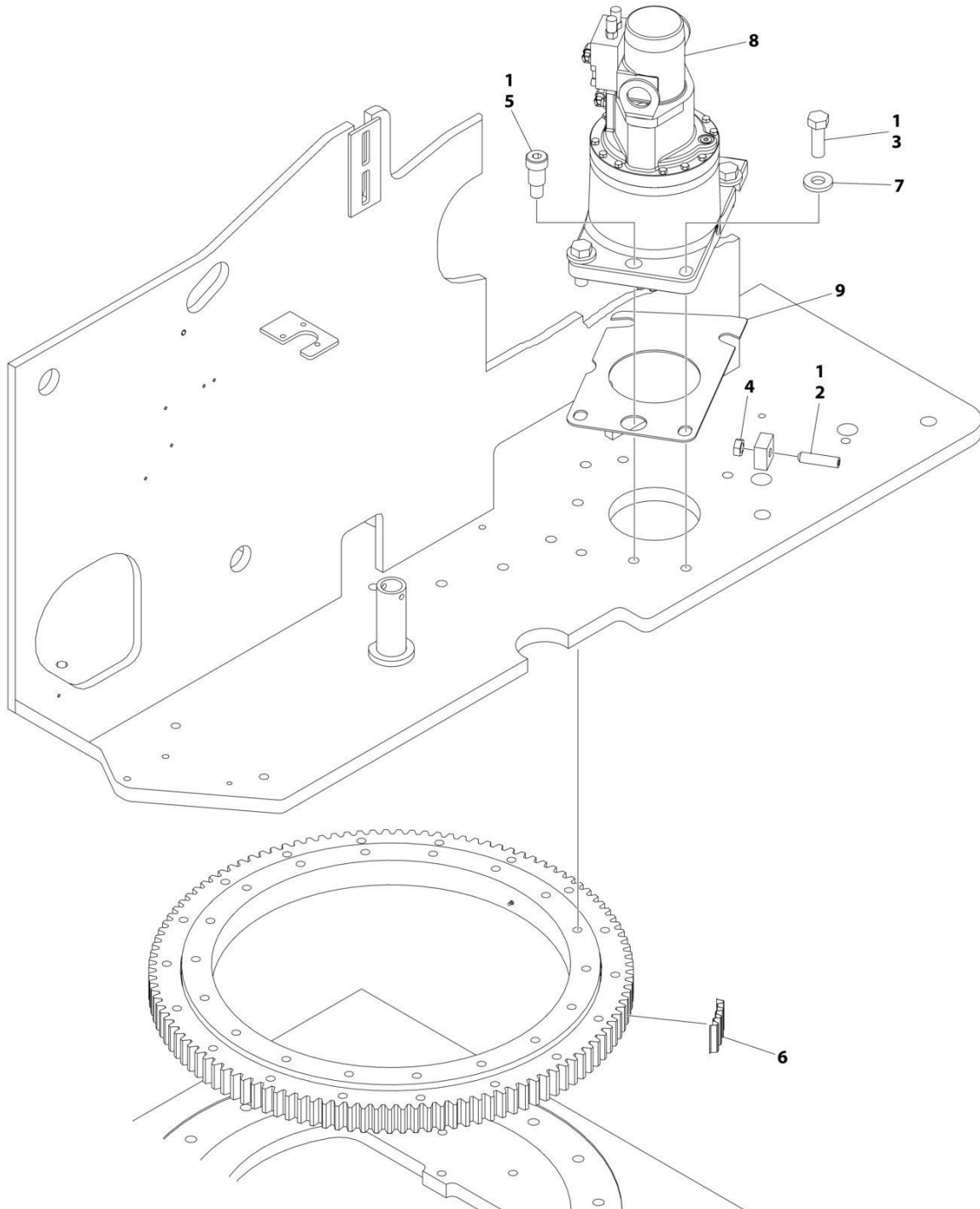
**SECTION 2 - TURNTABLE**

**FIGURE 2-9. AUXILIARY PUMP ASSEMBLY**

ITEM	PART NUMBER	QTY	DESCRIPTION	REV
1	3600365	Ref	AUXILIARY PUMP ASSEMBLY	B
2	7004290	1	Replacement Motor with Endhead Item 15H (was p/n 7011067)	
2	7004248	1	Replacement Motor without Endhead Item 15H	
2	7011065	1	Brush Kit - 7011067 Motor	
3	7011063	1	Coupling	
4	7011064	1	Replacement Pump	
4	7011066	1	Seal Kit - 7011064 Pump	
4	7004290	1	Relief Valve (Note: Not Available - Replace Complete Pump)	
5	7011043	4	Bolt (Mounts Pump to Mounting Bracket)	
6	See Note	2	Bolt (Motor to Bracket) (Note: Not Available for Purchase)	
7	7011044	1	Gasket	
8	7011048	4	Washer	
9	7011062	4	Endhead, Motor	

# SECTION 2 - TURNTABLE

## FIGURE 2-10. SWING DRIVE INSTALLATION



ART\_1001152181

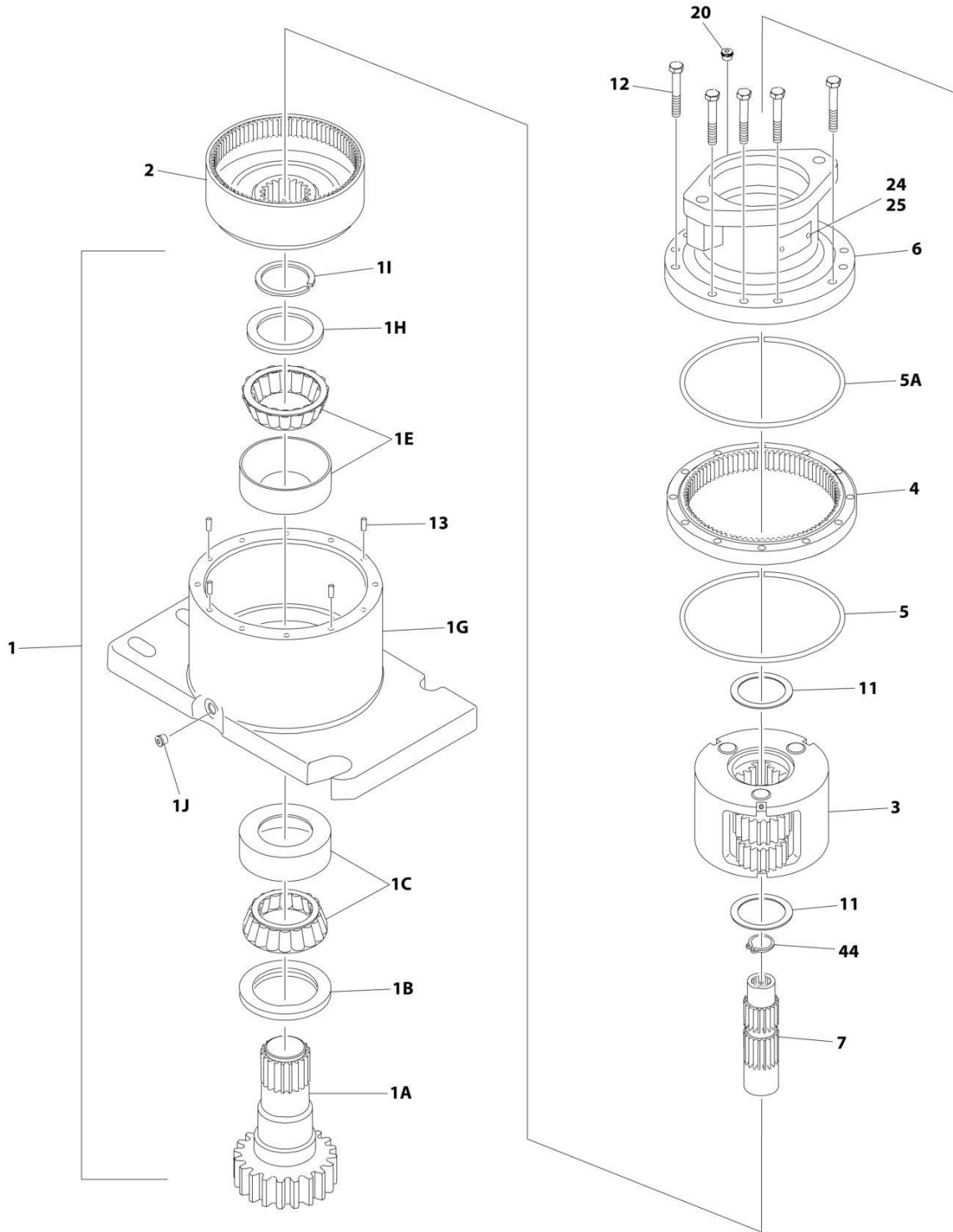
**SECTION 2 - TURNTABLE**

**FIGURE 2-10. SWING DRIVE INSTALLATION**

<b>ITEM</b>	<b>PART NUMBER</b>	<b>QTY</b>	<b>DESCRIPTION</b>	<b>REV</b>
	1001152181	Ref	SWING DRIVE INSTALLATION	E
1	0100019	AR	Compound, Locking	
2	3952020	1	Setscrew 5/8 x 2-1/2	
3	0682218	4	Bolt 3/4 x 2-1/4 Grade 8	
4	3312002	1	Nut, Jam 5/8	
5	3900293	1	Capscrew 1 x 1-1/4	
6	1001125492	1	Shim	
7	4740057	4	Flatwasher, Hardened	
8	1001229810	1	Swing Hub Assembly (See Separate Breakdown in this section)	
9	1001152234	1	Plate, Spacer	

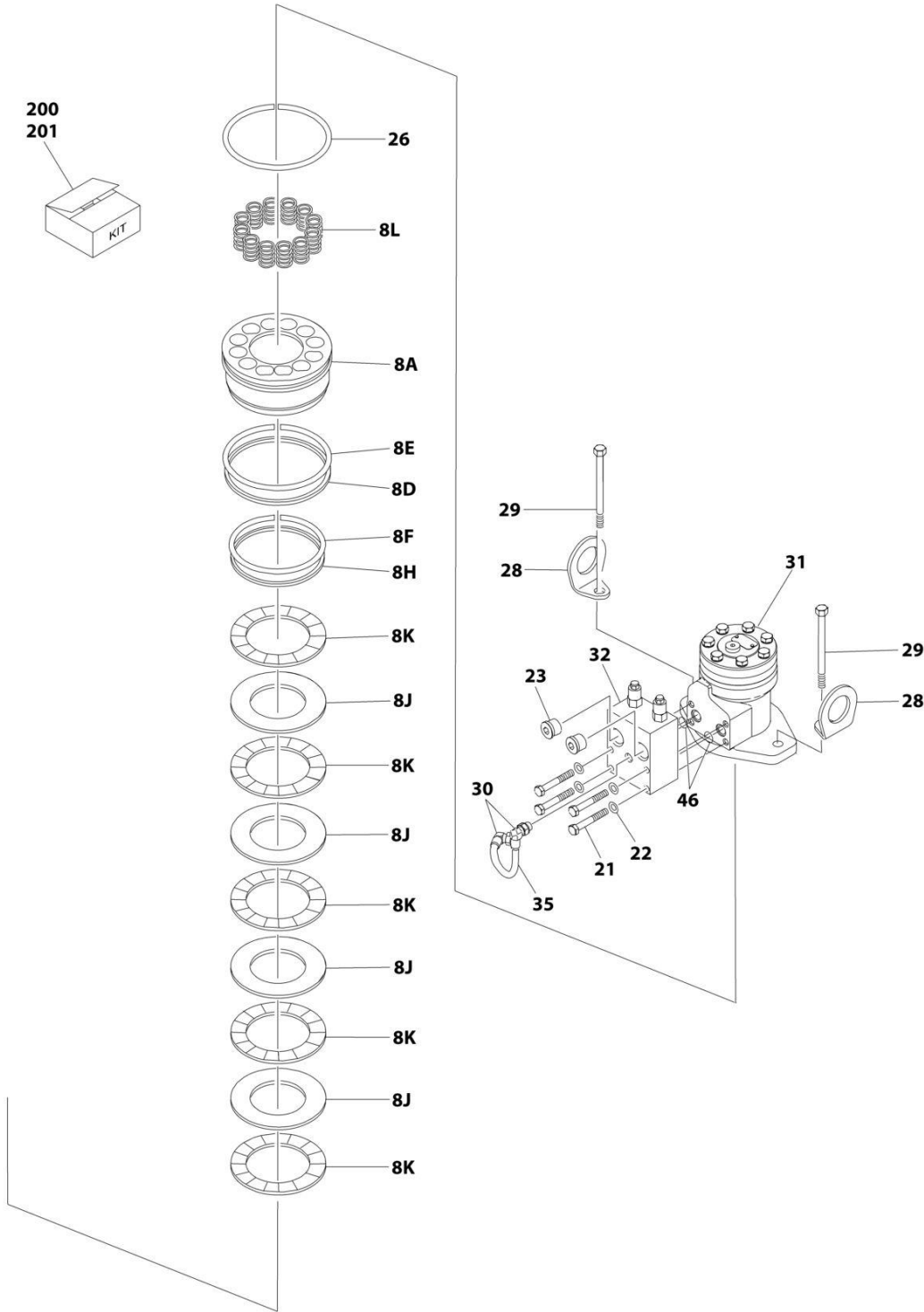
# SECTION 2 - TURNTABLE

## FIGURE 2-11. SWING MOTOR/HUB ASSEMBLY



ART\_1001229810\_10F2

SECTION 2 - TURNTABLE



ART\_1001229810\_20F2

## SECTION 2 - TURNTABLE

**FIGURE 2-11. SWING MOTOR/HUB ASSEMBLY**

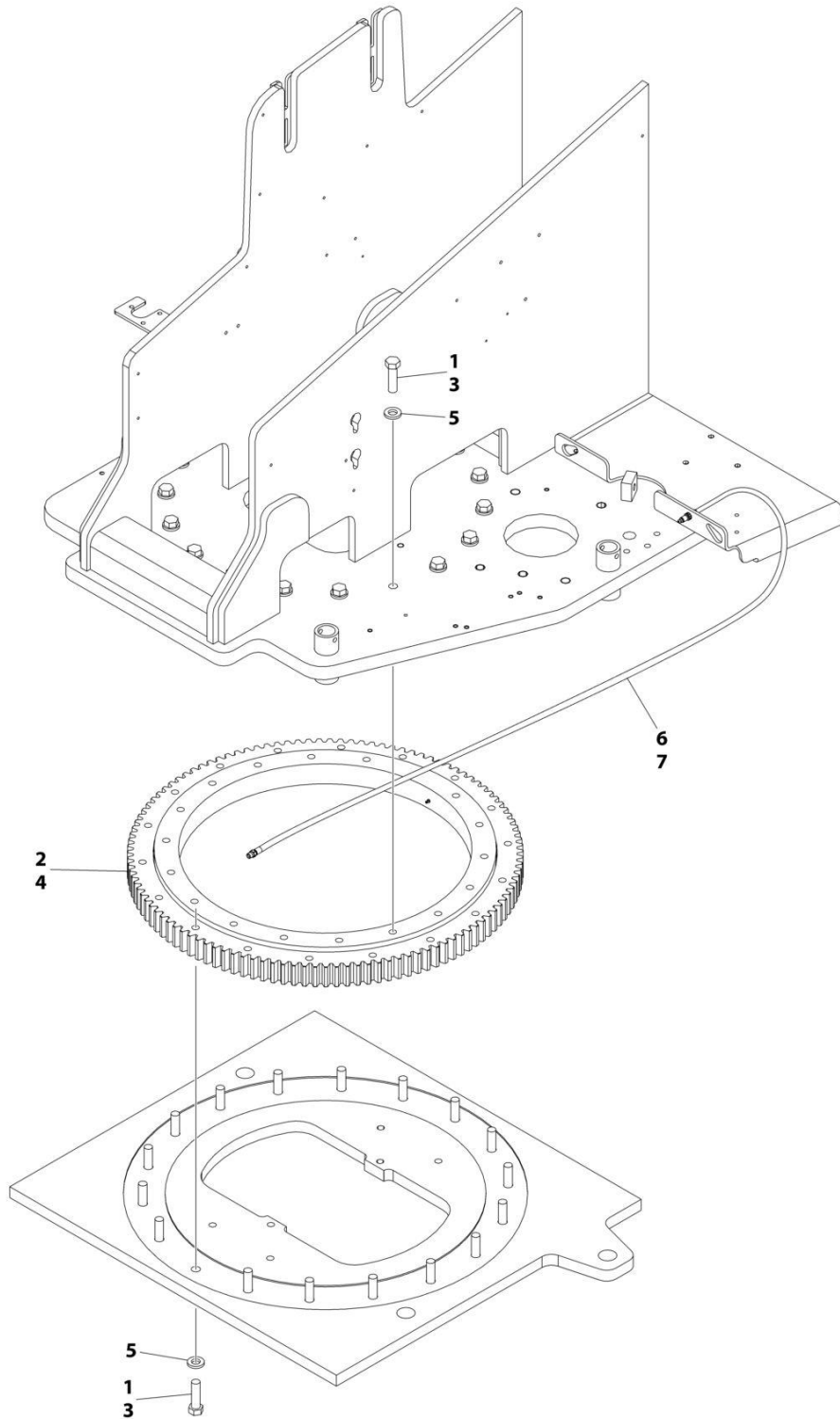
ITEM	PART NUMBER	QTY	DESCRIPTION	REV
	1001229810	Ref	SWING MOTOR/HUB ASSEMBLY	C
1	See Note	1	Housing/Shaft Assembly (Note: Not Available - Purchase Individual Components)	
1A	7010492	1	Shaft, Output	
1B	7000228	1	Seal, Lip	
1C	7000255	1	Bearing Kit (Includes Cup and Cone)	
1E	7000257	1	Bearing Kit (Includes Cup and Cone)	
1G	7024762	1	Housing	
1H	7007633	1	Washer, Thrust	
1I	7000229	1	Ring, Retaining	
1J	7017072	1	Plug, Pipe	
2	7000246	1	Gear, Internal	
3	7000247	1	Carrier Assembly	
4	7000248	1	Gear, Ring	
5	7000230	1	O-Ring	
5A	7017070	1	O-Ring	
6	1001229810	NSS	Housing, Brake (Note: Not Available - Purchase Complete Assembly)	
7	70005203	1	Gear, Sun	
8A	70004037	1	Piston	
8D	70004041	1	O-Ring	
8E	70004044	1	Ring, Back-up	
8F	70004042	1	O-Ring	
8H	70004043	1	Ring, Back-up	
8J	70002085	4	Disc, Rotor	
8K	70002085	5	Disc, Stator	
8L	70002066	14	Spring	
11	7000253	2	Washer, Thrust	
12	7000217	12	Bolt 3/8 x 2-1/4 Grade 8	
13	7017080	4	Pin, Dowel	
20	7017072	1	Plug, Pipe	
21	7024704	4	Bolt 5/16 x 2 Grade 8	
22	70004045	4	Washer	
23	7017023	2	Plug, Pipe	
24	See Note	NSS	Plate, ID (Note: Not Available for Purchase)	
25	See Note	NSS	Rivet (Note: Not Available for Purchase)	
26	7024763	1	O-Ring	
28	See Note	NSS	Lug, Lifting (Note: Not Available for Purchase)	
29	70004040	2	Bolt 1/2 x 1 (Grade 8)	
30	7017085	2	Elbow	
31	70006304	1	Motor Assembly	
32	7024784	1	Valve Assembly - Complete (No Serviceable Parts)	
35	70004047	1	Tube	
44	7017028	1	Ring, Internal Retaining	
45	7000213	2	O-Ring	
		Ref	KIT OPTIONS:	
200	7024100	1	Seal Kit - Swing Hub (Includes Items 1B, 1I, 5, 5A & 11)	
201	70002085	1	Disc Kit - Swing Brake (Includes Items 8J & 8K)	





# SECTION 2 - TURNTABLE

## FIGURE 2-12. TURNTABLE BEARING INSTALLATION



ART\_1001150391

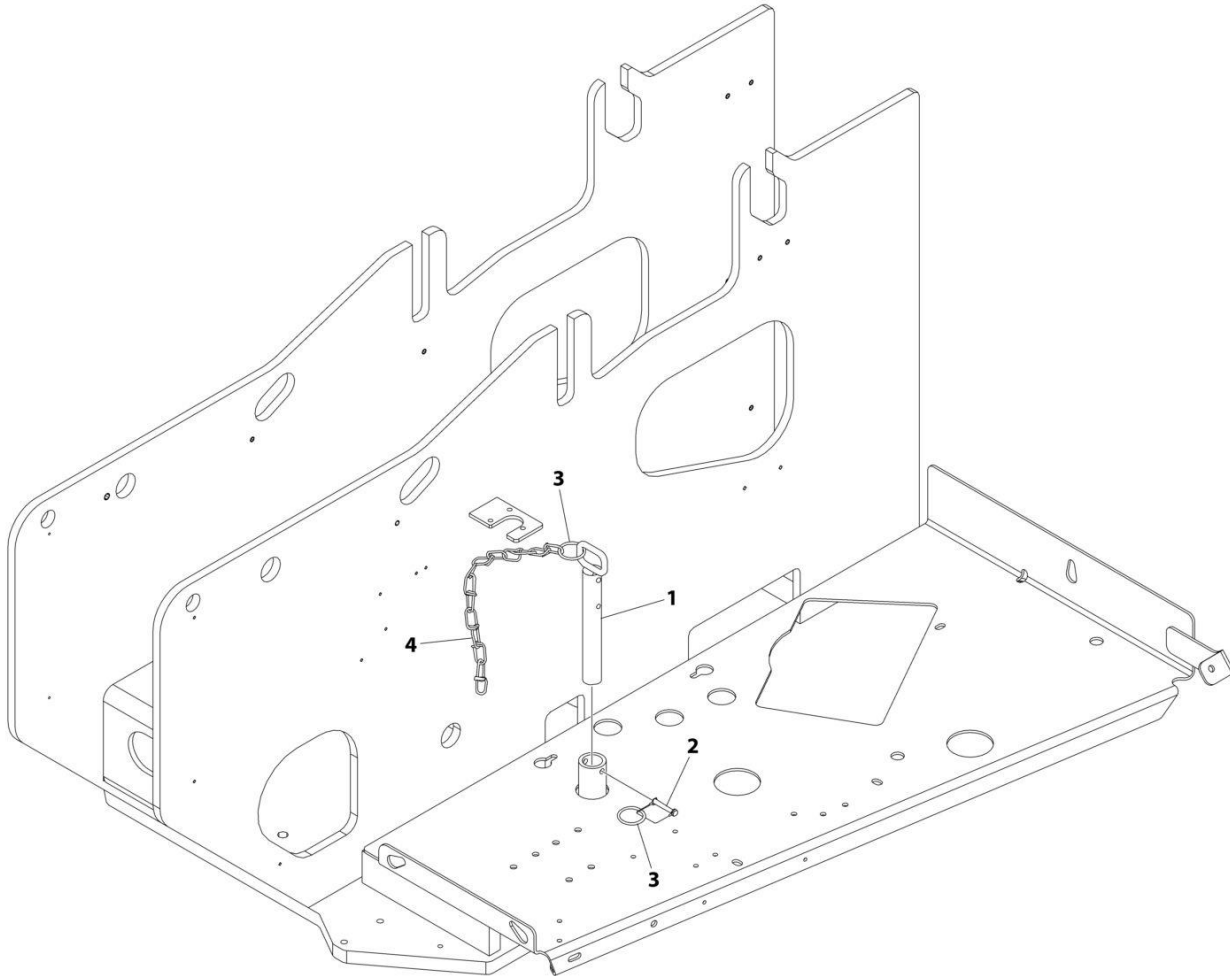
**SECTION 2 - TURNTABLE**

**FIGURE 2-12. TURNTABLE BEARING INSTALLATION**

<b>ITEM</b>	<b>PART NUMBER</b>	<b>QTY</b>	<b>DESCRIPTION</b>	<b>REV</b>
	1001150391	Ref	TURNTABLE BEARING AND REMOTE LUBE INSTALLATION	C
1	0100019	AR	Compound, Locking	
2	0440207	1	Bearing, Turntable	
3	0682018	36	Bolt 5/8 x 2-1/4 Grade 8	
4	3020029	AR	Lubricant	
5	4892000	36	Washer 5/8 Hardened	
6	0100011	AR	Compound, Locking	
7	1001149927	1	Hose (Includes Grease Fitting and Adapter Fittings)	

## SECTION 2 - TURNTABLE

FIGURE 2-13. TURNTABLE LOCK INSTALLATION – DEUTZ D2011 AND FORD DF 2.5L ENGINE MACHINES



ART\_0255410

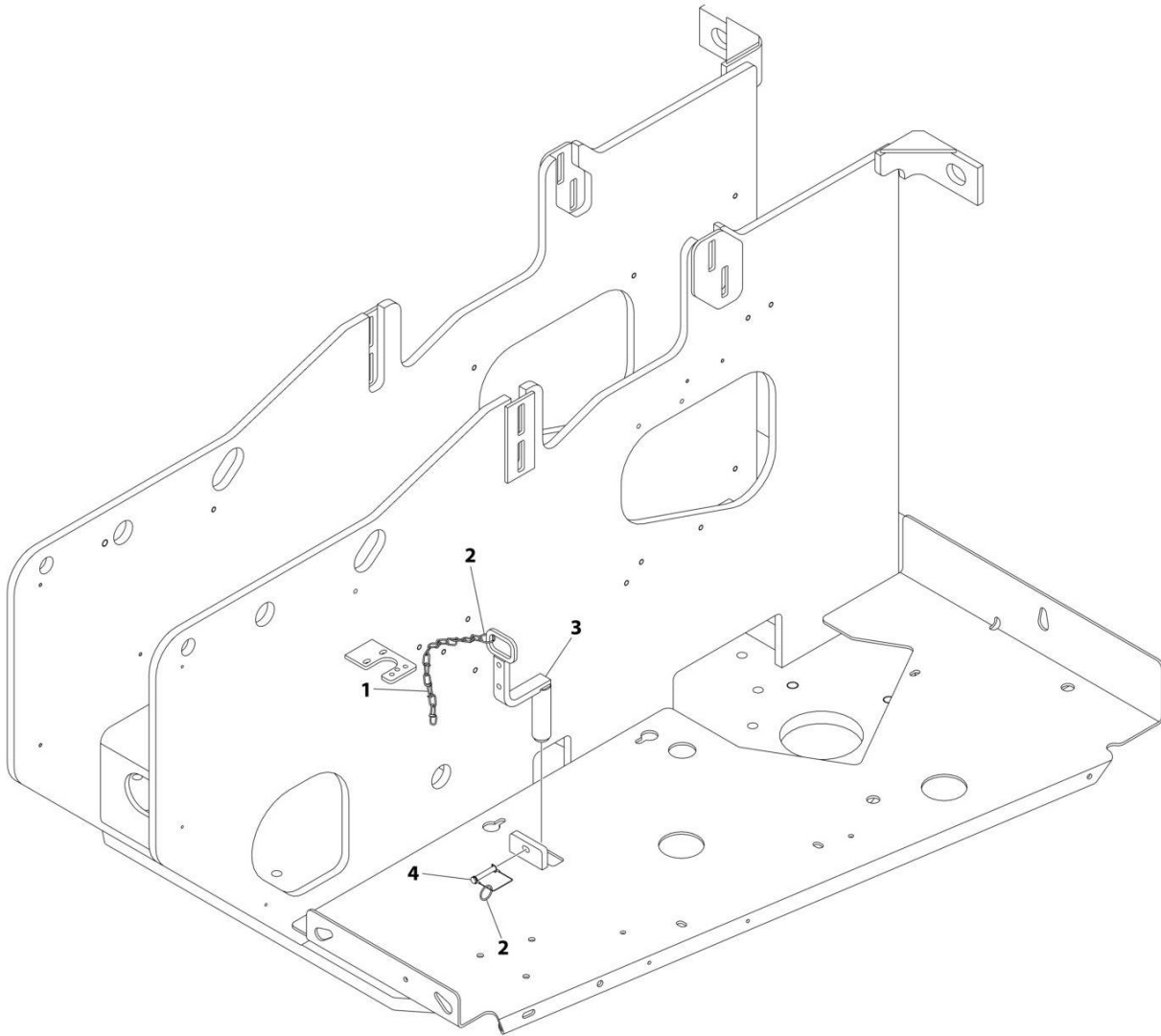
**SECTION 2 - TURNTABLE**

**FIGURE 2-13. TURNTABLE LOCK INSTALLATION – DEUTZ D2011 AND FORD DF 2.5L ENGINE MACHINES**

<b>ITEM</b>	<b>PART NUMBER</b>	<b>QTY</b>	<b>DESCRIPTION</b>	<b>REV</b>
	0255410	Ref	TURNTABLE LOCK INSTALLATION	B
1	4844958	1	Pin	
2	3421565	1	Pin, Snap	
3	3760170	2	Ring, Quick Release	
4	1260017	9 in /23cm	Chain	

## SECTION 2 - TURNTABLE

FIGURE 2-14. TURNTABLE LOCK INSTALLATION – DEUTZ TD2.2L3 (STAGE V), DEUTZ TD2.9L4 AND DEUTZ D2.9L4 (CHINA IV) ENGINE MACHINES



ART\_1001137885

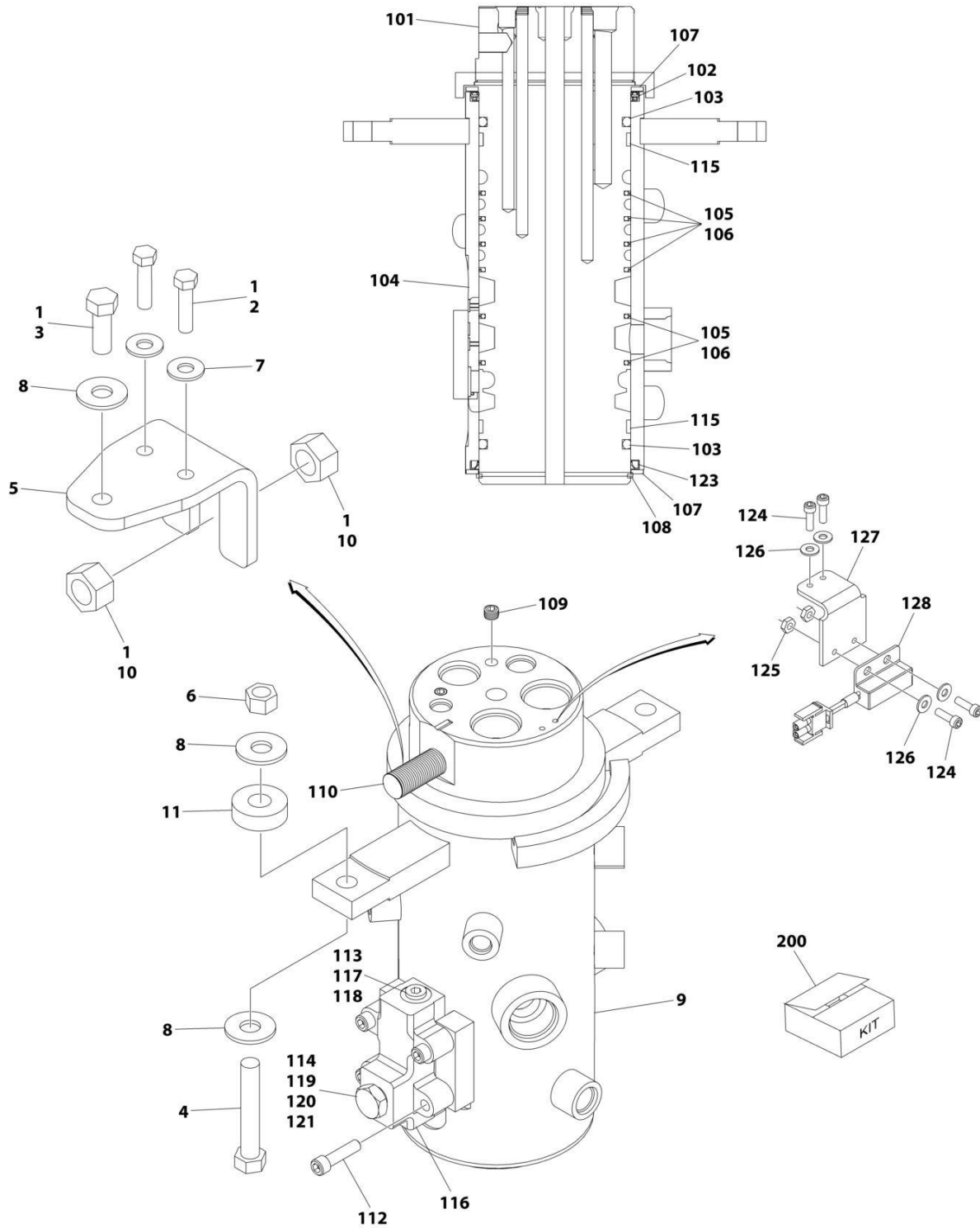
**SECTION 2 - TURNTABLE**

**FIGURE 2-14. TURNTABLE LOCK INSTALLATION – DEUTZ TD2.2L3 (STAGE V), DEUTZ TD2.9L4 AND DEUTZ D2.9L4 (CHINA IV) ENGINE MACHINES**

ITEM	PART NUMBER	QTY	DESCRIPTION	REV
	1001137885	Ref	TURNTABLE LOCK INSTALLATION	A
1	1260017	9 in /23cm	Chain	
2	3760170	2	Ring, Quick Release	
3	1001137896	1	Pin	
4	1001145292	1	Pin, Snap	

# SECTION 2 - TURNTABLE

## FIGURE 2-15. ROTARY COUPLING INSTALLATION – 2WS



ART\_1001107498



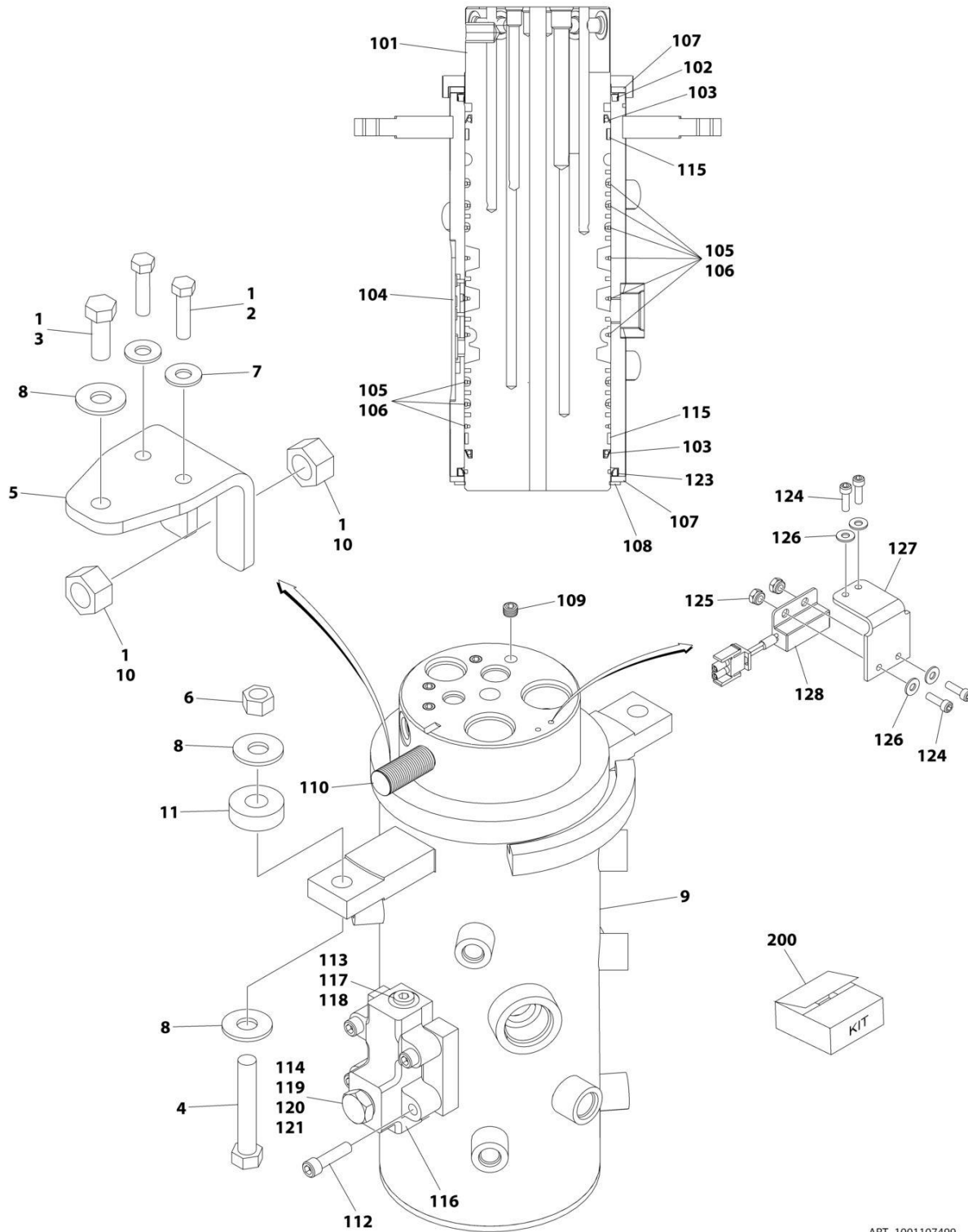
## SECTION 2 - TURNTABLE

**FIGURE 2-15. ROTARY COUPLING INSTALLATION – 2WS**

ITEM	PART NUMBER	QTY	DESCRIPTION	REV
	1001107498	Ref	ROTARY COUPLING INSTALLATION	B
1	0100011	AR	Compound, Locking	
2	0641612	2	Bolt 3/8 x 1-1/2	
3	0641811	1	Bolt 1/2 x 1-3/8	
4	0641824	2	Bolt 1/2 x 3	
5	0903056	1	Bracket	
6	3271805	2	Nut 1/2	
7	4751600	2	Washer 3/8	
8	4751800	5	Washer 1/2	
9	1001106974	1	Coupling, Rotary (See Items 101-121 for Breakdown)	
10	3322201	2	Nut 3/4	
11	1001178789	2	Shim	
	1001106974	Ref	ROTARY COUPLING ASSEMBLY	B
101	See Note	NSS	Body (Note: Not Available - Purchase Complete Assembly)	
102	70001248	1	Seal	
103	See Note	NSS	O-Ring (Note: Use Item 200A or 200B) (Note: Use Item 200A or 200B)	
104	See Note	NSS	Housing (Note: Not Available - Purchase Complete Assembly)	
105	70001248	6	Seal, Cap	
106	70001248	6	O-Ring	
107	7026503	2	Ring	
108	7026504	1	Ring, Retaining	
109	80934561	2	Plug	
110	See Note	1	Lug, Torque (Note: Not Available for Purchase)	
112	7026197	4	Bolt 5/16 x 1-1/4	
113	See Note	NSS	O-Ring (Note: Use Item 200A or 200B)	
114	See Note	NSS	O-Ring (Note: Use Item 200A or 200B)	
115	See Note	NSS	Bearing (Note: Use Item 200A or 200B)	
116	7024404	1	Block Valve Assembly	
117	7026505	1	Plug	
118	7026506	1	Valve, Check	
119	7026507	1	Plug	
120	7024404	1	Plunger, Valve (Note: Not Available for Purchase)	
121	7026509	1	Spring, Compression	
122	See Note	NSS	Protective Netting (Not Shown) (Note: Not Available for Purchase)	
123	70001248	1	Seal	
124	See Note	NSS	Screw, Socket Head #10 x 1/2 (Note: Not Available for Purchase)	
125	See Note	NSS	Nut #10 (Note: Not Available for Purchase)	
126	See Note	NSS	Washer #10 (Note: Not Available for Purchase)	
127	70003454	1	Bracket, Switch Mounting	
128	4360517	1	Switch, Proximity	
200	70001248	1	Seal Kit (Includes Items 102, 103, 105, 106, 113, 114, 115 & 123)	

# SECTION 2 - TURNTABLE

## FIGURE 2-16. ROTARY COUPLING INSTALLATION – 4WS



ART\_1001107499

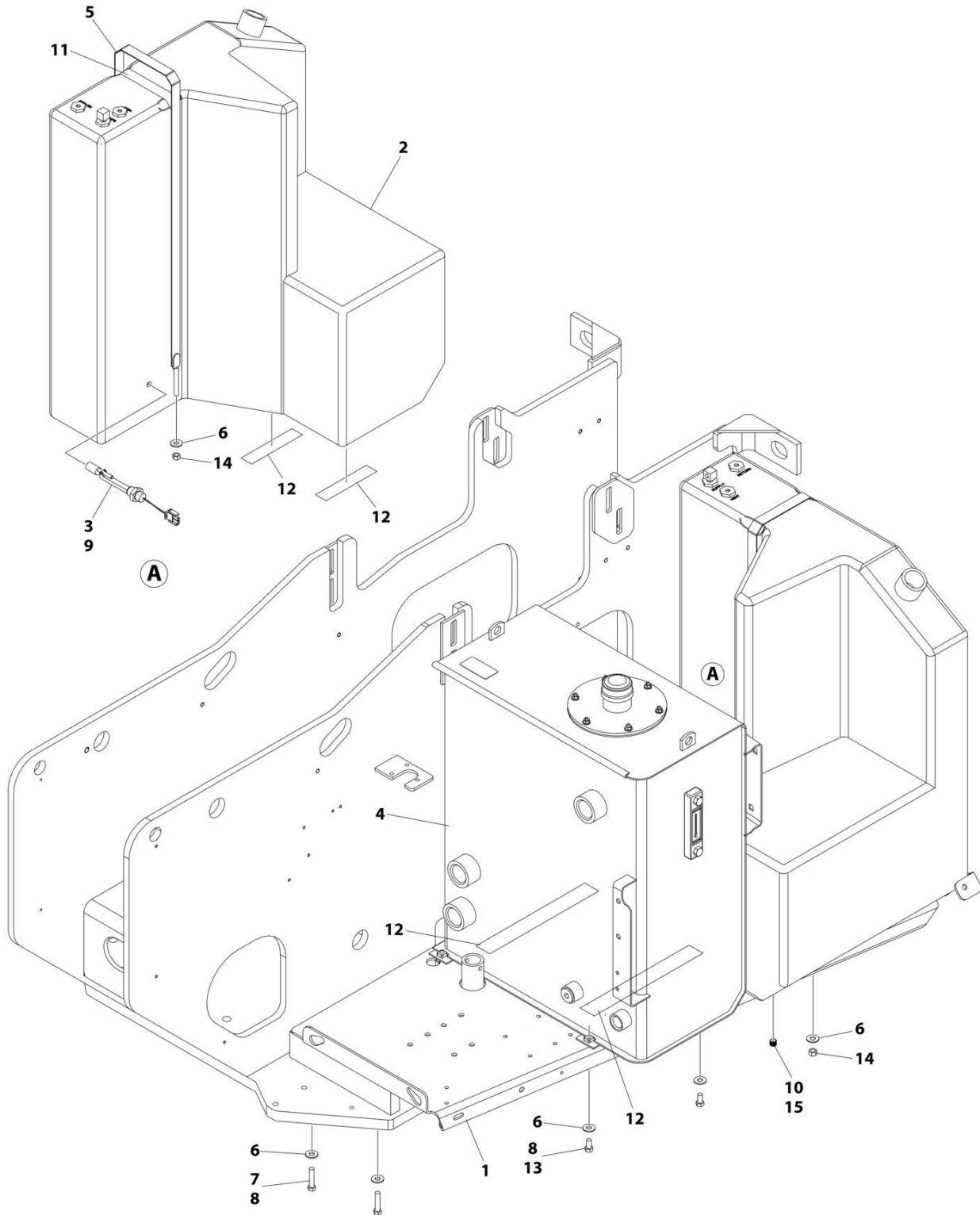
## SECTION 2 - TURNTABLE

### FIGURE 2-16. ROTARY COUPLING INSTALLATION – 4WS

ITEM	PART NUMBER	QTY	DESCRIPTION	REV
	1001107499	Ref	ROTARY COUPLING INSTALLATION	B
1	0100011	AR	Compound, Locking	
2	0641612	2	Bolt 3/8 x 1-1/2	
3	0641811	1	Bolt 1/2 x 1-3/8	
4	0641824	2	Bolt 1/2 x 3	
5	0903056	1	Bracket	
6	3271805	2	Nut 1/2	
7	4751600	2	Washer 3/8	
8	4751800	5	Washer 1/2	
9	1001106975	1	Coupling, Rotary (See Items 101-121 for Breakdown)	
10	3322201	2	Nut 3/4	
11	1001178789	2	Shim	
	1001106975	Ref	ROTARY COUPLING ASSEMBLY	B
101	See Note	1	Body (Note: Not Available - Purchase Complete Assembly)	
102	70002212	1	Seal	
103	See Note	2	O-Ring (Note: Use Item 200A or 200B) (Note: Use Item 200A or 200B)	
104	See Note	1	Housing (Note: Not Available - Purchase Complete Assembly)	
105	70002212	9	Seal, Cap	
106	70002212	9	O-Ring	
107	7026511	2	Ring	
108	7013189	1	Ring, Retaining	
109	80934561	4	Plug	
110	See Note	1	Lug, Torque (Note: Not Available for Purchase)	
112	7026197	4	Bolt 5/16 x 1-1/4	
113	See Note	NSS	O-Ring (Note: Use Item 200A or 200B)	
114	See Note	NSS	O-Ring (Note: Use Item 200A or 200B)	
115	See Note	NSS	Bearing (Note: Use Item 200A or 200B)	
116	7024404	1	Block Valve Assembly	
117	7026505	1	Plug	
118	7026506	1	Valve, Check	
119	7026507	1	Plug	
120	7024404	1	Plunger, Valve (Note: Not Available for Purchase)	
121	7026509	1	Spring, Compression	
122	See Note	NSS	Protective Netting (Not Shown) (Note: Not Available for Purchase)	
123	70002212	1	Seal	
124	See Note	4	Screw, Socket Head #10 x 1/2 (Note: Not Available for Purchase)	
125	See Note	2	Nut #10 (Note: Not Available for Purchase)	
126	See Note	NSS	Washer #10 (Note: Not Available for Purchase)	
127	70003454	1	Bracket, Switch Mounting	
128	4360517	1	Switch, Proximity	
200	70002212	1	Seal Kit (Includes Items 102, 103, 105, 106, 113, 114, 115 & 123)	

## SECTION 2 - TURNTABLE

FIGURE 2-17. TANK INSTALLATION – DEUTZ D2011 ENGINE (MACHINES WITH SN STARTING WITH 03)



ART\_1001152066

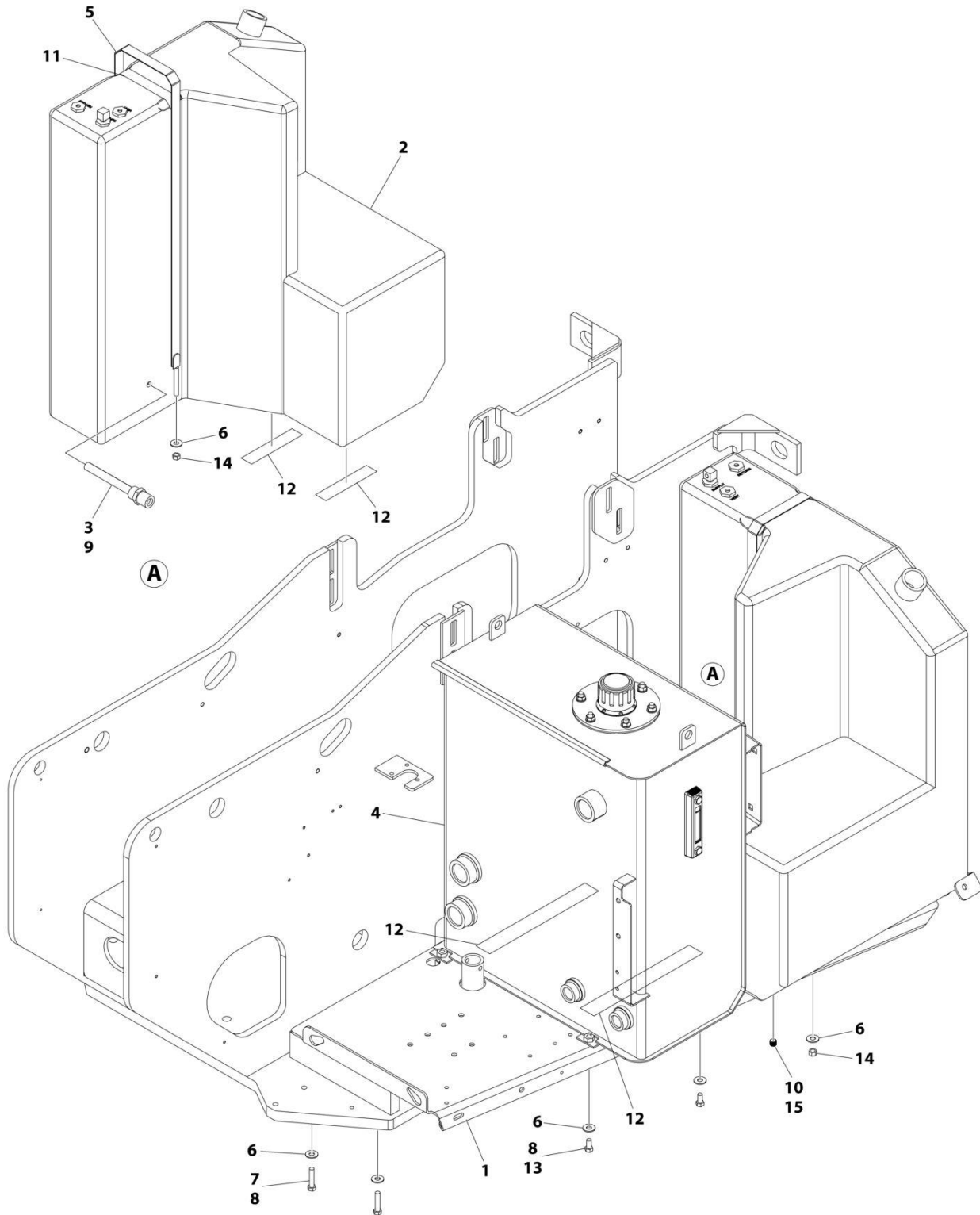
## SECTION 2 - TURNTABLE

**FIGURE 2-17. TANK INSTALLATION – DEUTZ D2011 ENGINE (MACHINES WITH SN STARTING WITH 03)**

ITEM	PART NUMBER	QTY	DESCRIPTION	REV
	1001152066	Ref	TANK INSTALLATION	C
1	1001152428	1	Tray	
2	1001173896	1	Tank, Fuel	
2	7016314	1	Cap, Fuel (Non-Locking)	
2	7019658	1	Fitting, 90 with Pick up Tube	
3	4360436	1	Switch, Fuel Level	
4	1001151268	1	Hydraulic Oil Tank Assembly (See Separate Breakdown in this Section)	
5	4240102	1	Strap, Tank	
6	4751600	10	Washer 3/8	
7	0641614	4	Bolt 3/8 x 1-3/4	
8	0100011	AR	Compound, Locking	
9	1001182997	AR	Sealant, Pipe	
10	2200222	1	Plug	
11	4280295	18 in /46cm	Strip, Protective	
12	4420038	AR	Tape, Rubber	
13	0641606	4	Bolt 3/8 x 3/4	
14	3311601	2	Nut 3/8	
15	0100020	AR	Sealant	

## SECTION 2 - TURNTABLE

FIGURE 2-18. TANK INSTALLATION – DEUTZ D2011 ENGINE (MACHINES WITH SN STARTING WITH B3)



ART\_1001282827

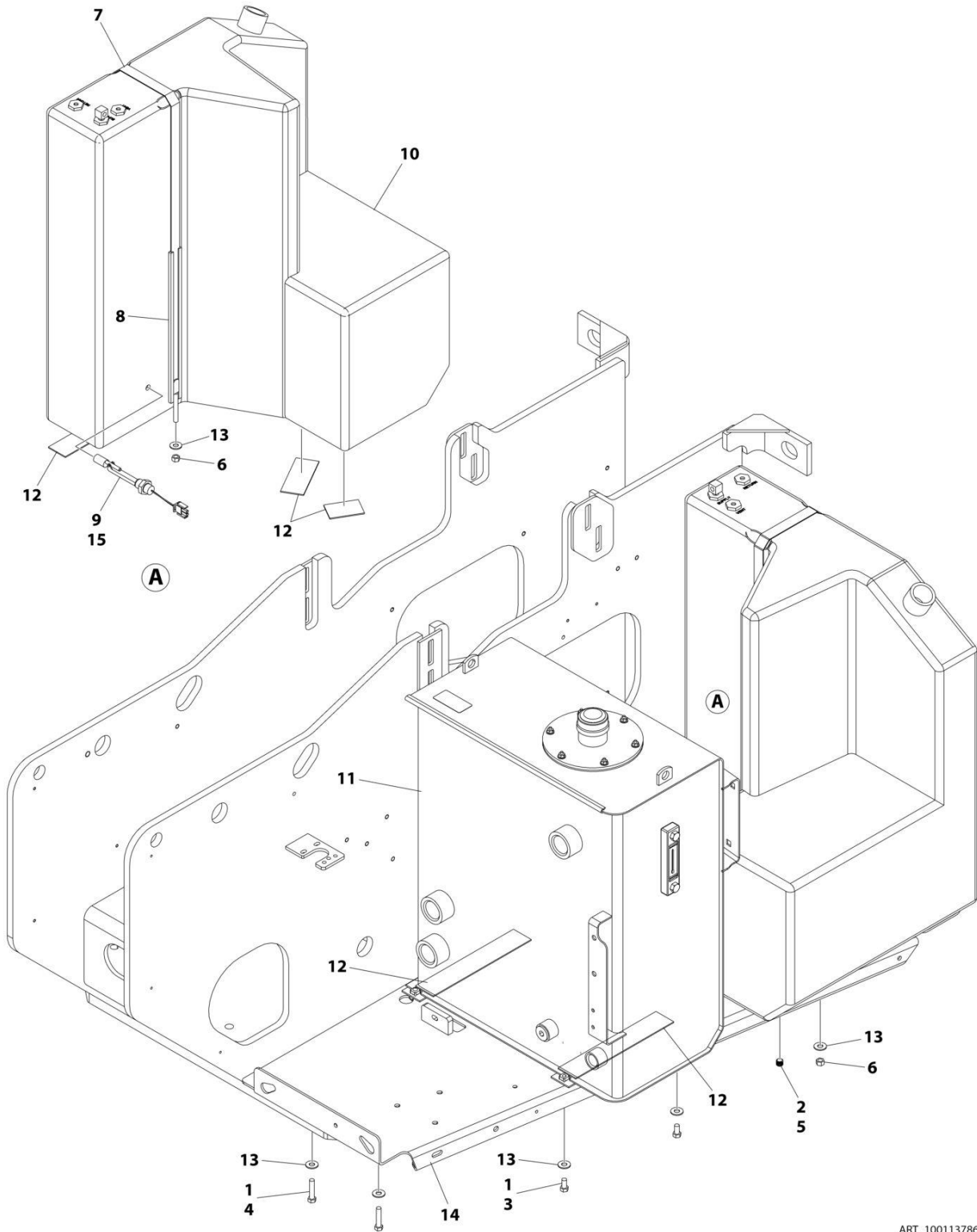
**SECTION 2 - TURNTABLE**

**FIGURE 2-18. TANK INSTALLATION – DEUTZ D2011 ENGINE (MACHINES WITH SN STARTING WITH B3)**

ITEM	PART NUMBER	QTY	DESCRIPTION	REV
	1001282827	Ref	TANK INSTALLATION	A
1	1001152428	1	Tray	
2	1001173896	1	Tank, Fuel	
2	7016314	1	Cap (Non-Locking)	
2	7019658	1	Fitting, 90 with Pick up Tube	
3	4360436	1	Switch, Fuel Level	
4	1001274526	1	Hydraulic Oil Tank Assembly (See Separate Breakdown in this Section)	
5	4240102	1	Strap, Tank	
6	4751600	10	Washer 3/8	
7	0641614	4	Bolt 3/8 x 1-3/4	
8	0100011	AR	Compound, Locking	
9	1001182997	AR	Sealant, Pipe	
10	2200222	1	Plug	
11	4280295	18 in / 46cm	Strip, Protective	
12	4420038	AR	Tape, Rubber	
13	0641606	4	Bolt 3/8 x 3/4	
14	3311601	2	Nut 3/8	
15	0100020	AR	Sealant	

## SECTION 2 - TURNTABLE

FIGURE 2-19. TANK INSTALLATION – DEUTZ TD2.2L3 (STAGE V) AND DEUTZ TD2.9L4 ENGINE  
(MACHINES WITH SN STARTING WITH 03)



ART\_1001137865



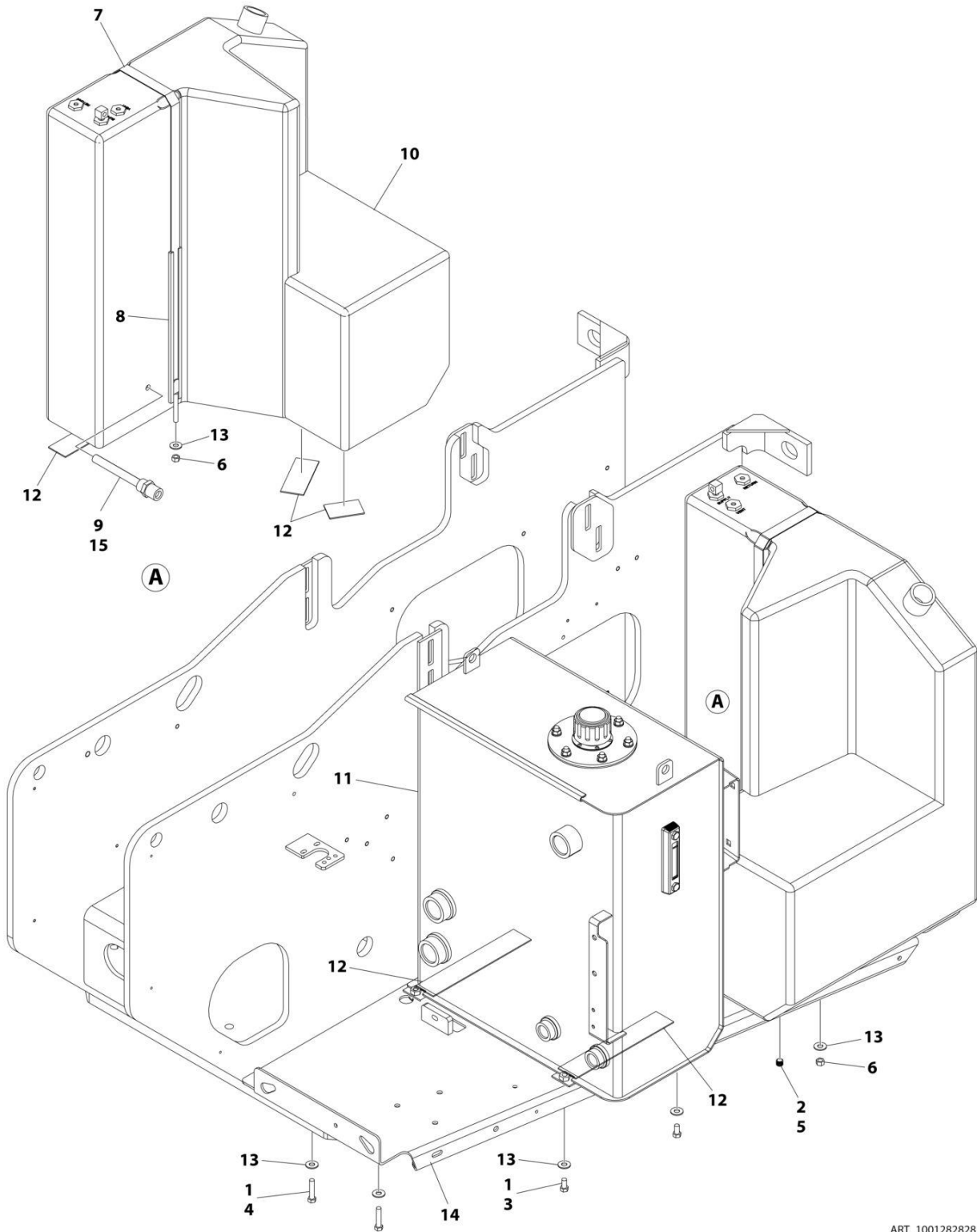
## SECTION 2 - TURNTABLE

**FIGURE 2-19. TANK INSTALLATION – DEUTZ TD2.2L3 (STAGE V) AND DEUTZ TD2.9L4 ENGINE  
(MACHINES WITH SN STARTING WITH 03)**

ITEM	PART NUMBER	QTY	DESCRIPTION	REV
	1001137865	Ref	TANK INSTALLATION	F
1	0100011	AR	Compound, Locking	
2	0100020	AR	Sealant	
3	0641606	4	Bolt 3/8 x 3/4	
4	0641614	4	Bolt 3/8 x 1-3/4	
5	2200222	1	Plug	
6	3311601	2	Nut 3/8	
7	4240102	1	Strap, Tank	
8	4280295	18 in /46cm	Strip, Protective	
9	4360436	1	Switch, Fuel Level	
10	1001173896	1	Tank, Fuel	
10	7016314	1	Cap (Non-Locking)	
10	7019658	1	Fitting, 90 with Pick up Tube	
11	1001151268	1	Hydraulic Oil Tank Assembly (See Separate Breakdown in this Section)	
12	4420038	AR	Tape, Rubber	
13	4751600	10	Washer 3/8	
14	1001137863	1	Tray	
15	1001182997	AR	Sealant, Pipe	

## SECTION 2 - TURNTABLE

FIGURE 2-20. TANK INSTALLATION – DEUTZ TD2.2L3 (STAGE V), DEUTZ TD2.9L4 AND DEUTZ D2.9L4 (CHINA IV) ENGINE (MACHINES WITH SN STARTING WITH B3)



ART\_1001282828

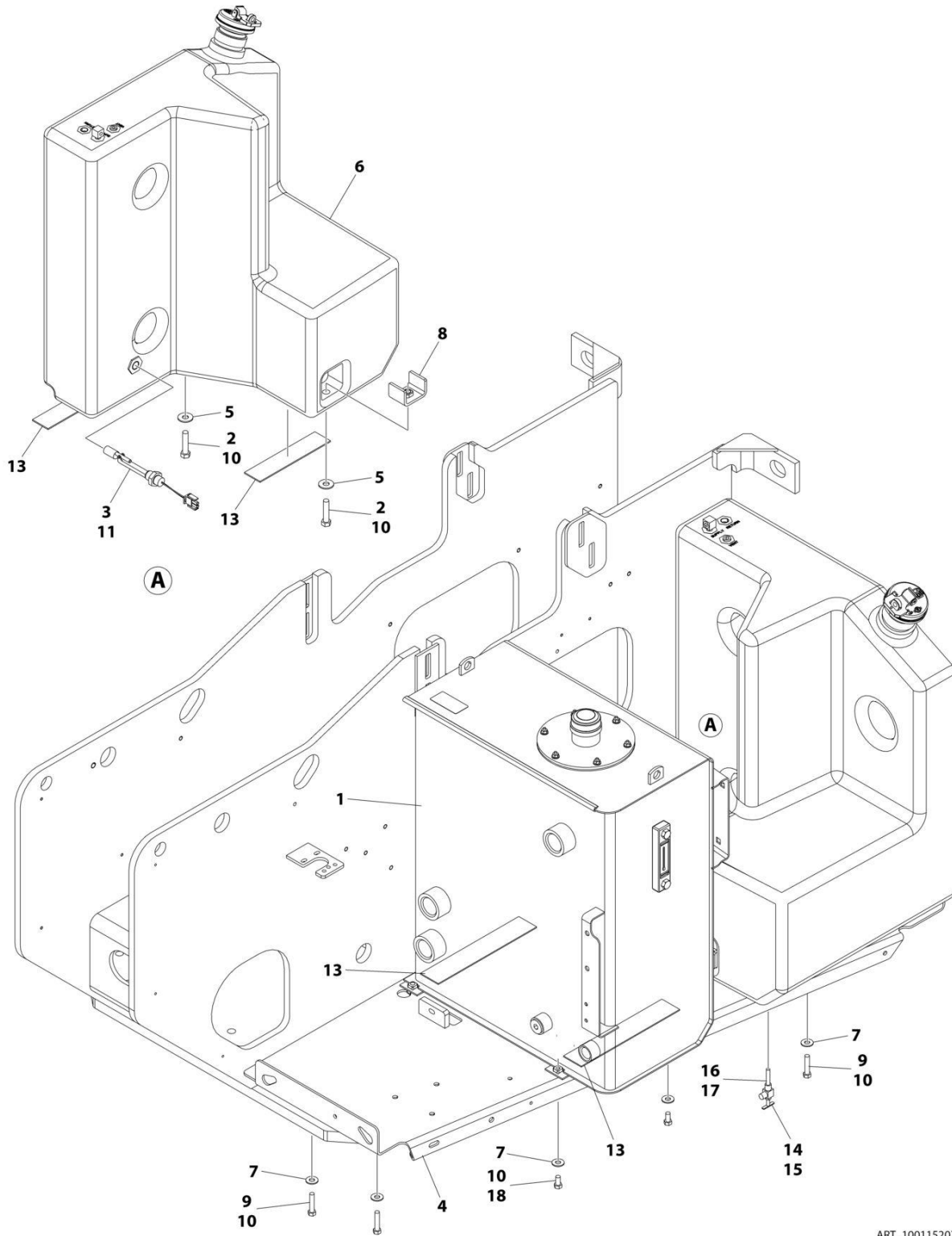
## SECTION 2 - TURNTABLE

**FIGURE 2-20. TANK INSTALLATION – DEUTZ TD2.2L3 (STAGE V), DEUTZ TD2.9L4 AND DEUTZ D2.9L4 (CHINA IV) ENGINE (MACHINES WITH SN STARTING WITH B3)**

ITEM	PART NUMBER	QTY	DESCRIPTION	REV
	1001282828	Ref	TANK INSTALLATION	A
1	0100011	AR	Compound, Locking	
2	0100020	AR	Sealant	
3	0641606	4	Bolt 3/8 x 3/4	
4	0641614	4	Bolt 3/8 x 1-3/4	
5	2200222	1	Plug	
6	3311601	2	Nut 3/8	
7	4240102	1	Strap, Tank	
8	4280295	18 in / 46cm	Strip, Protective	
9	4360436	1	Switch, Fuel Level	
10	1001173896	1	Tank, Fuel	
10	7016314	1	Cap (Non-Locking)	
10	7019658	1	Fitting, 90 with Pick up Tube	
11	1001274526	1	Hydraulic Oil Tank Assembly (See Separate Breakdown in this Section)	
12	4420038	AR	Tape, Rubber	
13	4751600	10	Washer 3/8	
14	1001137863	1	Tray	
15	1001182997	AR	Sealant, Pipe	

# SECTION 2 - TURNTABLE

## FIGURE 2-21. TANK INSTALLATION – FORD DF 2.5L ENGINE



ART\_1001152070

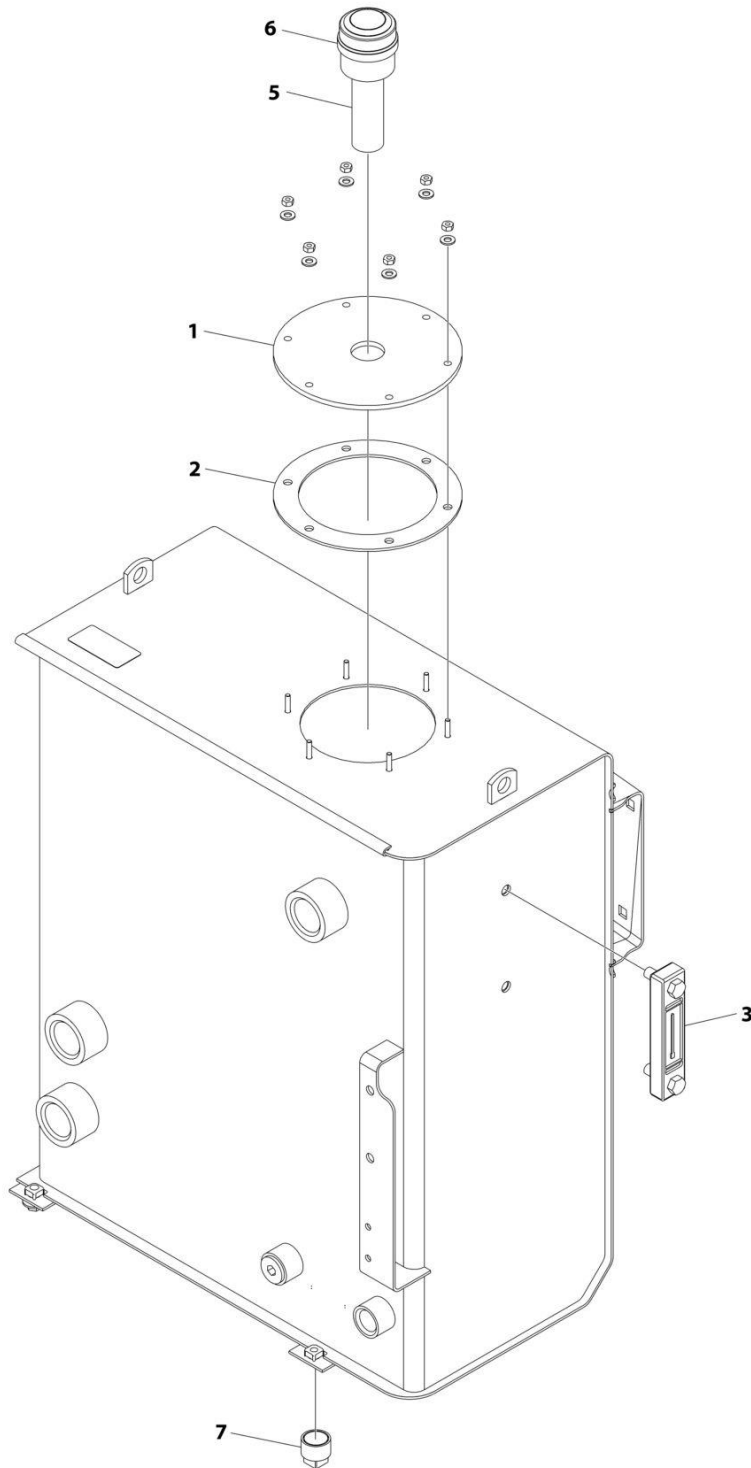
**SECTION 2 - TURNTABLE**

**FIGURE 2-21. TANK INSTALLATION – FORD DF 2.5L ENGINE**

ITEM	PART NUMBER	QTY	DESCRIPTION	REV
	1001152070	Ref	TANK INSTALLATION	D
1	1001151268	1	Hydraulic Oil Tank Assembly (See Separate Breakdown in this Section)	
2	0641818	2	Bolt 1/2 x 2-1/4	
3	4360436	1	Switch, Fuel Level	
4	1001137863	1	Tray	
5	4751800	2	Washer 1/2	
6	1001111514	1	Tank, Fuel	
6	70002715	1	Cap (Non-Locking)	
6	70002716	1	Adpater, Cap	
6	70004149	1	Fitting with Pick up Tube	
7	4751600	8	Washer 3/8	
8	1001118133	2	Bracket	
9	0641614	4	Bolt 3/8 x 1-3/4	
10	0100011	AR	Compound, Locking	
11	1001182997	AR	Sealant, Pipe	
13	4420038	AR	Tape, Rubber	
14	4641022	1	Valve, Needle	
15	0100020	AR	Sealant	
16	0100062	AR	Retaining Compound #680	
17	4568119	1	Tube, Fuel	
18	0641606	4	Bolt 3/8 x 3/4	

# SECTION 2 - TURNTABLE

FIGURE 2-22. HYDRAULIC OIL TANK ASSEMBLY (MACHINES WITH SN STARTING WITH 03)



ART\_1001151268

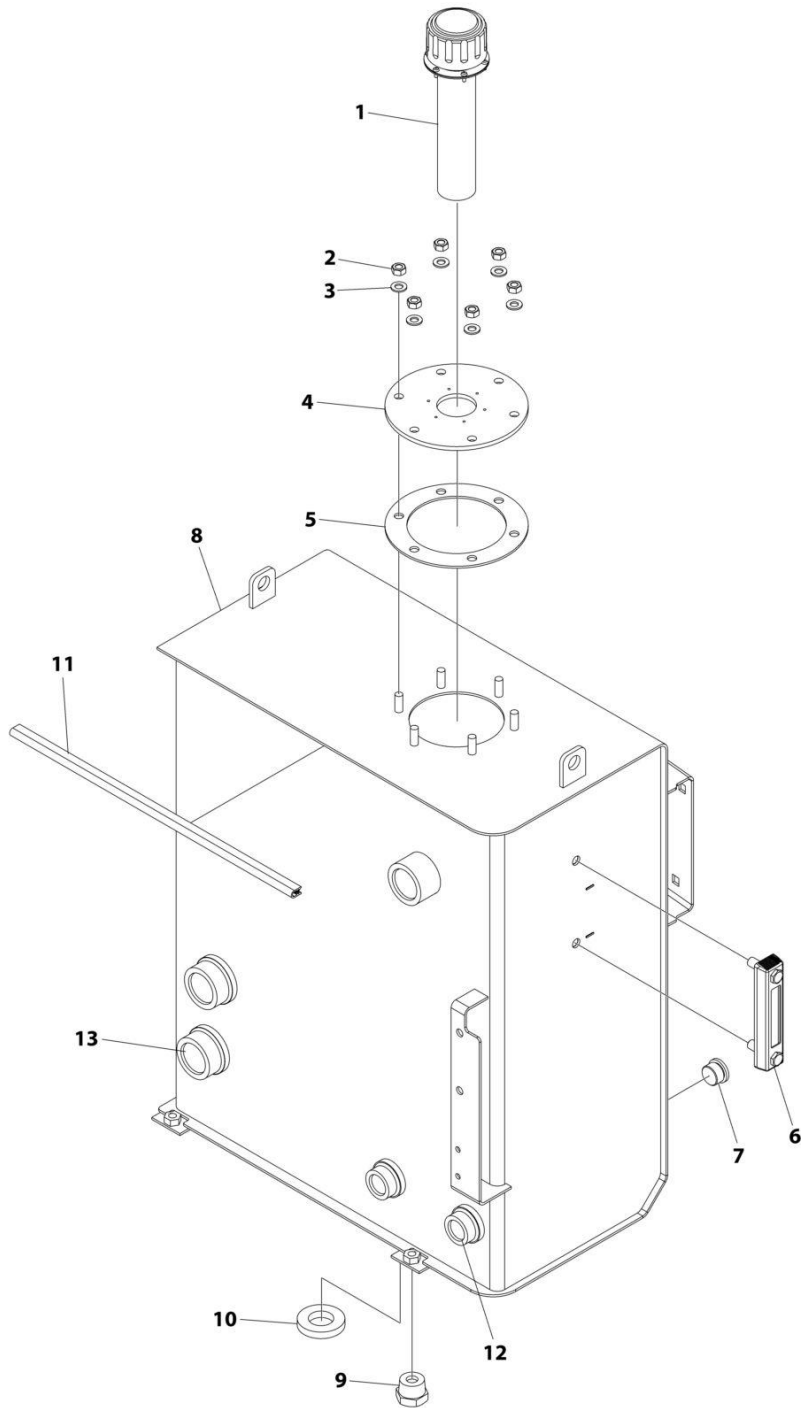
**SECTION 2 - TURNTABLE**

**FIGURE 2-22. HYDRAULIC OIL TANK ASSEMBLY (MACHINES WITH SN STARTING WITH 03)**

ITEM	PART NUMBER	QTY	DESCRIPTION	REV
	1001151268	Ref	HYDRAULIC OIL TANK ASSEMBLY	H
1	7024439	1	Cover	
2	7024440	1	Gasket	
3	7024441	1	Gauge, Sight	
5	7024443	1	Neck, Fill (Helgensen Brand)	
5	See Note	NSS	Neck, Fill (Hydac Brand) (Note: Use Item 70004862)	
5	7024445	1	Screen (Helgensen Brand)	
5	See Note	NSS	Screen (Hydac Brand) (Note: Use Item 70004862)	
6	7024444	1	Breather/Fill Cap (Helgensen Brand)	
6	70004862	1	Breather/Fill Cap/Strainer Kit (Hydac Brand)	
7	7024446	1	Plug, Magnetic	

## SECTION 2 - TURNTABLE

FIGURE 2-23. HYDRAULIC OIL TANK ASSEMBLY (MACHINES WITH SN STARTING WITH B3)



ART\_1001274526



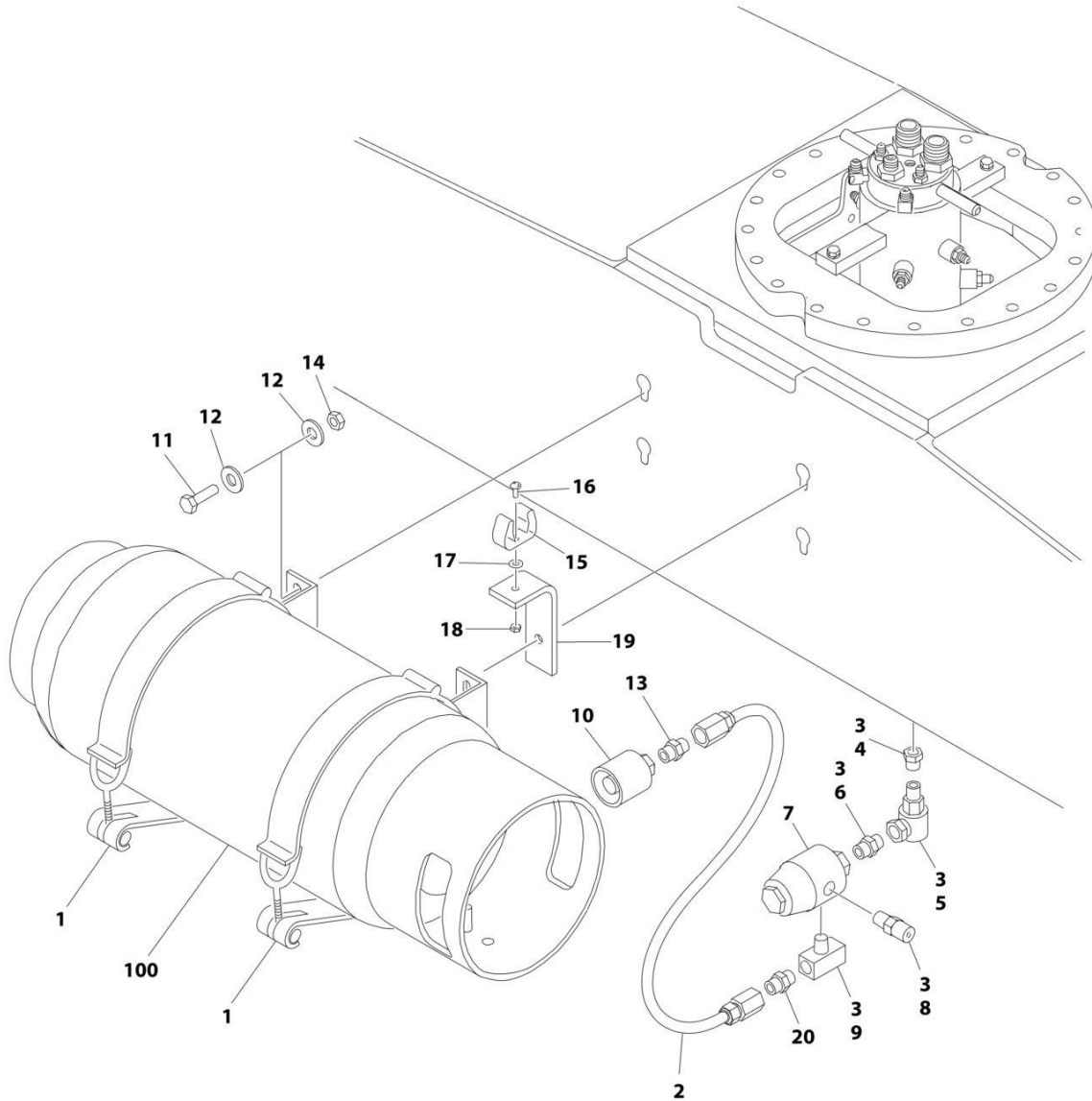
**SECTION 2 - TURNTABLE**

**FIGURE 2-23. HYDRAULIC OIL TANK ASSEMBLY (MACHINES WITH SN STARTING WITH B3)**

ITEM	PART NUMBER	QTY	DESCRIPTION	REV
	1001274526	Ref	HYDRAULIC OIL TANK ASSEMBLY	A
1	70008253	1	Cap, Fill	
2	70008263	6	Nut M10	
3	70008262	6	Washer	
4	70008269	1	Cover	
5	70008260	1	Gasket	
6	70008264	1	Gauge, Level	
7	70008270	1	Plug	
8	See Note	NSS	Tank (Note: Not Available for Purchase)	
9	70008271	1	Plug	
10	70008272	1	Magnet	
11	70008273	1	Trim	
12	70008257	2	Cover 1-1/16	
13	70008268	3	Cover 1-5/8	

## SECTION 2 - TURNTABLE

FIGURE 2-24. LP TANK BRACKET INSTALLATION – FORD DF 2.5L (8FT/2.4M WIDE MACHINES)



ART\_1001151010

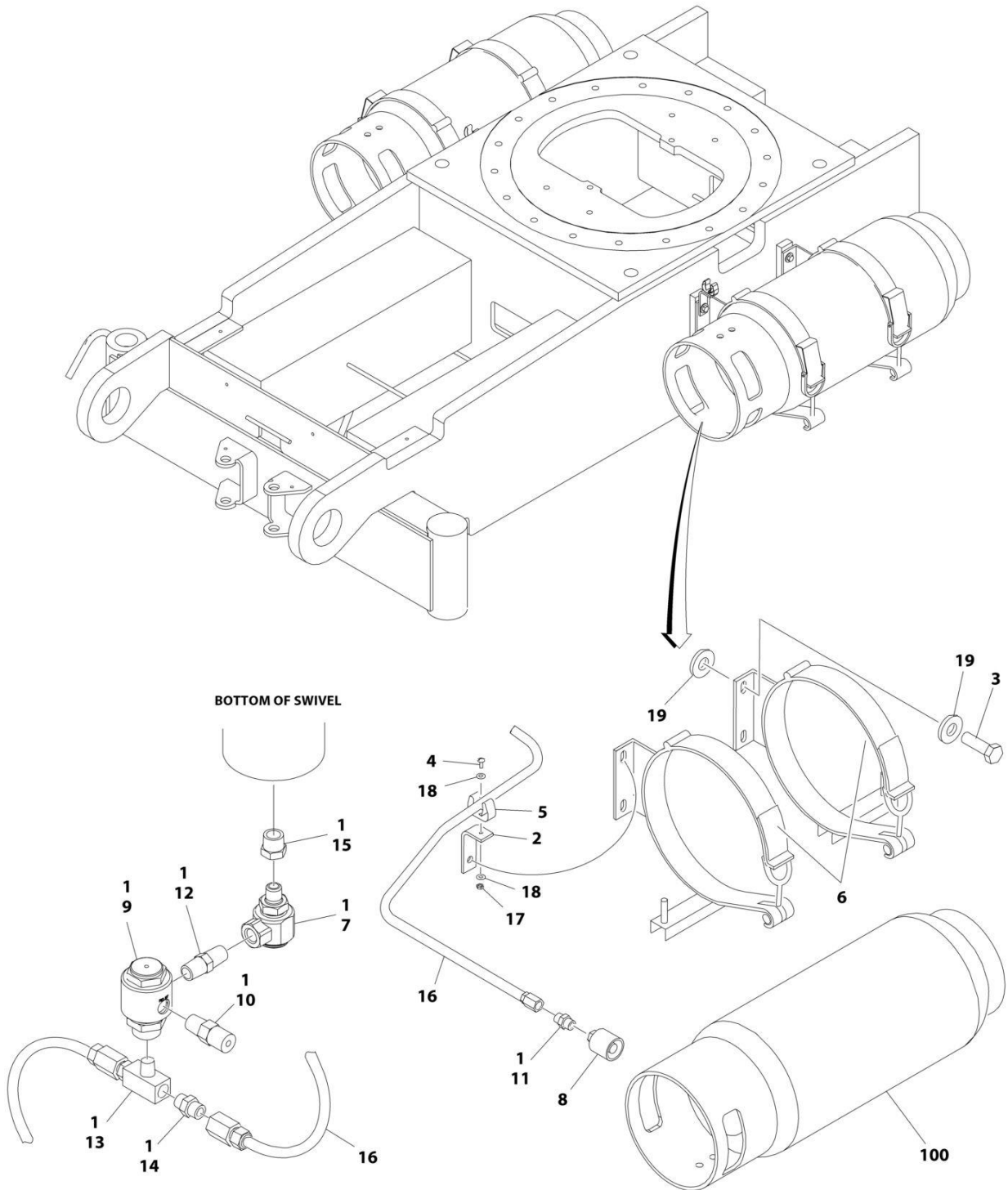
**SECTION 2 - TURNTABLE**

**FIGURE 2-24. LP TANK BRACKET INSTALLATION – FORD DF 2.5L (8FT/2.4M WIDE MACHINES)**

ITEM	PART NUMBER	QTY	DESCRIPTION	REV
	1001151010	Ref	LP TANK BRACKETS INSTALLATION	E
1	1320220	2	Clamp	
1	1320127	2	Clamp, Toggle (1 Per Clamp)	
2	2720144	2	Hose	
3	0100020	AR	Sealant, Pipe	
4	2221197	1	Fitting, Reducer	
5	1001247358	1	Fitting, 90 Swivel	
6	2220261	1	Fitting, Nipple	
7	2180388	1	Fitting, Bulkhead	
8	2180389	1	Valve, Relief	
9	2220418	1	Fitting, Tee	
10	2180387	2	Fitting, Straight	
11	0641617	8	Bolt 3/8 x 2-1/8	
12	4751600	16	Washer 3/8	
13	2180418	2	Fitting, Connector	
14	3311605	8	Nut 3/8	
15	1320218	2	Clamp, Spring	
16	0720804	2	Screw #8 x 1/2	
17	4750800	4	Washer #8	
18	3310805	2	Nut #8	
19	0181949	2	Angle, Support	
20	2221024	2	Fitting, Union Ball Check	
100	4400275	1	Tank, LP - 43.5 Lbs. (Aluminum)	

## SECTION 2 - TURNTABLE

FIGURE 2-25. LP TANK BRACKET INSTALLATION – FORD DF 2.5L (7FT/2.1M WIDE MACHINES)



ART\_1001178512\_B

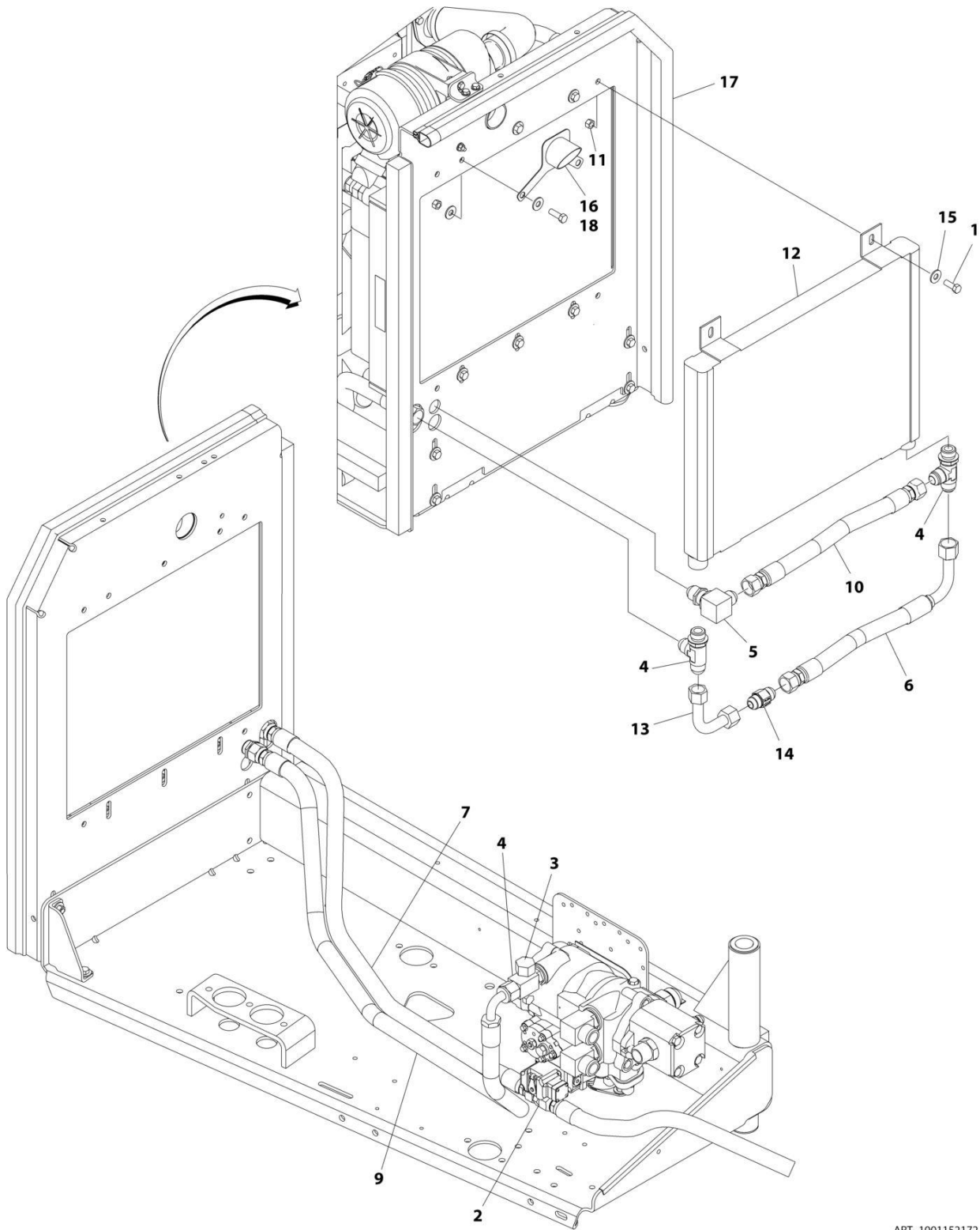
**SECTION 2 - TURNTABLE**

**FIGURE 2-25. LP TANK BRACKET INSTALLATION – FORD DF 2.5L (7FT/2.1M WIDE MACHINES)**

ITEM	PART NUMBER	QTY	DESCRIPTION	REV
	1001178512	Ref	LP TANK BRACKETS INSTALLATION	B
1	0100020	AR	Sealant, Pipe	
2	0181949	2	Angle, Support	
3	0641606	8	Bolt 3/8 x 3/4	
4	0720804	2	Screw, Round Head #8 x 1/2	
5	1320218	2	Clamp, Spring	
6	1320220	2	Clamp	
6	1320127	2	Clamp, Toggle (1 Per Clamp)	
7	1001247358	1	Fitting, 90 Swivel	
8	2180387	2	Fitting, Straight	
9	2180388	1	Fitting, Bulkhead	
10	2180389	1	Fitting, Relief Valve	
11	2180418	2	Fitting, Connector	
12	2220261	1	Fitting, Nipple	
13	2220418	1	Fitting, Tee	
14	2221024	2	Fitting, Union Ball Check	
15	2221197	1	Fitting, Reducer	
16	2720144	2	Hose	
17	3310805	2	Nut #8	
18	4750800	4	Washer #8	
19	4751600	8	Washer 3/8	
100	4400275	1	Tank, LP - 43.5 Lbs. (Aluminum)	

# SECTION 2 - TURNTABLE

## FIGURE 2-26. HYDRAULIC OIL COOLER INSTALLATION - DEUTZ D2011 ENGINES



ART\_1001152172

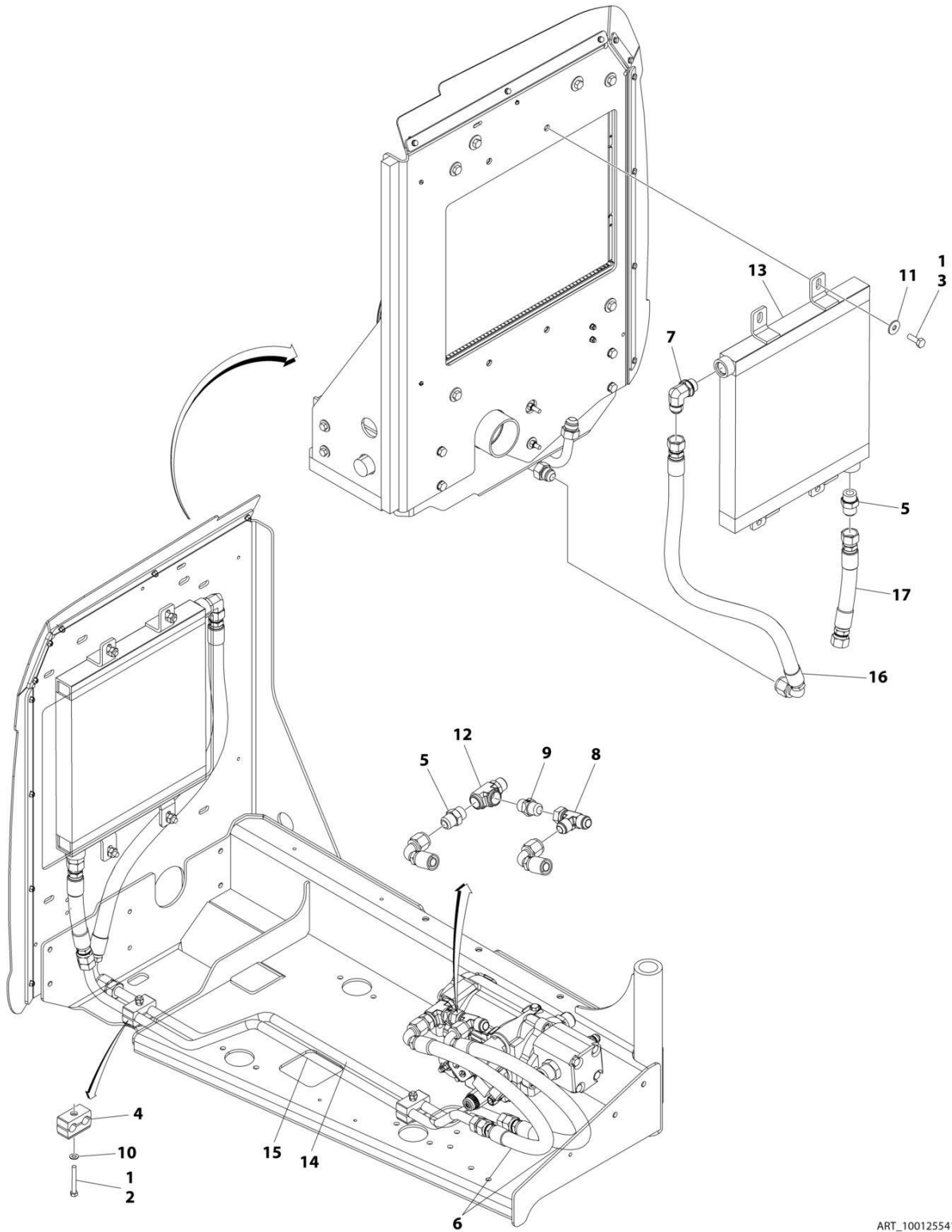
# SECTION 2 - TURNTABLE

**FIGURE 2-26. HYDRAULIC OIL COOLER INSTALLATION - DEUTZ D2011 ENGINES**

ITEM	PART NUMBER	QTY	DESCRIPTION	REV
	1001152172	Ref	HYDRAULIC OIL COOLER INSTALLATION	C
1	0641608	4	Bolt 3/8 x 1	
2	2220513	1	Fitting, Straight JIC/JIC	
3	2220518	1	Fitting, Cap	
4	2220738	3	Fitting, Tee JIC/ORB/JIC	
5	2230046	1	Fitting, 90 JIC/JIC	
6	2752659	1	Hose	
7	2752661	1	Hose	
9	2753354	1	Hose	
10	2750949	1	Hose	
11	3311605	4	Nut 3/8	
12	3620034	1	Cooler, Hydraulic Oil	
13	4567123	1	Tube 90	
14	4640990	1	Valve, Check	
15	4751600	4	Washer 3/8	
16	0100087	AR	Adhesive	
17	1001157604	5 ft /1.52m	Seal	
18	1001158720	1	Shroud	

## SECTION 2 - TURNTABLE

FIGURE 2-27. HYDRAULIC OIL COOLER INSTALLATION - DEUTZ TD2.2L3 ENGINES



ART\_1001255413



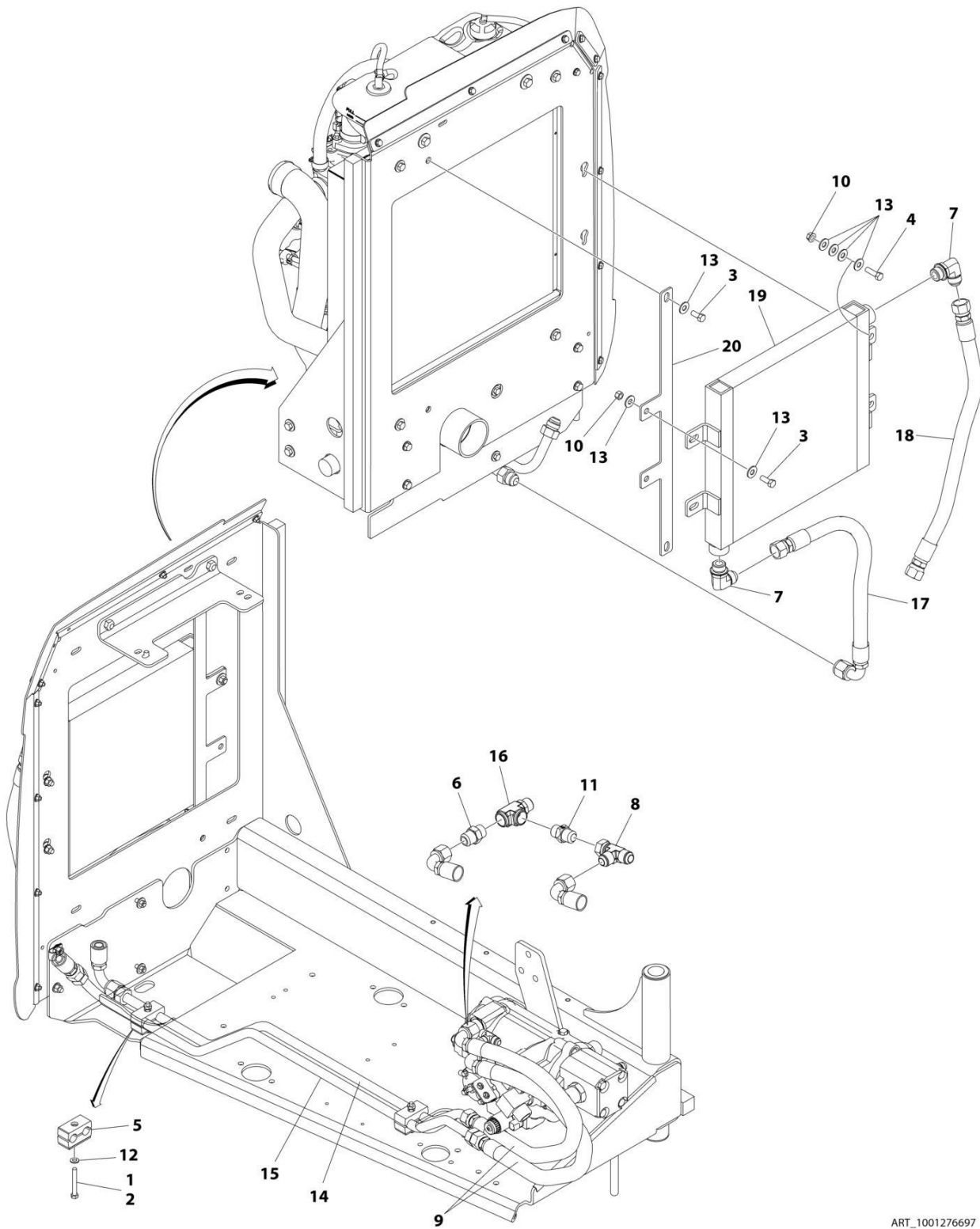
## SECTION 2 - TURNTABLE

**FIGURE 2-27. HYDRAULIC OIL COOLER INSTALLATION - DEUTZ TD2.2L3 ENGINES**

ITEM	PART NUMBER	QTY	DESCRIPTION	REV
	1001255413	Ref	HYDRAULIC OIL COOLER INSTALLATION	A
1	0100011	AR	Compound, Locking	
2	0641520	2	Bolt 5/16 x 2-1/2	
3	0701014	4	Bolt M10 x 30	
4	1320162	2	Clamp	
5	2220451	2	Fitting, Straight JIC/ORB	
6	2752530	2	Hose	
7	2220578	1	Fitting, 90 JIC/ORB	
8	2220700	1	Fitting, Tee JIC/FSJIC/JIC	
9	4641264	1	Valve, Check	
10	4711500	2	Washer 5/16	
11	4812002	4	Washer M10	
12	1001143812	1	Fitting, Tee ORB/ORB/ORB	
13	1001183924	1	Cooler, Hydraulic Oil	
14	1001249448	1	Tube	
15	1001249449	1	Tube	
16	1001253805	1	Hose	
17	1001253806	1	Hose	

## SECTION 2 - TURNTABLE

FIGURE 2-28. HYDRAULIC OIL COOLER INSTALLATION (DUETZ D2.9L4 (CHINA IV) ENGINES)



ART\_1001276697

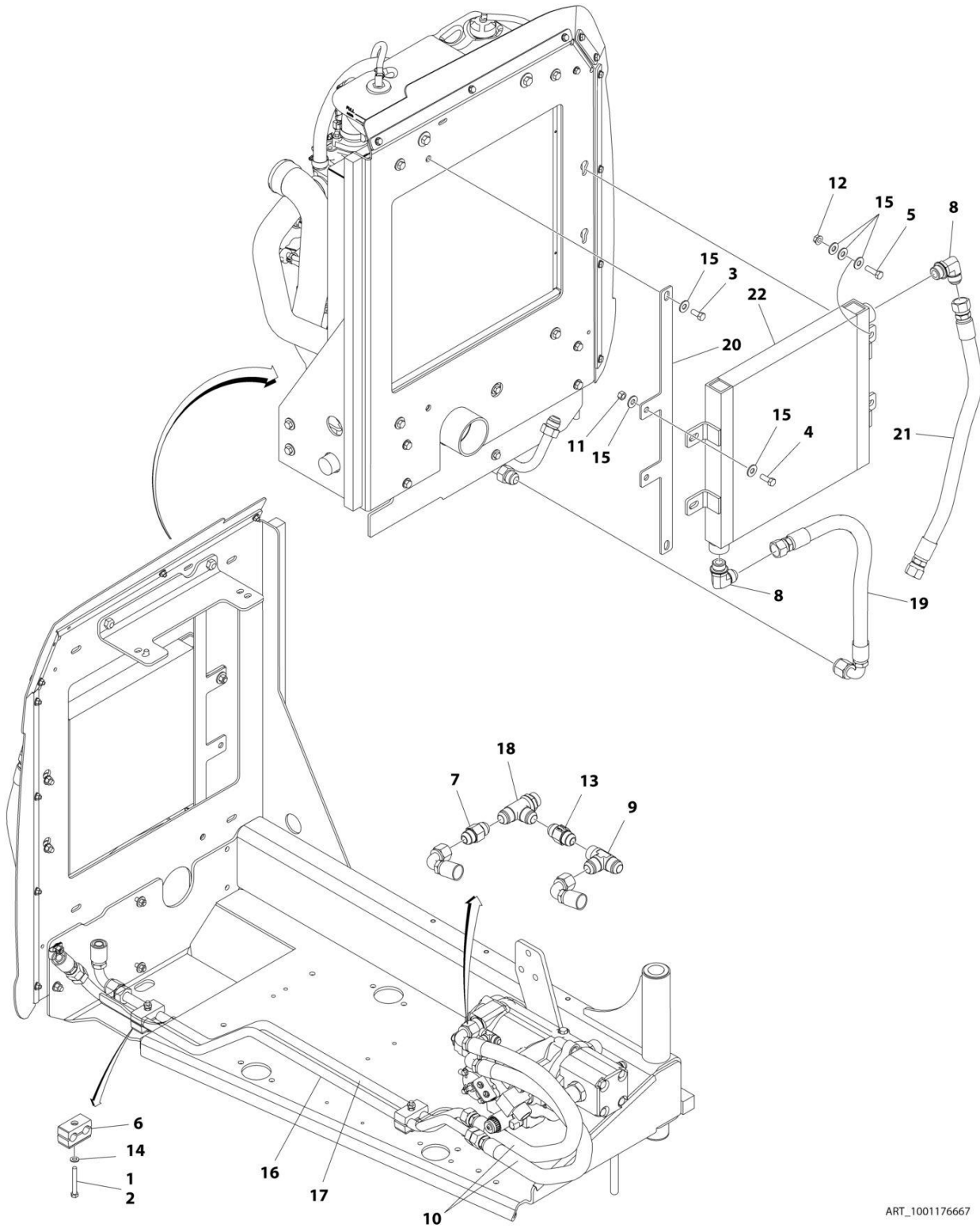
## SECTION 2 - TURNTABLE

**FIGURE 2-28. HYDRAULIC OIL COOLER INSTALLATION (DUETZ D2.9L4 (CHINA IV) ENGINES)**

ITEM	PART NUMBER	QTY	DESCRIPTION	REV
	1001276697	Ref	HYDRAULIC OIL COOLER INSTALLATION	A
1	0100011	AR	Compound, Locking	
2	0700821	2	Bolt M8 x 65	
3	0761014	4	Bolt M10 x 30	
4	0761015	2	Bolt M10 x 35	
5	1320162	2	Clamp	
6	2220451	1	Fitting, Straight JIC/ORB	
7	2220578	2	Fitting, 90 JIC/ORB	
8	2220700	1	Fitting, Tee JIC/FSJIC/JIC	
9	2752530	2	Hose	
10	3291005	4	Nut, Lock M10	
11	4641264	1	Valve, Check	
12	4811900	2	Washer M8	
13	4812000	14	Washer M10	
14	1001143765	1	Tube	
15	1001143766	1	Tube	
16	1001143812	1	Fitting, Tee ORB/ORB/ORB	
17	1001145706	1	Hose	
18	1001177090	1	Hose	
19	1001183924	1	Cooler, Hydraulic Oil	
20	1001276661	1	Plate	

# SECTION 2 - TURNTABLE

## FIGURE 2-29. HYDRAULIC OIL COOLER INSTALLATION - DEUTZ TD2.9L4 ENGINES



ART\_1001176667

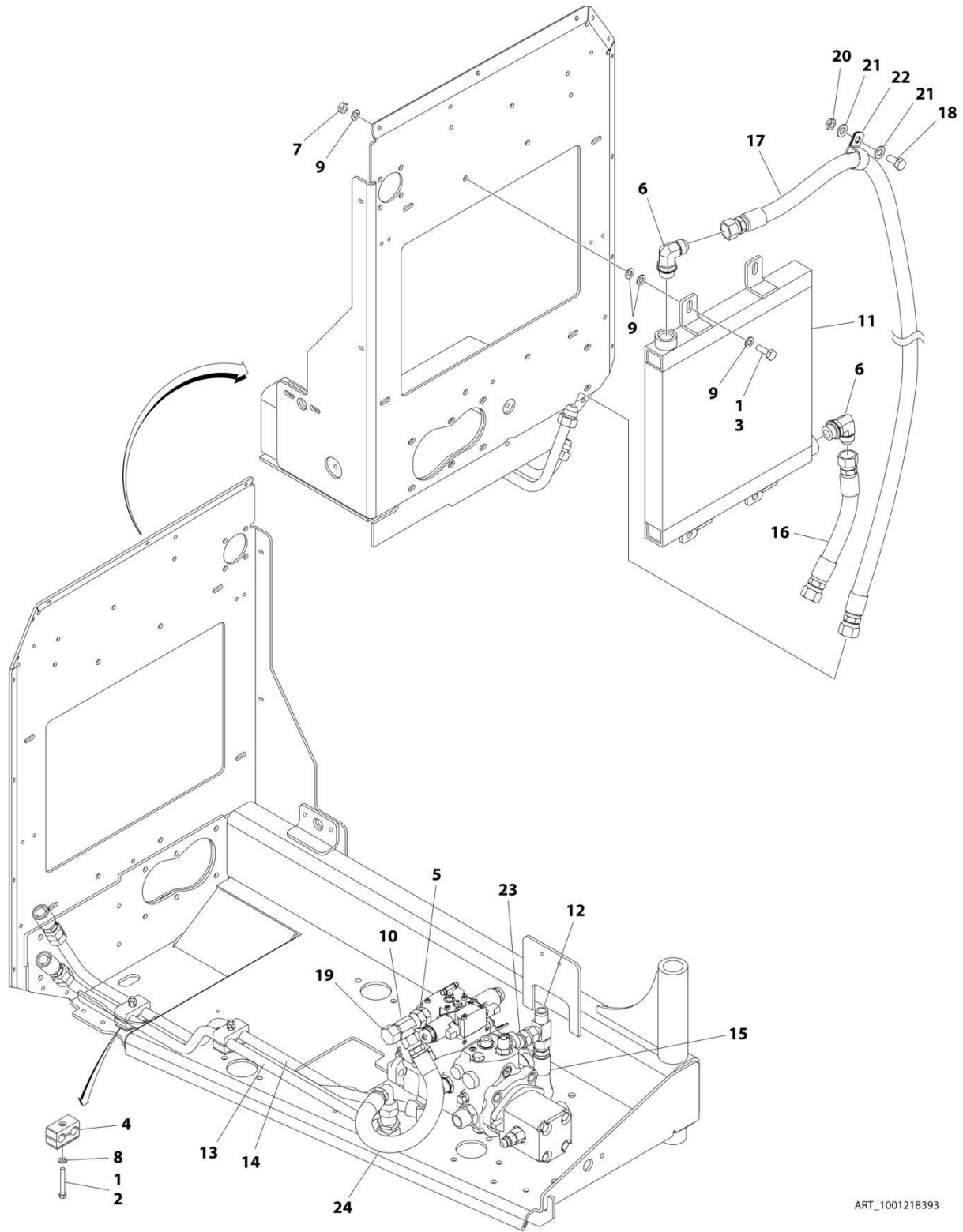
## SECTION 2 - TURNTABLE

**FIGURE 2-29. HYDRAULIC OIL COOLER INSTALLATION - DEUTZ TD2.9L4 ENGINES**

ITEM	PART NUMBER	QTY	DESCRIPTION	REV
	1001176667	Ref	HYDRAULIC OIL COOLER INSTALLATION	C
1	0100011	AR	Compound, Locking	
2	0641520	2	Bolt 5/16 x 2-1/2	
3	0641607	2	Bolt 3/8 x 7/8	
4	0641608	2	Bolt 3/8 x 1	
5	0641610	2	Bolt 3/8 x 1-1/4	
6	1320162	2	Clamp	
7	2220451	1	Fitting, Straight JIC/ORB	
8	2220578	2	Fitting, 90 JIC/ORB	
9	2220700	1	Fitting, Tee JIC/FSJIC/JIC	
10	2752530	2	Hose	
11	3271601	2	Nut 3/8	
12	3311608	2	Nut 3/8	
13	4641264	1	Valve, Check	
14	4711500	2	Washer 5/16	
15	4751600	12	Washer 3/8	
16	1001143765	1	Tube	
17	1001143766	1	Tube	
18	1001143812	1	Fitting, Tee ORB/ORB/ORB	
19	1001145706	1	Hose	
20	1001176666	1	Plate	
21	1001177090	1	Hose	
22	1001183924	1	Cooler, Hydraulic Oil	

# SECTION 2 - TURNTABLE

## FIGURE 2-30. HYDRAULIC OIL COOLER INSTALLATION – FORD DF 2.5L ENGINES



ART\_1001218393

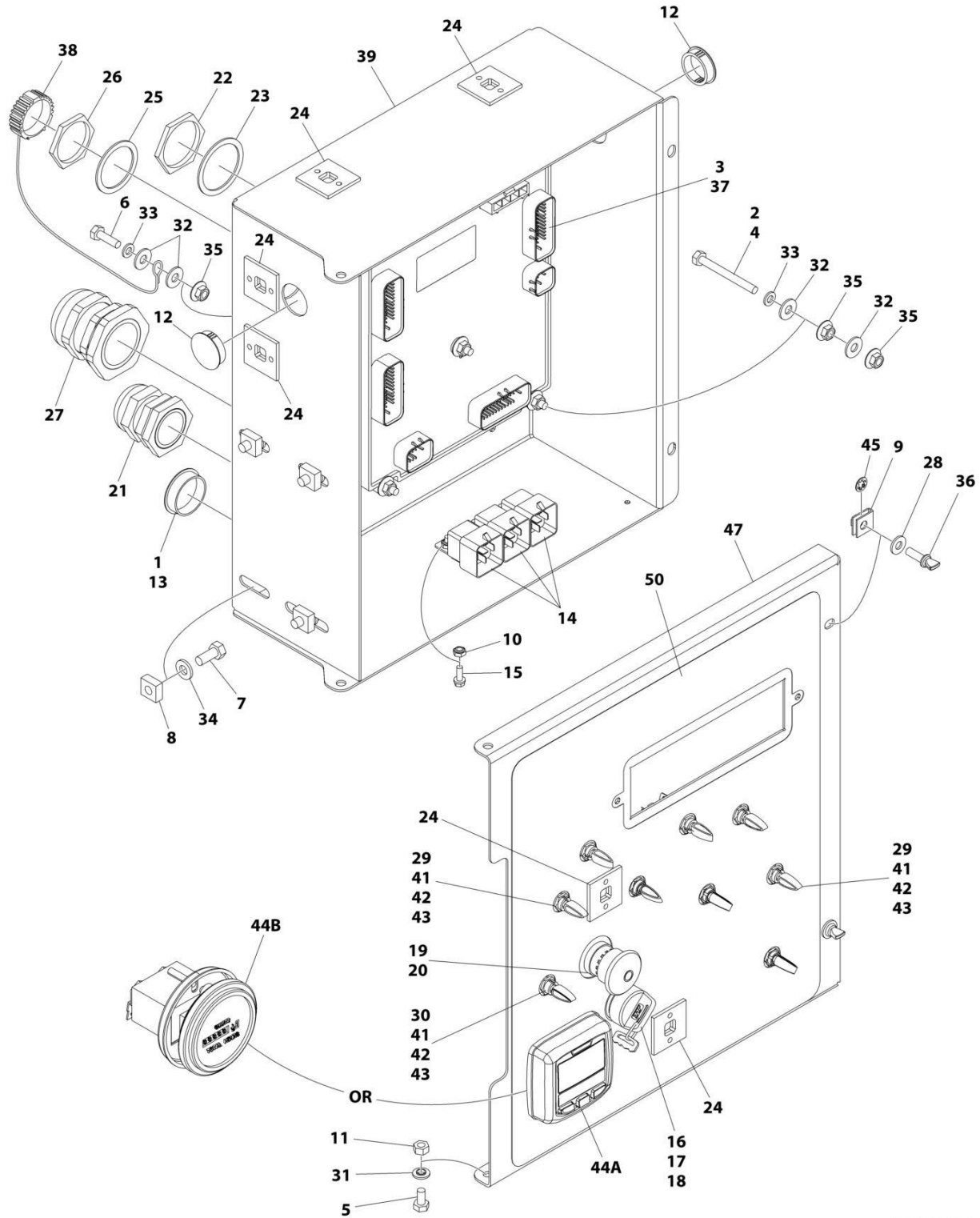
# SECTION 2 - TURNTABLE

**FIGURE 2-30. HYDRAULIC OIL COOLER INSTALLATION – FORD DF 2.5L ENGINES**

ITEM	PART NUMBER	QTY	DESCRIPTION	REV
	1001218393	Ref	HYDRAULIC OIL COOLER INSTALLATION	C
1	0100011	AR	Compound, Locking	
2	0641520	2	Bolt 5/16 x 2-1/2	
3	0771014	4	Bolt M10 x 30	
4	1320162	2	Clamp	
5	2220451	1	Fitting, Straight JIC/ORB	
6	2220578	2	Fitting, 90 JIC/ORB	
7	3291001	4	Nut M10	
8	4711500	2	Washer 5/16	
9	4812000	16	Washer M10	
10	2220700	1	Fitting, Tee JIC/FSJIC/JIC	
11	1001183924	1	Cooler, Hydraulic Oil	
12	2220682	1	Fitting, Tee JIC/JIC/JIC	
13	1001218394	1	Tube	
14	1001218395	1	Tube	
15	1001219457	1	Hose	
16	1001219458	1	Hose	
17	1001096398	1	Hose	
18	0771212	1	Bolt M12 x 25	
19	2220518	1	Fitting, Cap	
20	3291202	1	Nut M12	
21	4812100	2	Washer M12	
22	8406302	1	Clamp	
23	1001179156	1	Valve, Check	
24	1001221621	1	Hose	

# SECTION 2 - TURNTABLE

## FIGURE 2-31. GROUND CONTROL BOX ASSEMBLY - DEUTZ D2011 ENGINE - WITHOUT TILT SENSOR



ART\_1001266873



## SECTION 2 - TURNTABLE

**FIGURE 2-31. GROUND CONTROL BOX ASSEMBLY - DEUTZ D2011 ENGINE - WITHOUT TILT SENSOR**

ITEM	PART NUMBER	QTY	DESCRIPTION	REV
	1001266873	Ref	GROUND CONTROL BOX ASSEMBLY	A
1	0100009	AR	Sealant	
2	0100011	AR	Compound, Locking	
3	0100048	AR	Grease, Dielectric	
4	0630548	5	Bolt, 2-1/2 Tap	
5	0641404	2	Bolt 1/4 x 1/2	
6	0641407	1	Bolt 1/4 x 7/8	
7	0641506	4	Bolt 5/16 x 3/4	
8	3300205	4	Nut, Retainer	
9	3300353	2	Nut, Tinnerman	
10	3300408	3	Nut, Plastic Insert	
11	3311405	2	Nut 1/4	
12	3520031	2	Plug	
13	3520035	1	Plug, Cap	
14	3740049	3	Relay	
15	3900268	3	Screw #10 x 1/2	
16	3910804	6	Screw #8 x 1/4	
17	4070991	1	Shim	
18	4360469	1	Switch, Key	
18	2860030	1	Key Replacement	
19	4360475	1	Switch, Emergency Stop	
19	7020175	1	Cap, Mushroom	
19	7020176	1	Block, Contact	
20	4360476	1	Switch, Contact Block	
21	4460426	1	Connector, Strain Relief	
22	4460470	1	Nut, Terminal	
23	4460471	1	Washer, Terminal	
24	4460488	6	Mounting Base, Terminal	
25	4460496	1	Washer, Terminal	
26	4460497	1	Nut, Terminal	
27	4460526	1	Connector, Strain Relief	
28	4711400	2	Washer 1/4	
29	4740397	8	Spacer	
30	4740444	1	Washer	
31	4740518	2	Washer	
32	4751400	12	Washer 1/4	
33	4761400	6	Washer 1/4	
34	4891500	4	Washer 5/16	
35	77143013	11	Nut 1/4-20	
36	1001103308	2	Screw 1/4	
37	1001103667	1	Module, Ground Control	
		Ref	Note: Re-calibration Required when Replaced.	
38	1001106736	1	Cap, Dust	
39	1001152175	1	Plate	
40	1001154392	1	Harness, Valve (Not Shown - See Separate Breakdown in ELECTRICAL Section)	
41	1001155043	9	Washer	
42	1001155044	9	Nut 15/32-32	
43	1001155045	9	Switch, Toggle	

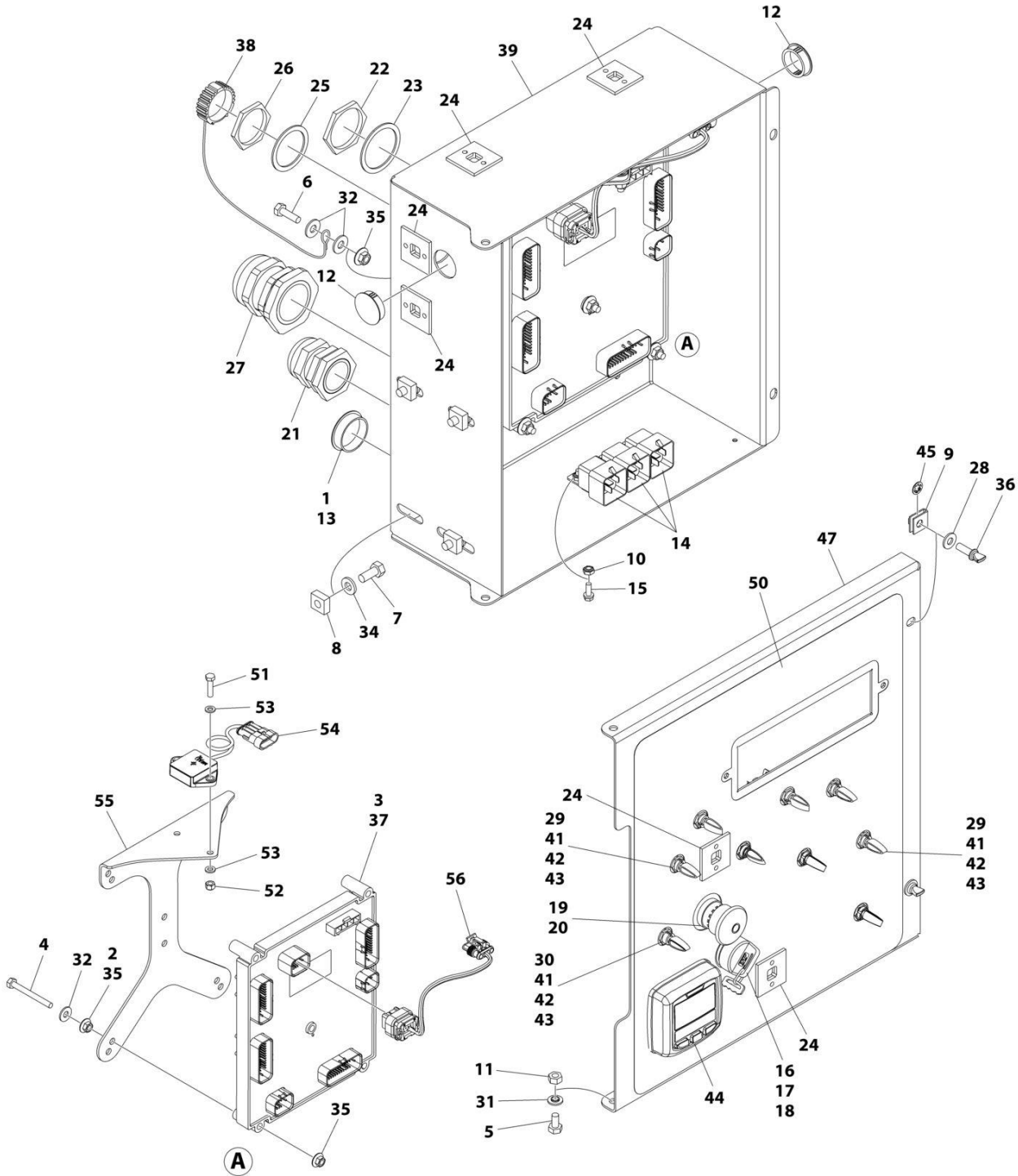
## SECTION 2 - TURNTABLE

ITEM	PART NUMBER	QTY	DESCRIPTION	REV
44A	1001171482	1	Gauge, Digital Display	
44B	10836804	1	Hour Meter	
45	1001188874	2	Nut	
46	1001191868	1	Harness, Deutz D2011 Engine (Not Shown - See Separate Breakdown in ELECTRICAL Section)	
47	1001263352	1	Plate (Note: For Use With Item 44A)	
47	1001280403	1	Plate (Note: For Use With Item 44B)	
48	1001266628	1	Harness, Ground Control Box (Not Shown - See Separate Breakdown in ELECTRICAL Section)	
49	1001266665	NLA	Wire Diagram (Not Shown)	
50	1001266876	1	Decal, Faceplate	



# SECTION 2 - TURNTABLE

## FIGURE 2-32. GROUND CONTROL BOX ASSEMBLY - DEUTZ D2011 ENGINE - WITH TILT SENSOR



ART\_1001266873\_C

## SECTION 2 - TURNTABLE

**FIGURE 2-32. GROUND CONTROL BOX ASSEMBLY - DEUTZ D2011 ENGINE - WITH TILT SENSOR**

ITEM	PART NUMBER	QTY	DESCRIPTION	REV
	1001266873	Ref	GROUND CONTROL BOX ASSEMBLY	C
1	0100009	AR	Sealant	
2	0100011	AR	Compound, Locking	
3	0100048	AR	Grease, Dielectric	
4	0630548	5	Bolt, 2-1/2 Tap	
5	0641404	2	Bolt 1/4 x 1/2	
6	0641407	1	Bolt 1/4 x 7/8	
7	0641506	4	Bolt 5/16 x 3/4	
8	3300205	4	Nut, Retainer	
9	3300353	2	Nut, Tinnerman	
10	3300408	3	Nut, Plastic Insert	
11	3311405	2	Nut 1/4	
12	3520031	2	Plug	
13	3520035	1	Plug, Cap	
14	3740049	3	Relay	
15	3900268	3	Screw #10 x 1/2	
16	3910804	6	Screw #8 x 1/4	
17	4070991	1	Shim	
18	4360469	1	Switch, Key	
18	2860030	1	Key Replacement	
19	4360475	1	Switch, Emergency Stop (Metal)	
19	7020175	1	Cap, Mushroom	
19	7020176	1	Block, Contact	
19	1001274559	1	Switch, Emergency Stop (Plastic)	
20	4360476	1	Switch, Contact Block	
21	4460426	1	Connector, Strain Relief	
22	4460470	1	Nut, Terminal	
23	4460471	1	Washer, Terminal	
24	4460488	6	Mounting Base, Terminal	
25	4460496	1	Washer, Terminal	
26	4460497	1	Nut, Terminal	
27	4460526	1	Connector, Strain Relief	
28	4711400	2	Washer 1/4	
29	4740397	8	Spacer	
30	4740444	1	Washer	
31	4740518	2	Washer	
32	4751400	7	Washer 1/4	
34	4891500	4	Washer 5/16	
35	77143013	11	Nut 1/4-20	
36	1001103308	2	Screw 1/4	
37	1001280600	1	Module, Ground Control	
		Ref	Note: Re-calibration Required when Replaced.	
38	1001106736	1	Cap, Dust	
39	1001152175	1	Plate	
40	1001154392	1	Harness, Valve (Not Shown - See Separate Breakdown in ELECTRICAL Section)	
41	1001155043	9	Washer	
42	1001155044	9	Nut 15/32-32	
43	1001155045	9	Switch, Toggle	
44	1001171482	1	Gauge, Display	

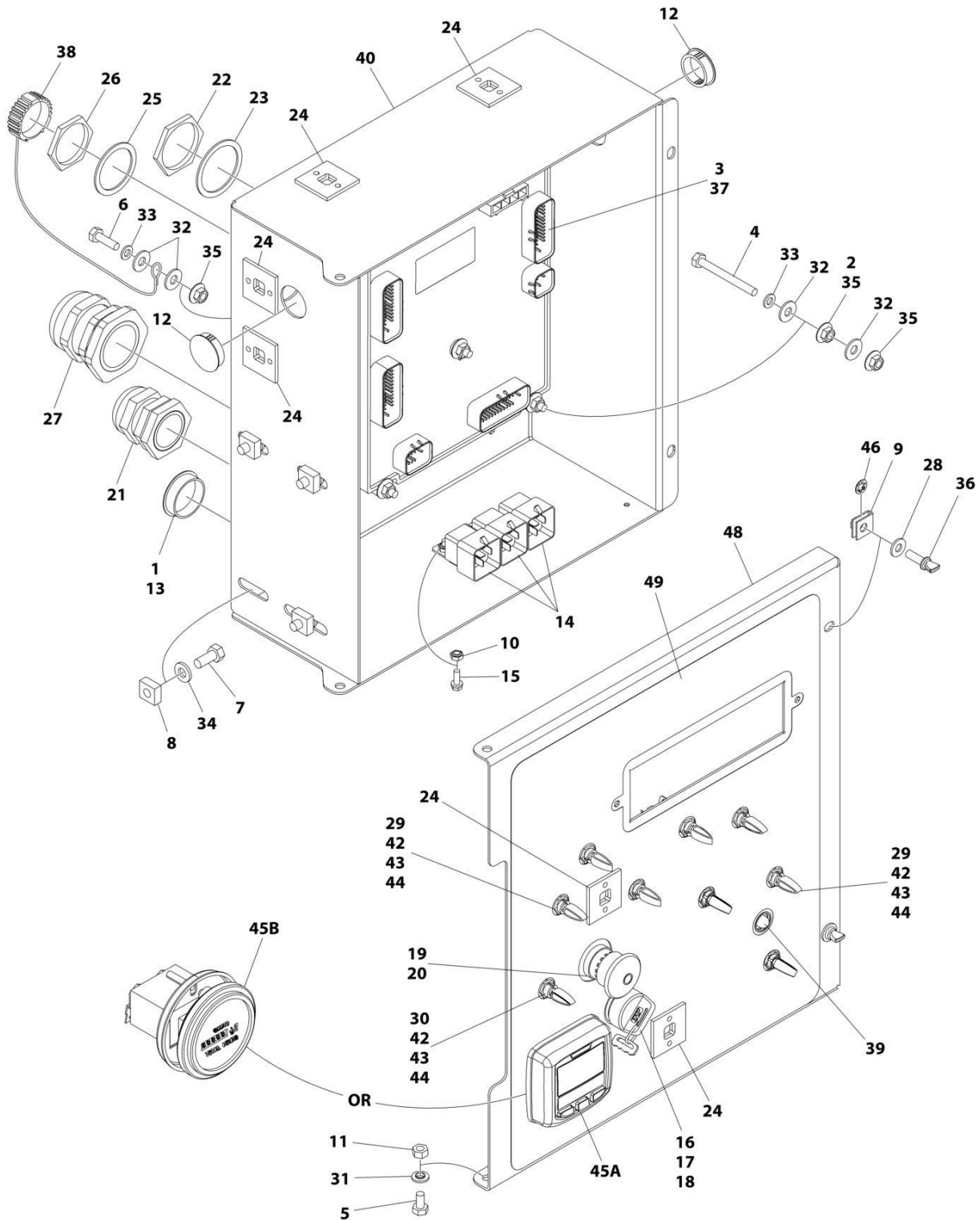
## SECTION 2 - TURNTABLE

ITEM	PART NUMBER	QTY	DESCRIPTION	REV
45	1001188874	2	Nut	
46	1001191868	1	Harness, Deutz D2011 Engine (Not Shown - See Separate Breakdown in ELECTRICAL Section)	
47	1001263352	1	Plate	
48	1001266628	1	Harness, Ground Control Box (Not Shown - See Separate Breakdown in ELECTRICAL Section)	
49	1001266665	NLA	Wire Diagram (Not Shown)	
50	1001266876	1	Decal, Faceplate	
51	0760612	2	Bolt M6 x 25	
52	3290605	2	Nut M6	
53	4811700	4	Washer M6	
54	1001219601	1	Sensor, Tilt Dual Axis CAN	
55	1001271794	1	Bracket, Tilt Sensor	
56	1001276143	1	Harness, Tilt Sensor (See Separate Breakdown in ELECTRICAL Section)	



# SECTION 2 - TURNTABLE

FIGURE 2-33. GROUND CONTROL BOX ASSEMBLY – DEUTZ D2011 ENGINE AND TOWER STOW - WITHOUT TILT SENSOR



ART\_1001263365



## SECTION 2 - TURNTABLE

**FIGURE 2-33. GROUND CONTROL BOX ASSEMBLY – DEUTZ D2011 ENGINE AND TOWER STOW - WITHOUT TILT SENSOR**

ITEM	PART NUMBER	QTY	DESCRIPTION	REV
	1001263365	Ref	CONSOLE BOX ASSEMBLY	A
1	0100009	AR	Sealant	
2	0100011	AR	Compound, Locking	
3	0100048	AR	Grease, Dielectric	
4	0630548	5	Bolt, 2-1/2 Tap	
5	0641404	2	Bolt 1/4 x 1/2	
6	0641407	1	Bolt 1/4 x 7/8	
7	0641506	4	Bolt 5/16 x 3/4	
8	3300205	4	Nut, Retainer	
9	3300353	2	Nut, Tinnerman	
10	3300408	3	Nut, Plastic Insert	
11	3311405	2	Nut 1/4	
12	3520031	2	Plug	
13	3520035	1	Plug, Cap	
14	3740049	3	Relay	
15	3900268	3	Screw #10 x 1/2	
16	3910804	6	Screw #8 x 1/4	
17	4070991	1	Shim	
18	4360469	1	Switch, Key	
18	2860030	1	Key Replacement	
19	4360475	1	Switch, Emergency Stop	
19	7020175	1	Cap, Mushroom	
19	7020176	1	Block, Contact	
20	4360476	1	Switch, Contact Block	
21	4460426	1	Connector, Strain Relief	
22	4460470	1	Nut, Terminal	
23	4460471	1	Washer, Terminal	
24	4460488	6	Mounting Base, Terminal	
25	4460496	1	Washer, Terminal	
26	4460497	1	Nut, Terminal	
27	4460526	1	Connector, Strain Relief	
28	4711400	2	Washer 1/4	
29	4740397	8	Spacer	
30	4740444	1	Washer	
31	4740518	2	Washer	
32	4751400	12	Washer 1/4	
33	4761400	6	Washer 1/4	
34	4891500	4	Washer 5/16	
35	77143013	11	Nut 1/4-20	
36	1001103308	2	Screw 1/4	
37	1001103667	1	Module, Ground Control	
		Ref	Note: Re-calibration Required when Replaced.	
38	1001106736	1	Cap, Dust	
39	1001137364	1	Lamp	
40	1001152175	1	Box	
41	1001154392	1	Harness, Valve (Not Shown - See Separate Breakdown in ELECTRICAL Section)	
42	1001155043	9	Washer	
43	1001155044	9	Nut 15/32-32	

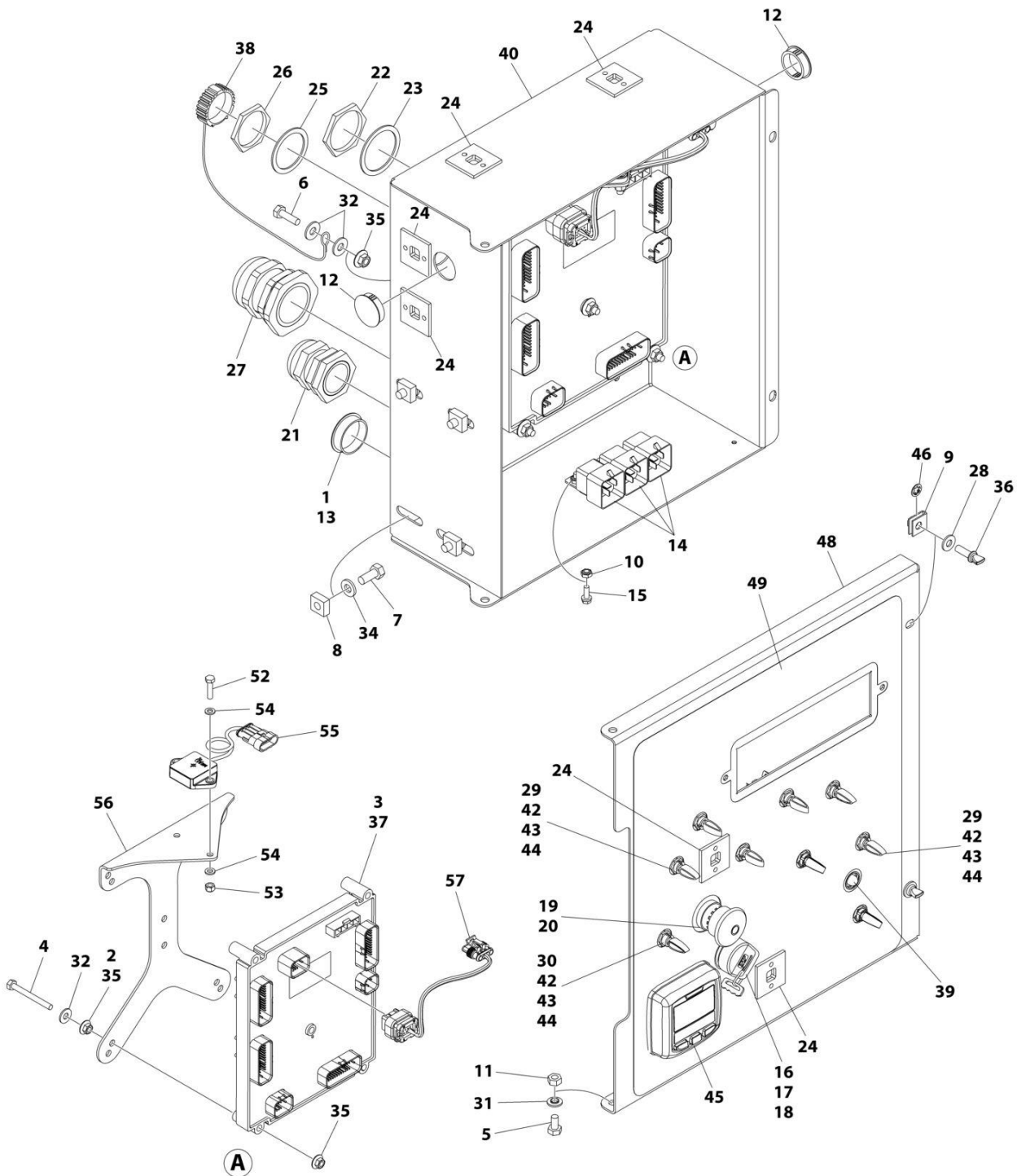
## SECTION 2 - TURNTABLE

ITEM	PART NUMBER	QTY	DESCRIPTION	REV
44	1001155045	9	Switch, Toggle	
45A	1001171482	1	Gauge, Digital Display	
45B	10836804	1	Hour Meter	
46	1001188874	2	Nut	
47	1001191868	1	Harness, Deutz D2011 Engine (Not Shown - See Separate Breakdown in ELECTRICAL Section)	
48	1001263352	1	Lid (Note: For Use With Item 45A)	
48	1001280403	1	Lid (Note: For Use With Item 45B)	
49	1001263356	1	Decal, Faceplate	
50	1001266628	1	Harness, Ground Control Box (Not Shown - See Separate Breakdown in ELECTRICAL Section)	
51	1001266665	NLA	Wire Diagram (Not Shown)	



# SECTION 2 - TURNTABLE

## FIGURE 2-34. GROUND CONTROL BOX ASSEMBLY – DEUTZ D2011 ENGINE AND TOWER STOW - WITH TILT SENSOR



ART\_1001263365\_B

## SECTION 2 - TURNTABLE

**FIGURE 2-34. GROUND CONTROL BOX ASSEMBLY – DEUTZ D2011 ENGINE AND TOWER STOW - WITH TILT SENSOR**

ITEM	PART NUMBER	QTY	DESCRIPTION	REV
	1001263365	Ref	CONSOLE BOX ASSEMBLY	B
1	0100009	AR	Sealant	
2	0100011	AR	Compound, Locking	
3	0100048	AR	Grease, Dielectric	
4	0630548	5	Bolt, 2-1/2 Tap	
5	0641404	2	Bolt 1/4 x 1/2	
6	0641407	1	Bolt 1/4 x 7/8	
7	0641506	4	Bolt 5/16 x 3/4	
8	3300205	4	Nut, Retainer	
9	3300353	2	Nut, Tinnerman	
10	3300408	3	Nut, Plastic Insert	
11	3311405	2	Nut 1/4	
12	3520031	2	Plug	
13	3520035	1	Plug, Cap	
14	3740049	3	Relay	
15	3900268	3	Screw #10 x 1/2	
16	3910804	6	Screw #8 x 1/4	
17	4070991	1	Shim	
18	4360469	1	Switch, Key	
18	2860030	1	Key Replacement	
19	4360475	1	Switch, Emergency Stop	
19	7020175	1	Cap, Mushroom	
19	7020176	1	Block, Contact	
20	4360476	1	Switch, Contact Block	
21	4460426	1	Connector, Strain Relief	
22	4460470	1	Nut, Terminal	
23	4460471	1	Washer, Terminal	
24	4460488	6	Mounting Base, Terminal	
25	4460496	1	Washer, Terminal	
26	4460497	1	Nut, Terminal	
27	4460526	1	Connector, Strain Relief	
28	4711400	2	Washer 1/4	
29	4740397	8	Spacer	
30	4740444	1	Washer	
31	4740518	2	Washer	
32	4751400	7	Washer 1/4	
34	4891500	4	Washer 5/16	
35	77143013	11	Nut 1/4-20	
36	1001103308	2	Screw 1/4	
37	1001280600	1	Module, Ground Control	
		Ref	Note: Re-calibration Required when Replaced.	
38	1001106736	1	Cap, Dust	
39	1001137364	1	Lamp	
40	1001152175	1	Box	
41	1001154392	1	Harness, Valve (Not Shown - See Separate Breakdown in ELECTRICAL Section)	
42	1001155043	9	Washer	
43	1001155044	9	Nut 15/32-32	
44	1001155045	9	Switch, Toggle	

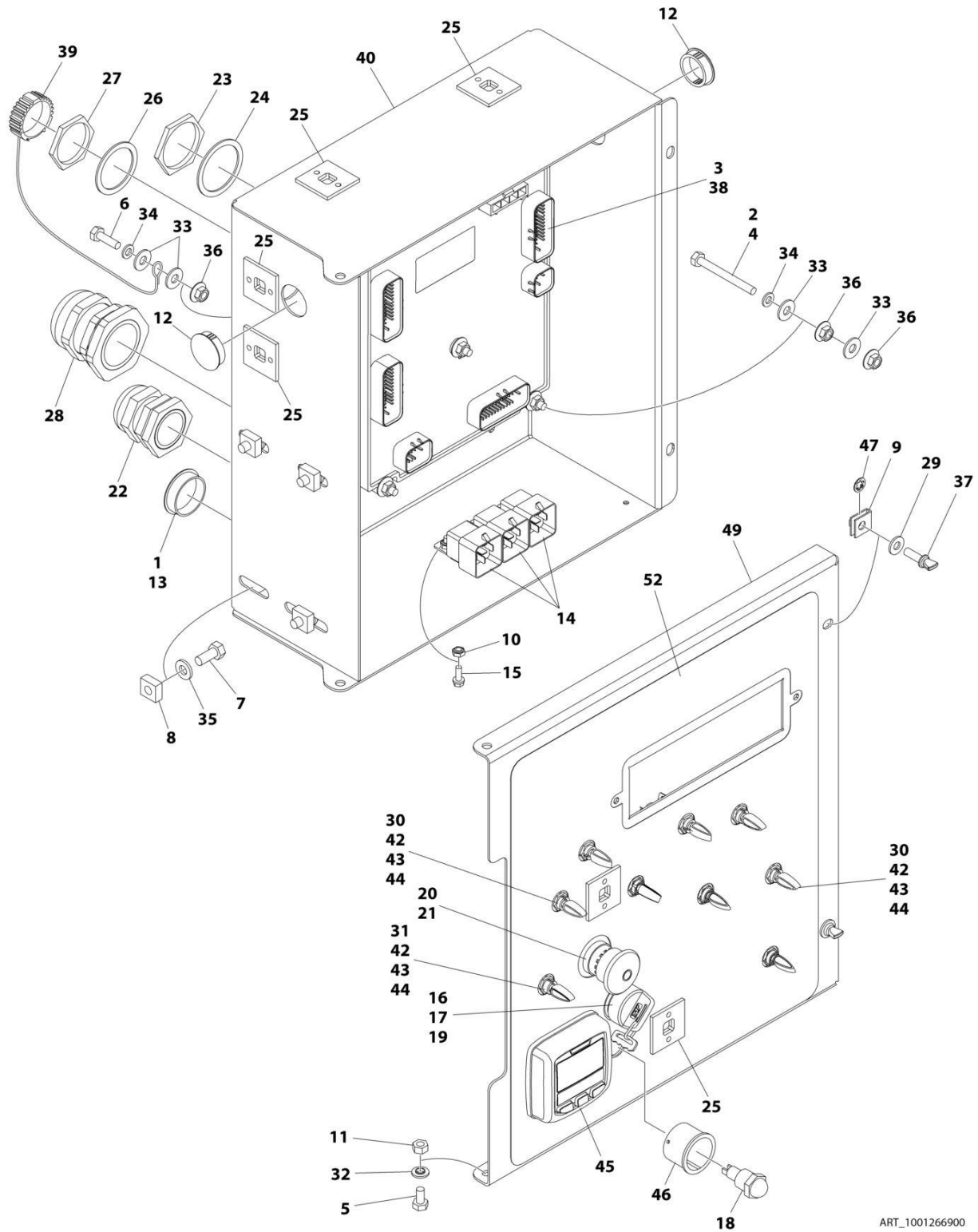
## SECTION 2 - TURNTABLE

ITEM	PART NUMBER	QTY	DESCRIPTION	REV
45	1001171482	1	Gauge	
46	1001188874	2	Nut	
47	1001191868	1	Harness, Deutz D2011 Engine (Not Shown - See Separate Breakdown in ELECTRICAL Section)	
48	1001263352	1	Lid	
49	1001263356	1	Decal, Faceplate	
50	1001266628	1	Harness, Ground Control Box (Not Shown - See Separate Breakdown in ELECTRICAL Section)	
51	1001266665	NLA	Wire Diagram (Not Shown)	
52	0760612	2	Bolt M6 x 25	
53	3290605	2	Nut M6	
54	4811700	4	Washer M6	
55	1001219601	1	Sensor, Tilt Dual Axis CAN	
56	1001271794	1	Bracket, Tilt Sensor	
57	1001276143	1	Harness, Tilt Sensor (See Separate Breakdown in ELECTRICAL Section)	



# SECTION 2 - TURNTABLE

## FIGURE 2-35. GROUND CONTROL BOX ASSEMBLY - DEUTZ D2011 ENGINES AND MSSO



ART\_1001266900



## SECTION 2 - TURNTABLE

**FIGURE 2-35. GROUND CONTROL BOX ASSEMBLY - DEUTZ D2011 ENGINES AND MSSO**

ITEM	PART NUMBER	QTY	DESCRIPTION	REV
	1001266900	Ref	GROUND CONTROL BOX ASSEMBLY	A
1	0100009	AR	Sealant	
2	0100011	AR	Compound, Locking	
3	0100048	AR	Grease, Dielectric	
4	0630548	5	Bolt, 2-1/2 Tap	
5	0641404	2	Bolt 1/4 x 1/2	
6	0641407	1	Bolt 1/4 x 7/8	
7	0641506	4	Bolt 5/16 x 3/4	
8	3300205	4	Nut, Retainer	
9	3300353	2	Nut, Tinnerman	
10	3300408	3	Nut, Plastic Insert	
11	3311405	2	Nut 1/4	
12	3520031	2	Plug	
13	3520035	1	Plug, Cap	
14	3740049	3	Relay	
15	3900268	3	Screw #10 x 1/2	
16	3910804	6	Screw #8 x 1/4	
17	4070991	1	Shim	
18	4360387	1	Switch, Push Button	
19	4360469	1	Switch, Key	
19	2860030	1	Key Replacement	
20	4360475	1	Switch, Emergency Stop	
20	7020175	1	Cap, Mushroom	
20	7020176	1	Block, Contact	
21	4360476	1	Switch, Contact Block	
22	4460426	1	Connector, Strain Relief	
23	4460470	1	Nut, Terminal	
24	4460471	1	Washer, Terminal	
25	4460488	6	Mounting Base, Terminal	
26	4460496	1	Washer, Terminal	
27	4460497	1	Nut, Terminal	
28	4460526	1	Connector, Strain Relief	
29	4711400	2	Washer 1/4	
30	4740397	8	Spacer	
31	4740444	1	Washer	
32	4740518	2	Washer	
33	4751400	12	Washer 1/4	
34	4761400	6	Washer 1/4	
35	4891500	4	Washer 5/16	
36	77143013	11	Nut 1/4-20	
37	1001103308	2	Screw 1/4	
38	1001103667	1	Module, Ground Control	
		Ref	Note: Re-calibration Required when Replaced.	
39	1001106736	1	Cap, Dust	
40	1001152175	1	Box	
41	1001154392	1	Harness, Valve (Not Shown - See Separate Breakdown in ELECTRICAL Section)	
42	1001155043	9	Washer	
43	1001155044	9	Nut 15/32-32	
44	1001155045	9	Switch, Toggle	

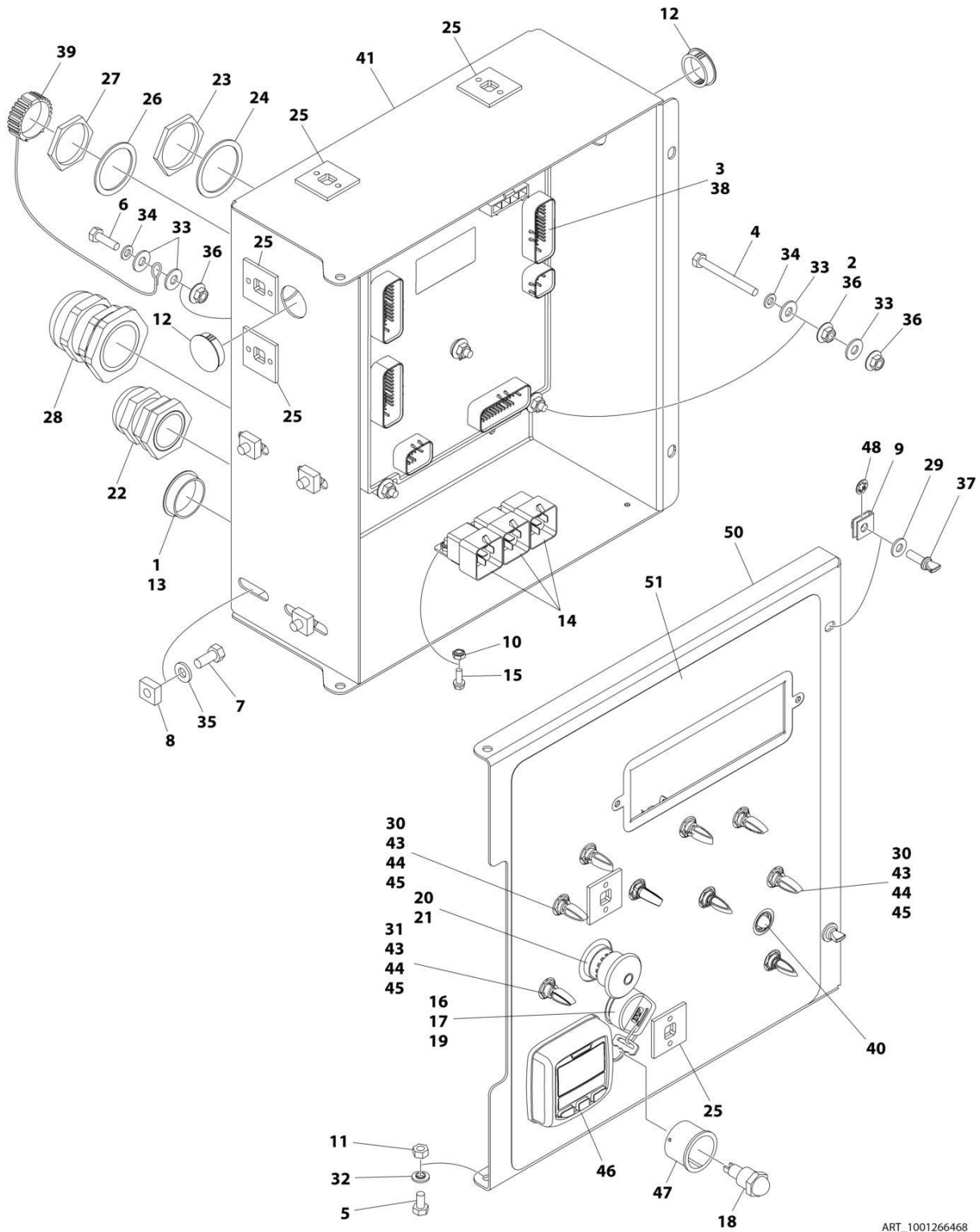
## SECTION 2 - TURNTABLE

ITEM	PART NUMBER	QTY	DESCRIPTION	REV
45	1001171482	1	Gauge, Display	
46	1001176469	1	Shroud	
47	1001188874	2	Nut	
48	1001191868	1	Harness, Deutz D2011 Engine (Not Shown - See Separate Breakdown in ELECTRICAL SECTION)	
49	1001263353	1	Lid	
50	1001266628	1	Harness, Ground Control Box (Not Shown - See Separate Breakdown in ELECTRICAL Section)	
51	1001266665	NLA	Wire Digram (Not Shown)	
52	1001266874	1	Decal, Faceplate	



# SECTION 2 - TURNTABLE

## FIGURE 2-36. GROUND CONTROL BOX ASSEMBLY - DEUTZ D2011 ENGINES AND TOWER STOW AND MSSO



ART\_1001266468

## SECTION 2 - TURNTABLE

**FIGURE 2-36. GROUND CONTROL BOX ASSEMBLY - DEUTZ D2011 ENGINES AND TOWER STOW AND MSSO**

ITEM	PART NUMBER	QTY	DESCRIPTION	REV
	1001266468	Ref	CONSOLE BOX ASSEMBLY (TOWER STOW) (CE & UK CA SPEC)	A
1	0100009	AR	Sealant	
2	0100011	AR	Compound, Locking	
3	0100048	AR	Grease, Dielectric	
4	0630548	5	Bolt, 2-1/2 Tap	
5	0641404	2	Bolt 1/4 x 1/2	
6	0641407	1	Bolt 1/4 x 7/8	
7	0641506	4	Bolt 5/16 x 3/4	
8	3300205	4	Nut, Retainer	
9	3300353	2	Nut, Tinnerman	
10	3300408	3	Nut, Plastic Insert	
11	3311405	2	Nut 1/4	
12	3520031	2	Plug	
13	3520035	1	Plug, Cap	
14	3740049	3	Relay	
15	3900268	3	Screw #10 x 1/2	
16	3910804	6	Screw #8 x 1/4	
17	4070991	1	Shim	
18	4360387	1	Switch, Push Button	
19	4360469	1	Switch, Key	
19	2860030	1	Key Replacement	
20	4360475	1	Switch, Emergency Stop	
20	7020175	1	Cap, Mushroom	
20	7020176	1	Block, Contact	
21	4360476	1	Switch, Contact Block	
22	4460426	1	Connector, Strain Relief	
23	4460470	1	Nut, Terminal	
24	4460471	1	Washer, Terminal	
25	4460488	6	Mounting Base, Terminal	
26	4460496	1	Washer, Terminal	
27	4460497	1	Nut, Terminal	
28	4460526	1	Connector, Strain Relief	
29	4711400	2	Washer 1/4	
30	4740397	8	Spacer	
31	4740444	1	Washer	
32	4740518	2	Washer	
33	4751400	12	Washer 1/4	
34	4761400	6	Washer 1/4	
35	4891500	4	Washer 5/16	
36	77143013	11	Nut 1/4-20	
37	1001103308	2	Screw 1/4	
38	1001103667	1	Module, Ground Control	
		Ref	Note: Re-calibration Required when Replaced.	
39	1001106736	1	Cap, Dust	
40	1001137364	1	Lamp	
41	1001152175	1	Box	
42	1001154392	1	Harness, Valve (Not Shown - See Separate Breakdown in ELECTRICAL Section)	

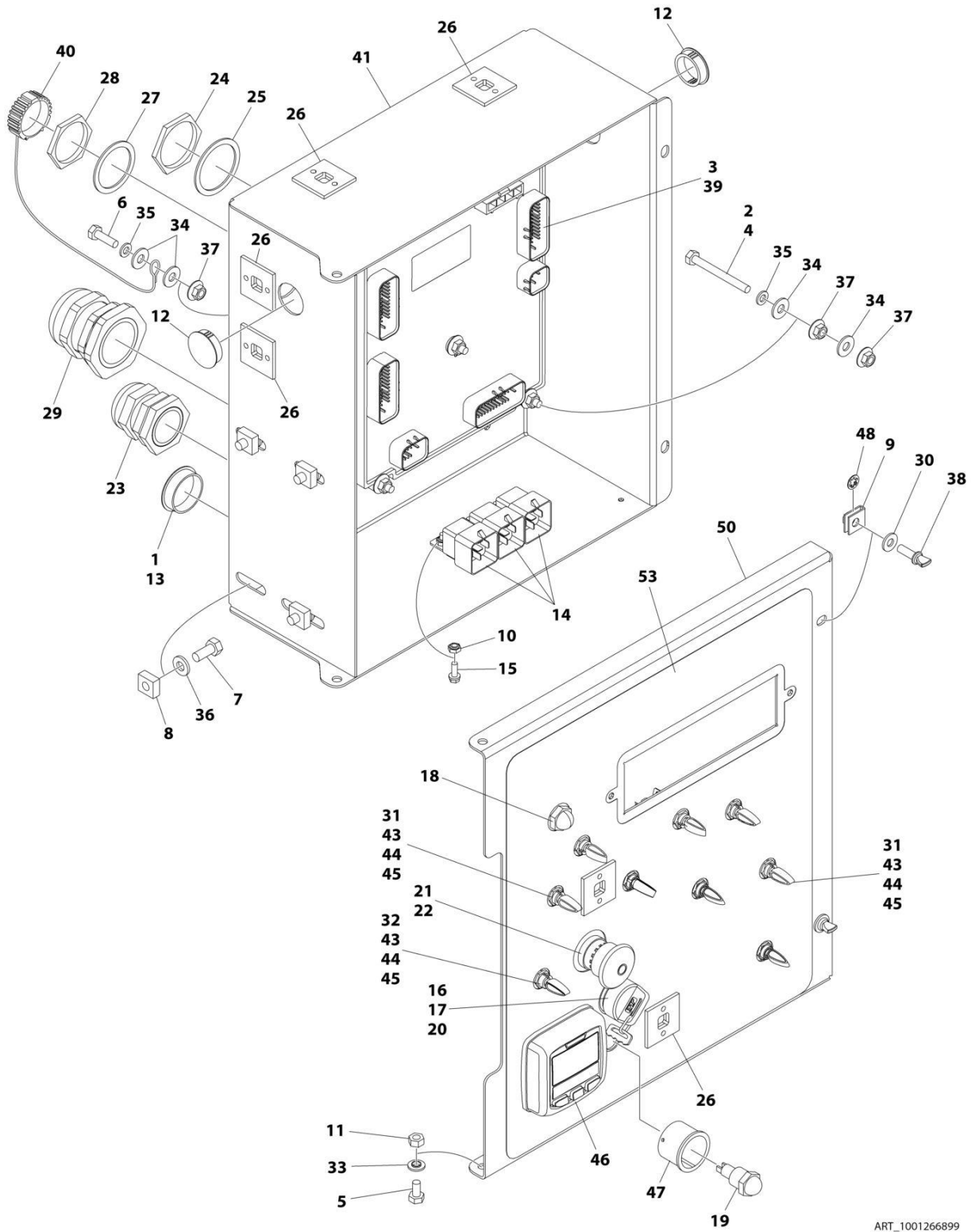
## SECTION 2 - TURNTABLE

ITEM	PART NUMBER	QTY	DESCRIPTION	REV
43	1001155043	9	Washer	
44	1001155044	9	Nut 15/32-32	
45	1001155045	9	Switch, Toggle	
46	1001171482	1	Gauge	
47	1001176469	1	Shroud	
48	1001188874	2	Nut	
49	1001191868	1	Harness, Deutz D2011 Engine (Not Shown - See Separate Breakdown in ELECTRICAL Section)	
50	1001263353	1	Lid	
51	1001263355	1	Decal, Faceplate	
52	1001266628	1	Harness, Ground Control Box (Not Shown - See Separate Breakdown in ELECTRICAL Section)	
53	1001266665	NLA	Wire Diagram (Not Shown)	



# SECTION 2 - TURNTABLE

## FIGURE 2-37. GROUND CONTROL BOX ASSEMBLY - DEUTZ TD2.2L3 (STAGE V) ENGINES



ART\_1001266899



## SECTION 2 - TURNTABLE

**FIGURE 2-37. GROUND CONTROL BOX ASSEMBLY - DEUTZ TD2.2L3 (STAGE V) ENGINES**

ITEM	PART NUMBER	QTY	DESCRIPTION	REV
	1001266899	Ref	GROUND CONTROL BOX ASSEMBLY	A
1	0100009	AR	Sealant	
2	0100011	AR	Compound, Locking	
3	0100048	AR	Grease, Dielectric	
4	0630548	5	Bolt, 2-1/2 Tap	
5	0641404	2	Bolt 1/4 x 1/2	
6	0641407	1	Bolt 1/4 x 7/8	
7	0641506	4	Bolt 5/16 x 3/4	
8	3300205	4	Nut, Retainer	
9	3300353	2	Nut, Tinnerman	
10	3300408	3	Nut, Plastic Insert	
11	3311405	2	Nut 1/4	
12	3520031	2	Plug	
13	3520035	1	Plug, Cap	
14	3740049	3	Relay	
15	3900268	3	Screw #10 x 1/2	
16	3910804	6	Screw #8 x 1/4	
17	4070991	1	Shim	
18	4360274	1	Switch, Push Button	
19	4360387	1	Switch, Push Button	
20	4360469	1	Switch, Key	
20	2860030	1	Key Replacement	
21	4360475	1	Switch, Emergency Stop	
21	7020175	1	Cap, Mushroom	
21	7020176	1	Block, Contact	
22	4360476	1	Switch, Contact Block	
23	4460426	1	Connector, Strain Relief	
24	4460470	1	Nut, Terminal	
25	4460471	1	Washer, Terminal	
26	4460488	6	Mounting Base, Terminal	
27	4460496	1	Washer, Terminal	
28	4460497	1	Nut, Terminal	
29	4460526	1	Connector, Strain Relief	
30	4711400	2	Washer 1/4	
31	4740397	8	Spacer	
32	4740444	1	Washer	
33	4740518	2	Washer	
34	4751400	12	Washer 1/4	
35	4761400	6	Washer 1/4	
36	4891500	4	Washer 5/16	
37	77143013	11	Nut 1/4-20	
38	1001103308	2	Screw 1/4	
39	1001103667	1	Module, Ground Control	
		Ref	Note: Re-calibration Required when Replaced.	
40	1001106736	1	Cap, Dust	
41	1001152175	1	Box	
42	1001154392	1	Harness, Valve (Not Shown - See Separate Breakdown in ELECTRICAL Section)	
43	1001155043	9	Washer	
44	1001155044	9	Nut 15/32-32	

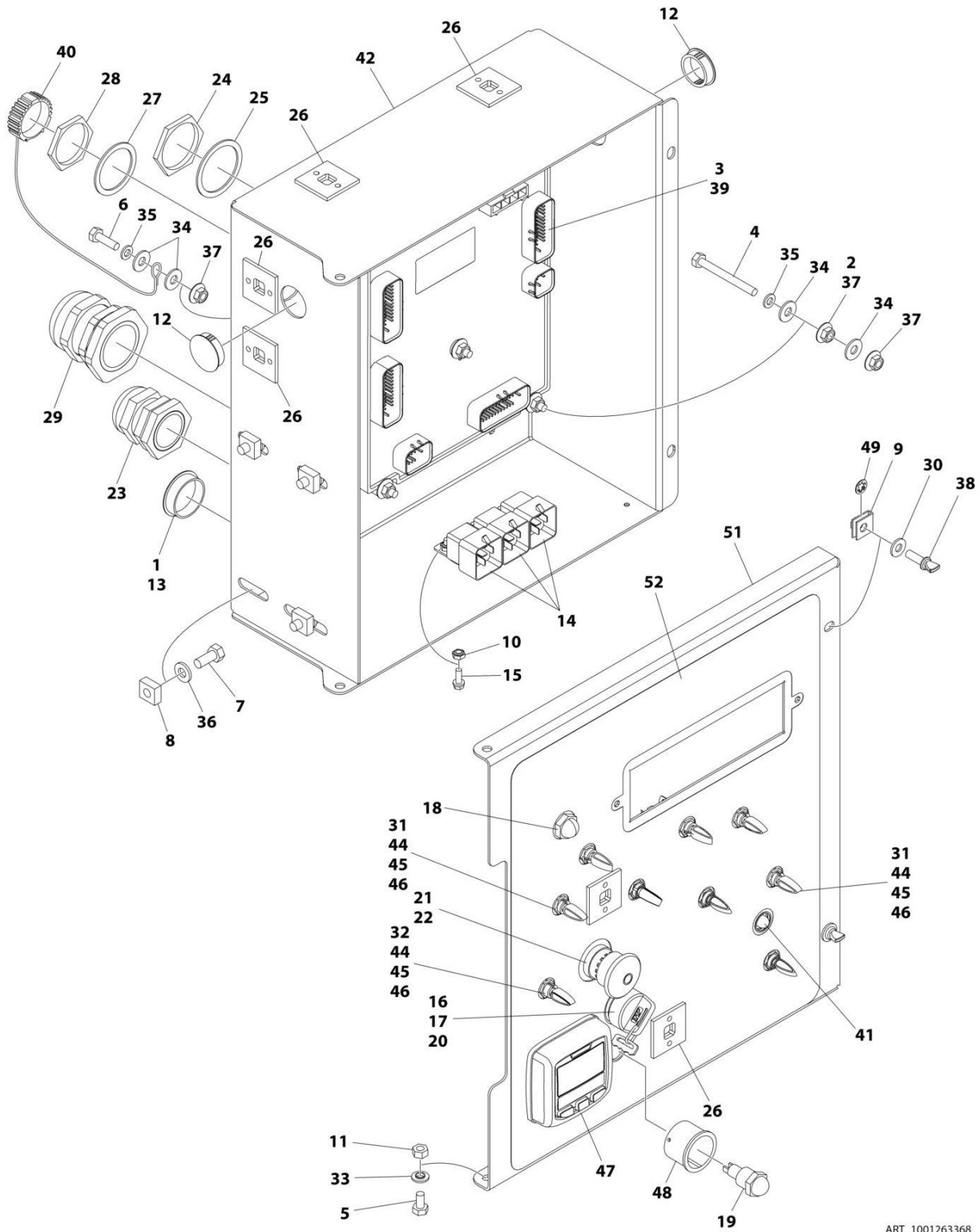
## SECTION 2 - TURNTABLE

ITEM	PART NUMBER	QTY	DESCRIPTION	REV
45	1001155045	9	Switch, Toggle	
46	1001171482	1	Gauge	
47	1001176469	1	Shroud	
48	1001188874	2	Nut	
49	1001191866	1	Harness, Deutz D2011 Engine (Not Shown - See Separate Breakdown in ELECTRICAL Section)	
50	1001263353	1	Lid	
51	1001266628	1	Harness, Ground Control Box (Not Shown - See Separate Breakdown in ELECTRICAL Section)	
52	1001266665	NLA	Wire Diagram (Not Shown)	
53	1001266878	1	Decal, Faceplate	



# SECTION 2 - TURNTABLE

## FIGURE 2-38. GROUND CONTROL BOX ASSEMBLY – DEUTZ TD2.2L3 (STAGE V) ENGINES AND TOWER STOW



ART\_1001263368

## SECTION 2 - TURNTABLE

**FIGURE 2-38. GROUND CONTROL BOX ASSEMBLY – DEUTZ TD2.2L3 (STAGE V) ENGINES AND TOWER STOW**

ITEM	PART NUMBER	QTY	DESCRIPTION	REV
	1001263368	Ref	CONSOLE BOX ASSEMBLY (TOWER STOW)	A
1	0100009	AR	Sealant	
2	0100011	AR	Compound, Locking	
3	0100048	AR	Grease, Dielectric	
4	0630548	5	Bolt, 2-1/2 Tap	
5	0641404	2	Bolt 1/4 x 1/2	
6	0641407	1	Bolt 1/4 x 7/8	
7	0641506	4	Bolt 5/16 x 3/4	
8	3300205	4	Nut, Retainer	
9	3300353	2	Nut, Tinnerman	
10	3300408	3	Nut, Plastic Insert	
11	3311405	2	Nut 1/4	
12	3520031	2	Plug	
13	3520035	1	Plug, Cap	
14	3740049	3	Relay	
15	3900268	3	Screw #10 x 1/2	
16	3910804	6	Screw #8 x 1/4	
17	4070991	1	Shim	
18	4360274	1	Switch, Push Button	
19	4360387	1	Switch, Push Button	
20	4360469	1	Switch, Key	
20	2860030	1	Key Replacement	
21	4360475	1	Switch, Emergency Stop	
21	7020175	1	Cap, Mushroom	
21	7020176	1	Block, Contact	
22	4360476	1	Switch, Contact Block	
23	4460426	1	Connector, Strain Relief	
24	4460470	1	Nut, Terminal	
25	4460471	1	Washer, Terminal	
26	4460488	6	Mounting Base, Terminal	
27	4460496	1	Washer, Terminal	
28	4460497	1	Nut, Terminal	
29	4460526	1	Connector, Strain Relief	
30	4711400	2	Washer 1/4	
31	4740397	8	Spacer	
32	4740444	1	Washer	
33	4740518	2	Washer	
34	4751400	12	Washer 1/4	
35	4761400	6	Washer 1/4	
36	4891500	4	Washer 5/16	
37	77143013	11	Nut 1/4-20	
38	1001103308	2	Screw 1/4	
39	1001103667	1	Module, Ground Control	
		Ref	Note: Re-calibration Required when Replaced.	
40	1001106736	1	Cap, Dust	
41	1001137364	1	Lamp	
42	1001152175	1	Box	
43	1001154392	1	Harness, Valve (Not Shown - See Separate Breakdown in ELECTRICAL Section)	

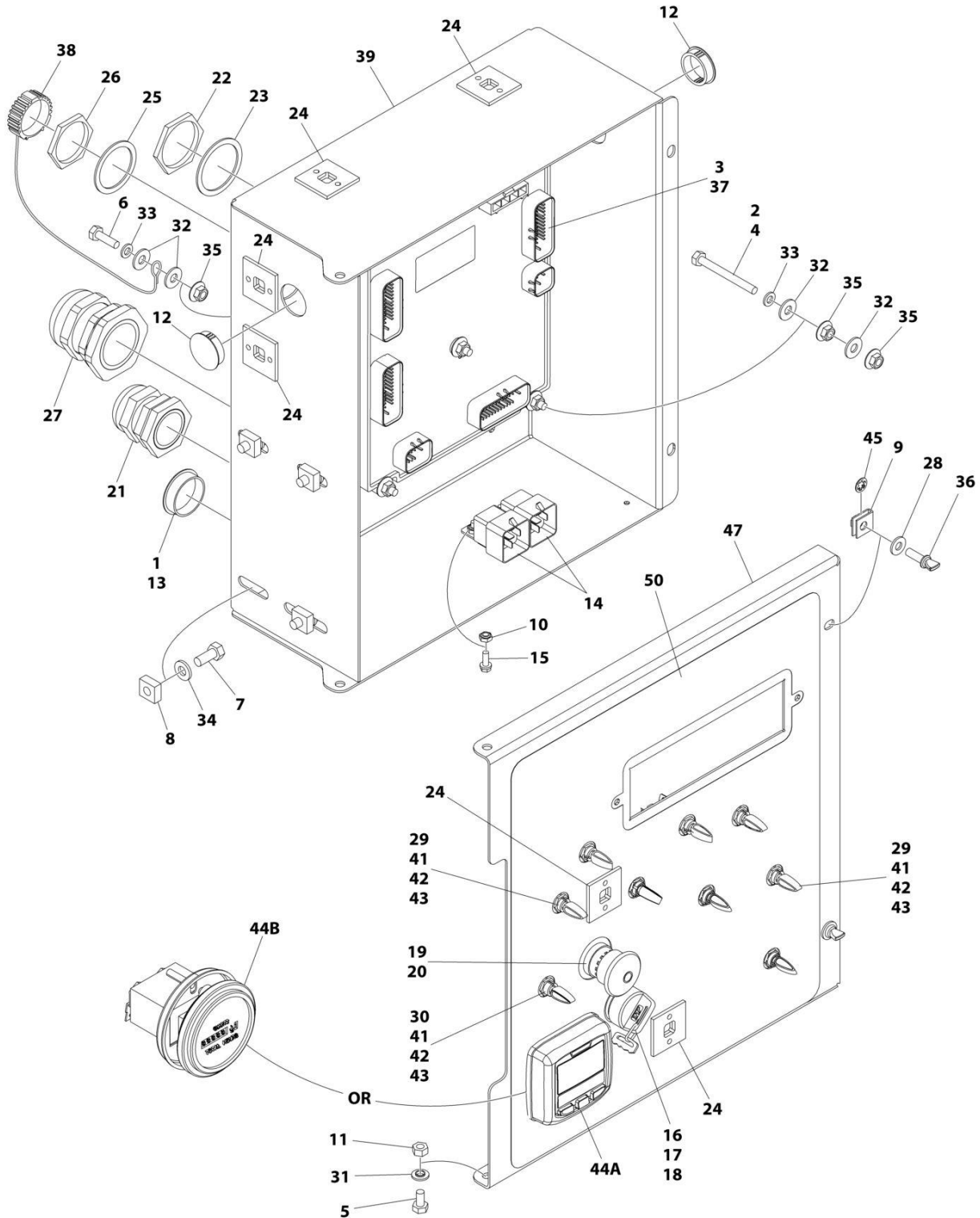
## SECTION 2 - TURNTABLE

ITEM	PART NUMBER	QTY	DESCRIPTION	REV
44	1001155043	9	Washer	
45	1001155044	9	Nut 15/32-32	
46	1001155045	9	Switch, Toggle	
47	1001171482	1	Gauge	
48	1001176469	1	Shroud	
49	1001188874	2	Nut	
50	1001191868	1	Harness, Deutz D2011 Engine (Not Shown - See Separate Breakdown in ELECTRICAL Section)	
51	1001263353	1	Lid	
52	1001263357	1	Decal, Faceplate	
53	1001266628	1	Harness, Ground Control Box (Not Shown - See Separate Breakdown in ELECTRICAL Section)	
54	1001266665	NLA	Wire Diagram (Not Shown)	



# SECTION 2 - TURNTABLE

FIGURE 2-39. GROUND CONTROL BOX ASSEMBLY - DEUTZ TD2.9L4, DEUTZ D2.9L4 AND DEUTZ D2.9L4 (CHINA IV) ENGINES - WITHOUT TILT SENSOR



ART\_1001266897



## SECTION 2 - TURNTABLE

**FIGURE 2-39. GROUND CONTROL BOX ASSEMBLY - DEUTZ TD2.9L4, DEUTZ D2.9L4 AND DEUTZ D2.9L4 (CHINA IV) ENGINES - WITHOUT TILT SENSOR**

ITEM	PART NUMBER	QTY	DESCRIPTION	REV
	1001266897	Ref	GROUND CONTROL BOX ASSEMBLY	A
1	0100009	AR	Sealant	
2	0100011	AR	Compound, Locking	
3	0100048	AR	Grease, Dielectric	
4	0630548	5	Bolt, 2-1/2 Tap	
5	0641404	2	Bolt 1/4 x 1/2	
6	0641407	1	Bolt 1/4 x 7/8	
7	0641506	4	Bolt 5/16 x 3/4	
8	3300205	4	Nut, Retainer	
9	3300353	2	Nut, Tinnerman	
10	3300408	2	Nut, Plastic Insert	
11	3311405	2	Nut 1/4	
12	3520031	2	Plug	
13	3520035	1	Plug, Cap	
14	3740049	2	Relay	
15	3900268	2	Screw #10 x 1/2	
16	3910804	6	Screw #8 x 1/4	
17	4070991	1	Shim	
18	4360469	1	Switch, Key	
18	2860030	1	Key Replacement	
19	4360475	1	Switch, Emergency Stop	
19	7020175	1	Cap, Mushroom	
19	7020176	1	Block, Contact	
20	4360476	1	Switch, Contact Block	
21	4460426	1	Connector, Strain Relief	
22	4460470	1	Nut, Terminal	
23	4460471	1	Washer, Terminal	
24	4460488	6	Mounting Base, Terminal	
25	4460496	1	Washer, Terminal	
26	4460497	1	Nut, Terminal	
27	4460526	1	Connector, Strain Relief	
28	4711400	2	Washer 1/4	
29	4740397	8	Spacer	
30	4740444	1	Washer	
31	4740518	2	Washer	
32	4751400	12	Washer 1/4	
33	4761400	6	Washer 1/4	
34	4891500	4	Washer 5/16	
35	77143013	11	Nut 1/4-20	
36	1001103308	2	Screw 1/4	
37	1001103667	1	Module, Ground Control	
		Ref	Note: Re-calibration Required when Replaced.	
38	1001106736	1	Cap, Dust	
39	1001152175	1	Box	
40	1001154392	1	Harness, Valve (Not Shown - See Separate Breakdown in ELECTRICAL Section)	
41	1001155043	9	Washer	
42	1001155044	9	Nut 15/32-32	
43	1001155045	9	Switch, Toggle	

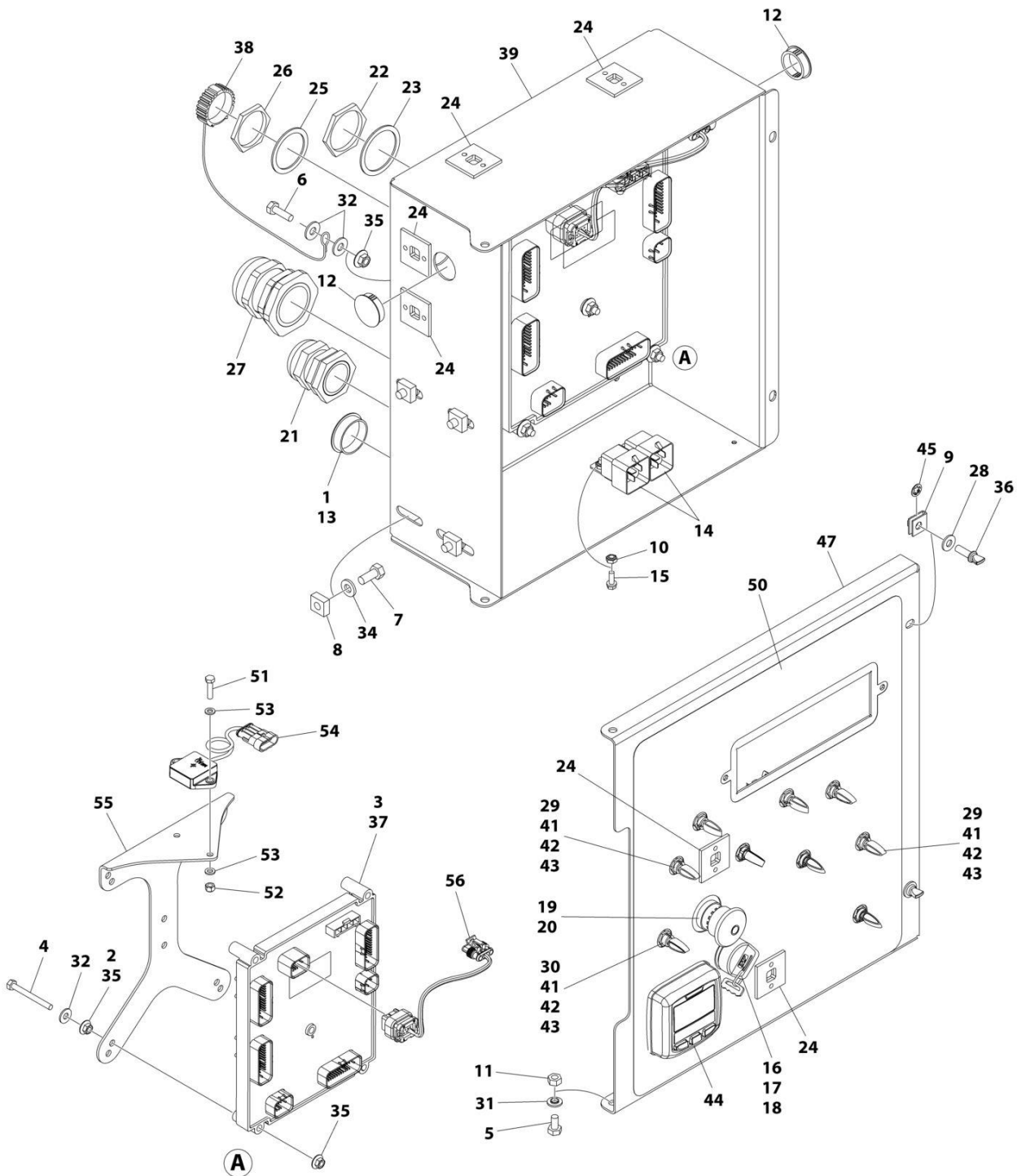
## SECTION 2 - TURNTABLE

ITEM	PART NUMBER	QTY	DESCRIPTION	REV
44A	1001171482	1	Gauge, Digital Display	
44B	10836804	1	Hour Meter	
45	1001188874	2	Nut	
46	1001191866	1	Harness, Deutz TD2.9L4 Engine (Not Shown - See Separate Breakdown in ELECTRICAL Section)	
47	1001263352	1	Lid (Note: For Use With Item 44A)	
47	1001280403	1	Lid (Note: For Use With Item 44B)	
48	1001266628	1	Harness, Ground Control Box (Not Shown - See Separate Breakdown in ELECTRICAL Section)	
49	1001266665	NLA	Wire Diagram (Not Shown)	
50	1001266876	1	Decal, Faceplate	



## SECTION 2 - TURNTABLE

FIGURE 2-40. GROUND CONTROL BOX ASSEMBLY - DEUTZ TD2.9L4, DEUTZ D2.9L4 AND DEUTZ D2.9L4 (CHINA IV) ENGINES - WITH TILT SENSOR



ART\_1001266897\_B

## SECTION 2 - TURNTABLE

**FIGURE 2-40. GROUND CONTROL BOX ASSEMBLY - DEUTZ TD2.9L4, DEUTZ D2.9L4 AND DEUTZ D2.9L4 (CHINA IV) ENGINES - WITH TILT SENSOR**

ITEM	PART NUMBER	QTY	DESCRIPTION	REV
	1001266897	Ref	GROUND CONTROL BOX ASSEMBLY	B
1	0100009	AR	Sealant	
2	0100011	AR	Compound, Locking	
3	0100048	AR	Grease, Dielectric	
4	0630548	5	Bolt, 2-1/2 Tap	
5	0641404	2	Bolt 1/4 x 1/2	
6	0641407	1	Bolt 1/4 x 7/8	
7	0641506	4	Bolt 5/16 x 3/4	
8	3300205	4	Nut, Retainer	
9	3300353	2	Nut, Tinnerman	
10	3300408	2	Nut, Plastic Insert	
11	3311405	2	Nut 1/4	
12	3520031	2	Plug	
13	3520035	1	Plug, Cap	
14	3740049	2	Relay	
15	3900268	2	Screw #10 x 1/2	
16	3910804	6	Screw #8 x 1/4	
17	4070991	1	Shim	
18	4360469	1	Switch, Key	
18	2860030	1	Key Replacement	
19	4360475	1	Switch, Emergency Stop	
19	7020175	1	Cap, Mushroom	
19	7020176	1	Block, Contact	
20	4360476	1	Switch, Contact Block	
21	4460426	1	Connector, Strain Relief	
22	4460470	1	Nut, Terminal	
23	4460471	1	Washer, Terminal	
24	4460488	6	Mounting Base, Terminal	
25	4460496	1	Washer, Terminal	
26	4460497	1	Nut, Terminal	
27	4460526	1	Connector, Strain Relief	
28	4711400	2	Washer 1/4	
29	4740397	8	Spacer	
30	4740444	1	Washer	
31	4740518	2	Washer	
32	4751400	7	Washer 1/4	
34	4891500	4	Washer 5/16	
35	77143013	11	Nut 1/4-20	
36	1001103308	2	Screw 1/4	
37	1001280600	1	Module, Ground Control	
		Ref	Note: Re-calibration Required when Replaced.	
38	1001106736	1	Cap, Dust	
39	1001152175	1	Box	
40	1001154392	1	Harness, Valve (Not Shown - See Separate Breakdown in ELECTRICAL Section)	
41	1001155043	9	Washer	
42	1001155044	9	Nut 15/32-32	
43	1001155045	9	Switch, Toggle	
44	1001171482	1	Gauge	

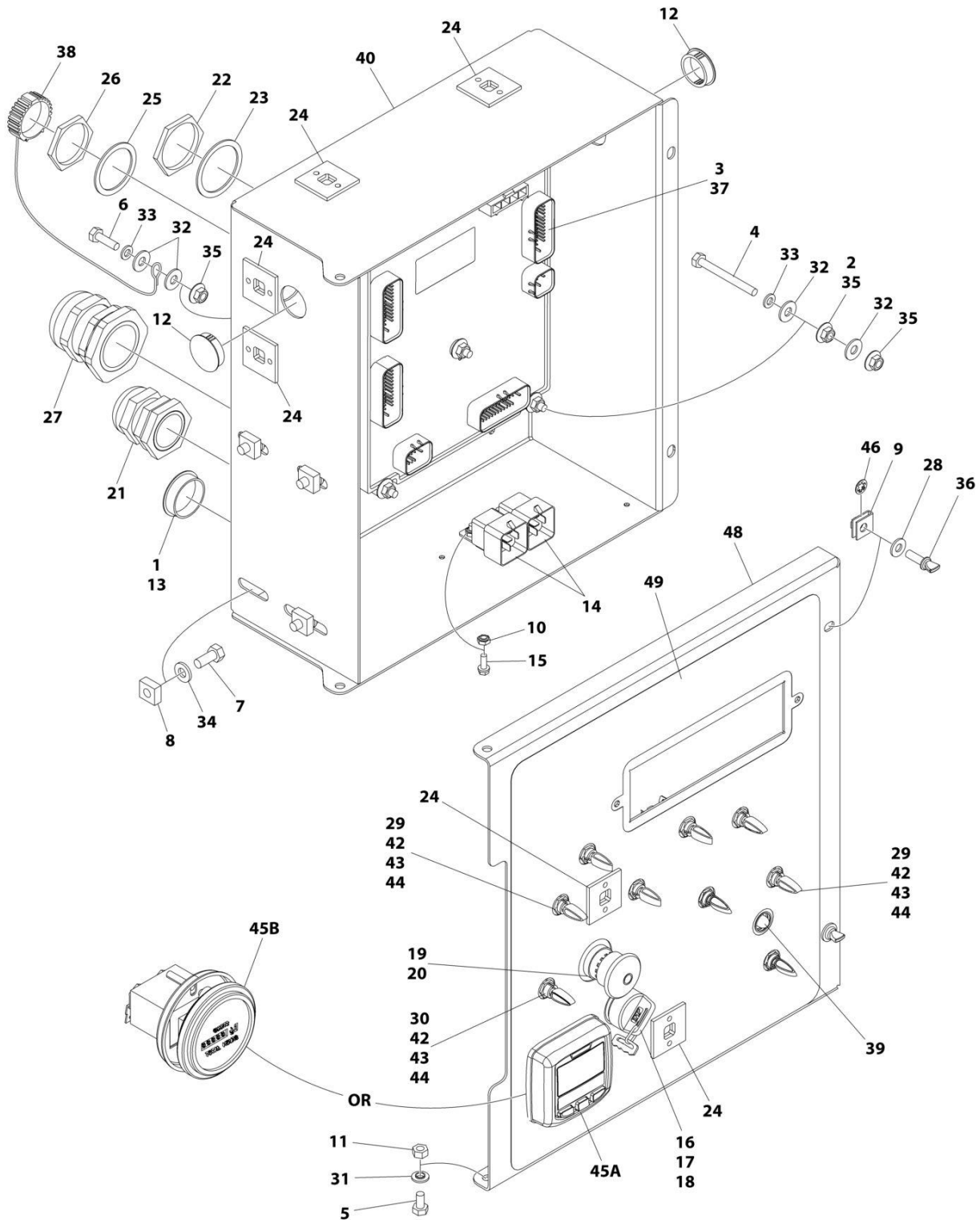
## SECTION 2 - TURNTABLE

ITEM	PART NUMBER	QTY	DESCRIPTION	REV
45	1001188874	2	Nut	
46	1001191866	1	Harness, Deutz TD2.9L4 Engine (Not Shown - See Separate Breakdown in ELECTRICAL Section)	
47	1001263352	1	Lid	
48	1001266628	1	Harness, Ground Control Box (Not Shown - See Separate Breakdown in ELECTRICAL Section)	
49	1001266665	NLA	Wire Diagram (Not Shown)	
50	1001266876	1	Decal, Faceplate	
51	0760612	2	Bolt M6 x 25	
52	3290605	2	Nut M6	
53	4811700	4	Washer M6	
54	1001219601	1	Sensor, Tilt Dual Axis CAN	
55	1001271794	1	Bracket, Tilt Sensor	
56	1001276143	1	Harness, Tilt Sensor (See Separate Breakdown in ELECTRICAL Section)	



## SECTION 2 - TURNTABLE

FIGURE 2-41. GROUND CONTROL BOX ASSEMBLY – DEUTZ TD2.9L4, DEUTZ D2.9L4 AND DEUTZ D2.9L4 (CHINA IV) ENGINES AND TOWER STOW - WITHOUT TILT SENSOR



ART\_1001263366



## SECTION 2 - TURNTABLE

**FIGURE 2-41. GROUND CONTROL BOX ASSEMBLY – DEUTZ TD2.9L4, DEUTZ D2.9L4 AND DEUTZ D2.9L4 (CHINA IV) ENGINES AND TOWER STOW - WITHOUT TILT SENSOR**

ITEM	PART NUMBER	QTY	DESCRIPTION	REV
	1001263366	Ref	CONSOLE BOX ASSEMBLY (TOWER STOW)	A
1	0100009	AR	Sealant	
2	0100011	AR	Compound, Locking	
3	0100048	AR	Grease, Dielectric	
4	0630548	5	Bolt, 2-1/2 Tap	
5	0641404	2	Bolt 1/4 x 1/2	
6	0641407	1	Bolt 1/4 x 7/8	
7	0641506	4	Bolt 5/16 x 3/4	
8	3300205	4	Nut, Retainer	
9	3300353	2	Nut, Tinnerman	
10	3300408	2	Nut, Plastic Insert	
11	3311405	2	Nut 1/4	
12	3520031	2	Plug	
13	3520035	1	Plug, Cap	
14	3740049	2	Relay	
15	3900268	2	Screw #10 x 1/2	
16	3910804	6	Screw #8 x 1/4	
17	4070991	1	Shim	
18	4360469	1	Switch, Key	
18	2860030	1	Key Replacement	
19	4360475	1	Switch, Emergency Stop	
19	7020175	1	Cap, Mushroom	
19	7020176	1	Block, Contact	
20	4360476	1	Switch, Contact Block	
21	4460426	1	Connector, Strain Relief	
22	4460470	1	Nut, Terminal	
23	4460471	1	Washer, Terminal	
24	4460488	6	Mounting Base, Terminal	
25	4460496	1	Washer, Terminal	
26	4460497	1	Nut, Terminal	
27	4460526	1	Connector, Strain Relief	
28	4711400	2	Washer 1/4	
29	4740397	8	Spacer	
30	4740444	1	Washer	
31	4740518	2	Washer	
32	4751400	12	Washer 1/4	
33	4761400	6	Washer 1/4	
34	4891500	4	Washer 5/16	
35	77143013	11	Nut 1/4-20	
36	1001103308	2	Screw 1/4	
37	1001103667	1	Module, Ground Control	
		Ref	Note: Re-calibration Required when Replaced.	
38	1001106736	1	Cap, Dust	
39	1001137364	1	Lamp	
40	1001152175	1	Box	
41	1001154392	1	Harness, Valve (Not Shown - See Separate Breakdown in ELECTRICAL Section)	
42	1001155043	9	Washer	
43	1001155044	9	Nut 15/32-32	

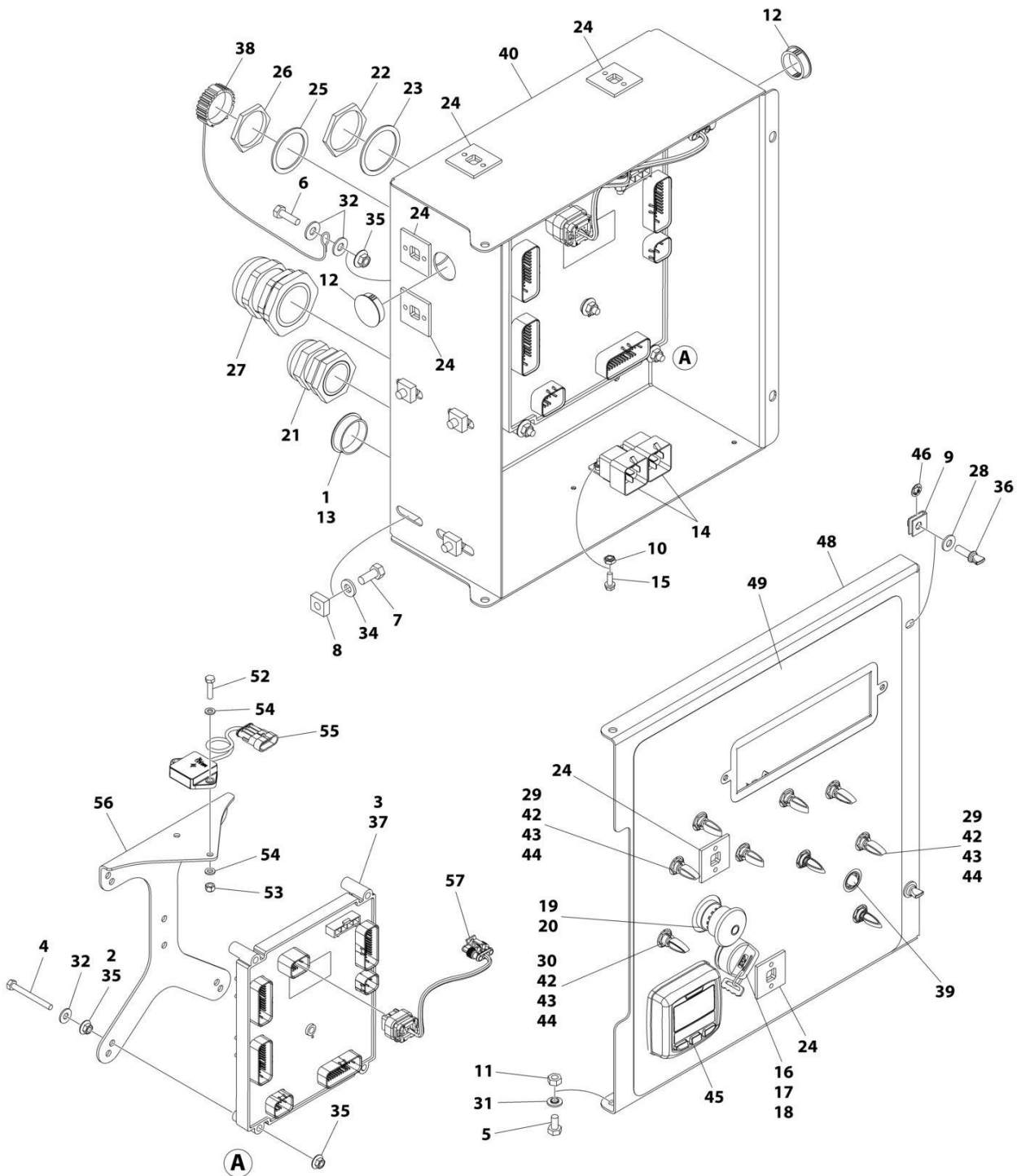
## SECTION 2 - TURNTABLE

ITEM	PART NUMBER	QTY	DESCRIPTION	REV
44	1001155045	9	Switch, Toggle	
45A	1001171482	1	Gauge, Digital Display	
45B	10836804	1	Hour Meter	
46	1001188874	2	Nut	
47	1001191866	1	Harness, Deutz D2011 Engine (Not Shown - See Separate Breakdown in ELECTRICAL Section)	
48	1001263352	1	Lid (Note: For Use With Item 45A)	
48	1001280403	1	Lid (Note: For Use With Item 45B)	
49	1001263356	1	Decal, Faceplate	
50	1001266628	1	Harness, Ground Control Box (Not Shown - See Separate Breakdown in ELECTRICAL Section)	
51	1001266665	NLA	Wire Diagram (Not Shown)	



## SECTION 2 - TURNTABLE

FIGURE 2-42. GROUND CONTROL BOX ASSEMBLY – DEUTZ TD2.9L4, DEUTZ D2.9L4 AND DEUTZ D2.9L4 (CHINA IV) ENGINES AND TOWER STOW - WITH TILT SENSOR



ART\_1001263366\_B

## SECTION 2 - TURNTABLE

**FIGURE 2-42. GROUND CONTROL BOX ASSEMBLY – DEUTZ TD2.9L4, DEUTZ D2.9L4 AND DEUTZ D2.9L4 (CHINA IV) ENGINES AND TOWER STOW - WITH TILT SENSOR**

ITEM	PART NUMBER	QTY	DESCRIPTION	REV
	1001263366	Ref	CONSOLE BOX ASSEMBLY (TOWER STOW)	B
1	0100009	AR	Sealant	
2	0100011	AR	Compound, Locking	
3	0100048	AR	Grease, Dielectric	
4	0630548	5	Bolt, 2-1/2 Tap	
5	0641404	2	Bolt 1/4 x 1/2	
6	0641407	1	Bolt 1/4 x 7/8	
7	0641506	4	Bolt 5/16 x 3/4	
8	3300205	4	Nut, Retainer	
9	3300353	2	Nut, Tinnerman	
10	3300408	2	Nut, Plastic Insert	
11	3311405	2	Nut 1/4	
12	3520031	2	Plug	
13	3520035	1	Plug, Cap	
14	3740049	2	Relay	
15	3900268	2	Screw #10 x 1/2	
16	3910804	6	Screw #8 x 1/4	
17	4070991	1	Shim	
18	4360469	1	Switch, Key	
18	2860030	1	Key Replacement	
19	4360475	1	Switch, Emergency Stop	
19	7020175	1	Cap, Mushroom	
19	7020176	1	Block, Contact	
20	4360476	1	Switch, Contact Block	
21	4460426	1	Connector, Strain Relief	
22	4460470	1	Nut, Terminal	
23	4460471	1	Washer, Terminal	
24	4460488	6	Mounting Base, Terminal	
25	4460496	1	Washer, Terminal	
26	4460497	1	Nut, Terminal	
27	4460526	1	Connector, Strain Relief	
28	4711400	2	Washer 1/4	
29	4740397	8	Spacer	
30	4740444	1	Washer	
31	4740518	2	Washer	
32	4751400	7	Washer 1/4	
34	4891500	4	Washer 5/16	
35	77143013	11	Nut 1/4-20	
36	1001103308	2	Screw 1/4	
37	1001280600	1	Module, Ground Control	
		Ref	Note: Re-calibration Required when Replaced.	
38	1001106736	1	Cap, Dust	
39	1001137364	1	Lamp	
40	1001152175	1	Box	
41	1001154392	1	Harness, Valve (Not Shown - See Separate Breakdown in ELECTRICAL Section)	
42	1001155043	9	Washer	
43	1001155044	9	Nut 15/32-32	
44	1001155045	9	Switch, Toggle	

## SECTION 2 - TURNTABLE

ITEM	PART NUMBER	QTY	DESCRIPTION	REV
45	1001171482	1	Gauge	
46	1001188874	2	Nut	
47	1001191866	1	Harness, Deutz D2011 Engine (Not Shown - See Separate Breakdown in ELECTRICAL Section)	
48	1001263352	1	Lid	
49	1001263356	1	Decal, Faceplate	
50	1001266628	1	Harness, Ground Control Box (Not Shown - See Separate Breakdown in ELECTRICAL Section)	
51	1001266665	NLA	Wire Diagram (Not Shown)	
52	0760612	2	Bolt M6 x 25	
53	3290605	2	Nut M6	
54	4811700	4	Washer M6	
55	1001219601	1	Sensor, Tilt Dual Axis CAN	
56	1001271794	1	Bracket, Tilt Sensor	
57	1001276143	1	Harness, Tilt Sensor (See Separate Breakdown in ELECTRICAL Section)	







## SECTION 2 - TURNTABLE

**FIGURE 2-43. GROUND CONTROL BOX ASSEMBLY – FORD DF 2.5L ENGINE - WITHOUT TILT SENSOR**

ITEM	PART NUMBER	QTY	DESCRIPTION	REV
	1001266898	Ref	GROUND CONTROL BOX ASSEMBLY	A
1	0100009	AR	Sealant	
2	0100011	AR	Compound, Locking	
3	0100048	AR	Grease, Dielectric	
4	0630548	5	Bolt, 2-1/2 Tap	
5	0641404	2	Bolt 1/4 x 1/2	
6	0641407	1	Bolt 1/4 x 7/8	
7	0641506	4	Bolt 5/16 x 3/4	
8	3300205	4	Nut, Retainer	
9	3300353	2	Nut, Tinnerman	
10	3300408	3	Nut, Plastic Insert	
11	3311405	2	Nut 1/4	
12	3520031	2	Plug	
13	3520035	1	Plug, Cap	
14	3740049	3	Relay	
15	3900268	3	Screw #10 x 1/2	
16	3910804	6	Screw #8 x 1/4	
17	4070991	1	Shim	
18	4360469	1	Switch, Key	
18	2860030	1	Key Replacement	
19	4360475	1	Switch, Emergency Stop	
19	7020175	1	Cap, Mushroom	
19	7020176	1	Block, Contact	
20	4360476	1	Switch, Contact Block	
21	4460426	1	Connector, Strain Relief	
22	4460470	1	Nut, Terminal	
23	4460471	1	Washer, Terminal	
24	4460488	6	Mounting Base, Terminal	
25	4460496	1	Washer, Terminal	
26	4460497	1	Nut, Terminal	
27	4460526	1	Connector, Strain Relief	
28	4711400	2	Washer 1/4	
29	4740397	8	Spacer	
30	4740444	1	Washer	
31	4740518	2	Washer	
32	4751400	12	Washer 1/4	
33	4761400	6	Washer 1/4	
34	4891500	4	Washer 5/16	
35	77143013	11	Nut 1/4-20	
36	1001103308	2	Screw 1/4	
37	1001103667	1	Module, Ground Control	
		Ref	Note: Re-calibration Required when Replaced.	
38	1001106736	1	Cap, Dust	
39	1001152175	1	Box	
40	1001154392	1	Harness, Valve (Not Shown - See Separate Breakdown in ELECTRICAL Section)	
41	1001155043	9	Washer	
42	1001155044	9	Nut 15/32-32	
43	1001155045	9	Switch, Toggle	

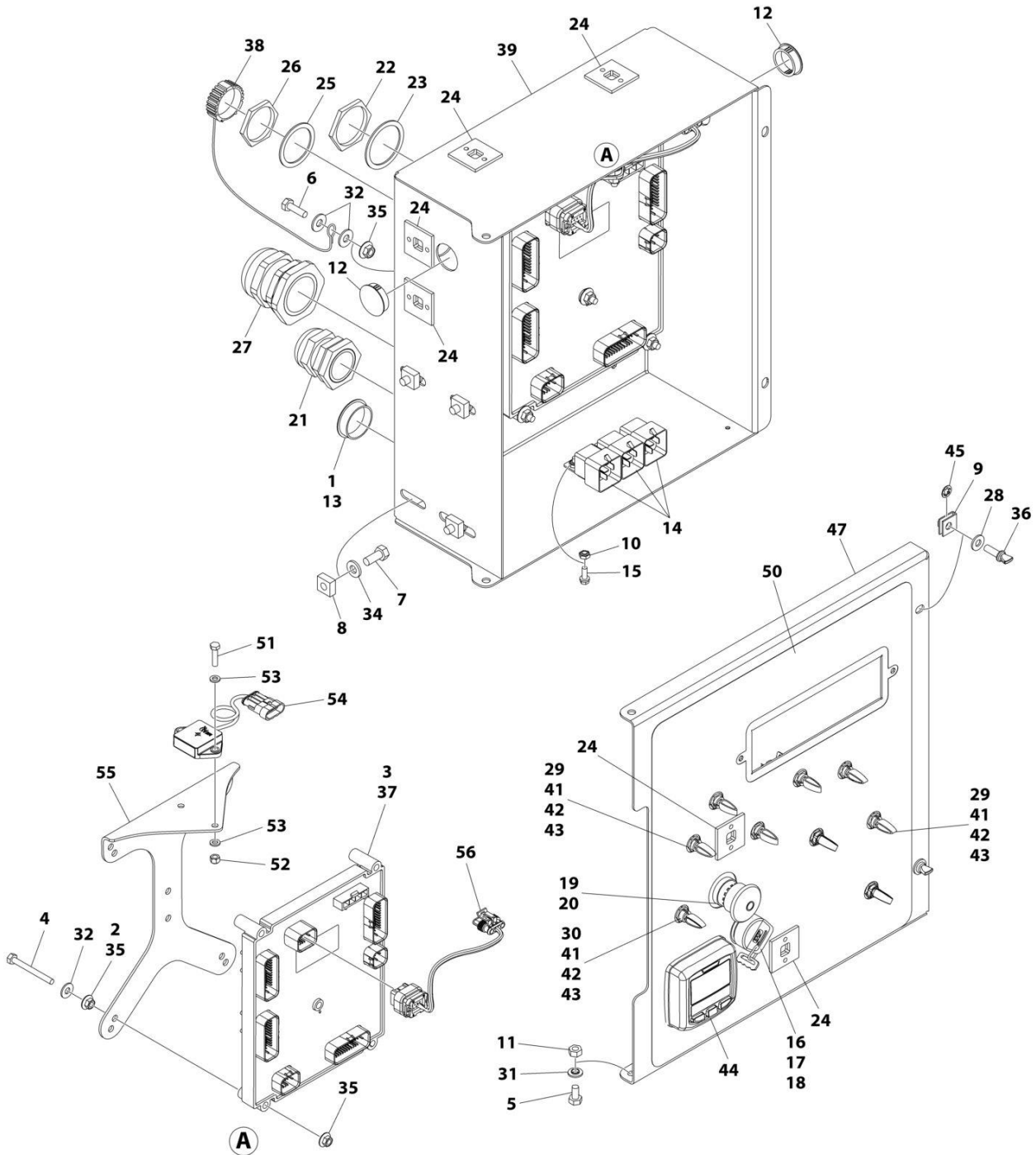
## SECTION 2 - TURNTABLE

ITEM	PART NUMBER	QTY	DESCRIPTION	REV
44A	1001171482	1	Gauge, Digital Display	
44B	10836804	1	Hour Meter	
45	1001188874	2	Nut	
46	1001214507	1	Harness, Ford DF 2.5L Engine (Not Shown - See Separate Breakdown in ELECTRICAL Section)	
47	1001263352	1	Lid (Note: For Use With Item 44A)	
47	1001280403	1	Lid (Note: For Use With Item 44B)	
48	1001266628	1	Harness, Ground Control Box (Not Shown - See Separate Breakdown in ELECTRICAL Section)	
49	1001266665	NLA	Wire Diagram (Not Shown)	
50	1001266876	1	Decal, Faceplate	



# SECTION 2 - TURNTABLE

FIGURE 2-44. GROUND CONTROL BOX ASSEMBLY – FORD DF 2.5L ENGINE - WITH TILT SENSOR



ART\_1001266898\_B

## SECTION 2 - TURNTABLE

**FIGURE 2-44. GROUND CONTROL BOX ASSEMBLY – FORD DF 2.5L ENGINE - WITH TILT SENSOR**

ITEM	PART NUMBER	QTY	DESCRIPTION	REV
	1001266898	Ref	GROUND CONTROL BOX ASSEMBLY	B
1	0100009	AR	Sealant	
2	0100011	AR	Compound, Locking	
3	0100048	AR	Grease, Dielectric	
4	0630548	5	Bolt, 2-1/2 Tap	
5	0641404	2	Bolt 1/4 x 1/2	
6	0641407	1	Bolt 1/4 x 7/8	
7	0641506	4	Bolt 5/16 x 3/4	
8	3300205	4	Nut, Retainer	
9	3300353	2	Nut, Tinnerman	
10	3300408	3	Nut, Plastic Insert	
11	3311405	2	Nut 1/4	
12	3520031	2	Plug	
13	3520035	1	Plug, Cap	
14	3740049	3	Relay	
15	3900268	3	Screw #10 x 1/2	
16	3910804	6	Screw #8 x 1/4	
17	4070991	1	Shim	
18	4360469	1	Switch, Key	
18	2860030	1	Key Replacement	
19	4360475	1	Switch, Emergency Stop	
19	7020175	1	Cap, Mushroom	
19	7020176	1	Block, Contact	
20	4360476	1	Switch, Contact Block	
21	4460426	1	Connector, Strain Relief	
22	4460470	1	Nut, Terminal	
23	4460471	1	Washer, Terminal	
24	4460488	6	Mounting Base, Terminal	
25	4460496	1	Washer, Terminal	
26	4460497	1	Nut, Terminal	
27	4460526	1	Connector, Strain Relief	
28	4711400	2	Washer 1/4	
29	4740397	8	Spacer	
30	4740444	1	Washer	
31	4740518	2	Washer	
32	4751400	7	Washer 1/4	
34	4891500	4	Washer 5/16	
35	77143013	11	Nut 1/4-20	
36	1001103308	2	Screw 1/4	
37	1001280600	1	Module, Ground Control	
		Ref	Note: Re-calibration Required when Replaced.	
38	1001106736	1	Cap, Dust	
39	1001152175	1	Box	
40	1001154392	1	Harness, Valve (Not Shown - See Separate Breakdown in ELECTRICAL Section)	
41	1001155043	9	Washer	
42	1001155044	9	Nut 15/32-32	
43	1001155045	9	Switch, Toggle	
44	1001171482	1	Gauge	
45	1001188874	2	Nut	

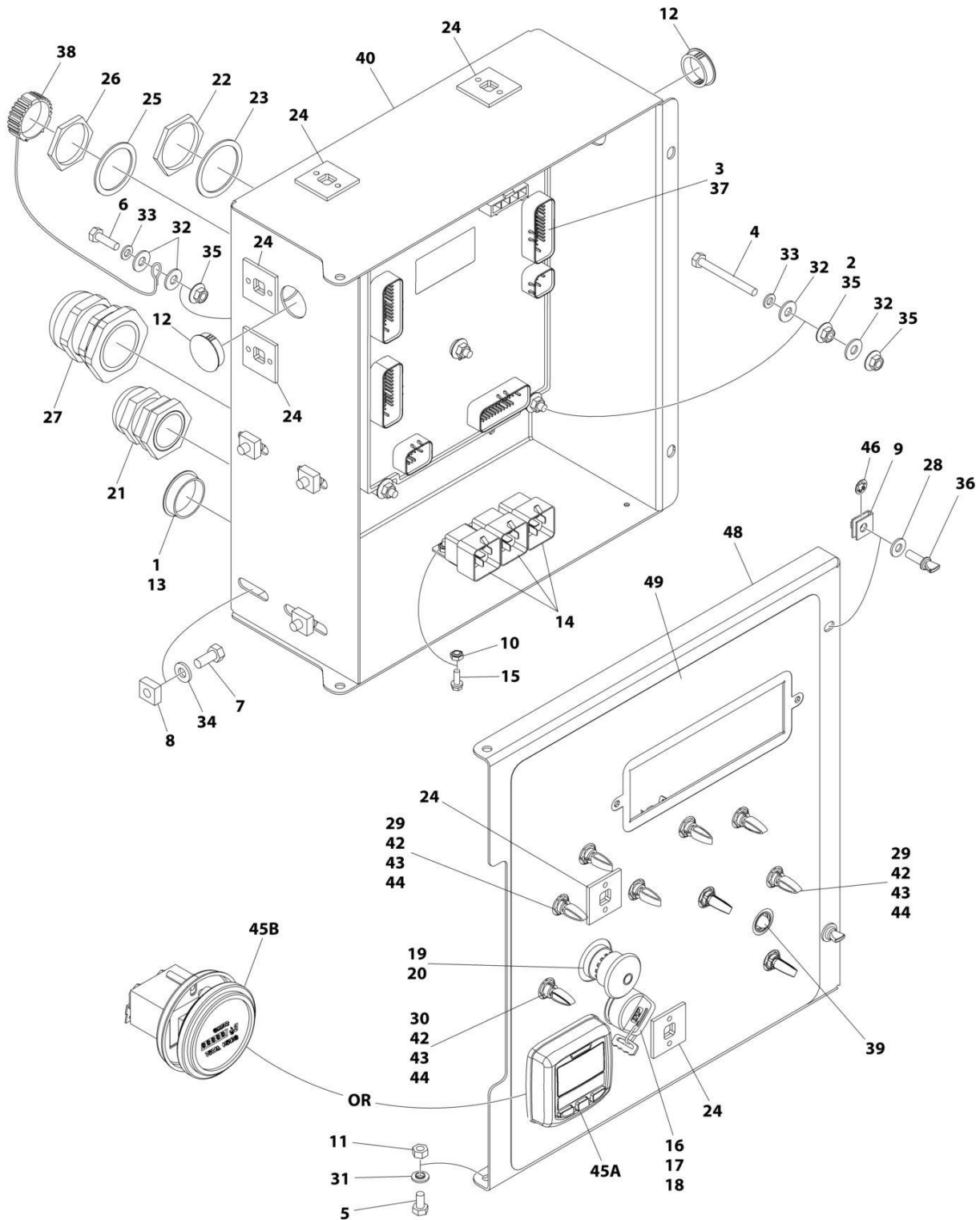
## SECTION 2 - TURNTABLE

ITEM	PART NUMBER	QTY	DESCRIPTION	REV
46	1001214507	1	Harness, Ford DF 2.5L Engine (Not Shown - See Separate Breakdown in ELECTRICAL Section)	
47	1001263352	1	Lid	
48	1001266628	1	Harness, Ground Control Box (Not Shown - See Separate Breakdown in ELECTRICAL Section)	
49	1001266665	NLA	Wire Diagram (Not Shown)	
50	1001266876	1	Decal, Faceplate	
51	0760612	2	Bolt M6 x 25	
52	3290605	2	Nut M6	
53	4811700	4	Washer M6	
54	1001219601	1	Sensor, Tilt Dual Axis CAN	
55	1001271794	1	Bracket, Tilt Sensor	
56	1001276143	1	Harness, Tilt Sensor (See Separate Breakdown in ELECTRICAL Section)	



# SECTION 2 - TURNTABLE

FIGURE 2-45. GROUND CONTROL BOX ASSEMBLY – FORD DF 2.5L ENGINE AND TOWER STOW - WITHOUT TILT SENSOR



ART\_1001263367



## SECTION 2 - TURNTABLE

**FIGURE 2-45. GROUND CONTROL BOX ASSEMBLY – FORD DF 2.5L ENGINE AND TOWER STOW - WITHOUT TILT SENSOR**

ITEM	PART NUMBER	QTY	DESCRIPTION	REV
	1001263367	Ref	CONSOLE BOX ASSEMBLY (TOWER STOW)	A
1	0100009	AR	Sealant	
2	0100011	AR	Compound, Locking	
3	0100048	AR	Grease, Dielectric	
4	0630548	5	Bolt, 2-1/2 Tap	
5	0641404	2	Bolt 1/4 x 1/2	
6	0641407	1	Bolt 1/4 x 7/8	
7	0641506	4	Bolt 5/16 x 3/4	
8	3300205	4	Nut, Retainer	
9	3300353	2	Nut, Tinnerman	
10	3300408	3	Nut, Plastic Insert	
11	3311405	2	Nut 1/4	
12	3520031	2	Plug	
13	3520035	1	Plug, Cap	
14	3740049	3	Relay	
15	3900268	3	Screw #10 x 1/2	
16	3910804	6	Screw #8 x 1/4	
17	4070991	1	Shim	
18	4360469	1	Switch, Key	
18	2860030	1	Key Replacement	
19	4360475	1	Switch, Emergency Stop	
19	7020175	1	Cap, Mushroom	
19	7020176	1	Block, Contact	
20	4360476	1	Switch, Contact Block	
21	4460426	1	Connector, Strain Relief	
22	4460470	1	Nut, Terminal	
23	4460471	1	Washer, Terminal	
24	4460488	6	Mounting Base, Terminal	
25	4460496	1	Washer, Terminal	
26	4460497	1	Nut, Terminal	
27	4460526	1	Connector, Strain Relief	
28	4711400	2	Washer 1/4	
29	4740397	8	Spacer	
30	4740444	1	Washer	
31	4740518	2	Washer	
32	4751400	12	Washer 1/4	
33	4761400	6	Washer 1/4	
34	4891500	4	Washer 5/16	
35	77143013	11	Nut 1/4-20	
36	1001103308	2	Screw 1/4	
37	1001103667	1	Module, Ground Control	
		Ref	Note: Re-calibration Required when Replaced.	
38	1001106736	1	Cap, Dust	
39	1001137364	1	Lamp	
40	1001152175	1	Box	
41	1001154392	1	Harness, Valve (Not Shown - See Separate Breakdown in ELECTRICAL Section)	
42	1001155043	9	Washer	
43	1001155044	9	Nut 15/32-32	

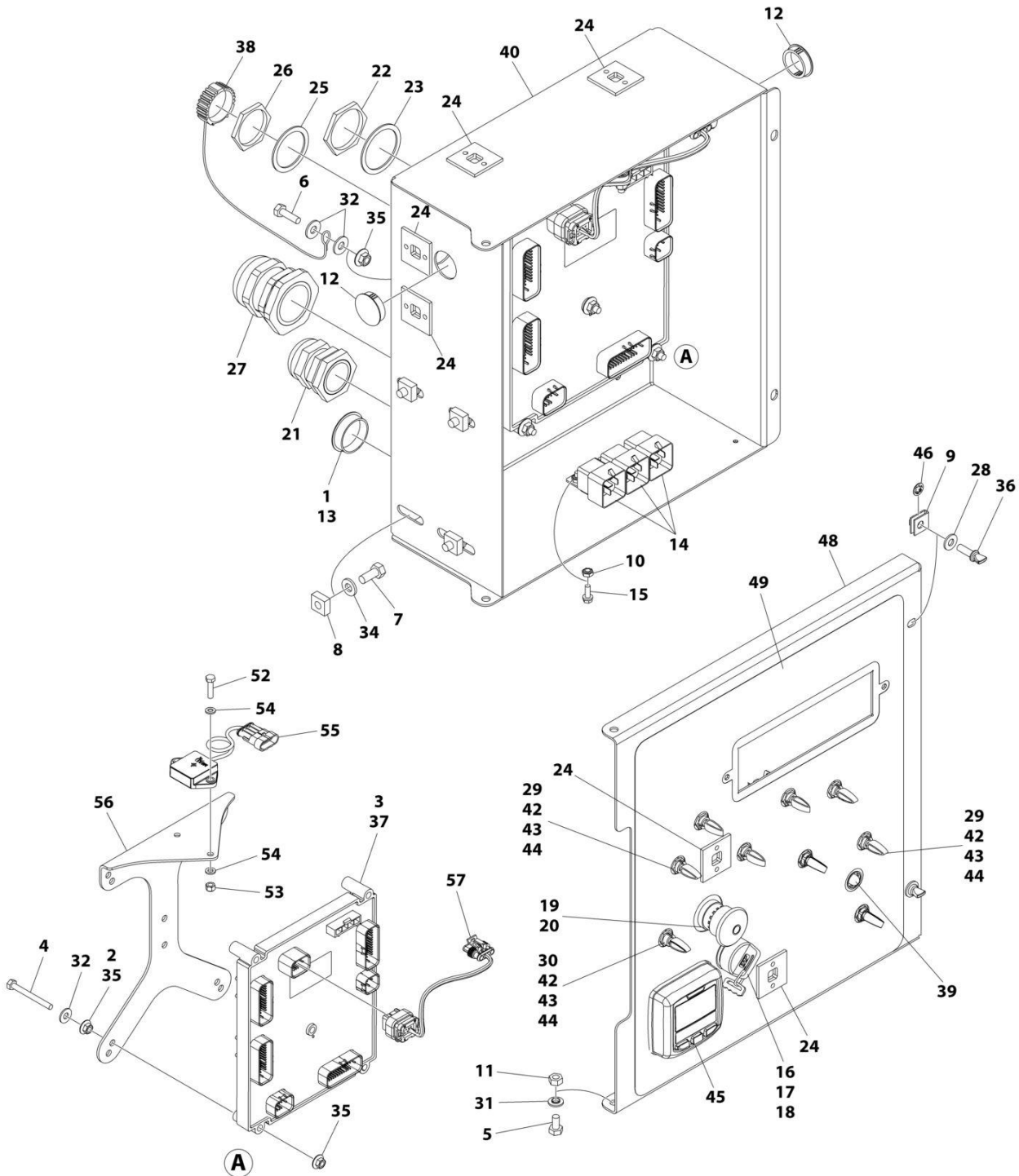
## SECTION 2 - TURNTABLE

ITEM	PART NUMBER	QTY	DESCRIPTION	REV
44	1001155045	9	Switch, Toggle	
45A	1001171482	1	Gauge, Digital Display	
45B	10836804	1	Hour Meter	
46	1001188874	2	Nut	
47	1001214507	1	Harness, Deutz D2011 Engine (Not Shown - See Separate Breakdown in ELECTRICAL Section)	
48	1001263352	1	Lid (Note: For Use With Item 45A)	
48	1001280403	1	Lid (Note: For Use With Item 45B)	
49	1001263356	1	Decal, Faceplate	
50	1001266628	1	Harness, Ground Control Box (Not Shown - See Separate Breakdown in ELECTRICAL Section)	
51	1001266665	NLA	Wire Diagram (Not Shown)	



# SECTION 2 - TURNTABLE

## FIGURE 2-46. GROUND CONTROL BOX ASSEMBLY – FORD DF 2.5L ENGINE AND TOWER STOW - WITH TILT SENSOR



ART\_1001263367\_B

## SECTION 2 - TURNTABLE

**FIGURE 2-46. GROUND CONTROL BOX ASSEMBLY – FORD DF 2.5L ENGINE AND TOWER STOW - WITH TILT SENSOR**

ITEM	PART NUMBER	QTY	DESCRIPTION	REV
	1001263367	Ref	CONSOLE BOX ASSEMBLY (TOWER STOW)	B
1	0100009	AR	Sealant	
2	0100011	AR	Compound, Locking	
3	0100048	AR	Grease, Dielectric	
4	0630548	5	Bolt, 2-1/2 Tap	
5	0641404	2	Bolt 1/4 x 1/2	
6	0641407	1	Bolt 1/4 x 7/8	
7	0641506	4	Bolt 5/16 x 3/4	
8	3300205	4	Nut, Retainer	
9	3300353	2	Nut, Tinnerman	
10	3300408	3	Nut, Plastic Insert	
11	3311405	2	Nut 1/4	
12	3520031	2	Plug	
13	3520035	1	Plug, Cap	
14	3740049	3	Relay	
15	3900268	3	Screw #10 x 1/2	
16	3910804	6	Screw #8 x 1/4	
17	4070991	1	Shim	
18	4360469	1	Switch, Key	
18	2860030	1	Key Replacement	
19	4360475	1	Switch, Emergency Stop	
19	7020175	1	Cap, Mushroom	
19	7020176	1	Block, Contact	
20	4360476	1	Switch, Contact Block	
21	4460426	1	Connector, Strain Relief	
22	4460470	1	Nut, Terminal	
23	4460471	1	Washer, Terminal	
24	4460488	6	Mounting Base, Terminal	
25	4460496	1	Washer, Terminal	
26	4460497	1	Nut, Terminal	
27	4460526	1	Connector, Strain Relief	
28	4711400	2	Washer 1/4	
29	4740397	8	Spacer	
30	4740444	1	Washer	
31	4740518	2	Washer	
32	4751400	7	Washer 1/4	
34	4891500	4	Washer 5/16	
35	77143013	11	Nut 1/4-20	
36	1001103308	2	Screw 1/4	
37	1001280600	1	Module, Ground Control	
		Ref	Note: Re-calibration Required when Replaced.	
38	1001106736	1	Cap, Dust	
39	1001137364	1	Lamp	
40	1001152175	1	Box	
41	1001154392	1	Harness, Valve (Not Shown - See Separate Breakdown in ELECTRICAL Section)	
42	1001155043	9	Washer	
43	1001155044	9	Nut 15/32-32	
44	1001155045	9	Switch, Toggle	

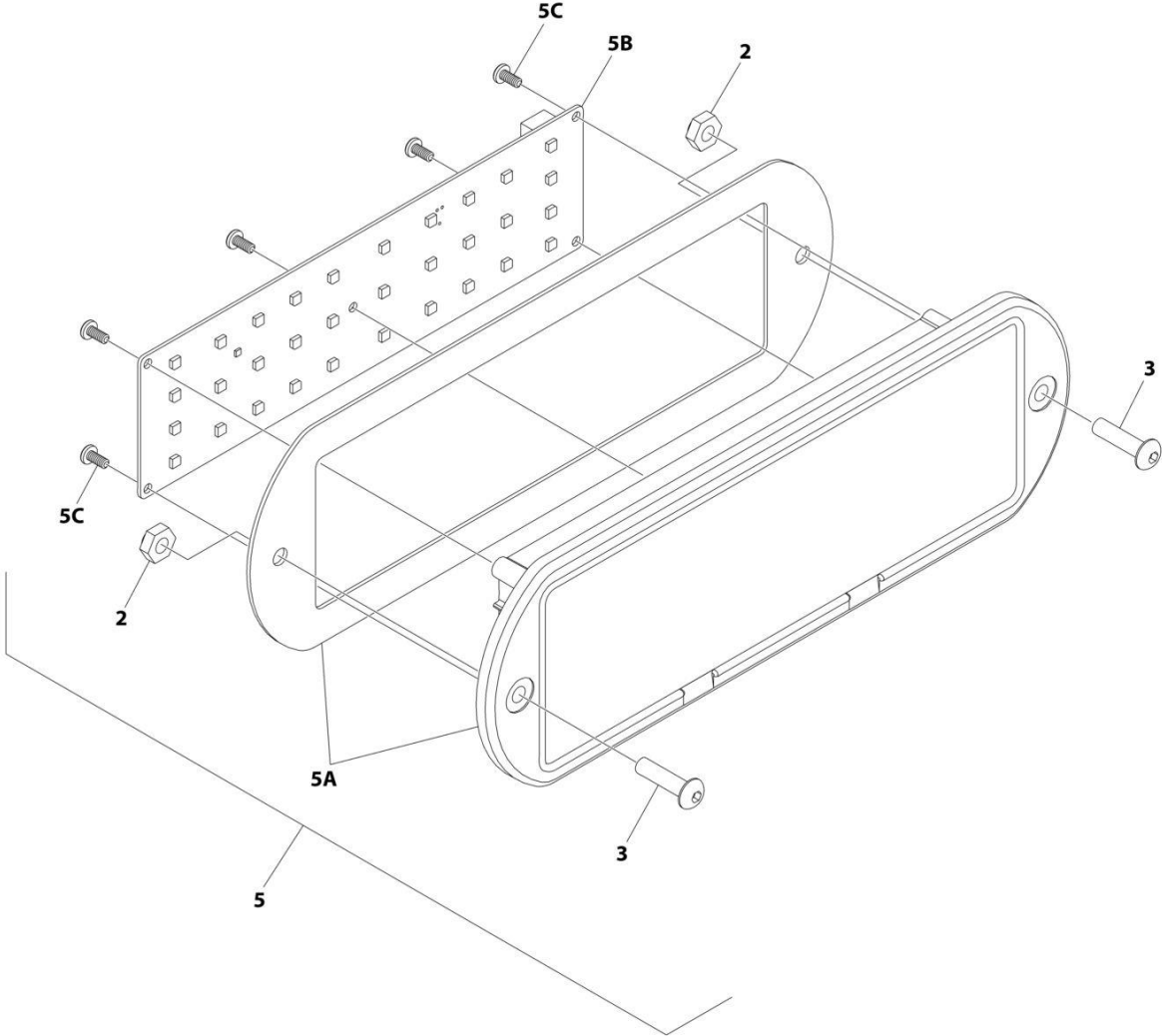
## SECTION 2 - TURNTABLE

ITEM	PART NUMBER	QTY	DESCRIPTION	REV
45	1001171482	1	Gauge	
46	1001188874	2	Nut	
47	1001214507	1	Harness, Deutz D2011 Engine (Not Shown - See Separate Breakdown in ELECTRICAL Section)	
48	1001263352	1	Lid	
49	1001263356	1	Decal, Faceplate	
50	1001266628	1	Harness, Ground Control Box (Not Shown - See Separate Breakdown in ELECTRICAL Section)	
51	1001266665	NLA	Wire Diagram (Not Shown)	
52	0760612	2	Bolt M6 x 25	
53	3290605	2	Nut M6	
54	4811700	4	Washer M6	
55	1001219601	1	Sensor, Tilt Dual Axis CAN	
56	1001271794	1	Bracket, Tilt Sensor	
57	1001276143	1	Harness, Tilt Sensor (See Separate Breakdown in ELECTRICAL Section)	



**SECTION 2 - TURNTABLE**

**FIGURE 2-47. LIGHT PANEL INSTALLATION – GROUND CONTROL**



ART\_1001241403\_10F2



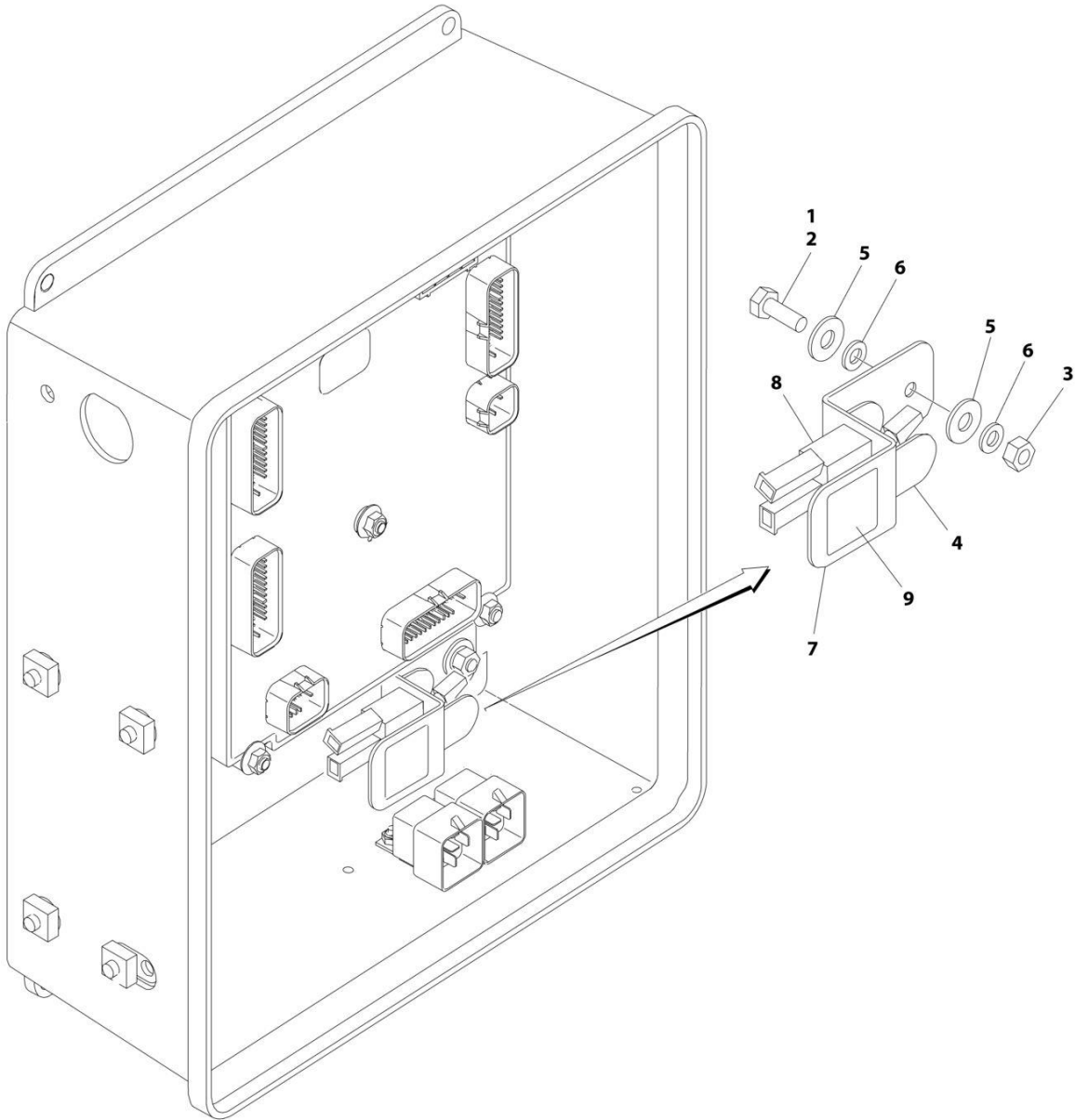
**SECTION 2 - TURNTABLE**

**FIGURE 2-47. LIGHT PANEL INSTALLATION – GROUND CONTROL**

<b>ITEM</b>	<b>PART NUMBER</b>	<b>QTY</b>	<b>DESCRIPTION</b>	<b>REV</b>
	1001241403	Ref	LIGHT PANEL INSTALLATION - GROUND CONTROL	C
2	3300408	2	Nut, Nylon Insert	
3	0630518	2	Screw #10 x 3/4	
5	1001238674	1	Light Panel Assembly	H
5A	1001236092	1	Lens Assembly (Includes Housing Shell, Decal/Lens with Icons & Gasket)	
5B	1001238732	1	Panel, LED Light	
5C		Ref	Screw	

## SECTION 2 - TURNTABLE

FIGURE 2-48. CRIBBING ENABLE SWITCH INSTALLATION



ART\_1001115918

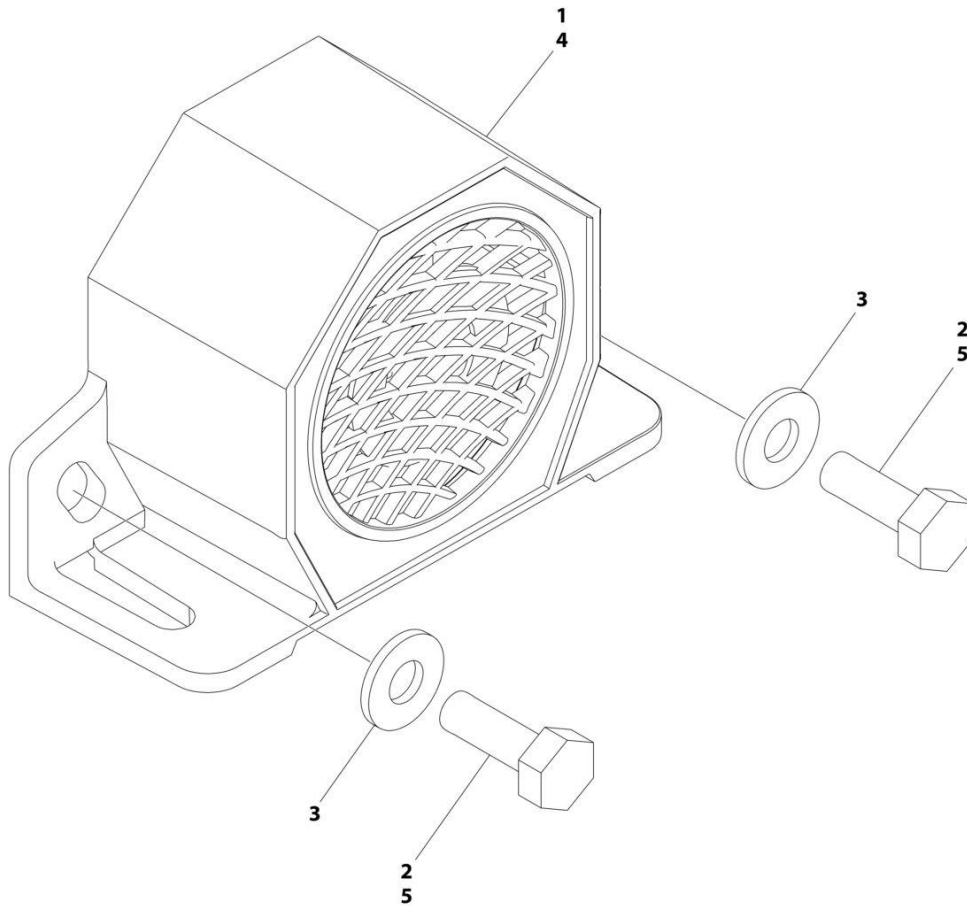
**SECTION 2 - TURNTABLE**

**FIGURE 2-48. CRIBBING ENABLE SWITCH INSTALLATION**

<b>ITEM</b>	<b>PART NUMBER</b>	<b>QTY</b>	<b>DESCRIPTION</b>	<b>REV</b>
	1001115918	Ref	CRIBBING ENABLE SWITCH INSTALLATION	A
1	0100011	AR	Compound, Locking	
2	0641406	1	Bolt 1/4 x 3/4	
3	3311401	1	Nut 1/4	
4	4060906	1	Guard, Switch	
5	4751400	2	Washer 1/4	
6	4761400	2	Washer 1/4	
7	1001115889	1	Bracket	
8	1001115915	1	Cribbing Enable Harness	
8	4360336	1	Switch, Toggle	
8	4460226	2	Socket, Female	
9	1001115967	1	Decal - Cribbing	

## SECTION 2 - TURNTABLE

FIGURE 2-49. ALARMS INSTALLATION



ART\_1001160074

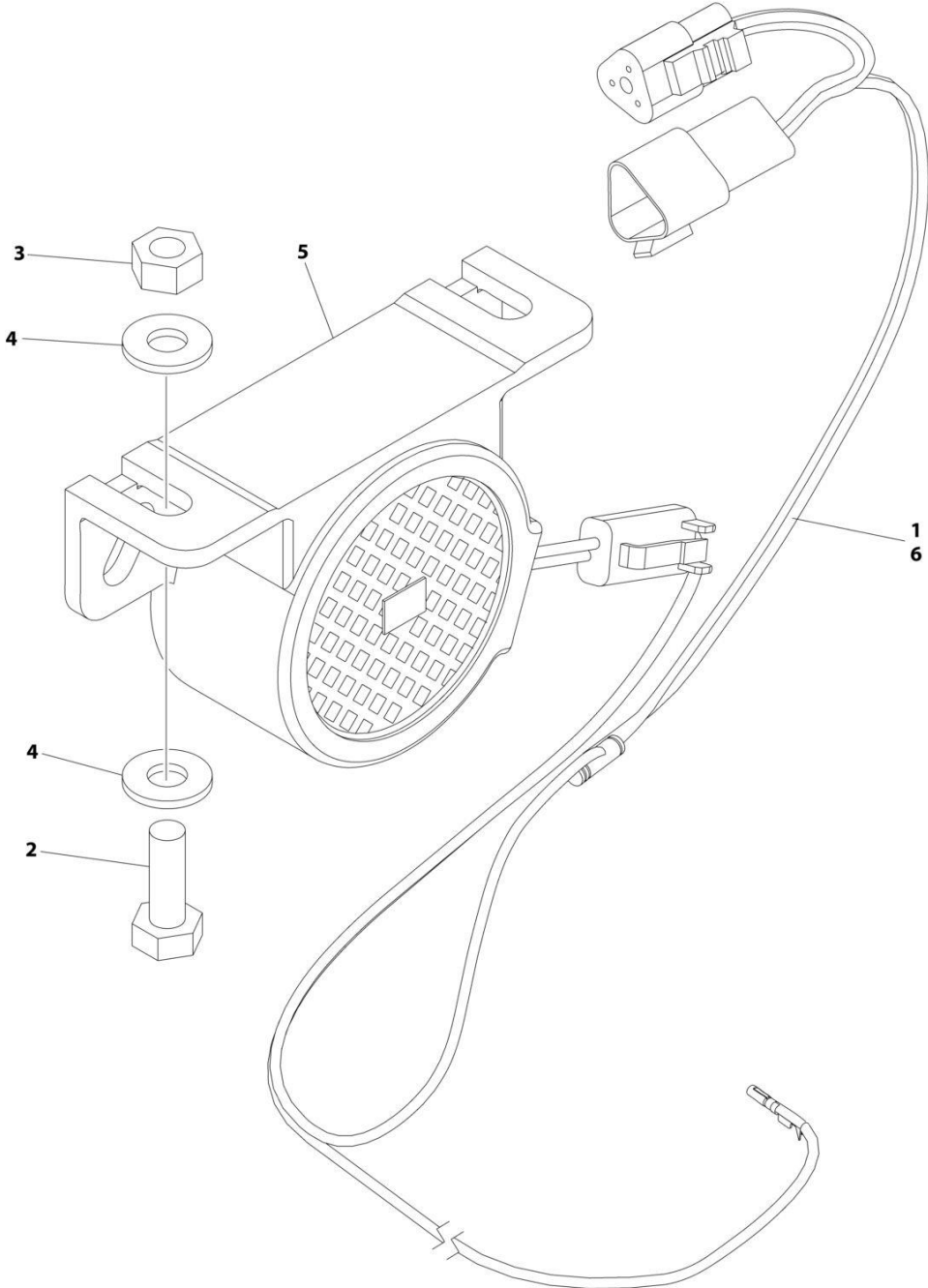
**SECTION 2 - TURNTABLE**

**FIGURE 2-49. ALARMS INSTALLATION**

<b>ITEM</b>	<b>PART NUMBER</b>	<b>QTY</b>	<b>DESCRIPTION</b>	<b>REV</b>
	1001160074	Ref	ALARMS INSTALLATION	A
1	0140044	1	Alarm	
2	0641406	2	Bolt 1/4 x 3/4	
3	4711400	2	Washer 1/4	
4	0100048	AR	Compound, Dielectric	
5	0100011	AR	Compound, Locking	

**SECTION 2 - TURNTABLE**

**FIGURE 2-50. BACKUP ALARM (WHITE NOISE) INSTALLATION**



ART\_1001239346

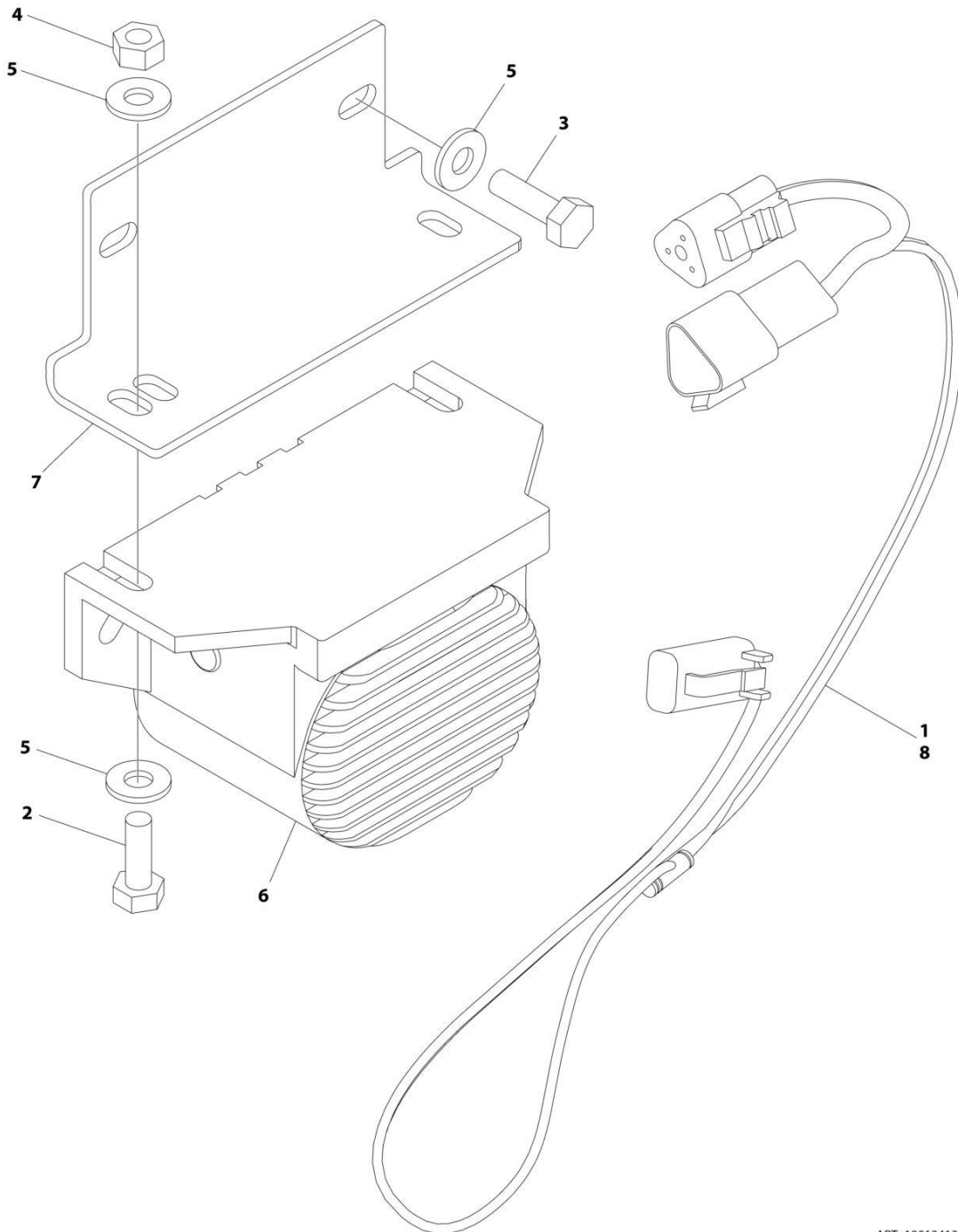
**SECTION 2 - TURNTABLE**

**FIGURE 2-50. BACKUP ALARM (WHITE NOISE) INSTALLATION**

<b>ITEM</b>	<b>PART NUMBER</b>	<b>QTY</b>	<b>DESCRIPTION</b>	<b>REV</b>
	1001239346	Ref	BACKUP ALARM (WHITE NOISE) INSTALLATION	B
1	0100048	AR	Grease, Dielectric	
2	0641406	2	Bolt 1/4 x 3/4	
3	3311405	2	Valve, Check	
4	4711400	4	Washer 1/4	
6	1001184682	1	Alarm	
6	4460897	1	Connector - 2 Position	
6	4460464	2	Pin, Male	
6	1001231007	1	Harness, White Noise Motion Alarm (See Separate Breakdown in ELECTRICAL SECTION)	

## SECTION 2 - TURNTABLE

FIGURE 2-51. BACKUP ALARM AMBIENT (WHITE NOISE) INSTALLATION



ART\_1001241384



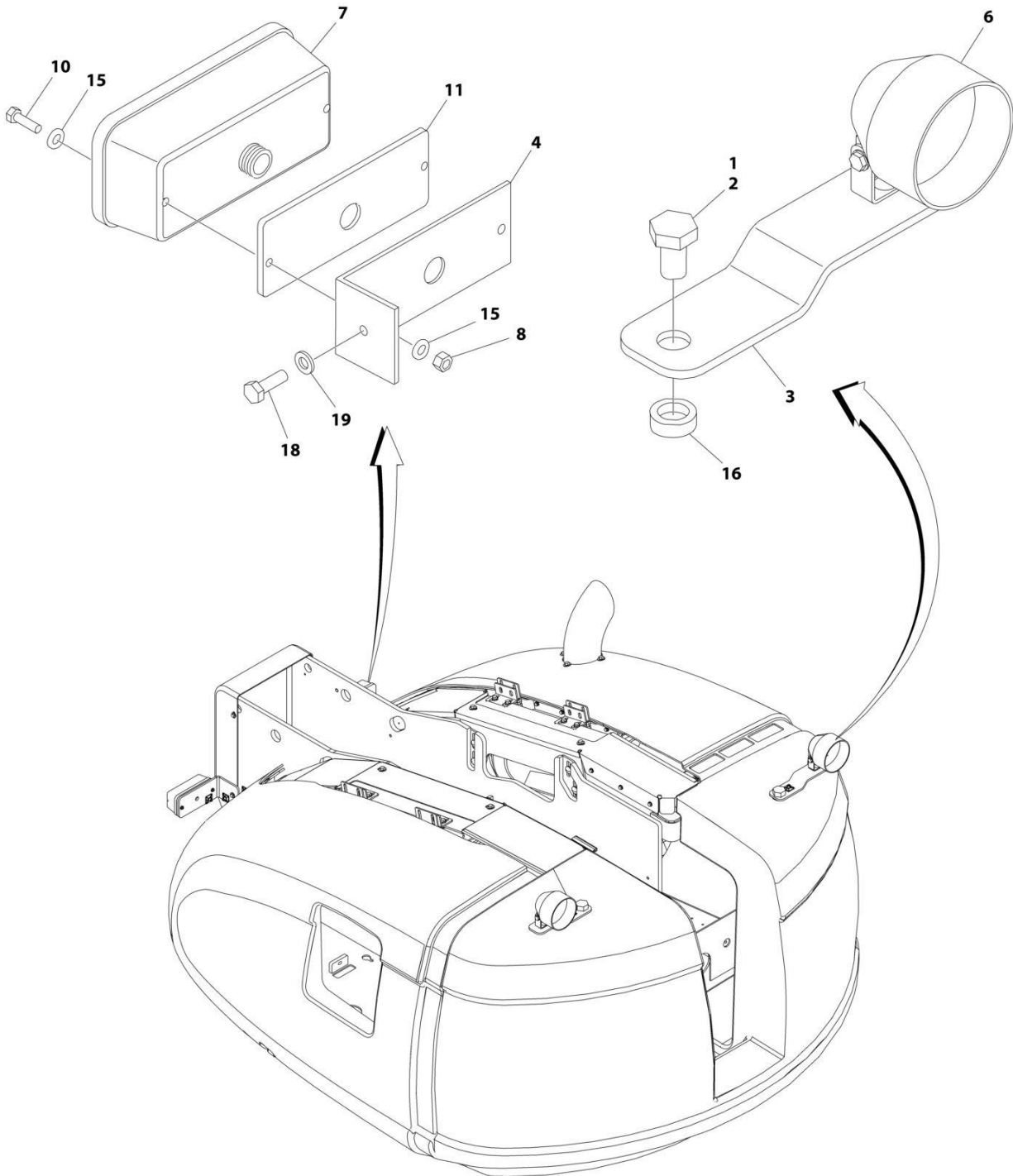
**SECTION 2 - TURNTABLE**

**FIGURE 2-51. BACKUP ALARM AMBIENT (WHITE NOISE) INSTALLATION**

ITEM	PART NUMBER	QTY	DESCRIPTION	REV
	1001241384	Ref	BACKUP ALARM AMBIENT (WHITE NOISE) INSTALLATION	B
1	0100048	AR	Grease, Dielectric	
2	0641406	2	Bolt 1/4 x 3/4	
3	0641407	2	Bolt 1/4 x 7/8	
4	3311405	2	Nut 1/4	
5	4711400	6	Washer 1/4	
6	1001182806	1	Alarm	
6	4460897	1	Connector - 2 Position	
6	4460464	2	Pin, Male	
7	1001231886	1	Plate	
8	1001231007	1	Harness, White Noise Motion Alarm (See Separate Breakdown in ELECTRICAL SECTION)	

# SECTION 2 - TURNTABLE

## FIGURE 2-52. HEAD AND TAIL LIGHTS INSTALLATION (OPTIONAL)



ART\_1001176296

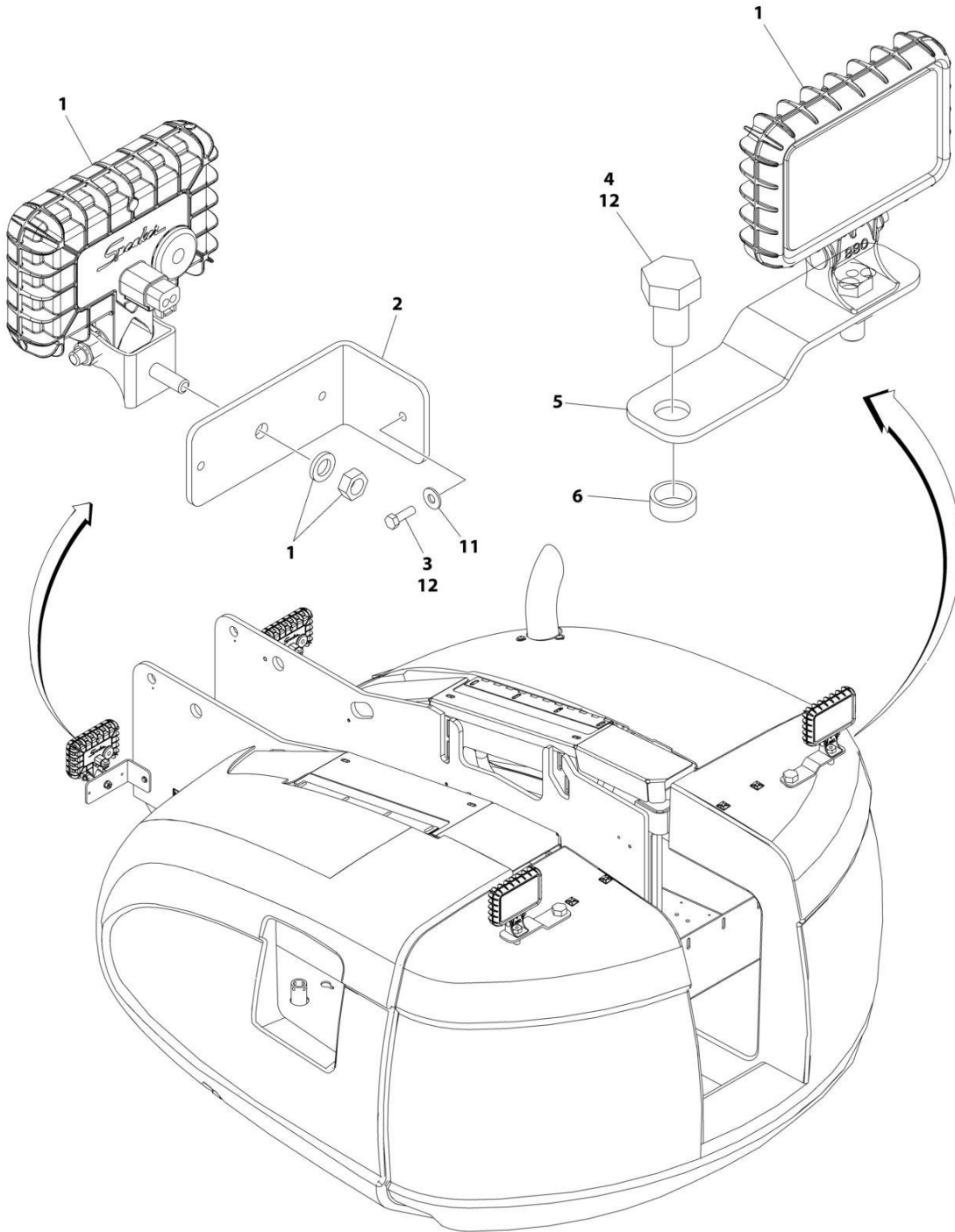
**SECTION 2 - TURNTABLE**

**FIGURE 2-52. HEAD AND TAIL LIGHTS INSTALLATION (OPTIONAL)**

ITEM	PART NUMBER	QTY	DESCRIPTION	REV
	1001176296	Ref	LIGHTS INSTALLATIONS (OPTIONAL)	A
1	0100011	AR	Compound, Locking	
2	0642612	2	Bolt 1 x 1-1/2	
3	0902206	2	Bracket, Mounting	
4	0903119	2	Bracket	
5	1705170	1	Decal - Lights (Not Shown - Located on Console)	
6	2920110	2	Headlight	
7	2920113	2	Tail Light	
8	3311005	4	Nut #10	
9	3311605	2	Nut 3/8 (Not Shown)	
10	3911040	4	Screw #10 x 2-1/2	
11	3960461	2	Gasket	
12	4240032	AR	Tie-Strap (Not Shown)	
13	4360522	1	Switch, Push Button (Not Shown - Located on Console)	
14	4460234	18	Mount, Tie-Strap (Not Shown)	
15	4751000	4	Washer #10	
16	4892600	2	Washer	
18	0641408	2	Bolt 1/4 x 1	
19	4751400	2	Washer 1/4	

## SECTION 2 - TURNTABLE

FIGURE 2-53. CHASSIS ILLUMINATION LIGHTS INSTALLATION (OPTIONAL)



ART\_0274200\_D

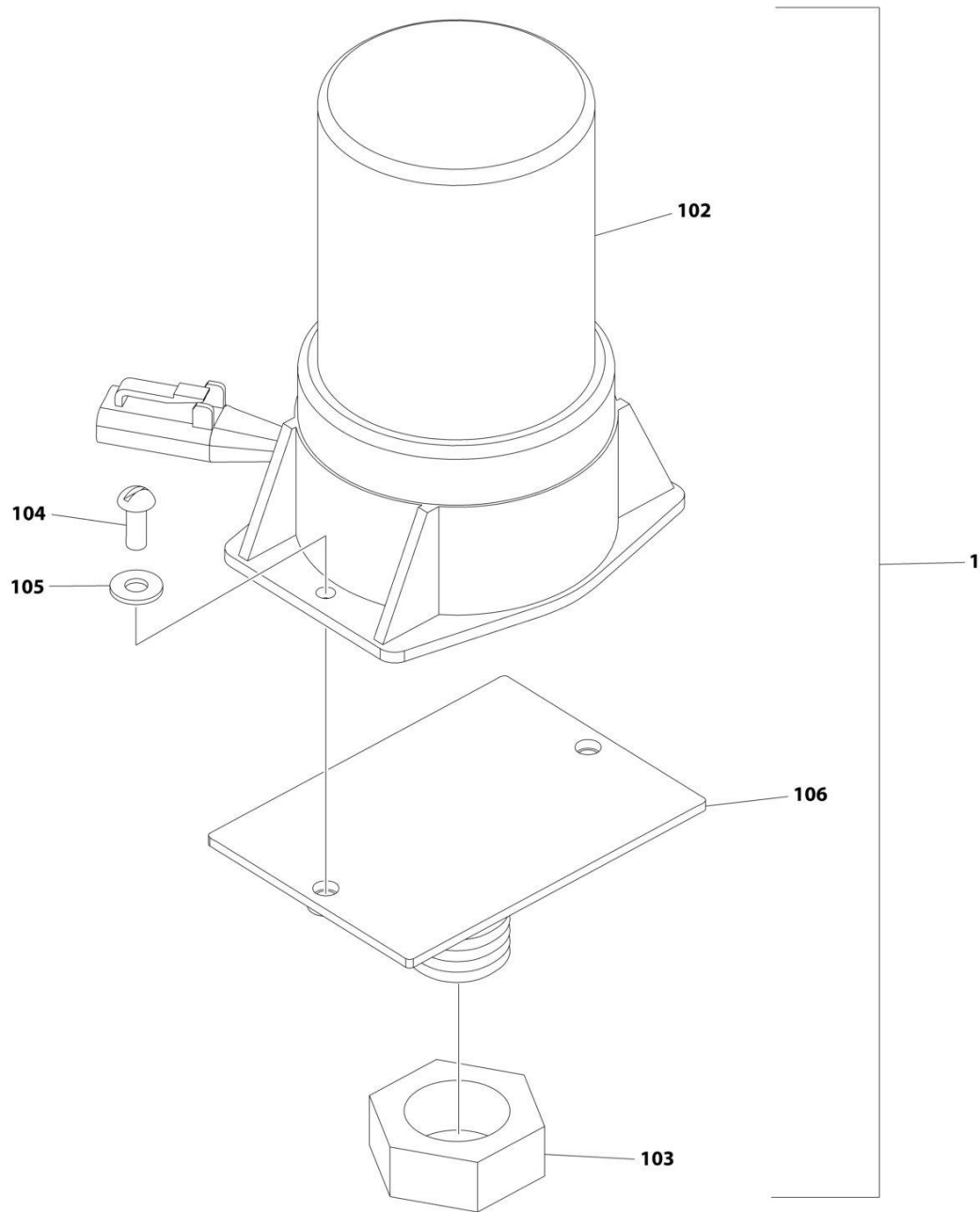
**SECTION 2 - TURNTABLE**

**FIGURE 2-53. CHASSIS ILLUMINATION LIGHTS INSTALLATION (OPTIONAL)**

<b>ITEM</b>	<b>PART NUMBER</b>	<b>QTY</b>	<b>DESCRIPTION</b>	<b>REV</b>
	0274200	Ref	CHASSIS ILLUMINATION LIGHT INSTALLATION	D
1	1001236816	4	Lamp, Worklight	
2	0903119	2	Bracket, Light Mounting	
3	0641508	2	Bolt 5/16 x 1	
4	0642612	2	Bolt 1 x 1-1/2	
5	0902206	2	Bracket, Light Mounting	
6	4220162	2	Spacer	
9	4360522	1	Switch, Push Button (Not Shown - Located on Console)	
10	4460234	10	Mount, Cable (Not Shown)	
11	4751500	2	Washer 5/16	
12	0100011	AR	Compound, Locking	
13	4240032	21	Strap, Tie (Not Shown)	
14	1705170	1	Decal - Lights (Not Shown)	

## SECTION 2 - TURNTABLE

FIGURE 2-54. STROBE LIGHT INSTALLATION (AMBER)



ART\_1001160077

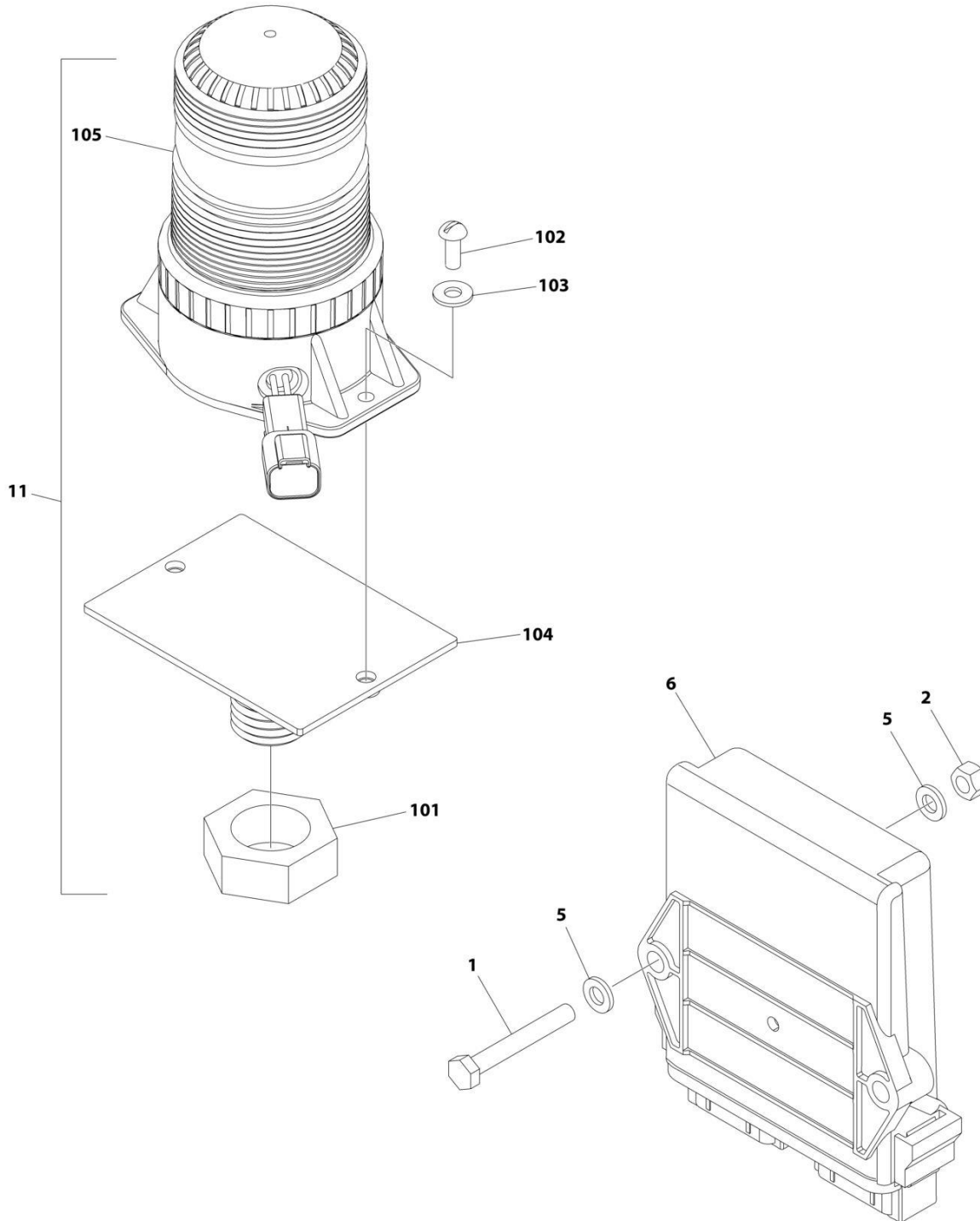
**SECTION 2 - TURNTABLE**

**FIGURE 2-54. STROBE LIGHT INSTALLATION (AMBER)**

<b>ITEM</b>	<b>PART NUMBER</b>	<b>QTY</b>	<b>DESCRIPTION</b>	<b>REV</b>
	1001160077	Ref	STROBE LIGHT INSTALLATION (AMBER)	B
1	1001150406	1	Strobe Light Assembly (Includes Items 102-106)	D
102	2920161	1	Strobe Light/Harness Assembly	
102	7016319	1	Bulb	
102	7016372	1	Lens	
103	3312602	1	Nut 1	
104	3900085	2	Screw #10 x 1/2	
105	4751000	2	Washer 1/4	
106	1001149994	1	Mount, Strobe	

# SECTION 2 - TURNTABLE

## FIGURE 2-55. STROBE LIGHT INSTALLATION (BLUE)



ART\_1001242251



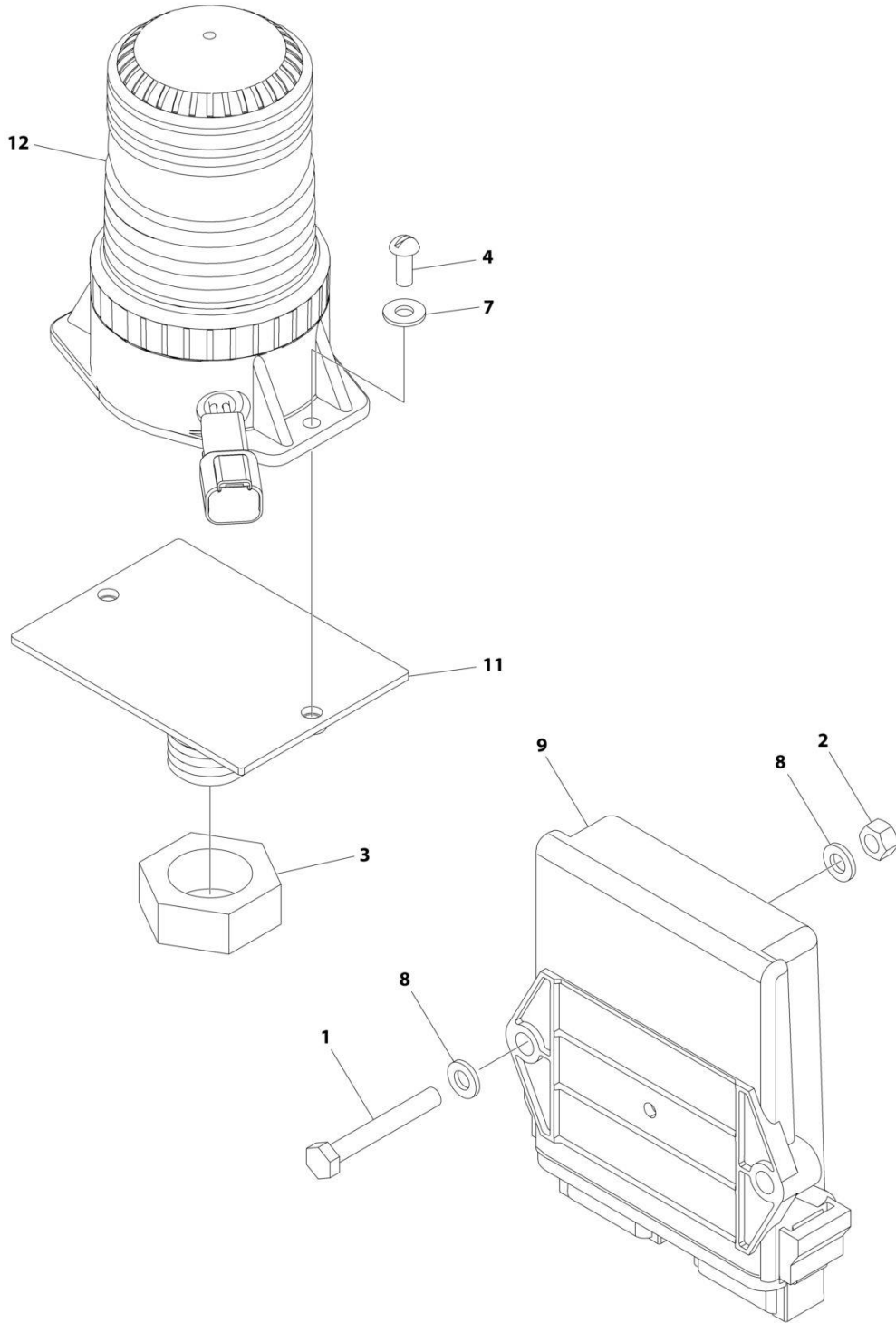
**SECTION 2 - TURNTABLE**

**FIGURE 2-55. STROBE LIGHT INSTALLATION (BLUE)**

ITEM	PART NUMBER	QTY	DESCRIPTION	REV
	1001242251	Ref	STROBE LIGHT INSTALLATION (BLUE)	A
1	0700617	2	Bolt M6 x 45	
2	3290607	2	Nut M6 x 1	
3	4240032	AR	Tie-Strap (Not Shown)	
4	4460488	AR	Mounting Base (Not Shown)	
5	4811700	4	Washer M6	
6	1001142683	1	Module, Control Beacon	
7	1001142736	1	Harness, Beacon Control (Not Shown - See Separate Breakdown in ELECTRICAL SECTION)	
11	1001217005	1	Blue Beacon Light Kit (See Items 101-105 for Breakdown)	
101	3312602	1	Nut 1	
102	3900085	2	Screw 10 x 1/2	
103	4751000	2	Washer #10	
104	1001149994	1	Mount, Beacon	
105	1001200910	1	Light, Strobe	
105	7028909	1	Connector - 2 Position	
105	4460943	2	Pin, Male	

# SECTION 2 - TURNTABLE

## FIGURE 2-56. STROBE LIGHT INSTALLATION (RED)



ART\_1001242252

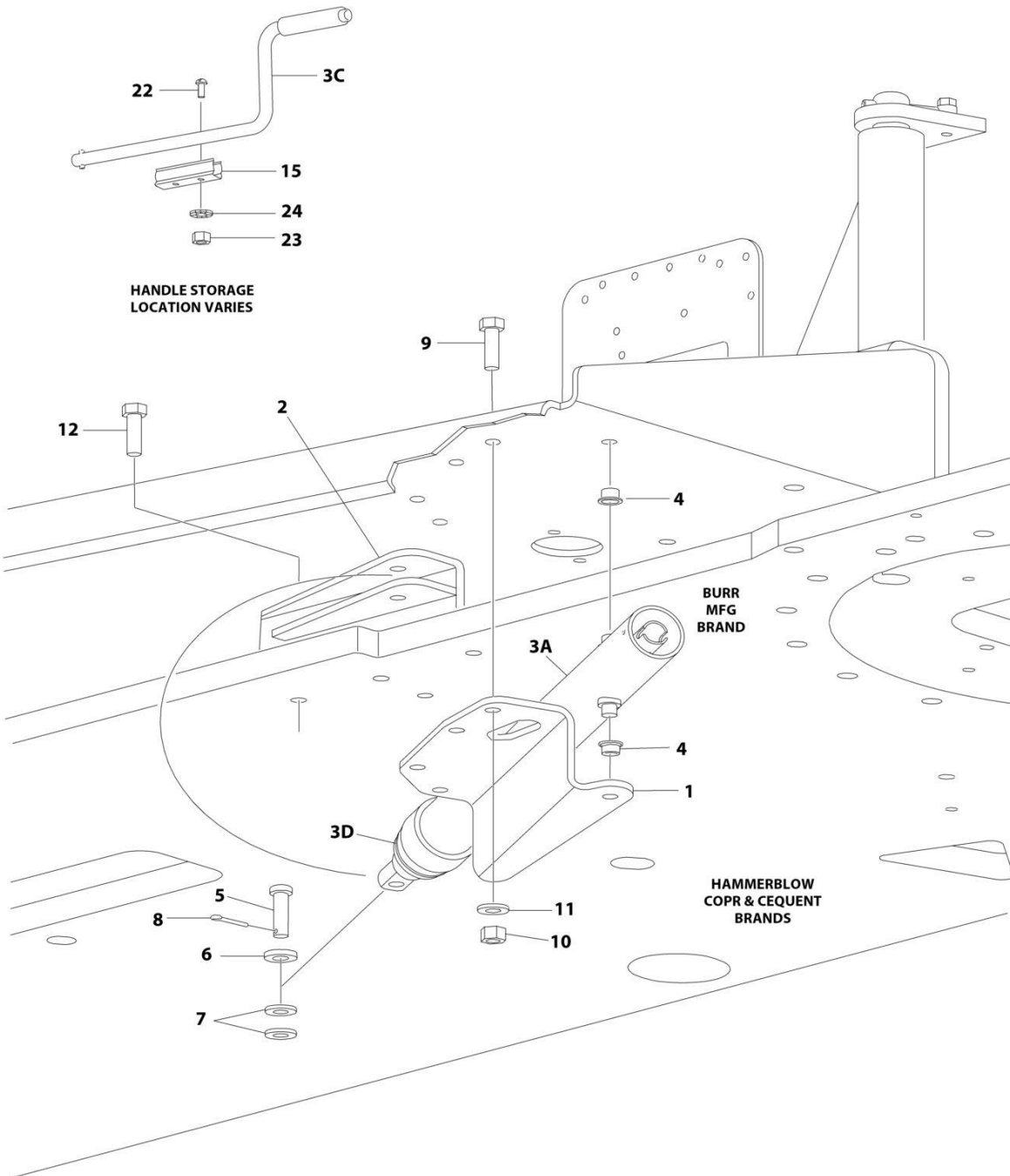
**SECTION 2 - TURNTABLE**

**FIGURE 2-56. STROBE LIGHT INSTALLATION (RED)**

ITEM	PART NUMBER	QTY	DESCRIPTION	REV
	1001242252	Ref	STROBE LIGHT INSTALLATION (RED)	A
1	0700617	2	Bolt M6 x 45	
2	3290607	2	Nut M6 x 1	
3	3312602	1	Nut 1	
4	3900085	2	Screw 10 x 1/2	
5	4240032	AR	Tie-Strap (Not Shown)	
6	4460488	AR	Mounting Base (Not Shown)	
7	4751000	2	Washer #10	
8	4811700	4	Washer M6	
9	1001142683	1	Module, Control Beacon	
10	1001142736	1	Harness, Beacon Control (Not Shown - See Separate Breakdown in ELECTRICAL SECTION)	
11	1001149994	1	Mount, Beacon	
12	1001207004	1	Light, Strobe	
12	7028909	1	Connector - 2 Position	
12	4460943	2	Pin, Male	

# SECTION 2 - TURNTABLE

## FIGURE 2-57. ENGINE TRAY JACK INSTALLATION – DEUTZ D2011 ENGINES



ART\_0255880

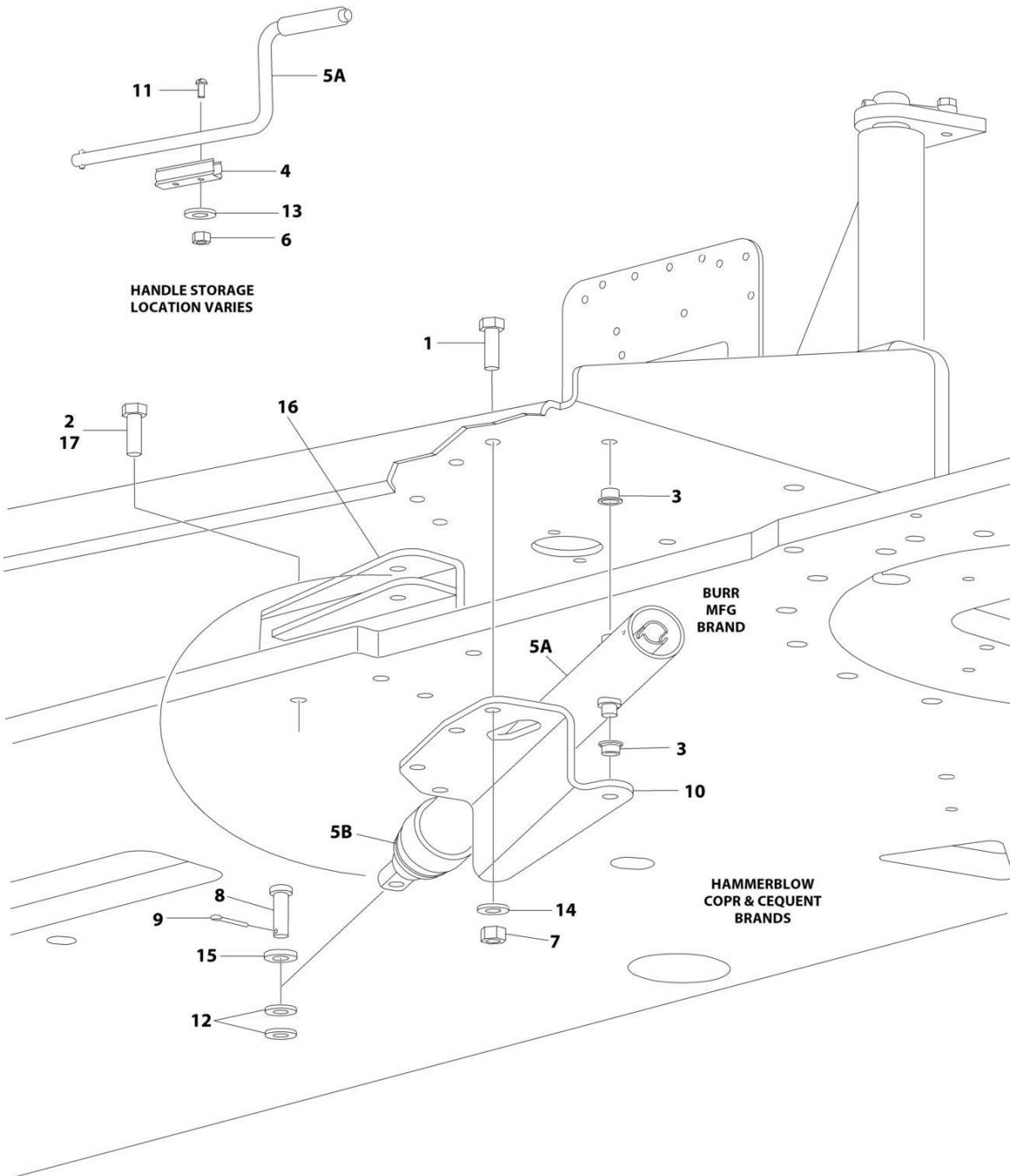
# SECTION 2 - TURNTABLE

**FIGURE 2-57. ENGINE TRAY JACK INSTALLATION – DEUTZ D2011 ENGINES**

ITEM	PART NUMBER	QTY	DESCRIPTION	REV
	0255880	Ref	ENGINE TRAY JACK INSTALLATION	6-H
1	3537445	1	Bracket	
2	4845163	1	Bracket	
3	2840018	1	Hydraulic Jack Assembly (Not Shown)	
3A		Ref	Burr Manufacturing Brand	
3B		Ref	Hammer blow Corp and Cequent Brands	
3C		Ref	Handle Options:	
3C	7016374	1	Burr Manufacturing Brand	
3C	7024598	1	Hammer blow Corp and Cequent Brands	
3D	7016322	1	Wiper (Burr Manufacturing Brand Only)	
4	0962051	2	Bushing, Flanged	
5	3430816	1	Pin, Clevis	
6	4891800	1	Washer 1/2 Hardened	
7	4711800	2	Washer 1/2	
8	3450404	1	Pin, Cotter 1/8 x 1	
9	0641609	4	Bolt 3/8 x 1-1/8	
10	3311605	4	Nut 3/8	
11	4891600	4	Washer 3/8	
12	0641810	4	Bolt 1/2 x 1-1/4	
15	1380147	1	Clip, Spring	
22	3910608	2	Screw #6 x 1	
23	3310601	2	Nut #6	
24	4770600	2	Washer #6	

## SECTION 2 - TURNTABLE

FIGURE 2-58. ENGINE TRAY JACK INSTALLATION – DEUTZ TD2.2L3 (STAGE V), DEUTZ TD2.9L4 AND DEUTZ D2.9L4 (CHINA IV) ENGINES



ART\_1001137891

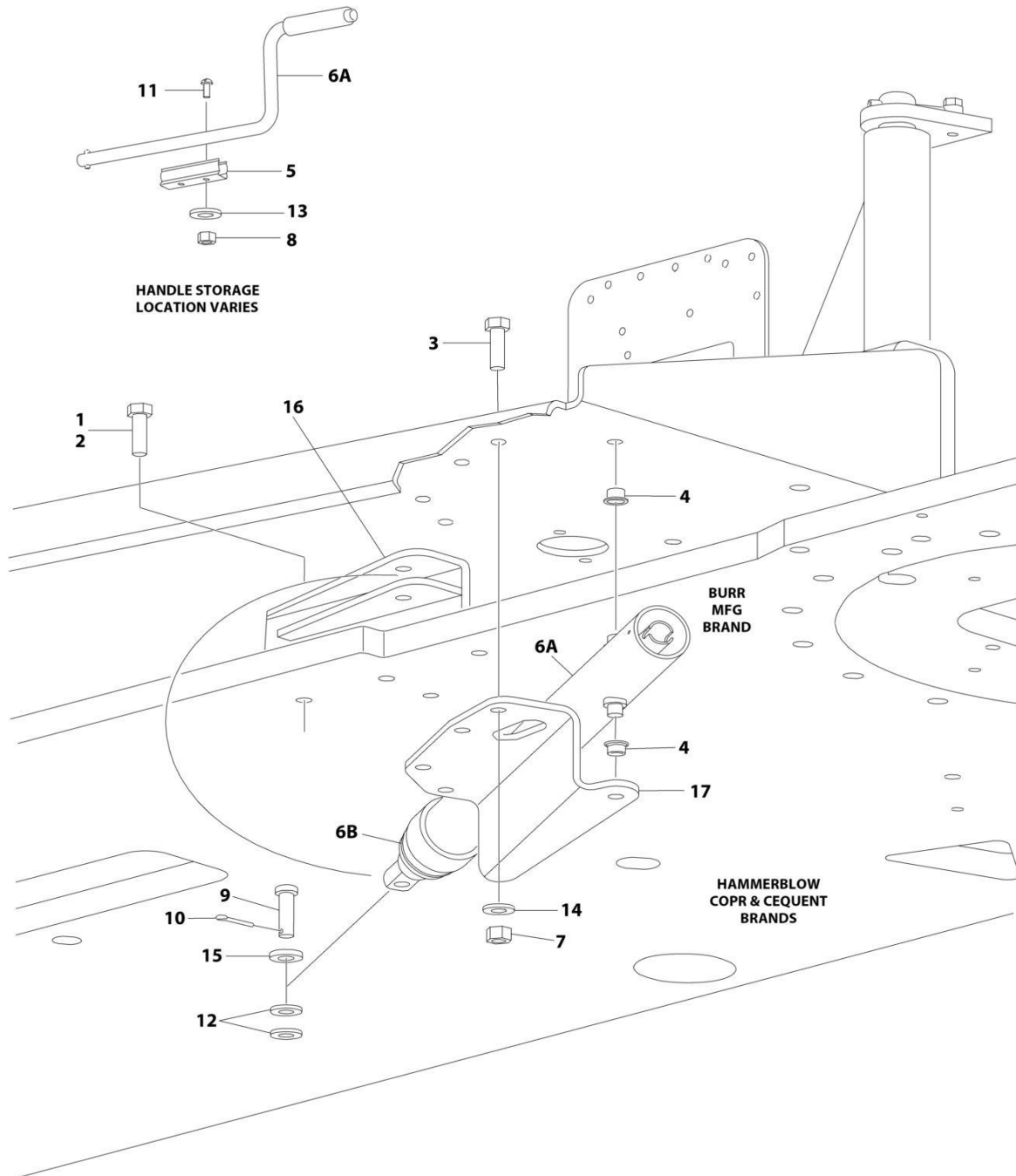
## SECTION 2 - TURNTABLE

**FIGURE 2-58. ENGINE TRAY JACK INSTALLATION – DEUTZ TD2.2L3 (STAGE V), DEUTZ TD2.9L4 AND DEUTZ D2.9L4 (CHINA IV) ENGINES**

ITEM	PART NUMBER	QTY	DESCRIPTION	REV
	1001137891	Ref	ENGINE TRAY JACK INSTALLATION	B
1	0641609	4	Bolt 3/8 x 1-1/8	
2	0641810	4	Bolt 1/2 x 1-1/4	
3	0962051	2	Bushing, Flanged	
4	1380147	1	Clip, Spring	
5	2840016	1	Jack and Handle Assembly (Not Shown)	
5A		Ref	Handle Options:	
5A	7016374	1	Burr Manufacturing Brand	
5A	7024598	1	Hammer blow Corp Brand	
5B	7016322	1	Wiper (Burr Manufacturing Brand Only)	
6	3310601	2	Nut #6	
7	3311605	4	Nut 3/8	
8	3430816	1	Pin, Clevis	
9	3450404	1	Pin, Cotter 1/8 x 1	
10	3537445	1	Bracket	
11	3910608	2	Screw #6 x 1	
12	4711800	6	Washer 1/2	
13	4770600	2	Washer #6	
14	4891600	4	Washer 3/8	
15	4891800	1	Washer 1/2 Hardened	
16	1001137892	1	Bracket	
17	0100011	AR	Compound, Locking	

# SECTION 2 - TURNTABLE

## FIGURE 2-59. ENGINE TRAY JACK INSTALLATION – FORD DF 2.5L ENGINES



ART\_1001218548



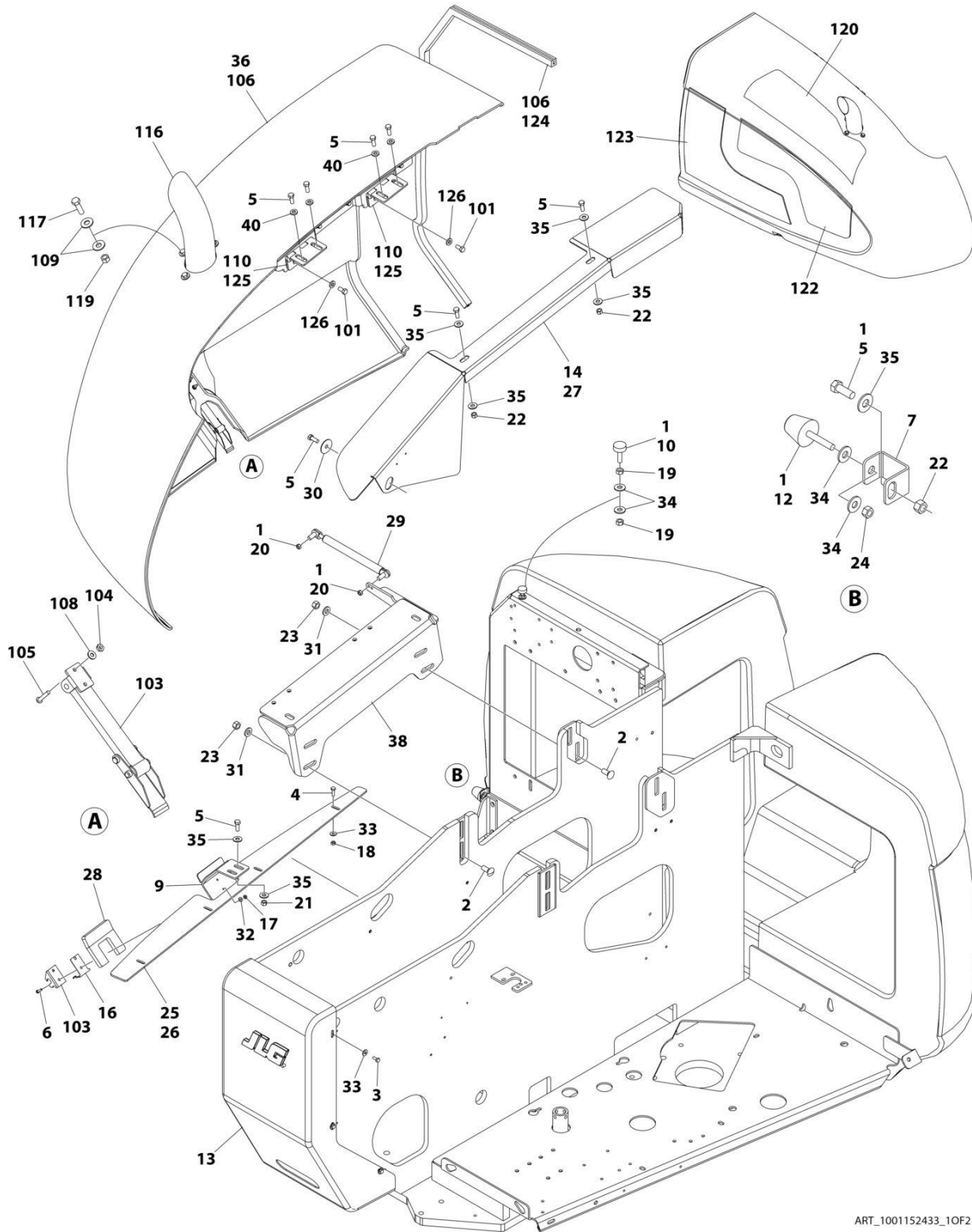
# SECTION 2 - TURNTABLE

**FIGURE 2-59. ENGINE TRAY JACK INSTALLATION – FORD DF 2.5L ENGINES**

ITEM	PART NUMBER	QTY	DESCRIPTION	REV
	1001218548	Ref	ENGINE TRAY JACK INSTALLATION	A
1	0100011	AR	Compound, Locking	
2	0641810	4	Bolt 1/2 x 1-1/4	
3	0761014	3	Bolt M10 x 30	
4	0962051	2	Bushing, Flanged	
5	1380147	1	Clip, Spring	
6	2840016	1	Jack and Handle Assembly (Not Shown)	
6A		Ref	Handle Options:	
6A	7016374	1	Burr Manufacturing Brand	
6A	7024598	1	Hammer blow Corp Brand	
6B	7016322	1	Wiper (Burr Manufacturing Brand Only)	
7	3291007	3	Nut M10	
8	3310601	2	Nut #6	
9	3430816	1	Pin, Clevis	
10	3450404	1	Pin, Cotter 1/8 x 1	
11	3910608	2	Screw #6 x 1	
12	4711800	6	Washer 1/2	
13	4770600	2	Washer #6	
14	4812000	6	Washer M10	
15	4891800	1	Washer 1/2 Hardened	
16	1001137892	1	Bracket	
17	1001218547	1	Bracket	

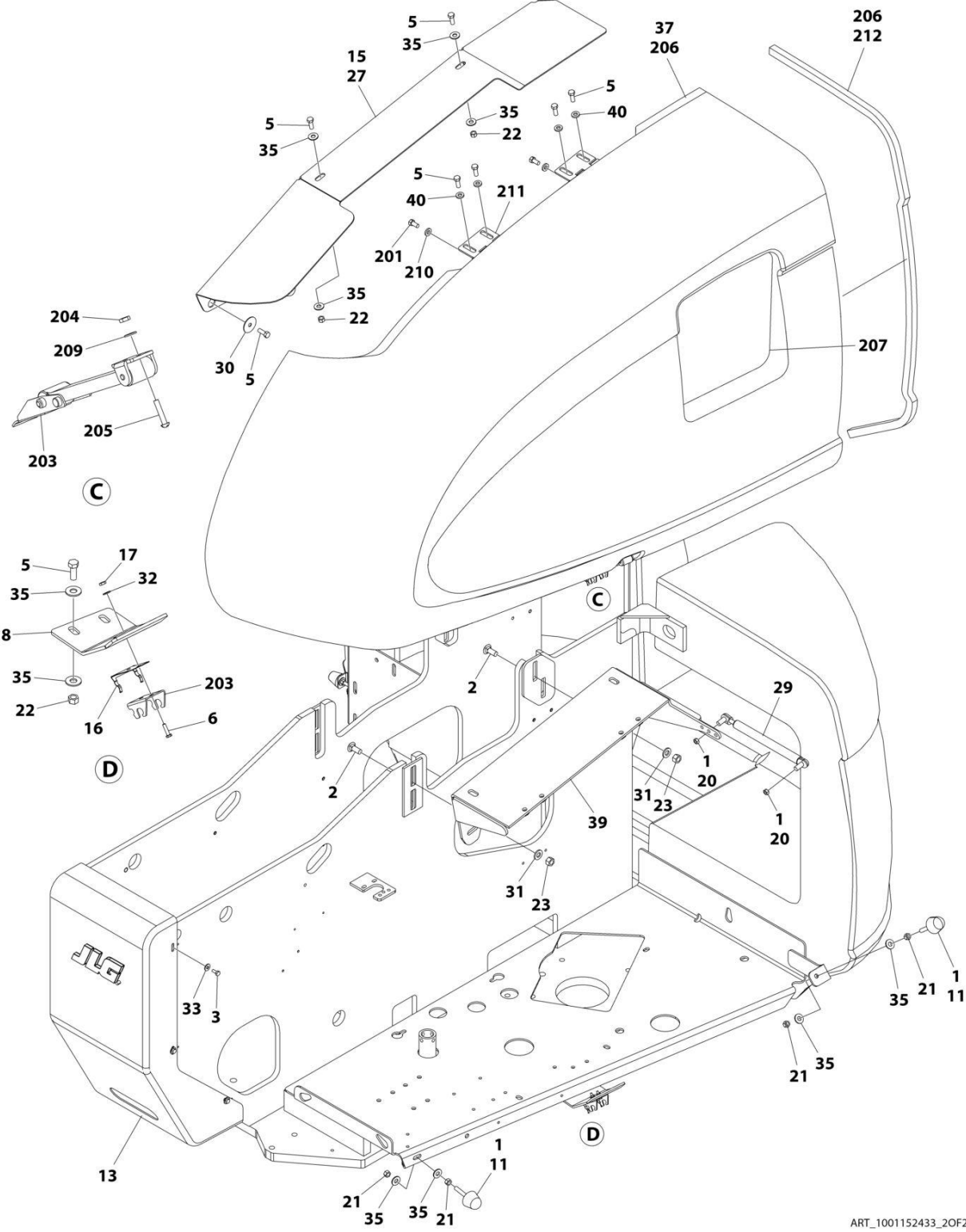
# SECTION 2 - TURNTABLE

## FIGURE 2-60. HOODS INSTALLATION – DEUTZ D2011 ENGINES WITHOUT NOISE REDUCTION (ABS)



ART\_1001152433\_10F2

# SECTION 2 - TURNTABLE



ART\_1001152433\_20F2

## SECTION 2 - TURNTABLE

**FIGURE 2-60. HOODS INSTALLATION – DEUTZ D2011 ENGINES WITHOUT NOISE REDUCTION (ABS)**

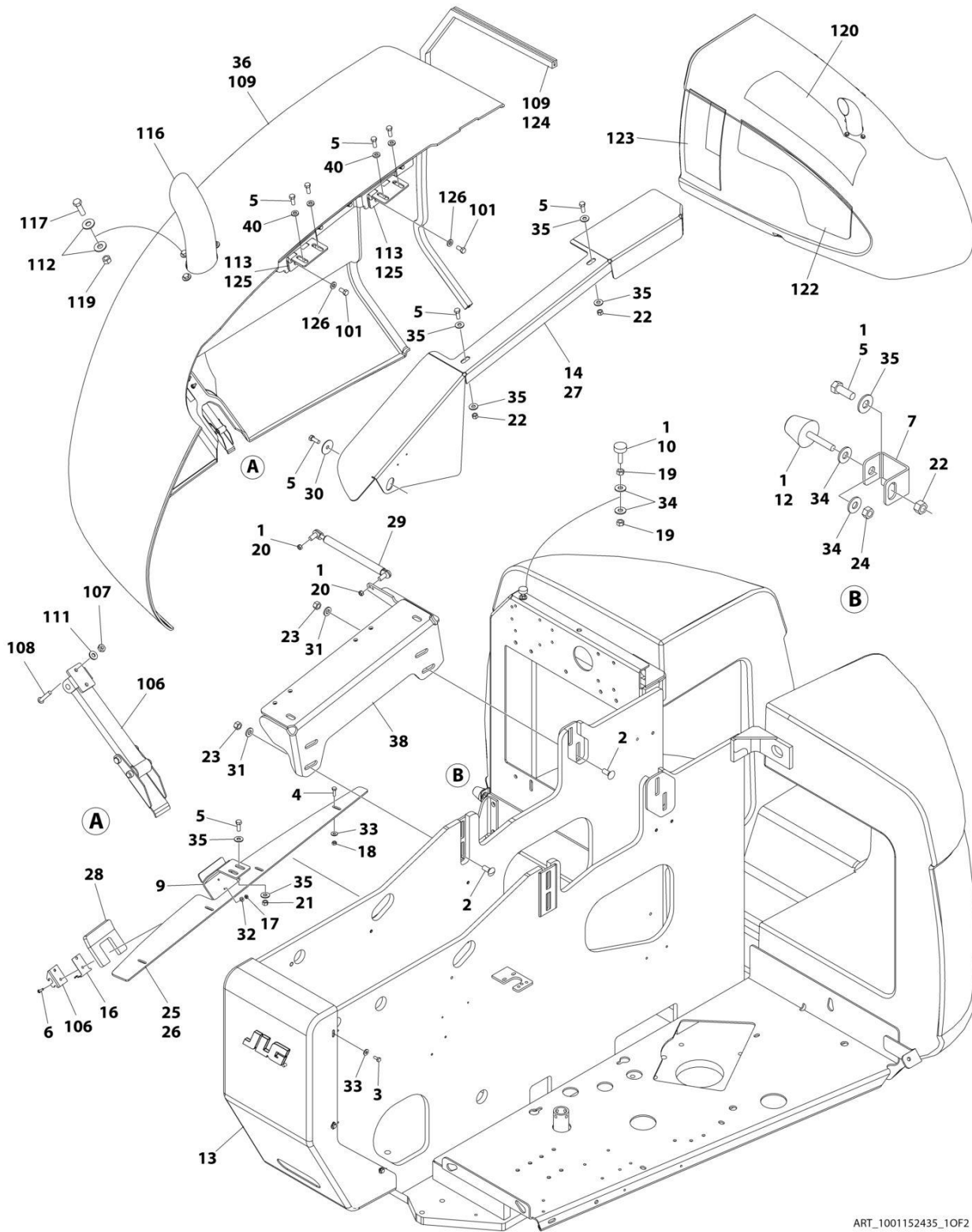
ITEM	PART NUMBER	QTY	DESCRIPTION	REV
		Ref	Note: replacement decals must be ordered separately.	
	1001152433	Ref	HOODS INSTALLATION	I
1	0100011	AR	Compound, Locking	
2	0630507	8	Bolt, Carriage 1/2 x 1-1/4	
3	0641405	6	Bolt 1/4 x 3/4	
4	0641407	4	Bolt 1/4 x 7/8	
5	0641608	19	Bolt 3/8 x 1	
6	0721006	4	Bolt #10 x 3/4	
7	0902219	1	Bracket, Bumper	
8	1001137876	1	Bracket, Latch - Tank Side	
9	0902335	1	Bracket, Latch - Engine Side	
10	0940049	1	Bumper	
11	0940071	2	Bumper	
12	0940088	1	Bumper	
13	1670767	1	Cover, Turntable	
14	2680433	1	Spacer, Hood (Engine Side)	
15	2680434	1	Spacer, Hood (Tank Side)	
16	2940188	2	Latch, Spring Clip	
17	3311005	4	Nut #10	
18	3311405	4	Nut 1/4	
19	3311501	2	Nut 5/16	
20	3311505	4	Nut 5/16	
21	3311601	6	Nut 3/8	
22	3311605	7	Nut 3/8	
23	3311805	8	Nut 1/2	
24	3321501	2	Nut 5/16	
25	3539923	1	Plate, Seal	
26	3960389	3.5 ft/1m	Seal, Bulb	
27	3960418	7 ft/2.1m	Seal	
28	3960467	1	Seal, Foam	
29	4160143	2	Spring, Gas	
30	4740076	2	Washer, Fender	
31	4740171	8	Washer 1/2 Hardened	
32	4751000	4	Washer #10	
33	4751400	10	Washer 1/4	
34	4751500	4	Washer 5/16	
35	4751600	21	Washer 3/8	
38	1001235948	1	Mount - Engine Side	
39	1001152557	1	Mount - Tank Side	
40	4891600	8	Washer 3/8 Hardened	
	1001294637	Ref	HOOD KIT (Includes Items 101 & 201)	A
101	1001160004	Ref	HOOD - ENGINE SIDE	I
102	0641606	4	Bolt 3/8 x 3/4	
103	2940088	1	Latch	
104	3311005	2	Nut #10	
105	3911016	2	Screw #10 x 1	
106	1001164281	2.5 ft /0.78m	Seal	
108	4711000	2	Washer #10	

**SECTION 2 - TURNTABLE**

ITEM	PART NUMBER	QTY	DESCRIPTION	REV
109	4751600	6	Washer 3/8	
110	1001188467	2	Hinge	
116	1001160598	1	Outlet, Exhaust	
117	0641610	3	Bolt 3/8 x 1-1/4	
119	3311605	3	Nut 3/8	
120	1001160961	1	Insulation	
122	1001160963	1	Insulation	
123	1001160964	1	Insulation	
124	4060805	64 in /1.6m	Flex-Trim	
125	1001169610	2	Spacer, Hinge	
126	4891600	4	Washer 3/8 Hardened	
201	1001160003	Ref	HOOD TANK SIDE	H
202	0641606	4	Bolt 3/8 x 3/4	
203	2940088	1	Latch	
204	3311005	2	Nut #10	
205	3911016	2	Screw #10 x 1	
206	1001164281	3 ft /0.91m	Seal	
207	1001166394	4.5 ft /1.4m	Seal	
209	4751000	2	Washer #10	
210	4891600	4	Washer 3/8 Hardened	
211	1001188467	2	Hinge	
212	4060805	62 in /1.6m	Flex-Trim	

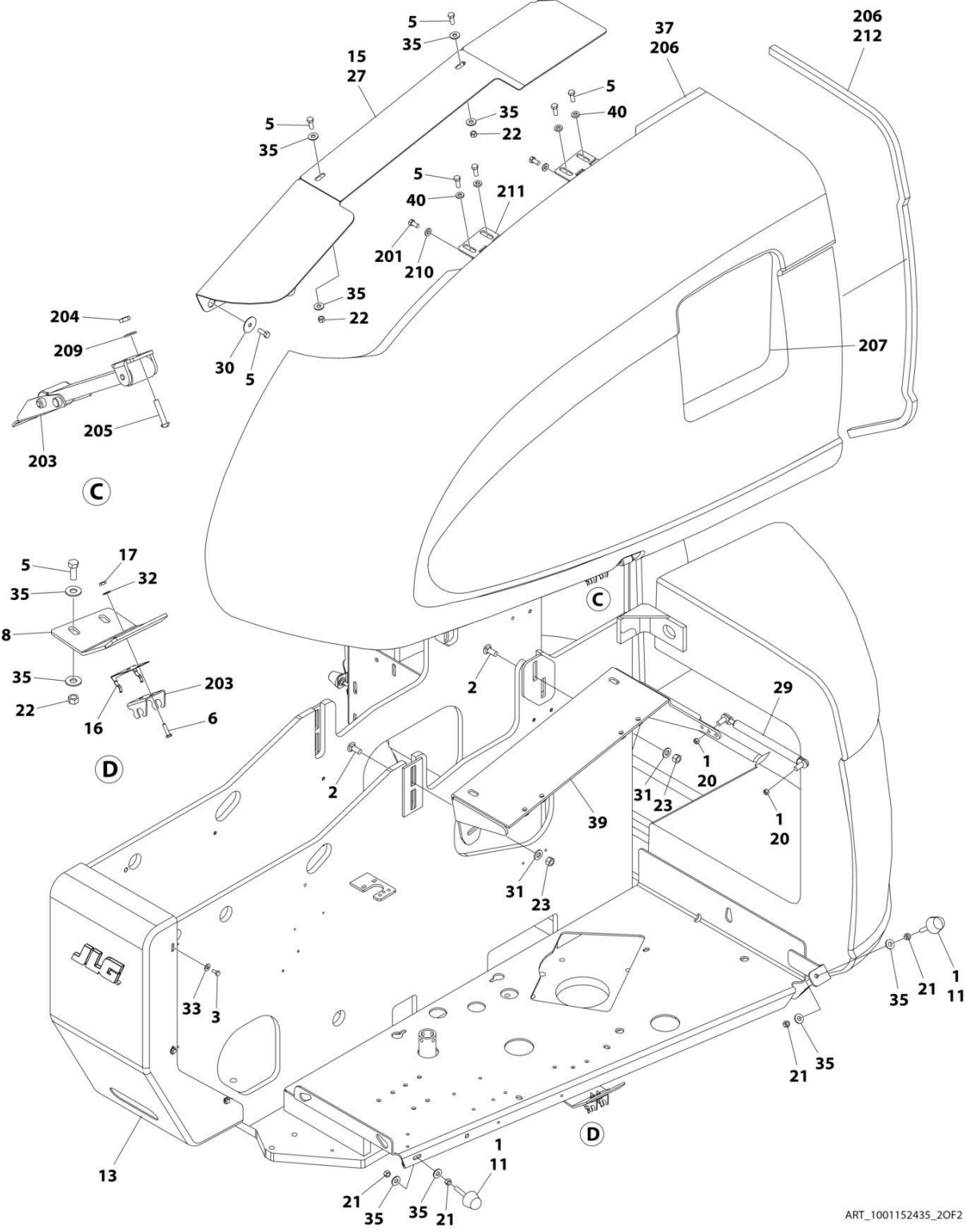
# SECTION 2 - TURNTABLE

## FIGURE 2-61. HOODS INSTALLATION – DEUTZ D2011 ENGINES WITH NOISE REDUCTION (ABS)



ART\_1001152435\_10F2

SECTION 2 - TURNTABLE



ART\_1001152435\_20F2

## SECTION 2 - TURNTABLE

FIGURE 2-61. HOODS INSTALLATION – DEUTZ D2011 ENGINES WITH NOISE REDUCTION (ABS)

ITEM	PART NUMBER	QTY	DESCRIPTION	REV
	See Note	Ref	Note: replacement decals must be ordered separately.	
	1001152435	Ref	HOODS INSTALLATION	K
1	0100011	AR	Compound, Locking	
2	0630507	8	Bolt, Carriage 1/2 x 1-1/4	
3	0641405	6	Bolt 1/4 x 3/4	
4	0641407	4	Bolt 1/4 x 7/8	
5	0641608	19	Bolt 3/8 x 1	
6	0721006	4	Bolt #10 x 3/4	
7	0902219	1	Bracket, Bumper	
8	1001137876	1	Bracket, Latch - Tank Side	
9	0902335	1	Bracket, Latch - Engine Side	
10	0940049	1	Bumper	
11	0940071	2	Bumper	
12	0940088	1	Bumper	
13	1670767	1	Cover, Turntable	
14	2680433	1	Spacer, Hood (Engine Side)	
15	2680434	1	Spacer, Hood (Tank Side)	
16	2940188	2	Latch, Spring Clip	
17	3311005	4	Nut #10	
18	3311405	4	Nut 1/4	
19	3311501	2	Nut 5/16	
20	3311505	4	Nut 5/16	
21	3311601	6	Nut 3/8	
22	3311605	7	Nut 3/8	
23	3311805	8	Nut 1/2	
24	3321501	2	Nut 5/16	
25	3539923	1	Plate, Seal	
26	3960389	3.5 ft/1m	Seal, Bulb	
27	3960418	7 ft/2.1m	Seal	
28	3960467	1	Seal, Foam	
29	4160143	2	Spring, Gas	
30	4740076	2	Washer, Fender	
31	4740171	8	Washer 1/2 Hardened	
32	4751000	4	Washer #10	
33	4751400	10	Washer 1/4	
34	4751500	4	Washer 5/16	
35	4751600	21	Washer 3/8	
36	1001160034	1	Hood - Engine Side (See Items 101-126 for Breakdown)	
37	1001160003	1	Hood - Tank Side (See Items 201-212 for Breakdown)	
38	1001235948	1	Mount - Engine Side	
39	1001152557	1	Mount - Tank Side	
40	4891600	8	Washer 3/8 Hardened	
100	1001294604	Ref	HOOD KIT (Includes Items 101 & 201)	A
101	1001160034	Ref	HOOD - ENGINE SIDE (Includes Items 102-126)	K
102	0641606	4	Bolt 3/8 x 3/4	
106	2940088	1	Latch	
107	3311005	2	Nut #10	
108	3911016	2	Screw #10 x 1	
109	1001164281	2.5 ft /0.76m	Seal	

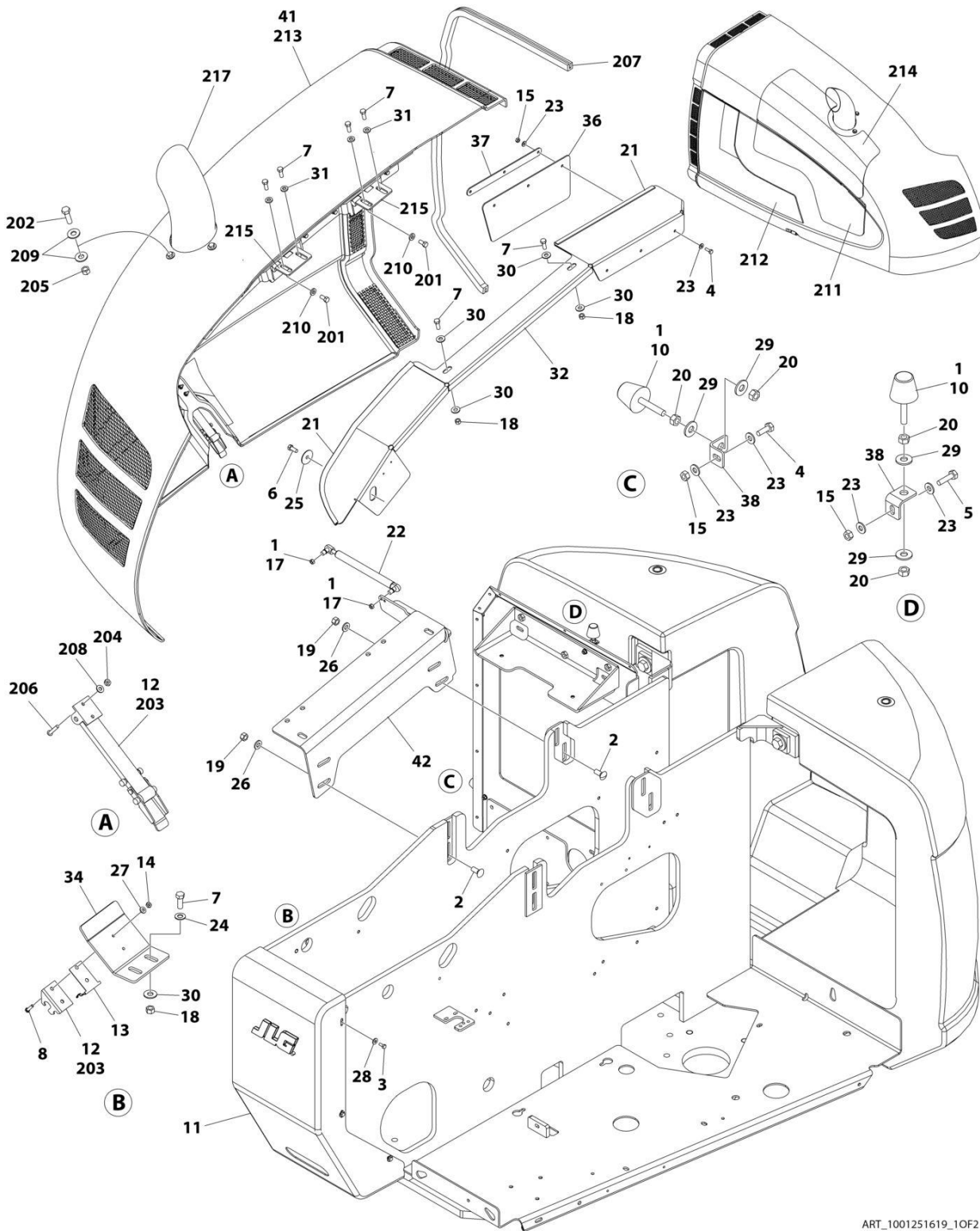


**SECTION 2 - TURNTABLE**

ITEM	PART NUMBER	QTY	DESCRIPTION	REV
111	4711000	2	Washer #10	
112	4751600	6	Washer 3/8	
113	1001188467	2	Hinge	
116	1001160598	1	Outlet, Exhaust	
117	0641610	3	Bolt 3/8 x 1-1/4	
119	3311605	3	Nut 3/8	
120	1001160961	1	Insulation	
122	1001160963	1	Insulation	
123	1001161027	1	Insulation	
124	4060805	64 in /1.6m	Flex-Trim	
125	1001169610	2	Spacer, Hinge	
126	4891600	4	Washer 3/8 Hardened	
201	1001160003	Ref	HOOD TANK SIDE (Includes Items 202-212)	H
202	0641606	4	Bolt 3/8 x 3/4	
203	2940088	1	Latch	
204	3311005	2	Nut #10	
205	3911016	2	Screw #10 x 1	
206	1001164281	3 ft /0.91m	Seal	
207	1001166394	4.5 ft /1.4m	Seal	
209	4751000	2	Washer #10	
210	4891600	4	Washer 3/8 Hardened	
211	1001188467	2	Hinge	
212	4060805	62 in /1.6m	Flex-Trim	

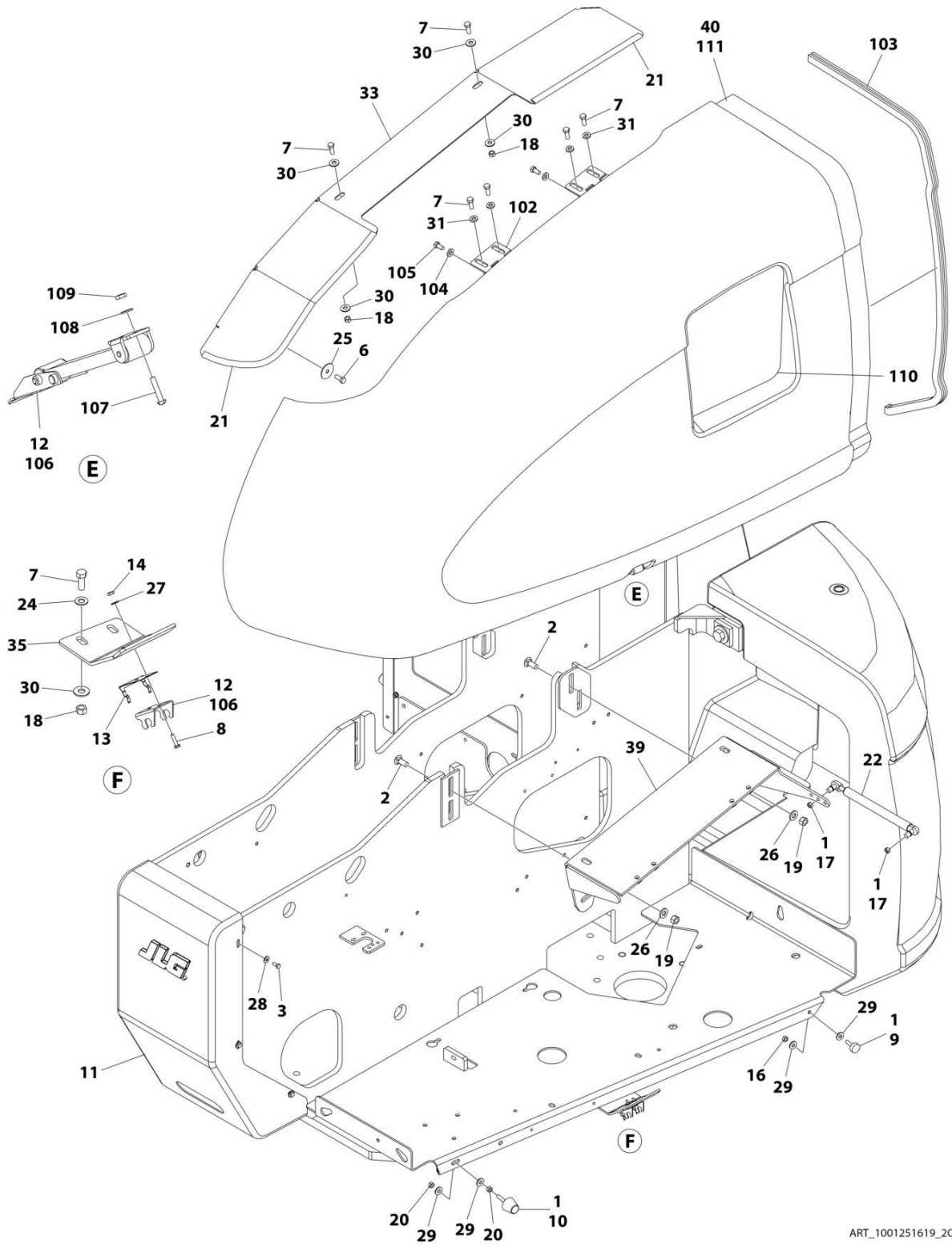
# SECTION 2 - TURNTABLE

## FIGURE 2-62. HOODS INSTALLATION – DEUTZ TD2.2L3 (STAGE V) ENGINES (ABS)



ART\_1001251619\_10F2

# SECTION 2 - TURNTABLE



ART\_1001251619\_20F2

## SECTION 2 - TURNTABLE

FIGURE 2-62. HOODS INSTALLATION – DEUTZ TD2.2L3 (STAGE V) ENGINES (ABS)

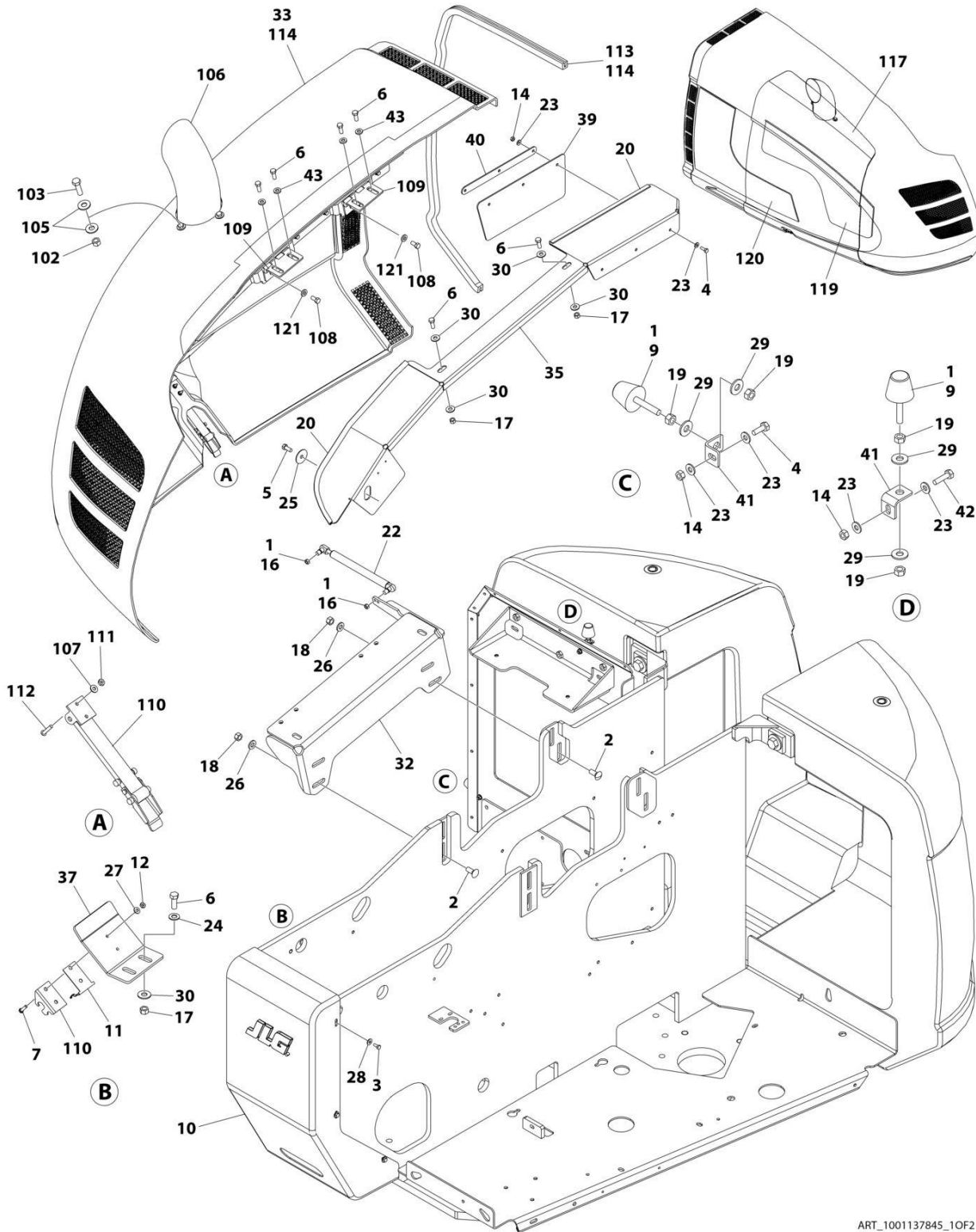
ITEM	PART NUMBER	QTY	DESCRIPTION	REV
	See Note	Ref	Note: replacement decals must be ordered separately.	
	1001251619	Ref	HOODS INSTALLATION	E
1	0100011	AR	Compound, Locking	
2	0630507	8	Bolt, Carriage 1/2 x 1-1/4	
3	0641405	6	Bolt 1/4 x 3/4	
4	0641406	4	Bolt 1/4 x 3/4	
5	0641408	1	Bolt 1/4 x 1	
6	0641607	2	Bolt 3/8 x 7/8	
7	0641608	16	Bolt 3/8 x 1	
8	0721006	4	Bolt #10 x 3/4	
9	0940049	1	Bumper	
10	0940088	3	Bumper	
11	1670767	1	Cover, Turntable	
12	2940088	2	Latch	
13	2940188	2	Latch, Spring Clip	
14	3311005	4	Nut #10	
15	3311405	5	Nut 1/4	
16	3311501	1	Nut 5/16	
17	3311505	4	Nut 5/16	
18	3311605	8	Nut 3/8	
19	3311805	8	Nut 1/2	
20	3321501	6	Nut 5/16	
21	3960418	7 ft/2.1m	Seal	
22	4160143	2	Spring, Gas	
23	4711400	10	Washer 1/4	
24	4711600	4	Washer 3/8	
25	4740076	2	Washer, Fender	
26	4740171	8	Washer 1/2 Hardened	
27	4751000	4	Washer #10	
28	4751400	6	Washer 1/4	
29	4751500	8	Washer 5/16	
30	4751600	12	Washer 3/8	
31	4891600	8	Washer 3/8 Hardened	
32	1001137853	1	Spacer, Hood (Engine Side)	
33	1001137854	1	Spacer, Hood (Tank Side)	
34	1001137875	1	Bracket, Latch - Engine Side	
35	1001137876	1	Bracket, Latch - Tank Side	
36	1001137878	1	Rubber, Baffle	
37	1001137879	1	Bracket, Baffle	
38	1001137886	2	Bracket, Bumper	
39	1001152557	1	Mount - Tank Side	
40	1001160190	1	Hood - Tank Side (See Items 202-211 for Breakdown)	
41	1001251618	1	Hood - Engine Side (See Items 201-217 for Breakdown)	
42	1001253100	1	Mount - Engine Side	
43	3960467	1	Seal	
100	1001294603	Ref	HOOD KIT (Includes Items 101 & 201)	A
	1001160190	Ref	HOOD TANK SIDE (Includes Items 102-111)	G
102	1001188467	2	Hinge	
103	3960462	5 ft /1.52m	Seal	

**SECTION 2 - TURNTABLE**

ITEM	PART NUMBER	QTY	DESCRIPTION	REV
104	4891600	4	Washer 3/8 Hardened	
105	0641606	4	Bolt 3/8 x 3/4	
106	2940088	1	Latch	
107	3911016	2	Screw #10 x 1	
108	4751000	2	Washer #10	
109	3311005	2	Nut #10	
110	1001166394	4.5 ft /1.4m	Seal	
111	1001164281	2.5 ft /0.8m	Seal	
201	1001251618	Ref	HOOD - ENGINE SIDE	D
201	0641606	4	Bolt 3/8 x 3/4	
202	0641610	3	Bolt 3/8 x 1-1/4	
203	2940088	1	Latch	
204	3311005	2	Nut #10	
205	3311605	3	Nut 3/8	
206	3911016	2	Screw #10 x 1	
207	3960462	5 ft /1.52m	Seal	
208	4751000	2	Washer #10	
209	4751600	6	Washer 3/8	
210	4891600	4	Washer 3/8 Hardened	
211	1001160963	1	Insulation	
212	1001160964	1	Insulation	
213	1001164281	2.5 ft /0.76m	Seal	
214	1001258377	1	Insulation	
215	1001188467	2	Hinge	
217	1001252082	1	Outlet, Exhaust	

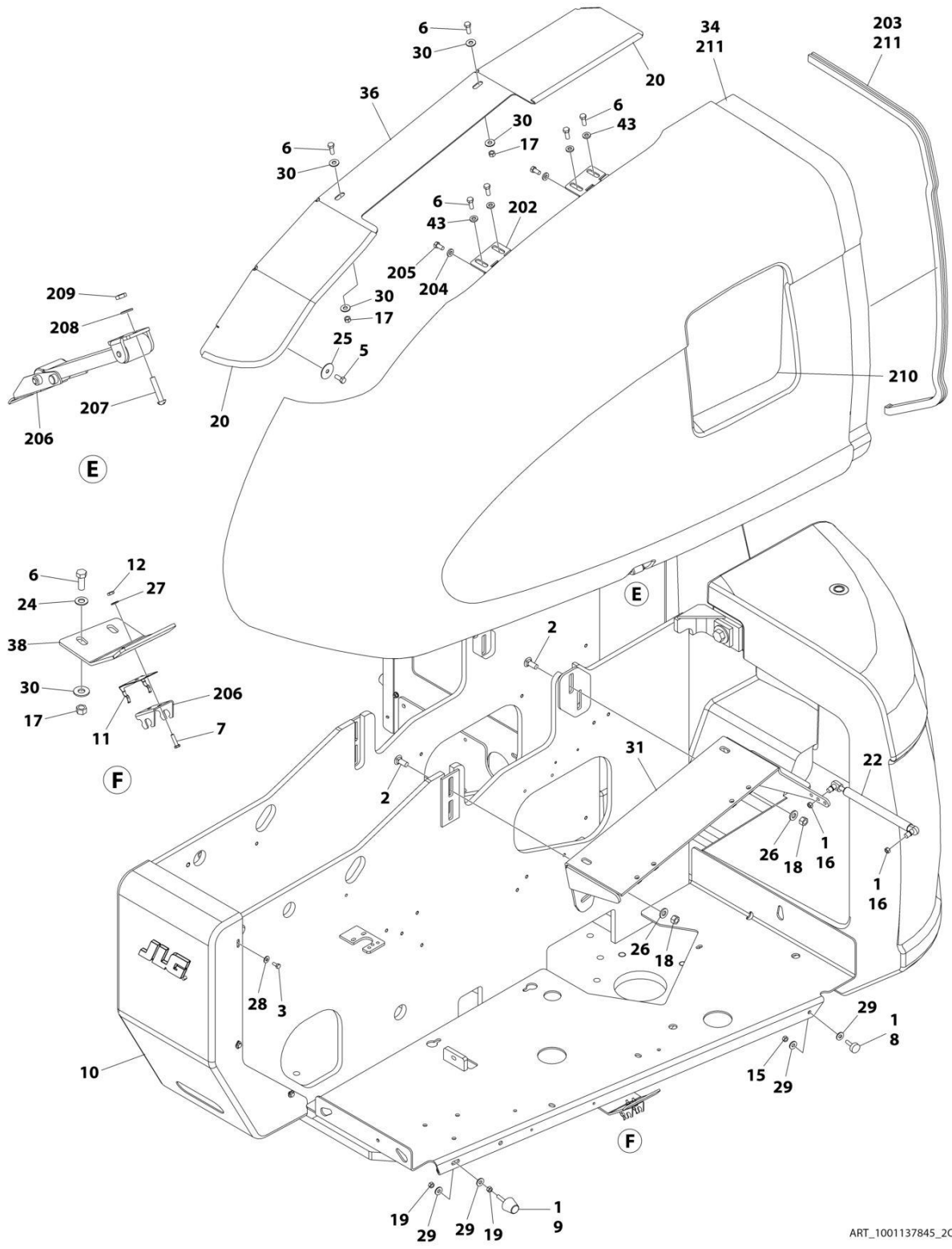
# SECTION 2 - TURNTABLE

FIGURE 2-63. HOODS INSTALLATION – DEUTZ TD2.9L4, DEUTZ D2.9L4, DEUTZ D2.9L4 (CHINAIV) AND FORD DF 2.5L ENGINES (ABS)



ART\_1001137845\_10F2

SECTION 2 - TURNTABLE



ART\_1001137845\_20F2

## SECTION 2 - TURNTABLE

**FIGURE 2-63. HOODS INSTALLATION – DEUTZ TD2.9L4, DEUTZ D2.9L4, DEUTZ D2.9L4 (CHINAIV) AND FORD DF 2.5L ENGINES (ABS)**

ITEM	PART NUMBER	QTY	DESCRIPTION	REV
	See Note	Ref	Note: replacement decals must be ordered separately.	
	1001137845	Ref	HOODS INSTALLATION	I
1	0100011	AR	Compound, Locking	
2	0630507	8	Bolt, Carriage 1/2 x 1-1/4	
3	0641405	6	Bolt 1/4 x 3/4	
4	0641406	4	Bolt 1/4 x 3/4	
5	0641607	2	Bolt 3/8 x 7/8	
6	0641608	16	Bolt 3/8 x 1	
7	0721006	4	Bolt #10 x 3/4	
8	0940049	1	Bumper	
9	0940088	3	Bumper	
10	1670767	1	Cover, Turntable	
11	2940188	2	Latch, Spring Clip	
12	3311005	4	Nut #10	
14	3311405	5	Nut 1/4	
15	3311501	1	Nut 5/16	
16	3311505	4	Nut 5/16	
17	3311605	8	Nut 3/8	
18	3311805	8	Nut 1/2	
19	3321501	6	Nut 5/16	
20	3960418	7 ft/2.1m	Seal	
22	4160143	2	Spring, Gas	
23	4711400	10	Washer 1/4	
24	4711600	4	Washer 3/8	
25	4740076	2	Washer, Fender	
26	4740171	8	Washer 1/2 Hardened	
27	4751000	4	Washer #10	
28	4751400	6	Washer 1/4	
29	4751500	8	Washer 5/16	
30	4751600	12	Washer 3/8	
31	1001152557	1	Mount - Tank Side	
32	1001235948	1	Mount - Engine Side	
35	1001137853	1	Spacer, Hood (Engine Side)	
36	1001137854	1	Spacer, Hood (Tank Side)	
37	1001137875	1	Bracket, Latch - Engine Side	
38	1001137876	1	Bracket, Latch - Tank Side	
39	1001137878	1	Rubber, Baffle	
40	1001137879	1	Bracket, Baffle	
41	1001137886	2	Bracket, Bumper	
42	0641408	1	Bolt 1/4 x 1	
43	4891600	8	Washer 3/8 Hardened	
100	1001294703	Ref	HOOD KIT (Includes Items 101 & 201)	A
101	1001160189	Ref	HOOD - ENGINE SIDE (Includes items 102-121)	G
102	3311605	3	Nut 3/8	
103	0641610	3	Bolt 3/8 x 1-1/4	
105	4751600	6	Washer 3/8	
106	1001137860	1	Outlet, Exhaust	
107	4751000	2	Washer #10	
108	0641606	4	Bolt 3/8 x 3/4	

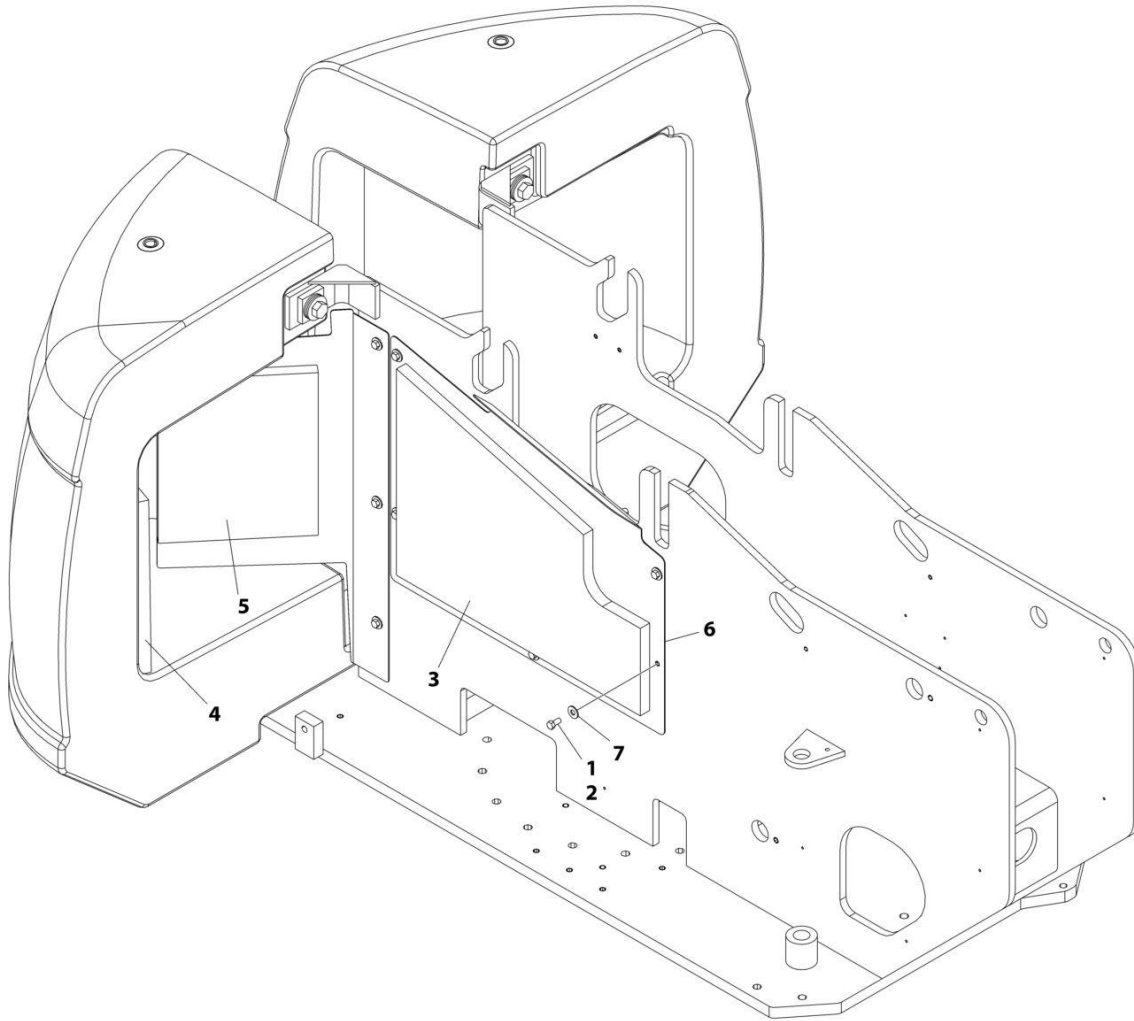


**SECTION 2 - TURNTABLE**

ITEM	PART NUMBER	QTY	DESCRIPTION	REV
109	1001188467	2	Hinge	G
110	2940088	1	Latch	
111	3311005	2	Nut #10	
112	3911016	2	Screw #10 x 1	
113	3960462	5 ft /1.52m	Seal	
114	1001164281	2.5 ft /0.76m	Seal	
117	1001165741	1	Insulation	
119	1001160963	1	Insulation	
120	1001160964	1	Insulation	
121	4891600	4	Washer 3/8 Hardened	
201	1001160190	Ref	HOOD TANK SIDE (Includes items 202-211)	
202	1001188467	2	Hinge	
203	3960462	5 ft /1.52m	Seal	
204	4891600	4	Washer 3/8 Hardened	
205	0641606	4	Bolt 3/8 x 3/4	
206	2940088	1	Latch	
207	3911016	2	Screw #10 x 1	
208	4751000	2	Washer #10	
209	3311005	2	Nut #10	
210	1001166394	4.5 ft /1.4m	Seal	
211	1001164281	2.6 ft /0.8m	Seal	

## SECTION 2 - TURNTABLE

FIGURE 2-64. NOISE REDUCTION INSTALLATION - DEUTZ ENGINES



ART\_1001152325

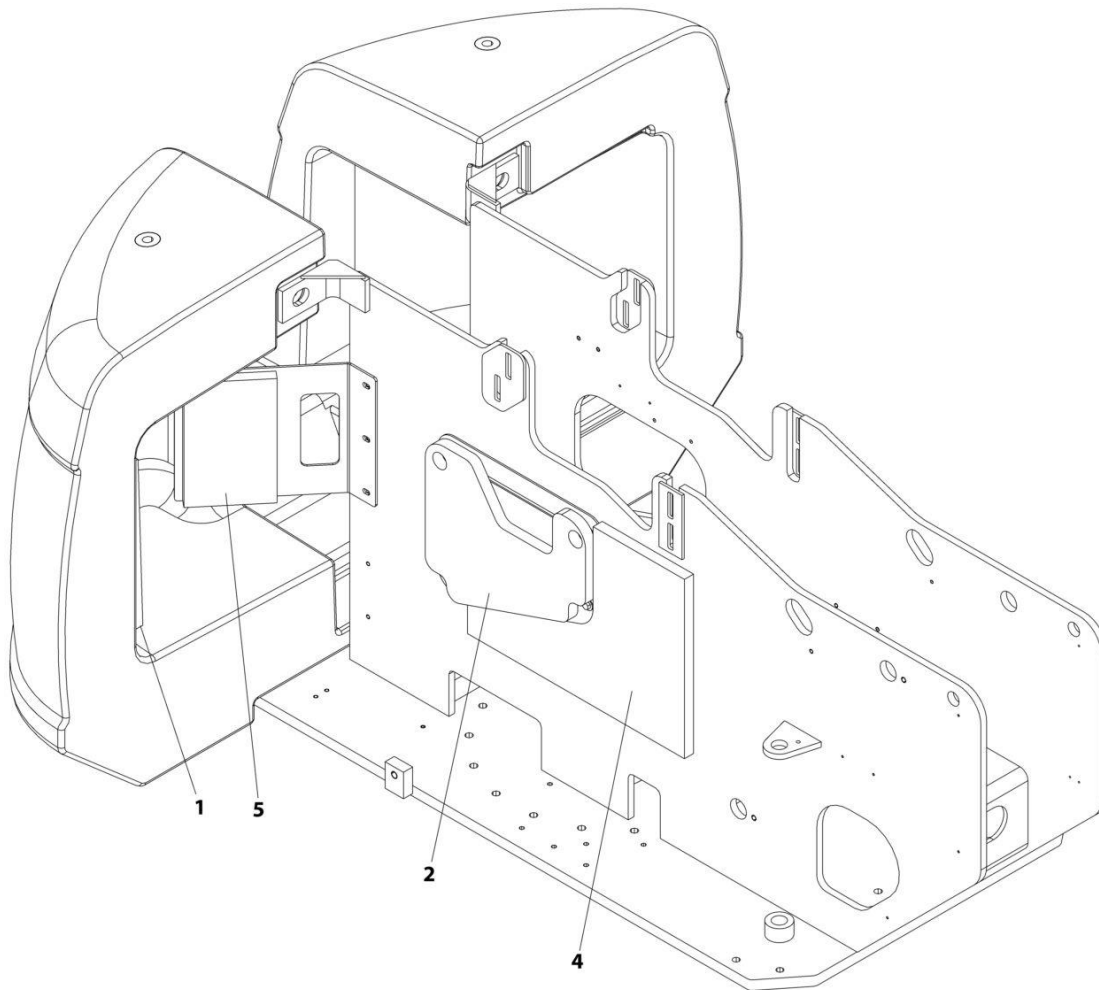
**SECTION 2 - TURNTABLE**

**FIGURE 2-64. NOISE REDUCTION INSTALLATION - DEUTZ ENGINES**

<b>ITEM</b>	<b>PART NUMBER</b>	<b>QTY</b>	<b>DESCRIPTION</b>	<b>REV</b>
	1001152325	Ref	NOISE REDUCTION INSTALLATION	A
1	0100011	AR	Compound, Locking	
2	0641606	5	Bolt 3/8 x 3/4	
3	2820078	1	Foam, Acoustical	
4	2820082	1	Foam, Acoustical	
5	2820083	1	Foam, Acoustical	
6	3539988	1	Plate, Baffle	
7	4751600	5	Washer 3/8	

## SECTION 2 - TURNTABLE

FIGURE 2-65. NOISE REDUCTION INSTALLATION - DEUTZ TD2.2L3 (STAGE V) AND DEUTZ D2.9L4 (CHINA IV) ENGINES



ART\_1001255777

**SECTION 2 - TURNTABLE**

**FIGURE 2-65. NOISE REDUCTION INSTALLATION - DEUTZ TD2.2L3 (STAGE V) AND DEUTZ D2.9L4 (CHINA IV) ENGINES**

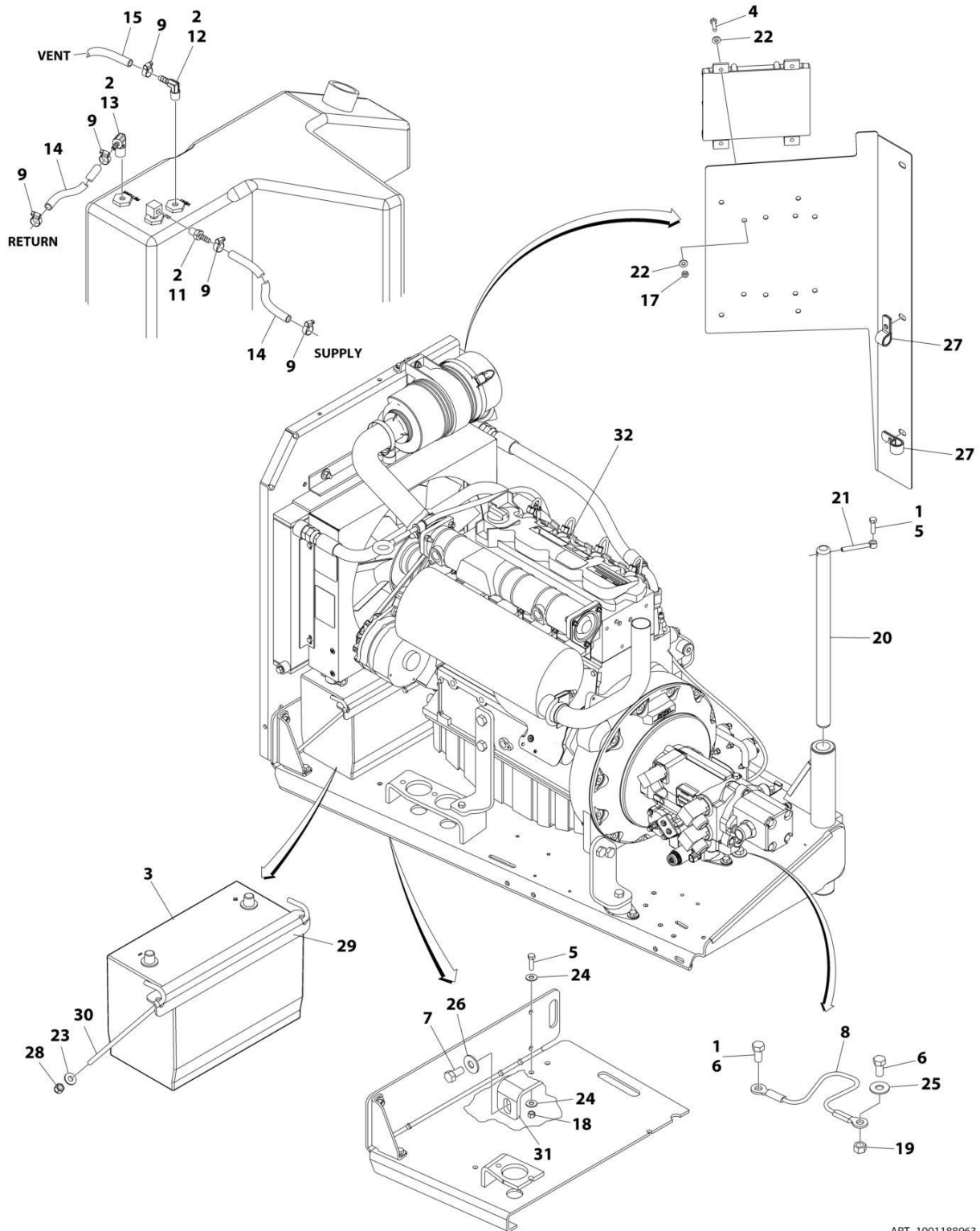
<b>ITEM</b>	<b>PART NUMBER</b>	<b>QTY</b>	<b>DESCRIPTION</b>	<b>REV</b>
	1001255777	Ref	NOISE REDUCTION INSTALLATION	C
1	2820082	1	Foam, Acoustical	
2	1001254499	1	Insulate, Foam	
4	1001254738	1	Insulate, Foam	
5	1001254769	1	Insulate, Foam	



**SECTION 3 - ENGINE**

# SECTION 3 - ENGINE

## FIGURE 3-1. DEUTZ D2011 ENGINE INSTALLATION - DANFOSS PISTON PUMP (WITHOUT ARCTIC PACKAGE)



ART\_1001188963



## SECTION 3 - ENGINE

**FIGURE 3-1. DEUTZ D2011 ENGINE INSTALLATION - DANFOSS PISTON PUMP (WITHOUT ARCTIC PACKAGE)**

ITEM	PART NUMBER	QTY	DESCRIPTION	REV
	1001188963	Ref	DEUTZ D2011 ENGINE INSTALLATION	B
1	0100011	AR	Compound, Locking	
2	0100020	AR	Sealant, Pipe	
3	0400075	1	Battery	
4	0641409	4	Bolt 1/4 x 1-1/8	
5	0641610	3	Bolt 3/8 x 1-1/4	
6	0641808	2	Bolt 1/2 x 1	
7	0642010	1	Bolt 5/8 x 1-1/4	
8	1060637	1	Cable, Lanyard	
9	1320022	5	Clamp, Hose	
10	1701505	1	Decal - Diesel (Not Shown - Located on Hood)	
11	2180348	1	Fitting, Straight Barbed	
12	2220313	1	Fitting, 90	
13	2221176	1	Fitting, Straight Barbed	
14	2720058	24 ft /7.3m	Hose	
15	2750532	6 ft /1.8m	Hose	
16	1001241578	1	Battery Cable Kit (No Info at Time of Printing)	A
17	3311405	4	Nut 1/4	
18	3311605	2	Nut 3/8	
19	3311805	1	Nut 1/2	
20	3422448	1	Pin, Pivot	
21	3841143	1	Pin, Keeper	
22	4711400	8	Washer 1/4	
23	4751500	2	Washer 5/16	
24	4751600	4	Washer 3/8	
25	4751800	1	Washer 1/2	
26	4752000	1	Washer 5/8	
27	85941017	2	Clamp	
28	88521205	2	Nut 5/16	
29	91401281	1	Hold-down, Battery	
30	1001093382	2	J-Bolt	
31	1001151070	1	Angle	
32	1001188954	1	Engine Assembly with Pumps (See Separate Breakdown in this Section)	



## SECTION 3 - ENGINE

**FIGURE 3-2. DEUTZ D2011 ENGINE INSTALLATION - HENGLI PISTON PUMP (WITHOUT ARCTIC PACKAGE)**

ITEM	PART NUMBER	QTY	DESCRIPTION	REV
	1001287016	Ref	DEUTZ D2011 ENGINE INSTALLATION	A
1	0100011	AR	Compound, Locking	
2	0100020	AR	Sealant, Pipe	
3	0400075	1	Battery	
4	0641409	4	Bolt 1/4 x 1-1/8	
5	0641610	3	Bolt 3/8 x 1-1/4	
6	0641808	2	Bolt 1/2 x 1	
7	0642010	1	Bolt 5/8 x 1-1/4	
8	1060637	1	Cable, Lanyard	
9	1320022	5	Clamp, Hose	
10	1701505	1	Decal - Diesel (Not Shown - Located on Hood)	
11	2180348	1	Fitting, Straight Barbed	
12	2220313	1	Fitting, 90	
13	2221176	1	Fitting, Straight Barbed	
14	2720058	24 ft /7.3m	Hose	
15	2750532	6 ft /1.8m	Hose	
16	3311405	4	Nut, Lock 1/4	
17	3311605	2	Nut, Lock 3/8	
18	3311805	1	Nut, Lock 1/2	
19	3422448	1	Pin, Pivot	
20	3841143	1	Pin, Keeper	
21	4711400	8	Washer 1/4	
22	4751500	2	Washer 5/16	
23	4751600	4	Washer 3/8	
24	4751800	1	Washer 1/2	
25	4752000	1	Washer 5/8	
26	85941017	2	Clamp	
27	88521205	2	Nut, Lock 5/16	
28	91401281	1	Hold-down, Battery	
29	1001093382	2	J-Bolt	
30	1001151070	1	Angle	
31	1001241578	1	Battery Cable Kit (No Service Parts Available at Time of Printing)	
32	1001287017	1	Engine Assembly with Pumps (See Separate Breakdown in this Section)	



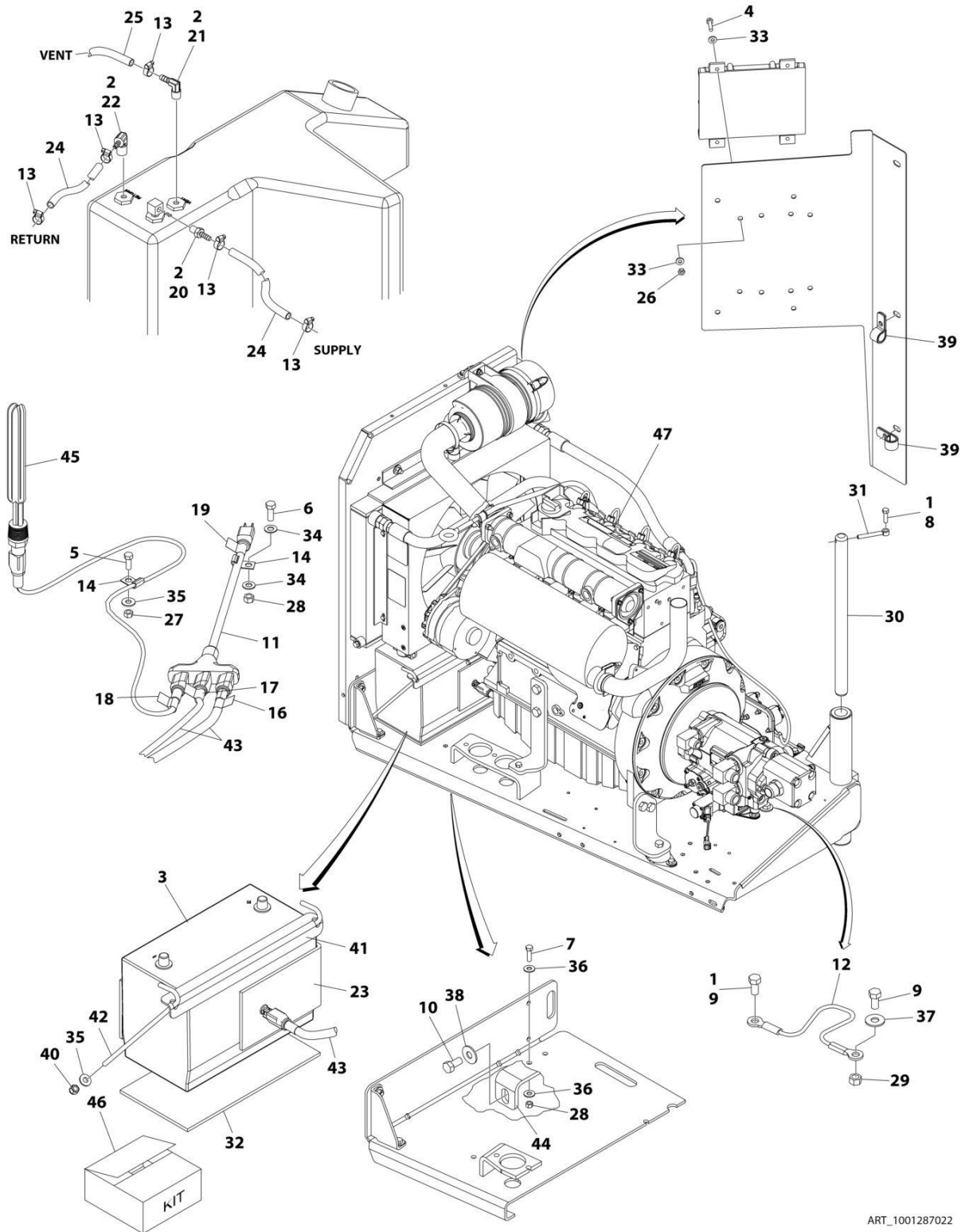
## SECTION 3 - ENGINE

**FIGURE 3-3. DEUTZ D2011 ENGINE INSTALLATION - DANFOSS PISTON PUMP (WITH ARCTIC PACKAGE)**

ITEM	PART NUMBER	QTY	DESCRIPTION	REV
	1001188964	Ref	DEUTZ D2011 ENGINE INSTALLATION	D
1	0100011	AR	Compound, Locking	
2	0100020	AR	Sealant, Pipe	
3	0400075	1	Battery	
4	0641409	4	Bolt 1/4 x 1-1/8	
5	0641610	2	Bolt 3/8 x 1-1/4	
6	0641808	2	Bolt 1/2 x 1	
7	0642010	1	Bolt 5/8 x 1-1/4	
8	1060637	1	Cable, Lanyard	
9	1320022	5	Clamp, Hose	
10	1701505	1	Decal - Diesel (Not Shown - Located on Hood)	
11	2180348	1	Fitting, Straight Barbed	
12	2220313	1	Fitting, 90	
13	2221176	1	Fitting, Straight Barbed	
14	2720058	24 ft /7.3m	Hose	
15	2750532	6 ft /1.8m	Hose	
16	1001241578	1	Battery Cable Kit (No Info at Time of Printing)	
17	3311405	4	Nut 1/4	
18	3311605	3	Nut 3/8	
19	3311805	1	Nut 1/2	
20	3422448	1	Pin, Pivot	
21	3841143	1	Pin, Keeper	
22	4711400	8	Washer 1/4	
23	4751500	3	Washer 5/16	
24	4751600	4	Washer 3/8	
25	4751800	1	Washer 1/2	
26	4752000	1	Washer 5/8	
27	85941017	2	Clamp	
28	88521205	2	Nut 5/16	
29	91401281	1	Hold-down, Battery	
30	1001093382	2	J-Bolt	
31	1001151070	1	Angle	
32	1001188955	1	Engine Assembly with Pumps (See Separate Breakdown in this Section)	
33	0641507	1	Bolt 5/16 x 7/8	
34	0641608	1	Bolt 3/8 x 1	
35	1060626	1	Cord, 3-Way Extension	
36	1320223	2	Clamp	
37	1702941	1	Decal - Battery Heater	
38	1702942	1	Decal - Engine Block Heater	
39	1702943	1	Decal - Hydraulic Tank Heater	
40	1702944	1	Decal - Heater Cord	
41	2580024	1	Heater, Battery	
42	3311505	1	Nut 5/16	
43	3980007	1	Seat, Battery	
44	4711600	2	Washer 3/8	
45	1001150918	2	Cable, Immersion Heater	
46	1001188972	1	Heater, Hydraulic Tank	

# SECTION 3 - ENGINE

## FIGURE 3-4. DEUTZ D2011 ENGINE INSTALLATION - HENGLI PISTON PUMP (WITH ARCTIC PACKAGE)



ART\_1001287022

## SECTION 3 - ENGINE

**FIGURE 3-4. DEUTZ D2011 ENGINE INSTALLATION - HENGLI PISTON PUMP (WITH ARCTIC PACKAGE)**

ITEM	PART NUMBER	QTY	DESCRIPTION	REV
	1001287022	Ref	DEUTZ D2011 ENGINE INSTALLATION	A
1	0100011	AR	Compound, Locking	
2	0100020	AR	Sealant, Pipe	
3	0400075	1	Battery	
4	0641409	4	Bolt 1/4 x 1-1/8	
5	0641507	1	Bolt 5/16 x 7/8	
6	0641608	1	Bolt 3/8 x 1	
7	0641610	2	Bolt 3/8 x 1-1/4	
8	0641612	1	Bolt 3/8 x 1-1/2	
9	0641808	2	Bolt 1/2 x 1	
10	0642010	1	Bolt 5/8 x 1-1/4	
11	1060626	1	Cord, 3-Way Extension	
12	1060637	1	Cable, Lanyard	
13	1320022	5	Clamp, Hose	
14	1320223	2	Clamp	
15	1701505	1	Decal - Diesel (Not Shown - Located on Hood)	
16	1702941	1	Decal - Battery Heater	
17	1702942	1	Decal - Engine Block Heater	
18	1702943	1	Decal - Hydraulic Tank Heater	
19	1702944	1	Decal - Heater Cord	
20	2180348	1	Fitting, Straight Barbed	
21	2220313	1	Fitting, 90	
22	2221176	1	Fitting, Straight Barbed	
23	2580024	1	Heater, Battery	
24	2720058	24 ft /7.3m	Hose	
25	2750532	6 ft /1.8m	Hose	
26	3311405	4	Nut, Lock 1/4	
27	3311505	1	Nut, Lock 5/16	
28	3311605	3	Nut, Lock 3/8	
29	3311805	1	Nut, Lock 1/2	
30	3422448	1	Pin, Pivot	
31	3841143	1	Pin, Keeper	
32	3980007	1	Seat, Battery	
33	4711400	8	Washer 1/4	
34	4711600	2	Washer 3/8	
35	4751500	3	Washer 5/16	
36	4751600	4	Washer 3/8	
37	4751800	1	Washer 1/2	
38	4752000	1	Washer 5/8	
39	85941017	2	Clamp	
40	88521205	2	Nut, Lock 5/16	
41	91401281	1	Hold-down, Battery	
42	1001093382	2	J-Bolt	
43	1001150918	2	Cable, Immersion Heater	
44	1001151070	1	Angle	
45	1001188972	1	Heater, Hydraulic Tank	
46	1001241578	1	Battery Cable Kit (No Service Parts Available at Time of Printing)	

## SECTION 3 - ENGINE

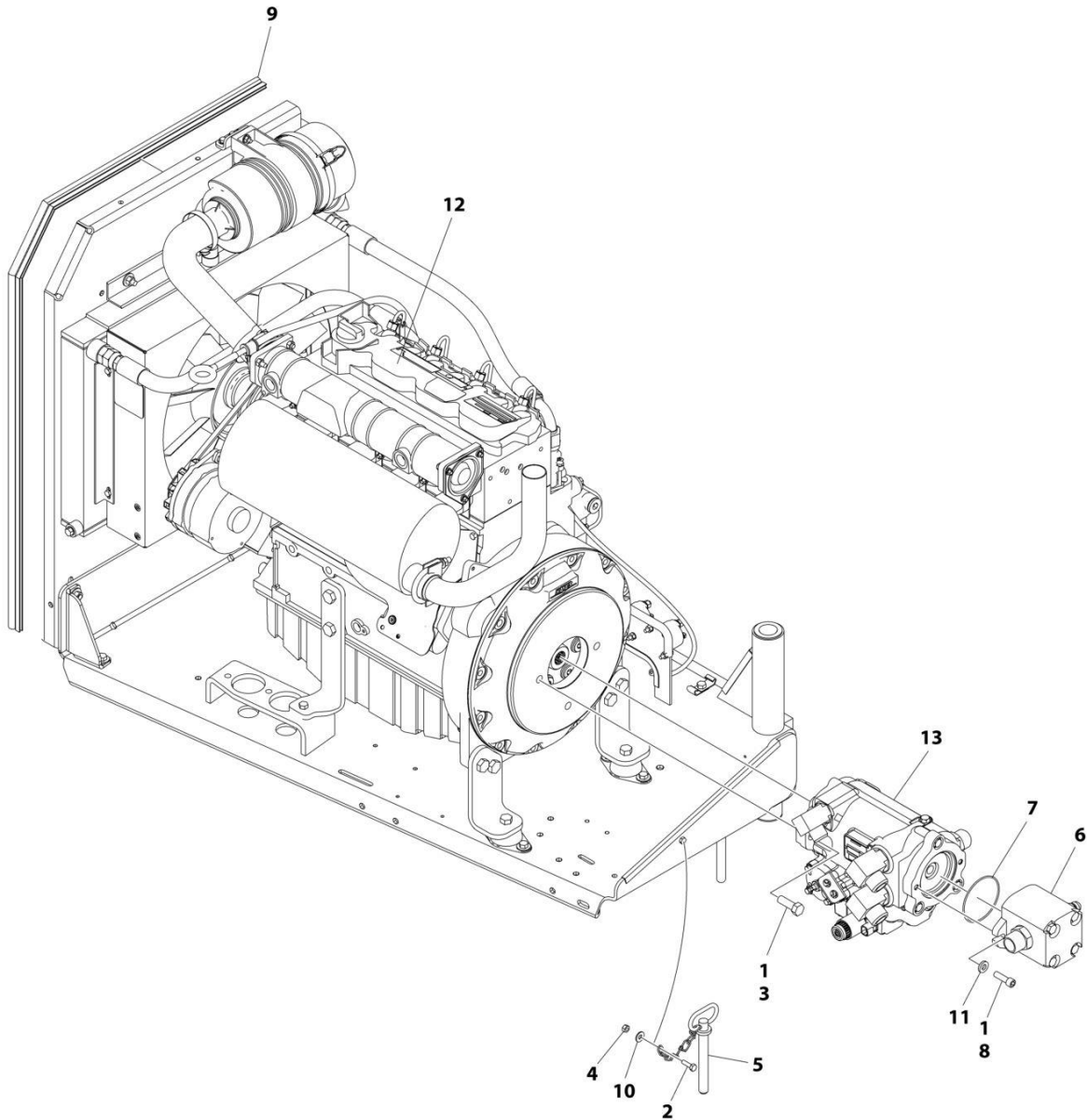
ITEM	PART NUMBER	QTY	DESCRIPTION	REV
47	1001287023	1	Engine Assembly with Pumps (See Separate Breakdown in this Section)	





# SECTION 3 - ENGINE

## FIGURE 3-5. DEUTZ D2011 ENGINE/PUMP SUB-ASSEMBLY - DANFOSS PISTON PUMP (WITHOUT ARCTIC PACKAGE)



ART\_1001188954

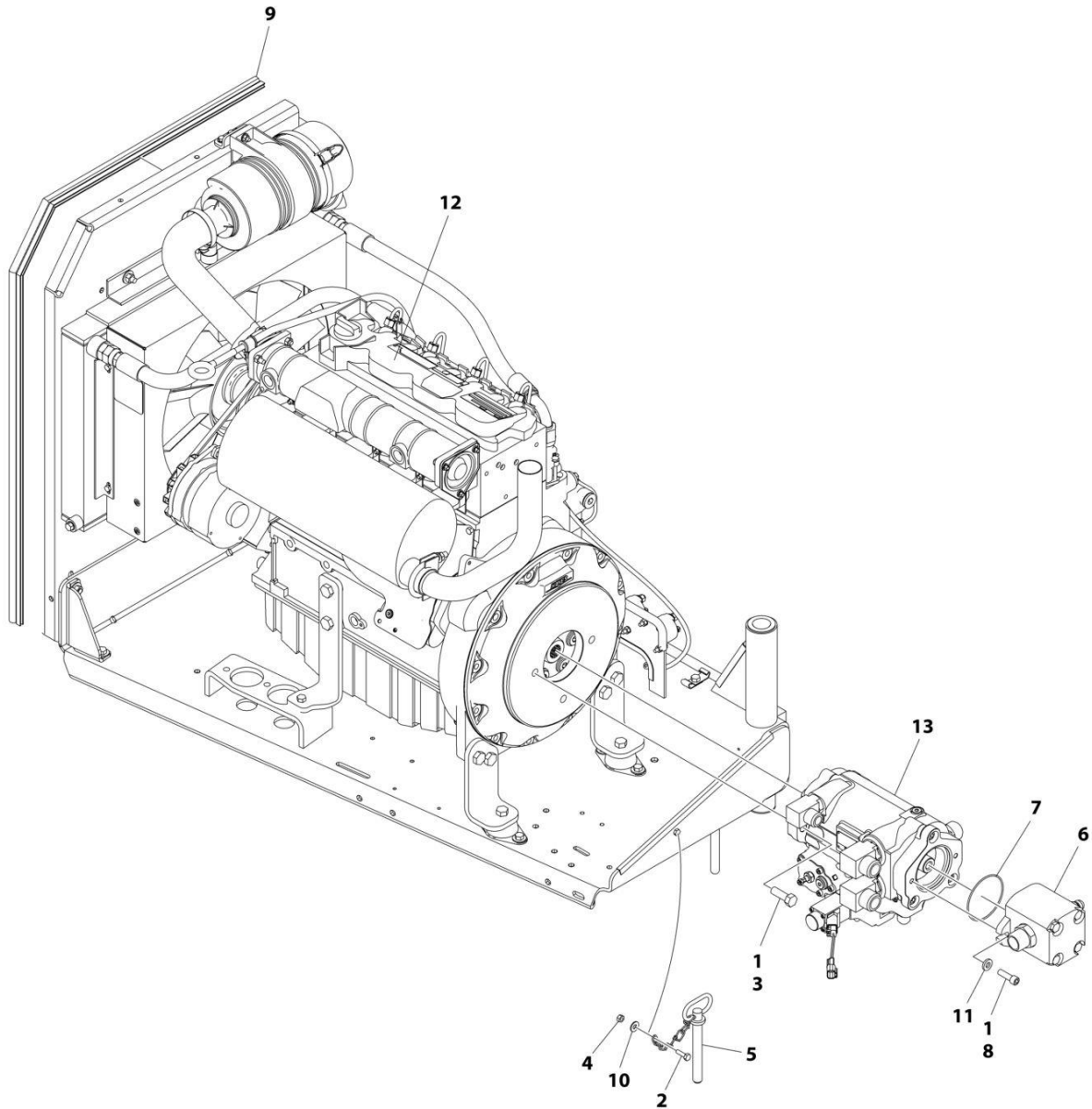
## SECTION 3 - ENGINE

**FIGURE 3-5. DEUTZ D2011 ENGINE/PUMP SUB-ASSEMBLY - DANFOSS PISTON PUMP (WITHOUT ARCTIC PACKAGE)**

ITEM	PART NUMBER	QTY	DESCRIPTION	REV
	1001188954	Ref	DEUTZ D2011 ENGINE/PUMP SUB-ASSEMBLY	B
1	0100011	AR	Compound, Locking	
2	0641407	1	Bolt 1/4 x 7/8	
3	0641812	2	Bolt 1/2 x 1-1/2	
4	3311405	1	Nut 1/4	
5	3422533	1	Pin, Hitch	
6	3600395	1	Gear Pump Assembly with Fittings (See Separate Breakdown in this section)	
7	3790152	1	O-Ring	
8	3931620	2	Capscrew 3/8 x 1-1/4	
9	3960389	5 ft /1.5m	Seal	
10	4751400	1	Washer 1/4	
11	4891600	2	Washer 3/8 Hardened	
12	1001150158	1	Engine Assembly (See Separate Breakdown in this Section)	
13	1001188952	1	Piston Pump Assembly with Fittings (See Separate Breakdown in this section)	

# SECTION 3 - ENGINE

FIGURE 3-6. DEUTZ D2011 ENGINE/PUMP SUB-ASSEMBLY - HENGLI PISTON PUMP (WITHOUT ARCTIC PACKAGE)



ART\_1001287017

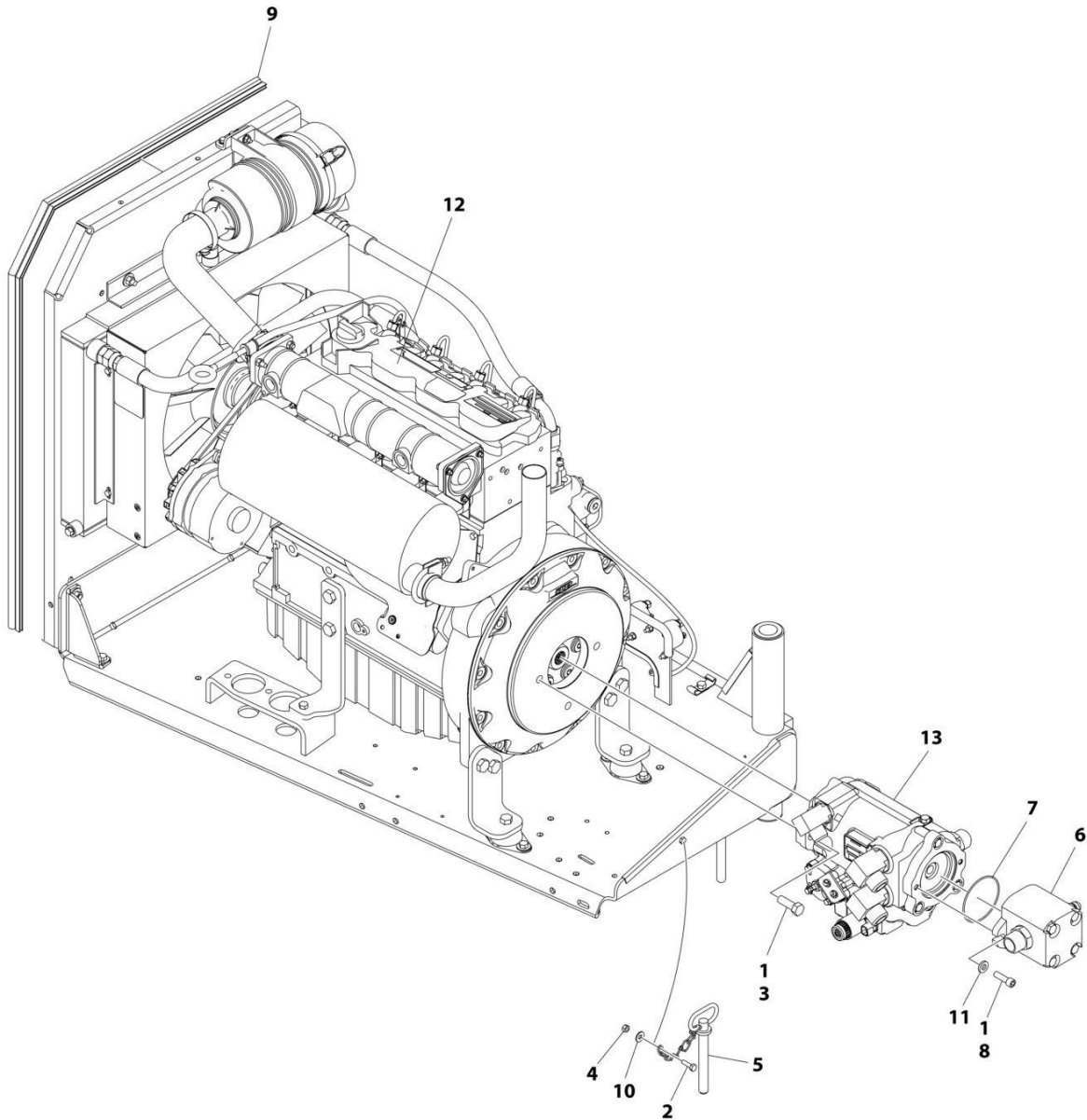
## SECTION 3 - ENGINE

**FIGURE 3-6. DEUTZ D2011 ENGINE/PUMP SUB-ASSEMBLY - HENGLI PISTON PUMP (WITHOUT ARCTIC PACKAGE)**

ITEM	PART NUMBER	QTY	DESCRIPTION	REV
	1001287017	Ref	DEUTZ D2011 ENGINE/PUMP SUB-ASSEMBLY	B
1	0100011	AR	Compound, Locking	
2	0641407	1	Bolt 1/4 x 7/8	
3	0641812	2	Bolt 1/2 x 1-1/2	
4	3311405	1	Nut, Lock 1/4	
5	3422533	1	Pin, Hitch	
6	3600395	1	Gear Pump Assembly with Fittings (See Separate Breakdown in this section)	
8	3931620	2	Capscrew 3/8 x 1-1/4	
9	3960389	5 ft /1.5m	Seal	
10	4751400	1	Washer 1/4	
11	4891600	2	Washer 3/8 Hardened	
12	1001150158	1	Engine Assembly (See Separate Breakdown in this Section)	
13	1001287018	1	Piston Pump Assembly with Fittings (See Separate Breakdown in this section)	

# SECTION 3 - ENGINE

FIGURE 3-7. DEUTZ D2011 ENGINE/PUMP SUB-ASSEMBLY - DANFOSS PISTON PUMP (WITH ARCTIC PACKAGE)



ART\_1001188955

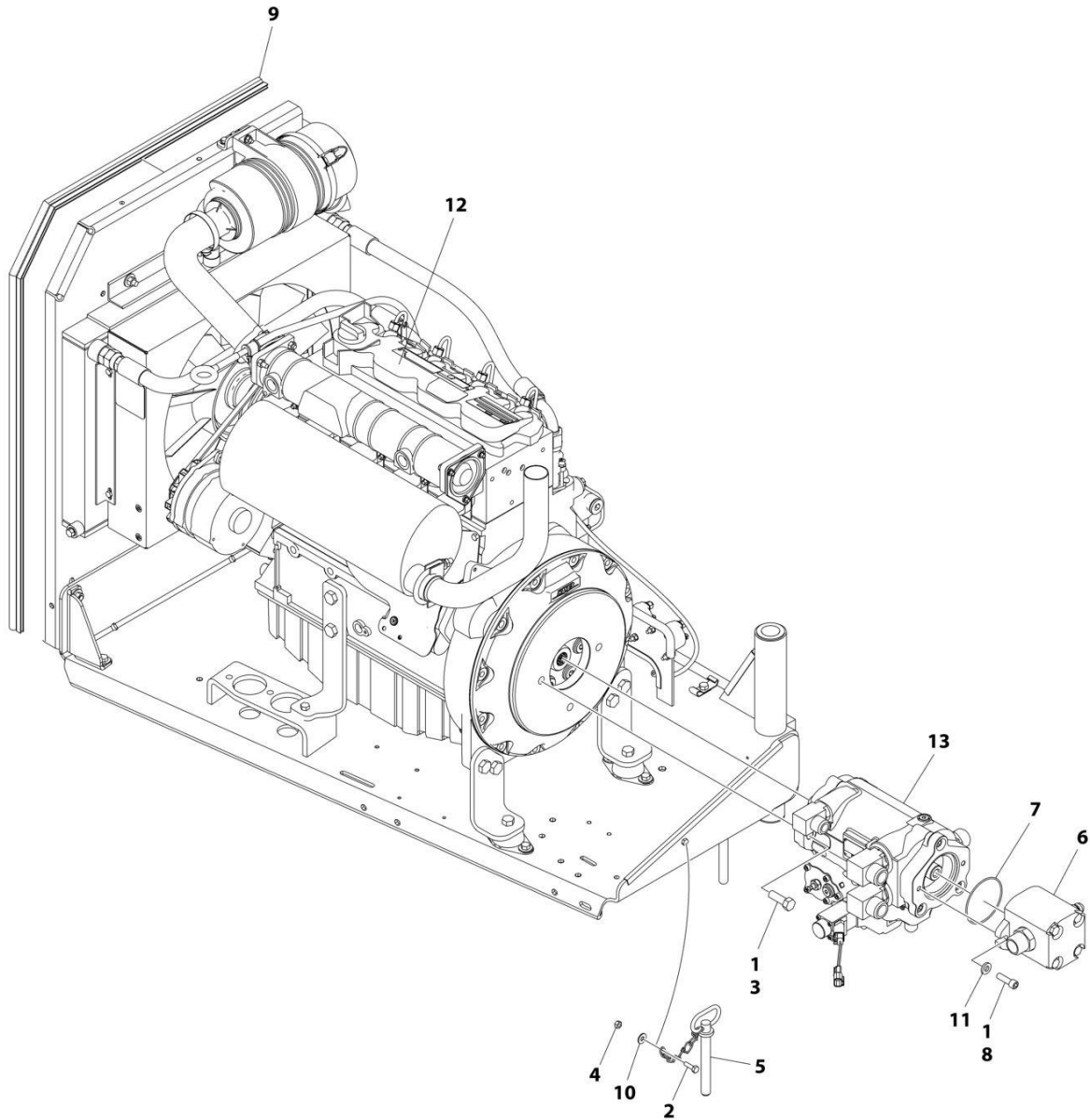
## SECTION 3 - ENGINE

**FIGURE 3-7. DEUTZ D2011 ENGINE/PUMP SUB-ASSEMBLY - DANFOSS PISTON PUMP (WITH ARCTIC PACKAGE)**

ITEM	PART NUMBER	QTY	DESCRIPTION	REV
	1001188955	Ref	DEUTZ D2011 ENGINE/PUMP SUB-ASSEMBLY	A
1	0100011	AR	Compound, Locking	
2	0641407	1	Bolt 1/4 x 7/8	
3	0641812	2	Bolt 1/2 x 1-1/2	
4	3311405	1	Nut 1/4	
5	3422533	1	Pin, Hitch	
6	3600395	1	Gear Pump Assembly with Fittings (See Separate Breakdown in this section)	
7	3790152	1	O-Ring	
8	3931620	2	Capscrew 3/8 x 1-1/4	
9	3960389	5 ft /1.5m	Seal	
10	4751400	1	Washer 1/4	
11	4891600	2	Washer 3/8 Hardened	
12	1001150179	1	Engine Assembly (See Separate Breakdown in this Section)	
13	1001188952	1	Piston Pump Assembly with Fittings (See Separate Breakdown in this section)	

# SECTION 3 - ENGINE

## FIGURE 3-8. DEUTZ D2011 ENGINE/PUMP SUB-ASSEMBLY - HENGLI PISTON PUMP (WITH ARCTIC PACKAGE)



ART\_1001287023



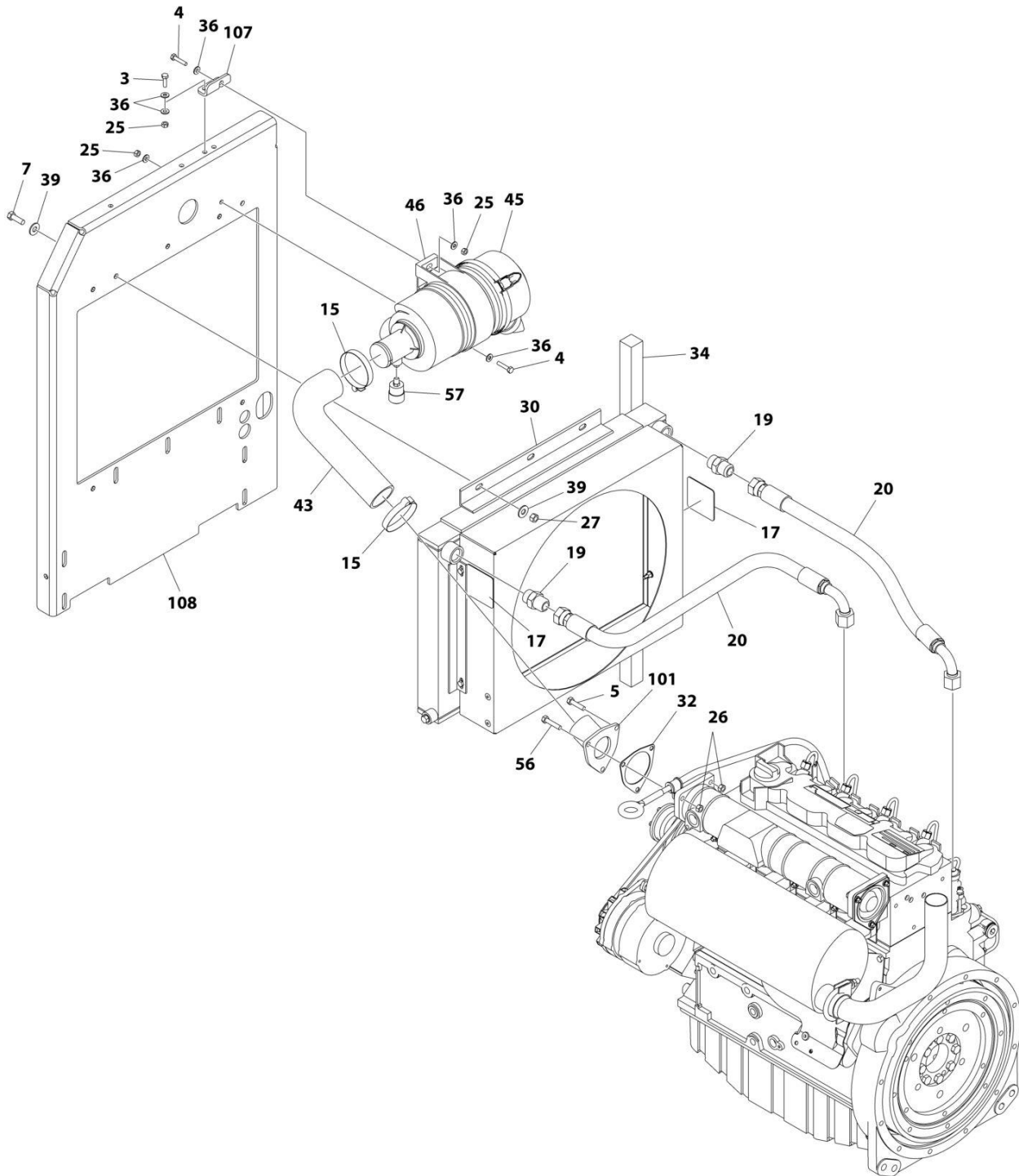
## SECTION 3 - ENGINE

**FIGURE 3-8. DEUTZ D2011 ENGINE/PUMP SUB-ASSEMBLY - HENGLI PISTON PUMP (WITH ARCTIC PACKAGE)**

ITEM	PART NUMBER	QTY	DESCRIPTION	REV
	1001287023	Ref	DEUTZ D2011 ENGINE/PUMP SUB-ASSEMBLY	B
1	0100011	AR	Compound, Locking	
2	0641407	1	Bolt 1/4 x 7/8	
3	0641812	2	Bolt 1/2 x 1-1/2	
4	3311405	1	Nut, Lock 1/4	
5	3422533	1	Pin, Hitch	
6	3600395	1	Gear Pump Assembly with Fittings (See Separate Breakdown in this section)	
8	3931620	2	Capscrew 3/8 x 1-1/4	
9	3960389	5 ft /1.5m	Seal	
10	4751400	1	Washer 1/4	
11	4891600	2	Washer 3/8 Hardened	
12	1001150179	1	Engine Assembly (See Separate Breakdown in this Section)	
13	1001287018	1	Piston Pump Assembly with Fittings (See Separate Breakdown in this section)	

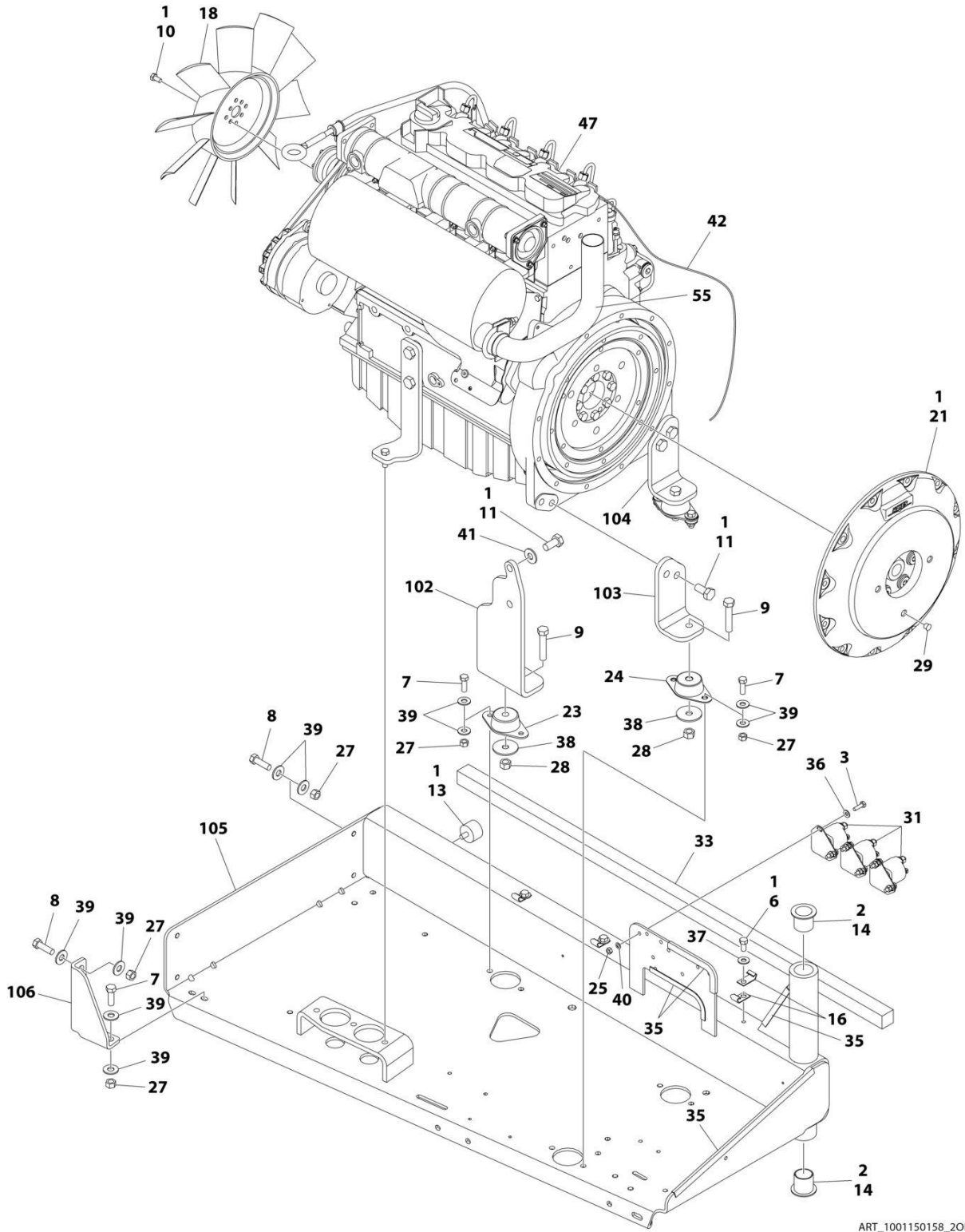
# SECTION 3 - ENGINE

## FIGURE 3-9. DEUTZ D2011 ENGINE ASSEMBLY - WITHOUT ARCTIC PACKAGE



ART\_1001150158\_10F2

# SECTION 3 - ENGINE



ART\_1001150158\_20F2

## SECTION 3 - ENGINE

**FIGURE 3-9. DEUTZ D2011 ENGINE ASSEMBLY - WITHOUT ARCTIC PACKAGE**

ITEM	PART NUMBER	QTY	DESCRIPTION	REV
	1001150158	Ref	DEUTZ D2011 ENGINE ASSEMBLY	M
1	0100011	AR	Compound, Locking	
2	0100062	AR	Compound, Locking	
3	0641407	8	Bolt 1/4 x 7/8	
4	0641410	2	Bolt 1/4 x 1-1/4	
5	0641510	2	Bolt 5/16 x 1- 1/4	
6	0641606	3	Bolt 3/8 x 3/4	
7	0641609	14	Bolt 3/8 x 1-1/8	
8	0641610	4	Bolt 3/8 x 1-1/4	
9	0641820	3	Bolt 1/2 x 2-1/2	
10	0700808	4	Bolt M8 x 16mm	
11	0771414	6	Bolt M14 x 30	
13	0940070	1	Bumper	
14	0961986	2	Bushing, Flanged	
15	1320016	2	Clamp	
16	1320223	4	J-Clip	
17	1703162	2	Decal - Caution Fan Blade	
18	2060025	1	Fan	
19	2220451	2	Fitting, Straight	
20	2720398	2	Hose, Oil Cooler	
21	2902065	1	Kit, Pump Coupling (See Separate Breakdown in this Section)	
23	3200401	1	Mount, Motor (Front)	
24	3200406	2	Mount, Motor (Rear)	
25	3311405	10	Nut 1/4	
26	3311505	3	Nut 5/16	
27	3311605	18	Nut 3/8	
28	3311805	3	Nut 1/2	
29	3520054	2	Plug, Hole	
30	1001150998	1	Radiator	
31	3740067	3	Relay	
32	3960407	1	Gasket, Air Intake	
33	3960468	1	Seal	
34	3960469	1	Seal	
35	4060805	37 in /1m	Flex-Trim	
36	4711400	14	Washer 1/4	
37	4711600	3	Washer 3/8	
38	4740274	3	Washer, Snubbing	
39	4751600	36	Washer 3/8	
40	4791400	6	Starwasher 1/4	
41	4812200	2	Washer M14	
42	4923379	1	Harness, Glow Plug	
43	1001130041	1	Elbow	
45	1001141693	1	Air Cleaner Assembly	
45	70003783	1	Element, Filter	
46	1001141694	1	Clamp, Air Filter	
47	1001146368	Ref	Deutz D2011 Engine Components (See Separate Breakdown in this Section)	
55	1001151251	1	Pipe, Exhaust	
56	0641512	1	Bolt 5/16 x 1-1/2	
57	1001143390	1	Indicator, Air Filter Service	

## SECTION 3 - ENGINE

ITEM	PART NUMBER	QTY	DESCRIPTION	REV
100	1001265493	1	Kit – Engine Parts	A
101	1001139819	1	Adapter, Air Intake	
102	1001149704	1	Support, Engine (Front)	
103	1001149705	1	Support, Engine (Rear)	
104	1001149706	1	Support, Engine (Rear)	
105	1001149793	1	Tray	
106	1001150915	1	Support	
107	1001151078	1	Angle	
108	1001151206	1	Plate, Radiator Mounting	





## SECTION 3 - ENGINE

FIGURE 3-10. DEUTZ D2011 ENGINE ASSEMBLY - WITH ARCTIC PACKAGE

ITEM	PART NUMBER	QTY	DESCRIPTION	REV
	1001150179	Ref	DEUTZ D2011 ENGINE ASSEMBLY	K
1	0100011	AR	Compound, Locking	
2	0100062	AR	Compound, Locking	
3	0641407	8	Bolt 1/4 x 7/8	
4	0641410	2	Bolt 1/4 x 1-1/4	
5	0641510	2	Bolt 5/16 x 1-1/4	
6	0641606	3	Bolt 3/8 x 3/4	
7	0641609	14	Bolt 3/8 x 1-1/8	
8	0641610	4	Bolt 3/8 x 1-1/4	
9	0641820	3	Bolt 1/2 x 2-1/2	
10	0700808	4	Bolt M8 x 16mm	
11	0771414	6	Bolt M14 x 30	
13	0940070	1	Bumper	
14	0961986	2	Bushing, Flanged	
15	1320016	2	Clamp	
16	1320223	4	J-Clip	
17	1703162	2	Decal - Caution Fan Blade	
18	2060025	1	Fan	
19	2220451	2	Fitting, Straight	
20	2720398	2	Hose, Oil Cooler	
21	2902065	1	Kit, Pump Coupling (See Separate Breakdown in this Section)	
23	3200401	1	Mount, Motor (Front)	
24	3200406	2	Mount, Motor (Rear)	
25	3311405	10	Nut 1/4	
26	3311505	3	Nut 5/16	
27	3311605	18	Nut 3/8	
28	3311805	3	Nut 1/2	
29	3520054	2	Plug, Hole	
30	1001150998	1	Radiator	
31	3740067	3	Relay	
32	3960407	1	Gasket, Air Intake	
33	3960468	1	Seal	
34	3960469	1	Seal	
35	4060805	37 in /1m	Flex-Trim	
36	4711400	14	Washer 1/4	
37	4711600	3	Washer 3/8	
38	4740274	3	Washer, Snubbing	
39	4751600	36	Washer 3/8	
40	4791400	6	Starwasher 1/4	
41	4812200	2	Washer M14	
42	4923379	1	Harness, Glow Plug	
43	1001130041	1	Elbow	
45	1001141693	1	Air Cleaner Assembly	
45	70003783	1	Element, Filter	
46	1001141694	1	Clamp, Air Filter	
47	1001146368	Ref	Deutz D2011 Engine Components (See Separate Breakdown in this Section)	
55	1001151251	1	Pipe, Exhaust	
56	2580062	1	Heater, Engine Block	
57	0641512	1	Bolt 5/16 x 1-1/2	

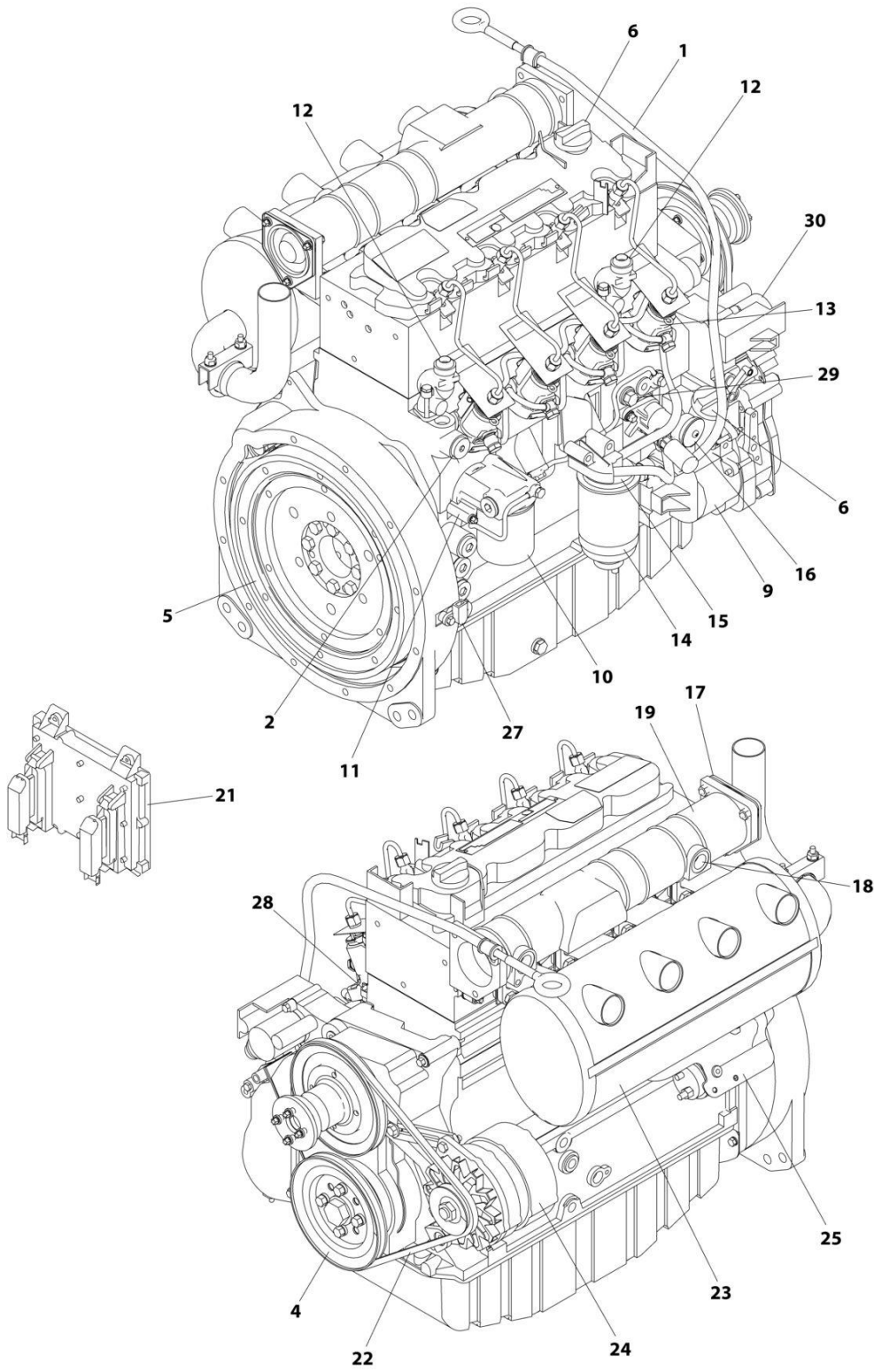


## SECTION 3 - ENGINE

ITEM	PART NUMBER	QTY	DESCRIPTION	REV
58	1001143390	1	Indicator, Air Filter Service	
100	1001265493	1	Mounting Kit (Not Shown)	
101	1001139819	1	Adapter, Air Intake	
102	1001149704	1	Support, Engine (Front)	
103	1001149705	1	Support, Engine (Rear)	
104	1001149706	1	Support, Engine (Rear)	
105	1001149793	1	Tray	
106	1001150915	1	Support	
107	1001151078	1	Angle	
108	1001151206	1	Plate, Radiator Mounting	

# SECTION 3 - ENGINE

## FIGURE 3-11. DEUTZ D2011 ENGINE COMPONENTS



ART\_1001146368

## SECTION 3 - ENGINE

**FIGURE 3-11. DEUTZ D2011 ENGINE COMPONENTS**

ITEM	PART NUMBER	QTY	DESCRIPTION	REV
	1001146368	Ref	DEUTZ D2011 ENGINE COMPONENTS	E
1	7026631	1	Dipstick	
1	7020487	1	O-Ring, Dipstick	
1	70001002	1	Tube, Dipstick	
1	7020403	1	Seal, Dipstick Tube	
2	70003475	1	Thermostat	
2	7020460	1	Spring, Compression	
3	70002718	1	Seal, Rear Main (Not Shown)	
4	70005479	1	Pulley	
5	70001870	1	Flywheel	
5	7024579	1	Ring Gear	
6	7020465	2	Cap, Filler	
7	70003456	1	Gasket, Head (Not Shown)	
7	70003457	1	Gasket, Head (Not Shown)	
7	70003003	1	Gasket, Head (Not Shown)	
8	7020431	1	Gasket, Valve Cover (Not Shown)	
9	70001850	1	Pump, Oil Lube	
9	7020468	1	Seal Between Oil Pump and Engine Block (Not Shown)	
10	7016331	1	Filter, Oil	
11	70003472	1	Bracket, Oil Filter (Includes Spring, Control Valve, Temperature Sensor, Seal and Plug)	
11	7027236	1	Sensor, Temperature	
11	70003473	1	Gasket, Oil Filter Bracket to Engine Block	
12	70004268	2	Fitting, Radiator Connector (Located Between Item 220 and Engine Block)	
12	70004269	2	Seal for Radiator Connector Fitting	
13	70003478	4	Injector, Fuel	
13	70003136	4	Seal	
13		Ref	Pump, Injector Options:	
13	70000912	1	Series A Injector	
13	70000913	4	Series B Injector	
13	70000914	1	Series C Injector	
13	70000915	1	Series D Injector	
14	7016328	1	Filter, Fuel	
15	70001423	1	Bracket, Fuel Filter	
16	70000916	1	Pump Fuel Supply	
16	70001435	1	Repair Kit for Pump	
16	70000919	1	Hand Pump	
16	70000918	1	Seal, Hand Pump	
16	70000917	1	O-Seal Between Fuel Pump and Engine Block (Not Shown)	
17	70003469	1	Flange	
17	70003468	1	O-Seal	
18	70025084	1	Plug	
19	70003470	1	Manifold, Intake	
19	70001871	4	Gasket, Intake Manifold to Engine Block (Not Shown)	
20	70001847	1	Breather Valve (Not Shown - Located on Front Cover)	
20	70001126	1	Seal, Breather Valve	
21	7027795	1	Module, Control	
22	7020408	1	V-Belt	
23	7000695	1	Muffler (Includes Saddle Clamp)	

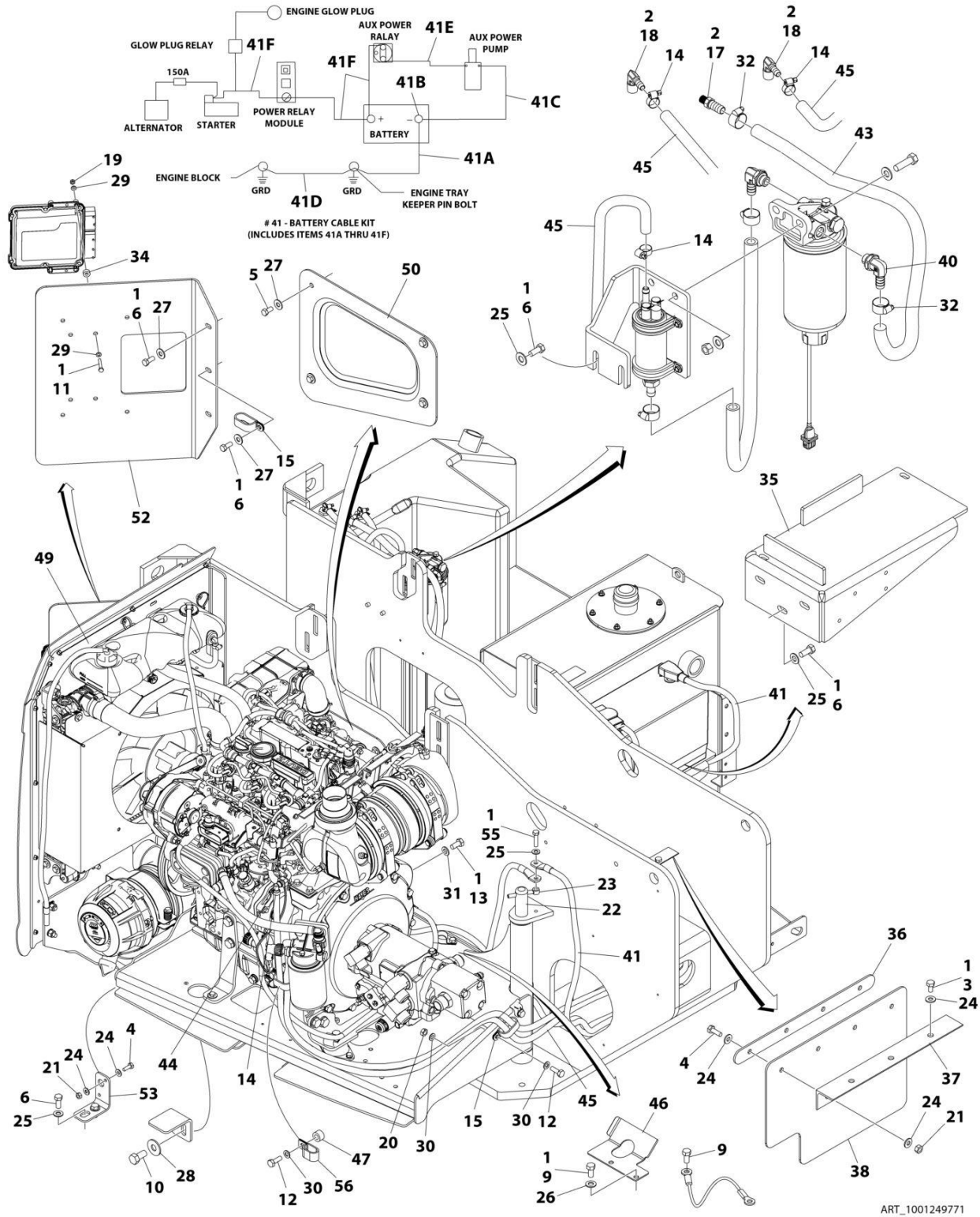
## SECTION 3 - ENGINE

ITEM	PART NUMBER	QTY	DESCRIPTION	REV
23	7020471	4	Gasket, Exhaust Manifold (Not Shown)	
23	70004270	8	Stud, Exhaust Manifold (Not Shown)	
24	70004056	1	Alternator	
24	70001868	1	Regulator, Voltage Options (Not Shown)	
24	70001866	1	Gasket for Voltage Regulator (Not Shown)	
24	70002234	1	Bracket, Adjusting (Not Shown)	
24	70000851	1	Bracket, Mounting (Not Shown)	
25	7020479	1	Starter	
25	70004058	1	Relay	
25	70001498	1	Shield, Starter Heat	
26	70004059	1	Plug- In Connector for Analyzer (Not Shown)	
26	7027796	1	Harness, Module to Engine Harness (Not Shown)	
26	70004060	1	Plug- In Connector on p/n 7027796 Harness (Not Shown)	
26	70001872	1	Harness, Engine (Not Shown)	
26	70004103	1	Harness, Alternator (Not Shown)	
26	70004271	1	Harness, Starter (Not Shown)	
27	70004272	1	Sensor, Speed	
27	70003932	1	Spacer	
28	7027791	1	Transmitter, Temperature	
29	7027790	1	Sensor, Oil Pressure	
30	7027792	1	Actuator, Throttle	
30	7027276	1	Spring, Actuator	
31	70000345	4	Plug, Glow (Not Shown)	
32	70004273	1	Set, Engine Gasket (Not Shown)	



# SECTION 3 - ENGINE

## FIGURE 3-12. DEUTZ TD2.2L3 (STAGE V) ENGINES INSTALLATION - DANFOSS PISTON PUMP (WITHOUT ARCTIC PACKAGE)



## SECTION 3 - ENGINE

**FIGURE 3-12. DEUTZ TD2.2L3 (STAGE V) ENGINES INSTALLATION - DANFOSS PISTON PUMP  
(WITHOUT ARCTIC PACKAGE )**

ITEM	PART NUMBER	QTY	DESCRIPTION	REV
	1001249771	Ref	DEUTZ TD2.2L3 (STAGE V) ENGINES INSTALLATION	H
1	0100011	AR	Compound, Locking	
2	0100020	AR	Sealant, Pipe	
3	0641404	3	Bolt 1/4 x 1/2	
4	0641406	5	Bolt 1/4 x 3/4	
5	0641606	4	Bolt 3/8 x 3/4	
6	0641607	12	Bolt 3/8 x 7/8	
7	0641608	1	Bolt 3/8 x 1	
9	0641808	4	Bolt 1/2 x 1	
10	0642010	1	Bolt 5/8 x 1-1/4	
11	0700616	4	Bolt M6 x 40	
12	0761014	2	Bolt M10 x 30	
13	0771212	1	Bolt M12 x 25 Grade 10.9	
14	1320022	5	Clamp	
15	1321716	2	P-Clamp	
16	1701505	1	Decal - Diesel (Not Shown - Located on Hood)	
17	2180832	1	Fitting, Straight Barbed	
18	2220313	2	Fitting, 90 Barbed	
19	3290601	4	Nut M6	
20	3291001	1	Nut M10	
21	3311405	5	Nut 1/4	
22	3422448	1	Pin, Pivot	
23	3841143	1	Pin, Keeper	
24	4711400	13	Washer 1/4	
25	4711600	10	Washer 3/8	
26	4711800	2	Washer 1/2	
27	4751600	7	Washer 3/8	
28	4752000	1	Washer 5/8	
29	4811700	8	Washer M6	
30	4812000	3	Washer M10	
31	4812100	1	Washer M12	
32	8405006	2	Clamp	
33	8406201	6	Clip (Not Shown)	
34	1001110425	4	Spacer	
35	1001137868	1	Bracket, Battery	
36	1001137880	1	Bracket, Baffle	
37	1001137881	1	Angle	
38	1001137882	1	Support, Rubber	
39	1001138491	1	Harness, Fuel Pump (Pump requiring Push-on Terminals) (Not Shown - See Separate Breakdown in ELECTRICAL Section)	
40	1001142501	1	Fitting, 90 Barbed	
41	1001145047	1	Battery Cable Kit	
41A	7027072	1	Cable, Battery (Black) (Battery - to Tray Pivot Grd)	
41B	8270147	1	Terminal, Battery (With Boot)	
41B	See Note	1	Boot, Black (Note: Not Available for Purchase)	
41C	7027073	1	Cable, Battery (Black) (Battery - to Aux Pump and Relay Grd)	
41C	See Note	1	Boot, Black (Note: Not Available for Purchase)	
41D	7027074	1	Cable, Battery (Black) (Engine to Tray Pivot Grd)	
41E	7027075	1	Cable (Red) (Aux Relay to Aux Pump)	

## SECTION 3 - ENGINE

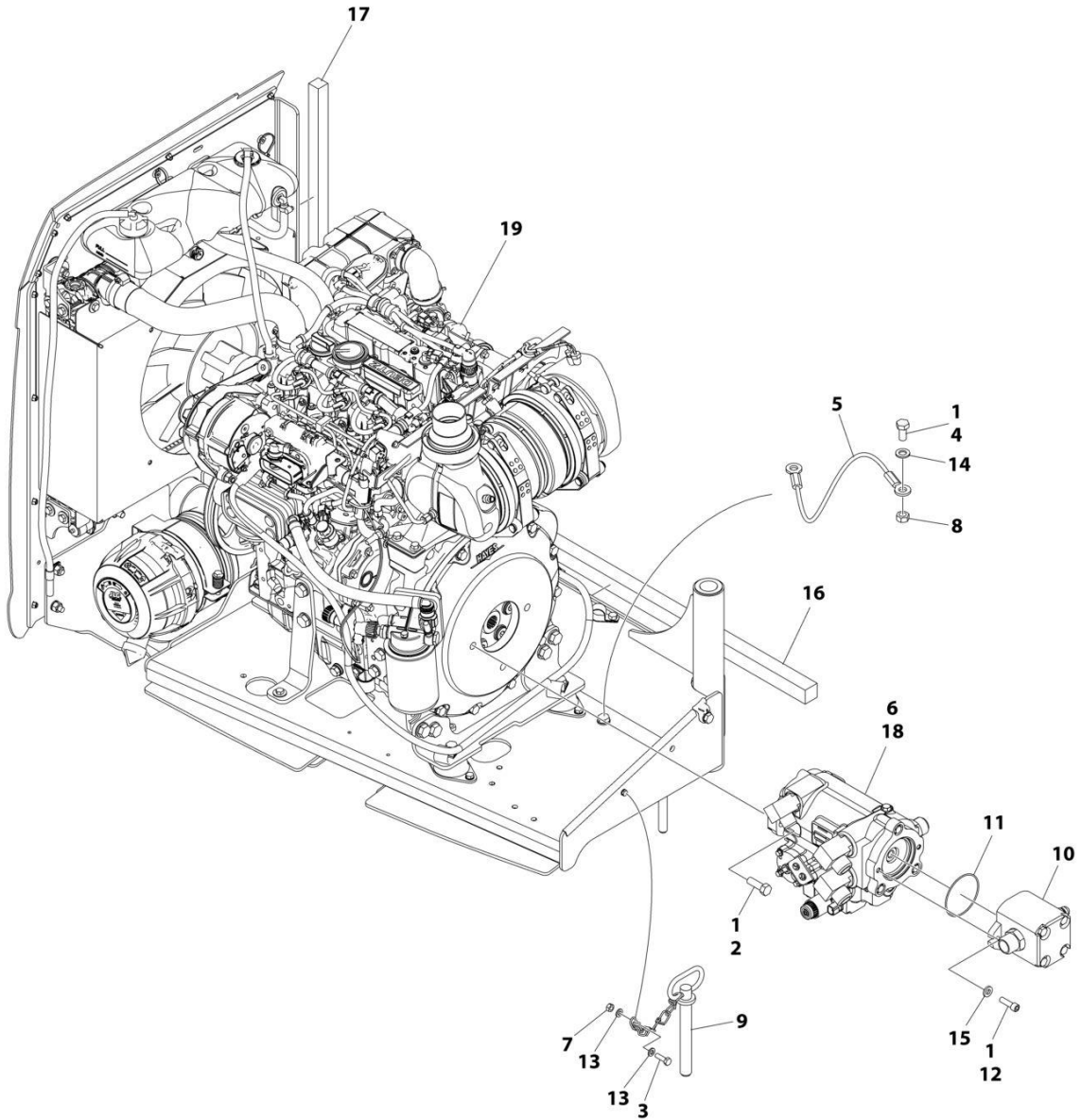
ITEM	PART NUMBER	QTY	DESCRIPTION	REV
41E	70003952	2	Boot, Red	
41F	7027076	1	Cable (Red) (Battery + to Aux Relay/Power Module/Starter)	
41F	See Note	1	Boot, Red (Battery) (Note: Not Available for Purchase)	
42	1001146588	1	Tie-Strap (Not Shown)	
43	1001154405	3 ft/ 0.9m	Hose	
44	1001155823	1	Fitting, 90 Quick Disconnect	
45	1001165035	23.5 ft/ 7.2m	Hose	
46	1001172793	1	Guide, Hose	
47	1001220266	1	Spacer	
49	1001249682	1	Engine Assembly with Pumps (See Separate Breakdown in this Section)	
50	1001260654	1	Cover	
52	1001137866	1	Plate, Baffle	
53	1001256879	1	Bracket	
54	4240099	AR	Tie-Strap (Not Shown)	
55	0641612	1	Bolt 3/8 x 1-1/2	
56	1001026127	1	Clamp	





# SECTION 3 - ENGINE

## FIGURE 3-13. DEUTZ TD2.2L3 (STAGE V) ENGINE/PUMP SUB-ASSEMBLY - DANFOSS PISTON PUMP (WITHOUT ARCTIC PACKAGE)



ART\_1001249682

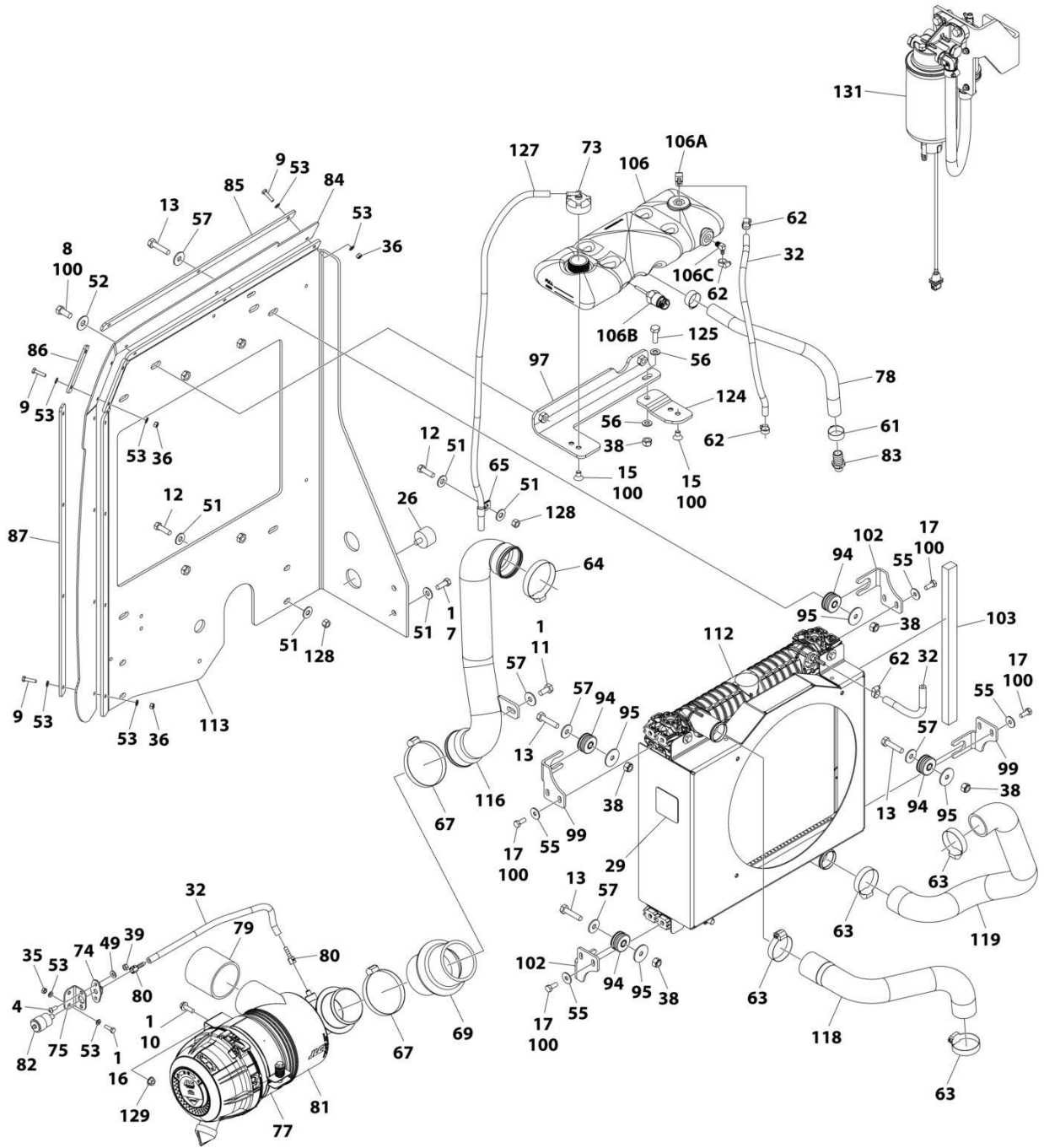
## SECTION 3 - ENGINE

**FIGURE 3-13. DEUTZ TD2.2L3 (STAGE V) ENGINE/PUMP SUB-ASSEMBLY - DANFOSS PISTON PUMP (WITHOUT ARCTIC PACKAGE)**

ITEM	PART NUMBER	QTY	DESCRIPTION	REV
	1001249682	Ref	DEUTZ TD2.9L4 ENGINE/PUMP SUB-ASSEMBLY	B
1	0100011	AR	Compound, Locking	
2	0641812	2	Bolt 1/2 x 1-1/2	
3	0700610	1	Bolt M6 x 20	
4	0761212	1	Bolt M12 x 25	
5	1060637	1	Lanyard	
6	3020037	AR	Grease, Pump Coupling	
7	3290601	1	Nut M6	
8	3291201	1	Nut M12	
9	3422533	1	Pin, Hitch	
10	3600395	1	Gear Pump Assembly with Fittings (See Separate Breakdown in this Section)	
11	3790152	1	O-Ring	
12	3931620	2	Bolt 3/8 x 1-1/4	
13	4811700	2	Washer M6	
14	4812100	1	Washer M12	
15	4891600	2	Washer 3/8 Hardened	
16	1001137873	1	Seal	
17	1001137874	1	Seal	
18	1001188952	1	Pump Assembly with Fittings (See Separate Breakdown in this Section)	
19	1001249681	1	Engine Assembly (See Separate Breakdown in this Section)	



# SECTION 3 - ENGINE



ART\_1001249681\_2OF2

## SECTION 3 - ENGINE

FIGURE 3-14. DEUTZ TD2.2L3 (STAGE V) ENGINES ASSEMBLY - WITHOUT ARCTIC PACKAGE

ITEM	PART NUMBER	QTY	DESCRIPTION	REV
	1001249681	Ref	DEUTZ TD2.9L4 ENGINE ASSEMBLY	K
1	0100011	AR	Compound, Locking	
3	0100062	AR	Adhesive	
4	0630407	2	Screw 1/4 x 5/8	
5	0641406	5	Bolt 1/4 x 3/4	
7	0641608	5	Bolt 3/8 x 1	
8	0641708	2	Bolt 7/16 x 1	
9	0700612	9	Bolt M6 x 25	
10	5250812	2	Bolt M8 x 25	
11	0701012	1	Bolt M10 x 25	
12	0641610	4	Screw 3/8 x 1-1/4	
13	0701017	4	Bolt M10 x 45	
14	0711223	3	Bolt M12 x 75	
15	0741605	2	Screw, Flathead 3/8 x 5/8	
16	0760610	2	Bolt M6 x 20	
17	0760810	8	Bolt M8 x 20	
18	0760812	6	Bolt M8 x 25	
19	0760814	4	Bolt M8 x 30	
20	0761212	1	Bolt M12 x 25	
21	0761015	1	Bolt M10 x 35	
22	0761016	2	Bolt M10 x 40	
23	0761214	3	Bolt M12 x 30	
24	0711215	2	Bolt M12 x 35	
25	0771414	4	Bolt M14 x 30	
26	0940070	1	Bumper	
27	0961986	2	Bushing, Flanged	
28	1062255	1	Tie-Strap (Not Shown)	
29	1703162	1	Decal - Fan Blade	
32	2720015	42 in / 1.06m	Hose	
33	2720340	6 in / 15cm	Hose	
34	2902065	1	Kit, Pump Coupling (See Separate Breakdown in this Section)	
35	3290601	2	Nut M6	
36	3290605	9	Nut M6	
37	3290805	10	Nut M8	
38	3291005	8	Nut M10	
39	3311405	5	Nut 1/4	
40	3331211	3	Nut M12	
41	1001260432	1	Pulley	
42	3931432	1	Capscrew 1/4 x 2	
43	4031908	4	Capscrew M8 x 20	
44	1001261085	4	Capscrew M10 x 85 Grade 10.9	
45	4031912	4	Capscrew M8 x 40	
46	1001261045	4	Capscrew M10 x 45 Grade 10.9	
47	4060805	14 in / 36cm	Flex-Trim	
48	4640751	1	Valve, Oil Drain	
49	4711400	7	Washer 1/4	
51	4751600	12	Washer 3/8	

## SECTION 3 - ENGINE

ITEM	PART NUMBER	QTY	DESCRIPTION	REV
52	4751700	2	Washer 7/16	
53	4811700	22	Washer M6	
54	4811900	28	Washer M8	
55	4811902	8	Washer M8	
56	4812000	13	Washer M10	
57	4812002	5	Washer M10	
58	4812100	6	Washer M12	
59	5241200	3	Washer M12	
60	4812200	4	Washer M14	
61	8405007	2	Clamp	
62	8405009	4	Clamp	
63	8405104	4	Clamp	
64	8405204	1	Clamp	
65	8406110	1	Clip	
66	8406201	1	Clip	
67	8410011	2	Clamp	
68	8410013	1	Clamp	
69	91403244	1	Hose	
70	1001117308	1	Relay	
71	1001258800	1	Adapter	
73	1001136834	1	Cap, Tank	
74	1001138173	1	Support	
75	1001138175	1	Bracket	
76	1001138228	1	Relay, Power Module	
76	70023593	1	Fuse 30Amp (Battery Output)	
76	70023592	1	Fuse 20Amp (Switched Output)	
77	1001186426	1	Clamp	
78	1001141370	1	Hose	
79	1001141585	1	Hose, Air Inlet	
80	1001141995	2	Fitting, Straight Barbed	
81	1001189979	1	Air Cleaner Assembly Filter Element	
81	70005008	1	Element, Filter (Not Shown)	
82	1001143390	1	Indicator, Service	
83	1001143797	1	Fitting, Straight Barbed	
84	1001144409	1	Panel, Rubber	
85	1001144410	1	Bracket, Panel Clamp	
86	1001144411	1	Bracket, Panel Clamp	
87	1001144412	1	Bracket, Panel Clamp	
88	1001258252	1	Plate, Relay Mounting	
89	1001146588	6	Tie-Strap (Not Shown)	
90	1001152489	1	Fitting, 90 Barbed	
91	1001156107	1	Holder, Cable	
92	1001165849	1	Fan	
93	1001168018	3	Washer	
94	1001169054	4	Isolator	
95	1001169138	4	Washer	
96	1001166718	3	Mount, Motor	
97	1001260413	1	Bracket, Tank	
98	1001177359	1	Hose	
99	1001178223	2	Bracket	
100	1001180620	AR	Adhesive	

## SECTION 3 - ENGINE

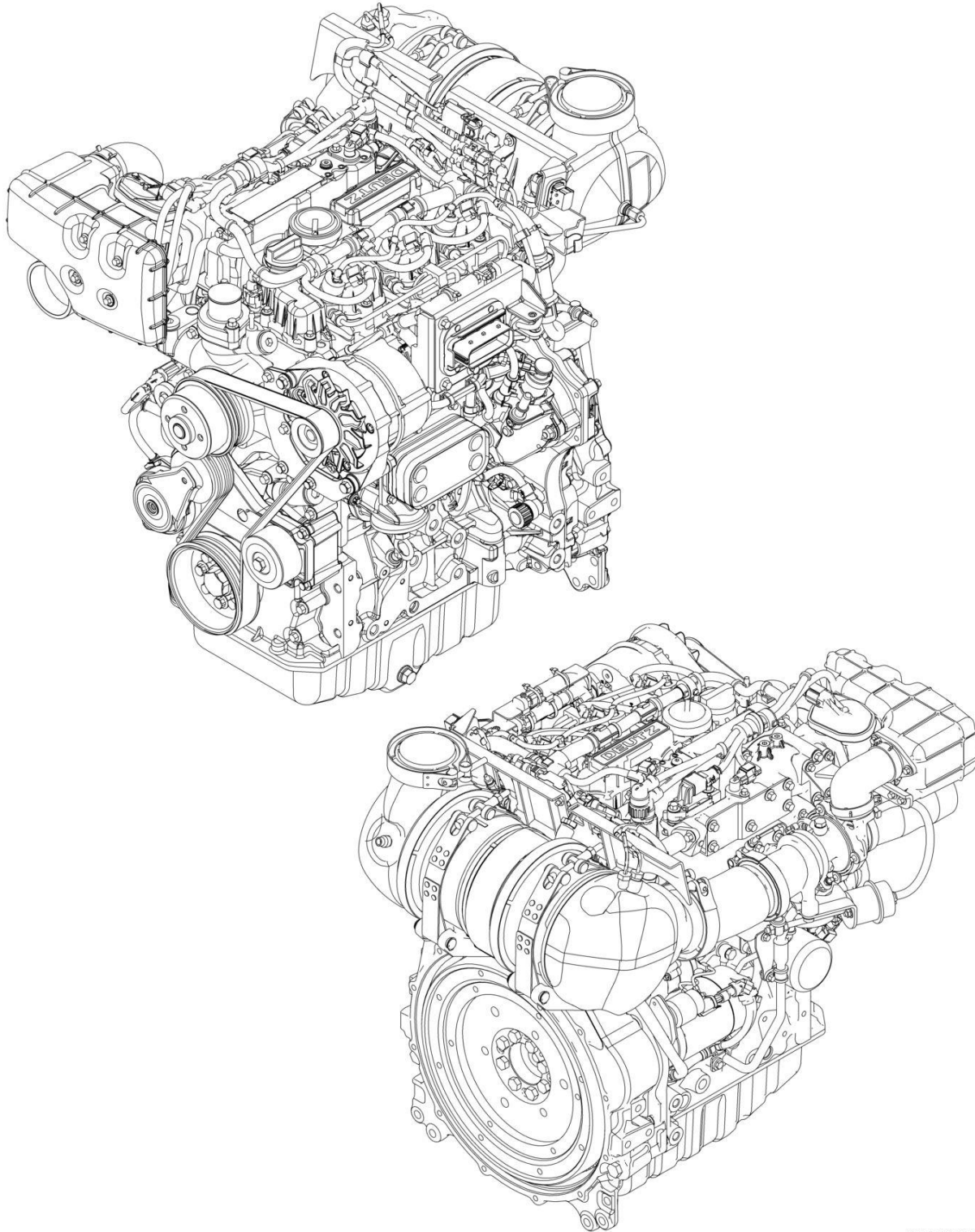
ITEM	PART NUMBER	QTY	DESCRIPTION	REV
101	1001191620	3	Clamp	
102	1001204325	2	Bracket	
103	1001269861	1	Seal	
104	1001219454	1	Seal	
105	1001219456	1	Seal	
106	1001230635	1	Tank	
106A	1001134488	1	Fitting, 90 Barbed	
106B	1001138827	1	Sensor, Coolant Level	
106C	1001140564	1	Fitting, 90 Barbed	
107	1001237947	1	Mount	
108	1001245913	1	Harness, Deutz Fuel Filter (See Separate Breakdown in ELECTRICAL Section)	
109	1001246012	1	Deutz TD2.2L3 (Stage V) Engines (See Separate Breakdown in this Section)	
110	1001246813	1	Mount, Rear Engine	
111	1001247029	1	Support, Engine Tray	
112	1001247716	1	Radiator and Shroud Assembly	
112	1001250607	1	Radiator	
112	1001247714	1	Shroud	
113	1001248434	1	Mount	
114	1001248608	1	Adapter	
115	1001249045	1	Pipe, Exhaust	
116	1001249232	1	Pipe	
117	1001249234	1	Mount, Engine	
118	1001249261	1	Hose, Radiator - Upper	
119	1001249705	1	Hose, Radiator - Lower	
120	1001251131	1	Plate	
121	1001253798	1	Harness, Engine (Not Shown - See Separate Breakdown in ELECTRICAL Section)	
122	1001143907	1	Cable, Alternator Power	
123	4240099	AR	Tie-Strap (Not Shown)	
124	1001260412	1	Bracket, Surge Tank	
125	0761014	1	Bolt M10 x 30	
126	3520054	1	Plug	
127	1001138248	38 in/ 1m	Tube	
128	3271605	4	Nut Grade 8	
129	5260800	2	Nut M8	
130	1001141304	1	Wire	
131	1001235949	1	Bracket, Fuel Pump/Filter Assembly (See Separate Breakdown in this Section)	





## SECTION 3 - ENGINE

FIGURE 3-15. DEUTZ TD2.2L3 (STAGE V) ENGINE COMPONENTS



ART\_1001246012

## SECTION 3 - ENGINE

**FIGURE 3-15. DEUTZ TD2.2L3 (STAGE V) ENGINE COMPONENTS**

ITEM	PART NUMBER	QTY	DESCRIPTION	REV
	1001246012	Ref	DEUTZ ENGINE COMPONENTS	C
		Ref	Note: For complete list of parts, contact JLG Parts Department	
		Ref	Air Intake System Components	
		Ref	Turbocharger	
		Ref	Cooling System Components	
		Ref	Pump, Coolant (Includes Gasket & Seals)	
	70007603	1	Thermostat	
	70005184	1	O-Ring	
	70005931	1	Gasket	
	70025142	1	Cover	
		Ref	Electrical System Components	
	70029512	1	Module, ECU/ECM	
	70006652	1	Generator (Includes Controller, Fan & Hardware)	
	70124507	1	Starter (Includes Solenoid & Relay)	
	70005648	1	Relay, Starter	
	70026210	1	Sender, Tacho-Generator (Speed) (On Rear of Block & Cover) (Includes Seal)	
	70024922	1	Sender, Temperature (Includes Seal) (On Air Intake Manifold)	
	70024507	1	Sensor, Pressure (Includes Seal) (On Air Intake Manifold)	
	70024504	1	Sensor, Pressure (Includes Seal) (On Fuel Filter & Side of Block)	
		Ref	Sensor, Pressure (Includes Seal) (On Exhaust Manifold)	
		Ref	Sensor, Temperature (Includes Seal) (On Exhaust Manifold)	
		Ref	Plug, Glow	
		Ref	Exhaust System Components	
		Ref	Valve, EGR	
	70025130	8	Bolt, Exhaust Manifold	
		Ref	Gasket, Exhaust Manifold	
		Ref	Outlet, Muffler	
		Ref	Muffler	
		Ref	Bracket, Muffler Mounting	
		Ref	Compensator, Exhaust	
		Ref	Fuel System Components	
	70024924	1	Pump, High Pressure	
	70025181	4	Injector (Includes Sealing washer, Clamp & O-Ring)	
	70006144	1	Pump, Fuel Supply (Includes Clamps)	
	70024961	1	Filter, Fuel (Pre-Filter Assembly) (Includes Head, Spin on filter, Sensor Cable & Seal)	
	70025153	1	Filter, Fuel Spin On	
	70024513	1	Sensor Cable (Includes Seal)	
	70025160	1	Filter, Fuel (Assembly) (Includes Head & Spin on Filter)	
	70025161	1	Filter, Fuel Spin On	
	70004508	1	Vol. Control Valve (Includes O-Ring & Gasket)	
		Ref	Lubricating System Components	
	7020465	2	Cap, Oil Fill	
	70005941	2	Plug, Oil Drain	
	70005942	2	Seal, Oil Drain Plug	
		Ref	Pump, Oil (Includes Seal & Gasket)	
	7016331	1	Filter, Oil	
	70123584	1	Cooler, Oil	
		Ref	Dipstick (Includes Seal)	

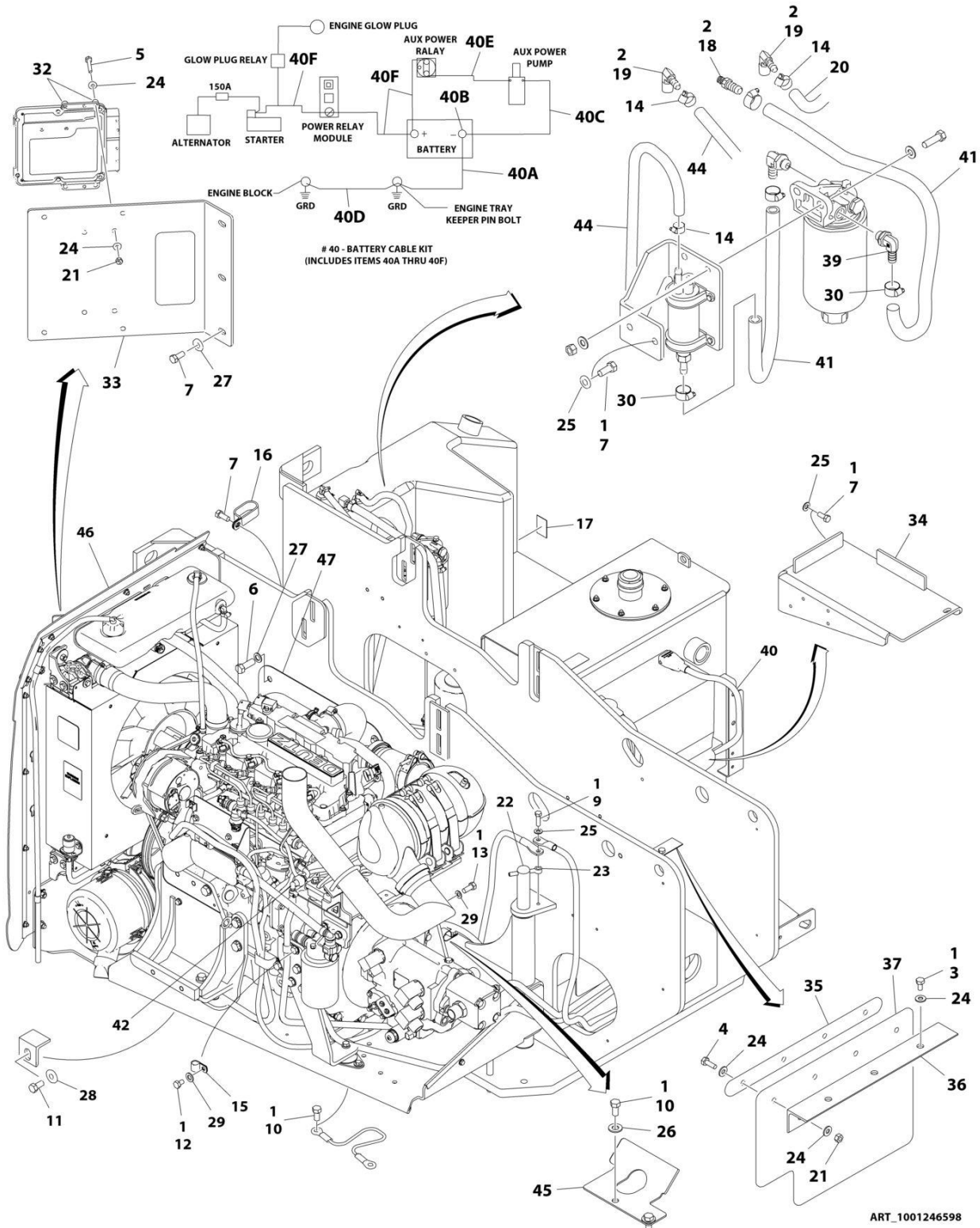
## SECTION 3 - ENGINE

ITEM	PART NUMBER	QTY	DESCRIPTION	REV
		Ref	Mechanical Components	
		Ref	Flywheel (includes Gear)	
	70004277	1	V-Belt	
	70025477	1	Belt Tensioner	



# SECTION 3 - ENGINE

## FIGURE 3-16. DEUTZ D2.9L4 (49HP) ENGINE INSTALLATION - DANFOSS PISTON PUMP (WITHOUT ARCTIC PACKAGE)



## SECTION 3 - ENGINE

**FIGURE 3-16. DEUTZ D2.9L4 (49HP) ENGINE INSTALLATION - DANFOSS PISTON PUMP (WITHOUT ARCTIC PACKAGE)**

ITEM	PART NUMBER	QTY	DESCRIPTION	REV
	1001246598	Ref	DEUTZ D2.9L4 ENGINE INSTALLATION	C
1	0100011	AR	Compound, Locking	
2	0100020	AR	Sealant, Pipe	
3	0641404	3	Bolt 1/4 x 1/2	
4	0641406	4	Bolt 1/4 x 3/4	
5	0641412	4	Bolt 1/4 x 1-1/2	
6	0641606	4	Bolt 3/8 x 3/4	
7	0641607	9	Bolt 3/8 x 7/8	
8	0641608	2	Bolt 3/8 x 1 (Not Shown)	
9	0641612	1	Bolt 3/8 x 1-1/2	
10	0641808	3	Bolt 3/8 x 1	
11	0642010	1	Bolt 5/8 x 1-1/4	
12	0761008	1	Bolt M10 x 16	
13	0771212	1	Bolt M12 x 25 Grade 10.9	
14	1320022	5	Clamp	
15	1320061	1	Clamp	
16	1321716	1	P-Clamp	
17	1701505	1	Decal - Diesel (Not Shown - Located on Hood)	
18	2180832	1	Fitting, Straight Barbed	
19	2220313	2	Fitting, 90 Barbed	
20	2750532	5 ft / 1.6m	Hose	
21	3311405	8	Nut 1/4	
22	3422448	1	Pin, Pivot	
23	3841143	1	Pin, Keeper	
24	4711400	19	Washer 1/4	
25	4711600	6	Washer 3/8	
26	4711800	2	Washer 1/2	
27	4751600	7	Washer 3/8	
28	4752000	1	Washer 5/8	
29	4812100	2	Washer M12	
30	8405006	2	Clamp	
31	8406201	4	Clip (Not Shown)	
32	1001110425	4	Spacer	
33	1001137866	1	Plate, Baffle	
34	1001137868	1	Bracket, Battery	
35	1001137880	1	Bracket, Baffle	
36	1001137881	1	Angle	
37	1001137882	1	Support, Rubber	
38	1001138491	1	Harness, Fuel Pump (Pump requiring Push-on Terminals) (Not Shown - See Separate Breakdown in ELECTRICAL SECTION)	
39	1001142501	1	Fitting, 90 Barbed	
40	1001145047	1	Battery Cable Kit	
40A	7027072	1	Cable, Battery (Black) (Battery - to Tray Pivot Grd)	
40B	8270147	1	Terminal, Battery (With Boot)	
40B	See Note	1	Boot, Black (Note: Not Available for Purchase)	
40C	7027073	1	Cable, Battery (Black) (Battery - to Aux Pump and Relay Grds)	
40C	See Note	1	Boot, Black (Note: Not Available for Purchase)	
40D	7027074	1	Cable, Battery (Black) (Engine to Tray Pivot Grd)	
40E	7027075	1	Cable (Red) (Aux Relay to Aux Pump)	

## SECTION 3 - ENGINE

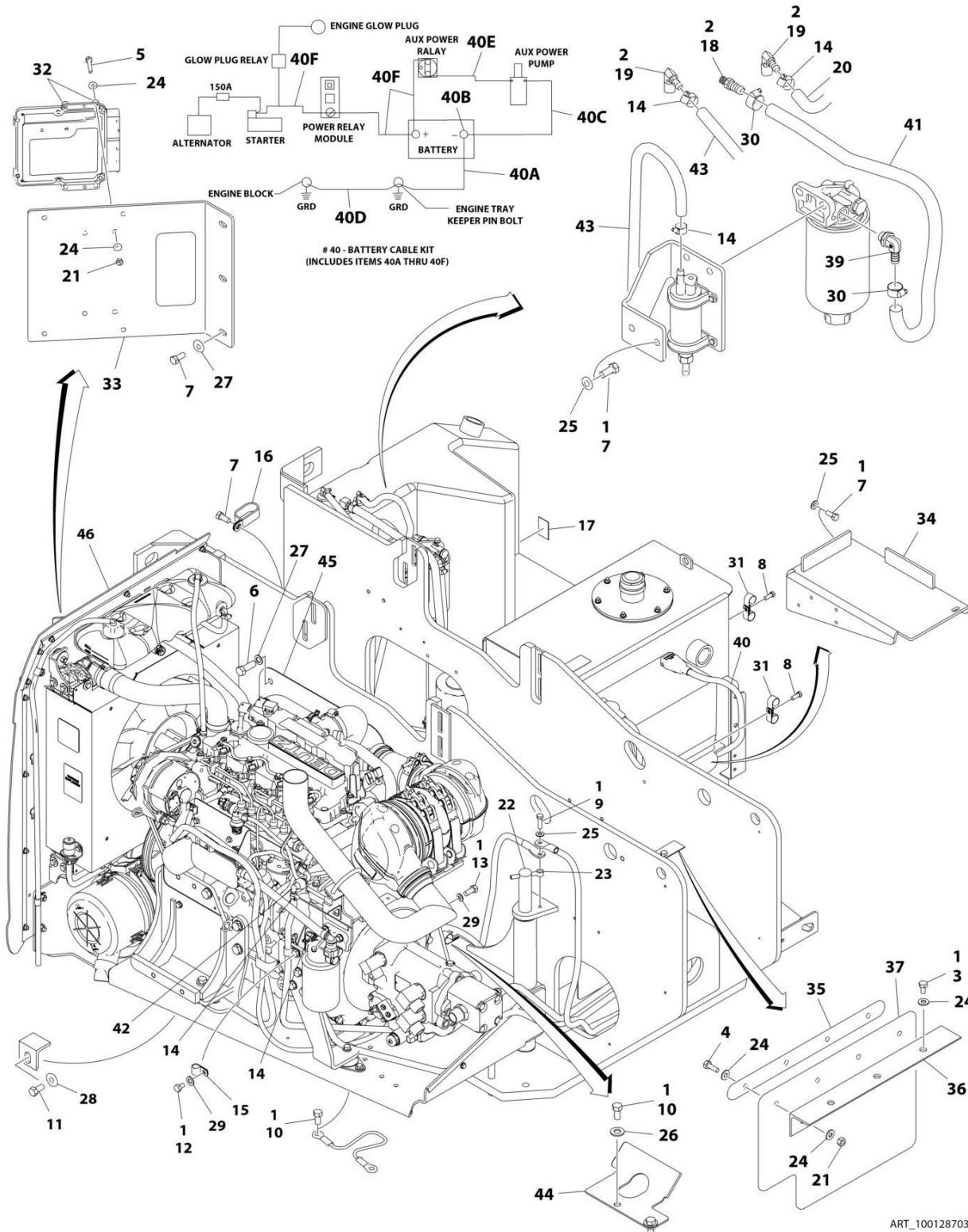
ITEM	PART NUMBER	QTY	DESCRIPTION	REV
40E	70003952	2	Boot, Red	
40F	7027076	1	Cable (Red) (Battery + to Aux Relay/Power Module/Starter)	
40F	See Note	1	Boot, Red (Battery) (Note: Not Available for Purchase)	
41	1001154405	3 ft /.9m	Hose	
42	1001155823	1	Fitting, 90 Quick Disconnect	
44	1001165035	23.5 ft /7.2m	Hose	
45	1001172793	1	Guide, Hose	
46	1001246594	1	Engine Assembly with Pumps (See Separate Breakdown in this Section)	
47	1001252521	1	Cover	





# SECTION 3 - ENGINE

## FIGURE 3-17. DEUTZ D2.9L4 (49HP) ENGINE INSTALLATION - HENGLI PISTON PUMP (WITHOUT ARCTIC PACKAGE)



ART\_1001287033

## SECTION 3 - ENGINE

**FIGURE 3-17. DEUTZ D2.9L4 (49HP) ENGINE INSTALLATION - HENGLI PISTON PUMP (WITHOUT ARCTIC PACKAGE)**

ITEM	PART NUMBER	QTY	DESCRIPTION	REV
	1001287033	Ref	DEUTZ D2.9L4 ENGINE INSTALLATION	A
1	0100011	AR	Compound, Locking	
2	0100020	AR	Sealant, Pipe	
3	0641404	3	Bolt 1/4 x 1/2	
4	0641406	4	Bolt 1/4 x 3/4	
5	0641412	4	Bolt 1/4 x 1-1/2	
6	0641606	4	Bolt 3/8 x 3/4	
7	0641607	9	Bolt 3/8 x 7/8	
8	0641608	2	Bolt 3/8 x 1	
9	0641612	1	Bolt 3/8 x 1-1/2	
10	0641808	3	Bolt 3/8 x 1	
11	0642010	1	Bolt 5/8 x 1-1/4	
12	0761008	1	Bolt M10 x 16	
13	0771212	1	Bolt M12 x 25 Class 10.9	
14	1320022	5	Clamp	
15	1320061	1	Clamp	
16	1321716	1	P-Clamp	
17	1701505	1	Decal - Diesel (Located on Hood)	
18	2180832	1	Fitting, Straight Barbed	
19	2220313	2	Fitting, 90 Barbed	
20	2750532	5 ft /1.6m	Hose	
21	3311405	8	Nut 1/4	
22	3422448	1	Pin, Pivot	
23	3841143	1	Pin, Keeper	
24	4711400	19	Washer 1/4	
25	4711600	6	Washer 3/8	
26	4711800	2	Washer 1/2	
27	4751600	7	Washer 3/8	
28	4752000	1	Washer 5/8	
29	4812100	2	Washer M12	
30	8405006	2	Clamp	
31	8406201	4	Clip	
32	1001110425	4	Spacer	
33	1001137866	1	Plate, Baffle	
34	1001137868	1	Bracket, Battery	
35	1001137880	1	Bracket, Baffle	
36	1001137881	1	Angle	
37	1001137882	1	Support, Rubber	
38	1001138491	1	Harness, Fuel Pump (Pump requiring Push-on Terminals) (Not Shown - See Separate Breakdown in ELECTRICAL Section)	
39	1001142501	1	Fitting, 90 Barbed	
40	1001145047	1	Battery Cable Kit	
40A	7027072	1	Cable, Battery (Black) (Battery - to Tray Pivot Grd)	
40B	8270147	1	Terminal, Battery (With Boot)	
40B	See Note	1	Boot, Black (Note: Not Available for Purchase)	
40C	7027073	1	Cable, Battery (Black) (Battery - to Aux Pump and Relay Grds)	
40C	See Note	1	Boot, Black (Note: Not Available for Purchase)	
40D	7027074	1	Cable, Battery (Black) (Engine to Tray Pivot Grd)	
40E	7027075	1	Cable (Red) (Aux Relay to Aux Pump)	

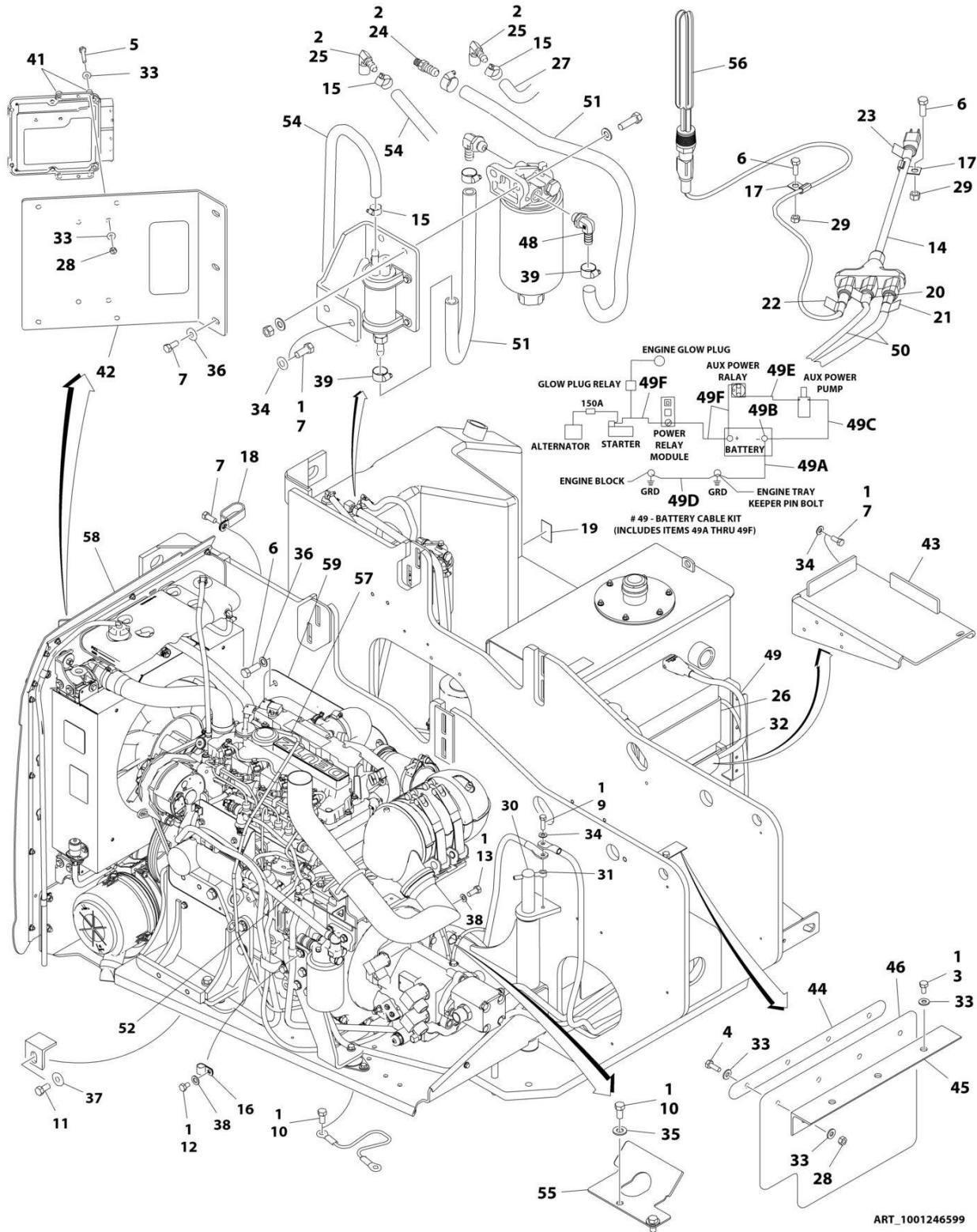
## SECTION 3 - ENGINE

ITEM	PART NUMBER	QTY	DESCRIPTION	REV
40E	70003952	2	Boot, Red	
40F	7027076	1	Cable (Red) (Battery + to Aux Relay/Power Module/Starter)	
40F	See Note	1	Boot, Red (Battery) (Note: Not Available for Purchase)	
41	1001154405	3 ft /.9m	Hose	
42	1001155823	1	Fitting, 90 Quick Disconnect	
43	1001165035	23.5 ft /7.2m	Hose	
44	1001172793	1	Guide, Hose	
45	1001252521	1	Cover	
46	1001287034	1	Engine Assembly with Pumps (See Separate Breakdown in this Section)	



# SECTION 3 - ENGINE

FIGURE 3-18. DEUTZ D2.9L4 (49HP) ENGINE INSTALLATION - DANFOSS PISTON PUMP (WITH ARCTIC PACKAGE)



## SECTION 3 - ENGINE

**FIGURE 3-18. DEUTZ D2.9L4 (49HP) ENGINE INSTALLATION - DANFOSS PISTON PUMP (WITH ARCTIC PACKAGE)**

ITEM	PART NUMBER	QTY	DESCRIPTION	REV
	1001246599	Ref	DEUTZ D2.9L4 ENGINE INSTALLATION	C
1	0100011	AR	Compound, Locking	
2	0100020	AR	Sealant, Pipe	
3	0641404	3	Bolt 1/4 x 1/2	
4	0641406	4	Bolt 1/4 x 3/4	
5	0641412	4	Bolt 1/4 x 1-1/2	
6	0641606	6	Bolt 3/8 x 3/4	
7	0641607	9	Bolt 3/8 x 7/8	
8	0641608	2	Bolt 3/8 x 1 (Not Shown)	
9	0641612	1	Bolt 3/8 x 1-1/2	
10	0641808	3	Bolt 1/2 x 1	
11	0642010	1	Bolt 5/8 x 1-1/4	
12	0761008	1	Bolt M10 x 16	
13	0771212	1	Bolt M12 x 25 Grade 10.9	
14	1060626	1	Cord, 3 Way Extension	
15	1320022	5	Clamp	
16	1320061	1	Clamp	
17	1320223	2	Clamp	
18	1321716	1	P-Clamp	
19	1701505	1	Decal - Diesel (Not Shown - Located on Hood)	
20	1702941	1	Decal - Battery Heater	
21	1702942	1	Decal - Engine Block Heater	
22	1702943	1	Decal - Hydraulic Tank Heater	
23	1702944	1	Decal - Heater Cord	
24	2180832	1	Fitting, Straight Barbed	
25	2220313	2	Fitting, 90 Barbed	
26	2580024	1	Heater, Battery	
27	2750532	5 ft /1.6m	Hose	
28	3311405	8	Nut 1/4	
29	3311605	2	Nut 3/8	
30	3422448	1	Pin, Pivot	
31	3841143	1	Pin, Keeper	
32	3980007	1	Seat, Battery	
33	4711400	19	Washer 1/4	
34	4711600	8	Washer 3/8	
35	4711800	2	Washer 1/2	
36	4751600	7	Washer 3/8	
37	4752000	1	Washer 5/8	
38	4812100	2	Washer M12	
39	8405006	2	Clamp	
40	8406201	4	Clip (Not Shown)	
41	1001110425	4	Spacer	
42	1001137866	1	Plate, Baffle	
43	1001137868	1	Bracket, Battery	
44	1001137880	1	Bracket, Baffle	
45	1001137881	1	Angle	
46	1001137882	1	Support, Rubber	
47	1001138491	1	Harness, Fuel Pump (Pump requiring Push-on Terminals) (Not Shown - See Separate Breakdown in ELECTRICAL SECTION)	

## SECTION 3 - ENGINE

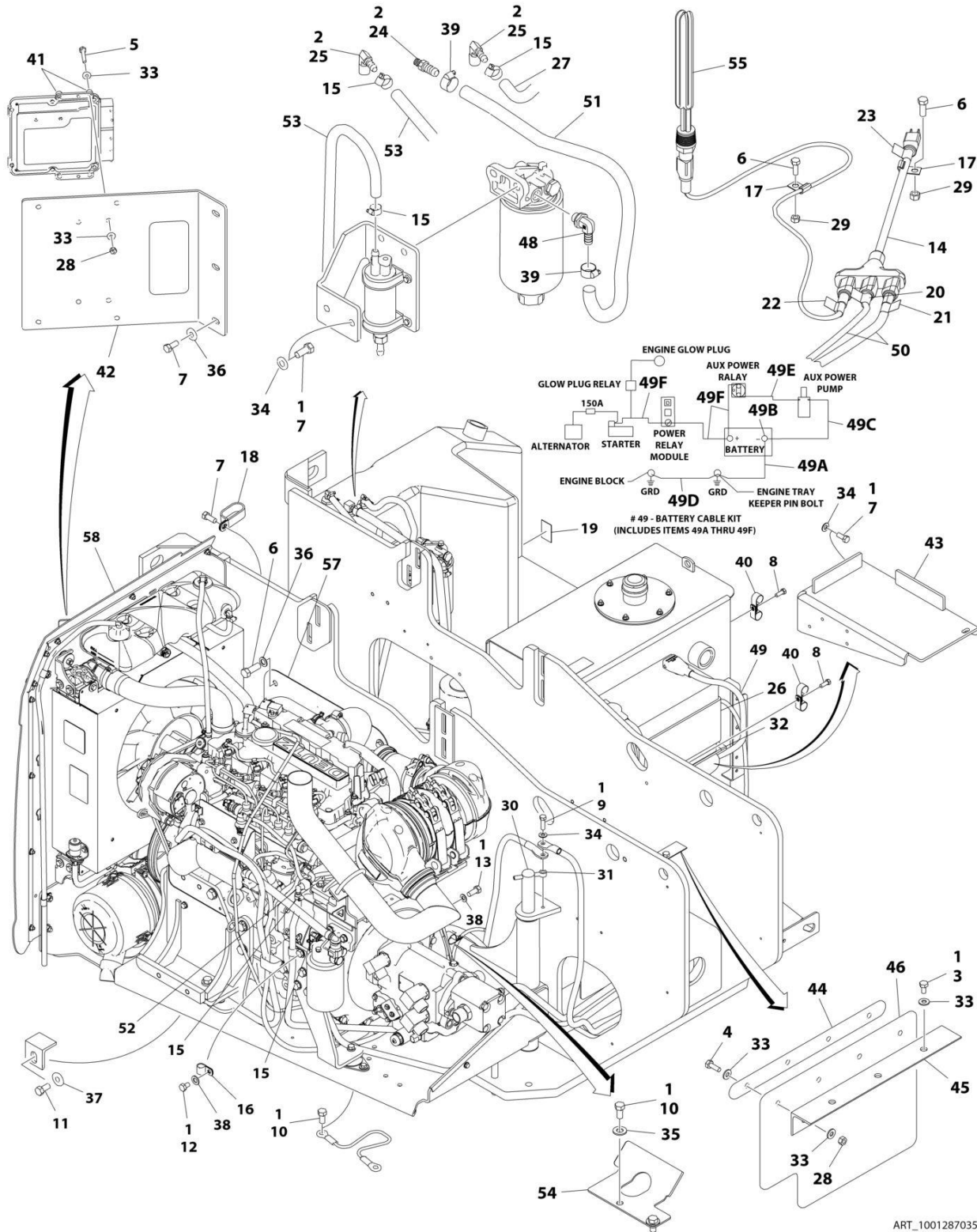
ITEM	PART NUMBER	QTY	DESCRIPTION	REV
48	1001142501	1	Fitting, 90 Barbed	
49	1001145047	1	Battery Cable Kit	
49A	7027072	1	Cable, Battery (Black) (Battery - to Tray Pivot Grd)	
49B	8270147	1	Terminal, Battery (With Boot)	
49B	See Note	1	Boot, Black (Note: Not Available for Purchase)	
49C	7027073	1	Cable, Battery (Black) (Battery - to Aux Pump and Relay Grds)	
49C	See Note	1	Boot, Black (Note: Not Available for Purchase)	
49D	7027074	1	Cable, Battery (Black) (Engine to Tray Pivot Grd)	
49E	7027075	1	Cable (Red) (Aux Relay to Aux Pump)	
49E	70003952	2	Boot, Red	
49F	7027076	1	Cable (Red) (Battery + to Aux Relay/Power Module/Starter)	
49F	See Note	1	Boot, Red (Battery) (Note: Not Available for Purchase)	
50	1001150918	1	Cable, Immersion Heater	
51	1001154405	3 ft /.9m	Hose	
52	1001155823	1	Fitting, 90 Quick Disconnect	
54	1001165035	23.5 ft /7.2m	Hose	
55	1001172793	1	Guide, Hose	
56	1001188972	1	Heater, Hydraulic Tank	
57	1001233763	1	Breather Heater Installation (Not Shown - See Separate Breakdown in this Section)	
58	1001246592	1	Engine Assembly with Pumps (See Separate Breakdown in this Section)	
59	1001252521	1	Cover	





# SECTION 3 - ENGINE

## FIGURE 3-19. DEUTZ D2.9L4 (49HP) ENGINE INSTALLATION - HENGLI PISTON PUMP (WITH ARCTIC PACKAGE)



ART\_1001287035

## SECTION 3 - ENGINE

**FIGURE 3-19. DEUTZ D2.9L4 (49HP) ENGINE INSTALLATION - HENGLI PISTON PUMP (WITH ARCTIC PACKAGE)**

ITEM	PART NUMBER	QTY	DESCRIPTION	REV
	1001287035	Ref	DEUTZ D2.9L4 ENGINE INSTALLATION	A
1	0100011	AR	Compound, Locking	
2	0100020	AR	Sealant, Pipe	
3	0641404	3	Bolt 1/4 x 1/2	
4	0641406	4	Bolt 1/4 x 3/4	
5	0641412	4	Bolt 1/4 x 1-1/2	
6	0641606	6	Bolt 3/8 x 3/4	
7	0641607	9	Bolt 3/8 x 7/8	
8	0641608	2	Bolt 3/8 x 1	
9	0641612	1	Bolt 3/8 x 1-1/2	
10	0641808	3	Bolt 1/2 x 1	
11	0642010	1	Bolt 5/8 x 1-1/4	
12	0761008	1	Bolt M10 x 16	
13	0771212	1	Bolt M12 x 25 Class 10.9	
14	1060626	1	Cord, 3 Way Extension	
15	1320022	5	Clamp	
16	1320061	1	Clamp	
17	1320223	2	Clamp	
18	1321716	1	P-Clamp	
19	1701505	1	Decal - Diesel (Located on Hood)	
20	1702941	1	Decal - Battery Heater	
21	1702942	1	Decal - Engine Block Heater	
22	1702943	1	Decal - Hydraulic Tank Heater	
23	1702944	1	Decal - Heater Cord	
24	2180832	1	Fitting, Straight Barbed	
25	2220313	2	Fitting, 90 Barbed	
26	2580024	1	Heater, Battery	
27	2750532	5 ft /1.6m	Hose	
28	3311405	8	Nut, Lock 1/4	
29	3311605	2	Nut, Lock 3/8	
30	3422448	1	Pin, Pivot	
31	3841143	1	Pin, Keeper	
32	3980007	1	Seat, Battery	
33	4711400	19	Washer 1/4	
34	4711600	6	Washer 3/8	
35	4711800	2	Washer 1/2	
36	4751600	7	Washer 3/8	
37	4752000	1	Washer 5/8	
38	4812100	2	Washer M12	
39	8405006	2	Clamp	
40	8406201	4	Clip	
41	1001110425	4	Spacer	
42	1001137866	1	Plate, Baffle	
43	1001137868	1	Bracket, Battery	
44	1001137880	1	Bracket, Baffle	
45	1001137881	1	Angle	
46	1001137882	1	Support, Rubber	
47	1001138491	1	Harness, Fuel Pump (Pump requiring Push-on Terminals) (Not Shown - See Separate Breakdown in ELECTRICAL Section)	

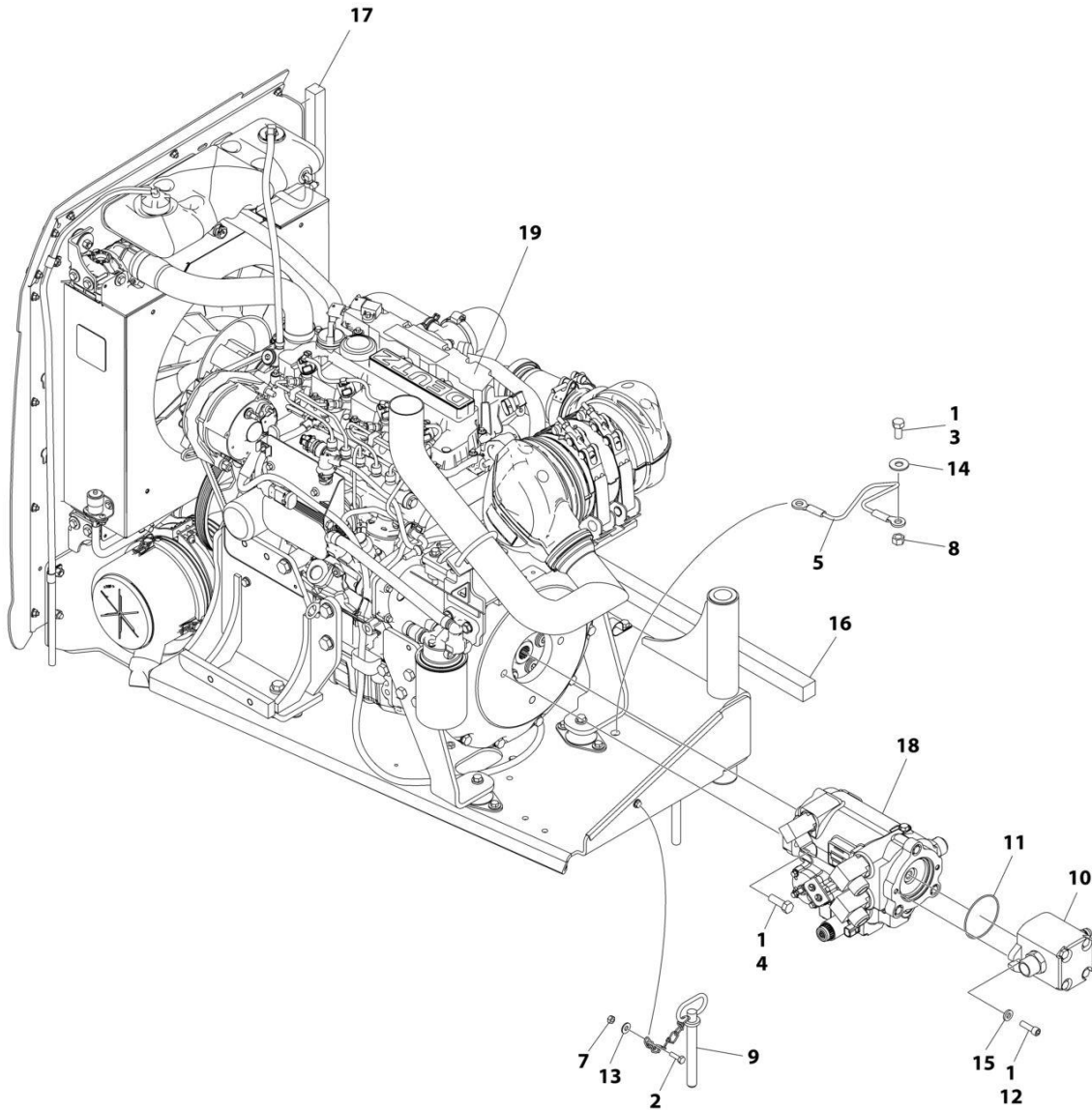
## SECTION 3 - ENGINE

ITEM	PART NUMBER	QTY	DESCRIPTION	REV
48	1001142501	1	Fitting, 90 Barbed	
49	1001145047	1	Battery Cable Kit	
49A	7027072	1	Cable, Battery (Black) (Battery - to Tray Pivot Grd)	
49B	8270147	1	Terminal, Battery (With Boot)	
49B	See Note	1	Boot, Black (Note: Not Available for Purchase)	
49C	7027073	1	Cable, Battery (Black) (Battery - to Aux Pump and Relay Grds)	
49C	See Note	1	Boot, Black (Note: Not Available for Purchase)	
49D	7027074	1	Cable, Battery (Black) (Engine to Tray Pivot Grd)	
49E	7027075	1	Cable (Red) (Aux Relay to Aux Pump)	
49E	70003952	2	Boot, Red	
49F	7027076	1	Cable (Red) (Battery + to Aux Relay/Power Module/Starter)	
49F	See Note	1	Boot, Red (Battery) (Note: Not Available for Purchase)	
50	1001150918	1	Cable, Immersion Heater	
51	1001154405	3 ft /.9m	Hose	
52	1001155823	1	Fitting, 90 Quick Disconnect	
53	1001165035	23.5 ft /7.2m	Hose	
54	1001172793	1	Guide, Hose	
55	1001188972	1	Heater, Hydraulic Tank	
56	1001233763	1	Breather Heater Installation (Not Shown - See Separate Breakdown in this Section)	
57	1001252521	1	Cover	
58	1001287036	1	Engine Assembly with Pumps (See Separate Breakdown in this Section)	



# SECTION 3 - ENGINE

## FIGURE 3-20. DEUTZ D2.9L4 (49HP) ENGINE/PUMP SUB-ASSEMBLY - DANFOSS PISTON PUMP (WITHOUT ARCTIC PACKAGE)



ART\_1001246594

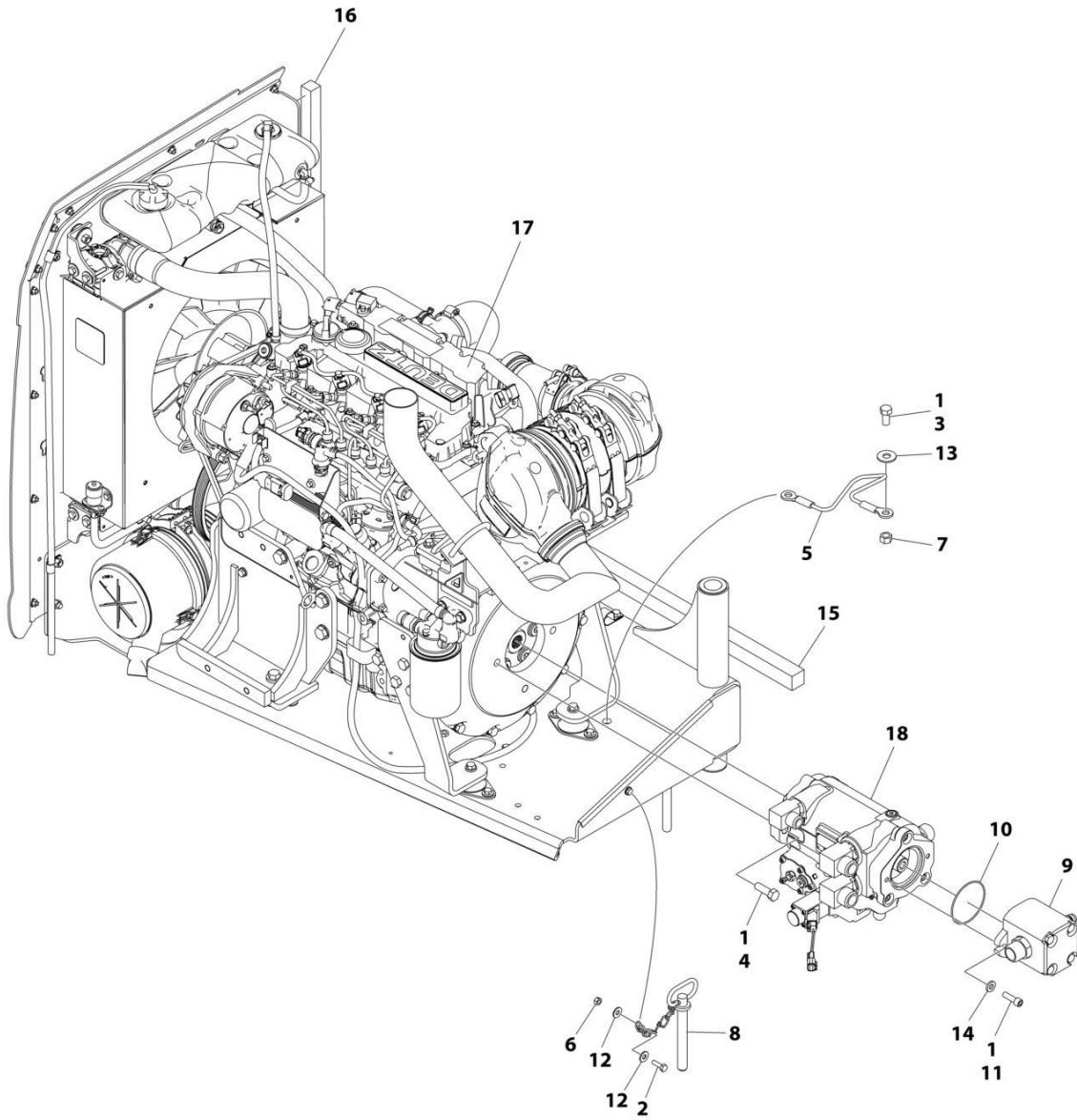
## SECTION 3 - ENGINE

**FIGURE 3-20. DEUTZ D2.9L4 (49HP) ENGINE/PUMP SUB-ASSEMBLY - DANFOSS PISTON PUMP  
(WITHOUT ARCTIC PACKAGE)**

ITEM	PART NUMBER	QTY	DESCRIPTION	REV
	1001246594	Ref	DEUTZ D2.9L4 ENGINE/PUMP SUB-ASSEMBLY	C
1	0100011	AR	Compound, Locking	
2	0641406	1	Bolt 1/4 x 3/4	
3	0641808	1	Bolt 1/2 x 1	
4	0641812	2	Bolt 1/2 x 1-1/2	
5	1060637	1	Lanyard	
7	3311405	1	Nut 1/4	
8	3311801	1	Nut 1/2	
9	3422533	1	Pin, Hitch	
10	3600395	1	Gear Pump Assembly with Fittings (See Separate Breakdown in this Section)	
11	3790152	1	O-Ring	
12	3931620	2	Bolt 3/8 x 1-1/4	
13	4711400	2	Washer 1/4	
14	4751800	1	Washer 1/2	
15	4891600	2	Washer 3/8 Hardened	
16	1001137873	1	Seal	
17	1001137874	1	Seal	
18	1001188952	1	Pump Assembly with Fittings (See Separate Breakdown in this Section)	
19	1001246593	1	Engine Assembly (See Separate Breakdown in this Section)	

# SECTION 3 - ENGINE

## FIGURE 3-21. DEUTZ D2.9L4 (49HP) ENGINE/PUMP SUB-ASSEMBLY - HENGLI PISTON PUMP (WITHOUT ARCTIC PACKAGE)



ART\_1001287034



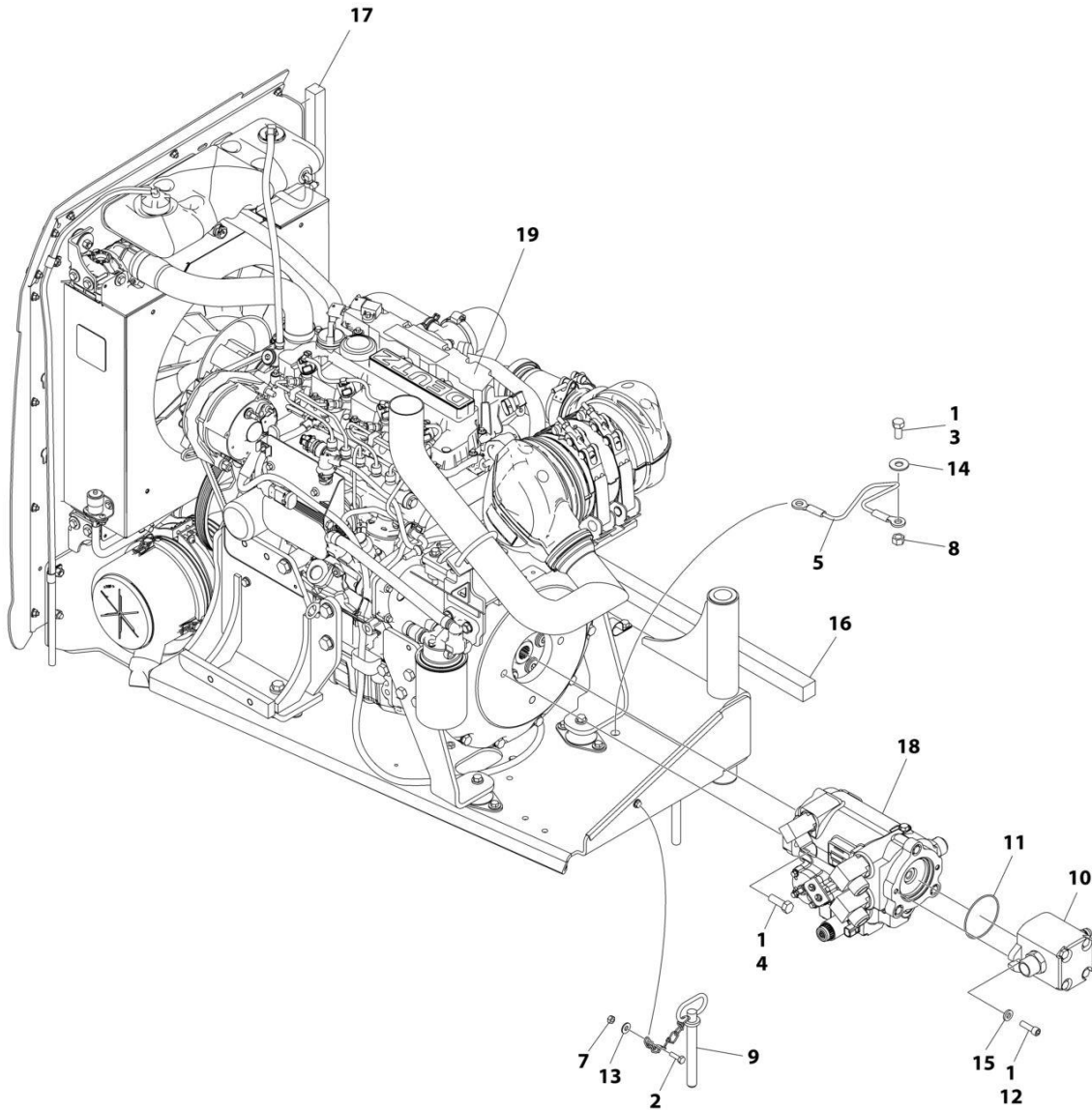
## SECTION 3 - ENGINE

**FIGURE 3-21. DEUTZ D2.9L4 (49HP) ENGINE/PUMP SUB-ASSEMBLY - HENGLI PISTON PUMP  
(WITHOUT ARCTIC PACKAGE)**

ITEM	PART NUMBER	QTY	DESCRIPTION	REV
	1001287034	Ref	DEUTZ D2.9L4 ENGINE/PUMP SUB-ASSEMBLY	B
1	0100011	AR	Compound, Locking	
2	0641406	1	Bolt 1/4 x 3/4	
3	0641808	1	Bolt 1/2 x 1	
4	0641812	2	Bolt 1/2 x 1-1/2	
5	1060637	1	Lanyard	
6	3311405	1	Nut, Lock 1/4	
7	3311801	1	Nut 1/2	
8	3422533	1	Pin, Hitch	
9	3600395	1	Gear Pump Assembly with Fittings (See Separate Breakdown in this Section)	
10	70007827	1	O-Ring (Part of Item 18)	
11	3931620	2	Bolt 3/8 x 1-1/4	
12	4711400	2	Washer 1/4	
13	4751800	1	Washer 1/2	
14	4891600	2	Washer 3/8 Hardened	
15	1001137873	1	Seal	
16	1001137874	1	Seal	
17	1001246593	1	Engine Assembly (See Separate Breakdown in this Section)	
18	1001287018	1	Pump Assembly with Fittings (See Separate Breakdown in this Section)	

# SECTION 3 - ENGINE

## FIGURE 3-22. DEUTZ D2.9L4 (49HP) ENGINE/PUMP SUB-ASSEMBLY - DANFOSS PISTON PUMP (WITH ARCTIC PACKAGE)



ART\_1001246592

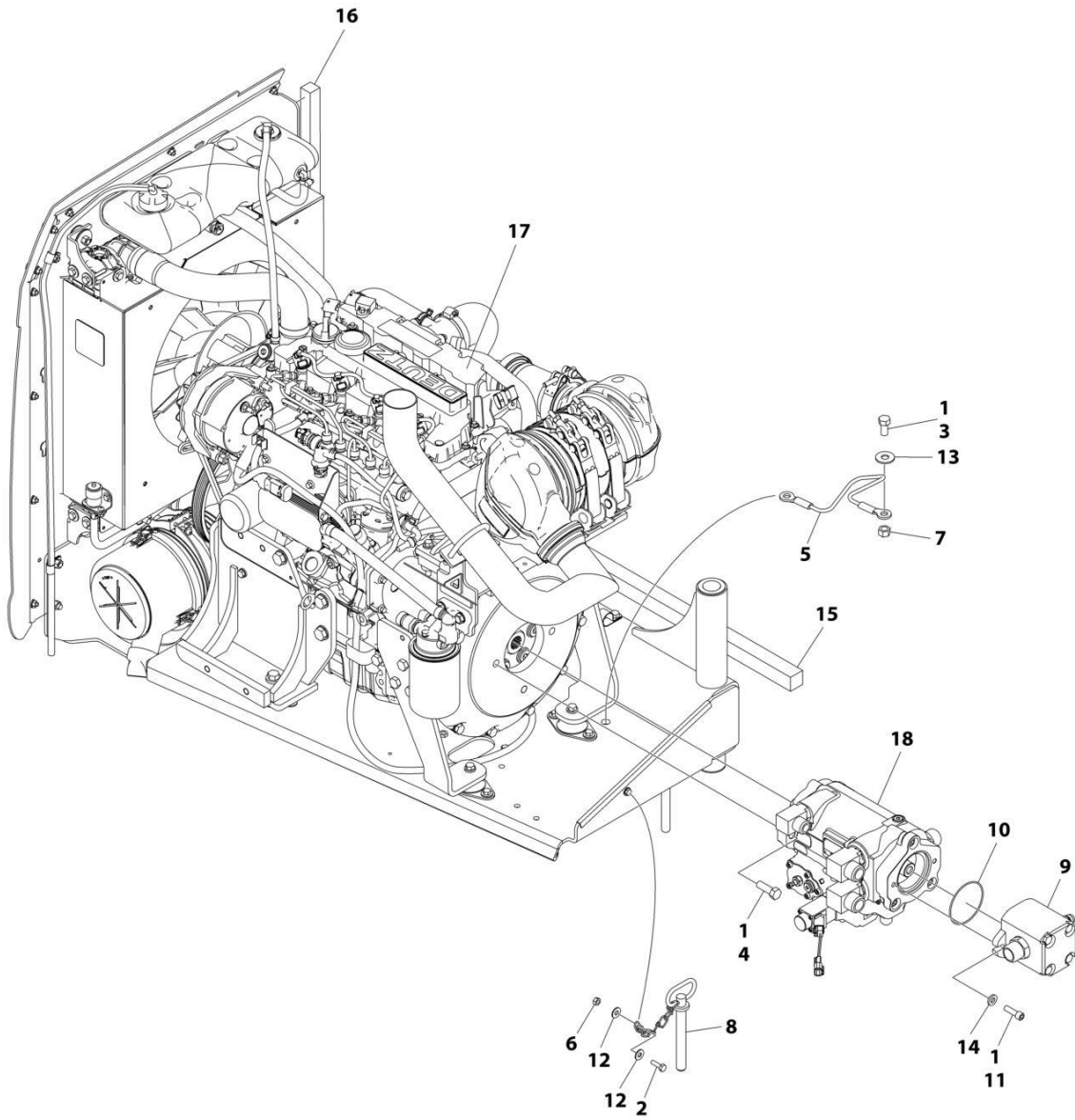
## SECTION 3 - ENGINE

**FIGURE 3-22. DEUTZ D2.9L4 (49HP) ENGINE/PUMP SUB-ASSEMBLY - DANFOSS PISTON PUMP  
(WITH ARCTIC PACKAGE)**

ITEM	PART NUMBER	QTY	DESCRIPTION	REV
	1001246592	Ref	DEUTZ D2.9L4 ENGINE/PUMP SUB-ASSEMBLY	C
1	0100011	AR	Compound, Locking	
2	0641406	1	Bolt 1/4 x 3/4	
3	0641808	1	Bolt 1/2 x 1	
4	0641812	2	Bolt 1/2 x 1-1/2	
5	1060637	1	Lanyard	
7	3311405	1	Nut 1/4	
8	3311801	1	Nut 1/2	
9	3422533	1	Pin, Hitch	
10	3600395	1	Gear Pump Assembly with Fittings (See Separate Breakdown in this Section)	
11	3790152	1	O-Ring	
12	3931620	2	Bolt 3/8 x 1-1/4	
13	4711400	2	Washer 1/4	
14	4751800	1	Washer 1/2	
15	4891600	2	Washer 3/8 Hardened	
16	1001137873	1	Seal	
17	1001137874	1	Seal	
18	1001188952	1	Pump Assembly with Fittings (See Separate Breakdown in this Section)	
19	1001246590	1	Engine Assembly (See Separate Breakdown in this Section)	

# SECTION 3 - ENGINE

FIGURE 3-23. DEUTZ D2.9L4 (49HP) ENGINE/PUMP SUB-ASSEMBLY - HENGLI PISTON PUMP (WITH ARCTIC PACKAGE)



ART\_1001287036

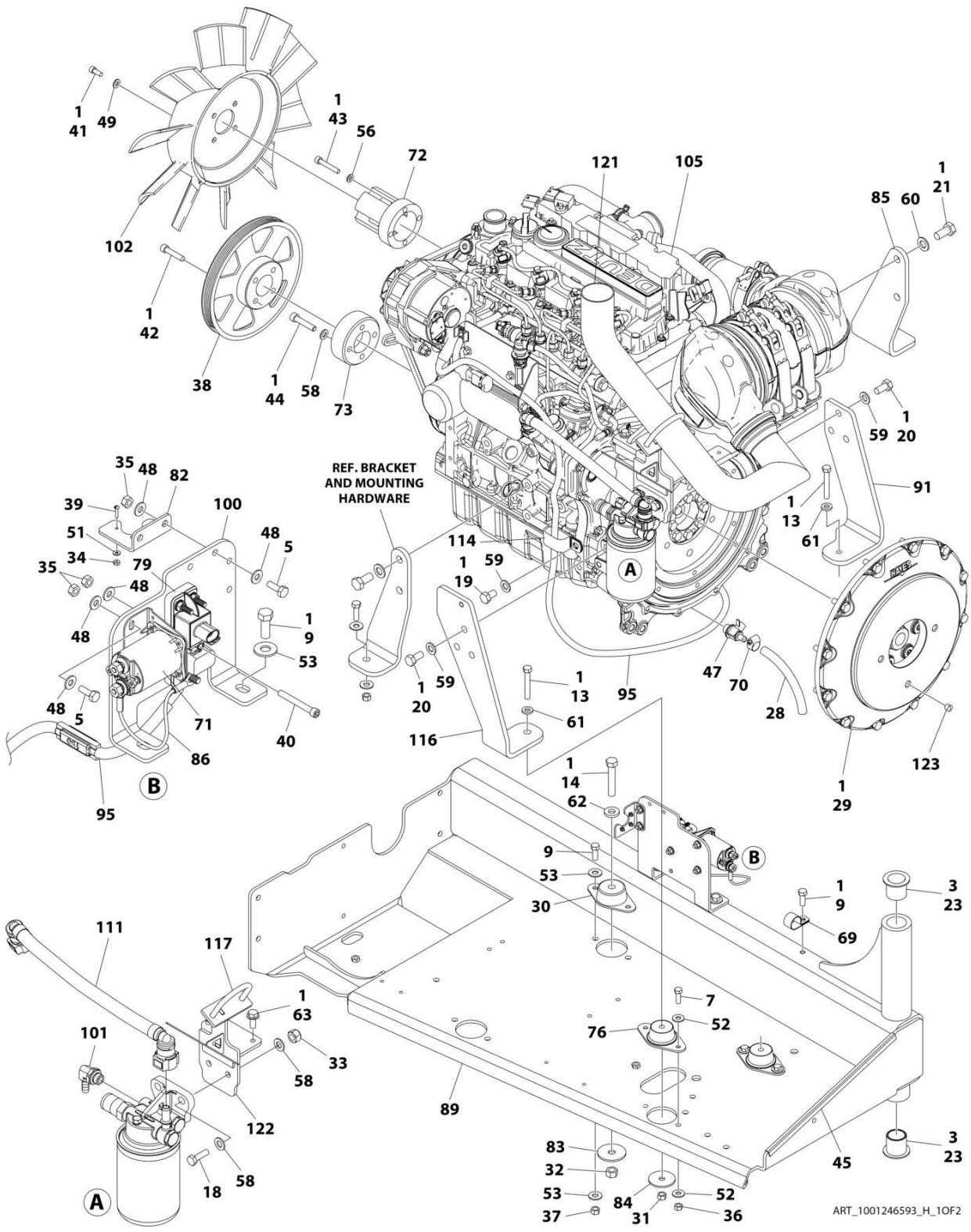
## SECTION 3 - ENGINE

**FIGURE 3-23. DEUTZ D2.9L4 (49HP) ENGINE/PUMP SUB-ASSEMBLY - HENGLI PISTON PUMP (WITH ARCTIC PACKAGE)**

ITEM	PART NUMBER	QTY	DESCRIPTION	REV
	1001287036	Ref	DEUTZ D2.9L4 ENGINE/PUMP SUB-ASSEMBLY	B
1	0100011	AR	Compound, Locking	
2	0641406	1	Bolt 1/4 x 3/4	
3	0641808	1	Bolt 1/2 x 1	
4	0641812	2	Bolt 1/2 x 1-1/2	
5	1060637	1	Lanyard	
6	3311405	1	Nut, Lock 1/4	
7	3311801	1	Nut 1/2	
8	3422533	1	Pin, Hitch	
9	3600395	1	Gear Pump Assembly with Fittings (See Separate Breakdown in this Section)	
10	70007827	1	O-Ring (Part of Item 18)	
11	3931620	2	Bolt 3/8 x 1-1/4	
12	4711400	2	Washer 1/4	
13	4751800	1	Washer 1/2	
14	4891600	2	Washer 3/8 Hardened	
15	1001137873	1	Seal	
16	1001137874	1	Seal	
17	1001246590	1	Engine Assembly (See Separate Breakdown in this Section)	
18	1001287018	1	Pump Assembly with Fittings (See Separate Breakdown in this Section)	

# SECTION 3 - ENGINE

## FIGURE 3-24. DEUTZ D2.9L4 (49HP) ENGINE ASSEMBLY - WITHOUT ARCTIC PACKAGE





## SECTION 3 - ENGINE

**FIGURE 3-24. DEUTZ D2.9L4 (49HP) ENGINE ASSEMBLY - WITHOUT ARCTIC PACKAGE**

ITEM	PART NUMBER	QTY	DESCRIPTION	REV
	1001246593	Ref	DEUTZ D2.9L4 ENGINE ASSEMBLY	H
1	0100011	AR	Compound, Locking	
2	0100020	AR	Sealant	
3	0100062	AR	Adhesive	
4	0630407	2	Screw 1/4 x 5/8	
5	0641406	5	Bolt 1/4 x 3/4	
6	0641408	9	Bolt 1/4 x 1	
7	0641508	4	Bolt 5/16 x 1	
8	0641510	2	Bolt 5/16 x 1-1/4	
9	0641608	7	Bolt 3/8 x 1	
10	0641609	4	Bolt 3/8 x 1-1/8	
11	0641612	4	Bolt 3/8 x 1-1/2	
12	0641708	2	Bolt 7/16 x 1	
13	0681620	2	Bolt 3/8 x 2-1/2 Grade 8	
14	0681822	1	Bolt 1/2 x 2-3/4 Grade 8	
15	0741605	2	Screw, Flathead 3/8 x 5/8	
16	0760605	2	Bolt M6 x 10	
17	0760810	8	Bolt M8 x 20	
18	0761015	2	Bolt M10 x 35	
19	0761210	1	Bolt M12 x 20	
20	0771212	6	Bolt M12 x 25 Grade 10.9	
21	0771414	2	Bolt M14 x 30	
22	0940070	1	Bumper	
23	0961986	2	Bushing, Flanged	
24	1703162	1	Decal - Fan Blade	
25	2220315	1	Fitting, Straight Barbed	
27	2720015	26 in /.9m	Hose	
28	2720340	16 in /40.6cm	Hose	
29	2902065	1	Kit, Pump Coupling (See Separate Breakdown in this Section)	
30	3200401	1	Mount, Motor	
31	3271601	2	Nut 3/8 Grade 8	
32	3271801	1	Nut 1/2 Grade 8	
33	3291005	2	Nut M10	
34	3310401	3	Nut #4	
35	3311405	17	Nut 1/4	
36	3311505	6	Nut 5/16	
37	3311605	11	Nut 3/8	
38	3580320	1	Pulley	
39	3910408	3	Screw #4 x 1/2	
40	3931432	1	Capscrew 1/4 x 2	
41	3931512	4	Capscrew 5/16 x 3/4	
42	3931628	4	Capscrew 3/8 x 1-3/4	
43	4031914	4	Capscrew M8 x 50	
44	4032014	4	Capscrew M10 x 50	
45	4060805	14 in /36cm	Flex-Trim	
46	4240099	AR	Tie-Strap (Not Shown)	
47	4640751	1	Valve, Oil Drain	
48	4711400	31	Washer 1/4	



## SECTION 3 - ENGINE

ITEM	PART NUMBER	QTY	DESCRIPTION	REV
49	4711500	4	Washer 5/16	
50	4711600	8	Washer 3/8	
51	4750400	3	Washer #4	
52	4751500	12	Washer 5/16	
53	4751600	14	Washer 3/8	
54	4751700	2	Washer 7/16	
55	4811702	2	Washer M6	
56	4811900	4	Washer M8	
57	4811902	8	Washer M8	
58	4812000	8	Washer M10	
59	4812100	7	Washer M12	
60	4812200	2	Washer M14	
61	4891600	2	Washer 3/8 Hardened	
62	4891800	1	Washer 1/2 Hardened	
63	5250810	2	Bolt M8 x 20	
64	8405007	2	Clamp	
65	8405009	4	Clamp	
66	8405104	4	Clamp	
67	8405204	1	Clamp	
68	8406110	2	Clip	
69	8406201	1	Clip	
70	8410013	1	Clamp	
71	1001117308	1	Relay	
72	1001135138	1	Adapter	
73	1001135679	1	Adapter	
75	1001136834	1	Cap, Tank	
76	1001138170	2	Mount, Motor	
77	1001138173	1	Support	
78	1001138175	1	Bracket	
79	1001138228	1	Relay, Power Module	
79	70023593	1	Fuse 30Amp (Battery Output)	
79	70023592	1	Fuse 20Amp (Switched Output)	
80	1001138248	67 in /1.7m	Tube	
81	1001138557	1	Clamp	
82	1001139240	1	Bracket	
83	1001139409	1	Washer, Special	
84	1001139429	2	Washer, Special	
85	1001140454	1	Mount, Front Engine	
86	1001141304	1	Harness, Glow Plug	
87	1001141585	1	Hose, Air Inlet	
88	1001141995	1	Fitting, Straight Barbed	
89	1001142538	1	Support	
90	1001142615	1	Air Cleaner Assembly Filter Element	
90	91403102	1	Element, Filter (Not Shown)	
91	1001142635	1	Mount, Rear Engine	
92	1001143390	1	Indicator, Service	
93	1001143726	1	Harness, Engine (Not Shown - See Separate Breakdown in ELECTRICAL SECTION)	
94	1001143797	1	Fitting, Straight Barbed	
95	1001143907	1	Cable, Alternator Power	
96	1001144409	1	Panel, Rubber	

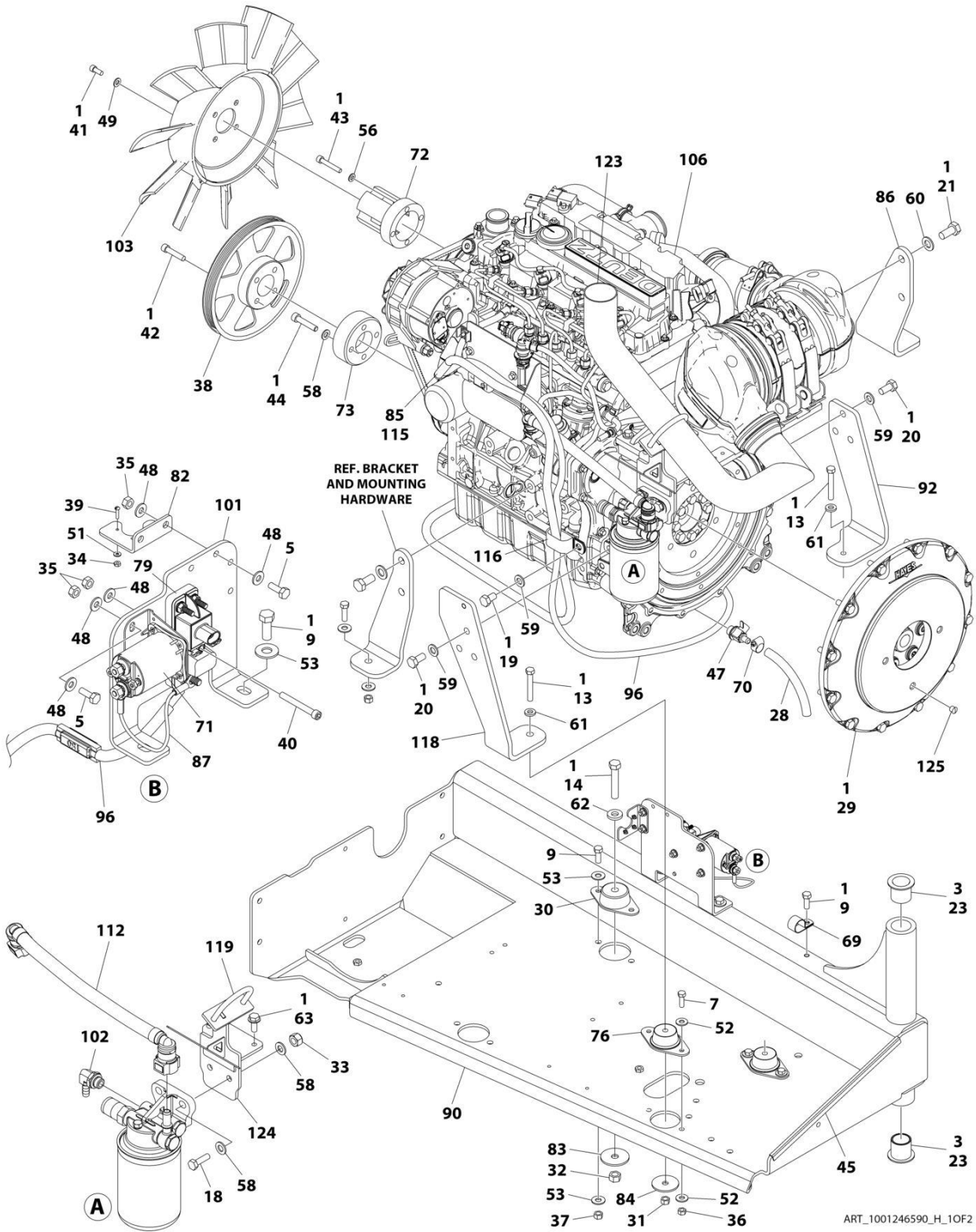
## SECTION 3 - ENGINE

ITEM	PART NUMBER	QTY	DESCRIPTION	REV
97	1001144410	1	Bracket, Panel Clamp	
98	1001144411	1	Bracket, Panel Clamp	
99	1001144412	1	Bracket, Panel Clamp	
100	1001145154	1	Plate, Relay Mounting	
101	1001152489	1	Fitting, 90 Barbed	
102	1001165849	1	Fan	
103	1001169054	4	Isolator	
104	1001169138	4	Washer	
105	1001170617	1	Deutz D2.9L4 Engine Components (See Separate Breakdown in this Section)	
106	1001176225	1	Hose, Radiator - Upper	
107	1001176226	1	Hose, Radiator - Lower	
108	1001260413	1	Bracket, Tank	
109	1001176511	1	Hose	
110	1001176723	1	Plate Radiator Mounting	
111	1001177359	1	Hose	
112	1001178223	2	Bracket	
113	1001180620	AR	Adhesive	
114	1001181899	1	Clamp	
115	1001204325	2	Bracket	
116	1001205051	1	Mount, Rear Engine	
117	1001228506	1	Bolt, U-Bolt	
118	1001230635	1	Tank	
118A	1001134488	1	Fitting, 90 Barbed	
118B	1001138827	1	Sensor, Coolant Level	
118C	1001140564	1	Fitting, 90 Barbed	
119	1001247105	1	Hose, Inlet	
120	1001247676	1	Radiator and Shroud Assembly	
120	1001203495	1	Radiator	
120	1001247564	1	Shroud	
121	1001248477	1	Pipe, Exhaust	
122	1001248480	1	Bracket	
123	3520054	1	Plug	
124	8410011	1	Clamp	
125	0681608	1	Bolt 3/8 x 1	
126	1001260412	1	Bracket	
127	1001162335	1	Bracket, Fuel Pump/Filter Assembly (Not Shown) (See Separate Breakdown in this Section)	



# SECTION 3 - ENGINE

## FIGURE 3-25. DEUTZ D2.9L4 (49HP) ENGINE ASSEMBLY - WITH ARCTIC PACKAGE





## SECTION 3 - ENGINE

FIGURE 3-25. DEUTZ D2.9L4 (49HP) ENGINE ASSEMBLY - WITH ARCTIC PACKAGE

ITEM	PART NUMBER	QTY	DESCRIPTION	REV
	1001246590	Ref	DEUTZ D2.9L4 ENGINE ASSEMBLY	H
1	0100011	AR	Compound, Locking	
2	0100020	AR	Sealant	
3	0100062	AR	Adhesive	
4	0630407	2	Screw 1/4 x 5/8	
5	0641406	5	Bolt 1/4 x 3/4	
6	0641408	9	Bolt 1/4 x 1	
7	0641508	4	Bolt 5/16 x 1	
8	0641510	2	Bolt 5/16 x 1-1/4	
9	0641608	7	Bolt 3/8 x 1	
10	0641609	4	Bolt 3/8 x 1-1/8	
11	0641612	4	Bolt 3/8 x 1-1/2	
12	0641708	2	Bolt 7/16 x 1	
13	0681620	2	Bolt 3/8 x 2-1/2 Grade 8	
14	0681822	1	Bolt 1/2 x 2-3/4 Grade 8	
15	0741605	2	Screw, Flathead 3/8 x 5/8	
16	0760605	2	Bolt M6 x 10	
17	0760810	8	Bolt M8 x 20	
18	0761015	2	Bolt M10 x 35	
19	0761210	1	Bolt M12 x 20	
20	0771212	6	Bolt M12 x 25 Grade 10.9	
21	0771414	2	Bolt M14 x 30	
22	0940070	1	Bumper	
23	0961986	2	Bushing, Flanged	
24	1703162	1	Decal - Fan Blade	
25	2220315	1	Fitting, Straight Barbed	
27	2720015	26 in / .9m	Hose	
28	2720340	16 in / 40.6cm	Hose	
29	2902065	1	Kit, Pump Coupling (See Separate Breakdown in this section)	
30	3200401	1	Mount, Motor	
31	3271601	2	Nut 3/8 Grade 8	
32	3271801	1	Nut 1/2 Grade 8	
33	3291005	2	Nut M10	
34	3310401	3	Nut #4	
35	3311405	17	Nut 1/4	
36	3311505	6	Nut 5/16	
37	3311605	11	Nut 3/8	
38	3580320	1	Pulley	
39	3910408	3	Screw #4 x 1/2	
40	3931432	1	Capscrew 1/4 x 2	
41	3931512	4	Capscrew 5/16 x 3/4	
42	3931628	4	Capscrew 3/8 x 1-3/4	
43	4031914	4	Capscrew M8 x 50	
44	4032014	4	Capscrew M10 x 50	
45	4060805	14 in / 36cm	Flex-Trim	
46	4240099	AR	Tie-Strap (Not Shown)	
47	4640751	1	Valve, Oil Drain	
48	4711400	31	Washer 1/4	

## SECTION 3 - ENGINE

ITEM	PART NUMBER	QTY	DESCRIPTION	REV
49	4711500	4	Washer 5/16	
50	4711600	8	Washer 3/8	
51	4750400	3	Washer #4	
52	4751500	12	Washer 5/16	
53	4751600	14	Washer 3/8	
54	4751700	2	Washer 7/16	
55	4811702	2	Washer M6	
56	4811900	4	Washer M8	
57	4811902	8	Washer M8	
58	4812000	8	Washer M10	
59	4812100	7	Washer M12	
60	4812200	2	Washer M14	
61	4891600	2	Washer 3/8 Hardened	
62	4891800	1	Washer 1/2 Hardened	
63	5250810	2	Bolt M8 x 20	
64	8405007	2	Clamp	
65	8405009	4	Clamp	
66	8405104	4	Clamp	
67	8405204	1	Clamp	
68	8406110	2	Clip	
69	8406201	1	Clip	
70	8410013	1	Clamp	
71	1001117308	1	Relay	
72	1001135138	1	Adapter	
73	1001135679	1	Adapter	
75	1001136834	1	Cap, Tank	
76	1001138170	2	Mount, Motor	
77	1001138173	1	Support	
78	1001138175	1	Bracket	
79	1001138228	1	Relay, Power Module	
79	70023593	1	Fuse 30Amp (Battery Output)	
79	70023592	1	Fuse 20Amp (Switched Output)	
80	1001138248	67 in /1.7m	Tube	
81	1001138557	1	Clamp	
82	1001139240	1	Bracket	
83	1001139409	1	Washer, Special	
84	1001139429	2	Washer, Special	
85	1001140312	1	Heater, Engine Block	
86	1001140454	1	Mount, Front Engine	
87	1001141304	1	Harness, Glow Plug	
88	1001141585	1	Hose, Air Inlet	
89	1001141995	1	Fitting, Straight Barbed	
90	1001142538	1	Support	
91	1001142615	1	Air Cleaner Assembly Filter Element	
91	91403102	1	Element, Filter (Not Shown)	
92	1001142635	1	Mount, Rear Engine	
93	1001143390	1	Indicator, Service	
94	1001143726	1	Harness, Engine (Not Shown - See Separate Breakdown in ELECTRICAL SECTION)	
95	1001143797	1	Fitting, Straight Barbed	
96	1001143907	1	Cable, Alternator Power	

## SECTION 3 - ENGINE

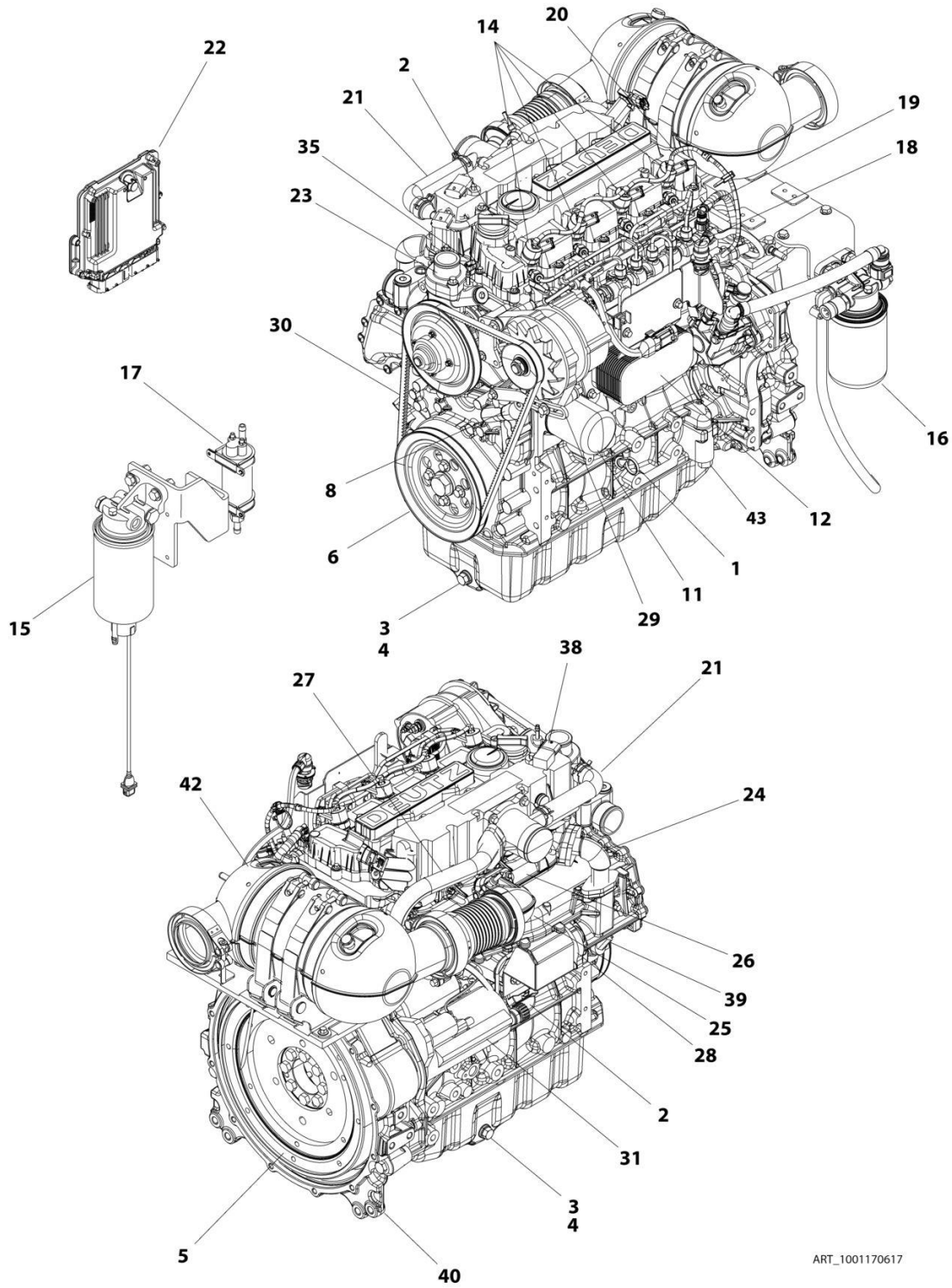
ITEM	PART NUMBER	QTY	DESCRIPTION	REV
97	1001144409	1	Panel, Rubber	
98	1001144410	1	Bracket, Panel Clamp	
99	1001144411	1	Bracket, Panel Clamp	
100	1001144412	1	Bracket, Panel Clamp	
101	1001145154	1	Plate, Relay Mounting	
102	1001152489	1	Fitting, 90 Barbed	
103	1001165849	1	Fan	
104	1001169054	4	Isolator	
105	1001169138	4	Washer	
106	1001170617	1	Deutz D2.9L4 Engine Components (See Separate Breakdown in this Section)	
107	1001176225	1	Hose, Radiator - Upper	
108	1001176226	1	Hose, Radiator - Lower	
109	1001260413	1	Bracket, Tank	
110	1001176511	1	Hose	
111	1001176723	1	Plate Radiator Mounting	
112	1001177359	1	Hose	
113	1001178223	2	Bracket	
114	1001180620	AR	Adhesive	
115	1001181895	AR	Adhesive	
116	1001181899	1	Clamp	
117	1001204325	2	Bracket	
118	1001205051	1	Mount, Rear Engine	
119	1001228506	1	Bolt, U-Bolt	
120	1001230635	1	Tank	
120A	1001134488	1	Fitting, 90 Barbed	
120B	1001138827	1	Sensor, Coolant Level	
120C	1001140564	1	Fitting, 90 Barbed	
121	1001247105	1	Hose, Inlet	
122	1001247676	1	Radiator and Shroud Assembly	
122	1001203495	1	Radiator	
122	1001247564	1	Shroud	
123	1001248477	1	Pipe, Exhaust	
124	1001248480	1	Bracket	
125	3520054	1	Plug	
126	8410011	1	Clamp	
127	0681608	1	Bolt 3/8 x 1	
128	1001260412	1	Bracket	
129	1001162335	1	Bracket, Fuel Pump/Filter Assembly (Not Shown) (See Separate Breakdown in this Section)	





# SECTION 3 - ENGINE

## FIGURE 3-26. DEUTZ D2.9L4 (49HP) ENGINE COMPONENTS



ART\_1001170617

## SECTION 3 - ENGINE

**FIGURE 3-26. DEUTZ D2.9L4 (49HP) ENGINE COMPONENTS**

ITEM	PART NUMBER	QTY	DESCRIPTION	REV
	1001170617	Ref	ENGINE COMPONENTS - DEUTZ D2.9L4 ENGINE	E
1	70024904	1	Dipstick	
1	70024905	1	O-Ring	
2	7020465	2	Cap, Filler	
3	70025088	2	Plug, Oil	
4	7020404	2	Ring, Sealing	
5	70001870	1	Flywheel	
5	7024579	1	Ring, Gear	
6	70025198	1	Pulley, Crank	
7	70024906	1	Gasket, Head (Not Shown)	
7	70025195	1	Gasket, Valve Cover (Not Shown)	
7	70005171	1	Gasket, Valve Cover (Not Shown)	
8	70025076	1	Valve	
8	70025091	1	Plug	
8	70025176	1	Spring	
8	70025082	1	Seal	
9	70004280	1	Seal, Crankshaft (Front) (Not Shown)	
9	70002718	1	Seal, Crankshaft (Rear) (Not Shown)	
10	70005172	1	Pump, Oil Lube (Not Shown)	
10	70025135	1	O-Ring (Not Shown)	
10	70005173	1	Gasket (Not Shown)	
11	7016331	1	Filter, Oil	
12	70004275	1	Cooler, Oil	
12	70024925	1	Gasket	
13	70025171	1	Pipe, Oil Suction (Not Shown)	
14	70004281	4	Injector, Fuel	
14	70025140	4	Washer, Sealing	
14	70025146	4	Clamp (Top of Injector)	
14	70025145	4	O-Ring	
14	70025154	4	Shoe, Clamping	
15	70024961	1	Bracket, Fuel Filter	
15	1001225430	1	Filter, Fuel	
15	70024513	1	Cable, Sensor	
15	70025239	1	Seal	
16	70025160	1	Bracket, Fuel Filter	
16	1001225431	1	Filter, Fuel	
16	70024504	1	Sensor, Pressure	
16	70024920	1	O-Ring	
16	70004513	2	Ring, Sealing	
17	70005174	NLA	Pump, Fuel (Use p/n 1001226098)	
17	70025144	2	Clamp	
18	70025151	1	Rail, Fuel	
18	70025235	1	Repair Kit	
18	70025240	1	O-Ring	
19	70025182	1	Line, Fuel (Cylinder 1 + 2)	
19	70025183	1	Line, Fuel (Cylinder 3 + 4)	
19	70025184	1	Line, Fuel (Fuel Rail to Pump)	
20	70024502	1	Fuel Return Pipe	
20	70025185	1	Hose, Fuel	
20	70025101	2	Clamp	

## SECTION 3 - ENGINE

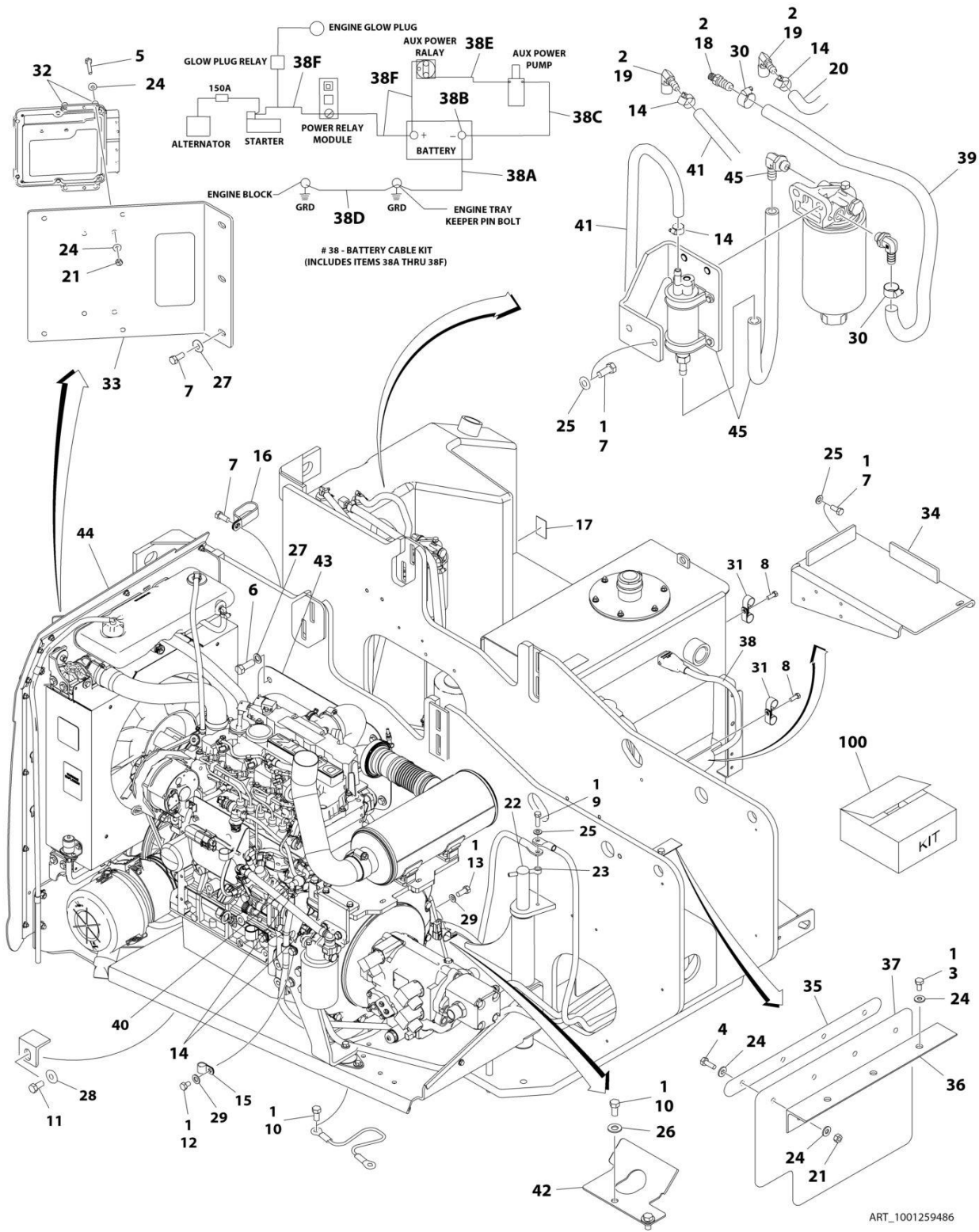
ITEM	PART NUMBER	QTY	DESCRIPTION	REV
20	70025109	2	Clamp	
20	70025115	1	Clamp, Pipe	
20	70025133	1	Hose	
20	70025148	1	Connector, Plug-in	
21	70005182	1	Elbow, Air Charger	
21	70005176	1	O-Ring	
21	70005177	1	Gasket	
21	70005180	1	Line, Breather	
21	70005181	1	O-Ring	
21	70005183	1	Line, Breather	
21	70025111	2	Clamp	
22	70025210	1	Module, ECU	
23	70024910	1	Pump, Water	
23	70025084	1	Plug	
23	7020492	1	O-Ring	
23	70025200	1	Seal	
23	70024473	1	Thermostat	
23	70005184	1	O-Ring (Thermostat)	
23	70025142	1	Cover, Thermostat	
23	70025159	1	Pulley, Water Pump	
24	70025177	1	Pipe	
24	70025179	1	Gasket	
25	70005185	1	Manifold	
25	70024912	1	Gasket	
26	70004282	1	Manifold, Exhaust	
26	70025164	1	Gasket, Exhaust Manifold	
27	70005186	1	Pipe	
27	70025179	1	Gasket (Two Hole)	
27	70025180	1	Gasket (Three Hole)	
28	70004283	1	Module, ERG	
28	70005188	1	Valve, Control	
28	70005189	1	O-Ring	
29	70024914	1	Alternator	
29	70025149	1	Regulator	
29	70025131	1	Fan	
29	70025150	1	Pulley	
29	70025191	1	Plate, Retaining	
29	70025201	1	Bracket, Alternator	
30	70024913	1	V-Belt	
31	70024915	1	Starter	
32	70025231	1	Harness, Glow Plug (Not Shown)	
32	70025233	1	Connector (Not Shown)	
33	70025221	1	Connector, Plug-In (Not Shown)	
33	70025781	1	Connector, Plug-In (Not Shown)	
33	70025779	1	Ring, Fastening (Not Shown)	
34	70004284	1	Harness, Engine (Not Shown)	
34	70025165	1	Plate, Retaining (Not Shown)	
34	70025216	1	Adapter (Not Shown)	
34	70025215	1	Bracket, Fixing (Not Shown)	
34	70025228	2	Bracket (Not Shown)	
34	70025226	1	Connector, Plug-In (Not Shown)	

## SECTION 3 - ENGINE

ITEM	PART NUMBER	QTY	DESCRIPTION	REV
34	70025220	5	Connector, Plug-In (Not Shown)	
34	70025222	3	Connector, Plug-In (Not Shown)	
34	70025223	1	Connector, Plug-In (Not Shown)	
34	70025219	1	Connector, Plug-In (Not Shown)	
34	70025238	1	Connector, Plug-In (Not Shown)	
34	70025221	2	Connector, Plug-In (Not Shown)	
34	70025217	8	Clamp (Not Shown)	
34	70025213	2	Clip (Not Shown)	
34	70025209	1	Bracket (Not Shown)	
34	70025225	1	Support (Not Shown)	
34	70025218	3	Clamp (Not Shown)	
34	70025237	1	Connector, Plug-In (Not Shown)	
34	70025214	1	Cap (Not Shown)	
34	70025224	2	Clamp (Not Shown)	
34	70025166	1	Support, Harness (Not Shown)	
34	70025211	1	Plate, Retaining (Not Shown)	
34	70025189	1	Plate, Retaining (Not Shown)	
34	70025236	1	Support, Harness (Not Shown)	
35	70024918	1	Sender, Temperature	
36	70024504	1	Sensor, Pressure (Not Shown - Located Left Side Front)	
36	70024920	1	O-Ring (Not Shown)	
37	70024503	1	Sensor, Speed (Not Shown)	
37	70005191	1	O-Ring	
38	70024507	1	Sensor, Pressure	
38	70025120	1	Seal	
39	70024503	1	Sensor, Speed	
39	70024917	1	Seal	
40	70025192	1	Housing	
40	70025113	2	Pin	
41	70000345	4	Plug, Glow (Not Shown)	
42	70005446	1	Outlet, Muffler	
42	70025241	1	Clip	
42	70025242	2	Gasket	
42	70004504	1	Compensator	
42	70024512	1	Clamp	
42	70025877	1	Clamp	
43	70124530	1	Valve, Relief	
43	70025660	1	Plug	
43	70124538	1	Spring	
43	70104570	1	Seal	

# SECTION 3 - ENGINE

## FIGURE 3-27. DEUTZ D2.9L4 ENGINE INSTALLATION (CHINA IV)



ART\_1001259486

## SECTION 3 - ENGINE

**FIGURE 3-27. DEUTZ D2.9L4 ENGINE INSTALLATION (CHINA IV)**

ITEM	PART NUMBER	QTY	DESCRIPTION	REV
	1001259486	Ref	DEUTZ D2.9L4 ENGINE INSTALLATION	A
1	0100011	AR	Compound, Locking	
2	0100020	AR	Sealant, Pipe	
3	0641404	3	Bolt 1/4 x 1/2	
4	0641406	4	Bolt 1/4 x 3/4	
5	0641412	4	Bolt 1/4 x 1-1/2	
6	0641606	4	Bolt 3/8 x 3/4	
7	0641607	9	Bolt 3/8 x 7/8	
8	0641608	2	Bolt 3/8 x 1	
9	0641610	1	Bolt 3/8 x 1-1/4	
10	0641808	3	Bolt 3/8 x 1	
11	0642010	1	Bolt 5/8 x 1-1/4	
12	0761008	1	Bolt M10 x 16	
13	0771212	1	Bolt M12 x 25 Class 10.9	
14	1320022	5	Clamp	
15	1320061	1	Clamp	
16	1321716	1	P-Clamp	
17	1701505	1	Decal - Diesel (Located on Hood)	
18	2180832	1	Fitting, Straight Barbed	
19	2220313	2	Fitting, 90 Barbed	
20	2750532	5 ft /1.6m	Hose	
21	3311405	8	Nut 1/4	
22	3422448	1	Pin, Pivot	
23	3841143	1	Pin, Keeper	
24	4711400	19	Washer 1/4	
25	4711600	6	Washer 3/8	
26	4711800	2	Washer 1/2	
27	4751600	7	Washer 3/8	
28	4752000	1	Washer 5/8	
29	4812100	2	Washer M12	
30	8405006	2	Clamp	
31	8406201	4	Clip	
32	1001110425	4	Spacer	
33	1001137866	1	Plate, Baffle	
34	1001137868	1	Bracket, Battery	
35	1001137880	1	Bracket, Baffle	
36	1001137881	1	Angle	
37	1001137882	1	Support, Rubber	
38	1001145047	1	Battery Cable Kit	
38A	7027072	1	Cable, Battery (Black) (Battery - to Tray Pivot Grd)	
38B	8270147	1	Terminal, Battery (With Boot)	
38B	See Note	1	Boot, Black (Note: Not Available for Purchase)	
38C	7027073	1	Cable, Battery (Black) (Battery - to Aux Pump and Relay Grds)	
38C	See Note	1	Boot, Black (Note: Not Available for Purchase)	
38D	7027074	1	Cable, Battery (Black) (Engine to Tray Pivot Grd)	
38E	7027075	1	Cable (Red) (Aux Relay to Aux Pump)	
38E	70003952	2	Boot, Red	
38F	7027076	1	Cable (Red) (Battery + to Aux Relay/Power Module/Starter)	
38F	See Note	1	Boot, Red (Battery) (Note: Not Available for Purchase)	

## SECTION 3 - ENGINE

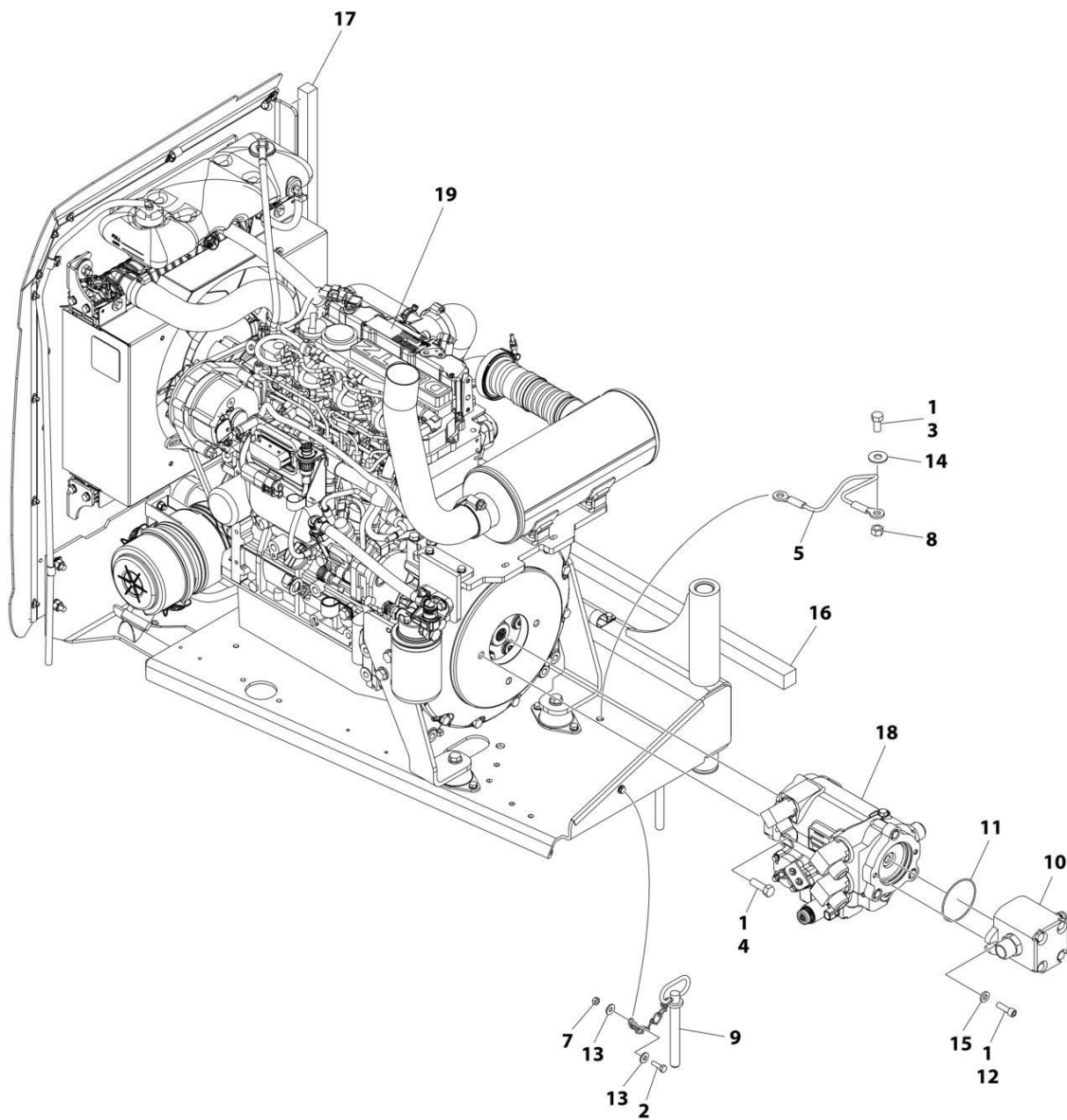
ITEM	PART NUMBER	QTY	DESCRIPTION	REV
39	1001154405	24 in/61cm	Hose	
40	1001155823	1	Fitting, 90 Quick Disconnect	
41	1001165035	23.83 ft /7m	Hose	
42	1001172793	1	Guide, Hose	
43	1001252521	1	Cover	
44	1001259484	1	Engine Assembly with Pumps (See Separate Breakdown in this Section)	
45	1001260316	1	Fuel Pump & Filter Assembly (See Separate Breakdown in this Section)	
100	1001222665	1	Fuel Pump Terminals Kit (Includes items 101-103)	
101	1001138491	1	Harness, Fuel Pump (Not Shown) (See Separate Breakdown in ELECTRICAL Section)	
103	4460042	1	Terminal (Not Shown)	





# SECTION 3 - ENGINE

## FIGURE 3-28. DEUTZ D2.9L4 ENGINE ASSEMBLY WITH PUMPS (CHINA IV)



ART\_1001259484

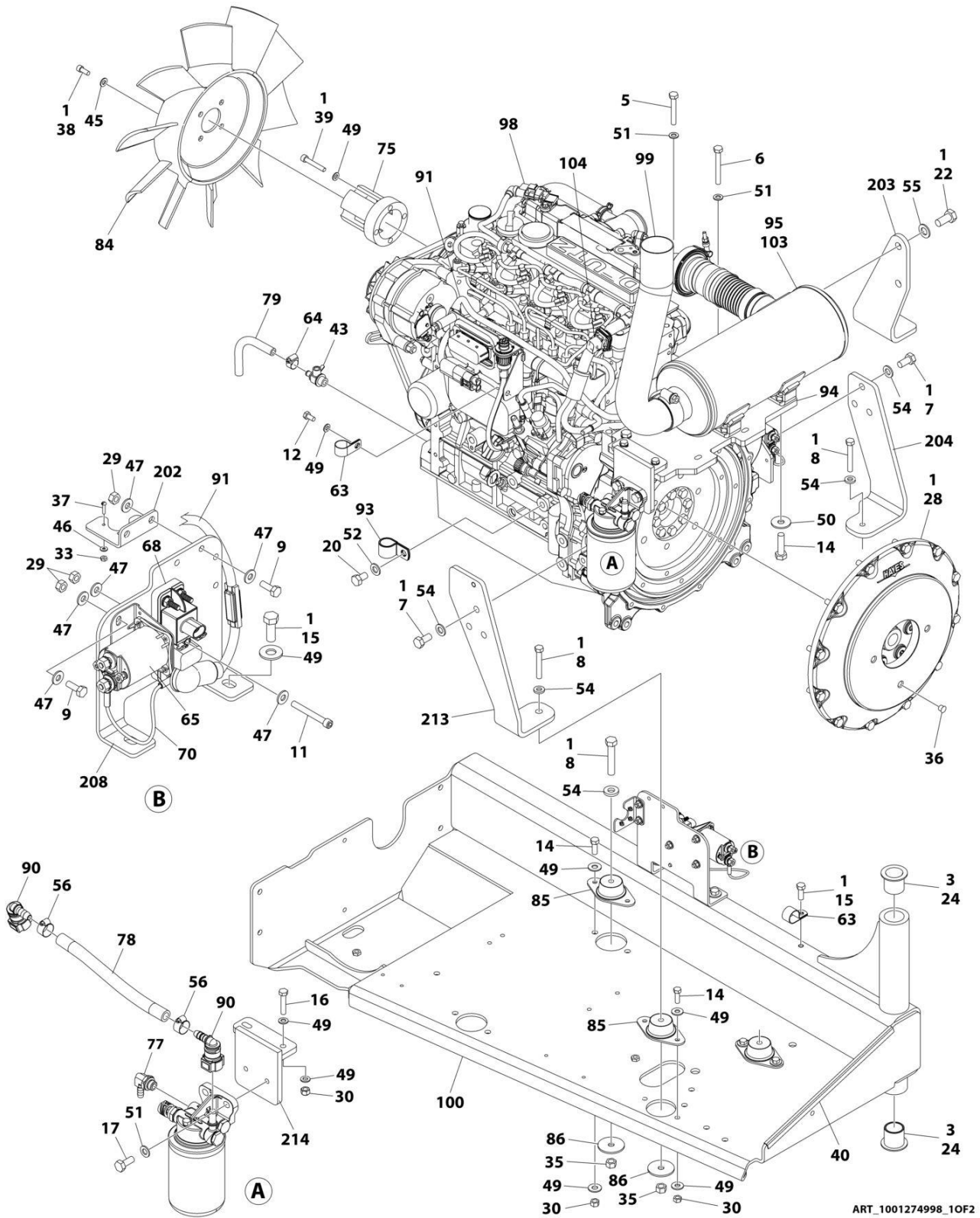
## SECTION 3 - ENGINE

**FIGURE 3-28. DEUTZ D2.9L4 ENGINE ASSEMBLY WITH PUMPS (CHINA IV)**

ITEM	PART NUMBER	QTY	DESCRIPTION	REV
	1001259484	Ref	DEUTZ D2.9L4 ENGINE ASSEMBLY WITH PUMPS	B
1	0100011	AR	Compound, Locking	
2	0641406	1	Bolt 1/4 x 3/4	
3	0641808	1	Bolt 1/2 x 1	
4	0641812	2	Bolt 1/2 x 1-1/2	
5	1060637	1	Lanyard	
7	3311405	1	Nut, Lock 1/4	
8	3311801	1	Nut 1/2	
9	3422533	1	Pin, Hitch	
10	3600395	1	Gear Pump Assembly with Fittings (See Separate Breakdown in this Section)	
11	3790152	1	O-Ring	
12	3931620	2	Bolt 3/8 x 1-1/4	
13	4711400	2	Washer 1/4	
14	4751800	1	Washer 1/2	
15	4891600	2	Washer 3/8 Hardened	
16	1001137873	1	Seal	
17	1001137874	1	Seal	
18	1001188952	1	Pump Assembly with Fittings (See Separate Breakdown in this Section)	
19	1001274998	1	Engine Assembly (See Separate Breakdown in this Section)	

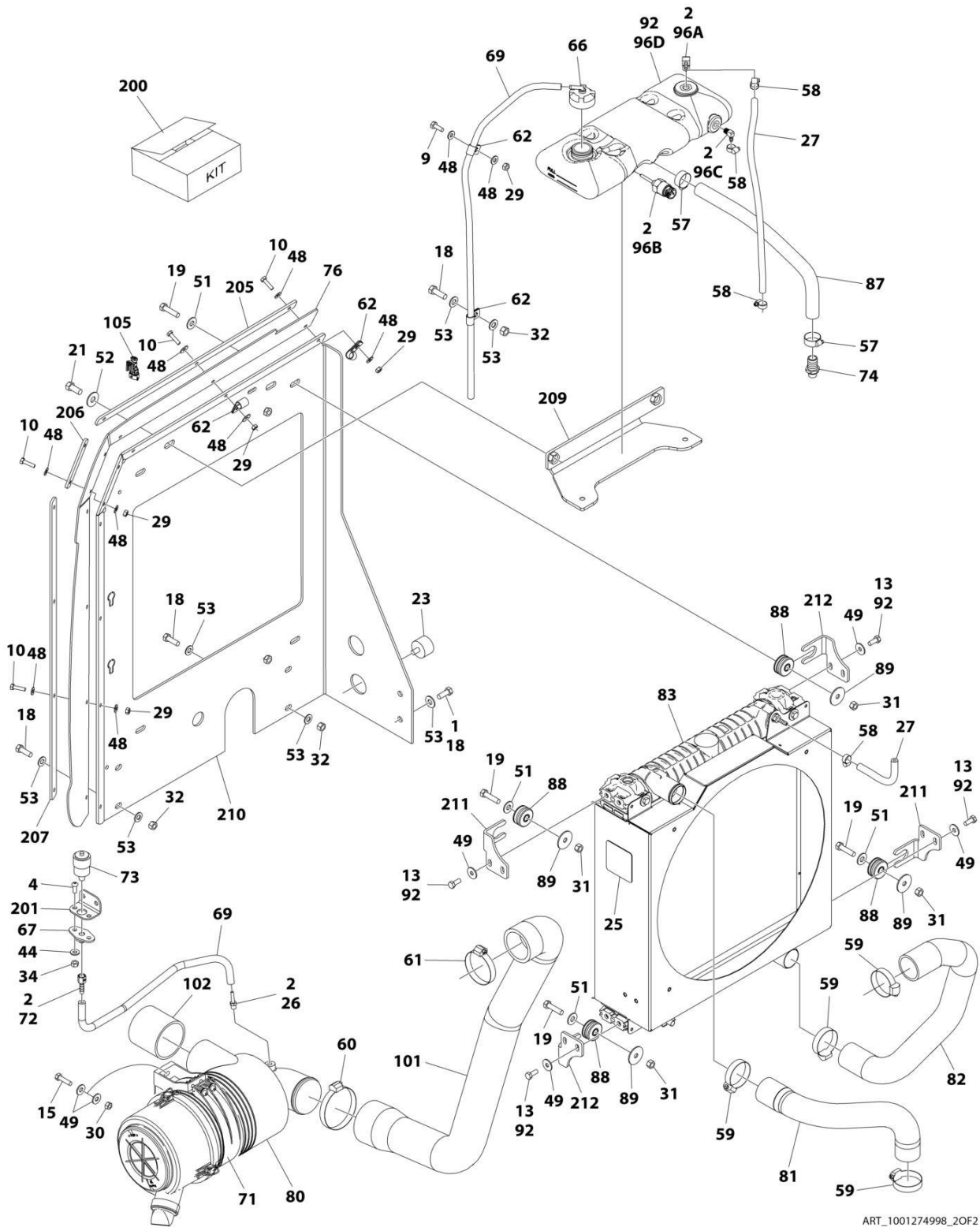
# SECTION 3 - ENGINE

## FIGURE 3-29. DEUTZ D2.9L4 ENGINE ASSEMBLY (CHINA IV)



ART\_1001274998\_10F2

# SECTION 3 - ENGINE



ART\_1001274998\_20F2

## SECTION 3 - ENGINE

**FIGURE 3-29. DEUTZ D2.9L4 ENGINE ASSEMBLY (CHINA IV)**

ITEM	PART NUMBER	QTY	DESCRIPTION	REV
	1001274998	Ref	DEUTZ D2.9L4 ENGINE ASSEMBLY	B
1	0100011	AR	Compound, Locking	
2	0100020	AR	Sealant	
3	0100062	AR	Adhesive	
4	0630407	2	Screw 1/4 x 5/8	
5	0701022	2	Bolt M10 x 70	
6	0701025	2	Bolt M10 x 85	
7	0711214	6	Bolt M12 x 30 Class 10.9	
8	0711224	3	Bolt M12 x 80 Class 10.9	
9	0760610	5	Bolt M6 x 20	
10	0760612	9	Bolt M6 x 25	
11	0760619	1	Bolt M6 x 55	
12	0760808	1	Bolt M6 x 16	
13	0760810	8	Bolt M8 x 20	
14	0760814	10	Bolt M8 x 30	
15	0760815	5	Bolt M8 x 35	
16	0760816	2	Bolt M8 x 40	
17	0761012	2	Bolt M10 x 25	
18	0761016	6	Bolt M10 x 40	
19	0761017	4	Bolt M10 x 45	
20	0761210	1	Bolt M12 x 20	
21	0761214	2	Bolt M12 x 30	
22	0771414	2	Bolt M14 x 30 Class 10.9	
23	0940070	1	Bumper	
24	0961986	2	Bushing, Flanged	
25	1703162	2	Decal - Fan Blade	
26	2220315	1	Fitting, Straight Barbed	
27	2720015	26 in /.9m	Hose	
28	2902065	1	Kit, Pump Coupling (See Separate Breakdown in this Section)	
29	3290601	15	Nut M6	
30	3290805	10	Nut, Lock M8	
31	3291001	4	Nut M10	
32	3291005	4	Nut M10	
33	3310401	3	Nut #4	
34	3311405	2	Nut, Lock 1/4	
35	3331211	3	Nut M12 Class 10	
36	3520054	1	Plug	
37	3910408	3	Screw #4 x 1/2	
38	3931512	4	Capscrew 5/16 x 3/4	
39	4031914	4	Capscrew M8 x 50	
40	4060805	14 in /36cm	Flex-Trim	
41	4240099	AR	Tie-Strap (Not Shown)	
42	4460234	4	Mount, Tie-Strap (Not Shown)	
43	4640751	1	Valve, Oil Drain	
44	4711400	2	Washer 1/4	
45	4711500	4	Washer 5/16	
46	4750400	3	Washer #4	
47	4811700	9	Washer M6	
48	4811702	20	Washer M6	

## SECTION 3 - ENGINE

ITEM	PART NUMBER	QTY	DESCRIPTION	REV
49	4811900	35	Washer M8	
50	4811902	4	Washer M8	
51	4812000	10	Washer M10	
52	4812100	3	Washer M12	
53	5241000	10	Washer M10	
54	5241200	9	Washer M12	
55	5241400	2	Washer M14	
56	8405006	2	Clamp	
57	8405007	2	Clamp	
58	8405009	4	Clamp	
59	8405104	4	Clamp	
60	8405202	1	Clamp	
61	8405204	1	Clamp	
62	8406110	4	Clip	
63	8406201	2	Clip	
64	8410013	1	Clamp	
65	1001117308	1	Relay	
66	1001136834	1	Cap, Tank	
67	1001138173	1	Support	
68	1001138228	1	Relay, Power Module	
68	70023593	1	Fuse 30Amp (Battery Output)	
68	70023592	1	Fuse 20Amp (Switched Output)	
69	1001138248	64 in /1.6m	Tube	
70	1001141304	1	Harness, Glow Plug	
71	1001141694	1	Clamp	
72	1001141995	1	Fitting, Straight Barbed	
73	1001143390	1	Indicator, Service	
74	1001143797	1	Fitting, Straight Barbed	
75	1001286569	1	Adapter	
76	1001144409	1	Panel, Rubber	
77	1001152489	1	Fitting, 90 Barbed	
78	1001154405	12 in /31cm	Hose	
79	1001165035	1	Hose	
80	1001165388	1	Air Cleaner Assembly	
80	70003783	1	Element, Filter (Not Shown)	
81	1001165405	1	Hose, Upper Radiator	
82	1001165406	1	Hose, Lower Radiator	
83	1001287643	1	Radiator (See Separate Breakdown in this Section)	
84	1001288266	1	Fan	
85	1001166718	3	Mount, Motor	
86	1001168018	3	Washer	
87	1001168099	1	Hose, Coolant	
88	1001169054	4	Isolator	
89	1001169138	4	Washer	
90	1001170982	2	Adapter	
91	1001178788	1	Cable, Alternator	
92	1001180620	AR	Adhesive	
93	1001191620	1	Clamp	
94	1001221203	1	Bracket, Muffler	
95	1001221212	1	Clamp	

## SECTION 3 - ENGINE

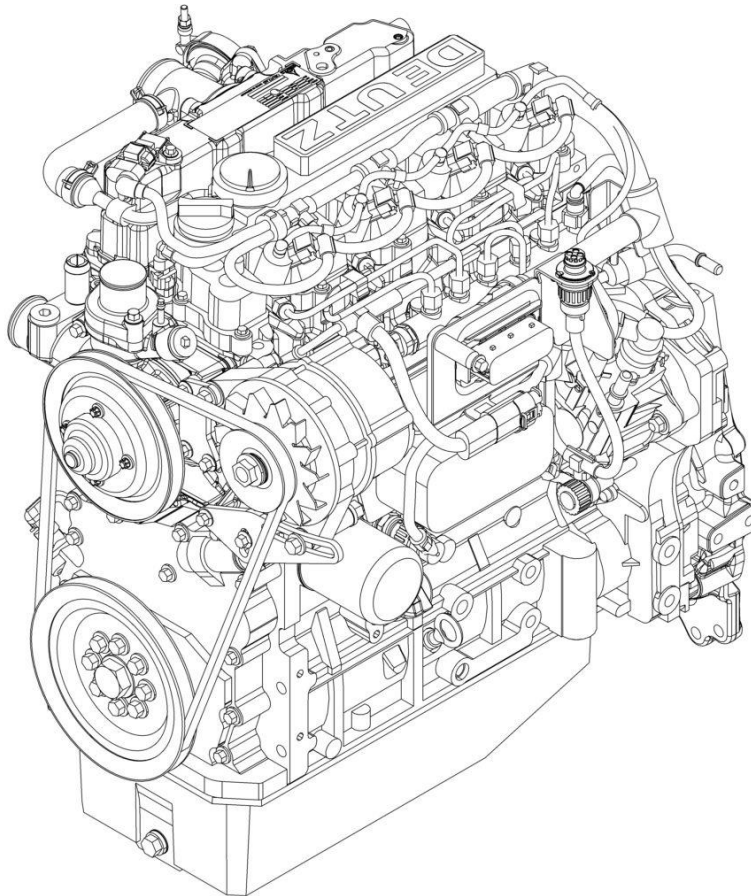
ITEM	PART NUMBER	QTY	DESCRIPTION	REV
96	1001230635	1	Surge Tank Assembly	
96A	1001134488	1	Fitting, 90 Barbed	
96B	1001138827	1	Sensor, Coolant Level	
96C	1001140564	1	Fitting, 90 Barbed	
96D	1001229542	1	Tank	
97	1001245839	1	Harness, Engine (Not Shown) (See Separate Breakdown in ELECTRICAL Section)	
98	1001258112	1	Deutz D2.9L4 (China IV) Engine (See Separate Breakdown in this Section)	
99	1001260597	1	Pipe, Muffler	
100	1001262870	1	Support	
101	1001274993	1	Hose, Engine Air Intake	
102	1001274997	1	Hose, Air Filter Intake	
103	1001280270	1	Muffler	
104	1001281985	1	Connector	
105	1001281986	1	Connector	
200	1001262219	1	Engine Brackets Kit	C
201	1001274994	1	Bracket, Indicator	
202	1001139240	1	Bracket	
203	1001140454	1	Mount, Engine Front Inner	
204	1001288103	1	Mount, Engine Rear Inner	
205	1001144410	1	Bracket, Panel Clamp	
206	1001144411	1	Bracket, Panel Clamp	
207	1001144412	1	Bracket, Panel Clamp	
208	1001145154	1	Plate, Relay Mounting	
209	1001168950	1	Bracket, Surge Tank	
210	1001274996	1	Mount, Radiator	
211	1001169967	2	Bracket, Radiator	
212	1001170035	2	Bracket, Radiator	
213	1001205051	1	Mount, Engine Rear Outer	
214	1001288366	1	Bracket, Fuel Filter	





## SECTION 3 - ENGINE

FIGURE 3-30. DUETZ D2.9L4 ENGINE COMPONENTS (CHINA IV)



ART\_1001258112

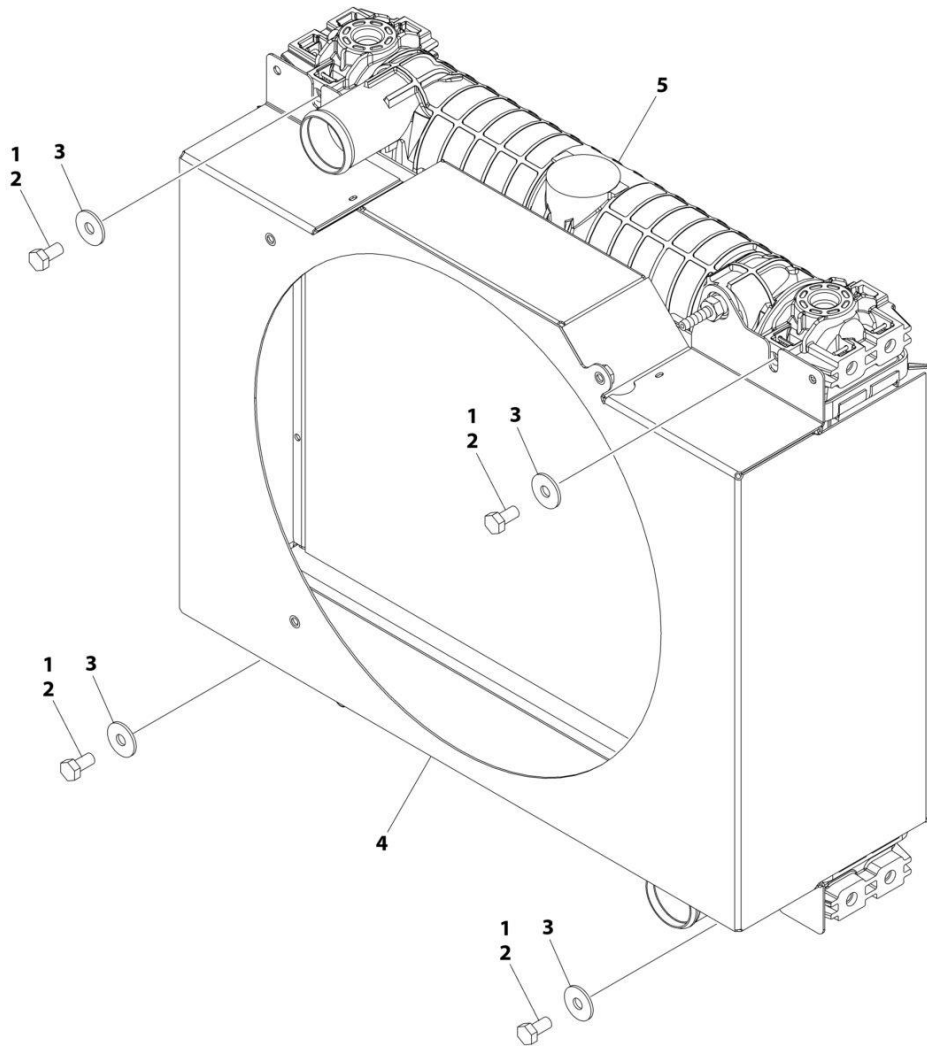
## SECTION 3 - ENGINE

**FIGURE 3-30. DEUTZ D2.9L4 ENGINE COMPONENTS (CHINA IV)**

ITEM	PART NUMBER	QTY	DESCRIPTION	REV
	1001258112	Ref	DEUTZ D2.9L4 ENGINE COMPONENTS	B
	See Note	Ref	Note: No Service Parts Available at Time of Printing.	

# SECTION 3 - ENGINE

## FIGURE 3-31. RADIATOR ASSEMBLY - DUETZ D2.9L4 ENGINE (CHINA IV)



ART\_1001287643

## SECTION 3 - ENGINE

**FIGURE 3-31. RADIATOR ASSEMBLY - DUETZ D2.9L4 ENGINE (CHINA IV)**

ITEM	PART NUMBER	QTY	DESCRIPTION	REV
	1001287643	Ref	RADIATOR ASSEMBLY	A
1	0100011	AR	Compound, Locking	
2	0760808	4	Bolt M8 x 16	
3	4811902	4	Washer M8	
4	1001288267	1	Shroud	
5	1001288272	1	Radiator	



## SECTION 3 - ENGINE

**FIGURE 3-32. DEUTZ TD2.9L4 (67HP) ENGINE INSTALLATION - DANFOSS PISTON PUMP (WITHOUT ARCTIC PACKAGE)**

ITEM	PART NUMBER	QTY	DESCRIPTION	REV
	1001176014	Ref	DEUTZ TD2.9L4 ENGINE INSTALLATION	F
1	0100011	AR	Compound, Locking	
2	0100020	AR	Sealant, Pipe	
4	0641404	3	Bolt 1/4 x 1/2	
5	0641406	4	Bolt 1/4 x 3/4	
6	0641412	4	Bolt 1/4 x 1-1/2	
7	0641607	9	Bolt 3/8 x 7/8	
8	0641608	2	Bolt 3/8 x 1 (Not Shown)	
9	0641612	1	Bolt 3/8 x 1-1/2	
10	0641808	3	Bolt 1/2 x 1	
11	0642010	1	Bolt 5/8 x 1-1/4	
13	1320022	5	Clamp	
14	0771212	1	Bolt M12 x 25	
15	1321716	1	P-Clamp	
16	1701505	1	Decal - Diesel	
17	2180832	1	Fitting, Straight Barbed	
18	2220313	2	Fitting, 90 Barbed	
19	3311405	8	Nut 1/4	
20	3422448	1	Pin, Pivot	
21	3841143	1	Pin, Keeper	
22	4711400	19	Washer 1/4	
24	4711600	6	Washer 3/8	
25	4711800	2	Washer 1/2	
27	4751600	3	Washer 3/8	
28	4752000	1	Washer 5/8	
29	4812100	2	Washer M12	
30	8405006	2	Clamp	
32	8406201	4	Clip (Not Shown)	
36	1001110425	4	Spacer	
37	1001137866	1	Plate, Baffle	
38	1001137868	1	Bracket, Battery	
39	1001137880	1	Bracket, Baffle	
40	1001137881	1	Angle	
41	1001137882	1	Support, Rubber	
42	1001138491	1	Harness, Fuel Pump (Pump requiring Push-on Terminals) (Not Shown - See Separate Breakdown in ELECTRICAL Section)	
43	1001142501	1	Fitting, 90 Barbed	
44	1001145047	1	Battery Cable Kit	
44A	7027072	1	Cable, Battery (Black) (Battery - to Tray Pivot Grd)	
44B	8270147	1	Terminal, Battery (With Boot)	
44B	See Note	1	Boot, Black (Note: Not Available for Purchase)	
44C	7027073	1	Cable, Battery (Black) (Battery - to Aux Pump and Relay Grds)	
44C	See Note	1	Boot, Black (Note: Not Available for Purchase)	
44D	7027074	1	Cable, Battery (Black) (Engine to Tray Pivot Grd)	
44E	7027075	1	Cable (Red) (Aux Relay to Aux Pump)	
44E	70003952	2	Boot, Red	
44F	7027076	1	Cable (Red) (Battery + to Aux Relay/Power Module/Starter)	
44F	See Note	1	Boot, Red (Battery) (Note: Not Available for Purchase)	
45	1001154405	3 ft /0.9m	Hose	

## SECTION 3 - ENGINE

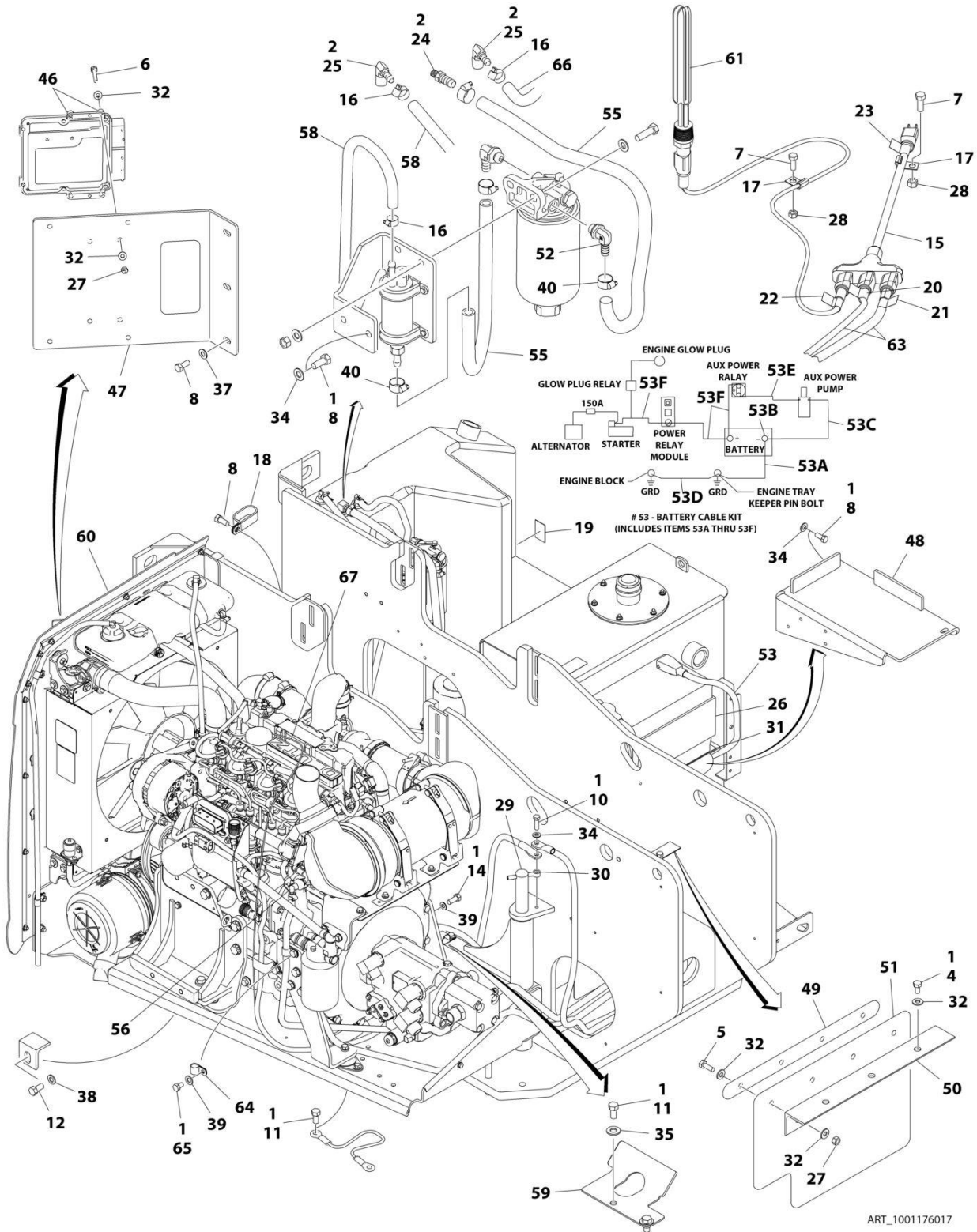
ITEM	PART NUMBER	QTY	DESCRIPTION	REV
46	1001155823	1	Fitting, 90 Quick Disconnect	
48	1001165035	23.5 ft /7.2m	Hose	
49	1001172793	1	Guide, Hose	
50	1001176013	1	Engine Assembly with Pumps (See Separate Breakdown in this Section)	
51	1320061	1	Clamp	
52	0761008	1	Bolt M10 x 16	
53	2750532	5 ft /1.6m	Hose	





# SECTION 3 - ENGINE

FIGURE 3-33. DEUTZ TD2.9L4 (67HP) ENGINE INSTALLATION - DANFOSS PISTON PUMP (WITH ARCTIC PACKAGE)



ART\_1001176017

## SECTION 3 - ENGINE

**FIGURE 3-33. DEUTZ TD2.9L4 (67HP) ENGINE INSTALLATION - DANFOSS PISTON PUMP (WITH ARCTIC PACKAGE)**

ITEM	PART NUMBER	QTY	DESCRIPTION	REV
	1001176017	Ref	DEUTZ TD2.9L4 ENGINE INSTALLATION	H
1	0100011	AR	Compound, Locking	
2	0100020	AR	Sealant, Pipe	
4	0641404	3	Bolt 1/4 x 1/2	
5	0641406	4	Bolt 1/4 x 3/4	
6	0641412	4	Bolt 1/4 x 1-1/2	
7	0641606	2	Bolt 3/8 x 3/4	
8	0641607	9	Bolt 3/8 x 7/8	
9	0641608	2	Bolt 3/8 x 1 (Not Shown)	
10	0641612	1	Bolt 3/8 x 1-1/2	
11	0641808	3	Bolt 1/2 x 1	
12	0642010	1	Bolt 5/8 x 1-1/4	
14	0771212	1	Bolt M12 x 25	
15	1060626	1	Cord, 3 Way Extension	
16	1320022	5	Clamp	
17	1320223	2	Clamp	
18	1321716	1	P-Clamp	
19	1701505	1	Decal - Diesel	
20	1702941	1	Decal - Battery Heater	
21	1702942	1	Decal - Engine Block Heater	
22	1702943	1	Decal - Hydraulic Tank Heater	
23	1702944	1	Decal - Heater Cord	
24	2180832	1	Fitting, Straight Barbed	
25	2220313	2	Fitting, 90 Barbed	
26	2580024	1	Heater, Battery	
27	3311405	8	Nut 1/4	
28	3311605	2	Nut 3/8	
29	3422448	1	Pin, Pivot	
30	3841143	1	Pin, Keeper	
31	3980007	1	Seat, Battery	
32	4711400	19	Washer 1/4	
34	4711600	8	Washer 3/8	
35	4711800	2	Washer 1/2	
37	4751600	3	Washer 3/8	
38	4752000	1	Washer 5/8	
39	4812100	2	Washer M12	
40	8405006	2	Clamp	
42	8406201	4	Clip (Not Shown)	
46	1001110425	4	Spacer	
47	1001137866	1	Plate, Baffle	
48	1001137868	1	Bracket, Battery	
49	1001137880	1	Bracket, Baffle	
50	1001137881	1	Angle	
51	1001137882	1	Support, Rubber	
52	1001142501	1	Fitting, 90 Barbed	
53	1001145047	1	Battery Cable Kit	
53A	7027072	1	Cable, Battery (Black) (Battery - to Tray Pivot Grd)	
53B	8270147	1	Terminal, Battery (With Boot)	
53B	See Note	1	Boot, Black (Note: Not Available for Purchase)	

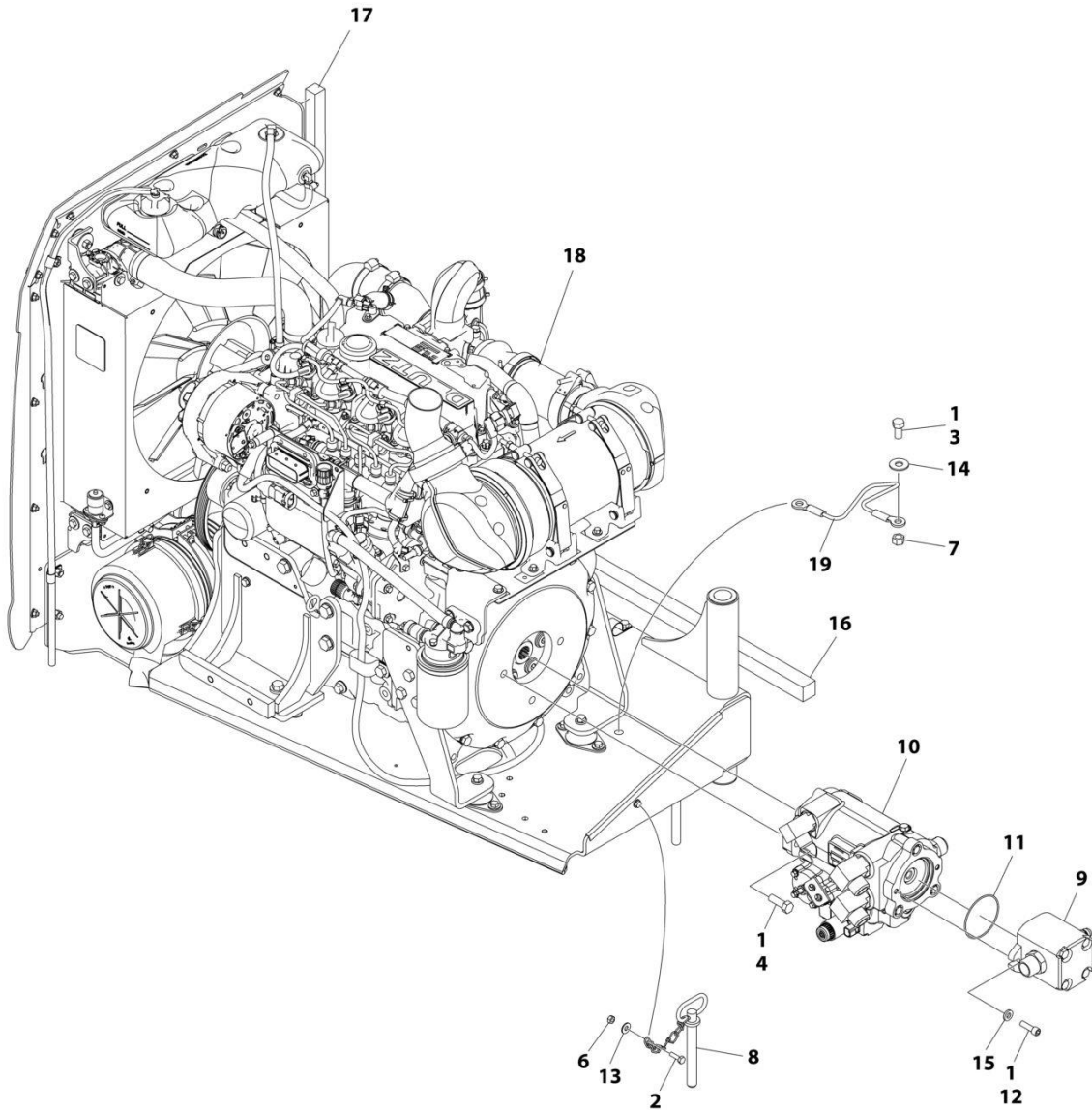
## SECTION 3 - ENGINE

ITEM	PART NUMBER	QTY	DESCRIPTION	REV
53C	7027073	1	Cable, Battery (Black) (Battery - to Aux Pump and Relay Grds)	
53C	See Note	1	Boot, Black (Note: Not Available for Purchase)	
53D	7027074	1	Cable, Battery (Black) (Engine to Tray Pivot Grd)	
53E	7027075	2	Cable (Red) (Aux Relay to Aux Pump)	
53E	70003952	2	Boot, Red	
53F	7027076	1	Cable (Red) (Battery + to Aux Relay/Power Module/Starter)	
53F	See Note	1	Boot, Red (Battery) (Note: Not Available for Purchase)	
55	1001154405	3 ft /0.9m	Hose	
56	1001155823	1	Fitting, 90 Quick Disconnect	
58	1001165035	23.5 ft /7.2m	Hose	
59	1001172793	1	Guide, Hose	
60	1001176016	1	Engine Assembly with Pumps (See Separate Breakdown in this Section)	
61	1001188972	1	Heater, Hydraulic Tank	
62	1001138491	1	Harness, Fuel Pump (Pump requiring Push-on Terminals) (Not Shown - See Separate Breakdown in ELECTRICAL Section)	
63	1001150918	1	Cable, Immersion Heater	
64	1320061	1	Clamp	
65	0761008	1	Bolt M10 x 16	
66	2750532	5 ft /1.6m	Hose	
67	1001233763	1	Breather Heater Installation (See Separate Breakdown in this Section)	



# SECTION 3 - ENGINE

FIGURE 3-34. DEUTZ TD2.9L4 (67HP) ENGINE/PUMP SUB-ASSEMBLY - DANFOSS PISTON PUMP (WITHOUT ARCTIC PACKAGE)



ART\_1001176013

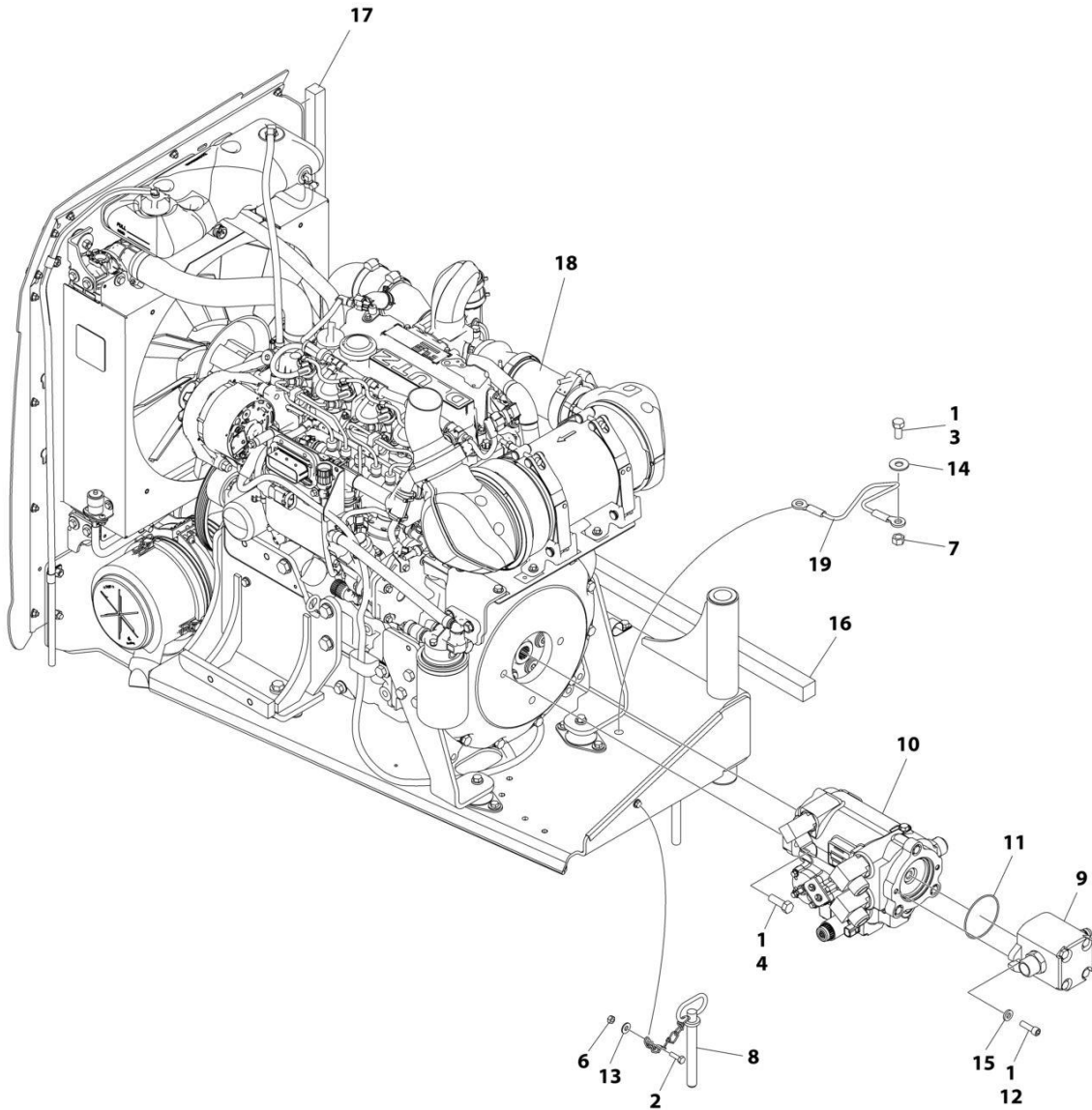
## SECTION 3 - ENGINE

**FIGURE 3-34. DEUTZ TD2.9L4 (67HP) ENGINE/PUMP SUB-ASSEMBLY - DANFOSS PISTON PUMP  
(WITHOUT ARCTIC PACKAGE)**

ITEM	PART NUMBER	QTY	DESCRIPTION	REV
	1001176013	Ref	DEUTZ TD2.9L4 ENGINE/PUMP SUB-ASSEMBLY	F
1	0100011	AR	Compound, Locking	
2	0641406	1	Bolt 1/4 x 3/4	
3	0641808	1	Bolt 1/2 x 1	
4	0641812	2	Bolt 1/2 x 1-1/2	
6	3311405	1	Nut 1/4	
7	3311801	1	Nut 1/2	
8	3422533	1	Pin, Hitch	
9	3600395	1	Gear Pump Assembly with Fittings (See Separate Breakdown in this Section)	
10	1001188952	1	Pump Assembly with Fittings (See Separate Breakdown in this Section)	
11	3790152	1	O-Ring	
12	3931620	2	Bolt 3/8 x 1-1/4	
13	4711400	2	Washer 1/4	
14	4751800	1	Washer 1/2	
15	4891600	2	Washer 3/8 Hardened	
16	1001137873	1	Seal	
17	1001137874	1	Seal	
18	1001176012	1	Engine Assembly (See Separate Breakdown in this Section)	
19	1060637	1	Lanyard	

# SECTION 3 - ENGINE

FIGURE 3-35. DEUTZ TD2.9L4 (67HP) ENGINE/PUMP SUB-ASSEMBLY - DANFOSS PISTON PUMP (WITH ARCTIC PACKAGE)



ART\_1001176016



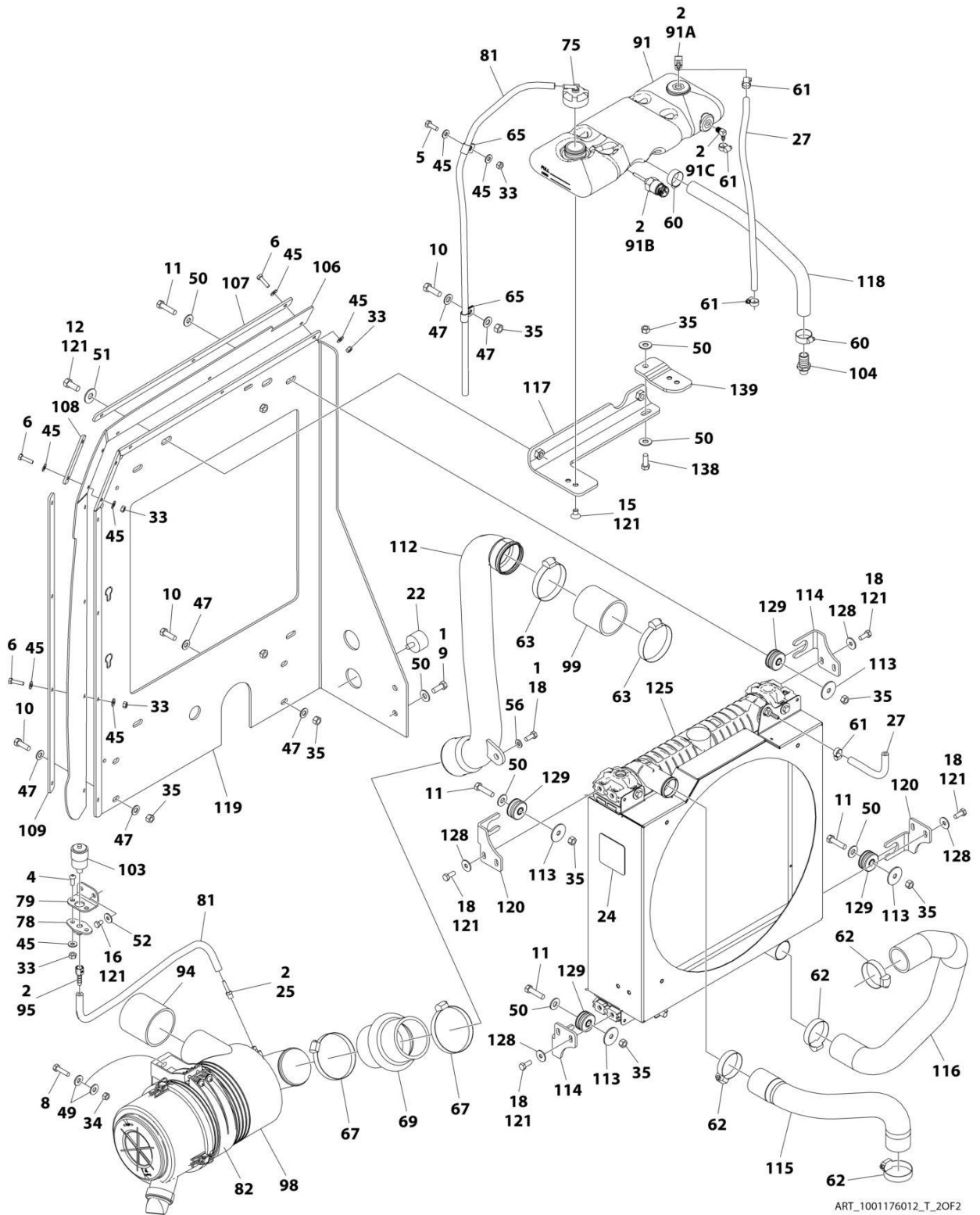
## SECTION 3 - ENGINE

**FIGURE 3-35. DEUTZ TD2.9L4 (67HP) ENGINE/PUMP SUB-ASSEMBLY - DANFOSS PISTON PUMP  
(WITH ARCTIC PACKAGE)**

ITEM	PART NUMBER	QTY	DESCRIPTION	REV
	1001176016	Ref	DEUTZ TD2.9L4 ENGINE/PUMP SUB-ASSEMBLY	E
1	0100011	AR	Compound, Locking	
2	0641406	1	Bolt 1/4 x 3/4	
3	0641808	1	Bolt 1/2 x 1	
4	0641812	2	Bolt 1/2 x 1-1/2	
6	3311405	1	Nut 1/4	
7	3311801	1	Nut 1/2	
8	3422533	1	Pin, Hitch	
9	3600395	1	Gear Pump Assembly with Fittings (See Separate Breakdown in this Section)	
10	1001188952	1	Pump Assembly with Fittings (See Separate Breakdown in this Section)	
11	3790152	1	O-Ring	
12	3931620	2	Bolt 3/8 x 1-1/4	
13	4711400	2	Washer 1/4	
14	4751800	1	Washer 1/2	
15	4891600	2	Washer 3/8 Hardened	
16	1001137873	1	Seal	
17	1001137874	1	Seal	
18	1001176015	1	Engine Assembly (See Separate Breakdown in this Section)	
19	1060637	1	Lanyard	



# SECTION 3 - ENGINE



ART\_1001176012\_T\_2OF2

## SECTION 3 - ENGINE

**FIGURE 3-36. DEUTZ TD2.9L4 (67HP) ENGINE ASSEMBLY - WITHOUT ARCTIC PACKAGE**

ITEM	PART NUMBER	QTY	DESCRIPTION	REV
	1001176012	Ref	DEUTZ TD2.9L4 ENGINE ASSEMBLY	T
1	0100011	AR	Compound, Locking	
2	0100020	AR	Sealant	
3	0100062	AR	Adhesive	
4	0630407	2	Screw 1/4 x 5/8	
5	0641406	5	Bolt 1/4 x 3/4	
6	0641408	9	Bolt 1/4 x 1	
7	0641508	4	Bolt 5/16 x 1	
8	0641510	2	Bolt 5/16 x 1-1/4	
9	0641608	7	Bolt 3/8 x 1	
10	0641609	4	Bolt 3/8 x 1-1/8	
11	0641612	4	Bolt 3/8 x 1-1/2	
12	0641708	2	Bolt 7/16 x 1	
13	0681620	2	Bolt 3/8 x 2-1/2 Grade 8	
14	0681822	1	Bolt 1/2 x 2-3/4 Grade 8	
15	0741605	2	Screw, Flathead 3/8 x 5/8	
16	0760605	2	Bolt M6 x 10	
18	0760810	9	Bolt M8 x 20	
19	0761210	1	Bolt M12 x 20	
20	0771212	6	Bolt M12 x 25	
21	0771414	2	Bolt M14 x 30	
22	0940070	1	Bumper	
23	0961986	2	Bushing, Flanged	
24	1703162	1	Decal - Fan Blade	
25	2220315	1	Fitting, Straight Barbed	
27	2720015	26 in /.9m	Hose	
28	2902065	1	Kit, Pump Coupling (See Separate Breakdown in this Section)	
29	3200401	1	Mount, Motor	
30	3271601	2	Nut 3/8 Grade 8	
31	3271801	1	Nut 1/2 Grade 8	
32	3310401	3	Nut #4	
33	3311405	17	Nut 1/4	
34	3311505	6	Nut 5/16	
35	3311605	11	Nut 3/8	
36	3580320	1	Pulley	
37	3910408	3	Screw #4 x 1/2	
38	3931432	1	Capscrew 1/4 x 2	
39	3931512	4	Capscrew 5/16 x 3/4	
40	3931628	4	Capscrew 3/8 x 1-3/4	
41	4031914	4	Capscrew M8 x 50	
42	4032014	4	Capscrew M10 x 50	
43	4240099	AR	Tie-Strap (Not Shown)	
44	4640751	1	Valve, Oil Drain	
45	4711400	31	Washer 1/4	
46	4711500	4	Washer 5/16	
47	4711600	8	Washer 3/8	
48	4750400	3	Washer #4	
49	4751500	12	Washer 5/16	
50	4751600	14	Washer 3/8	
51	4751700	2	Washer 7/16	

## SECTION 3 - ENGINE

ITEM	PART NUMBER	QTY	DESCRIPTION	REV
52	4811702	2	Washer M6	
53	4811900	4	Washer M8	
54	4812100	7	Washer M12	
55	4812200	2	Washer M14	
56	4891500	1	Washer 5/16 Hardened	
57	4891600	2	Washer 3/8 Hardened	
58	4891800	1	Washer 1/2 Hardened	
60	8405007	2	Clamp	
61	8405009	4	Clamp	
62	8405104	4	Clamp	
63	8405204	2	Clamp	
65	8406110	2	Clip	
66	8406201	1	Clip	
67	8410011	2	Clamp	
68	8410013	1	Clamp	
69	91403244	1	Hose	
70	1001117308	1	Relay	
72	1001135138	1	Adapter	
73	1001135679	1	Adapter	
75	1001136834	1	Cap, Tank	
76	1001137276	1	Fan	
77	1001138170	2	Mount, Motor	
78	1001138173	1	Support	
79	1001138175	1	Bracket	
80	1001138228	1	Relay, Power Module	
80	70023593	1	Fuse 30Amp (Battery Output)	
80	70023592	1	Fuse 20Amp (Switched Output)	
81	1001138248	67 in /1.7m	Tube	
82	1001138557	1	Clamp	
85	1001139240	1	Bracket	
86	1001139409	1	Washer, Special	
87	1001139429	2	Washer, Special	
88	1001249942	1	Deutz TD2.9L4 Engine Components (See Separate Breakdown in this Section)	
89	1001140454	1	Mount, Front Engine	
91	1001230635	1	Tank	
91A	1001134488	1	Fitting, 90 Barbed	
91B	1001138827	1	Sensor, Coolant Level	
91C	1001140564	1	Fitting, 90 Barbed	
93	1001141304	1	Harness, Glow Plug	
94	1001141585	1	Hose, Air Inlet	
95	1001141995	1	Fitting, Straight Barbed	
97	1001142538	1	Support	
98	1001142615	1	Air Cleaner Assembly Filter Element	
98	91403102	1	Element, Filter (Not Shown)	
99	1001142623	1	Hose, Inlet	
100	1001142635	1	Mount, Rear Engine	
101	1001205051	1	Mount, Rear Engine	
102	1001142689	1	Pipe, Exhaust	
103	1001143390	1	Indicator, Service	
104	1001143797	1	Fitting, Straight Barbed	

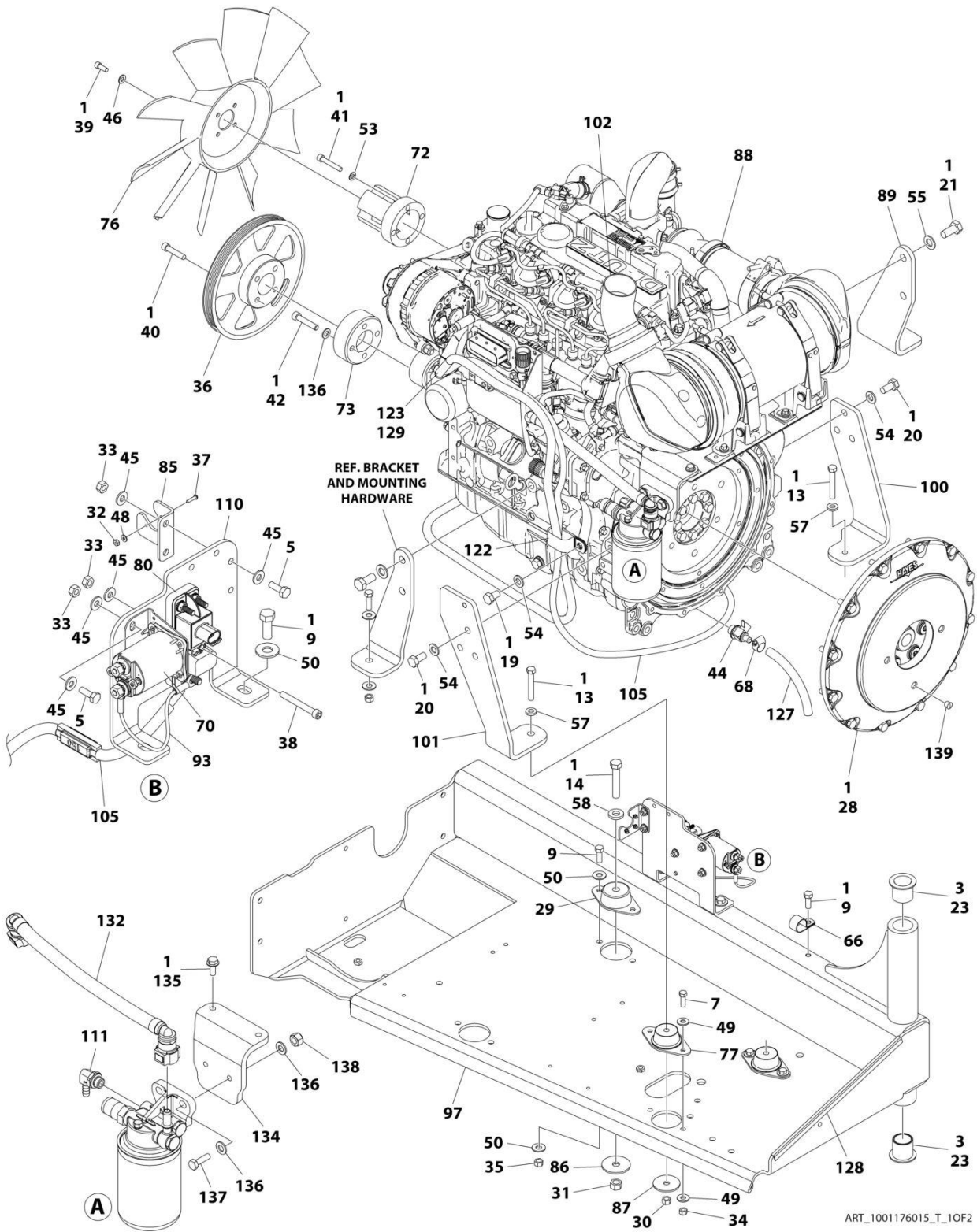
## SECTION 3 - ENGINE

ITEM	PART NUMBER	QTY	DESCRIPTION	REV
105	1001143907	1	Cable, Alternator Power	
106	1001144409	1	Panel, Rubber	
107	1001144410	1	Bracket, Panel Clamp	
108	1001144411	1	Bracket, Panel Clamp	
109	1001144412	1	Bracket, Panel Clamp	
110	1001145154	1	Plate, Relay Mounting	
111	1001152489	1	Fitting, 90 Barbed	
112	1001165842	1	Pipe	
113	1001169138	4	Washer	
114	1001204325	2	Bracket	
115	1001176225	1	Hose, Radiator - Upper	
116	1001176226	1	Hose, Radiator - Lower	
117	1001260413	1	Bracket, Tank	
118	1001176511	1	Hose	
119	1001176723	1	Plate Radiator Mounting	
120	1001178223	2	Bracket	
121	1001180620	AR	Adhesive	
122	1001181899	1	Clamp	
123	1001143726	1	Harness, Engine (Not Shown - See Separate Breakdown in ELECTRICAL Section)	
125	1001167041	1	Radiator and Shroud Assembly	
125	1001203495	1	Radiator	
125	1001204491	1	Shroud	
126	2720340	6 in /15cm	Hose	
127	4060805	14 in / 36cm	Flex-Trim	
128	4811902	8	Washer M8	
129	1001169054	4	Isolator	
130	1001177359	1	Hose	
132	1001178876	1	Mount	
133	5250810	2	Bolt M8 x 20	
134	4812000	8	Washer M10	
135	0761015	2	Bolt M10 x 35	
136	3291005	2	Nut M10	
137	3520054	1	Plug	
138	0681608	1	Bolt 3/8 x 1 Grade 8	
139	1001260412	1	Bracket	
140	1001162335	1	Bracket, Fuel Pump/Filter Assembly (Not Shown - See Separate Breakdown in this Section)	



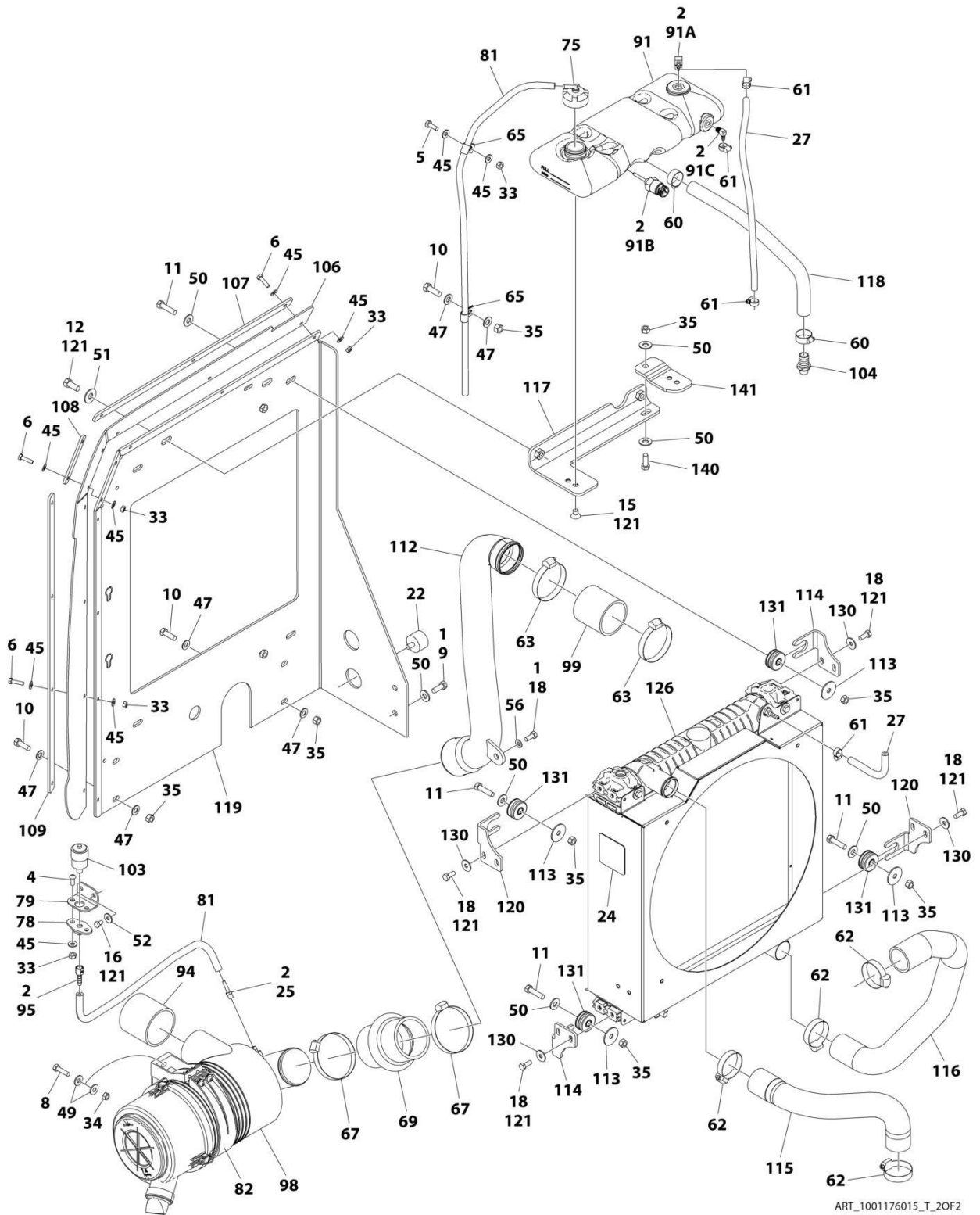
# SECTION 3 - ENGINE

## FIGURE 3-37. DEUTZ TD2.9L4 (67HP) ENGINE ASSEMBLY - WITH ARCTIC PACKAGE





# SECTION 3 - ENGINE



ART\_1001176015\_T\_2OF2

## SECTION 3 - ENGINE

FIGURE 3-37. DEUTZ TD2.9L4 (67HP) ENGINE ASSEMBLY - WITH ARCTIC PACKAGE

ITEM	PART NUMBER	QTY	DESCRIPTION	REV
	1001176015	Ref	DEUTZ TD2.9L4 ENGINE ASSEMBLY	T
1	0100011	AR	Compound, Locking	
2	0100020	AR	Sealant	
3	0100062	AR	Adhesive	
4	0630407	2	Screw 1/4 x 5/8	
5	0641406	5	Bolt 1/4 x 3/4	
6	0641408	9	Bolt 1/4 x 1	
7	0641508	4	Bolt 5/16 x 1	
8	0641510	2	Bolt 5/16 x 1-1/4	
9	0641608	7	Bolt 3/8 x 1	
10	0641609	4	Bolt 3/8 x 1-1/8	
11	0641612	4	Bolt 3/8 x 1-1/2	
12	0641708	2	Bolt 7/16 x 1	
13	0681620	2	Bolt 3/8 x 2-1/2 Grade 8	
14	0681822	1	Bolt 1/2 x 2-3/4 Grade 8	
15	0741605	2	Screw, Flathead 3/8 x 5/8	
16	0760605	2	Bolt M6 x 10	
18	0760810	9	Bolt M8 x 20	
19	0761210	1	Bolt M12 x 20	
20	0771212	6	Bolt M12 x 25	
21	0771414	2	Bolt M14 x 30	
22	0940070	1	Bumper	
23	0961986	2	Bushing, Flanged	
24	1703162	1	Decal - Fan Blade	
25	2220315	1	Fitting, Straight Barbed	
27	2720015	26 in /.9m	Hose	
28	2902065	1	Kit, Pump Coupling (See Separate Breakdown in this Section)	
29	3200401	1	Mount, Motor	
30	3271601	2	Nut 3/8 Grade 8	
31	3271801	1	Nut 1/2 Grade 8	
32	3310401	3	Nut #4	
33	3311405	17	Nut 1/4	
34	3311505	6	Nut 5/16	
35	3311605	11	Nut 3/8	
36	3580320	1	Pulley	
37	3910408	3	Screw #4 x 1/2	
38	3931432	1	Capscrew 1/4 x 2	
39	3931512	4	Capscrew 5/16 x 3/4	
40	3931628	4	Capscrew 3/8 x 1-3/4	
41	4031914	4	Capscrew M8 x 50	
42	4032014	4	Capscrew M10 x 50	
43	4240099	AR	Tie-Strap (Not Shown)	
44	4640751	1	Valve, Oil Drain	
45	4711400	31	Washer 1/4	
46	4711500	4	Washer 5/16	
47	4711600	8	Washer 3/8	
48	4750400	3	Washer #4	
49	4751500	12	Washer 5/16	
50	4751600	14	Washer 3/8	
51	4751700	2	Washer 7/16	

## SECTION 3 - ENGINE

ITEM	PART NUMBER	QTY	DESCRIPTION	REV
52	4811702	2	Washer M6	
53	4811900	4	Washer M8	
54	4812100	7	Washer M12	
55	4812200	2	Washer M14	
56	4891500	1	Washer 5/16 Hardened	
57	4891600	2	Washer 3/8 Hardened	
58	4891800	1	Washer 1/2 Hardened	
60	8405007	2	Clamp	
61	8405009	4	Clamp	
62	8405104	4	Clamp	
63	8405204	2	Clamp	
65	8406110	2	Clip	
66	8406201	1	Clip	
67	8410011	2	Clamp	
68	8410013	1	Clamp	
69	91403244	1	Hose	
70	1001117308	1	Relay	
72	1001135138	1	Adapter	
73	1001135679	1	Adapter	
75	1001136834	1	Cap, Tank	
76	1001137276	1	Fan	
77	1001138170	2	Mount, Motor	
78	1001138173	1	Support	
79	1001138175	1	Bracket	
80	1001138228	1	Relay, Power Module	
80	70023593	1	Fuse 30Amp (Battery Output)	
80	70023592	1	Fuse 20Amp (Switched Output)	
81	1001138248	67 in/1.7m	Tube	
82	1001138557	1	Clamp	
85	1001139240	1	Bracket	
86	1001139409	1	Washer, Special	
87	1001139429	2	Washer, Special	
88	1001249942	1	Deutz TD2.9L4 Engine Components (See Separate Breakdown in this Section)	
89	1001140454	1	Mount, Front Engine	
91	1001230635	1	Tank	
91A	1001134488	1	Fitting, 90 Barbed	
91B	1001138827	1	Sensor, Coolant Level	
91C	1001140564	1	Fitting, 90 Barbed	
93	1001141304	1	Harness, Glow Plug	
94	1001141585	1	Hose, Air Inlet	
95	1001141995	1	Fitting, Straight Barbed	
97	1001142538	1	Support	
98	1001142615	1	Air Cleaner Assembly Filter Element	
98	91403102	1	Element, Filter (Not Shown)	
99	1001142623	1	Hose, Inlet	
100	1001142635	1	Mount, Rear Engine	
101	1001205051	1	Mount, Rear Engine	
102	1001142689	1	Pipe, Exhaust	
103	1001143390	1	Indicator, Service	
104	1001143797	1	Fitting, Straight Barbed	
105	1001143907	1	Cable, Alternator Power	

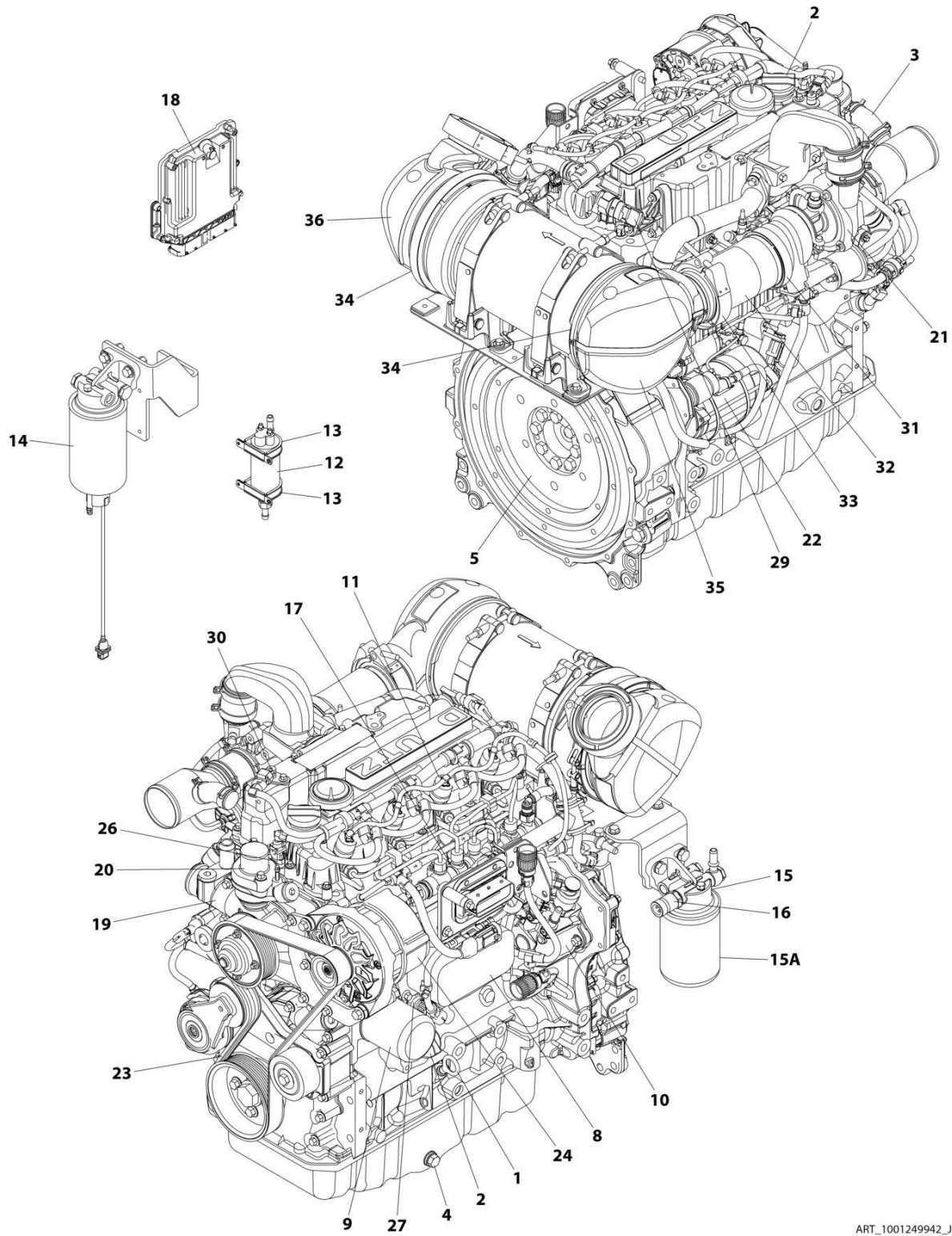
## SECTION 3 - ENGINE

ITEM	PART NUMBER	QTY	DESCRIPTION	REV
106	1001144409	1	Panel, Rubber	
107	1001144410	1	Bracket, Panel Clamp	
108	1001144411	1	Bracket, Panel Clamp	
109	1001144412	1	Bracket, Panel Clamp	
110	1001145154	1	Plate, Relay Mounting	
111	1001152489	1	Fitting, 90 Barbed	
112	1001165842	1	Pipe	
113	1001169138	4	Washer	
114	1001204325	2	Bracket	
115	1001176225	1	Hose, Radiator - Upper	
116	1001176226	1	Hose, Radiator - Lower	
117	1001260413	1	Bracket, Tank	
118	1001176511	1	Hose	
119	1001176723	1	Plate Radiator Mounting	
120	1001178223	2	Bracket	
121	1001180620	AR	Adhesive	
122	1001181899	1	Clamp	
123	1001140312	1	Heater, Engine Block	
124	1001143726	1	Harness, Engine (Not Shown - See Separate Breakdown in ELECTRICAL Section)	
126	1001167041	1	Radiator & Shroud Assembly	
126	1001203495	1	Radiator	
126	1001204491	1	Shroud	
127	2720340	6 in /15cm	Hose	
128	4060805	14 in / 36cm	Flex-Trim	
129	1001181895	AR	Adhesive	
130	4811902	8	Washer M8	
131	1001169054	4	Isolator	
132	1001177359	1	Hose	
134	1001178876	1	Mount	
135	5250810	2	Bolt M8 x 20	
136	4812000	8	Washer M10	
137	0761015	2	Bolt M10 x 35	
138	3291005	2	Nut M10	
139	3520054	1	Plug	
140	0681608	1	Bolt 3/8 x 1 Grade 8	
141	1001260412	1	Bracket	
142	1001162335	1	Bracket, Fuel Pump/Filter Assembly (Not Shown - See Separate Breakdown in this Section)	



# SECTION 3 - ENGINE

## FIGURE 3-38. DEUTZ TD2.9L4 (67HP) ENGINE COMPONENTS



ART\_1001249942\_JLG

## SECTION 3 - ENGINE

**FIGURE 3-38. DEUTZ TD2.9L4 (67HP) ENGINE COMPONENTS**

ITEM	PART NUMBER	QTY	DESCRIPTION	REV
	1001249942	Ref	ENGINE COMPONENTS - DEUTZ TD2.9L4	A
1	70024904	1	Dipstick	
1	70024905	1	Seal	
2	7020465	2	Cap, Oil Fill	
3	70025111	2	Clamp	
3	70005920	1	Hose, Breather	
4	70005941	2	Plug	
4	70005942	2	Seal	
5	70001870	1	Flywheel with Ring Gear	
5	7024579	1	Gear, Ring	
6		Ref	Gasket and Seal Options (Not Shown)	
6	70004279	1	Gasket Kit	
6	70024906	1	Gasket, Head	
6	70025205	1	Gasket, Small Valve Cover	
6	70005171	1	Gasket, Large Valve Cover	
6	70005176	1	O-Seal, Valve Cover to Air Charge Elbow	
6	70005177	1	Gasket, Air Charge Pipe to Head	
6	70031095	3	Gasket, Air Charge Pipe & EGR Pipe	
6	70025164	1	Gasket, Exhaust Manifold to Head	
6	70007354	1	Gasket, EGR Pipe to EGR Valve	
6	70007326	1	Gasket, EGR Valve to Housing	
7	70005172	1	Pump, Oil Lube (Not Shown - Located Front Left Side)	
7	70025135	1	O-Ring	
7	70005173	1	Gasket	
8	70024494	1	Cooler, Oil	
8	70024925	1	Gasket	
9	7016331	1	Filter, Oil	
10	70024924	1	Pump, High Pressure (Not Shown - Located Front Left Side)	
10	70025152	1	O-Ring (Between Pump and Spacer)	
10	70024517	1	O-Ring (Between Spacer and Engine Block)	
10	70004505	1	Valve, Overflow	
10	70004506	1	O-Ring	
10	70004507	1	O-Ring	
10	70004508	1	Valve, Volume Control	
10	70004509	1	O-Ring	
10	70004510	1	O-Ring	
11	70025181	4	Injector Fuel	
11	70025140	4	Washer, Sealing	
11	70025146	4	Clamp (Top of Injector)	
11	70025145	4	O-Seal	
11	70025154	4	Shoe, Clamping	
11	70000345	4	Plug, Glow	
11	70025231	1	Harness, Glow Plug (Not Shown)	
12	70006144	1	Pump, Fuel	
13	70025144	2	Clamp	
14	70024961	1	Filter, Fuel	
14	70025153	1	Element, Filter	
14	70024513	1	Cable, Sensor	
14	70025239	1	Seal	
15	70029451	1	Filter With Head	

## SECTION 3 - ENGINE

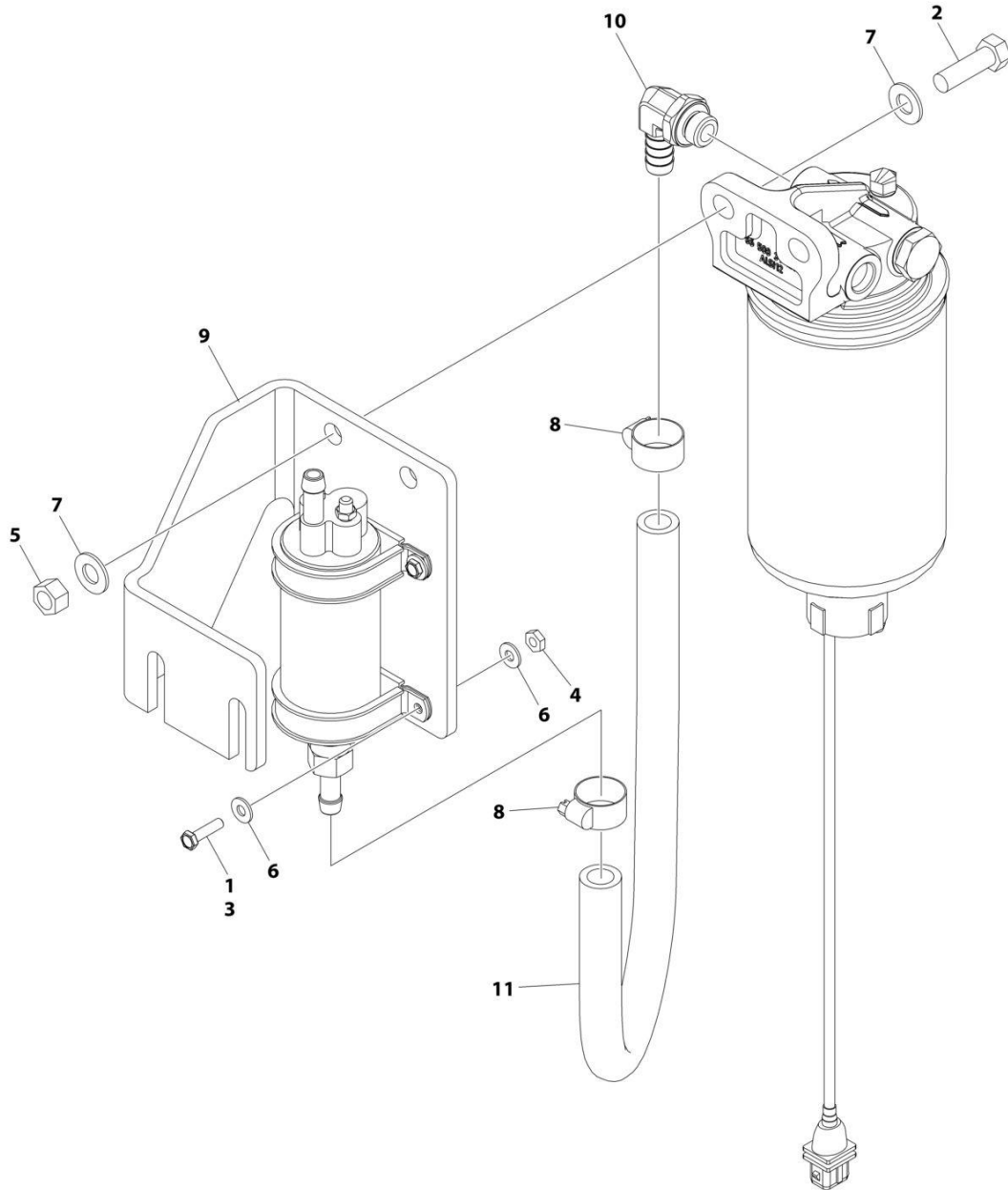
ITEM	PART NUMBER	QTY	DESCRIPTION	REV
15A	70025161	1	Filter, Fuel	
16	70028538	1	Sensor, Pressure	
16	70024920	1	Seal	
17	70025151	1	Rail, Fuel	
17	70025235	1	Repair Kit	
17	70025182	1	Line, Fuel (Cylinders 1 & 2)	
17	70025183	1	Line, Fuel (Cylinders 3 & 4)	
17	70025184	1	Line, Fuel (To Rail)	
18	70025210	1	ECU (Engine Control Unit)	
19	70029797	1	Pump, Water	
19	70025200	1	Seal	
19	70007325	1	Gasket	
20	70005929	1	Thermostat	
20	70005184	1	O-Seal	
20	70025142	1	Cover, Thermostat	
20	70005931	1	Gasket	
21	70004276	1	Turbocharger	
21	70024912	1	Gasket, Square	
21	70024509	1	Gasket, Return Line	
21	70006294	1	O-Seal	
22	70024915	1	Starter	
22	70005648	1	Relay	
22	70005647	1	Solenoid	
23	70004277	1	Belt Drive	
24	70006652	1	Alternator	
24	70006653	1	Regulator, Voltage	
25	70007489	1	Harness, Engine (Not Shown)	
26	70028540	1	Sender, Temperature	
27	70028538	1	Sensor, Pressure	
27	70024920	1	Seal	
28	70026210	2	Sensor, Speed (Not Shown - Located Left Side Front and Flywheel Housing)	
28	70024917	1	Seal (Cam Shaft Speed Sensor)	
28	70005191	1	Seal (Flywheel Shaft Speed Sensor)	
29	70024507	1	Sensor, Pressure	
29	70025120	1	Seal	
30	70024922	1	Sender, Temperature	
30	70025212	1	O-Seal	
31	70005527	1	Clamp	
31	70025788	1	Nut	
32	70004504	1	Compensator	
33	70025242	1	Gasket	
33	70029433	1	Clamp	
34	70029517	2	Clamp	
34	70029520	2	Gasket	
35	70007355	1	Inlet	
36	70007331	1	Outlet	





# SECTION 3 - ENGINE

## FIGURE 3-39. BRACKET ASSEMBLY - FUEL PUMP AND FILTER (DEUTZ D2.2L3 (STAGE V) ENGINES)



ART\_1001235949

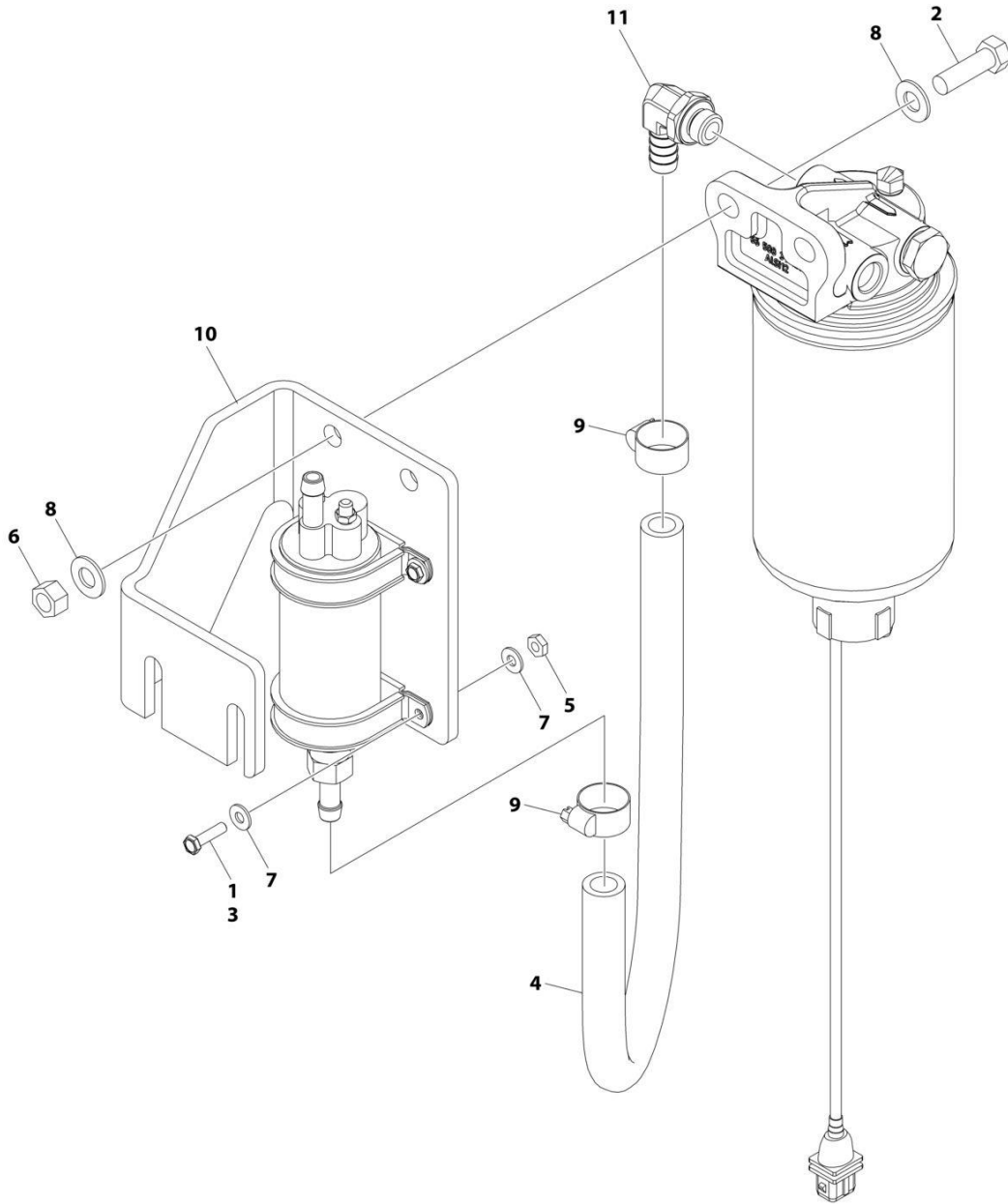
## SECTION 3 - ENGINE

**FIGURE 3-39. BRACKET ASSEMBLY - FUEL PUMP AND FILTER (DEUTZ D2.2L3 (STAGE V) ENGINES)**

ITEM	PART NUMBER	QTY	DESCRIPTION	REV
	1001235949	Ref	BRACKET ASSEMBLY - FUEL PUMP AND FILTER (DEUTZ D2.9L4 (STAGE V) ENGINE)	A
1	0100035	AR	Compound, Locking	
2	0641610	2	Bolt 3/8 x 1-1/4	
3	0721006	4	Bolt #10 x 3/4	
4	3311001	4	Nut #10	
5	3311605	2	Nut 3/8	
6	4711000	8	Washer #10	
7	4711600	4	Washer 3/8	
8	8405006	2	Clamp	
9	1001141870	1	Plate, Fuel Pump Mount	
10	1001142501	1	Fitting, Elbow Barbed	
11	1001154405	1.5 ft /0.4m	Hose	

# SECTION 3 - ENGINE

## FIGURE 3-40. BRACKET ASSEMBLY - FUEL PUMP AND FILTER (DEUTZ D2.9L4 ENGINE)



ART\_1001162335

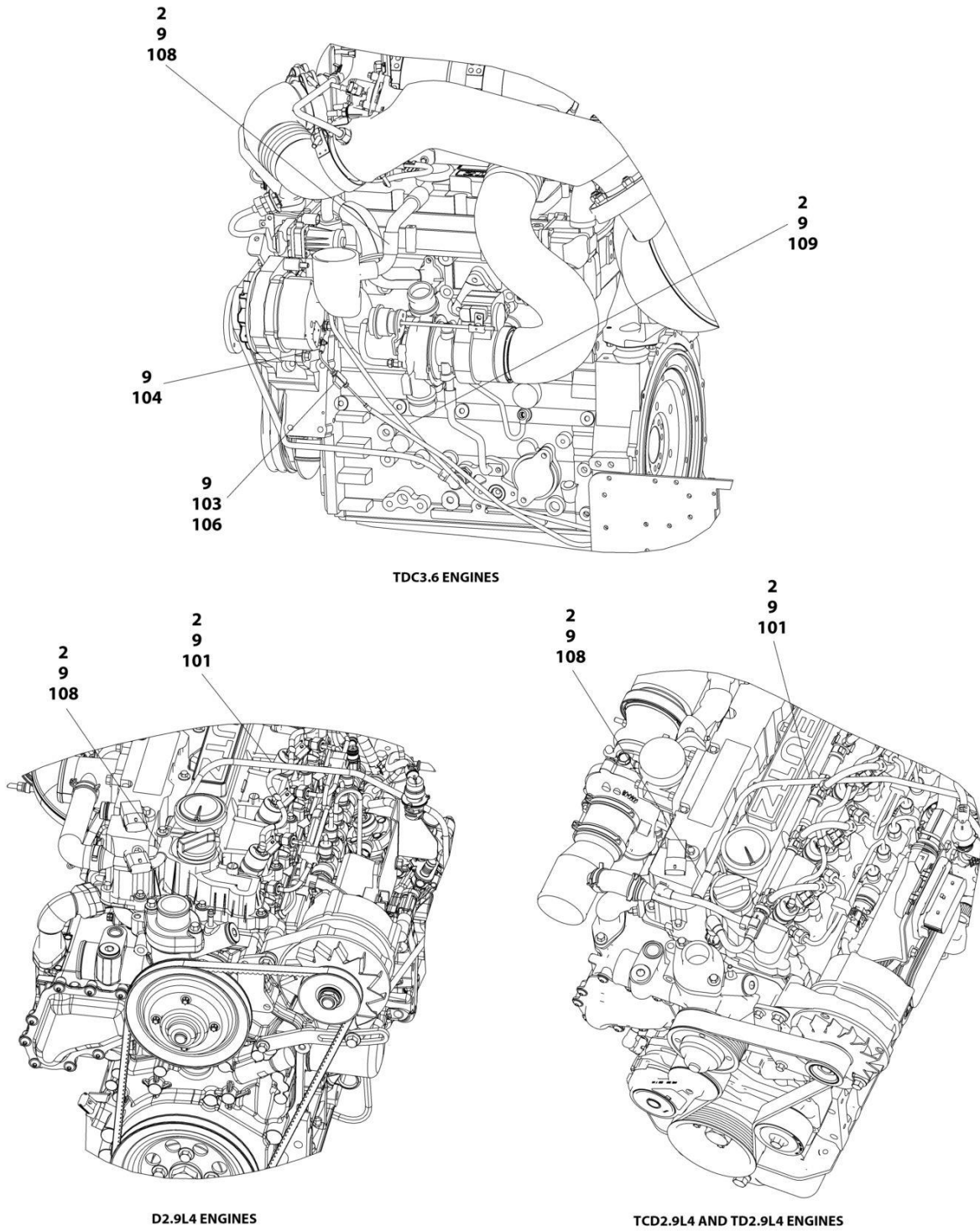
## SECTION 3 - ENGINE

**FIGURE 3-40. BRACKET ASSEMBLY - FUEL PUMP AND FILTER (DEUTZ D2.9L4 ENGINE)**

ITEM	PART NUMBER	QTY	DESCRIPTION	REV
	1001162335	Ref	BRACKET ASSEMBLY - FUEL PUMP AND FILTER (DEUTZ D2.9L4 ENGINE)	E
1	0100011	AR	Compound, Locking	
2	0641610	2	Bolt 3/8 x 1-1/4	
3	0721006	4	Bolt #10 x 3/4	
4	1001154405	AR	Hose	
5	3311001	4	Nut #10	
6	3311605	2	Nut 3/8	
7	4711000	8	Washer #10	
8	4711600	4	Washer 3/8	
9	8405006	2	Clamp	
10	1001141870	1	Plate, Fuel Pump Mount	
11	1001142501	1	Fitting, Elbow Barbed	

# SECTION 3 - ENGINE

## FIGURE 3-41. BREATHER HEATER INSTALLATION - DEUTZ D2.9L4 ENGINES WITH ARCTIC PACKAGE



ART\_1001233763

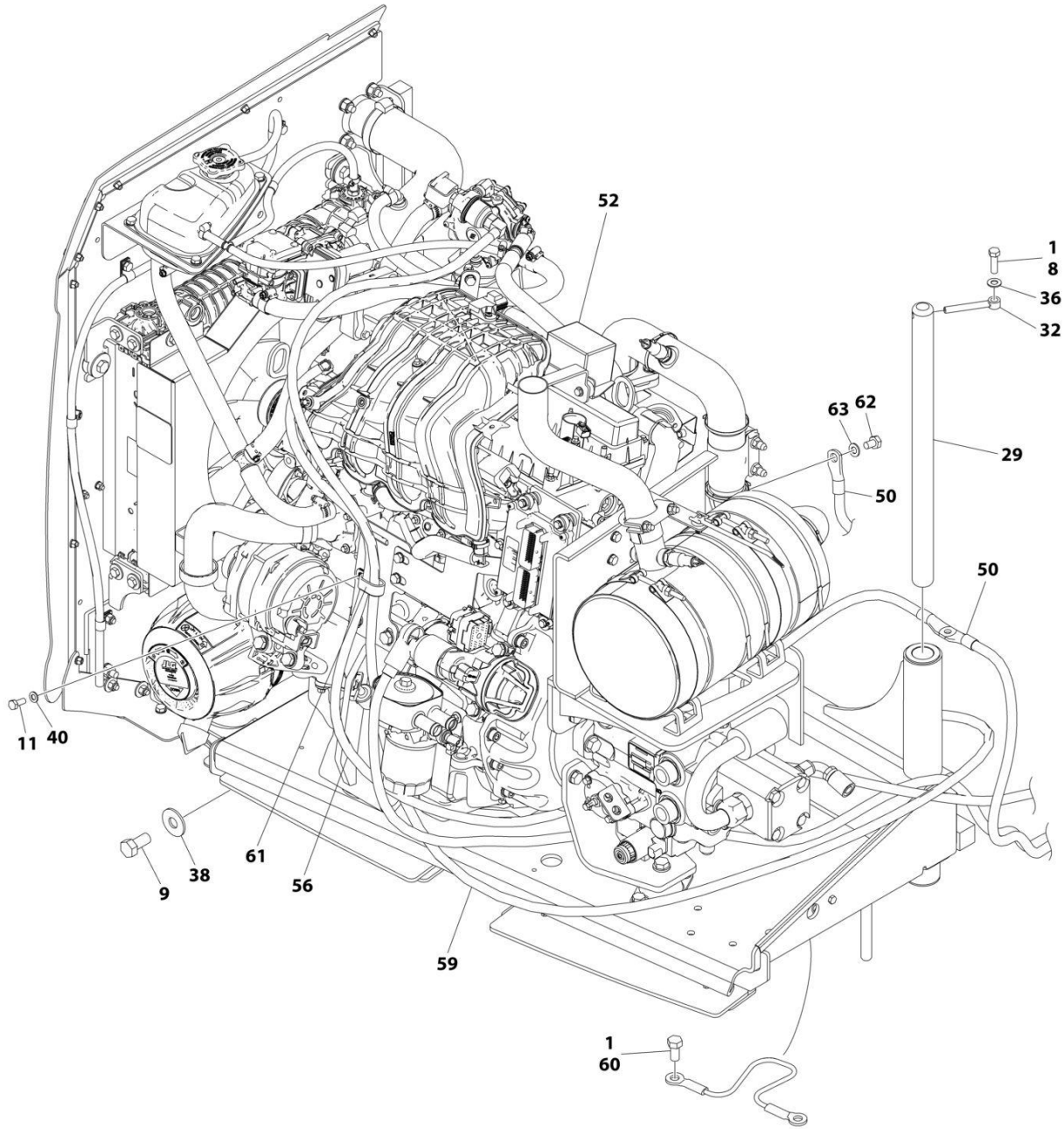
## SECTION 3 - ENGINE

**FIGURE 3-41. BREATHER HEATER INSTALLATION - DEUTZ D2.9L4 ENGINES WITH ARCTIC PACKAGE**

ITEM	PART NUMBER	QTY	DESCRIPTION	REV
	1001233763	Ref	BREATHER HEATER INSTALLATION - DEUTZ ENGINES	D
2	4240099	AR	Tie-Strap	
9	1001243895	1	Breather Heater Harness	C
101	2820035	AR	Insulation	
103	2400060	1	Fuseholder with Cover	
104	4460043	1	Terminal, Ring	
105	4460722	1	Terminal, Ring (Not Shown)	
106	1001196634	1	Fuse - 2 Amp	
108	1001232842	1	Breather Heater Kit	

# SECTION 3 - ENGINE

## FIGURE 3-42. FORD ENGINE INSTALLATION - WITHOUT ARCTIC PACKAGE



ART\_1001216912\_H\_10F2





## SECTION 3 - ENGINE

FIGURE 3-42. FORD ENGINE INSTALLATION - WITHOUT ARCTIC PACKAGE

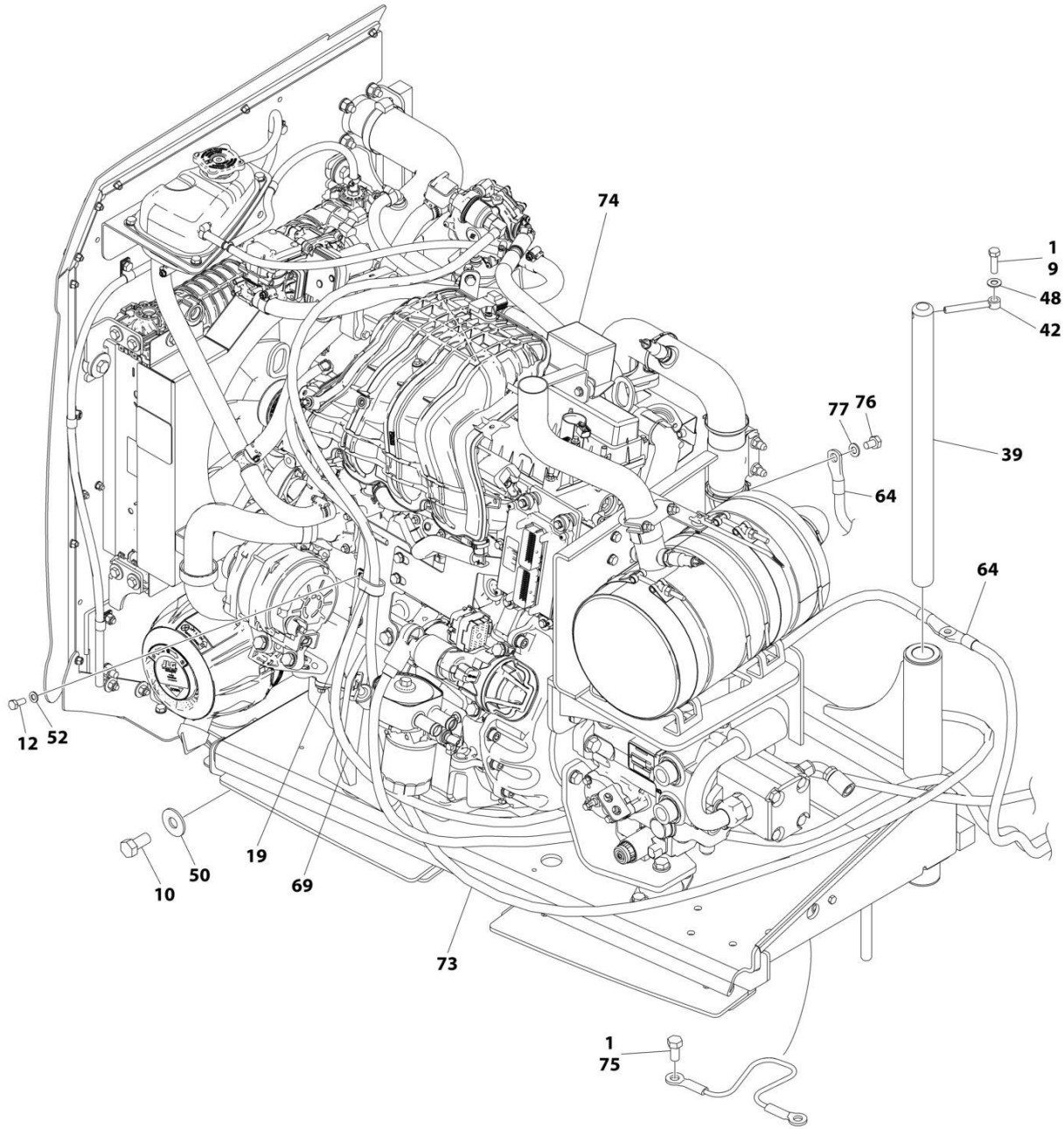
ITEM	PART NUMBER	QTY	DESCRIPTION	REV
	1001216912	Ref	FORD ENGINE INSTALLATION	H
1	0100011	AR	Compound, Locking	
2	0100020	AR	Sealant	
3	0100048	AR	Grease, Terminal	
5	0641406	2	Bolt 1/4 x 3/4	
6	0641416	2	Bolt 1/4 x 2	
7	0641607	3	Bolt 3/8 x 7/8	
8	0641612	1	Bolt 3/8 x 1-1/2	
9	0642010	1	Bolt 5/8 x 1-1/4	
10	0760612	2	Bolt M6 x 25	
11	0760810	1	Bolt M8 x 20	
12	0760812	3	Bolt M8 x 25	
13	0760815	1	Bolt M8 x 35	
17	1701542	1	Decal - Gas (Not Shown)	
18	1701543	2	Decal - LPG (Not Shown)	
19	2180348	1	Fitting, Straight NPT/Barbed	
20	2180418	1	Fitting, Straight	
21	2221197	1	Fitting, Straight NPT	
22	1001247359	1	Fitting, Straight	
23	2221176	1	Fitting, 90	
24	3290405	1	Nut M4	
25	3290505	1	Nut M5	
26	3290605	2	Nut M6	
27	3290801	4	Nut M8	
28	3311405	4	Nut 1/4	
29	3422448	1	Pin	
30	3740067	1	Relay	
31	3790012	1	O-Ring (Not Shown - Located on Platform Console Box)	
32	3841143	1	Keeper, Pin	
33	4360336	1	Switch, Toggle (Not Shown - Located on Platform Console Box)	
34	1001221488	1	Tube, Fuel Line	
35	4711400	6	Washer 1/4	
36	4711600	4	Washer 3/8	
38	4752000	1	Washer 5/8	
39	4811702	4	Washer M6	
40	4811900	9	Washer M8	
41	8406101	2	Clip	
43	85941018	2	Clamp	
47	1001137868	1	Bracket, Battery	
48	1001174486	2	Clamp	
50	1001215142	1	Battery Cable Kit	C
50A	7027073	1	Cable, Battery - Ground to Battery -	
50B	8270147	1	Terminal, Battery with Boot	
50C	7027072	1	Cable, Battery - Auxiliary Pump/Relay to Battery -	
50D	70009018	1	Cable, Battery - Engine to Ground	
50E	7027075	1	Cable, Battery - Auxiliary Relay to Auxiliary Pump	
50F	70009019	1	Cable, Battery - Starter/Auxiliary Relay to Battery +	
52	1001216911	1	Engine Assembly with Pumps (See Separate Breakdown in this Section)	
53	1001217645	1	Bracket	

## SECTION 3 - ENGINE

ITEM	PART NUMBER	QTY	DESCRIPTION	REV
54	1001217418	1	Hose	
55	1001217419	1	Hose	
56	1001217420	1	Hose	
57	1001217421	1	Hose	
58	1001217422	1	Hose	
59	1001218638	1	Hose	
60	0641808	1	Bolt 1/2 x 1	
61	1321283	1	Clamp	
62	0761008	1	Bolt M10 x 16	
63	4812000	1	Washer M10	

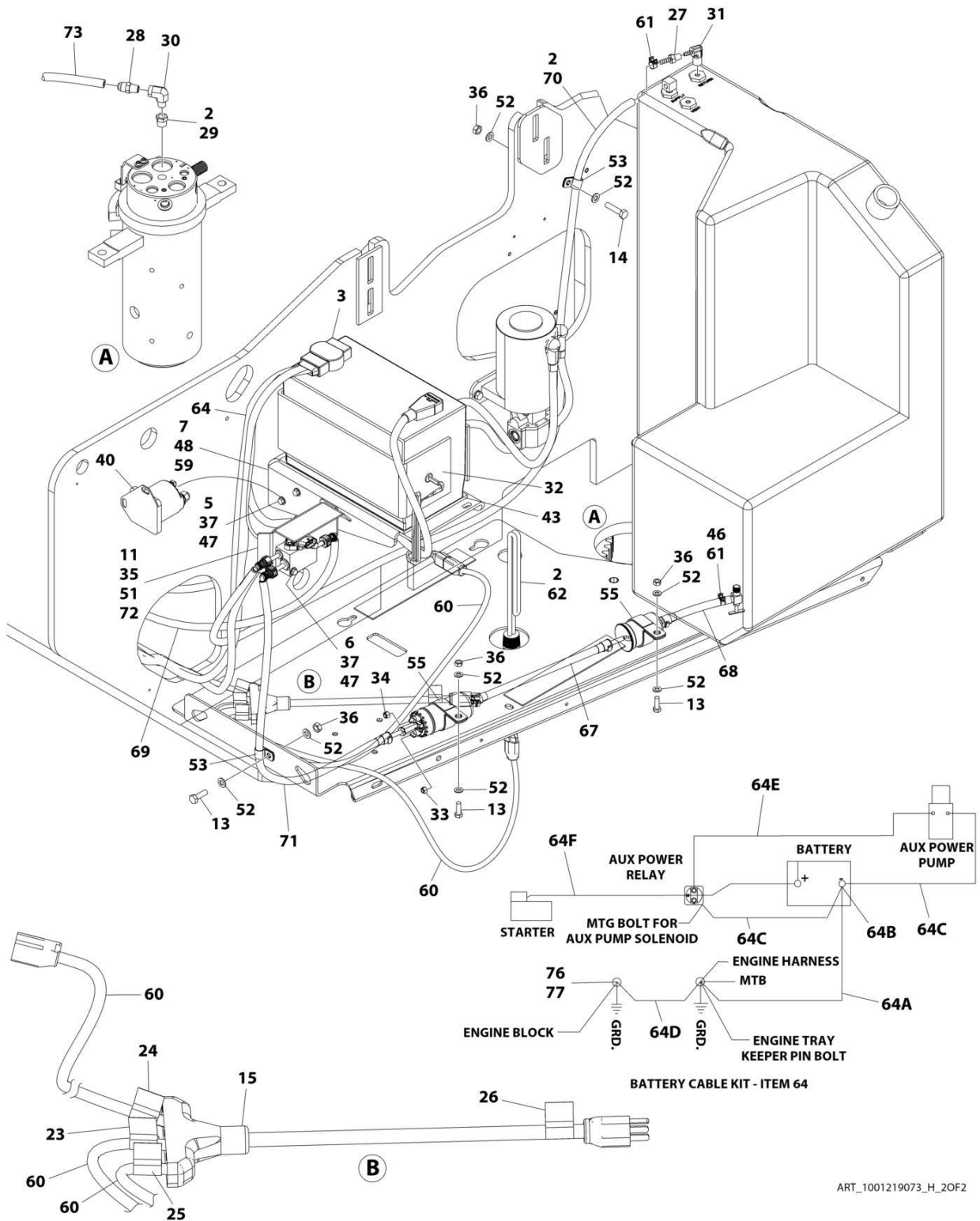
# SECTION 3 - ENGINE

## FIGURE 3-43. FORD ENGINE INSTALLATION - WITH ARCTIC PACKAGE



ART\_1001219073\_H\_10F2

# SECTION 3 - ENGINE



ART\_1001219073\_H\_20F2

## SECTION 3 - ENGINE

**FIGURE 3-43. FORD ENGINE INSTALLATION - WITH ARCTIC PACKAGE**

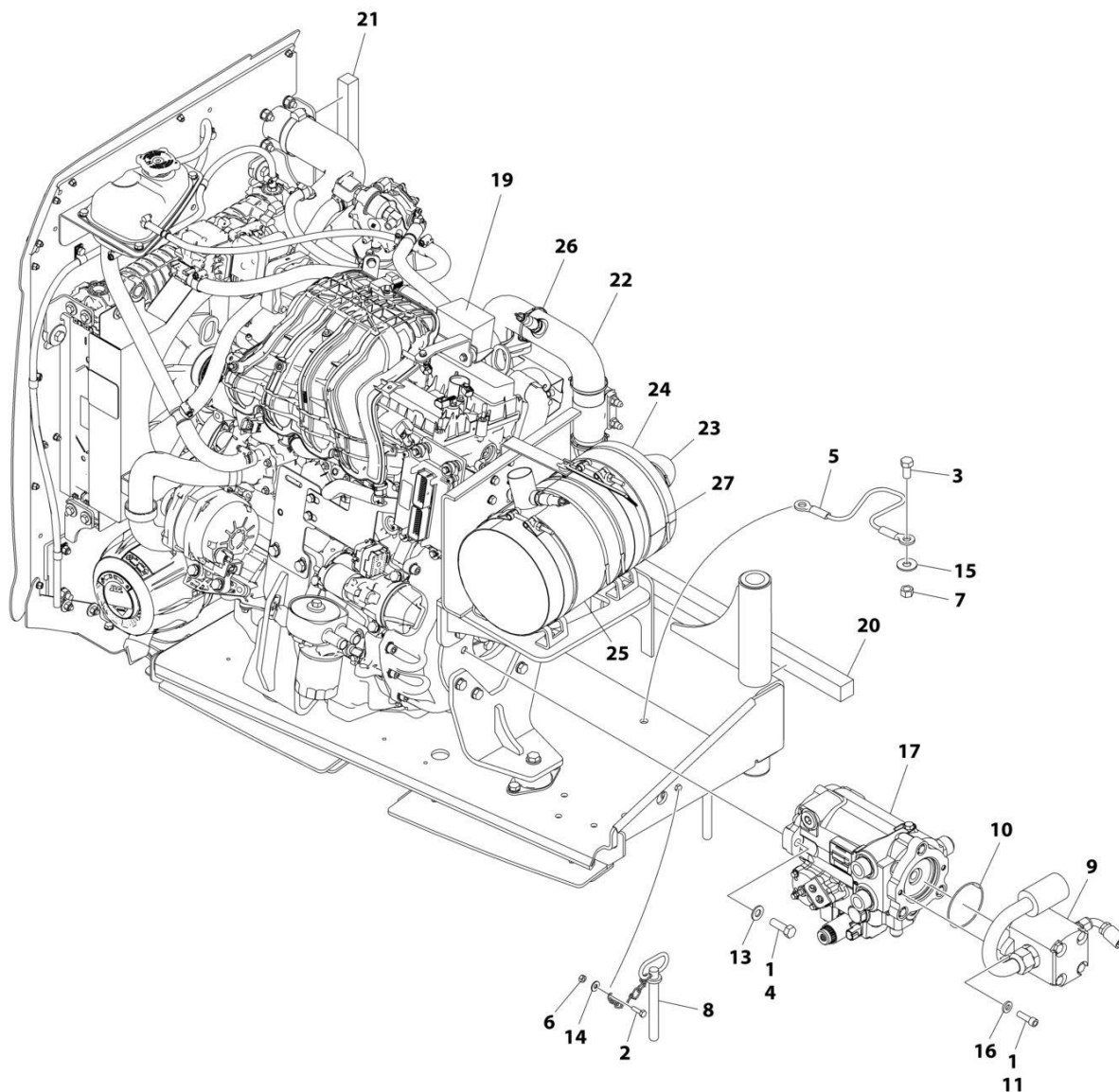
ITEM	PART NUMBER	QTY	DESCRIPTION	REV
	1001219073	Ref	FORD ENGINE INSTALLATION	H
1	0100011	AR	Compound, Locking	
2	0100020	AR	Sealant	
3	0100048	AR	Grease, Terminal	
5	0641406	2	Bolt 1/4 x 3/4	
6	0641416	2	Bolt 1/4 x 2	
7	0641607	3	Bolt 3/8 x 7/8	
9	0641612	1	Bolt 3/8 x 1-1/2	
10	0642010	1	Bolt 5/8 x 1-1/4	
11	0760612	2	Bolt M6 x 25	
12	0760810	1	Bolt M8 x 20	
13	0760812	3	Bolt M8 x 25	
14	0760815	1	Bolt M8 x 35	
15	1060626	1	Plug, 3 Way	
19	1321283	1	Clamp	
21	1701542	1	Decal - Gas (Not Shown)	
22	1701543	2	Decal - LPG (Not Shown)	
23	1702941	1	Decal - Battery Heater	
24	1702942	1	Decal - Engine Block Heater	
25	1702943	1	Decal - Hydraulic Tank Heater	
26	1702944	1	Decal - Heater Cord	
27	2180348	1	Fitting, Straight NPT/Barbed	
28	2180418	1	Fitting, Straight	
29	2221197	1	Fitting, Straight NPT	
30	1001247359	1	Fitting, Straight	
31	2221176	1	Fitting, 90	
32	2580024	1	Heater, Battery	
33	3290405	1	Nut M4	
34	3290505	1	Nut M5	
35	3290605	2	Nut M6	
36	3290801	4	Nut M8	
37	3311405	4	Nut 1/4	
39	3422448	1	Pin	
40	3740067	1	Relay	
41	3790012	1	O-Ring (Not Shown - Located on Platform Console Box)	
42	3841143	1	Keeper, Pin	
43	3980007	1	Seal, Battery	
44	4240099	AR	Tie-Strap (Not Shown)	
45	4360336	1	Switch, Toggle (Not Shown - Located on Platform Console Box)	
46	1001221488	1	Tube, Fuel Line	
47	4711400	6	Washer 1/4	
48	4711600	4	Washer 3/8	
50	4752000	1	Washer 5/8	
51	4811702	4	Washer M6	
52	4811900	9	Washer M8	
53	8406101	2	Clip	
55	85941018	2	Clamp	
59	1001137868	1	Bracket, Battery	
60	1001150918	1	Cable, Immersion Heater	
61	1001174486	2	Clamp	

## SECTION 3 - ENGINE

ITEM	PART NUMBER	QTY	DESCRIPTION	REV
62	1001188972	1	Heater, Hydraulic Tank	C
64	1001215142	1	Battery Cable Kit	
64A	7027073	1	Cable, Battery - Ground to Battery -	
64B	8270147	1	Terminal, Battery with Boot	
64C	7027072	1	Cable, Battery - Auxiliary Pump/Relay to Battery -	
64D	70009018	1	Cable, Battery - Engine to Ground	
64E	7027075	1	Cable, Battery - Auxiliary Relay to Auxiliary Pump	
64F	70009019	1	Cable, Battery - Starter/Auxiliary Relay to Battery +	
67	1001217418	1	Hose	
68	1001217419	1	Hose	
69	1001217420	1	Hose	
70	1001217421	1	Hose	
71	1001217422	1	Hose	
72	1001217645	1	Bracket	
73	1001218638	1	Hose	
74	1001219072	1	Engine Assembly with Pumps (See Separate Breakdown in this Section)	
75	0641808	1	Bolt 1/2 x 1	
76	0761008	1	Bolt M10 x 16	
77	4812000	1	Washer M10	

# SECTION 3 - ENGINE

## FIGURE 3-44. FORD ENGINE/PUMP SUB-ASSEMBLY - WITHOUT ARCTIC PACKAGE



ART\_1001216911



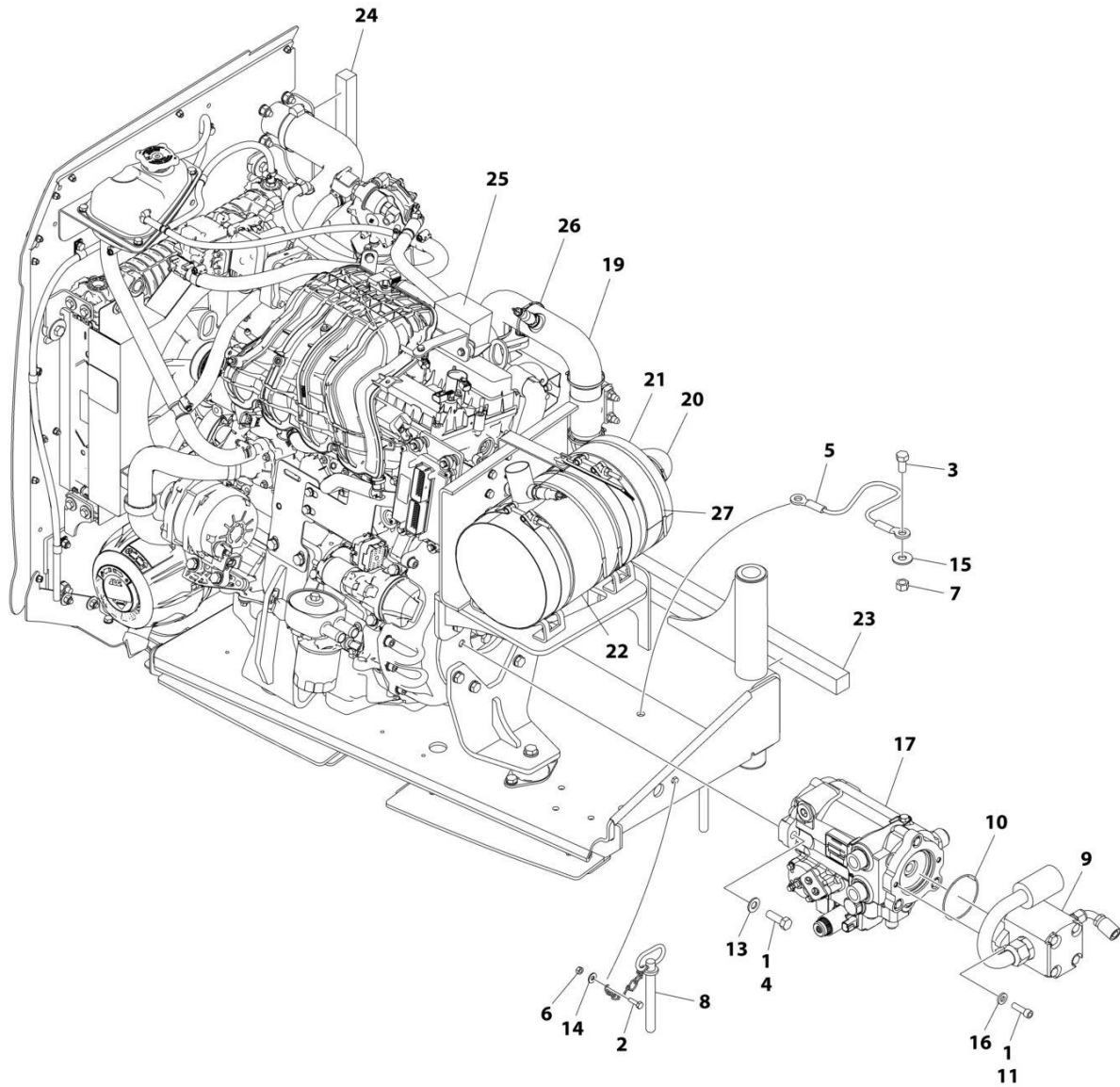
## SECTION 3 - ENGINE

**FIGURE 3-44. FORD ENGINE/PUMP SUB-ASSEMBLY - WITHOUT ARCTIC PACKAGE**

ITEM	PART NUMBER	QTY	DESCRIPTION	REV
	1001216911	Ref	FORD ENGINE AND PUMP SUB-ASSEMBLY	F
1	0100011	AR	Compound, Locking	
2	0641407	1	Bolt 1/4 x 7/8	
3	0641808	1	Bolt 1/2 x 1	
4	0681812	2	Bolt 1/2 x 1-1/2	
5	1060637	1	Cable, Lanyard	
6	3311405	1	Nut 1/4	
7	3311805	1	Nut 1/2	
8	3422533	1	Pin	
9	3600395	1	Gear Pump and Fittings Assembly (See Separate Breakdown in this Section)	
10	3790152	1	O-Ring	
11	3931620	2	Capscrew 3/8 x 1-1/4	
13	4711800	2	Washer 1/2	
14	4751400	1	Washer 1/4	
15	4751800	1	Washer 1/2	
16	4891600	2	Washer 3/8	
17	1001188953	1	Piston Pump and Fitting Assembly (See Separate Breakdown in this Section)	
19	1001215413	1	Engine Assembly (See Separate Breakdown in this Section)	
20	1001217170	1	Seal	
21	1001217184	1	Seal	
22	1001216532	1	Insulate, Exhaust Pipe	
23	1001216533	1	Insulate, Exhaust Pipe	
24	1001216534	1	Insulate, Muffler	
25	1001216535	1	Insulate, Muffler	
26	1001100825	6	Strap	
27	1001221464	3	Strap	

# SECTION 3 - ENGINE

## FIGURE 3-45. FORD ENGINE/PUMP SUB-ASSEMBLY - WITH ARCTIC PACKAGE



ART\_1001219072

## SECTION 3 - ENGINE

**FIGURE 3-45. FORD ENGINE/PUMP SUB-ASSEMBLY - WITH ARCTIC PACKAGE**

ITEM	PART NUMBER	QTY	DESCRIPTION	REV
	1001219072	Ref	FORD ENGINE AND PUMP SUB-ASSEMBLY	E
1	0100011	AR	Compound, Locking	
2	0641407	1	Bolt 1/4 x 7/8	
3	0641808	1	Bolt 1/2 x 1	
4	0681812	2	Bolt 1/2 x 1-1/2	
5	1060637	1	Cable, Lanyard	
6	3311405	1	Nut 1/4	
7	3311805	1	Nut 1/2	
8	3422533	1	Pin	
9	3600395	1	Gear Pump and Fittings Assembly (See Separate Breakdown in this Section)	
10	3790152	1	O-Ring	
11	3931620	2	Capscrew 3/8 x 1-1/4	
13	4711800	2	Washer 1/2	
14	4751400	1	Washer 1/4	
15	4751800	1	Washer 1/2	
16	4891600	2	Washer 3/8	
17	1001188953	1	Piston Pump and Fitting Assembly (See Separate Breakdown in this Section)	
19	1001216532	1	Insulate, Exhaust Pipe	
20	1001216533	1	Insulate, Exhaust Pipe	
21	1001216534	1	Insulate, Muffler	
22	1001216535	1	Insulate, Muffler	
23	1001217170	1	Seal	
24	1001217184	1	Seal	
25	1001219071	1	Engine Assembly (See Separate Breakdown in this Section)	
26	1001100825	6	Strap	
27	1001221464	3	Strap	





## SECTION 3 - ENGINE

FIGURE 3-46. FORD ENGINE ASSEMBLY - WITHOUT ARCTIC PACKAGE

ITEM	PART NUMBER	QTY	DESCRIPTION	REV
	1001215413	Ref	FORD ENGINE ASSEMBLY	Q
1	0100011	AR	Compound, Locking	
2	0100020	AR	Sealant	
3	0700810	3	Bolt M8 x 20	
4	0700812	5	Bolt M8 x 25	
5	0700814	3	Bolt M8 x 30	
7	0711020	3	Bolt M10 x 60	
8	0760608	2	Bolt M6 x 16	
9	0760610	4	Bolt M6 x 20	
10	0760612	10	Bolt M6 x 25	
11	0760810	11	Bolt M8 x 20	
12	0760812	19	Bolt M8 x 25	
13	0760814	8	Bolt M8 x 30	
14	0760815	2	Bolt M8 x 35	
15	0761014	11	Bolt M10 x 30	
16	0761015	13	Bolt M10 x 35	
17	0761016	4	Bolt M10 x 40	
18	0771014	2	Bolt M10 x 30	
19	0940070	1	Bumper	
20	0961986	2	Bearing	
21	1320110	1	Clamp	
22	1001187781	1	Tie-Strap (Not Shown)	
24	1703162	2	Decal - Fan Blade	
25	2180467	1	Fitting, Straight NPT/Barbed	
26	2720058	AR	Hose	
28	1001165035	11 in /26cm	Hose	
29	3290601	2	Nut M6	
30	3290605	10	Nut M6	
31	3290607	2	Nut M6	
32	3290801	1	Nut M8	
33	3290805	27	Nut M8	
34	3291005	17	Nut M10	
35	3291001	4	Nut M10	
36	3291201	3	Nut M12	
37	3931632	1	Capscrew 3/8 x 2	
38	4031711	4	Capscrew M6 x 35	
39	4240099	AR	Tie-Strap (Not Shown)	
40	4811700	34	Washer M6	
41	4811900	64	Washer M8	
42	4811902	15	Washer M8	
43	4812000	43	Washer M10	
44	5241000	13	Washer M10	
45	5241200	3	Washer M10	
46	8305401	2	Nut 1/4	
47	8307109	2	Washer 1/4	
48	8310548	2	Screw 1/4 x 1/2	
49	8405006	2	Clamp	
50	8405009	5	Clamp	
51	8405102	2	Clamp	

## SECTION 3 - ENGINE

ITEM	PART NUMBER	QTY	DESCRIPTION	REV
52	8405104	2	Clamp	
53	8405203	3	Clamp	
54	8406109	6	Clip	
56	8410001	1	Clamp	
57	8410011	1	Clamp	
58	1001128901	2	Strap, Clamp	
59	1001138173	1	Support	
60	1001138175	1	Bracket	
61	1001138248	31 in/ 77cm	Tube, Nylon	
62	1001141585	1	Hose, Air Cleaner Inlet	
63	1001141995	1	Fitting, Straight NPT/Barbed	
64	1001144410	1	Panel, Clamp	
65	1001144411	1	Panel, Clamp	
66	1001149160	1	Nut, Tinnerman M8	
67	1001149639	1	Indicator, Restriction	
68	1001191610	3	Mount, Motor	
69	1001168018	3	Washer	
70	1001169054	4	Isolator	
71	1001169138	4	Pad	
72	1001170035	2	Bracket	
73	1001176329	2	Bracket	
74	1001180620	AR	Adhesive	
75	1001189979	1	Air Filter Assembly	
75	70005008	1	Element, Filter	
76	1001223042	1	Fan	
77	1001215647	1	Spacer, Fan	
78	1001223923	1	Radiator	
79	1001215681	1	Clamp	
80	1001215899	1	Pipe, Exhaust Inlet	
81	1001215974	1	Clamp	
82	1001216075	1	Pipe, Exhaust Inlet	
83	1001216086	1	Bracket	
84	1001216092	1	Shield, Heat	
85	1001216204	1	Hose, Radiator (Lower)	
86	1001216205	1	Hose, Radiator (Upper)	
89	1001216910	1	Ford Engine Prep Assembly (See Separate Breakdown in this Section)	
90	1001216919	2	Sleeve	
91	1001216951	1	Tray	
92	1001216995	1	Mount, Engine (Rear)	
93	1001217032	1	Tube, Air Intake	
94	1001217046	1	Bracket	
95	1001217082	1	Plate, Radiator	
96	1001217089	1	Tube, Intake (Lower)	
97	1001217090	1	Tube, Intake (Intermediate)	
100	1001217146	1	Support	
101	1001217174	1	Seal	
102	1001217175	1	Seal	
103	1001217183	2	Seal	
104	1001217185	2	Seal	
105	1001217186	1	Support	

## SECTION 3 - ENGINE

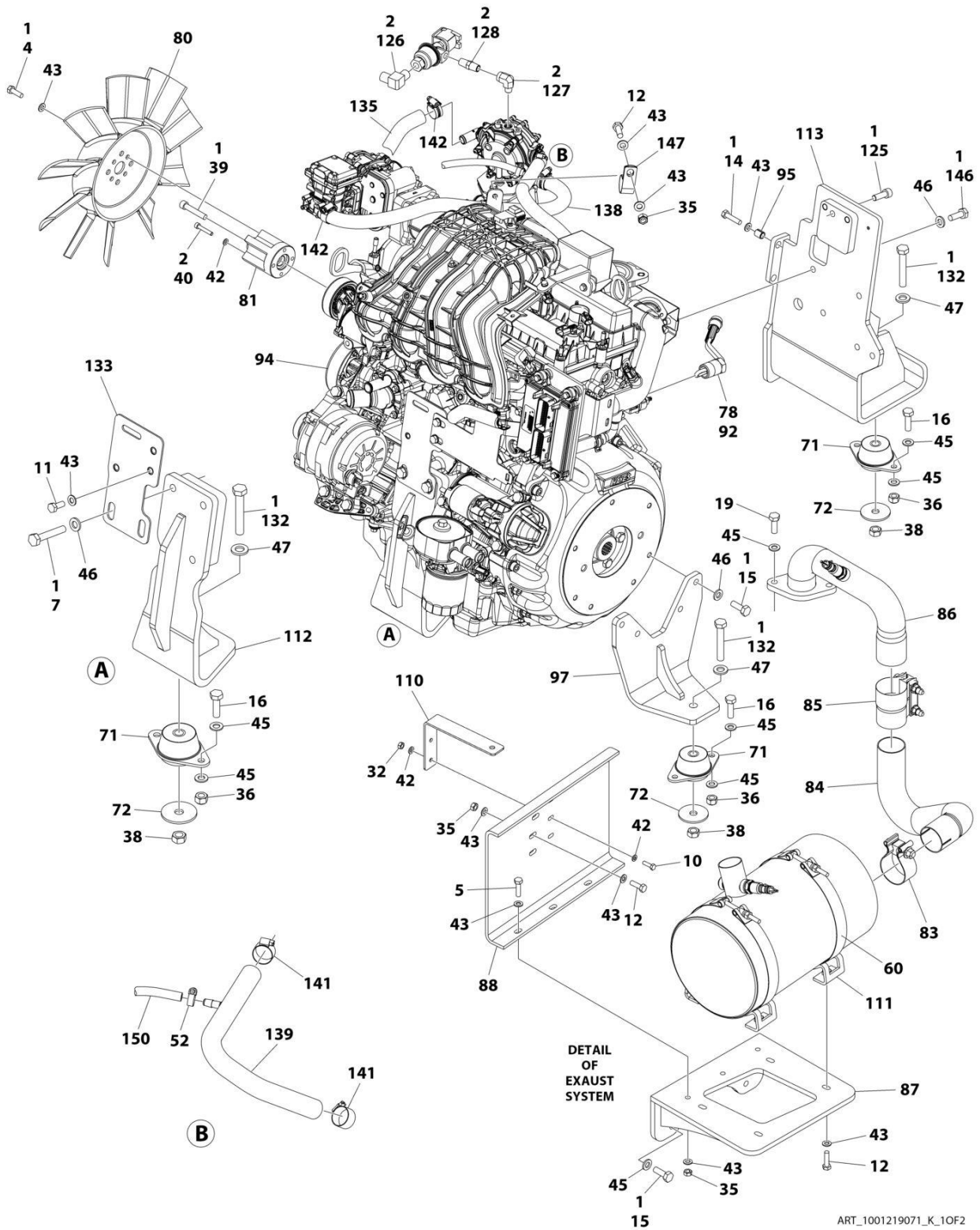
ITEM	PART NUMBER	QTY	DESCRIPTION	REV
106	1001217543	2	Mount	
107	1001218362	1	Mount, Engine (Front Left)	
108	1001218449	1	Mount, Engine (Front Right)	
109	1001218599	1	Panel, Clamp	
110	1001218600	1	Panel, Rubber	
112	1001134488	1	Fitting, 90 Barbed	
115	1001219445	1	Seal	
116	1001219448	1	Plate	
117	1001219454	1	Seal	
118	1001219456	1	Seal	
120	4812002	6	Washer M10	
121	5272010	1	Capscrew M10 x 30	
122	1001247359	1	Fitting, 90 FSNPSM/NPTF	
123	2220261	1	Fitting, Straight	
124	2180504	1	Fitting, Straight	
125	1001186426	1	Clamp, Air Cleaner	
127	1001221615	2	Nut, Tinnerman M8	
128	0711223	3	Bolt M12 x 75	
129	1001222033	1	Plate	
130	1001224489	1	Hose	
131	1001216531	1	Hose	
133	1001224486	1	Hose	
134	1001227666	1	Hose	
135	1001223584	1	Tank	
136	1001224419	1	Bracket	
138	8410009	2	Clamp	
139	2180348	1	Fitting, Straight Barbed	
140	1001173535	6	Clamp	
141	1001225510	1	Decal - Full Cold	
142	0711014	5	Bolt M10 x 30	
143	8406201	1	Clip	
144	4060805	16 in/.4m	Flex-Trim	
145	0100062	AR	Adhesive	
146	1001227667	1	Hose (Includes Tee)	





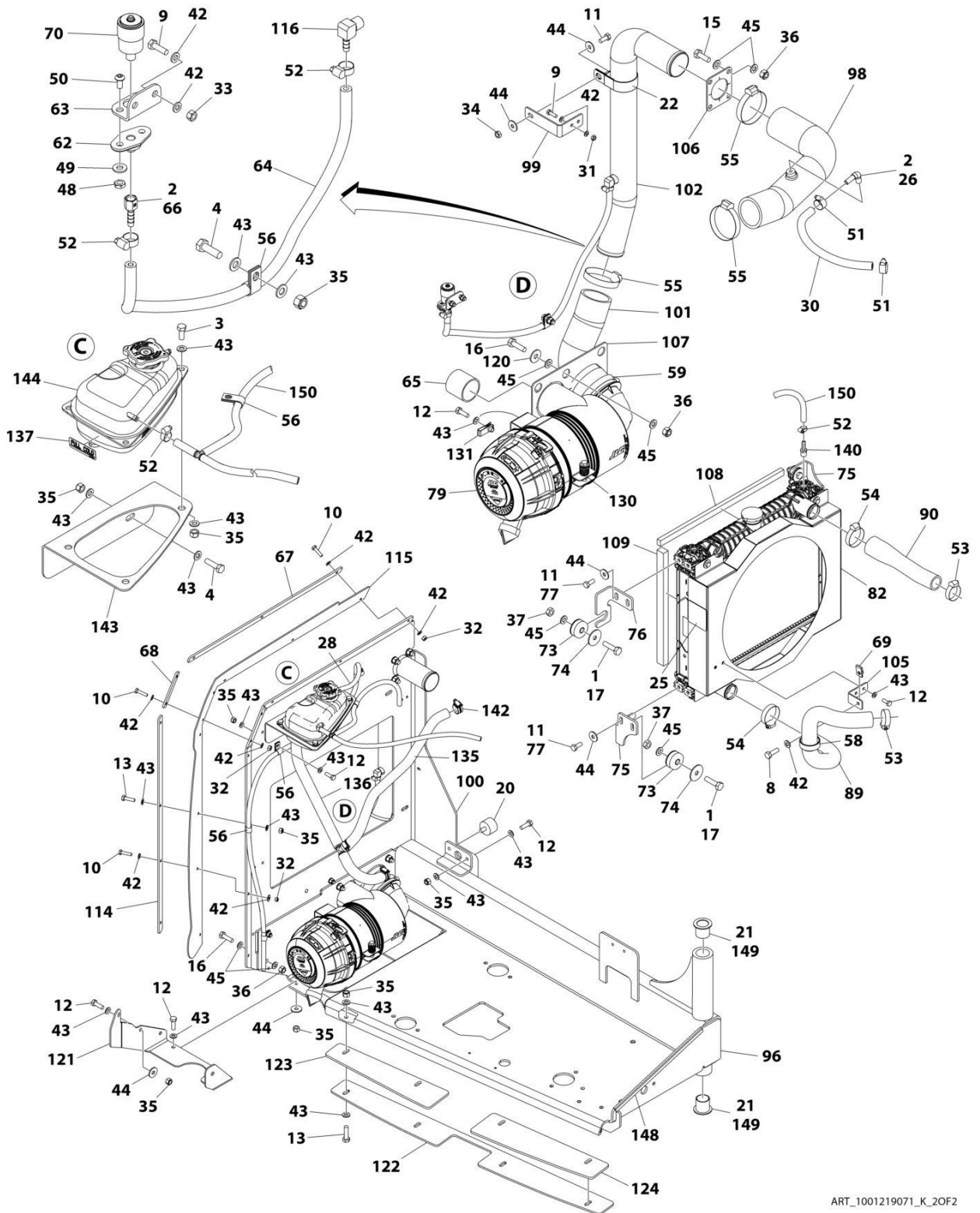
# SECTION 3 - ENGINE

## FIGURE 3-47. FORD ENGINE ASSEMBLY - WITH ARCTIC PACKAGE



ART\_1001219071\_K\_10F2

# SECTION 3 - ENGINE



ART\_1001219071\_K\_20F2

## SECTION 3 - ENGINE

FIGURE 3-47. FORD ENGINE ASSEMBLY - WITH ARCTIC PACKAGE

ITEM	PART NUMBER	QTY	DESCRIPTION	REV
	1001219071	Ref	FORD ENGINE ASSEMBLY	N
1	0100011	AR	Compound, Locking	
2	0100020	AR	Sealant	
3	0700810	3	Bolt M8 x 20	
4	0700812	5	Bolt M8 x 25	
5	0700814	3	Bolt M8 x 30	
7	0711020	3	Bolt M10 x 60	
8	0760608	2	Bolt M6 x 16	
9	0760610	4	Bolt M6 x 20	
10	0760612	10	Bolt M6 x 25	
11	0760810	11	Bolt M8 x 20	
12	0760812	19	Bolt M8 x 25	
13	0760814	8	Bolt M8 x 30	
14	0760815	2	Bolt M8 x 35	
15	0761014	11	Bolt M10 x 30	
16	0761015	13	Bolt M10 x 35	
17	0761016	4	Bolt M10 x 40	
19	0771014	2	Bolt M10 x 30	
20	0940070	1	Bumper	
21	0961986	2	Bearing	
22	1320110	1	Clamp	
23	1001187781	1	Tie-Strap (Not Shown)	
25	1703162	2	Decal - Fan Blade	
26	2180467	1	Fitting, Straight NPT/Barbed	
28	2720058	AR	Hose	
30	1001165035	11 in /26cm	Hose	
31	3290601	2	Nut M6	
32	3290605	10	Nut M6	
33	3290607	2	Nut M6	
34	3290801	1	Nut M8	
35	3290805	27	Nut M8	
36	3291005	17	Nut M10	
37	3291001	4	Nut M10	
38	3291201	3	Nut M12	
39	3931632	1	Capscrew 3/8 x 2	
40	4031711	4	Capscrew M6 x 35	
41	4240099	AR	Tie-Strap (Not Shown)	
42	4811700	34	Washer M6	
43	4811900	64	Washer M8	
44	4811902	15	Washer M8	
45	4812000	43	Washer M10	
46	5241000	13	Washer M10	
47	5241200	3	Washer M10	
48	8305401	2	Nut 1/4	
49	8307109	2	Washer 1/4	
50	8310548	2	Screw 1/4 x 1/2	
51	8405006	2	Clamp	
52	8405009	5	Clamp	
53	8405102	2	Clamp	

## SECTION 3 - ENGINE

ITEM	PART NUMBER	QTY	DESCRIPTION	REV
54	8405104	2	Clamp	
55	8405203	3	Clamp	
56	8406109	6	Clip	
58	8410001	1	Clamp	
59	8410011	1	Clamp	
60	1001128901	2	Strap, Clamp	
62	1001138173	1	Support	
63	1001138175	1	Bracket	
64	1001138248	31 in/ 77cm	Tube, Nylon	
65	1001141585	1	Hose, Air Cleaner Inlet	
66	1001141995	1	Fitting, Straight NPT/Barbed	
67	1001144410	1	Panel, Clamp	
68	1001144411	1	Panel, Clamp	
69	1001149160	1	Nut, Tinnerman M8	
70	1001149639	1	Indicator, Restriction	
71	1001191610	3	Mount, Motor	
72	1001168018	3	Washer	
73	1001169054	4	Isolator	
74	1001169138	4	Pad	
75	1001170035	2	Bracket	
76	1001176329	2	Bracket	
77	1001180620	AR	Adhesive	
78	1001181895	AR	Adhesive	
79	1001189979	1	Air Filter Assembly	
79	70005008	1	Element, Filter	
80	1001223042	1	Fan	
81	1001215647	1	Spacer, Fan	
82	1001223923	1	Radiator	
83	1001215681	1	Clamp	
84	1001215899	1	Pipe, Exhaust Inlet	
85	1001215974	1	Clamp	
86	1001216075	1	Pipe, Exhaust Inlet	
87	1001216086	1	Bracket	
88	1001216092	1	Shield, Heat	
89	1001216204	1	Hose, Radiator (Lower)	
90	1001216205	1	Hose, Radiator (Upper)	
92	1001216393	1	Heater, Engine Block	
94	1001216910	1	Ford Engine Prep Assembly (See Separate Breakdown in this Section)	
95	1001216919	2	Sleeve	
96	1001216951	1	Tray	
97	1001216995	1	Mount, Engine (Rear)	
98	1001217032	1	Tube, Air Intake	
99	1001217046	1	Bracket	
100	1001217082	1	Plate, Radiator	
101	1001217089	1	Tube, Intake (Lower)	
102	1001217090	1	Tube, Intake (Intermediate)	
105	1001217146	1	Support	
106	1001217174	1	Seal	
107	1001217175	1	Seal	
108	1001217183	2	Seal	

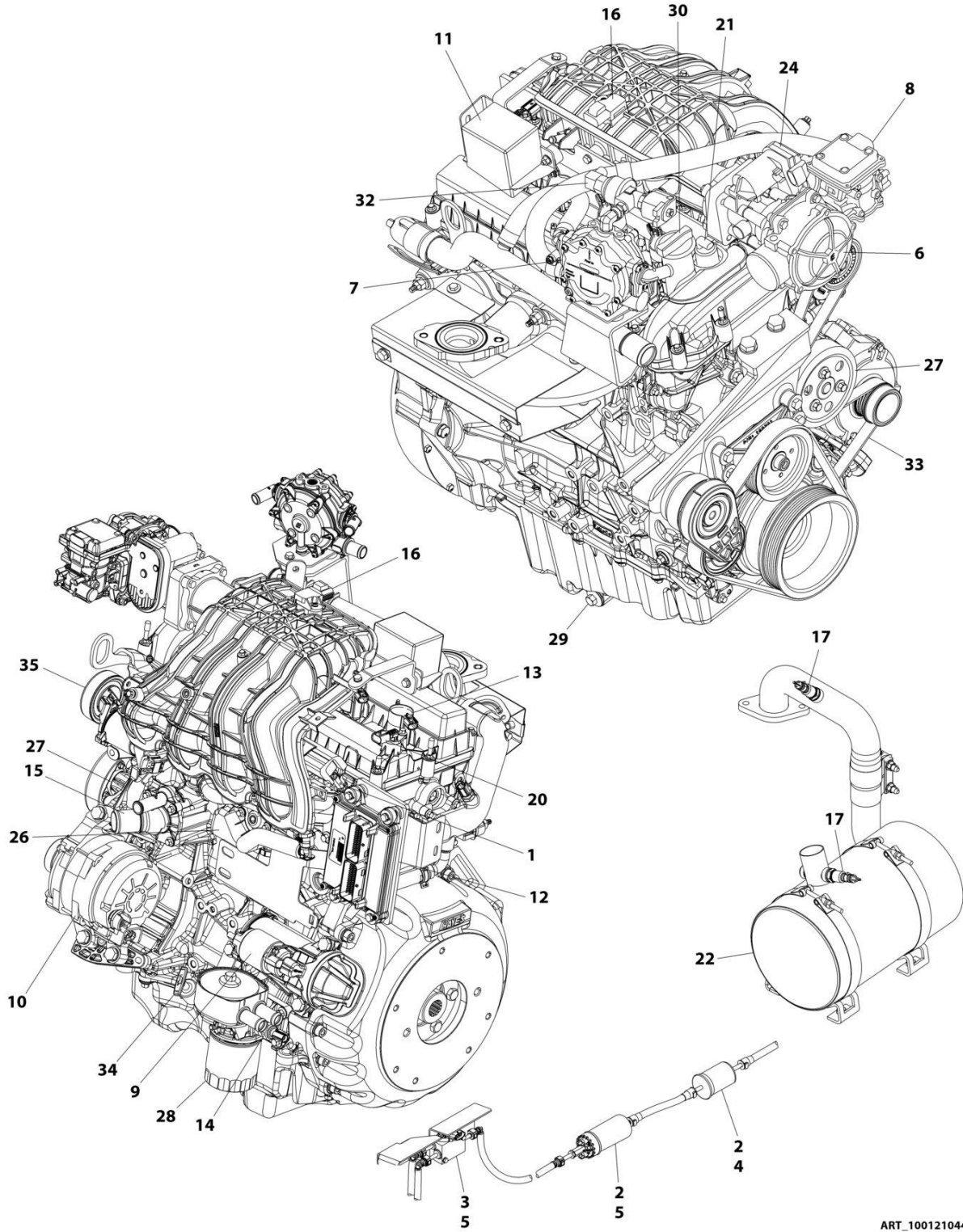
## SECTION 3 - ENGINE

ITEM	PART NUMBER	QTY	DESCRIPTION	REV
109	1001217185	2	Seal	
110	1001217186	1	Support	
111	1001217543	2	Mount	
112	1001218362	1	Mount, Engine (Front Left)	
113	1001218449	1	Mount, Engine (Front Right)	
114	1001218599	1	Panel, Clamp	
115	1001218600	1	Panel, Rubber	
116	1001134488	1	Fitting, 90 Barbed	
120	4812002	6	Washer M10	
121	1001219445	1	Seal	
122	1001219448	1	Plate	
123	1001219454	1	Seal	
124	1001219456	1	Seal	
125	5272010	1	Capscrew M10 x 30	
126	2180504	1	Fitting, Straight	
127	1001247359	1	Fitting, 90 FSNPSM/NPTF	
128	2220261	1	Fitting, Straight	
130	1001186426	1	Clamp, Air Cleaner	
131	1001221615	2	Nut, Tinnerman M8	
132	0711223	3	Bolt M12 x 75	
133	1001222033	1	Plate	
135	1001224486	1	Hose	
136	1001224489	1	Hose	
137	1001225510	1	Decal - Full Cold	
138	1001216531	1	Hose	
139	1001227666	1	Hose	
140	2180348	1	Fitting, Straight Barbed	
141	8410009	2	Clamp	
142	1001173535	6	Clamp	
143	1001224419	1	Bracket	
144	1001223584	1	Tank	
146	0711014	5	Bolt M10 x 30	
147	8406201	1	Clip	
148	4060805	16 in/.4m	Flex-Trim	
149	0100062	AR	Adhesive	
150	1001227667	1	Hose (Includes Tee)	



# SECTION 3 - ENGINE

## FIGURE 3-48. FORD ENGINE COMPONENTS



ART\_1001210448



## SECTION 3 - ENGINE

**FIGURE 3-48. FORD ENGINE COMPONENTS**

ITEM	PART NUMBER	QTY	DESCRIPTION	REV
	1001210448	Ref	FORD ENGINE COMPONENTS	H
1	70006145	4	Injector, Fuel	
1	70006147	1	Rail, Fuel	
2	70006150	1	Pump, Fuel	
2	70006154	1	Fitting M10	
3	70006151	1	Block, Fuel	
3	70006152	2	Fitting SAE6	
3	70006153	1	Fitting SAE3	
3	70006189	1	Harness, Fuel Block	
4	70006155	1	Filter, Fuel	
5	7022162	8	Clamp	
5	70006157	8	Clip, Fuel Quick Disconnect	
6	70006158	1	Mixer, LP	
6	70006168	1	Mixer Diaphragm Replacement Kit	
6	70006159	1	Adapter, Mixer to Governor	
6	70006160	1	O-Ring, Mixer to Adapter	
6	70006161	1	Seal, Mixer to Adapter	
7	70006162	1	Regulator, LP Vapor	
7	70006166	2	Fitting	
7	70006167	1	Fitting, Straight	
7	70006165	2	Isolator, Rubber	
8	70006163	1	Regulator, Direct Electronic Pressure	
8	70006164	1	Adapter, Fitting 90	
9	70006169	1	Starter	
9	70006233	1	Harness, Alternator/Starter	
10	70006170	1	Alternator	
11	70006173	1	Cover, Relay Box	
11	70006171	2	Relay (Fuel Pump & Power)	
11	70006172	1	Relay (Starter)	
11	70006175	1	Fuse - 20Amp (Starter)	
11	70006174	1	Decal - Relay Box Cover	
11	70006188	1	Harness, Engine	
11	70006165	2	Isolator, Rubber	
12	70006176	1	Module - Engine Control Unit (ECU/GCP)	
12	70006191	1	Software & Diagnostic Cable	
13	70006177	4	Coil and Boot Assembly	
13	70006178	4	Plug, Spark	
14	70006179	1	Switch, Oil Pressure	
15	70006180	1	Sensor, Knock	
16	70006181	1	Sensor, TMAP	
17	70006182	2	Sensor, O2	
18	70006183	1	Sensor, Coolant Temperature (Not Shown - Located Rear of Engine Block)	
19	70006184	1	Sensor, Crank Position (Not Shown - Located at Front RH Side of Block)	
20	70006185	1	Sensor, Cam Position	
21	70006186	1	Solenoid, Timing	
21	70006187	1	Grommet, Rubber	
22	70006194	1	Muffler	
22	70006195	1	Plug (Located at Muffler Outlet)	

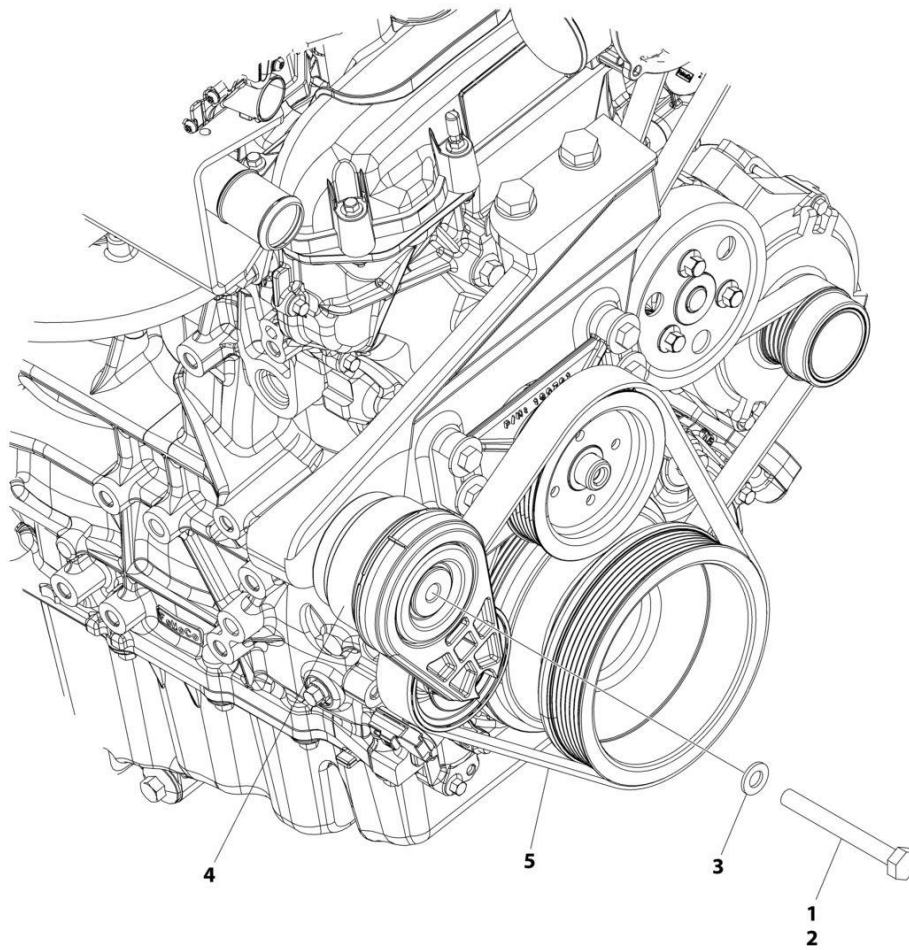
## SECTION 3 - ENGINE

ITEM	PART NUMBER	QTY	DESCRIPTION	REV
23		Ref	Gasket Options (Not Shown)	
23	70006196	1	Gasket, Exhaust Manifold to Head	
23	70006197	1	Gasket, Exhaust Manifold Outlet	
23	70006200	1	Gasket, Intake Manifold to Head	
23	70006219	1	Gasket Set - Camshaft Cover	
23	70006225	1	Gasket, Cylinder Head	
24	70006198	1	Governor	
24	7027404	1	Gasket, Governor Actuator	
24	70006199	1	Gasket, Governor to Intake Manifold Adapter	
25	70006203	1	Flywheel (Not Shown)	
26	70006205	1	Thermostat (Includes Housing)	
26	70006206	1	Gasket, Water Inlet	
27	70006207	1	Pump, Water	
27	70006208	1	O-Ring, Water Pump	
27	See Note	NSS	Pulley, Water Pump (Note: Not Available for Purchase at This Time)	
28	70006213	1	Filter, Oil	
29	70006215	1	Plug, Oil Drain	
29	70006217	1	Gasket, Oil Drain Plug	
30	70006221	1	Cap, Oil Fill	
31	70006232	1	Sensor, Crank (Not Shown)	
32	70006235	1	Valve, Lock-Off (Includes Filter)	
33	70006202	1	Belt	
34	70006236	1	Dipstick	
35	70007108	1	Belt Tensioner	



## SECTION 3 - ENGINE

FIGURE 3-49. DRIVE BELT INSTALLATION - FORD ENGINES MACHINES WITHOUT GENERATORS



ART\_1001220404

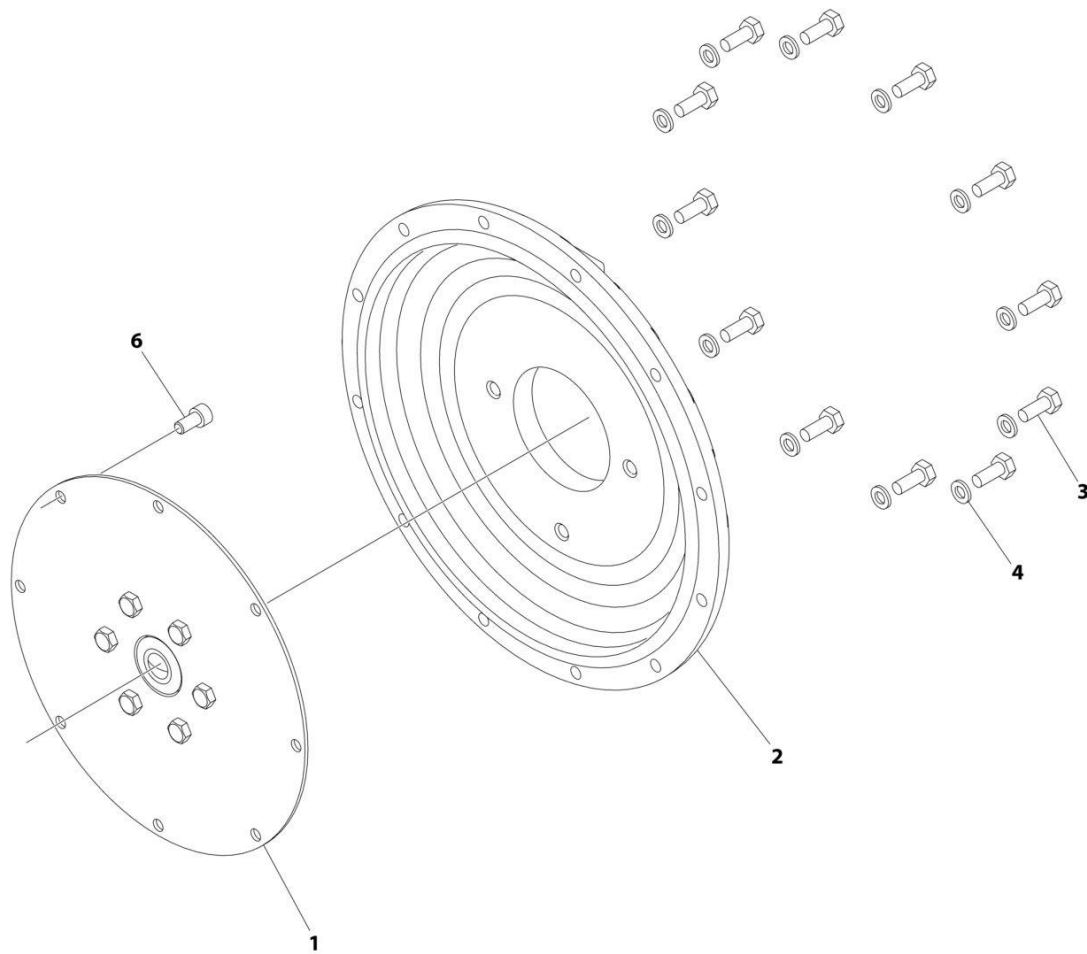
## SECTION 3 - ENGINE

**FIGURE 3-49. DRIVE BELT INSTALLATION - FORD ENGINES MACHINES WITHOUT GENERATORS**

ITEM	PART NUMBER	QTY	DESCRIPTION	REV
	1001220404	Ref	DRIVE BELT INSTALLATION	C
1	0100011	AR	Compound, Locking	
2	0701026	1	Bolt M10 x 90	
3	4812002	1	Washer M10	
4	1001216300	1	Pulley	
5	1001216619	1	V-Belt	

# SECTION 3 - ENGINE

## FIGURE 3-50. PUMP COUPLING KIT - DEUTZ ENGINES



ART\_2902065

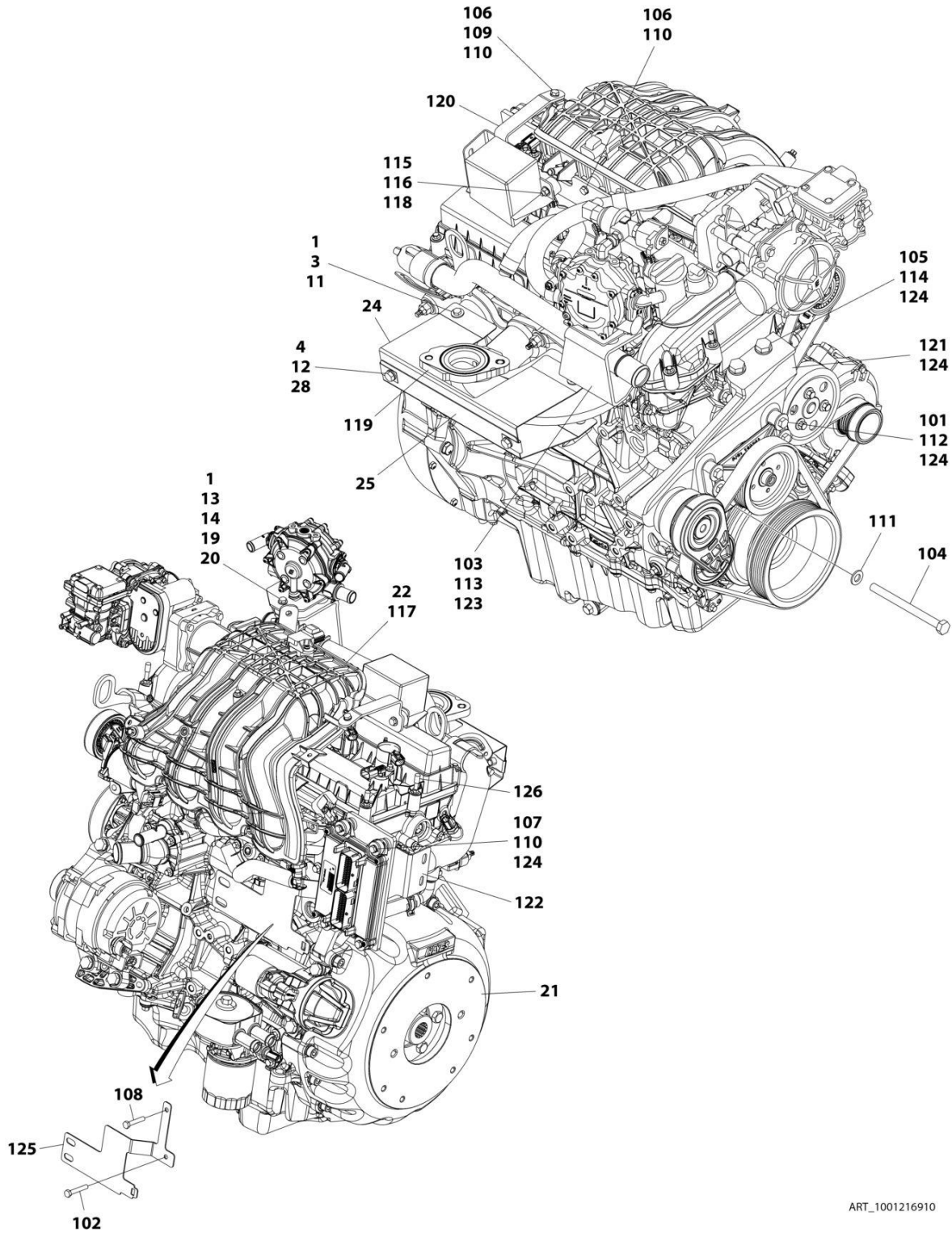
## SECTION 3 - ENGINE

### FIGURE 3-50. PUMP COUPLING KIT - DEUTZ ENGINES

ITEM	PART NUMBER	QTY	DESCRIPTION	REV
	2902065	Ref	PUMP COUPLING KIT	L
1	70000793	1	Coupling, Hayes	
2	See Note	NSS	Plate, Pump Adapter (Note: Use p/n 2902065)	
3	See Note	NSS	Bolt M10 x 30 Grade 10.9 (Note: Use p/n 2902065)	
4	See Note	NSS	Washer M10 (Note: Use p/n 2902065)	
6	See Note	NSS	Bolt M10 x 20 Grade 10.9 (Note: Use p/n 2902065)	

# SECTION 3 - ENGINE

## FIGURE 3-51. PUMP COUPLING AND FUEL SYSTEM ASSEMBLY - FORD ENGINES



ART\_1001216910



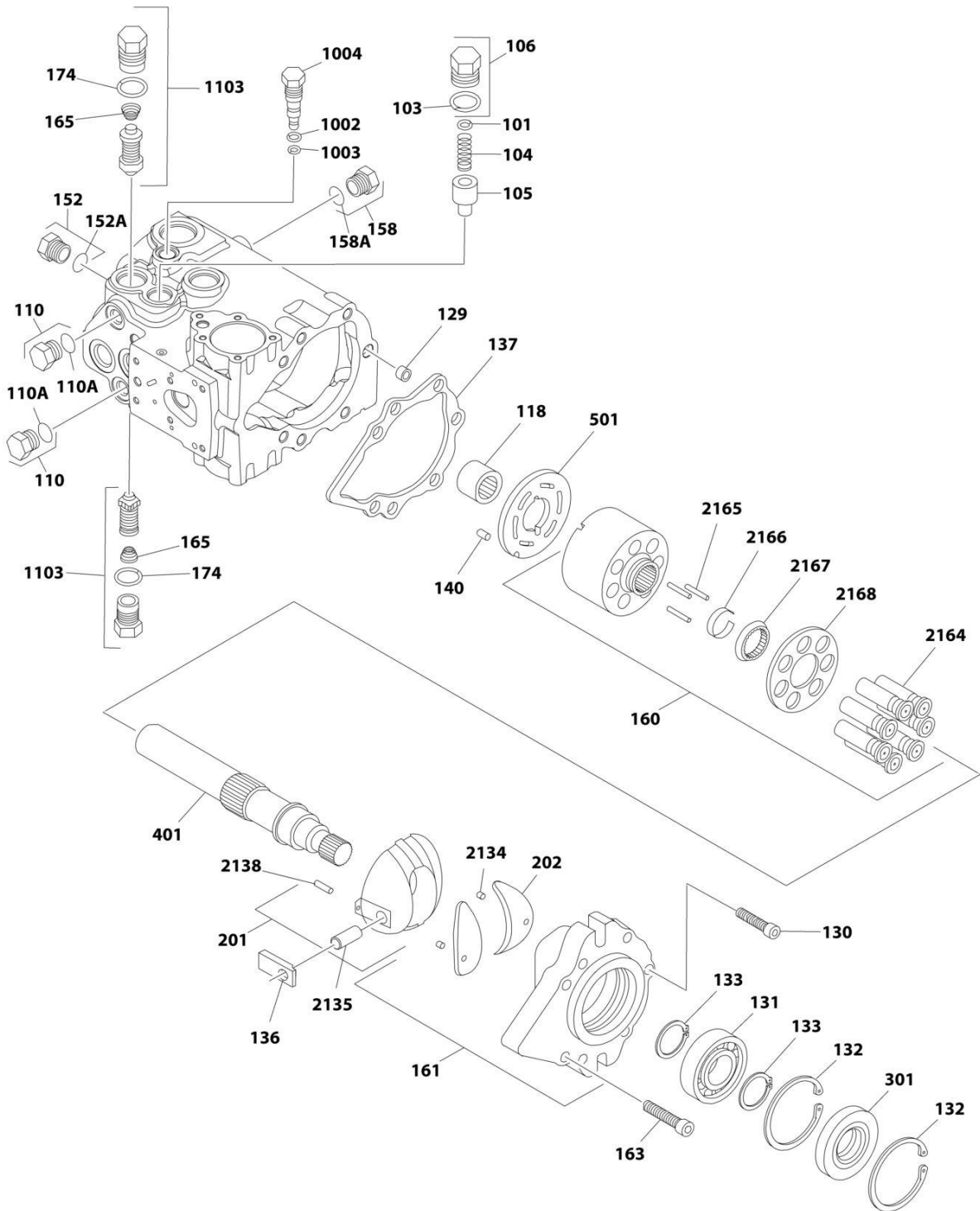
## SECTION 3 - ENGINE

**FIGURE 3-51. PUMP COUPLING AND FUEL SYSTEM ASSEMBLY - FORD ENGINES**

ITEM	PART NUMBER	QTY	DESCRIPTION	REV
	1001216910	Ref	FORD ENGINE PREP ASSEMBLY	F
1	0100011	AR	Compound, Locking	
3	0760605	4	Bolt M6 x 10	
4	0760807	2	Bolt M8 x 14	
11	4811702	4	Washer M6	
12	4811900	2	Washer M8	
13	5250605	3	Bolt M6 x 10	
14	5260600	1	Nut M6 Class 10	
19	1001211794	3	Mount, Isolator	
20	1001227769	1	Plate	
21	1001213810	1	Pump Coupling Kit	
21	70006134	1	Coupling	
21	70006135	1	Housing	
21	70006136	1	Hardware Kit	
22	1001216065	1	Ford Engine Assembly (See Items 101-126 for Breakdown)	
24	1001216768	1	Bracket	
25	1001216769	1	Bracket	
28	1001149160	2	Nut, Tinnerman M8	
	1001216065	Ref	FORD ENGINE PREP ASSEMBLY - BRACKETS/EXHAUST MANIFOLD	M
101	0700816	4	Bolt M8 x 40	
102	0700818	1	Bolt M8 x 50	
103	0701014	2	Bolt M10 x 30	
104	0710827	1	Bolt M8 x 100 Grade 10.9	
105	0711216	2	Bolt M12 x 40	
106	0760610	3	Bolt M6 x 20	
107	0760615	4	Bolt M6 x 35	
108	0760817	1	Bolt M8 x 45	
109	3290601	1	Nut M6	
110	4811700	8	Washer M6	
111	4811900	1	Washer M8	
112	4811902	4	Washer M8	
113	4812000	1	Washer M10	
114	4812100	2	Washer M12	
115	5250605	2	Bolt M6 x 10	
116	5260600	2	Nut M6 Class 10	
117	1001210448	1	Engine, Ford 2.5L (See Separate Breakdown in this Section)	
118	1001211794	2	Mount	
119	1001214827	1	Manifold, Exhaust	
120	1001215384	1	Bracket	
121	1001216071	1	Bracket	
122	1001216144	1	Support, Muffler	
123	1001227772	1	Mount, Vaporizer	
124	0100011	AR	Compound, Locking	
125	1001221545	1	Plate	
126	1001222641	6	Cap	

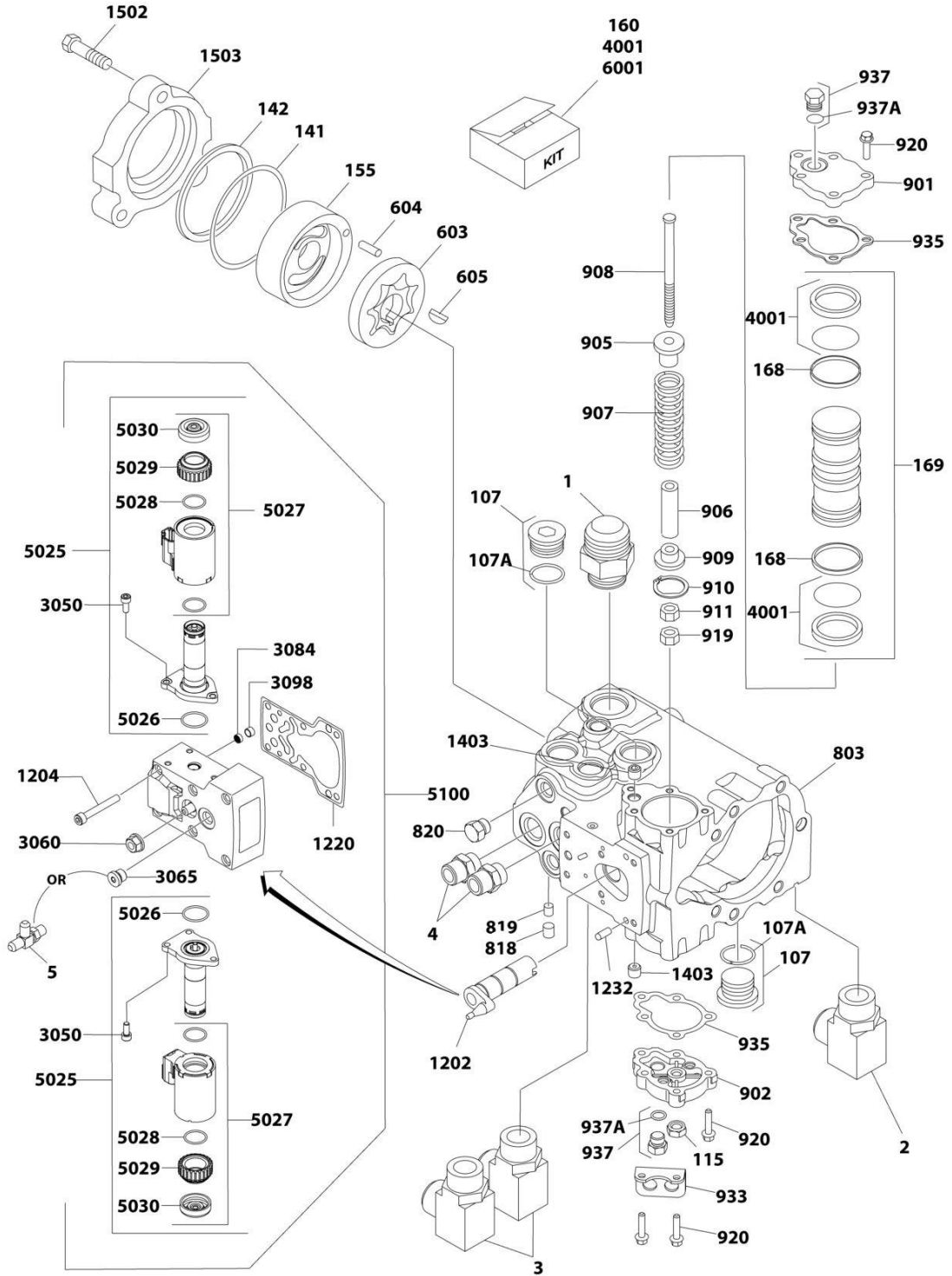
# SECTION 3 - ENGINE

## FIGURE 3-52. PISTON PUMP ASSEMBLY - DEUTZ ENGINES - DANFOSS



ART\_1001188952\_10F2

# SECTION 3 - ENGINE



ART\_1001188952\_20F2

## SECTION 3 - ENGINE

FIGURE 3-52. PISTON PUMP ASSEMBLY - DEUTZ ENGINES - DANFOSS

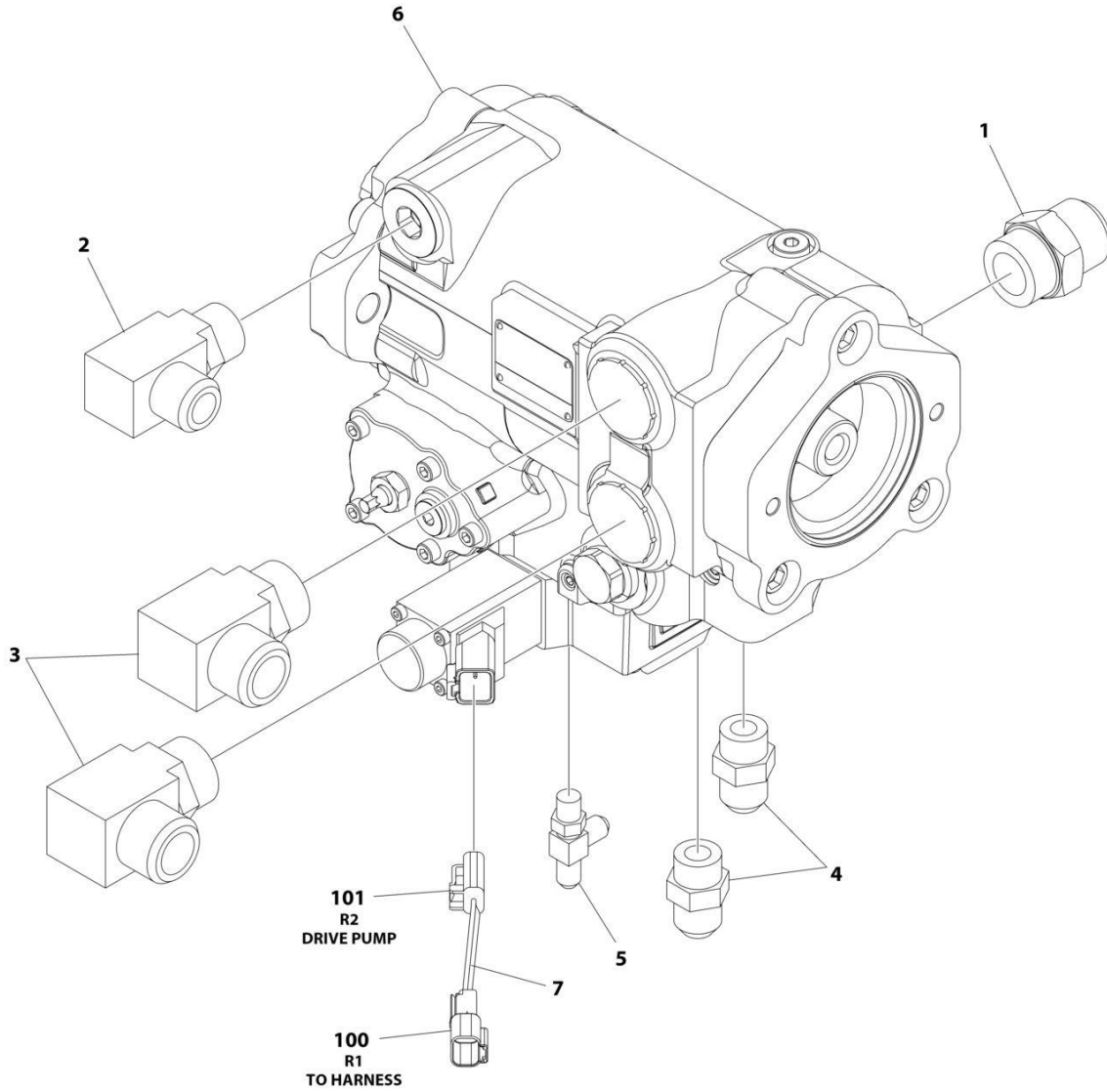
ITEM	PART NUMBER	QTY	DESCRIPTION	REV
	1001188952	Ref	PUMP AND FITTING ASSEMBLY	A
1	2220377	1	Fitting, Straight JIC/ORB	
2	2220578	1	Fitting, 90 JIC/ORB	
3	2220646	2	Fitting, 90 JIC/ORB	
4	2220947	2	Fitting, Straight JIC/ORB	
5	2221034	1	Fitting, Tee JIC/ORB	
	1001186542	1	PISTON PUMP ASSEMBLY	B
101	7007413	1	Shim Kit	
103	7007415	1	O-Ring (Part of Item 106)	
104	7021200	1	Spring, Relief Valve	
105	7007417	1	Valve, Relief	
106	7024874	2	Plug (Includes Items 103)	
107	7007419	2	Plug	
107A	7007418	2	O-Ring	
110	7007420	2	Plug	
110A	7021256	2	O-Ring	
115	7007423	1	Nut, Special	
118	7007425	1	Bearing, Needle	
129	7007435	1	Pin, Spring	
130	7021202	1	Screw	
131	70002176	1	Bearing, Ball	
132	7007438	2	Ring, Retainer	
133	7007439	2	Ring	
136	7007442	1	Sleeve, Bearing	
137	7007443	1	Gasket, Front Cover	
140	7007446	1	Pin	
141	7021233	1	O-Ring	
142	7007448	1	Ring, Load Temper	
152	7007420	1	Plug Assembly	
152A	7021256	1	O-Ring	
155	70005466	1	Cover, Gerotor	
158	7007208	1	Plug	
158A	7007207	1	O-Ring	
160	7010116	1	Cylinder Block Kit (Includes Items 2164-2168)	
161	7024875	1	Cover Assembly - Front (Includes Items 202 & 2134)	
163	7021207	6	Screw	
165	70005467	2	Spring	
168	7021210	2	Bearing	
169	70005468	1	Servo Piston Assembly (Includes Items 168 & 4001)	
174	7007418	2	O-Ring	
201	7007457	1	Swash Plate Assembly (Includes Items 2135 & 2138)	
202	7021212	1	Journal, Bearing	
301	7007459	1	Seal, Lip	
401	7010121	1	Shaft, Main Pump	
501	7021214	1	Plate, Valve	
603	7007463	1	Gerotor Assembly	
604	7007464	1	Pin	
605	7007465	1	Key, Woodruff	
803	See Note	NSS	Housing, Pump (Note: Use p/n 1001186542)	
818	70005469	1	Plug	

## SECTION 3 - ENGINE

ITEM	PART NUMBER	QTY	DESCRIPTION	REV
819	70005470	1	Plug	
820	70005469	1	Plug	
901	7021219	1	Cover, Servo (With Adjuster)	
902	7021220	1	Cover, Servo (Without Adjuster)	
905	7023979	1	Guide, Spring	
906	7007484	1	Stop, Servo	
907	7007485	1	Spring	
908	7021221	1	Screw	
909	7007487	1	Guide, Spring	
910	7007488	1	Ring, Retaining	
911	7021222	1	Locknut	
919	7021206	1	Nut	
920	7021223	10	Screw	
933	7021201	1	Bracket, Lifting	
935	7007422	2	Gasket, Servo Cover	
937	7007420	2	Plug	
937A	7021256	2	O-Ring	
1002	7007450	1	Ring, Back-up	
1003	70005471	1	O-Ring	
1004	7024877	1	Valve, Bypass	
1103	7024851	2	Valve, Pressure Relief (Includes Items 165 & 174)	
1202	70005472	1	Sleeve	
1204	70002156	6	Screw	
1220	70002154	1	Gasket	
1232	70002157	2	Pin	
1403	7007477	2	Plug, Orifice (.37)	
1502	7007453	3	Bolt, Hex	
1503	7007476	1	Adapter, Auxiliary Pump	
2134	7021203	2	Pin, Spring	
2135	7007441	1	Handle, Pin	
2138	7007444	1	Pin	
2164	7010117	7	Piston Assembly	
2165	7007431	3	Pin, Slipper Holddown	
2166	7007430	1	Retainer	
2167	7007434	1	Guide, Retainer	
2168	7010119	1	Retainer, Slipper	
3050	70002150	6	Screw	
3060	70005473	1	Nut, Seal	
3065	70002151	1	Plug	
3084	70002134	1	Screen	
3098	70002153	1	Ring	
4001	7007412	1	Seal Kit - Servo Piston	
5025	70002147	2	Solenoid Assembly (Includes Items 5026-5030)	
5026	70002148	2	O-Ring	
5027	70002149	2	Coil Assembly (Includes Items 5028-5030)	
5028	70005474	2	O-Ring	
5029	70005475	2	Screw	
5030	70005476	2	Cap	
5100	70002146	1	EDC Assembly (Includes Items 1204, 1220, 3050-3098 & 5025-5030)	
6001	7021232	1	Seal Kit - Complete (Includes Items 103, 137, 141, 142, 168, 174, 301, 935, 1002, 1003, 4001 and Plug O-Ring)	

# SECTION 3 - ENGINE

## FIGURE 3-53. PISTON PUMP ASSEMBLY WITH FITTINGS - DEUTZ ENGINES - HENGLI



ART\_1001287018

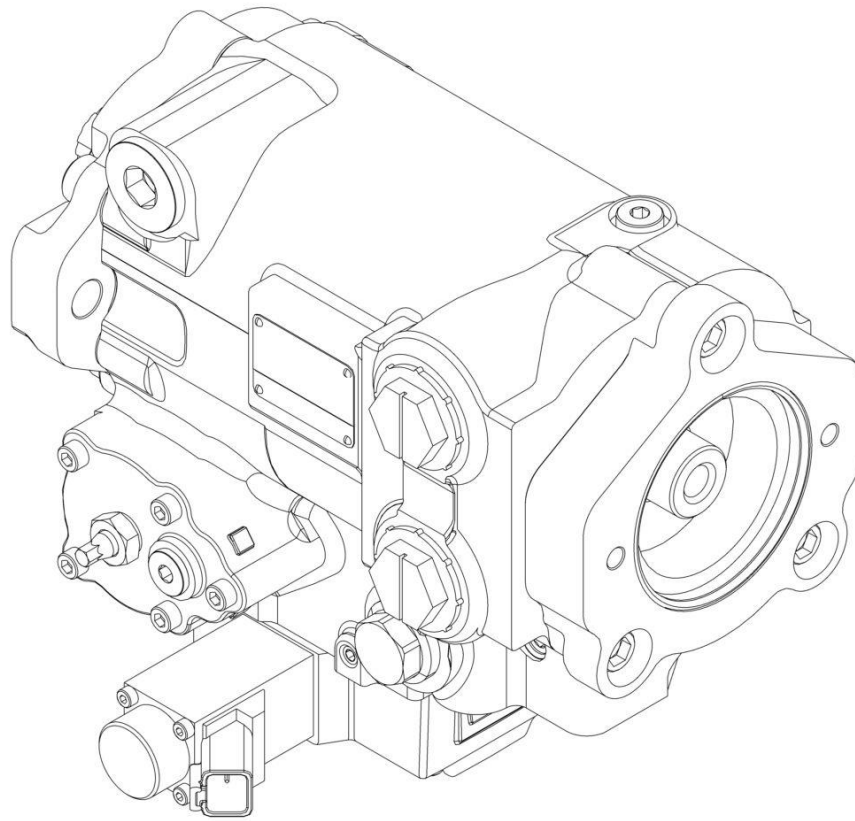
## SECTION 3 - ENGINE

**FIGURE 3-53. PISTON PUMP ASSEMBLY WITH FITTINGS - DEUTZ ENGINES - HENGLI**

ITEM	PART NUMBER	QTY	DESCRIPTION	REV
	1001287018	Ref	PISTON PUMP ASSEMBLY	A
1	2220377	1	Fitting Straight JIC/ORB	
2	2220578	1	Fitting 90 JIC/ORB	
3	2220646	2	Fitting 90 JIC/ORB	
4	2220947	2	Fitting Straight ORB	
5	2221034	1	Fitting Tee	
6	1001287021	1	Piston Pump (See Separate Breakdown in this Section)	
7	1001288858	1	Piston Pump Harness (Includes Items 100 & 101)	A
100	4460897	1	Connector	
100	4460464	2	Terminal	
101	4460891	1	Connector	
101	4460465	2	Terminal	

## SECTION 3 - ENGINE

FIGURE 3-54. PISTON PUMP - HENGLI



ART\_1001287021



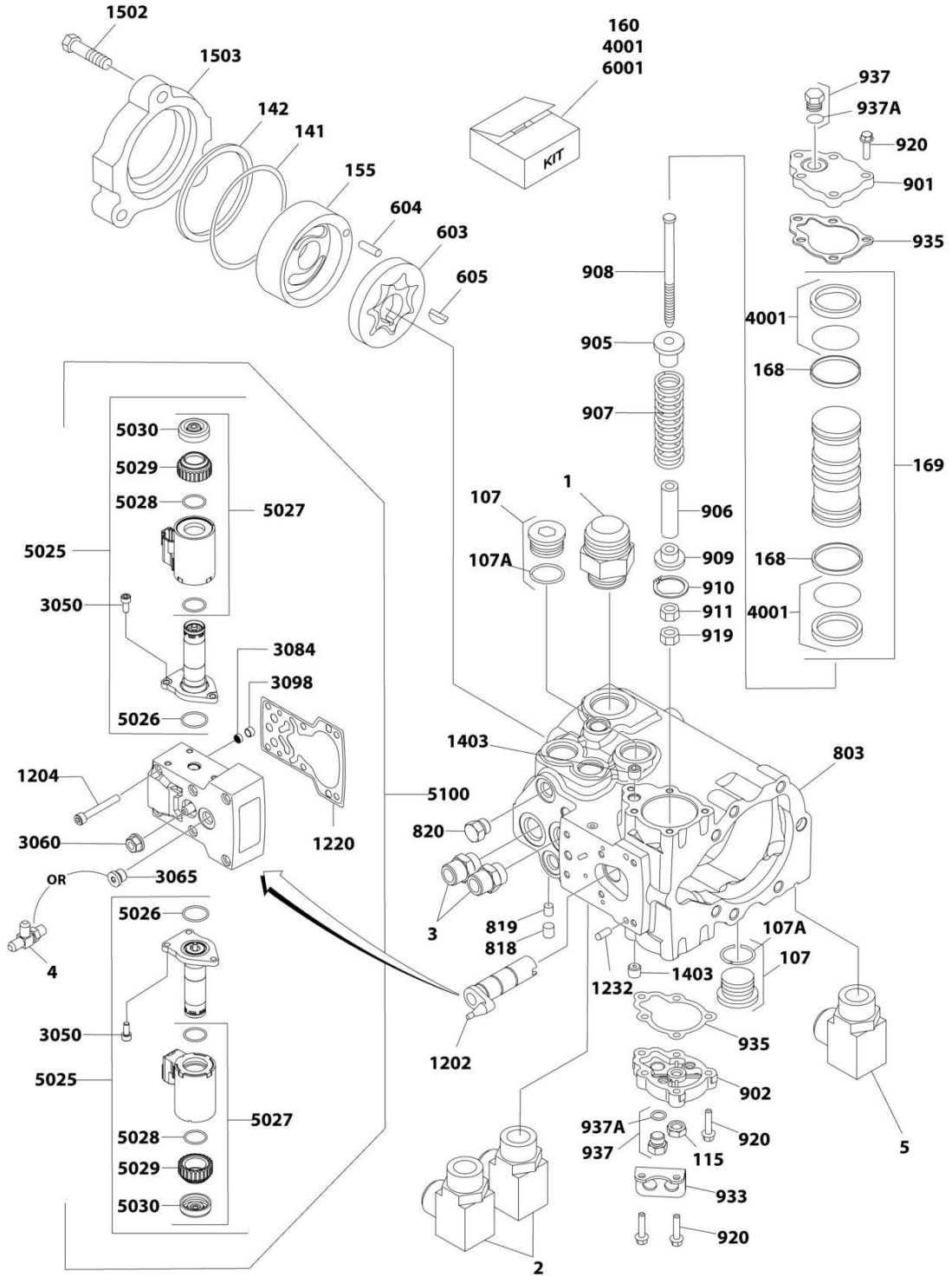
## SECTION 3 - ENGINE

### FIGURE 3-54. PISTON PUMP - HENGLI

ITEM	PART NUMBER	QTY	DESCRIPTION	REV
	1001287021 See Note	Ref Ref	PISTON PUMP Note: No Service Parts Availabe at Time of Printing	A



# SECTION 3 - ENGINE



ART\_1001188953\_20F2

## SECTION 3 - ENGINE

### FIGURE 3-55. PISTON PUMP ASSEMBLY - FORD ENGINES

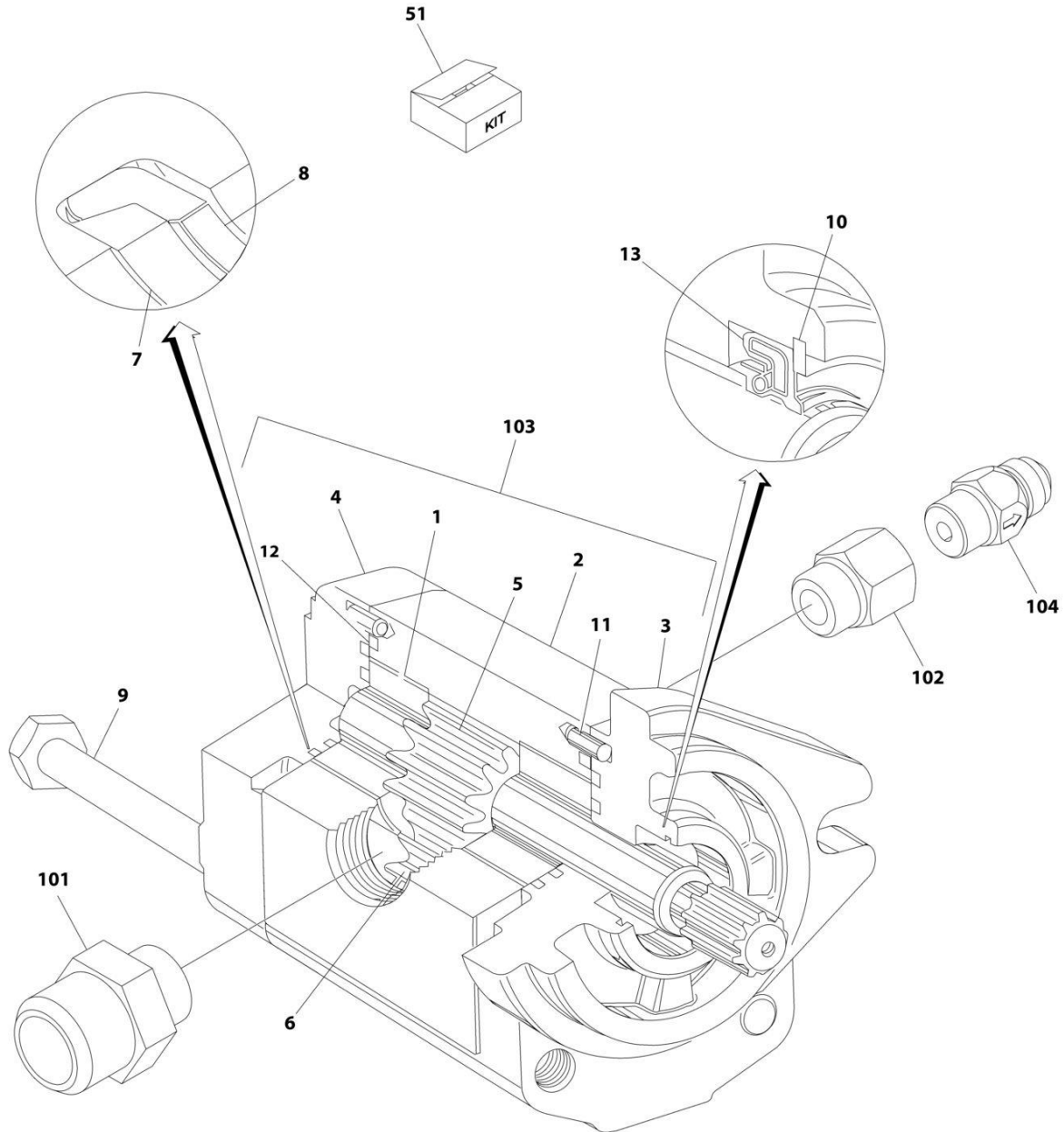
ITEM	PART NUMBER	QTY	DESCRIPTION	REV
	1001188953	Ref	PUMP AND FITTING ASSEMBLY	A
1	2220377	1	Fitting, Straight JIC/ORB	
2	2220451	1	Fitting, Straight JIC/ORB	
3	2220646	2	Fitting, 90 JIC/ORB	
4	2220947	2	Fitting, Straight JIC/ORB	
5	2220711	1	Fitting, Tee JIC/ORB	
	1001186542	Ref	PISTON PUMP ASSEMBLY	B
101	7007413	1	Shim Kit	
103	7007415	1	O-Ring (Part of Item 106)	
104	7021200	1	Spring, Relief Valve	
105	7007417	1	Valve, Relief	
106	7024874	2	Plug (Includes Items 103)	
107	7007419	2	Plug	
107A	7007418	2	O-Ring	
110	7007420	2	Plug	
110A	7021256	2	O-Ring	
115	7007423	1	Nut, Special	
118	7007425	1	Bearing, Needle	
129	7007435	1	Pin, Spring	
130	7021202	1	Screw	
131	70002176	1	Bearing, Ball	
132	7007438	2	Ring, Retainer	
133	7007439	2	Ring	
136	7007442	1	Sleeve, Bearing	
137	7007443	1	Gasket, Front Cover	
140	7007446	1	Pin	
141	7021233	1	O-Ring	
142	7007448	1	Ring, Load Temper	
152	7007420	1	Plug Assembly	
152A	7021256	1	O-Ring	
155	70005466	1	Cover, Gerotor	
158	7007208	1	Plug	
158A	7007207	1	O-Ring	
160	7010116	1	Cylinder Block Kit (Includes Items 2164-2168)	
161	7024875	1	Cover Assembly - Front (Includes Items 202 & 2134)	
163	7021207	6	Screw	
165	70005467	2	Spring	
168	7021210	2	Bearing	
169	70005468	1	Servo Piston Assembly (Includes Items 168 & 4001)	
174	7007418	2	O-Ring	
201	7007457	1	Swash Plate Assembly (Includes Items 2135 & 2138)	
202	7021212	1	Journal, Bearing	
301	7007459	1	Seal, Lip	
401	7010121	1	Shaft, Main Pump	
501	7021214	1	Plate, Valve	
603	7007463	1	Gerotor Assembly	
604	7007464	1	Pin	
605	7007465	1	Key, Woodruff	
803	See Note	NSS	Housing, Pump (Note: Use p/n 1001186542)	
818	70005469	1	Plug	

## SECTION 3 - ENGINE

ITEM	PART NUMBER	QTY	DESCRIPTION	REV
819	70005470	1	Plug	
820	70005469	1	Plug	
901	7021219	1	Cover, Servo (With Adjuster)	
902	7021220	1	Cover, Servo (Without Adjuster)	
905	7023979	1	Guide, Spring	
906	7007484	1	Stop, Servo	
907	7007485	1	Spring	
908	7021221	1	Screw	
909	7007487	1	Guide, Spring	
910	7007488	1	Ring, Retaining	
911	7021222	1	Locknut	
919	7021206	1	Nut	
920	7021223	10	Screw	
933	7021201	1	Bracket, Lifting	
935	7007422	2	Gasket, Servo Cover	
937	7007420	2	Plug	
937A	7021256	2	O-Ring	
1002	7007450	1	Ring, Back-up	
1003	70005471	1	O-Ring	
1004	7024877	1	Valve, Bypass	
1103	7024851	2	Valve, Pressure Relief (Includes Items 165 & 174)	
1202	70005472	1	Sleeve	
1204	70002156	6	Screw	
1220	70002154	1	Gasket	
1232	70002157	2	Pin	
1403	7007477	2	Plug, Orifice (.37)	
1502	7007453	3	Bolt, Hex	
1503	7007476	1	Adapter, Auxiliary Pump	
2134	7021203	2	Pin, Spring	
2135	7007441	1	Handle, Pin	
2138	7007444	1	Pin	
2164	7010117	7	Piston Assembly	
2165	7007431	3	Pin, Slipper Holddown	
2166	7007430	1	Retainer	
2167	7007434	1	Guide, Retainer	
2168	7010119	1	Retainer, Slipper	
3050	70002150	6	Screw	
3060	70005473	1	Nut, Seal	
3065	70002151	1	Plug	
3084	70002134	1	Screen	
3098	70002153	1	Ring	
4001	7007412	1	Seal Kit - Servo Piston	
5025	70002147	2	Solenoid Assembly (Includes Items 5026-5030)	
5026	70002148	2	O-Ring	
5027	70002149	2	Coil Assembly (Includes Items 5028-5030)	
5028	70005474	2	O-Ring	
5029	70005475	2	Screw	
5030	70005476	2	Cap	
5100	70002146	1	EDC Assembly (Includes Items 1204, 1220, 3050-3098 & 5025-5030)	
6001	7021232	1	Seal Kit - Complete (Includes Items 103, 137, 141, 142, 168, 174, 301, 935, 1002, 1003, 4001 and Plug O-Ring)	

# SECTION 3 - ENGINE

## FIGURE 3-56. GEAR PUMP ASSEMBLY



ART\_3600242

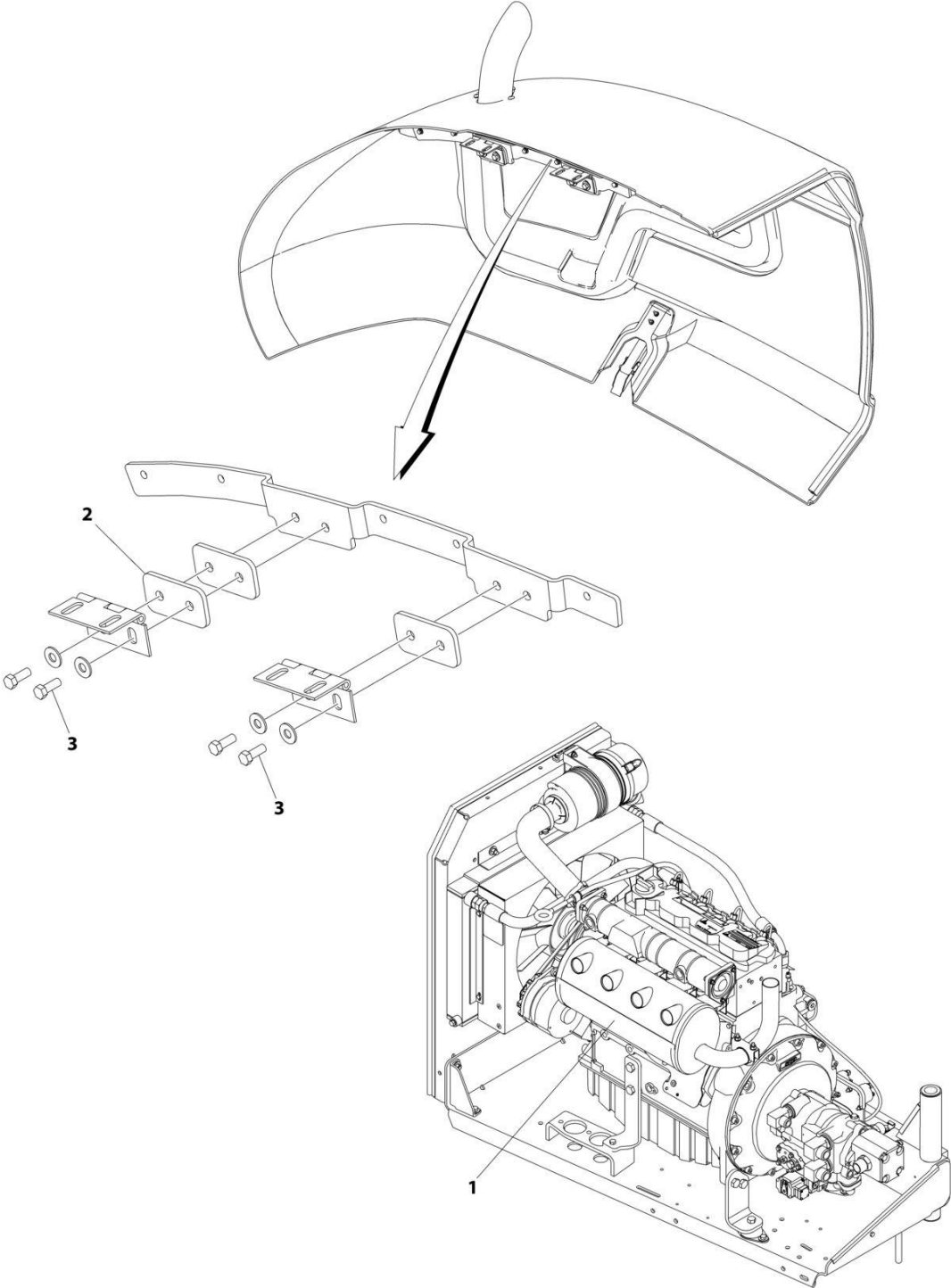
## SECTION 3 - ENGINE

### FIGURE 3-56. GEAR PUMP ASSEMBLY

ITEM	PART NUMBER	QTY	DESCRIPTION	REV
	3600242	Ref	GEAR PUMP ASSEMBLY	
1	7010105	2	Bearing/Bushing	
2	See Note	NSS	Housing (Note: Use Item 3600242)	
3	See Note	NSS	Flange (Note: Use Item 3600242)	
4	7010103	1	Cover	
5	7012987	1	Gear, Drive	
6	7012988	1	Gear, Idler	
7	See Note	NSS	Ring, Anti-Extrusion (Note: Use Item 51)	
8	See Note	NSS	Seal (Note: Use Item 51)	
9	See Note	4	Bolt (Note: Not Available for Purchase)	
10	7010104	1	Ring, Retaining	
11	See Note	NSS	Pin, Dowel (Note: Not Available for Purchase)	
12	See Note	NSS	Seal, O-Ring (Note: Use Item 51)	
13	See Note	NSS	Seal, Shaft (Note: Use Item 51)	
51	7007489	1	Seal Kit (Includes Items 7, 8, 12 & 13)	
	3600395	Ref	GEAR PUMP AND FITTING ASSEMBLY	B
101	2220376	1	Fitting, Straight	
102	2220810	1	Fitting, Reducer	
103	3600242	1	Pump (Includes Items 1 - 13)	
104	4640744	1	Fitting, Check Valve	

**SECTION 3 - ENGINE**

**FIGURE 3-57. SPARK ARRESTOR MUFFLER INSTALLATION - DEUTZ D2011 ENGINES**



ART\_1001182906



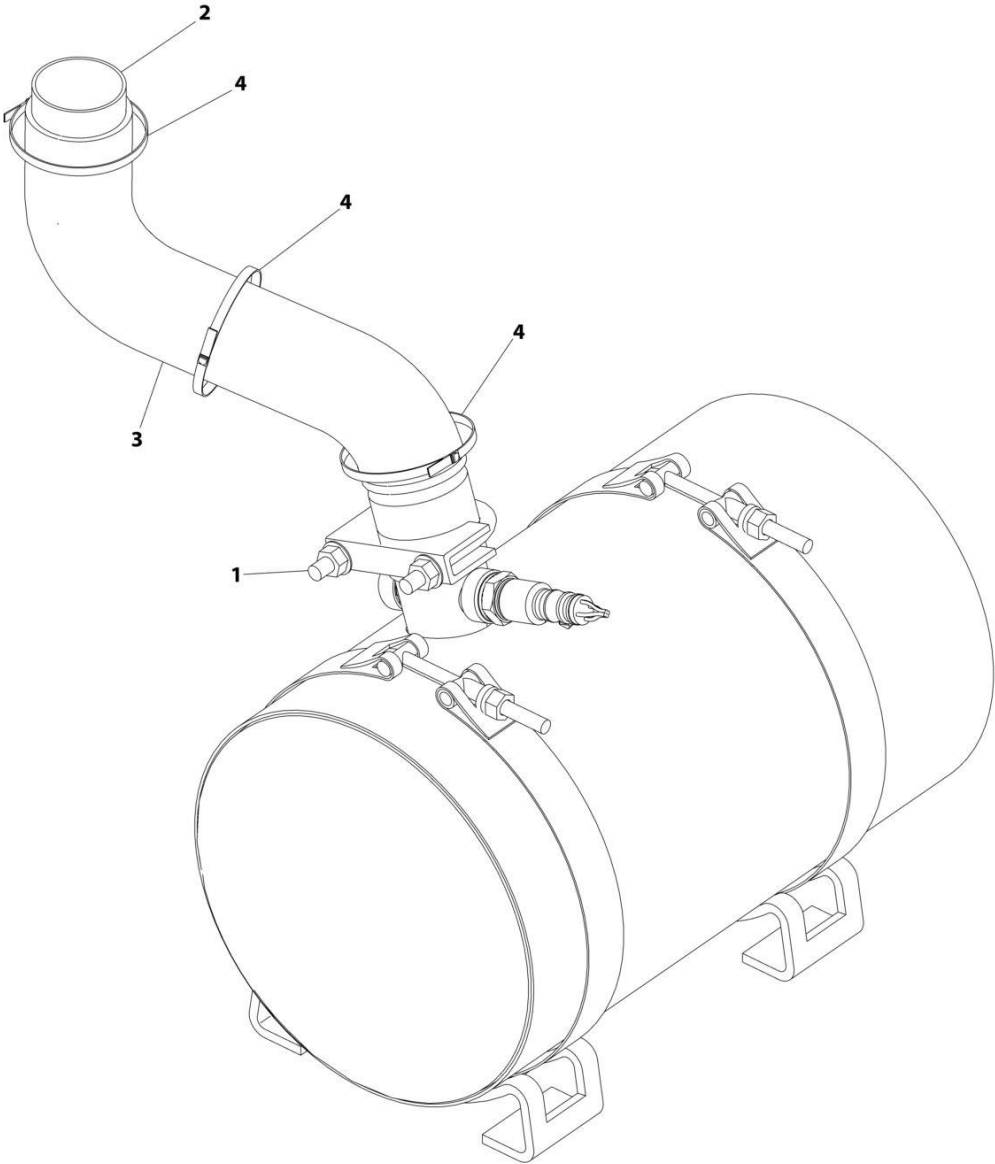
## SECTION 3 - ENGINE

**FIGURE 3-57. SPARK ARRESTOR MUFFLER INSTALLATION - DEUTZ D2011 ENGINES**

ITEM	PART NUMBER	QTY	DESCRIPTION	REV
	1001182906	Ref	MUFFLER INSTALLATION SPARK ARRESTOR	B
1	3220103	1	Muffler	
2	1001169610	1	Spacer	
3	0641608	4	Bolt 3/8 x 1	

**SECTION 3 - ENGINE**

**FIGURE 3-58. EXHAUST PIPE INSTALLATION - FORD DF 2.5L ENGINES**



ART\_1001220215

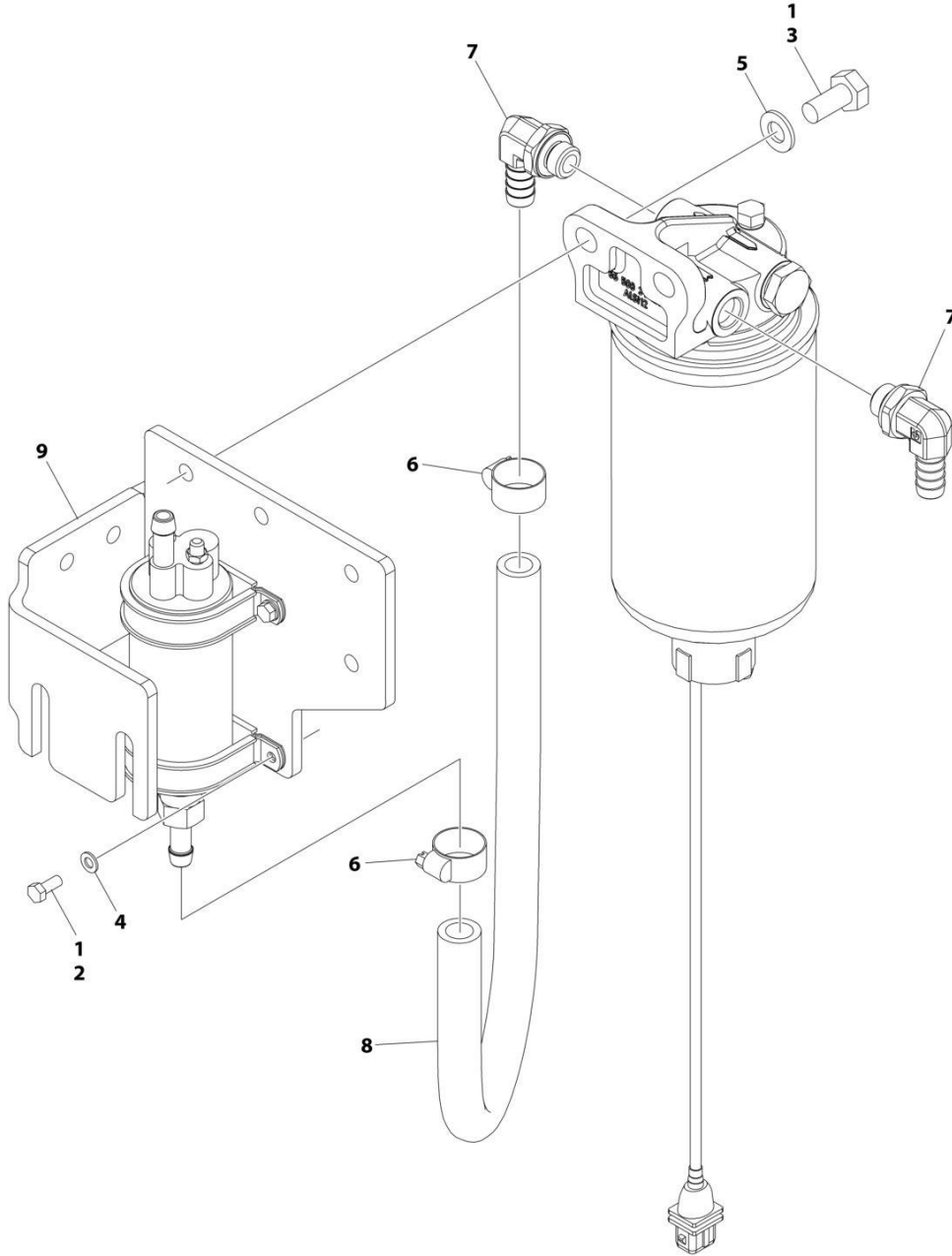
## SECTION 3 - ENGINE

**FIGURE 3-58. EXHAUST PIPE INSTALLATION - FORD DF 2.5L ENGINES**

ITEM	PART NUMBER	QTY	DESCRIPTION	REV
	1001220215	Ref	EXHAUST PIPE INSTALLATION	B
1	1001221397	1	Clamp	
2	1001216160	1	Pipe, Tail	
3	1001216536	1	Insulate	
4	1001100825	3	Strap	

# SECTION 3 - ENGINE

## FIGURE 3-59. FUEL PUMP AND FILTER ASSEMBLY (DEUTZ D2.9L4 (CHINA IV) ENGINE)



ART\_1001260316

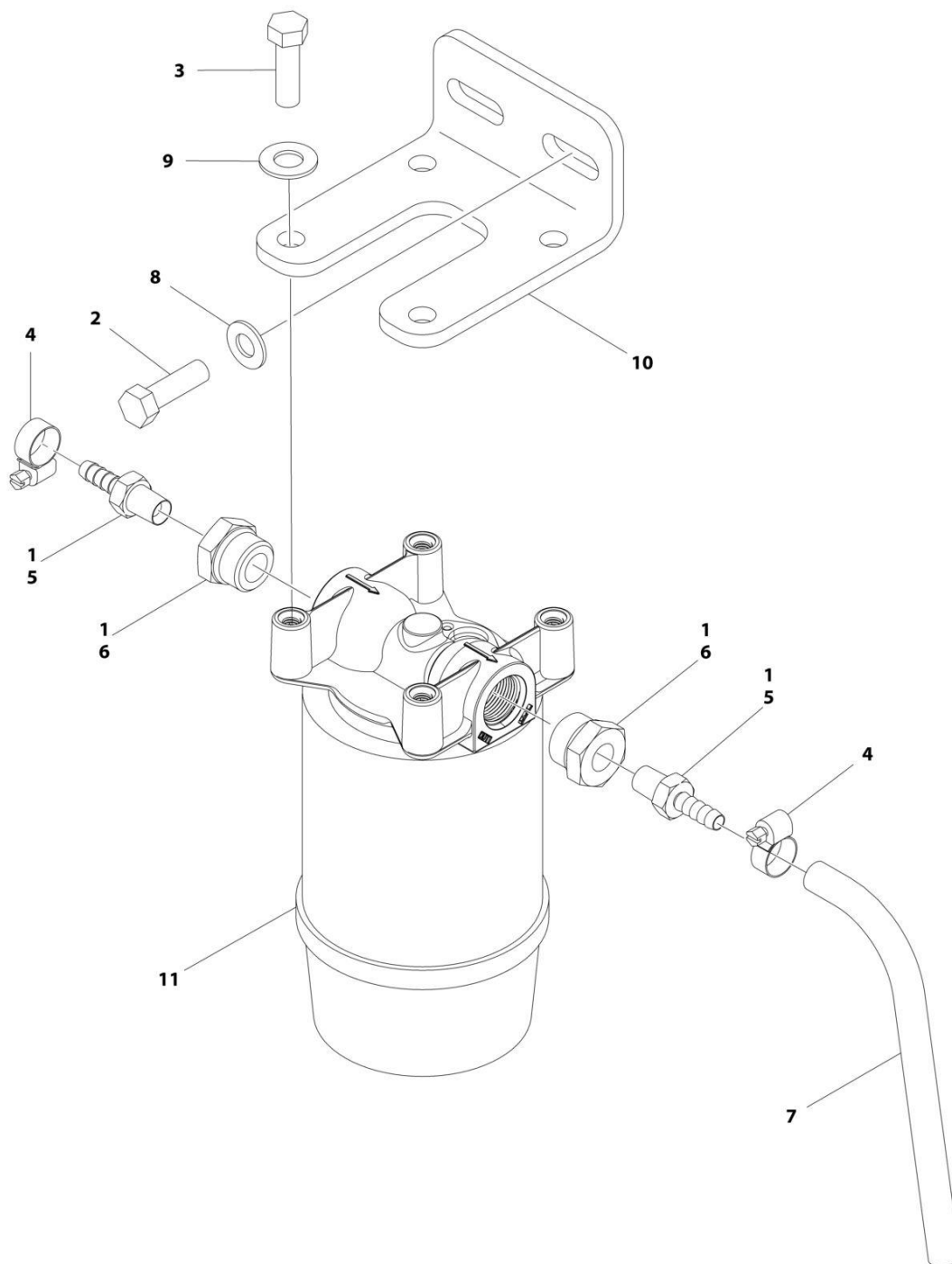
## SECTION 3 - ENGINE

**FIGURE 3-59. FUEL PUMP AND FILTER ASSEMBLY (DEUTZ D2.9L4 (CHINA IV) ENGINE)**

ITEM	PART NUMBER	QTY	DESCRIPTION	REV
	1001260316	Ref	FUEL PUMP AND FILTER ASSEMBLY	B
1	0100011	1	Compound, Locking	
2	0760506	4	Bolt M5 x 12	
3	0761011	2	Bolt M10 x 22	
4	4711600	4	Washer M5	
5	4812000	2	Washer M10	
6	8405006	2	Clamp	
7	1001142501	2	Fitting, Elbow Barbed	
8	1001154405	1.5 ft /0.4m	Hose	
9	1001260317	1	Plate, Fuel Pump Mount	

## SECTION 3 - ENGINE

FIGURE 3-60. FUEL-WATER SEPARATOR INSTALLATION - DEUTZ D2011 AND DEUTZ D2011 STAGE V ENGINES



ART\_1001199784

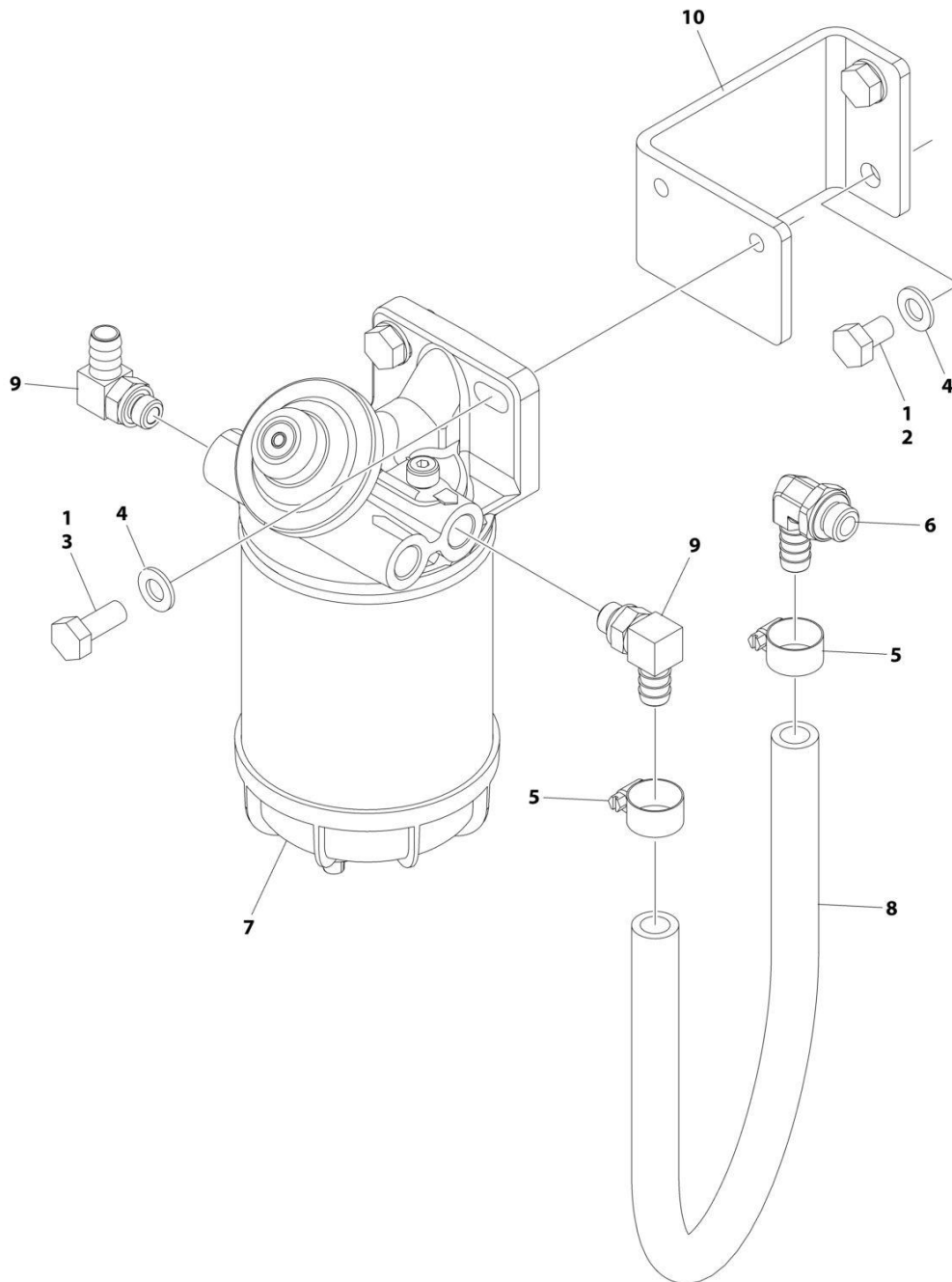
## SECTION 3 - ENGINE

**FIGURE 3-60. FUEL-WATER SEPARATOR INSTALLATION - DEUTZ D2011 AND DEUTZ D2011  
STAGE V ENGINES**

ITEM	PART NUMBER	QTY	DESCRIPTION	REV
	1001199784	Ref	FUEL-WATER SEPARATOR INSTALLATION	A
1	0100079	AR	Sealant	
2	0641607	2	Bolt 3/8 x 7/8	
3	0641610	4	Bolt 3/8 x 1-1/4	
4	1320022	2	Clamp	
5	2180348	2	Fitting, Straight	
6	2220816	2	Fitting, Straight	
7	2720058	12 in /31cm	Hose	
8	4711600	2	Washer 3/8	
9	4711700	4	Washer 7/16	
10	1001188884	1	Bracket	
11	1001188887	1	Fuel/Water Separator Assembly	
11	1001202280	1	Head	
11	1001202281	1	Element	

# SECTION 3 - ENGINE

## FIGURE 3-61. FUEL/WATER SEPARATOR INSTALLATION DUETZ D2.9L4 (CHINA IV) ENGINE



ART\_1001260319



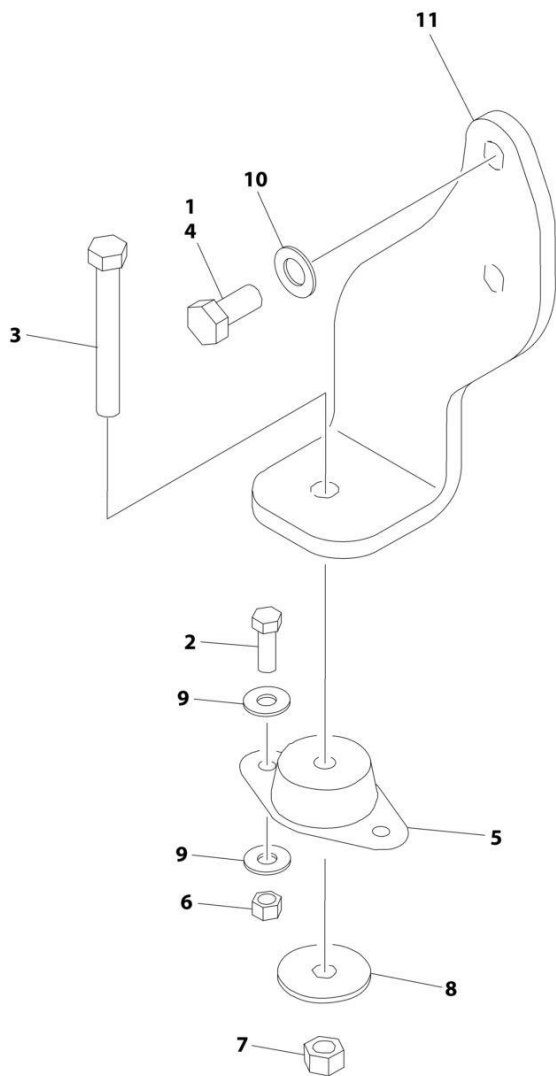
## SECTION 3 - ENGINE

**FIGURE 3-61. FUEL/WATER SEPARATOR INSTALLATION DUETZ D2.9L4 (CHINA IV) ENGINE**

ITEM	PART NUMBER	QTY	DESCRIPTION	REV
	1001260319	Ref	FUEL/WATER SEPARATOR INSTALLATION	A
1	0100011	AR	Compound, Locking	
2	0761008	2	Bolt M10 x 16	
3	0761012	2	Bolt M10 x 25	
4	4812000	4	Washer M10	
5	8405006	2	Clamp	
6	1001142501	1	Fitting 90 Barbed	
7	1001149452	1	Filter	
8	1001154405	21.5 in /54.5cm	Hose	
9	1001258505	2	Fitting 90 Barbed	
10	1001260320	1	Bracket	

# SECTION 3 - ENGINE

## FIGURE 3-62. RIGHT ENGINE SUPPORT INSTALLATION (DEUTZ D2011 ENGINES MACHINES WITHOUT GENERATORS)



ART\_1001151253

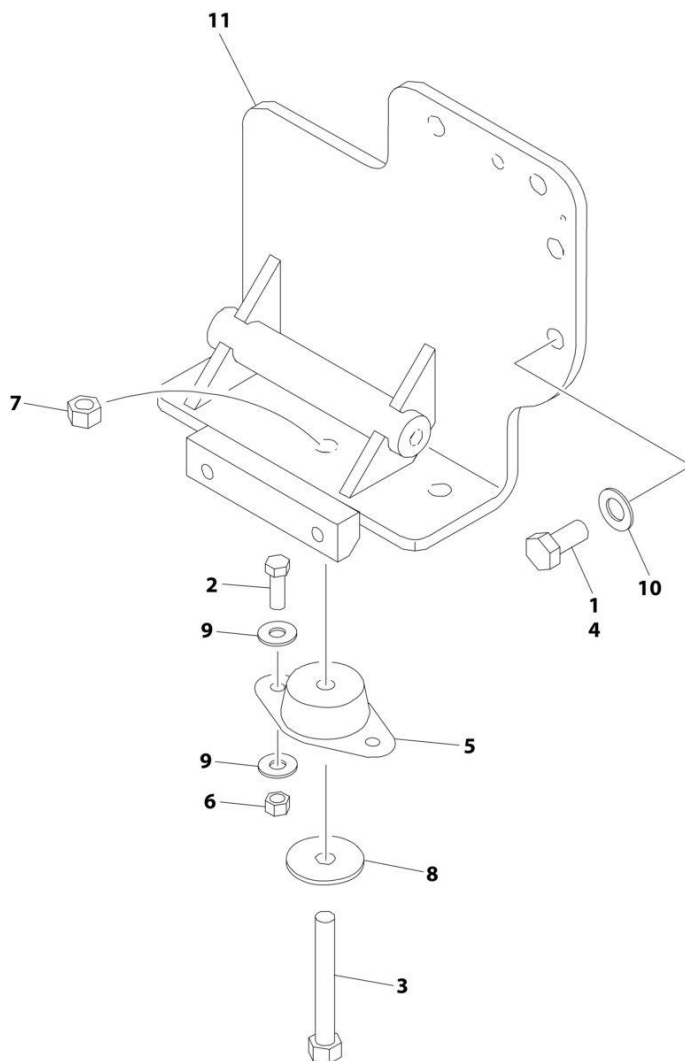
## SECTION 3 - ENGINE

**FIGURE 3-62. RIGHT ENGINE SUPPORT INSTALLATION (DEUTZ D2011 ENGINES MACHINES WITHOUT GENERATORS)**

ITEM	PART NUMBER	QTY	DESCRIPTION	REV
	1001151253	Ref	RIGHT ENGINE SUPPORT INSTALLATION	A
1	0100011	AR	Compound, Locking	
2	0641609	2	Bolt 3/8 x 1-1/8	
3	0641820	1	Bolt 1/2 x 2-1/2	
4	0711414	2	Bolt M14 x 30 Grade 10.9	
5	3200401	1	Mount, Motor	
6	3311605	2	Nut 3/8	
7	3311805	1	Nut 1/2	
8	4740274	1	Washer	
9	4751600	4	Washer 3/8	
10	4812200	2	Washer M14	
11	1001149703	1	Support, Engine (Right Front)	

# SECTION 3 - ENGINE

## FIGURE 3-63. RIGHT ENGINE SUPPORT INSTALLATION (DEUTZ D2011 ENGINES MACHINES WITH GENERATORS)



ART\_1001151252

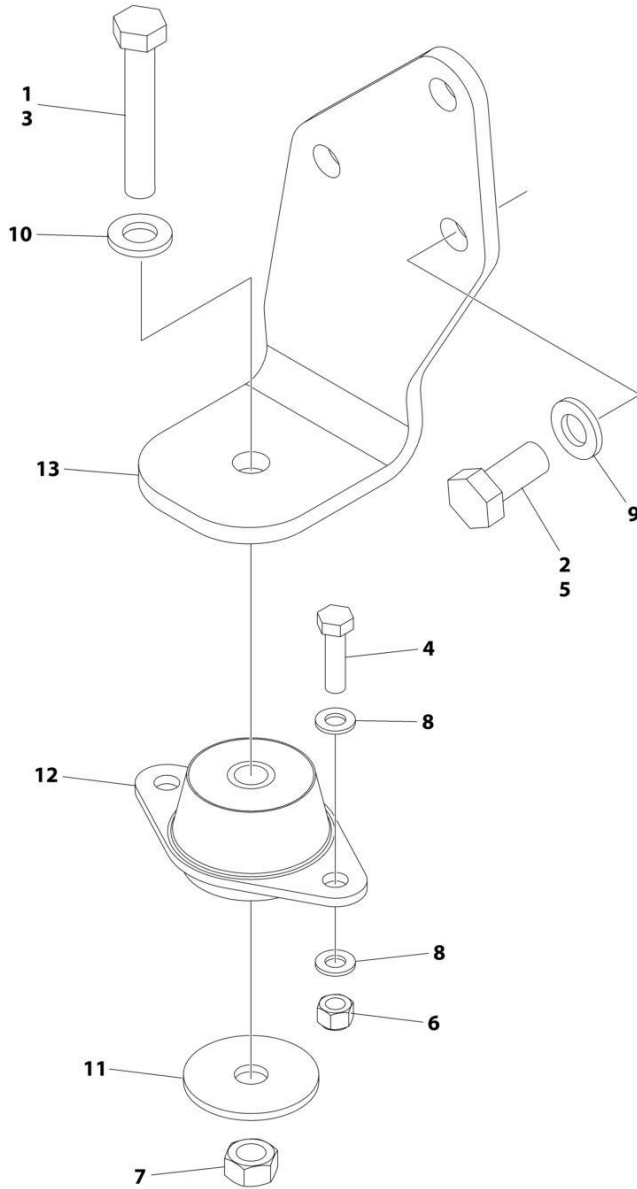
## SECTION 3 - ENGINE

**FIGURE 3-63. RIGHT ENGINE SUPPORT INSTALLATION (DEUTZ D2011 ENGINES MACHINES WITH GENERATORS)**

ITEM	PART NUMBER	QTY	DESCRIPTION	REV
	1001151252	Ref	RIGHT ENGINE SUPPORT INSTALLATION	B
1	0100011	AR	Compound, Locking	
2	0641609	2	Bolt 3/8 x 1-1/8	
3	0641818	1	Bolt 1/2 x 2-1/2	
4	0711414	3	Bolt M14 x 30 Grade 10.9	
5	3200401	1	Mount, Motor	
6	3311605	2	Nut 3/8	
7	3311805	1	Nut 1/2	
8	4740274	1	Washer	
9	4751600	4	Washer 3/8	
10	4812200	3	Washer M14	
11	1001150890	1	Support, Engine (Right Front)	

# SECTION 3 - ENGINE

## FIGURE 3-64. RIGHT ENGINE SUPPORT INSTALLATION (DEUTZ TD2.2L3 (STAGE V) ENGINES MACHINES WITHOUT GENERATORS)



ART\_1001255419

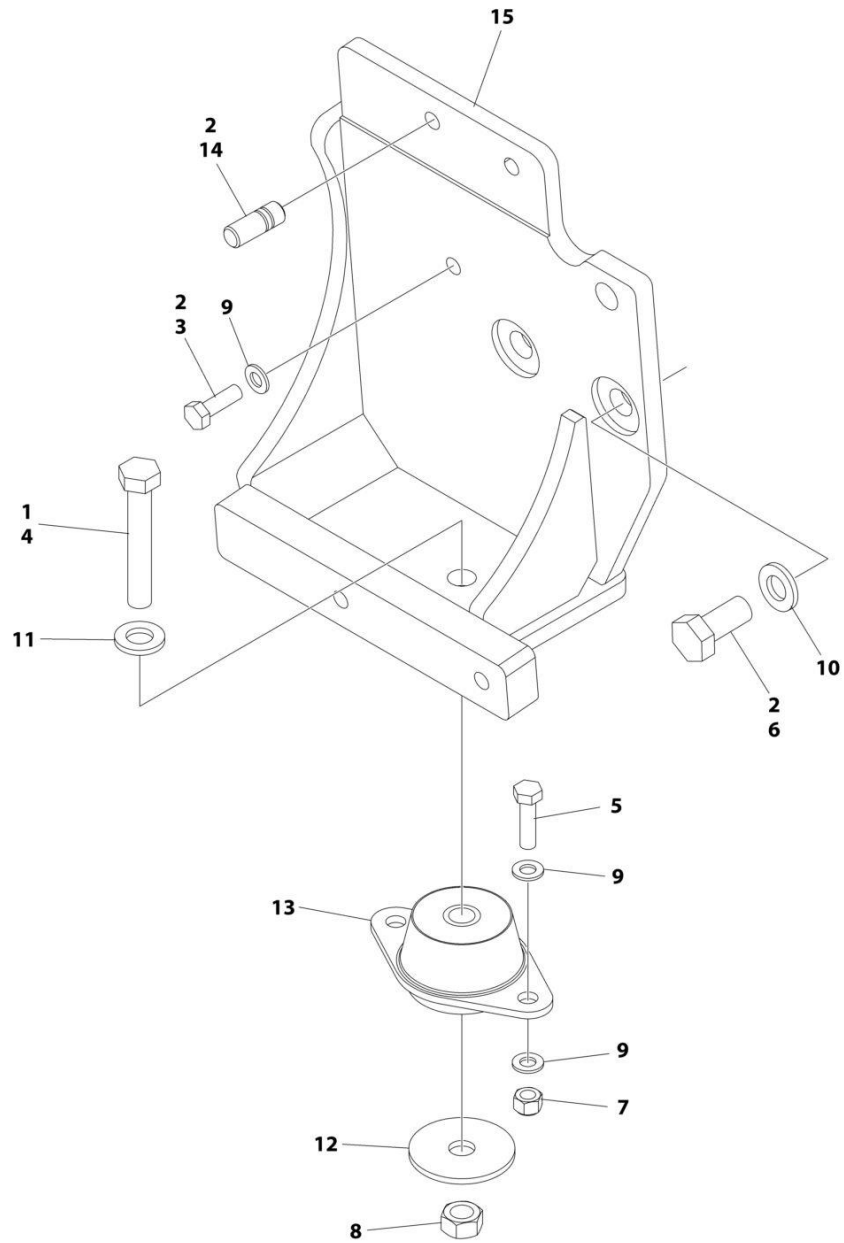
## SECTION 3 - ENGINE

**FIGURE 3-64. RIGHT ENGINE SUPPORT INSTALLATION (DEUTZ TD2.2L3 (STAGE V) ENGINES  
MACHINES WITHOUT GENERATORS)**

ITEM	PART NUMBER	QTY	DESCRIPTION	REV
	1001255419	Ref	RIGHT ENGINE SUPPORT INSTALLATION	B
1	0100011	AR	Compound, Locking	
2	0100019	AR	Compound, Locking	
3	0711223	1	Bolt M12 x 75	
4	0700814	2	Bolt M8 x 30	
5	0771414	3	Bolt M14 x 30	
6	3290805	2	Nut M8	
7	3331211	1	Nut M12	
8	4811900	4	Washer M8	
9	4812200	3	Washer M14	
10	5241200	1	Washer M12 Hardened	
11	1001168018	1	Washer, Snubbing	
12	1001166718	1	Mount, Motor	
13	1001249986	1	Support, Engine (Right Front)	

# SECTION 3 - ENGINE

## FIGURE 3-65. RIGHT ENGINE SUPPORT INSTALLATION (DEUTZ TD2.2L3 (STAGE V) ENGINES MACHINES WITH GENERATORS)



ART\_1001255418



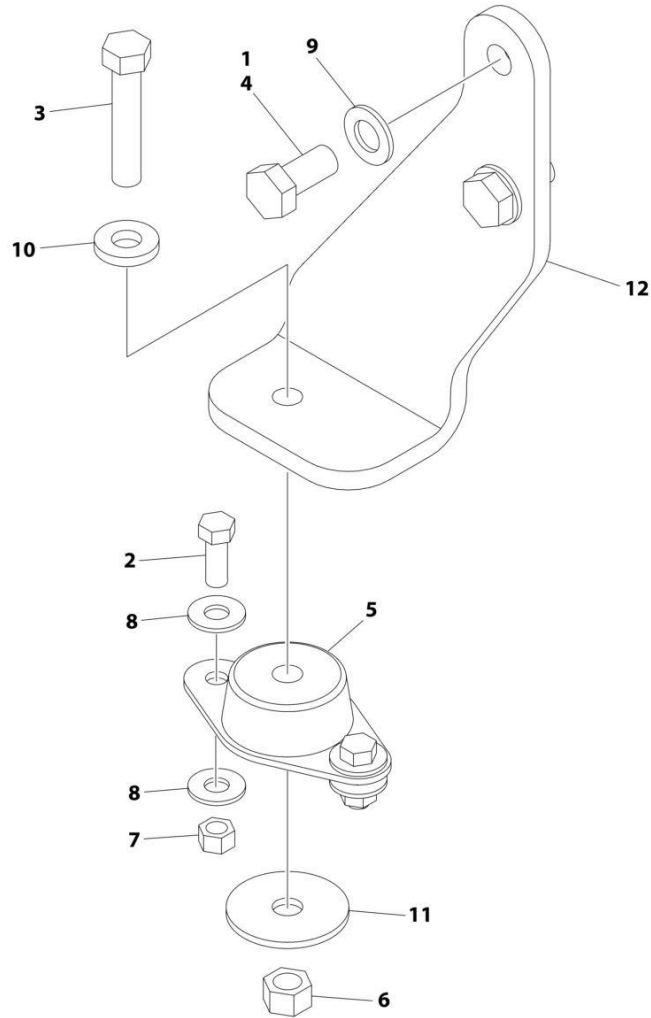
## SECTION 3 - ENGINE

**FIGURE 3-65. RIGHT ENGINE SUPPORT INSTALLATION (DEUTZ TD2.2L3 (STAGE V) ENGINES MACHINES WITH GENERATORS)**

ITEM	PART NUMBER	QTY	DESCRIPTION	REV
	1001255418	Ref	RIGHT ENGINE SUPPORT INSTALLATION	B
1	0100011	AR	Compound, Locking	
2	0100019	AR	Compound, Locking	
3	0700812	1	Bolt M8 x 25	
4	0711223	1	Bolt M12 x 75	
5	0700814	2	Bolt M8 x 30	
6	0771414	3	Bolt M14 x 30	
7	3290805	2	Nut M8	
8	3331211	1	Nut M12	
9	4811900	5	Washer M8	
10	4812200	3	Washer M14	
11	5241200	1	Washer M12 Hardened	
12	1001168018	1	Washer, Snubbing	
13	1001166718	1	Mount, Motor	
14	1001196382	1	Stud	
15	1001247178	1	Support, Engine (Right Front)	

# SECTION 3 - ENGINE

FIGURE 3-66. RIGHT ENGINE SUPPORT INSTALLATION (DEUTZ TD2.9L4 AND DEUTZ D2.9L4 ENGINES MACHINES WITHOUT GENERATORS)



ART\_1001177043

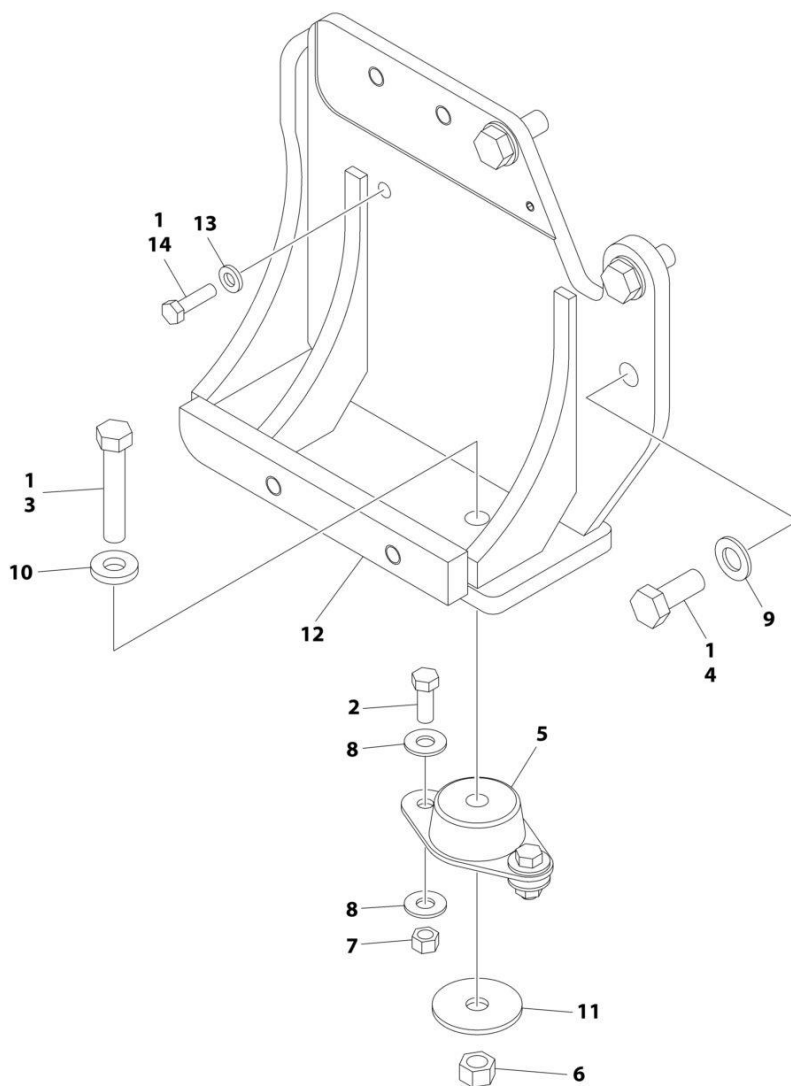
## SECTION 3 - ENGINE

**FIGURE 3-66. RIGHT ENGINE SUPPORT INSTALLATION (DEUTZ TD2.9L4 AND DEUTZ D2.9L4 ENGINES MACHINES WITHOUT GENERATORS)**

ITEM	PART NUMBER	QTY	DESCRIPTION	REV
	1001177043	Ref	RIGHT ENGINE SUPPORT INSTALLATION	A
1	0100011	AR	Compound, Locking	
2	0641608	2	Bolt 3/8 x 1	
3	0681820	1	Bolt 1/2 x 2-1/2	
4	0771414	2	Bolt M14 x 30 Grade 10.9	
5	3200401	1	Mount, Motor	
6	3271801	1	Nut 1/2	
7	3311605	2	Nut 3/8	
8	4751600	4	Washer 3/8	
9	4812200	2	Washer M14	
10	4891800	1	Washer 1/2 Hardened	
11	1001139409	1	Washer, Snubbing	
12	1001177038	1	Support, Engine (Right Front)	

# SECTION 3 - ENGINE

FIGURE 3-67. RIGHT ENGINE SUPPORT INSTALLATION (DEUTZ TD2.9L4 AND DEUTZ D2.9L4 ENGINES MACHINES WITH GENERATORS)



ART\_1001177399

## SECTION 3 - ENGINE

**FIGURE 3-67. RIGHT ENGINE SUPPORT INSTALLATION (DEUTZ TD2.9L4 AND DEUTZ D2.9L4 ENGINES MACHINES WITH GENERATORS)**

ITEM	PART NUMBER	QTY	DESCRIPTION	REV
	1001177399	Ref	RIGHT ENGINE SUPPORT INSTALLATION	B
1	0100011	AR	Compound, Locking	
2	0641608	2	Bolt 3/8 x 1	
3	0681822	1	Bolt 1/2 x 2-3/4 Grade 8	
4	0771415	3	Bolt M14 x 35	
5	3200401	1	Mount, Motor	
6	3271801	1	Nut 1/2 Grade 8	
7	3311605	2	Nut 3/8	
8	4751600	4	Washer 3/8	
9	4812200	2	Washer M14	
10	4891800	1	Washer 1/2 Hardened	
11	1001139409	1	Washer, Snubbing	
12	1001202368	1	Support, Engine (Right Front)	
13	5240800	1	Washer M8 Hardened	
14	0700814	1	Bolt M8 x 30	



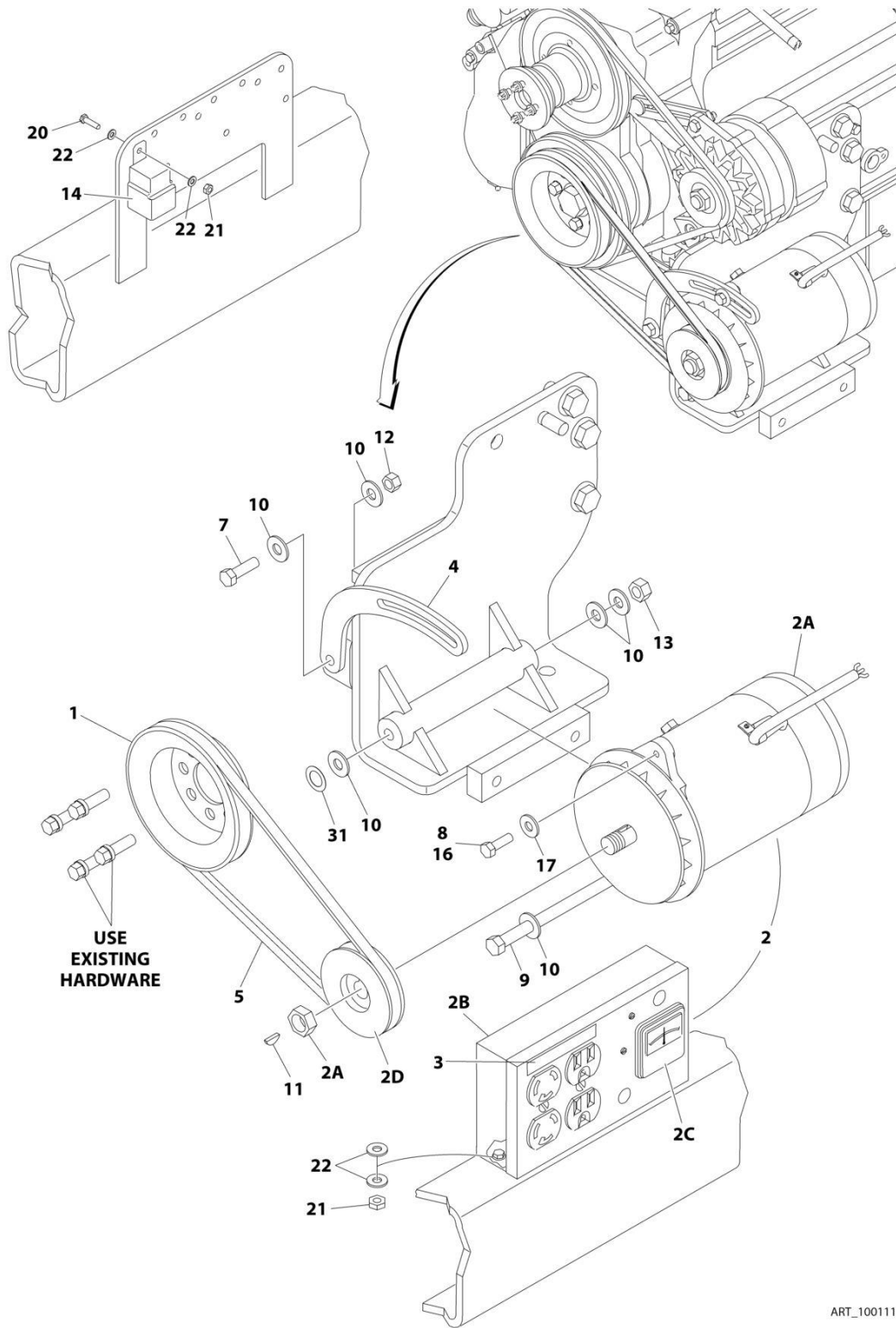
## SECTION 3 - ENGINE

**FIGURE 3-68. RIGHT ENGINE SUPPORT INSTALLATION (DUETZ D2.9L4 (CHINA IV) ENGINES)**

ITEM	PART NUMBER	QTY	DESCRIPTION	REV
	1001275117	Ref	RIGHT ENGINE SUPPORT INSTALLATION	A
1	0100011	AR	Compound, Locking	
2	0700814	2	Bolt M8 x 30	
3	0711224	1	Bolt M12 x 80 Class 10.9	
4	0771414	2	Bolt M14 x 30 Class 10.9	
5	3290805	2	Nut, Lock M8	
6	3331211	1	Nut M12 Class 10	
7	4811900	4	Washer M8	
8	5241200	1	Washer M12	
9	5241400	2	Washer M14	
10	1001166718	1	Mount Engine	
11	1001168018	1	Washer	
12	1001177038	1	Support, Engine (Right Front)	

# SECTION 3 - ENGINE

## FIGURE 3-69. 2500W/110V/60HZ GENERATOR INSTALLATION - DEUTZ D2011 ENGINES





## SECTION 3 - ENGINE

**FIGURE 3-69. 2500W/110V/60HZ GENERATOR INSTALLATION - DEUTZ D2011 ENGINES**

ITEM	PART NUMBER	QTY	DESCRIPTION	REV
	1001115405	Ref	2500W GENERATOR INSTALLATION - 110V/60Hz	B
1	3580158	1	Pulley	
2	2460055	1	Generator and Control Box Assembly:	
2A	7012558	1	Generator Only - 110V/60Hz	
2A		Ref	Note: Replacement Generators come standard with p/n 3580134 pulley. This pulley may not be correct for all applications. Refer to pulley options below.	
2A	7026199	1	Armature with Slip Rings	
2A	7012513	4	Cap, Brush Holder	
2A	7020108	4	Brush	
2A	7020109	4	Holder, Brush	
2A	7012514	1	Fan	
2A	7020110	1	Bell, Front	
2A	7020111	1	Bell, Rear	
2A	7020190	1	Bearing	
2B	7019680	1	Box, Control	
2B		Ref	Receptacle Options:	
2B	4460190	1	Receptacle, Standard	
2B	4460027	1	Receptacle, Twistlock	
2B	4360542	1	Breaker, Circuit	
2B	3520028	1	Plug, Hole	
2C	2420203	1	Voltmeter	
2D	3580276	1	Pulley	
2D	7027887	1	Key, Woodruff	
3	3251243	1	Decal - 110V/60Hz	
4	0200742	1	Arm, Adjusting	
5	0480121	1	V-Belt	
7	0641610	1	Bolt 3/8 x 1-1/4	
8	0100011	AR	Compound, Locking	
9	0641772	1	Bolt 7/16 x 9	
10	4751600	6	Washer 3/8	
11	2860012	1	Key, Woodruff	
12	3311605	1	Nut 3/8	
13	3311705	1	Nut 7/16	
14	3740080	1	Relay	
16	0641508	1	Bolt 5/16 x 1	
17	4751500	AR	Washer 5/16	
18	1001112588	1	Wiring Diagram Components (Not Shown)	
18	1001112589	1	Generator Harness (Not Shown)	
18	4922641	1	Generator ON/OFF Switch Harness (Not Shown - Located at Platform)	
20	0721006	AR	Bolt #10 x 3/4	
21	3311005	3	Nut #10	
22	4751000	AR	Washer #10	
25	4360336	1	Switch, Toggle (Not Shown - Located at Platform)	
26	4740397	1	Bushing (Not Shown - Located at Platform)	
27	4060802	1	Guard, Switch (Not Shown - Located at Platform)	
29	2820031	4 in/ 10cm	Heat Shrink (Not Shown - Located at Platform)	
30	3251102	1	Decal (Not Shown - Located at Platform)	
31	4070585	AR	Shim	



## SECTION 3 - ENGINE

**FIGURE 3-70. 2500W/110V/60HZ GENERATOR INSTALLATION - DEUTZ TD2.9L4 ENGINES**

ITEM	PART NUMBER	QTY	DESCRIPTION	REV
	1001180287	Ref	2500W GENERATOR INSTALLATION - DEUTZ TD2.9L4 (OPTIONAL)	C
1	0100011	AR	Compound, Locking	
2	0100019	AR	Compound, Locking	
3	0641508	1	Bolt 5/16 x 1	
4	0641607	1	Bolt 3/8 x 7/8	
5	0641772	1	Bolt 7/16 x 9	
6	0641812	2	Bolt 1/2 x 1-1/2	
7	0721006	1	Screw #10 x 3/4	
8	2820031	AR	Heat Shrink (Not Shown - Located at Platform)	
9	3251102	1	Name Plate - Generator On (Not Shown - Located at Platform)	
10	3311005	3	Nut #10	
12	3311705	1	Nut 7/16	
13	3311801	2	Nut 1/2	
14	3740080	1	Relay	
15	4060802	1	Guard, Switch (Not Shown - Located at Platform)	
16	4240018	AR	Strap, Cable Tie (Not Shown)	
17	4360336	1	Switch, Toggle (Not Shown - Located at Platform)	
18	4711000	6	Washer #10	
19	4711600	1	Washer 3/8	
20	4711700	2	Washer 7/16	
21	4751500	1	Washer 5/16	
22	4891800	4	Washer 1/2	
23	1001148138	1	V-Belt	
24	1001163599	2	Stud	
25	1001216015	1	Bracket	
26	1001179837	1	Arm, Adjustment	
27	1001180001	1	Generator and Control Box Assembly	
27A	7012558	1	Generator Only - 110V/60Hz	
27A		Ref	Note: Replacement Generators come standard with p/n 3580134 pulley. This pulley may not be correct for all applications. Refer to pulley options below.	
27A	7026199	1	Armature with Slip Rings	
27A	7012513	4	Cap, Brush Holder	
27A	7020108	4	Brush	
27A	7020109	4	Holder, Brush	
27A	7012514	1	Fan	
27A	7020110	1	Bell, Front	
27A	7020111	1	Bell, Rear	
27A	7020190	2	Bearing	
27B	7019680	1	Box, Control - 110V/60Hz	
27B		Ref	Receptacle Options:	
27B	4460190	1	Receptacle, Standard (110V Only)	
27B	4460027	1	Receptacle, Twistlock (110V Only)	
27B	4360542	1	Breaker, Circuit	
27B	3520028	1	Plug, Hole	
27C	2420203	1	Voltmeter	
27D	3580276	1	Pulley	
27D	7027887	1	Key, Woodruff	
28		Ref	Wiring Diagram Components (Not Shown)	

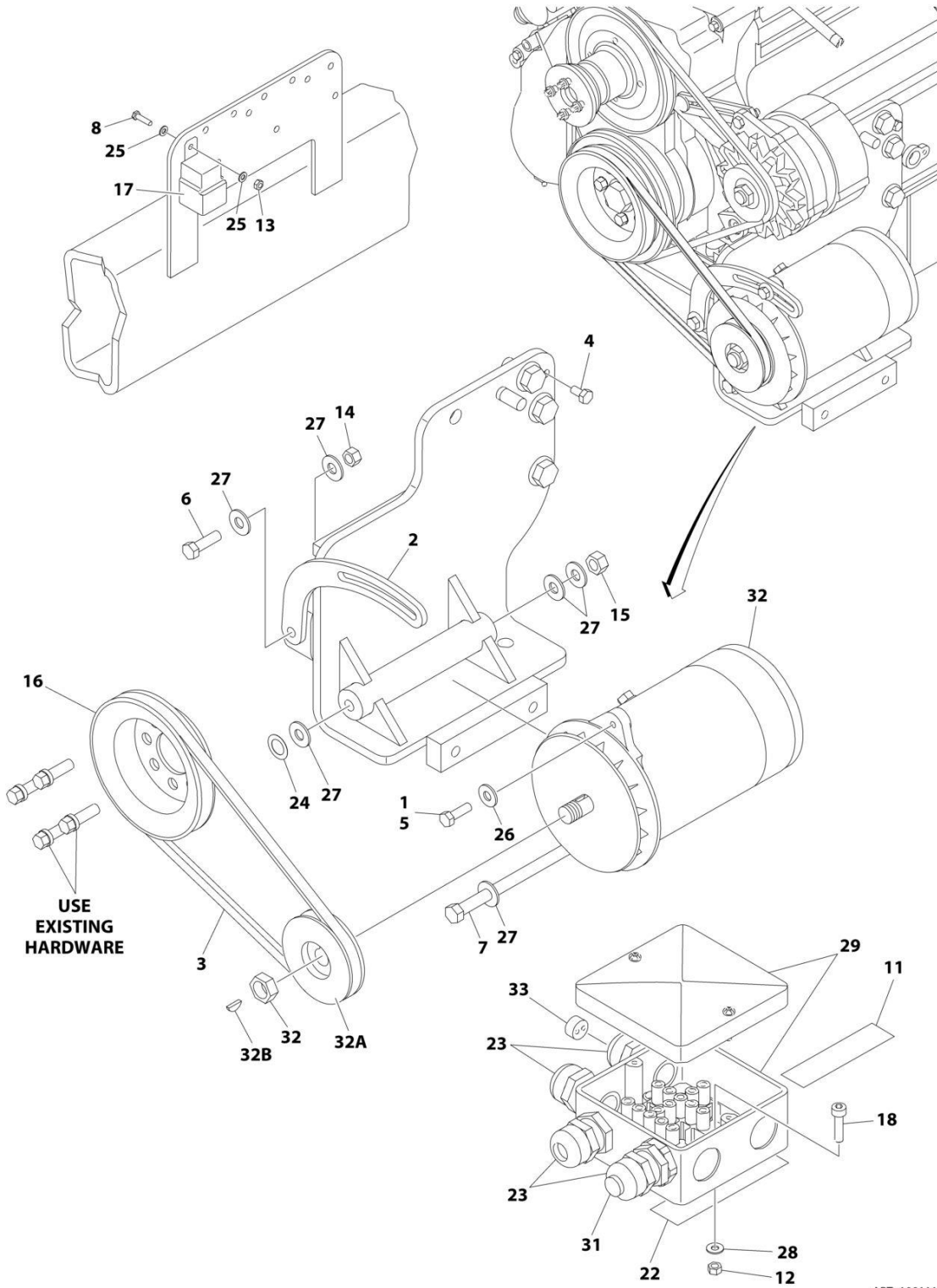
## SECTION 3 - ENGINE

ITEM	PART NUMBER	QTY	DESCRIPTION	REV
28	4922641	1	Generator On/Off Switch Harness (Not Shown - Located at Platform)	
28	1001180052	1	Generator Harness (Not Shown)	
29	1001181243	1	Mount, Generator	



# SECTION 3 - ENGINE

FIGURE 3-71. 2500W/220V/50HZ GENERATOR INSTALLATION - DEUTZ D2011 ENGINES (ANSI EXPORT, AUSTRALIAN AND CHINA SPECS)



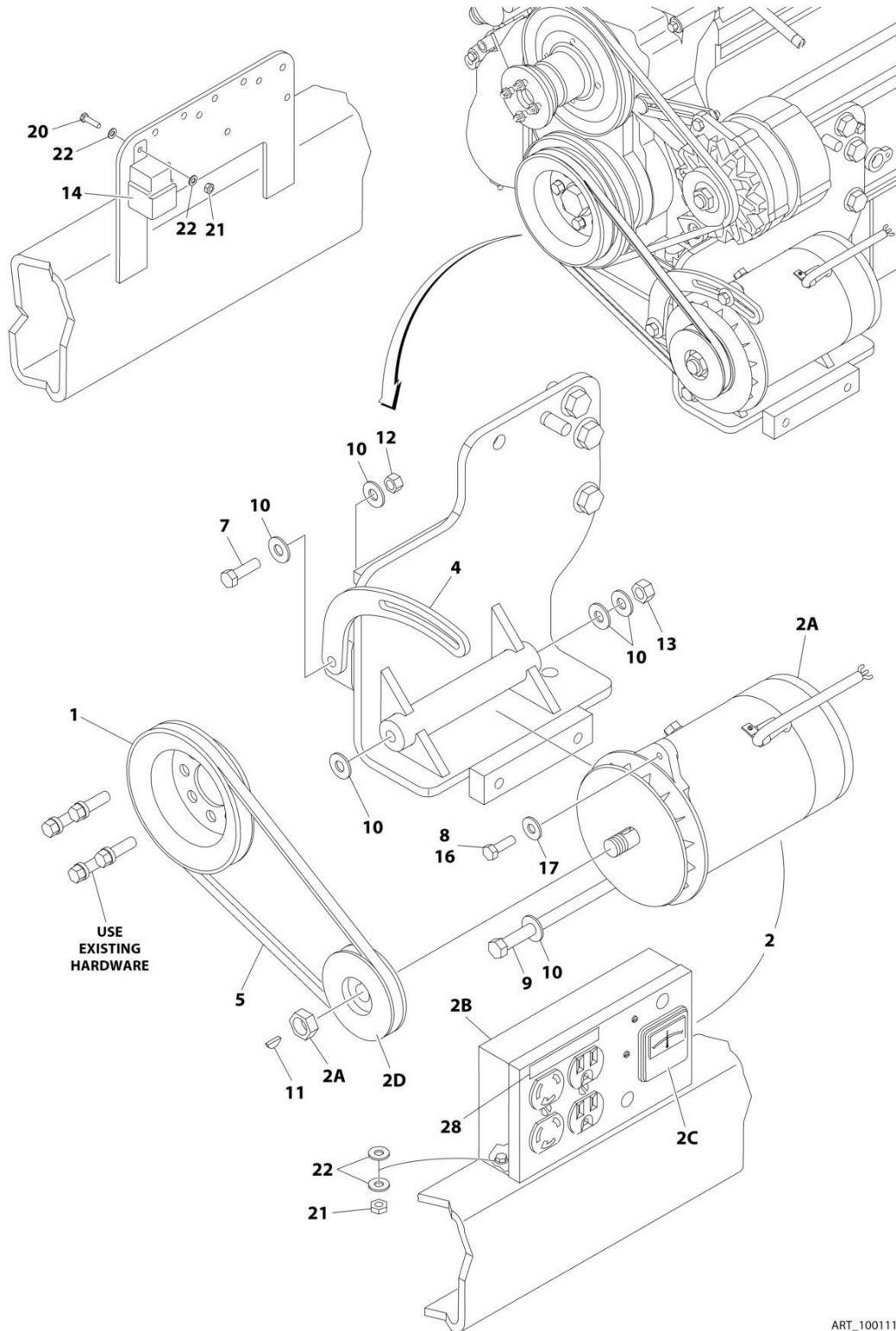
## SECTION 3 - ENGINE

**FIGURE 3-71. 2500W/220V/50HZ GENERATOR INSTALLATION - DEUTZ D2011 ENGINES (ANSI EXPORT, AUSTRALIAN AND CHINA SPECS)**

ITEM	PART NUMBER	QTY	DESCRIPTION	REV
	1001115409	Ref	2500W GENERATOR INSTALLATION - 220V/50Hz	B
1	0100011	AR	Compound, Locking	
2	0200742	1	Arm, Adjusting	
3	0480121	1	V-Belt	
4	0641404	1	Bolt 1/4 x 1/2	
5	0641508	1	Bolt 5/16 x 1	
6	0641610	1	Bolt 3/8 x 1-1/4	
7	0641772	1	Bolt 7/16 x 9	
8	0721006	AR	Bolt #10 x 3/4	
9	2820031	4 in/10cm	Heat Shrink (Not Shown - Located at Platform)	
10	3251102	1	Decal (Not Shown - Located at Platform)	
11	3252507	2	Decal - 220V - 50Hz	
		Ref	Note: One Decal Not Shown - Located on the Inside of Platform Rail.	
12	3290505	1	Nut M5	
13	3311005	1	Nut #10	
14	3311605	1	Nut 3/8	
15	3311705	1	Nut 7/16	
16	3580158	1	Pulley	
17	3740080	1	Relay	
18	4031608	1	Bolt M5 x 20	
19	4060802	1	Guard, Switch (Not Shown - Located at Platform)	
20	4240018	1	Tie Strap (Not Shown)	
21	4360336	1	Switch, Toggle (Not Shown - Located at Platform)	
22	4420060	AR	Tape, Double Coated Acrylic Foam	
23	4460968	3	Connector, Strain Relief	
24	4740397	1	Shim	
25	4751000	2	Washer #10	
26	4751500	1	Washer 5/16	
27	4751600	6	Washer 3/8	
28	4811600	1	Washer M5	
29	1001099869	1	Box, Junction	
30		Ref	Wiring Diagram Components (Not Shown)	
30	4922641	1	Generator On/Off Switch Harness (Not Shown - Located at Platform)	
30	1001112589	1	Generator Harness (Not Shown)	
31	1001100234	1	Light, Red	
32	1001100321	1	Generator	
32	70000123	1	Armature with Slip Rings	
32	7012513	4	Cap, Brush Holder	
32	7020108	4	Brush	
32	7020109	4	Holder, Brush	
32	7012514	1	Fan	
32	7020110	1	Bell, Front	
32	7020111	1	Bell, Rear	
32	7020190	1	Bearing	
32A	3580134	1	Pulley - 50Hz	
32B	7027887	1	Key, Woodruff	
33	0962449	1	Bushing	

# SECTION 3 - ENGINE

FIGURE 3-72. 2500W/220V/50HZ GENERATOR INSTALLATION - DEUTZ D2011 ENGINES (ANSI EXPORT, CHINA AND RUSSIA SPECS)





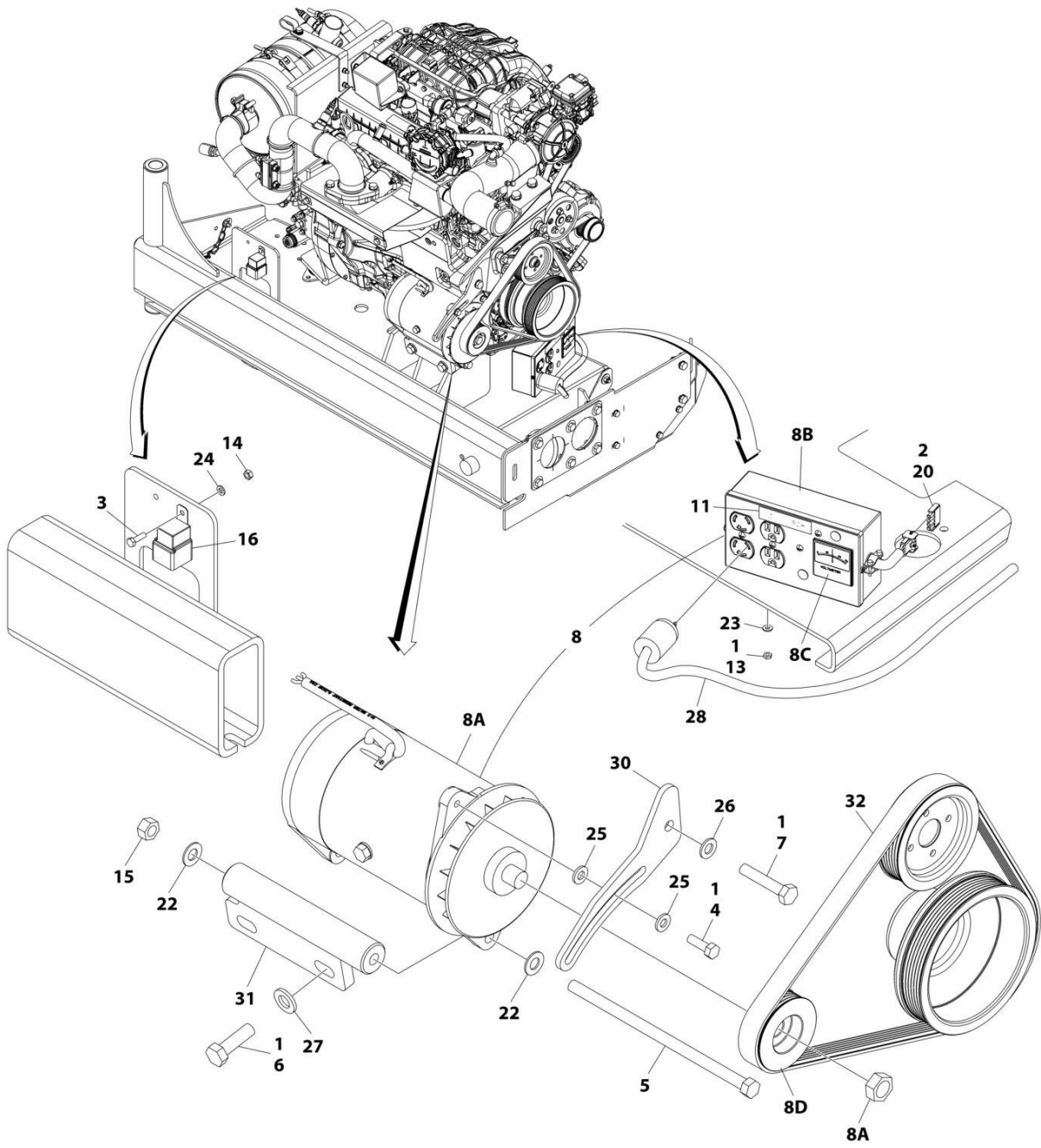
## SECTION 3 - ENGINE

**FIGURE 3-72. 2500W/220V/50HZ GENERATOR INSTALLATION - DEUTZ D2011 ENGINES (ANSI EXPORT, CHINA AND RUSSIA SPECS)**

ITEM	PART NUMBER	QTY	DESCRIPTION	REV
	1001115406	Ref	2500W GENERATOR INSTALLATION - 220V/50Hz	B
1	3580158	1	Pulley	
2	2460056	1	Generator and Control Box Assembly:	
2A	1001100321	1	Generator Only	
2A		Ref	Note: Replacement Generators come standard with p/n 3580134 pulley. This pulley may not be correct for all applications. Refer to pulley options below.	
2A	70000123	1	Armature with Slip Rings	
2A	7012513	4	Cap, Brush Holder	
2A	7020108	4	Brush	
2A	7020109	4	Holder, Brush	
2A	7012514	1	Fan	
2A	7020110	1	Bell, Front	
2A	7020111	1	Bell, Rear	
2A	7020190	1	Bearing	
2B	70000127	1	Box, Control	
2B		Ref	Receptacle Options:	
2B	70000124	1	Receptacle, Double	
2B	70000125	1	Receptacle, Single	
2B	70000126	1	Breaker, Circuit:	
2B	3520028	1	Plug, Hole	
2C	7020192	1	Voltmeter	
2D	3580134	1	Pulley	
2D	7027887	1	Key, Woodruff	
4	0200742	1	Arm, Adjusting	
5	0480121	1	V-Belt	
7	0641610	1	Bolt 3/8 x 1-1/4	
8	0100011	AR	Compound, Locking	
9	0641772	1	Bolt 7/16 x 9	
10	4751600	6	Washer 3/8	
11	2860012	1	Key, Woodruff	
12	3311605	1	Nut 3/8	
13	3311705	1	Nut 7/16	
14	3740080	1	Relay	
16	0641508	1	Bolt 5/16 x 1	
17	4751500	AR	Washer 5/16	
18	1001112588	1	Wiring Diagram Components (Not Shown)	
18	4922641	1	Generator ON/OFF Switch Harness (Not Shown - Located at Platform)	
18	1001112589	1	Generator Harness (Not Shown)	
20	0721006	1	Bolt #10 x 3/4	
21	3311005	1	Nut #10	
22	4751000	1	Washer #10	
25	4360336	1	Switch, Toggle (Not Shown - Located at Platform)	
26	4740397	1	Bushing (Not Shown - Located at Platform)	
27	4060802	1	Guard, Switch (Not Shown - Located at Platform)	
28	3252507	2	Decal - 220V - 50Hz	
29	2820031	4 in/10cm	Heat Shrink (Not Shown - Located at Platform)	
30	3251102	1	Decal (Not Shown - Located at Platform)	

# SECTION 3 - ENGINE

## FIGURE 3-73. 2500W/60HZ GENERATOR INSTALLATION - FORD ENGINES



ART\_1001217188

## SECTION 3 - ENGINE

**FIGURE 3-73. 2500W/60HZ GENERATOR INSTALLATION - FORD ENGINES**

ITEM	PART NUMBER	QTY	DESCRIPTION	REV
	1001217188	Ref	2500W GENERATOR INSTALLATION	G
1	0100011	AR	Compound, Locking	
2	0100048	AR	Grease, Dielectric	
3	0760610	1	Bolt M6 x 20	
4	0641508	1	Bolt 5/16 x 1	
5	0641772	1	Bolt 7/16 x 9	
6	0761216	2	Bolt M12 x 40	
7	0761019	1	Bolt M10 x 55	
8	2460051	1	Generator and Control Box Assembly	
8A	7012558	1	Generator Only - 110V/60Hz	
		Ref	Note: Replacement Generators come standard with pin 3580134 pulley. This pulley may not be correct for all applications. Refer to pulley options below.	
8A	7026199	1	Armature with Slip Rings	
8A	7012513	4	Cap, Brush Holder	
8A	7020108	4	Brush	
8A	7020109	4	Holder, Brush	
8A	7012514	1	Fan	
8A	7020110	1	Bell, Front	
8A	7020111	1	Bell, Rear	
8A	7020190	2	Bearing	
8B	7019680	1	Box, Control - 110V/60Hz	
8B		Ref	Receptacle Options:	
8B	4460190	Ref	Receptacle, Standard (110V Only)	
8B	4460027	1	Receptacle, Twistlock (110V Only)	
8B	4360542	1	Breaker, Circuit	
8B	3520028	1	Plug, Hole	
8C	2420203	1	Voltmeter	
8D	3580324	1	Pulley	
8D	7027887	1	Key, Woodruff	
9	2820031	1	Heat Shrink (Not Shown - Located at Platform)	
10	3251102	1	Nameplate Generator (Not Shown - Located at Platform)	
11	3251243	1	Decal - 120V-60Hz	
13	3311005	2	Nut #10	
14	3290601	1	Nut M6	
15	3311705	1	Nut 7/16	
16	3740080	1	Relay	
17	4060802	1	Guard Switch (Not Shown - Located at Platform)	
18	4240099	AR	Tie-Strap (Not Shown)	
19	4360336	1	Switch, Toggle (Not Shown - Located at Platform)	
20	4460321	1	Plug, Male - 4 Position	
21	4460906	1	Socket, Female (Not Shown)	
22	4711700	2	Washer 7/16	
23	4751000	2	Washer #10	
24	4811700	1	Washer M6	
25	4891500	2	Washer 5/16	
26	4812000	1	Washer M10	
27	5241200	2	Washer M12	
28	4921829	1	Harness, Inverter	
30	1001219632	1	Arm, Adjustment	

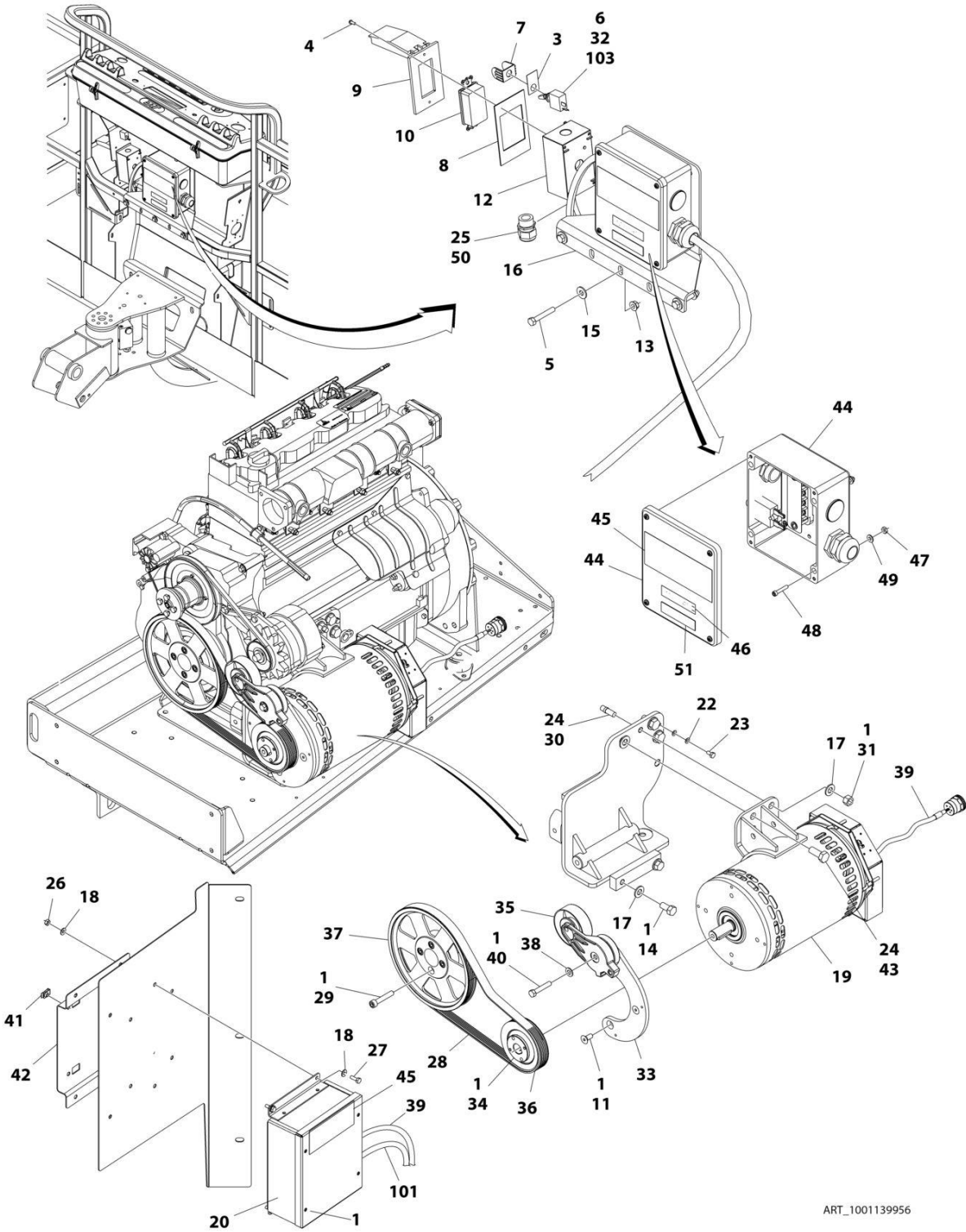
## SECTION 3 - ENGINE

ITEM	PART NUMBER	QTY	DESCRIPTION	REV
31	1001219630	1	Mount, Generator	
32	1001216391	1	V-Belt	



# SECTION 3 - ENGINE

## FIGURE 3-74. 4000W/60HZ GENERATOR INSTALLATION - DEUTZ D2011 ENGINES



ART\_1001139956

## SECTION 3 - ENGINE

**FIGURE 3-74. 4000W/60HZ GENERATOR INSTALLATION - DEUTZ D2011 ENGINES**

ITEM	PART NUMBER	QTY	DESCRIPTION	REV
	1001139956	Ref	4000W/60Hz Generator Installation - Deutz D2011 Engines	B
1	0100011	1	Compound, Locking	
3	3251102	1	Nameplate, Generator	
4	3910606	4	Screw #6 x 3/8	
5	0641516	3	Bolt 5/16 x 2	
6	4360336	1	Switch, Toggle	
7	4060802	1	Guard, Switch	
8	3960422	1	Gasket, AC Receptacle	
9	1001110873	1	Cover, Gang Vertical Receptacle GFCI	
10	4460346	1	Receptacle	
11	0741607	3	Screw 3/8 x 7/8	
12	0860038	1	Box, Switch-Weatherhead	
13	3311508	3	Nut 5/16	
14	0641808	2	Bolt 1/2 x 1	
15	4751500	3	Washer 5/16	
16	0902888	1	Bracket, Junction Box	
17	4711800	3	Washer 1/2	
18	4711400	8	Washer 1/4	
19	1001129858	1	Generator Assembly	
19	70003709	1	Ring, Retaining (External)	
19	70003708	1	Ring, Retaining (Internal)	
19	70001966	1	Bearing	
19	70004092	1	Endbell (Shaft End)	
19	70004171	1	Key	
19	70004676	1	Rotor	
19	70004684	1	Stator	
19	70004678	1	Endbell (Rear)	
19	70004679	1	Cover, Endbell (Rear)	
19	70004680	1	Enclosure, Wiring	
19	70004685	1	Cover, Enclosure	
19	70004682	1	Switch, Reset (Located on Enclosure Cover)	
19	70004098	1	Connector, Strain Relief (Located on Enclosure Cover)	
20	1001138566	1	Box, Control	
20	70006552	1	Capacitor	
20	70006553	1	Relay	
21	4240018	AR	Tie-Strap (Not Shown)	
22	4791400	2	Washer 1/4	
23	0641404	1	Bolt 1/4 x 1/2	
24	0100019	AR	Compound, Locking	
25	4460071	1	Connector, Strain Relief	
26	3311405	4	Nut 1/4	
27	0641406	4	Bolt 1/4 x 3/4	
28	0480129	1	Belt, Generator	
29	4032015	4	Capscrew M10 x 55	
30	4300157	1	Stud	
31	3311801	1	Nut 1/2	
32	2820031	AR	Heat Shrink	
33	1001139357	1	Mount, Tensioner	
34	0962520	1	Bushing, Split	
35	3580317	1	Tensioner, Belt with Pulley	

## SECTION 3 - ENGINE

ITEM	PART NUMBER	QTY	DESCRIPTION	REV
36	3580318	1	Pulley, Generator	
37	3580320	1	Pulley, Engine Deutz	
38	4711600	1	Washer 3/8	
39	1001152532	1	Harness, Generator (See Separate Breakdown in ELECTRICAL Section)	
40	0641616	1	Bolt 3/8 x 2	
41	3300454	4	Nut, U-Style 1/4	
42	3575863	1	Plate	
43	0771415	1	Bolt M14 x 35 Grade 10.9	
44	1001152457	1	Junction Box Assembly	
44	3300396	1	Cover, Breaker	
44	4360070	1	Breaker, Circuit - 15Amp	
44	4460425	1	Connector, Strain Relief (LH Side)	
44	4460426	1	Connector, Strain Relief (RH Side)	
44	1001152530	1	Block, Terminal	
44	1001158363	1	Cover, Terminal Block	
44	1001153260	1	Decal - Wiring Diagram	
45	1705387	3	Decal - Hazardous Voltage	
46	3251243	1	Decal, 120V-60Hz	
47	3311005	4	Nut #10	
48	3931016	4	Capscrew #10 x 1	
49	4751000	4	Washer #10	
50	0100020	AR	Sealant	
51	1705374	1	Decal, 240V-60Hz	
		Ref	ELECTRICAL DIAGRAM COMPONENTS	
101	1001153197	1	Harness, Generator (See Separate Breakdown in ELECTRICAL Section)	
103	4922641	1	Harness, Switch	







## SECTION 3 - ENGINE

**FIGURE 3-75. 4000W/50HZ GENERATOR INSTALLATION - DEUTZ D2011 ENGINES**

ITEM	PART NUMBER	QTY	DESCRIPTION	REV
	1001139957	Ref	4000W/50HZ Generator Installation - Deutz D2011 Engines	D
1	0100011	AR	Compound, Locking	
2	0100019	AR	Compound, Locking	
3	0641404	1	Bolt 1/4 x 1/2	
4	0741607	3	Screw 3/8 x 7/8	
5	0641406	6	Bolt 1/4 x 3/4	
6	4711800	3	Washer 1/2	
8	0641808	2	Bolt 1/2 x 1	
10	3251102	1	Nameplate, Generator	
11	3311405	8	Nut 1/4	
12	1001138565	1	Generator Assembly	
12	70003709	1	Ring, Retaining (External)	
12	70003708	1	Ring, Retaining (Internal)	
12	70001966	1	Bearing	
12	70004092	1	Endbell (Shaft End)	
12	70004171	1	Key	
12	70004676	1	Rotor	
12	70004677	1	Stator	
12	70004678	1	Endbell (Rear)	
12	70004679	1	Cover, Endbell (Rear)	
12	70004680	1	Enclosure, Wiring	
12	70004681	1	Cover, Enclosure	
12	70004682	1	Switch, Reset (Located on Enclosure Cover)	
12	70004683	1	Connector, Strain Relief (Located on Enclosure Cover)	
14	4060802	1	Guard, Switch	
15	1001138566	1	Box, Control	
15	70006552	1	Capacitor	
15	70006553	1	Relay	
16	4240018	AR	Tie-Strap (Not Shown)	
17	4360336	1	Switch, Toggle	
17	4922641	1	Harness, On/Off Switch	
18	4711400	16	Washer 1/4	
20	1001139357	1	Mount, Tensioner	
21	4791400	2	Washer 1/4	
23	0480126	1	Belt, Generator	
24	4032015	4	Capscrew M10 x 55	
25	4300157	1	Stud	
26	3311801	1	Nut 1/2	
27	2820031	AR	Heat Shrink	
28	0962520	1	Bushing, Split	
29	3580317	1	Tensioner, Belt with Pulley	
30	3580319	1	Pulley, Generator	
31	3580320	1	Pulley, Engine Deutz	
32	3575863	1	Plate	
33	4711600	1	Washer 3/8	
34	0641616	1	Bolt 3/8 x 2	
39	1705489	2	Decal - Hazardous Voltage	
41	1001096070	1	Breaker Box Kit (Not Shown) (See Separate Breakdown in ELECTRICAL SECTION)	
42	1001153636	1	Bracket	

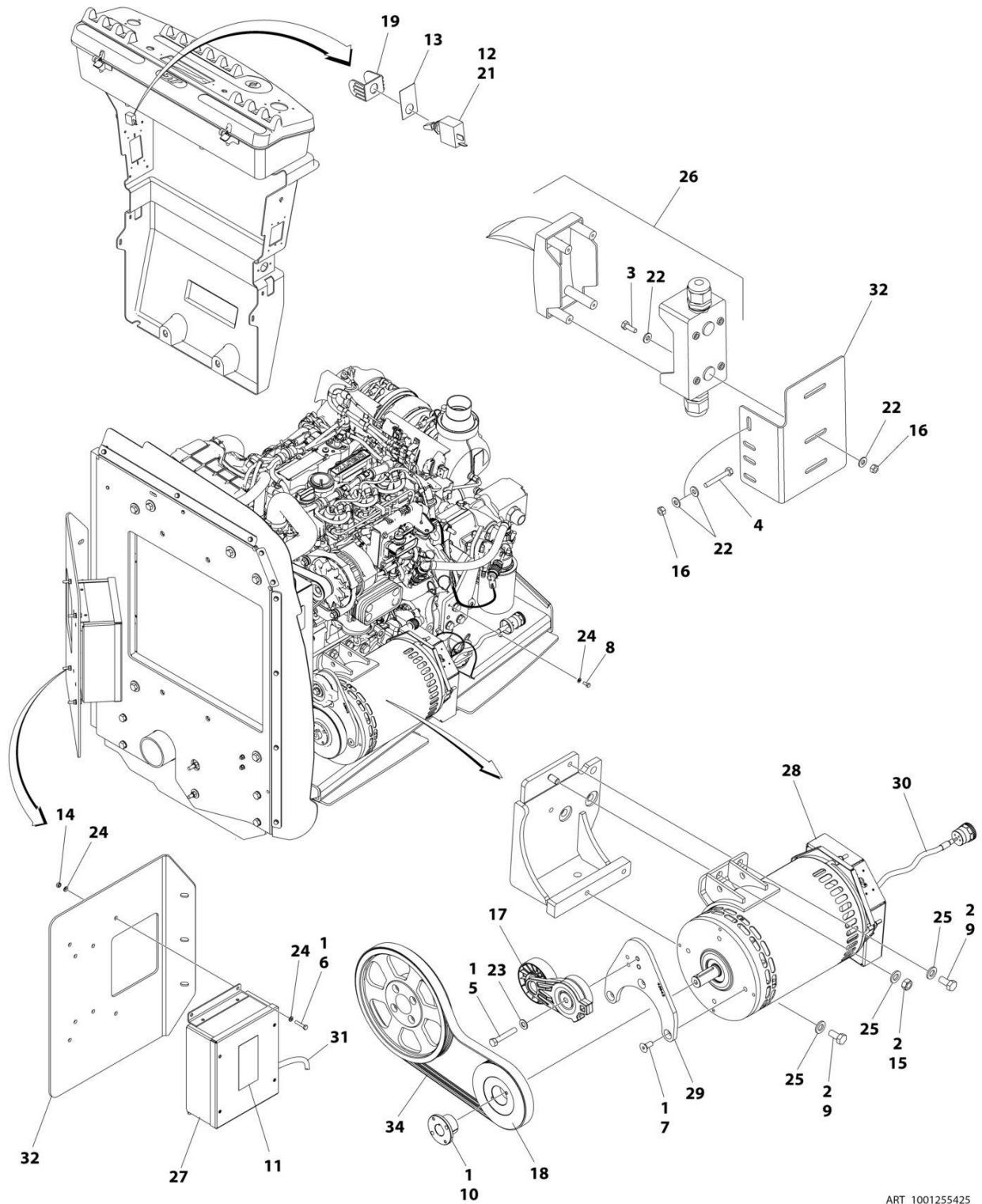
## SECTION 3 - ENGINE

ITEM	PART NUMBER	QTY	DESCRIPTION	REV
43	1001152532	1	Harness, Generator (See Separate Breakdown in ELECTRICAL SECTION)	
44	3300454	4	Nut, U-Style 1/4	
45	0771415	1	Bolt M14 x 35 Grade 10.9	
46	0641415	2	Capscrew 1/4 x 1-7/8	
47	1001153197	1	Harness, Generator (See Separate Breakdown in ELECTRICAL SECTION)	



# SECTION 3 - ENGINE

## FIGURE 3-76. 4000W/50HZ GENERATOR INSTALLATION - DEUTZ TD2.2L3 (STAGE V) ENGINES



ART\_1001255425

## SECTION 3 - ENGINE

**FIGURE 3-76. 4000W/50HZ GENERATOR INSTALLATION - DEUTZ TD2.2L3 (STAGE V) ENGINES**

ITEM	PART NUMBER	QTY	DESCRIPTION	REV
	1001255425	Ref	4000W/50HZ Generator Installation - Deutz TD2.2L3 (Stage V) Engines	B
1	0100011	AR	Compound, Locking	
2	0100019	AR	Compound, Locking	
3	0641406	2	Bolt 1/4 x 3/4	
4	0641415	2	Bolt 1/4 x 1-7/8	
5	0641618	1	Bolt 3/8 x 2-1/4	
6	0700614	4	Bolt M6 x 30	
7	0741607	3	Screw 3/8 x 7/8	
8	0760607	1	Bolt M6 x 14	
9	0761212	3	Bolt M12 x 25	
10	0962520	1	Bushing, Split	
11	1705489	2	Decal - Hazardous Voltage	
12	2820031	AR	Heat Shrink	
13	3252764	1	Nameplate	
14	3290601	4	Nut M6	
15	3291201	1	Nut M12	
16	3311405	4	Nut 1/4	
17	3580317	1	Tensioner, Belt with Pulley	
18	3580319	1	Pulley, Generator	
19	4060802	1	Guard, Switch	
20	4240018	AR	Tie-Strap (Not Shown)	
21	4360336	1	Switch, Toggle	
21	4922641	1	Harness, On/Off Switch	
22	4711400	8	Washer 1/4	
23	4711600	1	Washer 3/8	
24	4811700	9	Washer M6	
25	5241200	4	Washer M12	
26	1001096070	1	Breaker Box Kit (See Separate Breakdown in ELECTRICAL SECTION)	
27	1001138566	1	Box, Control	
27	70006552	1	Capacitor	
27	70006553	1	Relay	
28	1001140347	1	Generator Assembly	
28	70003709	1	Ring, Retaining (External)	
28	70003708	1	Ring, Retaining (Internal)	
28	70001966	1	Bearing	
28	70004092	1	Endbell (Shaft End)	
28	70004099	1	Key	
28	70004676	1	Rotor	
28	70004686	1	Stator	
28	70004678	1	Endbell (Rear)	
28	70004679	1	Cover, Endbell (Rear)	
28	70004680	1	Enclosure, Wiring	
28	70004681	1	Cover, Enclosure	
28	70004682	1	Switch, Reset (Located on Enclosure Cover)	
28	70004683	1	Connector, Strain Relief (Located on Enclosure Cover)	
28	4460224	1	Receptacle, Female - 6 Position (Connects to Generator Harness)	
28	4460294	6	Pin, Male (Use with p/n 4460224)	

## SECTION 3 - ENGINE

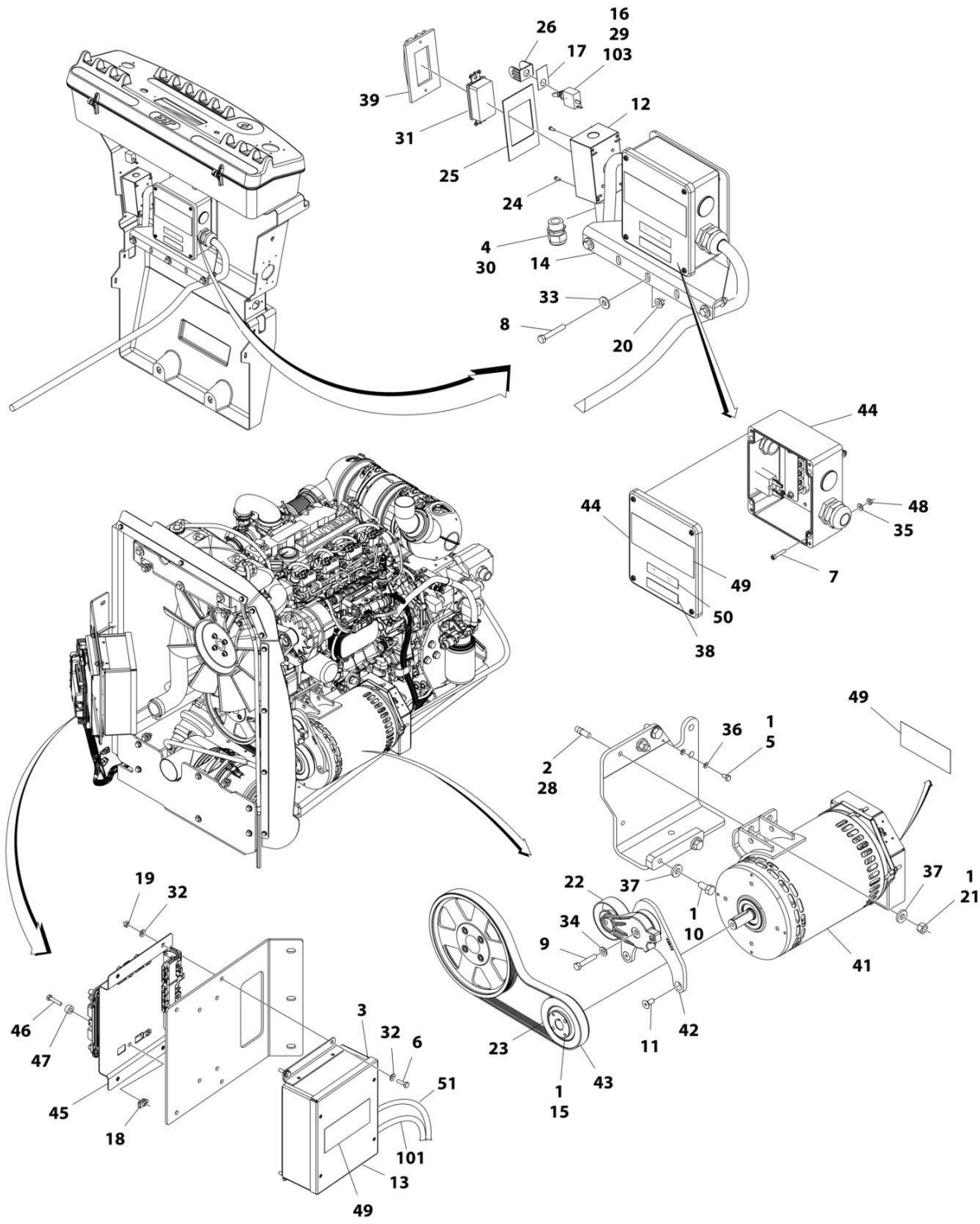
ITEM	PART NUMBER	QTY	DESCRIPTION	REV
28	4460807	6	Seal, Terminal (Use with p/n 4460224)	
28	4460808	1	Seal, Interface (Use with p/n 4460224)	
29	1001142643	1	Support, Gen Tensioner	
30	1001152532	1	Harness, Generator (See Separate Breakdown in ELECTRICAL SECTION)	
31	1001153197	1	Harness, Generator (See Separate Breakdown in ELECTRICAL SECTION)	
32	1001153636	1	Bracket	
33	1001175632	1	Wire	
34	1001214683	1	Belt, Generator	





# SECTION 3 - ENGINE

## FIGURE 3-77. 4000W/60HZ GENERATOR INSTALLATION - DEUTZ TD2.9L4 AND DEUTZ D2.9L4 ENGINES



ART\_1001171126

## SECTION 3 - ENGINE

**FIGURE 3-77. 4000W/60HZ GENERATOR INSTALLATION - DEUTZ TD2.9L4 AND DEUTZ D2.9L4 ENGINES**

ITEM	PART NUMBER	QTY	DESCRIPTION	REV
	1001171126	Ref	4000W/60HZ Generator Installation	B
1	0100011	AR	Compound, Locking	
2	0100019	AR	Compound, Locking	
3	0100048	AR	Grease, Dielectric	
4	0100079	AR	Sealant	
5	0641404	1	Bolt 1/4 x 1/2	
6	0641407	4	Bolt 1/4 x 7/8	
7	3931016	4	Capscrew #10 x 1	
8	0641516	3	Bolt 5/16 x 2	
9	0641616	1	Bolt 3/8 x 2	
10	0641808	2	Bolt 1/2 x 1	
11	0741607	3	Screw, Flathead 3/8 x 7/8	
12	0860038	1	Box, Switch	
13	1001138566	1	Box, Control	
13	70006552	1	Capacitor	
13	70006553	1	Relay	
14	0902888	1	Bracket, Junction Box	
15	0962520	1	Bushing, Split	
16	2820031	0.33 ft /.10m	Heat Shrink	
17	3251102	1	Nameplate, Generator	
18	3300454	4	Nut, U-Style 1/4	
19	3311405	4	Nut 1/4	
20	3311508	3	Nut 5/16	
21	3311801	2	Nut 1/2	
22	3580317	1	Tensioner, Belt with Pulley	
23	3580318	1	Pulley, Generator	
24	3910606	4	Screw #6 x 3/8	
25	3960422	1	Gasket, AC Receptacle	
26	4060802	1	Guard, Switch	
27	4240018	AR	Tie-Strap (Not Shown)	
28	1001163599	2	Stud	
29	4360336	1	Switch, Toggle	
30	4460071	1	Connector, Strain Relief	
31	4460346	1	Receptacle	
32	4711400	8	Washer 1/4	
33	4751500	3	Washer 5/16	
34	4711600	1	Washer 3/8	
35	4751000	4	Washer #10	
36	4791400	2	Washer 1/4	
37	4891800	4	Washer 1/2	
38	1705374	1	Decal, 240V	
39	1001110873	1	Cover, Receptacle	
41	1001140346	1	Generator Assembly	
41	70003709	1	Ring, Retaining (External)	
41	70003708	1	Ring, Retaining (Internal)	
41	70001966	1	Bearing	
41	70004092	1	Endbell (Shaft End)	
41	70004099	1	Key	

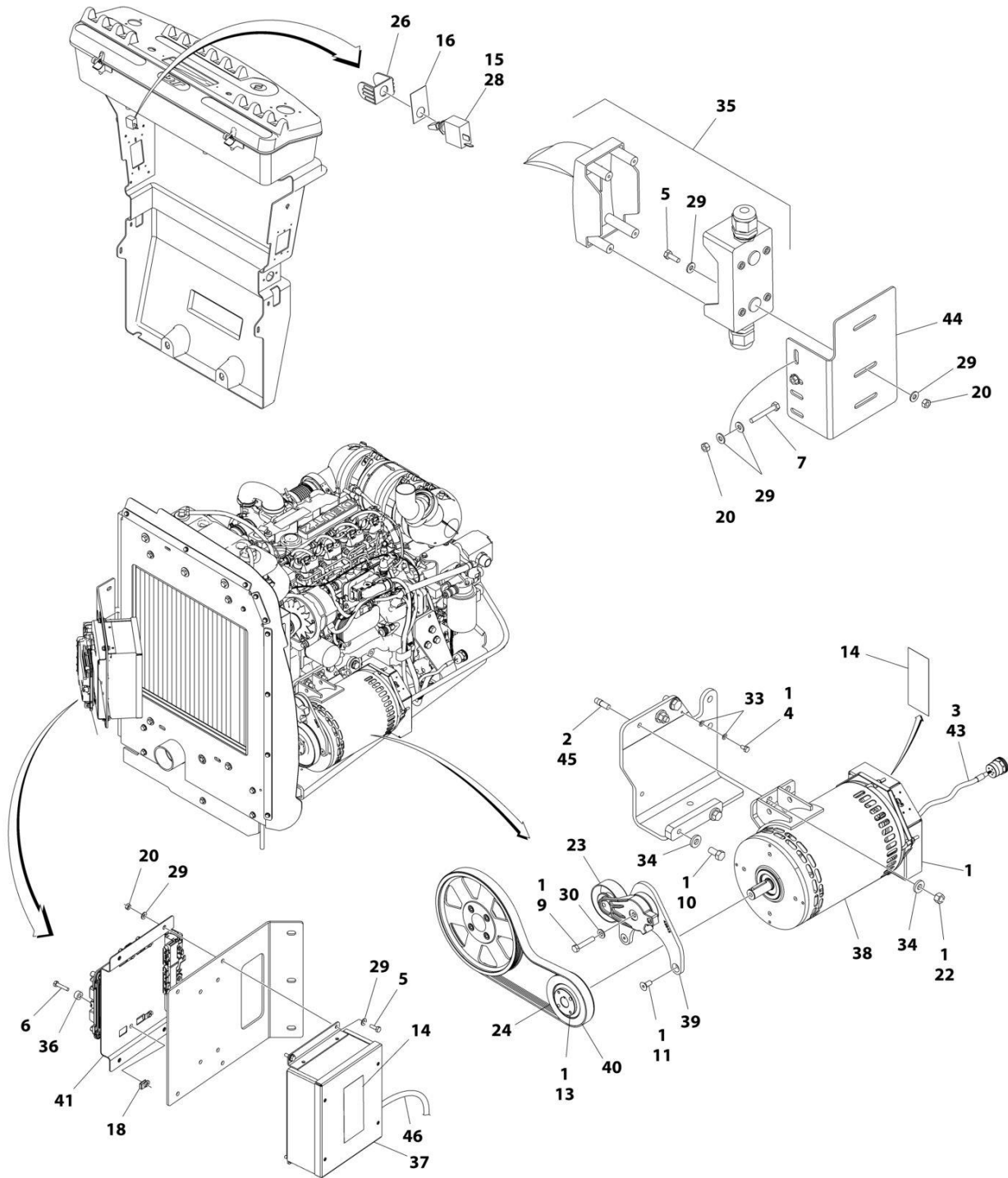
## SECTION 3 - ENGINE

ITEM	PART NUMBER	QTY	DESCRIPTION	REV
41	70004676	1	Rotor	
41	70004687	1	Stator	
41	70004678	1	Endbell (Rear)	
41	70004679	1	Cover, Endbell (Rear)	
41	70004680	1	Enclosure, Wiring	
41	70004685	1	Cover, Enclosure	
41	70004682	1	Switch, Reset (Located on Enclosure Cover)	
41	70004098	1	Connector, Strain Relief (Located on Enclosure Cover)	
41	4460224	1	Receptacle, Female - 6 Position (Connects to Generator Harness)	
41	4460294	6	Pin, Male (Use with p/n 4460224)	
41	4460807	6	Seal, Terminal (Use with p/n 4460224)	
41	4460808	1	Seal, Interface (Use with p/n 4460224)	
42	1001142643	1	Support, Gen Tensioner	
43	1001142646	1	Belt, Generator	
44	1001152457	1	Junction Box Assembly	
44	3300396	1	Cover, Breaker	
44	4360070	1	Breaker, Circuit - 15Amp	
44	4460425	1	Connector, Strain Relief (LH Side)	
44	4460426	1	Connector, Strain Relief (RH Side)	
44	1001152530	1	Block, Terminal	
44	1001158363	1	Cover, Terminal Block	
44	1001153260	1	Decal - Wiring Diagram	
45	1001145330	1	Bracket	
46	0641410	4	Bolt 1/4 x 1-1/4	
47	1001110425	4	Spacer	
48	3311005	4	Nut #10	
49	1705387	3	Decal - Hazardous Voltage	
50	3251243	1	Decal, 120V-60Hz	
51	1001152532	1	Harness, Generator (See Separate Breakdown in ELECTRICAL SECTION)	
		Ref	ELECTRICAL DIAGRAM COMPONENTS	
101	1001153259	1	Harness, Generator	
103	4922641	1	Harness, Switch	



# SECTION 3 - ENGINE

## FIGURE 3-78. 4000W/50HZ GENERATOR INSTALLATION - DEUTZ TD2.9L4 AND DEUTZ D2.9L4 ENGINES



ART\_1001171268

## SECTION 3 - ENGINE

**FIGURE 3-78. 4000W/50HZ GENERATOR INSTALLATION - DEUTZ TD2.9L4 AND DEUTZ D2.9L4 ENGINES**

ITEM	PART NUMBER	QTY	DESCRIPTION	REV
	1001171268	Ref	4000W/50HZ Generator Installation	C
1	0100011	AR	Compound, Locking	
2	0100019	AR	Compound, Locking	
3	0100048	AR	Grease, Dielectric	
4	0641404	1	Bolt 1/4 x 1/2	
5	0641406	6	Bolt 1/4 x 3/4	
6	0641410	4	Bolt 1/4 x 1-1/4	
7	0641415	2	Bolt 1/4 x 1-7/8	
9	0641618	1	Bolt 3/8 x 2-1/4	
10	0641808	2	Bolt 1/2 x 1	
11	0741607	3	Screw, Flathead 3/8 x 7/8	
13	0962520	1	Bushing, Split	
14	1705489	2	Decal - Hazardous Voltage	
15	2820031	0.33 ft /.10m	Heat Shrink	
16	3251102	1	Nameplate, Generator	
18	3300454	4	Nut, U-Style 1/4	
20	3311405	4	Nut 1/4	
22	3311801	2	Nut 1/2	
23	3580317	1	Tensioner, Belt with Pulley	
24	3580319	1	Pulley, Generator	
26	4060802	1	Guard, Switch	
27	4240018	AR	Tie-Strap (Not Shown)	
28	4360336	1	Switch, Toggle	
29	4711400	16	Washer 1/4	
30	4711600	1	Washer 3/8	
33	4791400	2	Washer 1/4	
34	4891800	4	Washer 1/2	
35	1001096070	1	Breaker Box Kit (Not Shown) (See Separate Breakdown in ELECTRICAL SECTION)	
36	1001110425	4	Spacer	
37	1001138566	1	Box, Control	
37	70006552	1	Capacitor	
37	70006553	1	Relay	
38	1001140347	1	Generator Assembly	
38	70003709	1	Ring, Retaining (External)	
38	70003708	1	Ring, Retaining (Internal)	
38	70001966	1	Bearing	
38	70004092	1	Endbell (Shaft End)	
38	70004099	1	Key	
38	70004676	1	Rotor	
38	70004686	1	Stator	
38	70004678	1	Endbell (Rear)	
38	70004679	1	Cover, Endbell (Rear)	
38	70004680	1	Enclosure, Wiring	
38	70004681	1	Cover, Enclosure	
38	70004682	1	Switch, Reset (Located on Enclosure Cover)	
38	70004683	1	Connector, Strain Relief (Located on Enclosure Cover)	

## SECTION 3 - ENGINE

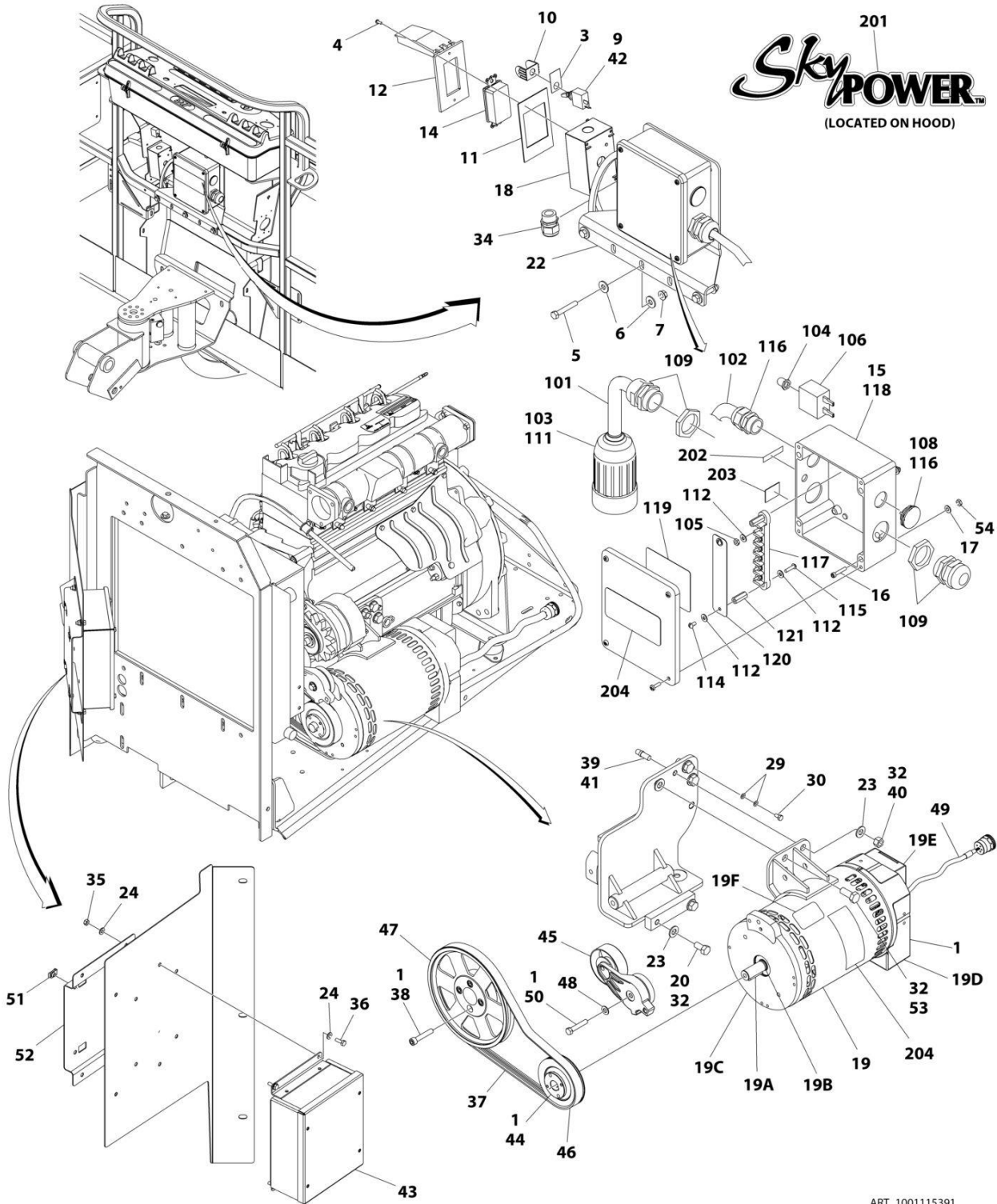
ITEM	PART NUMBER	QTY	DESCRIPTION	REV
38	4460224	1	Receptacle, Female - 6 Position (Connects to Generator Harness)	
38	4460294	6	Pin, Male (Use with p/n 4460224)	
38	4460807	6	Seal, Terminal (Use with p/n 4460224)	
38	4460808	1	Seal, INterface (Use with p/n 4460224)	
39	1001142643	1	Support, Gen Tensioner	
40	1001142645	1	Belt	
41	1001145330	1	Bracket	
43	1001152532	1	Harness, Generator (See Separate Breakdown in ELECTRICAL SECTION)	
44	1001153636	1	Bracket	
45	1001163599	2	Stud	
46	1001153259	1	Harness, Generator	





# SECTION 3 - ENGINE

## FIGURE 3-79. 7500W/60HZ SKYPOWER GENERATOR INSTALLATION - DEUTZ D2011 ENGINES



## SECTION 3 - ENGINE

**FIGURE 3-79. 7500W/60HZ SKYPOWER GENERATOR INSTALLATION - DEUTZ D2011 ENGINES**

ITEM	PART NUMBER	QTY	DESCRIPTION	REV
	1001115391	Ref	7500W/60HZ SKYPOWER GENERATOR INSTALLATION	F
1	0100011	AR	Compound, Locking	
3	3252764	1	Nameplate	
4	3910606	4	Screw #6 x 3/8	
5	0641516	3	Bolt 5/16 x 2	
6	4711500	6	Washer	
7	3311505	3	Nut 5/16	
9	4360336	1	Switch, Toggle	
10	4060802	1	Guard, Switch	
11	3960422	1	Gasket	
12	1001110873	1	Cover, Receptacle	
14	4460346	1	Receptacle	
15	1001157592	Ref	Junction Box Assembly Options (See Items 101-121 for Breakdown)	
16	3931016	4	Capscrew #10 x 1	
17	4751000	4	Washer #10	
18	0860038	1	Box, Switch	
19	2460048	1	Generator Assembly	D
19	70001100	1	Rotor (Includes p/n 70001384 & 70000863) (Not Shown)	
19	70001384	1	Bearing, Ball Radial (Not Shown)	
19	70000863	1	Fan (Not Shown)	
19	70002088	1	Stator (Not Shown)	
19	70002297	1	Stud	
19	70003631	1	Brushholder Assembly (Not Shown)	
19A	70004171	1	Key	
19B	70001966	1	Bearing, Ball Radial (Located in Belt Tensioner Endbell)	
19B	70003708	1	Ring, Internal Retaining (Located in Belt Tensioner Endbell)	
19B	70003709	1	Ring, External Retaining (Located in Belt Tensioner Endbell)	
19C	70001953	1	Endbell, Belt Tensioner	
19D	70004169	1	Endbell, Brush Block	
19E	70002290	1	Shroud	
19E	7027799	1	Block, Connector 6 Position (Not Shown)	
19E	7026626	1	Connector - 6 Position with Seal (Not Shown)	
19E	70002460	1	Nut, Brass (Attaches p/n 7027799 to Cover) (Not Shown)	
19E	7024485	1	Breaker, Circuit 30Amp (Not Shown)	
19E	70001696	1	Boot, Breaker (Not Shown)	
19E	7026597	1	Connector, W/Leads (Not Shown)	
19E	7026188	1	Clamp, Cable (Not Shown)	
19E	70003708	1	Ring, Retaining (Internal) (Not Shown)	
19E	70003709	1	Ring, Retaining (External) (Not Shown)	
19E	70004169	1	Plate, End Panel	
19E	70001974	1	Decal - Terminal Connections	
19F	70001973	1	Decal - Warning Moving Parts	
20	0641808	2	Bolt 1/2 x 1	
22	0902888	1	Bracket, Box Mounting	
23	4711800	3	Washer 1/2	
24	4711400	8	Washer 1/4	
28	4240018	AR	Tie-Strap (Not Shown)	
29	4791400	2	Starwasher 1/4	
30	0641403	1	Bolt 1/4 x 3/8	

## SECTION 3 - ENGINE

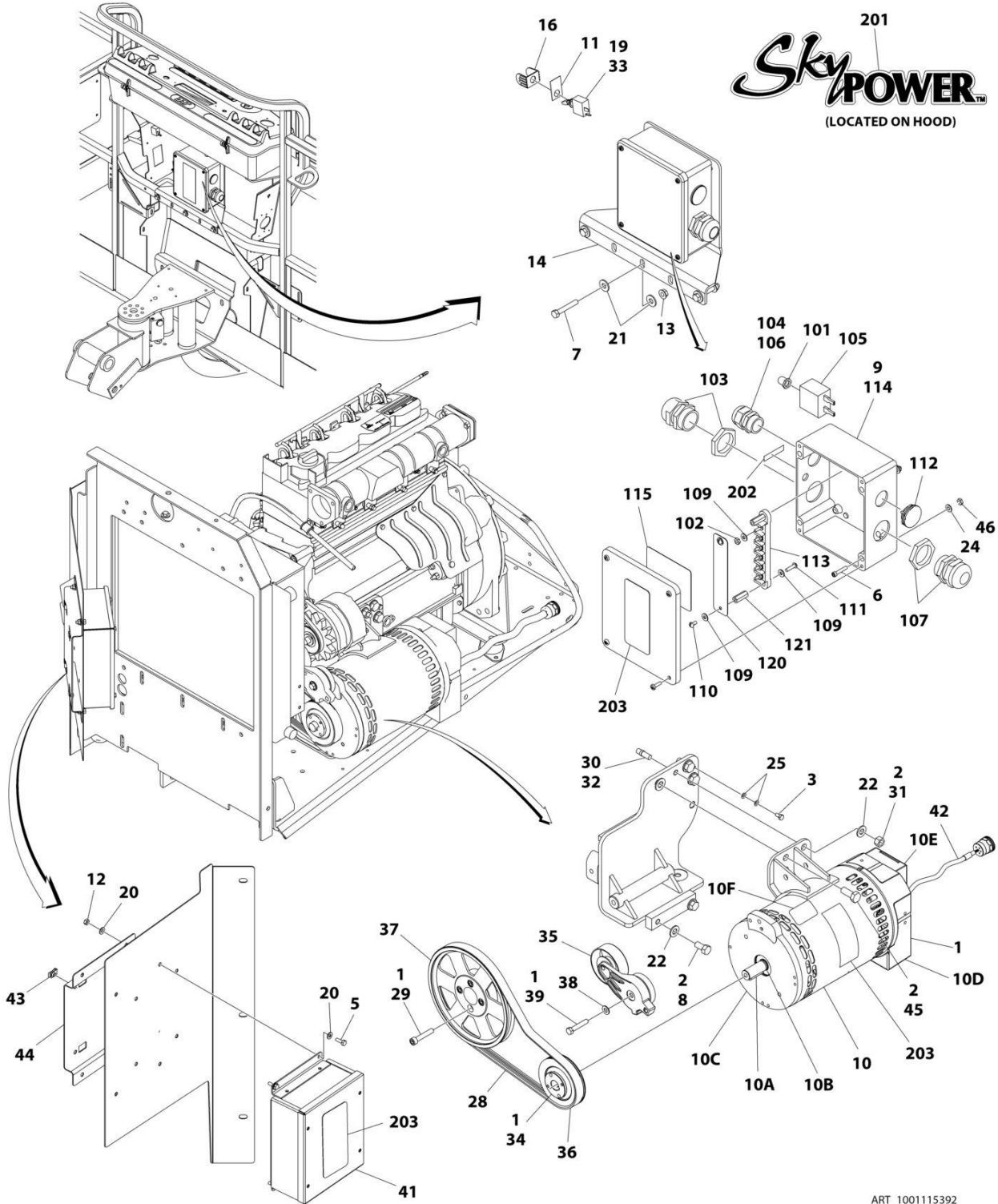
ITEM	PART NUMBER	QTY	DESCRIPTION	REV
32	0100019	AR	Compound, Locking	
34	4460071	1	Connector, Strain Relief	
35	3311405	4	Nut 1/4	
36	0641406	4	Bolt 1/4 x 3/4	
37	0480129	1	Belt, Drive	
38	4032015	4	Capscrew M10 x 55	
39	4300157	1	Stud	
40	3311801	1	Nut 1/2	
41	0100062	AR	Adhesive	
42	2820031	1	Insulator	
43	0861538	1	Control Box Assembly	
43	7024488	1	Card, Circuit - Generator Power	
43	See Note	1	Fuse (Note: Not Available - Purchase Locally)	
43	7024489	1	Card, Circuit - Control	
		Ref	Note: Same Circuit Card (p/n 7024489) is used for both 60Hz and 50Hz. When replacing card, rocker switch on card must be set for required application	
43	70000619	1	Harness, Circuit Card	
44	0962520	1	Bushing, Split Taper	
45	3580317	1	Tensioner, Belt	
46	3580318	1	Pulley	
47	3580320	1	Pulley	
48	4711600	1	Washer 3/8	
49	4922925	1	Harness, Generator (See Separate Breakdown in ELECTRICAL SECTION)	
50	0641618	1	Bolt 3/8 x 2-1/4	
51	3300454	4	Nut Special 1/4	
52	3575863	1	Plate, EMR2 Mount	
53	0771415	1	Bolt M14 x 35	
54	3311005	4	Nut #10	
	1001157592	Ref	JUNCTION BOX ASSEMBLY	D
101	1060343	AR	Cable, Electrical 10/4	
102	1001179154	2 ft/.6m	Cable, Electrical 12/3	
103	1671092	1	Cover	
104	3300396	1	Cover, Fuse	
105	3311001	6	Nut #10	
106	4360070	1	Circuit Breaker - 15 Amp	
108	4460425	1	Strain Relief, Terminal	
109	4460426	2	Connector, Strain Relief	
111	4460963	1	Connector	
112	4711000	10	Washer #10	
114	10702077	2	Screw #10 x 3/8	
115	10702082	2	Screw #10 x 3/4	
116	1001152525	1	Plug, Hole	
117	1001157520	1	Block, Terminal - 6 Pole	
118	1001157521	1	Box, Junction	
119	1001157528	1	Decal - Wiring Schematic	
120	1001158007	1	Cover, PVC	
121	1001158008	2	Stand-Off	
	0272435	Ref	DECAL INSTALLATION	D
201	1705460	2	Decal - SkyPower	
202	3251243	1	Decal - 120V - 60Hz (Located on Opposite Side)	

## SECTION 3 - ENGINE

ITEM	PART NUMBER	QTY	DESCRIPTION	REV
203	1705375	1	Decal - 240V - 3 Phase	B
204	1705387	3	Decal, Hazardous Voltage	
	1001157769	Ref	ELECTRICAL DIAGRAM COMPONENTS	
301	1001152429	1	Generator Harness (Not Shown - See Separate Breakdown in ELECTRICAL SECTION)	
304	4922641	1	Switch Harness (Not Shown)	

# SECTION 3 - ENGINE

## FIGURE 3-80. 7500W/50HZ SKYPOWER GENERATOR INSTALLATION - DEUTZ D2011 ENGINES



ART\_1001115392

## SECTION 3 - ENGINE

**FIGURE 3-80. 7500W/50HZ SKYPOWER GENERATOR INSTALLATION - DEUTZ D2011 ENGINES**

ITEM	PART NUMBER	QTY	DESCRIPTION	REV
	1001115392	Ref	7500W/50HZ SKYPOWER GENERATOR INSTALLATION	E
1	0100011	AR	Compound, Locking	
2	0100019	AR	Compound, Locking	
3	0641403	1	Bolt 1/4 x 3/8	
5	0641406	4	Bolt 1/4 x 3/4	
6	3931016	4	Capscrew #10 x 1	
7	0641516	3	Bolt 5/16 x 2	
8	0641808	2	Bolt 1/2 x 1	
9	1001157525	Ref	Junction Box Assembly Options (See Items 101-121 for Breakdown)	
10	2460048	1	Generator Assembly	D
10	70001100	1	Rotor (Includes p/n 70001384 & 70000863) (Not Shown)	
10	70001384	1	Bearing, Ball Radial (Not Shown)	
10	70000863	1	Fan (Not Shown)	
10	70002088	1	Stator (Not Shown)	
10	70002297	1	Stud	
10	70003631	1	Brushholder Assembly (Not Shown)	
10A	70004171	1	Key	
10B	70001966	1	Bearing, Ball Radial (Located in Belt Tensioner Endbell)	
10B	70003708	1	Ring, Internal Retaining (Located in Belt Tensioner Endbell)	
10B	70003709	1	Ring, External Retaining (Located in Belt Tensioner Endbell)	
10C	70001953	1	Endbell, Belt Tensioner	
10D	70004169	1	Endbell, Brush Block	
10E	70002290	1	Shroud	
10E	7027799	1	Block, Connector 6 Position (Not Shown)	
10E	7026626	1	Connector - 6 Position with Seal (Not Shown)	
10E	70002460	1	Nut, Brass (Attaches p/n 7027799 to Cover) (Not Shown)	
10E	7024485	1	Breaker, Circuit 30Amp (Not Shown)	
10E	70001696	1	Boot, Breaker (Not Shown)	
10E	7026597	1	Connector, W/Leads (Not Shown)	
10E	7026188	1	Clamp, Cable (Not Shown)	
10E	70003708	1	Ring, Retaining (Internal) (Not Shown)	
10E	70003709	1	Ring, Retaining (External) (Not Shown)	
10E	70004169	1	Plate, End Panel	
10E	70001974	1	Decal - Terminal Connections	
10F	70001973	1	Decal - Warning Moving Parts	
11	3252764	1	Nameplate	
12	3311405	4	Nut 1/4	
13	3311505	3	Nut 5/16	
14	0902888	1	Bracket, Box Mounting	
16	4060802	1	Guard, Switch	
18	4240018	AR	Tie-Strap (Not Shown)	
19	4360336	1	Switch, Toggle	
20	4711400	8	Washer 1/4	
21	4711500	6	Washer	
22	4711800	3	Washer 1/2	
24	4751000	4	Washer #10	
25	4791400	2	Starwasher 1/4	
28	0480126	1	Belt, Drive	
29	4032015	4	Capscrew M10 x 55	

## SECTION 3 - ENGINE

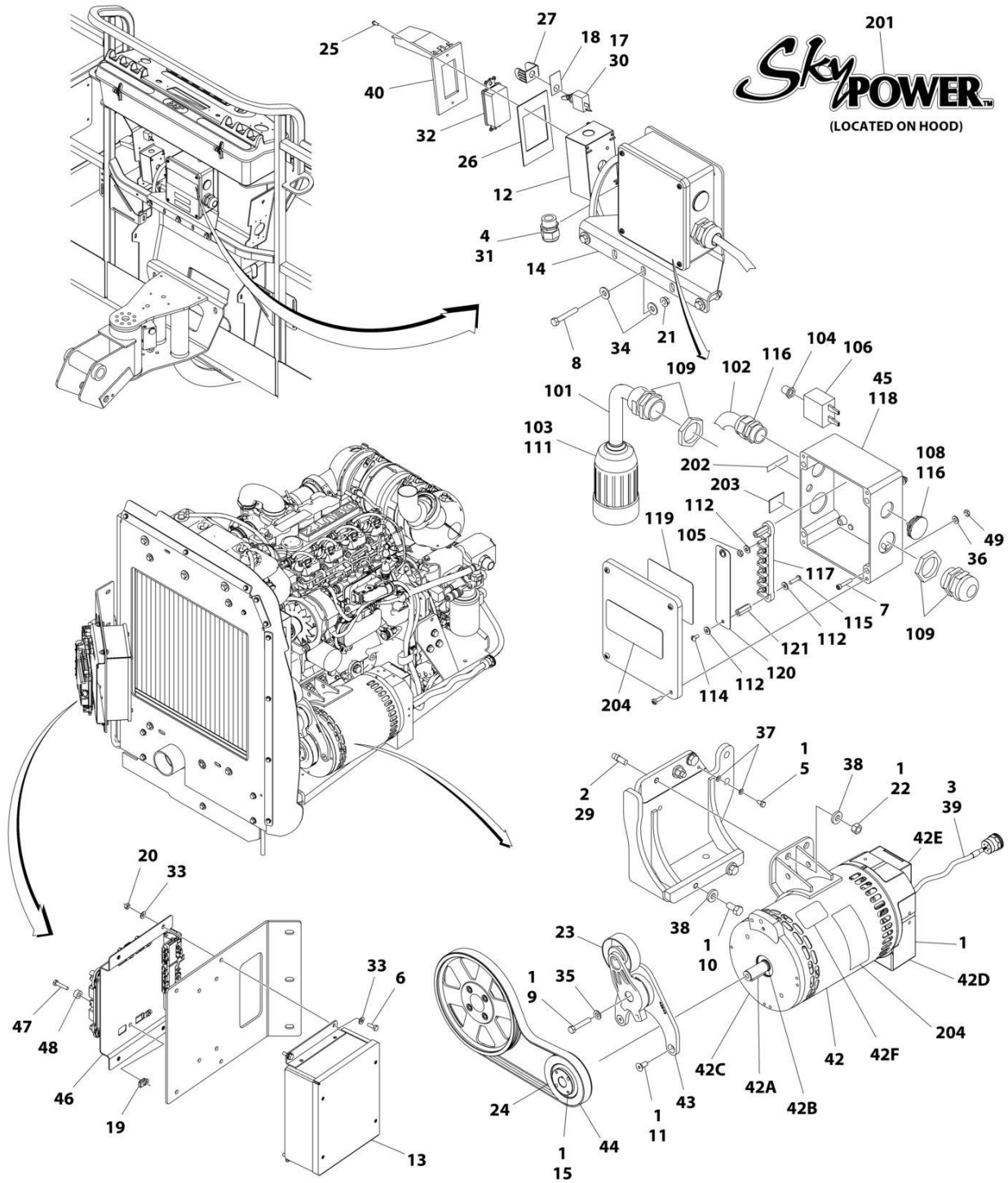
ITEM	PART NUMBER	QTY	DESCRIPTION	REV
30	4300157	1	Stud	
31	3311801	1	Nut 1/2	
32	0100062	AR	Adhesive	
33	2820031	1	Insulator	
34	0962520	1	Bushing, Split Taper	
35	3580317	1	Tensioner, Belt	
36	3580319	1	Pulley	
37	3580320	1	Pulley	
38	4711600	1	Washer 3/8	
39	0641618	1	Bolt 3/8 x 2-1/4	
41	0861572	1	Control Box Assembly	
41	7024488	1	Card, Circuit - Generator Power	
41	See Note	1	Fuse (Note: Not Available - Purchase Locally)	
41	7024489	1	Card, Circuit - Control	
		Ref	"Note: Same Circuit Card (p/n 7024489) is used for both 60Hz and 50Hz. When replacing card, rocker switch on card must be set for required application."	
41	7000619	1	Harness, Circuit Card	
42	4922925	1	Harness, Generator (See Separate Breakdown in ELECTRICAL SECTION)	
43	3300454	4	Nut Special 1/4	
44	3575863	1	Plate, EMR2 Mount	
45	0771415	1	Bolt M14 x 35	
46	3311005	4	Nut #10	
	1001157525	Ref	JUNCTION BOX ASSEMBLY	B
101	3300396	1	Cover, Fuse	
102	3311001	6	Nut #10	
103	3520189	1	Plug	
104	3520192	1	Plug	
105	4360070	1	Circuit Breaker - 15 Amp	
106	4460425	1	Strain Relief, Terminal	
107	4460426	2	Connector, Strain Relief	
109	4711000	10	Washer #10	
110	10702077	2	Screw #10 x 3/8	
111	10702082	2	Screw #10 x 3/4	
112	1001152525	1	Plug, Hole	
113	1001157520	1	Block, Terminal - 6 Pole	
114	1001157521	1	Box, Junction	
115	1001157528	1	Decal - Wiring Schematic	
120	1001158007	1	Cover, PVC	
121	1001158008	2	Stand-Off	
	0272589	Ref	DECAL INSTALLATION	A
201	1705460	2	Decal - SkyPower	
202	1705461	1	Decal - 240V - 3 Phase	
203	1705489	Ref	Decal, Hazardous Voltage	
	1001157769	Ref	ELECTRICAL DIAGRAM COMPONENTS	B
301	1001152429	1	Generator Harness (Not Shown - See Separate Breakdown in ELECTRICAL SECTION)	
304	4922641	1	Switch Harness (Not Shown)	





# SECTION 3 - ENGINE

## FIGURE 3-81. 7500W/60HZ SKYPOWER GENERATOR INSTALLATION - DEUTZ TD2.9L4 AND DEUTZ D2.9L4 ENGINES



ART\_1001145227

## SECTION 3 - ENGINE

**FIGURE 3-81. 7500W/60HZ SKYPOWER GENERATOR INSTALLATION - DEUTZ TD2.9L4 AND DEUTZ D2.9L4 ENGINES**

ITEM	PART NUMBER	QTY	DESCRIPTION	REV
	1001145227	Ref	7500W/60HZ SKYPOWER GENERATOR INSTALLATION	G
1	0100011	AR	Compound, Locking	
2	0100019	AR	Compound, Locking	
3	0100048	AR	Grease, Dielectric	
4	0100079	AR	Sealant	
5	0641404	1	Bolt 1/4 x 1/2	
6	0641407	4	Bolt 1/4 x 7/8	
7	3931016	4	Capscrew #10 x 1	
8	0641516	3	Bolt 5/16 x 2	
9	0641616	1	Bolt 3/8 x 2	
10	0641808	2	Bolt 1/2 x 1	
11	0741607	3	Screw, Flathead 3/8 x 7/8	
12	0860038	1	Box, Switch	
13	0861538	1	Control Box Assembly	
13	7024488	1	Card, Circuit - Generator Power	
13	See Note	1	Fuse (Note: Not Available - Purchase Locally)	
13	7024489	1	Card, Circuit - Control	
		Ref	Note: Same Circuit Card (p/n 7024489) is used for both 60Hz and 50Hz. When replacing card, rocker switch on card must be set for required application.	
13	70000619	1	Harness, Circuit Card	
14	0902888	1	Bracket, Box Mounting	
15	0962520	1	Bushing, Split Taper	
17	2820031	1	Insulator	
18	3252764	1	Nameplate	
19	3300454	4	Nut Special 1/4	
20	3311405	4	Nut 1/4	
21	3311505	3	Nut 5/16	
22	3311801	2	Nut 1/2	
23	3580317	1	Tensioner, Belt	
24	3580318	1	Pulley	
25	3910606	4	Screw #6 x 3/8	
26	3960422	1	Gasket	
27	4060802	1	Guard, Switch	
28	4240018	AR	Tie-Strap (Not Shown)	
29	1001163599	2	Stud	
30	4360336	1	Switch, Toggle	
31	4460071	1	Connector, Strain Relief	
32	4460346	1	Receptacle	
33	4711400	8	Washer 1/4	
34	4711500	6	Washer	
35	4711600	1	Washer 3/8	
36	4751000	4	Washer #10	
37	4791400	2	Starwasher 1/4	
38	4891800	4	Washer 1/2	
39	4922925	1	Harness, Generator (See Separate Breakdown in ELECTRICAL SECTION)	
40	1001110873	1	Cover, Receptacle	
42	1001212223	1	Generator Assembly	

## SECTION 3 - ENGINE

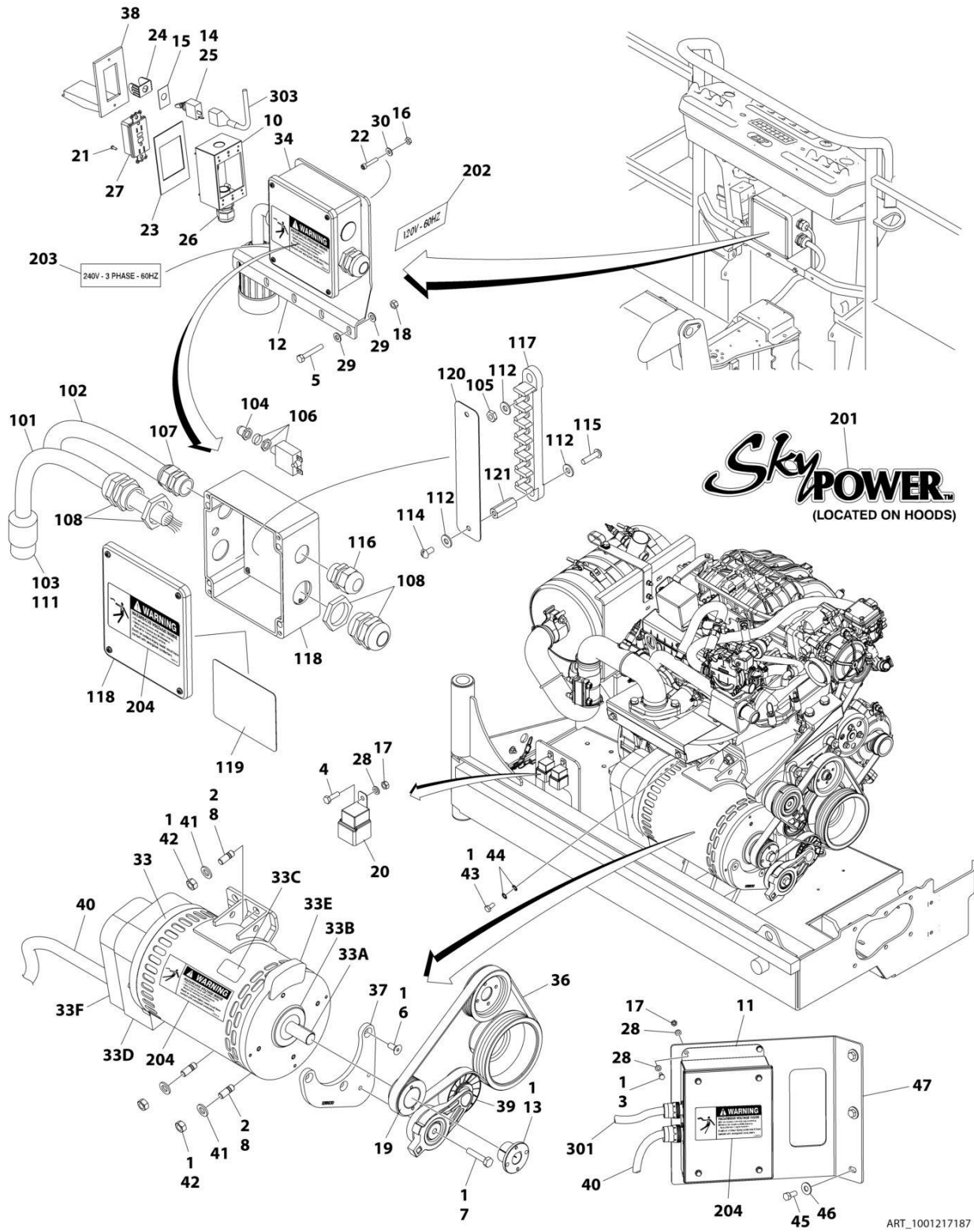
ITEM	PART NUMBER	QTY	DESCRIPTION	REV
42	70001100	1	Rotor (Includes p/n 70001384 & 70000863) (Not Shown)	
42	70001384	1	Bearing, Ball Radial (Not Shown)	
42	70000863	1	Fan (Not Shown)	
42	70006093	1	Stator (Not Shown)	
42	70002297	1	Stud	
42	70003631	1	Brushholder Assembly (Not Shown)	
42A	70004099	1	Key	
42B	70001966	1	Bearing, Ball Radial (Located in Belt Tensioner Endbell)	
42B	70003708	1	Ring, Internal Retaining (Located in Belt Tensioner Endbell)	
42B	70003709	1	Ring, External Retaining (Located in Belt Tensioner Endbell)	
42C	70004092	1	Endbell, Belt Tensioner	
42D	70004094	1	Endbell, Brush Block	
42E	70006094	1	Shroud	
42E	70002291	1	Insulator, Endbell	
42E	7027799	1	Block, Connector - 6 Position (Not Shown)	
42E	70002460	1	Nut, Brass (Attaches p/n 7027799 to Cover) (Not Shown)	
42E	70006095	1	Breaker, Circuit 30Amp (Not Shown)	
42E	70006096	1	Boot, Breaker (Not Shown)	
42E	7026626	1	Connector, 6 Position (Includes Seal) (Not Shown - Plugs into Item 45)	
42E	7026597	1	Connector with Leads (Not Shown)	
42E	70004098	1	Clamp, Cable (Not Shown)	
42E	70006097	1	Plate, End Panel	
42E	70001974	1	Decal - Terminal Connections	
42F	70001973	1	Decal - Warning Moving Parts	
43	1001142643	1	Support, Gen Tensioner	
44	1001142646	1	Belt, Generator	
45	1001157592	Ref	Junction Box Assembly Options (See Items 101-121 for Breakdown)	
46	1001145330	1	Bracket	
47	0641410	4	Bolt 1/4 x 1-1/4	
48	1001110425	4	Spacer	
49	3311005	4	Nut #10	
	1001157592	Ref	JUNCTION BOX ASSEMBLY	D
101	1060343	AR	Cable, Electrical 10/4	
102	1001179154	2 ft /0.6m	Cable, Electrical 12/3	
103	1671092	1	Cover	
104	3300396	1	Cover, Fuse	
105	3311001	6	Nut #10	
106	4360070	1	Circuit Breaker - 15 Amp	
108	4460425	1	Strain Relief, Terminal	
109	4460426	2	Connector, Strain Relief	
111	4460963	1	Connector	
112	4711000	10	Washer #10	
114	10702077	2	Screw #10 x 3/8	
115	10702082	2	Screw #10 x 3/4	
116	1001152525	1	Plug, Hole	
117	1001157520	1	Block, Terminal - 6 Pole	
118	1001157521	1	Box, Junction	
119	1001157528	1	Decal - Wiring Schematic	
120	1001158007	1	Cover, PVC	
121	1001158008	2	Stand-Off	

## SECTION 3 - ENGINE

ITEM	PART NUMBER	QTY	DESCRIPTION	REV
	0272435	Ref	DECAL INSTALLATION	D
201	1705460	2	Decal - SkyPower	
202	3251243	1	Decal - 120V - 60Hz (Located on Opposite Side)	
203	1705375	1	Decal - 240V - 3 Phase	
204	1705387	3	Decal, Hazardous Voltage	
	1001157770	Ref	ELECTRICAL DIAGRAM COMPONENTS	A
301	1001119968	1	Generator Harness (Not Shown - See Separate Breakdown in ELECTRICAL SECTION)	
303	4922641	1	Switch Harness (Not Shown)	

# SECTION 3 - ENGINE

FIGURE 3-82. 7500W/60HZ SKYPOWER GENERATOR INSTALLATION - FORD ENGINES



## SECTION 3 - ENGINE

**FIGURE 3-82. 7500W/60HZ SKYPOWER GENERATOR INSTALLATION - FORD ENGINES**

ITEM	PART NUMBER	QTY	DESCRIPTION	REV
	1001217187	Ref	7500W/60HZ SKYPOWER GENERATOR INSTALLATION	F
1	0100011	AR	Compound, Locking	
2	0100019	AR	Compound, Locking	
3	0760608	4	Bolt M6 x 16	
4	0760610	2	Bolt M6 x 20	
5	0641516	3	Bolt 5/16 x 2	
6	0741607	3	Screw 3/8 x 7/8	
7	0761018	1	Bolt M10 x 50	
8	1001196382	4	Stud	
10	0860038	1	Box, Switch	
11	0861538	1	Control Box Assembly	
11	7024488	1	Card, Circuit - Generator Power	
11	See Note	1	Fuse (Note: Not Available - Purchase Locally)	
11	7024489	1	Card, Circuit - Control	
11	70000619	1	Harness, Circuit Card	
12	0902888	1	Bracket, Box Mounting	
13	0962520	1	Bushing, Spilt Taper	
14	2820031	1	Heat Shrink	
15	3252764	1	Nameplate - AC & Weld	
16	3311005	4	Nut #10	
17	3290601	6	Nut M6	
18	3311505	3	Nut 5/16	
19	3580314	1	Pulley	
20	3740080	2	Relay	
21	3910606	2	Screw #6 x 3/8	
22	3931016	4	Capscrew #10 x 1	
23	3960422	1	Gasket	
24	4060802	1	Guard, Switch	
25	4360336	1	Switch, Toggle	
26	4460071	1	Connector, Strain Relief	
27	4460346	1	Receptacle	
28	4811700	10	Washer #10	
29	4711500	6	Washer 5/16	
30	4751000	4	Washer #10	
33	1001136104	1	Generator Assembly	
33	70003631	1	Brushholder Assembly (Not Shown)	
33	7024485	1	Breaker, Circuit 30Amp (Not Shown)	
33	70001696	1	Boot, Breaker (Not Shown)	
33	70001966	1	Bearing, Ball Radial (Located in Belt Tensioner Endbell - Not Shown)	
33	7027799	1	Block, Connector 6 Position (Not Shown)	
33	70002460	6	Nut, Brass (Attaches p/n 7027799 to Cover) (Not Shown)	
33	7026188	1	Clamp, Cable (Not Shown)	
33	7026597	1	Connector, W/Leads (Not Shown)	
33	7026626	1	Connector - 6 Position with Seal (Not Shown)	
33	70002088	1	Stator (Not Shown)	
33	70004169	1	Panel, End (Not Shown)	
33	70001974	1	Decal - Terminal Connections (Not Shown)	
33	70000863	1	Fan (Not Shown)	
33	70002297	4	Stud (Not Shown)	

## SECTION 3 - ENGINE

ITEM	PART NUMBER	QTY	DESCRIPTION	REV
33A	70004171	1	Key	
33A	70001100	1	Armature, Generator (Includes Radial Ball Bearing on End with Brushes and Fan)	
33A	70001384	1	Bearing, Ball Radial	
33B	70001966	1	Bearing, Radial Ball	
33B	70003708	1	Ring, Internal Retaining (Located in Belt Tensioner Endbell)	
33B	70003709	1	Ring, External Retaining (Located in Belt Tensioner Endbell)	
33C	70001973	1	Decal - Warning Moving Parts	
33D	70004169	1	Endbell, Brush Block	
33E	70001953	1	Endbell, Belt Tensioner	
33F	70004169	1	Endbell, Shroud Assembly	
34	1001157592	1	Junction Box Assembly (See Items 101-121 for Breakdown)	
36	1001216390	1	V-Belt	
37	1001218930	1	Mount, Tensioner	
38	1001110873	1	Cover, Receptacle	
39	3580317	1	Tensioner, Belt	
40	4922925	1	Harness, Generator (See Separate Breakdown in ELECTRICAL SECTION)	
41	5241200	4	Washer M12	
42	3291201	4	Nut M12	
43	0760606	1	Bolt M6 x 12	
44	4871700	2	Washer M6	
45	0641607	3	Bolt 3/8 x 7/8	
46	4751600	3	Washer 3/8	
47	1001137866	1	Bracket	
	1001157592	Ref	JUNCTION BOX ASSEMBLY	C
101	1060343	1.5 ft /0.5m	Cable, Electrical - 10/4	
102	1001179154	2.5 ft /0.8m	Cable Electrical - 12/3	
103	1671092	1	Cover, Connector	
104	3300396	1	Cover, Fuse	
105	3311001	6	Nut #10	
106	4360070	1	Breaker, Circuit 15Amp	
107	4460425	1	Connector, Strain Relief	
108	4460426	2	Connector, Strain Relief	
111	4460963	1	Receptacle	
112	4711000	10	Washer #10	
114	10702077	2	Screw #10 x 3/8	
115	10702082	2	Screw #10 x 3/4	
116	1001152525	1	Plug, Hole	
117	1001157520	1	Block, Terminal Pole	
118	1001157521	1	Box, Junction	
119	1001157528	1	Decal - Box Junction	
120	1001158007	1	Cover	
121	1001158008	2	Standoff	
	0272435	Ref	DECAL INSTALLATION	D
201	1705460	2	Decal - SkyPower	
202	3251243	1	Decal - 120V - 60Hz (Located on Opposite Side)	
203	1705375	1	Decal - 240V - 3 Phase	
204	1705387	3	Decal, Hazardous Voltage	
	1001221498	Ref	ELECTRICAL DIAGRAM COMPONENTS	B



## SECTION 3 - ENGINE

ITEM	PART NUMBER	QTY	DESCRIPTION	REV
301	1001257972	1	Generator Harness (See Separate Breakdown in ELECTRICAL SECTION)	A
303	4922641	1	Switch Harness	



**SECTION 4 - BOOM**



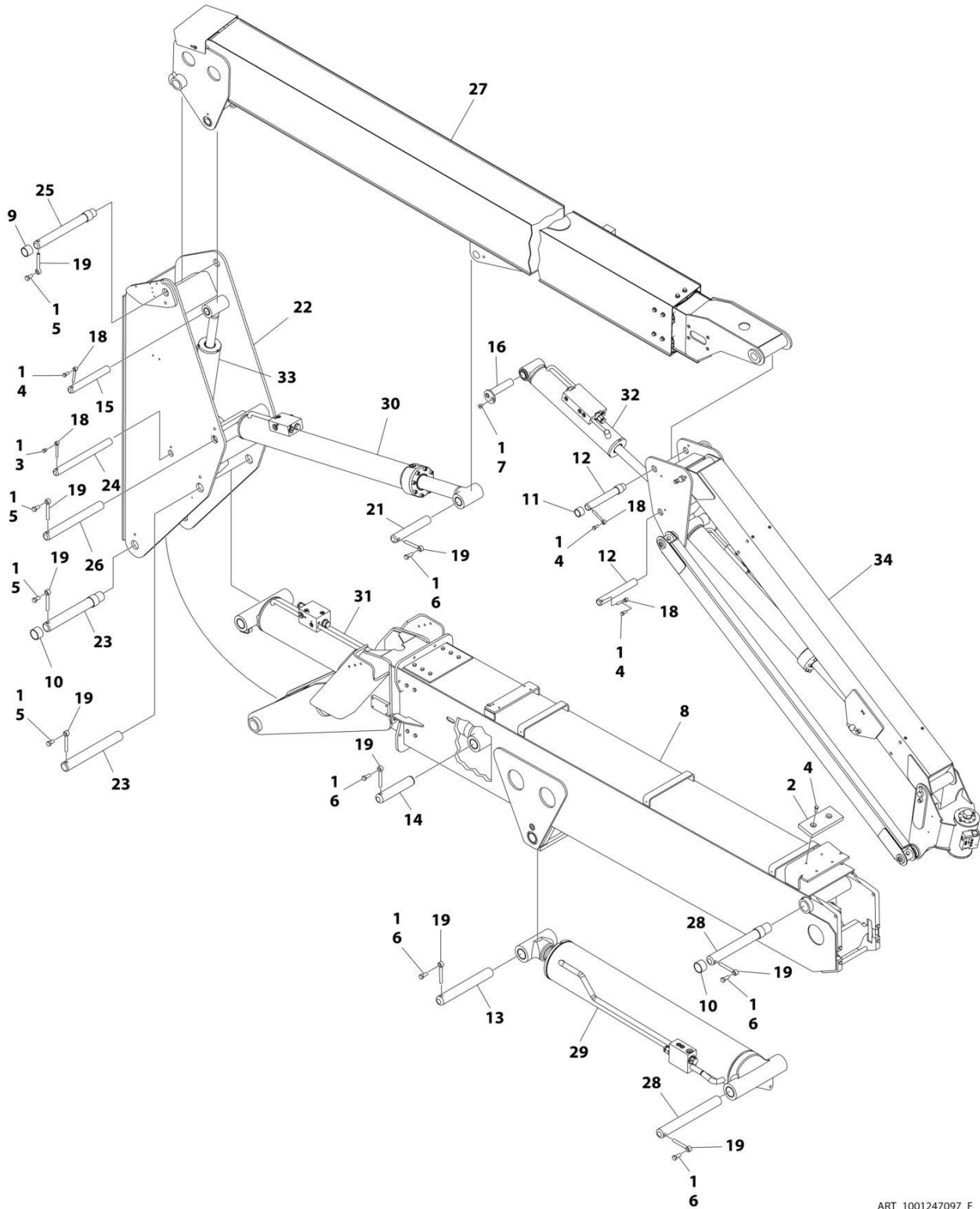
## SECTION 4 - BOOM

**FIGURE 4-1. JIB BOOM ASSEMBLY (SN 0300292423 to Present, SN 0300286728 through 0300286731, Including B300015405 and 0300291013)**

ITEM	PART NUMBER	QTY	DESCRIPTION	REV
	1001247146	Ref	JIB BOOM ASSEMBLY	D
1	0100011	AR	Compound, Locking	
2	0641606	2	Bolt 3/8 x 3/4	
3	0641608	2	Bolt 3/8 x 1	
4	0641610	1	Bolt 3/8 x 1-1/4	
5	0641618	4	Bolt 3/8 x 2-1/4	
6	0961947	6	Bushing	
7	1001176636	4	Rivnut	
7	1001260680	4	Rivnut	
8	3311605	5	Nut 3/8	
9	3422860	2	Pin	
10	3422867	1	Pin	
11	3841143	3	Keeper, Pin	
12	3841340	1	Loop, Hose	
13	4740439	2	Washer, Thrust	
14	4844816	1	Tube - Top	
14A	0962335	4	Bushing	
15	1001169384	1	Pivot Weldment	
16	4844817	2	Tube - Bottom	
17	3422861	2	Pin	
18	1001217780	1	Rotator Assembly (See Separate Breakdown in this Section)	
19	1001223899	8	Fastener	
20	1001251012	1	Jib Lift Cylinder Assembly (See Separate Breakdown in CYLINDER Section)	

# SECTION 4 - BOOM

**FIGURE 4-2. BOOMS AND CYLINDERS INSTALLATION - WITHOUT ARCTIC PACKAGE (Prior to SN 0300292423, Prior to SN B300015405, Except SN 0300286728 through 0300286731, Excluding 0300291013)**



ART\_1001247097\_F

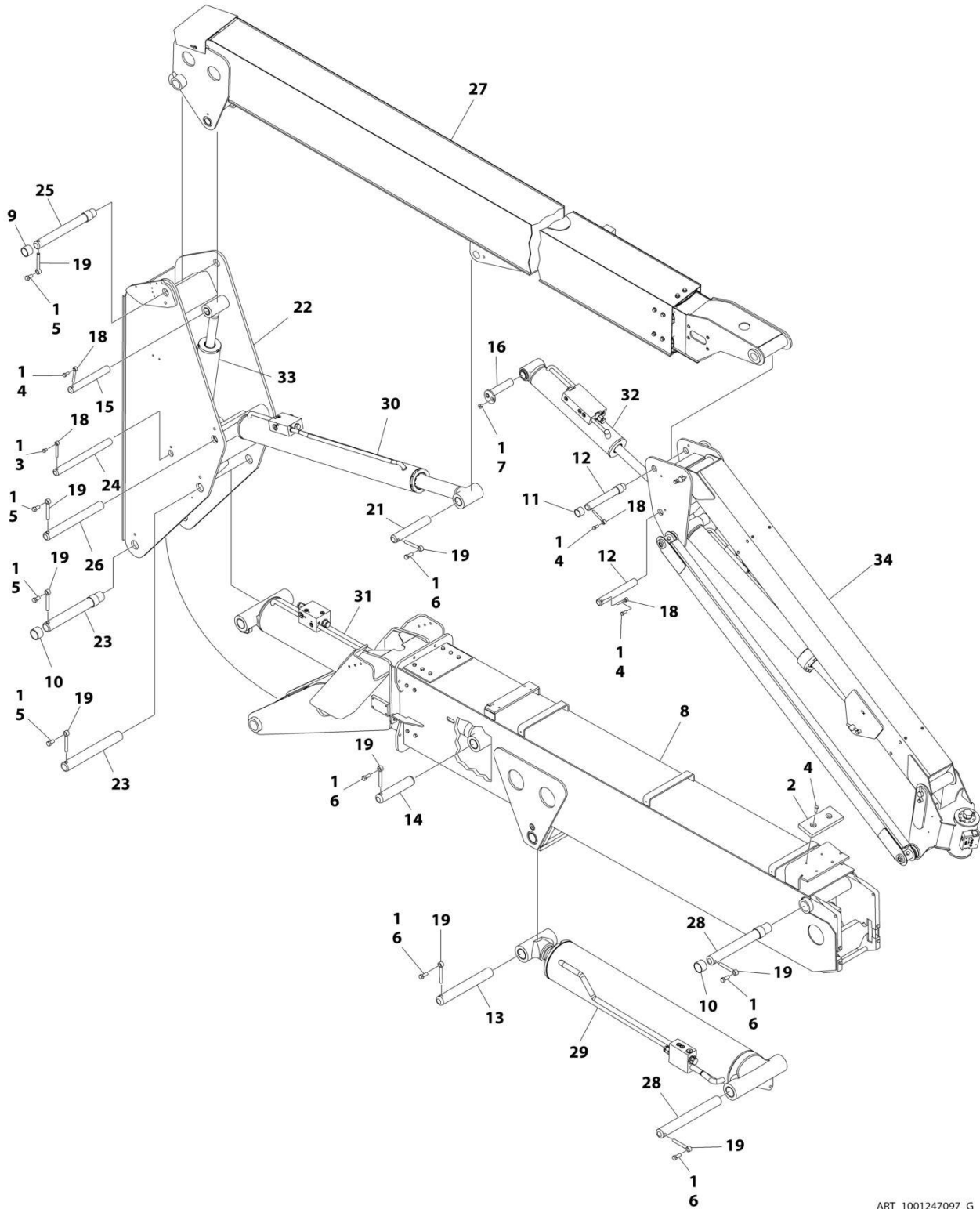
## SECTION 4 - BOOM

**FIGURE 4-2. BOOMS AND CYLINDERS INSTALLATION - WITHOUT ARCTIC PACKAGE (Prior to SN 0300292423, Prior to SN B300015405, Except SN 0300286728 through 0300286731, Excluding 0300291013)**

ITEM	PART NUMBER	QTY	DESCRIPTION	REV
	1001247097	Ref	BOOMS AND CYLINDERS INSTALLATION	F
1	0100011	AR	Compound, Locking	
2	0561076	1	Block, Boom Rest	
3	0641604	1	Bolt 3/8 x 1/2	
4	0641607	5	Bolt 3/8 x 7/8	
5	0641808	4	Bolt 1/2 x 1	
6	0641810	5	Bolt 1/2 x 1-1/4	
7	0741605	1	Screw, Countersunk 3/8 x 5/8	
8	0801019	1	Tower Boom Assembly (See Separate Breakdown in this Section)	
9	0961948	2	Bushing	
10	0961949	4	Bushing	
11	0961951	2	Bushing	
12	3422561	2	Pin	
13	3422573	1	Pin	
14	3422575	1	Pin	
15	3422579	1	Pin	
16	3422583	1	Pin	
17	3790012	1	O-Ring (Not Shown – Used with Item 20 Located on Platform Console Box)	
18	3841143	7	Keeper, Pin - 3/8	
19	3841203	9	Keeper, Pin - 1/2	
20	4360328	1	Toggle, Switch (Not Shown – Located on Platform Console Box)	
21	1001097822	1	Pin	
22	1001152639	1	Upright	
23	1001155093	2	Pin	
24	1001155094	1	Pin	
25	1001155096	1	Pin	
26	1001155097	1	Pin	
27	1001156501	1	Main Boom Assembly (See Separate Breakdown in this Section)	
28	1001158810	2	Pin	
29	1001261003	1	Tower Lift Cylinder Assembly (See Separate Breakdown in CYLINDER SECTION)	
30	1001228004	1	Main Lift Cylinder Assembly (See Separate Breakdown in CYLINDER SECTION)	
31	1001228042	1	Upright Level Cylinder Assembly (See Separate Breakdown in CYLINDER SECTION)	
32	1001251051	1	Platform (Slave) Level Cylinder Assembly (See Separate Breakdown in CYLINDER SECTION)	
33	1001251052	1	Master Cylinder Assembly (See Separate Breakdown in CYLINDER SECTION)	
34	1001247146	1	Jib Boom Assembly (See Separate Breakdown in this Section)	

# SECTION 4 - BOOM

FIGURE 4-3. BOOMS AND CYLINDERS INSTALLATION - WITHOUT ARCTIC PACKAGE (SN 0300292423 to Present, SN 0300286728 through 0300286731, Including 0300291013)



ART\_1001247097\_G



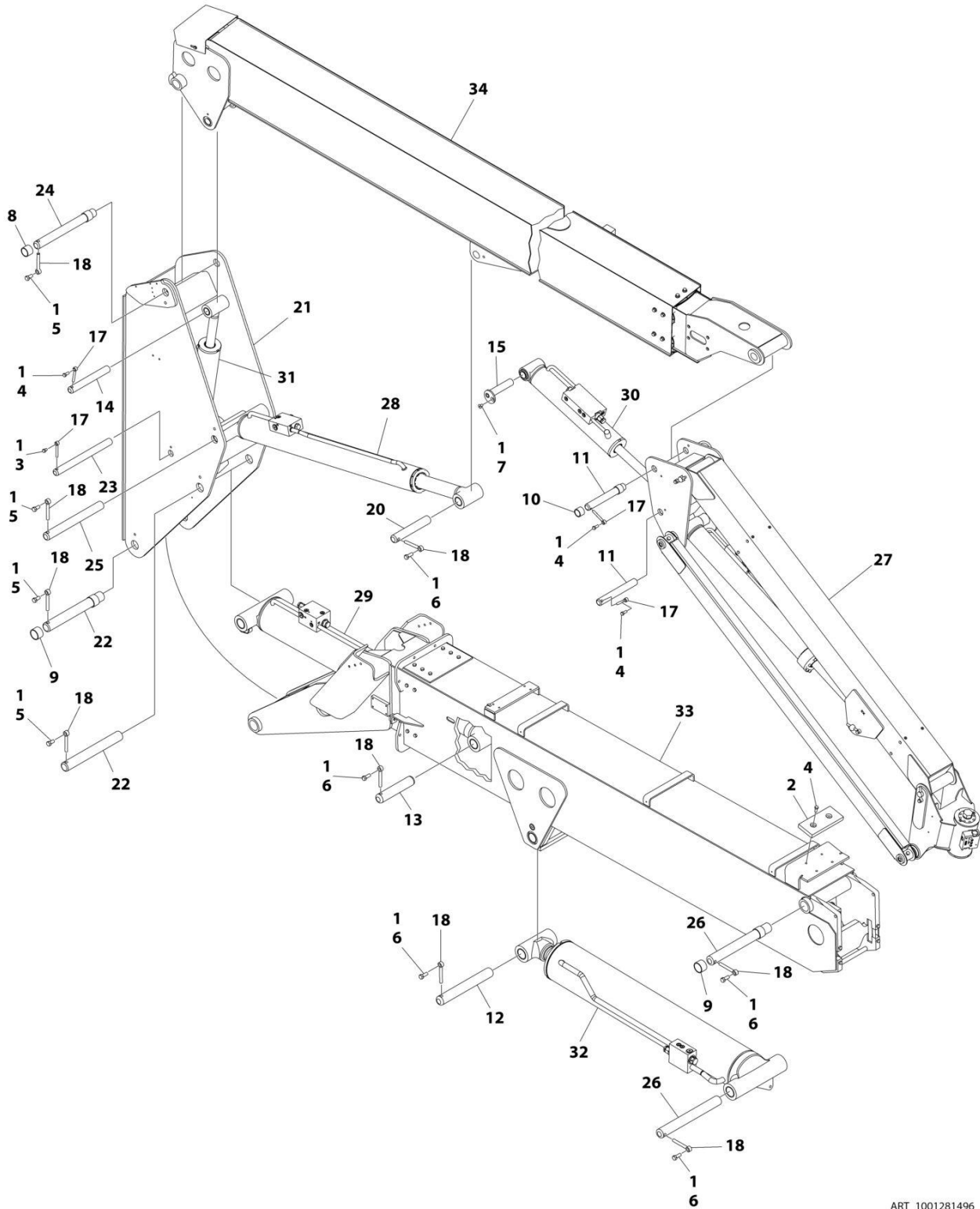
## SECTION 4 - BOOM

**FIGURE 4-3. BOOMS AND CYLINDERS INSTALLATION - WITHOUT ARCTIC PACKAGE (SN 0300292423 to Present, SN 0300286728 through 0300286731, Including 0300291013)**

ITEM	PART NUMBER	QTY	DESCRIPTION	REV
	1001247097	Ref	BOOMS AND CYLINDERS INSTALLATION	G
1	0100011	AR	Compound, Locking	
2	0561076	1	Block, Boom Rest	
3	0641604	1	Bolt 3/8 x 1/2	
4	0641607	5	Bolt 3/8 x 7/8	
5	0641808	4	Bolt 1/2 x 1	
6	0641810	5	Bolt 1/2 x 1-1/4	
7	0741605	1	Screw, Countersunk 3/8 x 5/8	
8	0801019	1	Tower Boom Assembly (See Separate Breakdown in this Section)	
9	0961948	2	Bushing	
10	0961949	4	Bushing	
11	0961951	2	Bushing	
12	3422561	2	Pin	
13	3422573	1	Pin	
14	3422575	1	Pin	
15	3422579	1	Pin	
16	3422583	1	Pin	
17	3790012	1	O-Ring (Not Shown - Used with Item 20 Located on Platform Console Box)	
18	3841143	4	Keeper, Pin - 3/8	
19	3841203	9	Keeper, Pin - 1/2	
20	4360328	1	Toggle, Switch (Not Shown - Located on Platform Console Box)	
21	1001097822	1	Pin	
22	1001152639	1	Upright	
23	1001155093	2	Pin	
24	1001155094	1	Pin	
25	1001155096	1	Pin	
26	1001155097	1	Pin	
27	1001156501	1	Main Boom Assembly (See Separate Breakdown in this Section)	
28	1001158810	2	Pin	
29	1001261003	1	Tower Lift Cylinder Assembly (See Separate Breakdown in CYLINDER Section)	
30	1001251004	1	Tower Lift Cylinder Assembly (See Separate Breakdown in CYLINDER Section)	
31	1001251042	1	Main Lift Cylinder Assembly (See Separate Breakdown in CYLINDER Section)	
32	1001251051	1	Platform (Slave) Level Cylinder Assembly (See Separate Breakdown in CYLINDER Section)	
33	1001251052	1	Master Cylinder Assembly (See Separate Breakdown in CYLINDER Section)	
34	1001247146	1	Jib Boom Assembly (See Separate Breakdown in this Section)	

# SECTION 4 - BOOM

FIGURE 4-4. BOOMS AND CYLINDERS INSTALLATION - WITHOUT ARCTIC PACKAGE (SN B300015405 to Present)



ART\_1001281496

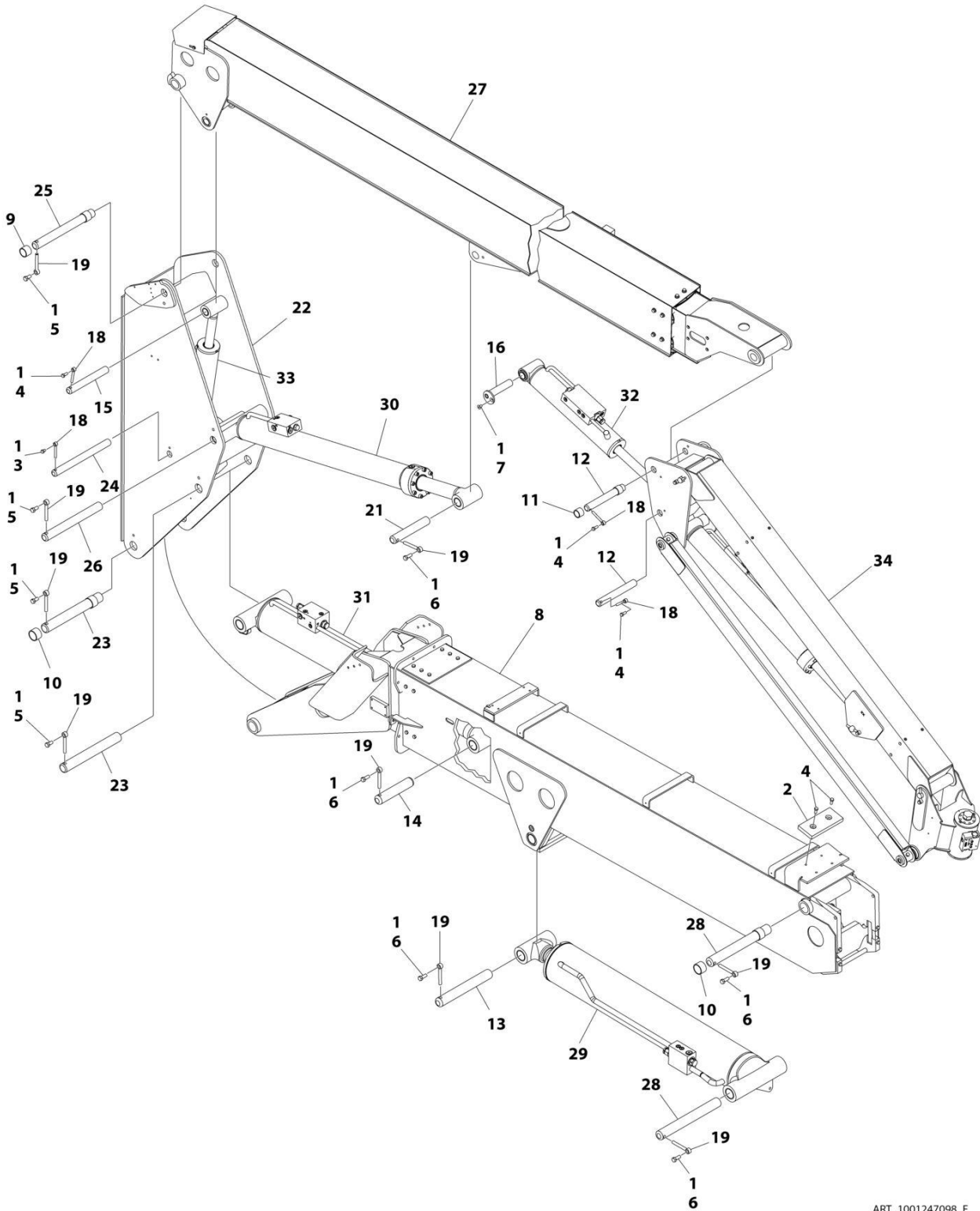
## SECTION 4 - BOOM

**FIGURE 4-4. BOOMS AND CYLINDERS INSTALLATION - WITHOUT ARCTIC PACKAGE (SN B300015405 to Present)**

ITEM	PART NUMBER	QTY	DESCRIPTION	REV
	1001281496	Ref	BOOMS AND CYLINDERS INSTALLATION	A
1	0100011	AR	Compound, Locking	
2	0561076	1	Block, Boom Rest	
3	0641604	1	Bolt 3/8 x 1/2	
4	0641607	5	Bolt 3/8 x 7/8	
5	0641808	4	Bolt 1/2 x 1	
6	0641810	5	Bolt 1/2 x 1-1/4	
7	0741605	1	Screw, Countersunk 3/8 x 5/8	
8	0961948	2	Bushing	
9	0961949	4	Bushing	
10	0961951	2	Bushing	
11	3422561	2	Pin	
12	3422573	1	Pin	
13	3422575	1	Pin	
14	3422579	1	Pin	
15	3422583	1	Pin	
16	3790012	1	O-Ring (Not Shown – Used with Item 19 Located on Platform Console Box)	
17	3841143	4	Keeper, Pin - 3/8	
18	3841203	9	Keeper, Pin - 1/2	
19	4360328	1	Toggle, Switch (Not Shown – Located on Platform Console Box)	
20	1001097822	1	Pin	
21	1001152639	1	Upright	
22	1001155093	2	Pin	
23	1001155094	1	Pin	
24	1001155096	1	Pin	
25	1001155097	1	Pin	
26	1001158810	2	Pin	
27	1001247146	1	Jib Boom Assembly (See Separate Breakdown in this Section)	
28	1001251004	1	Main Lift Cylinder Assembly (See Separate Breakdown in CYLINDER Section)	
29	1001251042	1	Upright Level Cylinder Assembly (See Separate Breakdown in CYLINDER Section)	
30	1001251051	1	Platform (Slave) Level Cylinder Assembly (See Separate Breakdown in CYLINDER Section)	
31	1001251052	1	Master Cylinder Assembly (See Separate Breakdown in CYLINDER Section)	
32	1001261003	1	Tower Lift Cylinder Assembly (See Separate Breakdown in CYLINDER Section)	
33	1001281497	1	Tower Boom Assembly (See Separate Breakdown in this Section)	
34	1001281544	1	Main Boom Assembly (See Separate Breakdown in this Section)	

# SECTION 4 - BOOM

**FIGURE 4-5. BOOMS AND CYLINDERS INSTALLATION - WITH ARCTIC PACKAGE (Prior to SN 0300292423, Prior to SN B300015405, Except SN 0300286728 through 0300286731, Excluding 0300291013)**



ART\_1001247098\_F

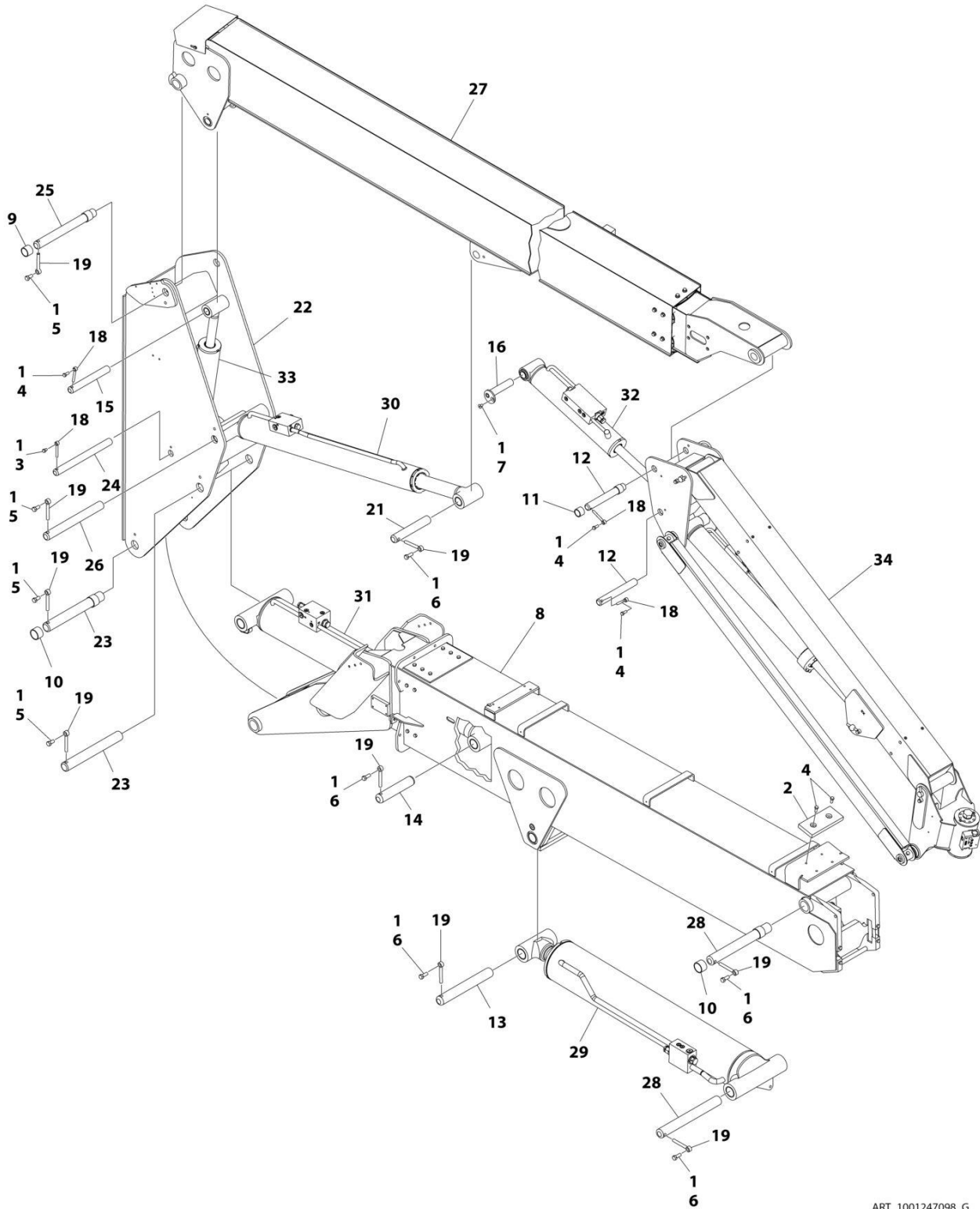
## SECTION 4 - BOOM

**FIGURE 4-5. BOOMS AND CYLINDERS INSTALLATION - WITH ARCTIC PACKAGE (Prior to SN 0300292423, Prior to SN B300015405, Except SN 0300286728 through 0300286731, Excluding 0300291013)**

ITEM	PART NUMBER	QTY	DESCRIPTION	REV
	1001247098	Ref	BOOMS AND CYLINDERS INSTALLATION	F
1	0100011	AR	Compound, Locking	
2	0561076	1	Block, Boom Rest	
3	0641604	1	Bolt 3/8 x 1/2	
4	0641607	5	Bolt 3/8 x 7/8	
5	0641808	4	Bolt 1/2 x 1	
6	0641810	5	Bolt 1/2 x 1-1/4	
7	0741605	1	Screw, Countersunk 3/8 x 5/8	
8	0801019	1	Tower Boom Assembly (See Separate Breakdown in this Section)	
9	0961948	2	Bushing	
10	0961949	4	Bushing	
11	0961951	2	Bushing	
12	3422561	2	Pin	
13	3422573	1	Pin	
14	3422575	1	Pin	
15	3422579	1	Pin	
16	3422583	1	Pin	
17	3790012	1	O-Ring (Not Shown - Used with Item #20 located on Platform Console Box)	
18	3841143	7	Keeper, Pin - 3/8	
19	3841203	9	Keeper, Pin - 1/2	
20	4360328	1	Toggle, Switch (Not Shown - Located on Platform Console Box)	
21	1001097822	1	Pin	
22	1001152639	1	Upright	
23	1001155093	2	Pin	
24	1001155094	1	Pin	
25	1001155096	1	Pin	
26	1001155097	1	Pin	
27	1001156501	1	Main Boom Assembly (See Separate Breakdown in this Section)	
28	1001158810	2	Pin	
29	1001261003	1	Tower Lift Cylinder Assembly (See Separate Breakdown in CYLINDER SECTION)	
30	1001228004	1	Main Lift Cylinder Assembly (See Separate Breakdown in CYLINDER SECTION)	
31	1001228042	1	Upright Level Cylinder Assembly (See Separate Breakdown in CYLINDER SECTION)	
32	1001251051	1	Platform (Slave) Level Cylinder Assembly (See Separate Breakdown in CYLINDER SECTION)	
33	1001251052	1	Master Cylinder Assembly (See Separate Breakdown in CYLINDER SECTION)	
34	1001247146	1	Jib Boom Assembly (See Separate Breakdown in this Section)	

# SECTION 4 - BOOM

FIGURE 4-6. BOOMS AND CYLINDERS INSTALLATION - WITHOUT ARCTIC PACKAGE (SN 0300292423 to Present, SN 0300286728 through 0300286731, Including 0300291013)



ART\_1001247098\_G

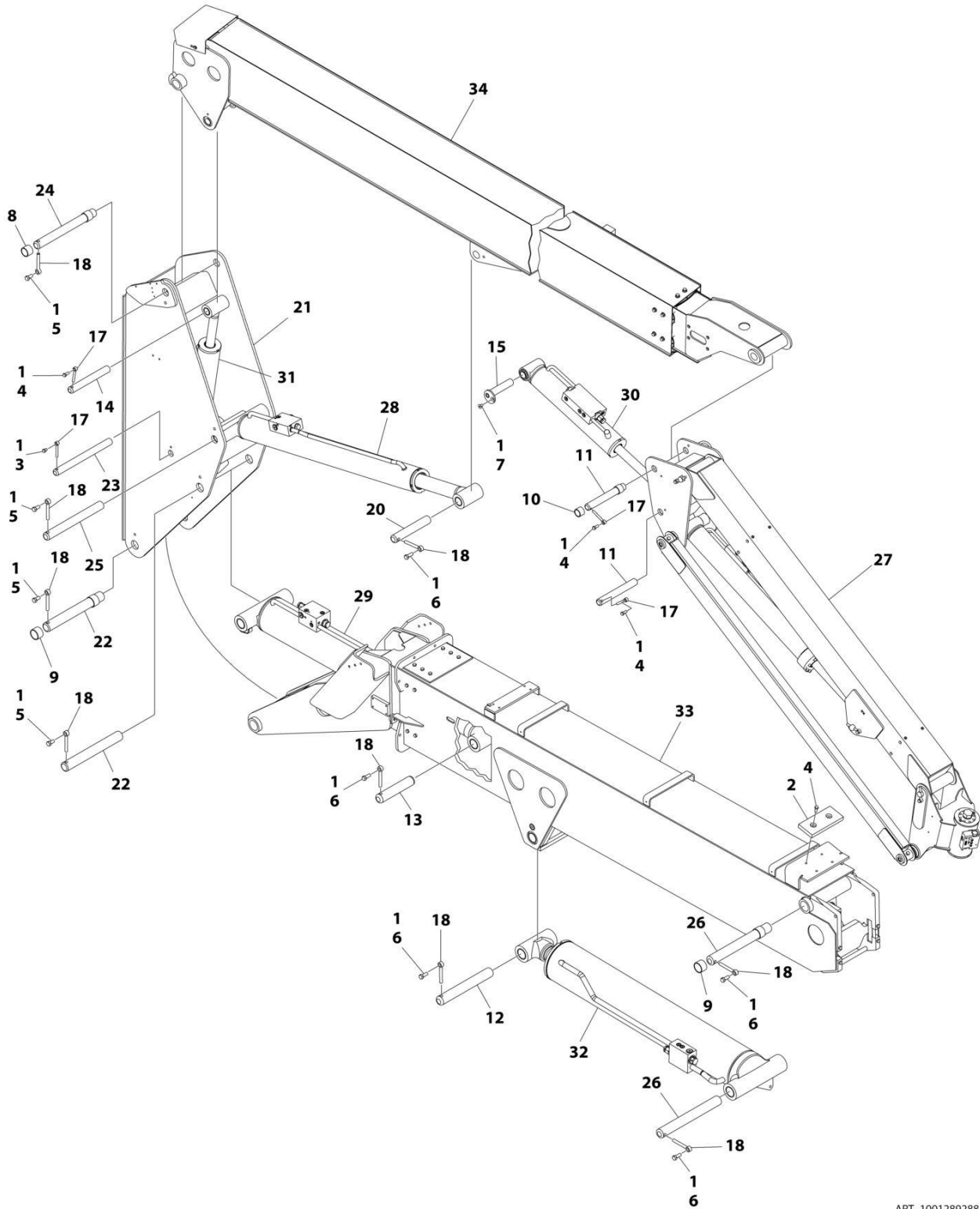
## SECTION 4 - BOOM

**FIGURE 4-6. BOOMS AND CYLINDERS INSTALLATION - WITHOUT ARCTIC PACKAGE (SN 0300292423 to Present, SN 0300286728 through 0300286731, Including 0300291013)**

ITEM	PART NUMBER	QTY	DESCRIPTION	REV
	1001247098	Ref	BOOMS AND CYLINDERS INSTALLATION	G
1	0100011	AR	Compound, Locking	
2	0561076	1	Block, Boom Rest	
3	0641604	1	Bolt 3/8 x 1/2	
4	0641607	5	Bolt 3/8 x 7/8	
5	0641808	4	Bolt 1/2 x 1	
6	0641810	5	Bolt 1/2 x 1-1/4	
7	0741605	1	Screw, Countersunk 3/8 x 5/8	
8	0801019	1	Tower Boom Assembly (See Separate Breakdown in this Section)	
9	0961948	2	Bushing	
10	0961949	4	Bushing	
11	0961951	2	Bushing	
12	3422561	2	Pin	
13	3422573	1	Pin	
14	3422575	1	Pin	
15	3422579	1	Pin	
16	3422583	1	Pin	
17	3790012	1	O-Ring (Not Shown - Used with Item #20 located on Platform Console Box)	
18	3841143	4	Keeper, Pin - 3/8	
19	3841203	9	Keeper, Pin - 1/2	
20	4360328	1	Toggle, Switch (Not Shown - Located on Platform Console Box)	
21	1001097822	1	Pin	
22	1001152639	1	Upright	
23	1001155093	2	Pin	
24	1001155094	1	Pin	
25	1001155096	1	Pin	
26	1001155097	1	Pin	
27	1001156501	1	Main Boom Assembly (See Separate Breakdown in this Section)	
28	1001158810	2	Pin	
29	1001261003	1	Tower Lift Cylinder Assembly (See Separate Breakdown in CYLINDER Section)	
30	1001251004	1	Main Lift Cylinder Assembly (See Separate Breakdown in CYLINDER Section)	
31	1001251042	1	Upright Level Cylinder Assembly (See Separate Breakdown in CYLINDER Section)	
32	1001251051	1	Platform (Slave) Level Cylinder Assembly (See Separate Breakdown in CYLINDER Section)	
33	1001251052	1	Master Cylinder Assembly (See Separate Breakdown in CYLINDER Section)	
34	1001247146	1	Jib Boom Assembly (See Separate Breakdown in this Section)	

# SECTION 4 - BOOM

FIGURE 4-7. BOOMS AND CYLINDERS INSTALLATION - WITH ARCTIC PACKAGE (SN B300015405 to Present)



ART\_1001289288



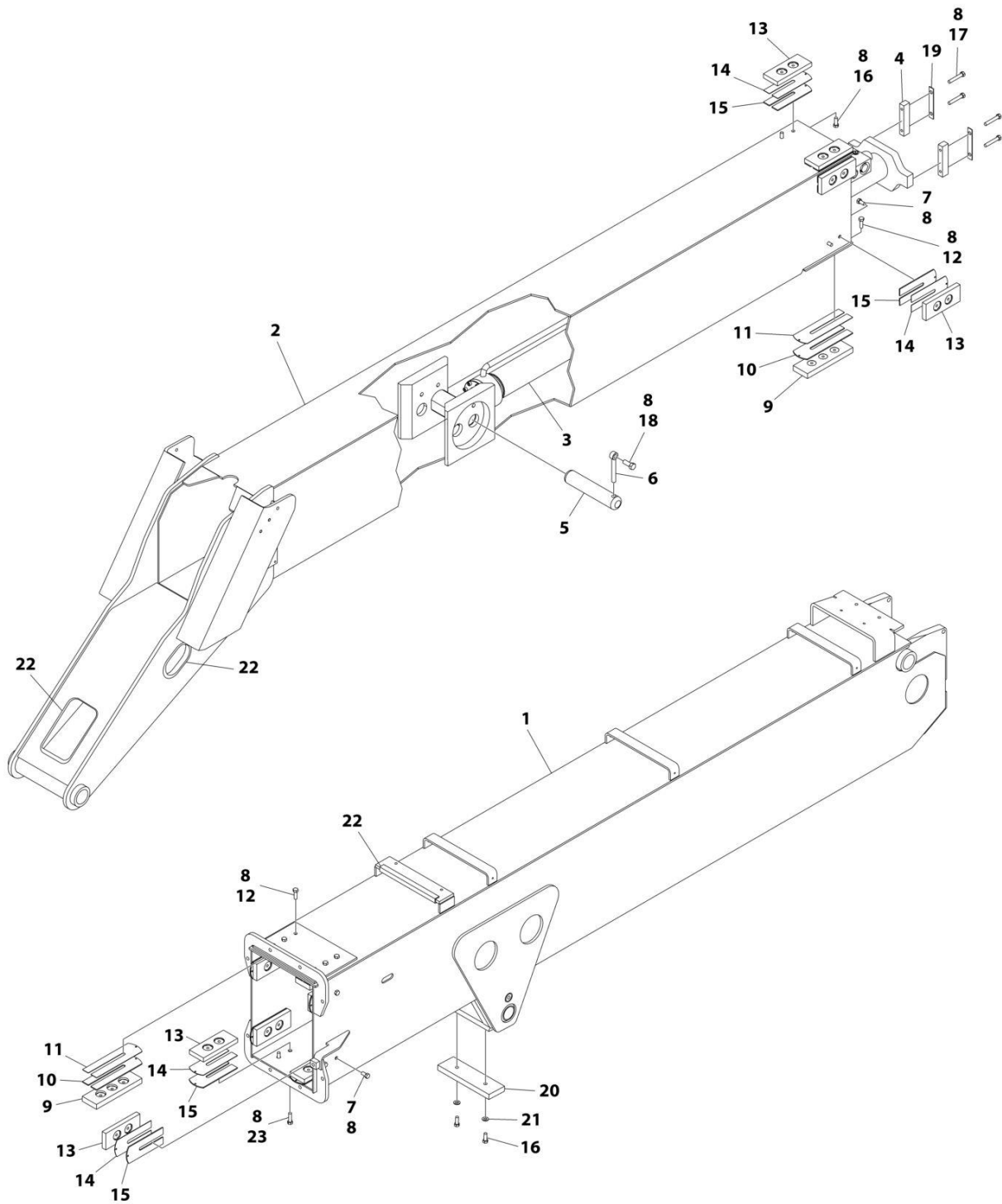
## SECTION 4 - BOOM

**FIGURE 4-7. BOOMS AND CYLINDERS INSTALLATION - WITH ARCTIC PACKAGE (SN B300015405 to Present)**

ITEM	PART NUMBER	QTY	DESCRIPTION	REV
	1001289288	Ref	BOOMS AND CYLINDERS INSTALLATION	A
1	0100011	AR	Compound, Locking	
2	0561076	1	Block, Boom Rest	
3	0641604	1	Bolt 3/8 x 1/2	
4	0641607	5	Bolt 3/8 x 7/8	
5	0641808	4	Bolt 1/2 x 1	
6	0641810	5	Bolt 1/2 x 1-1/4	
7	0741605	1	Screw, Countersunk 3/8 x 5/8	
8	0961948	2	Bushing	
9	0961949	4	Bushing	
10	0961951	2	Bushing	
11	3422561	2	Pin	
12	3422573	1	Pin	
13	3422575	1	Pin	
14	3422579	1	Pin	
15	3422583	1	Pin	
16	3790012	1	O-Ring (Not Shown - Used with Item 19 Located on Platform Console Box)	
17	3841143	4	Keeper, Pin - 3/8	
18	3841203	9	Keeper, Pin - 1/2	
19	4360328	1	Toggle, Switch (Not Shown - Located on Platform Console Box)	
20	1001097822	1	Pin	
21	1001152639	1	Upright	
22	1001155093	2	Pin	
23	1001155094	1	Pin	
24	1001155096	1	Pin	
25	1001155097	1	Pin	
26	1001158810	2	Pin	
27	1001247146	1	Jib Boom Assembly (See Separate Breakdown in this Section)	
28	1001251004	1	Main Lift Cylinder Assembly (See Separate Breakdown in CYLINDER Section)	
29	1001251042	1	Upright Level Cylinder Assembly (See Separate Breakdown in CYLINDER Section)	
30	1001251051	1	Platform (Slave) Level Cylinder Assembly (See Separate Breakdown in CYLINDER Section)	
31	1001251052	1	Master Cylinder Assembly (See Separate Breakdown in CYLINDER Section)	
32	1001261003	1	Tower Lift Cylinder Assembly (See Separate Breakdown in CYLINDER Section)	
33	1001281497	1	Tower Boom Assembly (See Separate Breakdown in this Section)	
34	1001281544	1	Main Boom Assembly (See Separate Breakdown in this Section)	

# SECTION 4 - BOOM

FIGURE 4-8. TOWER BOOM ASSEMBLY (Prior to SN 0300292423, Prior to SN B300015405, Except SN 0300286728 through 0300286731, Excluding 0300291013)



ART\_0801019

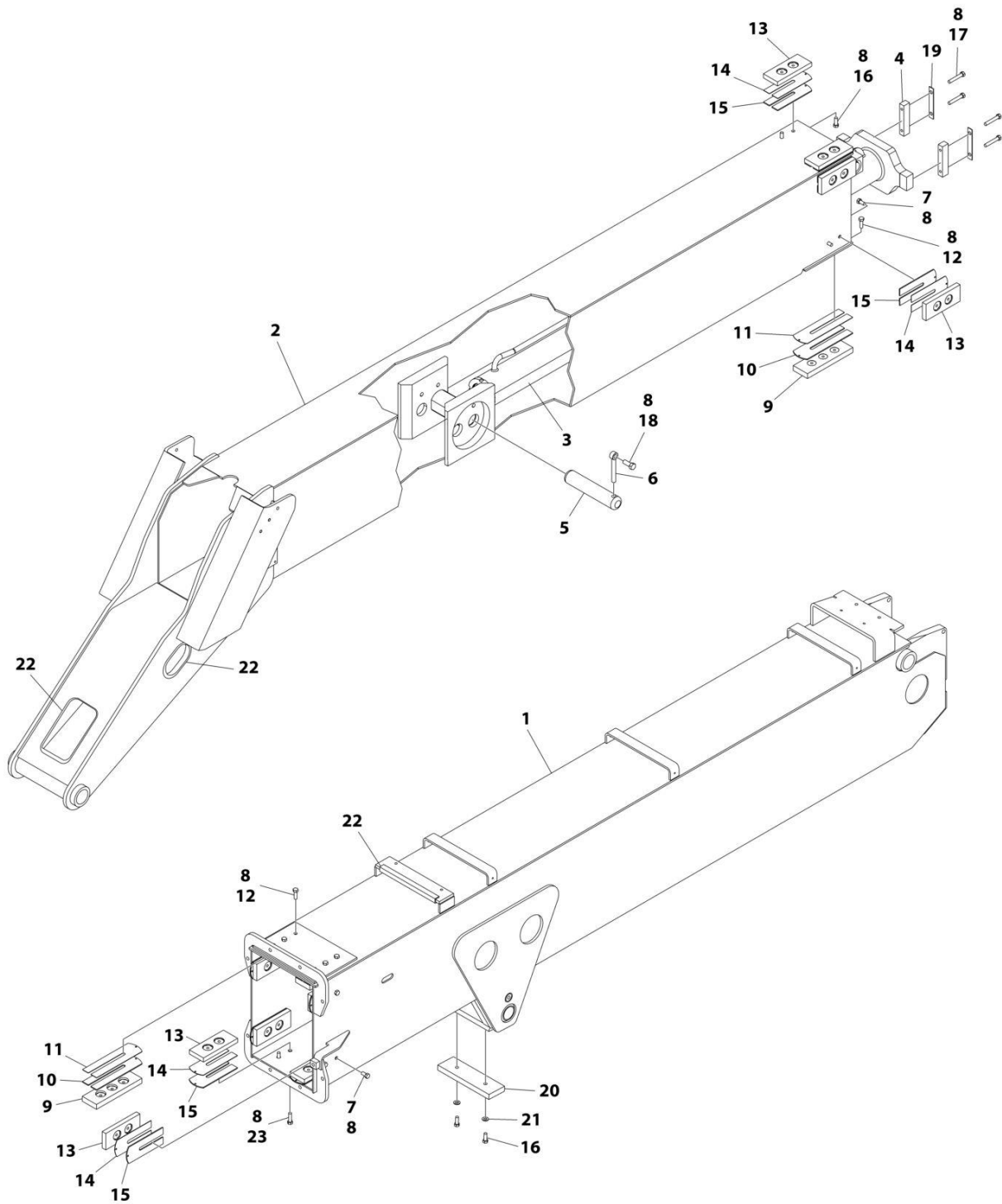
## SECTION 4 - BOOM

**FIGURE 4-8. TOWER BOOM ASSEMBLY (Prior to SN 0300292423, Prior to SN B300015405, Except SN 0300286728 through 0300286731, Excluding 0300291013)**

ITEM	PART NUMBER	QTY	DESCRIPTION	REV
	0801019	Ref	TOWER BOOM ASSEMBLY	J
1	0801622	NLA	Base	
2	0801637	1	Fly	
3	1001228006	1	Cylinder Assembly - Tower Telescope (See Separate Breakdown in CYLINDER SECTION)	
4	0561185	2	Block, Attach	
5	3422575	1	Pin	
6	3841203	1	Keeper, Pin	
7	0641606	26	Bolt 3/8 x 3/4	
8	0100011	AR	Compound, Locking	
9	3340871	4	Pad, Wear	
10	4070863	4	Shim .12	
11	4070864	4	Shim .05	
12	0641609	12	Bolt 3/8 x 1-1/8	
13	3340881	12	Pad, Wear	
14	4070897	12	Shim .05	
15	4070898	12	Shim .12	
16	0641608	6	Bolt 3/8 x 1	
17	0641618	4	Bolt 3/8 x 2-1/4	
18	0641810	1	Bolt 1/2 x 1-1/4	
19	4070929	AR	Shim	
20	0561248	1	Block, Boom Rest	
21	4711600	2	Washer 3/8	
22	4060808	AR	Flex-Trim	
23	0641610	4	Bolt 3/8 x 1-1/4	

# SECTION 4 - BOOM

FIGURE 4-9. TOWER BOOM ASSEMBLY (SN 0300292423 to Present, SN 0300286728 through 0300286731, Including 0300291013)



ART\_0801019\_K

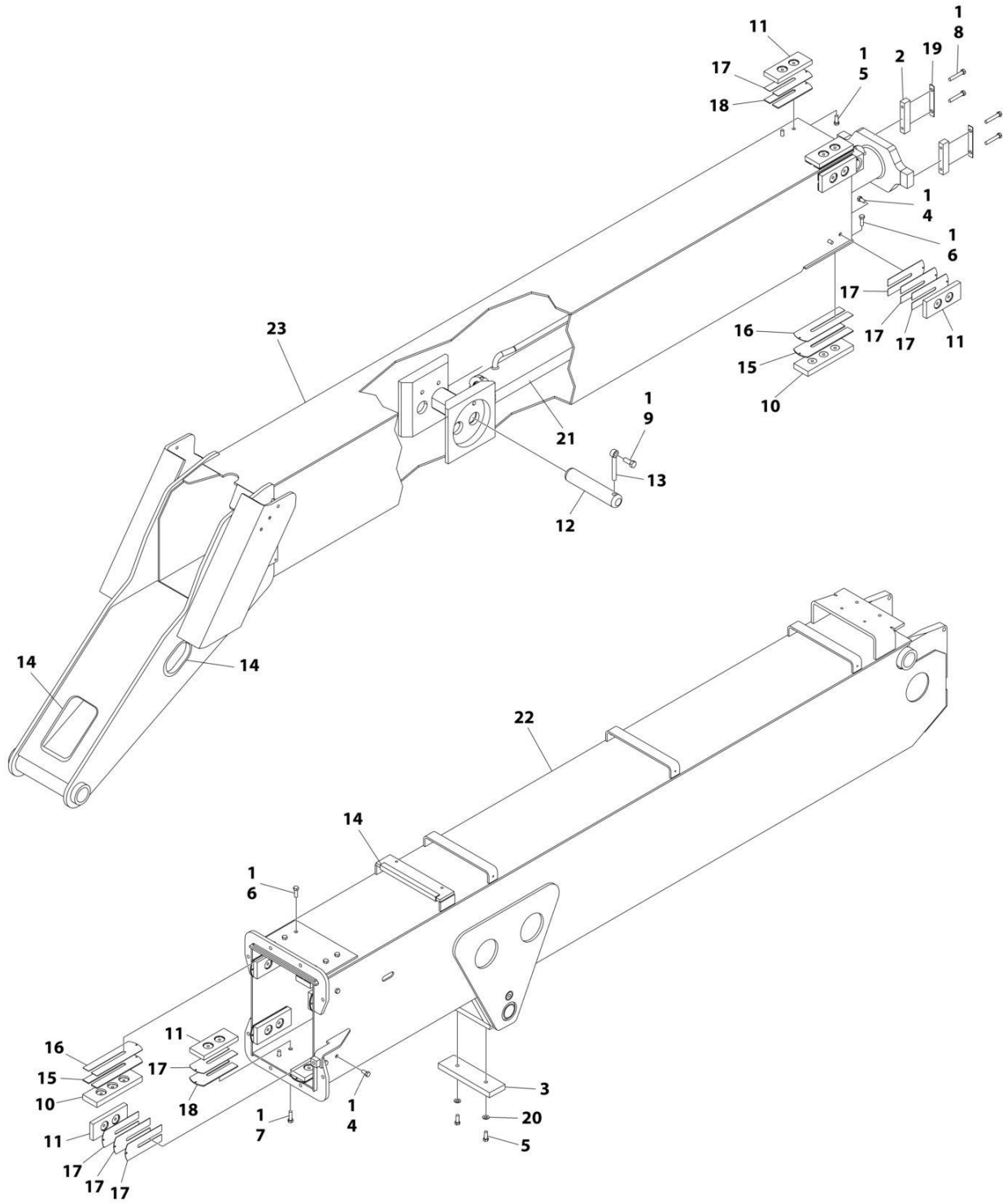
## SECTION 4 - BOOM

**FIGURE 4-9. TOWER BOOM ASSEMBLY (SN 0300292423 to Present, SN 0300286728 through 0300286731, Including 0300291013)**

ITEM	PART NUMBER	QTY	DESCRIPTION	REV
	0801019	Ref	TOWER BOOM ASSEMBLY	K
1	0801622	NLA	Base	
2	0801637	1	Fly	
3	1001251006	1	Cylinder Assembly - Tower Telescope (See Separate Breakdown in CYLINDER Section)	
4	0561185	2	Block, Attach	
5	3422575	1	Pin	
6	3841203	1	Keeper, Pin	
7	0641606	16	Bolt 3/8 x 3/4	
8	0100011	AR	Compound, Locking	
9	3340871	4	Pad, Wear	
10	4070863	4	Shim .12	
11	4070864	4	Shim .05	
12	0641609	12	Bolt 3/8 x 1-1/8	
13	3340881	12	Pad, Wear	
14	4070897	12	Shim .05	
15	4070898	12	Shim .12	
16	0641608	6	Bolt 3/8 x 1	
17	0641618	4	Bolt 3/8 x 2-1/4	
18	0641810	1	Bolt 1/2 x 1-1/4	
19	4070929	AR	Shim	
20	0561248	1	Block, Boom Rest	
21	4711600	2	Washer 3/8	
22	4060808	AR	Flex-Trim	
23	0641610	4	Bolt 3/8 x 1-1/4	

# SECTION 4 - BOOM

## FIGURE 4-10. TOWER BOOM ASSEMBLY (SN B300015405 to Present)



ART\_1001281497

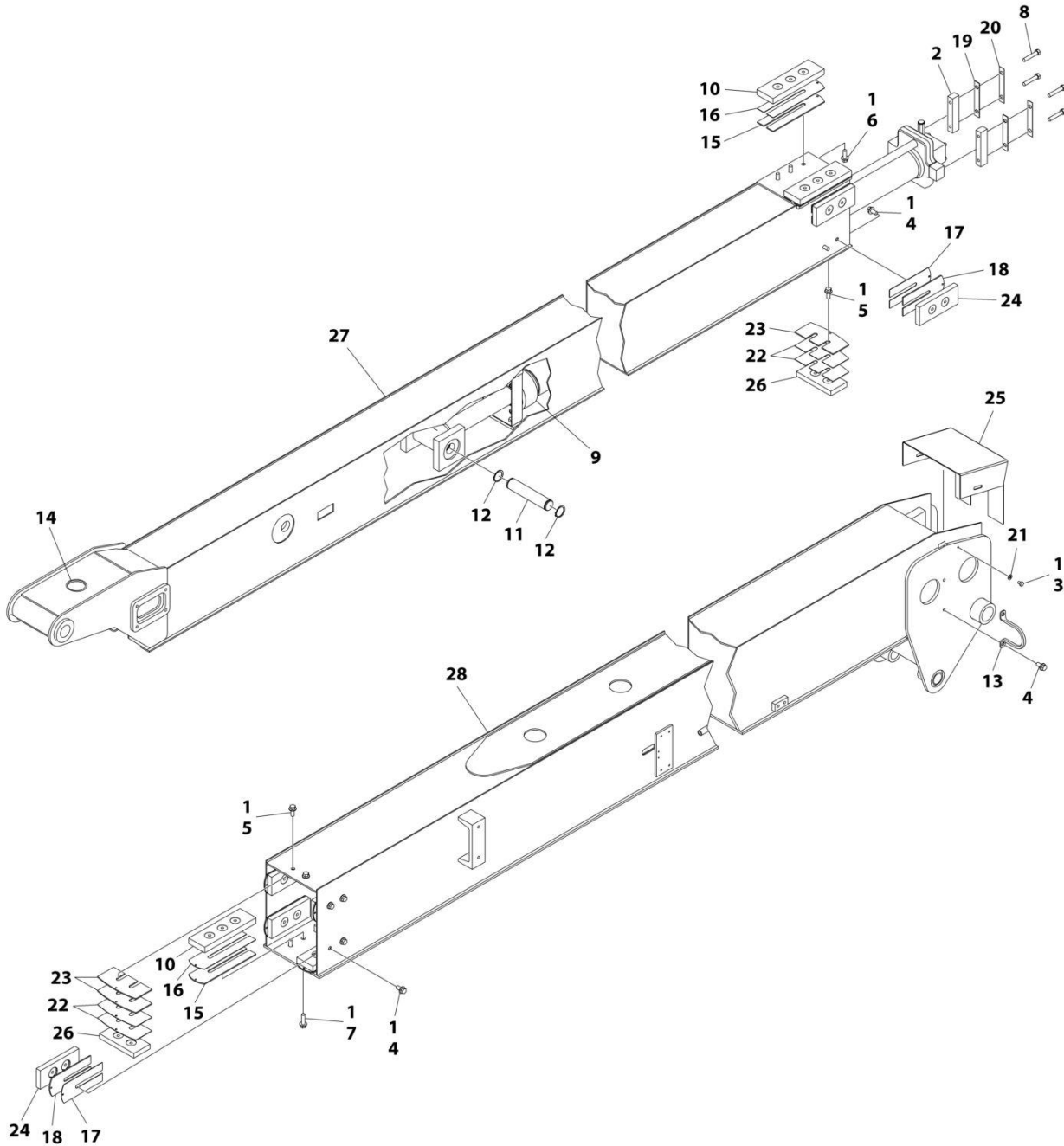
## SECTION 4 - BOOM

**FIGURE 4-10. TOWER BOOM ASSEMBLY (SN B300015405 to Present)**

ITEM	PART NUMBER	QTY	DESCRIPTION	REV
	1001281497	Ref	TOWER BOOM ASSEMBLY	A
1	0100011	AR	Compound, Locking	
2	0561185	2	Block, Attach	
3	0561248	1	Block, Boom Rest	
4	0641606	16	Bolt 3/8 x 3/4	
5	0641608	6	Bolt 3/8 x 1	
6	0641609	12	Bolt 3/8 x 1-1/8	
7	0641610	4	Bolt 3/8 x 1-1/4	
8	0641618	4	Bolt 3/8 x 2-1/4	
9	0641810	1	Bolt 1/2 x 1-1/4	
10	3340871	4	Pad, Wear	
11	3340881	12	Pad, Wear	
12	3422575	1	Pin	
13	3841203	1	Keeper, Pin	
14	4060808	AR	Flex-Trim	
15	4070863	4	Shim .12	
16	4070864	4	Shim .05	
17	4070897	28	Shim .05	
18	4070898	4	Shim .12	
19	4070929	AR	Shim	
20	4711600	2	Washer 3/8	
21	1001251006	1	Cylinder Assembly - Tower Telescope (See Separate Breakdown in CYLINDER Section)	
22	1001281498	1	Base, Tower Boom	
23	1001281527	1	Fly, Tower Boom	

# SECTION 4 - BOOM

FIGURE 4-11. MAIN BOOM ASSEMBLY (Prior to SN 0300292423, Prior to SN B300015405, Except SN 0300286728 through 0300286731, Excluding 0300291013)



ART\_1001156501



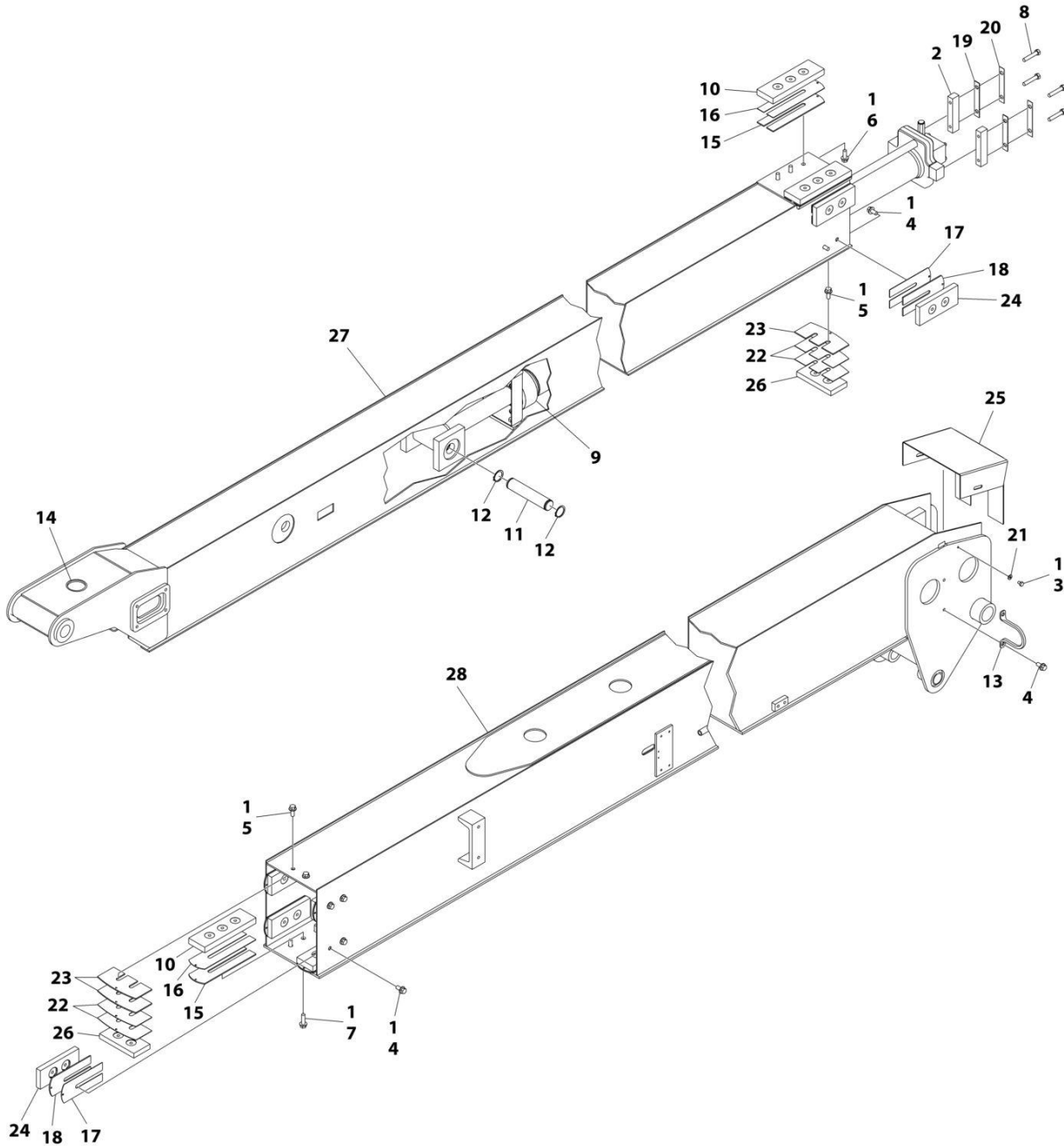
## SECTION 4 - BOOM

**FIGURE 4-11. MAIN BOOM ASSEMBLY (Prior to SN 0300292423, Prior to SN B300015405, Except SN 0300286728 through 0300286731, Excluding 0300291013)**

ITEM	PART NUMBER	QTY	DESCRIPTION	REV
	1001156501	Ref	BOOM ASSEMBLY	F
1	0100011	AR	Compound, Locking	
2	0561185	2	Block	
3	0641403	2	Bolt 1/4 x 3/8	
4	0811606	18	Bolt 3/8 x 3/4	
5	0811607	4	Bolt 3/8 x 7/8	
6	0811608	6	Bolt 3/8 x 1	
7	0811610	6	Bolt 3/8 x 1-1/4	
8	0641616	4	Bolt 3/8 x 2	
9	1001228007	1	Telescope Cylinder Assembly (See Separate Breakdown in CYLINDER SECTION)	
10	3340871	4	Pad, Wear	
11	3422457	1	Pin	
12	3760133	2	Ring, Retaining	
13	3841340	1	Loop, Hose	
14	4060805	AR	Flex-Trim	
15	4070863	AR	Shim .12	
16	4070864	AR	Shim .05	
17	4070897	AR	Shim .05	
18	4070898	AR	Shim .12	
19	4070929	AR	Shim	
20	4071007	AR	Shim	
21	4751200	2	Washer #12	
22	1001136590	AR	Shim 18Ga	
23	1001138436	AR	Shim 11Ga	
24	1001148652	8	Pad, Wear	
25	1001162828	1	Cover, Boom	
26	1001152127	2	Pad, Wear	
27	1001156502	1	Fly, Boom	
28	1001152249	1	Base, Boom	

# SECTION 4 - BOOM

FIGURE 4-12. MAIN BOOM ASSEMBLY (SN 0300292423 to Present, SN 0300286728 through 0300286731, Including 0300291013)



ART\_1001156501\_G

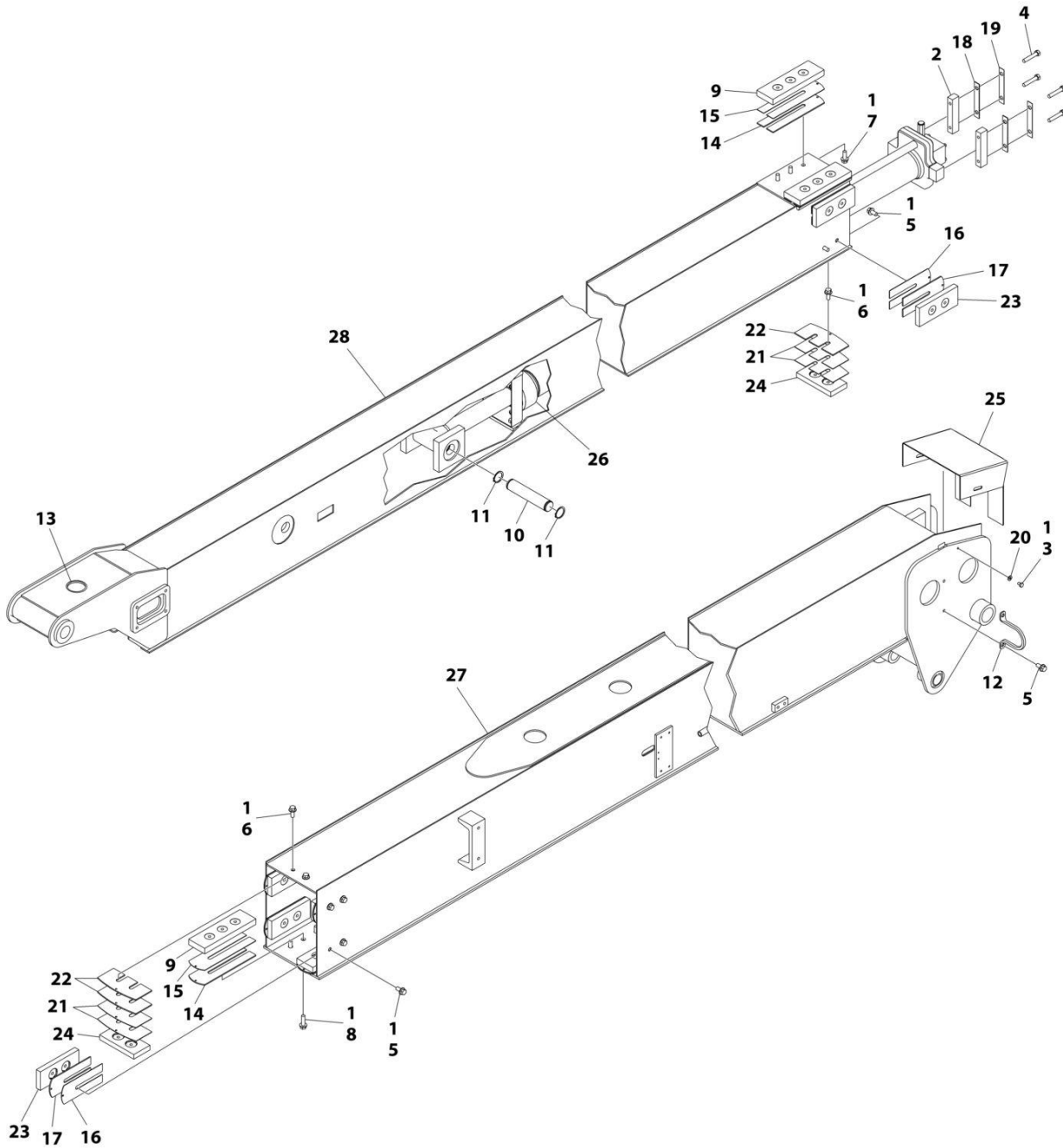
## SECTION 4 - BOOM

**FIGURE 4-12. MAIN BOOM ASSEMBLY (SN 0300292423 to Present, SN 0300286728 through 0300286731, Including 0300291013)**

ITEM	PART NUMBER	QTY	DESCRIPTION	REV
	1001156501	Ref	BOOM ASSEMBLY	G
1	0100011	AR	Compound, Locking	
2	0561185	2	Block	
3	0641403	2	Bolt 1/4 x 3/8	
4	0811606	18	Bolt 3/8 x 3/4 Grade 8	
5	0811607	4	Bolt 3/8 x 7/8 Grade 8	
6	0811608	6	Bolt 3/8 x 1 Grade 8	
7	0811610	6	Bolt 3/8 x 1-1/4 Grade 8	
8	0641616	4	Bolt 3/8 x 2	
9	1001251007	1	Telescope Cylinder Assembly (See Separate Breakdown in CYLINDER Section)	
10	3340871	4	Pad, Wear	
11	3422457	1	Pin	
12	3760133	2	Ring, Retaining	
13	3841340	1	Loop, Hose	
14	4060805	AR	Flex-Trim	
15	4070863	AR	Shim .12	
16	4070864	AR	Shim .05	
17	4070897	AR	Shim .05	
18	4070898	AR	Shim .12	
19	4070929	AR	Shim	
20	4071007	AR	Shim	
21	4751200	2	Washer #12	
22	1001136590	AR	Shim 18Ga	
23	1001138436	AR	Shim 11Ga	
24	1001148652	8	Pad, Wear	
25	1001162828	1	Cover, Boom	
26	1001152127	2	Pad, Wear	
27	1001156502	1	Fly, Boom	
28	1001152249	1	Base, Boom	

# SECTION 4 - BOOM

FIGURE 4-13. MAIN BOOM ASSEMBLY (SN B300015405 to Present)



ART\_1001281544

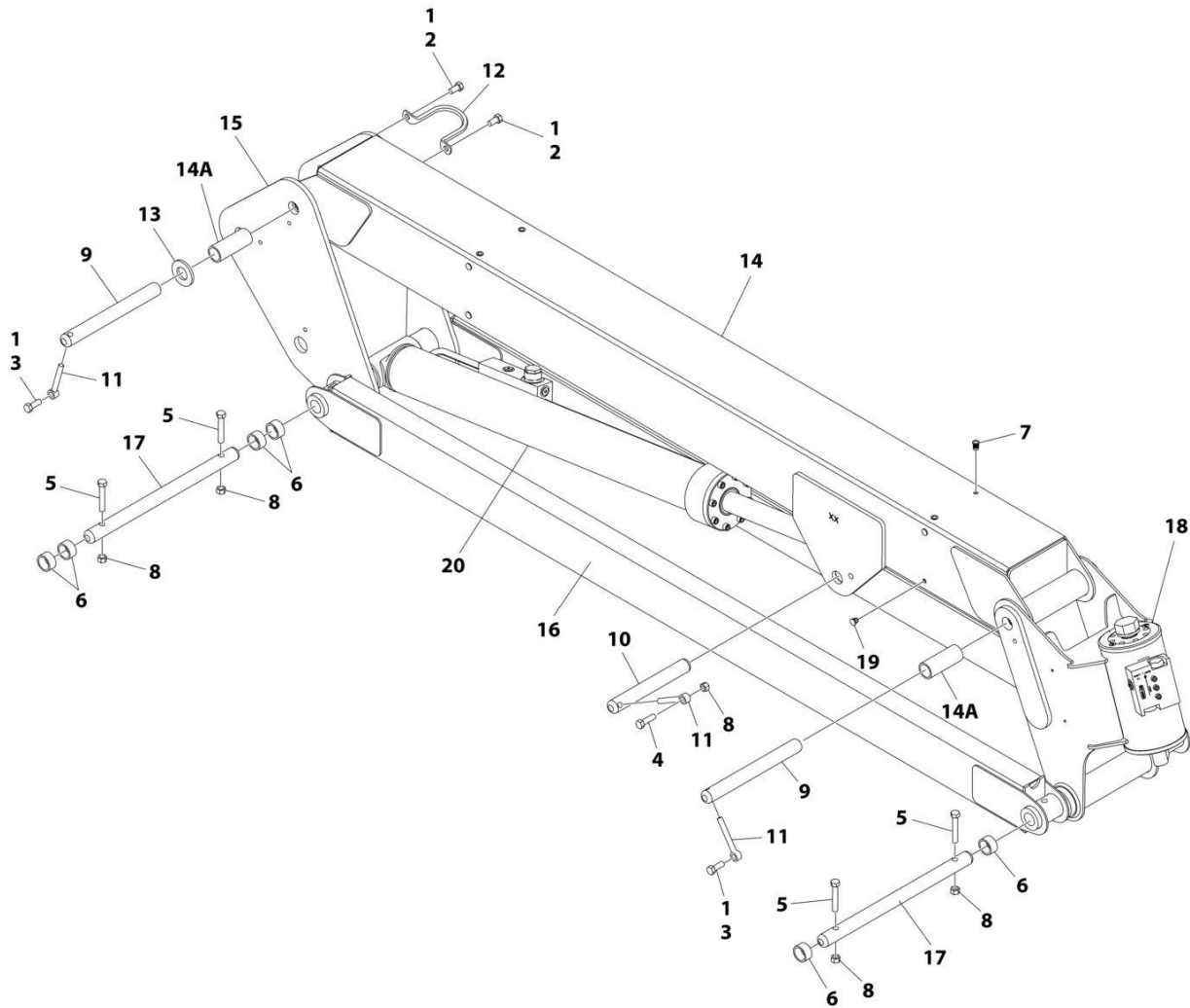
## SECTION 4 - BOOM

**FIGURE 4-13. MAIN BOOM ASSEMBLY (SN B300015405 to Present)**

ITEM	PART NUMBER	QTY	DESCRIPTION	REV
	1001281544	Ref	BOOM ASSEMBLY	A
1	0100011	AR	Compound, Locking	
2	0561185	2	Block	
3	0641403	2	Bolt 1/4 x 3/8	
4	0641616	4	Bolt 3/8 x 2	
5	0811606	18	Bolt 3/8 x 3/4 Grade 8	
6	0811607	4	Bolt 3/8 x 7/8 Grade 8	
7	0811608	6	Bolt 3/8 x 1 Grade 8	
8	0811610	6	Bolt 3/8 x 1-1/4 Grade 8	
9	3340871	4	Pad, Wear	
10	3422457	1	Pin	
11	3760133	2	Ring, Retaining	
12	3841340	1	Loop, Hose	
13	4060805	AR	Flex-Trim	
14	4070863	4	Shim .12	
15	4070864	4	Shim .05	
16	4070897	8	Shim .05	
17	4070898	8	Shim .12	
18	4070929	AR	Shim	
19	4071007	AR	Shim	
20	4751200	2	Washer #12	
21	1001136590	4	Shim 18Ga	
22	1001138436	3	Shim 11Ga	
23	1001148652	8	Pad, Wear	
24	1001152127	2	Pad, Wear	
25	1001162828	1	Cover, Boom	
26	1001251007	1	Telescope Cylinder Assembly (See Separate Breakdown in CYLINDER Section)	
27	1001281545	1	Base, Main Boom	
28	1001281567	1	Fly, Main Boom	

# SECTION 4 - BOOM

FIGURE 4-14. JIB BOOM ASSEMBLY (Prior to SN 0300292423, Prior to SN B300015405, Except SN 0300286728 through 0300286731, Excluding 0300291013)



ART\_1001247146

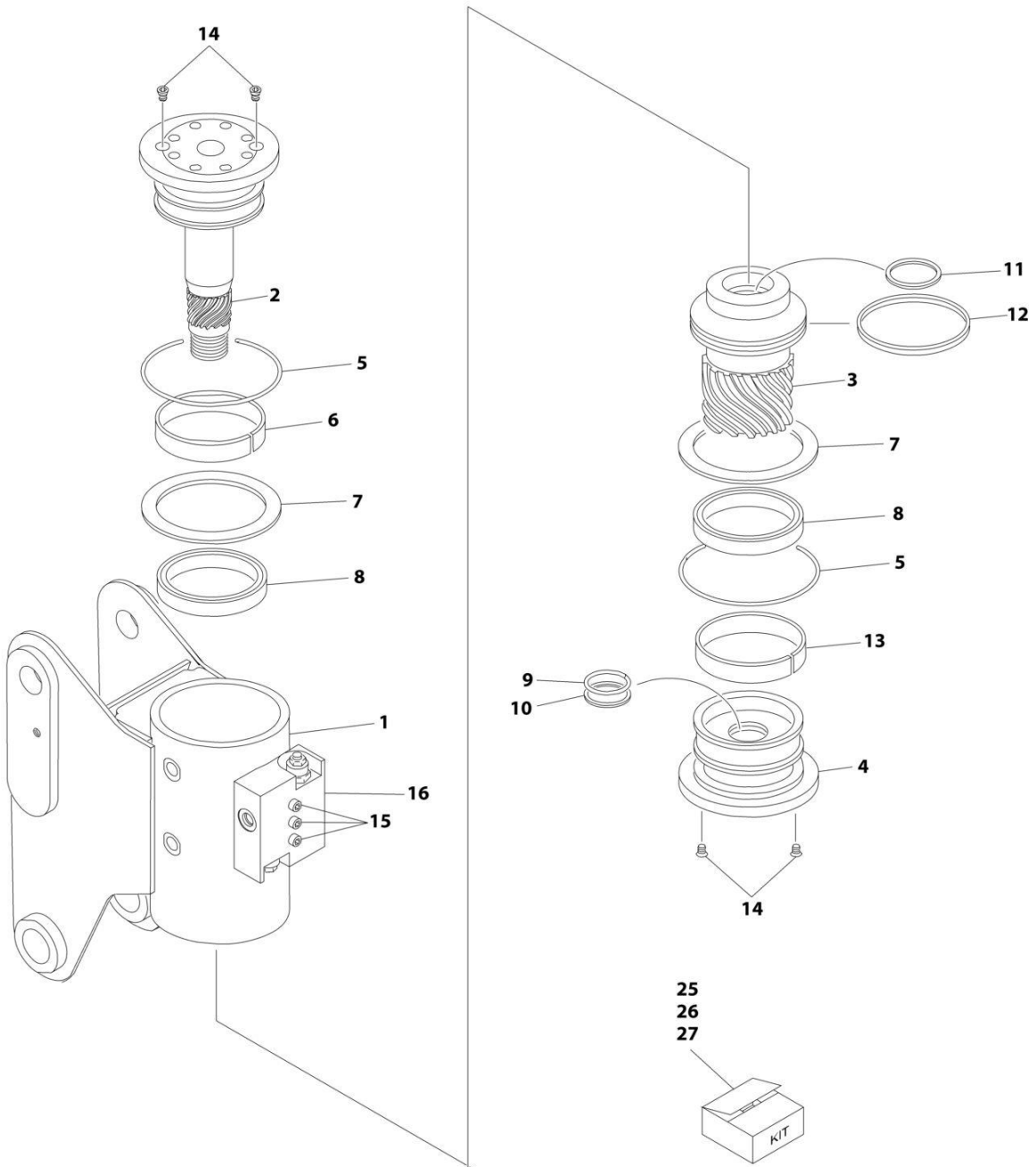
## SECTION 4 - BOOM

**FIGURE 4-14. JIB BOOM ASSEMBLY (Prior to SN 0300292423, Prior to SN B300015405, Except SN 0300286728 through 0300286731, Excluding 0300291013)**

ITEM	PART NUMBER	QTY	DESCRIPTION	REV
	1001247146	Ref	JIB BOOM ASSEMBLY	C
1	0100011	AR	Compound, Locking	
2	0641606	2	Bolt 3/8 x 3/4	
3	0641608	2	Bolt 3/8 x 1	
4	0641610	1	Bolt 3/8 x 1-1/4	
5	0641618	4	Bolt 3/8 x 2-1/4	
6	0961947	6	Bushing	
7	1001176636	4	Rivnut	
8	3311605	5	Nut 3/8	
9	3422860	2	Pin	
10	3422867	1	Pin	
11	3841143	3	Keeper, Pin	
12	3841340	1	Loop, Hose	
13	4740439	2	Washer, Thrust	
14	4844816	1	Tube - Top	
14A	0962335	4	Bushing	
15	1001169384	1	Pivot Weldment	
16	4844817	2	Tube - Bottom	
17	3422861	2	Pin	
18	1001217780	1	Rotator Assembly (See Separate Breakdown in this Section)	
19	1001223899	8	Fastener	
20	1001248012	1	Jib Lift Cylinder Assembly (See Separate Breakdown in CYLINDER SECTION)	

# SECTION 4 - BOOM

## FIGURE 4-15. ROTATOR ASSEMBLY



ART\_1001217780

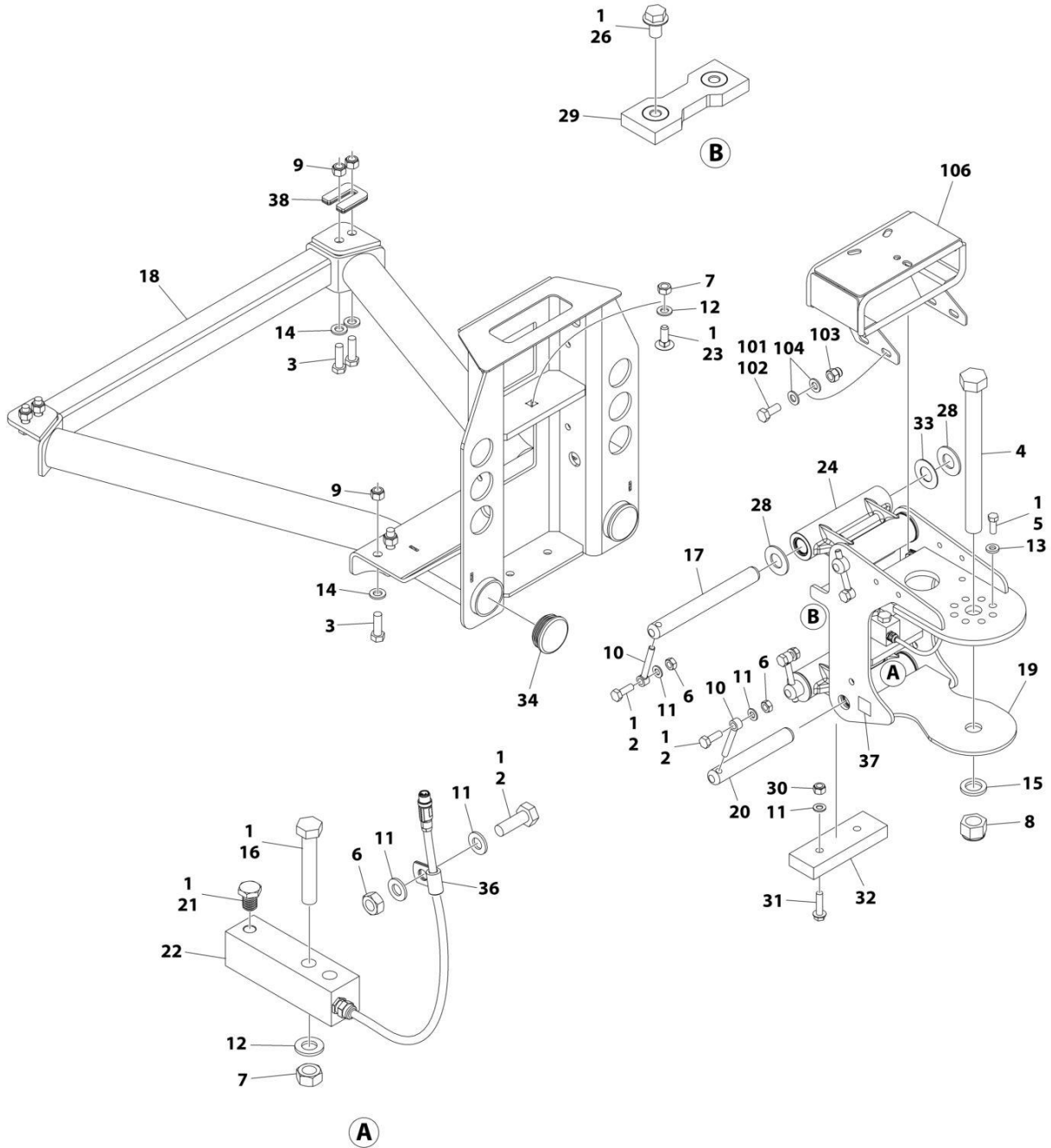


FIGURE 4-15. ROTATOR ASSEMBLY

ITEM	PART NUMBER	QTY	DESCRIPTION	REV
	1001217780	Ref	ROTATOR ASSEMBLY	A
1	See Note	NSS	Housing/Ring Gear Assembly (Note: Not Available - Purchase Complete Assembly)	
2	7017162	1	Shaft	
2	7017195	2	Bushing, Shaft	
3	7017163	1	Piston/Sleeve Assembly	
4	7017164	1	Cap, End	
5	See Note	NSS	O-Ring (Note: Use Item 25)	
6	See Note	NSS	Bearing, Shaft (Note: Use Item 26)	
7	See Note	NSS	Washer, Thrust (Note: Use Item 26)	
8	See Note	NSS	Packing, Bearing (Note: Use Item 25)	
9	See Note	NSS	Seal, Cap (Note: Use Item 25)	
10	See Note	NSS	Ring, Back-up Cap (Note: Use Item 25)	
11	See Note	NSS	Seal, Rod (Note: Use Item 25)	
12	See Note	NSS	Seal, Piston (Note: Use Item 25)	
13	See Note	NSS	Bearing, Cap (Note: Use Item 26)	
14	70001697	6	Capscrew 1/4 x 3/8 Grade 8	
15	See Note	3	Bolt 1/4 x 1-1/2 Grade 8 (Note: Not Available - Purchase Locally)	
16	7017172	1	Valve Assembly	
16	7017192	2	Cartridge, Valve	
16	See Note	NSS	Seal Kit - 7017192 Valve (Note: Not Available - Purchase Cartridge)	
16	See Note	NSS	Cartridge, Valve (Not Shown - Located on Side of Block) (Note: Not Available - Purchase Complete Valve)	
16	See Note	NSS	Seal Kit - Valve Located on Side of Block (Note: Not Available - Purchase Cartridge)	
25	70000342	1	Seal Kit (Includes Items 5, 8-12 & 27)	
26	7017159	1	Bearing Kit (Includes Items 6, 7 & 13)	
27	7017142	1	Hardware Kit (Includes Dowel Pins, Plugs and Item 14)	

# SECTION 4 - BOOM

## FIGURE 4-16. PLATFORM SUPPORT INSTALLATION



ART\_1001167596\_N

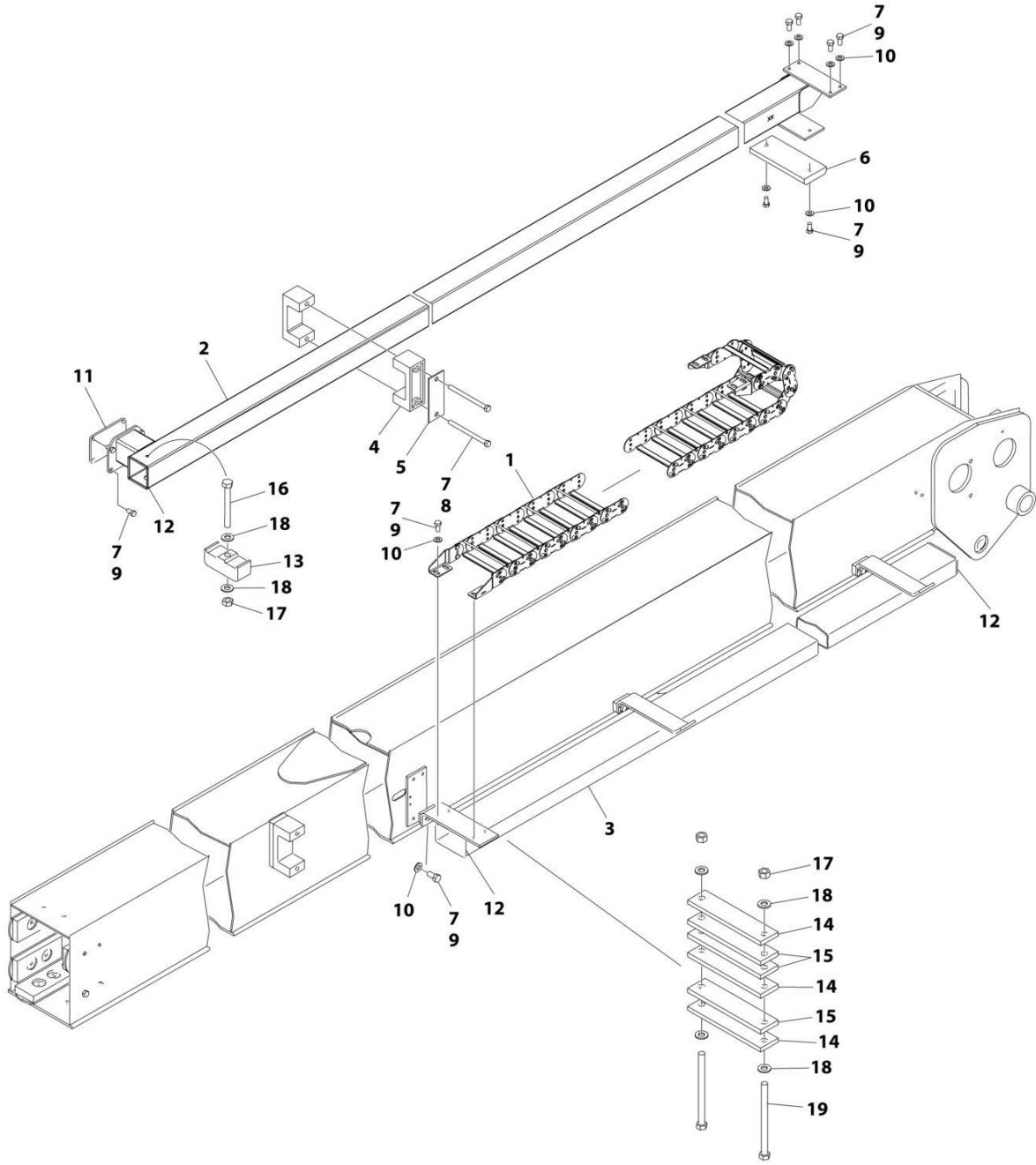
## SECTION 4 - BOOM

**FIGURE 4-16. PLATFORM SUPPORT INSTALLATION**

ITEM	PART NUMBER	QTY	DESCRIPTION	REV
	1001167596	Ref	PLATFORM SUPPORT INSTALLATION	N
1	0100011	AR	Compound, Locking	
2	0761014	5	Bolt M10 x 30	
3	0761216	8	Bolt M12 x 40	
4	1001255133	1	Bolt 1 x 11 GRD8	
5	0681608	8	Bolt 3/8 x 1 GRD8	
6	3291001	5	Nut M10	
7	3291201	3	Nut M12	
8	1001174040	1	Nut 1	
9	3291205	8	Nut M12	
10	3841143	4	Keeper, Pin	
11	4812000	8	Washer M10	
12	4812100	3	Washer M12	
13	4891600	8	Washer 3/8	
14	5241200	8	Washer M12	
15	4892600001	1	Washer 1	
16	1001098828	2	Bolt M12 x 70 CL10.9	
17	1001167565	2	Pin	
18	1001200494	1	Support, Platform	
19	1001167567	1	Support, Rotator	
20	1001168402	2	Pin	
21	1001188622	1	Screw	
22	1001247468	1	Loadcell	
23	1001188844	1	Bolt M12 x 35	
24	1001201351	2	Link	
24	1001187382	4	Bearing	
24	1001187383	4	Seal	
26	5251008	2	Bolt M10 x 16 CL10.9	
28	1001189002	8	Bearing	
29	1001190985	1	Pad, Wear	
30	3291005	2	Nut M10	
31	5251016	2	Bolt M10 x 40 CL10.9	
32	1001200491	1	Pad, Wear	
33	1001189001	4	Bearing	
34	1001204725	2	Plug	
36	91203039	1	Clamp	
37	1001216630	2	Decal - Tie Down/No Lift	
38	1001238421	Ref	Kit, Platform Leveling (Not Shown)	
	1001202687	Ref	VALVE MOUNT INSTALLATION	B
101	0100011	AR	Compound, Locking	
102	0760810	4	Bolt M8 x 20	
103	3290806	4	Nut M8	
104	4811900	8	Washer M8	
106	1001208994	1	Mount, Valve	

# SECTION 4 - BOOM

## FIGURE 4-17. POWER TRACK INSTALLATION - MAIN BOOM



ART\_0255288\_H

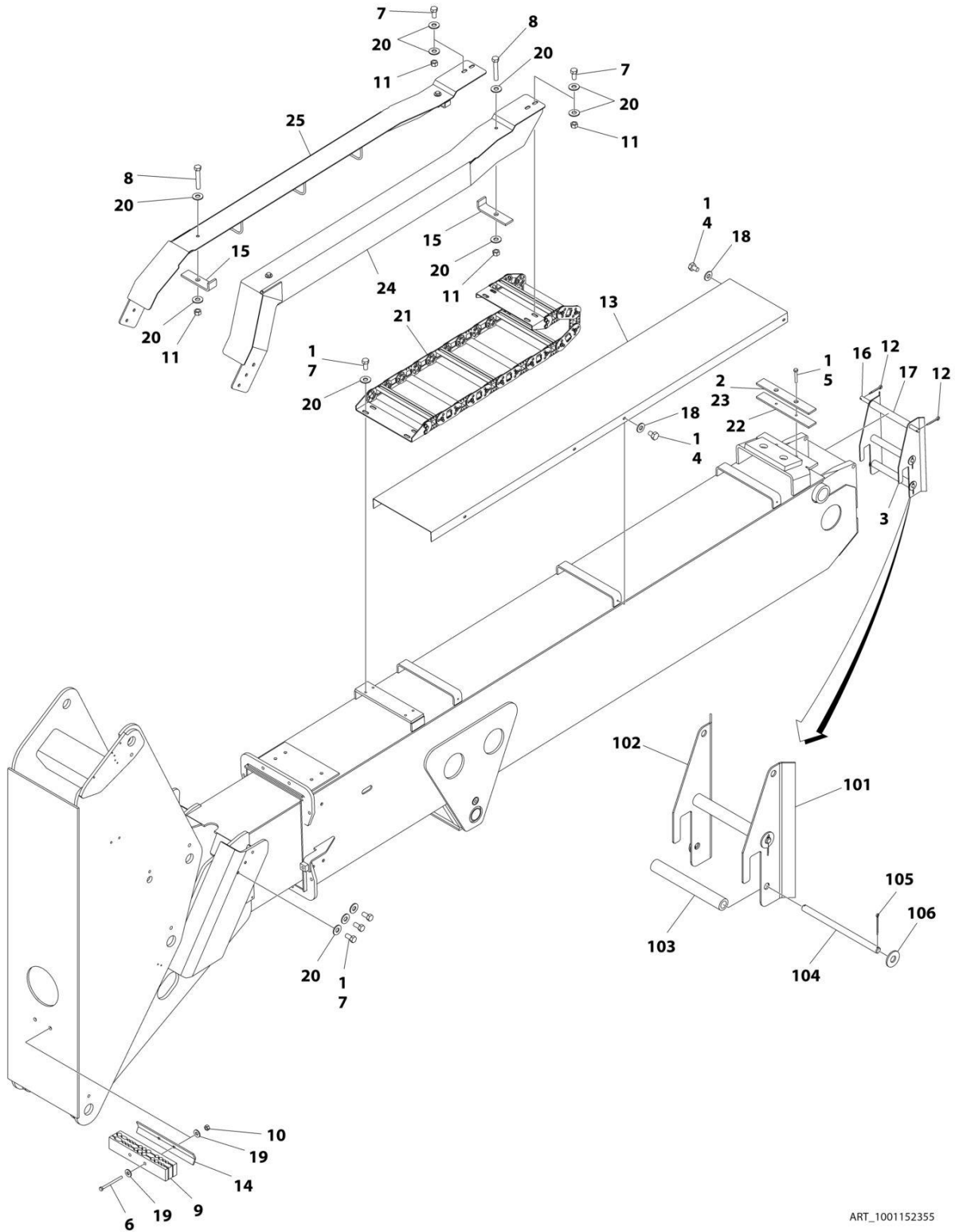
## SECTION 4 - BOOM

**FIGURE 4-17. POWER TRACK INSTALLATION - MAIN BOOM**

ITEM	PART NUMBER	QTY	DESCRIPTION	REV
	0255288	Ref	POWER TRACK INSTALLATION	H
1	1001255961	1	Power Track Assembly	
1	70007467	AR	Repair Section	
1	70007466	1	Mounting Bracket Kit	
2	1001161417	1	Tube Weldment	
3	4844979	1	Support, Power Track	
4	3340764	2	Pad, Wear	
5	3538758	1	Plate, Cover Support	
6	3340765	1	Pad	
7	0100011	AR	Compound, Locking	
8	0641640	2	Bolt 3/8 x 5	
9	0641606	20	Bolt 3/8 x 3/4	
10	4711600	16	Washer 3/8	
11	4070969	AR	Shim	
12	4060803	3.5 ft/ 1.07m	Flex-Trim	
13	1320314	1	Clamp, Hose/Cable	
14	3574185	3	Plate	
15	4071062	4	Shim	
16	0641522	1	Bolt 5/16 x 2-3/4	
17	3311505	3	Nut 5/16	
18	4711500	6	Washer 5/16	
19	0641540	2	Bolt 5/16 x 5	

# SECTION 4 - BOOM

## FIGURE 4-18. POWER TRACK INSTALLATION - TOWER BOOM



ART\_1001152355

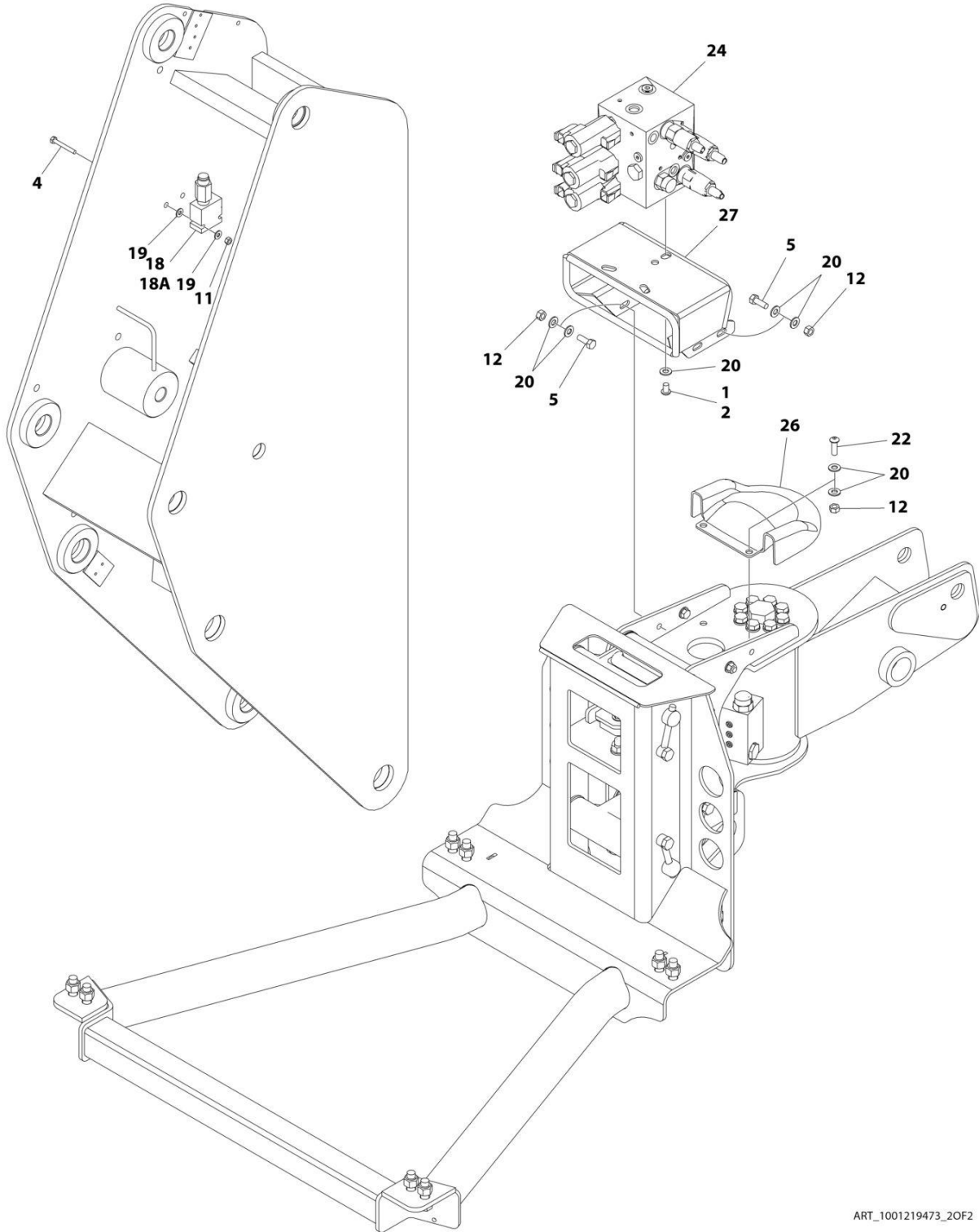
## SECTION 4 - BOOM

**FIGURE 4-18. POWER TRACK INSTALLATION - TOWER BOOM**

ITEM	PART NUMBER	QTY	DESCRIPTION	REV
	1001152355	Ref	POWER TRACK INSTALLATION	D
1	0100011	AR	Compound, Locking	
2	0100081	AR	Adhesive	
3	0257573	1	Roller Hanger Assembly (Includes Items 101-106)	
4	0641403	6	Bolt 1/4 x 3/8	
5	0641516	2	Bolt 5/16 x 2	
6	0641532	2	Bolt 5/16 x 4	
7	0641606	14	Bolt 3/8 x 3/4	
8	0641618	4	Bolt 3/8 x 2-1/4	
9	1320243	1	Clamp, Block	
10	3311505	2	Nut 5/16	
11	3311605	8	Nut 3/8	
12	3450606	2	Pin, Cotter	
13	3539228	1	Plate, Cover	
14	3570374	1	Plate	
15	1001232880	4	Plate	
16	3841295	1	Rod	
17	4567241	1	Tube	
18	4711400	6	Washer 1/4	
19	4751500	4	Washer 5/16	
20	4751600	26	Washer 3/8	
21	1001099835	1	Power Track Assembly	
21	70002001	AR	Repair Section	
21	70002002	1	Mounting Bracket Kit	
22	1001110500	1	Plate	
23	1001110501	1	Pad	
24	1001151542	1	Bracket	
25	1001151586	1	Bracket	
	0257573	Ref	ROLLER HANGER ASSEMBLY	B
101	3570277	1	Plate (Left Side)	
102	3570270	1	Plate (Right Side)	
103	4567241	2	Roller, Tube	
104	3841347	2	Rod	
105	3450306	4	Pin, Cotter	
106	4751800	4	Washer 1/2	

# SECTION 4 - BOOM

## FIGURE 4-19. CONTROL VALVES INSTALLATION – 2WS WITH DEUTZ D2011 ENGINES



ART\_1001219473\_20F2



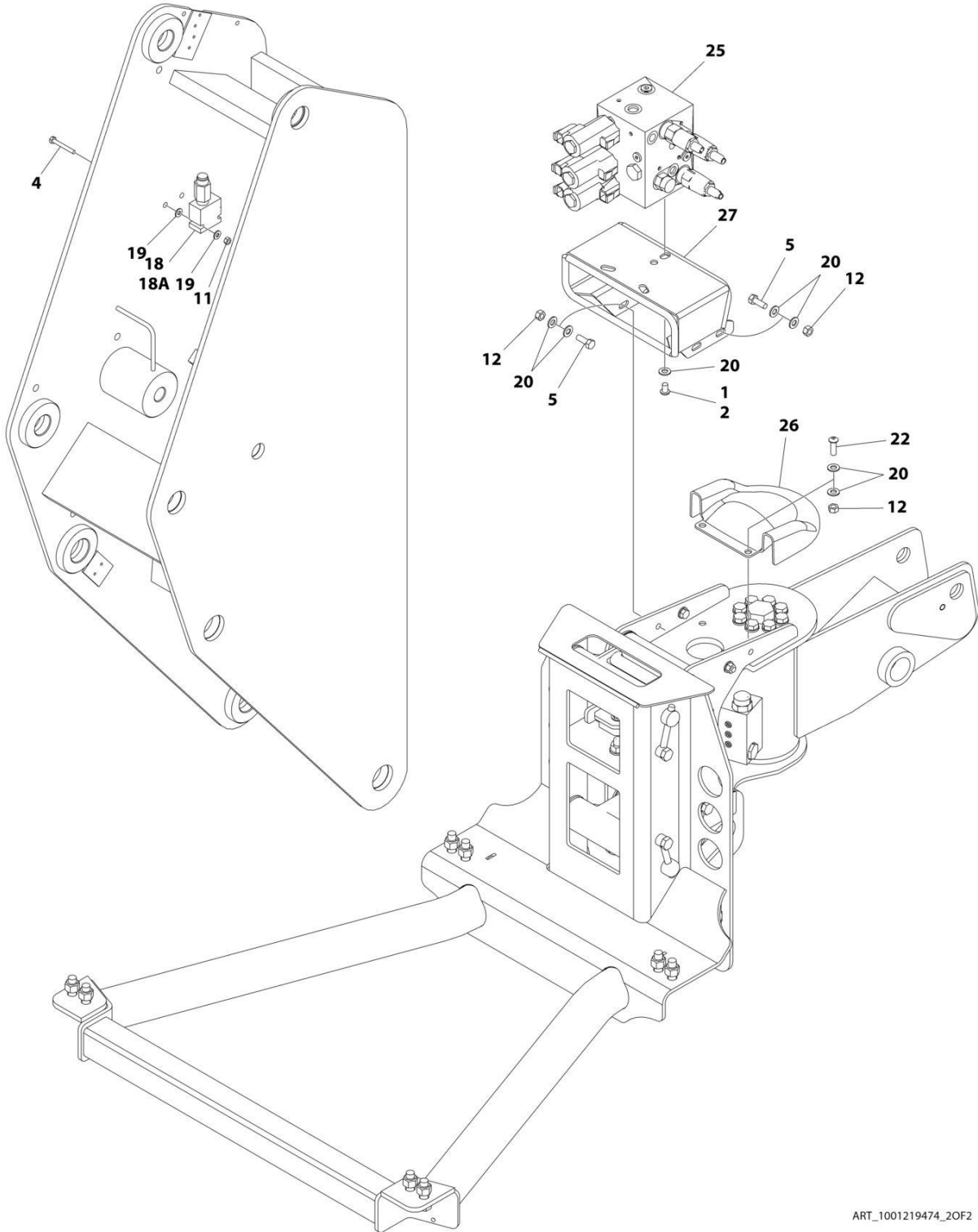
## SECTION 4 - BOOM

**FIGURE 4-19. CONTROL VALVES INSTALLATION – 2WS WITH DEUTZ D2011 ENGINES**

ITEM	PART NUMBER	QTY	DESCRIPTION	REV
	1001219473	Ref	CONTROL VALVES INSTALLATION	B
1	0100011	AR	Compound, Locking	
2	0630467	3	Screw 5/6-18 x 1/2	
4	0641416	2	Bolt 1/4 x 2	
5	0641507	4	Bolt 5/16 x 7/8	
11	3311405	2	Nut 1/4-20	
12	3311505	6	Nut 5/16	
18	4640929	1	Valve Assembly - Relief	
18A	7012970	1	Cartridge Valve	
18A	7012953	1	Seal Kit - 7012970 Valve	
19	4711400	4	Washer 1/4	
20	4711500	15	Washer 5/16	
22	88261024	2	Screw 5/16 x 1	
24	1001152565	1	Control Valve Assembly (See Separate Breakdown in this Section)	
26	1001207969	1	Cover	
27	1001208994	1	Mount	

# SECTION 4 - BOOM

## FIGURE 4-20. CONTROL VALVES INSTALLATION – 4WS WITH DEUTZ D2011 ENGINES



ART\_1001219474\_20F2

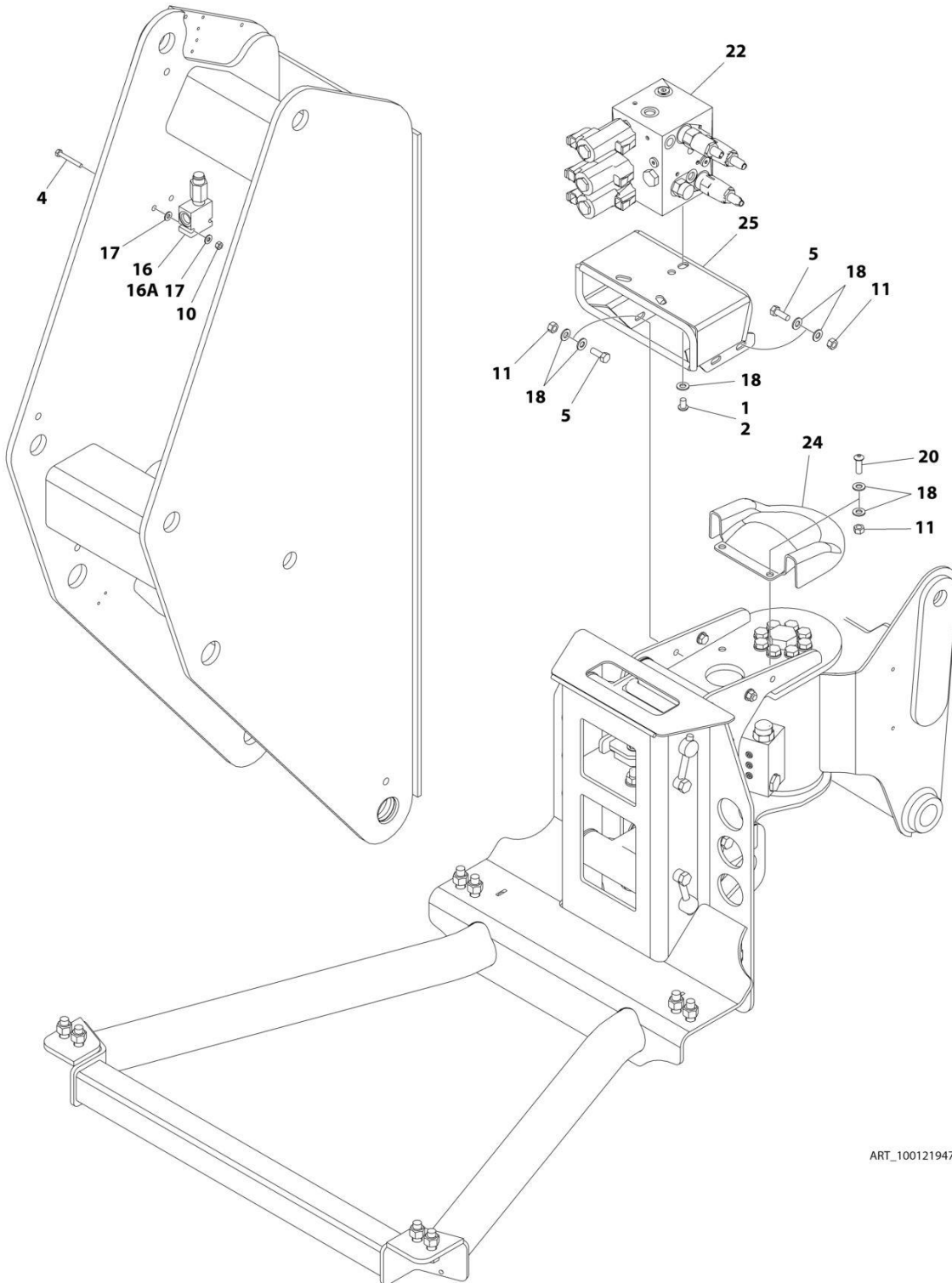
## SECTION 4 - BOOM

**FIGURE 4-20. CONTROL VALVES INSTALLATION – 4WS WITH DEUTZ D2011 ENGINES**

ITEM	PART NUMBER	QTY	DESCRIPTION	REV
	1001219474	Ref	CONTROL VALVES INSTALLATION	B
1	0100011	AR	Compound, Locking	
2	0630467	3	Screw 5/6-18 x 1/2	
4	0641416	2	Bolt 1/4 x 2	
5	0641507	4	Bolt 5/16 x 7/8	
11	3311405	2	Nut 1/4-20	
12	3311505	6	Nut 5/16	
18	4640929	1	Valve Assembly - Relief	
18A	7012970	1	Cartridge Valve	
18A	7012953	1	Seal Kit - 7012970 Valve	
19	4711400	4	Washer 1/4	
20	4711500	15	Washer 5/16	
22	88261024	2	Screw 5/16 x 1	
25	1001152565	1	Control Valve Assembly (See Separate Breakdown in this Section)	
26	1001207969	1	Cover	
27	1001208994	1	Mount	

# SECTION 4 - BOOM

FIGURE 4-21. CONTROL VALVES INSTALLATION – 2WS WITH DEUTZ TD2.3L3, DEUTZ TD2.9L4, DEUTZ TD2.9L4 (STAGE V), DEUTZ D2.9L4 (CHINA IV) AND FORD ENGINES



ART\_1001219476\_2OF2

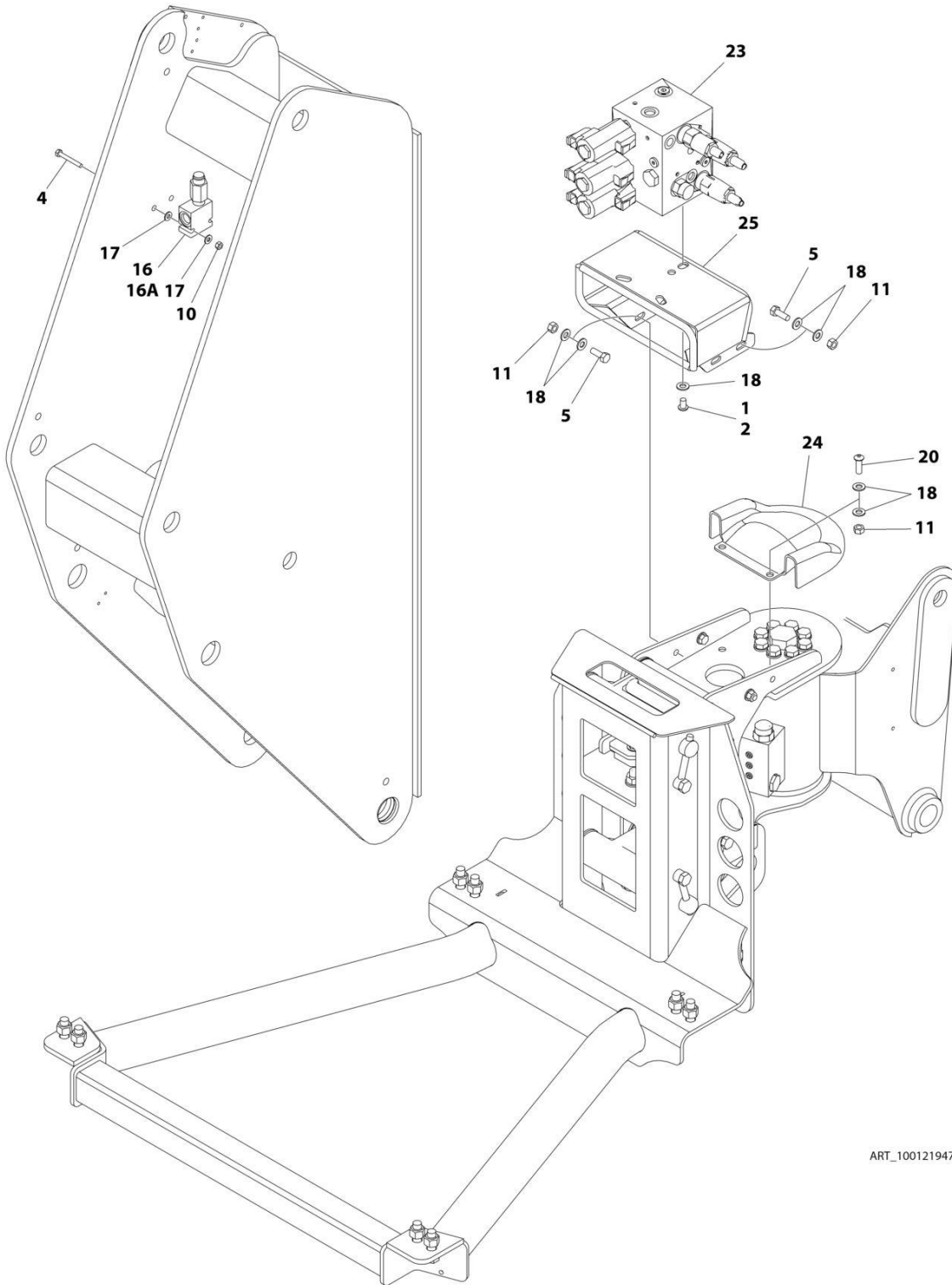
## SECTION 4 - BOOM

**FIGURE 4-21. CONTROL VALVES INSTALLATION – 2WS WITH DEUTZ TD2.3L3, DEUTZ TD2.9L4, DEUTZ TD2.9L4 (STAGE V), DEUTZ D2.9L4 (CHINA IV) AND FORD ENGINES**

ITEM	PART NUMBER	QTY	DESCRIPTION	REV
	1001219476	Ref	CONTROL VALVES INSTALLATION	B
1	0100011	AR	Compound, Locking	
2	0630467	3	Screw 5/6-18 x 1/2	
4	0641416	2	Bolt 1/4 x 2	
5	0641507	4	Bolt 5/16 x 7/8	
10	3311405	2	Nut 1/4-20	
11	3311505	6	Nut 5/16	
16	4640929	1	Valve Assembly - Relief	
16A	7012970	1	Cartridge Valve	
16A	7012953	1	Seal Kit - 7012970 Valve	
17	4711400	4	Washer 1/4	
18	4711500	15	Washer 5/16	
20	88261024	2	Screw 5/16 x 1	
22	1001152565	1	Control Valve Assembly (See Separate Breakdown in this Section)	
24	1001207969	1	Cover	
25	1001208994	1	Mount	

# SECTION 4 - BOOM

FIGURE 4-22. CONTROL VALVES INSTALLATION – 4WS WITH DEUTZ TD2.3L3, DEUTZ TD2.9L4, DEUTZ TD2.9L4 (STAGE V), DEUTZ D2.9L4 (CHINA IV) AND FORD ENGINES



ART\_1001219476\_2OF2

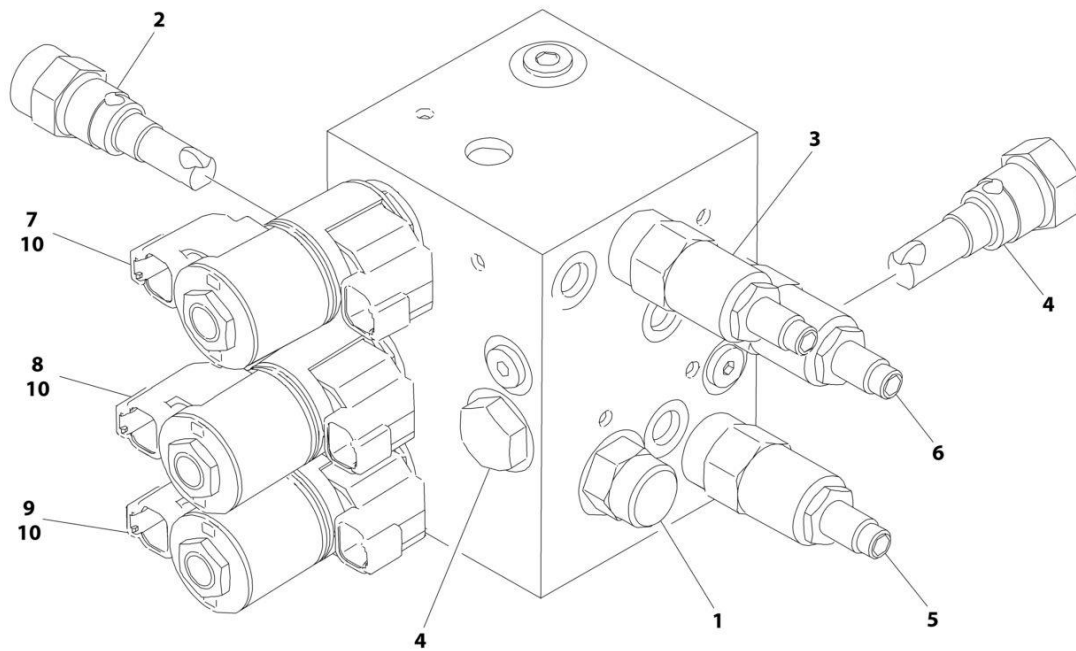
## SECTION 4 - BOOM

**FIGURE 4-22. CONTROL VALVES INSTALLATION – 4WS WITH DEUTZ TD2.3L3, DEUTZ TD2.9L4, DEUTZ TD2.9L4 (STAGE V), DEUTZ D2.9L4 (CHINA IV) AND FORD ENGINES**

ITEM	PART NUMBER	QTY	DESCRIPTION	REV
	1001219478	Ref	CONTROL VALVES INSTALLATION	B
1	0100011	AR	Compound, Locking	
2	0630467	3	Screw 5/6-18 x 1/2	
4	0641416	2	Bolt 1/4 x 2	
5	0641507	4	Bolt 5/16 x 7/8	
10	3311405	2	Nut 1/4-20	
11	3311505	6	Nut 5/16	
16	4640929	1	Valve Assembly - Relief	
16A	7012970	1	Cartridge Valve	
16A	7012953	1	Seal Kit - 7012970 Valve	
17	4711400	4	Washer 1/4	
18	4711500	15	Washer 5/16	
20	88261024	2	Screw 5/16 x 1	
23	1001152565	1	Control Valve Assembly (See Separate Breakdown in this Section)	
24	1001207969	1	Cover	
25	1001208994	1	Mount	

# SECTION 4 - BOOM

## FIGURE 4-23. CONTROL VALVE ASSEMBLY



ART\_1001152565

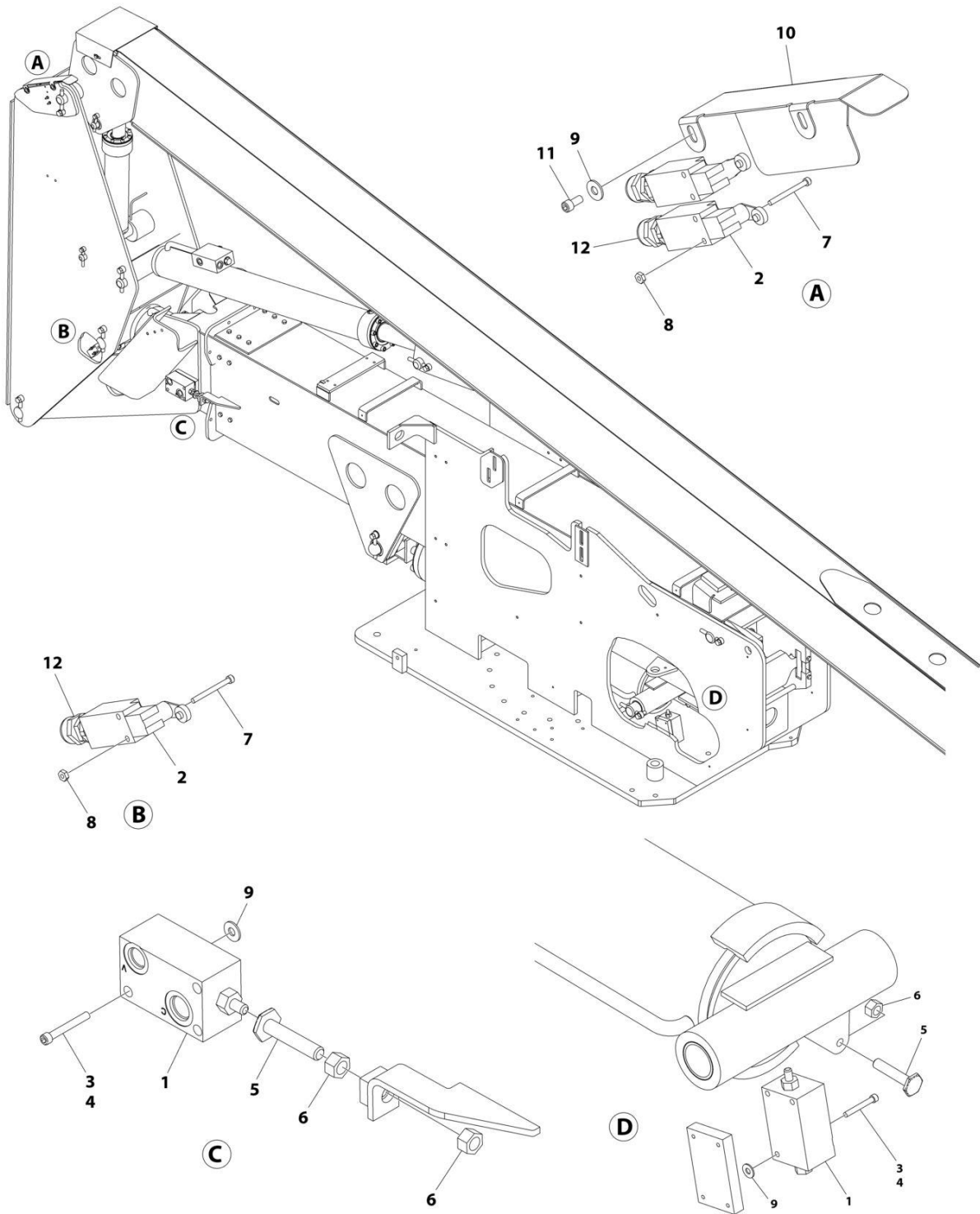


FIGURE 4-23. CONTROL VALVE ASSEMBLY

ITEM	PART NUMBER	QTY	DESCRIPTION	REV
	1001152565	Ref	BOOM VALVE ASSEMBLY	C
1	7012989	1	Valve, Flow	
1	7012953	1	Seal Kit - 7012989 Valve	
2	7012965	1	Valve, Flow	
2	7012953	1	Seal Kit - 7012965 Valve	
3	70003790	1	Valve, Relief	
3	7021653	1	Seal Kit - 70003790 Valve	
4	7012914	2	Valve, Cartridge	
4	7012918	2	Seal Kit - 7012914 Valve	
5	7023911	1	Valve, Relief	
5	7012967	1	Seal Kit - 7023911 Valve	
6	7023912	1	Valve, Relief	
6	7012967	1	Seal Kit - 7023912 Valve	
7	7017452	1	Valve, Solenoid (Jib)	
7	7017402	2	Seal Kit - 7017452 Valve	
8	7017452	1	Valve, Solenoid (Platform Level)	
8	7017402	1	Seal Kit - 7017452 Valve	
9	7017452	1	Valve, Solenoid (Rotator)	
9	7017402	2	Seal Kit - 7017452 Valve	
10	70002386	6	Coil	
11	70002064	2	Plug, Orifice (Not Shown)	
12	7017406	2	Plug (Not Shown)	

# SECTION 4 - BOOM

## FIGURE 4-24. BOOM VALVES AND LIMIT SWITCHES INSTALLATION



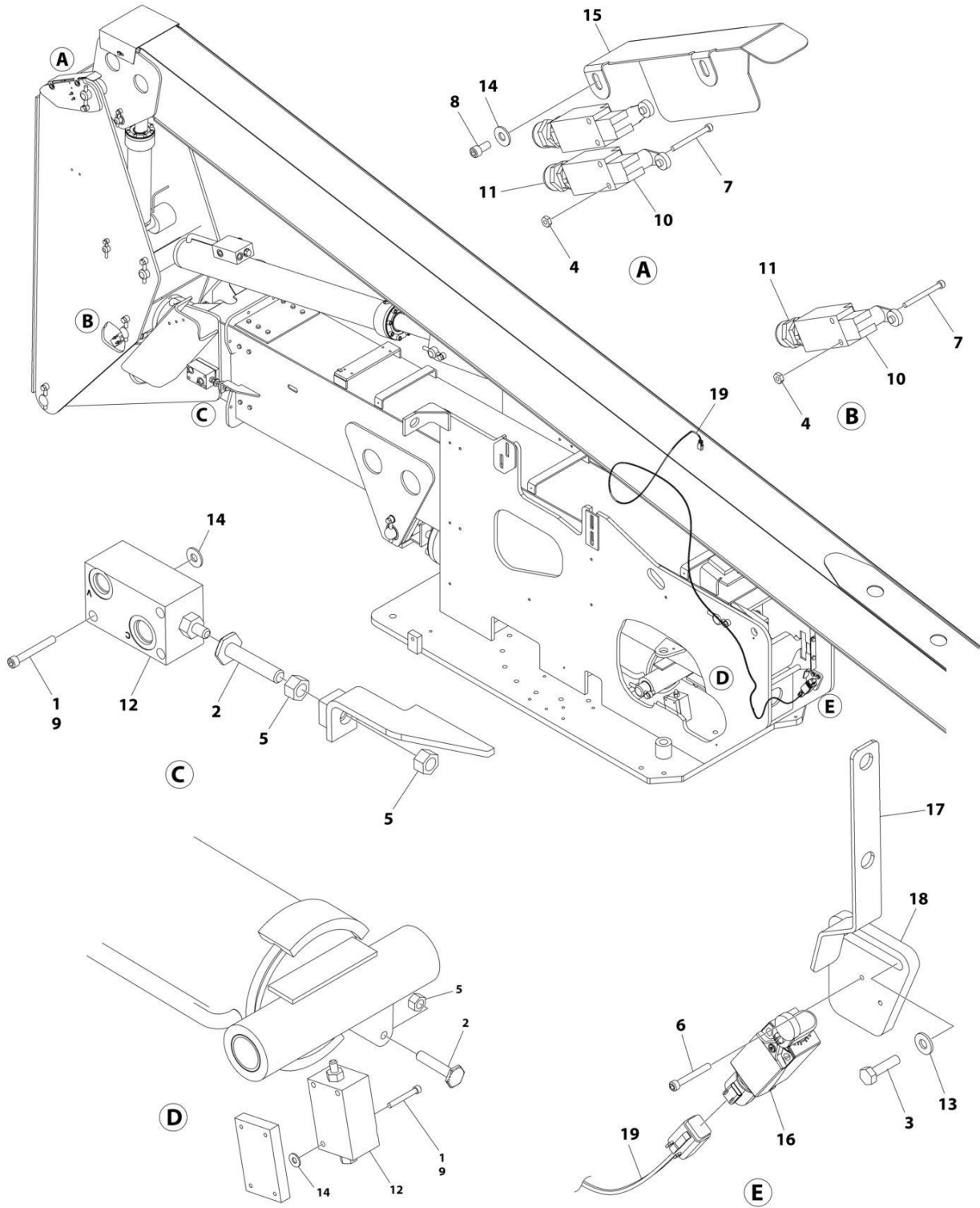
ART\_1001155267

FIGURE 4-24. BOOM VALVES AND LIMIT SWITCHES INSTALLATION

ITEM	PART NUMBER	QTY	DESCRIPTION	REV
	1001155267	Ref	BOOM VALVES AND LIMIT SWITCHES INSTALLATION	C
1	4641436	2	Valve, Manual 2-Way	
2	4360578	2	Switch, Limit	
3	3931430	6	Bolt, Socket Head 1/4 x 1-7/8	
4	0100011	AR	Compound, Locking	
5	0630427	2	Bolt, Special	
6	3311801	3	Nut 1/2	
7	3930828	4	Bolt, Socket Head #8 x 1-3/4	
8	3310801	4	Nut #8	
9	4751400	8	Washer 1/4	
10	1001155399	1	Cover, Switch	
11	3931408	2	Bolt, Socket 1/4 x 1/2	
12	4460968	2	Connector, Strain Relief	

# SECTION 4 - BOOM

## FIGURE 4-25. BOOM VALVES AND LIMIT SWITCHES INSTALLATION - WITH TOWER STOW



ART\_1001266165

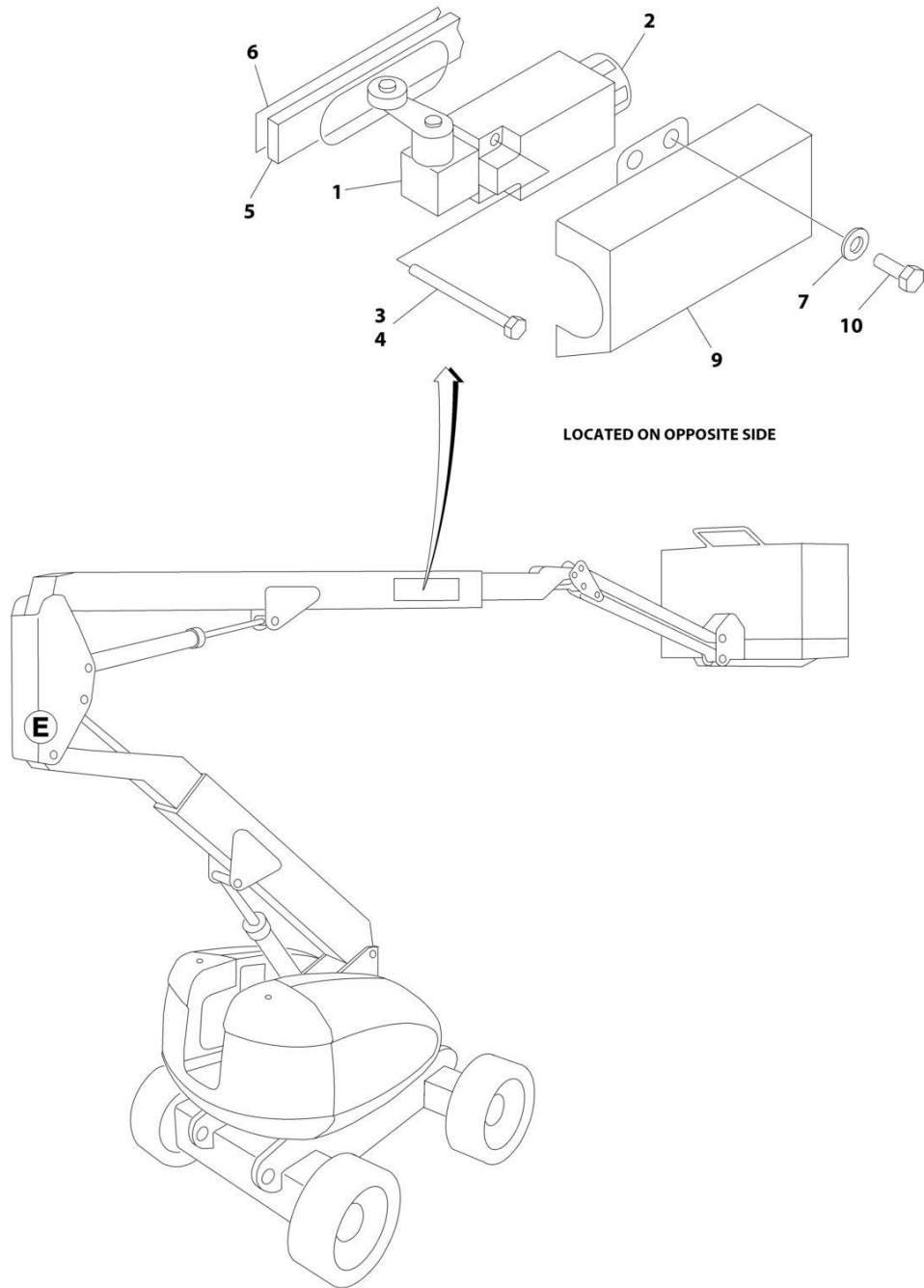
## SECTION 4 - BOOM

**FIGURE 4-25. BOOM VALVES AND LIMIT SWITCHES INSTALLATION - WITH TOWER STOW**

ITEM	PART NUMBER	QTY	DESCRIPTION	REV
	1001266165	Ref	BOOM VALVES AND LIMIT SWITCHES INSTALLATION	A
1	0100011	AR	Compound, Locking	
2	0630427	2	Bolt, Special	
3	0641408	2	Bolt 1/4 x 1	
4	3310801	4	Nut #8	
5	3311801	3	Nut 1/2	
6	3930820	2	Bolt, Socket Head #8 x 1-1/4	
7	3930828	4	Bolt, Socket Head #8 x 1-3/4	
8	3931408	2	Bolt, Socket 1/4 x 1/2	
9	3931430	6	Bolt, Socket Head 1/4 x 1-7/8	
10	4360578	2	Switch, Limit	
11	4460968	2	Connector, Strain Relief	
12	4641436	2	Valve, Manual 2-Way	
13	4711400	2	Washer 1/4	
14	4751400	8	Washer 1/4	
15	1001155399	1	Cover, Switch	
16	1001172271	1	Switch, Roller Limit	
17	1001259642	1	Plate	
18	1001260070	1	Beacket	
19	1001266829	1	Harness, Tower Stow Indicator	

# SECTION 4 - BOOM

## FIGURE 4-26. TRANSPORT POSITION SWITCH INSTALLATION



ART\_0256336

FIGURE 4-26. TRANSPORT POSITION SWITCH INSTALLATION

ITEM	PART NUMBER	QTY	DESCRIPTION	REV
	0256336	Ref	TRANSPORT POSITION SWITCHES INSTALLATION	C
1	4360578	1	Switch, Limit	
2	4460968	1	Connector, Strain Relief	
3	0100035	AR	Compound, Locking	
4	3930816	2	Bolt, Socket Head #8 x 1	
5	1001106480	1	Bar, Fiberglass	
6	4420060	10.5 ft/ 3.2m	Tape, Foam	
7	4751400	4	Washer 1/4	
9	1670824	1	Cover, Switch	
10	0641403	4	Bolt 3/8 x 3/8	

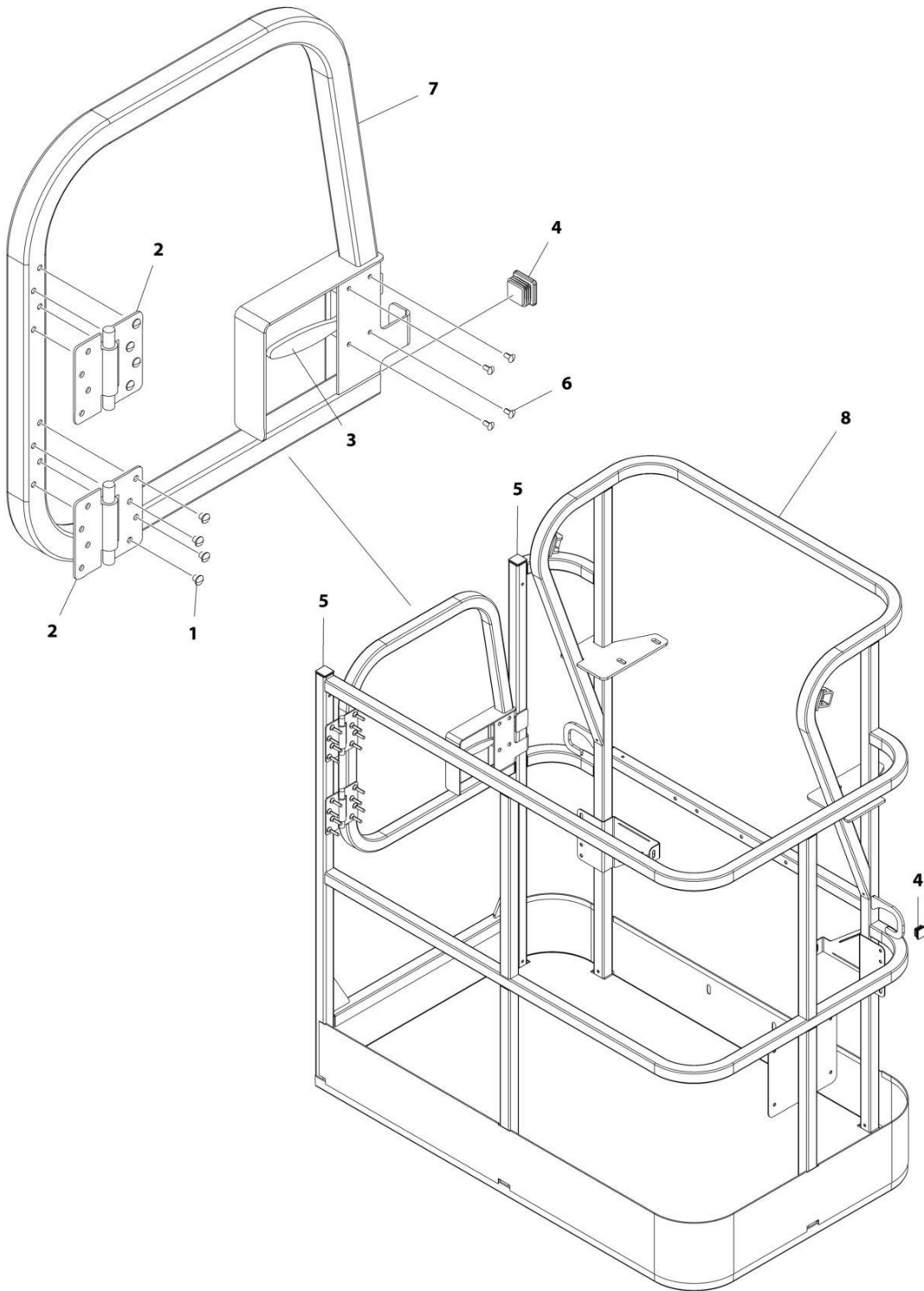




**SECTION 5 - PLATFORM**

# SECTION 5 - PLATFORM

FIGURE 5-1. PLATFORM ASSEMBLY - 30IN X 4FT (76.2CM X 1.22M) WITH SWING GATE



ART\_1001186387

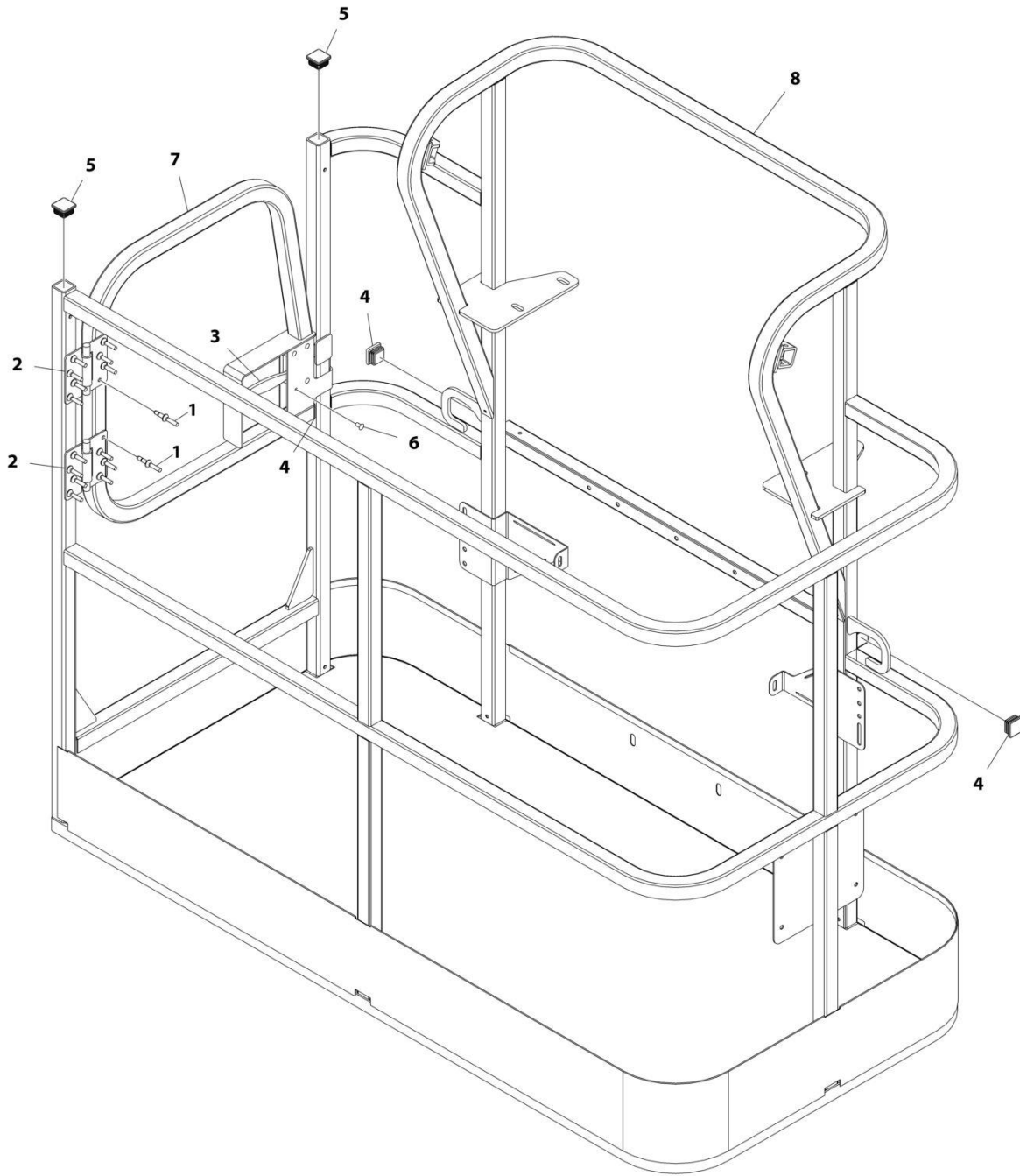
## SECTION 5 - PLATFORM

**FIGURE 5-1. PLATFORM ASSEMBLY - 30IN X 4FT (76.2CM X 1.22M) WITH SWING GATE**

ITEM	PART NUMBER	QTY	DESCRIPTION	REV
	1001186387	Ref	PLATFORM ASSEMBLY	C
		Ref	Note: Platform and Mesh must be ordered separately for Platforms with Mesh. See SPECIAL OPTIONS SECTION for Mesh Installations.	
		Ref	Note: Replacement Decals Must be Ordered Separately - See DECALS SECTION.	
1	2080040	16	Fastener, Huck	
2	2600281	2	Hinge, Self-Closing	
3	2940074	1	Latch	
4	3520072	3	Plug	
5	3520198	2	Plug	
6	3820020	4	Rivet	
7	1001144629	1	Gate	
8	See Note	1	Platform (Note: Not Available - Purchase Platform Assembly)	

# SECTION 5 - PLATFORM

FIGURE 5-2. PLATFORM ASSEMBLY - 30IN X 5FT (76CM X 1.52M) WITH SWING GATE



ART\_1001186386

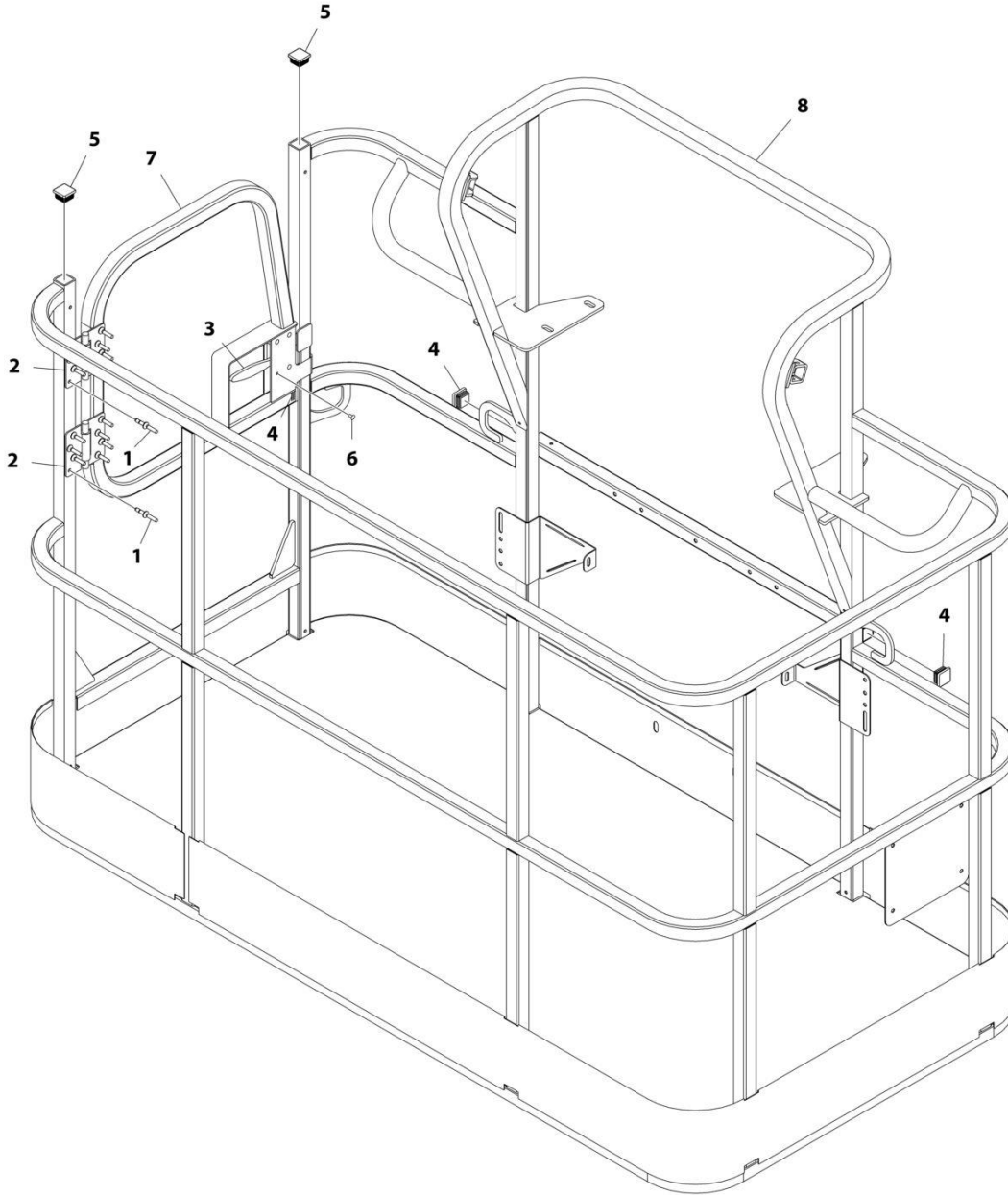
## SECTION 5 - PLATFORM

**FIGURE 5-2. PLATFORM ASSEMBLY - 30IN X 5FT (76CM X 1.52M) WITH SWING GATE**

ITEM	PART NUMBER	QTY	DESCRIPTION	REV
	1001186386	Ref	PLATFORM ASSEMBLY	C
		Ref	Note: Platform and Mesh must be ordered separately for Platforms with Mesh. See SPECIAL OPTIONS SECTION for Mesh Installations.	
		Ref	Note: Replacement Decals Must be Ordered Separately - See DECALS SECTION.	
1	2080040	16	Fastener, Huck	
2	2600281	2	Hinge, Self-Closing	
3	2940074	1	Latch	
4	3520072	3	Plug	
5	3520198	2	Plug	
6	3820020	4	Rivet	
7	1001144629	1	Gate	
8	See Note	NSS	Platform (Note: Not Available - Purchase Platform Assembly)	

# SECTION 5 - PLATFORM

FIGURE 5-3. PLATFORM ASSEMBLY - 36IN X 6FT (91.5CM X 1.83M) WITH SWING GATE



ART\_1001186384

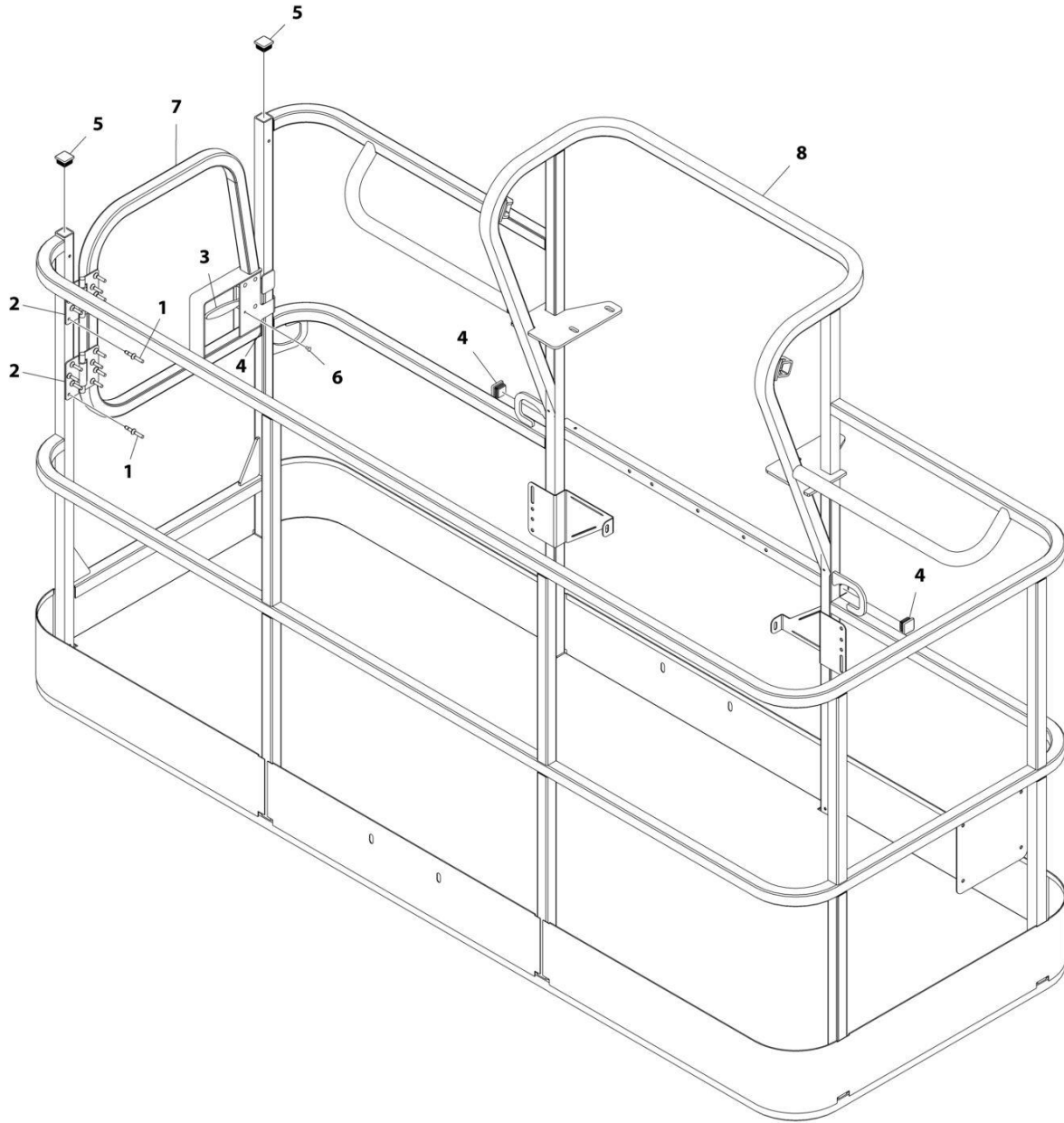
## SECTION 5 - PLATFORM

**FIGURE 5-3. PLATFORM ASSEMBLY - 36IN X 6FT (91.5CM X 1.83M) WITH SWING GATE**

ITEM	PART NUMBER	QTY	DESCRIPTION	REV
	1001186384	Ref	PLATFORM ASSEMBLY - 36IN X 6FT (91.5CM X 1.83M) WITH SWING GATE	C
	See Note	Ref	Note: Platform and Mesh must be ordered separately for Platforms with Mesh. See SPECIAL OPTIONS SECTION for Mesh Installations.	
	See Note	Ref	Note: Replacement Decals Must be Ordered Separately - See DECALS SECTION.	
1	2080040	16	Fastener, Huck	
2	2600281	2	Hinge	
3	2940074	1	Latch	
4	3520072	3	Plug	
5	3520198	2	Plug	
6	3820020	4	Rivet	
7	1001144629	1	Gate	
8	See Note	NSS	Platform (Note: Not Available - Purchase Platform Assembly)	

# SECTION 5 - PLATFORM

FIGURE 5-4. PLATFORM ASSEMBLY - 36IN X 8FT (91.5CM X 2.44M) WITH SWING GATE



ART\_1001186383



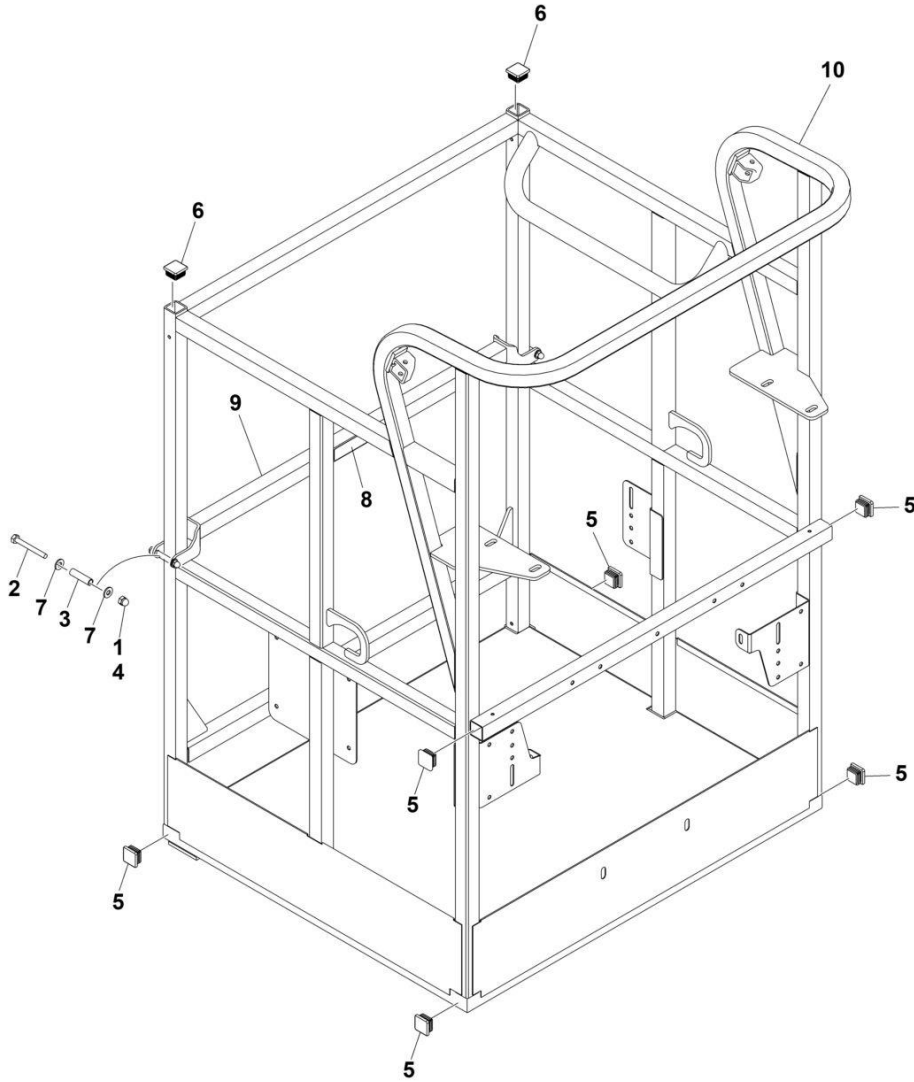
## SECTION 5 - PLATFORM

**FIGURE 5-4. PLATFORM ASSEMBLY - 36IN X 8FT (91.5CM X 2.44M) WITH SWING GATE**

ITEM	PART NUMBER	QTY	DESCRIPTION	REV
	1001186383	Ref	PLATFORM ASSEMBLY - 36IN X 8FT (91.5CM X 2.44M) WITH SWING GATE	D
		Ref	Note: Platform and Mesh must be ordered separately for Platforms with Mesh. See SPECIAL OPTIONS SECTION for Mesh Installations.	
		Ref	Note: Replacement Decals Must be Ordered Separately - See DECALS SECTION.	
1	2080040	16	Fastener, Huck	
2	2600281	2	Hinge	
3	2940074	1	Latch	
4	3520072	3	Plug	
5	3520198	2	Plug	
6	3820020	4	Rivet	
7	1001144629	1	Gate	
8	See Note	NSS	Platform (Note: Not Available - Purchase Platform Assembly)	

# SECTION 5 - PLATFORM

FIGURE 5-5. PLATFORM ASSEMBLY - 30IN X 3FT (76CM X .91M) WITH DROP BAR



ART\_1001228215

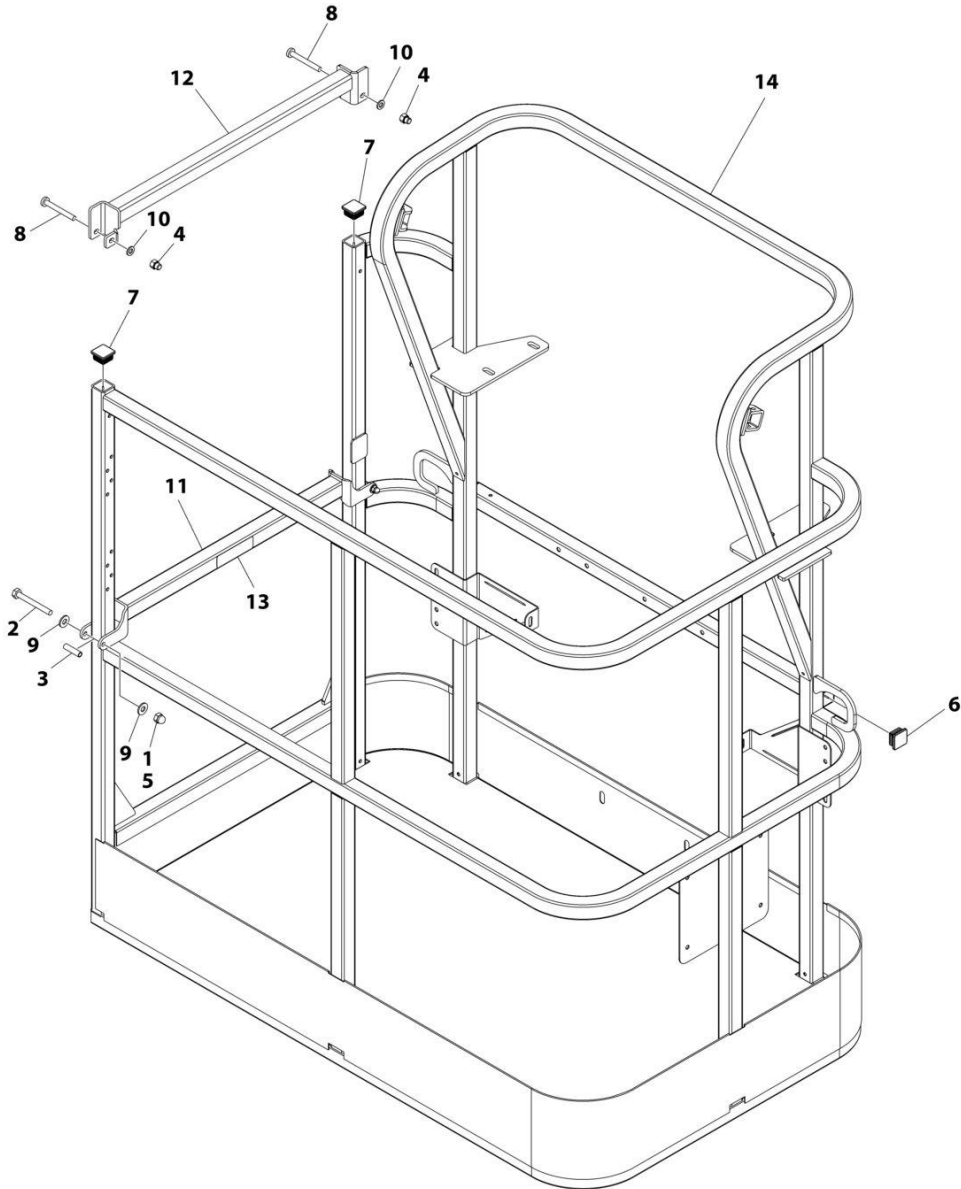
## SECTION 5 - PLATFORM

**FIGURE 5-5. PLATFORM ASSEMBLY - 30IN X 3FT (76CM X .91M) WITH DROP BAR**

ITEM	PART NUMBER	QTY	DESCRIPTION	REV
	1001228215	Ref	PLATFORM ASSEMBLY	A
	See Note	Ref	Note: Platform and Mesh must be ordered separately for Platforms with Mesh. See SPECIAL OPTIONS SECTION for Mesh Installations.	
	See Note	Ref	Note: Replacement Decals Must be Ordered Separately - See DECAL SECTION.	
1	0100011	AR	Compound, Locking	
2	0641418	2	Bolt 1/4 x 2-1/4	
3	0961845	2	Bushing	
4	3300151	2	Nut 1/4	
5	3520072	6	Cap, Plug	
6	3520198	2	Cap, Plug	
7	4711400	4	Washer 1/4	
8	1001140429	1	Decal - Drop Bar	
9	1001226872	1	Bar, Drop	
10	See Note	NSS	Platform (Note: Not Available - Purchase Platform Assembly)	

# SECTION 5 - PLATFORM

FIGURE 5-6. PLATFORM ASSEMBLY - 30IN X 4FT (76.2CM X 1.22M) WITH DROP BAR



ART\_1001186375

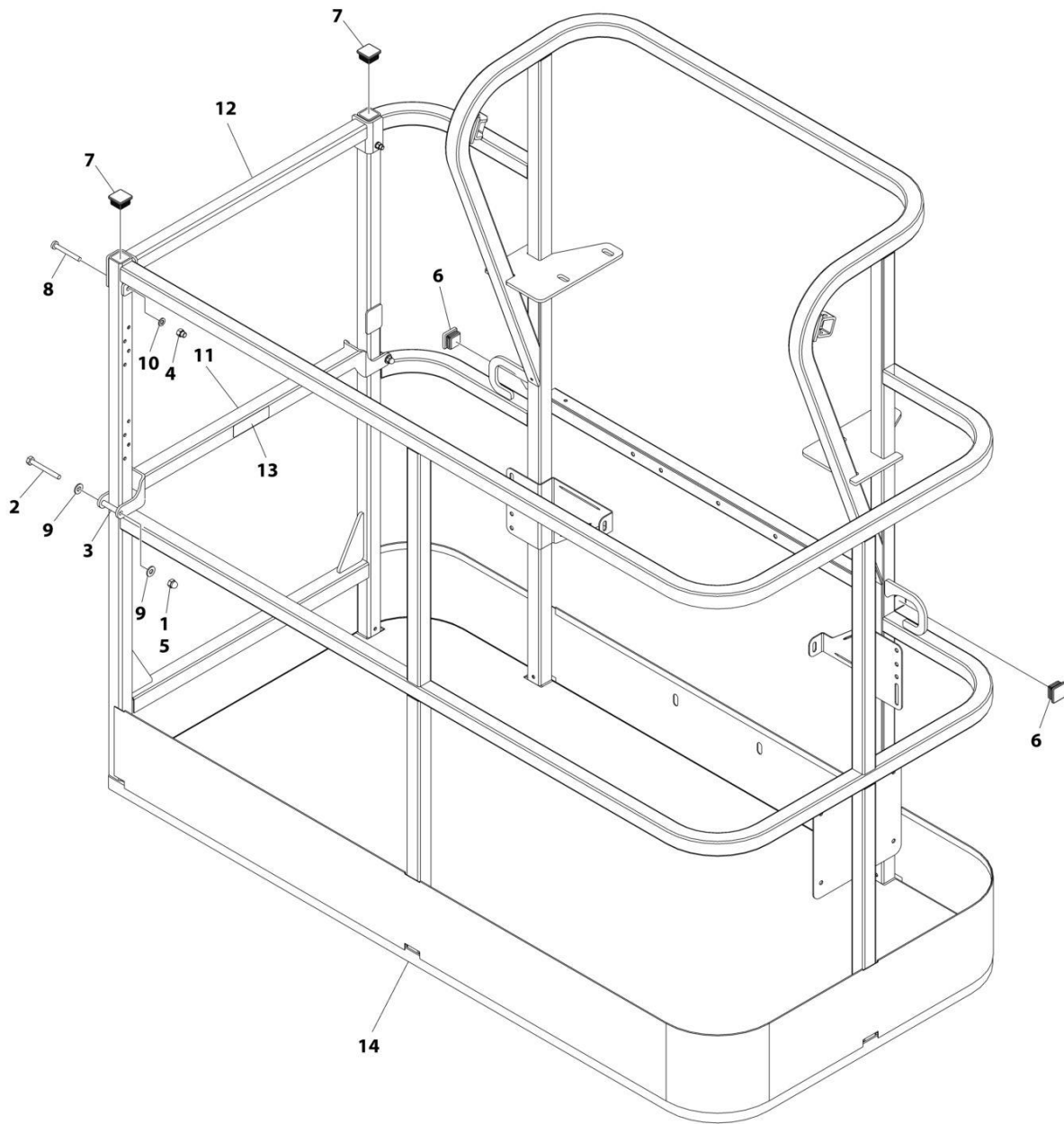
## SECTION 5 - PLATFORM

**FIGURE 5-6. PLATFORM ASSEMBLY - 30IN X 4FT (76.2CM X 1.22M) WITH DROP BAR**

ITEM	PART NUMBER	QTY	DESCRIPTION	REV
	1001186375	Ref	PLATFORM ASSEMBLY	B
		Ref	Note: Platform and Mesh must be ordered separately for Platforms with Mesh. See SPECIAL OPTIONS SECTION for Mesh Installations.	
		Ref	Note: Replacement Decals Must be Ordered Separately - See DECALS SECTION.	
1	0100011	AR	Compound, Locking	
2	0641418	2	Bolt 1/4 x 2-1/4	
3	0961845	2	Bushing	
4	3290606	2	Nut M6	
5	3300151	2	Nut 1/4	
6	3520072	2	Plug	
7	3520198	2	Plug	
8	4010618	2	Screw M6 x 50	
9	4711400	4	Washer 1/4	
10	4811700	2	Washer M6	
11	1001138494	1	Bar, Drop	
12	1001138514	1	Rail - Top	
13	1001140429	1	Decal - Drop Bar	
14	See Note	1	Platform (Note: Not Available - Purchase Platform Assembly)	

# SECTION 5 - PLATFORM

FIGURE 5-7. PLATFORM ASSEMBLY - 30IN X 5FT (76CM X 1.52M) WITH DROP BAR



ART\_1001186377

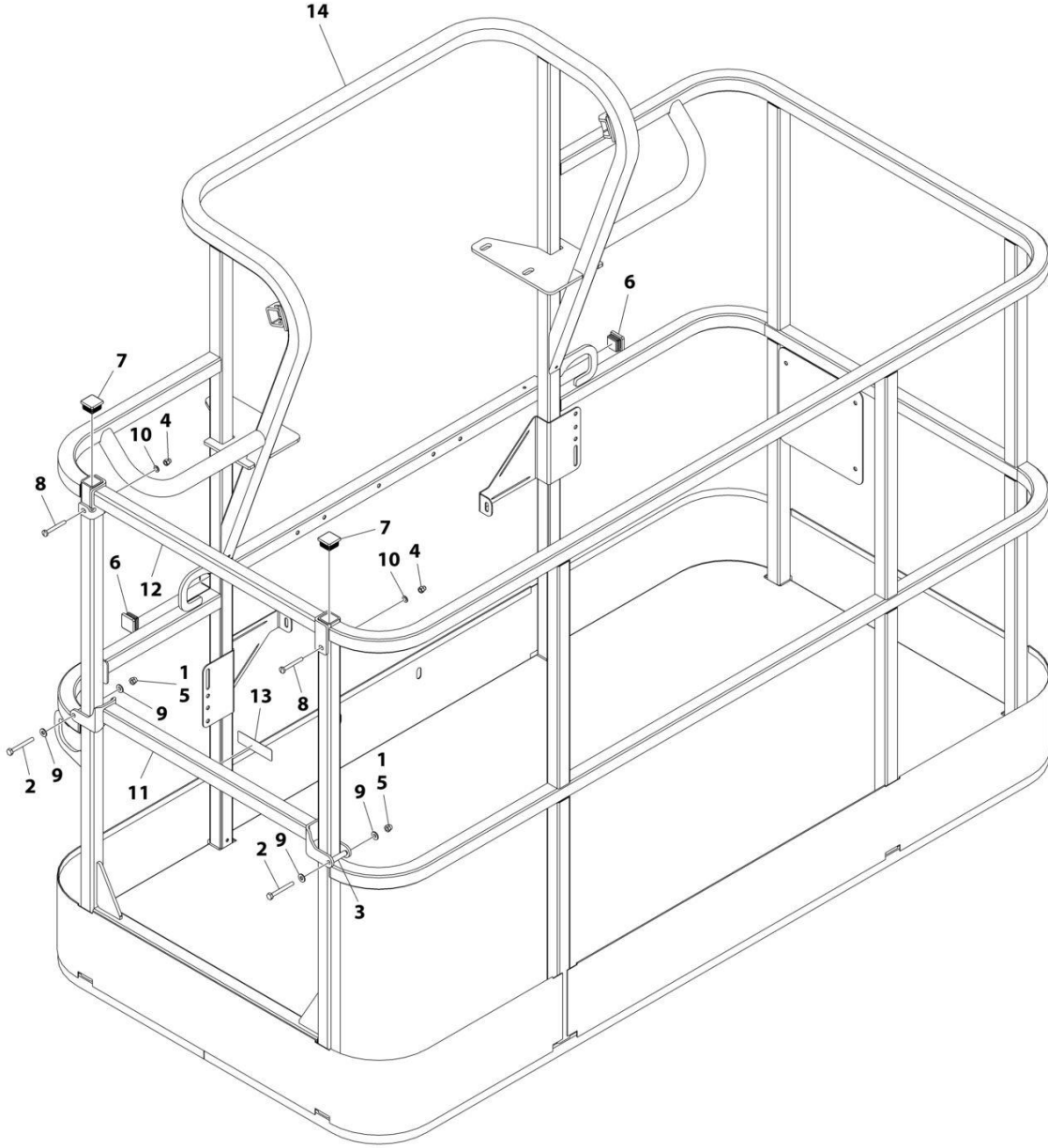
## SECTION 5 - PLATFORM

**FIGURE 5-7. PLATFORM ASSEMBLY - 30IN X 5FT (76CM X 1.52M) WITH DROP BAR**

ITEM	PART NUMBER	QTY	DESCRIPTION	REV
	1001186377	Ref	PLATFORM ASSEMBLY	C
		Ref	Note: Platform and Mesh must be ordered separately for Platforms with Mesh. See SPECIAL OPTIONS SECTION for Mesh Installations.	
		Ref	Note: Replacement Decals Must be Ordered Separately - See DECALS SECTION.	
1	0100011	AR	Compound, Locking	
2	0641420	2	Bolt 1/4 x 2-1/2	
3	0961845	2	Bushing	
4	3290606	2	Nut M6	
5	3300151	2	Nut 1/4	
6	3520072	2	Plug	
7	3520198	2	Plug	
8	4010618	2	Screw M6 x 50	
9	4711400	4	Washer 1/4	
10	4811700	2	Washer M6	
11	1001138494	1	Bar, Drop	
12	1001138514	1	Rail (Top)	
13	1001140429	1	Decal - Drop Bar	
14	See Note	NSS	Platform (Note: Not Available - Purchase Platform Assembly)	

# SECTION 5 - PLATFORM

FIGURE 5-8. PLATFORM ASSEMBLY - 36IN X 6FT (91.5CM X 1.83M) WITH DROP BAR



ART\_1001186379



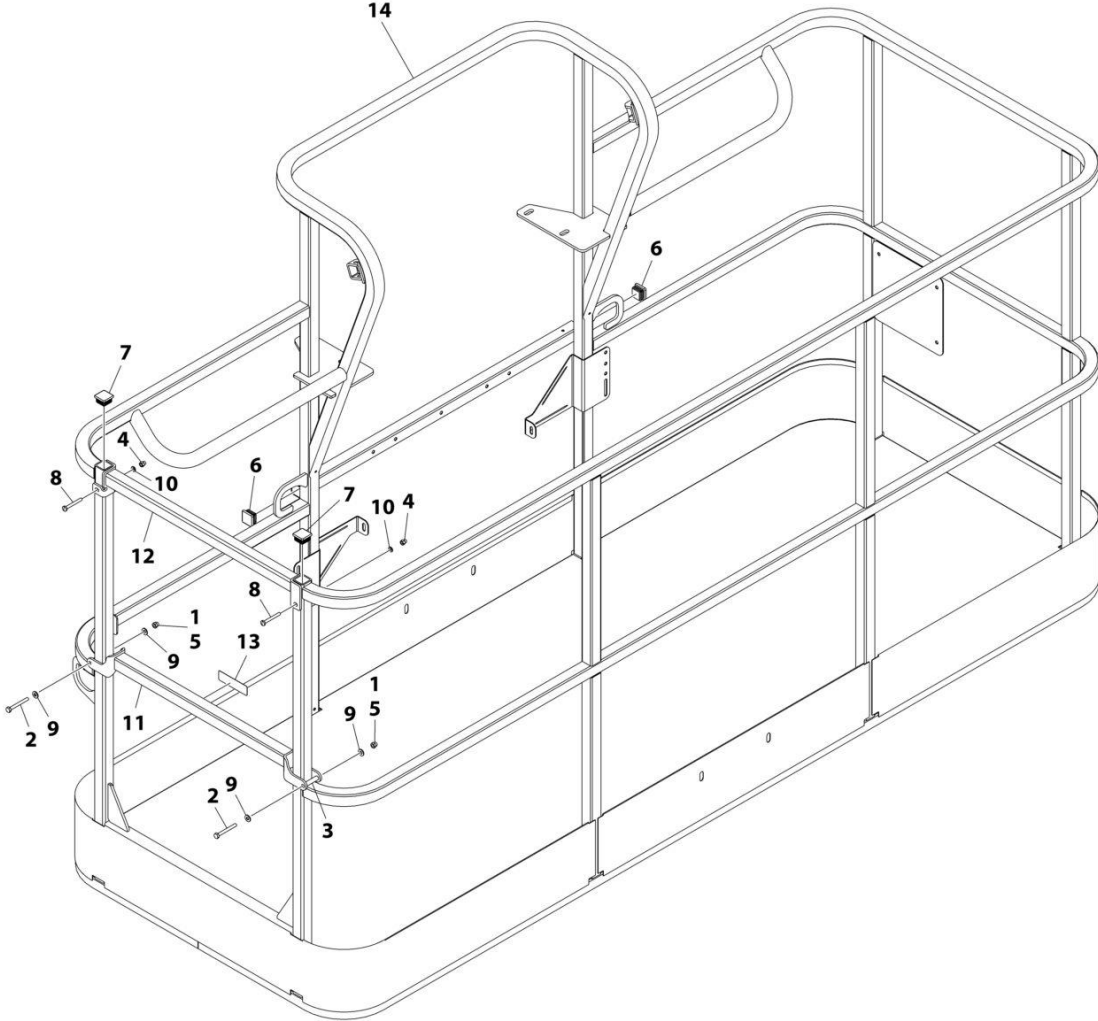
## SECTION 5 - PLATFORM

**FIGURE 5-8. PLATFORM ASSEMBLY - 36IN X 6FT (91.5CM X 1.83M) WITH DROP BAR**

ITEM	PART NUMBER	QTY	DESCRIPTION	REV
	1001186379	Ref	PLATFORM ASSEMBLY - 36IN X 6FT (91.5CM X 1.83M) WITH DROP BAR	B
		Ref	Note: Platform and Mesh must be ordered separately for Platforms with Mesh. See SPECIAL OPTIONS SECTION for Mesh Installations.	
		Ref	Note: Replacement Decals Must be Ordered Separately - See DECALS SECTION.	
1	0100011	AR	Compound, Locking	
2	0641418	2	Bolt 1/4 x 2-1/4	
3	0961845	2	Bushing	
4	3290606	2	Nut M6	
5	3300151	2	Nut 1/4	
6	3520072	2	Plug	
7	3520198	2	Plug	
8	4010618	2	Screw M6 x 50	
9	4711400	4	Washer 1/4	
10	4811700	2	Washer M6	
11	1001138494	1	Bar, Drop	
12	1001138514	1	Rail (Top)	
13	1001140429	1	Decal - Drop Bar	
14	See Note	NSS	Platform (Note: Not Available - Purchase Platform Assembly)	

**SECTION 5 - PLATFORM**

**FIGURE 5-9. PLATFORM ASSEMBLY - 36IN X 8FT (91.5CM X 2.44M) WITH DROP BAR**



ART\_1001186382

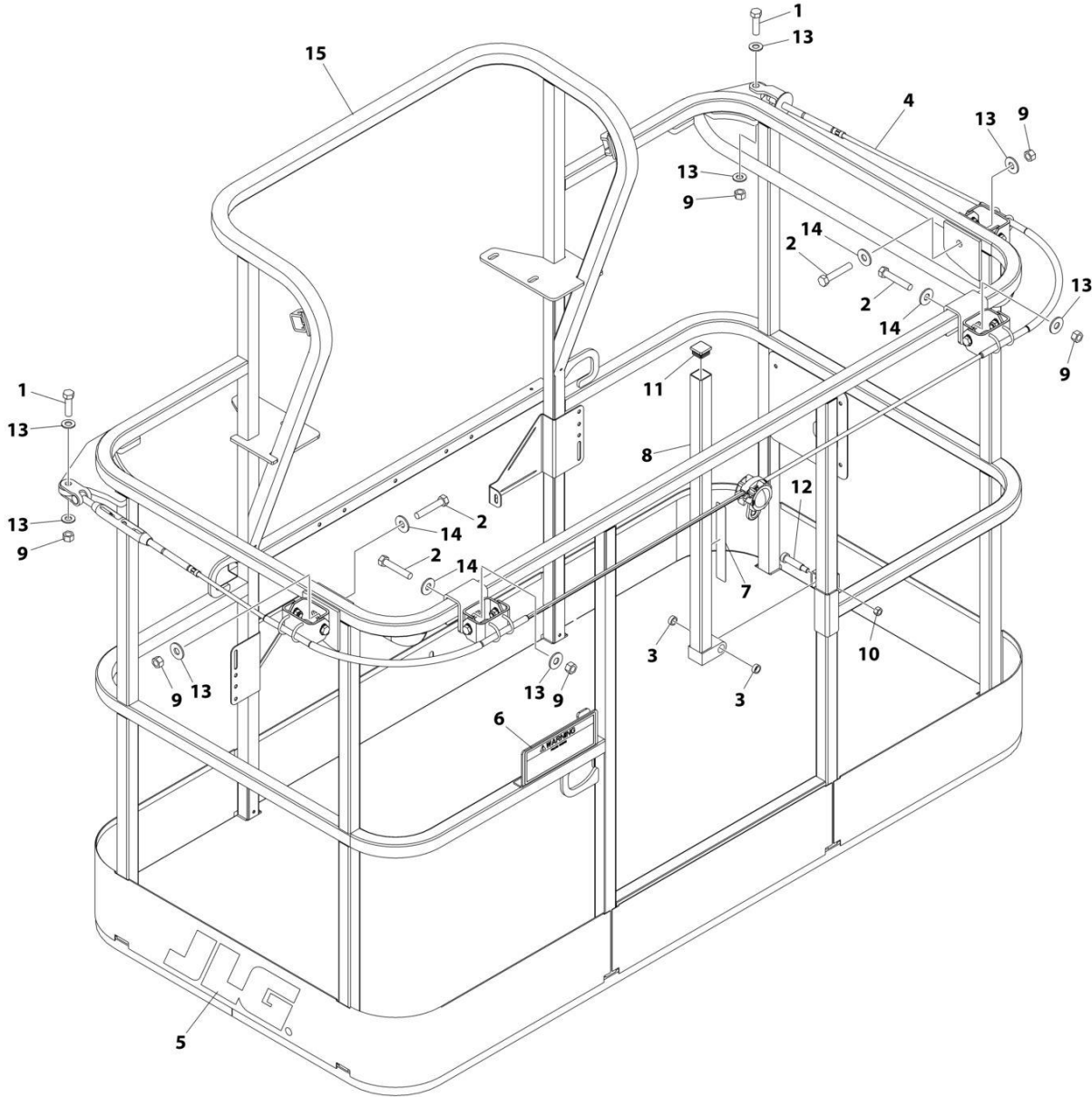
## SECTION 5 - PLATFORM

**FIGURE 5-9. PLATFORM ASSEMBLY - 36IN X 8FT (91.5CM X 2.44M) WITH DROP BAR**

ITEM	PART NUMBER	QTY	DESCRIPTION	REV
	1001186382	Ref	PLATFORM ASSEMBLY - 36IN X 8FT (91.5CM X 2.44M) WITH DROP BAR	C
		Ref	Note: Platform and Mesh must be ordered separately for Platforms with Mesh. See SPECIAL OPTIONS SECTION for Mesh Installations.	
		Ref	Note: Replacement Decals Must be Ordered Separately - See DECALS SECTION.	
1	0100011	AR	Compound, Locking	
2	0641418	2	Bolt 1/4 x 2-1/4	
3	0961845	2	Bushing	
4	3290606	2	Nut M6	
5	3300151	2	Nut 1/4	
6	3520072	2	Plug	
7	3520198	2	Plug	
8	4010618	2	Screw M6 x 50	
9	4711400	4	Washer 1/4	
10	4811700	2	Washer M6	
11	1001138494	1	Bar, Drop	
12	1001138514	1	Rail (Top)	
13	1001140429	1	Decal - Drop Bar	
14	See Note	NSS	Platform (Note: Not Available - Purchase Platform Assembly)	

# SECTION 5 - PLATFORM

FIGURE 5-10. PLATFORM ASSEMBLY - 36IN X 6FT (91.5CM X 1.83M) WITH FALL ARREST



ART\_1001186333

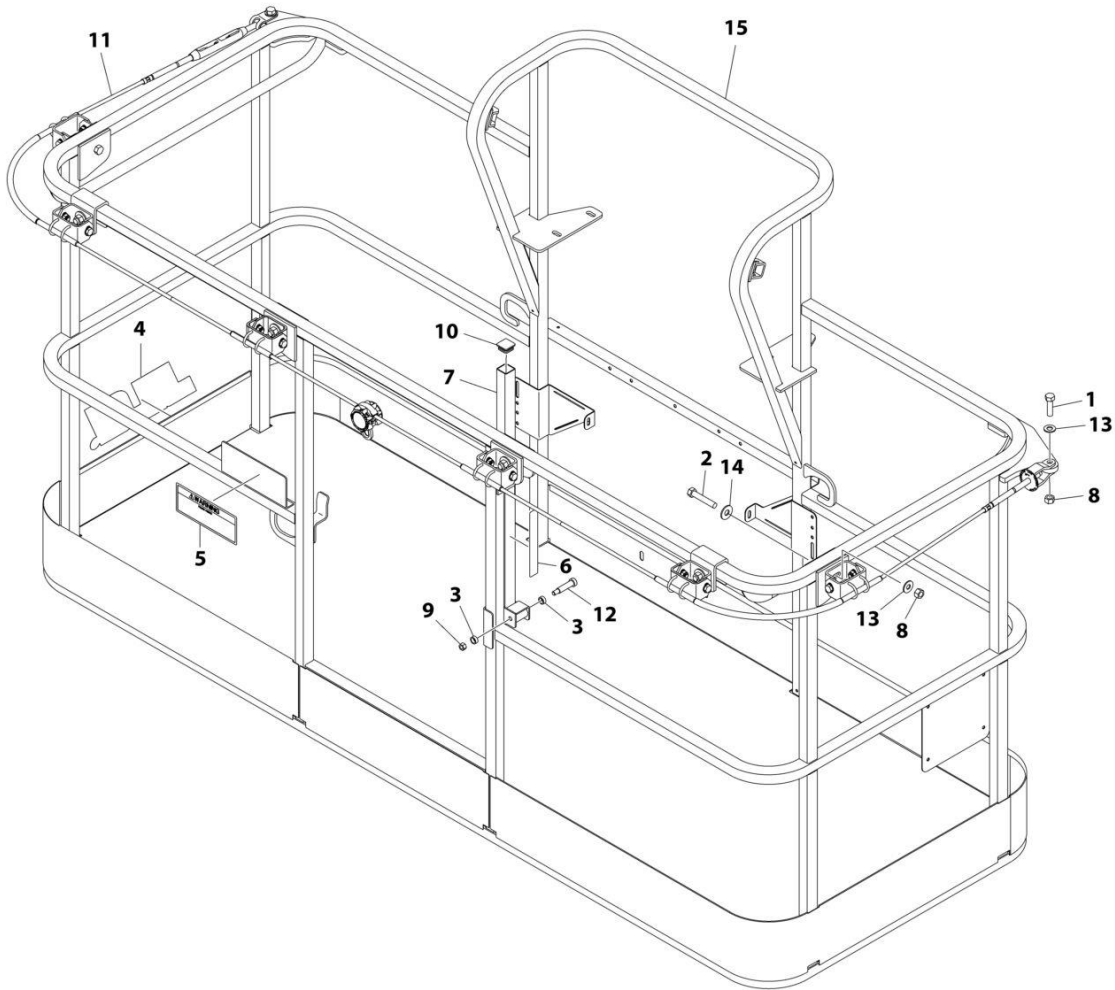
## SECTION 5 - PLATFORM

**FIGURE 5-10. PLATFORM ASSEMBLY - 36IN X 6FT (91.5CM X 1.83M) WITH FALL ARREST**

ITEM	PART NUMBER	QTY	DESCRIPTION	REV
	1001186333	Ref	PLATFORM ASSEMBLY	C
		Ref	Note: Replacement Decals Must be Ordered Separately - See DECALS SECTION.	
1	0681814	2	Bolt 1/2 x 1-3/4 Grade 8	
2	0681822	4	Bolt 1/2 x 2-3/4 Grade 8	
3	0962270	2	Bearing	
4	1001203655	1	Cable	
5	1702773	1	Decal - JLG	
6	1705014	1	Decal - Safety	
7	1706385	1	Decal - Drop Bar	
8	2410014	1	Bar, Drop	
9	3271805	6	Nut 1/2 Grade 8	
10	3311605	1	Nut 3/8	
11	3520072	1	Plug	
12	3900054	1	Bolt 1/2 x 1-3/4	
13	4711800	8	Washer 1/2	
14	4751800	4	Washer 1/2	
15	See Note	NSS	Platform (Note: Not Available - Purchase Platform Assembly)	

# SECTION 5 - PLATFORM

FIGURE 5-11. PLATFORM ASSEMBLY - 36IN X 8FT (91.5CM X 2.44M) WITH FALL ARREST



ART\_1001186334

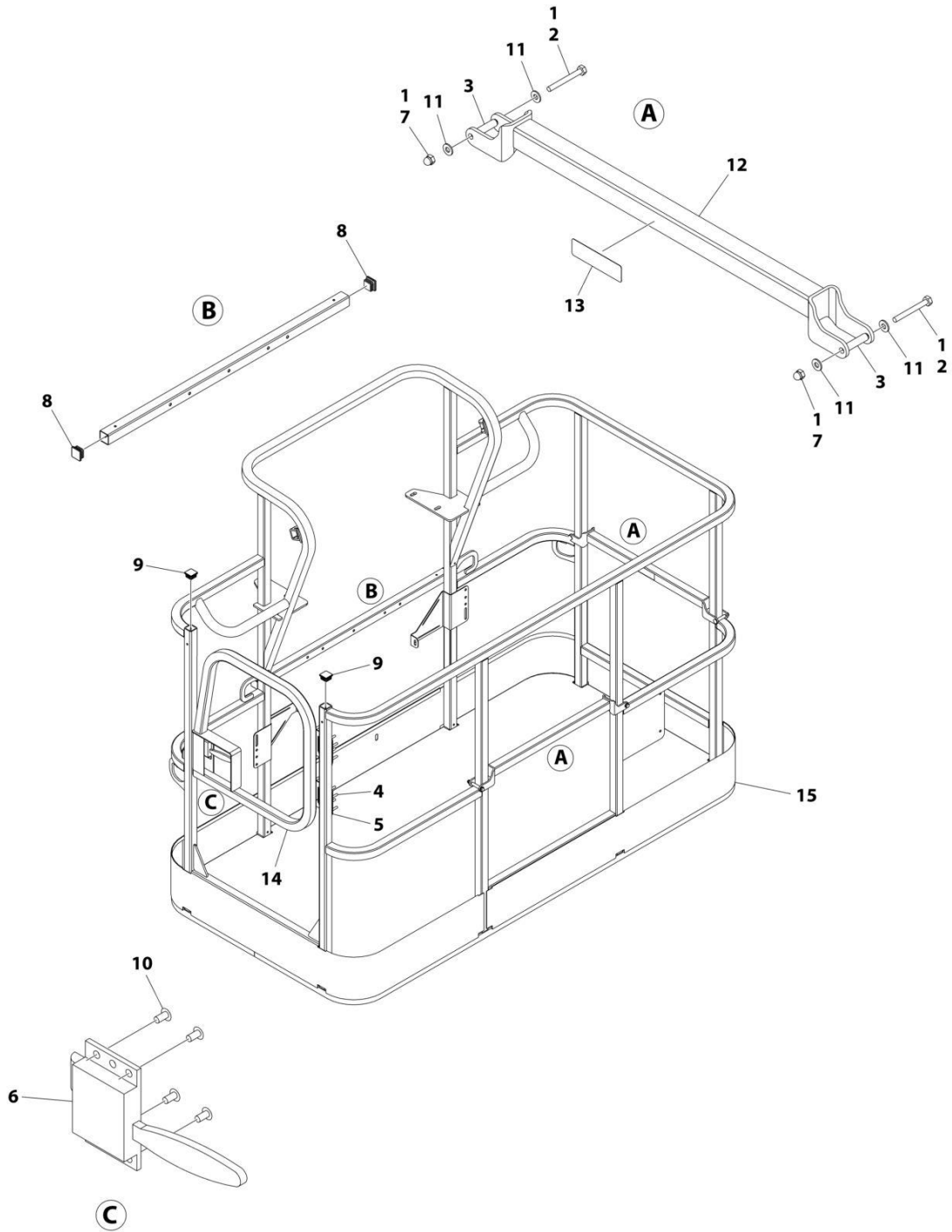
## SECTION 5 - PLATFORM

**FIGURE 5-11. PLATFORM ASSEMBLY - 36IN X 8FT (91.5CM X 2.44M) WITH FALL ARREST**

ITEM	PART NUMBER	QTY	DESCRIPTION	REV
	1001186334	Ref	PLATFORM ASSEMBLY	D
		Ref	Note: Replacement Decals Must be Ordered Separately - See DECALS SECTION.	
1	0681814	2	Bolt 1/2 x 1-3/4 Grade 8	
2	0681822	6	Bolt 1/2 x 2-3/4 Grade 8	
3	0962270	2	Bearing	
4	1702773	1	Decal - JLG	
5	1705014	1	Decal - Safety	
6	1706385	1	Decal - Drop Bar	
7	2410014	1	Bar, Drop	
8	3271805	8	Nut 1/2 Grade 8	
9	3311605	1	Nut 3/8	
10	3520072	1	Plug	
11	1001203656	1	Cable	
12	3900054	1	Bolt 1/2 x 1-3/4	
13	4711800	2	Washer 1/2	
14	4751800	6	Washer 1/2	
15	See Note	NSS	Platform (Note: Purchase Platform Assembly)	

# SECTION 5 - PLATFORM

FIGURE 5-12. PLATFORM ASSEMBLY - 36IN X 6FT (91.5CM X 1.83M) TRI-ENTRY WITH SWING GATE



ART\_1001228376



## SECTION 5 - PLATFORM

**FIGURE 5-12. PLATFORM ASSEMBLY - 36IN X 6FT (91.5CM X 1.83M) TRI-ENTRY WITH SWING GATE**

ITEM	PART NUMBER	QTY	DESCRIPTION	REV
	1001228376	Ref	PLATFORM ASSEMBLY - 36IN x 6FT (91.5CM x 1.83M)	B
		Ref	Note: Platform and Mesh must be ordered separately for Platforms with Mesh. See SPECIAL OPTIONS SECTION for Mesh Installations.	
		Ref	Note: Replacement Decals Must be Ordered Separately - See DECAL SECTION.	
1	0100011	AR	Compound, Locking	
2	0641418	4	Bolt 1/4 x 2-1/4	
3	0961845	4	Bushing	
4	2080040	16	Fastener	
5	2600281	2	Hinge	
6	2940074	1	Latch	
7	3300151	4	Nut 1/4	
8	3520072	3	Plug	
9	3520198	2	Plug	
10	3820020	4	Rivet	
11	4711400	8	Washer 1/4	
12	1001138494	2	Bar, Drop	
13	1001140429	2	Decal - Drop Bar	
14	1001144629	1	Gate	
15	See Note	NSS	Platform (Note: Not Available - Purchase Platform Assembly)	



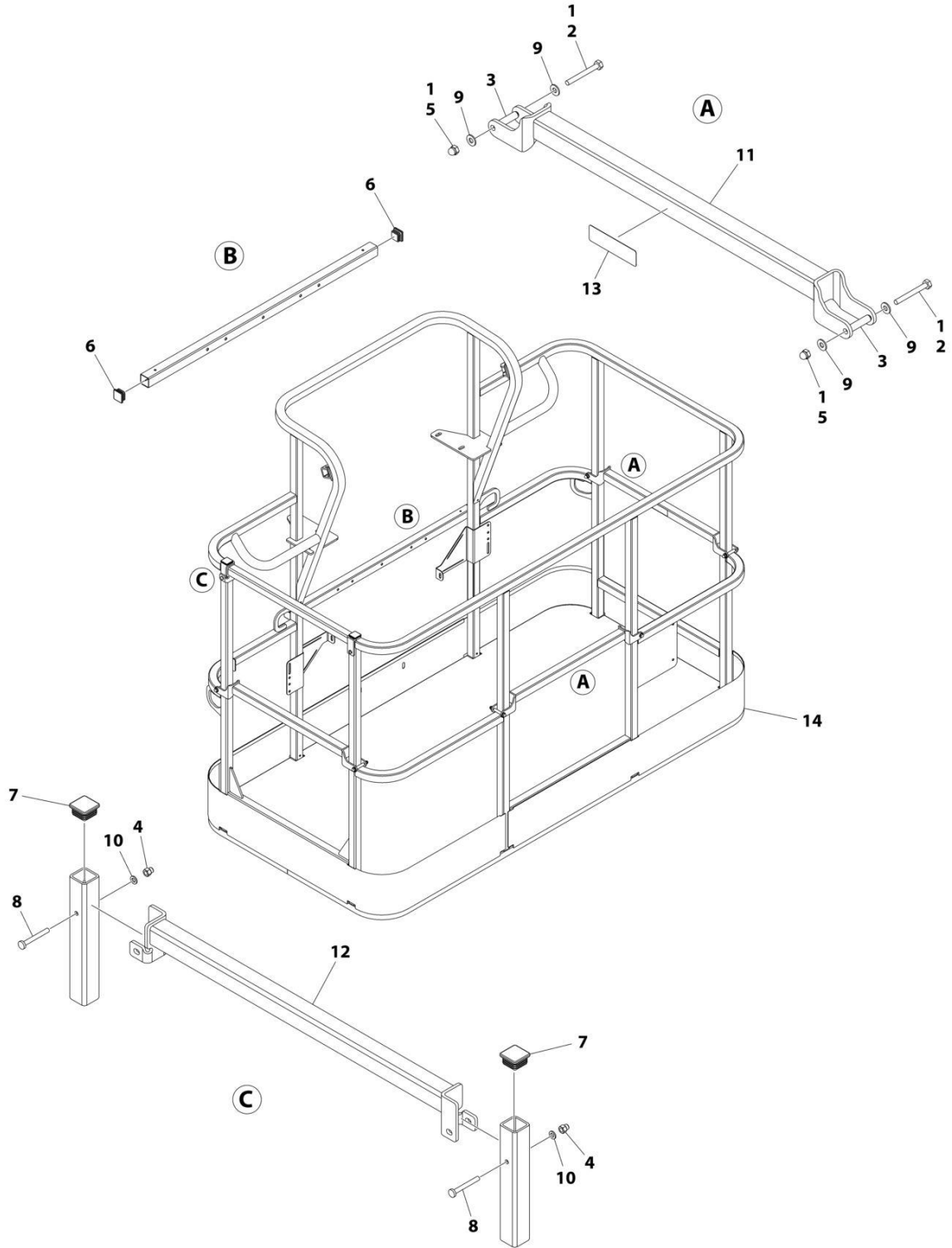
## SECTION 5 - PLATFORM

**FIGURE 5-13. PLATFORM ASSEMBLY - 36IN X 8FT (91.5CM X 2.44M) TRI-ENTRY WITH SWING GATE**

ITEM	PART NUMBER	QTY	DESCRIPTION	REV
	1001228243	Ref	PLATFORM ASSEMBLY - 36IN X 8FT (91.5CM X 2.44M) WITH TRI-ENTRY	A
		Ref	Note: Platform and Mesh must be ordered separately for Platforms with Mesh. See SPECIAL OPTIONS SECTION for Mesh Installations.	
1	0100011	AR	Compound, Locking	
2	0641418	4	Bolt 1/4 x 2-1/4	
3	0961845	4	Bushing	
4	2080040	16	Fastener, Huck	
5	2600281	2	Hinge, Self-Closing	
6	2940074	1	Latch	
7	3300151	4	Nut 1/4	
8	3520072	3	Cap, Plug	
9	3520198	2	Cap, Plug	
10	3820020	4	Rivet	
11	4711400	8	Washer 1/4	
12	1001138494	2	Bar, Drop	
13	1001140429	2	Decal - Drop Bar	
14	1001144629	1	Gate, Weldment	
15	See Note	1	Platform (Note: Not Available - Purchase Platform Assembly)	

# SECTION 5 - PLATFORM

FIGURE 5-14. PLATFORM ASSEMBLY - 36IN X 6FT (91.5CM X 1.83M) TRI-ENTRY WITH DROP BAR



ART\_1001228377

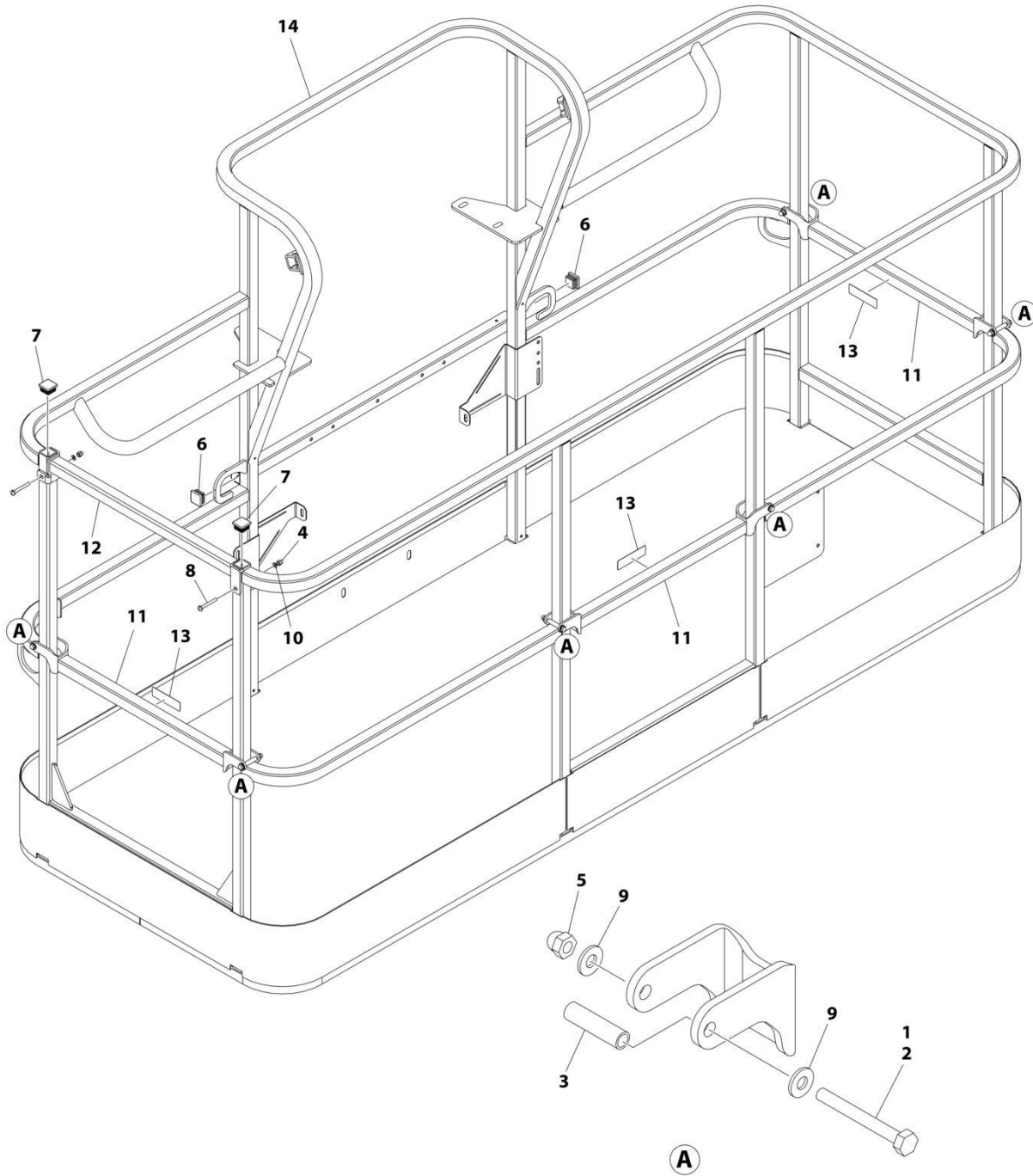
## SECTION 5 - PLATFORM

**FIGURE 5-14. PLATFORM ASSEMBLY - 36IN X 6FT (91.5CM X 1.83M) TRI-ENTRY WITH DROP BAR**

ITEM	PART NUMBER	QTY	DESCRIPTION	REV
	1001228377	Ref	PLATFORM ASSEMBLY - 36IN x 6FT (91.5CM x 1.83M)	B
		Ref	Note: Platform and Mesh must be ordered separately for Platforms with Mesh. See SPECIAL OPTIONS SECTION for Mesh Installations.	
		Ref	Note: Replacement Decals Must be Ordered Separately - See DECAL SECTION.	
1	0100011	1	Compound, Locking	
2	0641418	6	Bolt 1/4 x 2-1/4	
3	0961845	6	Bushing	
4	3290606	2	Nut M6	
5	3300151	6	Nut 1/4	
6	3520072	2	Plug	
7	3520198	2	Plug	
8	4010618	2	Screw M6 x 50	
9	4711400	12	Washer 1/4	
10	4811700	2	Washer M6	
11	1001138494	3	Bar, Drop	
12	1001138514	1	Rail (Top)	
13	1001140429	3	Decal - Drop Bar	
14	See Note	NSS	Platform, Weldment (Note: Not Available - Purchase Platform Assembly)	

# SECTION 5 - PLATFORM

FIGURE 5-15. PLATFORM ASSEMBLY - 36IN X 8FT (91.5CM X 2.44M) TRI-ENTRY WITH DROPBAR



ART\_1001228375

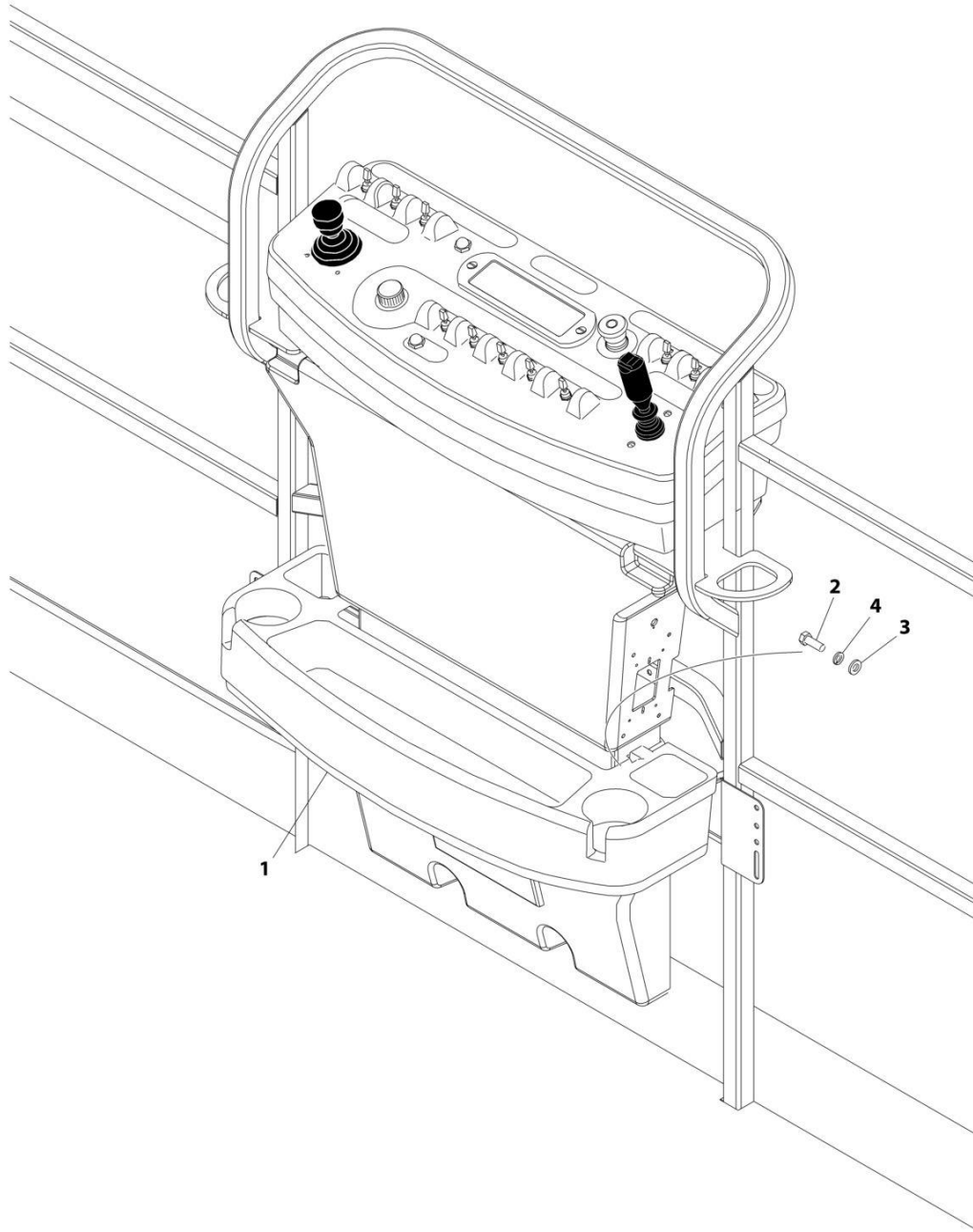
## SECTION 5 - PLATFORM

**FIGURE 5-15. PLATFORM ASSEMBLY - 36IN X 8FT (91.5CM X 2.44M) TRI-ENTRY WITH DROPBAR**

ITEM	PART NUMBER	QTY	DESCRIPTION	REV
	1001228375	Ref	PLATFORM ASSEMBLY - 36IN X 8FT (91.5CM X 2.44M) WITH TRI-ENTRY	A
		Ref	Note: Platform and Mesh must be ordered separately for Platforms with Mesh. See SPECIAL OPTIONS SECTION for Mesh Installations.	
		Ref	Note: Replacement Decals Must be Ordered Separately - See DECAL SECTION.	
1	0100011	AR	Compound, Locking	
2	0641418	6	Bolt 1/4 x 2-1/4	
3	0961845	6	Bushing	
4	3290606	2	Nut M6 x 1	
5	3300151	6	Nut 1/4	
6	3520072	2	Cap, Plug	
7	3520198	2	Cap, Plug	
8	4010618	2	Screw M6 x 50	
9	4711400	12	Washer 1/4	
10	4811700	2	Washer M6	
11	1001138494	3	Bar, Drop	
12	1001138514	1	Rail (Top)	
13	1001140429	3	Decal - Drop Bar	
14	See Note	1	Platform (Note: Not Available - Purchase Platform Assembly)	

# SECTION 5 - PLATFORM

## FIGURE 5-16. TRAY ASSEMBLY



ART\_1580012



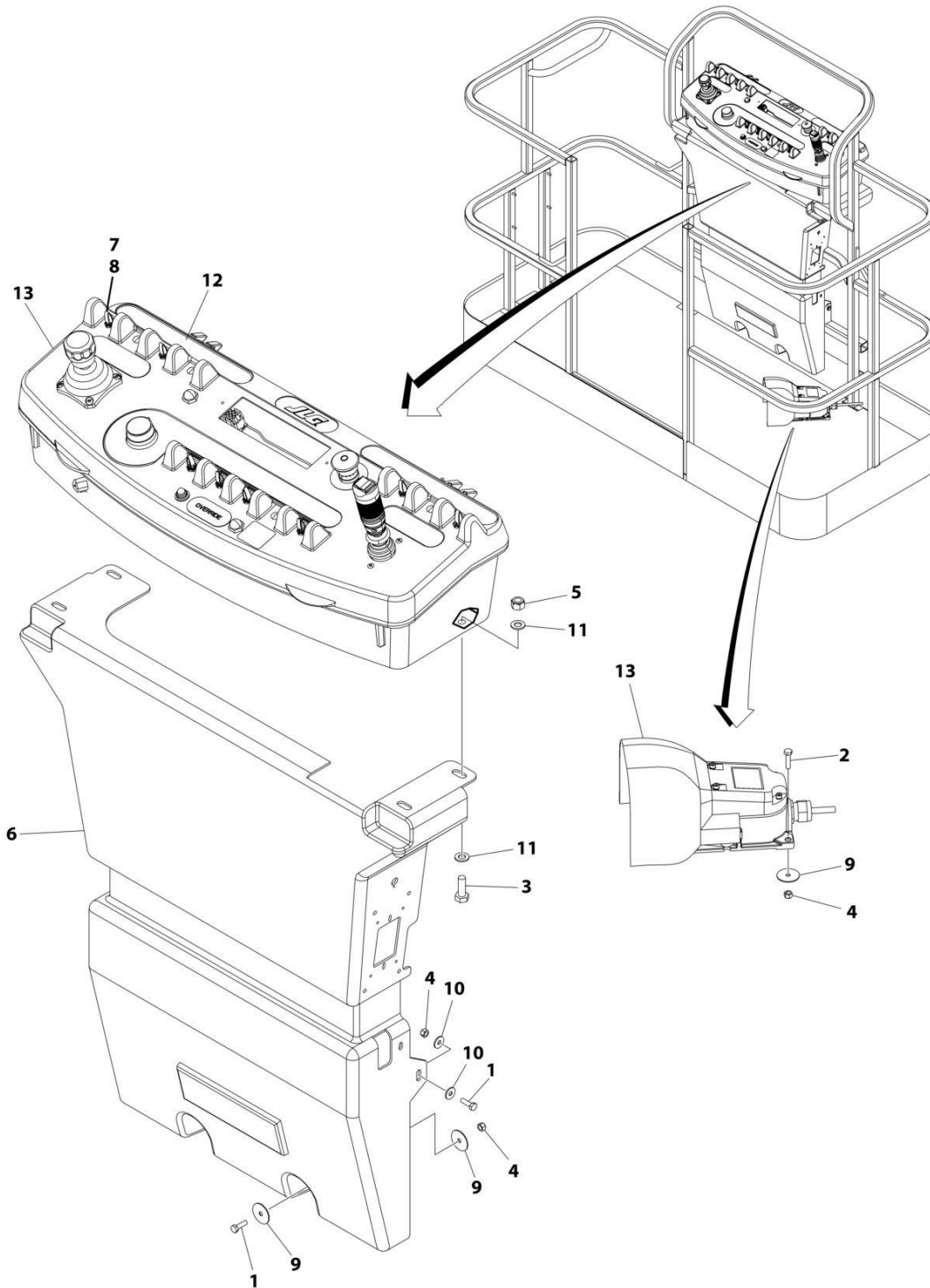
## SECTION 5 - PLATFORM

### FIGURE 5-16. TRAY ASSEMBLY

ITEM	PART NUMBER	QTY	DESCRIPTION	REV
	1580012	Ref	TRAY ASSEMBLY	C
1	See Note	NSS	Tray, Storage (Center) (Note: Purchase p/n 1580012)	
2	0641406	2	Bolt 1/4 x 3/4	
3	4751400	2	Washer 1/4	
4	4761400	2	Washer 1/4	

# SECTION 5 - PLATFORM

## FIGURE 5-17. CONSOLE AND FOOT SWITCH INSTALLATION (WITHOUT TOWER STOW)



ART\_1001266073

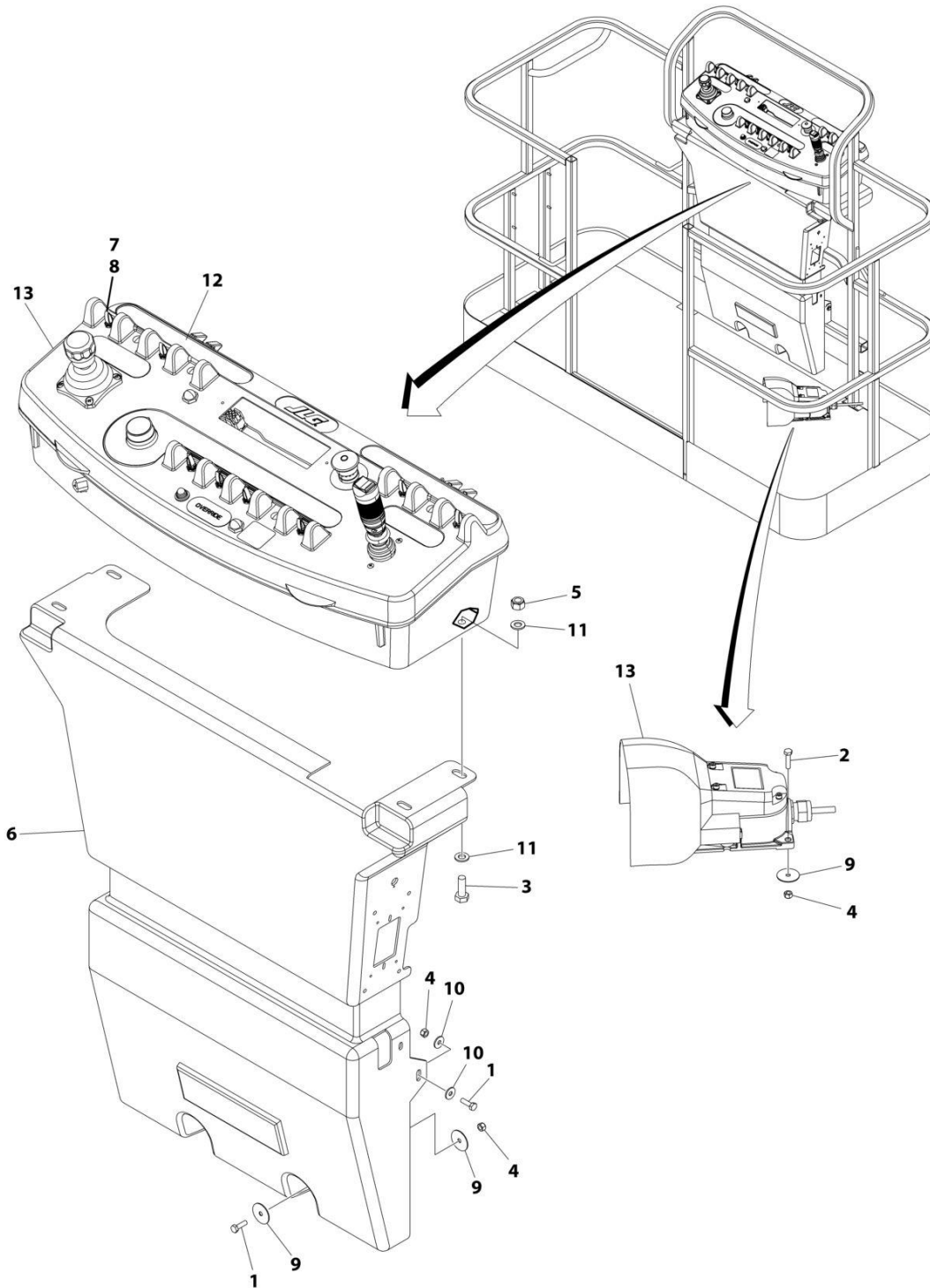
## SECTION 5 - PLATFORM

**FIGURE 5-17. CONSOLE AND FOOT SWITCH INSTALLATION (WITHOUT TOWER STOW)**

ITEM	PART NUMBER	QTY	DESCRIPTION	REV
	1001266073	Ref	PLATFORM CONSOLE AND FOOTSWITCH INSTALLATION	A
1	0641406	4	Bolt 1/4 x 3/4	
2	0641408	3	Bolt 1/4 x 1	
3	0641610	4	Bolt 3/8 x 1-1/4	
4	3311405	7	Nut 1/4	
5	3311605	4	Nut 3/8	
6	3380434	1	Panel	
7	3790012	1	O-Ring	
8	4360331	1	Switch, Toggle	
9	4740362	7	Washer	
10	4751400	4	Washer 1/4	
11	4761600	8	Washer 3/8	
12	1001184626	1	Decal - Horn	
13	1001266069	1	Platform Console Assembly (See Separate Breakdown in this Section)	

# SECTION 5 - PLATFORM

## FIGURE 5-18. CONSOLE AND FOOT SWITCH INSTALLATION (WITH TOWER STOW)



ART\_1001264239

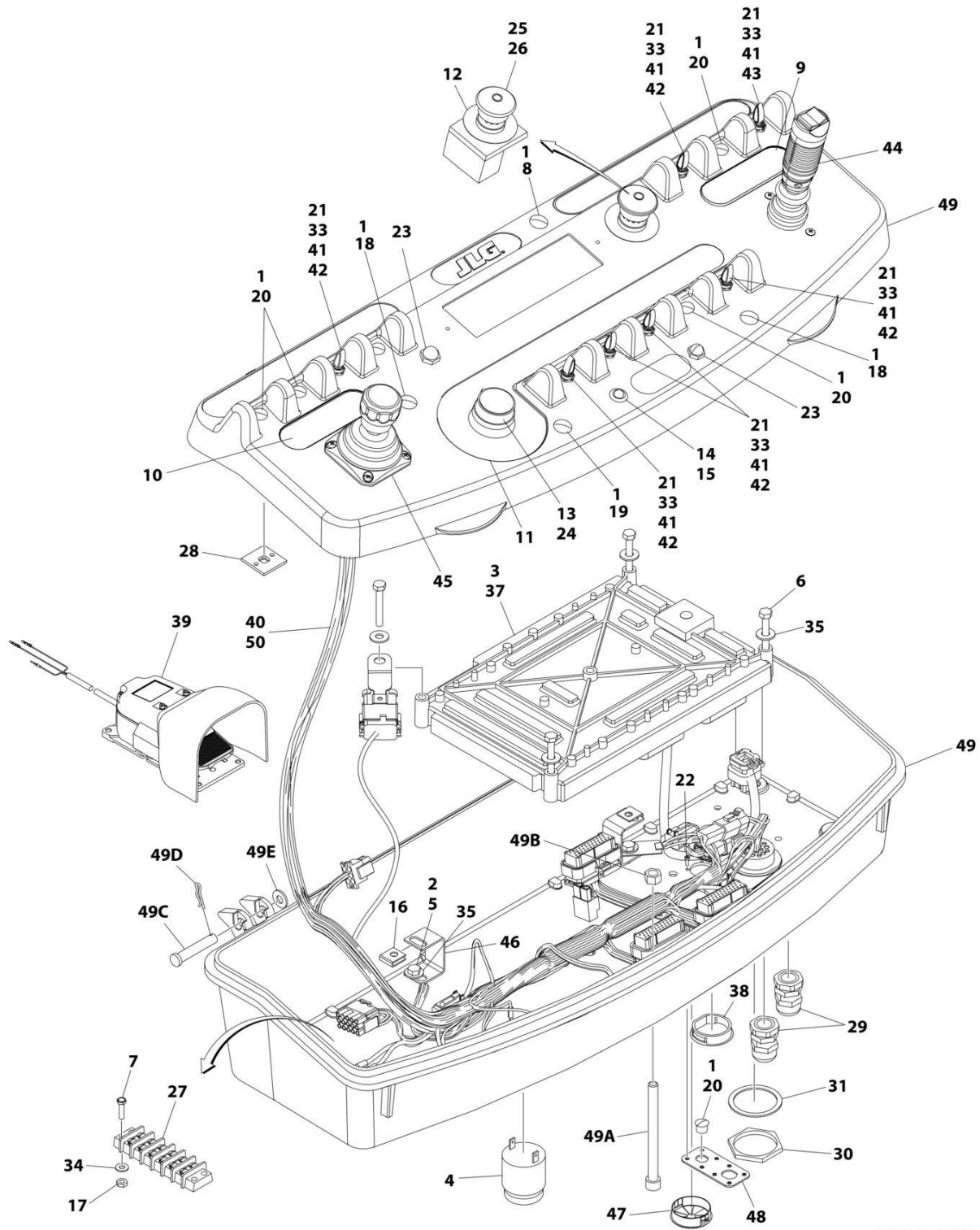
## SECTION 5 - PLATFORM

**FIGURE 5-18. CONSOLE AND FOOT SWITCH INSTALLATION (WITH TOWER STOW)**

ITEM	PART NUMBER	QTY	DESCRIPTION	REV
	1001264239	Ref	PLATFORM CONSOLE AND FOOTSWITCH INSTALLATION (TOWER STOW)	A
1	0641406	4	Bolt 1/4 x 3/4	
2	0641408	3	Bolt 1/4 x 1	
3	0641610	4	Bolt 3/8 x 1-1/4	
4	3311405	7	Nut 1/4	
5	3311605	4	Nut 3/8	
6	3380434	1	Panel	
7	3790012	AR	O-Ring	
8	4360331	AR	Switch, Toggle	
9	4740362	7	Washer	
10	4751400	4	Washer 1/4	
11	4761600	8	Washer 3/8	
12	1001184626	AR	Decal - Horn	
13	1001263588	1	Platform Console Assembly (See Separate Breakdown in this Section)	

# SECTION 5 - PLATFORM

## FIGURE 5-19. CONSOLE BOX ASSEMBLY WITH FOOTSWITCH (WITHOUT TOWER STOW)



ART\_1001266069

## SECTION 5 - PLATFORM

**FIGURE 5-19. CONSOLE BOX ASSEMBLY WITH FOOTSWITCH (WITHOUT TOWER STOW)**

ITEM	PART NUMBER	QTY	DESCRIPTION	REV
	1001266069	Ref	CONSOLE BOX ASSEMBLY	A
1	0100009	AR	Sealant	
2	0100035	AR	Compound, Locking	
3	0100048	AR	Grease, Dielectric	
4	0140011	1	Alarm	
5	0641404	4	Bolt 1/4 x 1/2	
6	0641414	4	Bolt 1/4 x 1-3/4	
7	0721006	1	Bolt #10 x 3/4	
8	1671314	1	Cover	
9	1702565	1	Decal - Drive and Steer	
10	1702566	1	Decal - Lift and Swing	
11	1702567	1	Decal - Function Speed	
12	1704260	1	Decal - Emergency Stop	
13	2560136	1	Handle, Knob	
14	2920028	1	Light, Indicator	
15	2920029	1	Bulb, Light	
16	3300353	4	Nut, Tinnerman	
17	3311005	2	Nut #10	
18	3520026	2	Plug	
19	3520027	1	Plug	
20	3520054	5	Plug	
21	3790012	7	O-Ring	
22	3900349	8	Capscrew M2.5 x 8	
23	4360387	2	Switch, Push Button	
24	4360407	1	Controller, Speed	
24	4460224	1	Receptacle, Female - 6 Position	
24	4460226	6	Socket, Female	
24	See Note	1	Gasket "Top Hat" (Included with Switch) (Note: Not Available - Purchase Complete Controller)	
24	70003784	1	Seal	
25	4360475	1	Switch, Emergency Stop	
25	7020175	1	Cap, Red	
25	7020176	1	Block, Contact	
26	4360476	1	Contact, Switch	
27	4460007	1	Bussbar	
28	4460234	3	Mount, Tie-Strap	
29	4460428	2	Connector, Strain Relief	
30	4460470	1	Nut, Terminal	
31	4460471	1	Washer, Terminal	
32	4460708	2	Connector - 15 Position (Not Shown)	
33	4740397	7	Washer	
34	4751000	2	Washer #10	
35	4751400	8	Washer 1/4	
36	4922666	1	Analyzer Harness (Not Shown)	
36	4460761	1	Receptacle, Female - 4 Position	
36	4460227	4	Pin, Male	
37	1001106938	1	Module, Platform (Note: Re-calibration Required when Replaced)	
38	1001110434	1	Plug	
39	1001117174	1	Footswitch Assembly (See Separate Breakdown in this Section)	

## SECTION 5 - PLATFORM

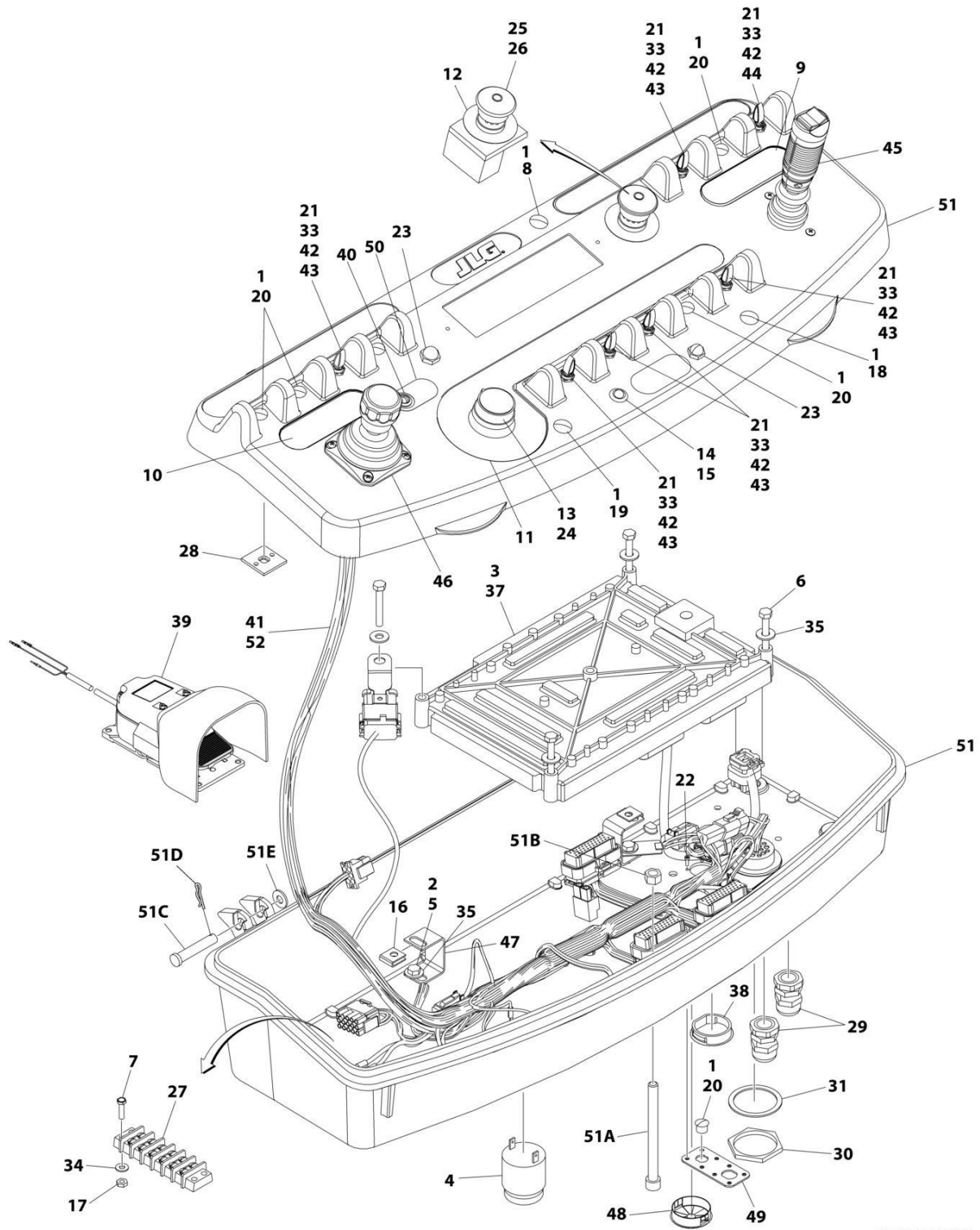
ITEM	PART NUMBER	QTY	DESCRIPTION	REV
40	1001139135	1	Boom Valve Harness (Not Shown - See Separate Breakdown in ELECTRICAL SECTION)	
41	1001155044	7	Nut 15/32	
42	1001155045	6	Switch, Toggle	
43	1001159256	1	Switch, Toggle	
44	1001166538	NLA	Controller Assembly (Drive and Steer) (Use p/n 1001212415) (See Separate Breakdown in this Section)	
45	1001166539	NLA	Controller Assembly (Lift and Swing) (Use p/n 1001129555) (See Separate Breakdown in this Section)	
46	1001172760	4	Bracket	
47	1001185281	1	Plug	
48	1001213882	1	Mount	
49	1001263587	1	Console Box Assembly	
49A	0630568	1	Capscrew 3/8 x 4-1/2	
49B	3311601	1	Nut 3/8	
49C	3430616	2	Pin	
49D	3470003	2	Hairpin	
49E	4711600	2	Washer 3/8	
50	1001266648	1	Platform Console Harness (See Separate Breakdown in ELECTRICAL SECTION)	





# SECTION 5 - PLATFORM

## FIGURE 5-20. CONSOLE BOX ASSEMBLY WITH FOOTSWITCH (WITH TOWER STOW)



ART\_1001263588

## SECTION 5 - PLATFORM

**FIGURE 5-20. CONSOLE BOX ASSEMBLY WITH FOOTSWITCH (WITH TOWER STOW)**

ITEM	PART NUMBER	QTY	DESCRIPTION	REV
	1001263588	Ref	CONSOLE BOX ASSEMBLY	A
1	0100009	AR	Sealant	
2	0100035	AR	Compound, Locking	
3	0100048	AR	Grease, Dielectric	
4	0140011	1	Alarm	
5	0641404	4	Bolt 1/4 x 1/2	
6	0641414	4	Bolt 1/4 x 1-3/4	
7	0721006	1	Bolt #10 x 3/4	
8	1671314	1	Cover	
9	1702565	1	Decal - Drive and Steer	
10	1702566	1	Decal - Lift and Swing	
11	1702567	1	Decal - Function Speed	
12	1704260	1	Decal - Emergency Stop	
13	2560136	1	Handle, Knob	
14	2920028	1	Light, Indicator	
15	2920029	1	Bulb, Light	
16	3300353	4	Nut, Tinnerman	
17	3311005	2	Nut #10	
18	3520026	2	Plug	
19	3520027	1	Plug	
20	3520054	5	Plug	
21	3790012	7	O-Ring	
22	3900349	8	Capscrew M2.5 x 8	
23	4360387	2	Switch, Push Button	
24	4360407	1	Controller, Speed	
24	4460224	1	Receptacle, Female - 6 Position	
24	4460226	6	Socket, Female	
24	See Note	1	Gasket "Top Hat" (Included with Switch) (Note: Not Available - Purchase Complete Controller)	
24	70003784	1	Seal	
25	4360475	1	Switch, Emergency Stop	
25	7020175	1	Cap, Red	
25	7020176	1	Block, Contact	
26	4360476	1	Contact, Switch	
27	4460007	1	Bussbar	
28	4460234	3	Mount, Tie-Strap	
29	4460428	2	Connector, Strain Relief	
30	4460470	1	Nut, Terminal	
31	4460471	1	Washer, Terminal	
32	4460708	2	Connector - 15 Position (Not Shown)	
33	4740397	7	Washer	
34	4751000	2	Washer #10	
35	4751400	8	Washer 1/4	
36	4922666	1	Analyzer Harness (Not Shown)	
36	4460761	1	Receptacle, Female - 4 Position	
36	4460227	4	Pin, Male	
37	1001106938	1	Module, Platform (Note: Re-calibration Required when Replaced)	
38	1001110434	1	Plug	
39	1001117174	1	Footswitch Assembly (See Separate Breakdown in this Section)	
40	1001137364	1	Light, Indicator	

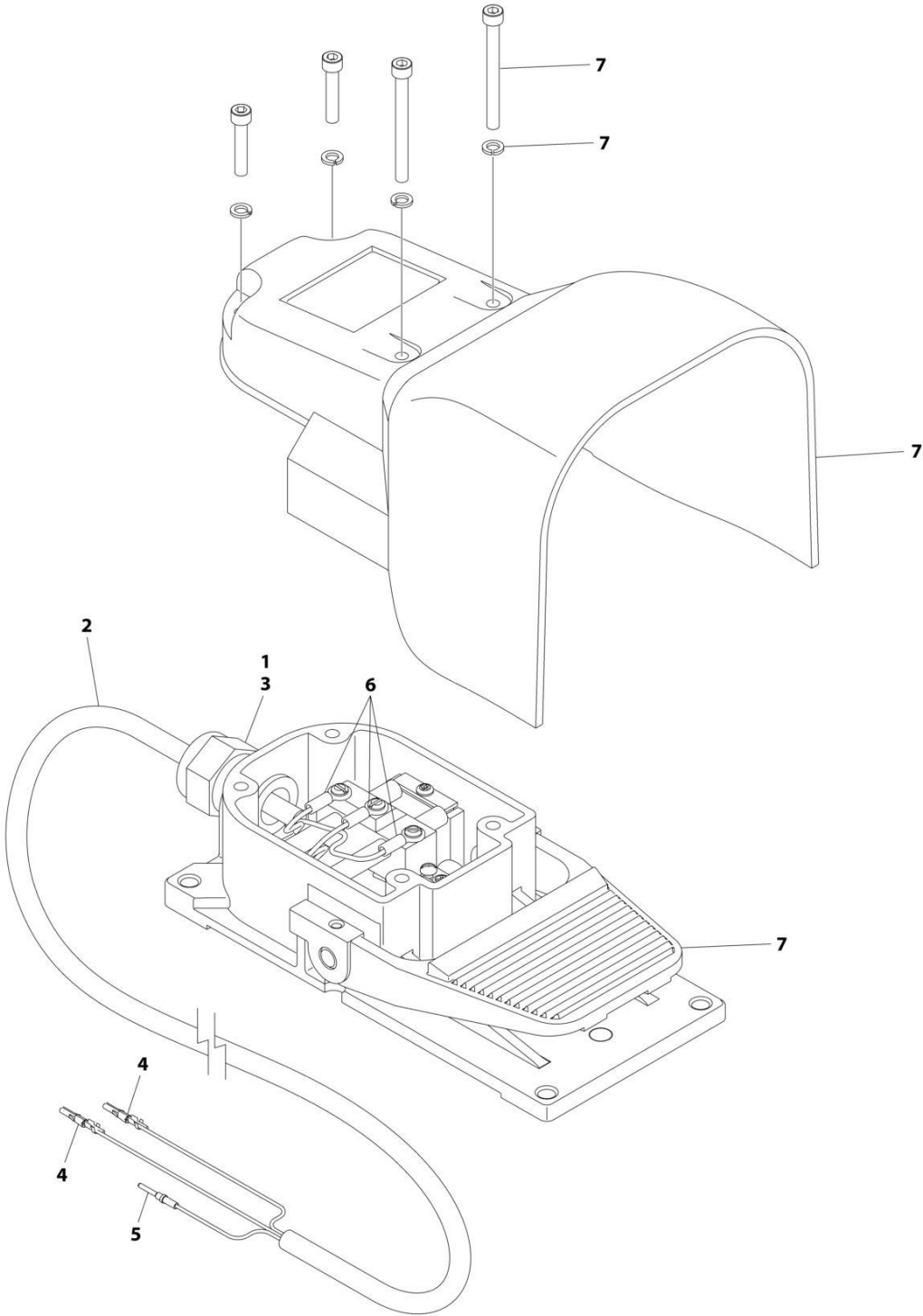
## SECTION 5 - PLATFORM

ITEM	PART NUMBER	QTY	DESCRIPTION	REV
41	1001139135	1	Boom Valve Harness (Not Shown - See Separate Breakdown in ELECTRICAL SECTION)	
42	1001155044	7	Nut 15/32	
43	1001155045	6	Switch, Toggle	
44	1001159256	1	Switch, Toggle	
45	1001166538	NLA	Controller Assembly (Drive and Steer) (Use p/n 1001212415) (See Separate Breakdown in this Section)	
46	1001166539	NLA	Controller Assembly (Lift and Swing) (Use p/n 1001129555) (See Separate Breakdown in this Section)	
47	1001172760	4	Bracket	
48	1001185281	1	Plug	
49	1001213882	1	Mount	
50	1001260937	1	Decal – Tower Stow	
51	1001263587	1	Console Box Assembly	
51A	0630568	1	Capscrew 3/8 x 4-1/2	
51B	3311601	1	Nut 3/8	
51C	3430616	2	Pin	
51D	3470003	2	Hairpin	
51E	4711600	2	Washer 3/8	
52	1001266648	1	Platform Console Harness (See Separate Breakdown in ELECTRICAL SECTION)	



**SECTION 5 - PLATFORM**

**FIGURE 5-21. FOOTSWITCH ASSEMBLY**



ART\_100117174

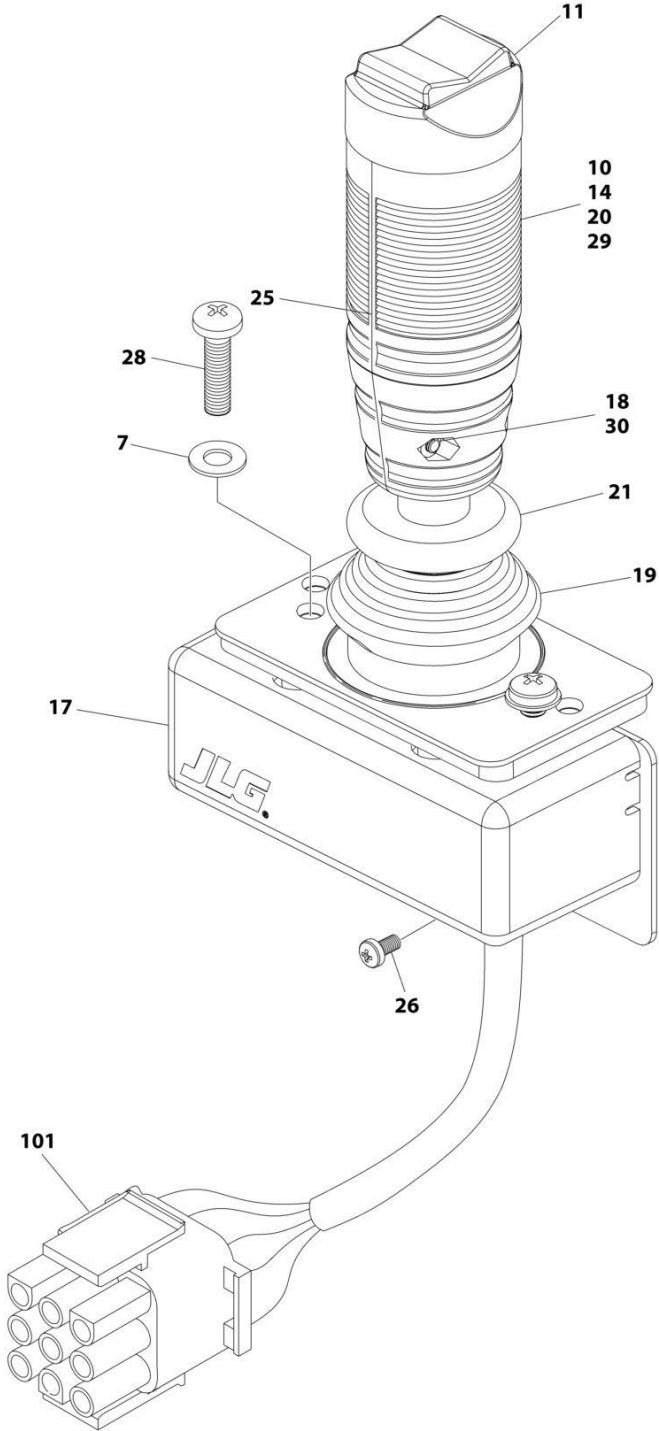
## SECTION 5 - PLATFORM

### FIGURE 5-21. FOOTSWITCH ASSEMBLY

ITEM	PART NUMBER	QTY	DESCRIPTION	REV
	1001117174	Ref	FOOTSWITCH ASSEMBLY	C
1	0100020	AR	Sealant	
2	1060918	7.5 ft/ 2.3m	Cable, Electrical - 18/3	
3	4460071	1	Connector, Strain Relief	
4	4460226	2	Socket, Female	
5	4460464	1	Pin, Male	
6	1001098122	3	Terminal	
7	1001117172	1	Footswitch	
7	70002902	1	Switch, 20Amp	
7	70002903	1	Gasket	
7	70002905	1	Cover	
7	70002904	1	Kit, Replacement Bolt	

**SECTION 5 - PLATFORM**

**FIGURE 5-22. CONTROLLER ASSEMBLY- DRIVE/STEER**



ART\_1001166538



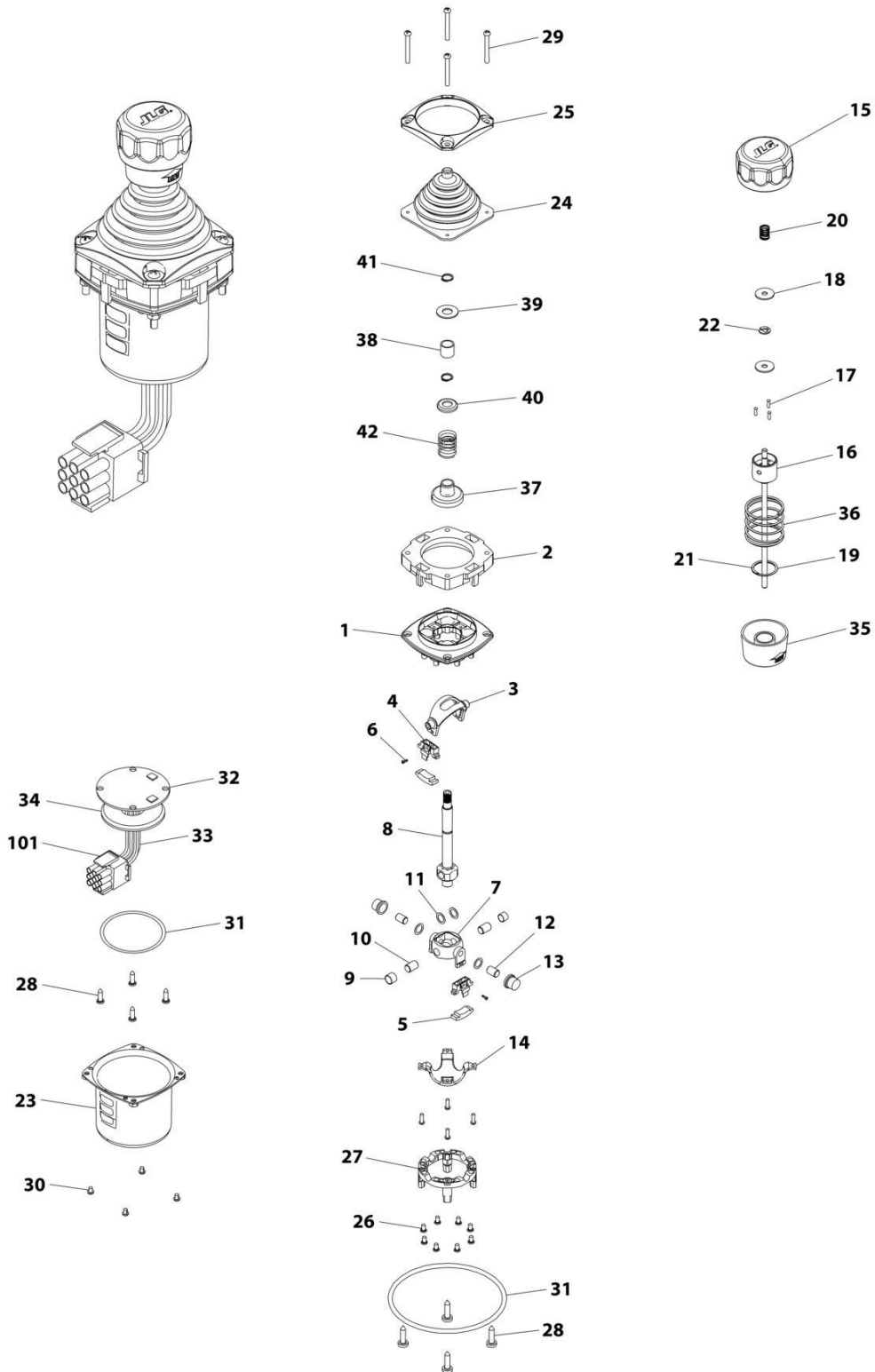
## SECTION 5 - PLATFORM

**FIGURE 5-22. CONTROLLER ASSEMBLY- DRIVE/STEER**

ITEM	PART NUMBER	QTY	DESCRIPTION	REV
	1001166538	Ref	CONTROLLER ASSEMBLY - DRIVE AND STEER	G
		Ref	Note: For Replacement, Use p/n 1001212415.	
7	70004738	2	Washer	
10	70004739	1	Roller	
11	70004740	1	Boot, Switch	
14	70004741	2	Half, Handle	
17	70004742	1	Enclosure	
18	70004743	4	Nut	
19	70004744	NLA	Boot, Controller (Use p/n 70005230 Boot/Base Assembly)	
20	70004745	NLA	Tube, Locking (Use p/n 70005230 Boot/Base Assembly)	
21	70004746	NLA	Disc, Locking (Use p/n 70005230 Boot/Base Assembly)	
25	70004747	2	Seal, Rope	
26	70004748	1	Screw M3 x 6	
28	70004749	2	Screw M5 x 20	
29	70004750	1	Pin, Dowel	
30	70004751	4	Screw M3 x 16	
101	4460265	1	Connector - 9 Position	
101	4460226	7	Socket, Female	

# SECTION 5 - PLATFORM

## FIGURE 5-23. CONTROLLER ASSEMBLY - LIFT/SWING



ART\_1001166539

## SECTION 5 - PLATFORM

**FIGURE 5-23. CONTROLLER ASSEMBLY - LIFT/SWING**

ITEM	PART NUMBER	QTY	DESCRIPTION	REV
	1001166539	Ref	CONTROLLER ASSEMBLY	E
		Ref	Note: Original Equipment Controller May Have Been Replaced with Service Replacement Controller. Visually Identify Controller Before Ordering Parts.	
		Ref	Note: For Replacement, Use p/n 1001129555	
1	See Note	NSS	Main Cast Body (Note: Not Available - Purchase Complete Assembly)	
2	70004752	1	Adapter	
3	See Note	NSS	Pivot Arm, Plastic (Note: Not Available - Purchase Complete Assembly)	
4	See Note	NSS	Holder, Magnet (Note: Not Available - Purchase Complete Assembly)	
5	See Note	NSS	Arc, Magnet (Note: Not Available - Purchase Complete Assembly)	
6	See Note	NSS	Screw (Note: Not Available for Purchase)	
7	See Note	NSS	Pivot Arm, Cast (Note: Not Available - Purchase Complete Assembly)	
8	See Note	NSS	Shaft, Main (Note: Not Available - Purchase Complete Assembly)	
9	See Note	NSS	Bearing (Note: Not Available - Purchase Complete Assembly)	
10	See Note	NSS	Pin (Note: Not Available - Purchase Complete Assembly)	
11	See Note	NSS	Shim (Note: Not Available - Purchase Complete Assembly)	
12	See Note	NSS	Pin (Note: Not Available - Purchase Complete Assembly)	
13	See Note	NSS	Bearing (Note: Not Available - Purchase Complete Assembly)	
14	See Note	NSS	Dome, Centering (Note: Not Available - Purchase Complete Assembly)	
15	70004753	1	Cap	
16	70004754	1	Insert, Cap	
17	70004755	3	Pin	
18	70004756	2	Washer	
19	70004757	1	Pin, Centering	
20	70004758	1	Spring	
21	70004759	1	Ring, Retaining	
22	70004760	1	E-Ring	
23	70004761	1	Can, Enclosure	
24	70004762	1	Boot	
25	70004763	1	Bezel	
26	See Note	NSS	Screw (Note: Not Available for Purchase)	
27	See Note	NSS	Base Mounting (Note: Not Available - Purchase Complete Assembly)	
28	See Note	NSS	Screw (Note: Not Available for Purchase)	
29	70004764	4	Screw	
30	70004765	4	Screw	
31	70004766	1	O-Ring	
32	See Note	NSS	Plate (Note: Not Available - Purchase Complete Assembly)	
33	See Note	NSS	Harness (Note: Not Available - Purchase Complete Assembly)	
34	70004767	1	Grommet, Rubber	
35	70004768	1	Housing	
36	70004769	1	Spring	
37	70004770	1	Stopper	
38	70004771	1	Spacer	
39	70004772	1	Washer	
40	70004773	1	Disc	

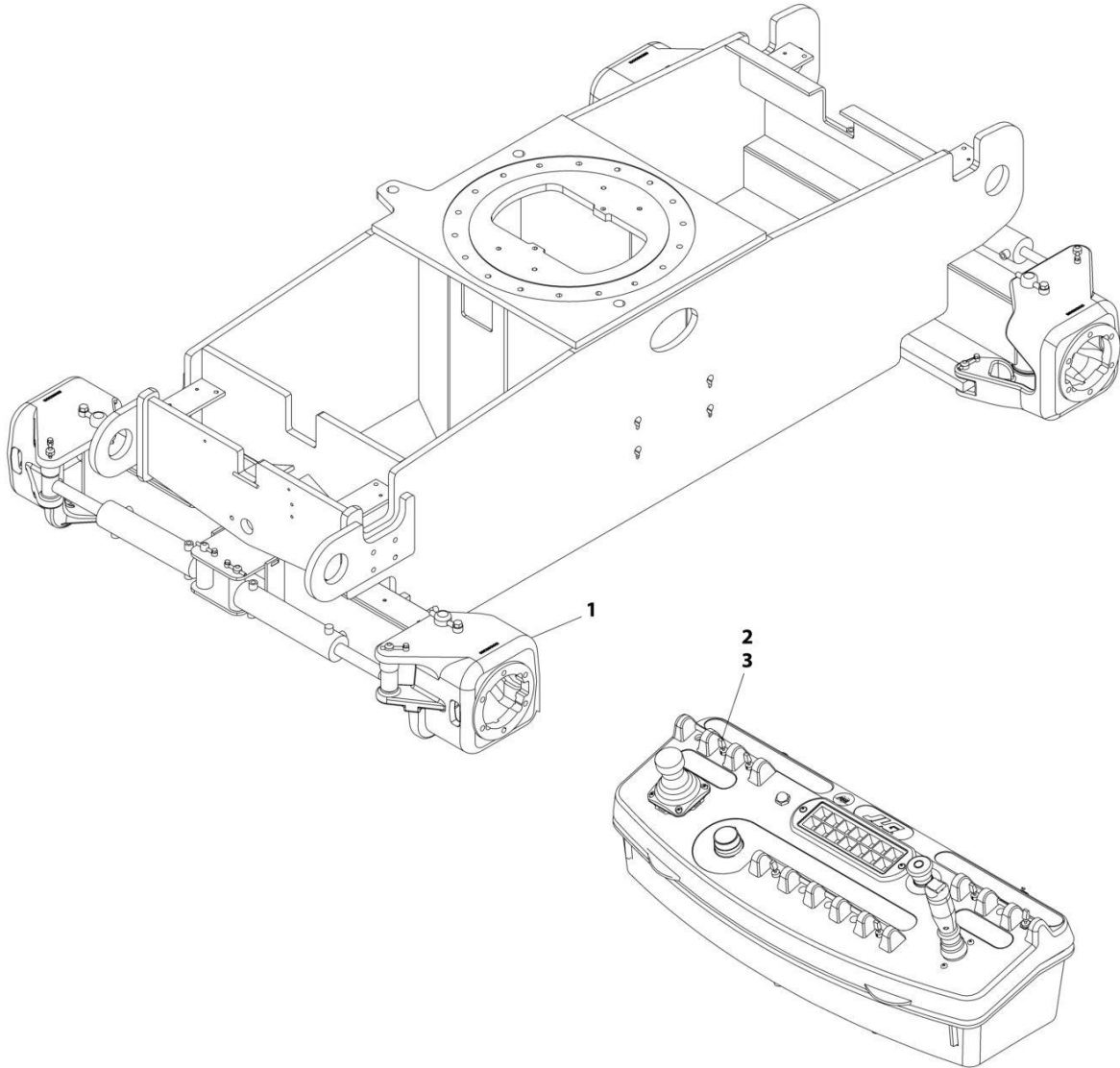
## SECTION 5 - PLATFORM

ITEM	PART NUMBER	QTY	DESCRIPTION	REV
41	70004774	2	Ring, Retaining	
42	70004775	1	Spring	
101	4460265	1	Connector - 9 Position	
101	4460226	6	Socket, Female	



# SECTION 5 - PLATFORM

## FIGURE 5-24. CRAB STEER SWITCH INSTALLATION - 4WS (WITHOUT TOW PACKAGE)



ART\_1001148163

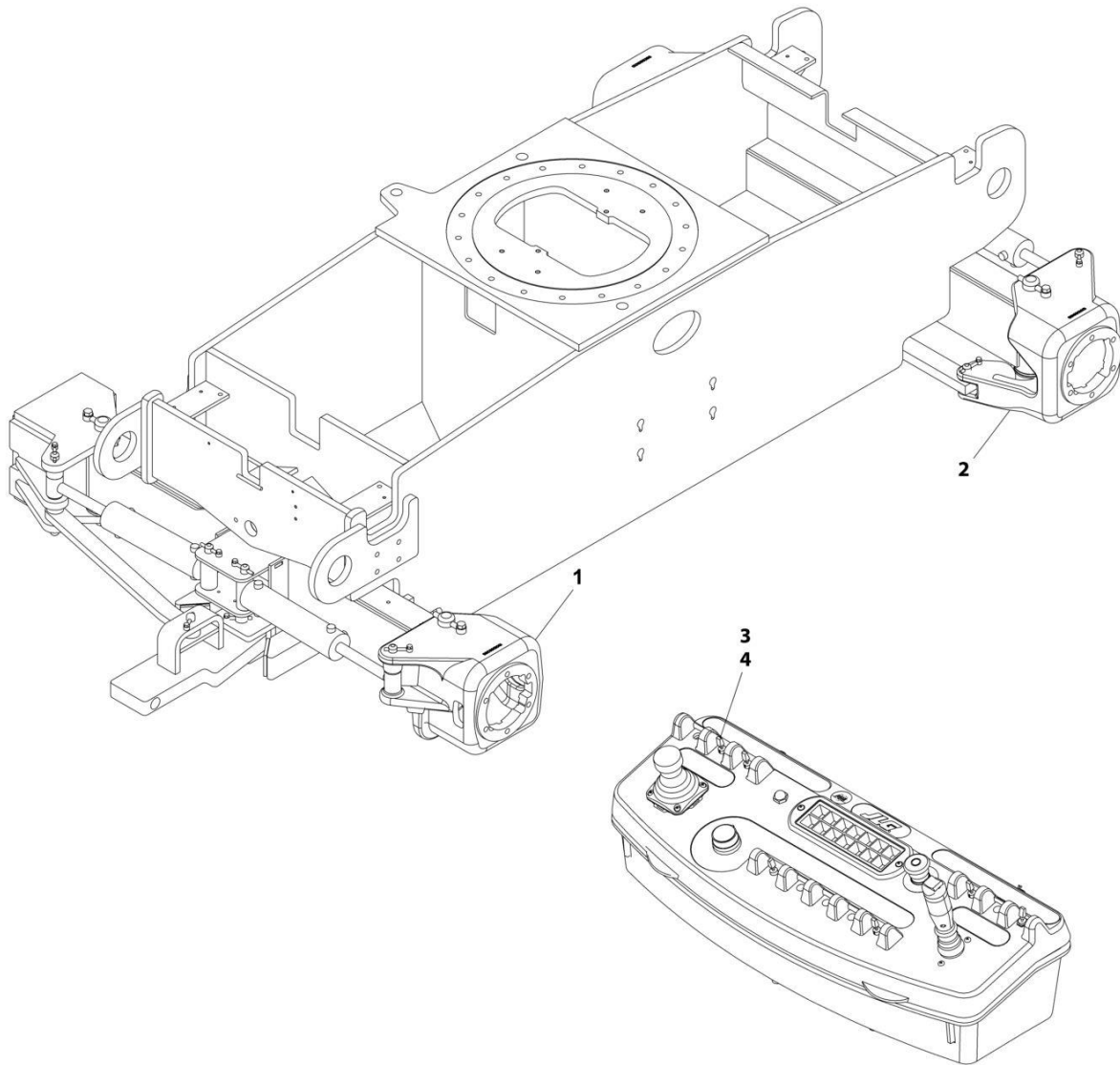
## SECTION 5 - PLATFORM

**FIGURE 5-24. CRAB STEER SWITCH INSTALLATION - 4WS (WITHOUT TOW PACKAGE)**

ITEM	PART NUMBER	QTY	DESCRIPTION	REV
1	1001148163	Ref	CRAB STEER SWITCH INSTALLATION - 4WS Steering Installation (Crab Steer) (See Separate Breakdown in FRAME SECTION)	B
	1001148162	Ref		
2	4360331	1	Switch, Toggle	
3	3790012	1	O-Ring	

# SECTION 5 - PLATFORM

## FIGURE 5-25. CRAB STEER SWITCH INSTALLATION - 4WS (WITH TOW PACKAGE)



ART\_1001148166



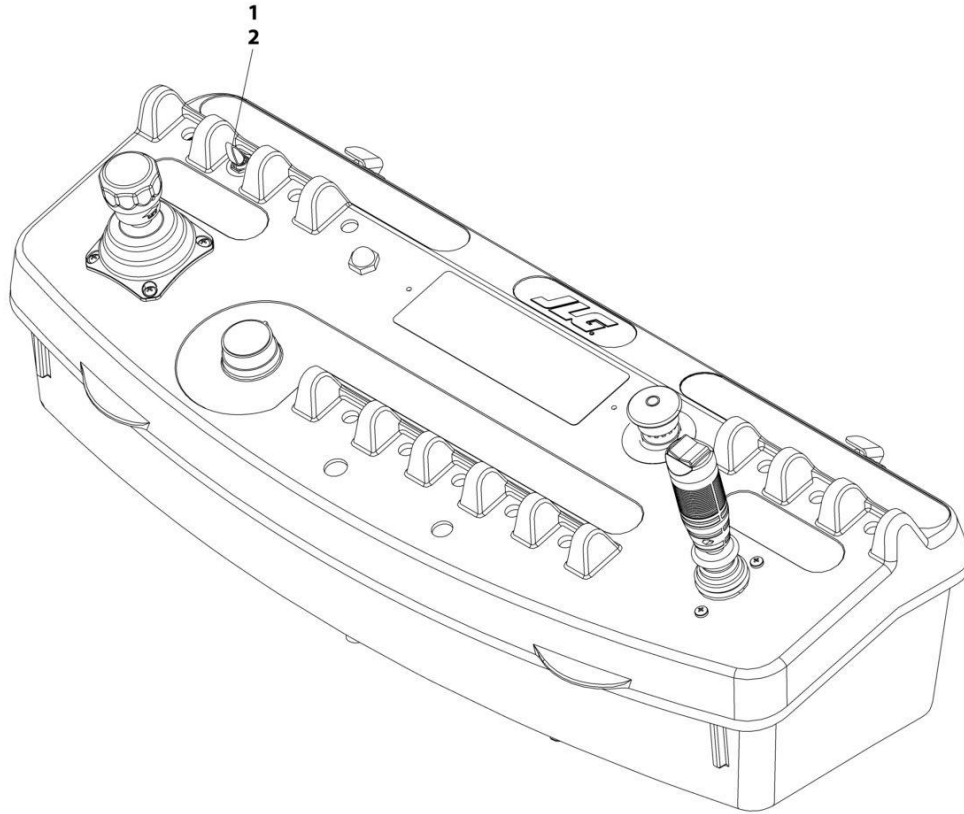
## SECTION 5 - PLATFORM

**FIGURE 5-25. CRAB STEER SWITCH INSTALLATION - 4WS (WITH TOW PACKAGE)**

ITEM	PART NUMBER	QTY	DESCRIPTION	REV
1	1001148166	Ref	CRAB STEER SWITCH INSTALLATION - 4WS	B
	1001148164	Ref	Steering Installation (Not Shown - See Separate Breakdown in FRAME SECTION)	
2	1001148162	Ref	Steering Installation (Crab Steer) (Not Shown - See Separate Breakdown in FRAME SECTION)	
3	4360331	1	Switch, Toggle	
4	3790012	1	O-Ring	

# SECTION 5 - PLATFORM

## FIGURE 5-26. STEER SWITCH INSTALLATION – 4WS



ART\_0258945

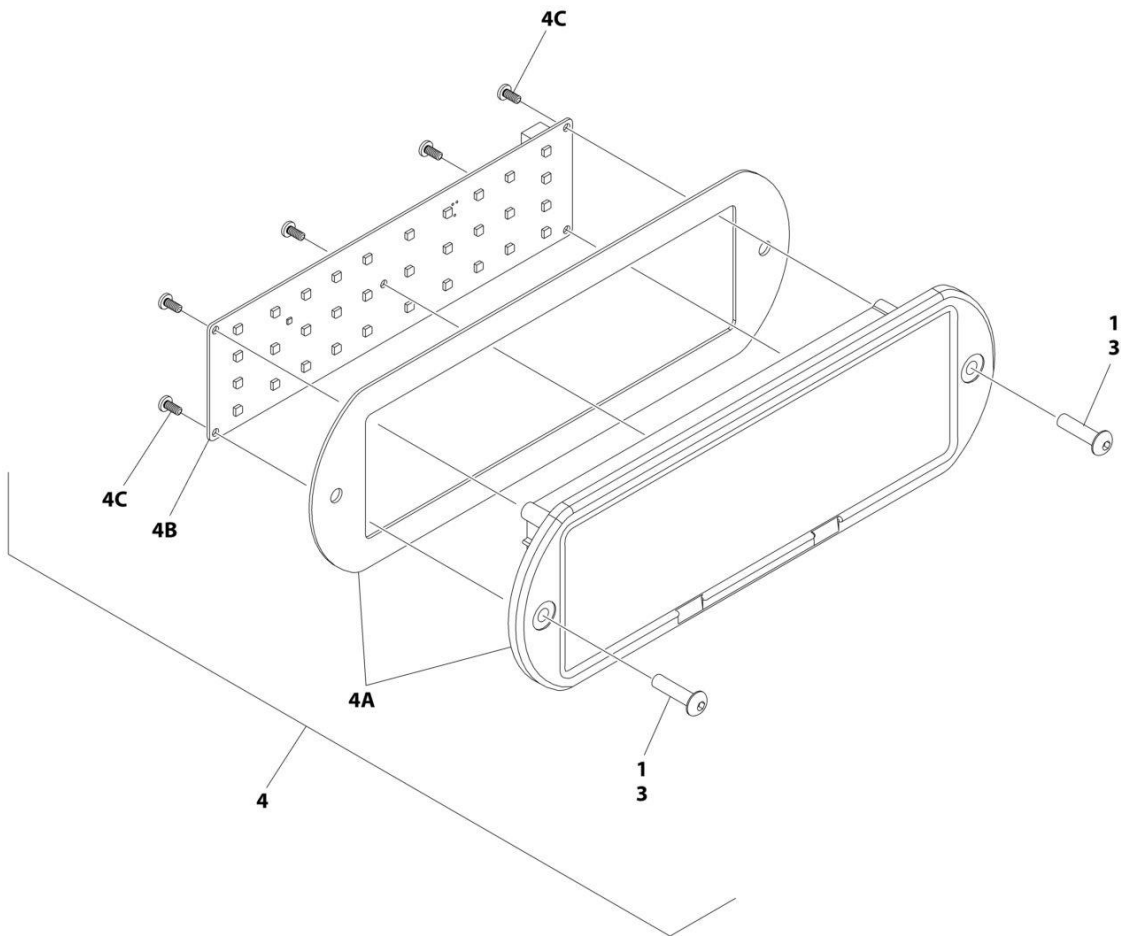
## SECTION 5 - PLATFORM

**FIGURE 5-26. STEER SWITCH INSTALLATION – 4WS**

ITEM	PART NUMBER	QTY	DESCRIPTION	REV
	0258945	Ref	STEER SWITCH INSTALLATION - 4WS	A
1	4360331	1	Switch, Toggle	
2	3790012	1	O-Ring	

# SECTION 5 - PLATFORM

## FIGURE 5-27. LIGHT PANEL INSTALLATION



ART\_1001241403\_2OF2

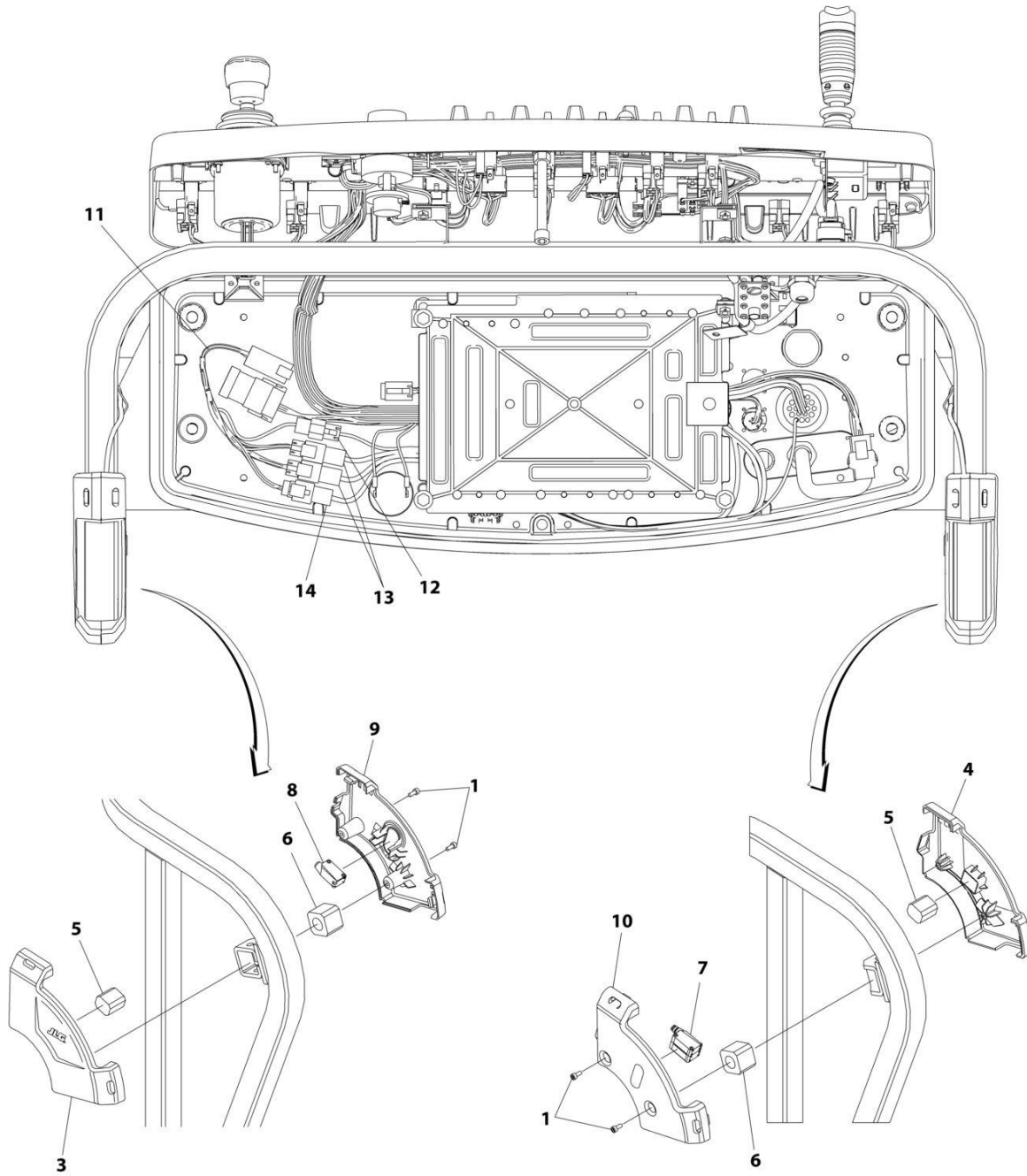
## SECTION 5 - PLATFORM

### FIGURE 5-27. LIGHT PANEL INSTALLATION

ITEM	PART NUMBER	QTY	DESCRIPTION	REV
	1001241403	Ref	LIGHT PANEL INSTALLATION - PLATFORM CONSOLE	C
1	3300408	1	Nut, Nylon Insert	
3	0630518	2	Screw #10 x 3/4	
4	1001238672	1	Light Panel Electrical Assembly	H
4A	1001236089	1	Lens Assembly (Includes Housing Shell, Decal/Lens with Icons & Gasket)	
4B	1001238732	1	Panel, LED Light	
4C		Ref	Screw	

# SECTION 5 - PLATFORM

## FIGURE 5-28. SKYEYE INSTALLATION



ART\_1001229341

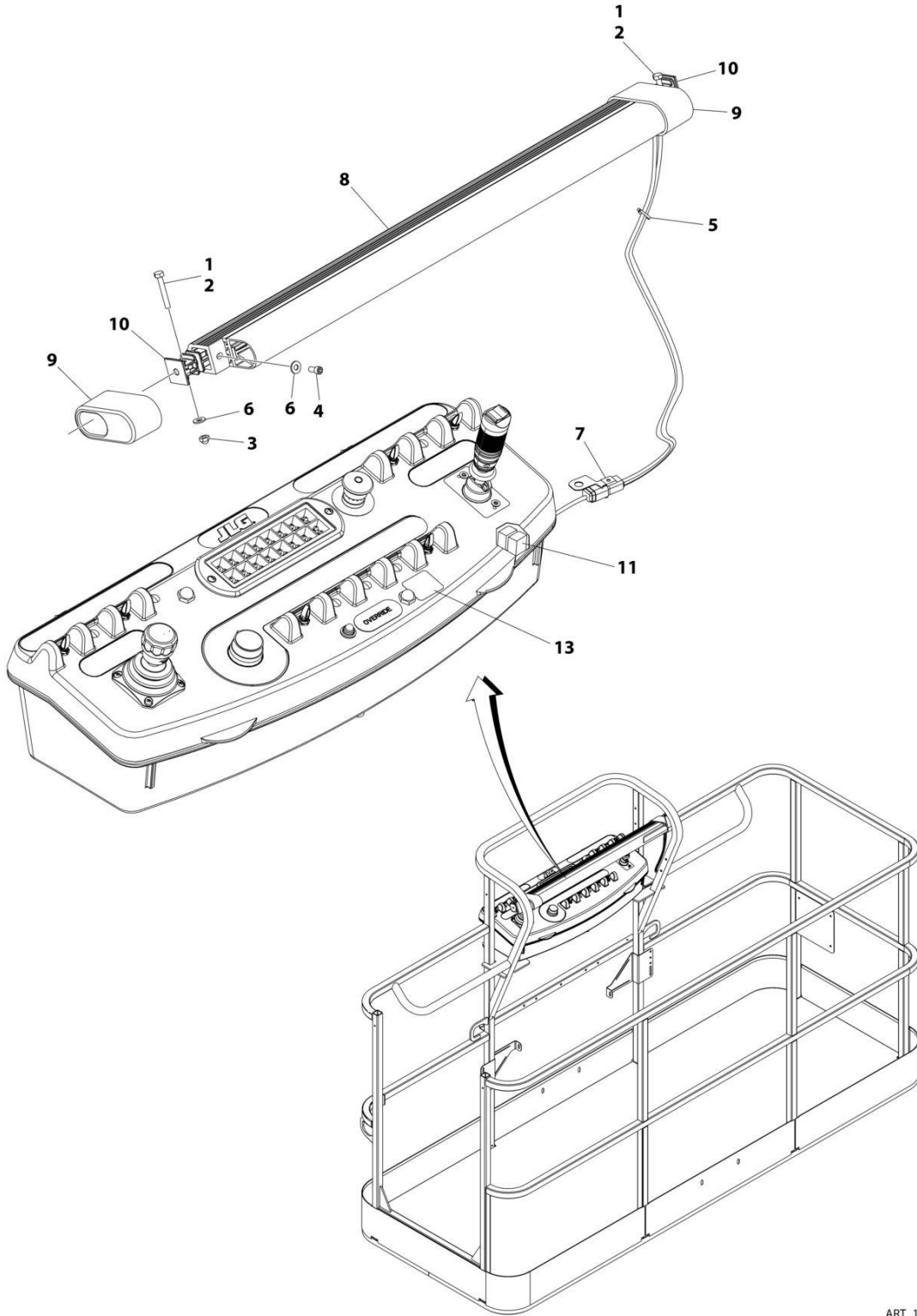
## SECTION 5 - PLATFORM

### FIGURE 5-28. SKYEYE INSTALLATION

ITEM	PART NUMBER	QTY	DESCRIPTION	REV
	1001229341	Ref	SKYEYE INSTALLATION	B
1	4031505	4	Bolt M4 x 10	
2	4240033	AR	Tie-Strap (Not Shown)	
3	1001227633	1	Housing, LH Outer	
4	1001227634	1	Housing, RH Outer	
5	1001227985	2	Shim	
6	1001227987	2	Shim	
7	1001228224	2	Sensor, Receiver	
8	1001228225	1	Sensor, Emitter	
9	1001232164	1	Housing, LH Inner	
10	1001232165	1	Housing, RH Inner	
11	1001237865	1	Harness, Skyeeye Intermediate (See Separate Breakdown in ELECTRICAL Section)	
12	1001238319	NLA	Harness, Skyeeye Drain Jumper	
12	1001187674	1	Plug, Male - 2 Position	
12	4460942	1	Terminal	
12	4460466	1	Plug, Terminal	
12	4460508	1	Pin, Male	
13	1001237863	2	Harness, Skyeeye Receiver (See Separate Breakdown in ELECTRICAL Section)	
14	1001237864	1	Harness, Skyeeye Emitter (See Separate Breakdown in ELECTRICAL Section)	

# SECTION 5 - PLATFORM

## FIGURE 5-29. SKYGUARD BAR INSTALLATION



ART\_1001238495



## SECTION 5 - PLATFORM

**FIGURE 5-29. SKYGUARD BAR INSTALLATION**

ITEM	PART NUMBER	QTY	DESCRIPTION	REV
	1001238495	Ref	SKYGUARD BAR INSTALLATION	A
1	0100011	AR	Compound, Locking	
2	0641414	2	Bolt 1/4 x 1-3/4	
3	3300430	2	Nut 1/4	
4	3931408	2	Capscrew 1/4 x 1/2	
5	4240033	8	Tie-Strap	
6	4711400	6	Washer 1/4	
7	1001120328	1	Mount	
8	1001137673	1	SkyGuard Switch Assembly	
9	1001186517	2	Cover, Platform Sensor	
10	1001209664	2	Support, Block	
11	1001186431	2	Relay	
12	1001225580	1	Interface Harness Assembly (Not Shown - Located Inside Console Box) (See Separate Breakdown in ELECTRICAL Section)	
13	1001144433	1	Decal - No Weight SkyGuard	



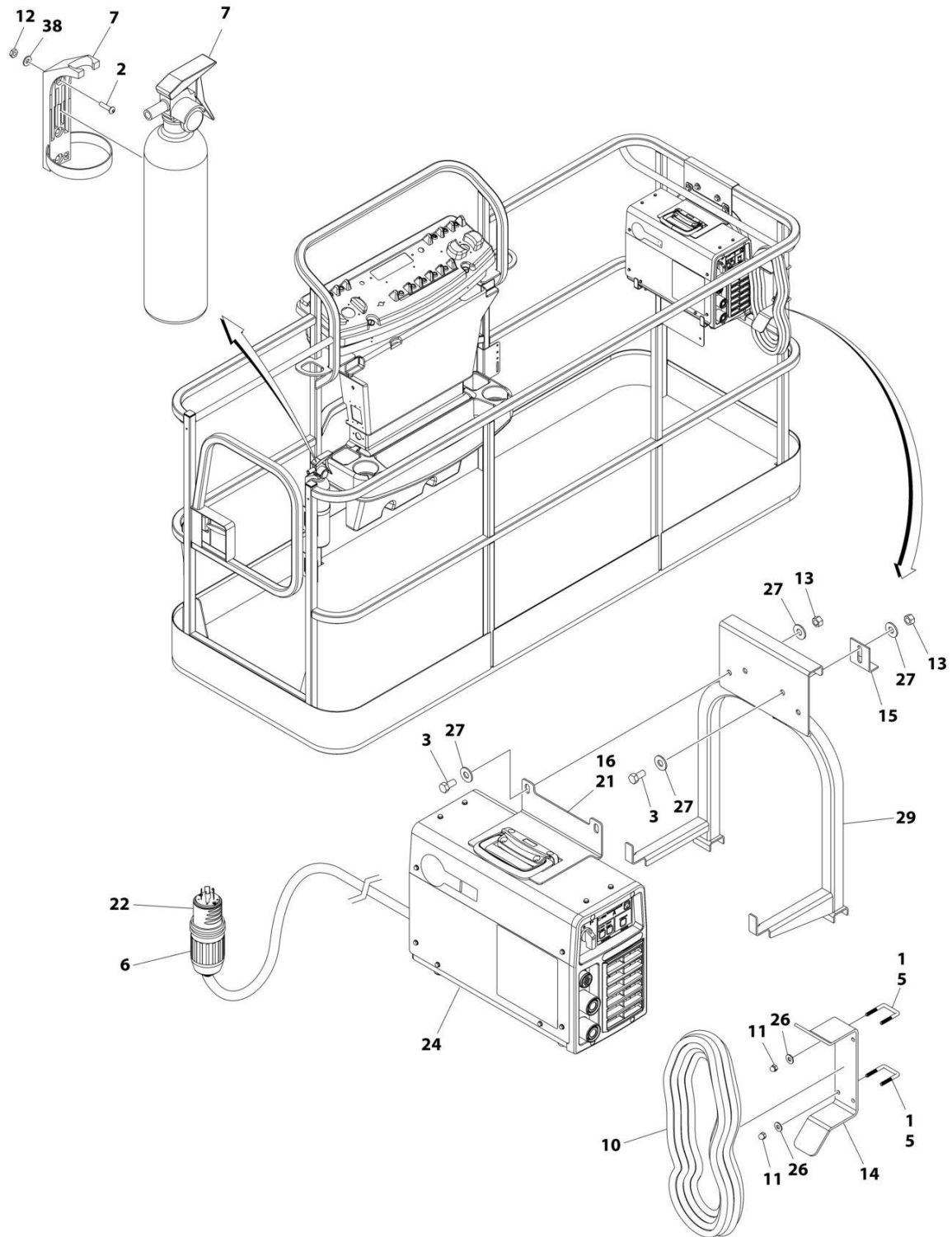
## SECTION 5 - PLATFORM

### FIGURE 5-30. SKYLINE INSTALLATION

ITEM	PART NUMBER	QTY	DESCRIPTION	REV
	1001238559	Ref	SKYLINE INSTALLATION	D
1	0641404	2	Bolt 1/4 x 1/2	
2	0641405	2	Bolt 1/4 x 5/8	
3	3311405	2	Nut 1/4	
4	3311601	2	Nut 3/8	
5	4031516	2	Capscrew M4 x 60	
6	4240033	AR	Tie-Strap (Not Shown)	
7	4711400	4	Washer 1/4	
8	1001120328	1	Mount	
9	1001232642	1	Bracket	
11	1001232667	1	Sensor, Proximity	
11	1001311034	1	Sensor, Proximity	
14	1001236552	1	Block	
15	1001238418	1	Harness, Skyline (See Separate Breakdown in ELECTRICAL Section)	
16	1001238472	1	Mount	
17	1001254473	1	Housing, LH	
18	1001241965	1	Housing, RH	
19	1001254472	1	Rod	
20	0100011	AR	Compound, Locking	

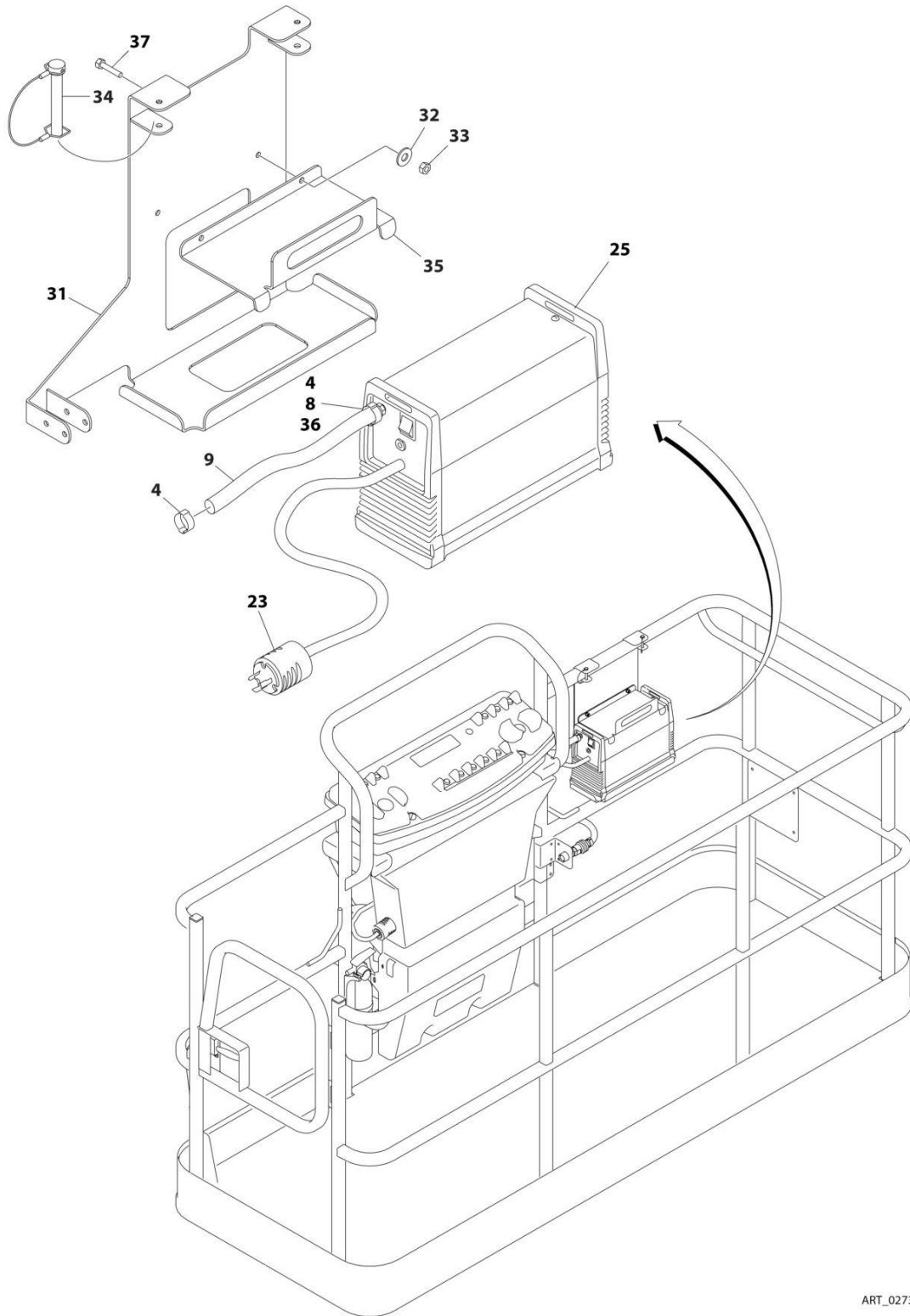
# SECTION 5 - PLATFORM

FIGURE 5-31. SKYWELDER/SKYCUTTER COMBO INSTALLATION (60HZ) (ANSI, ANSI EXPORT, CSA, AUSTRALIAN, CHINA AND JAPANESE SPECS)



ART\_0273353\_H\_10F2

# SECTION 5 - PLATFORM



ART\_0273353\_H\_20F2

## SECTION 5 - PLATFORM

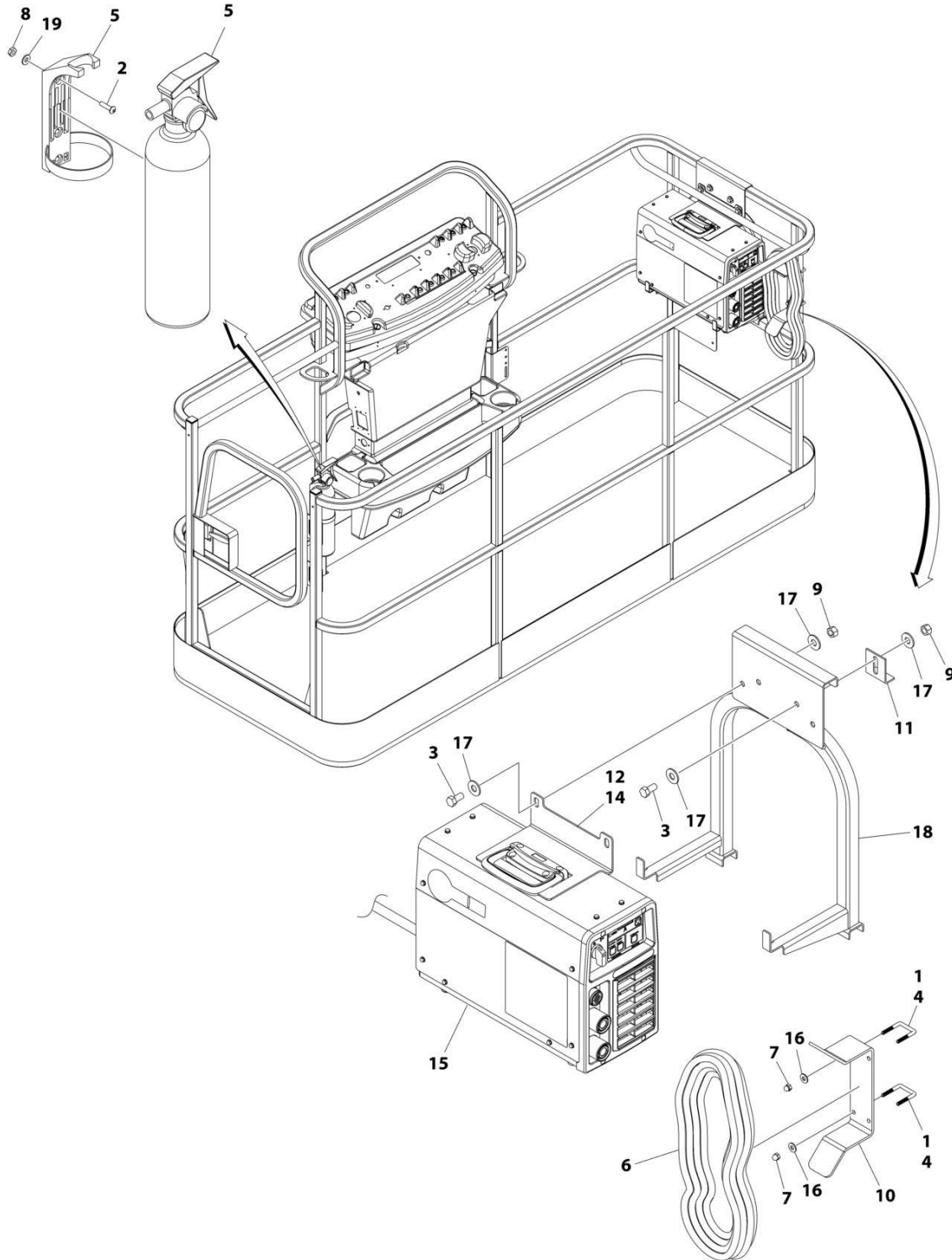
**FIGURE 5-31. SKYWELDER/SKYCUTTER COMBO INSTALLATION (60HZ) (ANSI, ANSI EXPORT, CSA, AUSTRALIAN, CHINA AND JAPANESE SPECS)**

ITEM	PART NUMBER	QTY	DESCRIPTION	REV
	0273353	Ref	SKYWELDER/SKYCUTTER COMBO INSTALLATION (60HZ)	H
1	0100011	AR	Compound, Locking	
2	0630518	2	Screw #10 x 3/4	
3	0641606	4	Bolt 3/8 x 3/4	
4	1320177	2	Clamp	
5	1320302	2	Clamp	
6	1671093	1	Cover, Plug	
7	2030010	1	Extinguisher, Fire	
8	2180832	1	Fitting, Barbed/NPT	
9	2720160	4.5 ft /1.37m	Hose	
10	2902217	1	Weld Leads Kit	
11	3300151	4	Nut 1/4	
12	3311005	2	Nut #10	
13	3311605	4	Nut 3/8	
14	3573400	1	Bracket	
15	3577121	2	Angle	
16	1001269573	1	Plate	
20	4240099	AR	Tie-Strap (Not Shown)	
21	4420037	2.36 ft /.71m	Tape	
22	4460962	1	Plug, Twist Lock	
23	4460971	1	Plug, Twist Lock	
24	1001268820	1	Welder Assembly (See Separate Breakdown in this section)	
25	1001098012	1	Plasma Cutter Assembly (See Separate Breakdown in this Section)	
26	4751400	4	Washer 1/4	
27	4751600	8	Washer 3/8	
29	1001269322	1	Support	
31	1001145405	1	Bracket	
32	4811700	2	Washer M6	
33	3290605	2	Nut M6	
34	3421453	3	Pin	
35	3576799	1	Plate, Hold-Down	
36	0100020	1	Sealant	
37	4010608	2	Screw M6 x 16	
38	4751000	2	Washer #10	



# SECTION 5 - PLATFORM

## FIGURE 5-32. SKYWELDER INSTALLATION (50HZ)



ART\_0272521\_G



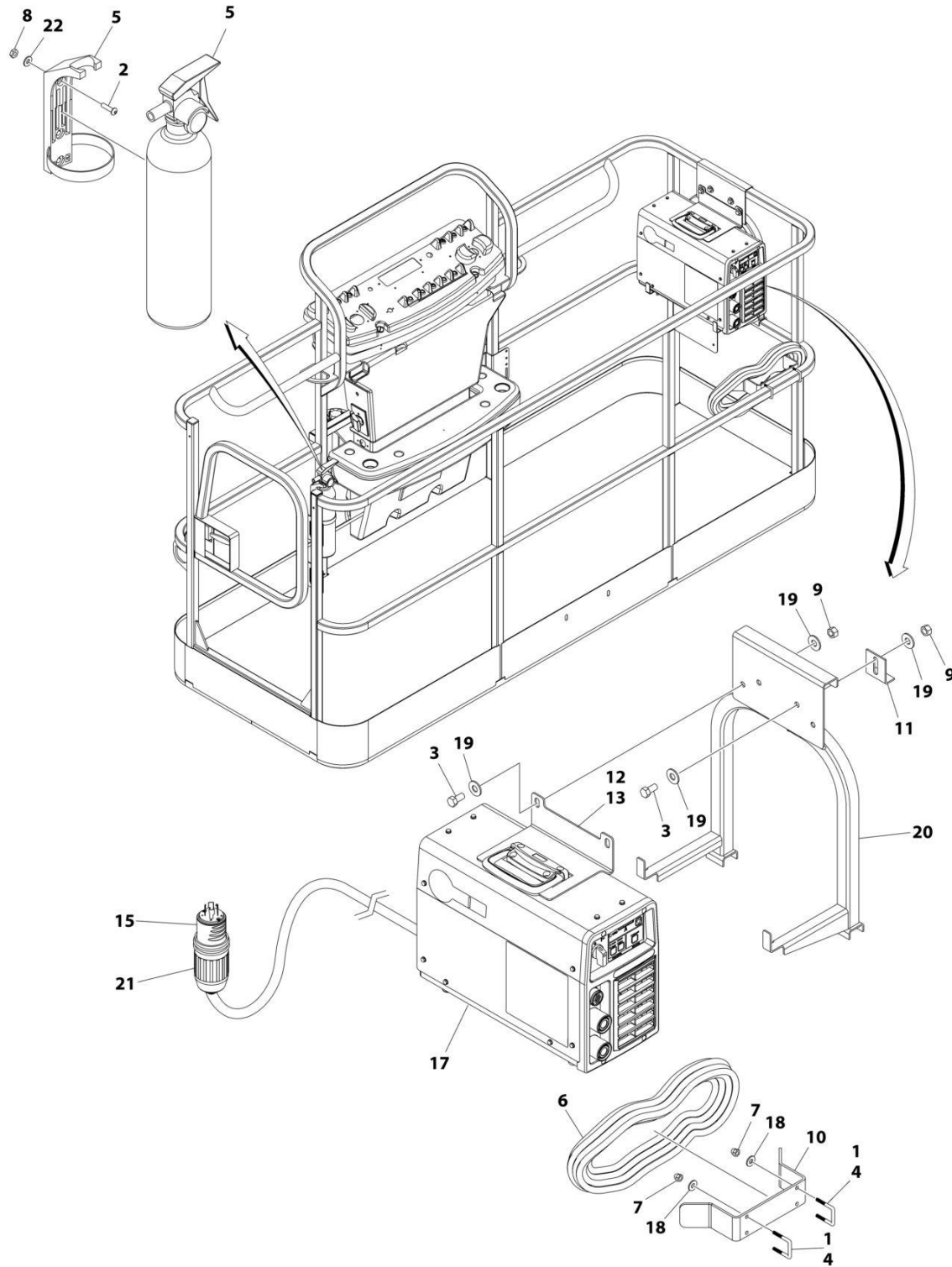
## SECTION 5 - PLATFORM

**FIGURE 5-32. SKYWELDER INSTALLATION (50HZ)**

ITEM	PART NUMBER	QTY	DESCRIPTION	REV
	0272521	Ref	SKYWELDER INSTALLATION	G
1	0100011	AR	Compound, Locking	
2	0630518	2	Screw #10 x 3/4	
3	0641606	4	Bolt 3/8 x 3/4	
4	1320302	2	U-Clamp	
5	2030010	1	Extinguisher, Fire	
6	2902217	1	Weld Leads Kit	
7	3300151	4	Nut 1/4	
8	3311005	2	Nut #10	
9	3311605	4	Nut 3/8	
10	3573400	1	Bracket	
11	3577121	2	Angle	
12	1001269573	1	Plate	
13	4240099	AR	Tie-Strap (Not Shown)	
14	4420037	AR	Tape	
15	1001268820	1	Welder Assembly (See Separate Breakdown in this Section)	
16	4751400	4	Washer 1/4	
17	4751600	8	Washer 3/8	
18	1001269322	1	Support	
19	4751000	2	Washer #10	

# SECTION 5 - PLATFORM

## FIGURE 5-33. SKYWELDER INSTALLATION (60HZ)



ART\_0272254\_J

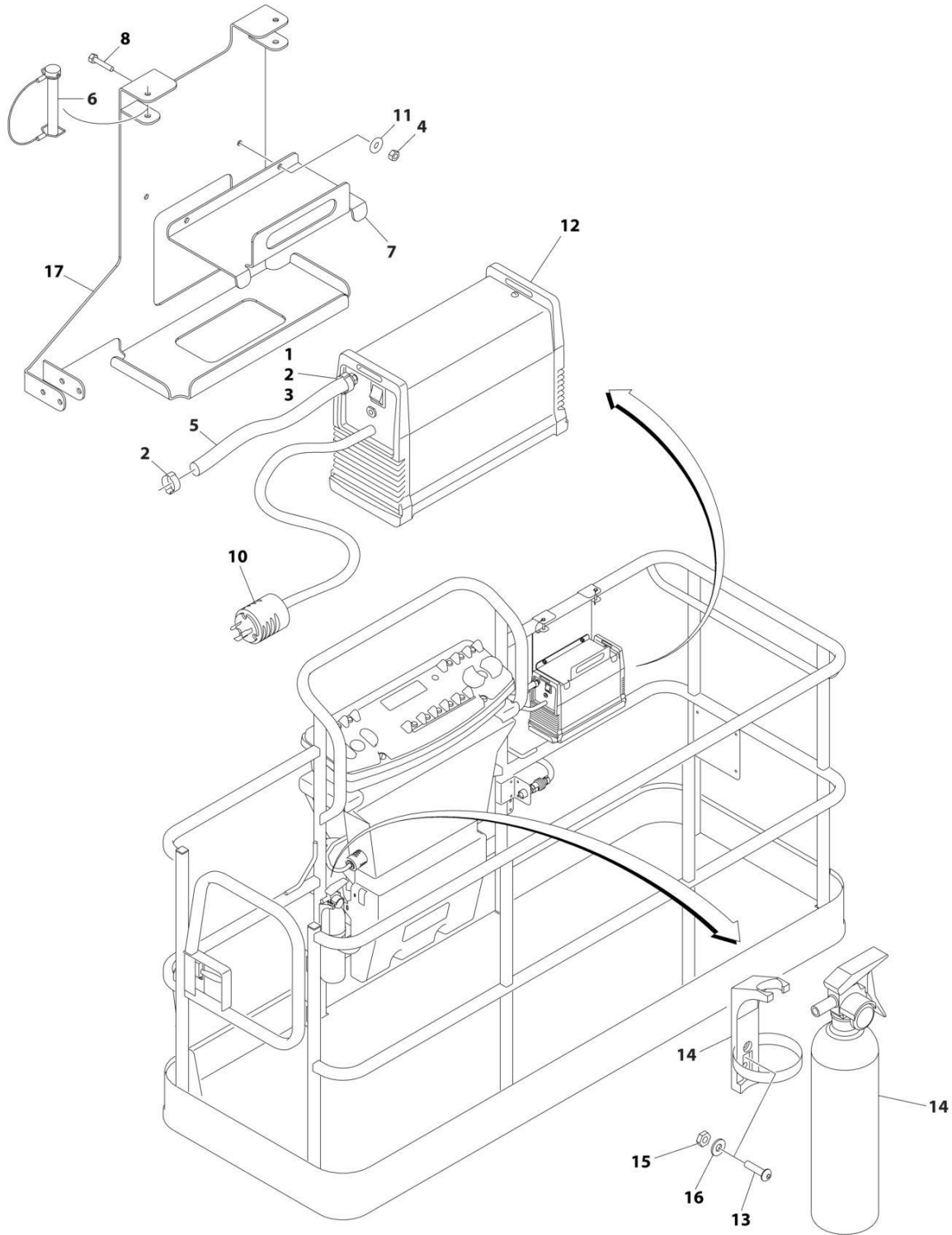
## SECTION 5 - PLATFORM

**FIGURE 5-33. SKYWELDER INSTALLATION (60HZ)**

ITEM	PART NUMBER	QTY	DESCRIPTION	REV
	0272254	Ref	SKYWELDER INSTALLATION	J
1	0100011	AR	Compound, Locking	
2	0630518	2	Screw #10 x 3/4	
3	0641606	4	Bolt 3/8 x 3/4	
4	1320302	2	U-Clamp	
5	2030010	1	Extinguisher, Fire	
6	2902217	1	Weld Leads Kit	
7	3300151	4	Nut 1/4	
8	3311005	2	Nut #10	
9	3311605	4	Nut 3/8	
10	3573400	1	Bracket	
11	3577121	2	Angle	
12	1001269573	1	Plate	
13	4420037	AR	Tape	
14	4240099	AR	Tie-Strap (Not Shown)	
15	4460962	1	Plug, Male Twistlock	
17	1001268820	1	Welder Assembly (See Separate Breakdown in this Section)	
18	4751400	4	Washer 1/4	
19	4751600	8	Washer 3/8	
20	1001269322	1	Support	
21	1671093	1	Cover, Plug	
22	4751000	2	Washer #10	

# SECTION 5 - PLATFORM

FIGURE 5-34. SKYCUTTER INSTALLATION (ANSI, ANSI EXPORT, CSA, CHINA AND JAPANESE SPECS)



ART\_1001098149\_D

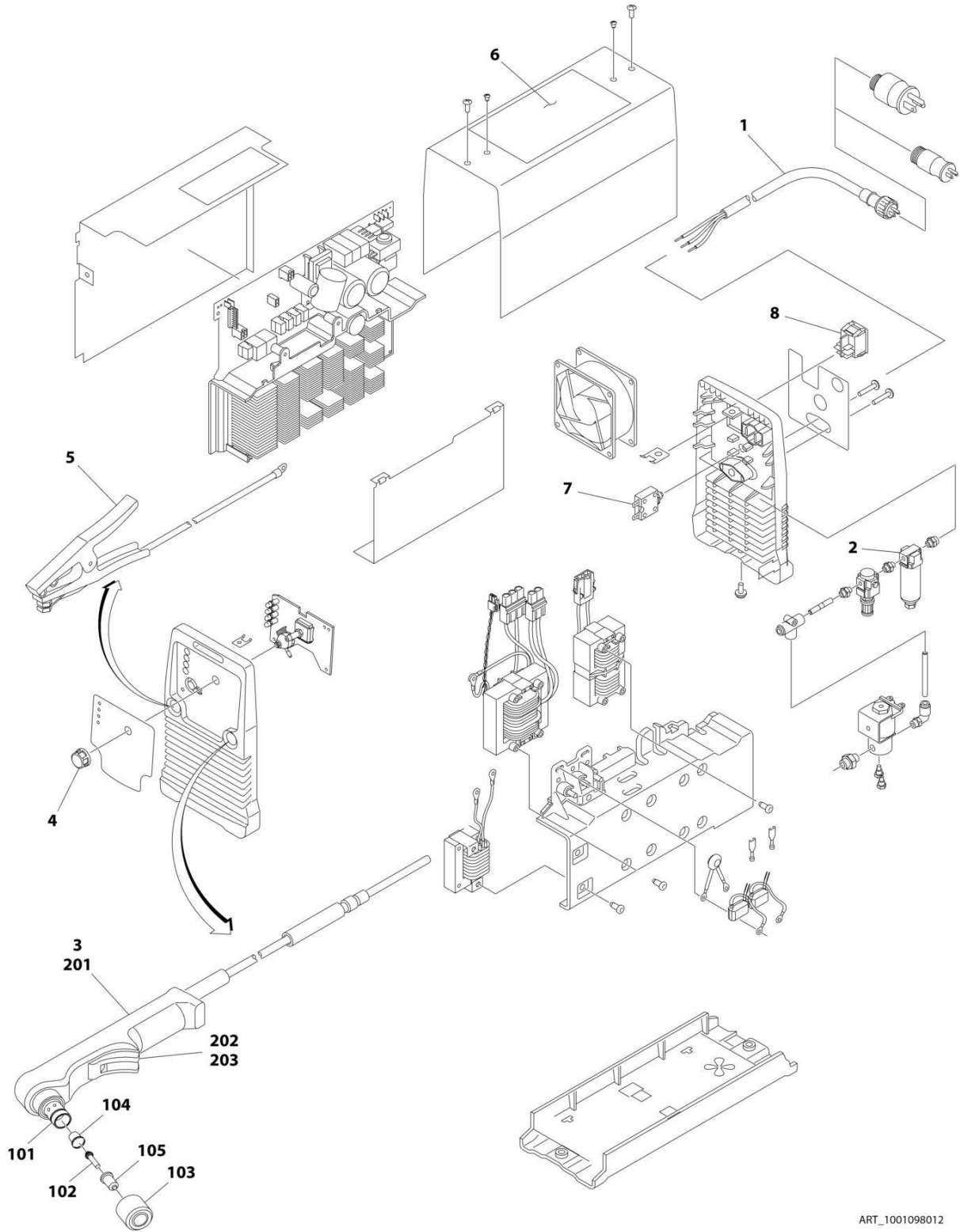
## SECTION 5 - PLATFORM

**FIGURE 5-34. SKYCUTTER INSTALLATION (ANSI, ANSI EXPORT, CSA, CHINA AND JAPANESE SPECS)**

ITEM	PART NUMBER	QTY	DESCRIPTION	REV
	1001098149	Ref	SKYCUTTER INSTALLATION	D
		Ref	Note: When replacing platform on machines with SkyCutter option, new bracket p/n 1001145405 must be purchased to accommodate SkyCutter components.	
1	0100020	AR	Sealant	
2	1320177	2	Clamp, Hose	
3	2180832	1	Fitting, NPT/Barbed	
4	3290605	2	Nut M6	
5	2720160	3 ft /.9m	Hose	
6	3421453	3	Pin	
7	3576799	1	Plate, Hold-Down	
8	4010608	2	Screw M6 x 16	
10	4460971	1	Plug, Twistlock	
11	4811700	2	Washer M6	
12	1001098012	1	Plasma Cutter Assembly (See Separate Breakdown in this Section)	
13	0630518	2	Screw #10 x 3/4	
14	2030010	1	Extinguisher, Fire	
15	3311005	2	Nut #10	
16	4751000	2	Washer #10	
17	1001145405	1	Support	

# SECTION 5 - PLATFORM

## FIGURE 5-35. PLASMA CUTTER ASSEMBLY



ART\_1001098012

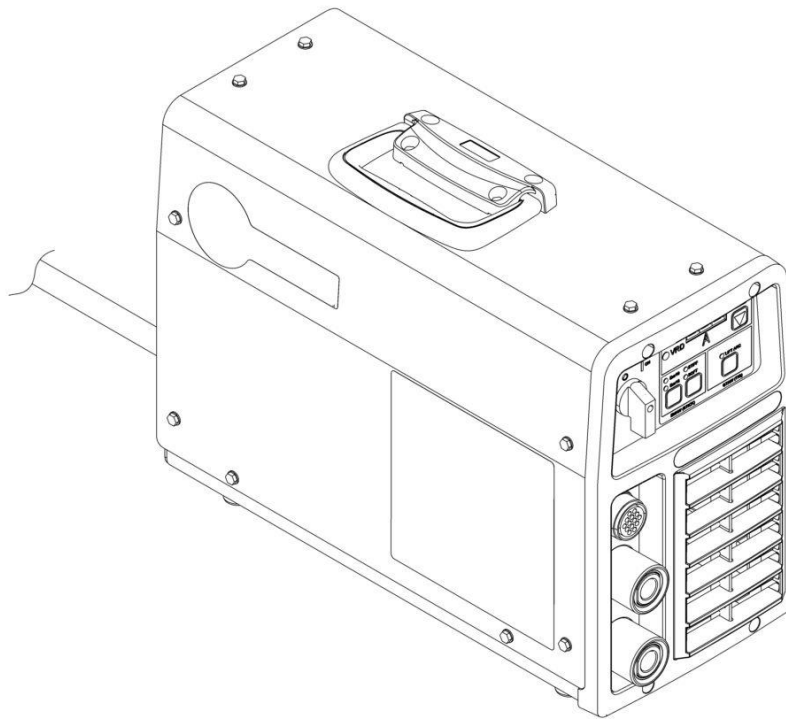
## SECTION 5 - PLATFORM

### FIGURE 5-35. PLASMA CUTTER ASSEMBLY

ITEM	PART NUMBER	QTY	DESCRIPTION	REV
	1001098012	Ref	PLASMA CUTTER ASSEMBLY	A
		Ref	Note: For Other Components, contact your Miller Welder Dealer.	
1	70001424	1	Cable, Power	
1	70001425	1	Decal - Voltage Warning	
2	70001427	1	Filter, Regulator	
3	70001428	1	Torch Assembly (See Items 101-203 for Breakdown)	
4	7024471	1	Knob	
5	70001429	1	Clamp with Cable	
6	70001430	1	Decal - Caution	
7	70001431	1	Breaker, Circuit	
8	70001432	1	Switch, Rocker	
	70001428	Ref	TORCH ASSEMBLY	
101	7024530	1	O-Ring	
102	7024531	1	Electrode	
103	7024532	1	Cup, Retaining	
104	7024533	1	Swirl Ring	
105	7024534	1	Tip	
201	7024535	1	Handle, Torch	
202	7024536	1	Switch	
203	7024537	1	Trigger	

# SECTION 5 - PLATFORM

## FIGURE 5-36. WELDER ASSEMBLY



ART\_1001268820



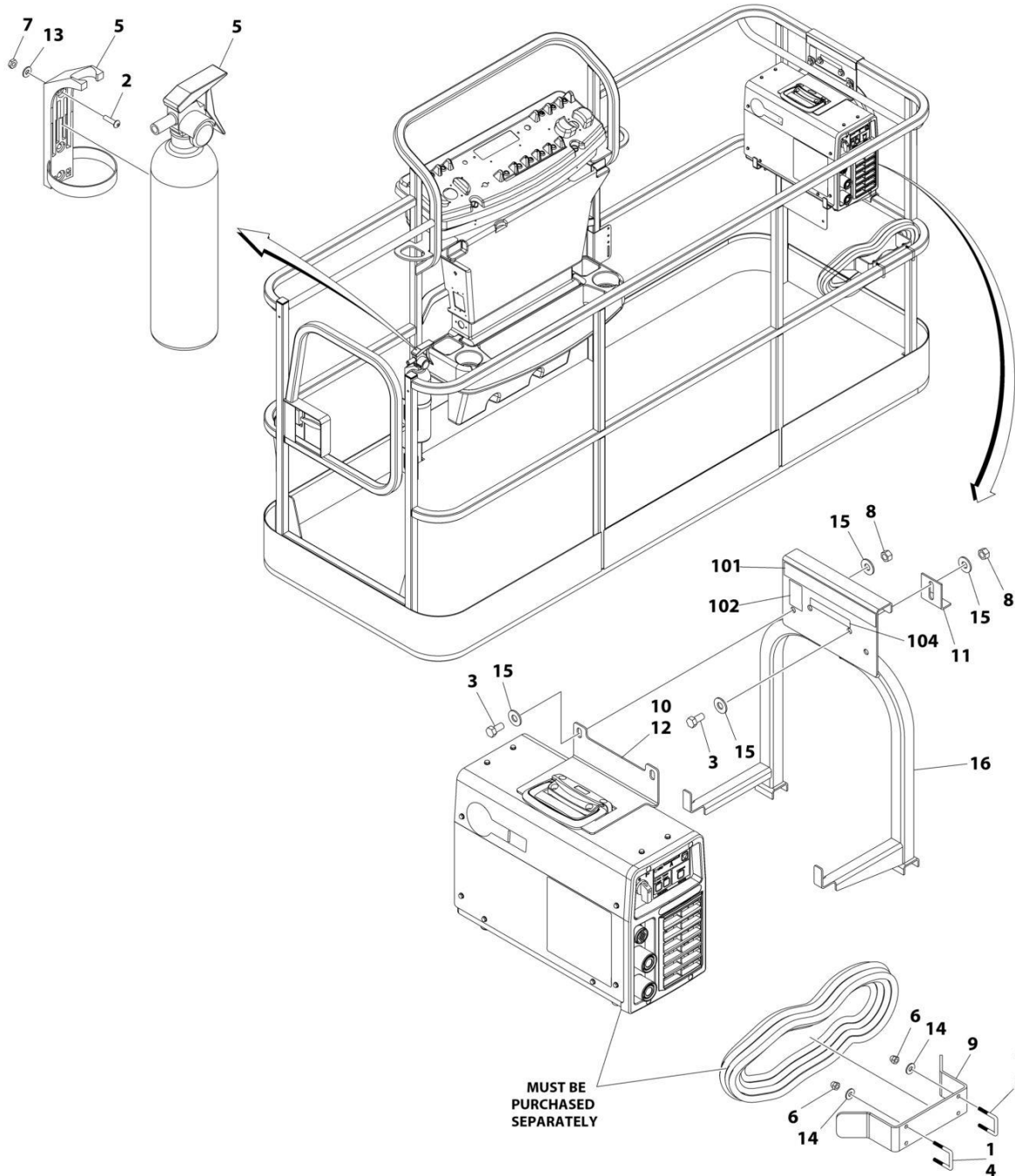
## SECTION 5 - PLATFORM

### FIGURE 5-36. WELDER ASSEMBLY

ITEM	PART NUMBER	QTY	DESCRIPTION	REV
	1001268820	1 Ref	WELDER ASSEMBLY Note: No Service Parts available at time of Printing.	B

# SECTION 5 - PLATFORM

## FIGURE 5-37. SKYWELDER PREP PACKAGE (60HZ)



ART\_1001128527\_C

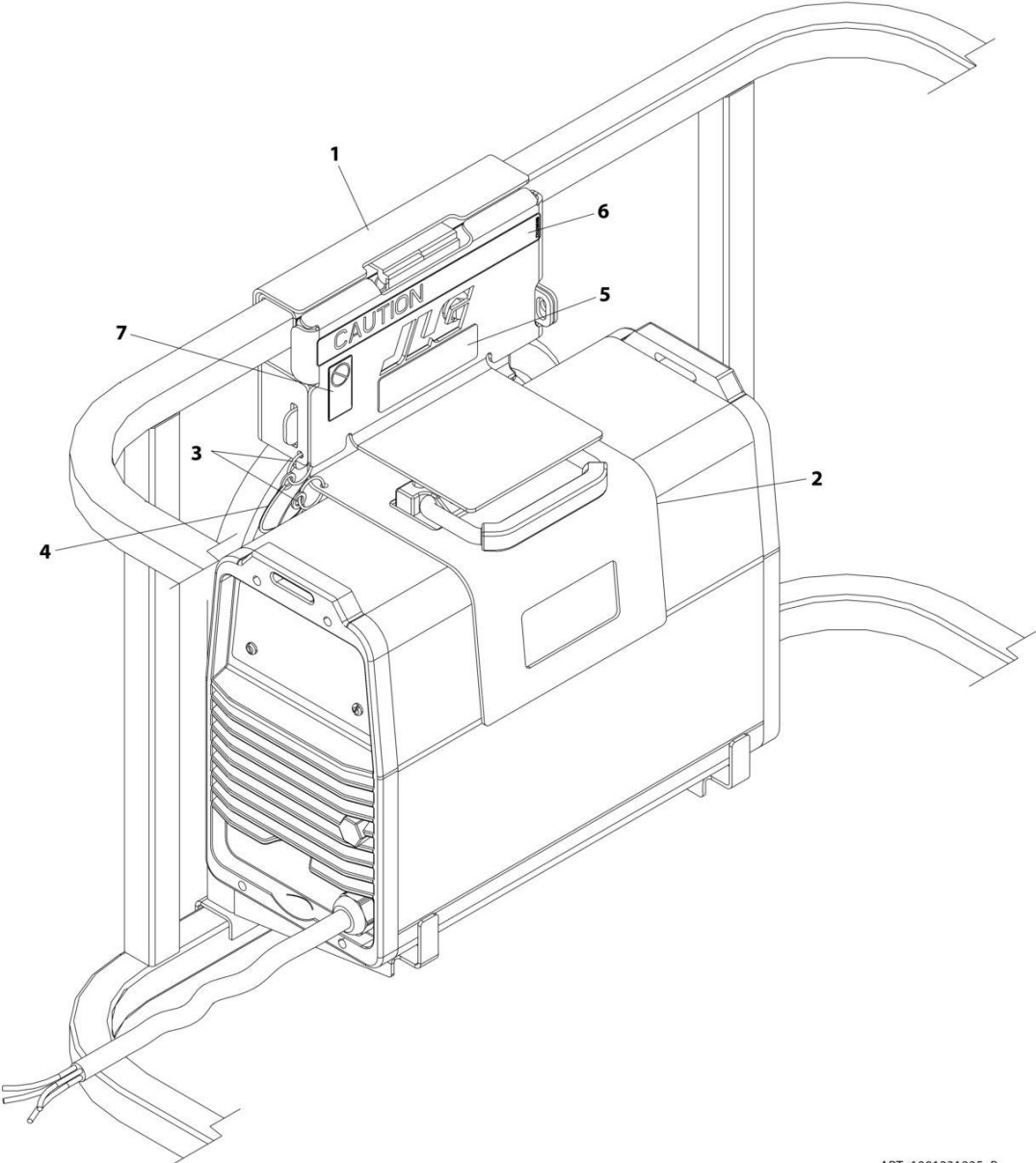
## SECTION 5 - PLATFORM

**FIGURE 5-37. SKYWELDER PREP PACKAGE (60HZ)**

ITEM	PART NUMBER	QTY	DESCRIPTION	REV
	1001128527	Ref	SKYWELDER PREP PACKAGE	C
1	0100011	AR	Compound, Locking	
2	0630518	2	Screw #10 x 3/4	
3	0641606	4	Bolt 3/8 x 3/4	
4	1320302	2	U-Clamp	
5	2030010	1	Extinguisher, Fire	
6	3300151	4	Nut 1/4	
7	3311005	2	Nut #10	
8	3311605	4	Nut 3/8	
9	3573400	1	Bracket	
10	1001269573	1	Plate	
11	3577121	2	Angle	
12	4420037	AR	Tape	
13	4751000	2	Washer #10	
14	4751400	4	Washer 1/4	
15	4751600	8	Washer 3/8	
16	1001269322	1	Support	
	1001128556	Ref	SKYWELDER DECAL INSTALLATION	D
101	1702868	1	Decal - No Hands	
102	1705305	1	Decal - Weld Lead	
104	1001228988	1	Decal - Weight	

**SECTION 5 - PLATFORM**

**FIGURE 5-38. SKYWELDER LOCKING BRACKET INSTALLATION**



ART\_1001231235\_B

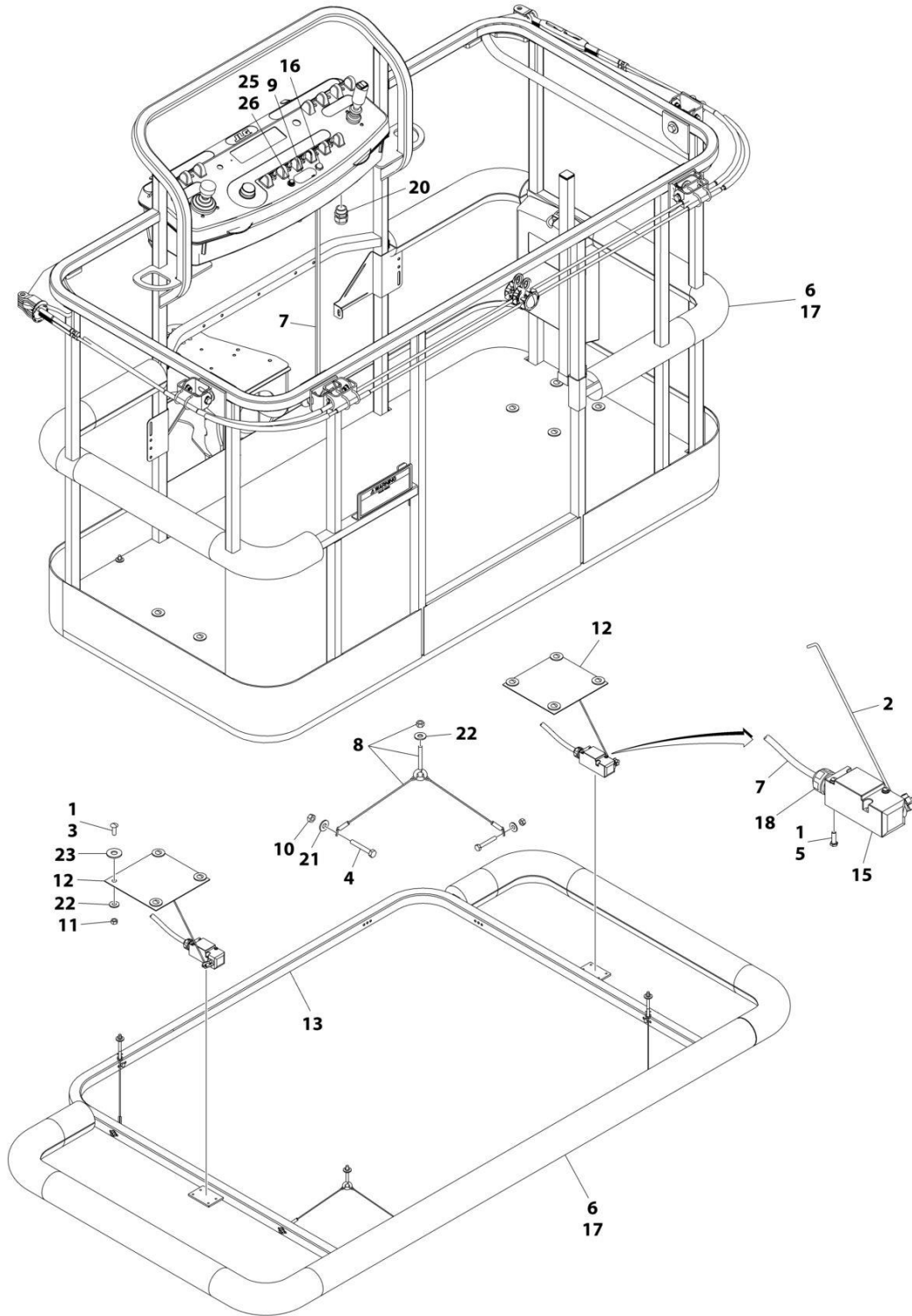
## SECTION 5 - PLATFORM

**FIGURE 5-38. SKYWELDER LOCKING BRACKET INSTALLATION**

ITEM	PART NUMBER	QTY	DESCRIPTION	REV
	1001231235	Ref	SKYWELDER LOCKING BRACKET INSTALLATION	B
1	1001231180	1	Bracket	
2	1001231183	1	Plate	
3	3760170	2	Ring	
4	1060379	1	Lanyard	
5	1001252628	1	Decal - Weight	
6	1702868	1	Decal - No Hands	
7	1705305	1	Decal - Weld Lead	

# SECTION 5 - PLATFORM

## FIGURE 5-39. SOFT TOUCH INSTALLATION - 6FT (1.83M) FALL ARREST PLATFORM



ART\_1001108256

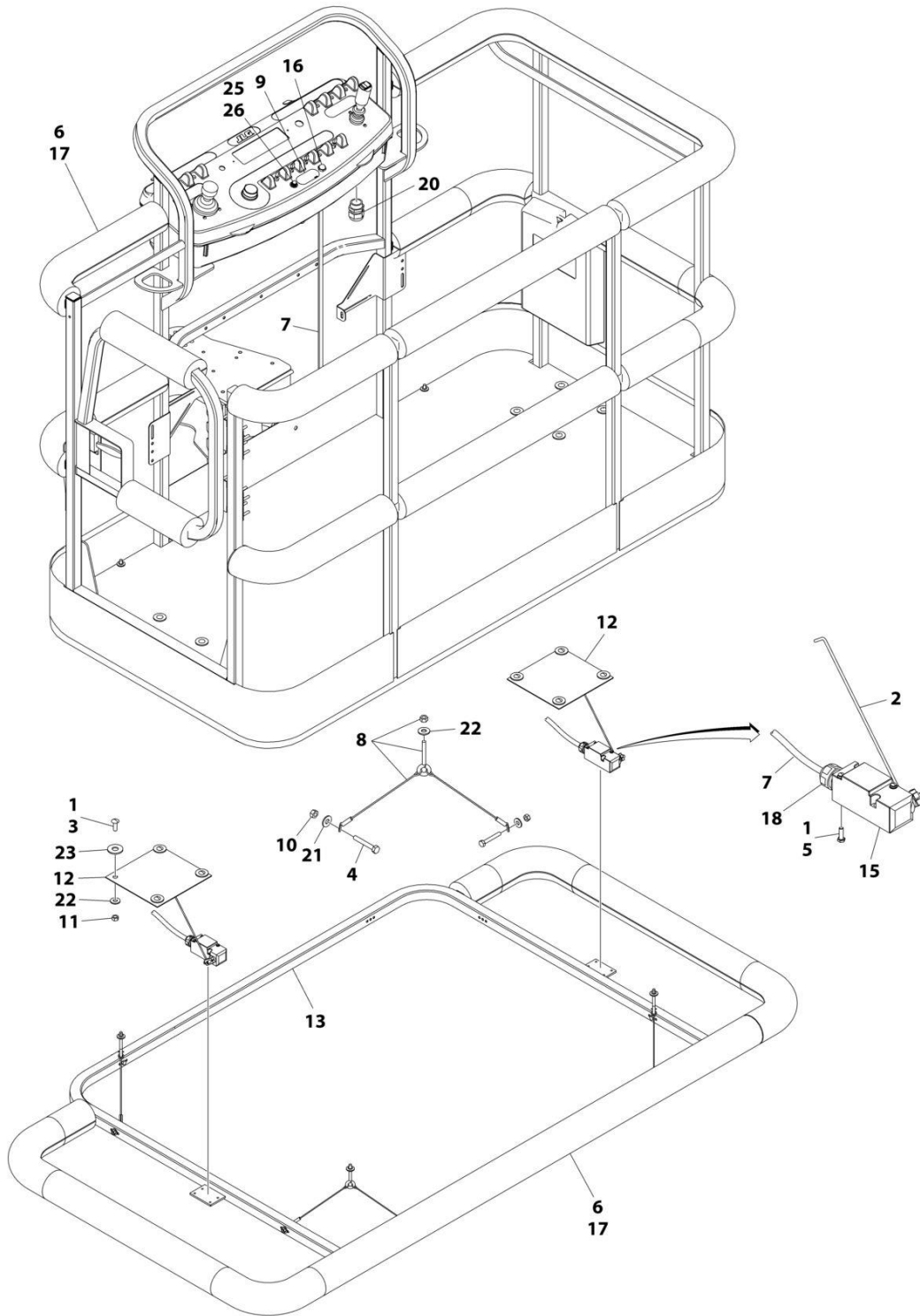
## SECTION 5 - PLATFORM

**FIGURE 5-39. SOFT TOUCH INSTALLATION - 6FT (1.83M) FALL ARREST PLATFORM**

ITEM	PART NUMBER	QTY	DESCRIPTION	REV
	1001108256	Ref	SOFT TOUCH INSTALLATION	C
1	0100011	AR	Compound, Locking	
2	0200048	2	Arm, Switch	
3	0630462	8	Bolt	
4	0641414	8	Bolt 1/4 x 1-3/4	
5	0731005	4	Bolt #10 x 5/8	
6	0940177	1	Bumper Kit (Includes Corners and Enough Straight Material for One Platform)	
6	0940092	8	Bumper (Corner)	
6	0940094	AR	Bumper (12ft Length)	
7	1060341	23 ft/7m	Cable, Soft Touch - 16/2	
8	1060903	4	Wire Rope and Eyebolt Assembly	
9	1702938	1	Decal - Soft Touch Override	
10	3311401	8	Nut 1/4	
11	3311501	8	Nut 5/16	
12	3575359	2	Plate, Switch Strike	
13	3641569	1	Rail, Soft Touch	
14	4240099	7	Tie-Strap (Not Shown)	
15	4360057	2	Switch, Limit	
16	4360387	1	Switch, Push Button	
17	4420068	AR	Tape, Adhesive	
17	1001197017	AR	Tie-Strap	
18	4460049	2	Connector, Strain Relief	
19	4460234	7	Tie-Strap (Not Shown)	
20	4460425	1	Connector, Strain Relief	
21	4751400	8	Washer 1/4	
22	4751500	9	Washer 5/16	
23	4751800	8	Washer 1/2	
25	2920028	1	Light, Indicator	
26	2920029	1	Bulb, Light	

# SECTION 5 - PLATFORM

## FIGURE 5-40. SOFT TOUCH SYSTEM INSTALLATION - 6FT/1.8M PLATFORMS



ART\_0273824



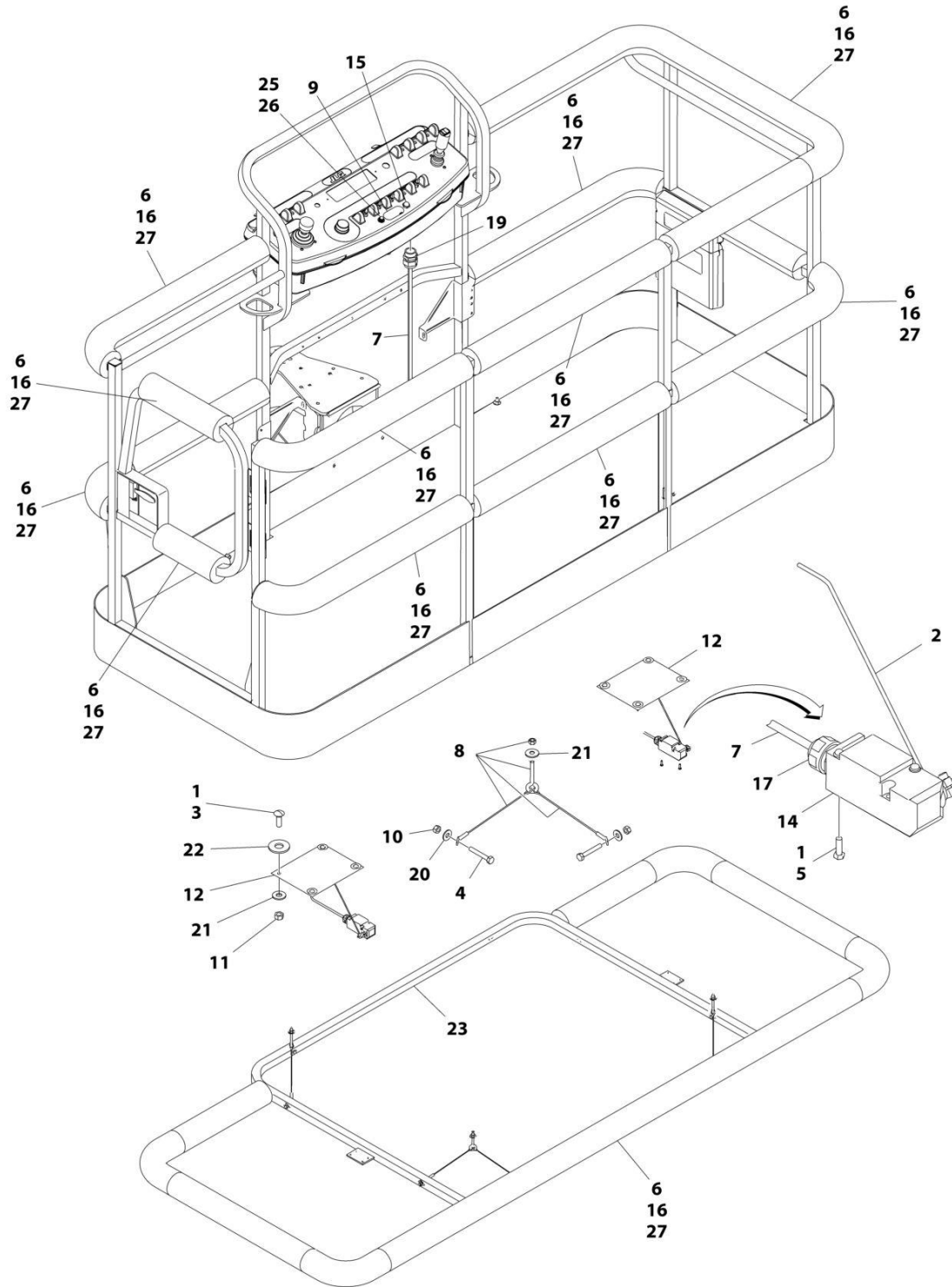
## SECTION 5 - PLATFORM

**FIGURE 5-40. SOFT TOUCH SYSTEM INSTALLATION - 6FT/1.8M PLATFORMS**

ITEM	PART NUMBER	QTY	DESCRIPTION	REV
	0273824	Ref	SOFT TOUCH SYSTEM INSTALLATION	D
1	0100011	AR	Compound, Locking	
2	0200048	2	Arm, Switch	
3	0630462	8	Bolt	
4	0641414	8	Bolt 1/4 x 1-3/4	
5	0731005	4	Bolt #10 x 5/8	
6	0940134	1	Bumper Kit (Includes Corners and Enough Straight Material for One Platform)	
6	0940092	AR	Bumper (Corner)	
6	0940094	AR	Bumper (12ft Length)	
7	1060341	23 ft/7m	Cable, Soft Touch - 16/2	
8	1060903	4	Wire Rope and Eyebolt Assembly	
9	1702938	1	Decal - Soft Touch Override	
10	3311401	8	Nut 1/4	
11	3311501	8	Nut 5/16	
12	3575359	2	Plate, Switch Strike	
13	3641569	1	Rail, Soft Touch	
14	4240099	7	Tie-Strap (Not Shown)	
15	4360057	2	Switch, Limit	
16	4360387	1	Switch, Push Button	
17	4420068	AR	Tape, Adhesive	
17	1001197017	AR	Tie-Strap	
18	4460049	2	Connector, Strain Relief	
19	4460234	7	Tie-Strap (Not Shown)	
20	4460425	1	Connector, Strain Relief	
21	4751400	8	Washer 1/4	
22	4751500	12	Washer 5/16	
23	4751800	8	Washer 1/2	
24	4933218	1	Wiring Diagram (Not Shown - Reference Only)	
25	2920028	1	Light, Indicator	
26	2920029	1	Bulb, Light	

# SECTION 5 - PLATFORM

## FIGURE 5-41. SOFT TOUCH SYSTEM INSTALLATION - 8FT/2.44M PLATFORM



ART\_0272427

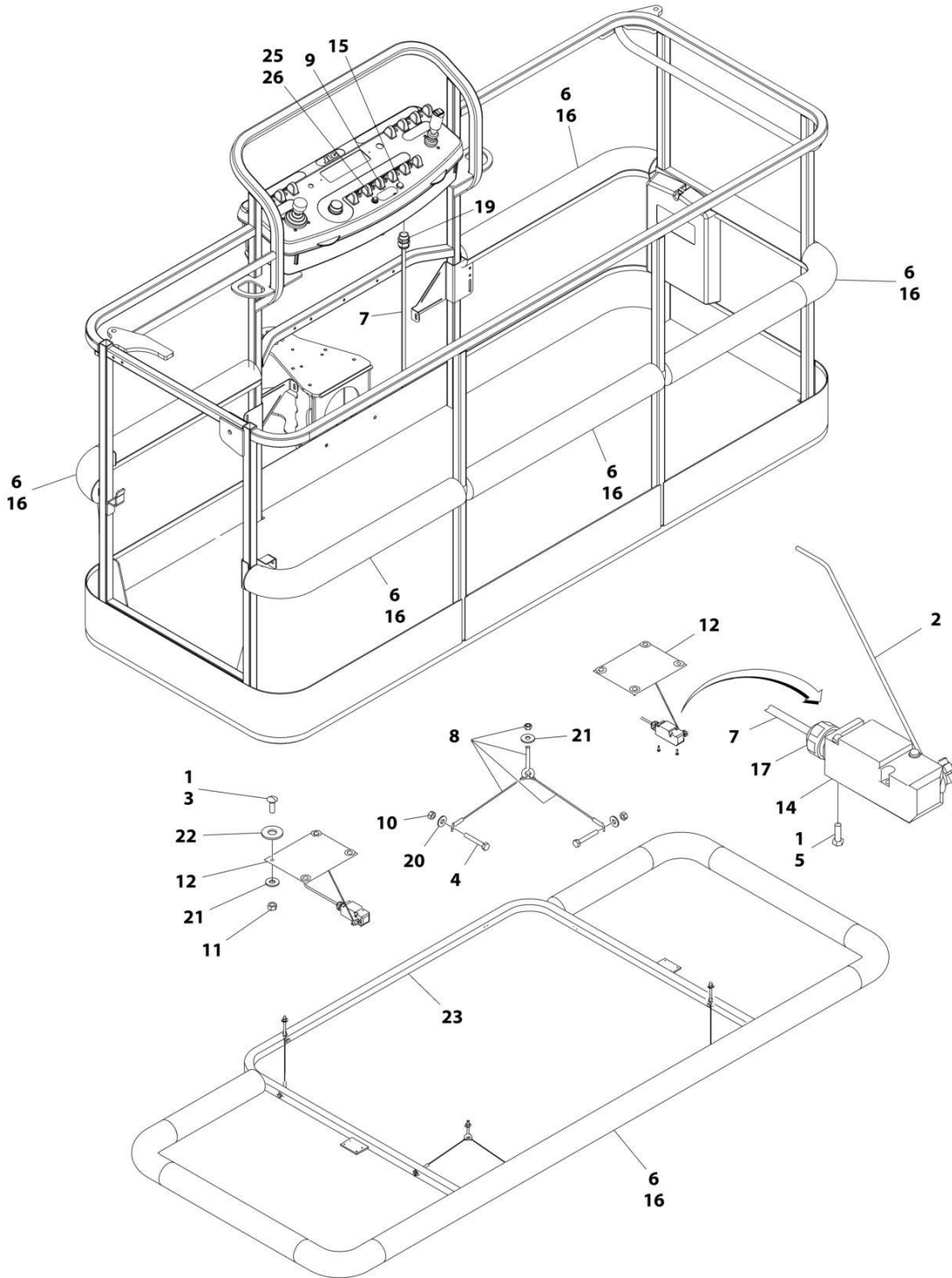
## SECTION 5 - PLATFORM

**FIGURE 5-41. SOFT TOUCH SYSTEM INSTALLATION - 8FT/2.44M PLATFORM**

ITEM	PART NUMBER	QTY	DESCRIPTION	REV
	0272427	Ref	SOFT TOUCH SYSTEM INSTALLATION	G
1	0100011	AR	Compound, Locking	
2	0200048	2	Arm, Switch	
3	0630462	8	Bolt	
4	0641414	8	Bolt 1/4 x 1-3/4	
5	0721005	4	Bolt #10 x 5/8	
6	0940103	1	Bumper Kit (Includes Corners and Enough Straight Material for One Platform)	
6	0940092	12	Bumper (Corner)	
6	0940094	AR	Bumper (12ft Length)	
7	1060341	23 ft/7m	Cable, Electrical - 16/2	
8	1060903	4	Wire Rope and Eyebolt Assembly	
9	1702938	1	Decal - Soft Touch Override	
10	3311401	8	Nut 1/4	
11	3311501	8	Nut 5/16	
12	3574091	2	Plate, Switch Strike	
13	4240099	7	Tie-Strap (Not Shown)	
14	4360057	2	Switch, Limit	
15	4360387	1	Switch, Push Button	
16	4420068	AR	Tape, Adhesive	
16	1001197017	AR	Tie-Strap	
17	4460049	2	Connector, Strain Relief	
18	4460234	7	Tie-Strap (Not Shown)	
19	4460425	1	Connector, Strain Relief	
20	4751400	8	Washer 1/4	
21	4751500	12	Washer 5/16	
22	4751800	8	Washer 1/2	
23	4846673	1	Rail, Soft Touch	
24	4933218	1	Soft Touch Wiring Diagram (Not Shown - Reference Only)	
25	2920028	1	Light, Indicator	
26	2920029	1	Bulb, Light	

# SECTION 5 - PLATFORM

## FIGURE 5-42. SOFT TOUCH INSTALLATION - 8FT (2.4M) FALL ARREST PLATFORM



ART\_0273706

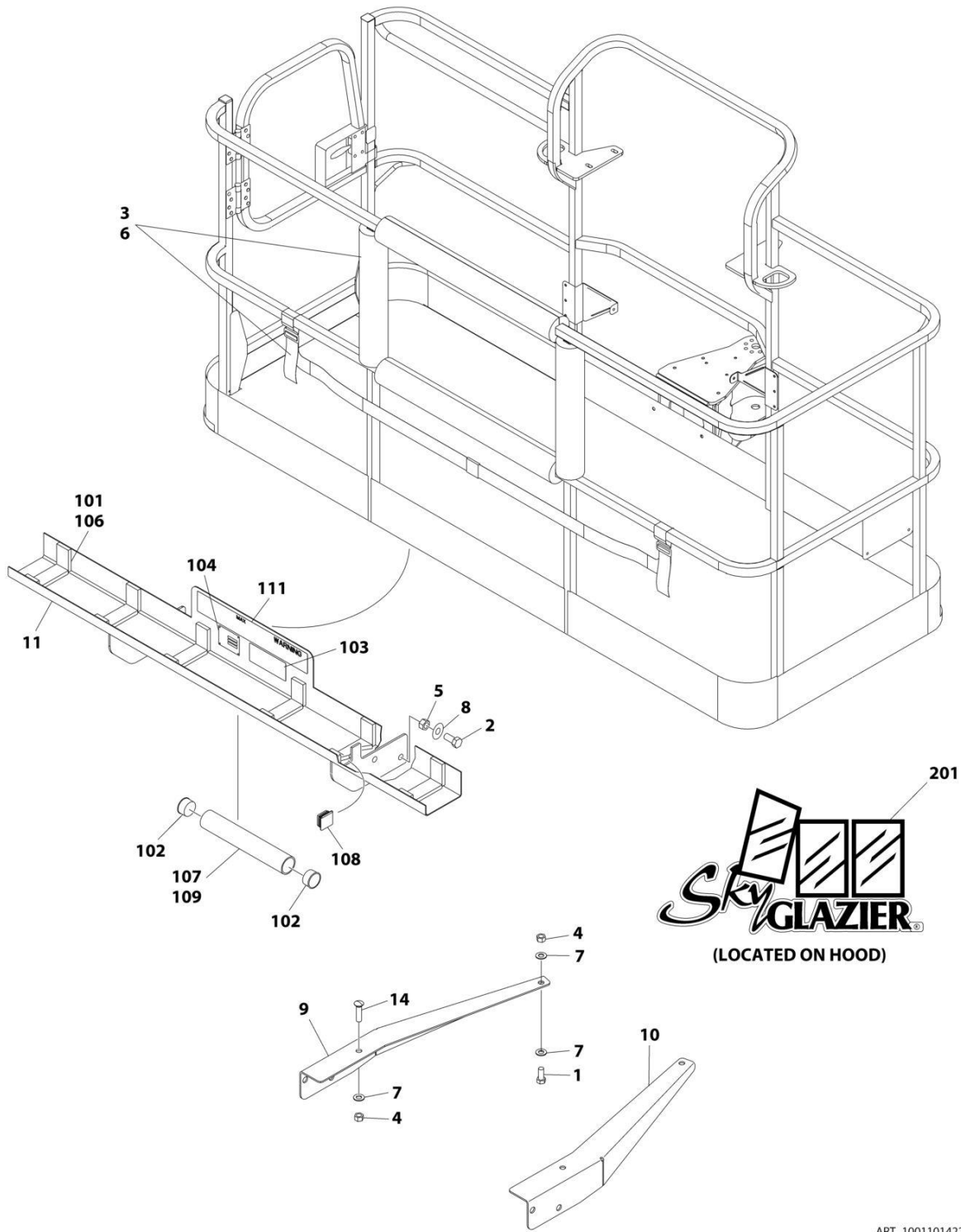
## SECTION 5 - PLATFORM

**FIGURE 5-42. SOFT TOUCH INSTALLATION - 8FT (2.4M) FALL ARREST PLATFORM**

ITEM	PART NUMBER	QTY	DESCRIPTION	REV
	0273706	Ref	SOFT TOUCH INSTALLATION	D
1	0100011	AR	Compound, Locking	
2	0200048	2	Arm, Switch	
3	0630462	8	Bolt	
4	0641414	8	Bolt 1/4 x 1-3/4	
5	0721005	4	Bolt #10 x 5/8	
6	0940133	1	Bumper Kit (Includes Corners and Enough Straight Material for One Platform)	
6	0940092	8	Bumper (Corner)	
6	0940094	AR	Bumper (12ft Length)	
7	1060341	23 ft/7m	Cable, Soft Touch - 16/2	
8	1060903	4	Wire Rope and Eyebolt Assembly	
9	1702938	1	Decal - Soft Touch Override	
10	3311401	8	Nut 1/4	
11	3311501	8	Nut 5/16	
12	3574091	2	Plate, Switch Strike	
13	4240099	7	Tie-Strap (Not Shown)	
14	4360057	2	Switch, Limit	
15	4360387	1	Switch, Push Button	
16	4420068	AR	Tape, Adhesive	
16	1001197017	AR	Tie-Strap	
17	4460049	2	Connector, Strain Relief	
18	4460234	7	Tie-Strap (Not Shown)	
19	4460425	1	Connector, Strain Relief	
20	4751400	8	Washer 1/4	
21	4751500	12	Washer 5/16	
22	4751800	8	Washer 1/2	
23	4846673	1	Rail, Soft Touch	
25	2920028	1	Light, Indicator	
26	2920029	1	Bulb, Light	

# SECTION 5 - PLATFORM

FIGURE 5-43. SKYGLAZIER INSTALLATION (ALL SPECS EXCEPT AUSTRALIAN AAND JAPANESE SPECS)



ART\_1001101422

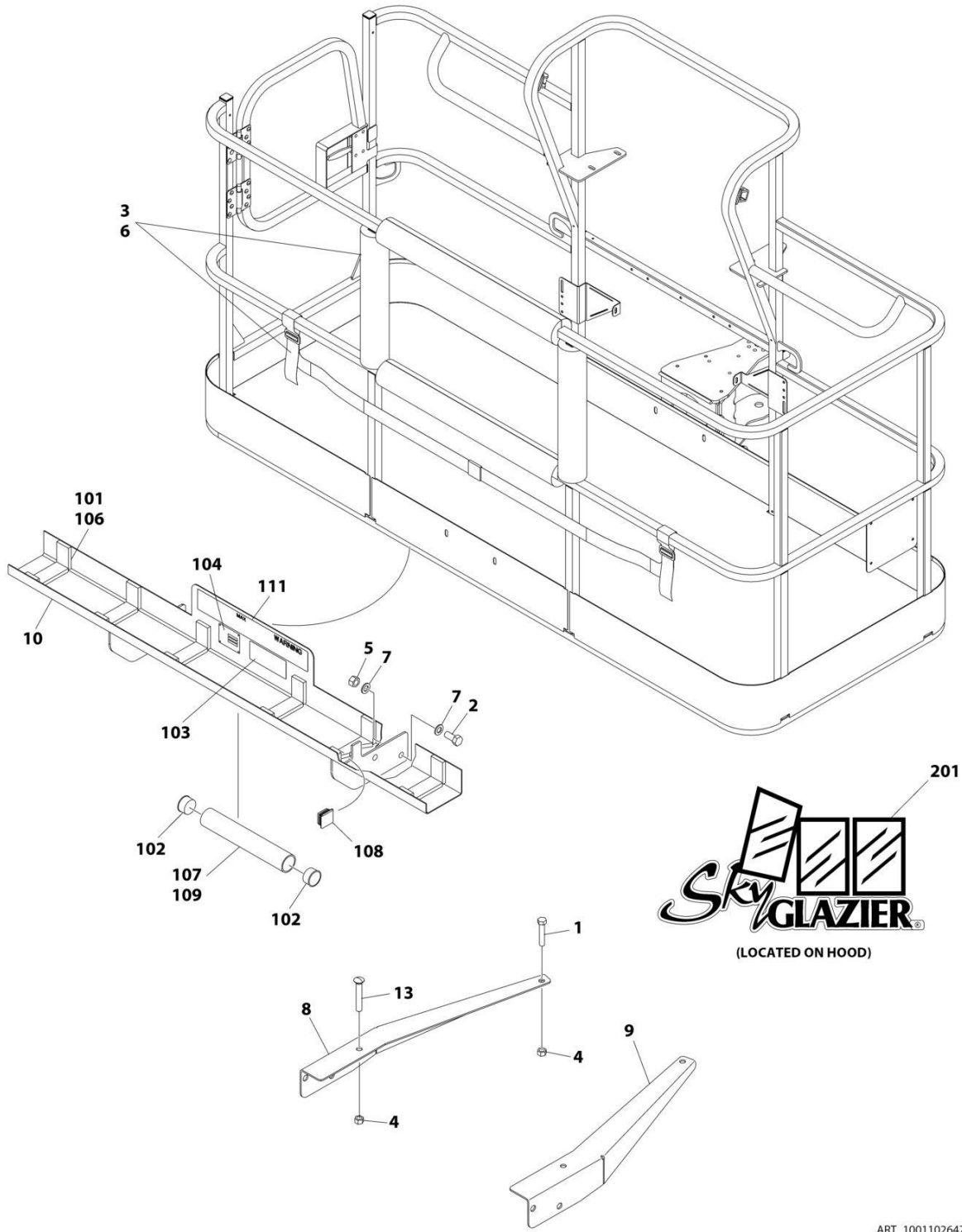
## SECTION 5 - PLATFORM

**FIGURE 5-43. SKYGLAZIER INSTALLATION (ALL SPECS EXCEPT AUSTRALIAN AAND JAPANESE SPECS)**

ITEM	PART NUMBER	QTY	DESCRIPTION	REV
	1001101422	Ref	SKYGLAZIER INSTALLATION	C
1	0642012	2	Bolt 5/8 x 1-1/2	
2	0642212	4	Bolt 3/4 x 1-1/2	
3	2902212	1	Bumpers and Strap Kit	
3	0940102	1	Bumper Only	
3	4240149	1	Strap Only	
4	3312005	4	Nut 5/8	
5	3312205	4	Nut 3/4	
6	4420014	AR	Tape	
7	4712000	6	Washer 5/8	
8	4712200	8	Washer 3/4	
9	1001099366	1	Support	
10	1001099367	1	Support	
11	1001101421	1	Tray Assembly (See Items 101-111 for Breakdown)	
14	8310129	2	Bolt 3/4 x 2-1/2	
	1001101421	Ref	TRAY ASSEMBLY	F
101	0100081	AR	Adhesive	
102	1120555	2	Cap, Tube	
103	1701509	1	Decal - Manual	
104	See Note	NSS	Nameplate - Serial Number (Note: Not Available for Purchase)	
106	3340956	1	Pad Kit	
107	3460334	1	Tube	
108	3520071	2	Plug	
109	4420066	AR	Tape, Double Sided	
111	1001163131	2	Decal - Glazier Capacity	
	0272418	Ref	SKYGLAZIER DECAL INSTALLATION	4
201	1705358	2	Decal - SkyGlazier	

# SECTION 5 - PLATFORM

## FIGURE 5-44. SKYGLAZIER INSTALLATION (ANSI EXPORT AND AUSTRALIAN SPECS)



ART\_1001102647



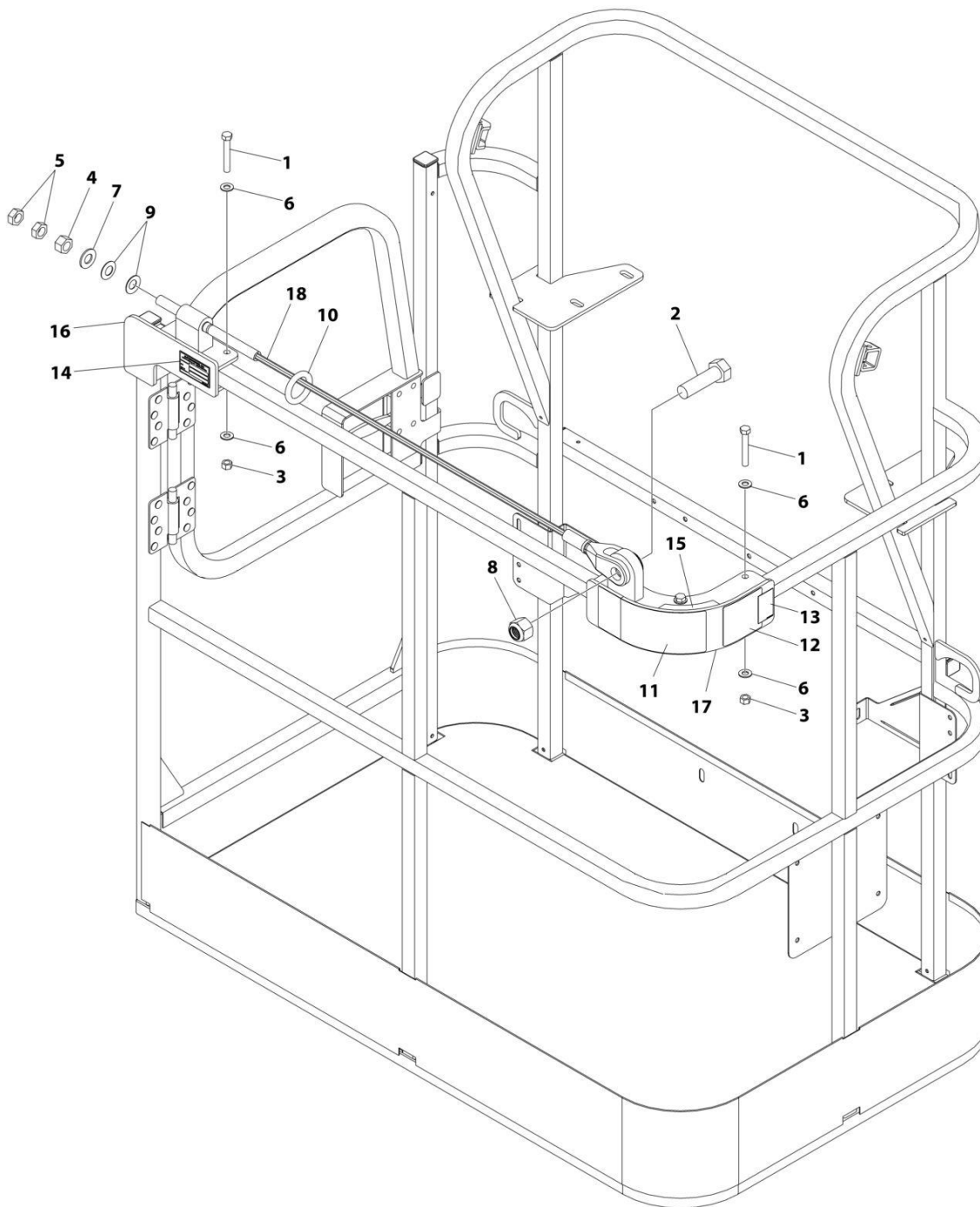
## SECTION 5 - PLATFORM

**FIGURE 5-44. SKYGLAZIER INSTALLATION (ANSI EXPORT AND AUSTRALIAN SPECS)**

ITEM	PART NUMBER	QTY	DESCRIPTION	REV
	1001102647	Ref	SKYGLAZIER INSTALLATION (AUSTRALIAN SPECS)	C
1	0642026	2	Bolt 5/8 x 3-1/4	
2	0642212	4	Bolt 3/4 x 1-1/2	
3	2902212	1	Bumpers and Strap Kit	
3	0940102	1	Bumper Only	
3	4240149	1	Strap Only	
4	3312005	4	Nut 5/8	
5	3312205	4	Nut 3/4	
6	4420014	AR	Tape	
7	4712200	8	Washer 3/4	
8	1001099366	1	Support	
9	1001099367	1	Support	
10	1001101421	1	Tray Assembly (See Items 101-111 for Breakdown)	
13	8310230	2	Bolt 5/8 x 4	
	1001101421	Ref	TRAY ASSEMBLY	E
101	0100081	AR	Adhesive	
102	1120555	2	Cap, Tube	
103	1701509	1	Decal - Manual	
104	See Note	NSS	Nameplate - Serial Number (Note: Not Available for Purchase)	
106	3340956	1	Pad Kit	
107	3460334	1	Tube	
108	3520071	2	Plug	
109	4420066	AR	Tape, Double Sided	
111	1001163131	2	Decal - Glazier Capacity	
	0272418	Ref	SKYGLAZIER DECAL INSTALLATION	4
201	1705358	2	Decal - SkyGlazier	

# SECTION 5 - PLATFORM

## FIGURE 5-45. FALL ARREST INSTALLATION (BOLT-ON) (4FT/1.22M PLATFORM)



ART\_1001261338

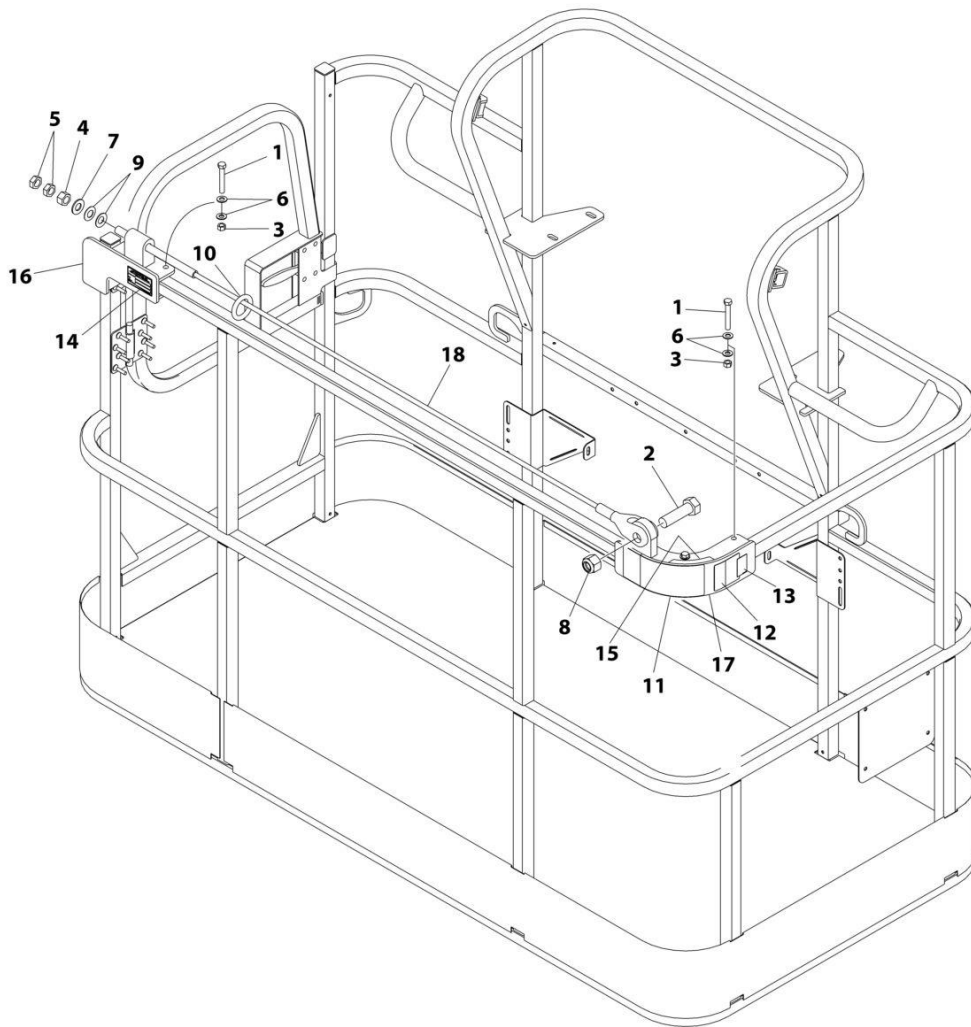
## SECTION 5 - PLATFORM

**FIGURE 5-45. FALL ARREST INSTALLATION (BOLT-ON) (4FT/1.22M PLATFORM)**

ITEM	PART NUMBER	QTY	DESCRIPTION	REV
	1001261338	Ref	FALL ARREST INSTALLATION	A
1	0681620	6	Bolt 3/8 x 2-1/2	
2	0682424	1	Bolt 7/8 x 3	
3	3271605	6	Nut 3/8	
4	3272001	1	Nut 5/8	
5	3312002	2	Nut 5/8	
6	4711600	12	Washer 3/8	
7	4712000	1	Washer 5/8	
8	88521214	1	Nut 7/8	
9	1001236891	2	Washer	
10	1001236895	1	Ring	
11	1001238263	1	Decal - Warning Falling Hazard	
12	1001248140	1	Decal - Bolt Fall Arrest Re-Cert	
13	1001248141	1	Decal - Incription	
14	See Note	NSS	Nameplate - Manufacturers Serial Number (Note: Not Available for Purchase)	
15	1001252629	1	Decal - Weight	
16	1001257271	1	Bracket (RH)	
17	1001257274	1	Bracket (LH)	
18	1001261335	1	Rope	

# SECTION 5 - PLATFORM

FIGURE 5-46. FALL ARREST INSTALLATION (BOLT-ON EXTERNAL) (5FT/1.52M PLATFORM)



ART\_1001257275

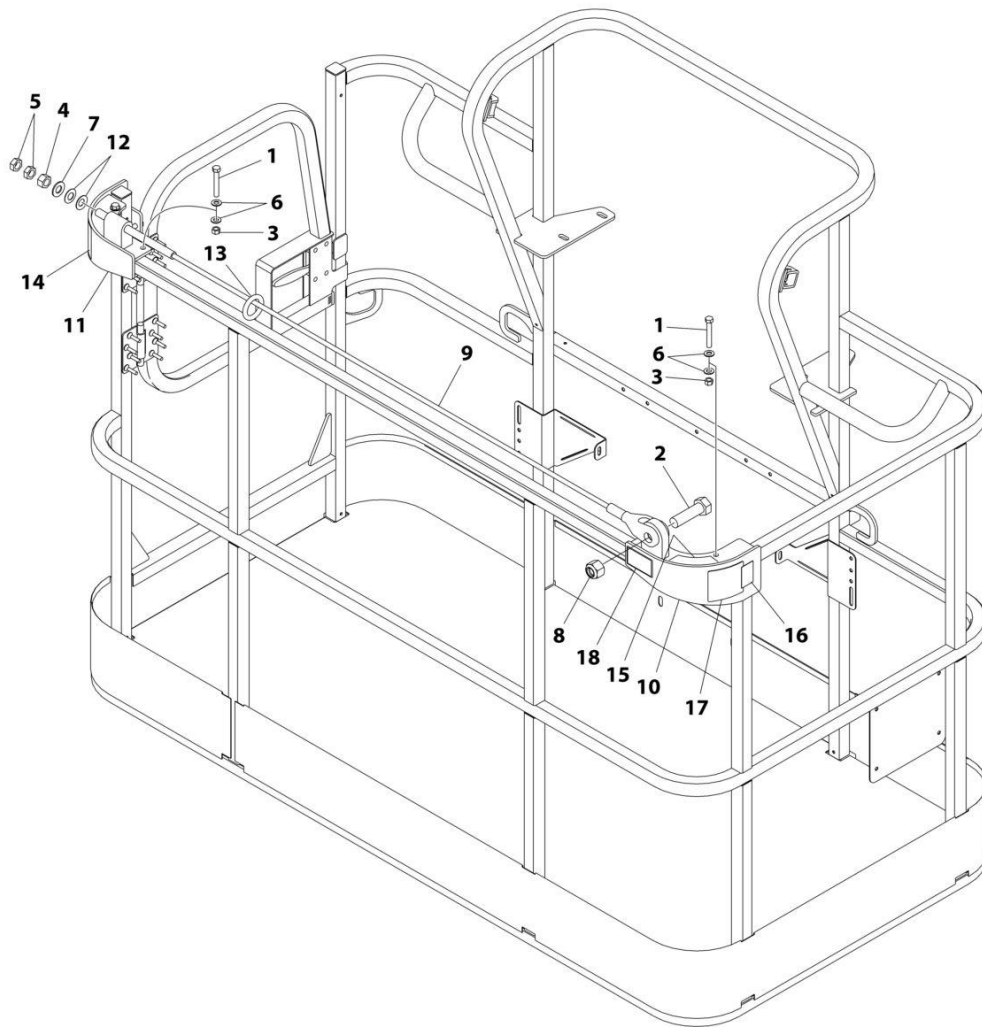
## SECTION 5 - PLATFORM

**FIGURE 5-46. FALL ARREST INSTALLATION (BOLT-ON EXTERNAL) (5FT/1.52M PLATFORM)**

ITEM	PART NUMBER	QTY	DESCRIPTION	REV
	1001257275	Ref	FALL ARREST INSTALLATION (BOLT - ON) 6FT/1.82M PLATFORM	A
1	0681620	6	Bolt 3/8 x 2-1/2	
2	0682424	1	Bolt 7/8 x 3	
3	3271605	6	Nut 3/8	
4	3272001	1	Nut 5/8	
5	3312002	2	Nut 5/8	
6	4711600	12	Washer 3/8	
7	4712000	1	Washer 5/8	
8	88521214	1	Nut 7/8	
9	1001236891	2	Washer	
10	1001236895	1	Ring	
11	1001238263	1	Decal - Warning Falling Hazard	
12	1001248140	1	Decal - Bolt Fall Arrest Re-Cert	
13	1001248141	1	Decal - Incription	
14	See Note	NSS	Nameplate - Manufacturers Serial Number (Note: Not Available for Purchase)	
15	1001252629	1	Decal - Weight	
16	1001257271	1	Bracket (RH)	
17	1001257274	1	Bracket (LH)	
18	1001258005	1	Rope	

# SECTION 5 - PLATFORM

FIGURE 5-47. FALL ARREST INSTALLATION (BOLT-ON EXTERNAL) (6FT/1.82M PLATFORM)



ART\_1001236747

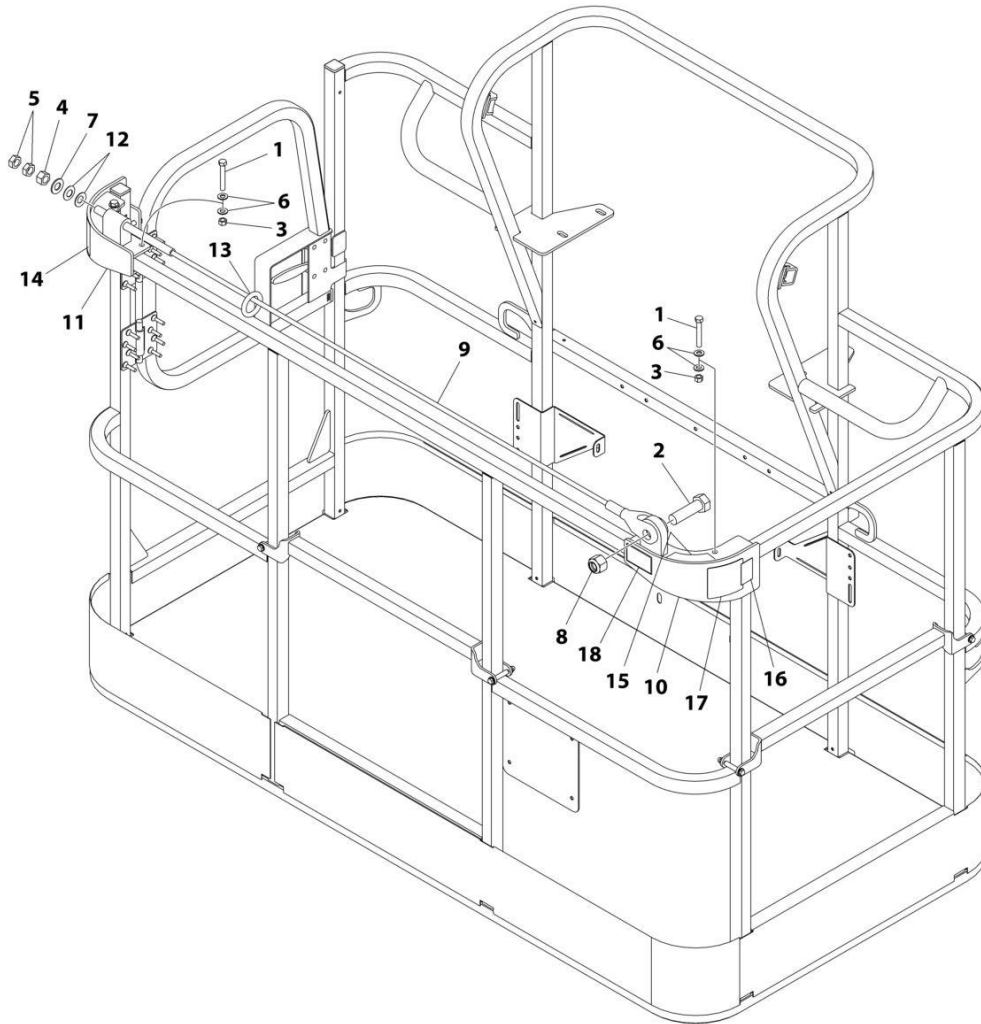
## SECTION 5 - PLATFORM

**FIGURE 5-47. FALL ARREST INSTALLATION (BOLT-ON EXTERNAL) (6FT/1.82M PLATFORM)**

ITEM	PART NUMBER	QTY	DESCRIPTION	REV
	1001236747	Ref	FALL ARREST INSTALLATION (BOLT - ON) 6FT/1.82M PLATFORM	C
1	0681620	6	Bolt 3/8 x 2-1/2	
2	0682424	1	Bolt 7/8 x 3	
3	3271605	6	Nut 3/8	
4	3272001	1	Nut 5/8	
5	3312002	2	Nut 5/8	
6	4711600	12	Washer 3/8	
7	4712000	1	Washer 5/8	
8	88521214	1	Nut 7/8	
9	1001231950	1	Rope	
10	1001232010	1	Bracket (RH)	
11	1001232011	1	Bracket (LH)	
12	1001236891	2	Washer	
13	1001236895	1	Ring	
14	1001238263	1	Decal - Warning Falling Hazard	
15	1001252629	1	Decal - Weight	
16	1001248140	1	Decal - Bolt Fall Arrest Re-Cert	
17	1001248141	1	Decal - Inscription	

# SECTION 5 - PLATFORM

FIGURE 5-48. FALL ARREST INSTALLATION (BOLT-ON EXTERNAL) (6FT/1.82M TRI-ENTRY PLATFORM)



ART\_1001238463



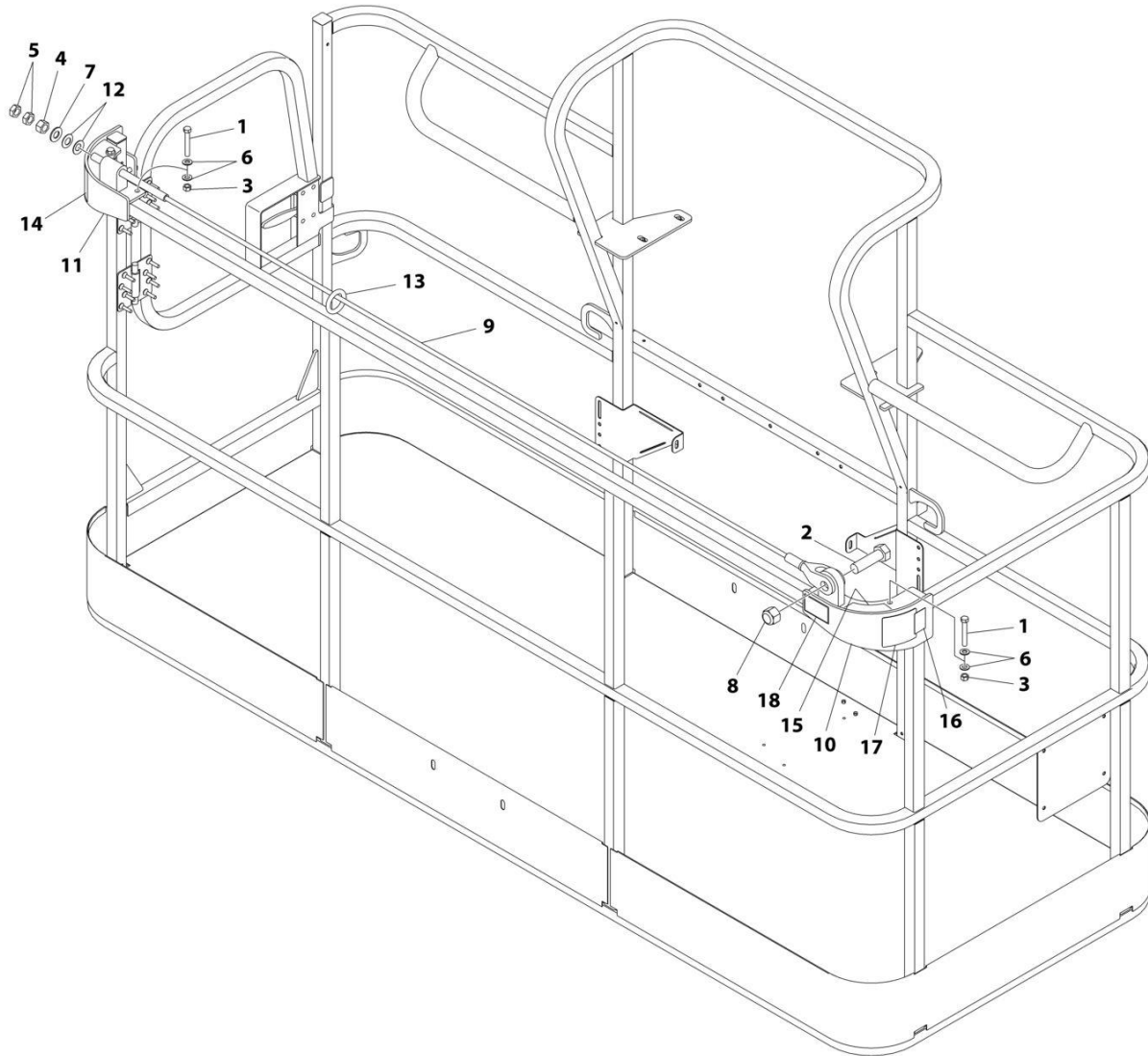
## SECTION 5 - PLATFORM

**FIGURE 5-48. FALL ARREST INSTALLATION (BOLT-ON EXTERNAL) (6FT/1.82M TRI-ENTRY PLATFORM)**

ITEM	PART NUMBER	QTY	DESCRIPTION	REV
	1001238463	Ref	FALL ARREST INSTALLATION (BOLT - ON) 6FT/1.82M PLATFORM	C
1	0681620	6	Bolt 3/8 x 2-1/2	
2	0682424	1	Bolt 7/8 x 3	
3	3271605	6	Nut 3/8	
4	3272001	1	Nut 5/8	
5	3312002	2	Nut 5/8	
6	4711600	12	Washer 3/8	
7	4712000	1	Washer 5/8	
8	88521214	1	Nut 7/8	
9	1001231950	1	Rope	
10	1001232010	1	Bracket (RH)	
11	1001232011	1	Bracket (LH)	
12	1001236891	2	Washer	
13	1001236895	1	Ring	
14	1001238263	1	Decal - Warning Falling Hazard	
15	1001252629	1	Decal - Weight	
16	1001248140	1	Decal - Bolt Fall Arrest Re-Cert	
17	1001248141	1	Decal - Inscription	

# SECTION 5 - PLATFORM

FIGURE 5-49. FALL ARREST INSTALLATION (BOLT-ON EXTERNAL) (8FT/2.4M PLATFORM)



ART\_1001236746

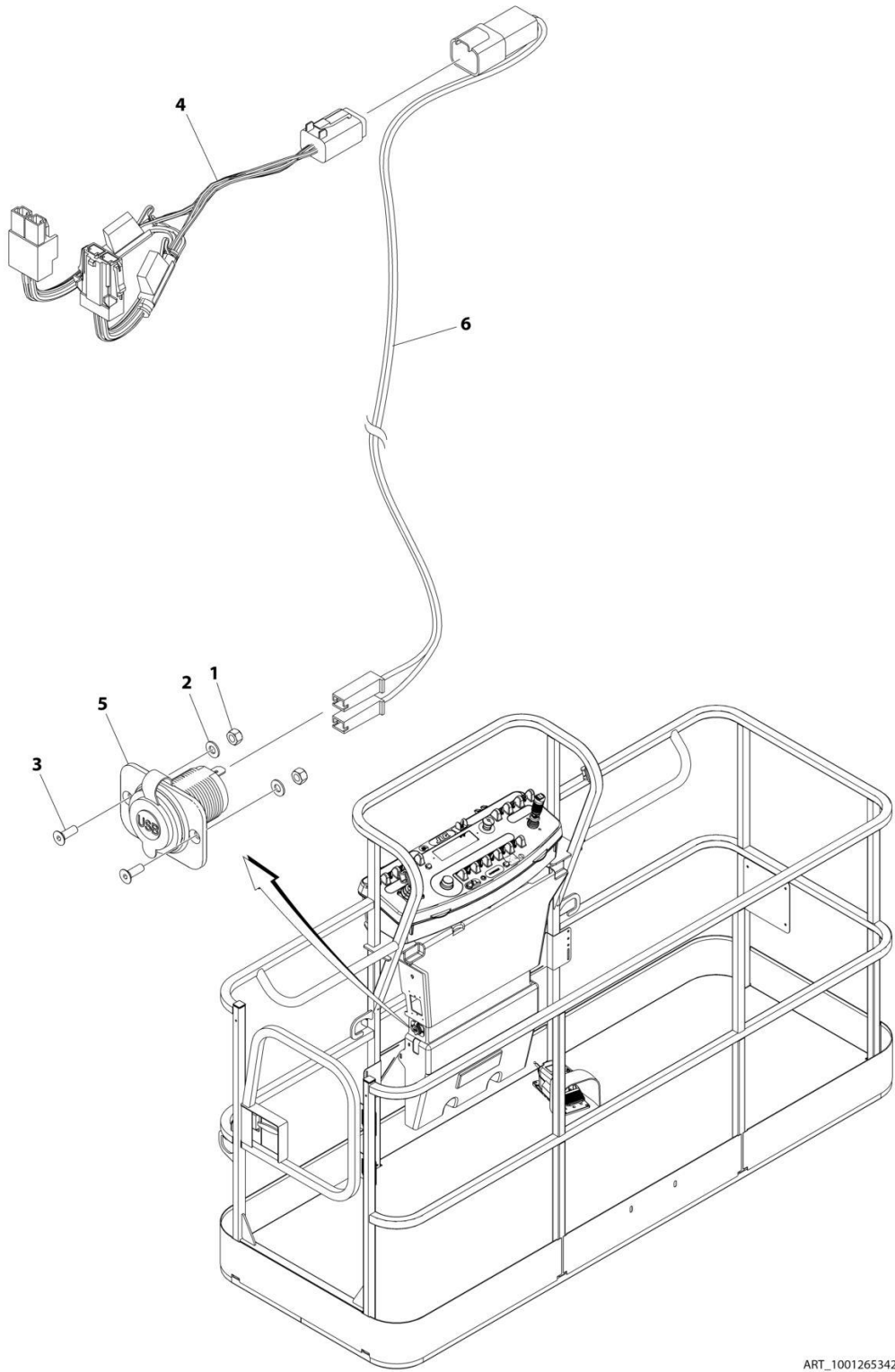
## SECTION 5 - PLATFORM

**FIGURE 5-49. FALL ARREST INSTALLATION (BOLT-ON EXTERNAL) (8FT/2.4M PLATFORM)**

ITEM	PART NUMBER	QTY	DESCRIPTION	REV
	1001236746	Ref	FALL ARREST INSTALLATION (BOLT - ON) 8FT/2.4M PLATFORM	C
1	0681620	6	Bolt 3/8 x 2-1/2	
2	0682424	1	Bolt 7/8 x 3	
3	3271605	6	Nut 3/8	
4	3272001	1	Nut 5/8	
5	3312002	2	Nut 5/8	
6	4711600	12	Washer 3/8	
7	4712000	1	Washer 5/8	
8	88521214	1	Nut 7/8	
9	1001231949	1	Rope	
10	1001232010	1	Bracket (RH)	
11	1001232011	1	Bracket (LH)	
12	1001236891	2	Washer	
13	1001236895	1	Ring	
14	1001238263	1	Decal - Warning Falling Hazard	
15	1001252629	1	Decal - Weight 23LBS/10.4KG	
16	1001248140	1	Decal - Bolt Fall Arrest Re-Cert	
17	1001248141	1	Decal - Inscription	

**SECTION 5 - PLATFORM**

**FIGURE 5-50. USB CHARGER INSTALLATION**



ART\_1001265342

## SECTION 5 - PLATFORM

### FIGURE 5-50. USB CHARGER INSTALLATION

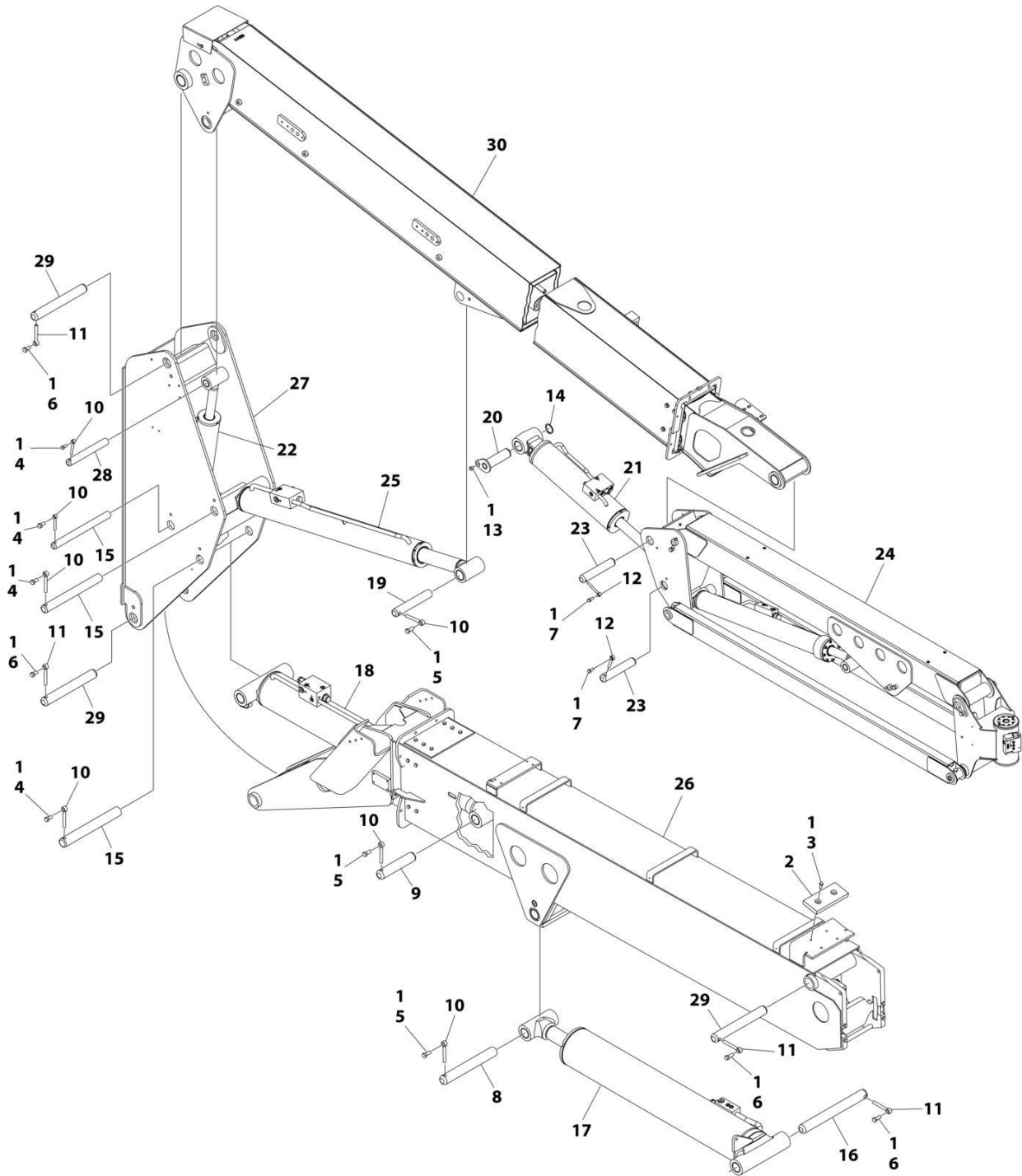
ITEM	PART NUMBER	QTY	DESCRIPTION	REV
	1001265342	Ref	USB CHARGER INSTALLATION	A
1	3290405	2	Nut M4	
2	4811400	2	Washer M4	
3	1001097244	2	Screw M4 x 12	
4	1001120484	1	Harness, Work Lights	
4	4460879	1	Plug, Male - 2 Position	
4	4460887	2	Terminal	
4	2400060	2	Fuseholder Includes Cover	
4	8229249	2	Fuse, 3 Amp	
4	4460884	1	Connector - 4 Position	
4	4460465	4	Socket, Female	
4	1001120471	1	Connector - 2 Position	
4	1001120477	2	Terminal	
5	1001210636	1	Receptacle, USB	
6	1001265163	1	Harness, USB	A
6	4460260	2	Cover, Terminal	
6	4460259	2	Terminal	
6	4460932	1	Receptacle, Bussbar - 4 Position	
6	4460464	2	Pin, Male	
6	4460466	2	Plug, Terminal	



**SECTION 6 - CYLINDER**

# SECTION 6 - CYLINDER

## FIGURE 6-1. CYLINDERS INSTALLATION



ART\_1001246978\_G



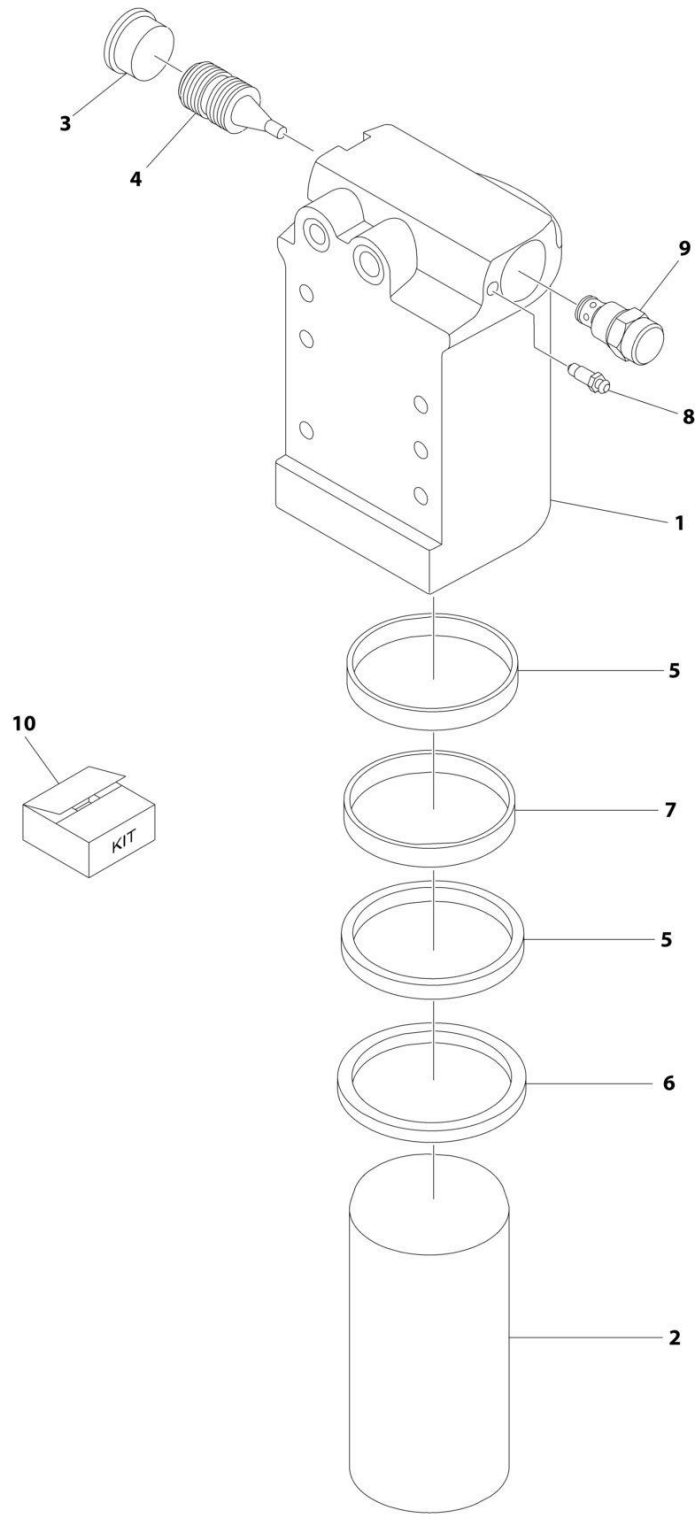
## SECTION 6 - CYLINDER

### FIGURE 6-1. CYLINDERS INSTALLATION

ITEM	PART NUMBER	QTY	DESCRIPTION	REV
	1001246978	Ref	BOOMS AND CYLINDERS INSTALLATION	G
1	0100011	AR	Compound, Locking	
2	0561076	1	Block, Boom Rest	
3	0641607	2	Bolt 3/8 x 7/8	
4	0641809	4	Bolt 1/2 x 1-1/8	
5	0641810	3	Bolt 1/2 x 1-1/4	
6	0642012	4	Bolt 5/8 x 1-1/2	
7	0761212	2	Bolt M12 x 25	
8	1001267717	1	Pin	
9	3422575	1	Pin	
10	3841203	7	Keeper, Pin - 1/2	
11	3841258	4	Keeper, Pin	
12	3841709	2	Keeper, Pin - 1/2	
13	1001137032	1	Screw M10 x 16	
14	1001138671	1	Ring, Retaining	
15	1001155093	3	Pin	
16	1001267716	1	Pin	
17	1001261003	1	Tower Lift Cylinder Assembly (See Separate Breakdown in CYLINDER SECTION)	
18	1001251042	1	Upright Level Cylinder Assembly (See Separate Breakdown in CYLINDER SECTION)	
19	1001237138	1	Pin	
20	1001237142	1	Pin	
21	1001237697	1	Platform (Slave) Level Cylinder Assembly (See Separate Breakdown in CYLINDER SECTION)	
22	1001237698	1	Master Cylinder Assembly (See Separate Breakdown in CYLINDER SECTION)	
23	1001237949	1	Pin	
24	1001238328	1	Jib Boom Assembly (See Separate Breakdown in this Section)	
25	1001245761	1	Main Lift Cylinder Assembly (See Separate Breakdown in CYLINDER SECTION)	
26	1001246934	1	Tower Boom Assembly (See Separate Breakdown in this Section)	
27	1001246951	1	Upright	
28	1001246952	1	Pin	
29	1001246974	3	Pin	
30	1001248265	1	Main Boom Assembly (See Separate Breakdown in this Section)	

# SECTION 6 - CYLINDER

FIGURE 6-2. AXLE LOCKOUT CYLINDER ASSEMBLY (MACHINES WITH SN STARTING WITH 03)



ART\_1684465

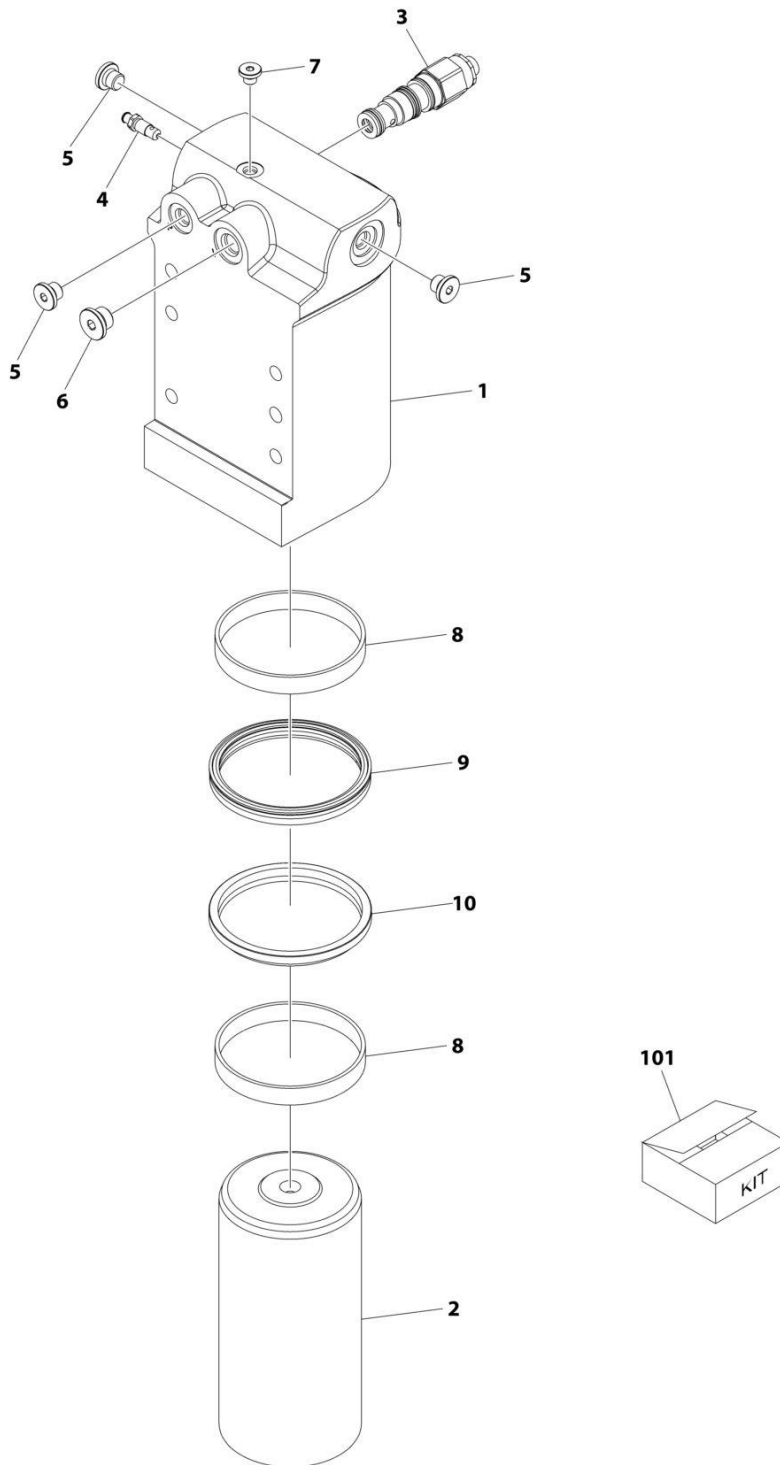
## SECTION 6 - CYLINDER

**FIGURE 6-2. AXLE LOCKOUT CYLINDER ASSEMBLY (MACHINES WITH SN STARTING WITH 03)**

ITEM	PART NUMBER	QTY	DESCRIPTION	REV
	1684465	Ref	AXLE LOCKOUT CYLINDER ASSEMBLY	J
		Ref	Note: Original Cylinder may have been replaced with Service Replacement. Identify PN Stamped on Cylinder Before Ordering Parts.	
1	0370026	1	Barrel	
2	1684290	1	Rod	
3	2220890	1	Plug	
4	3480288	1	Piston, Pilot	
5	See Note	NSS	Ring, Wear (Note: Use Item 110)	
6	See Note	NSS	Wiper (Note: Use Item 110)	
7	See Note	NSS	Seal, Rod (Note: Use Item 110)	
8	4640858	1	Bleeder	
9	4641390	1	Cartridge, Valve	
9	7017496	1	Seal Kit	
10	2902266	1	Seal Kit (Includes Items 105-107)	

# SECTION 6 - CYLINDER

FIGURE 6-3. AXLE LOCKOUT CYLINDER ASSEMBLY (MACHINES WITH SN STARTING WITH B3)



ART\_1001256181

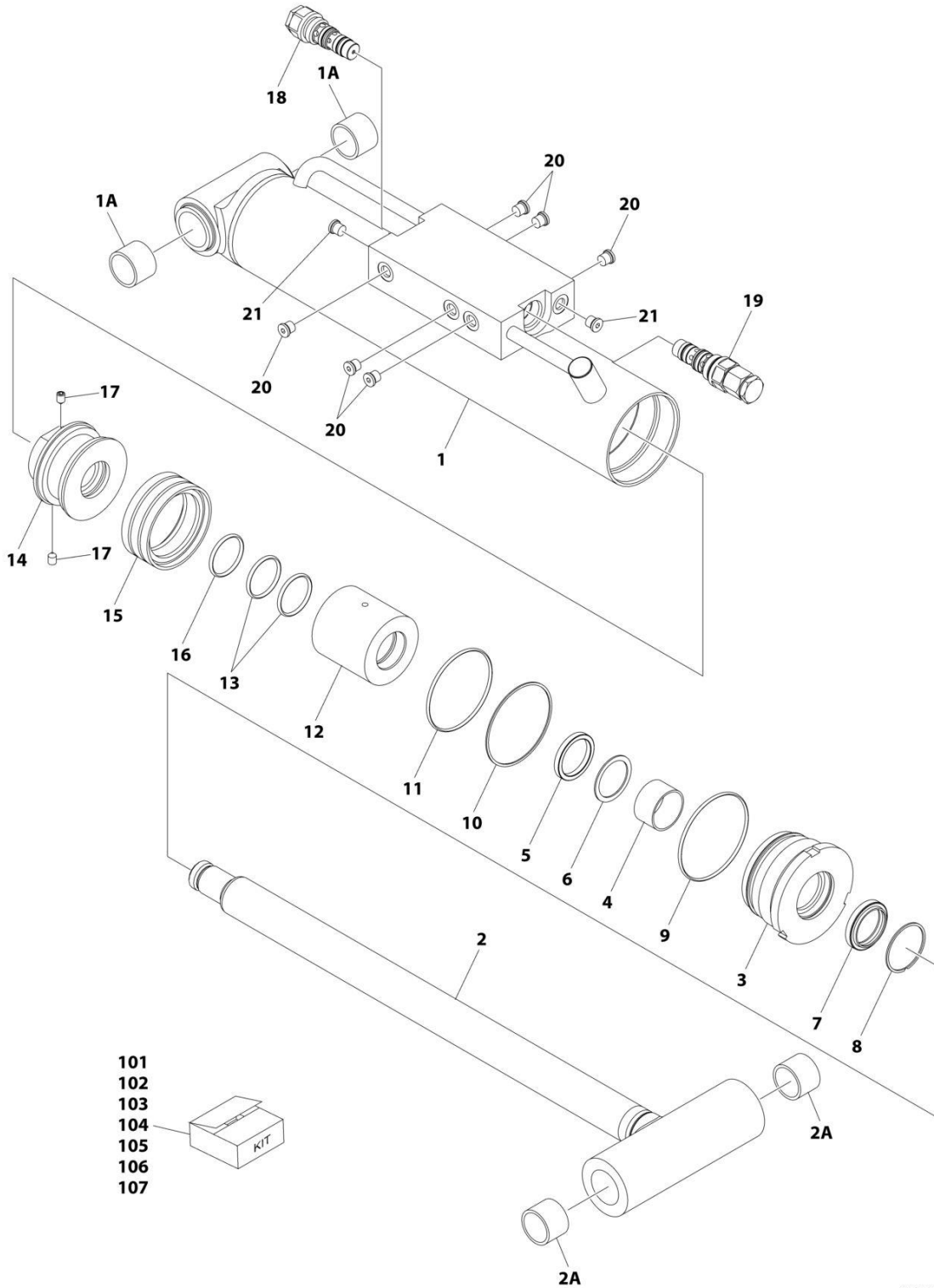
## SECTION 6 - CYLINDER

**FIGURE 6-3. AXLE LOCKOUT CYLINDER ASSEMBLY (MACHINES WITH SN STARTING WITH B3)**

ITEM	PART NUMBER	QTY	DESCRIPTION	REV
	1001256181	Ref	AXLE LOCKOUT CYLINDER ASSEMBLY	A
		Ref	Note: Original Cylinder May Have Been Replaced with Service Replacement. Identify PN Stamped on Cylinder Before Ordering Parts.	
1	See Note	NSS	Tube (Note: Not Available for Purchase)	
2	70008244	1	Rod	
3	1001117372	1	Valve	
4	70008246	1	Plug, Bleeder	
5	2220883	3	Plug 7/16	
6	2220885	1	Plug 9/16	
7	2220881	1	Plug 5/16	
8	See Note	NSS	Ring, Wear (Note: Use Item 101)	
9	See Note	NSS	Seal, Rod (Note: Use Item 101)	
10	See Note	NSS	Wiper, Rod (Note: Use Item 101)	
101	70008275	1	Seal Kit (Includes Items 8-10)	

# SECTION 6 - CYLINDER

## FIGURE 6-4. LEVEL (PLATFORM SLAVE) CYLINDER ASSEMBLY (SAE AND METRIC MATERIAL BOOMS)



ART\_1001251051

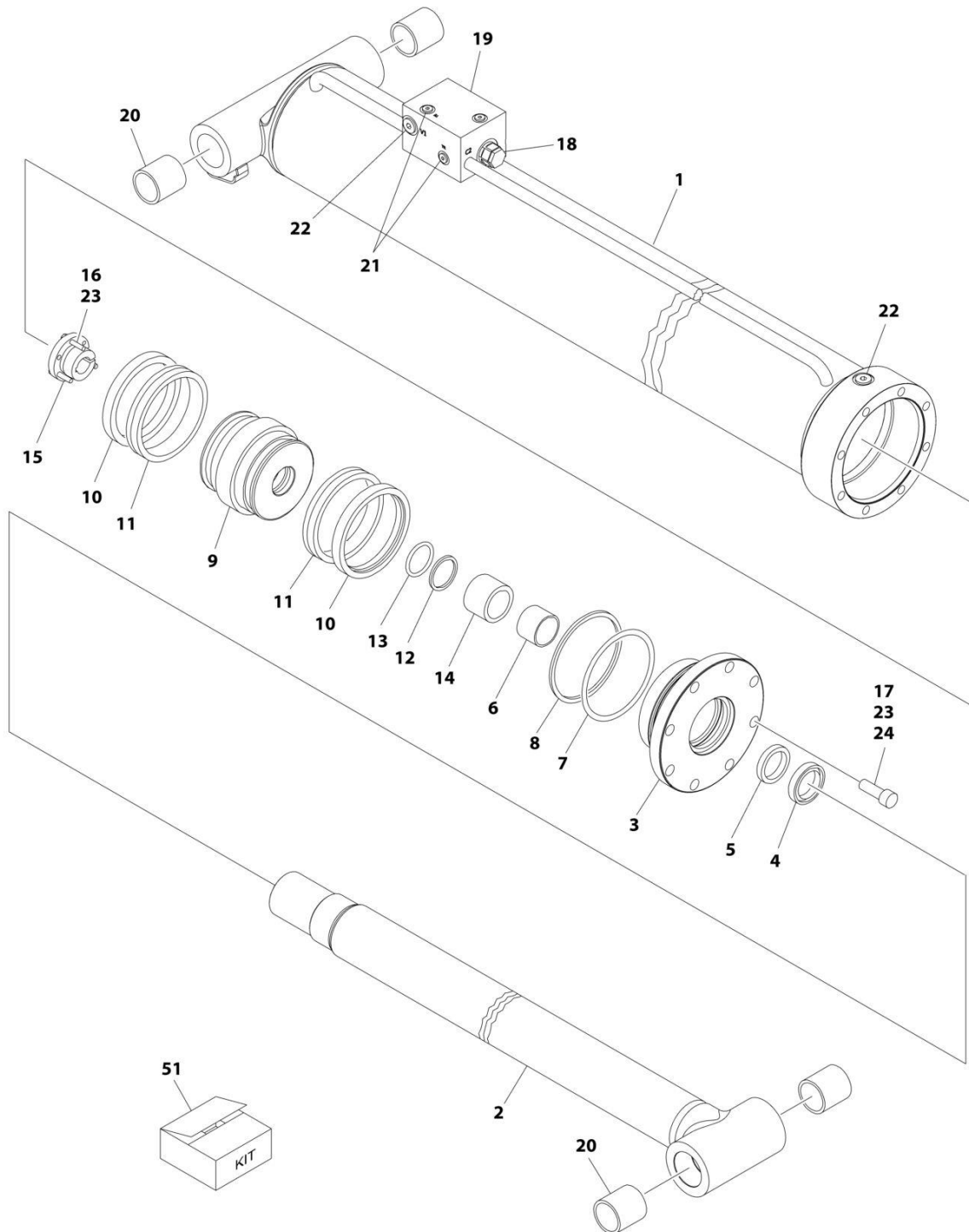
## SECTION 6 - CYLINDER

**FIGURE 6-4. LEVEL (PLATFORM SLAVE) CYLINDER ASSEMBLY (SAE AND METRIC MATERIAL BOOMS)**

ITEM	PART NUMBER	QTY	DESCRIPTION	REV
	1001251051	Ref	LEVEL CYLINDER ASSEMBLY	A
		Ref	Note: Original Cylinder May Have Been Replaced with Service Replacement. Identify PN Stamped on Cylinder Before Ordering Parts.	
1	See Note	NSS	Barrel (Note: Use p/n 1001251051)	
1A	0961951	2	Bushing	
2	See Note	NSS	Rod (Note: Use Item 102)	
2A	0961951	2	Bushing	
3	See Note	NSS	Head (Note: Use Item 103)	
4	See Note	NSS	Ring, Wear (Note: Use Item 103)	
5	See Note	NSS	Seal (Note: Use Item 104)	
6	See Note	NSS	Ring, Back-up (Note: Use Item 104)	
7	See Note	NSS	Wiper (Note: Use Item 104)	
8	See Note	NSS	Ring, Retaining (Note: Use Item 104)	
9	See Note	NSS	O-Ring (Note: Use Item 104)	
10	See Note	NSS	Ring, Back-up (Note: Use Item 104)	
11	See Note	NSS	O-Ring (Note: Use Item 104)	
12	See Note	NSS	Spacer (Note: Use Item 105)	
13	See Note	NSS	O-Ring (Note: Use Item 105)	
14	See Note	NSS	Piston (Note: Use Item 106)	
15	See Note	NSS	Seal (Note: Use Item 104)	
16	See Note	NSS	O-Ring (Note: Use Item 104)	
17	See Note	NSS	Setscrew (Note: Use Item 106)	
18	4640509	1	Cartridge, Valve	
18	2900792	1	Seal Kit - 4640509 Valve	
19	4640932	1	Cartridge, Valve	
19	7011112	1	Seal Kit - 4640932 Valve	
20	See Note	NSS	Plug (Note: Use Item 107)	
20	See Note	NSS	O-Ring (Note: Use Item 107)	
21	See Note	NSS	Dust Cap (Note: Use Item 101)	
101	See Note	NSS	Barrel Kit - Cylinder 1001258051 (Includes Items 1, 1A & 21)	
102	70007387	1	Rod Kit - Cylinder 1001258051 (Includes Items 2 & 2A)	
103	70007388	1	Rod Cover Kit - Cylinder 1001258051 (Includes Items 3 & 4)	
104	70007389	1	Seal Kit - 1001228051 Cylinder (Includes Items 5-11, 15 & 16)	
105	70007390	1	Spacer Kit - 1001228051 Cylinder (Includes Items 12 & 13)	
106	70007391	1	Piston Kit - 1001228051 Cylinder (Includes Items 14 & 17)	
107	70007392	1	Plug Kit - 1001228051 Cylinder (Includes Items 1 & 20)	

# SECTION 6 - CYLINDER

**FIGURE 6-5. LEVEL (UPRIGHT) CYLINDER ASSEMBLY (Prior to SN 03002924230, Prior to SN B300015405, Except SN 0300286728 through 0300286731, Excluding 0300291013)**



ART\_1001228042



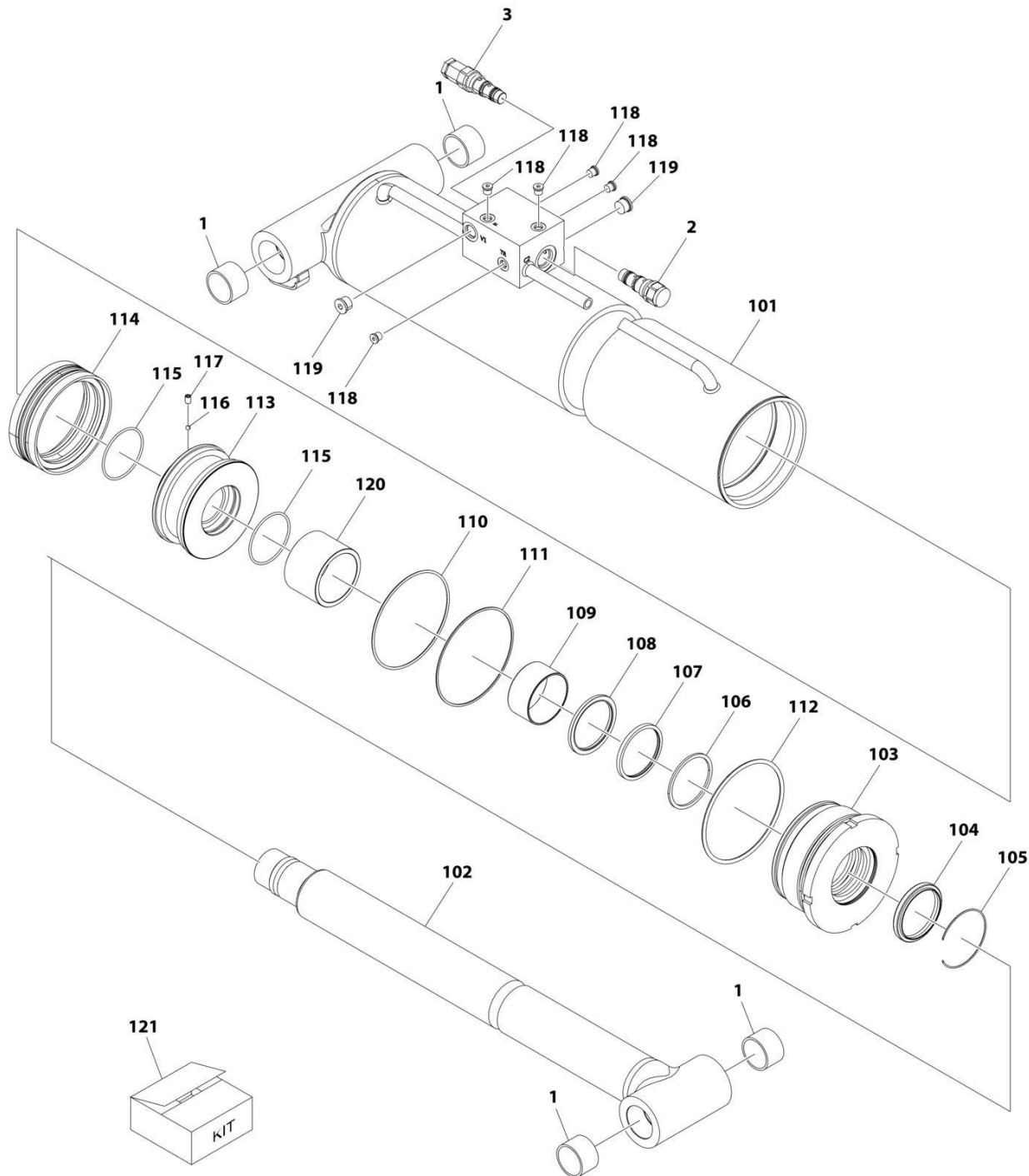
## SECTION 6 - CYLINDER

**FIGURE 6-5. LEVEL (UPRIGHT) CYLINDER ASSEMBLY (Prior to SN 03002924230, Prior to SN B300015405, Except SN 0300286728 through 0300286731, Excluding 0300291013)**

ITEM	PART NUMBER	QTY	DESCRIPTION	REV
	1001228042	Ref	UPRIGHT LEVEL CYLINDER ASSEMBLY	E
		Ref	Note: Original Equipment components may have been replaced with Service Replacement components part. Identify p/n stamped on cylinder before ordering parts.	
1	See Note	NSS	Barrel (Note: Not Available for Purchase)	
2	70006489	1	Rod	
3	70006488	1	Head	
4	See Note	NSS	Wiper (Note: Use Item 51)	
5	See Note	NSS	Seal, Rod (Note: Use Item 51)	
6	See Note	NSS	Ring, Wear (Note: Use Item 51)	
7	See Note	NSS	O-Ring (Note: Use Item 51)	
8	See Note	NSS	Ring, Back-up (Note: Use Item 51)	
9	70006487	1	Piston	
10	See Note	NSS	Ring, Lock (Note: Use Item 51)	
11	See Note	NSS	Seal, Hydrolock (Note: Use Item 51)	
12	See Note	NSS	O-Ring (Note: Use Item 51)	
13	See Note	NSS	Ring, Back-up (Note: Use Item 51)	
14	70006486	1	Spacer, Tube	
15	0961898	1	Bushing, Tapered (Use Item #16 in place of supplied bolts)	
16	0630536	3	Bolt 3/8 x 1-1/2	
17	3932032	8	Bolt, Socket Head 5/16 x 2	
18	4640509	1	Cartridge, Valve	
18	2900792	1	Seal Kit - 4640509 Valve	
19	4640605	1	Cartridge, Valve	
19	2900792	1	Seal Kit - 4640605 Valve	
20	0961949	4	Bushing	
21	2220883	5	Plug, O-Ring	
22	2220886	AR	Plug, O-Ring	
23	0100011	AR	Compound, Locking	
24	0100038	AR	Primer, Locking	
51	2901285	1	Seal Kit (Includes Items 4-8 & 10-13)	

# SECTION 6 - CYLINDER

FIGURE 6-6. LEVEL (UPRIGHT) CYLINDER ASSEMBLY (SN 0300292423 to Present, SN B300015405 to Present, SN 0300286728 through 0300286731, Including 0300291013)



ART\_1001251042

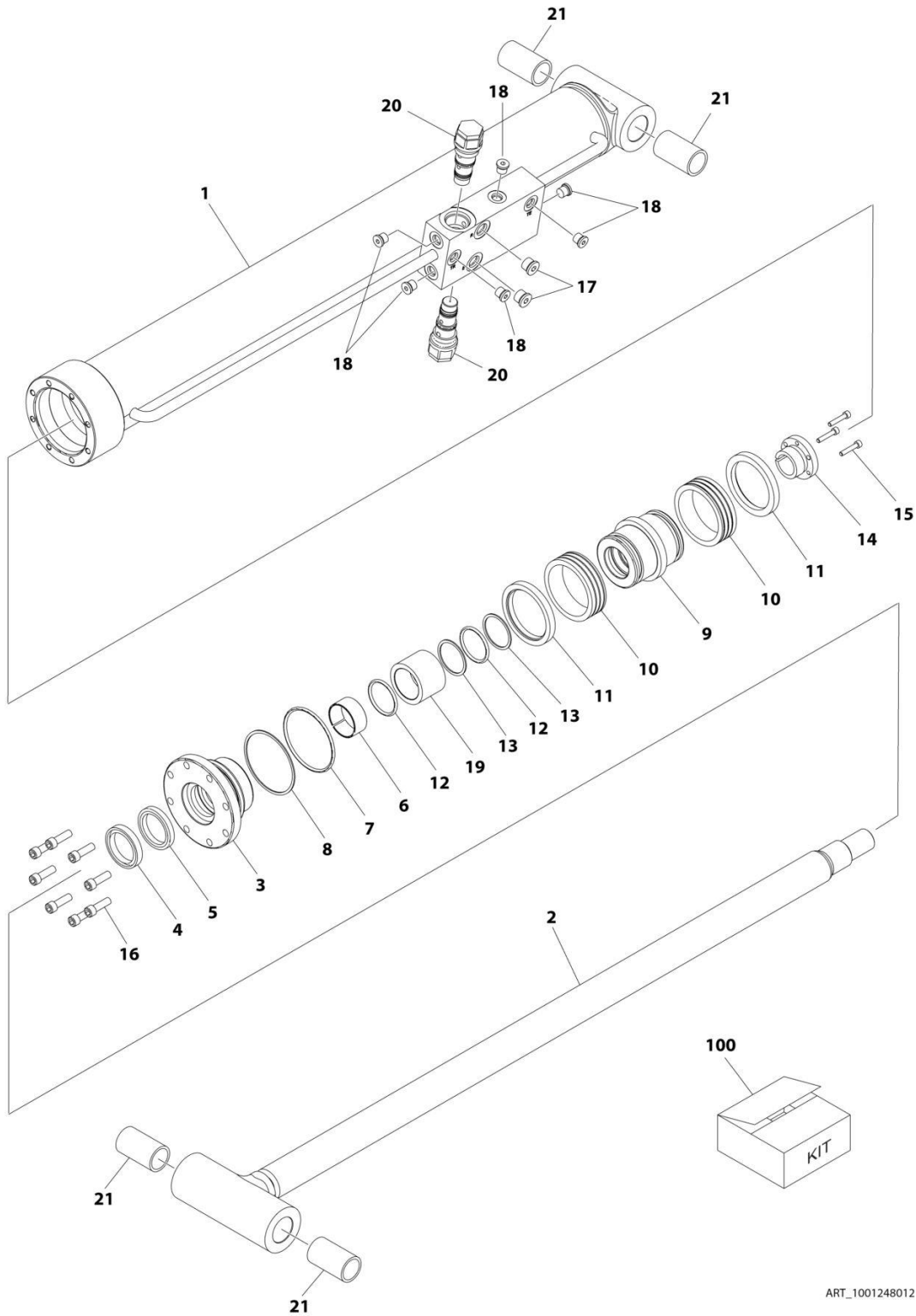
## SECTION 6 - CYLINDER

**FIGURE 6-6. LEVEL (UPRIGHT) CYLINDER ASSEMBLY (SN 0300292423 to Present, SN B300015405 to Present, SN 0300286728 through 0300286731, Including 0300291013)**

ITEM	PART NUMBER	QTY	DESCRIPTION	REV
	1001251042	Ref	UPRIGHT LEVEL CYLINDER ASSEMBLY	A
		Ref	Note: Original Cylinder May Have Been Replaced with Service Replacement. Identify PN Stamped on Cylinder Before Ordering Parts.	
1	0961949	4	Bushing	
2	4640509	1	Cartridge, Valve	
2	2900792	2	Seal Kit - 4640509 Valve	
3	4640605	1	Cartridge, Valve	
3	2900792	1	Seal Kit - 4640605 Valve	
101	See Note	NSS	Tube (Not Available for Purchase)	
102	70002793	1	Rod	
103	70008194	1	Head	
104	See Note	NSS	Wiper, Dust (Note: Use Item 121)	
105	70023379	1	RETAINING RING	
106	See Note	NSS	Seal, Rod (Note: Use Item 121)	
107	See Note	NSS	Ring, Backup (Note: Use Item 121)	
108	See Note	1	Ring, Buffer (Note: Use Item 121)	
109	70052522	1	Bushing	
110	See Note	NSS	O-Ring (Note: Use Item 121)	
111	See Note	NSS	Ring, Backup (Note: Use Item 121)	
112	See Note	NSS	O-Ring (Note: Use Item 121)	
113	70008195	1	Piston	
114	See Note	NSS	Seal, Piston (Note: Use Item 121)	
115	See Note	NSS	O-Ring (Note: Use Item 121)	
116	70022564	1	Ball, Steel	
117	70029468	1	Screw, Set	
118	2220883	5	Plug 7/16	
119	2220886	2	Plug 3/4	
120	70008196	1	Spacer	
121	70008197	1	Seal Kit (Includes Items 104, 106-108, 110-112 ,114 & 115)	

# SECTION 6 - CYLINDER

FIGURE 6-7. LIFT CYLINDER ASSEMBLY - JIB (Prior to SN 03002924230, Prior to SN B300015405, Except SN 0300286728 through 0300286731, Excluding 0300291013)



ART\_1001248012

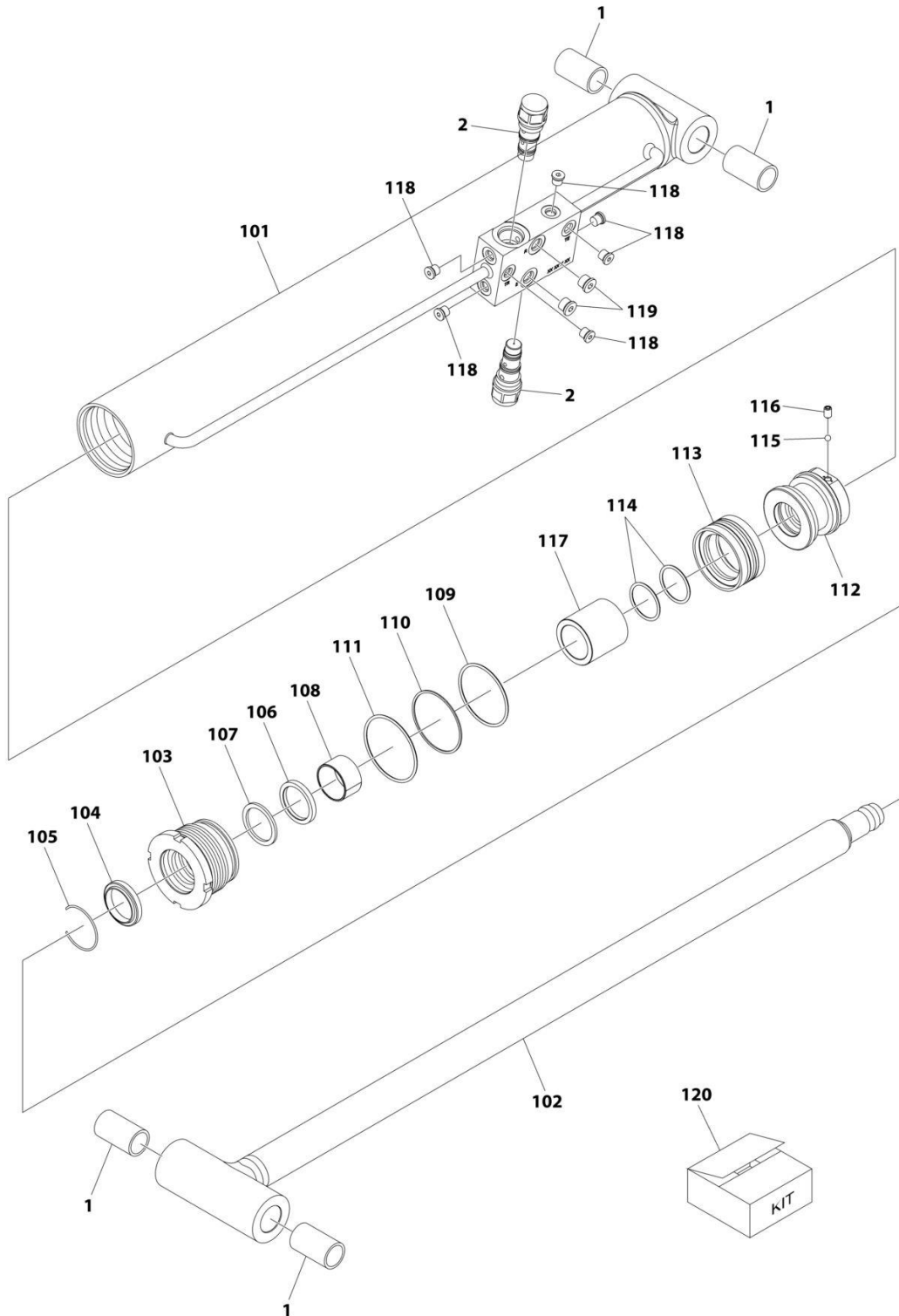
## SECTION 6 - CYLINDER

**FIGURE 6-7. LIFT CYLINDER ASSEMBLY - JIB (Prior to SN 03002924230, Prior to SN B300015405, Except SN 0300286728 through 0300286731, Excluding 0300291013)**

ITEM	PART NUMBER	QTY	DESCRIPTION	REV
	1001248012	Ref	LIFT CYLINDER ASSEMBLY - JIB	C
		Ref	Note: Original Cylinder May Have Been Replaced with Service Replacement. Identify PN Stamped on Cylinder Before Ordering Parts.	
1	See Note	NSS	Barrel (Note: Not Available for Purchase)	
2	70006734	1	Rod	
3	70006649	1	Head	
4	See Note	NSS	Wiper (Note: Use Item 100)	
5	See Note	NSS	Seal, Rod (Note: Use Item 100)	
6	See Note	NSS	Ring, Wear (Note: Use Item 100)	
7	See Note	NSS	O-Ring (Note: Use Item 100)	
8	See Note	NSS	Ring, Back-up (Note: Use Item 100)	
9	70006650	1	Piston	
10	See Note	NSS	Seal (Note: Use Item 100)	
11	See Note	NSS	Ring, Lock (Note: Use Item 100)	
12	See Note	NSS	O-Ring (Note: Use Item 100)	
13	See Note	NSS	Ring, Back-up (Note: Use Item 100)	
14	0961893	1	Bushing, Tapered	
15	0630534	3	Capscrew, Socket Head #10 x 1	
16	70006735	8	Capscrew 5/16	
17	2220885	2	Plug, O-Ring	
18	2220883	6	Plug, O-Ring	
19	70006736	1	Spacer	
20	4640509	2	Cartridge, Valve	
20	2900792	2	Seal Kit - 4640509 Valve	
21	0962336	4	Bushing	
100	1001138795	1	Seal Kit (Includes Items 4-8 & 10-13)	

# SECTION 6 - CYLINDER

FIGURE 6-8. LIFT CYLINDER ASSEMBLY - JIB (SN 0300292423 to Present, SN B300015405 to Present, SN 0300286728 through 0300286731, Including 0300291013)



ART\_1001251012

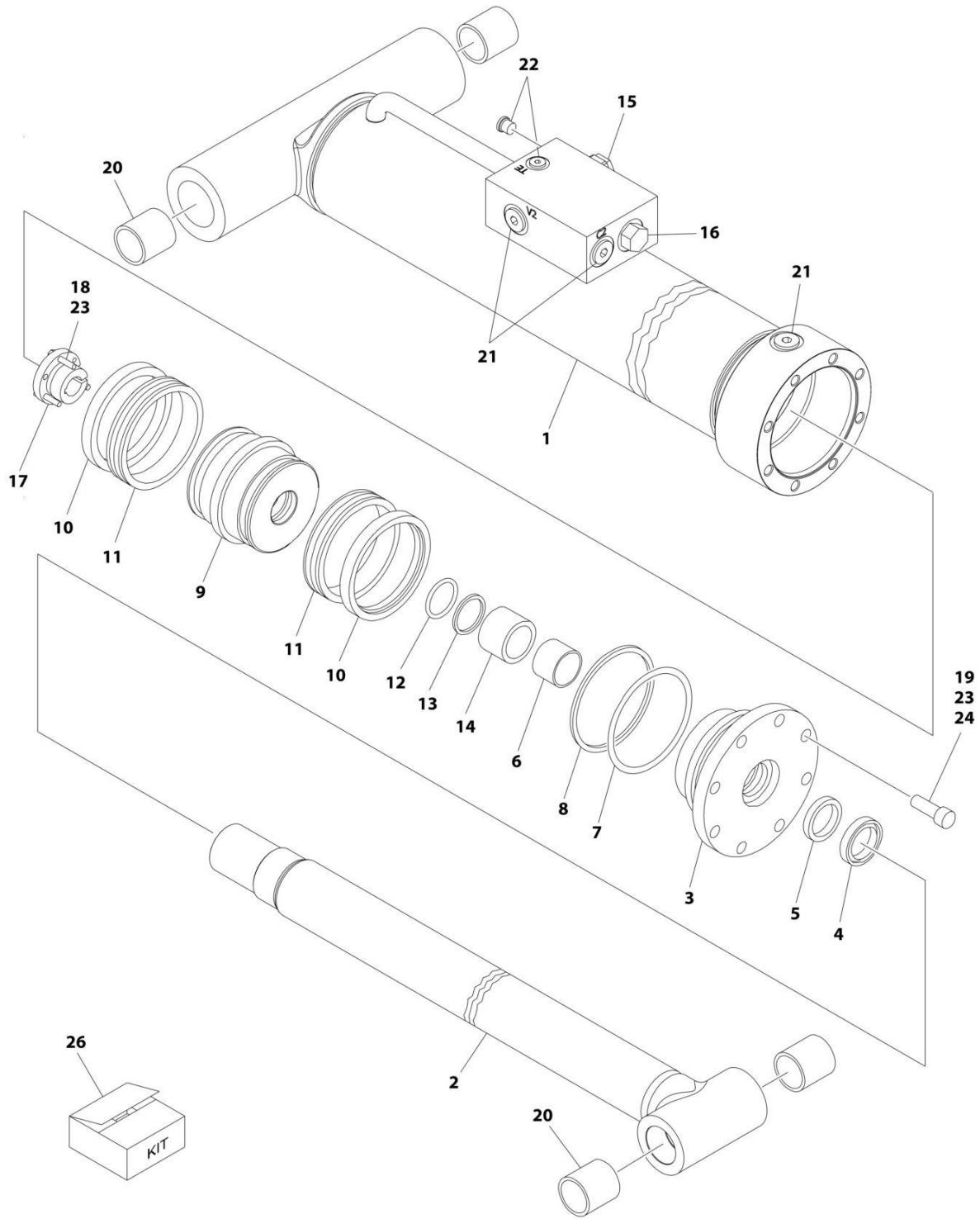
## SECTION 6 - CYLINDER

**FIGURE 6-8. LIFT CYLINDER ASSEMBLY - JIB (SN 0300292423 to Present, SN B300015405 to Present, SN 0300286728 through 0300286731, Including 0300291013)**

ITEM	PART NUMBER	QTY	DESCRIPTION	REV
	1001251012	Ref	LIFT CYLINDER ASSEMBLY - JIB	A
		Ref	Note: Original Cylinder May Have Been Replaced with Service Replacement. Identify PN Stamped on Cylinder Before Ordering Parts.	
1	0962336	4	Bushing	
2	4640509	2	Cartridge, Valve	
2	2900792	2	Seal Kit - 4640509 Valve	
101	See Note	NSS	Tube (Note: Not Available for Purchase)	
102	70008175	1	Rod	
103	70008176	1	Head	
104	See Note	NSS	Wiper, Dust (Note: Use Item 120)	
105	70002373	1	Ring, Retaining	
106	See Note	NSS	Seal, Rod (Note: Use Item 120)	
107	See Note	NSS	Ring, Backup (Note: Use Item 120)	
108	70005871	1	Bushing	
109	See Note	NSS	O-Ring (Note: Use Item 120)	
110	See Note	NSS	Ring, Backup (Note: Use Item 120)	
111	See Note	NSS	O-Ring (Note: Use Item 120)	
112	70008177	1	Piston	
113	See Note	NSS	Seal, Piston (Note: Use Item 120)	
114	See Note	NSS	O-Ring (Note: Use Item 120)	
115	70022564	1	Ball, Steel	
116	70006596	1	Setscrew	
117	70008178	1	Spacer	
118	2220883	6	Plug 7/16	
119	2220885	2	Plug 9/16	
120	70008179	1	Seal Kit (Includes Items 104, 106-107, 109-111 & 113-114)	

# SECTION 6 - CYLINDER

**FIGURE 6-9. LIFT CYLINDER ASSEMBLY - MAIN BOOM (Prior to SN 03002924230, Prior to SN B300015405, Except SN 0300286728 through 0300286731, Excluding 0300291013, 0300292087, 0300292098, 0300292099, 0300292238, 0300292239 and 0300292386)**



ART\_1001228004



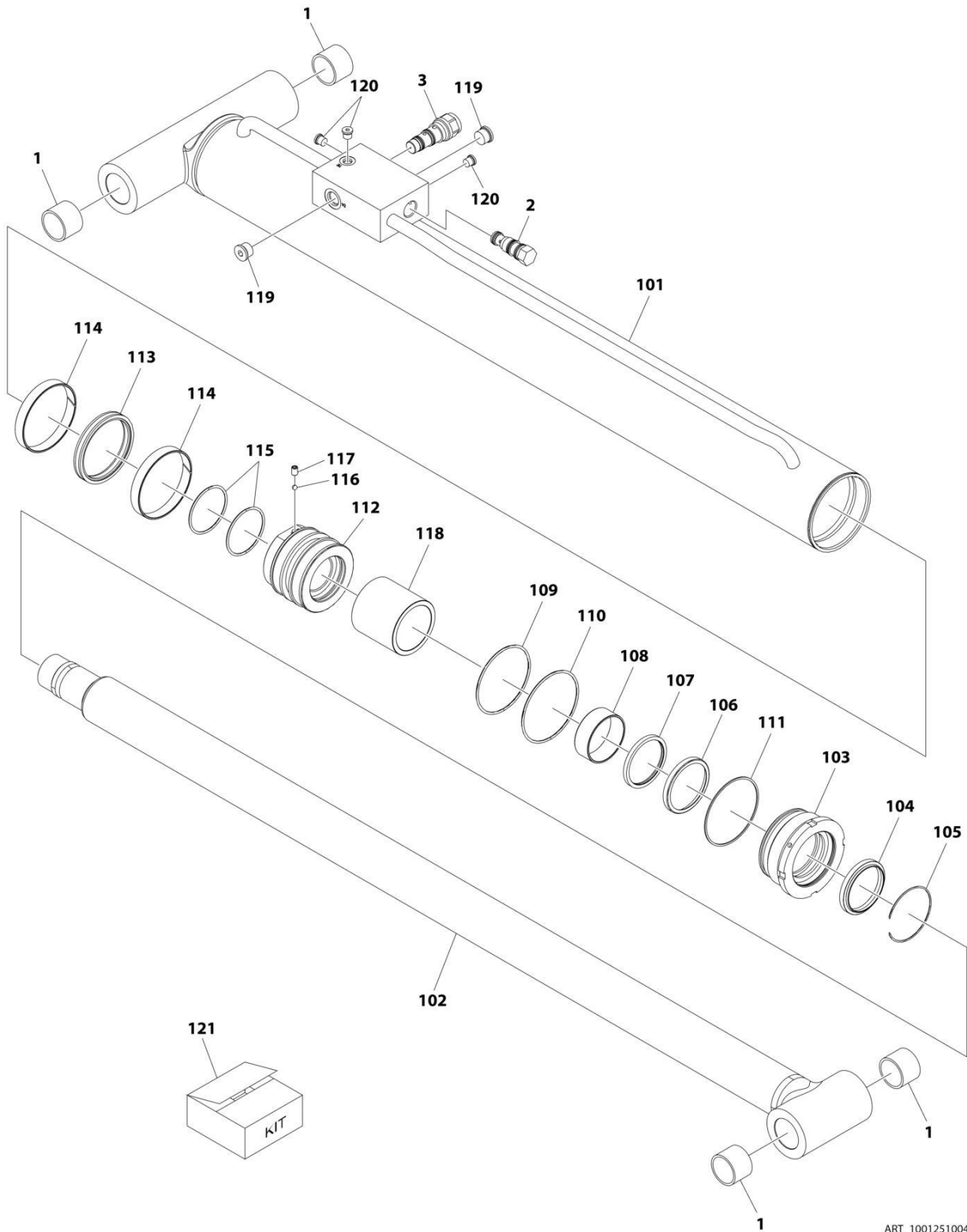
## SECTION 6 - CYLINDER

**FIGURE 6-9. LIFT CYLINDER ASSEMBLY - MAIN BOOM (Prior to SN 03002924230, Prior to SN B300015405, Except SN 0300286728 through 0300286731, Excluding 0300291013, 0300292087, 0300292098, 0300292099, 0300292238, 0300292239 and 0300292386)**

ITEM	PART NUMBER	QTY	DESCRIPTION	REV
	1001228004	Ref	LIFT CYLINDER ASSEMBLY - MAIN BOOM	C
		Ref	Note: Original Equipment components may have been replaced with Service Replacement components part. Identify p/n stamped on cylinder before ordering parts.	
1	See Note	NSS	Barrel (Note: Not Available for Purchase)	
2	70006481	1	Rod	
3	70006480	1	Head	
4	See Note	NSS	Wiper (Note: Use Item 26)	
5	See Note	NSS	Seal, Rod (Note: Use Item 26)	
6	See Note	NSS	Ring, Wear (Note: Use Item 26)	
7	See Note	NSS	O-Ring (Note: Use Item 26)	
8	See Note	NSS	Ring, Back-up (Note: Use Item 26)	
9	70006479	1	Piston	
10	See Note	NSS	Ring, Lock (Note: Use Item 26)	
11	See Note	NSS	Seal (Note: Use Item 26)	
12	See Note	NSS	O-Ring (Note: Use Item 26)	
13	See Note	NSS	Ring, Back-up (Note: Use Item 26)	
14	70006478	1	Spacer	
15	4640509	1	Cartridge, Valve	
15	2900792	1	Seal Kit - 4640509 Valve	
16	4640438	1	Cartridge, Valve	
16	2900770	1	Seal Kit - 4640438 Valve	
17	0961897	1	Bushing, Tapered	
18	0630535	3	Bolt 1/4 x 1-1/8	
19	3931720	8	Capscrew, Socket Head 7/16 x 1-1/4	
20	0961948	2	Bushing	
21	2220886	4	Plug, O-Ring	
22	2220883	3	Plug, O-Ring	
23	0100011	AR	Compound, Locking	
24	0100038	AR	Primer, Locking	
26	2901273	1	Seal Kit (Includes Items 4-8 & 10-13)	

# SECTION 6 - CYLINDER

**FIGURE 6-10. LIFT CYLINDER ASSEMBLY - MAIN BOOM (SN 0300292430 to Present, SN B300015405 to Present, SN 0300286728 through 0300286731, Including 0300291013, 0300292087, 0300292098, 0300292099, 0300292238, 0300292239 and 0300292386)**



ART\_1001251004

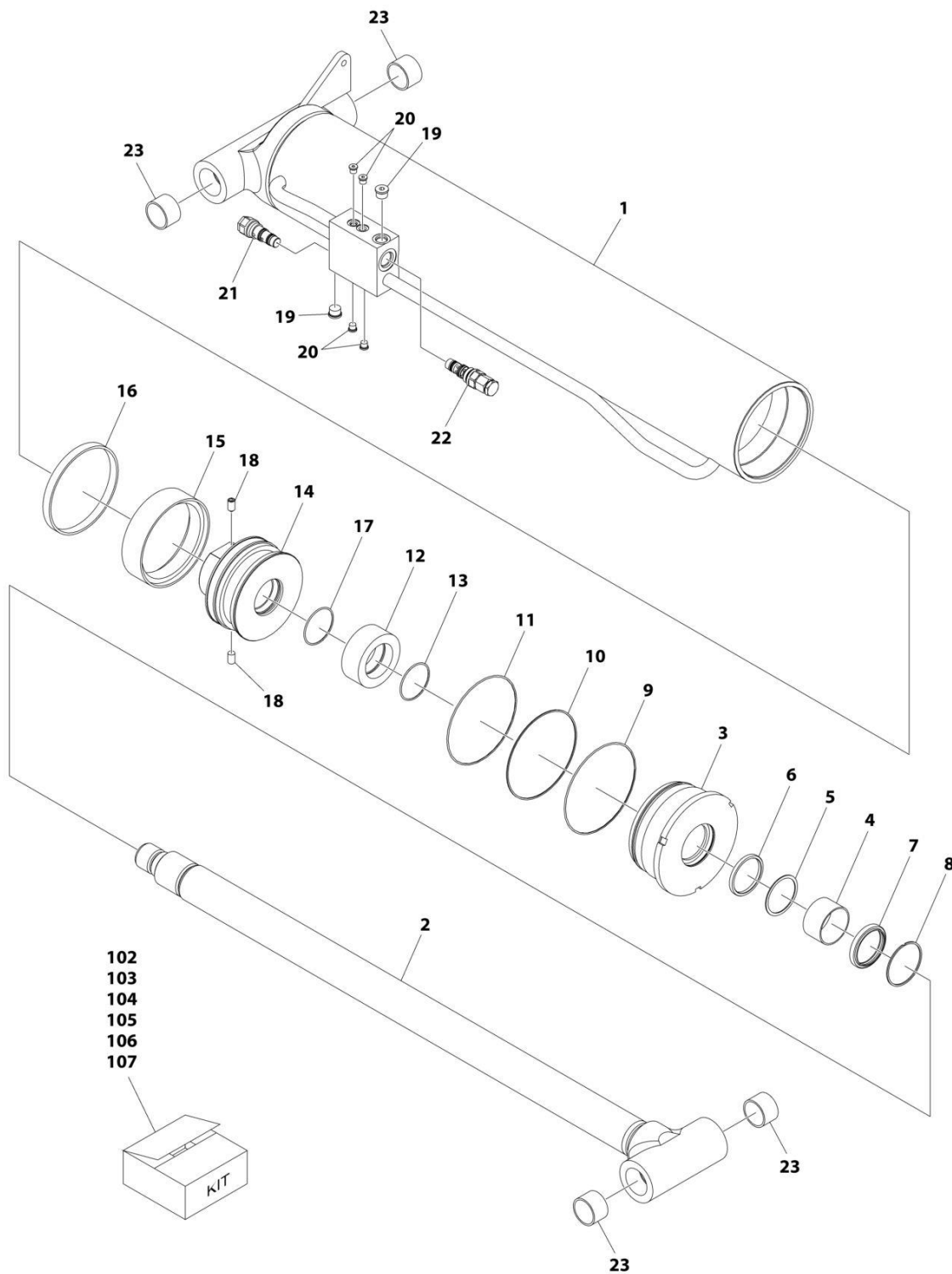
## SECTION 6 - CYLINDER

**FIGURE 6-10. LIFT CYLINDER ASSEMBLY - MAIN BOOM (SN 0300292430 to Present, SN B300015405 to Present, SN 0300286728 through 0300286731, Including 0300291013, 0300292087, 0300292098, 0300292099, 0300292238, 0300292239 and 0300292386)**

ITEM	PART NUMBER	QTY	DESCRIPTION	REV
	1001251004	Ref	LIFT CYLINDER ASSEMBLY - MAIN BOOM	A
		Ref	Note: Original Cylinder May Have Been Replaced with Service Replacement. Identify PN Stamped on Cylinder Before Ordering Parts.	
1	0961948	4	Bushing	
2	4640438	1	Cartridge, Valve	
2	2900770	1	Seal Kit - 4640438 Valve	
3	4640509	1	Cartridge, Valve	
3	2900792	1	Seal Kit - 4640509 Valve	
101	See Note	NSS	Barrel (Note: Not Available for Purchase)	
102	70008160	1	Rod	
103	70008161	1	Head	
104	See Note	NSS	Wiper, Dust (Note: Use Item 121)	
105	70050795	1	Ring, Retaining	
106	See Note	NSS	Seal, Rod (Note: Use Item 121)	
107	See Note	NSS	Ring, Backup (Note: Use Item 121)	
108	70007052	NSS	Bearing	
109	See Note	NSS	O-Ring	
110	See Note	NSS	Ring, Backup (Note: Use Item 121)	
111	See Note	NSS	O-Ring (Note: Use Item 121)	
112	70007452	1	Piston	
113	See Note	NSS	Seal, Piston (Note: Use Item 121)	
114	See Note	NSS	Ring, Wear (Note: Use Item 121)	
115	See Note	NSS	O-Ring (Note: Use Item 121)	
116	70022564	1	Ball, Steel	
117	70023369	1	Setscrew	
118	70008162	1	Spacer	
119	2220886	2	Plug (3/4)	
120	2220883	3	Plug (7/16)	
121	70008163	1	Seal Kit (Includes Items 104, 106-107, 110-111 & 113-115)	

# SECTION 6 - CYLINDER

## FIGURE 6-11. LIFT CYLINDER ASSEMBLY - TOWER BOOM



ART\_1001261003

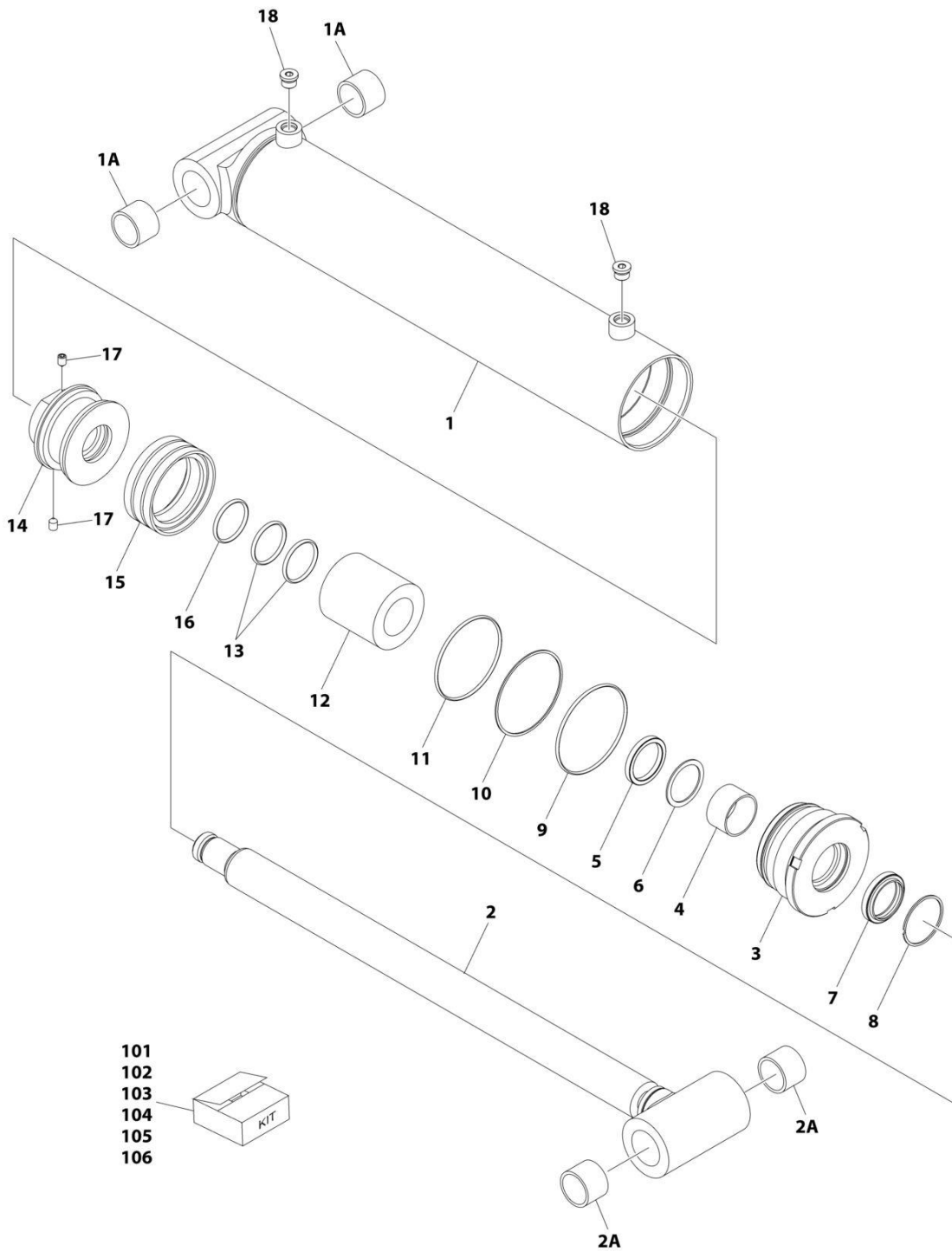
## SECTION 6 - CYLINDER

**FIGURE 6-11. LIFT CYLINDER ASSEMBLY - TOWER BOOM**

ITEM	PART NUMBER	QTY	DESCRIPTION	REV
	1001261003	Ref	LIFT CYLINDER ASSEMBLY - MAIN BOOM	A
		Ref	Note: Original Cylinder May Have Been Replaced with Service Replacement. Identify PN Stamped on Cylinder Before Ordering Parts.	
1	See Note	NSS	Barrel (Use p/n 1001261003)	
2	See Note	NSS	Rod (Use Item 102)	
3	See Note	NSS	Head (Use Item 103)	
4	See Note	NSS	Ring, Wear (Use Item 103)	
5	See Note	NSS	O-Ring (Note: Use Item 104)	
6	See Note	NSS	Ring, Back-up (Note: Use Item 104)	
7	See Note	NSS	Wiper (Note: Use Item 104)	
8	See Note	NSS	Ring, Retainer (Note: Use Item 104)	
9	See Note	NSS	O-Ring (Note: Use Item 104)	
10	See Note	NSS	Ring, Back-Up (Note: Use Item 104)	
11	See Note	NSS	O-Ring (Note: Use Item 104)	
12	See Note	NSS	Spacer (Note: Use Item 105)	
13	See Note	NSS	O-Ring (Note: Use Item 105)	
14	See Note	NSS	Piston (Note: Use Item 106)	
15	See Note	NSS	Seal (Note: Use Item 104)	
16	See Note	NSS	Ring, Wear (Note: Use Item 104)	
17	See Note	NSS	O-Ring (Note: Use Item 104)	
18	See Note	NSS	Setscrew (Note: Use Item 106)	
19	See Note	NSS	Plug 3/4	
20	See Note	NSS	Plug 7/16	
21	4640509	1	Cartridge, Counterbalance Valve	
21	2900792	1	Seal Kit - 4640509 Valve	
22	4640605	1	Cartridge, Counterbalance Valve	
22	2900792	1	Seal Kit - 4640605 Valve	
23	0961949	4	Bearing	
102	70007460	1	Rod Kit (Includes Item 2 & 23)	
103	70007461	1	Rod Cover Kit (Includes Item 3 & 4)	
104	70007462	1	Seal Kit (Includes Item 5-11 & 15-17)	
105	70007463	1	Spacer Kit (Includes Item 12 & 13)	
106	70007464	1	Piston Kit (Includes Item 14 & 18)	
107	70007465	1	Plug Kit (Includes Item 20)	

# SECTION 6 - CYLINDER

## FIGURE 6-12. MASTER CYLINDER ASSEMBLY



ART\_1001251052

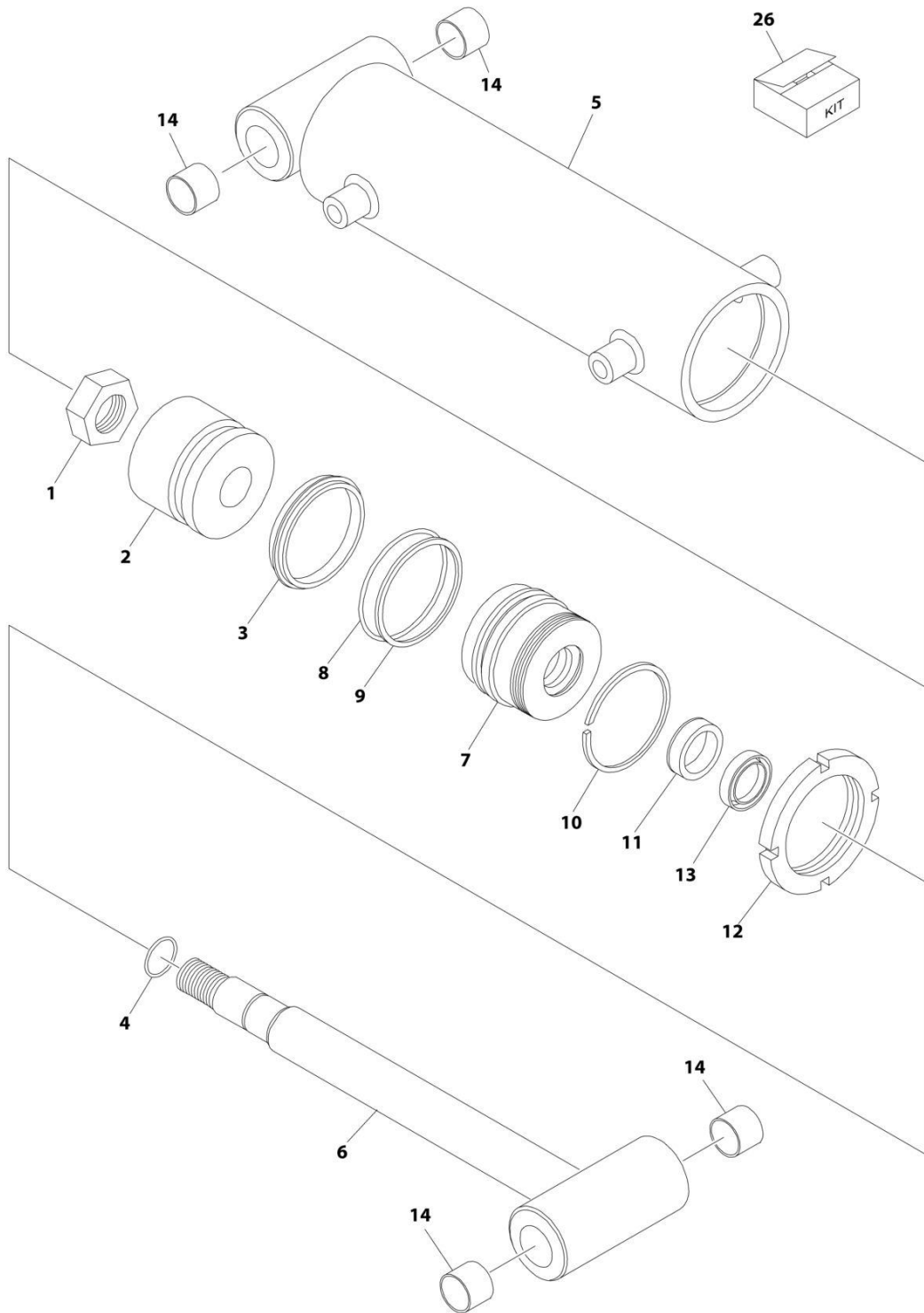
## SECTION 6 - CYLINDER

### FIGURE 6-12. MASTER CYLINDER ASSEMBLY

ITEM	PART NUMBER	QTY	DESCRIPTION	REV
	1001251052	Ref	MASTER CYLINDER ASSEMBLY	A
		Ref	Note: Original Cylinder May Have Been Replaced with Service Replacement. Identify PN Stamped on Cylinder Before Ordering Parts.	
1	See Note	NSS	Barrel (Note: Not Available for Purchase)	
1A	0961951	2	Bushing	
2	See Note	NSS	Rod Weldment (Note: Use Item 102)	
2A	0961951	2	Bushing	
3	See Note	NSS	Head (Note: Use Item 103)	
4	See Note	NSS	Ring, Wear (Note: Use Item 103)	
5	See Note	NSS	Seal (Note: Use Item 104)	
6	See Note	NSS	Ring, Back-up (Note: Use Item 104)	
7	See Note	NSS	Wiper (Note: Use Item 104)	
8	See Note	NSS	Ring, Retaining (Note: Use Item 104)	
9	See Note	NSS	O-Ring (Note: Use Item 104)	
10	See Note	NSS	Ring, Back-up (Note: Use Item 104)	
11	See Note	NSS	O-Ring (Note: Use Item 104)	
12	See Note	NSS	Spacer (Note: Use Item 105)	
13	See Note	NSS	O-Ring (Note: Use Item 105)	
14	See Note	NSS	Piston (Note: Use Item 106)	
15	See Note	NSS	Seal (Note: Use Item 104)	
16	See Note	NSS	O-Ring (Note: Use Item 104)	
17	See Note	NSS	Setscrew (Note: Use Item 106)	
18	See Note	NSS	Dust Cap (Note: Use Item 101)	
101	See Note	NSS	Barrel Kit - Cylinder 1001258052 (Includes Items 1, 1A & 18)	
102	70007393	1	Rod Kit - Cylinder 1001258052 (Includes Items 2 & 2A)	
103	70007388	1	Rod Cover Kit - Cylinder 1001258052 (Includes Items 3 & 4)	
104	70007389	1	Seal Kit - 1001228052 Cylinder (Includes Items 5-11, 15 & 16)	
104	70007390	1	Spacer Kit - 1001228052 Cylinder (Includes Items 12 & 13)	
106	70007391	1	Piston Kit - 1001228052 Cylinder (Includes Items 14 & 17)	

# SECTION 6 - CYLINDER

FIGURE 6-13. STEER CYLINDER ASSEMBLY (7FT/2.1M WIDE MACHINES)



ART\_1684418



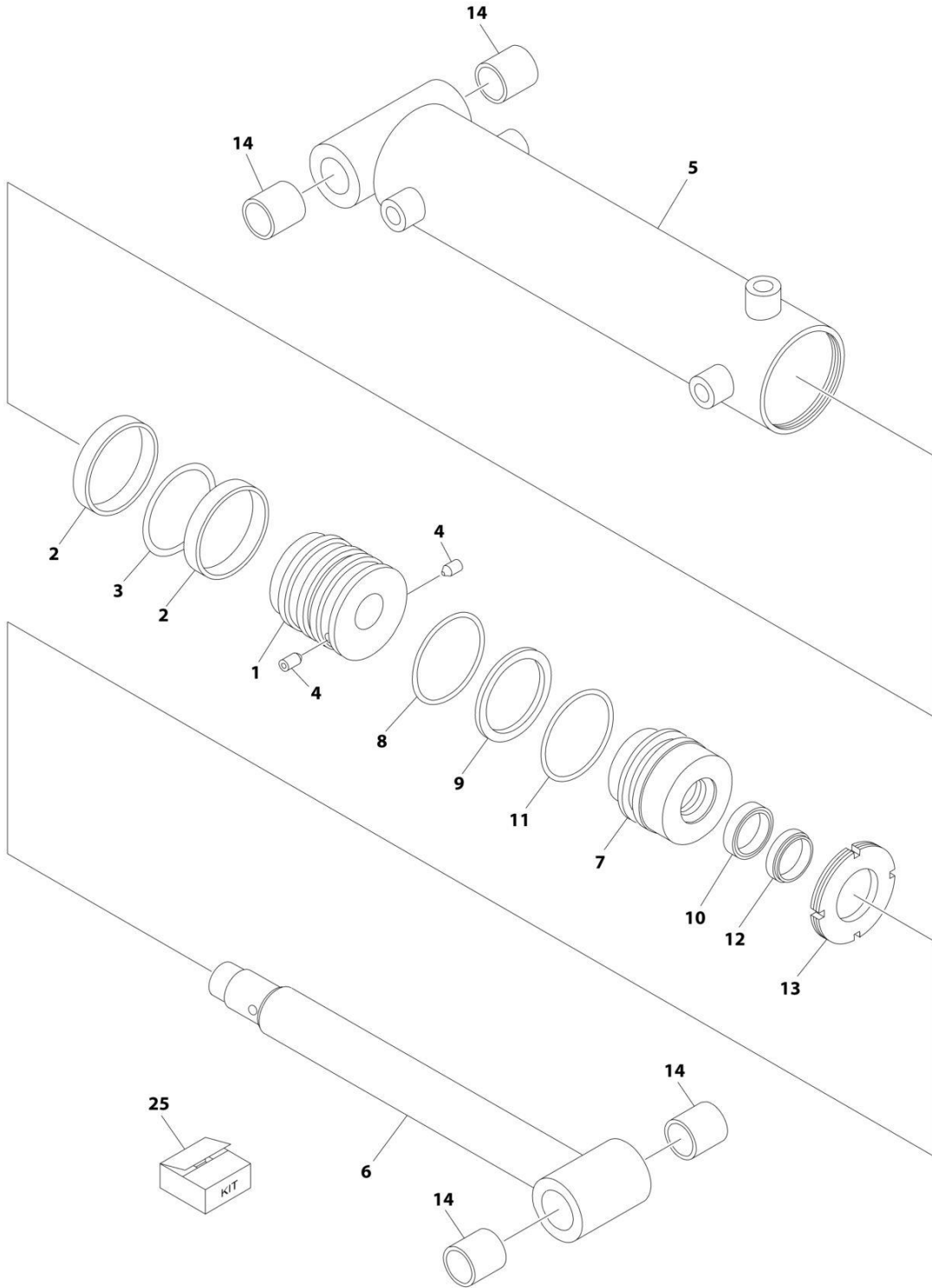
## SECTION 6 - CYLINDER

**FIGURE 6-13. STEER CYLINDER ASSEMBLY (7FT/2.1M WIDE MACHINES)**

ITEM	PART NUMBER	QTY	DESCRIPTION	REV
	1684418	Ref	STEER CYLINDER ASSEMBLY (7FT/2.1M WIDE MACHINES)	A
		Ref	Note: Original Cylinder may have been replaced with Service Replacement. Identify PN Stamped on Cylinder Before Ordering Parts.	
1	7001626	1	Locknut	
2	7001627	1	Piston	
3	7001625	1	Seal	
4	7001625	1	O-Ring	
5	See Note	1	Barrel (Note: Not Available for Purchase)	
6	7023038	1	Rod	
7	7001629	1	Guide	
8	See Note	NSS	O-Ring (Note: Use Item 26)	
9	See Note	NSS	Ring, Back-Up (Note: Use Item 26)	
10	See Note	NSS	Ring, Retaining (Note: Use Item 26)	
11	See Note	NSS	Seal, Lip (Note: Use Item 26)	
12	7001630	1	Nut, Spanner	
13	See Note	NSS	Ring, Wiper (Note: Use Item 26)	
14	0961890	4	Bushing	
26	7001625	1	Seal Kit (Includes Items 3, 4, 8-11 & 13)	

# SECTION 6 - CYLINDER

## FIGURE 6-14. STEER CYLINDER ASSEMBLY (8FT/2.4M WIDE MACHINES)



ART\_1001097242

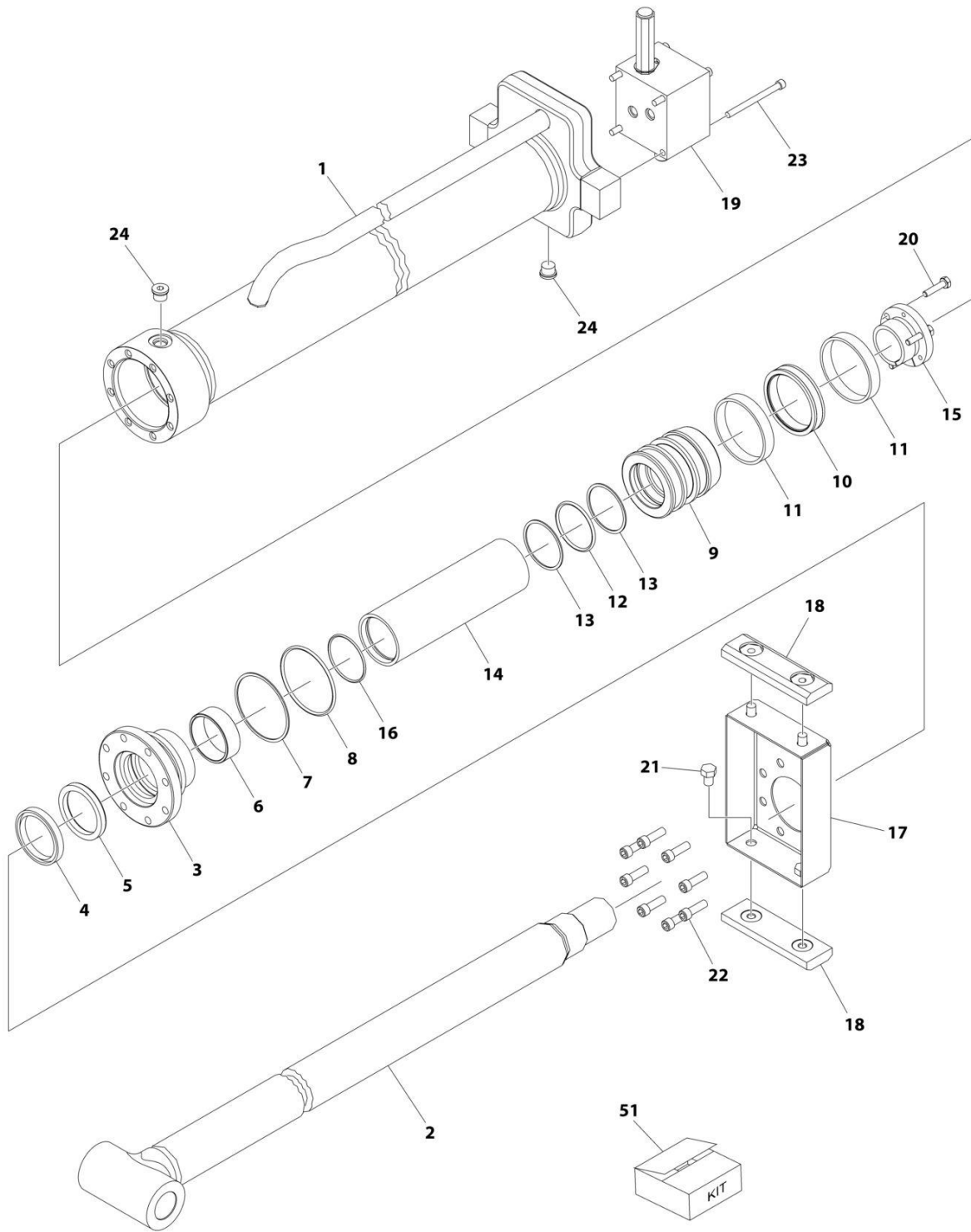
## SECTION 6 - CYLINDER

**FIGURE 6-14. STEER CYLINDER ASSEMBLY (8FT/2.4M WIDE MACHINES)**

ITEM	PART NUMBER	QTY	DESCRIPTION	REV
	1001097242	Ref	STEER CYLINDER ASSEMBLY	A
		Ref	Note: Original Cylinder may have been replaced with Service Replacement. Identify PN Stamped on Cylinder Before Ordering Parts.	
1	70002752	1	Piston	
1	0100011	AR	Compound, Locking	
1	0100038	AR	Primer, Locking	
2	See Note	NSS	Seal (Note: Use Item 25)	
3	See Note	NSS	O-Ring (Note: Use Item 25)	
4	70002745	2	Setscrew	
5	70002753	1	Barrel	
6	70002754	1	Rod	
7	70002755	1	Head	
8	See Note	NSS	O-Ring (Note: Use Item 25)	
9	See Note	NSS	Ring, Back-Up (Note: Use Item 25)	
10	See Note	NSS	Seal (Note: Use Item 25)	
11	See Note	NSS	O-Ring (Note: Use Item 25)	
12	See Note	NSS	Wiper (Note: Use Item 25)	
13	70002756	1	Nut, Spanner	
13	0100011	AR	Compound, Locking	
13	0100038	AR	Primer, Locking	
14	0962356	4	Bushing	
25	70002757	1	Seal Kit (Includes Items 2, 3 & 8-12)	

# SECTION 6 - CYLINDER

FIGURE 6-15. TELESCOPE CYLINDER ASSEMBLY - MAIN BOOM (Prior to SN 03002924230, Prior to SN B300015405, Except SN 0300286728 through 0300286731, Excluding 0300291013)



ART\_1001228007

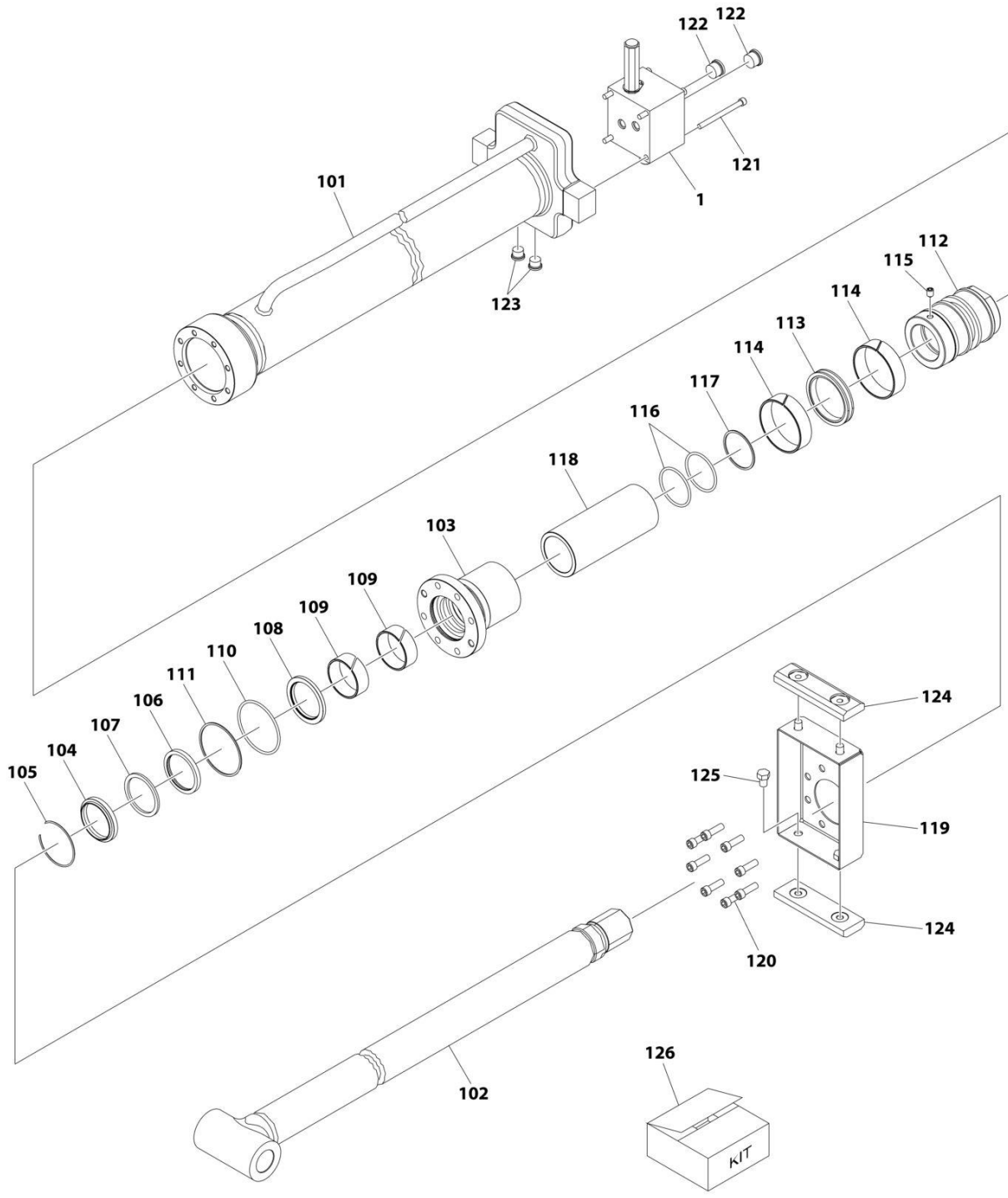
## SECTION 6 - CYLINDER

**FIGURE 6-15. TELESCOPE CYLINDER ASSEMBLY - MAIN BOOM (Prior to SN 03002924230, Prior to SN B300015405, Except SN 0300286728 through 0300286731, Excluding 0300291013)**

ITEM	PART NUMBER	QTY	DESCRIPTION	REV
	1001228007	Ref	TELESCOPE CYLINDER ASSEMBLY	E
		Ref	Note: Original Cylinder may have been replaced with Service Replacement. Identify PN Stamped on Cylinder Before Ordering Parts.	
1	See Note	NSS	Barrel (Note: Use p/n 1001228007)	
2	70006654	1	Rod	
3	70006483	1	Head	
4	See Note	NSS	Wiper (Note: Use Item 51)	
5	See Note	NSS	Seal, Rod (Note: Use Item 51)	
6	See Note	NSS	Ring, Wear (Note: Use Item 51)	
7	See Note	NSS	O-Ring (Note: Use Item 51)	
8	See Note	NSS	Ring, Back-up (Note: Use Item 51)	
9	70006482	1	Piston	
10	See Note	NSS	Seal (Note: Use Item 51)	
11	See Note	NSS	Ring, Wear (Note: Use Item 51)	
12	See Note	NSS	O-Ring (Note: Use Item 51)	
13	See Note	NSS	Ring, Back-up (Note: Use Item 51)	
14	70006655	1	Spacer	
15	0961896	1	Bushing, Tapered	
16	See Note	NSS	O-Ring (Note: Use Item 51)	
17	3538247	1	Plate, Wear Pad Mounting	
18	3340608	2	Pad, Wear	
19	4640862	1	Valve Block Assembly (Note: No Service Part Available - Replace Complete Assembly)	
20	0630535	3	Bolt 1/4 x 1-1/8	
21	0641604	4	Bolt 3/8 x 1/2	
22	3931516	8	Capscrew 5/16 x 1	
22	0100038	AR	Primer, Locking	
22	0100011	AR	Compound, Locking	
23	3931448	4	Capscrew 1/4 x 3	
24	2220885	AR	Plug, O-Ring	
51	2901861	1	Seal Kit - 1001228007 Cylinder (Includes Item 4-8, 10-13 & 16)	

# SECTION 6 - CYLINDER

FIGURE 6-16. TELESCOPE CYLINDER ASSEMBLY - MAIN BOOM (SN 0300292423 to Present, SN B300015405 to Present, SN 0300286728 through 0300286731, Including 0300291013)



ART\_1001251007

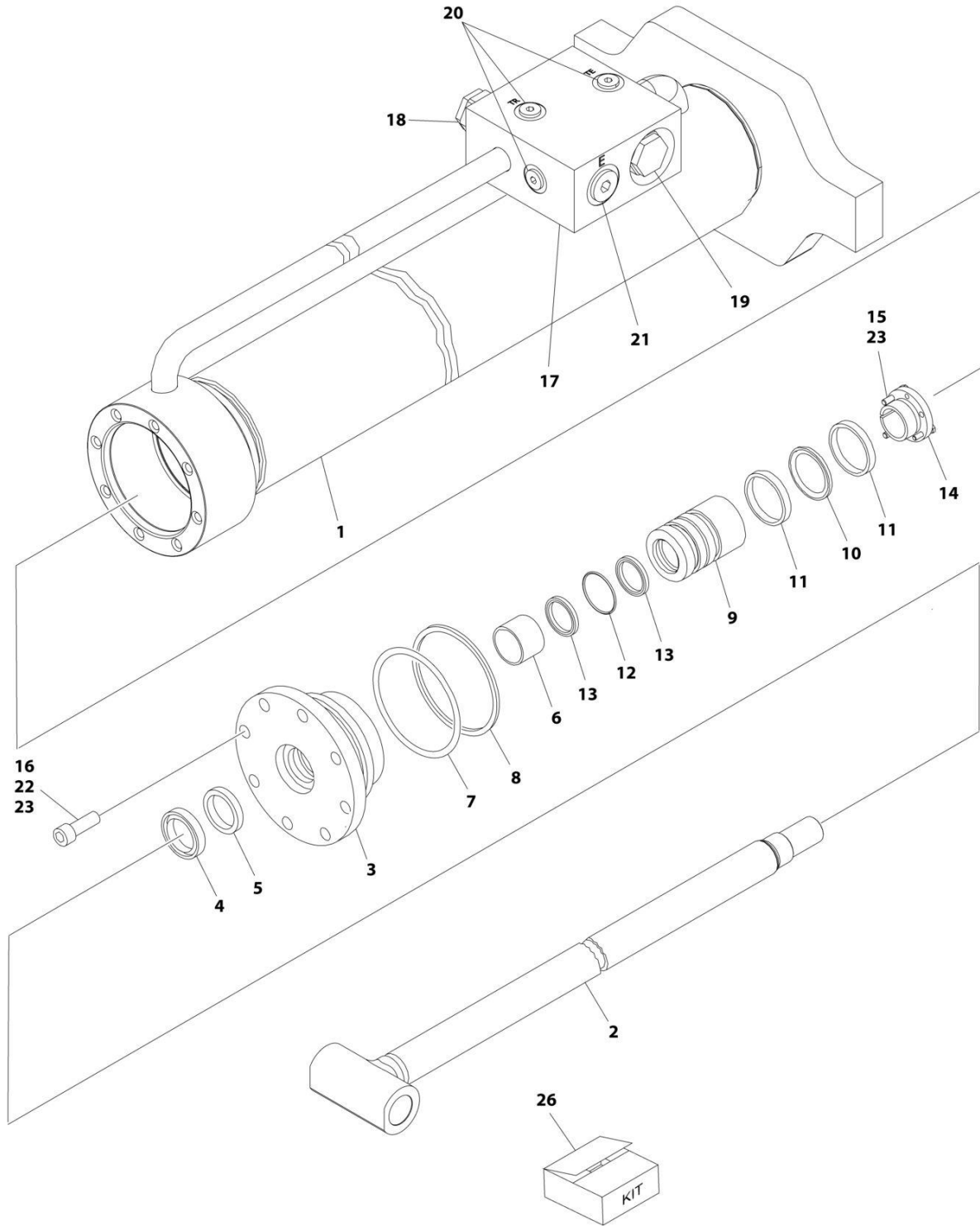
## SECTION 6 - CYLINDER

**FIGURE 6-16. TELESCOPE CYLINDER ASSEMBLY - MAIN BOOM (SN 0300292423 to Present, SN B300015405 to Present, SN 0300286728 through 0300286731, Including 0300291013)**

ITEM	PART NUMBER	QTY	DESCRIPTION	REV
	1001251007	Ref	TELESCOPE CYLINDER ASSEMBLY	A
		Ref	Note: Original Cylinder may have been replaced with Service Replacement. Identify PN Stamped on Cylinder Before Ordering Parts.	
1	4640862	1	Valve Block Assembly	
101	See Note	NSS	Barrel (Note: Not Available for Purchase)	
102	70008167	1	Rod	
103	70008168	1	Head	
104	See Note	1	Wiper, Dust (Note: Use Item 126)	
105	70002412	1	Ring, Retaining	
106	See Note	1	Seal, Rod (Note: Use Item 126)	
107	See Note	1	Ring, Backup (Note: Use Item 126)	
108	See Note	1	Ring, Buffer (Note: Use Item 126)	
109	See Note	2	Ring, Wear (Note: Use Item 126)	
110	See Note	1	O-Ring (Note: Use Item 126)	
111	See Note	1	Ring, Backup (Note: Use Item 126)	
112	70008169	1	Piston	
113	See Note	1	Seal, Piston (Note: Use Item 126)	
114	See Note	2	Ring, Wear (Note: Use Item 126)	
115	70005839	1	Setscrew	
116	See Note	2	O-Ring (Note: Use Item 126)	
117	See Note	1	Ring, Backup (Note: Use Item 126)	
118	70008170	1	Spacer	
119	See Note	NSS	Plate (Note: Not Available for Purchase)	
120	70008171	8	Bolt M8 x 35	
121	70008045	4	Bolt M6 X 80	
122	See Note	2	Plug (3/4) (Note: Not Available for Purchase)	
123	2220885	2	Plug (9/16)	
124	70008172	2	Pad, Wear	
125	70008173	4	Bolt M8 x 12	
126	70008174	1	Seal Kit (Includes Items 104, 106-111, 113-114 & 116-117)	

# SECTION 6 - CYLINDER

FIGURE 6-17. TELESCOPE CYLINDER ASSEMBLY - TOWER BOOM (Prior to SN 03002924230, Prior to SN B300015405, Except SN 0300286728 through 0300286731, Excluding 0300291013)



ART\_1001228006



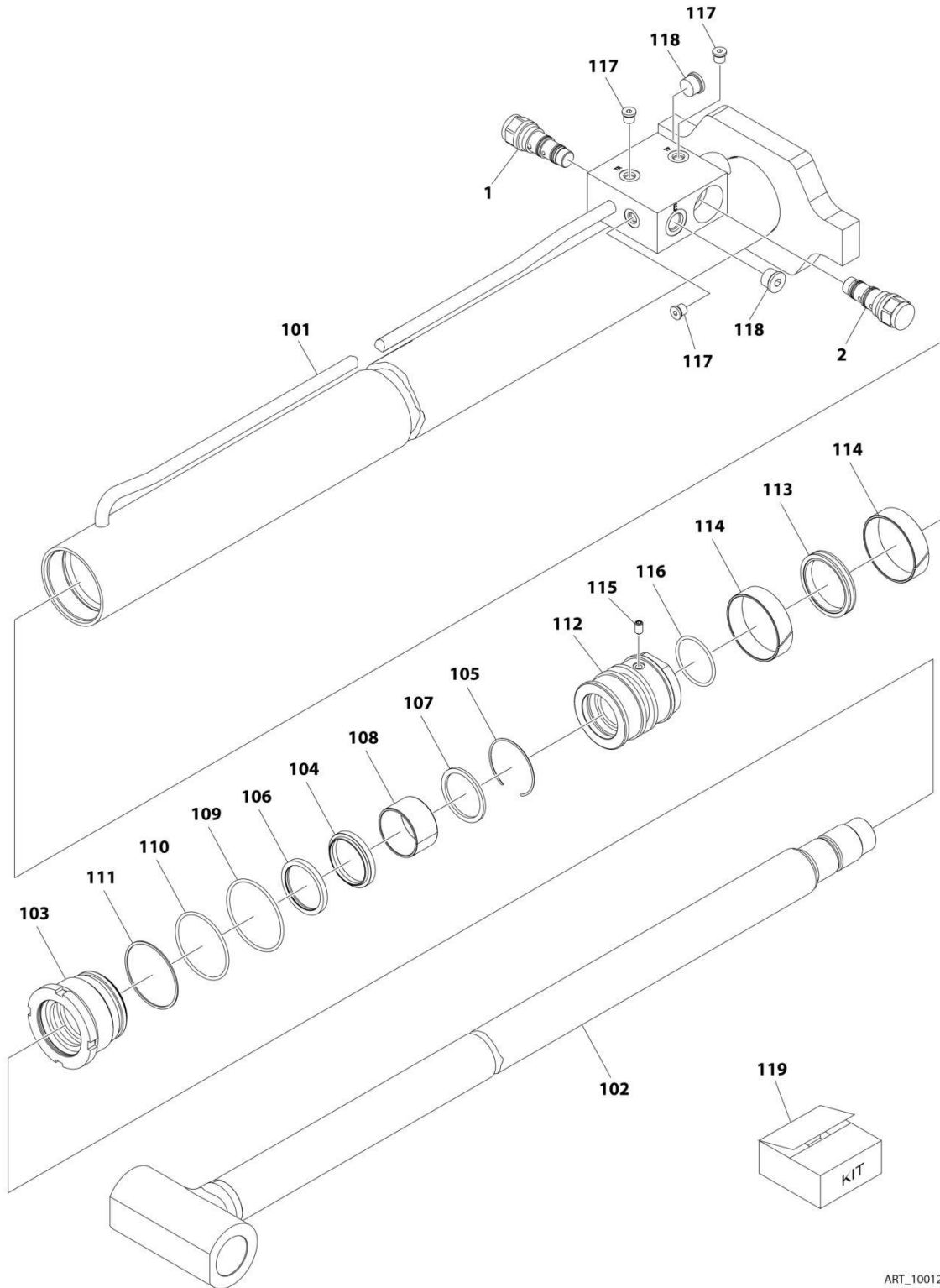
## SECTION 6 - CYLINDER

**FIGURE 6-17. TELESCOPE CYLINDER ASSEMBLY - TOWER BOOM (Prior to SN 03002924230, Prior to SN B300015405, Except SN 0300286728 through 0300286731, Excluding 0300291013)**

ITEM	PART NUMBER	QTY	DESCRIPTION	REV
	1001228006	Ref	TELESCOPE CYLINDER ASSEMBLY - TOWER BOOM	D
		Ref	Note: Original Equipment components may have been replaced with Service Replacement components part. Identify p/n stamped on cylinder before ordering parts.	
1	See Note	NSS	Barrel (Note: Not Available for Purchase)	
2	70006484	1	Rod	
3	70006483	1	Head	
4	See Note	NSS	Wiper (Note: Use Item 26)	
5	See Note	NSS	Seal, Rod (Note: Use Item 26)	
6	See Note	NSS	Ring, Wear (Note: Use Item 26)	
7	See Note	NSS	O-Ring (Note: Use Item 26)	
8	See Note	NSS	Ring, Back-Up (Note: Use Item 26)	
9	70006482	1	Piston	
10	See Note	NSS	T-Seal (Note: Use Item 26)	
11	See Note	NSS	Ring, Wear (Note: Use Item 26)	
12	See Note	NSS	O-Ring (Note: Use Item 26)	
13	See Note	NSS	Ring, Back-Up (Note: Use Item 26)	
14	0961896	1	Bushing, Tapered	
15	0630535	3	Bolt 1/4 x 1-1/8	
16	3931516	8	Capscrew 5/16 x 1	
17	4640647	1	Cartridge, Valve	
17	2900770	1	Seal Kit - 4640647 Valve	
18	4640509	2	Cartridge, Valve	
18	2900792	2	Seal Kit - 4640509 Valve	
19	4640999	1	Cartridge, Valve	
19	2900792	1	Seal Kit - 4640999 Valve	
20	2220883	3	Plug, O-Ring	
21	2220886	2	Plug, O-Ring	
22	0100038	AR	Primer, Locking	
23	0100011	AR	Compound, Locking	
26	2901861	1	Seal Kit - 1001228006 Cylinder (Includes Items 4-8 & 10-13)	

# SECTION 6 - CYLINDER

FIGURE 6-18. TELESCOPE CYLINDER ASSEMBLY - TOWER BOOM (SN 0300292423 to Present, SN B300015405 to Present, SN 0300286728 through 0300286731, Including 0300291013)



ART\_1001251006

## SECTION 6 - CYLINDER

**FIGURE 6-18. TELESCOPE CYLINDER ASSEMBLY - TOWER BOOM (SN 0300292423 to Present, SN B300015405 to Present, SN 0300286728 through 0300286731, Including 0300291013)**

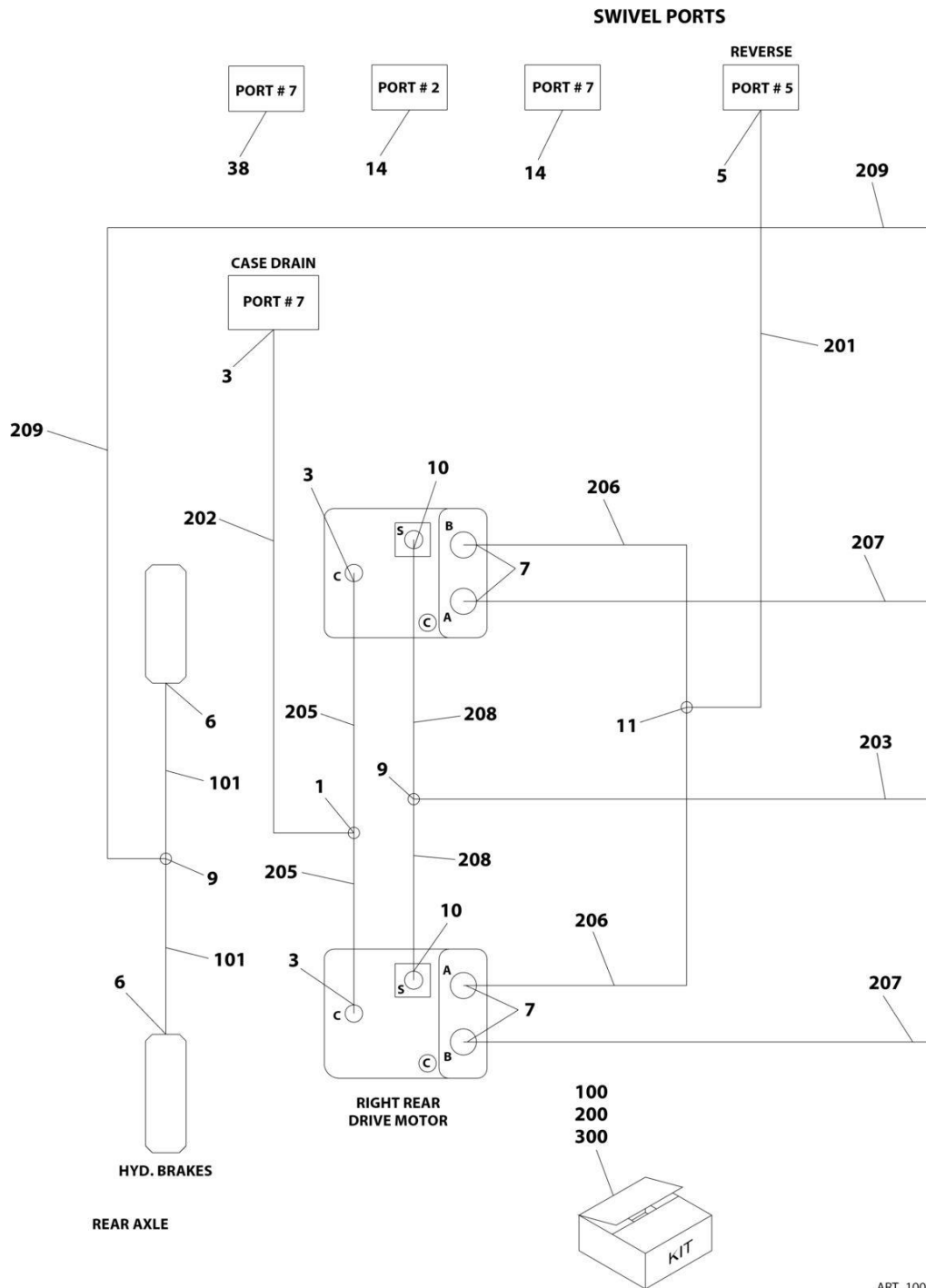
ITEM	PART NUMBER	QTY	DESCRIPTION	REV
	1001251006	Ref	TELESCOPE CYLINDER ASSEMBLY - TOWER BOOM	A
		Ref	Note: Original Cylinder May Have Been Replaced with Service Replacement. Identify PN Stamped on Cylinder Before Ordering Parts.	
1	4640509	1	Cartridge, Valve	
1	2900792	1	Seal Kit - 4640509 Valve	
2	4640999	1	Cartridge, Valve	
2	2900792	1	Seal Kit - 4640999 Valve	
101	See Note	NSS	Barrel (Note: Not Available for Purchase)	
102	70008164	1	Rod	
103	70008165	1	Head	
104	See Note	1	Wiper, Dust (Note: Use Item 119)	
105	70002412	1	Ring, Retaining	
106	See Note	1	Seal, Rod (Note: Use Item 119)	
107	See Note	1	Ring, Backup (Note: Use Item 119)	
108	70052577	1	Bearing	
109	See Note	1	O-Ring (Note: Use Item 119)	
110	See Note	1	Ring, Backup (Note: Use Item 119)	
111	See Note	1	O-Ring (Note: Use Item 119)	
112	70007064	1	Piston	
113	See Note	1	Seal, Piston (Note: Use Item 119)	
114	See Note	2	Ring, Wear (Note: Use Item 119)	
115	70006817	1	Setscrew	
116	See Note	1	O-Ring (Note: Use Item 119)	
117	2220883	3	Plug (7/16)	
118	2220886	2	Plug (3/4)	
119	70008166	1	Seal Kit (Includes Items 104, 106-107, 109-111, 113-114 & 116)	



**SECTION 7 - HYDRAULIC**

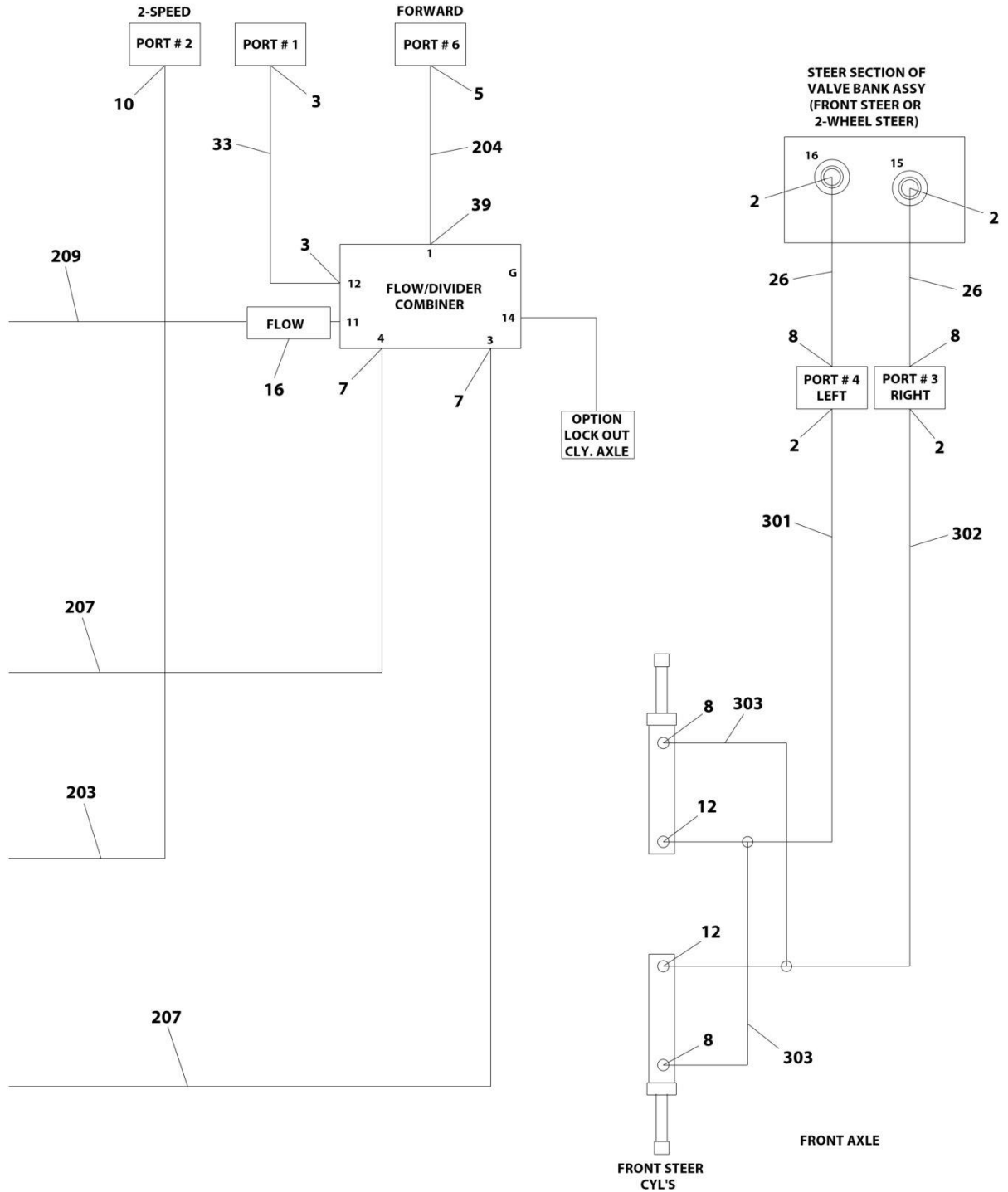
# SECTION 7 - HYDRAULIC

## FIGURE 7-1. DRIVE HYDRAULIC DIAGRAM - 2WD/2WS



ART\_1001140416\_10F2

# SECTION 7 - HYDRAULIC



ART\_1001140416\_2OF2

## SECTION 7 - HYDRAULIC

FIGURE 7-1. DRIVE HYDRAULIC DIAGRAM - 2WD/2WS

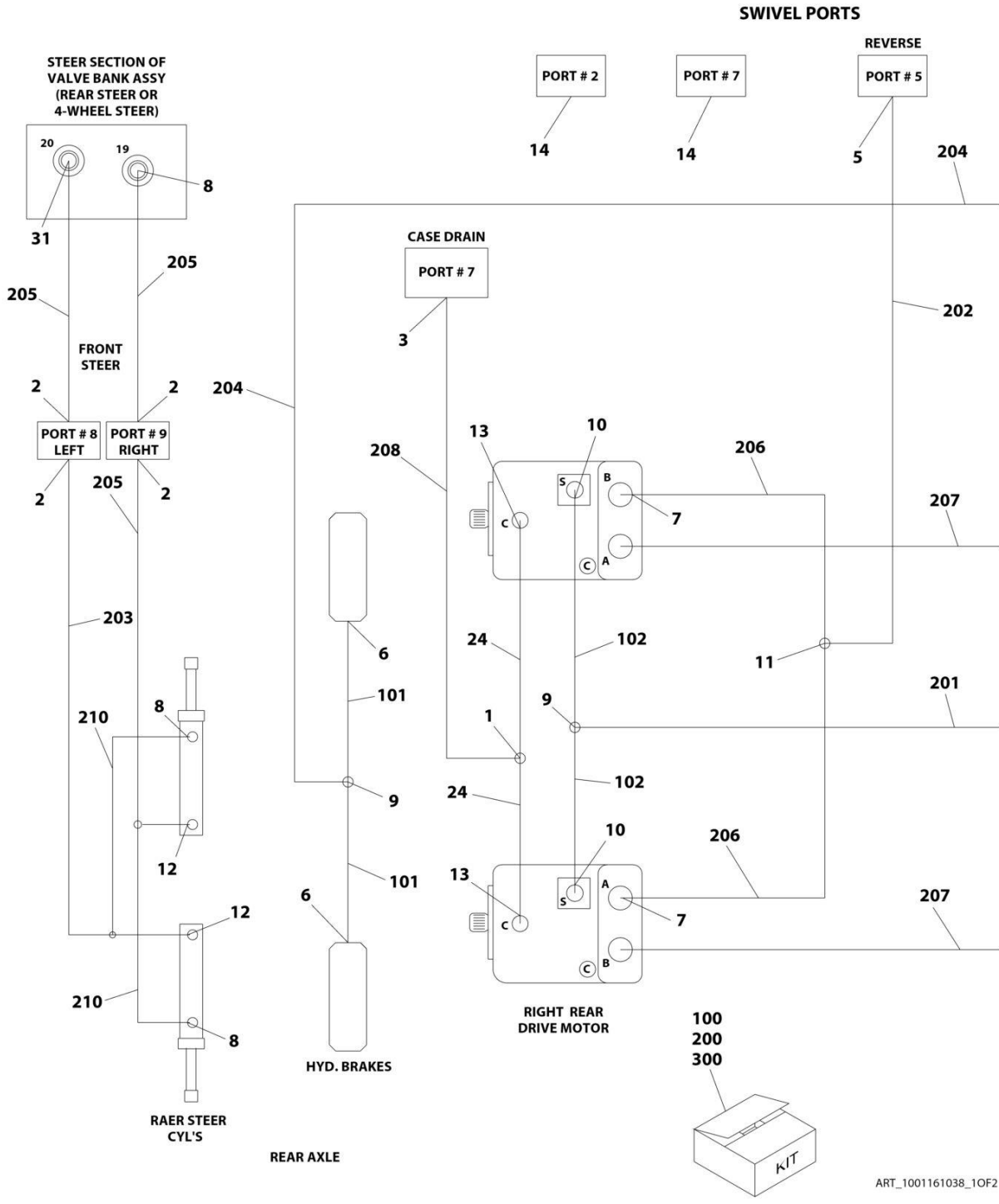
ITEM	PART NUMBER	QTY	DESCRIPTION	REV
	1001140416	Ref	DRIVE HYDRAULIC DIAGRAM - 2WD/2WS	F
1	2220362	1	Fitting, Tee JIC/JIC/JIC	
2	2220371	4	Fitting, Straight JIC/ORB	
3	2220373	5	Fitting, Straight JIC/ORB	
5	2220377	2	Fitting, Straight JIC/ORB	
6	2220415	2	Fitting, Straight JIC/ORB	
7	2220451	6	Fitting, Straight JIC/ORB	
8	2220473	4	Fitting, 90 JIC/ORB	
9	2220504	2	Fitting, Tee JIC/JIC/JIC	
10	2220582	3	Fitting, Straight JIC/ORB	
11	2221170	1	Fitting, Tee JIC/JIC/JIC	
12	2220606	2	Fitting, Tee JIC/ORB/JIC	
14	2220237	3	Fitting, Plug ORB	
16	4641307	1	Valve, Check	
26	2752620	2	Hose	
33	2752929	1	Hose	
38	2220238	1	Plug	
39	2220646	1	Fitting, 90 JIC/ORB	
100	1001269820	1	Hose Assembly - Axle Kit	
101	1001152527	2	Hose	
200	1001269821	1	Hose Assembly - Rear Kit	
201	2752341	1	Hose	
202	2752928	1	Hose	
203	2753924	1	Hose	
204	2754227	1	Hose	
205	1001140449	2	Hose	
206	1001151364	2	Hose	
207	1001151365	2	Hose	
208	1001152527	2	Hose	
209	1001155379	1	Hose	
300	1001269822	1	Hose Assembly - Front Kit	
301	2752475	1	Hose	
302	2752611	1	Hose	
303	2753397	2	Hose	





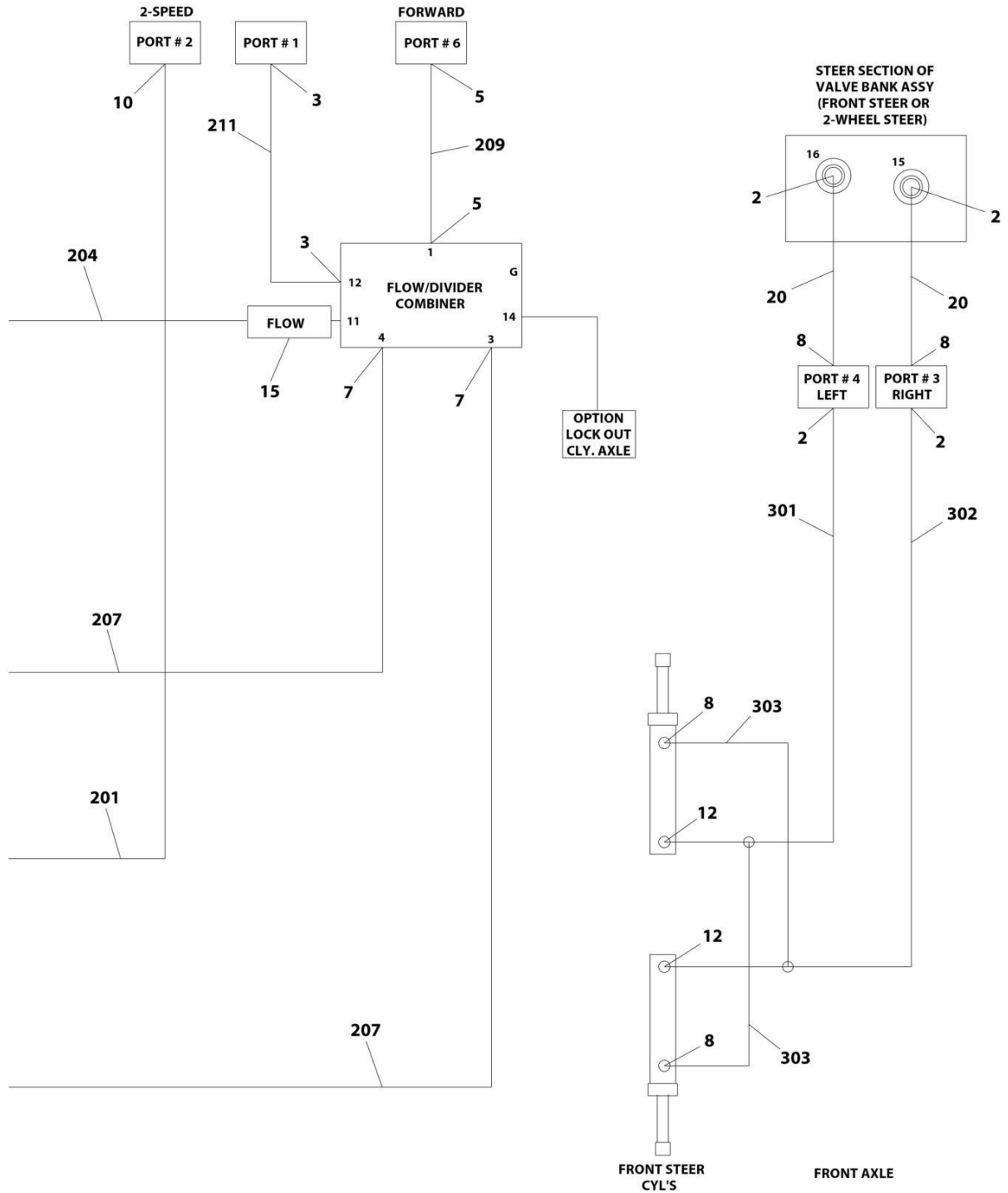
# SECTION 7 - HYDRAULIC

## FIGURE 7-2. DRIVE HYDRAULIC DIAGRAM - 2WD/4WS



ART\_1001161038\_10F2

# SECTION 7 - HYDRAULIC



ART\_1001161038\_2OF2

# SECTION 7 - HYDRAULIC

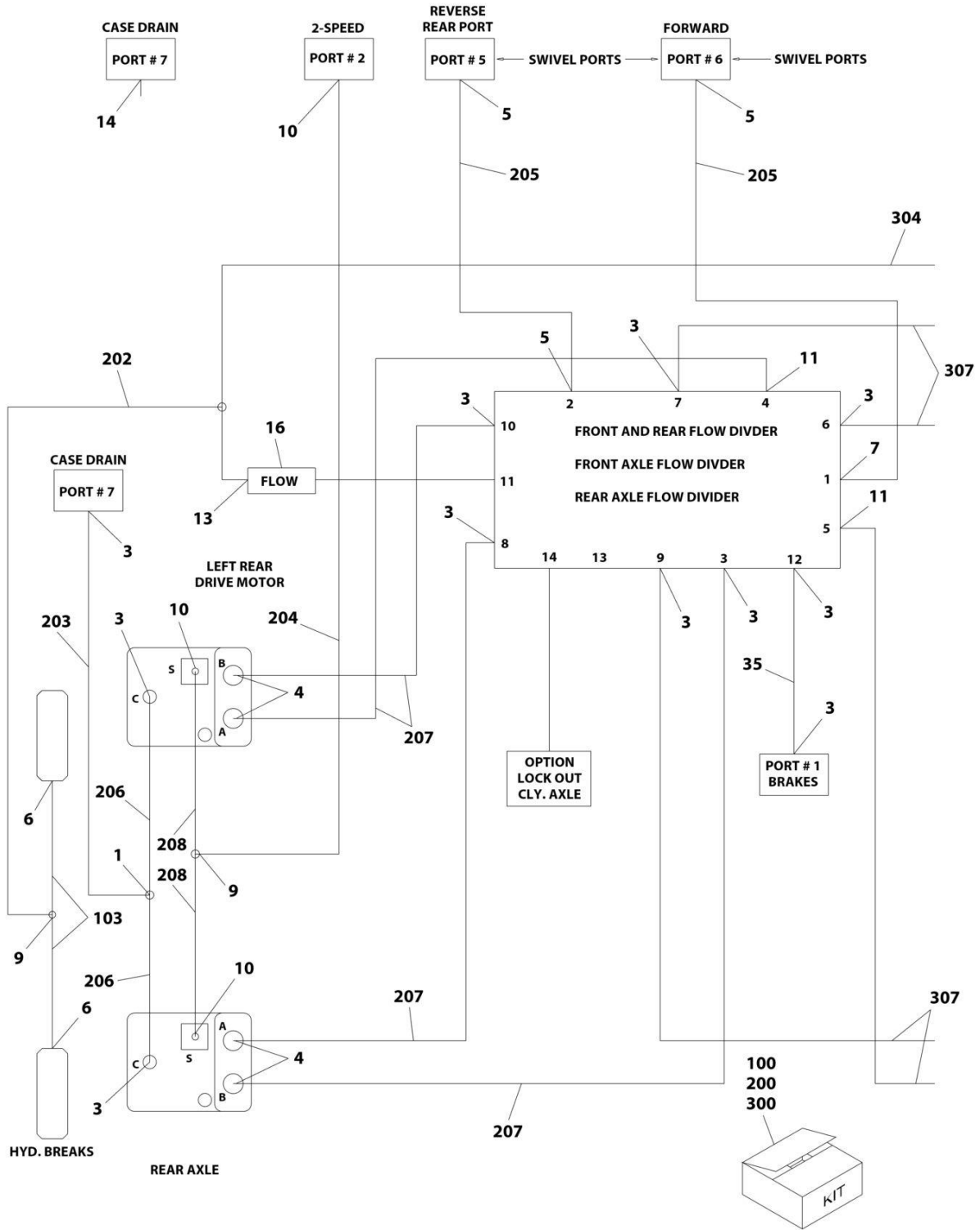
## FIGURE 7-2. DRIVE HYDRAULIC DIAGRAM - 2WD/4WS

ITEM	PART NUMBER	QTY	DESCRIPTION	REV
	1001161038	Ref	DRIVE HYDRAULIC DIAGRAM - 2WD/4WS	F
1	2220362	1	Fitting, Tee JIC/JIC/JIC	
2	2220371	8	Fitting, Straight JIC/ORB	
3	2220373	3	Fitting, Straight JIC/ORB	
5	2220377	3	Fitting, Straight JIC/ORB	
6	2220415	2	Fitting, Straight JIC/ORB	
7	2220451	6	Fitting, Straight JIC/ORB	
8	2220473	7	Fitting, 90 JIC/ORB	
9	2220504	2	Fitting, Tee JIC/JIC/JIC	
10	2220582	3	Fitting, Straight JIC/ORB	
11	2221170	1	Fitting, Tee JIC/JIC/JIC	
12	2220606	4	Fitting, Tee JIC/ORB/JIC	
13	2220596	2	Fitting, 90 JIC/ORB	
14	2220237	3	Fitting, Plug ORB	
15	4641307	1	Valve, Check	
20	2752620	2	Hose	
24	84719619	2	Hose	
31	2220819	1	Fitting, 90 JIC/ORB	
100	1001269823	1	Hose Assembly - Axle Kit	
101	2751410	2	Hose	
102	2752445	2	Hose	
200	1001269824	1	Hose Assembly - Rear Kit	
201	2751410	1	Hose	
202	2752321	1	Hose	
203	2752475	1	Hose	
204	2752574	1	Hose	
205	2752611	3	Hose	
206	2753016	2	Hose	
207	2753017	2	Hose	
208	2753187	1	Hose	
209	2753435	1	Hose	
210	2754235	2	Hose	
211	2754323	1	Hose	
300	1001269825	1	Hose Assembly - Front Kit	
301	2752475	1	Hose	
302	2752611	1	Hose	
303	2754235	1	Hose	



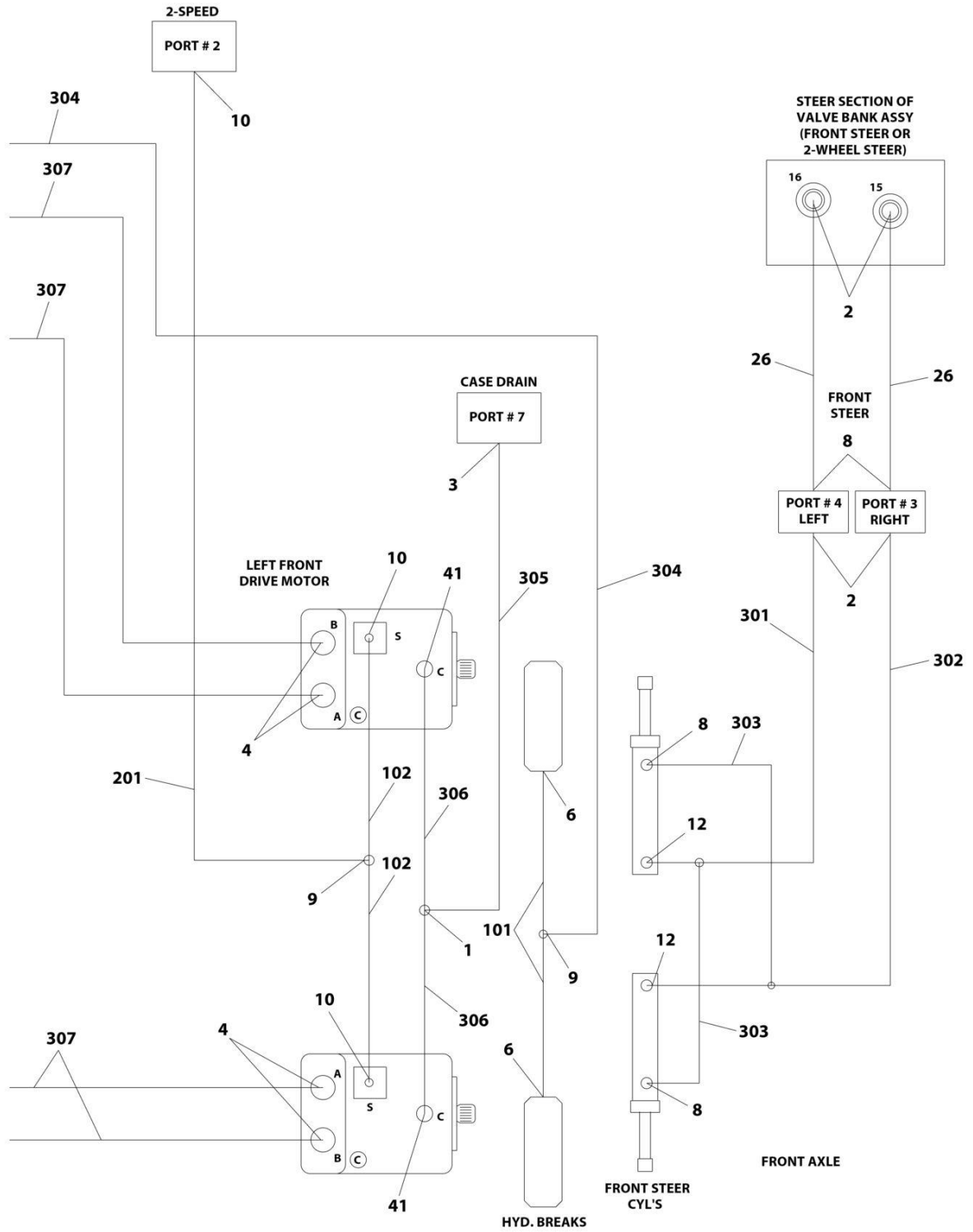
# SECTION 7 - HYDRAULIC

FIGURE 7-3. DRIVE HYDRAULIC DIAGRAM - 4WD/2WS WITHOUT ARCTIC PACKAGE



ART\_1001140418\_1OF2

# SECTION 7 - HYDRAULIC



ART\_1001140418\_2OF2

# SECTION 7 - HYDRAULIC

**FIGURE 7-3. DRIVE HYDRAULIC DIAGRAM - 4WD/2WS WITHOUT ARCTIC PACKAGE**

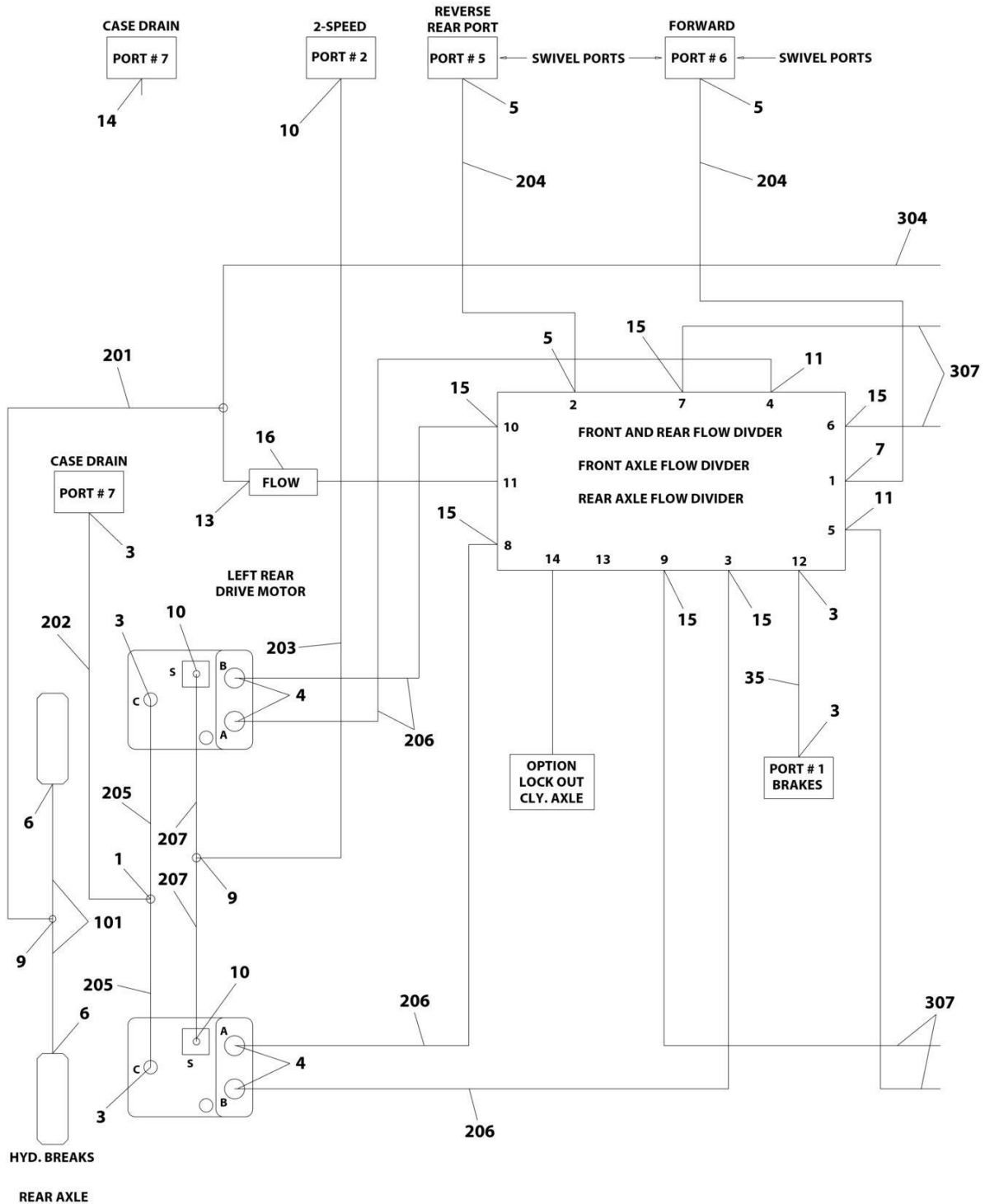
ITEM	PART NUMBER	QTY	DESCRIPTION	REV
	1001140418	Ref	DRIVE HYDRAULIC DIAGRAM - 4WD/2WS	E
1	2220362	2	Fitting, Tee JIC/JIC/JIC	
2	2220371	4	Fitting, Straight JIC/ORB	
3	2220373	12	Fitting, Straight JIC/ORB	
4	2220375	8	Fitting, Straight JIC/ORB	
5	2220377	3	Fitting, Straight JIC/ORB	
6	2220415	4	Fitting, Straight JIC/ORB	
7	2220646	1	Fitting, 90 JIC/ORB	
8	2220473	4	Fitting, 90 JIC/ORB	
9	2220504	4	Fitting, Tee JIC/JIC/JIC	
10	2220582	6	Fitting, Straight JIC/ORB	
11	2220596	2	Fitting, 90 JIC/ORB	
12	2220606	2	Fitting, Tee JIC/ORB/JIC	
13	2220861	1	Fitting, Tee JIC/FSJIC/JIC	
14	2220237	1	Fitting, Plug ORB	
16	4641284	1	Valve, Check	
26	2752620	2	Hose	
35	2753929	1	Hose	
41	2220474	2	Fitting, 90 JIC/ORB	
100	1001269814	1	Hose Assembly - Axle Kit	
101	2753926	2	Hose	
102	1001140451	2	Hose	
103	1001152527	2	Hose	
200	1001269815	1	Hose Assembly - Rear Kit	
201	2752592	1	Hose	
202	2752910	1	Hose	
203	2752928	1	Hose	
204	2753924	1	Hose	
205	2754227	2	Hose	
206	1001140449	2	Hose	
207	1001151358	4	Hose	
208	1001152527	2	Hose	
300	1001269816	1	Hose Assembly - Front Kit	
301	2752475	1	Hose	
302	2752611	1	Hose	
303	2753397	2	Hose	
304	2754229	1	Hose	
305	2754231	1	Hose	
306	1001140455	2	Hose	
307	1001152491	4	Hose	





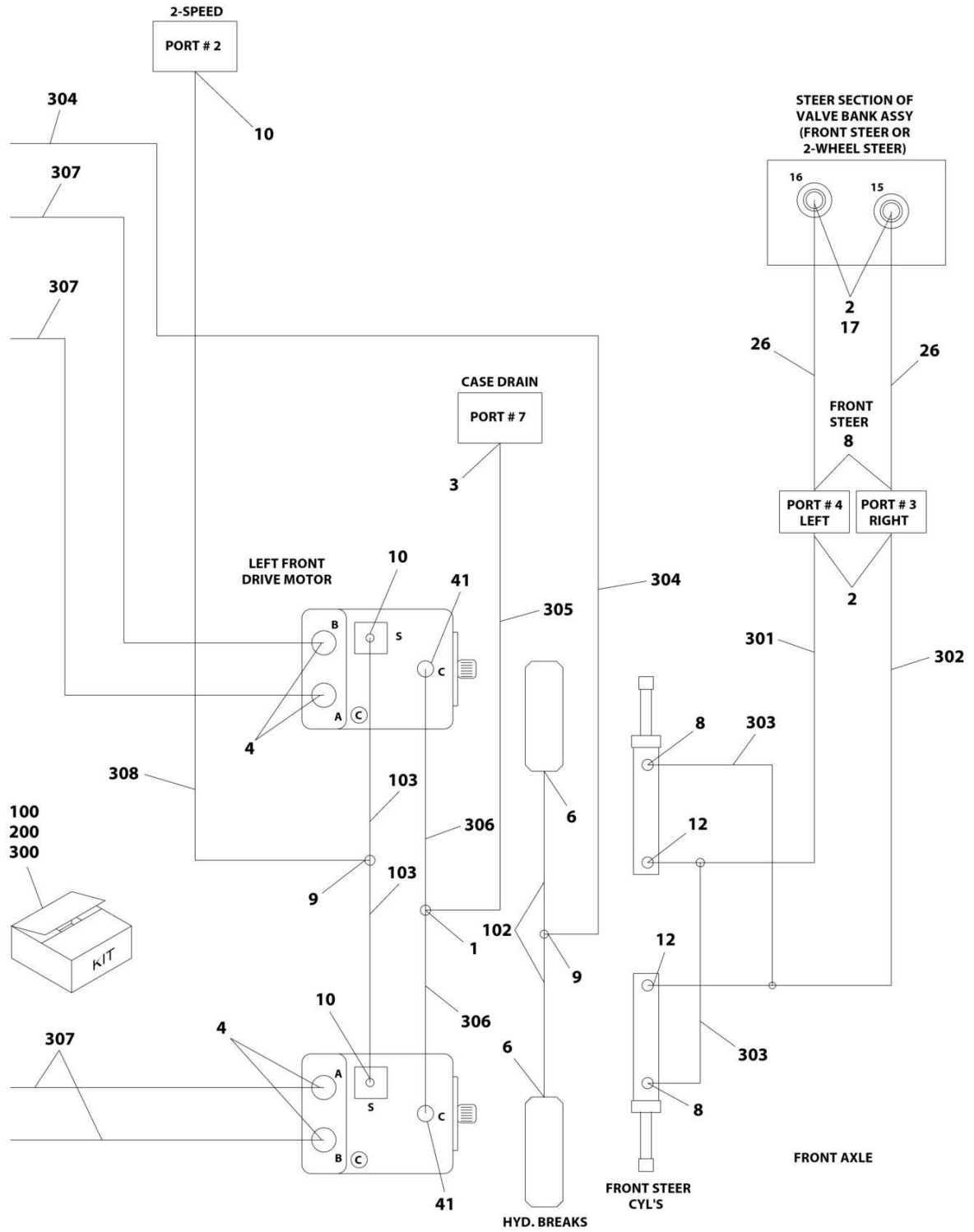
# SECTION 7 - HYDRAULIC

FIGURE 7-4. DRIVE HYDRAULIC DIAGRAM - 4WD/2WS WITH ARCTIC PACKAGE



ART\_1001140420\_1OF2

# SECTION 7 - HYDRAULIC



ART\_1001140420\_20F2

# SECTION 7 - HYDRAULIC

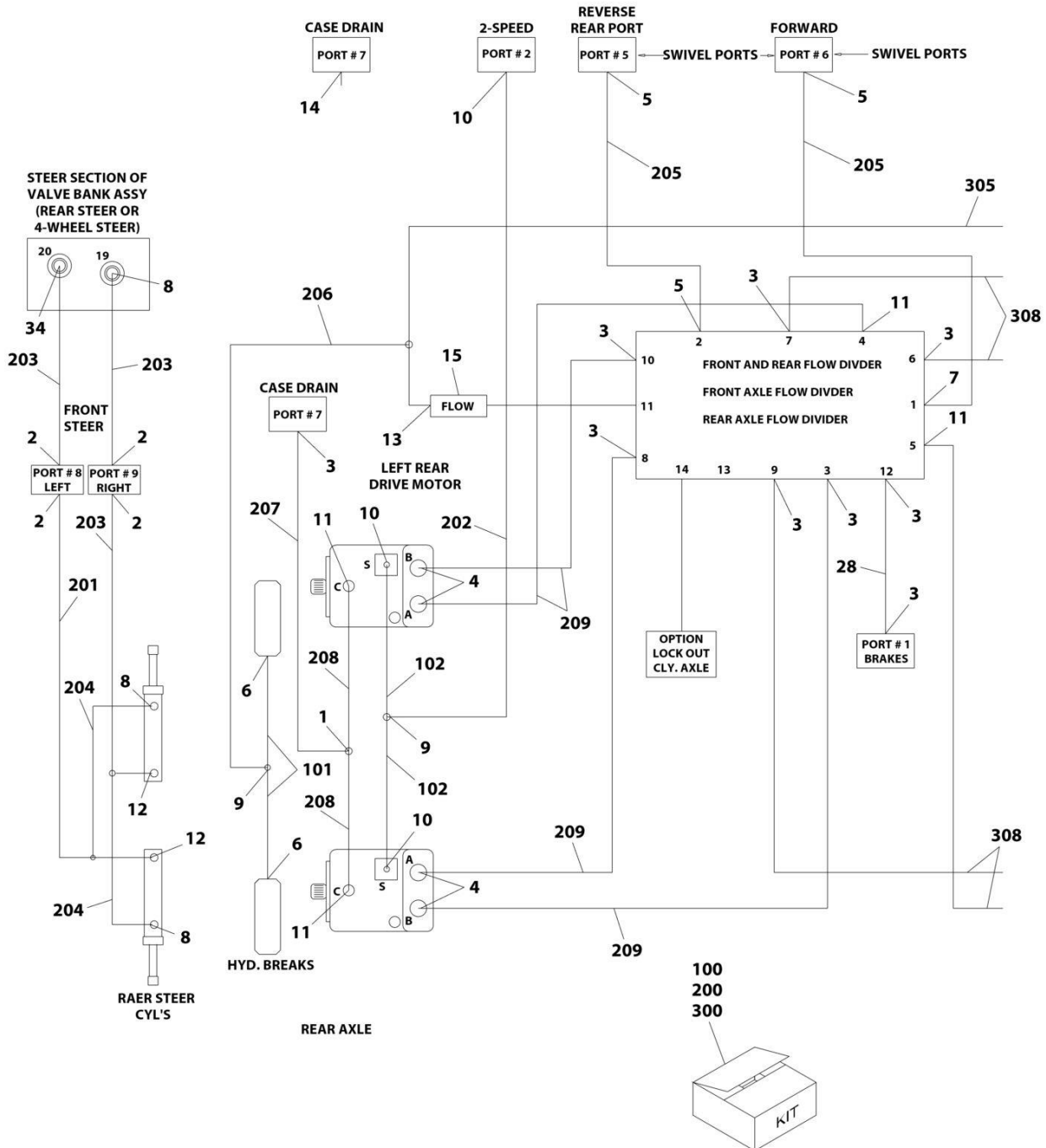
**FIGURE 7-4. DRIVE HYDRAULIC DIAGRAM - 4WD/2WS WITH ARCTIC PACKAGE**

ITEM	PART NUMBER	QTY	DESCRIPTION	REV
	1001140420	Ref	DRIVE HYDRAULIC DIAGRAM - 4WD/2WS	E
1	2220362	2	Fitting, Tee JIC/JIC/JIC	
2	2220371	4	Fitting, Straight JIC/ORB	
3	2220373	6	Fitting, Straight JIC/ORB	
4	2220375	8	Fitting, Straight JIC/ORB	
5	2220377	3	Fitting, Straight JIC/ORB	
6	2220415	4	Fitting, Straight JIC/ORB	
7	2220646	1	Fitting, 90 JIC/ORB	
8	2220473	4	Fitting, 90 JIC/ORB	
9	2220504	4	Fitting, Tee JIC/JIC/JIC	
10	2220582	6	Fitting, Straight JIC/ORB	
11	2220596	2	Fitting, 90 JIC/ORB	
12	2220606	2	Fitting, Tee JIC/ORB/JIC	
13	2220861	1	Fitting, Tee JIC/FSJIC/JIC	
14	2220237	1	Fitting, Plug ORB	
15	2220500	6	Fitting, 45 JIC/ORB	
16	4641284	1	Valve, Check	
17	2220507	2	Fitting, 90	
26	2752620	2	Hose	
35	2752929	1	Hose	
41	2220474	2	Fitting, 90 JIC/ORB	
100	1001269817	1	Hose Assembly - Axle Kit	
101	2752592	2	Hose	
102	2754731	2	Hose	
103	1001140456	2	Hose	
200	1001269818	1	Hose Assembly - Rear Kit	
201	2752910	1	Hose	
202	2752928	1	Hose	
203	2753924	1	Hose	
204	2754227	2	Hose	
205	1001140449	2	Hose	
206	1001151358	4	Hose	
207	1001152527	2	Hose	
300	1001269819	1	Hose Assembly - Front Kit	
301	2752475	1	Hose	
302	2752611	1	Hose	
303	2753397	2	Hose	
304	2754229	1	Hose	
305	2754231	1	Hose	
306	1001140458	2	Hose	
307	1001152499	4	Hose	
308	1001152527	1	Hose	



# SECTION 7 - HYDRAULIC

## FIGURE 7-5. DRIVE HYDRAULIC DIAGRAM - 4WD/4WS WITHOUT ARCTIC PACKAGE



ART\_1001161039\_10F2



## SECTION 7 - HYDRAULIC

FIGURE 7-5. DRIVE HYDRAULIC DIAGRAM - 4WD/4WS WITHOUT ARCTIC PACKAGE

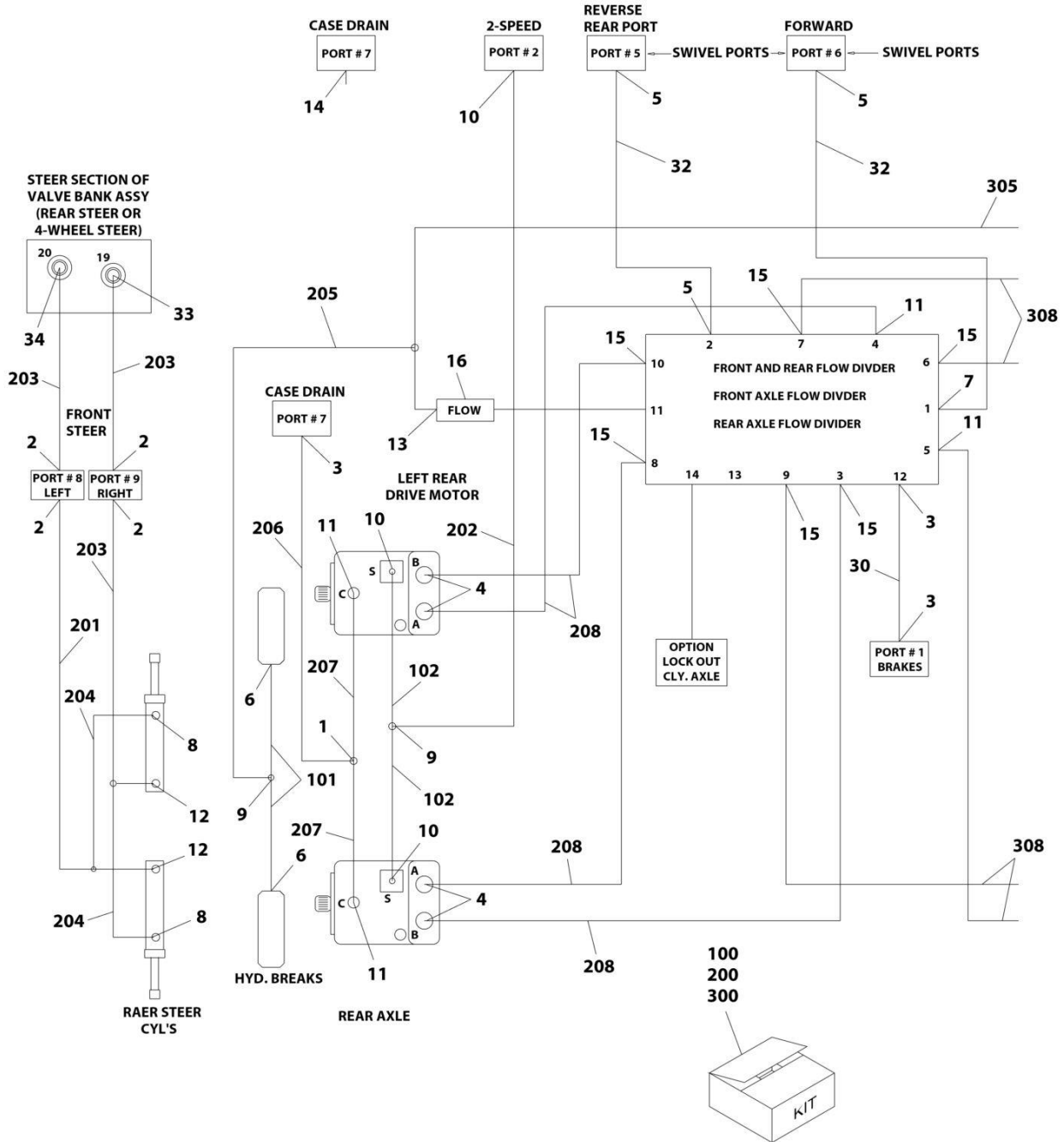
ITEM	PART NUMBER	QTY	DESCRIPTION	REV
	1001161039	Ref	DRIVE HYDRAULIC DIAGRAM - 4WD/4WS	C
1	2220362	2	Fitting, Tee JIC/JIC/JIC	
2	2220371	8	Fitting, Straight JIC/ORB	
3	2220373	10	Fitting, Straight JIC/ORB	
4	2220375	8	Fitting, Straight JIC/ORB	
5	2220377	3	Fitting, Straight JIC/ORB	
6	2220415	4	Fitting, Straight JIC/ORB	
7	2220646	1	Fitting, 90 JIC/ORB	
8	2220473	7	Fitting, 90 JIC/ORB	
9	2220504	4	Fitting, Tee JIC/JIC/JIC	
10	2220582	6	Fitting, Straight JIC/ORB	
11	2220596	6	Fitting, 90 JIC/ORB	
12	2220606	4	Fitting, Tee JIC/ORB/JIC	
13	2220861	1	Fitting, Tee JIC/FSJIC/JIC	
14	2220237	1	Fitting, Plug ORB	
15	4641284	1	Valve, Check	
21	2752620	2	Hose	
28	2752929	1	Hose	
34	2220819	1	Fitting, 90 JIC/ORB	
100	1001269826	1	Hose Assembly - Axle Kit	
101	2753926	4	Hose	
102	1001140451	4	Hose	
200	1001269827	1	Hose Assembly - Rear Kit	
201	2752475	1	Hose	
202	2752592	1	Hose	
203	2752611	3	Hose	
204	2753397	2	Hose	
205	2754227	2	Hose	
206	2754229	1	Hose	
207	2754231	1	Hose	
208	1001140455	2	Hose	
209	1001152491	4	Hose	
300	1001269828	1	Hose Assembly - Front Kit	
301	2752475	1	Hose	
302	2752592	1	Hose	
303	2752611	1	Hose	
304	2753397	2	Hose	
305	2754229	1	Hose	
306	2754231	1	Hose	
307	1001140455	2	Hose	
308	1001152491	4	Hose	





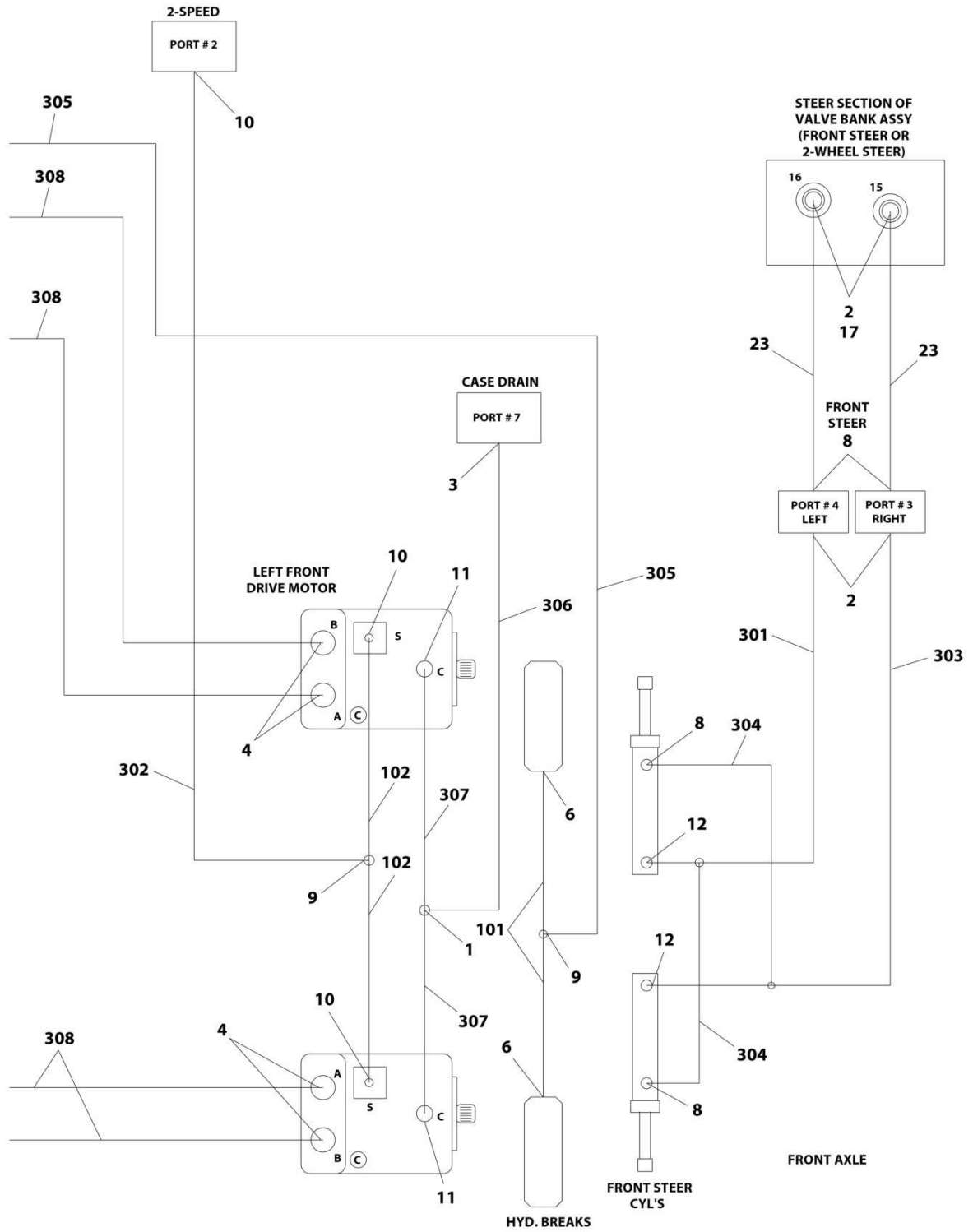
# SECTION 7 - HYDRAULIC

## FIGURE 7-6. DRIVE HYDRAULIC DIAGRAM - 4WD/4WS WITH ARCTIC PACKAGE



ART\_1001161040\_10F2

# SECTION 7 - HYDRAULIC



ART\_1001161040\_2OF2

# SECTION 7 - HYDRAULIC

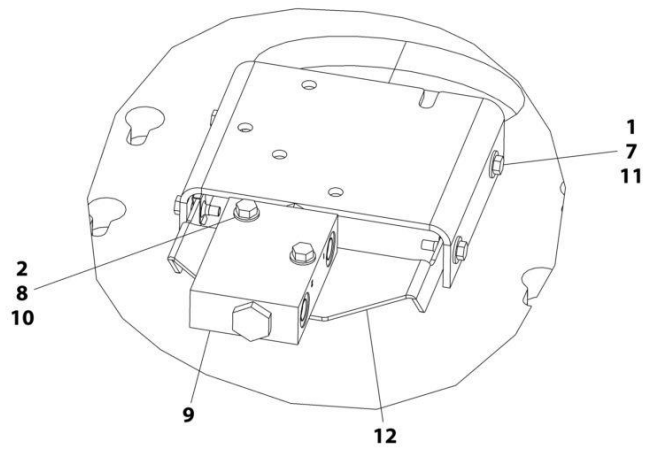
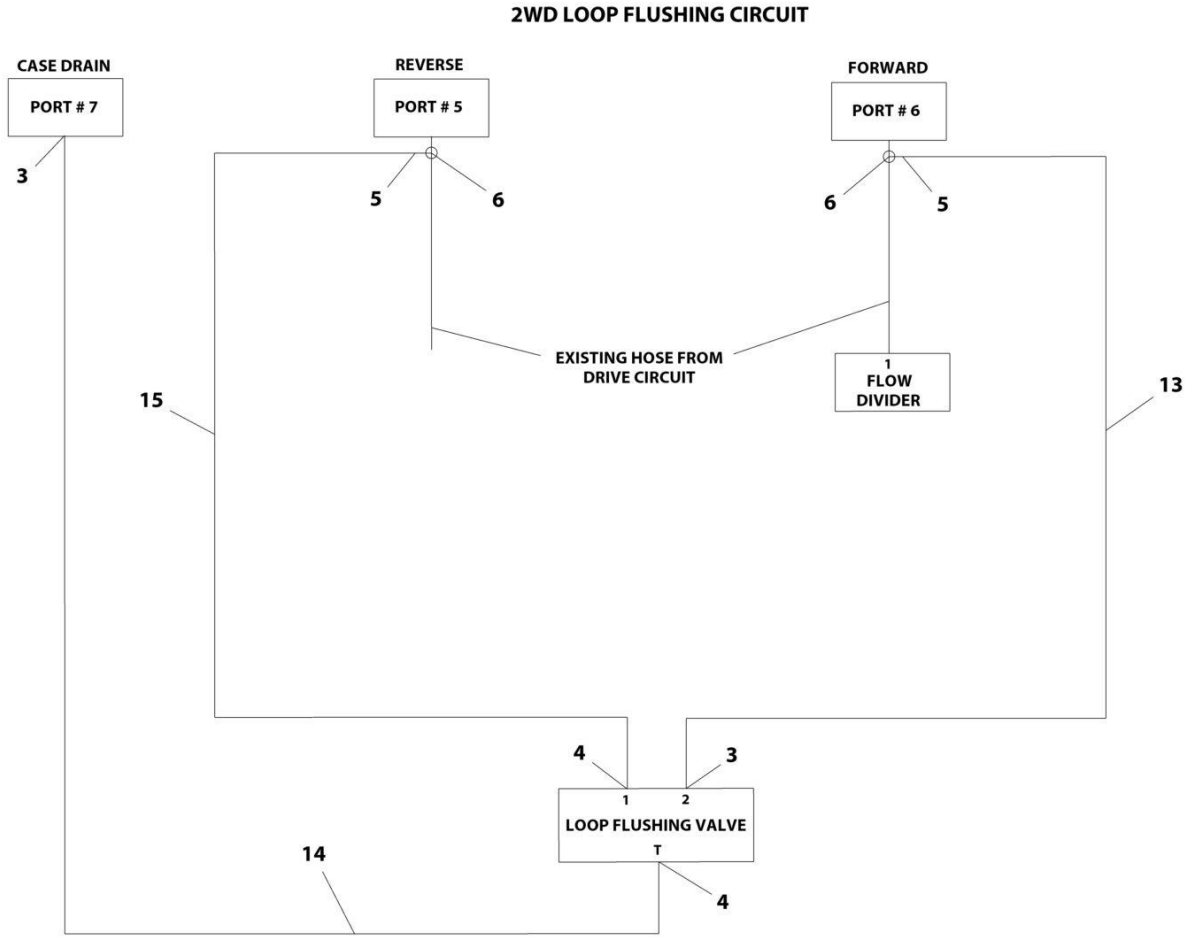
**FIGURE 7-6. DRIVE HYDRAULIC DIAGRAM - 4WD/4WS WITH ARCTIC PACKAGE**

ITEM	PART NUMBER	QTY	DESCRIPTION	REV
	1001161040	Ref	DRIVE HYDRAULIC DIAGRAM - 4WD/4WS	C
1	2220362	2	Fitting, Tee JIC/JIC/JIC	
2	2220371	8	Fitting, Straight JIC/ORB	
3	2220373	4	Fitting, Straight JIC/ORB	
4	2220375	8	Fitting, Straight JIC/ORB	
5	2220377	3	Fitting, Straight JIC/ORB	
6	2220415	4	Fitting, Straight JIC/ORB	
7	2220646	1	Fitting, 90 JIC/ORB	
8	2220473	6	Fitting, 90 JIC/ORB	
9	2220504	4	Fitting, Tee JIC/JIC/JIC	
10	2220582	6	Fitting, Straight JIC/ORB	
11	2220596	6	Fitting, 90 JIC/ORB	
12	2220606	4	Fitting, Tee JIC/ORB/JIC	
13	2220861	1	Fitting, Tee JIC/FSJIC/JIC	
14	2220237	1	Fitting, Plug ORB	
15	2220500	6	Fitting, 45 JIC/ORB	
16	4641284	1	Valve, Check	
17	2220507	2	Fitting, 90	
23	2752620	2	Hose	
30	2752929	1	Hose	
32	2754227	2	Hose	
33	2220473	1	Fitting, 90 JIC/ORB	
34	2220819	1	Fitting, 90 JIC/ORB	
100	1001269829	1	Hose Assembly - Arctic Axle Kit	
101	2754731	4	Hose	
102	1001140456	4	Hose	
200	1001269830	1	Hose Assembly - Arctic Rear Kit	
201	2752475	1	Hose	
202	2752592	1	Hose	
203	2752611	3	Hose	
204	2753397	2	Hose	
205	2754229	1	Hose	
206	2754231	1	Hose	
207	1001140458	2	Hose	
208	1001152499	4	Hose	
300	1001269831	1	Hose Assembly - Arctic Front Kit	
301	2752475	1	Hose	
302	2752592	1	Hose	
303	2752611	1	Hose	
304	2753397	2	Hose	
305	2754229	1	Hose	
306	2754231	1	Hose	
307	1001140458	2	Hose	
308	1001152499	4	Hose	



# SECTION 7 - HYDRAULIC

## FIGURE 7-7. FLUSHING LOOP HYDRAULIC INSTALLATION - 2WD



ART\_1001152620

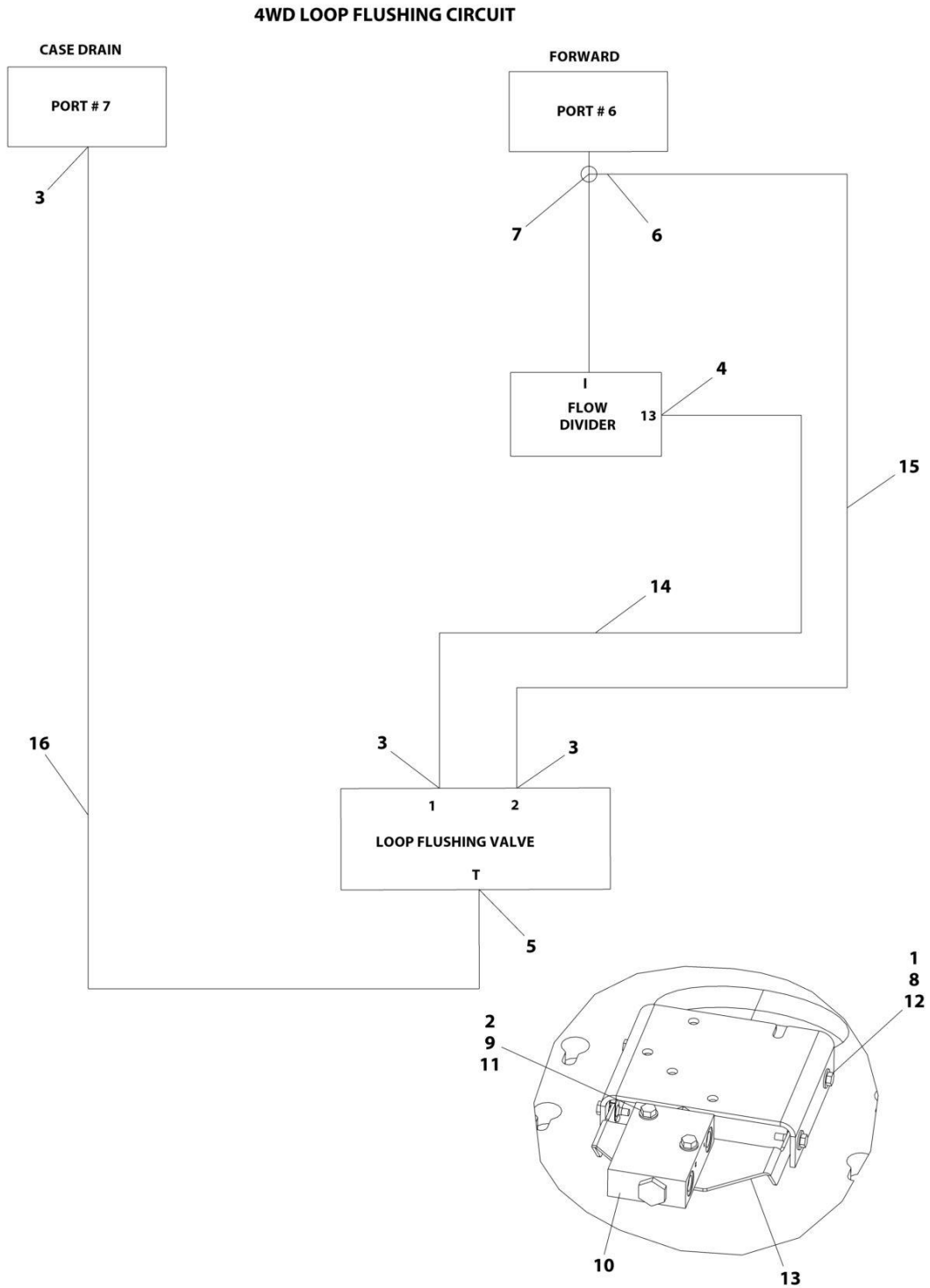
## SECTION 7 - HYDRAULIC

**FIGURE 7-7. FLUSHING LOOP HYDRAULIC INSTALLATION - 2WD**

ITEM	PART NUMBER	QTY	DESCRIPTION	REV
	1001152620	Ref	FLUSHING LOOP HYDRAULIC INSTALLATION - 2WD	C
1	0641408	4	Bolt 1/4 x 1	
2	0641516	2	Bolt 5/16 x 2	
3	2220371	2	Fitting, Straight JIC/ORB	
4	2220473	2	Fitting, 90 JIC/ORB	
5	2220623	2	Fitting, Straight JIC/FSJIC	
6	2221026	2	Fitting, Tee JIC/ORB/JIC	
7	3300454	4	Nut 1/4	
8	3311505	2	Nut 5/16	
9	1001224927	1	Valve, Flushing Loop	
9	7024881	1	Piston, Pilot	
9	7021639	2	Cartridge, Check Valve	
9	2900756	2	Seal Kit - 7021639 Valve	
10	4711500	4	Washer 5/16	
11	4751400	4	Washer 1/4	
12	1001150612	1	Bracket14	
13	1001152636	1	Hose	
14	1001152637	1	Hose	
15	1001152731	1	Hose	

# SECTION 7 - HYDRAULIC

## FIGURE 7-8. FLUSHING LOOP HYDRAULIC INSTALLATION - 4WD



ART\_1001152619



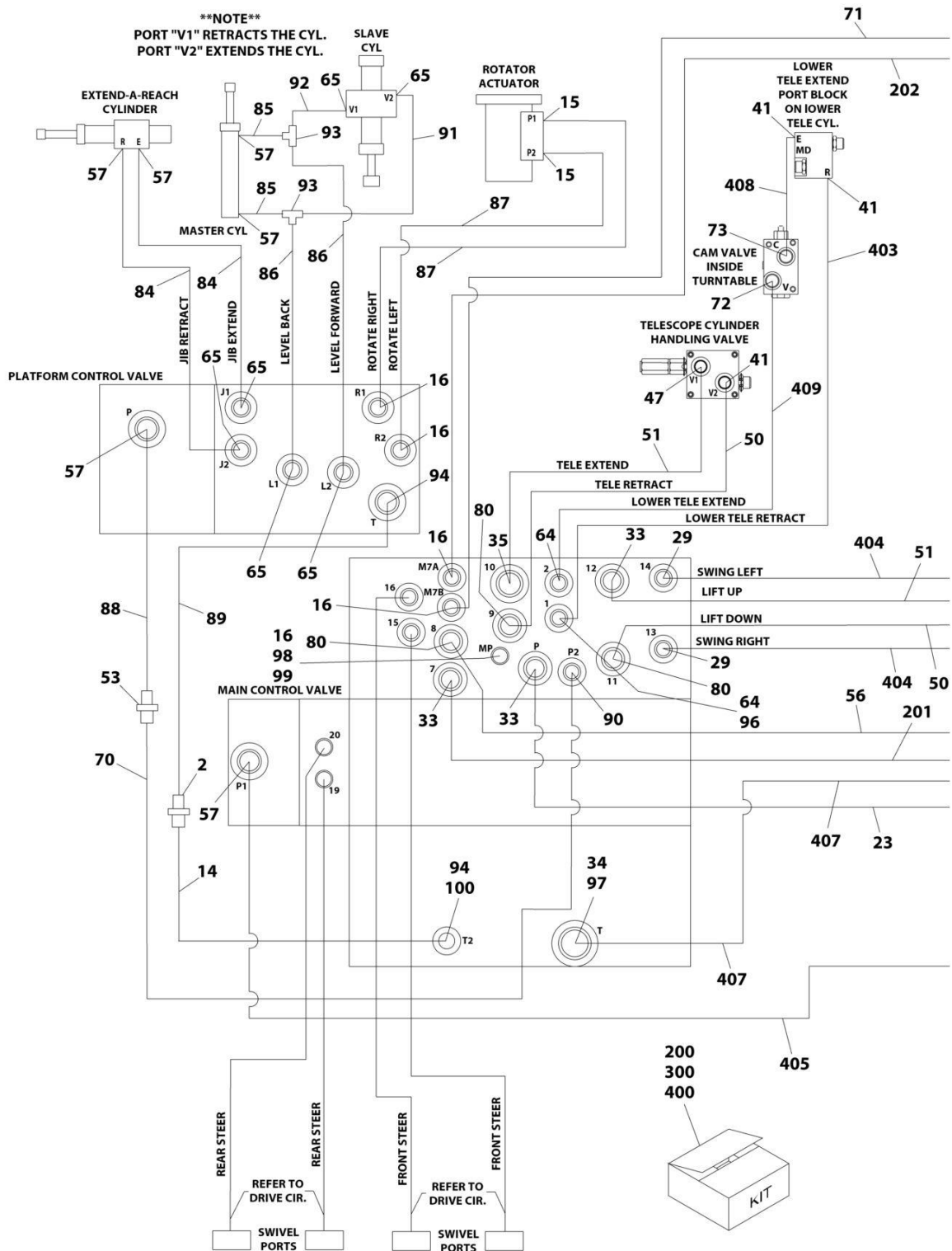
## SECTION 7 - HYDRAULIC

**FIGURE 7-8. FLUSHING LOOP HYDRAULIC INSTALLATION - 4WD**

ITEM	PART NUMBER	QTY	DESCRIPTION	REV
	1001152619	Ref	FLUSHING LOOP HYDRAULIC INSTALLATION - 4WD	C
1	0641408	4	Bolt 1/4 x 1	
2	0641516	2	Bolt 5/16 x 2	
3	2220371	3	Fitting, Straight JIC/ORB	
4	2220372	1	Fitting, Straight JIC/ORB	
5	2220473	1	Fitting, 90 JIC/ORB	
6	2220623	1	Fitting, Straight JIC/FSJIC	
7	2221026	1	Fitting, Tee JIC/ORB/JIC	
8	3300454	4	Nut 1/4	
9	3311505	2	Nut 5/16	
10	1001224927	1	Valve, Flushing Loop	
10	7024881	1	Piston, Pilot	
10	7021639	2	Cartridge, Check Valve	
10	2900756	2	Seal Kit - 7021639 Valve	
11	4711500	4	Washer 5/16	
12	4751400	4	Washer 1/4	
13	1001150612	1	Bracket14	
14	1001152635	1	Hose	
15	1001152636	1	Hose	
16	1001152637	1	Hose	

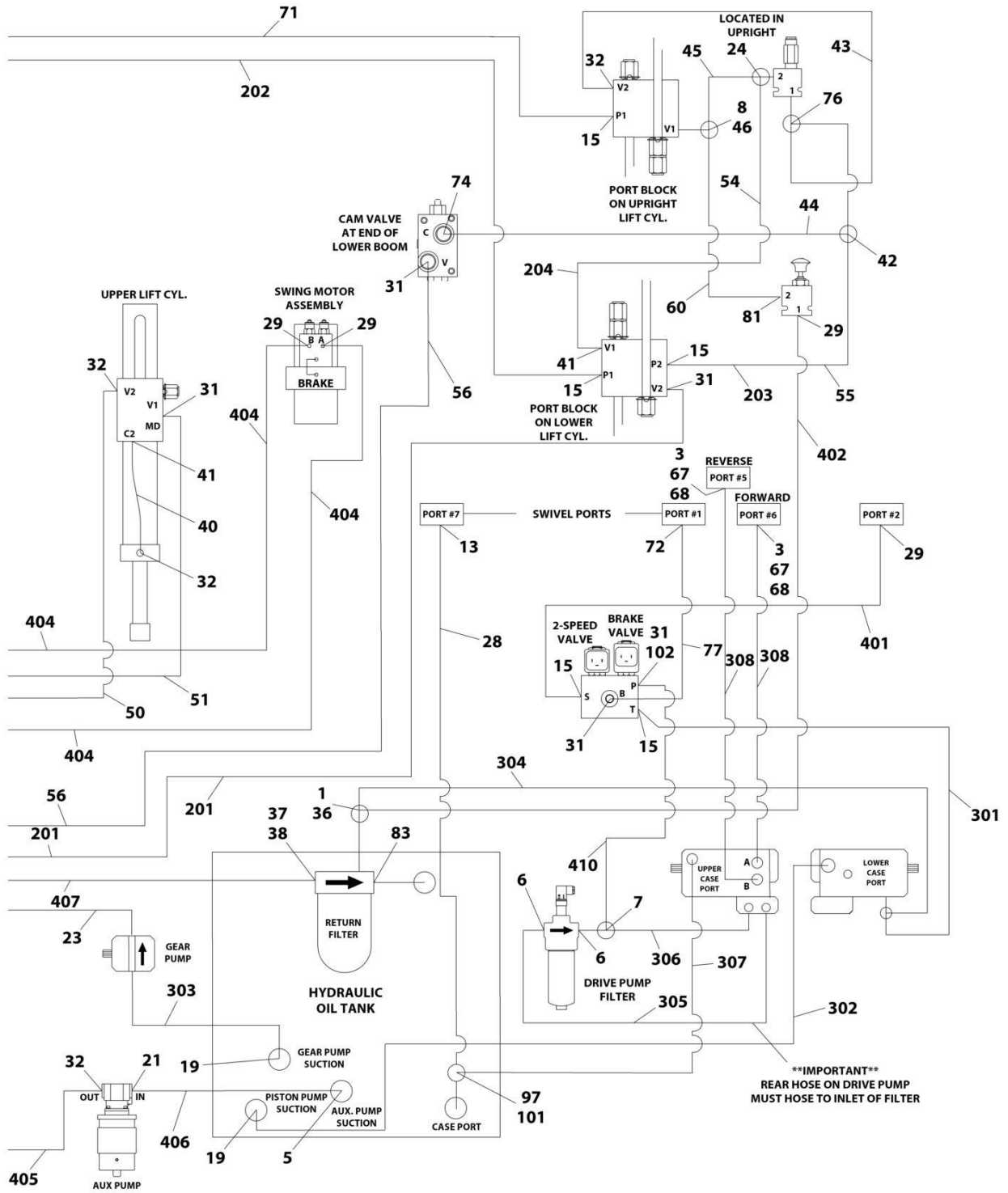
# SECTION 7 - HYDRAULIC

## FIGURE 7-9. HYDRAULIC DIAGRAM – STANDARD (DEUTZ D2011 ENGINES)



ART\_1001189668\_10F2

# SECTION 7 - HYDRAULIC



ART\_1001189668\_2OF2

# SECTION 7 - HYDRAULIC

**FIGURE 7-9. HYDRAULIC DIAGRAM – STANDARD (DEUTZ D2011 ENGINES)**

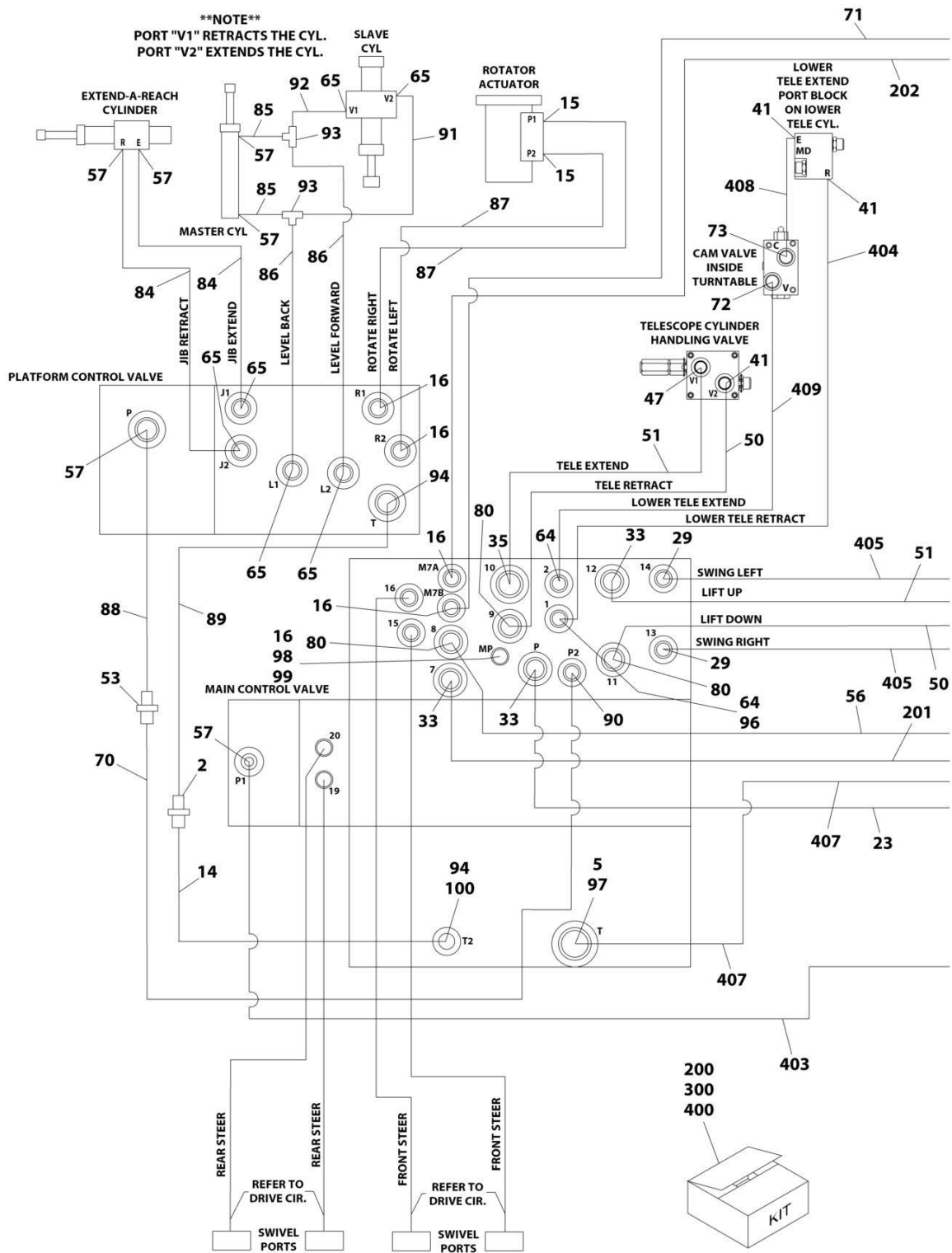
ITEM	PART NUMBER	QTY	DESCRIPTION	REV
	1001189668	Ref	HYDRAULIC DIAGRAM- STANDARD	D
1	2220605	1	Fitting, Tee JIC/FSJIC/JIC	
2	2220512	1	Fitting, Straight JIC/JIC	
3	2220377	2	Fitting, Straight JIC/ORB	
5	2220578	1	Fitting, 90 JIC/ORB	
6	2221042	2	Fitting, 90 JIC/ORB	
7	2220948	1	Fitting, Tee JIC/FSJIC/JIC	
8	2220618	1	Fitting, Straight JIC/FSJIC	
13	2220375	1	Fitting, Straight JIC/ORB	
14	1001161036	1	Hose	
15	2220466	7	Fitting, 90 JIC/ORB	
16	2220415	5	Fitting, Straight JIC/ORB	
19	2220379	2	Fitting, Straight JIC/ORB	
21	2220567	1	Fitting, 90 JIC/ORB	
23	2752929	1	Hose	
24	2220602	1	Fitting, Tee JIC/ORB/JIC	
28	2753968	1	Hose	
29	2220582	6	Fitting, Straight JIC/ORB	
31	2220596	4	Fitting, 90 JIC/ORB	
32	2220628	3	Fitting, 90 JIC/ORB	
33	2220381	3	Fitting, Straight JIC/ORB	
34	2220451	1	Fitting, Straight JIC/ORB	
35	2220374	1	Fitting, Straight JIC/ORB	
36	2220574	1	Fitting, Straight JIC/NPTF	
37	2220921	1	Fitting, Straight FORB/ORB	
38	2220498	1	Fitting, 45 JIC/ORB	
41	2220372	4	Fitting, Straight JIC/ORB	
42	2221065	1	Fitting, Tee JIC/FSJIC/JIC	
43	2752462	1	Hose	
44	2753134	1	Hose	
45	2752497	1	Hose	
46	2220999	1	Fitting, Tee JIC/ORB/JIC	
47	2220500	1	Fitting, 45 JIC/ORB	
50	2753055	2	Hose	
51	2752939	2	Hose	
53	2220511	1	Fitting, Straight JIC/JIC	
54	2753056	1	Hose	
55	2752991	1	Hose	
56	2753135	1	Hose	
57	2220473	6	Fitting, 90 JIC/ORB	
60	2752990	1	Hose	
64	2220998	2	Fitting, Straight JIC/ORB	
65	2220603	6	Fitting, Straight JIC/ORB	
67	0100011	AR	Compound, Locking	
68	0100038	AR	Primer, Locking	
69	1703534	2	Decal - Hose Tags (Not Shown)	
70	1001161030	1	Hose	
71	2752987	1	Hose	
72	2220373	1	Fitting, Straight JIC/ORB	
73	2220947	1	Fitting, Straight JIC/ORB	

## SECTION 7 - HYDRAULIC

ITEM	PART NUMBER	QTY	DESCRIPTION	REV
74	2221036	1	Fitting, 90 JIC/ORB	
76	2221053	1	Fitting, Tee JIC/ORB/JIC	
77	2752519	1	Hose	
80	1001104423	3	Fitting, Straight JIC/ORB	
81	2220472	1	Fitting, 90 JIC/ORB	
83	2220893	1	Fitting, Straight ORB/ORB	
84	1001155672	2	Hose	
85	1001155675	2	Hose	
86	1001155673	2	Hose	
87	1001155669	2	Hose	
88	1001155678	1	Hose	
89	1001155677	1	Hose	
90	80233041	1	Valve, Check	
91	1001155670	1	Hose	
92	1001155671	1	Hose	
93	2220490	2	Fitting, Tee JIC/JIC/JIC	
94	2220600	2	Fitting, Straight JIC/ORB	
96	2220657	1	Fitting, 45 JIC/FSJIC	
97	2220409	2	Fitting, 45 JIC/FSJIC	
98	2752995	1	Hose	
99	91143177	1	Fitting, Test	
100	2220386	1	Fitting, 90 JIC/FSJIC	
101	2220738	1	Fitting, Tee JIC/ORB/JIC	
102	2220474	1	Fitting, 90 JIC/ORB	
200	1001269805	1	Hose Assembly - Turntable Kit	
201	2752506	1	Hose	
202	2752593	1	Hose	
203	2752985	1	Hose	
204	2753052	1	Hose	
300	1001269809	1	Hose Assembly - T4I Turntable E/S Kit	
301	2752573	1	Hose	
302	2752723	1	Hose	
303	2752724	1	Hose	
304	2753390	1	Hose	
305	2754329	1	Hose	
306	2754330	1	Hose	
307	1001093549	1	Hose	
308	1001150715	2	Hose	
400	1001269810	1	Hose Assembly - T4I Turntable T/S Kit	
401	2751396	1	Hose	
402	2752453	1	Hose	
403	2752484	1	Hose	
404	2752600	2	Hose	
405	2752635	1	Hose	
406	2752656	1	Hose	
407	2752783	1	Hose	
408	2753132	1	Hose	
409	2753133	1	Hose	
410	2754328	1	Hose	

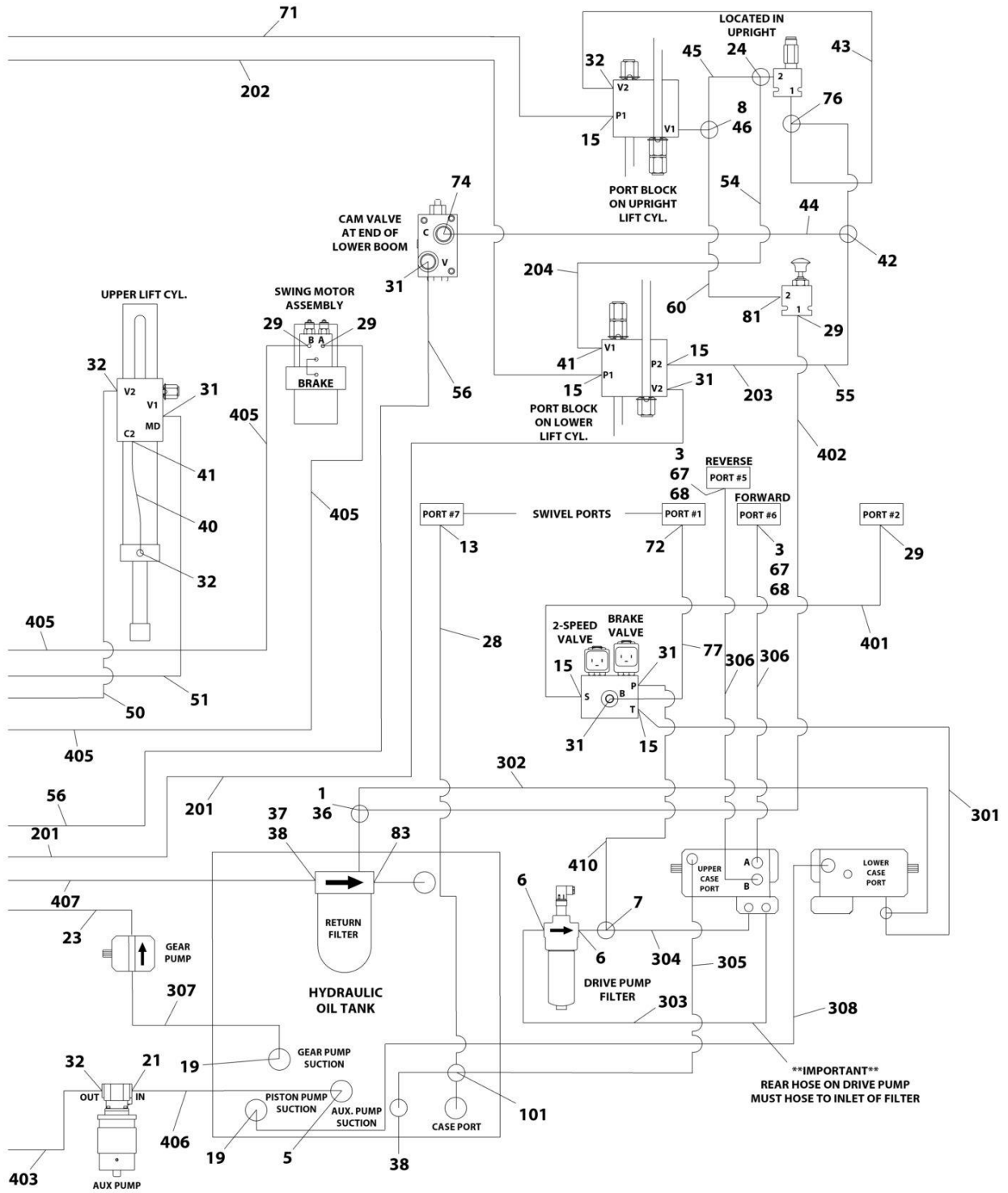
# SECTION 7 - HYDRAULIC

**FIGURE 7-10. HYDRAULIC DIAGRAM - STANDARD (DEUTZ TD2.2L3 (STAGE V), DEUTZ D2.9L4 (CHINA IV) AND DEUTZ TD2.9L4 ENGINES)**



ART\_1001189666\_10F2

# SECTION 7 - HYDRAULIC



ART\_1001189666\_2OF2

## SECTION 7 - HYDRAULIC

**FIGURE 7-10. HYDRAULIC DIAGRAM - STANDARD (DEUTZ TD2.2L3 (STAGE V), DEUTZ D2.9L4 (CHINA IV) AND DEUTZ TD2.9L4 ENGINES)**

ITEM	PART NUMBER	QTY	DESCRIPTION	REV
	1001189666	Ref	HYDRAULIC DIAGRAM- STANDARD	F
1	2220605	1	Fitting, Tee JIC/FSJIC/JIC	
2	2220512	1	Fitting, Straight JIC/JIC	
3	2220377	2	Fitting, Straight JIC/ORB	
5	2220451	2	Fitting, Straight JIC/ORB	
6	2221042	2	Fitting, 90 JIC/ORB	
7	2220948	1	Fitting, Tee JIC/FSJIC/JIC	
8	2220618	1	Fitting, Straight JIC/FSJIC	
13	2220375	1	Fitting, Straight JIC/ORB	
14	1001161036	1	Hose	
15	2220466	7	Fitting, 90 JIC/ORB	
16	2220415	5	Fitting, Straight JIC/ORB	
19	2220379	2	Fitting, Straight JIC/ORB	
21	2220567	1	Fitting, 90 JIC/ORB	
23	2752929	1	Hose	
24	2220602	1	Fitting, Tee JIC/ORB/JIC	
28	2753968	1	Hose	
29	2220582	6	Fitting, Straight JIC/ORB	
31	2220596	5	Fitting, 90 JIC/ORB	
32	2220628	3	Fitting, 90 JIC/ORB	
33	2220381	3	Fitting, Straight JIC/ORB	
35	2220374	1	Fitting, Straight JIC/ORB	
36	2220574	1	Fitting, Straight JIC/NPTF	
37	2220921	1	Fitting, Straight FORB/ORB	
38	2220498	1	Fitting, 45 JIC/ORB	
41	2220372	4	Fitting, Straight JIC/ORB	
42	2221065	1	Fitting, Tee JIC/FSJIC/JIC	
43	2752462	1	Hose	
44	2753134	1	Hose	
45	2752497	1	Hose	
46	2220999	1	Fitting, Tee JIC/ORB/JIC	
47	2220500	1	Fitting, 45 JIC/ORB	
50	2753055	2	Hose	
51	2752939	2	Hose	
53	2220511	1	Fitting, Straight JIC/JIC	
54	2753056	1	Hose	
55	2752991	1	Hose	
56	2753135	1	Hose	
57	2220473	6	Fitting, 90 JIC/ORB	
60	2752990	1	Hose	
64	2220998	2	Fitting, Straight JIC/ORB	
65	2220603	6	Fitting, Straight JIC/ORB	
67	0100011	AR	Compound, Locking	
68	0100038	AR	Primer, Locking	
69	1703534	2	Decal - Hose Tags (Not Shown)	
70	1001161030	1	Hose	
71	2752987	1	Hose	
72	2220373	1	Fitting, Straight JIC/ORB	
73	2220947	1	Fitting, Straight JIC/ORB	

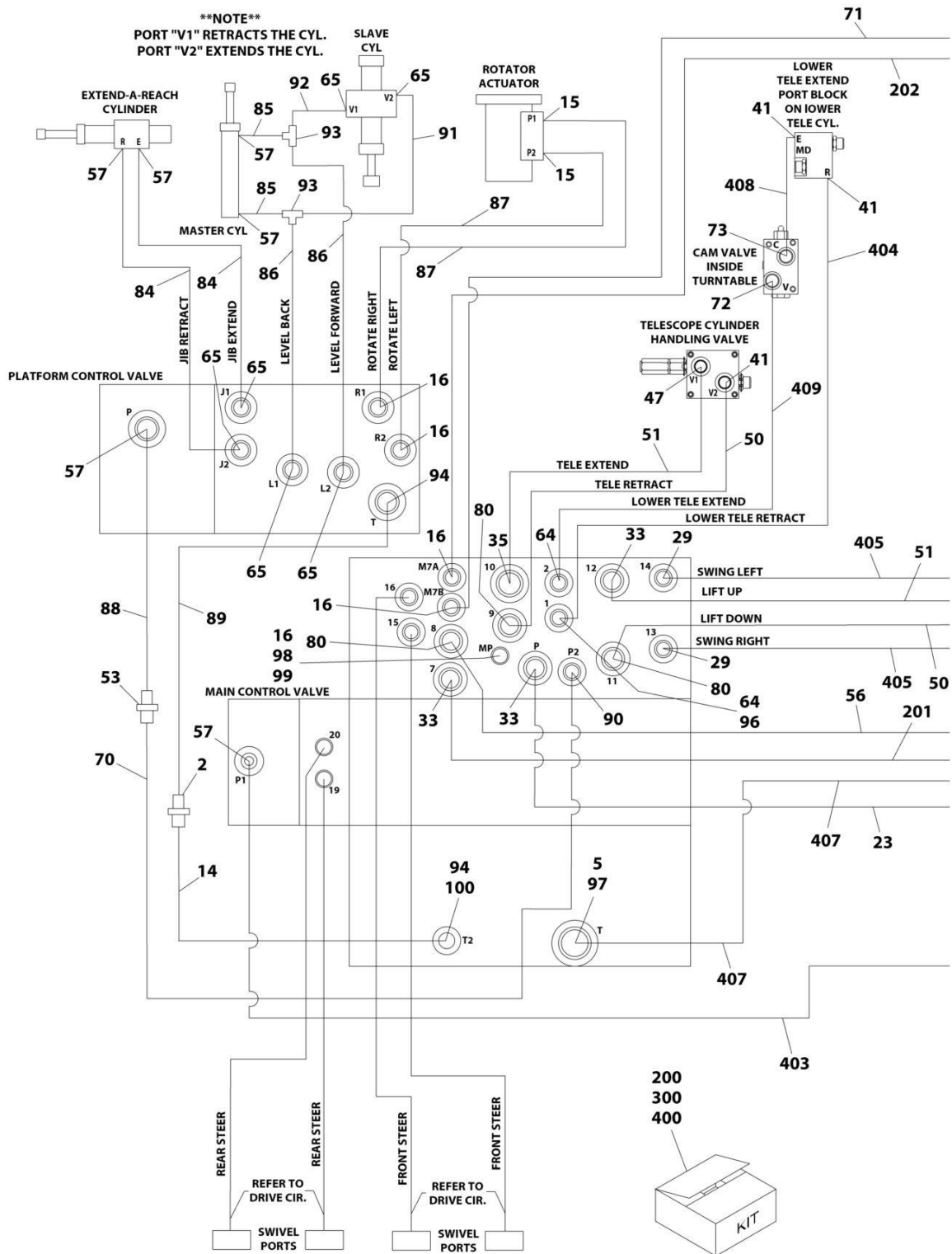


## SECTION 7 - HYDRAULIC

ITEM	PART NUMBER	QTY	DESCRIPTION	REV
74	2221036	1	Fitting, 90 JIC/ORB	
76	2221053	1	Fitting, Tee JIC/ORB/JIC	
77	2752519	1	Hose	
80	1001104423	3	Fitting, Straight JIC/ORB	
81	2220472	1	Fitting, 90 S JIC/ORB	
83	2220893	1	Fitting, Straight ORB/ORB	
84	1001155672	2	Hose	
85	1001155675	2	Hose	
86	1001155673	2	Hose	
87	1001155669	2	Hose	
88	1001155678	1	Hose	
89	1001155677	1	Hose	
90	80233041	1	Valve, Check	
91	1001155670	1	Hose	
92	1001155671	1	Hose	
93	2220490	2	Fitting, Tee JIC/JIC/JIC	
94	2220600	2	Fitting, Straight JIC/ORB	
96	2220657	1	Fitting, 45 JIC/FSJIC	
97	2220409	1	Fitting, 45 JIC/FSJIC	
98	2752995	1	Hose	
99	91143177	1	Fitting, Test	
100	2220386	1	Fitting, 90 JIC/FSJIC	
101	2220578	1	Fitting, 90 JIC/ORB	
200	1001269805	1	Hose Assembly - Turntable Kit	
201	2752506	1	Hose	
202	2752593	1	Hose	
203	2752985	1	Hose	
204	2753052	1	Hose	
300	1001269812	1	Hose Assembly - Turntable E/S Kit	
301	2753002	1	Hose	
302	2753390	1	Hose	
303	2754329	1	Hose	
304	2754330	1	Hose	
305	1001150714	1	Hose	
306	1001150715	2	Hose	
307	1001150718	1	Hose	
308	1001172535	1	Hose	
400	1001269807	1	Hose Assembly - T4F Turntable T/S Kit	
401	2751396	1	Hose	
402	2752453	1	Hose	
403	2752478	1	Hose	
404	2752484	1	Hose	
405	2752600	2	Hose	
406	2752656	1	Hose	
407	2752783	1	Hose	
408	2753132	1	Hose	
409	2753133	1	Hose	
410	1001150717	1	Hose	

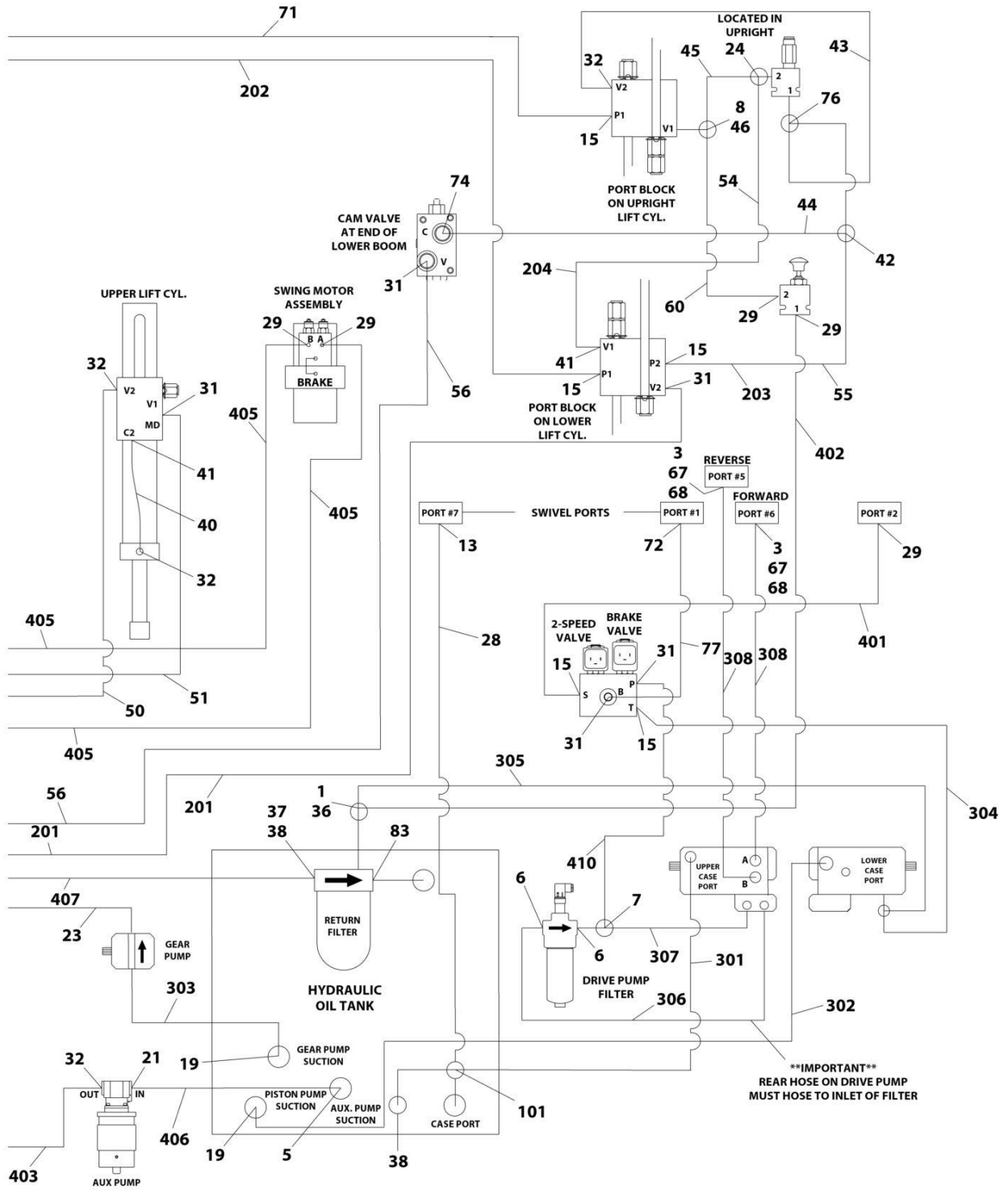
# SECTION 7 - HYDRAULIC

## FIGURE 7-11. HYDRAULIC DIAGRAM – STANDARD (FORD ENGINES)



ART\_1001221613\_10F2

# SECTION 7 - HYDRAULIC



ART\_1001221613\_2OF2

# SECTION 7 - HYDRAULIC

## FIGURE 7-11. HYDRAULIC DIAGRAM – STANDARD (FORD ENGINES)

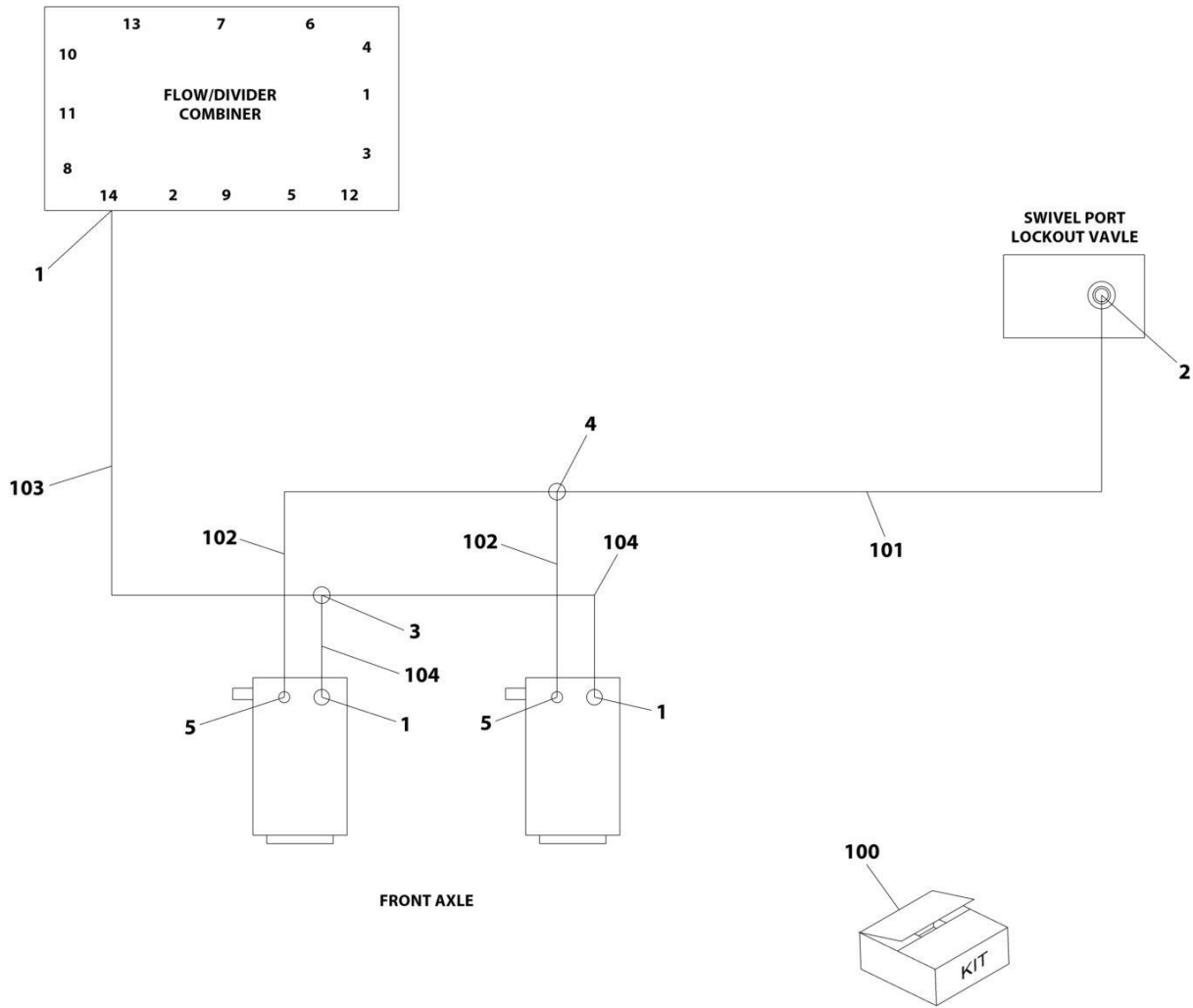
ITEM	PART NUMBER	QTY	DESCRIPTION	REV
	1001221613	Ref	HYDRAULIC DIAGRAM- STANDARD	E
1	2220605	1	Fitting, Tee JIC/FSJIC/JIC	
2	2220512	1	Fitting, Straight JIC/JIC	
3	2220377	2	Fitting, Straight JIC/ORB	
5	2220451	2	Fitting, Straight JIC/ORB	
6	2221042	2	Fitting, 90 JIC/ORB	
7	2220948	1	Fitting, Tee JIC/FSJIC/JIC	
8	2220618	1	Fitting, Straight JIC/FSJIC	
13	2220375	1	Fitting, Straight JIC/ORB	
14	1001161036	1	Hose	
15	2220466	7	Fitting, 90 JIC/ORB	
16	2220415	5	Fitting, Straight JIC/ORB	
19	2220379	2	Fitting, Straight JIC/ORB	
21	2220567	1	Fitting, 90 JIC/ORB	
23	2752929	1	Hose	
24	2220602	1	Fitting, Tee JIC/ORB/JIC	
28	2753968	1	Hose	
29	2220582	7	Fitting, Straight JIC/ORB	
31	2220596	5	Fitting, 90 JIC/ORB	
32	2220628	3	Fitting, 90 JIC/ORB	
33	2220381	3	Fitting, Straight JIC/ORB	
35	2220374	1	Fitting, Straight JIC/ORB	
36	2220574	1	Fitting, Straight JIC/NPTF	
37	2220921	1	Fitting, Straight FORB/ORB	
38	2220498	2	Fitting, 45 JIC/ORB	
41	2220372	4	Fitting, Straight JIC/ORB	
42	2221065	1	Fitting, Tee JIC/FSJIC/JIC	
43	2752462	1	Hose	
44	2753134	1	Hose	
45	2752497	1	Hose	
46	2220999	1	Fitting, Tee JIC/ORB/JIC	
47	2220500	1	Fitting, 45 JIC/ORB	
50	2753055	2	Hose	
51	2752939	2	Hose	
53	2220511	1	Fitting, Straight JIC/JIC	
54	2753056	1	Hose	
55	2752991	1	Hose	
56	2753135	1	Hose	
57	2220473	6	Fitting, 90 JIC/ORB	
60	2752990	1	Hose	
64	2220998	2	Fitting, Straight JIC/ORB	
65	2220603	6	Fitting, Straight JIC/ORB	
67	0100011	AR	Compound, Locking	
68	0100038	AR	Primer, Locking	
69	1703534	2	Decal - Hose Tags (Not Shown)	
70	1001161030	1	Hose	
71	2752987	1	Hose	
72	2220373	2	Fitting, Straight JIC/ORB	
73	2220947	1	Fitting, Straight JIC/ORB	
74	2221036	1	Fitting, 90 JIC/ORB	

## SECTION 7 - HYDRAULIC

ITEM	PART NUMBER	QTY	DESCRIPTION	REV
76	2221053	1	Fitting, Tee JIC/ORB/JIC	
77	2752519	1	Hose	
80	1001104423	3	Fitting, Straight JIC/ORB	
83	2220893	1	Fitting, Straight ORB/ORB	
84	1001155672	2	Hose	
85	1001155675	2	Hose	
86	1001155673	2	Hose	
87	1001155669	2	Hose	
88	1001155678	1	Hose	
89	1001155677	1	Hose	
90	80233041	1	Valve, Check	
91	1001155670	1	Hose	
92	1001155671	1	Hose	
93	2220490	2	Fitting, Tee JIC/JIC/JIC	
94	2220600	2	Fitting, Straight JIC/ORB	
96	2220657	1	Fitting, 45 JIC/FSJIC	
97	2220409	1	Fitting, 45 JIC/FSJIC	
98	2752995	1	Hose	
99	91143177	1	Fitting, Test	
100	2220386	1	Fitting, 90 JIC/FSJIC	
101	2220578	1	Fitting, 90 JIC/ORB	
200	1001269805	1	Hose Assembly - Turntable Kit	
201	2752506	1	Hose	
202	2752593	1	Hose	
203	2752985	1	Hose	
204	2753052	1	Hose	
300	1001269806	1	Hose Assembly - Turntable E/S Kit	
301	2751362	1	Hose	
302	2752723	1	Hose	
303	2752724	1	Hose	
304	2753000	1	Hose	
305	2753390	1	Hose	
306	2754329	1	Hose	
307	2754330	1	Hose	
308	1001150715	2	Hose	
400	1001269807	1	Hose Assembly - Turntable T/S Kit	
401	2751396	1	Hose	
402	2752453	1	Hose	
403	2752478	1	Hose	
404	2752484	1	Hose	
405	2752600	2	Hose	
406	2752656	1	Hose	
407	2752783	1	Hose	
408	2753132	1	Hose	
409	2753133	1	Hose	
410	1001150717	1	Hose	

# SECTION 7 - HYDRAULIC

## FIGURE 7-12. HYDRAULIC DIAGRAM - OSCILLATING AXLE (7FT/2.1M WIDE MACHINES)



ART\_2792690

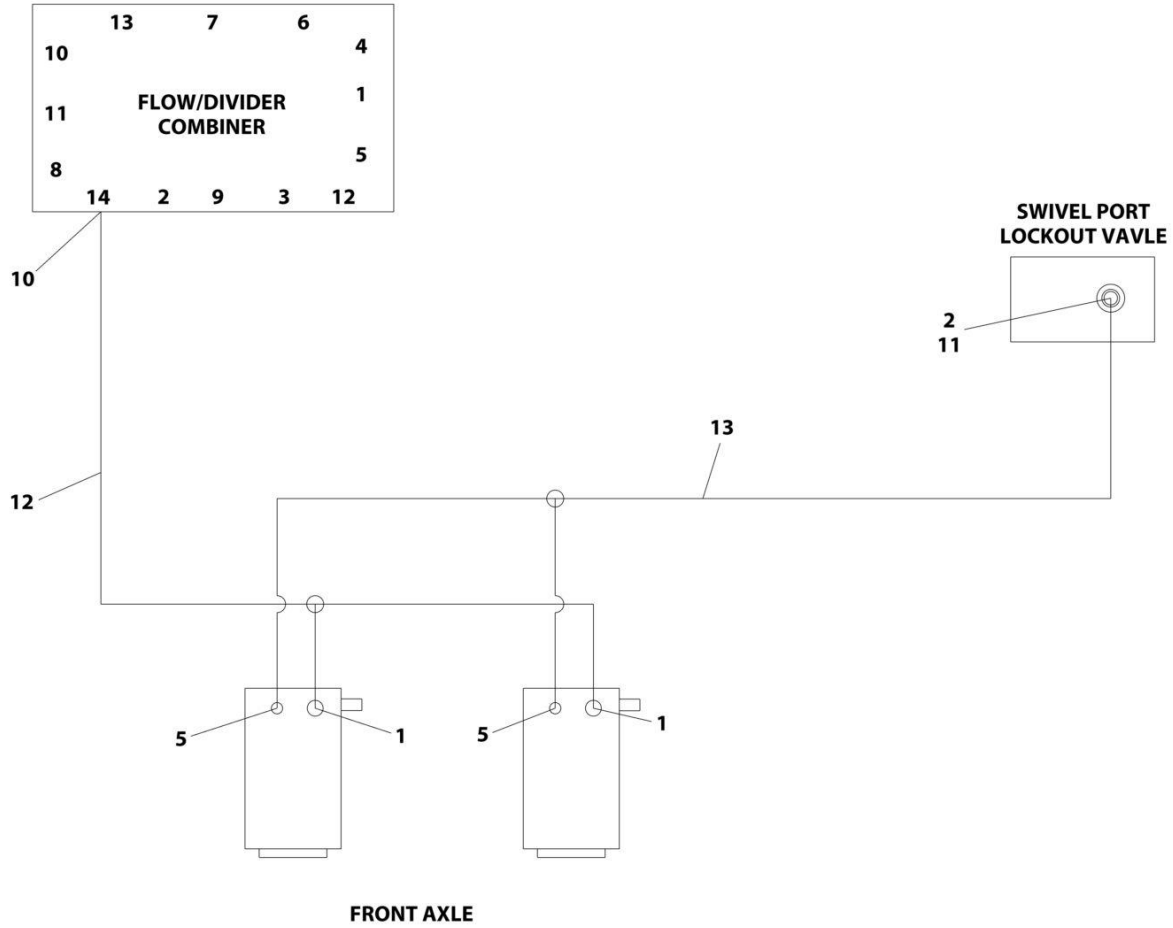
## SECTION 7 - HYDRAULIC

**FIGURE 7-12. HYDRAULIC DIAGRAM - OSCILLATING AXLE (7FT/2.1M WIDE MACHINES)**

ITEM	PART NUMBER	QTY	DESCRIPTION	REV
	2792690	Ref	AXLE LOCKOUT DIAGRAM - OSCILLATING AXLE	B
1	2220371	3	Fitting, Straight JIC/ORB	
2	2220468	1	Fitting, Straight JIC/ORB	
3	2220490	1	Fitting, Tee JIC/JIC/JIC	
4	2220504	1	Fitting, Tee JIC/JIC/JIC	
5	2220415	2	Fitting, Straight JIC/ORB	
100	1001284737	1	Hose Kit (Includes Items 101-104)	
101	2751410	1	Hose	
102	2751434	2	Hose	
103	2752462	1	Hose	
104	2753933	2	Hose	

# SECTION 7 - HYDRAULIC

FIGURE 7-13. HYDRAULIC DIAGRAM - OSCILLATING AXLE (8FT/2.4M WIDE MACHINES)



ART\_1001151349



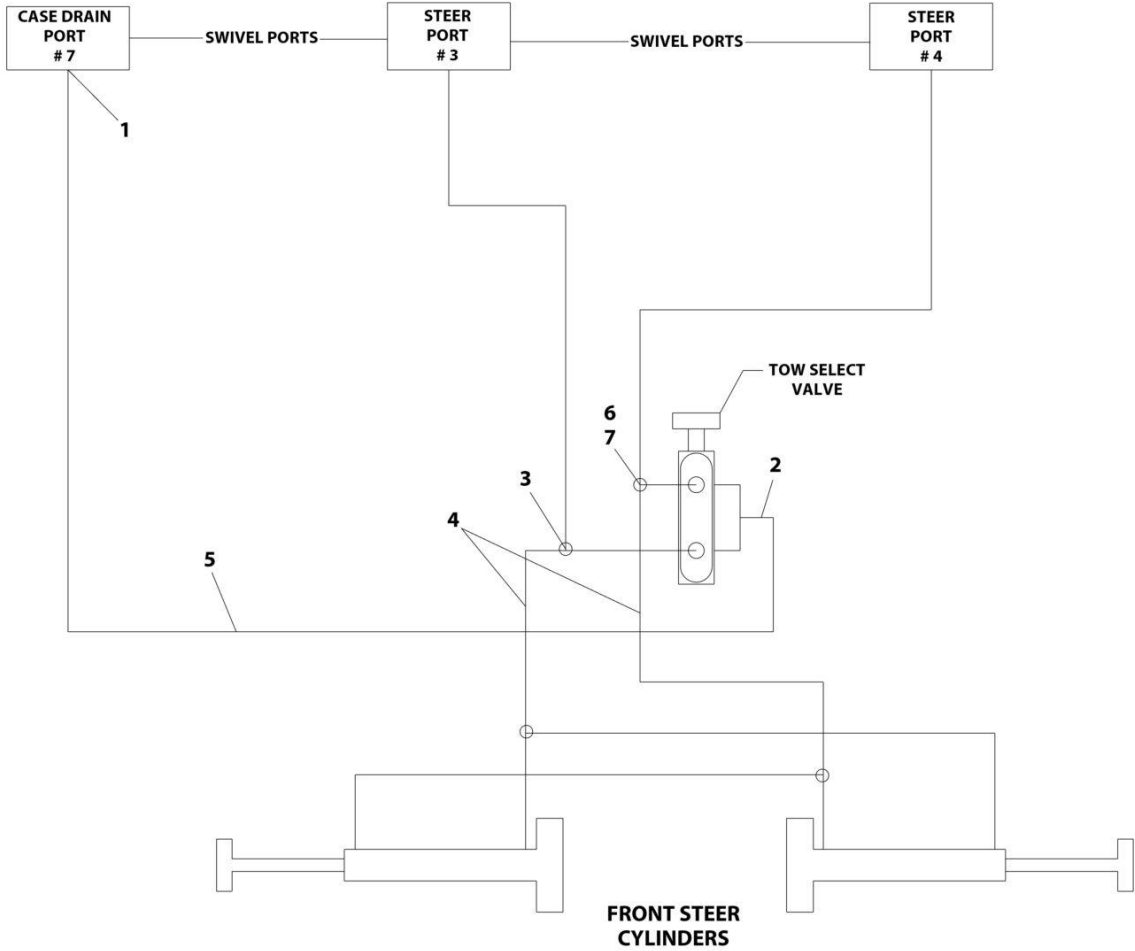
## SECTION 7 - HYDRAULIC

**FIGURE 7-13. HYDRAULIC DIAGRAM - OSCILLATING AXLE (8FT/2.4M WIDE MACHINES)**

ITEM	PART NUMBER	QTY	DESCRIPTION	REV
	1001151349	Ref	AXLE LOCKOUT DIAGRAM - OSCILLATING AXLE	C
1	2220371	2	Fitting, Straight JIC/ORB	
2	2220468	1	Fitting, Straight JIC/ORB	
5	2220415	2	Fitting, Straight JIC/ORB	
10	2220473	1	Fitting, 90 JIC/ORB	
11	2220654	1	Fitting, 90 JIC/FSJIC	
12	1001188890	1	Hose	
13	1001188891	1	Hose	

# SECTION 7 - HYDRAULIC

## FIGURE 7-14. HYDRAULIC DIAGRAM – TOW BAR



ART\_2792630

## SECTION 7 - HYDRAULIC

### FIGURE 7-14. HYDRAULIC DIAGRAM – TOW BAR

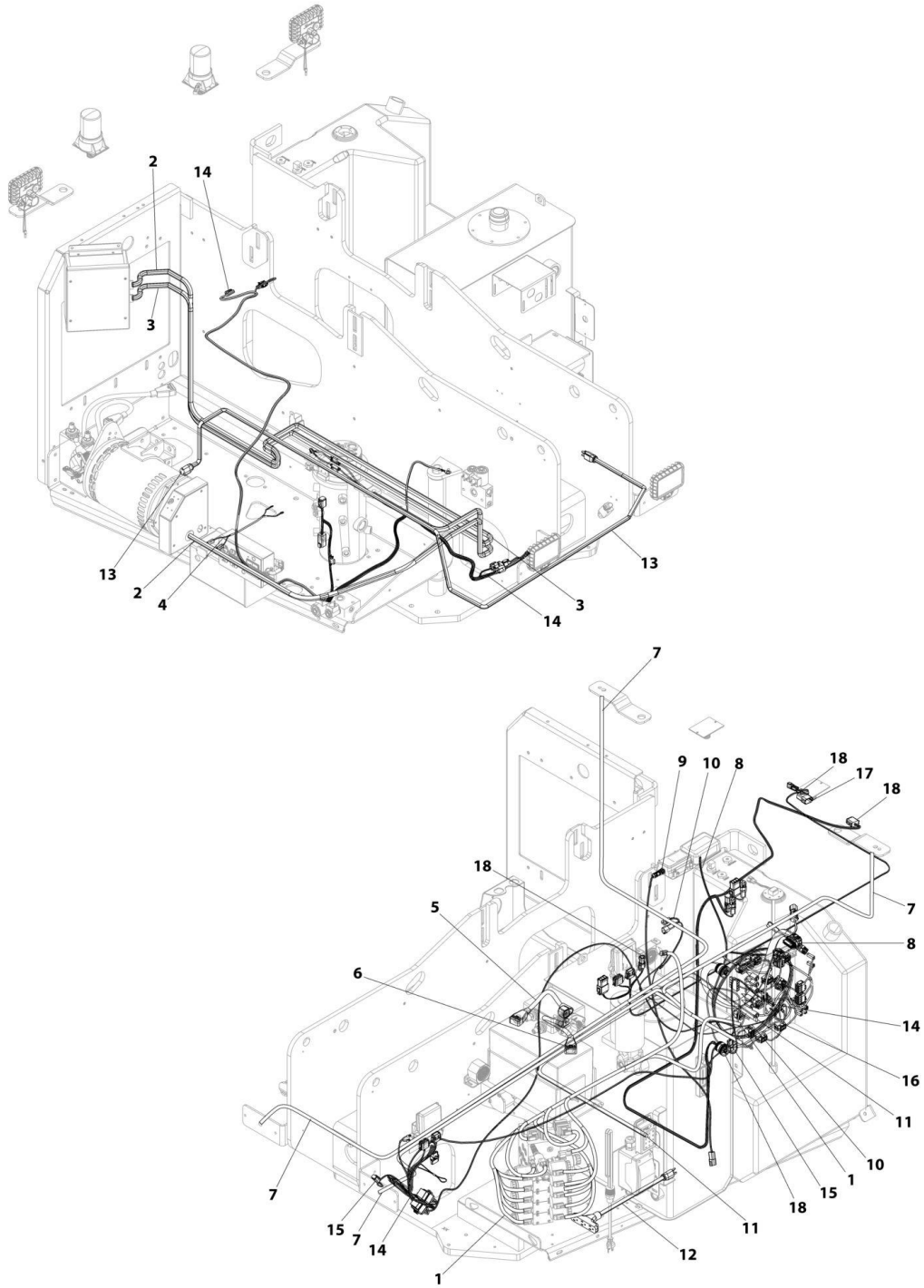
ITEM	PART NUMBER	QTY	DESCRIPTION	REV
	2792630	Ref	TOW BAR DIAGRAM	C
1	2220473	1	Fitting, 90 JIC/ORB	
2	2220628	1	Fitting, 90 JIC/ORB	
3	2221053	1	Fitting, Tee JIC/ORB/JIC	
4	1001113790	2	Hose	
5	1001113818	1	Hose	
6	2220372	1	Fitting, Straight JIC/ORB	
7	2220635	1	Fitting, Tee JIC/FSJIC/JIC	



**SECTION 8 - ELECTRICAL**

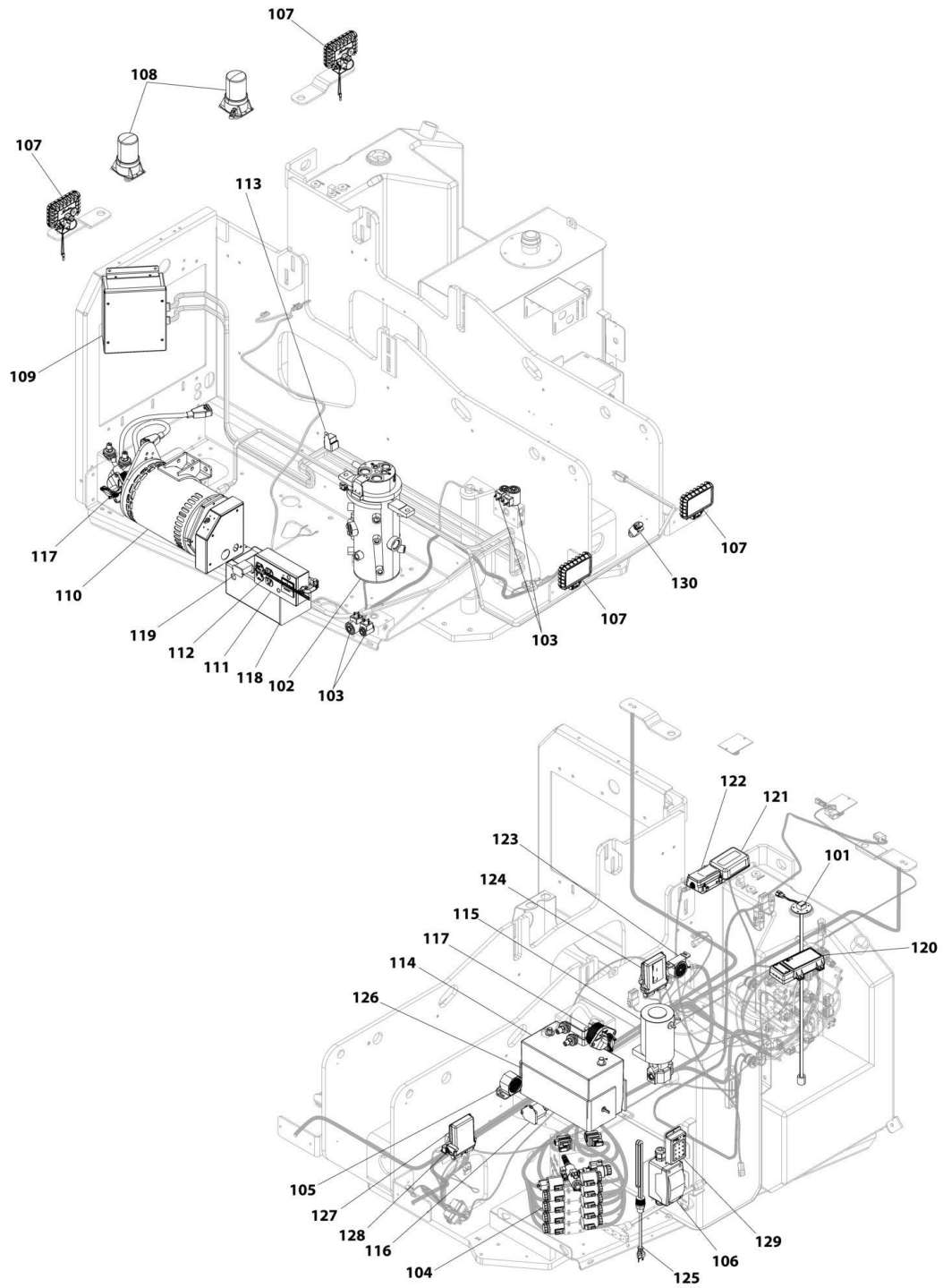
# SECTION 8 - ELECTRICAL

## FIGURE 8-1. 600AJ ELECTRICAL LAYOUT



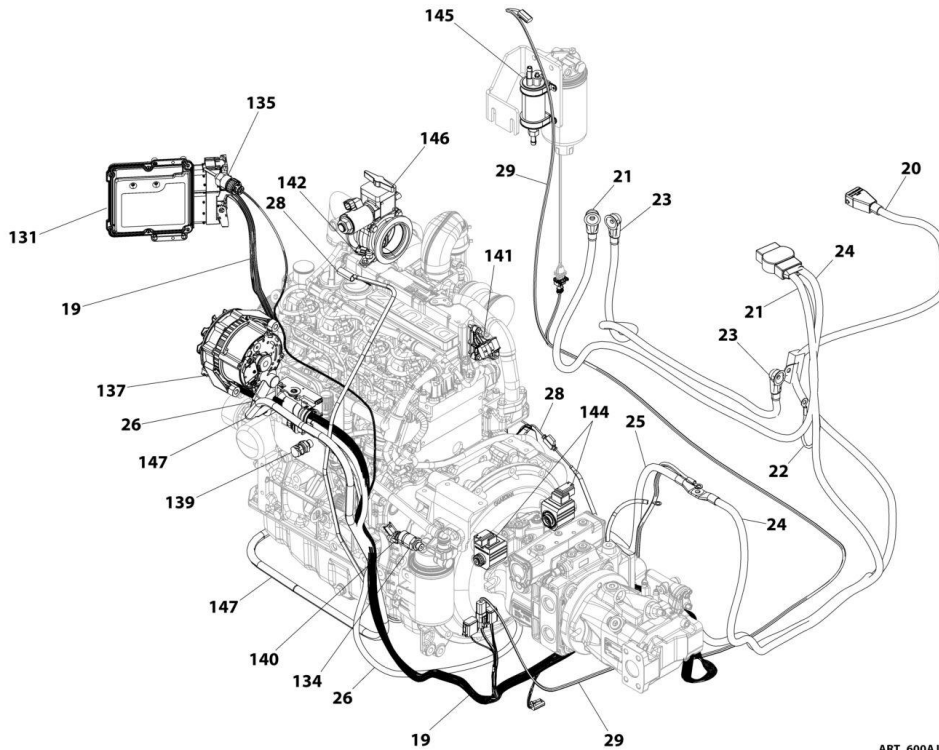
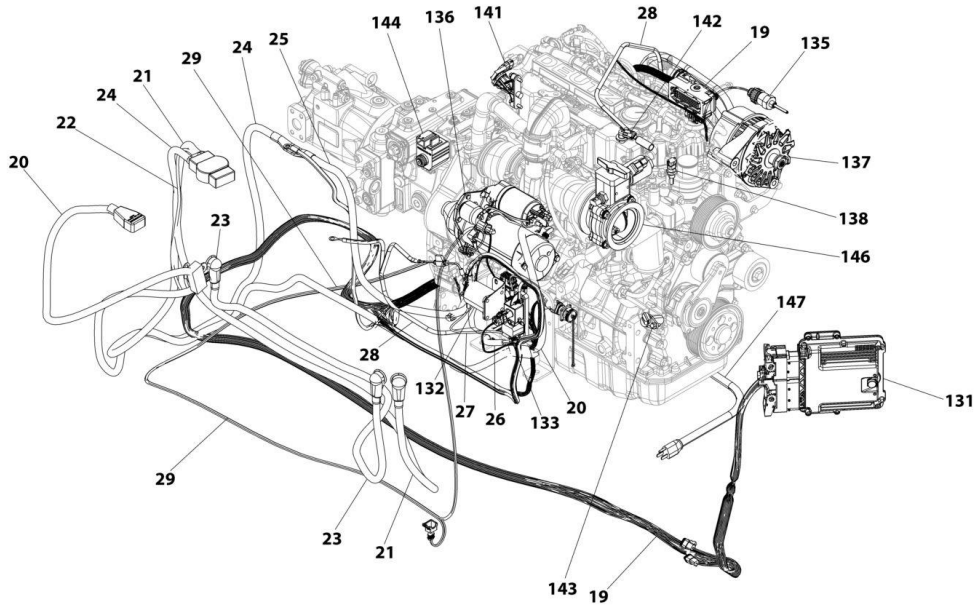
ART\_600AJ-ELECTRICAL\_TURNTABLE-HARNESS

# SECTION 8 - ELECTRICAL



ART\_600AJ-ELECTRICAL\_TURNTABLE-COMPONENT

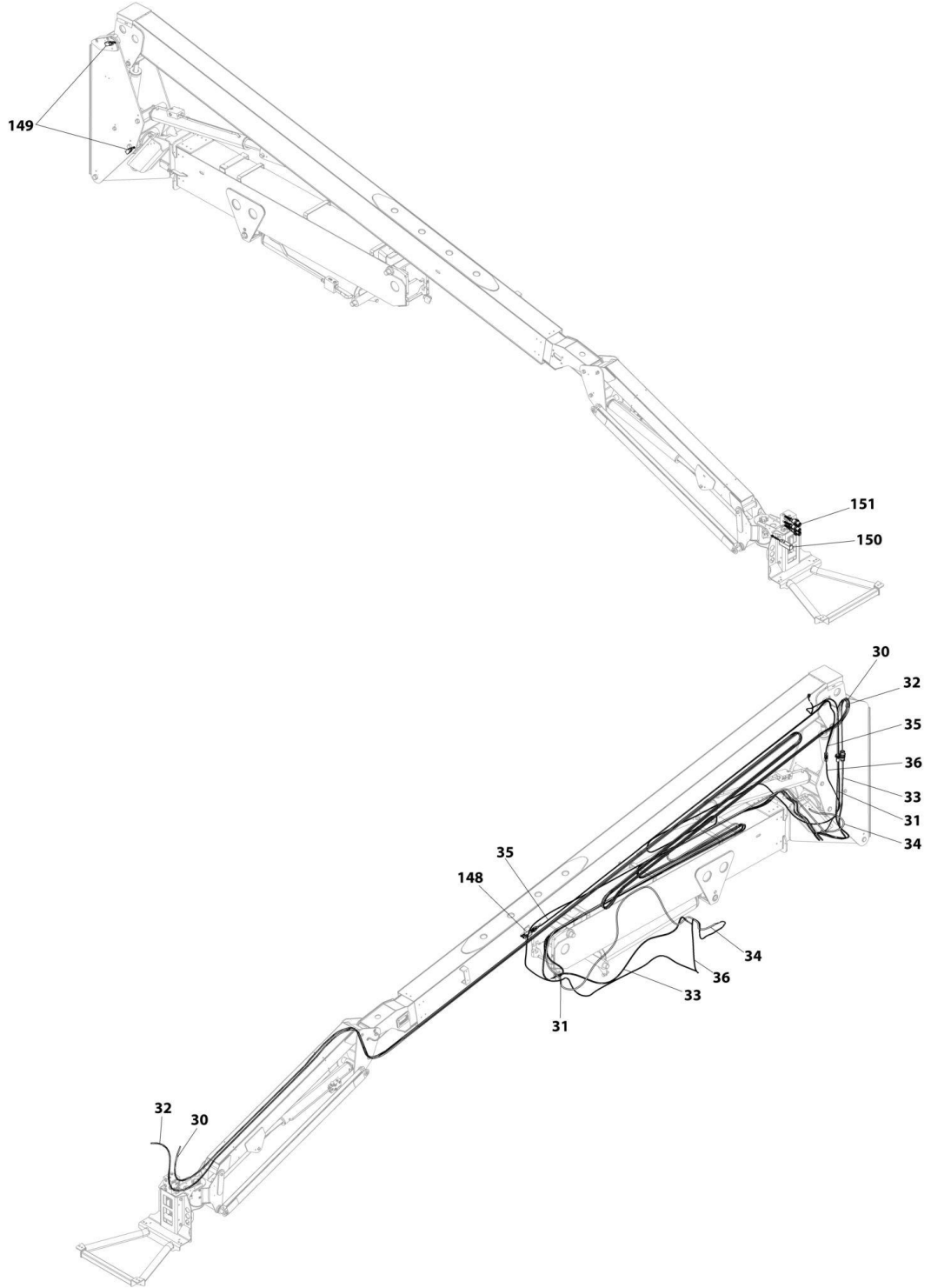
# SECTION 8 - ELECTRICAL



ART\_600AJ-ELECTRICAL\_ENGINE\_DEUTZ-2.9L4

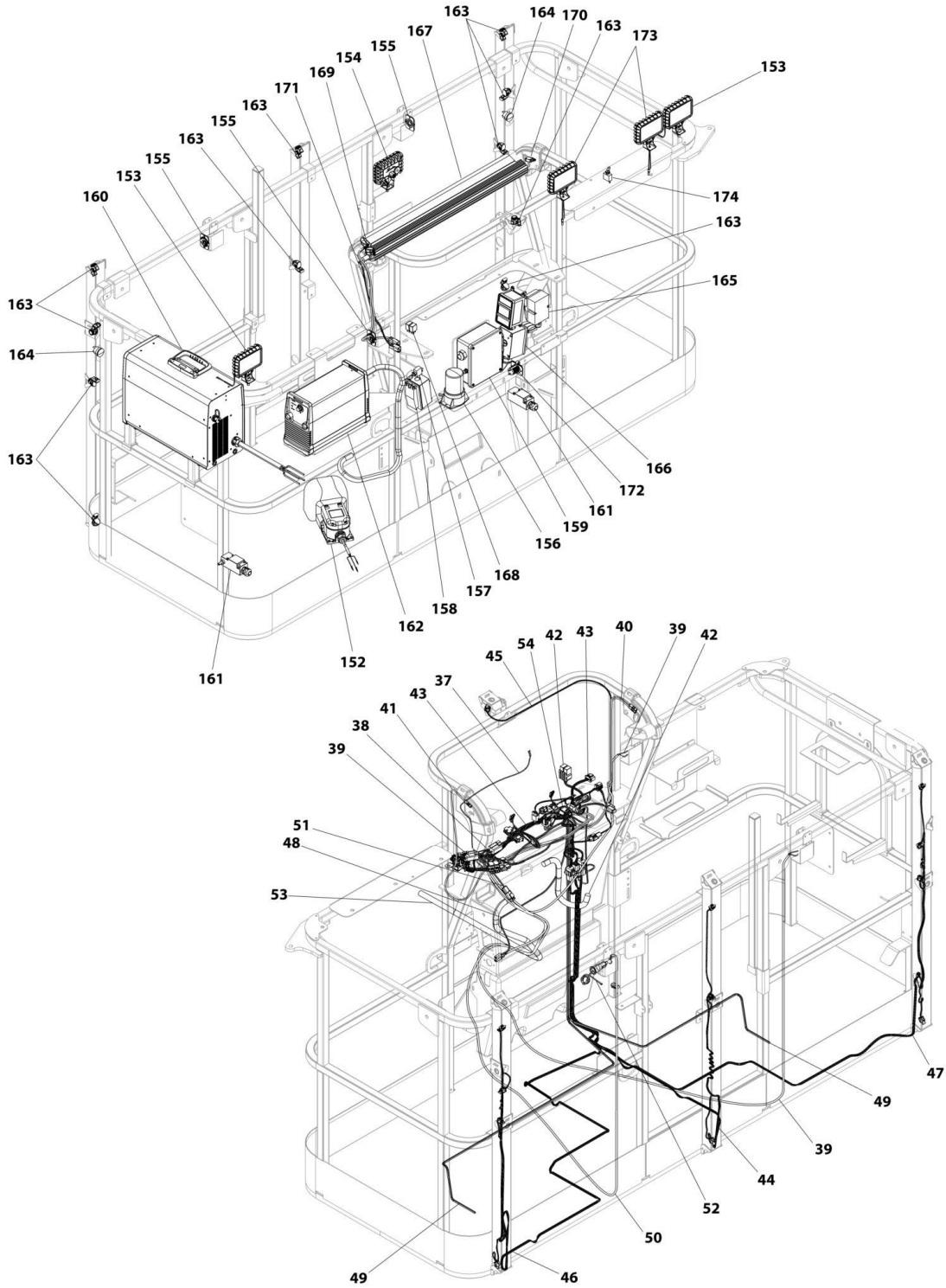


# SECTION 8 - ELECTRICAL



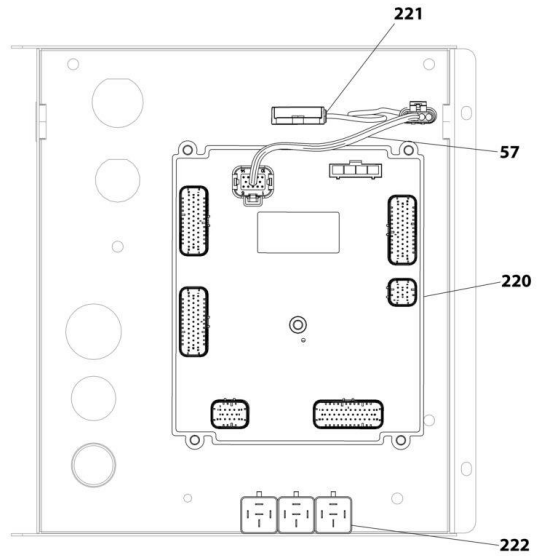
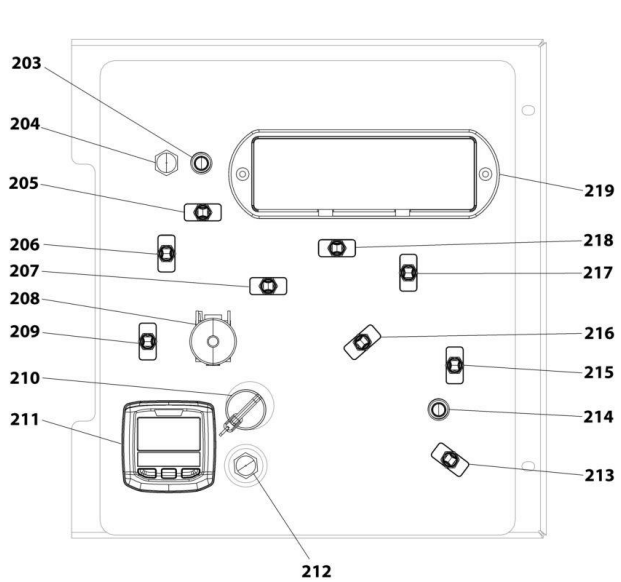
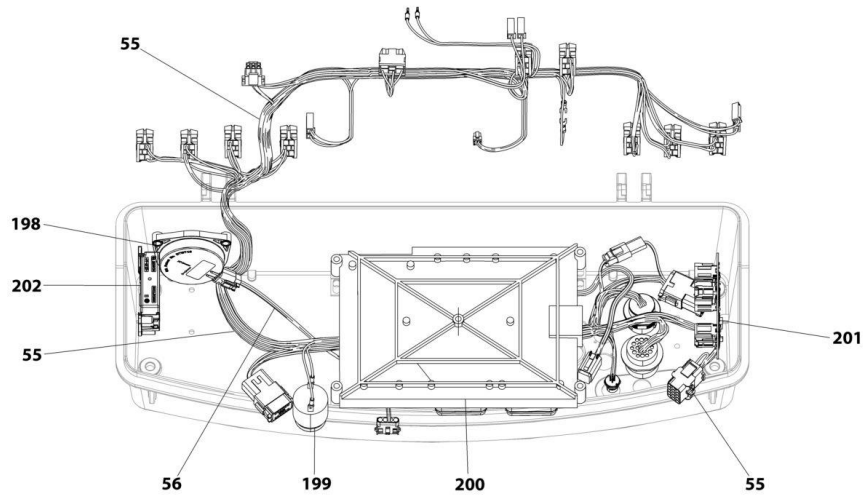
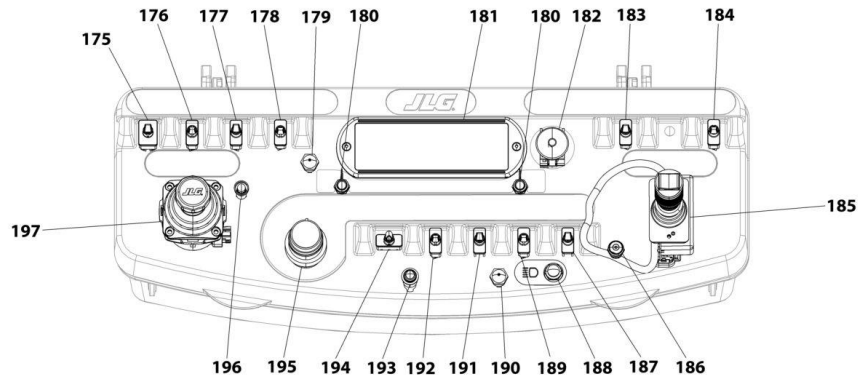
ART\_600AJ-ELECTRICAL\_BOOM

# SECTION 8 - ELECTRICAL



ART\_600AJ-ELECTRICAL\_PLATFORM

# SECTION 8 - ELECTRICAL



ART\_600AJ-ELECTRICAL\_CONTROLS

## SECTION 8 - ELECTRICAL

**FIGURE 8-1. 600AJ ELECTRICAL LAYOUT**

ITEM	PART NUMBER	QTY	DESCRIPTION	REV
		Ref	Note: This figure is for identifying part location only. Not all machine configurations/options shown.	
		Ref	HARNESS LIST	
1		Ref	Harness, Main Valve	
2		Ref	Harness, Generator to Control Box	
3		Ref	Harness, Generator Control Box to Engine	
4		Ref	Harness, Hourmeter	
5		Ref	Cable, Battery (+) to Disconnect	
6		Ref	Cable, Battery (-) to Disconnect	
7		Ref	Harness, Head and Tail Light	
8		Ref	Harness, Clearsky	
9		Ref	Harness, Xirgo Jumper	
10		Ref	Harness, White Noise Alarm	
11		Ref	Harness, Security Lock	
12		Ref	3-Way Plug	
13		Ref	Cable, Extension	
14		Ref	Harness, ASOV	
15		Ref	Harness, Tower Stow	
16		Ref	Harness, Ground Control	
17		Ref	Harness, Strobe Light Jumper	
18		Ref	Harness, Strobe Light Control	
19		Ref	Harness, Engine	
20		Ref	Cable, Battery (+) to Starter	
21		Ref	Cable, Battery (-) to Aux Pump	
22		Ref	Cable, Battery (-) to Relay	
23		Ref	Cable, Aux Pump to Relay	
24		Ref	Cable, Battery (-) to Ground	
25		Ref	Cable, Engine Ground	
26		Ref	Harness, Alternator Power	
27		Ref	Harness, Glow Plug Fuse	
28		Ref	Heater, Breather	
29		Ref	Harness, Fuel Pump	
30		Ref	Cable, AC Ground to Platform (Upper)	
31		Ref	Cable, AC Ground to Platform (Lower)	
32		Ref	Cable, Boom (Upper)	
33		Ref	Cable, Boom (Lower)	
34		Ref	Harness, Tilt Sensor	
35		Ref	Harness, Proximity Sensor (Upper)	
36		Ref	Harness, Proximity Sensor (Lower)	
37		Ref	Harness, Platform Strobe Light	
38		Ref	Harness, SkyGuard	
39		Ref	Harness, SkyEye Intermediate	
40		Ref	Harness, SkyEye Receiver	
41		Ref	Harness, SkyEye Emitter	
42		Ref	Harness, SkyLine	
43		Ref	Harness, SkySense Main	
44		Ref	Harness, SkySense Mid Tube	
45		Ref	Harness SkySense Overhead Sensor	
46		Ref	Harness, SkySense Left Tube	
47		Ref	Harness, SkySense Right Tube	

## SECTION 8 - ELECTRICAL

ITEM	PART NUMBER	QTY	DESCRIPTION	REV
48		Ref	Harness, USB	
49		Ref	Cable, Soft Touch	
50		Ref	Harness, Portable Work Light	
51		Ref	Harness, Portable Light Power	
52		Ref	Harness, Portable Work Light Extension	
53		Ref	Harness, Platform Valve	
54		Ref	Harness, Platform Work Light	
55		Ref	Harness, Platform Console	
56		Ref	Harness, Tilt Sensor	
57		Ref	Harness, Tilt Sensor	
		Ref	COMPONENT LIST	
101		Ref	Sensor, Fuel Level	
102		Ref	Rotary Coupling	
103		Ref	Solenoids, Axle Valve	
104		Ref	Solenoids, Main Control Valve	
105		Ref	Alarm	
106		Ref	AC Breaker Box	
107		Ref	Road Lights	
108		Ref	Light, Strobe	
109		Ref	Box, Generator Control	
110		Ref	Generator	
111		Ref	Generator Junction Box	
112		Ref	Light, Generator	
113		Ref	Relay	
114		Ref	Battery	
115		Ref	Auxiliary Pump/Motor	
116		Ref	Relay	
117		Ref	Switch, Battery Disconnect	
118		Ref	Transformer, Cold Weather	
119		Ref	Generator Hourmeter	
120		Ref	Module, ClearSky Telematics CANBUS	
121		Ref	Antenna, ClearSky Telematics	
122		Ref	Module, ClearSky Telematics 3-Wire	
123		Ref	Alarm, White Noise	
124		Ref	Module, Strobe Control	
125		Ref	Heater, Immersion	
126		Ref	Heater, Battery	
127		Ref	Module, ASOV Control	
128		Ref	Switch, ASOV	
129		Ref	Lock, Programmable	
130		Ref	Sensor, Tower Stow	
131		Ref	Module, Engine Control	
132		Ref	Relay	
133		Ref	Relay	
134		Ref	Sensor, Pressure	
135		Ref	Sensor, Coolant Level	
136		Ref	Starter	
137		Ref	Alternator	
138		Ref	Sensor, Engine Coolant Temperature	
139		Ref	Sensor, Pressure	
140		Ref	Sensor, Speed	

## SECTION 8 - ELECTRICAL

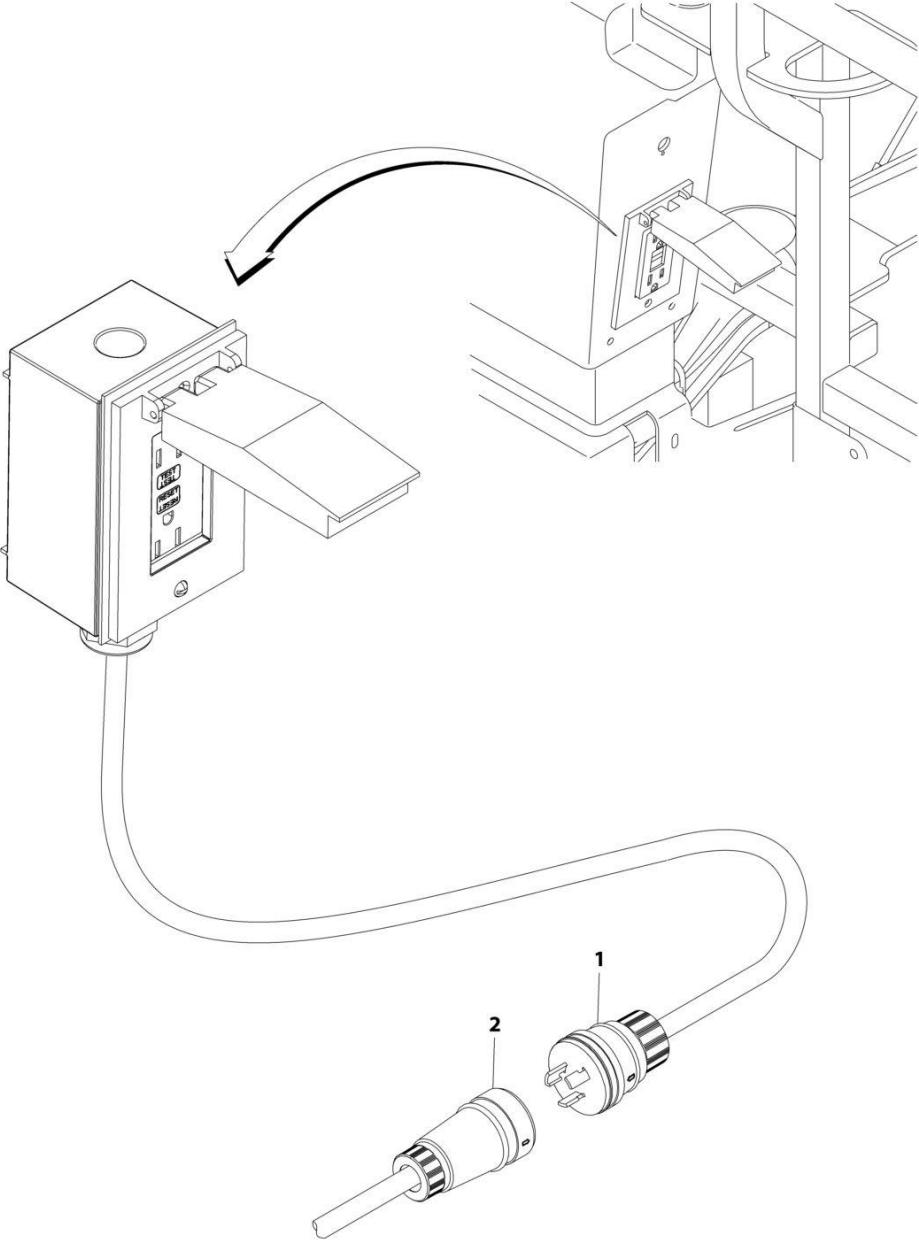
ITEM	PART NUMBER	QTY	DESCRIPTION	REV
141		Ref	Sensor, Oil Pressure	
142		Ref	Sensor, Temperature	
143		Ref	Sensor, Speed	
144		Ref	Solenoids, Hydrostatic Pump	
145		Ref	Fuel Pump	
146		Ref	Air Shut Off Valve (ASOV)	
147		Ref	Heater, Engine Block	
148		Ref	Sensor, Transport Position	
149		Ref	Sensor, Proximity	
150		Ref	Cell, Load Sensing	
151		Ref	Solenoids, Platform Valve	
152		Ref	Footswitch	
153		Ref	Platform Work Light	
154		Ref	Portable Work Light	
155		Ref	AC Receptacle	
156		Ref	Light, Platform Strobe	
157		Ref	Switch, Generator	
158		Ref	AC Receptacle	
159		Ref	Junction Box	
160		Ref	Welding Machine	
161		Ref	Switch, Soft Touch Limit	
162		Ref	Plasma Cutter	
163		Ref	Sensor, SkySense	
164		Ref	Alarm	
165		Ref	AC Receptacle	
166		Ref	AC Receptacle/Breaker Box	
167		Ref	Switch, SkyGuard	
168		Ref	Relay	
169		Ref	Sensor, SkyEye Receiver	
170		Ref	Sensor, SkyEye Emitter	
171		Ref	Sensor, SkyLine Proximity	
172		Ref	USB Receptacle	
173		Ref	Platform Flood Light	
174		Ref	Switch, Platform Flood Light	
175		Ref	Switch, Drive Speed/ Torque Select	
176		Ref	Switch, Steer Select	
177		Ref	Switch, Platform Leveling Override	
178		Ref	Switch, Fuel Select	
179		Ref	Switch, Horn	
180		Ref	Light, SkySense Indicator	
181		Ref	Display, Platform	
182		Ref	Switch, Emergency Stop	
183		Ref	Switch, Start/Auxilliary Power	
184		Ref	Switch, Drive Orientation Override	
185		Ref	Controller, Drive/Steer	
186		Ref	Switch, SkySense	
187		Ref	Switch, Boom Telescope	
188		Ref	Switch, Lights	
189		Ref	Switch, Jib Up/Down	
190		Ref	Switch, Soft Touch/SkyGuard/SkySense Override	
191		Ref	Switch, Tower Telescope	

## SECTION 8 - ELECTRICAL

ITEM	PART NUMBER	QTY	DESCRIPTION	REV
192		Ref	Switch, Tower Lift	
193		Ref	Light, Soft Touch/SkyGuard/SkySense Indicator	
194		Ref	Switch, Platform Rotate	
195		Ref	Switch, Function Speed Control	
196		Ref	Light, Boom Stow Indicator	
197		Ref	Controller, Main Lift/Swing	
198		Ref	Sensor, Tilt	
199		Ref	Alarm	
200		Ref	Module, Platform	
201		Ref	Module, SkySense Control	
202		Ref	Module, SkySense Sensor	
203		Ref	Light, ASOV Indicator	
204		Ref	Switch, Diesel Particulate Filter (DPF)	
205		Ref	Switch, Platform Rotate	
206		Ref	Switch, Platform Leveling Override	
207		Ref	Switch, Jib Up/Down	
208		Ref	Switch, Emergency Stop	
209		Ref	Switch, Engine Start/ Auxiliary Power	
210		Ref	Switch, Key	
211		Ref	Display, Ground	
212		Ref	Switch, Machine Safety System Override (MSSO)	
213		Ref	Switch, Turntable Swing	
214		Ref	Light, Boom Stow/ASOV Indicator	
215		Ref	Switch, Tower Lift	
216		Ref	Switch, Tower Telescope	
217		Ref	Switch, Boom Lift	
218		Ref	Switch, Boom Telescope	
219		Ref	Indicator Panel	
220		Ref	Module, Ground Control	
221		Ref	Sensor, Tilt	
222		Ref	Relay	

**SECTION 8 - ELECTRICAL**

**FIGURE 8-2. AC CABLE CONNECTOR INSTALLATION - 110V/220V (MACHINES NO GENERATOR)  
(ANSI EXPORT, AUSTRALIAN, CHINA, RUSSIA, CE & UK CA SPECS)**



ART\_1001213655



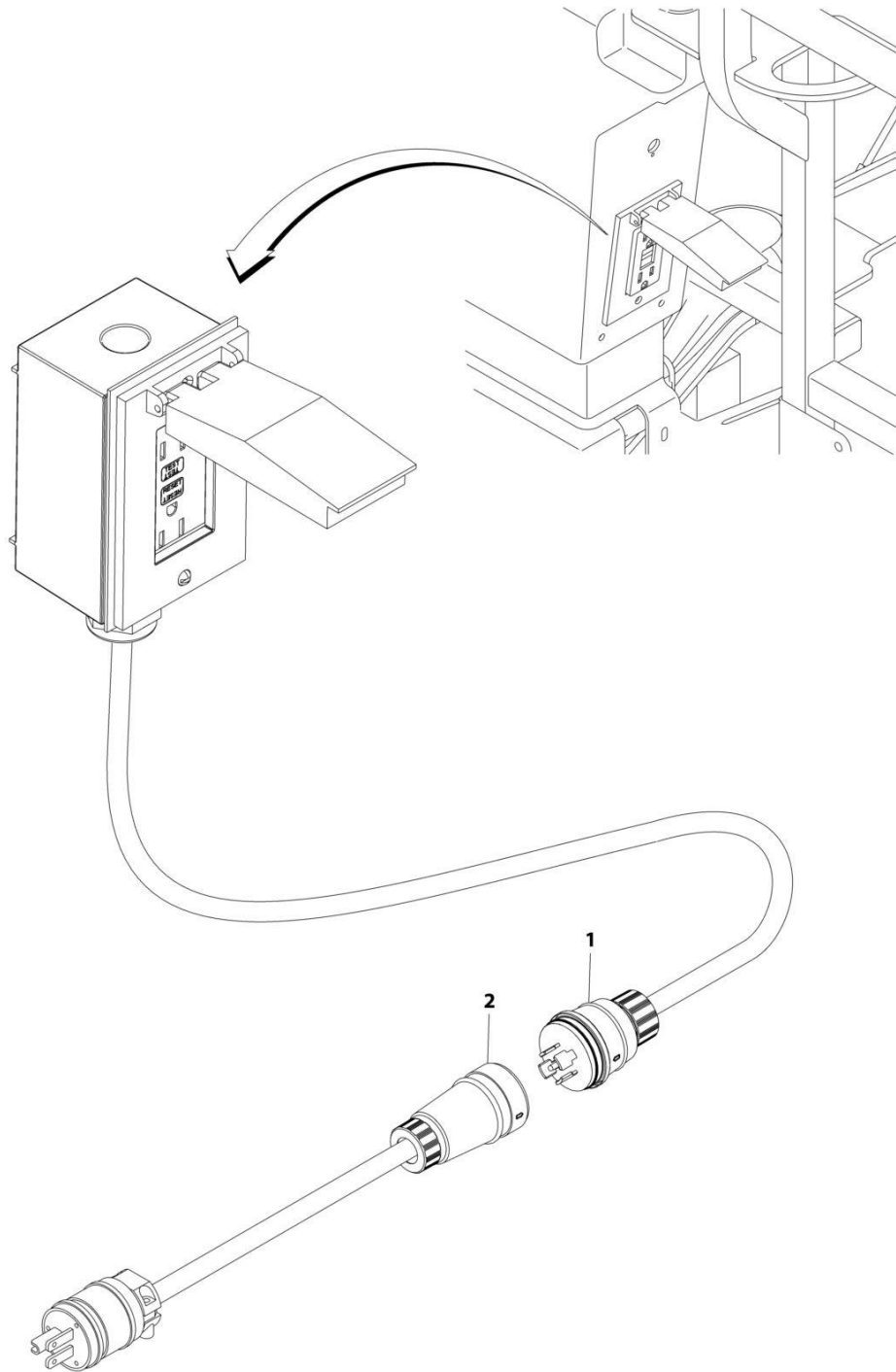
## SECTION 8 - ELECTRICAL

**FIGURE 8-2. AC CABLE CONNECTOR INSTALLATION - 110V/220V (MACHINES NO GENERATOR)  
(ANSI EXPORT, AUSTRALIAN, CHINA, RUSSIA, CE & UK CA SPECS)**

ITEM	PART NUMBER	QTY	DESCRIPTION	REV
	1001213655	Ref	AC CABLE INSTALLATION - 110V/220V	A
1	1001214095	1	Plug, Male	
2	1001214096	1	Plug, Female	

## SECTION 8 - ELECTRICAL

**FIGURE 8-3. AC CABLE CONNECTOR INSTALLATION – SKYPOWER (MACHINES NO GENERATOR)  
(ALL SPECS EXCEPT CE & UK CA SPECS)**



ART\_0272433

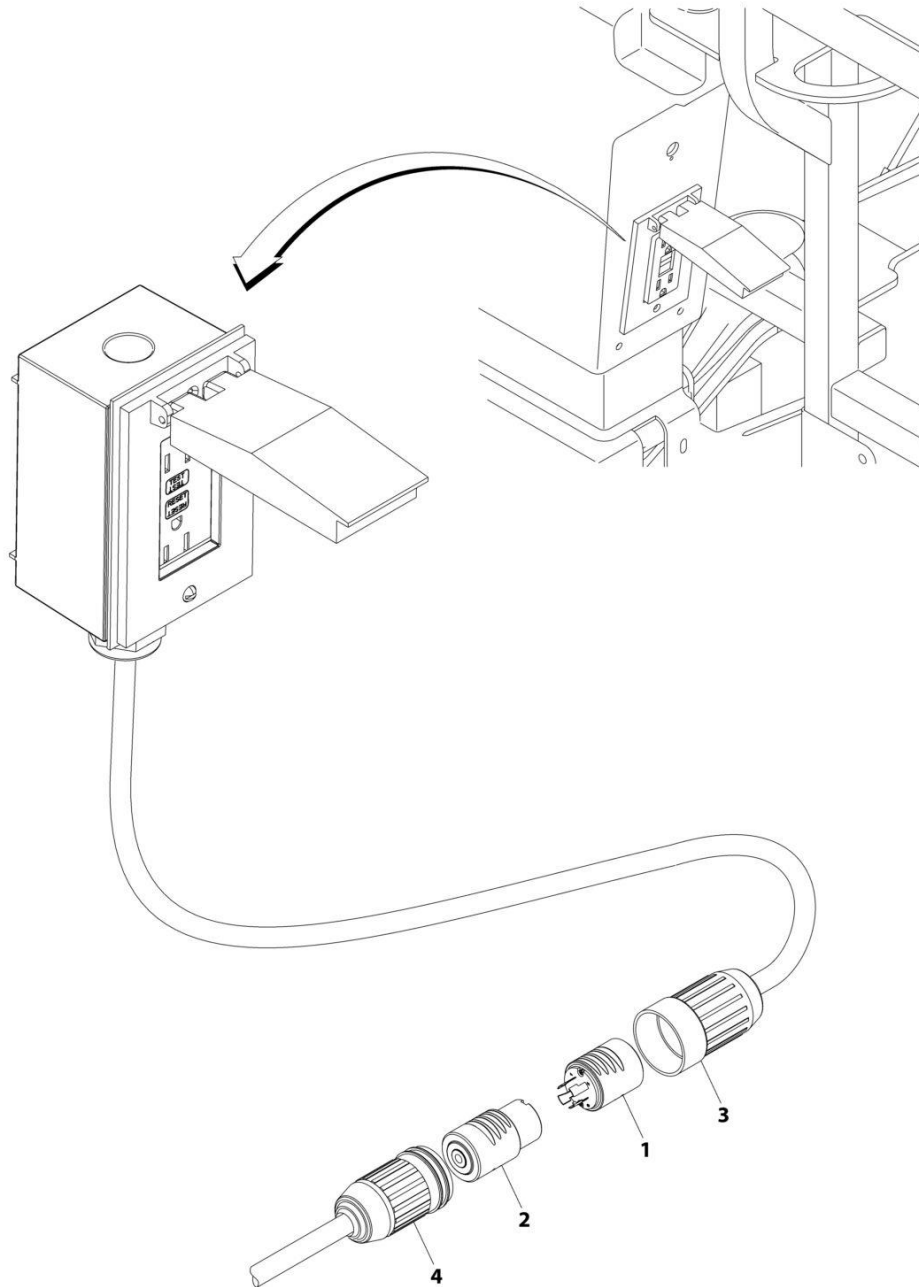
## SECTION 8 - ELECTRICAL

**FIGURE 8-3. AC CABLE CONNECTOR INSTALLATION – SKYPOWER (MACHINES NO GENERATOR)  
(ALL SPECS EXCEPT CE & UK CA SPECS)**

ITEM	PART NUMBER	QTY	DESCRIPTION	REV
	0272433	Ref	AC CABLE INSTALLATION - 110V/220V	D
1	1001218622	1	Plug, Male	
2	1001218623	1	Plug, Female	

## SECTION 8 - ELECTRICAL

**FIGURE 8-4. AC CABLE CONNECTOR INSTALLATION – 4000W GENERATOR (MACHINES NO GENERATOR) (ALL SPECS EXCEPT AUSTRALIAN, RUSSIA, CE & UK CA SPECS)**



ART\_1001160272

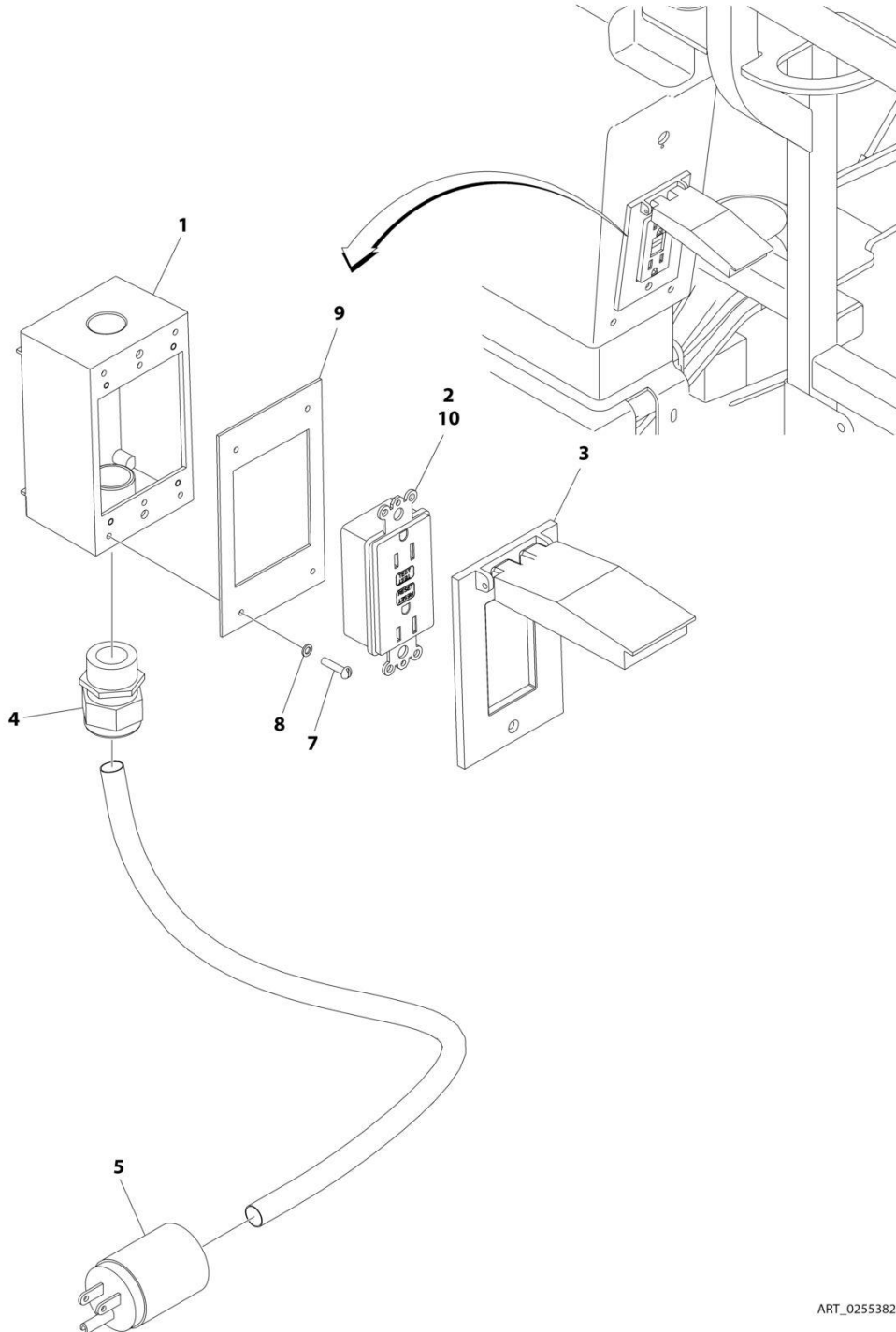
## SECTION 8 - ELECTRICAL

**FIGURE 8-4. AC CABLE CONNECTOR INSTALLATION – 4000W GENERATOR (MACHINES NO GENERATOR) (ALL SPECS EXCEPT AUSTRALIAN, RUSSIA, CE & UK CA SPECS)**

ITEM	PART NUMBER	QTY	DESCRIPTION	REV
	1001160272	Ref	AC CABLE CONNECTOR INSTALLATION – 4000W GENERATOR	A
1	4460962	1	Plug, Male	
2	4460963	1	Connector	
3	1671092	1	Cover	
4	1671093	1	Plug	

## SECTION 8 - ELECTRICAL

**FIGURE 8-5. AC BOX AT PLATFORM INSTALLATION - 110V GFI RECEPTACLE (MACHINES WITH 2500W GENERATOR/NO GENERATOR OPTIONS) (ALL SPECS EXCEPT AUSTRALIAN, RUSSIA, CE & UK CA SPECS)**



ART\_0255382

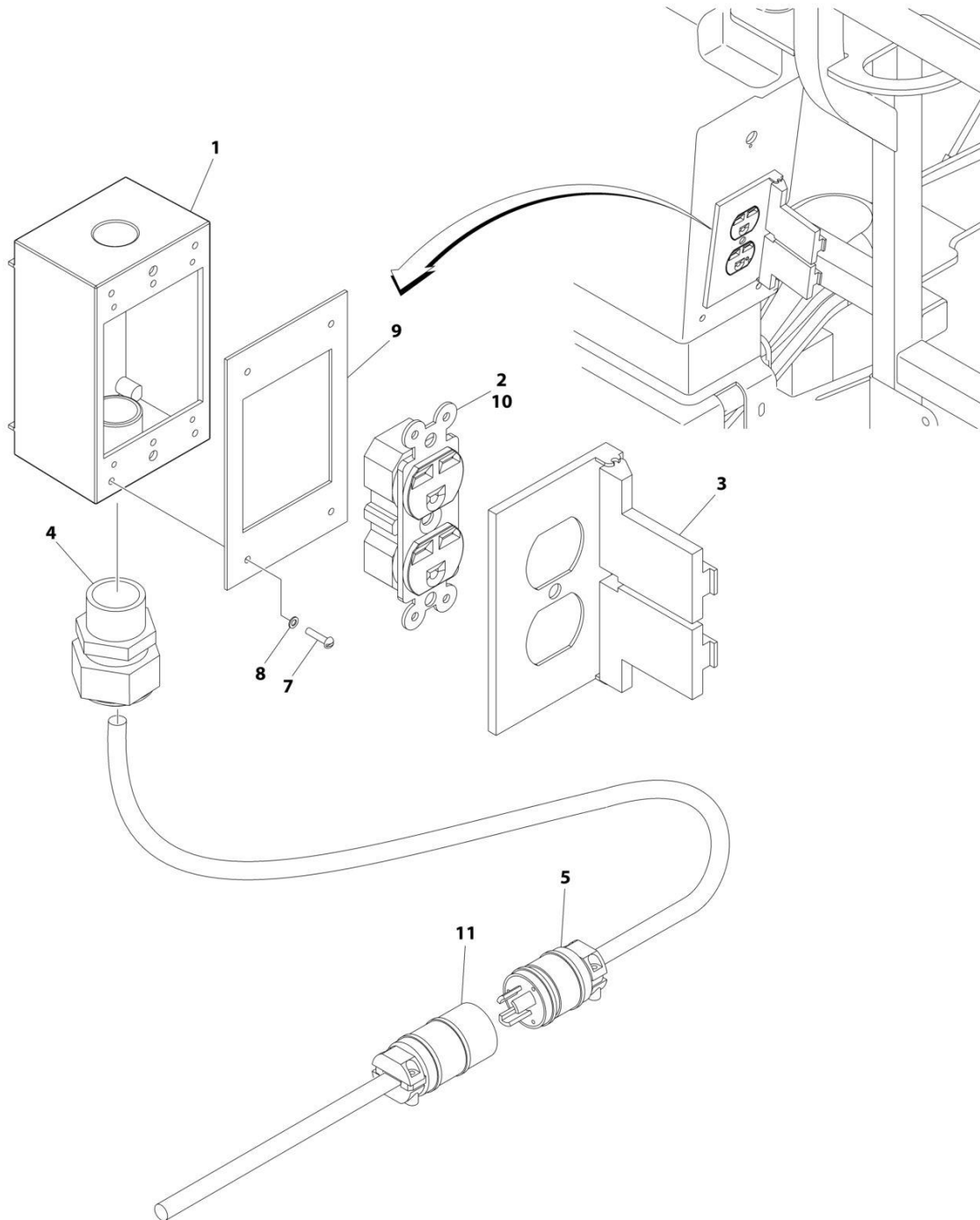
## SECTION 8 - ELECTRICAL

**FIGURE 8-5. AC BOX AT PLATFORM INSTALLATION - 110V GFI RECEPTACLE (MACHINES WITH 2500W GENERATOR/NO GENERATOR OPTIONS) (ALL SPECS EXCEPT AUSTRALIAN, RUSSIA, CE & UK CA SPECS)**

ITEM	PART NUMBER	QTY	DESCRIPTION	REV
	0255382	Ref	AC BOX AT PLATFORM INSTALLATION - 110V	C
1	0860038	1	Box, Switch	
2	4460346	1	Receptacle	
3	1001110873	1	Shield, Cover	
4	4460071	1	Connector, Strain Relief	
5	1001227309	1	Plug, Male	
7	3910610	4	Screw #6 x 5/8	
8	4760600	4	Washer #6	
9	3960422	1	Gasket	
10	4460315	1	Terminal, Spade	
18	4460205	1	Plug, Male (Not Shown - Located at turntable base)	

## SECTION 8 - ELECTRICAL

**FIGURE 8-6. AC BOX AT PLATFORM INSTALLATION - 220V RECEPTACLE (MACHINES WITH 2500W GENERATOR/NO GENERATOR OPTIONS) (ANSI, ANSI EXPORT, CSA, CHINA AND JAPANESE SPECS)**



ART\_0257176



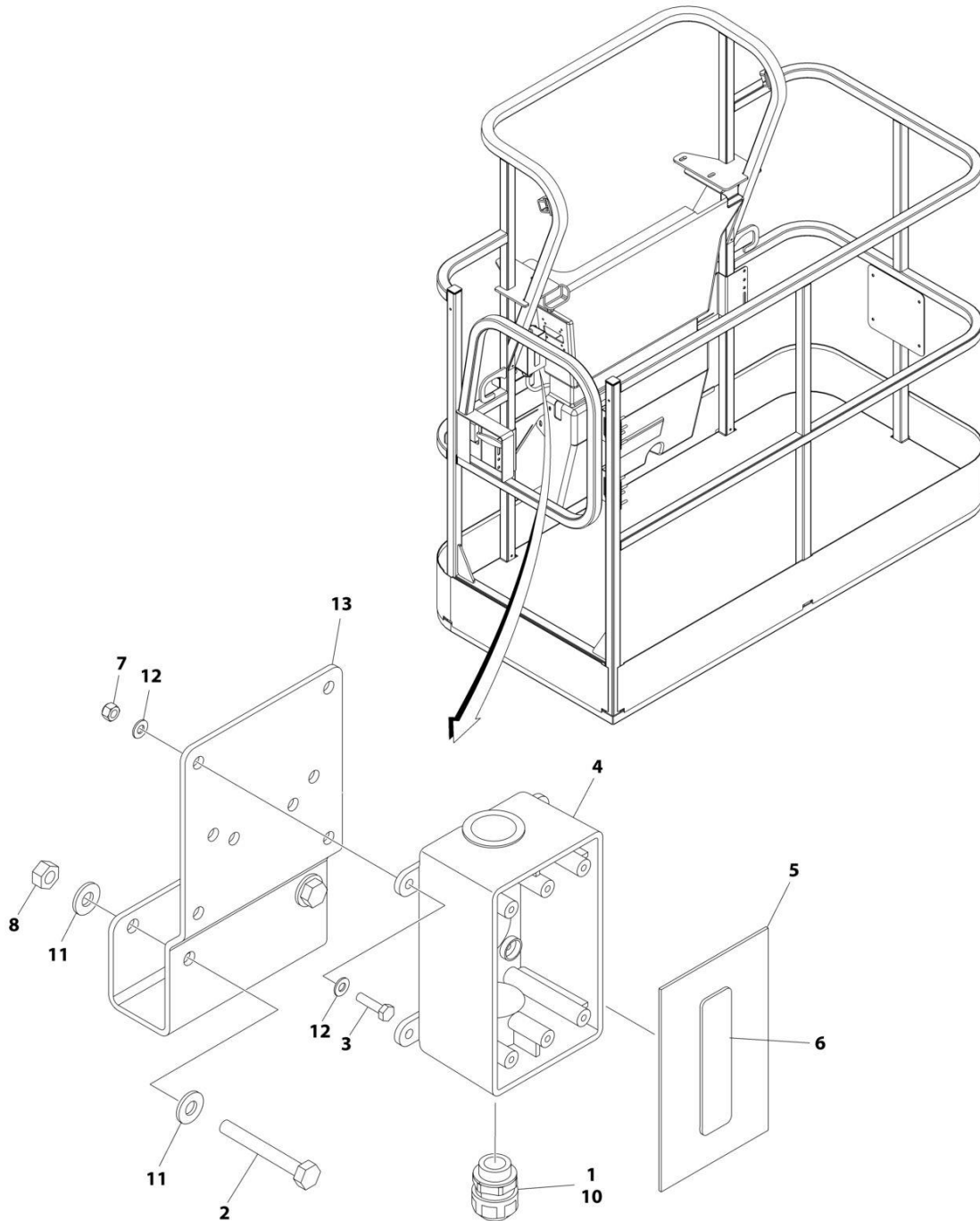
## SECTION 8 - ELECTRICAL

**FIGURE 8-6. AC BOX AT PLATFORM INSTALLATION - 220V RECEPTACLE (MACHINES WITH 2500W GENERATOR/NO GENERATOR OPTIONS) (ANSI, ANSI EXPORT, CSA, CHINA AND JAPANESE SPECS)**

ITEM	PART NUMBER	QTY	DESCRIPTION	REV
	0257176	Ref	AC BOX AT PLATFORM INSTALLATION - 220V	C
1	0860038	1	Box, Switch	
2	4460125	1	Receptacle	
3	4060092	1	Shield, Cover	
4	4460071	1	Connector, Strain Relief	
5	1001227309	1	Plug, Male	
7	3910610	4	Screw #6 x 5/8	
8	4760600	4	Washer #6	
9	3960422	1	Gasket	
10	4460315	1	Terminal, Spade	
11	1001227310	1	Connector, Female	
18	4460233	1	Plug (Not Shown - Located at turntable base)	

# SECTION 8 - ELECTRICAL

FIGURE 8-7. AC BOX AT PLATFORM INSTALLATION - BOX WITH COVER (2X4 BOX) (4000W GENERATOR) (ALL SPECS EXCEPT ANSI AND CSA SPECS)



ART\_1001194365

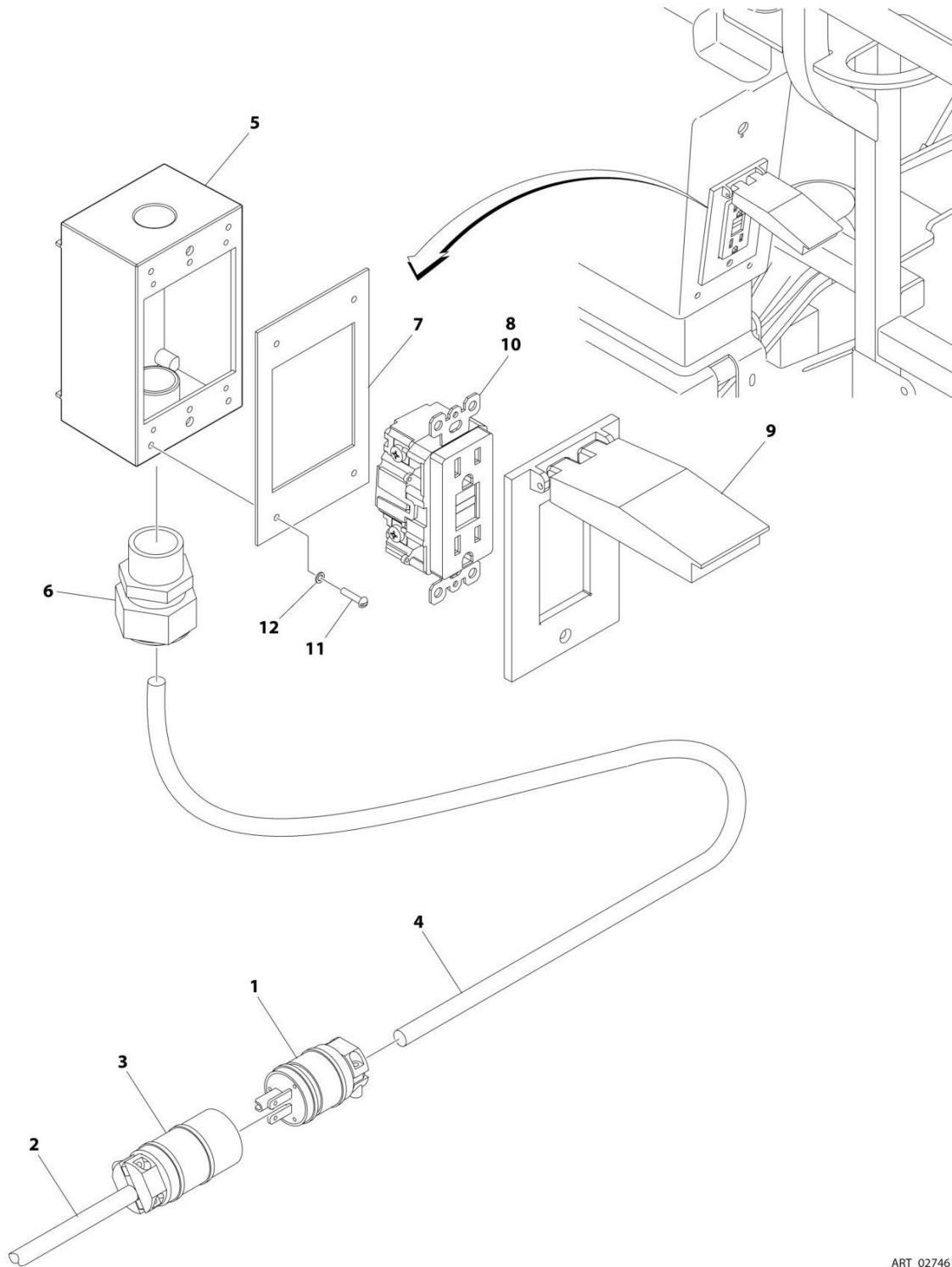
## SECTION 8 - ELECTRICAL

**FIGURE 8-7. AC BOX AT PLATFORM INSTALLATION - BOX WITH COVER (2X4 BOX) (4000W GENERATOR) (ALL SPECS EXCEPT ANSI AND CSA SPECS)**

ITEM	PART NUMBER	QTY	DESCRIPTION	REV
	1001194365	Ref	AC BOX AT PLATFORM INSTALLATION - BOX WITH COVER (2X4 BOX)	A
1	0100020	AR	Sealant	
2	0641416	2	Bolt 1/4 x 2	
3	0700408	4	Bolt M4 x 16	
4	0861731	1	Box, Switch	
5	1670603	1	Cover	
6	3251242	1	Decal - 240V/50Hz	
7	3290405	4	Nut M4	
8	3311405	2	Nut 1/4	
9	4460384	3	Terminal (Not Shown)	
10	4460662	1	Connector, Strain Relief	
11	4711400	4	Washer 1/4	
12	4811400	8	Washer M4	
13	1001193018	1	Bracket, AC Receptacle	

# SECTION 8 - ELECTRICAL

FIGURE 8-8. AC BOX AT PLATFORM INSTALLATION – DUAL AC 110V GFI (MACHINES WITH 2500W GENERATOR) (ANSI EXPORT AND CHINA SPECS)



ART\_0274618

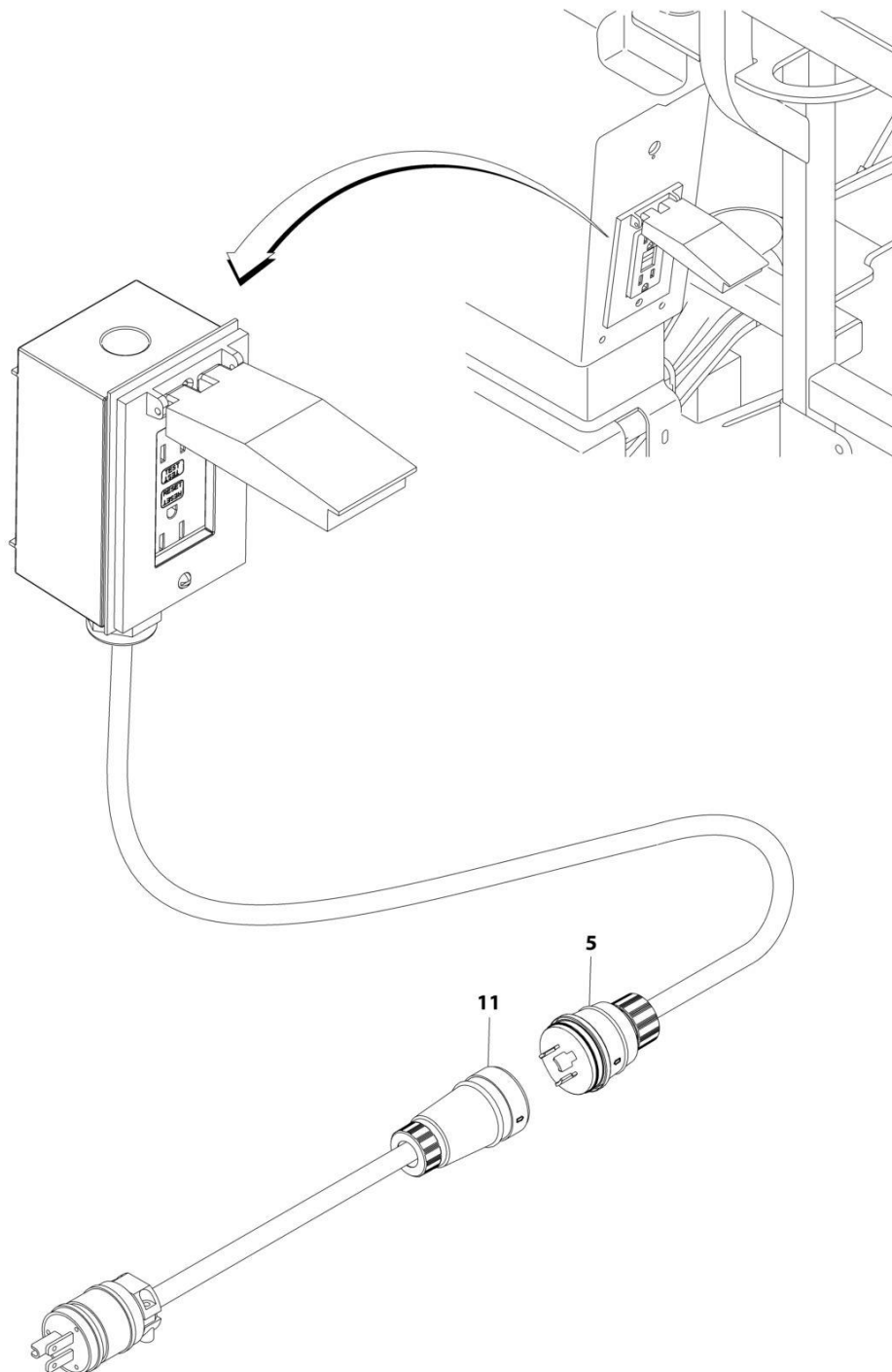
## SECTION 8 - ELECTRICAL

**FIGURE 8-8. AC BOX AT PLATFORM INSTALLATION – DUAL AC 110V GFI (MACHINES WITH 2500W GENERATOR) (ANSI EXPORT AND CHINA SPECS)**

ITEM	PART NUMBER	QTY	DESCRIPTION	REV
	0274618	Ref	AC BOX AT PLATFORM INSTALLATION – DUAL AC 110V GFI	2
1	4460205	4	Plug, Male	
2	4922892	1	Cable, Electrical 12/3 (Tower Boom)	
3	4460134	2	Plug, Female	
4	4922894	1	Cable, Electrical 12/3 (Main Boom)	
5	0860038	1	Box, Switch	
6	4460071	1	Connector, Strain Relief	
7	3960422	1	Gasket	
8	4460346	1	Receptacle	
9	1001110873	1	Shield, Cover	
10	4460315	1	Terminal, Spade	
11	3910606	4	Screw #6 x 3/8	
12	4760600	4	Washer #6	

## SECTION 8 - ELECTRICAL

FIGURE 8-9. AC BOX AT PLATFORM MID-BOOM PLUG INSTALLATION (WITHOUT 7500W SKYPOWER GENERATOR)



ART\_0256202

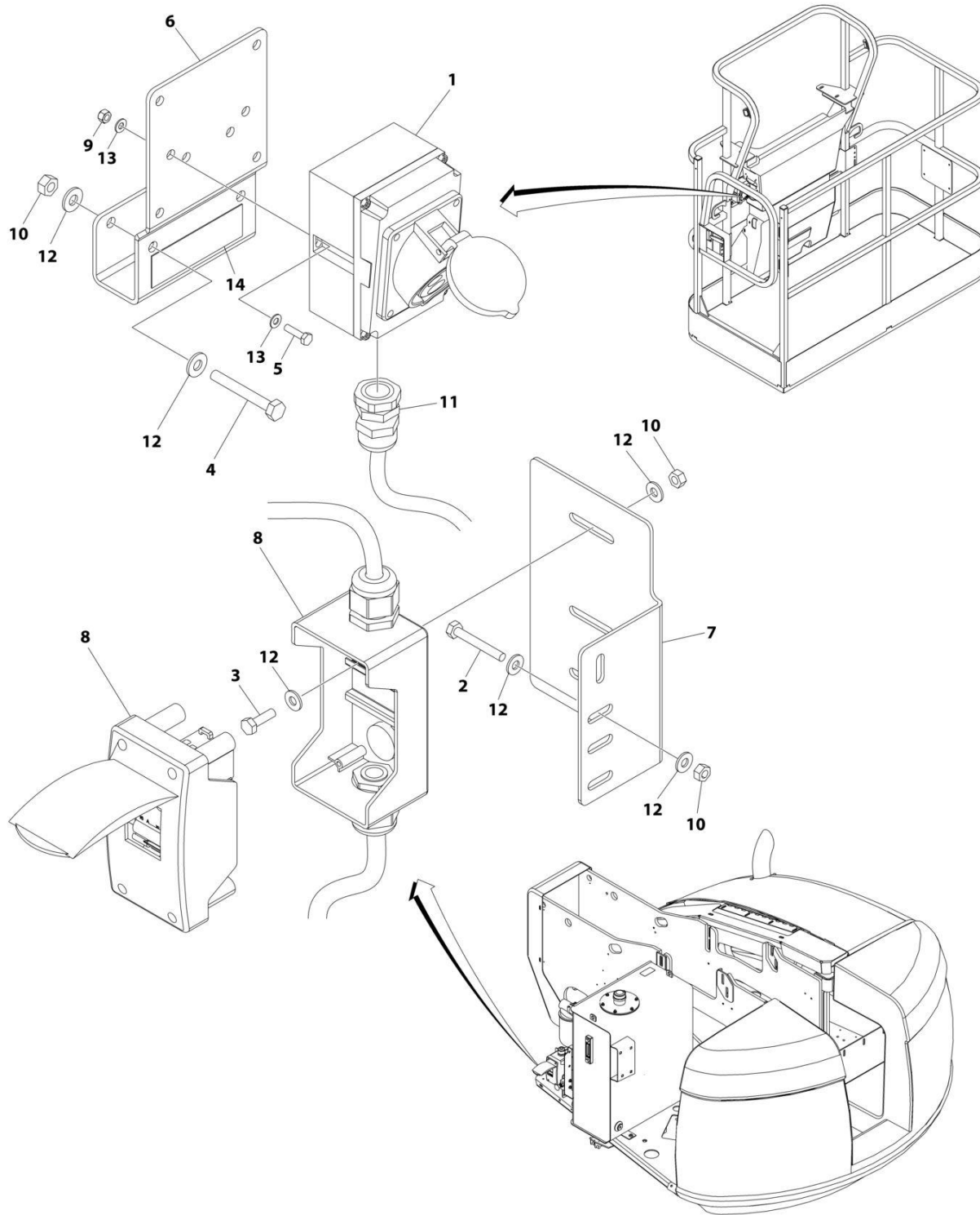
## SECTION 8 - ELECTRICAL

**FIGURE 8-9. AC BOX AT PLATFORM MID-BOOM PLUG INSTALLATION (WITHOUT 7500W SKYPOWER GENERATOR)**

ITEM	PART NUMBER	QTY	DESCRIPTION	REV
	0256202	Ref	AC BOX AT PLATFORM MID-BOOM PLUG INSTALLATION	D
5	1001213584	1	Plug	
11	1001213585	1	Receptacle	

# SECTION 8 - ELECTRICAL

FIGURE 8-10. AC BOX AT PLATFORM INSTALLATION - 110V IEC YELLOW (CE, RUSSIA & UK CA SPECS)



ART\_0275656



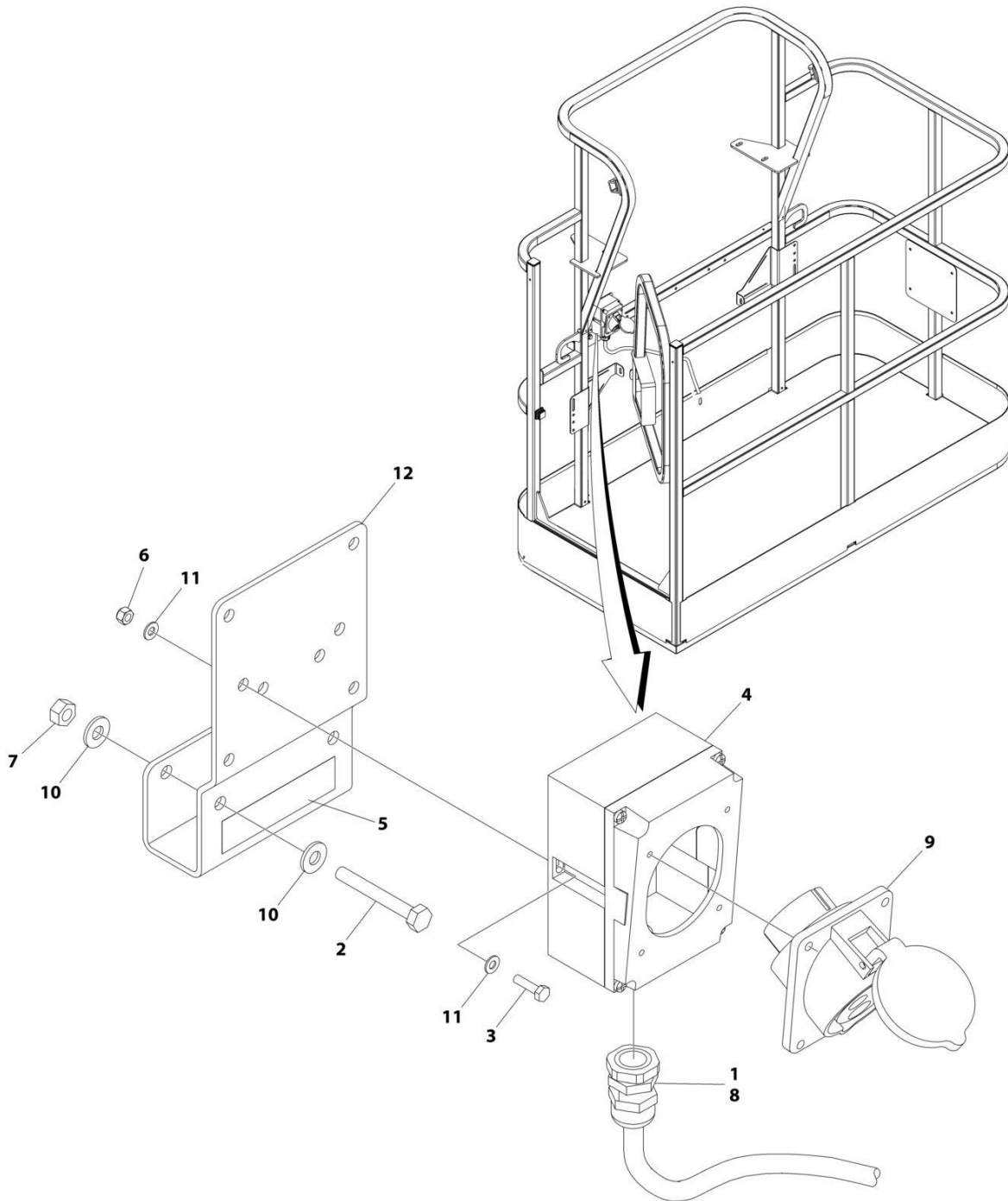
## SECTION 8 - ELECTRICAL

**FIGURE 8-10. AC BOX AT PLATFORM INSTALLATION - 110V IEC YELLOW (CE, RUSSIA & UK CA SPECS)**

ITEM	PART NUMBER	QTY	DESCRIPTION	REV
	0275656	Ref	AC BOX AT PLATFORM INSTALLATION - 110V IEC YELLOW	F
1	0275216	1	Receptacle Box Kit (See Separate Breakdown in this Section)	
2	0641415	2	Bolt 1/4 x 1-7/8	
3	0641407	2	Bolt 1/4 x 7/8	
4	0641416	2	Bolt 1/4 x 2	
5	0700408	2	Bolt M4 x 16	
6	1001193018	1	Bracket	
7	1001153636	1	Bracket	
8	1001096070	1	Breaker Box Kit (See Separate Breakdown in this Section)	
9	3290405	2	Nut M4	
10	3311405	6	Nut 1/4	
11	4460968	1	Connector, Strain Relief	
12	4711400	12	Washer 1/4	
13	4811400	4	Washer M4	
14	1705325	2	Decal - 110V	

# SECTION 8 - ELECTRICAL

FIGURE 8-11. AC BOX AT PLATFORM INSTALLATION - 110V IEC 60309 YELLOW (4000W GENERATOR) (CE, RUSSIA & UK CA SPECS)



ART\_1001194203

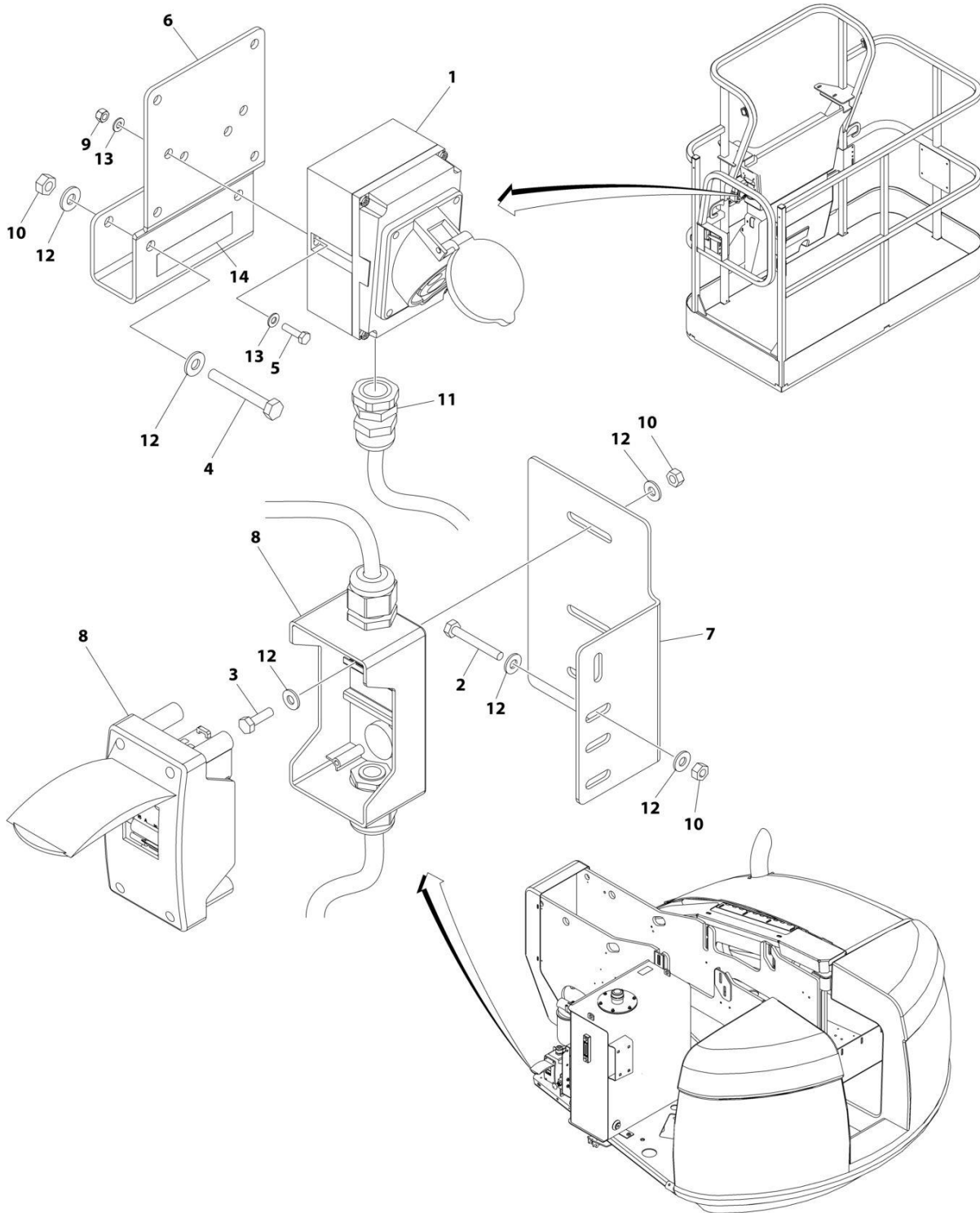
## SECTION 8 - ELECTRICAL

**FIGURE 8-11. AC BOX AT PLATFORM INSTALLATION - 110V IEC 60309 YELLOW (4000W GENERATOR) (CE, RUSSIA & UK CA SPECS)**

ITEM	PART NUMBER	QTY	DESCRIPTION	REV
	1001194203	Ref	AC BOX AT PLATFORM INSTALLATION	B
1	0100020	AR	Sealant, Pipe	
2	0641416	2	Bolt 1/4 x 2	
3	0700408	2	Bolt M4 x 16	
4	0861781	1	Box, Switch	
5	1705325	1	Decal - 110V	
6	3290405	2	Nut M4	
7	3311405	2	Nut 1/4	
8	4460968	1	Connector, Strain Relief	
9	4461198	1	Receptacle	
10	4711400	4	Washer 1/4	
11	4811400	4	Washer M4	
12	1001193018	1	Bracket, AC Receptacle	

# SECTION 8 - ELECTRICAL

FIGURE 8-12. AC BOX AT PLATFORM INSTALLATION - 220V IEC BLUE (CE, RUSSIA & UK CA SPECS)



ART\_0275652

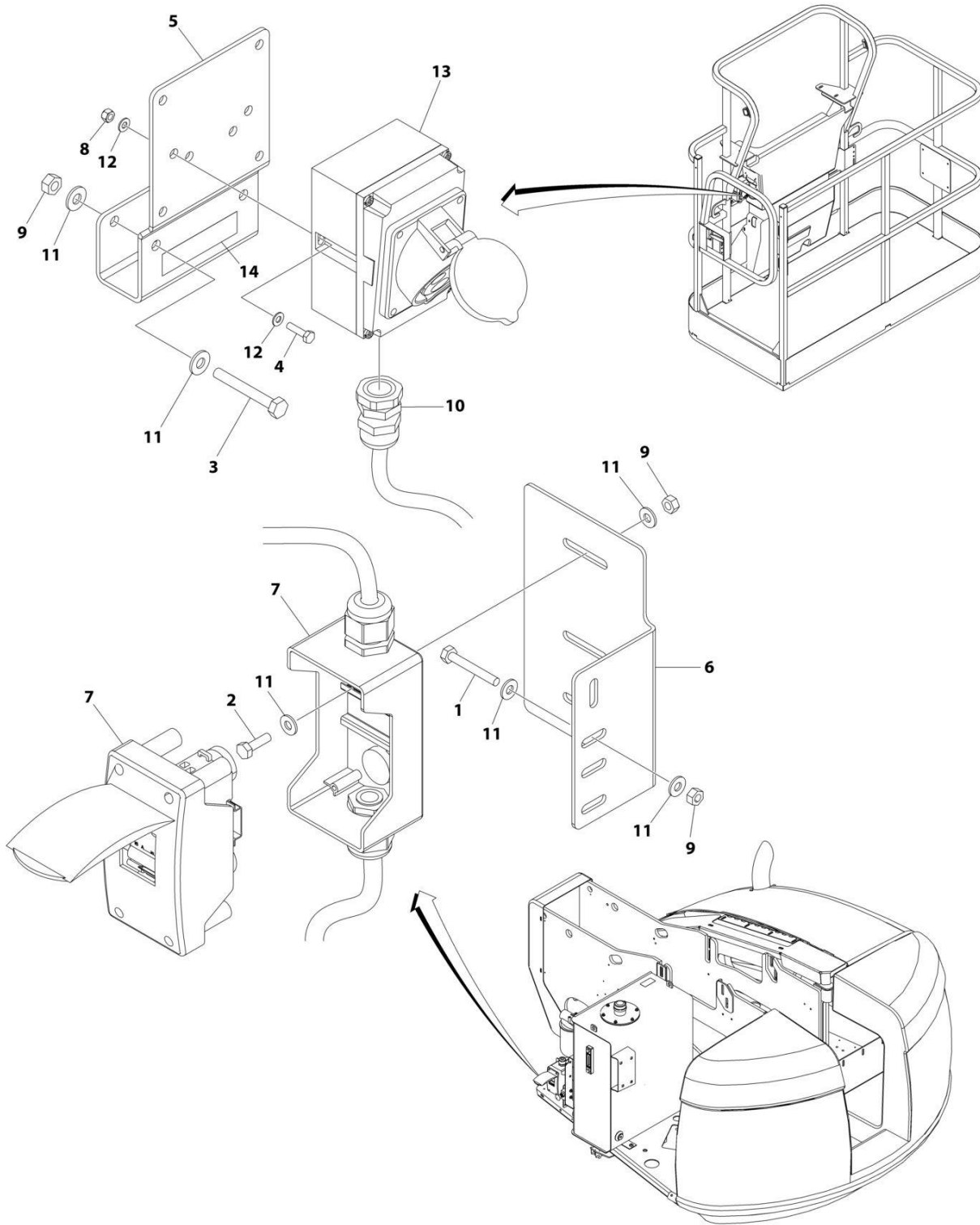
## SECTION 8 - ELECTRICAL

**FIGURE 8-12. AC BOX AT PLATFORM INSTALLATION - 220V IEC BLUE (CE, RUSSIA & UK CA SPECS)**

ITEM	PART NUMBER	QTY	DESCRIPTION	REV
	0275652	Ref	AC BOX AT PLATFORM INSTALLATION - 220V IEC BLUE	F
1	0275217	1	Receptacle Box Kit (See Separate Breakdown in this Section)	
2	0641415	2	Bolt 1/4 x 1-7/8	
3	0641407	2	Bolt 1/4 x 7/8	
4	0641416	2	Bolt 1/4 x 2	
5	0700408	2	Bolt M4 x 16	
6	1001193018	1	Bracket	
7	1001153636	1	Bracket	
8	1001096070	1	Breaker Box Kit (See Separate Breakdown in this Section)	
9	3290405	2	Nut M4	
10	3311405	6	Nut 1/4	
11	4460968	1	Connector, Strain Relief	
12	4711400	12	Washer 1/4	
13	4811400	4	Washer M4	
14	3252507	1	Decal - 240V-50/60Hz	

# SECTION 8 - ELECTRICAL

FIGURE 8-13. AC BOX AT PLATFORM INSTALLATION - 220V IEC BLUE (2500W GENERATOR) (CE, RUSSIA & UK CA SPECS)



ART\_1001100401

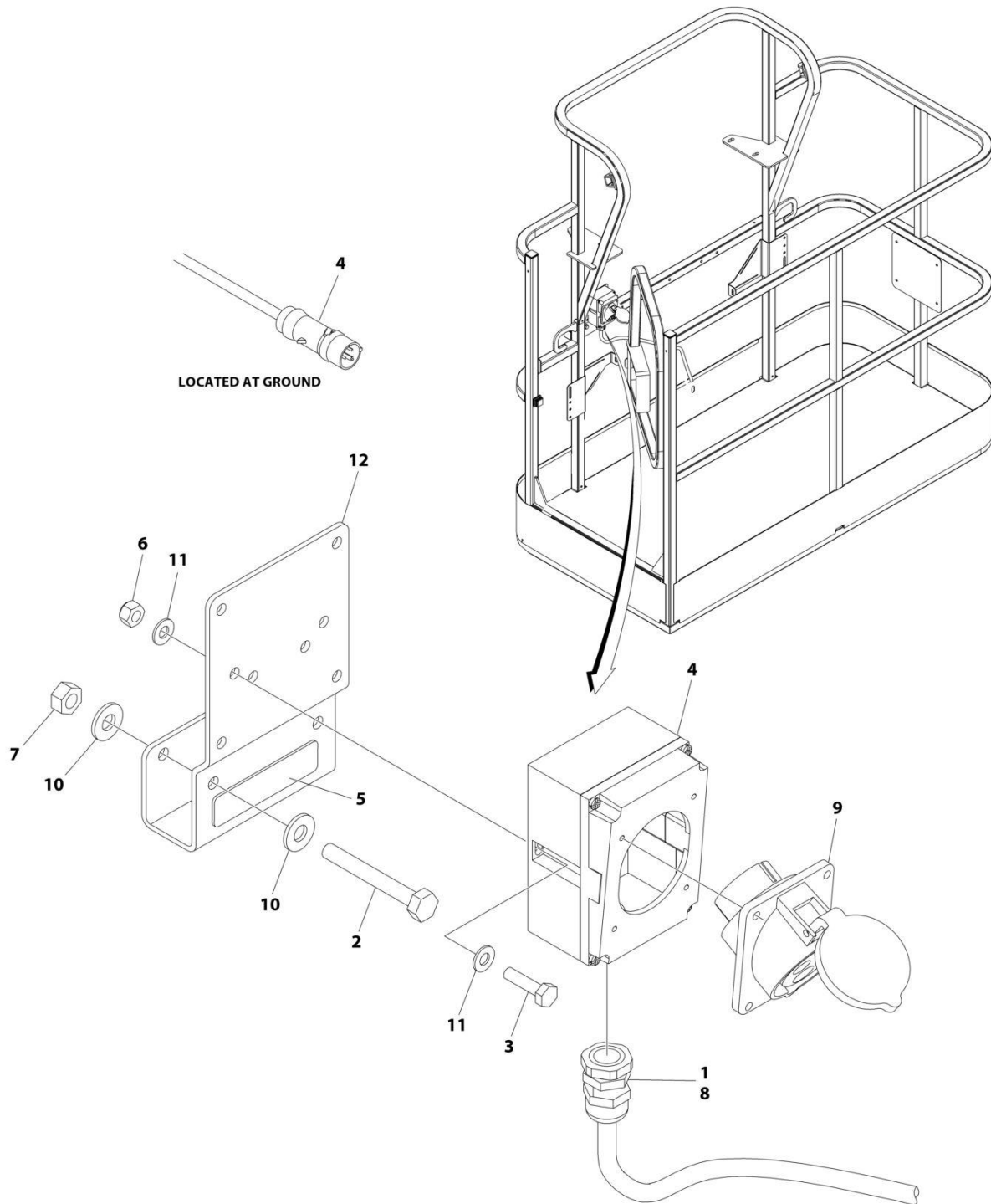
## SECTION 8 - ELECTRICAL

**FIGURE 8-13. AC BOX AT PLATFORM INSTALLATION - 220V IEC BLUE (2500W GENERATOR) (CE, RUSSIA & UK CA SPECS)**

ITEM	PART NUMBER	QTY	DESCRIPTION	REV
	1001100401	Ref	AC BOX AT PLATFORM INSTALLATION	F
1	0641415	2	Bolt 1/4 x 1-7/8	
2	0641407	2	Bolt 1/4 x 7/8	
3	0641416	2	Bolt 1/4 x 2	
4	0700408	2	Bolt M4 x 16	
5	1001193018	1	Bracket	
6	1001153636	1	Bracket	
7	1001109554	1	Breaker Box Kit (See Separate Breakdown in this Section)	
8	3290405	2	Nut M4	
9	3311405	6	Nut 1/4	
10	4460662	1	Connector, Strain Relief	
11	4711400	12	Washer 1/4	
12	4811400	8	Washer M4	
13	1001100342	1	Receptacle Box Kit (See Separate Breakdown in this Section)	
14	3252507	1	Decal - 240V-50/60Hz	

# SECTION 8 - ELECTRICAL

FIGURE 8-14. AC BOX AT PLATFORM INSTALLATION - 220V IEC 60309 BLUE (4000W GENERATOR)  
(CE, RUSSIA & UK CA SPECS)



ART\_1001194204



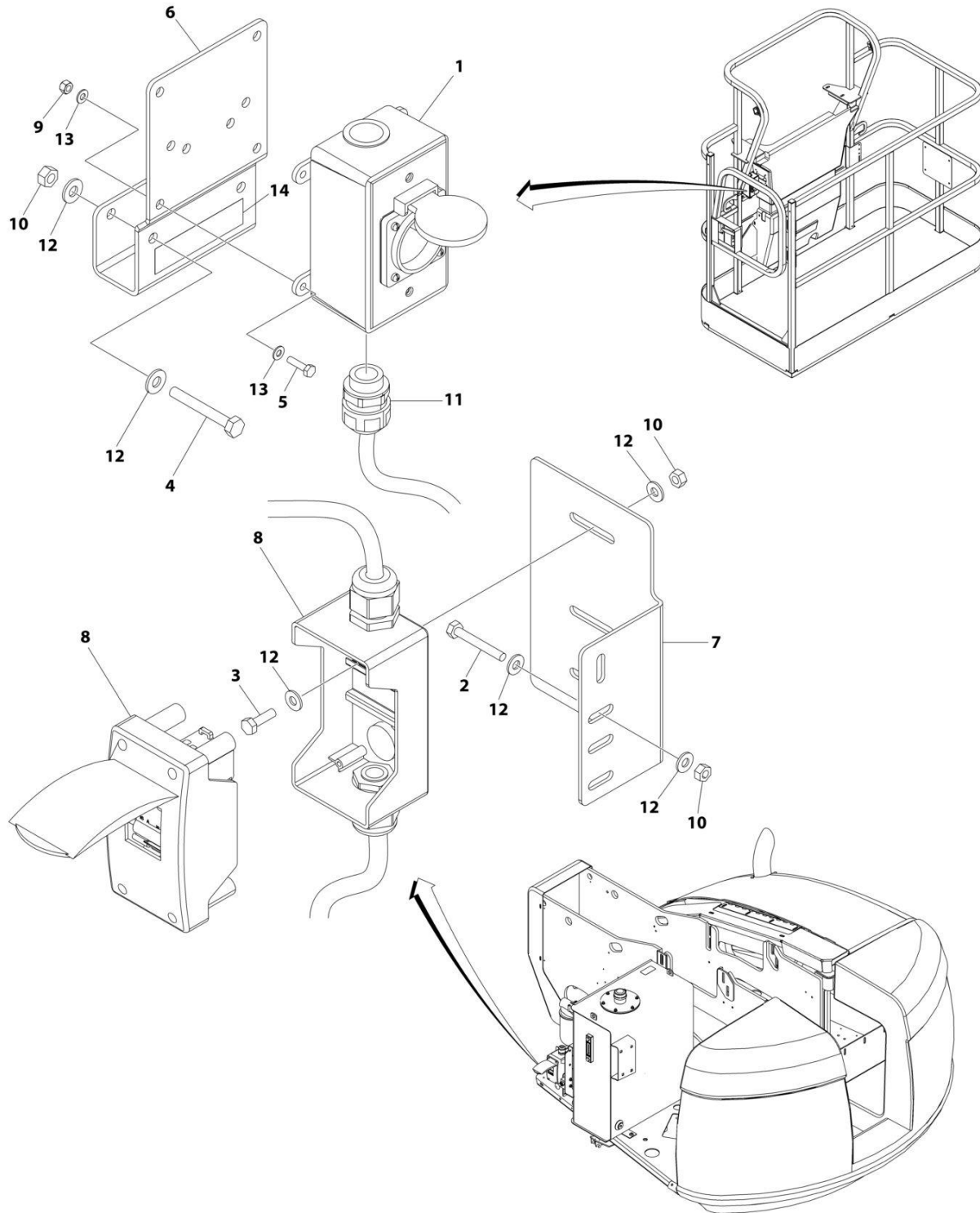
## SECTION 8 - ELECTRICAL

**FIGURE 8-14. AC BOX AT PLATFORM INSTALLATION - 220V IEC 60309 BLUE (4000W GENERATOR)  
(CE, RUSSIA & UK CA SPECS)**

ITEM	PART NUMBER	QTY	DESCRIPTION	REV
	1001194204	Ref	AC BOX AT PLATFORM INSTALLATION	B
1	0100020	AR	Sealant, Pipe	
2	0641416	2	Bolt 1/4 x 2	
3	0700408	2	Bolt M4 x 16	
4	0861781	1	Box, Switch	
5	3251242	1	Decal - 240V/50Hz	
6	3290405	2	Nut M4	
7	3311405	2	Nut 1/4	
8	4460968	1	Connector, Strain Relief	
9	4461201	1	Receptacle	
10	4711400	4	Washer 1/4	
11	4811400	4	Washer M4	
12	1001193018	1	Bracket, AC Receptacle	

# SECTION 8 - ELECTRICAL

FIGURE 8-15. AC BOX AT PLATFORM INSTALLATION - 220V CEE7 POST GROUND (CE, RUSSIA & UK CA SPECS)



ART\_0275653

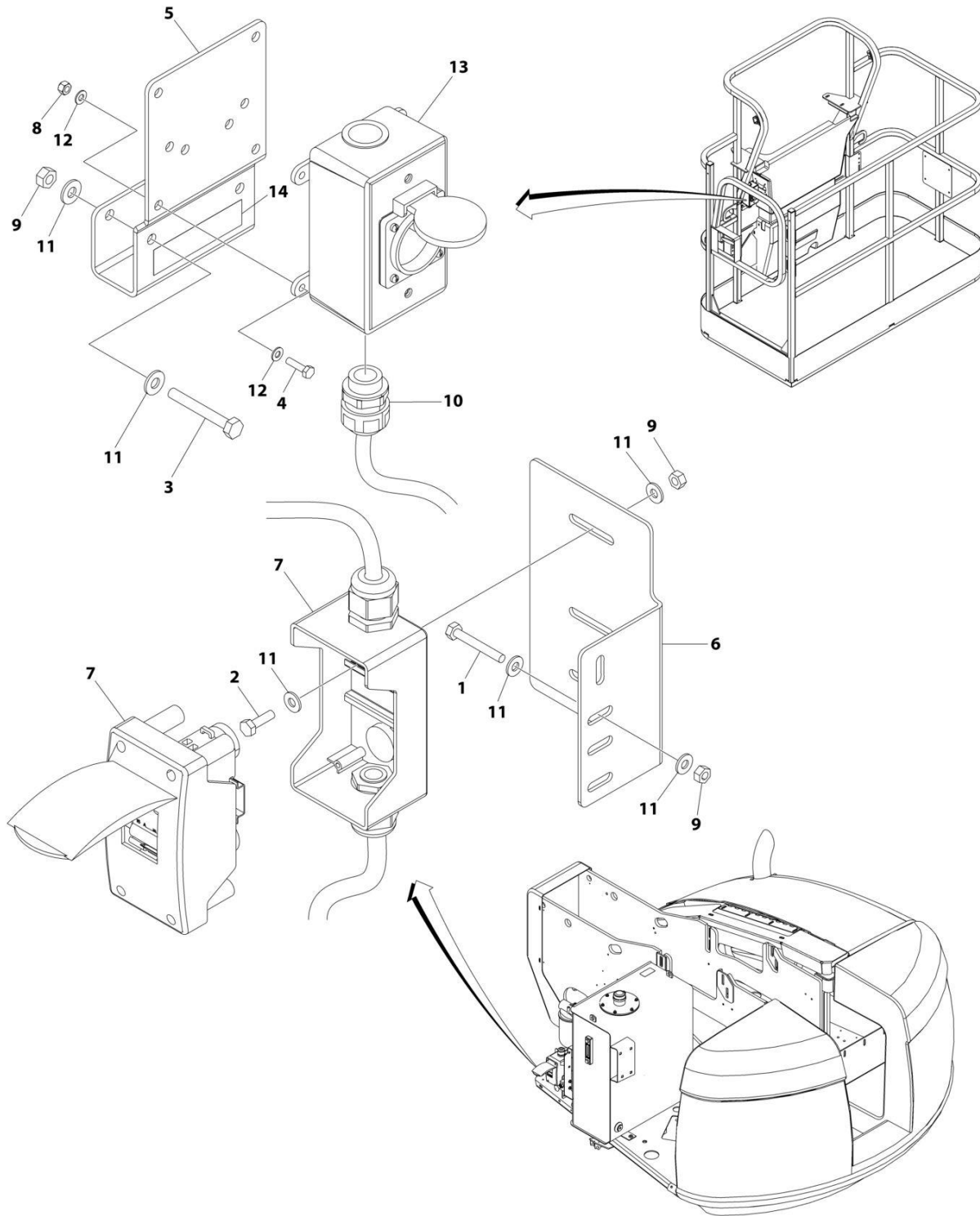
## SECTION 8 - ELECTRICAL

**FIGURE 8-15. AC BOX AT PLATFORM INSTALLATION - 220V CEE7 POST GROUND (CE, RUSSIA & UK CA SPECS)**

ITEM	PART NUMBER	QTY	DESCRIPTION	REV
	0275653	Ref	AC BOX AT PLATFORM INSTALLATION	G
1	0275452	1	Receptacle Box Kit - 220V CEE7 Post Ground 21in x 4in (See Separate Breakdown in this Section)	
2	0641415	2	Bolt 1/4 x 1-7/8	
3	0641407	2	Bolt 1/4 x 7/8	
4	0641416	2	Bolt 1/4 x 2	
5	0700408	4	Bolt M4 x 16	
6	1001193018	1	Bracket	
7	1001153636	1	Bracket	
8	1001096070	1	Breaker Box Kit (See Separate Breakdown in this Section)	
9	3290405	4	Nut M4	
10	3311405	6	Nut 1/4	
11	4460662	1	Connector, Strain Relief	
12	4711400	12	Washer 1/4	
13	4811400	8	Washer M4	
14	3252507	1	Decal - 240V-50/60Hz	

# SECTION 8 - ELECTRICAL

FIGURE 8-16. AC BOX AT PLATFORM INSTALLATION - 220V CEE7 POST GROUND (2500W GENERATOR) (CE, RUSSIA & UK CA SPECS)



ART\_1001100397

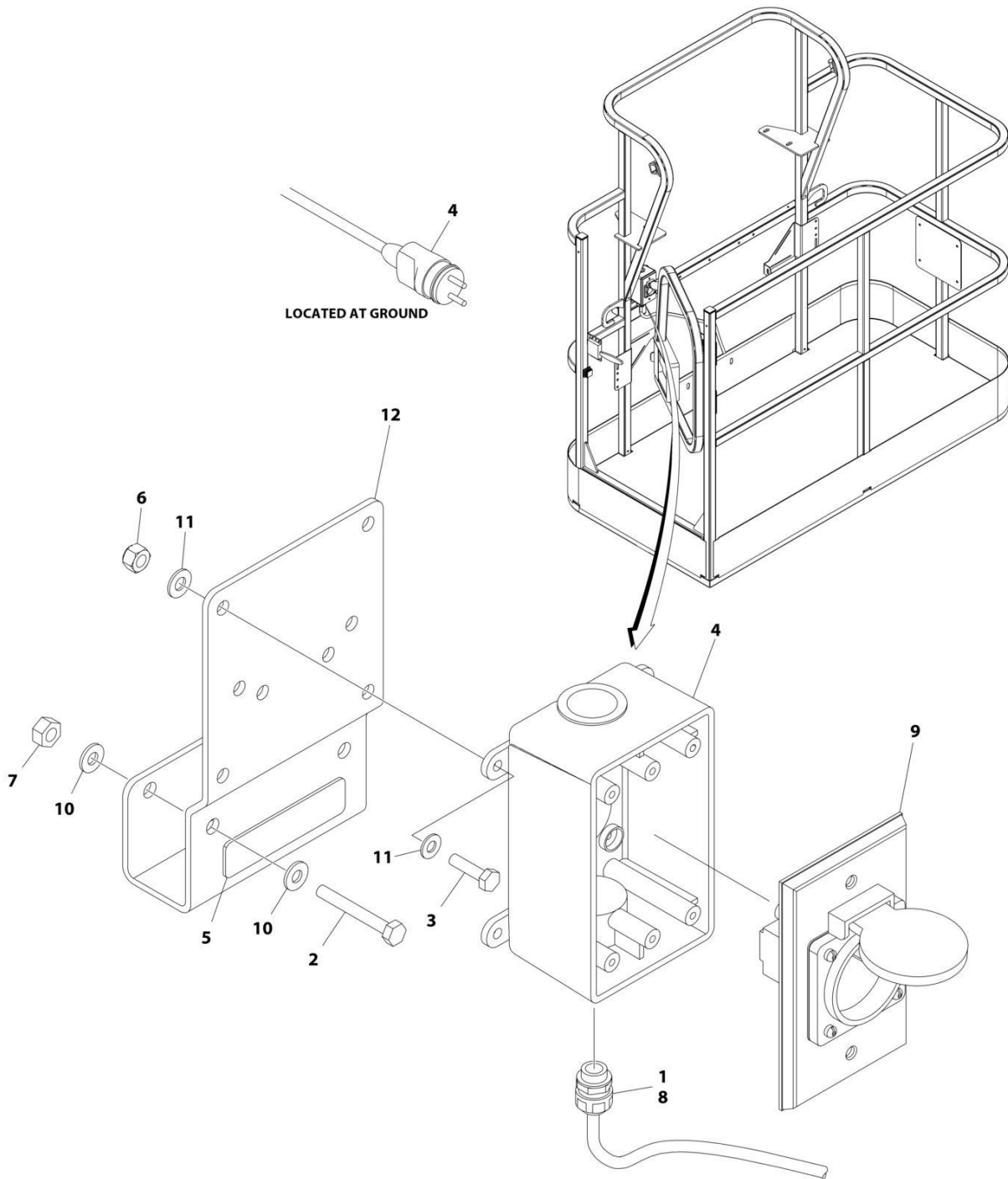
## SECTION 8 - ELECTRICAL

**FIGURE 8-16. AC BOX AT PLATFORM INSTALLATION - 220V CEE7 POST GROUND (2500W GENERATOR) (CE, RUSSIA & UK CA SPECS)**

ITEM	PART NUMBER	QTY	DESCRIPTION	REV
	1001100397	Ref	AC BOX AT PLATFORM INSTALLATION	H
1	0641415	2	Bolt 1/4 x 1-7/8	
2	0641407	2	Bolt 1/4 x 7/8	
3	0641416	2	Bolt 1/4 x 2	
4	0700408	4	Bolt M4 x 16	
5	1001193018	1	Bracket	
6	1001153636	1	Bracket	
7	1001109554	1	Breaker Box Kit (See Separate Breakdown in this Section)	
8	3290405	4	Nut M4	
9	3311405	6	Nut 1/4	
10	4460662	1	Connector, Strain Relief	
11	4711400	12	Washer 1/4	
12	4811400	8	Washer M4	
13	1001100345	1	Receptacle Box Kit (See Separate Breakdown in this Section)	
14	3252507	1	Decal - 240V-50/60Hz	

# SECTION 8 - ELECTRICAL

**FIGURE 8-17. AC BOX AT PLATFORM INSTALLATION - 220V CEE7 POST GROUND (2X4 BOX)  
(4000W GENERATOR) (CE, RUSSIA & UK CA SPECS)**



ART\_1001194197

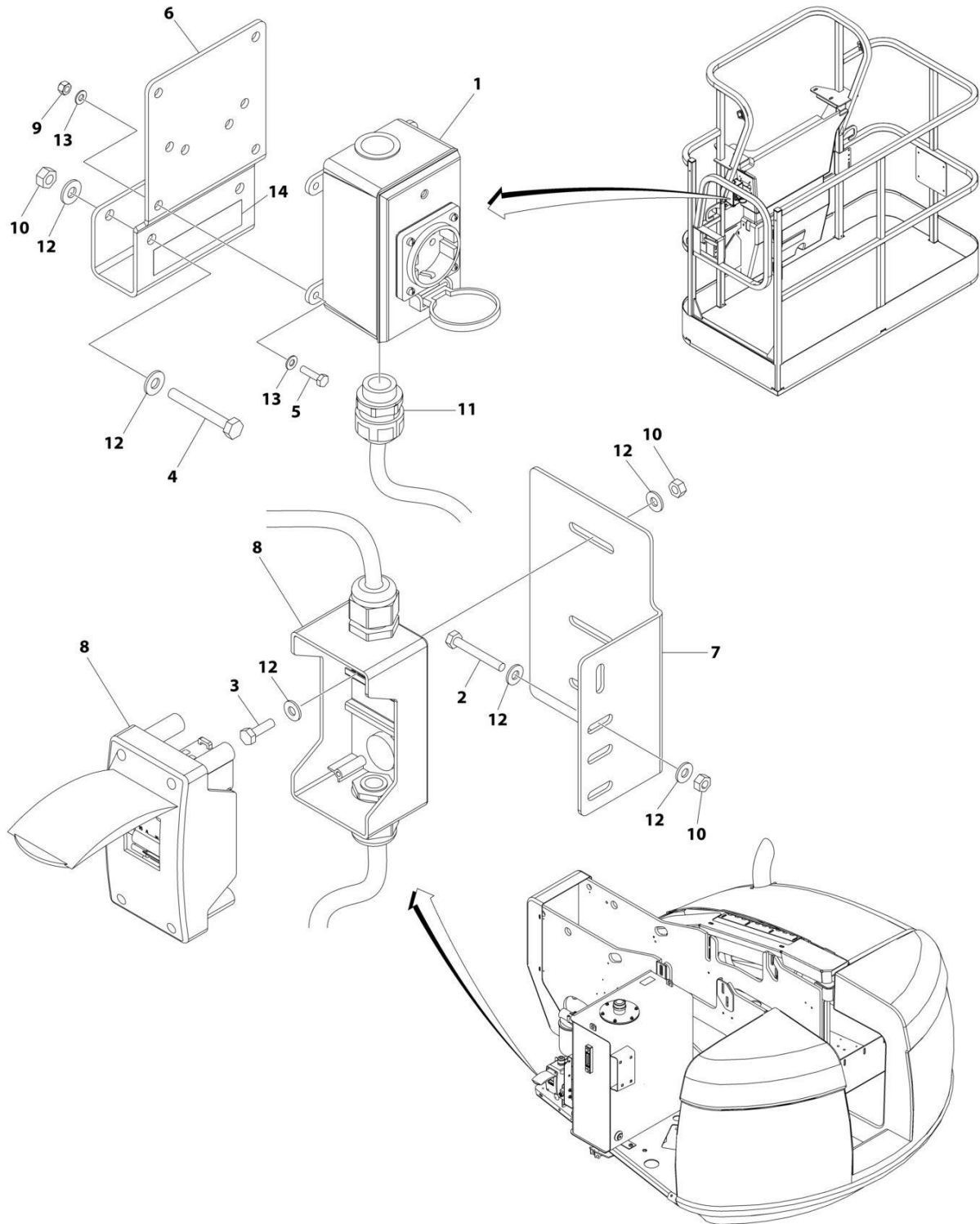
## SECTION 8 - ELECTRICAL

**FIGURE 8-17. AC BOX AT PLATFORM INSTALLATION - 220V CEE7 POST GROUND (2X4 BOX)  
(4000W GENERATOR) (CE, RUSSIA & UK CA SPECS)**

ITEM	PART NUMBER	QTY	DESCRIPTION	REV
	1001194197	Ref	AC BOX AT PLATFORM INSTALLATION	B
1	0100020	AR	Sealant, Pipe	
2	0641416	2	Bolt 1/4 x 2	
3	0700408	4	Bolt M4 x 16	
4	0861731	1	Box, Switch	
5	3251242	1	Decal - 240V/50Hz	
6	3290405	4	Nut M4	
7	3311405	2	Nut 1/4	
8	4460662	1	Connector, Strain Relief	
9	4461244	1	Receptacle	
10	4711400	4	Washer 1/4	
11	4811400	8	Washer M4	
12	1001193018	1	Bracket, AC Receptacle	
13	4460806	2	Terminal, Fork (Not Shown)	
14	1001205958	1	Terminal (Not Shown)	

# SECTION 8 - ELECTRICAL

FIGURE 8-18. AC BOX AT PLATFORM INSTALLATION - 220V CEE7 SIDE GROUND (CE, RUSSIA & UK CA SPECS)



ART\_0275654



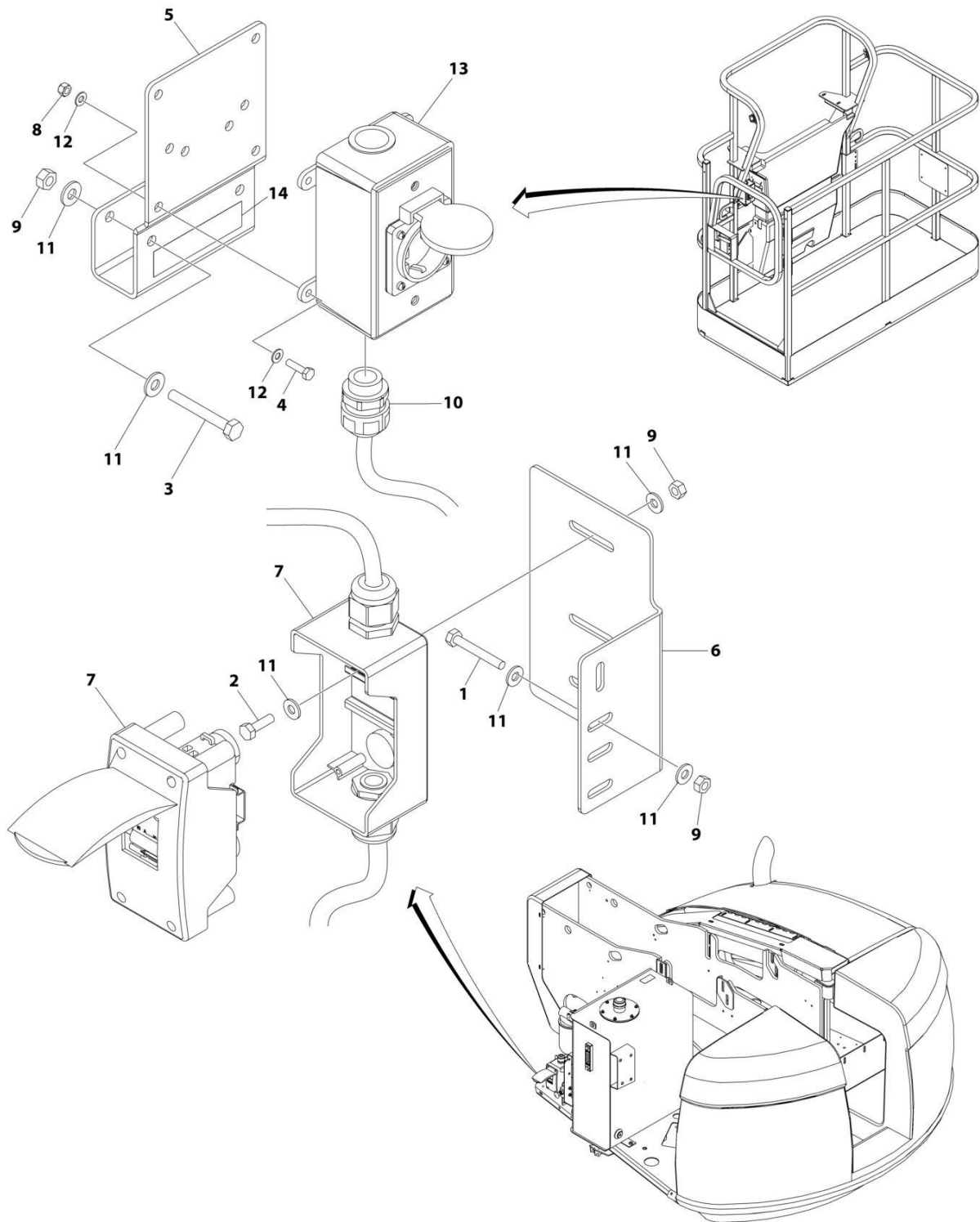
## SECTION 8 - ELECTRICAL

**FIGURE 8-18. AC BOX AT PLATFORM INSTALLATION - 220V CEE7 SIDE GROUND (CE, RUSSIA & UK CA SPECS)**

ITEM	PART NUMBER	QTY	DESCRIPTION	REV
	0275654	Ref	AC BOX AT PLATFORM INSTALLATION - 220V CEE7 2X4 BOX SIDE GROUND	G
1	0275453	1	Receptacle Box Kit (See Separate Breakdown in this Section)	
2	0641415	2	Bolt 1/4 x 1-7/8	
3	0641407	2	Bolt 1/4 x 7/8	
4	0641416	2	Bolt 1/4 x 2	
5	0700408	4	Bolt M4 x 16	
6	1001193018	1	Bracket	
7	1001153636	1	Bracket	
8	1001096070	1	Breaker Box Kit (See Separate Breakdown in this Section)	
9	3290405	4	Nut M4	
10	3311405	6	Nut 1/4	
11	4460662	1	Connector, Strain Relief	
12	4711400	12	Washer 1/4	
13	4811400	8	Washer M4	
14	3252507	1	Decal - 240V-50/60Hz	

# SECTION 8 - ELECTRICAL

FIGURE 8-19. AC BOX AT PLATFORM INSTALLATION - 220V CEE7 SIDE GROUND (2500W GENERATOR) (CE, RUSSIA & UK CA SPECS)



ART\_1001100398

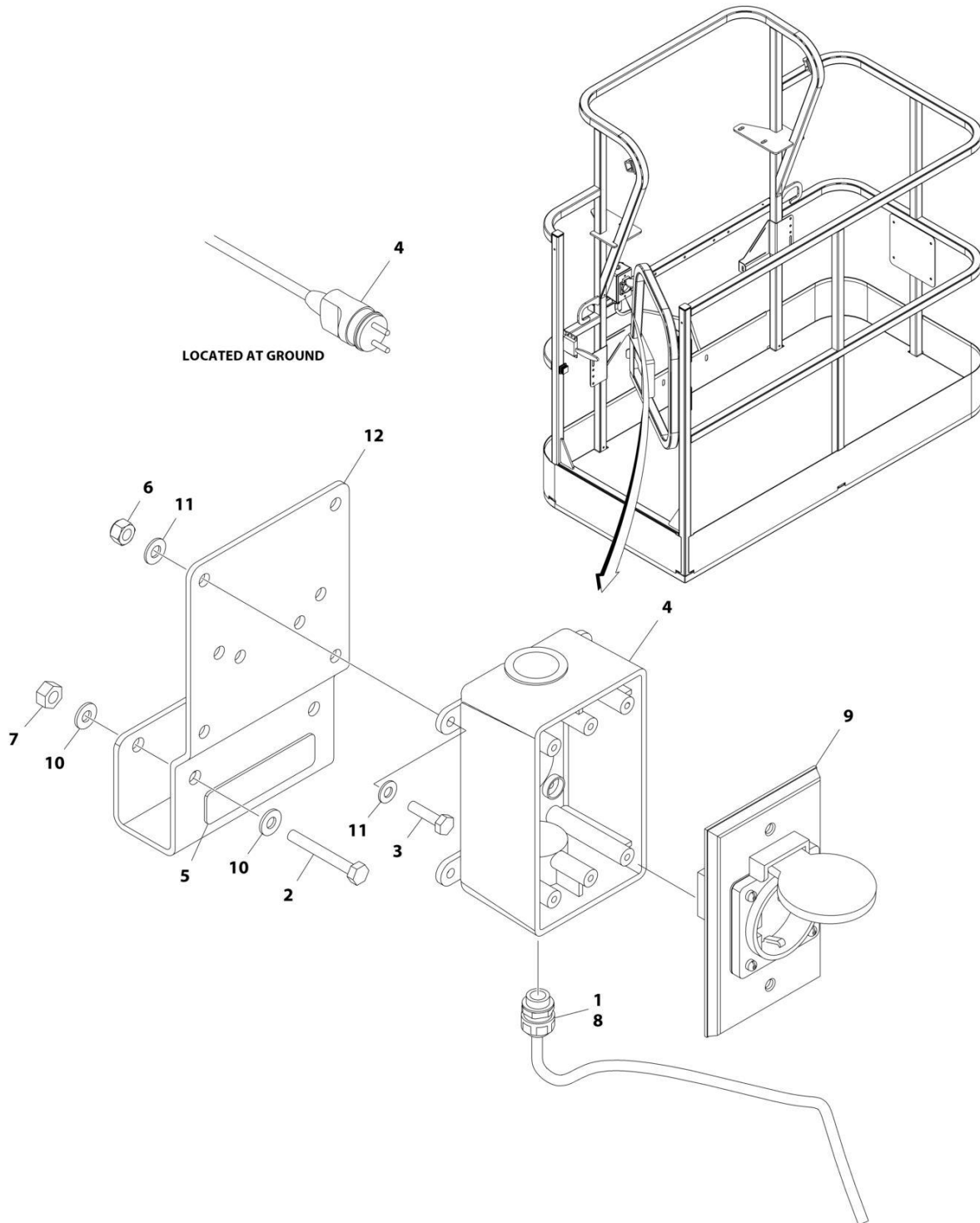
## SECTION 8 - ELECTRICAL

**FIGURE 8-19. AC BOX AT PLATFORM INSTALLATION - 220V CEE7 SIDE GROUND (2500W GENERATOR) (CE, RUSSIA & UK CA SPECS)**

ITEM	PART NUMBER	QTY	DESCRIPTION	REV
	1001100398	Ref	AC BOX AT PLATFORM INSTALLATION	H
1	0641415	2	Bolt 1/4 x 1-7/8	
2	0641407	2	Bolt 1/4 x 7/8	
3	0641416	2	Bolt 1/4 x 2	
4	0700408	4	Bolt M4 x 16	
5	1001193018	1	Bracket	
6	1001153636	1	Bracket	
7	1001109554	1	Breaker Box Kit (See Separate Breakdown in this Section)	
8	3290405	4	Nut M4	
9	3311405	6	Nut 1/4	
10	4460662	1	Connector, Strain Relief	
11	4711400	12	Washer 1/4	
12	4811400	8	Washer M4	
13	1001100347	1	Receptacle Box Kit (See Separate Breakdown in this Section)	
14	3252507	1	Decal - 240V-50/60Hz	

# SECTION 8 - ELECTRICAL

FIGURE 8-20. AC BOX AT PLATFORM INSTALLATION - 220V CEE7 SIDE GROUND (2X4 BOX)  
(4000W GENERATOR) (CE, RUSSIA & UK CA SPECS)



ART\_1001194198

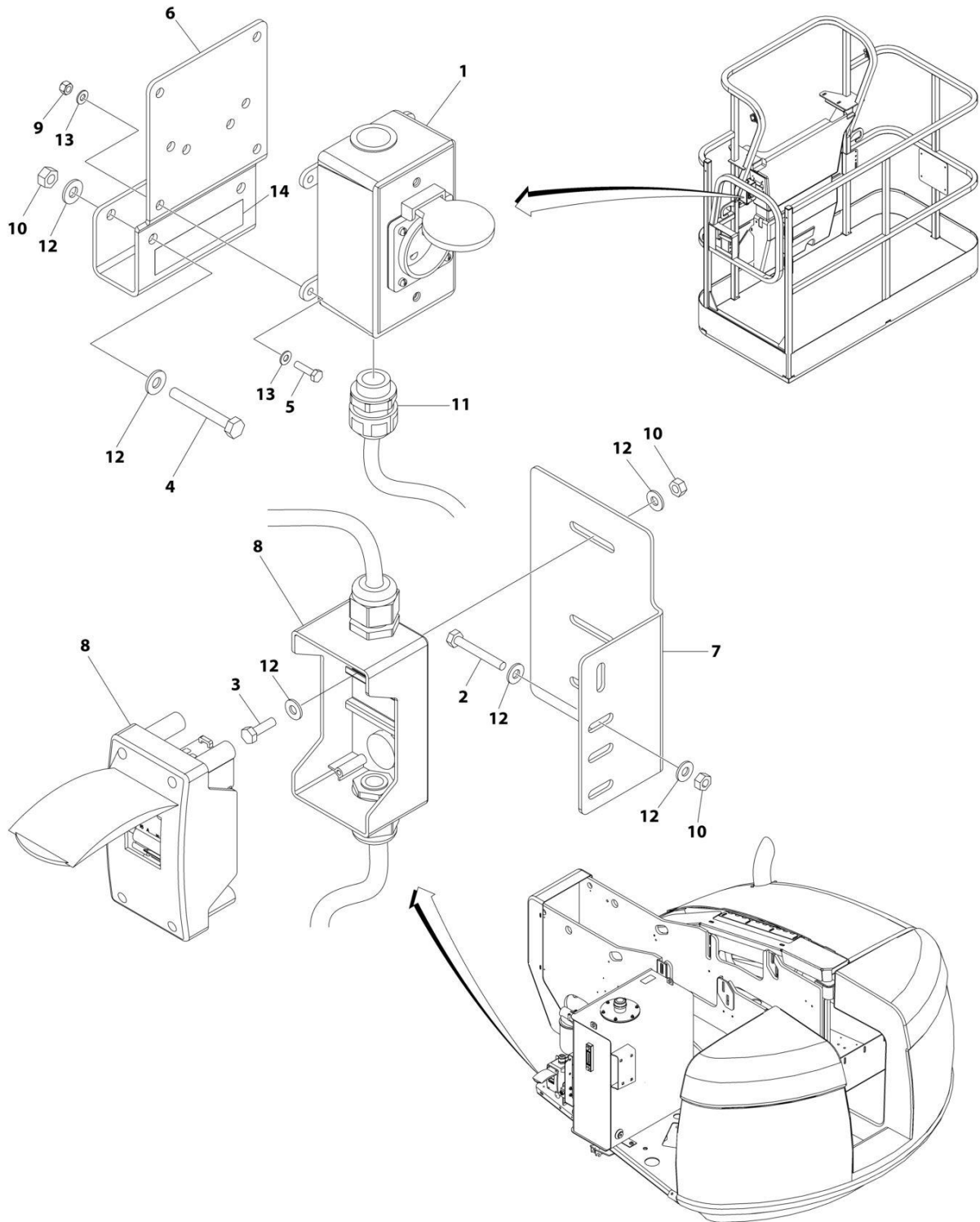
## SECTION 8 - ELECTRICAL

**FIGURE 8-20. AC BOX AT PLATFORM INSTALLATION - 220V CEE7 SIDE GROUND (2X4 BOX)  
(4000W GENERATOR) (CE, RUSSIA & UK CA SPECS)**

ITEM	PART NUMBER	QTY	DESCRIPTION	REV
	1001194198	Ref	AC BOX AT PLATFORM INSTALLATION	B
1	0100020	AR	Sealant, Pipe	
2	0641416	2	Bolt 1/4 x 2	
3	0700408	4	Bolt M4 x 16	
4	0861731	1	Box, Switch	
5	3251242	1	Decal - 240V/50Hz	
6	3290405	4	Nut M4	
7	3311405	2	Nut 1/4	
8	4460662	1	Connector, Strain Relief	
9	4461245	1	Receptacle	
10	4711400	4	Washer 1/4	
11	4811400	8	Washer M4	
12	1001193018	1	Bracket, AC Receptacle	
13	4460806	2	Terminal, Fork (Not Shown)	
14	1001205958	1	Terminal (Not Shown)	

# SECTION 8 - ELECTRICAL

FIGURE 8-21. AC BOX AT PLATFORM INSTALLATION - 220V AFSINT 107 (CE, RUSSIA & UK CA SPECS)



ART\_0275660

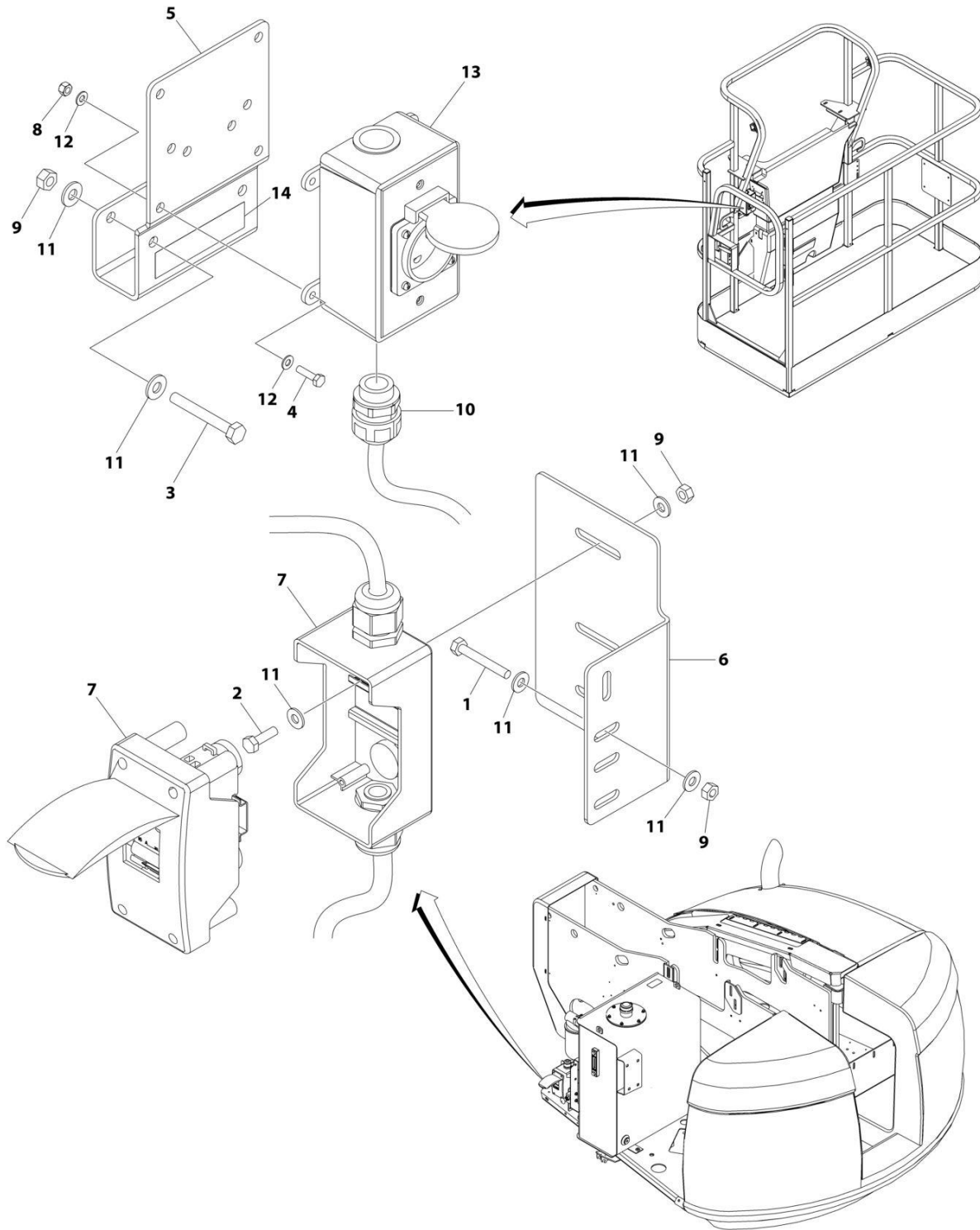
## SECTION 8 - ELECTRICAL

**FIGURE 8-21. AC BOX AT PLATFORM INSTALLATION - 220V AFSINT 107 (CE, RUSSIA & UK CA SPECS)**

ITEM	PART NUMBER	QTY	DESCRIPTION	REV
	0275660	Ref	AC BOX AT PLATFORM INSTALLATION - 220V AFSINT 107	G
1	0275454	1	Receptacle Box Kit (See Separate Breakdown in this Section)	
2	0641415	2	Bolt 1/4 x 1-7/8	
3	0641407	2	Bolt 1/4 x 7/8	
4	0641416	2	Bolt 1/4 x 2	
5	0700408	4	Bolt M4 x 16	
6	1001193018	1	Bracket	
7	1001153636	1	Bracket	
8	1001096070	1	Breaker Box Kit (See Separate Breakdown in this Section)	
9	3290405	4	Nut M4	
10	3311405	6	Nut 1/4	
11	4460662	1	Connector, Strain Relief	
12	4711400	12	Washer 1/4	
13	4811400	8	Washer M4	
14	3252507	1	Decal - 240V-50/60Hz	

# SECTION 8 - ELECTRICAL

FIGURE 8-22. AC BOX AT PLATFORM INSTALLATION - 220V AFSINT 107 (2500W GENERATOR) (CE, RUSSIA & UK CA SPECS)



ART\_1001100399



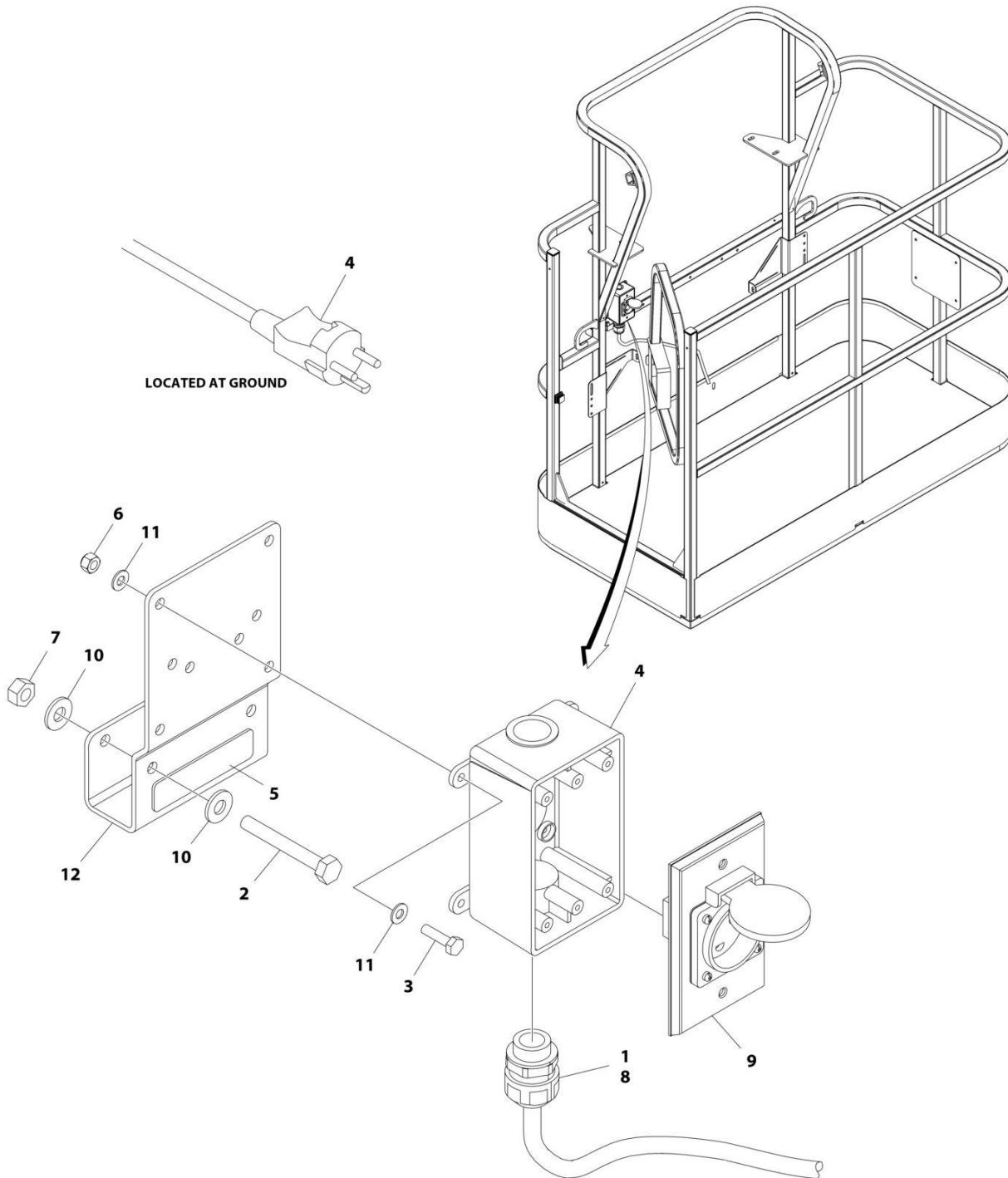
## SECTION 8 - ELECTRICAL

**FIGURE 8-22. AC BOX AT PLATFORM INSTALLATION - 220V AFSINT 107 (2500W GENERATOR) (CE, RUSSIA & UK CA SPECS)**

ITEM	PART NUMBER	QTY	DESCRIPTION	REV
	1001100399	Ref	AC BOX AT PLATFORM INSTALLATION	G
1	0641415	2	Bolt 1/4 x 1-7/8	
2	0641407	2	Bolt 1/4 x 7/8	
3	0641416	2	Bolt 1/4 x 2	
4	0700408	4	Bolt M4 x 16	
5	1001193018	1	Bracket	
6	1001153636	1	Bracket	
7	1001109554	1	Breaker Box Kit (See Separate Breakdown in this Section)	
8	3290405	4	Nut M4	
9	3311405	6	Nut 1/4	
10	4460662	1	Connector, Strain Relief	
11	4711400	12	Washer 1/4	
12	4811400	8	Washer M4	
13	1001100346	1	Receptacle Box Kit (See Separate Breakdown in this Section)	
14	3252507	1	Decal - 240V-50/60Hz	

# SECTION 8 - ELECTRICAL

FIGURE 8-23. AC BOX AT PLATFORM INSTALLATION - 220V AFSINT 107 KEYED GROUND (2X4 BOX) (4000W GENERATOR) (CE, RUSSIA & UK CA SPECS)



ART\_1001194200

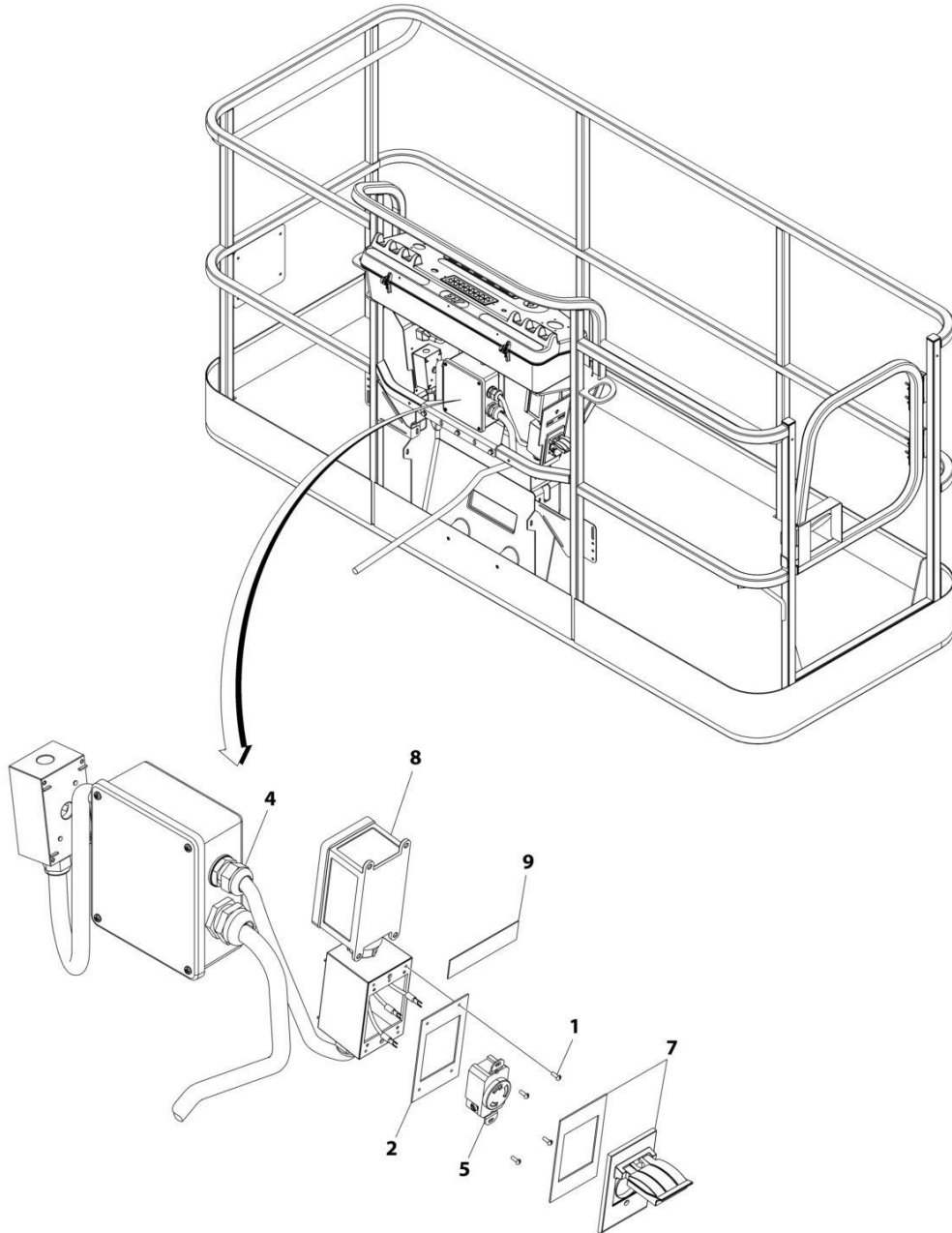
## SECTION 8 - ELECTRICAL

**FIGURE 8-23. AC BOX AT PLATFORM INSTALLATION - 220V AFSINT 107 KEYED GROUND (2X4 BOX) (4000W GENERATOR) (CE, RUSSIA & UK CA SPECS)**

ITEM	PART NUMBER	QTY	DESCRIPTION	REV
	1001194200	Ref	AC BOX AT PLATFORM INSTALLATION	B
1	0100020	AR	Sealant, Pipe	
2	0641416	2	Bolt 1/4 x 2	
3	0700408	4	Bolt M4 x 16	
4	0861731	1	Box, Switch	
5	3251242	1	Decal - 240V/50Hz	
6	3290405	4	Nut M4	
7	3311405	2	Nut 1/4	
8	4460662	1	Connector, Strain Relief	
9	4461246	1	Receptacle	
10	4711400	4	Washer 1/4	
11	4811400	8	Washer M4	
12	1001193018	1	Bracket, AC Receptacle	
13	1001205958	1	Terminal (Not Shown)	

## SECTION 8 - ELECTRICAL

**FIGURE 8-24. AC BOX AT PLATFORM INSTALLATION - 240V GFCI RECEPTACLE (4000W SKYPOWER GENERATOR) (ANSI, ANSI EXPORT, CHINA, CSA AND JAPANESE SPECS)**



ART\_1001171131

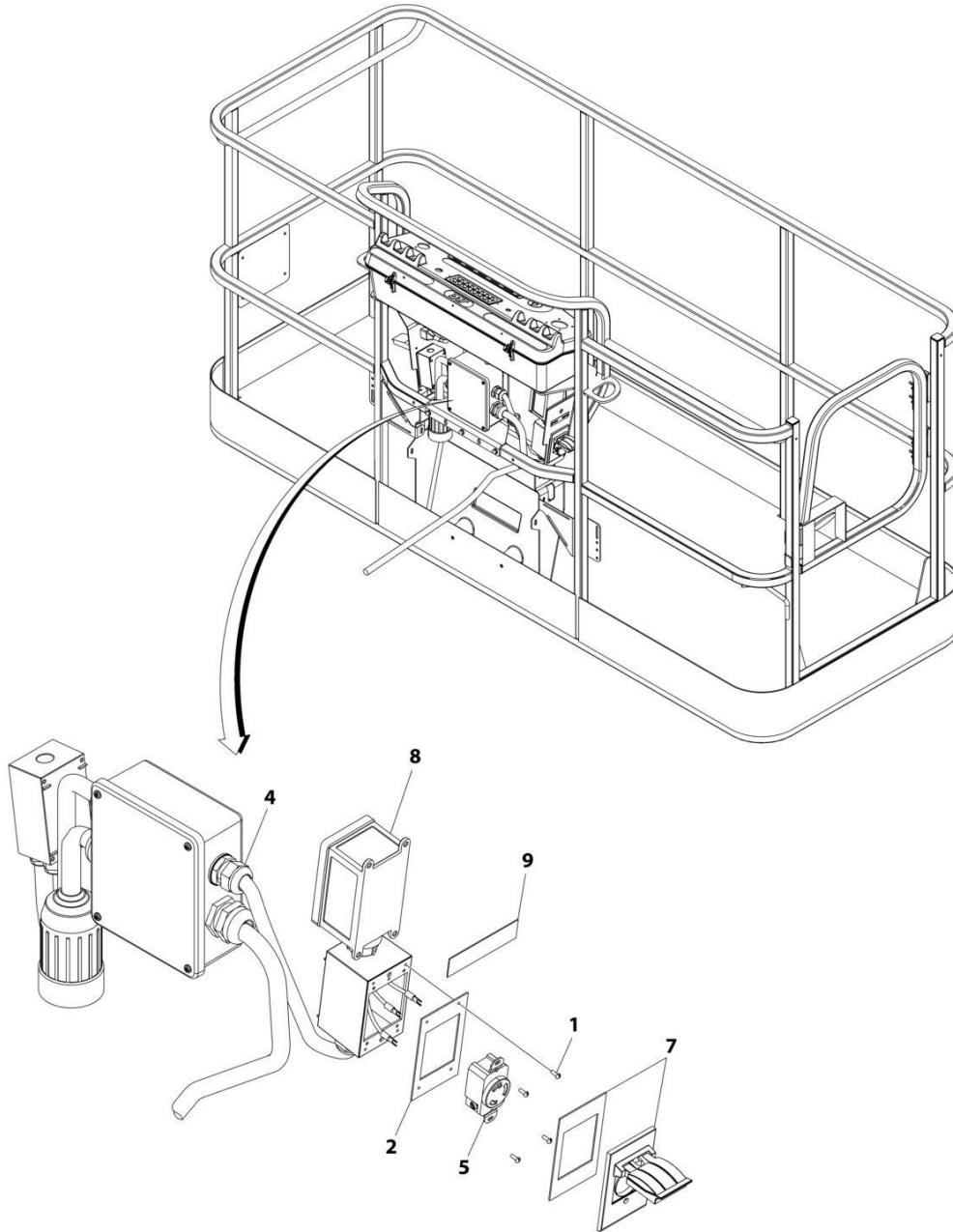
## SECTION 8 - ELECTRICAL

**FIGURE 8-24. AC BOX AT PLATFORM INSTALLATION - 240V GFCI RECEPTACLE (4000W SKYPOWER GENERATOR) (ANSI, ANSI EXPORT, CHINA, CSA AND JAPANESE SPECS)**

ITEM	PART NUMBER	QTY	DESCRIPTION	REV
	1001171131	Ref	AC BOX AT PLATFORM INSTALLATION - 240V RECEPTACLE	B
1	3910606	4	Screw 6 x 3/8	
2	3960422	1	Gasket	
3	4240018	AR	Tie-Strap (Not Shown)	
4	4460425	1	Connector, Strain Relief	
5	1001176862	1	Receptacle	
7	1001110872	1	Cover, Receptacle	
8	1001159120	1	Receptacle/Breaker Box Assembly	
8	1001148675	1	Box, Receptacle	
8	1001159118	1	Breaker GFCI 30Amp 240VAC	
8	4460612	1	Connector, Strain Relief	
8	1001159119	1	Connector (Between Boxes)	
9	1705374	1	Decal - 240V/60Hz	

## SECTION 8 - ELECTRICAL

FIGURE 8-25. AC BOX AT PLATFORM INSTALLATION - 240V GFCI RECEPTACLE (7500W SKYPOWER GENERATOR) (ANSI AND CSA SPECS)



ART\_1001159121

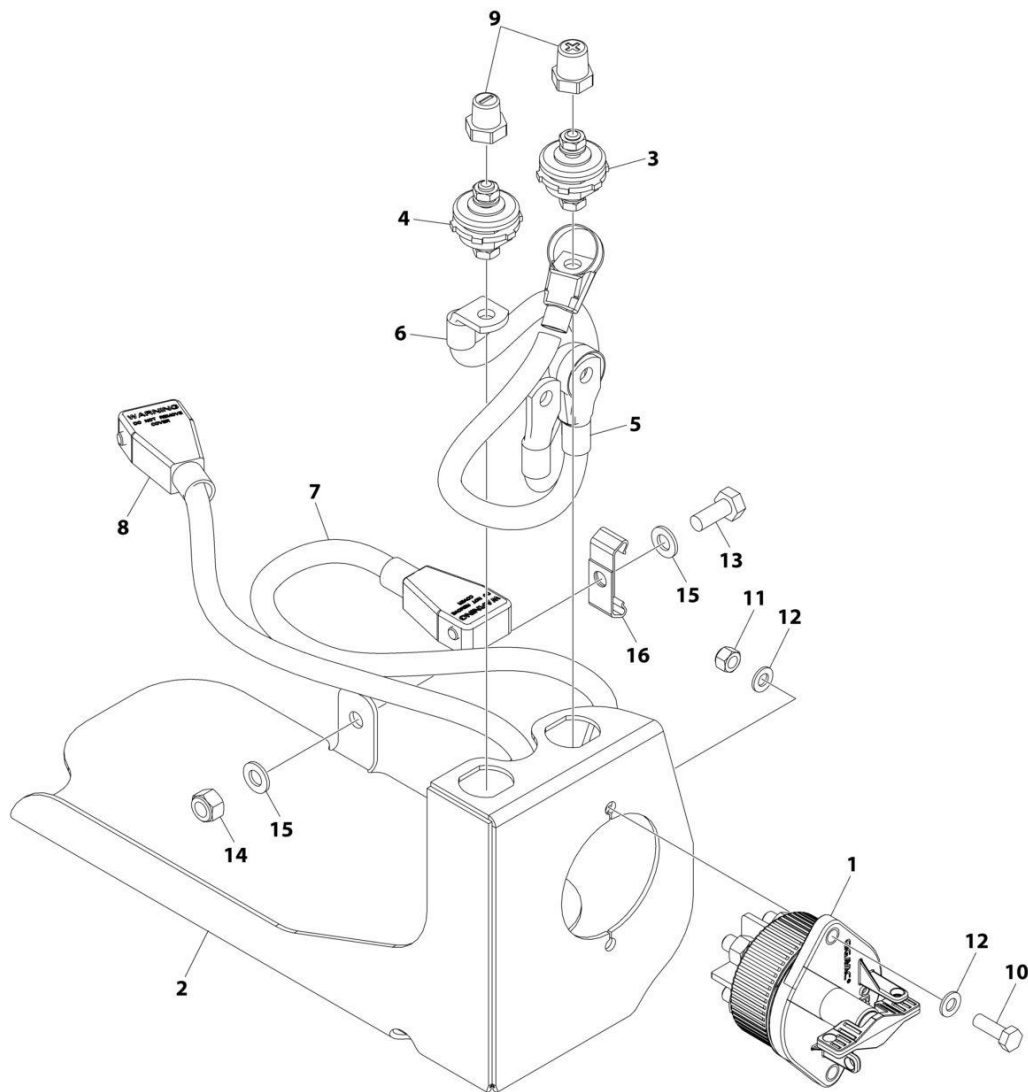
## SECTION 8 - ELECTRICAL

**FIGURE 8-25. AC BOX AT PLATFORM INSTALLATION - 240V GFCI RECEPTACLE (7500W SKYPOWER GENERATOR) (ANSI AND CSA SPECS)**

ITEM	PART NUMBER	QTY	DESCRIPTION	REV
	1001159121	Ref	AC BOX AT PLATFORM INSTALLATION - 240V RECEPTACLE	B
1	3910606	4	Screw 6 x 3/8	
2	3960422	1	Gasket	
3	4240018	AR	Tie-Strap (Not Shown)	
4	4460425	1	Connector, Strain Relief	
5	4460958	1	Receptacle	
7	1001110872	1	Cover, Receptacle	
8	1001159120	1	Receptacle/Breaker Box Assembly	
8	1001148675	1	Box, Receptacle	
8	1001159118	1	Breaker Box Assembly	
8	4460612	1	Connector, Strain Relief	
8	1001159119	1	Connector (Between Boxes)	
9	1705374	1	Decal - 240V/60Hz	

# SECTION 8 - ELECTRICAL

## FIGURE 8-26. BATTERY DISCONNECT SWITCH INSTALLATION - DEUTZ D2011 ENGINES



ART\_1001214396



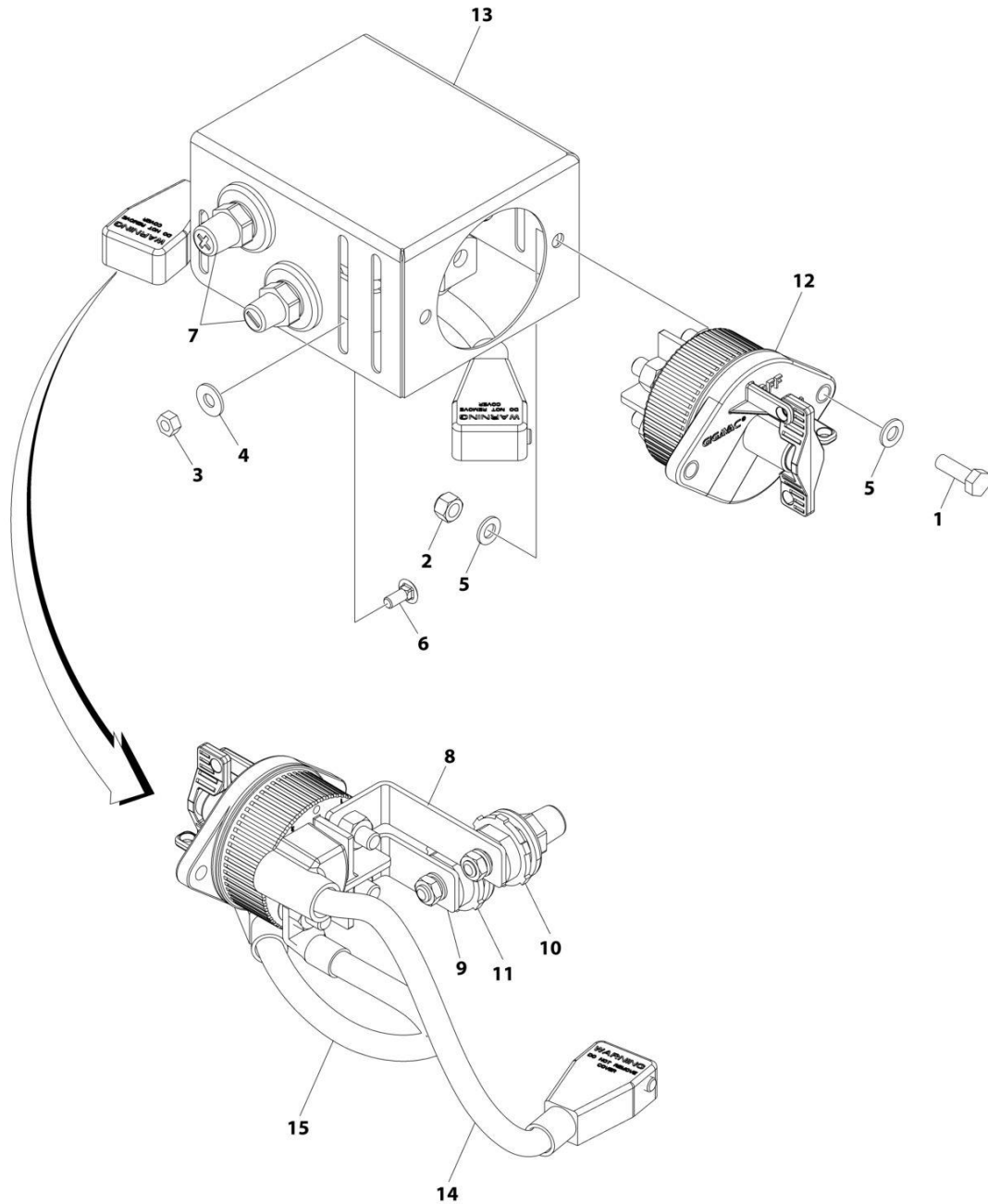
## SECTION 8 - ELECTRICAL

**FIGURE 8-26. BATTERY DISCONNECT SWITCH INSTALLATION - DEUTZ D2011 ENGINES**

ITEM	PART NUMBER	QTY	DESCRIPTION	REV
	1001214396	Ref	BATTERY DISCONNECT SWITCH INSTALLATION	B
1	1001225346	1	Switch	
2	1001226529	1	Mount	
3	1001214570	1	Connector (Red)	
4	1001214571	1	Connector (Black)	
5	1001236375	1	Cable (Positive)	
6	1001236376	1	Cable (Negative)	
7	1001236377	1	Cable (Positive)	
8	1001236378	1	Cable (Negative)	
9	1001206476	1	Connector	
10	0760812	2	Bolt M8 x 25	
11	3290805	2	Nut M8	
12	4811900	4	Washer M8	
13	0761012	1	Bolt M10 x 25	
14	3291005	1	Nut M10	
15	4812000	2	Washer M10	
16	1320223	2	Clamp	

# SECTION 8 - ELECTRICAL

FIGURE 8-27. BATTERY DISCONNECT SWITCH INSTALLATION (DEUTZ TD2.2L3 (STAGE V), DEUTZ TD2.9L4, DEUTZ D2.9L4, DEUTZ D2.9L4 (CHINA IV) AND FORD DF2.5L ENGINES)



ART\_1001236304

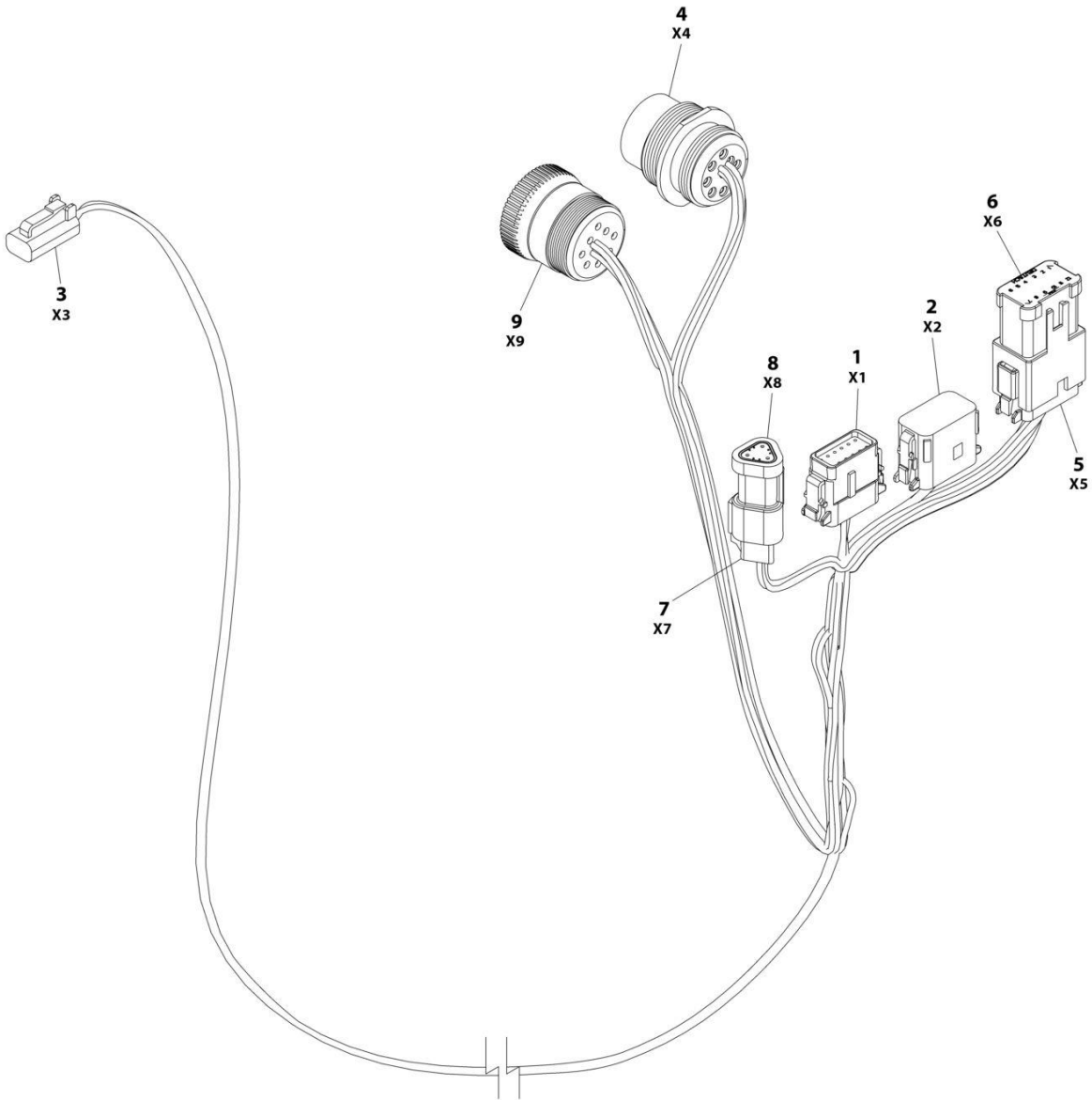
## SECTION 8 - ELECTRICAL

**FIGURE 8-27. BATTERY DISCONNECT SWITCH INSTALLATION (DEUTZ TD2.2L3 (STAGE V), DEUTZ TD2.9L4, DEUTZ D2.9L4, DEUTZ D2.9L4 (CHINA IV) AND FORD DF2.5L ENGINES)**

ITEM	PART NUMBER	QTY	DESCRIPTION	REV
	1001236304	Ref	BATTERY DISCONNECT SWITCH INSTALLATION	A
1	0760812	2	Bolt M8 x 25	
2	3290805	2	Nut M8	
3	3311405	3	Nut 1/4	
4	4751400	3	Washer 1/4	
5	4811900	4	Washer M8	
6	88411013	3	Bolt 1/4 x 3/4	
7	1001206476	1	Connectors, Post	
8	1001209432	1	Bussbar	
9	1001209474	1	Bussbar	
10	1001214570	1	Connector (Red)	
11	1001214571	1	Connector (Black)	
12	1001225346	1	Switch, Battery	
13	1001226531	1	Mount	
14	1001236504	1	Cable, Battery (+)	
15	1001236505	1	Cable, Battery (-)	

# SECTION 8 - ELECTRICAL

## FIGURE 8-28. BEACON LIGHT HARNESS (BLUE AND RED BEACON LIGHT)



ART\_1001142736

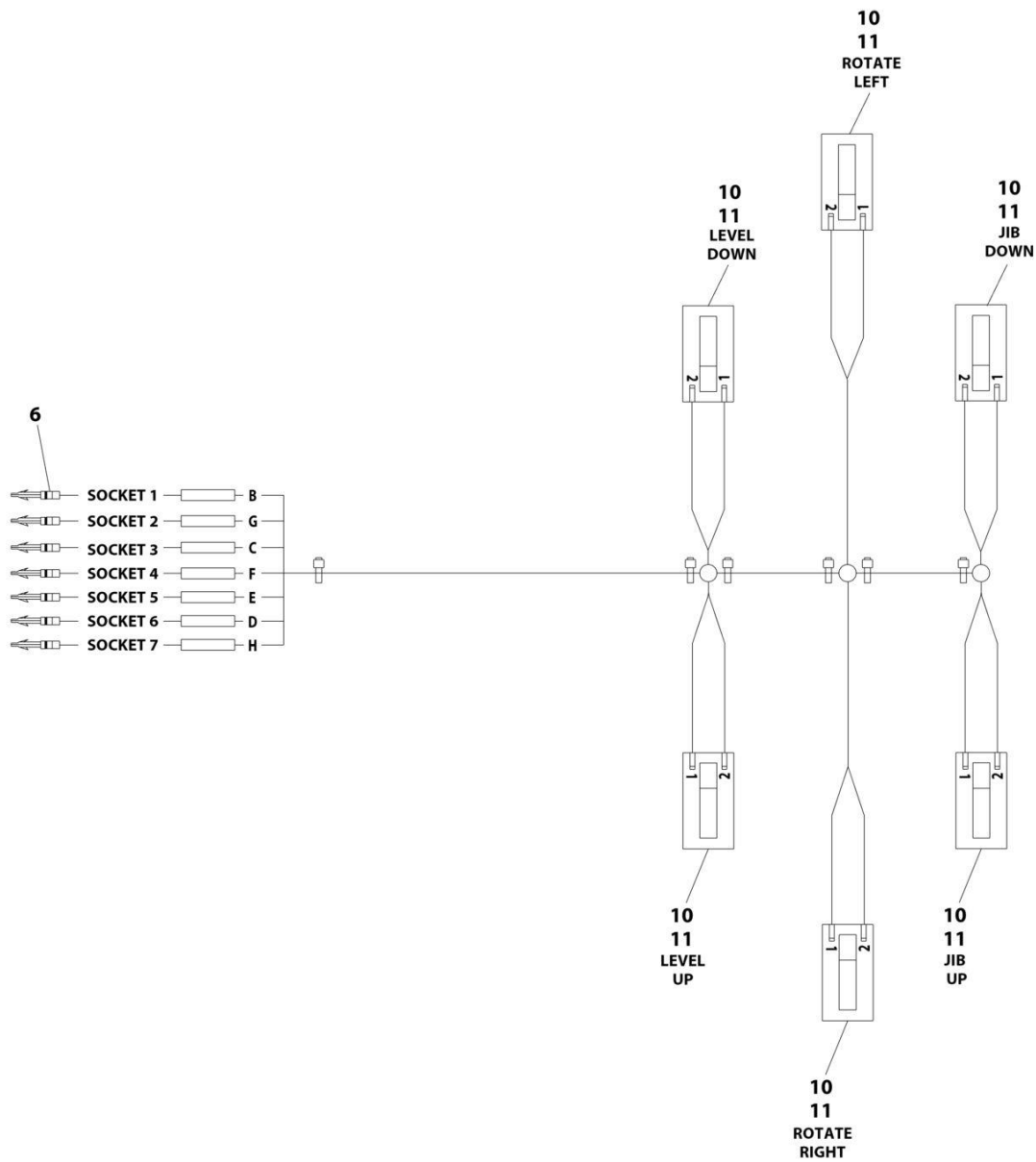
## SECTION 8 - ELECTRICAL

**FIGURE 8-28. BEACON LIGHT HARNESS (BLUE AND RED BEACON LIGHT)**

ITEM	PART NUMBER	QTY	DESCRIPTION	REV
	1001142736	Ref	STROBE LIGHT HARNESS	F
1	1001116808	1	Plug, Male - 12 Position	
1	4460928	3	Socket, Female	
1	4460518	9	Plug, Terminal	
2	1001116774	1	Plug, Male - 12 Position	
2	4460928	3	Socket, Female	
2	4460518	9	Plug, Terminal	
3	4460891	1	Plug, Male - 2 Position	
3	4460465	2	Socket, Female	
4	1001112612	1	Connector - 9 Position	
4	4460464	6	Pin, Male	
4	4460466	3	Plug, Terminal	
5	4460933	1	Plug, Male - 12 Position	
5	4460465	12	Socket, Female	
6	1001119020	1	Bussbar - 12 Position	
7	4461095	1	Plug, Male - 3 Position	
7	4460465	3	Socket, Female	
8	4461070	1	Bussbar - 3 Position	
9	1001112796	1	Connector - 9 Position	
9	4460465	6	Socket, Female	
9	4460466	3	Plug, Terminal	

# SECTION 8 - ELECTRICAL

## FIGURE 8-29. BOOM VALVE HARNESS



ART\_1001139135

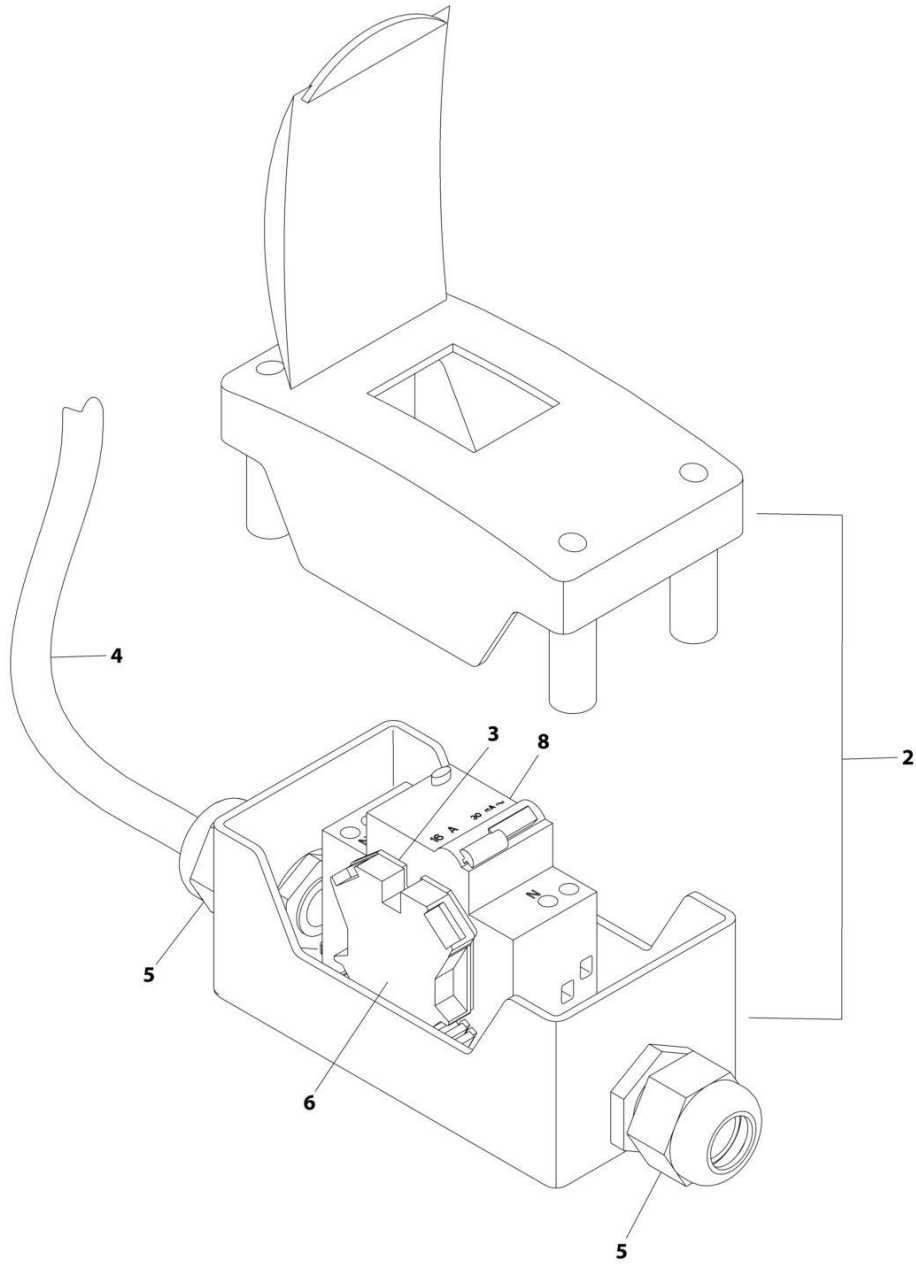
## SECTION 8 - ELECTRICAL

### FIGURE 8-29. BOOM VALVE HARNESS

ITEM	PART NUMBER	QTY	DESCRIPTION	REV
	1001139135	Ref	BOOM VALVE HARNESS	3
6	4460226	7	Terminal, Socket	
10	4460891	6	Deutsch connector	
11	1001116692	12	Socket	

# SECTION 8 - ELECTRICAL

FIGURE 8-30. BREAKER BOX KIT - SINGLE DOUBLE POLE BREAKER (WITH 4000W/50HZ GENERATOR)



ART\_1001096070



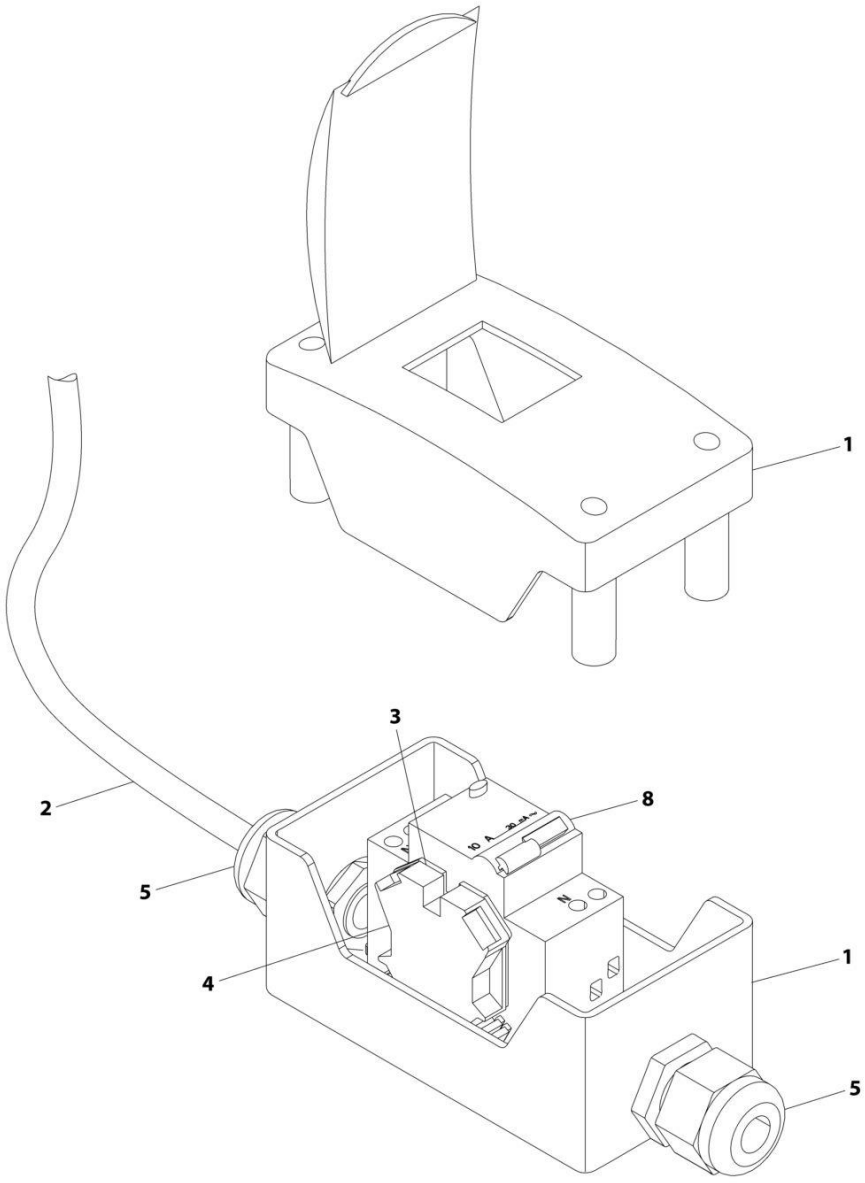
## SECTION 8 - ELECTRICAL

**FIGURE 8-30. BREAKER BOX KIT - SINGLE DOUBLE POLE BREAKER (WITH 4000W/50HZ GENERATOR)**

ITEM	PART NUMBER	QTY	DESCRIPTION	REV
	1001096070	Ref	BREAKER BOX KIT	E
2	0861880	1	Box	
3	4460956	1	Barrier, Terminal Block End	
4	1060908	12 ft/ 3.6m	Cable, 12/3	
5	1001097150	2	Connector, Strain Relief	
6	4460957	1	Block, Terminal	
8	1001181045	1	Breaker, 16Amp	

**SECTION 8 - ELECTRICAL**

**FIGURE 8-31. BREAKER BOX KIT - 30MA/16 AMP (WITH GENERATOR)**



ART\_1001109554

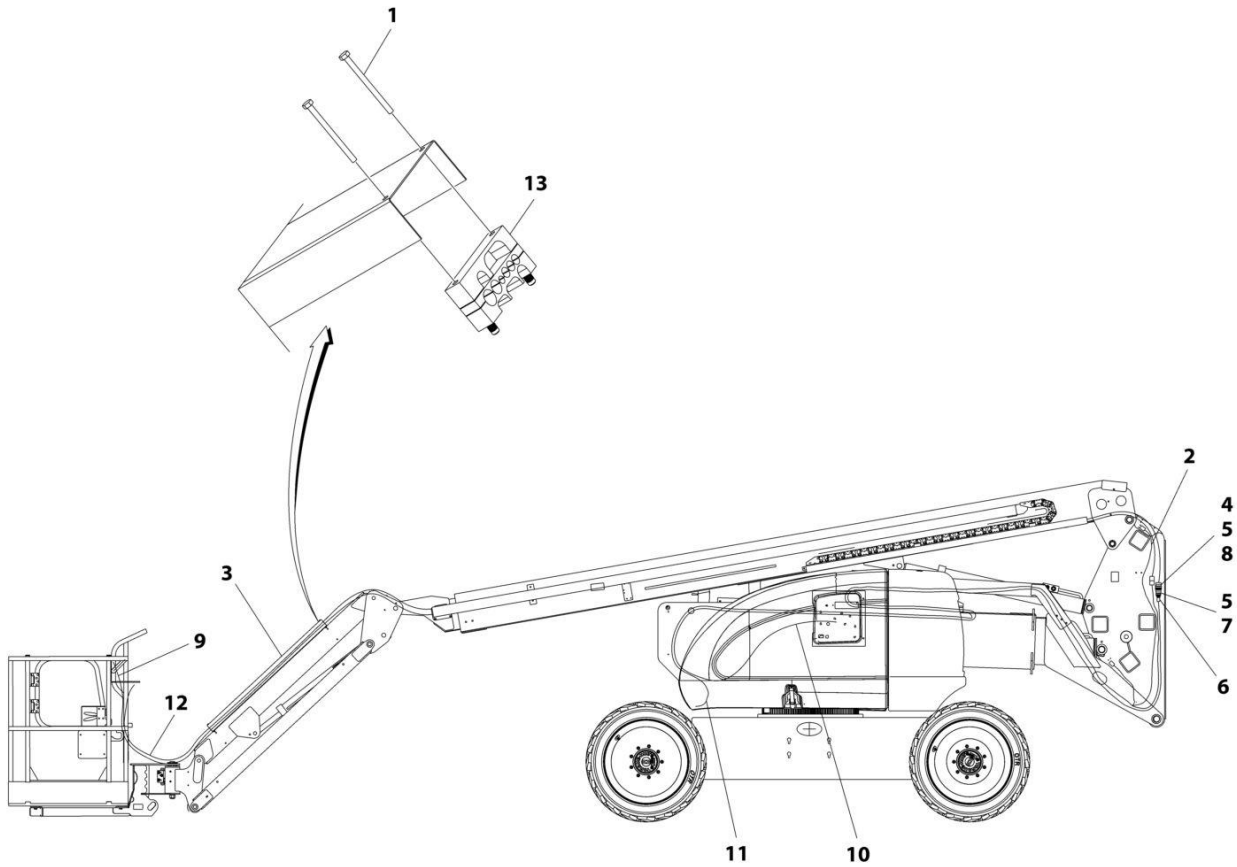
## SECTION 8 - ELECTRICAL

**FIGURE 8-31. BREAKER BOX KIT - 30MA/16 AMP (WITH GENERATOR)**

ITEM	PART NUMBER	QTY	DESCRIPTION	REV
	1001109554	Ref	BREAKER BOX KIT - 30mA/16 AMP	C
1	0861880	1	Box, Breaker	
2	1060908	12 ft /3.6m	Cable, Electrical 12/3	
3	4460956	1	Barrier, Terminal Block End	
4	4460957	1	Block, Terminal	
5	1001097150	2	Connector, Strain Relief	
8	1001181046	1	Breaker, Double 30mA/16Amp	

## SECTION 8 - ELECTRICAL

**FIGURE 8-32. BOOM CABLES INSTALLATION - WITH 2500W GENERATOR OR NO GENERATOR AND WITHOUT ARCTIC PACKAGE (ANSI, CSA, AND JAPANESE SPECS) (MACHINES WITH SN STARTING WITH 03)**



ART\_1001165366

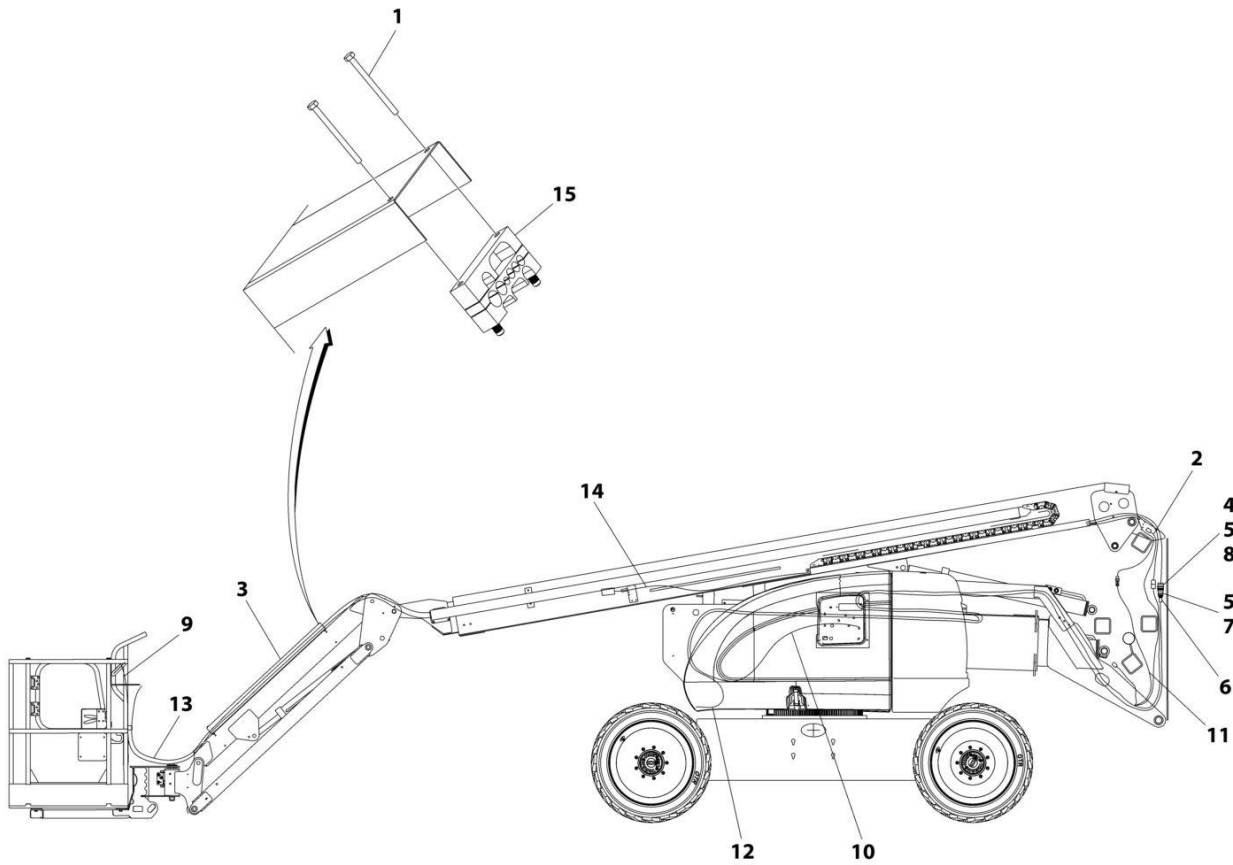
## SECTION 8 - ELECTRICAL

**FIGURE 8-32. BOOM CABLES INSTALLATION - WITH 2500W GENERATOR OR NO GENERATOR AND WITHOUT ARCTIC PACKAGE (ANSI, CSA, AND JAPANESE SPECS) (MACHINES WITH SN STARTING WITH 03)**

ITEM	PART NUMBER	QTY	DESCRIPTION	REV
	1001165366	Ref	BOOM CABLES INSTALLATION	B
1	0700626	4	Bolt M6 x 90	
2	1061033	2	Cable, Electrical 18/2	
3	1671034	1	Cover	
4	2820031	4 in /10.1cm	Heat Shrink	
5	4460466	8	Plug, Terminal	
6	4460473	1	Clamp, Cable	
7	4460865	1	Connector - 19 Position	
8	4460866	1	Connector - 19 Position	
9	4922493	1	Harness, Main Boom without Arctic Package (See Separate Breakdown in this Section)	
10	4922494	1	Harness, Tower Boom Cable without Arctic Package (See Separate Breakdown in this Section)	
11	4922892	1	Cable, Electrical 12/3 (Tower Boom)	
12	4922894	1	Cable, Electrical 12/3 (Main Boom)	
13	1001165350	2	Clamp, Block	

## SECTION 8 - ELECTRICAL

FIGURE 8-33. BOOM CABLES INSTALLATION – WITH 2500W GENERATOR OR NO GENERATOR AND WITHOUT ARCTIC PACKAGE (CE, RUSSIA & UK CA SPECS) (MACHINES WITH SN STARTING WITH 03)



ART\_1001165551

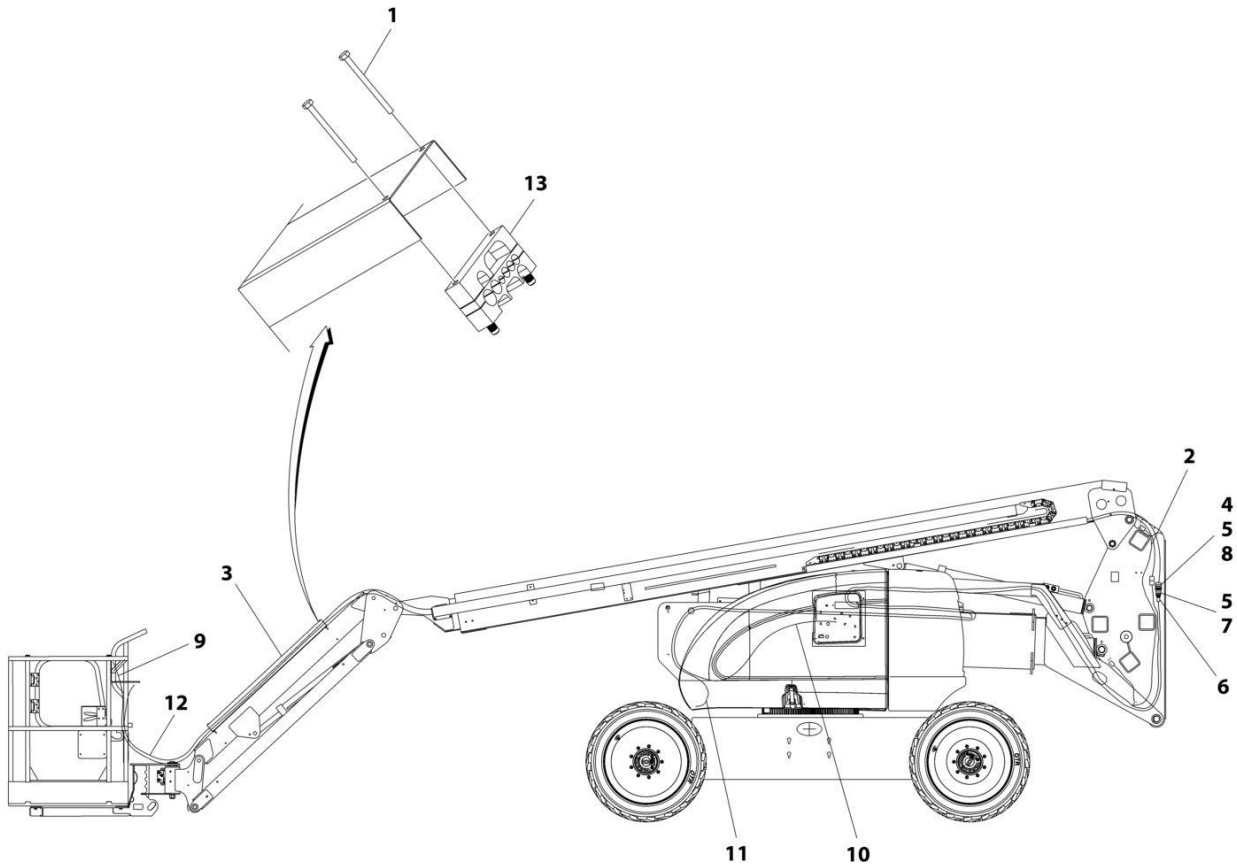
## SECTION 8 - ELECTRICAL

**FIGURE 8-33. BOOM CABLES INSTALLATION – WITH 2500W GENERATOR OR NO GENERATOR AND WITHOUT ARCTIC PACKAGE (CE, RUSSIA & UK CA SPECS) (MACHINES WITH SN STARTING WITH 03)**

ITEM	PART NUMBER	QTY	DESCRIPTION	REV
	1001165551	Ref	BOOM CABLES INSTALLATION	C
1	0700626	4	Bolt 1/4 x 3	
2	1061033	2	Cable, Electrical 18/2	
3	1671034	1	Cover	
4	2820031	4 in /10.1cm	Heat Shrink	
5	4460466	8	Plug, Terminal	
6	4460473	1	Clamp, Cable	
7	4460865	1	Connector - 19 Position	
8	4460866	1	Connector - 19 Position	
9	4922493	1	Harness, Main Boom without Arctic Package (See Separate Breakdown in this Section)	
10	4922494	1	Harness, Tower Boom Cable without Arctic Package (See Separate Breakdown in this Section)	
11	4922891	1	Cable, Electrical - 18/2 Tower Boom Length	
12	4922893	1	Cable, Electrical 12/3 (Tower Boom)	
13	4922895	1	Cable, Electrical 12/3 (Main Boom)	
14	4922896	1	Cable, Electrical - 18/2 Main Boom Length	
15	1001165350	2	Clamp, Block	

## SECTION 8 - ELECTRICAL

**FIGURE 8-34. BOOM CABLES INSTALLATION - WITH 2500W GENERATOR OR NO GENERATOR WITHOUT AND ARCTIC PACKAGE (ANSI EXPORT, AUSTRALIAN, RUSSIA AND CHINA SPECS)  
(MACHINES WITH SN STARTING WITH 03)**



ART\_1001165554



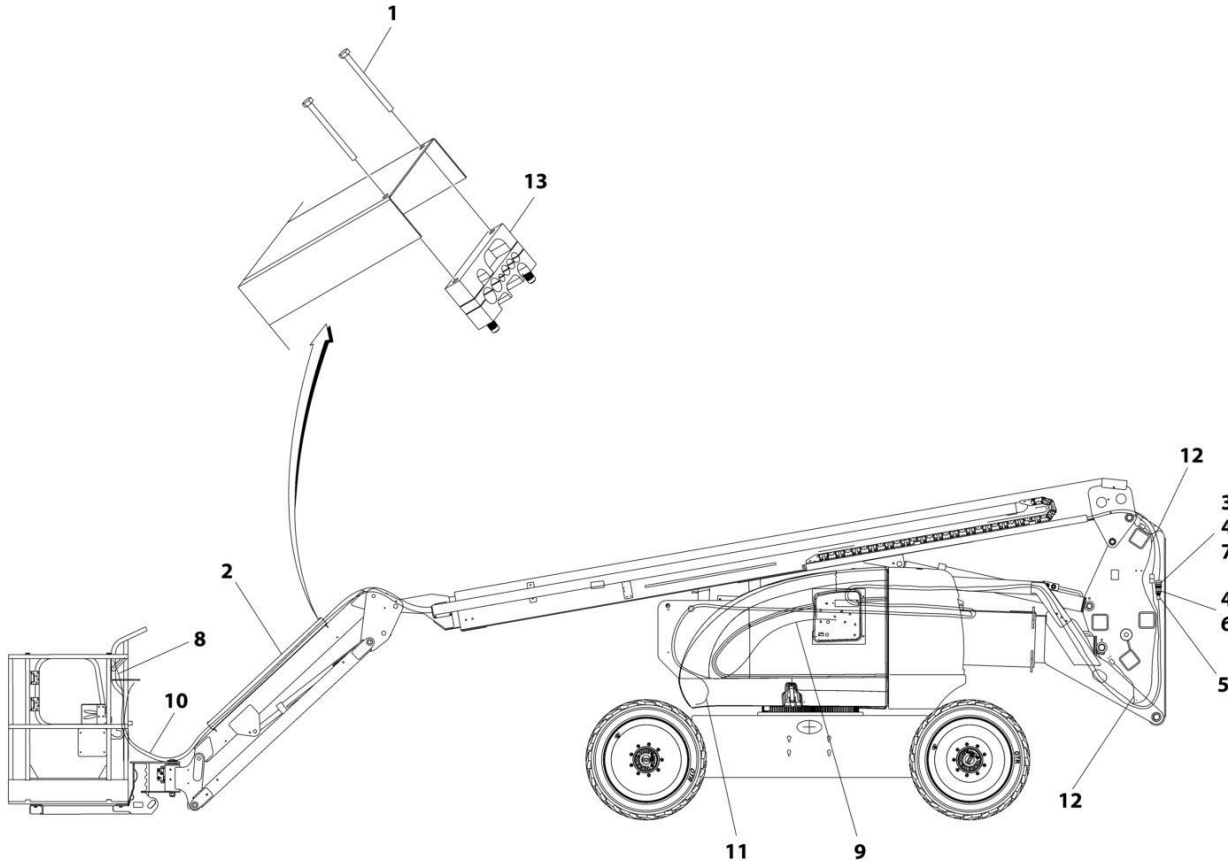
## SECTION 8 - ELECTRICAL

**FIGURE 8-34. BOOM CABLES INSTALLATION - WITH 2500W GENERATOR OR NO GENERATOR WITHOUT AND ARCTIC PACKAGE (ANSI EXPORT, AUSTRALIAN, RUSSIA AND CHINA SPECS)  
(MACHINES WITH SN STARTING WITH 03)**

ITEM	PART NUMBER	QTY	DESCRIPTION	REV
	1001165554	Ref	BOOM CABLES INSTALLATION	B
1	0700626	4	Bolt M6 x 90	
2	1061033	2	Cable, Electrical 18/2	
3	1671034	1	Cover	
4	2820031	4 in /10.1cm	Heat Shrink	
5	4460466	8	Plug, Terminal	
6	4460473	1	Clamp, Cable	
7	4460865	1	Connector - 19 Position	
8	4460866	1	Connector - 19 Position	
9	4922493	1	Harness, Main Boom without Arctic Package (See Separate Breakdown in this Section)	
10	4922494	1	Harness, Tower Boom Cable without Arctic Package (See Separate Breakdown in this Section)	
11	4922893	1	Cable, Electrical 12/3 (Tower Boom)	
12	4922895	1	Cable, Electrical 12/3 (Main Boom)	
13	1001165350	2	Clamp, Block	

# SECTION 8 - ELECTRICAL

**FIGURE 8-35. BOOM CABLES INSTALLATION - WITH 2500W GENERATOR OR NO GENERATOR AND WITH ARCTIC PACKAGE (ANSI, ANSI EXPORT, CSA, RUSSIA AND CHINA SPECS) (MACHINES WITH SN STARTING WITH 03)**



ART\_1001165556

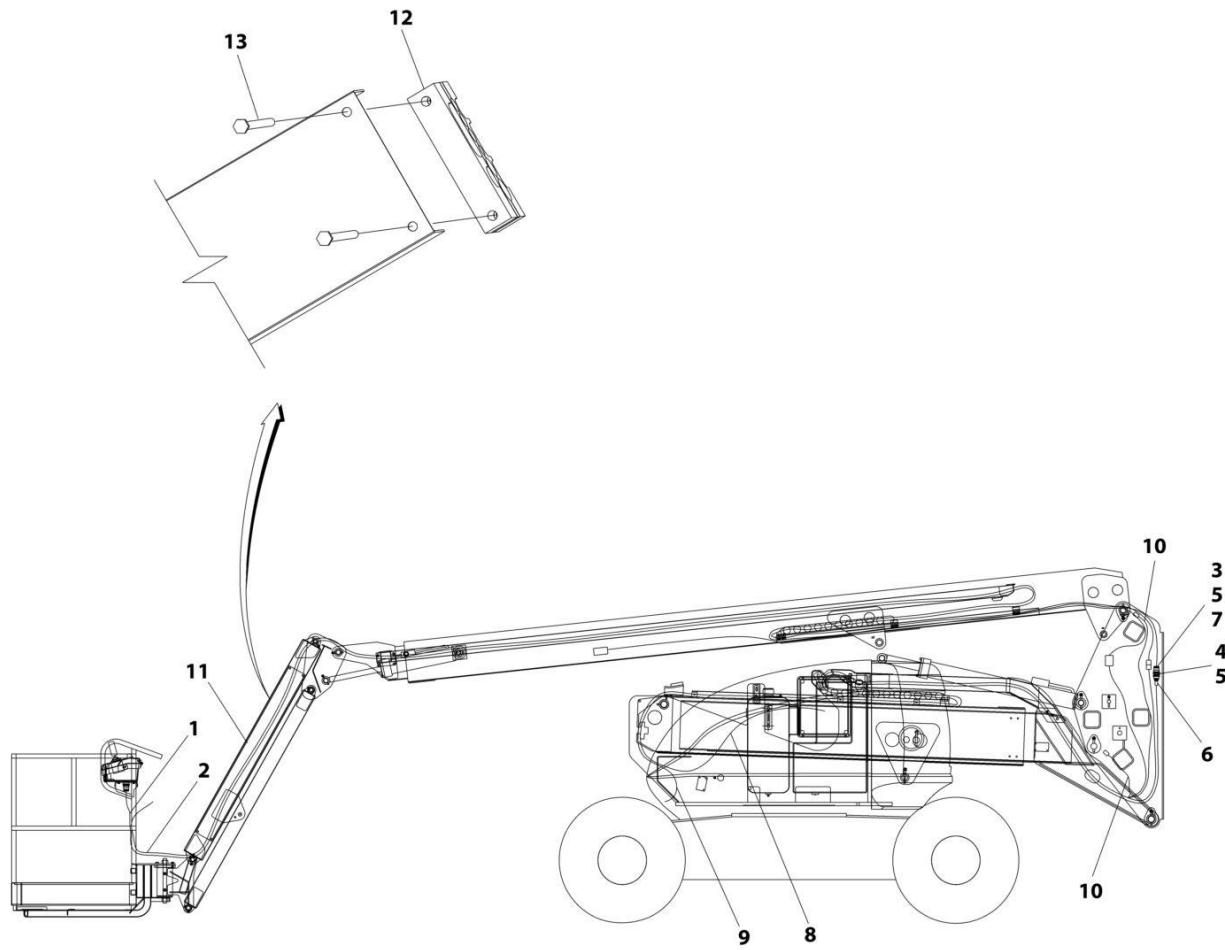
## SECTION 8 - ELECTRICAL

**FIGURE 8-35. BOOM CABLES INSTALLATION - WITH 2500W GENERATOR OR NO GENERATOR AND WITH ARCTIC PACKAGE (ANSI, ANSI EXPORT, CSA, RUSSIA AND CHINA SPECS) (MACHINES WITH SN STARTING WITH 03)**

ITEM	PART NUMBER	QTY	DESCRIPTION	REV
	1001165556	Ref	BOOM CABLES INSTALLATION	B
1	0700626	4	Bolt M6 x 90	
2	1671034	1	Cover	
3	2820031	4 in /10.1cm	Heat Shrink	
4	4460466	8	Plug, Terminal	
5	4460473	1	Clamp, Cable	
6	4460865	1	Connector - 19 Position	
7	4460866	1	Connector - 19 Position	
8	4923472	1	Harness, Main Boom with Arctic Package (See Separate Breakdown in this Section)	
9	4923473	1	Harness, Tower Boom Cable with Arctic Package (See Separate Breakdown in this Section)	
10	4923474	1	Cable, Electrical 12/3 (Main Boom)	
11	4923475	1	Cable, Electrical 12/3 (Tower Boom)	
12	4923476	2	Cable, Electrical 18/2	
13	1001165350	2	Clamp, Block	

# SECTION 8 - ELECTRICAL

FIGURE 8-36. BOOM CABLES INSTALLATION – WITH 2500W GENERATOR (FORD DF 2.5L ENGINES) (ALL SPECS EXCEPT AUSTRALIAN, RUSSIA, CE & UK CA SPECS)



ART\_1001153322

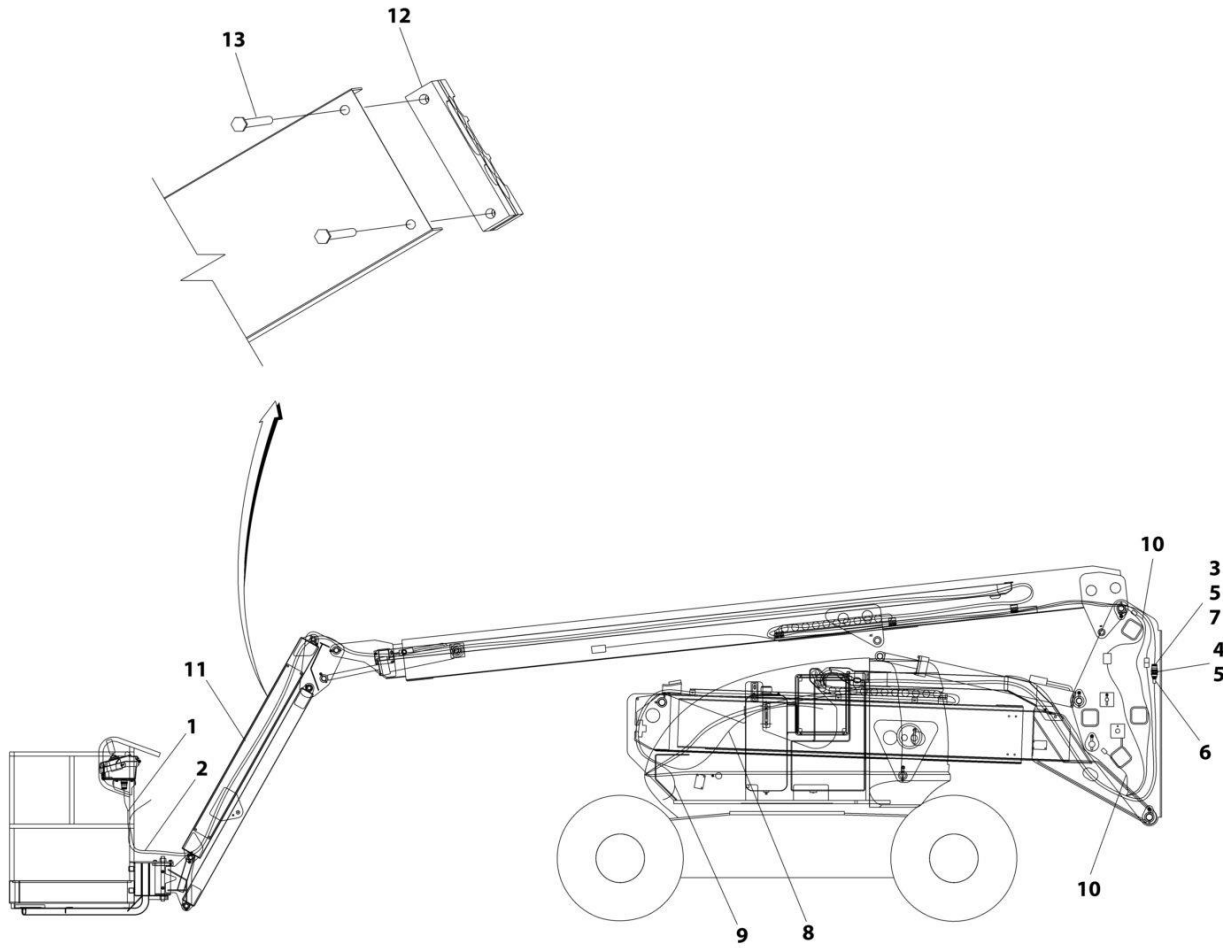
## SECTION 8 - ELECTRICAL

**FIGURE 8-36. BOOM CABLES INSTALLATION – WITH 2500W GENERATOR (FORD DF 2.5L ENGINES) (ALL SPECS EXCEPT AUSTRALIAN, RUSSIA, CE & UK CA SPECS)**

ITEM	PART NUMBER	QTY	DESCRIPTION	REV
	1001153322	Ref	BOOM CABLES INSTALLATION	A
1	4922493	1	Harness, Main Boom without Arctic Package (See Separate Breakdown in this Section)	
2	1001156489	1	Cable, Electrical 10/4	
3	2820031	4 in /10.1cm	Heat Shrink	
4	4460865	1	Connector - 19 Position	
5	4460466	8	Plug, Terminal	
6	4460473	1	Clamp, Cable	
7	4460866	1	Connector - 19 Position	
8	4922494	1	Harness, Tower Boom Cable without Arctic Package (See Separate Breakdown in this Section)	
9	1001156490	1	Cable, Electrical 10/4	
10	1061033	2	Cable, Electrical 18/2	
11	1670769	1	Cover	
12	0561237	2	Clamp, Block	
13	0641416	4	Bolt 1/4 x 2	

# SECTION 8 - ELECTRICAL

FIGURE 8-37. BOOM CABLES INSTALLATION – WITH 4000W GENERATOR (ALL SPECS EXCEPT AUSTRALIAN, RUSSIA, CE & UK CA SPECS)



ART\_1001153322

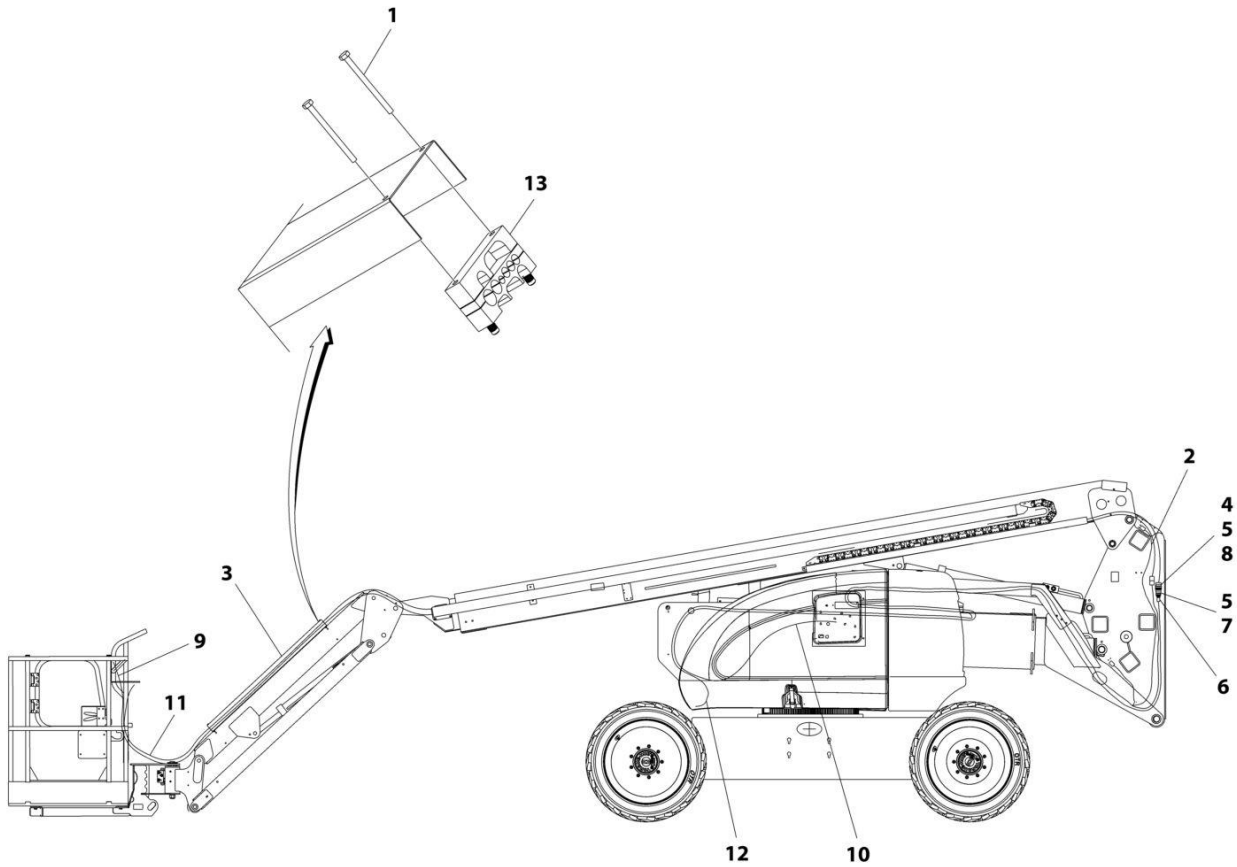
## SECTION 8 - ELECTRICAL

**FIGURE 8-37. BOOM CABLES INSTALLATION – WITH 4000W GENERATOR (ALL SPECS EXCEPT AUSTRALIAN, RUSSIA, CE & UK CA SPECS)**

ITEM	PART NUMBER	QTY	DESCRIPTION	REV
	1001153322	Ref	BOOM CABLES INSTALLATION	A
1	4922493	1	Harness, Main Boom without Arctic Package (See Separate Breakdown in this Section)	
2	1001156489	1	Cable, Electrical 10/4	
3	2820031	4 in /10.1cm	Heat Shrink	
4	4460865	1	Connector - 19 Position	
5	4460466	8	Plug, Terminal	
6	4460473	1	Clamp, Cable	
7	4460866	1	Connector - 19 Position	
8	4922494	1	Harness, Tower Boom Cable without Arctic Package (See Separate Breakdown in this Section)	
9	1001156490	1	Cable, Electrical 10/4	
10	1061033	2	Cable, Electrical 18/2	
11	1670769	1	Cover	
12	0561237	2	Clamp, Block	
13	0641416	4	Bolt 1/4 x 2	

# SECTION 8 - ELECTRICAL

**FIGURE 8-38. BOOM CABLES INSTALLATION - WITH 7500W GENERATOR WITHOUT ARCTIC PACKAGE (ANSI, ANSI EXPORT, CSA, CHINA SPECS) (MACHINES WITH SN STARTING WITH 03)**



ART\_1001165552



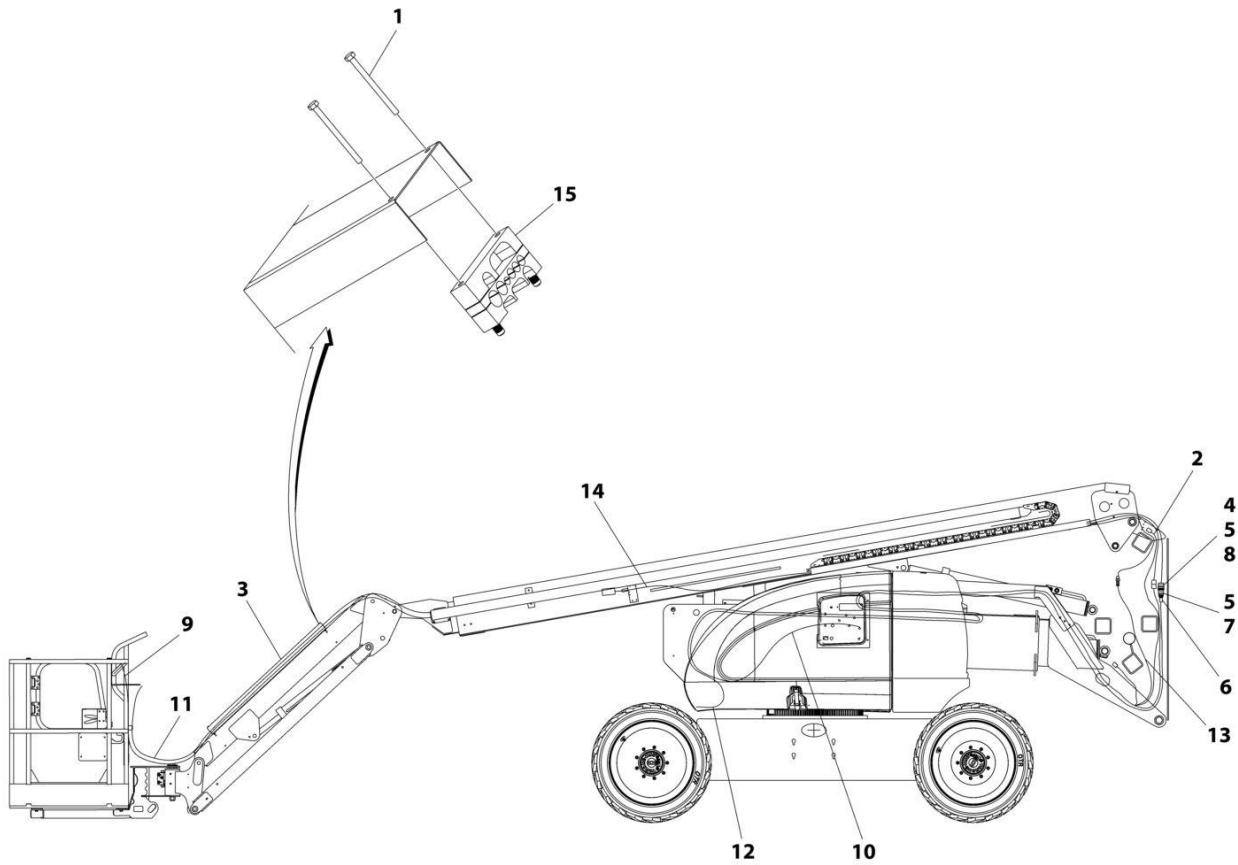
## SECTION 8 - ELECTRICAL

**FIGURE 8-38. BOOM CABLES INSTALLATION - WITH 7500W GENERATOR WITHOUT ARCTIC PACKAGE (ANSI, ANSI EXPORT, CSA, CHINA SPECS) (MACHINES WITH SN STARTING WITH 03)**

ITEM	PART NUMBER	QTY	DESCRIPTION	REV
	1001165552	Ref	BOOM CABLES INSTALLATION	B
1	0700626	4	Bolt M6 x 90	
2	1061033	2	Cable, Electrical 18/2	
3	1671034	1	Cover	
4	2820031	4 in /10.1cm	Heat Shrink	
5	4460466	8	Plug, Terminal	
6	4460473	1	Clamp, Cable	
7	4460865	1	Connector - 19 Position	
8	4460866	1	Connector - 19 Position	
9	4922493	1	Harness, Main Boom without Arctic Package (See Separate Breakdown in this Section)	
10	4922494	1	Harness, Tower Boom Cable without Arctic Package (See Separate Breakdown in this Section)	
11	4922810	1	Cable, Electrical 8/5 (Main Boom)	
12	4922811	1	Cable, Electrical 8/5 (Tower Boom)	
13	1001165350	2	Clamp, Block	

# SECTION 8 - ELECTRICAL

FIGURE 8-39. BOOM CABLES INSTALLATION – WITH 7500W GENERATOR WITHOUT ARCTIC PACKAGE (RUSSIA SPEC) (MACHINES WITH SN STARTING WITH 03)



ART\_1001165553

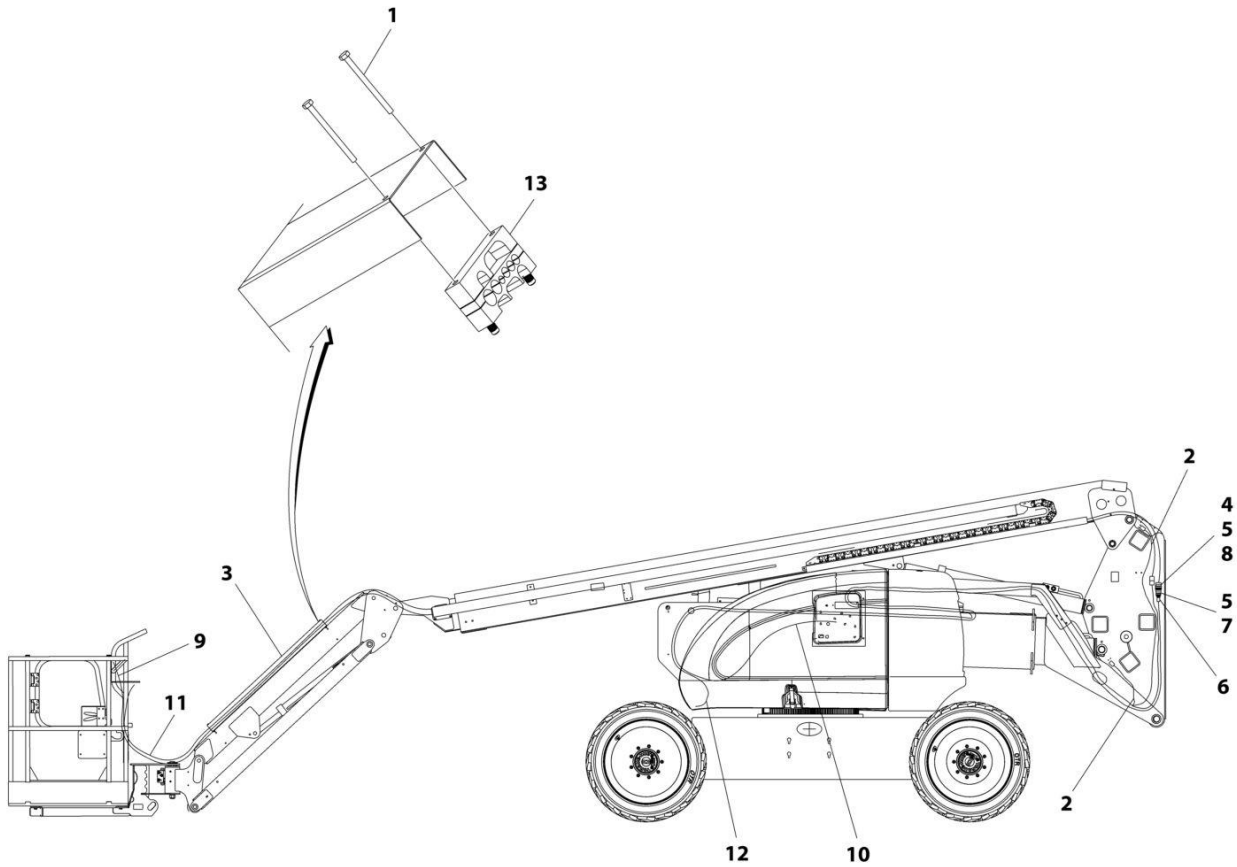
## SECTION 8 - ELECTRICAL

**FIGURE 8-39. BOOM CABLES INSTALLATION – WITH 7500W GENERATOR WITHOUT ARCTIC PACKAGE (RUSSIA SPEC) (MACHINES WITH SN STARTING WITH 03)**

ITEM	PART NUMBER	QTY	DESCRIPTION	REV
	1001165553	Ref	BOOM CABLES INSTALLATION	C
1	0700626	4	Bolt M6 x 90	
2	1061033	2	Cable, Electrical 18/2	
3	1671034	1	Cover	
4	2820031	4 in /10.1cm	Heat Shrink	
5	4460466	8	Plug, Terminal	
6	4460473	1	Clamp, Cable	
7	4460865	1	Connector - 19 Position	
8	4460866	1	Connector - 19 Position	
9	4922493	1	Harness, Main Boom without Arctic Package (See Separate Breakdown in this Section)	
10	4922494	1	Harness, Tower Boom Cable without Arctic Package (See Separate Breakdown in this Section)	
11	4922810	1	Cable, Electrical 8/5 (Main Boom)	
12	4922811	1	Cable, Electrical 8/5 (Tower Boom)	
13	4922891	1	Cable, Electrical - 18/2 Tower Boom Length	
14	4922896	1	Cable, Electrical - 18/2 Main Boom Length	
15	1001165350	2	Clamp, Block	

# SECTION 8 - ELECTRICAL

**FIGURE 8-40. BOOM CABLES INSTALLATION - WITH 7500W GENERATOR WITHOUT ARCTIC PACKAGE (AUSTRALIAN AND JAPANESE SPECS) (MACHINES WITH SN STARTING WITH 03)**



ART\_1001165555

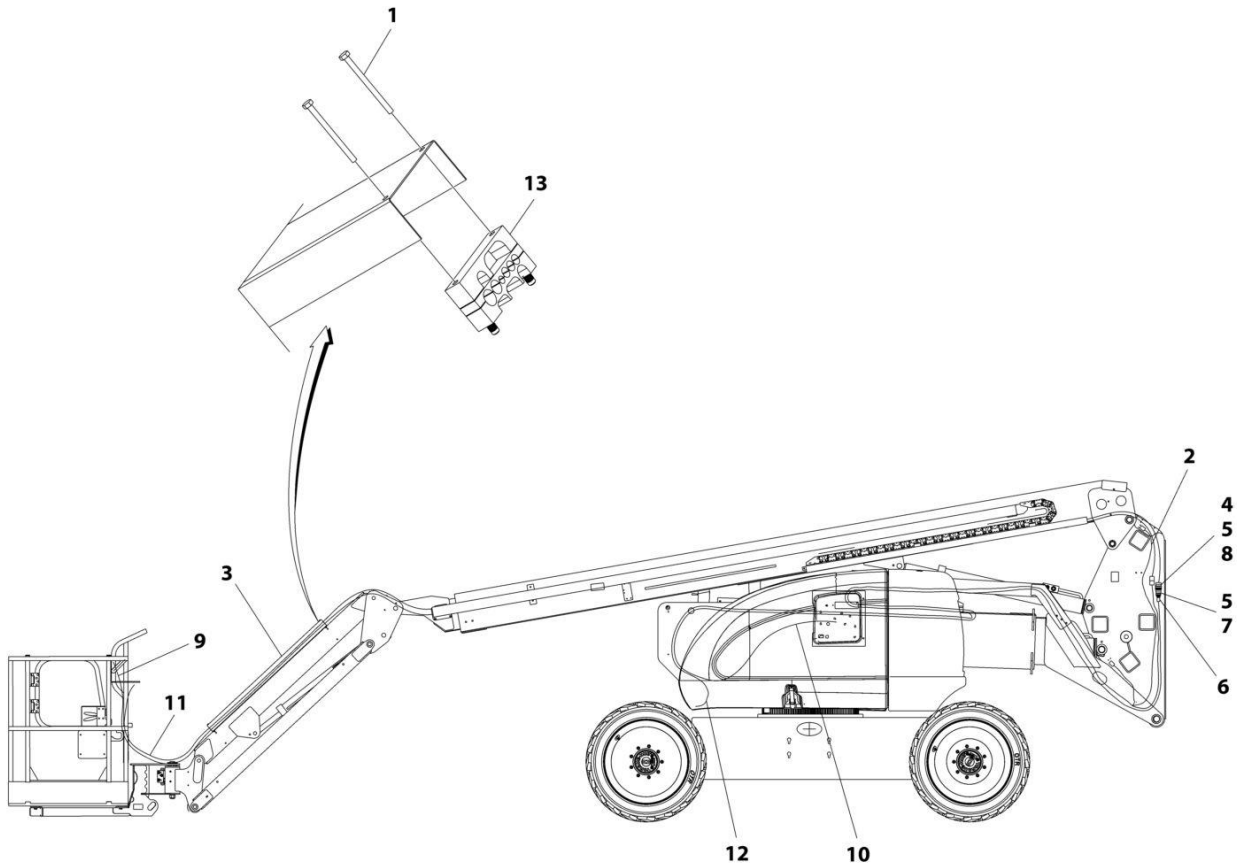
## SECTION 8 - ELECTRICAL

**FIGURE 8-40. BOOM CABLES INSTALLATION - WITH 7500W GENERATOR WITHOUT ARCTIC PACKAGE (AUSTRALIAN AND JAPANESE SPECS) (MACHINES WITH SN STARTING WITH 03)**

ITEM	PART NUMBER	QTY	DESCRIPTION	REV
	1001165555	Ref	BOOM CABLES INSTALLATION	B
1	0700626	4	Bolt M6 x 90	
2	1061033	2	Cable, Electrical 18/2	
3	1671034	1	Cover	
4	2820031	4 in /10.1cm	Heat Shrink	
5	4460466	8	Plug, Terminal	
6	4460473	1	Clamp, Cable	
7	4460865	1	Connector - 19 Position	
8	4460866	1	Connector - 19 Position	
9	4922493	1	Harness, Main Boom without Arctic Package (See Separate Breakdown in this Section)	
10	4922494	1	Harness, Tower Boom Cable without Arctic Package (See Separate Breakdown in this Section)	
11	4922810	1	Cable, Electrical 8/5 (Main Boom)	
12	4922811	1	Cable, Electrical 8/5 (Tower Boom)	
13	1001165350	2	Clamp, Block	

# SECTION 8 - ELECTRICAL

**FIGURE 8-41. BOOM CABLES INSTALLATION - WITH 7500W GENERATOR WITHOUT ARCTIC PACKAGE (ANSI EXPORT CIS, AND CHINA SPECS) (MACHINES WITH SN STARTING WITH B3)**



ART\_1001165552

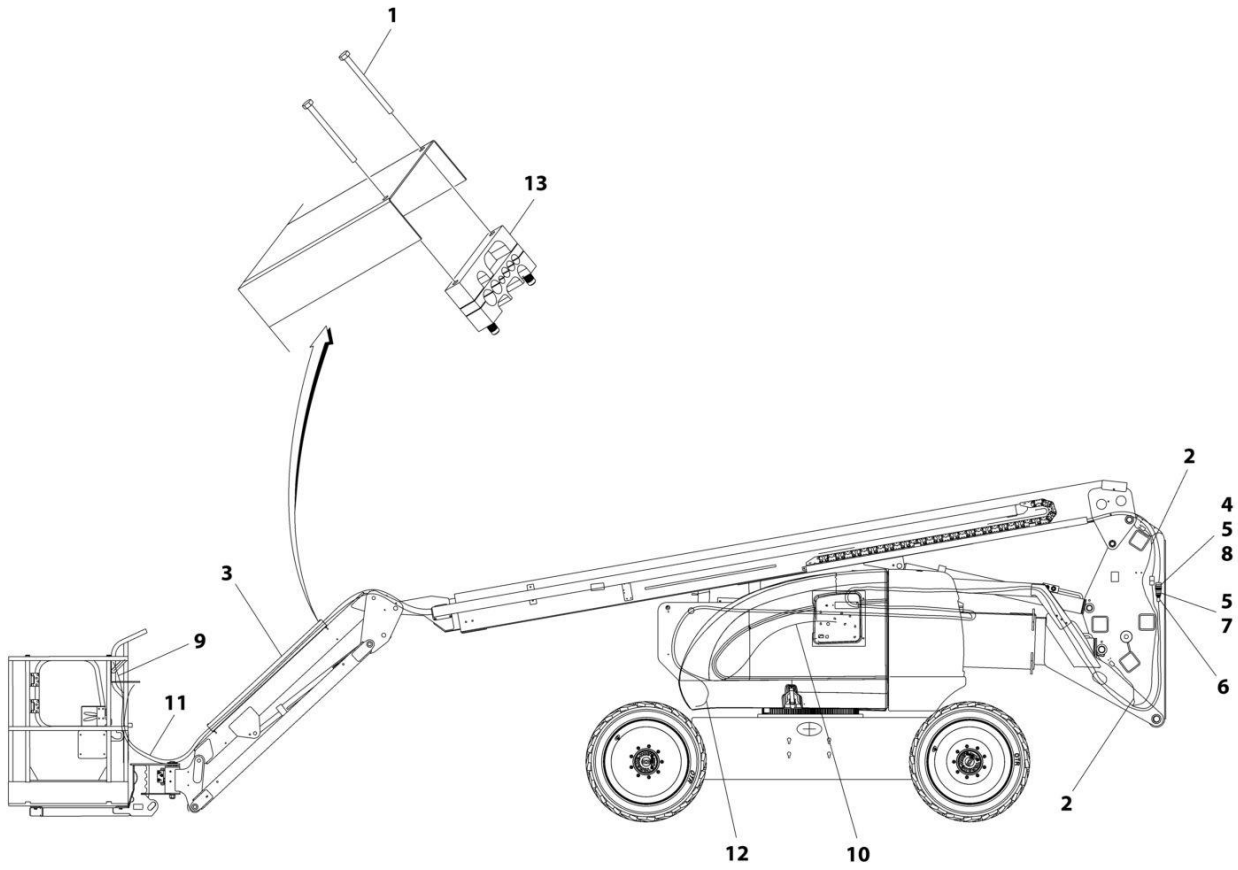
## SECTION 8 - ELECTRICAL

**FIGURE 8-41. BOOM CABLES INSTALLATION - WITH 7500W GENERATOR WITHOUT ARCTIC PACKAGE (ANSI EXPORT CIS, AND CHINA SPECS) (MACHINES WITH SN STARTING WITH B3)**

ITEM	PART NUMBER	QTY	DESCRIPTION	REV
	1001165552	Ref	BOOM CABLES INSTALLATION	B
1	0700626	4	Bolt M6 x 90	
2	1061033	2	Cable, Electrical 18/2	
3	1671034	1	Cover	
4	2820031	4 in /10.1cm	Heat Shrink	
5	4460466	8	Plug, Terminal	
6	4460473	1	Clamp, Cable	
7	4460865	1	Connector - 19 Position	
8	4460866	1	Connector - 19 Position	
9	4922493	1	Harness, Main Boom without Arctic Package (See Separate Breakdown in this Section)	
10	4922494	1	Harness, Tower Boom Cable without Arctic Package (See Separate Breakdown in this Section)	
11	4922810	1	Cable, Electrical 8/5 (Main Boom)	
12	4922811	1	Cable, Electrical 8/5 (Tower Boom)	
13	1001165350	2	Clamp, Block	

# SECTION 8 - ELECTRICAL

## FIGURE 8-42. BOOM CABLES INSTALLATION - WITH 7500W GENERATOR WITHOUT ARCTIC PACKAGE (AUSTRALAIN SPECS)



ART\_1001165555



## SECTION 8 - ELECTRICAL

**FIGURE 8-42. BOOM CABLES INSTALLATION - WITH 7500W GENERATOR WITHOUT ARCTIC PACKAGE (AUSTRALAIN SPECS)**

ITEM	PART NUMBER	QTY	DESCRIPTION	REV
	1001165555	Ref	BOOM CABLES INSTALLATION	B
1	0700626	4	Bolt M6 x 90	
2	1061033	2	Cable, Electrical 18/2	
3	1671034	1	Cover	
4	2820031	4 in /10.1cm	Heat Shrink	
5	4460466	8	Plug, Terminal	
6	4460473	1	Clamp, Cable	
7	4460865	1	Connector - 19 Position	
8	4460866	1	Connector - 19 Position	
9	4922493	1	Harness, Main Boom without Arctic Package (See Separate Breakdown in this Section)	
10	4922494	1	Harness, Tower Boom Cable without Arctic Package (See Separate Breakdown in this Section)	
11	4922810	1	Cable, Electrical 8/5 (Main Boom)	
12	4922811	1	Cable, Electrical 8/5 (Tower Boom)	
13	1001165350	2	Clamp, Block	



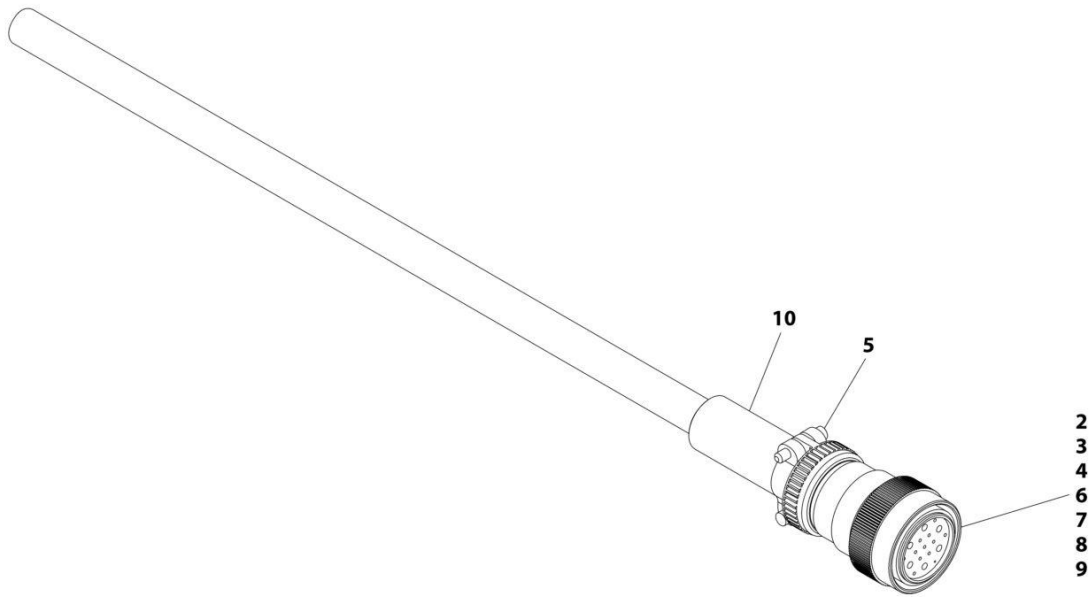
## SECTION 8 - ELECTRICAL

**FIGURE 8-43. BOOM CABLES INSTALLATION - WITH 7500W GENERATOR AND ARCTIC PACKAGE  
(ANSI, ANSI EXPORT, CSA AND CHINA SPECS)**

ITEM	PART NUMBER	QTY	DESCRIPTION	REV
	1001165557	Ref	BOOM CABLES INSTALLATION	B
1	0700626	4	Bolt M6 x 90	
2	1671034	1	Cover	
3	2820031	4 in /10.1cm	Heat Shrink	
4	4460466	8	Plug, Terminal	
5	4460473	1	Clamp, Cable	
6	4460865	1	Connector - 19 Position	
7	4460866	1	Connector - 19 Position	
8	4922810	1	Cable, Electrical 8/5 (Main Boom)	
9	4922811	1	Cable, Electrical 8/5 (Tower Boom)	
10	4923472	1	Harness, Main Boom with Arctic Package (See Separate Breakdown in this Section)	
11	4923473	1	Harness, Tower Boom Cable with Arctic Package (See Separate Breakdown in this Section)	
12	1061033	2	Cable, Electrical 18/2	
13	1001165350	2	Clamp, Block	

# SECTION 8 - ELECTRICAL

FIGURE 8-44. BOOM CABLE - MAIN BOOM (WITHOUT ARCTIC PACKAGE)



ART\_4922493

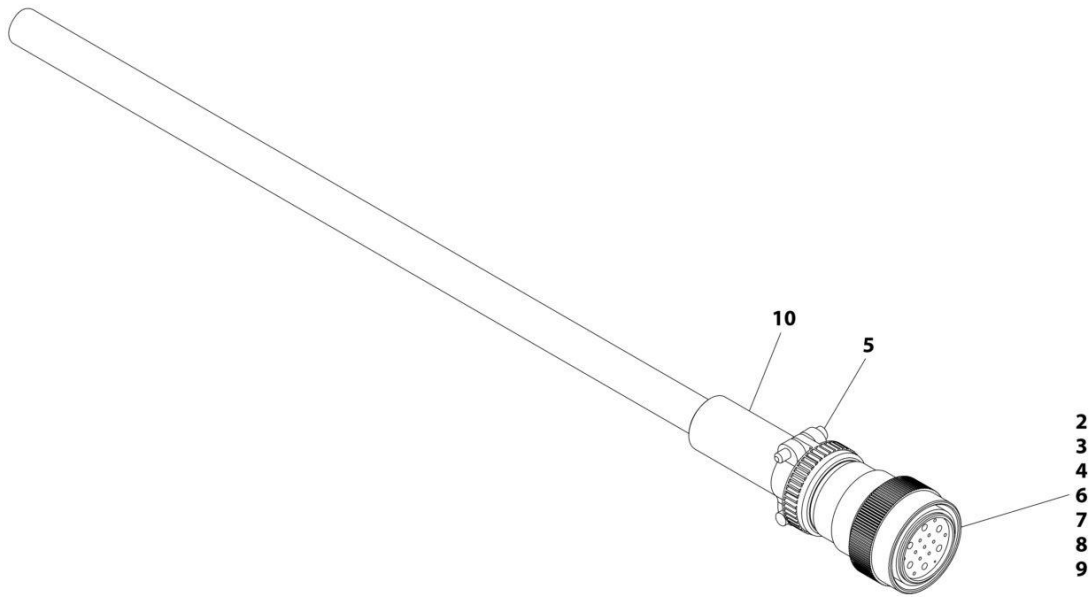
## SECTION 8 - ELECTRICAL

**FIGURE 8-44. BOOM CABLE - MAIN BOOM (WITHOUT ARCTIC PACKAGE)**

ITEM	PART NUMBER	QTY	DESCRIPTION	REV
	4922493	Ref	BOOM CABLE - MAIN BOOM	D
2	4460465	11	Socket, Female	
3	4460865	1	Connector - 19 Position	
4	4460509	4	Socket, Female	
5	4460473	1	Clamp	
6	4460466	4	Plug, Terminal	
7	4460464	11	Pin, Male	
8	4460508	4	Pin, Male	
9	2820118	AR	Heatshrink, Clear	
10	1001226400	1	Insulate, Heatshrink	

# SECTION 8 - ELECTRICAL

FIGURE 8-45. BOOM CABLE - MAIN BOOM (WITH ARCTIC PACKAGE)



ART\_4923472

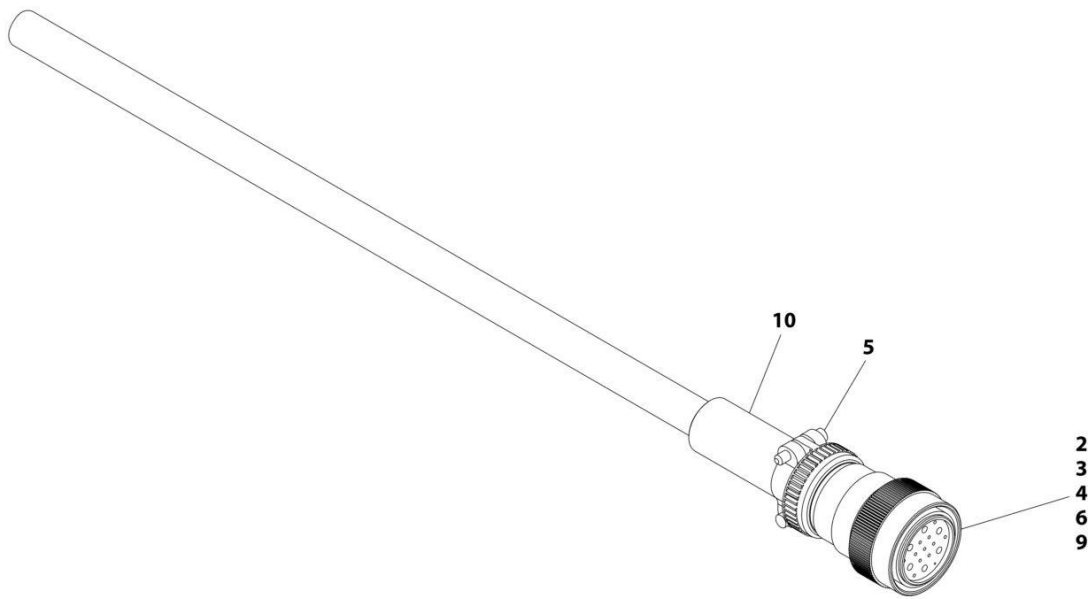
## SECTION 8 - ELECTRICAL

**FIGURE 8-45. BOOM CABLE - MAIN BOOM (WITH ARCTIC PACKAGE)**

ITEM	PART NUMBER	QTY	DESCRIPTION	REV
	4923472	Ref	BOOM CABLE - MAIN BOOM	B
2	4460465	11	Socket, Female	
3	4460865	1	Connector - 19 Position	
4	4460509	4	Socket, Female	
5	4460473	1	Clamp	
6	4460466	4	Plug, Terminal	
7	4460464	11	Pin, Male	
8	4460508	4	Pin, Male	
9	2820118	AR	Heatshrink, Clear	
10	1001226400	1	Insulate, Heatshrink	

# SECTION 8 - ELECTRICAL

FIGURE 8-46. BOOM CABLE - TOWER BOOM (WITHOUT ARCTIC PACKAGE)



ART\_4922494



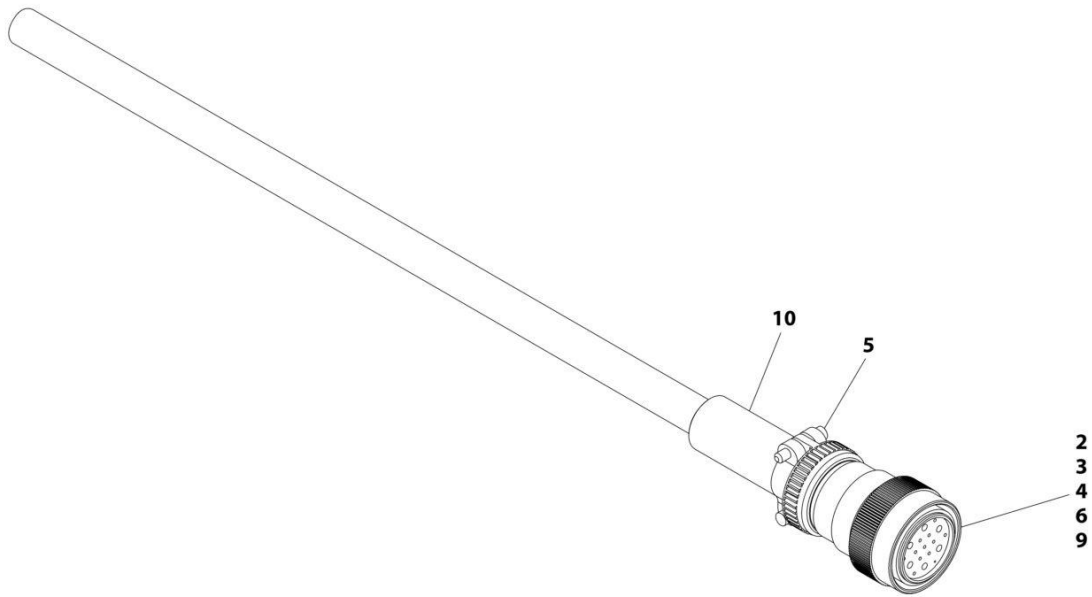
## SECTION 8 - ELECTRICAL

**FIGURE 8-46. BOOM CABLE - TOWER BOOM (WITHOUT ARCTIC PACKAGE)**

ITEM	PART NUMBER	QTY	DESCRIPTION	REV
	4922494	Ref	BOOM CABLE - TOWER BOOM	C
2	4460465	22	Socket, Female	
3	4460865	1	Connector - 19 Position	
4	4460509	8	Socket, Female	
5	4460473	1	Clamp	
6	4460466	4	Plug, Terminal	
9	2820118	AR	Heatshrink, Clear	
10	1001226400	1	Insulate, Heatshrink	

# SECTION 8 - ELECTRICAL

## FIGURE 8-47. BOOM CABLE - TOWER BOOM (WITH ARCTIC PACKAGE)



ART\_4923473

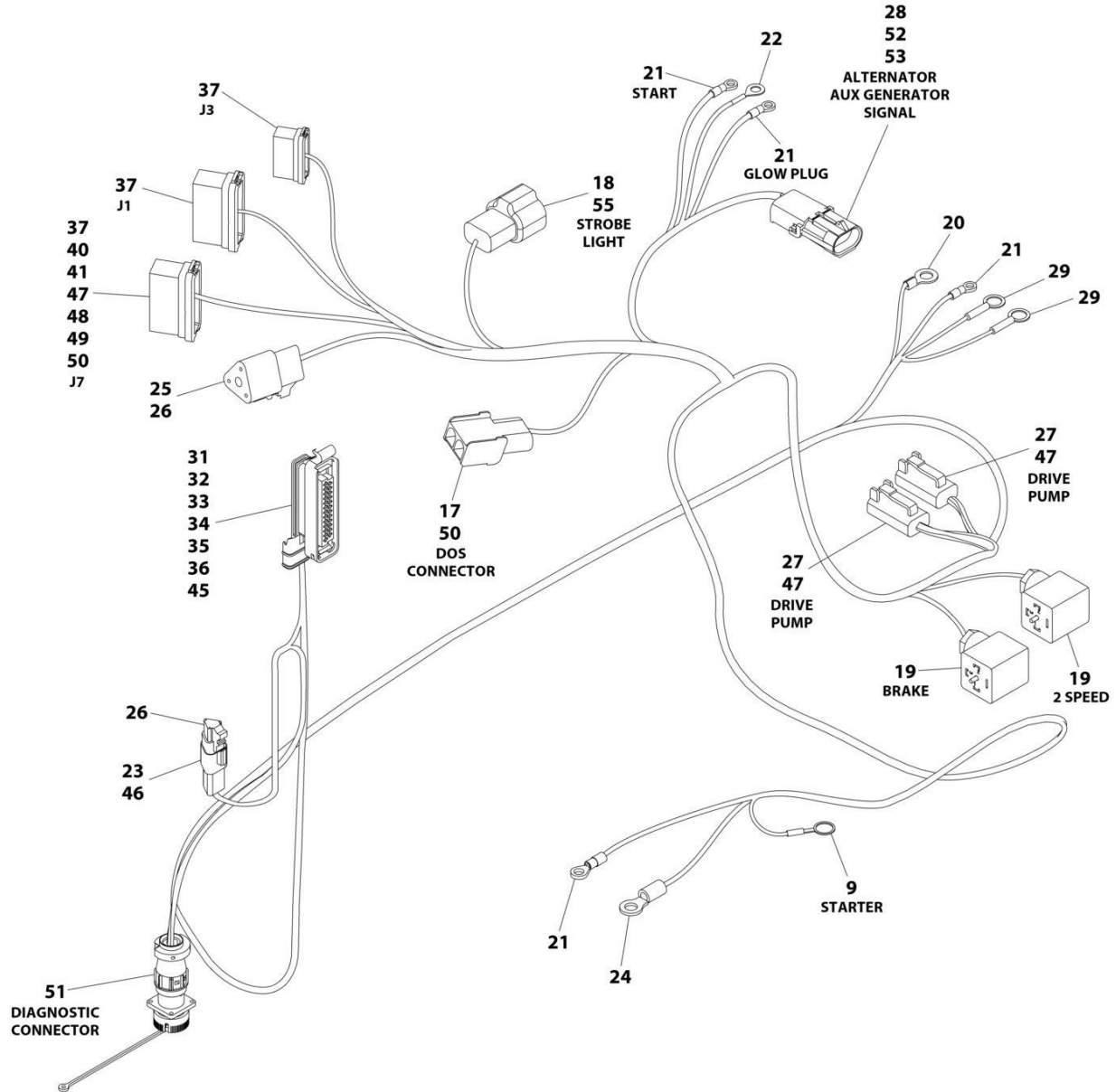
## SECTION 8 - ELECTRICAL

**FIGURE 8-47. BOOM CABLE - TOWER BOOM (WITH ARCTIC PACKAGE)**

ITEM	PART NUMBER	QTY	DESCRIPTION	REV
	4923473	Ref	BOOM CABLE - TOWER BOOM	B
2	4460465	22	Socket, Female	
3	4460865	1	Connector - 19 Position	
4	4460509	8	Socket, Female	
5	4460473	1	Clamp	
6	4460466	4	Plug, Terminal	
9	2820118	AR	Heatshrink, Clear	
10	1001226400	1	Insulate, Heatshrink	

# SECTION 8 - ELECTRICAL

FIGURE 8-48. ENGINE HARNESS ASSEMBLY (DEUTZ D2011 ENGINES)



ART\_1001191868\_C

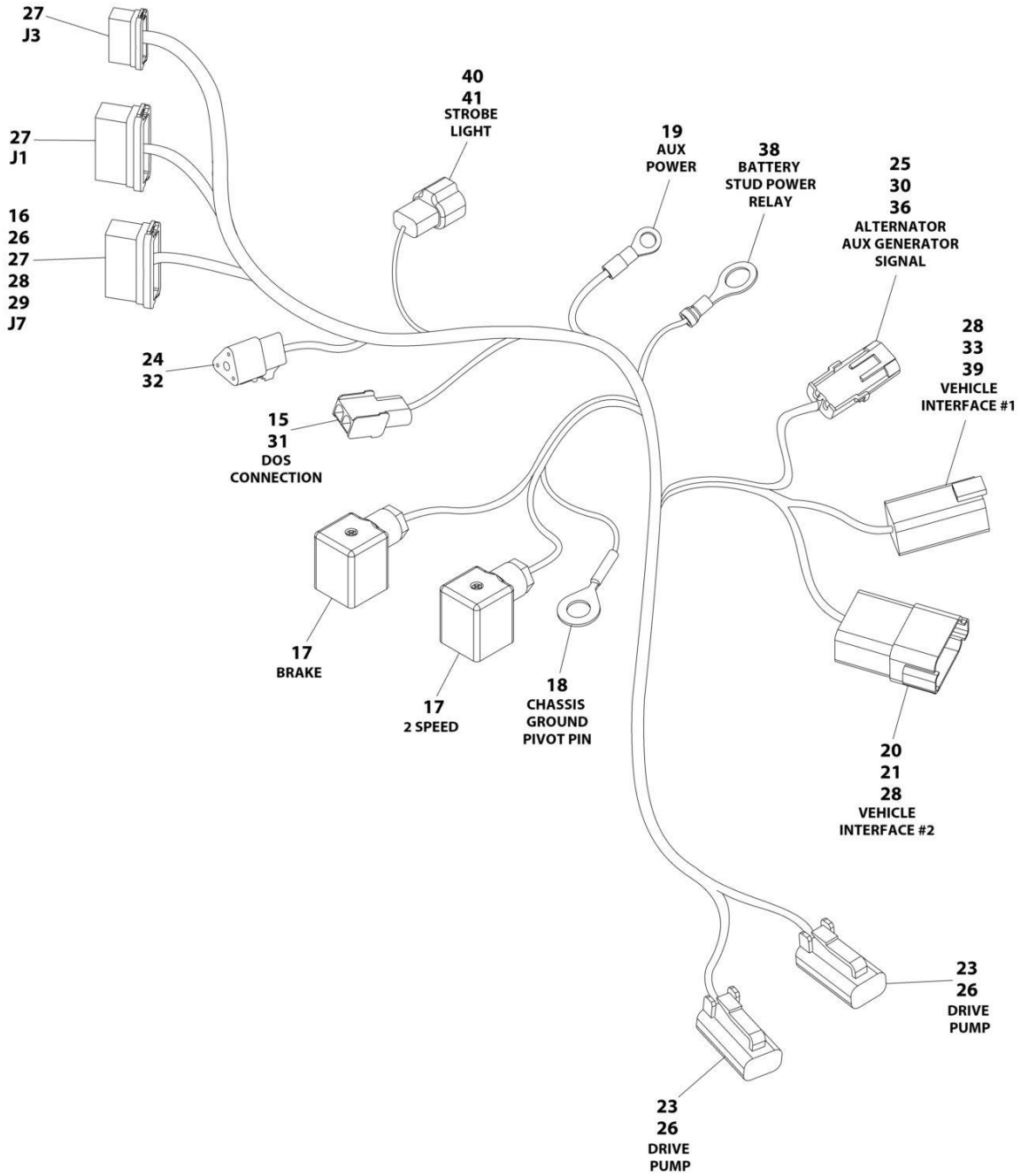
## SECTION 8 - ELECTRICAL

**FIGURE 8-48. ENGINE HARNESS ASSEMBLY (DEUTZ D2011 ENGINES)**

ITEM	PART NUMBER	QTY	DESCRIPTION	REV
	1001191868	Ref	ENGINE HARNESS - DEUTZ D2011 ENGINES	C
9	4460142	1	Terminal, Ring	
17	4460424	1	Connector - 2 Position	
18	4460464	2	Pin, Male	
19	1001263923	2	DIN Connector without Diode	
20	4460312	1	Terminal, Ring	
21	4460313	4	Terminal, Ring	
22	4460019	1	Terminal, Ring	
23	4461070	1	Connector with Resistor - 3 Position	
24	4460043	1	Terminal, Ring	
25	4460539	1	Connector - 3 Position	
26	4460944	6	Socket, Female	
27	4460891	2	Connector - 2 Position	
28	4460458	6	Seal, Terminal	
29	4460256	2	Terminal, Ring	
31	4461052	1	Connector - 25 Position	
32	4461005	5	Terminal	
33	4461060	2	Terminal	
34	4461006	5	Seal, Terminal	
35	4461054	2	Seal, Terminal	
36	4461008	18	Plug, Terminal	
37	4460871	10	Socket, Female	
40	4460464	1	Pin, Male	
41	4460887	1	Pin, Male	
45	4461053	1	Cover, Plug	
46	4461095	1	Connector - 3 Position	
47	4460465	6	Socket, Female	
48	4460259	1	Terminal	
49	4460260	1	Housing, Terminal	
50	4460226	2	Socket, Female	
51	2902443	1	Receptacle Kit	
51	4461071	8	Socket, Female	
51	4461072	1	Receptacle with Flange - 8 Position	
51	4461073	1	Cap, Dust	
51	4461074	1	Shell, Black	
52	4461157	1	Connector - 2 Position	
53	4460979	2	Pin, Male	
55	4460897	1	Connector - 2 Position	

# SECTION 8 - ELECTRICAL

## FIGURE 8-49. ENGINE HARNESS (DEUTZ TD2.9L4 ENGINES)



ART\_1001191866\_D

## SECTION 8 - ELECTRICAL

**FIGURE 8-49. ENGINE HARNESS (DEUTZ TD2.9L4 ENGINES)**

ITEM	PART NUMBER	QTY	DESCRIPTION	REV
	1001191866	Ref	ENGINE HARNESS - DEUTZ TD2.9L4 ENGINES	D
15	4460424	1	Connector - 2 Position	
16	4460268	1	Socket, Female	
17	1001263923	2	DIN Connector without Diode	
18	4460019	1	Terminal, Ring	
19	4460313	1	Terminal, Ring	
20	4460931	1	Connector - 8 Position	
21	4460466	4	Plug, Terminal	
23	4460891	2	Connector - 2 Position	
24	4460539	1	Connector - 3 Position	
25	4460458	2	Seal, Terminal	
26	4460465	7	Socket, Female	
27	4460871	11	Socket, Female	
28	4460464	8	Pin, Male	
29	4460887	1	Pin, Male	
30	4461157	1	Connector - 2 Position	
31	4460226	2	Socket, Female	
32	4460944	3	Socket, Female	
33	4460899	1	Connector - 6 Position	
36	4460979	2	Pin, Male	
38	4460738	1	Terminal, Ring	
39	4460943	3	Pin, Male	
40	4460897	1	Connector - 2 Position	
41	1001116693	2	Pin, Male	





## SECTION 8 - ELECTRICAL

**FIGURE 8-50. ENGINE HARNESS - DEUTZ TD2.2L3 (STAGE V) ENGINES**

ITEM	PART NUMBER	QTY	DESCRIPTION	REV
	1001253798	Ref	ENGINE HARNESS	D
1	1001133714	1	Connector - 4 Position	
1	1001133715	3	Terminal	
1	1001135651	1	Plug, Terminal	
1	1001135650	3	Seal	
2	1001117106	1	Terminal, Ring	
3	4460703	1	Terminal, Ring	
4	4460247	1	Terminal, Ring	
5	1001117107	1	Terminal, Ring	
6	4460247	1	Terminal, Ring	
7	4460043	1	Terminal, Ring	
8	1001116952	1	Plug, Male - 2 Position	
8	4460465	2	Socket, Female	
9	1001170764	1	Holder, Fuse	
9	1001197719	1	Resistor 0.5 Watt	
10	4460894	1	Plug, Male - 6 Position	
10	4460465	2	Socket, Female	
10	4460944	2	Socket, Female	
10	4460466	2	Plug, Terminal	
11	1001116812	5	Connector, 3 Position	
11	4460944	10	Socket, Female	
11	4460466	5	Plug, Terminal	
12	4460539	4	Plug, Male - 3 Position	
12	4460944	8	Socket, Female	
12	4460466	4	Plug, Terminal	
13	2902443	1	Receptacle Kit	
13	4461071	6	Terminal	
14	80484084	1	Plug, Male - 8 Position	
14	1001116728	4	Terminal	
14	1001116727	4	Plug, Terminal	
14	4460458	4	Plug, Terminal	
15	4460884	1	Plug, Male - 4 Position	
15	4460465	3	Socket, Female	
15	4460942	1	Socket, Female	
16	4460019	1	Terminal, Ring	
17	4460930	1	Plug, Male - 8 Position	
17	4460465	1	Socket, Female	
17	4460466	7	Plug, Terminal	
18	8220164	1	Terminal, Ring	
19	1001253873	1	Connector, 1 Position	
19	1001142940	1	Terminal	
19	1001142941	1	Seal	
20	1001239202	1	Connector - 8 Position	
20	1001126363	7	Terminal	
20	1001126391	1	Seal, Terminal	
20	1001126364	7	Seal, Terminal	
21	1001126362	1	Connector - 62 Position	
21	1001126363	37	Terminal	
21	1001126365	2	Terminal	
21	1001126391	9	Plug, Terminal	

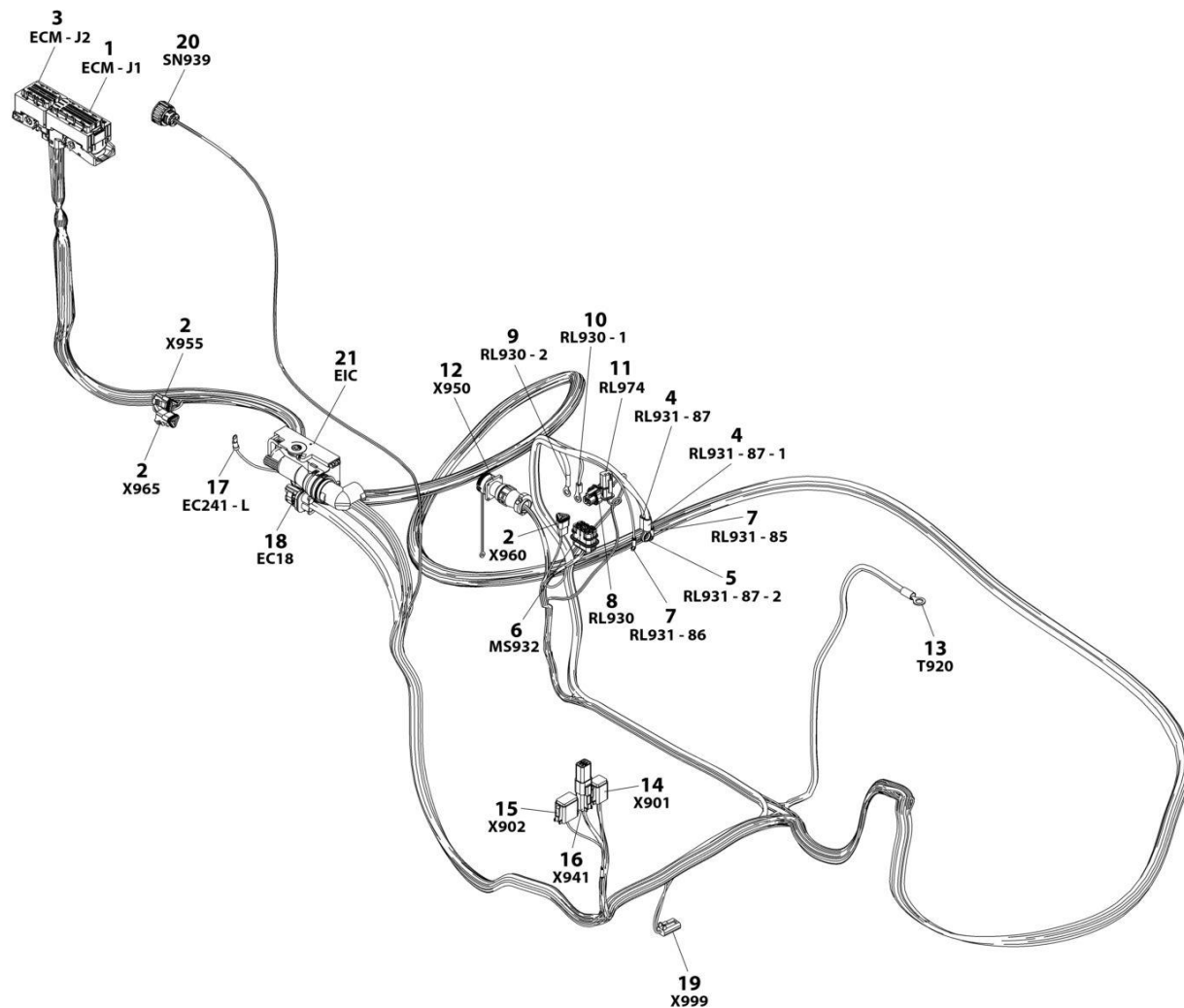
## SECTION 8 - ELECTRICAL

ITEM	PART NUMBER	QTY	DESCRIPTION	REV
21	4461008	4	Plug, Terminal	
21	1001126392	10	Terminal	
21	1001126364	37	Seal, Terminal	
21	1001223459	10	Seal, Terminal	
21	4461054	2	Seal	
22	4460042	1	Terminal, Ring	
23	1001133956	1	Connector - 94 Position	
23	1001126351	3	Terminal	
23	1001182361	6	Terminal	
23	1001252527	4	Terminal	
23	1001230934	25	Terminal	
23	1001230935	55	Plug, Terminal	
23	1001230936	1	Plug, Terminal	
23	1001182365	6	Seal, Terminal	
24	1001126487	1	Connector - 2 Position	
24	1001167635	2	Terminal	
24	1001126485	2	Seal	
25	1001133957	1	Connector - 60 Position	
25	1001126351	11	Terminal	
25	1001230934	26	Terminal	
25	1001230935	10	Plug, Terminal	
25	1001230936	13	Plug, Terminal	
26	4460466	4	Plug, Terminal	
27	4460932	1	Receptacle, Bussbar - 4 Position	
28	4460945	4	Connector, 3-Way Tee	
29	8229242	1	Fuse 5Amp	
30	80983191	1	Fuse, 10Amp	
31	1001116815	3	Plug, Male - 3 Position	
32	1001147264	1	Cap	



# SECTION 8 - ELECTRICAL

## FIGURE 8-51. ENGINE HARNESS - DEUTZ TD2.9L4 AND D2.9L4 ENGINES



ART\_1001143726

## SECTION 8 - ELECTRICAL

**FIGURE 8-51. ENGINE HARNESS - DEUTZ TD2.9L4 AND D2.9L4 ENGINES**

ITEM	PART NUMBER	QTY	DESCRIPTION	REV
	1001143726	Ref	ENGINE HARNESS	L
1	1001133956	1	Connector - 94 Position	
1	1001126351	2	Terminal	
1	1001126352	6	Terminal	
1	1001126384	21	Terminal	
1	1001126357	2	Plug, Terminal	
1	1001126356	63	Plug, Terminal	
2	4461095	3	Plug, Male - 3 Position	
2	4460944	6	Socket, Female	
2	4460466	3	Plug, Terminal	
3	1001133957	1	Connector - 60 Position	
3	1001126351	13	Terminal	
3	1001126384	17	Terminal	
3	1001126357	11	Plug, Terminal	
3	1001126356	19	Plug, Terminal	
4	1001117107	2	Terminal, Ring	
5	4460703	1	Terminal, Ring	
6	80484084	1	Plug, Male - 8 Position	
6	8229242	1	Fuse - 5Amp	
6	80983191	1	Fuse - 10Amp	
6	1001116728	4	Socket, Female	
6	1001116727	4	Plug, Terminal	
6	4460458	4	Seal, Terminal	
6	1001147264	1	Cap	
7	4460247	2	Terminal, Ring	
8	1001116952	1	Plug, Male - 2 Position	
8	4460465	2	Socket, Female	
9	1001117106	1	Terminal, Ring	
10	4460043	1	Terminal, Ring	
11	1001138110	1	Connector - 2 Position	
11	1001138111	2	Terminal	
11	1001138113	2	Seal	
12	2902443	1	Receptacle Kit	
12	4461073	1	Cap, Dust	
12	4461071	6	Terminal	
13	8220115	1	Terminal, Ring	
14	4460894	1	Plug, Male - 6 Position	
14	4460465	3	Socket, Female	
14	4460944	2	Socket, Female	
14	4460466	1	Plug, Terminal	
15	4460930	1	Plug, Male - 8 Position	
15	4460465	1	Socket, Female	
15	4460466	7	Plug, Terminal	
16	1001220379	1	Plug, Male - 4 Position	
16	4460465	2	Socket, Female	
16	4460942	2	Socket, Female	
16	4460932	1	Receptacle, Bussbar - 4 Position	
17	4460042	1	Terminal, Ring	
18	1001142938	1	Plug, Male - 2 Position	
18	1001142940	2	Terminal	

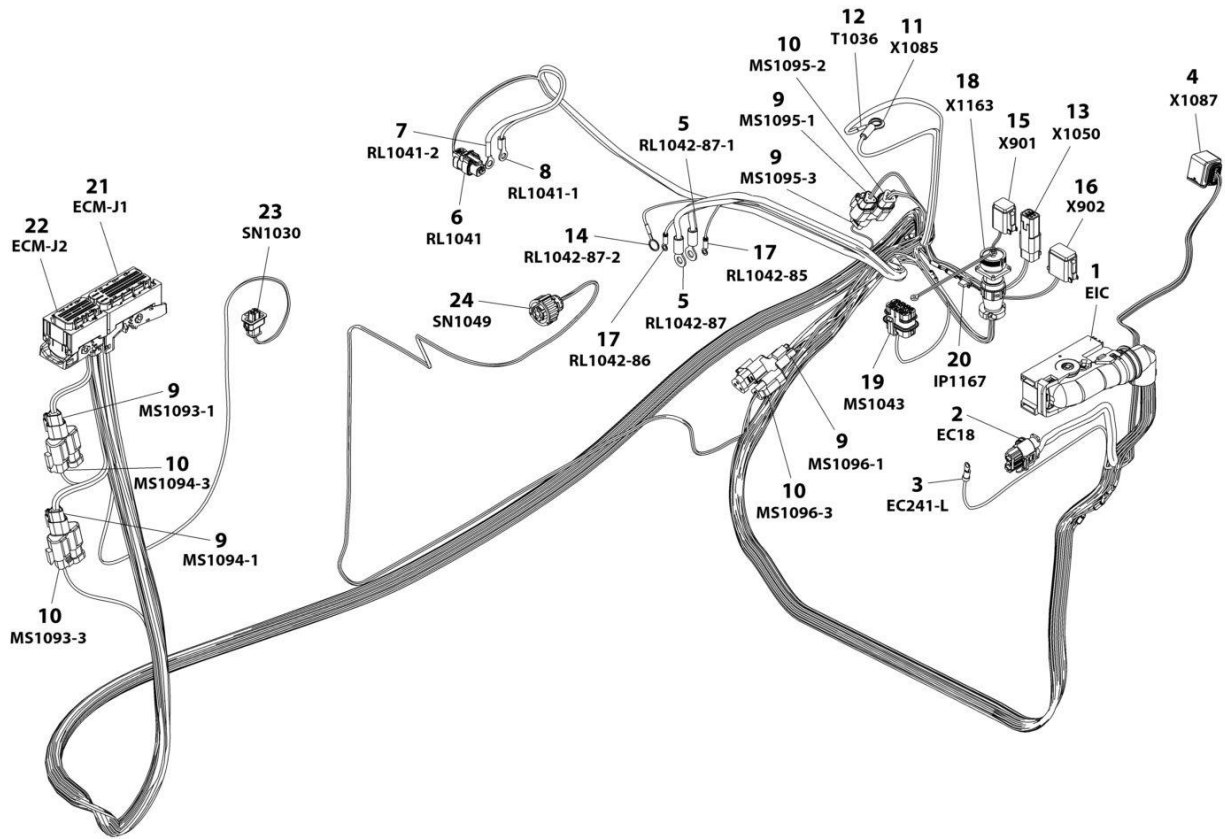
## SECTION 8 - ELECTRICAL

ITEM	PART NUMBER	QTY	DESCRIPTION	REV
18	1001142941	2	Seal	
19	4460891	1	Plug, Male - 4 Position	
19	4460465	2	Socket, Female	
19	1001171403	1	Resistor Assembly	
19	4460897	1	Receptacle, Female - 4 Position	
20	1001133714	1	Connector - 4 Position	
20	1001133715	3	Terminal	
20	1001135650	3	Seal, Terminal	
20	1001135651	1	Plug, Terminal	
21	1001126362	1	Connector - 62 Position	
21	1001126363	23	Terminal	
21	1001126392	10	Terminal	
21	1001126365	2	Terminal	
21	1001126391	23	Plug, Terminal	
21	4461008	4	Plug, Terminal	
21	1001256506	2	Seal, Terminal	
21	1001126364	21	Seal, Terminal	
21	1001223459	10	Seal, Terminal	
21	4461008	4	Plug, Terminal	
21	1001151856	1	Elbow	



# SECTION 8 - ELECTRICAL

## FIGURE 8-52. ENGINE HARNESS - DEUTZ D2.9L4 (CHINE IV) ENGINES



ART\_1001245839



## SECTION 8 - ELECTRICAL

**FIGURE 8-52. ENGINE HARNESS - DEUTZ D2.9L4 (CHINE IV) ENGINES**

ITEM	PART NUMBER	QTY	DESCRIPTION	REV
	1001245839	Ref	ENGINE HARNESS - DEUTZ (STAGE V)	F
1	1001126362	1	Connector - 62 Position	
1	1001126363	37	Terminal	
1	1001126391	7	Seal, Terminal	
1	1001126392	12	Terminal	
1	4461008	4	Seal, Terminal	
1	1001167632	2	Terminal	
1	1001126364	36	Seal, Terminal	
1	1001223459	12	Seal, Terminal	
1	4461054	2	Seal, Terminal	
2	1001142938	1	Connector - 2 Position	
2	1001142940	2	Terminal	
2	1001142941	2	Seal, Terminal	
3	4460042	1	Terminal, Ring	
4	1001239202	1	Connector - 8 Position	
4	1001126363	7	Terminal	
4	1001126391	1	Seal, Terminal	
4	1001126364	7	Seal, Terminal	
5	1001117107	2	Terminal, Ring	
6	1001116952	1	Plug, Male - 2 Position	
6	4460465	2	Socket, Female	
7	1001117106	1	Terminal, Ring	
8	4460043	1	Terminal, Ring	
9	1001116812	5	Connector, 3 Position	
9	4460944	10	Socket, Female	
9	4460466	5	Plug, Terminal	
10	4460539	4	Plug, Male - 3 Position	
10	4460944	8	Socket, Female	
10	4460466	4	Plug, Terminal	
11	8220164	1	Terminal, Ring	
12	4460019	1	Terminal, Ring	
13	4460884	1	Plug, Male - 4 Position	
13	4460465	2	Socket, Female	
13	4460942	2	Socket, Female	
14	4460703	1	Terminal, Ring	
15	4460894	1	Plug, Male - 6 Position	
15	4460465	2	Socket, Female	
15	4460944	2	Socket, Female	
15	4460465	2	Socket, Female	
16	4460930	1	Plug, Male - 8 Position	
16	4460465	1	Socket, Female	
16	4460466	7	Plug, Terminal	
17	4460247	2	Terminal, Ring	
18	2902443	1	Receptacle Kit	
18	4461071	8	Socket, Female	
18	4461072	1	Receptacle with Flange - 8 Position	
18	4461073	1	Cap, Dust	
18	4461074	1	Shell, Black	
19	80484084	1	Connector - 8 Position	
19	4460746	3	Terminal	

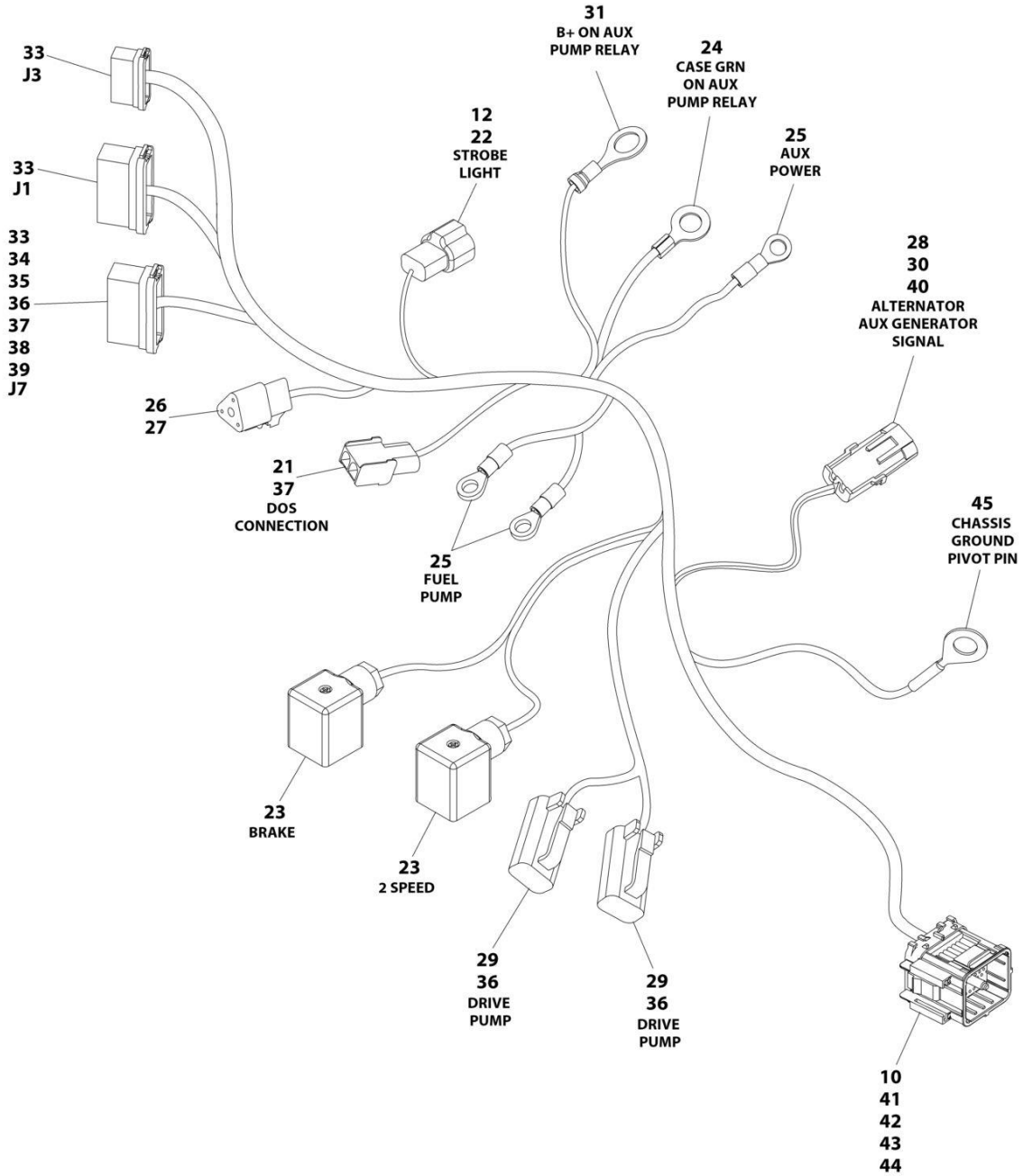
## SECTION 8 - ELECTRICAL

ITEM	PART NUMBER	QTY	DESCRIPTION	REV
19	1001234800	1	Terminal	
19	4460748	4	Plug, Terminal	
19	4460458	4	Seal	
20	1001170764	1	Holder, Fuse	
20	1001197719	1	Fuse 0.5 Watt	
21	1001133956	1	Connector, 94 Position	
21	1001182361	8	Terminal	
21	1001126351	3	Terminal	
21	1001230934	25	Terminal	
21	1001230935	55	Plug, Terminal	
21	1001252527	4	Terminal	
21	1001230936	1	Plug, Terminal	
21	1001182365	8	Seal	
22	1001133957	1	Connector - 60 Position	
22	1001230936	11	Plug, Terminal	
22	1001126351	13	Terminal	
22	1001230935	10	Plug, Terminal	
22	1001230934	26	Terminal	
23	1001126487	1	Connector - 2 Position	
23	1001167635	2	Terminal	
23	1001126485	2	Seal	
24	1001133714	1	Plug, Male - 4 Position	
24	1001133715	3	Terminal	
24	1001135651	1	Plug, Terminal	
24	1001135650	2	Seal	



# SECTION 8 - ELECTRICAL

## FIGURE 8-53. ENGINE HARNESS (FORD DF2.5L ENGINES)



ART\_1001214507\_F

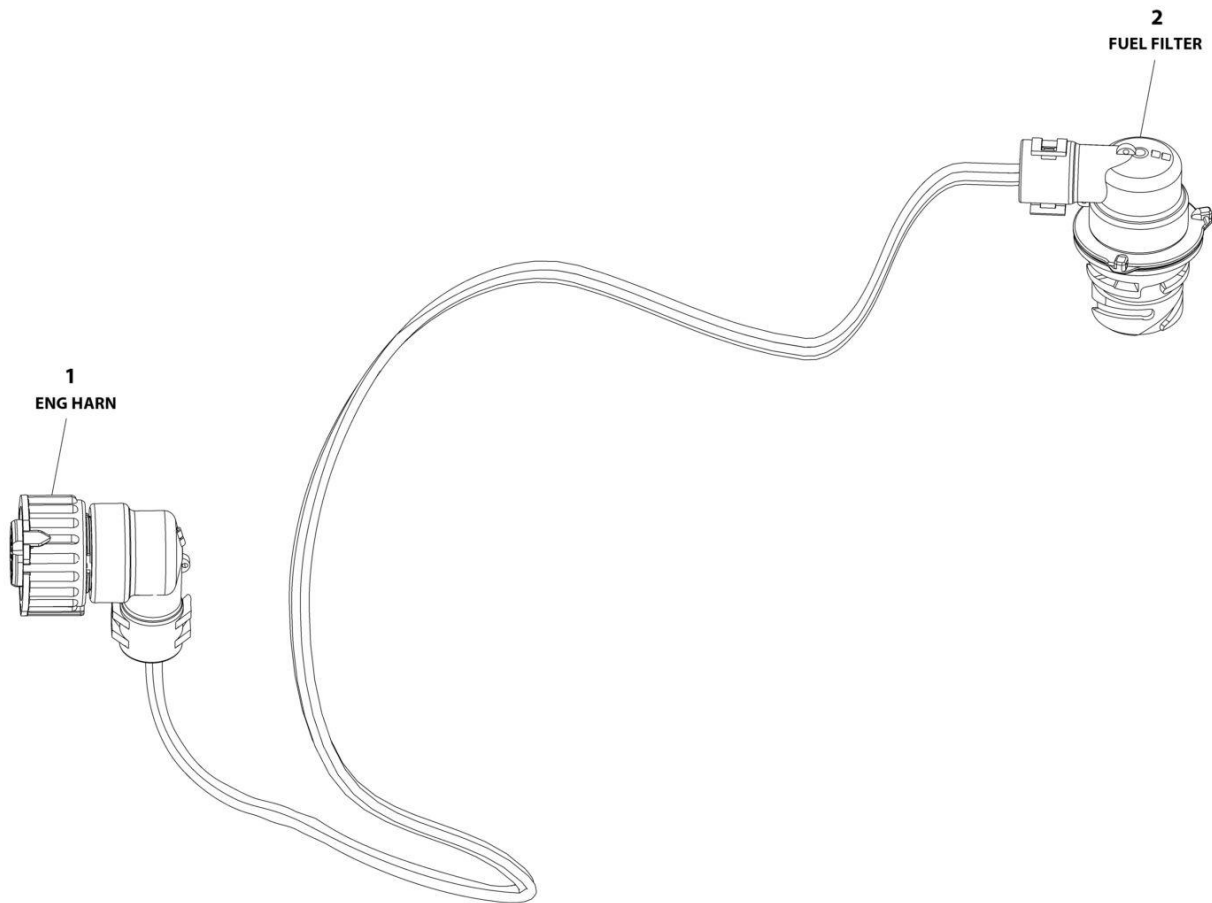
## SECTION 8 - ELECTRICAL

**FIGURE 8-53. ENGINE HARNESS (FORD DF2.5L ENGINES)**

ITEM	PART NUMBER	QTY	DESCRIPTION	REV
	1001214507	Ref	ENGINE HARNESS – FORD DF2.5L ENGINES	F
10	1001216213	3	Plug, Terminal	
12	4460897	1	Connector - 2 Position	
21	4460424	1	Connector - 2 Position	
22	1001116693	2	Pin, Male	
23	1001263923	2	DIN Connector without Diode	
24	4460312	1	Terminal, Ring	
25	4460313	3	Terminal, Ring	
26	4460539	1	Connector - 3 Position	
27	4460944	3	Socket, Female	
28	4461157	1	Connector - 2 Position	
29	4460891	2	Connector - 2 Position	
30	4460458	2	Seal, Terminal	
31	4460738	1	Terminal, Ring	
33	4460871	9	Socket, Female	
34	4460464	1	Pin, Male	
35	4460887	1	Pin, Male	
36	4460465	6	Socket, Female	
37	4460226	3	Socket, Female	
38	4460259	1	Terminal	
39	4460260	1	Housing, Terminal	
40	4460979	2	Pin, Male	
41	1001215016	1	Connector - 42 Position	
42	1001215091	5	Terminal	
43	1001215534	33	Plug, Terminal	
44	1001216212	1	Terminal	
45	4460019	1	Terminal, Ring	

# SECTION 8 - ELECTRICAL

## FIGURE 8-54. FUEL HARNESS - DEUTZ TD2.2L3 (STAGE V) ENGINES



ART\_1001245913

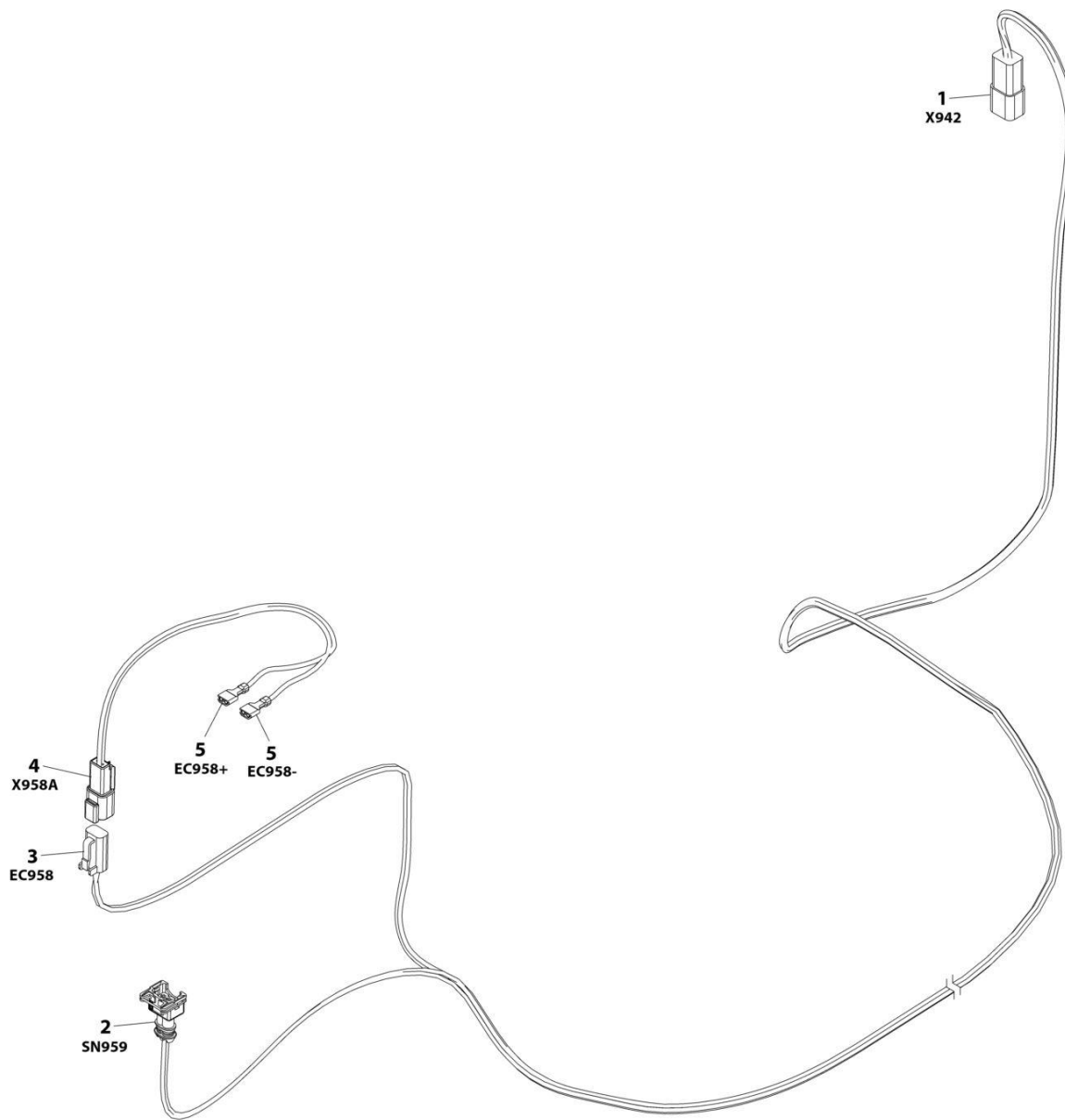
## SECTION 8 - ELECTRICAL

### FIGURE 8-54. FUEL HARNESS - DEUTZ TD2.2L3 (STAGE V) ENGINES

ITEM	PART NUMBER	QTY	DESCRIPTION	REV
	1001245913	Ref	FUEL HARNESS - DEUTZ (STAGE V) ENGINE	D
1	1001148842	1	Connector - 4 Position	
1	1001148841	4	Pin, Male	
1	1001135650	4	Seal	
2	1001133714	1	Plug, Male - 4 Position	
2	1001133715	4	Socket, Female	
2	1001135650	4	Seal	

# SECTION 8 - ELECTRICAL

## FIGURE 8-55. FUEL HARNESS - DEUTZ TCD2.9L4 ENGINES AND DEUTZ D2.9L4 ENGINES



ART\_1001138491



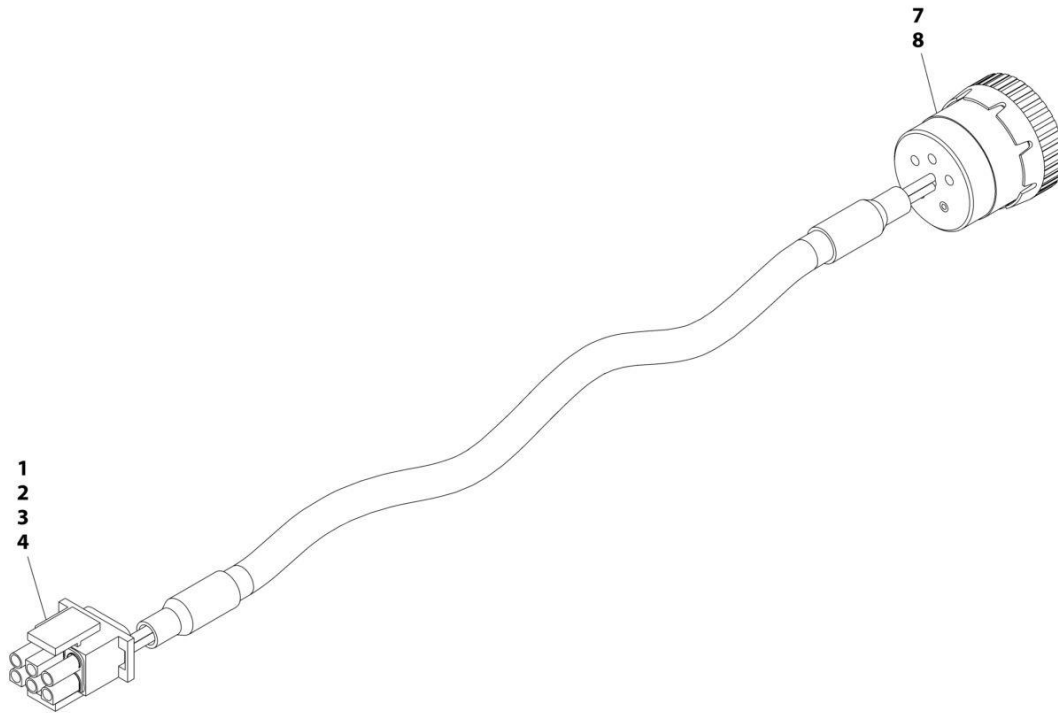
## SECTION 8 - ELECTRICAL

**FIGURE 8-55. FUEL HARNESS - DEUTZ TCD2.9L4 ENGINES AND DEUTZ D2.9L4 ENGINES**

ITEM	PART NUMBER	QTY	DESCRIPTION	REV
	1001138491	Ref	FUEL PUMP HARNESS	D
1	4460932	1	Receptacle, Female - 4 Position	
1	4460941	2	Pin, Male	
1	4460464	2	Pin, Male	
2	1001116983	1	Plug, Male - 2 Position	
2	1001116710	2	Socket, Female	
2	4461054	2	Seal	
3	4460891	1	Plug, Male - 2 Position	
3	4460942	2	Socket, Female	
4	4460897	1	Connector - 2 Position	
4	4460941	2	Pin, Male	
5	8220051	2	Terminal, Ring	

# SECTION 8 - ELECTRICAL

FIGURE 8-56. GENERATOR TO CONTROL BOX HARNESS (4000W GENERATOR)



ART\_1001152532

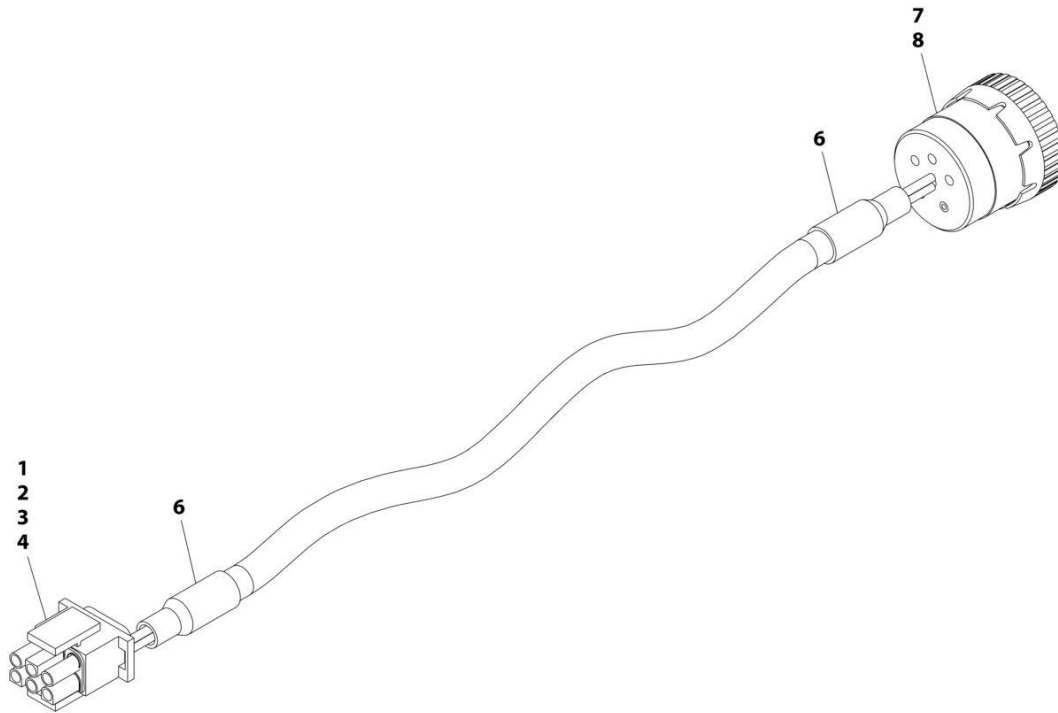
## SECTION 8 - ELECTRICAL

**FIGURE 8-56. GENERATOR TO CONTROL BOX HARNESS (4000W GENERATOR)**

ITEM	PART NUMBER	QTY	DESCRIPTION	REV
	1001152532	Ref	GENERATOR HARNESS	A
1	4460225	1	Connector - 6 Position	
2	4460268	2	Socket, Female	
3	4460807	1	Seal	
4	4460808	1	Seal	
7	4460465	2	Socket, Female	
8	77363233	1	Connector - 6 Position	

# SECTION 8 - ELECTRICAL

FIGURE 8-57. GENERATOR TO CONTROL BOX HARNESS (7500W GENERATOR)



ART\_4922925

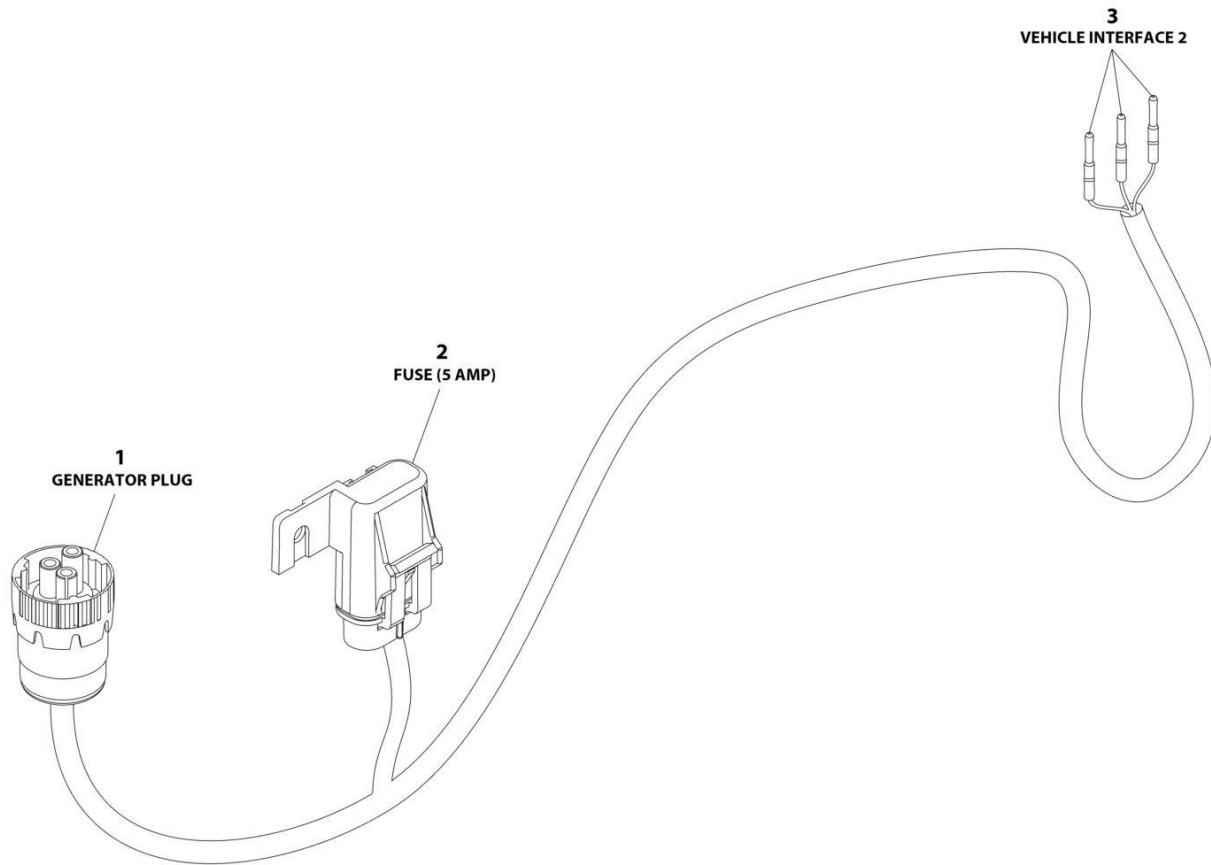
## SECTION 8 - ELECTRICAL

### FIGURE 8-57. GENERATOR TO CONTROL BOX HARNESS (7500W GENERATOR)

ITEM	PART NUMBER	QTY	DESCRIPTION	REV
	4922925	Ref	GENERATOR TO CONTROL BOX HARNESS (7500W GENERATOR)	C
1	4460225	1	Plug, Male - 2 Position	
2	4460268	6	Socket, Female	
3	4460807	1	Seal	
4	4460808	1	Seal	
6	2820019	AR	Heat Shrink	
7	4460465	6	Socket, Female	
8	77363233	1	Connector - 6 Position	

# SECTION 8 - ELECTRICAL

## FIGURE 8-58. GENERATOR HARNESS - 7500W GENERATOR



ART\_1001119968

## SECTION 8 - ELECTRICAL

### FIGURE 8-58. GENERATOR HARNESS - 7500W GENERATOR

ITEM	PART NUMBER	QTY	DESCRIPTION	REV
	1001119968	Ref	GENERATOR HARNESS - 7500W GENERATOR	C
1	4460967	1	Connector - 3 Position	
1	4460465	3	Socket, Female	
2	1001117078	1	Connector, Metri-Pack with 5Amp Fuse	
3	4460465	3	Socket, Female	

# SECTION 8 - ELECTRICAL

## FIGURE 8-59. GENERATOR TO ENGINE HARNESS - 4000W GENERATOR



ART\_1001153197



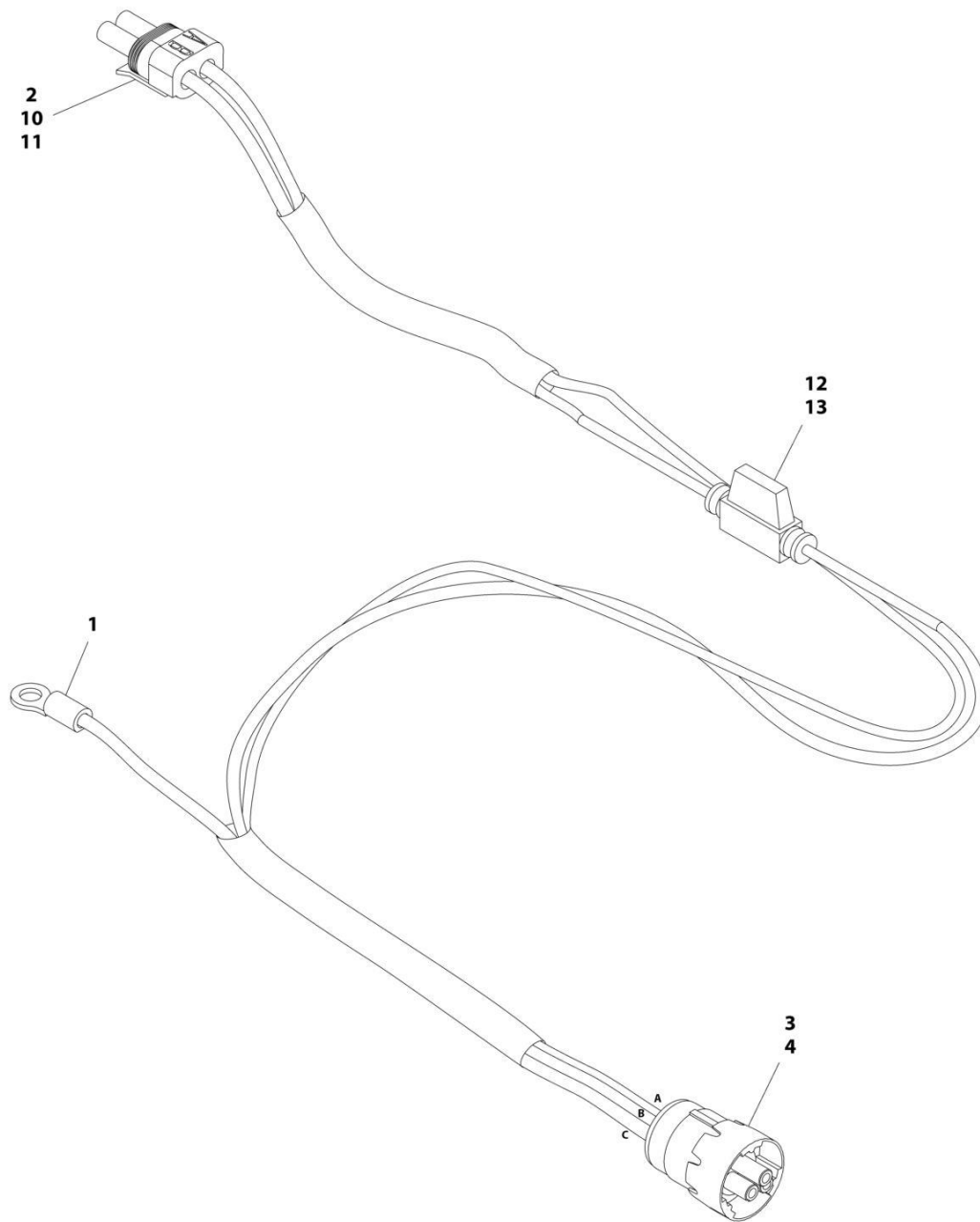
## SECTION 8 - ELECTRICAL

### FIGURE 8-59. GENERATOR TO ENGINE HARNESS - 4000W GENERATOR

ITEM	PART NUMBER	QTY	DESCRIPTION	REV
	1001153197	Ref	GENERATOR TO ENGINE HARNESS	B
1	4460967	1	Plug, Male - 3 Position	
1	4460465	2	Socket, Female	
2	4460043	1	Terminal, Ring	
3	4460742	1	Plug, Male - 2 Position	
3	4460743	1	Socket, Female	
3	4460458	1	Seal, Terminal	
3	1001116727	1	Plug, Terminal	

# SECTION 8 - ELECTRICAL

FIGURE 8-60. GENERATOR TO ENGINE HARNESS - 7500W SKYPOWER GENERATOR (DEUTZ D2011 ONLY)



ART\_1001152429

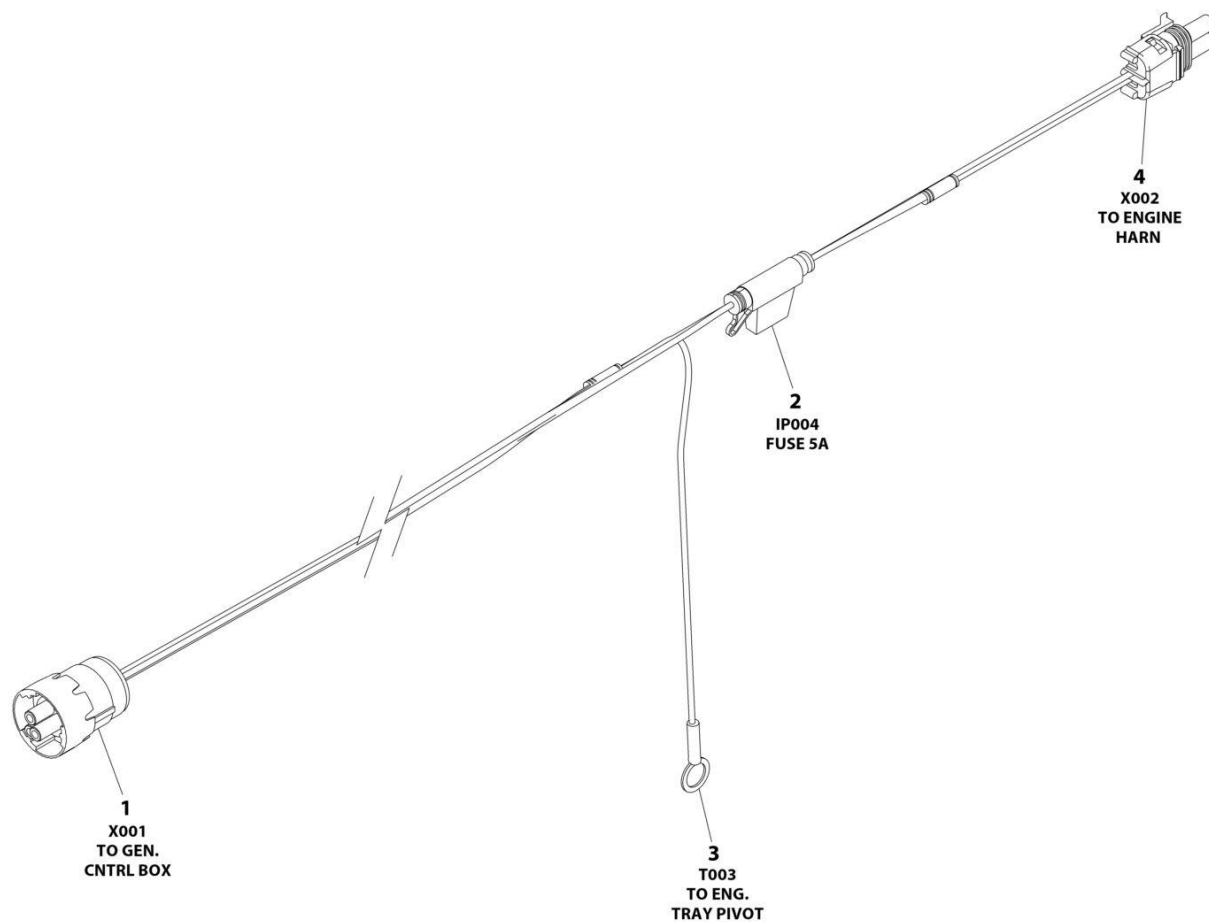
## SECTION 8 - ELECTRICAL

**FIGURE 8-60. GENERATOR TO ENGINE HARNESS - 7500W SKYPOWER GENERATOR (DEUTZ D2011 ONLY)**

ITEM	PART NUMBER	QTY	DESCRIPTION	REV
	1001152429	Ref	GENERATOR TO ENGINE HARNESS	C
1	4460043	1	Terminal, Ring	
2	4460742	1	Plug, Male - 2 Position	
3	4460967	1	Connector - 3 Position	
4	4460465	3	Socket, Female	
10	4460743	2	Terminal, Female	
11	4460458	2	Seal	
12	2400060	1	Fuseholder (Includes Cover)	
13	2400064	1	Fuse - 5Amp	

# SECTION 8 - ELECTRICAL

## FIGURE 8-61. GENERATOR TO ENGINE HARNESS - 7500W SKYPOWER GENERATOR (FORD ENGINES ONLY)



ART\_1001257972

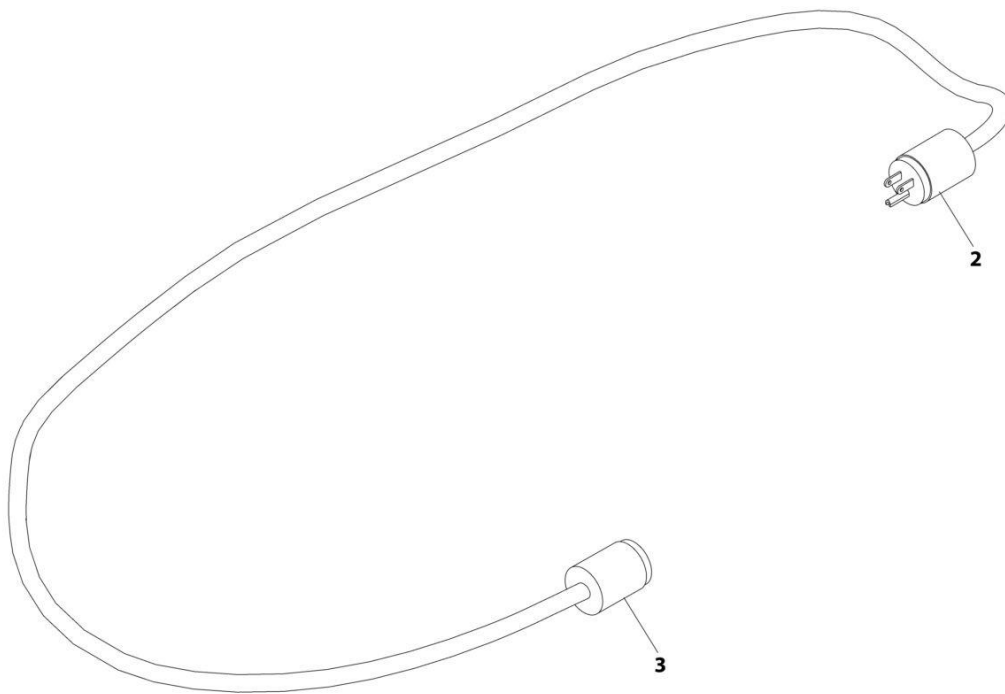
## SECTION 8 - ELECTRICAL

**FIGURE 8-61. GENERATOR TO ENGINE HARNESS - 7500W SKYPOWER GENERATOR (FORD ENGINES ONLY)**

ITEM	PART NUMBER	QTY	DESCRIPTION	REV
	1001257972	Ref	GENERATOR TO ENGINE HARNESS	A
1	4460967	1	Plug, Male - 3 Position	
1	4460465	3	Socket, Female	
2	2400060	1	Fuse-holder (Includes Cover)	
2	2400064	1	Fuse - 5Amp	
3	4460256	1	Terminal, Ring	
4	4460742	1	Plug, Male - 2 Position	
4	4460457	2	Socket, Female	
4	4460458	2	Seal, Terminal	

# SECTION 8 - ELECTRICAL

FIGURE 8-62. GENERATOR TO REAR OF BOOM HARNESS - 110V



ART\_4921829

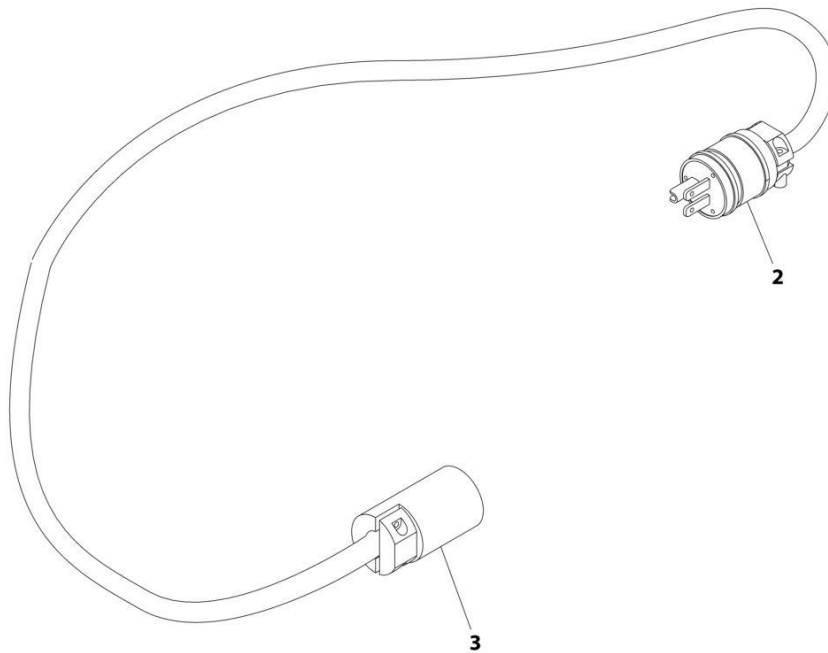
## SECTION 8 - ELECTRICAL

**FIGURE 8-62. GENERATOR TO REAR OF BOOM HARNESS - 110V**

ITEM	PART NUMBER	QTY	DESCRIPTION	REV
	4921829	Ref	GENERATOR TO REAR OF BOOM HARNESS - 110V	Z-A
2	4460205	1	Plug, Male	
3	4460134	1	Connector, Female	

# SECTION 8 - ELECTRICAL

FIGURE 8-63. GENERATOR TO REAR OF BOOM HARNESS - 220V



ART\_4921954



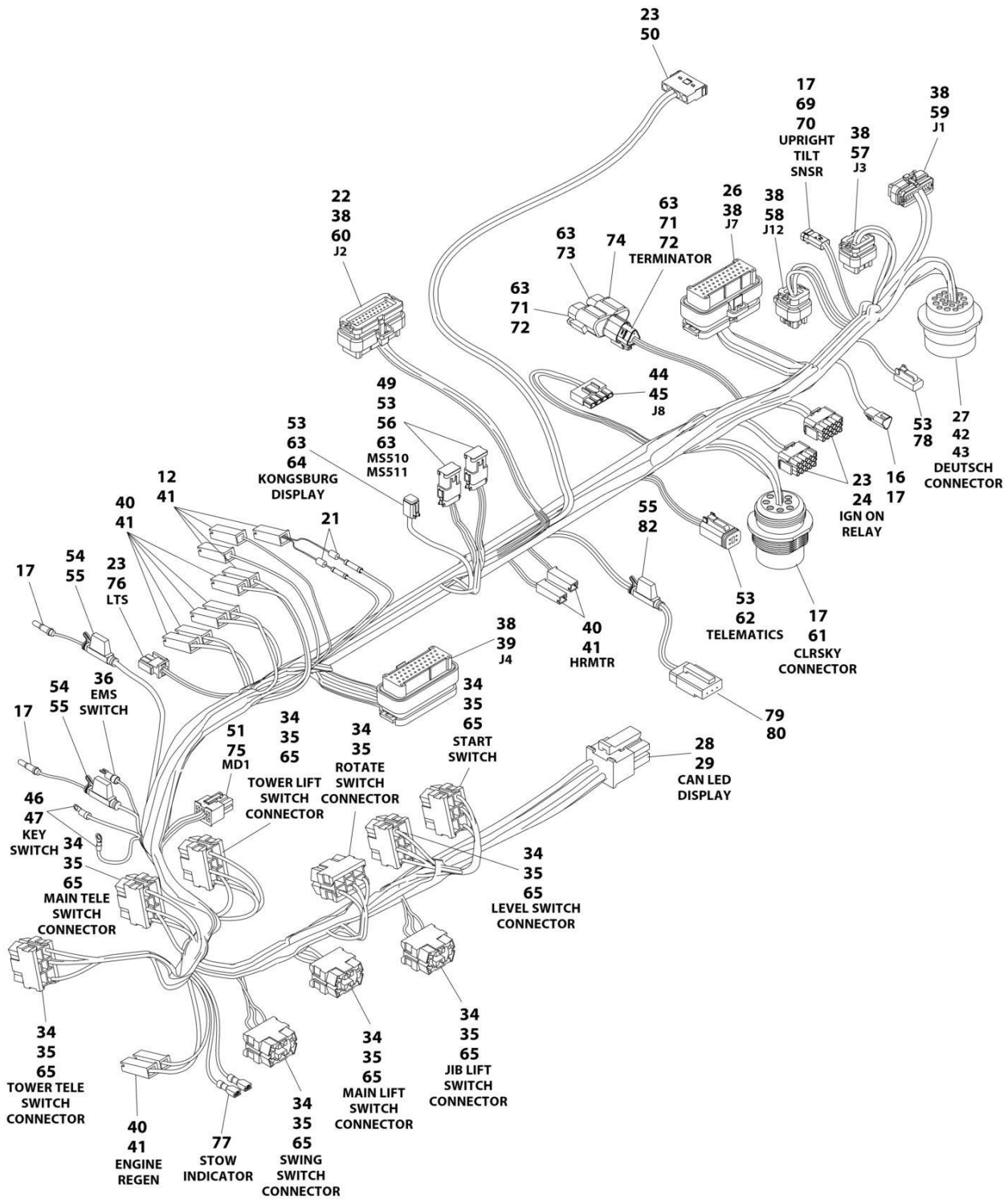
## SECTION 8 - ELECTRICAL

FIGURE 8-63. GENERATOR TO REAR OF BOOM HARNESS - 220V

ITEM	PART NUMBER	QTY	DESCRIPTION	REV
	4921954	Ref	GENERATOR TO REAR OF BOOM HARNESS - 220V	2
2	4460233	1	Terminal, Plug	
3	4460701	1	Terminal, Connector	

# SECTION 8 - ELECTRICAL

## FIGURE 8-64. GROUND CONTROL BOX HARNESS



ART\_1001266628

## SECTION 8 - ELECTRICAL

### FIGURE 8-64. GROUND CONTROL BOX HARNESS

ITEM	PART NUMBER	QTY	DESCRIPTION	REV
	1001266628	Ref	GROUND CONTROL BOX HARNESS	C
12	4460297	4	Terminal	
16	4460536	1	Receptacle, Female - 3 Position	
17	4460943	12	Pin, Male	
21	3990010	2	Diode, 6 Amp	
22	4460905	2	Seal, Terminal	
23	4460227	36	Pin, Male	
24	4460434	2	Plug Male - 15 Position	
26	4460873	1	Connector - 35 Position	
27	4460508	4	Terminal	
28	1001237667	1	Plug Male - 6 Position	
29	1001237668	5	Terminal	
34	1001159186	18	Terminal	
35	4460418	9	Connector, Switch	
36	4460806	5	Terminal, Fork	
38	4460871	84	Socket, Female	
39	4460876	1	Connector - 35 Position	
40	4460259	15	Terminal	
41	4460260	19	Housing, Terminal	
42	4460464	13	Pin, Male	
43	4460866	1	Connector - 19 Position	
44	4460878	1	Plug Male - 4 Position	
45	4460887	3	Terminal	
46	4460142	4	Terminal, Ring	
47	4460313	3	Terminal	
49	1001119020	2	Connector, Buss Bar - 12 Position	
50	4460761	1	Receptacle, Female - 4 Position	
51	4460868	AR	Terminal	
53	4460465	35	Socket, Female	
54	2400060	2	Fuse Holder with Cover	
55	8229242	3	Fuse 5Amp	
56	4460933	2	Plug, Male - 12 Position	
57	4460872	1	Connector - 14 Position	
58	1001113961	1	Connector - 8 Position	
59	4460874	1	Connector - 35 Position	
60	4460875	1	Connector - 35 Position	
61	1001112612	1	Connector - 9 Position	
62	4460884	1	Plug, Male - 4 Position	
63	4460466	7	Plug, Terminal	
64	4460894	1	Plug, Male - 6 Position	
65	4460419	8	Terminal	
69	1001229530	1	Receptacle, Female - 3 Position	
70	1001200497	1	Plug, Male - 3 Position	
71	1001116812	2	Plug, Male - 3 Position	
72	4460944	4	Socket, Female	
73	1001116815	1	Plug, Male - 3 Position	
74	4460945	1	Connector, 3-Way Tee	
75	4460877	4	Terminal	
76	4460320	1	Connector - 2 Position	
77	1001201885	2	Terminal	

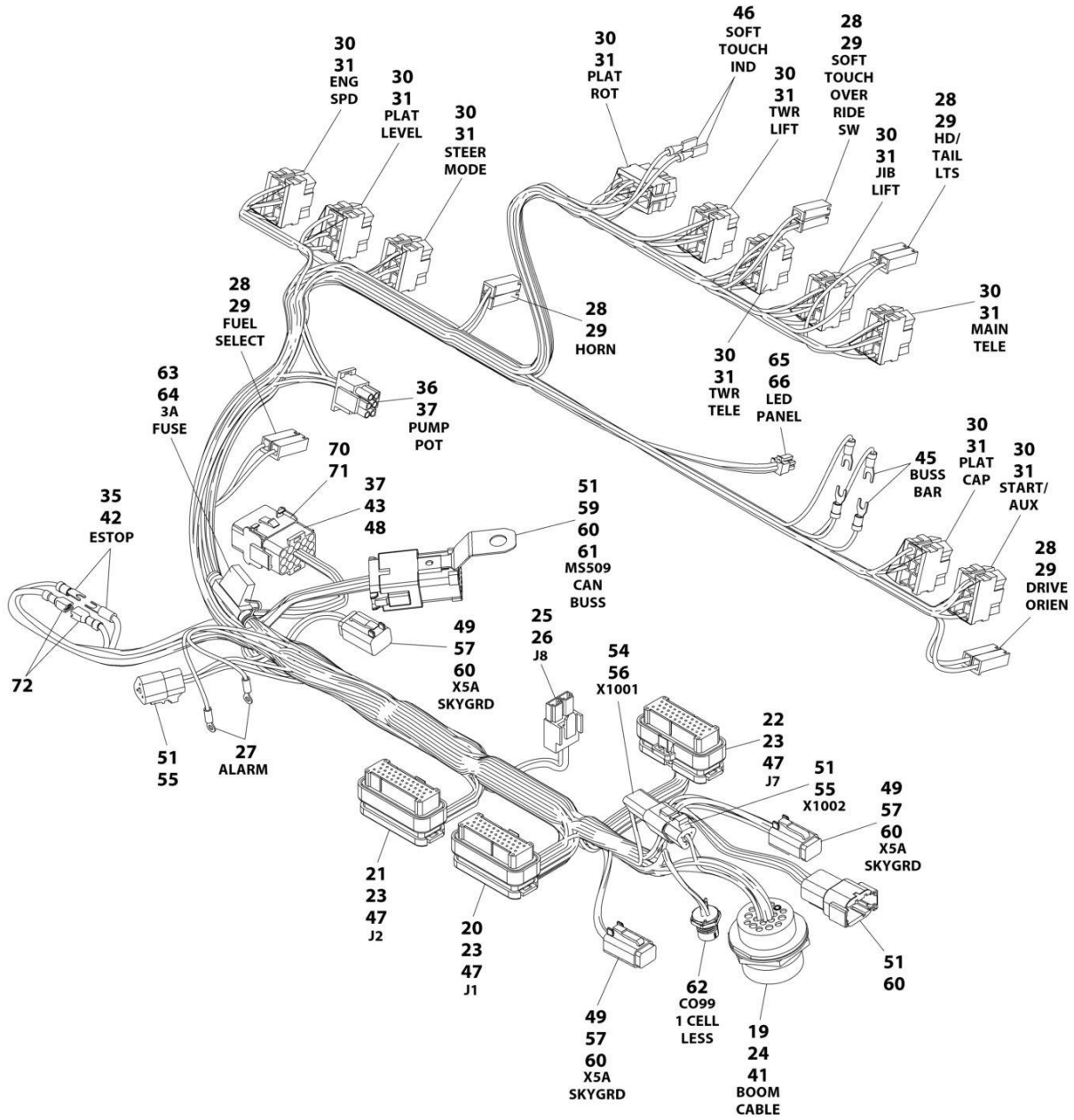
## SECTION 8 - ELECTRICAL

ITEM	PART NUMBER	QTY	DESCRIPTION	REV
78	4460891	1	Plug, Male - 2 Position	
79	4460911	1	Connector - 3 Position	
80	1001116694	3	Terminal	
82	2400060	AR	Fuse Holder with Cover (Prior to PVC 2201)	
82	1001255901	AR	Fuse Holder with Cover (PVC 2201 to Present)	



# SECTION 8 - ELECTRICAL

## FIGURE 8-65. PLATFORM CONSOLE BOX HARNESS



ART\_1001266648

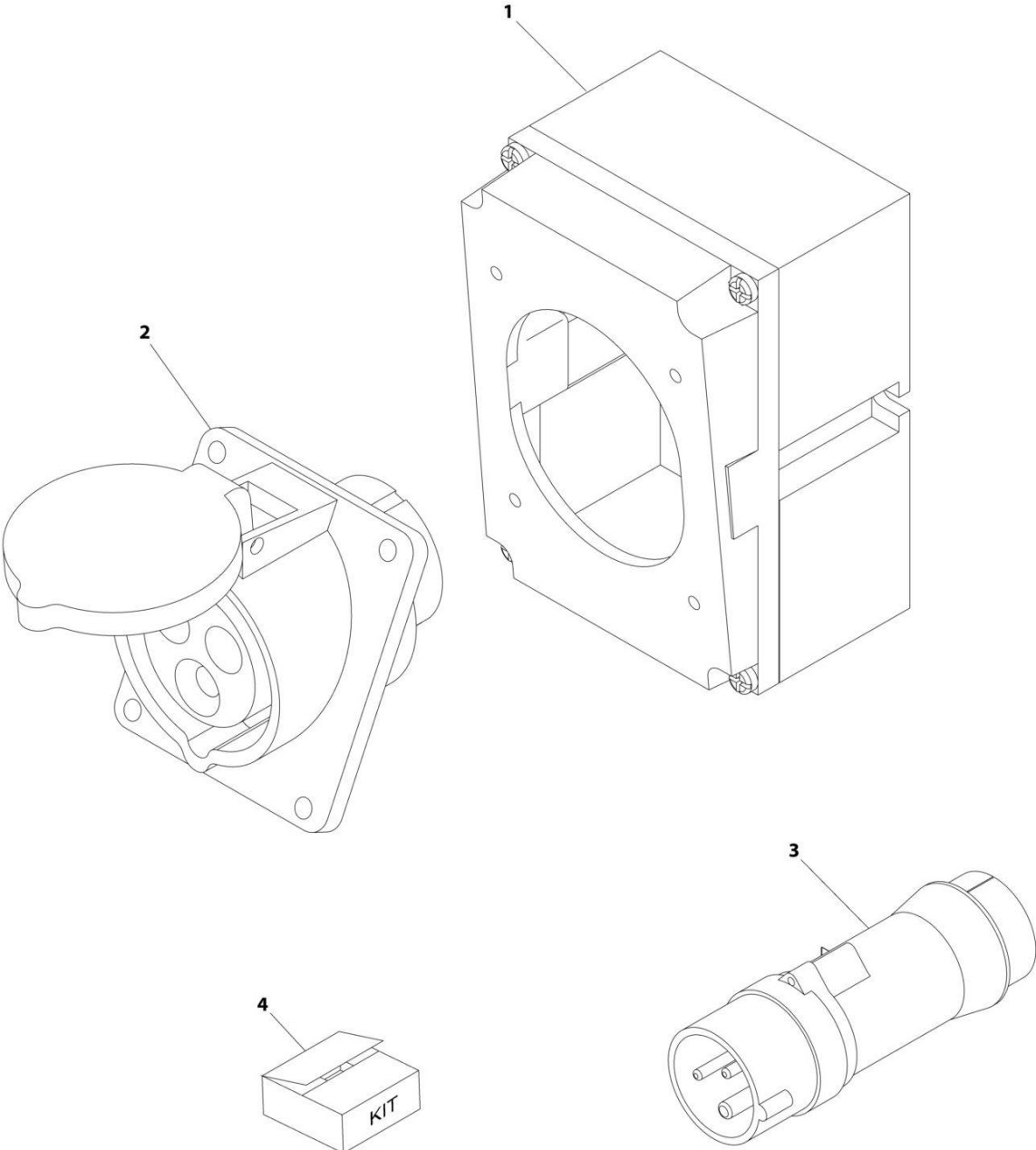
## SECTION 8 - ELECTRICAL

**FIGURE 8-65. PLATFORM CONSOLE BOX HARNESS**

ITEM	PART NUMBER	QTY	DESCRIPTION	REV
	1001266648	Ref	PLATFORM CONSOLE BOX HARNESS	B
19	4460866	1	Connector - 19 Position	
20	4460874	1	Connector - 35 Position	
21	4460875	1	Connector - 35 Position	
22	4460873	1	Connector - 35 Position	
23	4460871	81	Socket, Female	
24	4460464	6	Pin, Male	
25	4460879	1	Plug, Male - 2 Position	
26	4460887	2	Terminal	
27	1001098122	2	Terminal, Ring	
28	4460260	10	Housing, Terminal	
29	4460259	10	Terminal	
30	4460418	9	Connector, Switch	
31	4460419	27	Terminal	
32	4120035	14	Socket, Light (Not Shown)	
33	4460634	14	Socket, Lamp (Single Wire) (Not Shown)	
34	4460635	14	Socket, Lamp (Double Wire) (Not Shown)	
35	4460888	1	Terminal, Fork	
36	4460225	1	Plug, Male - 6 Position	
37	4460227	31	Pin, Male	
41	4460508	3	Pin, Male	
42	4460806	1	Terminal, Fork	
43	4460434	2	Connector - 15 Position	
44	2920129	14	Bulb (Not Shown)	
45	4460183	4	Terminal, Fork	
46	4460016	2	Terminal	
47	4460905	24	Plug, Terminal	
48	4460267	1	Pin, Male	
49	4460465	5	Socket, Female	
51	4460944	11	Socket, Female	
54	4460536	1	Receptacle, Female - 3 Position	
55	4460539	1	Plug, Male - 3 Position	
56	4460943	3	Pin, Male	
57	4460894	2	Plug, Male - 6 Position	
59	4460933	2	Plug, Male - 12 Position	
60	4460466	5	Plug, Terminal	
61	1001119020	1	Connector, Buss Bar - 12 Position	
62	1001213447	1	Connector - 5 Position	
63	2400060	1	Fuseholder Includes Cover	
64	8229249	1	Fuse, 3 Amp	
65	1001237667	1	Plug, Male - 6 Position	
66	1001237668	4	Socket, Female	
70	4460708	2	Connector - 15 Position	
71	4460226	2	Socket, Female	
72	1001201885	2	Terminal	

**SECTION 8 - ELECTRICAL**

**FIGURE 8-66. RECEPTACLE BOX KIT - 110V IEC YELLOW (CE, RUSSIA, & UK CA SPEC)**



ART\_0275216



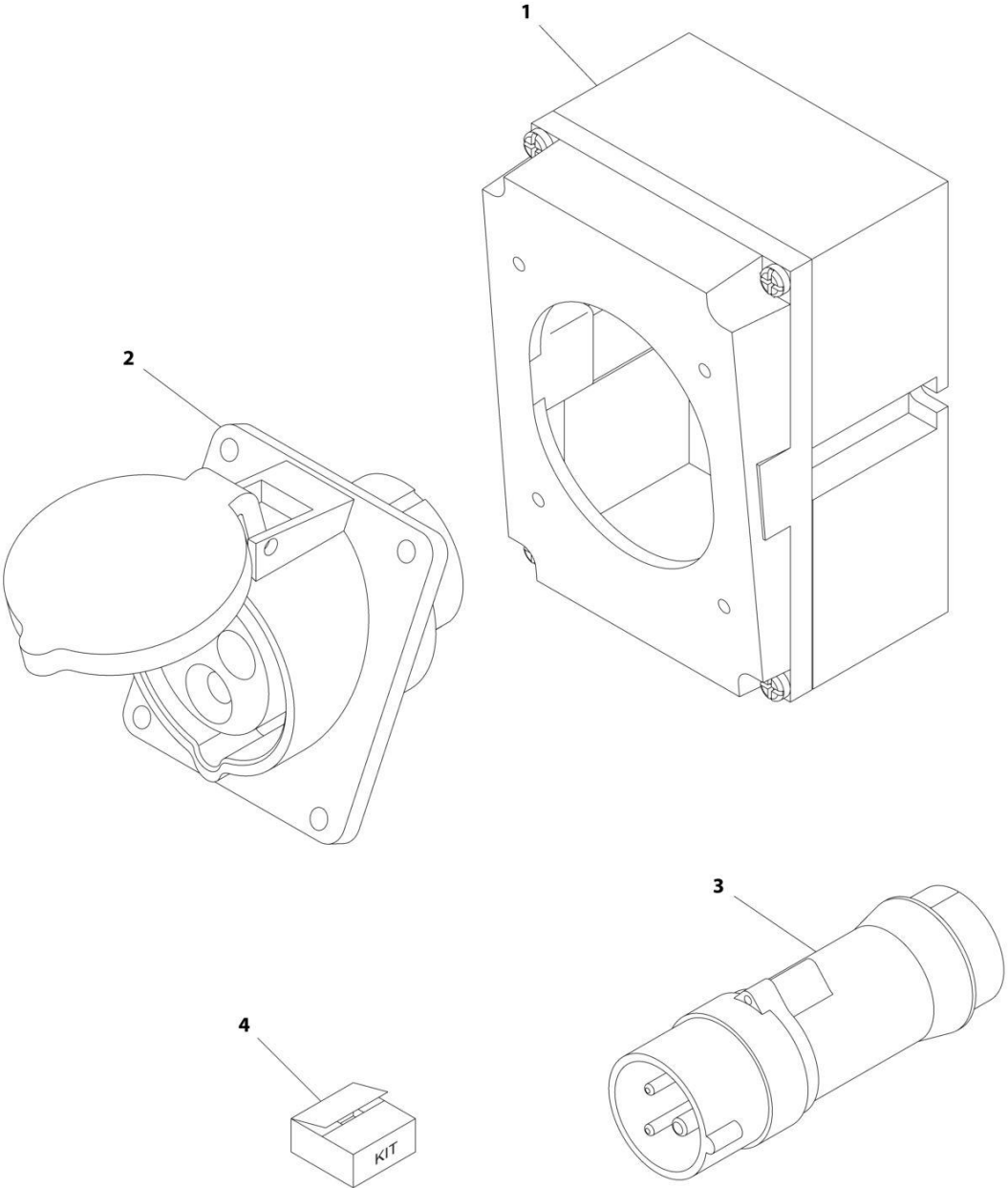
## SECTION 8 - ELECTRICAL

**FIGURE 8-66. RECEPTACLE BOX KIT - 110V IEC YELLOW (CE, RUSSIA, & UK CA SPEC)**

ITEM	PART NUMBER	QTY	DESCRIPTION	REV
	0275216	Ref	RECEPTACLE BOX KIT - 110V IEC YELLOW	B
1	0861781	1	Box, Switch	
2	4461198	1	Receptacle	
3	4461196	1	Plug, Male	
4	1001100341	1	Plug and Socket Kit (Includes Items 1-3 and Female Plug p/n 4461197)	

**SECTION 8 - ELECTRICAL**

**FIGURE 8-67. RECEPTACLE BOX KIT - 220V IEC BLUE (CE, RUSSIA & UK CA SPEC)**



ART\_0275217

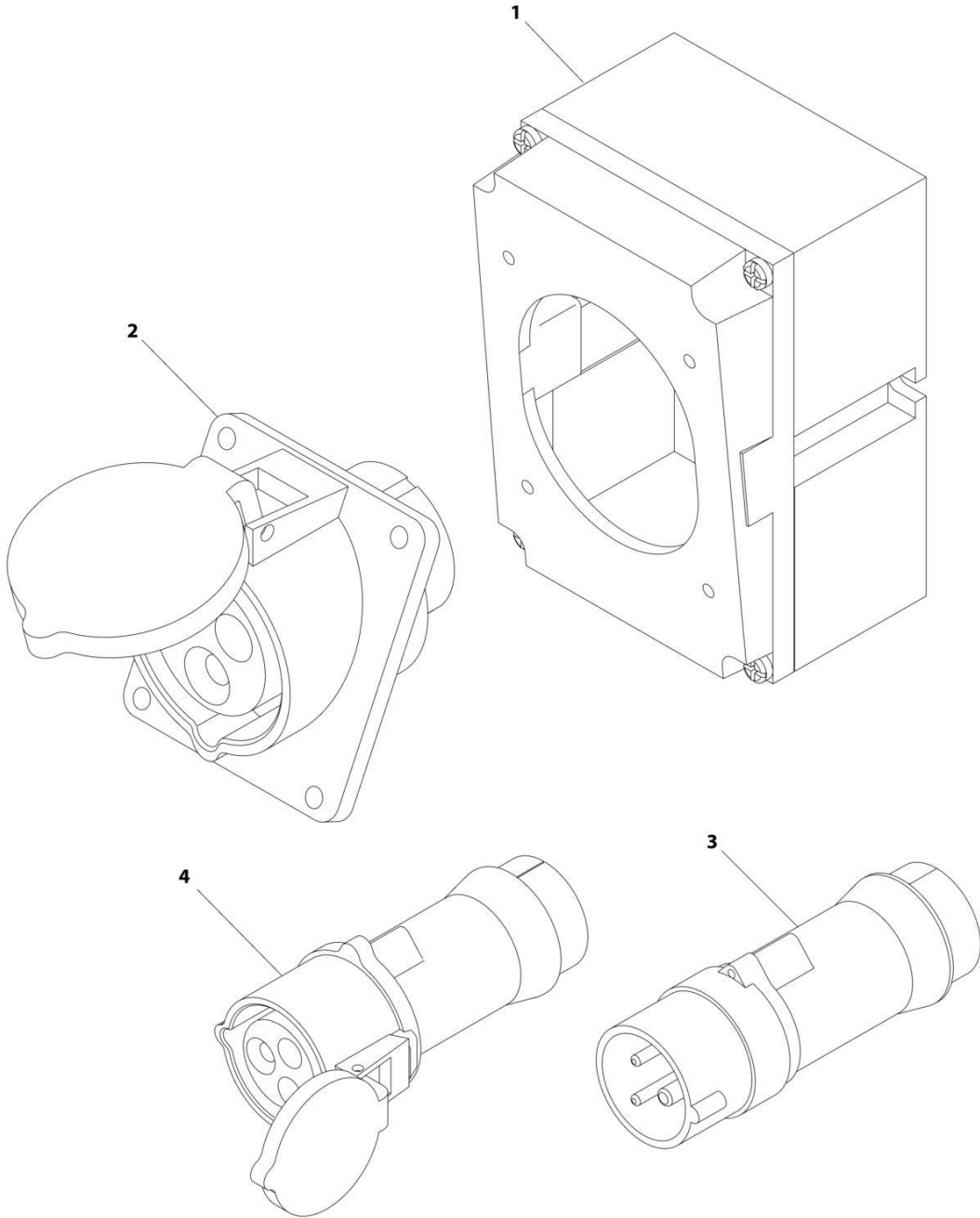
## SECTION 8 - ELECTRICAL

**FIGURE 8-67. RECEPTACLE BOX KIT - 220V IEC BLUE (CE, RUSSIA & UK CA SPEC)**

ITEM	PART NUMBER	QTY	DESCRIPTION	REV
	0275217	Ref	RECEPTACLE BOX KIT - 220V IEC BLUE	B
1	0861781	1	Box, Switch	
2	4461201	1	Receptacle	
3	4461199	1	Plug, Male	
4	1001100342	1	Plug and Socket Kit (Includes Items 1-3 and Female Plug p/n 4461200)	

**SECTION 8 - ELECTRICAL**

**FIGURE 8-68. RECEPTACLE BOX KIT - 220V IEC BLUE (2500W GENERATOR) (CE, RUSSIA & UK CA SPECS)**



ART\_1001100342

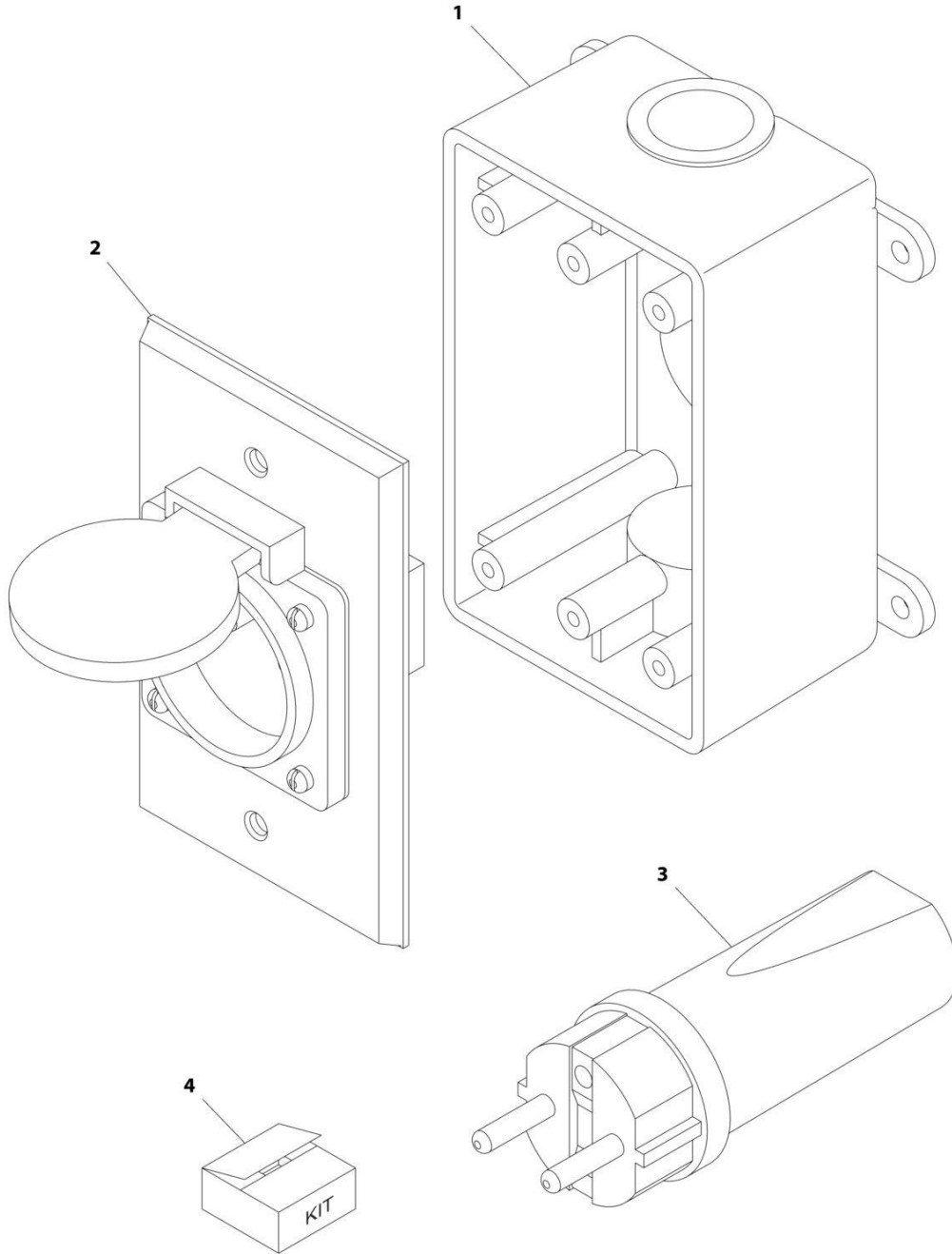
## SECTION 8 - ELECTRICAL

**FIGURE 8-68. RECEPTACLE BOX KIT - 220V IEC BLUE (2500W GENERATOR) (CE, RUSSIA & UK CA SPECS)**

ITEM	PART NUMBER	QTY	DESCRIPTION	REV
	1001100342	Ref	RECEPTACLE BOX KIT - 220V IEC BLUE WITH 2500W GENERATOR (CE & UK CA SPECS)	2
1	0861781	1	Box, Switch	
2	4461201	1	Receptacle	
3	4461199	1	Plug, Male	
4	4461200	1	Plug, Female	

## SECTION 8 - ELECTRICAL

FIGURE 8-69. RECEPTACLE BOX KIT - 220V CEE7 POST GROUND WITHOUT 2500W GENERATOR (2X4 BOX) (CE, RUSSIA & UK CA SPECS)



ART\_0275452

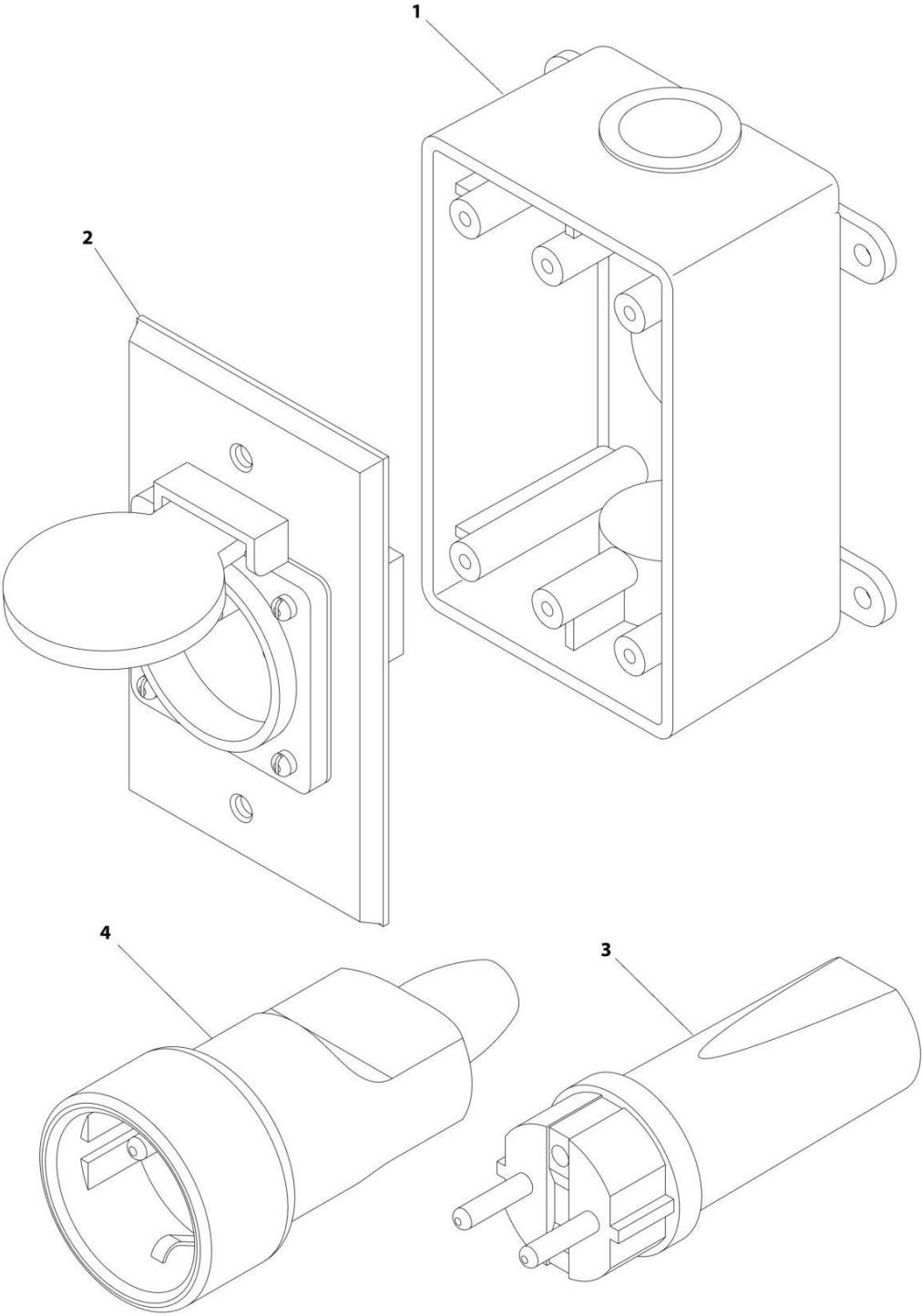
## SECTION 8 - ELECTRICAL

**FIGURE 8-69. RECEPTACLE BOX KIT - 220V CEE7 POST GROUND WITHOUT 2500W GENERATOR  
(2X4 BOX) (CE, RUSSIA & UK CA SPECS)**

ITEM	PART NUMBER	QTY	DESCRIPTION	REV
	0275452	Ref	RECEPTACLE BOX KIT - 220V CEE7 POST GROUND	C
1	0861731	1	Box, Switch	
2	4461244	1	Receptacle	
3	4461205	1	Plug, Male	
4	1001100345	1	Plug and Socket Kit (Includes Items 1-3 and Female Plug p/n 4461206)	

**SECTION 8 - ELECTRICAL**

**FIGURE 8-70. RECEPTACLE BOX KIT - 220V CEE7 POST GROUND (2X4 BOX) (2500W GENERATOR)  
(CE, RUSSIA & UK CA SPECS)**



ART\_1001100345



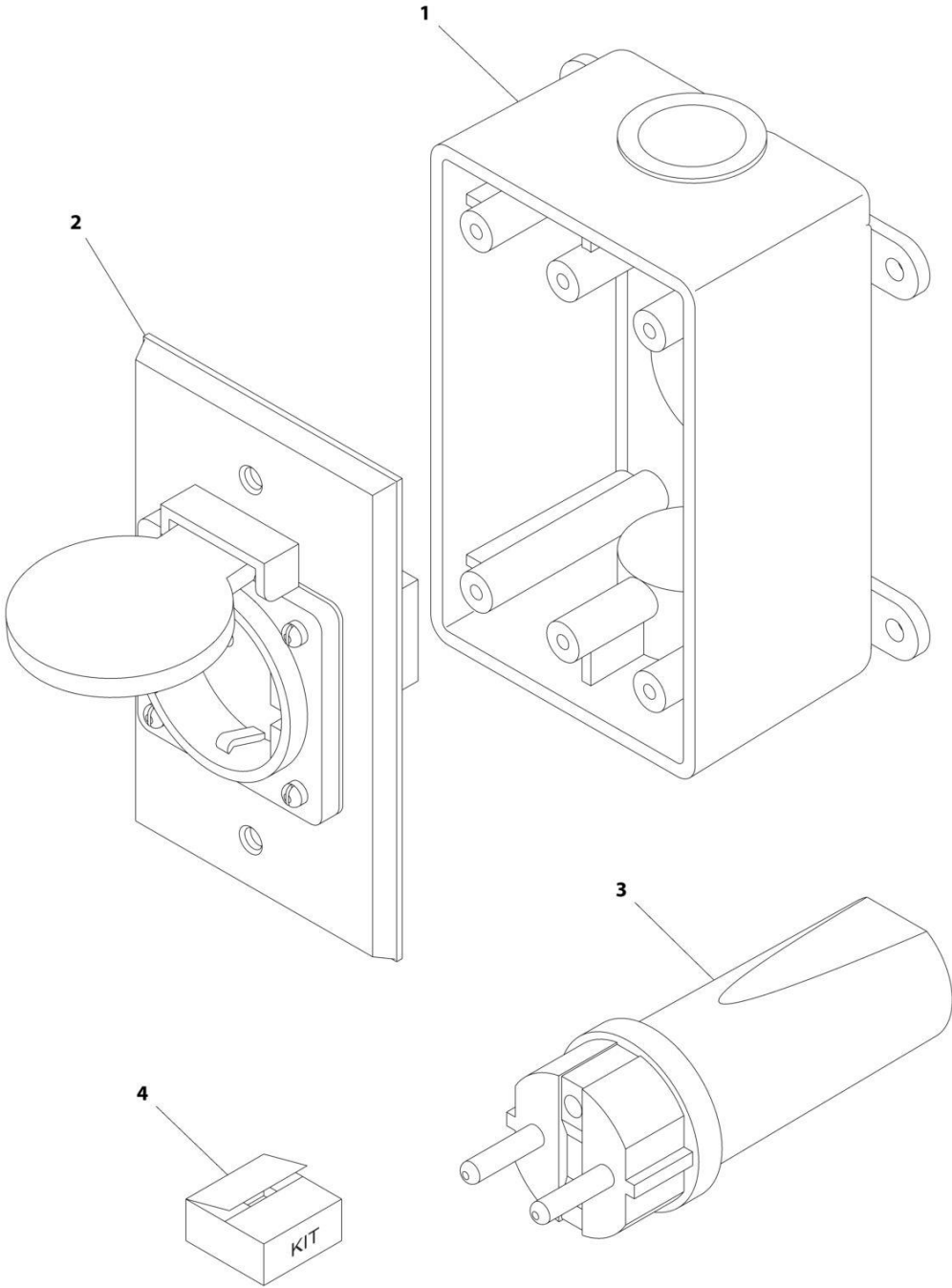
## SECTION 8 - ELECTRICAL

**FIGURE 8-70. RECEPTACLE BOX KIT - 220V CEE7 POST GROUND (2X4 BOX) (2500W GENERATOR)  
(CE, RUSSIA & UK CA SPECS)**

ITEM	PART NUMBER	QTY	DESCRIPTION	REV
	1001100345	Ref	RECEPTACLE BOX KIT - 220V CEE7 POST GROUND	C
1	0861731	1	Box, Switch	
2	4461244	1	Receptacle	
3	4461205	1	Plug, Male	
4	4461203	1	Plug, Female	

**SECTION 8 - ELECTRICAL**

**FIGURE 8-71. RECEPTACLE BOX KIT - 220V CEE7 SIDE GROUND (CE, RUSSIA & UK CA SPEC)**



ART\_0275453

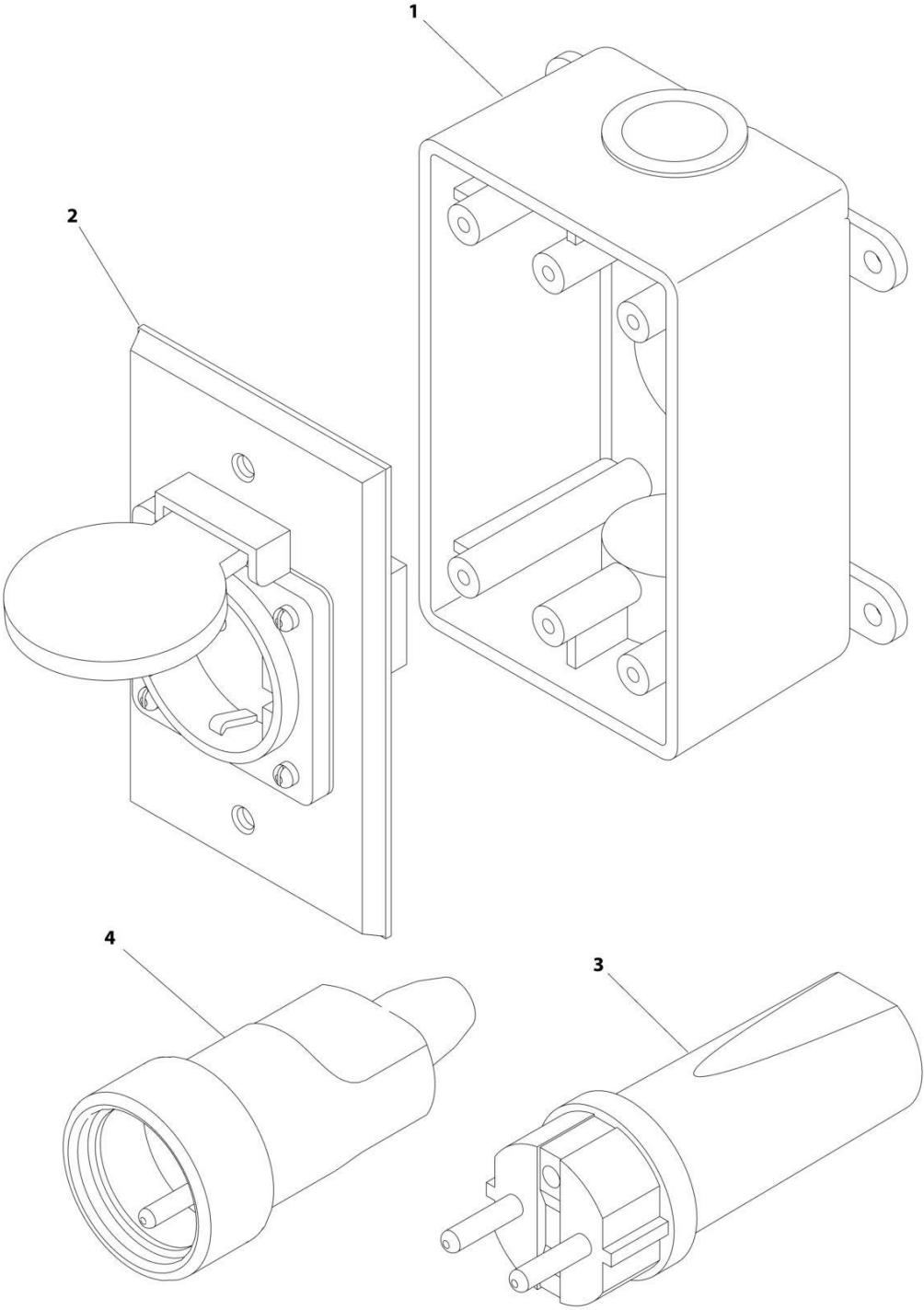
## SECTION 8 - ELECTRICAL

**FIGURE 8-71. RECEPTACLE BOX KIT - 220V CEE7 SIDE GROUND (CE, RUSSIA & UK CA SPEC)**

ITEM	PART NUMBER	QTY	DESCRIPTION	REV
	0275453	Ref	RECEPTACLE BOX KIT - 220V CEE7 SIDE GROUND	B
1	0861731	1	Box, Switch	
2	4461245	1	Receptacle	
3	4461205	1	Plug, Male	
4	1001100347	1	Plug and Socket Kit (Includes Items 1-3 and Female Plug p/n 4461206)	

**SECTION 8 - ELECTRICAL**

**FIGURE 8-72. RECEPTACLE BOX KIT - 220V CEE7 SIDE GROUND (2X4 BOX) (2500W GENERATOR)  
(CE, RUSSIA & UK CA SPECS)**



ART\_1001100347

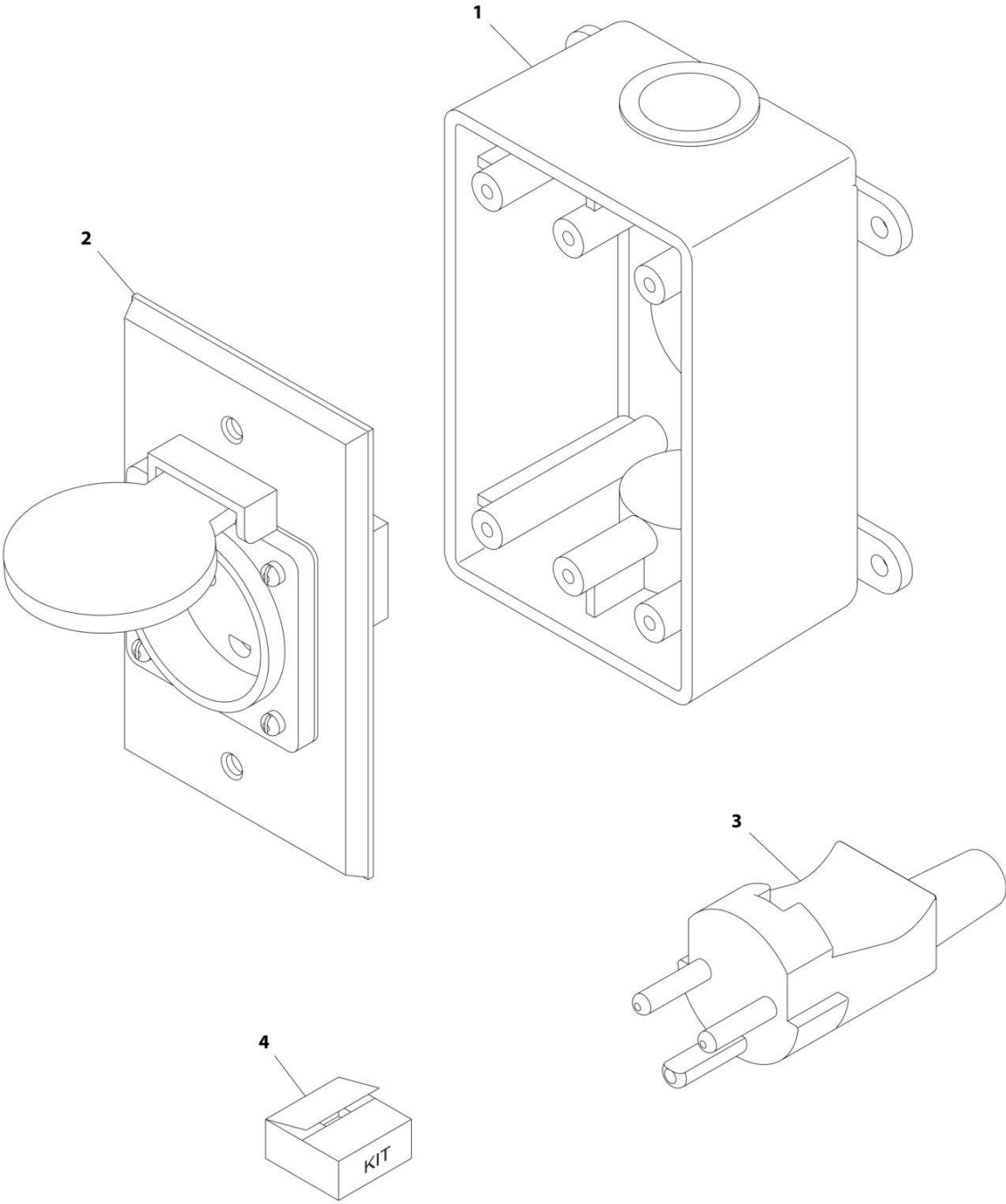
## SECTION 8 - ELECTRICAL

**FIGURE 8-72. RECEPTACLE BOX KIT - 220V CEE7 SIDE GROUND (2X4 BOX) (2500W GENERATOR)  
(CE, RUSSIA & UK CA SPECS)**

ITEM	PART NUMBER	QTY	DESCRIPTION	REV
	1001100347	Ref	RECEPTACLE BOX KIT - 220V CEE7 SIDE GROUND	3
1	0861731	1	Box, Switch	
2	4461245	1	Receptacle	
3	4461205	1	Plug, Male	
4	4461206	1	Plug, Female	

**SECTION 8 - ELECTRICAL**

**FIGURE 8-73. RECEPTACLE BOX KIT - 220V AFSINT 107 (CE, RUSSIA & UK CA SPEC)**



ART\_0275454

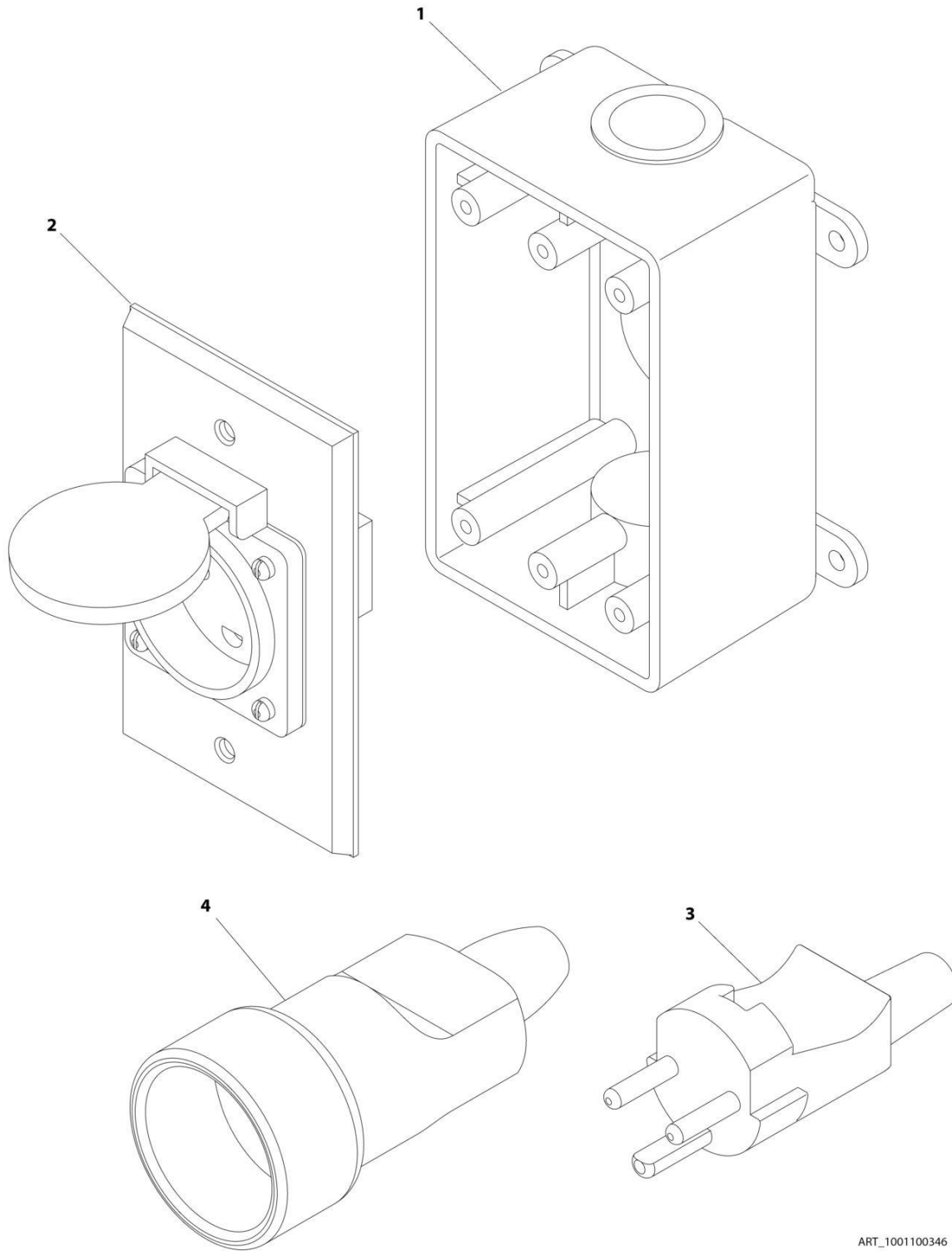
## SECTION 8 - ELECTRICAL

**FIGURE 8-73. RECEPTACLE BOX KIT - 220V AFSINT 107 (CE, RUSSIA & UK CA SPEC)**

ITEM	PART NUMBER	QTY	DESCRIPTION	REV
	0275454	Ref	RECEPTACLE BOX KIT - 220V AFSINT 107	B
1	0861731	1	Box, Switch	
2	4461246	1	Receptacle	
3	4461249	1	Plug, Male	
4	1001100346	1	Plug and Socket Kit (Includes Items 1-3 and Female Plug p/n 4461250)	

# SECTION 8 - ELECTRICAL

FIGURE 8-74. RECEPTACLE BOX KIT - 220V AFSINT 107 KEYED GROUND (2X4 BOX) (2500W GENERATOR) (CE, RUSSIA & UK CA SPECS)



ART\_1001100346



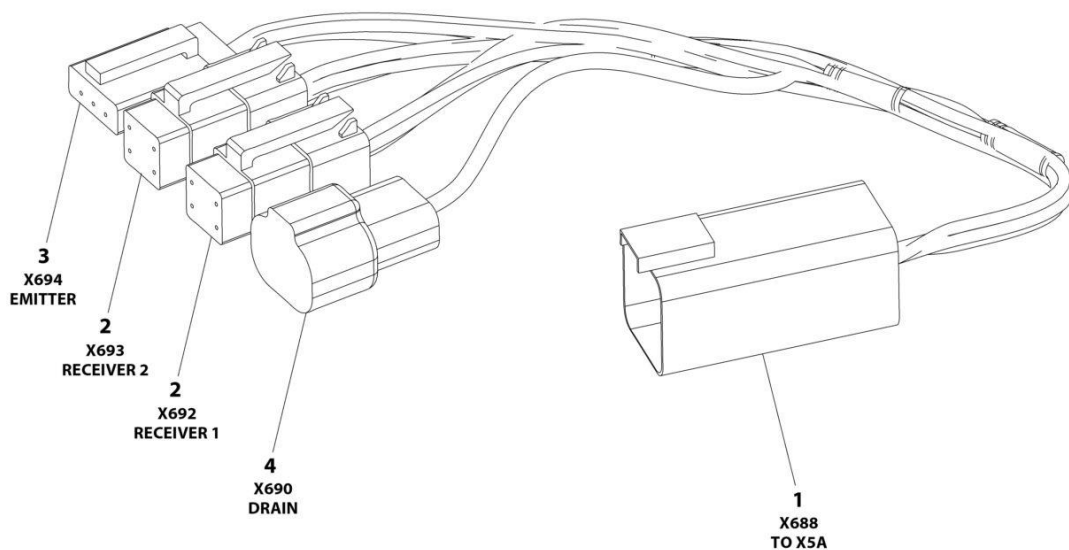
## SECTION 8 - ELECTRICAL

**FIGURE 8-74. RECEPTACLE BOX KIT - 220V AFSINT 107 KEYED GROUND (2X4 BOX) (2500W GENERATOR) (CE, RUSSIA & UK CA SPECS)**

ITEM	PART NUMBER	QTY	DESCRIPTION	REV
	1001100346	Ref	RECEPTACLE BOX KIT - 220V AFSINT 107 KEYED GROUND WITH 2500W GENERATOR (2X4 BOX) (CE & UK CA SPECS)	2
1	0861731	1	Box, Switch	
2	4461246	1	Receptacle	
3	4461249	1	Plug, Male	
4	4461250	1	Plug, Female	

# SECTION 8 - ELECTRICAL

## FIGURE 8-75. SKYEYE INTERMEDIATE HARNESS



ART\_1001237865

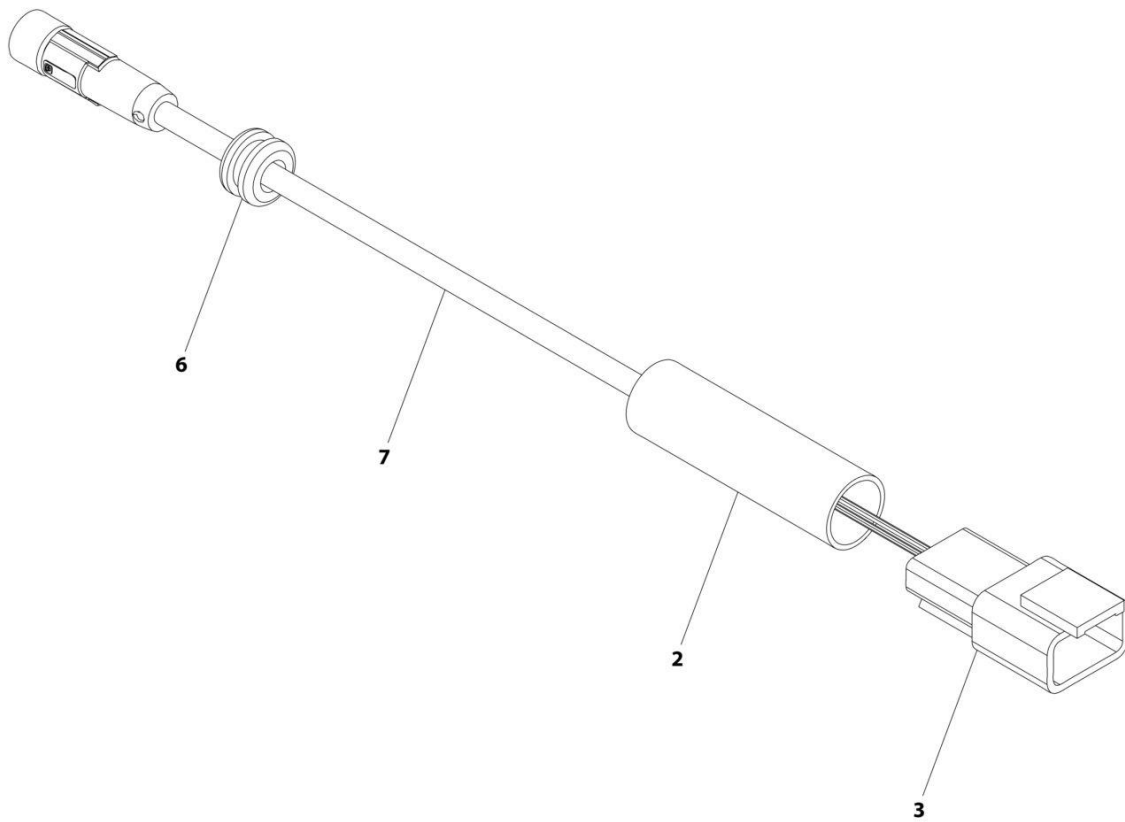
## SECTION 8 - ELECTRICAL

### FIGURE 8-75. SKYEYE INTERMEDIATE HARNESS

ITEM	PART NUMBER	QTY	DESCRIPTION	REV
	1001237865	Ref	SKYEYE INTERMEDIATE HARNESS	A
1	4460899	1	Connector - 6 Position	
1	4460943	4	Pin, Male	
1	4460466	2	Plug, Terminal	
2	4461077	2	Connector - 4 Position	
2	1001119619	8	Socket, Female	
3	4460911	1	Connector - 3 Position	
3	1001119619	3	Socket, Female	
4	1001187681	1	Connector - 2 Position	
4	4460941	1	Pin, Male	
4	4460466	1	Plug, Terminal	

# SECTION 8 - ELECTRICAL

## FIGURE 8-76. SKYEYE EMITTER HARNESS



ART\_1001237864

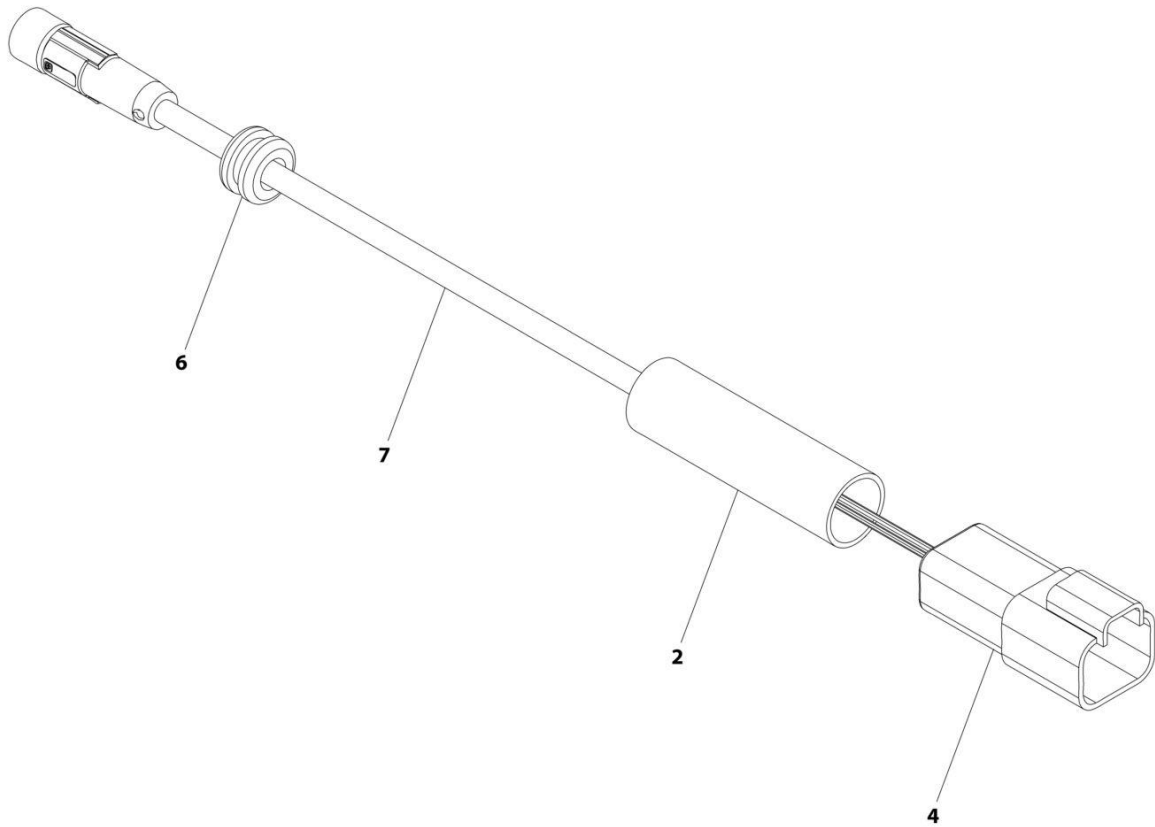
## SECTION 8 - ELECTRICAL

### FIGURE 8-76. SKYEYE EMITTER HARNESS

ITEM	PART NUMBER	QTY	DESCRIPTION	REV
	1001237864	Ref	SKYEYE EMITTER HARNESS	A
2	2820247	AR	Tubing, Heat Shrink	
3	4460910	1	Connector - 3 Position	
3	1001119620	3	Pin, Male	
6	1001227996	1	Grommet	
7	1001237862	1	Cable, M8 Female Cordset	

# SECTION 8 - ELECTRICAL

## FIGURE 8-77. SKYEYE RECEIVER HARNESS



ART\_1001237863

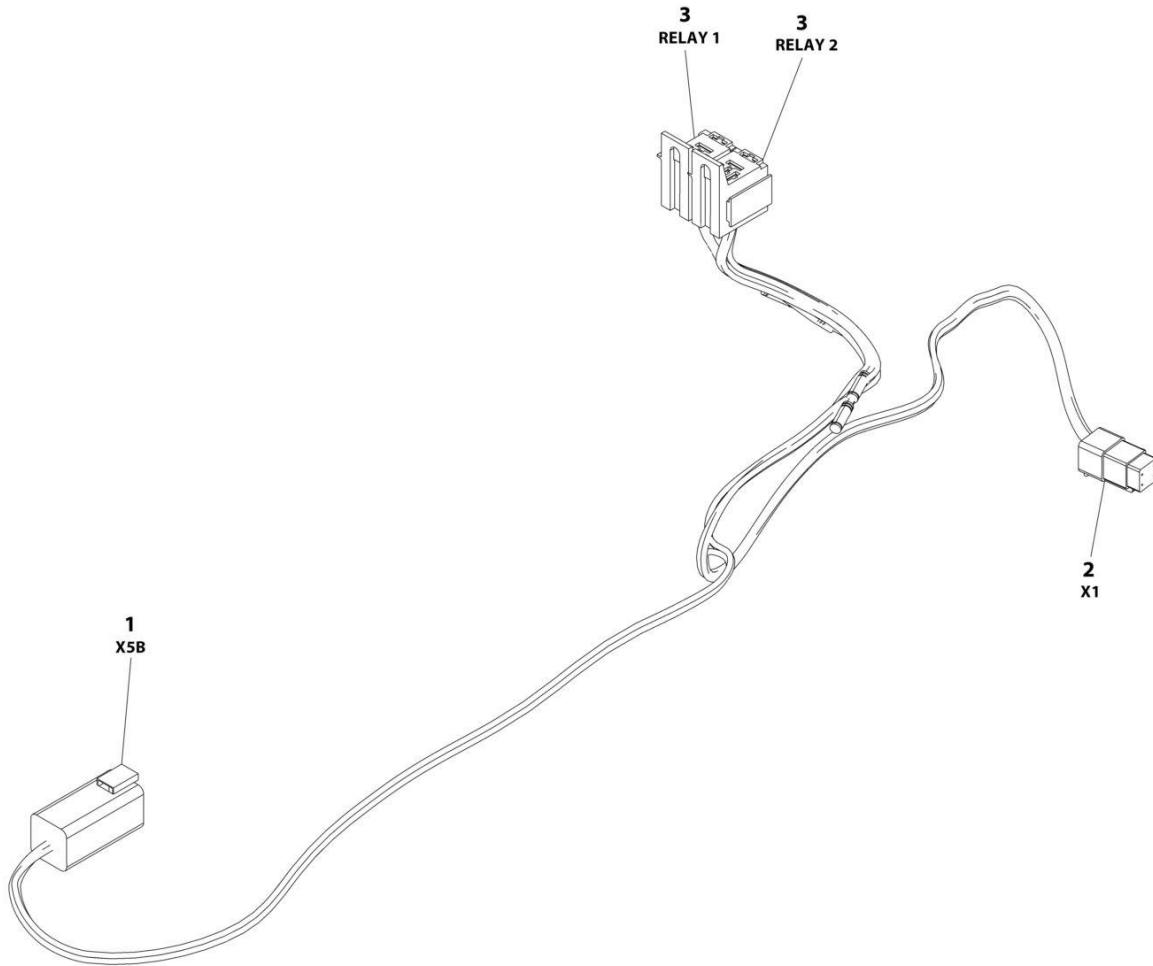
## SECTION 8 - ELECTRICAL

### FIGURE 8-77. SKYEYE RECEIVER HARNESS

ITEM	PART NUMBER	QTY	DESCRIPTION	REV
	1001237863	Ref	SKYEYE RECEIVER HARNESS	A
2	2820247	AR	Tubing, Heat Shrink	
4	1001097051	1	Connector - 4 Position	
4	1001119620	4	Pin, Male	
6	1001227996	1	Grommet	
7	1001237862	1	Cable, M8 Female Cordset	

# SECTION 8 - ELECTRICAL

## FIGURE 8-78. SKYLINE HARNESS



ART\_1001238418



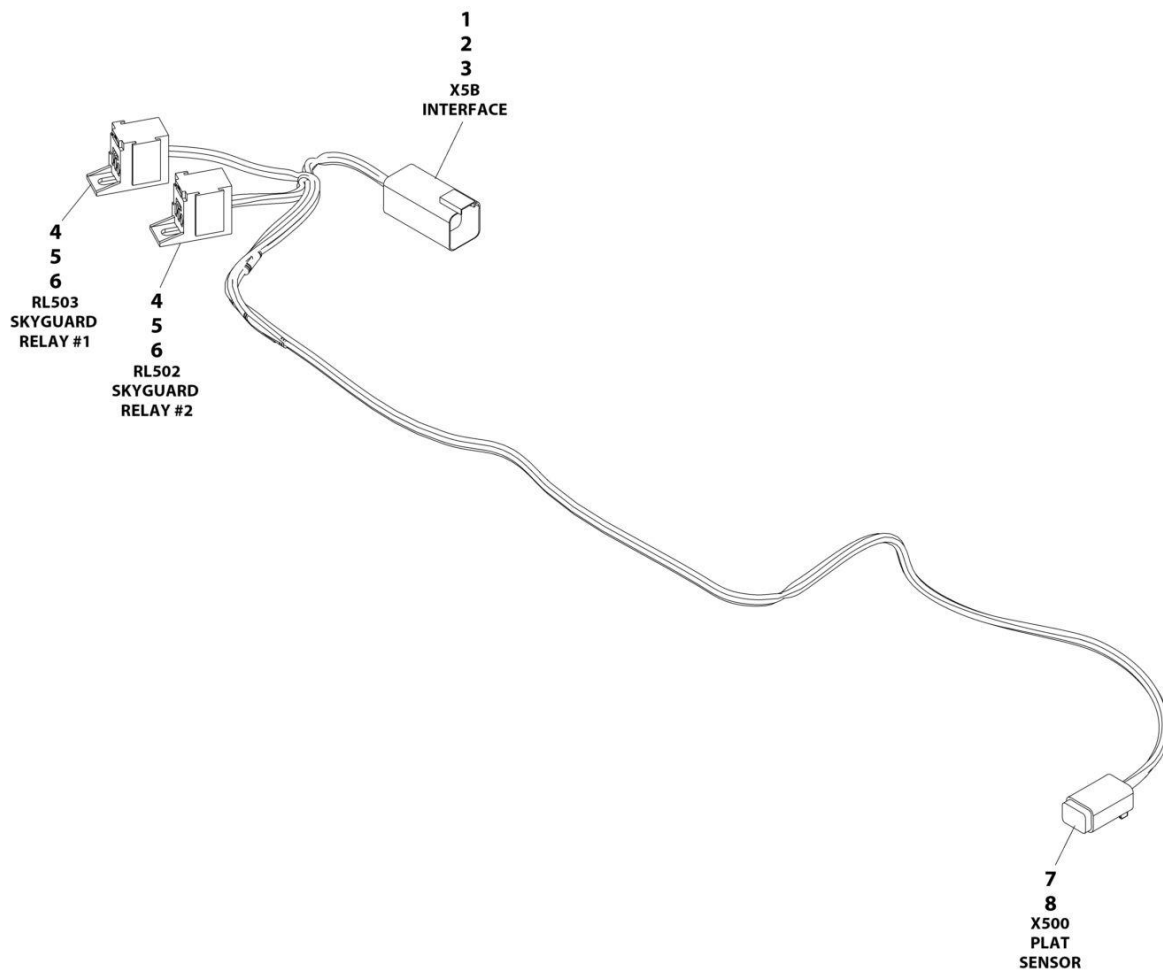
## SECTION 8 - ELECTRICAL

### FIGURE 8-78. SKYLINE HARNESS

ITEM	PART NUMBER	QTY	DESCRIPTION	REV
	1001238418	Ref	SKYLINE HARNESS	B
1	4460899	1	Connector - 6 Position	
1	4460464	4	Pin, Male	
1	4460466	2	Plug, Terminal	
2	4461077	1	Connector - 4 Position	
2	1001126009	4	Socket, Female	
3	1001186432	2	Plug, Relay	
3	1001118388	5	Terminal	
3	1001118384	3	Terminal	
3	3740086	2	Relay	

# SECTION 8 - ELECTRICAL

## FIGURE 8-79. SKYGUARD INTERFACE HARNESS



ART\_1001225580

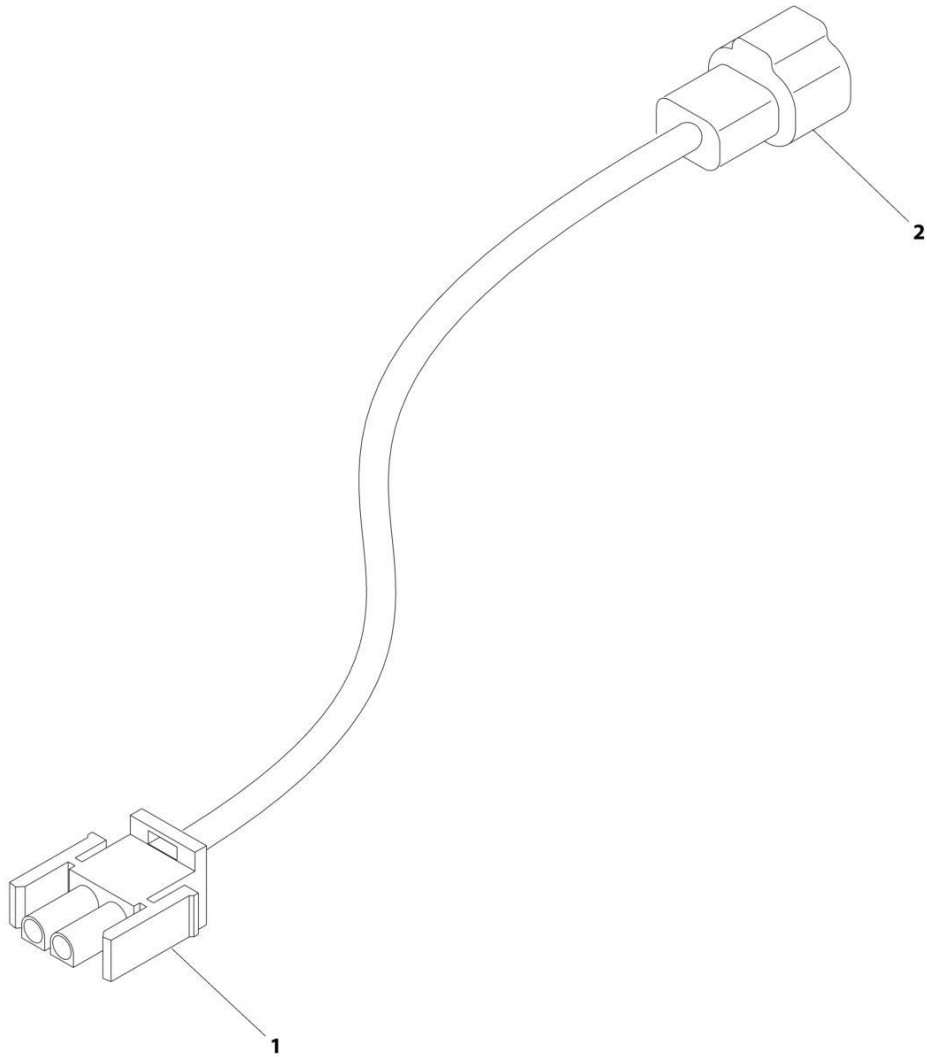
## SECTION 8 - ELECTRICAL

### FIGURE 8-79. SKYGUARD INTERFACE HARNESS

ITEM	PART NUMBER	QTY	DESCRIPTION	REV
	1001225580	Ref	INTERFACE HARNESS - WITH 1 CELL LSS	D
1	4460899	1	Connector	
2	4460464	4	Terminal	
3	4460466	2	Plug	
4	1001186432	2	Connector	
5	1001116720	4	Terminal	
6	1001118388	4	Terminal	
7	4460884	1	Connector	
8	4460465	4	Terminal	

# SECTION 8 - ELECTRICAL

## FIGURE 8-80. STROBE LIGHT HARNESS (AMBER)



ART\_1001149818

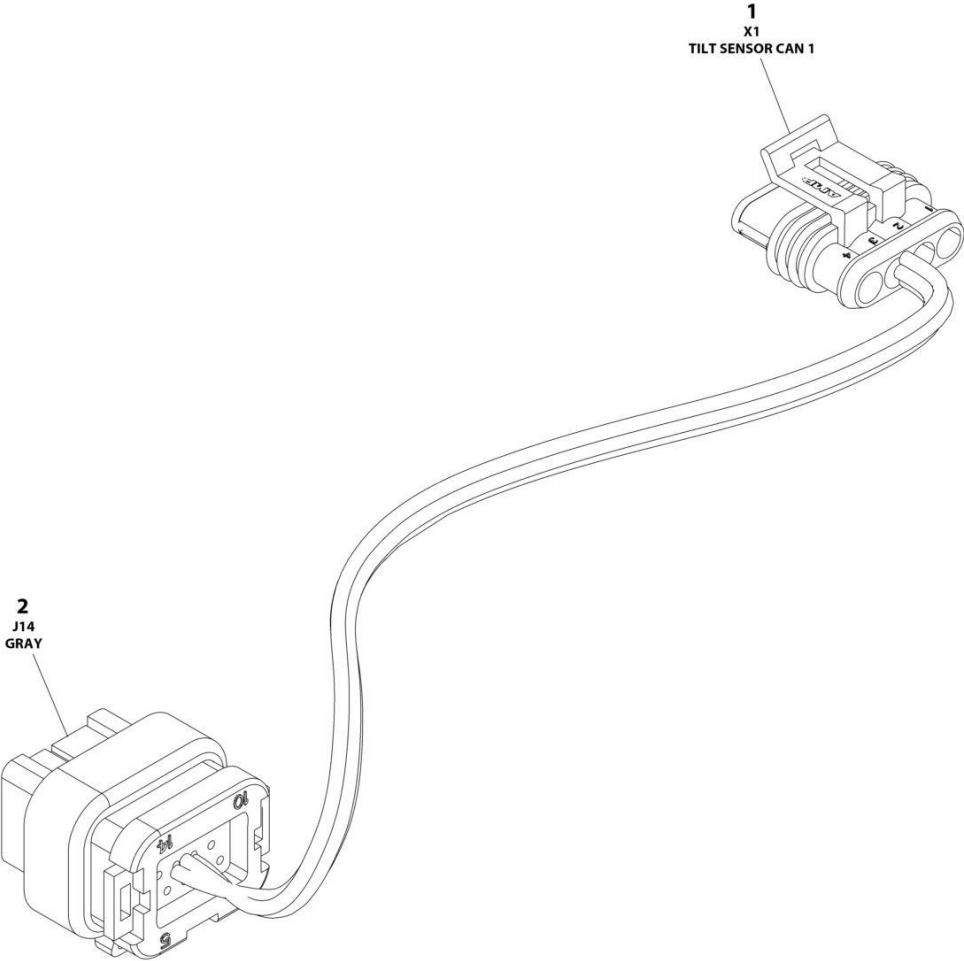
## SECTION 8 - ELECTRICAL

### FIGURE 8-80. STROBE LIGHT HARNESS (AMBER)

ITEM	PART NUMBER	QTY	DESCRIPTION	REV
	1001149818	Ref	STROBE LIGHT HARNESS (AMBER)	D
1	4460320	1	Plug, Male - 2 Position	
1	4460267	2	Pin, Male	
2	4460897	1	Connector - 2 Position	
2	4460464	2	Pin, Male	

**SECTION 8 - ELECTRICAL**

**FIGURE 8-81. TILT SENSOR HARNESS**



ART\_1001276143

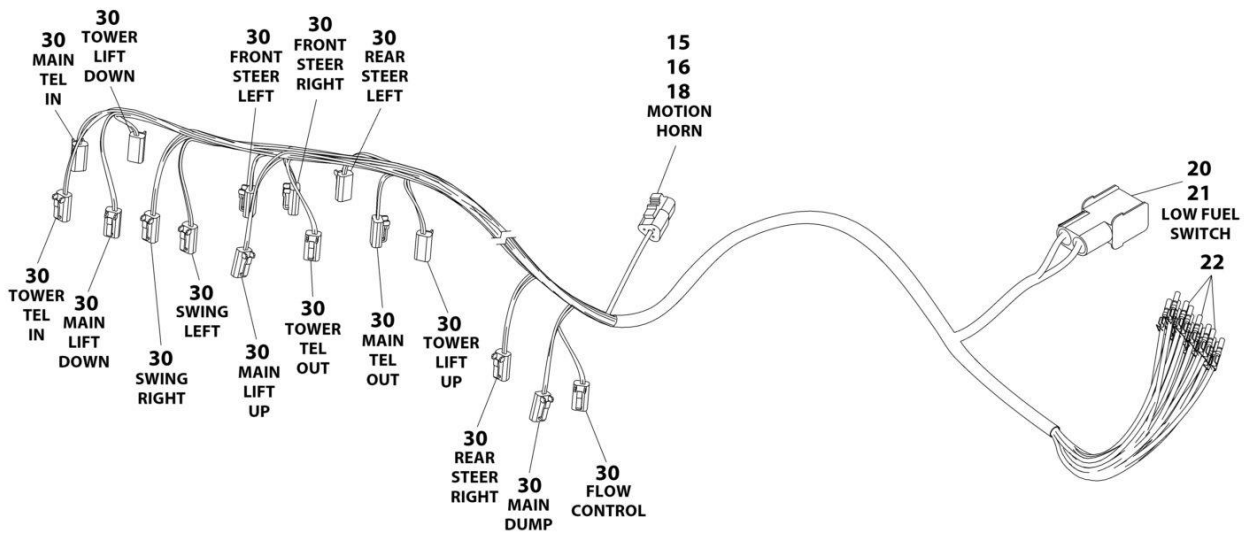
## SECTION 8 - ELECTRICAL

### FIGURE 8-81. TILT SENSOR HARNESS

ITEM	PART NUMBER	QTY	DESCRIPTION	REV
	1001276143	Ref	TILT SENSOR HARNESS	B
1	1001103012	1	Connector - 4 Position	
1	1001107854	4	Terminal, Male	
1	1001104498	4	Terminal, Seal	
2	1001246859	1	Connector - 14 Position	
2	4460871	4	Socekt, Female	
2	4460905	10	Plug, Terminal	

# SECTION 8 - ELECTRICAL

## FIGURE 8-82. VALVE HARNESS



ART\_1001154392



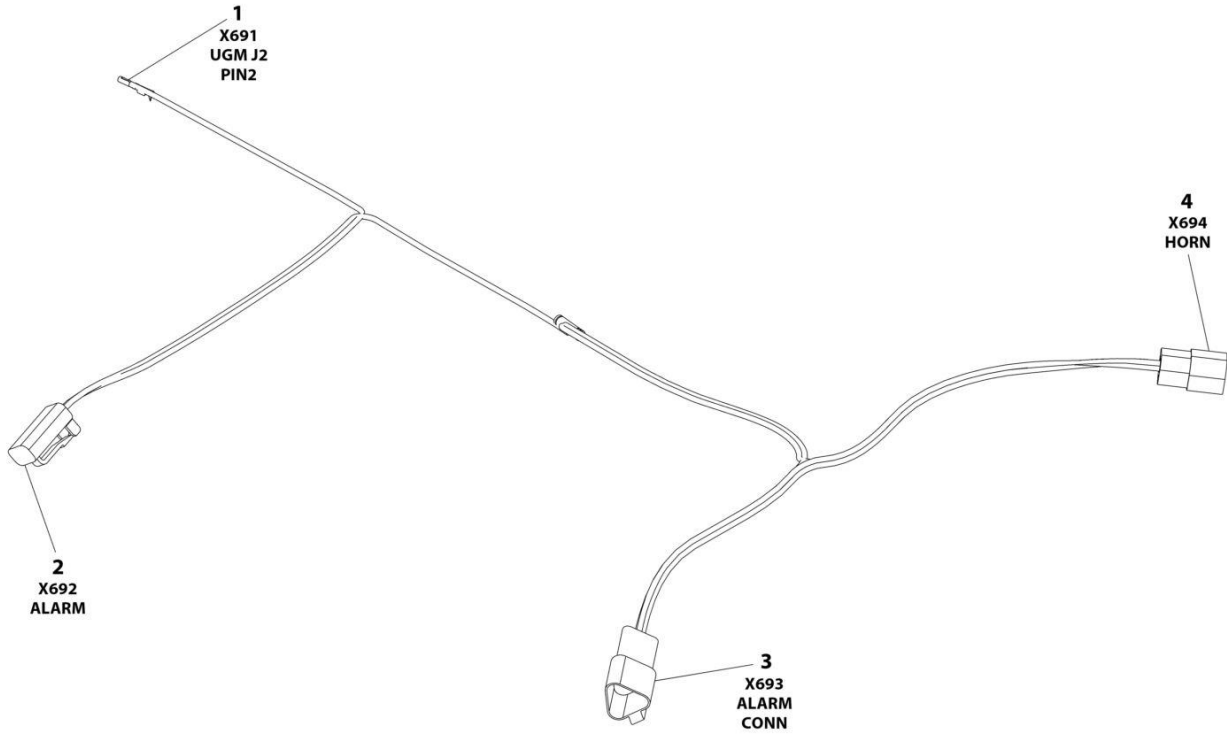
## SECTION 8 - ELECTRICAL

### FIGURE 8-82. VALVE HARNESS

ITEM	PART NUMBER	QTY	DESCRIPTION	REV
	1001154392	Ref	VALVE HARNESS - MAIN VALVE	C
15	4460539	1	Connector - 3 Position	
16	1001116692	34	Socket, Female	
18	4460466	1	Plug, Terminal	
19	4460267	5	Pin, Male (Not Shown)	
20	4460424	1	Plug, Male - 2 Position	
21	4460268	2	Socket, Female	
22	4460871	26	Socket, Female	
28	4240032	AR	Tie-Strap (Not Shown)	
30	4460891	16	Connector - 2 Position	

# SECTION 8 - ELECTRICAL

## FIGURE 8-83. WHITE NOISE ALARM HARNESS



ART\_1001231007

## SECTION 8 - ELECTRICAL

### FIGURE 8-83. WHITE NOISE ALARM HARNESS

ITEM	PART NUMBER	QTY	DESCRIPTION	REV
	1001231007	Ref	WHITE NOISE ALARM INSTALLATION	B
1	4460871	1	Terminal	
2	4460891	1	Plug, Male - 2 Position	
2	4460465	2	Socket, Female	
3	4460536	1	Receptacle, Female - 3 Position	
3	4460464	3	Pin, Male	
4	4460539	1	Plug, Male - 3 Position	
4	4460465	3	Socket, Female	



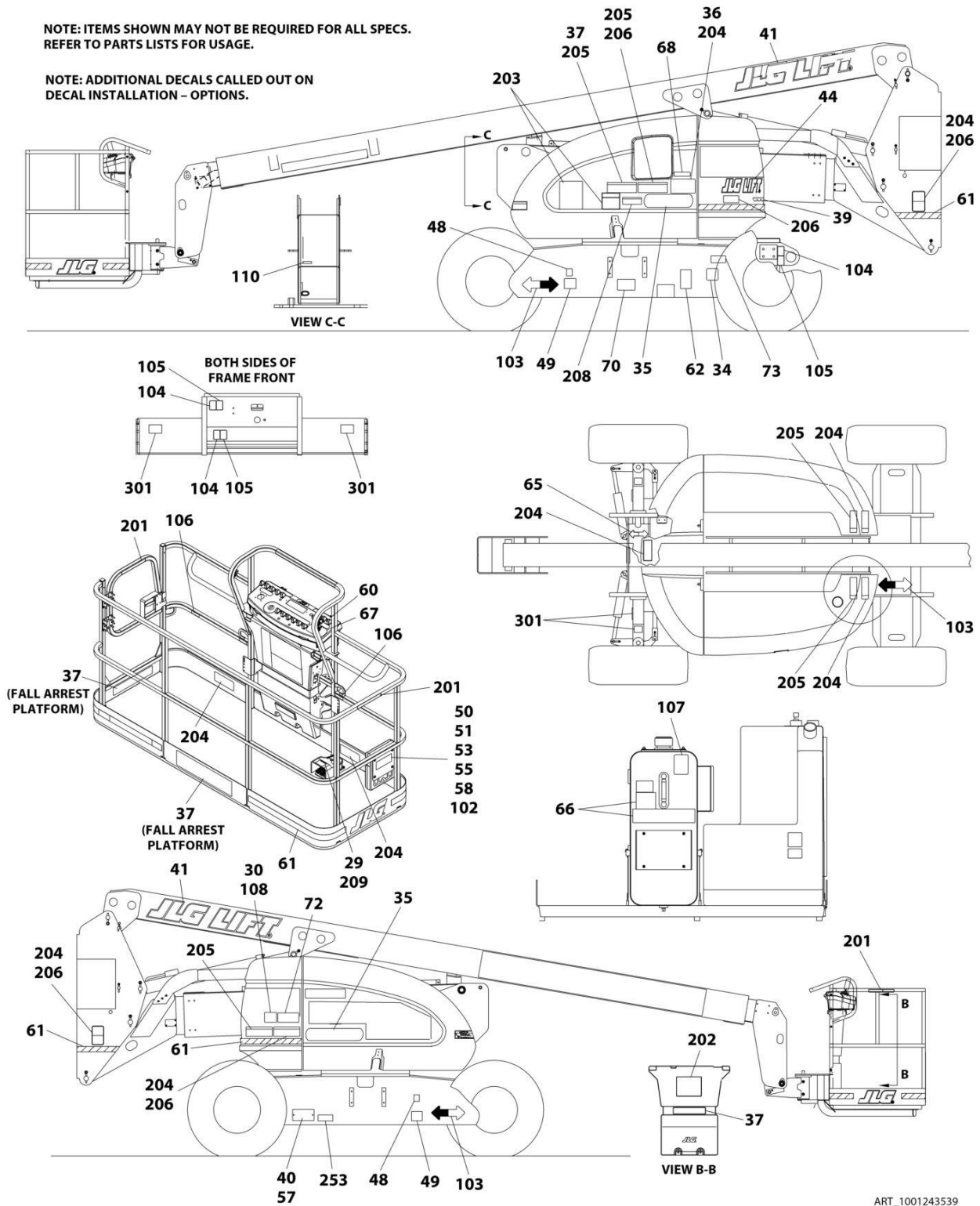
**SECTION 9 - DECALS**

# SECTION 9 - DECALS

## FIGURE 9-1. DECAL INSTALLATION - ANSI SPECS

NOTE: ITEMS SHOWN MAY NOT BE REQUIRED FOR ALL SPECS.  
REFER TO PARTS LISTS FOR USAGE.

NOTE: ADDITIONAL DECALS CALLED OUT ON  
DECAL INSTALLATION - OPTIONS.



## SECTION 9 - DECALS

**FIGURE 9-1. DECAL INSTALLATION - ANSI SPECS**

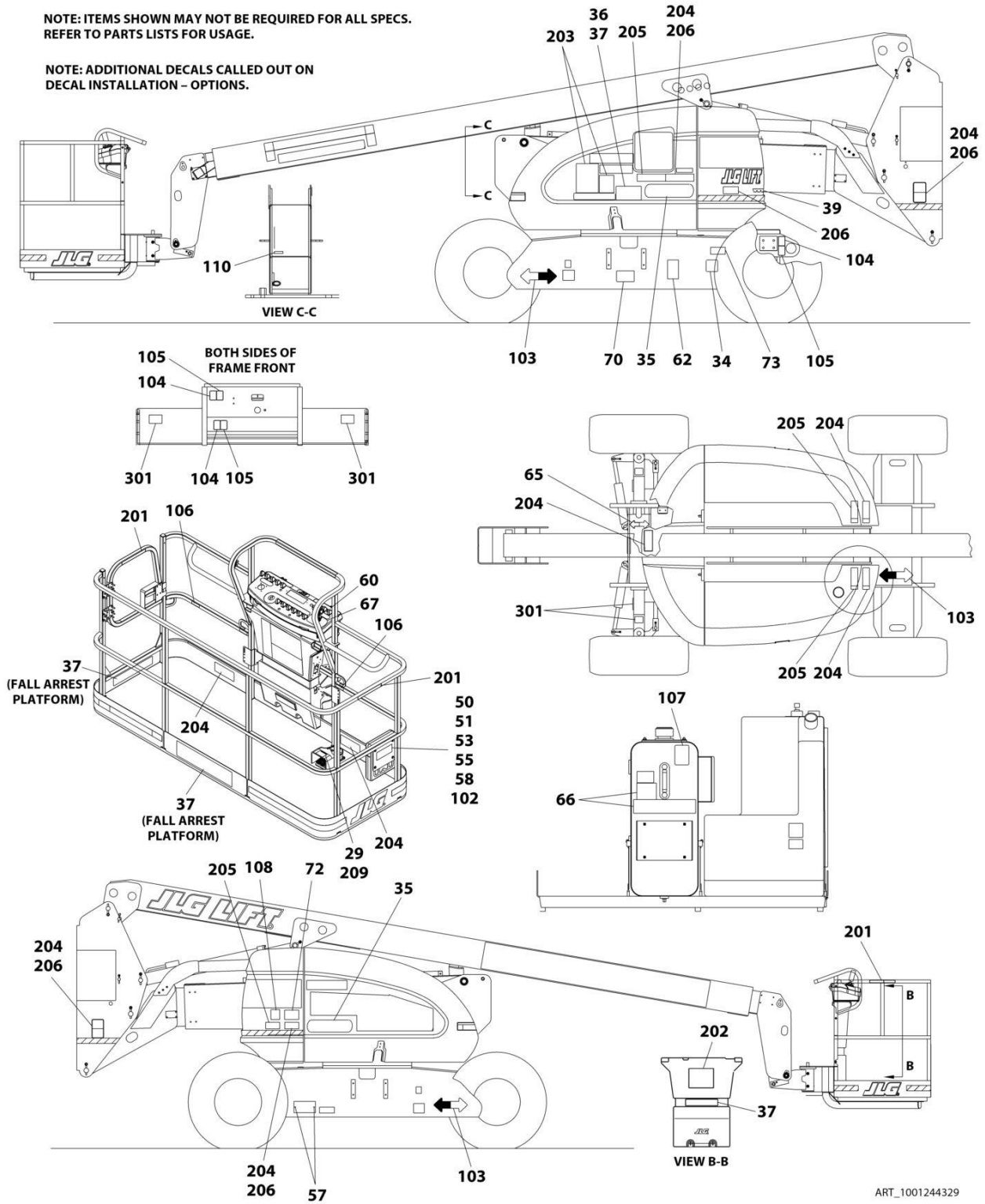
ITEM	PART NUMBER	QTY	DESCRIPTION	REV
	1001243539	Ref	DECALS INSTALLATION	F
29	3252347	1	Nameplate - Footswitch	
34	See Note	NSS	Decal - Bar Code (Note: Not Available for Purchase)	
35	1001267311	2	Decal - 600AJ	
36	1001253921	1	Decal - Capacity	
37	1001253920	1	Decal - Capacity	
39	1704885	1	Decal - Website	
50	0100011	AR	Compound, Locking	
51	0641406	4	Bolt 1/4 x 3/4	
53	0860520	1	Box, Manual Storage	
55	3311405	4	Nut 1/4	
57	3820001	2	Rivet	
58	4751400	8	Washer 1/4	
60	1001184618	AR	Decal - Stop	
61	4420051	22 ft/6.7m	Decal - Warning Stripe	
62	1001131269	1	Decal - Patent	
65	1703687	1	Decal - Direction Arrow	
66	1702265	1	Decal - Upright Level Over-Ride	
67	1705351	1	Decal - Drive/Steer Instructions	
70	1001223055	1	Decal - Yearly Inspection	
72	1001284682	1	Decal - Lift Diagram	
73	1001223453	1	Decal - ICES	
100	2902303	1	Decal Kit - Master (Includes Items 102-110)	
102	1701509	1	Decal - Manual	
103	1701529	6	Decal - Arrow	
104	1703811	4	Decal - Tie Down/Lift	
105	1703814	6	Decal - Tie Down	
106	1704277	4	Decal - Attach Lanyard Here	
107	1704412	1	Decal - Hydraulic Oil Chart	
110	3251243	1	Nameplate - 120V-60Hz	
201	1702868	2	Decal - No Hands	
202	1703797	1	Decal - Warning/Danger	
203	1705336	1	Decal - Warning Inspection (MTB)	
204	1703804	5	Decal - Warning Crushing	
205	1703805	5	Decal - Danger Electrocution	
206	1703953	7	Decal - Warning Crushing	
300	1001156892	1	Decal Max Tire Load Kit (Includes Item 301)	
301	1001156891	4	Decal - Max Tire Load	

# SECTION 9 - DECALS

## FIGURE 9-2. DECAL INSTALLATION - AUSTRALIAN SPECS

NOTE: ITEMS SHOWN MAY NOT BE REQUIRED FOR ALL SPECS.  
REFER TO PARTS LISTS FOR USAGE.

NOTE: ADDITIONAL DECALS CALLED OUT ON  
DECAL INSTALLATION - OPTIONS.



ART\_1001244329



## SECTION 9 - DECALS

**FIGURE 9-2. DECAL INSTALLATION - AUSTRALIAN SPECS**

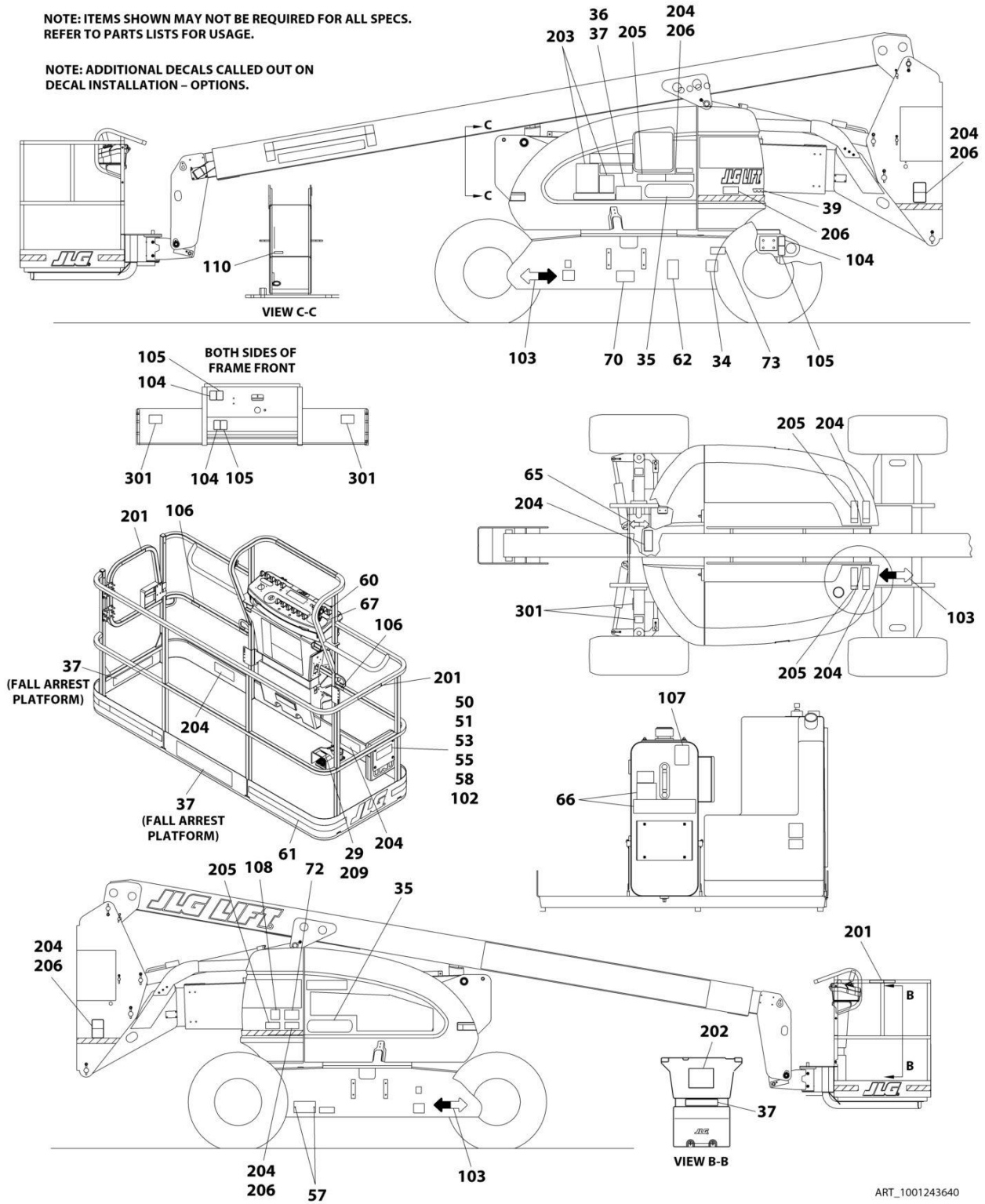
ITEM	PART NUMBER	QTY	DESCRIPTION	REV
	1001244329	Ref	DECALS INSTALLATION	F
34	See Note	NSS	Decal - Bar Code (Note: Not Available for Purchase)	
35	1001267311	2	Decal - 600AJ	
37	1705978	2	Decal - Capacity	
39	1704885	1	Decal - Website	
50	0100011	AR	Compound, Locking	
51	0641406	4	Bolt 1/4 x 3/4	
53	0860520	1	Box, Manual Storage	
55	3311405	4	Nut 1/4	
57	3820001	2	Rivet	
58	4751400	8	Washer 1/4	
60	1001184618	AR	Decal - Stop	
65	1703687	1	Decal - Direction Arrow	
66	1705977	1	Decal - Upright Level Over-Ride	
67	1001112551	1	Decal - Emergency Controls	
72	1001284682	1	Decal - Lift Diagram	
100	2902303	1	Decal Kit - Master (Includes Items 102-108)	
102	1701509	1	Decal - Manual	
103	1701529	6	Decal - Arrow	
104	1703811	4	Decal - Tie Down/Lift	
105	1703814	6	Decal - Tie Down	
106	1704277	4	Decal - Attach Lanyard Here	
107	1704412	1	Decal - Hydraulic Oil Chart	
108	1705084	1	Decal - Sound Level	
200	2902329	1	Decal Kit - Country Spec (Includes Items 202-209)	
202	1705921	1	Decal - Tipping/Electrical Platform	
203	1705822	1	Decal - Electrical/Safety Manual	
204	1701518	10	Decal - Warning Crushing	
205	1705961	5	Decal - Danger Electrocution	
209	1705828	1	Decal - Footswitch	
300	1001156892	1	Decal Max Tire Load Kit (Includes Item 301)	
301	1001156891	4	Decal - Max Tire Load	

# SECTION 9 - DECALS

## FIGURE 9-3. DECAL INSTALLATION - BRAZILIAN SPECS

NOTE: ITEMS SHOWN MAY NOT BE REQUIRED FOR ALL SPECS.  
REFER TO PARTS LISTS FOR USAGE.

NOTE: ADDITIONAL DECALS CALLED OUT ON  
DECAL INSTALLATION - OPTIONS.



## SECTION 9 - DECALS

**FIGURE 9-3. DECAL INSTALLATION - BRAZILIAN SPECS**

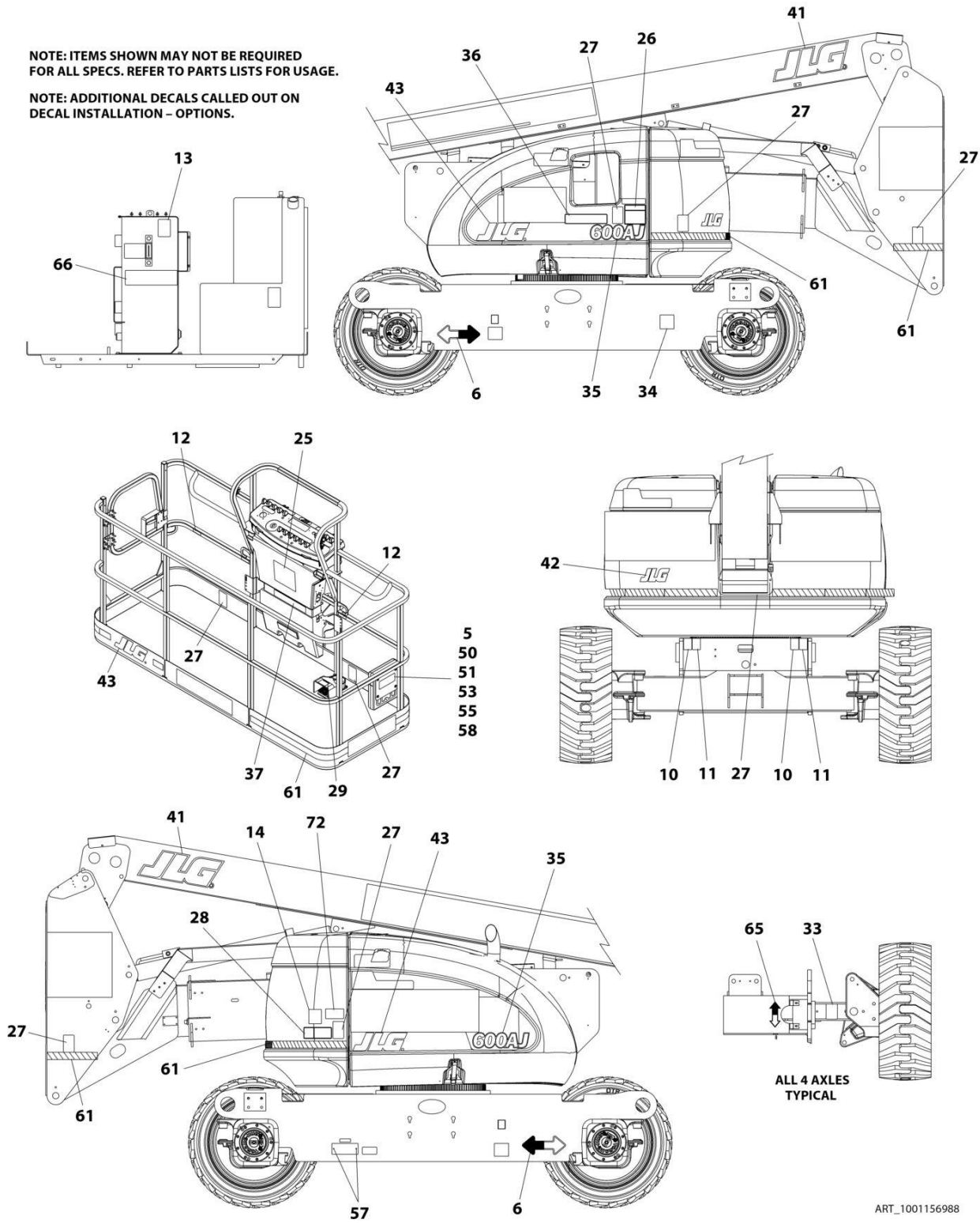
ITEM	PART NUMBER	QTY	DESCRIPTION	REV
	1001243640	Ref	DECAL INSTALLATION	F
34	See Note	NSS	Decal - Bar Code (Note: Not Available for Purchase)	
35	1001267311	2	Decal - 600AJ	
36	1001253937	1	Decal - Capacity	
37	1001253936	1	Decal - Capacity	
39	1704885	1	Decal - Website	
50	0100011	AR	Compound, Locking	
51	0641406	4	Bolt 1/4 x 3/4	
53	0860520	1	Box, Manual Storage	
55	3311405	4	Nut 1/4	
57	3820001	2	Rivet	
58	4751400	8	Washer 1/4	
60	1001184618	AR	Decal - Stop	
61	4420051	22 ft/6.7m	Decal - Warning Stripe	
65	1703687	1	Decal - Direction Arrow	
66	1703544	1	Decal - Upright Level Over-Ride	
67	1705905	1	Decal - Drive/Steer Instructions	
70	1001267885	1	Decal - Yearly Inspection	
72	1001284682	1	Decal - Lift Diagram	
100	2902303	1	Decal Kit - Master (Includes Items 102-110)	
102	1701509	1	Decal - Manual	
103	1701529	6	Decal - Arrow	
104	1703811	4	Decal - Tie Down/Lift	
105	1703814	6	Decal - Tie Down	
106	1704277	4	Decal - Attach Lanyard Here	
107	1704412	1	Decal - Hydraulic Oil Chart	
200	2902312	1	Decal Kit - Country Spec (Includes Items 201-209)	
201	1705967	2	Decal - No Hands	
202	1705895	1	Decal - Warning/Danger	
203	1705896	1	Decal - Warning Inspection (MTB)	
204	1705898	5	Decal - Warning Crushing	
205	1705897	5	Decal - Danger Electrocution	
206	1705903	7	Decal - Warning Crushing	
209	1705902	1	Decal - Footswitch	
300	1001156892	1	Decal Max Tire Load Kit (Includes Item 301)	
301	1001156891	4	Decal - Max Tire Load	

# SECTION 9 - DECALS

## FIGURE 9-4. DECAL INSTALLATION - CE & UK CA SPECS

NOTE: ITEMS SHOWN MAY NOT BE REQUIRED FOR ALL SPECS. REFER TO PARTS LISTS FOR USAGE.

NOTE: ADDITIONAL DECALS CALLED OUT ON DECAL INSTALLATION - OPTIONS.



ART\_1001156988

## SECTION 9 - DECALS

**FIGURE 9-4. DECAL INSTALLATION - CE & UK CA SPECS**

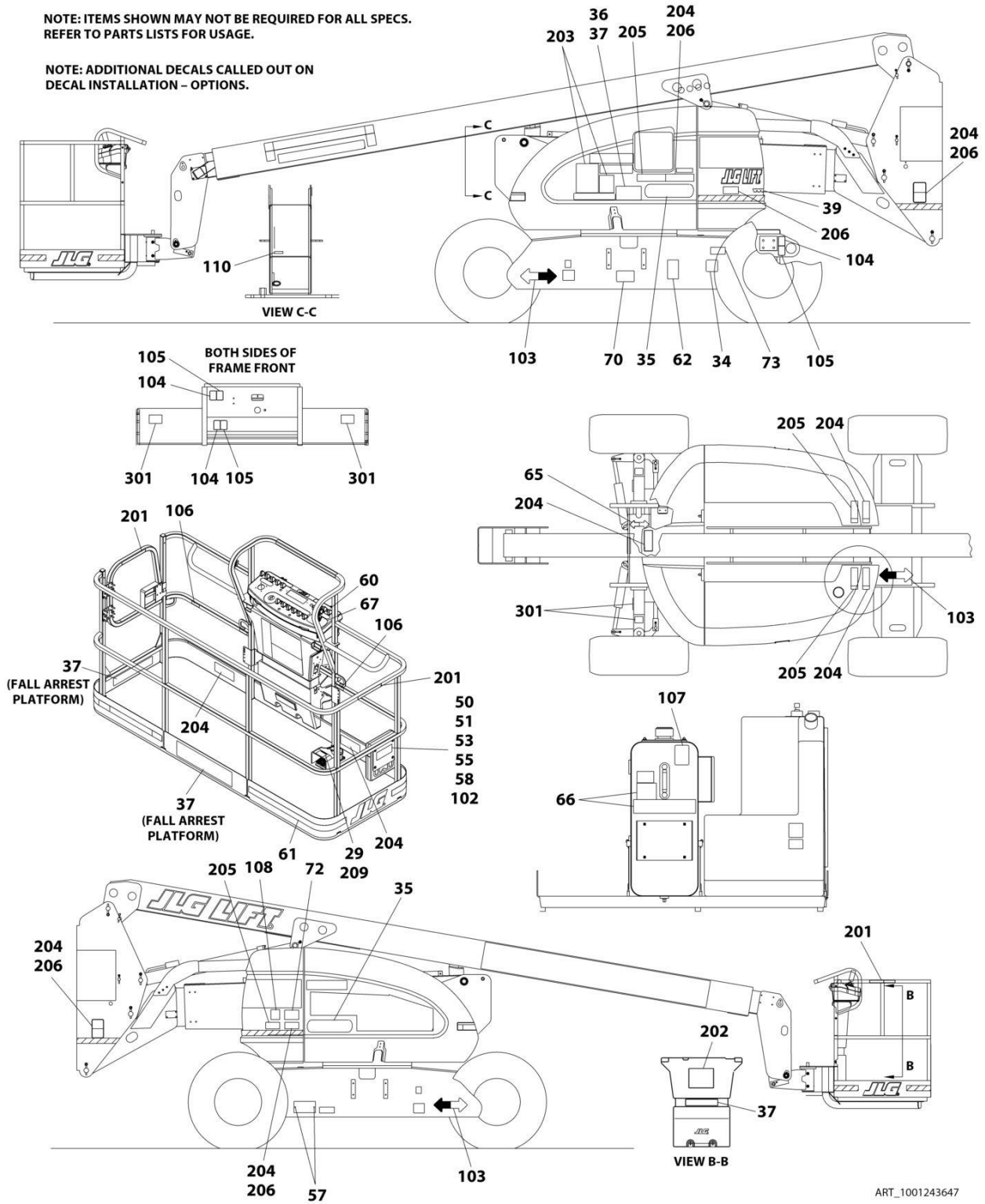
ITEM	PART NUMBER	QTY	DESCRIPTION	REV
	1001156988	Ref	DECALS INSTALLATION	M
1	2902303	1	Decal Kit - Master (Includes Items 5-13)	
5	1701509	1	Decal - Manual	
6	1701529	3	Decal - Arrow	
10	1703811	4	Decal - Tie Down/Lift	
11	1703814	4	Decal - Tie Down	
12	1704277	3	Decal - Attach Lanyard Here	
13	1704412	1	Decal - Hydraulic Oil Chart	
14	1001273784	1	Decal - Sound Power 100dB Deutz (Stage V)	
18	2902329	1	Decal Kit - Country Spec (Includes Items 25-29)	
25	1705921	1	Decal - Tipping/Electrical Platform	
26	1705822	1	Decal - Electrical/Safety Manual	
27	1701518	10	Decal - Warning Crushing	
28	1705961	3	Decal - Danger Electrocution	
29	1705828	4	Decal - Footswitch	
32	1001156892	1	Decal Max Tire Load Kit (Includes Item 33)	
33	1001156891	4	Decal - Max Tire Load	
34	See Note	NSS	Decal - Bar Code (Note: Not Available for Purchase)	
35	1001267311	2	Decal - 600AJ	
36	1705978	1	Decal - Capacity	
37	1705978	1	Decal - Capacity	
41	1001159323	2	Decal - JLG (8in Height)	
42	1701435	1	Decal - JLG (3-1/2in Height)	
43	1702773	3	Decal - JLG (5in Height)	
50	0100011	AR	Compound, Locking	
51	0641406	4	Bolt 1/4 x 3/4	
53	0860520	1	Box, Manual Storage	
55	3311405	4	Nut 1/4	
57	3820001	2	Rivet	
58	4751400	8	Washer 1/4	
61	4420051	22 ft /6.7m	Decal - Warning Stripe	
65	1703687	1	Decal - Direction Arrow	
66	1705977	1	Decal - Upright Level Over-Ride	
72	1001284682	1	Decal - Lift Diagram	
73	1001184618	AR	Decal - Stop (Not Shown)	

# SECTION 9 - DECALS

## FIGURE 9-5. DECAL INSTALLATION - CHINESE SPECS (TRADITIONAL)

NOTE: ITEMS SHOWN MAY NOT BE REQUIRED FOR ALL SPECS.  
REFER TO PARTS LISTS FOR USAGE.

NOTE: ADDITIONAL DECALS CALLED OUT ON  
DECAL INSTALLATION - OPTIONS.



ART\_1001243647

## SECTION 9 - DECALS

**FIGURE 9-5. DECAL INSTALLATION - CHINESE SPECS (TRADITIONAL)**

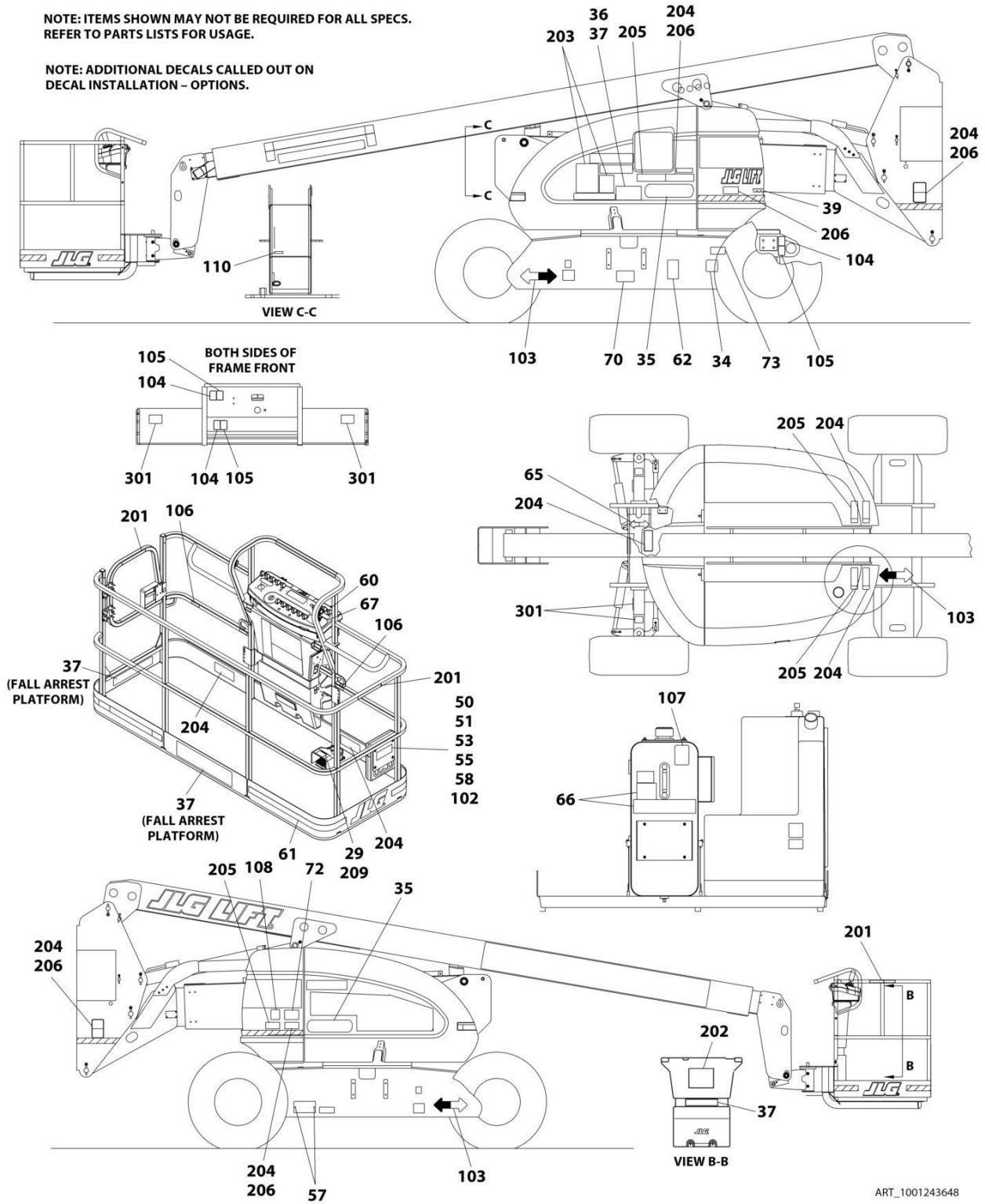
ITEM	PART NUMBER	QTY	DESCRIPTION	REV
	1001243647	Ref	DECALS INSTALLATION	E
34	See Note	NSS	Decal - Bar Code (Note: Not Available for Purchase)	
35	1001267311	2	Decal - 600AJ	
36	1001253927	1	Decal - Capacity	
37	1001253926	1	Decal - Capacity	
39	1704885	1	Decal - Website	
50	0100011	AR	Compound, Locking	
51	0641406	4	Bolt 1/4 x 3/4	
53	0860520	1	Box, Manual Storage	
55	3311405	4	Nut 1/4	
57	3820001	2	Rivet	
58	4751400	8	Washer 1/4	
60	1001184618	AR	Decal - Stop	
61	4420051	22 ft/6.7m	Decal - Warning Stripe	
65	1703687	1	Decal - Direction Arrow	
66	1001116862	1	Decal - Upright Level Over-Ride	
67	1001116863	1	Decal - Drive/Steer Instructions	
70	1001224050	1	Decal - Yearly Inspection	
72	1001284682	1	Decal - Lift Diagram	
100	2902303	1	Decal Kit - Master (Includes Items 102-110)	
102	1701509	1	Decal - Manual	
103	1701529	6	Decal - Arrow	
104	1703811	4	Decal - Tie Down/Lift	
105	1703814	6	Decal - Tie Down	
106	1704277	4	Decal - Attach Lanyard Here	
107	1704412	1	Decal - Hydraulic Oil Chart	
110	3251243	1	Nameplate - 120V-60Hz	
200	2902309	1	Decal Kit - Country Spec (Includes Items 201-209)	
201	1001116846	2	Decal - No Hands	
202	1703925	1	Decal - Warning/Danger	
203	1001116849	2	Decal - Warning Inspection (MTB)	
204	1703949	5	Decal - Warning Crushing	
205	1001116851	5	Decal - Danger Electrocution	
206	1703943	7	Decal - Warning Crushing	
209	1703982	1	Decal - Foot Switch	
300	1001156892	1	Decal Max Tire Load Kit (Includes Item 301)	
301	1001156891	4	Decal - Max Tire Load	

# SECTION 9 - DECALS

## FIGURE 9-6. DECAL INSTALLATION - CHINESE SPECS (SIMPLIFIED)

NOTE: ITEMS SHOWN MAY NOT BE REQUIRED FOR ALL SPECS.  
REFER TO PARTS LISTS FOR USAGE.

NOTE: ADDITIONAL DECALS CALLED OUT ON  
DECAL INSTALLATION - OPTIONS.





## SECTION 9 - DECALS

**FIGURE 9-6. DECAL INSTALLATION - CHINESE SPECS (SIMPLIFIED)**

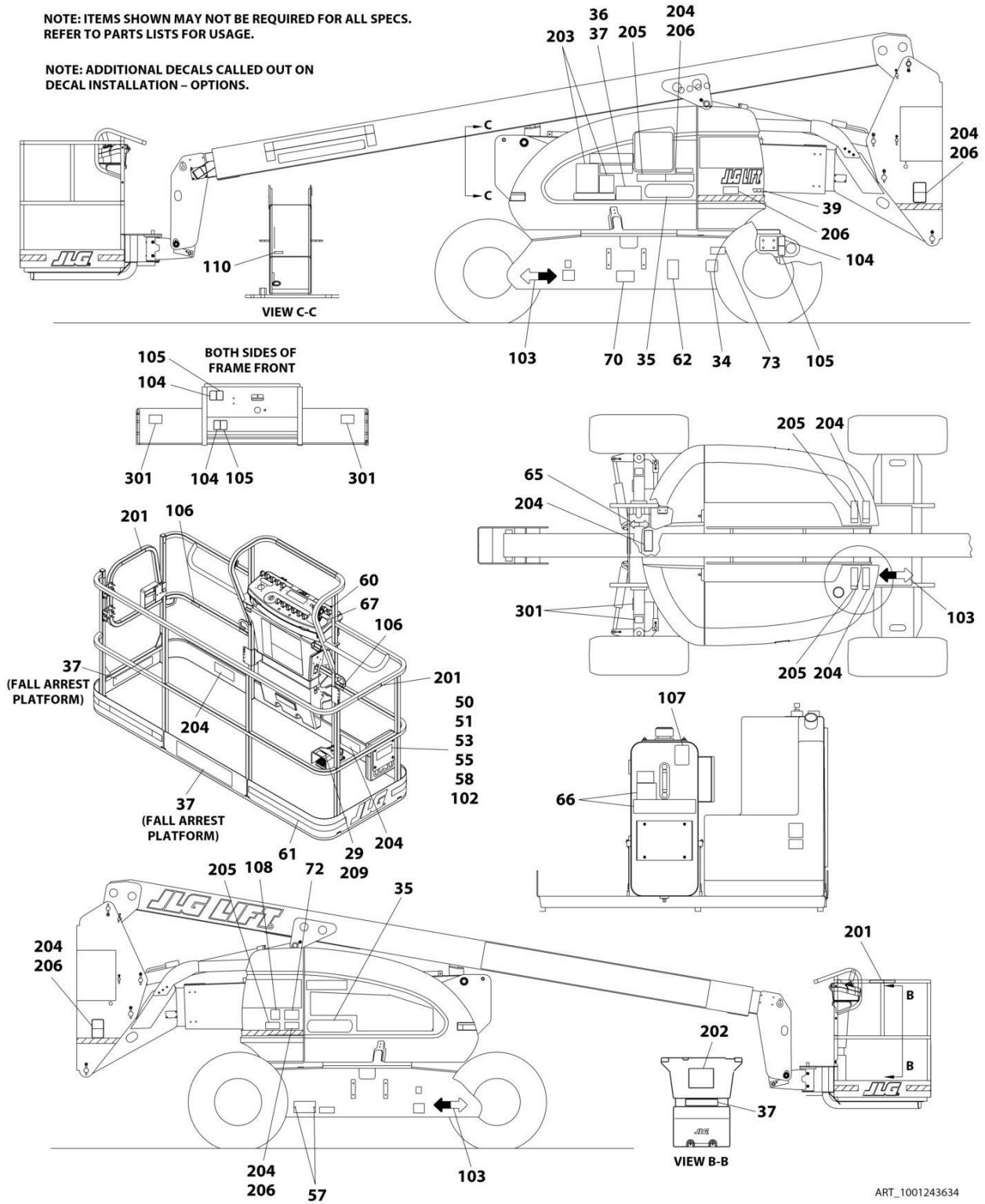
ITEM	PART NUMBER	QTY	DESCRIPTION	REV
	1001243648	Ref	DECALS INSTALLATION	E
34	See Note	NSS	Decal - Bar Code (Note: Not Available for Purchase)	
35	1001267311	2	Decal - 600AJ	
36	1001253935	1	Decal - Capacity	
37	1001253934	1	Decal - Capacity	
39	1704885	1	Decal - Website	
50	0100011	AR	Compound, Locking	
51	0641406	4	Bolt 1/4 x 3/4	
53	0860520	1	Box, Manual Storage	
55	3311405	4	Nut 1/4	
57	3820001	2	Rivet	
58	4751400	8	Washer 1/4	
60	1001184618	AR	Decal - Stop	
61	4420051	22 ft/6.7m	Decal - Warning Stripe	
65	1703687	1	Decal - Direction Arrow	
66	1001116861	1	Decal - Upright Level Over-Ride	
67	1705430	1	Decal - Drive/Steer Instructions	
70	1001224051	1	Decal - Yearly Inspection	
72	1001284682	1	Decal - Lift Diagram	
100	2902303	1	Decal Kit - Master (Includes Items 102-110)	
102	1701509	1	Decal - Manual	
103	1701529	6	Decal - Arrow	
104	1703811	4	Decal - Tie Down/Lift	
105	1703814	6	Decal - Tie Down	
106	1704277	4	Decal - Attach Lanyard Here	
107	1704412	1	Decal - Hydraulic Oil Chart	
110	3251243	1	Nameplate - 120V-60Hz	
200	1001116844	1	Decal Kit - Country Spec (Includes Items 201-209)	
201	1705968	2	Decal - No Hands	
202	1001116847	1	Decal - Warning/Danger	
203	1001116848	2	Decal - Warning Inspection (MTB)	
204	1001116850	6	Decal - Warning Crushing	
205	1703937	5	Decal - Danger Electrocution	
206	1001116845	7	Decal - Warning Crushing	
209	1001116852	1	Decal - Foot Switch	
300	1001156892	1	Decal Max Tire Load Kit (Includes Item 301)	
301	1001156891	4	Decal - Max Tire Load	

# SECTION 9 - DECALS

## FIGURE 9-7. DECAL INSTALLATION - CSA SPECS

NOTE: ITEMS SHOWN MAY NOT BE REQUIRED FOR ALL SPECS.  
REFER TO PARTS LISTS FOR USAGE.

NOTE: ADDITIONAL DECALS CALLED OUT ON  
DECAL INSTALLATION - OPTIONS.



ART\_1001243634

## SECTION 9 - DECALS

**FIGURE 9-7. DECAL INSTALLATION - CSA SPECS**

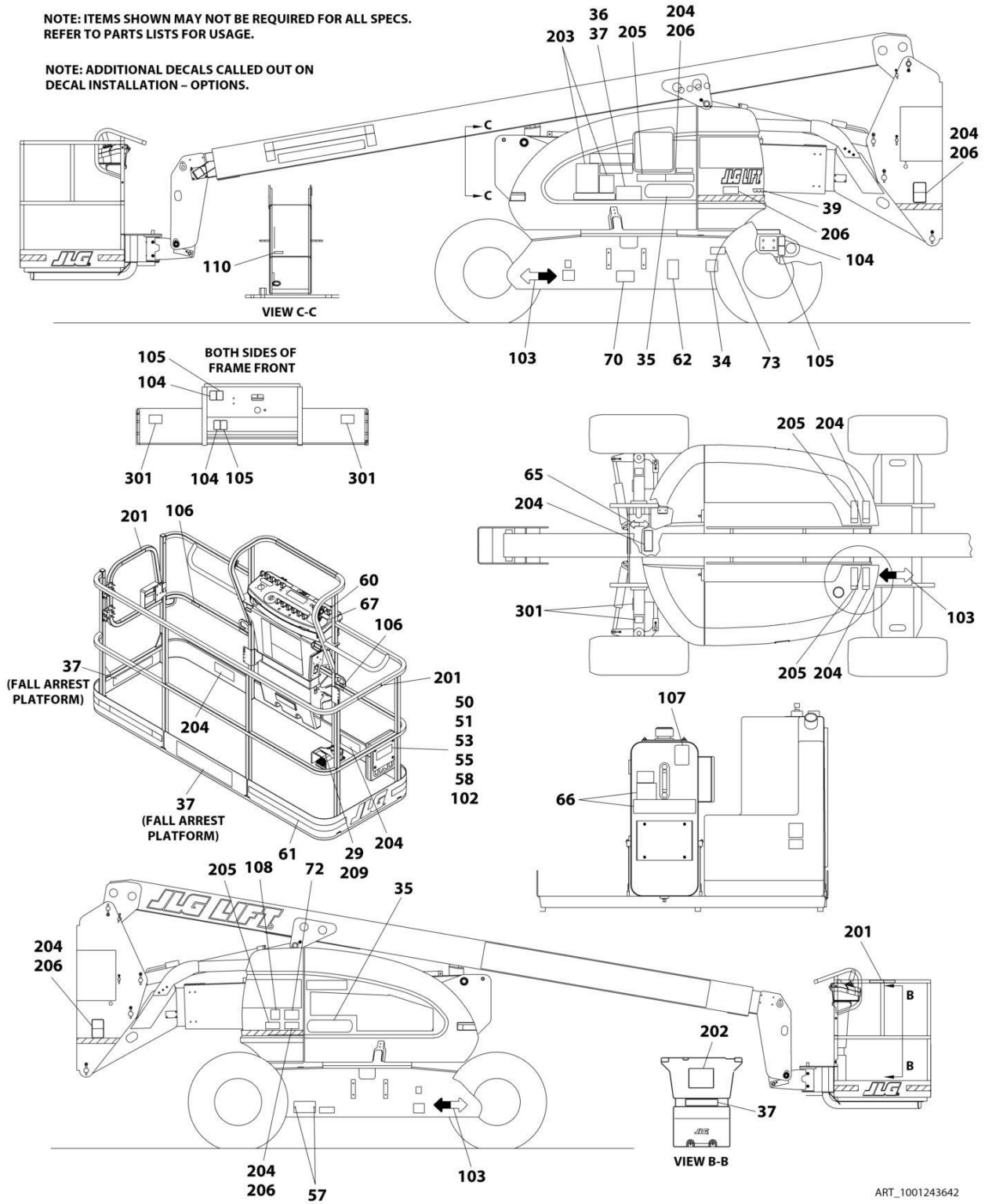
ITEM	PART NUMBER	QTY	DESCRIPTION	REV
	1001243634	Ref	DECALS INSTALLATION	E
34	See Note	NSS	Decal - Bar Code (Note: Not Available for Purchase)	
35	1001267311	2	Decal - 600AJ	
36	1001253923	1	Decal - Capacity	
37	1001253922	1	Decal - Capacity	
39	1704885	1	Decal - Website	
50	0100011	AR	Compound, Locking	
51	0641406	4	Bolt 1/4 x 3/4	
53	0860520	1	Box, Manual Storage	
55	3311405	4	Nut 1/4	
57	3820001	2	Rivet	
58	4751400	8	Washer 1/4	
60	1001184618	AR	Decal - Stop	
61	4420051	22 ft/6.7m	Decal - Warning Stripe	
62	1001131269	1	Decal - Patent	
65	1703687	1	Decal - Direction Arrow	
66	1703990	1	Decal - Upright Level Over-Ride	
67	1705429	1	Decal - Drive/Steer Instructions	
70	1001223971	1	Decal - Yearly Inspection	
72	1001284682	1	Decal - Lift Diagram	
73	1001223453	1	Decal - ICES	
100	2902303	1	Decal Kit - Master (Includes Items 102-110)	
102	1701509	1	Decal - Manual	
103	1701529	6	Decal - Arrow	
104	1703811	4	Decal - Tie Down/Lift	
105	1703814	6	Decal - Tie Down	
106	1704277	4	Decal - Attach Lanyard Here	
107	1704412	1	Decal - Hydraulic Oil Chart	
110	3251243	1	Nameplate - 120V-60Hz	
200	2902322	1	Decal Kit - Country Spec (Includes Items 201-209)	
201	1704000	2	Decal - No Hands	
202	1703624	1	Decal - Warning/Danger	
203	1705347	1	Decal - Warning Inspection (MTB)	
204	1703948	5	Decal - Warning Crushing	
205	1703936	5	Decal - Danger Electrocution	
206	1703942	7	Decal - Warning Crushing	
209	1703984	1	Decal - Footswitch	
300	1001156892	1	Decal Max Tire Load Kit (Includes Item 301)	
301	1001156891	4	Decal - Max Tire Load	

# SECTION 9 - DECALS

## FIGURE 9-8. DECAL INSTALLATION - JAPANESE SPECS

NOTE: ITEMS SHOWN MAY NOT BE REQUIRED FOR ALL SPECS.  
REFER TO PARTS LISTS FOR USAGE.

NOTE: ADDITIONAL DECALS CALLED OUT ON  
DECAL INSTALLATION - OPTIONS.



ART\_1001243642

## SECTION 9 - DECALS

**FIGURE 9-8. DECAL INSTALLATION - JAPANESE SPECS**

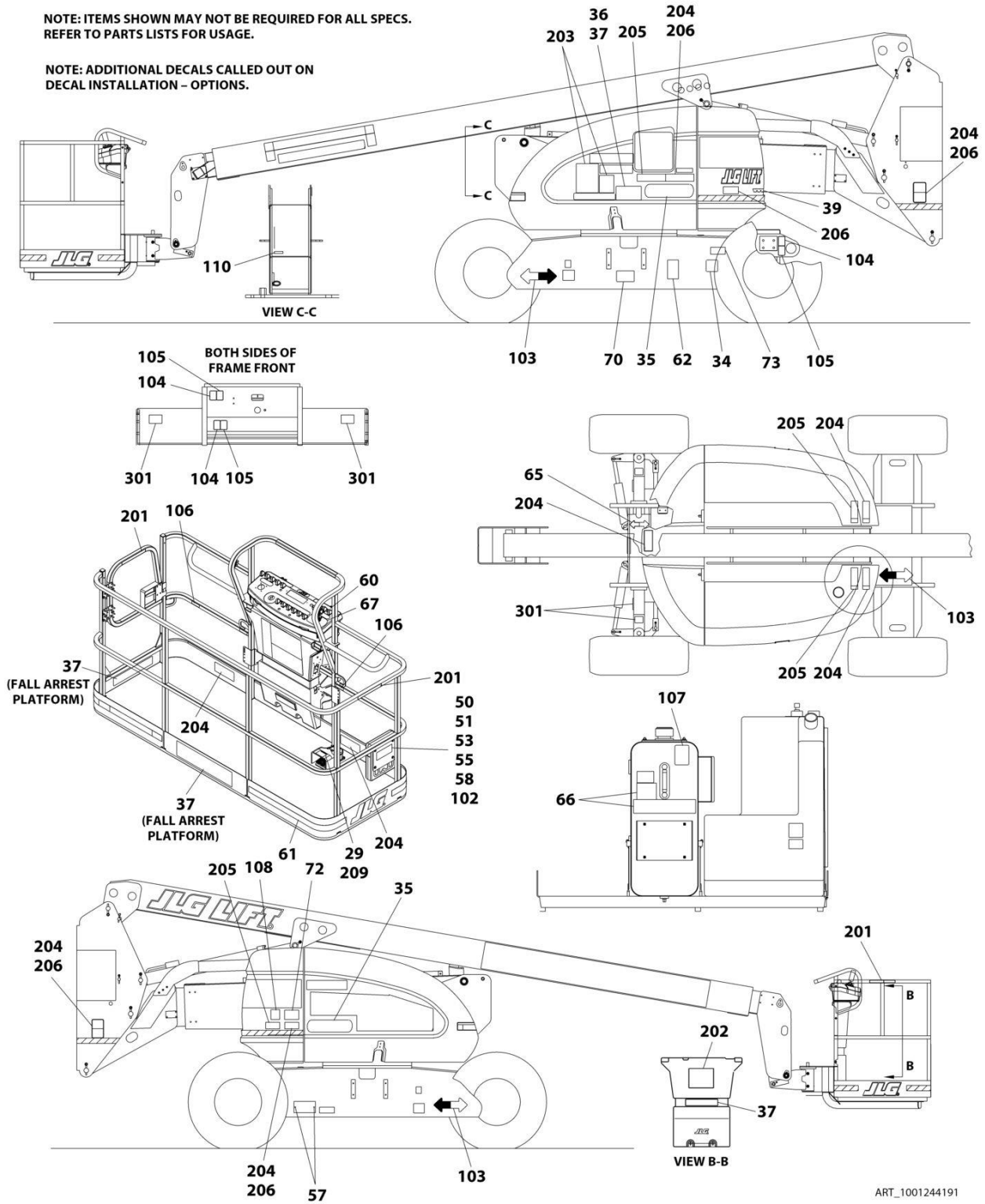
ITEM	PART NUMBER	QTY	DESCRIPTION	REV
	1001243642	Ref	DECALS INSTALLATION	E
34	See Note	NSS	Decal - Bar Code (Note: Not Available for Purchase)	
35	1001267311	2	Decal - 600AJ	
36	1001253933	1	Decal - Capacity	
37	1001253932	1	Decal - Capacity	
39	1704885	1	Decal - Website	
50	0100011	AR	Compound, Locking	
51	0641406	4	Bolt 1/4 x 3/4	
53	0860520	1	Box, Manual Storage	
55	3311405	4	Nut 1/4	
57	3820001	2	Rivet	
58	4751400	8	Washer 1/4	
60	1001184618	AR	Decal - Stop	
61	4420051	22 ft/6.7m	Decal - Warning Stripe	
65	1703687	1	Decal - Direction Arrow	
66	1702271	1	Decal - Upright Level Over-Ride	
67	1705426	1	Decal - Drive/Steer Instructions	
70	1001224053	1	Decal - Yearly Inspection	
72	1001284682	1	Decal - Lift Diagram	
100	2902303	1	Decal Kit - Master (Includes Items 102-110)	
102	1701509	1	Decal - Manual	
103	1701529	6	Decal - Arrow	
104	1703811	4	Decal - Tie Down/Lift	
105	1703814	6	Decal - Tie Down	
106	1704277	4	Decal - Attach Lanyard Here	
107	1704412	1	Decal - Hydraulic Oil Chart	
110	3251243	1	Nameplate - 120V-60Hz	
200	2902308	1	Decal Kit - Country Spec (Includes Items 202-209)	
202	1703926	1	Decal - Warning/Danger	
203	1705344	1	Decal - Warning Inspection (MTB)	
204	1703950	5	Decal - Warning Crushing	
205	1703938	5	Decal - Danger Electrocution	
206	1703944	7	Decal - Warning Crushing	
209	1703980	1	Decal - Footswitch	
300	1001156892	1	Decal Max Tire Load Kit (Includes Item 301)	
301	1001156891	4	Decal - Max Tire Load	

# SECTION 9 - DECALS

## FIGURE 9-9. DECAL INSTALLATION - KOREAN SPECS

NOTE: ITEMS SHOWN MAY NOT BE REQUIRED FOR ALL SPECS.  
REFER TO PARTS LISTS FOR USAGE.

NOTE: ADDITIONAL DECALS CALLED OUT ON  
DECAL INSTALLATION - OPTIONS.



ART\_1001244191

## SECTION 9 - DECALS

**FIGURE 9-9. DECAL INSTALLATION - KOREAN SPECS**

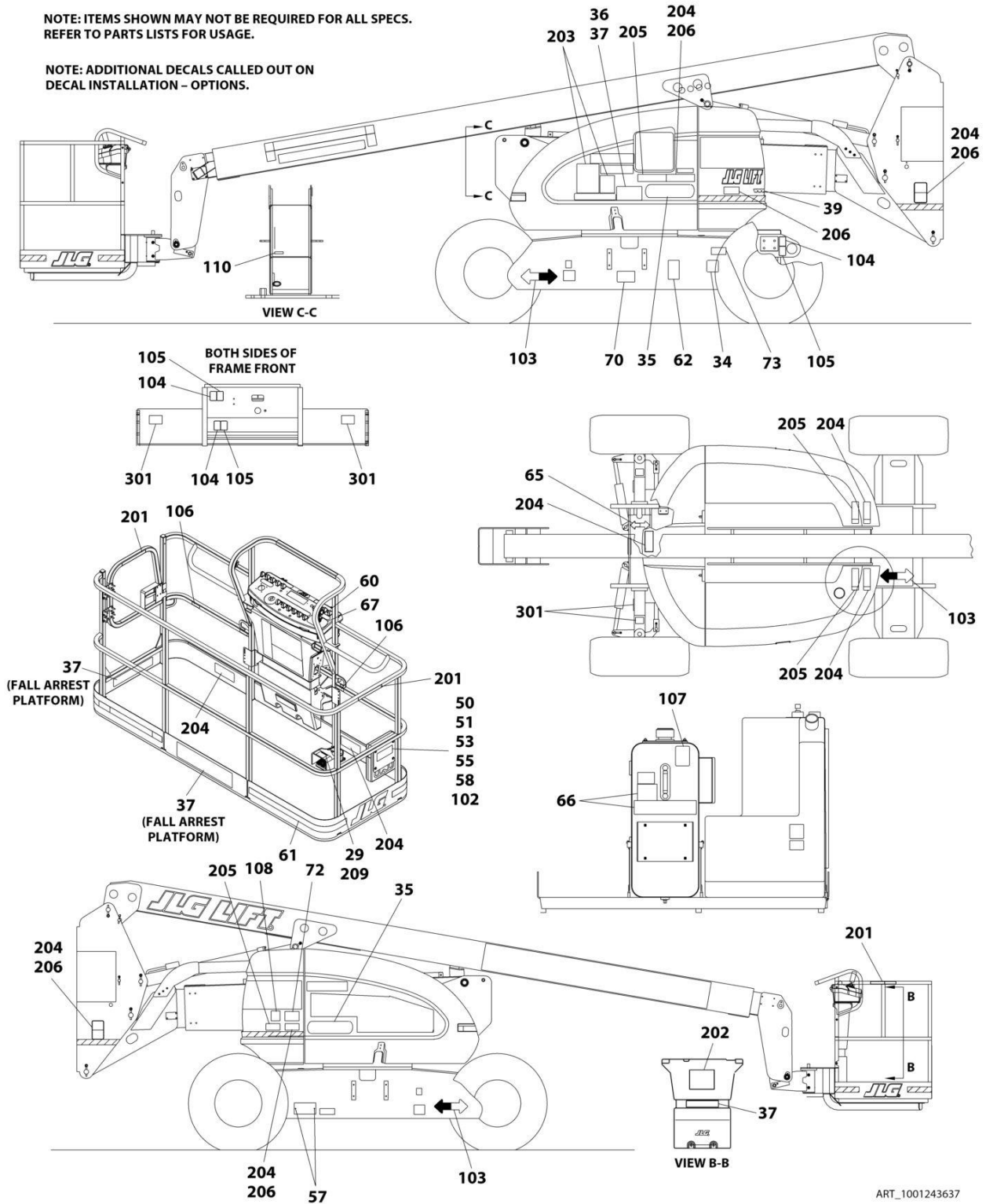
ITEM	PART NUMBER	QTY	DESCRIPTION	REV
	1001244191	Ref	DECALS INSTALLATION	F
34	See Note	NSS	Decal - Bar Code (Note: Not Available for Purchase)	
35	1001267311	2	Decal - 600AJ	
36	1001253925	1	Decal - Capacity	
37	1001253924	1	Decal - Capacity	
39	1704885	1	Decal - Website	
50	0100011	AR	Compound, Locking	
51	0641406	4	Bolt 1/4 x 3/4	
53	0860520	1	Box, Manual Storage	
55	3311405	4	Nut 1/4	
57	3820001	2	Rivet	
58	4751400	8	Washer 1/4	
60	1001184618	AR	Decal - Stop	
61	4420051	22 ft/6.7m	Decal - Warning Stripe	
65	1703687	1	Decal - Direction Arrow	
66	1703987	1	Decal - Upright Level Over-Ride	
67	1705427	1	Decal - Drive/Steer Instructions	
70	1001224048	1	Decal - Yearly Inspection	
72	1001284682	1	Decal - Lift Diagram	
100	2902303	1	Decal Kit - Master (Includes Items 102-110)	
102	1701509	1	Decal - Manual	
103	1701529	6	Decal - Arrow	
104	1703811	4	Decal - Tie Down/Lift	
105	1703814	6	Decal - Tie Down	
106	1704277	4	Decal - Attach Lanyard Here	
107	1704412	1	Decal - Hydraulic Oil Chart	
110	3251243	1	Nameplate - 120V-60Hz	
200	2902310	1	Decal Kit - Country Spec (Includes Items 201-209)	
201	1705969	2	Decal - No Hands	
202	1703927	1	Decal - Warning/Danger	
203	1705345	1	Decal - Warning Inspection (MTB)	
204	1703951	5	Decal - Warning Crushing	
205	1703939	5	Decal - Danger Electrocution	
206	1703945	7	Decal - Warning Crushing	
209	1703981	1	Decal - Footswitch	
300	1001156892	1	Decal Max Tire Load Kit (Includes Item 301)	
301	1001156891	4	Decal - Max Tire Load	

# SECTION 9 - DECALS

**FIGURE 9-10. DECAL INSTALLATION – LATIN AMERICAN SPECS (MACHINES WITH SN STARTING WITH 03) (MACHINES WITH SN STARTING WITH B3 SEE BUILD SHEET) DECAL INSTALLATION - KOREAN SPECS (MACHINES WITH SN STARTING WITH 03) BOOM CABLES INSTALLATION - WITH 7500W GENERATOR WITHOUT ARCTIC PACKAGE (ANSI EXPORT CIS, AND CHINA SPECS) BOOM CABLES INSTALLATION - WITH 7500W 50HZ GENERATOR WITHOUT ARCTIC PACKAGE (ANSI EXPORT, CHINA AND AUSTRALIAN SPECS)**

NOTE: ITEMS SHOWN MAY NOT BE REQUIRED FOR ALL SPECS. REFER TO PARTS LISTS FOR USAGE.

NOTE: ADDITIONAL DECALS CALLED OUT ON DECAL INSTALLATION – OPTIONS.



ART\_1001243637



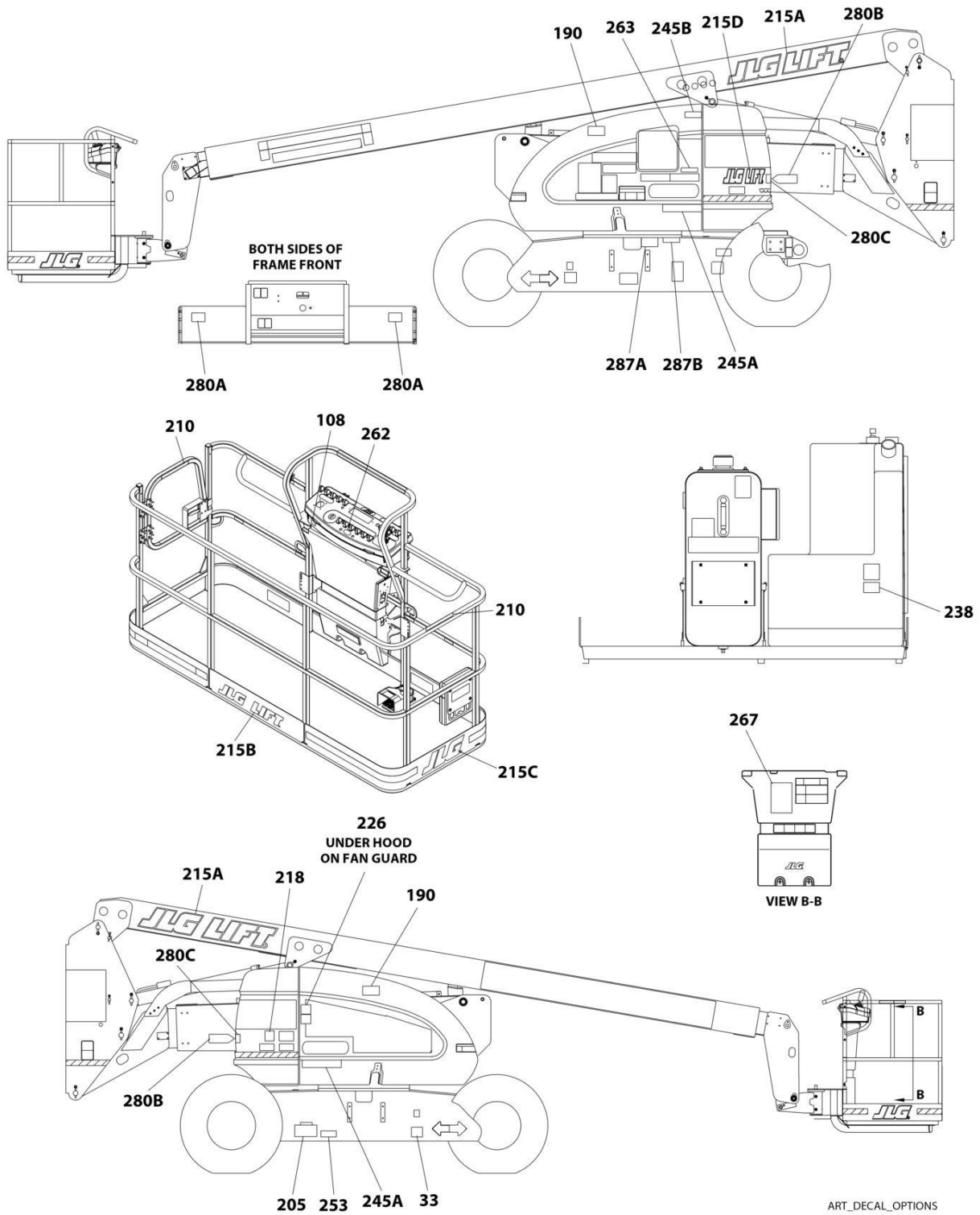
## SECTION 9 - DECALS

**FIGURE 9-10. DECAL INSTALLATION – LATIN AMERICAN SPECS (MACHINES WITH SN STARTING WITH 03) (MACHINES WITH SN STARTING WITH B3 SEE BUILD SHEET)DECAL INSTALLATION - KOREAN SPECS (MACHINES WITH SN STARTING WITH 03)BOOM CABLES INSTALLATION - WITH 7500W GENERATOR WITHOUT ARCTIC PACKAGE (ANSI EXPORT CIS, AND CHINA SPECS) BOOM CABLES INSTALLATION - WITH 7500W 50HZ GENERATOR WITHOUT ARCTIC PACKAGE (ANSI EXPORT, CHINA AND AUSTRALIAN SPECS)**

ITEM	PART NUMBER	QTY	DESCRIPTION	REV
	1001243637	Ref	DECALS INSTALLATION	E
34	See Note	NSS	Decal - Bar Code (Note: Not Available for Purchase)	
35	1001267311	2	Decal - 600AJ	
36	1001253931	1	Decal - Capacity	
37	1001253930	1	Decal - Capacity	
39	1704885	1	Decal - Website	
50	0100011	AR	Compound, Locking	
51	0641406	4	Bolt 1/4 x 3/4	
53	0860520	1	Box, Manual Storage	
55	3311405	4	Nut 1/4	
57	3820001	2	Rivet	
58	4751400	8	Washer 1/4	
60	1001184618	AR	Decal - Stop	
61	4420051	22 ft/6.7m	Decal - Warning Stripe	
65	1703687	1	Decal - Direction Arrow	
66	1702617	1	Decal - Upright Level Over-Ride	
67	1705910	1	Decal - Drive/Steer Instructions	
70	1001224049	1	Decal - Yearly Inspection	
72	1001284682	1	Decal - Lift Diagram	
100	2902303	1	Decal Kit - Master (Includes Items 102-110)	
102	1701509	1	Decal - Manual	
103	1701529	6	Decal - Arrow	
104	1703811	4	Decal - Tie Down/Lift	
105	1703814	6	Decal - Tie Down	
106	1704277	4	Decal - Attach Lanyard Here	
107	1704412	1	Decal - Hydraulic Oil Chart	
110	3251243	1	Nameplate - 120V-60Hz	
200	2902311	1	Decal Kit - Country Spec (Includes Items 201-209)	
201	1704001	2	Decal - No Hands	
202	1703923	1	Decal - Warning/Danger	
203	1705917	1	Decal - Warning Inspection (MTB)	
204	1703947	5	Decal - Warning Crushing	
205	1703935	5	Decal - Danger Electrocution	
206	1703941	7	Decal - Warning Crushing	
209	1703983	1	Decal - Footswitch	
300	1001156892	1	Decal Max Tire Load Kit (Includes Item 301)	
301	1001156891	4	Decal - Max Tire Load	

# SECTION 9 - DECALS

FIGURE 9-11. DECAL INSTALLATION - OPTIONS (ALL SPECS EXCEPT CE & UK CA SPECS)



## SECTION 9 - DECALS

**FIGURE 9-11. DECAL INSTALLATION - OPTIONS (ALL SPECS EXCEPT CE & UK CA SPECS)**

ITEM	PART NUMBER	QTY	DESCRIPTION	REV
	1001244322	Ref	DECAL INSTALLATION - REFERENCE CHART (ALL SPECS EXCEPT CE & UK CA SPECS) (MACHINES WITH SN STARTING WITH 03)	E
	1001217567	Ref	DECAL INSTALLATION - REFERENCE CHART (CE & UK CA SPECS) (MACHINES WITH SN STARTING WITH 03)	G
	1001252332	Ref	DECAL INSTALLATION - REFERENCE CHART (MACHINES WITH SN STARTING WITH B3)	
	1001245477	Ref	DECAL INSTALLATION - OPTIONS (MACHINES WITH SN STARTING WITH 03)	A
	1001260601	Ref	DECAL INSTALLATION - OPTIONS (MACHINES WITH SN STARTING WITH B3)	A
33	1700818	1	Decal - Fuel (LP Gas Machines) (English Language) (ANSI and Australian Specs)	
33	1704271	1	Decal - Fuel (LP Gas Machines) (English/French Languages) (CSA Specs)	
33	1702720	1	Decal - Fuel (LP Gas Machines) (English/Spanish Languages) (ANSI Export Specs)	
108	1001231801	1	Decal - Warning Proposition 65 (ANSI Specs)	
109	1702788	1	Decal - Biodegradable Hydraulic Fluid (English Language) (ANSI, Australian, CSA, CE & UK CA Specs)	
109	1703479	1	Decal - Biodegradable Hydraulic Fluid (German Language) (CE & UK CA Specs)	
190	0272418	Ref	Decal - SkyGlazier (Machines with SkyGlazier Option)	
190	1705358	2	Decal - SkyGlazier	
205	See Note	1	Nameplate - Manufacturers Serial Number (Note: Not Available for Purchase)	
210	1702868	2	Decal - No Hands (English Language)	
210	1705968	2	Decal - No Hands (English/Chinese Language) (Simplified)	
210	1001116846	2	Decal - No Hands (English/Chinese Language) (Traditional)	
210	1704000	2	Decal - No Hands (English/French Language)	
210	1705969	2	Decal - No Hands (English/Korean Language)	
210	1705967	2	Decal - No Hands (English/Portuguese Language)	
210	1704001	2	Decal - No Hands (English/Spanish Language)	
215	0274094	Ref	Decal - Logo Installation (All Specs Except CE & UK CA Specs)	
215A	1702861	2	Decal - JLG Lift 41	
215B	1702774	2	Decal - JLG Lift 42	
215C	1702773	1	Decal - JLG 43	
215D	1702860	1	Decal - JLG Lift 44	
218	3251813	1	Decal - USA	
226	1704972	1	Decal - Warning Explosion/ Fire (English Language) (Diesel Machines) (ANSI Specs)	
226	1706098	1	Decal - Warning Explosion/Fire (English Language) (Diesel Machines) (Australian, CE & UK CA Specs)	
226	1706059	1	Decal - Warning Explosion/Fire (English/Portuguese Language) (Diesel Machines) (Brazil Specs)	
226	1706060	1	Decal - Warning Explosion/Fire (English/Chinese Language) (Diesel Machines) (Chinese Specs)	
226	1706064	1	Decal - Warning Explosion/Fire (English Language) (Diesel Machines) (CSA Specs)	
226	1706062	1	Decal - Warning Explosion/Fire (English/Japanese Language) (Diesel Machines) (Japanese Specs)	
226	1706061	1	Decal - Warning Explosion/Fire (English/Korean Language) (Diesel Machines) (Korean Specs)	

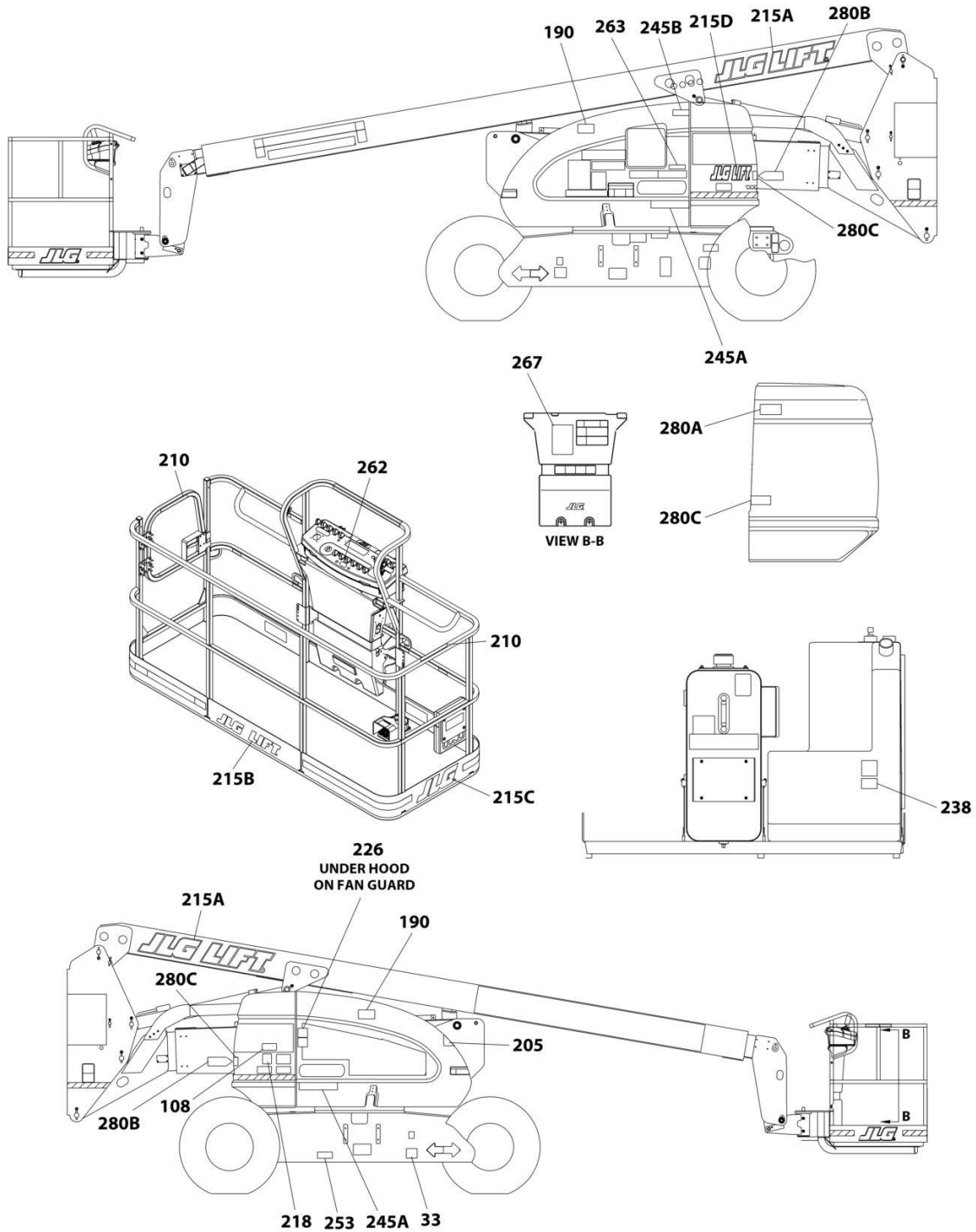
## SECTION 9 - DECALS

ITEM	PART NUMBER	QTY	DESCRIPTION	REV
226	1706063	1	Decal - Warning Explosion/Fire - (English/Spanish Language) (Diesel Machines) (Latin American Specs)	
238	1001125387	1	Decal - Ultra Low Sulfur Fuel (Diesel Machines) (ANSI, ANSI Export (HRC) & CSA Specs)	
238	1001139654	1	Decal - Ultra Low Sulfur Fuel (Diesel Machines) (Japanese, CE & UK CA Specs)	
245	1001127095	Ref	Decal Installation - ClearSky (Machines with ClearSky Option)	
245A	1001116208	2	Decal - ClearSky	
245B	1001120989	1	Decal - Radio Frequency	
253	1001143852	1	Decal - Emission Compliance (Diesel Machines) (ANSI Export (LRC), Australian, Chinese, CE & UK CA Specs)	
262	1001141300	1	Decal - SkyGuard Override (Machines without Soft Touch Option)	
262	1001141302	1	Decal - SkyGuard Override (Machines with Soft Touch Option)	
263	1001197408	1	Decal - MSSO (CE & UK CA Specs)	
267	1001200124	1	Decal - Quick Start Guide (Danish Language)	
267	1001200121	1	Decal - Quick Start Guide (Dutch Language)	
267	1001180861	1	Decal - Quick Start Guide (English Language)	
267	1001200120	1	Decal - Quick Start Guide (French Language)	
267	1001200122	1	Decal - Quick Start Guide (German Language)	
267	1001200127	1	Decal - Quick Start Guide (Norwegian Language)	
267	1001200125	1	Decal - Quick Start Guide (Swedish Language)	
267	1001200126	1	Decal - Quick Start Guide (Spanish Language)	
280	1001220864	Ref	Decal Kit - Boom Transport Position	
280A	1001220512	2	Decal - Lower Boom	
280B	1001220510	2	Decal - Warning Arrow	
280C	1001220511	2	Decal - Warning Stripe	
287	1001236436	Ref	Decal - ECO Installation (Machines With SN Starting With B3)	
287A	1001232904	1	Decal - ECO Label	
287A	3820001	4	Rivet	
287B	See Note	1	Nameplate - Mein Code (Note: Not Available for Purchase)	
287B	3820001	4	Rivet	



# SECTION 9 - DECALS

FIGURE 9-12. DECAL INSTALLATION - OPTIONS (CE & UK CA SPECS)



ART\_DECAL\_OPTIONS

## SECTION 9 - DECALS

**FIGURE 9-12. DECAL INSTALLATION - OPTIONS (CE & UK CA SPECS)**

ITEM	PART NUMBER	QTY	DESCRIPTION	REV
	1001244322	Ref	DECAL INSTALLATION - REFERENCE CHART (ALL SPECS EXCEPT CE & UK CA SPECS)	E
	1001217567	Ref	DECAL INSTALLATION - REFERENCE CHART (CE & UK CA SPECS)	A
	1001245477	Ref	DECAL INSTALLATION - OPTIONS	H
33	1700818	1	Decal - Fuel (LP Gas Machines) (English Language) (ANSI and Australian Specs)	
33	1704271	1	Decal - Fuel (LP Gas Machines) (English/French Languages) (CSA Specs)	
33	1702720	1	Decal - Fuel (LP Gas Machines) (English/Spanish Languages) (ANSI Export Specs)	
108	1001231801	1	Decal - Warning Proposition 65 (ANSI Specs)	
109	1702788	1	Decal - Biodegradable Hydraulic Fluid (English Language)	
109	1703479	1	Decal - Biodegradable Hydraulic Fluid (German Language) (CE & UK CA Specs)	
190	0272418	Ref	Decal - SkyGlazier (Machines with SkyGlazier Option)	
190	1705358	2	Decal - SkyGlazier	
205	See Note	1	Nameplate - Manufacturers Serial Number (Note: Not Available for Purchase)	
210	1702868	2	Decal - No Hands (English Language)	
210	1705968	2	Decal - No Hands (English/Chinese Language) (Simplified)	
210	1001116846	2	Decal - No Hands (English/Chinese Language) (Traditional)	
210	1704000	2	Decal - No Hands (English/French Language)	
210	1705969	2	Decal - No Hands (English/Korean Language)	
210	1705967	2	Decal - No Hands (English/Portuguese Language)	
210	1704001	2	Decal - No Hands (English/Spanish Language)	
215	0274094	Ref	Decal - Logo Installation (All Specs Except CE & UK CA Specs)	
215A	1702861	2	Decal - JLG Lift 41	
215B	1702774	2	Decal - JLG Lift 42	
215C	1702773	1	Decal - JLG 43	
215D	1702860	1	Decal - JLG Lift 44	
218	3251813	1	Decal - USA	
226	1704972	1	Decal - Warning Explosion/ Fire (English Language) (Diesel Machines) (ANSI Specs)	
226	1706098	1	Decal - Warning Explosion/Fire (English Language) (Diesel Machines) (Australian, CE & UK CA Specs)	
226	1706059	1	Decal - Warning Explosion/Fire (English/Portuguese Language) (Diesel Machines) (Brazil Specs)	
226	1706060	1	Decal - Warning Explosion/Fire (English/Chinese Language) (Diesel Machines) (Chinese Specs)	
226	1706064	1	Decal - Warning Explosion/Fire (English Language) (Diesel Machines) (CSA Specs)	
226	1706062	1	Decal - Warning Explosion/Fire (English/Japanese Language) (Diesel Machines) (Japanese Specs)	
226	1706061	1	Decal - Warning Explosion/Fire (English/Korean Language) (Diesel Machines) (Korean Specs)	
226	1706063	1	Decal - Warning Explosion/Fire - (English/Spanish Language) (Diesel Machines) (Latin American Specs)	
238	1001125387	1	Decal - Ultra Low Sulfur Fuel (Diesel Machines) (ANSI, ANSI Export (HRC) & CSA Specs)	
238	1001139654	1	Decal - Ultra Low Sulfur Fuel (Diesel Machines) (Japanese, CE & UK CA Specs)	
245	1001127095	Ref	Decal Installation - ClearSky (Machines with ClearSky Option)	

## SECTION 9 - DECALS

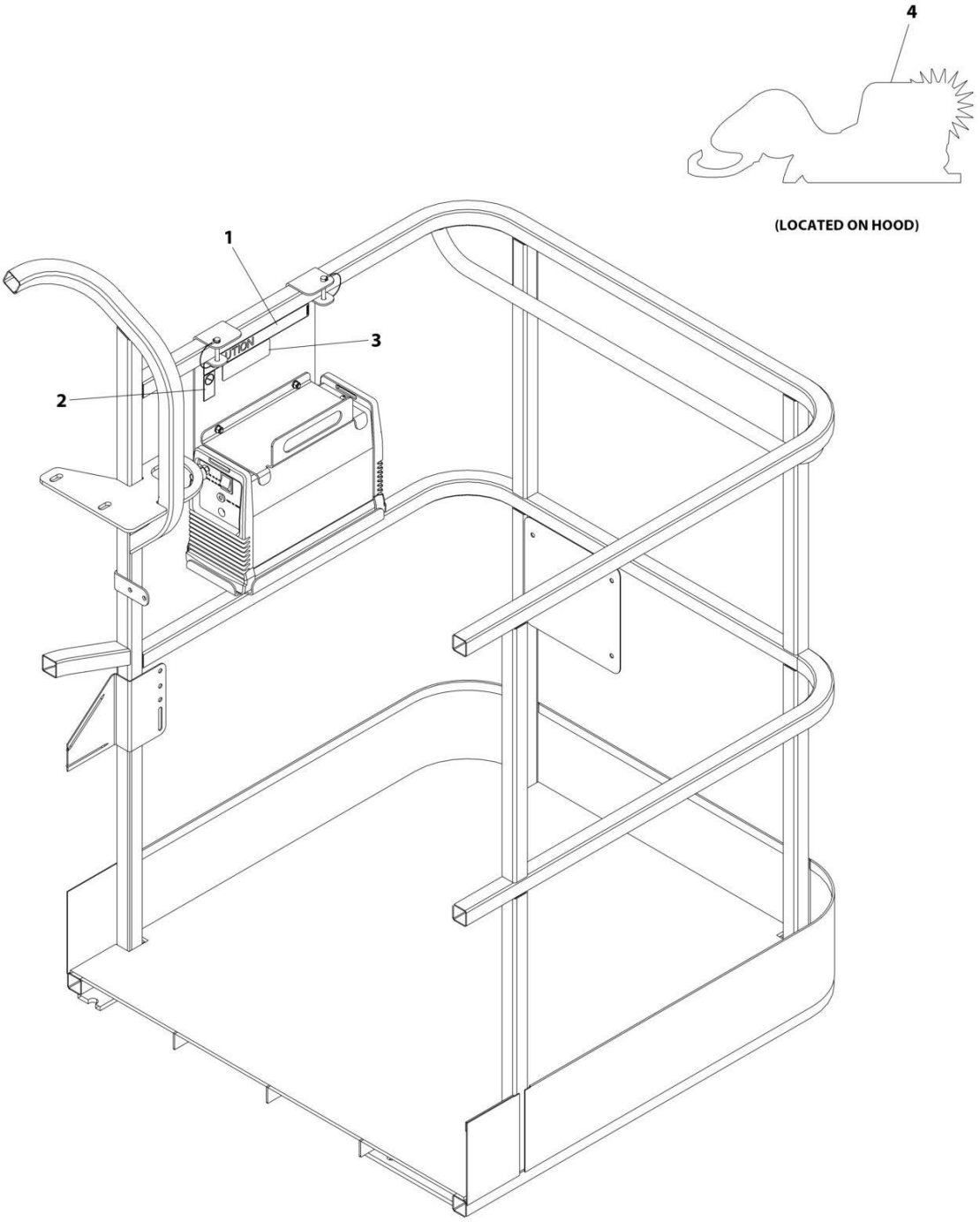
ITEM	PART NUMBER	QTY	DESCRIPTION	REV
245A	1001116208	2	Decal - ClearSky	
245B	1001120989	1	Decal - Radio Frequency	
253	1001143852	1	Decal - Emission Compliance (Diesel Machines) (ANSI Export (LRC), Australian, Chinese, CE & UK CA Specs)	
262	1001141300	1	Decal - SkyGuard Override (Machines without Soft Touch Option)	
262	1001141302	1	Decal - SkyGuard Override (Machines with Soft Touch Option)	
263	1001197408	1	Decal - MSSO (CE & UK CA Specs)	
267	1001200124	1	Decal - Quick Start Guide (Danish Language)	
267	1001200121	1	Decal - Quick Start Guide (Dutch Language)	
267	1001180861	1	Decal - Quick Start Guide (English Language)	
267	1001200120	1	Decal - Quick Start Guide (French Language)	
267	1001200122	1	Decal - Quick Start Guide (German Language)	
267	1001200127	1	Decal - Quick Start Guide (Norwegian Language)	
267	1001200125	1	Decal - Quick Start Guide (Swedish Language)	
267	1001200126	1	Decal - Quick Start Guide (Spanish Language)	
280	1001220864	Ref	Decal Kit - Boom Transport Position	
280A	1001220512	2	Decal - Lower Boom	
280B	1001220510	2	Decal - Warning Arrow	
280C	1001220511	2	Decal - Warning Stripe	





# SECTION 9 - DECALS

FIGURE 9-13. SKYCUTTER DECAL INSTALLATION (ANSI, ANSI EXPORT, CSA AND CHINA SPECS)



ART\_0272599

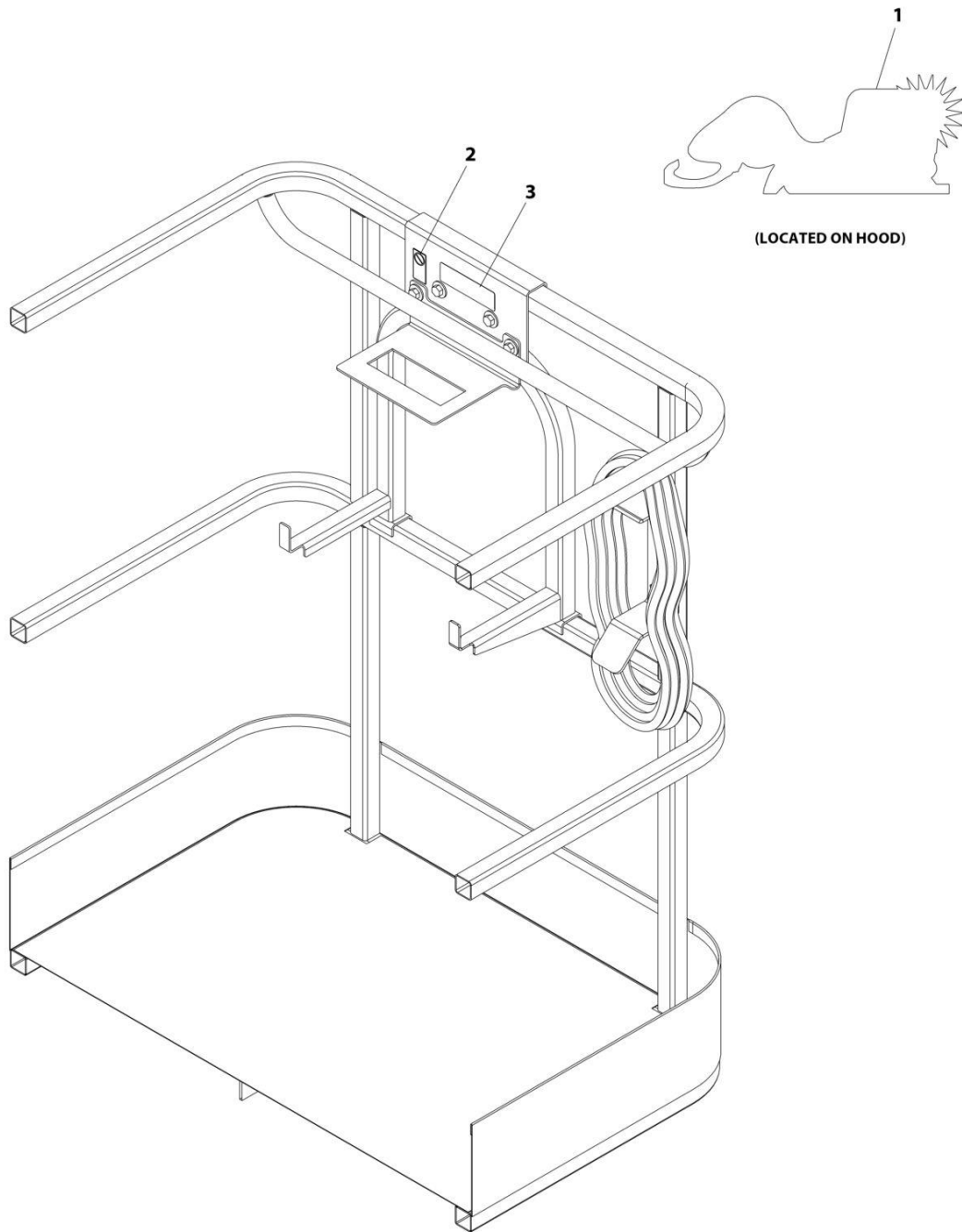
## SECTION 9 - DECALS

**FIGURE 9-13. SKYCUTTER DECAL INSTALLATION (ANSI, ANSI EXPORT, CSA AND CHINA SPECS)**

ITEM	PART NUMBER	QTY	DESCRIPTION	REV
	0272599	Ref	SKYCUTTER DECAL INSTALLATION	C
1	1702868	1	Decal - No Hands	
2	1705305	1	Decal - Weld Leads	
3	1001252627	1	Decal - Weight	
4	1705490	2	Decal - SkyCutter	

# SECTION 9 - DECALS

## FIGURE 9-14. SKYCUTTER DECAL INSTALLATION (JAPANESE SPECS)



ART\_0272607\_C

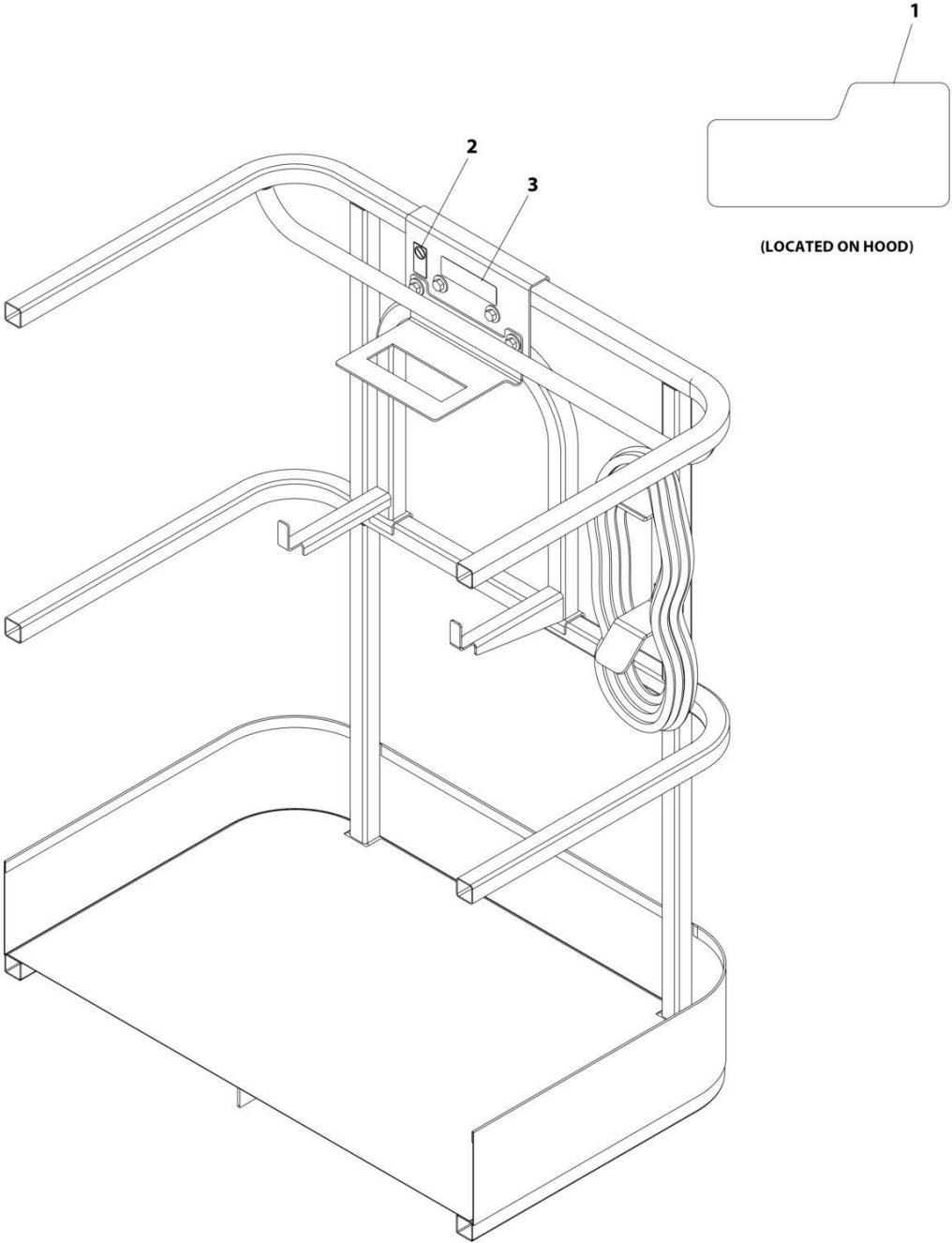
## SECTION 9 - DECALS

**FIGURE 9-14. SKYCUTTER DECAL INSTALLATION (JAPANESE SPECS)**

ITEM	PART NUMBER	QTY	DESCRIPTION	REV
	0272607	1	SKYCUTTER DECAL INSTALLATION	C
1	1705490	2	Decal - SkyCutter	
2	1705305	1	Decal - Weld Lead	
3	1001252627	1	Decal - Weight	

**SECTION 9 - DECALS**

**FIGURE 9-15. SKYWELDER DECAL INSTALLATION - 50HZ**



ART\_0272588

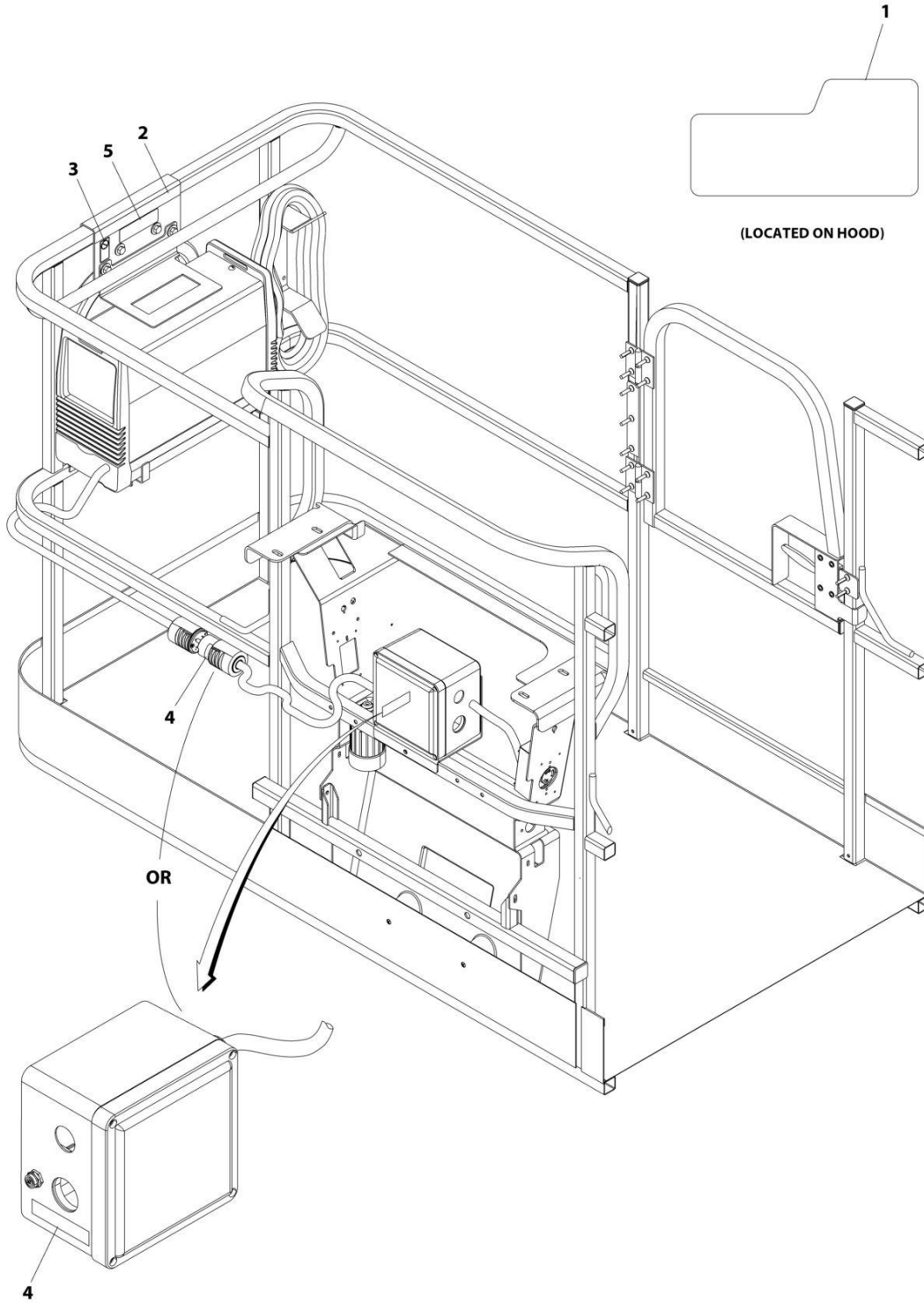
## SECTION 9 - DECALS

**FIGURE 9-15. SKYWELDER DECAL INSTALLATION - 50HZ**

ITEM	PART NUMBER	QTY	DESCRIPTION	REV
	0272588	Ref	SKYWELDER DECAL INSTALLATION - 50Hz	B
1	1705355	2	Decal - SkyWelder	
2	1705305	1	Decal - Weld Lead	
3	1001228988	1	Decal - Weight	

# SECTION 9 - DECALS

## FIGURE 9-16. SKYWELDER DECAL INSTALLATION - 60HZ



ART\_0272448\_C



## SECTION 9 - DECALS

### FIGURE 9-16. SKYWELDER DECAL INSTALLATION - 60HZ

ITEM	PART NUMBER	QTY	DESCRIPTION	REV
	0272448	Ref	SKYWELDER DECAL INSTALLATION - 60Hz	C
1	1705355	2	Decal - SkyWelder	
2	1702868	1	Decal - No Hands	
3	1705305	1	Decal - Weld Lead	
4	1705375	1	Decal - 240V - 3 Phase - 60Hz	
5	1001228988	1	Decal - Weight	



## **SECTION 10 - RECOMMENDED SERVICE PARTS STOCK**

## **SECTION 10 - RECOMMENDED SERVICE PARTS STOCK**

# SECTION 10 - RECOMMENDED SERVICE PARTS STOCK

## FIGURE 10-1. RECOMMENDED SERVICE PARTS STOCK

ITEM	PART NUMBER	QTY	DESCRIPTION	REV
	See Note	Ref	Note: The following list will service one machine (built to current production per date on the front cover) with emergency repair parts which can be installed in the field. Parts from the list should be replaced when inventory is depleted to keep service parts stock supplied. For further information, contact your JLG dealer or the JLG Industries Parts Department.	
	4360476	1	Block, Contact (Ground Control Box and Platform Console Box)	
	7020176	1	Block, Contact (Ground Control Box and Platform Console Box)	
	1001181045	1	Breaker, 16Amp (Breaker Box with 4000W/50HZ Generator)	
	4360542	1	Breaker, Circuit (2500W/60HZ Generators)	
	70000126	1	Breaker, Circuit (2500W/50HZ on ANSI Export, China and Russia Specs)	
	70001431	1	Breaker, Circuit (Plasma Cutter)	
	4360070	1	Breaker, Circuit - 15Amp (4000W/60HZ and 7500W Generators)	
	7024485	1	Breaker, Circuit 30Amp (7500W Generators with Deutz D2011 and Ford Engines)	
	70006095	1	Breaker, Circuit 30Amp (7500W Generator with Deutz TD2.9L4 and D2.9L4 Engines)	
	1001181046	1	Breaker, Double 30mA/16Amp (Breaker Box)	
	1001159118	1	Breaker, GFCI 30Amp (240V AC Box at Platform)	
	7024444	1	Breather/Fill Cap (Helgensen Brand) (Hydraulic Oil Tank)	
	70004862	1	Breather/Fill Cap/Strainer Kit (Hydac Brand) (Hydraulic Oil Tank)	
	70002386	1	Coil (Boom Control Valve)	
	7012943	1	Coil (Turntable Control Valve)	
	7012944	1	Coil (Turntable Control Valve)	
	70004463	1	Coil (Main Valve Block)	
	70004595	1	Coil (Main Valve Block)	
	70004653	1	Coil (Main Valve Block)	
	70004673	1	Coil (Main Valve Block - 4WS)	
	80434249	1	Coil (Main Valve Block)	
	7012772	1	Coil (Main Valve Block and 4WS Valve and Articulating Jib Valve)	
	1001166538	1	Controller Assembly (Drive and Steer)	
	1001166539	1	Controller Assembly (Lift and Swing)	
	1001117174	1	Controller, Footswitch Assembly (Platform Console Box Assembly)	
	3990010	2	Diode, 6 Amp (Ground Control Box Harness)	
		Ref	Engine - Deutz D2011	
	70003783	12	Filter, Air	
	7016331	12	Filter, Oil	
	7016328	12	Filter, Fuel	
	7027795	1	Module, Control	
	3740067	1	Relay	
		Ref	Engine - Deutz TD2.2L3 (Stage V)	
	70005008	12	Filter, Air	
	8229242	2	Fuse , 5Amp	
	80983191	2	Fuse, 10Amp	
	70023592	2	Fuse, 20Amp	
	70023593	2	Fuse, 30Amp	
	1001117308	1	Relay	
		Ref	Engine - Deutz D2.9L4	
	91403102	12	Filter, Air	

## SECTION 10 - RECOMMENDED SERVICE PARTS STOCK

ITEM	PART NUMBER	QTY	DESCRIPTION	REV
	1001225431	12	Filter, Fuel (Engine Mounted)	
	1001225430	12	Filter, Fuel (Frame Mounted)	
	7016331	12	Filter, Oil	
	70023592	2	Fuse, 20Amp	
	70023593	2	Fuse, 30Amp	
	70025210	1	Module, ECU	
	1001117308	1	Relay	
		Ref	Engine - Deutz TD2.9L4	
	91403102	12	Filter, Air	
	70025161	12	Filter, Fuel (Engine Mounted)	
	70025153	12	Filter, Fuel (Frame Mounted)	
	7016331	12	Filter, Oil	
	8229242	2	Fuse , 5Amp	
	80983191	2	Fuse, 10Amp	
	70023592	2	Fuse, 20Amp	
	70023593	2	Fuse, 30Amp	
	70025210	1	Module, ECU	
	70005648	1	Relay	
	1001117308	1	Relay	
		Ref	Engine - Ford	
	70005008	12	Filter, Air	
	70006155	12	Filter, Fuel	
	70006213	12	Filter, Oil	
	70006175	2	Fuse, 20Amp	
	70006176	1	Module - Engine Control Unit	
	3740067	1	Relay	
	70006171	1	Relay	
	70006172	1	Relay	
	2120149	12	Element, Filter (Turntable Control Valves)	
	2120210	12	Element, Filter (Turntable Control Valves)	
	8229249	2	Fuse, 3 Amp (Platform Console Box Harness and USB Charger)	
	2400064	2	Fuse, 5Amp (7500W Generator Harness with Duetz D2011 and Ford Engines)	
	8229242	2	Fuse, 5Amp (Ground Control Box Harness)	
	2860030	1	Key Replacement (Ground Control Box Assemblies)	
	2940074	1	Latch (Platforms with Swing Gate)	
	1001142683	1	Module, Control Beacon	
	1001103667	1	Module, Ground Control	
	1001106938	1	Module, Platform (Platform Console Box)	
	3740080	1	Relay (2500W Generators and 7500W Generator with Ford Engines)	
	70006553	1	Relay (4000W Generators)	
	3740067	1	Relay (Auxiliary Pump)	
	3740049	1	Relay (Ground Control Box)	
	1001186431	1	Relay (SkyGuard)	
	3740086	1	Relay (SkyLine)	
	1001228225	1	Sensor, Emitter (SkyEye)	
	4360436	1	Sensor, Fuel Level (Tank Installations)	
	4360578	1	Sensor, Limit Switch (Boom Valves and Limit Switch and Transport Position Switch)	
	4360057	1	Sensor, Limit Switch (Soft Touch Installations)	
	1001247468	1	Sensor, Loadcell (Platform Support Installation)	

## SECTION 10 - RECOMMENDED SERVICE PARTS STOCK

ITEM	PART NUMBER	QTY	DESCRIPTION	REV
	4360517	1	Sensor, Proximity (Rotary Coupling)	
	1001232667	1	Sensor, Proximity (SkyLine)	
	1001228224	1	Sensor, Receiver (SkyEye)	
	1001172271	1	Sensor, Roller Limit Switch (Boom Valves and Limit Switch)	
	1001137673	1	Sensor, SkyGuard Switch Assembly	
	1001225346	1	Switch, Battery (Battery Disconnect)	
	4360475	1	Switch, Emergency Stop (Ground Control Box and Platform Console Box)	
	4360469	1	Switch, Key (Ground Control Box)	
	4360274	1	Switch, Push Button (Ground Control Box with Deutz TD2.2L3 Engine)	
	4360387	1	Switch, Push Button (Ground Control Box and Platform Console Box)	
	4360522	1	Switch, Push Button (Head and Tail Lights and Chassis Illumination Installations)	
	70001432	1	Switch, Rocker (Plasma Cutter Assembly)	
	4360407	1	Switch, Speed (Platform Console Box)	
	4360336	1	Switch, Toggle (Cribbing Enable Switch Installation and All Generators)	
	4360328	1	Switch, Toggle (Ground Control Box and Platform Console Box)	
	1001155045	1	Switch, Toggle (Ground Control Box and Platform Console Box)	
	4360331	1	Switch, Toggle (Platform Console Box)	
	1001159256	1	Switch, Toggle (Platform Console Box)	

**SECTION 11 - SPECIAL OPTIONS**

## SECTION 11 - SPECIAL OPTIONS

FIGURE 11-1. SPECIAL OPTIONS/ACCESSORIES/KITS

ITEM	PART NUMBER	QTY	DESCRIPTION	REV
		Ref	Note: This list is to accommodate machines ordered with special equipment. Options may not be applicable to all models. For more specific parts information contact JLG Parts Department.	
		Ref	SPECIAL OPTIONS/ACCESSORIES/KITS	
	1001204884	Ref	Air Intake Shut-off Valve Installation (Deutz DT2.9L4 Engines) (ANSI & CSA Specs)	
	1001247570	Ref	Air Intake Shut-off Valve Installation (Deutz D2.9L4 Engines) (ANSI & CSA Specs)	
		Ref	Airline to Platform Installation Options:	
	0258966	Ref	1/2in – Without Arctic Package (600AJ)	
	1001093438	Ref	1/2in - With Arctic Package (600AJ)	
	1001249695	Ref	Analyzer and Cable Kit	
	1001249941	Ref	Battery Powered Analyzer Installation Kit	
	0256366	Ref	Boom Wiper Installation (600AJ)	
	1001233047	Ref	Breather Heater Kit - Deutz D2.9L4 and TD2.9L4 Engines	
	1001172045	Ref	Cable/Ladder Carrier Installation	
	2910477	Ref	Cam Valve Replacement Kit	
		Ref	ClearSky (Telematics) Add-on Kits (Dealer Installed)	
	1001242409	Ref	ClearSky (Telematics) Access Control Installation Kit (Dealer Installed) (ANSI, ANSI Export, CSA, CE & UK CA Specs)	
	1001265378	Ref	ClearSky (Telematics) Added-on Kit (Dealer Installed) (ANSI, ANSI Export and CSA Specs)	
	1001246142	Ref	ClearSky (Telematics) Added-on Kit (Dealer Installed) (Australian Specs)	
	1001243184	Ref	ClearSky (Telematics) Added-on Kit (Dealer Installed) (CE & UK CA Specs)	
	1001276923	Ref	ClearSky (Telematics) 3 Wire GT1030 Added-on Kit (Dealer Installed)	
		Ref	ClearSky Telematics Installation (Factory Installed)	
	1001227472	Ref	ClearSky Telematics - Canbus (All Specs Except China and Russia Specs)	
	1001228946	Ref	ClearSky Telematics - Canbus (ANSI Export, Russia, CE & UK CA Specs)	
	1001246522	Ref	ClearSky Telematics - Canbus (Australian Specs)	
	1001246523	Ref	ClearSky Telematics - Canbus (China Specs)	
	1001229107	Ref	ClearSky Telematics 3-Wire Connection (ANSI and CSA Specs) (Module PN 1001266328)	
	1001233237	Ref	ClearSky Telematics 3-Wire Connection (ANSI Export, Russia, CE & UK CA Specs) (Module PN 1001233236)	
	1001276610	Ref	ClearSky Telematics 3-Wire Connection (All Specs Except China Specs) (Module PN 1001272659)	
		Ref	Cold Weather Package	
	1001152340	Ref	Cold Weather Package - Deutz D2011 Engines	
	0271912	Ref	Cold Weather Package - Deutz D2011 Engines	
	0274883	Ref	Cold Weather Package with Transformer- Deutz D2011 Engines	
	1001256385	Ref	Cold Weather Package - Deutz TD2.2L3 Engines	
	1001151900	Ref	Cold Weather Package - Deutz TD2.9L4 Engines	
	1001282099	Ref	Cold Weather Package - Deutz TD2.9L4 (China IV) Engines	
	1001217832	Ref	Cold Weather Package - Ford Engines	
	1001276007	Ref	Controller Service Kit - Drive/Steer	
	1001276008	Ref	Controller Service Kit - Lift/Swing	



## SECTION 11 - SPECIAL OPTIONS

ITEM	PART NUMBER	QTY	DESCRIPTION	REV
	1001157013	Ref	Counterweight Installation (Required for Soft Touch Systems)	
	0255928	Ref	Cylinder Bellows Installation (Boom) (600AJ)	
		Ref	Cylinder Bellows Installation (Frame)	
	1001151379	Ref	2WD/2WS & 4WD/2WS 8ft/2.4m Width	
	1001151380	Ref	2WD/4WS & 4WD/4WS 8ft/2.4m Width Machines	
	1001152771	Ref	2WD/4WS 7ft/2.1m Width Machines	
		Ref	Cylinder Bellows Installation (Frame)	
	0255483	Ref	2WS 8ft/2.4m Width	
	0255487	Ref	4WS 8ft/2.4m Width Machines	
	0257195	Ref	Decal - Government Warranty	
		Ref	Decal Kit Options – Factory Installed:	
	2902307	Ref	Country Spec – ANSI and ANSI Export	
	2902329	Ref	Country Spec – Australian, CE & UK CA	
	2902312	Ref	Country Spec – Brazil	
	2902322	Ref	Country Spec – CSA	
	1001116844	Ref	Country Spec – Chinese (Simplified)	
	2902309	Ref	Country Spec – Chinese (Traditional)	
	2902308	Ref	Country Spec – Japanese	
	2902310	Ref	Country Spec – Korean	
	2902311	Ref	Country Spec – Latin America	
	2902303	Ref	Master	
		Ref	Decal Kit Options – Dealer Installed:	
	1001270516	Ref	Machine – ANSI 9220 Spec	
	1001238895	Ref	Platform – ANSI Spec	
	1001272198	Ref	Platform – ANSI 9220 Spec	
	1001119561	Ref	Platform Console Box – ANSI Spec	
	1001272085	Ref	Platform Console Box – ANSI 9220 Spec	
	4932990	Ref	Drive Cutout Kit (Above Elevation Beyond Transport) (All Specs)	
	4932993	Ref	Drive Cutout Kit (Above Elevation Tilt) (ANSI, ANSI Export, Australian, Japanese and China Specs)	
	2902395	Ref	Drive/Steer Cutout Kit (All Specs)	
	1001253619	Ref	Electrical Assembly Module Box 12 Kit	
	1001253618	Ref	Electrical Assembly Module Box 4/8 Kit	
		Ref	Electrical Connector Kits	
	1001148902	Ref	Amp/Tyco Electrical Connector Kit	
	1001148903	Ref	Deutsch DT Electrical Connector Kit	
	1001148904	Ref	Deutsch HD Electrical Connector Kit	
	1001148905	Ref	Packard Electrical Connector Kit	
	1001148906	Ref	Various Electrical Connectors Kit	
	1001218022	Ref	Engine Block Heater Installations (Ford Engines Only)	
	1001252033	Ref	Enhanced Detection System (EDS) Level 1 (2-Bar) Installation Kit	
	1001252034	Ref	Enhanced Detection System (EDS) Level 2 (3-Bar) Installation Kit	
	1001269630	Ref	Fall Arrest (Bolt-on) Add-on Kit (4ft/1.22m Platform (All Specs)	
	1001269629	Ref	Fall Arrest (Bolt-on) Add-on Kit (5ft/1.52m Platform (All Specs)	
	1001269631	Ref	Fall Arrest (Bolt-on) Add-on Kit (6ft/1.82m Platform (All Specs)	
	1001237883	Ref	Fall Arrest (Bolt-on) Add-on Kit (6ft/1.82m Platform (ANSI, ANSI Export, China, CSA & Japanese Specs) (Fits Platform p/ns 1001186384 & 1001144024)	
	1001237882	Ref	Fall Arrest (Bolt-on) Add-on Kit (8ft/2.4m Platform (ANSI, ANSI Export, China, CSA & Japanese Specs) (Fits Platform p/ns 1001186383 & 1001144023)	
		Ref	Fan Cover/Guard Options:	

## SECTION 11 - SPECIAL OPTIONS

ITEM	PART NUMBER	QTY	DESCRIPTION	REV
	1001182599	Ref	Fan Guard Installation (Deutz D2011 and Deutz D2011 Stage V Engines)	
	1001258140	Ref	Fan Guard Installation, Deutz TD2.2L3 (Stage V) Engines	
	1001177694	Ref	Fan Guard Installation (Deutz TD2.9L4 and Deutz D2.9L4 (China IV) Engines)	
	1001093389	Ref	Fan Cover Installation (Ford DF 2.5L Engines)	
		Ref	Filter Kits:	
		Ref	Combined Filter Kit (Hydraulic/Air and Fuel/Engine Oil)	
	1001166960	Ref	Deutz D2011 Engine	
	1001181148	Ref	Deutz TD2.9L4 Engine	
	1001114042	Ref	Ford DF2.5L Engine	
	1001139099	Ref	Fire Extinguisher Installation	
	1001265676	Ref	Ford 42 Way Connector Kit	
	1001117294	Ref	Footswitch Shield (Arctic Package)	
	3380652	Ref	Footswitch Shield	
	1001202749	Ref	Fuel Cap Cover Installation (Black) (All Machines) (Note: Lock p/n 1001102157 Must be purchased separately)	
	1001191395	Ref	Fuel Cap Cover Installation (Green) (Diesel Machines) (Note: Lock p/n 1001102157 Must be purchased separately)	
	1001247338	Ref	Fuel Cap Cover Installation (Red) (Gasoline Machines) (Note: Lock p/n 1001102157 Must be purchased separately) (Machines With SN Starting With 03)	
	1001209629	Ref	Hose Kit - Platform Valve	
	1001239617	Ref	Hose Kit - Power Track Upper	
	2910100	Ref	Hose/Cable Chafe Protection Kit	
	1001241406	Ref	Hostile Environment Add-on Kit (7FT Chassis)	
	1001204924	Ref	Hostile Environment Add-on Kit (8FT Chassis) (600AJ)	
	1001094475	Ref	Hourmeter for Generator Installation	
	1001229935	Ref	Hydraulic Tank Locker Installation	
	1001268736	Ref	Jib Link Kit	
	0273492	Ref	Lights Installation - Platform Worklights	
	0274180	Ref	Lights Installation - Platform Flood Lights	
	1001243597	Ref	Lights Installation - Portable Platform Worklights	
	1001236951	Ref	Low Temperature Cut-out Switch Installation	
	1001204296	Ref	Oil Cooler Replacement Kit (Deutz TD2.9L4 Engine Only) (RCP to Ymer Cooler)	
	1001272166	Ref	Pipe Rack Add-on Kit (Dealer Installed)	
		Ref	Platform Box Cover Installations:	
	1001195304	Ref	Clear Polycarbonate Cover – Factory Installed (All Specs)	
	1001270482	Ref	Steel Cover – Dealer Installed (China Specs)	
	1001266290	Ref	Steel Cover – Factory Installed (All Specs except Australian and China Specs)	
	1001125230	Ref	Steel Cover – Factory Installed (ANSI Export and China Specs)	
	1001125229	Ref	Steel Cover – Factory Installed (Korean Specs)	
	1001214984	Ref	Platform Control Box Film Installation	
	2915228	Ref	Platform Conversion Kit (Front to Side Entry)	
	1580013	Ref	Platform Corner Storage Tray	
		Ref	Platform Entry Kits:	
	1001142504	Ref	Kit, Replace Swing Gate with Drop Bar	
	1001142505	Ref	Kit, Replace Drop Bar with Swing Gate	
	1001274833	Ref	Platform Floormat Add-on Kit - 30x48 Platform	
	1001274832	Ref	Platform Floormat Add-on Kit - 30x60 Platform	
	1001274830	Ref	Platform Floormat Add-on Kit - 36x72 Platform	

## SECTION 11 - SPECIAL OPTIONS

ITEM	PART NUMBER	QTY	DESCRIPTION	REV
	1001274829	Ref	Platform Floormat Add-on Kit - 36x96 Platform	
		Ref	Platform Mesh to Top Rail Add-on Kits:	
	1001214552	Ref	30in x 4ft (76cm x 1.22m) with Gate	
	1001214559	Ref	30in x 5ft (76cm x 1.52m) with Gate	
	1001214561	Ref	36in x 6ft (91.5cm x 1.83m) with Gate	
	1001214562	Ref	36in x 8ft (91.5cm x 2.44m) with Gate	
		Ref	Platform Mesh to Top Rail Installations	
	1001272182	Ref	30in x 4ft (76cm x 1.22m)	
	1001271888	Ref	30in x 5ft (76cm x 1.52m)	
	1001271642	Ref	36in x 6ft (91.5cm x 1.83m)	
	1001269187	Ref	36in x 8ft (91.5cm x 2.44m)	
		Ref	Platform Mesh to Mid Rail Add-on Kits:	
	1001214478	Ref	30in x 4ft (76cm x 1.22m) with Gate	
	1001214515	Ref	30in x 5ft (76cm x 1.52m) with Gate	
	1001214540	Ref	36in x 6ft (91.5cm x 1.83m) with Gate	
	1001214548	Ref	36in x 8ft (91.5cm x 2.44m) with Gate	
		Ref	Platform Mesh to Mid Rail Installations	
	1001272274	Ref	30in x 4ft (76cm x 1.22m)	
	1001272178	Ref	30in x 5ft (76cm x 1.52m)	
	1001271760	Ref	36in x 6ft (91.5cm x 1.83m)	
	1001269389	Ref	36in x 8ft (91.5cm x 2.44m)	
		Ref	Plastic Mesh to Top Rail Installations	
	1001266807	Ref	30in x 4ft (76cm x 1.22m)	
	1001266801	Ref	30in x 5ft (76cm x 1.52m)	
	1001266489	Ref	36in x 6ft (91.5cm x 1.83m)	
	1001266056	Ref	36in x 8ft (91.5cm x 2.44m)	
		Ref	Plastic Mesh to Mid Rail Installations	
	1001266969	Ref	30in x 4ft (76cm x 1.22m)	
	1001266799	Ref	30in x 5ft (76cm x 1.52m)	
	1001266284	Ref	36in x 6ft (91.5cm x 1.83m)	
	1001266098	Ref	36in x 8ft (91.5cm x 2.44m)	
		Ref	Platform, Top Rail Extensions	
	0272733	Ref	3ft x 6ft Platforms	
	0272725	Ref	3ft x 8ft Platforms	
	1001209059	Ref	Platform Work Surface Installation	
	1001200234	Ref	Radiator Replacement Kit (RCP to Modine) (Deutz TD2.9L4 Engine Only)	
	1001171018	Ref	RCD Box Installation (Brazil Spec)	
	1001099572	Ref	Security Lock (Programmable) Installation	
	1001190884	Ref	Service Tools & Kits	S
	1001247073	Ref	SkyEye Retrofit Kit	
	1001241547	Ref	SkyEye Housing Kit (LH)	
	1001241548	Ref	SkyEye Housing Kit (RH)	
		Ref	SkyGuard Component Options:	
	1001206477	Ref	SkyGuard Complete Add-on Kit (Blue Beacon)	
	1001210026	Ref	SkyGuard Complete Add-on Kit (Red Beacon)	
	1001250035	Ref	SkyGuard Platform Sensor Kit	
	1001137440	1	SkyGuard Platform Sensor Harness	
	1001186431	2	Relay	
	1001250595	Ref	SkyGuard 6-Pin Retrofit Installation Kit	
	1001249052	Ref	SkyGuard Retrofit Kit (Dealer Installed)	
	1001262016	Ref	SkyLine Kit	

## SECTION 11 - SPECIAL OPTIONS

ITEM	PART NUMBER	QTY	DESCRIPTION	REV
	1001250465	Ref	SkySense/Enhanced Detection System (EDS) Level 1 (2 Bar) Installation Kit	
	1001250466	Ref	SkySense/Enhanced Detection System (EDS) Level 2 (3 Bar) Installation Kit	
	1001263395	1	SkyWelder Kit (Dealer Installed)	
	1001121593	Ref	SoftTouch Add-on Kit (36in x 8ft (91.5cm x 2.44m) Platforms)	
	1001121592	Ref	SoftTouch Add-on Kit (36in x 6ft (91.5cm x 1.83m) Platforms)	
		Ref	Strobe Light Installations (Amber) (Machines With SN Starting With 03):	
	1001152965	Ref	Strobe Light Installations - Platform Mounted	
	1001154231	Ref	Strobe Light Installations - Dual Platform/Ground Mounted	
		Ref	Tools for Service	
	2901443	1	Analyzer Kit	
	7002840	1	Antirotaion Pin Removal Tool	
	8896941	1	Wire Stripper	
	7002821	1	Wire Crimper (To install wire ends to wires)	
	7002823	1	Pin/Socket Extractor - Universal (To Remove Pins/Sockets from Connectors)	
	4460467	1	Extractor - 16-18 Gauge (For Removal of Pin/Sockets from Deutsch Connectors)	
	4460510	1	Extractor - 12-14 Gauge (For Removal of Pin/Sockets from Deutsch Connectors)	
	7002822	1	Screwdriver, Potentiometer (To Adjust Drive Controllers)	
	7016654	1	Screwdriver, Magnetic	
	7004275	1	Seal Installation Tool - 1in	
	7004276	1	Seal Installation Tool - 1 1/2in	
	7002826	1	Seal Installation Tool - 2in	
	7016655	1	Wire Rope Sheave Gauge	
	7016652	1	Huck Bolt Fastener (For Small Huck Bolts Only)	
	2900838	1	U.S. Standards Fastener (Hardware) Kit	
	7014676	1	U.S. Standards Tool Kit	
	1001137005	1	Software Cable Kit	
	1001258951	Ref	Tower Stow Switch Installation Kit	
	1001238825	Ref	Turntable Bearing Kit	
	1001274249	Ref	USB Charger Port Add-on Kit (Dealer Installed)	
	1001262959	Ref	Voltage Relocation Kit	
	2910167	Ref	Wear Pad Kit	
	0272772	Ref	Weld Leads	

**PART NUMBER INDEX**

## SECTION 11 - SPECIAL OPTIONS

0100009.... 161, 165, 169, 173, 177, 181, 185, 189, 193, 197, 201, 205, 209, 213, 217, 221, 623, 627	0100038 ... 25, 27, 29, 31, 33, 705, 713, 723, 725, 729, 764, 768, 772	0274256 ..... 25	0641405.... 252, 256, 260, 264, 651
0100011.... 21, 23, 25, 27, 29, 31, 33, 35, 37, 39, 41, 43, 45, 49, 51, 53, 55, 85, 87, 89, 91, 95, 97, 99, 101, 111, 113, 123, 129, 131, 133, 135, 137, 139, 141, 153, 155, 157, 159, 161, 165, 169, 173, 177, 181, 185, 189, 193, 197, 201, 205, 209, 213, 217, 221, 227, 229, 235, 237, 247, 249, 252, 256, 260, 264, 267, 273, 275, 277, 279, 283, 285, 287, 289, 292, 296, 303, 307, 310, 319, 323, 327, 331, 335, 337, 339, 341, 344, 350, 359, 363, 366, 373, 375, 379, 383, 385, 388, 394, 405, 410, 414, 417, 419, 422, 428, 437, 441, 461, 465, 467, 469, 471, 473, 475, 477, 479, 481, 483, 487, 489, 491, 495, 499, 503, 507, 511, 515, 519, 523, 527, 533, 535, 537, 539, 541, 543, 545, 547, 549, 551, 553, 555, 557, 559, 563, 565, 567, 569, 571, 573, 575, 579, 581, 595, 597, 599, 601, 603, 609, 611, 613, 615, 649, 651, 654, 657, 659, 667, 671, 673, 675, 677, 697, 705, 713, 723, 725, 729, 764, 768, 772, 967, 969, 971, 973, 975, 977, 979, 981, 983, 985	0100048 ... 161, 165, 169, 173, 177, 181, 185, 189, 193, 197, 201, 205, 209, 213, 217, 221, 229, 231, 233, 410, 414, 491, 507, 511, 523, 623, 627	0274257 ..... 41	0641406.... 111, 113, 227, 229, 231, 233, 260, 264, 303, 310, 319, 323, 327, 331, 335, 337, 339, 341, 344, 350, 359, 363, 375, 379, 383, 385, 388, 394, 410, 414, 495, 499, 503, 511, 516, 519, 617, 619, 621, 967, 969, 971, 973, 975, 977, 979, 981, 983, 985
0100063 ..... 39	0100062 ... 141, 292, 296, 310, 344, 350, 366, 388, 394, 424, 430, 516, 520	0274258 ..... 805	0641407.... 161, 165, 169, 173, 177, 181, 185, 189, 193, 197, 201, 205, 209, 213, 217, 221, 233, 252, 256, 283, 285, 287, 289, 292, 296, 417, 419, 507, 523, 809, 813, 815, 819, 821, 825, 827, 831, 833
0100079 .... 463, 507, 523	0100081 .... 567, 679, 681	0274259 ..... 808	0641408.... 235, 260, 264, 344, 350, 388, 394, 581, 619, 621, 759, 761
0100087 ..... 151	0140011 ..... 623, 627	0274260 ..... 809, 929	0641409.... 273, 275, 277, 279
0140044 ..... 229	0181949 ..... 147, 149	0275217 ..... 813, 931	0641410.... 292, 296, 508, 511, 524
0200048 ... 671, 673, 675, 677	0200742 .... 481, 487, 489	0275452 ..... 819, 935	0641412.... 319, 323, 327, 331, 359, 375, 379
0255288 ..... 565	0255382 ..... 799	0275454 ..... 831, 943	0641414. 95, 97, 99, 101, 623, 627, 649, 671, 673, 675, 677
0255382 ..... 799	0255410 ..... 125	0275652 ..... 813	0641415.... 500, 503, 511, 809, 813, 815, 819, 821, 825, 827, 831, 833
0255410 ..... 125	0255483 ..... 1009	0275653 ..... 819	0641416. 95, 97, 99, 101, 410, 414, 569, 571, 573, 575, 803, 809, 811, 813, 815, 817, 819, 821, 823, 825, 827, 829, 831, 833, 835, 861, 863
0255483 ..... 1009	0255487 ..... 1009	0275654 ..... 825	0641418.... 595, 597, 601, 603, 609, 611, 613, 615
0255487 ..... 1009	0255880 ..... 245	0275656 ..... 809	0641420..... 599
0255928 ..... 1009	0256202 ..... 807	0275660 ..... 831	0641505..... 81, 83
0256202 ..... 807	0256336 ..... 583	0280171 ..... 21, 27	0641506.... 161, 165, 169, 173, 177, 181, 185, 189, 193, 197, 201, 205, 209, 213, 217, 221
0256336 ..... 583	0256366 ..... 1008	0280185 ..... 25	0641507.... 277, 279, 569, 571, 573, 575
0256366 ..... 1008	0257176 ..... 801	0362910 ..... 91	0641508.... 237, 344, 350, 388, 394, 481, 483, 487, 489, 491
0257176 ..... 801	0257195 ..... 1009	0363012 ..... 51, 53, 55	0641510.... 292, 296, 344, 350, 388, 394
0257195 ..... 1009	0257573 ..... 567	0370026 ..... 699	0641512..... 292, 296
0257573 ..... 567	0258945 ..... 643	0400075 ... 111, 113, 273, 275, 277, 279	0641516. 85, 87, 89, 495, 507, 515, 519, 523, 527, 567, 759, 761
0258945 ..... 643	0258966 ..... 1008	0440018 ..... 39, 41	0641520.... 153, 157, 159
0258966 ..... 1008	0270528 .... 85, 87, 89, 91	0440019 ..... 39, 41	
0270528 .... 85, 87, 89, 91	0271912 ..... 1008	0440161 ..... 39, 41	
0271912 ..... 1008	0272254 ..... 659	0440170 ..... 37, 47	
0272254 ..... 659	0272418 ... 679, 681, 987, 991	0440171 ..... 37, 47	
0272418 ... 679, 681, 987, 991	0272427 ..... 675	0440207 ..... 123	
0272427 ..... 675	0272433 ..... 795	0480121 .... 481, 487, 489	
0272433 ..... 795	0272435 .... 516, 525, 528	0480126 ..... 499, 519	
0272435 .... 516, 525, 528	0272448 ..... 1001	0480129 ..... 495, 516	
0272448 ..... 1001	0272521 ..... 657	0561076 ... 535, 537, 539, 541, 543, 545, 697	
0272521 ..... 657	0272588 ..... 999	0561185 ... 547, 549, 551, 553, 555, 557	
0272588 ..... 999	0272589 ..... 520	0561237 ..... 861, 863	
0272589 ..... 520	0272599 ..... 995	0561248 .... 547, 549, 551	
0272599 ..... 995	0272607 ..... 997	0630407 ... 310, 344, 350, 366, 388, 394	
0272607 ..... 997	0272725 ..... 1011	0630427 ..... 579, 581	
0272725 ..... 1011	0272733 ..... 1011	0630462 ... 671, 673, 675, 677	
0272733 ..... 1011	0272772 ..... 1012	0630467 ... 569, 571, 573, 575	
0272772 ..... 1012	0273353 ..... 654	0630490 .... 37, 39, 41, 47	
0273353 ..... 654	0273492 ..... 1010	0630507 ... 252, 256, 260, 264	
0273492 ..... 1010	0273706 ..... 677	0630518 ... 225, 645, 654, 657, 659, 661, 667	
0273706 ..... 677	0273824 ..... 673	0630534 ..... 709	
0273824 ..... 673	0274047 ..... 27	0630535 .... 713, 725, 729	
0274047 ..... 27	0274054 ..... 21	0630536 ..... 705	
0274054 ..... 21	0274062 ..... 39	0630548 ... 161, 165, 169, 173, 177, 181, 185, 189, 193, 197, 201, 205, 209, 213, 217, 221	
0274062 ..... 39	0274094 ..... 987, 991	0630568 ..... 624, 628	
0274094 ..... 987, 991	0274180 ..... 1010	0641403 ... 515, 519, 553, 555, 557, 567, 583	
0274180 ..... 1010	0274200 ..... 237	0641404 39, 41, 161, 165, 169, 173, 177, 181, 185, 189, 193, 197, 201, 205, 209, 213, 217, 221, 303, 319, 323, 327, 331, 359, 375, 379, 487, 495, 499, 507, 511, 523, 623, 627, 651	
0274200 ..... 237	0274229 ..... 79		
0274229 ..... 79			

## SECTION 11 - SPECIAL OPTIONS

0641522.....	565	411, 415, 417, 419,	0701012.....	310	0761016 ...	310, 366, 422,
0641530.....	49, 51	495, 499, 507, 511,	0701014.....	153, 441	428	
0641532.....	567	515, 519, 523, 535,	0701017.....	310	0761017.....	366
0641540.....	565	537, 539, 541, 543, 545	0701022.....	366	0761018.....	527
0641552.....	53, 55	0641809.....	0701025.....	366	0761019.....	491
0641604 ...	535, 537, 539,	697	0701026.....	437	0761210 ...	344, 350, 366,
541, 543, 545, 725		0641810 ...	0710827.....	441	388, 394	
0641606 ...	133, 135, 137,	245, 247, 249,	0711014.....	424, 430	0761212 ...	307, 310, 503,
139, 141, 149, 252,		535, 537, 539, 541,	0711020.....	422, 428	697	
253, 256, 257, 261,		543, 545, 547, 549,	0711214.....	366	0761214.....	310, 366
264, 265, 267, 292,		551, 697	0711215.....	310	0761216.....	491, 563
296, 303, 319, 323,		0641811.....	0711216.....	441	0771014....	159, 422, 428
327, 331, 359, 379,		129, 131	0711223... 310,	424, 430,	0771212 ...	159, 303, 319,
327, 331, 359, 379,		0641812 ...	471, 473		323, 327, 331, 344,	
533, 547, 549, 551,		283, 285, 287,	0711224.....	366, 479	350, 359, 375, 379,	
559, 565, 567, 654,		289, 307, 335, 337,	0711414.....	467, 469	388, 394	
657, 659, 667		339, 341, 363, 383,	0720804.....	147, 149	0771414 ...	292, 296, 310,
0641607 ...	111, 113, 157,	385, 483	0721003.....	37, 47	344, 350, 366, 388,	
260, 264, 303, 319,		0641814 ...	0721004.....	91	394, 471, 473, 475, 479	
323, 327, 331, 359,		25, 27, 29, 31,	0721005.....	675, 677	0771415 ...	477, 496, 500,
375, 379, 410, 414,		33	0721006....	252, 256, 260,	516, 520	
463, 483, 528, 535,		0641816.....	264, 403, 405, 481,		0801019... 535, 537, 541,	
537, 539, 541, 543,		21	483, 487, 489, 623, 627		543, 547, 549	
545, 697		0641818.....	0731005.....	671, 673	0801622.....	547, 549
0641608 ...	35, 37, 39, 41,	141, 469	0741605....	310, 344, 350,	0801637.....	547, 549
43, 45, 95, 97, 99, 101,		0641820 ....	388, 394, 535, 537,		0811606....	553, 555, 557
151, 157, 252, 256,		292, 296, 467	539, 541, 543, 545		0811607....	553, 555, 557
260, 264, 277, 279,		0641824.....	0741606.....	111, 113	0811608....	553, 555, 557
303, 310, 319, 323,		129, 131	0741607....	37, 41, 45, 91,	0811610....	553, 555, 557
327, 331, 344, 350,		0642010.....	495, 499, 503, 507,		0860038... 495, 507, 515,	
359, 375, 379, 388,		91, 273, 275,	511, 523, 527		523, 527, 799, 801, 805	
394, 457, 475, 477,		277, 279, 303, 319,	0760506.....	461	0860520 ...	967, 969, 971,
533, 547, 549, 551, 559		323, 327, 331, 359,	0760605....	344, 350, 388,	973, 975, 977, 979,	
0641609... 245, 247, 292,		375, 379, 410, 414	394, 441		981, 983, 985	
296, 344, 350, 388,		0642012 ...	0760606.....	528	0861538....	516, 523, 527
394, 467, 469, 547,		21, 23, 25, 27,	0760607.....	503	0861572.....	520
549, 551		29, 31, 33, 35, 37, 39,	0760608... 79, 81, 83, 422,		0861731 ...	803, 823, 829,
0641610 ...	157, 253, 257,	43, 45, 679, 697	428, 527		835, 935, 937, 939,	
261, 264, 273, 275,		0642026.....	0760610....	310, 366, 422,	941, 943, 945	
277, 279, 292, 296,		681	428, 441, 491, 527		0861781 ...	811, 817, 929,
310, 359, 403, 405,		0642212.....	0760612....	166, 174, 198,	931, 933	
463, 481, 487, 489,		679, 681	206, 214, 222, 366,		0861880.....	849, 851
533, 547, 549, 551,		0642612.....	410, 414, 422, 428		0902206.....	235, 237
559, 619, 621		235, 237	0760615.....	441	0902219.....	252, 256
0641611.....	51	0651406 ..	0760619.....	366	0902335.....	252, 256
0641612 ...	129, 131, 279,	95, 97, 99, 101	0760807.....	441	0902888 ...	495, 507, 515,
304, 319, 323, 327,		0681608 39, 41, 346, 352,	0760808.....	366, 373	519, 523, 527	
331, 344, 350, 375,		390, 396, 563	0760810....	310, 344, 350,	0903056.....	129, 131
379, 388, 394, 410, 414		0681620 ...	366, 388, 394, 410,		0903119.....	235, 237
0641613.....	95, 99	344, 350, 388,	414, 422, 428, 563		0940049 ...	252, 256, 260,
0641614 ...	133, 135, 137,	394, 683, 685, 687,	0760812....	310, 410, 414,	264	
139, 141		689, 691	422, 428, 841, 843		0940070 ...	292, 296, 310,
0641616 ...	496, 499, 507,	0681710 ....	0760814....	310, 366, 422,	344, 350, 366, 388,	
523, 553, 555, 557		49, 51, 53, 55	428		394, 422, 428	
0641617.....	147	0681812.....	0760815....	366, 410, 414,	0940071.....	252, 256
0641618 .	51, 53, 55, 503,	417, 419	422, 428		0940088 ...	252, 256, 260,
511, 516, 520, 533,		0681814.....	0760816.....	366	264	
547, 549, 551, 559, 567		605, 607	0760817.....	441	0940092... 671, 673, 675,	
0641640.....	565	0681820.....	0761008....	319, 323, 327,	677	
0641708 ...	310, 344, 350,	344, 350, 388,	331, 359, 376, 380,		0940094 ...	671, 673, 675,
388, 394		394, 477, 605, 607	411, 415, 465		677	
0641772 ...	481, 483, 487,	0682018.....	0761011.....	461	0940102.....	679, 681
489, 491		123	0761012....	366, 465, 841	0940103.....	675
0641808 ...	273, 275, 277,	0682022.....	0761014....	155, 249, 303,	0940133.....	677
279, 303, 319, 323,		35	312, 422, 428, 563		0940134.....	673
327, 331, 335, 337,		0682218.....	0761015....	155, 310, 344,	0940177.....	671
339, 341, 359, 363,		117	350, 390, 396, 422, 428			
375, 379, 383, 385,		0682424 ...				
		683, 685, 687,				
		689, 691				
		0700408 ...				
		803, 809, 811,				
		813, 815, 817, 819,				
		821, 823, 825, 827,				
		829, 831, 833, 835				
		0700610.....				
		307				
		0700612.....				
		310				
		0700614.....				
		503				
		0700616.....				
		303				
		0700617.....				
		241, 243				
		0700626 ...				
		853, 855, 857,				
		859, 865, 867, 869,				
		871, 873, 875				
		0700808.....				
		292, 296				
		0700810.....				
		422, 428				
		0700812 ...				
		422, 428, 473				
		0700814 ...				
		422, 428, 471,				
		473, 477, 479				
		0700816.....				
		441				
		0700818.....				
		441				
		0700821.....				
		155				

## SECTION 11 - SPECIAL OPTIONS

0961845.....595, 597, 599, 601, 603, 609, 611, 613, 615	1001099572 ..... 1011	1001112612 ..... 845, 923	1001119620.....949, 951
0961890.....721	1001099835 ..... 567	1001112796 ..... 845	1001119968.....525, 911
0961893.....709	1001099869 ..... 487	1001113790 ..... 779	1001120328.....649, 651
0961896.....725, 729	1001100120 .... 49, 51, 75	1001113818 ..... 779	1001120471.....693
0961897.....713	1001100234 ..... 487	1001113961 ..... 923	1001120477.....693
0961898.....705	1001100321 ..... 487, 489	1001113984 ... 49, 51, 53, 55, 67	1001120484.....693
0961947.....533, 559	1001100341 ..... 929	1001114042 ..... 1010	1001120989.....988, 992
0961948....535, 537, 539, 541, 543, 545, 713, 715	1001100342 .... 815, 931, 933	1001115391 ..... 515	1001121592.....1012
0961949....535, 537, 539, 541, 543, 545, 705, 707, 717	1001100345 .... 821, 935, 937	1001115392 ..... 519	1001121593.....1012
0961950....21, 23, 25, 27, 29, 31, 33	1001100346 .... 833, 943, 945	1001115405 ..... 481	1001125229.....1010
0961951....535, 537, 539, 541, 543, 545, 703, 719	1001100347 .... 827, 939, 941	1001115406 ..... 489	1001125230.....1010
0961986....292, 296, 310, 344, 350, 366, 388, 394, 422, 428	1001100397 ..... 821	1001115409 ..... 487	1001125387.....988, 991
0962005.....39, 41	1001100398 ..... 827	1001115889 ..... 227	1001125492.....117
0962051....245, 247, 249	1001100399 ..... 833	1001115915 ..... 227	1001126009.....953
0962131....35, 37, 39, 43, 45	1001100401 ..... 815	1001115918 ..... 227	1001126351.....890, 893, 898
0962270.....605, 607	1001100825 .... 417, 419, 459	1001115967 ..... 227	1001126352.....893
0962272.....39, 41	1001101421 ..... 679, 681	1001116208 ..... 988, 992	1001126356.....893
0962292.....37, 41, 45	1001101422 ..... 679	1001116692 ..... 847, 961	1001126357.....893
0962335.....533, 559	1001102647 ..... 681	1001116693 ..... 887, 901	1001126362.....889, 894, 897
0962336.....709, 711	1001103012 ..... 959	1001116694 ..... 924	1001126363.....889, 894, 897
0962348.....37, 41, 45	1001103308 .... 161, 165, 169, 173, 177, 181, 185, 189, 193, 197, 201, 205, 209, 213, 217, 221	1001116710 ..... 905	1001126364.....889, 890, 894, 897
0962356....35, 37, 43, 45, 723	1001103667 .... 161, 169, 177, 181, 185, 189, 193, 201, 209, 217, 1005	1001116720 ..... 955	1001126365.....889, 894
0962449.....487	1001104423 .... 765, 769, 773	1001116728 ..... 889, 893	1001126366.....893
0962520....495, 499, 503, 507, 511, 516, 520, 523, 527	1001104498 ..... 959	1001116774 ..... 845	1001126391.....889, 894, 897
1001026127.....304	1001106480 ..... 583	1001116808 ..... 845	1001126392.....890, 894, 897
1001093382.....111, 113, 273, 275, 277, 279	1001106736 .... 161, 165, 169, 173, 177, 181, 185, 189, 193, 197, 201, 205, 209, 213, 217, 221	1001116812 .... 889, 897, 923	1001126485.....890, 898
1001093389 ..... 1010	1001106938 .... 623, 627, 1005	1001116815 ..... 890, 923	1001126487.....890, 898
1001093438 ..... 1008	1001106974 ..... 129	1001116844 .... 977, 1009	1001127095.....988, 991
1001093549 ..... 765	1001106975 ..... 131	1001116845 ..... 977	1001128527.....667
1001094475 ..... 1010	1001107498 ..... 129	1001116846 .... 975, 987, 991	1001128556.....667
1001096070....499, 503, 511, 809, 813, 819, 825, 831, 849	1001107499 ..... 131	1001116847 ..... 977	1001128901.....423, 429
1001096398 ..... 159	1001107854 ..... 959	1001116848 ..... 977	1001129858.....495
1001097051 ..... 951	1001108256 ..... 671	1001116850 ..... 977	1001130041.....292, 296
1001097150.....849, 851	1001109554 .... 815, 821, 827, 833, 851	1001116851 ..... 975	1001130220.....81, 83
1001097242....35, 37, 43, 45, 723	1001110425 .... 303, 319, 323, 327, 331, 359, 375, 379, 508, 511, 524	1001116852 ..... 977	1001131269.....967, 979
1001097244 ..... 693	1001110434 ..... 623, 627	1001116861 ..... 977	1001133714.....889, 894, 898, 903
1001097822.....535, 537, 539, 541, 543, 545	1001110500 ..... 567	1001116862 ..... 975	1001133715.....889, 894, 898, 903
1001098012.....654, 661, 663	1001110501 ..... 567	1001116863 ..... 975	1001133956.....890, 893, 898
1001098122.....631, 927	1001110872 ..... 837, 839	1001116952 .... 889, 893, 897	1001133957.....890, 893, 898
1001098149 ..... 661	1001110873 .... 495, 507, 515, 523, 528, 799, 805	1001116983 ..... 905	1001134488.....312, 346, 352, 368, 389, 395, 424, 430
1001098503....53, 55, 77	1001111514 ..... 141	1001117078 ..... 911	1001135138.....345, 351, 389, 395
1001098828 ..... 563	1001112551 ..... 969	1001117106 .... 889, 893, 897	1001135600.....53, 55, 73
1001099196.....35, 43	1001112588 ..... 481, 489	1001117172 ..... 631	1001135650.....889, 894, 898, 903
1001099366.....679, 681	1001112589 .... 481, 487, 489	1001117174 .... 623, 627, 631, 1004	1001135651.....889, 894, 898
1001099367.....679, 681		1001117294 ..... 1010	1001135679.....345, 351, 389, 395
1001099387....35, 43, 45		1001117308 .... 311, 345, 351, 367, 389, 395, 1004, 1005	1001136104.....527
1001099391....95, 97, 99, 101		1001117372 ..... 701	1001136590.....553, 555, 557
		1001118133 ..... 141	1001136667.....49
		1001118384 ..... 953	1001136668.....53
		1001118388 ..... 953, 955	1001136669.....55
		1001119020 .... 845, 923, 927	
		1001119561 ..... 1009	
		1001119619 ..... 947	



## SECTION 11 - SPECIAL OPTIONS

1001136670..... 51	1001138436..... 553, 555, 557	1001142501..... 303, 319, 323, 328, 332, 375, 379, 403, 405, 461, 465	1001146588..... 304, 311
1001136672 .... 49, 51, 71	1001138491..... 303, 319, 323, 327, 331, 360, 375, 380, 905	1001142504..... 1010	1001147067 ..... 61
1001136834 ..... 311, 345, 351, 367, 389, 395	1001138494..... 597, 599, 601, 603, 609, 611, 613, 615	1001142505..... 1010	1001147068 ..... 63
1001137005 ..... 1012	1001138514..... 597, 599, 601, 603, 613, 615	1001142538..... 345, 351, 389, 395	1001147264 ..... 890, 893
1001137032 ..... 697	1001138557..... 345, 351, 389, 395	1001142615..... 345, 351, 389, 395	1001148138 ..... 483
1001137276 ..... 389, 395	1001138565..... 499	1001142623..... 389, 395	1001148161 ..... 35
1001137364 ..... 169, 173, 181, 189, 201, 205, 217, 221, 627	1001138566..... 495, 499, 503, 507, 511	1001142635..... 345, 351, 389, 395	1001148162 43, 639, 641
1001137440 ..... 1011	1001138671..... 697	1001142643..... 504, 508, 512, 524	1001148163 ..... 639
1001137673 .... 649, 1006	1001138795..... 709	1001142645..... 512	1001148164 ..... 45, 641
1001137845 ..... 264	1001138827..... 312, 346, 352, 368, 389, 395	1001142646..... 508, 524	1001148165 ..... 37
1001137853 ..... 260, 264	1001139099..... 1010	1001142683..... 241, 243, 1005	1001148166 ..... 641
1001137854 ..... 260, 264	1001139135..... 624, 628, 847	1001142689..... 389, 395	1001148168 ..... 29
1001137860 ..... 264	1001139240..... 345, 351, 368, 389, 395	1001142736..... 241, 243, 845	1001148169 ..... 23
1001137863 ..... 137, 139, 141	1001139357..... 495, 499	1001142938..... 893, 897	1001148170 ..... 33
1001137865 ..... 137	1001139409..... 345, 351, 389, 395, 475, 477	1001142940..... 889, 893, 897	1001148171 .... 23, 29, 31
1001137866 ..... 304, 319, 323, 327, 331, 359, 375, 379, 528	1001139429..... 345, 351, 389, 395	1001142941..... 889, 894, 897	1001148172 ..... 33
1001137868 ..... 303, 319, 323, 327, 331, 359, 375, 379, 410, 414	1001139654..... 988, 991	1001143390..... 292, 297, 311, 345, 351, 367, 389, 395	1001148178 ..... 37, 45
1001137873 ..... 307, 335, 337, 339, 341, 363, 383, 385	1001139819..... 293, 297	1001143726..... 345, 351, 390, 396, 893	1001148652 ..... 553, 555, 557
1001137874 ..... 307, 335, 337, 339, 341, 363, 383, 385	1001139956..... 495	1001143765..... 155, 157	1001148675 ..... 837, 839
1001137875 ..... 260, 264	1001139957..... 499	1001143766..... 155, 157	1001148841 ..... 903
1001137876 ..... 252, 256, 260, 264	1001140312..... 351, 396	1001143797..... 311, 345, 351, 367, 389, 395	1001148842 ..... 903
1001137878 ..... 260, 264	1001140346..... 507	1001143812..... 153, 155, 157	1001148902 ..... 1009
1001137879 ..... 260, 264	1001140347..... 503, 511	1001143852..... 988, 992	1001148903 ..... 1009
1001137880 ..... 303, 319, 323, 327, 331, 359, 375, 379	1001140416..... 736	1001143907..... 312, 345, 351, 390, 395	1001148904 ..... 1009
1001137881 ..... 303, 319, 323, 327, 331, 359, 375, 379	1001140418..... 744	1001144041..... 111, 113	1001148905 ..... 1009
1001137882 ..... 303, 319, 323, 327, 331, 359, 375, 379	1001140420..... 748	1001144409..... 311, 345, 352, 367, 390, 396	1001148906 ..... 1009
1001137885 ..... 127	1001140429..... 595, 597, 599, 601, 603, 609, 611, 613, 615	1001144410..... 311, 346, 352, 367, 390, 396, 423, 429	1001149160 ..... 423, 429, 441
1001137886 ..... 260, 264	1001140449..... 736, 744, 748	1001144411..... 311, 346, 352, 368, 390, 396, 423, 429	1001149452 ..... 465
1001137891 ..... 247	1001140451..... 744, 752	1001144412..... 311, 346, 352, 368, 390, 396, 423, 429	1001149639 ..... 423, 429
1001137892 ..... 247, 249	1001140454..... 345, 351, 368, 389, 395	1001144433..... 649	1001149703 ..... 467
1001137895 ..... 111	1001140455..... 744, 752	1001144629..... 587, 589, 591, 593, 609, 611	1001149704 ..... 293, 297
1001137896 ..... 127	1001140456..... 748, 756	1001145047..... 303, 319, 323, 328, 332, 359, 375, 379	1001149705 ..... 293, 297
1001138110 ..... 893	1001140458..... 748, 756	1001145154..... 346, 352, 368, 390, 396	1001149706 ..... 293, 297
1001138111 ..... 893	1001140564..... 312, 346, 352, 368, 389, 395	1001145227..... 523	1001149793 ..... 293, 297
1001138113 ..... 893	1001141300..... 988, 992	1001145292..... 127	1001149818 ..... 957
1001138170 ..... 345, 351, 389, 395	1001141302..... 988, 992	1001145330..... 508, 512, 524	1001149927 ..... 123
1001138173 ..... 311, 345, 351, 367, 389, 395, 423, 429	1001141304..... 312, 345, 351, 367, 389, 395	1001145405..... 654, 661	1001149994 ..... 239, 241, 243
1001138175 ..... 311, 345, 351, 389, 395, 423, 429	1001141370..... 311	1001145706..... 155, 157	1001150158 ..... 283, 285, 292
1001138228 ..... 311, 345, 351, 367, 389, 395	1001141585..... 311, 345, 351, 389, 395, 423, 429	1001146368..... 292, 296, 299	1001150179 ..... 287, 289, 296
1001138248 ..... 312, 345, 351, 367, 389, 395, 423, 429	1001141693..... 292, 296		1001150391 ..... 123
	1001141694..... 292, 296, 367		1001150406 ..... 239
	1001141870..... 403, 405		1001150569 ..... 89
	1001141995..... 311, 345, 351, 367, 389, 395, 423, 429		1001150570 ..... 87
			1001150571 ..... 85
			1001150612 ..... 759, 761
			1001150714 ..... 769
			1001150715 ..... 765, 769, 773
			1001150717 ..... 769, 773
			1001150718 ..... 769
			1001150890 ..... 469
			1001150915 ..... 293, 297
			1001150918 ..... 277, 279, 328, 332, 380, 414
			1001150998 ..... 292, 296
			1001151010 ..... 147
			1001151070 ..... 273, 275, 277, 279
			1001151078 ..... 293, 297
			1001151206 ..... 293, 297
			1001151251 ..... 292, 296
			1001151252 ..... 469

## SECTION 11 - SPECIAL OPTIONS

1001151253.....467	1001153197 ..... 496, 500, 504, 913	1001156107 ..... 311	1001161761.....81, 83
1001151268.....133, 137, 141, 143	1001153259 ..... 508, 512	1001156489 ..... 861, 863	1001162335.....346, 352, 390, 396, 405
1001151349.....777	1001153260 ..... 496, 508	1001156490 ..... 861, 863	1001162828.....553, 555, 557
1001151358.....744, 748	1001153322 ..... 861, 863	1001156501 ..... 535, 537, 541, 543, 553, 555	1001163131.....679, 681
1001151364.....736	1001153636 ..... 499, 504, 512, 809, 813, 815,	1001156502 ..... 553, 555	1001163599.....483, 507, 512, 523
1001151365.....736	819, 821, 825, 827, 831, 833	1001156891 ..... 967, 969, 971, 973, 975, 977, 979, 981, 983, 985	1001164281.....252, 253, 256, 257, 261, 265
1001151379.....1009	1001154231 ..... 1012	1001156892 ..... 967, 969, 971, 973, 975, 977, 979, 981, 983, 985	1001165035.....304, 320, 324, 328, 332, 360, 367, 376, 380, 422, 428
1001151542.....567	1001154392 ..... 161, 165, 169, 173, 177, 181, 185, 189, 193, 197, 201, 205, 209, 213, 217, 221, 961	1001156988 ..... 973	1001165350.....853, 855, 857, 859, 865, 867, 869, 871, 873, 875
1001151584.....81, 83	1001154405 ..... 304, 320, 324, 328, 332, 360, 367, 375, 380, 403, 405, 461, 465	1001157013 ..... 1009	1001165366.....853
1001151586.....567	1001155043 ..... 161, 165, 169, 173, 177, 182, 185, 190, 193, 197, 201, 205, 209, 213, 217, 221	1001157520 ..... 516, 520, 524, 528	1001165388.....367
1001151856.....894	1001155044 ..... 161, 165, 169, 173, 177, 182, 185, 190, 193, 197, 201, 205, 209, 213, 217, 221	1001157525 ..... 519, 520	1001165405.....367
1001151897.....81	1001155045 ..... 161, 165, 170, 173, 177, 182, 186, 190, 193, 197, 202, 205, 209, 213, 218, 221, 624, 628, 1006	1001157528 ..... 516, 520, 524, 528	1001165406.....367
1001151900.....1008	1001155093 ..... 535, 537, 539, 541, 543, 545, 697	1001157592 ..... 515, 516, 524, 528	1001165551.....855
1001152046.....83	1001155094 ..... 535, 537, 539, 541, 543, 545	1001157604 ..... 151	1001165552.....865, 871
1001152049.....83	1001155096 ..... 535, 537, 539, 541, 543, 545	1001157769 ..... 517, 520	1001165553.....867
1001152066.....133	1001155097 ..... 535, 537, 539, 541, 543, 545	1001157770 ..... 525	1001165554.....857
1001152070.....141	1001155267 ..... 579	1001158007 ..... 516, 520, 524, 528	1001165555.....869, 873
1001152127.....553, 555, 557	1001155379 ..... 736	1001158008 ..... 516, 520, 524, 528	1001165556.....859
1001152172.....151	1001155399 ..... 579, 581	1001158363 ..... 496, 508	1001165557.....875
1001152175.....161, 165, 169, 173, 177, 181, 185, 189, 193, 197, 201, 205, 209, 213, 217, 221	1001155574 ..... 35, 37, 43, 45	1001158720 ..... 151	1001165741.....265
1001152181.....117	1001155669 ..... 765, 769, 773	1001158810 ..... 535, 537, 539, 541, 543, 545	1001165842.....390, 396
1001152234.....117	1001155670 ..... 765, 769, 773	1001159118 ..... 837, 839, 1004	1001165849.....311, 346, 352
1001152249.....553, 555	1001155671 ..... 765, 769, 773	1001159119 ..... 837, 839	1001166394.....253, 257, 261, 265
1001152325.....267	1001155672 ..... 765, 769, 773	1001159120 ..... 837, 839	1001166538.....624, 628, 633, 1004
1001152340.....1008	1001155673 ..... 765, 769, 773	1001159121 ..... 839	1001166539.....624, 628, 635, 1004
1001152355.....567	1001155675 ..... 765, 769, 773	1001159186 ..... 923	1001166718.....311, 367, 471, 473, 479
1001152428.....133, 135	1001155677 ..... 765, 769, 773	1001159256 ..... 624, 628, 1006	1001166960.....1010
1001152429.....517, 520, 915	1001155678 ..... 765, 769, 773	1001159323 ..... 973	1001167041.....390, 396
1001152433.....252	1001155823 ..... 304, 320, 324, 328, 332, 360, 376, 380	1001160003 ..... 253, 256, 257	1001167565.....563
1001152435.....256		1001160004 ..... 252	1001167567.....563
1001152457.....496, 508		1001160034 ..... 256	1001167596.....563
1001152489.....311, 346, 352, 367, 390, 396		1001160074 ..... 229	1001167632.....897
1001152491.....744, 752		1001160077 ..... 239	1001167635.....890, 898
1001152499.....748, 756		1001160189 ..... 264	1001168018.....311, 367, 423, 429, 471, 473, 479
1001152525.....516, 520, 524, 528		1001160190 ..... 260, 265	1001168099.....367
1001152527.....736, 744, 748		1001160272 ..... 797	1001168402.....563
1001152530.....496, 508		1001160598 ..... 253, 257	1001168950.....368
1001152532.....496, 500, 504, 508, 512, 907		1001160961 ..... 253, 257	1001169054.....311, 346, 352, 367, 390, 396, 423, 429
1001152557.....252, 256, 260, 264		1001160963 ..... 253, 257, 261, 265	1001169138.....311, 346, 352, 367, 390, 396, 423, 429
1001152561.....99, 101, 107		1001160964 ..... 253, 261, 265	1001169384.....533, 559
1001152565.....569, 571, 573, 575, 577		1001161027 ..... 257	1001169610.....253, 257, 457
1001152619.....761		1001161030 ..... 764, 768, 772	1001169967.....368
1001152620.....759		1001161036 ..... 764, 768, 772	1001170035.....368, 423, 429
1001152635.....761		1001161038 ..... 740	1001170617.....346, 352, 355
1001152636.....759, 761		1001161039 ..... 752	1001170764.....889, 898
1001152637.....759, 761		1001161040 ..... 756	1001170982.....367
1001152639.....535, 537, 539, 541, 543, 545		1001161417 ..... 565	
1001152731.....759			
1001152771.....1009			
1001152887.....95, 97, 103			
1001152965.....1012			

## SECTION 11 - SPECIAL OPTIONS

1001171018..... 1011	1001180620..... 311, 346, 352, 367, 390, 396, 423, 429	1001188953..... 417, 419, 452	1001204325..... 312, 346, 352, 390, 396
1001171126..... 507	1001180861..... 988, 992	1001188954..... 273, 283	1001204491..... 390, 396
1001171131..... 837	1001181045..... 849, 1004	1001188955..... 277, 287	1001204725..... 563
1001171268..... 511	1001181046..... 851, 1004	1001188963..... 273	1001204884..... 1008
1001171403..... 894	1001181148..... 1010	1001188964..... 277	1001204924..... 1010
1001171482..... 162, 165, 170, 174, 178, 182, 186, 190, 194, 197, 202, 206, 210, 213, 218, 222	1001181243..... 484	1001188972..... 277, 279, 328, 332, 380, 415	1001205051..... 346, 352, 368, 389, 395
1001172045..... 1008	1001181895..... 352, 396, 429	1001189001..... 563	1001205958..... 823, 829, 835
1001172271..... 581, 1006	1001181899..... 346, 352, 390, 396	1001189002..... 563	1001206476..... 841, 843
1001172535..... 769	1001182361..... 890, 898	1001189666..... 768	1001206477..... 1011
1001172760..... 624, 628	1001182365..... 890, 898	1001189668..... 764	1001207004..... 243
1001172793..... 304, 320, 324, 328, 332, 360, 376, 380	1001182599..... 1010	1001189979..... 311, 423, 429	1001207345..... 61
1001173535..... 424, 430	1001182806..... 233	1001190884..... 1011	1001207346..... 61
1001173896..... 133, 135, 137, 139	1001182906..... 457	1001190985..... 563	1001207969..... 569, 571, 573, 575
1001174040..... 563	1001182997..... 133, 135, 137, 139, 141	1001191395..... 1010	1001208994..... 563, 569, 571, 573, 575
1001174486..... 410, 414	1001183924..... 153, 155, 157, 159	1001191610..... 423, 429	1001209059..... 1011
1001175632..... 504	1001184618..... 967, 969, 971, 973, 975, 977, 979, 981, 983, 985	1001191620..... 312, 367	1001209432..... 843
1001176012..... 383, 388	1001184626..... 619, 621	1001191866..... 186, 194, 198, 202, 206, 887	1001209474..... 843
1001176013..... 376, 383	1001184682..... 231	1001191868..... 162, 166, 170, 174, 178, 182, 190, 885	1001209629..... 1010
1001176014..... 375	1001184881..... 59	1001193018..... 803, 809, 811, 813, 815, 817, 819, 821, 823, 825, 827, 829, 831, 833, 835	1001209664..... 649
1001176015..... 385, 394	1001185030..... 21, 25, 27	1001194197..... 823	1001210026..... 1011
1001176016..... 380, 385	1001185281..... 624, 628	1001194198..... 829	1001210448..... 433, 441
1001176017..... 379	1001186333..... 605	1001194200..... 835	1001210636..... 693
1001176225..... 346, 352, 390, 396	1001186334..... 607	1001194203..... 811	1001211794..... 441
1001176226..... 346, 352, 390, 396	1001186375..... 597	1001194204..... 817	1001212223..... 523
1001176296..... 235	1001186377..... 599	1001194365..... 803	1001213447..... 927
1001176329..... 423, 429	1001186379..... 601	1001195304..... 1010	1001213584..... 807
1001176469..... 178, 182, 186, 190	1001186382..... 603	1001196382..... 473, 527	1001213585..... 807
1001176511..... 346, 352, 390, 396	1001186383..... 593	1001196634..... 407	1001213655..... 793
1001176636..... 533, 559	1001186384..... 591	1001197017..... 671, 673, 675, 677	1001213810..... 441
1001176666..... 157	1001186386..... 589	1001197408..... 988, 992	1001213882..... 624, 628
1001176667..... 157	1001186387..... 587	1001197719..... 889, 898	1001214095..... 793
1001176723..... 346, 352, 390, 396	1001186426..... 311, 424, 430	1001199784..... 463	1001214096..... 793
1001176862..... 837	1001186431..... 649, 1005, 1011	1001200120..... 988, 992	1001214099..... 841
1001177038..... 475, 479	1001186432..... 953, 955	1001200121..... 988, 992	1001214478..... 1011
1001177043..... 475	1001186517..... 649	1001200122..... 988, 992	1001214507..... 210, 214, 218, 222, 901
1001177090..... 155, 157	1001186542..... 444, 452	1001200124..... 988, 992	1001214515..... 1011
1001177359..... 311, 346, 352, 390, 396	1001187382..... 563	1001200125..... 988, 992	1001214540..... 1011
1001177399..... 477	1001187383..... 563	1001200126..... 988, 992	1001214552..... 1011
1001177694..... 1010	1001187674..... 647	1001200127..... 988, 992	1001214559..... 1011
1001178223..... 311, 346, 352, 390, 396	1001187681..... 947	1001200234..... 1011	1001214561..... 1011
1001178512..... 149	1001187781..... 422, 428	1001200491..... 563	1001214562..... 1011
1001178788..... 367	1001188467..... 253, 257, 260, 261, 265	1001200494..... 563	1001214570..... 841, 843
1001178789..... 129, 131	1001188622..... 563	1001200497..... 923	1001214571..... 841, 843
1001178876..... 390, 396	1001188844..... 563	1001200910..... 241	1001214683..... 504
1001179154..... 516, 524, 528	1001188874..... 162, 166, 170, 174, 178, 182, 186, 190, 194, 198, 202, 206, 210, 213, 218, 222	1001201351..... 563	1001214747..... 63
1001179156..... 159	1001188884..... 463	1001201885..... 923, 927	1001214748..... 63
1001179837..... 483	1001188887..... 463	1001202280..... 463	1001214827..... 441
1001180001..... 483	1001188890..... 777	1001202281..... 463	1001214984..... 1010
1001180052..... 484	1001188891..... 777	1001202288..... 463	1001215016..... 901
1001180287..... 483	1001188952..... 283, 287, 307, 335, 339, 363, 383, 385, 444	1001202368..... 477	1001215091..... 901
		1001202687..... 563	1001215142..... 410, 415
		1001202749..... 1010	1001215384..... 441
		1001203495..... 346, 352, 390, 396	1001215413..... 417, 422
		1001203655..... 605	1001215534..... 901
		1001203656..... 607	1001215647..... 423, 429
		1001204296..... 1010	1001215681..... 423, 429
			1001215899..... 423, 429
			1001215974..... 423, 429
			1001216015..... 483
			1001216065..... 441

## SECTION 11 - SPECIAL OPTIONS

1001216071.....	441	1001218600.....	424, 430	1001225510.....	424, 430	1001232842.....	407
1001216075.....	423, 429	1001218622.....	795	1001225580.....	649, 955	1001232880.....	567
1001216086.....	423, 429	1001218623.....	795	1001226400.....	877, 879, 881, 883	1001232904.....	988
1001216092.....	423, 429	1001218638.....	411, 415	1001226529.....	841	1001233047.....	1008
1001216144.....	441	1001218930.....	528	1001226531.....	843	1001233237.....	1008
1001216160.....	459	1001219071.....	419, 428	1001226872.....	595	1001233763.....	328, 332, 380, 407
1001216204.....	423, 429	1001219072.....	415, 419	1001227309.....	799, 801	1001234800.....	898
1001216205.....	423, 429	1001219073.....	414	1001227310.....	801	1001235948.....	252, 256, 264
1001216212.....	901	1001219445.....	424, 430	1001227472.....	1008	1001235949.....	312, 403
1001216213.....	901	1001219448.....	424, 430	1001227633.....	647	1001236089.....	645
1001216300.....	437	1001219454.....	312, 424, 430	1001227634.....	647	1001236092.....	225
1001216390.....	528	1001219456.....	312, 424, 430	1001227666.....	424, 430	1001236303.....	113
1001216391.....	492	1001219457.....	159	1001227667.....	424, 430	1001236304.....	843
1001216393.....	429	1001219458.....	159	1001227769.....	441	1001236375.....	841
1001216531.....	424, 430	1001219473.....	95, 569	1001227772.....	441	1001236376.....	841
1001216532.....	417, 419	1001219474.....	99, 571	1001227985.....	647	1001236377.....	841
1001216533.....	417, 419	1001219476.....	97, 573	1001227987.....	647	1001236378.....	841
1001216534.....	417, 419	1001219477.....	101, 575	1001227996.....	949, 951	1001236436.....	988
1001216535.....	417, 419	1001219478.....	101, 575	1001228004.....	535, 541, 713	1001236504.....	843
1001216536.....	459	1001219601.....	166, 174, 198, 206, 214, 222	1001228006.....	547, 729	1001236505.....	843
1001216619.....	437	1001219630.....	492	1001228007.....	553, 725	1001236552.....	651
1001216630.....	563	1001219632.....	491	1001228042.....	535, 541, 705	1001236746.....	691
1001216768.....	441	1001220215.....	459	1001228215.....	595	1001236747.....	687
1001216769.....	441	1001220266.....	304	1001228224.....	647, 1006	1001236816.....	237
1001216910.....	423, 429, 441	1001220379.....	893	1001228225.....	647, 1005	1001236891.....	683, 685, 687, 689, 691
1001216911.....	410, 417	1001220404.....	437	1001228243.....	611	1001236895.....	683, 685, 687, 689, 691
1001216912.....	410	1001220510.....	988, 992	1001228375.....	615	1001236951.....	1010
1001216919.....	423, 429	1001220511.....	988, 992	1001228376.....	609	1001237138.....	697
1001216951.....	423, 429	1001220512.....	988, 992	1001228377.....	613	1001237142.....	697
1001216995.....	423, 429	1001220864.....	988, 992	1001228506.....	346, 352	1001237667.....	923, 927
1001217005.....	241	1001221203.....	367	1001228946.....	1008	1001237668.....	923, 927
1001217032.....	423, 429	1001221212.....	367	1001228988.....	667, 999, 1001	1001237697.....	697
1001217046.....	423, 429	1001221397.....	459	1001229107.....	1008	1001237698.....	697
1001217082.....	423, 429	1001221464.....	417, 419	1001229341.....	647	1001237862.....	949, 951
1001217089.....	423, 429	1001221488.....	410, 414	1001229530.....	923	1001237863.....	647, 951
1001217090.....	423, 429	1001221498.....	528	1001229542.....	368	1001237864.....	647, 949
1001217146.....	423, 429	1001221545.....	441	1001229810.....	117, 120	1001237865.....	647, 947
1001217170.....	417, 419	1001221613.....	772	1001229935.....	1010	1001237882.....	1009
1001217174.....	423, 429	1001221615.....	424, 430	1001230635.....	312, 346, 352, 368, 389, 395	1001237883.....	1009
1001217175.....	423, 429	1001221621.....	159	1001230934.....	890, 898	1001237947.....	312
1001217183.....	423, 429	1001222033.....	424, 430	1001230935.....	890, 898	1001237949.....	697
1001217184.....	417, 419	1001222641.....	441	1001230936.....	890, 898	1001238263.....	683, 685, 687, 689, 691
1001217185.....	423, 430	1001222665.....	360	1001231007.....	231, 233, 963	1001238319.....	647
1001217186.....	423, 430	1001223042.....	423, 429	1001231180.....	669	1001238328.....	697
1001217187.....	527	1001223055.....	967	1001231183.....	669	1001238418.....	651, 953
1001217188.....	491	1001223453.....	967, 979	1001231235.....	669	1001238421.....	563
1001217418.....	411, 415	1001223459.....	890, 894, 897	1001231676.....	59	1001238463.....	689
1001217419.....	411, 415	1001223584.....	424, 430	1001231677.....	59	1001238472.....	651
1001217420.....	411, 415	1001223899.....	533, 559	1001231678.....	59	1001238495.....	649
1001217421.....	411, 415	1001223923.....	423, 429	1001231801.....	987, 991	1001238559.....	651
1001217422.....	411, 415	1001223971.....	979	1001231886.....	233	1001238672.....	645
1001217543.....	424, 430	1001224048.....	983	1001231949.....	691	1001238674.....	225
1001217567.....	987, 991	1001224049.....	985	1001231950.....	687, 689	1001238732.....	225, 645
1001217645.....	410, 415	1001224050.....	975	1001232010.....	687, 689, 691	1001238825.....	1012
1001217780.....	533, 559, 561	1001224051.....	977	1001232011.....	687, 689, 691	1001238895.....	1009
1001217832.....	1008	1001224053.....	981	1001232164.....	647	1001239202.....	889, 897
1001218022.....	1009	1001224419.....	424, 430	1001232165.....	647	1001239291.....	113
1001218362.....	424, 430	1001224486.....	424, 430	1001232642.....	651	1001239346.....	231
1001218393.....	159	1001224489.....	424, 430	1001232667.....	651, 1006	1001239617.....	1010
1001218394.....	159	1001224927.....	759, 761			1001241384.....	233
1001218395.....	159	1001225346.....	841, 843, 1006			1001241403.....	225, 645
1001218449.....	424, 430	1001225430.....	355, 1005			1001241406.....	1010
1001218547.....	249	1001225431.....	355, 1005				
1001218548.....	249						
1001218599.....	424, 430						

## SECTION 11 - SPECIAL OPTIONS

1001241547 ..... 1011	1001248141..... 683, 685, 687, 689, 691	1001253925.....983	1001262870 ..... 368
1001241548 ..... 1011	1001248265..... 697	1001253926.....975	1001262959 ..... 1012
1001241578 ..... 273, 275, 277, 279	1001248434..... 312	1001253927.....975	1001263352 ..... 162, 166, 170, 174, 194, 198, 202, 206, 210, 214, 218, 222
1001241965 ..... 651	1001248477..... 346, 352	1001253930.....985	1001263353 ..... 178, 182, 186, 190
1001242251 ..... 241	1001248480..... 346, 352	1001253931.....985	1001263355 ..... 182
1001242252 ..... 243	1001248608..... 312	1001253932.....981	1001263356 ..... 170, 174, 202, 206, 218, 222
1001242409 ..... 1008	1001249045..... 312	1001253933.....981	1001263357 ..... 190
1001243184 ..... 1008	1001249052..... 1011	1001253934.....977	1001263365 ..... 169, 173
1001243539 ..... 967	1001249232..... 312	1001253935.....977	1001263366 ..... 201, 205
1001243597 ..... 1010	1001249234..... 312	1001253936.....971	1001263367 ..... 217, 221
1001243634 ..... 979	1001249261..... 312	1001253937.....971	1001263368 ..... 189
1001243637 ..... 985	1001249448..... 153	1001254472..... 651	1001263395 ..... 1012
1001243640 ..... 971	1001249449..... 153	1001254473..... 651	1001263587 ..... 624, 628
1001243642 ..... 981	1001249681..... 307, 310	1001254499.....269	1001263588 ..... 621, 627
1001243647 ..... 975	1001249682..... 304, 307	1001254738.....269	1001263923 ..... 885, 887, 901
1001243648 ..... 977	1001249695..... 1008	1001254769.....269	1001264239 ..... 621
1001243895 ..... 407	1001249705..... 312	1001255133.....563	1001265163 ..... 693
1001244191 ..... 983	1001249771..... 303	1001255413.....153	1001265342 ..... 693
1001244322 ..... 987, 991	1001249771..... 303	1001255418.....473	1001265378 ..... 1008
1001244329 ..... 969	1001249941..... 1008	1001255419.....471	1001265493 ..... 293, 297
1001245477 ..... 987, 991	1001249942..... 389, 395, 399	1001255419.....471	1001265538 ..... 31
1001245761 ..... 697	1001249986..... 471	1001255425.....503	1001265676 ..... 1010
1001245839 ..... 368, 897	1001250035..... 1011	1001255777.....269	1001266056 ..... 1011
1001245913 ..... 312, 903	1001250465..... 1012	1001255901.....924	1001266069 ..... 619, 623
1001246012 ..... 312, 315	1001250466..... 1012	1001255961.....565	1001266073 ..... 619
1001246142 ..... 1008	1001250466..... 1012	1001256181.....31, 701	1001266098 ..... 1011
1001246522 ..... 1008	1001250595..... 1011	1001256385.....1008	1001266165 ..... 581
1001246523 ..... 1008	1001250607..... 312	1001256506.....894	1001266284 ..... 1011
1001246590 ..... 339, 341, 350	1001251004..... 537, 539, 543, 545, 715	1001256879.....304	1001266290 ..... 1010
1001246592 ..... 328, 339	1001251006..... 549, 551, 731	1001257271.....683, 685	1001266468 ..... 181
1001246593 ..... 335, 337, 344	1001251007..... 555, 557, 727	1001257274.....683, 685	1001266489 ..... 1011
1001246594 ..... 320, 335	1001251012..... 533, 711	1001257275.....685	1001266628 ..... 162, 166, 170, 174, 178, 182, 186, 190, 194, 198, 202, 206, 210, 214, 218, 222, 923
1001246598 ..... 319	1001251042..... 537, 539, 543, 545, 697, 707	1001257972.....529, 917	1001266648 ..... 624, 628, 927
1001246599 ..... 327	1001251051..... 535, 537, 539, 541, 543, 545, 703	1001258005.....685	1001266665 ..... 162, 166, 170, 174, 178, 182, 186, 190, 194, 198, 202, 206, 210, 214, 218, 222
1001246813 ..... 312	1001251052..... 535, 537, 539, 541, 543, 545, 719	1001258112.....368, 371	1001266799 ..... 1011
1001246859 ..... 959	1001251131..... 312	1001258140..... 1010	1001266801 ..... 1011
1001246934 ..... 697	1001251618..... 260, 261	1001258252.....311	1001266807 ..... 1011
1001246951 ..... 697	1001251619..... 260	1001258377.....261	1001266829 ..... 581
1001246952 ..... 697	1001252033..... 1009	1001258505.....465	1001266873 ..... 161, 165
1001246974 ..... 697	1001252034..... 1009	1001258800.....311	1001266874 ..... 178
1001246978 ..... 697	1001252082..... 261	1001258951..... 1012	1001266876 ..... 162, 166, 194, 198, 210, 214
1001247029 ..... 312	1001252332..... 987	1001259484.....360, 363	1001266878 ..... 186
1001247073 ..... 1011	1001252521..... 320, 324, 328, 332, 360	1001259486.....359	1001266897 ..... 193, 197
1001247097 ..... 535, 537	1001252527..... 890, 898	1001259642.....581	1001266898 ..... 209, 213
1001247098 ..... 541, 543	1001252627..... 995, 997	1001260070.....581	1001266899 ..... 185
1001247105 ..... 346, 352	1001252628..... 669	1001260316.....360, 461	1001266900 ..... 177
1001247146 ..... 533, 535, 537, 539, 541, 543, 545, 559	1001252629..... 683, 685, 687, 689, 691	1001260317.....461	1001266969 ..... 1011
1001247178 ..... 473	1001253100..... 260	1001260319.....465	1001267311 ..... 967, 969, 971, 973, 975, 977, 979, 981, 983, 985
1001247338 ..... 1010	1001253618..... 1009	1001260320.....465	1001267716 ..... 697
1001247358 ..... 147, 149	1001253619..... 1009	1001260412..... 312, 346, 352, 390, 396	
1001247359 ..... 410, 414, 424, 430	1001253798..... 312, 889	1001260413.....311, 346, 352, 390, 396	
1001247468 ..... 563, 1005	1001253805..... 153	1001260432.....310	
1001247564 ..... 346, 352	1001253806..... 153	1001260597.....368	
1001247570 ..... 1008	1001253873..... 889	1001260601.....987	
1001247676 ..... 346, 352	1001253920..... 967	1001260601.....987	
1001247714 ..... 312	1001253921..... 967	1001260654.....304	
1001247716 ..... 312	1001253922..... 979	1001260680.....533	
1001248012 ..... 559, 709	1001253923..... 979	1001260937.....628	
1001248140 ..... 683, 685, 687, 689, 691	1001253924..... 983	1001261003.....535, 537, 539, 541, 543, 545, 697, 717	
		1001261045.....310	
		1001261085.....310	
		1001261335.....683	
		1001261338.....683	
		1001262016..... 1011	
		1001262219.....368	

## SECTION 11 - SPECIAL OPTIONS

1001267717.....697	1001274997.....368	1060626 ... 277, 279, 327, 331, 379, 414	1700818.....987, 991
1001267885.....971	1001274998.....363, 366	1060637 ... 273, 275, 277, 279, 307, 335, 337, 339, 341, 363, 383, 385, 417, 419	1701435.....973
1001268736.....1010	1001275117.....479	1060903 ... 671, 673, 675, 677	1701505....273, 275, 277, 279, 303, 319, 323, 327, 331, 359, 375, 379
1001268820.....654, 657, 659, 665	1001276007.....1008	1060908.....849, 851	1701509....679, 681, 967, 969, 971, 973, 975, 977, 979, 981, 983, 985
1001269187.....1011	1001276008.....1008	1060918.....631	1701518.....969, 973
1001269322.....654, 657, 659, 667	1001276143....166, 174, 198, 206, 214, 222, 959	1061033 ... 853, 855, 857, 861, 863, 865, 867, 869, 871, 873, 875	1701529....967, 969, 971, 973, 975, 977, 979, 981, 983, 985
1001269389.....1011	1001276610.....1008	1062255.....310	1701542.....410, 414
1001269573.....654, 657, 659, 667	1001276661.....155	10702077 . 516, 520, 524, 528	1701543.....410, 414
1001269629.....1009	1001276664 ... 35, 37, 43, 45	10702082 . 516, 520, 524, 528	1702265.....967
1001269630.....1009	1001276697.....155	10836804 . 162, 170, 194, 202, 210, 218	1702271.....981
1001269631.....1009	1001276923.....1008	1120304.....37, 47	1702565.....623, 627
1001269805.....765, 769, 773	1001280270.....368	1120460.....39, 41	1702566.....623, 627
1001269806.....773	1001280403....162, 170, 194, 202, 210, 218	1120555.....679, 681	1702567.....623, 627
1001269807.....769, 773	1001280600....165, 173, 197, 205, 213, 221	1260017.....125, 127	1702617.....985
1001269809.....765	1001281496.....539	1320016.....292, 296	1702720.....987, 991
1001269810.....765	1001281497....539, 545, 551	1320022 ... 273, 275, 277, 279, 303, 319, 323, 327, 331, 359, 375, 379, 463	1702773....605, 607, 973, 987, 991
1001269812.....769	1001281498.....551	1320061 ... 319, 323, 327, 331, 359, 376, 380	1702774.....987, 991
1001269814.....744	1001281527.....551	1320110.....422, 428	1702788.....987, 991
1001269815.....744	1001281544....539, 545, 557	1320127.....147, 149	1702860.....987, 991
1001269816.....744	1001281545.....557	1320162 ... 153, 155, 157, 159	1702861.....987, 991
1001269817.....748	1001281567.....557	1320177.....654, 661	1702868....667, 669, 967, 987, 991, 995, 1001
1001269818.....748	1001281577.....368	1320218.....147, 149	1702938....671, 673, 675, 677
1001269819.....748	1001281985.....368	1320220.....147, 149	1702941....277, 279, 327, 331, 379, 414
1001269820.....736	1001281986.....368	1320223 ... 277, 279, 292, 296, 327, 331, 379, 841	1702942....277, 279, 327, 331, 379, 414
1001269821.....736	1001282099.....1008	1320243.....567	1702943....277, 279, 327, 331, 379, 414
1001269822.....736	1001282287.....135	1320302 ... 654, 657, 659, 667	1702944....277, 279, 327, 331, 379, 414
1001269823.....740	1001282288.....139	1320314.....565	1703162....292, 296, 310, 344, 350, 366, 388, 394, 422, 428
1001269824.....740	10012824682....967, 969, 971, 973, 975, 977, 979, 981, 983, 985	1321283.....411, 414	1703479.....987, 991
1001269825.....740	1001284737.....775	1321716 ... 111, 113, 303, 319, 323, 327, 331, 359, 375, 379	1703534....764, 768, 772
1001269826.....752	1001286569.....367	1380147 ... 245, 247, 249	1703544.....971
1001269827.....752	1001287016.....275	1580012.....617	1703624.....979
1001269828.....752	1001287017....275, 285	1580013.....1010	1703687....967, 969, 971, 973, 975, 977, 979, 981, 983, 985
1001269829.....756	1001287018....285, 289, 337, 341, 447	1670603.....803	1703797.....967
1001269830.....756	1001287021....447, 449	1670767 ... 252, 256, 260, 264	1703804.....967
1001269831.....756	1001287022.....279	1670769.....861, 863	1703805.....967
1001269861.....312	1001287023....280, 289	1670824.....583	1703811....967, 969, 971, 973, 975, 977, 979, 981, 983, 985
1001270482.....1010	1001287033.....323	1671034 ... 853, 855, 857, 859, 865, 867, 869, 871, 873, 875	1703814....967, 969, 971, 973, 975, 977, 979, 981, 983, 985
1001270516.....1009	1001287034....324, 337	1671092 ... 516, 524, 528, 797	1703923.....985
1001271642.....1011	1001287035.....331	1671093 .... 654, 659, 797	1703925.....975
1001271760.....1011	1001287036....332, 341	1671314.....623, 627	1703926.....981
1001271794....166, 174, 198, 206, 214, 222	1001287643....367, 373	1684290.....699	1703927.....983
1001271888.....1011	1001288103.....368	1684418.....39, 41, 721	1703935.....985
1001272085.....1009	1001288266.....367	1684465 ... 25, 27, 29, 33, 699	1703936.....979
1001272166.....1010	1001288267.....373		1703937.....977
1001272178.....1011	1001288272.....373		1703938.....981
1001272182.....1011	1001288366.....368		1703939.....983
1001272198.....1009	1001288858.....447		
1001272274.....1011	1001289288.....545		
1001272546.....65	1001294603.....260		
1001272547.....65	1001294604.....256		
1001273784.....973	1001294637.....252		
1001274249.....1012	1001294703.....264		
1001274526....135, 139, 145	1001311034.....651		
1001274559.....165	1060341 ... 671, 673, 675, 677		
1001274829.....1011	1060343....516, 524, 528		
1001274830.....1010	1060379.....669		
1001274832.....1010	1060584.....91		
1001274833.....1010			
1001274993.....368			
1001274994.....368			
1001274996.....368			

## SECTION 11 - SPECIAL OPTIONS

1703941 .....	985	1705828 .....	969, 973	2220371.....	736, 740, 744, 748, 752, 756, 759, 761, 775, 777	2220646 ...	444, 447, 452, 736, 744, 748, 752, 756
1703942 .....	979	1705895 .....	971	2220372.....	761, 764, 768, 772, 779	2220654 .....	777
1703943 .....	975	1705896 .....	971	2220373.....	736, 740, 744, 748, 752, 756, 764, 768, 772	2220657 ....	765, 769, 773
1703944 .....	981	1705897 .....	971	2220374.....	764, 768, 772	2220682 .....	159
1703945 .....	983	1705898 .....	971	2220375.....	744, 748, 752, 756, 764, 768, 772	2220700 ...	153, 155, 157, 159
1703947 .....	985	1705902 .....	971	2220376.....	455	2220711 .....	452
1703948 .....	979	1705903 .....	971	2220377 ...	444, 447, 452, 736, 740, 744, 748, 752, 756, 764, 768, 772	2220738 .....	151, 765
1703949 .....	975	1705905 .....	971	2220379.....	764, 768, 772	2220810 .....	455
1703950 .....	981	1705910 .....	985	2220381.....	764, 768, 772	2220816 .....	463
1703951 .....	983	1705917 .....	985	2220386.....	765, 769, 773	2220819 ....	740, 752, 756
1703953 .....	967	1705921 .....	969, 973	2220409.....	765, 769, 773	2220861 ...	744, 748, 752, 756
1703980 .....	981	1705961 .....	969, 973	2220415.....	736, 740, 744, 748, 752, 756, 764, 768, 772, 775, 777	2220881 .....	701
1703981 .....	983	1705967 ...	971, 987, 991	2220418.....	147, 149	2220883 ...	701, 705, 707, 709, 711, 713, 715, 729, 731
1703982 .....	975	1705968 ....	977, 987, 991	2220451....	153, 155, 157, 159, 292, 296, 452, 736, 740, 764, 768, 772	2220885 ...	701, 709, 711, 725, 727
1703983 .....	985	1705969 ....	983, 987, 991	2220466.....	764, 768, 772	2220886 ...	103, 705, 707, 713, 715, 729, 731
1703984 .....	979	1705977 .....	969, 973	2220468.....	775, 777	2220890 .....	699
1703987 .....	983	1705978 .....	969, 973	2220472.....	765, 769	2220893 ....	765, 769, 773
1703990 .....	979	1706059 .....	987, 991	2220473.....	736, 740, 744, 748, 752, 756, 759, 761, 764, 768, 772, 777, 779	2220921 ....	764, 768, 772
1704000 ....	979, 987, 991	1706060 .....	987, 991	2220474.....	744, 748, 765	2220947 ...	444, 447, 452, 764, 768, 772
1704001 ...	985, 987, 991	1706061 .....	987, 991	2220498.....	764, 768, 772	2220948 ....	764, 768, 772
1704260 .....	623, 627	1706062 .....	987, 991	2220500.....	748, 756, 764, 768, 772	2220998 ....	764, 768, 772
1704271 .....	987, 991	1706063 .....	988, 991	2220504.....	736, 740, 744, 748, 752, 756, 775	2220999 ....	764, 768, 772
1704272 .....	87	1706064 .....	987, 991	2220511.....	764, 768, 772	2221024 .....	147, 149
1704277 ...	967, 969, 971, 973, 975, 977, 979, 981, 983, 985	1706098 .....	987, 991	2220512.....	764, 768, 772	2221026 .....	759, 761
1704412 ...	967, 969, 971, 973, 975, 977, 979, 981, 983, 985	1706385 .....	605, 607	2220513.....	151	2221034 .....	444, 447
1704578 .....	85	1706593 .....	87	2220518.....	151, 159	2221036 ....	765, 769, 772
1704885 ...	967, 969, 971, 975, 977, 979, 981, 983, 985	1706957 .....	89	2220567.....	764, 768, 772	2221042 ....	764, 768, 772
1704972 .....	987, 991	1706960 .....	89	2220574.....	764, 768, 772	2221053 ...	765, 769, 773, 779
1705014 .....	605, 607	2030010 ...	654, 657, 659, 661, 667	2220578.....	153, 155, 157, 159, 444, 447, 764, 769, 773	2221065 ....	764, 768, 772
1705084 .....	969	2060025 .....	292, 296	2220582.....	736, 740, 744, 748, 752, 756, 764, 768, 772	2221170 .....	736, 740
1705090 .....	85	2080040 ...	587, 589, 591, 593, 609, 611	2220596.....	740, 744, 748, 752, 756, 764, 768, 772	2221176 ...	273, 275, 277, 279, 410, 414
1705170 .....	235, 237	2120149 .	95, 97, 99, 101, 1005	2220599....	740, 744, 748, 752, 756, 764, 768, 772	2221197 ...	147, 149, 410, 414
1705305 ...	667, 669, 995, 997, 999, 1001	2120164 ..	95, 97, 99, 101	2220600.....	765, 769, 773	2230046 .....	151
1705325 .....	809, 811	2120209 ..	95, 97, 99, 101	2220602.....	764, 768, 772	2400060 ...	407, 693, 915, 917, 923, 924, 927
1705336 .....	967	2120210 .	95, 97, 99, 101, 1005	2220603.....	764, 768, 772	2400064 ..	915, 917, 1005
1705344 .....	981	2180348 ...	273, 275, 277, 279, 410, 414, 424, 430, 463	2220605.....	764, 768, 772	2410014 .....	605, 607
1705345 .....	983	2180387 .....	147, 149	2220606.....	736, 740, 744, 748, 752, 756	2420203 ....	481, 483, 491
1705347 .....	979	2180388 .....	147, 149	2220618.....	764, 768, 772	2460048 .....	515, 519
1705351 .....	967	2180389 .....	147, 149	2220623.....	759, 761	2460051 .....	491
1705355 .....	999, 1001	2180418 ...	147, 149, 410, 414	2220628.....	764, 768, 772, 779	2460055 .....	481
1705358 ...	679, 681, 987, 991	2180467 .....	422, 428	2220635.....	779	2460056 .....	489
1705374 ...	496, 507, 837, 839	2180504 .....	424, 430			2560136 .....	623, 627
1705375 ...	517, 525, 528, 1001	2180832 ...	303, 319, 323, 327, 331, 359, 375, 379, 654, 661			2580024 ...	277, 279, 327, 331, 379, 414
1705387 ...	496, 508, 517, 525, 528	2200222 ...	133, 135, 137, 139			2580062 .....	296
1705426 .....	981	2220237 .....	39, 736, 740, 744, 748, 752, 756			2600281 ...	587, 589, 591, 593, 609, 611
1705427 .....	983	2220238 .....	736			2680433 .....	252, 256
1705429 .....	979	2220261 ...	147, 149, 424, 430			2680434 .....	252, 256
1705430 .....	977	2220313 ...	273, 275, 277, 279, 303, 319, 323, 327, 331, 359, 375, 379			2720015 ...	310, 344, 350, 366, 388, 394
1705460 ...	516, 520, 525, 528	2220315 ...	344, 350, 366, 388, 394			2720058 ...	273, 275, 277, 279, 422, 428, 463
1705461 .....	520	2220362 ...	736, 740, 744, 748, 752, 756			2720144 .....	147, 149
1705489 ...	499, 503, 511, 520					2720160 .....	654, 661
1705490 .....	995, 997						
1705820 .....	87						
1705822 .....	969, 973						

## SECTION 11 - SPECIAL OPTIONS

2720340.....310, 344, 350, 390, 396	2753397 ... 736, 744, 748, 752, 756	2902303 ... 967, 969, 971, 973, 975, 977, 979, 981, 983, 985, 1009	3272001.....35, 683, 685, 687, 689, 691
2720398.....292, 296	2753435 ..... 740	2902307 ..... 1009	3290405....410, 414, 693, 803, 809, 811, 813, 815, 817, 819, 821, 823, 825, 827, 829, 831, 833, 835
2750532....273, 275, 277, 279, 319, 323, 327, 331, 359, 376, 380	2753924 .... 736, 744, 748	2902308 ..... 981, 1009	3290505.... 410, 414, 487
2750949..... 151	2753926 ..... 744, 752	2902309 ..... 975, 1009	3290601....303, 307, 310, 366, 422, 428, 441, 491, 503, 527
2751362.....773	2753929 ..... 744	2902310 ..... 983, 1009	3290605.... 166, 174, 198, 206, 214, 222, 310, 410, 414, 422, 428, 654, 661
2751396.....765, 769, 773	2753933 ..... 775	2902311 ..... 985, 1009	3290606....597, 599, 601, 603, 613, 615
2751410.....740, 775	2753968 .... 764, 768, 772	2902312 ..... 971, 1009	3290607....241, 243, 422, 428
2751434.....775	2754227 ... 736, 744, 748, 752, 756	2902322 ..... 979, 1009	3290801.... 410, 414, 422, 428
2752321.....740	2754229 ... 744, 748, 752, 756	2902329 .. 969, 973, 1009	3290805....310, 366, 422, 428, 471, 473, 479, 841, 843
2752341 .....736	2754231 ... 744, 748, 752, 756	2902395 ..... 1009	3290806.....563
2752445.....740	2754235 ..... 740	2902443 ... 885, 889, 893, 897	3291001.... 159, 303, 366, 422, 428, 563
2752453.....765, 769, 773	2754323 ..... 740	2910100 ..... 1010	3291005.... 155, 310, 344, 350, 366, 390, 396, 422, 428, 563, 841
2752462....764, 768, 772, 775	2754328 ..... 765	2910167 ..... 1012	3291007.....249
2752475....736, 740, 744, 748, 752, 756	2754329 .... 765, 769, 773	2910477 ..... 1008	3291201....307, 422, 428, 503, 528, 563
2752478.....769, 773	2754330 .... 765, 769, 773	2915228 ..... 1010	3291202.....159
2752484.....765, 769, 773	2754731 ..... 748, 756	2920028 ... 623, 627, 671, 673, 675, 677	3291205.....563
2752497 ....764, 768, 772	2780271 ..... 37, 47	2920029 ... 623, 627, 671, 673, 675, 677	3300106....39, 41, 49, 51, 53, 55
2752506.....765, 769, 773	2780276 ..... 39, 41	2920110 ..... 235	3300151....595, 597, 599, 601, 603, 609, 611, 613, 615, 654, 657, 659, 667
2752519.....765, 769, 773	2792630 ..... 779	2920113 ..... 235	3300205.... 161, 165, 169, 173, 177, 181, 185, 189, 193, 197, 201, 205, 209, 213, 217, 221
2752530..... 153, 155, 157	2792690 ..... 25, 27, 775	2920129 ..... 927	3300353....161, 165, 169, 173, 177, 181, 185, 189, 193, 197, 201, 205, 209, 213, 217, 221, 623, 627
2752573.....765	2820019 ..... 909	2920161 ..... 239	3300396....496, 508, 516, 520, 524, 528
2752574.....740	2820031 ... 481, 483, 487, 489, 491, 495, 499, 503, 507, 511, 516, 520, 523, 527, 853, 855, 857, 859, 861, 863, 865, 867, 869, 871, 873, 875	2940074 ... 587, 589, 591, 593, 609, 611, 1005	3300408....161, 165, 169, 173, 177, 181, 185, 189, 193, 197, 201, 205, 209, 213, 217, 221, 225, 645
2752592....744, 748, 752, 756	2820035 ..... 407	2940088 ... 252, 253, 256, 257, 260, 261, 265	3300430.....649
2752593.....765, 769, 773	2820078 ..... 267	2940188 ... 252, 256, 260, 264	3300454....496, 500, 507, 511, 516, 520, 523, 759, 761
2752600.....765, 769, 773	2820082 ..... 267, 269	2980125 ..... 41	3310401....344, 350, 366, 388, 394
2752611 ....736, 740, 744, 748, 752, 756	2820083 ..... 267	3020017 ..... 47	3310601....245, 247, 249
2752620....736, 740, 744, 748, 752, 756	2820118 ... 877, 879, 881, 883	3020029 ..... 123	3310801.....579, 581
2752635.....765	2820247 ..... 949, 951	3020037 ..... 307	3310805..... 147, 149
2752656.....765, 769, 773	2840016 ..... 247, 249	3200401 ... 292, 296, 344, 350, 388, 394, 467, 469, 475, 477	
2752659..... 151	2840018 ..... 245	3200406 ..... 292, 296	
2752661 ..... 151	2841677 ..... 39	3220103 ..... 457	
2752723.....765, 773	2860012 ..... 481, 489	3250872 ..... 85	
2752724.....765, 773	2860030 ... 161, 165, 169, 173, 177, 181, 185, 189, 193, 197, 201, 205, 209, 213, 217, 221, 1005	3251102 ... 481, 483, 487, 489, 491, 495, 499, 507, 511	
2752783.....765, 769, 773	2900708 ...95, 97, 99, 101	3251242 ... 803, 817, 823, 829, 835	
2752910.....744, 748	2900756 ..... 759, 761	3251243 ... 481, 491, 496, 508, 516, 525, 528, 967, 975, 977, 979, 981, 983, 985	
2752928....736, 744, 748	2900770 .... 713, 715, 729	3251813 ..... 987, 991	
2752929....736, 748, 752, 756, 764, 768, 772	2900792 ... 703, 705, 707, 709, 711, 713, 715, 717, 729, 731	3252347 ..... 967	
2752939.....764, 768, 772	2900838 ..... 1012	3252507 ... 487, 489, 813, 815, 819, 821, 825, 827, 831, 833	
2752985.....765, 769, 773	2901273 ..... 713	3252764 ... 503, 515, 519, 523, 527	
2752987.....764, 768, 772	2901285 ..... 705	3271601 ..... 51, 157, 344, 350, 388, 394	
2752990.....764, 768, 772	2901443 ..... 1012	3271605 ... 312, 683, 685, 687, 689, 691	
2752991.....764, 768, 772	2901861 ..... 725, 729	3271801 ... 344, 350, 388, 394, 475, 477	
2752995.....765, 769, 773	2902065 ... 292, 296, 310, 344, 350, 366, 388, 394, 439	3271805 ... 129, 131, 605, 607	
2753000.....773	2902212 ..... 679, 681		
2753002.....769	2902217 .... 654, 657, 659		
2753016.....740	2902266 ..... 699		
2753017 .....740			
2753052....765, 769, 773			
2753055....764, 768, 772			
2753056....764, 768, 772			
2753132....765, 769, 773			
2753133....765, 769, 773			
2753134....764, 768, 772			
2753135....764, 768, 772			
2753187 .....740			
2753354..... 151			
2753390....765, 769, 773			



## SECTION 11 - SPECIAL OPTIONS

3311001 ... 403, 405, 516, 520, 524, 528	483, 495, 499, 507, 511, 516, 520, 523, 579, 581	3422861 ..... 533, 559	3577121 ... 654, 657, 659, 667
3311005 ... 235, 252, 253, 256, 257, 260, 261, 264, 265, 481, 483, 487, 489, 491, 496, 508, 516, 520, 524, 527, 623, 627, 654, 657, 659, 661, 667	3311805 ... 252, 256, 260, 264, 273, 275, 277, 279, 292, 296, 417, 419, 467, 469	3422867 ..... 533, 559	3580134 ..... 487, 489
3311401 ... 227, 671, 673, 675, 677	3312002 ... 117, 683, 685, 687, 689, 691	3422900 ..... 35, 37, 39, 43, 45	3580158 .... 481, 487, 489
3311405 . 95, 97, 99, 101, 111, 113, 161, 165, 169, 173, 177, 181, 185, 189, 193, 197, 201, 205, 209, 213, 217, 221, 231, 233, 252, 256, 260, 264, 273, 275, 277, 279, 283, 285, 287, 289, 292, 296, 303, 310, 319, 323, 327, 331, 335, 337, 339, 341, 344, 350, 359, 363, 366, 375, 379, 383, 385, 388, 394, 410, 414, 417, 419, 495, 499, 503, 507, 511, 516, 519, 523, 569, 571, 573, 575, 619, 621, 651, 803, 809, 811, 813, 815, 817, 819, 821, 823, 825, 827, 829, 831, 833, 835, 843, 967, 969, 971, 973, 975, 977, 979, 981, 983, 985	3312005 ..... 679, 681	3422902 ..... 35, 37, 43, 45	3580276 ..... 481, 483
3311501 ... 252, 256, 260, 264, 671, 673, 675, 677	3312205 ..... 679, 681	3422903 ..... 35, 37, 43, 45	3580314 ..... 527
3311505 ... 49, 51, 53, 55, 252, 256, 260, 264, 277, 279, 292, 296, 344, 350, 388, 394, 515, 519, 523, 527, 565, 567, 569, 571, 573, 575, 759, 761	3312602 ... 239, 241, 243	3423175 ..... 39, 41	3580317 ... 495, 499, 503, 507, 511, 516, 520, 523, 528
3311508 ..... 495, 507	3313403 ..... 39, 41	3430616 ..... 624, 628	3580318 ... 496, 507, 516, 523
3311601 ... 133, 135, 137, 139, 252, 256, 624, 628, 651	3321501 ... 252, 256, 260, 264	3430816 ..... 245, 247, 249	3580319 ... 499, 503, 511, 520
3311605 ... 147, 151, 235, 245, 247, 252, 253, 256, 257, 260, 261, 264, 273, 275, 277, 279, 292, 296, 327, 331, 344, 350, 379, 388, 394, 403, 405, 467, 469, 475, 477, 481, 487, 489, 533, 559, 567, 605, 607, 619, 621, 654, 657, 659, 667	3322201 ..... 129, 131	3450306 ..... 567	3580320 ... 344, 350, 388, 394, 496, 499, 516, 520
3311608 ..... 157	3323403 ... 37, 39, 41, 47	3450404 ..... 245, 247, 249	3580324 ..... 491
3311705 ... 481, 483, 487, 489, 491	3331211 ... 310, 366, 471, 473, 479	3450606 ..... 567	3600242 ..... 455
3311801 ... 335, 337, 339, 341, 363, 383, 385,	3340608 ..... 725	3450810 ..... 39	3600365 95, 99, 111, 113, 115
	3340764 ..... 565	3451010 ..... 37, 39, 41, 47	3600395 ... 283, 285, 287, 289, 307, 335, 337, 339, 341, 363, 383, 385, 417, 419, 455
	3340765 ..... 565	3460334 ..... 679, 681	3620034 ..... 151
	3340871 ... 547, 549, 551, 553, 555, 557	3470003 ..... 624, 628	3641569 ..... 671, 673
	3340881 ... 547, 549, 551	3480288 ..... 699	3740049 ... 161, 165, 169, 173, 177, 181, 185, 189, 193, 197, 201, 205, 209, 213, 217, 221
	3340911 ..... 51, 53, 55	3520026 ..... 623, 627	3740086 ..... 953, 1005
	3340956 ..... 679, 681	3520027 ..... 623, 627	3760133 .... 553, 555, 557
	3340966 ..... 37, 41, 45	3520028 ... 481, 483, 489, 491	3760170 .... 91, 125, 127, 669
	3380434 ..... 619, 621	3520031 ... 161, 165, 169, 173, 177, 181, 185, 189, 193, 197, 201, 205, 209, 213, 217, 221	3790012 39, 41, 410, 414, 535, 537, 539, 541, 543, 545, 619, 621, 623, 627, 639, 641, 643
	3380558 ..... 79	3520035 ... 161, 165, 169, 173, 177, 181, 185, 189, 193, 197, 201, 205, 209, 213, 217, 221	3790152 ... 283, 287, 307, 335, 339, 363, 383, 385, 417, 419
	3380560 ..... 79	3520054 ... 292, 296, 312, 346, 352, 366, 390, 396, 623, 627	3790158 .... 49, 51, 53, 55
	3380652 ..... 1010	3520071 ..... 679, 681	3820001 ... 967, 969, 971, 973, 975, 977, 979, 981, 983, 985, 988
	3420372 ..... 91	3520072 ... 587, 589, 591, 593, 595, 597, 599, 601, 603, 605, 607, 609, 611, 613, 615	3820020 ... 587, 589, 591, 593, 609, 611
	3420447 ..... 91	3520189 ..... 520	3841143 ... 35, 37, 39, 41, 43, 45, 273, 275, 277, 279, 303, 319, 323, 327, 331, 359, 375, 379, 410, 414, 533, 535, 537, 539, 541, 543, 545, 559, 563
	3421453 ..... 654, 661	3520192 ..... 520	3841203 ... 535, 537, 539, 541, 543, 545, 547, 549, 551, 697
	3421565 ..... 91, 125	3520198 ... 587, 589, 591, 593, 595, 597, 599, 601, 603, 609, 611, 613, 615	3841258 ... 21, 23, 25, 27, 29, 31, 33, 35, 37, 39, 43, 45, 697
	3422326 ... 35, 37, 43, 45	3537445 ..... 245, 247	3841263 ..... 39, 41
	3422327 ..... 41	3538247 ..... 725	3841295 ..... 567
	3422426 ..... 39, 41	3538758 ..... 565	
	3422429 ..... 39, 41	3539228 ..... 567	
	3422430 ..... 39, 41	3539877 ..... 21, 23	
	3422448 ... 273, 275, 277, 279, 303, 319, 323, 327, 331, 359, 375, 379, 410, 414	3539923 ..... 252, 256	
	3422457 ... 553, 555, 557	3539988 ..... 267	
	3422533 ... 283, 285, 287, 289, 307, 335, 337, 339, 341, 363, 383, 385, 417, 419	3570270 ..... 567	
	3422561 ... 535, 537, 539, 541, 543, 545	3570277 ..... 567	
	3422567 ..... 37, 45	3570374 ..... 567	
	3422573 ... 535, 537, 539, 541, 543, 545	3572009 ..... 91	
	3422575 ... 535, 537, 539, 541, 543, 545, 547, 549, 551, 697	3572010 ..... 91	
	3422579 ... 535, 537, 539, 541, 543, 545	3572011 ..... 91	
	3422583 ... 535, 537, 539, 541, 543, 545	3572012 ..... 91	
	3422813 ..... 37, 41, 45	3573400 ... 654, 657, 659, 667	
	3422841 ..... 91	3574091 ..... 675, 677	
	3422847 ..... 91	3574185 ..... 565	
	3422848 ..... 37, 41, 45	3575359 ..... 671, 673	
	3422860 ..... 533, 559	3575716 ..... 41	
		3575863 ... 496, 499, 516, 520	
		3576799 ..... 654, 661	

## SECTION 11 - SPECIAL OPTIONS

3841340.....533, 553, 555, 557, 559	3980007 ... 277, 279, 327, 331, 379, 414	4160143 ... 252, 256, 260, 264	4420038.....133, 135, 137, 139, 141
3841347.....567	3990010 ..... 923, 1004	4220162 ..... 237	4420051..85, 87, 89, 967, 971, 973, 975, 977, 979, 981, 983, 985
3841709.....697	4010608 ..... 654, 661	4240018 ... 483, 487, 495, 499, 503, 507, 511, 515, 519, 523, 837, 839	4420060.....487, 583
3900054.....605, 607	4010618 ... 597, 599, 601, 603, 613, 615	4240032 ... 235, 237, 241, 243, 961	4420066.....679, 681
3900085.....239, 241, 243	4031505 ..... 647	4240033 .... 647, 649, 651	4420068.... 671, 673, 675, 677
3900268.... 161, 165, 169, 173, 177, 181, 185, 189, 193, 197, 201, 205, 209, 213, 217, 221	4031516 ..... 651	4240084 ..... 51	4460007.....623, 627
3900293.....117	4031608 ..... 487	4240099 ... 304, 312, 344, 350, 366, 388, 394, 407, 414, 422, 428, 491, 654, 657, 659, 671, 673, 675, 677	4460016.....927
3900349.....623, 627	4031711 ..... 422, 428	4240102 ... 133, 135, 137, 139	4460019.... 885, 887, 889, 897, 901
3910408....344, 350, 366, 388, 394	4031908 ..... 310	4240149 ..... 679, 681	4460027.... 481, 483, 491
3910606.... 495, 507, 515, 523, 527, 805, 837, 839	4031912 ..... 310	4280295 ... 133, 135, 137, 139	4460042.... 360, 890, 893, 897
3910608.....245, 247, 249	4031914 ... 344, 350, 366, 388, 394	4300157 ... 495, 499, 516, 520	4460043.... 407, 885, 889, 893, 897, 913, 915
3910610.....799, 801	4032014 ... 344, 350, 388, 394	4360057 ... 671, 673, 675, 677, 1005	4460049.... 671, 673, 675, 677
3910804.... 161, 165, 169, 173, 177, 181, 185, 189, 193, 197, 201, 205, 209, 213, 217, 221	4032015 ... 495, 499, 516, 519	4360070 ... 496, 508, 516, 520, 524, 528, 1004	4460071.... 495, 507, 516, 523, 527, 631, 799, 801, 805
3911016.... 252, 253, 256, 257, 261, 265	4060092 ..... 801	4360274 .. 185, 189, 1006	4460125..... 801
3911040.....235	4060802 ... 481, 483, 487, 489, 491, 495, 499, 503, 507, 511, 515, 519, 523, 527	4360328 ... 535, 537, 539, 541, 543, 545, 1006	4460134..... 805, 919
3930816.....583	4060803 ..... 565	4360331 39, 41, 619, 621, 639, 641, 643, 1006	4460142..... 885, 923
3930820.....581	4060804 ... 81, 83, 95, 97, 99, 101	4360336 ... 227, 410, 414, 481, 483, 487, 489, 491, 495, 499, 503, 507, 511, 515, 519, 523, 527, 1006	4460183..... 927
3930828.....579, 581	4060805 ... 253, 257, 292, 296, 310, 344, 350, 366, 390, 396, 424, 430, 553, 555, 557	4360407 .. 623, 627, 1006	4460190.... 481, 483, 491
3931016.... 496, 507, 515, 519, 523, 527	4060807 ... 49, 53, 95, 97, 99, 101	4360436 ... 133, 135, 137, 139, 141, 1005	4460205.... 799, 805, 919
3931408.... 579, 581, 649	4060808 .... 547, 549, 551	4360469 ... 161, 165, 169, 173, 177, 181, 185, 189, 193, 197, 201, 205, 209, 213, 217, 221, 1006	4460224.... 503, 508, 512, 623, 627
3931430.....579, 581	4060906 ..... 227	4360475 ... 161, 165, 169, 173, 177, 181, 185, 189, 193, 197, 201, 205, 209, 213, 217, 221, 623, 627, 1004	4460225.... 907, 909, 927
3931432.... 310, 344, 350, 388, 394	4060918 ... 95, 97, 99, 101	4360517 .. 129, 131, 1006	4460226.... 227, 623, 627, 631, 633, 636, 847, 885, 887, 901, 927
3931448.....725	4070585 ..... 481	4360522 .. 235, 237, 1006	4460227.... 623, 627, 923, 927
3931512.... 344, 350, 366, 388, 394	4070863 ... 547, 549, 551, 553, 555, 557	4360542 ... 481, 483, 491, 1004	4460233..... 801, 921
3931516.....725, 729	4070864 ... 547, 549, 551, 553, 555, 557	4360578 ... 579, 581, 583, 1005	4460234.... 235, 237, 366, 623, 627, 671, 673, 675, 677
3931620.... 283, 285, 287, 289, 307, 335, 337, 339, 341, 363, 383, 385, 417, 419	4070897 ... 547, 549, 551, 553, 555, 557	4400275 ..... 147, 149	4460247.... 889, 893, 897
3931628.... 344, 350, 388, 394	4070898 ... 547, 549, 551, 553, 555, 557	4420014 ..... 679, 681	4460256..... 885, 917
3931632.....422, 428	4070929 ... 547, 549, 551, 553, 555, 557	4420037 ... 654, 657, 659, 667	4460259.... 693, 885, 901, 923, 927
3931720.....713	4070944 ..... 23		4460260.... 693, 885, 901, 923, 927
3931840.....23	4070945 ..... 23		4460265..... 633, 636
3932030.... 49, 51, 53, 55	4070969 ..... 565		4460267.... 927, 957, 961
3932032.....705	4070991 ... 161, 165, 169, 173, 177, 181, 185, 189, 193, 197, 201, 205, 209, 213, 217, 221		4460268.... 887, 907, 909, 961
3940604.....85	4071007 .... 553, 555, 557		4460294.... 503, 508, 512
3952020.....117	4071059 ..... 37, 41, 45		4460297..... 923
3960098.....39, 41	4071062 ..... 565		4460312..... 885, 901
3960343.....37, 47	4071101 .... 23, 29, 31, 33		4460313.... 885, 887, 901, 923
3960389.... 252, 256, 283, 285, 287, 289	4120035 ..... 927		4460315.... 799, 801, 805
3960407.....292, 296	4130396 ..... 37		4460320..... 923, 957
3960418.... 252, 256, 260, 264	4130399 ..... 45		4460321..... 491
3960422.... 495, 507, 515, 523, 527, 799, 801, 805, 837, 839	4130400 ..... 37		4460346.... 495, 507, 515, 523, 527, 799, 805
3960461.....235	4130401 ..... 39		4460384..... 803
3960462.... 260, 261, 265	4130402 ..... 39		4460418..... 923, 927
3960467.... 252, 256, 260	4130409 ..... 47		4460419..... 923, 927
3960468.....292, 296	4130410 ..... 35, 47		4460424.... 885, 887, 901, 961
3960469.....292, 296	4130413 ..... 39, 41		
	4130414 ..... 39, 41		

## SECTION 11 - SPECIAL OPTIONS

4460425 ... 496, 508, 516, 520, 524, 528, 671, 673, 675, 677, 837, 839	4460518 ..... 845	4460911 ..... 924, 947	4567241 ..... 567
4460426 ... 161, 165, 169, 173, 177, 181, 185, 189, 193, 197, 201, 205, 209, 213, 217, 221, 496, 508, 516, 520, 524, 528	4460526 ... 161, 165, 169, 173, 177, 181, 185, 189, 193, 197, 201, 205, 209, 213, 217, 221	4460928 ..... 845	4568119 ..... 141
4460428 ..... 623, 627	4460536 .... 923, 927, 963	4460930 ..... 889, 893, 897	4568133 ..... 91
4460434 ..... 923, 927	4460539 ... 885, 887, 889, 897, 901, 927, 961, 963	4460931 ..... 887	4640113 ..... 57, 65
4460457 ..... 917	4460612 ..... 837, 839	4460932 ..... 693, 890, 893, 905	4640261 ..... 85, 87, 89
4460458 ... 885, 887, 889, 893, 898, 901, 913, 915, 917	4460634 ..... 927	4460933 ..... 845, 923, 927	4640438 ..... 713, 715
4460464 ... 231, 233, 447, 631, 693, 845, 877, 879, 885, 887, 901, 905, 923, 927, 953, 955, 957, 963	4460635 ..... 927	4460941 ..... 905, 947	4640509 ... 703, 705, 707, 709, 711, 713, 715, 717, 729, 731
4460465 ... 447, 693, 845, 877, 879, 881, 883, 885, 887, 889, 893, 894, 897, 901, 907, 909, 911, 913, 915, 917, 923, 927, 955, 963	4460662 ... 803, 815, 819, 821, 823, 825, 827, 829, 831, 833, 835	4460942 ..... 647, 889, 893, 897, 905	4640605 .... 705, 707, 717
4460466 ... 647, 693, 845, 853, 855, 857, 859, 861, 863, 865, 867, 869, 871, 873, 875, 877, 879, 881, 883, 887, 889, 890, 893, 897, 923, 927, 947, 953, 955, 961	4460701 ..... 921	4460943 ..... 241, 243, 887, 923, 927, 947	4640647 ..... 729
4460467 ..... 1012	4460703 ... 889, 893, 897	4460944 ... 885, 887, 889, 893, 897, 901, 923, 927	4640744 ..... 455
4460470 ... 161, 165, 169, 173, 177, 181, 185, 189, 193, 197, 201, 205, 209, 213, 217, 221, 623, 627	4460708 .... 623, 627, 927	4460945 ..... 890, 923	4640751 ... 310, 344, 350, 366, 388, 394
4460471 ... 161, 165, 169, 173, 177, 181, 185, 189, 193, 197, 201, 205, 209, 213, 217, 221, 623, 627	4460722 ..... 407	4460946 ..... 849, 851	4640858 ..... 699
4460473 ... 853, 855, 857, 859, 861, 863, 865, 867, 869, 871, 873, 875, 877, 879, 881, 883	4460738 ..... 887, 901	4460957 ..... 849, 851	4640862 ..... 725, 727
4460488 ... 161, 165, 169, 173, 177, 181, 185, 189, 193, 197, 201, 205, 209, 213, 217, 221, 241, 243	4460742 .... 913, 915, 917	4460958 ..... 839	4640866 ... 95, 97, 99, 101
4460496 ... 161, 165, 169, 173, 177, 181, 185, 189, 193, 197, 201, 205, 209, 213, 217, 221	4460743 ..... 913, 915	4460962 ..... 654, 659, 797	4640929 ... 569, 571, 573, 575
4460497 ... 161, 165, 169, 173, 177, 181, 185, 189, 193, 197, 201, 205, 209, 213, 217, 221	4460746 ..... 897	4460963 ..... 516, 524, 528, 797	4640932 ..... 703
4460508 ... 647, 877, 879, 923, 927	4460748 ..... 898	4460967 ... 911, 913, 915, 917	4640990 ..... 151
4460509 ... 877, 879, 881, 883	4460761 ... 623, 627, 923	4460968 ... 487, 579, 581, 583, 809, 811, 813, 817	4640999 ..... 729, 731
4460510 ..... 1012	4460806 ... 823, 829, 923, 927	4460971 ..... 654, 661	4641022 ..... 141
	4460807 ... 504, 508, 512, 907, 909	4460979 ..... 885, 887, 901	4641122 ..... 59
	4460808 ... 504, 508, 512, 907, 909	4461005 ..... 885	4641264 ... 153, 155, 157
	4460865 ... 853, 855, 857, 859, 861, 863, 865, 867, 869, 871, 873, 875, 877, 879, 881, 883	4461006 ..... 885	4641284 ... 744, 748, 752, 756
	4460866 ... 853, 855, 857, 859, 861, 863, 865, 867, 869, 871, 873, 875, 923, 927	4461008 ... 885, 890, 894, 897	4641307 ..... 736, 740
	4460868 ..... 923	4461052 ..... 885	4641390 ..... 699
	4460871 ... 885, 887, 901, 923, 927, 959, 961, 963	4461053 ..... 885	4641436 ..... 579, 581
	4460872 ..... 923	4461054 ... 885, 890, 897, 905	4711000 ... 252, 257, 403, 405, 483, 516, 520, 524, 528
	4460873 ..... 923, 927	4461060 ..... 885	4711400 . 95, 97, 99, 101, 111, 113, 161, 165, 169, 173, 177, 181, 185, 189, 193, 197, 201, 205, 209, 213, 217, 221, 229, 231, 233, 260, 264, 273, 275, 277, 279, 292, 296, 303, 310, 319, 323, 327, 331, 335, 337, 339, 341, 344, 350, 359, 363, 366, 375, 379, 383, 385, 388, 394, 410, 414, 495, 499, 503, 507, 511, 515, 519, 523, 567, 569, 571, 573, 575, 581, 595, 597, 599, 601, 603, 609, 611, 613, 615, 649, 651, 803, 809, 811, 813, 815, 817, 819, 821, 823, 825, 827, 829, 831, 833, 835
	4460874 ..... 923, 927	4461070 ..... 845, 885	471150081, 83, 153, 157, 159, 345, 351, 366, 388, 394, 515, 519, 523, 527, 565, 569, 571, 573, 575, 759, 761
	4460875 ..... 923, 927	4461071 ... 885, 889, 893, 897	4711600 . 95, 97, 99, 101, 260, 264, 277, 279, 292, 296, 303, 319, 323, 327, 331, 345, 351, 359, 375, 379,
	4460876 ..... 923	4461072 ..... 885, 897	
	4460877 ..... 923	4461073 ..... 885, 893, 897	
	4460878 ..... 923	4461074 ..... 885, 897	
	4460879 ..... 693, 927	4461077 ..... 947, 953	
	4460884 ... 693, 889, 897, 923, 955	4461095 ..... 845, 885, 893	
	4460887 ... 693, 885, 887, 901, 923, 927	4461157 ..... 885, 887, 901	
	4460888 ..... 927	4461196 ..... 929	
	4460891 ... 447, 845, 847, 885, 887, 894, 901, 905, 924, 961, 963	4461198 ..... 811, 929	
	4460894 ... 889, 893, 897, 923, 927	4461199 ..... 931, 933	
	4460897 ... 231, 233, 447, 885, 887, 894, 901, 905, 957	4461200 ..... 933	
	4460899 ... 887, 947, 953, 955	4461201 ..... 817, 931, 933	
	4460905 .... 923, 927, 959	4461203 ..... 937	
	4460906 ..... 491	4461205 ... 935, 937, 939, 941	
	4460910 ..... 949	4461206 ..... 941	
		4461244 ... 823, 935, 937	
		4461245 ... 829, 939, 941	
		4461246 ... 835, 943, 945	
		4461249 ..... 943, 945	
		4461250 ..... 945	
		4520256 ..... 65	
		4520287 ..... 57, 59	
		4520288 ..... 57	
		4520344 ..... 57	
		4520345 ..... 57	
		4520346 ..... 57	
		4520672 ..... 65	
		4567123 ..... 151	

## SECTION 11 - SPECIAL OPTIONS

388, 394, 403, 405, 410, 414, 461, 463, 483, 496, 499, 503, 507, 511, 516, 520, 523, 547, 549, 551, 565, 624, 628, 683, 685, 687, 689, 691 4711700.....463, 483, 491 4711800.....245, 247, 249, 303, 319, 323, 327, 331, 359, 375, 379, 417, 419, 495, 499, 515, 519, 605, 607 4712000.....679, 683, 685, 687, 689, 691 4712200.....679, 681 4740016.....39, 41 4740036.....91 4740057.....117 4740076.....252, 256, 260, 264 4740111....35, 37, 41, 43, 45 4740155.....37, 41, 45 4740158....21, 23, 25, 27, 29, 31, 33 4740171....252, 256, 260, 264 4740184.....41 4740229....23, 29, 31, 33 4740256....35, 37, 39, 43, 45 4740274....292, 296, 467, 469 4740283.....37, 47 4740362.....619, 621 4740393....49, 51, 53, 55 4740397....161, 165, 169, 173, 177, 181, 185, 189, 193, 197, 201, 205, 209, 213, 217, 221, 481, 487, 489, 623, 627 4740439.....533, 559 4740444....161, 165, 169, 173, 177, 181, 185, 189, 193, 197, 201, 205, 209, 213, 217, 221 4740463....35, 37, 39, 43, 45 4740518....161, 165, 169, 173, 177, 181, 185, 189, 193, 197, 201, 205, 209, 213, 217, 221 4740542.....21 4750400....345, 351, 366, 388, 394 4750800.....147, 149 4751000....91, 235, 239, 241, 243, 252, 253, 256, 257, 260, 261, 264, 265, 481, 487, 489, 491, 496, 507, 515, 519, 523, 527, 623, 627, 654, 657, 659, 661, 667 4751200....553, 555, 557	4751400... 113, 161, 165, 169, 173, 177, 181, 185, 189, 193, 197, 201, 205, 209, 213, 217, 221, 227, 235, 252, 256, 260, 264, 283, 285, 287, 289, 417, 419, 579, 581, 583, 617, 619, 621, 623, 627, 654, 657, 659, 667, 671, 673, 675, 677, 759, 761, 843, 967, 969, 971, 973, 975, 977, 979, 981, 983, 985 4751500... 49, 51, 53, 55, 111, 113, 237, 252, 256, 260, 264, 273, 275, 277, 279, 345, 351, 388, 394, 481, 483, 487, 489, 495, 507, 567, 671, 673, 675, 677 4751600... 51, 53, 55, 79, 129, 131, 133, 135, 137, 139, 141, 147, 149, 151, 157, 252, 253, 256, 257, 260, 261, 264, 267, 273, 275, 277, 279, 292, 296, 303, 310, 319, 323, 327, 331, 345, 351, 359, 375, 379, 388, 394, 467, 469, 475, 477, 481, 487, 489, 528, 567, 654,657, 659, 667 4751700... 311, 345, 351, 388, 394 4751800... 129, 131, 141, 273, 275, 277, 279, 335, 337, 339, 341, 363, 383, 385, 417, 419, 567, 605, 607, 671, 673, 675, 677 4752000... 273, 275, 277, 279, 303, 319, 323, 327, 331, 359, 375, 379, 410, 414 4760600.... 799, 801, 805 4761000..... 37, 47 4761400... 161, 169, 177, 181, 185, 189, 193, 201, 209, 217, 227, 617 4761600... 111, 113, 619, 621 4770600.... 245, 247, 249 4791400... 111, 113, 292, 296, 495, 499, 507, 511, 515, 519, 523 4791600..... 51 4811400... 693, 803, 809, 811, 813, 815, 817, 819, 821, 823, 825, 827, 829, 831, 833, 835 4811600..... 487	4811700 ... 166, 174, 198, 206, 214, 222, 241, 243, 303, 307, 311, 366, 422, 428, 441, 491, 503, 527, 597, 599, 601, 603, 613, 615, 654, 661 481170281, 83, 345, 351, 366, 389, 395, 410, 414, 441 4811900 ... 155, 311, 345, 351, 367, 389, 395, 410, 414, 422, 428, 441, 471, 473, 479, 563, 841, 843 4811902 ... 311, 345, 351, 367, 373, 390, 396, 422, 428, 441 4812000 ... 155, 159, 249, 303, 311, 345, 351, 367, 390, 396, 411, 415, 422, 428, 441, 461, 465, 491, 563, 841 4812002 ... 153, 311, 424, 430, 437 4812100 ... 159, 303, 307, 311, 319, 323, 327, 331, 345, 351, 359, 367, 375, 379, 389, 395, 441, 563 4812200 ... 292, 296, 311, 345, 351, 389, 395, 467, 469, 471, 473, 475, 477 4844816 ..... 533, 559 4844817 ..... 533, 559 4844958 ..... 125 4844979 ..... 565 4845163 ..... 245 4846295 ..... 91 4846296 ..... 91 4846673 ..... 675, 677 4846935 ..... 37, 45 4871700 ..... 528 4891500 ... 161, 165, 169, 173, 177, 181, 185, 189, 193, 197, 201, 205, 209, 213, 217, 221, 389, 395, 491 4891600 ... 245, 247, 252, 253, 256, 257, 260, 261, 264, 265, 283, 285, 287, 289, 307, 335, 337, 339, 341, 345, 351, 363, 383, 385, 389, 395, 417, 419, 563 4891800 ... 25, 27, 29, 31, 33, 245, 247, 249, 345, 351, 389, 395, 475, 477, 483, 507, 511, 523 4892000 ..... 35, 123 4892600 ..... 235 4892600001 ..... 563 4921829 ..... 491, 919 4921954 ..... 921	4922493....853, 855, 857, 861, 863, 865, 867, 869, 871, 873, 877 4922494....853, 855, 857, 861, 863, 865, 867, 869, 871, 873, 881 4922641....481, 484, 487, 489, 496, 499, 503, 508, 517, 520, 525, 529 4922666.....623, 627 4922810....865, 867, 869, 871, 873, 875 4922811....865, 867, 869, 871, 873, 875 4922891.....855, 867 4922892.....805, 853 4922893.....855, 857 4922894.....805, 853 4922895.....855, 857 4922896.....855, 867 4922925....516, 520, 523, 528, 909 4923379.....292, 296 4923472....859, 875, 879 4923473....859, 875, 883 4923474.....859 4923475.....859 4923476.....859 4932990.....1009 4932993.....1009 4933218.....673, 675 5240800.....477 5241000....49, 51, 53, 55, 367, 422, 428 5241200....311, 367, 422, 428, 471, 473, 479, 491, 503, 528, 563 5241400.....367, 479 5250605.....441 5250810....345, 351, 390, 396 5250812.....310 5251008.....563 5251016.....563 5260600.....441 5260800.....312 5272010.....424, 430 70000123.....487, 489 70000124.....489 70000125.....489 70000126.....489, 1004 70000127.....489 70000342.....561 70000345...300, 357, 399 70000619..516, 520, 523, 527 70000781.....75 70000793.....439 70000851.....300 70000852.....71, 73 70000853.....71, 73 70000854.....71, 73 70000857.....71, 73 70000858.....71, 73 70000861.....71, 73 70000862.....71, 73
--	--	---	---

## SECTION 11 - SPECIAL OPTIONS

70000863 . 515, 519, 524, 527	70002151 ..... 445, 453	70003708..495, 499, 503, 507, 511, 515, 519, 524, 528	70004369..... 67
70000912 ..... 299	70002153 ..... 445, 453	70003709..495, 499, 503, 507, 511, 515, 519, 524, 528	70004370..... 67
70000913 ..... 299	70002154 ..... 445, 453	70003783..292, 296, 367, 1004	70004371..... 67
70000914 ..... 299	70002156 ..... 445, 453	70003784..... 623, 627	70004447..... 67
70000915 ..... 299	70002157 ..... 445, 453	70003790.....577	70004459..... 103, 107
70000916 ..... 299	7000217 ..... 120	70003932.....300	70004460..... 103, 107
70000917 ..... 299	70002176 ..... 71, 73, 444, 452	70003952..304, 320, 324, 328, 332, 359, 375, 380	70004461..... 103, 107
70000918 ..... 299	70002201 ..... 67	70004017.....75	70004463 103, 107, 1004
70000919 ..... 299	70002209 95, 97, 99, 101	70004037.....120	70004504..... 357, 400
70000934 95, 97, 99, 101	70002212 ..... 131	70004040.....120	70004505..... 399
70001002 ..... 299	70002234 ..... 300	70004041.....120	70004506..... 399
70001100 . 515, 519, 524, 528	7000228 ..... 120	70004042.....120	70004507..... 399
70001126 ..... 299	7000229 ..... 120	70004043.....120	70004508..... 315, 399
70001248 ..... 129	70002290 ..... 515, 519	70004044.....120	70004509..... 399
70001384 . 515, 519, 524, 528	70002291 ..... 524	70004045.....120	70004510..... 399
70001423 ..... 299	70002297 . 515, 519, 524, 527	70004047.....120	70004513..... 355
70001424 ..... 663	7000230 ..... 120	70004048.....120	70004594..... 103, 107
70001425 ..... 663	70002373 ..... 711	70004049.....300	70004595 103, 107, 1004
70001427 ..... 663	70002386 ..... 577, 1004	70004058.....300	70004596..... 103, 107
70001428 ..... 663	70002412 ..... 727, 731	70004059.....300	70004597..... 103, 107
70001429 ..... 663	7000246 ..... 120	70004060.....300	70004617..... 103, 107
70001430 ..... 663	70002460 . 515, 519, 524, 527	70004092..495, 499, 503, 507, 511, 524	70004652..... 103, 107
70001431 ..... 663, 1004	7000247 ..... 120	70004094..... 524	70004653 103, 107, 1004
70001432 ..... 663, 1006	7000248 ..... 120	70004098..495, 508, 524	70004654..... 103, 107
70001435 ..... 299	7000253 ..... 120	70004099..503, 507, 511, 524	70004655..... 103, 107
70001498 ..... 300	7000255 ..... 120	70004103.....300	70004656..... 103, 107
70001696 .. 515, 519, 527	7000257 ..... 120	70004149.....141	70004657..... 103, 107
70001697 ..... 561	70002715 ..... 141	70004169..515, 519, 527, 528	70004659..... 103, 107
70001847 ..... 299	70002716 ..... 141	70004171..495, 499, 515, 519, 528	70004661..... 103, 107
70001850 ..... 299	70002718 ..... 299, 355	70004201..... 71, 73	70004662..... 103, 107
70001866 ..... 300	70002745 ..... 723	70004202..... 71, 73	70004663..... 103, 107
70001868 ..... 300	70002752 ..... 723	70004203..... 71, 73	70004664..... 103, 107
70001870 .. 299, 355, 399	70002753 ..... 723	70004204..... 71, 73	70004665..... 103, 107
70001871 ..... 299	70002754 ..... 723	70004205..... 73	70004666..... 103, 107
70001872 ..... 300	70002755 ..... 723	70004207..... 71	70004667..... 103, 107
70001953 .. 515, 519, 528	70002756 ..... 723	70004208.....299	70004668..... 103
70001966 . 495, 499, 503, 507, 511, 515, 519, 524, 527, 528	70002757 ..... 723	70004268.....299	70004670..... 107
70001973 . 515, 519, 524, 528	70002758 ..... 103, 107	70004269.....299	70004671..... 108
70001974 . 515, 519, 524, 527	70002759 ..... 104, 108	70004270.....300	70004672..... 108
70002001 ..... 567	70002793 ..... 707	70004271.....300	70004673..... 108, 1004
70002002 ..... 567	70002902 ..... 631	70004272.....300	70004674..... 108
70002020 ..... 67	70002903 ..... 631	70004273.....300	70004676 . 495, 499, 503, 508, 511
70002026 ..... 67	70002904 ..... 631	70004275.....355	70004677..... 499
70002027 ..... 67	70002905 ..... 631	70004276.....400	70004678 . 495, 499, 503, 508, 511
70002054 ..... 67	70003003 ..... 299	70004277.....316, 400	70004679 . 495, 499, 503, 508, 511
70002057 ..... 67	70003019 ..... 103, 107	70004279.....399	70004680 . 495, 499, 503, 508, 511
70002059 ..... 67	70003136 ..... 299	70004280.....355	70004681 .. 499, 503, 511
70002063 ..... 77	70003408 ..... 77	70004281.....355	70004682 . 495, 499, 503, 508, 511
70002064 ..... 77, 577	70003454 ..... 129, 131	70004282.....356	70004683.. 499, 503, 511
70002066 ..... 120	70003456 ..... 299	70004283.....356	70004684..... 495
70002085 ..... 120	70003457 ..... 299	70004284.....356	70004685..... 495, 508
70002088 .. 515, 519, 527	70003468 ..... 299	70004353.....67	70004686..... 503, 511
7000213 ..... 120	70003469 ..... 299	70004355.....67	70004687..... 508
70002133 ..... 71, 73	70003470 ..... 299	70004356.....67	70004738..... 633
70002134 ..... 445, 453	70003472 ..... 299	70004361.....67	70004739..... 633
70002146 ..... 445, 453	70003475 ..... 299	70004363.....67	70004740..... 633
70002147 ..... 445, 453	70003478 ..... 299	70004365.....67	70004741..... 633
70002148 ..... 445, 453	70003525 ..... 103, 107	70004367.....67	70004742..... 633
70002149 ..... 445, 453	70003628 ..... 71, 73		70004743..... 633
70002150 ..... 445, 453	70003631 . 515, 519, 524, 527		70004744..... 633
			70004745..... 633

## SECTION 11 - SPECIAL OPTIONS

70004746.....	633	70005313.....	67	70006174.....	433	70006817.....	731
70004747.....	633	70005314.....	67	70006175.....	433, 1005	7000695.....	299
70004748.....	633	70005315.....	67	70006176.....	433, 1005	70007052.....	715
70004749.....	633	70005316.....	67	70006177.....	433	70007064.....	731
70004750.....	633	70005317.....	67	70006178.....	433	70007108.....	434
70004751.....	633	70005318.....	67	70006179.....	433	70007325.....	400
70004752.....	635	70005319.....	67	70006180.....	433	70007326.....	399
70004753.....	635	70005320.....	68	70006181.....	433	70007331.....	400
70004754.....	635	70005321.....	68	70006182.....	433	70007354.....	399
70004755.....	635	70005446.....	357	70006183.....	433	70007355.....	400
70004756.....	635	70005466.....	444, 452	70006184.....	433	70007387.....	703
70004757.....	635	70005467.....	444, 452	70006185.....	433	70007388.....	703, 719
70004758.....	635	70005468.....	444, 452	70006186.....	433	70007389.....	703, 719
70004759.....	635	70005469.....	444, 445, 452, 453	70006187.....	433	70007390.....	703, 719
70004760.....	635	70005470.....	445, 453	70006188.....	433	70007391.....	703, 719
70004761.....	635	70005471.....	445, 453	70006189.....	433	70007392.....	703
70004762.....	635	70005472.....	445, 453	70006191.....	433	70007393.....	719
70004763.....	635	70005473.....	445, 453	70006194.....	433	70007438.....	71, 73
70004764.....	635	70005474.....	445, 453	70006195.....	433	70007452.....	715
70004765.....	635	70005475.....	445, 453	70006196.....	434	70007460.....	717
70004766.....	635	70005476.....	445, 453	70006197.....	434	70007461.....	717
70004767.....	635	70005477.....	445, 453	70006198.....	434	70007462.....	717
70004768.....	635	70005479.....	299	70006199.....	434	70007463.....	717
70004769.....	635	70005527.....	400	70006200.....	434	70007464.....	717
70004770.....	635	70005647.....	400	70006202.....	434	70007465.....	717
70004771.....	635	70005648.....	315, 400, 1005	70006203.....	434	70007466.....	565
70004772.....	635	70005839.....	727	70006205.....	434	70007467.....	565
70004773.....	635	70005871.....	711	70006206.....	434	70007489.....	400
70004774.....	636	70005920.....	399	70006207.....	434	70007603.....	315
70004775.....	636	70005929.....	400	70006208.....	434	70007827.....	337, 341
70004862.....	143, 1004	70005931.....	315, 400	70006213.....	434, 1005	70008045.....	727
70005008.....	311, 423, 429, 1004, 1005	70005941.....	315, 399	70006215.....	434	70008160.....	715
70005171.....	355, 399	70005942.....	315, 399	70006217.....	434	70008161.....	715
70005172.....	355, 399	70006093.....	524	70006219.....	434	70008162.....	715
70005173.....	355, 399	70006094.....	524	70006221.....	434	70008163.....	715
70005174.....	355	70006095.....	524, 1004	70006225.....	434	70008164.....	731
70005176.....	356, 399	70006096.....	524	70006232.....	434	70008165.....	731
70005177.....	356, 399	70006097.....	524	70006233.....	433	70008166.....	731
70005180.....	356	70006134.....	441	70006235.....	434	70008167.....	727
70005181.....	356	70006135.....	441	70006236.....	434	70008168.....	727
70005182.....	356	70006136.....	441	70006294.....	400	70008169.....	727
70005183.....	356	70006144.....	315, 399	70006304.....	120	70008170.....	727
70005184.....	315, 356, 400	70006145.....	433	70006478.....	713	70008171.....	727
70005185.....	356	70006147.....	433	70006479.....	713	70008172.....	727
70005186.....	356	70006150.....	433	70006480.....	713	70008173.....	727
70005188.....	356	70006151.....	433	70006481.....	713	70008174.....	727
70005189.....	356	70006152.....	433	70006482.....	725, 729	70008175.....	711
70005191.....	357, 400	70006153.....	433	70006483.....	725, 729	70008176.....	711
70005201.....	103	70006154.....	433	70006484.....	729	70008177.....	711
70005202.....	103, 107	70006155.....	433, 1005	70006486.....	705	70008178.....	711
70005203.....	120	70006157.....	433	70006487.....	705	70008179.....	711
70005232.....	104, 108	70006158.....	433	70006488.....	705	70008194.....	707
70005298.....	67	70006159.....	433	70006489.....	705	70008195.....	707
70005299.....	67	70006160.....	433	70006552.....	495, 499, 503, 507, 511	70008196.....	707
70005300.....	67	70006161.....	433	70006553.....	495, 499, 503, 507, 511, 1005	70008197.....	707
70005301.....	67	70006162.....	433	70006596.....	711	70008244.....	701
70005302.....	67	70006163.....	433	70006649.....	709	70008246.....	701
70005303.....	67	70006164.....	433	70006650.....	709	70008253.....	145
70005304.....	67	70006165.....	433	70006652.....	315, 400	70008257.....	145
70005305.....	67	70006166.....	433	70006653.....	400	70008260.....	145
70005306.....	67	70006167.....	433	70006654.....	725	70008262.....	145
70005307.....	67	70006168.....	433	70006655.....	725	70008263.....	145
70005308.....	67	70006169.....	433	70006734.....	709	70008264.....	145
70005309.....	67	70006170.....	433	70006735.....	709	70008268.....	145
70005311.....	67	70006171.....	433, 1005	70006736.....	709	70008269.....	145
70005312.....	67	70006172.....	433, 1005	70006736.....	709	70008270.....	145
		70006173.....	433			70008271.....	145

## SECTION 11 - SPECIAL OPTIONS

70008272 .....	145	70025145 .....	355, 399	70025877 .....	357	7010116 .....	444, 452
70008273 .....	145	70025146 .....	355, 399	70026210 .....	315, 400	7010117 .....	445, 453
70008275 .....	701	70025148 .....	356	7002821 .....	1012	7010119 .....	445, 453
70009018 .....	410, 415	70025149 .....	356	7002822 .....	1012	7010121 .....	444, 452
70009019 .....	410, 415	70025150 .....	356	7002823 .....	1012	70104570 .....	357
7001625 .....	721	70025151 .....	355, 400	7002826 .....	1012	7010492 .....	120
7001626 .....	721	70025152 .....	399	7002840 .....	1012	7010543 .....	95, 97, 99, 101
7001627 .....	721	70025153 .....	315, 399, 1005	70028538 .....	400	7011043 .....	115
7001629 .....	721	70025154 .....	355, 399	70028540 .....	400	7011044 .....	115
7001630 .....	721	70025159 .....	356	70029433 .....	400	7011048 .....	115
70021202 .....	107	70025160 .....	315, 355	70029451 .....	399	7011062 .....	115
70022564 .....	707, 711, 715	70025161 .....	315, 400, 1005	70029468 .....	707	7011063 .....	115
70023369 .....	715	70025164 .....	356, 399	70029512 .....	315	7011064 .....	115
70023379 .....	707	70025165 .....	356	70029517 .....	400	7011065 .....	115
70023592 .....	311, 345, 351, 367, 389, 395, 1004, 1005	70025166 .....	357	70029520 .....	400	7011066 .....	115
70023593 .....	311, 345, 351, 367, 389, 395, 1004, 1005	70025171 .....	355	70029797 .....	400	7011112 .....	703
70023859 .....	103, 107	70025176 .....	355	70031095 .....	399	70123584 .....	315
70023862 .....	103, 107	70025177 .....	356	7004248 .....	115	70124507 .....	315
70023867 .....	103, 107	70025179 .....	356	7004275 .....	1012	70124530 .....	357
70024457 .....	103, 107	70025180 .....	356	7004276 .....	1012	70124538 .....	357
70024473 .....	356	70025181 .....	315, 399	7004290 .....	115	7012513 .....	481, 483, 487, 489, 491
70024494 .....	399	70025182 .....	355, 400	70050795 .....	715	7012514 .....	481, 483, 487, 489, 491
70024502 .....	355	70025183 .....	355, 400	70052522 .....	707	7012518 .....	95, 97, 99, 101
70024503 .....	357	70025184 .....	355, 400	70052577 .....	731	7012558 .....	481, 483, 491
70024504 .....	315, 355, 357	70025185 .....	355	7007207 .....	444, 452	7012772 .....	1004
70024507 .....	315, 357, 400	70025189 .....	357	7007208 .....	444, 452	7012773 .....	103, 107
70024509 .....	400	70025191 .....	356	7007412 .....	445, 453	7012914 .....	577
70024512 .....	357	70025192 .....	357	7007413 .....	444, 452	7012918 .....	577
70024513 .....	315, 355, 399	70025195 .....	355	7007415 .....	444, 452	7012941 .....	95, 97, 99, 101
70024517 .....	399	70025198 .....	355	7007417 .....	444, 452	7012943 .....	95, 97, 99, 101, 1004
70024904 .....	355, 399	70025200 .....	356, 400	7007418 .....	444, 452	7012944 .....	95, 97, 99, 101, 1004
70024905 .....	355, 399	70025201 .....	356	7007419 .....	71, 73, 444, 452	7012953 .....	569, 571, 573, 575, 577
70024906 .....	355, 399	70025205 .....	399	7007420 .....	71, 73, 444, 445, 452, 453	7012959 .....	95, 97, 99, 101
70024910 .....	356	70025209 .....	357	7007422 .....	445, 453	7012965 .....	577
70024912 .....	356, 400	70025210 .....	356, 400, 1005	7007423 .....	444, 452	7012967 .....	577
70024913 .....	356	70025211 .....	357	7007425 .....	444, 452	7012970 .....	569, 571, 573, 575
70024914 .....	356	70025212 .....	400	7007430 .....	445, 453	7012987 .....	455
70024915 .....	356, 400	70025213 .....	357	7007431 .....	445, 453	7012988 .....	455
70024917 .....	357, 400	70025214 .....	357	7007434 .....	445, 453	7012989 .....	577
70024918 .....	357	70025215 .....	356	7007435 .....	444, 452	7012995 .....	95, 97, 99, 101
70024920 .....	355, 357, 400	70025216 .....	356	7007438 .....	444, 452	7013189 .....	131
70024922 .....	315, 400	70025217 .....	357	7007439 .....	71, 73, 444, 452	7014676 .....	1012
70024924 .....	315, 399	70025218 .....	357	7007441 .....	445, 453	7016314 .....	133, 135, 137, 139
70024925 .....	355, 399	70025219 .....	357	7007442 .....	444, 452	7016319 .....	239
70024961 .....	315, 355, 399	70025220 .....	357	7007443 .....	444, 452	7016322 .....	245, 247, 249
70025076 .....	355	70025221 .....	356, 357	7007444 .....	445, 453	7016328 .....	299, 1004
70025082 .....	355	70025222 .....	357	7007446 .....	71, 73, 444, 452	7016331 .....	299, 315, 355, 399, 1004, 1005
70025084 .....	299, 356	70025223 .....	357	7007448 .....	444, 452	7016372 .....	239
70025088 .....	355	70025224 .....	357	7007449 .....	444, 452	7016374 .....	245, 247, 249
70025091 .....	355	70025225 .....	357	7007457 .....	444, 452	7016652 .....	1012
70025101 .....	355	70025226 .....	356	7007459 .....	444, 452	7016654 .....	1012
70025109 .....	356	70025228 .....	356	7007463 .....	444, 452	7016655 .....	1012
70025111 .....	356, 399	70025231 .....	356, 399	7007464 .....	444, 452	7017023 .....	120
70025113 .....	357	70025233 .....	356	7007466 .....	444, 452	7017028 .....	120
70025115 .....	356	70025235 .....	355, 400	7007465 .....	444, 452	7017070 .....	120
70025120 .....	357, 400	70025236 .....	357	7007465 .....	444, 452	7017072 .....	120
70025130 .....	315	70025237 .....	357	7007476 .....	445, 453	7017080 .....	120
70025131 .....	356	70025238 .....	357	7007477 .....	445, 453	7017085 .....	120
70025133 .....	356	70025239 .....	355, 399	7007484 .....	445, 453	7017142 .....	561
70025135 .....	355, 399	70025240 .....	355	7007485 .....	445, 453		
70025140 .....	355, 399	70025241 .....	357	7007487 .....	445, 453		
70025142 .....	315, 356, 400	70025242 .....	357, 400	7007488 .....	445, 453		
70025144 .....	355, 399	70025477 .....	316	7007489 .....	455		
		70025660 .....	357	7007499 .....	455		
		70025779 .....	356	7007633 .....	120		
		70025781 .....	356	7010103 .....	455		
		70025788 .....	400	7010104 .....	455		
				7010105 .....	455		

## SECTION 11 - SPECIAL OPTIONS

7017159.....561	7021222 ..... 445, 453	7024875 ..... 444, 452	8229249...693, 927, 1005
7017162.....561	7021223 ..... 445, 453	7024877 ..... 445, 453	8270147....303, 319, 323,
7017163.....561	7021232 ..... 445, 453	7024881 ..... 759, 761	328, 332, 359, 375,
7017164.....561	7021233 ..... 444, 452	7024892 ..... 75, 77	379, 410, 415
7017172.....561	7021249 ..... 71, 73	7026188 ... 515, 519, 527	8305401.....422, 428
7017192.....561	7021256 ... 444, 445, 452,	7026197 ..... 129, 131	8307109.....422, 428
7017195.....561	453	7026199 ... 481, 483, 491	8310129.....679
7017402.....577	7021275 ..... 71, 73	7026503 ..... 129	8310230.....681
7017406.....577	7021375 ..... 103, 107	7026504 ..... 129	8310548.....422, 428
7017452.....577	7021625 ..... 75, 77	7026505 ..... 129, 131	8405006....303, 319, 323,
7017496.....699	7021639 ..... 759, 761	7026506 ..... 129, 131	327, 331, 359, 367,
7018942.....103, 107	7021653 ..... 577	7026507 ..... 129, 131	375, 379, 403, 405,
7019658....133, 135, 137,	7022162 ..... 433	7026509 ..... 129, 131	422, 428, 461, 465
139	7022311 ..... 71, 73	7026511 ..... 131	8405007....311, 345, 351,
7019680....481, 483, 491	7022314 ..... 71, 73	7026597 ... 515, 519, 524,	367, 389, 395
7020020...95, 97, 99, 101	7022321 ..... 71, 73	527	8405009....311, 345, 351,
7020021 ...95, 97, 99, 101	7022368 ..... 71, 73	7026626 ... 515, 519, 524,	367, 389, 395, 422, 428
7020108....481, 483, 487,	7022371 ..... 71, 73	527	8405102.....422, 428
489, 491	7022397 ..... 75, 77	7026631 ..... 299	8405104....311, 345, 351,
7020109....481, 483, 487,	7022399 ..... 75, 77	7027072 ... 303, 319, 323,	367, 389, 395, 423, 429
489, 491	7023038 ..... 721	328, 332, 359, 375,	8405202.....367
7020110....481, 483, 487,	7023911 ..... 577	379, 410, 415	8405203.....423, 429
489, 491	7023912 ..... 577	7027073 ... 303, 319, 323,	8405204....311, 345, 351,
7020111....481, 483, 487,	7023917 ..... 77	328, 332, 359, 375,	367, 389, 395
489, 491	7023933 ..... 77	380, 410, 415	8406101.....410, 414
7020175....161, 165, 169,	7023935 ..... 75, 77	7027074 ... 303, 319, 323,	8406109.....423, 429
173, 177, 181, 185,	7023936 ..... 75, 77	328, 332, 359, 375, 380	8406110....311, 345, 351,
189, 193, 197, 201,	7023979 ..... 445, 453	7027075 ... 303, 319, 323,	367, 389, 395
205, 209, 213, 217,	7024100 ..... 120	328, 332, 359, 375,	8406201....111, 303, 311,
221, 623, 627	7024404 ..... 129, 131	380, 410, 415	319, 323, 327, 331,
7020176....161, 165, 169,	7024439 ..... 143	7027076 ... 304, 320, 324,	345, 351, 359, 367,
173, 177, 181, 185,	7024440 ..... 143	328, 332, 359, 375, 380	375, 379, 389, 395,
189, 193, 197, 201,	7024441 ..... 143	7027236 ..... 299	424, 430
205, 209, 213, 217,	7024443 ..... 143	7027276 ..... 300	8406302.....159
221, 623, 627, 1004	7024444 ..... 143, 1004	7027404 ..... 434	8410001.....423, 429
7020190....481, 483, 487,	7024445 ..... 143	7027740 ..... 71, 73	8410009.....424, 430
489, 491	7024446 ..... 143	7027790 ..... 300	8410011....311, 346, 352,
7020192.....489	7024471 ..... 663	7027791 ..... 300	389, 395, 423, 429
7020403.....299	7024485 ... 515, 519, 527,	7027792 ..... 300	8410013....311, 345, 351,
7020404.....355	1004	7027795 ..... 299, 1004	367, 389, 395
7020408.....299	7024488 ... 516, 520, 523,	7027796 ..... 300	84719619.....740
7020431.....299	527	7027799 ... 515, 519, 524,	85941017..273, 275, 277,
7020460.....299	7024489 ... 516, 520, 523,	527	279
7020465....299, 315, 355,	527	7027887 ... 481, 483, 487,	85941018.....410, 414
399	7024530 ..... 663	489, 491	88261024..569, 571, 573,
7020468.....299	7024531 ..... 663	7028909 ..... 241, 243	575
7020471.....300	7024532 ..... 663	77143013 .161, 165, 169,	88411013.....113, 843
7020479.....300	7024533 ..... 663	173, 177, 181, 185,	88521205..111, 113, 273,
7020487.....299	7024534 ..... 663	189, 193, 197, 201,	275, 277, 279
7020492.....356	7024535 ..... 663	205, 209, 213, 217, 221	88521214..683, 685, 687,
7021200.....444, 452	7024536 ..... 663	77363233 ..... 907, 909	689, 691
7021201.....445, 453	7024537 ..... 663	80233041 ..765, 769, 773	8896941.....1012
7021202.....444, 452	7024579 ... 299, 355, 399	80434249 103, 107, 1004	91143177...765, 769, 773
7021203.....445, 453	7024598 ... 245, 247, 249	80484084 ..889, 893, 897	91203039.....563
7021206.....445, 453	7024704 ..... 120	80934561 ..... 129, 131	91401281..111, 273, 275,
7021207.....444, 452	7024762 ..... 120	80983191 890, 893, 1004,	277, 279
7021210.....444, 452	7024763 ..... 120	1005	91403102..345, 351, 389,
7021212.....444, 452	7024784 ..... 120	8220051 ..... 905	395, 1004, 1005
7021214.....444, 452	7024851 ..... 445, 453	8220115 ..... 893	91403244...311, 389, 395
7021219.....445, 453	7024867 ..... 71, 73	8220164 ..... 889, 897	91474405.....108
7021220.....445, 453	7024868 ..... 71, 73	8229242 ... 890, 893, 923,	
7021221.....445, 453	7024874 ..... 444, 452	1004, 1005	







**Corporate Office  
JLG Industries, Inc.  
1 JLG Drive  
McConnellsburg, PA 17233-9533 USA  
☎ (717) 485-5161 (Corporate)  
☎ (877) 554-5438 (Customer Support)  
📠 (717) 485-6417**

**Visit our website for JLG Worldwide Locations.  
[www.jlg.com](http://www.jlg.com)**



**OSHKOSH™**