



# Illustrated Parts Manual

## **Models** **600A** **600AJ**

Prior to  
SN 0300069000

**P/N**  
**3120719**

January 31, 2019 - Rev AM

**ANSI**



An Oshkosh Corporation Company



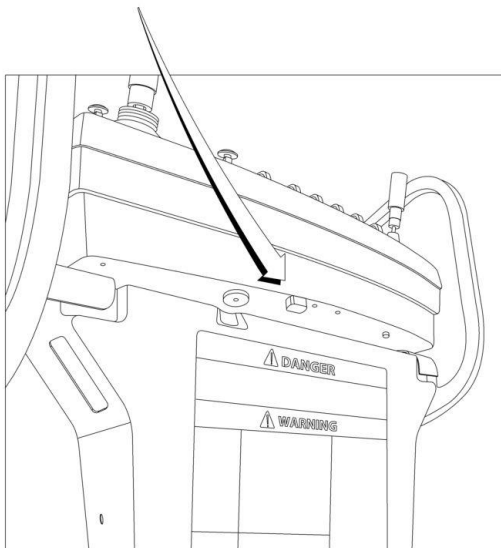


# REVISION LOG

## NOTES:

### ADE SYSTEM IDENTIFICATION

Most 600A and 600AJ machines from S/N 64249 incorporate the ADE System, but no clean S/N break exist. The following machine serial numbers prior to S/N 64249 also utilize ADE System: 63908, 63912, 63932, 63936, 63938, 63954, 63959 and 63963. A machine that incorporates ADE System can be outwardly identified by the analyzer connection at the base of the platform control box.



## MANUAL REVISION LOG:

February, 1996 - A - Original Issue Of Manual

September, 1997 - B - Revised (Manual edited to 0010519 Revision 31)

February, 1998 - C - Change 1 (Manual edited to 0010519 Revision 37)

### Pages Affected:

Cover

Effectivity Page: a

Table of Contents Pages: i & ii

Section 1 Pages: 1-1 & 1-28 to 1-30

Section 2 Pages: 2-1, 2-2, 2-4 to 2-6, 2-10, 2-20, 2-22 to 2-24, 2-26, 2-27, 2-29, 2-31 to 2-36,  
2-38, 2-39, 2-42, 2-45, 2-48, to 2-51, 2-58 to 2-59B, 2-62 to 2-65 & 2-67 to 2-69

Section 3 Pages: 3-1, 3-13, 3-21 to 3-24

Section 4 Pages: 4-1, 4-5 to 4-9, 4-17 & 4-18

Section 5 Pages: 5-1 & 5-28 to 5-30

Section 7 Pages: 7-1 to 7-28

Section 8 Pages: 8-4 & 8-5

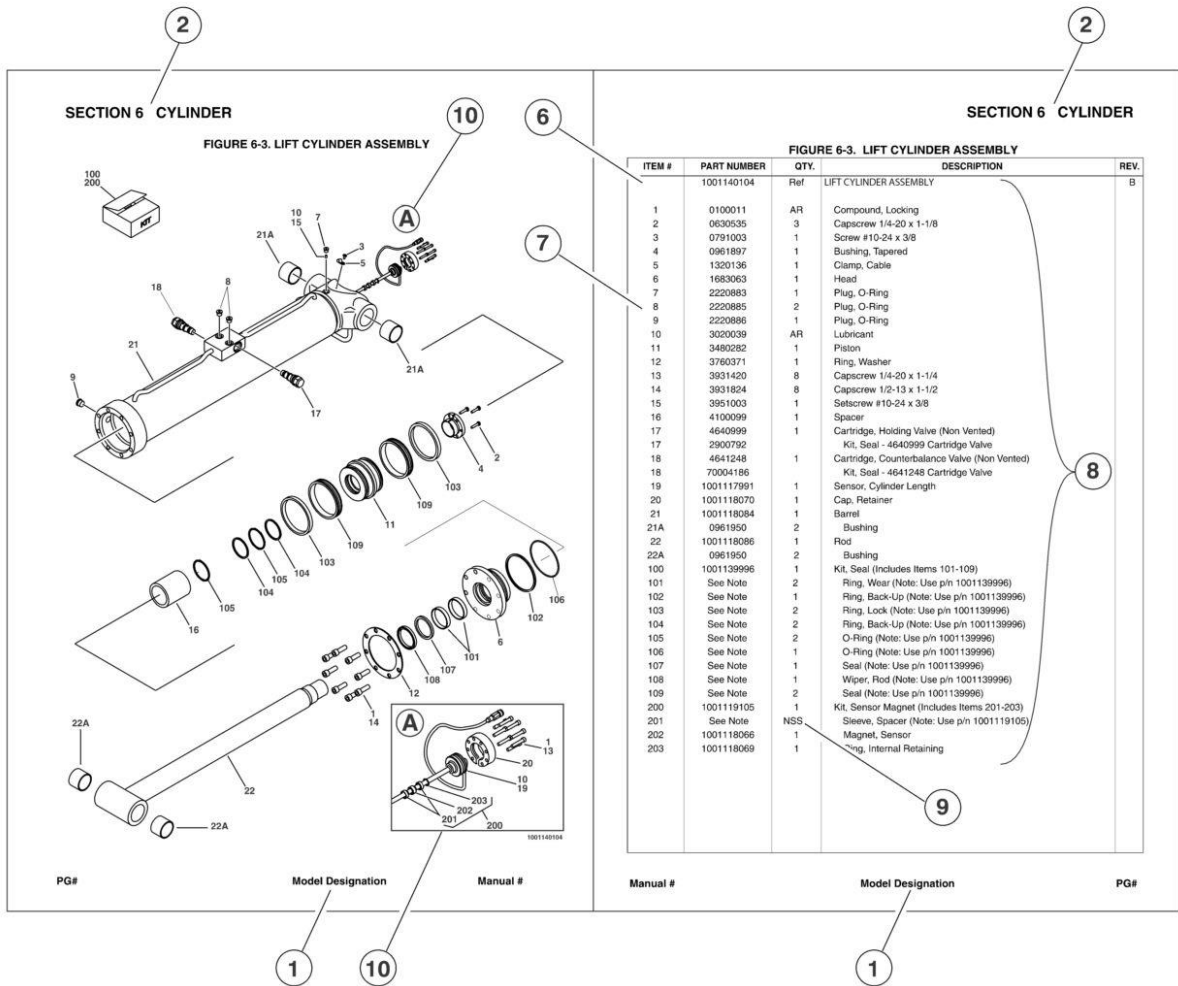
Section 9 Pages: 9-1

## REVISION LOG

Section 10 Pages: 10-2

February 12, 1999 - D - Revised (Manual edited to 0010519 Revision 50)  
September 30, 1999 - E - Revised (Manual edited to 0010519 Revision 58)  
March 1, 2000 - F - Revised (Manual edited to 0010519 Revision 63)  
August 22, 2001 - G - Revised (Manual edited to 0010519 Revision 73 & 0010577 Revision 6 With ADE System)  
March 1, 2002 - H - Revised (Manual edited to 0010577 Revision 9)  
July 31, 2002 - I - Revised (Manual edited to 0010577 Revision 18)  
February 15, 2003 - J - Added "Prior to S/N 0300069000" to Front Cover. Refer to Parts Manual 3121177Manual for Machines Built S/N 0300069000 to 0300087000.  
March 6, 2003 - K - Revised Manual  
June 16, 2003 - L - Revised Manual  
May 5, 2004 - M - Revised Manual  
April 11, 2005 - N - Revised Manual  
November 15, 2005 - O - Revised Manual  
April 18, 2006 - P - Revised Manual  
July 19, 2006 - Q - Revised Manual  
December 12, 2006 - R - Revised Manual  
May 1, 2007 - S - Revised Manual  
August 16, 2007 - T - Revised Manual  
December 4, 2007 - U - Revised Manual  
March 31, 2008 - V - Revised Manual  
September 15, 2008 - W - Revised Manual  
February 15, 2009 - X - Revised Manual  
August 1, 2009 - Y - Revised Manual  
March 25, 2010 - Z - Revised Manual  
August 15, 2010 - AA - Revised Manual  
May 27, 2011 - AB - Revised Manual  
August 29, 2011 - AC - Revised Manual  
December 23, 2011 - AD - Revised Manual  
April 27, 2012 - AE - Revised Manual  
July 24, 2012 - AF - Revised Manual  
November 2, 2012 - AG - Revised Manual  
March 7, 2013 - AH - Revised Manual  
June 6, 2013 - AI - Revised Manual  
September 1, 2013 - AJ - Revised Manual  
June 1, 2015 - AK - Revised Manual  
December 14, 2015 - AL - Revised Manual (Revision 4)  
January 31, 2019 - AM - Revised Manual

# GENERAL INFORMATION



## 1) MACHINE IDENTIFICATION

Machines are identified by model and in some cases a combination of models, serial number (SN) or regional standard (i.e ANSI, CE, CSA). Components may also be identified by SN or manufacturer. Common components that may be identified by these characteristics are engines and hydraulic components.

## 2) PARTS MANUAL ORGANIZATION

Product information in this manual is organized under section titles. Frame, Cylinder, Hydraulic and Electrical are a few examples. Each section is organized by figure and page number. The information within the Figure is then organized by item number, part number, description and corresponding illustration (s).

## 3) TABLE OF CONTENTS

A table of contents is found toward the beginning of the manual. Figure number, description and page number are provided for quick reference to the page containing the related information.

## 4) RECOMMENDED SPARE PARTS

The Recommended Spare Parts, located near the end of the manual, reference most frequently used maintenance parts.

## 5) PART NUMBER INDEX

A numerical index listing all part numbers and the corresponding page number(s) appears at the back of the manual.

## GENERAL INFORMATION

### 6) NON-SERVICED PARTS

In some instances, it is necessary to display non-serviced parts, assemblies or installations. In the case of assemblies and installations there will be a Ref in the Qty column. In case of parts that are not available for service within assemblies or components, there will be a NSS (Not Sold Separately) or NLA (No Longer Available) listed in the Qty. column of the manual.

### 7) PARTS LIST ITEM NUMBERS

Numbers shown in the item# column correspond to numbers used in the associated illustration (s). Item numbers which are missing from the sequence in the parts list are not used on that page

### 8) INDENTED PARTS DESCRIPTION

An indented part description is included in the item under which it is indented.

### 9) ABB REVIATION AND SYMBOLS

AC.....	.. Alternating Current	LCD .....	Liquid Crystal Display
ADE.....	..Advanced Design Electronics	LED .....	Light Emitting Diodes
ANSI .....	..American National Standards Institute	LH.....	.. Left Hand
AR.....	..As Required	LSS .....	..Load Sensing System
ASSY .....	.. Assembly	M(m).....	.. Metric/Meter
AUX.....	..A uxiliary	MM (mm) .....	..Milimeter
AWG.....	..American WireGauge	mA.....	.. Milliamps
B/M.....	.. Bill of Material	NLA.....	..No Longer A vailable
CE.....	..European Conformity	NPT .....	.. National Pipe T hreads
CCW .....	..Counter Clockwise	NSS .....	..Not Sold Separately
cm.....	..Centimet er	OD.....	..Outside Diameter
CW.....	..Clockwise	ORB.....	.. O-Ring Bos s
CSA.....	..Canadian Standards Association	ORFS.....	.. O-Ring Face Seal
CYL.....	..Cylinder	OZ (oz).....	..Ounces
DIA.....	..Diameter	PG .....	..Page
DC.....	..Direct Current	P/N.....	..Part Num ber
EMS .....	..Emergency Stop	qt.....	..Quarts
ENG .....	..Engine	QTY.....	..Quantity
FT (ft).....	..Feet	REF .....	..Reference
GA(Ga).....	..G auge	REV .....	..Revision Level
HYD .....	..Hydraulic	RH.....	.. Right Hand
Hz.....	..Her tz	SAE.....	.. Society of Automotive E ngineers
ID.....	..Inside Diameter	SN.....	..Serial Number
in.....	..inches	SPEC(S).....	..Specifications
ISO.....	..I nternational Organ ization for Stand ards	T/T.....	..T urntable
JIC.....	..Joint Indust ry Council	UGM .....	..Univ ersal G round Module
KG .....	..Kilogram	V.....	..Volts
L.....	..Liter	W.....	..Watts
LB.....	..P ounds	#.....	..Number

### 10) ILLUSTRATION REFERENCE LETTERS

When necessary, illustrations may contain reference letters that are intended to track information (i. e. hoses, harnesses) from one point to another or to track visual enlargement of components to show details that may be located in another area on the illustration.

*Note: Due to continuous product improvements, JLG Industries, Inc. reserves the right to make specification changes without prior notification. Contact JLG Industries, Inc. for updated information.*

# TABLE OF CONTENTS

SECTION 1 - FRAME.....	11
FIGURE 1-1. 2WD FRONT AXLE AND STEERING INSTALLATIONS.....	12
FIGURE 1-2. 4WD FRONT AXLE AND STEERING INSTALLATIONS.....	16
FIGURE 1-3. 4WS REAR STEERING INSTALLATIONS.....	20
FIGURE 1-4. TIRE AND WHEEL DRIVE INSTALLATIONS.....	24
FIGURE 1-5. DRIVE HUB ASSEMBLY.....	28
FIGURE 1-6. DRIVE BRAKE ASSEMBLY.....	30
FIGURE 1-7. DRIVE MOTOR ASSEMBLY - SUNSTRAND (2WD).....	34
FIGURE 1-8. DRIVE MOTOR ASSEMBLY - REXROTH (4WD).....	36
FIGURE 1-9. TOW PACKAGE INSTALLATION (OPTIONAL).....	38
SECTION 2 - TURNTABLE.....	41
FIGURE 2-1. CONTROL VALVES INSTALLATIONS.....	42
FIGURE 2-2. MAIN VALVE BLOCK ASSEMBLY.....	46
FIGURE 2-3. ACCESSORY VALVE ASSEMBLIES.....	50
FIGURE 2-4. SWING DRIVE, TURNTABLE BEARING AND LOCK INSTALLATIONS.....	52
FIGURE 2-5. SWING HUB ASSEMBLY.....	54
FIGURE 2-6. SWING BRAKE ASSEMBLY.....	56
FIGURE 2-7. SWING MOTOR ASSEMBLY.....	60
FIGURE 2-8. CONTINENTAL ENGINE INSTALLATIONS.....	62
FIGURE 2-9. GENERATOR INSTALLATION (OPTIONAL - CONTINENTAL ENGINE MACHINES).....	68
FIGURE 2-10. DEUTZ ENGINE INSTALLATION - WITHOUT NOISE REDUCTION (Prior to SN 0300029930).....	72
FIGURE 2-11. DEUTZ ENGINE INSTALLATION - WITH NOISE REDUCTION (SN 0300028190 through 0300069000).....	78
FIGURE 2-12. GENERATOR INSTALLATION (OPTIONAL - DEUTZ ENGINE MACHINES).....	86
FIGURE 2-13. FORD ENGINE INSTALLATIONS (Prior to SN 0300037117).....	90
FIGURE 2-14. FORD ENGINE INSTALLATIONS - LRG425 WITH CARBURETOR (SN 0300037117 through 0300069000).....	98
FIGURE 2-15. FORD ENGINE INSTALLATIONS - LRG-425 WITH EFI (SN 0300048907 through 0300069000).....	106
FIGURE 2-16. DUAL FUEL INSTALLATION (OPTIONAL - FORD ENGINE WITH CARBURETOR MACHINES).....	112
FIGURE 2-17. DUAL FUEL INSTALLATION (OPTIONAL - FORD ENGINE MACHINES WITH EFI) (SN 0300048907 through 0300069000).....	114
FIGURE 2-18. GENERATOR INSTALLATION (OPTIONAL - FORD ENGINE MACHINES).....	116
FIGURE 2-19. ISUZU ENGINE INSTALLATION - 4JB1.....	120
FIGURE 2-20. PISTON PUMP ASSEMBLY.....	124
FIGURE 2-21. GEAR PUMP ASSEMBLY.....	130
FIGURE 2-22. TANKS INSTALLATION.....	132
FIGURE 2-23. ROTARY COUPLING INSTALLATIONS.....	136
FIGURE 2-24. GROUND CONTROL BOX INSTALLATIONS (Prior to SN 0300064249).....	138
FIGURE 2-25. GROUND CONTROL BOX INSTALLATIONS (ADE SYSTEM) (SN 0300064249 through 0300069000).....	144
FIGURE 2-26. ELECTRICAL OPTIONS INSTALLATIONS (TURNTABLE MOUNTED).....	148
FIGURE 2-27. ENGINE TRAY JACK INSTALLATIONS (OPTIONAL).....	152
FIGURE 2-28. HOODS INSTALLATIONS - WITHOUT NOISE REDUCTION.....	154
FIGURE 2-29. HOODS INSTALLATIONS - WITH NOISE REDUCTION.....	158
SECTION 3 - BOOM.....	163
FIGURE 3-1. BOOMS AND CYLINDERS INSTALLATION - 600A.....	164
FIGURE 3-2. BOOMS AND CYLINDERS INSTALLATION - 600AJ.....	168
FIGURE 3-3. TOWER BOOM ASSEMBLIES.....	174
FIGURE 3-4. MAIN BOOM ASSEMBLIES.....	178
FIGURE 3-5. ROTATOR ASSEMBLIES (FRONT ENTRY PLATFORM).....	182
FIGURE 3-6. ROTATOR ASSEMBLIES (SIDE ENTRY PLATFORM).....	186
FIGURE 3-7. VALVES AND SWITCHES INSTALLATION (BOOM MOUNTED).....	188
FIGURE 3-8. BOOM WIPERS INSTALLATIONS (OPTIONAL).....	190
SECTION 4 - PLATFORM.....	193
FIGURE 4-1. PLATFORM COMPONENTS INSTALLATION (FRONT ENTRY).....	194
FIGURE 4-2. PLATFORM COMPONENTS INSTALLATION (SIDE ENTRY).....	198
FIGURE 4-3. PLATFORM CONSOLE ASSEMBLY (Prior to SN 0300064249).....	202
FIGURE 4-4. PLATFORM CONSOLE ASSEMBLY (WITH ADE SYSTEM) (SN 0300064249 through 0300069000).....	208
FIGURE 4-5. CONTROLLER ASSEMBLY (SWING AND LIFT) (Prior to SN 0300039749).....	212
FIGURE 4-6. CONTROLLER ASSEMBLY (SWING AND LIFT) (SN 0300039749 through 0300064249).....	214
FIGURE 4-7. CONTROLLER ASSEMBLY (SWING AND LIFT) (WITH ADE SYSTEM) (ORIGINAL EQUIPMENT) (SN 0300064249 through 0300069000).....	216

# TABLE OF CONTENTS

FIGURE 4-8. CONTROLLER ASSEMBLY (SWING AND LIFT) (WITH ADE SYSTEM) (SERVICE REPLACEMENT) (SN 0300064249 through 0300069000) .....	218
FIGURE 4-9. CONTROLLER ASSEMBLY (SWING AND LIFT) (WITH ADE SYSTEM) (SERVICE REPLACEMENT) (SN 0300064249 through 0300069000) .....	220
FIGURE 4-10. CONTROLLER ASSEMBLY (DRIVE AND STEER) (Prior to SN 0300039749) .....	224
FIGURE 4-11. CONTROLLER ASSEMBLY (DRIVE AND STEER) (SN 0300039749 through 0300064249) .....	228
FIGURE 4-12. CONTROLLER ASSEMBLY (DRIVE AND STEER) (WITH ADE SYSTEM) (ORIGINAL EQUIPMENT) (SN 0300064249 through 0300069000) .....	230
FIGURE 4-13. CONTROLLER ASSEMBLY (DRIVE AND STEER) (WITH ADE SYSTEM) (SERVICE REPLACEMENT) (SN 0300064249 through 0300069000) .....	232
FIGURE 4-14. CONTROLLER ASSEMBLY (DRIVE AND STEER) (WITH ADE SYSTEM) (SERVICE REPLACEMENT) (SN 0300064249 through 0300069000) .....	234
FIGURE 4-15. SOFT TOUCH SYSTEM INSTALLATION (OPTIONAL) (SN 0300039749 through 0300064249).....	236
 SECTION 5 - CYLINDER.....	239
FIGURE 5-1. AXLE LOCKOUT CYLINDER ASSEMBLY.....	240
FIGURE 5-2. PLATFORM LEVEL CYLINDER ASSEMBLIES (Prior to SN 0300024714).....	242
FIGURE 5-3. PLATFORM LEVEL CYLINDER ASSEMBLIES (ORIGINAL EQUIPMENT) (SN 0300024714 through 0300069000) .....	244
FIGURE 5-4. LEVEL CYLINDER ASSEMBLY - PLATFORM SLAVE (600A) (SERVICE REPLACEMENT) .....	248
FIGURE 5-5. LEVEL CYLINDER ASSEMBLY - PLATFORM SLAVE (600AJ) (SERVICE REPLACEMENT).....	250
FIGURE 5-6. LEVEL (UPRIGHT) CYLINDER ASSEMBLY.....	252
FIGURE 5-7. LEVEL CYLINDER ASSEMBLY- UPRIGHT (SERVICE REPLACEMENT).....	254
FIGURE 5-8. LIFT (ARTICULATING JIB) CYLINDER ASSEMBLY - 600AJ.....	256
FIGURE 5-9. LIFT (MAIN BOOM) CYLINDER ASSEMBLY (ORIGINAL EQUIPMENT).....	258
FIGURE 5-10. LIFT CYLINDER ASSEMBLY - MAIN BOOM (SERVICE REPLACEMENT) .....	260
FIGURE 5-11. LIFT (TOWER BOOM) CYLINDER ASSEMBLY (ORIGINAL EQUIPMENT).....	262
FIGURE 5-12. LIFT CYLINDER ASSEMBLY - TOWER BOOM (SERVICE REPLACEMENT).....	264
FIGURE 5-13. MASTER CYLINDER ASSEMBLIES (ORIGINAL EQUIPMENT) .....	266
FIGURE 5-14. MASTER CYLINDER ASSEMBLY - 600A (SERVICE REPLACEMENT) .....	270
FIGURE 5-15. MASTER CYLINDER ASSEMBLY - 600AJ (SERVICE REPLACEMENT) .....	272
FIGURE 5-16. STEER CYLINDER ASSEMBLIES .....	274
FIGURE 5-17. TELESCOPE (MAIN BOOM) CYLINDER ASSEMBLIES (ORIGINAL EQUIPMENT) .....	276
FIGURE 5-18. TELESCOPE CYLINDER ASSEMBLY - MAIN BOOM (600A) (SERVICE REPLACEMENT) .....	278
FIGURE 5-19. TELESCOPE CYLINDER ASSEMBLY - MAIN BOOM (600AJ) (SERVICE REPLACEMENT) .....	280
FIGURE 5-20. TELESCOPE (TOWER BOOM) CYLINDER ASSEMBLY (ORIGINAL EQUIPMENT).....	282
FIGURE 5-21. TELESCOPE CYLINDER ASSEMBLY - TOWER BOOM (SERVICE REPLACEMENT).....	284
FIGURE 5-22. CYLINDER BELLOWS INSTALLATION (OPTIONAL) .....	286
 SECTION 6 - HYDRAULIC .....	289
FIGURE 6-1. DRIVE HYDRAULIC DIAGRAM - 2WD/2WS .....	290
FIGURE 6-2. DRIVE HYDRAULIC DIAGRAM - 4WD/2WS .....	292
FIGURE 6-3. HYDRAULIC DIAGRAM - OSCILLATING AXLE .....	296
FIGURE 6-4. HYDRAULIC DIAGRAM - STANDARD .....	298
FIGURE 6-5. HYDRAULIC DIAGRAM LIST.....	302
 SECTION 7 - ELECTRICAL.....	303
FIGURE 7-1. ELECTRICAL DIAGRAM LIST .....	304
FIGURE 7-2. ELECTRICAL SCHEMATIC - DIESEL MACHINES WITH COLORED WIRING (Prior to SN 0300035129) .....	308
FIGURE 7-3. ELECTRICAL SCHEMATIC - DIESEL MACHINES WITH NUMBERED COLORED WIRING (SN 0300035129 through 0300069000) .....	312
FIGURE 7-4. ELECTRICAL SCHEMATIC - DIESEL UL MACHINES WITH NUMBERED COLORED WIRING (SN 0300039457 through 0300069000).....	316
FIGURE 7-5. ELECTRICAL SCHEMATIC - GAS MACHINES WITH COLORED WIRING (Prior to SN 0300035129) .....	320
FIGURE 7-6. ELECTRICAL SCHEMATIC - GAS MACHINES WITH NUMBERED COLORED WIRING (SN 0300035129 through 0300048907) .....	324
FIGURE 7-7. ELECTRICAL SCHEMATIC - GAS MACHINES WITH EFI SYSTEM (SN 0300048907 through 0300069000) .....	328
FIGURE 7-8. ELECTRICAL SCHEMATIC - GAS UL MACHINES WITH NUMBERED COLORED WIRING (SN 0300039457 through 0300069000) .....	332
FIGURE 7-9. ELECTRICAL SCHEMATIC - UL MACHINES (LP ONLY WITH NUMBERED COLORED WIRING (SN 0300039457 through 0300069000) .....	336
FIGURE 7-10. ELECTRICAL SCHEMATIC - ISUZU ENGINE (SN 0300063908 through 0300069000).....	340
FIGURE 7-11. ELECTRICAL SCHEMATIC - DIESEL/GAS MACHINES (WITH ADE SYSTEM) (SN 0300064249 through 0300069000) .....	344

# TABLE OF CONTENTS

FIGURE 7-12. HARNESS COMPONENTS INSTALLATION (Prior to SN 0300064249) .....	348
FIGURE 7-13. HARNESS COMPONENTS INSTALLATION (WITH ADE SYSTEM) (SN 0300064249 through 0300064269) ....	360
FIGURE 7-14. HARNESS COMPONENTS INSTALLATION (WITH ADE SYSTEM) (SN 0300064270 through 0300069000) ....	368
SECTION 8 - DECALS .....	377
FIGURE 8-1. DECALS INSTALLATION - STANDARD .....	378
FIGURE 8-2. DECAL INSTALLATION - COUNTRY SPEC .....	382
SECTION 9 - RECOMMENDED SERVICE PARTS STOCK .....	387
FIGURE 9-1. MODELS 600A/600AJ/N600AJ .....	388
FIGURE 9-2. MODELS 600A/600AJ/N600AJ .....	390
SECTION 10 - SPECIAL OPTIONS .....	391
FIGURE 10-1. SPECIAL OPTIONS .....	392
PART NUMBER INDEX .....	397

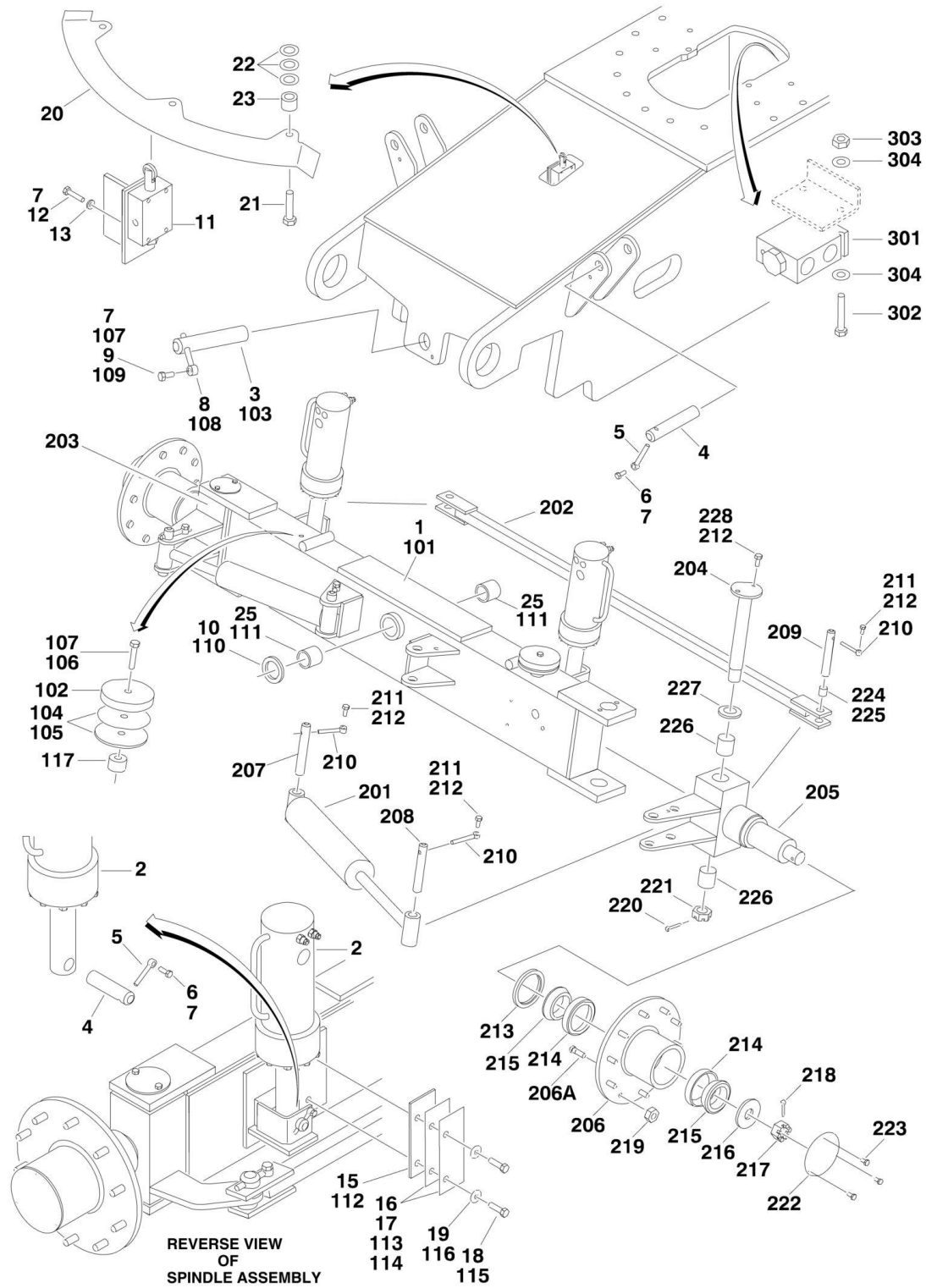




**SECTION 1 - FRAME**

# SECTION 1 - FRAME

## FIGURE 1-1. 2WD FRONT AXLE AND STEERING INSTALLATIONS



# SECTION 1 - FRAME

## FIGURE 1-1. 2WD FRONT AXLE AND STEERING INSTALLATIONS

ITEM	PART NUMBER	QTY	DESCRIPTION	REV
		Ref	<b>AXLE INSTALLATIONS - OSCILLATING</b>	
	0255404	Ref	<b>ANSI 8ft/2.4m Wide Machines (Prior to SN 0300041868)</b>	7
	0256398	Ref	<b>ANSI 8ft/2.4m Wide Machines (SN 0300041868 through 0300069000)</b>	3
	0255418	Ref	<b>ANSI 7ft/2.1m Wide Machines (Prior to SN 0300041868)</b>	6
	0256397	Ref	<b>ANSI 7ft/2.1m Wide Machines (SN 0300041868 through 0300069000)</b>	4
	0256398	Ref	<b>CSA 8ft/2.4m Wide Machines</b>	3
	0256397	Ref	<b>CSA 7ft/2.1m Wide Machines</b>	4
1		Ref	Axle Weldment Options:	
1	4844929	1	8 ft/2.4m Wide Machine	
1	4844960	1	7 ft/2.1m Wide Machine	
2	1683280	2	Lockout Cylinder Assembly (See CYLINDER SECTION for Breakdown)	
3		Ref	Pin, Pivot Options:	
3	3422431	NLA	ANSI (Use p/n 3422592)	
3	3422592	1	<b>ANSI and CSA (SN 0300041868 through 0300069000)</b>	
4	3422426	4	Pin, Cylinder	
5	3841143	4	Keeper, Pin	
6	0641608	4	Bolt 3/8in-16NC x 1in	
7	0100011	AR	Compound, Locking	
8	3841258	1	Keeper, Pin	
9	0642012	1	Bolt 5/8in-11NC x 1-1/2in	
10	4740158	1	Thrustwasher	
11	4640871	1	Valve, Cam	
11	7012693	1	Seal Kit - 4640871 Valve	
11	7002840	1	Tool, Pin Removal	
12	0641414	4	Bolt 1/4in-20NC x 1-7/8in	
13	4711400	8	Flatwasher 1/4in Thin	
15	3538047	2	Plate, Wear	
16	4070878	4	Shim, (.06)	
17	4070879	4	Shim, (.12)	
18	0641612	4	Bolt 3/8in-16NC x 1-1/2in	
19	4711600	4	Flatwasher 3/8in Thin	
20	1100098	1	Cam, Lockout	
21	0641820	3	Bolt 1/2in-13NC x 2in	
22	4751800	9	Flatwasher 1/2in Regular	
23	4566832	3	Tube, Spacer	
25	0961950	2	Bushing	
		Ref	<b>AXLE INSTALLATIONS - FIXED</b>	
	0255416	Ref	<b>ANSI 8ft/2.4m Wide Machines (Prior to SN 0300041868)</b>	3
	0256623	Ref	<b>ANSI 8ft/2.4m Wide Machines (SN 0300041868 through 0300069000)</b>	3
	0255419	Ref	<b>ANSI 7ft/2.1m Wide Machines (Prior to SN 0300041868)</b>	3
	0256624	Ref	<b>ANSI 7ft/2.1m Wide Machines (SN 0300041868 through 0300069000)</b>	2
	0256623	Ref	<b>CSA 8ft/2.4m Wide Machines</b>	3
	0256624	Ref	<b>CSA 7ft/2.1m Wide Machines</b>	2
101		Ref	Axle Weldment Options:	
101	4844929	1	8ft/2.4 Wide Machines	
101	4844960	1	7ft/2.1 Wide Machines	

# SECTION 1 - FRAME

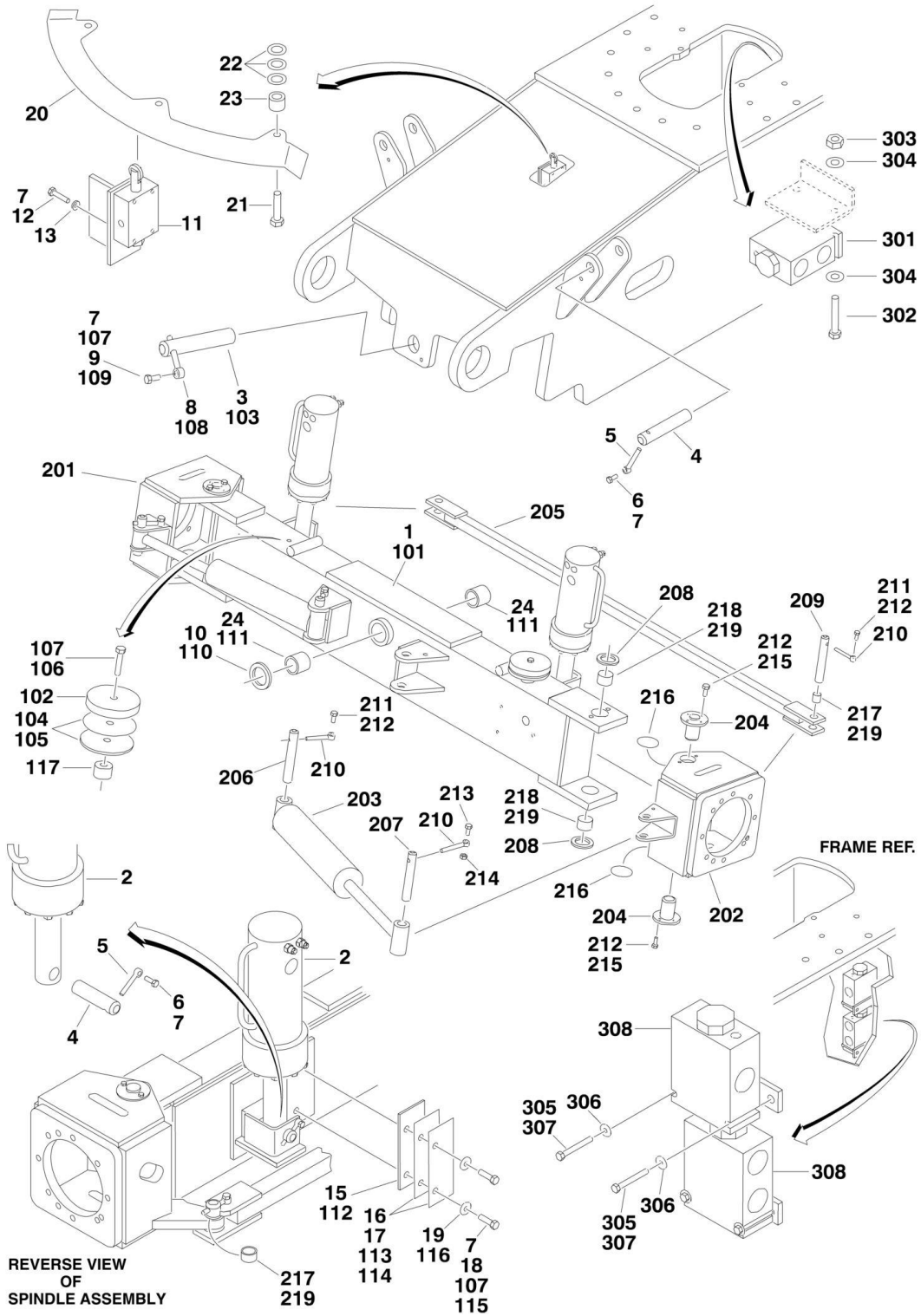
ITEM	PART NUMBER	QTY	DESCRIPTION	REV
102	3539877	2	Plate, Stop	
103		Ref	Pin, Pivot Options:	
103	3422325	NLA	ANSI Machines (Use p/n 3422592)	
103	3422592	1	ANSI Machines and CSA Machines ( <b>SN 0300041868 through 0300069000</b> )	
104	4070944	AR	Shim (.06)	
105	4070945	AR	Shim (.25)	
106	0641826	4	Bolt 1/2in-13NC x 3-1/4in	
107	0100019	AR	Compound, Locking	
108	3841258	1	Keeper, Pin	
109	0642012	1	Bolt 5/8in-11NC x 1-1/2in	
110	4740158	1	Thrustwasher	
111	0961950	2	Bushing	
112	3538047	2	Plate, Wear	
113	4070878	AR	Shim (.06)	
114	4070879	AR	Shim (.12)	
115	0641612	4	Bolt 3/8in-16NC x 1-1/2in	
116	4711600	4	Flatwasher 3/8in Thin	
117	3539879	2	Plate, Stop	
		Ref	<b>STEERING INSTALLATIONS</b>	
	0255405	Ref	<b>ANSI 8ft/2.4m Wide Machines (Prior to SN 0300041868)</b>	4
	0256388	Ref	<b>ANSI 8ft/2.4m Wide Machines (SN 0300041868 through 0300069000)</b>	4
	0255406	Ref	<b>ANSI 7ft/2.1m Wide Machines (Prior to SN 0300041868)</b>	3
	0256391	Ref	<b>ANSI 7ft/2.1m Wide Machines (SN 0300041868 through 0300069000)</b>	4
	0256388	Ref	<b>CSA 8ft/2.4m Wide Machines</b>	4
	0256391	Ref	<b>CSA 7ft/2.1m Wide Machines</b>	4
201		Ref	Steer Cylinder Assembly Options: (See CYLINDER SECTION for Breakdown)	
201	1683208	2	8ft/2.4 Wide Machines	
201	1683304	2	7ft/2.1 Wide Machines	
202		Ref	Tie-Rod Options:	
202	3841262	1	8ft/2.4 Wide Machines	
202	3841263	1	7ft/2.1 Wide Machines	
203		Ref	Spindle Options: (Right Side)	
203	4130325	NLA	ANSI (Note: Use p/n 4130341)	
203	4130341	1	ANSI and CSA ( <b>SN 0300041868 through 0300069000</b> )	
204	3422427	2	Kingpin	
205		Ref	Spindle Options: (Left Side)	
205	4130326	NLA	ANSI (Use p/n 4130340)	
205	4130340	1	ANSI and CSA ( <b>SN 0300041868 through 0300069000</b> )	
206	2780212	2	Hub	
206A	0630490	16	Stud, Wheel (8 Per Hub)	
207	3422426	2	Pin	
208	3422429	2	Pin	
209	3422430	2	Pin	
210	3841143	6	Keeper	
211	0641608	6	Bolt 3/8in-16NC x 1in	
212	0100011	AR	Compound, Locking	
213	3960098	2	Seal	
214	0440019	4	Cone, Bearing	

## SECTION 1 - FRAME

ITEM	PART NUMBER	QTY	DESCRIPTION	REV
215	0440018	4	Cup, Bearing	
216	4740016	2	Washer, Hardened	
217	3323403	2	Nut, Slotted 1-1/2in-12NF	
218	3450810	2	Pin, Cotter 1/4in x 2 1/2in	
219	3300106	16	Lugnut 5/8in	
220	3451012	2	Pin, Cotter 1/4in x 3in	
221	3313403	2	Nut, Slotted 1-1/2in-6NC	
222	1120460	2	Cap, Hub	
223	0641404	6	Bolt 1/4in-20NC x 1/2in	
224	0962005	2	Bushing	
225	0100063	AR	Loctite #RC609	
226		Ref	Bushing Options:	
226	0961948	4	Bushing ( <b>Prior to SN 0300062140</b> )	
226	0962272	4	Bushing ( <b>SN 0300062140 through 0300069000</b> )	
227	0440161	2	Thrustwasher	
228	0681608	4	Bolt 3/8in-16NC x 1in (Grade 8)	
	2890245	1	Wheel Bearing Retention Washer Replacement Kit (Includes Items 216 & 218)	
		Ref	<b>VALVE INSTALLATIONS</b>	
	0255413	Ref	<b>Valve Installations (Prior to SN 0300056718)</b>	5-C
	0270123	Ref	<b>Valve Installations (SN 0300056718 through 0300069000)</b>	2-B
301	4640923	1	Valve, Flow Divider	
301	7012442	1	Cartridge	
301	7012980	1	Seal Kit - 7012442 Cartridge	
301	7012993	1	Orifice	
302	0641522	2	Bolt 5/16in-18NC x 2-3/4in	
303	3311505	2	Locknut 5/16in-18NC	
304	4751500	4	Flatwasher 5/16in Regular	
305	4060808	3.5	Shield, Flex Trim (Not Shown)	
		ft/1.1m		

# SECTION 1 - FRAME

## FIGURE 1-2. 4WD FRONT AXLE AND STEERING INSTALLATIONS



# SECTION 1 - FRAME

## FIGURE 1-2. 4WD FRONT AXLE AND STEERING INSTALLATIONS

ITEM	PART NUMBER	QTY	DESCRIPTION	REV
		Ref	<b>AXLE INSTALLATIONS - OSCILLATING</b>	
	0255415	Ref	<b>ANSI (Prior to SN 0300041868)</b>	4
	0256392	Ref	<b>ANSI (SN 0300041868 through 0300069000)</b>	3
	0256392	Ref	<b>CSA</b>	3
1	4845041	1	Axle Weldment	
2	1683280	2	Lockout Cylinder Assembly (See CYLINDER SECTION for Breakdown)	
3		Ref	Pin, Pivot Options:	
3	3422431	NLA	ANSI (Use p/n 3422592) <b>(Prior to SN 0300041868)</b>	
3	3422592	1	ANSI and CSA <b>(SN 0300041868 through 69000)</b>	
4	3422426	4	Pin, Cylinder	
5	3841143	4	Keeper, Pin	
6	0641608	4	Bolt 3/8in-16NC x 1in	
7	0100011	AR	Compound, Locking	
8	3841258	1	Keeper	
9	0642012	1	Bolt 5/8in-11NC x 1-1/2in	
10	4740158	1	Thrustwasher	
11	4640871	1	Valve, Cam	
11	7012693	1	Seal Kit - 4640871 Valve	
11	7002840	1	Tool, Pin Removal	
12	0641414	4	Bolt 1/4in-20NC x 1-3/4in	
13	4711400	4	Flatwasher 1/4in Thin	
15	3538047	2	Plate, Axle Wear	
16	4070878	AR	Shim (.06)	
17	4070879	AR	Shim (.12)	
18	0641608	4	Bolt 3/8in-16NC x 1in	
19	4711600	4	Flatwasher 3/8in Thin	
20	1100098	1	Cam, Lockout	
21	0641816	3	Bolt 1/2in-13NC x 2in	
22	4751800	AR	Flatwasher 1/2in Regular	
23	4566832	3	Spacer, Tube	
24	0961950	2	Bushing, Bronze	
		Ref	<b>AXLE INSTALLATIONS - FIXED</b>	
	0255417	Ref	<b>ANSI (Prior to SN 0300041868)</b>	3
	0256625	Ref	<b>ANSI Machines (SN 0300041868 through 0300069000)</b>	3
	0256625	Ref	<b>CSA</b>	3
101	4845041	1	Axle Weldment	
102	3539877	2	Plate, Stop	
103		Ref	Pin, Pivot Options:	
103	3422431	NLA	ANSI (Use p/n 3422592) <b>(Prior to SN 0300041868)</b>	
103	3422592	1	ANSI and CSA <b>(SN 0300041868 through 0300069000)</b>	
104	4070944	AR	Shim (.06)	
105	4070945	AR	Shim (.25)	
106	0641820	2	Bolt 1/2in-13NC x 2-1/2in	
107	0100019	AR	Compound, Locking	
108	3841258	1	Keeper, Pin	
109	0642012	1	Bolt 5/8in-11NC x 1-1/2in	
110	4740158	1	Thrustwasher	
111	0961950	2	Bushing	
112	3538047	2	Plate, Wear	

# SECTION 1 - FRAME

ITEM	PART NUMBER	QTY	DESCRIPTION	REV
113	4070878	AR	Shim (.06)	
114	4070879	AR	Shim (.12)	
115	0641612	4	Bolt 3/8in-16NC x 1-1/2in	
116	4711600	4	Flatwasher 3/8in Thin	
117	3539879	2	Plate, Stop	
		Ref	<b>STEERING INSTALLATIONS</b>	
	0255411	Ref	<b>ANSI (Prior to SN 0300041868)</b>	3
	0256399	Ref	<b>ANSI (SN 0300041868 through 0300069000)</b>	4
	0256399	Ref	<b>CSA</b>	4
201	4130330	1	Spindle - Right Side	
202	4130331	1	Spindle - Left Side	
203	1683208	2	Steer Cylinder Assembly (See CYLINDER SECTION for Breakdown)	
204		Ref	Pin, Pivot Options:	
204	3422492	NLA	ANSI (Use p/n 3422802) <b>(Prior to SN 0300041868)</b>	
204	3422590	NLA	ANSI (Use p/n 3422802) <b>(SN 0300041868 through 0300043444)</b>	
204	3422802	1	ANSI <b>(SN 0300043445 through 0300069000)</b>	
204	3422590	NLA	CSA (Use p/n 3422802) <b>(Prior to SN 0300043445)</b>	
204	3422802	1	Pin, Pivot CSA <b>(SN 0300043445 through 0300069000)</b>	
205	3841285	1	Tie-Rod	
206	3422426	2	Pin, Steer Cylinder	
207	3422429	2	Pin, Steer Cylinder	
208	0440161	4	Thrustwasher	
209	3422430	2	Pin, Tie-Rod	
210	3841143	6	Keeper, Pin	
211	0641608	4	Bolt 3/8in-16NC x 1in	
212	0100011	AR	Compound, Locking	
213	0641610	2	Bolt 3/8in-16NC x 1-1/4in	
214	3311605	2	Locknut 3/8in-16NC	
215	0681608	8	Bolt 3/8in-16NC x 1in (Grade 8)	
216	1670752	4	Cover, Kingpin Only <b>(Prior to SN 0300043445)</b>	
217	0962005	2	Bushing, Bronze	
218		Ref	Bushing Options:	
218	0961948	NLA	Bushing (Use p/n 0962272) <b>(Prior to SN 0300044952)</b>	
218	0962272	4	Bushing <b>(SN 0300044952 through 0300069000)</b>	
219	0100063	AR	Loctite #RC609	
		Ref	<b>VALVE INSTALLATIONS</b>	
	0255414	Ref	<b>Valve Installations (Prior to SN 0300056718)</b>	6-C
	0270124	Ref	<b>Valve Installations (SN 0300056718 through 0300069000)</b>	3-D
301	4640923	1	Valve, Flow Divider	
301	7012992	1	Cartridge	
301	7012980	1	Seal Kit- 7012992 Cartridge	
301	7012993	1	Orifice	
302	0641522	2	Bolt 5/16in-18NC x 2-3/4in	
303	3311505	2	Locknut 5/16in-18NC	
304	4751500	4	Flatwasher 5/16in Regular	
305	0641520	4	Bolt 5/16in-18NC x 2-1/2in	
306	4751500	4	Flatwasher 5/16in Regular	
307	0100011	AR	Compound, Locking <b>(Prior to SN 0300068274)</b>	
308	4640937	2	Valve, Flow Divider	
308	7021657	1	Cartridge	

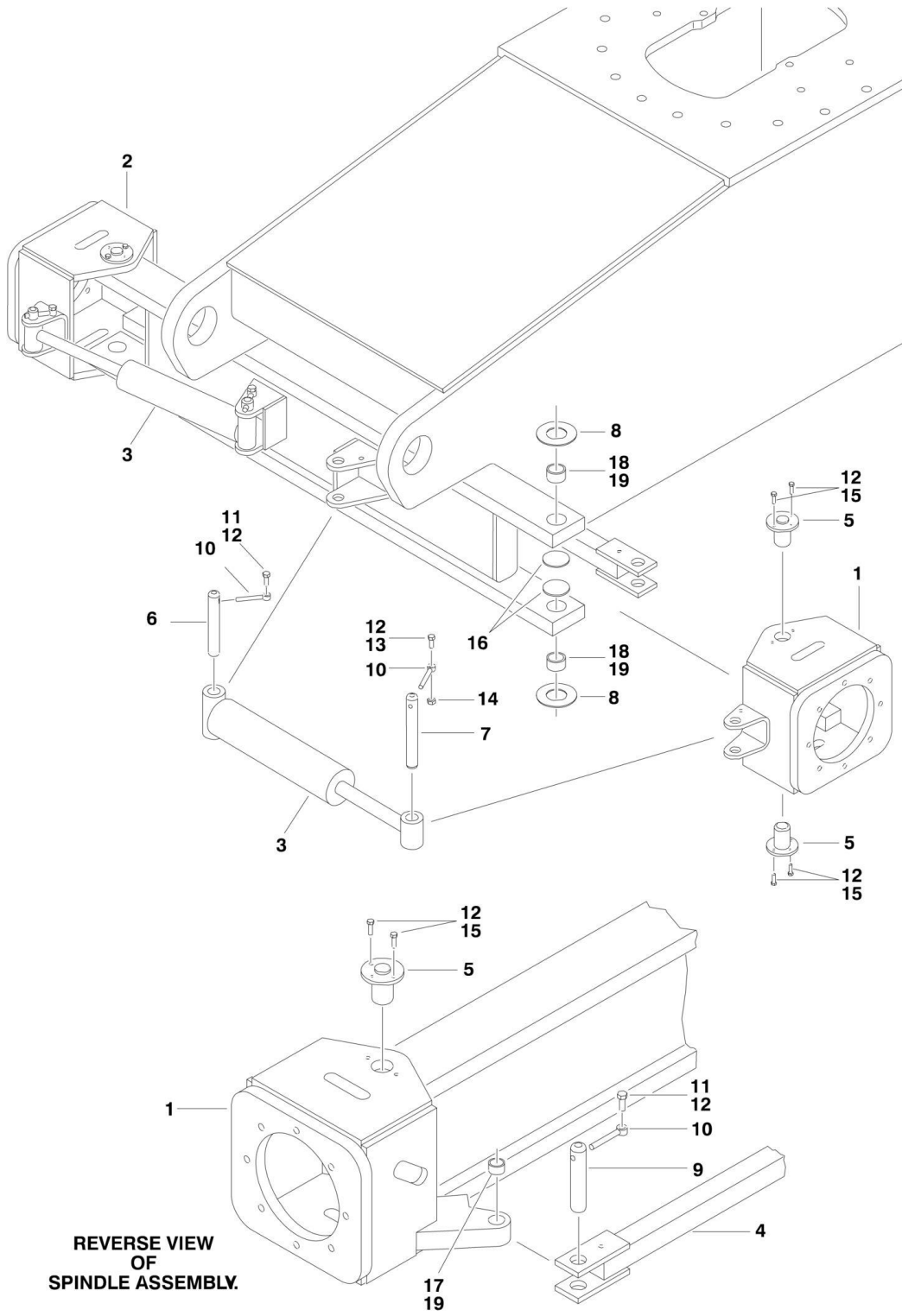


**SECTION 1 - FRAME**

<b>ITEM</b>	<b>PART NUMBER</b>	<b>QTY</b>	<b>DESCRIPTION</b>	<b>REV</b>
308	7012980	1	Seal Kit- 7021657 Cartridge	
308	7012994	1	Orifice	
309	4060808	3/5ft/1.1m	Shield, Flex Trim	

# SECTION 1 - FRAME

## FIGURE 1-3. 4WS REAR STEERING INSTALLATIONS



# SECTION 1 - FRAME

## FIGURE 1-3. 4WS REAR STEERING INSTALLATIONS

ITEM	PART NUMBER	QTY	DESCRIPTION	REV
		Ref	<b>4WS REAR STEERING INSTALLATIONS OPTIONS:</b>	
	0256716	Ref	<b>2WD/4WS ANSI 8ft Wide/2.4m Machines (Prior to SN 0300041868)</b>	2
	0256717	Ref	<b>2WD/4WS ANSI 8ft Wide/2.4m Machines (SN 0300041868 through 0300069000)</b>	2
	0255854	Ref	<b>2WD/4WS ANSI 7ft Wide/2.1m Machines (Prior to SN 0300041868)</b>	2
	0256523	Ref	<b>2WD/4WS ANSI 7ft Wide/2.1m Machines (SN 0300041868 through 0300069000)</b>	2
	0255412	Ref	<b>4WD/4WS ANSI Machines (Prior to SN 0300041868)</b>	2
	0256715	Ref	<b>4WD/4WS ANSI Machines (SN 0300041868 through 0300069000)</b>	2
	0256717	Ref	<b>2WD/4WS CSA 8ft Wide/2.4m Machines</b>	2
	0256523	Ref	<b>2WD/4WS CSA 7ft Wide/2.1m Machines</b>	2
	0256715	Ref	<b>4WD/4WS CSA Machines</b>	2
		Ref	<b>REAR STEERING INSTALLATION</b>	
	0255411	Ref	<b>ANSI 8 ft/2.4m Width Frame (Prior to SN 0300041868)</b>	4
	0256399	Ref	<b>ANSI 8 ft/2.4m Width Frame (SN 0300041868 through 0300069000)</b>	4
	0255855	Ref	<b>ANSI 7 ft/2.1m Width Frame (Prior to SN 0300041868)</b>	3
	0256400	Ref	<b>ANSI 7 ft/2.1m Width Frame (SN 0300041868 through 0300069000)</b>	4
	0256399	Ref	<b>CSA 8 ft/2.4m Width Frame</b>	4
	0256400	Ref	<b>CSA 7 ft/2.1m Width Frame</b>	4
1	4130331	1	Spindle - Right Side	
2	4130330	1	Spindle - Left Side	
3		Ref	Steer Cylinder Assembly (See CYLINDER SECTION for Breakdown)	
3	1683208	2	8 ft/2.4m Wide Machine	
3	1683304	2	7 ft/2.1m Wide Machine	
4		Ref	Tie-Rod Options:	
4	3841285	1	8 ft/2.4m Wide Machine	
4	3841291	1	7 ft/2.1m Wide Machine	
5		Ref	Kingpin Options:	
5	3422492	NLA	ANSI (Use p/n 3422802) <b>(Prior to SN 0300041868)</b>	
5	3422590	NLA	ANSI (Use p/n 3422802) <b>(SN 0300041868 through 0300043444)</b>	
5	3422802	4	ANSI <b>(SN 0300043445 through 0300069000)</b>	
5	3422590	NLA	CSA (Use p/n 3422802) <b>(SN 0300043445 through 0300069000)</b>	
5	3422802	4	CSA <b>(SN 0300043445 through 0300069000)</b>	
6	3422426	2	Pin, Steer Cylinder	
7	3422429	2	Pin, Steer Cylinder	
8	0440161	4	Thrustwasher	
9	3422430	2	Pin, Tie-Rod	
10	3841143	6	Keeper, Pin	
11	0641608	4	Bolt 3/8in-16NC x 1in	
12	0100011	AR	Compound, Locking	
13	0641610	2	Bolt 3/8in-16NC x 1-1/4in	
14	3311605	2	Locknut 3/8in-16NC	
15	0681608	8	Bolt 3/8in-16NC x 1in (Grade 8)	
16	1670752	4	Cover, Kingpin Only <b>(Prior to SN 0300043445)</b>	

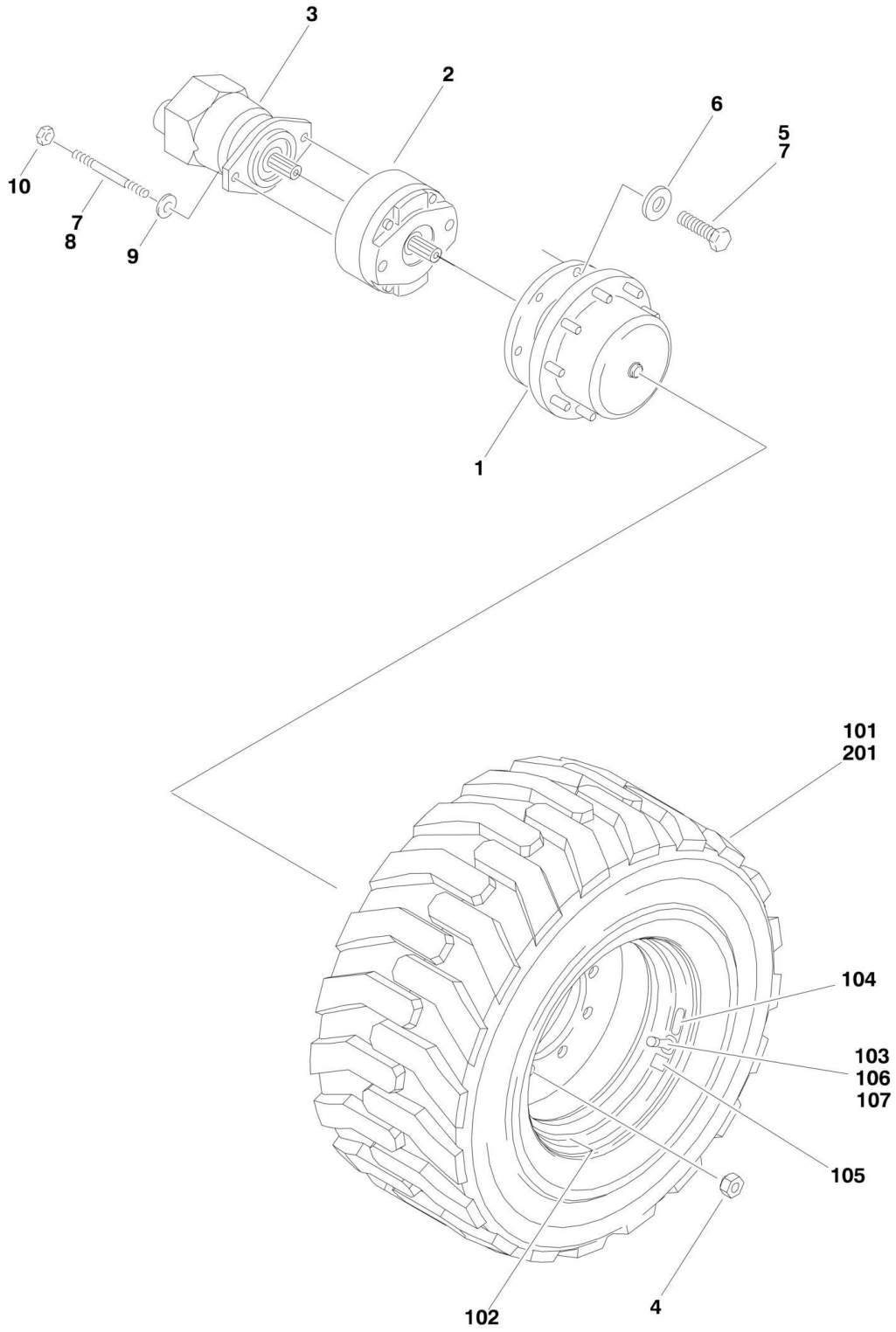
## SECTION 1 - FRAME

ITEM	PART NUMBER	QTY	DESCRIPTION	REV
17	0962005	2	Bushing, Bronze	
18		Ref	Bushing Options:	
18	0961948	NLA	Bushing (Use p/n 0962272) <b>(Prior to SN 0300044952)</b>	
18	0962272	4	Bushing <b>(SN 0300044952 through 0300069000)</b>	
19	0100063	AR	Loctite #RC609	



# SECTION 1 - FRAME

## FIGURE 1-4. TIRE AND WHEEL DRIVE INSTALLATIONS



# SECTION 1 - FRAME

## FIGURE 1-4. TIRE AND WHEEL DRIVE INSTALLATIONS

ITEM	PART NUMBER	QTY	DESCRIPTION	REV
		Ref	<b>WHEEL DRIVE INSTALLATIONS</b>	
	0255413	Ref	<b>Wheel Drive Installation 2WD (Prior to SN 0300056718)</b>	5-C
	0270123	Ref	<b>Wheel Drive Installation 2WD (SN 0300056718 through 0300069000)</b>	2-B
	0255414	Ref	<b>Wheel Drive Installation 4WD (Prior to SN 0300056718)</b>	6-C
	0270124	Ref	<b>Wheel Drive Installation 4WD (SN 0300056718 through 0300069000)</b>	3-D
1	2780213	AR	Drive Hub Assembly (1 Per Drive Wheel) (See DRIVE HUB ASSEMBLY for Breakdown)	
2		Ref	Drive Brake Assembly (1 Per Drive Wheel) (See DRIVE BRAKE ASSEMBLY for Breakdown)	
2	0920084	AR	Drive Brake Assembly ( <b>Prior to SN 0300033476</b> )	
2	0920110	AR	Drive Brake Assembly ( <b>SN 0300033476 through 0300056717</b> )	
2	0920117	NLA	Drive Brake Assembly (Use p/n 0920119) ( <b>SN 0300056718 through 0300069000</b> )	
3		Ref	Drive Motor Assembly (1 Per Wheel Drive) Options:	
3	3160205	2	Drive Motor Assembly 2WD (See DRIVE MOTOR ASSEMBLY - SUNSTRAND (2WD) for Breakdown)	
3	3160204	4	Drive Motor Assembly 4WD (See DRIVE MOTOR ASSEMBLY - REXROTH (4WD) for Breakdown)	
4	3300106	AR	Lugnut (8 Per Wheel)	
5	0682016	AR	Bolt 5/8in-11NC x 2in (8 Per Drive Wheel) (Grade 8)	
6	4895000	AR	Flatwasher 5/8in Hardened (8 Per Drive Wheel)	
7	0100011	AR	Compound, Locking ( <b>Prior to SN 0300068274</b> )	
8		Ref	Stud (2 Per Drive Wheel) Options:	
8	4300120	AR	Stud 1/2in-13NC x 5-1/2in ( <b>Prior to SN 0300056718</b> )	
8	4300097	AR	Stud 1/2in-13NC x 5-1/8in ( <b>SN 0300056718 through 0300069000</b> )	
9	4891800	AR	Flatwasher, 1/2in Hardened (2 Per Drive Wheel)	
10	3311801	AR	Nut 1/2in-13NC (2 Per Wheel Drive)	
		Ref	<b>8 FT/2.4M WIDTH MACHINES TIRE AND WHEEL INSTALLATION OPTIONS:</b>	
	0255420	Ref	<b>Tire and Wheel Installation - Pneumatic</b>	-
	0271612	Ref	<b>Tire and Wheel Installation - Pneumatic</b>	1
	0272296	Ref	<b>Tire and Wheel Installation - Pneumatic TS</b>	1
	0255421	Ref	<b>Tire and Wheel Installation - Foam Filled</b>	-
	0271613	Ref	<b>Tire and Wheel Installation - Foam Filled</b>	1
		Ref	<b>Note: Assemblies may require ballast/foam filling to manufacturer's specifications prior to installing on a machine. Refer to Operation and Safety or Service and Maintenance Manuals. Purchase individual tire and/or rim only if able to foam fill tire and wheel assembly, otherwise, purchase complete assembly.</b>	
	0255513	2	Tire and Wheel Assembly - Galaxy Pneumatic (Right Side)	1-A
	0271609	2	Tire and Wheel Assembly - OTR Pneumatic (Right Side)	A
	0272331	2	Tire and Wheel Assembly - OTR Pneumatic TS (Right Side)	A
	0255605	2	Tire and Wheel Assembly - Galaxy Foam-Filled (Right Side)	-/-
	0271611	2	Tire and Wheel Assembly - OTR Foam-Filled (Right Side)	A
	0255514	2	Tire and Wheel Assembly - Galaxy Pneumatic (Left Side)	A
	0271608	2	Tire and Wheel Assembly - OTR Pneumatic (Left Side)	1-A
	0272332	2	Tire and Wheel Assembly - OTR Pneumatic TS (Left Side)	A
	0255606	2	Tire and Wheel Assembly - Galaxy Foam-Filled (Left Side)	-/-
	0271610	2	Tire and Wheel Assembly - OTR Foam-Filled (Left Side)	A

## SECTION 1 - FRAME

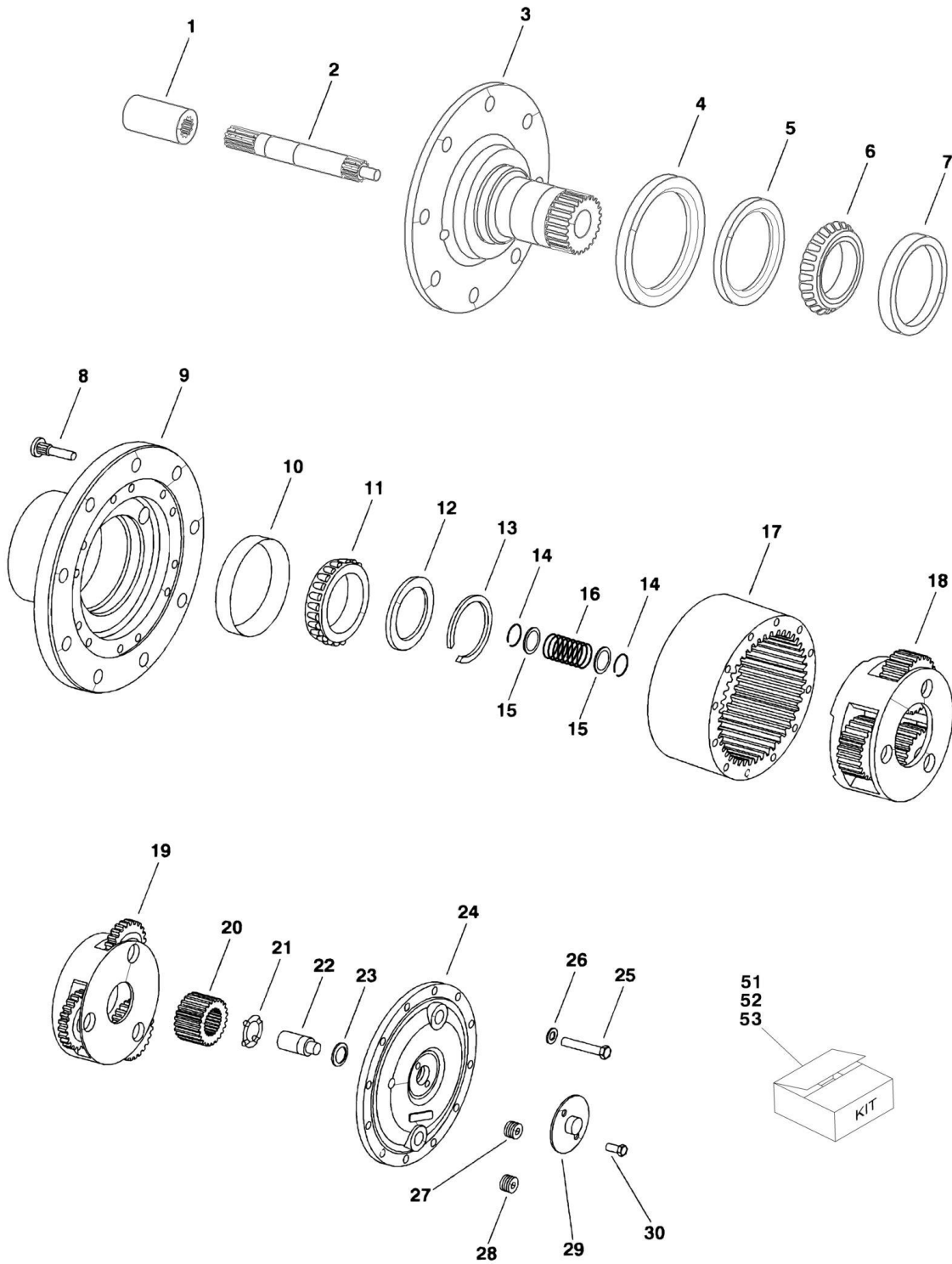
ITEM	PART NUMBER	QTY	DESCRIPTION	REV
101		Ref	Tire 14 x 17.5 Options:	
101	4520171	AR	Galaxy (1 Per Assembly)	
101	4520259	AR	OTR (1 Per Assembly)	
102	4860158	AR	Rim, Wheel (1 Per Assembly)	
103	4640113	AR	Valve, Air	
104	1702740	AR	Decal - Tire Pressure	
105	1705364	AR	Decal - Tire Sealant (OTR Pneumatic TS Only)	
106	1120552	AR	Chemical, Tire Sealant (Green) (OTR Pneumatic TS Only)	
107	1300019	AR	Cap, Valve Stem (Green) (OTR Pneumatic TS Only)	
		Ref	<b>8FT/2.4M &amp; 7FT/2.1M WIDTH FRAME MACHINES TIRE AND WHEEL INSTALLATION OPTIONS:</b>	
	0255422	Ref	<b>Tire and Wheel Installation - Air-Boss</b>	-
	0258764	Ref	<b>Tire and Wheel Installation - Air-Boss (Non-Marking) (SN 0300039220 through 0300069000)</b>	2
201		Ref	Tire and Wheel Assembly - Right Side Options:	
201	4520172	2	Air-Boss	
201	4520210	2	Air-Boss (Non-Marking)	
201		Ref	Tire and Wheel Assembly - Left Side Options:	
201	4520173	2	Air-Boss	
201	4520211	2	Air-Boss (Non-Marking)	
201		Ref	Tire Repair Section (20 Per Assembly) Options:	
201	7016206	80	Air-Boss	
201	7020135	80	Air-Boss (Non-Marking)	
	0255397	Ref	<b>WHEEL COVER INSTALLATION (OPTIONAL) (NOT SHOWN)</b>	2-A
301	1670777	4	Cover, Wheel	
302	0641542	16	Bolt 5/16in-18NC x 5-1/4in	
303	0100011	AR	Compound, Locking	





# SECTION 1 - FRAME

## FIGURE 1-5. DRIVE HUB ASSEMBLY



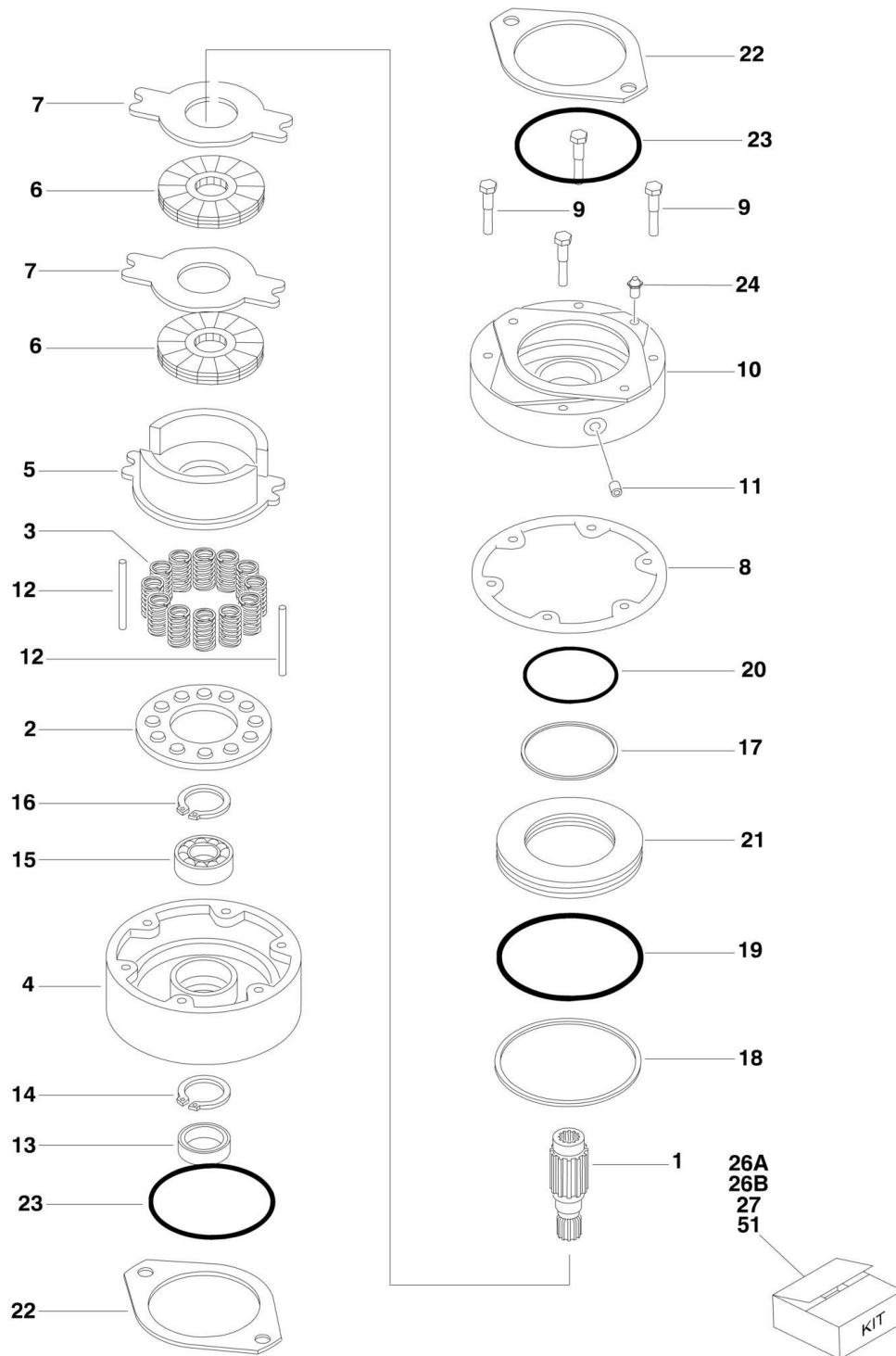
# SECTION 1 - FRAME

## FIGURE 1-5. DRIVE HUB ASSEMBLY

ITEM	PART NUMBER	QTY	DESCRIPTION	REV
	2780213	Ref	<b>DRIVE HUB ASSEMBLY</b>	B
1	7014700	1	Coupling - 13 Teeth	
2	7014701	1	Shaft, Input - 13 Teeth	
3		Ref	Spindle Options:	
3	7014702	1	With Threaded Holes	
3	7014731	1	Without Threaded Holes	
4	7014728	1	Seal, Boot	
5	See Note	NSS	Seal, Oil (Note: Use Item 51 or 52)	
6	See Note	NSS	Cone, Bearing (Note: Use Item 52)	
7	See Note	NSS	Cup, Bearing (Note: Use Item 52)	
8	7014727	8	Bolt, Wheel 5/8in	
9	7014706	1	Hub	
10	See Note	NSS	Cup, Bearing (Note: Use Item 52)	
11	See Note	NSS	Cone, Bearing (Note: Use Item 52)	
12	7001711	1	Thrustwasher	
13	See Note	1	Retaining Ring Kit (Note: Use Item 51, 52 or 53)	
14	7014711	2	Ring, Retaining	
15	7014712	2	Thrustwasher	
16	7014710	1	Spring	
17	7014713	1	Gear, Ring	
18	7014714	1	Secondary Carrier Assembly	
19	7014715	1	Primary Carrier Assembly	
20	7014716	1	Gear, Sun - 15 Teeth	
21	7014722	1	Thrustwasher	
22	7014717	1	Plunger, Disengage	
23	7014718	1	O-Ring	
24	7014719	1	Cover, Hub	
25	7014721	12	Bolt	
26	7014720	12	Flatwasher	
27	7014725	1	Plug, Magnetic	
28	7014726	1	Plug, Pipe	
29	7014723	1	Cover, Disengage	
30	7014724	2	Bolt	
51	7014730	1	Seal Kit (Includes Items 5 & 13)	
52	7014729	1	Bearing and Seal Kit (Includes Items 5, 6, 7, 10, 11 & 13)	
53	7014709	1	Retaining Ring Kit (Includes Qty 6 Retaining Rings)	

# SECTION 1 - FRAME

## FIGURE 1-6. DRIVE BRAKE ASSEMBLY



# SECTION 1 - FRAME

## FIGURE 1-6. DRIVE BRAKE ASSEMBLY

ITEM	PART NUMBER	QTY	DESCRIPTION	REV
		Ref	<b>DRIVE BRAKE ASSEMBLY OPTIONS:</b>	
	0920084	Ref	<b>Drive Brake Assembly (Prior to SN 0300033476)</b>	A
	0920110	Ref	<b>Drive Brake Assembly (SN 0300033476 through 0300056536)</b>	C
1	7011712	1	Shaft Options:	
2		Ref	Guide, Spring Options:	
2	7011717	1	0920084 Brake ( <b>Prior to SN 0300033476</b> )	
2	7018606	1	0920110 Brake ( <b>SN 0300033476 through 0300056536</b> )	
3		Ref	Spring Options:	
3	7007979	6	0920084 Brake (Inner) ( <b>Prior to SN 0300033476</b> )	
3	7007980	6	0920084 Brake (Outer) ( <b>Prior to SN 0300033476</b> )	
3	7007970	6	0920110 Brake (Red) ( <b>SN 0300033476 through 0300056536</b> )	
3	7018602	3	0920110 Brake (Blue) ( <b>SN 0300033476 through 0300056536</b> )	
4		Ref	Housing Options:	
4	7011713	1	0920084 Brake ( <b>Prior to SN 0300033476</b> )	
4	7018605	1	0920110 Brake ( <b>SN 0300033476 through 0300056536</b> )	
5		Ref	Return Plate and Separator Assembly Options:	
5	See Note	NSS	Return, Plate - 0920084 Brake (Note: Use Item 27) ( <b>Prior to SN 0300033476</b> )	
5	7011715	2	Separator Assy - 0920084 Brake ( <b>Prior to SN 0300033476</b> )	
5	7011714	4	Pin	
5	7007983	2	Separator	
5	See Note	1	Return Plate and Separator - 0920110 Brake (Note: Use Item 27) ( <b>SN 0300033476 through 0300056536</b> )	
6	See Note	NSS	Rotor (Note: Use Item 27)	
7	See Note	NSS	Stator (Note: Use Item 27)	
8	See Note	NSS	Seal, Case (Note: Use Item 26A, 26B or 27)	
9		Ref	Bolt, Washer Head Options:	
9	7007985	4	0920084 Brake ( <b>Prior to SN 0300033476</b> )	
9	7018607	4	0920110 Brake ( <b>SN 0300033476 through 0300056536</b> )	
10	7007986	1	Cover	
11		Ref	Hardware Options:	
11	7000796	1	Screw, Bleeder ( <b>Prior to SN 0300033906</b> )	
11	7018609	1	Plug, Pipe ( <b>SN 0300033906 through 0300056536</b> )	
12	7007987	2	Pin, Dowel	
13	See Note	NSS	Seal, Oil (Note: Use Item 26A or 26B)	
14	7011716	1	Ring, Retaining	
15	See Note	NSS	Bearing (Note: Use Item 26B)	
16	7007977	1	Ring, Retaining	
17	See Note	NSS	Ring, Back-up (Note: Use Item 26A)	
18	See Note	NSS	Ring, Back-up (Note: Use Item 26A)	
19	See Note	NSS	O-Ring (Note: Use Item 26A)	
20	See Note	NSS	O-Ring (Note: Use Item 26A)	
21		Ref	Piston Options:	
21	7007923	1	0920084 Brake ( <b>Prior to SN 0300033476</b> )	
21	7018603	1	0920110 Brake ( <b>SN 0300033476 through 0300056536</b> )	
22	7007933	2	Gasket	
23	See Note	NSS	O-Ring (Note: Use Item 26A, 26B or 27)	
24	7007924	1	Plug, Pipe	
26		Ref	Seal Kit Options:	
26A	2900766	1	Seal Kit (Includes Items 8, 13, 17, 18, 19, 20, 22 & 23)	

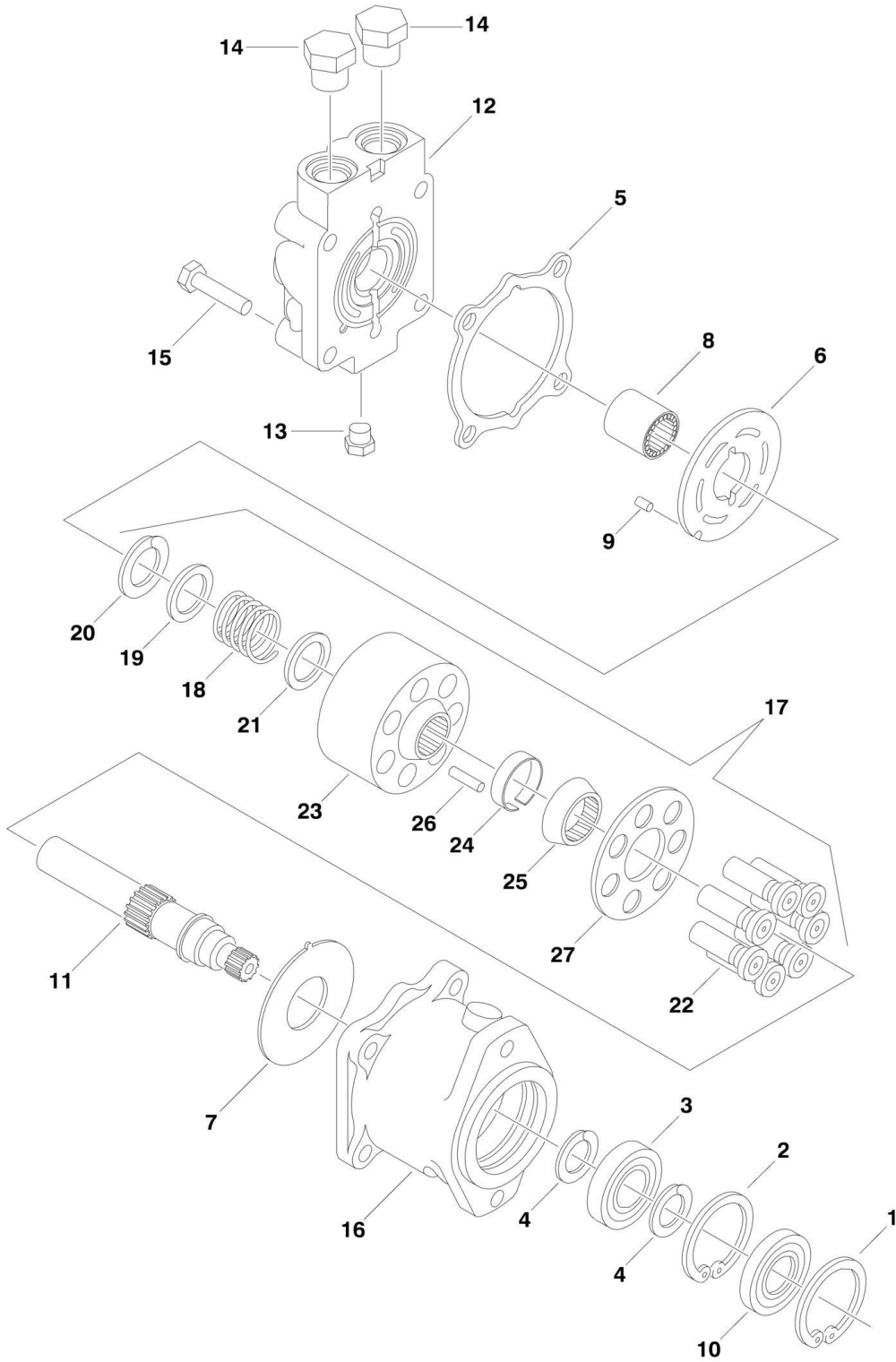
## SECTION 1 - FRAME

ITEM	PART NUMBER	QTY	DESCRIPTION	REV
26B	2900768	1	Seal Kit (Includes Items 8, 13, 15, 22 & 23)	B
27		Ref	Lining Kit Options: (Includes Items 5, 6, 7, 8, 22 & 23)	
27	2900767	1	0920084 Brake ( <b>Prior to SN 0300033476</b> )	
27	7018608	1	0920110 Brake ( <b>SN 0300033476 through 0300056535</b> )	
		Ref	<b>DRIVE BRAKE ASSEMBLY (NOT SHOWN) (NOTE: WAS P/N 0920117 - USE P/N 0920119 FOR REPLACEMENT.) (SN 0300056536 through 0300069000)</b>	
51	7018612	1	Kit, Repair - 0920117 & 0920119 Brakes	
51	7000731	1	Gasket, Mounting Face	
		Ref	<b>Note: No Other Parts Available.</b>	



# SECTION 1 - FRAME

## FIGURE 1-7. DRIVE MOTOR ASSEMBLY - SUNSTRAND (2WD)





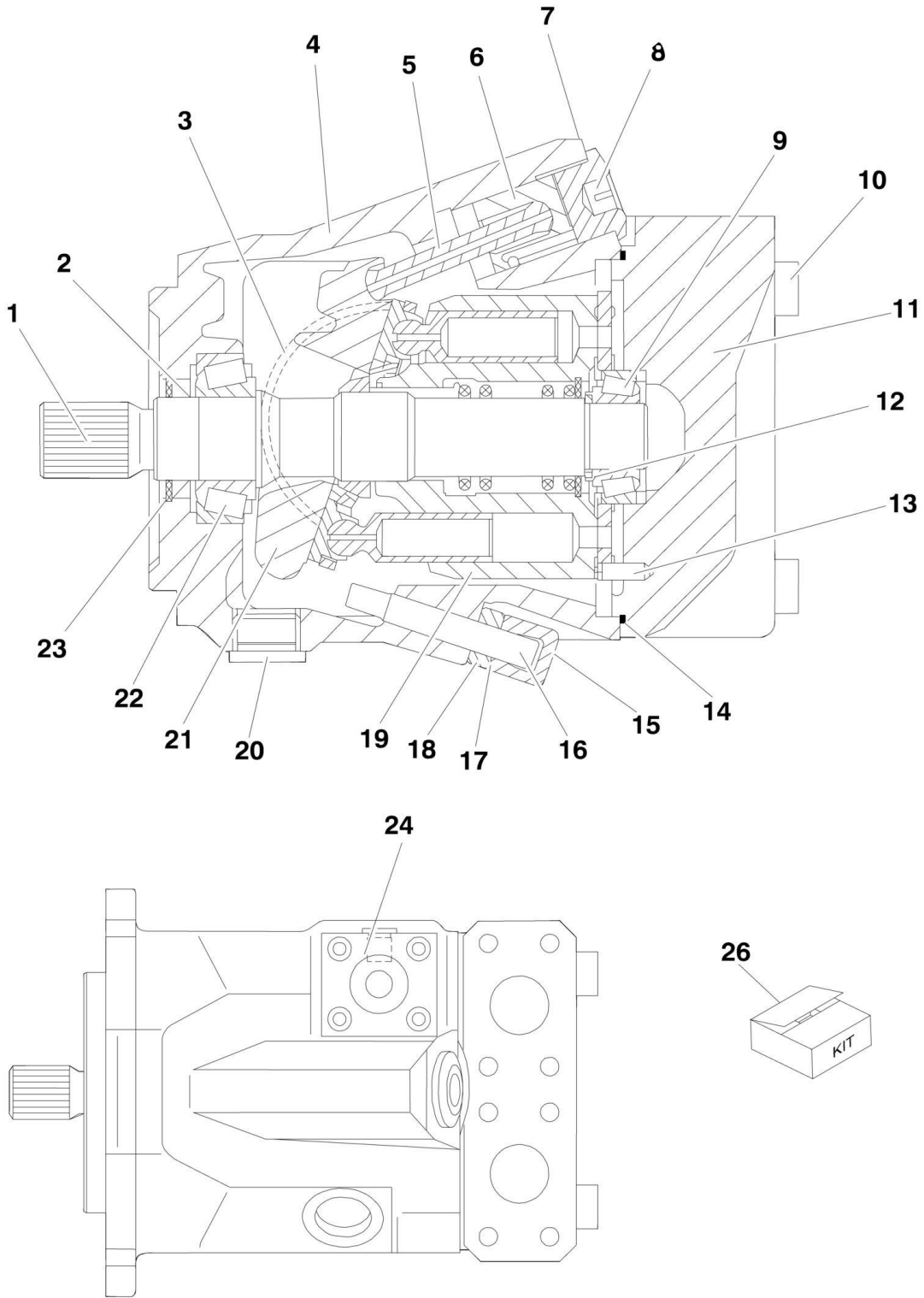
## SECTION 1 - FRAME

**FIGURE 1-7. DRIVE MOTOR ASSEMBLY - SUNSTRAND (2WD)**

ITEM	PART NUMBER	QTY	DESCRIPTION	REV
	3160205	Ref	<b>DRIVE MOTOR ASSEMBLY - SUNSTRAND (2WD)</b>	B
1	7007438	1	Ring, Retaining	
2	7007438	1	Ring, Retaining	
3	7007437	1	Bearing, Ball	
4	7007439	2	Ring, Retaining	
5	7010108	1	Gasket, End Cap	
6	7010109	1	Plate, Motor Valve	
7	7010110	1	Plate, Thrust	
8	7007425	1	Bearing, Needle	
9	7007446	1	Pin	
10	7007459	1	Seal, Lip	
11	7010111	1	Shaft	
12	7010112	1	Cap, End	
13	7010113	1	Plug	
14	7010114	2	Plug	
15	7010115	4	Screw	
16	3160205	1	Housing (Note: Not Available for Purchase)	
17	7010116	1	Cylinder Block Assembly (Includes Items 18-27)	
18	7007428	1	Spring	
19	7007427	1	Washer	
20	7007426	1	Ring, Retaining	
21	7007429	1	Washer	
22	7010117	7	Piston Assembly	
23	7010118	1	Block, Cylinder	
24	7007430	1	Retainer, Pin	
25	7007434	1	Guide, Slip Retainer	
26	7007431	3	Pin, Slip Retainer	
27	7010119	1	Retainer, Slip	

# SECTION 1 - FRAME

FIGURE 1-8. DRIVE MOTOR ASSEMBLY - REXROTH (4WD)



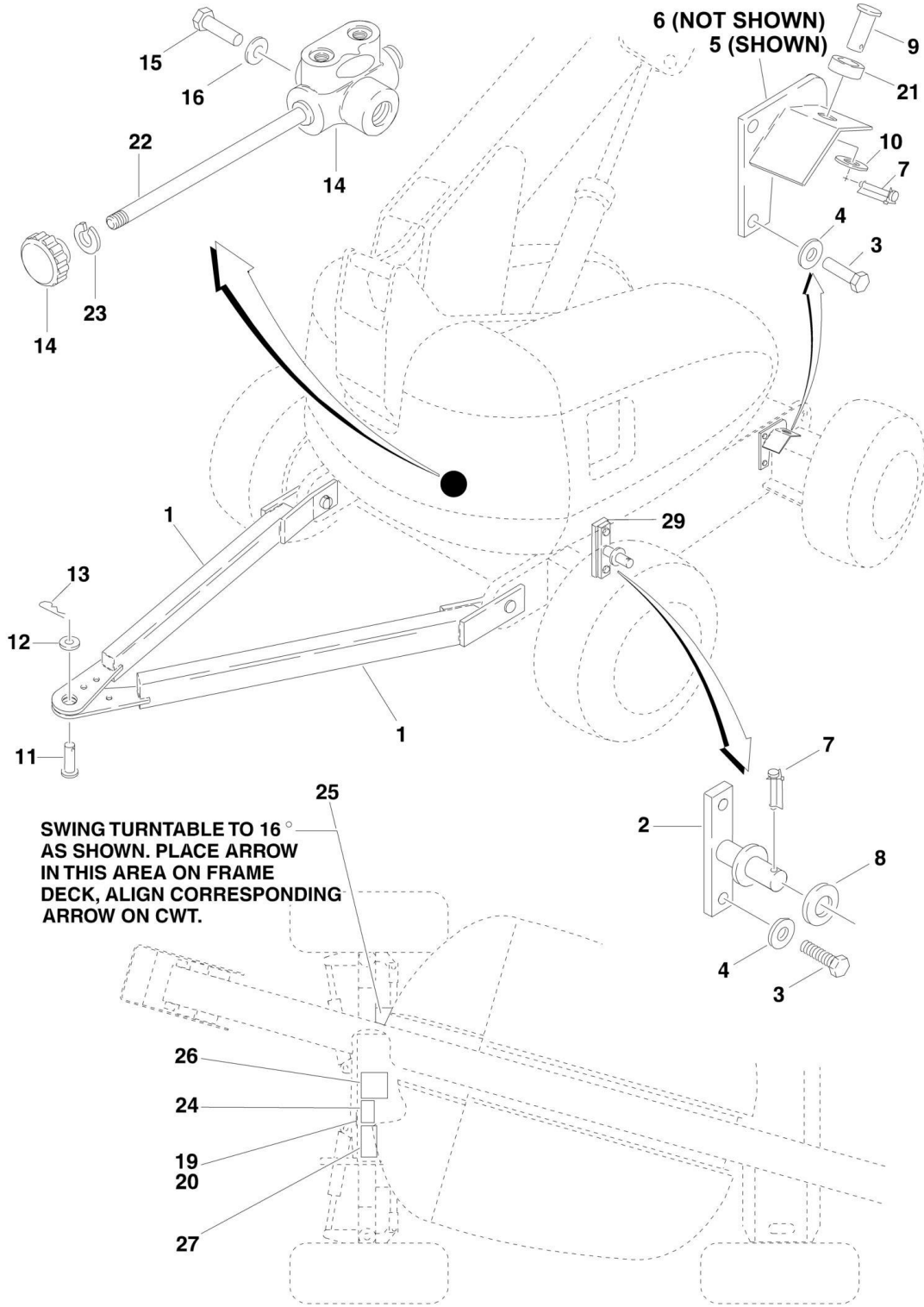
## SECTION 1 - FRAME

**FIGURE 1-8. DRIVE MOTOR ASSEMBLY - REXROTH (4WD)**

ITEM	PART NUMBER	QTY	DESCRIPTION	REV
	3160204	Ref	<b>DRIVE MOTOR ASSEMBLY - REXROTH (4WD)</b>	A
1	7012701	1	Shaft - 13 Teeth	
2	See Note	NSS	Seal, Shaft (Note: Use Item 26)	
3	7012702	2	Bearing, Cradle	
4	3160204	1	Housing (Note: Not Available for Purchase)	
5	7012703	1	Rod, Piston	
6	7012704	1	Piston, Stroking	
7	See Note	NSS	O-Ring (Note: Use Item 26)	
8	7012705	1	Nut, Adaptor	
9	7012706	1	Bearing, Roller	
10	7012707	4	Bolt, Socket Head M12 x 65	
11	7012708	1	Block, Port	
12	7012709	1	Shim	
13	7012710	1	Pin, Dowel M6 x 18	
14	See Note	NSS	O-Ring (Note: Use Item 26)	
15	7012711	1	Nut, Cap M10 x 1	
16	7012712	1	Screw, Adjusting	
17	See Note	NSS	O-Ring (Note: Use Item 26)	
18	7012713	1	Nut, Jam M10 x 1	
19	7012716	1	Rotary Group Assembly	
20	See Note	1	Plug (Note: Not Available for Purchase)	
21	7024036	1	Plate, Swash	
22	7012714	1	Bearing, Roller	
23	7012715	1	V-Ring	
24	7012700	1	Control Plate Assembly <b>(Prior to SN 0300029852)</b>	
26	2900788	1	Seal Kit (Includes Items 2, 7, 14, 17 and O-Rings under Item 24)	

# SECTION 1 - FRAME

## FIGURE 1-9. TOW PACKAGE INSTALLATION (OPTIONAL)



# SECTION 1 - FRAME

## FIGURE 1-9. TOW PACKAGE INSTALLATION (OPTIONAL)

ITEM	PART NUMBER	QTY	DESCRIPTION	REV
		Ref	<b>TOW INSTALLATION OPTIONS:</b>	
	0257436	Ref	<b>7ft/2.1m Width Machines - Standard</b>	3
	0259427	Ref	<b>7ft/2.1m Width Machines - CSA</b>	1
	0257101	Ref	<b>8ft/2.4m Width Machines - Standard</b>	2
	0259426	Ref	<b>8ft/2.4m Width Machines - CSA</b>	1
1	4845281	1	Tow Bar Weldment	
2		Ref	Bracket, Tow Bar Options:	
2	Not Required	2	7ft/2.1m Width Machines	
2	4845283	2	8ft/2.4m width machines	
3		Ref	Bolt 3/8in-16NC x 1in Options:	
3	Not Required	8	7ft/2.1m Width Machines	
3	0641608	8	8ft/2.4m width machines	
4		Ref	Flatwasher 3/8in Options:	
4	Not Required	8	7ft/2.1m Width Machines	
4	4711600	8	8ft/2.4m width machines	
5		Ref	Bracket, Tow Bar Options:	
5	Not Required	8	7ft/2.1m Width Machines	
5	4845450	1	8ft/2.4m width machines	
6		Ref	Bracket, Tow Bar Options:	
6	Not Required	1	7ft/2.1m Width Machines	
6	4845451	1	8ft/2.4m width machines	
7	3421453	4	Pin, Snap	
8	4712600	AR	Flatwasher 1in	
9	3422553	2	Pin, Tow Bar	
10	4713400	2	Flatwasher 1 1/2in	
11	3422553	1	Pin, Tow Bar	
12	4713000	2	Flatwasher 1 1/4in	
13	3420592	1	Hairpin	
14	4640261	1	Diversion Valve Assembly	
15	0641505	2	Bolt 5/16in-18NC x 5/8in	
16	4711500	2	Flatwasher 5/16in	
19		Ref	Nameplate Options:	
19	3250872	1	Standard	
19	1704272	1	CSA	
20		Ref	Rivet Options:	
20	3820001	4	Standard	
20	Not Required	4	CSA	
21	4567172	2	Tube, Spacer	
22	3841329	1	Rod Extension	
23	4761600	1	Lockwasher 3/8in	
24		Ref	Decal - Instruction Options:	
24	1703403	1	Standard	
24	1704275	1	CSA	
25	1703404	2	Decal - Match Arrow	
26	1703444	1	Decal	
27		Ref	Decal	
27	1703450	1	Standard	
27	1704274	1	CSA	
28	3539662	1	Plate, Valve Mounting (Not Shown)	
29		Ref	Bar, Tow Clamp Options:	

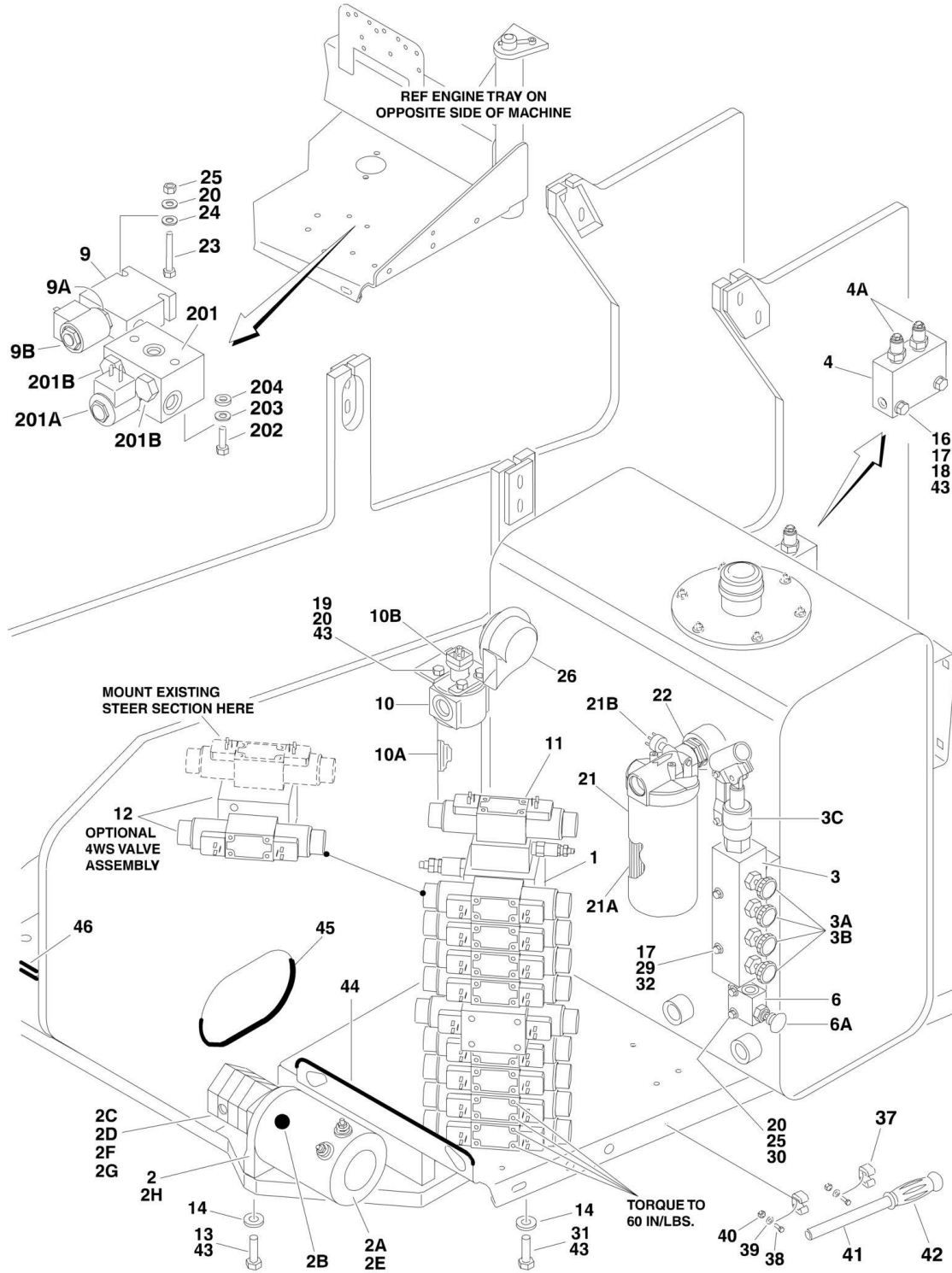
## SECTION 1 - FRAME

ITEM	PART NUMBER	QTY	DESCRIPTION	REV
29	Not Required	4	7ft/2.1m Width Machines	
29	0362519	4	8ft/2.4m width machines	

**SECTION 2 - TURNTABLE**

# SECTION 2 - TURNTABLE

## FIGURE 2-1. CONTROL VALVES INSTALLATIONS





**SECTION 2 - TURNTABLE**

**FIGURE 2-1. CONTROL VALVES INSTALLATIONS**

ITEM	PART NUMBER	QTY	DESCRIPTION	REV
		Ref	<b>CONTROL VALVES INSTALLATIONS</b>	
	0255440	Ref	<b>Control Valves Installations 600A 2WS</b>	9
	0255442	Ref	<b>Control Valves Installations 600A 4WS</b>	9
	0255441	Ref	<b>Control Valves Installations 600AJ 2WS</b>	11
	0255443	Ref	<b>Control Valves Installations 600AJ 4WS</b>	9
1		Ref	Main Valve Block Assembly (See MAIN VALVE BLOCK ASSEMBLY for Breakdown) Options:	
1	4640920	1	Main Valve Block Assembly ( <b>Prior to SN 0300041204</b> )	
1	4641097	1	Main Valve Block Assembly ( <b>SN 0300041204 through 0300069000</b> )	
2	3600243	1	Auxiliary Pump Assembly	A
2A	7013755	1	Replacement Motor	
2A	7013799	1	Brush Kit - 7013755 Motor	
2B	7013711	1	Coupling	
2C	7013796	1	Replacement Pump	
2C	See Note	1	Seal Kit (Note: Purchase Individual Components)	
2C	7016700	1	Seal, Oil	
2C	7016701	1	O-Ring	
2C	7016702	1	O-Ring	
2D	7022203	4	Bolt (Pump to Bracket)	
2E	7016744	2	Bolt (Motor to Bracket)	
3	4640930	1	Manual Descent Valve Assembly	
3A	7012954	4	Cartridge, Needle	
3A	7012953	4	Seal, Kit - 7012954 Cartridge	
3B	7012961	4	Knob	
3C	7012694	1	Cartridge, Pump	
3C	7012699	1	Seal Kit - 7012694 Cartridge	
4	4640908	1	Counterbalance Valve Assembly	
4A	7011328	2	Cartridge, Counterbalance	
4A	2900770	2	Seal Kit - 7011328 Cartridge	
6	4640866	1	Manual Pull Valve Assembly	
6	2900708	1	Seal Kit - 4640866 Valve	
6A	7012959	1	Knob	
9	4640907	1	Brake Valve Assembly	
9A	7012941	1	Cartridge without Coil	
9A	7012907	1	Seal Kit - 7012941 Cartridge	
9B	7012944	1	Coil	
10	2120146	1	Hydraulic Pressure Filter Assembly	
10A	2120150	1	Element, Filter	
10B	7016312	1	Switch, Clog Indicator	
11		Ref	Articulating Jib Valve Kit (See ACCESSORY VALVE ASSEMBLIES for Breakdown) Options:	
11	Not Required	1	Articulating Jib Valve Kit 600A - 2WS/600A - 4WS	
11	4640921	1	Articulating Jib Valve Kit 600AJ - 2WS/600AJ - 4WS	
11		Ref	Harness, Articulating Jib Options (Not Shown - See ELECTRICAL SECTION for Breakdown)	
11	4921771	1	Harness, Articulating Jib ( <b>Prior to SN 0300035129</b> )	
11	4921927	1	Harness, Articulating Jib ( <b>SN 0300035129 through 0300069000</b> )	
12		Ref	4WS Valve Assembly (See ACCESSORY VALVE ASSEMBLIES for Breakdown) Options:	

## SECTION 2 - TURNTABLE

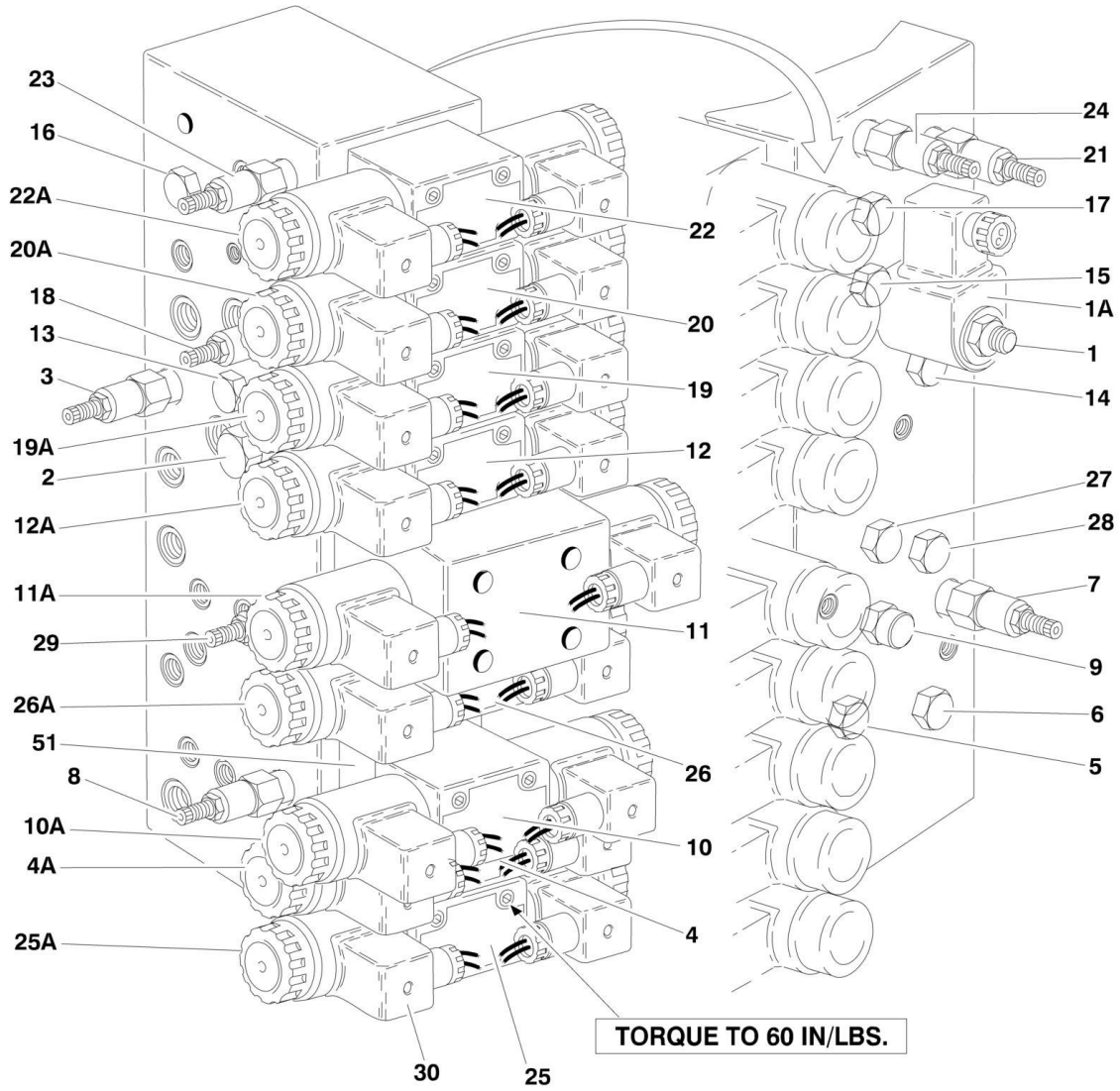
ITEM	PART NUMBER	QTY	DESCRIPTION	REV
12	Not Required	1	4WS Valve Assembly 600A - 2WS/600AJ - 2WS	
12	4640922	1	4WS Valve Assembly 600A - 4WS/600AJ - 4WS	
12	7012774	1	Valve, Block	
12	7012773	1	Seal Kit	
12	7012772	2	Coil	
12	7012771	2	Nut	
12	7017420	2	Cartridge, Relief Valve	
12	7012998	2	Seal Kit - 7017420 Cartridge (1 Per Cartridge)	
12		Ref	Harness, 4WS Options (Not Shown - See ELECTRICAL SECTION for Breakdown):	
12	4921772	1	Harness, 4WS ( <b>Prior to SN 0300035129</b> )	
12	4921928	1	Harness, 4WS ( <b>SN 0300035129 through 0300069000</b> )	
13	0641613	2	Bolt 3/8in-16NC x 1-5/8in	
14	4711600	2	Flatwasher 3/8in Thin	
16	4891800	2	Flatwasher 1/2in Hardened	
17	4711500	8	Flatwasher 5/16in Thin	
18	3311501	2	Nut 5/16in-18NC	
19	0651406	4	Bolt 1/4in-28NF x 3/4in	
20	4711400	14	Flatwasher 1/4in Thin	
21	2120145	1	Return Filter Assembly	B
21A	2120149	1	Element, Filter	
21B	7016313	1	Switch, Clog Indicator	
22	2220893	1	Fitting, Adaptor	
23	0641416	2	Bolt 1/4in-20NC x 2in	
24	4891400	2	Flatwasher 1/4in Hardened	
25	3311405	6	Locknut 1/4in x 20NC	
26	0140001	1	Horn	
29	0641522	2	Bolt 5/16in-18NC x 2-3/4in	
30	0641414	2	Bolt 1/4in-20NC x 1-3/4in	
31	0641608	3	Bolt 3/8in-16NC x 1in	
32	3311505	2	Locknut 5/16in-18NC	
37	1380136	2	Clip, Gripper	
38	3910806	2	Screw #8 x 3/4in	
39	4750800	4	Flatwasher #8 Regular	
40	3310805	2	Locknut #8	
41	2560122	1	Handle	
42	2560123	1	Grip, Handle	
43	0100011	AR	Compound, Locking	
44	4060804	16	Trim-Loc 3/16in	
45	4060918	79 in/1.9m	Trim-Loc 5/8in	
46	4060807	18	Trim-Loc 3/8in	
		in/40cm		
		in/46cm		
		Ref	<b>TILT INDICATOR INSTALLATION OPTIONS:</b>	
	0255361	Ref	<b>Tilt Indicator Installation (Prior to SN 0300023179)</b>	2/-
	0256375	Ref	<b>Tilt Indicator Installation (SN 0300023179 through 0300064249)</b>	1
101		Ref	Sensor, Tilt Indicator Options:	
101	4360306	1	Sensor, Tilt Indicator ( <b>Prior to SN 0300023179</b> )	
101	4360417	1	Sensor, Tilt Indicator ( <b>SN 0300023179 through 0300069000</b> )	
102	0641406	2	Bolt 1/4in-20NC x 3/4in	
103	3311405	2	Locknut 1/4in-20NC	
	2792195	Ref	<b>4WD DRIVE HYDRAULIC DIAGRAM</b>	8

**SECTION 2 - TURNTABLE**

ITEM	PART NUMBER	QTY	DESCRIPTION	REV
201	4640906	1	Valve, 2-Speed Motor Control	
201A	7012974	1	Cartridge without Coil	
201A	7012905	1	Seal Kit	
201A	7012944	1	Coil	
201B	See Note	2	Cartridge, Check Valve (Note: Not Available for Purchase)	
201B	7012972	2	Seal Kit	
202	0641508	2	Bolt 5/16in-18NC x 1in	
203	4891500	2	Flatwasher 5/16in Hardened	
204	4711500	2	Flatwasher 5/16in Thin	

# SECTION 2 - TURNTABLE

## FIGURE 2-2. MAIN VALVE BLOCK ASSEMBLY



**SECTION 2 - TURNTABLE**

**FIGURE 2-2. MAIN VALVE BLOCK ASSEMBLY**

ITEM	PART NUMBER	QTY	DESCRIPTION	REV
		Ref	<b>MAIN VALVE BLOCK ASSEMBLY</b>	
	4640920	Ref	<b>Main Valve Block Assembly (Prior to SN 0300041204)</b>	D
	4641097	Ref	<b>Main Valve Block Assembly (SN 0300041204 through 0300069000)</b>	B
1	7017410	1	Cartridge, without Coil	
1	7012967	1	Seal Kit - 7017410 Cartridge	
1A	7012944	1	Coil	
2	7017411	1	Cartridge, Pressure Sensing	
2	7012518	1	Seal Kit	
3	7017418	1	Cartridge (Main Relief)	
3	7012998	1	Seal Kit	
4	70001976	1	Control Valve Assembly (Platform Level) (was p/n 7012770)	
4	7012773	1	Seal Kit	
4A	7012772	2	Coil	
4A	7018912	2	Nut	
5	7012914	1	Cartridge, Check Valve	
5	7012918	1	Seal Kit - 7012914 Cartridge	
6	7012914	1	Cartridge, Check Valve	
6	7012918	1	Seal Kit - 7012914 Cartridge	
7	7017428	1	Cartridge, Relief Valve (Platform Level Backward Relief)	
7	7012998	1	Seal Kit - 7017428 Cartridge	
8	7017427	1	Cartridge, Relief Valve (Platform Level Forward Relief)	
8	7012998	1	Seal Kit - 7012912 Cartridge	
9	7012989	1	Cartridge, Flow Control	
9	7012953	1	Seal Kit - 7012989 Cartridge	
10	70001976	1	Control Valve Assembly (Platform Rotate) (was p/n 7012770)	
10	7012773	1	Seal Kit	
10A	7012772	2	Coil	
10A	7018912	2	Nut	
11		Ref	Control Valve Assembly Options (Upper Tele):	
11	70000579	1	Control Valve Assembly (was p/n 7012766) <b>(Prior to SN 0300092881)</b>	
11	70000579	1	Control Valve Assembly <b>(SN 0300092881 through 0300069000)</b>	
		Ref	<b>Note: Refer to Vendor P/N on Valve Nameplate before ordering Parts. 7012766 is RR00567495 or R900567495. 70000579 is R900930080.</b>	
11		Ref	Seal Kit Options:	
11	7012769	1	7012766 Valve	
11	70000583	1	70000579 Valve	
11A		Ref	Coil Options:	
11A	7012772	1	7012766 Valve (was p/n 7012768)	
11A	70000582	1	70000579 Valve	
11A		Ref	Nut, Coil Options:	
11A	7018912	1	7012766 Valve	
11A	70000580	1	70000579 Valve	
12	7012775	1	Control Valve Assembly (Flow Control)	
12	7012773	1	Seal Kit	
12A	7012772	2	Coil	
12A	7018912	2	Nut	
13	7010542	1	Cartridge, Shuttle	

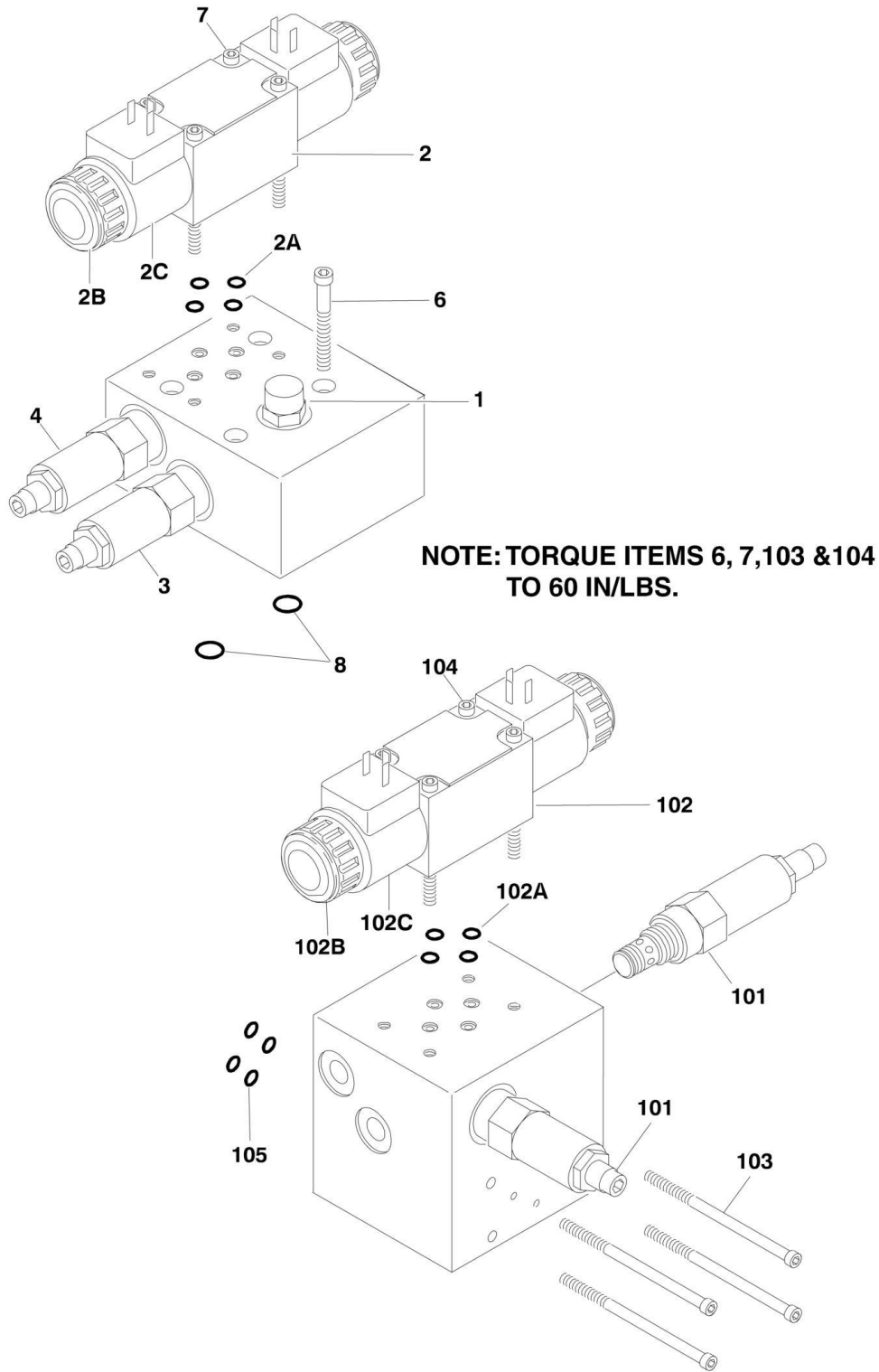
## SECTION 2 - TURNTABLE

ITEM	PART NUMBER	QTY	DESCRIPTION	REV
13	7010543	1	Seal Kit - 7010542 Cartridge	
14	7010542	1	Cartridge, Shuttle	
14	7010543	1	Seal Kit - 7010542 Cartridge	
15	7010542	1	Cartridge, Shuttle	
15	7010543	1	Seal Kit - 7010542 Cartridge	
16	7010542	1	Cartridge, Shuttle	
16	7010543	1	Seal Kit - 7010542 Cartridge	
17	7010542	1	Cartridge, Shuttle	
17	7010543	1	Seal Kit - 7010542 Cartridge	
18	7017420	1	Cartridge, Relief Valve	
18	7012998	1	Seal Kit - 7017420 Cartridge	
19	7012775	1	Control Valve Assembly (Upper Lift)	
19	7012773	1	Seal Kit	
19	7012799	1	Lanyard Assembly (Not Shown)	
19A	7012772	2	Coil	
19A	7018912	2	Nut	
20	7012775	1	Control Valve Assembly (Swing)	
20	7012773	1	Seal Kit	
20A	7012772	2	Coil	
20A	7018912	2	Nut	
21	7017423	1	Cartridge, Relief Valve (Swing Right/Left Relief)	
21	7012998	1	Seal Kit - 7017423 Cartridge	
22	7012774	1	Control Valve Assembly (Steer)	
22	7012773	1	Seal Kit	
22A	7012772	2	Coil	
22A	7018912	2	Nut	
23	7017428	1	Cartridge, Relief Valve (Steer Left Relief)	
23	7012998	1	Seal Kit - 7017428 Cartridge	
24	7017428	1	Cartridge, Relief Valve (Steer Right Relief)	
24	7012998	1	Seal Kit - 7017428 Cartridge	
25	70001976	1	Control Valve Assembly (Lower Tele) (was p/n 7012770)	
25	7012773	1	Seal Kit	
25A	7012772	2	Coil	
25A	7018912	2	Nut	
26	7018952	1	Control Valve Assembly (Lower Lift) Options:	
26	7012769	1	Seal Kit	
26A	7012772	2	Coil	
26A	7018912	2	Nut	
26A	7012799	1	Lanyard Cable Assembly	
27	7012969	1	Cartridge, Check	
27	7012967	1	Seal Kit - 7012969 Cartridge	
28	7012914	1	Cartridge, Check	
28	7012918	1	Seal Kit - 7012914 Cartridge	
30	4460499	19	Connector, Din with Diode (Part of Valve Harness)	
	2901763	1	Rotate Sandwich Valve Kit	A
51	7021310	1	Block, Valve	



# SECTION 2 - TURNTABLE

## FIGURE 2-3. ACCESSORY VALVE ASSEMBLIES





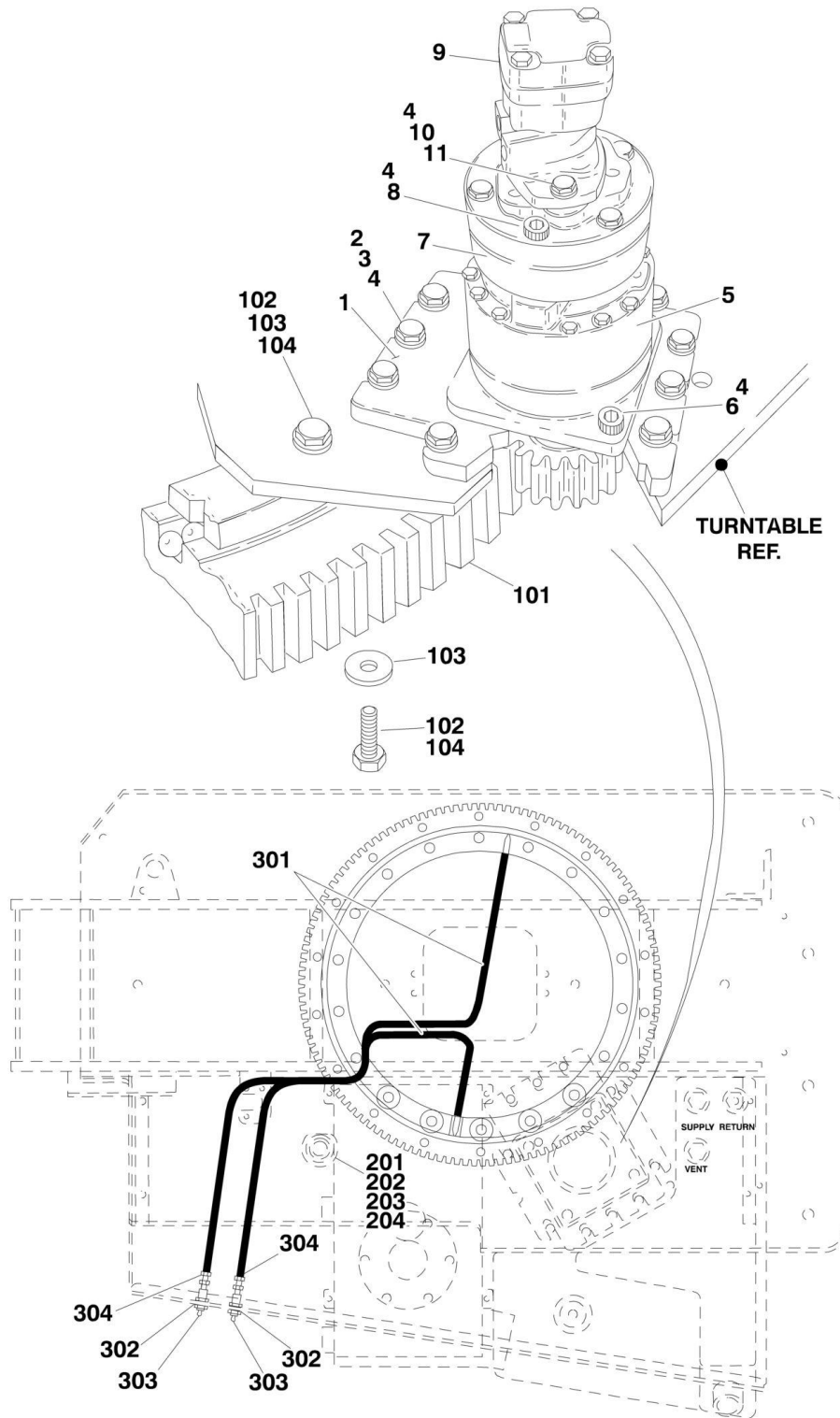
**SECTION 2 - TURNTABLE**

**FIGURE 2-3. ACCESSORY VALVE ASSEMBLIES**

ITEM	PART NUMBER	QTY	DESCRIPTION	REV
	4640921	Ref	<b>ARTICULATING JIB VALVE ASSEMBLY</b>	D
1	7012965	1	Cartridge, Flow Control	
1	7012953	1	Seal Kit - 7012965 Cartridge	
2	70001976	1	Directional Control Valve Assembly (was p/n 7012770)	
2	7012773	1	Seal Kit	
2A	7018945	4	O-Ring	
2B	7018912	2	Nut	
2C	7012772	2	Coil	
3	7017421	1	Cartridge, Relief	
3	7012998	1	Seal Kit - 7017421 Cartridge	
4	7017422	1	Cartridge, Relief	
4	7012998	1	Seal Kit - 7017422 Cartridge	
5	4460499	2	Connector, Din with Diode (Part of Valve Harness)	
6	7018946	4	Capscrew, Socket Head #10-24NC x 5in (Not Shown - Used to Mount Valve Assembly)	
7	7018942	4	Capscrew, Socket Head #10-24NC x 2in	
8	7012776	4	O-Ring (Not Shown - Used to Mount to Main Valve)	
	4640922	Ref	<b>4WS VALVE ASSEMBLY</b>	B
101	7017420	2	Cartridge, Flow Control	
101	7012998	2	Seal Kit - 7017420 Cartridge	
102	7012774	1	Directional Control Valve Assembly	
102	7012773	1	Seal Kit	
102A	7018945	4	O-Ring	
102B	7018912	2	Nut	
102C	7012772	2	Coil	
103	7018946	4	Capscrew, Socket Head #10-24NC x 5in (Used to Mount Valve Assembly)	
104	7018942	4	Capscrew, Socket Head #10-24NC x 2in	
105	7018948	4	O-Ring (Used to Mount to Main Valve)	

# SECTION 2 - TURNTABLE

## FIGURE 2-4. SWING DRIVE, TURNTABLE BEARING AND LOCK INSTALLATIONS



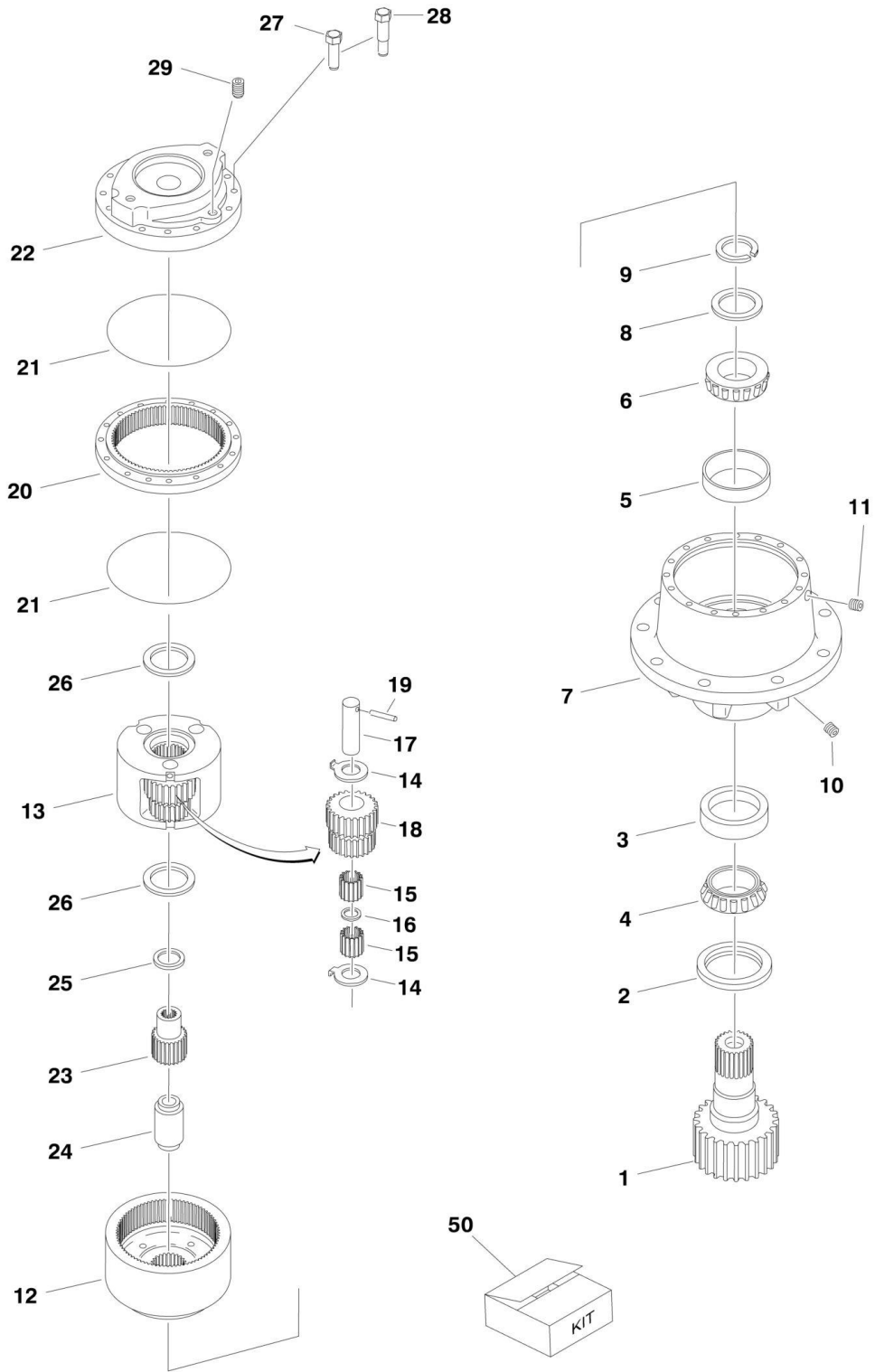
## SECTION 2 - TURNTABLE

**FIGURE 2-4. SWING DRIVE, TURNTABLE BEARING AND LOCK INSTALLATIONS**

ITEM	PART NUMBER	QTY	DESCRIPTION	REV
		Ref	<b>SWING DRIVE INSTALLATIONS</b>	
	0255025	Ref	<b>Swing Drive Installations (Prior to SN 0300064566)</b>	4-B
	0270329	Ref	<b>Swing Drive Installations (SN 0300064566 through 0300069000)</b>	A
1	3537318	1	Plate, Swing Drive Mounting	
2	0642018	10	Bolt 5/8in - 11NC x 2-1/4in	
3	4892000	10	Flatwasher 5/8in Hardened	
4	0100011	AR	Compound, Locking	
5	2780205	1	Hub, Swing Assembly (See SWING HUB ASSEMBLY for Breakdown)	
6	3932224	4	Bolt 1/2in - 13NC x 1-1/2in	
7		Ref	Brake, Swing Assembly (See SWING BRAKE ASSEMBLY for Breakdown)	
7	See Note	1	Brake, Swing Assembly (Note: Recommend using 0920109 in place of original 0920083) <b>(Prior to SN 0300033476)</b>	
7	0920109	1	Brake, Swing Assembly <b>(SN 0300033476 through 0300064565)</b>	
7	0920119	1	Brake, Swing Assembly <b>(SN 0300064566 through 0300069000)</b>	
8	3931860	2	Bolt Socket Head 1/2in - 13NC x 3-3/4in <b>(Prior to SN 0300064566)</b>	
9		Ref	Motor, Swing Assembly (See SWING MOTOR ASSEMBLY for Breakdown)	
9	3160200	1	Motor, Swing Assembly <b>(Prior to SN 0300064566)</b>	
9	3160273	1	Motor, Swing Assembly <b>(SN 0300064566 through 0300069000)</b>	
10		Ref	Bolt Options:	
10	0641811	2	Bolt 1/2in-13NC x 1-3/8in <b>(Prior to SN 0300064566)</b>	
10	0681836	2	Bolt 1/2in-13NC x 4-1/2in <b>(SN 0300064566 through 0300069000)</b>	
11	4891800	2	Flatwasher 1/2in Hardened	
	0254798	Ref	<b>TURNTABLE BEARING INSTALLATION</b>	A-A
101	0440207	NLA	Bearing Kit (Use p/n 2915087) (Kit Includes Bearing and Mounting Hardware)	
102	0682016	36	Bolt 5/8in - 11NC x 2in (Grade 8)	
103	4892000	36	Flatwasher 5/8in Hardened	
104	0100019	AR	Compound, Locking	
	0255410	Ref	<b>TURNTABLE LOCK INSTALLATION</b>	-
201	4844958	1	Pin	
202	3421565	1	Pin, Snap	
203	3760170	2	Ring, Quick Release	
204	1260017	9 in/23cm	Chain	
	0255444	Ref	<b>REMOTE BEARING LUBE INSTALLATION</b>	1
301	2751032	2	Hose, Grease	
302	2180344	2	Fitting, Bulkhead	
303	2160002	2	Fitting, Grease	
304	2220001	2	Fitting, Straight	

# SECTION 2 - TURNTABLE

## FIGURE 2-5. SWING HUB ASSEMBLY



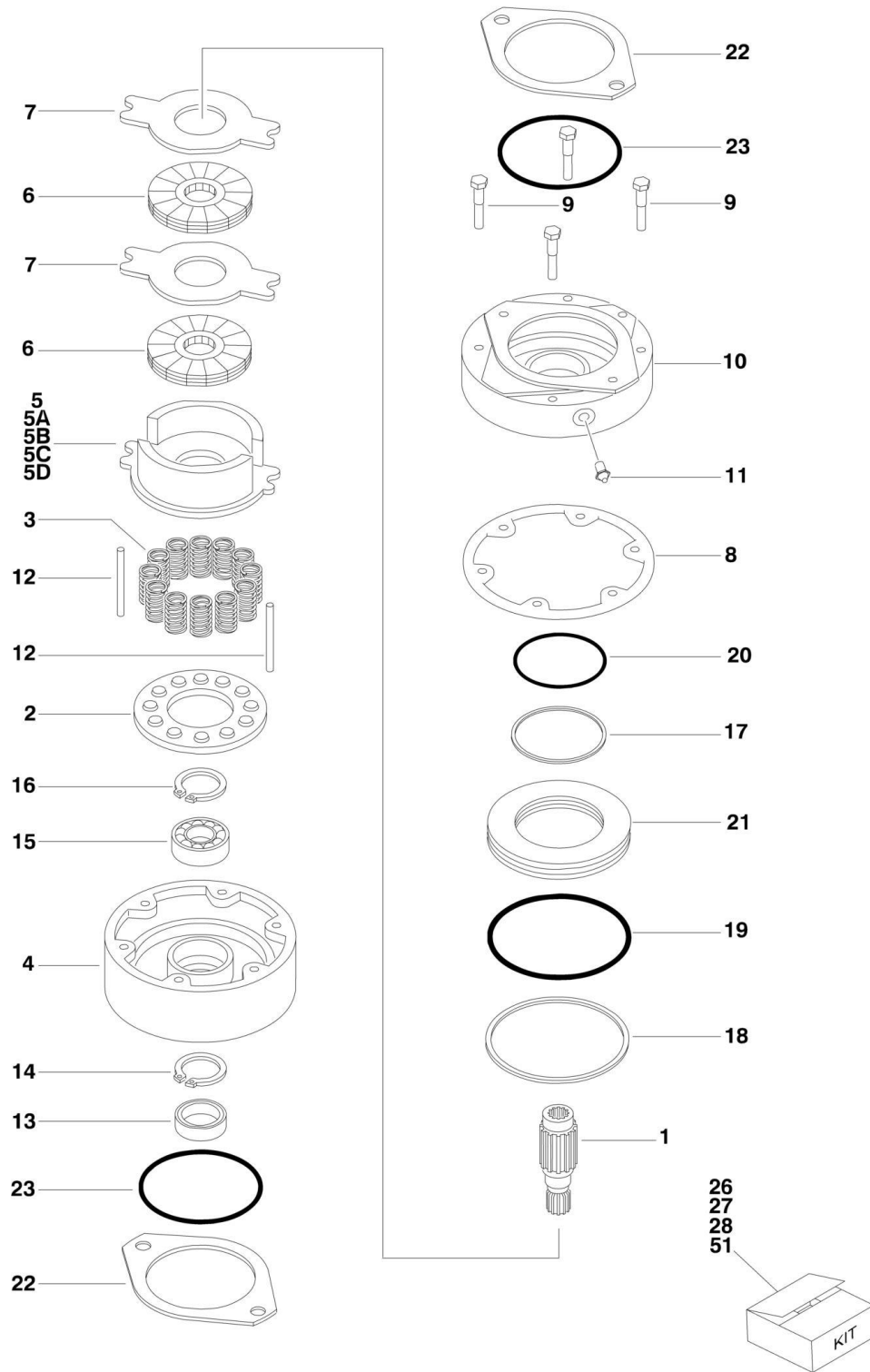
**SECTION 2 - TURNTABLE**

**FIGURE 2-5. SWING HUB ASSEMBLY**

ITEM	PART NUMBER	QTY	DESCRIPTION	REV
	2780205	Ref	<b>SWING HUB ASSEMBLY</b>	-
		Ref	<b>HOUSING ASSEMBLY</b>	
1	7010492	1	Shaft, Output	
2	7000228	1	Seal, Lip	
3	7000255	1	Cup, Bearing	
4	7000256	1	Cone, Bearing	
5	7000257	1	Cup, Bearing	
6	7000258	1	Cone, Bearing	
7	7017089	1	Housing	
8	7007633	1	Thrustwasher	
9	7000229	1	Ring, Retaining	
10	7010494	2	Pipe, Plug	
11	7001928	2	Pipe, Plug	
12	7000246	2	Gear, Internal	
13		Ref	<b>CARRIER ASSEMBLY</b>	
13	7001931	1	Carrier	
14	7001985	6	Thrustwasher, Tanged	
15	7001909	96	Bearing, Needle	
16	7000263	3	Spacer, Thrust	
17	7001911	3	Shaft, Planet	
18	7001987	3	Gear, Cluster	
19	7010474	3	Roll Pin	
20	7001988	1	Ring Gear	
21	7000230	2	O-Ring	
22	7000209	1	Cover, Input	
23	7010488	1	Gear, Sun	
24	7000269	1	Spacer, Input	
25	7000270	1	Thrustwasher	
26	7000253	2	Thrustwasher	
27	7000217	8	Bolt	
28	7000214	4	Bolt, Shoulder	
29	7000242	1	Pipe, Plug	
50	7024100	1	Seal Kit (Includes Items 2, 9, 21 & 26)	

# SECTION 2 - TURNTABLE

## FIGURE 2-6. SWING BRAKE ASSEMBLY



## SECTION 2 - TURNTABLE

### FIGURE 2-6. SWING BRAKE ASSEMBLY

ITEM	PART NUMBER	QTY	DESCRIPTION	REV
		Ref	<b>SWING BRAKE ASSEMBLY OPTIONS:</b>	
	0920083	Ref	<b>Swing Brake Assembly (Prior to SN 0300033476)</b>	A
	0920109	Ref	<b>Swing Brake Assembly (SN 0300033476 through 0300064566)</b>	B
1	7011720	1	Shaft	
2		Ref	Guide, Spring Options:	
2	7011717	1	0920083 Brake ( <b>Prior to SN 0300033476</b> )	
2	7018606	1	0920109 Brake ( <b>SN 0300033476 through 0300069000</b> )	
3		Ref	Spring Options:	
3	7007979	6	0920083 Brake (Inner) ( <b>Prior to SN 0300033476</b> )	
3	7007980	6	0920083 Brake (Outer) ( <b>Prior to SN 0300033476</b> )	
3	7007970	6	0920109 Brake (Red) ( <b>SN 0300033476 through 0300064566</b> )	
3	7018602	3	0920109 Brake (Blue) ( <b>SN 0300033476 through 0300064566</b> )	
4		Ref	Housing Options:	
4	7011713	1	0920083 Brake ( <b>Prior to SN 0300033476</b> )	
4	7018605	1	0920109 Brake ( <b>SN 0300033476 through 0300064566</b> )	
5		Ref	Return Plate and Separator Assembly Options:	
5A		Ref	0920083 Brake ( <b>Prior to SN 0300033476</b> )	
5B	See Note	NSS	Plate, Return - 0920083 Brake (Note: Use Item 28) ( <b>Prior to SN 0300033476</b> )	
5C	7011715	2	Separator Assy - 0920083 Brake ( <b>Prior to SN 0300033476</b> )	
5C	7011714	4	Pin	
5C	7007983	2	Separator	
5D	See Note	NSS	0920109 Brake (Note: Use Item 28) ( <b>SN 0300033476 through 0300064566</b> )	
6	See Note	NSS	Rotor (Note: Use Item 28)	
7	See Note	NSS	Stator (Note: Use Item 28)	
8	See Note	NSS	Seal, Oil (Note: Use Item 26 or 27)	
9		Ref	Bolt, Washer Head Options:	
9	7007985	4	0920083 Brake ( <b>Prior to SN 0300033476</b> )	
9	7018607	4	0920109 Brake ( <b>SN 0300033476 through 0300064566</b> )	
10	7011719	1	Cover	
11		Ref	Hardware Options:	
11	7007914	1	Screw, Bleeder ( <b>Prior to SN 0300033906</b> )	
11	7018609	1	Plug, Pipe ( <b>SN 0300033906 through 0300064566</b> )	
12	7007987	2	Pin, Dowel	
13	See Note	NSS	Seal, Oil (Note: Use Item 26 or 27)	
14	7011716	1	Ring, Retaining	
15	See Note	NSS	Bearing (Note: Use Item 27)	
16	7007977	1	Ring, Retaining	
17	See Note	NSS	Ring, Back-up (Note: Use Item 26)	
18	See Note	NSS	Ring, Back-up (Note: Use Item 26)	
19	See Note	NSS	O-Ring (Note: Use Item 26)	
20	See Note	NSS	O-Ring (Note: Use Item 26)	
21		Ref	Piston Options:	
21	7007923	1	0920083 Brake ( <b>Prior to SN 0300033476</b> )	
21	7018603	1	0920109 Brake ( <b>SN 0300033476 through 0300064566</b> )	
22	7007934	2	Gasket	
23	See Note	NSS	O-Ring (Note: Use Item 26, 27 or 28)	
26	2900766	1	Seal Kit (Includes Items 8, 13, 17, 18, 19, 20, 22 & 23)	
27	2900768	1	Bearing Kit (Includes Items 8, 13, 14, 15, 16, 22 & 23)	

## SECTION 2 - TURNTABLE

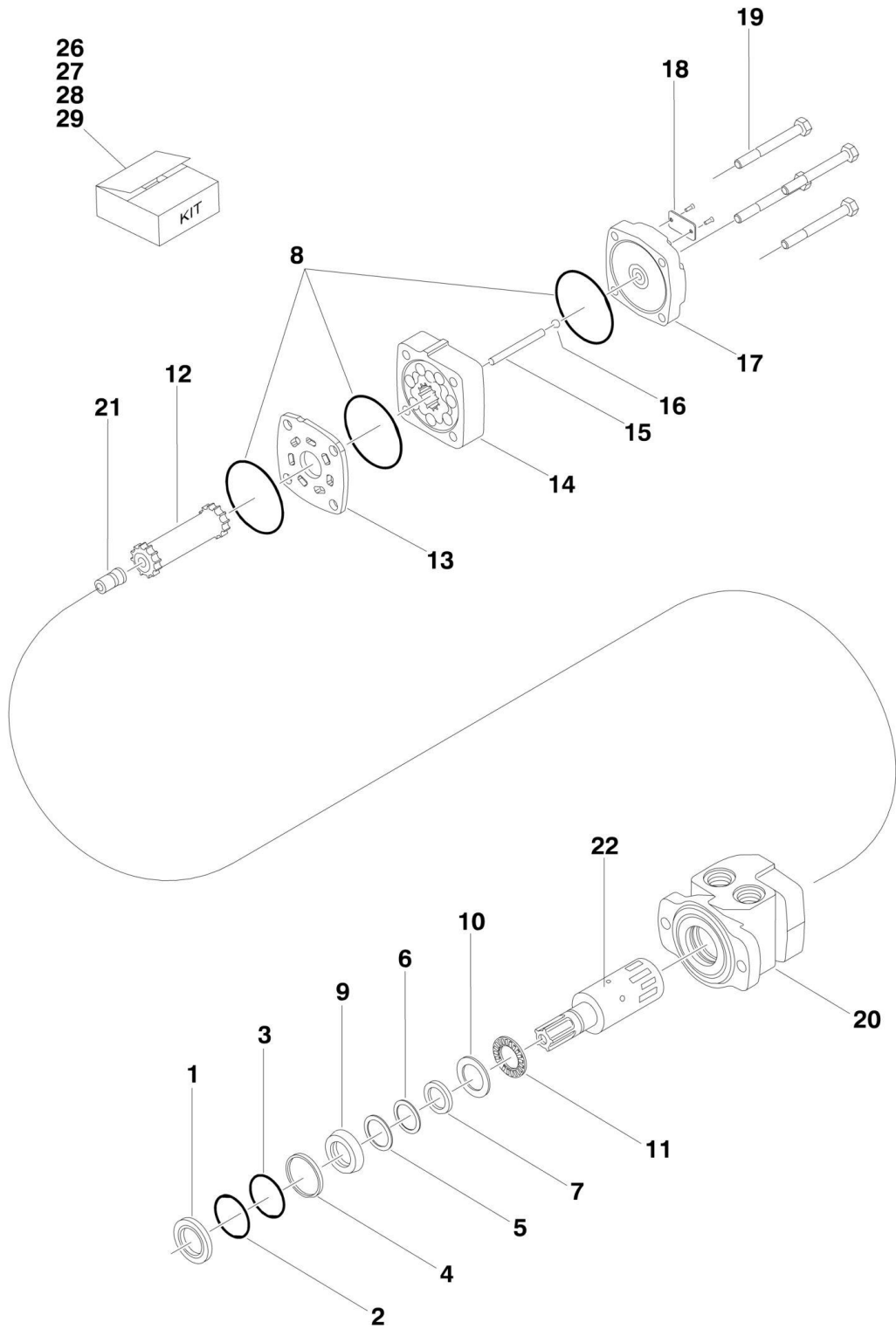
ITEM	PART NUMBER	QTY	DESCRIPTION	REV
28		Ref	Lining Kit Options:	
28	2900767		0920083 Brake (Includes Items 5B, 6, 7, 8, 22 & 23) <b>(Prior to SN 0300033476)</b>	
28	7018608		0920109 Brake (Includes Items 5D, 6, 7, 8, 22 & 23) <b>(SN 0300033476 through 0300064565)</b>	
	0920119	Ref	<b>SWING BRAKE ASSEMBLY (NOT SHOWN) (SN 0300064566 through 0300069000)</b>	B
51	7018612	1	Kit, Repair	
		Ref	<b>Note: Repair Kit Only (No Other Service Parts Available)</b>	





# SECTION 2 - TURNTABLE

## FIGURE 2-7. SWING MOTOR ASSEMBLY



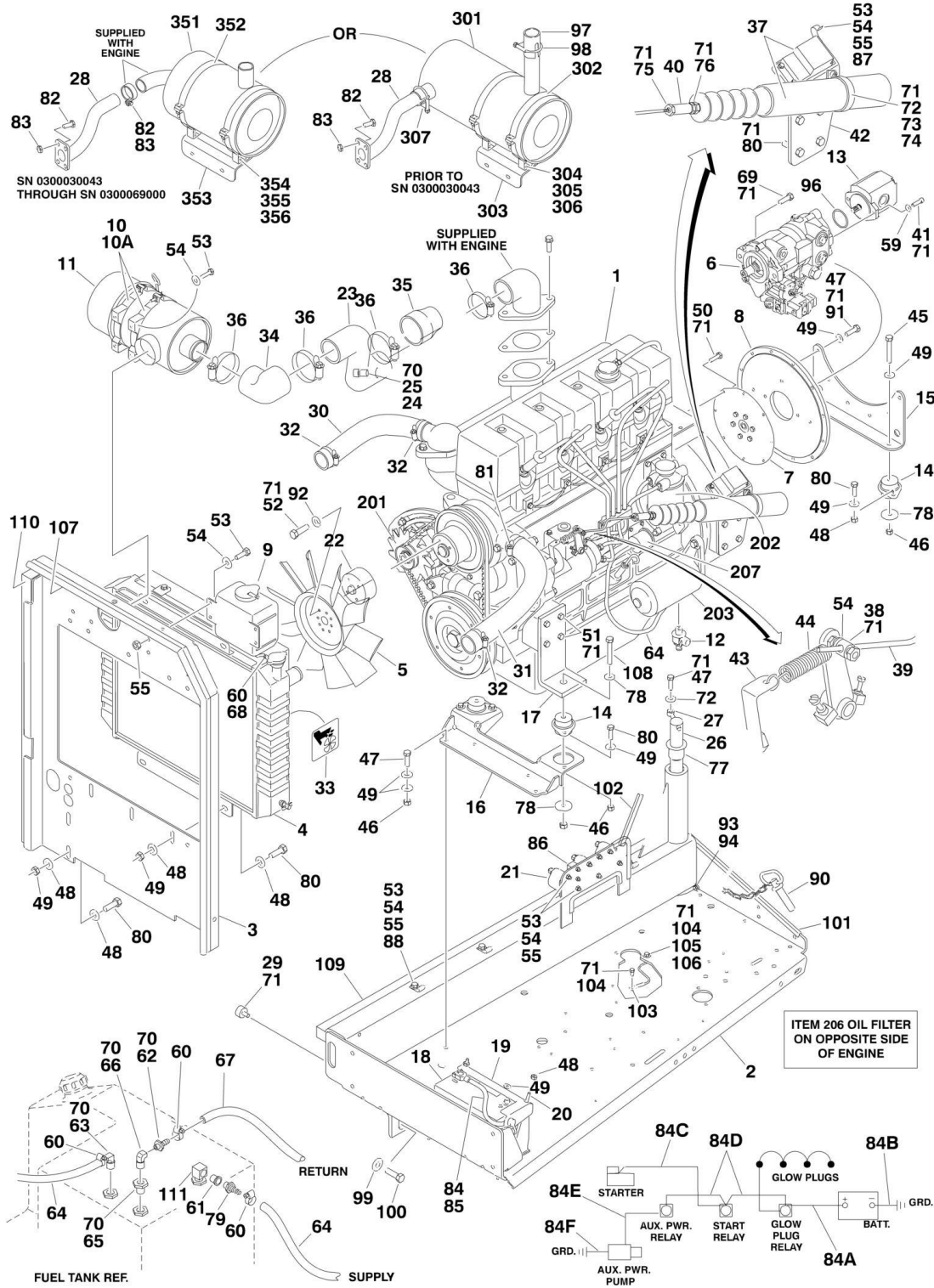
## SECTION 2 - TURNTABLE

### FIGURE 2-7. SWING MOTOR ASSEMBLY

ITEM	PART NUMBER	QTY	DESCRIPTION	REV
		Ref	<b>SWING MOTOR ASSEMBLY OPTIONS:</b>	
	3160200	Ref	<b>Swing Motor Assembly (Prior to SN 0300064566)</b>	C
	3160273	Ref	<b>Swing Motor Assembly (SN 0300064566 through 0300069000)</b>	B
1	See Note	NSS	Seal, Dust (Note: Use Item 26)	
2	See Note	NSS	Ring, Split Wire (Note: Use Item 26)	
3	See Note	NSS	Shim, Metal Back-up (Note: Use Item 26)	
4	See Note	NSS	Seal, High Pressure (Note: Use Item 26)	
5	See Note	NSS	Shim, Metal Back-up (Note: Use Item 26)	
6	See Note	NSS	Seal, Teflon Back-up (Note: Use Item 26)	
7	See Note	NSS	Seal, Shaft (Note: Use Item 26)	
8	See Note	NSS	Seal, Body (Note: Use Item 26)	
9	See Note	NSS	Carrier, Seal (Note: Use Item 27)	
10	See Note	NSS	Thrustwasher (Note: Use Item 27)	
11		Ref	Bearing, Thrust Options:	
11	7005842	1	Motor p/n 3160200	
11	7016422	1	Motor p/n 3160273	
12	7005889	1	Link, Drive	
13		Ref	Plate, Wear Options:	
13	7005845	1	Motor p/n 3160200	
13	7016423	1	Motor p/n 3160273	
14	7005890	1	Rotor Assembly	
15	7005891	1	Pin, Drive Link	
16	See Note	NSS	Ball (Note: Use Item 28)	
17	See Note	NSS	Cover, End (Note: Use Item 28)	
18	See Note	NSS	Tag, I.D. (Note: Not Available for Purchase)	
19	7005892	4	Bolt	
20		Ref	Housing Options:	
20	7005841	1	Motor p/n 3160200	
20	7016425	1	Motor p/n 3160273	
21	7005893	1	Plug, Cooling	
22		Ref	Shaft Options:	
22	7005894	1	Motor p/n 3160200	
22	7016426	1	Motor p/n 3160273	
26	7005881	1	Seal Kit (Includes Items 1-8)	
27	7005882	1	Seal Carrier Kit (Includes Items 9 & 10)	
28		Ref	End Cover Kit (Includes Items 16 & 17) Options:	
28	7005848	1	Motor p/n 3160200	
28	7016424	1	Motor p/n 3160273	
29		Ref	Housing/Shaft Kit (Includes Items 20-22) Options:	
29	7005895	1	Motor p/n 3160200	
29	7016427	1	Motor p/n 3160273	

# SECTION 2 - TURNTABLE

## FIGURE 2-8. CONTINENTAL ENGINE INSTALLATIONS



## SECTION 2 - TURNTABLE

### FIGURE 2-8. CONTINENTAL ENGINE INSTALLATIONS

ITEM	PART NUMBER	QTY	DESCRIPTION	REV
		Ref	<b>CONTINENTAL ENGINE INSTALLATIONS</b>	
	0255327	Ref	<b>Continental Engine Installations (Prior to SN 0300030043)</b>	4-C
	0256754	Ref	<b>Continental Engine Installations (SN 0300030043 through 0300069000)</b>	1-B
1	2000131	1	Engine - Continental TMD-27 Diesel	
2		Ref	Tray Engine Options:	
2	4844961	1	Tray Engine <b>(Prior to SN 0300030043)</b>	
2	4845404	1	Tray Engine <b>(SN 0300030043 through 0300069000)</b>	
3		Ref	Plate, Radiator Mounting Options:	
3	3538724	1	Plate, Radiator Mounting <b>(Prior to SN 0300030043)</b>	
3	3539872	1	Plate, Radiator Mounting <b>(SN 0300030043 through 0300069000)</b>	
4	3620030	1	Cooler, Oil	
5	2060025	1	Fan	
6		Ref	Piston Pump Assembly Options (See PISTON PUMP ASSEMBLY for Breakdown):	
6	3600164	1	13 Tooth Pump (Original Equipment) <b>(Prior to SN 0300030043)</b>	
6	3600260	1	15 Tooth Pump (Optional for Field Replacement) <b>(SN 0300030043 through 0300069000)</b>	
7		Ref	Coupling, Pump Options:	
7	1660183	1	13 Tooth Pump (Original Equipment) <b>(Prior to SN 0300030043)</b>	
7	1660233	1	15 Tooth Pump (Optional for Field Replacement) <b>(SN 0300030043 through 0300069000)</b>	
8	0080181	1	Plate, Pump Adaptor	
9	1580011	1	Container, Coolant Overflow	
10		Ref	Air Cleaner Assembly Options:	
10	1340056	1	Air Cleaner Assembly <b>(Prior to SN 0300030043)</b>	
10	1340060	1	Air Cleaner Assembly <b>(SN 0300030043 through 0300069000)</b>	
10A	7012664	1	Element, Air Cleaner	
11	0340041	2	Band, Mounting	
12	4640952	1	Valve, Oil Drain	
13	3600242	1	Gear Pump Assembly (See GEAR PUMP ASSEMBLY for Breakdown)	
14		Ref	Mount, Rubber Engine Options:	
14	3200378	4	Front and Rear <b>(Prior to SN 0300030043)</b>	
14	3200362	2	Rear <b>(SN 0300030043 through 0300069000)</b>	
14	3200362	2	Front <b>(SN 0300030043 through 0300069000)</b>	
15	3537287	1	Bracket, Engine Mounting - Rear	
16	3537691	1	Bracket, Engine Mounting - Front	
17	3537290	2	Support, Engine	
18	0400075	1	Battery	
19	0181727	1	Hold-Down, Battery	
20	0630498	2	Rod, Hold-Down	
21	3740067	3	Relay	
22	0080215	1	Spacer, Fan	
23		Ref	Tube, Air Intake Options:	
23	4845059	1	Tube, Air Intake <b>(Prior to SN 0300030043)</b>	
23	4845453	1	Tube, Air Intake <b>(SN 0300030043 through 0300069000)</b>	
24	4360392	1	Switch, Restriction Indicator	
25	2180798	1	Fitting	
26	3422446	1	Pin, Pivot	

## SECTION 2 - TURNTABLE

ITEM	PART NUMBER	QTY	DESCRIPTION	REV
27	3841143	1	Keeper, Pin	
28		Ref	Tube, Exhaust Options:	
28	4845157	1	Tube, Exhaust ( <b>Prior to SN 0300030043</b> )	
28	4567072	1	Tube, Exhaust ( <b>SN 0300030043 through 0300069000</b> )	
29	0940070	1	Bumper, Rubber	
30	2720395	1	Hose, Oil Cooler - Top	
31	2720396	1	Hose, Oil Cooler - Bottom	
32	1320012	3	Clamp, Hose	
33		Ref	Nameplate - Fan Caution Options:	
33	3250914	2	Nameplate - Fan Caution ( <b>Prior to SN 0300030043</b> )	
33	1703162	2	Nameplate - Fan Caution ( <b>SN 0300030043 through 0300069000</b> )	
34	0080201	1	Elbow, Rubber	
35	0080216	1	Reducer, Rubber	
36	1320016	4	Clamp, Hose	
37	0060033	NLA	Actuator Assembly (Use p/n 2910000) (See ELECTRICAL SECTION for Breakdown)	
38	1660220	1	Swivel	
39	3841288	1	Rod, Throttle	
40	1660222	1	Coupling, Throttle	
41	3931620	2	Bolt, Socket Head 3/8in-16NC x 1-1/4in	
42	3539139	1	Plate, Actuator Mounting	
43	0902159	1	Bracket, Spring	
44	4160138	1	Spring	
45	0641818	4	Bolt 1/2in-13NC x 2-1/4in	
46	3311608	4	Locknut 1/2in-13NC	
47	0641610	6	Bolt 3/8in-16NC x 1-1/4in	
48	3311605	22	Locknut 3/8in-16NC x 1-1/4in	
49	4751600	56	Flatwasher 3/8in Regular	
50	0681606	6	Bolt 3/8-16NC x 3/4in (Grade 8)	
51	0701414	8	Bolt Metric M14-2 x 30mm	
52	0700819	4	Bolt Metric M8-25 x 55mm	
53	0641406	20	Bolt 1/4in-20NC x 3/4in	
54	4751400	35	Flatwasher 1/4in Regular	
55	3311405	17	Locknut 1/4in-20NC	
56	0721004	2	Bolt #10-24NC x 1/2in	
57	3321001	2	Nut #10-24NC	
58	4751000	10	Flatwasher #10 Regular	
59	4891600	2	Flatwasher 3/8in Hardened	
60	1320022	8	Clamp, Hose	
61	2220273	2	Fitting, Reducer	
62	2180536	1	Fitting, Straight	
63	2220313	1	Fitting, 90	
64	2750532	21.5 t/6.5m	Hose 3/8in	
65	2220250	1	Fitting, Reducer	
66	2220459	1	Fitting, 90	
67	2720271	15 ft/4.6m	Hose 3/16in	
68	2720058	6 in/15cm	Hose 5/16in	
69	0641812	2	Bolt 1/2in-13NC x 1-1/2in	
70	0100020	AR	Sealant, Thread	
71	0100011	AR	Compound, Locking	

## SECTION 2 - TURNTABLE

ITEM	PART NUMBER	QTY	DESCRIPTION	REV
72	4740442	1	Washer, Bellville	
73	3900217	1	Bolt, Socket Head Shoulder	
74	0962031	1	Bushing, Flanged	
75	3321402	1	Nut, Jam 1/4in-28NF	
76	3321602	1	Nut, Jam 3/8in-24NF	
77	0961986	2	Bushing, Flanged	
78	4740274	4	Washer, Snubbing	
79	2220720	1	Fitting, Barbed	
80	0641608	20	Bolt 3/8in-16NC x 1in	
81	1320031	1	Clamp, Hose	
82	0641712	2	Bolt 7/16in-14NC x 1-1/2in	
83	3311705	2	Locknut 7/16in-14NC	
84	2901363	1	Battery Cable Kit	
84A	7016800	1	Cable, Battery (Red)	
84B	7016809	1	Cable, Battery (Black)	
84C	7016810	1	Cable (Red)	
84D	7016811	1	Cable (Red)	
84E	7016806	1	Cable (Red)	
84F	7016805	1	Cable (Black Only) <b>(Prior to SN 0300025556)</b>	
85	4460611	1	Terminal, Battery Jumper Post	
86	4360294	1	Breaker, Circuit - 30 Amp	
87	1320222	1	J-Clip 3/8in Only <b>(Prior to SN 0300025556)</b>	
88	1320223	9	J-Clip 1/2in	
89	0700605	1	Bolt, Metric	
90	3422532	1	Pin, Hitch	
91	0641612	12	Bolt 3/8in-16NC x 1-1/2in	
92	4831900	4	Lockwasher, Metric M8	
93	0641407	1	Bolt 1/4in-20NC x 7/8in	
94	4711400	1	Flatwasher 1/4in Thin	
95	1701505	1	Decal - Diesel (Not Shown - Located on Hood)	
96	3790152	1	O-Ring	
97	4566986	1	Tube, Adapter <b>(Prior to SN 0300030043)</b>	
98	1320019	1	Clamp, Exhaust <b>(Prior to SN 0300030043)</b>	
99	0642010	1	Bolt 5/8in-11NC x 1-1/4in	
100	4752000	1	Flatwasher 5/8in Regular	
101	4060805	7 in/18cm	Flex-Trim 1/4in	
102	4060804	16 in/40cm	Flex-Trim 3/16in	
103	1060637	1	Lanyard	
104	0641808	2	Bolt 1/2in-13NC x 1in	
105	3311801	1	Nut 1/2in-13NC	
106	4751800	1	Flatwasher 1/2in Regular	
107		Ref	Seal Options:	
107	Not Required	0	Seal <b>(Prior to SN 0300030043)</b>	
107	3960389	5 ft/1.5m	Seal <b>(SN 0300030043 through 0300069000)</b>	
108	0641826	2	Bolt 1/2in-13NC x 3-1/4in	
109		Ref	Seal, Foam Gasket Options:	
109	Not Required	0	Seal, Foam Gasket <b>(Prior to SN 0300030043)</b>	
109	3960468	1	Seal, Foam Gasket <b>(SN 0300030043 through 0300069000)</b>	
110		Ref	Seal, Foam Gasket Options:	
110	Not Required	0	Seal, Foam Gasket <b>(Prior to SN 0300030043)</b>	
110	3960469	1	Seal, Foam Gasket <b>(SN 0300030043 through 0300069000)</b>	

## SECTION 2 - TURNTABLE

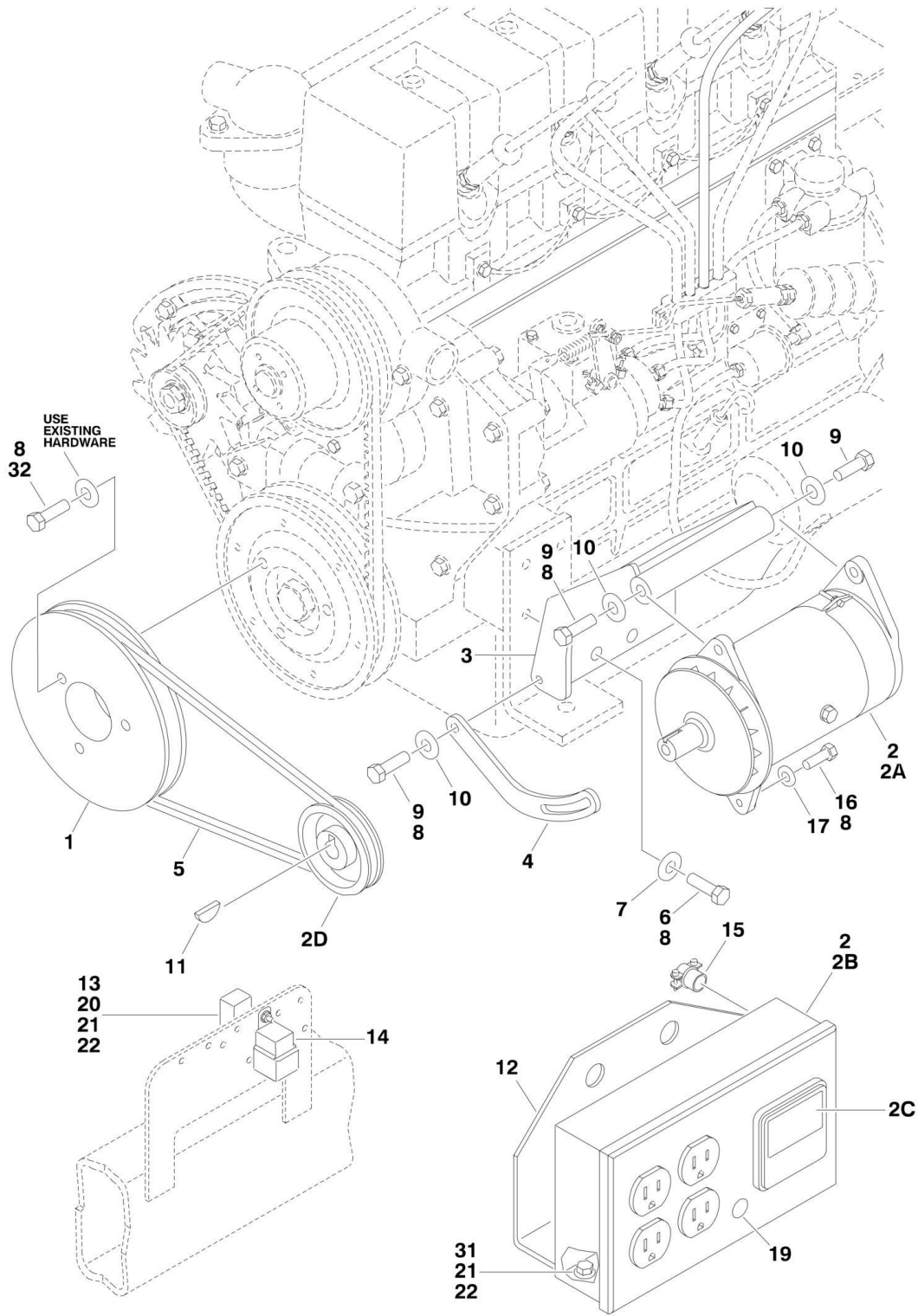
ITEM	PART NUMBER	QTY	DESCRIPTION	REV
111	7019658	1	Fitting 90 W/Pick-Up Tube	
		Ref	<b>ENGINE COMPONENTS</b>	
201	7016323	1	Alternator	
202	7016324	1	Filter, Fuel	
203	7016325	1	Starter	
204	7016326	1	Switch, Water Temperature (Not Shown)	
205	7016327	1	Switch, Low Oil Pressure (Not Shown)	
206	7016340	1	Filter, Oil	
207	7020073	1	Pump, Fuel	
		Ref	<b>MUFFLER INSTALLATIONS (Prior to SN 0300030043)</b>	
	0255873	Ref	<b>Standard Equipment (Spark Arresting)</b>	-
	0255874	Ref	<b>Optional Equipment (Purifier)</b>	-
301		Ref	Muffler Options:	
301	3220097	1	Spark Arresting	
301	3220099	1	Purifier	
302	0340041	2	Clamp, Band	
303	0902216	1	Bracket	
304	0641508	4	Bolt 5/16in-18NC x 1in	
305	4711500	8	Flatwasher 5/16in Thin	
306	3311505	4	Locknut 5/16in-18NC	
307	1320019	1	Clamp, Exhaust	
		Ref	<b>MUFFLER INSTALLATIONS (SN 0300030043 through 0300069000)</b>	
	0256687	Ref	<b>Standard Equipment (Spark Arresting)</b>	-
	0256688	Ref	<b>Optional Equipment (Purifier)</b>	-
351		Ref	Muffler Options:	
351	3220105	1	Spark Arresting	
351	3220107	1	Purifier	
351	70001017	1	Clamp	
352	0340046	2	Clamp, Band	
353	0902310	1	Bracket	
354	0641508	4	Bolt 5/16in-18NC x 1in	
355	4711500	8	Flatwasher 5/16in Thin	
356	3311505	4	Locknut 5/16in-18NC	
357	4567073	1	Tube, Exhaust	





# SECTION 2 - TURNTABLE

## FIGURE 2-9. GENERATOR INSTALLATION (OPTIONAL - CONTINENTAL ENGINE MACHINES)



## SECTION 2 - TURNTABLE

**FIGURE 2-9. GENERATOR INSTALLATION (OPTIONAL - CONTINENTAL ENGINE MACHINES)**

ITEM	PART NUMBER	QTY	DESCRIPTION	REV
		Ref	<b>GENERATOR INSTALLATIONS</b>	
		Ref	<b>Note: Number Colored Wiring Starts After SN 0300035129.</b>	
	0255395	Ref	<b>110 Volt Generator (Prior to SN 0300035129)</b>	4-C
	0257852	Ref	<b>110 Volt Generator (SN 0300035129 through 0300069000)</b>	1-A
	0256895	Ref	<b>220 Volt Generator (Prior to SN 0300035129)</b>	-/-
	0257855	Ref	<b>220 Volt Generator (SN 0300035129 through 0300069000)</b>	2-A
1	3580255	1	Pulley	
2		Ref	Generator and Control Box Assembly Options:	
2	2460011		110 Volt Generator/Box Assembly	
2	2460013	1	220 Volt Generator/Box Assembly	
2A		Ref	Generator, Replacement Options:	
2A	7012558	1	110 Volt Generator Only	
2A	1001100321	1	220 Volt Generator Only	
2A	7020193	1	Cord, Power - 12ft Length	
2A		Ref	Armature with Slip Rings Options:	
2A	7026199	1	Armature for 110 Volt	
2A	70000123	1	Armature for 220 Volt	
2A	7020108	4	Brushes	
2A	7020109	4	Holder, Brush	
2A	7012513	4	Cap, Brush Holder	
2A	7012514	1	Fan	
2A	7020110	1	Bell, Front	
2A	7020111	1	Bell, Rear	
2A	7020190	2	Bearing	
2B		Ref	Box, Control Options:	
2B	7003657	1	110 Volt Control Box Only	
2B	70002235	1	220 Volt Control Box Only	
2B	3520028	1	Plug, Hole	
2B		Ref	Receptacle Options:	
2B	4460190	1	Receptacle, Standard (110V Only)	
2B	4460027	1	Receptacle, Twistlock (110V Only)	
2B	70000124	1	Receptacle, Double (220V/50Hz Only)	
2B	70000125	1	Receptacle, Single (220V/50Hz Only)	
2B		Ref	Circuit Breaker Options:	
2B	4360542	1	Circuit Breaker for 110 Volt	
2B	7000126	1	Circuit Breaker for 220 Volt	
2B	7020191	1	Switch, Toggle	
2B	2920162	1	Lamp	
2C		Ref	Voltmeter Options:	
2C	2420203	1	Voltmeter for 110 Volt	
2C	7020192	1	Voltmeter for 220 Volt	
2D	3580134	1	Pulley	
2D	7027887	1	Key, Woodruff	
3	4845181	1	Bracket, Generator Mounting	
4	0200530	1	Arm, Adjusting	
5	0480050	1	V-Belt	
6	0701417	4	Bolt, Metric M14 x 45mm	
7	4751900	4	Flatwasher 9/16in Regular	
8	0100011	AR	Compound, Locking	
9	0681612	3	Bolt 3/8in-16NC x 1-1/2in (Grade 8)	

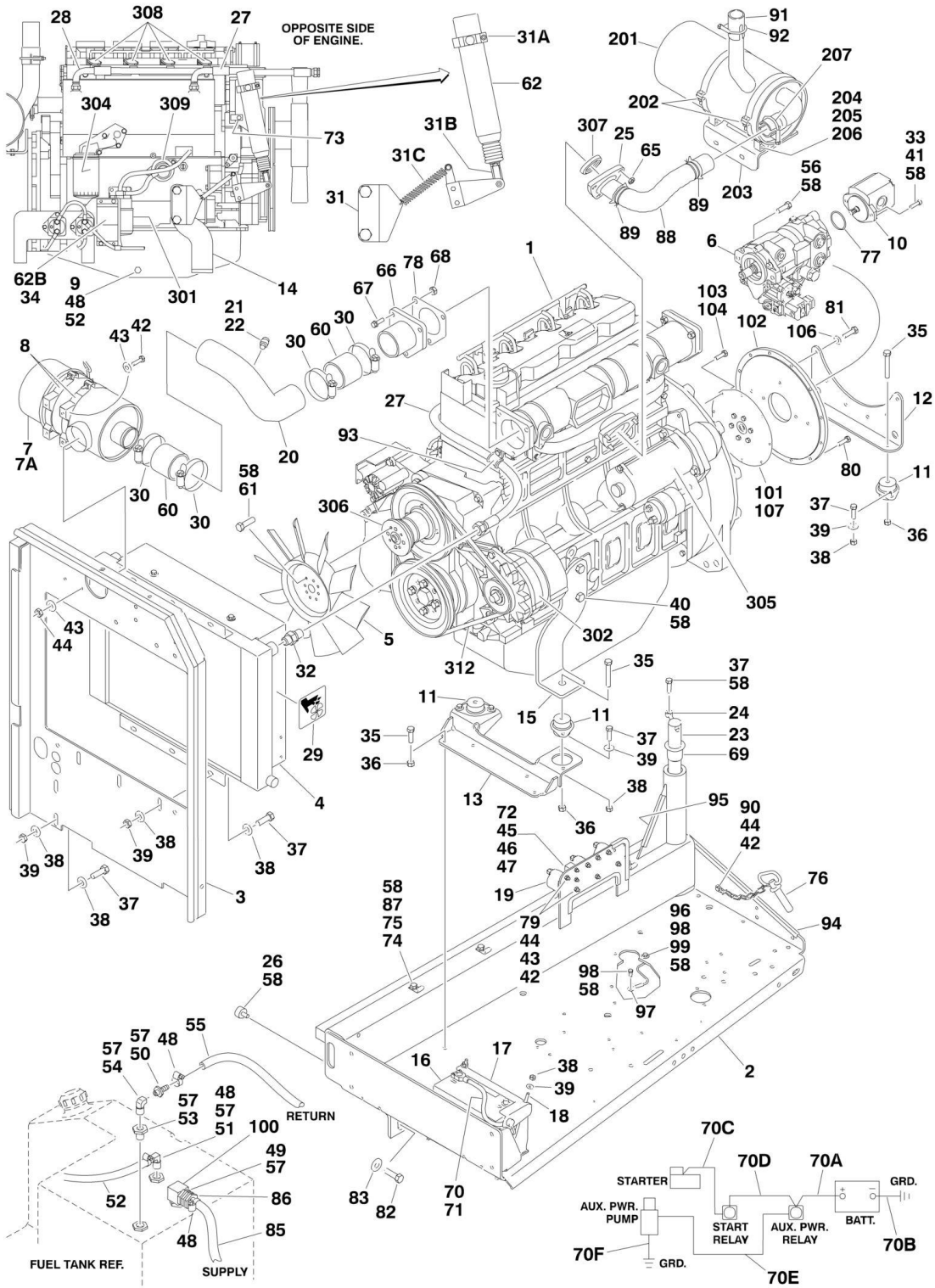
## SECTION 2 - TURNTABLE

ITEM	PART NUMBER	QTY	DESCRIPTION	REV
10	4751600	5	Flatwasher 3/8in Regular	
11	2860012	1	Key, Woodruff	
12	3539504	1	Plate, Mounting	
13	4360294	1	Breaker, Circuit 30 Amp	
14	3740080	1	Relay, Bosch	
15	4460023	1	Connector, Strain Relief	
16	0641508	1	Bolt 5/16in-18NC x 1in	
17	4751500	1	Flatwasher 5/16in Regular	
19	3520028	1	Plug, Hole	
20	0721006	2	Bolt #10-24NC x 3/4in	
21	3311005	4	Locknut #10-24NC	
22	4751000	9	Flatwasher #10 Regular	
25	4360336	1	Switch, Toggle (Not Shown - Located at Platform)	
26	4740397	1	Bushing (Not Shown - Located at Platform)	
27	4060802	1	Guard, Switch (Not Shown - Located at Platform)	
29	2820031	4 in/10cm	Heat Shrink (Not Shown - Located at Platform)	
30	3251102	1	Decal - On/Off (Not Shown - Located at Platform)	
31	0721004	2	Bolt #10-24NC x 1/2in	
32	0701015	3	Bolt, Metric Socket Head 10mm x 35mm	



# SECTION 2 - TURNTABLE

FIGURE 2-10. DEUTZ ENGINE INSTALLATION - WITHOUT NOISE REDUCTION (Prior to SN 0300029930)



## SECTION 2 - TURNTABLE

**FIGURE 2-10. DEUTZ ENGINE INSTALLATION - WITHOUT NOISE REDUCTION (Prior to SN 0300029930)**

ITEM	PART NUMBER	QTY	DESCRIPTION	REV
	0255425	Ref	<b>ENGINE ASSEMBLY AND INSTALLATION</b>	11-J
1	2000132	1	Engine - Deutz F4M1011F Diesel	
2	4844961	1	Tray Engine	
3	3538724	1	Plate, Radiator Mounting	
4	3620033	1	Cooler, Oil	
5	2060025	1	Fan	
6		Ref	Piston Pump Assembly Options: (See PISTON PUMP ASSEMBLY for Breakdown)	
6	3600164	1	13 Tooth Pump (Original Equipment)	
6	3600260	1	15 Tooth Pump (Option for Field Replacement Requires 15 Tooth Coupling P/N 1660234)	
7	1340056	1	Air Cleaner Assembly	
7A	7012664	1	Element, Air Cleaner	
8	0340041	2	Band, Mounting	
9	4640751	1	Valve, Oil Drain	
10	3600242	1	Gear Pump Assembly (See GEAR PUMP ASSEMBLY for Breakdown)	
11	3200378	4	Mount, Rubber Engine	
12	3537420	1	Bracket, Engine Mounting - Rear	
13	3537691	1	Bracket, Engine Mounting - Front	
14	3537416	1	Support, Engine - Right	
15	3537417	1	Support, Engine - Left	
16	0400075	1	Battery	
17	0181727	1	Hold-Down, Battery	
18	0630498	2	Rod, Hold-Down	
19	3740067	2	Relay	
20	4845080	1	Tube, Air Intake	
21	4360392	1	Switch, Restrictor Indicator	
22	2180798	1	Fitting	
23	3422448	1	Pin, Pivot	
24	3841143	1	Keeper, Pin	
25	4845162	1	Tube, Exhaust	
26	0940070	1	Bumper, Rubber	
27	2720397	1	Hose, Oil Cooler - Left (36in)	
28	2720398	1	Hose, Oil Cooler - Right (30in)	
29	1703162	2	Nameplate - Fan Caution Options	
30	1320016	4	Clamp, Hose	
31	2901392	1	Throttle Mounting Kit	
31A	7008833	1	Bracket, Throttle	
31B	7008835	1	Coupling, Ball Joint	
31C	7008836	1	Spring	
31D	7023340	AR	Screw, Shoulder 3/8in x 3/8in (Not Shown)	
32	2220451	2	Fitting, Straight	
33	3931620	2	Bolt, Socket Head 3/8in-16NC x 1-1/4in	
34	0902243	1	Bracket, Control Module Mounting	
35	0641816	4	Bolt 1/2in-13NC x 2in	
36	3311805	4	Locknut 1/2in-13NC	
37	0641610	21	Bolt 3/8in-16NC x 1-1/4in	
38	3311605	22	Locknut 3/8in-16NC	

## SECTION 2 - TURNTABLE

ITEM	PART NUMBER	QTY	DESCRIPTION	REV
39	4751600	44	Flatwasher 3/8in Regular	
40	0701414	4	Bolt Metric M14-2 x 30mm	
41	4891600	2	Washer, Hardened 3/8in	
42	0641406	12	Bolt 1/4in-20NC x 3/4in	
43	4751400	20	Flatwasher 1/4in Regular	
44	3311405	13	Locknut 1/4in-20NC	
45	0721004	2	Bolt #10-24NC x 5/8in	
46	3311005	2	Locknut #10-24NC	
47	4751000	2	Flatwasher #10 Regular	
48	1320022	6	Clamp, Hose	
49	2220273	2	Fitting, Reducer	
50	2180536	1	Fitting, Straight	
51	2220313	1	Fitting, 90	
52	2750532	6 ft/1.83m	Hose 3/8in	
53	2220250	1	Fitting, Reducer	
54	2220459	1	Fitting, 90	
55	2720271	15 ft/4.6m	Hose 3/16in	
56	0641812	4	Bolt 1/2in-13NC x 1-1/2in	
57	0100020	AR	Sealant, Thread	
58	0100011	AR	Compound, Locking	
60	2720351	6 in/15cm	Coupling, Rubber Intake	
61	0700810	4	Bolt, Metric M8 x 20mm	
62	0060033	NLA	Actuator Assembly (Use p/n 2910000) (See ELECTRICAL SECTION for Breakdown)	
65	3290801	3	Nut, Metric M8-1.25	
66	0080177	1	Air Intake Adapter Weldment	
67	0641510	3	Bolt 5/16in-18NC x 1-1/4in	
68	3311505	3	Locknut 5/16in-18NC	
69	0961986	2	Bushing, Flanged	
70	2901358	1	Battery Cable Kit	
70A	7016800	1	Cable, Battery (Red)	
70B	7016812	1	Cable, Battery (Black)	
70C	7016802	1	Cable (Red)	
70D	7016803	1	Cable (Red)	
70E	7016804	1	Cable (Red)	
70F	7016805	1	Cable (Black) <b>(Prior to SN 0300025556)</b>	
71	4460611	1	Terminal, Battery Jumper Post	
72	4360294	1	Breaker, Circuit - 30 Amp	
73	1320222	1	J-Clip 3/8in	
74	1320223	3	J-Clip 1/2in	
75	0641606	3	Bolt 3/8in-16NC x 3/4in	
76	3422533	1	Pin, Hitch	
77	3790152	1	O-Ring	
78	3960407	1	Gasket	
79	4791400	4	Starwasher 1/4in	
80	0701012	4	Bolt, Metric M10 x 25mm	
81	0701015	4	Bolt, Metric M10 x 35mm	
82	0642010	1	Bolt 5/8in-11NC x 1-1/4in	
83	4752000	1	Flatwasher 5/8in Regular	
84	1701505	1	Decal - Diesel (Not Shown - Located on Hood)	
85	2720058	16 ft/4.9m	Hose	
86	2220794	1	Fitting, Barbed	



## SECTION 2 - TURNTABLE

ITEM	PART NUMBER	QTY	DESCRIPTION	REV
87	4711600	3	Flatwasher 3/8in Thin	
88	4100025	19 in/49cm	Sleeve, Fiberglass	
89	4920385	2 ft/60cm	Wire	
90	4711400	1	Flatwasher 1/4in Thin	
91	4566986	1	Tube, Adapter	
92	1320019	1	Clamp, Exhaust	
93	1320060	1	Clamp, Hose	
94	4060805	7 in/18cm	Flex-Trim 1/4in	
95	4060804	16 in/40cm	Flex-Trim 3/16in	
96	4751800	1	Flatwasher 1/2in Regular	
97	1060637	1	Lanyard	
98	0641808	2	Bolt 1/2in-13NC x 1in	
99	3311801	1	Nut 1/2in-13NC	
100	7019658	1	Fitting 90 W/Pick-Up Tube	
	0256191	Ref	<b>PUMP COUPLING INSTALLATION</b>	-
101		Ref	Coupling, Hayes Options:	
101	1660184	1	13 Tooth Pump (Originally Equipped)	
101	1660234	1	15 Tooth Pump (Option for field replacement)	
102	0080163	1	Plate, Pump Adapter	
103	0700810	6	Bolt, Metric M8 x 20mm	
104	4831900	6	Lockwasher M8	
106	4832000	8	Lockwasher M10	
107	3020021	AR	Grease, Coupling	
		Ref	<b>MUFFLER INSTALLATIONS</b>	
	0255875	Ref	<b>Standard Equipment</b>	-
	0255876	Ref	<b>Optional Purifier</b>	-
201		Ref	Muffler Options:	
201	3220100	1	Standard Spark Arresting	
201	3220101	1	Optional Catalytic Purifier	
202	0340041	2	Band, Clamp	
203	0902217	1	Bracket	
204	0641508	4	Bolt 5/16in-18NC x 1in	
205	4711500	8	Flatwasher 5/16in Thin	
206	3311505	4	Locknut 5/16in-18NC	
207	1320019	1	Clamp, Exhaust	
	2000132	Ref	<b>ENGINE COMPONENTS</b>	
301	7020023	1	Filter, Fuel (was p/n 7016328)	
302	7000663	1	Alternator (was p/n 7016329 & 7020410)	
302	70002234	1	Bracket, Adjusting (Not Shown)	
303	7016330	1	Switch, Oil Pressure (Not Shown)	
304	7016331	1	Filter, Oil	
305	7016332	1	Starter	
306	70000787	1	Support, Fan	
307	7000699	1	Seal (Doughnut)	
308	7012599	4	Pump, Fuel Injection	
308	7020427	4	Injection (Not Shown)	
309	7012698	1	Pump, Fuel Supply	
309	7020411	1	Seal, Pump to Block	
309	7016309	1	Washer, Copper	
310	7019607	1	Shutdown, Throttle (Not Shown)	

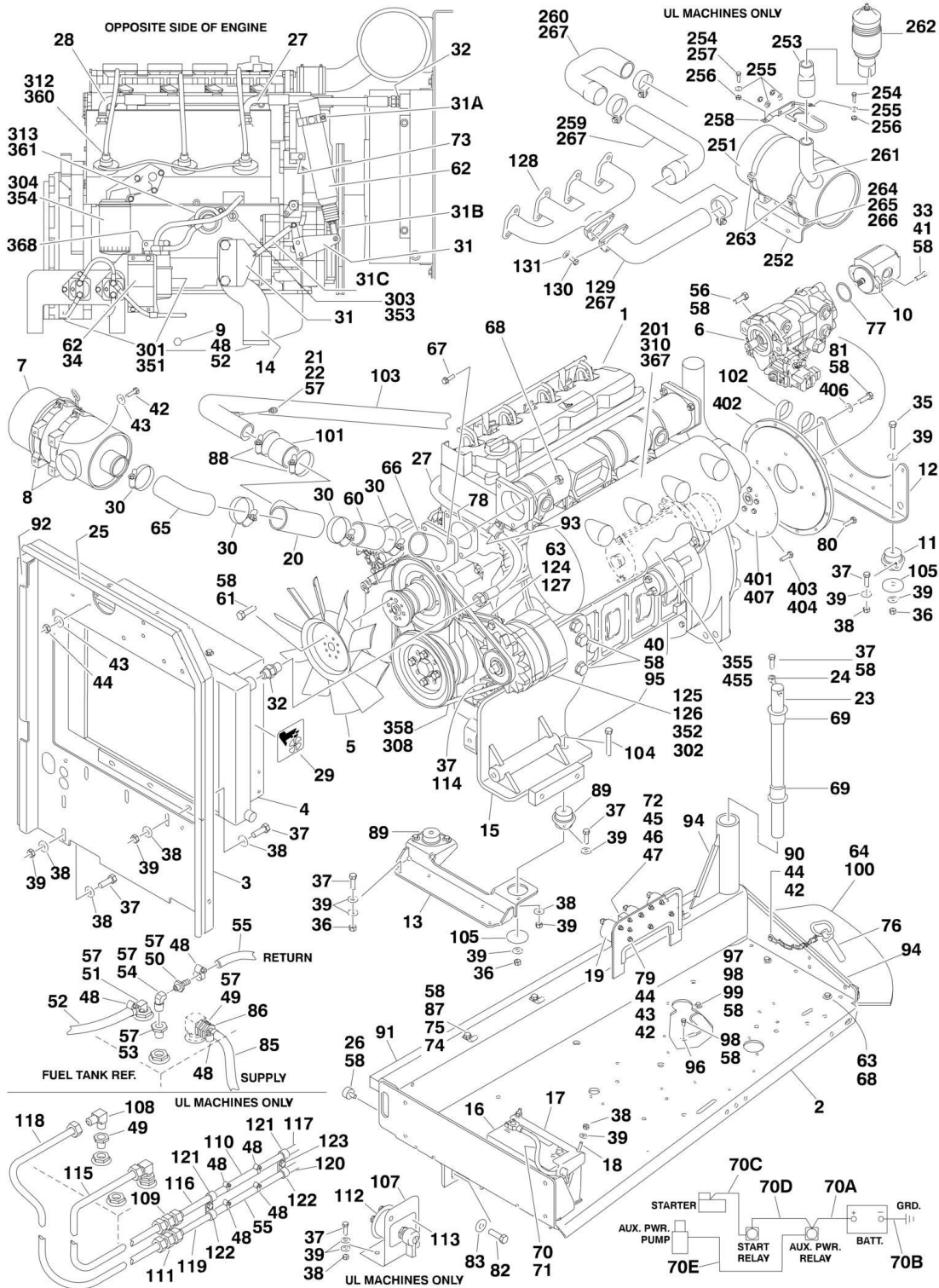
## SECTION 2 - TURNTABLE

ITEM	PART NUMBER	QTY	DESCRIPTION	REV
311	7020404	1	Washer, Oil Drain Plug (Not Shown)	
312	7020408	1	V-Belt	
313	7020418	1	Dipstick Oil Level (Not Shown)	
314	7020419	1	Hose, Fuel Return (Not Shown)	
315	7020431	1	Gasket, Valve Cover (Not Shown)	
316	See Note	1	Flywheel/Ring Gear Assembly (Not Shown) (Note: Not Available for Purchase)	
316	7020477	1	Ring Gear Only (Not Shown)	
317	7024565	1	Sensor, Tach (Not Shown - Located on Flywheel Housing)	
318	7027250	1	Spring, Actuator (Not Shown)	



# SECTION 2 - TURNTABLE

FIGURE 2-11. DEUTZ ENGINE INSTALLATION - WITH NOISE REDUCTION (SN 0300028190 through 030069000)



## SECTION 2 - TURNTABLE

**FIGURE 2-11. DEUTZ ENGINE INSTALLATION - WITH NOISE REDUCTION (SN 0300028190 through 030069000)**

ITEM	PART NUMBER	QTY	DESCRIPTION	REV
		Ref	<b>ENGINE ASSEMBLY AND INSTALLATIONS</b>	
	0256757	Ref	<b>Engine Assembly and Installation (Standard) (SN 0300028190 through 030064248)</b>	9-H
	0270850	Ref	<b>Engine Assembly and Installation - With ADE System (SN 0300064249 through 0300069000)</b>	8-G
	0257706	Ref	<b>Engine Assembly and Installation (UL) (SN 0300039457 through 0300069000)</b>	4-C
1		Ref	Engine - Deutz F4M1011F Diesel Options:	
1	2000146	1	Standard/UL Machines	
1	2000173	1	Engine - Deutz F4M1011F Diesel ADE System (SN <b>0300028190 through 0300065628</b> )	
1	2000189	1	Engine - Deutz F4M1011F Diesel ADE System (SN <b>0300065629 through 0300069000</b> )	
2	4845404	1	Tray Engine	
3		Ref	Plate, Radiator Mounting Options:	
3	3539872	1	Standard Machines	
3	3571421	1	Plate, Radiator Mounting UL Machines (SN <b>0300039457 through 0300069000</b> )	
4	3620033	1	Cooler, Oil	
5	2060025	1	Fan	
6	3600260	1	Piston Pump Assembly (See PISTON PUMP ASSEMBLY for Breakdown)	
7		Ref	Air Cleaner Assembly Options:	
7	1340060	1	Standard Machines	
7A	7012664	1	Element	
7A	1340050	1	Air Cleaner Assembly UL Machines (SN <b>0300039457 through 0300069000</b> )	
7A	7010638	1	Element	
8	0340041	2	Band, Mounting	
9	4640751	1	Valve, Oil Drain	
10	3600242	1	Gear Pump Assembly (See GEAR PUMP ASSEMBLY for Breakdown)	
11	3200378	2	Mount, Rubber Engine (Rear)	
12	3537420	1	Bracket, Engine Mounting - Rear	
13	3539971	1	Bracket, Engine Mounting - Front	
14	3537416	1	Support, Engine - Right	
15		Ref	Support, Engine - Left Options:	
15	3537417	1	Support, Engine - Left (SN <b>0300028190 through 0300064393</b> )	
15	4846479	1	Support, Engine - Left (SN <b>0300064394 through 0300068965</b> )	
15	4846566	1	Support, Engine - Left (SN <b>0300068966 through 0300069000</b> )	
16	0400075	1	Battery	
17	0181727	1	Hold-Down, Battery	
18	0630498	2	Rod, Hold-Down	
19	3740067	2	Relay	
20		Ref	Tee, Air Intake Tube Options:	
20	4567112	1	Tee, Air Intake Tube (Standard Only) (SN <b>0300028190 through 0300042668</b> )	
20	4845080	1	Weldment, Air Intake Tube (UL Machines Only)	
21	4360392	1	Switch, Restrictor Indicator	
22	2180798	1	Fitting	
23	3422448	1	Pin, Pivot	

## SECTION 2 - TURNTABLE

ITEM	PART NUMBER	QTY	DESCRIPTION	REV
24	3841143	1	Keeper, Pin	
25	3960389	5 ft/1.5m	Seal	
26	0940070	1	Bumper, Rubber	
27		Ref	Hose, Oil Cooler - Left Options:	
27	2720397	1	Hose 36in (SN 0300028190 through 0300034756)	
27	2720398	1	Hose 30in (SN 0300034757 through 0300069000)	
28	2720398	1	Hose, Oil Cooler - Right (30in)	
29	1703162	2	Nameplate - Fan Caution	
30	1320016	4	Clamp, Hose	
31	2901392	1	Throttle Mounting Kit (SN 0300028190 through 0300064248)	
31A	7008833	1	Bracket, Throttle	
31B	7008835	1	Coupling, Ball Joint	
31C	7008836	1	Spring	
31D	7023340	AR	Screw, Shoulder 3/8in x 3/8in (Not Shown)	
32	2220451	2	Fitting, Straight	
33	3931620	2	Capscrew, Socket Head 3/8in-16NC x 1-1/4in	
34		Ref	Bracket, Control Module Mounting Options:	
34	0902243	1	Bracket, Control Module Mounting (SN 0300028190 through 0300044157)	
34	0902511	1	Bracket, Control Module Mounting (SN 0300044158 through 0300064393)	
34	Not Required	0	Not Required (SN 0300064394 through 0300069000)	
35	0641818	2	Bolt 1/2in-13NC x 2-1/4in	
36	3311805	4	Locknut 1/2in-13NC	
37	0641610	AR	Bolt 3/8-16NC x 1-1/4in	
38	3311605	AR	Locknut 3/8in-16NC	
39	4751600	AR	Flatwasher 3/8in Regular	
40	0701414	AR	Bolt 1/4in-20NC x 3/4in	
41	4891600	2	Flatwasher 3/8in Hardened	
42	0641407	AR	Bolt 1/4in-20NC x 7/8in	
43	4751400	AR	Flatwasher 1/4in Regular	
44	3311405	AR	Locknut 1/4in-20NC	
45	0721005	2	Bolt #10-24NC x 5/8in (SN 0300028190 through 0300064248)	
46	3321005	2	Locknut #10-24NC (SN 0300028190 through 0300064248)	
47	4751000	2	Flatwasher #10 Regular (SN 0300028190 through 0300064248)	
48	1320022	6	Clamp, Hose	
49	2220273	2	Fitting, Reducer	
50	2180536	1	Fitting, Straight	
51	2220313	1	Fitting, 90	
52	2750532	6 ft/1.83m	Hose 3/8in	
53	2220250	1	Fitting, Reducer	
54	2220459	1	Fitting, 90	
55	2720271	15 ft/4.6m	Hose 3/16in	
56	0641812	4	Bolt 1/2in-13NC x 1-1/2in	
57	0100020	AR	Sealant, Thread	
58	0100011	AR	Compound, Locking	
60		Ref	Coupling, Rubber Intake Options:	
60	2720351	6 in/15cm	Coupling, Rubber Intake (SN 0300028190 through 0300067976)	
60	2720449	1	Coupling, Rubber Intake (SN 0300067977 through 0300069000)	
61	0700808	4	Bolt, Metric M8 x 16mm	

## SECTION 2 - TURNTABLE

ITEM	PART NUMBER	QTY	DESCRIPTION	REV
62	0060033	NLA	Actuator Assembly (Use p/n 2910000) (See ELECTRICAL SECTION for Breakdown) <b>(SN 0300028190 through 0300064248)</b>	
63	0641507	AR	Bolt 5/16in-18NC x 7/8in	
64	3380428	1	Panel, Rubber	
65	2720434	1	Elbow, Rubber	
66	4845395	1	Air Intake Adapter Weldment	
67	0641510	3	Bolt 5/16in-18NC x 1-1/4in	
68	3311505	7	Locknut 5/16in-18NC	
69	0961986	2	Bushing, Flanged	
70	2901358	1	Battery Cable Kit (Standard)	
70A	7016800	1	Cable, Battery (Red)	
70B	7016812	1	Cable, Battery (Black)	
70C	7016802	1	Cable (Red)	
70D	7016803	1	Cable (Red)	
70E	7016804	1	Cable (Red)	
70F	Not Required	0	Not Required	
70	2901540	1	Battery Cable Kit (UL Machines Only)	
70A	7016826	1	Cable, Battery (Red)	
70B	7016812	1	Cable, Battery (Black)	
70C	7016845	1	Cable (Red)	
70D	7016815	1	Cable (Red)	
70E	7016816	1	Cable (Red)	
70F	7016827	1	Cable (Red)	
71	4460611	1	Terminal, Battery Jumper Post	
72	4360294	1	Breaker, Circuit - 30 Amp <b>(SN 0300028190 through 0300064248)</b>	
73	1320222	1	J-Clip 3/8in	
74	1320223	3	J-Clip 1/2in	
75	0641606	3	Bolt 3/8in-16NC x 3/4in	
76		Ref	Pin, Hitch Options:	
76	3422532	1	Standard Machines	
76	3422533	1	UL Machines	
77	3790152	1	O-Ring	
78	3960407	1	Gasket	
79	4791400	4	Starwasher 1/4in	
80	0701012	4	Bolt, Metric M10 x 25mm	
81	0701015	4	Bolt, Metric M10 x 35mm	
82	0642010	1	Bolt 5/8in-11NC x 1-1/4in	
83	4752000	1	Flatwasher 5/8in Regular	
84	1701505	1	Decal - Diesel (Not Shown - Located on Hood)	
85	2720058	16 ft/4.9m	Hose	
86	2220794	1	Fitting, Barbed	
87	4711600	3	Flatwasher 3/8in Thin	
88	1320031	2	Clamp Only <b>(SN 0300028190 through 0300042668)</b>	
89	3200362	2	Mount, Rubber Engine (Front)	
90	4711400	1	Flatwasher 1/4in Thin	
91	3960468	1	Seal, Foam Gasket	
92	3960469	1	Seal, Foam Gasket	
93	1320060	1	Clamp, Hose Only <b>(SN 0300028190 through 0300034757)</b>	
94	4060805	2.9 ft/0.88m	Flex-Trim 1/4in	

## SECTION 2 - TURNTABLE

ITEM	PART NUMBER	QTY	DESCRIPTION	REV
95	4711900	6	Flatwasher 9/16in Thin (SN 0300064394 through 0300069000)	
96	4751800	2	Flatwasher 1/2in Regular	
97	1060637	1	Lanyard	
98	0641808	2	Bolt 1/2in-13NC x 1in	
99	3311801	1	Nut 1/2in-13NC	
100	3539956	1	Plate, Support	
101	2720423	1	Hose Only (SN 0300028190 through 0300042668)	
102	1320131	2	Clamp Only (SN 0300028190 through 0300042668)	
103		Ref	Tuning Tube Weldment Options:	
103	4845394	1	Tuning Tube Weldment (SN 0300028190 through 0300042667)	
103	4567815	1	Tuning Tube Weldment (SN 0300042668 through 0300069000)	
104	0641826	2	Bolt 1/2in-13NC x 3-1/4in	
105	4740274	4	Washer, Snubbing	
107	3570238	1	Plate, Switch Mounting (UL Machines Only)	
108	2180703	1	Fitting, 90 (UL Machines Only)	
109	2221023	1	Fitting, Union (UL Machines Only)	
110	2720058	1.66 ft/0.6m	Hose (UL Machines Only)	
111	2221028	1	Fitting, Union (UL Machines Only)	
112	4360256	1	Switch, Battery Disconnect (UL Machines Only)	
113	1703476	1	Decal, Battery Disconnect (UL Machines Only)	
114	4567576	1	Spacer, Tube (UL Machines Only)	
115	4567213	1	Tubing, Fuel (UL Machines Only)	
116	4567214	1	Tubing, Fuel (UL Machines Only)	
117	4567574	1	Tubing, Fuel (UL Machines Only)	
118	4567571	1	Tubing, Fuel (UL Machines Only)	
119	4567572	1	Tubing, Fuel (UL Machines Only)	
120	4567573	1	Tubing, Fuel (UL Machines Only)	
121	1320245	5	Clamp (UL Machines Only)	
122	1320244	5	Clamp (UL Machines Only)	
123	3931408	5	Bolt 1/4in-20NC x 1/2in (UL Machines Only)	
124	0902417	1	Bracket, Alternator (UL Machines Only)	
125	0160020	1	Alternator (UL) 72 Amp (UL Machines Only)	
126	3580259	1	Pulley, Alternator (UL Machines Only)	
127	4751500	1	Flatwasher 5/16in Regular (UL Machines Only)	
128	3100076	1	Manifold, Exhaust (UL Machines Only)	
129	4567428	1	Weldment, Exhaust Tube (UL Machines Only)	
130	0700812	3	Bolt 8mm x 25mm (UL Machines Only)	
131	4831900	3	Lockwasher 8mm (UL Machines Only)	
132	7019658	1	Fitting 90 W/Pick-Up Tube	
		Ref	<b>MUFFLER INSTALLATIONS</b>	
	0256689	Ref	<b>Standard Equipment (Spark Arresting)</b>	-
	0256690	Ref	<b>Optional Equipment (Catalytic)</b>	-
201		Ref	Muffler Options:	
201	3220103	1	Spark Arresting	
201	3220104	1	Catalytic	
201		Ref	Clamp Options:	
201	1320176	1	Muffler p/n 3220103	
201	70001017	1	Muffler p/n 3220104	
201	7024398	1	Tube, Exhaust	



## SECTION 2 - TURNTABLE

ITEM	PART NUMBER	QTY	DESCRIPTION	REV
201	7024560	1	Plug, Brass	
201	7020471	4	Gasket	
	0258569	Ref	<b>MUFFLER INSTALLATION - UL</b>	1
251	3220113	1	Muffler, Spark Arrestor	
251	70001017	1	Clamp	
252	3570754	1	Plate, Muffler Mount	
253	4845668	1	Weldment, Exhaust Tube	
254	3900232	5	Bolt, Button Head 3/8in-16NC x 1-1/4in	
255	4751600	5	Flatwasher 3/8in Regular	
256	3311601	5	Nut 3/8in-16NC	
257	0100011	AR	Compound, Locking (Not Shown)	
258	0902473	1	Bracket	
259	4567429	1	Tube, Exhaust	
260	4567430	1	Tube, Exhaust	
261	4567431	1	Tube, Exhaust	
262	3220111	1	Spark Arrestor	
263	0340046	2	Band, Muffler	
264	0641507	4	Bolt 5/16in-18NC x 7/8in	
265	4711500	8	Flatwasher 5/16in Thin	
266	3311505	4	Locknut 5/16in-18NC	
267	4100025	3.5	Sleeve	
		ft/1.06m		
	2000146	Ref	<b>ENGINE COMPONENTS (SN 0300028190 through 0300064248)</b>	
301	7016328	1	Filter, Fuel (was p/n 7016639)	
302	7000663	1	Alternator (was p/ns 7016329, 7020436 & 7020410)	
303	7016330	1	Switch, Oil Pressure	
304	7016331	1	Filter, Oil (was p/n 7016641)	
304	70002813	1	Gasket, Filter Head to Engine Block	
305	7016332	1	Starter	
306	7026631	1	Dipstick, Engine Oil (was p/ns 7019664 & 7016640) (Not Shown)	
306	70001002	1	Tube, Oil Dipstick (was p/n 7019664) (Not Shown)	
307	7020025	1	Switch, Engine Temperature (Not Shown)	
308	7020414	1	V-Belt	
309		Ref	Gasket, Cylinder Head Options (Not Shown):	
309	70001681	1	1 Notch	
309	70002411	1	2 Notches	
309	70002530	1	3 Notches	
309	7020431	1	Gasket, Valve Cover (Not Shown)	
310	7000699	1	Seal (Doughnut)	
310	7020471	4	Gasket (Muffler to Head)	
310	See Note	8	Nut, Muffler Attaching (Note: Not Available for Purchase)	
311	7019607	1	Shutdown, Throttle (was p/n 7016359) (Not Shown)	
312	7012599	4	Pump, Fuel Injection	
312	7020427	4	Injector, Fuel (Not Shown)	
312	7020425	4	Nozzle (Not Shown)	
313	7020463	1	Pump, Fuel Supply	
313	7020419	1	Hose, Fuel Return	
314	7020027	1	Flywheel/Ring Gear Assembly (Not Shown)	
314	7020477	1	Ring Gear Only (Not Shown)	
315	7020404	1	Washer, Oil Drain Plug (Not Shown)	
316	7027250	1	Spring, Actuator (Not Shown)	
317	7020465	2	Cap, Oil Fill (Not Shown - Located on Top and Left Sides)	

## SECTION 2 - TURNTABLE

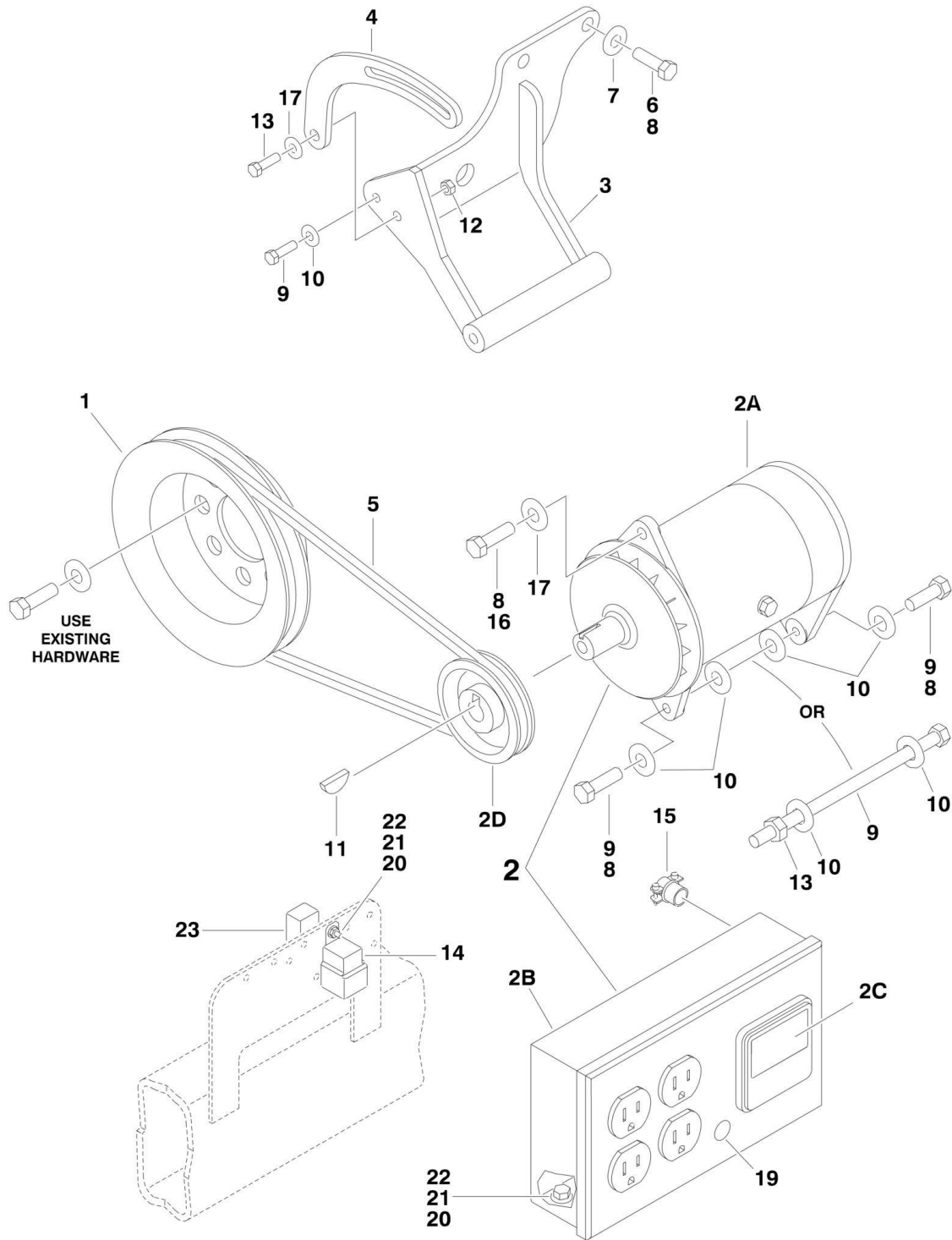
ITEM	PART NUMBER	QTY	DESCRIPTION	REV
		Ref	<b>ENGINE COMPONENTS</b>	
	2000173	Ref	<b>Engine Components ADE System (SN 0300064249 through 0300065628)</b>	
	2000189	Ref	<b>Engine Components ADE System (SN 0300065629 through 0300069000)</b>	
351	7016328	1	Filter, Fuel	
352	7000663	1	Alternator	
352	70003556		Pulley, Alternator	
352	7020464	1	Regulator, Voltage	
352	70002234	1	Bracket, Adjustable	
353	7020461	1	Switch, Oil Pressure	
354	7016331	1	Filter, Oil	
355		Ref	Starter Options:	
355	7016332	1	2000173 Engine	
355	7020479	1	2000189 Engine	
355	See Note	1	Relay (Note: Not Available for Purchase)	
355	7026608	2	Bolt, Starter Mounting	
355	70001498	1	Shield, Starter Heat (Not Shown)	
356	7026631	1	Dipstick Oil Level (Not Shown)	
356	7020487	1	Seal, Dipstick (Not Shown)	
356	70001002		Tube, Dipstick	
357	7020168	1	Switch, Engine Temperature (Not Shown)	
357	7020480	1	Seal, Temp Switch (Not Shown)	
358	7020408	1	V-Belt	
359	7020458	1	Fuel, Solenoid (Not Shown)	
360	7020462	4	Fuel Injection Pump	
360	7026522	4	Injector, Fuel (Includes Nozzle Element) (Not Shown)	
361		Ref	Fuel Pump Supply Options:	
361	7020463	1	2000173 Engine	
361	7020463	1	2000189 Engine (was p/n 7024413)	
361	7020411	1	Seal, Pump to Block (Not Shown)	
362	7020465	2	Cap, Oil Fill (Not Shown - Located on Top and Left Sides)	
363	7020474	1	Pump, Oil Lube (Not Shown - Located on Left Side)	
363	7020468	1	Ring, Pump Sealing	
364	7020449	4	Gasket, Intake Manifold to Engine Block (Not Shown)	
365		Ref	Sensor, Tach (Not Shown - Located on Flywheel Housing)	
365	7024565	1	2000173 Engine	
365	7024565	1	2000189 Engine (was p/n 7020481)	
366	7020458	1	Actuator, Throttle (Not Shown)	
366	7026607	1	Spring, Actuator (was p/n 7027276)	
367	7020471	4	Gasket, Exhaust Manifold to Engine Block	
368	70001423	1	Head, Fuel Filter	
369		Ref	Gasket, Head Options (Not Shown):	
369	70001681	1	1 Notch Gasket	
369	70002411	1	2 Notch Gasket	
369	70002530	1	3 Notches	
370		Ref	Flywheel (Not Shown)	
370	7020027	1	2000173 Engine	
370	See Note	1	2000189 Engine (Note: Not Available for Purchase)	
	0256847	Ref	<b>PUMP COUPLING INSTALLATION</b>	-
401	1660234	1	Coupling, Hayes	
402	0080163	1	Plate, Pump Adapter	

**SECTION 2 - TURNTABLE**

<b>ITEM</b>	<b>PART NUMBER</b>	<b>QTY</b>	<b>DESCRIPTION</b>	<b>REV</b>
403	0700810	6	Bolt Metric 8mm x 20mm	
404	4831900	6	Lockwasher 8mm	
406	4832000	8	Lockwasher 10mm	
407	3020021	AR	Grease, Coupling	

# SECTION 2 - TURNTABLE

## FIGURE 2-12. GENERATOR INSTALLATION (OPTIONAL - DEUTZ ENGINE MACHINES)



## SECTION 2 - TURNTABLE

**FIGURE 2-12. GENERATOR INSTALLATION (OPTIONAL - DEUTZ ENGINE MACHINES)**

ITEM	PART NUMBER	QTY	DESCRIPTION	REV
		Ref	<b>GENERATOR INSTALLATION OPTIONS:</b>	
		Ref	<b>Note: Numbered Colored Wiring starts after SN 0300035129</b>	
	0255396	Ref	<b>110V Generator (Prior to SN 0300035129)</b>	3
	0257853	Ref	<b>110V Generator (SN 0300035129 through 0300064248)</b>	3
	0271544	Ref	<b>110V Generator - ADE System (SN 0300064249 through 0300068965)</b>	3
	0272480	Ref	<b>110V Generator - ADE System (SN 0300068966 through 0300069000)</b>	2
	0257160	Ref	<b>220V Generator (Prior to SN 0300035129)</b>	2
	0257857	Ref	<b>220V Generator (SN 0300035129 through 0300064248)</b>	4
	0271547	Ref	<b>220V Generator - ADE System (SN 0300064249 through 0300068965)</b>	3
	0272481	Ref	<b>220V Generator - ADE System (SN 0300068966 through 0300069000)</b>	2
1	3580158	1	Pulley	
2		Ref	Generator and Control Box Assembly Options:	
2	2460011	1	110Volt Assembly ( <b>Prior to SN 0300066056</b> )	I
2	2460032	1	110Volt Assembly ( <b>SN 0300066056 through 0300069000</b> )	C
2	2460013	1	220Volt Assembly ( <b>Prior to SN 0300066056</b> )	B
2	2460034	1	220Volt Assembly ( <b>SN 0300066056 through 0300068965</b> )	B
2	2460013	1	220Volt Assembly ( <b>SN 0300068966 through 0300069000</b> )	B
2A		Ref	Generator, Replacement Options:	
2A	7012558	1	110 Volt Generator Only	
2A	1001100321		220 Volt Generator Only	
		Ref	<b>Note: Replacement Generators come standard with p/n 3580134 pulley. This pulley may not be correct for all applications. Refer to pulley options below.</b>	
2A	7020193	1	Cord, Power - 12ft Length	
2A		Ref	Armature with Slip Rings Options:	
2A	7026199	1	Armature for 110 Volt	
2A	70000123	1	Armature for 220 Volt	
2A	7020108	4	Brushes	
2A	7020109	4	Holder, Brush	
2A	7012513	4	Cap, Brush Holder	
2A	7012514	1	Fan	
2A	7020110	1	Bell, Front	
2A	7020111	1	Bell, Rear	
2A	7020190	2	Bearing	
2B		Ref	Box, Control Options:	
2B	7003657	1	110 Volt Control Box Only	
2B	70002235	1	220 Volt Control Box Only	
2B	3520028	1	Plug, Hole	
2B		Ref	Receptacle Options:	
2B	4460190	1	Receptacle, Standard (110V Only)	
2B	4460027	1	Receptacle, Twistlock (110V Only)	
2B	70000124	1	Receptacle, Double (220V Only)	
2B	70000125	1	Receptacle, Single (220V Only)	
2B		Ref	Circuit Breaker Options:	
2B	4360542	1	Circuit Breaker for 110 Volt	
2B	7000126	1	Circuit Breaker for 220 Volt	
2B	7020191	1	Switch, Toggle	

## SECTION 2 - TURNTABLE

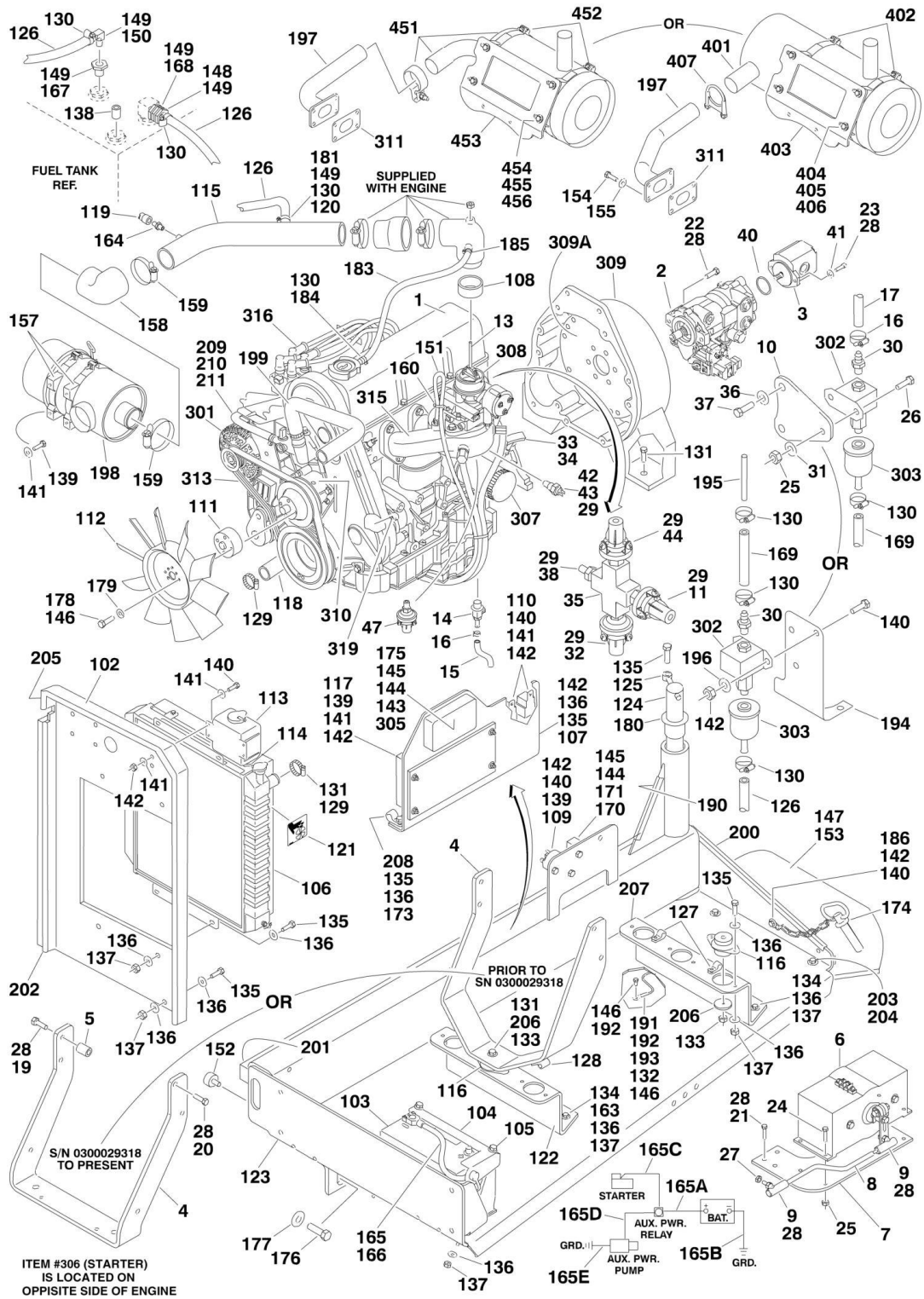
ITEM	PART NUMBER	QTY	DESCRIPTION	REV
2B	2920162	1	Lamp	
2C		Ref	Voltmeter Options:	
2C	2420203	1	Voltmeter for 110 Volt	
2C	7020192	1	Voltmeter for 220 Volt	
2D		Ref	Pulley Options:	
2D	3580134	1	Pulley 110V <b>(Prior to SN 0300066056)</b>	
2D	3580276	1	Pulley 110V <b>(SN 0300066056 through 0300069000)</b>	
2D	3580134	1	Pulley 220V <b>(Prior to SN 0300066056)</b>	
2D	3580276	1	Pulley 220V <b>(SN 0300066056 through 0300068965)</b>	
2D	3580134	1	Pulley 220V <b>(SN 0300068966 through 0300069000)</b>	
2D	7027887	1	Key, Woodruff	
3		Ref	Bracket, Generator Mounting Options:	
3	4845184	1	Bracket, Generator Mounting <b>(Prior to SN 0300034200)</b>	
3	4845531	1	Bracket, Generator Mounting <b>(SN 0300034200 through 0300064394)</b>	
4		Ref	Arm, Adjusting Options:	
4	0200530	1	Arm, Adjusting <b>(Prior to SN 0300064394)</b>	
4	0200741	1	Arm, Adjusting <b>(SN 0300064394 through 0300068965)</b>	
4	0200742	1	Arm, Adjusting <b>(SN 0300068966 through 0300069000)</b>	
5		Ref	V-Belt Option:	
5	0480050	1	V-Belt <b>(Prior to SN 0300064394)</b>	
5	0480119	1	V-Belt <b>(SN 0300064394 through 0300066055)</b>	
5	0480111	1	V-Belt <b>(SN 0300066056 through 0300068965)</b>	
5	0480121	1	V-Belt <b>(SN 0300068966 through 0300069000)</b>	
6	0711414	2	Bolt, Metric 14mm x 30mm <b>(Prior to SN 0300064394)</b>	
7		Ref	Hardware Options:	
7	4751900	2	Flatwasher 9/16in Regular <b>(Prior to SN 0300064394)</b>	
7	0641610	1	Bolt 3/8in-16NC x 1-1/2in <b>(SN 0300064394 through 0300069000)</b>	
8	0100011	AR	Compound, Locking	
9		Ref	Bolt Options:	
9	0681612	3	Bolt 3/8in-16NC x 1-1/2in (Grade 8) <b>(Prior to SN 0300064394)</b>	
9	0641772	1	Bolt 7/16in-14NC x 9in <b>(SN 0300064394 through 0300069000)</b>	
10	4751600	6	Flatwasher 3/8in Regular	
11	2860012	1	Key, Woodruff	
12	3311605	1	Locknut 3/8in-16NC	
13		Ref	Hardware Options:	
13	0700819	1	Bolt, Metric 8mm x 55mm <b>(Prior to SN 0300064394)</b>	
13	3311705	1	Locknut 7/16in-14NC <b>(SN 0300064394 through 0300069000)</b>	
14	3740080	1	Relay	
15	4460023	1	Connector, Strain Relief	
16	0641508	1	Bolt 5/16in-18NC x 1in	
17	4751500	AR	Flatwasher 5/16in Regular	
19	3520028	1	Plug, Hole	
20	0721006	4	Bolt #10-24NC x 3/4in	
21	3311005	4	Locknut #10-24NC	
22	4751000	9	Flatwasher #10 Regular	
23	4360294	1	Breaker, Circuit - 30 Amp	
25	4360336	1	Switch, Toggle (Not Shown - Located at Platform)	
26	4740397	1	Bushing (Not Shown - Located at Platform)	
27	4060802	1	Guard, Switch (Not Shown - Located at Platform)	
29	2820031	4 in/10cm	Heat Shrink (Not Shown - Located at Platform)	

**SECTION 2 - TURNTABLE**

ITEM	PART NUMBER	QTY	DESCRIPTION	REV
30	3251102	1	Decal (Not Shown - Located at Platform)	

# SECTION 2 - TURNTABLE

FIGURE 2-13. FORD ENGINE INSTALLATIONS (Prior to SN 0300037117)





## SECTION 2 - TURNTABLE

**FIGURE 2-13. FORD ENGINE INSTALLATIONS (Prior to SN 0300037117)**

ITEM	PART NUMBER	QTY	DESCRIPTION	REV
		Ref	<b>ENGINE ASSEMBLIES</b>	
	0255628	Ref	<b>Standard Gas Engines (Prior to SN 0300029318)</b>	9
	0256809	Ref	<b>Standard Gas Engines (SN 0300029318 through 0300037117)</b>	3
	0255629	Ref	<b>Dual Fuel Engines (Prior to SN 0300029318)</b>	9
	0256810	Ref	<b>Dual Fuel Engines (SN 0300029318 through 0300037117)</b>	3
1		Ref	Engine - Ford LRG-423 Options:	
1	2000126	1	Engine - Ford LRG-423 <b>(Prior to SN 0300029318)</b>	
1	2000149	1	Engine - Ford LRG-423 <b>(SN 0300029318 through 0300037117)</b>	
2		Ref	Piston Pump Assembly Options: (See PISTON PUMP ASSEMBLY for Breakdown)	
2	3600164	1	13 Tooth Pump (Original Equipment)	
2	3600260	1	15 Tooth Pump (Optional for Field Replacement)	
3	3600242	1	Gear Pump Assembly (See GEAR PUMP ASSEMBLY for Breakdown)	
4		Ref	Mount, Engine (Front) Options:	
4	3200377	1	Mount, Engine (Front) <b>(Prior to SN 0300029318)</b>	
4	3539972	1	Mount, Engine (Front) <b>(SN 0300029318 through 0300037117)</b>	
5	4566605	1	Tube, Spacer	
6	2500005	1	Actuator, Precision Governor	
7	0902088	1	Bracket, Precision Governor	
8	3841255	1	Rod, Throttle	
9	1660157	2	Coupling, Ball joint	
10	0902087	1	Bracket, Fuel Pump Mounting <b>(Prior to SN 0300029083)</b>	
11	4360037	1	Switch, Oil Pressure	
12	2220273	1	Fitting, Reducer	
13	4300056	1	Stud, Carburetor	
14		Ref	Valve, Oil Drain Options:	
14	4640750	1	Valve, Oil Drain 14mm <b>(Prior to SN 0300027347)</b>	
14	4640989	1	Valve, Oil Drain 12mm <b>(SN 0300027347 through 0300037117)</b>	
15	2750532	6 in/21cm	Hose	
16	1320022	3	Clamp	
17	2720058	18 in/46cm	Hose, Fuel Line - 5/16in ID <b>(Prior to SN 0300029083)</b>	
18	2180536	1	Fitting, Barbed	
19	0701022	2	Bolt, Metric 10mm-1.5 x 70mm	
20	0701014	2	Bolt, Metric 10mm-1.5 x 30mm	
21	0700810	3	Bolt, Metric 8mm-1.25 x 20mm	
22	0641810	2	Bolt 1/2in-13NC x 1-1/4in	
23	3931620	2	Capscrew, Socket Head 3/8in-16NC x 1-1/4in	
24	0641408	4	Bolt 1/4in-20NC x 1in	
25	3311405	5	Locknut 1/4in-20NC	
26	0641404	2	Bolt 1/4in-20NC x 1/2in <b>(Prior to SN 0300029083)</b>	
27	3321401	2	Nut 1/4in-28NF	
28	0100011	AR	Compound, Locking	
29	0100020	AR	Sealant, Pipe	
30	2220315	1	Fitting, Barbed <b>(Prior to SN 0300029083)</b>	
31	4791400	2	Starwasher, 1/4in External <b>(Prior to SN 0300029083)</b>	
32	4360065	1	Switch, Oil Pressure	
33	4564281	1	Tube, Dipstick	

## SECTION 2 - TURNTABLE

ITEM	PART NUMBER	QTY	DESCRIPTION	REV
34	2420109	1	Gauge, Oil Dipstick <b>(Prior to SN 0300039075)</b>	
34	2420189	1	Gauge, Oil Dipstick <b>(SN 0300039075 through 0300037117)</b>	
35	2220994	1	Fitting, Cross	
36	4791600	2	Starwasher, 3/8in External <b>(Prior to SN 0300029083)</b>	
37	0701015	1	Bolt, Metric M10 x 35mm <b>(Prior to SN 0300029083)</b>	
38	2220437	1	Fitting, Reducer	
40	3790152	1	O-Ring	
41	4891600	2	Washer, Hardened	
42	4360157	1	Switch, Water Temperature	
43	2220250	1	Fitting, Reducer	
44	4360405	1	Switch, Oil Pressure	
45	1320223	2	J-Clip 1/2in Only (Not Shown) <b>(SN 0300029318 through 0300037117)</b>	
46	1320222	1	J-Clip 3/8in Only (Not Shown) <b>(SN 0300029318 through 0300037117)</b>	
47	4360455	1	Switch, Temperature 150 <b>(SN 0300029318 through 0300037117)</b>	
		Ref	<b>ENGINE INSTALLATIONS</b>	
	0255424	Ref	<b>Standard Gas Engines (Prior to SN 0300029318)</b>	6-E
	0256756	Ref	<b>Standard Gas Engines (SN 0300029318 through 0300037117)</b>	2-B
	0255427	Ref	<b>Dual Fuel Engines (Prior to SN 0300029318)</b>	7-F
	0256759	Ref	<b>Dual Fuel Engines (SN 0300029318 through 0300037117)</b>	3-C
102		Ref	Plate, Radiator Mounting Options:	
102	3538724	1	Plate, Radiator Mounting <b>(Prior to SN 0300029318)</b>	
102	3539872	1	Plate, Radiator Mounting <b>(SN 0300029318 through 0300037117)</b>	
103	0400075	1	Battery	
104	0181727	1	Tie-Down	
105	0630498	2	Bolt, Tie-Down	
106	3620032	1	Radiator	
107	3538873	1	Bracket, Controller	
108	0080091	1	Choke Adapter	
109	3740067	1	Relay, Auxiliary Power Relay	
110	3740080	2	Relay, Bosch Relay	
111	0080214	1	Adapter, Fan Spacer	
112	2060025	1	Fan, Suction	
113	1580011	1	Container, Coolant Overflow Container	
114	2720058	1	Hose, Radiator Overflow	
115	4845035	1	Tube, Air Cleaner	
116	3200362	4	Mount, Rubber	
117	1600211	1	Controller, Governor	
118		Ref	Hose, Radiator (Lower) Options:	
118	2720393	1	Hose, Radiator (Lower) <b>(Prior to SN 0300029318)</b>	
118	2720435	1	Hose, Radiator (Lower) <b>(SN 0300029318 through 0300037117)</b>	
119	4360392	1	Switch, Restriction Indicator Switch	
120	2220720	1	Fitting, Barbed	
121	1703162	1	Nameplate - Fan Caution	
122		Ref	Bracket, Engine Mounting (Front) Options:	
122	3537288	1	Bracket, Engine Mounting (Front) <b>(Prior to SN 0300029318)</b>	
122	3570103	1	Bracket, Engine Mounting (Front) <b>(SN 0300029318 through 0300037117)</b>	
123		Ref	Tray Weldment Options:	

## SECTION 2 - TURNTABLE

ITEM	PART NUMBER	QTY	DESCRIPTION	REV
123	4844961	1	Tray Weldment ( <b>Prior to SN 0300029318</b> )	
123	4845404	1	Tray Weldment ( <b>SN 0300029318 through 0300037117</b> )	
124	3422448	1	Pin, Pivot	
125	3841143	1	Pin, Keeper	
126	2750532	5 ft/1.5m	Hose	
127	1320070	2	Clamp, Hose ( <b>Prior to SN 0300025814</b> )	
128	1320060	1	Clamp, Hose - 0.625	
129	1320012	4	Clamp, Hose, Radiator	
130	1320022	11	Clamp, Hose	
131	0641828	AR	Bolt 1/2in-13NC x 3-1/2in	
132	4751800	AR	Flatwasher 1/2in Regular	
133	3311805	AR	Hex Nut 1/2in - 13UNC	
134	0641610	AR	Bolt 3/8in-16NC x 1-1/4in	
135	0641608	AR	Bolt 3/8in-16NC x 1in	
136	4751600	AR	Flatwasher 3/8in Regular	
137	3311605	AR	Locknut 3/8in-16UNC	
138	2200233	1	Plug, Pipe	
139	0641408	12	Bolt 1/4in-20NC x 1in	
140	0641406	10	Bolt 1/4in-20NC x 3/4in	
141	4751400	20	Flatwasher 1/4in Regular	
142	3311405	20	Locknut 1/4in x 20NC	
143	0721014	2	Bolt #10-24NC x 1-3/4in	
144	4751000	4	Flatwasher #10 Regular	
145	3311005	4	Hex Nut #10-24NC	
146	0100011	AR	Compound, Locking	
147	3380428	1	Panel, Rubber ( <b>SN 0300029318 through 0300037117</b> )	
148	2220270	1	Fitting, Barbed	
149	0100020	AR	Sealant, Pipe	
150	2180467	1	Fitting, 90 Barbed	
151	2720271	4.5 ft/1.4m	Vacuum Hose 3/16in	
152	0940070	1	Bumper, Rubber	
153	3539956	1	Plate, Support ( <b>SN 0300029318 through 0300037117</b> )	
154	0701012	4	Bolt 10mm x 1.5 x 25mm	
155	4832000	4	Lockwasher	
157		Ref	Band, Mounting Options:	
157	0340002	2	Band, Mounting ( <b>Prior to SN 0300025814</b> )	
157	0340041	2	Band, Mounting ( <b>SN 0300025814 through 0300037117</b> )	
158	0080201	1	Fitting, 90 Reducing	
159	1320016	3	Clamp, Worm Gear	
160	4240032	5	Strap, Tie	
162	4240099	6	Strap, Tie	
163	4791600	AR	Starwasher 3/8in	
164	2180798	1	Fitting, Restriction Indicator	
165	2901362	1	Battery Cable Kit	
165A	7016800	1	Cable, Battery (Red)	
165B	7016807	1	Cable, Battery (Black)	
165C	7016808	1	Cable (Red)	
165D	7016804	1	Cable (Red)	
165E	7016805	1	Cable (Black Only) ( <b>Prior to SN 0300027360</b> )	
166	4460611	1	Terminal, Battery Jumper Post	
167	2220250	1	Fitting, Reducer	

## SECTION 2 - TURNTABLE

ITEM	PART NUMBER	QTY	DESCRIPTION	REV
168	2220273	1	Fitting, Reducer	
169	2720058	15.3 ft/4.7m	Hose 5/16in	
170	0721004	2	Bolt #10-24NC x 1/2in	
171	4360294	1	Breaker, Circuit-30 AMP	
173	1320223	AR	J-Clip 1/2in	
174	3422533	1	Pin, Hitch	
175	1320061	1	Clamp	
176	0642010	1	Bolt 5/8in-11NC x 1-1/4in	
177	4752000	1	Flatwasher 5/8in Regular	
178	0700819	4	Bolt M8 x 1.25 x 55mm	
179	4831900	4	Lockwasher M8	
180	0961986	2	Bearing, Flange	
181	2200221	1	Plug, Pipe	
182	1701542	1	Decal - Gasoline (Not Shown - Located Near Tank)	
183	2720160	18 in/46cm	Hose	
184	4562516	1	Tube	
185	1320032	1	Clamp, Hose	
186	4711400	1	Flatwasher, 1/4in Thin	
190	4060804	19 in/49cm	Flex-Trim 3/16in <b>(SN 0300025814 through 0300037117)</b>	
191	1060637	1	Cable, Lanyard <b>(SN 0300027103 through 0300037117)</b>	
192	1641808	2	Bolt 1/2in-13NC x 1in <b>(SN 0300027103 through 0300037117)</b>	
193	3311801	1	Hex Nut 1/2in-13 NC <b>(SN 0300027103 through 0300037117)</b>	
194	3570104	1	Plate, Fuel Pump Mounting <b>(SN 0300029083 through 0300037117)</b>	
195	4567169	1	Tube, Fuel <b>(SN 0300029083 through 0300037117)</b>	
196	4791400	2	Starwasher 1/4in <b>(SN 0300029083 through 0300037117)</b>	
197		Ref	Tube, Exhaust Options:	
197	4845152	1	Tube, Exhaust <b>(Prior to SN 0300029318)</b>	
197	4567071	1	Tube, Exhaust <b>(SN 0300029318 through 0300037117)</b>	
198		Ref	Air Cleaner Assembly Options:	
198	1340056	1	Air Cleaner Assembly <b>(Prior to SN 0300029318)</b>	
198	1340060	1	Air Cleaner Assembly <b>(SN 0300029318 through 0300037117)</b>	
198	7012664	1	Element, Air Cleaner	
199		Ref	Hose, Radiator (Top) Options:	
199	2720394	1	Hose, Radiator (Top) <b>(Prior to SN 0300029318)</b>	
199	2720436	1	Hose, Radiator (Top) <b>(SN 0300029318 through 0300037117)</b>	
200		Ref	Flex-Trim 1/4in Options:	
200	4060805	16 in/40cm	Flex-Trim 1/4in <b>(Prior to SN 0300029318)</b>	
200	4060806	16 in/40cm	Flex-Trim 1/4in <b>(SN 0300029318 through 0300037117)</b>	
201	3960468	1	Seal, Foam Gasket <b>(SN 0300029318 through 0300037117)</b>	
202	3960469	1	Seal, Foam Gasket <b>(SN 0300029318 through 0300037117)</b>	
203	0641507	3	Bolt 5/16in-18NC x 7/8in <b>(SN 0300029318 through 0300037117)</b>	
204	3311505	3	Locknut 5/16in-18NC <b>(SN 0300029318 through 0300037117)</b>	
205	3960389	5 ft/15m	Seal <b>(SN 0300029318 through 0300037117)</b>	
206	4740274	4	Washer, Snubbing <b>(SN 0300029318 through 0300037117)</b>	
207		Ref	Bracket, Engine Mounting (Rear) Options:	
207	3537288	1	Bracket, Engine Mounting (Rear) <b>(Prior to SN 0300029318)</b>	
207	3570133	1	Bracket, Engine Mounting (Rear) <b>(SN 0300029318 through 0300037117)</b>	

**SECTION 2 - TURNTABLE**

ITEM	PART NUMBER	QTY	DESCRIPTION	REV
208	0641606	3	<b>0300037117)</b> Bolt 3/8in-16NC x 3/4in Only (SN 0300030209 through 0300037117)	
209	4100025	18 in/46cm	Sleeve, Fiberglass Only (SN 0300030209 through 0300037117)	
210	1320060	1	Clamp, Hose Only (SN 0300030209 through 0300037117)	
211	4240099	2	Tie-Strap Only (SN 0300030209 through 0300037117)	
212	7019658	1	Fitting 90 W/Pick-Up Tube	
		Ref	<b>FORD ENGINE COMPONENTS</b>	
	2000126	Ref	<b>Ford Engine (Prior to SN 0300029318)</b>	
	2000149	Ref	<b>Ford Engine (SN 0300029318 through 0300037117)</b>	
301	7012680	1	Alternator	
302	7016600	1	Fuel Pump Assembly	
303	7016601	1	Filter, Fuel	
304	7012682	1	Harness, Engine Wiring (Not Shown)	
305	7012681	1	Module, Ignition	
306	7012679	1	Starter (was p/n 7000868)	
306	7025145	1	Solenoid, Starter	
307	7021869	1	Filter, Oil (was p/n 7014501)	
308	7012690	1	Carburetor (Standard Gas and LP)	
308	7024321	1	Gasket, Carburetor (Top)	
308	7000646	1	Gasket, Carburetor	
308	7016605	1	Choke, Automatic	
308	7012683	1	Spring	
308	7023471	1	Float Assy	
308	7019933	1	Carburetor Repair Kit	
309		Ref	Flywheel and Coupling Assembly	
309	1660218	1	Flywheel and Coupling Assembly - 13 Tooth Pump	
309	See Note	1	Flywheel and Coupling Assembly - 15 Tooth Pump (Note: Not Available for Purchase)	
309	7022180	1	Gear, Ring	
309A	1660249	1	Coupling - 13 Tooth Pump (Original Equipped) (was p/n 7012656)	
309A	1660250	1	Coupling, Pump - 15 Tooth Pump (was p/n 7016662)	
310	7022153	1	Water Pump Assembly (was p/n 7016638)	
311	70002307	1	Gasket, Exhaust Manifold to Pipe	
311	7022143	1	Gasket, Exhaust Manifold to Head (Not Shown)	
311	7025126	1	Gasket, Intake Manifold to Head (Not Shown) (was p/n 7019923)	
312	7000884	1	Solenoid, Fuel (Not Shown)	
313	7019921	1	V-Belt	
314	7019925	1	Valve, PCV (Not Shown)	
315	7019929	1	Pulley, Idler (Not Shown)	
316	7019930	1	Ignition Coil Assy	
316	7019931	1	Spark Plug Wires (Set)	
316	7019932	4	Spark Plug	
317	7020120	1	Housing, Bell	
318	7022178	1	Sensor, Crank Shaft (Not Shown)	
319	7022150	1	Belt, Timing	
		Ref	<b>MUFFLER INSTALLATIONS (Prior to SN 0300029318)</b>	
	0255864	Ref	<b>Standard Spark Arresting</b>	-
	0255865	Ref	<b>Optional Catalytic</b>	-
401		Ref	Muffler Options:	

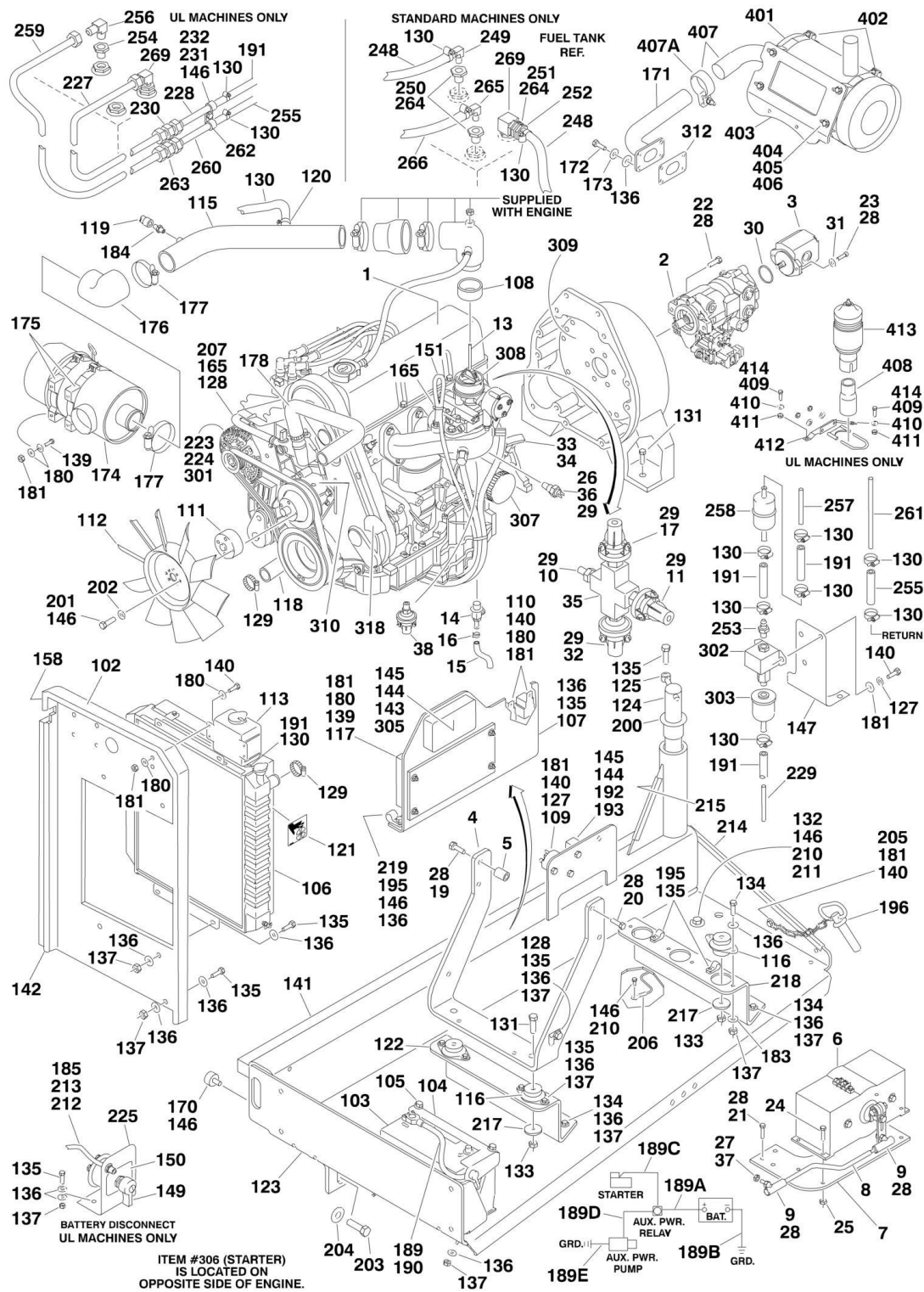
## SECTION 2 - TURNTABLE

ITEM	PART NUMBER	QTY	DESCRIPTION	REV
401	3220097	1	Standard Spark Arresting	
401	3220098	1	Optional Catalytic	
402	0340041	2	Band	
403	0902212	1	Bracket, Muffler	
404	0641508	4	Bolt 5/16in-18NC x 1in	
405	4711500	8	Flatwasher 5/16in Thin	
406	3311505	4	Locknut 5/16in-18NC	
407	1320019	1	Clamp, Exhaust	
		Ref	<b>MUFFLER INSTALLATIONS (SN 0300029318 through 0300037117)</b>	
	0256685	Ref	<b>Standard Spark Arresting</b>	2
	0256686	Ref	<b>Optional Catalytic</b>	-
451		Ref	Muffler Options:	
451	3220105	1	Standard Spark Arresting	
451	3220106	1	Optional Catalytic	
451	70001017	1	Clamp	
452	0340046	2	Band	
453	0902309	1	Bracket, Muffler	
454	0641507	4	Bolt 5/16in-18NC x 7/8in	
455	4711500	8	Flatwasher 5/16in Thin	
456	3311505	4	Locknut 5/16in-18NC	
457	4567073	1	Tube, Exhaust	



# SECTION 2 - TURNTABLE

FIGURE 2-14. FORD ENGINE INSTALLATIONS - LRG425 WITH CARBURETOR (SN 0300037117 through 0300069000)





## SECTION 2 - TURNTABLE

**FIGURE 2-14. FORD ENGINE INSTALLATIONS - LRG425 WITH CARBURETOR (SN 0300037117 through 0300069000)**

ITEM	PART NUMBER	QTY	DESCRIPTION	REV
	0257992	Ref	<b>ENGINE ASSEMBLY</b>	4
1		Ref	Engine - Ford LRG-425 Options:	
1	2000156	1	Engine - Ford LRG-425 (SN 0300037117 through 0300039819)	
1	2000160	1	Engine - Ford LRG-425 (SN 0300039820 through 0300069000)	
2		Ref	Piston Pump Assembly Options (See PISTON PUMP ASSEMBLY for Breakdown):	
2	3600164	ÑLA	Piston Pump Assembly Options (Use p/n 3600260) (SN 0300037117 through 0300029317)	
2	3600260	1	Piston Pump Assembly Options (SN 0300029318 through 0300069000)	
3	3600242	1	Gear Pump Assembly (See GEAR PUMP ASSEMBLY for Breakdown)	
4	3539972	1	Plate, Engine Mounting - Front	
5	4566605	1	Tube, Spacer	
6	2500005	1	Actuator, Precision Governor	
7	0902088	1	Bracket, Precision Governor	
8	3841255	1	Rod, Throttle	
9	1660157	2	Coupling, Ball joint	
10	2220437	1	Fitting, Reducer	
11	4360037	1	Switch, Oil Pressure	
12	2220273	1	Fitting, Reducer	
13	4300056	1	Stud, Carburetor	
14	4640989	1	Valve, Oil Drain	
15	2750532	6 in/21cm	Hose	
16	1320022	2	Clamp	
17	4360405	1	Switch, Oil Pressure	
18	2180536	1	Fitting, Barbed	
19	0701022	2	Bolt, Metric 10mm-1.5 x 70mm	
20	0701014	2	Bolt, Metric 10mm-1.5 x 30mm	
21	0700810	3	Bolt, Metric 8mm-1.25 x 20mm	
22	0641812	4	Bolt 1/2in-13NC x 1-1/2in	
23	3931620	2	Capscrew, Socket Head 3/8in-16NC x 1-1/4in	
24	0641408	4	Bolt 1/4in-20NC x 1in	
25	3311405	5	Locknut 1/4in-20NC	
26	2220250	1	Fitting, Reducer	
27	3321401	2	Nut 1/4in-28NF	
28	0100011	AR	Compound, Locking	
29	0100020	AR	Sealant, Pipe	
30	3790152	1	O-Ring	
31	4891600	2	Flatwasher 3/8in Hardened	
32	4360065	1	Switch, Oil Pressure	
33	4564281	1	Tube, Dipstick	
34	2420187	1	Dipstick	
35	2220994	1	Fitting, Cross	
36	4360157	1	Switch, Water Temperature	
37	4751000	2	Flatwasher #10 Regular	
38	4360455	1	Switch, Temperature	
39	1320223	3	J-Clip 1/2in (Not Shown)	
40	1320222	1	J-Clip 3/8in (Not Shown)	
		Ref	<b>ENGINE INSTALLATIONS</b>	

## SECTION 2 - TURNTABLE

ITEM	PART NUMBER	QTY	DESCRIPTION	REV
	0257996	Ref	<b>Standard Gas Machines (SN 0300037117 through 0300048907)</b>	6
	0258604	Ref	<b>LP Gas Machines (UL) (SN 0300039457 through 0300069000)</b>	4
	0257999	Ref	<b>Dual Fuel Machines (SN 0300037117 through 0300048907)</b>	6
	0257703	Ref	<b>Dual Fuel Machines (UL) (SN 0300039457 through 0300069000)</b>	8
102		Ref	Mount, Radiator Options:	
102	3539872	1	Standard Machines	
102	3571421	1	Mount, Radiator UL Machines (SN 0300039457 through 0300069000)	
103	0400075	1	Battery	
104	0181727	1	Tie-Down	
105	0630498	2	Bolt, Tie-Down	
106	3620040	1	Radiator	
107	3538873	1	Bracket, Controller	
108	0080091	1	Choke Adapter	
109	3740067	1	Relay, Auxiliary Power Relay	
110	3740080	2	Relay, Bosch Relay	
111	0080214	1	Adapter, Fan Spacer	
112	2060025	1	Fan, Suction	
113	1580011	1	Container, Coolant Overflow Container	
114	0641606	5	Bolt 3/8in-16NC x 3/4in (Not Shown Used with Item #267)	
115	4845035	1	Tube, Air Cleaner	
116	3200362	4	Mount, Rubber	
117	1600211	1	Controller, Governor	
118	2720435	1	Hose, Lower Radiator (Lower)	
119	4360392	1	Switch, Restriction Indicator Switch	
120	2220720	1	Fitting, Barbed	
121	1703162	2	Decal - Fan Blade	
122	3570103	1	Plate, Engine Mount (Front)	
123	4845404	1	Tray, Engine	
124	3422448	1	Pin, Pivot	
125	3841143	1	Pin, Keeper	
126	0840026	1	Boot, Electrical (UL Machines Only) (Not Shown)	
127	4791400	AR	Starwasher 1/4in	
128	1320060	2	Clamp, Hose - 0.625	
129	1320012	4	Clamp, Hose, Radiator	
130	1320022	AR	Clamp, Hose	
131	0641828	AR	Bolt 1/2in-13NC x 3-1/2in	
132	4751800	AR	Flatwasher 1/2in Regular	
133	3311805	AR	Hex Nut 1/2in - 13UNC	
134	0641610	AR	Bolt 3/8in-16NC x 1-1/4in	
135	0641608	AR	Bolt 3/8in-16NC x 1in	
136	4751600	AR	Flatwasher 3/8in Regular	
137	3311605	AR	Locknut 3/8in-16UNC	
138	Not Required	0	Not Required	
139	0641408	10	Bolt 1/4in-20NC x 1in	
140	0641406	AR	Bolt 1/4in-20NC x 3/4in	
141	3960468	1	Seal, Foam Gasket	
142	3960469	1	Seal, Foam Gasket	
143	0721006	2	Bolt #10-24NC x 3/4in	
144	4751000	AR	Flatwasher #10 Regular	
145	3311005	4	Hex Nut #10-24NC	

## SECTION 2 - TURNTABLE

ITEM	PART NUMBER	QTY	DESCRIPTION	REV
146	0100011	AR	Compound, Locking	
147	3570104	1	Plate, Fuel Pump (Not Required on UL Machines with LP)	
149	4360265	1	Switch, Battery Disconnect (UL Machines Only)	
150	1703476	1	Decal, Battery Disconnect (UL Machines Only)	
151	2720271	4.5 ft/1.4m	Vacuum Hose 3/16in	
158	3960389	5 ft/1.5m	Seal	
165	4240033	5	Strap, Tie	
166	4240099	3	Strap, Tie	
170	0940070	1	Bumper, Rubber	
171	4567071	1	Tube, Exhaust	
172	0701012	6	Bolt, Metric M10 x 25mm	
173	4832000	4	Lockwasher M10	
174		Ref	Air Cleaner Assembly Options:	
174	1340060	1	Standard Machines	
174	7012664	1	Element	
174	1340050	1	Air Cleaner Assembly UL Machines <b>(SN 0300039457 through 0300069000)</b>	
174	7010638	1	Element	
175	0340041	2	Band, Mounting	
176	0080201	1	Elbow, Rubber	
177	1320016	3	Clamp	
178	2720436	1	Hose, Radiator (Upper)	
180	4751400	AR	Flatwasher 1/4in Regular	
181	3311405	AR	Locknut 1/4in-20NC	
183	4791600	4	Starwasher 3/8in	
184	2180798	1	Fitting, Restriction Indicator	
185	1703631	1	Decal, Caution LP Gas (UL Machines W/Dual Fuel Only)	
189	2901362	1	Battery Cable Kit	C
189A	7016800	1	Cable, Battery (Red)	
189B	7016807	1	Cable, Battery (Black)	
189C	7016808	1	Cable (Red)	
189D	7016804	1	Cable (Red)	
189E	Not Required	0	Not Required	
189	2901539	1	Battery Cable Kit (UL Machines Only)	A
189A	7016826	1	Cable, Battery (Red)	
189B	7016807	1	Cable, Battery (Black)	
189C	7016808	1	Cable (Red)	
189D	7016827	1	Cable (Red)	
189E	7016816	1	Cable (Black)	
190	4460611	1	Terminal, Battery Jumper Post	
191	2720058	AR	Hose 5/16in	
192	0721004	2	Bolt #10-24NC x 1/2in	
193	4360294	1	Breaker, Circuit-30 AMP	
195	1320223	4	J-Clip 1/2in	
196	3422533	1	Pin, Hitch	
197	1701542	1	Decal - Gasoline (Not Shown - Located Near Tank) (Not Required on UL Machines with LP)	
200	0961986	2	Bearing, Flange	
201	0700819	4	Bolt M8 x 1.25 x 55mm	
202	4831900	4	Lockwasher M8	
203	0642010	1	Bolt 5/8in-11NC x 1-1/4in	

## SECTION 2 - TURNTABLE

ITEM	PART NUMBER	QTY	DESCRIPTION	REV
204	4752000	1	Flatwasher 5/8in Regular	
205	4711400	1	Flatwasher, 1/4in Thin	
206	1060637	1	Cable, Lanyard	
207	4100025	1	Sleeve, Fiberglass	
209	4845612	1	Weldment, Alternator Mount (UL Machines Only)	
210	1641808	2	Bolt 1/2in-13NC x 1in	
211	3311801	1	Hex Nut 1/2in-13 UNC	
212	3790012	1	O-Ring (UL Machines with Dual Fuel Only)	
213		Ref	Switch Options: (UL Machines with Dual Fuel Only)	
213	4360336	1	Switch <b>(SN 0300037117 through 0300049548)</b>	
213	4360331	1	Switch <b>(SN 0300049549 through 0300069000)</b>	
214	4060806	16	Flex-Trim	
		in/41cm		
215	4060804	19	Flex-Trim	
		in/49cm		
217	4740274	4	Washer, Snubbing	
218	3570133	1	Bracket, Engine Mounting (Rear)	
219	0641606	3	Bolt 3/8in-16NC x 3/4in	
220	0181942	1	Angle, Alternator Mount (UL Machines Only) (Not Shown Located on Opposite Side of Engine)	
221	0701010	1	Bolt, Metric M10-1.5 x 20mm (UL Machines Only) (Not Shown Located on Opposite Side of Engine)	
222	0641624	1	Bolt 3/8in-16NC x 3in (UL Machines Only) (Not Shown Located on Opposite Side of Engine)	
223	0160020	1	Alternator 72 Amp (UL Machines Only)	
224	3580260	1	Pulley (UL Machines Only)	
225	3570238	1	Plate, Switch Mounting (UL Machines Only)	
226	1320222	1	J-Clip 3/8in (Not Shown)	
227	4567213	1	Tubing Fuel 5/16in (UL Machines with Dual Fuel Only)	
228	4567214	1	Tubing Fuel 5/16in (UL Machines with Dual Fuel Only)	
229	4567215	1	Tubing Fuel 5/16in (UL Machines with Dual Fuel Only)	
230	2221023	1	Fitting (UL Machines with Dual Fuel Only)	
231	1320245	5	Clamp (UL Machines with Dual Fuel Only)	
232	3941404	3	Bolt 1/4in-20NC x 1/2in (UL Machines with Dual Fuel Only)	
248	2750532	5 ft/1.5m	Hose 3/8in	
249	2180467	1	Fitting, 90 Barbed	
250	2220250	1	Fitting, Straight Reducer	
251	2220273	1	Fitting, Reducer	
252	2220270	1	Fitting, Barbed	
253	2220315	2	Fitting, Barbed	
254	2220273	1	Fitting, Reducer (UL Machines Only) <b>(SN 0300037117 through 0300049548)</b>	
255	2720338	2.5	Hose	
		ft/0.8m		
256	2180703	1	Fitting, 90 <b>(SN 0300037117 through 0300049548)</b>	
257	4567730	1	Tube, Fuel Line	
258	2120169	1	Filter, By-Pass	
259	4567571	1	Tube, Fuel Line (UL Machines Only)	
260	4567572	1	Tube, Fuel Line (UL Machines Only)	
261	4567731	1	Tube, Fuel Line (UL Machines Only)	
262	1320244	4	Clamp (UL Machines Only)	
263	2221028	1	Fitting (UL Machines Only)	
264	0100020	AR	Sealant	

## SECTION 2 - TURNTABLE

ITEM	PART NUMBER	QTY	DESCRIPTION	REV
265	2220317	1	Fitting 90	
266	2720015	1	Fuel Line 1/4in	
267	3539988	1	Plate (Not Shown Located on Turntable)	
269	7019658	1	Fitting 90 W/Pick-Up Tube	
		Ref	<b>FORD ENGINE LRG-425 COMPONENTS</b>	
	2000156	Ref	<b>Ford Engine Lrg-425 Components (SN 0300037117 through 0300039819)</b>	
	2000160	Ref	<b>Ford Engine Lrg-425 Components (SN 0300039820 through 0300069000)</b>	
301	7019977	1	Alternator with Pulley and Regulator	
301	7000897	1	Alternator without Pulley and Regulator	
301	7019997	1	Regulator	
302		Ref	Fuel Pump Assembly Options:	
302	7016600	1	Fuel Pump Assembly (Facet) <b>(SN 0300037117 through 0300039819)</b>	
302	7019983	1	Fuel Pump Assembly (Airtex) <b>(SN 0300039820 through 0300069000)</b>	
303	7016601	1	Strainer, Fuel	
304	7019980	1	Harness, Engine Wiring (Not Shown)	
305	7023687	1	Module, Ignition (was p/n 7019961)	
306	7012679	1	Starter	
307	7021868	1	Filter, Oil	
308	7019988	1	Carburetor (was p/n 7019974) <b>(SN 0300037117 through 0300039819)</b>	
308	7019933	1	Carburetor Kit	
308	7027292	1	Float Assembly	
308	70000163	1	Needle, Spring Loaded (Fuel Valve)	
308	7025122	1	Base, Carburetor	
308	7016605	1	Choke, Automatic	
308	70000646	1	Gasket, Carburetor (Bottom) (was p/n 7019975)	
308	7024321	1	Gasket, Carburetor (Top)	
309	7019976	1	Flywheel	
309	7022180	1	Ring Gear	
309	7020120	1	Bell Housing	
309A	1660250	1	Coupling, Pump (15 Tooth) (was p/n 7016662)	
310	7022153	1	Water Pump Assembly	
310	7019985	1	Pulley, Water Pump	
310	7019982	1	Tube, Water Pump Inlet	
310	7022156	1	Thermostat	
311	7022178	1	Sensor, Crank Shaft (Not Shown)	
312	70002307	1	Gasket, Exhaust (Manifold to Pipe)	
312	7022143	1	Gasket, Exhaust (Manifold to Cylinder Head - Not Shown)	
312	7019924	1	Manifold, Exhaust (Not Shown)	
313	7027402	1	Belt, Drive (was p/n 7019979)	
313	7019978	1	Tensioner, Belt (Not Shown)	
314	7025126	1	Manifold, Intake (was p/n 7019923)	
314	7025125	1	Gasket, Intake (Manifold to Cylinder Head)	
315	7000884	1	Solenoid, Fuel (Not Shown)	
316	7022151	1	Cap, Oil Fill	
317		Ref	Spark Plug Options (Not Shown):	
317	See Note	4	Spark Plug (2000156 Engine) (Note: Not Available for Purchase) <b>(SN 0300037117 through 0300039819)</b>	
317	7019932	4	Spark Plug (2000160 Engine) <b>(SN 0300039820 through</b>	

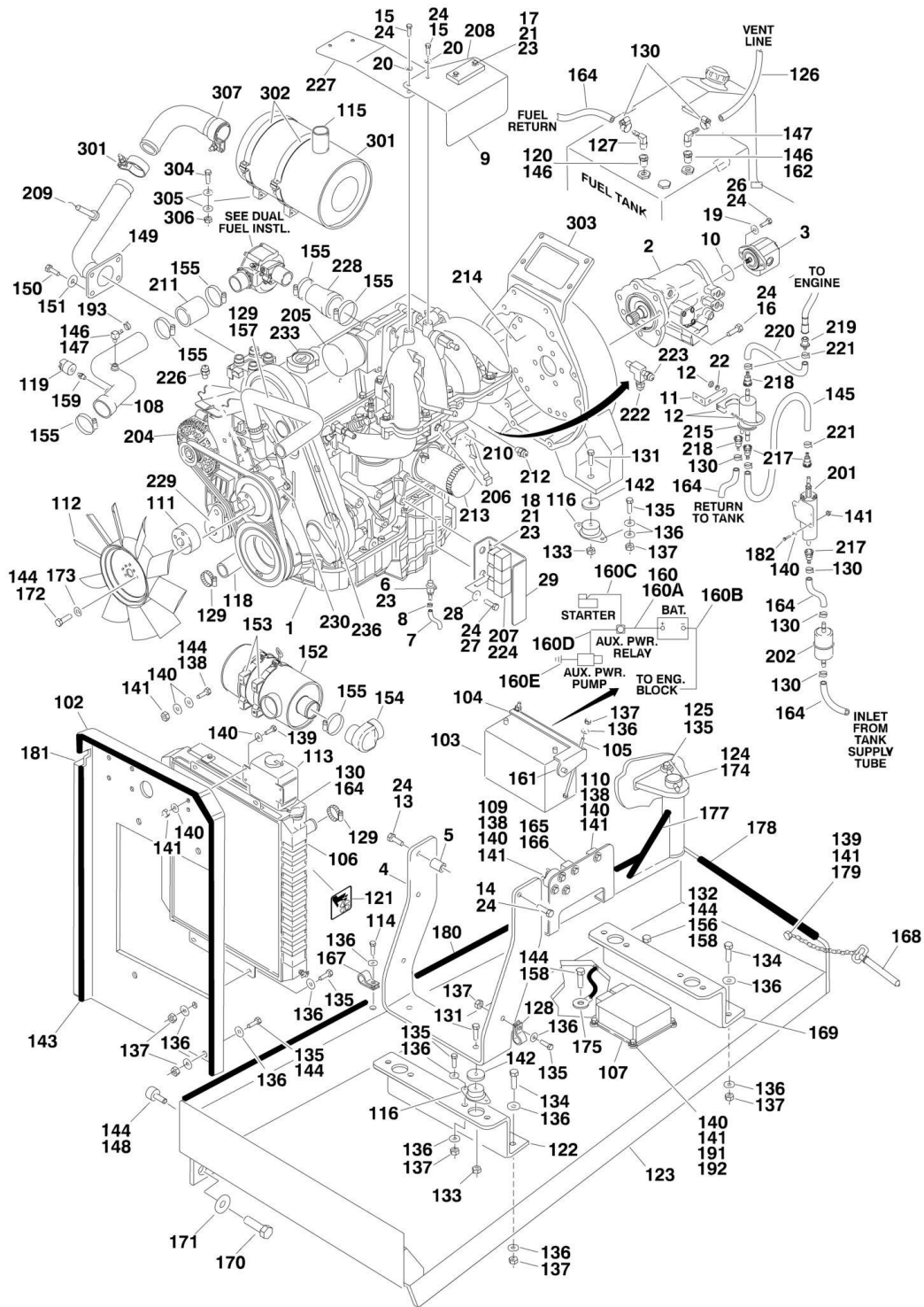
## SECTION 2 - TURNTABLE

ITEM	PART NUMBER	QTY	DESCRIPTION	REV
			<b>0300069000)</b>	
317		Ref	Wire Set, Spark Plug (Not Shown) Options:	
317	7022157	1	Wire Set, Spark Plug (2000156 Engine) <b>(SN 0300037117 through 0300039819)</b>	
317	7019931	1	Spark Plug (2000160 Engine) <b>(SN 0300039820 through 0300069000)</b>	
317	7019930	1	Coil, Ignition	
318	7022150	1	Belt, Timing	
		Ref	<b>MUFFLER INSTALLATIONS</b>	
	0258390	Ref	<b>Standard Spark Arresting</b>	1
	0258391	Ref	<b>Optional Catalytic</b>	1
	0258571	Ref	<b>UL Machines</b>	3
401		Ref	Muffler Options:	
401	3220113	1	Standard Spark Arresting	
401	3220114	1	Optional Catalytic	
401	70001017	1	Clamp	
402	0340046	2	Band	
403	0902309	1	Bracket, Muffler	
404	0641507	4	Bolt 5/16in-18NC x 7/8in	
405	4711500	8	Flatwasher 5/16in Thin	
406	3311505	4	Locknut 5/16in-18NC	
407	4567073	1	Tube, Exhaust	
407A	70001017	1	Clamp	
408	4845668	1	Weldment, Exhaust Tube (UL Machines Only)	
409	3900232	5	Bolt, Button Head 3/8in-16NC x 1-1/4in (UL Machines Only)	
410	4751600	5	Flatwasher 3/8in Regular (UL Machines Only)	
411	3311601	7	Nut 3/8in-16NC (UL Machines Only)	
412	0902473	1	Bracket, Exhaust Support (UL Machines Only)	
413	3220111	1	Spark Arrestor (UL Machines Only)	
414	0100011	AR	Compound, Locking (UL Machines Only)	



# SECTION 2 - TURNTABLE

## FIGURE 2-15. FORD ENGINE INSTALLATIONS - LRG-425 WITH EFI (SN 0300048907 through 0300069000)





## SECTION 2 - TURNTABLE

**FIGURE 2-15. FORD ENGINE INSTALLATIONS - LRG-425 WITH EFI (SN 0300048907 through 0300069000)**

ITEM	PART NUMBER	QTY	DESCRIPTION	REV
		Ref	<b>ENGINE ASSEMBLIES</b>	
	0270196	Ref	<b>Standard Gas Machines (SN 0300048907 through 0300064248)</b>	1-A
	0270849	Ref	<b>Standard Gas Machines (With ADE System) (SN 0300064249 through 0300069000)</b>	2-B
	0270181	Ref	<b>Dual Fuel Machines (SN 0300048907 through 0300064248)</b>	4-C
	0270847	Ref	<b>Dual Fuel Machines (With ADE System) (SN 0300064249 through 0300069000)</b>	4-D
1		Ref	Engine - Ford LRG-425 Options:	
1	2000164	1	Standard Gas Machines <b>(SN 0300048907 through 0300064248)</b>	
1	2000172	1	Standard Gas Machines <b>(SN 0300064249 through 0300069000)</b>	
1	2000166	1	Dual Fuel Machines <b>(SN 0300048907 through 0300063048)</b>	
1	2000181	1	Dual Fuel Machines <b>(SN 0300063049 through 0300064248)</b>	
1	2000174	1	Dual Fuel Machines <b>(SN 0300064249 through 0300064269)</b>	
1	2000182	1	Dual Fuel Machines <b>(SN 0300064270 through 0300069000)</b>	
2	3600260	1	Piston Pump Assembly (See PISTON PUMP ASSEMBLY for Breakdown)	
3	3600242	1	Gear Pump Assembly (See GEAR PUMP ASSEMBLY for Breakdown)	
4	3539972	1	Plate, Engine Mounting - Front	
5	4566605	1	Tube, Spacer	
6	4640989	1	Valve, Oil Drain	
7	2750532	1	Hose	
		ft/30.5cm		
8	1320022	1	Clamp	
9	3572307	1	Plate, Module Mounting <b>(SN 0300048907 through 0300064698)</b>	
10	3790152	1	O-Ring	
11	0902539	1	Bracket, Fuel Filter/Pressure Regulator	
12	1320019	1	Clamp, Exhaust	
13	0701022	2	Bolt, Metric 10mm-1.5 x 70mm	
14	0701014	2	Bolt, Metric 10mm-1.5 x 30mm	
15	0700810	3	Bolt, Metric 8mm-1.25 x 20mm	
16	0641812	2	Bolt 1/2in-13NC x 1-1/2in	
17	0721010	2	Bolt #10-24NC x 1-1/4in <b>(SN 0300048907 through 0300064698)</b>	
18	0721006	3	Bolt #10-24NC x 3/4in	
19	4891600	2	Flatwasher 3/8in Hardened	
20	4751500	2	Flatwasher 5/16in Regular <b>(SN 0300048907 through 0300064698)</b>	
21	4751000	AR	Flatwasher #10 Regular	
22	4761500	2	Lockwasher 5/16in	
23	3311005	AR	Locknut #10-24NC	
24	0100011	AR	Compound, Locking	
25	0100020	AR	Sealant	
26	3931620	2	Screw 3/8in-16NC x 1-1/4in	
27	0701010	2	Bolt, Metric 10mm-1.5 x 20mm	
28	4832000	2	Flatwasher M10	
29	3572308	1	Plate, Relay Mount	
30	2220124	1	Fitting, 45 (Dual Fuel Machines Only) (Not Shown) <b>(SN 0300048907 through 0300064270)</b>	
		Ref	<b>ENGINE INSTALLATIONS</b>	

## SECTION 2 - TURNTABLE

ITEM	PART NUMBER	QTY	DESCRIPTION	REV
	0259761	Ref	<b>Standard Gas Machines (SN 0300048907 through 0300064248)</b>	7-E
	0270848	Ref	<b>Standard Gas Machines (With ADE System) (SN 0300064249 through 0300069000)</b>	5-D
	0259762	Ref	<b>Dual Fuel Machines (SN 0300048907 through 0300064248)</b>	6-E
	0270846	Ref	<b>Dual Fuel Machines (With ADE System) (SN 0300064249 through 0300069000)</b>	5-E
102	3539872	1	Mount, Radiator	
103		Ref	Battery Options:	
103	0400075	1	Battery (Wet)	
103	7016180	1	Battery (Dry)	
104	0181727	1	Battery Hold-Down	
105	0630498	2	Bolt, Tie-Down	
106	3620040	1	Radiator	
107		Ref	Controller, ECM Options:	
107	1600298	1	Controller, ECM (SN 0300048907 through 0300064248)	
107	1600314	1	Controller, ECM (SN 0300064249 through 0300069000)	
108		Ref	Tube, Air Intake Options:	
108	4846248	1	Standard Gas Machines	
108	4846236	1	Dual Fuel Machines	
109	3740067	1	Relay (Auxiliary Power)	
110	3740080	1	Relay, Bosch	
111	0080214	1	Spacer, Fan	
112	2060025	1	Fan	
113	1580011	1	Tank, Coolant Recovery	
114	0641606	8	Bolt 3/8in-16NC x 3/4in	
115	3539988	1	Plate, Baffle (Not Shown)	
116	3200362	4	Mount, Rubber	
117	4100025	1.5 ft/0.5m	Sleeve	
118	2720435	1	Hose, Radiator - Bottom	
119	4360392	1	Indicator, Clogged Filter	
120	2220430	1	Fitting, Reducer	
121	1703162	2	Decal - Fan Blade	
122	3572279	1	Plate, Engine Mount (Front)	
123	4845404	1	Tray Weldment	
124	3422448	1	Pin, Pivot	
125	3841143	1	Pin, Keeper	
126	2750532	5 ft/1.52m	Hose	
127	2220805	1	Fitting, Barbed 90	
128	1320060	1	Clamp	
129	1320012	4	Clamp, Hose	
130	1320022	8	Clamp	
131	0641828	4	Bolt 1/2in-13NC x 3-1/2in	
132	4751800	1	Flatwasher 1/2in Regular	
133	3311805	4	Locknut 1/2in-13NC	
134	0641610	8	Bolt 3/8in-16NC x 1-1/4in	
135	0641608	16	Bolt 3/8in-16NC x 1in	
136	4751600	53	Flatwasher 3/8in Regular	
137	3311605	31	Locknut 3/8in-16NC	
138	0641408	7	Bolt 1/4in-20NC x 1in	
139	0641406	6	Bolt 1/4in-20NC x 3/4in	
140	4751400	22	Flatwasher 1/4in Regular	

## SECTION 2 - TURNTABLE

ITEM	PART NUMBER	QTY	DESCRIPTION	REV
141	3311405	19	Locknut 1/4in-20NC	
142	4740274	4	Washer, Snubbing	
143	3960389	5 ft/1.52m	Seal	
144	0100011	AR	Compound, Locking	
145	2720472	1	Hose	
146	0100020	AR	Sealant	
147		Ref	Fitting, Barbed Options:	
147	2180371	1	Fitting, Barbed (SN 0300048907 through 0300052684)	
147	2180467	1	Fitting, Barbed (SN 0300052685 through 0300057586)	
147	2180371	1	Fitting, Barbed (SN 0300057587 through 0300063763)	
147	2220767	1	Fitting, Barbed (SN 0300063764 through 0300069000)	
148	0940070	1	Bumper, Rubber	
149	4567879	1	Tube, Exhaust	
150	0701012	4	Bolt, Metric 10mm-1.5 x 25mm	
151	4832000	4	Lockwasher, Metric 10mm	
152	1340060	1	Air Cleaner Assembly	
152	7012664	1	Element, Air Cleaner	
153	0340041	2	Band, Air Cleaner	
154	0080201	1	Elbow, Rubber	
155	1320016	AR	Clamp	
156	3311801	1	Nut 1/2in-13NC	
157	2720436	1	Hose, Radiator - Top	
158	0641808	2	Bolt 1/2in-13NC x 1in	
159	2180798	1	Fitting, Restrictor Indicator	
160	2901362	1	Battery Cable Kit	C
160A	7016800	1	Cable, Battery (Red)	
160B	7016807	1	Cable, Battery (Black)	
160C	7016808	1	Cable (Red)	
160D	7016804	1	Cable (Red)	
160E	Not Required	0	Not Required	
161	4460611	1	Terminal, Battery Jumper Post	
162	2220250	2	Fitting, Reducer	
163	Not Required	0	Not Required	
164	2720058	12 ft/3.7m	Hose, Fuel Line	
165	0701004	2	Bolt #10-24NC x 1/2in (SN 0300048907 through 0300064249)	
166	4360294	1	Breaker, Circuit (SN 0300048907 through 0300064249)	
167	1320223	3	Clamp	
168	3422533	1	Pin, Hitch	
169	3572280	1	Plate, Engine Mount (Rear)	
170	0642010	1	Bolt 5/8in-11NC x 1-1/4in	
171	4752000	1	Flatwasher 5/8in Regular	
172	0700819	4	Bolt, Metric 8mm x 55mm	
173	4831900	4	Lockwasher, Metric 8mm	
174	0961986	2	Flange, Bearing	
175	1060637	1	Lanyard	
177	4060804	2.9 ft/0.88m	Flexible Trim 3/16in	
178	4060806	1.3 ft/0.40m	Flexible Trim 5/16in (SN 0300048907 through 0300067817)	
179	4711400	1	Flatwasher 1/4in Thin	
180	3960468	1	Seal, Foam 1-1/4in x 1-1/4in x 47-1/4in	
181	3960469	1	Seal, Foam 1-1/4in x 1-1/4in x 32in	

## SECTION 2 - TURNTABLE

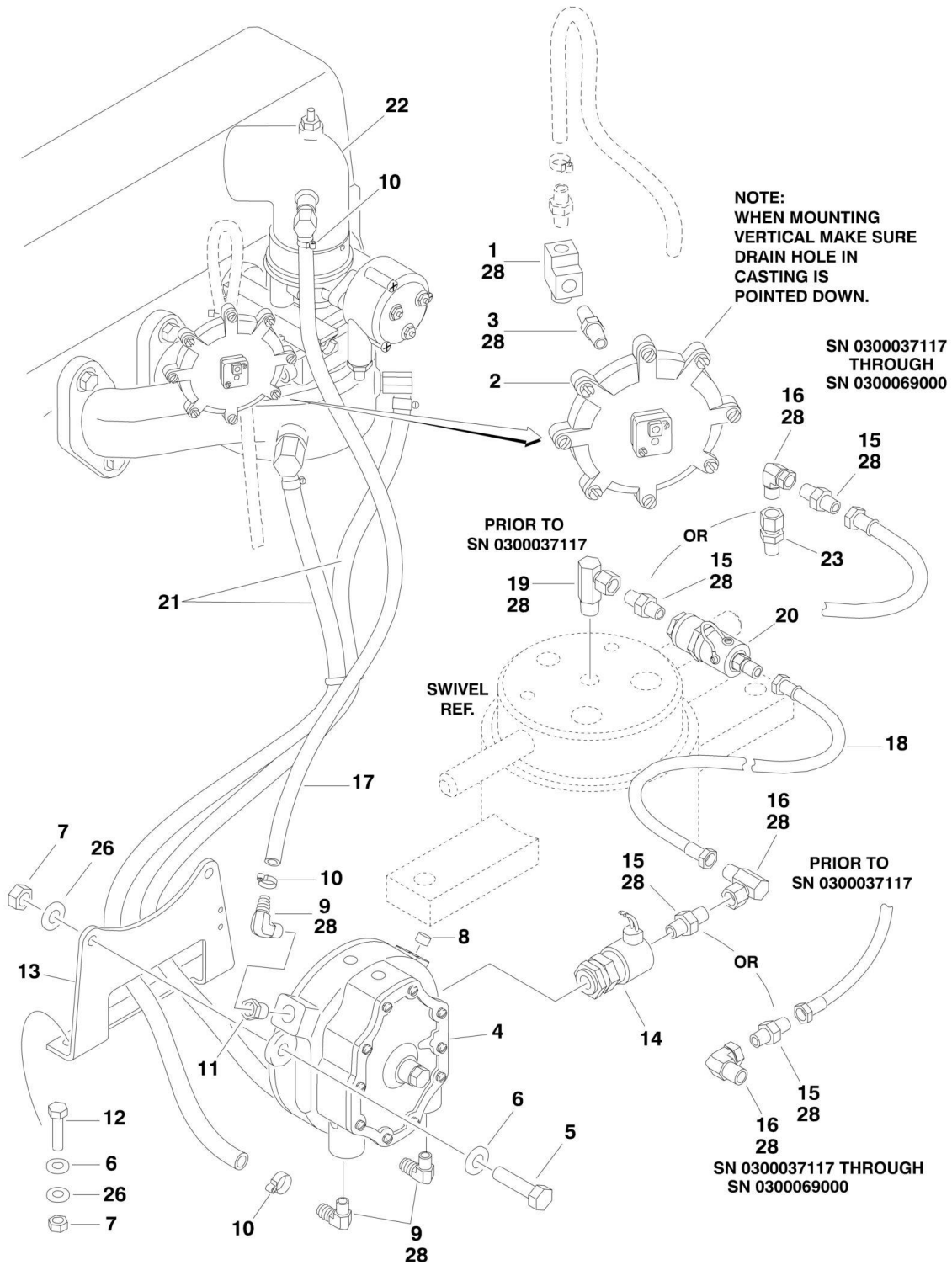
ITEM	PART NUMBER	QTY	DESCRIPTION	REV
182	0641410	3	Bolt 1/4in-20NC x 1-1/4in	
183	4360336	1	Switch (Dual Fuel Machines)	
184	3790012	1	O-Ring	
191	4568158	4	Standoff (SN 0300056937 through 0300069000)	
192	0641424	4	Bolt 1/4in-20NC x 3in (SN 0300056937 through 0300069000)	
193	1320032	1	Clamp (SN 0300056937 through 0300069000)	
		Ref	<b>ENGINE COMPONENTS</b>	
	2000164	Ref	<b>Standard Gas (SN 0300048907 through 0300064248)</b>	
	2000166	Ref	<b>Standard Gas (SN 0300048907 through 0300064248)</b>	
	2000181	Ref	<b>Standard Gas (SN 0300048907 through 0300064248)</b>	
	2000172	Ref	<b>Standard Gas (SN 0300064249 through 0300069000)</b>	
	2000174	Ref	<b>Dual Fuel (SN 0300064249 through 0300064269)</b>	
	2000182	Ref	<b>Dual Fuel (SN 0300064270 through 0300069000)</b>	
201	3600377	1	Fuel Pump and Isolator Assembly (was p/n 7022133)	
201	7022134	1	Harness, Fuel Pump Wiring	
202	91083218	1	Filter, Fuel (was p/n 7022135)	
203	7019986	1	Starter (Not Shown)	
204	7019977	1	Alternator with Pulley and Regulator	
204	7000897	1	Alternator without Pulley and Regulator	
205		Ref	Actuator, Throttle Options:	
205	7022136	1	Actuator, Throttle (SN 0300048907 through 0300064248)	
205	7023655	1	Actuator, Throttle (SN 0300064249 through 0300069000)	
205	7023652	1	Plate, Actuator Adapter	
205	7023654	1	Gasket, Actuator to Adapter Plate	
205	7023653	2	Bolt (Adapter Plate to Intake Manifold)	
205	7023656	4	Bolt (Actuator to Adapter Plate)	
206	7019996	1	Sensor, Air Temperature (was p/n 7023661)	
206	7023662	1	Bracket, Air Temperature Sensor	
207	7023663	1	Harness, ECM (was p/n 7022137)	
208	7022139	1	Sensor, MAP	
209	7019994	1	Sensor, EGR	
210	2420187	1	Dipstick	
210	4564281	1	Tube, Dipstick	
211		Ref	Horn, Rubber Air Options:	
211	2720341	1	Horn, Rubber Air (SN 0300048907 through 0300064248)	
211	7023658	1	Horn, Rubber Air (SN 0300064249 through 0300069000)	
212	7023637	1	Switch, Oil Pressure	
213	7021868	1	Filter, Oil (was p/n 7022147 & 7022173)	
214	1660250	1	Coupling, Pump (was p/n 7016662)	
214	7019976	1	Flywheel	
214	7022180	1	Ring Gear	
214	7020120	1	Bell Housing	
215	7019993	1	Pressure Regulator and Filter Assembly	
216	70002307	1	Gasket, Exhaust Manifold to Pipe (Not Shown)	
216	7022143	1	Gasket, Exhaust Manifold to Head (Not Shown)	
217	7022158	3	Connector	
218	7022159	2	Connector	
219	7022160	1	Connector	
220	7022161	2	Tube, Supply	
221	7022162	2	Clamp	
222	7022142	1	Switch, Pressure (Black) (SN 0300048907 through 0300064249)	

## SECTION 2 - TURNTABLE

ITEM	PART NUMBER	QTY	DESCRIPTION	REV
223	7023637	1	Switch, Shutdown (White) (SN 0300048907 through 0300064249)	
224	7023613	3	Relay	
225	7023644	1	Hose, Water Pump (By-Pass) (Not Shown)	
226	7022178	1	Sensor, Crank Shaft	
227	3573241	1	Plate, LP Mixer Mounting (Engine p/n 2000182 Only)	
228	2720341	1	Hose, Rubber	
229	7027402	1	Belt, Drive	
229	7019978	1	Tensioner, Drive Belt	
229	70002567	1	Tensioner, Timing Belt (Not Shown)	
230	7022153	1	Pump, Water	
230	7022154	1	Gasket, Water Pump	
230	7022155	1	Sensor, Water Temperature (Not Shown)	
230	7022164	1	Sensor, High Coolant Temperature (2000166 Engine) (Not Shown)	
230	7027411	1	Unit, Water Sender (2000174 Engine) (Not Shown)	
230	7022156	1	Thermostat (Not Shown)	
230	7023644	1	Hose, Water Pump (By-Pass) (Not Shown)	
231	7019925	1	PCV Valve (Not Shown)	
232	7019930	1	Coil, Ignition (Not Shown)	
232	7022157	1	Wire Set, Spark Plug (Not Shown)	
232	7019932	4	Spark Plug (was p/n 7012595)	
233	7022151	1	Cap, Oil Fill	
234	7022149	1	Gasket Kit, Lower Manifold (Not Shown)	
234	7025124	1	Gasket Kit, Upper Manifold (was p/n 7022148) (Not Shown)	
234	7022144	1	Gasket, Upper Manifold Throttle (Not Shown)	
235	7023657	1	Harness, TPS Harness (Not Shown)	
236	7022150	1	Belt, Timing	
	3124114	1	Service Manual, Ford EFI System Diagnostic	
		Ref	<b>MUFFLER INSTALLATIONS</b>	
	0258390	Ref	<b>Standard Spark Arresting</b>	1
	0258391	Ref	<b>Optional Catalytic</b>	1
301		Ref	Muffler Options:	
301	3220113	1	Standard Spark Arresting	
301	3220114	1	Optional Catalytic	
301	70001017	1	Clamp	
302	0340046	2	Band	
303	0902309	1	Bracket, Muffler	
304	0641507	4	Bolt 5/16in-18NC x 7/8in	
305	4711500	8	Flatwasher 5/16in Thin	
306	3311505	4	Locknut 5/16in-18NC	
307	4567073	1	Tube, Exhaust	
307	70001017	1	Clamp	

## SECTION 2 - TURNTABLE

FIGURE 2-16. DUAL FUEL INSTALLATION (OPTIONAL - FORD ENGINE WITH CARBURETOR MACHINES)



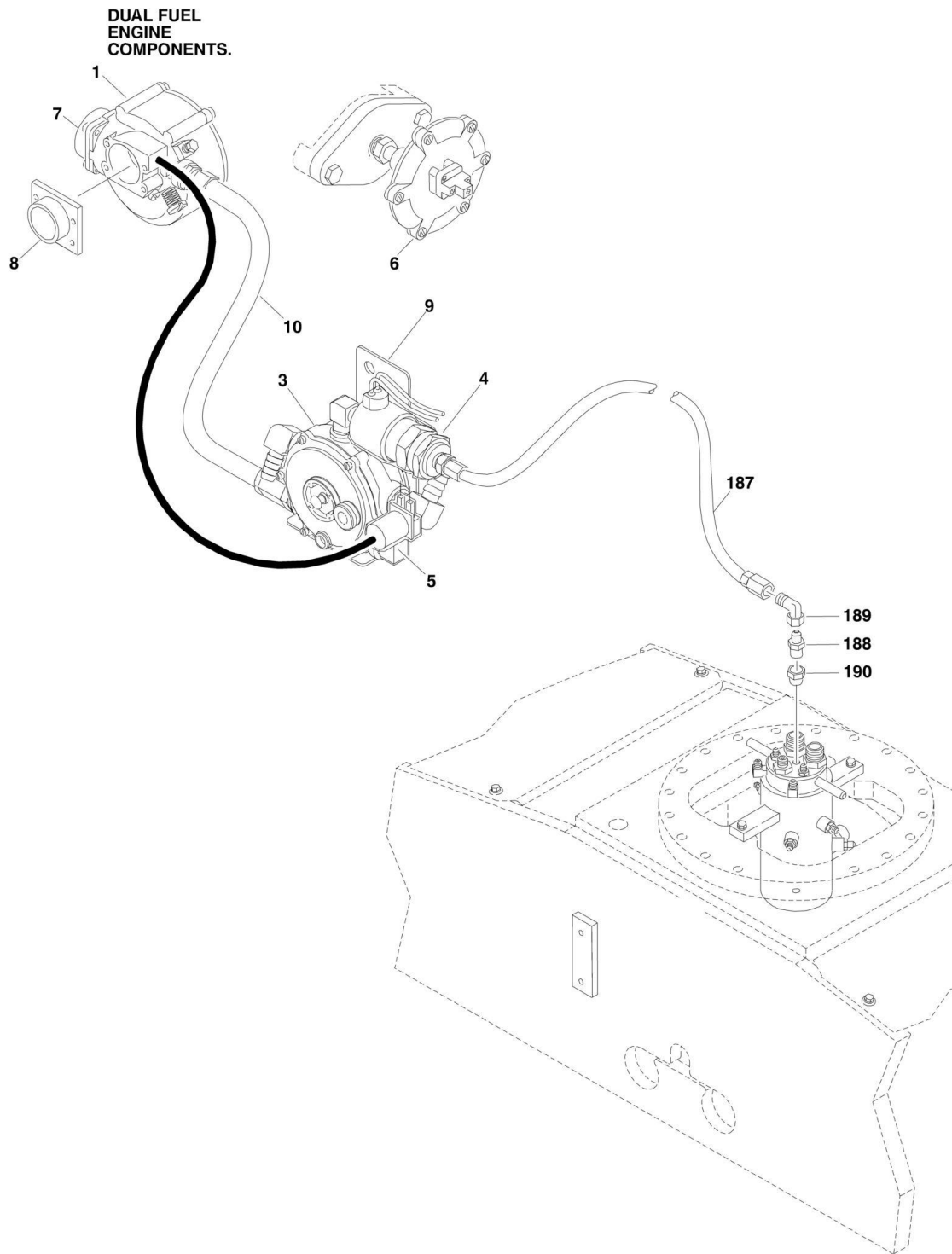
## SECTION 2 - TURNTABLE

**FIGURE 2-16. DUAL FUEL INSTALLATION (OPTIONAL - FORD ENGINE WITH CARBURETOR MACHINES)**

ITEM	PART NUMBER	QTY	DESCRIPTION	REV
		Ref	<b>DUAL FUEL INSTALLATION</b>	
1	2180360	1	Fitting, Tee	
2	4360188	1	Switch, Vacuum	
3	2180104	1	Fitting, Nipple	
4	4700005	1	Vaporizer/Regulator	
4	7017515	1	Repair Kit - 4700005	
5	0641416	2	Bolt 1/4in-20NC x 2in	
6	4751400	8	Flatwasher 1/4in Regular	
7	3311405	4	Locknut 1/4in-20UNC	
8	2200204	1	Plug, Pipe	
9	2220675	3	Fitting, 90 Barbed	
10	1320017	4	Clamp	
11	2220251	1	Fitting, Reducer	
12	0641408	2	Bolt 1/4in-20NC x 1in	
13	0902132	1	Bracket, Vaporizer	
14	2120077	1	Filter Lock	
15	2180418	2	Fitting, LP	
16	2220064	2	Fitting, 90	
17	2720112	AR	Hose, Vapor	
18	2720392	1	Hose, LP <b>(Prior to SN 0300037117)</b>	
18	2720144	1	Hose <b>(SN 0300037117 through 0300069000)</b>	
19	2220082	1	Fitting, 90 <b>(Prior to SN 0300037117)</b>	
20	4640391	1	Valve, Fuel Lock <b>(Prior to SN 0300037117)</b>	
21	2720042	30	Hose	
		in/76cm		
22	0080124	1	Adapter, Carb	
23	2220005	1	Fitting, Reducer	
24		Ref	Decal-LPG (Not Shown - See Decal Installation) Options:	
24	1701543	2	Decal-LPG	
24	1703911	2	Decal-LPG (UL Machines with LP Only)	
25	1700818	2	Decal- Liquid Withdrawal System (Not Shown - See Decal Installation)	
26	4791400	4	Starwasher 1/4in	
27	4240099	AR	Strap, Tie (Not Shown)	
28	0100020	AR	Sealant, Pipe	
29	0721006	2	Bolt #10-24NC x 3/4in (Not Shown UL Machines Only)	
30	4751000	2	Flatwasher #10 Regular (Not Shown UL Machines Only)	
31	3311005	2	Locknut #10-24NC (Not Shown UL Machines Only)	
32	3570752	1	Plate, Shield (Not Shown UL Machines Only)	
33	1703909	1	Decal - GS/LPS (Not Shown UL Machines with LP Only)	

## SECTION 2 - TURNTABLE

FIGURE 2-17. DUAL FUEL INSTALLATION (OPTIONAL - FORD ENGINE MACHINES WITH EFI) (SN 0300048907 through 0300069000)





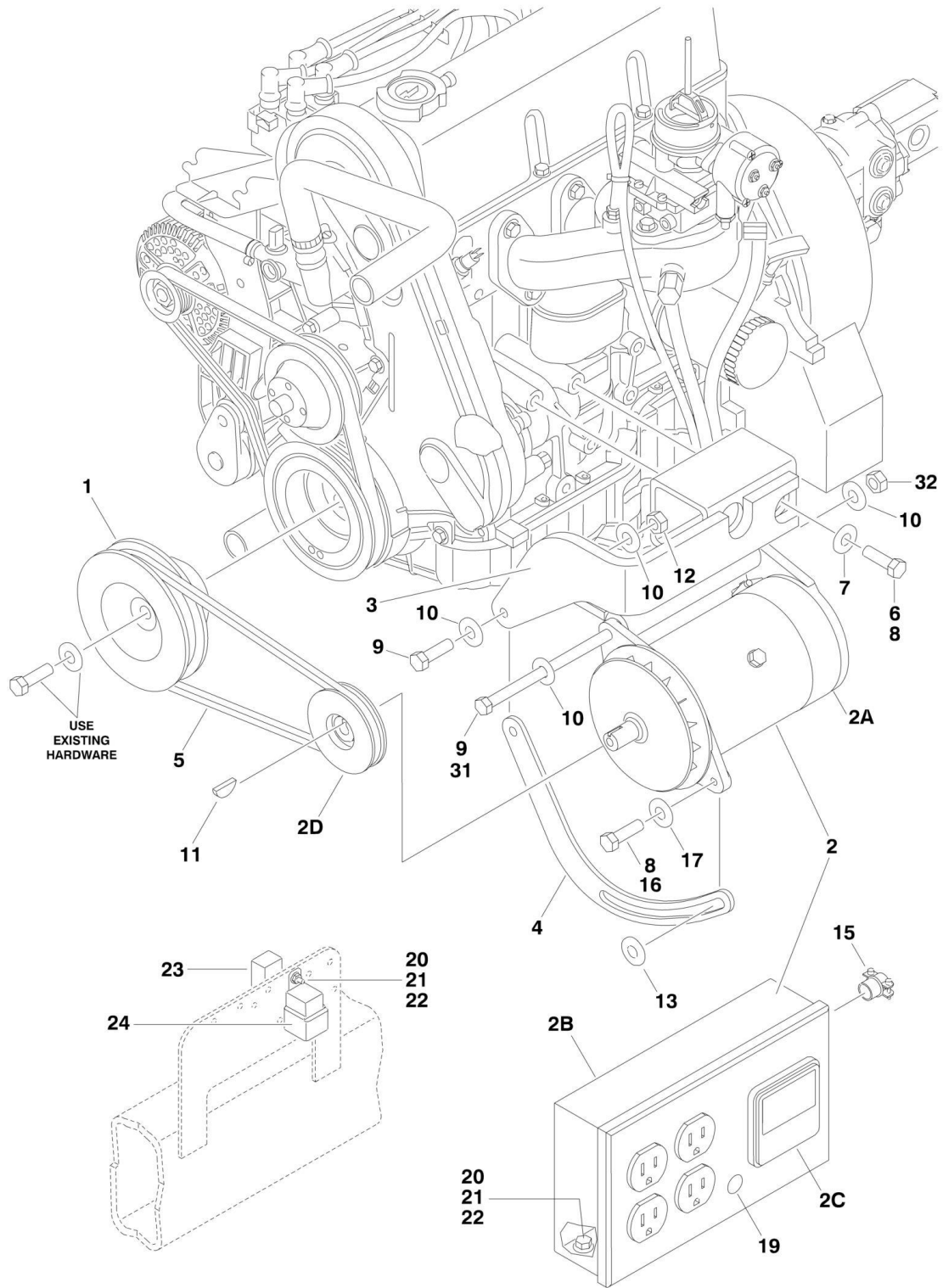
## SECTION 2 - TURNTABLE

**FIGURE 2-17. DUAL FUEL INSTALLATION (OPTIONAL - FORD ENGINE MACHINES WITH EFI) (SN 0300048907 through 0300069000)**

ITEM	PART NUMBER	QTY	DESCRIPTION	REV
	2000166	Ref	<b>DUAL FUEL ENGINE COMPONENTS (SN 0300048907 through 0300064248)</b>	C
	2000181	Ref	<b>DUAL FUEL ENGINE COMPONENTS (SN 0300048907 through 0300064248)</b>	A
	2000174	Ref	<b>DUAL FUEL ENGINE COMPONENTS (WITH ADE SYSTEM) (SN 0300064249 through 0300064269)</b>	
	2000182	Ref	<b>DUAL FUEL ENGINE COMPONENTS (WITH ADE SYSTEM) (SN 0300064270 through 69000)</b>	
	See Note	1	Dual Fuel Conversion Kit (Note: Includes hose, fittings, clamps and items indented below. For replacement hose, fittings and clamps supply locally.) (Note: Not Available - See Your Ford Dealer)	
1	7022165	1	Mixer	
1	7022171	1	Repair Kit - 7022165 Mixer	
1	7023645	1	Gasket, Mixer	
3	7022167	1	Convertor	
3	7022170	1	Repair Kit - 7022167 Convertor	
4	7023680	1	Filter, LP Shut-Off (was p/n 7022169)	
4	7023680	1	Electrical Connector Kit (No Longer Available - was p/n 7023679)	
5	7022168	1	Valve, Solenoid	
6	4360188	1	Switch, Vacuum	
7	7023603	1	Adapter	
7	7023659	1	Gasket, Adapter	
7	7023660	4	Screw M6 x 14mm	
8	7022166	1	Adaptor	
9	3572722	1	Bracket	
10	70000121	1	Hose, LP	
	0259762	Ref	Dual Fuel Machines <b>(SN 0300048907 through 0300064248)</b>	6-E
	0270846	Ref	Dual Fuel Machines (With ADE System) <b>(SN 0300064249 through 0300069000)</b>	5-E
187	2720392	1	Hose	
188	2180418	1	Fitting, Straight	
189	2220064	1	Fitting, 90	
190		Ref	Fitting, Reducer Options:	
190	2221019	1	Fitting, Reducer <b>(SN 0300048907 through 0300064248)</b>	
190	2220005	1	Fitting, Reducer <b>(SN 0300064249 through 0300069000)</b>	

# SECTION 2 - TURNTABLE

## FIGURE 2-18. GENERATOR INSTALLATION (OPTIONAL - FORD ENGINE MACHINES)



**SECTION 2 - TURNTABLE**

**FIGURE 2-18. GENERATOR INSTALLATION (OPTIONAL - FORD ENGINE MACHINES)**

ITEM	PART NUMBER	QTY	DESCRIPTION	REV
		Ref	<b>GENERATOR INSTALLATION OPTIONS:</b>	
	0255394	Ref	<b>110V Generator (Prior to SN 0300035129)</b>	2
	0257851	Ref	<b>110V Generator (SN 0300035129 through 0300064248)</b>	2
	0271545	Ref	<b>110V Generator - ADE System (SN 0300064249 through 0300069000)</b>	3
	0257159	Ref	<b>220V Generator (Prior to SN 0300035129)</b>	-
	0257856	Ref	<b>220V Generator (SN 0300035129 through 0300064248)</b>	3
	0271546	Ref	<b>220V Generator - ADE System (SN 0300064249 through 0300069000)</b>	4
1	3580250	1	Pulley	
2		Ref	Generator and Control Box Assembly Options:	
2	2460011	1	110Volt Assembly ( <b>Prior to SN 0300066056</b> )	I
2	2460032	1	110Volt Assembly ( <b>SN 0300066056 through 0300069000</b> )	C
2	2460013	1	220Volt Assembly ( <b>Prior to SN 0300066056</b> )	B
2	2460034	1	220Volt Assembly ( <b>SN 0300066056 through 0300066746</b> )	B
2	2460013	1	220Volt Assembly ( <b>SN 0300066747 through 0300069000</b> )	B
2A		Ref	Generator, Replacement Options:	
2A	7012558	1	110 Volt Generator Only	
2A	1001100321	1	220 Volt Generator Only	
		Ref	<b>Note: Replacement Generators come standard with p/n 3580134 pulley. This pulley may not be correct for all applications. Refer to pulley options below.</b>	
2A	7020193	1	Cord, Power - 12ft Length	
2A		Ref	Armature with Slip Rings Options:	
2A	7026199	1	Armature for 110 Volt	
2A	70000123	1	Armature for 220 Volt	
2A	7020108	4	Brushes	
2A	7020109	4	Holder, Brush	
2A	7012513	4	Cap, Brush Holder	
2A	7012514	1	Fan	
2A	7020110	1	Bell, Front	
2A	7020111	1	Bell, Rear	
2A	7020190	2	Bearing	
2B		Ref	Box, Control Options:	
2B	7003657	1	110 Volt Control Box Only	
2B	70002235	1	220 Volt Control Box Only	
2B	3520028	1	Plug, Hole	
2B		Ref	Receptacle Options:	
2B	4460190	1	Receptacle, Standard (110V Only)	
2B	4460027	1	Receptacle, Twistlock (110V Only)	
2B	70000124	1	Receptacle, Double (220V Only)	
2B	70000125	1	Receptacle, Single (220V Only)	
2B		Ref	Circuit Breaker Options:	
2B	4360542	1	Circuit Breaker for 110 Volt	
2B	7000126	1	Circuit Breaker for 220 Volt	
2B	7020191	1	Switch, Toggle	
2B	2920162	1	Lamp	
2C		Ref	Voltmeter Options:	
2C	2420203	1	Voltmeter for 110 Volt	
2C	7020192	1	Voltmeter for 220 Volt	

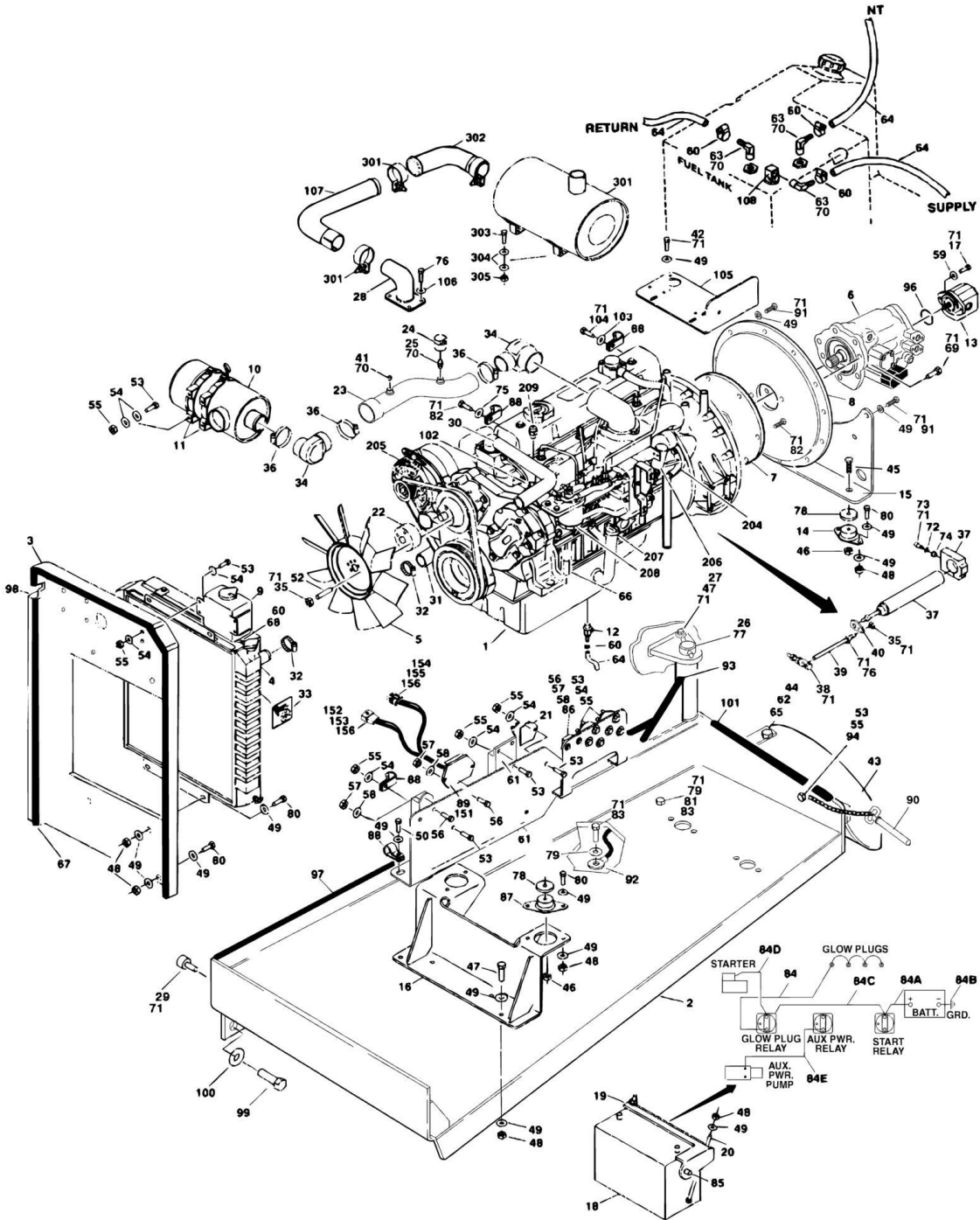
## SECTION 2 - TURNTABLE

ITEM	PART NUMBER	QTY	DESCRIPTION	REV
2D		Ref	Pulley Options:	
2D	3580134	1	Pulley 110V <b>(Prior to SN 0300066056)</b>	
2D	3580276	1	Pulley 110V <b>(SN 0300066056 through 0300069000)</b>	
2D	3580134	1	Pulley 220V <b>(Prior to SN 0300066056)</b>	
2D	3580276	1	Pulley 220V <b>(SN 0300066056 through 0300066746)</b>	
2D	3580134	1	Pulley 220V <b>(SN 0300066747 through 0300069000)</b>	
2D	7027887	1	Key, Woodruff	
3		Ref	Bracket, Generator Mounting Options:	
3	0902210	1	Bracket, Generator Mounting <b>(Prior to SN 0300064498)</b>	
3	0902756	1	Bracket, Generator Mounting <b>(SN 0300064498 through 0300069000)</b>	
4	0200547	1	Arm, Adjusting	
5		Ref	V-Belt Options:	
5	0480050	1	V-Belt Used W/p/n 2460011 & 2460013	
5	0480111	1	V-Belt Used W/p/n 2460032 & 2460034	
6	0701015	2	Bolt, Metric 10mm x 35mm	
7	4812000	2	Flatwasher 10mm	
8	0100011	AR	Compound, Locking	
9	0681612	AR	Bolt 3/8in-16NC x 1-1/2in (Grade 8)	
10	4751600	6	Flatwasher 3/8in Regular	
11	2860012	1	Key, Woodruff	
12	3311605	1	Locknut 3/8in-16NC	
13	4564417	1	Spacer, Tube	
15	4460023	1	Connector, Strain Relief	
16	0641508	1	Bolt 5/16in-18NC x 1in	
17	4751500	2	Flatwasher 5/16in Regular	
19	3520028	1	Plug, Hole	
20	0721006	4	Bolt #10-24NC x 3/4in	
21	3311005	4	Locknut #10-24NC	
22	4751000	9	Flatwasher #10 Regular	
23	4360294	1	Breaker, Circuit - 30 Amp	
24	3740080	1	Relay, Bosch	
25	4360336	1	Switch, Toggle (Not Shown - Located at Platform)	
26	4740397	1	Bushing (Not Shown - Located at Platform)	
27	4060802	1	Guard, Switch (Not Shown - Located at Platform)	
29	2820031	4 in/10cm	Heat Shrink (Not Shown - Located at Platform)	
30	3251102	1	Decal (Not Shown - Located at Platform)	
31	0641772	1	Bolt 7/16in-14NC x 9in <b>(SN 0300064498 through 0300069000)</b>	
32	3311705	1	Locknut 7/16in-14NC <b>(SN 0300064498 through 0300069000)</b>	



# SECTION 2 - TURNTABLE

## FIGURE 2-19. ISUZU ENGINE INSTALLATION - 4JB1



## SECTION 2 - TURNTABLE

**FIGURE 2-19. ISUZU ENGINE INSTALLATION - 4JB1**

ITEM	PART NUMBER	QTY	DESCRIPTION	REV
	0270645	Ref	<b>ENGINE INSTALLATIONS</b>	2-B
1	2000151	1	Engine - Isuzu 4JB1	
2	4845404	1	Tray Weldment	
3	3539872	1	Mount, Radiator	
4	3620040	1	Radiator	
5	2060025	1	Fan	
6	3600260	1	Piston Pump Assembly (See PISTON PUMP ASSEMBLY for Breakdown)	
7	1660239	1	Coupling	
8	0080181	1	Plate, Pump Adapter	
9	1580011	1	Tank, Coolant Recovery	
10	1340060	1	Air Cleaner Assembly	
10	7012664	1	Element, Air Cleaner	
11	0340041	2	Band, Air Cleaner	
12	4641019	1	Valve, Oil Drain	
13	3600242	1	Gear Pump Assembly (See GEAR PUMP ASSEMBLY for Breakdown)	
14	3200401	2	Plate, Engine Mount (Rear)	
15	3570283	1	Plate, Engine Mounting - Rear	
16	4845532	1	Plate Weldment, Engine Mounting - Front	
17	3931620	2	Screw 3/8in-16NC x 1-1/4in	
18		Ref	Battery Options:	
18	0400075	1	Battery (Wet)	
18	7016180	1	Battery (Dry)	
19	0181727	1	Battery Hold-Down	
20	0630498	2	Bolt, Tie-Down	
21	3740067	1	Relay (Auxiliary Power)	
22	0080230	1	Spacer, Fan	
23	4845035	1	Tube, Air Intake	
24	4360392	1	Indicator, Clogged Filter	
25	2180798	1	Fitting, Restrictor Indicator	
26	3422448	1	Pin, Pivot	
27	3841143	1	Pin, Keeper	
28	4846510	1	Weldment Tube, Exhaust	
29	0940070	1	Bumper, Rubber	
30	2720441	1	Hose, Radiator - Top	
31	2720442	1	Hose, Radiator - Bottom	
32	1320012	4	Clamp	
33	1703162	2	Decal - Fan Blade	
34	0080201	2	Elbow, Rubber	
35	3311401	6	Nut 1/4in-20NC	
36	1320016	4	Clamp	
37	0060033	1	Kit - Throttle Actuator	
38	1660220	1	Throttle Swivel	
39	3841516	1	Throttle Rod	
40	3572601	1	Plate, Throttle Rod Mount	
41	2200221	1	Fitting, Plug	
42	0701012	4	Bolt, Metric 10mm-1.5 x 25mm	
43	3380428	1	Panel, Rubber	
44	3539956	1	Plate, Hold-Down	

## SECTION 2 - TURNTABLE

ITEM	PART NUMBER	QTY	DESCRIPTION	REV
45	0641818	2	Bolt 1/2in-13NC x 2-1/4in	
46	3311805	4	Locknut 1/2in-13NC	
47	0641610	5	Bolt 3/8in-16NC x 1-1/4in	
48	3311605	22	Locknut 3/8in-16NC	
49	4751600	63	Flatwasher 3/8in Regular	
50	0681606	3	Bolt 3/8in-16NC x 3/4in	
51	0641508	3	Bolt 5/16in-18NC x 1in	
52	4300148	4	Stud, Fan Mounting	
53	0641406	18	Bolt 1/4in-20NC x 3/4in	
54	4751400	31	Flatwasher 1/4in Regular	
55	3311405	18	Locknut 1/4in-20NC	
56	0721006	5	Bolt #10-24NC x 3/4in	
57	3311001	5	Nut #10-24NC	
58	4751000	5	Flatwasher #10 Regular	
59	4891600	2	Flatwasher 3/8in Hardened	
60	1320022	8	Clamp	
61	0902527	1	Bracket, Control Module Mounting	
62	4751500	3	Flatwasher 5/16in Regular	
63	2220313	3	Fitting, Barbed 90	
64	2750532	31 ft/9.4m	Hose	
65	3311505	6	Locknut 5/16in-18NC	
66	0641828	2	Bolt 1/2in-13NC x 3-1/2in	
67	3960389	5 ft/1.52m	Seal	
68	2720058	12 ft/3.7m	Hose, Fuel Line	
69	0641812	2	Bolt 1/2in-13NC x 1-1/2in	
70	0100020	AR	Sealant	
71	0100011	AR	Compound, Locking	
72	4740442	1	Washer, Belleville	
73	3900217	1	Screw, Shoulder	
74	0962031	1	Bushing, Flange	
75	4711600	1	Flatwasher 3/8in Thin	
76	0700810	4	Bolt, Metric 8mm-1.25 x 20mm	
77	0961986	2	Bushing, Flange	
78	4740274	4	Washer, Snubbing	
79	4751800	3	Flatwasher 1/2in Regular	
80	0641608	16	Bolt 3/8in-16NC x 1in	
81	3311801	1	Nut 1/2in-13NC	
82	0701010	9	Bolt, Metric 10mm-1.5 x 20mm	
83	0641808	2	Bolt 1/2in-13NC x 1in	
84	2901959	1	Battery Cable Kit	A
84A	7016800	1	Cable, Battery (Red)	
84B	7016831	1	Cable, Battery (Black)	
84C	7016811	1	Cable (Red)	
84D	7016802	1	Cable (Red)	
84E	7016804	1	Cable (Red)	
85	4460611	1	Terminal, Battery Jumper Post	
86	4360294	1	Breaker, Circuit	
87	3200362	2	Engine Mount (Front)	
88	1320223	12	Clamp	
90	3422533	1	Pin, Hitch	
91	0701015	12	Bolt, Metric 10mm-1.5 x 35mm	

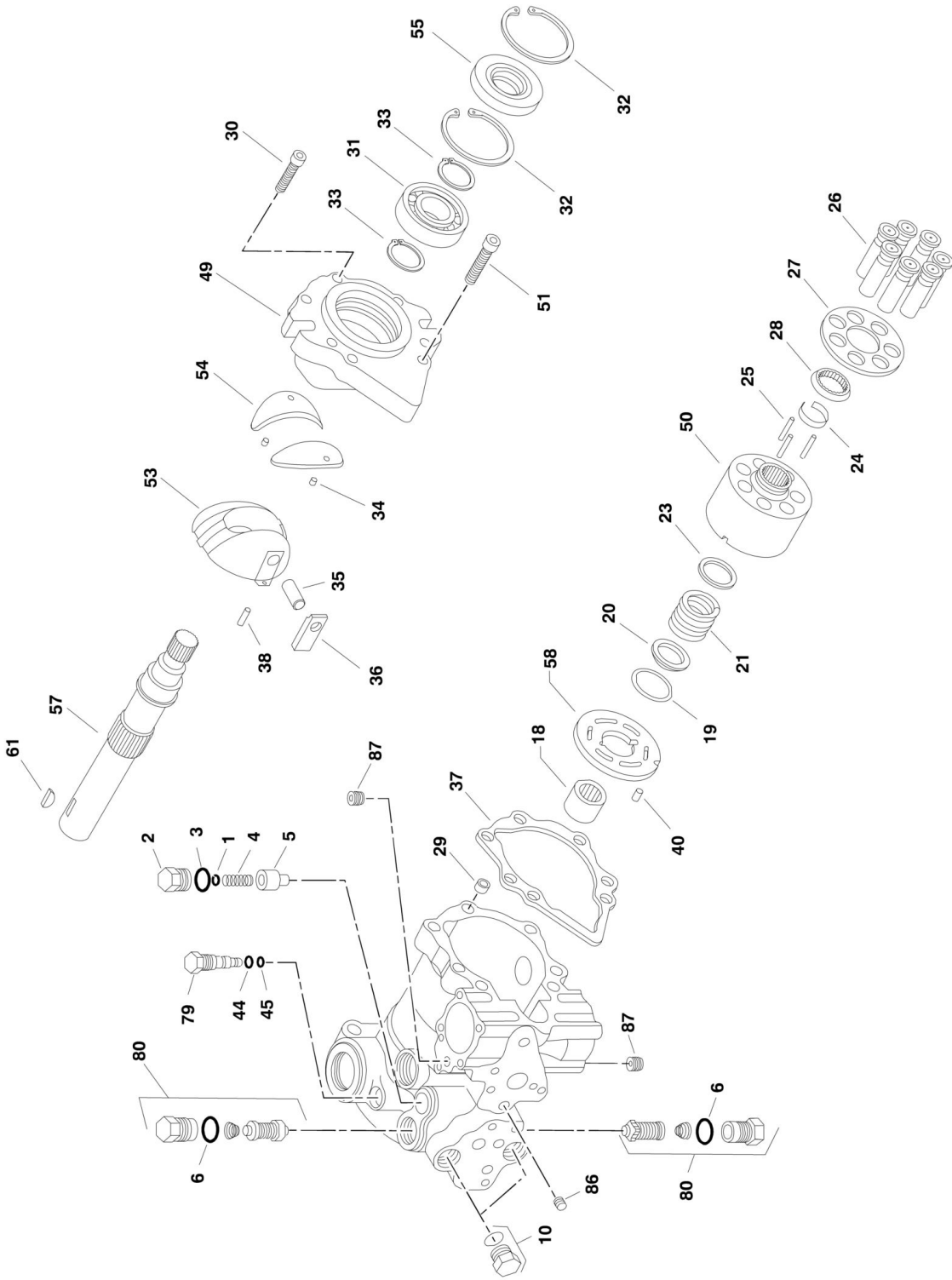


## SECTION 2 - TURNTABLE

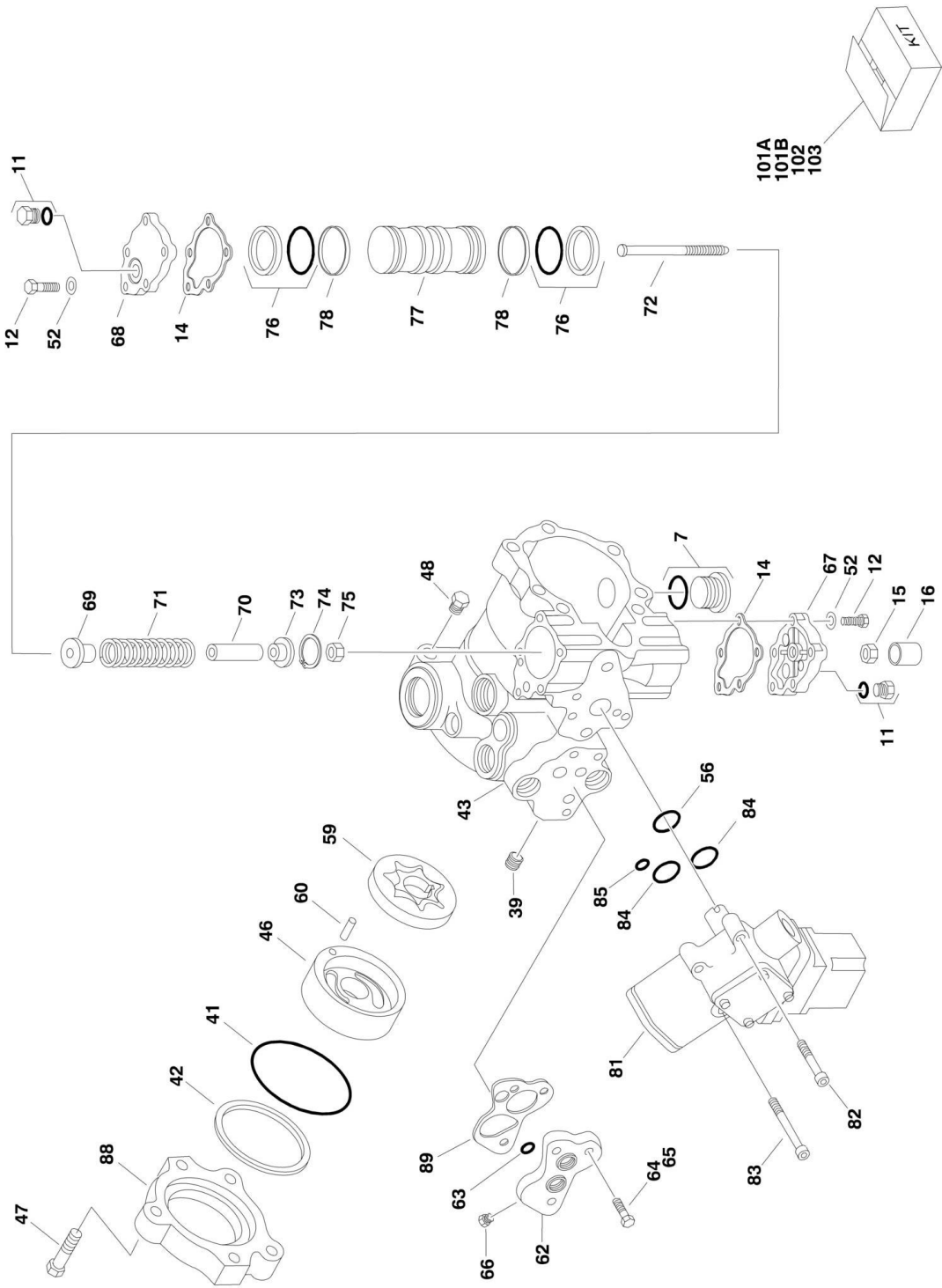
ITEM	PART NUMBER	QTY	DESCRIPTION	REV
92	1060637	1	Lanyard	
93	4060804	1 ft/0.3m	Flexible Trim 3/16in (SN 0300063908 through 0300067817)	
94	4711400	1	Flatwasher 1/4in Thin	
95	1701505	1	Decal - Diesel	
96	3790152	1	O-Ring	
97	3960468	1	Seal, Foam 1-1/4in x 1-1/4in x 47-1/4in	
98	3960469	1	Seal, Foam 1-1/4in x 1-1/4in x 32in	
99	0642010	1	Bolt 5/8in-11NC x 1-1/4in	
100	4752000	1	Flatwasher 5/8in Regular	
101	4060805	2.9 ft/0.88m	Flexible Trim 1/4in	
102	1320222	1	Clamp	
103	4711500	1	Flatwasher 5/16in Thin	
104	0700808	1	Bolt, Metric 8mm-1.25 x 16mm	
105	3573279	1	Plate, Exhaust Mount	
106	4831900	4	Lockwasher 8mm	
107	4568355	1	Exhaust Pipe	
108	7019658	1	Fitting 90 W/Pick-Up Tube	
	0259198	Ref	<b>TIMER MODULE PLUGS ASSEMBLY</b>	2-B
151	3740126	1	Relay, Timer Module	
152	4460476	1	Housing - Receptacle	
153	4460475	3	Pin - Male	
154	4460459	1	Housing - Plug	
155	4460457	3	Socket - Female	
156	4460458	6	Seal	
		Ref	<b>ENGINE COMPONENTS</b>	
201	7022127	1	Switch, Oil Pressure (Not Shown)	
202	7022177	1	Solenoid, Engine Stop (Not Shown)	
203	7023634	1	Filter, Oil (Not Shown)	
204	7023635	1	Starter	
205	7023638	1	Alternator	
206	7023639	1	Solenoid, Shutdown 12Volt	
207	7023640	1	Gauge, Oil Level	
208	7023641	1	Filter, Fuel	
209	7023642	1	Switch, Water Pressure	
	0271672	Ref	<b>MUFFLER INSTALLATION</b>	1
301	3220128	1	Muffler - Spark Arresting	
301	70001017	1	Clamp	
302	4567073	1	Tube, Exhaust	
303	0641507	4	Bolt 5/16in-18NC x 1in	
304	4711500	4	Flatwasher 5/16in Thin	
305	3311505	4	Locknut 5/16in-18NC	

# SECTION 2 - TURNTABLE

## FIGURE 2-20. PISTON PUMP ASSEMBLY



# SECTION 2 - TURNTABLE



## SECTION 2 - TURNTABLE

### FIGURE 2-20. PISTON PUMP ASSEMBLY

ITEM	PART NUMBER	QTY	DESCRIPTION	REV
		Ref	<b>PISTON PUMP ASSEMBLIES</b>	
	3600164	Ref	<b>Piston Pump Assemblies 13 Tooth Pump Spline (Prior to SN 0300029318)</b>	A
	3600260	Ref	<b>Piston Pump Assemblies 15 Tooth Pump Spline (SN 0300029318 through 0300069000)</b>	-
1	7007413	1	Shim Kit	
2	7007414	1	Plug	
3	See Note	NSS	O-Ring (Note: Use Item 101A)	
4	7007416	1	Spring, Relief Valve	
5	7007417	1	Valve, Relief	
6	See Note	NSS	O-Ring (Note: Use Item 101A)	
7	7007419	2	Plug	
10	7007420	2	Plug	
11	7007208	2	Plug	
12	7007421	10	Screw	
14	See Note	NSS	Gasket, Servo Cover (Note: Use Item 101A)	
15	7007423	1	Nut, Special	
16	7007424	1	Cover, Adjustment	
18	7007425	1	Bearing, Needle	
19	See Note	NSS	Ring, Retaining (Note: Use Item 103)	
20	See Note	NSS	Washer (Note: Use Item 103)	
21	See Note	NSS	Spring (Note: Use Item 103)	
23	See Note	NSS	Washer (Note: Use Item 103)	
24	See Note	NSS	Retainer (Note: Use Item 103)	
25	See Note	NSS	Pin, Slipper Holddown (Note: Use Item 103)	
26	See Note	NSS	Piston Assembly (Note: Use Item 103)	
27	See Note	NSS	Retainer, Slipper (Note: Use Item 103)	
28	See Note	NSS	Guide, Retainer (Note: Use Item 103)	
29	7007435	1	Pin, Spring	
30	7007436	1	Screw, 12 Point Head	
31	7007437	1	Bearing, Ball	
32	7007438	2	Ring, Retainer	
33	7007439	2	Ring	
34	7007440	2	Pin, Spring	
35	7007441	1	Handle, Pin	
36	7007442	1	Sleeve, Bearing	
37	See Note	NSS	Gasket, Front Cover (Note: Use Item 101A)	
38	7007444	1	Pin	
39	7007445	1	Plug, Expansion	
40	See Note	NSS	Pin (Note: Use Item 103)	
41	See Note	NSS	O-Ring (Note: Use Item 101A or 102)	
42	See Note	NSS	Ring, Load Temper (Note: Use Item 101A or 102)	
43	7007449	1	Housing, Pump	
44	See Note	NSS	Ring, Back-up (Note: Use Item 101A)	
45	See Note	NSS	O-Ring (Note: Use Item 101A)	
46	See Note	NSS	Cover, Gerotor (Note: Use Item 102)	
47	7007453	3	Bolt, Hex	
48	7007208	1	Plug	
49	7007454	1	Cover, Front	
50	See Note	NSS	Block, Cylinder (Note: Use Item 103)	

## SECTION 2 - TURNTABLE

ITEM	PART NUMBER	QTY	DESCRIPTION	REV
51	7007456	6	Screw	
52	7001438	10	Washer	
53	See Note	NSS	Swash Plate (Note: Use Item 103)	
54	7007458	1	Journal, Bearing	
55	7007459	1	Seal, Lip	
56	See Note	NSS	O-Ring (Note: Use Item 101A)	
57		Ref	Shaft, Main Pump Options:	
57	7007461	1	Shaft, Main Pump 13 Tooth Spline <b>(Prior to SN 29318)</b>	
57	7010121	1	Shaft, Main Pump 15 Tooth Spline <b>(SN 29318 through 69000)</b>	
58	7021214	1	Plate, Valve	
59	7007463	1	Gerotor Assembly	
60	See Note	NSS	Pin (Note: Use Item 102)	
61	See Note	NSS	Key, Woodruff (Note: Use Item 102)	
62	7007466	1	Adaptor, Remote Filtration (Without By-Pass)	
63	See Note	NSS	O-Ring (Note: Use Item 101A)	
64	7007468	2	Screw	
65	7007469	2	Screw	
66	7007470	1	Plug	
67	7007471	1	Cover, Servo (With Adjuster)	
67	7007490	2	Stop, Servo (Not Shown)	
67	7007491	2	Nut, Special (Not Shown)	
67	7007492	2	Ring, External (Not Shown)	
68	7007482	1	Cover, Servo (Without Adjuster)	
69	7007483	1	Guide, Spring	
70	7007484	1	Stop, Servo	
71	7007485	1	Spring	
72	7007486	1	Screw	
73	7007487	1	Guide, Spring	
74	7007488	1	Ring, Retaining	
75	7007499	1	Locknut	
76	See Note	NSS	Ring, Piston (Note: Use Item 101A or 101B)	
77	7007494	1	Piston, Servo	
78	See Note	NSS	O-Ring (Note: Use Item 101A or 101B)	
79	7007472	1	Valve, Bypass	
80	7010122	2	Valve, Pressure Relief (Includes Item 6) (was p/n 7007473)	
81	7007474	1	Control, Dual Oil-Filled	
81	7007496	1	Coil Assembly (Pilot)	
81	7007497	1	Plug (Pump)	
81	7007498	1	Plug (Valve Harness)	
82	7007478	2	Screw	
83	7001498	2	Screw	
84	See Note	NSS	O-Ring (Note: Use Item 101A)	
85	See Note	NSS	O-Ring (Note: Use Item 101A)	
86	7007475	1	Plug, Orifice/Screen (.156)	
87	7007477	2	Plug, Orifice (.37)	
88	7007476	1	Adapter, Auxiliary Pump	
89	7010120	1	Spacer/Gasket	
101		Ref	Seal Kit Options:	
101A	2900752	1	Complete (Includes Items 3, 6, 14, 37, 41, 42, 44, 45, 55, 56, 63, 76, 78, 84 & 85)	
101B	7007412	1	Servo Piston (Includes Items 76 & 78)	
102	2900826	1	Charge Pump Kit (Includes Items 41, 42, 46, 59, 60 & 61)	

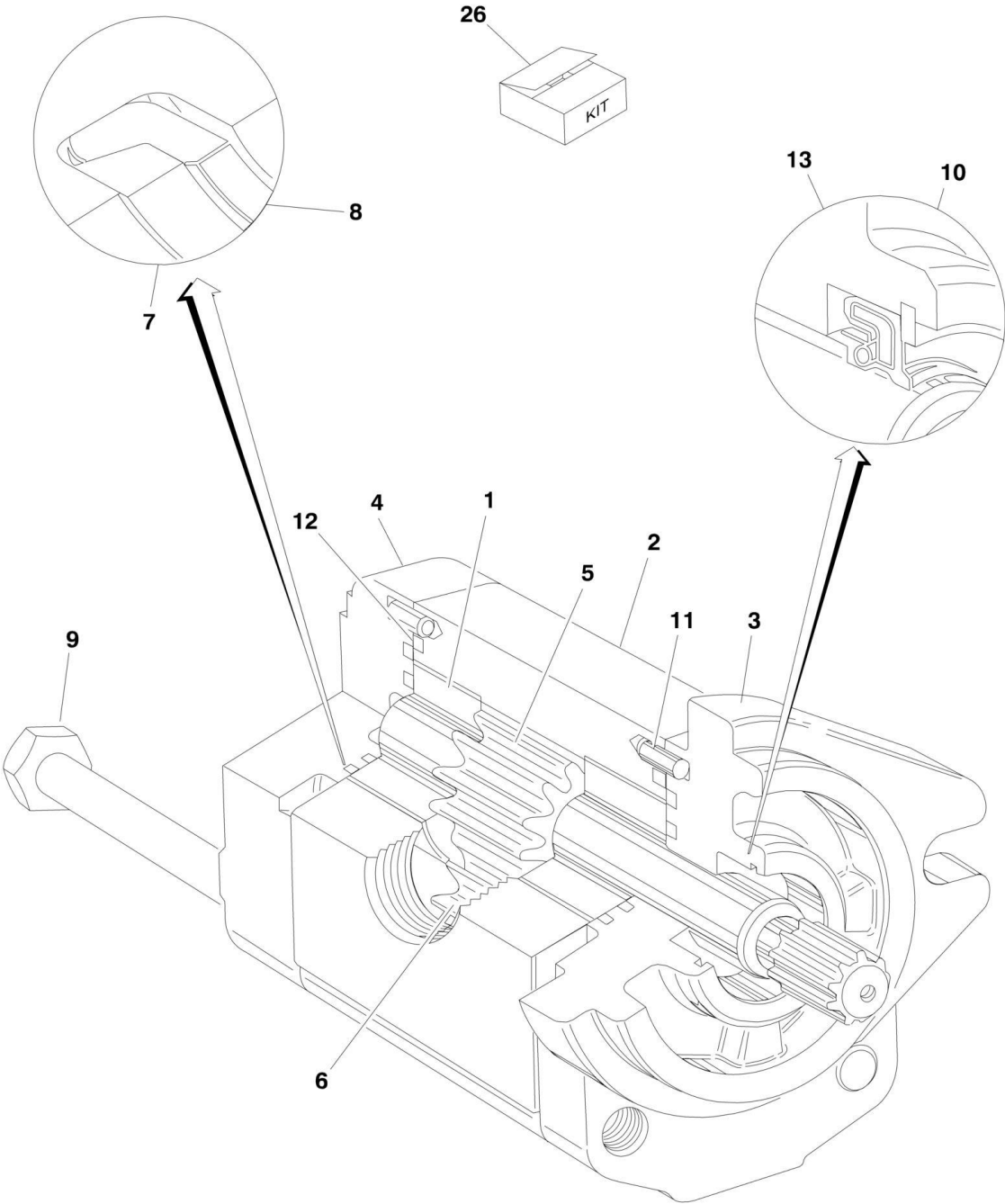
## SECTION 2 - TURNTABLE

ITEM	PART NUMBER	QTY	DESCRIPTION	REV
103	2900827	1	Cylinder Block Kit (Includes Items 19-28, 40, 50, 53 & 58)	



**SECTION 2 - TURNTABLE**

**FIGURE 2-21. GEAR PUMP ASSEMBLY**





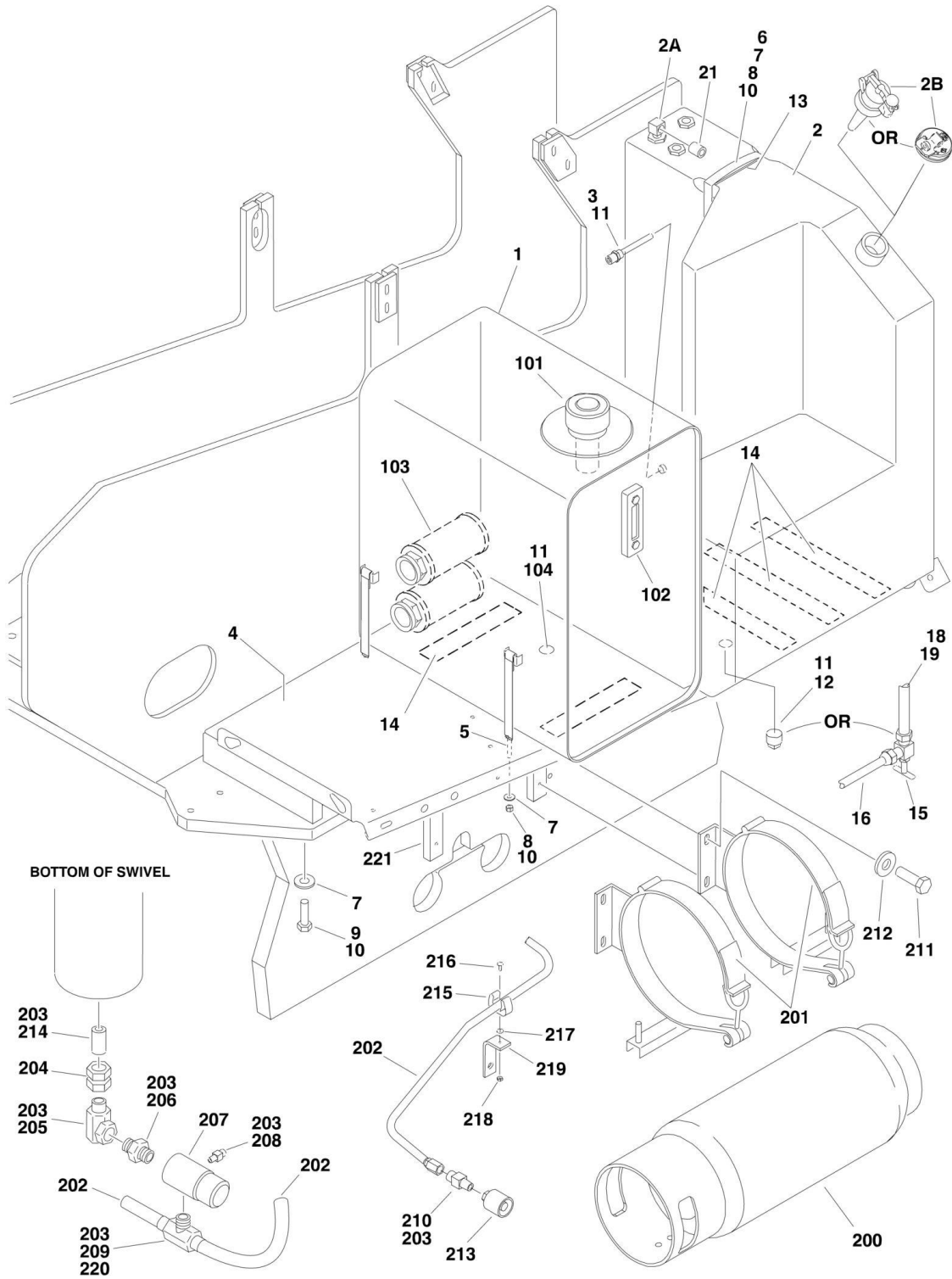
**SECTION 2 - TURNTABLE**

**FIGURE 2-21. GEAR PUMP ASSEMBLY**

ITEM	PART NUMBER	QTY	DESCRIPTION	REV
	3600242	Ref	<b>GEAR PUMP ASSEMBLY</b>	
1	7010105	2	Bearing/Bushing	
2	See Note	1	Housing (Note: Use p/n 3600242)	
3	See Note	1	Flange (Note: Use p/n 3600242)	
4	7010103	1	Cover	
5	7012987	1	Gear, Drive	
6	7012988	1	Gear, Idler	
7	See Note	NSS	Ring, Anti-Extrusion (Note: Use Item 26)	
8	See Note	NSS	Seal (Note: Use Item 26)	
9	See Note	4	Bolt (Note: Not Available for Purchase)	
10	7010104	1	Ring, Retaining	
11	See Note	4	Pin, Dowel (Note: Not Available for Purchase)	
12	See Note	NSS	Seal, O-Ring (Note: Use Item 26)	
13	See Note	NSS	Seal, Shaft (Note: Use Item 26)	
26	7007489	1	Seal Kit (Includes Items 7, 8, 12 & 13)	

# SECTION 2 - TURNTABLE

## FIGURE 2-22. TANKS INSTALLATION



## SECTION 2 - TURNTABLE

### FIGURE 2-22. TANKS INSTALLATION

ITEM	PART NUMBER	QTY	DESCRIPTION	REV
	0255409	Ref	<b>TANKS INSTALLATION (STANDARD PARTS)</b>	6
	0257339	Ref	<b>TANKS INSTALLATION (GAS MACHINES WITH LOCKING CAP) (Prior to SN 0300048907)</b>	2
	0270395	Ref	<b>TANKS INSTALLATION (GAS MACHINES WITH LOCKING CAP) (SN 0300048907 through 0300069000)</b>	1
	0257482	Ref	<b>TANKS INSTALLATION (DIESEL MACHINES WITH LOCKING CAP)</b>	1
	0257671	Ref	<b>TANKS INSTALLATION (UL)</b>	3
	0258606	Ref	<b>TANKS INSTALLATION (UL LP GAS ONLY)</b>	1
1	4400372	1	Hydraulic Tank Assembly (See Items 101-104 for Breakdown)	
2		Ref	Tank, Fuel Options:	
2	4400373	1	Tank, Fuel Standard <b>(Prior to SN 0300030687)</b>	
2	4400399	1	Tank, Fuel Standard <b>(SN 0300030687 through 0300069000)</b>	
2	4400407	1	UL Machines Only	
2	Not Required	1	UL Machines LP Gas Only	
2A	7019658	1	Fitting, 90 W/Pick-Up Tube	
2B		Ref	Cap Options:	
2B	7016314	1	Standard - Non-Locking (Part of Item 2)	
2B	1120484	1	Red Lockable Cap - Gas/Dual Fuel Machines (Not Included with Tank - Purchase Separately) (Lock Not Included)	
2B	1120487	1	Blue Lockable Cap - Diesel Machines (Not Included with Tank - Purchase Separately) (Lock Not Included)	
2B	1120367	1	UL Machines (Not Included with Tank - Purchase Separately)	
2B	Not Required	1	UL Machines LP Gas Only	
3	4360436	1	Switch, Fuel Level	
4	4844964	1	Hydraulic Tray Weldment	
5	4240112	4	Strap, Tank	
6	4240102	1	Strap, Tank (Not Required on UL Machines)	
7	4751600	12	Flatwasher 3/8in Regular	
8	3311601	6	Nut 3/8in-16NC	
9	0641614	6	Bolt 3/8in-16NC x 1-3/4in	
10	0100011	AR	Compound, Locking	
11		Ref	Sealant, Pipe Options:	
11	0100079	AR	(Standard Machines)	
11	0100020	AR	(UL Machines)	
12		Ref	Fitting Options:	
12	2200222	1	Fitting <b>(Prior to SN 0300048907)</b>	
12	2200233	1	Fitting <b>(SN 0300048907 through 0300069000)</b>	
13	4280295	25 in/44cm	Strip, Protective	
14	4420038	AR	Tape, Rubber	
15		Ref	Fitting Options:	
15	4641022	1	Standard Gas Machines, Valve, Needle - Located on Bottom of Fuel Tank <b>(SN 0300048907 through 0300069000)</b>	
15	4641022	1	UL Gas Machines, Valve, Needle - Located on Top of Fuel Tank	
15	Not Required	1	Diesel Machines	
16	4568116	1	Tube, Fuel <b>(SN 0300048907 through 0300069000)</b>	
18	0100062	AR	Retaining Compound #680 (Not Shown) <b>(SN 0300048907 through 0300069000)</b>	
19	4568119	1	Tube, Fuel <b>(SN 0300048907 through 0300069000)</b>	
20	2180703	1	Fitting, 90 (Not Shown Located on Top of Fuel Tank) (UL Machines Only)	

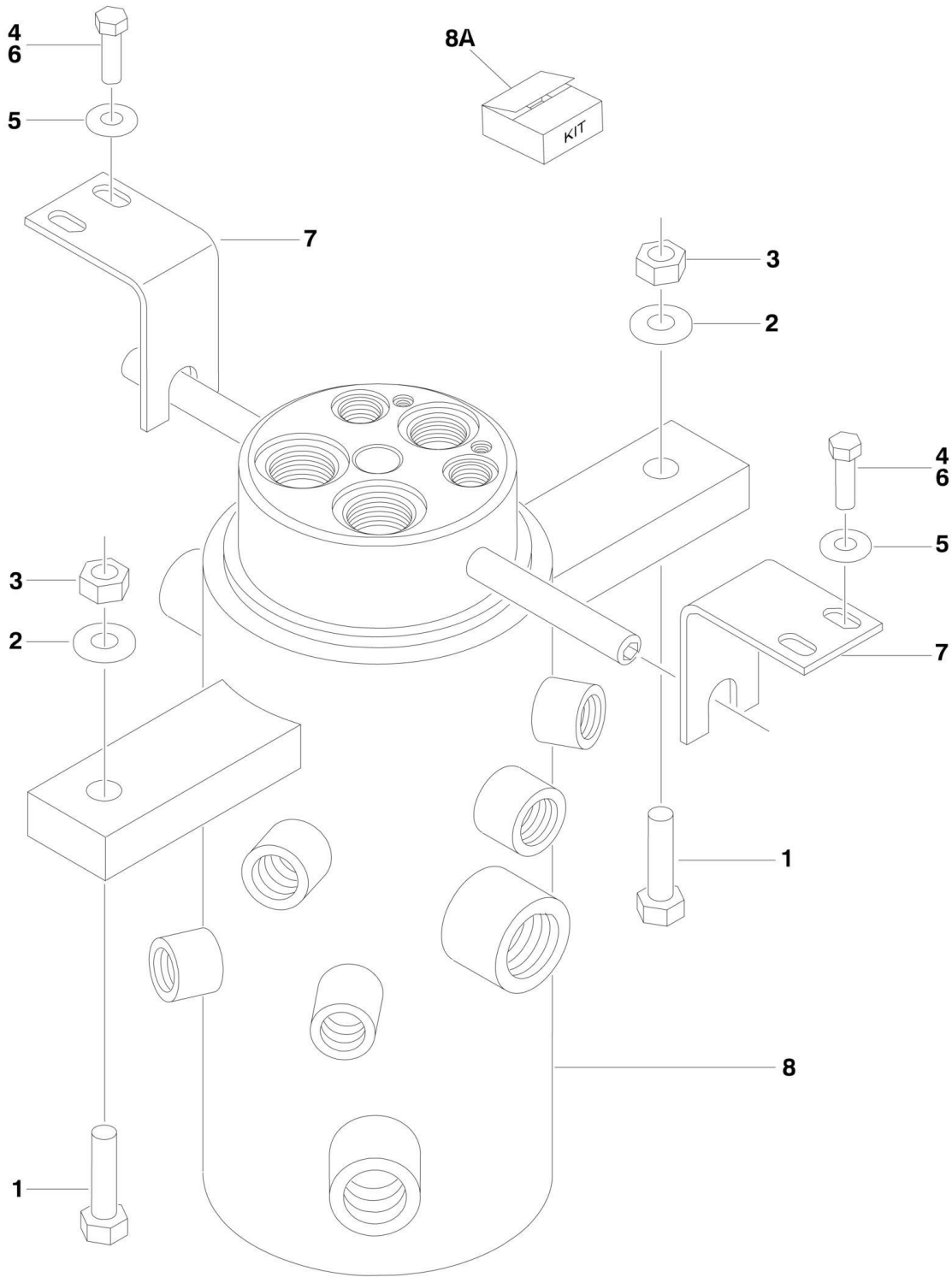
## SECTION 2 - TURNTABLE

ITEM	PART NUMBER	QTY	DESCRIPTION	REV
21	2220273	1	Fitting, Reducer (UL Machines Only)	
	4400372	Ref	<b>HYDRAULIC OIL TANK ASSEMBLY</b>	J
101		Ref	Filler/Breather Assembly Options:	
101	7014803	1	Filler/Breather Assembly Prior to June 1997	
101	7014810	1	Filler/Breather Assembly June 1997 to SN 0300069000	
101	7014811	1	Cap, Breather (Fits 7014803 & 7014810)	
102	7014802	1	Gage, Sight	
103	7014801	2	Strainer	
104	7014800	1	Plug, Magnetic	
	0255524	Ref	<b>LP TANK BRACKETS INSTALLATION</b>	7
200		Ref	Tank, LP Options:	
200	4400275	1	Aluminum	
200	4400420	1	Steel	
201	1320220	2	Clamp	
201	1320127	2	Clamp, Toggle (1 Per Clamp)	
202	2720144	2	Hose	
203	0100020	AR	Sealant, Pipe	
204	2221019	1	Fitting, Reducer	
205		Ref	Fitting, 90 Swivel Options:	
205	2180125	1	Fitting, 90 Swivel ( <b>Prior to SN 0300039820</b> )	
205	2220599	1	Fitting, 90 Swivel ( <b>SN 0300039820 through 0300040158</b> )	
205	2180125	1	Fitting, 90 Swivel ( <b>SN 0300040159 through 0300069000</b> )	
206	2220261	1	Fitting, Nipple	
207	2180388	1	Fitting, Bulkhead	
208	2180389	1	Valve, Relief	
209		Ref	Fitting, Tee Options:	
209	2180800	1	Fitting, Tee ( <b>Prior to SN 0300041400</b> )	
209	2220418	1	Fitting, Tee ( <b>SN 0300041400 through 0300069000</b> )	
210	2180387	2	Fitting, Straight	
211	0641606	8	Bolt 3/8in-16NC x 3/4in	
212	4751600	8	Flatwasher 3/8in Regular	
213	2180418	2	Fitting, Connector	
214	2221018	1	Fitting, Nipple	
215	1320218	2	Clamp, Spring ( <b>SN 0300034410 through 0300069000</b> )	
216	3910808	2	Screw #8-32NC x 1/2in ( <b>SN 0300034410 through 0300069000</b> )	
217	4750800	4	Flatwasher #8 Regular ( <b>SN 0300034410 through 0300069000</b> )	
218	3310805	2	Locknut #8-32NC ( <b>SN 0300034410 through 0300069000</b> )	
219	0181949	2	Angle, Support ( <b>SN 0300034410 through 0300069000</b> )	
220	2221024	2	Fitting, Union Ball Check ( <b>SN 0300034410 through 0300069000</b> )	
221	0362519	4	Bar ( <b>SN 0300034410 through 0300069000</b> )	



# SECTION 2 - TURNTABLE

## FIGURE 2-23. ROTARY COUPLING INSTALLATIONS



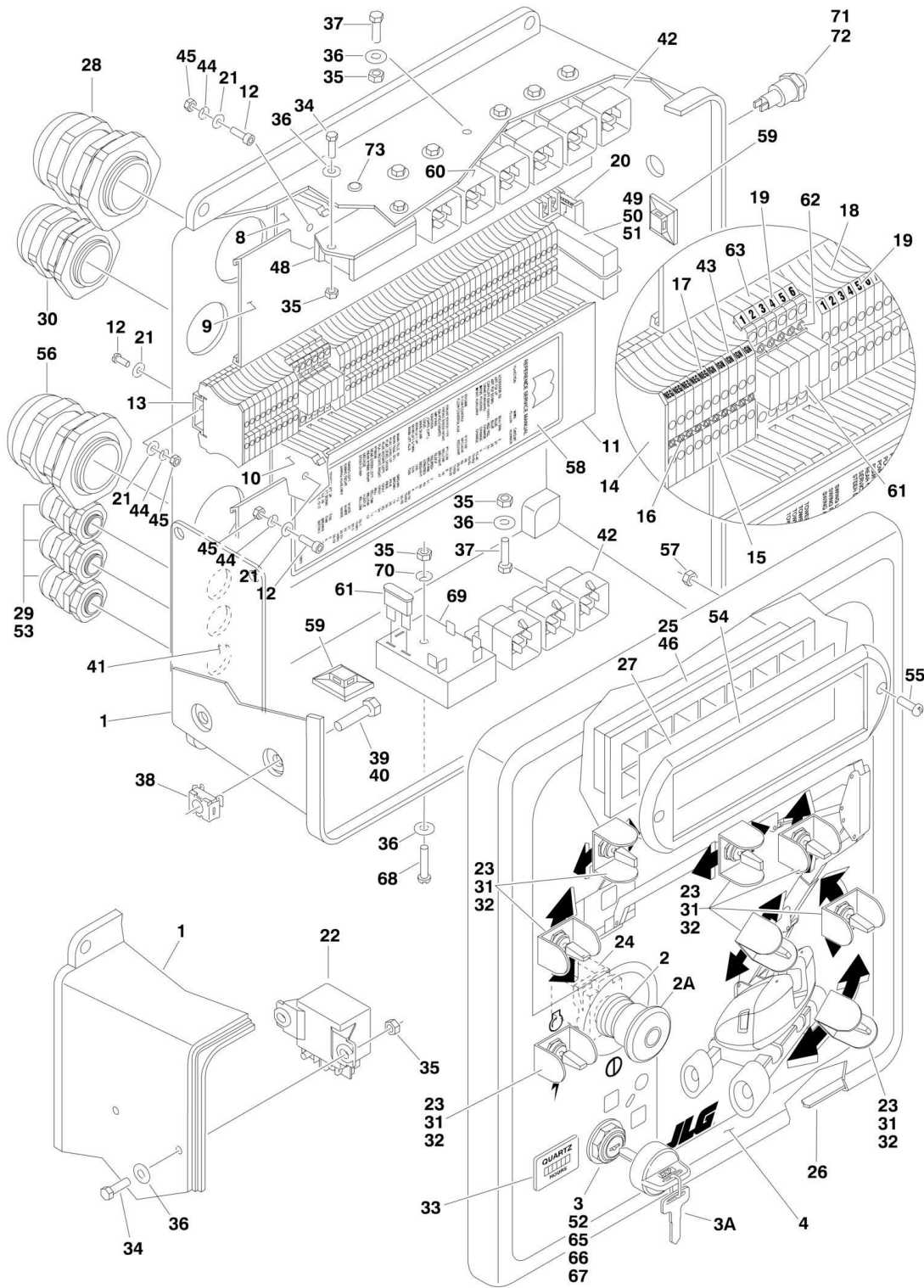
**SECTION 2 - TURNTABLE**

**FIGURE 2-23. ROTARY COUPLING INSTALLATIONS**

ITEM	PART NUMBER	QTY	DESCRIPTION	REV
		Ref	<b>ROTARY COUPLING INSTALLATIONS</b>	
	0255262	Ref	<b>2WS</b>	5
	0255294	Ref	<b>4WS</b>	2
1	0641820	2	Bolt 1/2in-13NC x 2-1/2in	
2	4751800	4	Flatwasher 1/2in Regular	
3	3311805	2	Locknut 1/2in-13NC	
4	0641611	4	Bolt 3/8in-16NC x 1-3/8in	
5	4751600	4	Flatwasher 3/8in Regular	
6	0100011	AR	Compound, Locking	
7		Ref	Bracket	
7	0902109	NLA	Bracket (Use p/n 0902520) <b>(Prior to SN 0300041296)</b>	
7	0902520	2	Bracket <b>(SN 0300041296 through 0300069000)</b>	
8		Ref	Coupling, Rotary Options:	
8	1660219	1	2WS	
8	1660223	1	4WS	
8A		Ref	Seal Kit Options:	
8A	7013187	1	2WS	
8A	7016342	1	4WS	
8A		Ref	Rebuilt Coupling Options:	
8A	1660219RR	1	2WS	
8A	1660223RR	1	4WS	

# SECTION 2 - TURNTABLE

FIGURE 2-24. GROUND CONTROL BOX INSTALLATIONS (Prior to SN 0300064249)





**SECTION 2 - TURNTABLE**

**FIGURE 2-24. GROUND CONTROL BOX INSTALLATIONS (Prior to SN 0300064249)**

ITEM	PART NUMBER	QTY	DESCRIPTION	REV
		Ref	<b>Note: Numbered Colored Wiring Starts with SN 35129</b>	
		Ref	<b>GROUND CONTROL BOX ASSEMBLY OPTIONS:</b>	
		Ref	<b>Continental Engine Machines</b>	
	0860991	Ref	<b>Continental Engine Machines (Prior to SN 0300035129)</b>	8-F
	0861121	Ref	<b>Continental Engine Machines (SN 0300035129 through 0300064248)</b>	2-B
	0860994	Ref	<b>Continental Engine Machines (Prior to SN 0300035129)</b>	8-F
	0861122	Ref	<b>Continental Engine Machines (SN 0300035129 through 0300064248)</b>	2-B
		Ref	<b>Deutz Engine Machines</b>	
	0860990	Ref	<b>Deutz Engine Machines (Prior to SN 0300035129)</b>	10
	0861117	Ref	<b>Deutz Engine Machines (SN 0300035129 through 0300064248)</b>	5-E
	0861244	Ref	<b>Deutz Engine Machines (600A - UL) (SN 0300039457 through 0300064249)</b>	3-C
	0860993	Ref	<b>Deutz Engine Machines (Prior to SN 0300035129)</b>	10
	0861118	Ref	<b>Deutz Engine Machines (SN 0300035129 through 0300064248)</b>	5-E
	0861245	Ref	<b>Deutz Engine Machines (600AJ - UL) (SN 0300039457 through 0300064249)</b>	3-C
		Ref	<b>Ford Engine Machines</b>	
	0860989	Ref	<b>Ford Engine Machines (Prior to SN 0300030947)</b>	6-D
	0861102	Ref	<b>Ford Engine Machines (SN 0300030947 through 0300035128)</b>	1-A
	0861115	Ref	<b>Ford Engine Machines (SN 0300035129 through 0300049548)</b>	4-B
	0861333	Ref	<b>Ford Engine Machines (600A with EFI) (SN 0300049549 through 0300064249)</b>	2-B
	0861232	Ref	<b>Ford Engine Machines (600A UL) (Prior to SN 0300030947)</b>	3-C
	0861251	Ref	<b>Ford Engine Machines (600A) (UL LP Machines Only) (SN 0300039457 through 0300064249)</b>	3-C
	0860992	Ref	<b>Ford Engine Machines (Prior to SN 0300030947)</b>	8-E
	0861103	Ref	<b>Ford Engine Machines (SN 0300030947 through 0300035128)</b>	2-B
	0861116	Ref	<b>Ford Engine Machines (SN 0300035129 through 0300064248)</b>	4-C
	0861332	Ref	<b>Ford Engine Machines (600AJ with EFI) (SN 0300049549 through 64249)</b>	2-B
	0861233	Ref	<b>Ford Engine Machines (600AJ UL) (SN 0300039457 through 0300064249)</b>	3-C
	0861252	Ref	<b>Ford Engine Machines (600AJ UL) (LP Gas Only) (SN 0300039457 through 0300064249)</b>	3-C
		Ref	<b>Isuzu Engine Machines</b>	
	0861506	Ref	<b>Isuzu Engine Machines (600A)</b>	1
	0861507	Ref	<b>Isuzu Engine Machines (600AJ)</b>	1
1		Ref	<b>Box, Fiberglass Options:</b>	
1	0861018	1	<b>Box, Fiberglass (Prior to SN 0300035129)</b>	
1	0861131	1	<b>Box, Fiberglass (SN 0300044645 through 0300044651)</b>	
1	0861302	1	<b>Box, Fiberglass (SN 0300044652 through 0300064249)</b>	
2		Ref	<b>Switch, Emergency Stop Options:</b>	
2	4360395	1	<b>Switch, Emergency Stop (Prior to SN 0300036019)</b>	
2	4360289	1	<b>Switch, Emergency Stop (SN 0300036019 through 0300044651)</b>	
2	4360475	1	<b>Switch, Emergency Stop (SN 0300044652 through 0300064249)</b>	
2A		Ref	<b>Cap Options:</b>	

## SECTION 2 - TURNTABLE

ITEM	PART NUMBER	QTY	DESCRIPTION	REV
2A	7016315	1	Cap, Red (Used on Switch p/n 4360395)	
2A	7012611	1	Cap, Mushroom Head (Used on Switch p/n 4360289)	
2A	7020175	1	Cap, Red (Used on Switch p/n 4360475)	
2A	7012612	1	Boot (Used on Switch p/n 4360289)	
2A	7020176	1	Block, Contact (Used on Switch p/n 4360475)	
3		Ref	Switch, Key Options:	
3	4360315	1	Switch, Key ( <b>Prior to SN 0300044652</b> )	
3	4360469	1	Switch, Key (Common Key) ( <b>SN 0300044652 through 0300064249</b> )	
3A	7012560	1 Set	Key Replacement (Use with 4360315 Switch)	
3A	2860030	1 Set	Key Replacement (Use with 4360469 Common KeySwitch)	
4		Ref	Decal - Faceplate Options:	
4	1702633	1	Decal - Faceplate 600A ( <b>Prior to SN 0300035129</b> )	
4	1703467	1	Decal - Faceplate 600A ( <b>SN 0300035129 through 0300064248</b> )	
4	1702537	1	Decal - Faceplate 600AJ ( <b>Prior to SN 0300035129</b> )	
4	1703468	1	Decal - Faceplate 600AJ ( <b>SN 0300035129 through 0300064248</b> )	
5		Ref	Engine Harness Assembly Options (Not Shown) (See ELECTRICAL SECTION for Breakdown):	
5		Ref	Continental Engine Machines	
5	4921738	1	Continental Engine Machines ( <b>Prior to SN 0300035129</b> )	
5	4921926	1	Continental Engine Machines ( <b>SN 0300035129 through 0300064248</b> )	
5		Ref	Deutz Engine Machines	
5	4921737	1	Deutz Engine Machines ( <b>Prior to SN 0300035129</b> )	
5	4921925	1	Deutz Engine Machines ( <b>SN 0300035129 through 0300064248</b> )	
5	4922185	1	Deutz Engine Machines UL ( <b>SN 0300039457 through 0300064249</b> )	
5		Ref	Ford Engine Machines	
5	4921736	1	Ford Engine Machines ( <b>Prior to SN 0300030947</b> )	
5	4921970	1	Ford Engine Machines ( <b>SN 0300030947 through 0300035128</b> )	
5	4921924	1	Ford Engine Machines ( <b>SN 0300035129 through 0300049548</b> )	
5	4922329	1	Ford Engine Machines ( <b>SN 0300049549 through 0300064249</b> )	
5	4922166	1	Ford Engine Machines UL ( <b>SN 0300039457 through 0300064249</b> )	
5	4922200	1	Ford Engine Machines UL (LP Gas Only) ( <b>SN 0300039457 through 0300064249</b> )	
5	4922380	1	Isuzu Engine Machines	
6		Ref	Valve Harness Assembly Options (Not Shown) (See ELECTRICAL SECTION for Breakdown):	
6	4921739	1	Valve Harness Assembly ( <b>Prior to SN 0300026233</b> )	
6	4921848	1	Valve Harness Assembly ( <b>SN 0300026233 through 0300035128</b> )	
6	4921922	1	Valve Harness Assembly ( <b>SN 0300035129 through 0300064248</b> )	
6	4922165	1	UL/LP Machines Only ( <b>SN 0300039457 through 0300064249</b> )	
8	1840012	1	Duct, Wiring - 2in/5cm	
9	1840013	1	Duct, Cover - 2in/5cm	
10	1840014	1	Duct, Wiring - 3in/7.6cm	
11	1840015	1	Duct, Cover - 3in/7.6cm	

## SECTION 2 - TURNTABLE

ITEM	PART NUMBER	QTY	DESCRIPTION	REV
12	3910608	6	Screw #6-32NC x 1/2in	
13	3640970	1	Rail	
14	4460602	1	Barrier, Terminal	
15	4460601	10	Block, Terminal	
16	4460603	1	Bussbar - 10 Position (Requires being cut into (2) 5 position bussbars)	
17	4460631	AR	Marker, Terminal (Negative)	
18	4460600	AR	Block, Terminal	
19	4460628	AR	Marker, Terminal (1-50)	
20	4460607	1	Stop, Terminal	
21	4750600	12	Flatwasher #6 Regular	
22	3740112	1	Relay, Bosch	
23	4360314	AR	Switch, Toggle	
24		Ref	Switch, Contact Block Options:	
24	4360282	1	Switch, Contact Block <b>(Prior to SN 0300044652)</b>	
24	4360476	1	Switch, Contact Block <b>(SN 0300044652 through 0300064249)</b>	
25	2760105	1	Housing, Display Light	
25	2920129	7	Bulb, Light	
25	4120035	7	Socket, Light	
26	4420038	4 in/10cm	Insulation, Adhesive Foam	
27	1702610	1	Decal - Ground Control Display	
28	4460526	1	Connector, Strain Relief	
29	4460428	3	Connector, Strain Relief	
30	4460426	1	Connector, Strain Relief	
31	4740444	AR	Washer, Special	
32	4060906	AR	Shield, Toggle Switch	
33	2420172	1	Gauge, Hourmeter	
34	0721005	AR	Screw #10-24NC x 5/8in	
35	3311001	AR	Nut #10-24NC	
36	4751000	AR	Flatwasher #10 Regular	
37		Ref	Screw Options:	
37	0721004	AR	Screw #10-24NC <b>(Prior to SN 0300063908)</b>	
37	3900268	AR	Screw #10-24NC x 1/2in <b>(SN 0300063908 through 0300064249)</b>	
38	3300205	4	Nut, Retainer	
39	0641506	4	Bolt 5/16in-18NC x 3/4in	
40	0100011	AR	Compound, Locking	
41	3539219	1	Plate, Reinforcement	
42	3740049	AR	Relay - SPDT	
43	4460630	AR	Marker, Terminal (Ignition)	
44	4760600	6	Lockwasher #6	
45	3310601	6	Nut #6-32NC	
46	3700010	1	Reflector Only <b>(Prior to SN 0300027331)</b>	
48		Ref	Timer, Glow Plug Options:	
48	4360402	1	Continental Engines	
48	Not Required	0	Deutz, Isuzu and Ford Engines	
48	Not Required	0	UL - Deutz, Isuzu and Ford Engines	
49		Ref	Socket, Relay Options:	
49	4120012	1	Ford Engines	
49	Not Required	0	Deutz, Isuzu and Continental Engines	
49	Not Required	0	UL - Deutz, Isuzu and Continental Engines	
50		Ref	Relay Options:	

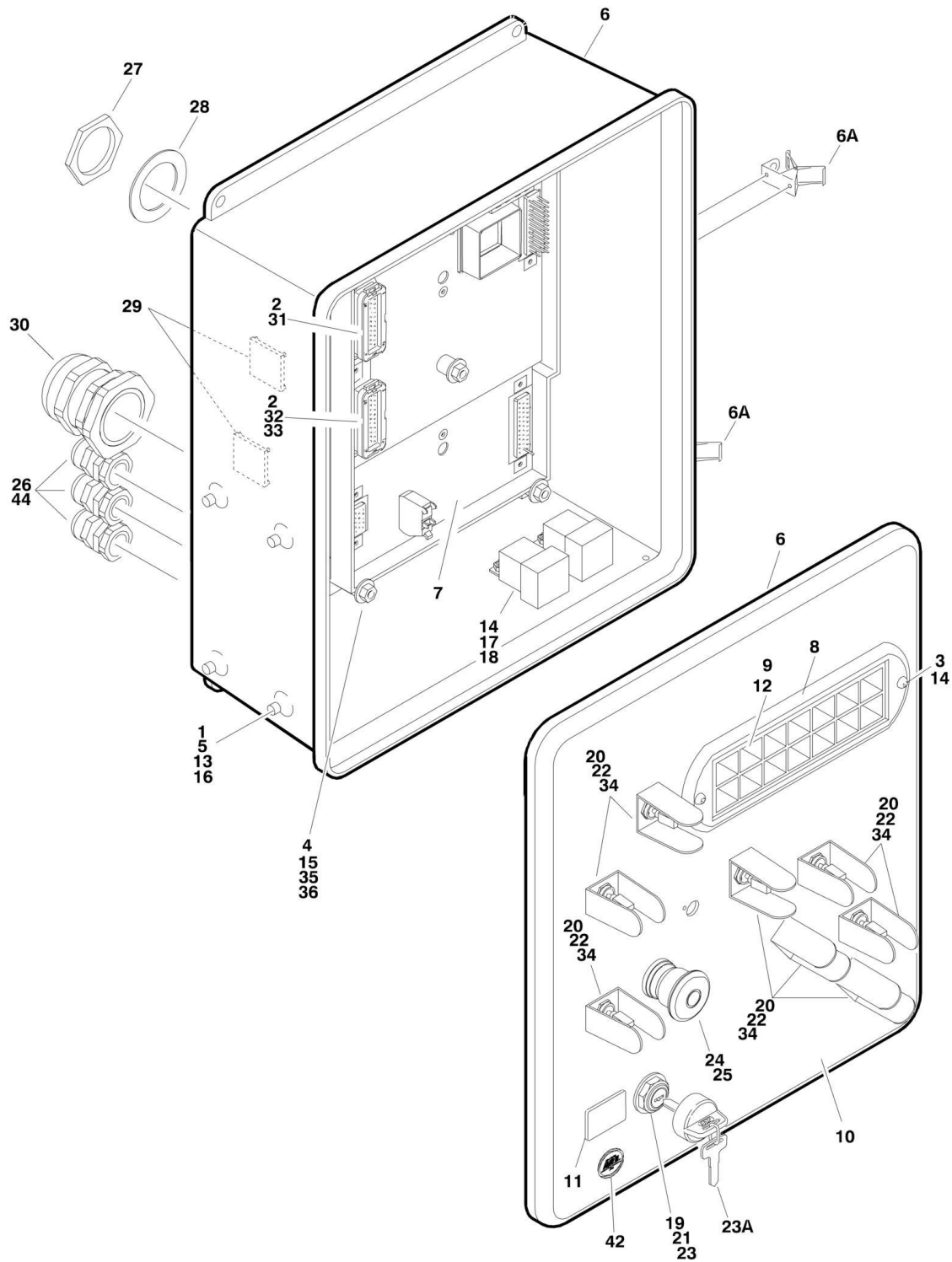
## SECTION 2 - TURNTABLE

ITEM	PART NUMBER	QTY	DESCRIPTION	REV
50	3740057	1	Ford Engines	
50	Not Required	0	Deutz, Isuzu, Continental Engines and Ford Engines	
50	Not Required	0	UL - Deutz, Isuzu, Continental Engines and Ford Engines	
51		Ref	Spring, Relay Options:	
51	3740066	1	Ford Engines	
51	Not Required	0	Deutz, Isuzu, Continental Engines and Ford Engines	
51	Not Required	0	UL - Deutz, Isuzu, Continental Engines and Ford Engines	
52	3300390	1	Nut with Weather Resistant Boot <b>(SN 0300027331 through 0300044652)</b>	
53	3520054	1	Plug, Hole <b>(SN 0300028933 through 0300035128)</b>	
54	1670829	1	Bezel <b>(SN 0300035129 through 0300064248)</b>	
55	0630518	AR	Capscrew, Button Head <b>(SN 0300035129 through 0300064249)</b>	
56		Ref	Connector, Strain Relief Options:	
56	4460526	1	Connector, Strain Relief <b>(Prior to SN 0300035129)</b>	
56	4460711	1	Connector, Strain Relief <b>(SN 0300035129 through 0300064248)</b>	
57	3300408	2	Locknut, Plastic Insert <b>(SN 0300035129 through 0300064248)</b>	
58	1703622	1	Decal - Service Manual Reference <b>(SN 0300035129 through 0300064248)</b>	
59	4460234	6	Base, Tie-Strap <b>(SN 0300035129 through 0300064248)</b>	
60	4460758	6	Block, Terminal (UL Machines Only) <b>(SN 0300039457 through 0300069000)</b>	
61	2400057	6	Fuse, 15 Amp (UL Machines Only) <b>(SN 0300039457 through 0300064249)</b>	
62	4460760	1	Bar, Bridge (UL Machines Only) <b>(SN 0300039457 through 0300064249)</b>	
63	3740132	6	Relay (UL Machines Only) <b>(SN 0300039457 through 0300064249)</b>	
64	2400057	6	Fuse, 15 Amp (UL Machines Only) <b>(SN 0300041997 through 0300064249)</b>	
65	4070991	1	Shim .125 (UL Machines Only) <b>(SN 0300044652 through 0300064249)</b>	
66	4070987	1	Shim .015 (UL Machines Only) <b>(SN 0300044652 through 0300064249)</b>	
67	3910804	6	Screw (UL Machines Only) <b>(SN 0300044652 through 0300064249)</b>	
68	3911024	1	Screw #10-24NC x 1-1/2in <b>(SN 0300048907 through 0300064248)</b>	
69		Ref	Timer, Relay Options <b>(SN 0300048907 through 0300064248)</b>	
69	3740113	1	Ford Engines with EFI	
69	Not Required	0	Ford, Deutz, Isuzu and Continental Engines	
70	4761000	1	Lockwasher #10 <b>(SN 0300048907 through 0300064248)</b>	
71		Ref	Hardware Options:	
71	4360387	1	Switch, Push Button (Ford Engines with EFI)	
71	3520026	1	Plug (Ford, Deutz, Isuzu and Continental Engines)	
72	0100009	AR	Adhesive (Ford, Deutz, Isuzu and Continental Engines Only)	
73		Ref	Plug Options:	
73	Not Required	0	Ford Engines with EFI and Continental Engines	
73	3520174	AR	Deutz and Isuzu Engines	



## SECTION 2 - TURNTABLE

FIGURE 2-25. GROUND CONTROL BOX INSTALLATIONS (ADE SYSTEM) (SN 0300064249 through 0300069000)



**SECTION 2 - TURNTABLE**

**FIGURE 2-25. GROUND CONTROL BOX INSTALLATIONS (ADE SYSTEM) (SN 0300064249 through 0300069000)**

ITEM	PART NUMBER	QTY	DESCRIPTION	REV
		Ref	<b>GROUND CONTROL BOX ASSEMBLIES</b>	
		Ref	<b>Deutz Engine Machines</b>	
	0861410	Ref	<b>Deutz Engine Machines 600A (SN 0300064249 through 0300064269)</b>	E
	0861470	Ref	<b>Deutz Engine Machines 600A (SN 0300064270 through 0300069000)</b>	E
	0861411	Ref	<b>Deutz Engine Machines 600AJ (SN 0300064249 through 0300064269)</b>	E
	0861471	Ref	<b>Deutz Engine Machines 600AJ (SN 0300064270 through 0300069000)</b>	E
		Ref	<b>Ford Engine Machines</b>	
	0861408	Ref	<b>Ford Engine Machines 600A (SN 0300064249 through 0300064269)</b>	E
	0861468	Ref	<b>Ford Engine Machines 600A (SN 0300064270 through 0300069000)</b>	E
	0861409	Ref	<b>Ford Engine Machines 600AJ (SN 0300064249 through 0300064269)</b>	E
	0861469	Ref	<b>Ford Engine Machines 600AJ (SN 0300064270 through 0300069000)</b>	E
1	0100011	AR	Compound, Locking	
2	0100048	AR	Grease, Dielectric	
3	0630518	2	Capscrew, Button Head	
4	0630548	5	Tap, Bolt 2 1/2in	
5	0641506	4	Bolt 5/16in-18NC x 3/4in	
6	0861407	1	Box, Fiberglass	
6A	7020246	2	Latch	
7		Ref	Module, Ground Control Options (Re-calibration Required when Replaced):	
7	1600312	1	Module, Ground Control <b>(SN 0300064249 through 0300064269)</b>	
7	1600327	NLA	Module, Ground Control (Use p/n 2915014) <b>(SN 0300064270 through 0300069000)</b>	
8	1670829	1	Bezel	
9	1702610	1	Decal - Ground Control Display	
10		Ref	Decal - Faceplate Options:	
10	1703467	1	Decal - Faceplate (600A)	
10	1703468	1	Decal - Faceplate (600AJ)	
11	2420172	1	Gauge, Hourmeter	
12	2760105	1	Housing, Display Light	
13	3300205	4	Nut, Retainer	
14	3300408	AR	Locknut, Plastic Insert	
15	3311401	10	Nut 1/4in-20NC	
16	3539219	1	Plate, Reinforcement	
17	3740049	2	Relay	
18	3900268	2	Screw, Flange #10 x 1/2in	
19	3910804	6	Screw #8-32NC x 1/4in	
20	4060906	8	Shield, Toggle Switch	
21	4070987	1	Shim (.125in)	
22	4360328	8	Switch, Toggle	
23	4360469	1	Switch, Key	
23A	2860030	1	Key Replacement	

## SECTION 2 - TURNTABLE

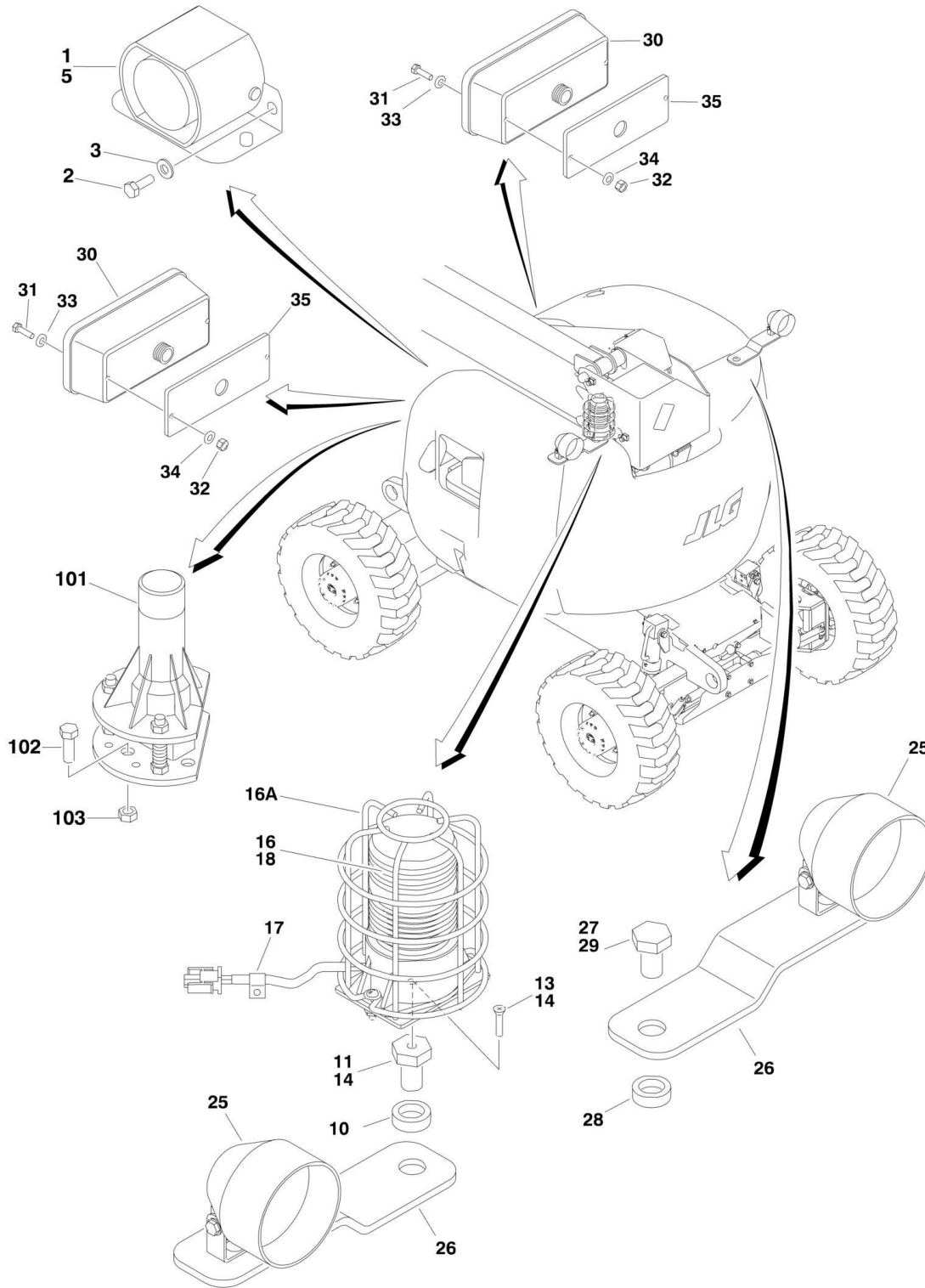
ITEM	PART NUMBER	QTY	DESCRIPTION	REV
24	4360475	1	Switch, Emergency Stop	
25	4360476	1	Switch, Contact Block	
26	4460426	AR	Terminal, Strain Relief	
27	4460470	1	Nut, Terminal	
28	4460471	1	Lockwasher, Terminal	
29	4460488	7	Mounting Base, Terminal	
30	4460526	1	Connector, Strain Relief	
31	4460874	1	Connector, Natural	
32	4460875	1	Connector, Gray	
33	4460905	4	Connector, Amp Seal Plug	
34	4740444	9	Washer, Special	
35	4751400	20	Flatwasher 1/4in Regular	
36	4761400	10	Lockwasher 1/4in	
40		Ref	Harness, Analyzer Cable Options: (Not Shown)	
40	4922485	1	Harness, Analyzer Cable <b>(SN 0300064249 through 0300064269)</b>	
40	4922666	1	Harness, Analyzer Cable <b>(SN 0300064270 through 0300069000)</b>	
42	1705132	1	Decal - Control ADE <b>(SN 0300066873 through 0300069000)</b>	
44	3520035	1	Plug, Cap <b>(SN 0300068131 through 0300069000)</b>	





# SECTION 2 - TURNTABLE

## FIGURE 2-26. ELECTRICAL OPTIONS INSTALLATIONS (TURNTABLE MOUNTED)



**SECTION 2 - TURNTABLE**

**FIGURE 2-26. ELECTRICAL OPTIONS INSTALLATIONS (TURNTABLE MOUNTED)**

ITEM	PART NUMBER	QTY	DESCRIPTION	REV
		Ref	<b>ALARMS INSTALLATIONS</b>	
	0255368	Ref	<b>Alarms Installations (Prior to SN 0300035129)</b>	2
	0257886	Ref	<b>Alarms Installations (SN 0300035129 through 0300064248)</b>	1
	0270833	Ref	<b>Alarms Installations (ADE System) (SN 0300064249 through 0300069000)</b>	1
1		Ref	Alarm/Harness Assembly Options:	
1	0255914	1	Alarm/Harness Assembly (Colored Wiring) <b>(Prior to SN 0300035129)</b>	
1	0257886	1	Alarm/Harness Assembly (Numbered Colored Wiring) <b>(SN 0300035129 through 0300069000)</b>	
2	0641406	2	Bolt 1/4in-20NC x 3/4in	
3	4711400	2	Flatwasher 1/4in Thin	
5	0100048	AR	Sealant, Silicone	
		Ref	<b>STROBE LIGHT INSTALLATIONS (AMBER) (OPTIONAL)</b>	
	0255393	Ref	<b>Strobe Light Installations (Amber) (Optional) (Colored Wiring) (Prior to SN 0300035129)</b>	1
	0257885	Ref	<b>Strobe Light Installations (Amber) (Optional) (Numbered Colored Wiring) (SN 0300035129 through 0300064248)</b>	2
	0270805	Ref	<b>Strobe Light Installations (Amber) (Optional) (ADE System) (SN 0300064249 through 0300069000)</b>	1
10	4220162	1	Spacer, Stop (Used with ECCO Model 6640 Only)	
11		Ref	Adapter Options:	
11	0630491	1	Adapter used with ECCO Model 6640	
11	0080241	1	Adapter used with ECCO Model 6650	
12	3539281	1	Plate, Mounting (Used with ECCO Model 6640 Only)	
13	0741606	1	Screw, Flathead Countersunk 3/8in-16NC x 3/4in (Used with ECCO Model 6640 Only)	
14	0100011	AR	Compound, Locking	
15	4240032	1	Tie-Strap (Not Shown)	
16	0255917	NLA	Strobe Light/Guard/Harness Assembly (Use p/n 0272507)	
16	2920130	NLA	Strobe Light/Guard/Harness Assembly (Use p/n 0272507)	
16	2920214	NLA	Strobe Light/Guard/Harness Assembly (Use p/n 0272507)	
16		Ref	Bulb, Replacement Options:	
16	7016380	1	Bulb used with ECCO Model 6640	
16	70001941	1	Bulb used with ECCO Model 6650	
16A		Ref	Guard Options:	
16A	4060907	1	Guard used with ECCO Model 6640	
16A	2920215	1	Guard used with ECCO Model 6650	
17	4460234	1	Clamp	
18	0100048	AR	Sealant, Silicone	
		Ref	<b>LIGHTS INSTALLATIONS (OPTIONAL)</b>	
	0255387	Ref	<b>Lights Installations (Optional) (Colored Wiring) (Prior to SN 0300035129)</b>	2
	0257884	Ref	<b>Lights Installations (Optional) (Numbered Colored Wiring) (SN 0300035129 through 0300064248)</b>	1
	0271552	Ref	<b>Lights Installations (Optional) (ADE System) (SN 0300064249 through 0300069000)</b>	2
25	2920110	2	Headlight	
26	0902206	2	Bracket, Mounting	
27	0642612	1	Bolt 1in-8NC x 1-1/2in	
28	4220162	2	Spacer	
29	0100011	AR	Compound, Locking	

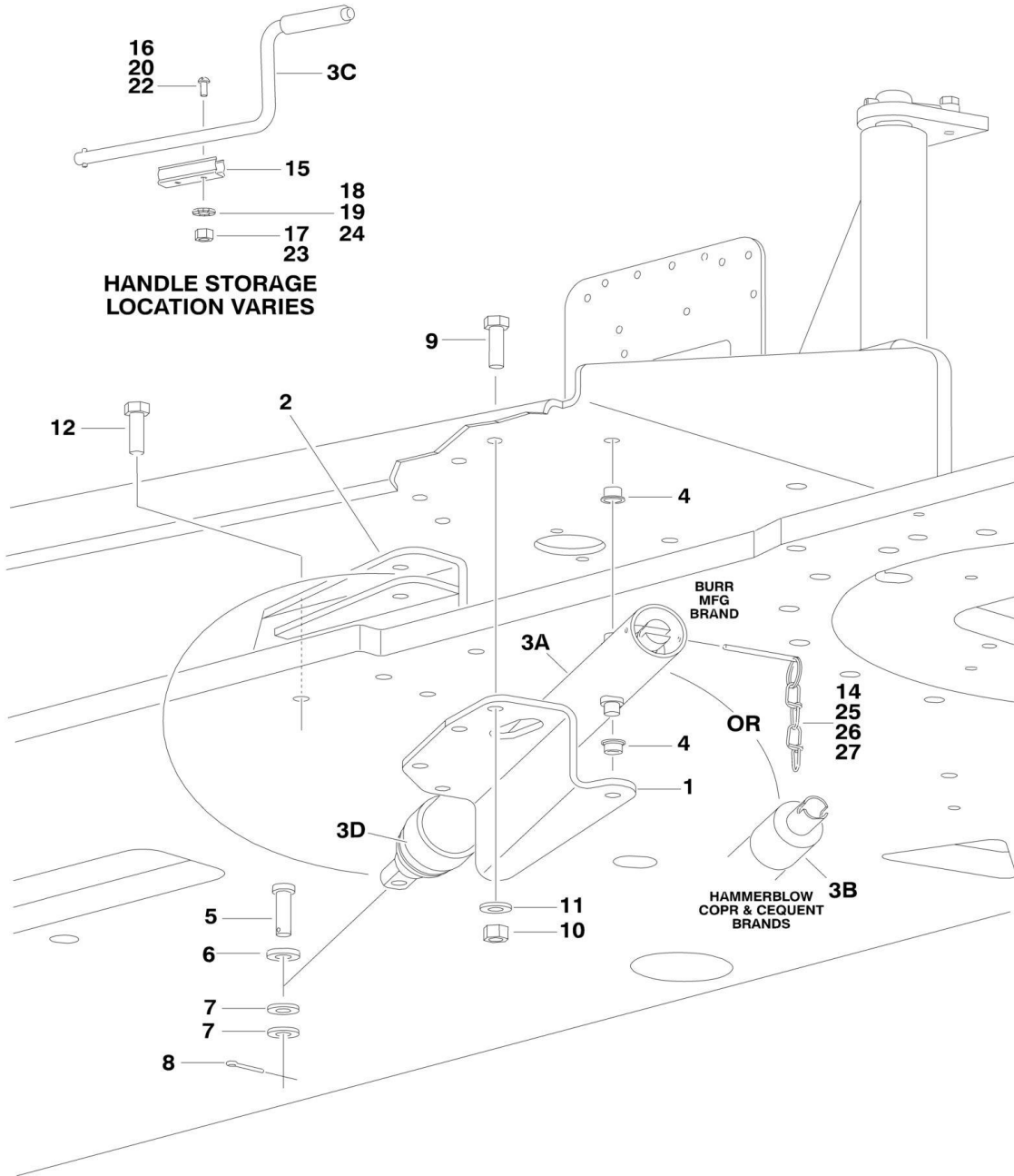
## SECTION 2 - TURNTABLE

ITEM	PART NUMBER	QTY	DESCRIPTION	REV
30	2920113	2	Taillight	
31	3911040	4	Screw, Machine #10-24NC x 2 1/2	
32	3311005	4	Nut #10-24NC	
33	4751000	4	Flatwasher #10 Regular	
34	4740362	4	Washer, Fender	
35	3960461	2	Gasket	
37	4240032	21	Tie-Strap (Not Shown)	
38	4460234	21	Mount, Tie-Strap (Not Shown)	
39	4360336	1	Switch, Toggle (Not Shown - Located on Console)	
40	3790012	1	O- Ring (Not Shown - Located on Console)	
41	3820001	11	Pop Rivet (Not Shown)	
		Ref	<b>TILT INDICATOR INSTALLATION OPTIONS:</b>	
	0255361	Ref	<b>Tilt Indicator Installation Options: (Prior to SN 0300023179)</b>	2/-
	0256375	Ref	<b>Tilt Indicator Installation Options: (SN 0300023179 through 0300064249)</b>	1
101		Ref	Sensor, Tilt Indicator Options:	
101	4360306	1	Sensor, Tilt Indicator <b>(Prior to SN 0300023179)</b>	
101	4360417	1	Sensor, Tilt Indicator <b>(SN 0300023179 through 0300064249)</b>	
102	0641406	2	Bolt 1/4in-20NC x 3/4in	
103	3311405	2	Locknut 1/4in-20NC	



# SECTION 2 - TURNTABLE

## FIGURE 2-27. ENGINE TRAY JACK INSTALLATIONS (OPTIONAL)



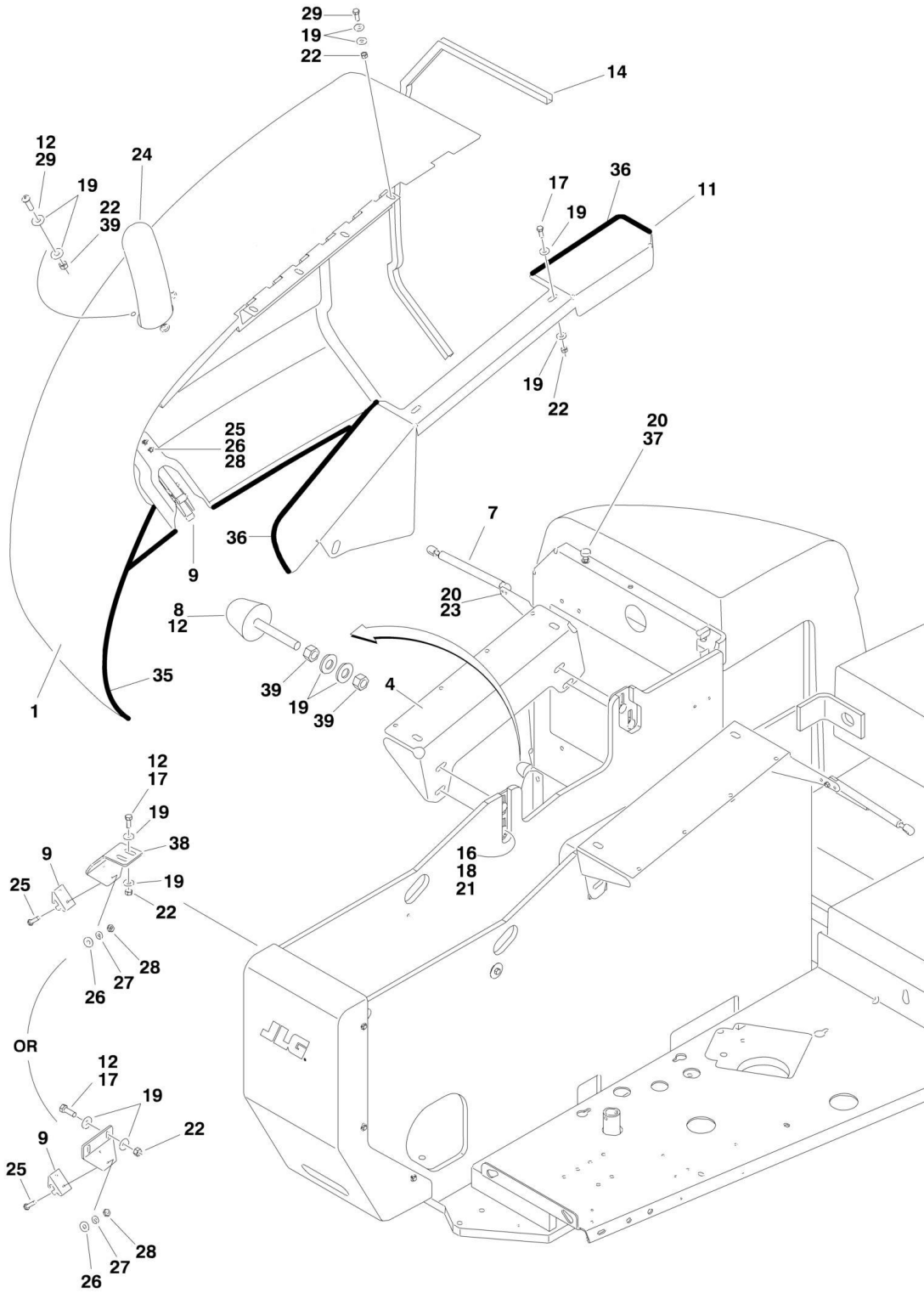
## SECTION 2 - TURNTABLE

**FIGURE 2-27. ENGINE TRAY JACK INSTALLATIONS (OPTIONAL)**

ITEM	PART NUMBER	QTY	DESCRIPTION	REV
	0255880	Ref	<b>ENGINE TRAY JACK INSTALLATION</b>	5-G
1	3537445	1	Bracket	
2	4845163	1	Bracket	
3	2840016	1	Hydraulic Jack Assembly <b>(Prior to SN 0300027329)</b>	
3	2840018	1	Hydraulic Jack Assembly <b>(SN 0300027329 through 0300069000)</b>	
3A		Ref	Burr Manufacturing Brand	
3B		Ref	Hammerblow Corp and Cequent Brands	
3C		Ref	Handle Options:	
3C	7016374	1	Burr Manufacturing Brand	
3C	7024598	1	Hammerblow Corp and Cequent Brands	
3D	7016322	1	Wiper (Burr Manufacturing Brand Only)	
4	0962051	2	Bushing, Flanged	
5	3430816	1	Pin, Clevis	
6	4891800	1	Flatwasher 1/2in Hardened	
7	4711800	AR	Flatwasher 1/2in Thin	
8	3450404	1	Pin, Cotter 1/8in x 1in	
9	0641609	4	Bolt 3/8in-16NC x 1-1/8in	
10	3311605	4	Locknut 3/8in-16NC	
11	4891600	4	Flatwasher 3/8in Hardened	
12	0641810	4	Bolt 1/2in-13NC x 1-1/4in	
14	3422530	1	Pins and Chain	
15	1380147	1	Clip, Spring	
16	3910610	2	Screw, Machine #6-32NC x 1-1/8in <b>(Prior to SN 0300027570)</b>	
17	3310601	2	Nut #6-32NC <b>(Prior to SN 0300027570)</b>	
18	4750600	2	Flatwasher #6 Regular <b>(Prior to SN 0300027570)</b>	
19	4751000	2	Flatwasher #10 Regular <b>(Prior to SN 0300027570)</b>	
20	0100011	AR	Compound, Locking <b>(Prior to SN 0300027570)</b>	
22	3910608	2	Screw #6-32NC x 1in <b>(SN 0300027570 through 0300069000)</b>	
23	3310601	2	Nut #6-32NC <b>(SN 0300027658 through 0300069000)</b>	
24	4770600	2	Starwasher #6 <b>(SN 0300027658 through 0300069000)</b>	
25	0641406	1	Bolt 1/4in-20NC x 3/4in <b>(SN 0300031342 through 0300069000)</b>	
26	4751400	2	Flatwasher 1/4in Regular <b>(SN 0300031342 through 0300069000)</b>	
27	3311405	1	Locknut 1/4in-20NC <b>(SN 0300031342 through 0300069000)</b>	

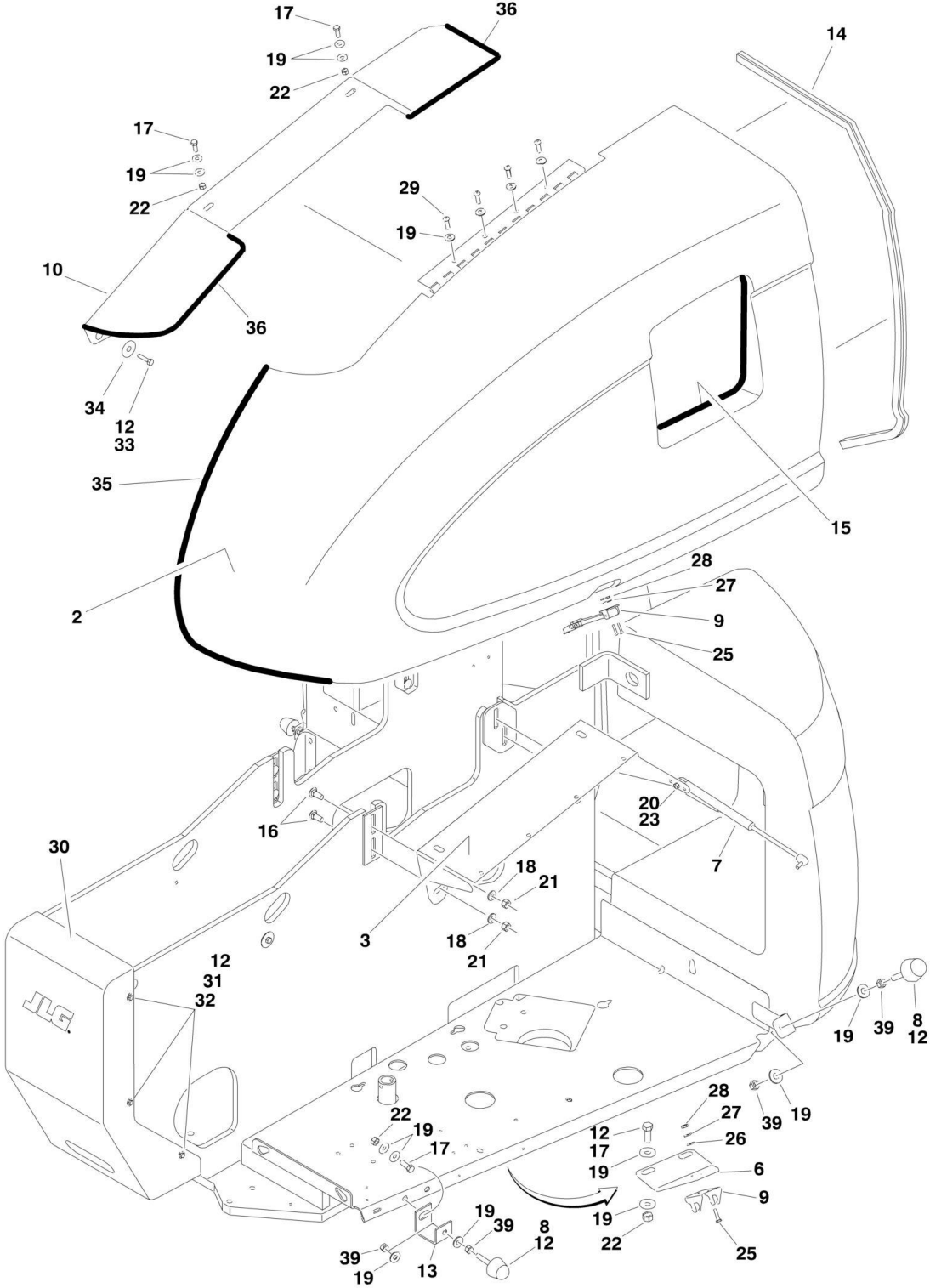
# SECTION 2 - TURNTABLE

## FIGURE 2-28. HOODS INSTALLATIONS - WITHOUT NOISE REDUCTION





SECTION 2 - TURNTABLE



## SECTION 2 - TURNTABLE

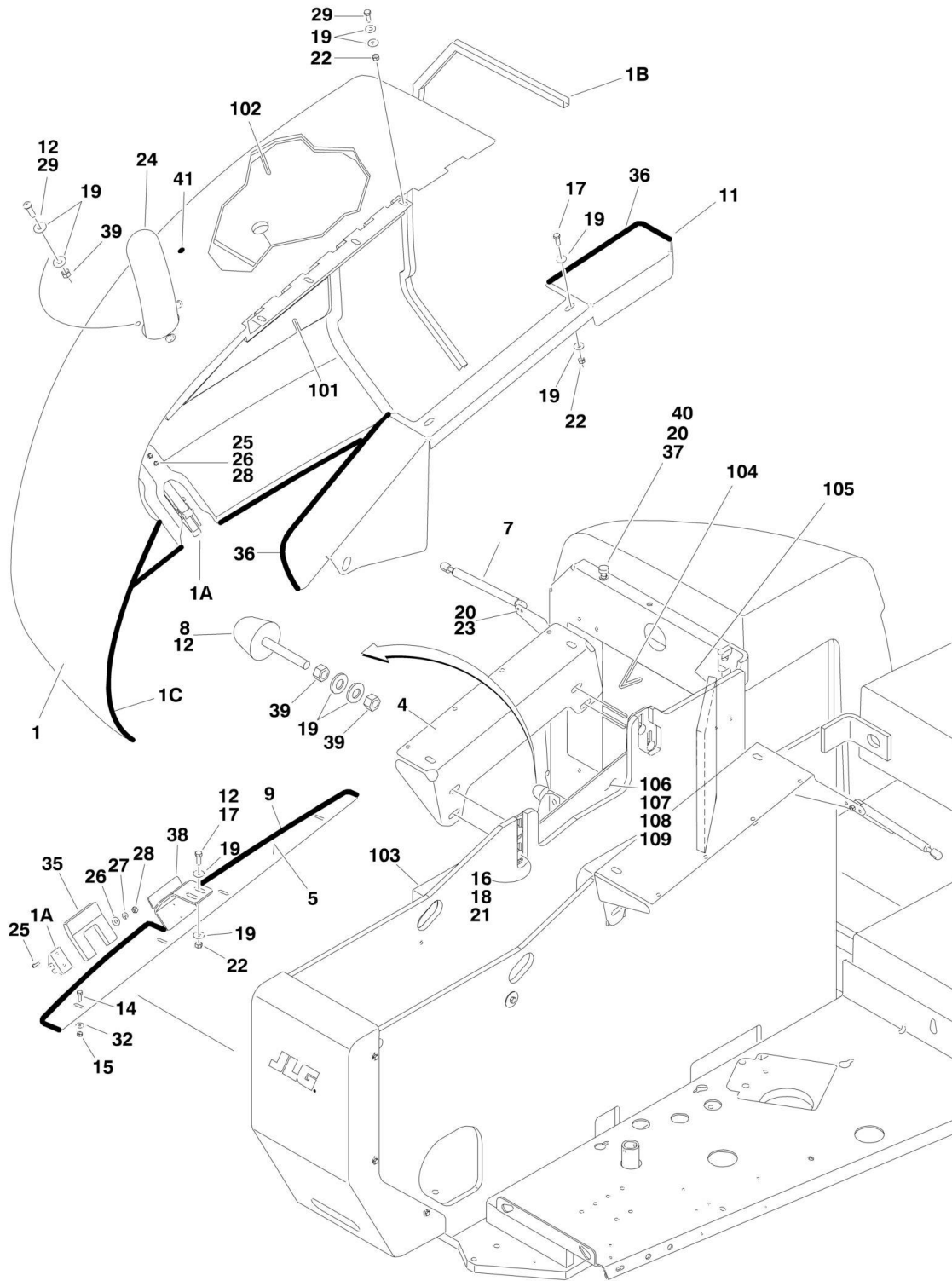
FIGURE 2-28. HOODS INSTALLATIONS - WITHOUT NOISE REDUCTION

ITEM	PART NUMBER	QTY	DESCRIPTION	REV
		Ref	<b>HOODS INSTALLATIONS</b>	
	0255407	Ref	<b>Deutz Engine Machines</b>	3
	0256019	Ref	<b>Ford Engine Machines</b>	3
1	2680427	1	Hood - Engine Side (Includes Items 9, 14, 15 & 35) Options:	
1	2680423	1	Deutz Engine	
1	2680427	1	Ford Engine	
2	2680424	NLA	Hood - Tank Side (Use p/n 1671243)	
3	4845203	1	Mount - Tank Side	
4	4845200	1	Mount - Engine Side	
5	0902237	1	Bracket, Latch - Engine Side Only ( <b>Prior to SN 0300027349</b> )	
6	0902242	1	Bracket, Latch - Tank Side	
7	4160143	2	Spring, Gas ( <b>Prior to SN 0300027329</b> )	
7	4160152	2	Spring, Gas ( <b>SN 0300027329 through 0300069000</b> )	
8	0940071	4	Bumper	
9	2940088	2	Latch, Hood (Part of Items 1 & 2)	
10	2680434	1	Spacer, Hood (Tank Side)	
11	2680433	1	Spacer, Hood (Engine Side)	
12	0100011	AR	Compound, Locking	
13	0902219	1	Bracket, Bumper	
14	3960462	11 ft/3.4m	Trim (Part of Items 1 & 2)	
15	3960447	55 in/1.4m	Trim (Part of Items 1 & 2)	
16	0630507	8	Bolt, Carriage 1/2in-13NC x 1-1/4in	
17	0641608	12	Bolt 3/8in-16NC x 1in	
18	4751800	8	Flatwasher 1/2in Regular	
19	4751600	48	Flatwasher 3/16in Regular	
20	4751500	4	Flatwasher 5/16in Regular	
21	3311805	8	Locknut 1/2in-13NC	
22	3311605	23	Locknut 3/8in-16NC	
23	3311505	2	Locknut 5/16in-18NC	
24	4845194	1	Outlet, Exhaust	
25	0721006	4	Bolt #10-24NC x 3/4in	
26	4751000	4	Flatwasher #10 Regular	
27	4761000	4	Lockwasher #10	
28	3311001	4	Bolt #10-24NC	
29	3900232	11	Bolt, Button Head 3/8in-16NC x 1in	
30	1670770	1	Cover, Turntable - Steel ( <b>Prior to SN 0300027941</b> )	
30	1670767	1	Cover, Turntable - Polyethylene ( <b>SN 0300027941 through 0300069000</b> )	
31	0641404	6	Bolt 1/4in-20NC x 1/2in	
32	4751400	6	Flatwasher 1/4in Regular	
33	0641606	2	Bolt 3/8in-16NC x 3/4in	
34	4740076	2	Washer, Fender	
35	3960389	6.3 ft/1.9m	Seal (Part of Items 1 & 2)	
36	3960418	6.5 ft/2m	Seal	
37	0940049	1	Bumper ( <b>SN 0300027349 through 0300069000</b> )	
38	0902313	1	Bracket, Latch - Engine Side ( <b>SN 0300027349 through 0300069000</b> )	
39	3311601	3	Nut 3/8in-16NC	

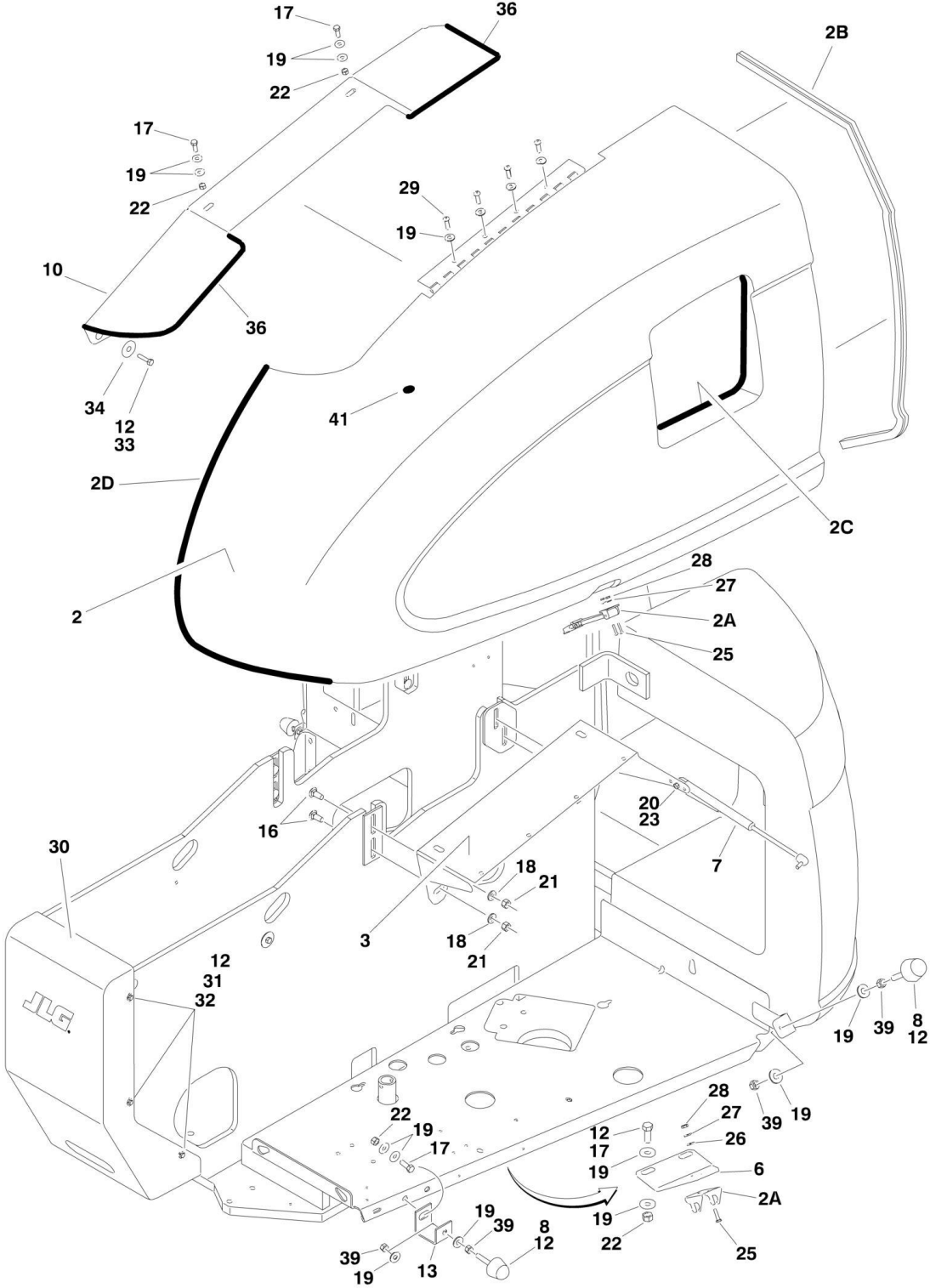


# SECTION 2 - TURNTABLE

## FIGURE 2-29. HOODS INSTALLATIONS - WITH NOISE REDUCTION



SECTION 2 - TURNTABLE



## SECTION 2 - TURNTABLE

FIGURE 2-29. HOODS INSTALLATIONS - WITH NOISE REDUCTION

ITEM	PART NUMBER	QTY	DESCRIPTION	REV
		Ref	<b>HOODS INSTALLATIONS</b>	
	0256821	Ref	<b>Deutz and Continental Engine Machines</b>	4
	0258579	Ref	<b>Deutz Engine (UL Machines)</b>	1
	0256933	Ref	<b>Ford/Isuzu Engine Machines</b>	4
	0258580	Ref	<b>Ford Engines (UL Machines) (SN 0300039457 through 0300069000)</b>	1
1		Ref	Hood - Engine Side Options:	
1	2680423	1	Deutz Engine <b>(Prior to SN 0300037414)</b>	
1	2680440	1	Deutz Engine <b>(SN 0300037414 through 0300069000)</b>	
1	2680427	1	Ford Engine <b>(Prior to SN 0300037414)</b>	
1	2680442	1	Ford/Isuzu Engine <b>(SN 0300037414 through 0300069000)</b>	
1	2680447	1	Ford Engine (UL Machines)	
1A	2940088	1	Latch, Hood	
1B	3960462	AR	Trim	
1C	3960389	AR	Seal	
2	2680424	NLA	Hood - Tank Side (Use p/n 1671216) <b>(Prior to SN 0300037414)</b>	
2	2680441	NLA	Hood - Tank Side (Use p/n 1671216) <b>(SN 0300037414 through 0300069000)</b>	
2A	2940088	1	Latch, Hood	
2B	3960462	AR	Trim	
2C	3960438	AR	Trim	
2D	3960389	AR	Seal	
3	4845203	1	Mount - Tank Side	
4	4845414	1	Mount - Engine Side	
5	3539923	1	Plate, Seal	
6	0902242	1	Bracket, Latch - Tank Side	
7	4160152	2	Spring, Gas <b>(Prior to SN 0300030959)</b>	
7	4160143	2	Spring, Gas <b>(SN 0300030959 through 0300069000)</b>	
8	0940071	4	Bumper	
9	3960389	3.5 ft/1m	Seal <b>(Prior to SN 0300037414)</b>	
10	2680434	1	Spacer, Hood (Tank Side)	
11	2680433	1	Spacer, Hood (Engine Side)	
12	0100011	AR	Compound, Locking	
13	0902219	1	Bracket, Bumper	
14	0641407	4	Bolt 1/4in-20NC x 7/8in	
15	3311405	4	Locknut 1/4in-20NC	
16	0630507	8	Bolt, Carriage 1/2in-13NC x 1-1/4in	
17	0641608	11	Bolt 3/8in-16NC x 1in	
18	4740171	8	Flatwasher 1/2in Hardened	
19	4751600	40	Flatwasher 3/16in Regular	
20	4751500	4	Flatwasher 5/16in Regular	
21	3311805	8	Locknut 1/2in-13NC	
22	3311605	23	Locknut 3/8in-16NC	
23	3311505	2	Locknut 5/16in-18NC	
24	4845194	1	Outlet, Exhaust	
25	0721006	4	Bolt #10-24NC x 3/4in	
26	4751000	4	Flatwasher #10 Regular	
27	4761000	4	Lockwasher #10	
28	3311001	4	Bolt #10-24NC	
28	3311005	4	Locknut #10-24NC <b>(SN 37414 through 0300069000)</b>	

**SECTION 2 - TURNTABLE**

ITEM	PART NUMBER	QTY	DESCRIPTION	REV
29	3900232	11	Bolt, Button Head 3/8in-16NC x 1in	
30	1670767	1	Cover, Turntable	
31	0641404	6	Bolt 1/4in-20NC x 1/2in	
32	4751400	6	Flatwasher 1/4in Regular	
34	4740076	2	Washer, Fender	
35	3960467	1	Seal, Foam	
36	3960418	6.5 ft/2m	Seal <b>(Prior to SN 0300037414)</b>	
36	3960418	7 ft/2.1m	Seal <b>(SN 37414 through 0300069000)</b>	
37	0940049	1	Bumper <b>(SN 0300027349 through 0300069000)</b>	
38	0902335	1	Bracket, Latch - Engine Side	
39	3311601	11	Nut 3/8in-16NC	
40	3311501	2	Nut 5/16in-18NC <b>(SN 0300037414 through 0300069000)</b>	
41	3520033	2	Plug <b>(SN 0300037414 through 0300069000)</b>	
	0256822	Ref	<b>NOISE REDUCTION INSTALLATION</b>	-
101	2820076	1	Foam, Acoustical	
102	2820077	1	Foam, Acoustical	
103	2820078	1	Foam, Acoustical	
104	2820082	1	Foam, Acoustical	
105	2820083	1	Foam, Acoustical	
106	3539988	1	Plate, Baffle	
107	0641606	5	Bolt 3/8in-16NC x 3/4in	
108	4751600	5	Flatwasher 3/8in Regular	
109	0100011	AR	Compound, Locking	

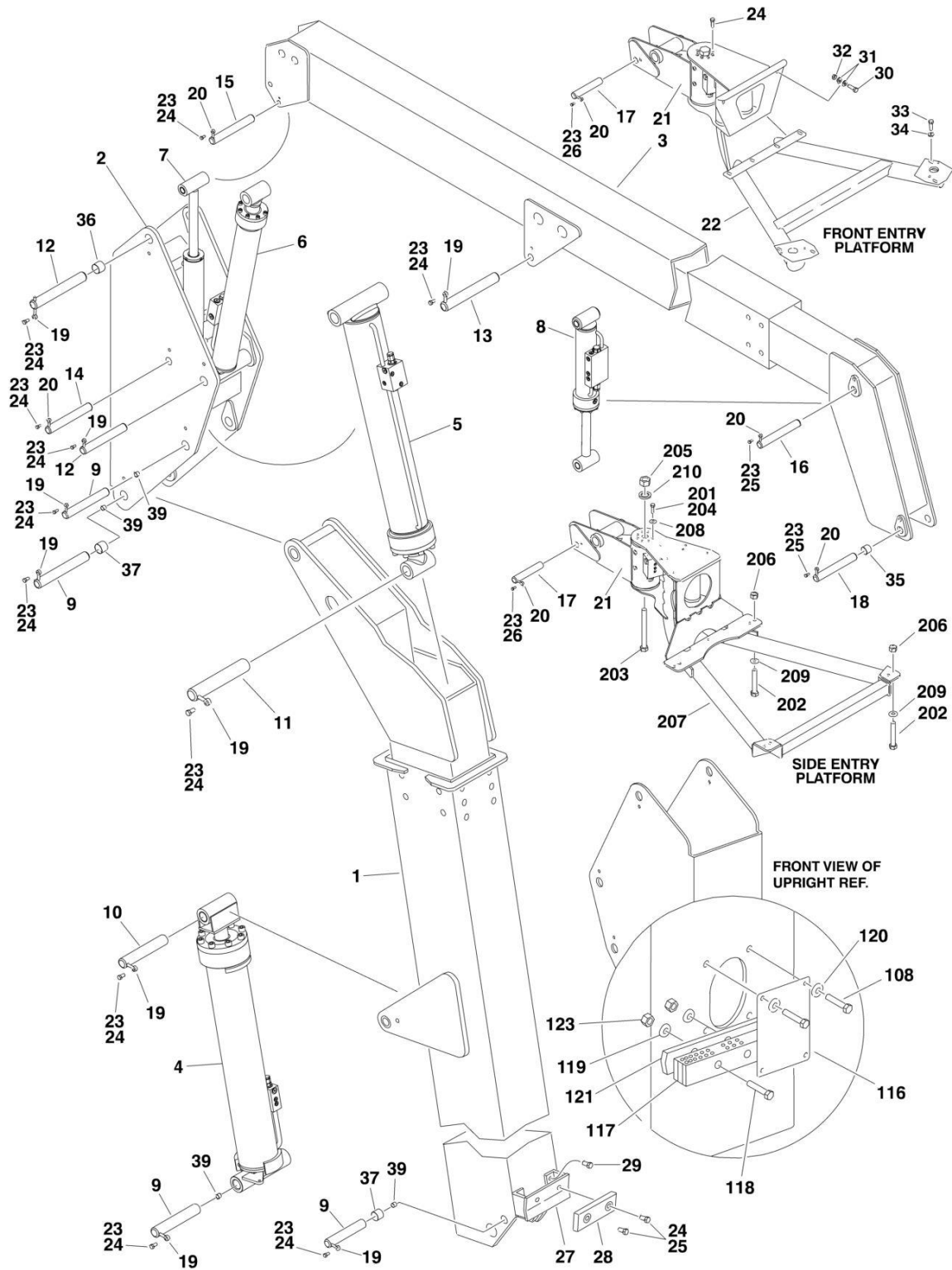




**SECTION 3 - BOOM**

# SECTION 3 - BOOM

## FIGURE 3-1. BOOMS AND CYLINDERS INSTALLATION - 600A



## SECTION 3 - BOOM

### FIGURE 3-1. BOOMS AND CYLINDERS INSTALLATION - 600A

ITEM	PART NUMBER	QTY	DESCRIPTION	REV
		Ref	<b>BOOMS AND CYLINDERS INSTALLATION - 600A</b>	
	0255238	Ref	<b>ANSI - Boom and Cylinder Installation (Machines with Front Entry Platform Built) (Prior to SN 0300041868)</b>	12
	0256321	Ref	<b>ANSI/CSA - Boom and Cylinder Installation (Machines with Front Entry Platform Built) (SN 0300041868 through 0300069000)</b>	5
	0272326	Ref	<b>ANSI/CSA - Boom and Cylinder Installation (Machines with Side Entry Platform)</b>	1
1	0801019	1	Tower Boom Assembly -Tower (See TOWER BOOM ASSEMBLIES for Breakdown)	
2		Ref	Upright Weldment Options:	
2	4844945	NLA	Upright Weldment (Use p/n 4846005) <b>(Prior to SN 0300042671)</b>	
2	4846005	1	Upright Weldment <b>(SN 0300042671 through 0300069000)</b>	
3	0801022	1	Main Boom Assembly (See MAIN BOOM ASSEMBLIES for Breakdown)	
4	1683288	NLA	Tower Lift Cylinder Assembly (Use p/n 1001228003) (See CYLINDER SECTION for Breakdown) (Original Equipment)	
4	1001228003	1	Tower Lift Cylinder Assembly (See CYLINDER SECTION for Breakdown) (Service Replacement)	
5	1683299	NLA	Upright Level Cylinder Assembly (Use p/n 1001228042) (See CYLINDER SECTION for Breakdown) (Original Equipment)	
5	1684498	NLA	Upright Level Cylinder Assembly (Use p/n 1001228042) (See CYLINDER SECTION for Breakdown) (Service Replacement)	
5	1001228042	1	Upright Level Cylinder Assembly (See CYLINDER SECTION for Breakdown) (Service Replacement)	
6	1683294	NLA	Main Lift Cylinder Assembly (Use p/n 1001228004) (See CYLINDER SECTION for Breakdown) (Original Equipment)	
6	1001228004	1	Main Lift Cylinder Assembly (See CYLINDER SECTION for Breakdown) (Service Replacement)	
7	1683266	NLA	Master Cylinder Assembly (Use p/n 1001228002) (See CYLINDER SECTION for Breakdown) (Original Equipment)	
7	1001228002	1	Master Cylinder Assembly (See CYLINDER SECTION for Breakdown) (Service Replacement)	
8		Ref	Platform Level Cylinder Assembly Options (See CYLINDER SECTION for Breakdown)	
8	1683271	1	Platform Level Cylinder Assembly <b>(Prior to SN 0300024714)</b>	
8	1683415	NLA	Platform Level Cylinder Assembly (Use p/n 1001223512) (Original Equipment) <b>(SN 0300024714 through 0300069000)</b>	
8	1001223512	1	Platform Level Cylinder Assembly (Service Replacement)	
9		Ref	Pin Options:	
9	3422442	NLA	ANSI (Use p/n 3422571) <b>(Prior to SN 0300041868)</b>	
9	3422571	4	ANSI and CSA <b>(SN 0300041868 through 0300069000)</b>	
10		Ref	Pin Options:	
10	3422444	NLA	ANSI (Use p/n 3422573) <b>(Prior to SN 0300041868)</b>	
10	3422573	1	ANSI and CSA <b>(SN 0300041868 through 0300069000)</b>	
11	3422575	1	Pin	
12		Ref	Pin Options:	
12	3422443	NLA	ANSI (Use p/n 3422572)	
12	3422572	2	ANSI and CSA <b>(SN 0300041868 through 0300069000)</b>	
13		Ref	Pin Options:	
13	3422452	NLA	ANSI (Use p/n 3422576) <b>(Prior to SN 0300041868)</b>	
13	3422576	1	ANSI and CSA <b>(SN 0300041868 through 0300069000)</b>	

## SECTION 3 - BOOM

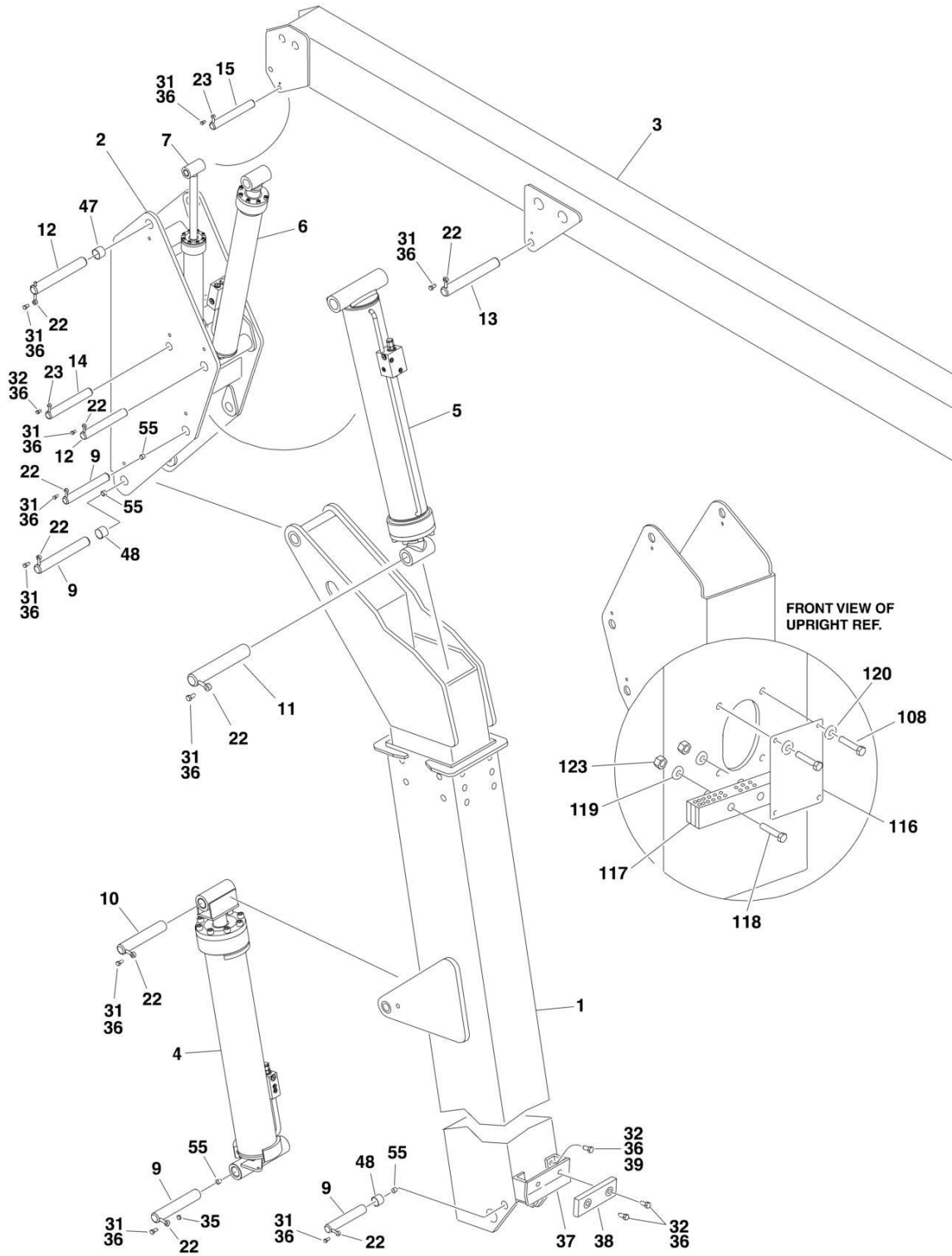
ITEM	PART NUMBER	QTY	DESCRIPTION	REV
14		Ref	Pin Options:	
14	3422434	NLA	ANSI (Use p/n 3422565) <b>(Prior to SN 0300041868)</b>	
14	3422565	1	ANSI and CSA <b>(SN 0300041868 through 0300069000)</b>	
15		Ref	Pin Options:	
15	3422453	NLA	ANSI (Use p/n 3422577) <b>(Prior to SN 0300041868)</b>	
15	3422577	1	ANSI and CSA <b>(SN 0300041868 through 0300069000)</b>	
16		Ref	Pin Options:	
16	3422454	NLA	ANSI (Use p/n 3422578) <b>(Prior to SN 0300041868)</b>	
16	3422578	1	ANSI and CSA <b>(SN 0300041868 through 0300069000)</b>	
17		Ref	Pin Options:	
17	3422489	NLA	ANSI (Use p/n 3422580) <b>(Prior to SN 0300041868)</b>	
17	3422580	1	ANSI and CSA <b>(SN 0300041868 through 0300069000)</b>	
18		Ref	Pin Options:	
18	3422447	1	ANSI (Use p/n 3422582) <b>(Prior to SN 0300041868)</b>	
18	3422582	1	ANSI and CSA <b>(SN 0300041868 through 0300069000)</b>	
19	3841203	9	Keeper, Pin - 1/2in	
20	3841143	5	Keeper, Pin - 3/8in	
21		Ref	Rotator Assembly Options:	
21	0060076	1	Front Entry Platform (p/n was 0060035) (See ROTATOR ASSEMBLIES (FRONT ENTRY PLATFORM) for Breakdown)	
21	0060068	1	Side Entry Platform (See ROTATOR ASSEMBLIES (SIDE ENTRY PLATFORM) for Breakdown)	
22		Ref	Platform Support Weldment Options:	
22	4844790	1	Front Entry Platform Machines <b>(Prior to SN 0300036526)</b>	
22	4845682	1	Front Entry Platform Machines <b>(SN 0300036526 through 0300038050)</b>	
22	4844790	1	Front Entry Platform Machines <b>(SN 0300038051 through 0300069000)</b>	
		Ref	Note: For Side Entry Platform Machines See Items 201 to 210 for Support Installation	
23	0100011	AR	Compound, Locking	
24	0641810	AR	Bolt 1/2in-13NC x 1-1/4in	
25	0741607	AR	Screw, Countersunk 3/8in-16NC x 7/8in	
26	3900166	1	Screw, Socket Head Countersunk - 3/8in-16NC x 7/8in	
27	4845127	1	Boom Rest Weldment (Front Entry Platform)	
28	0561076	1	Block, Boom Rest	
29	0641605	4	Bolt 3/8in-16NC x 5/8in	
30	0641820	4	Bolt 1/2in-13NC x 2-1/2in (Front Entry Platform Machines)	
31	4711800	8	Flatwasher 1/2in Thin (Front Entry Platform Machines)	
32	3311805	4	Locknut 1/2in-13NC (Front Entry Platform Machines)	
33	0681610	4	Bolt 3/8in-16NC x 1-1/4in (Grade 8) (Front Entry Platform Machines)	
34	4711600	4	Flatwasher 3/8in Thin (Front Entry Platform Machines)	
35	0961951	2	Bushing	
36	0961948	2	Bushing	
37	0961949	4	Bushing	
39	3900239	4	Setscrew Only <b>(SN 0300027329 through 0300069000)</b>	
	0255423	Ref	<b>POWER TRACK INSTALLATION</b>	10-I
108	0641403	4	Bolt 1/4in-20NC x 3/8in	
116	3539779	1	Plate, Cover	
117		Ref	Clamp, Block Options:	
117	1320229	1	Clamp, Block <b>(Prior to SN 0300034102)</b>	
117	1320243	1	Clamp, Block <b>(SN 0300034102 through 0300069000)</b>	

## SECTION 3 - BOOM

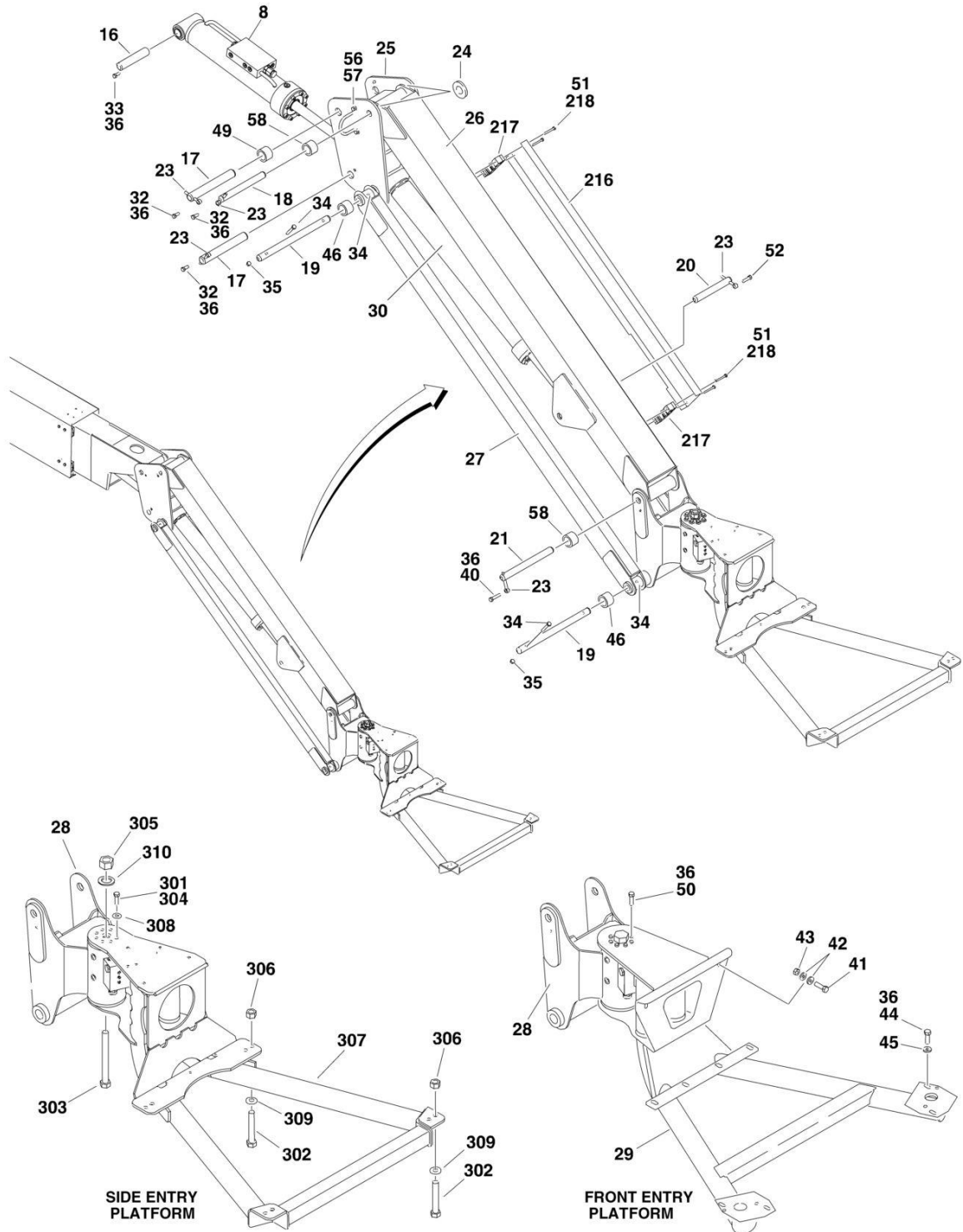
ITEM	PART NUMBER	QTY	DESCRIPTION	REV
118		Ref	Bolt Options:	
118	0641624	2	Bolt 3/8in-16NC x 3in <b>(Prior to SN 0300034102)</b>	
118	0641532	2	Bolt 5/16in-18NC x 4in <b>(SN 0300034102 through 0300069000)</b>	
119	4751600	2	Flatwasher 3/8in Regular	
120	4751400	4	Flatwasher 1/4in Regular	
121		Ref	Plate Options:	
121	3539930	1	Plate <b>(SN 0300027207 through 0300034101)</b>	
121	3570374	1	Plate <b>(SN 0300034102 through 0300069000)</b>	
123	3311505	2	Nut 5/16in-18NC Only <b>(SN 0300034102 through 0300069000)</b>	
	0272070	Ref	<b>PLATFORM SUPPORT INSTALLATIONS (SIDE ENTRY PLATFORM MACHINES)</b>	B
201	0100011	AR	Compound, Locking	
202	0641812	8	Bolt 1/2in-13NC x 1-1/2in	
203	0642682	1	Bolt 1in-8NC x 10-1/4in	
204	0681608	8	Bolt 3/8in-16NC x 1in	
205	3272605	1	Locknut 1in-8NC	
206	3311805	8	Locknut 1/2in-13NC	
207	4846573	1	Support Weldment	
208	4891600	8	Flatwasher 3/8in Hardened	
209	4891800	8	Flatwasher 1/2in Hardened	
210	4892600	1	Flatwasher 1in Hardened	

# SECTION 3 - BOOM

## FIGURE 3-2. BOOMS AND CYLINDERS INSTALLATION - 600AJ



# SECTION 3 - BOOM



# SECTION 3 - BOOM

## FIGURE 3-2. BOOMS AND CYLINDERS INSTALLATION - 600AJ

ITEM	PART NUMBER	QTY	DESCRIPTION	REV
		Ref	<b>BOOMS AND CYLINDERS INSTALLATION - 600AJ</b>	
	0255239	Ref	<b>ANSI - Boom and Cylinder Installation (Front Entry Platform Machines Built) (Prior to SN 0300041868)</b>	17
	0256322	Ref	<b>ANSI - Boom and Cylinder Installation (Front Entry Platform Machines Built) (SN 0300041868 through 0300064249)</b>	7
	0256322	Ref	<b>CSA - Boom and Cylinder Installation (Front Entry Platform Machines Built) (Prior to SN 0300064249)</b>	7
	0271338	Ref	<b>ANSI/CSA - Boom and Cylinder Installation (With ADE System) (Front Entry Platform Machines Built) (SN 0300064249 through 0300069000)</b>	5
	0272135	Ref	<b>ANSI/CSA - Boom and Cylinder Installation (With ADE System) (Side Entry Platform)</b>	1
1	0801019	1	Tower Boom Assembly -Tower (See TOWER BOOM ASSEMBLIES for Breakdown)	
2		Ref	Upright Weldment Options:	
2	4844945	NLA	Upright Weldment (Use p/n 4846006)	
2	4846006	1	Upright Weldment ( <b>SN 0300042671 through 0300069000</b> )	
3	0801025	1	Main Boom Assembly (See MAIN BOOM ASSEMBLIES for Breakdown)	
4	1683288	NLA	Tower Lift Cylinder Assembly (Use p/n 1001228003) (See CYLINDER SECTION for Breakdown) (Original Equipment)	
4	1001228003	1	Tower Lift Cylinder Assembly (See CYLINDER SECTION for Breakdown) (Service Replacement)	
5	1683299	NLA	Upright Level Cylinder Assembly (Use p/n 1001228042) (See CYLINDER SECTION for Breakdown) (Original Equipment)	
5	1684498	NLA	Upright Level Cylinder Assembly (Use p/n 1001228042) (See CYLINDER SECTION for Breakdown) (Service Replacement)	
5	1001228042	1	Upright Level Cylinder Assembly (See CYLINDER SECTION for Breakdown) (Service Replacement)	
6	1683294	NLA	Main Lift Cylinder Assembly (Use p/n 1001228004) (See CYLINDER SECTION for Breakdown) (Original Equipment)	
6	1001228004	1	Main Lift Cylinder Assembly (See CYLINDER SECTION for Breakdown) (Service Replacement)	
7	1683263	NLA	Master Cylinder Assembly (Use p/n 1001228052) (See CYLINDER SECTION for Breakdown) (Original Equipment)	
7	1001228052	1	Master Cylinder Assembly (See CYLINDER SECTION for Breakdown) (Service Replacement)	
8		Ref	Platform Level Cylinder Assembly Options (See CYLINDER SECTION for Breakdown)	
8	1683253	1	Platform Level Cylinder Assembly ( <b>Prior to SN 0300024714</b> )	
8	1683418	NLA	Platform Level Cylinder Assembly (Use p/n 1001223331) (Original Equipment) ( <b>SN 0300024714 through 0300069000</b> )	
8	1001223331	1	Platform Level Cylinder Assembly (Service Replacement)	
9		Ref	Pin Options:	
9	3422442	NLA	ANSI (Use p/n 3422571) ( <b>Prior to SN 0300041868</b> )	
9	3422571	4	ANSI and CSA ( <b>SN 0300041868 through 0300069000</b> )	
10		Ref	Pin Options:	
10	3422444	NLA	ANSI (Use p/n 3422573) ( <b>Prior to SN 0300041868</b> )	
10	3422573	1	ANSI and CSA ( <b>SN 0300041868 through 0300069000</b> )	
11	3422575	1	Pin	
12		Ref	Pin Options:	
12	3422443	NLA	ANSI (Use p/n 3422572) ( <b>Prior to SN 0300041868</b> )	
12	3422572	2	ANSI and CSA ( <b>SN 0300041868 through 0300069000</b> )	
13		Ref	Pin Options:	



## SECTION 3 - BOOM

ITEM	PART NUMBER	QTY	DESCRIPTION	REV
13	3422452	NLA	ANSI (Use p/n 3422576)	
13	3422576	1	ANSI and CSA ( <b>SN 0300041868 through 0300069000</b> )	
14		Ref	Pin Options:	
14	3422435	NLA	ANSI (Use p/n 3422566) ( <b>Prior to SN 0300041868</b> )	
14	3422566	1	ANSI and CSA ( <b>SN 0300041868 through 0300069000</b> )	
15		Ref	Pin Options:	
15	3422477	NLA	ANSI (Use p/n 3422579) ( <b>Prior to SN 0300041868</b> )	
15	3422579	1	ANSI and CSA ( <b>SN 0300041868 through 0300069000</b> )	
16		Ref	Pin Options:	
16	3422440	NLA	ANSI (Use p/n 3422583) ( <b>Prior to SN 0300041868</b> )	
16	3422583	1	ANSI and CSA ( <b>SN 0300041868 through 0300069000</b> )	
17		Ref	Pin Options:	
17	3422422	NLA	ANSI (Use p/n 3422561) ( <b>Prior to SN 0300041868</b> )	
17	3422561	2	ANSI and CSA ( <b>SN 0300041868 through 0300069000</b> )	
18		Ref	Pin Options:	
18	3422419	NLA	ANSI (Use p/n 3422860) ( <b>Prior to SN 0300041868</b> )	
18	3422558	NLA	ANSI and CSA (Use p/n 3422860) ( <b>SN 0300041868 through 0300053999</b> )	
18	3422860	1	ANSI and CSA ( <b>SN 0300054000 through 0300069000</b> )	
19		Ref	Pin Options:	
19	3422420	NLA	ANSI (Use p/n 3422861) ( <b>Prior to SN 0300041868</b> )	
19	3422559	NLA	ANSI and CSA (Use p/n 3422861) ( <b>SN 0300041868 through 0300053999</b> )	
19	3422861	2	ANSI and CSA ( <b>SN 0300054000 through 0300069000</b> )	
20		Ref	Pin Options:	
20	3422421	NLA	ANSI (Use p/n 3422867) ( <b>Prior to SN 0300041868</b> )	
20	3422560	NLA	ANSI and CSA (Use p/n 3422867) ( <b>SN 0300041868 through 0300053999</b> )	
20	3422867	1	ANSI and CSA ( <b>SN 0300054000 through 0300069000</b> )	
21		Ref	Pin Options:	
21	3422432	NLA	ANSI (Use p/n 3422563) ( <b>Prior to SN 0300041868</b> )	
21	3422563	1	ANSI and CSA (Front Entry Platform) ( <b>SN 0300041868 through 0300069000</b> )	
21	3422860	1	ANSI and CSA(Side Entry Platform) ( <b>SN 0300041868 through 0300069000</b> )	
22	3841203	9	Keeper, Pin - 1/2in	
23	3841143	7	Keeper, Pin - 3/8in	
24	4740439	2	Thrustwasher	
25	4844815	1	Pivot Weldment	
26	4844816	1	Tube Weldment - Top	
27	4844817	2	Tube Weldment - Bottom	
28		Ref	Rotator Assembly Options:	
28	0060074	1	Front Entry Platform (p/n was 0060031) (See ROTATOR ASSEMBLIES (FRONT ENTRY PLATFORM) for Breakdown)	
28	0060066	1	Side Entry Platform (See ROTATOR ASSEMBLIES (SIDE ENTRY PLATFORM) for Breakdown)	
29		Ref	Support Weldment Options:	
29	4844790	1	Front Entry Platform ( <b>Prior to SN 0300036526</b> )	
29	4845682	1	Front Entry Platform ( <b>SN 0300036526 through 0300038050</b> )	
29	4844790	1	Front Entry Platform ( <b>SN 0300038051 through 0300067540</b> )	
		Ref	Note: For Side Entry Platform See Items 301 to 310 for Support Installation.	
30	1683258	1	Extend-A-Reach Lift Cylinder Assembly (See CYLINDER	

## SECTION 3 - BOOM

ITEM	PART NUMBER	QTY	DESCRIPTION	REV
			SECTION for Breakdown)	
31	0641810	9	Bolt 1/2in-13NC x 1-1/4in	
32	0641607	AR	Bolt 3/8in-16NC x 7/8in	
33	0741607	1	Screw, Countersunk 3/8in-16NC x 7/8in	
34	0641618	4	Bolt 3/8in-16NC x 2-1/4in	
35	3311605	5	Locknut 3/8in-16NC	
36	0100011	AR	Compound, Locking	
37	4845127	1	Boom Rest Weldment (Front Entry Platform)	
38	0561076	1	Block, Boom Rest	
39	0641605	4	Bolt 3/8in-16NC x 5/8in	
40	0461614	1	Bolt 3/8in-16NC x 1-3/4in	
41	0641820	4	Bolt 1/2in-13NC x 2-1/2in (Front Entry Platform)	
42	4711800	8	Flatwasher 1/2in Thin (Front Entry Platform)	
43	3311805	4	Locknut 1/2in-13NC (Front Entry Platform)	
44	0681610	4	Bolt 3/8in-16NC x 1-1/4in (Grade 8) (Front Entry Platform)	
45	4711600	4	Flatwasher 3/8in Thin (Front Entry Platform)	
46	0961947	6	Bushing	
47	0961948	2	Bushing	
48	0961949	4	Bushing	
49	0961951	2	Bushing	
50	0641810	6	Bolt 1/2in-13NC x 1in (Prior to SN 0300067540)	
51	2080044	4	Rivnut	
52	0641611	1	Bolt 3/8in-16NC x 1-3/8in	
55	3900239	4	Setscrew Only (SN 0300027329 through 0300069000)	
56	3841340	1	Loop, Hose Only (SN 0300033678 through 0300069000)	
57	0641606	2	Bolt 3/8in-16NC x 3/4in Only (SN 0300033678 through 0300069000)	
58	0962335	4	Bushing	
	0255423	Ref	<b>POWER TRACK INSTALLATION</b>	10-I
108	0641403	4	Bolt 1/4in-20NC x 3/8in	
116	3539779	1	Plate, Cover	
117		Ref	Clamp, Block Options:	
117	1320229	1	Clamp, Block (Prior to SN 0300034102)	
117	1320243	1	Clamp, Block (SN 0300034102 through 0300069000)	
118		Ref	Bolt Options:	
118	0641624	2	Bolt 3/8in-16NC x 3in (Prior to SN 0300034102)	
118	0641532	2	Bolt 5/16in-18NC x 4in (SN 0300034102 through 0300069000)	
119	4751600	2	Flatwasher 3/8in Regular	
120	4751400	4	Flatwasher 1/4in Regular	
121		Ref	Plate Options:	
121	3539930	1	Plate (SN 0300027207 through 0300034101)	
121	3570374	1	Plate (SN 0300034102 through 0300069000)	
123	3311505	2	Nut 5/16in-18NC Only (SN 0300034102 through 0300069000)	
	0270821	Ref	<b>CABLE INSTALLATION</b>	3-B
216	1670769	1	Cover	
217	0561237	2	Clamp, Block	
218	0641416	4	Bolt 1/4in-20NC x 2in	
	0272070	Ref	<b>PLATFORM SUPPORT INSTALLATIONS (SIDE ENTRY PLATFORM)</b>	B
301	0100011	AR	Compound, Locking	
302	0641812	8	Bolt 1/2in-13NC x 1-1/2in	
303	0642682	1	Bolt 1in-8NC x 10-1/4in	

## SECTION 3 - BOOM

ITEM	PART NUMBER	QTY	DESCRIPTION	REV
304	0681608	8	Bolt 3/8in-16NC x 1in	
305	3272605	1	Locknut 1in-8NC	
306	3311805	8	Locknut 1/2in-13NC	
307	4846573	1	Support Weldment	
308	4891600	8	Flatwasher 3/8in Hardened	
309	4891800	8	Flatwasher 1/2in Hardened	
310	4892600	1	Flatwasher 1in Hardened	

# SECTION 3 - BOOM

## FIGURE 3-3. TOWER BOOM ASSEMBLIES

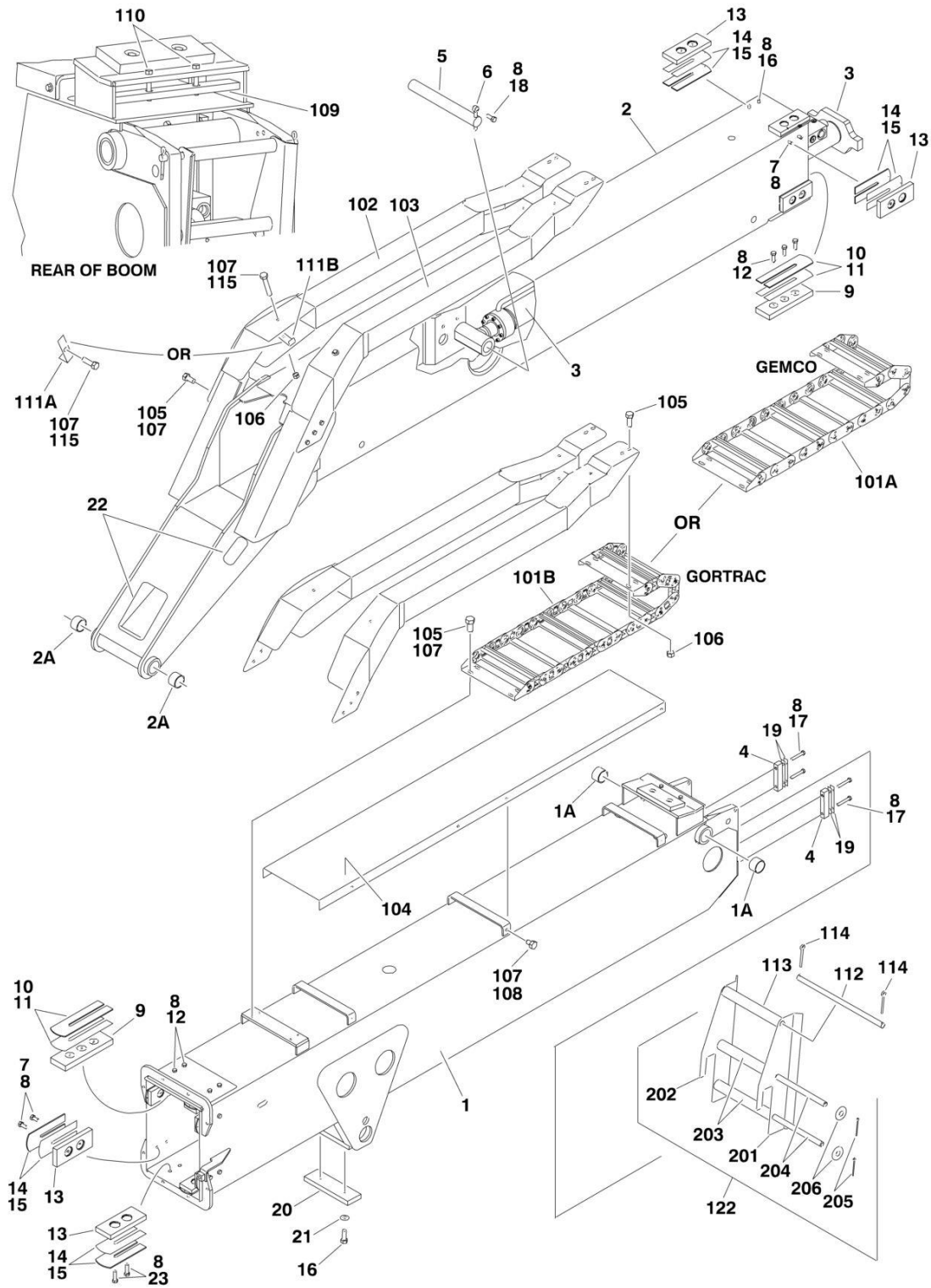


FIGURE 3-3. TOWER BOOM ASSEMBLIES

ITEM	PART NUMBER	QTY	DESCRIPTION	REV
	0801019	Ref	<b>TOWER BOOM ASSEMBLY</b>	7-H
1	0801020	1	Base Weldment ( <b>Prior to SN 0300027207</b> )	
1	0801085	1	Base Weldment ( <b>SN 0300027207 through 0300069000</b> )	
1A	0961949	2	Bushing	
2	0801021	1	Fly Weldment	
2A	0961949	2	Bushing	
3	1683312	NLA	Cylinder Assembly - Tower Telescope (Use p/n 1001228006) (See CYLINDER SECTION for Breakdown) (Original Equipment)	
3	1001228006	1	Cylinder Assembly - Tower Telescope (See CYLINDER SECTION for Breakdown) (Service Replacement)	
4	0561185	2	Block, Attach	
5	3422575	1	Pin	
6	3841203	1	Keeper, Pin	
7	0641606	26	Bolt 3/8in-16NC x 3/4in	
8	0100011	AR	Compound, Locking	
9		Ref	Pad, Wear Options:	
9	3340705	4	Pad, Wear ( <b>Prior to SN 0300064394</b> )	
9	3340871	4	Pad, Wear ( <b>SN 0300064394 through 0300069000</b> )	
10	4070863	AR	Shim .12	
11	4070864	AR	Shim .05	
12	0641612	12	Bolt 3/8in-16NC x 1-1/2in	
13		Ref	Pad, Wear Options:	
13	3340756	12	Pad, Wear ( <b>Prior to SN 0300064394</b> )	
13	3340881	12	Pad, Wear ( <b>SN 0300064394 through 0300069000</b> )	
14	4070897	AR	Shim .05	
15	4070898	AR	Shim .12	
16	0641608	6	Bolt 3/8in-16NC x 1in	
17	0641618	4	Bolt 3/8in-16NC x 2-1/4in	
18	0641809	1	Bolt 3/8in-16NC x 1-1/8in	
19	4070929	AR	Shim	
20	0561248	1	Block, Boom Rest Only ( <b>SN 0300027207 through 0300069000</b> )	
21	4711600	2	Flatwasher 3/8in Thin	
22	4060808	31	Flex-Trim Only ( <b>SN 0300027207 through 0300069000</b> )	
23	0641610	4	Bolt 3/8in-16NC x 1-1/4in ( <b>SN 0300038051 through 0300069000</b> )	
	0255423	Ref	<b>POWER TRACK INSTALLATION</b>	10-I
101		Ref	Power Track Assembly Options:	
		Ref	<b>Note: Various Power Tracks use on this model. Identify brand before ordering parts.</b>	
101A	1180339	NLA	Gemco Brand Power Track (Use p/n 1001099835)	
101A		Ref	Replacement Parts:	
101A	7016502	AR	Repair Section (Includes 10 Link Pin, 4 Radius Links, 4 Carrier Links, 1 Carrier Weldment, 10 Slugs and 20 Bearing Plates)	
101A	7016510	2 Pair	Feet, Mounting	
101A	7006152	AR	Pin Kit (Includes 1 pin, 1 Retaining Ring and 4 Washers)	
101B	1001099835	1	Gortrac Brand Power Track	
101B		Ref	Replacement Parts:	
101B	70002001	AR	Repair Section	
101B	70002002	1	Mounting Bracket Kit	
102	4844984	NLA	Tube Weldment (Right Side) (Use p/n 1001151542)	

## SECTION 3 - BOOM

ITEM	PART NUMBER	QTY	DESCRIPTION	REV
103	4844983	NLA	Tube Weldment (Left Side) (Use p/n 1001151586)	
104	3539228	1	Plate, Cover	
105	0641607	14	Bolt 3/8in-16NC x 7/8in	
106	3311605	6	Locknut 3/8in-16NC	
107	0100011	AR	Compound, Locking	
108	0641403	10	Bolt 1/4in-20NC x 3/8in	
109	3539236	1	Plate, Hose Clamp	
110	0641516	2	Bolt 5/16in-18NC x 2in	
111		Ref	Plate Options:	
111A	3539412	2	Plate <b>(Prior to SN 0300034102)</b>	
111B	3570375	2	Plate <b>(SN 0300034102 through 0300069000)</b>	
112	3841295	1	Rod	
113	4566892	1	Tube <b>(Prior to SN 0300034102)</b>	
113	4567241	1	Tube <b>(SN 0300034102 through 0300069000)</b>	
114	3450606	2	Pin, Cotter	
115	0641628	2	Bolt 3/8in-16NC x 3-1/2in	
122	0257573	1	Roller Hanger Assembly (Includes Items 201-205 Only) <b>(SN 0300034084 through 0300069000)</b>	
	0257573	Ref	<b>ROLLER HANGER ASSEMBLY</b>	1-A
201	3570277	1	Plate (Left Side)	
202	3570270	1	Plate (Right Side)	
203	4567241	2	Roller, Tube	
204	3841347	2	Rod	
205	3450306	4	Pin, Cotter	
206	4751800	4	Flatwasher 1/2in Regular	



# SECTION 3 - BOOM

## FIGURE 3-4. MAIN BOOM ASSEMBLIES

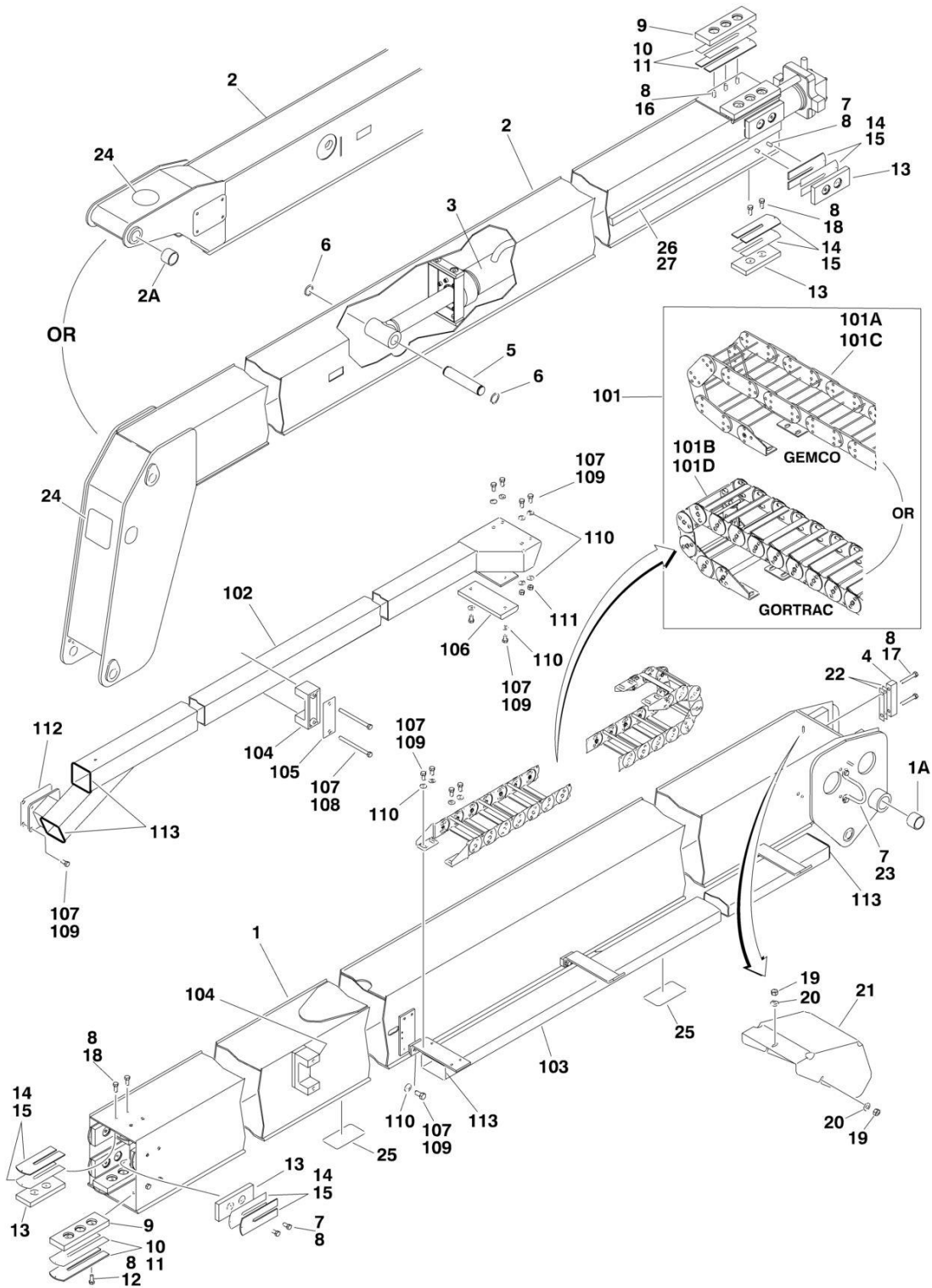




FIGURE 3-4. MAIN BOOM ASSEMBLIES

ITEM	PART NUMBER	QTY	DESCRIPTION	REV
	0801022	Ref	<b>BOOM ASSEMBLY - 600A</b>	12-F
	0801025	Ref	<b>BOOM ASSEMBLY - 600AJ</b>	7-D
1		Ref	Base Weldment Options:	
1	0801023	1	Base Weldment 600A	
1	0801026	1	Base Weldment 600AJ	
1A	0961948	2	Bushing (Note: Must Be Purchased Separately)	
2		Ref	Fly Weldment Options:	
2	0801066	1	Fly Weldment ( <b>Prior to SN 0300024714</b> )	
2	0801078	1	Fly Weldment ( <b>SN 0300024714 through 0300053958</b> )	
2	0801228	1	Fly Weldment ( <b>SN 0300053959 through 0300069000</b> )	
2	0801027	1	Fly Weldment 600AJ	
2A		Ref	Bushing (Note: Must be Purchased Separately)	
2A	Not Required	2	Bushing 600A	
2A	0961951	2	Bushing 600AJ	
3		Ref	Telescope Cylinder Assembly Options: (See CYLINDER SECTION for Breakdown)	
3	1683307	NLA	Telescope Cylinder Assembly 600A (Use p/n 1001228005) (Original Equipment)	
3	1001228005	1	Telescope Cylinder Assembly 600A (Service Replacement)	
3	1683317	NLA	Telescope Cylinder Assembly 600AJ (Use p/n 1001228007) (Original Equipment)	
3	1001228007	1	Telescope Cylinder Assembly 600AJ (Service Replacement)	
4	0561185	2	Block	
5	3422457	1	Pin	
6	3760133	2	Ring, Retaining	
7	0641606	18	Bolt 3/8in-16NC 3/4in	
8	0100011	AR	Compound, Locking	
9		Ref	Pad, Wear Options:	
9	3340705	4	Pad, Wear ( <b>Prior to SN 0300064394</b> )	
9	3340871	4	Pad, Wear ( <b>SN 0300064394 through 0300069000</b> )	
10	4070863	AR	Shim .12	
11	4070864	AR	Shim .05	
12	0641610	6	Bolt 3/8in-16NC x 1-1/4in	
13		Ref	Pad, Wear Options:	
13	3340756	12	Pad, Wear ( <b>Prior to SN 0300064394</b> )	
13	3340881	12	Pad, Wear ( <b>SN 0300064394 through 0300069000</b> )	
14	4070897	AR	Shim .05	
15	4070898	AR	Shim .12	
16	0641608	6	Bolt 3/8in-16NC x 1in	
17	0641618	4	Bolt 3/8in-16NC x 2-1/4in	
18	0641607	8	Bolt 3/8in-16NC x 7/8in	
19	3311401	3	Nut 1/4in-20NC	
20	4751400	3	Flatwasher 1/4in Regular	
21	1670768	1	Cover, Boom	
22	4070929	AR	Shim	
23	4845384	NLA	Clamp, Hose (Use p/n 3841340) ( <b>SN 0300027207 through 0300033682</b> )	
23	3841340	1	Clamp, Hose ( <b>SN 0300033683 through 0300069000</b> )	
24	4060805	AR	Flex-Trim ( <b>SN 0300027207 through 0300069000</b> )	
25	1670836	6	Cover, Boom ( <b>SN 0300034047 through 0300069000</b> )	

## SECTION 3 - BOOM

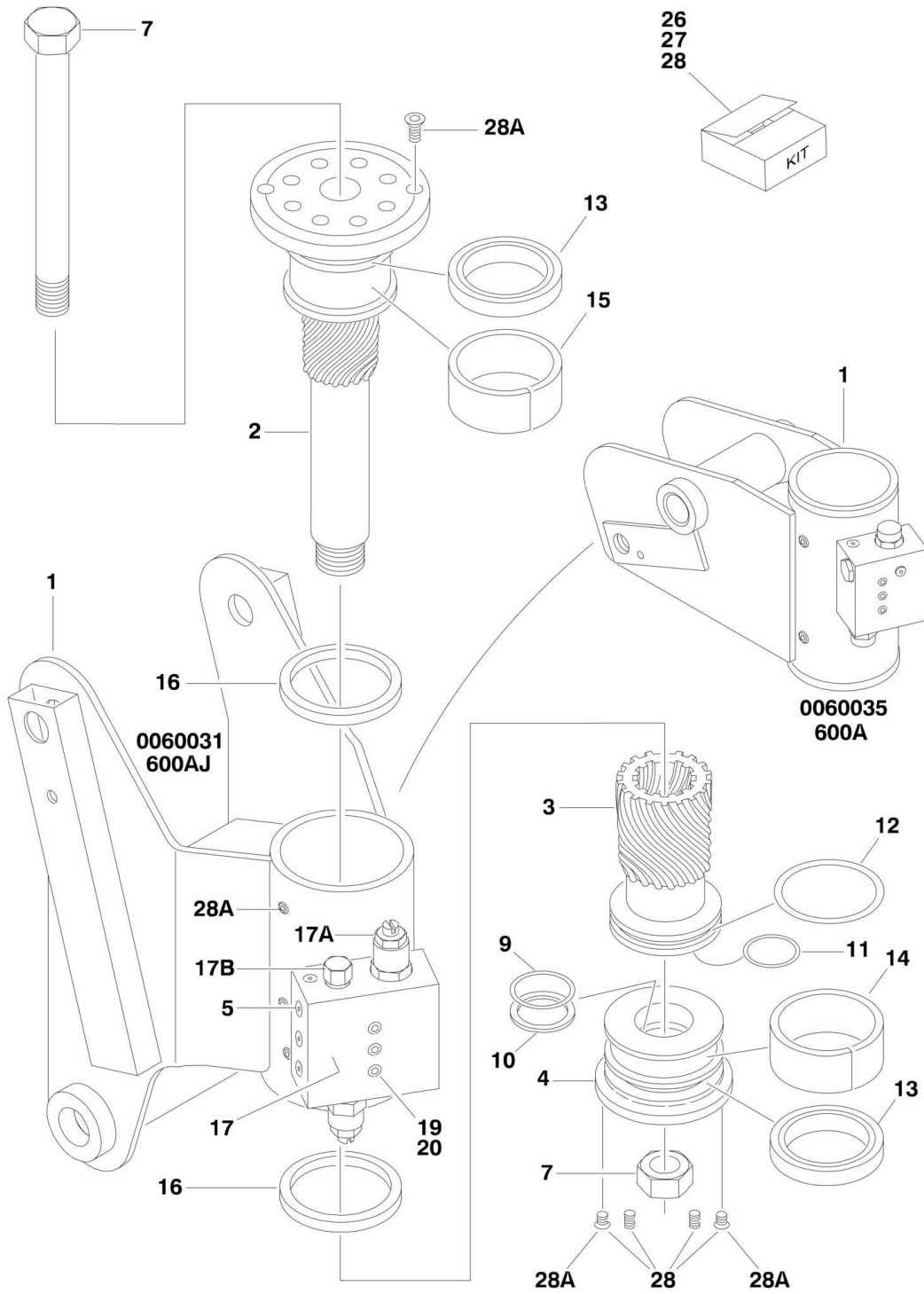
ITEM	PART NUMBER	QTY	DESCRIPTION	REV
26		Ref	Tape, Two Sided Foam Options:	
26	4420060	10 ft/3m	Tape, Two Sided Foam 600A	
26	Not Required	10 ft/3m	Tape, Two Sided Foam 600AJ	
27		Ref	Bar, Fiberglass Options:	
27	0362529	1	Bar, Fiberglass 600A	
27	Not Required	1	Bar, Fiberglass 600AJ	
	0255281	Ref	<b>POWER TRACK INSTALLATION - 600A</b>	6-E
	0255288	Ref	<b>POWER TRACK INSTALLATION - 600AJ</b>	5-D
101		Ref	Power Track Assembly Options:	
		Ref	<b>Note: Various Power Tracks use on this model. Identify brand before ordering parts.</b>	
101A	1180336	NLA	<b>600A - Gemco Brand Power Track (Use p/n 1001007153)</b>	
101A		Ref	Replacement Parts:	
101A	7006140	AR	Repair Section (Includes 10 Link Pin, 4 Radius Links, 8 Carrier Links, 4 Rod Carrier, 8 Screws, 10 Slugs and 20 Bearing Plates) (600A)	
101A	7006151	2 Pair	Feet, Mounting (600A)	
101A	7006161	AR	Rod (600A)	
101A	7006152	AR	Pin Kit (Includes 1 pin, 1 Retaining Ring and 4 Washers) (600A)	
101B	1001107153	1	<b>600A - Gortrac Brand Power Track</b>	
101B		Ref	Replacement Parts:	
101C	70002011	AR	Repair Section (600A)	
101B	70002012	1	Mounting Bracket Kit (600A)	
101C	1180338	NLA	<b>600AJ - Gemco Brand Power Track (Use p/n 1001099836)</b>	
101C		Ref	Replacement Parts:	
101C	7016519	AR	Repair Section (Includes 10 Link Pin, 4 Radius Links, 8 Carrier Links, 4 Rod Carrier, 8 Screws, 10 Slugs and 20 Bearing Plates) (600AJ)	
101C	7006151	2 Pair	Feet, Mounting (600AJ)	
101C	7016521	AR	Rod (600AJ)	
101C	7006158	AR	Screw (600AJ)	
101C	7006152	AR	Pin Kit (Includes 1 pin, 1 Retaining Ring and 4 Washers) (600AJ)	
101D	1001099836	1	<b>600AJ - Gortrac Brand Power Track</b>	
101D		Ref	Replacement Parts:	
101D	70001999	AR	Repair Section (600AJ)	
101D	70002000	1	Mounting Bracket Kit (600AJ)	
102		Ref	Tube Weldment Options:	
102	4844969	1	Tube Weldment 600A	
102	4844978	1	Tube Weldment 600AJ	
103		Ref	Support, Power Track Options:	
103	4844972	1	Support, Power Track 600A	
103	4844979	1	Support, Power Track 600AJ	
104	3340764	2	Pad, Wear	
105	3538758	1	Plate, Cover Support	
106		Ref	Pad Options:	
106	3340787	1	Pad 600A	
106	3340765	1	Pad 600AJ	
107	0100011	AR	Compound, Locking	
108	0641640	2	Bolt 3/8in-16NC x 5in	
109	0641606	22	Bolt 3/8in-16NC x 3/4in	
110	4711600	18	Flatwasher 3/8in Thin	

## SECTION 3 - BOOM

ITEM	PART NUMBER	QTY	DESCRIPTION	REV
111	3311605	4	Locknut 3/8in-16NC	
112	4070932	AR	Shim	
113	4060804	AR	Flex-Trim (SN 0300027207 through 0300069000)	

# SECTION 3 - BOOM

## FIGURE 3-5. ROTATOR ASSEMBLIES (FRONT ENTRY PLATFORM)



## SECTION 3 - BOOM

### FIGURE 3-5. ROTATOR ASSEMBLIES (FRONT ENTRY PLATFORM)

ITEM	PART NUMBER	QTY	DESCRIPTION	REV
		Ref	<b>ROTATOR ASSEMBLIES</b>	
	0060035	Ref	<b>Rotator Assemblies 600A (Original Equipment)</b>	G
	0060076	Ref	<b>Rotator Assemblies 600A (Service Replacement)</b>	B
	0060031	Ref	<b>Rotator Assemblies 600AJ (Original Equipment)</b>	H
	0060074	Ref	<b>Rotator Assemblies 600AJ (Service Replacement)</b>	B
		Ref	<b>Note: Before ordering parts, identify whether original equipment rotator has been replaced with service replacement. Service replacement rotator uses spacer plate bolted on the top with 8 capscrews (Not shown - located at item 2). Original equipment rotator does not use spacer plate.</b>	
1	See Note	1	Housing/Ring Gear Assembly (Note: Note Available - Purchase Complete Assembly)	
2		Ref	Shaft Weldment Options:	
2	7017177	1	0060035 Rotators	
2	7017117	1	0060031 Rotators	
2	7017162	1	0060076 & 0060074 Rotators	
2	See Note	1	Plate, Spacer (Not Shown) (0060076 & 0060074 Rotators Only) (Note: Note Available for Purchase)	
3		Ref	Piston/Sleeve Options:	
3	7017115	1	0060035 & 0060031 Rotators	
3	7017163	1	0060076 & 0060074 Rotators	
4		Ref	Cap, End Options:	
4	7017174	1	0060035 Rotators	
4	7017116	1	0060031 Rotators	
4	7017164	1	0060076 & 0060074 Rotators	
5	See Note	6	Plug, Port (Note: Note Available for Purchase)	
7	7017102	1	Tie-Rod/Locknut Assy ( <b>Prior to SN 0300039950</b> )	
7	7017119	1	Bolt 1in-8NC x 11in ( <b>SN 0300039950 through 0300069000</b> )	
7	3272605	AR	Locknut 1in-8NC ( <b>SN 0300039950 through 0300069000</b> )	
9	See Note	1	Seal, Cap (Note: Use Item 26)	
10	See Note	1	Ring, Back-up (Cap) (Note: Use Item 26)	
11	See Note	1	Seal, Rod (Note: Use Item 26)	
12	See Note	1	Seal, Piston (Note: Use Item 26)	
13	See Note	2	Packing, Bearing (Note: Use Item 26)	
14	See Note	1	Bearing, Cap (Note: Use Item 27)	
15	See Note	1	Bearing, Shaft (Note: Use Item 27)	
16	See Note	2	Thrustwasher (Note: Use Item 27)	
17		Ref	Valve Assembly Options:	
17	7017101	1	0060035 & 0060031 Rotators	
17	7017183	1	0060076 & 0060074 Rotators	
17A		Ref	Cartridge, Valve Options:	
17A	7011331	2	Cartridge for Helac p/n 24736	
17A	7017193	2	Cartridge for Helac p/n 27600	
17A	2900770	2	Seal Kit - 7011331 Valve	
17A	7017183	2	Seal Kit - 7017193 Valve (Note: Not Available for Purchase)	
17B		Ref	Cartridge, Valve Options:	
17B	7011332	AR	Cartridge for Helac p/n 24736	
17B	See Note	1	Cartridge for Helac p/n 27600 (Not Shown - Located on Side of Valve Block) (Note: Not Available for Purchase)	
17B	7011346	2	Seal Kit - 7011332 Valve	

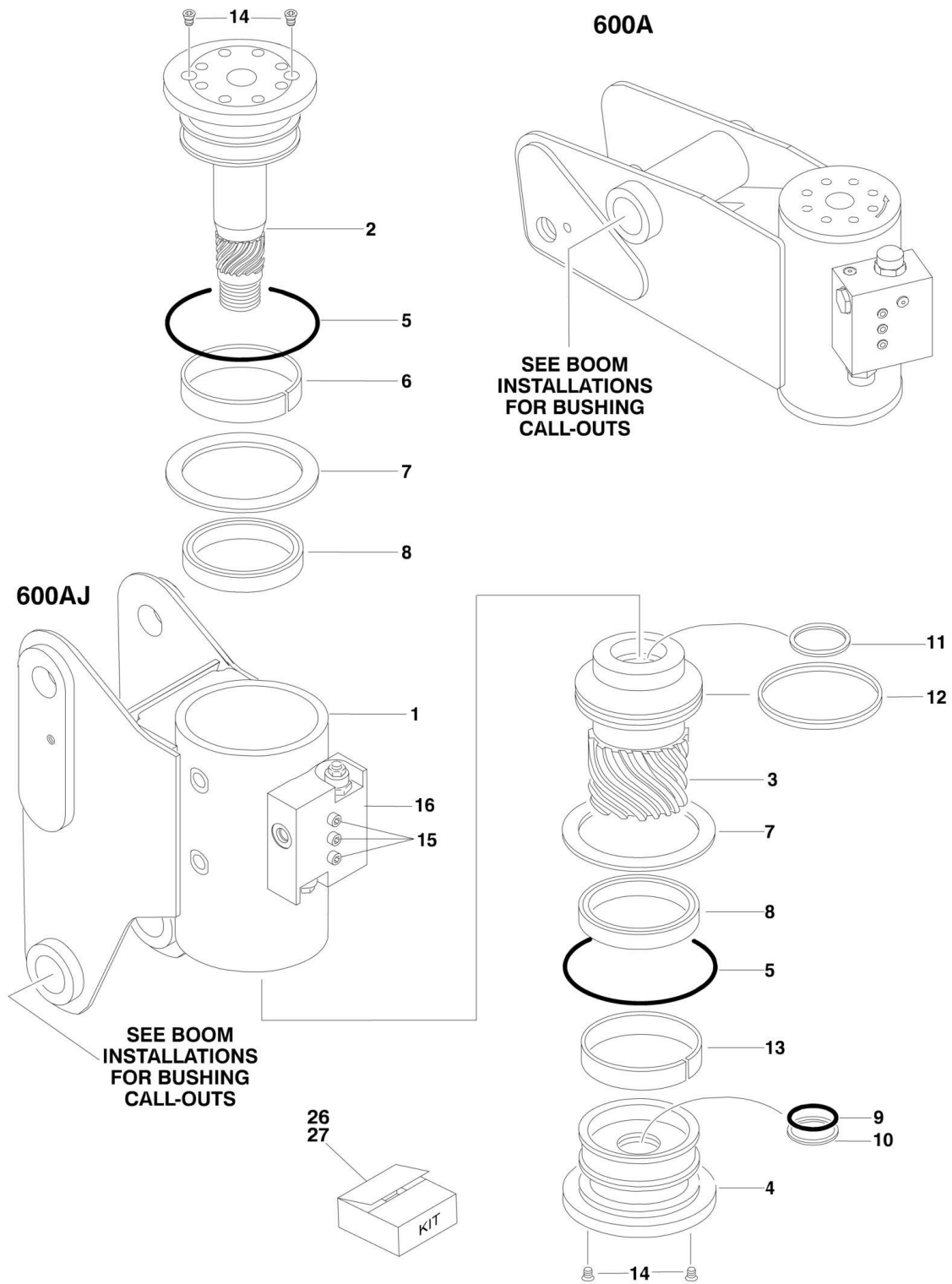
## SECTION 3 - BOOM

ITEM	PART NUMBER	QTY	DESCRIPTION	REV
17B	See Note	1	Seal Kit - Valve Located on Side of Block (Note: Not Available for Purchase)	
18	7017118	2	Setscrew (0060035 & 0060031 Rotators Only)	
19	See Note	3	Bolt 1/4 x 1-1/2 (Grade 8) (Note: Not Available for Purchase)	
20	3790110	3	O-Ring (Not Shown - Located between Valve and Actuator Housing)	
26		Ref	Seal Kit Options (Includes Items 9-13):	
26	7017157	1	0060035 & 0060031 Rotators	
26	7017158	1	0060076 & 0060074 Rotators	
27		Ref	Bearing Kit Options (Includes Items 14-16):	
27	7017106	1	0060035 Rotators	
27	7017156	1	0060031 Rotators	
27	7017159	1	0060076 & 0060074 Rotators	
28	7017142	1	Hardware Kit Hardware Kit for 0060035 & 0060031 Rotators (Includes End Cap Dowel Pins and Items 6 & 28A)	
28A	70001697	6	Screw, Countersunk 1/4in-20NC x 3/8in Grade 8	



# SECTION 3 - BOOM

## FIGURE 3-6. ROTATOR ASSEMBLIES (SIDE ENTRY PLATFORM)





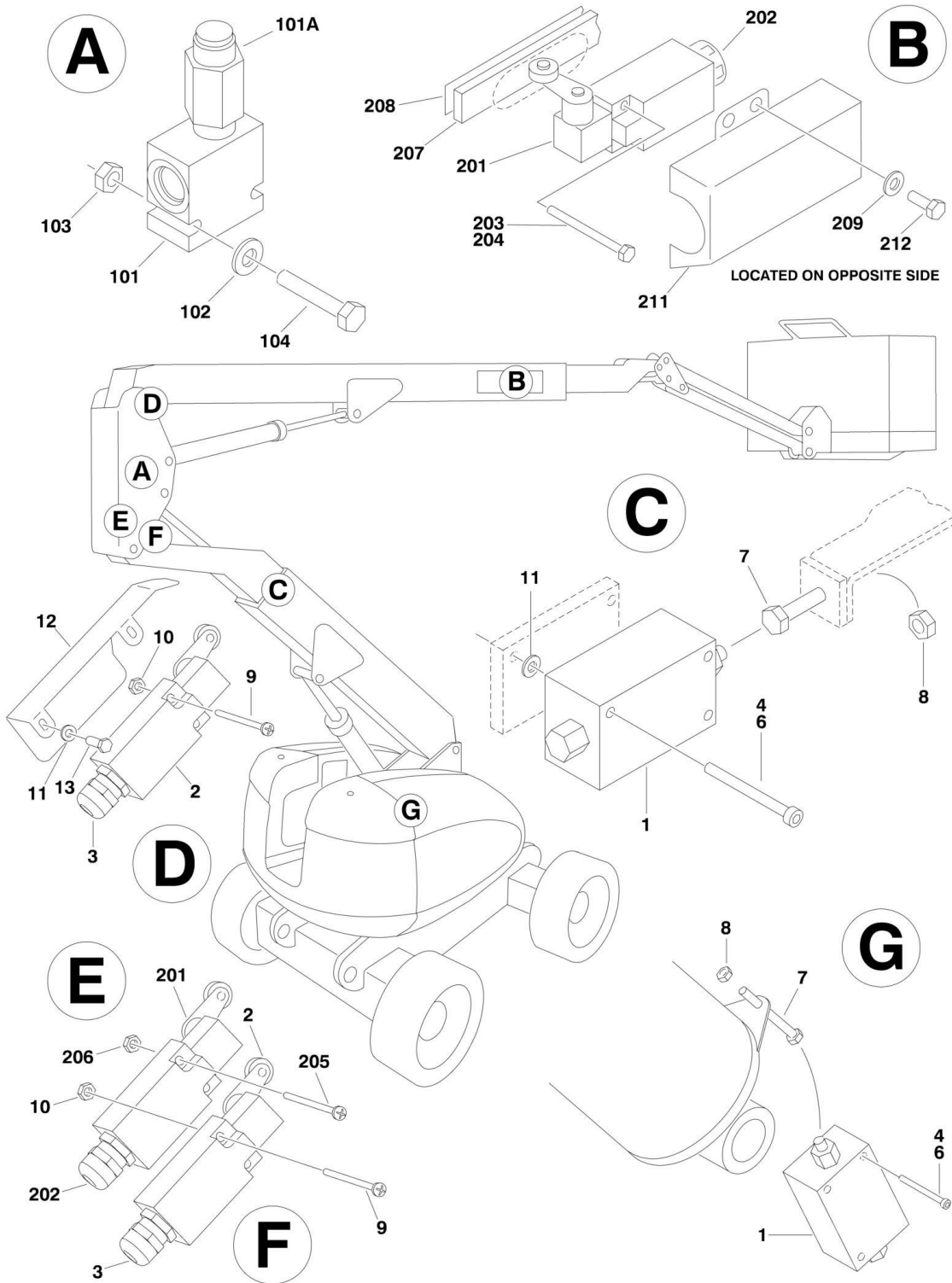
## SECTION 3 - BOOM

**FIGURE 3-6. ROTATOR ASSEMBLIES (SIDE ENTRY PLATFORM)**

ITEM	PART NUMBER	QTY	DESCRIPTION	REV
		Ref	<b>ROTATOR ASSEMBLIES</b>	
	0060068	Ref	<b>Rotator Assemblies (600A)</b>	A
	0060066	Ref	<b>Rotator Assemblies (600AJ)</b>	C
1	See Note	1	Housing/Ring Gear Assembly (Note: Not Available - Purchase Complete Assembly)	
2	7017162	1	Weldment, Shaft	
3	7017163	1	Piston/Sleeve Assembly	
4	7017164	1	Cap, End	
5	See Note	NSS	O-Ring (Note: Use Item 26)	
6	See Note	NSS	Bearing, Shaft (Note: Use Item 27)	
7	See Note	NSS	Thrustwasher (Note: Use Item 27)	
8	See Note	NSS	Packing, Bearing (Note: Use Item 26)	
9	See Note	NSS	Seal, Cap (Note: Use Item 26)	
10	See Note	NSS	Ring, Back-up Cap (Note: Use Item 26)	
11	See Note	NSS	Seal, Rod (Note: Use Item 26)	
12	See Note	NSS	Seal, Piston (Note: Use Item 26)	
13	See Note	NSS	Bearing, Cap (Note: Use Item 27)	
14	70001697	6	Capscrew 1/4in-20NC x 3/8in (Grade 8)	
15	See Note	3	Bolt 1/4 x 1-1/2 (Grade 8) (Note: Not Available for Purchase)	
16	7017183	1	Valve Assembly	
16	7017193	2	Cartridge, Valve	
16	7017193	2	Seal Kit - 7017193 Valve (Note: Not Available for Purchase)	
16	See Note	1	Cartridge, Valve (Not Shown - Located on Side of Block) (Note: Not Available for Purchase)	
16	See Note	1	Seal Kit - Valve Located on Side of Block (Note: Not Available for Purchase)	
26	7017158	1	Seal Kit (Includes Items 5, 8-12 & Hardware Kit)	
27	7017159	1	Bearing Kit (Includes Items 6, 7 & 13)	

# SECTION 3 - BOOM

## FIGURE 3-7. VALVES AND SWITCHES INSTALLATION (BOOM MOUNTED)



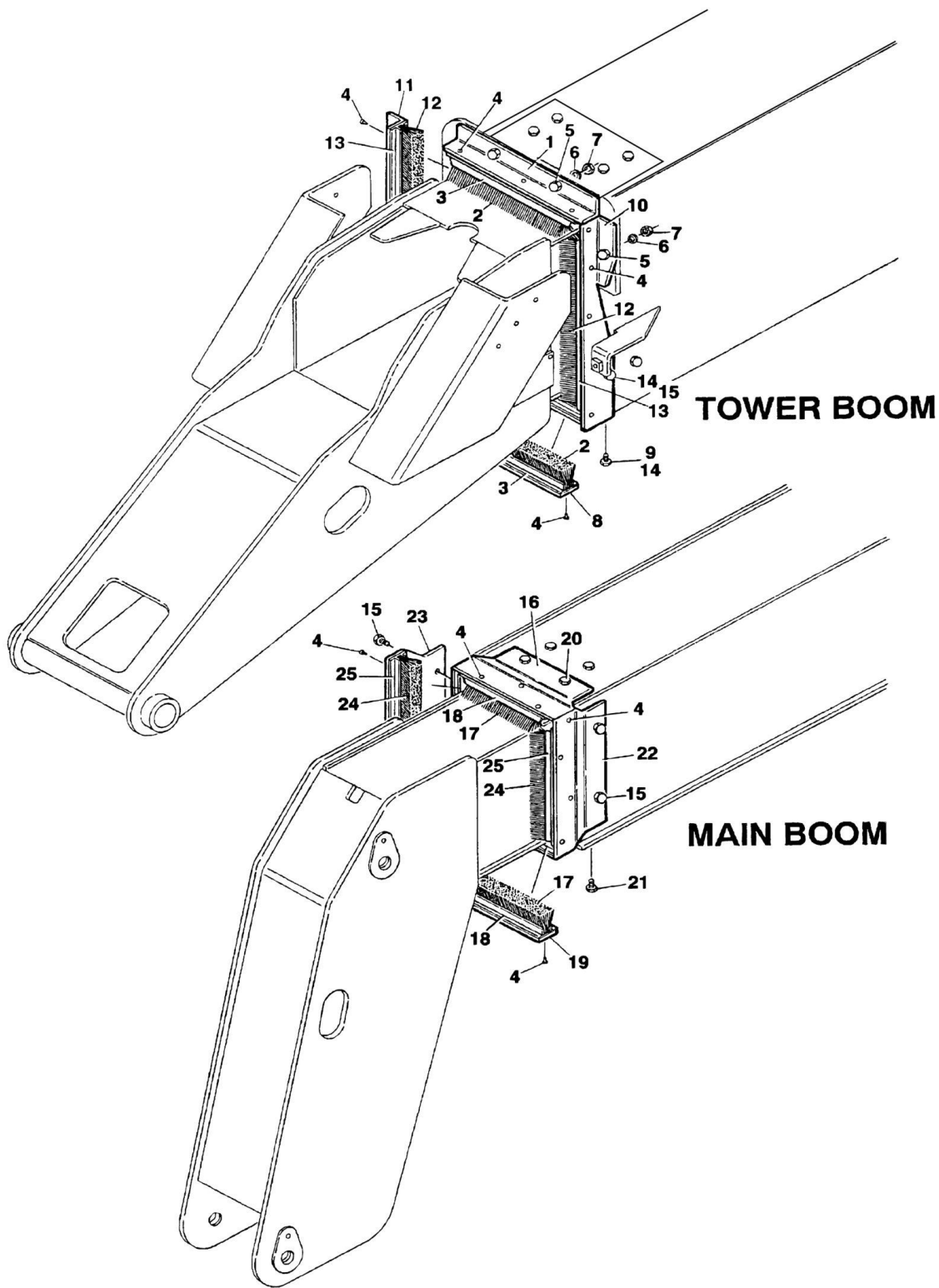
## SECTION 3 - BOOM

**FIGURE 3-7. VALVES AND SWITCHES INSTALLATION (BOOM MOUNTED)**

ITEM	PART NUMBER	QTY	DESCRIPTION	REV
	0255438	Ref	<b>BOOM VALVES AND LIMIT SWITCHES INSTALLATION (STANDARD)</b>	6-G
1		Ref	Valve, Manual 2-Way Options:	
1	4640925	2	Valve, Manual 2-Way <b>(Prior to SN 0300037959)</b>	
1	4641045	2	Valve, Manual 2-Way <b>(SN 0300037959 through 0300042377)</b>	
1	4641105	2	Valve, Manual 2-Way <b>(SN 0300042378 through 0300049398)</b>	
1	4641139	2	Valve, Manual 2-Way <b>(SN 0300049399 through 0300069000)</b>	
2	See Note	2	Switch, Limit (was p/n 4360322 - Purchase p/ns 4360578 & 4460968 as Replacement)	
3		Ref	Connector, Strain Relief Options:	
3	4460428	2	Use with p/n 4360322 Switch	
3	4460968	2	Use with p/n 4360578 Switch	
4	3931430	6	Bolt, Socket Head 1/4in-20NC x 1-7/8in	
6	0100011	AR	Compound, Locking	
7	0630427	2	Bolt, Special	
8	3311801	2	Nut 1/2in-13NC	
9	3930824	4	Bolt, Socket Head #8-32NC x 1-1/2in	
10	3310801	4	Nut #8-32NC	
11	4751400	8	Flatwasher 1/4in Regular	
12	1670819	1	Cover, Switch <b>(SN 0300027349 through 0300069000)</b>	
13	3931408	2	Bolt, Socket 1/4in-20NC x 1/2in <b>(SN 0300027349 through 0300069000)</b>	
	0255440	Ref	<b>VALVES INSTALLATION - 600A 2WS</b>	9
	0255441	Ref	<b>VALVES INSTALLATION - 600AJ 2WS</b>	11
	0255442	Ref	<b>VALVES INSTALLATION - 600A 4WS</b>	9
	0255443	Ref	<b>VALVES INSTALLATION - 600AJ 4WS</b>	9
101	4640929	1	Valve Assembly (Relief)	
101A	7012970	1	Cartridge	
101A	7012953	1	Seal Kit - 7012970 Cartridge	
102	4711400	2	Flatwasher 1/4in Thin	
103	3311405	2	Locknut 1/4in-20NC	
104	0641424	2	Bolt 1/4in-20NC x 3in	
	0255699	Ref	<b>LIMIT SWITCHES INSTALLATION - 600A DUAL CAPACITY</b>	3-C
201	See Note	2	Switch, Limit (was p/n 4360322 - Purchase p/ns 4360578 & 4460968 as Replacement)	
202		Ref	Connector, Strain Relief Options:	
202	4460428	2	Use with p/n 4360322 Switch	
202	4460968	2	Use with p/n 4360578 Switch	
203	0100035	AR	Compound, Locking	
204	3930816	2	Bolt, Socket Head #8-32NC x 1in	
205	3930824	2	Bolt, Socket Head #8-32NC x 1-1/2in	
206	3310805	2	Locknut #8-32NC	
207	0362529	1	Bar, Fiberglass	
208	4420060	9.8 ft/3m	Tape, Foam	
209	4751400	4	Flatwasher 1/4in Regular <b>(SN 0300028924 through 0300069000)</b>	
211	1670824	1	Cover, Switch <b>(SN 0300028924 through 0300069000)</b>	
212	0641403	4	Bolt 1/4in-20NC x 3/8in <b>(SN 0300028924 through 0300069000)</b>	

# SECTION 3 - BOOM

## FIGURE 3-8. BOOM WIPERS INSTALLATIONS (OPTIONAL)



## SECTION 3 - BOOM

### FIGURE 3-8. BOOM WIPERS INSTALLATIONS (OPTIONAL)

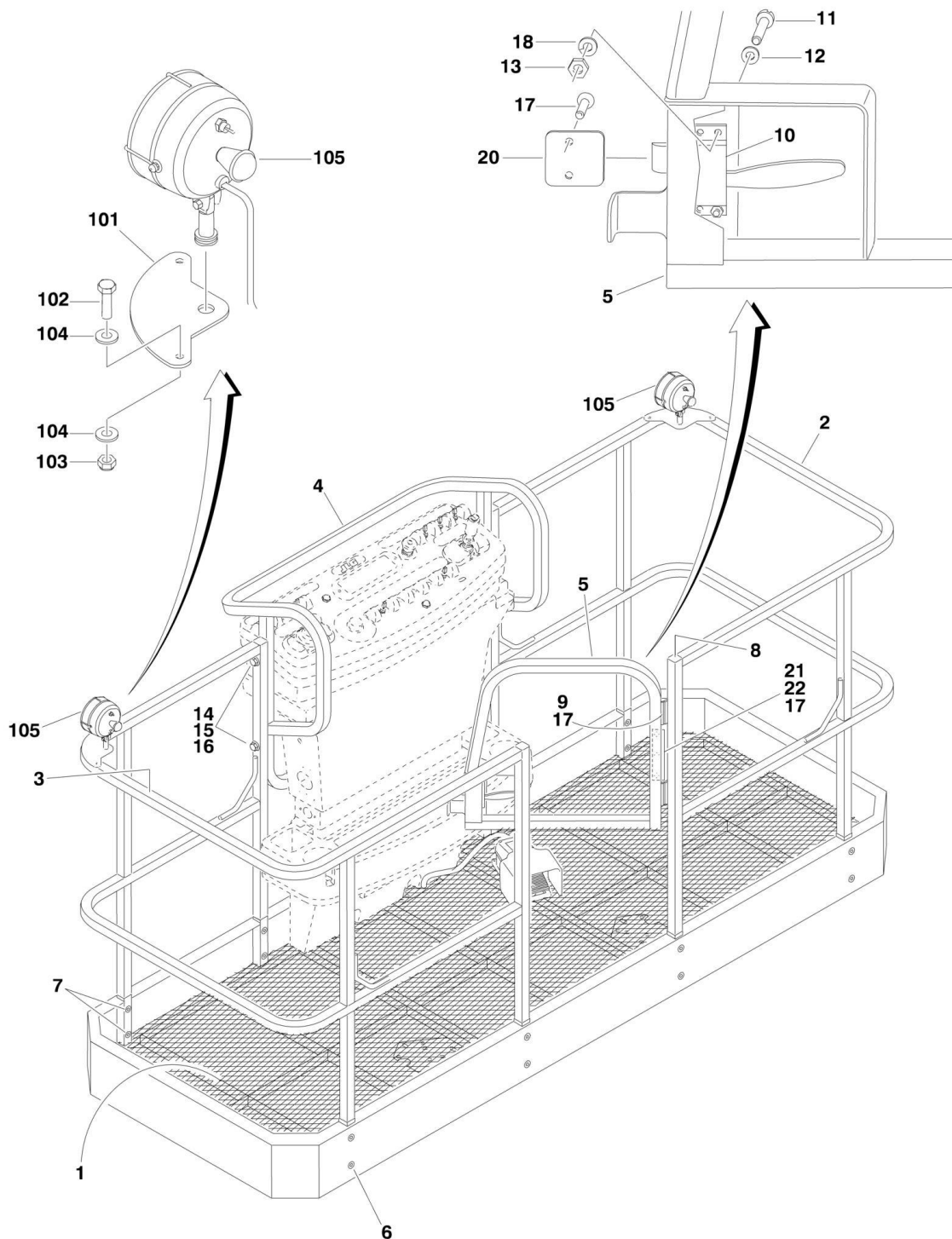
ITEM	PART NUMBER	QTY	DESCRIPTION	REV
		Ref	<b>BOOM WIPERS INSTALLATION (STANDARD PARTS)</b>	
	0256276	Ref	<b>Boom Wipers Installation - 600A</b>	2
	0256366	Ref	<b>Boom Wipers Installation - 600AJ</b>	3
1	3200386	2	Mount, Wiper (Tower Top)	
2	0540078	2	Brush, Wiper (Tower Top and Bottom)	
3	2660071	2	Holder, Brush (Tower Top and Bottom)	
4	3820001	30	Rivet	
5	0641409	8	Bolt 1/4in-20NC x 1-1/8in	
6	4761400	8	Lockwasher 1/4in	
7	3311401	8	Nut 1/4in-20NC	
8	3200388	1	Mount, Wiper (Tower Bottom) <b>(Prior to SN 0300038141)</b>	
9	0641611	2	Bolt 3/8in-16NC x 1-3/8in <b>(Prior to SN 0300038141)</b>	
10	3200387	1	Mount, Wiper (Tower Side - Left Side) <b>(Prior to SN 0300038141)</b>	
10	3200407		Mount, Wiper (Tower Side - Left Side) <b>(SN 0300038141 through 0300069000)</b>	
11	3200393	1	Mount, Wiper (Tower Side - Right Side) <b>(Prior to SN 0300038141)</b>	
11	3200408		Mount, Wiper (Tower Side - Right Side) <b>(SN 0300038141 through 0300069000)</b>	
12	0540099	2	Brush, Wiper (Tower Side)	
13	2660099	2	Holder, Brush (Tower Side)	
14	0100011	AR	Compound, Locking	
15	0641607	4	Bolt 3/8in-16NC x 7/8in	
16	3200389	1	Mount, Wiper (Main Top)	
17	0540083	2	Brush, Wiper (Main Top and Bottom)	
18	2660082	2	Holder, Brush (Main Top and Bottom)	
19	3200390	1	Mount, Wiper (Main Bottom)	
20	0641608	2	Bolt 3/8in-16NC x 1in	
21	0641611	2	Bolt 3/8in-16NC x 1-3/8in	
22		Ref	Mount, Wiper (Main Side - Left Side) Options:	
22	3200394	1	Mount, Wiper (Main Side - Left Side) (600A)	
22	3200396	1	Mount, Wiper (Main Side - Left Side) (600AJ)	
23		Ref	Mount, Wiper (Main Side - Right Side) Options:	
23	3200395	1	Mount, Wiper (Main Side - Right Side) (600A)	
23	3200397	1	Mount, Wiper (Main Side - Right Side) (600AJ)	
24		Ref	Brush, Wiper (Main Side)	
24	0540104	2	Brush, Wiper (Main Side) (600A)	
24	0540104	2	Brush, Wiper (Main Side) <b>(Prior to SN 0300049396)</b>	
24	0540107	2	Brush, Wiper (Main Side) <b>(SN 0300049396 through 0300069000)</b>	
25		Ref	Holder, Brush (Main Side)	
25	2660105	2	Holder, Brush (Main Side) (600A)	
25	2660105	2	Holder, Brush (Main Side) <b>(Including 0300049396)</b>	
25	2660109	2	Holder, Brush (Main Side) <b>(SN 0300049396 through 0300069000)</b>	



**SECTION 4 - PLATFORM**

# SECTION 4 - PLATFORM

## FIGURE 4-1. PLATFORM COMPONENTS INSTALLATION (FRONT ENTRY)





## SECTION 4 - PLATFORM

**FIGURE 4-1. PLATFORM COMPONENTS INSTALLATION (FRONT ENTRY)**

ITEM	PART NUMBER	QTY	DESCRIPTION	REV
		Ref	<b>PLATFORM OPTIONS:</b>	
	3510760	Ref	<b>4ft (1.22m) with Self-Closing Gate</b>	3
	3510728	Ref	<b>5ft (1.52m) with Self-Closing Gate</b>	3
	3510497	Ref	<b>6ft (1.83m) Standard</b>	8
	3510542	Ref	<b>6ft (1.83m) with Self-Closing Gate</b>	3
	3510545	Ref	<b>6ft (1.83m) with Mesh to Top Rail</b>	-
	3510565	Ref	<b>6ft (1.83m) with Mesh to Top Rail and Self-Closing Gate</b>	3
	3510488	Ref	<b>8ft (2.44m) Standard</b>	8
	3510543	Ref	<b>8ft (2.44m) Self-Closing Gate</b>	3
	3510546	Ref	<b>8ft (2.44m) with Mesh to Top Rail</b>	-
	3510566	Ref	<b>8ft (2.44m) with Mesh to Top Rail and Self-Closing Gate</b>	4
1		Ref	Floor Weldment Options:	
1	4846253	1	4ft (1.22m)	
1	4846101	1	5ft (1.52m)	
1	4844954	1	6ft (1.83m)	
1	4844928	1	8ft (2.44m)	
2		Ref	Rail Weldment - Right Side Options:	
2	4846254	1	4ft (1.22m) (Standard)	
2	4846102	1	5ft (1.52m) (Standard)	
2	4844955	1	6ft (1.83m) (Standard)	
2	4845408	1	6ft (1.83m) (Mesh to Top Rail)	
2	4844924	1	8ft (2.44m) (Standard)	
2	4845412	1	8ft (2.44m) (Mesh to Top Rail)	
3		Ref	Rail Weldment - Left Side Options:	
3	4846255	1	4ft (1.22m) (Standard)	
3	4846103	1	5ft (1.52m) (Standard)	
3	4844956	1	6ft (1.83m) (Standard)	
3	4845409	1	6ft (1.83m) (Mesh to Top Rail)	
3	4844925	1	8ft (2.44m) (Standard)	
3	4845413	1	8ft (2.44m) (Mesh to Top Rail)	
4		Ref	Rail Weldment - Back Options:	
4	4844927	1	Rail Weldment - Back <b>(Prior to SN 0300026233)</b>	
4	4845328	1	Rail Weldment - Back <b>(SN 0300026233 through 0300069000)</b>	
5		Ref	Gate Weldment Options:	
5		Ref	With Self-Closing Gate	
5	4845426	1	4ft (1.22m) Platform	
5	4845426	1	5ft (1.52m) Platform	
5	4845327	1	6ft (1.83m) Platform <b>(Prior to SN 0300027649)</b>	
5	4844926	1	6ft (1.83m) Platform <b>(SN 0300027649 through 0300069000)</b>	
5	4845327	1	8ft (2.44m) Platform <b>(Prior to SN 0300027649)</b>	
5	4844926	1	8ft (2.44m) Platform <b>(SN 0300027649 through 0300069000)</b>	
5		Ref	Standard Gate	
5	4844926	1	6ft (1.83m) Platform <b>(Prior to SN 0300026233)</b>	
5	4845327	1	6ft (1.83m) Platform <b>(SN 0300026233 through 0300069000)</b>	
5	4844926	1	8ft (2.44m) Platform <b>(Prior to SN 0300026233)</b>	
5	4845327	1	8ft (2.44m) Platform <b>(SN 0300026233 through 0300069000)</b>	
5		Ref	With Self-Closing Gate and Mesh to Top Rail	
5	4845469	1	6ft (1.83m) Platform	
5	4845469	1	8ft (2.44m) Platform	
5		Ref	Mesh to Top Rail	

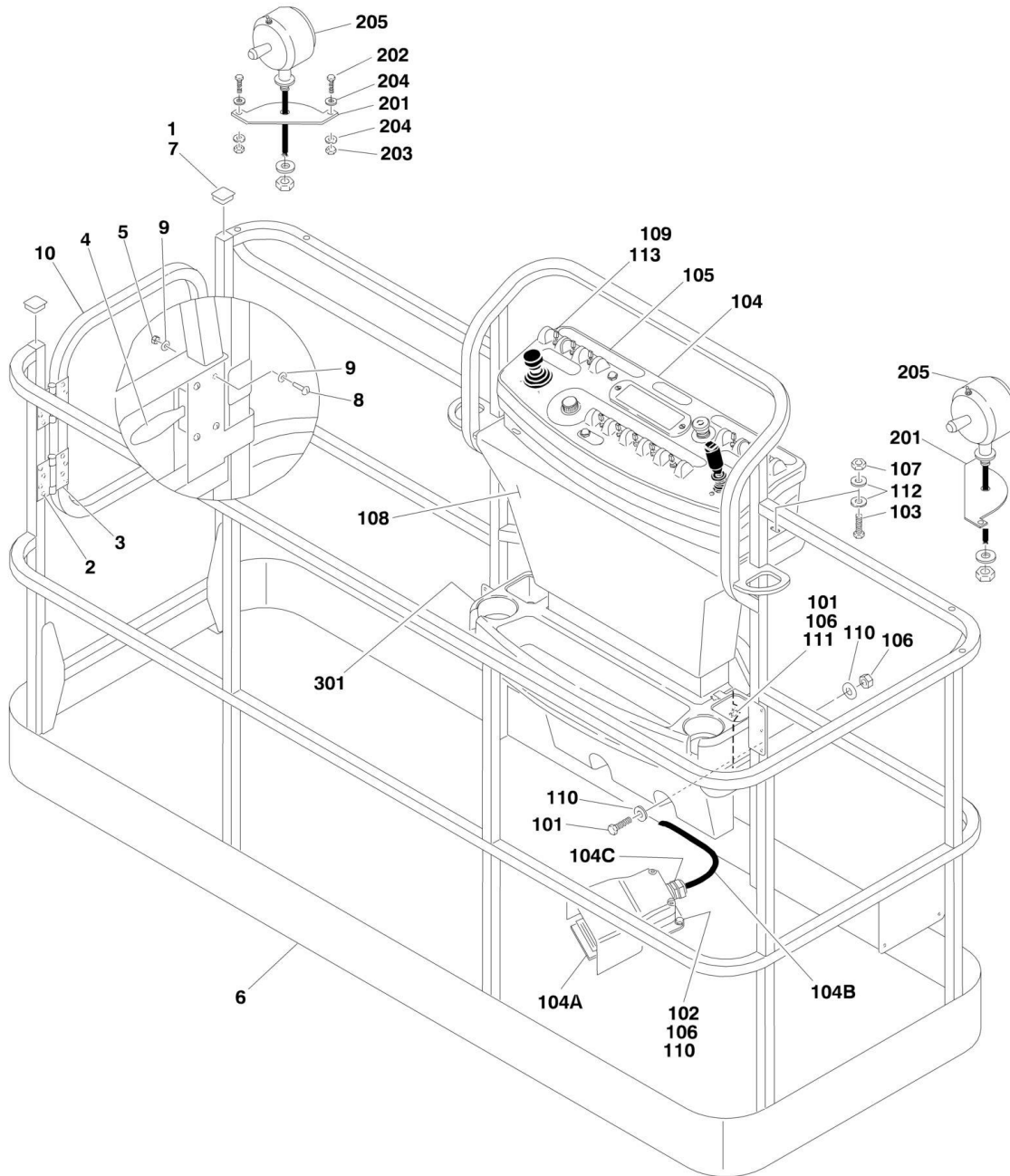
## SECTION 4 - PLATFORM

ITEM	PART NUMBER	QTY	DESCRIPTION	REV
5	4845410	1	6ft (1.83m) Platform	
5	4845410	1	8ft (2.44m) Platform	
6	3900207	AR	Fastener	
		Ref	<b>Note: P/N 3900207 Fastener may be replaced with p/n 0641416 bolt, p/n 4751400 flatwasher, p/n 3311405 locknut and p/n 3300151 acorn type nut. Acorn type nut required to meet industry safety requirements.</b>	
7	3300393	AR	Collar	
8	3520072	4	Plug, Cap	
9		Ref	Hinge Options:	
9	2600216	2	Standard Gate <b>(Prior to SN 0300067388)</b>	
9	2600219	2	Self-Closing Gate <b>(Prior to SN 0300067388)</b>	
9	2600287	2	Standard/Self-Closing Gate <b>(SN 0300067388 through 0300069000)</b>	
10	2940074	1	Latch	
11	3911008	4	Screw #10-24NC x 1/2in	
12	4751000	4	Flatwasher #10 Regular	
13	3311005	4	Nut #10-24NC	
14	0641524	4	Bolt 5/16in-18NC x 3in	
15	3311505	4	Locknut 5/16in-18NC	
16	4751500	4	Flatwasher 5/16in Regular	
17	2080040	13	Fastener	
17	7016652	1	Fastener Tool (Small Fasteners Only)	
18	4761000	4	Lockwasher 3/8in <b>(Prior to SN 0300067388)</b>	
20	3539685	1	Plate, Latch	
21		Ref	Stop, Gate Options:	
21	4220165	1	Standard Gate	
21		Ref	Self-Closing Gate	
21	4220168	1	Self-Closing Gate <b>(Prior to SN 0300030834)</b>	
21	4220165	1	Self-Closing Gate <b>(SN 0300030834 through 0300069000)</b>	
22	4060803	0.6 ft/0.2m	Trim	
		Ref	<b>PLATFORM WORKLIGHTS INSTALLATIONS (OPTIONAL)</b>	
	0255392	Ref	<b>Platform Worklights Installations (Optional) (Colored Wiring) (Prior to SN 0300035129)</b>	2-B
	0258048	Ref	<b>Platform Worklights Installations (Optional) (Numbered Colored Wiring) (SN 0300035129 through 0300064248)</b>	2-F
	0270814	Ref	<b>Platform Worklights Installations (Optional) (ADE System) (SN 0300064249 through 0300069000)</b>	3-E
101	3536089	2	<b>Plate, Mounting</b>	
102	0641414	4	Bolt 1/4in-20NC x 1-3/4in	
103	3311405	4	Locknut 1/4in-20NC	
104	4711400	8	Flatwasher 1/4in Thin	
105	2920140	2	Worklight	
105	7016399	2	Bulb, Replacement (1 Per Worklight)	
106	4240099	10	Tie-Strap	
107	2820035	9 ft/2.8m	Loom, Vinyl (Not Shown)	
108	4460042	2	End, Terminal (Not Shown)	
109	4460598	1	Connector, Strain Relief (Not Shown)	



# SECTION 4 - PLATFORM

## FIGURE 4-2. PLATFORM COMPONENTS INSTALLATION (SIDE ENTRY)



## SECTION 4 - PLATFORM

**FIGURE 4-2. PLATFORM COMPONENTS INSTALLATION (SIDE ENTRY)**

ITEM	PART NUMBER	QTY	DESCRIPTION	REV
		Ref	<b>PLATFORM ASSEMBLIES:</b>	
	3510822	NLA	<b>8ft (2.44m) with No Mesh (Use p/n 1001144023)</b>	B-A
	3510833	NLA	<b>6ft (1.83m) with No Mesh (Use p/n 1001144024)</b>	B-A
		Ref	<b>Note: When replacing 8ft/2.44m platform with Soft Touch option, new Soft Touch Rail p/n 4846673 must be purchased to accommodate limit switch locations.</b>	
		Ref	<b>Note: When replacing platform on machines with SkyCutter option, new bracket p/n 1001145405 must be purchased to accommodate SkyCutter components.</b>	
1	0100040	AR	Sealant, Adhesive	
2	2080040	16	Fastener, Huck	
3	2600281	2	Hinge, Self-Closing	
4	2940074	1	Latch	
5	3311001	4	Nut #10-24NC	
6	See Note	1	Platform Weldment (Note: Purchase Platform Assembly)	
7	3520072	2	Cap-Plug	
8	3911008	4	Screw #10-24NC x 1in	
9	4751000	8	Flatwasher #10 Regular	
10		Ref	Gate Weldment Options:	
10	4846452	1	Gate for Original Equipment Platform p/n 3510822, 3510833	
10	1001144629	1	Gate for Service Replacement Platform p/ns 1001144023, 1001144024	
		Ref	<b>CONSOLE BOX INSTALLATIONS</b>	
	0271945	Ref	<b>Console Box Installations 2WD</b>	A
	0271941	Ref	<b>Console Box Installations 4WD</b>	A
101	0641406	4	Bolt 1/4in-20NC x 3/4in	
102	0641408	3	Bolt 1/4in-20NC x 1in	
103	0641610	4	Bolt 3/8in-16NC x 1-1/4in	
104	0861517	1	Platform Console Box Assembly (See PLATFORM CONSLE BOX ASSEMBLY for Breakdown)	
104A	0272970	1	Footswitch Assembly (Includes Footswitch and Items 104B & 104C)	
		Ref	<b>Note: Assembly p/n 0272970 may use either p/n 4360031 or p/n 1001117320. If Original Equipment was replaced as an "assembly," p/n 1001117320 may have been used as part of the Service Replacement. Identify component before ordering parts.</b>	
104A		Ref	Footswitch Less Cable Options:	
104A	4360031	1	Original Equipment	
104A	1001117320	1	Service Replacement	
104A		Ref	Block, Contact Options (see Note Above):	
104A	7000625	2	Contact Block for 4360031 Footswitch	
104A	70003483	1	Contact Block for 1001117320 Footswitch	
104B	1060918	7 ft/2.14m	Cable, Electrical - 18/3	
104C	4460071	1	Connector, Strain Relief	
105		Ref	Decal - Horn Options:	
105	1702563	1	2WD	
105	1702676	1	4WD	
106	3311405	7	Locknut 1/4in-20NC	
107	3311605	4	Locknut 3/8in-16NC	
108	3380434	1	Panel, Decal Mount	
109	4360331	1	Switch (4WD)	

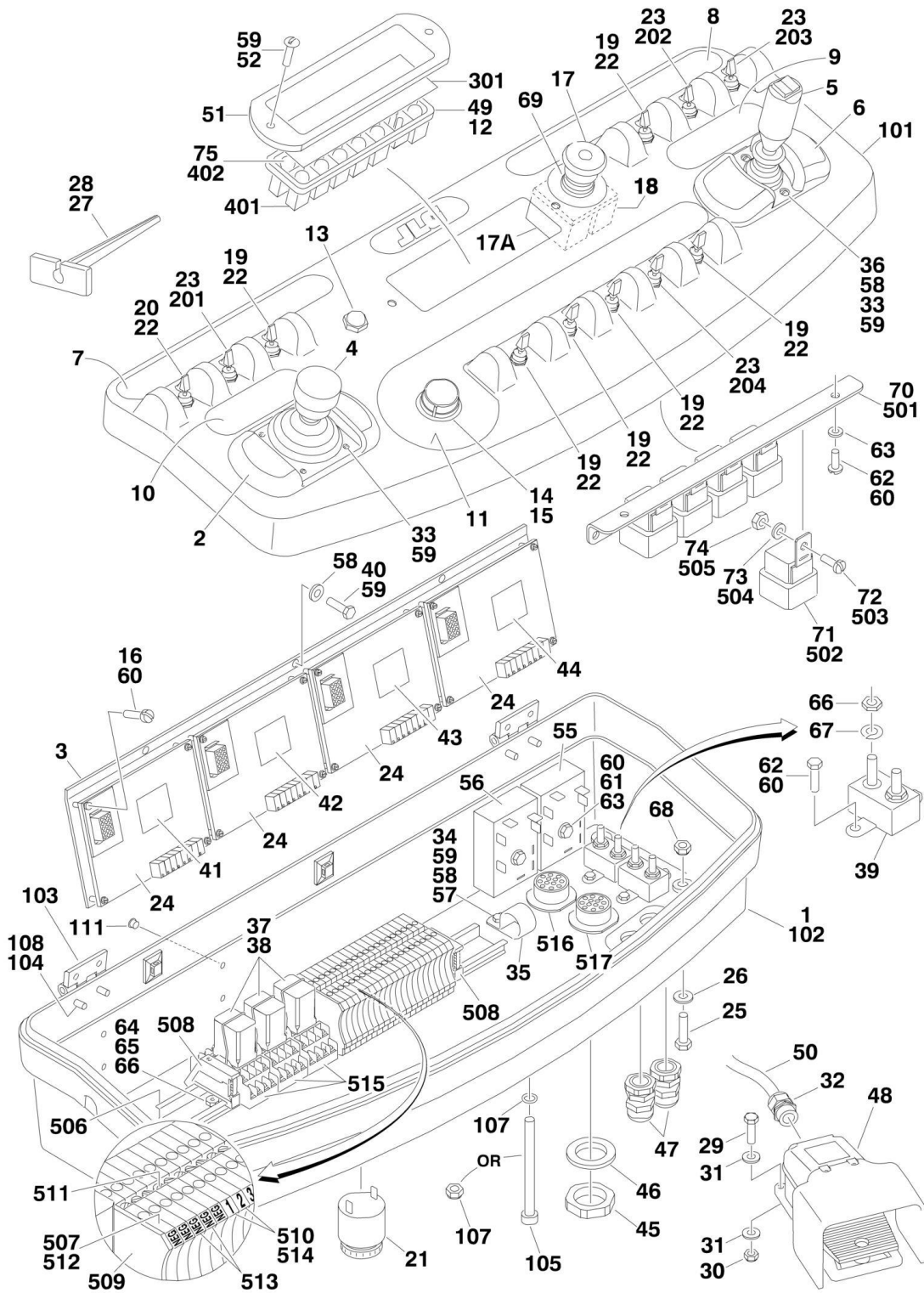
## SECTION 4 - PLATFORM

ITEM	PART NUMBER	QTY	DESCRIPTION	REV
110	4740362	7	Washer, Fender 1/4in	
111	4751400	4	Flatwasher 1/4in Regular	
112	4751600	8	Flatwasher 3/8in Regular	
113	3790012	1	O-Ring	
	0270814	Ref	<b>WORKLIGHTS INSTALLATIONS (OPTIONAL)</b>	3-E
201	3536089	2	Plate, Mounting	
202	0641414	4	Bolt 1/4in-20NC x 1-3/4in	
203	3311405	4	Locknut 1/4in-20NC	
204	4711400	8	Flatwasher 1/4in Thin	
205	2920140	2	Worklight	
205	7016399	2	Bulb, Replacement (1 Per Worklight)	
206	4240099	10	Tie-Strap (Not Shown)	
207	2820035	9	Loom, Vinyl (Not Shown)	
209	4460598	1	Connector, Strain Relief (Not Shown - Located at Console Box)	
		Ref	<b>TRAY INSTALLATIONS (OPTIONAL)</b>	
301	1580012	1	Tray, Storage (Center)	
302	1580013	1	Tray, Storage (Rail Mounted - Not Shown)	



# SECTION 4 - PLATFORM

## FIGURE 4-3. PLATFORM CONSOLE ASSEMBLY (Prior to SN 0300064249)





## SECTION 4 - PLATFORM

**FIGURE 4-3. PLATFORM CONSOLE ASSEMBLY (Prior to SN 0300064249)**

ITEM	PART NUMBER	QTY	DESCRIPTION	REV
		Ref	<b>Note: Numbered Colored Wiring starts with SN 0300035129</b>	
		Ref	<b>PLATFORM CONSOLE AND FOOTSWITCH ASSEMBLIES OPTIONS:</b>	
	0861043	Ref	<b>Platform Console and Footswitch Assemblies 2WD (Prior to SN 0300029430)</b>	8-F
	0861084	Ref	<b>Platform Console and Footswitch Assemblies 2WD (SN 0300029430 through 0300035128)</b>	8-A
	0861135	Ref	<b>Platform Console and Footswitch Assemblies 2WD (SN 0300035129 through 0300064248)</b>	7-E
	0861042	Ref	<b>Platform Console and Footswitch Assemblies 4WD (Prior to SN 0300029430)</b>	8-F
	0861083	Ref	<b>Platform Console and Footswitch Assemblies 4WD (SN 0300029430 through 0300035128)</b>	3-A
	0861134	Ref	<b>Platform Console and Footswitch Assemblies 4WD (SN 0300035129 through 0300064248)</b>	7-E
1	0860984	1	Box, Console Assembly (See Items 101-108 for Breakdown)	
2	4340678	1	Support, Hand	
3	3538819	1	Plate, Mounting	
4		Ref	Controller Assembly (Lift and Swing) Options:	
4	1600242	1	Controller Assembly (Lift and Swing) (See OEM CONTROLLER ASSEMBLY (SWING AND LIFT) for Breakdown) <b>(Prior to SN 0300039654)</b>	
4	1600284	1	Controller Assembly (Lift and Swing) (See OEM CONTROLLER ASSEMBLY (SWING AND LIFT) for Breakdown) <b>(SN 0300039654 through 0300064249)</b>	
5		Ref	Controller Assembly (Drive and Steer) Options:	
5	1600239	1	Controller Assembly (Drive and Steer) (See OEM CONTROLLER ASSEMBLY (DRIVE/STEER) for Breakdown) <b>(Prior to SN 0300039654)</b>	
5	1600283	1	OEM CONTROLLER ASSEMBLY (DRIVE/STEER) (See OEM CONTROLLER ASSEMBLY (DRIVE/STEER) for Breakdown) <b>(SN 0300039654 through 0300064249)</b>	
6	4340684	1	Support, Hand	
7		Ref	Decal - Controls Options: (Console Left Side)	
7	1702563	1	Decal - Controls (Prior to June 1996)	
7	1702676	1	Decal - Controls (June 1996 to SN 0300064249)	
8	1702564	1	Decal (Stop)	
9	1702565	1	Decal (Drive and Steer)	
10	1702566	1	Decal (Lift and Swing)	
11	1702567	1	Decal (Speed/Lower Lift/Tele/Rotate/Jib)	
12	2760105	1	Housing, Display Light	
13	4360387	1	Switch, Pushbutton	
14	2560136	1	Knob, Speed Control	
15	4360407	1	Controller, Speed	
15	See Note	1	Gasket "Top Hat" (Included with Switch) (Note: Not Available - Purchase Complete Controller.)	
15	70003784	1	Seal	
16	3910610	16	Screw #6-32NC x 5/8in	
17		Ref	Switch, Emergency Stop Options:	
17	4360395	1	Switch, Emergency Stop <b>(Prior to SN 0300036019)</b>	
17	4360289	1	Switch, Emergency Stop <b>(SN 0300035129 through 0300044644)</b>	
17	4360475	1	Switch, Emergency Stop <b>(SN 0300044645 through</b>	

## SECTION 4 - PLATFORM

ITEM	PART NUMBER	QTY	DESCRIPTION	REV
			<b>0300064249)</b>	
17A		Ref	Cap Options:	
17A	7016315	1	Cap, Red (Used on Switch p/n 4360395)	
17A	7012611	1	Cap, Mushroom Head (Used on Switch p/n4360289)	
17A	7012612	1	Boot (Used on Switch p/n 4360289)	
17A	7020175	1	Cap, Red (Used on Switch p/n 4360475)	
17A	7020176	1	Block, Contact ( <b>SN 0300044645 through 0300064249)</b> )	
18		Ref	Block, Contact Options:	
18	4360282	1	Block, Contact ( <b>Prior to SN 0300044645)</b> )	
18	4360476	1	Block, Contact ( <b>SN 0300044645 through 0300064249)</b> )	
19	4360314	6	Switch, Toggle	
20		Ref	Switch, Toggle Options:	
20	4360345	1	Switch, Toggle 2WD	
20	4360331	1	Switch, Toggle 4WD	
21	0140026	1	Alarm	
22	3790012	7	O-Ring	
23	3520028	4	Plug, Hole (For switch call-outs at these locations, refer to options installation below)	
24	1600218	4	Card, Control	
24	7016346	4	Fuse - 5 Amp (1Per Card)	
25		Ref	Bolt Options:	
25	0641606	4	Bolt 3/8in-16NC x 3/4in ( <b>Prior to SN 0300039778)</b> )	
25	0641610	4	Bolt 3/8in-16NC x 1-1/4in ( <b>SN 0300039778 through 0300064249)</b> )	
26	4751600	4	Flatwasher 3/8in Regular	
27	4460467	1	Tool, Pin Extraction (Blue 16-18 Gauge) (Not Shown)	
28	4460510	1	Tool, Pin Extraction (Yellow 12-14 Gauge) (Not Shown)	
29	0641408	3	Bolt 1/4in-20NC x 1in	
30	3311405	3	Locknut 1/4in-20NC	
31	4740362	3	Washer, Fender 1/4in	
32	4460071	1	Connector, Strain Relief	
33	0641404	8	Bolt 1/4in-20NC x 1/2in	
34	3311401	1	Nut 1/4in-20NC	
35	1320060	1	Clamp	
36	1320095	1	Clamp	
37	3740058	3	Relay - 4PDT	
38	3740063	3	Spring, Relay	
39	4360232	2	Breaker, Circuit - 15 Amp	
40	3931412	3	Capscrew, Socket Head 1/4in-20NC x 3/4in ( <b>Prior to SN 0300039749)</b> )	
40	0641406	3	Bolt 1/4in-20NC x 3/4in ( <b>SN 0300039749 through 0300064249)</b> )	
41	1703090	1	Decal - Control Card (Lift)	
42	1703091	1	Decal - Control Card (Swing)	
43	1703092	1	Decal - Control Card (Flow Control)	
44	1703093	1	Decal - Control Card (Drive)	
45	4460470	2	Nut, Conduit	
46	4460471	2	Washer	
47	4460428	2	Connector, Strain Relief	
48	4360031	1	Footswitch	
48	7000625	2	Block, Contact	
49	3700010	14	Reflector ( <b>Prior to SN 0300027331)</b> )	
51	1670829	1	Bezel	

## SECTION 4 - PLATFORM

ITEM	PART NUMBER	QTY	DESCRIPTION	REV
52	0630464	2	Screw, Button Head #10-24NC x 1/2in	
55	3740113	1	Relay, Time Delay	
56	3740115	1	Relay, Time Delay	
57	0641406	1	Bolt 1/4in-20NC x 3/4in	
58	4751400	5	Flatwasher 1/4in Regular	
59	0100011	AR	Compound, Locking	
60	0100035	AR	Compound, Locking	
61	0721010	2	Screw, Machine #10-24NC x 1-1/4in	
62	0721003	4	Screw, Machine #10-24NC x 3/8in	
63	4751000	2	Flatwasher #10 Regular	
64	0721004	2	Bolt #10-32NF x 1/2in	
65	4711000	2	Flatwasher #10 Thin	
66	4761000	6	Lockwasher #10	
67	3311001	4	Nut #10-24NC	
68	3311605	4	Locknut 3/8in-16NC	
69	1704260	1	Decal - EMS	
70	3539275	1	Plate, Relay Mounting (SN 0300049954 through 0300064249)	
71	3740049	5	Relay, Bosch (SN 0300049954 through 0300064249)	
72	0721003	5	Screw #10-24NC x 3/8in (SN 0300049954 through 0300064249)	
73	4751000	5	Flatwasher #10 Regular (SN 0300049954 through 0300064249)	
74	3311005	5	Locknut #10-24NC (SN 0300049954 through 0300064249)	
75	2920129	12	Bulb, Light (SN 0300049954 through 0300064249)	
	0860984	Ref	<b>CONSOLE BOX ASSEMBLY</b>	6-E
101	1220022	1	Lid, Cast	
102	1220023	1	Bottom, Box	
103	2600211	2	Hinge	
104	3900224	8	Capscrew, Socket Head Countersunk 6mm x 16mm	
105	3931672	1	Capscrew, Socket Head 3/8in-16NC x 4-1/2in	
107		Ref	Fastener Options:	
107	See Note	1	O-Ring (Prior to May 1996) (Note: Recommend using 3311601 Nut in place of original 3790109O-Ring)	
107	3311601	1	Nut 3/8in-16NC	
108	0100011	AR	Compound, Locking	
111	3520173	4	Plug (SN 0300038808 through 0300064249)	
		Ref	<b>CONSOLE BOX OPTIONS</b>	
201		Ref	4WS Switch Option Components	
201	4360331	1	Switch, Toggle	
201	3790012	1	O-Ring	
202		Ref	Dual Switch Option Components	
202	4360336	1	Switch, Toggle	
202	3790012	1	O-Ring	
203		Ref	Lights Switch Option Components	
203	4360336	1	Switch, Toggle	
203	3790012	1	O-Ring	
204		Ref	Articulating Jib Switch Option Components	
204	4360314	1	Switch, Toggle	
204	3790012	1	O-Ring	
	0236631	Ref	<b>LIGHT PANEL DECAL INSTALLATION</b>	-
301	1702387	1	Decal - Light Panel Display	
		Ref	<b>HARNES COMPONENTS</b>	
401	4120035	7	Base, Light	
402	2920129	7	Bulb, Light	

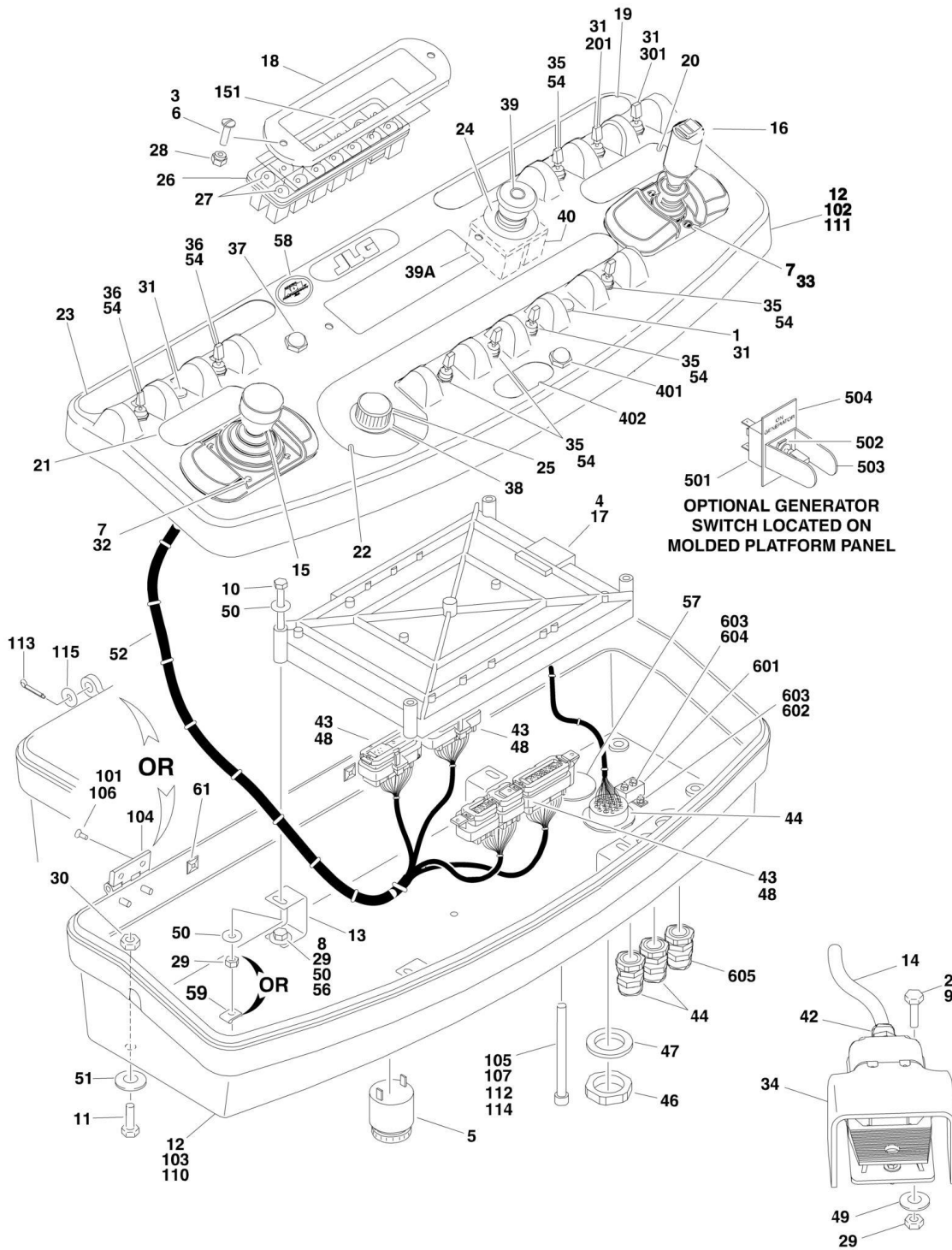
## SECTION 4 - PLATFORM

ITEM	PART NUMBER	QTY	DESCRIPTION	REV
		Ref	<b>ELECTRICAL COMPONENTS INSTALLATIONS:</b>	
	0861041	Ref	<b>Electrical components installations: (Colored Wiring) (Prior to SN 0300029430)</b>	5-D
	0861082	Ref	<b>Electrical components installations: (Colored Wiring) (SN 0300029430 through 0300035128)</b>	1-A
	4921991	Ref	<b>Electrical components installations: (Numbered Colored Wiring) (SN 0300035129 through 0300064248)</b>	1-D
501	3539275	1	Plate, Relay Mounting (Prior to SN 0300049954)	
502	3740049	8	Relay, Bosch (Prior to SN 0300049954)	
503	0721003	8	Screw #10-24NC x 3/8in (Prior to SN 0300049954)	
504	4751000	8	Flatwasher #10 Regular (Prior to SN 0300049954)	
505	3311005	8	Locknut #10-24NC (Prior to SN 0300049954)	
506		Ref	Track Options:	
506	3640970	1	Track (Prior to SN 0300035129)	
506	3641182	1	Track (SN 0300035129 through 0300064248)	
507		Ref	Block, Terminal Options:	
507	4460601	10	Block, Terminal (Prior to SN 0300035129)	
507	4460600	10	Block, Terminal (SN 0300035129 through 0300064248)	
508	4460607	2	Stop, End	
509	4460602	1	Barrier, Terminal	
510	4460629	2	Marker, Terminal (6-15)	
511	4460603	1	Bar, Buss - 10 Position (Cut into [2] 5 Position Bars)	
512		Ref	Block, Terminal Options:	
512	4460601	10	Block, Terminal (Prior to SN 0300035129)	
512	4460600	10	Block, Terminal (SN 0300035129 through 0300064248)	
513	4460631	1	Marker, Terminal (Negative)	
514	4460632	1	Marker, Terminal (1-5)	
515	4120013	3	Socket, Relay	
516	4460613	1	Connector - 21 Position	
517	4460503	1	Connector - 31 Position	
519	4240032	20	Tie-Strap (Not Shown)	
520	4240018	10	Tie-Strap (Not Shown)	



# SECTION 4 - PLATFORM

FIGURE 4-4. PLATFORM CONSOLE ASSEMBLY (WITH ADE SYSTEM) (SN 0300064249 through 0300069000)



## SECTION 4 - PLATFORM

**FIGURE 4-4. PLATFORM CONSOLE ASSEMBLY (WITH ADE SYSTEM) (SN 0300064249 through 0300069000)**

ITEM	PART NUMBER	QTY	DESCRIPTION	REV
		Ref	<b>CONSOLE BOX AND FOOTSWITCH ASSEMBLIES</b>	
	0861415	Ref	<b>Console Box and Footswitch Assemblies (SN 0300064249 through 0300064269)</b>	E
	0861474	Ref	<b>Console Box and Footswitch Assemblies (SN 0300064270 through 0300068917)</b>	B
	0861517	Ref	<b>Console Box and Footswitch Assemblies (SN 0300068918 through 0300069000)</b>	A
1	0100009	AR	Sealant	
2	0100020	AR	Sealant	
3	0100035	AR	Compound, Locking	
4	0100048	AR	Grease, Dielectric	
5	0140011	1	Alarm	
6	0630464	2	Screw, Button Head #10-24NC x 1/2in	
7	0641404	8	Bolt 1/4in-20NC x 1/2in	
8	0641406	4	Bolt 1/4in-20NC x 3/4in	
9	0641408	3	Bolt 1/4in-20NC x 1in	
10	0641416	4	Bolt 1/4in-20NC x 2in	
11	0641610	4	Bolt 3/8in-16NC x 1-1/4in	
12		Ref	Box, Console Options:	
		Ref	<b>Note: No exact SN break exists. SN 0300067725 through SN 0300068965 may use either box.</b>	
12	0861414	1	Box, Console - Aluminum (See Items 101-107 for Breakdown) <b>(SN 0300064249 through 0300067725)</b>	
12	0861537	1	Box, Console - Die Cast (See Items 110-115 for Breakdown) <b>(SN 0300068965 through 0300069000)</b>	
13	0902751	4	Bracket, Card Support	
14		Ref	Cable Options:	
14	1060330	7 ft/2.1m	Cable, 16/3 <b>(SN 0300064249 through 0300064269)</b>	
14	1060918	8 ft/2.4m	Cable, 18/3 <b>(SN 0300064270 through 0300069000)</b>	
15	1600317	NLA	Controller Assembly (Lift and Swing) (See OEM CONTROLLER ASSEMBLY (SWING AND LIFT) (WITH ADE SYSTEM) for Breakdown) (Use p/n 1001129555)	
16	1600318	NLA	Controller Assembly (Drive and Steer) (See OEM CONTROLLER ASSEMBLY (DRIVE/STEER) (WITH ADE SYSTEM) for Breakdown) (Use p/n 1001212415)	
17	1600313	1	Controller, Module (Re-calibration Required when Replaced)	
18	1670829	1	Bezel	
19	1702564	1	Decal (Stop)	
20	1702565	1	Decal (Drive and Steer)	
21	1702566	1	Decal (Lift and Swing)	
22	1702567	1	Decal (Function Speed)	
23	1702676	1	Decal (Horn)	
24	1704260	1	Decal - EMS	
25	2560136	1	Handle, Knob	
26	2760105	1	Housing, Display Light	
27	2920129	12	Bulb, Light	
28	3300408	2	Locknut, Nylon Insert	
29	3311405	11	Locknut 1/4in-20NC	
30	3311605	4	Locknut 3/8in-16NC	
31	3520028	4	Plug, Hole 1/2in	
32	4340678	1	Support, Hand	

## SECTION 4 - PLATFORM

ITEM	PART NUMBER	QTY	DESCRIPTION	REV
33	4340684	1	Support, Hand	
34	4360031	1	Footswitch	
34	7000625	2	Block, Contact	
35	4360328	6	Switch, Toggle	
36	4360331	1	Switch, Toggle	
37	4360387	1	Switch, Pushbutton	
38	4360407	1	Controller, Speed	
38	See Note	1	Gasket "Top Hat" (Included with Switch) (Note: Not Available - Purchase Complete Controller.)	
38	70003784	1	Seal	
39	4360475	1	Switch, Emergency Stop	
39	7020175	1	Cap, Red	
39A	7020176	1	Contact Block	
40	4360476	1	Block, Contact	
41	4460042	3	Terminal, Ring (Not Shown)	
42	4460071	1	Connector, Strain Relief	
43	4460226	2	Socket, Contact	
44	4460428	2	Connector, Strain Relief	
45	4460464	1	Terminal, Deutsch	
46	4460470	1	Nut, Terminal	
47	4460471	1	Lockwasher, Terminal	
48	4460905	5	Connector, Amp Seal Plug	
49	4740362	3	Washer 1/4in (Fender)	
50	4751400	16	Flatwasher 1/4in Regular	
51	4751600	4	Flatwasher 3/8in Regular	
52		Ref	Harness, Platform Box Options:	
52	4922509	1	Harness, Platform Box (SN 0300064249 through 0300064269)	
52	4922639	1	Harness, Platform Box (SN 0300064270 through 0300069000)	
53		Ref	Harness, Analyzer Cable Options: (Not Shown)	
53	4922485	1	Harness, Analyzer Cable (SN 0300064249 through 0300064269)	
53	4922666	1	Harness, Analyzer Cable (SN 0300064270 through 0300069000)	
53	4460871	4	Terminal, Socket	
53	4460761	1	Housing - 4 Position	
53	4460227	4	Pin	
54	3790012	7	O-Ring	
55	4460708	2	Connector, Female - 15 Position (Not Shown - See ELECTRICAL Section for Location)	
56	0100081	AR	Adhesive (Not Shown) (SN 0300064398 through 0300069000)	
57	1671037	1	Cover (SN 0300068918 through 0300069000)	
58	1705132	1	Decal - ADE (SN 0300068918 through 0300069000)	
59	3300353	4	Nut, Tinnerman (SN 0300068918 through 0300069000)	
60	4460226	3	Wire, Tie (Not Shown) (SN 0300068918 through 0300069000)	
61	4460488	1	Base, Mounting (SN 0300068918 through 0300069000)	
	0861414	Ref	<b>CONSOLE BOX ASSEMBLY - ALUMINUM</b>	C
101	0100011	AR	Compound, Locking	
102	0861414	1	Console Top (Note: Not Available for Purchase)	
103	0861414	1	Console Bottom (Note: Not Available for Purchase)	
104	2600211	2	Hinge	
105	3311601	1	Nut 3/8in-16NC	
106	3900224	8	Screw Countersunk	

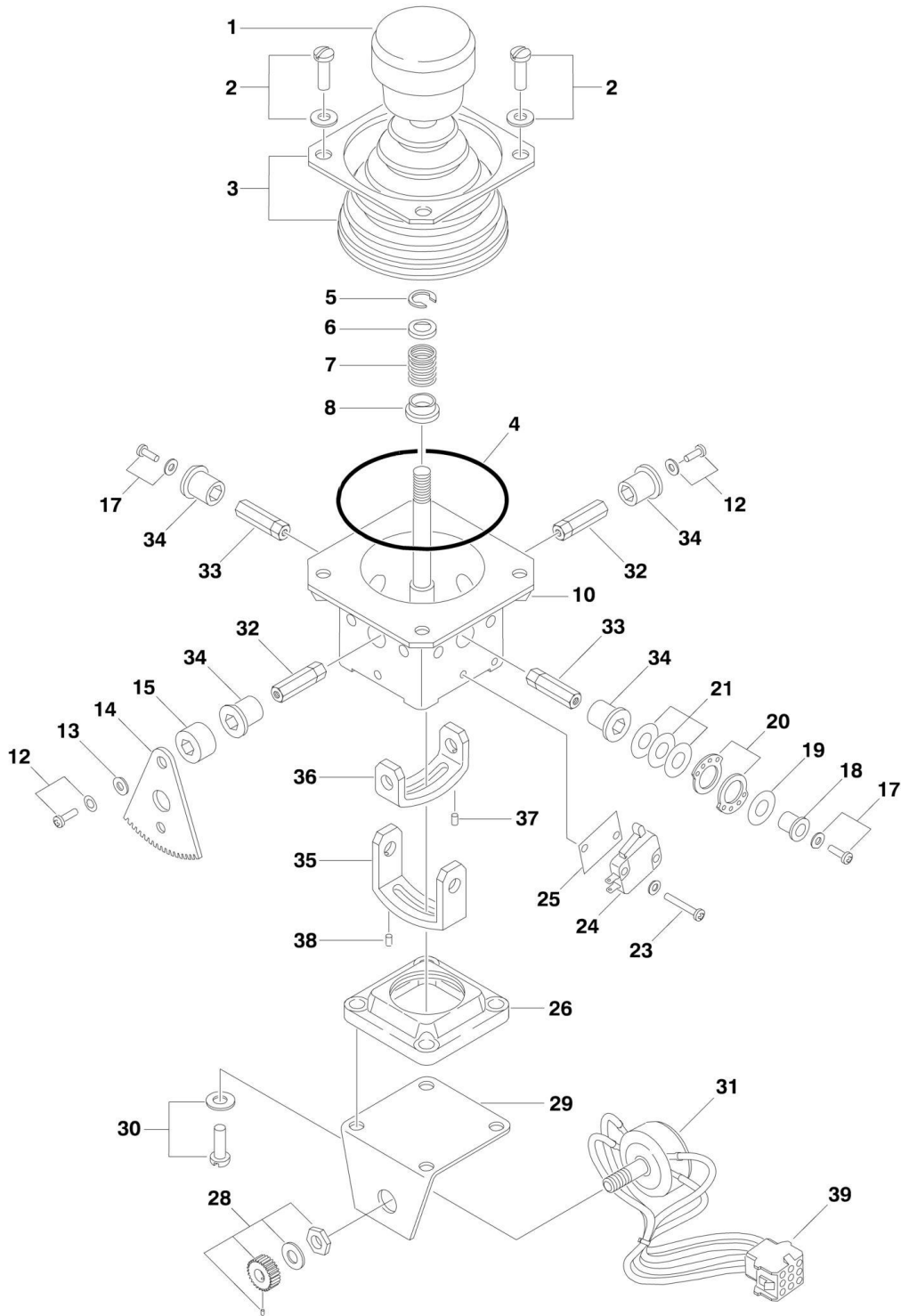


## SECTION 4 - PLATFORM

ITEM	PART NUMBER	QTY	DESCRIPTION	REV
107	3931672	1	Screw 3/8in-16NC x 4-1/2in	
108	3520174	3	Plug, 3/16 (Not Shown)	
	0861537	Ref	<b>CONSOLE BOX ASSEMBLY - DIE CAST</b>	A
110	1220096	1	Console Bottom	
111	1220102	1	Console Top	
112	3311601	1	Nut 3/8in-16NC	
113	3450304	2	Pin, Cotter	
114	3931672	1	Screw 3/8in-16NC x 4-1/2in	
115	4711500	2	Flatwasher 5/16 Thin	
	0256631	Ref	<b>LIGHT PANEL DECAL INSTALLATION</b>	-
151	1702387	1	Decal - Display	
	0270764	Ref	<b>DUAL FUEL SWITCH INSTALLATION</b>	3
201	4360336	1	Switch, Toggle	
201	3790012	1	O-Ring	
	0271552	Ref	<b>HEAD AND TAIL LIGHTS INSTALLATION (OPTIONAL)</b>	1
301	4360336	1	Switch, Toggle	
301	3790012	1	O-Ring	
		Ref	<b>SOFT TOUCH SYSTEM INSTALLATION (OPTIONAL)</b>	
	0271550	Ref	<b>6FT PLATFORM</b>	1
	0271551	Ref	<b>8FT PLATFORM</b>	1
401	4360387	1	Switch, Pushbutton	
402	1702938	1	Decal - Soft Touch Override	
		Ref	<b>GENERATOR INSTALLATION (OPTIONAL)</b>	
	0271544	Ref	<b>110v Deutz</b>	1
	0271547	Ref	<b>220v Deutz</b>	4
	0271545	Ref	<b>110v Ford</b>	1
	0271546	Ref	<b>220v Ford</b>	4
501	4360336	1	Switch, Toggle	
502	4740397	1	Bushing	
503	4060802	1	Guard, Switch	
504	3251102	1	Decal - Generator ON/OFF	
	0270814	Ref	<b>PLATFORM WORKLIGHT INSTALLATION (OPTIONAL)</b>	3
601	4360232	1	Breaker, Circuit - 15Amp	
602	0721003	2	Bolt #10-24NC x 3/8in	
603	4761000	4	Lockwasher #10	
604	3311001	2	Nut #10-24NC	
605	4460598	1	Connector, Strain Relief	

# SECTION 4 - PLATFORM

FIGURE 4-5. CONTROLLER ASSEMBLY (SWING AND LIFT) (Prior to SN 0300039749)



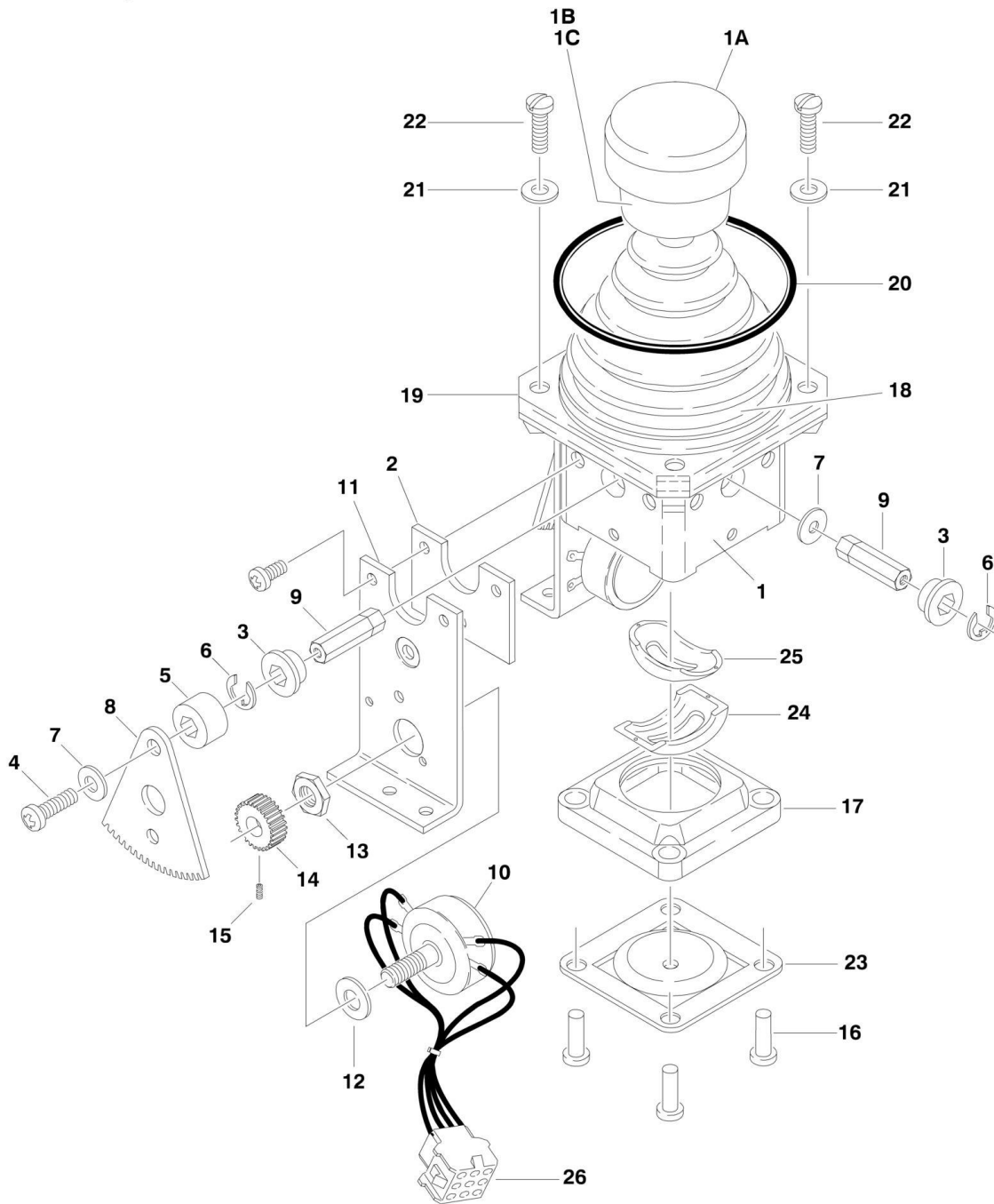
## SECTION 4 - PLATFORM

**FIGURE 4-5. CONTROLLER ASSEMBLY (SWING AND LIFT) (Prior to SN 0300039749)**

ITEM	PART NUMBER	QTY	DESCRIPTION	REV
	1600242	Ref	<b>CONTROLLER ASSEMBLY (LIFT/SWING) (Prior to SN 0300039749)</b>	A
1	7003951	1	Knob, Handle	
2	7022811	4	Screw M14 x 25mm	
2	See Note	4	Washer (Note: Not Available - Purchase Locally)	
3	7022813	1	Plate (was p/n 7003954)	
3	7022813	1	Boot (was p/n 7003955)	
4	7003956	1	O-Ring	
5	7003957	1	Ring, Retaining	
6	7003959	1	Retainer, Spring	
7	7003958	1	Spring, Return	
8	7003960	1	Bushing, Nylon Shaft	
10	1600424	1	Casting, Handle (Note: Not Available for Purchase)	
12	See Note	2/2	Screw M3 x .05 and Starwasher M3 (Note: Not Available - Purchase Locally)	
13	See Note	2	Spacer (Note: Not Available for Purchase)	
14	7003977	2	Gear, Drive	
15	See Note	2	Bearing (Note: Not Available for Purchase)	
17	See Note	2	Screw M3 (Note: Not Available - Purchase Locally)	
17	See Note	2	Washer, Wavy (Note: Not Available for Purchase)	
18	7019193	2	Coupling, Cam	
19	See Note	2	Spacer, Cam (Note: Not Available for Purchase)	
20	See Note	4	Cam, 4 Hole (Note: Not Available for Purchase)	
21	See Note	6	Cam (Note: Not Available for Purchase)	
23	See Note	4/4	Screw and Washer (Note: Not Available - Purchase Locally)	
24	7003961	2	Micro-Switch	
25	See Note	2	Insulator (Note: Not Available for Purchase)	
26	See Note	1	Gate (Note: Not Available for Purchase)	
28	7003976	2	Gear	
28	See Note	2	Set screw (Note: Not Available - Purchase Locally)	
28	See Note	2	Spacer (Note: Not Available for Purchase)	
28	See Note	2	Nut (Note: Not Available - Purchase Locally)	
29	See Note	1	Plate, Pot Mounting (Note: Not Available for Purchase)	
30	See Note	4/4	Screw M4 x 14 and Washer M4 (Note: Not Available - Purchase Locally)	
31	7003974	2	Potentiometer	
32	7019192	1	Pin	
33	7019104	2	Pin	
34	7019111	2	Bushing	
35	7019122	1	Limit, Gate - Outer	
36	7019123	1	Limit, Gate - Inner	
37	See Note	1	Set screw (Note: Not Available - Purchase Locally)	
38	See Note	1	Set screw (Note: Not Available - Purchase Locally)	
39	4460266	1	Cap, Connector - 9 Pin	
39	4460268	8	Socket, Female (Not Shown)	
39	4460265	1	Plug - 9 Pin (Part of Platform Wiring) (Not Shown)	
39	4460267	8	Pin, Male (Part of Platform Wiring) (Not Shown)	

# SECTION 4 - PLATFORM

FIGURE 4-6. CONTROLLER ASSEMBLY (SWING AND LIFT) (SN 0300039749 through 0300064249)



## SECTION 4 - PLATFORM

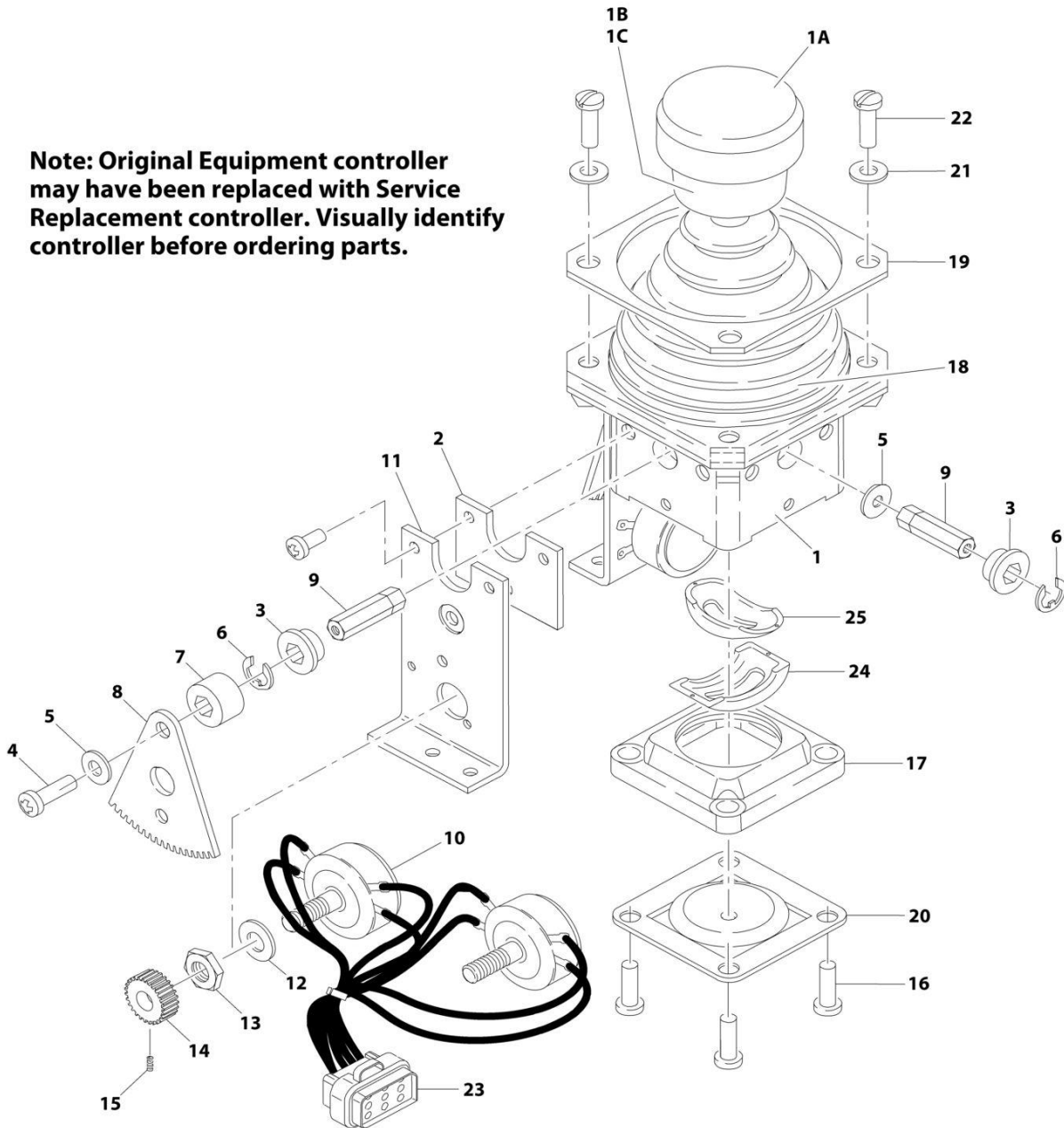
**FIGURE 4-6. CONTROLLER ASSEMBLY (SWING AND LIFT) (SN 0300039749 through 0300064249)**

ITEM	PART NUMBER	QTY	DESCRIPTION	REV
	1600284	Ref	<b>CONTROLLER ASSEMBLY (LIFT/SWING) (SN 0300039749 through 0300064249)</b>	A
1	7019141	1	Mechanical Assembly (Includes Base, Handle Stem and Items 1A, 1B, 1C & 18 Boot)	
1A	7019197	1	Handle Cap and Rod	
1B	7003928	1	Spring	
1C	7022808	1	Cap, Lift	
2	7019142	2	Plate	
3	7019111	4	Bearing, Gear	
4	7019143	2	Screw	
5	7019144	2	Spacer, Cam	
6	7019145	4	E-Clip	
7	7019174	2	Spacer	
8	7003977	2	Gear, Drive	
9	7019147	4	Shaft	
10	7003974	2	Potentiometer	
11	7019142	2	Plate	
12	7003992	2	Washer	
13	7003993	2	Nut	
14	7003976	2	Gear, Slave	
15	7019149	2	Setscrew	
16	7003952	4	Screw	
17	7019150	1	Gate	
18	7022813	1	Boot (was p/n 7003955)	
19	7022813	1	Plate, Plastic (was p/n 7003954)	
20	7003956	1	Gasket	
21	7003953	4	Washer	
22	7022811	4	Screw	
23	See Note	1	Center, Detent (Note: Not Available for Purchase)	
24	7019122	1	Gimble, Outer	
25	7019123	1	Gimble, Inner	
26	4460266	1	Connector - 9 Pin	
26	4460268	8	Socket, Female	
26	4460265	1	Plug - 9 Pin (Part of Platform Wiring) (Not Shown)	
26	4460267	8	Pin, Male (Part of Platform Wiring) (Not Shown)	

# SECTION 4 - PLATFORM

FIGURE 4-7. CONTROLLER ASSEMBLY (SWING AND LIFT) (WITH ADE SYSTEM) (ORIGINAL EQUIPMENT) (SN 0300064249 through 0300069000)

**Note: Original Equipment controller may have been replaced with Service Replacement controller. Visually identify controller before ordering parts.**



ART\_1600317

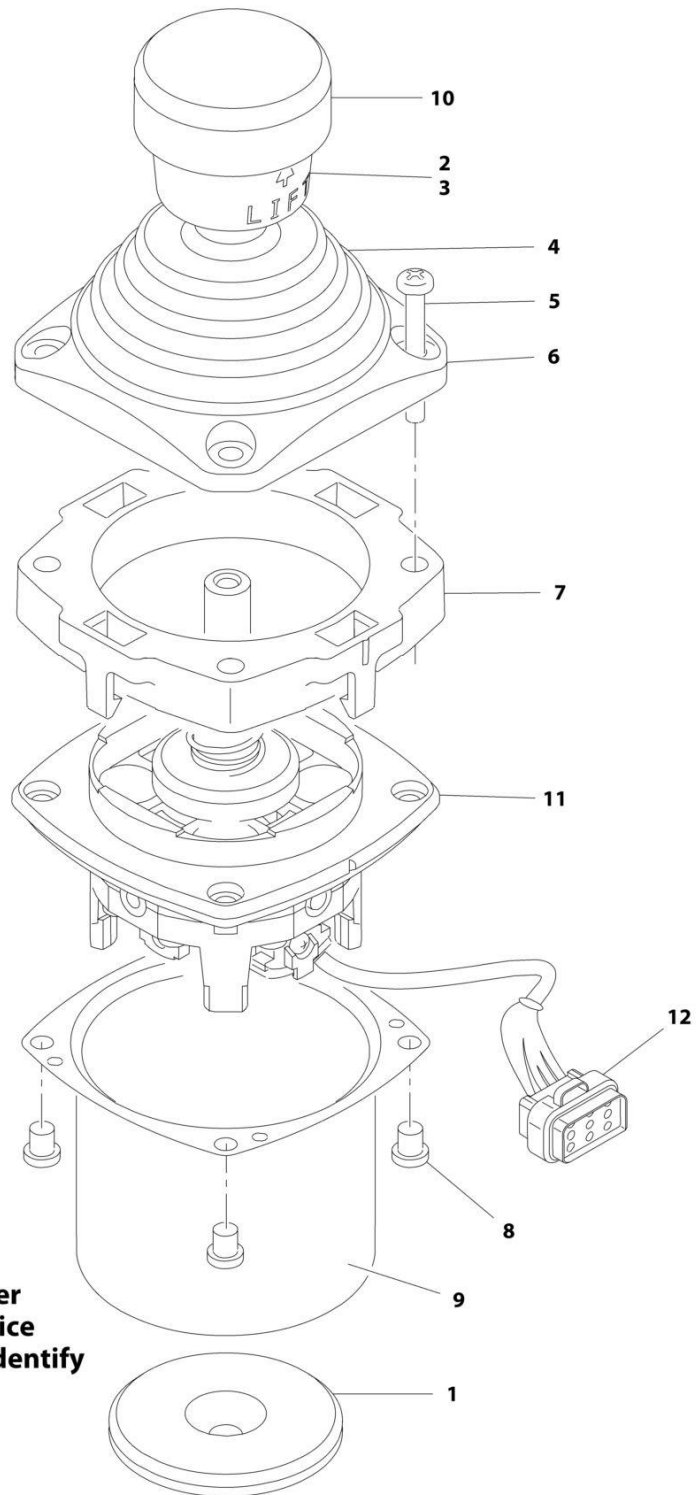
## SECTION 4 - PLATFORM

**FIGURE 4-7. CONTROLLER ASSEMBLY (SWING AND LIFT) (WITH ADE SYSTEM) (ORIGINAL EQUIPMENT) (SN 0300064249 through 0300069000)**

ITEM	PART NUMBER	QTY	DESCRIPTION	REV
		Ref	<b>Note: Original Equipment controller may have been replaced with Service Replacement controller. Visually identify controller before ordering parts.</b>	
	1600317	Ref	<b>CONTROLLER ASSEMBLY</b>	C
		Ref	<b>Note: Use p/n 1001129555 Kit as Replacement.</b>	
1	7019141	1	Mechanical Assembly (Includes Base, Handle Stem and Items 1A, 1B, 1C & 18)	
1A	7019197	1	Handle Cap and Rod	
1B	7003928	1	Spring	
1C	7022808	1	Cap, Lift	
2	7019171	2	Plate	
3	7019111	4	Bearing, Gear	
4	7019143	2	Screw	
5	7019144	2	Spacer, Cam	
6	7019145	4	E-Clip	
7	7019174	2	Spacer	
8	7003977	2	Gear, Drive	
9		Ref	Shaft Options:	
9	7019147	2	Shaft, Short	
9	7019177	2	Shaft, Long	
10	7022818	2	Potentiometer	
11	7019142	2	Plate	
12	7003992	2	Washer	
13	7003993	2	Nut	
14	7003976	2	Gear, Slave	
15	7019149	2	Setscrew	
16	7022816	4	Screw	
17	7019150	1	Gate	
18	7022814	1	Boot	
19	7022815	1	Bezel	
20	See Note	NSS	Center, Detent (Note: Use p/n 1001129555)	
21	7003953	4	Washer	
22	7022817	4	Screw	
23	7022819	1	Plug, Male 8 Position (Natural)	
23	4460871	8	Socket, Female	
24	7019122	1	Gimble, Outer	
25	7019123	1	Gimble, Inner	

## SECTION 4 - PLATFORM

FIGURE 4-8. CONTROLLER ASSEMBLY (SWING AND LIFT) (WITH ADE SYSTEM) (SERVICE REPLACEMENT) (SN 0300064249 through 0300069000)



**Note: Original Equipment controller may have been replaced with Service Replacement controller. Visually identify controller before ordering parts.**

ART\_100118417



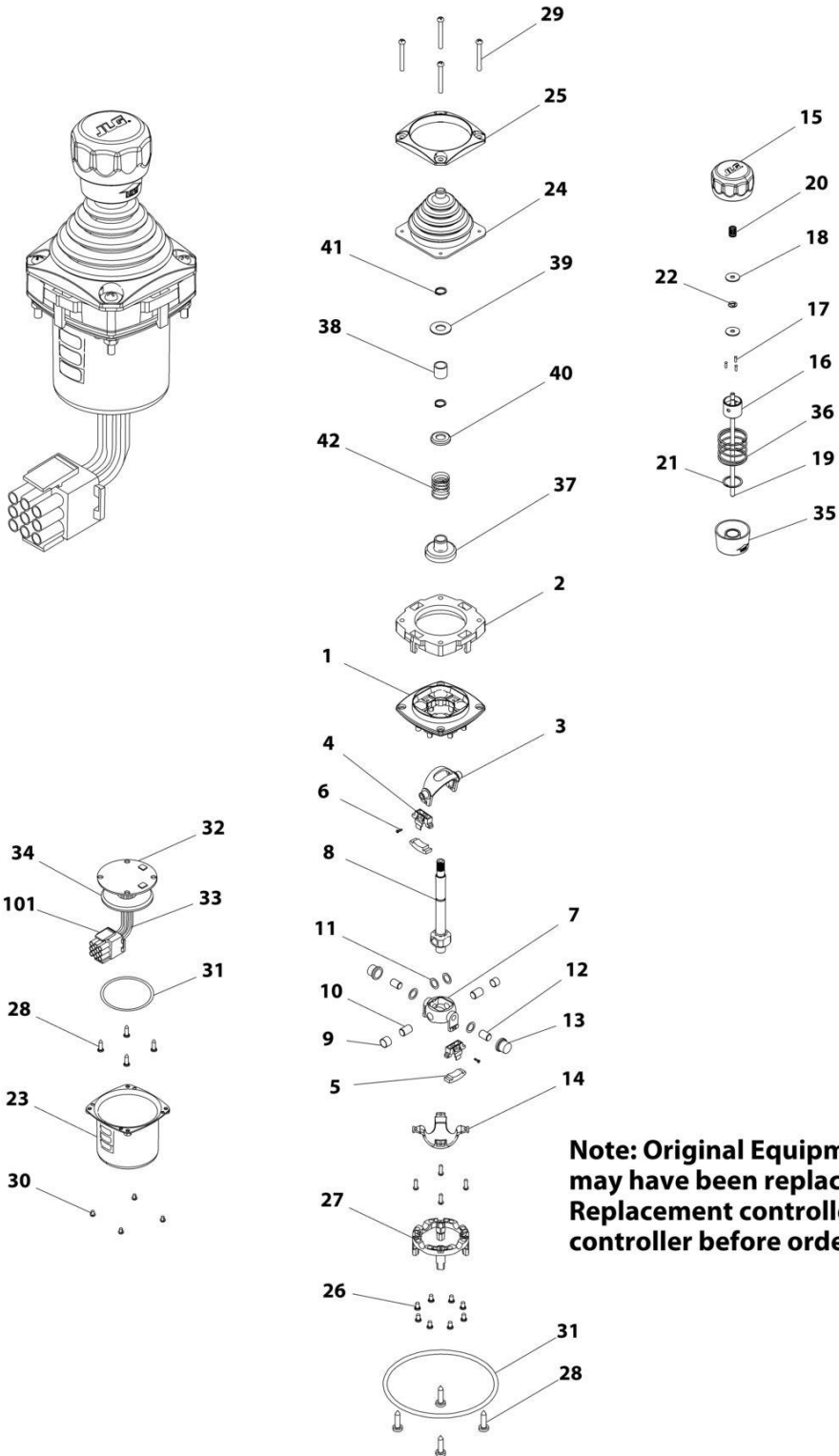
## SECTION 4 - PLATFORM

**FIGURE 4-8. CONTROLLER ASSEMBLY (SWING AND LIFT) (WITH ADE SYSTEM) (SERVICE REPLACEMENT) (SN 0300064249 through 0300069000)**

ITEM	PART NUMBER	QTY	DESCRIPTION	REV
		Ref	<b>Note: Original Equipment controller may have been replaced with Service Replacement controller. Visually identify controller before ordering parts.</b>	
	1001118417	Ref	<b>CONTROLLER ASSEMBLY</b>	E
		Ref	<b>Note: Use p/n 1001129555 as Replacement.</b>	
1	70002730	1	Gasket	
2	7003928	1	Spring	
3	7022808	1	Cap, Lift	
4	70002731	1	Boot	
5	70002732	4	Screw	
6	7022815	1	Bezel	
7	70002733	1	Adapter	
8	70002734	4	Screw	
9	70002735	1	Can, Enclosure	
10	70002906	1	Cap	
11	See Note	NSS	Mechanical Assembly (Note: Use p/n 1001129555)	
12	7022819	1	Connector - 8 Position	
12	4460871	6	Socket, Female	

# SECTION 4 - PLATFORM

**FIGURE 4-9. CONTROLLER ASSEMBLY (SWING AND LIFT) (WITH ADE SYSTEM) (SERVICE REPLACEMENT) (SN 0300064249 through 0300069000)**



**Note: Original Equipment controller may have been replaced with Service Replacement controller. Visually identify controller before ordering parts.**

ART\_1001166539

## SECTION 4 - PLATFORM

**FIGURE 4-9. CONTROLLER ASSEMBLY (SWING AND LIFT) (WITH ADE SYSTEM) (SERVICE REPLACEMENT) (SN 0300064249 through 0300069000)**

ITEM	PART NUMBER	QTY	DESCRIPTION	REV
		Ref	<b>Note: Original Equipment controller may have been replaced with Service Replacement controller. Visually identify controller before ordering parts.</b>	
	1001166539	Ref	<b>CONTROLLER ASSEMBLY</b>	D
		Ref	<b>Note: Use p/n 1001129555 as Replacement.</b>	
1	See Note	NSS	Main Cast Body (Note: Not Available - Purchase Complete Assembly)	
2	70004752	1	Adapter	
3	See Note	NSS	Pivot Arm, Plastic (Note: Not Available - Purchase Complete Assembly)	
4	See Note	NSS	Holder, Magnet (Note: Not Available - Purchase Complete Assembly)	
5	See Note	NSS	Arc, Magnet (Note: Not Available - Purchase Complete Assembly)	
6	See Note	NSS	Screw (Note: Not Available for Purchase)	
7	See Note	NSS	Pivot Arm, Cast (Note: Not Available - Purchase Complete Assembly)	
8	See Note	NSS	Shaft, Main (Note: Not Available - Purchase Complete Assembly)	
9	See Note	NSS	Bearing (Note: Not Available - Purchase Complete Assembly)	
10	See Note	NSS	Pin (Note: Not Available - Purchase Complete Assembly)	
11	See Note	NSS	Shim (Note: Not Available - Purchase Complete Assembly)	
12	See Note	NSS	Pin (Note: Not Available - Purchase Complete Assembly)	
13	See Note	NSS	Bearing (Note: Not Available - Purchase Complete Assembly)	
14	See Note	NSS	Dome, Centering (Note: Not Available - Purchase Complete Assembly)	
15	70004753	1	Cap	
16	70004754	1	Insert, Cap	
17	70004755	3	Pin	
18	70004756	2	Washer	
19	70004757	1	Pin, Centering	
20	70004758	1	Spring	
21	70004759	1	Ring, Retaining	
22	70004760	1	E-Ring	
23	70004761	1	Can, Enclosure	
24	70004762	1	Boot	
25	70004763	1	Bezel	
26	See Note	NSS	Screw (Note: Not Available for Purchase)	
27	See Note	NSS	Base, Mounting (Note: Not Available - Purchase Complete Assembly)	
28	See Note	NSS	Screw (Note: Not Available for Purchase)	
29	70004764	4	Screw	
30	70004765	4	Screw	
31	70004766	1	O-Ring	
32	See Note	NSS	Plate (Note: Not Available - Purchase Complete Assembly)	
33	See Note	NSS	Harness (Note: Not Available - Purchase Complete Assembly)	
34	70004767	1	Grommet, Rubber	
35	70004768	1	Housing	
36	70004769	1	Spring	
37	70004770	1	Stopper	
38	70004771	1	Spacer	
39	70004772	1	Washer	

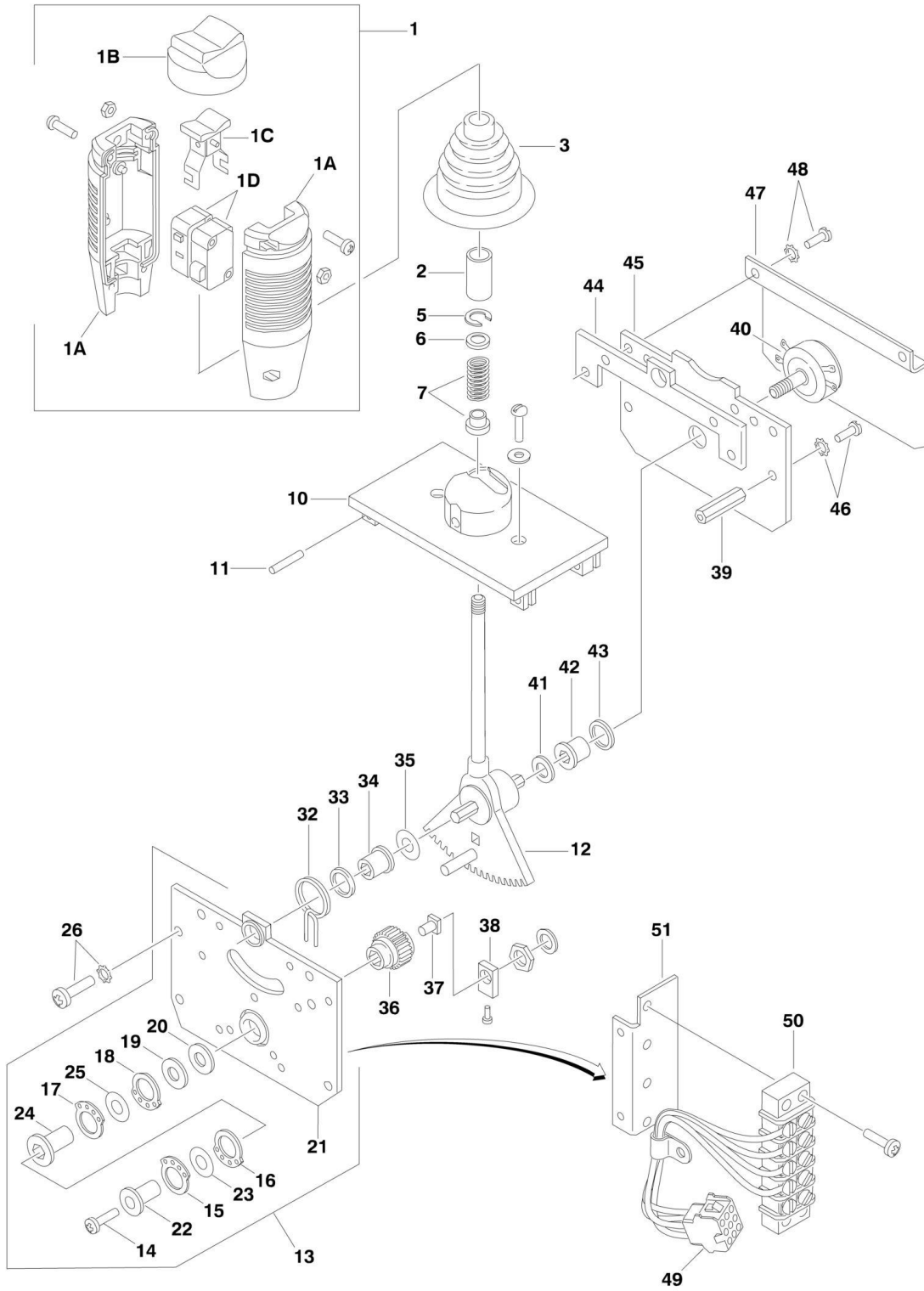
## SECTION 4 - PLATFORM

ITEM	PART NUMBER	QTY	DESCRIPTION	REV
40	70004773	1	Disc	
41	70004774	2	Ring, Retaining	
42	70004775	1	Spring	
101	4460265	1	Connector - 9 Position	
101	4460226	6	Socket, Female	



# SECTION 4 - PLATFORM

FIGURE 4-10. CONTROLLER ASSEMBLY (DRIVE AND STEER) (Prior to SN 0300039749)



## SECTION 4 - PLATFORM

**FIGURE 4-10. CONTROLLER ASSEMBLY (DRIVE AND STEER) (Prior to SN 0300039749)**

ITEM	PART NUMBER	QTY	DESCRIPTION	REV
	1600239	Ref	<b>CONTROLLER ASSEMBLY (DRIVE/STEER) (Prior to SN 0300039749)</b>	C
1	7003978	1	Handle Assembly	
1A	7003973	2	Half, Handle	
1B	7003972	1	Boot, Switch	
1C	7003981	1	Rocker	
1D	7003982	2	Switch, Micro	
2	7003984	1	Coupling	
3	7003966	1	Boot	
5	7003957	1	Ring, Retainer	
6	7003967	1	Flatwasher	
7	7003968	1	Detent, Assembly	
10	7019160	1	Plate, Base	
11	See Note	1	Pin (Note: Not Available for Purchase)	
12	7003963	1	Shaft/Gear Assembly	
13	See Note	1	Micro Cam Assembly (Includes Items 14-25) (Note: Not Available for Purchase)	
14	See Note	1	Screw (Note: Not Available - Purchase Locally)	
15	See Note	1	Cam, 4 Hole (Note: Not Available for Purchase)	
16	See Note	1	Cam, 4 Hole (Note: Not Available for Purchase)	
17	See Note	1	Cam, 4 Hole (Note: Not Available for Purchase)	
18	See Note	1	Cam, 4 Hole (Note: Not Available for Purchase)	
19	See Note	1	Spacer, Cam (Note: Not Available for Purchase)	
20	See Note	1	Spacer, Cam (Note: Not Available for Purchase)	
21	See Note	1	Plate, Cam - Left Side (Note: Not Available for Purchase)	
22	See Note	1	Coupling, Cam (Note: Not Available for Purchase)	
23	See Note	1	Spacer, Cam (Note: Not Available for Purchase)	
24	See Note	1	Coupling, Cam (Note: Not Available for Purchase)	
25	See Note	1	Spacer, Cam (Note: Not Available for Purchase)	
26	See Note	4	Screw (Note: Not Available - Purchase Locally)	
26	See Note	4	Washer (Note: Not Available - Purchase Locally)	
32	7003946	1	Spring, Return	
33	See Note	1	Spacer (Note: Not Available for Purchase)	
34	See Note	1	Bearing (Note: Not Available for Purchase)	
35	See Note	1	Washer, Cam Retainer (Note: Not Available for Purchase)	
36	See Note	1	Gear, Slave (Note: Not Available for Purchase)	
37	See Note	1	Nut/Cam Assembly (Note: Not Available for Purchase)	
38	See Note	1	Coupling, Potentiometer (Note: Not Available for Purchase)	
39	See Note	2	Stand-Off (Note: Not Available for Purchase)	
40	7003974	1	Potentiometer	
41	See Note	1	Washer, Cam Retainer (Note: Not Available for Purchase)	
42	See Note	1	Bearing (Note: Not Available for Purchase)	
43	See Note	1	Spacer (Note: Not Available for Purchase)	
44	See Note	1	Plate, Mounting (Note: Not Available for Purchase)	
45	See Note	1	Plate, Potentiometer (Note: Not Available for Purchase)	
46	See Note	2	Screw (Note: Not Available - Purchase Locally)	
46	See Note	2	Washer (Note: Not Available - Purchase Locally)	
47	See Note	1	Heat Shrink (Note: Not Available for Purchase)	
48	See Note	2	Screw (Note: Not Available - Purchase Locally)	
48	See Note	2	Washer (Note: Not Available - Purchase Locally)	

## SECTION 4 - PLATFORM

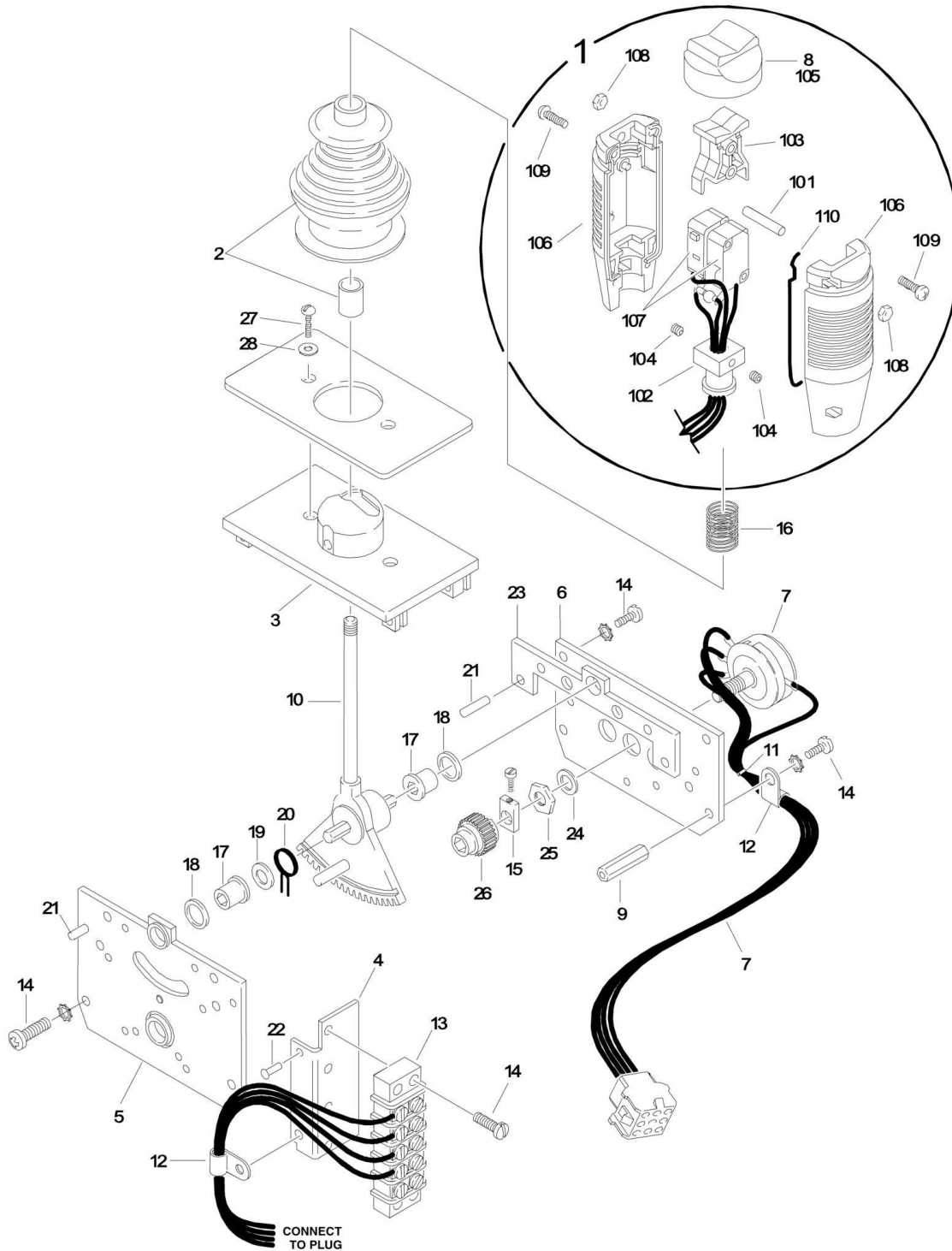
ITEM	PART NUMBER	QTY	DESCRIPTION	REV
49	4460266	1	Connector, Amp (9Pin) (Not Shown)	
49	4460268	7	Socket (Not Shown)	
49	4460265	1	Plug, Amp (9 Pin) (Not Shown - Part of Harness)	
49	4460267	7	Pin (Not Shown - Part of Harness)	
50	7003886	1	Strip, Terminal - 3 Position	
50	See Note	1	Strip, Terminal - 5 Position (Note: Not Available for Purchase)	
51	7003985	1	Brace	





# SECTION 4 - PLATFORM

FIGURE 4-11. CONTROLLER ASSEMBLY (DRIVE AND STEER) (SN 0300039749 through 0300064249)



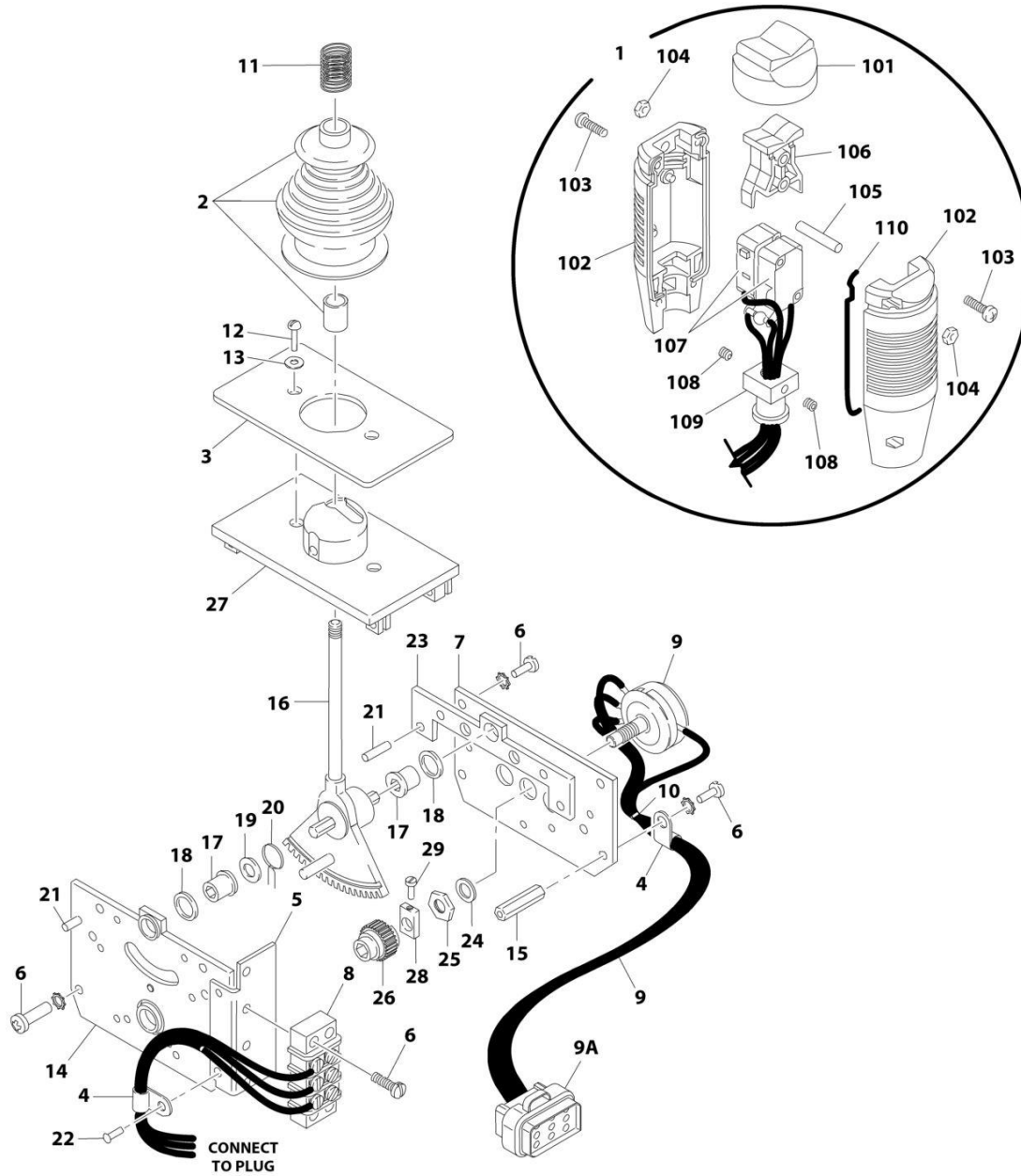
## SECTION 4 - PLATFORM

**FIGURE 4-11. CONTROLLER ASSEMBLY (DRIVE AND STEER) (SN 0300039749 through 0300064249)**

ITEM	PART NUMBER	QTY	DESCRIPTION	REV
	1600283	Ref	<b>CONTROLLER ASSEMBLY (DRIVE/STEER) (SN 0300039749 through 0300064249)</b>	A
1	7022810	1	Handle Assembly (See items 101-110 for Breakdown)	
2	7019161	1	Boot and Sleeve	
3	7019160	1	Cast Housing Assembly	
4	7019159	1	Bracket, Mounting	
5	7019158	1	Plate, Mounting (Left Side)	
6	7019157	1	Plate, Pot Mounting	
7	7019156	1	Electric Assembly	
8	7003972	1	Boot, Rocker	
9	7019115	2	Stand-Off	
10	7019155	1	Shaft 8mm	
11	7019151	AR	Tie-Strap	
12	7019154	2	Clamp, Wire	
13	7019153	1	Strip, Terminal - 5 Position	
14	7019117	8	Screw	
15	7019163	1	Potentiometer Coupling Assembly	
16	7019162	1	Spring	
17	7019111	2	Bearing	
18	7019110	2	Spacer, Head Gear	
19	7019112	1	Washer	
20	7003946	1	Spring, Return	
21	7019103	4	Pin	
22	See Note	1	Rivet (Note: Not Available - Purchase Locally)	
23	7019168	1	Plate, Mounting (Right Side)	
24	7003992	1	Washer	
25	7003993	1	Nut	
26	7003935	1	Gear, Slave	
27	7003969	2	Screw	
28	7003941	2	Washer	
	7022810	Ref	<b>HANDLE ASSEMBLY</b>	
101	7019164	1	Axle	
102	7019194	1	Coupling	
103	7019165	1	Rocker	
104	7003983	2	Setscrew	
105	7003972	1	Boot, Switch	
106	7003973	2	Half, Handle	
107	7019166	2	Switch, Micro	
108	7019167	4	Nut	
109	7003980	4	Screw	
110	7003989	2	Gasket	

# SECTION 4 - PLATFORM

FIGURE 4-12. CONTROLLER ASSEMBLY (DRIVE AND STEER) (WITH ADE SYSTEM) (ORIGINAL EQUIPMENT) (SN 0300064249 through 0300069000)



**Note: Original Equipment controller may have been replaced with Service Replacement controller. Visually identify controller before ordering parts.**

ART\_1600318

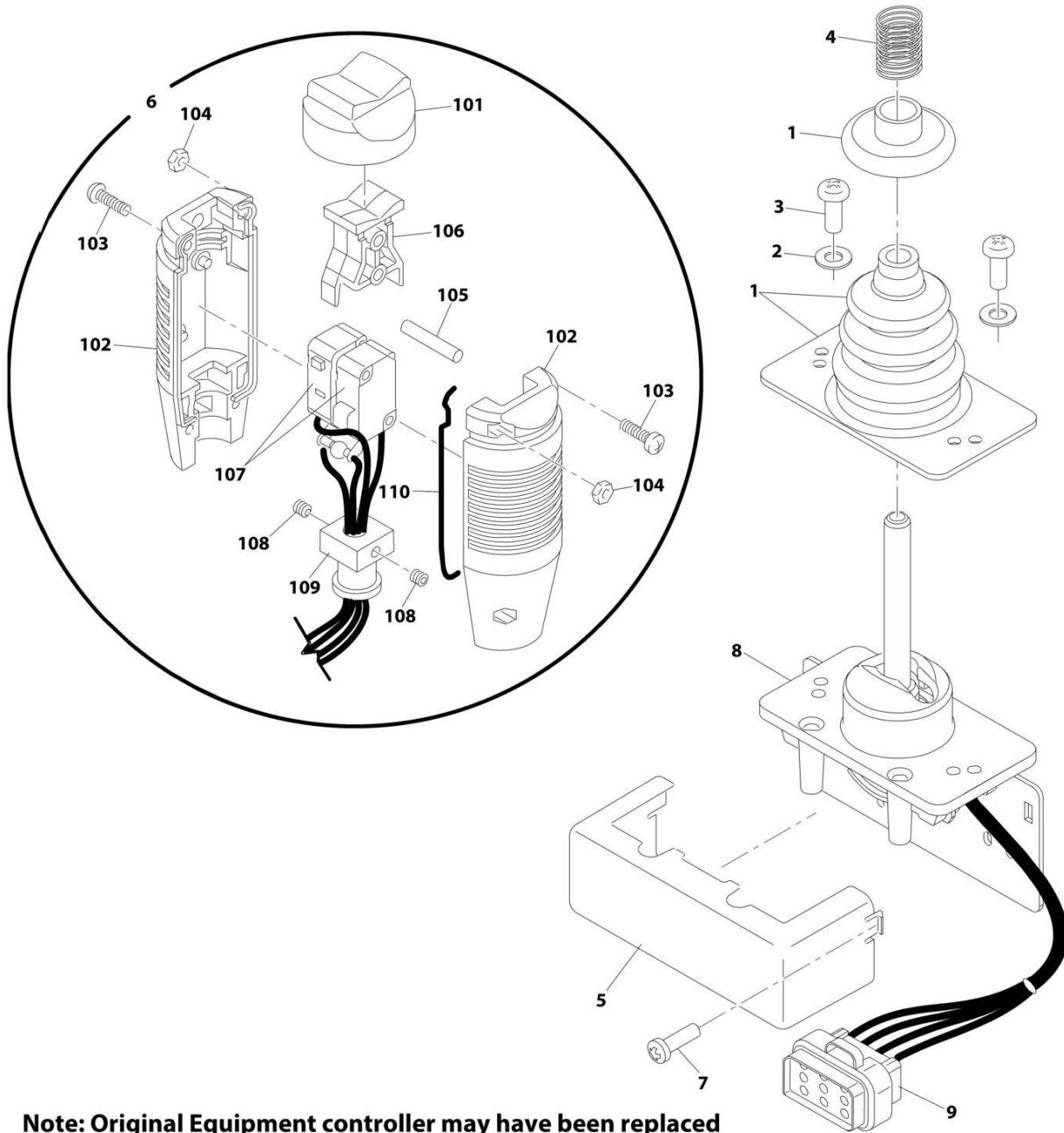
## SECTION 4 - PLATFORM

**FIGURE 4-12. CONTROLLER ASSEMBLY (DRIVE AND STEER) (WITH ADE SYSTEM) (ORIGINAL EQUIPMENT) (SN 0300064249 through 0300069000)**

ITEM	PART NUMBER	QTY	DESCRIPTION	REV
		Ref	<b>Note: Original Equipment controller may have been replaced with Service Replacement controller. Visually identify controller before ordering parts.</b>	
	1600318	Ref	<b>CONTROLLER ASSEMBLY</b>	C
		Ref	<b>Note: Use p/n 1001212415 as Replacement.</b>	
1	7022812	1	Handle Assembly (See Items 101-110 for Breakdown)	
2	7019161	1	Boot and Sleeve	
3	7003933	1	Gasket	
4	7019154	2	Clamp, Wire	
5	7022823	1	Bracket, Mounting	
6	7003994	1	Screw	
7	7022822	1	Plate, Pot Mounting	
8	7003986	1	Strip, Terminal - 3 Position	
9	7022824	1	Electric Assembly	
9A	1001113961	1	Plug, Male - 8 Position (Black) (was p/n 7022825)	
9A	4460871	7	Socket, Female	
10	7019151	AR	Tie-Strap	
11	7019162	1	Spring	
12	7003969	2	Screw	
13	7003941	2	Washer	
14	See Note	NSS	Plate, Mounting (Left Side) (Note: Use p/n 1001166538)	
15	7019115	2	Stand-Off	
16	7019155	1	Shaft 8mm	
17	7019111	2	Bearing	
18	7019110	2	Spacer, Head Gear	
19	7019112	1	Washer	
20	7003946	1	Spring, Return	
21	7019103	4	Pin	
22	See Note	NSS	Rivet (Note: Not Available - Purchase Locally)	
23	7019168	1	Plate, Mounting (Right Side)	
24	7003992	1	Washer	
25	7003993	1	Nut	
26	7003935	1	Gear, Slave	
27	7019160	1	Plate, Base	
28	7019114	1	Coupling, Potentiometer	
29	See Note	NSS	Cup Point Screw (Note: Not Available for Purchase)	
	7022812	Ref	<b>HANDLE ASSEMBLY</b>	
101	7003972	1	Boot, Switch	
102	7003973	2	Half, Handle	
103	7003980	4	Screw	
104	7019167	4	Nut	
105	7019164	1	Axle	
106	7019165	1	Rocker	
107	See Note	NSS	Wiring for Controller Assembly p/n 1600318 (Note: Use p/n 1001166538)	
107	7019166	2	Switch, Micro	
108	7003983	2	Setscrew	
109	7019194	1	Coupling	
110	7003989	2	Gasket	

## SECTION 4 - PLATFORM

FIGURE 4-13. CONTROLLER ASSEMBLY (DRIVE AND STEER) (WITH ADE SYSTEM) (SERVICE REPLACEMENT) (SN 0300064249 through 0300069000)



**Note: Original Equipment controller may have been replaced with Service Replacement controller. Visually identify controller before ordering parts.**

ART\_1001118416

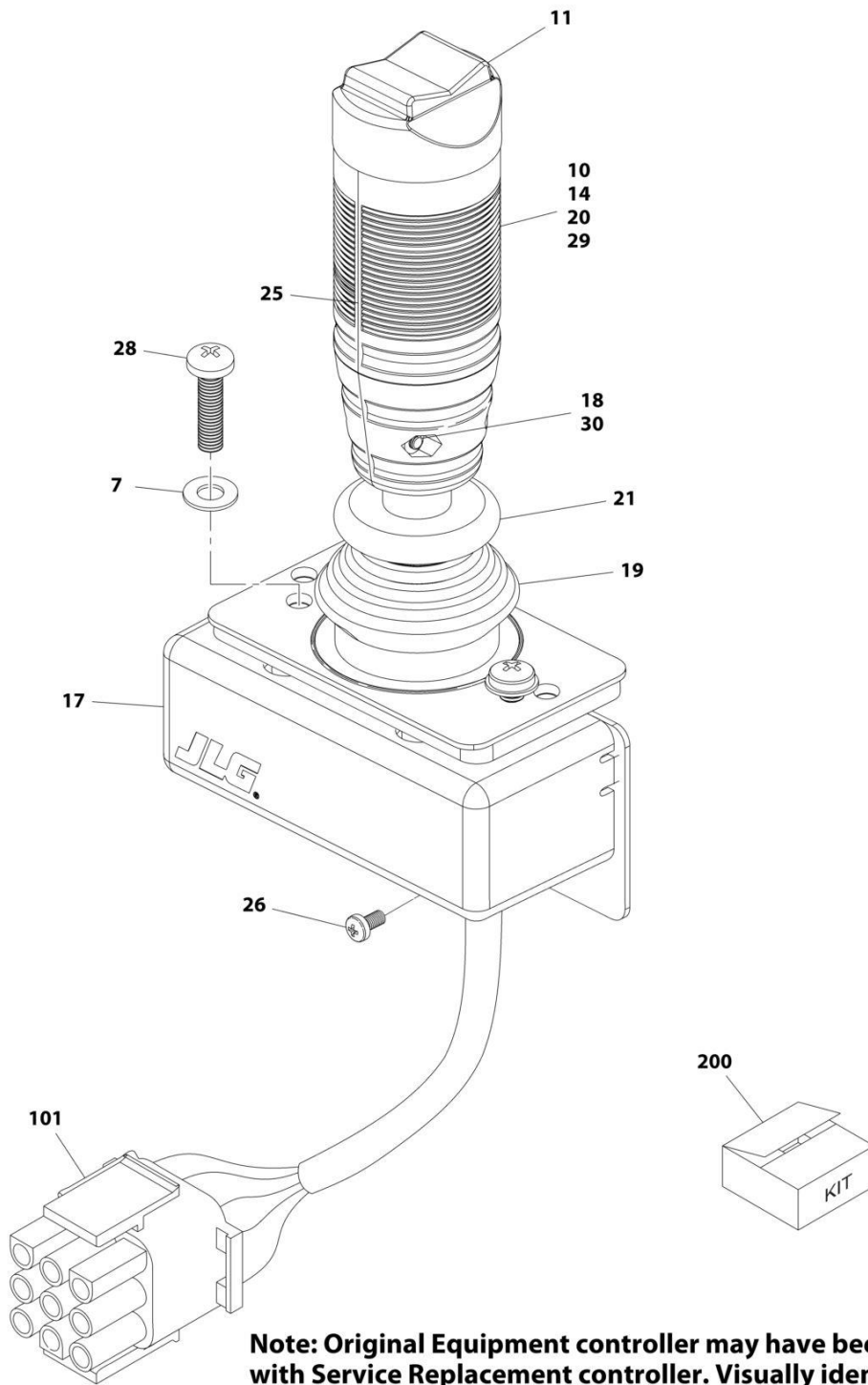
## SECTION 4 - PLATFORM

**FIGURE 4-13. CONTROLLER ASSEMBLY (DRIVE AND STEER) (WITH ADE SYSTEM) (SERVICE REPLACEMENT) (SN 0300064249 through 0300069000)**

ITEM	PART NUMBER	QTY	DESCRIPTION	REV
		Ref	<b>Note: Original Equipment controller may have been replaced with Service Replacement controller. Visually identify controller before ordering parts.</b>	
	1001118416	Ref	<b>CONTROLLER ASSEMBLY</b>	D
		Ref	<b>Note: Use p/n 1001212415 as Replacement.</b>	
1	70002724	1	Boot and Control Lock Assembly	
2	7003941	2	Washer	
3	70002725	2	Screw	
4	7019162	1	Spring	
5	70002726	1	Enclosure	
6	70002727	1	Handle Assembly (See Items 101-110 for Breakdown)	
7	70002728	1	Screw	
8	See Note	NSS	Mechanical Assembly (Note: Use p/n 1001166538)	
9	1001113961	1	Plug, Male - 8 Position (Black) (was p/n 7022825)	
9	4460871	7	Socket, Female	
	70002727	Ref	<b>HANDLE ASSEMBLY</b>	
101	7003972	1	Boot, Switch	
102	7003973	2	Half, Handle	
103	7003980	4	Screw	
104	7019167	4	Nut	
105	7019164	1	Axle	
106	7019165	1	Rocker	
107	70002729	1	Wiring Assembly	
107	7003982	2	Switch, Micro	
108	7003983	2	Set Screw	
109	7019194	1	Coupling	
110	7003989	2	Gasket	

## SECTION 4 - PLATFORM

**FIGURE 4-14. CONTROLLER ASSEMBLY (DRIVE AND STEER) (WITH ADE SYSTEM) (SERVICE REPLACEMENT) (SN 0300064249 through 0300069000)**



ART\_1001166538



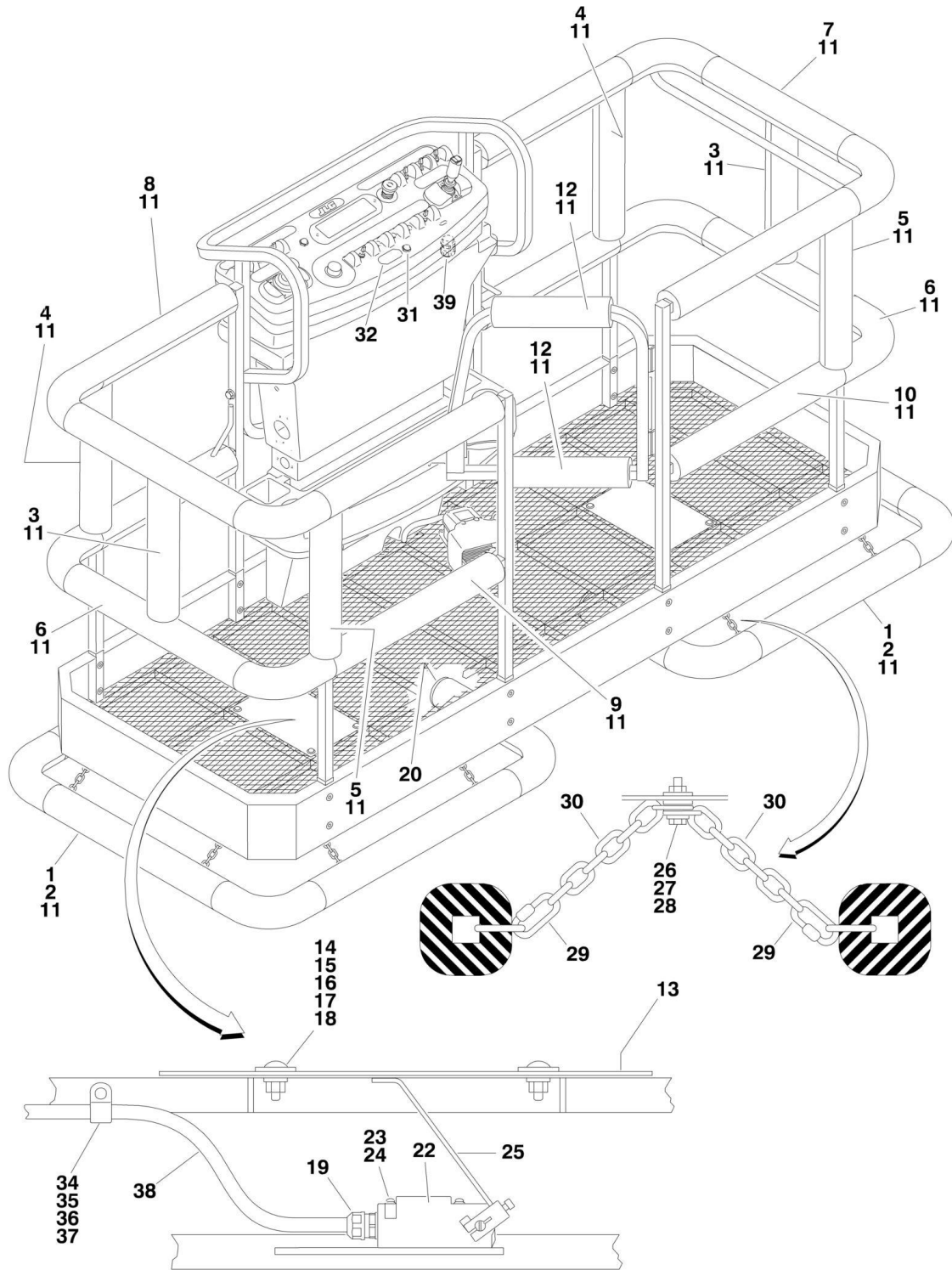
## SECTION 4 - PLATFORM

**FIGURE 4-14. CONTROLLER ASSEMBLY (DRIVE AND STEER) (WITH ADE SYSTEM) (SERVICE REPLACEMENT) (SN 0300064249 through 0300069000)**

ITEM	PART NUMBER	QTY	DESCRIPTION	REV
		Ref	<b>Note: Original Equipment controller may have been replaced with Service Replacement controller. Visually identify controller before ordering parts.</b>	
	1001166538	Ref	<b>CONTROLLER ASSEMBLY</b>	E
		Ref	<b>Note: Use p/n 1001212415 as Replacement.</b>	
7	70004738	2	Washer	
10	70004739	1	Roller	
11	70004740	1	Boot, Switch	
14	70004741	2	Half, Handle	
17	70004742	1	Enclosure	
18	70004743	4	Nut	
19	70004744	NLA	Boot, Controller (Note: Use Item 200)	
20	70004745	NLA	Tube, Locking (Note: Use Item 200)	
21	70004746	NLA	Disc, Locking (Note: Use Item 200)	
25	70004747	2	Seal, Rope	
26	70004748	1	Screw, M3 x 6	
28	70004749	2	Screw, M5 x 20	
29	70004750	1	Pin, Dowel	
30	70004751	4	Screw, M3 x 16	
101	4460265	1	Connector - 9 Position	
101	4460226	7	Socket, Female	
200	70005230	1	Boot Kit (Includes Items 19-21)	

# SECTION 4 - PLATFORM

FIGURE 4-15. SOFT TOUCH SYSTEM INSTALLATION (OPTIONAL) (SN 0300039749 through 0300064249)



## SECTION 4 - PLATFORM

**FIGURE 4-15. SOFT TOUCH SYSTEM INSTALLATION (OPTIONAL) (SN 0300039749 through 0300064249)**

ITEM	PART NUMBER	QTY	DESCRIPTION	REV
		Ref	<b>SOFT TOUCH SYSTEM INSTALLATION OPTIONS:</b>	
	0255885	Ref	<b>6ft/1.8m Platforms (Prior to SN 0300035129)</b>	3
	0257849	Ref	<b>6ft/1.8m Platforms (SN 0300035129 through 0300064248)</b>	1
	0271550	Ref	<b>6ft/1.8m Platforms - ADE System (SN 0300064249 through 0300069000)</b>	1
	0255886	Ref	<b>8ft/2.4m Platforms (Prior to SN 0300035129)</b>	3
	0257850	Ref	<b>8ft/2.4m Platforms (SN 0300035129 through 0300064248)</b>	1
	0271551	Ref	<b>8ft/2.4m Platforms - ADE System (SN 0300064249 through 0300069000)</b>	1
1		Ref	Rail Weldment Options:	
1	4845308	2	6ft/1.8m Platforms	
1	4845309	2	8ft/2.4m Platforms	
2		Ref	Cover, Rail Options:	
2	1670804	2	6ft/1.8m Platforms	
2	1670803	2	8ft/2.4m Platforms	
3	1670787	2	Cover, End Post	
4	1670785	2	Cover, Front Right Post	
5	1670786	2	Cover, Front Left Post	
6	1670793	2	Cover, End Mid Rail	
7		Ref	Cover, Right End Top Options:	
7	1670798	1	6ft/1.8m Platforms	
7	1670796	1	8Ft/2.4m Platforms	
8		Ref	Cover, Left End Top Options:	
8	1670797	1	6ft/1.8m Platforms	
8	1670795	1	8Ft/2.4m Platforms	
9		Ref	Cover, Left Mid Rail Options:	
9	1670799	1	6ft/1.8m Platforms	
9	1670789	1	8Ft/2.4m Platforms	
10		Ref	Cover, Right Mid Rail Options:	
10	1670801	1	6ft/1.8m Platforms	
10	1670791	1	8Ft/2.4m Platforms	
11	0940038	70	Padding, Bumper	
12	1670788	2	Cover, Gate	
13	3539719	2	Plate, Switch Strike	
14	0630462	8	Bolt, Carriage	
15	4761500	8	Lockwasher 5/16in	
16	4751800	8	Flatwasher 1/2in Regular	
17	3311501	8	Nut 5/16in-18NC	
18	4751500	8	Flatwasher 5/16in Regular	
19	4460049	2	Connector, Strain Relief	
20	3530072	4	Plug, Cap	
22	4360057	2	Switch, Limit	
23	0731005	4	Bolt #10-32NC x 5/8in	
24	4751000	4	Lockwasher #10	
25	0200550	2	Arm, Switch	
26	0641612	8	Bolt 3/8in-16NC x 1-1/2in	
27	4751600	40	Flatwasher 3/8in Regular	
28	3311605	8	Locknut 3/8in-16NC	

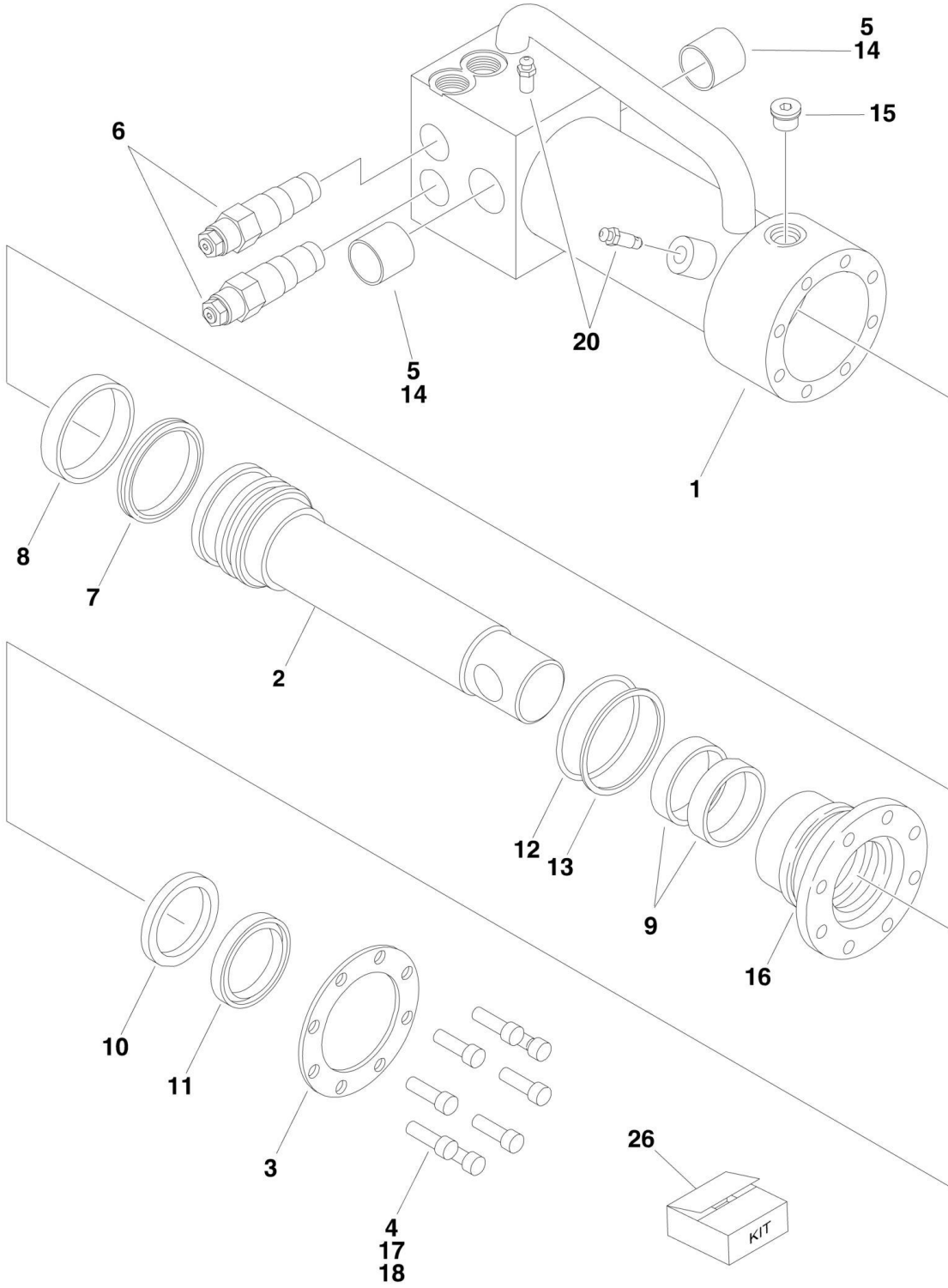
## SECTION 4 - PLATFORM

ITEM	PART NUMBER	QTY	DESCRIPTION	REV
29	3010088	16	Link, Quick	
30	1260136	10 ft/3m	Chain	
31	4360387	1	Switch, Push Button	
32	1702938	1	Decal - Soft Touch Override	
34	1320040	4	Clamp	
35	0641406	4	Bolt 1/4in-20NC x 3/4in	
36	4711400	8	Flatwasher 1/4in Thin	
37	3311405	4	Locknut 1/4in-20NC	
38		Ref	Cable Options:	
38	1060341	16 ft/4.9m	Cable, Electrical - 16/2 <b>(Prior to SN 0300029105)</b>	
38	1060330	16 ft/4.9m	Cable, Electrical - 16/3 <b>(SN 0300029105 through 0300064248)</b>	
38	1060341	16 ft/4.9m	Cable, Electrical - 16/2 <b>(SN 0300064249 through 0300069000)</b>	
39		Ref	Connector, Strain Relief Options:	
39	4460428	1	Connector, Strain Relief <b>(Prior to SN 0300032415)</b>	
39	4460425	1	Connector, Strain Relief <b>(SN 0300032415 through 0300069000)</b>	

**SECTION 5 - CYLINDER**

# SECTION 5 - CYLINDER

## FIGURE 5-1. AXLE LOCKOUT CYLINDER ASSEMBLY



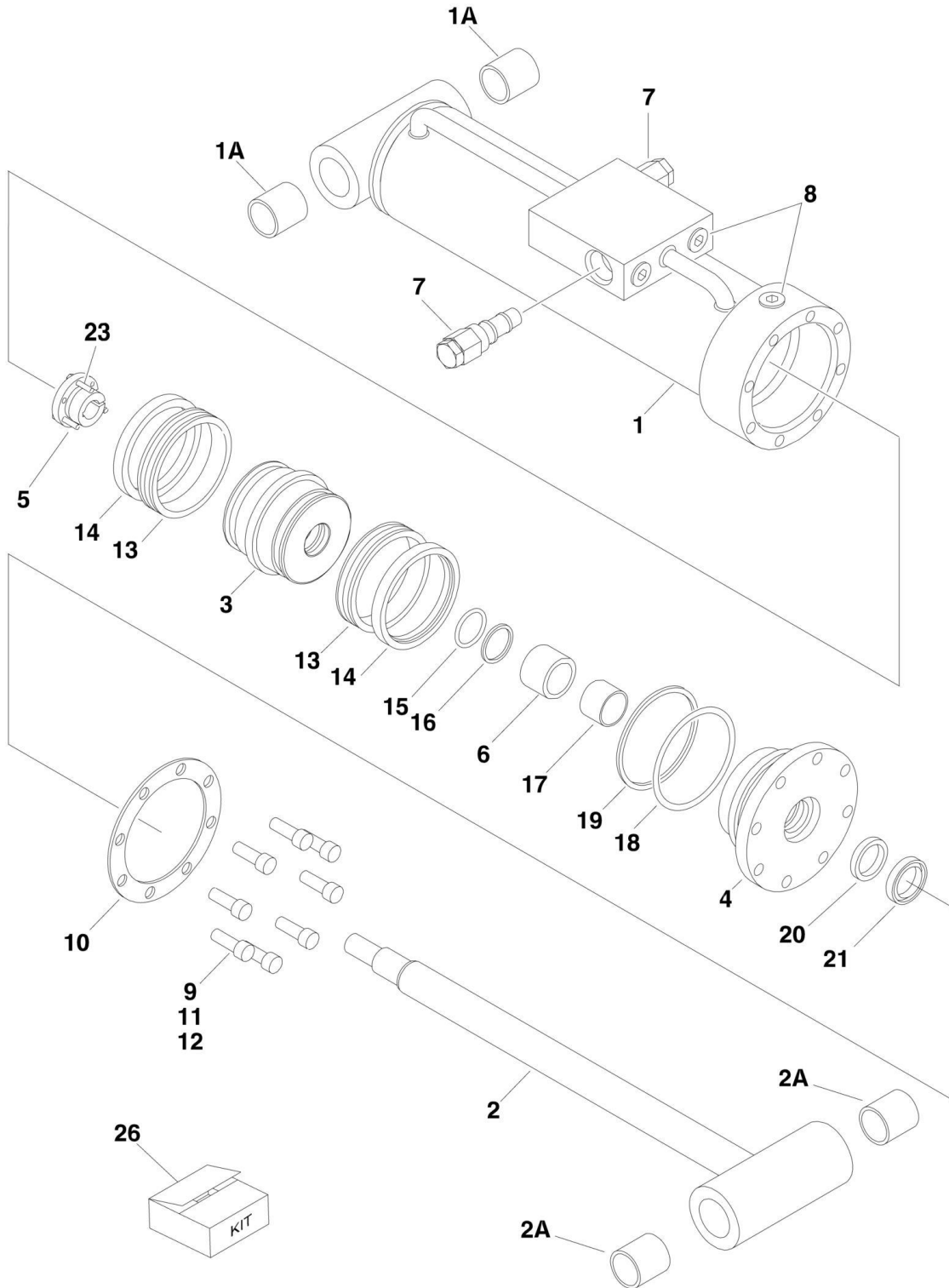
## SECTION 5 - CYLINDER

### FIGURE 5-1. AXLE LOCKOUT CYLINDER ASSEMBLY

ITEM	PART NUMBER	QTY	DESCRIPTION	REV
	1683280	Ref	<b>AXLE LOCKOUT CYLINDER ASSEMBLY</b>	6-D
1	1683281	1	Barrel Weldment	
2	1683283	1	Rod Weldment	
3	3760369	1	Ring, Washer	
4	0681610	8	Bolt 3/8in-16NC x 1-1/4in (Grade 8)	
5		Ref	Bushing Options:	
5	0961890	4	Bushing ( <b>Prior to SN 0300069092</b> )	
5	0962474	4	Bushing ( <b>SN 0300069092 through 0300069000</b> )	
6		Ref	Valve, Cartridge Options:	
6	4640525	2	Valve, Cartridge ( <b>Prior to SN 0300056900</b> )	
6	4641162	2	Valve, Cartridge ( <b>SN 0300056900 through 0300069000</b> )	
6	2900770	2	Seal Kit - 4640525 Valve	
7	See Note	NSS	Seal (Note: Use Item 26)	
8	See Note	NSS	Ring, Wear (Note: Use Item 26)	
9	See Note	NSS	Ring, Wear (Note: Use Item 26)	
10	See Note	NSS	Seal, Rod (Note: Use Item 26)	
11	See Note	NSS	Wiper, Rod (Note: Use Item 26)	
12	See Note	NSS	O-Ring (Note: Use Item 26)	
13	See Note	NSS	Ring, Back-up (Note: Use Item 26)	
14	0100063	AR	Adhesive	
15	2220885	1	Plug, O-Ring	
16	1683057	1	Head	
17	0100011	AR	Compound, Locking	
18	0100038	AR	Primer, Locking	
20	4640858	2	Valve, Bleeder	
26	2901321	1	Seal Kit (Includes Items 7-13)	

# SECTION 5 - CYLINDER

FIGURE 5-2. PLATFORM LEVEL CYLINDER ASSEMBLIES (Prior to SN 0300024714)





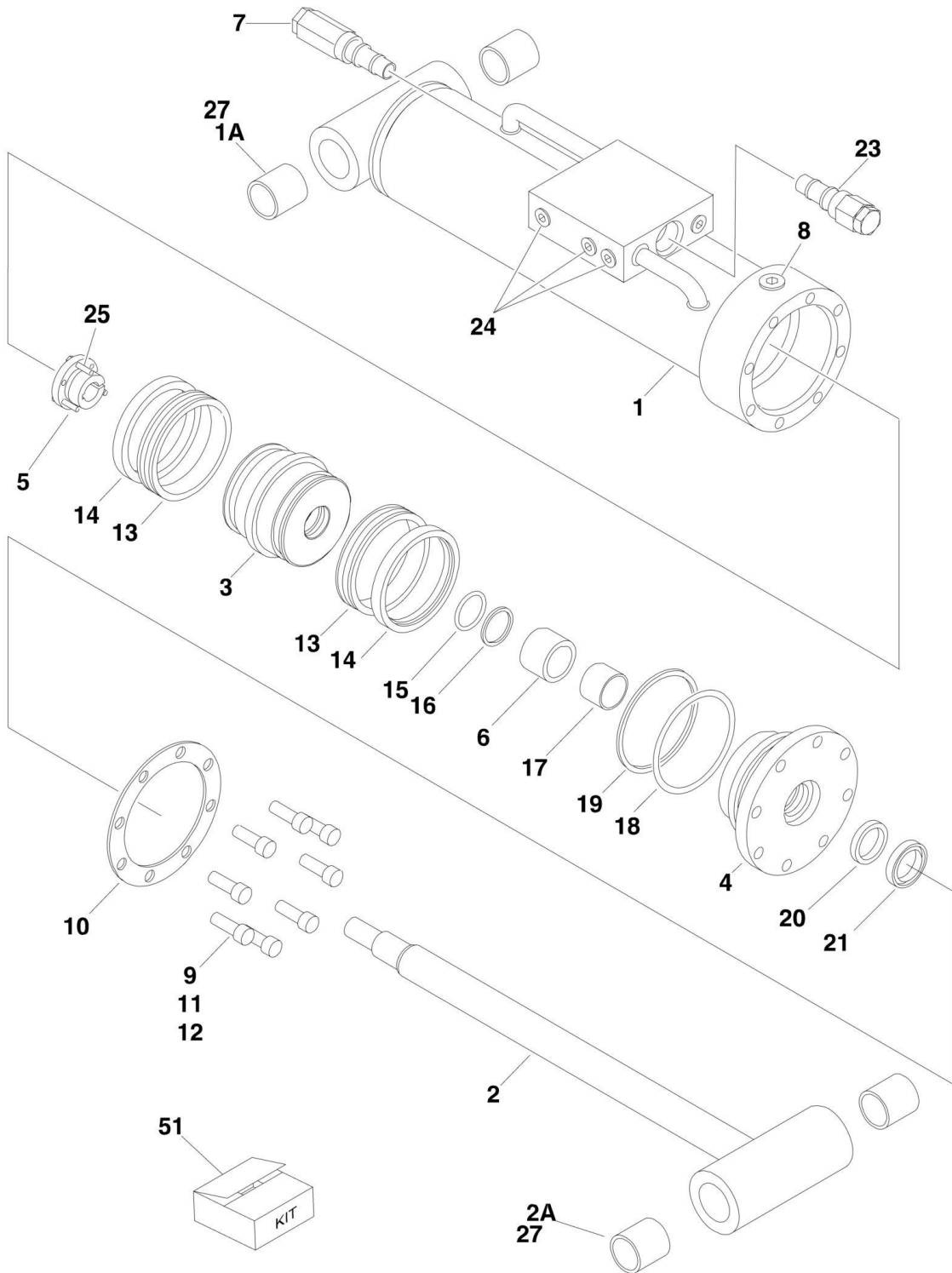
## SECTION 5 - CYLINDER

**FIGURE 5-2. PLATFORM LEVEL CYLINDER ASSEMBLIES (Prior to SN 0300024714)**

ITEM	PART NUMBER	QTY	DESCRIPTION	REV
	1683271	Ref	<b>PLATFORM LEVEL CYLINDER ASSEMBLY - 600A</b>	2-B
	1683253	Ref	<b>PLATFORM LEVEL CYLINDER ASSEMBLY - 600AJ</b>	3-E
1		Ref	Barrel Options:	
1	1683272	1	Barrel 600A	
1	1683254	1	Barrel 600AJ	
1A		Ref	Bushing Options:	
1A	0961947	2	Bushing 600A	
1A	0961951	2	Bushing 600AJ	
2		Ref	Rod Options:	
2	1683274	1	Rod 600A	
2	1683333	1	Rod 600AJ	
2A		Ref	Bushing Options:	
2A	0961947	2	Bushing 600A	
2A	0961951	2	Bushing 600AJ	
3		Ref	Piston Options:	
3	3480210	1	Piston 600A	
3	3480188	1	Piston 600AJ	
4		Ref	Head Options:	
4	1683053	1	Head 600A	
4	1683055	1	Head 600AJ	
5		Ref	Bushing, Tapered Options:	
5	0961893	1	Bushing, Tapered 600A	
5	0961894	1	Bushing, Tapered 600AJ	
6	4566468	1	Spacer	
7	4640509	1	Cartridge, Valve	
7	2900792	1	Seal Kit - 4640509 Valve	
8	2220885	1	Plug, O-Ring	
9		Ref	Capscrew Options:	
9	3931516	8	600A - Capscrew, Socket Head 5/16in-18NC x 1in	
9	3931620	8	600AJ - Capscrew, Socket Head 3/8in-16NC x 1-1/4in	
10		Ref	Ring, Washer Options:	
10	3760368	1	Ring, Washer 600A	
10	3760369	1	Ring, Washer 600AJ	
11	0100011	AR	Compound, Locking	
12	0100038	AR	Primer, Locking	
13	See Note	2	Seal (Note: Use Item 26)	
14	See Note	2	Ring, Lock (Note: Use Item 26)	
15	See Note	1	O-Ring (Note: Use Item 26)	
16	See Note	1	Ring, Back-up (Note: Use Item 26)	
17	See Note	1	Ring, Wear (Note: Use Item 26)	
18	See Note	1	O-Ring (Note: Use Item 26)	
19	See Note	1	Ring, Back-up (Note: Use Item 26)	
20	See Note	1	Seal, Rod (Note: Use Item 26)	
21	See Note	1	Wiper (Note: Use Item 26)	
23	0630535	3	Bolt #10 - 24NC x 1-1/8in	
26		Ref	Seal Kit Options (Includes Items 13-21):	
26	2901303	1	Seal Kit 600A	
26	2901301	1	Seal Kit 600AJ	

# SECTION 5 - CYLINDER

FIGURE 5-3. PLATFORM LEVEL CYLINDER ASSEMBLIES (ORIGINAL EQUIPMENT) (SN 0300024714 through 0300069000)



## SECTION 5 - CYLINDER

**FIGURE 5-3. PLATFORM LEVEL CYLINDER ASSEMBLIES (ORIGINAL EQUIPMENT) (SN 0300024714 through 0300069000)**

ITEM	PART NUMBER	QTY	DESCRIPTION	REV
	1683415	Ref	<b>PLATFORM LEVEL CYLINDER ASSEMBLY - 600A</b>	C
	1683418	Ref	<b>PLATFORM LEVEL CYLINDER ASSEMBLY - 600AJ</b>	D
		Ref	Note: Original Cylinder may have been replaced with Service Replacement. Identify PN Stamped on Cylinder Before Ordering Parts.	
1		Ref	Barrel Weldment Options:	
1	1683416	1	Barrel Weldment (Note: Includes Item 1A) <b>(SN 0300024714 through 0300053551)</b>	
1	1683977	1	Barrel Weldment (Note: Includes Item 1A) <b>(SN 0300053552 through 0300069000)</b>	
1	1683419	1	Barrel Weldment (Note: Includes Item 1A) <b>(SN 0300024714 through 0300052684)</b>	
1	1683952	1	Barrel Weldment (Note: Item 1A not included. Purchase Separately) <b>(SN 0300052685 through 0300069000)</b>	
1A		Ref	Bushing Options:	
1A	0961947	2	600A - Bushing	
1A	0961951	2	600AJ - Bushing	
2		Ref	Rod Weldment Options:	
2	1683274	1	Rod Weldment (Note: Includes Item 2A) <b>(SN 0300024714 through 0300053551)</b>	
2	1683976	1	Rod Weldment (Note: Includes Item 1A) <b>(SN 0300053552 through 0300069000)</b>	
2	1683963	1	Rod Weldment 600AJ (Note: Includes Item 2A)	
2	1683333	1	Rod Weldment 600AJ (Note: Item 2A not included. Purchase PN 1683963)	
2A		Ref	Bushing Options:	
2A	0961947	2	600A - Bushing	
2A	0961951	2	600AJ - Bushing	
3		Ref	Piston Options:	
3	3480210	1	Piston 600A	
3	3480188	1	Piston 600AJ	
4		Ref	Head Options:	
4	1683053	1	Head 600A	
4	1683055	1	Head 600AJ	
5		Ref	Bushing, Tapered (Includes Item 25) Options:	
5	0961893	1	Bushing, Tapered 600A	
5	0961894	1	Bushing, Tapered 600AJ	
6	4566468	1	Spacer	
7	4640509	1	Cartridge, Valve	
7	2900792	1	Seal Kit - 4640509 Valve	
8	2220885	1	Plug, O-Ring	
9		Ref	Capscrew, Socket Head Options:	
9	3931516	8	600A - Capscrew 5/16in-18NC x 1in	
9	3931620	8	600AJ - Capscrew 3/8in-16NC x 1-1/4in	
10		Ref	Ring, Washer Options:	
10	3760368	1	Ring, Washer 600A	
10	3760369	1	Ring, Washer 600AJ	
11	0100011	AR	Compound, Locking	
12	0100038	AR	Primer, Locking	
13	See Note	2	Seal (Note: Use Item 51)	
14	See Note	2	Ring, Lock (Note: Use Item 51)	

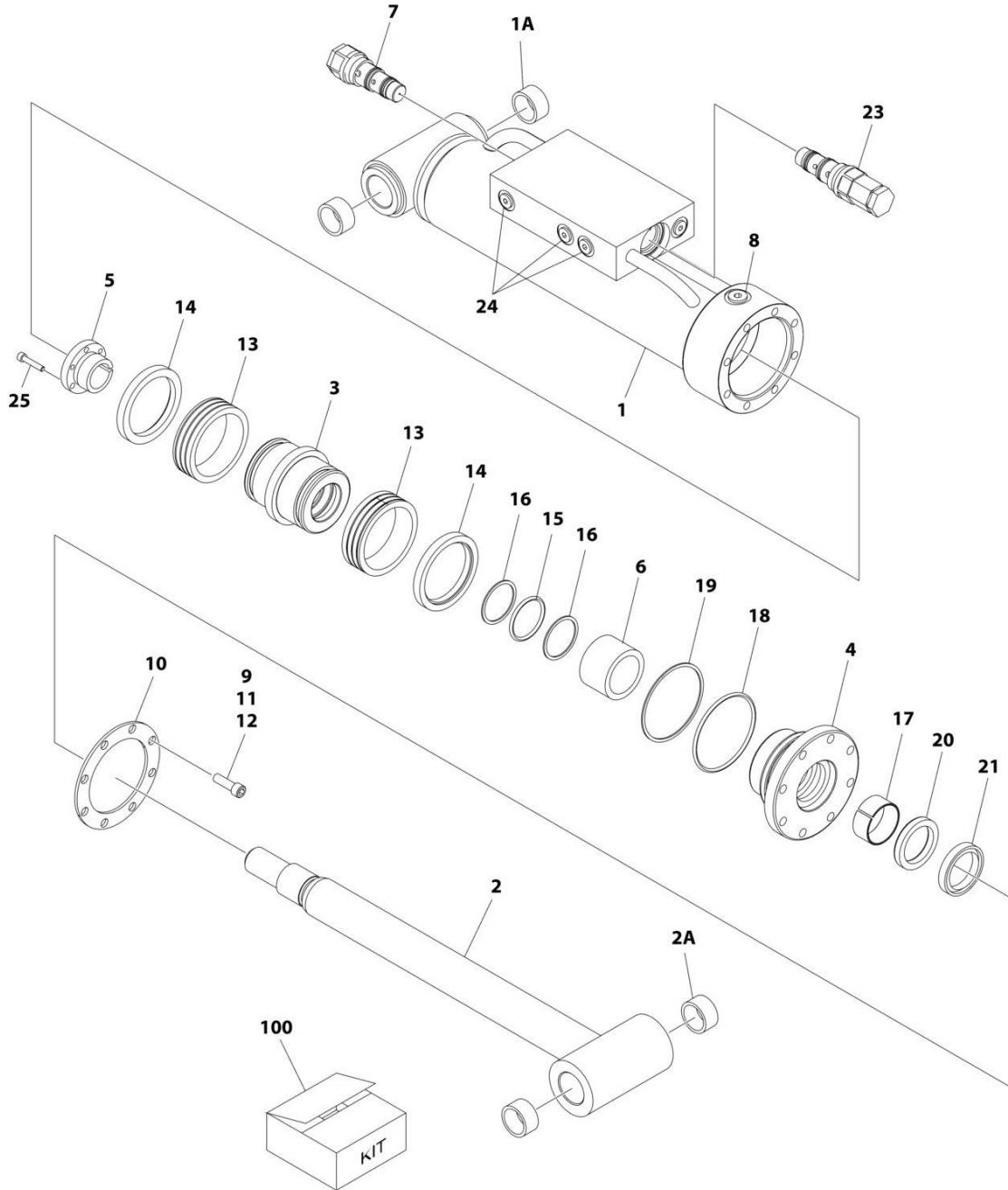
## SECTION 5 - CYLINDER

ITEM	PART NUMBER	QTY	DESCRIPTION	REV
15	See Note	1	O-Ring (Note: Use Item 51)	
16	See Note	1	Ring, Back-up (Note: Use Item 51)	
17	See Note	1	Ring, Wear (Note: Use Item 51)	
18	See Note	1	O-Ring (Note: Use Item 51)	
19	See Note	1	Ring, Back-up (Note: Use Item 51)	
20	See Note	1	Seal, Rod (Note: Use Item 51)	
21	See Note	1	Wiper (Note: Use Item 51)	
23	4640932	1	Cartridge, Valve	
23	7011112	1	Seal Kit - 4640932 Valve	
24	2220883	8	Plug, O-Ring	
25		Ref	Bolt Options:	
25	0630534	3	600A - Bolt #10 - 24NC x 1in	
25	0630535	3	600AJ - Bolt 1/4in - 20NC x 1-1/8in	
27	0100063	AR	Adhesive	
51		Ref	Seal Kit Options (Includes Items 13-21):	
51	2901303	1	Seal Kit 600A	
51	2901301	1	Seal Kit 600AJ	



# SECTION 5 - CYLINDER

## FIGURE 5-4. LEVEL CYLINDER ASSEMBLY - PLATFORM SLAVE (600A) (SERVICE REPLACEMENT)



ART\_1001223512

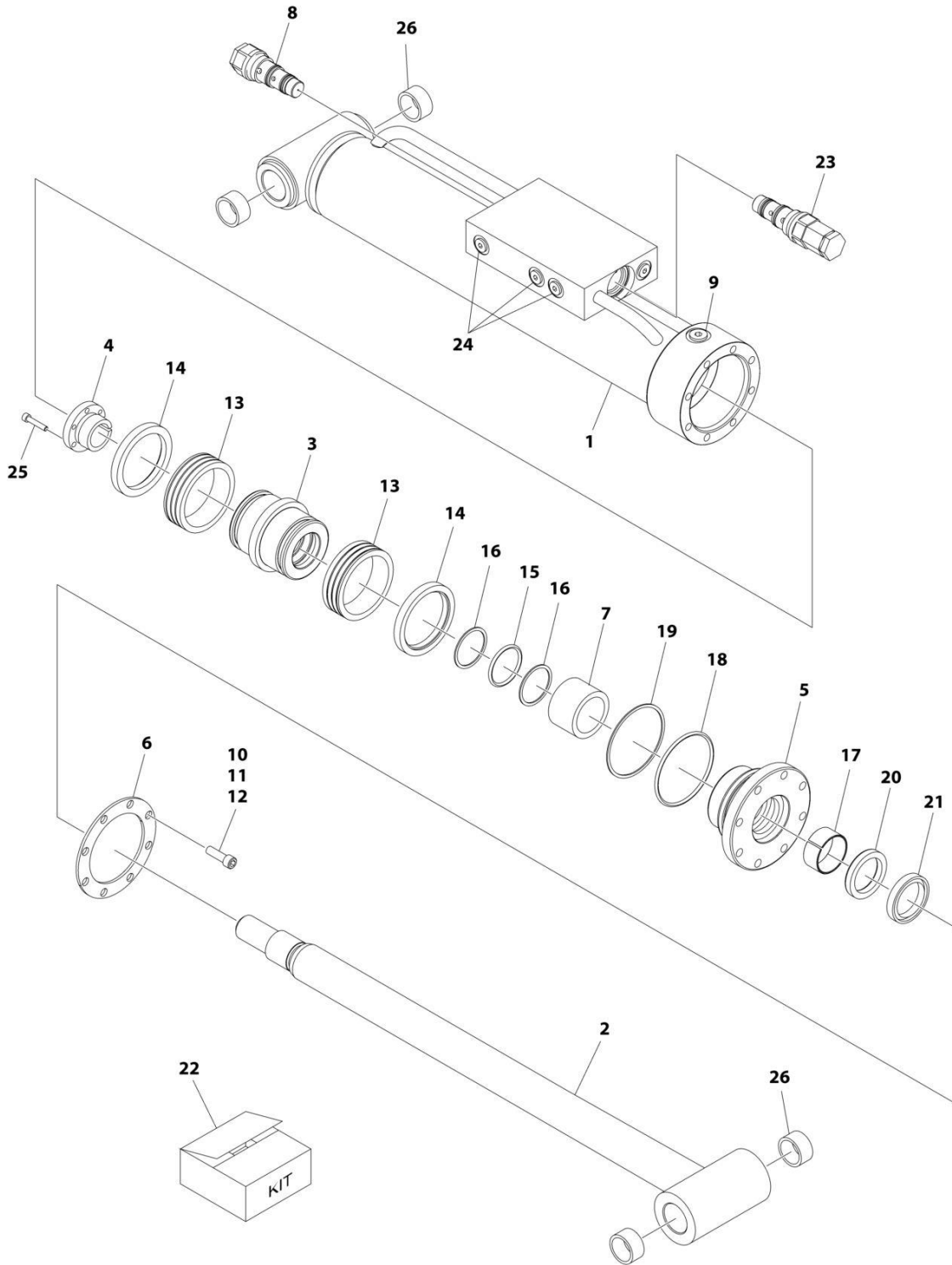
## SECTION 5 - CYLINDER

**FIGURE 5-4. LEVEL CYLINDER ASSEMBLY - PLATFORM SLAVE (600A) (SERVICE REPLACEMENT)**

ITEM	PART NUMBER	QTY	DESCRIPTION	REV
	1001223512	Ref	LEVEL CYLINDER ASSEMBLY	A
		Ref	Note: Original Cylinder may have been replaced with Service Replacement. Identify PN Stamped on Cylinder Before Ordering Parts.	
1	1001223511	1	Barrel	
1A	0961947	2	Bushing	
2	1683976	1	Rod	
2A	0961947	2	Bushing	
3	3480210	1	Piston	
4	1683053	1	Head	
5	0961893	1	Bushing, Tapered	
6	4566468	1	Spacer	
7	4640509	1	Cartridge, Valve	
7	2900792	1	Seal Kit - 4640509 Valve	
8	2220885	1	Plug, O-Ring	
9	3931516	8	Capscrew, Socket Head	
10	3760368	1	Ring, Washer	
11	0100011	AR	Compound, Locking	
12	0100038	AR	Primer, Locking	
13	See Note	NSS	Seal (Note: Use Item 100)	
14	See Note	NSS	Ring, Lock (Note: Use Item 100)	
15	See Note	NSS	O-Ring (Note: Use Item 100)	
16	See Note	NSS	Ring, Back-up (Note: Use Item 100)	
17	See Note	NSS	Ring, Wear (Note: Use Item 100)	
18	See Note	NSS	O-Ring (Note: Use Item 100)	
19	See Note	NSS	Ring, Back-up (Note: Use Item 100)	
20	See Note	NSS	Seal, Rod (Note: Use Item 100)	
21	See Note	NSS	Wiper (Note: Use Item 100)	
23	4640932	1	Cartridge, Valve	
23	7011112	1	Seal Kit - 4640932 Valve	
24	2220883	8	Plug, O-Ring	
25	0630534	3	Bolt #10 x 1	
100	2901303	1	Seal Kit (Includes Items 13-21)	

# SECTION 5 - CYLINDER

## FIGURE 5-5. LEVEL CYLINDER ASSEMBLY - PLATFORM SLAVE (600AJ) (SERVICE REPLACEMENT)



ART\_1001223331



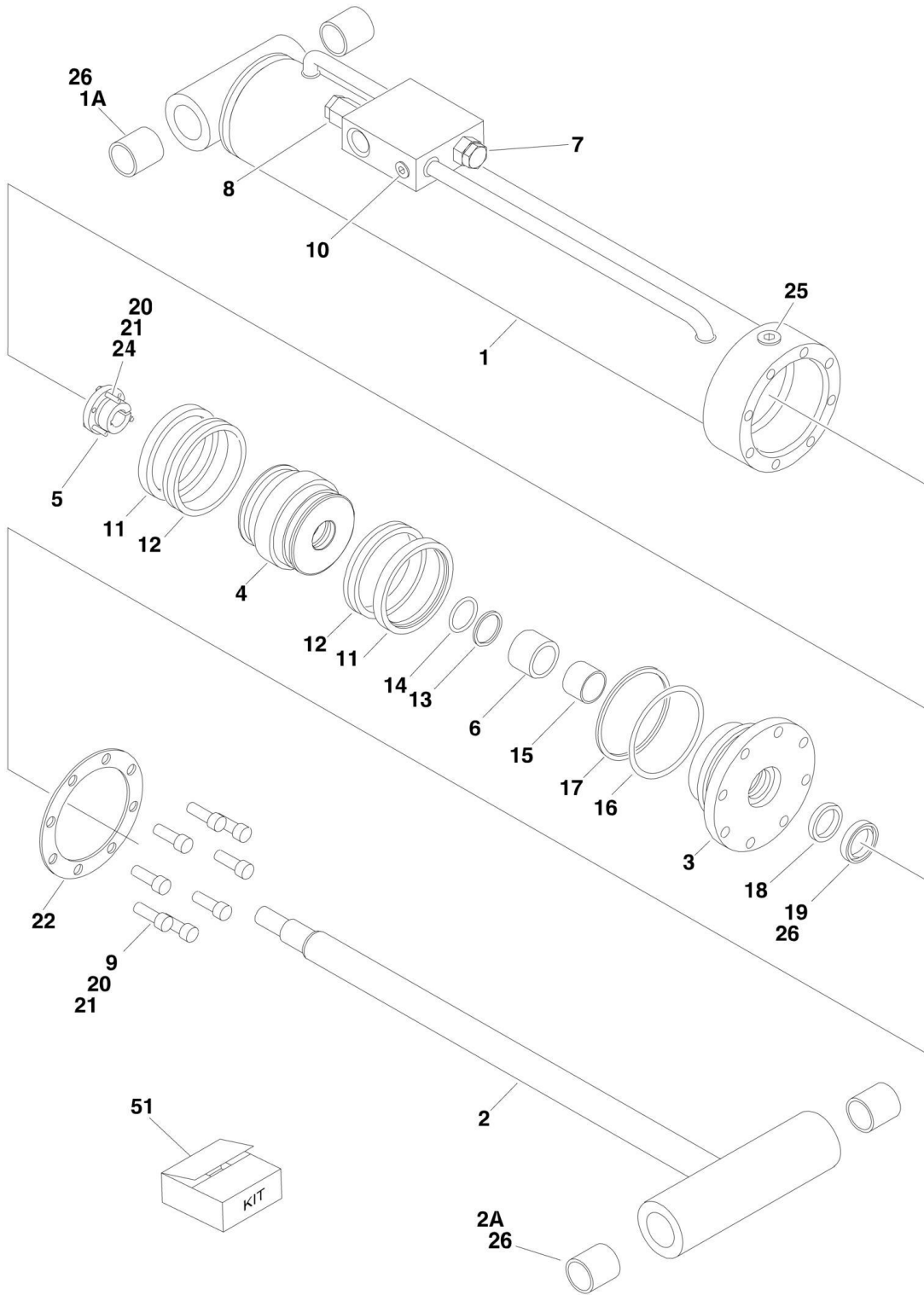
## SECTION 5 - CYLINDER

**FIGURE 5-5. LEVEL CYLINDER ASSEMBLY - PLATFORM SLAVE (600AJ) (SERVICE REPLACEMENT)**

ITEM	PART NUMBER	QTY	DESCRIPTION	REV
	1001223331	Ref	LEVEL CYLINDER ASSEMBLY	B
		Ref	Note: Original Cylinder may have been replaced with Service Replacement. Identify PN Stamped on Cylinder Before Ordering Parts.	
1	1001223332	1	Barrel	
2	1683963	1	Rod	
3	3480188	1	Head	
4	0961894	1	Bushing, Tapered	
5	1683055	1	Head	
6	3760369	1	Ring, Washer	
7	4566468	1	Spacer	
8	4640509	1	Cartridge, Valve	
8	2900792	1	Seal Kit - 4640509 Valve	
9	2220885	1	Plug	
10	3931620	8	Capscrew 3/8 x 1-1/4	
11	0100011	AR	Compound, Locking	
12	0100038	AR	Primer, Locking	
13	See Note	NSS	Seal (Note: Use Item 22)	
14	See Note	NSS	Ring, Lock (Note: Use Item 22)	
15	See Note	NSS	O-Ring (Note: Use Item 22)	
16	See Note	NSS	Ring, Back-up (Note: Use Item 22)	
17	See Note	NSS	Ring, Wear (Note: Use Item 22)	
18	See Note	NSS	O-Ring (Note: Use Item 22)	
19	See Note	NSS	Ring, Back-up (Note: Use Item 22)	
20	See Note	NSS	Seal (Note: Use Item 22)	
21	See Note	NSS	Wiper (Note: Use Item 22)	
22	2901301	1	Seal Kit (Includes Items 13-21)	
23	4640932	1	Cartridge, Valve	
23	7011112	1	Seal Kit - 4640932 Valve	
24	2220883	8	Plug	
25	0630535	3	Bolt 1/4 x 1-1/8	
26	0961951	4	Bushing	

# SECTION 5 - CYLINDER

## FIGURE 5-6. LEVEL (UPRIGHT) CYLINDER ASSEMBLY



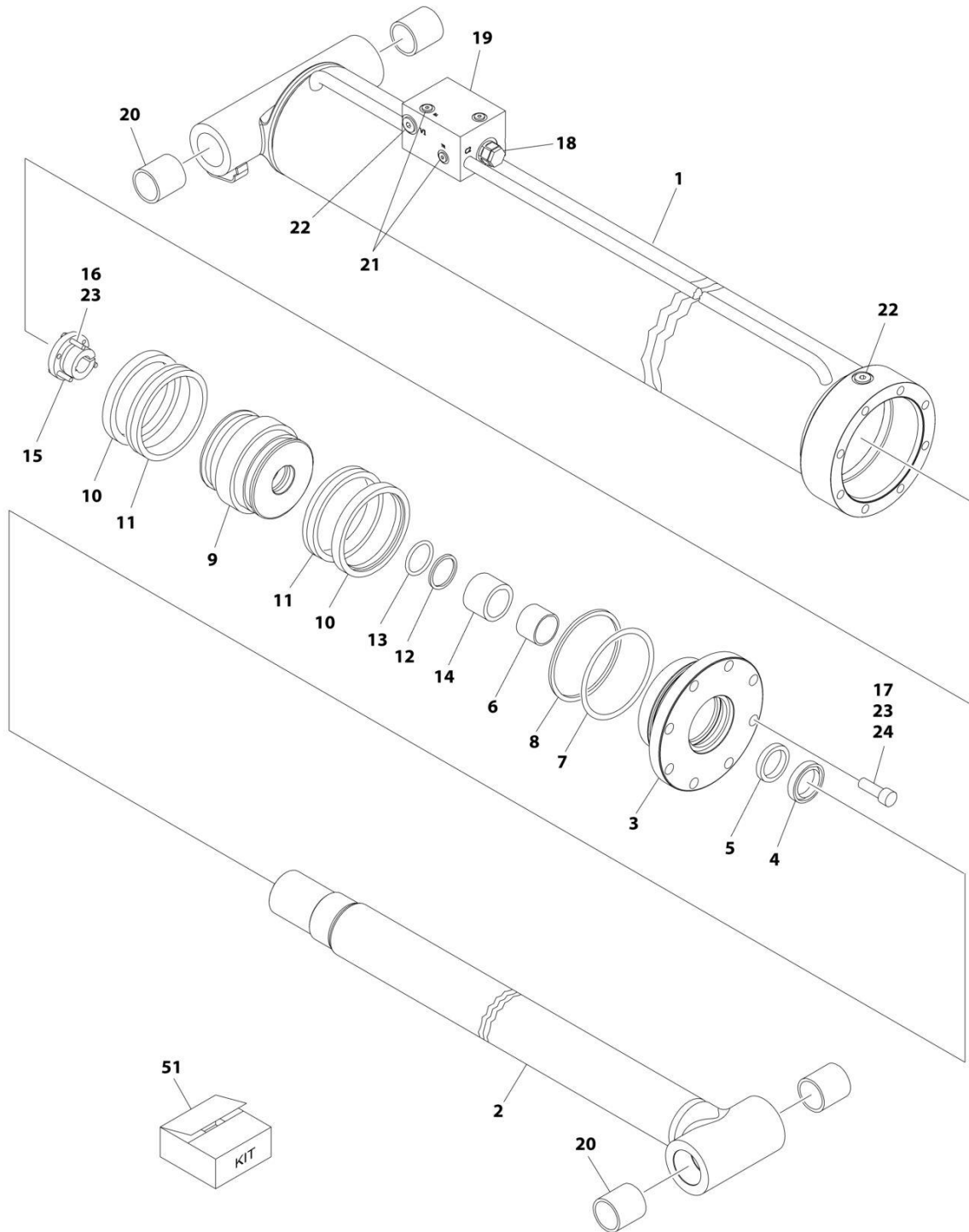
## SECTION 5 - CYLINDER

### FIGURE 5-6. LEVEL (UPRIGHT) CYLINDER ASSEMBLY

ITEM	PART NUMBER	QTY	DESCRIPTION	REV
		Ref	<b>LEVEL (UPRIGHT) CYLINDER ASSEMBLY</b>	
	1683299	Ref	<b>Original Equipment</b>	F
	1684498	Ref	<b>Service Replacement</b>	C
		Ref	<b>Note: Original Equipment components may have been replaced with Service Replacement components part. Identify p/n stamped on cylinder before ordering parts.</b>	
1		Ref	Barrel Weldment Options:	
1	1683300	1	Barrel Weldment ( <b>Prior to SN 0300056430</b> )	
1	1684014	NLA	Barrel Weldment (Original Equipment) (Use p/n0370035)	
1	0370035	1	Service Replacement	
1A	0961949	2	Bushing	
2		Ref	Rod Weldment Options:	
2	1683302	1	Rod Weldment ( <b>Prior to SN 0300056430</b> )	
2	1684015	1	Rod Weldment ( <b>SN 0300056430 through 0300069000</b> )	
2A	0961949	2	Bushing	
3	1683067	1	Head	
4	3480206	1	Piston	
5	0961898	1	Bushing, Tapered (Use item #24 in place of supplied bolts)	
6	4566501	1	Spacer, Tube	
7	4640509	1	Cartridge, Valve	
7	2900792	1	Seal Kit - 4640509 Valve	
8	4640605	1	Cartridge, Valve	
8	2900792	1	Seal Kit - 4640605 Valve	
9	3932032	8	Bolt, Socket Head 5/16in-11NC x 2in	
10	2220883	2	Plug, O-Ring	
11	See Note	NSS	Ring, Lock (Note: Use Item 51)	
12	See Note	NSS	Seal, Hydrolock (Note: Use Item 51)	
13	See Note	NSS	O-Ring (Note: Use Item 51)	
14	See Note	NSS	Ring, Back-up (Note: Use Item 51)	
15	See Note	NSS	Ring, Wear (Note: Use Item 51)	
16	See Note	NSS	O-Ring (Note: Use Item 51)	
17	See Note	NSS	Ring, Back-up (Note: Use Item 51)	
18	See Note	NSS	Seal, Rod (Note: Use Item 51)	
19	See Note	NSS	Wiper (Note: Use Item 51)	
20	0100011	AR	Compound, Locking	
21	0100038	AR	Primer, Locking	
22	3760372	1	Washer, Ring	
24	0630536	3	Bolt 3/8in-16NC x 1-1/2in	
25	2220886	1	Plug, O-Ring	
26	0100063	AR	Adhesive	
51	2901285	1	Seal Kit (Includes Items 11-19)	

# SECTION 5 - CYLINDER

## FIGURE 5-7. LEVEL CYLINDER ASSEMBLY- UPRIGHT (SERVICE REPLACEMENT)



ART\_1001228042

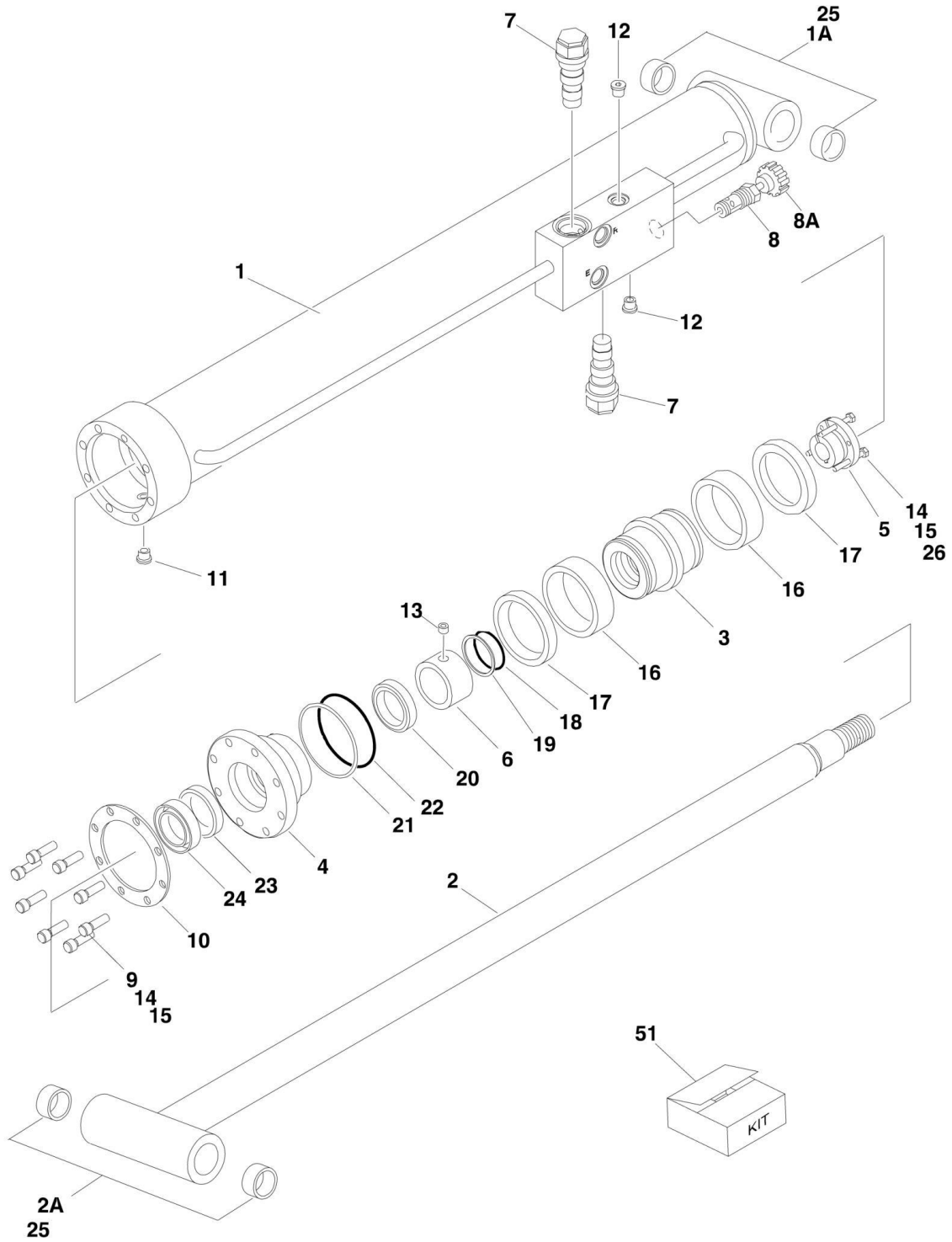
## SECTION 5 - CYLINDER

**FIGURE 5-7. LEVEL CYLINDER ASSEMBLY- UPRIGHT (SERVICE REPLACEMENT)**

ITEM	PART NUMBER	QTY	DESCRIPTION	REV
	1001228042	Ref	UPRIGHT LEVEL CYLINDER ASSEMBLY	E
		Ref	Note: Original Equipment components may have been replaced with Service Replacement components part. Identify p/n stamped on cylinder before ordering parts.	
1	See Note	NSS	Barrel (Note: Not Available for Purchase)	
2	70006489	1	Rod	
3	70006488	1	Head	
4	See Note	NSS	Wiper (Note: Use Item 51)	
5	See Note	NSS	Seal, Rod (Note: Use Item 51)	
6	See Note	NSS	Ring, Wear (Note: Use Item 51)	
7	See Note	NSS	O-Ring (Note: Use Item 51)	
8	See Note	NSS	Ring, Back-up (Note: Use Item 51)	
9	70006487	1	Piston	
10	See Note	NSS	Ring, Lock (Note: Use Item 51)	
11	See Note	NSS	Seal, Hydrolock (Note: Use Item 51)	
12	See Note	NSS	O-Ring (Note: Use Item 51)	
13	See Note	NSS	Ring, Back-up (Note: Use Item 51)	
14	70006486	1	Spacer, Tube	
15	0961898	1	Bushing, Tapered (Use Item #16 in place of supplied bolts)	
16	0630536	3	Bolt 3/8 x 1-1/2	
17	3932032	8	Bolt, Socket Head 5/16 x 2	
18	4640509	1	Cartridge, Valve	
18	2900792	1	Seal Kit - 4640509 Valve	
19	4640605	1	Cartridge, Valve	
19	2900792	1	Seal Kit - 4640605 Valve	
20	0961949	4	Bushing	
21	2220883	5	Plug, O-Ring	
22	2220886	AR	Plug, O-Ring	
23	0100011	AR	Compound, Locking	
24	0100038	AR	Primer, Locking	
51	2901285	1	Seal Kit (Includes Items 4-8 & 10-13)	

# SECTION 5 - CYLINDER

FIGURE 5-8. LIFT (ARTICULATING JIB) CYLINDER ASSEMBLY - 600AJ



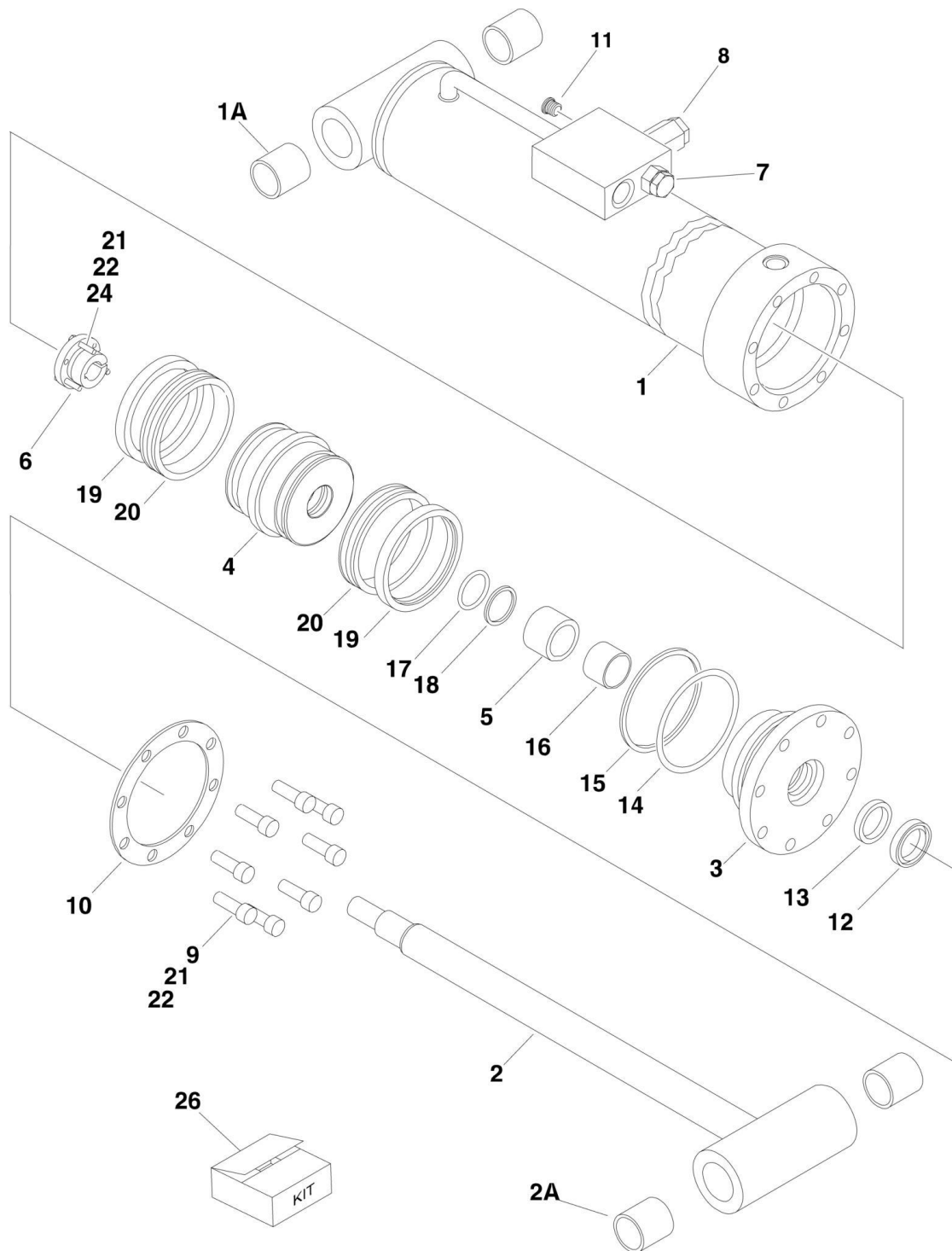
## SECTION 5 - CYLINDER

**FIGURE 5-8. LIFT (ARTICULATING JIB) CYLINDER ASSEMBLY - 600AJ**

ITEM	PART NUMBER	QTY	DESCRIPTION	REV
	1683258	Ref	<b>LIFT CYLINDER ASSEMBLY - 600AJ</b>	C
1		Ref	Barrel Options:	
1	1683259	1	Barrel <b>(Prior to SN 0300062140)</b>	
1	1684092	1	Barrel <b>(SN 0300062140 through 0300069000)</b>	
1A		Ref	Bushing Options:	
1A	0961947	2	Bushing <b>(Prior to SN 0300062140)</b>	
1A	0962336	2	Bushing <b>(SN 0300062140 through 0300069000)</b>	
2		Ref	Rod Options:	
2	1683261	1	Rod <b>(Prior to SN 0300062140)</b>	
2	1684090	1	Rod <b>(SN 0300062140 through 0300069000)</b>	
2A		Ref	Bushing Options:	
2A	0961947	2	Bushing <b>(Prior to SN 0300062140)</b>	
2A	0962336	2	Bushing <b>(SN 0300062140 through 0300069000)</b>	
3	3480210	1	Piston	
4	1683053	1	Head	
5	0961893	1	Bushing, Tapered	
6	4566471	1	Spacer	
7	4640509	2	Cartridge, Valve	
7	2900792	2	Seal Kit - 4640509 Valve	
8	4640902	1	Cartridge, Valve	
8	7012953	1	Seal Kit - 4640902 Valve	
8A	7012961	1	Knob	
9	3931516	8	Capscrew, Socket Head 5/16in-18NC x 1in	
10	3760368	1	Ring, Washer	
11	2220885	1	Plug, O-Ring #6	
12	2220883	2	Plug, O-Ring #4	
13	3900141	1	Setscrew 1/4in-20NC x 3/8in	
14	0100011	AR	Compound, Locking	
15	0100038	AR	Primer, Locking	
16	See Note	NSS	Seal (Note: Use Item 51)	
17	See Note	NSS	Ring, Lock (Note: Use Item 51)	
18	See Note	NSS	O-Ring (Note: Use Item 51)	
19	See Note	NSS	Ring, Back-up (Note: Use Item 51)	
20	See Note	NSS	Ring, Wear (Note: Use Item 51)	
21	See Note	NSS	O-Ring (Note: Use Item 51)	
22	See Note	NSS	Ring, Back-up (Note: Use Item 51)	
23	See Note	NSS	Seal, Rod (Note: Use Item 51)	
24	See Note	NSS	Wiper (Note: Use Item 51)	
25	0100063	AR	Adhesive	
26	0630534	3	Bolt #10 - 24NC x 1in	
51	2901303	1	Seal Kit (Includes Items 16-24)	

# SECTION 5 - CYLINDER

## FIGURE 5-9. LIFT (MAIN BOOM) CYLINDER ASSEMBLY (ORIGINAL EQUIPMENT)





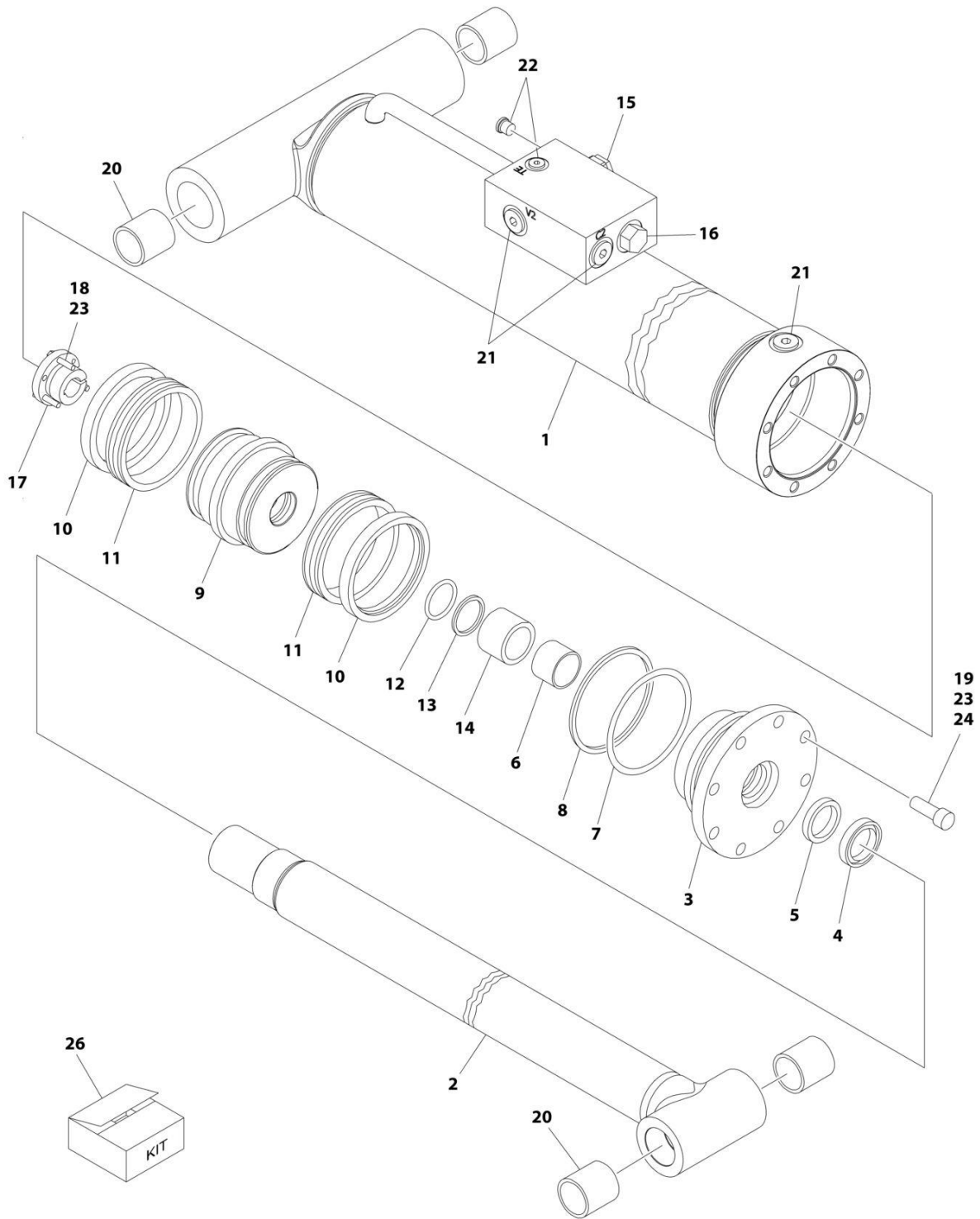
## SECTION 5 - CYLINDER

**FIGURE 5-9. LIFT (MAIN BOOM) CYLINDER ASSEMBLY (ORIGINAL EQUIPMENT)**

ITEM	PART NUMBER	QTY	DESCRIPTION	REV
	1683294	Ref	<b>LIFT (MAIN BOOM) CYLINDER ASSEMBLY</b>	G
		Ref		
1		Ref	Barrel Options:	
1	1683295	1	Barrel ( <b>Prior to SN 0300055554</b> )	
1	1684001	1	Barrel ( <b>SN 0300055554 through 0300069000</b> )	
1A	0961948	2	Bushing	
2		Ref	Rod Options:	
2	1683297	1	Rod ( <b>Prior to SN 0300055554</b> )	
2	1684005	1	Rod ( <b>SN 0300055554 through 0300069000</b> )	
2A	0961948	2	Bushing	
3	1683061	1	Head	
4	3480211	1	Piston	
5	4566408	1	Spacer	
6	0961897	1	Bushing, Tapered	
7	4640438	1	Cartridge, Valve	
7	2900770	1	Seal Kit - 4640438 Valve	
8	4640509	1	Cartridge, Valve	
8	2900792	1	Seal Kit - 4640509 Valve	
9	3931720	8	Capscrew, Socket Head 7/16in-14NC x 1-1/4in	
10	3760370	1	Ring, Washer	
11	2220883	1	Plug, O-Ring #6	
12	See Note	NSS	Wiper (Note: Use Item 26)	
13	See Note	NSS	Seal, Rod (Note: Use Item 26)	
14	See Note	NSS	O-Ring (Note: Use Item 26)	
15	See Note	NSS	Ring, Back-up (Note: Use Item 26)	
16	See Note	NSS	Ring, Wear (Note: Use Item 26)	
17	See Note	NSS	O-Ring (Note: Use Item 26)	
18	See Note	NSS	Ring, Back-up (Note: Use Item 26)	
19	See Note	NSS	Ring, Lock (Note: Use Item 26)	
20	See Note	NSS	Seal (Note: Use Item 26)	
21	0100011	AR	Compound, Locking	
22	0100038	AR	Primer, Locking	
24	0630535	3	Bolt 1/4in-20NC x 1-1/8in	
26	2901273	1	Seal Kit (Includes Items 12-20)	

# SECTION 5 - CYLINDER

## FIGURE 5-10. LIFT CYLINDER ASSEMBLY - MAIN BOOM (SERVICE REPLACEMENT)



ART\_1001228004

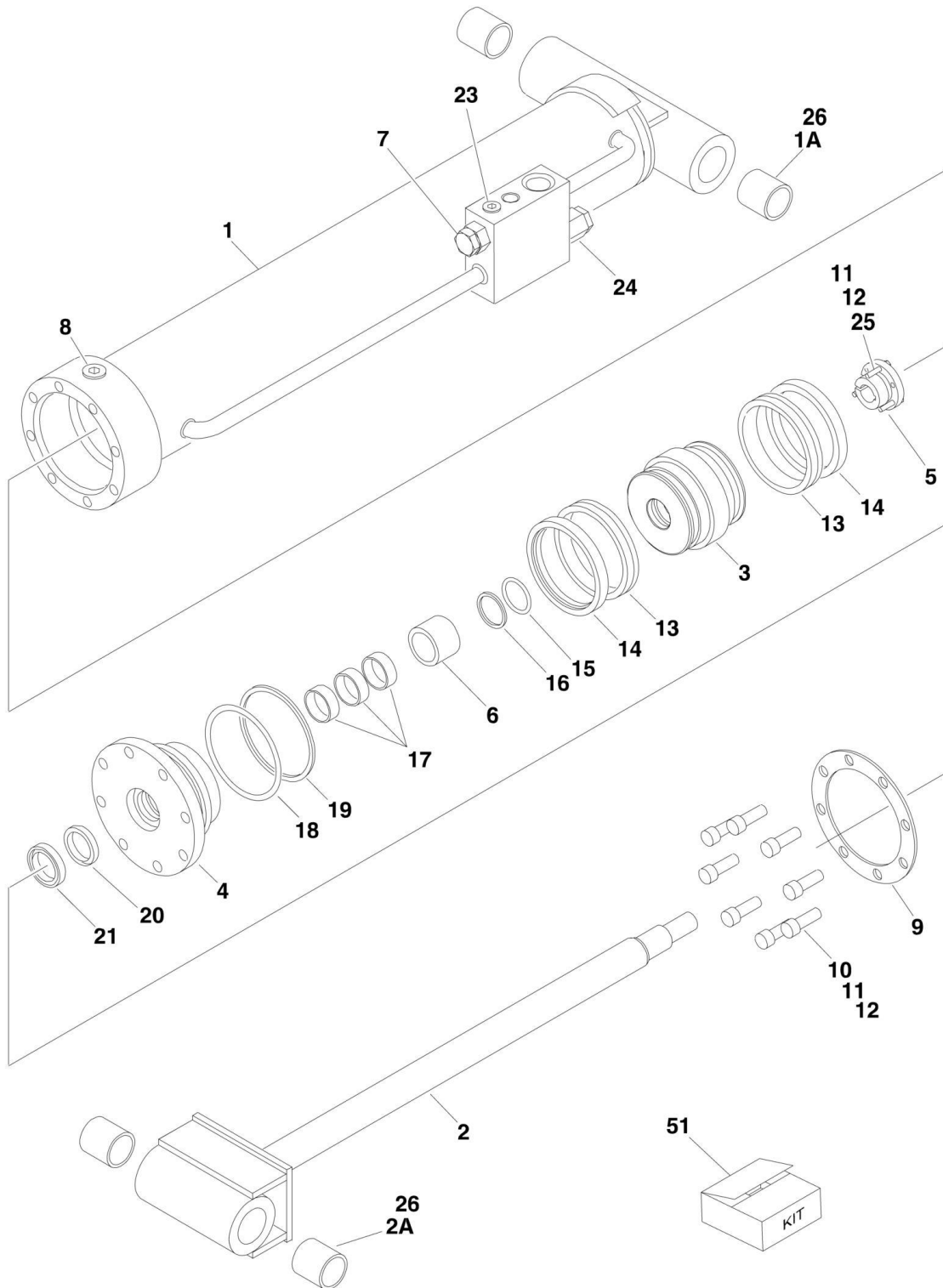
## SECTION 5 - CYLINDER

**FIGURE 5-10. LIFT CYLINDER ASSEMBLY - MAIN BOOM (SERVICE REPLACEMENT)**

ITEM	PART NUMBER	QTY	DESCRIPTION	REV
	1001228004	Ref	LIFT CYLINDER ASSEMBLY - MAIN BOOM	C
		Ref	Note: Original Equipment components may have been replaced with Service Replacement components part. Identify p/n stamped on cylinder before ordering parts.	
1	See Note	NSS	Barrel (Note: Not Available for Purchase)	
2	70006481	1	Rod	
3	70006480	1	Head	
4	See Note	NSS	Wiper (Note: Use Item 26)	
5	See Note	NSS	Seal, Rod (Note: Use Item 26)	
6	See Note	NSS	Ring, Wear (Note: Use Item 26)	
7	See Note	NSS	O-Ring (Note: Use Item 26)	
8	See Note	NSS	Ring, Back-up (Note: Use Item 26)	
9	70006479	1	Piston	
10	See Note	NSS	Ring, Lock (Note: Use Item 26)	
11	See Note	NSS	Seal (Note: Use Item 26)	
12	See Note	NSS	O-Ring (Note: Use Item 26)	
13	See Note	NSS	Ring, Back-up (Note: Use Item 26)	
14	70006478	1	Spacer	
15	4640509	1	Cartridge, Valve	
15	2900792	1	Seal Kit - 4640509 Valve	
16	4640438	1	Cartridge, Valve	
16	2900770	1	Seal Kit - 4640438 Valve	
17	0961897	1	Bushing, Tapered	
18	0630535	3	Bolt 1/4 x 1-1/8	
19	3931720	8	Capscrew, Socket Head 7/16 x 1-1/4	
20	0961948	2	Bushing	
21	2220886	4	Plug, O-Ring	
22	2220883	3	Plug, O-Ring	
23	0100011	AR	Compound, Locking	
24	0100038	AR	Primer, Locking	
26	2901273	1	Seal Kit (Includes Items 4-8 & 10-13)	

# SECTION 5 - CYLINDER

## FIGURE 5-11. LIFT (TOWER BOOM) CYLINDER ASSEMBLY (ORIGINAL EQUIPMENT)



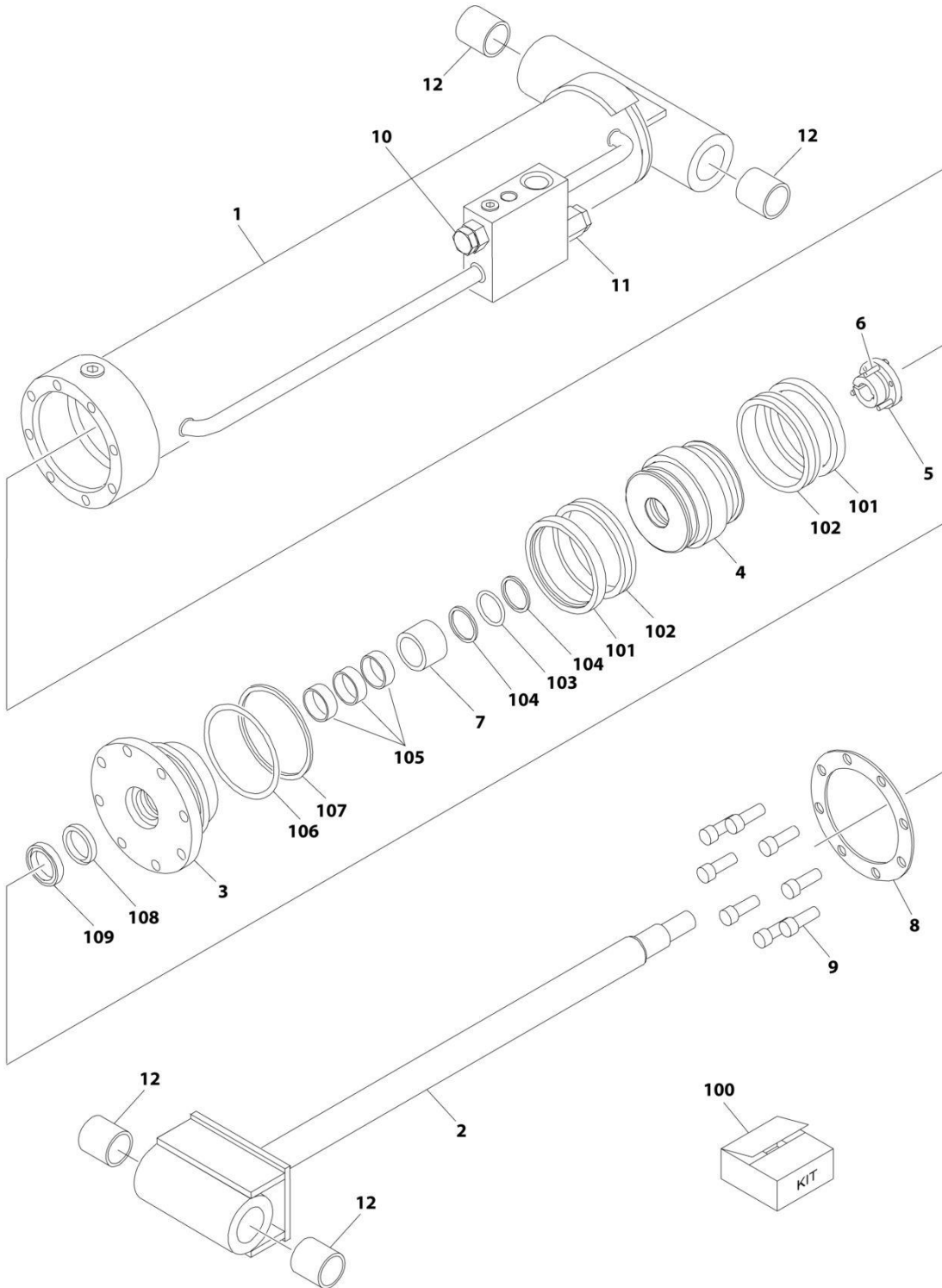
## SECTION 5 - CYLINDER

**FIGURE 5-11. LIFT (TOWER BOOM) CYLINDER ASSEMBLY (ORIGINAL EQUIPMENT)**

ITEM	PART NUMBER	QTY	DESCRIPTION	REV
	1683288	Ref	LIFT (TOWER BOOM) CYLINDER ASSEMBLY	L
		Ref	Note: Original Equipment components may have been replaced with Service Replacement components part. Identify p/n stamped on cylinder before ordering parts.	
1		Ref	Barrel Options:	
1	1683289	1	Barrel ( <b>Prior to SN 0300057328</b> )	
1	1684017	1	Barrel ( <b>SN 0300057328 through 0300069000</b> )	
1A	0961949	2	Bushing	
2		Ref	Rod Options:	
2	1683291	1	Rod ( <b>Prior to SN 0300057328</b> )	
2	1684019	1	Rod ( <b>SN 0300057328 through 0300069000</b> )	
2A	0961949	2	Bushing	
3	3480216	1	Piston	
4	1683069	1	Head	
5	0961899	1	Bushing, Tapered	
6	4566667	1	Spacer	
7	4640605	1	Cartridge, Valve	
7	2900792	1	Seal Kit - 4640605	
8	2220888	1	Plug, O-Ring #12	
9	3760384	1	Ring, Washer	
10	3932240	8	Capscrew, Socket Head 3/4in-10NC x 2-1/2in	
11	0100011	AR	Compound, Locking	
12	0100038	AR	Primer, Locking	
13	See Note	NSS	Seal (Note: Use Item 51)	
14	See Note	NSS	Ring, Lock (Note: Use Item 51)	
15	See Note	NSS	O-Ring (Note: Use Item 51)	
16	See Note	NSS	Ring, Back-up (Note: Use Item 51)	
17	See Note	NSS	Ring, Wear (Note: Use Item 51)	
18	See Note	NSS	O-Ring (Note: Use Item 51)	
19	See Note	NSS	Ring, Back-up (Note: Use Item 51)	
20	See Note	NSS	Seal, Rod (Note: Use Item 51)	
21	See Note	NSS	Wiper (Note: Use Item 51)	
23	2220883	2	Plug, O-Ring #4	
24	4640509	1	Counterbalance	
24	2900792	1	Seal Kit - 4640509	
25	0630536	3	Bolt 3/8in-16NC x 1-1/2in	
26	0100063	AR	Adhesive	
51	2901322	1	Seal Kit (Includes Items 13-21)	

# SECTION 5 - CYLINDER

## FIGURE 5-12. LIFT CYLINDER ASSEMBLY - TOWER BOOM (SERVICE REPLACEMENT)



ART\_1001228003

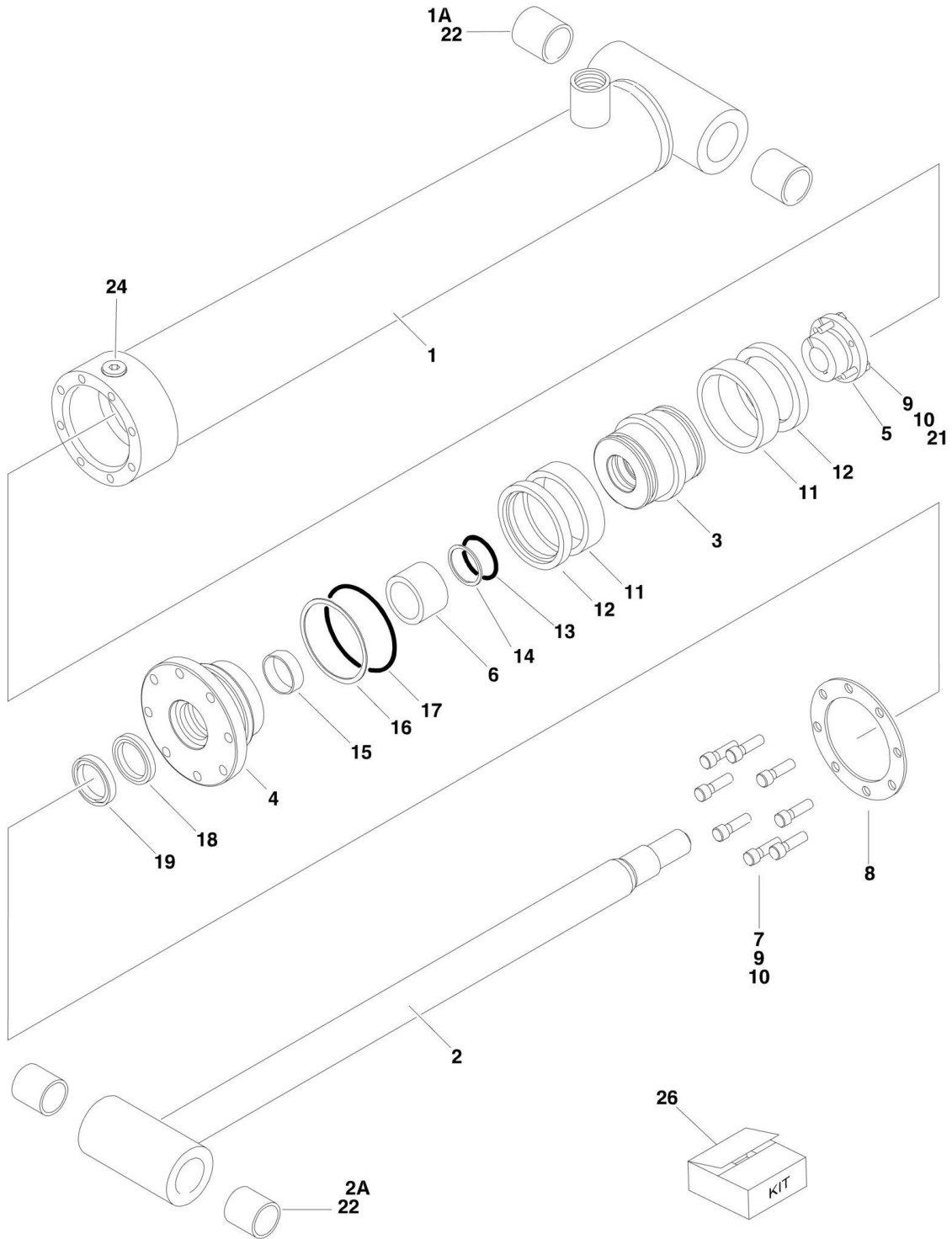
## SECTION 5 - CYLINDER

**FIGURE 5-12. LIFT CYLINDER ASSEMBLY - TOWER BOOM (SERVICE REPLACEMENT)**

ITEM	PART NUMBER	QTY	DESCRIPTION	REV
	1001228003	Ref	LIFT CYLINDER ASSEMBLY	D
		Ref	Note: Original Cylinder may have been replaced with Service Replacement. Identify PN Stamped on Cylinder Before Ordering Parts.	
1	See Note	NSS	Barrel (Note: Not Available For Purchase)	
2	70006374	1	Rod	
3	70006373	1	Head	
4	70006372	1	Piston	
5	70006371	1	Bushing, Tapered	
6	0630536	3	Bolt 3/8 x 1-1/2	
7	70006370	1	Spacer	
8	70006369	1	Ring, Washer	
9	3932240	8	Capscrew 3/4 x 2-1/2	
10	4640605	1	Cartridge, Valve	
10	2900792	1	Seal Kit - 4640605 Valve	
11	4640509	1	Cartridge, Valve	
11	2900792	1	Seal Kit - 4640509 Valve	
12	0961949	4	Bushing	
100	2901322	1	Seal Kit (Includes Items 101-109)	
101	See Note	NSS	Ring, Lock (Note: Use Item 100)	
102	See Note	NSS	Seal (Note: Use Item 100)	
103	See Note	NSS	O-Ring (Note: Use Item 100)	
104	See Note	NSS	Ring, Back-up (Note: Use Item 100)	
105	See Note	NSS	Ring, Wear (Note: Use Item 100)	
106	See Note	NSS	O-Ring (Note: Use Item 100)	
107	See Note	NSS	Ring, Back-up (Note: Use Item 100)	
108	See Note	NSS	Seal, Rod (Note: Use Item 100)	
109	See Note	NSS	Wiper (Note: Use Item 100)	

# SECTION 5 - CYLINDER

## FIGURE 5-13. MASTER CYLINDER ASSEMBLIES (ORIGINAL EQUIPMENT)





## SECTION 5 - CYLINDER

**FIGURE 5-13. MASTER CYLINDER ASSEMBLIES (ORIGINAL EQUIPMENT)**

ITEM	PART NUMBER	QTY	DESCRIPTION	REV
	1683266	Ref	<b>MASTER CYLINDER ASSEMBLY - 600A</b>	C
	1683263	Ref	<b>MASTER CYLINDER ASSEMBLY - 600AJ</b>	E
		Ref	Note: Original Cylinder May Have Been Replaced with Service Replacement. Identify PN Stamped on Cylinder Before Ordering Parts.	
1		Ref	Barrel Options:	
1	1683267	1	Barrel 600A (Note: Includes Item 1A) <b>(Prior to SN 0300053542)</b>	
1	1683972	1	Barrel 600A (Note: Includes Item 1A) <b>(SN 0300053542 through 0300069000)</b>	
1	1683264	1	Barrel 600AJ: (Note: Includes Item 1A) <b>(Prior to SN 0300052685)</b>	
1	1683949	1	Barrel 600AJ: (Note: Includes Item 1A not included. Purchase Separately) <b>(SN 0300052685 through 0300069000)</b>	
1A		Ref	Bushing Options:	
1A	0961947	2	600A - Bushing	
1A	0961951	2	600AJ - Bushing	
2		Ref	Rod Options:	
2	1683269	1	Rod (Note: Includes Item 2A) <b>(Prior to SN 0300053542)</b>	
2	1683973	1	Rod (Note: Includes Item 2A) <b>(SN 0300053542 through 0300069000)</b>	
2	1683256	1	Rod (Note: Includes Item 2A) <b>(Prior to SN 0300052685)</b>	
2	1683962	1	Rod (Note: Includes Item 2A not included. Purchase Separately) <b>(SN 0300052685 through 0300069000)</b>	
2A		Ref	Bushing Options:	
2A	0961947	2	600A - Bushing	
2A	0961951	2	600AJ - Bushing	
3		Ref	Piston Options:	
3	3480210	1	Piston 600A	
3	3480188	1	Piston 600AJ	
4		Ref	Head Options:	
4	1683053	1	Head 600A	
4	1683055	1	Head 600AJ	
5		Ref	Bushing, Tapered Options (Use item 21 in place of supplied bolts):	
5	0961893	1	Bushing, Tapered 600A	
5	0961894	1	Bushing, Tapered 600AJ	
6	4566468	1	Spacer	
7		Ref	Capscrew, Socket Head Options:	
7	3931516	8	600A - Capscrew, Socket Head 5/16in-18NC x 1in	
7	3931620	8	600AJ - Capscrew, Socket Head 3/8in-16NC x 1-1/4in	
8		Ref	Ring, Washer Options:	
8	3760368	1	Ring, Washer 600A	
8	3760369	1	Ring, Washer 600AJ	
9	0100011	AR	Compound, Locking	
10	0100038	AR	Primer, Locking	
11	See Note	NSS	Seal (Note: Use Item 26)	
12	See Note	NSS	Ring, Lock (Note: Use Item 26)	
13	See Note	NSS	O-Ring (Note: Use Item 26)	
14	See Note	NSS	Ring, Back-up (Note: Use Item 26)	
15	See Note	NSS	Ring, Wear (Note: Use Item 26)	
16	See Note	NSS	O-Ring (Note: Use Item 26)	

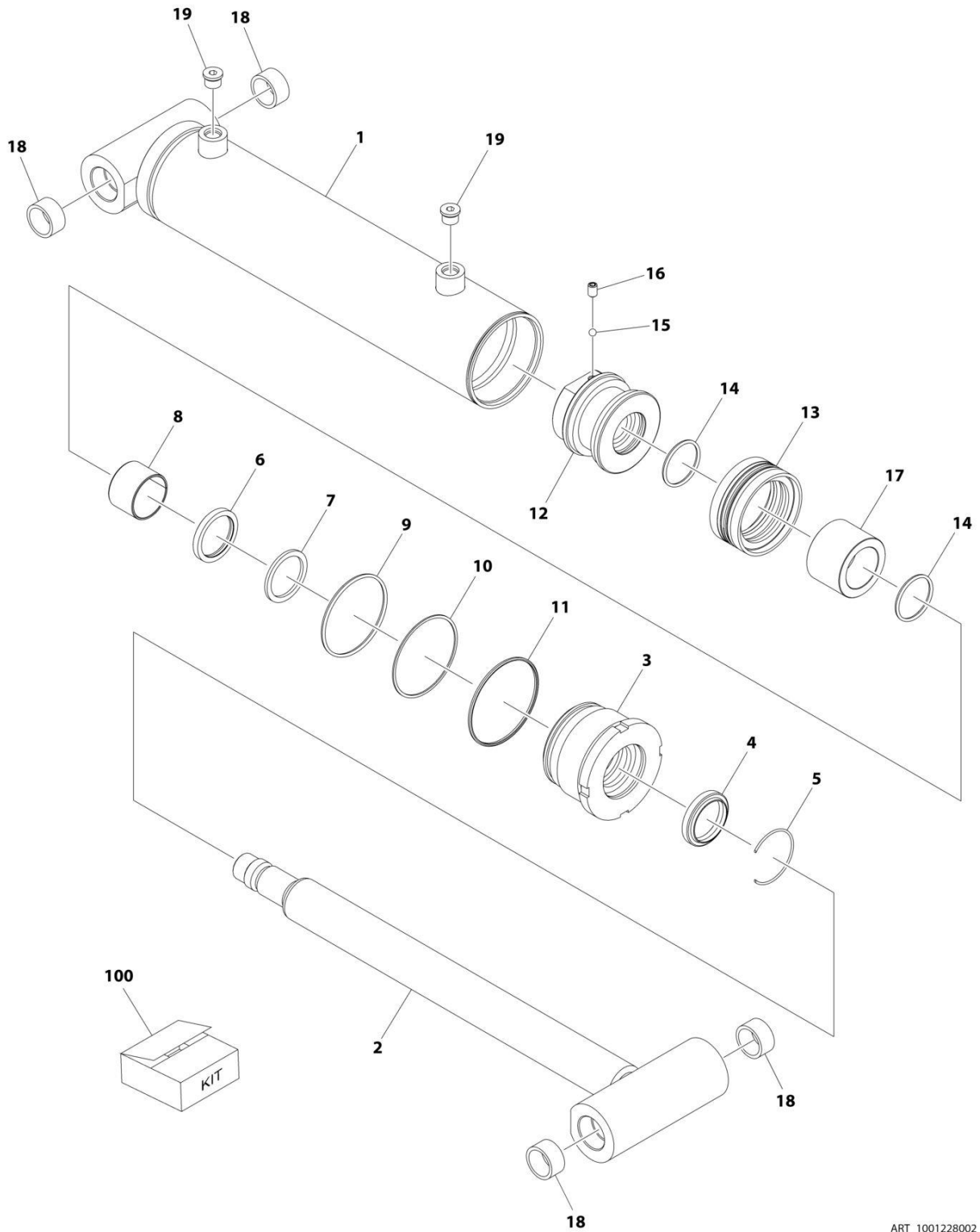
## SECTION 5 - CYLINDER

ITEM	PART NUMBER	QTY	DESCRIPTION	REV
17	See Note	NSS	Ring, Back-up (Note: Use Item 26)	
18	See Note	NSS	Seal, Rod (Note: Use Item 26)	
19	See Note	NSS	Wiper (Note: Use Item 26)	
21		Ref	Bolt Options:	
21	0630534	3	600A - Bolt #10 - 24NC x 1in	
21	0630535	3	600AJ - Bolt 1/4in-20NC x 1-1/8in	
22	0100063	AR	Adhesive	
24	2220885	1	Plug, O-Ring #6 - 600AJ Only ( <b>SN 0300052685 through 0300069000</b> )	
26		Ref	Seal Kit Options (Includes Items 11-19):	
26	2901303	1	Seal Kit 600A	
26	2901301	1	Seal Kit 600AJ	



# SECTION 5 - CYLINDER

## FIGURE 5-14. MASTER CYLINDER ASSEMBLY - 600A (SERVICE REPLACEMENT)



ART\_1001228002

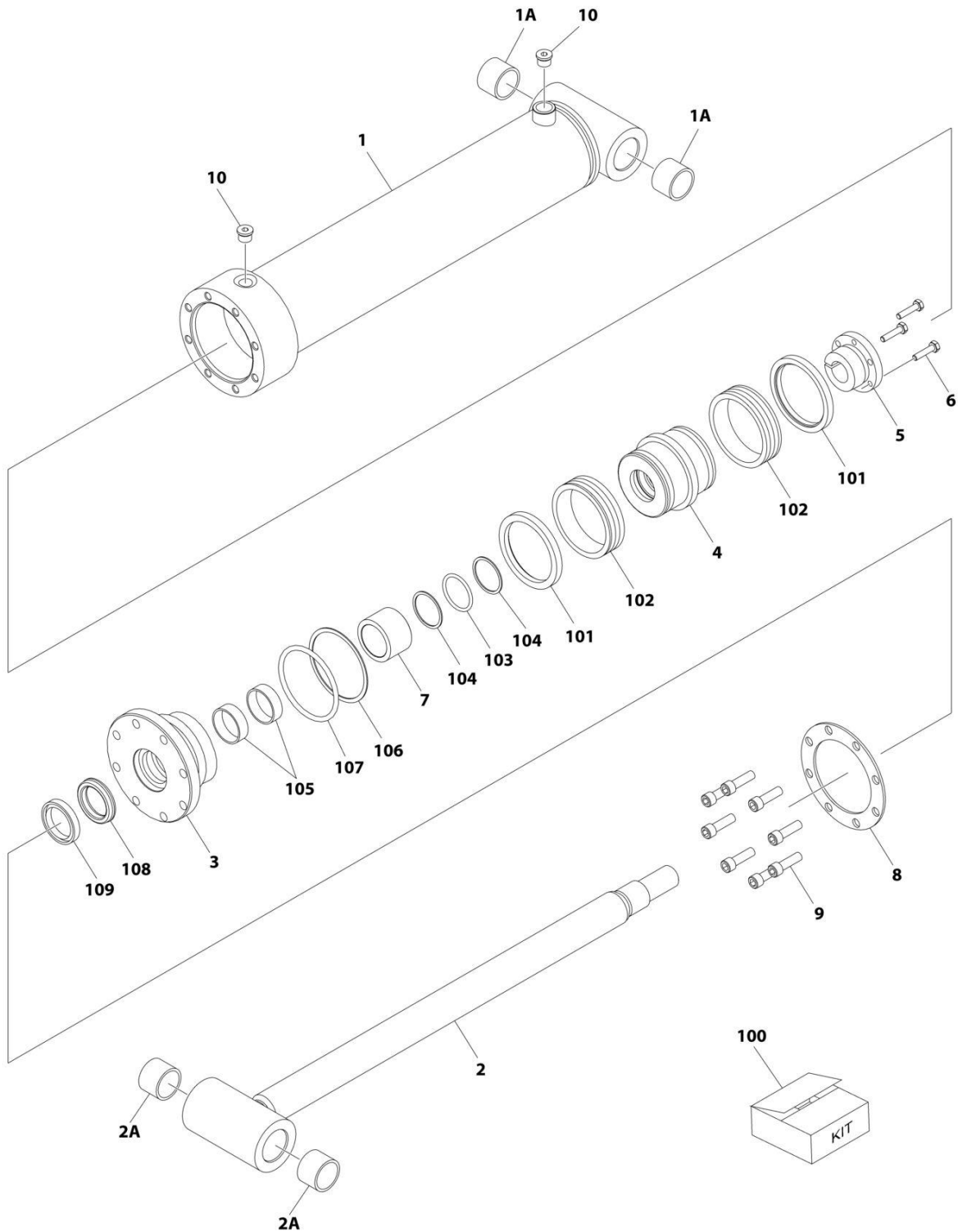
## SECTION 5 - CYLINDER

**FIGURE 5-14. MASTER CYLINDER ASSEMBLY - 600A (SERVICE REPLACEMENT)**

ITEM	PART NUMBER	QTY	DESCRIPTION	REV
	1001228002	Ref	MASTER CYLINDER ASSEMBLY	B
		Ref	Note: Original Cylinder May Have Been Replaced with Service Replacement. Identify PN Stamped on Cylinder Before Ordering Parts.	
1	See Note	NSS	Barrel (Note: Not Available for Purchase)	
2	70006774	1	Rod	
3	70006599	1	Head	
4	See Note	NSS	Wiper Rod (Note: Use Item 100)	
5	70002373	1	Ring, Retaining	
6	See Note	NSS	Seal, Rod (Note: Use Item 100)	
7	See Note	NSS	Ring, Back-up (Note: Use Item 100)	
8	See Note	NSS	Ring, Wear (Note: Use Item 100)	
9	See Note	NSS	O-Ring (Note: Use Item 100)	
10	See Note	NSS	Ring, Back-up (Note: Use Item 100)	
11	See Note	NSS	O-Ring (Note: Use Item 100)	
12	70006597	1	Piston	
13	See Note	NSS	Seal Piston (Note: Use Item 100)	
14	See Note	NSS	O-Ring (Note: Use Item 100)	
15	70022564	1	Ball	
16	70006601	1	Setscrew	
17	70006775	1	Spacer	
18	0961947	4	Bushing	
19	70023371	2	Plug, O-Ring	
100	70006776	1	Seal Kit (Includes Items 4, 6-11, 13 & 14)	

# SECTION 5 - CYLINDER

## FIGURE 5-15. MASTER CYLINDER ASSEMBLY - 600AJ (SERVICE REPLACEMENT)



ART\_1001228052

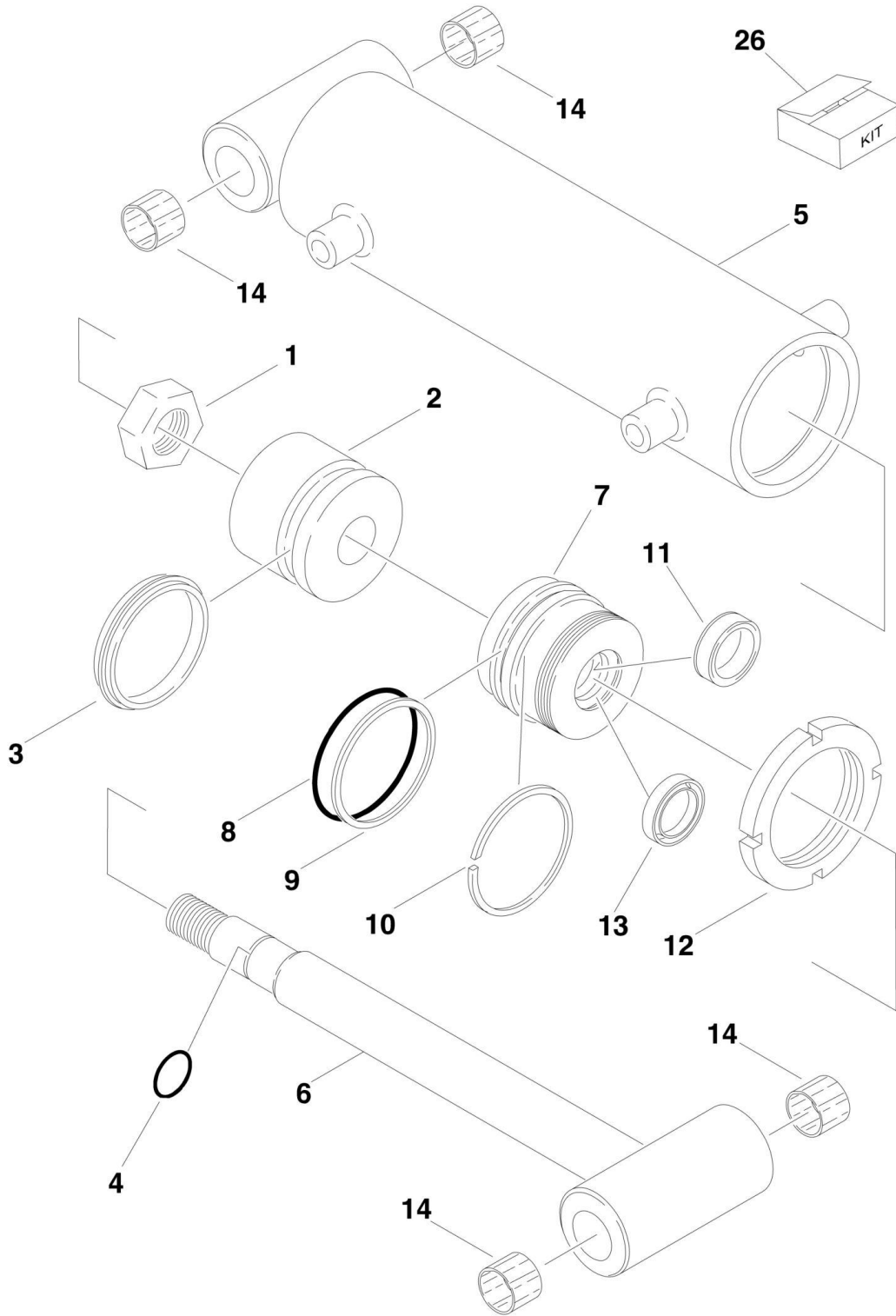
## SECTION 5 - CYLINDER

**FIGURE 5-15. MASTER CYLINDER ASSEMBLY - 600AJ (SERVICE REPLACEMENT)**

ITEM	PART NUMBER	QTY	DESCRIPTION	REV
	1001228052	Ref	MASTER CYLINDER ASSEMBLY	B
		Ref	Note: Original Cylinder May Have Been Replaced with Service Replacement. Identify PN Stamped on Cylinder Before Ordering Parts.	
1	See Note	NSS	Barrel (Note: Not Available for Purchase)	
1A	0961951	2	Bushing	
2	70006447	1	Rod Weldment	
2A	0961951	2	Bushing	
3	70006446	1	Head	
4	70006445	1	Piston	
5	70006444	1	Bushing, Tapered	
6	0630535	3	Capscrew 1/4 x 1-1/8	
7	70006443	1	Spacer	
8	70006442	1	Ring, Washer	
9	3931620	8	Capscrew 3/8 x 1-1/4	
10	2220885	2	Plug, O-Ring	
100	1001138796	1	Seal Kit (Includes Items 101-109)	
101	See Note	NSS	Ring, Wear (Note: Use Item 100)	
102	See Note	NSS	Seal, Piston (Note: Use Item 100)	
103	See Note	NSS	O-Ring (Note: Use Item 100)	
104	See Note	NSS	Ring, Back-up (Note: Use Item 100)	
105	See Note	NSS	Ring, Wear (Note: Use Item 100)	
106	See Note	NSS	O-Ring (Note: Use Item 100)	
107	See Note	NSS	Ring, Back-up (Note: Use Item 100)	
108	See Note	NSS	Seal, Rod (Note: Use Item 100)	
109	See Note	NSS	Wiper, Rod (Note: Use Item 100)	

# SECTION 5 - CYLINDER

## FIGURE 5-16. STEER CYLINDER ASSEMBLIES





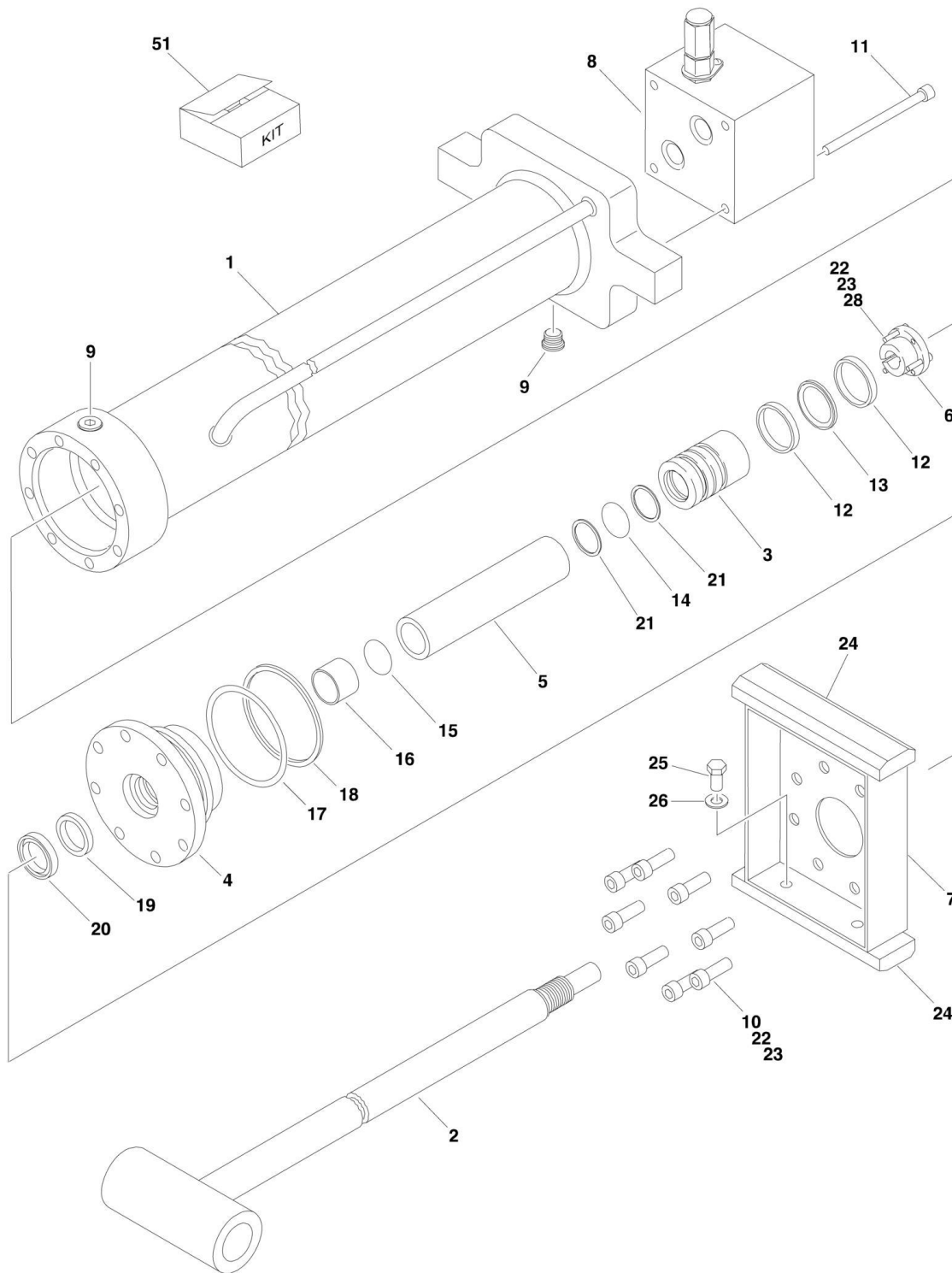
## SECTION 5 - CYLINDER

### FIGURE 5-16. STEER CYLINDER ASSEMBLIES

ITEM	PART NUMBER	QTY	DESCRIPTION	REV
		Ref	<b>STEER CYLINDER ASSEMBLIES</b>	
	1683208	Ref	<b>8ft/2.4m Width Machines</b>	C
	1683304	Ref	<b>7ft/2.1m Width Machines</b>	A
1	7001626	1	Locknut	
2	7001627	1	Piston	
3	See Note	NSS	Seal (Note: Use Item 26)	
4	See Note	NSS	O-Ring (Note: Use Item 26)	
5	See Note	1	Barrel (Note: Not Available for Purchase)	
6		Ref	Rod Options:	
6	7001633	1	8ft/2.4m Width Machines	
6	7001628	1	7ft/2.1m Width Machines	
7	7001629	1	Guide	
8	See Note	NSS	O-Ring (Note: Use Item 26)	
9	See Note	NSS	Ring, Back-up (Note: Use Item 26)	
10	See Note	NSS	Ring, Retaining (Note: Use Item 26)	
11	See Note	NSS	Seal, Lip (Note: Use Item 26)	
12	7001630	1	Nut, Spanner	
13	See Note	NSS	Ring, Wiper (Note: Use Item 26)	
14		Ref	Bushing Options:	
14	0961977	4	8ft/2.4m Width Machines	
14	0961890	4	7ft/2.1m Width Machines	
26	7001625	1	Seal Kit (Includes Items 3, 4, 8-11 & 13)	

# SECTION 5 - CYLINDER

## FIGURE 5-17. TELESCOPE (MAIN BOOM) CYLINDER ASSEMBLIES (ORIGINAL EQUIPMENT)



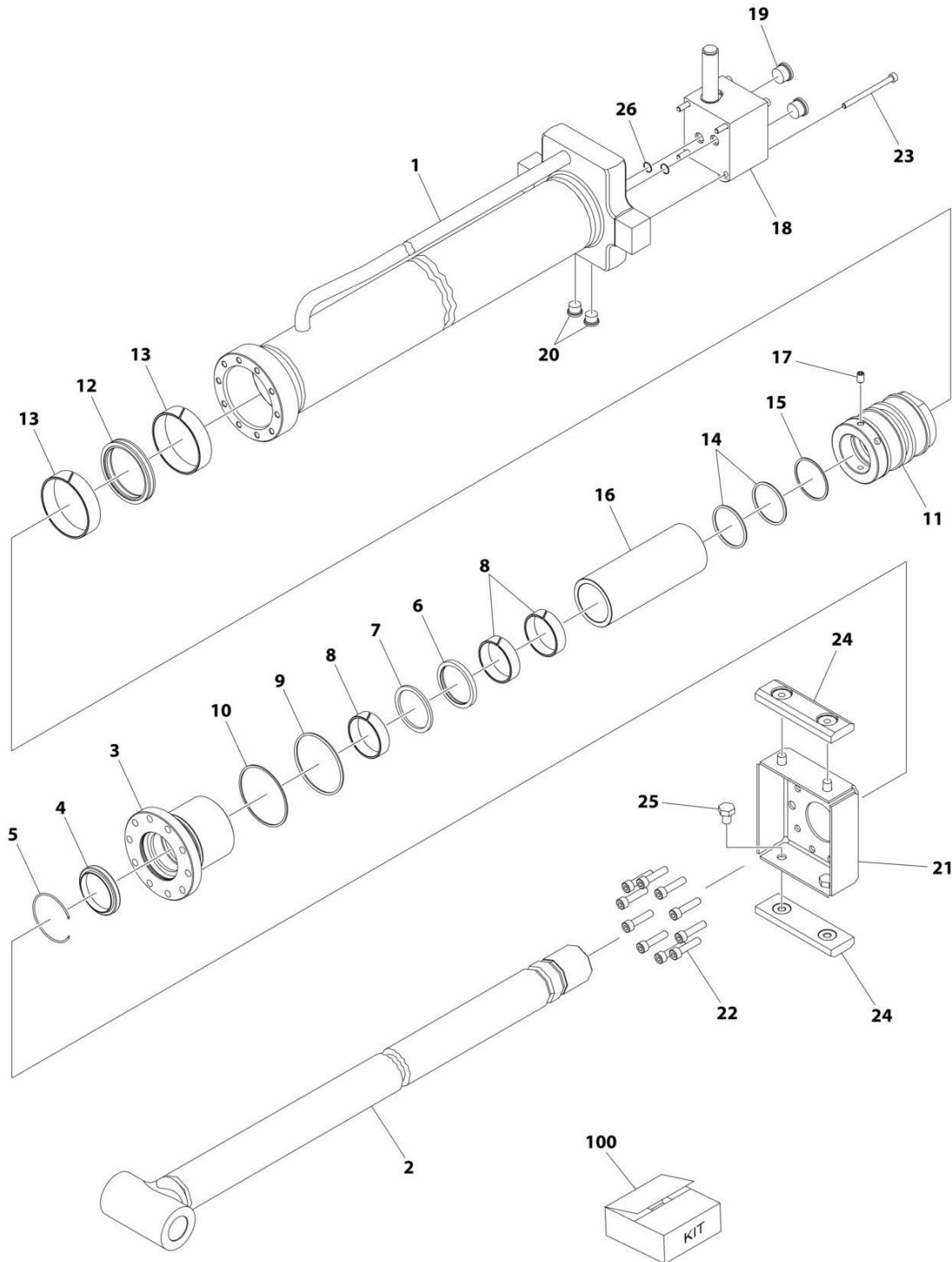
## SECTION 5 - CYLINDER

**FIGURE 5-17. TELESCOPE (MAIN BOOM) CYLINDER ASSEMBLIES (ORIGINAL EQUIPMENT)**

ITEM	PART NUMBER	QTY	DESCRIPTION	REV
	1683307	Ref	TELESCOPE CYLINDER ASSEMBLY - 600A	3-E
	1683317	Ref	TELESCOPE CYLINDER ASSEMBLY - 600AJ	3-E
		Ref	Note: Original Cylinder may have been replaced with Service Replacement. Identify PN Stamped on Cylinder Before Ordering Parts.	
1		Ref	Barrel Options:	
1	1683308	1	Barrel 600A	
1	1683318	1	Barrel 600AJ	
2		Ref	Rod Options:	
2	1683310	1	Rod 600A	
2	1683320	1	Rod 600AJ	
3	3480212	1	Piston	
4	1683054	1	Head	
5	4566425	1	Spacer	
6	0961896	1	Bushing, Tapered	
7		Ref	Plate, Wear Pad Mounting Options:	
7	3538771	1	Plate, Wear Pad Mounting 600A	
7	3538247	1	Plate, Wear Pad Mounting 600AJ	
8	4640862	1	Valve Block Assembly (No Service Parts Available -Replace Complete Assembly)	
9	2220885	2	Plug, O-Ring	
10	3931516	8	Capscrew, Socket Head 5/16in-18NC x 1in	
11	3931448	4	Capscrew, Socket Head 1/4in-20NC x 3in	
12	See Note	NSS	Ring, Wear (Note: Use Item 51)	
13	See Note	NSS	Seal (Note: Use Item 51)	
14	See Note	NSS	O-Ring (Note: Use Item 51)	
15	See Note	NSS	O-Ring (Note: Use Item 51)	
16	See Note	NSS	Ring, Wear (Note: Use Item 51)	
17	See Note	NSS	O-Ring (Note: Use Item 51)	
18	See Note	NSS	Ring, Back-up (Note: Use Item 51)	
19	See Note	NSS	Seal, Rod (Note: Use Item 51)	
20	See Note	NSS	Wiper (Note: Use Item 51)	
21	See Note	NSS	Ring, Back-up (Note: Use Item 51)	
22	0100038	AR	Primer, Locking	
23	0100011	AR	Compound, Locking	
24	3340608	2	Pad, Wear	
25	0641604	4	Bolt 3/8in-16NC x 1/2in	
26	4751600	4	Flatwasher 3/8in Regular	
28	0630535	3	Bolt 1/4in-20NC x 1-1/8in	
51	2901278	1	Seal Kit (Includes Items 12-21)	

# SECTION 5 - CYLINDER

## FIGURE 5-18. TELESCOPE CYLINDER ASSEMBLY - MAIN BOOM (600A) (SERVICE REPLACEMENT)



ART\_1001228005

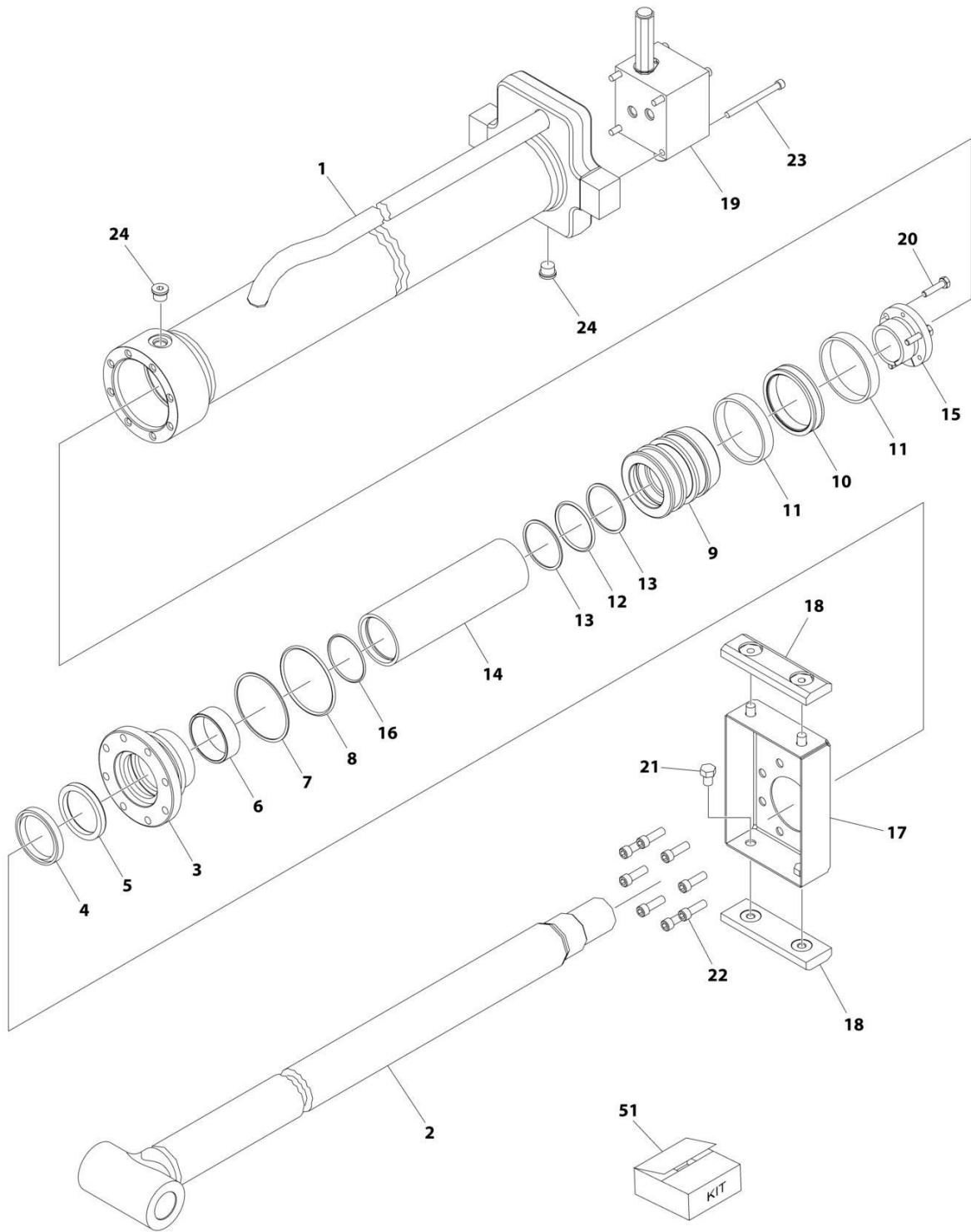
## SECTION 5 - CYLINDER

**FIGURE 5-18. TELESCOPE CYLINDER ASSEMBLY - MAIN BOOM (600A) (SERVICE REPLACEMENT)**

ITEM	PART NUMBER	QTY	DESCRIPTION	REV
	1001228005	Ref	TELESCOPE CYLINDER ASSEMBLY - MAIN BOOM	C
		Ref	Note: Original Cylinder may have been replaced with Service Replacement. Identify PN Stamped on Cylinder Before Ordering Parts.	
1	See Note	NSS	Barrel (Note: Use p/n 1001228005)	
2	70006813	1	Rod	
3	70006814	1	Head	
4	See Note	NSS	Wiper (Note: Use Item 100)	
5	70002412	1	Ring, Retaining	
6	See Note	NSS	Seal, Rod (Note: Use Item 100)	
7	See Note	NSS	Ring, Back-up (Note: Use Item 100)	
8	See Note	NSS	Ring, Wear (Note: Use Item 100)	
9	See Note	NSS	O-Ring (Note: Use Item 100)	
10	See Note	NSS	Ring, Back-up (Note: Use Item 100)	
11	70006815	1	Piston	
12	See Note	NSS	Seal (Note: Use Item 100)	
13	See Note	NSS	Ring, Wear (Note: Use Item 100)	
14	See Note	NSS	O-Ring (Note: Use Item 100)	
15	See Note	NSS	Ring, Back-up (Note: Use Item 100)	
16	70006816	1	Spacer	
17	70006817	1	Setscrew	
18	4640862	1	Valve Block Assembly (Note: No Service Parts Available - Replace Complete Assembly)	
19	70023373	2	Plug	
20	70023371	2	Plug	
21	70006818	1	Plate, Wear Pad	
22	70006793	10	Capscrew	
23	70006819	4	Capscrew	
24	3340608	2	Pad, Wear	
25	70006820	3	Bolt	
26	3790110	2	O-Ring (Located Between Barrel & Valve)	
100	70006821	1	Seal Kit (Includes Items 4, 6-10 & 12-15)	

# SECTION 5 - CYLINDER

## FIGURE 5-19. TELESCOPE CYLINDER ASSEMBLY - MAIN BOOM (600AJ) (SERVICE REPLACEMENT)



ART\_1001228007

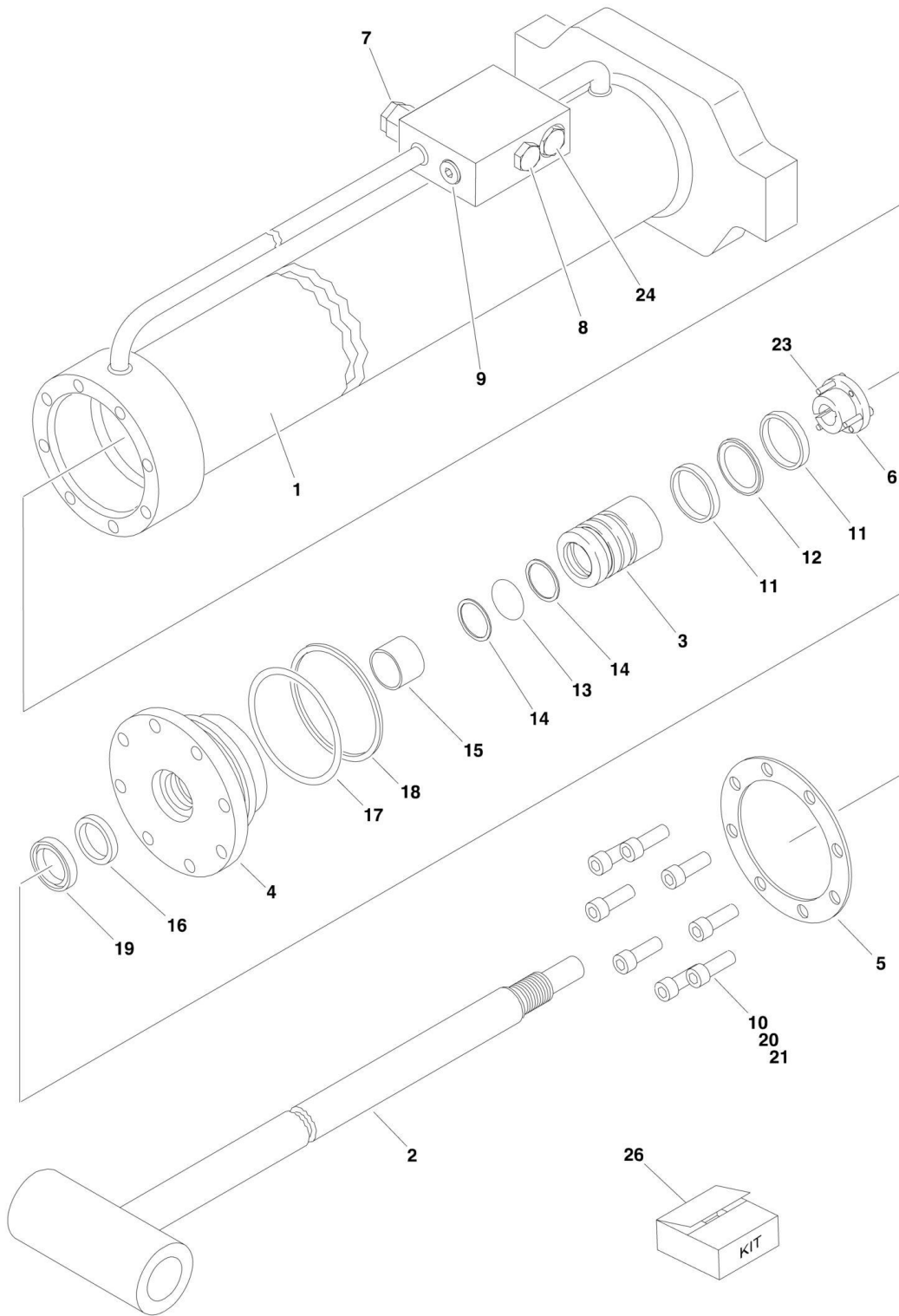
## SECTION 5 - CYLINDER

**FIGURE 5-19. TELESCOPE CYLINDER ASSEMBLY - MAIN BOOM (600AJ) (SERVICE REPLACEMENT)**

ITEM	PART NUMBER	QTY	DESCRIPTION	REV
	1001228007	Ref	TELESCOPE CYLINDER ASSEMBLY	E
		Ref	Note: Original Cylinder may have been replaced with Service Replacement. Identify PN Stamped on Cylinder Before Ordering Parts.	
1	See Note	NSS	Barrel (Note: Use p/n 1001228007)	
2	70006654	1	Rod	
3	70006483	1	Head	
4	See Note	NSS	Wiper (Note: Use Item 51)	
5	See Note	NSS	Seal, Rod (Note: Use Item 51)	
6	See Note	NSS	Ring, Wear (Note: Use Item 51)	
7	See Note	NSS	O-Ring (Note: Use Item 51)	
8	See Note	NSS	Ring, Back-up (Note: Use Item 51)	
9	70006482	1	Piston	
10	See Note	NSS	Seal (Note: Use Item 51)	
11	See Note	NSS	Ring, Wear (Note: Use Item 51)	
12	See Note	NSS	O-Ring (Note: Use Item 51)	
13	See Note	NSS	Ring, Back-up (Note: Use Item 51)	
14	70006655	1	Spacer	
15	0961896	1	Bushing, Tapered	
16	See Note	NSS	O-Ring (Note: Use Item 51)	
17	3538247	1	Plate, Wear Pad Mounting	
18	3340608	2	Pad, Wear	
19	4640862	1	Valve Block Assembly (Note: No Service Part Available - Replace Complete Assembly)	
20	0630535	3	Bolt 1/4 x 1-1/8	
21	0641604	4	Bolt 3/8 x 1/2	
22	3931516	8	Capscrew 5/16 x 1	
22	0100038	AR	Primer, Locking	
22	0100011	AR	Compound, Locking	
23	3931448	4	Capscrew 1/4 x 3	
24	2220885	AR	Plug, O-Ring	
51	2901861	1	Seal Kit - 1001228007 Cylinder (Includes Item 4-8, 10-13 & 16)	

# SECTION 5 - CYLINDER

FIGURE 5-20. TELESCOPE (TOWER BOOM) CYLINDER ASSEMBLY (ORIGINAL EQUIPMENT)





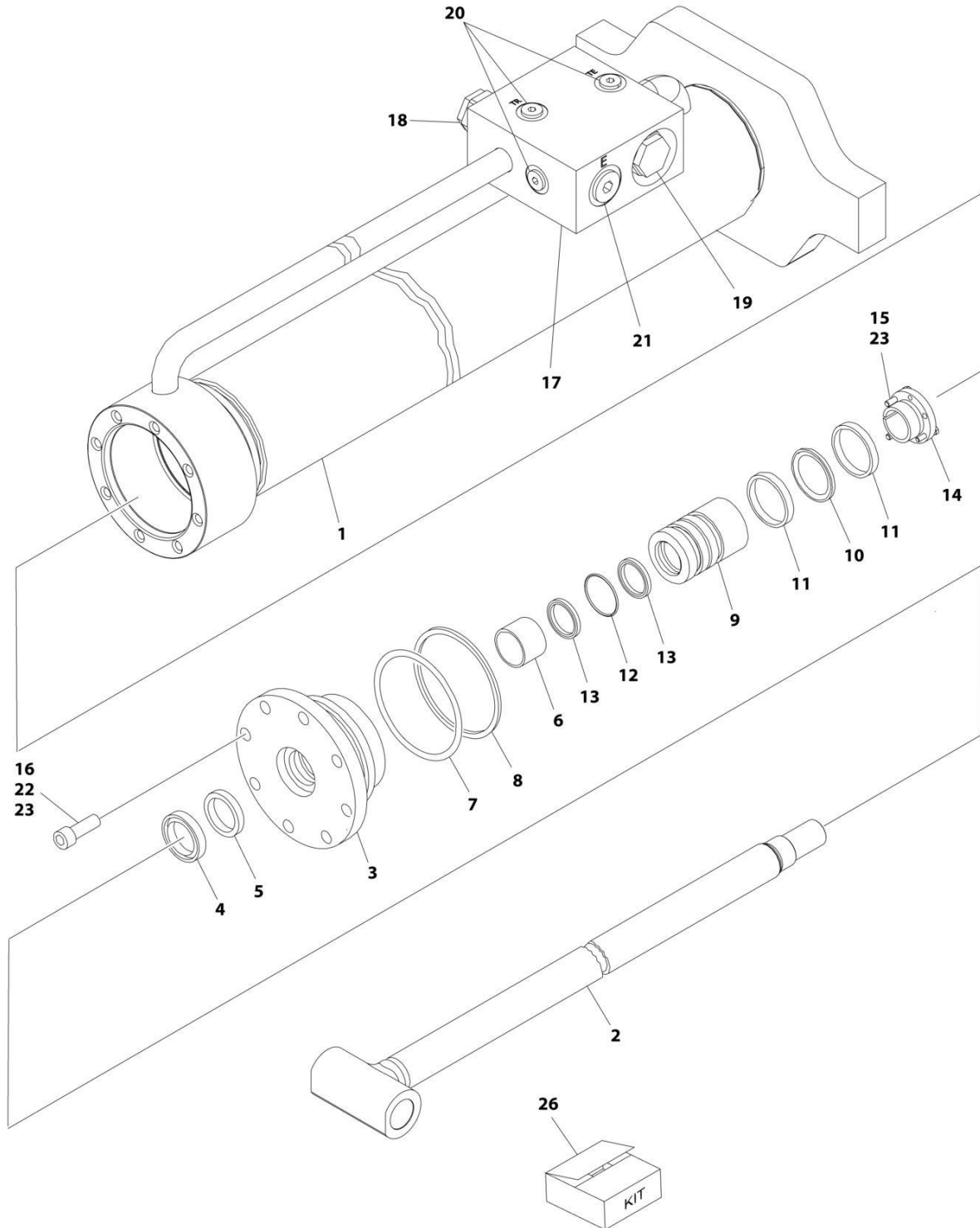
## SECTION 5 - CYLINDER

**FIGURE 5-20. TELESCOPE (TOWER BOOM) CYLINDER ASSEMBLY (ORIGINAL EQUIPMENT)**

ITEM	PART NUMBER	QTY	DESCRIPTION	REV
	1683312	Ref	<b>TELESCOPE (TOWER BOOM) CYLINDER ASSEMBLY</b>	4-E
		Ref		
			Note: Original Equipment components may have been replaced with Service Replacement components part. Identify p/n stamped on cylinder before ordering parts.	
1	1683313	1	Barrel	
2	1683314	1	Rod	
3	3480212	1	Piston	
4	1683054	1	Head	
5	3760368	1	Ring, Washer	
6	0961896	1	Bushing, Tapered	
7	4640509	2	Cartridge, Valve	
7	2900792	2	Seal Kit - 4640509 Valve	
8	4640647	1	Cartridge, Valve	
8	2900770	1	Seal Kit - 4640647 Valve	
9	2220883	1	Plug, O-Ring	
10	3931516	8	Capscrew, Socket Head 5/16in-18NC x 1in	
11	See Note	NSS	Ring, Wear (Note: Use Item 26)	
12	See Note	NSS	T-Seal (Note: Use Item 26)	
13	See Note	NSS	O-Ring (Note: Use Item 26)	
14	See Note	NSS	Ring, Back-up (Note: Use Item 26)	
15	See Note	NSS	Ring, Wear (Note: Use Item 26)	
16	See Note	NSS	Seal, Rod (Note: Use Item 26)	
17	See Note	NSS	O-Ring (Note: Use Item 26)	
18	See Note	NSS	Ring, Back-up (Note: Use Item 26)	
19	See Note	NSS	Wiper (Note: Use Item 26)	
20	0100038	AR	Primer, Locking	
21	0100011	AR	Compound, Locking	
23	0630535	3	Bolt 1/4in-20NC x 1-1/8in	
24	4640509	1	Cartridge, Valve (Recommend using 4640999 as a replacement) <b>(Prior to SN 0300028176)</b>	
24	2900792	1	Seal Kit - 4640509 Valve	
24	4640999	1	Cartridge, Valve <b>(SN 0300028176 through 0300069000)</b>	
24	7011185	1	Seal Kit - 4640999 Valve	
26	2901278	1	Seal Kit (Includes Items 11-19)	

# SECTION 5 - CYLINDER

## FIGURE 5-21. TELESCOPE CYLINDER ASSEMBLY - TOWER BOOM (SERVICE REPLACEMENT)



ART\_1001228006

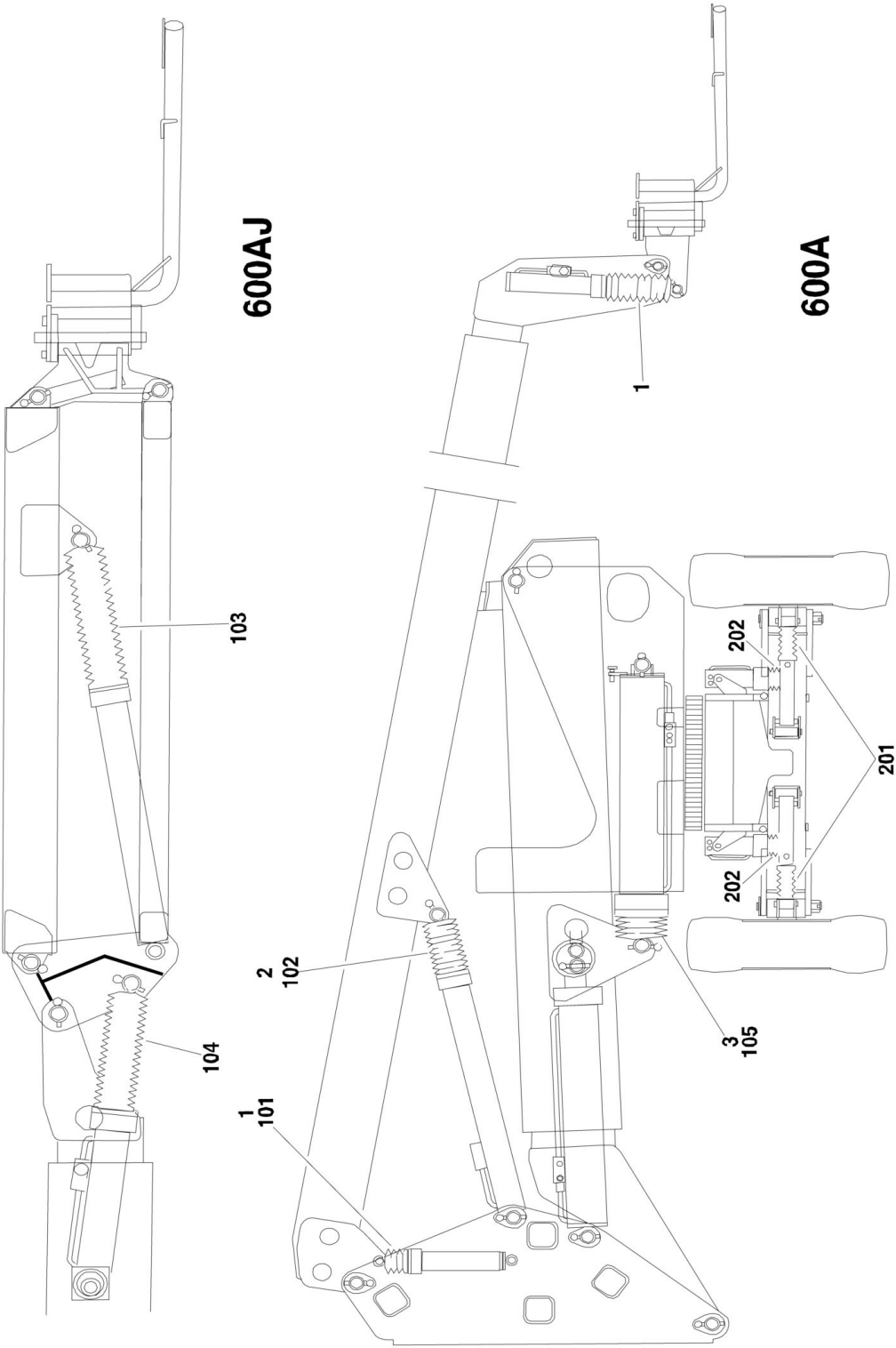
## SECTION 5 - CYLINDER

**FIGURE 5-21. TELESCOPE CYLINDER ASSEMBLY - TOWER BOOM (SERVICE REPLACEMENT)**

ITEM	PART NUMBER	QTY	DESCRIPTION	REV
	1001228006	Ref	TELESCOPE CYLINDER ASSEMBLY - TOWER BOOM	D
		Ref	Note: Original Equipment components may have been replaced with Service Replacement components part. Identify p/n stamped on cylinder before ordering parts.	
1	See Note	NSS	Barrel (Note: Not Available for Purchase)	
2	70006484	1	Rod	
3	70006483	1	Head	
4	See Note	NSS	Wiper (Note: Use Item 26)	
5	See Note	NSS	Seal, Rod (Note: Use Item 26)	
6	See Note	NSS	Ring, Wear (Note: Use Item 26)	
7	See Note	NSS	O-Ring (Note: Use Item 26)	
8	See Note	NSS	Ring, Back-Up (Note: Use Item 26)	
9	70006482	1	Piston	
10	See Note	NSS	T-Seal (Note: Use Item 26)	
11	See Note	NSS	Ring, Wear (Note: Use Item 26)	
12	See Note	NSS	O-Ring (Note: Use Item 26)	
13	See Note	NSS	Ring, Back-Up (Note: Use Item 26)	
14	0961896	1	Bushing, Tapered	
15	0630535	3	Bolt 1/4 x 1-1/8	
16	3931516	8	Capscrew 5/16 x 1	
17	4640647	1	Cartridge, Valve	
17	2900770	1	Seal Kit - 4640647 Valve	
18	4640509	2	Cartridge, Valve	
18	2900792	2	Seal Kit - 4640509 Valve	
19	4640999	1	Cartridge, Valve	
19	2900792	1	Seal Kit - 4640999 Valve	
20	2220883	3	Plug, O-Ring	
21	2220886	2	Plug, O-Ring	
22	0100038	AR	Primer, Locking	
23	0100011	AR	Compound, Locking	
26	2901861	1	Seal Kit - 1001228006 Cylinder (Includes Items 4-8 & 10-13)	

# SECTION 5 - CYLINDER

FIGURE 5-22. CYLINDER BELLOWS INSTALLATION (OPTIONAL)



## SECTION 5 - CYLINDER

**FIGURE 5-22. CYLINDER BELLOWS INSTALLATION (OPTIONAL)**

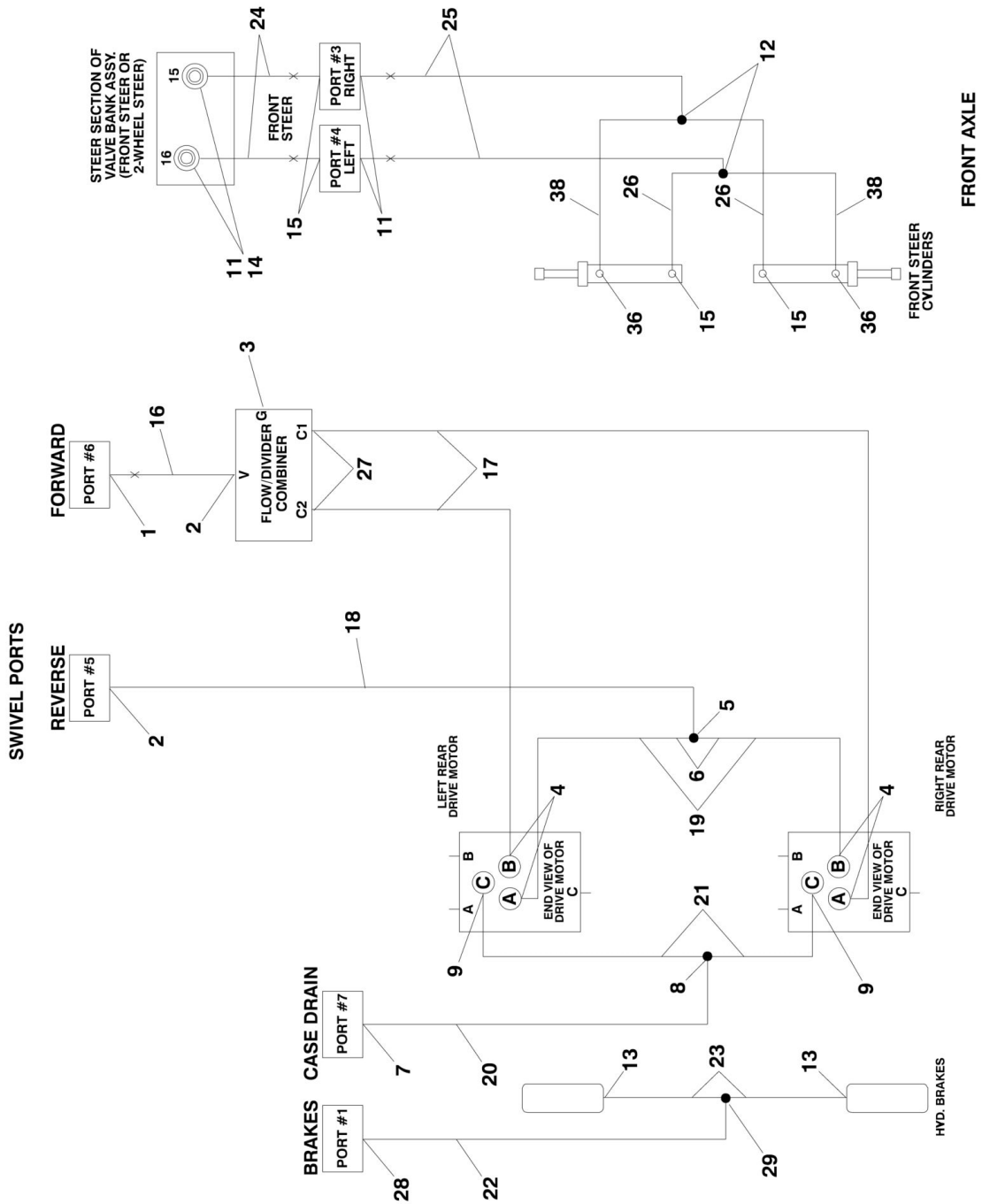
ITEM	PART NUMBER	QTY	DESCRIPTION	REV
	0255927	Ref	<b>CYLINDER BELLOWS INSTALLATION (600A)</b>	1
1	0460152	2	Bellows, Cylinder (Master and Platform Level Cylinders)	
2	0460155	1	Bellows, Cylinder (Main Lift Cylinder)	
3	0460154	1	Bellows, Cylinder (Tower Lift Cylinder)	
	0255928	Ref	<b>CYLINDER BELLOWS INSTALLATION (600AJ)</b>	2
101	0460151	1	Bellows, Cylinder (Master and Platform Level Cylinders)	
102	0460155	1	Bellows, Cylinder (Main Lift Cylinder)	
103	0460161	1	Bellows, Cylinder (Articulating Jib Lift Cylinder)	
104	0460160	1	Bellows, Cylinder (Articulating Jib Level Cylinder)	
105	0460154	1	Bellows, Cylinder (Tower Lift Cylinder)	
	1282490	Ref	<b>CYLINDER BELLOWS INSTALLATION (FRAME)</b>	-
	0255482	Ref	<b>2WD/2WS &amp; 4WD/2WS 8ft/2.4m Width Machines with Oscillating Axle</b>	-
	0255483	Ref	<b>2WD/2WS &amp; 4WD/2WS 8ft/2.4m Width Machines with Fixed Axle</b>	-
	0255486	Ref	<b>2WD/4WS &amp; 4WD/2WS 8ft/2.4m Width Machines with Oscillating Axle</b>	-
	0255487	Ref	<b>2WD/4WS &amp; 4WD/4WS 8ft/2.4m Width Machines with Fixed Axle</b>	-
	0255484	Ref	<b>2WD/2WS 7ft/2.1m Width Machines with Oscillating Axle</b>	-
	0255485	Ref	<b>2WD/2WS 7ft/2.1m Width Machines with Fixed Axle</b>	-
	0255488	Ref	<b>2WD/4WS 7ft/2.1m Width Machines with Oscillating Axle</b>	-
	0255489	Ref	<b>2WD/4WS 7ft/2.1m Width Machines with Fixed Axle</b>	-
201		Ref	Bellows, Cylinder (Steer Cylinder)	
201	0460150	AR	8ft/2.4m Width Machines	
201	0460157	AR	7ft/2.1m Width Machines	
202		Ref	Bellows, Cylinder (Oscillating Axle Cylinders)	
202	0460159	AR	With Oscillating Axle	
202	Not Required	0	Without Oscillating Axle	



**SECTION 6 - HYDRAULIC**

# SECTION 6 - HYDRAULIC

## FIGURE 6-1. DRIVE HYDRAULIC DIAGRAM - 2WD/2WS





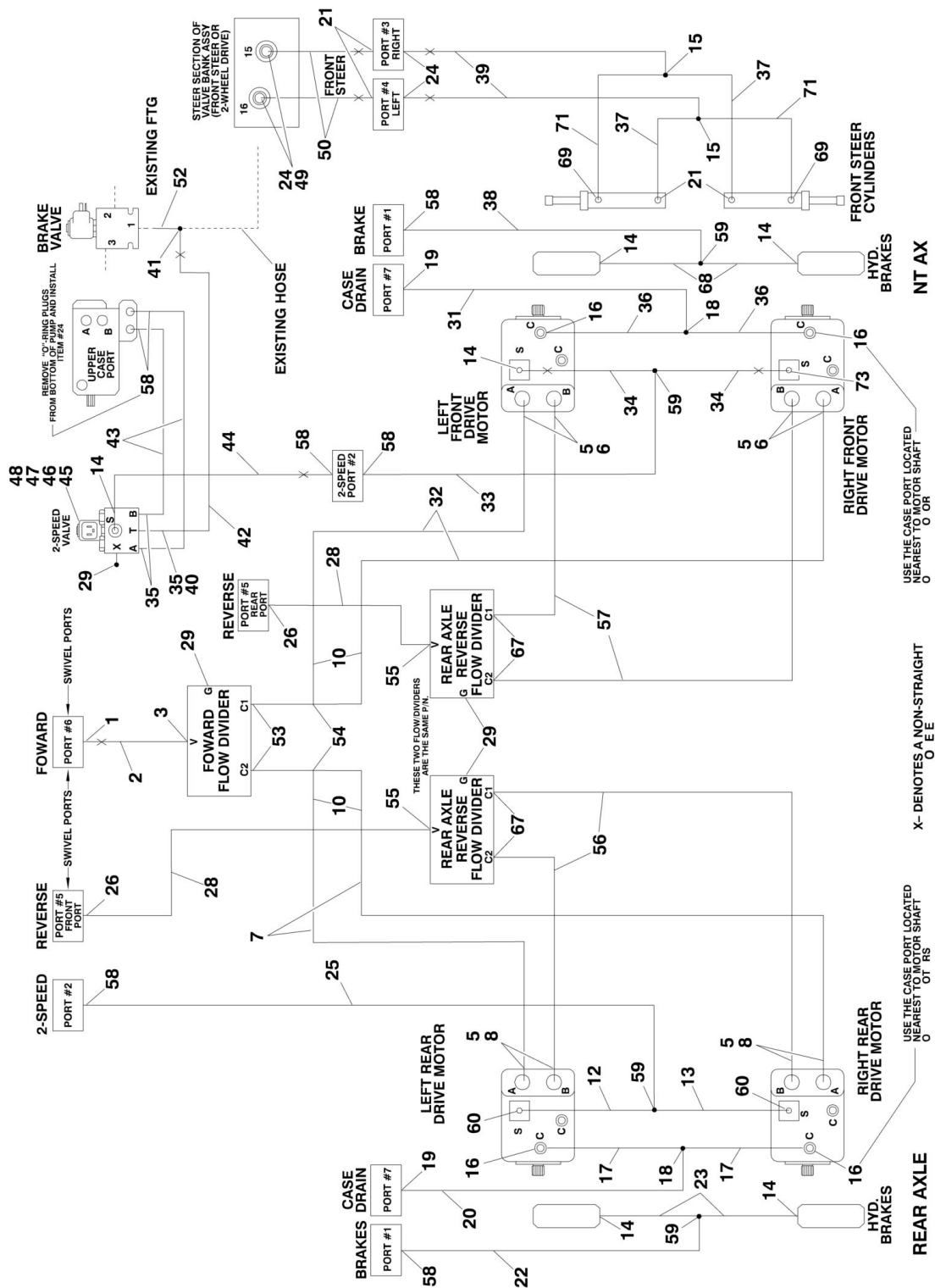
## SECTION 6 - HYDRAULIC

**FIGURE 6-1. DRIVE HYDRAULIC DIAGRAM - 2WD/2WS**

ITEM	PART NUMBER	QTY	DESCRIPTION	REV
	2792193	Ref	<b>DRIVE HYDRAULIC DIAGRAM - 2WD/2WS</b>	4
1	2220377	1	Fitting, Straight	
2	2220365	2	Fitting, 45	
3	2220235	1	Fitting, Plug	
4	2220451	4	Fitting, Straight	
5	2220363	1	Fitting, Tee	
6	2220710	2	Fitting, Reducer	
7	2220375	1	Fitting, Straight	
8	2220362	1	Fitting, Tee	
9	2220373	2	Fitting, Straight	
11	2220371	2	Fitting, Straight	
12	2220490	2	Fitting, Tee	
13	2220466	2	Fitting, 90	
14	2220507	2	Fitting, 90	
15	2220473	4	Fitting, 90	
16	2752354	1	Hose	
17	2752258	2	Hose	
18	2752324	1	Hose	
19	2752245	2	Hose	
20	2752813	1	Hose	
21	2752814	2	Hose	
22	2752602	1	Hose	
23	2752459	2	Hose	
24	2752620	2	Hose	
25	2752473	2	Hose	
26	2752966	2	Hose	
27	2220435	2	Fitting, Straight	
28	2220582	1	Fitting, Straight	
29	2220504	1	Fitting, Straight	
36	2220501	2	Fitting, 45	
38	2752970	2	Hose	

# SECTION 6 - HYDRAULIC

## FIGURE 6-2. DRIVE HYDRAULIC DIAGRAM - 4WD/2WS



## SECTION 6 - HYDRAULIC

### FIGURE 6-2. DRIVE HYDRAULIC DIAGRAM - 4WD/2WS

ITEM	PART NUMBER	QTY	DESCRIPTION	REV
	2792195	Ref	<b>DRIVE HYDRAULIC DIAGRAM - 4WD/2WS</b>	8
1	2220377	1	Fitting, Straight	
2	2752349	1	Hose	
3	2220365	1	Fitting, 45	
5	2220833	8	Fitting, Reducer	
6	2220500	4	Fitting, 45	
7	2752398	2	Hose	
8	2220596	4	Fitting, 90	
10	2220622	4	Fitting, Reducer <b>(Prior to SN 0300058640)</b>	
12	2751017	1	Hose <b>(Prior to SN 0300037775)</b>	
12	2751013	1	Hose <b>(SN 0300037775 through 0300069000)</b>	
13	2750770	1	Hose <b>(Prior to SN 0300037775)</b>	
12	2751013	1	Hose <b>(SN 0300037775 through 0300069000)</b>	
14	2220466	6	Fitting, 90	
15	2220490	2	Fitting, Tee	
16	2220671	4	Fitting, 90	
17	2752807	2	Hose	
18	2220362	2	Fitting, Tee	
19	2220375	2	Fitting, Straight	
20	2752813	1	Hose	
21	2220473	6	Fitting, 90	
22	2752602	1	Hose	
23	2752592	2	Hose	
24	2220371	4	Fitting, Straight	
25	2750756	1	Hose	
26	2220568	2	Fitting, 45	
28	2752249	2	Hose	
29	2220235	4	Fitting, Plug	
31	2752807	1	Hose	
32	2752890	2	Hose	
33	2750790	1	Hose	
34	2752919	2	Hose	
35	2220415	3	Fitting, Straight	
36	2752899	2	Hose	
37	2752966	2	Hose	
38	2752593	1	Hose	
39	2752473	2	Hose	
40	2220909	1	Fitting, Office (.015)	
41	2220605	1	Fitting, Tee	
42	2752573	1	Hose	
43	2751427	2	Hose	
44	2751396	1	Hose	
45	4640906	1	Valve, 2-Speed Motor Control	
45	7012974	1	Cartridge without Coil	
45	7012905	1	Seal Kit	
45	7012944	1	Coil	
45	4640906	2	Cartridge, Check Valve (Note: Not Available for Purchase)	
45	7012972	2	Seal Kit	
46	0641508	2	Bolt 5/16in-18NC x 1in	
47	4891500	2	Flatwasher 5/16in Hardened	

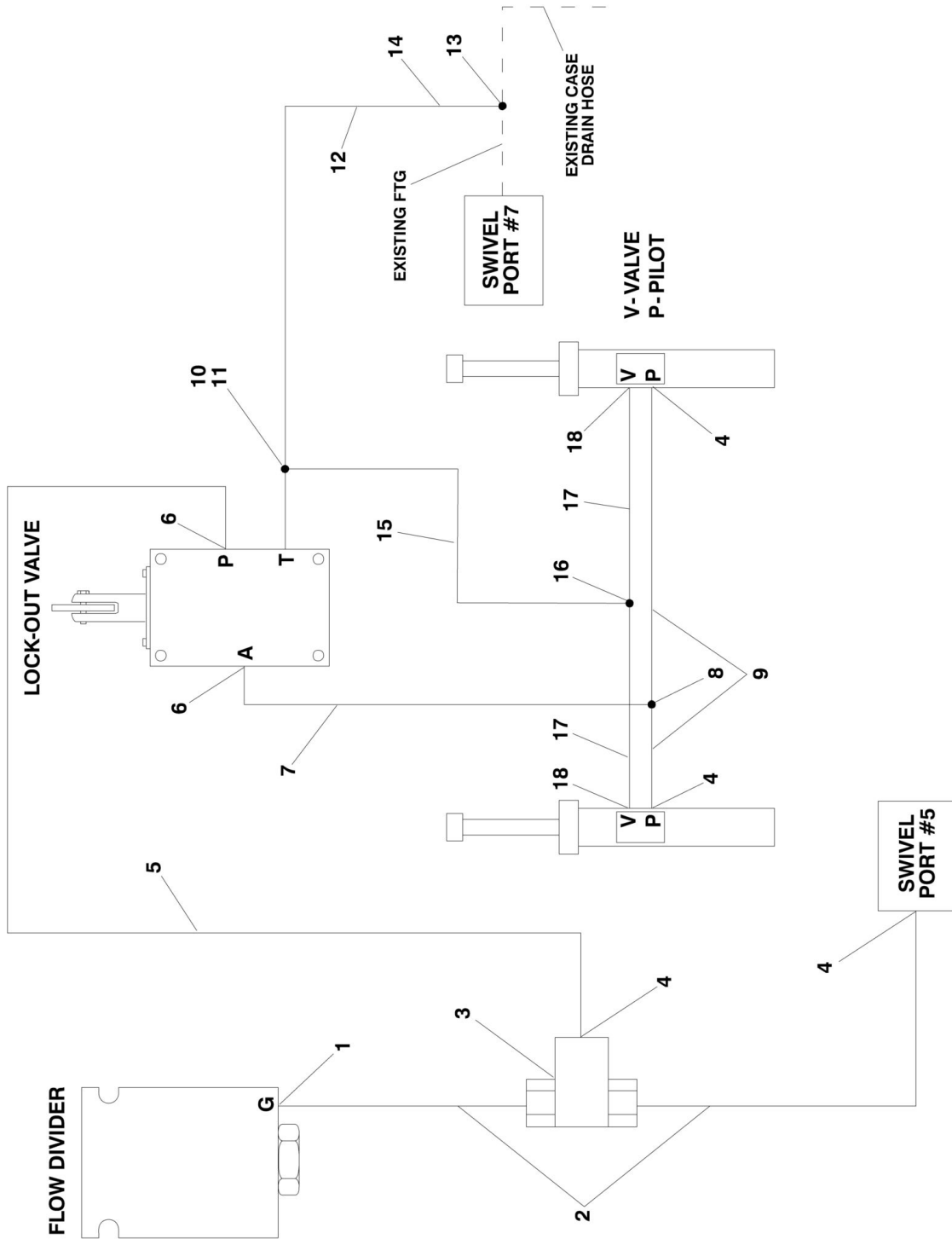
## SECTION 6 - HYDRAULIC

ITEM	PART NUMBER	QTY	DESCRIPTION	REV
48	4711500	2	Flatwasher 5/16in Thin	
49	2220507	2	Fitting, 90	
50	2752620	2	Hose	
52	2220914	1	Orifice (.043)	
53		Ref	Fitting, Reducer Options:	
53	2220550	2	Fitting, Reducer <b>(Prior to SN 0300058640)</b>	
53	2220833	2	Fitting, Reducer <b>(SN 0300058640 through 0300069000)</b>	
54		Ref	Fitting, Tee Options:	
54	2220738	2	Fitting, Tee <b>(Prior to SN 0300058640)</b>	
54	2220602	2	Fitting, Tee <b>(SN 0300058640 through 0300069000)</b>	
55	2220435	2	Fitting, Straight	
56	2752398	2	Hose	
57	2752889	2	Hose	
58	2220582	5	Fitting, Straight	
59	2220504	4	Fitting, Tee	
60	2220466	2	Fitting, Straight	
67	2220800	4	Fitting, Straight	
68	2752912	2	Hose	
69	2220501	2	Fitting, 45	
71	2752970	2	Hose	
73	2220502	1	Fitting, 45 <b>(SN 0300057328 through 0300069000)</b>	



# SECTION 6 - HYDRAULIC

FIGURE 6-3. HYDRAULIC DIAGRAM - OSCILLATING AXLE



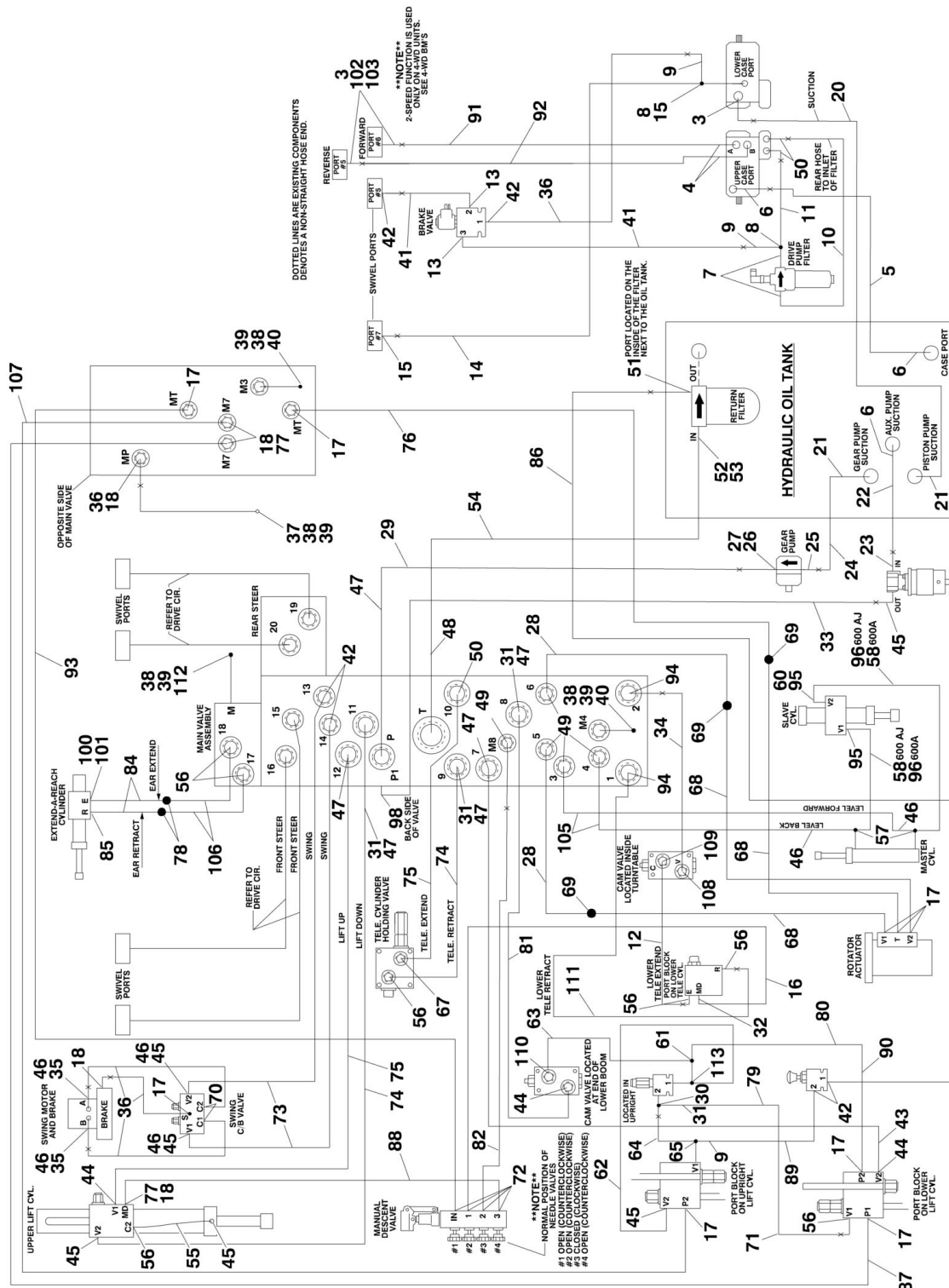
## SECTION 6 - HYDRAULIC

**FIGURE 6-3. HYDRAULIC DIAGRAM - OSCILLATING AXLE**

ITEM	PART NUMBER	QTY	DESCRIPTION	REV
	2792230	Ref	<b>HYDRAULIC DIAGRAM - OSCILLATING AXLE</b>	-
1	2220466	1	Fitting, 90	
2	2751020	2	Hose	
3	4640939	1	Valve, Shuttle	
4	2220582	6	Fitting, Straight	
5	2751013	1	Hose	
6	2220415	2	Fitting, Straight	
7	2750900	1	Hose	
8	2220504	1	Fitting, Tee	
9	2752920	2	Hose	
10	2220603	1	Fitting, Straight	
11	2220635	1	Fitting, Tee	
12	2752824	1	Hose	
13	2220385	1	Fitting, Tee	
14	2220619	1	Fitting, Reducer	
15	2752823	1	Hose	
16	2220490	1	Fitting, Tee	
17	2752962	2	Hose	
18	2220371	2	Fitting, Straight	

# SECTION 6 - HYDRAULIC

## FIGURE 6-4. HYDRAULIC DIAGRAM - STANDARD





## SECTION 6 - HYDRAULIC

### FIGURE 6-4. HYDRAULIC DIAGRAM - STANDARD

ITEM	PART NUMBER	QTY	DESCRIPTION	REV
	2792188	Ref	<b>HYDRAULIC DIAGRAM - STANDARD (600A)</b>	18
	2792189	Ref	<b>HYDRAULIC DIAGRAM - STANDARD (600AJ)</b>	19
3	2220377	3	Fitting, Straight	
4	2220646	2	Fitting, 90	
5	2752655	1	Hose	
6	2220578	3	Fitting, 90	
7	2220366	2	Fitting, 90	
8	2220385	2	Fitting, Tee	
9	2220618	3	Fitting, Reducer	
10	2752500	1	Hose	
11	2752519	1	Hose	
12	2753132	1	Hose	
13	2220472	2	Fitting, 90	
14	2752928	1	Hose	
15	2220375	2	Fitting, Straight	
16	2752591	1	Hose	
17	2220466	8	Fitting, 90	
18	2220415	5	Fitting, Straight	
20	2752723	1	Hose	
21	2220379	2	Fitting, Straight	
22	2752656	1	Hose	
23	2220567	1	Fitting, 90	
24	2752724	1	Hose	
25	2220376	1	Fitting, Straight	
26	2220810	1	Fitting, Reducer	
27	4640744	1	Valve, Check	
28	2752604	2	Hose (Note: Also Requires #69 & #68 for Complete Run Up Boom)	
29	2752929	1	Hose	
30	2220602	AR	Fitting, Tee	
31	2220619	AR	Fitting, Reducer	
32	2220416	1	Fitting, 90	
33	2752635	1	Hose	
34	2753133	1	Hose	
35	2220497	2	Fitting, Straight	
36	2752573	5	Hose	
37	2220414	AR	Fitting, Straight (600A - Qty.1 / 600AJ - Qty.2) <b>(Prior to SN 0300058640)</b>	
38	2220428	AR	Fitting, Quick Coupling (600A - Qty.3 / 600AJ - Qty.4)	
39	2220429	AR	Cap, Dust (600A - Qty.3 / 600AJ - Qty.4)	
40	2220873	2	Fitting	
41	2752600	2	Hose	
42	2220582	6	Fitting, Straight	
43	2752506	1	Hose (600A)	
43	2752516	1	Hose (600AJ)	
44	2220596	3	Fitting, 90	
45	2220628	6	Fitting, 90	
46	2220609	7	Fitting, Reducer	
47	2220381	AR	Fitting, Long Straight (600A - Qty.5 / 600AJ - Qty.6)	
48	2220974	1	Fitting, Long Straight	
49	2220923	5	Fitting, Long Straight	

## SECTION 6 - HYDRAULIC

ITEM	PART NUMBER	QTY	DESCRIPTION	REV
50	2220374	3	Fitting	
51	2220574	1	Fitting, Straight	
52	2220921	1	Fitting, Reducer	
53	2220498	1	Fitting, 45	
54	2752783	1	Hose	
55	2752469	1	Hose	
56	2220372	AR	Fitting, Straight (600A - Qty.5 /600AJ - Qty.7)	
57	2220899	2	Fitting, Tee	
58	2752636	1	Hose (600A)	
58	2752468	1	Hose (600AJ)	
59	2220371	1	Fitting, Straight (600A Only)	
60	2220657	1	Fitting, 45 (600A Only)	
61		Ref	Fitting, Tee Options:	
61	2220635	1	Fitting, Tee <b>(Prior to SN 0300068131)</b>	
61	2221065	1	Fitting, Tee <b>(SN 0300068131 through 0300069000)</b>	
62		Ref	Hose Options:	
62	2752466	1	Hose <b>(Prior to SN 0300068131)</b>	
62	2752462	1	Hose <b>(SN 0300068131 through 0300069000)</b>	
63	2753134	1	Hose	
64	2752497	1	Hose	
65	2220999	1	Fitting, Tee	
67	2220500	1	Fitting, 45	
68	2752601	3	Hose (Note: Also Requires #69 & #28 or #76 for Complete Run Up Boom)	
69	2220510	3	Fitting, Coupling	
70	2220468	2	Fitting, Straight	
71	2753052	1	Hose	
72	2220502	4	Fitting, 45	
73	2752603	2	Hose	
74	2753055	1	Hose	
75	2752939	2	Hose	
76	2752579	1	Hose (Note: Also Requires #69 & #68 for Complete Run Up Boom)	
77	2220654	AR	Fitting, 90	
78	2220511	1	Fitting, Coupling (600AJ Only)	
79	2753056	1	Hose	
80	2752991	1	Hose	
81	2753135	1	Hose	
82	2752434	1	Hose	
84	2753047	2	Hose (600AJ Only) (Also Requires #78 & #106 for Complete Run Up Boom)	
85	2220473	1	Fitting, 90 (600AJ Only)	
86	2752453	1	Hose	
87	2752593	1	Hose	
88	2752988	1	Hose	
89	2752990	1	Hose	
90	2752985	1	Hose	
91	2752343	1	Hose	
92		Ref	Hose Options:	
92	2752356	1	Hose <b>(Prior to SN 0300064394)</b>	
92	2752341	1	Hose <b>(SN 0300064394 through 0300069000)</b>	
93	2752592	1	Hose	
94	2220998	2	Fitting, Straight	

## SECTION 6 - HYDRAULIC

ITEM	PART NUMBER	QTY	DESCRIPTION	REV
95	2220603	2	Fitting, Straight	
96	2753046	1	Hose (600A)	
96	2752650	1	Hose (600AJ)	
97	2752444	1	Hose (600AJ Only) <b>(Prior to SN 0300052685)</b>	
98	2220473	1	Fitting, 90	
100	2180724	1	Fitting, Modified 90 (600AJ Only)	
101	2180380	1	Plug, Orifice .06 (600AJ Only)	
102	0100011	AR	Compound, Locking	
103	0100038	AR	Primer, Locking	
104	1703534	2	Decal, Hose Tags (Not Shown)	
105	2752989	2	Hose	
106	2752618	2	Hose (600AJ Only) (Note: Also Requires #78 & #84 for Complete Run Up Boom)	
107	2752987	1	Hose	
108	2220373	1	Fitting, Straight	
109	2220947	1	Fitting, Straight	
110	2221036	1	Fitting, O-Ring	
111	2752484	1	Hose	
112	2220873	1	Fitting, Nipple <b>(SN 0300058640 through 0300069000)</b>	
113	2221053	1	Fitting, Tee <b>(SN 0300068131 through 0300069000)</b>	

## SECTION 6 - HYDRAULIC

FIGURE 6-5. HYDRAULIC DIAGRAM LIST

ITEM	PART NUMBER	QTY	DESCRIPTION	REV
		Ref	<b>Note: Diagrams not shown are available from JLG Service/Parts Departments.</b>	
	1282396	Ref	<b>Drive Hydraulic Diagrams</b>	
		Ref	Drive Hydraulic Diagrams 600A & 600AJ With 8ft/2.4m Width Frame:	
	2792193	Ref	2WD/2WS	
	2792194	Ref	2WD/4WS	
	2792195	Ref	4WD/2WS	
	2792196	Ref	4WD/4WS	
		Ref	Drive Hydraulic Diagrams 600A & 600AJ with 7ft/2.1m Width Frame:	
	2792191	Ref	2WD/2WS	
		Ref	2WD/2WS	
	2792230	Ref	<b>Oscillating Axle Hydraulic Diagram</b>	
	2792188	Ref	<b>Standard Hydraulic Diagram - 600A</b>	
	1282396	Ref	<b>Standard Hydraulic Diagram - 600A</b>	
	2792189	Ref	<b>Standard Hydraulic Diagram - 600AJ</b>	
	1282396	Ref	<b>Standard Hydraulic Diagram - 600AJ</b>	
	2792177	Ref	<b>Standard Hydraulic Schematic</b>	
	2792405	Ref	<b>Tool Circuit Hydraulic Diagram</b>	
	2792315	Ref	<b>Tow Hydraulic Diagram</b>	

**SECTION 7 - ELECTRICAL**

# SECTION 7 - ELECTRICAL

## FIGURE 7-1. ELECTRICAL DIAGRAM LIST

ITEM	PART NUMBER	QTY	DESCRIPTION	REV
		Ref	<b>Note: Diagrams not shown are available from the JLG Service Department.</b>	
		Ref	<b>Note: Numbered Wiring Starts with SN 0300035129</b>	
		Ref	<b>ALARM ELECTRICAL DIAGRAMS</b>	
	4932783	Ref	Alarm Electrical Diagrams (Prior to SN 0300035129)	-
	1282474	Ref	Alarm Electrical Diagrams (Prior to SN 0300035129)	A
	4932903	Ref	Alarm Electrical Diagrams - Motion (SN 0300035129 through 0300036476)	2
	1282685	Ref	Alarm Electrical Diagrams - Motion (SN 0300035129 through 0300036476)	D
	4933025	Ref	Alarm Electrical Diagrams - Motion (SN 0300036477 through 0300069000)	1
	1282937	Ref	Alarm Electrical Diagrams – Motion (SN 0300036477 through 0300069000)	A
	4932902	Ref	Alarm Electrical Diagrams - Travel (SN 0300035129 through 0300036476)	2
	1282685	Ref	Alarm Electrical Diagrams - Travel (SN 0300035129 through 0300036476)	D
	4933026	Ref	Alarm Electrical Diagrams - Travel (SN 0300036477 through 0300069000)	1
	1282937	Ref	Alarm Electrical Diagrams - Travel (SN 0300036477 through 0300069000)	A
	1282571	Ref	<b>COLD WEATHER START ELECTRICAL DIAGRAM (DEUTZ)</b>	F
		Ref	<b>DRIVE CUT-OUT ELECTRICAL DIAGRAMS</b>	
	4932894	Ref	Above Elevation (Prior to SN 0300035129)	1
	1282672	Ref	Above Elevation (Prior to SN 0300035129)	-
	4932990	Ref	Above Elevation (SN 0300035129 through 0300069000)	2
	1282828	Ref	Above Elevation (SN 0300035129 through 0300069000)	B
	4932896	Ref	Above Elevation Tilt (Prior to SN 0300035129)	1
	1282672	Ref	Above Elevation Tilt (Prior to SN 0300035129)	-
	4932993	Ref	Above Elevation Tilt (SN 0300035129 through 0300069000)	2
	1282828	Ref	Above Elevation Tilt (SN 0300035129 through 0300069000)	B
	3640493	1	Rail, Mounting	
	4460607	2	Stop, Terminal	
	4120013	1	Socket, Relay	
	3740058	1	Relay 4PDT	
	2740063	1	Spring, Relay	
		Ref	<b>ENGINE LOW OIL SHUTDOWN ELECTRICAL DIAGRAMS</b>	
	4932977	Ref	Engine Low Oil Shutdown Electrical Diagrams (Prior to SN 0300035129)	1-A
	4932986	Ref	Engine Low Oil Shutdown Electrical Diagrams (SN 0300035129 through 0300069000)	2-B
		Ref	<b>GENERATOR ELECTRICAL DIAGRAMS</b>	
	4932828	Ref	Generator Electrical Diagrams 110V (Prior to SN 0300035129)	2-C
	4932915	Ref	Generator Electrical Diagrams 110V (SN 0300035129 through 0300056085)	2-C
	4933150	Ref	Generator Electrical Diagrams 110V (SN 0300056086 through 0300064248)	2-B
	4933215	Ref	Generator Electrical Diagrams 110Volt (ADE System (SN 0300064249 through 0300069000)	1-A
	4932940	Ref	Generator Electrical Diagrams 220V (Prior to SN 0300035129)	-/-

## SECTION 7 - ELECTRICAL

ITEM	PART NUMBER	QTY	DESCRIPTION	REV
	4932989	Ref	Generator Electrical Diagrams 220V (SN 0300035129 through 0300056085)	1-B
	4933149	Ref	Generator Electrical Diagrams 220 Volt (SN 0300056086 through 0300064248)	2-B
	4933162	Ref	Generator Electrical Diagrams 220 Volt (ADE System (SN 0300064249 through 0300069000)	1-A
		Ref	<b>LIGHTS ELECTRICAL DIAGRAMS:</b>	
	4932839	Ref	Headlight/Taillight (Prior to SN 0300035129)	1-A
	4932917	Ref	Headlight/Taillight (SN 0300035129 through 0300064248)	3-D
	4922095	1	Harness (Located in Platform Console Box)	
	3740049	1	Relay	
	4933219	Ref	Headlight/Taillight (ADE System) (SN 0300064249 through 0300069000)	1-A
	4922484	1	Harness (Located in Ground Console Box)	
	3740049	1	Relay	
	4933006	Ref	<b>LOAD SENSING SYSTEM ELECTRICAL DIAGRAM</b>	1
		Ref	<b>OIL COOLER ELECTRICAL DIAGRAMS</b>	
	0256779	Ref	Continental Machines	
	1282668	Ref	Continental Machines	
	0256765	Ref	Deutz Machines	
	1282665	Ref	Duetz Manuals	
	0256778	Ref	Ford Machines	
	1282663	Ref	Ford Machines	
	0270723	Ref	<b>PLATFORM BEACON ELECTRICAL DIAGRAM</b>	1-A
		Ref	<b>PLATFORM ELECTRICAL DIAGRAMS</b>	
	4932848	Ref	Platform Electrical Diagrams (Prior to SN 0300029430)	1-E
	4932914	Ref	Platform Electrical Diagrams (SN 0300029430 through 0300035128)	5-D
	4932905	Ref	Platform Electrical Diagrams (SN 0300035129 through 0300069000)	7-E
	4922509	Ref	Platform Electrical Diagrams with ADE System (SN 0300064249 through 0300064269)	3-D
	4922639	Ref	Platform Electrical Diagrams with ADE System (SN 0300064270 through 0300069000)	C
		Ref	<b>PLATFORM SOFT TOUCH SYSTEM ELECTRICAL DIAGRAMS:</b>	
	4932815	Ref	Platform Soft Touch System Electrical Diagrams (Prior to SN 0300035129)	-
	4932980	Ref	Platform Soft Touch System Electrical Diagrams (SN 0300035129 through 0300069000)	2-C
	3740057	1	Relay (Located in Platform Console Box)	
	4120012	1	Socket, Relay (Located in Platform Console Box)	
	3740066	1	Spring, Relay (Located in Platform Console Box)	
	3740049	1	Relay (Located in Platform Console Box)	
	4460600	1	Block, Terminal (Located in Platform Console Box)	
	4933218	Ref	<b>PLATFORM SOFT TOUCH SYSTEM ELECTRICAL DIAGRAM (WITH ADE SYSTEM) (SN 0300064249 through 0300069000)</b>	1-A
		Ref	<b>PLATFORM WORKLIGHTS ELECTRICAL DIAGRAMS</b>	
	0255392	Ref	Platform Worklights Electrical Diagrams (Prior to SN 0300035129)	2-B
	0258048	Ref	Platform Worklights Electrical Diagrams (SN 0300035129 through 0300064248)	2-E
	0270814	Ref	Platform Worklights Electrical Diagrams with ADE System (SN 0300064249 through 0300069000)	2-C
	4932971	Ref	<b>POWER TOOL ELECTRICAL DIAGRAM</b>	2-A

## SECTION 7 - ELECTRICAL

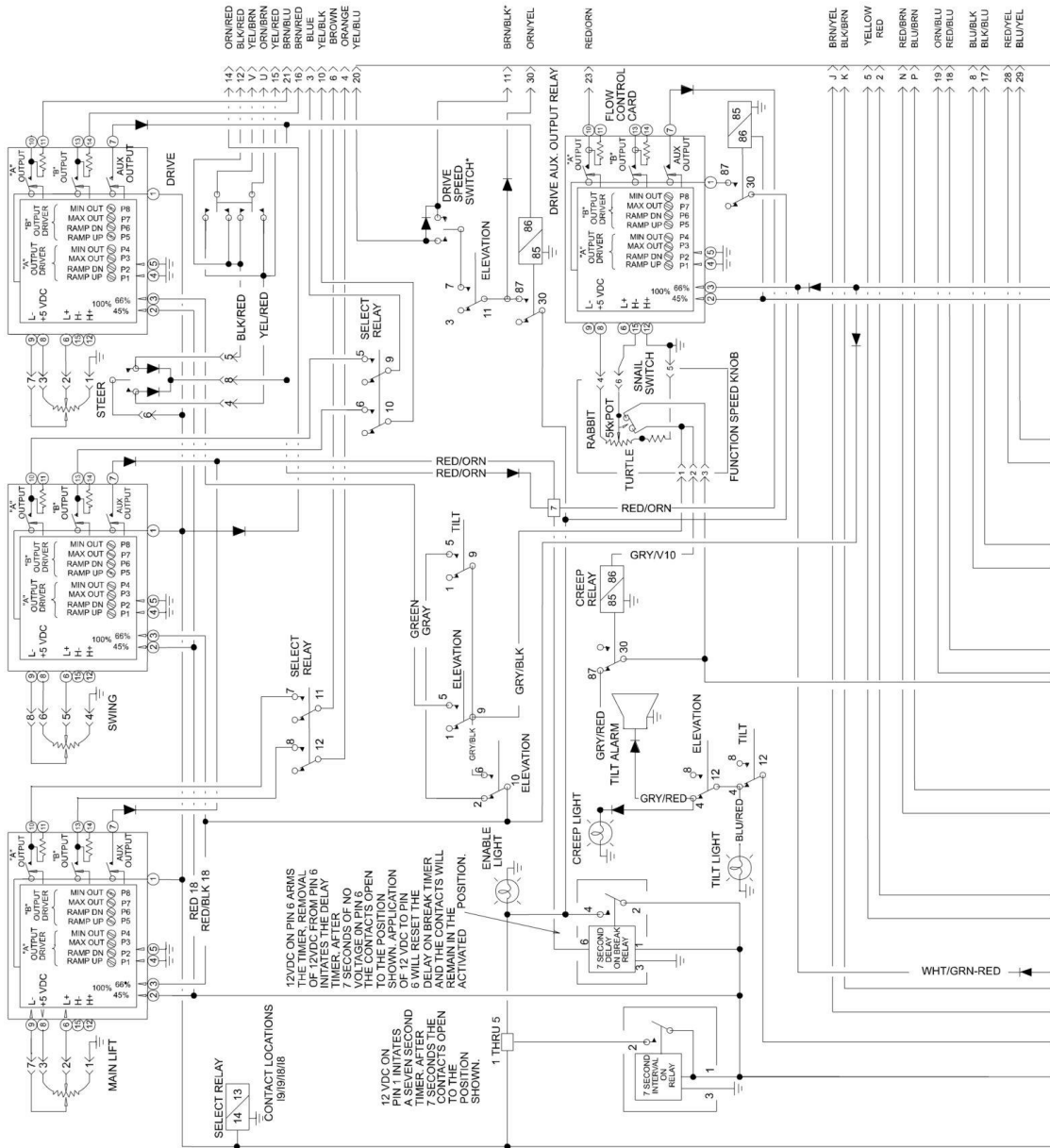
ITEM	PART NUMBER	QTY	DESCRIPTION	REV
	0259644	Ref	<b>REMOTE CONTROL ELECTRICAL DIAGRAMS</b>	3-C
		Ref	<b>STANDARD ELECTRICAL DIAGRAMS</b>	
	4932799	Ref	Continental Engine Machines (Prior to SN 0300035129)	6-F
	4932906	Ref	Continental Engine Machines (SN 0300035129 through 0300069000)	2-B
	4932798	Ref	Deutz Engine Machines (Prior to SN 0300035129)	5-G
	4932911	Ref	Deutz Engine Machines (SN 0300035129 through 0300064248)	6-F
	4933168	Ref	Deutz Engine (With ADE System) (SN 0300064249 through 0300069000)	5-F
	4933063	Ref	Deutz Engine - UL Machines (SN 0300039457 through 0300069000)	2-D
	4932797	Ref	Ford Engine Machines (Prior to SN 0300030947)	4-E
	4932962	Ref	Ford Engine Machines (SN 0300030947 through 0300035128)	1-B
	4932909	Ref	Ford Engine Machines (SN 0300035129 through 0300048906)	4-C
	4933114	Ref	Ford Engine (SN 0300048907 through 0300064248)	4-D
	4933167	Ref	Ford EFI Engine (With ADE System) (SN 0300064249 through 0300069000)	4-F
	4933055	Ref	Ford Engine - UL Machines (SN 0300039457 through 0300069000)	2-E
	4933228	Ref	Isuzu Engine (SN 0300063908 through 0300069000)	1-A
		Ref	<b>STANDARD ELECTRICAL SCHEMATICS</b>	
	1870039	Ref	Continental and Deutz (Prior to SN 0300035129)	RL-D
	1870053	Ref	Continental and Deutz (SN 0300035129 through 0300069000)	E
	1870087	Ref	UL - Deutz (SN 0300039457 through 0300069000)	A
	1870038	Ref	Ford (Prior to SN 0300035129)	D
	1870052	Ref	Ford (SN 0300035129 through 0300048906)	E
	1870113	Ref	Ford with EFI (SN 0300048907 through 0300064249)	A
	1870075	Ref	UL - Ford (SN 0300039457 through 0300069000)	B
	1870089	Ref	UL - Ford LP Only (SN 0300039457 through 0300069000)	B
	1870131	Ref	Isuzu (SN 0300063908 through 0300069000)	A
	1870132	Ref	Deutz/Ford EFI (With ADE System) (SN 0300064249 through 0300069000)	B
		Ref	<b>STROBE LIGHT ELECTRICAL DIAGRAMS</b>	
	4932812	Ref	Strobe Light Electrical Diagrams (Prior to SN 0300035129)	-
	1282474	Ref	Strobe Light Electrical Diagrams (Prior to SN 0300035129)	-
	4932904	Ref	Strobe Light Electrical Diagrams (SN 0300035129 through 0300036476)	2
	1282685	Ref	Strobe Light Electrical Diagrams (SN 0300035129 through 0300036476)	D
	4933027	Ref	Strobe Light Electrical Diagrams (SN 0300036477 through 0300064248)	1
	1282937	Ref	Strobe Light Electrical Diagrams with ADE System (SN 0300036477 through 0300064248)	A
	0255919	Ref	Strobe Light Electrical Diagrams with ADE System (SN 0300064249 through 0300069000)	-/-



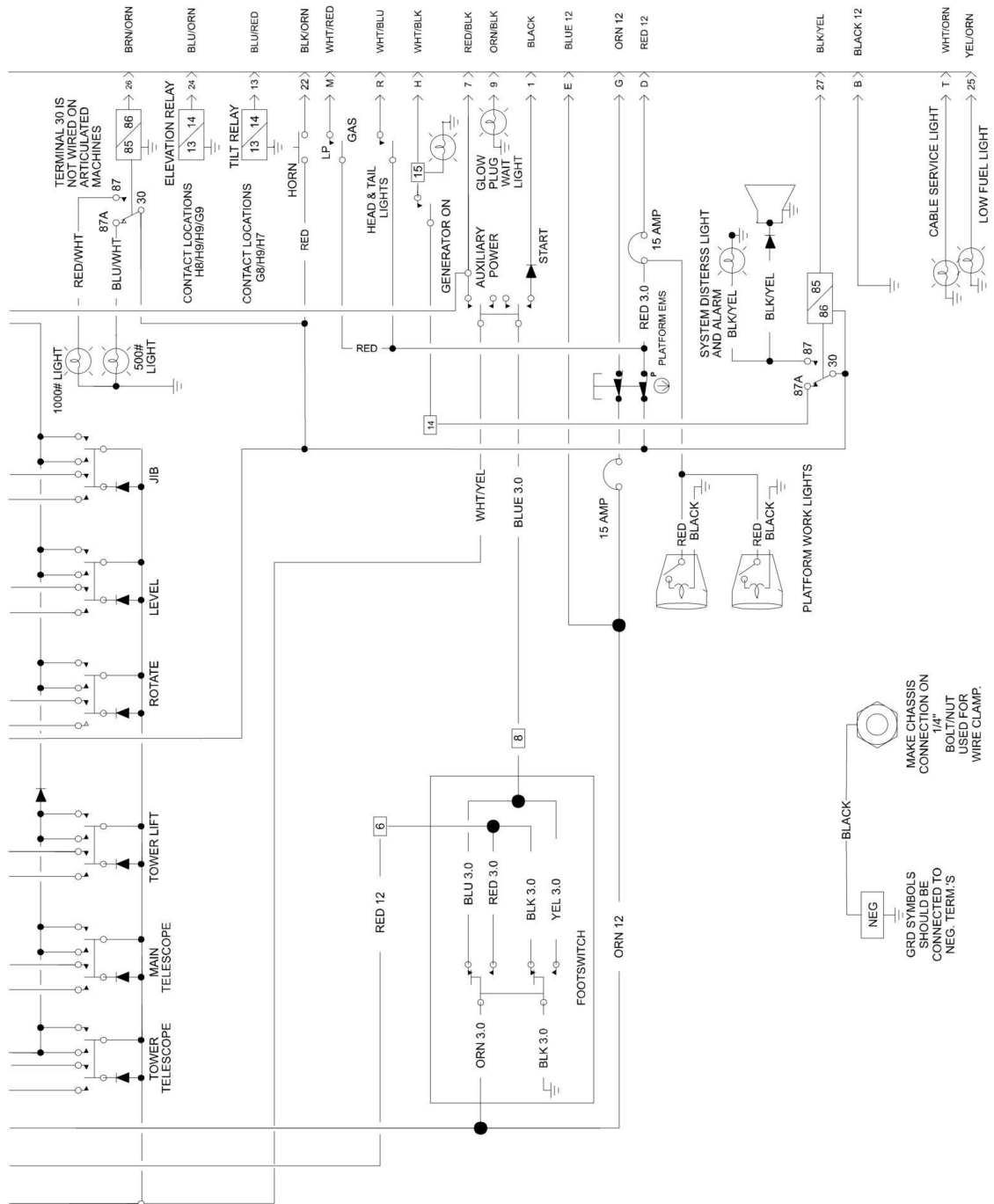


# SECTION 7 - ELECTRICAL

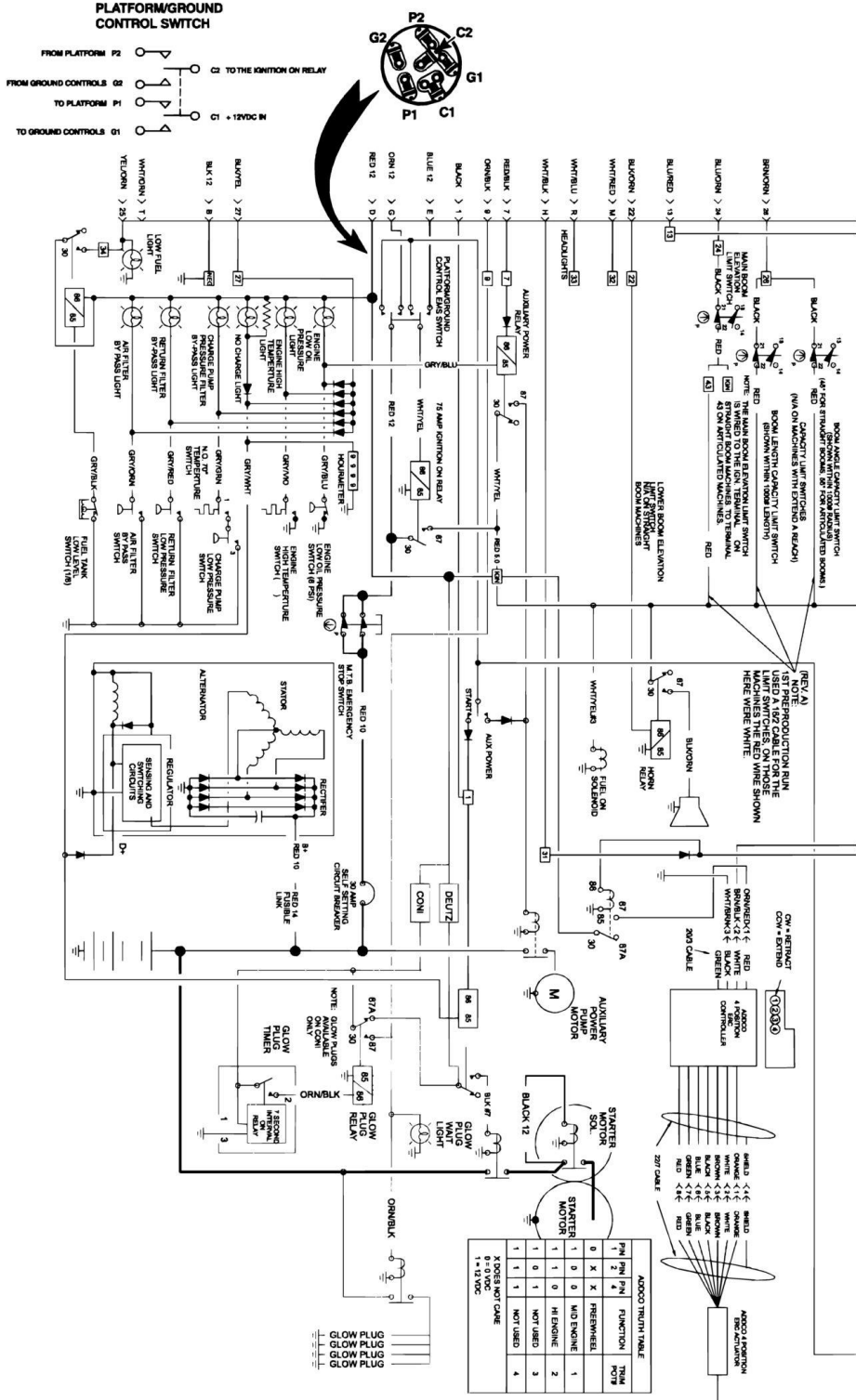
## FIGURE 7-2. ELECTRICAL SCHEMATIC - DIESEL MACHINES WITH COLORED WIRING (Prior to SN 0300035129)



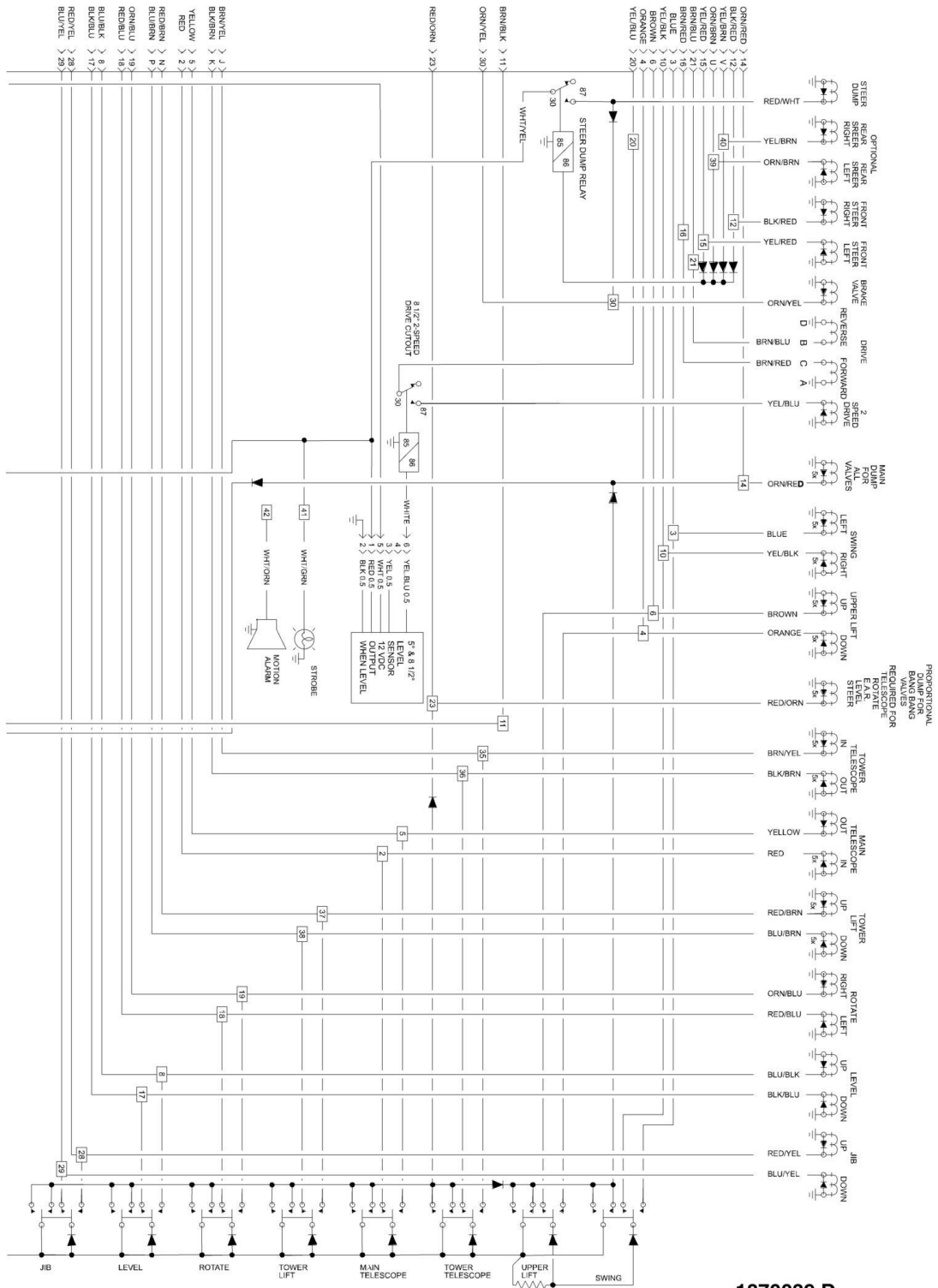
# SECTION 7 - ELECTRICAL



# SECTION 7 - ELECTRICAL



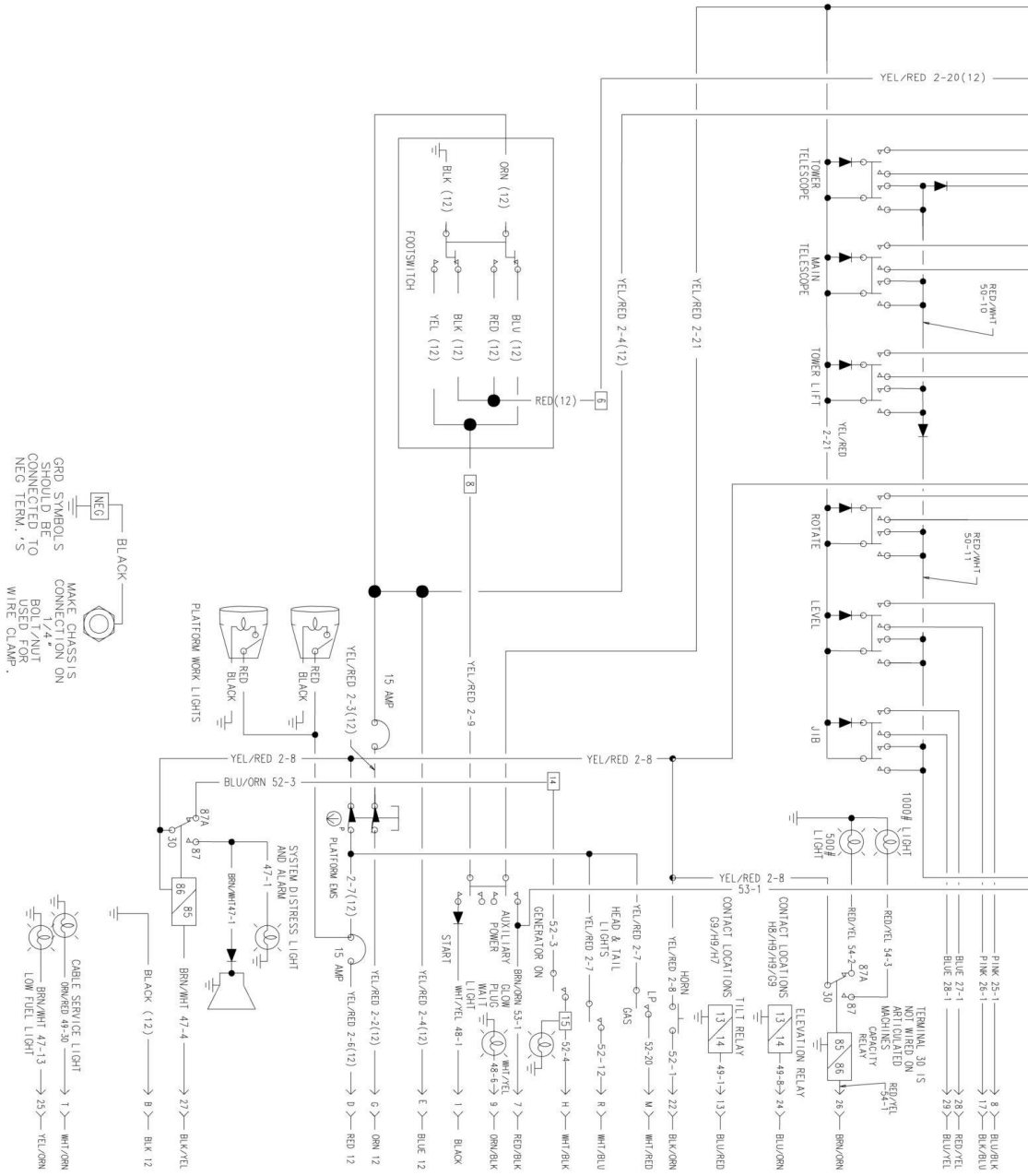
# SECTION 7 - ELECTRICAL



1870039 D

# SECTION 7 - ELECTRICAL

## FIGURE 7-3. ELECTRICAL SCHEMATIC - DIESEL MACHINES WITH NUMBERED COLORED WIRING (SN 0300035129 through 0300069000)

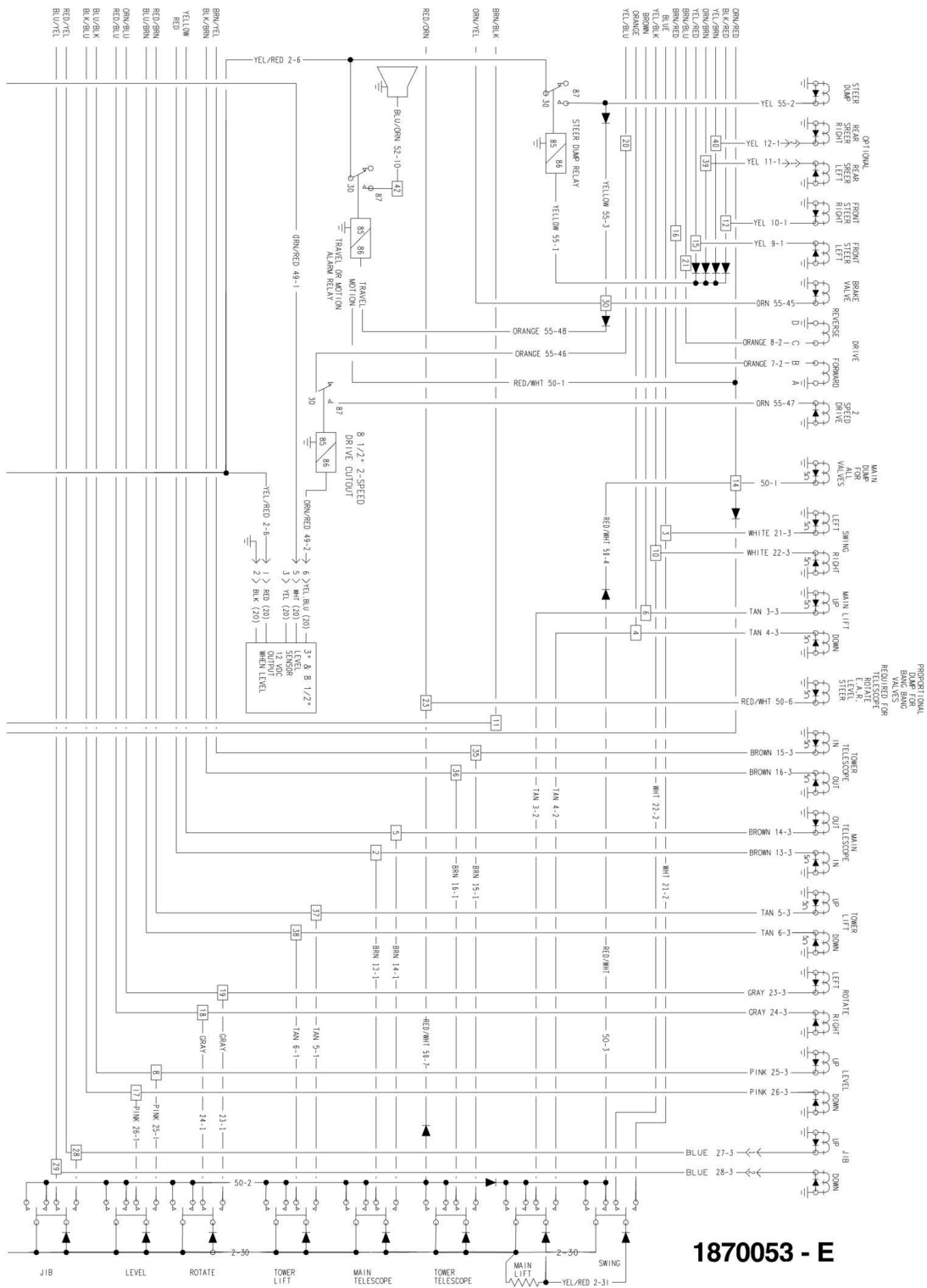








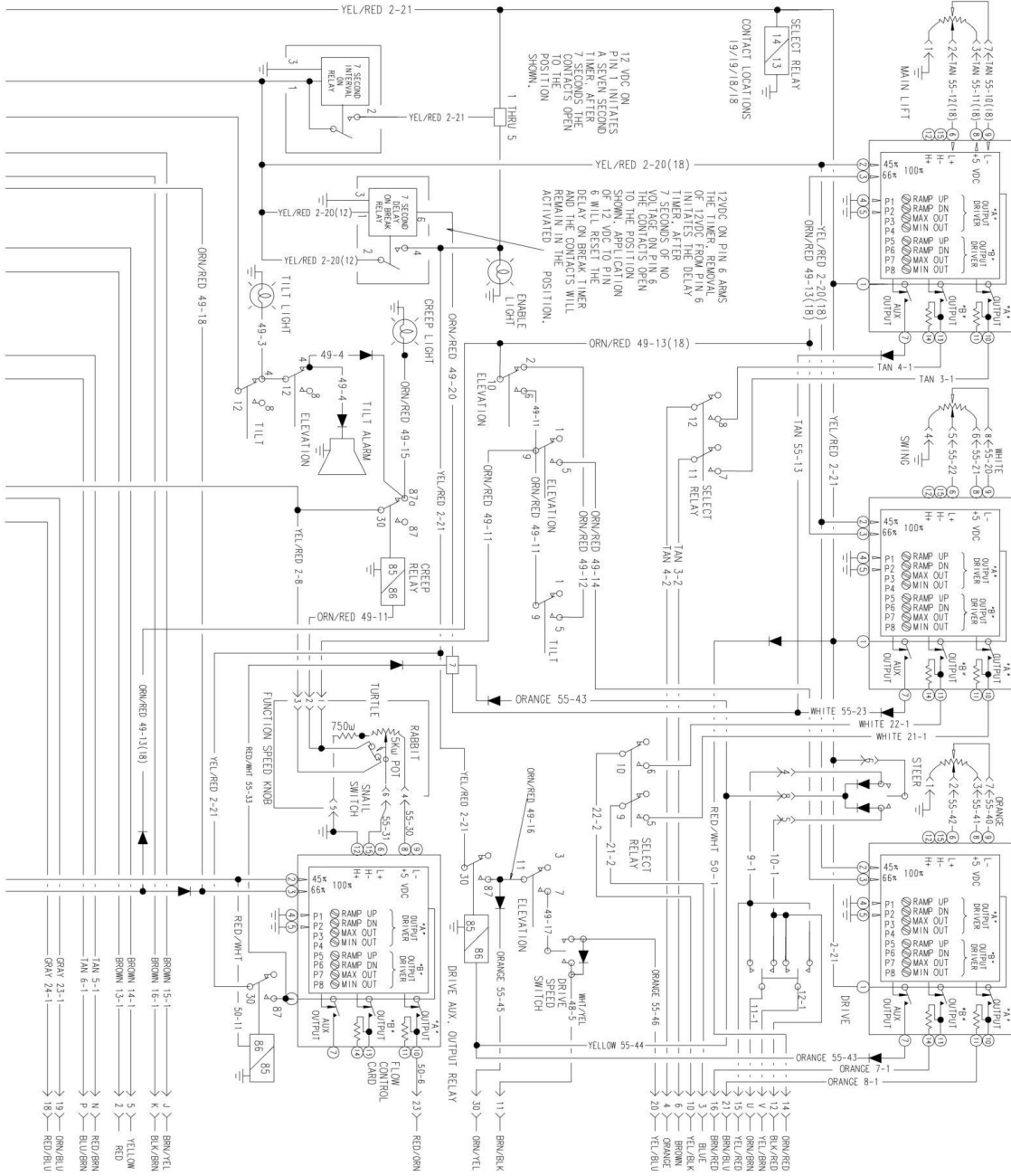
# SECTION 7 - ELECTRICAL



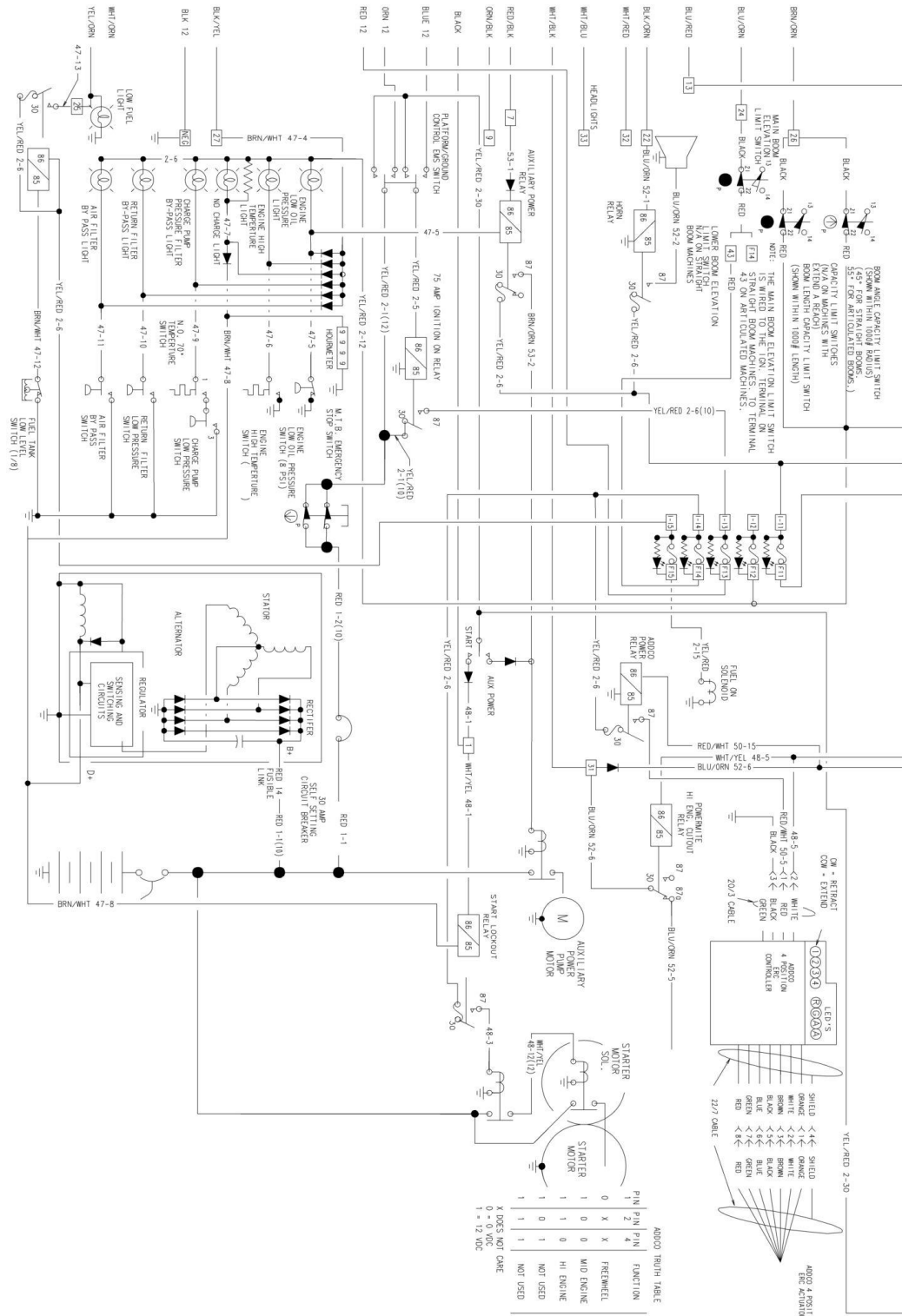
1870053 - E



# SECTION 7 - ELECTRICAL



# SECTION 7 - ELECTRICAL

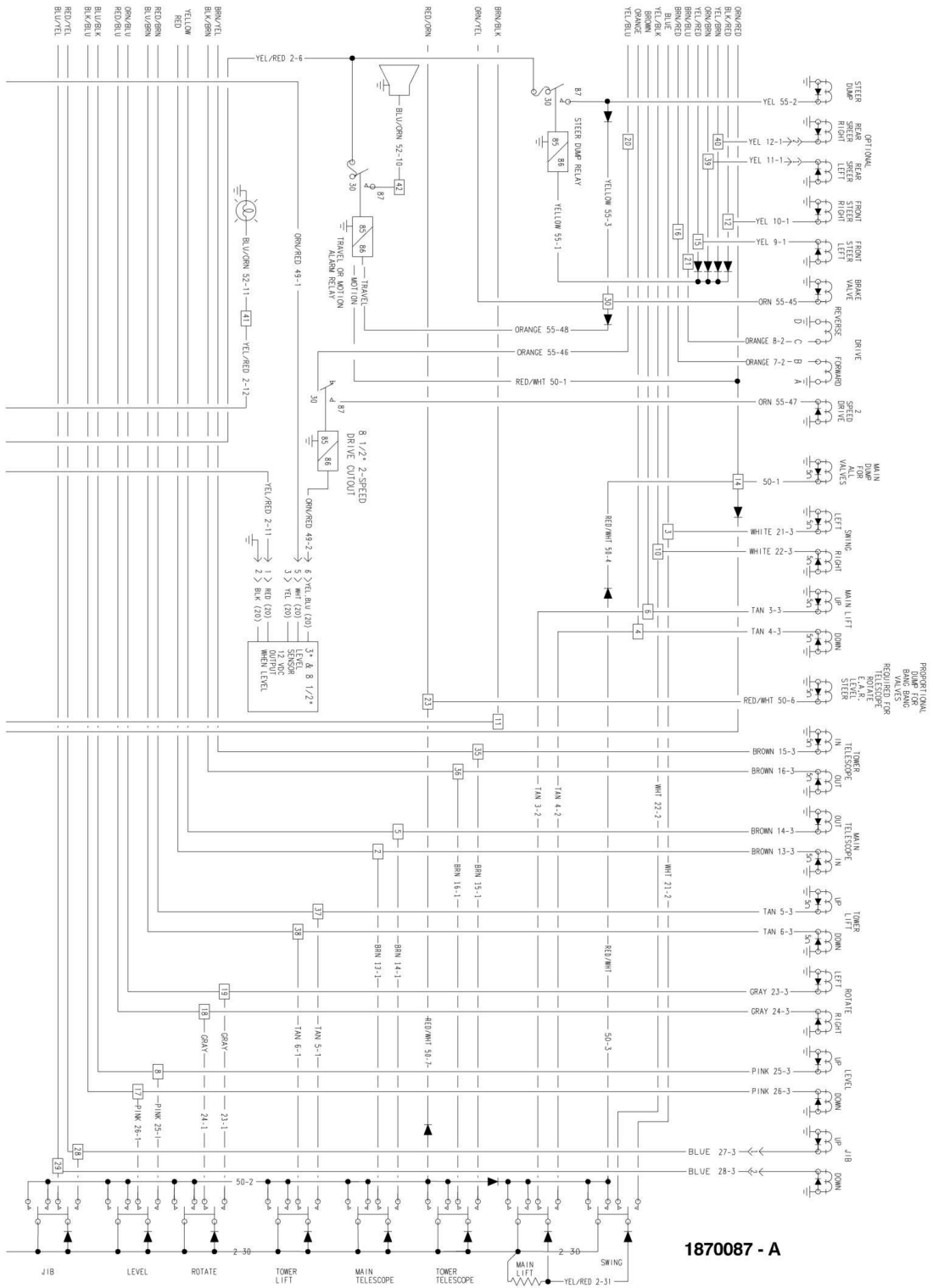


AUG00 TRUTH TABLE

PIN	PIN	PIN	FUNCTION
0	X	X	FREEMHEEL
1	0	0	MID ENGINE
1	1	0	HI ENGINE
1	0	1	NOT USED
1	1	1	NOT USED

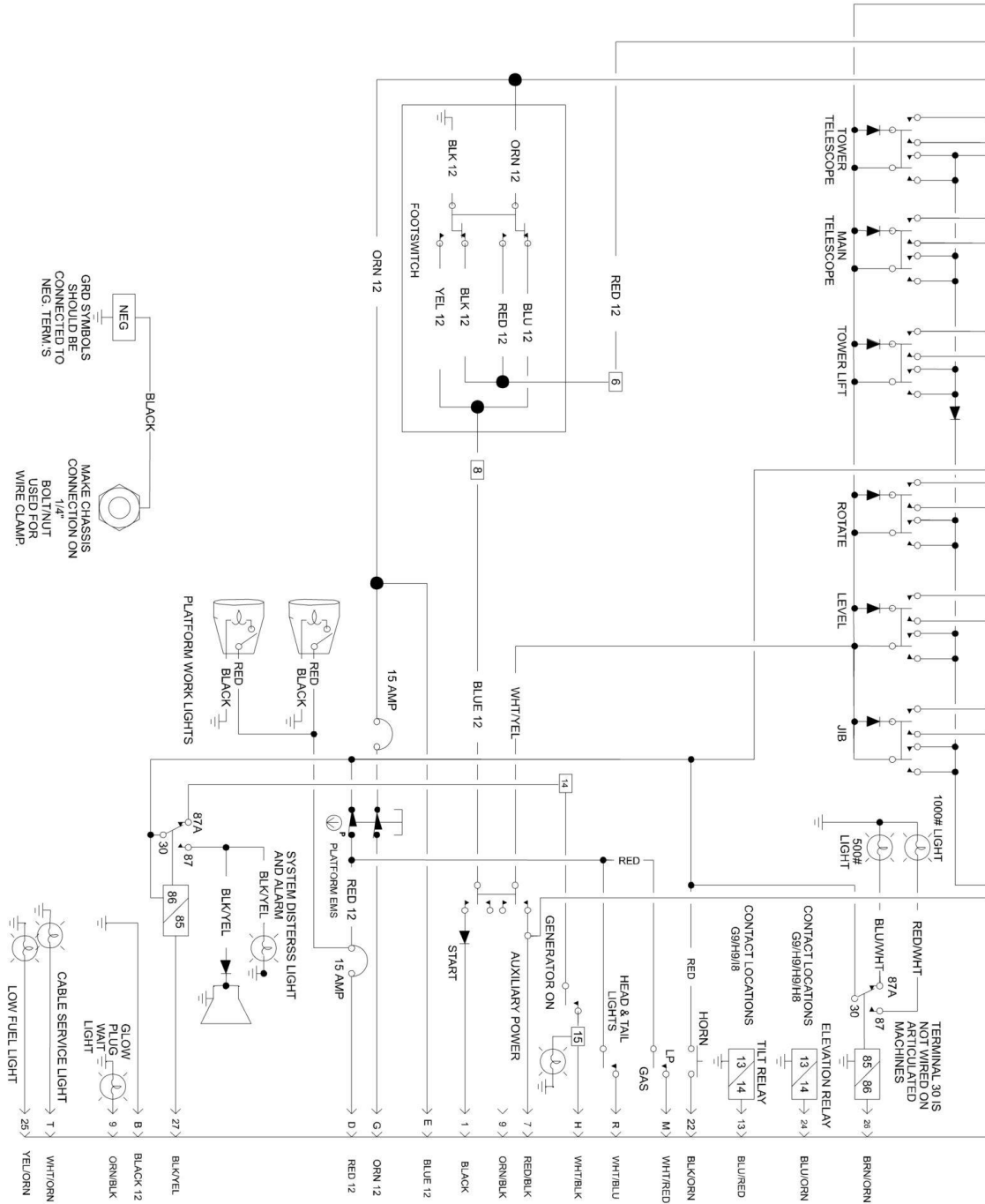
X DOES NOT CARE  
0 = 0 VDC  
1 = 12 VDC

# SECTION 7 - ELECTRICAL

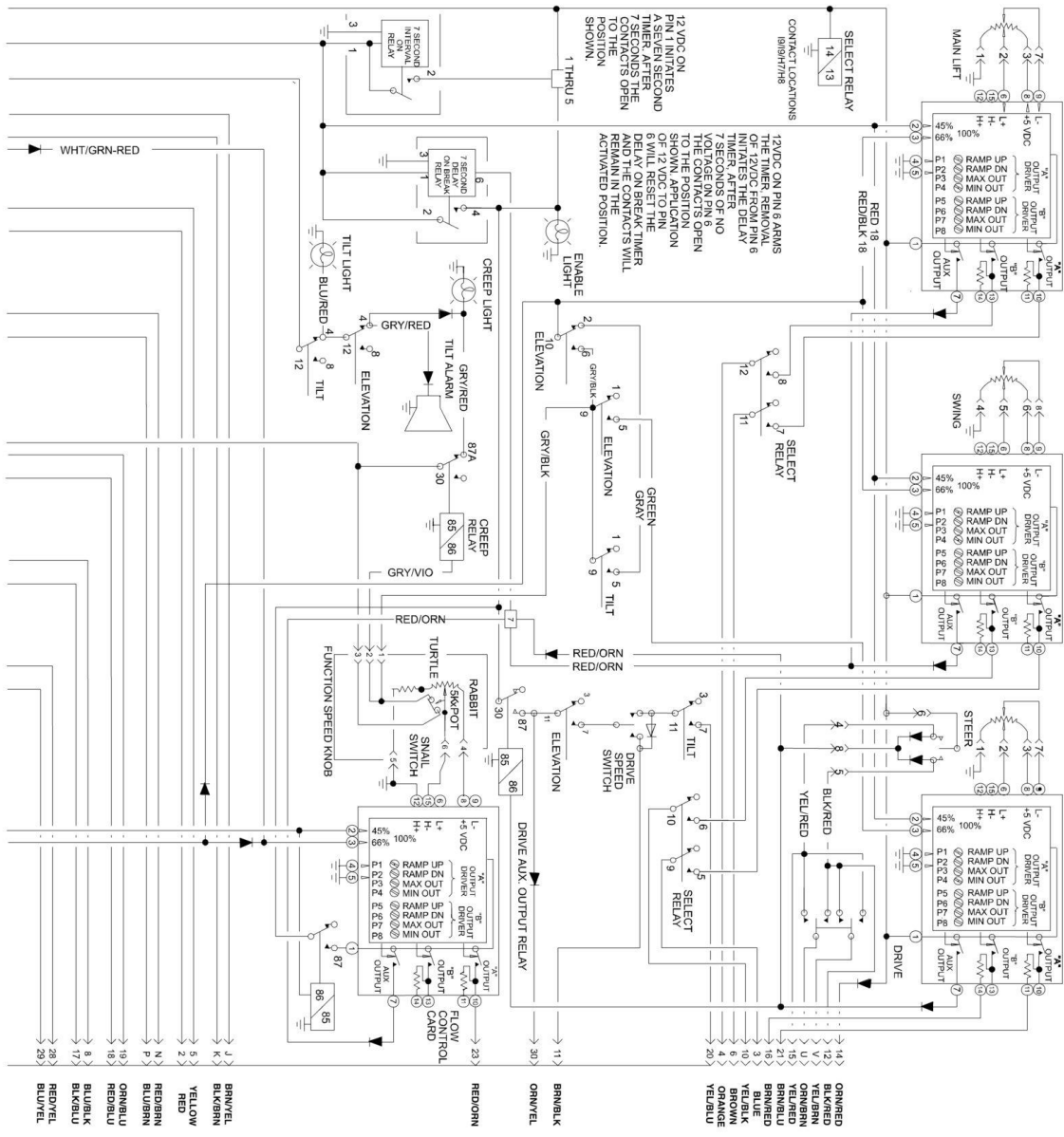


# SECTION 7 - ELECTRICAL

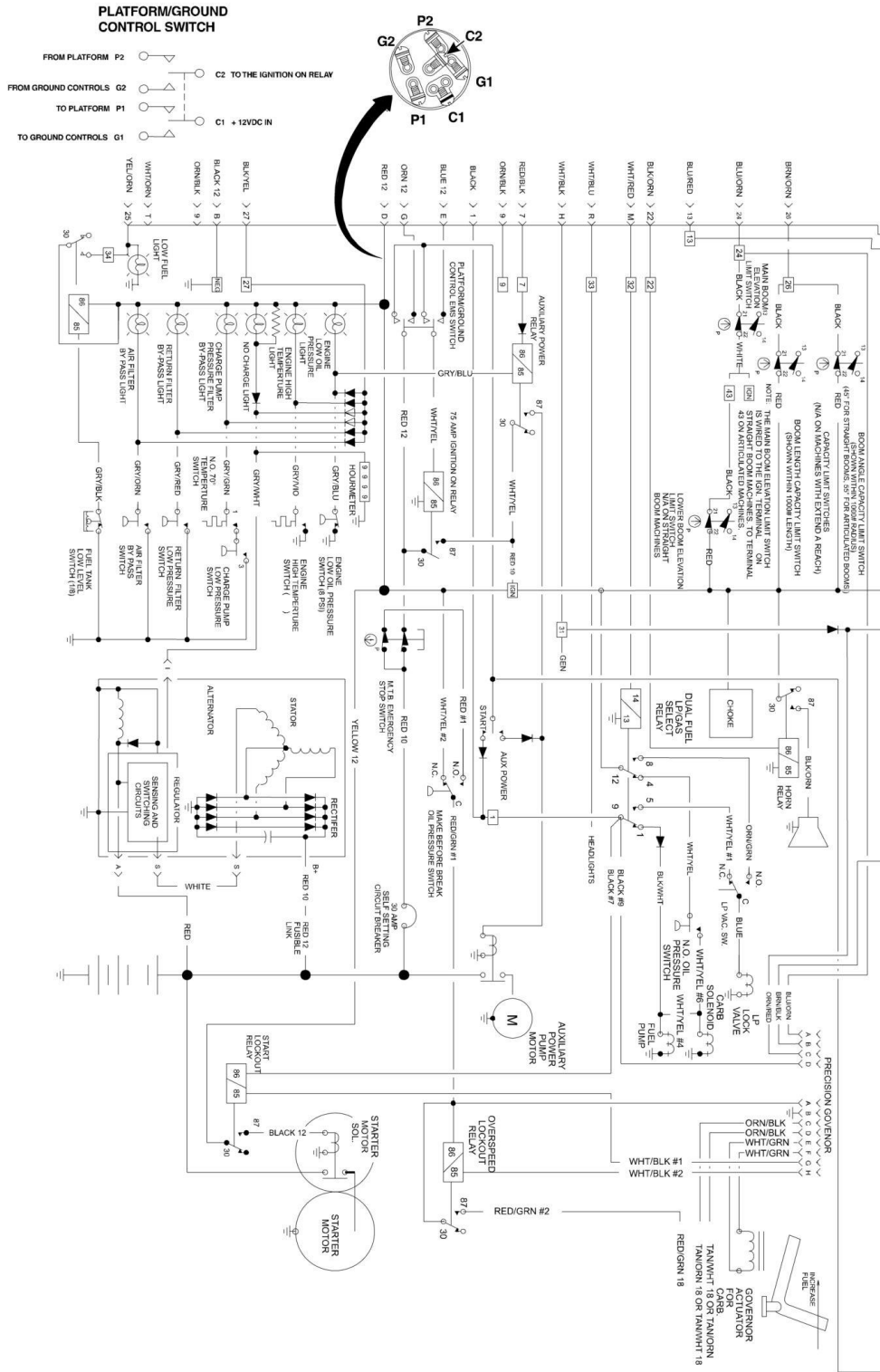
## FIGURE 7-5. ELECTRICAL SCHEMATIC - GAS MACHINES WITH COLORED WIRING (Prior to SN 0300035129)



# SECTION 7 - ELECTRICAL

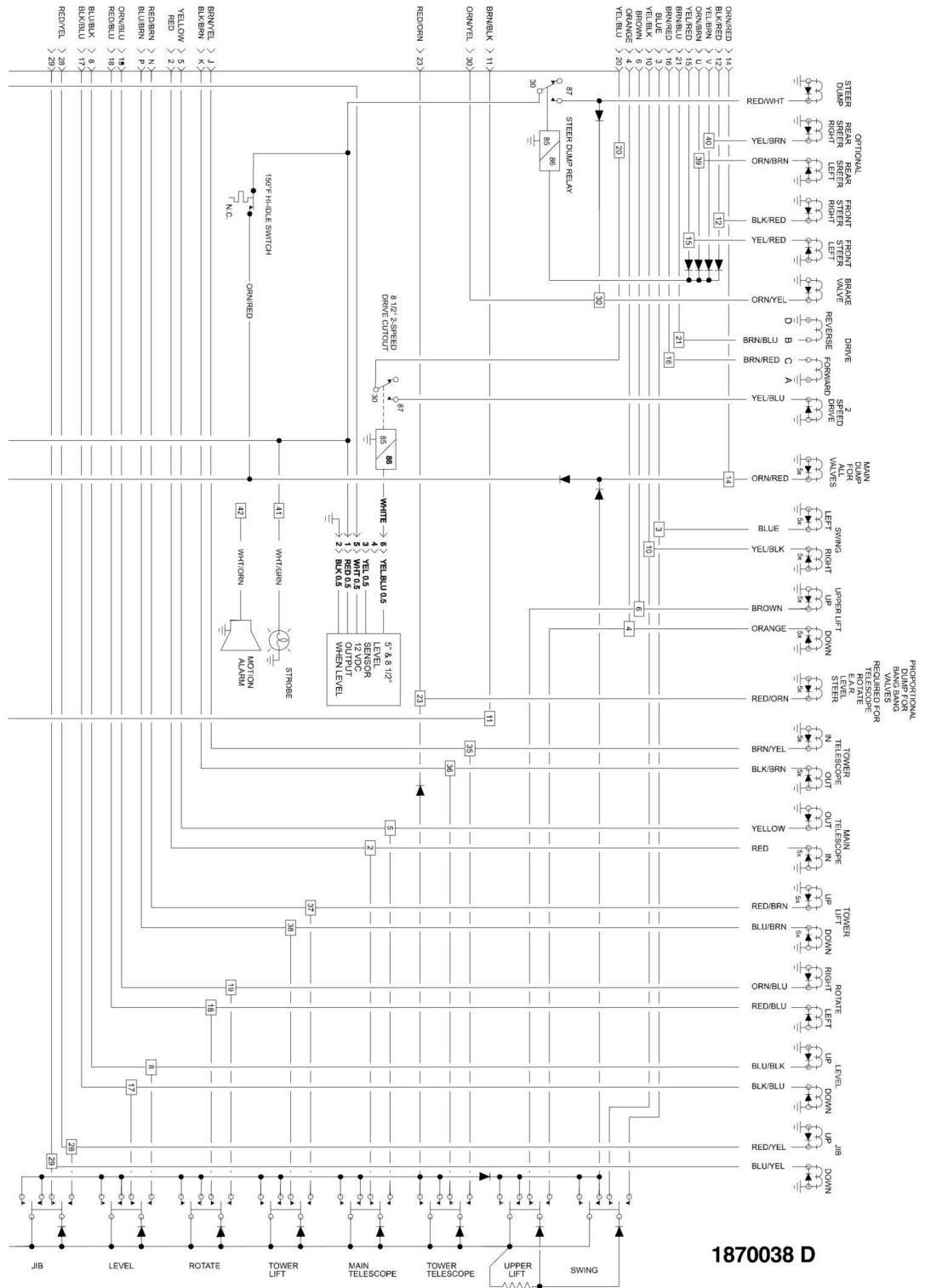


# SECTION 7 - ELECTRICAL



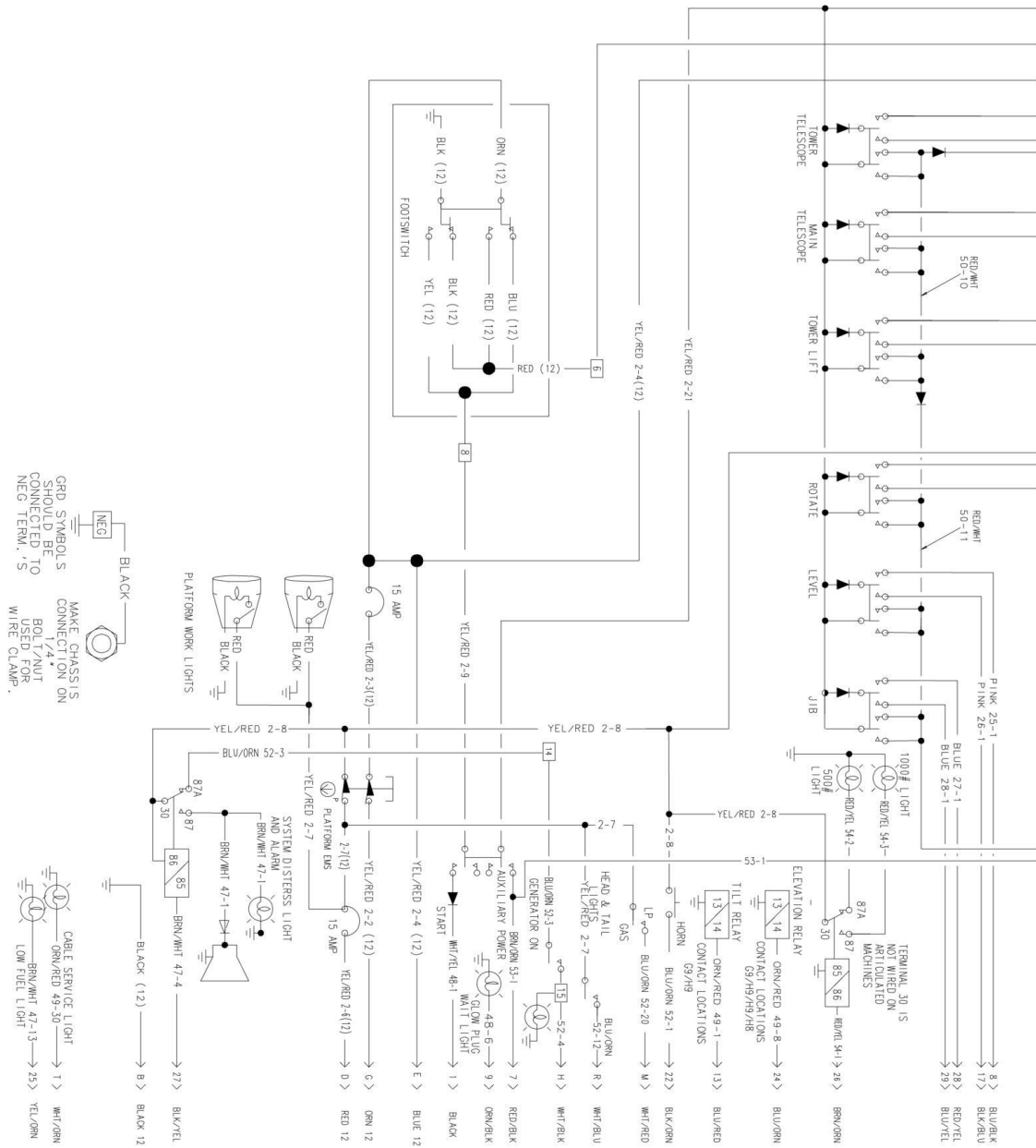


# SECTION 7 - ELECTRICAL

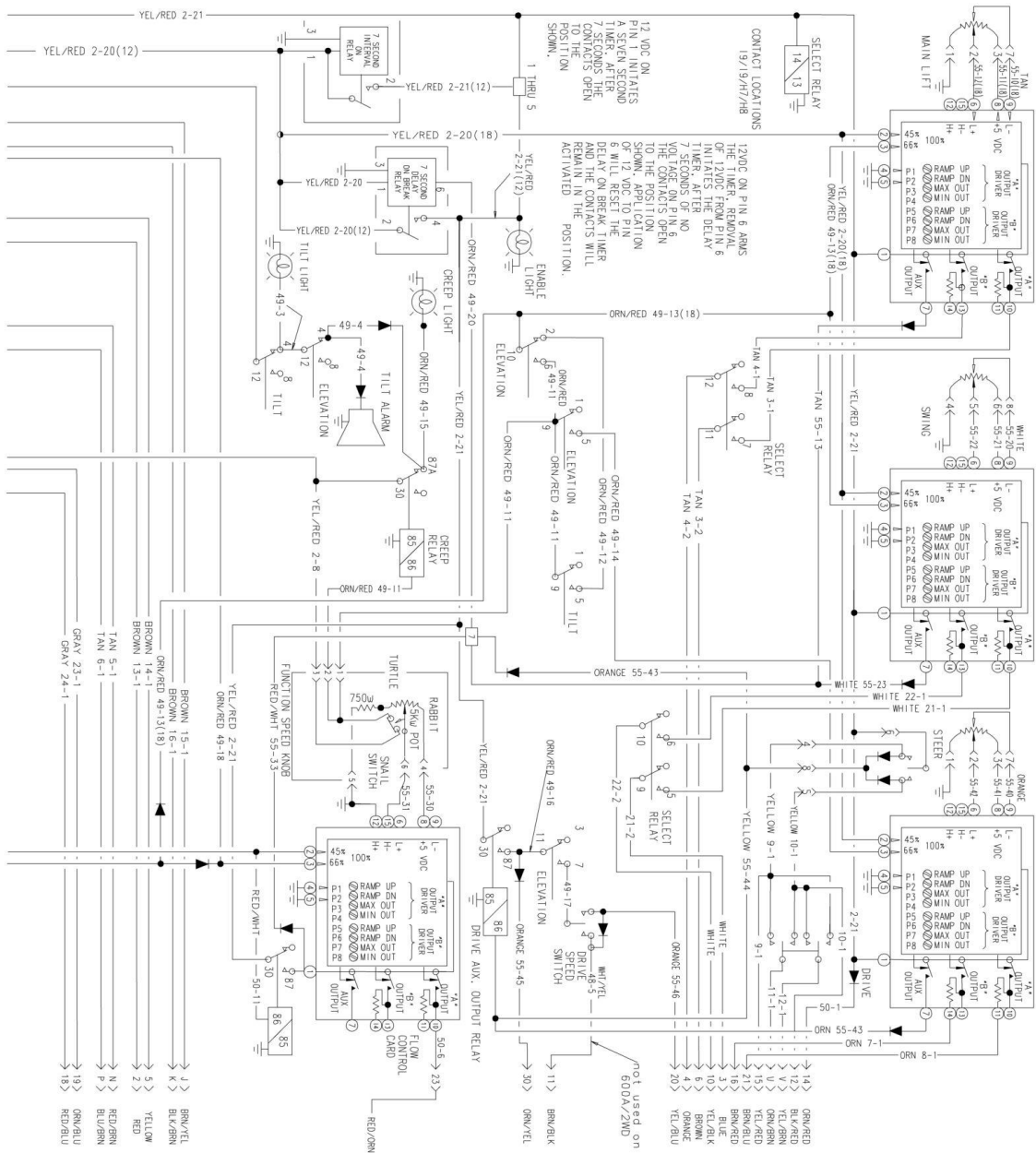


# SECTION 7 - ELECTRICAL

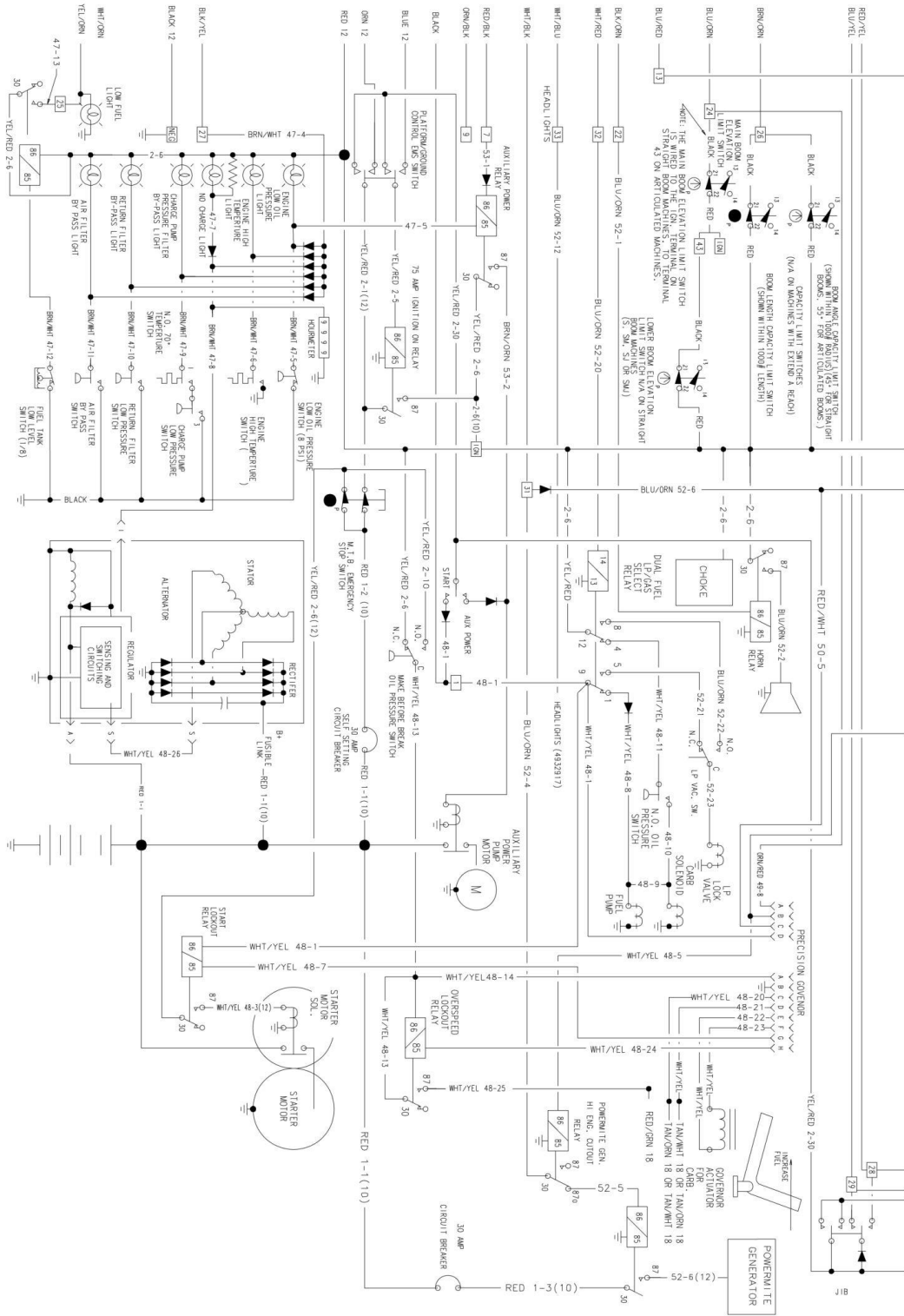
**FIGURE 7-6. ELECTRICAL SCHEMATIC - GAS MACHINES WITH NUMBERED COLORED WIRING (SN 0300035129 through 0300048907)**



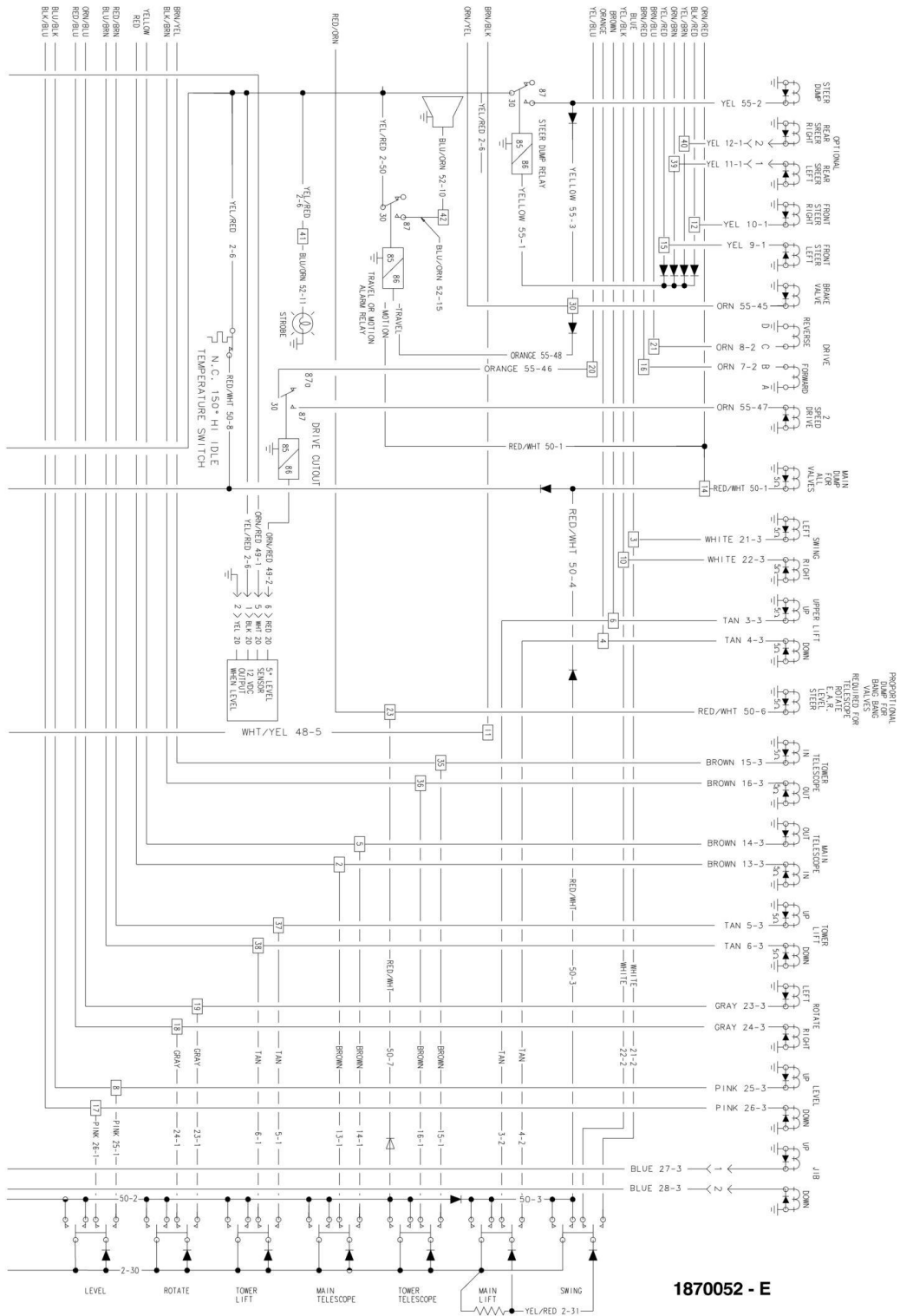
# SECTION 7 - ELECTRICAL



# SECTION 7 - ELECTRICAL

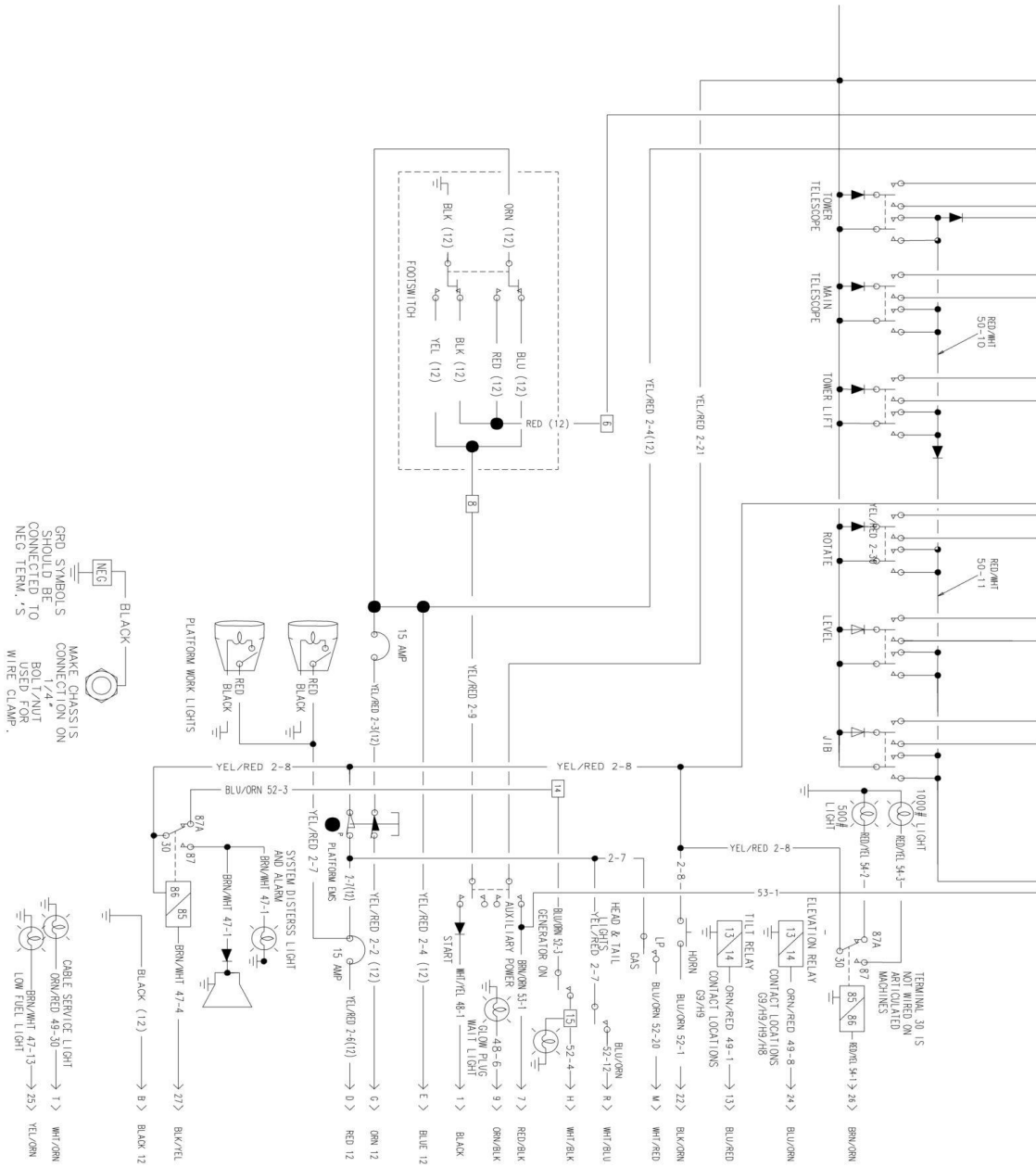


# SECTION 7 - ELECTRICAL

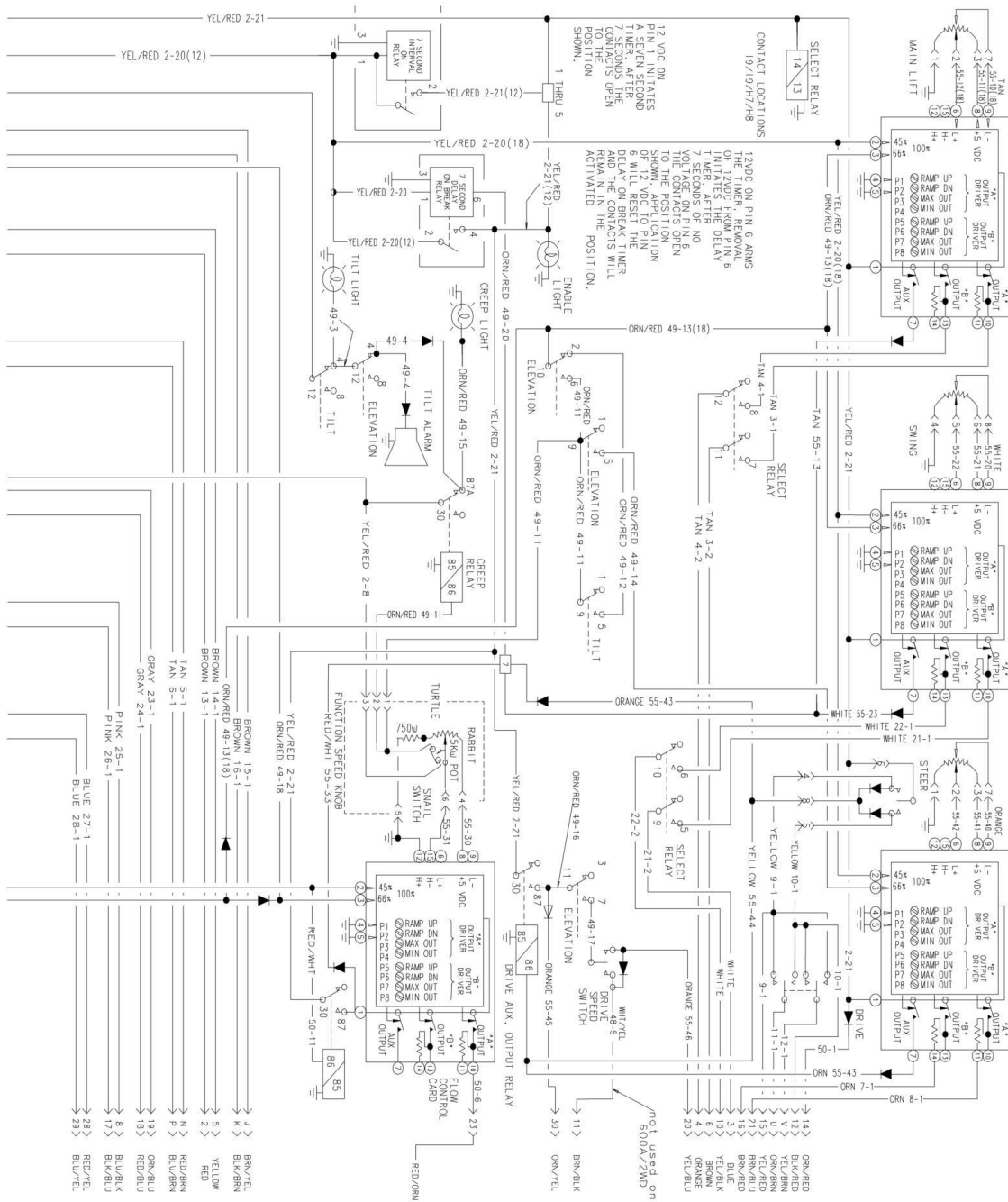


# SECTION 7 - ELECTRICAL

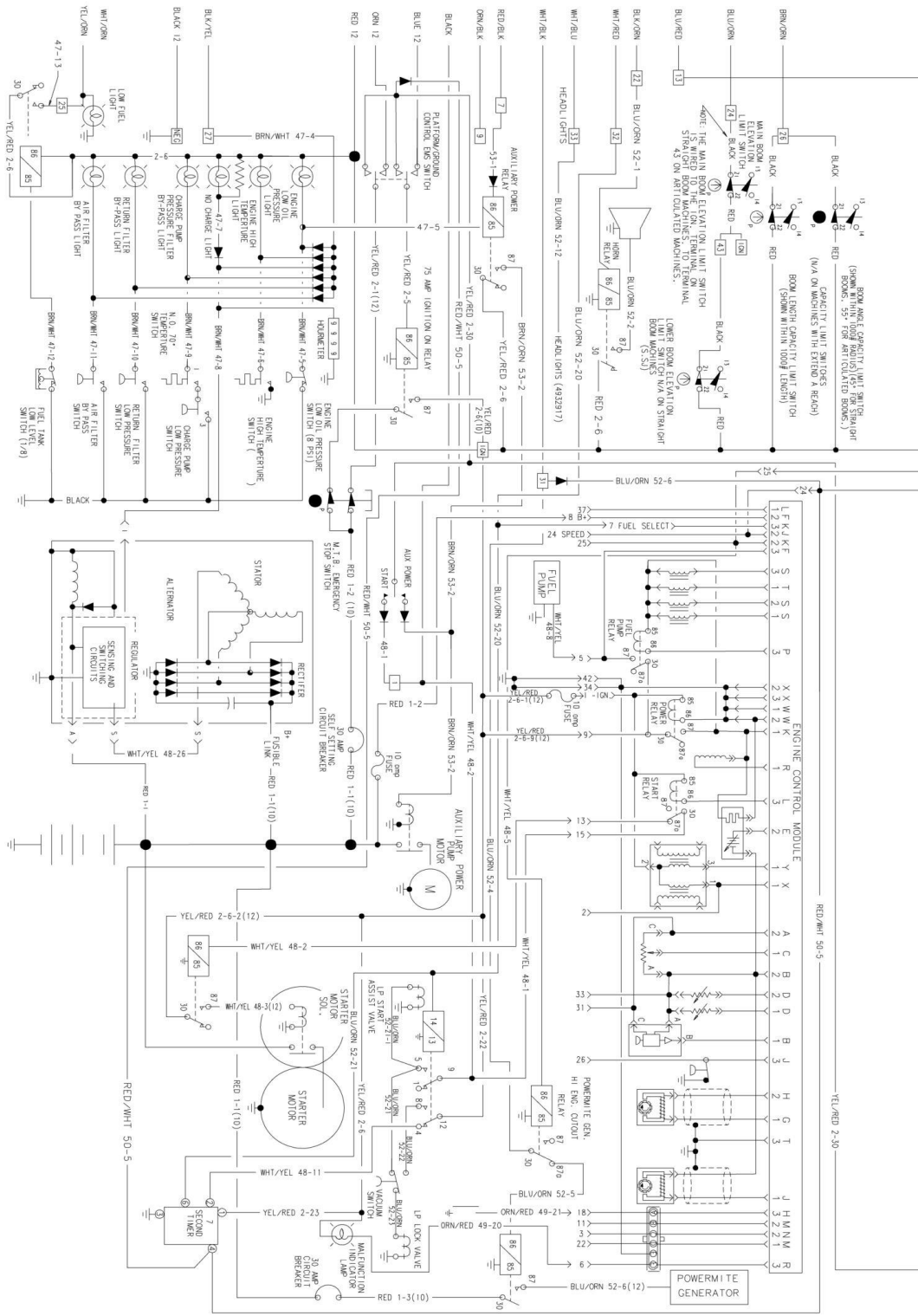
**FIGURE 7-7. ELECTRICAL SCHEMATIC - GAS MACHINES WITH EFI SYSTEM (SN 030004890 through 030006900)**



# SECTION 7 - ELECTRICAL

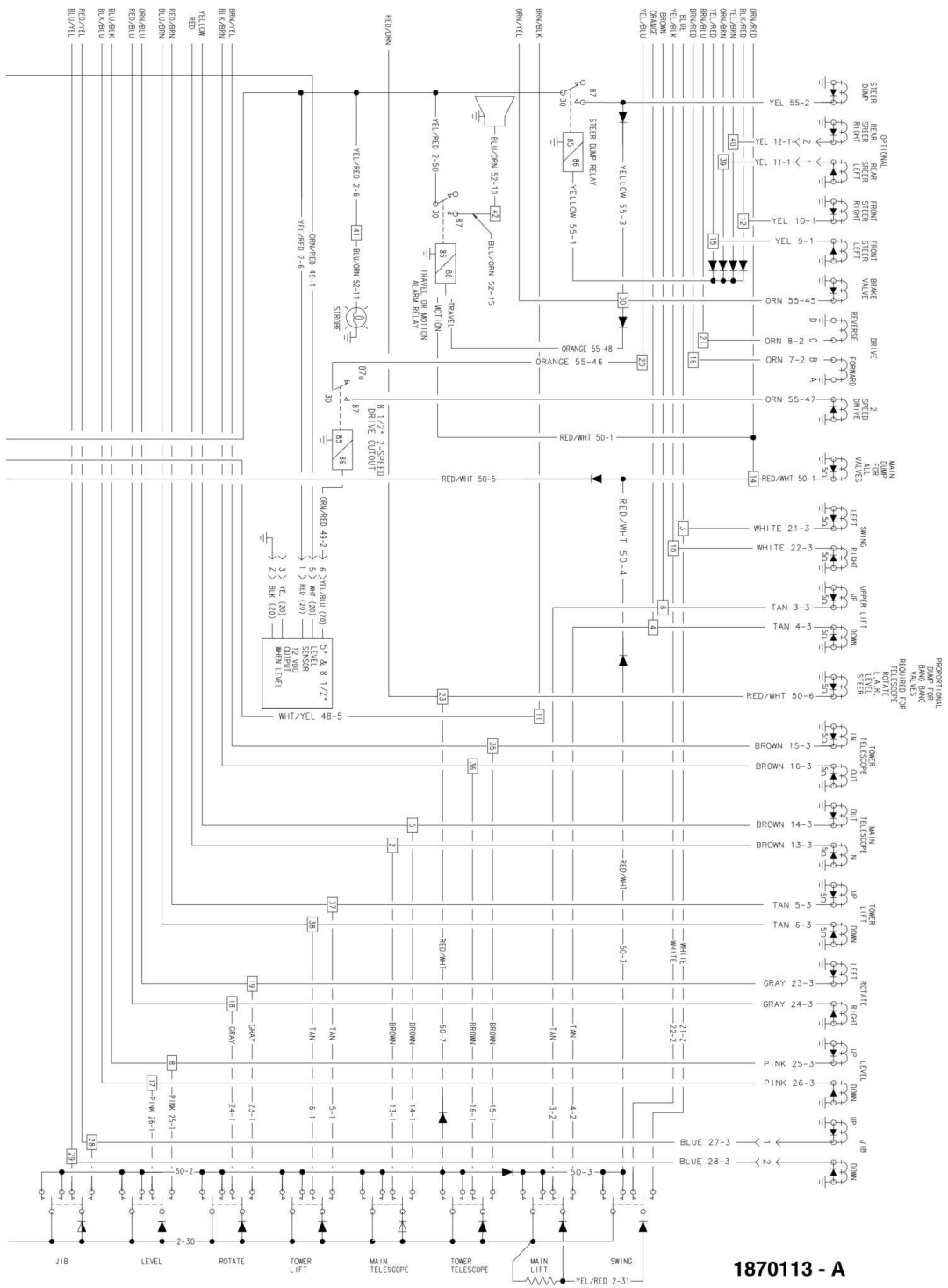


# SECTION 7 - ELECTRICAL



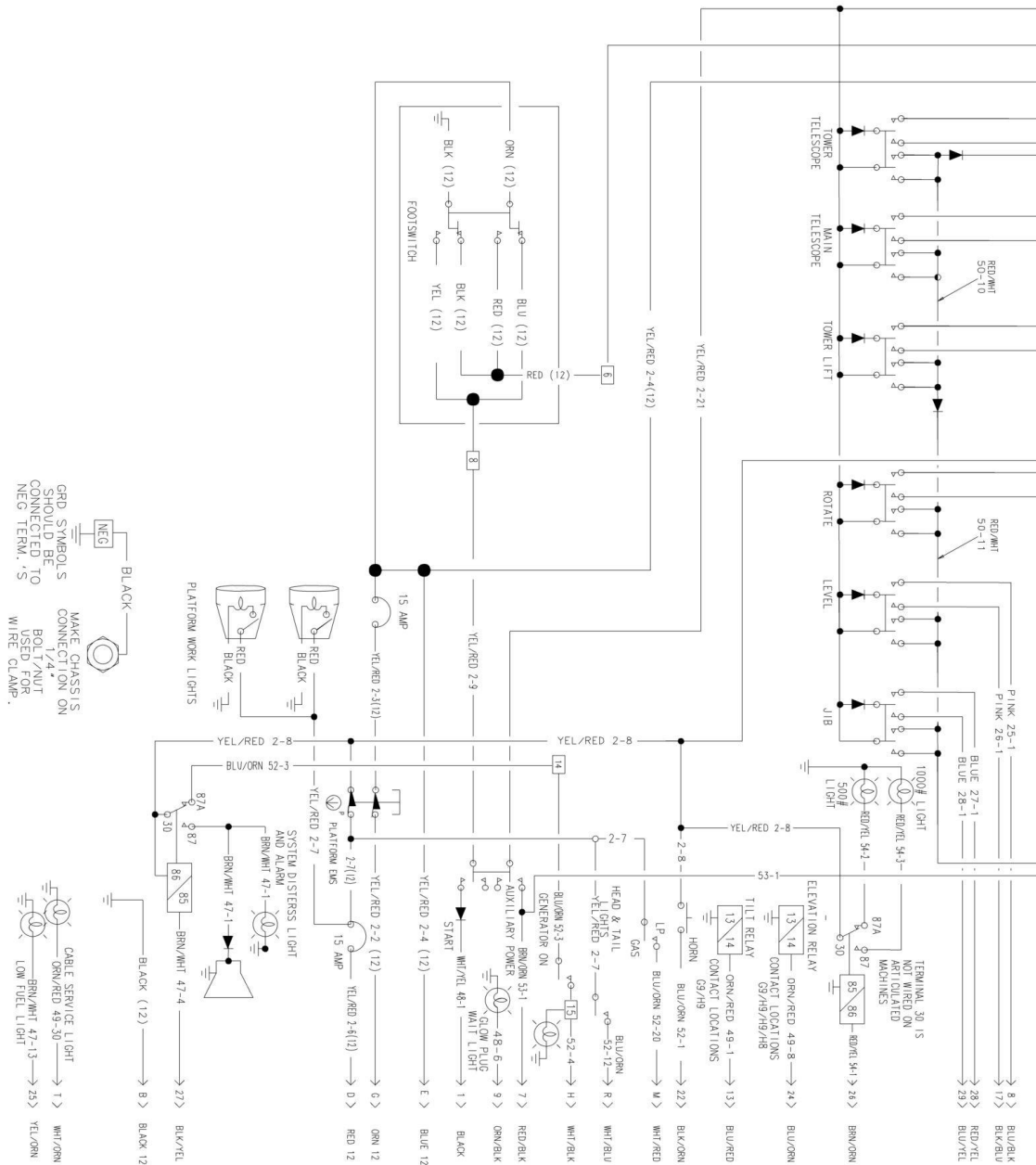


# SECTION 7 - ELECTRICAL

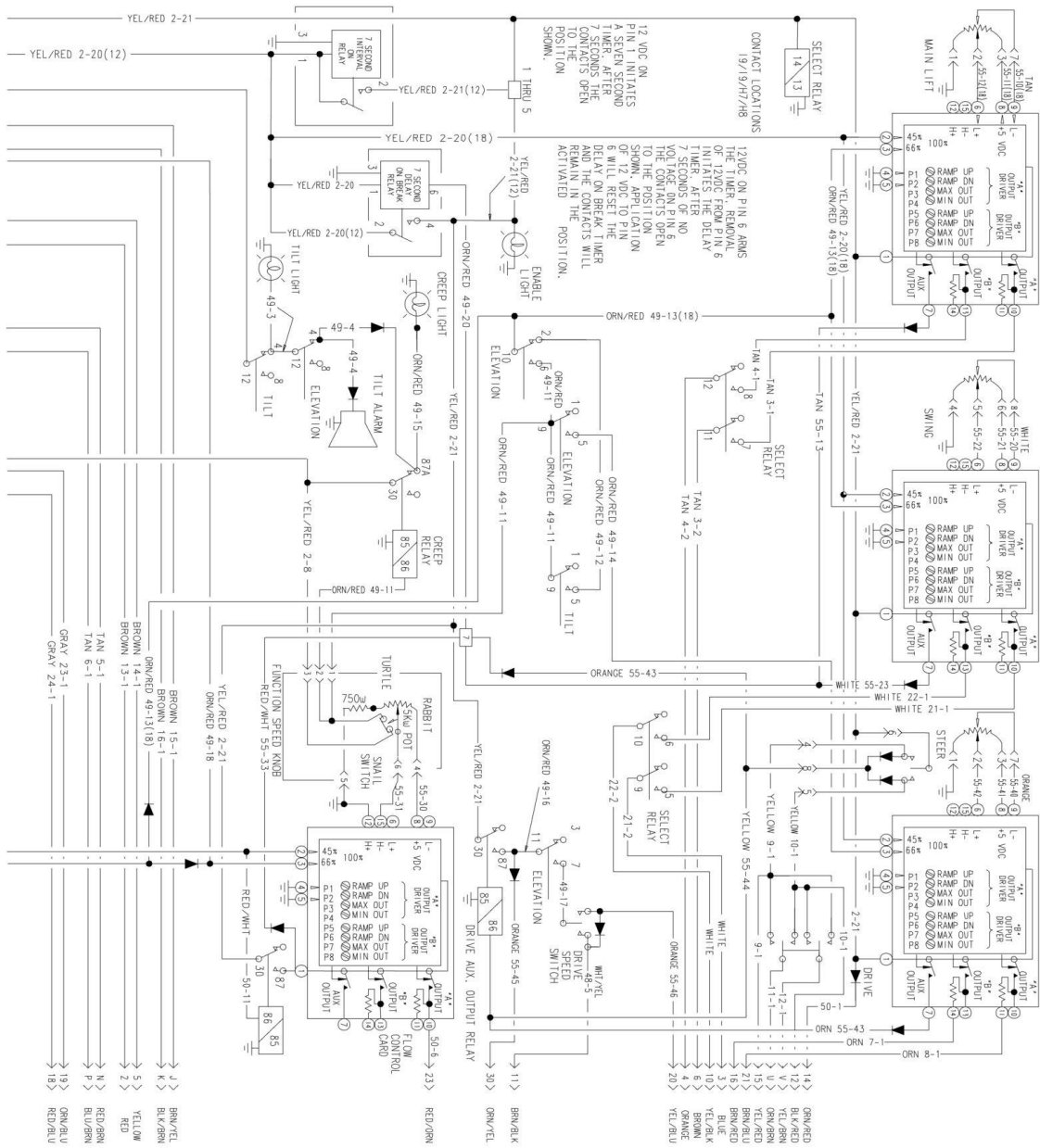


# SECTION 7 - ELECTRICAL

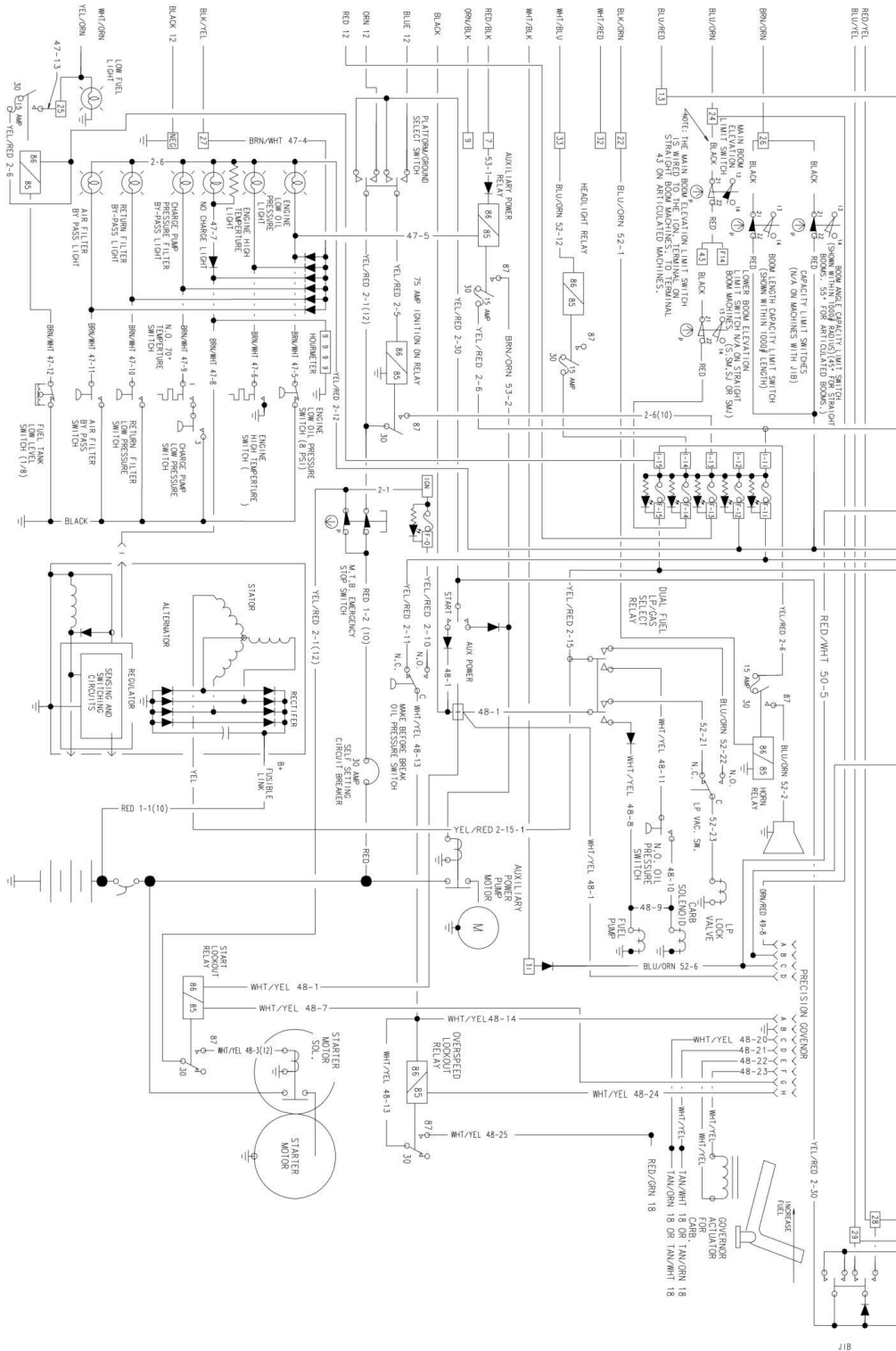
## FIGURE 7-8. ELECTRICAL SCHEMATIC - GAS UL MACHINES WITH NUMBERED COLORED WIRING (SN 0300039457 through 0300069000)



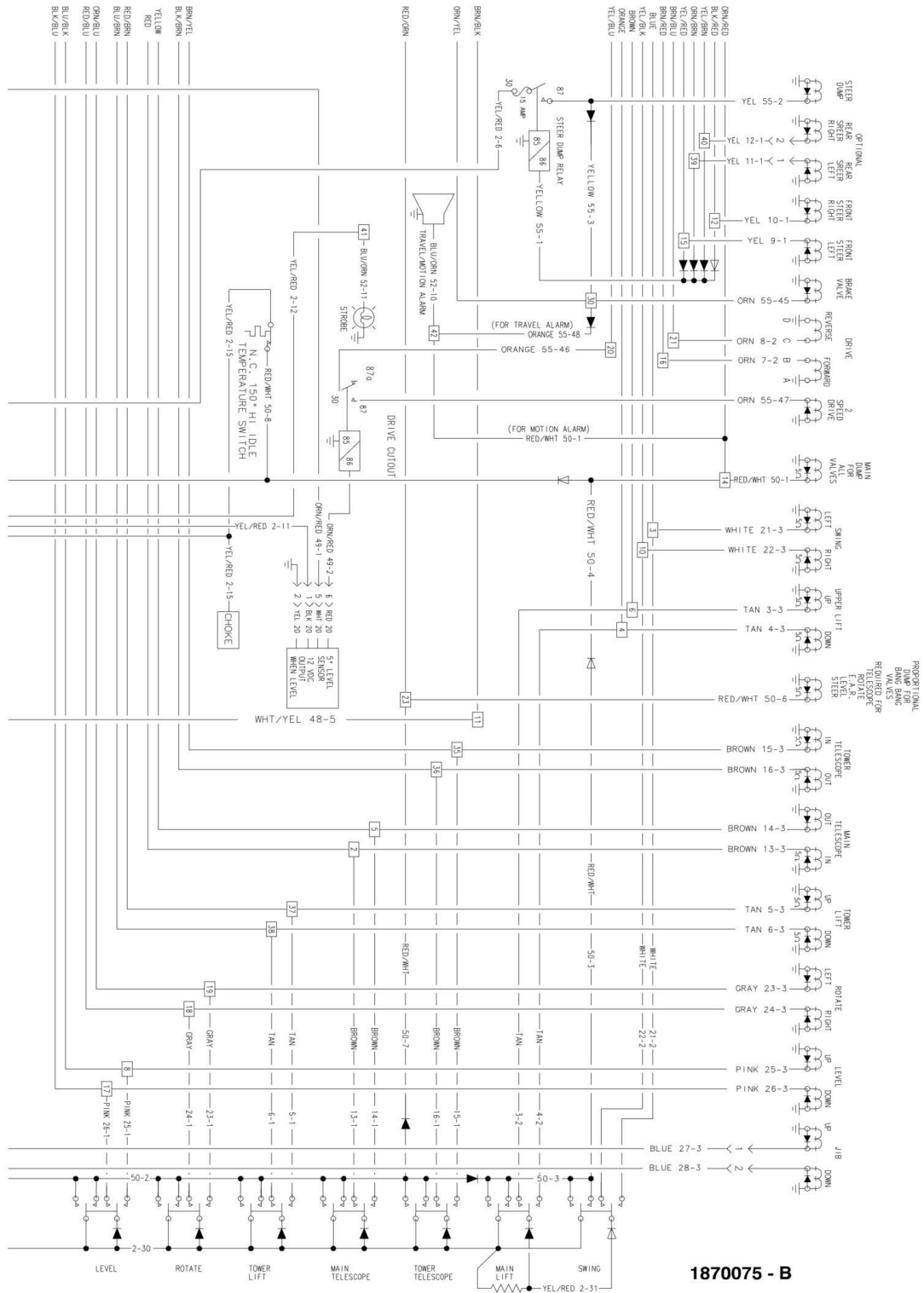
# SECTION 7 - ELECTRICAL



# SECTION 7 - ELECTRICAL

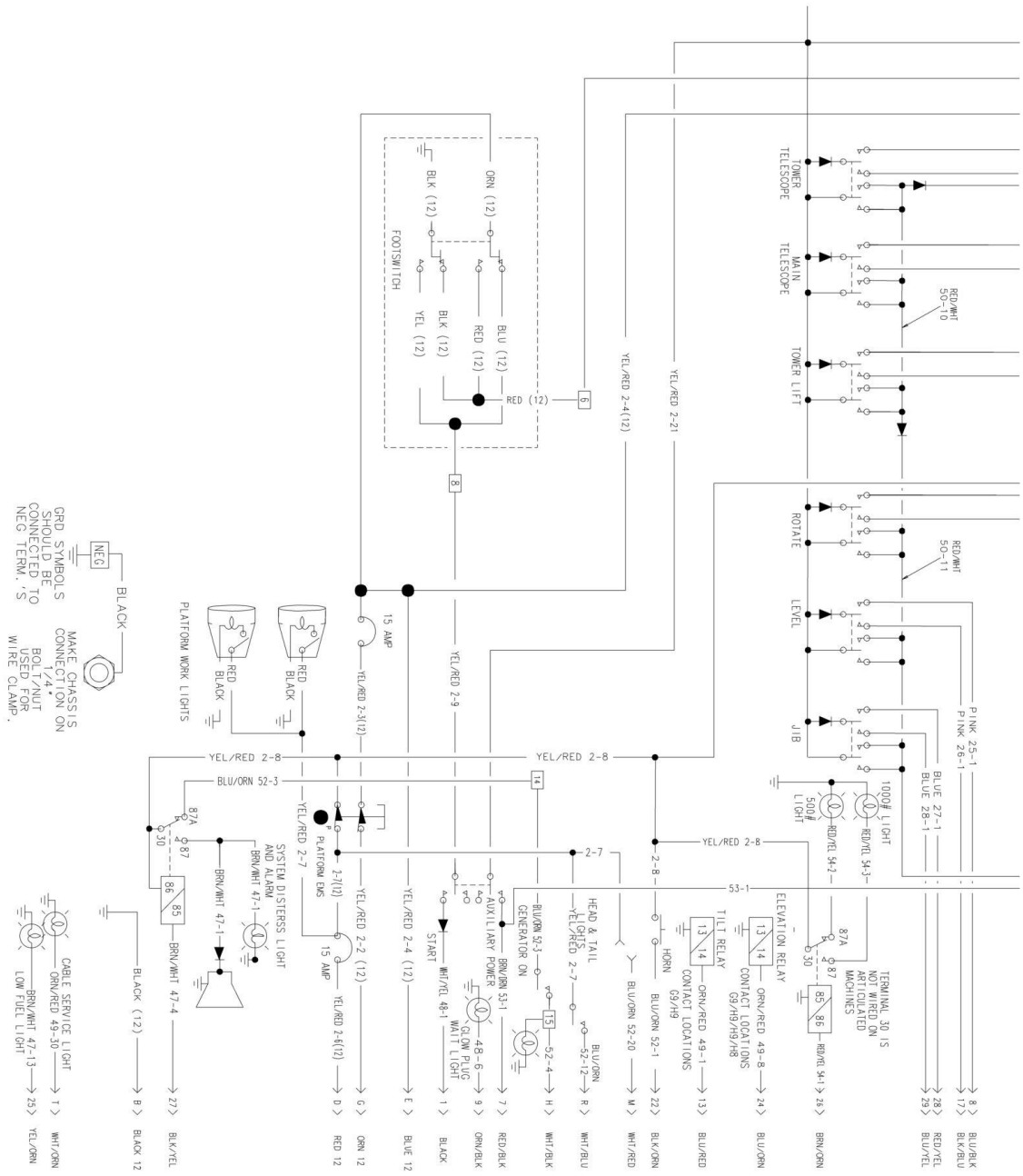


# SECTION 7 - ELECTRICAL

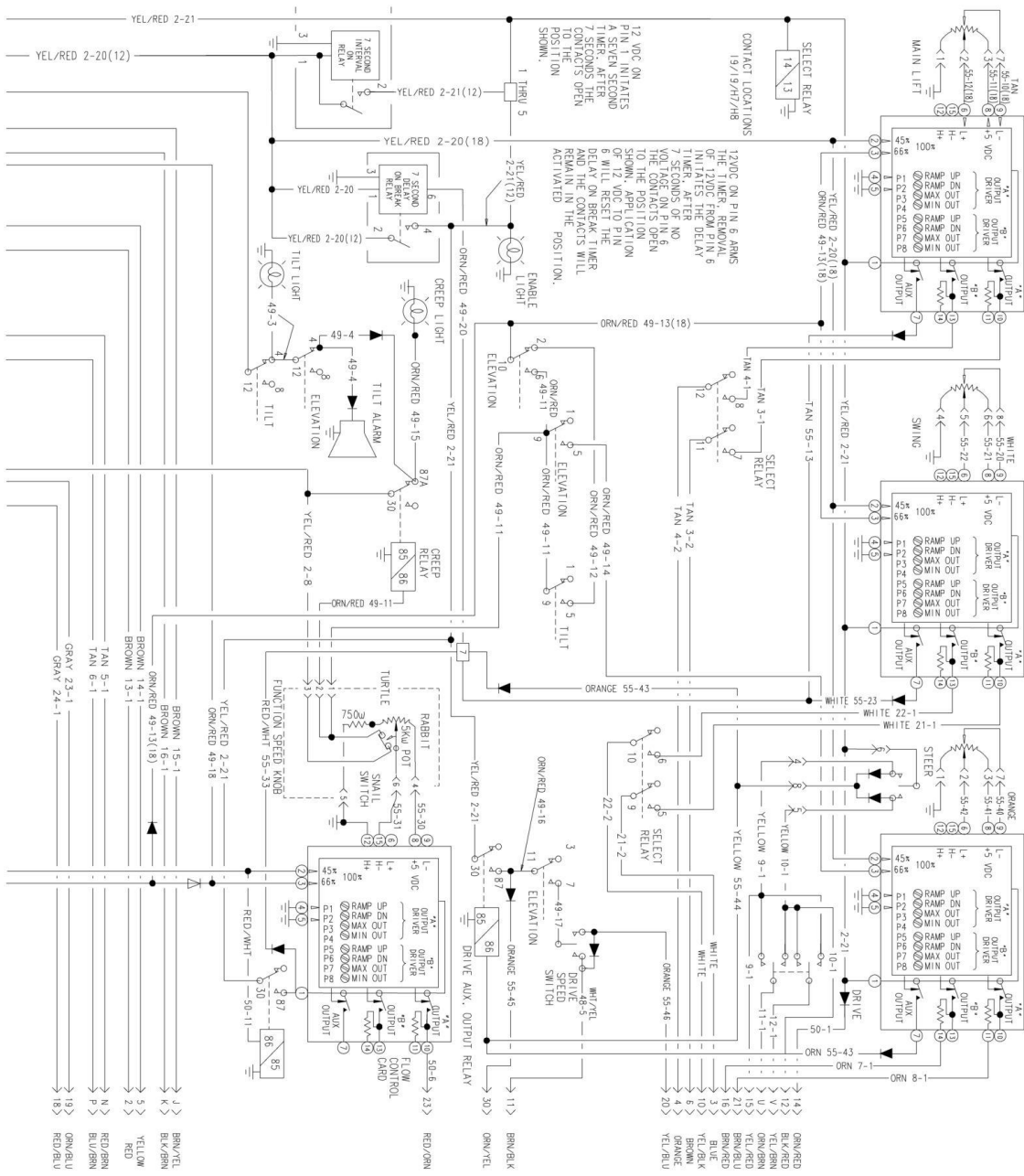


# SECTION 7 - ELECTRICAL

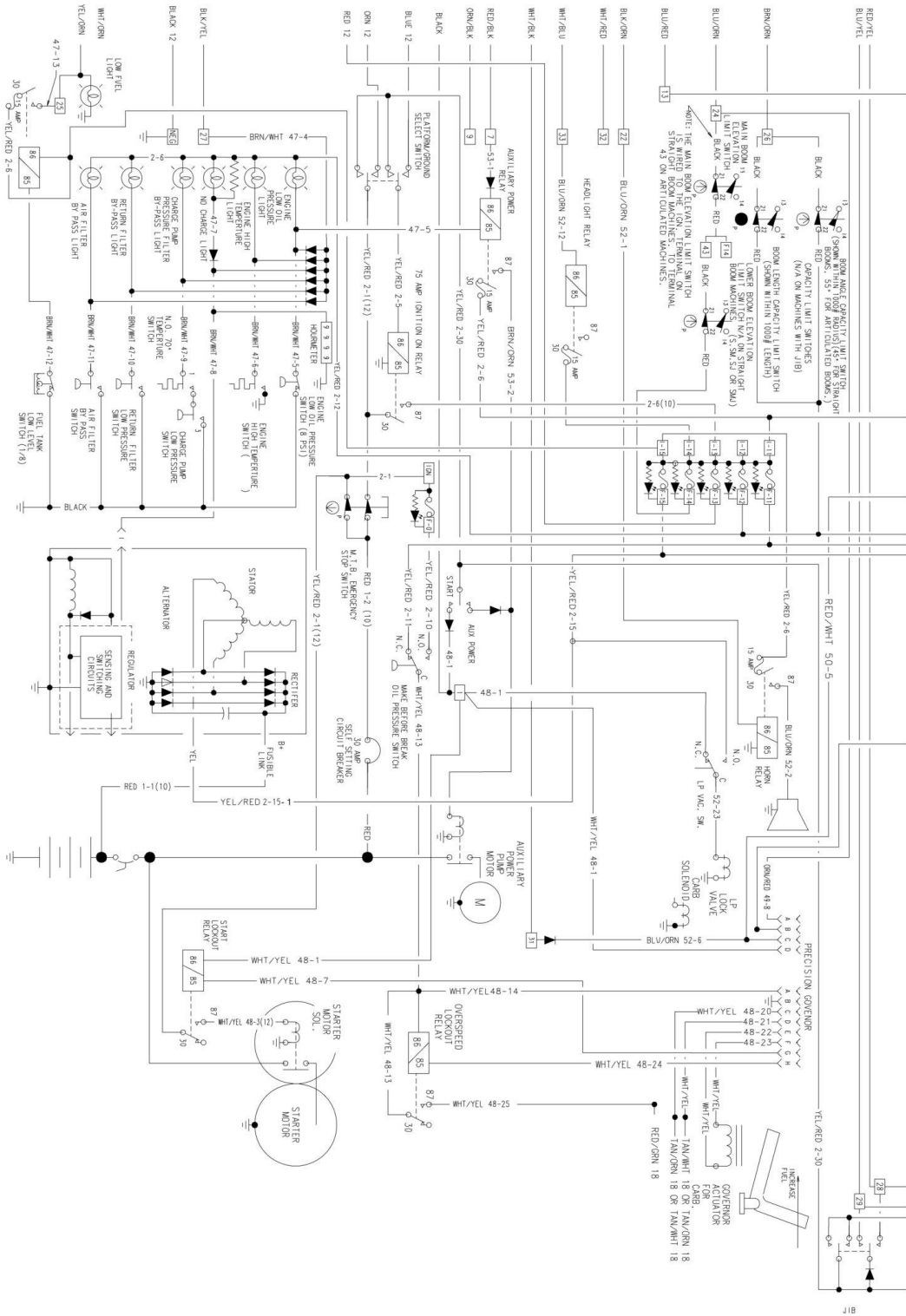
## FIGURE 7-9. ELECTRICAL SCHEMATIC - UL MACHINES (LP ONLY WITH NUMBERED COLORED WIRING (SN 0300039457 through 0300069000)



# SECTION 7 - ELECTRICAL

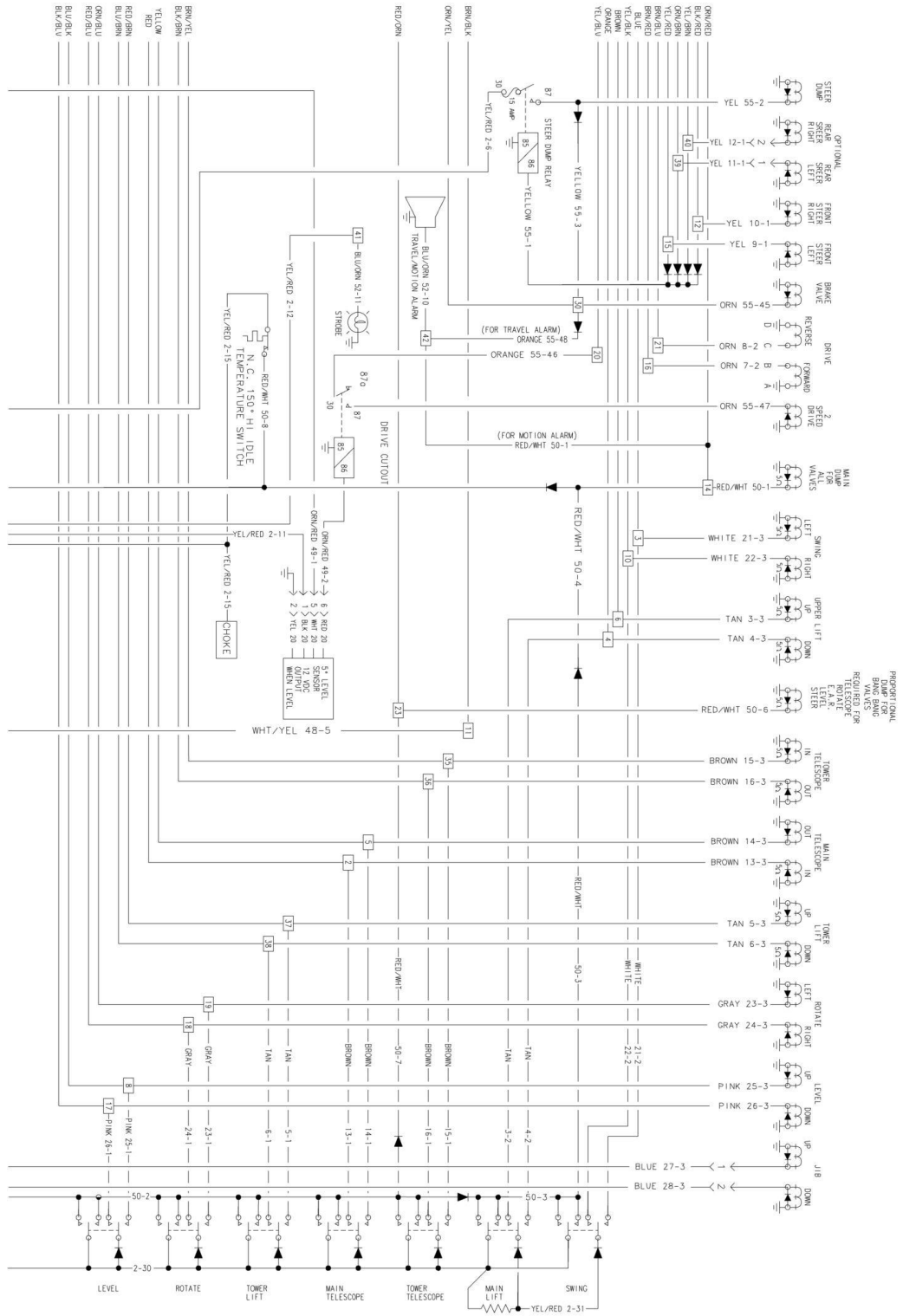


# SECTION 7 - ELECTRICAL



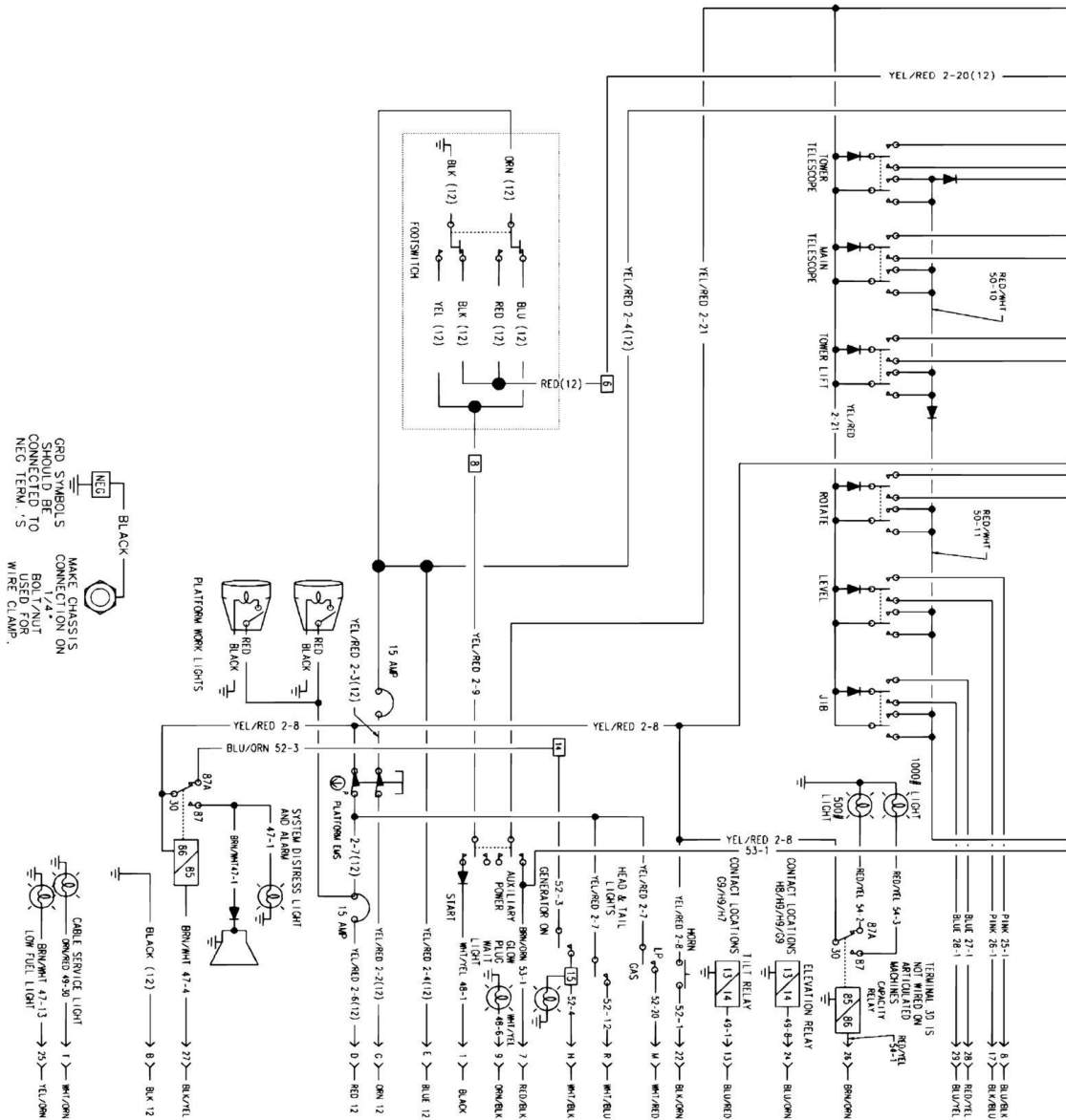


# SECTION 7 - ELECTRICAL

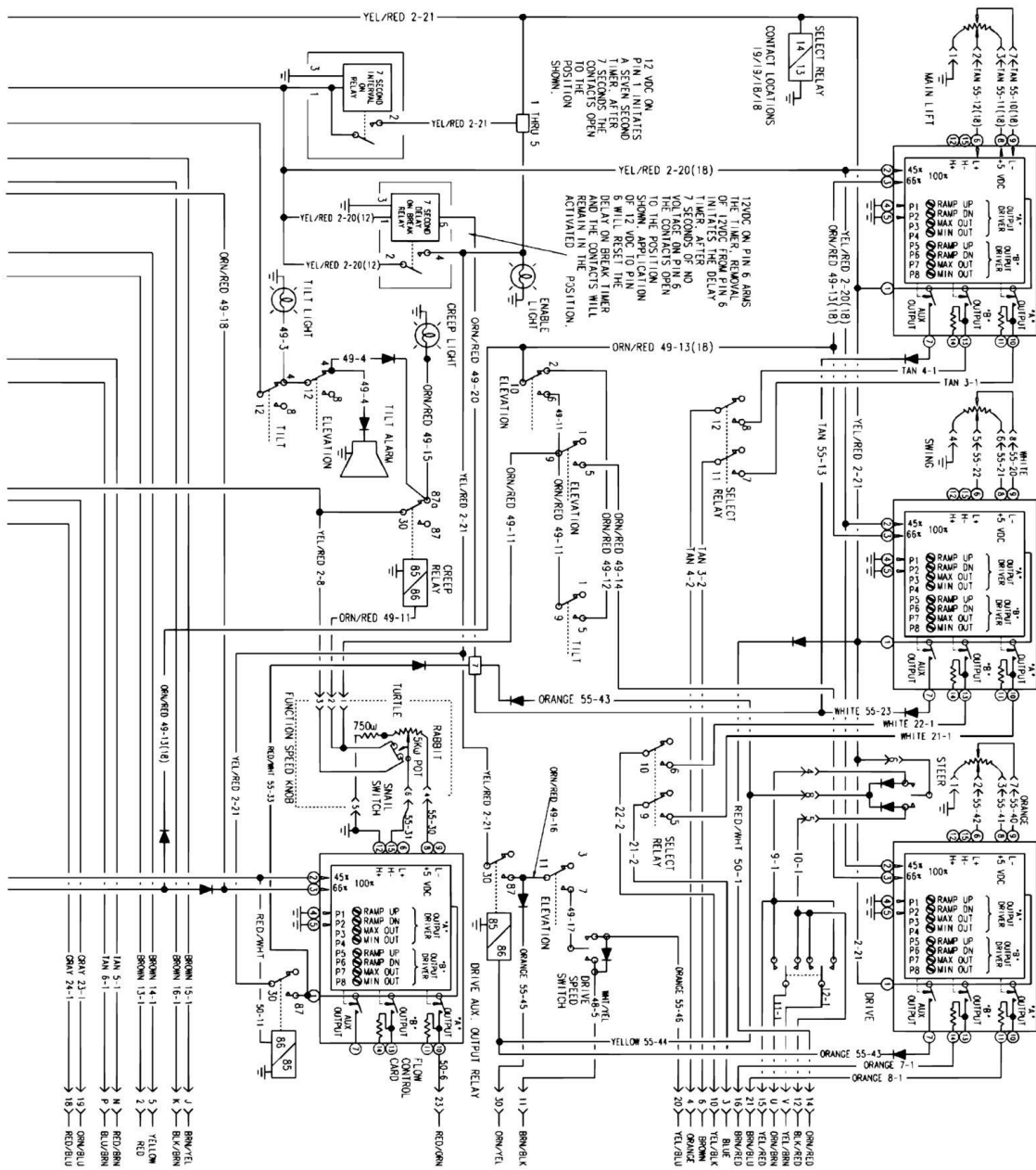


# SECTION 7 - ELECTRICAL

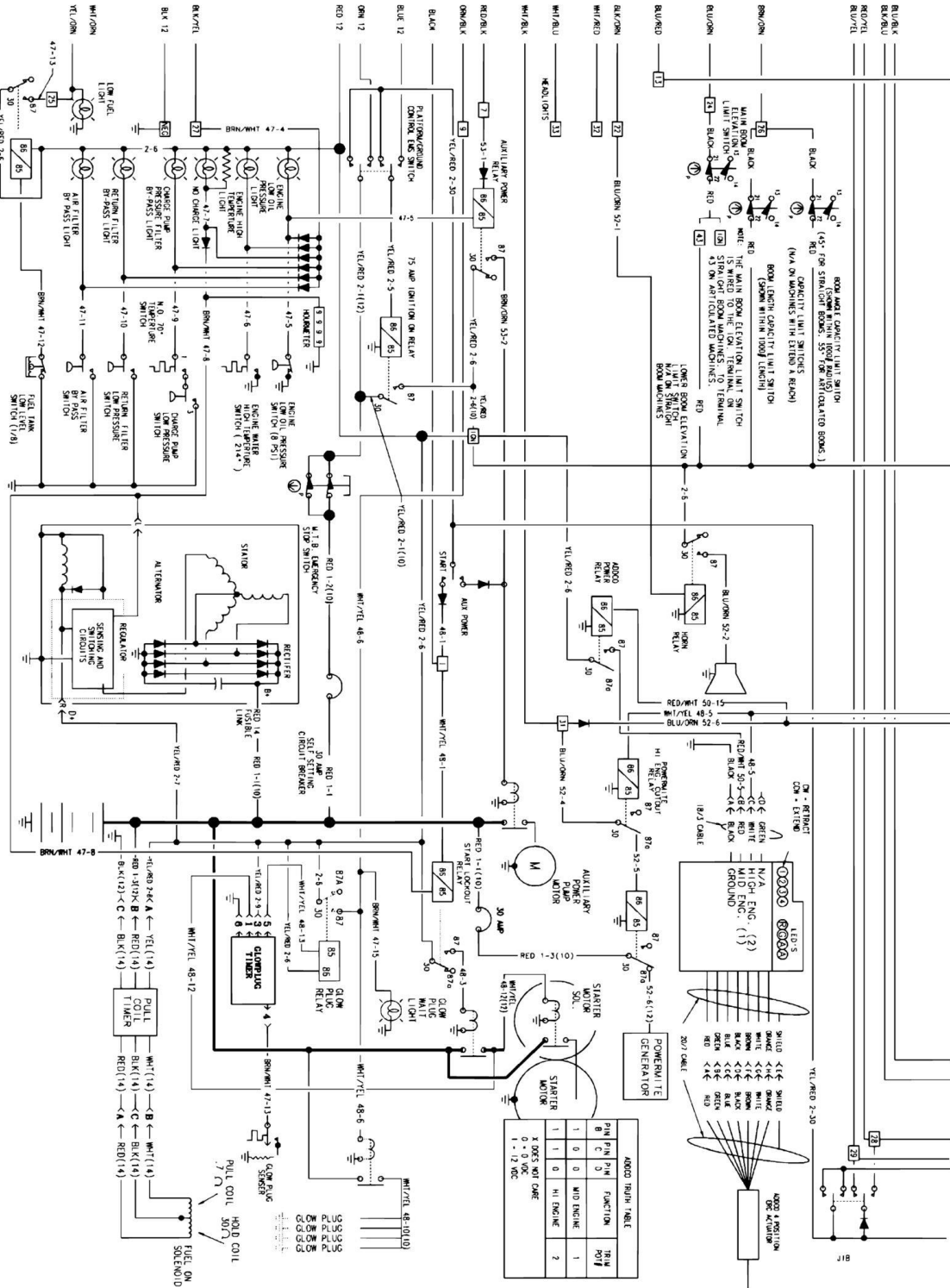
## FIGURE 7-10. ELECTRICAL SCHEMATIC - ISUZU ENGINE (SN 0300063908 through 0300069000)



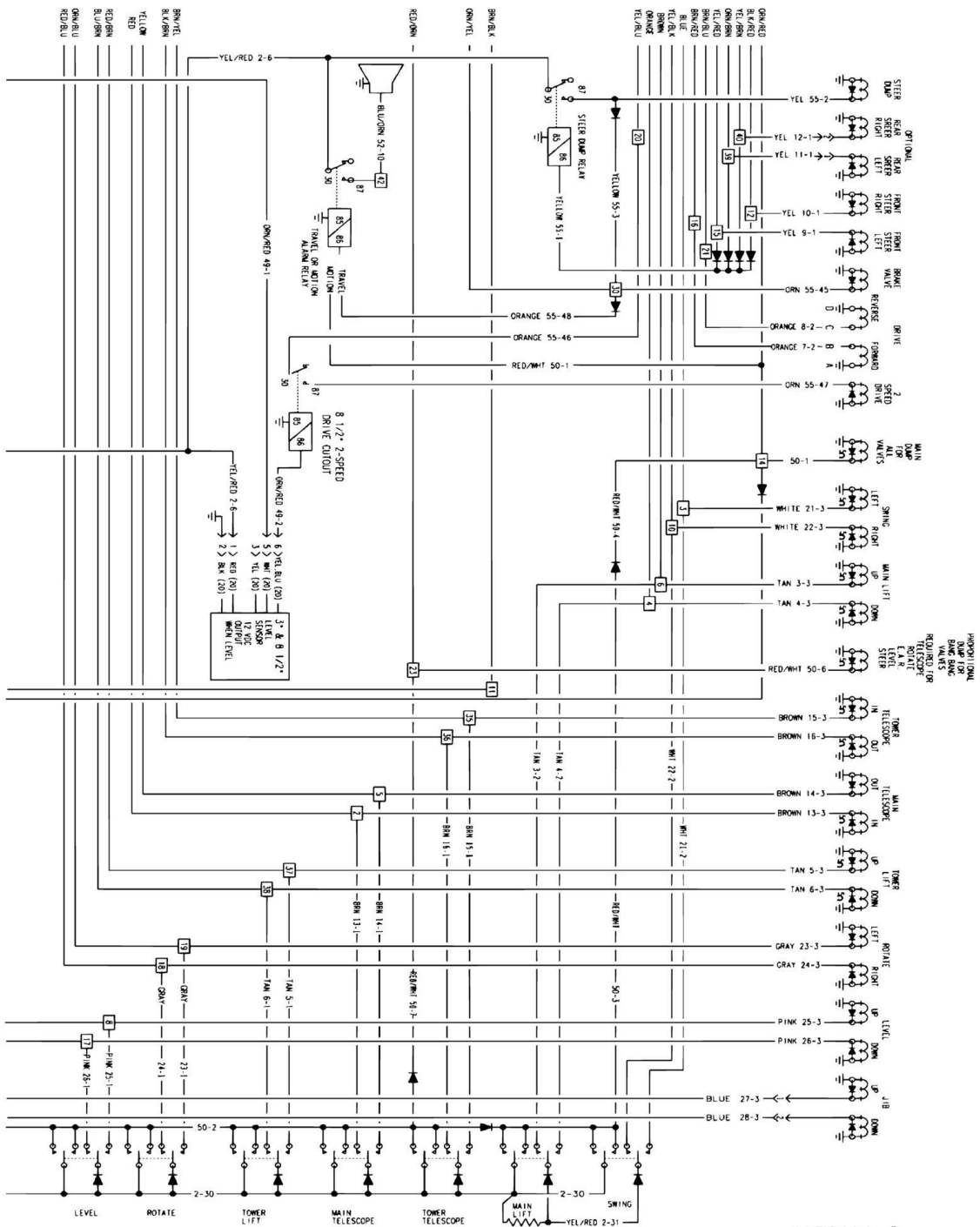
# SECTION 7 - ELECTRICAL



# SECTION 7 - ELECTRICAL



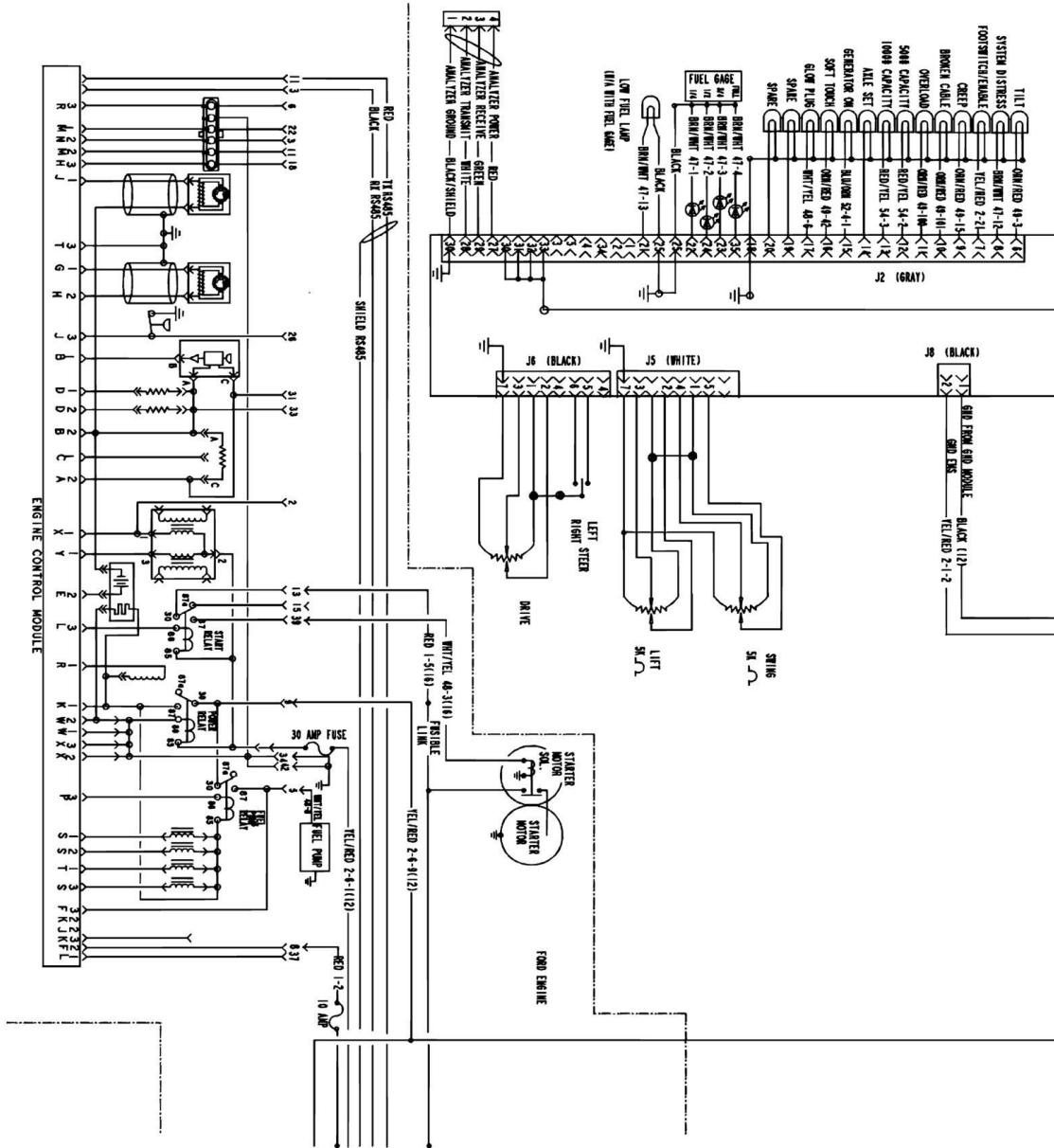
# SECTION 7 - ELECTRICAL



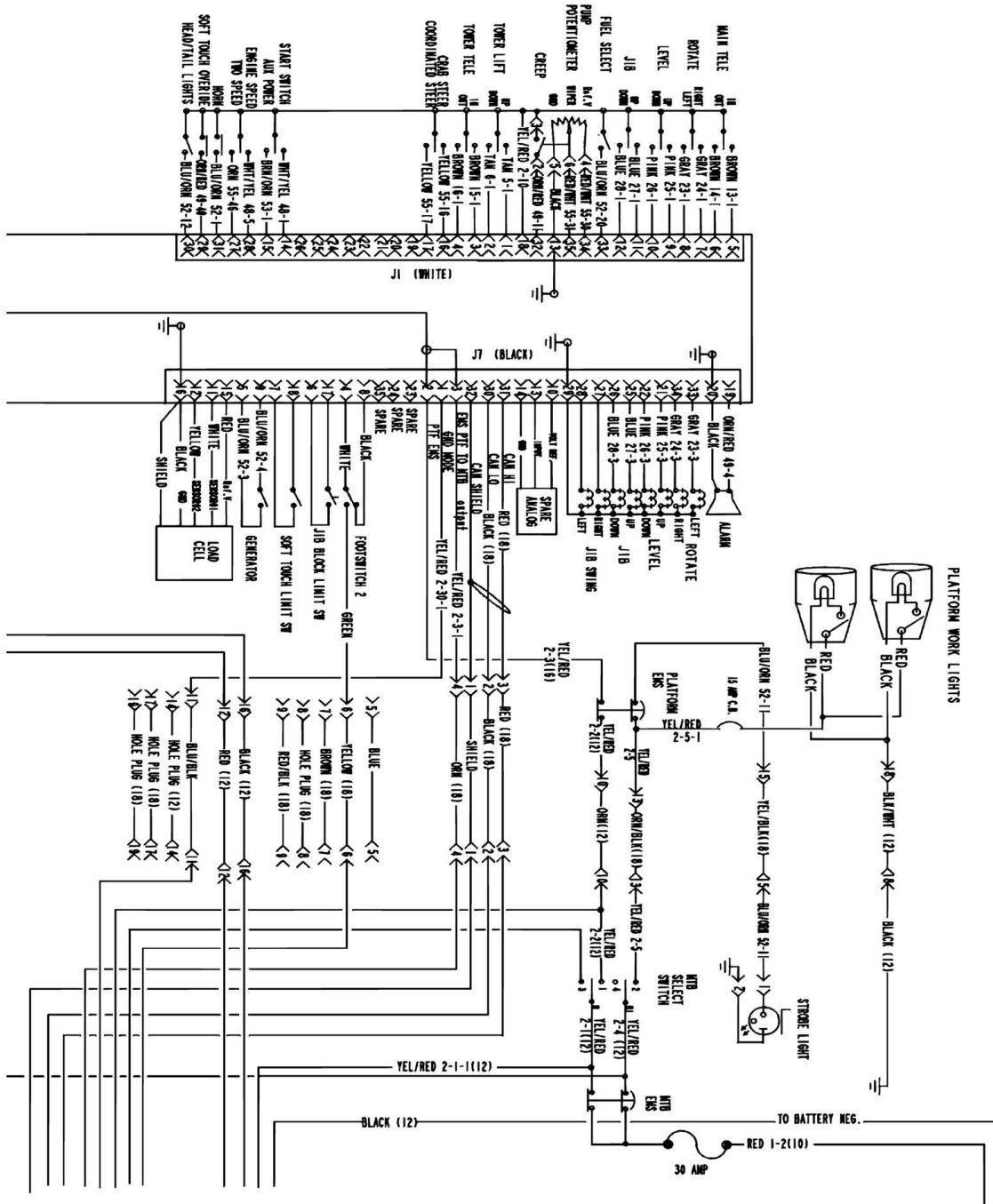
1870131 -A

# SECTION 7 - ELECTRICAL

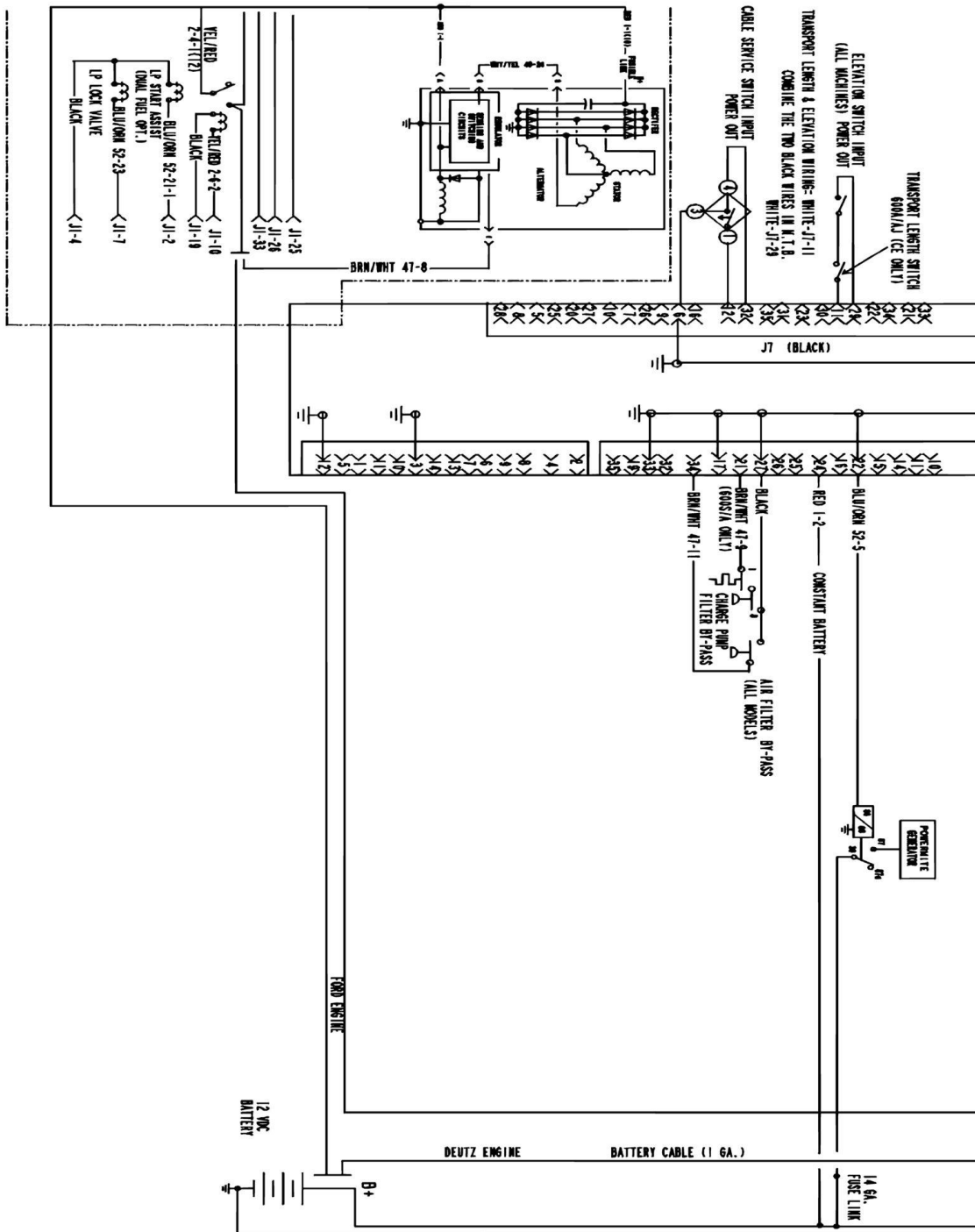
FIGURE 7-11. ELECTRICAL SCHEMATIC - DIESEL/GAS MACHINES (WITH ADE SYSTEM) (SN 0300064249 through 0300069000)



# SECTION 7 - ELECTRICAL

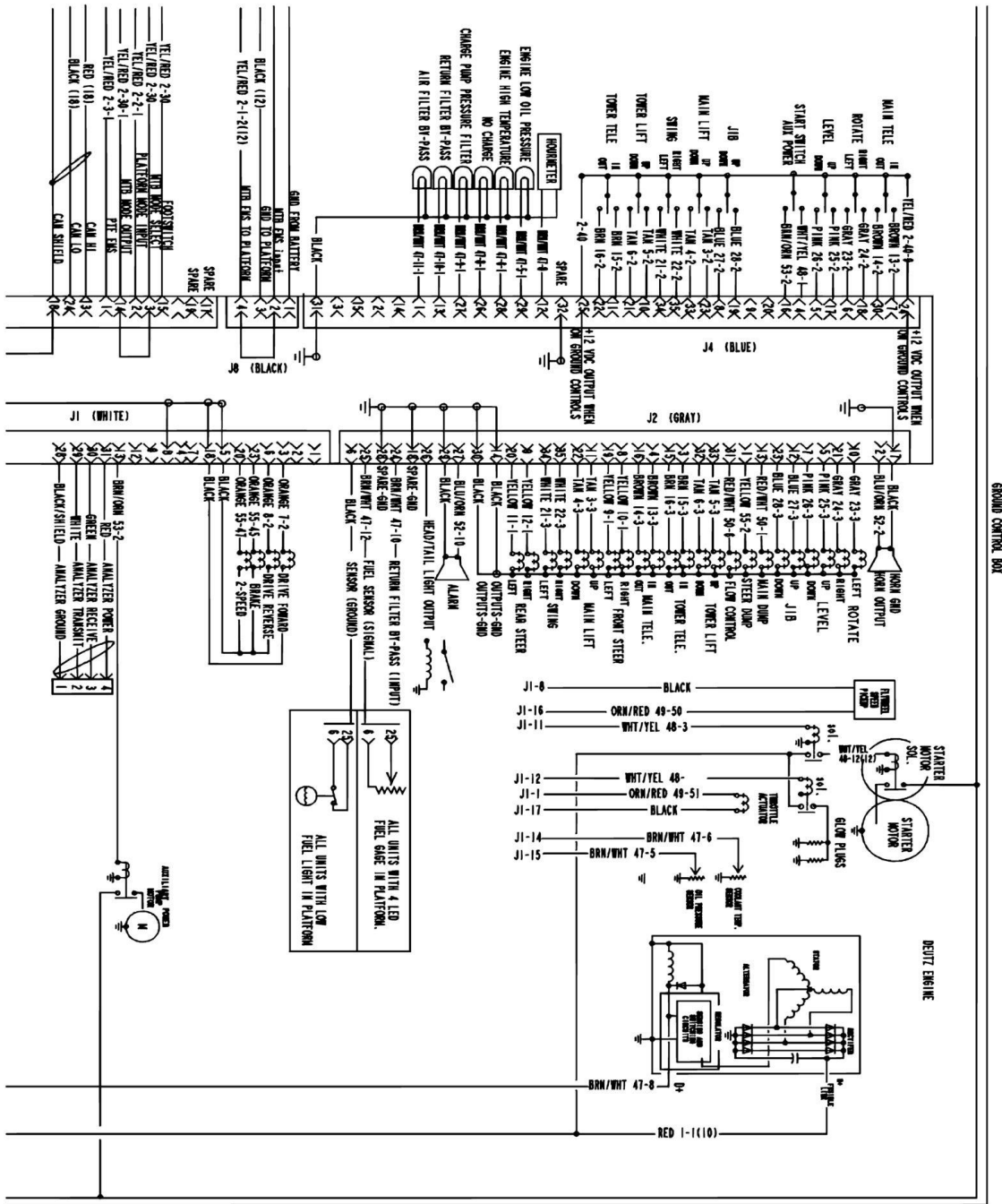


# SECTION 7 - ELECTRICAL





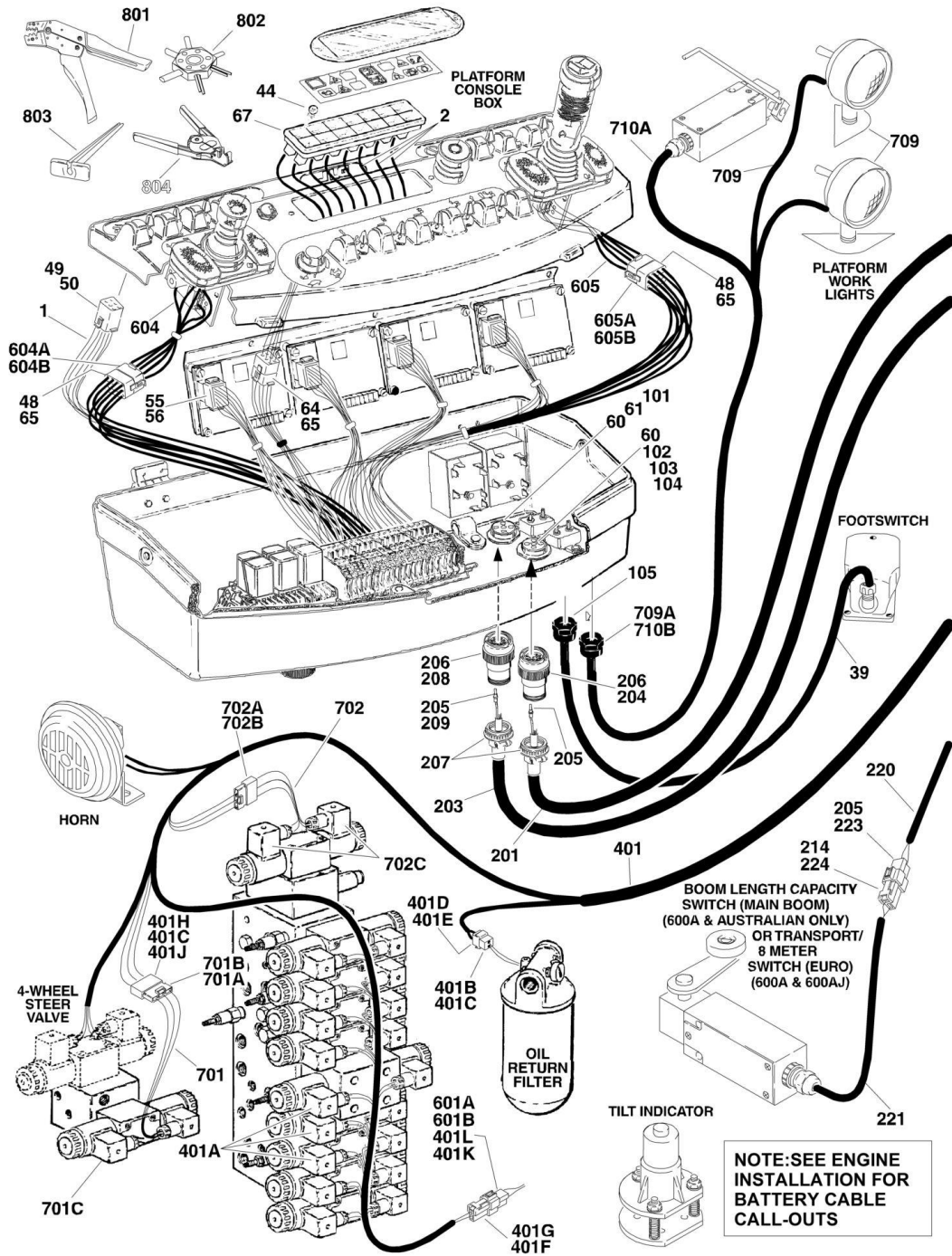
# SECTION 7 - ELECTRICAL



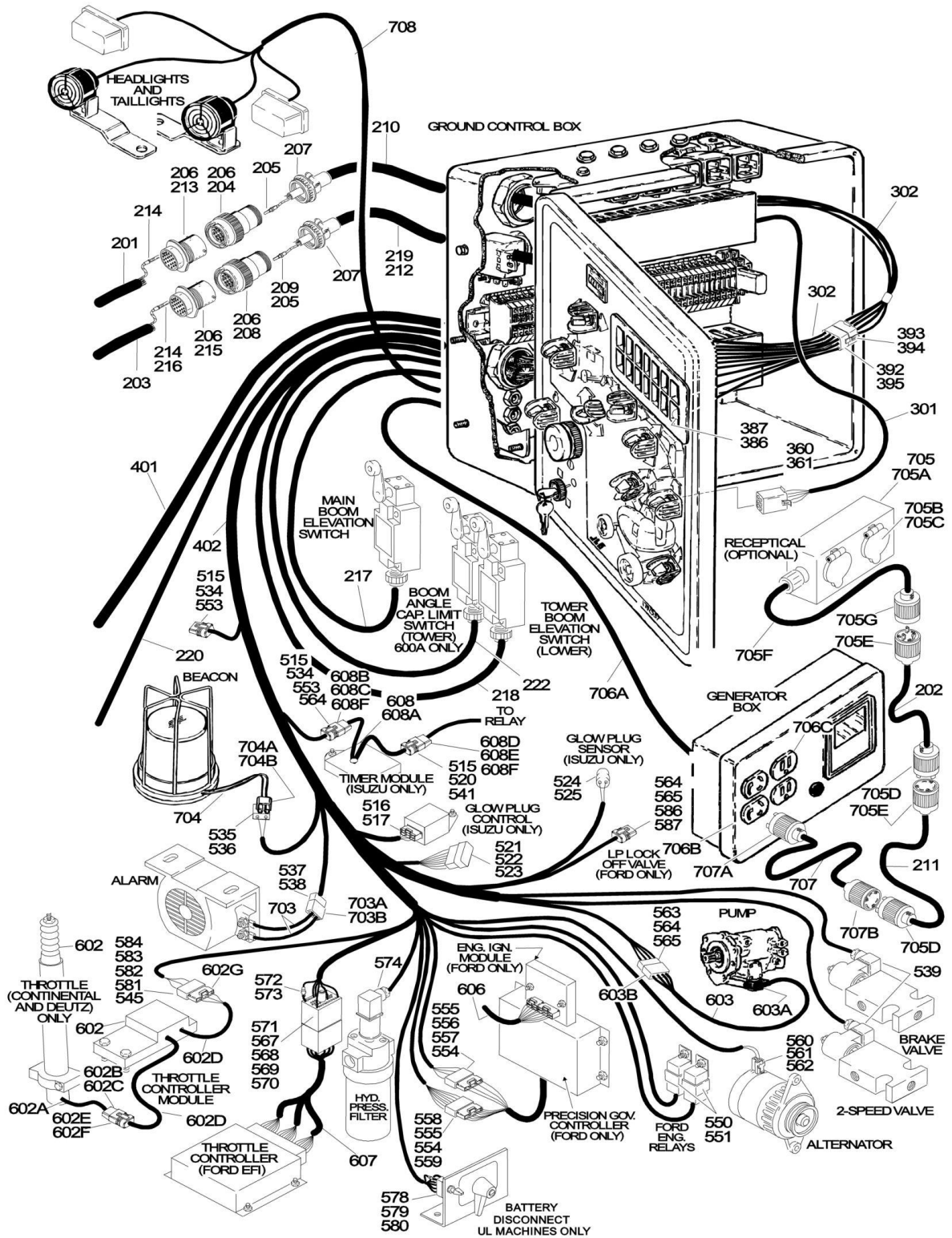
1870132 - B

# SECTION 7 - ELECTRICAL

FIGURE 7-12. HARNESS COMPONENTS INSTALLATION (Prior to SN 0300064249)



# SECTION 7 - ELECTRICAL



# SECTION 7 - ELECTRICAL

FIGURE 7-12. HARNESS COMPONENTS INSTALLATION (Prior to SN 0300064249)

ITEM	PART NUMBER	QTY	DESCRIPTION	REV
		Ref	<b>PLATFORM BOX WIRING DIAGRAMS</b>	
		Ref	(Note: Numbered Colored Wiring starts with SN 0300035129.	
	4932848	Ref	<b>Platform Box Wiring Diagrams (Prior to SN 0300029430)</b>	1-E
	4932914	Ref	<b>Platform Box Wiring Diagrams (SN 0300029430 through 0300035128)</b>	5-D
	4921991	Ref	<b>Platform Box Wiring Diagrams (SN 0300035129 through 0300064248)</b>	2-E
	4932905	Ref	<b>Platform Box Wiring Diagrams (SN 0300035129 through 0300064248)</b>	7-E
1	Not Available	AR	Harness, Switch (Make from Individual Wires)	
2	Not Available	AR	Harness, Light Panel (Make from Individual Wires)	
39		Ref	Cable, Electrical (To Footswitch - Does Not Include Terminal Ends) Options:	
39	1060012	7 ft/2.1m	Cable, Electrical ( <b>Prior to SN 0300060643</b> )	
39	1060515	7 ft/2.1m	Cable, Electrical ( <b>SN 0300060643 through 0300064249</b> )	
44	2920129	12	Bulb, Light	
48	4460265	2	Plug - 9 Position	
49	4460418	8	Connector - 6 Position	
50	4460419	62	Socket, Female	
55		Ref	Connector - 15 Position Options:	
55	4460620	4	Connector - 15 Position ( <b>Prior to SN 0300035129</b> )	
55	4460720	4	Connector - 15 Position ( <b>SN 0300035129 through 0300064248</b> )	
56		Ref	Socket, Female Options:	
56	4460621	43	Socket, Female ( <b>Prior to SN 0300035129</b> )	
56	4460721	43	Socket, Female ( <b>SN 0300035129 through 0300064248</b> )	
60	4460464	40	Pin, Deutsch (14-16 Gauge)	
61	4460508	4	Pin, Deutsch (10-12 Gauge)	
62	3990010	13	Diode 3 Amp (Not Shown)	
64	4460225	1	Connector - 6 Position	
65	4460267	21	Pin, Male	
66	3990010	11	Diode 6 Amp (Not Shown)	
68	4120035	12	Base, Light	
		Ref	<b>PLATFORM BOX ASSEMBLY COMPONENTS</b>	
101	4460613	1	Receptacle - 21 Pin	
102	4460503	1	Receptacle - 3 Pin	
103	4460470	2	Nut, Conduit	
104	4460471	2	Washer	
105	4460428	1	Connector, Strain Relief	
		Ref	<b>BOOM CABLES INSTALLATIONS</b>	
	0255478	Ref	<b>Boom Cables Installations 600A</b>	5
	0255479	Ref	<b>Boom Cables Installations 600AJ</b>	6
201	1060516	46.5 ft/14.2m	Cable, Electrical - 16/30 (Does not include terminals)	
202	1060494	46.5 ft/14.2m	Cable, Electrical - 12/3 (Does not include plug ends)	
203	1060603	46.5 ft/14.2m	Cable, Electrical- 12/4 & 16/10 (Does Not Include Terminals)	
204	4460502	2	Plug, Connector (31 Pin)	
205	4460465	AR	Socket, Female - #16	
206	4460466	25	Seal, Plug	

## SECTION 7 - ELECTRICAL

ITEM	PART NUMBER	QTY	DESCRIPTION	REV
207	4460473	4	Clamp, Cable	
208	4460614	2	Plug, Connector (19 Pin)	
209	4460509	8	Socket, Female - #12	
210	1060516	37 ft/11.3m	Cable, Electrical- 16/30 (Does Not Include Terminals)	
211	1060494	45 ft/13.7m	Cable, Electrical- 12/3 (Does Not Include Plug Ends)	
212	1060603	37 ft/11.3m	Cable, Electrical- 12/4 & 16/10 (Does Not Include Terminals)	
213	4460503	1	Receptacle, Connector (31 Pin)	
214	4460464	AR	Pin, Male - #16	
215	4460613	1	Receptacle, Connector (19 Pin)	
216	4460508	4	Pin, Male - #12	
217	1060016	37 ft/11.3m	Cable, Electrical - 16/3	
218	1060016	AR	Cable, Electrical - 16/3 Options:	
218	1060016	37 ft/11.3m	Cable, Electrical - 16/3 600A	
218	1060016	37 ft/11.3m	Cable, Electrical - 16/3 600AJ ( <b>Prior to SN 0300044952</b> )	
218	1060016	18 ft/5.5m	Cable, Electrical - 16/3 600AJ ( <b>SN 0300044952 through 0300064249</b> )	
219	2820031	8 in/20cm	Heat Shrink	
220	1060016	37 ft/11.3m	Cable, Electrical - 16/3 (Does Not Include Terminals) (600A Only)	
221	1060016	18 ft/5.5m	Cable, Electrical - 16/3 (Does Not Include Terminals) (600A Only)	
222	1060016	37 ft/11.3m	Cable, Electrical - 16/3 (Does Not Include Terminals) (600A Only)	
223	4460539	1	Connector, Terminal (600A Only)	
224	4460536	1	Plug, Terminal (600A Only)	
225	1670769	1	Cover (Not Shown - Located on 600AJ Jib Only)	
226	0561237	2	Clamp, Block (Not Shown - Located on 600AJ Jib Only)	
227	0461416	4	Bolt 1/4in-20NC x 2in (Not Shown - Located 600AJ Jib Only)	
	Ref		<b>GROUND CONTROL BOX WIRING DIAGRAMS</b>	
	Ref		<b>Note: Numbered Colored Wiring starts with SN 0300035129.</b>	
	4932799	Ref	<b>Continental Engine Machines (Prior to SN 0300035129)</b>	7-E
	4932912	Ref	<b>Continental Engine Machines (SN 0300035129 through 0300064248)</b>	2-B
	4932798	Ref	<b>Deutz Engine Machines (Prior to SN 0300035129)</b>	6-G
	4932911	Ref	<b>Deutz Engine Machines (SN 0300035129 through 0300064248)</b>	6-F
	4933063	Ref	<b>Deutz Engine Machines (UL) (SN 0300039457 through 0300064249)</b>	2-D
	4932797	Ref	<b>Ford Engine Machines (Prior to SN 0300030947)</b>	4-E
	4932962	Ref	<b>Ford Engine Machines (SN 0300030947 through 0300035128)</b>	3-A
	4932909	Ref	<b>Ford Engine Machines (SN 0300035129 through 0300048906)</b>	4-C
	4933114	Ref	<b>Ford Engine (SN 0300048907 through 0300064248)</b>	4-D
	4933055	Ref	<b>Ford Engine Machines (UL) (SN 0300039457 through 0300064249)</b>	2-E
	4933228	Ref	<b>Isuzu Engine (SN 0300063908 through 0300064249)</b>	1-A
301		Ref	Harness, Switch Options:	
301	Not Available		Harness, Switch (Make From Individual Wires) ( <b>Prior to SN 0300035129</b> )	
301	4921992	AR	Harness, Switch (Includes Items 360 & 361) ( <b>SN 0300035129</b> )	4-E

## SECTION 7 - ELECTRICAL

ITEM	PART NUMBER	QTY	DESCRIPTION	REV
301	4922168	AR	<b>through 0300064248)</b> Harness, Switch UL (Includes Items 360 & 361) (SN <b>0300039457 through 0300064249)</b>	1-A
302		Ref	Harness, Light Panel Options:	
302	Not Available		Harness, Light Panel (Make From Individual Wires) (Prior to <b>SN 0300035129)</b>	
302	4922002	AR	Harness, Light Panel (SN 0300035129 through 0300064248)	2-C
303		Ref	Sub-Harness, Start Options: (Not Shown)	
303	Not Available		Sub-Harness, Start (Make From Individual Wires) (Prior to <b>SN 0300035129)</b>	
303	4922007	AR	Sub-Harness, Start (With Continental Engines) (SN <b>0300035129 through 0300069000)</b>	2-B
303	4922008	AR	Sub-Harness, Start (With Deutz/Isuzu Engines) (SN <b>0300035129 through 0300064248)</b>	4-D
303	4922006	AR	Sub-Harness, Start (With Ford Engines) (SN 0300035129 <b>through 0300064248)</b>	2-B
303	4922335	AR	Sub-Harness, Start (Ford Engine with EFI) (SN 0300048907 <b>through 0300064248)</b>	2-B
360	4460418	AR	Connector - 6 Position	
361	4460419	AR	Socket, Female	
372	4460508	4	Pin, Deutsch (Not Shown - Ford Only)	
384	3990010	AR	Diode 6 Amp (Not Shown)	
386	4120035	AR	Base, Light	
386	4460634	AR	Insert, Terminal (Signal Wire)	
386	4460635	AR	Insert, Terminal (Double Wire)	
387	2920129	AR	Bulb, Light	
388	3990001	7	Diode 3 Amp (Not Shown)	
389	3730099	1	Resistor 750 Ohm (Not Shown) Options:	
389		Ref	UL Machines	
389		Ref	Standard Machines (Prior to SN 0300056086)	
391	3730022	1	Resistor 500 Ohm (Not Shown - Located at Alternator Light) <b>(Prior to SN 0300036354)</b>	
391	3730023	1	Resistor 510 Ohm (Not Shown - Located at Alternator Light) <b>(SN 0300036354 through 0300064249)</b>	
392	4460267	6	Pin, Male	
393	4460268	6	Socket, Female	
394	4460224	1	Connector, Female	
395	4460225	1	Connector, Male	
		Ref	<b>GROUND CONTROL BOX ASSEMBLY COMPONENTS</b>	
		Ref	<b>Note: Numbered Colored Wiring starts with SN 0300035129</b>	
401		Ref	Valve Harness Assembly Options:	
401	4921739	1	Valve Harness Assembly (Prior to SN 0300026233)	3-D
401	4921848	1	Valve Harness Assembly (SN 0300026233 through <b>0300035128)</b>	-/D
401	4921922	1	Valve Harness Assembly (SN 0300035129 through <b>0300064248)</b>	3-F
401	4922165	1	Valve Harness Assembly UL (SN 0300039457 through <b>0300064249)</b>	3-C
401A	4460499	19	Connector, DIN	
401B	4460320	2	Connector, Female - 2 Position	
401C	4460267	7	Pin, Male	
401D	4460424	1	Plug, Male - 2 Position	
401E	4460268	5	Socket, Female	
401F	4460539	1	Plug, Male - 3 Position (Prior to SN 0300026233)	

## SECTION 7 - ELECTRICAL

ITEM	PART NUMBER	QTY	DESCRIPTION	REV
401F	4460225	1	Plug, Male - 6 Position (SN 0300026233 through 0300064249)	
401G	4460465	3	Socket, Female (Prior to SN 0300026233)	
401G	4460267	3	Pin, Male (SN 0300026233 through 0300064249)	
401H	4460326	1	Plug, Male - 3 Position	
401J	4460445	1	Connector, Female - 3 Position	
401K	4460536	1	Connector, Deutsch - 3 Position (Prior to SN 0300026233)	
401K	See Note	AR	Connector - 6 Position (SN 0300026233 through 0300064249)	
401L	4460464	3	Pin, Male (Prior to SN 0300026233)	
401L	See Note	AR	Pin (Note: After SN 0300026233, #401K & #401L are no longer part of Valve Harness. See Tilt Indicator Harness) (SN 0300026233 through 0300064249)	
402		Ref	Engine Harness Assembly Options: (See Items 501-574)	
402	4921738	1	Continental Engine Machines (Prior to SN 0300035129)	4-D
402	4921926	1	Continental Engine Machines (SN 0300035129 through 0300064248)	3-D
402	4921737	1	Deutz Engine Machines (Prior to SN 0300035129)	4-D
402	4921925	1	Deutz Engine Machines (SN 0300035129 through 0300064248)	6-G
402	4922185	1	Deutz Engine Machines (UL) (SN 0300039457 through 0300064249)	3-D
402	4921736	1	Ford Engine Machines (Prior to SN 0300030947)	6-E
402	4921970	1	Ford Engine Machines (SN 0300030947 through 0300035128)	1-A
402	4921924	1	Ford Engine Machines (SN 0300035129 through 0300048906)	3-C
402	4922329	1	Ford Engine (SN 0300048907 through 0300064249)	5-E
402	4922166	1	Ford Engine Machines (UL) (SN 0300039457 through 0300064249)	5-E
402	4922200	1	Ford Engine Machines (UL LP Only) (SN 0300039457 through 0300064249)	4-D
		Ref	<b>ENGINE HARNESS ASSEMBLY OPTIONS:</b>	
		Ref	<b>Note: Numbered Wiring starts with SN 0300035129.</b>	
	4921738	Ref	<b>Continental Engines (Prior to SN 0300035129)</b>	4-E
	4921926	Ref	<b>Continental Engines (SN 0300035129 through 0300064248)</b>	3-D
	4921737	Ref	<b>Deutz Engines (Prior to SN 0300035129)</b>	4-E
	4921925	Ref	<b>Deutz Engines (SN 0300035129 through 0300064248)</b>	6-G
	4922185	Ref	<b>UL - Deutz Engines (SN 0300039457 through 0300064249)</b>	3-D
	4921736	Ref	<b>Ford Engines (Prior to SN 0300030947)</b>	4-E
	4921970	Ref	<b>Ford Engines (SN 0300030947 through 0300035128)</b>	1-A
	4921924	Ref	<b>Ford Engines (SN 0300035129 through 0300048906)</b>	3-C
	4922329	Ref	<b>Ford Engines (SN 0300048907 through 0300064248)</b>	5-E
	4922166	Ref	<b>Ford Engines (UL) (SN 0300039457 through 0300064249)</b>	5-E
	4922200	Ref	<b>Ford Engines (UL/LP Only) (SN 0300039457 through 0300064249)</b>	4-D
	4922380	Ref	<b>Isuzu Engines (SN 0300063908 through 0300064249)</b>	1-A
515	4460780	8	Seal, Terminal (Isuzu Engine Only)	
516	4460784	1	Housing, Terminal - 6 Position (Isuzu Engine Only)	
517	4460783	AR	Terminal, Spade (Isuzu Engine Only)	
520	4460850	3	Pin, Male (Isuzu Engine Only)	
521	4460465	12	Socket, Female - #16 (Isuzu Engine Only)	
522	4460836	1	Connector, Deutch - 12 Position (Isuzu Engine Only)	
523	4460837	1	Connector, Housing (Isuzu Engine Only)	
524	4460856	1	Connector, Glow Plug Sensor (Isuzu Engine Only)	
525	4460857	2	Terminal, Glow Plug Sensor (Isuzu Engine Only)	
528		Ref	Socket, Female Options:	
528	4460268	13	Deutz/Isuzu Engine	

## SECTION 7 - ELECTRICAL

ITEM	PART NUMBER	QTY	DESCRIPTION	REV
528	Not Required	0	Ford Engine	
529	4460267	AR	Pin, Male	
534	4460790	5	Socket, Female (Isuzu Engine Only)	
535	4460424	AR	Plug, Male - 2 Position	
536	4460268	AR	Socket, Female	
537	4460320	AR	Connector, Female - 2 Position	
538	4460267	AR	Pin, Male	
539	4460499	AR	Connector, DIN with Diode	
541	4460476	1	Housing (Isuzu Engine Only)	
545		Ref	Housing, Terminal - 3 Position Options <b>(Prior to SN 44047)</b>	
545	4460445	1	Deutz Engine	
545	Not Required	0	Ford Engine	
547		Ref	Plug, Male - 9 Position Options:	
547	4460265	1	Deutz Engine	
547	Not Required	0	Ford Engine	
548		Ref	Connector, Female - 9 Position Options:	
548	4460266	1	Deutz Engine	
548	Not Required	0	Ford Engine	
550		Ref	Plug, Sealed Options:	
550	Not Required	0	Deutz Engine	
550	4460374	AR	Ford Engine	
551		Ref	Terminal Options:	
551	Not Required	0	Deutz Engine	
551	4460375	AR	Ford Engine	
553	4460459	2	Housing (Isuzu Engine Only)	
554		Ref	Seal - Red Options:	
554	Not Required	0	Deutz Engine	
554	4460608	AR	Ford Engine	
555		Ref	Pin, Male Options:	
555	Not Required	0	Deutz Engine	
555	4460589	AR	Ford Engine	
556		Ref	Connector - 4 Pin Options:	
556	Not Required	0	Deutz Engine	
556	4460590	AR	Ford Engine	
557		Ref	Lock, Housing Options:	
557	Not Required	0	Deutz Engine	
557	4460591	AR	Ford Engine	
558		Ref	Connector - 8 Pin Options:	
558	Not Required	0	Deutz Engine	
558	4460587	AR	Ford Engine	
559		Ref	Lock, Housing Options:	
559	Not Required	0	Deutz Engine	
559	4460588	AR	Ford Engine	
560		Ref	Socket, Female Options:	
560	Not Required	0	Deutz Engine	
560	4460582	3	Ford Engine	
561		Ref	Lock, Housing Options:	
561	Not Required	0	Deutz Engine	
561	4460580	1	Ford Engine	
562		Ref	Connector Options:	
562	Not Required	0	Deutz Engine	



## SECTION 7 - ELECTRICAL

ITEM	PART NUMBER	QTY	DESCRIPTION	REV
562	4460579	1	Ford Engine	
563	4460460	1	Connector, Male - 4 Position	
564	4460457	AR	Terminal, Female	
565	4460458	AR	Seal, Terminal	
567		Ref	Housing, Connector - 42 Position Options:	
567	Not Required	0	Deutz Engine	
567	4460713	1	Ford Engine	
568		Ref	Lock, Wedge - Center Options:	
568	Not Required	0	Deutz Engine	
568	4460725	1	Ford Engine	
569		Ref	Lock, Wedge - Side Options:	
569	Not Required	0	Deutz Engine	
569	4460726	2	Ford Engine	
570		Ref	Plug, Hole Options:	
570	Not Required	0	Deutz Engine	
570	4460800	29	Ford Engine	
571		Ref	Pin, Male Options:	
571	Not Required	0	Deutz Engine	
571	4460799	9	Ford Engine	
572		Ref	Fuse Options:	
572	Not Required	0	Deutz Engine	
572	2400061	2	Ford Engine	
573		Ref	Holder, Fuse Options:	
573	Not Required	0	Deutz Engine	
573	2400060	2	Ford Engine	
574	4460449	1	DIN Connector without Diode	
575 to 577	Not Required	0	Not Required	
578		Ref	Connector, 6 Position Options:	
578	Not Required	0	Deutz Engine	
578	4460418	1	Ford Engine (UL Machines Only)	
579		Ref	Terminal, Female Options:	
579	Not Required	0	Deutz Engine	
579	4460419	6	Ford Engine (UL Machines Only)	
580		Ref	Diode, 6 Amp Options:	
580	Not Required	0	Deutz Engine	
580	3990010	1	Ford Engine (UL Machines Only)	
581		Ref	Housing - 4 Position Options:	
581	4460777	1	Deutz and Isuzu Engine <b>(SN 0300044047 through 0300064249)</b>	
581	Not Required	0	Ford Engine	
582		Ref	Terminal, Lock Options:	
582	4460591	1	Deutz and Isuzu Engine <b>(SN 0300044047 through 0300064249)</b>	
582	Not Required	0	Ford Engine	
583		Ref	Socket Options:	
583	4460589	3	Deutz and Isuzu Engine <b>(SN 0300044047 through 0300064249)</b>	
583	Not Required	0	Ford Engine	
584		Ref	Seal, Cable Options:	
584	4460608	3	Deutz and Isuzu Engine <b>(SN 0300044047 through 0300064249)</b>	
584	Not Required	0	Ford Engine	

## SECTION 7 - ELECTRICAL

ITEM	PART NUMBER	QTY	DESCRIPTION	REV
586		Ref	Connector - 2 Pin Options:	
586	Not Required	0	Deutz Engine	
586	4460742	1	Ford Engine <b>(SN 0300058640 through 0300064249)</b>	
587	See Note	1	Dual Fuel Shut-Off Filter Harness (Note: Not Available for Purchase)	
587	7023679	1	Electrical Connector Kit (Includes [1] 2 Position Connector, 2 Pins and 2 Seals)	
		Ref	<b>STANDARD HARNESS COMPONENTS</b>	
		Ref	<b>Note: Numbered Wiring starts with SN 0300035129.</b>	
601	See Note	1	Tilt Indicator Harness (Note: Not Available for Purchase) Note: Prior to SN 0300026233, #601A & 601B are part of Valve Harness. See Valve Harness.	
601A	See Note	AR	Pin <b>(Prior to SN 0300026233)</b>	
601A	4460268	6	Socket, Female <b>(SN 0300026233 through 0300064249)</b>	
601B	See Note	1	Plug <b>(Prior to SN 0300026233)</b>	
601B	4460224	1	Connector, Female - 6 Position <b>(SN 0300026233 through 0300064249)</b>	
602	See Note	1	Throttle Actuator/Controller Harness (Deutz, Isuzu and Continental) (Note: Not Available for Purchase)	
602	0060033	NLA	Throttle Actuator and Controller Assembly (Use p/n 2910000)	
602	7008833	1	Mounting Clamp Kit (Not Shown)	
602	7008836	1	Spring, Retract (Not Shown)	
602A	See Note	1	Throttle Actuator and Harness (Purchase p/n 2910000) (Note: Not Available for Purchase)	
602A	7016336	1	Boot Kit	
602B	See Note	9	Pin, Male (Note: Not Available for Purchase)	
602C	See Note	1	Connector, Male (Note: Not Available for Purchase)	
602D	2910001	1	Controller and Harnesses	
602E	See Note	9	Socket, Female (Note: Not Available for Purchase)	
602F	See Note	1	Connector, Female (Note: Not Available for Purchase)	
602G	See Note	1	Plug, Male - 4 Position (Note: Not Available for Purchase)	
602G	4460693	4	Pin, Male	
602G	4460591	1	Clip	
602G	4460608	4	Seal, Terminal	
603	See Note	1	Sunstrand Pump Harness (Note: Not Available for Purchase)	
603A	7007497	1	Plug (Pump End)	
603B	7007498	1	Plug (Engine Harness End)	
604	See Note	1	Controller Harness Assembly (Lift and Swing) (Note: Not Available for Purchase)	
604A	4460266	1	Connector, Female - 9 Position	
604B	4460268	7	Socket, Female	
605	See Note	1	Controller Harness/Circuit Board Assembly (Drive and Steer) (Note: Not Available for Purchase)	
605A	4460266	1	Connector, Female - 9 Position	
605B	4460268	7	Socket, Female	
606		Ref	Ford Engine Harness Options (For replacement parts refer to Ford engine dealer (Ford Carburetor Engine Machines):	
606	7012682	1	Ford LRG423	
606	7019980	1	Ford LRG425	
607	7023663	1	Ford Engine Harness (For replacement parts refer to Ford engine dealer (Ford EFI Engine Machines)	
608	0259198	1	Timer Module Assembly (Isuzu Engine Only)	2-B
608A	3740126	1	Relay, Timer Module	
608B	4460476	1	Housing, Receptacle	

## SECTION 7 - ELECTRICAL

ITEM	PART NUMBER	QTY	DESCRIPTION	REV
608C	4460475	3	Pin, Male	
608D	4460459	1	Housing, Terminal	
608E	4460457	3	Socket, Female	
608F	4460458	6	Seal, Terminal	
609	See Note	1	Speed Controller Harness Assembly (Note: Not Available for Purchase)	
609A	4460224	1	Connector, Female - 6 Position	
609A	4460268	6	Socket, Female	
		Ref	<b>OPTIONAL HARNESS COMPONENTS</b>	
		Ref	<b>Note: Numbered Colored Wiring starts with SN 0300035129.</b>	
701		Ref	4WS Valve Harness Options:	
701	4921772	1	4WS Valve Harness ( <b>Prior to SN 0300035129</b> )	
701	4921928	1	4WS Valve Harness ( <b>SN 0300035129 through 0300064248</b> )	
701A	4460268	3	Socket, Female	
701B	4460445	1	Connector, Female - 3 Position	
701C	4460499	2	Connector, DIN with Diode	
702		Ref	Articulating Jib Valve Harness Options: (600AJ Only)	
702	4921771	1	Articulating Jib Valve Harness ( <b>Prior to SN 0300035129</b> )	
702	4921927	1	Articulating Jib Valve Harness ( <b>SN 0300035129 through 0300064248</b> )	
702A	4460326	1	Plug, Male - 3 Position	
702B	4460267	3	Pin, Male	
702C	4460499	2	Connector, DIN with Diode	
703		Ref	Alarm Harness Options: (Includes Alarm)	
703	0255914	1	Alarm Harness Options ( <b>Prior to SN 0300035129</b> )	
703	0257887	1	Alarm Harness Options ( <b>SN 0300035129 through 0300064248</b> )	
703A	4460424	1	Plug, Male - 2 Position	
703B	4460268	2	Socket, Female	
704	0255917	1	Strobe Light Harness (Includes Strobe Light)	
704A	4460320	1	Connector, Female - 2 Position	
704B	4460267	2	Pin, Male	
705	0255382	Ref	AC (110V) to Platform Receptacle Components	3
705	1282520	Ref	AC (110V) to Platform Receptacle Components	D
705	0257176	Ref	AC (220V) to Platform Receptacle Components	3
705	1282520	Ref	AC (220V) to Platform Receptacle Components	D
705A	0860038	1	Box, Switch	
705B		Ref	Receptacle Options:	
705B	4460346	1	110V GFI	
705B	4460125	1	220V GFI	
705C		Ref	Shield, Cover Options:	
705C	4060700	1	110V GFI	
705C	4060092	1	220V GFI	
705D		Ref	Plug, Male Options:	
705D	4460205	2	110V GFI	
705D	4460233	2	220V GFI	
705E		Ref	Connector, Female Options:	
705E	4460134	2	110V GFI	
705E	4460701	2	220V GFI	
705F		Ref	Harness-Receptacle Box to Boom Options:	
705F	4921801	1	110V	
705F	See Note	1	220V (Note: Not Available for Purchase)	
705F	1060494	18	Cable, Electrical - 12/3	

## SECTION 7 - ELECTRICAL

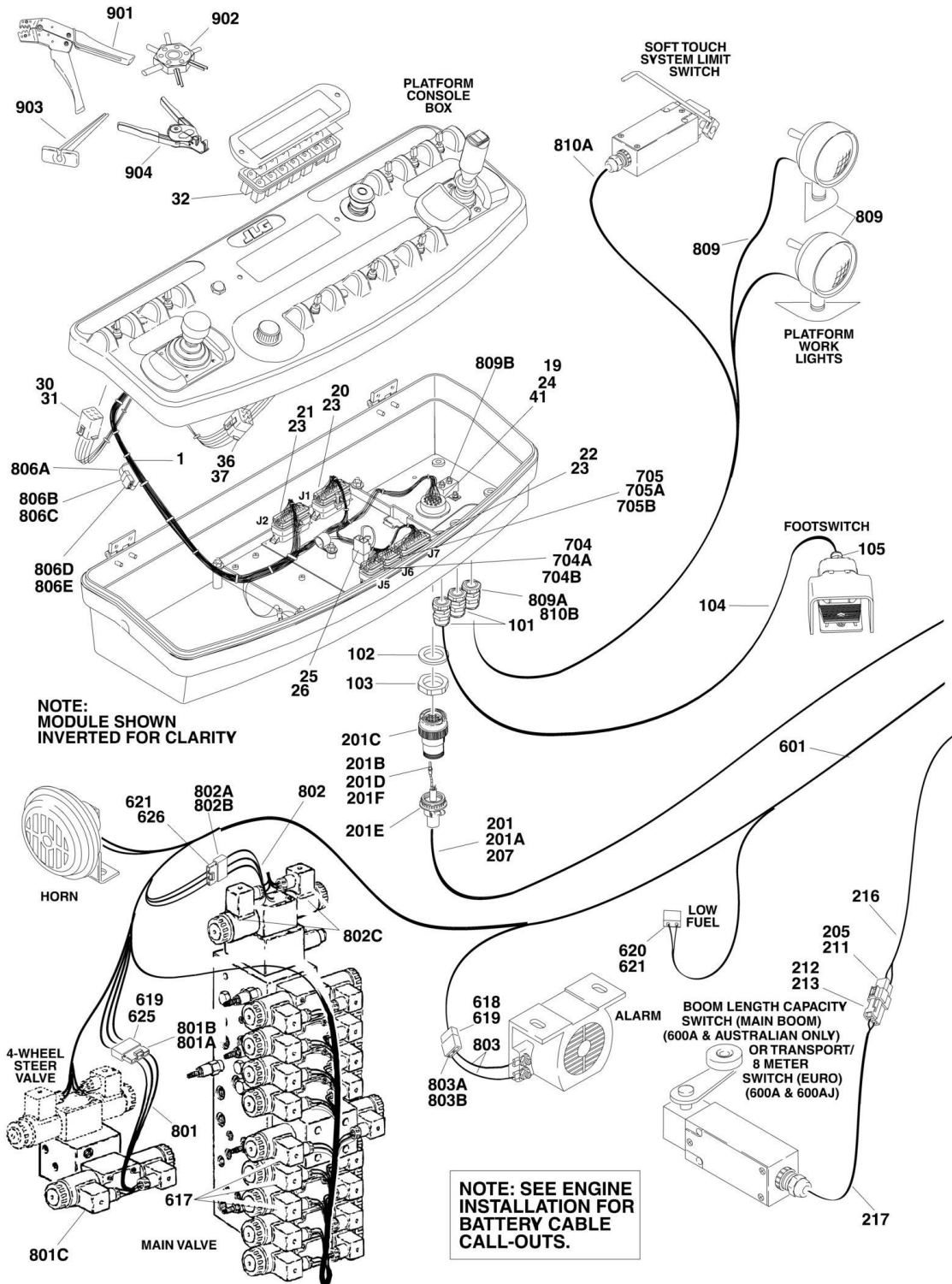
ITEM	PART NUMBER	QTY	DESCRIPTION	REV
		in/47cm		
705G	4460205	1	Plug, Male (110V)	
705G	4460233	1	Plug, Male (220V)	
705H	0961127	1	Bushing, Snap (Not Shown <b>(Prior to SN 0300040858)</b> )	
706		Ref	Generator Electrical Components	
706	4932828	Ref	Generator Electrical Components 110V <b>(Prior to SN 0300035129)</b>	2-C
706	4932940	Ref	Generator Electrical Components 220V <b>(Prior to SN 0300035129)</b>	1-A
706	4932915	Ref	Generator Electrical Components 110V <b>(SN 0300035129 through 0300064248)</b>	1-A
706	4932989	Ref	Generator Electrical Components 220V <b>(SN 0300035129 through 0300064248)</b>	-/-
706	3990010	1	Diode - 6 Amp (Not Shown)	
706A		Ref	Harness - On/Off Switch (Powermite Control Box to Ground Control Box)	
706A	4921828	1	Harness - On/Off Switch (Powermite Control Box to Ground Control Box) <b>(Prior to SN 0300035129)</b>	
706A	4921938	1	Harness - On/Off Switch (Powermite Control Box to Ground Control Box) <b>(SN 0300035129 through 0300064248)</b>	
706B	4460027	1	Receptacle, Electrical (Industrial) (110V)	
706B	4460125	1	Receptacle, Electrical (220V)	
706C	4460190	1	Receptacle, Electrical (Standard) (110V)	
706C	4460125	1	Receptacle, Electrical (220V)	
707	4921829	1	Generator to Rear of Boom Harness (110V)	
707	4921955	1	Generator to Rear of Boom Harness (220V)	
		Ref	<b>Note: Harness used to connect AC at platform harness to generator receptacle to power platform receptacle.</b>	
707	1060494	6 ft/1.8m	Cable, Electrical - 12/3	
707A	4460205	1	Plug, Male (110V)	
707A	4460233	1	Plug, Male (220V)	
707B	4460134	1	Receptacle, Female (110V)	
707B	4460701	1	Receptacle, Female (220V)	
708	See Note	1	Lights Harness (Note: Not Available for Purchase)	
708	3740049	1	Relay (Not Shown)	
708	1060341	37	Cable, Electrical - 16/2	
		ft/11.3m		
709	2920140	2	Platform Worklights Harness (Includes Light and Wire Only)	
709	2820035	9 ft/2.8m	Loom, Vinyl	
709	7016399	1	Bulb, Replacement (50 watts) (1 Per)	
709A	4460598	1	Connector, Strain Relief	
709A	4460442	2	Terminal (Not Shown-Located in Platform Console)	
710	See Note	1	Soft-Touch System Harness (Note: Not Available for Purchase)	
710A	1060330	16 ft/4.9m	Cable, Electrical - 16/3 <b>(Prior to SN 0300029105)</b>	
710A	1060341	16 ft/4.9m	Cable, Electrical - 16/3 <b>(SN 0300029105 through 0300064249)</b>	
710B		Ref	Connector, Strain Relief Options:	
710B	4460428		Connector, Strain Relief <b>(Prior to SN 0300029105)</b>	
710B	4460425		Connector, Strain Relief <b>(SN 0300029105 through 0300064249)</b>	
		Ref	<b>TOOLS</b>	
801	7002821	1	Crimper (For Wire to Pin/Socket Connections)	
802	7002823	1	Extractor (For Removal of Pin/Socket from Connectors)	
803	4460467	1	Extractor, Pin (Blue 16-18 Gauge) (For Removal of Pin/Socket from Connectors)	
803	4460510	1	Extractor, Pin (Yellow 12-14 Gauge) (For Removal of Pin/Socket	

## SECTION 7 - ELECTRICAL

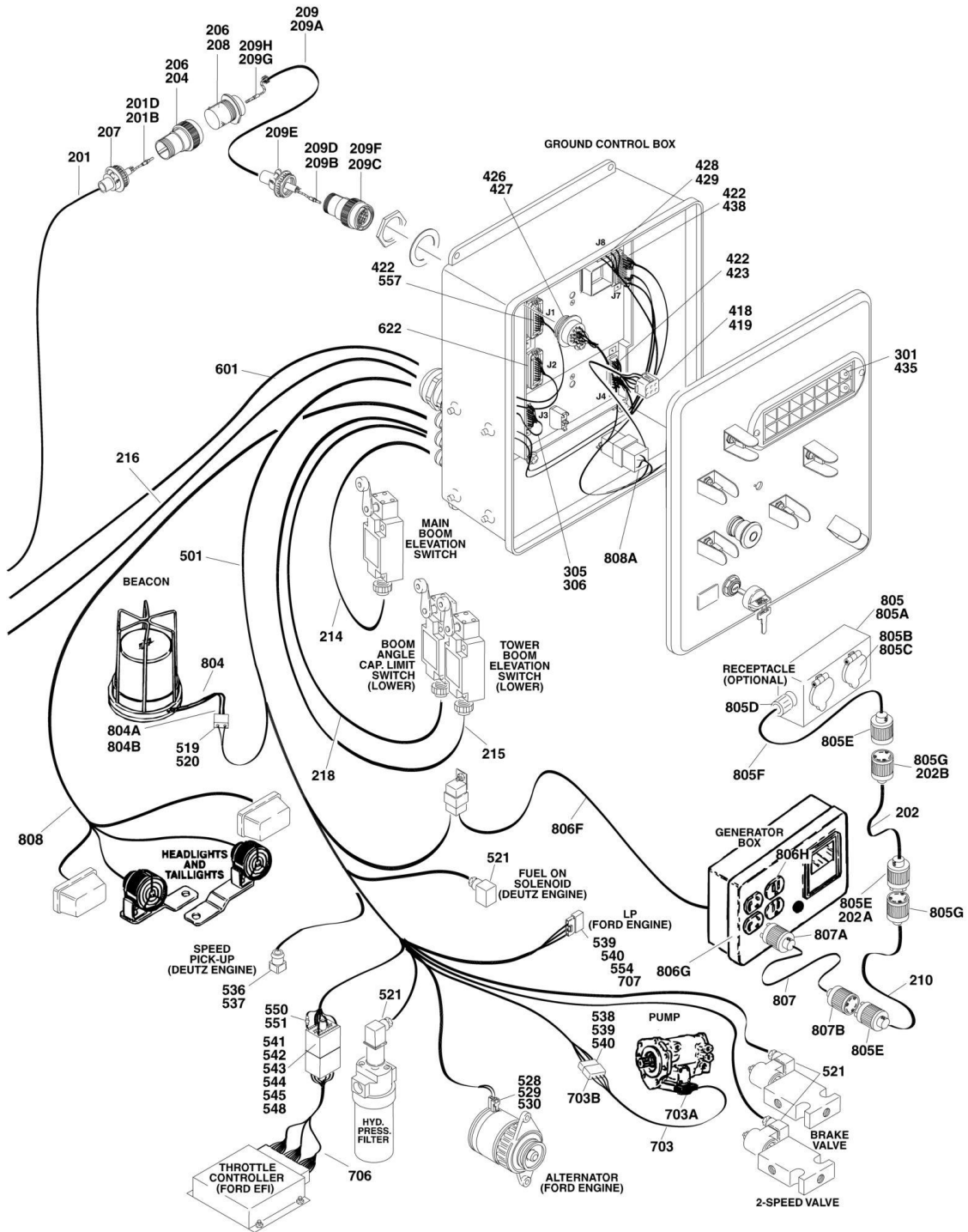
ITEM	PART NUMBER	QTY	DESCRIPTION	REV
804	8896941	1	from Connectors) Stripper, Wire	

# SECTION 7 - ELECTRICAL

**FIGURE 7-13. HARNESS COMPONENTS INSTALLATION (WITH ADE SYSTEM) (SN 0300064249 through 0300064269)**



# SECTION 7 - ELECTRICAL



## SECTION 7 - ELECTRICAL

**FIGURE 7-13. HARNESS COMPONENTS INSTALLATION (WITH ADE SYSTEM) (SN 0300064249 through 0300064269)**

ITEM	PART NUMBER	QTY	DESCRIPTION	REV
	4922509	Ref	<b>PLATFORM BOX HARNESS ASSEMBLY</b>	3-D
1	4922509	1	Harness, Console Box	
19	4460866	1	Connector - 19 Position	
20	4460874	1	Connector - 35 Position (Natural)	
21	4460875	1	Connector - 35 Position (Gray)	
22	4460873	1	Connector - 35 Position (Black)	
23	4460871	48	Socket, Female	
24	4460464	7	Pin, Male (16 Gauge)	
25	4460879	1	Terminal, Housing 2 Position	
26	4460887	2	Terminal, (12 Gauge)	
30	4460418	4	Connector - 6 Position	
31	4460419	12	Terminal, Female	
32	4120035	7	Base, Light	
36	4460225	1	Connector - 6 Position	
37	4460227	6	Pin	
41	4460508	3	Pin, Male (12 Gauge)	
		Ref	<b>PLATFORM BOX ASSEMBLY COMPONENTS</b>	
101	4460428	2	Connector, Strain Relief	
102	4460470	1	Nut, Conduit	
103	4460471	1	Washer	
104	1060330	1	Cable, Electrical - 16/3	
105	4460071	1	Connector, Strain Relief	
		Ref	<b>BOOM CABLES INSTALLATION</b>	
	0270818	Ref	<b>Boom Cables Installations 600A</b>	3
	0270820	Ref	<b>Boom Cables Installations 600AJ</b>	3
201	4922493	1	Harness, Main Boom	
201A	1060896	45.5 ft/13.9m	Cable	
201B	4460465	22	Socket, Female - #16	
201C	4460865	1	Connector - 19 Position	
201D	4460509	8	Socket, Female - #12	
201E	4460473	1	Clamp, Cable	
201F	4460466	4	Seal, Plug	
202	1060494	46 ft/14m	Cable, Electrical - 12/3 (Does not include plug ends)	
202A	4460205	1	Plug, Male (110V)	
202B	4460134	1	Connector, Female (110V)	
204	4460865	1	Connector - 19 Position	
205	4460465	3	Socket, Female - #16	
206	4460466	8	Seal, Plug	
207	4460473	1	Clamp, Cable	
208	4460866	1	Connector - 19 Position	
209	4922494	1	Harness, Lower Boom Cable	
209A	1060896	35.5 ft/10.8m	Cable	
209B	4460465	11	Socket, Female - #16	
209C	4460865	1	Connector - 19 Position	
209D	4460509	4	Socket, Female - #12	
209E	4460473	1	Clamp, Cable	
209F	4460466	4	Seal, Plug	



## SECTION 7 - ELECTRICAL

ITEM	PART NUMBER	QTY	DESCRIPTION	REV
209G	4460464	11	Pin, Male (16 Gauge)	
209H	4460508	4	Pin, Male (12 Gauge)	
210	1060494	33 ft/10m	Cable, Electrical - 12/3 (Does not include plug ends)	
211	4460539	1	Connector, Terminal (600A Only)	
212	4460536	1	Plug, Terminal (600A Only)	
213	4460464	3	Pin, Male (16 Gauge)	
214	1060902	37 ft/11.3m	Cable, Electrical - 18/2 Main Boom Limit Switch	
215	1060902		Cable, Electrical - 18/2 Tower Boom Limit Switch	
215	1060902	37 ft/11.3m	Cable, Electrical - 18/2 Main Boom Limit Switch 600A	
215	1060902	18 ft 5.5m	Cable, Electrical - 18/2 Main Boom Limit Switch 600AJ	
216	1060902	37 ft/11.3m	Cable, Electrical - 18/2 Main Boom Length (600A Only)	
217	1060902	19 ft/5.8m	Cable, Electrical - 18/2 Main Boom Length (600A Only)	
218	1060902	37 ft/11.3m	Cable, Electrical - 18/2 Main Boom Cap. Angle (600A Only)	
		Ref	<b>GROUND CONTROL BOX DIAGRAMS</b>	
	4933168	Ref	<b>Deutz Engine</b>	5-F
	4933167	Ref	<b>Ford EFI Engine</b>	4-F
301	2920129	6	Bulb, Light	
306	4460871	6	Socket, Female	
307	2400065	1	Fuse, 30Amp (Not Shown)	
308	2400066	1	Fuse, Holder W/Cover (Not Shown)	
	4922516	Ref	<b>GROUND CONTROL HARNESS ASSEMBLY</b>	4-E
418	4460419	27	Terminal, Female	
419	4460418	9	Connector - 6 Position	
422	4460871	39	Socket, Female	
423	4460876	1	Connector - 35 Position (Blue)	
426	4460464	10	Pin, Male (16 Gauge)	
427	4460866	1	Connector - 19 Position	
428	4460878	1	Housing, Terminal - 4 Position	
429	4460887	3	Terminal	
435	4120035	6	Base, Light	
438	4460873	1	Connector - 35 Position (Black)	
		Ref	<b>ENGINE HARNESS ASSEMBLY</b>	
	4922515	Ref	<b>Deutz Engine</b>	5-E
	4922514	Ref	<b>Ford Engine</b>	6-F
501		Ref	Harness, Assembly Options:	
501	4922515	1	Deutz Engine	
501	4922514	1	Ford Engine	
519	4460424	1	Receptacle, Female - 2 Position	
520	4460268	2	Socket, Female	
521	4460880	AR	DIN Connector without Diode	
528	4460582	3	Terminal (Ford Engine Only)	
529	4460580	1	Lock, Terminal (Ford Engine Only)	
530	4460579	1	Housing - 3 Position (Ford Engine Only)	
536	4460890	1	Housing - 2 Position (Deutz Engine Only)	
537	4460889	2	Terminal (Deutz Engine Only)	
538	4460460	1	Connector, Male - 4 Position	
539	4460457	AR	Terminal, Female	
540	4460458	AR	Seal, Terminal	

## SECTION 7 - ELECTRICAL

ITEM	PART NUMBER	QTY	DESCRIPTION	REV
541	4460713	1	Connector, Housing 42 Position (Ford Engine Only)	
542	4460725	1	Connector Wedge Lock, Center (Ford Engine Only)	
543	4460726	2	Connector Wedge Lock, Side (Ford Engine Only)	
544	4460800	29	Connector, Plug (Ford Engine Only)	
545	4460799	7	Pin, Male (Ford Engine Only)	
548	4460728	3	Pin, Male (Ford Engine Only)	
550	2400061	2	Fuse (Ford Engine Only)	
551	2400060	2	Holder, Fuse (Ford Engine Only)	
554	4460742	1	Connector, Male - 2 Position (Ford Engine Only)	
557	4460871	AR	Socket, Female	
	4922508	Ref	<b>VALVE HARNESS ASSEMBLY</b>	4-D
601	4922508	1	Harness, Assembly	
617	4460880	15	DIN Connector	
618	4460320	1	Connector, Female - 2 Position	
619	4460267	5	Pin, Male	
620	4460424	1	Connector, Male - 2 Position	
621	4460268	5	Socket, Female	
622	4460871	28	Socket, Female	
625	4460326	1	Connector, Male - 3 Position	
626	4460445	1	Connector, Female - 3 Position	
		Ref	<b>STANDARD HARNESS COMPONENTS</b>	
703	See Note	1	Pump Harness (Note: Not Available for Purchase)	
703A	7007497	1	Plug (Pump End)	
703B	7007498	1	Plug (Engine Harness End)	
704	See Note	1	Controller Harness Assembly (Lift and Swing) (Note: Not Available for Purchase)	
704B	4460871	8	Socket, Female	
705	See Note	1	Controller Harness/Circuit Board Assembly (Drive and Steer) (Note: Not Available for Purchase)	
705A	7022825	1	Plug, Male - 8 Position (Black)	
705B	4460871	7	Socket, Female	
706	7023663	1	Ford Engine Harness (For replacement parts refer to Ford engine dealer (Ford EFI Engine Machines)	
707	See Note	1	Dual Fuel Shut-Off Filter Harness (Not Shown) (Note: Not Available for Purchase)	
707	7023679	1	Electrical Connector Kit (Includes [1] 2 Position Connector, 2 Pins and 2 Seals)	
		Ref	<b>OPTIONAL HARNESS COMPONENTS</b>	
801	4921928	1	4WS Valve Harness	
801A	4460268	3	Socket, Female	
801B	4460445	1	Connector, Female - 3 Position	
801C	4460499	2	Connector, DIN with Diode	
802	4921927	1	Jib Valve Harness (600AJ Only)	
802A	4460326	1	Plug, Male - 3 Position	
802B	4460267	3	Pin, Male	
802C	4460499	2	Connector, DIN with Diode	
803	0257887	1	Alarm Harness (Includes Alarm)	
803A	4460424	1	Plug, Male - 2 Position	
803B	4460268	2	Socket, Female	
804	0255917	1	Strobe Light Harness (Includes Strobe Light)	
804A	4460320	1	Connector, Female - 2 Position	
804B	4460267	2	Pin, Male	

## SECTION 7 - ELECTRICAL

ITEM	PART NUMBER	QTY	DESCRIPTION	REV
805		Ref	AC to Platform Receptacle Components Options:	
805	0255382	Ref	110V GFI Receptacle	1-A
805	0257176	Ref	220V Receptacle	-/A
805A	0860038	1	Box, Switch	
805B		Ref	Receptacle Options:	
805B	4460346	1	110V GFI	
805B	4460125	1	220V	
805C		Ref	Shield, Cover Options:	
805C	4060700	1	110V GFI	
805C	4060092	1	220V	
805D	4460071	1	Connector, Strain Relief	
805E		Ref	Plug, Male Options:	
805E	4460205	2	110V GFI	
805E	4460233	2	220V	
805F	4921801	1	Harness-Receptacle Box to Boom	
805F	1060494	18 in/47cm	Cable, Electrical - 12/3	
805G		Ref	Connector, Female Options:	
805G	4460134	2	110V GFI	
805G	4460701	2	220V	
806		Ref	Generator Electrical Components	
806	4933215	Ref	110V	1-A
806	4933216	Ref	220V	1-A
806	3990010	1	Diode - 6 Amp (Not Shown)	
806A	4922641	1	Harness - On/Off Switch	
806B	4460320	1	Connector, Female - 2 Position	
806C	4460267	2	Pin, Male	
806D	4460424	1	Plug, Male - 2 Position	
806E	4460268	2	Socket, Female	
806F	4922482	1	Powermite Control Box to Relay	
806G	4460027	1	Receptacle, Electrical (Industrial) (110V)	
806G	4460125	1	Receptacle, Electrical (220V)	
806H	4460190	1	Receptacle, Electrical (Standard) (110V)	
806H	4460125	1	Receptacle, Electrical (220V)	
807	4921829	1	Generator to Rear of Boom Harness (110V)	
807	4921954	1	Generator to Rear of Boom Harness (220V)	
		Ref	<b>Note: Harness used to connect AC at platform harness to generator receptacle to power platform receptacle.</b>	
807	1060494	6 ft/1.8m	Cable, Electrical - 12/3 (110V)	
807	1060494	26 ft/8m	Cable, Electrical - 12/3 (220V)	
807A	4460205	1	Plug, Male (110V)	
807A	4460233	1	Plug, Male (220V)	
807B	4460134	1	Receptacle, Female (110V)	
807B	4460701	1	Receptacle, Female (220V)	
808	See Note	1	Lights Harness (Note: Not Available for Purchase)	
808	1060341	37 ft/11.3m	Cable, Electrical - 16/3	
808A	3740049	1	Relay	
808B	4922643	1	Harness, Bag (Located at Ground Control Box) (Not Shown)	
809	2920140	2	Platform Worklights Harness (Includes Light and Wire Only)	
809	2820035	9 ft/2.8m	Loom, Vinyl	
809	7016399	1	Bulb, Replacement (50 watts) (1 Per)	

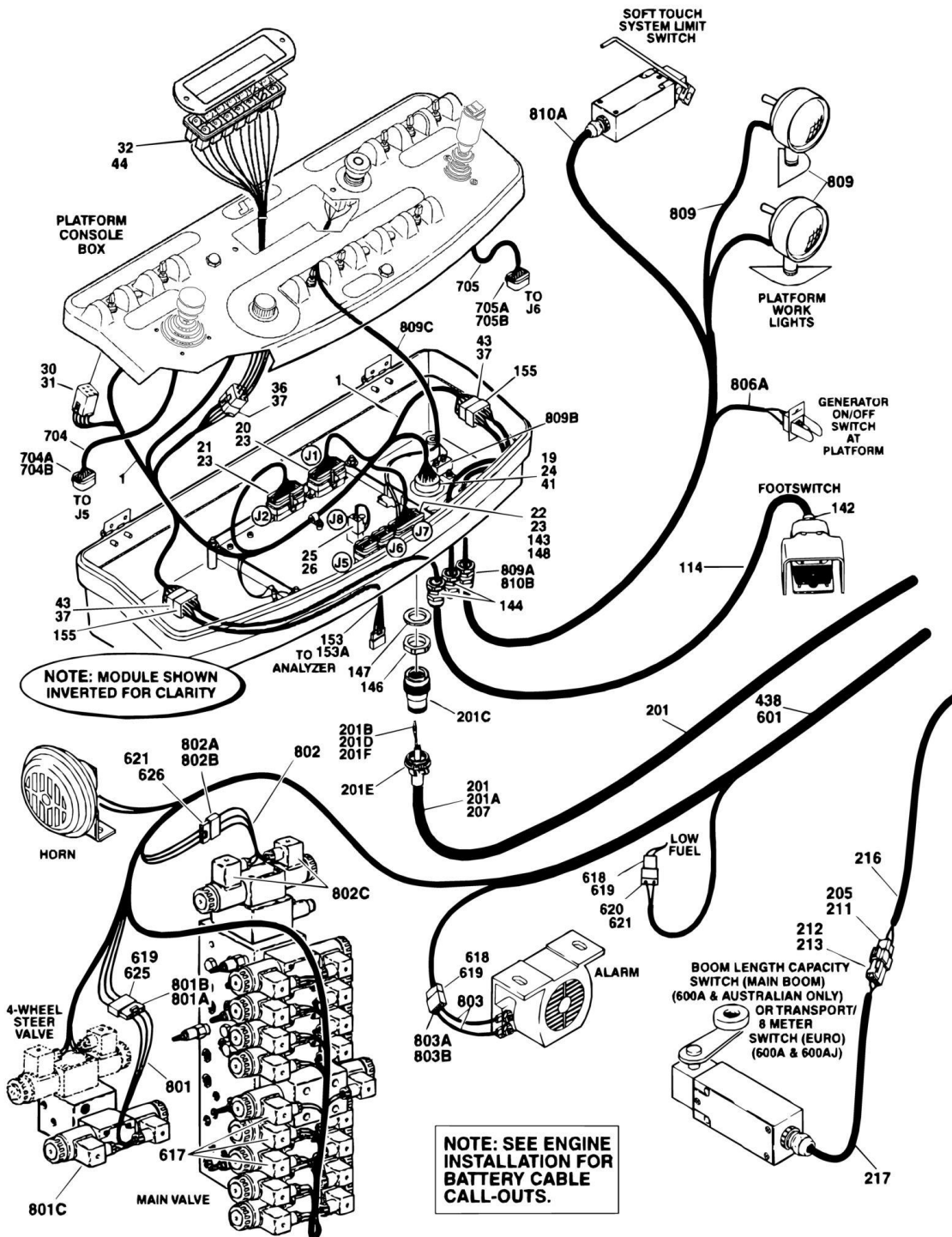
## SECTION 7 - ELECTRICAL

ITEM	PART NUMBER	QTY	DESCRIPTION	REV
809A	4460598	1	Connector, Strain Relief	
809B	4360232	1	Circuit Breaker, 15Amp	
810	See Note	1	Soft-Touch System Harness (Note: Not Available for Purchase)	
810A	1060341	16 ft/4.9m	Cable, Electrical - 16/3	
810B	4460425	1	Connector, Strain Relief	
		Ref	<b>TOOLS</b>	
901	7002821	1	Crimper (For Wire to Pin/Socket Connections)	
902	7002823	1	Extractor (For Removal of Pin/Socket from Connectors)	
903	4460467	1	Extractor, Pin (Blue 16-18 Gauge) (For Removal of Pin/Socket from Connectors)	
903	4460510	1	Extractor, Pin (Yellow 12-14 Gauge) (For Removal of Pin/Socket from Connectors)	
904	7002828	1	Stripper, Wire	
905	1001137005	1	Software Cable Kit (Not Shown)	

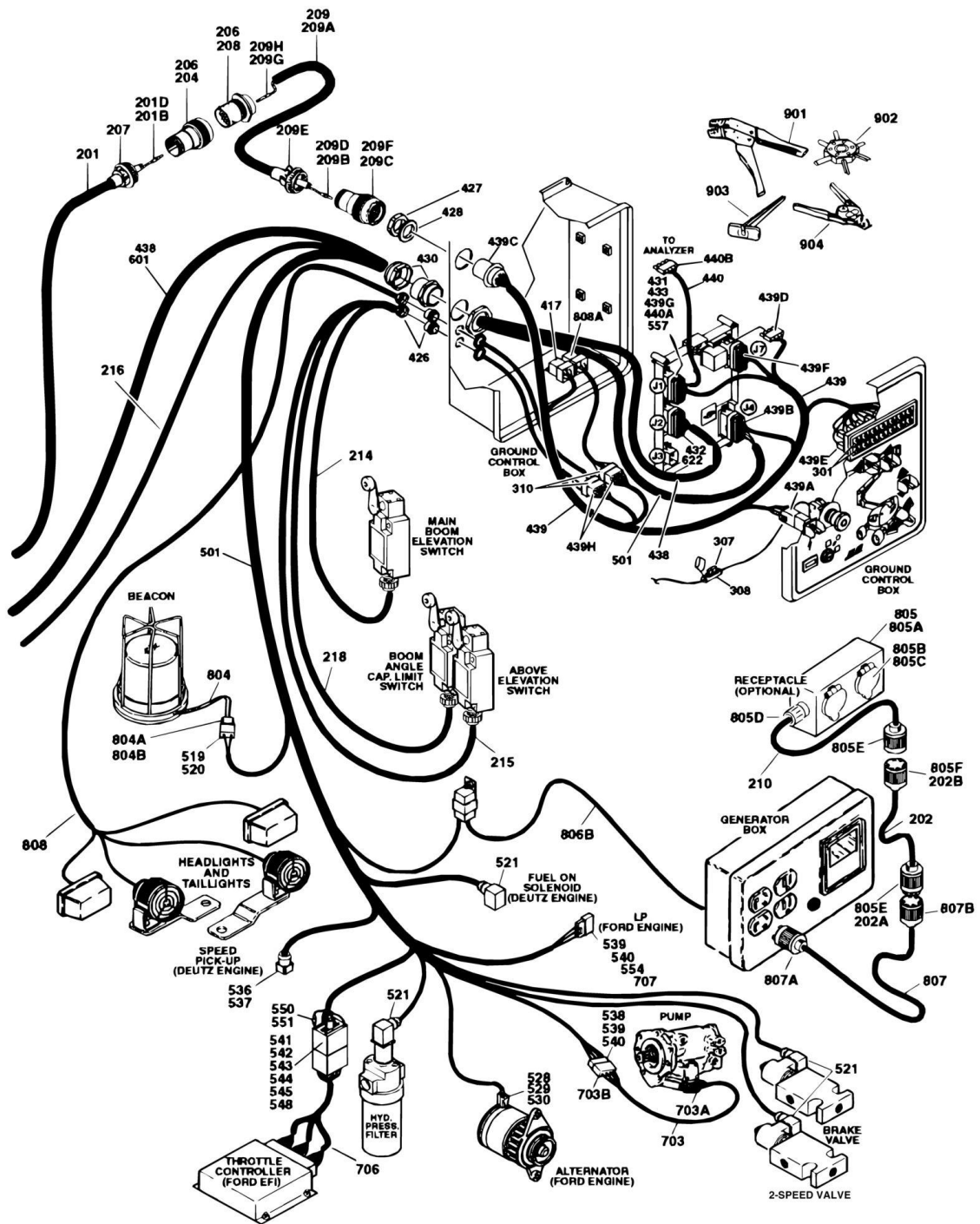


# SECTION 7 - ELECTRICAL

FIGURE 7-14. HARNESS COMPONENTS INSTALLATION (WITH ADE SYSTEM) (SN 0300064270 through 0300069000)



# SECTION 7 - ELECTRICAL



## SECTION 7 - ELECTRICAL

**FIGURE 7-14. HARNESS COMPONENTS INSTALLATION (WITH ADE SYSTEM) (SN 0300064270 through 0300069000)**

ITEM	PART NUMBER	QTY	DESCRIPTION	REV
	4922639	Ref	<b>PLATFORM BOX HARNESS ASSEMBLY</b>	C
1	4922639	1	Harness, Console Box	
19	4460866	1	Connector - 19 Position	
20	4460874	1	Connector - 35 Position (Natural)	
21	4460875	1	Connector - 35 Position (Gray)	
22	4460873	1	Connector - 35 Position (Black)	
23	4460871	70	Socket, Female	
24	4460464	7	Pin, Male (16 Gauge)	
25	4460879	1	Terminal, Housing 2 Position	
26	4460887	2	Terminal, (12 Gauge)	
30	4460418	8	Connector - 6 Position	
31	4460419	24	Terminal, Female	
32	4120035	12	Base, Light	
36	4460225	1	Connector - 6 Position	
37	4460227	28	Pin, Male	
41	4460508	3	Pin, Male (12 Gauge)	
43	4460434	2	Connector - 15 Position	
44	2920129	12	Lamp, Indicator	
		Ref	<b>PLATFORM BOX ASSEMBLY COMPONENTS</b>	
104	0100048	AR	Grease, Dielectric (Not Shown)	
114	1060918	8 ft/2.4m	Cable, Electrical - 18/3	
142	4460071	1	Connector, Strain Relief	
143	4460226	2	Socket, Female	
144	4460428	2	Connector, Strain Relief	
146	4460470	1	Nut, Terminal	
147	4460471	1	Lockwasher, Terminal	
148	4460905	5	Seal, Plug	
153	4922666	1	Harness, Analyzer Cable	1-A
153	4460226	4	Socket, Female (Not Shown - Located at J2)	
153A	4460761	1	Connector, Female - 4 Position	
153A	4460227	4	Pin, Male	
155	4460708	2	Terminal, 15 Pin Mate-N-Loc	
		Ref	<b>BOOM CABLES INSTALLATION</b>	
	0270818	Ref	<b>Boom Cables Installations 600A</b>	5
	0270820	Ref	<b>Boom Cables Installations 600AJ</b>	5
	0272624	Ref	<b>Boom Cables Installations 600A (With 7500W Generator) (SkyPower)</b>	1
	0272625	Ref	<b>Boom Cables Installations 600AJ (With 7500W Generator) (SkyPower)</b>	1
201	4922493	1	Harness, Main Boom	
201A	1060896	45.5 ft/13.9m	Cable	
201B	4460465	22	Socket, Female - #16	
201C	4460865	1	Connector - 19 Position	
201D	4460509	8	Socket, Female - #12	
201E	4460473	1	Clamp, Cable	
201F	4460466	4	Seal, Plug	
202	1060494	46 ft/14m	Cable, Electrical - 12/3 (Does not include plug ends)	
202A	4460205	1	Plug, Male (110V)	



## SECTION 7 - ELECTRICAL

ITEM	PART NUMBER	QTY	DESCRIPTION	REV
202B	4460134	1	Connector, Female (110V)	
202	4922810	1	Harness, Electrical - 8/5 (Does not include plug ends) (With 7500W Generator)	
202	1060945	47 ft/14.3m	Cable, Electrical - 8/5 (With 7500W Generator)	
204	4460865	1	Connector - 19 Position	
205	4460465	2	Socket, Female - #18	
206	4460466	8	Seal, Plug	
207	4460473	1	Clamp, Cable	
208	4460866	1	Connector - 19 Position	
209	4922494	1	Harness, Lower Boom Cable	
209A	1060896	35.5 ft/10.8m	Cable	
209B	4460465	22	Socket, Female - #16	
209C	4460865	1	Connector - 19 Position	
209D	4460509	8	Socket, Female - #12	
209E	4460473	1	Clamp, Cable	
209F	4460466	4	Seal, Plug	
209G	4460464	11	Pin, Male (16 Gauge) <b>(SN 0300064270 through 0300064697)</b>	
209H	4460508	4	Pin, Male (12 Gauge) <b>(SN 0300064270 through 0300064697)</b>	
210	1060494	33 ft/10m	Cable, Electrical - 12/3 (Does not include plug ends)	
210	4922811	1	Harness, Electrical - 8/5 (Does not include plug ends) (With 7500W Generator)	
210	1060945	36 ft/10.9m	Cable, Electrical - 8/5 (With 7500W Generator)	
211		Ref	Connector, Terminal (600A Only) Options:	
211	4460539	1	Connector, Terminal <b>(SN 0300064270 through 0300064697)</b>	
211	4460891	1	Connector, Terminal <b>(SN 0300064698 through 0300069000)</b>	
212		Ref	Plug, Terminal (600A Only) Options:	
212	4460536	1	Plug, Terminal <b>(SN 0300064270 through 0300064697)</b>	
212	4460897	1	Plug, Terminal <b>(SN 0300064698 through 0300069000)</b>	
213	4460464	AR	Pin, Male (16 Gauge)	
214	1060902	37 ft/11.3m	Cable, Electrical - 18/2 Main Boom Limit Switch	
215	1060902		Cable, Electrical - 18/2 Tower Boom Limit Switch	
215	1060902	37 ft/11.3m	Cable, Electrical - 18/2 Tower Boom Limit Switch 600A	
215	1060902	18 ft/5.5m	Cable, Electrical - 18/2 Tower Boom Limit Switch 600AJ	
216	1060902	37 ft/11.3m	Cable, Electrical - 18/2 Main Boom Length (600A Only)	
217	1060902	19 ft/5.8m	Cable, Electrical - 18/2 Main Boom Length (600A Only)	
218	1060902	37 ft/11.3m	Cable, Electrical - 18/2 Main Boom Cap. Angle (600A Only)	
		Ref	<b>GROUND CONTROL BOX DIAGRAMS</b>	
	4933213	Ref	<b>Deutz Engine</b>	2-B
	4933212	Ref	<b>Ford EFI Engine</b>	2-B
301	2920129	6	Bulb, Light	
307	2400065	1	Fuse, 30Amp	
308	2400066	1	Fuse, Holder W/Cover	
310	4460708	2	Receptacle, Female - 15 Position	
310	4460226	10	Socket, Female	
310	4922637	1	Harness, Jumper (Not Shown)	
		Ref	<b>GROUND CONTROL HARNESS ASSEMBLY</b>	

## SECTION 7 - ELECTRICAL

ITEM	PART NUMBER	QTY	DESCRIPTION	REV
417	3740049	1	Relay	
426	4460426	2	Connector, Strain Relief	
427	4460470	1	Nut, Terminal	
428	4460471	1	Lockwasher, Terminal	
430	4460526	1	Connector, Strain Relief	
431	4460874	1	Connector (Natural)	
432	4460875	1	Connector (Gray)	
433	4460905	4	Connector, Amp Seal Plug	
437		Ref	Engine Harness Assembly (Not Shown - See 501 to 566 for Breakdown)	
437	4922515	1	Deutz Engine Machines	
437	4922514	1	Ford Engine Machines with EFI	
438	4922508	1	Valve Harness Assembly (See 601 to 628 for Breakdown)	
439	4922638	1	Ground Control Box Harness Assembly	3-C
439A	4460418	9	Connector, Female- 6 Position	
439A	4460419	27	Socket, Female	
439B	4460876	1	Connector, 35- Position	
439B	4460871	AR	Socket, Female	
439B	4460905	2	Seal, Plug	
439C	4460866	1	Connector - 19 Position	
439C	4460464	10	Pin, Male Deutsch (16 Gauge)	
439D	4460878	1	Housing, Terminal- 4 Position	
439D	4460887	3	Terminal (12 Gauge)	
439E	4120035	6	Base, Light	
439E	4460634	7	Terminal (16 Gauge)	
439F	4460873	1	Connector, 35- Position (Black)	
439F	4460871	AR	Socket, Female	
439F	4460635	5	Terminal (12 Gauge)	
439G	4460871	AR	Socket, Female	
439H	4460434	2	Plug, Male 15- Position	
439H	4460227	AR	Pin	
439I	3990010	2	Diode - 6 Amp (Not Shown)	
440	4922666	1	Cable, Analyzer	1-A
440A	4460226	4	Socket, Female	
440B	4460761	1	Connector, Female 4- Position	
440B	4460227	4	Pin, Male	
441		Ref	Ground Control Box Wiring Diagram (Not Shown - See Items 301 to 310 for Breakdown)	
441	4933213	1	Deutz Engine	
441	4933212	1	Ford Engine	
		Ref	<b>ENGINE HARNESS ASSEMBLY</b>	
	4922515	Ref	<b>Deutz Engine</b>	5-E
	4922514	Ref	<b>Ford Engine</b>	6-F
501		Ref	Harness, Assembly Options:	
501	4922515	1	Deutz Engine	
501	4922514	1	Ford Engine	
519	4460424	1	Receptacle, Female - 2 Position	
520	4460268	2	Socket, Female	
521	4460880	AR	DIN Connector without Diode	
528	4460582	3	Terminal (Ford Engine Only)	
529	4460580	1	Lock, Terminal (Ford Engine Only)	
530	4460579	1	Housing - 3 Position (Ford Engine Only)	

## SECTION 7 - ELECTRICAL

ITEM	PART NUMBER	QTY	DESCRIPTION	REV
536	4460890	1	Housing - 2 Position (Deutz Engine Only)	
537	4460889	2	Terminal (Deutz Engine Only)	
538	4460460	1	Connector, Male - 4 Position	
539	4460457	AR	Terminal, Female	
540	4460458	AR	Seal, Terminal	
541	4460713	1	Connector, Housing 42 Position (Ford Engine Only)	
542	4460725	1	Connector Wedge Lock, Center (Ford Engine Only)	
543	4460726	2	Connector Wedge Lock, Side (Ford Engine Only)	
544	4460800	29	Connector, Plug (Ford Engine Only)	
545	4460799	7	Pin, Male (Ford Engine Only)	
548	4460728	3	Pin, Male (Ford Engine Only)	
550	2400061	2	Fuse (Ford Engine Only)	
551	2400060	2	Holder, Fuse (Ford Engine Only)	
554	4460742	1	Connector, Male - 2 Position (Ford Engine Only)	
557	4460871	AR	Socket, Female	
	4922508	Ref	<b>VALVE HARNESS ASSEMBLY</b>	4-D
601	4922508	1	Harness, Assembly	
617	4460880	15	DIN Connector	
618	4460320	1	Connector, Female - 2 Position	
619	4460267	5	Pin, Male	
620	4460424	1	Connector, Male - 2 Position	
621	4460268	5	Socket, Female	
622	4460871	28	Socket, Female	
625	4460326	1	Connector, Male - 3 Position	
626	4460445	1	Connector, Female - 3 Position	
		Ref	<b>STANDARD HARNESS COMPONENTS</b>	
703	See Note	1	Pump Harness (Note: Not Available for Purchase)	
703A	7007497	1	Plug (Pump End)	
703B	7007498	1	Plug (Engine Harness End)	
704	See Note	1	Controller Harness Assembly (Lift and Swing) (Note: Not Available for Purchase)	
704A	7022819	1	Connector, Male - 9 Position	
704B	7022820	8	Socket, Female	
705	See Note	1	Controller Harness/Circuit Board Assembly (Drive and Steer) (Note: Not Available for Purchase)	
705A	7022825	1	Connector, Male - 9 Position	
705B	7022820	7	Socket, Female	
706	7023663	1	Ford Engine Harness (For replacement parts refer to Ford engine dealer (Ford EFI Engine Machines)	
707	See Note	1	Dual Fuel Shut-Off Filter Harness (Not Shown) (Note: Not Available for Purchase)	
707	7023679	1	Electrical Connector Kit (Includes [1] 2 Position Connector, 2 Pins and 2 Seals)	
		Ref	<b>OPTIONAL HARNESS COMPONENTS</b>	
801	4921928	1	4WS Valve Harness	
801A	4460268	3	Socket, Female	
801B	4460445	1	Connector, Female - 3 Position	
801C	4460499	2	Connector, DIN with Diode	
802	4921927	1	Jib Valve Harness (600AJ Only)	
802A	4460326	1	Plug, Male - 3 Position	
802B	4460267	3	Pin, Male	
802C	4460499	2	Connector, DIN with Diode	

## SECTION 7 - ELECTRICAL

ITEM	PART NUMBER	QTY	DESCRIPTION	REV
803	0257887	1	Alarm Harness (Includes Alarm)	
803A	4460424	1	Plug, Male - 2 Position	
803B	4460268	2	Socket, Female	
804	0255917	1	Strobe Light Harness (Includes Strobe Light)	
804A	4460320	1	Connector, Female - 2 Position	
804B	4460267	2	Pin, Male	
805		Ref	AC to Platform Receptacle Components Options:	
805	0255382	Ref	110V GFI Receptacle	4
805	0257176	Ref	220V Receptacle	4
805	0272433	Ref	With 7500W Generator (SkyPower)	1
805A	0860038	1	Box, Switch	
805B		Ref	Receptacle Options:	
805B	4460346	1	110V GFI	
805B	4460125	1	220V	
805C		Ref	Shield, Cover Options:	
805C	4060700	1	110V GFI	
805C	4060092	1	220V	
805D	4460071	1	Connector, Strain Relief	
805E		Ref	Plug, Male Options:	
805E	4460205	2	110V GFI	
805E	4460233	2	220V	
805E	4460959	2	With 7500W Generator (SkyPower)	
805F		Ref	Connector, Female Options:	
805F	4460134	1	110V GFI	
805F	4460701	1	220V	
806		Ref	Generator Electrical Components	
806	4933215	Ref	110V	1-A
806	4933216	Ref	220V	1-A
806	3990010	1	Diode - 6 Amp (Not Shown)	
806A	4922641	1	Harness - On/Off Switch	
806B	4922482	1	Harness - Powermite Control Box to Relay	
807	4921829	1	Generator to Rear of Boom Harness (110V)	
807	4921954	1	Generator to Rear of Boom Harness (220V)	
		Ref	<b>Note: Harness used to connect AC at platform harness to generator receptacle to power platform receptacle.</b>	
807	1060494	6 ft/1.8m	Cable, Electrical - 12/3 (110V)	
807	1060494	26 ft/8m	Cable, Electrical - 12/3 (220V)	
807A	4460205	1	Plug, Male (110V)	
807A	4460233	1	Plug, Male (220V)	
807B	4460134	1	Receptacle, Female (110V)	
807B	4460701	1	Receptacle, Female (220V)	
807B	4460960	1	With 7500W Generator (SkyPower)	
808	See Note	1	Lights Harness (Note: Not Available for Purchase)	
808	1060341	37 ft/11.3m	Cable, Electrical - 16/3	
808A	3740049	1	Relay	
808B	4922643	1	Harness, Bag (Located at Ground Control Box) (Not Shown)	
809	2920140	2	Platform Worklights Harness (Includes Light and Wire Only)	
809	2820035	9 ft/2.8m	Loom, Vinyl	
809	7016399	1	Bulb, Replacement (50 watts) (1 Per)	
809A	4460598	1	Connector, Strain Relief	
809B	4360232	1	Circuit Breaker, 15Amp	

## SECTION 7 - ELECTRICAL

ITEM	PART NUMBER	QTY	DESCRIPTION	REV
810	See Note	1	Soft-Touch System Harness (Note: Not Available for Purchase)	
810A	1060341	16 ft/4.9m	Cable, Electrical - 16/3	
810B	4460425	1	Connector, Strain Relief	
		Ref	<b>TOOLS</b>	
901	7002821	1	Crimper (For Wire to Pin/Socket Connections)	
902	7002823	1	Extractor (For Removal of Pin/Socket from Connectors)	
903	4460467	1	Extractor, Pin (Blue 16-18 Gauge) (For Removal of Pin/Socket from Connectors)	
903	4460510	1	Extractor, Pin (Yellow 12-14 Gauge) (For Removal of Pin/Socket from Connectors)	
904	7002828	1	Stripper, Wire	
905	2901443	1	Analyzer Kit (Not Shown) <b>(SN 0300064249 through 0300069000)</b>	
906	1001137005	1	Software Cable Kit (Not Shown)	



**SECTION 8 - DECALS**





## SECTION 8 - DECALS

**FIGURE 8-1. DECALS INSTALLATION - STANDARD**

ITEM	PART NUMBER	QTY	DESCRIPTION	REV
		Ref	<b>DECAL INSTALLATIONS (STANDARD PARTS)</b>	
	0271010	Ref	<b>Decals Installation - JLG Logo</b>	1
	0255452	Ref	<b>Decals Installation - 600A</b>	13
	0255456	Ref	<b>Decals Installation - 600AJ</b>	13
1	1702292	4	Decal - Electrocution <b>(Prior to SN 0300040380)</b>	
1	1703805	4	Decal - Electrocution <b>(SN 0300040380 through 0300069000)</b>	
2	1702284	6	Decal - Crushing <b>(Prior to SN 0300040380)</b>	
2	1703804	6	Decal - Crushing <b>(Prior to SN 0300040380)</b>	
3	1702783	1	Decal - Ground Control Warning <b>(Prior to SN 0300040380)</b>	
3	1703798	1	Decal - Ground Control Warning <b>(SN 0300040380 through 0300069000)</b>	
4	3251813	1	Decal - USA	
5	1701502	1	Decal - High Oil Level	
6	1701503	1	Decal - Low Oil Level	
7	1701504	1	Decal - Hydraulic Oil	
8	1701509	AR	Decal - Manual	
9	3251243	1	Nameplate - 120V-60Hz	
10		Ref	Decal Options:	
10	1702818	2	Decal - 600A	
10	1702819	2	Decal - 600AJ	
11	1702773	2	Decal - JLG (5in Height)	
12	1702861	1	Decal - JLG Lift (8in Height)	
13	1702774	1	Decal - JLG Lift (3-1/2in Height)	
14	1702860	2	Decal - JLG Lift (5in Height)	
15	1702868	2	Decal - No Hands	
16		Ref	Decal - Attach Lanyard Here Options:	
16	1702612	4	Decal - Attach Lanyard <b>(Prior to SN 0300061066)</b>	
16	1704277	4	Decal - Attach Lanyard <b>(SN 0300061066 through 0300069000)</b>	
17	See Note	1	Nameplate, Serial Number (Note: Not Available for Purchase)	
18	1702153	1	Decal - Inspection	
19	See Note	1	Decal - Bar Code (Note: Not Available for Purchase)	
20	1700584	1	Decal - Patent	
21	4562083	4	Tube, Spacer <b>(Prior to SN 0300027329)</b>	
21	4567080	4	Tube, Spacer <b>(SN 0300027329 through 0300069000)</b>	
22	1702300	4	Decal - Tie Down/Lift	
23	1701500	4	Decal - Tie Down/Lift	
24	1701529	4	Decal - Arrow	
25	1702282	1	Decal - Warning <b>(Prior to SN 0300040380)</b>	
26	3820001	4	Rivet	
27	0641408	1	Bolt 1/4in-20NC x 1in	
28	1060279	1	Cable, Lanyard	
29	3311401	AR	Nut 1/4in	
30	4751400	AR	Flatwasher 1/4in Regular	
31	0860520	1	Box, Manual Storage	
32	3380423	1	Panel, Pedestal <b>(Prior to SN 0300029852)</b>	
32	3380434	1	Panel, Pedestal <b>(SN 0300029852 through 0300069000)</b>	
33	1702784	1	Decal - Legend	
34	1702785	1	Decal - Warning/Danger <b>(Prior to SN 0300040380)</b>	
34	1703797	1	Decal - Warning/Danger <b>(SN 0300040380 through 0300069000)</b>	
35		Ref	Decal Options:	

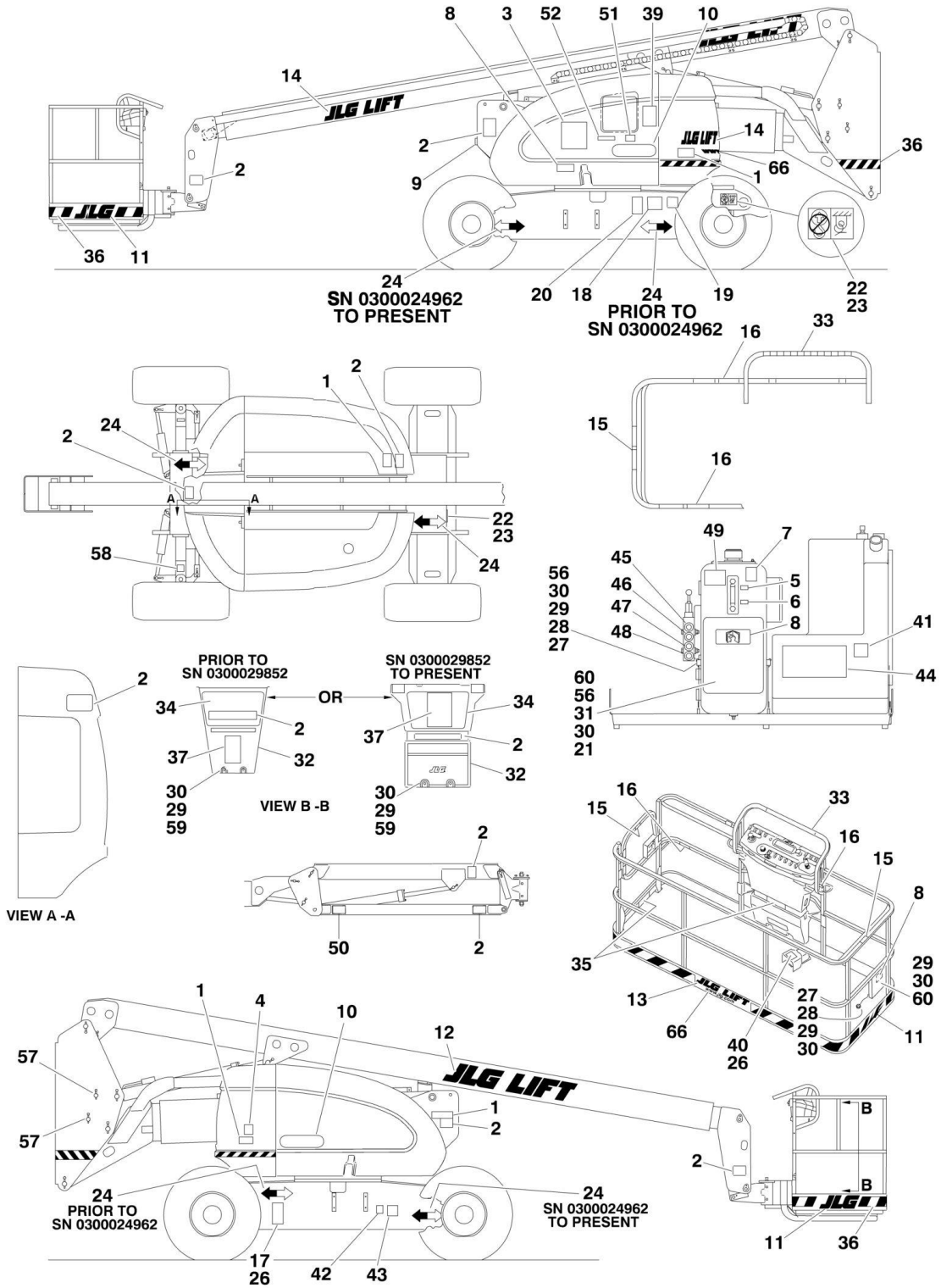
## SECTION 8 - DECALS

ITEM	PART NUMBER	QTY	DESCRIPTION	REV
35	1702786	2	600A - Decal - Warning ( <b>Prior to SN 0300029852</b> )	
35	1703181	2	600A - Decal - Warning ( <b>SN 0300029852 through 0300040379</b> )	
35	1704096	2	600A - Decal - Warning ( <b>SN 0300040380 through 0300069000</b> )	
35	1701645	2	600AJ - Decal - Maximum Capacity	
44	1702926	1	Decal - Instructions	
45	1702903	1	Decal - #1	
46	1702927	1	Decal - #2	
47	1702924	1	Decal - #3	
48	1702925	1	Decal - #4	
49	1702265	1	Decal	
50		Ref	Decal Options:	
50	Not Required	0	Decal (600A)	
50	1702908	2	600AJ - Decal	
51	1702901	1	Decal	
52		Ref	Decal Capacity Options:	
52	1702966	1	600A - Decal - 500LBS Unrestricted Capacity ( <b>Prior to SN 0300040380</b> )	
52	1704104	1	600A - Decal - 500LBS Unrestricted Capacity ( <b>SN 0300040380 through 0300069000</b> )	
52	1702688	1	600AJ - Decal - 500LBS Maximum Capacity	
56	0100011	AR	Compound, Locking	
57		Ref	Plug Options:	
57	3250032	2	600A - Plug, Hole 1-1/4in	
57	Not Required	2	Plug (600AJ)	
58		Ref	Plug Options:	
58	Not Required	2	Plug (600A)	
58	3250033	2	600AJ - Plug, Hole 1in	
59	0641414	2	Bolt 1/4in-20NC x 1-3/4in	
60	0641406	4	Bolt 1/4in-20NC x 3/4in	
65	1703808	1	Decal - Legend MTB	
66	1704885	2	Decal - Website ( <b>SN 0300067890 through 0300069000</b> )	
		Ref	<b>DECAL INSTALLATION (OPTIONAL PARTS)</b>	
101		Ref	Decal - Fuel	
101	1701505	1	Diesel	
101	1701542	1	Gas	
102	1701543	1	Decal - LP Gas	
103		Ref	Decal - Warning Prop 65	
103	1702962	1	Diesel	
103	1702961	1	Gas	



# SECTION 8 - DECALS

## FIGURE 8-2. DECAL INSTALLATION - COUNTRY SPEC



## SECTION 8 - DECALS

**FIGURE 8-2. DECAL INSTALLATION - COUNTRY SPEC**

ITEM	PART NUMBER	QTY	DESCRIPTION	REV
		Ref	<b>DECAL INSTALLATIONS</b>	
	0271010	Ref	<b>Decals Installation - JLG Logo</b>	1
	0257495	Ref	<b>Decals Installation - JLG Logo 600A BRAZIL SPEC (SPANISH/PORTUGUESE LANGUAGES)</b>	4
	0259331	Ref	<b>Decals Installation - JLG Logo 600A Canadian Spec (English/French Languages)</b>	8
	0256284	Ref	<b>Decals Installation - JLG Logo 600A Japanese Spec</b>	2
	0256670	Ref	<b>Decals Installation - JLG Logo 600A Latin American Spec (English/Spanish Languages)</b>	8
	0255453	Ref	<b>Decals Installation - JLG Logo 600A Common Decals (Use with Brazil and Japanese Specs)</b>	10
	0257496	Ref	<b>Decals Installation - JLG Logo 600AJ BRAZILIAN SPEC (SPANISH/PORTUGUESE LANGUAGES)</b>	4
	0259332	Ref	<b>Decals Installation - JLG Logo 600AJ Canadian Spec (English/French Languages)</b>	8
	0256291	Ref	<b>Decals Installation - JLG Logo 600AJ Japanese Spec</b>	2
	0256671	Ref	<b>Decals Installation - JLG Logo 600AJ Latin American Spec (English/Spanish Languages)</b>	8
	0255457	Ref	<b>Decals Installation - JLG Logo 600AJ Common Decals (Use with Brazil and Japanese Specs)</b>	11
1		Ref	Decal - Danger Electrocution Options:	
1	Not Required	4	Brazil and Japanese Specs	
1	1703936	4	Canadian Spec	
1	1702585	4	Latin American Spec	
2		Ref	Decal - Crushing Options:	
2	1701518	6	Brazil and Japanese Specs	
2	1703948	6	Canadian Spec	
2	1702583	6	Latin American Spec	
3		Ref	Decal - Danger/Warning Options:	
3	Not Required	1	Brazil and Japanese Specs	
3	1703930	1	Canadian Spec	
3	1702971	1	Latin American Spec	
4		Ref	Decal - USA Options:	
4	Not Required	1	Brazil and Japanese Specs	
4	3251813	1	Canadian Spec	
4	3251813	AR	Latin American Spec	
5	1701502	1	Decal - High Oil Level	
6	1701503	1	Decal - Low Oil Level	
7	1701504	1	Decal - Hydraulic Oil	
8	1701509	AR	Decal - Manual	
9		Ref	Nameplate - Voltage Options:	
9	Not Required	1	Brazil and Japanese Specs	
9	3251243	1	Canadian Spec (120V-60Hz)	
9	1703453	1	Latin American Spec	
10		Ref	Decal - Model Designation Options:	
10	1702818	2	Decal - Model Designation (600A)	
10	1702819	2	Decal - Model Designation (600AJ)	
11	1702773	2	Decal - JLG (5in Height)	
12	1702861	2	Decal - JLG Lift (8in Height)	
13	1702774	1	Decal - JLG (3-1/2in Height)	
14	1702860	2	Decal - JLG Lift (5in Height)	

## SECTION 8 - DECALS

ITEM	PART NUMBER	QTY	DESCRIPTION	REV
15		Ref	Decal - No Hands Options:	
15	1703899	2	Brazil Spec	
15	1704000	2	Canadian Spec	
15	Not Required	2	Japanese Spec	
15	1702975	2	Latin American Spec	
16		Ref	Decal - Attach Lanyard Here Options:	
16	1703900	4	Brazil Spec <b>(Prior to SN 0300061066)</b>	
16	1704277	4	Brazil Spec <b>(SN 0300061066 through 0300069000)</b>	
16	1704003	4	Canadian Spec <b>(Prior to SN 0300061066)</b>	
16	1704277	4	Canadian Spec <b>(SN 0300061066 through 0300069000)</b>	
16	Not Required	4	Japanese Spec	
16	1702690	4	Latin American Spec <b>(Prior to SN 0300061066)</b>	
16	1704277	4	Latin American Spec <b>(SN 0300061066 through 0300069000)</b>	
17	See Note	1	Nameplate - Serial Number (Note: Not Available for Purchase)	
18		Ref	Decal - Inspection Options:	
18	Not Required	1	Brazil Spec	
18	1704006	1	Canadian Spec	
18	Not Required	1	Japanese Spec	
18	1702552	1	Latin American Spec	
19	See Note	1	Decal - Bar Code (Note: Not Available for Purchase)	
20		Ref	Decal - Patent Options:	
20	1700584	1	Brazil and Japanese Specs	
20	1700584	1	Canadian Spec	
20	1702573	1	Latin American Spec	
21	4567080	4	Tube, Spacer <b>(Prior to SN 0300038630)</b>	
22	1702300	4	Decal - Tie Down/Lift	
23	1701500	4	Decal - Tie Down/Lift	
24	1701529	4	Decal - Arrow	
26	3820001	4	Rivet	
27	0641408	1	Bolt 1/4in-20NC x 1in	
28	1060279	1	Cable, Lanyard	
29	3311405	AR	Locknut 1/4in-20NC	
30	4751400	AR	Flatwasher 1/4in Regular	
31	0860520	1	Box, Manual Storage	
32		Ref	Panel, Pedestal Options:	
32	3380423	1	Panel, Pedestal <b>(Prior to SN 0300029672)</b>	
32	3380434	1	Panel, Pedestal <b>(SN 0300029672 through 0300069000)</b>	
33		Ref	Decal - Legend Options:	
33	Not Required	1	Brazil and Japanese Specs	
33	1702784	1	Canadian Spec	
33	1702972	1	Latin American Spec	
34		Ref	Decal - Warning/Danger Options:	
34	Not Required	1	Brazil and Japanese Specs	
34	1703924	1	Canadian Spec	
34	1702973	1	Latin American Spec	
35		Ref	Decal - Warning Options:	
35	Not Required	2	Decal - Warning (600A Brazil Spec)	
35	Not Required	2	Decal - Warning (600AJ Brazil Spec)	
35	1704099	2	Decal - Warning (600A Canadian Spec)	
35	1703996	2	Decal - Warning (600AJ Canadian Spec)	
35	Not Required	2	Decal - Warning (600A Japanese Spec)	

## SECTION 8 - DECALS

ITEM	PART NUMBER	QTY	DESCRIPTION	REV
35	Not Required	2	Decal - Warning (600AJ Japanese Spec)	
35	1702974	2	Decal - Warning (600A Latin American Spec) <b>(Prior to SN 0300047410)</b>	
35	1704100	2	Decal - Warning (600A Latin American Spec) <b>(SN 0300047410 through 0300069000)</b>	
35	1702974	2	Decal - Warning (600AJ Latin American Spec)	
36	4420051	21 ft/6.4m	Decal - Corner Warning Stripe <b>(Prior to SN 0300038630)</b>	
37		Ref	Decal - Capacity Options:	
37	1703536	1	Brazil Spec	
37	Not Required	1	Canadian Spec	
37	1701924	1	Japanese Spec	
37	Not Required	1	Latin American Spec	
38		Ref	Decal - Caution Options:	
38	1703538	1	Brazil Spec	
38	Not Required	1	Canadian Spec	
38	1703188	1	Japanese Spec	
38	Not Required	1	Latin American Spec	
39		Ref	Decal - Caution Options:	
39	1703548	1	Brazil Spec	
39	Not Required	1	Canadian Spec	
39	1701923	1	Japanese Spec	
39	Not Required	1	Latin American Spec	
40		Ref	Decal - Footswitch Options:	
40	3252540	1	Brazil Spec	
40	1703984	1	Canadian Spec	
40	3252220	1	Japanese Spec	
40	3252489	1	Latin American Spec	
41		Ref	Decal - Fuel Options:	
41	1701505	1	Diesel Machines	
41	1701542	1	Gas Machines	
42		Ref	Decal - LPG Gas	
42	Not Required	0	Non-Dual Fuel Machines	
42	1701543	1	Dual Fuel Machines	
43		Ref	Decal - LP Gas Liquid Withdrawal System	
43	Not Required	0	Non-Dual Fuel Machines	
43	1700818	1	Dual Fuel Machines (English Language)	
43	1704271	1	Dual Fuel Machines (Canadian Spec)	
43	1702720	1	Dual Fuel Machines (Spanish Language)	
44		Ref	Decal - Instructions Options:	
44	1703549	1	Brazil Spec	
44	1704268	1	Canadian Spec	
44	1703007	1	Japanese Spec	
44	1702979	1	Latin American Spec	
45	1702903	1	Decal - #1	
46	1702927	1	Decal - #2	
47	1702924	1	Decal - #3	
48	1702925	1	Decal - #4	
49		Ref	Decal Options:	
49	1703544	1	Brazil Spec	
49	1703990	1	Canadian Spec	
49	1702271	1	Japanese Spec	
49	1702617	1	Latin American Spec	

## SECTION 8 - DECALS

ITEM	PART NUMBER	QTY	DESCRIPTION	REV
50		Ref	Decal Options:	
50	Not Required	0	Decal (600A)	
50	1703541	2	Decal (600AJ)	
51		Ref	Decal Options:	
51	1703543	1	Brazil Spec	
51	1704116	1	Canadian Spec	
51	1703004	1	Japanese Spec	
51	1702976	1	Latin American Spec	
52		Ref	Decal - Capacity Options:	
52	Not Required	1	Decal - Capacity (600A Brazil Spec)	
52	Not Required	1	Decal - Capacity (600AJ Brazil Spec)	
52	1704107	1	Decal - Capacity (600A Canadian Spec)	
52	1704112	1	Decal - Capacity (600AJ Canadian Spec)	
52	Not Required	1	Decal - Capacity (600A Japanese Spec)	
52	Not Required	1	Decal - Capacity (600AJ Japanese Spec)	
52	1703097	1	Decal - Capacity (600A Latin American Spec) <b>(Prior to SN 0300047410)</b>	
52	1704108	1	Decal - Capacity (600A Latin American Spec) <b>(SN 0300047410 through 0300069000)</b>	
52	1702689	1	Decal - Capacity (600AJ Latin American Spec)	
56	0100011	AR	Compound, Locking	
57		Ref	Plug Options:	
57	3520032	2	Plug (600A)	
57	3520033	2	Plug (600AJ)	
58		Ref	Decal - Wheel Load Options:	
58	Not Required	0	Canadian and Latin American Specs	
58	1703098	4	Brazil and Japanese Spec <b>(SN 0300026221 through 0300029671)</b>	
58	1703469	4	Brazil and Japanese Specs <b>(SN 0300029672 through 0300069000)</b>	
59	0641414	2	Bolt 1/4in-20NC x 1-3/4in	
60	0641406	4	Bolt 1/4in-20NC x 3/4in	
65		Ref	Decal - Legend Options:	
65	Not Required	1	Brazil Spec	
65	1703808	1	Canadian Spec	
65	Not Required	1	Japanese Spec	
65	Not Required	1	Latin American Spec	
66	1704885	2	Decal - Website <b>(SN 0300067890 through 0300069000)</b>	



## **SECTION 9 - RECOMMENDED SERVICE PARTS STOCK**

## **SECTION 9 - RECOMMENDED SERVICE PARTS STOCK**

## SECTION 9 - RECOMMENDED SERVICE PARTS STOCK

FIGURE 9-1. MODELS 600A/600AJ/N600AJ

ITEM	PART NUMBER	QTY	DESCRIPTION	REV
	Note	Ref	<b>Note: The following list will service fleets of machines (built to current production per date on the front cover) with emergency repair parts which can be installed in the field. Parts from the list should be replaced when inventory is depleted to keep service parts stock supplied. For further information, contact your JLG dealer or the JLG Industries Parts Department.</b>	
		Ref	<b>STANDARD PARTS</b>	
	7012944	1	Coil	
	2120150	4	Element, Filter	
	7016312	1	Switch, Indicator	
	2120149	4	Element, Filter	
	7016313	1	Switch, Indicator	
	7012772	1	Coil	
	7012768	1	Coil	
	7012664	4	Element, Air Cleaner	
	3740067	1	Relay	
	4360392	1	Switch, Indicator	
	4360294	1	Breaker, Circuit	
	7014810	1	Breather	
	4360475	1	Switch, Mushroom	
	4360469	1	Switch, Key	
	2860030	1	Key, Replacement	
	4360328	1	Switch, Toggle	
	4360476	1	Contact, Switch Block	
	3740049	1	Relay	
	7016502	2	Power Track Repair Section	
	7006140	2	Power Track Repair Section	
	7006152	24	Power Track Pin Kit	
	2940074	1	Latch	
	4360331	1	Switch, Toggle	
	7022818	1	Potentiometer	
	7022824	1	Electric Assembly	
	7019166	1	Switch, Micro	
	4360387	1	Switch, Push Button	
	2400061	2	Fuse, 10Amp	
	2400065	2	Fuse, 30Amp	
	3990010	2	Diode	



## SECTION 9 - RECOMMENDED SERVICE PARTS STOCK

FIGURE 9-2. MODELS 600A/600AJ/N600AJ

ITEM	PART NUMBER	QTY	DESCRIPTION	REV
	Note	Ref	<b>Note: The following list will service fleets of machines (built to current production per date on the front cover) with emergency repair parts which can be installed in the field. Parts from the list should be replaced when inventory is depleted to keep service parts stock supplied. For further information, contact your JLG dealer or the JLG Industries Parts Department.</b>	
		Ref	<b>VARIABLE PARTS</b>	
	7016324	4	Filter, Fuel (Machines with Continental Engine)	
	7016340	12	Filter, Oil (Machines with Continental Engine)	
	7016328	4	Filter, Fuel (Machines with Deutz Engine)	
	7016331	12	Filter, Oil (Machines with Deutz Engine)	
	7016601	4	Filter, Fuel (Machines with Carburetor Ford Engine)	
	7021868	12	Filter, Oil (Machines with Ford Engine)	
	7016601	4	Filter, Fuel (Machines with Ford EFI Engine)	
	3740080	1	Relay, Bosch (Machines with Generator)	

**SECTION 10 - SPECIAL OPTIONS**

# SECTION 10 - SPECIAL OPTIONS

FIGURE 10-1. SPECIAL OPTIONS

ITEM	PART NUMBER	QTY	DESCRIPTION	REV
		Ref	<b>Note: This list is to accommodate machines ordered with special equipment. Options may not be applicable to all models. For more specific parts information contact JLG Parts Department.</b>	
		Ref	<b>MISCELLANEOUS SPECIAL OPTIONS</b>	
		Ref	<b>Airline to Platform Installation Options:</b>	
	0256342	Ref	Airline to Platform Installation (1/2in - 600A)	
	0271475	Ref	Airline to Platform Installation (1/2in Airline and (1) Welding Cable - 600A)	
	0258966	Ref	Airline to Platform Installation (1/2in - 600AJ)	
	0255368	Ref	<b>Alarm Installation (Tilt)</b>	
	0255400	Ref	<b>Alternator Installation - Enclosed</b>	
	2910477	Ref	<b>Cam Valve Replacement Kit</b>	
	0256789	Ref	<b>Camera Mount Assembly</b>	
		Ref	<b>ClearSky (Telematics) Installations (Dealer Installed)</b>	
	1001242409	Ref	<b>ClearSky (Telematics) Access Control Installation Kit (Dealer Installed) (ANSI, ANSI Export and CSA Specs)</b>	
	1001243183	Ref	<b>ClearSky (Telematics) Added-on Kit (Dealer Installed) (ANSI, ANSI Export and CSA Specs)</b>	
	1001243184	Ref	<b>ClearSky (Telematics) Added-on Kit (Dealer Installed) (CE Specs)</b>	
		Ref	<b>ClearSky (Telematics) Kits</b>	
	1001104982	Ref	<b>ANSI Spec</b>	
	1001104983	Ref	<b>ANSI Export/Japanese Spec</b>	
	1001104984	Ref	<b>CSA Spec</b>	
		Ref	<b>Note: Refer to ClearSky (Telematics) Manual p/n 3128499 for Serviceable Parts.</b>	
	0256059	Ref	<b>Cold Weather Package - Continental</b>	
	0256060	Ref	<b>Cold Weather Package - Deutz</b>	
	0258927	Ref	<b>Cold Weather Package with Glow Plugs - Deutz</b>	
	0271333	Ref	<b>Cold Weather Package with Glow Plugs - Deutz (With ADE System) (Prior to SN 0300064249)</b>	
	0271912	Ref	<b>Cold Weather Package with Glow Plugs - Deutz (With ADE System) (SN 0300064249 through 0300069000)</b>	
	0257157	Ref	<b>Cold Weather Package with Ether Start - Deutz</b>	
	0255386	Ref	<b>Cold Weather Package - Ford</b>	
	0272077	Ref	<b>Cold Weather Package - Isuzu</b>	
		Ref	<b>Container - Tray Storage Options:</b>	
	1580012	1	Center	
	1580013	1	Rail	
		Ref	<b>Decal Installations Options:</b>	
	1702788	1	Decal - Biodegradable Hydraulic Fluid	
	1704174	1	Decal - Syn Biodegradable Hydraulic Fluid	
	0253550	Ref	Decal Installation - CSA	
	3252221	1	Nameplate - CSA	
	0256957	Ref	Decal Installation - Lanyard Attach (GM K-1 Spec)	
	0256487	Ref	Decal Installation - Prop 65 Warning (Diesel Machines) (California Spec)	
	0256488	Ref	Decal Installation - Prop 65 Warning (Gasoline Machines) (California Spec)	
	0257195	Ref	Decal Installation - Government Warranty	

## SECTION 10 - SPECIAL OPTIONS

ITEM	PART NUMBER	QTY	DESCRIPTION	REV
	1702720	Ref	<b>Decal - LP Gas (Latin America)</b>	
	0271123	Ref	Decals Installation - Sunbelt	
		Ref	Decals Installation - United Rentals Options:	
	0270958	Ref	United Decals Installation <b>(Prior to SN 0300069252)</b>	
	0271895	Ref	United Decals Installation <b>(SN 0300069252 through 0300069000)</b>	
	0272312	Ref	Decal Installation - Tire Sealant	
	2902203	1	Kit - Tire Sealant	
		Ref	<b>Decal Kit Options:</b>	
	2910023	Ref	Decal Kit - 600A (ANSI Spec)	
	2900968	Ref	Decal Kit - 600AJ (ANSI Spec)	
	2900936	Ref	Decal Kit - 600A (Brazil Spec)	
	2910046	Ref	Decal Kit - 600AJ (Brazil Spec)	
	1001108725	Ref	Decal Kit - Platform	
	2910869	NLA	Decal Kit - Platform Box (Use p/n 1001119561)	
	0259639	Ref	<b>Drive/Steer Remote Installation</b>	
	0259644	1	Control Box, Remote	
	0258696	Ref	<b>Engine Block Heater Installation (Ford Engine Machines)</b>	
		Ref	<b>Filter Kits:</b>	
		Ref	<b>Combined Filter Kit (Hydraulic/Air and Fuel/Engine Oil)</b>	
	2910463	NLA	<b>Deutz Engine (Use p/n 1001110993)</b>	
	2910461	NLA	<b>Ford LRG-423 Engine (Use p/n 1001114038)</b>	
	2910946	NLA	<b>Ford LRG-423 Engine (Use p/n 1001114038)</b>	
	2910462	1	<b>Ford LRG-425 W/Carb Engine (SN 0300037117 through 0300069000)</b>	
	2910460	NLA	<b>Ford LRG-425 W/EFI Engine (Use p/n 1001114039)</b>	
		Ref	<b>Hydraulic/Air Filter</b>	
	1001109692	1	<b>Deutz and Ford Engine</b>	
	2910931	1	<b>Deutz and Engine W/Noise Reduction (Prior to SN 0300064249)</b>	
		Ref	<b>Fuel/Engine Oil Filter</b>	
	1001110133	1	<b>Deutz Engine Only</b>	
	4060959	Ref	<b>Footswitch Shield</b>	
	See Note	Ref	<b>Generator (2500W) Installation Kit (Note: Contact JLG Parts Dept)</b>	
	1001175815	Ref	<b>Generator (4000W/50Hz) Installation Kit</b>	
	See Note	Ref	<b>Generator (7500W) Installation Kit (Note: Contact JLG Parts Dept)</b>	
	0258928	Ref	<b>Glow Plug Installation (Deutz)</b>	
	0271548	Ref	<b>Glow Plug Installation (Deutz) (With ADE System)</b>	
	2910100	Ref	<b>Hose/Cable Chafe Kit</b>	
	1001204908	Ref	<b>Hose Kit - Lower Boom (600A)</b>	
	1001204904	Ref	<b>Hose Kit - Lower Boom (600AJ)</b>	
	2902470	Ref	<b>Hose Kit - Upper Boom (600A)</b>	
	2902472	Ref	<b>Hose Kit - Upper Boom (600AJ)</b>	
	0256780	Ref	<b>Oil Cooler Installation - Continental</b>	
	1282668	Ref	<b>Oil Cooler Installation - Continental</b>	
	0256765	Ref	<b>Oil Cooler Installation - Deutz</b>	
	1282665	Ref	<b>Oil Cooler Installation - Deutz</b>	
	0256778	Ref	<b>Oil Cooler Installation - Ford</b>	
	1283309	Ref	<b>Oil Cooler Installation - Ford</b>	
	0256343	Ref	<b>Oxy-Acetylene Lines to Platform Installation</b>	

## SECTION 10 - SPECIAL OPTIONS

ITEM	PART NUMBER	QTY	DESCRIPTION	REV
	0270723	Ref	<b>Platform Beacon Installation</b>	
	0255398	Ref	<b>Platform Console Cover Installation (Prior to SN 0300067890)</b>	
	1670764	1	Cover, Console	
	1670784	1	Tear Away Sheet (10 Pack)	
	0258703	Ref	<b>Platform Console Cover Installation (SN 0300067890 through 0300069000)</b>	
	1001205175	Ref	<b>Platform Console Cover Add-on Kit</b>	
		Ref	<b>Platform Entry Kit</b>	
	1001142504	Ref	<b>Kit, Replace Swing Gate with Drop Bar</b>	
	1001142505	Ref	<b>Kit, Replace Drop Bar with Swing Gate</b>	
	0256829	Ref	<b>Platform Self-Closing Gate Installation (GM Spec)</b>	
	0270511	Ref	<b>Platform Top Rail W/Gate (6FT) Installation (CSA)</b>	
	0271771	Ref	<b>Platform Top Rail W/Gate (8FT) Installation (CSA)</b>	
		Ref	<b>Platform Huck Fasteners Replacement Hardware</b>	
	0641614	AR	Bolt 1/4in-20NC x 2in	
	3311405	AR	Locknut 1/4in-20NC	
	4711400	AR	Flatwasher 1/4in Thin	
	3300151	AR	Acorn Nut 1/4in-20NC	
	0257616	Ref	<b>Precision Governor Controller Relocation</b>	
	4922016	1	Harness, Extension	
		Ref	<b>Sky Accessory:</b>	
	0272618	Ref	SkyPower - 7500W 60Hz	
	0272435	Ref	Decal - SkyPower	
	0272590	Ref	Plasma Cutter (SkyCutter)	
	0272599	Ref	Decal - SkyCutter	
	0272254	Ref	Welder - Stick, 250A	
	0272448	Ref	Decal - SkyWelder	
		Ref	<b>Note: For Breakdown of Sky Accessories Refer to Accessory Manual p/n 3124242</b>	
		Ref	<b>SkyGuard Component Options:</b>	
	1001149560	Ref	SkyGuard Complete Add-On Kit (Non-UGM Machines)	
	1001137672	Ref	SkyGuard Platform Sensor Kit	
	1001143256	Ref	SkyGuard Blue Beacon Kit	
	1001227121	Ref	SkyPower Generator Service Kit Installation (Deutz Engines)	
	0272301	Ref	<b>Tire Sealant Installation</b>	
		Ref	<b>Tools for Service</b>	
	2901443	1	Analyzer Kit	
	7002840	1	Antirotation Pin Removal Tool	
	8896941	1	Wire Stripper	
	7002821	1	Wire Crimper (To install wire ends to wires)	
	7002823	1	Pin/Socket Extractor - Universal (To Remove Pins/Sockets from Connectors)	
	4460467	1	Extractor - 16-18 Gauge (For Removal of Pin/Sockets from Deutsch Connectors)	
	4460510	1	Extractor - 12-14 Gauge (For Removal of Pin/Sockets from Deutsch Connectors)	
	7002822	1	Screwdriver, Potentiometer (To Adjust Drive Controllers)	
	7016654	1	Screwdriver, Magnetic	
	7004275	1	Seal Installation Tool - 1in	
	7004276	1	Seal Installation Tool - 1-1/2in	
	7002826	1	Seal Installation Tool - 2in	
	7016655	1	Wire Rope Sheave Gauge	



## SECTION 10 - SPECIAL OPTIONS

ITEM	PART NUMBER	QTY	DESCRIPTION	REV
	7016652	1	Huck Bolt FASTER (For Small Huck Bolts Only)	
	4921850	1	Throttle Service Harness	
	4922012	1	"Rexroth" Card Service Harness	
	1001137005	1	Software Cable Kit	
	7002840	1	Pin Removal Tool (Oscillating Axle Cam Valve)	
	0255385	Ref	<b>Tool (Hydraulic) Circuit Installation - Deutz Engine/Ford Engine (600A &amp; 600AJ) (Prior to SN 0300066200)</b>	
	0272350	Ref	<b>Tool (Hydraulic) Circuit Installation - Deutz Engine/Ford Engine (600A &amp; 600AJ) (SN 0300066200 through 0300069000)</b>	
	0255901	Ref	<b>Tool (Hydraulic) Circuit Installation - Deutz Engine 600AJ</b>	
	0255384	Ref	<b>Tool (Hydraulic) Circuit Installation - Ford Engine 600A</b>	
	0255900	Ref	<b>Tool (Hydraulic) Circuit Installation - Ford Engine 600AJ</b>	
	0257728	Ref	<b>Tube Rack Installation</b>	
	0258918	Ref	<b>Utility Rack Installation</b>	
	0256344	Ref	<b>Weld Leads Installation</b>	



**PART NUMBER INDEX**

## SECTION 10 - SPECIAL OPTIONS

0060031.....183	0200742.....88	0255487.....287	0256715.....21
0060033..64, 74, 81, 121, 356	0236631.....205	0255488.....287	0256716.....21
0060035.....183	0253550.....392	0255489.....287	0256717.....21
0060066.....171, 187	0254798.....53	0255513.....25	0256754.....63
0060068.....166, 187	0255025.....53	0255514.....25	0256756.....92
0060074.....171, 183	0255238.....165	0255524.....134	0256757.....79
0060076.....166, 183	0255239.....170	0255605.....25	0256759.....92
0080091.....92, 100	0255262.....137	0255606.....25	0256765.....305, 393
0080124.....113	0255281.....180	0255628.....91	0256778.....305, 393
0080163.....75, 84	0255288.....180	0255629.....91	0256779.....305
0080177.....74	0255294.....137	0255699.....189	0256780.....393
0080181.....63, 121	0255327.....63	0255854.....21	0256789.....392
0080201 64, 93, 101, 109, 121	0255361.....44, 150	0255855.....21	0256809.....91
0080214.....92, 100, 108	0255368.....149, 392	0255864.....95	0256810.....91
0080215.....63	0255382 ... 357, 365, 374	0255865.....95	0256821.....160
0080216.....64	0255384.....395	0255873.....66	0256822.....161
0080230.....121	0255385.....395	0255874.....66	0256829.....394
0080241.....149	0255386.....392	0255875.....75	0256847.....84
0100009.....142, 209	0255387.....149	0255876.....75	0256895.....69
0100011 ... 13, 14, 17, 18, 21, 25, 26, 44, 53, 64, 69, 74, 80, 83, 88, 91, 93, 99, 101, 104, 107, 109, 118, 122, 133, 137, 141, 145, 149, 153, 156, 160, 161, 166, 167, 172, 175, 176, 179, 180, 189, 191, 205, 210, 241, 243, 245, 249, 251, 253, 255, 257, 259, 261, 263, 267, 277, 281, 283, 285, 301, 380, 386	0255392.....196, 305	0255880.....153	0256933.....160
0100019.....14, 17, 53	0255393.....149	0255885.....237	0256957.....392
0100020...64, 74, 80, 91, 93, 99, 102, 107, 109, 113, 122, 133, 134, 209	0255394.....117	0255886.....237	0257101.....39
0100035.....189, 205, 209	0255395.....69	0255900.....395	0257157.....392
0100038...241, 243, 245, 249, 251, 253, 255, 257, 259, 261, 263, 267, 277, 281, 283, 285, 301	0255396.....87	0255901.....395	0257159.....117
0100040.....199	0255397.....26	0255914.....149, 357	0257160.....87
0100048...145, 149, 209, 370	0255398.....394	0255917 ... 149, 357, 364, 374	0257176... 357, 365, 374
0100062.....133	0255400.....392	0255919.....306	0257195.....392
0100063..15, 18, 22, 241, 246, 253, 257, 263, 268	0255404.....13	0255927.....287	0257339.....133
0100079.....133	0255405.....14	0255928.....287	0257436.....39
0100081.....210	0255406.....14	0256019.....156	0257482.....133
0140001.....44	0255407.....156	0256059.....392	0257495.....383
0140011.....209	0255409.....133	0256060.....392	0257496.....383
0140026.....204	0255410.....53	0256191.....75	0257573.....176
0160020.....82, 102	0255411.....18, 21	0256276.....191	0257616.....394
0181727...63, 73, 79, 92, 100, 108, 121	0255412.....21	0256284.....383	0257671.....133
0181942.....102	0255413.....15, 25	0256291.....383	0257703.....100
0181949.....134	0255414.....18, 25	0256321.....165	0257706.....79
0200530.....69, 88	0255415.....17	0256322.....170	0257728.....395
0200547.....118	0255416.....13	0256342.....392	0257849.....237
0200550.....237	0255417.....17	0256343.....393	0257850.....237
0200741.....88	0255418.....13	0256344.....395	0257851.....117
	0255419.....13	0256366.....191	0257852.....69
	0255420.....25	0256375.....44, 150	0257853.....87
	0255421.....25	0256388.....14	0257855.....69
	0255422.....26	0256391.....14	0257856.....117
	0255423 ... 166, 172, 175	0256392.....17	0257857.....87
	0255424.....92	0256397.....13	0257884.....149
	0255425.....73	0256398.....13	0257885.....149
	0255427.....92	0256399.....18, 21	0257886.....149
	0255438.....189	0256400.....21	0257887... 357, 364, 374
	0255440.....43, 189	0256487.....392	0257992.....99
	0255441.....43, 189	0256488.....392	0257996.....100
	0255442.....43, 189	0256523.....21	0257999.....100
	0255443.....43, 189	0256623.....13	0258048.....196, 305
	0255444.....53	0256624.....13	0258390.....104, 111
	0255452.....379	0256625.....17	0258391.....104, 111
	0255453.....383	0256631.....211	0258569.....83
	0255456.....379	0256670.....383	0258571.....104
	0255457.....383	0256671.....383	0258579.....160
	0255478.....350	0256685.....96	0258580.....160
	0255479.....350	0256686.....96	0258604.....100
	0255482.....287	0256687.....66	0258606.....133
	0255483.....287	0256688.....66	0258696.....393
	0255484.....287	0256689.....82	0258703.....394
	0255485.....287	0256690.....82	0258764.....26
	0255486.....287		0258918.....395

## SECTION 10 - SPECIAL OPTIONS

0258927 .....	392	0272326 .....	165	0630535.....	243, 246, 251,	0641808 .	65, 75, 82, 109,
0258928 .....	393	0272331 .....	25	259, 261, 268, 273,		122	
0258966 .....	392	0272332 .....	25	277, 281, 283, 285		0641809 .....	175
0259198 .....	123, 356	0272350 .....	395	0630536.....	253, 255, 263,	0641810 .....	91, 153, 166,
0259331 .....	383	0272433 .....	374	265		172	
0259332 .....	383	0272435 .....	394	0630548.....	145	0641811 .....	53
0259426 .....	39	0272448 .....	394	0641403.....	166, 172, 176,	0641812 ...	64, 74, 80, 99,
0259427 .....	39	0272480 .....	87	189		107, 122, 167, 172	
0259639 .....	393	0272481 .....	87	0641404 15, 91, 156, 161,		0641816 .....	17, 73
0259644 .....	306, 393	0272590 .....	394	204, 209		0641818 .....	64, 80, 122
0259761 .....	108	0272599 .....	394	0641406....	44, 64, 74, 93,	0641820 13, 17, 137, 166,	
0259762 .....	108, 115	0272618 .....	394	100, 108, 122, 149,		172	
0270123 .....	15, 25	0272624 .....	370	150, 153, 199, 204,		0641826 .....	14, 65, 82
0270124 .....	18, 25	0272625 .....	370	205, 209, 238, 380, 386		0641828 .....	93, 100, 108,
0270181 .....	107	0272970 .....	199	0641407 .....	65, 80, 160	122	
0270196 .....	107	0340002 .....	93	0641408...91, 93, 99, 100,		0642010 ...	65, 74, 81, 94,
0270329 .....	53	0340041 ...	63, 66, 73, 75,	108, 113, 199, 204,		101, 109, 123	
0270395 .....	133	79, 93, 96, 101, 109,		209, 379, 384		0642012 .....	13, 14, 17
0270511 .....	394	121		0641409.....	191	0642018 .....	53
0270645 .....	121	0340046 .	66, 83, 96, 104,	0641410.....	110	0642612 .....	149
0270723 .....	305, 394	111		0641414 .	13, 17, 44, 196,	0642682 .....	167, 172
0270764 .....	211	0362519 .....	40, 134	200, 380, 386		0651406 .....	44
0270805 .....	149	0362529 .....	180, 189	0641416.....	44, 113, 172,	0681606 .....	64, 122
0270814 ...	196, 200, 211,	0370035 .....	253	209		0681608 .	15, 18, 21, 167,
305		0400075 ...	63, 73, 79, 92,	0641424.....	110, 189	173	
0270818 .....	362, 370	100, 108, 121		0641505.....	39	0681610 ....	166, 172, 241
0270820 .....	362, 370	0440018 .....	15	0641506.....	141, 145	0681612 .....	69, 88, 118
0270821 .....	172	0440019 .....	14	0641507....	81, 83, 94, 96,	0681836 .....	53
0270833 .....	149	0440161 .....	15, 18, 21	104, 111, 123		0682016 .....	25, 53
0270846 .....	108, 115	0440207 .....	53	0641508....	45, 66, 70, 75,	0700605 .....	65
0270847 .....	107	0460150 .....	287	88, 96, 118, 122, 293		0700808 .....	80, 123
0270848 .....	108	0460151 .....	287	0641510.....	74, 81	0700810 ...	74, 75, 85, 91,
0270849 .....	107	0460152 .....	287	0641516.....	176	99, 107, 122	
0270850 .....	79	0460154 .....	287	0641520.....	18	0700812 .....	82
0270958 .....	393	0460155 .....	287	0641522.....	15, 18, 44	0700819 .	64, 88, 94, 101,
0271010 .....	379, 383	0460157 .....	287	0641524.....	196	109	
0271123 .....	393	0460159 .....	287	0641532.....	167, 172	0701004 .....	109
0271333 .....	392	0460160 .....	287	0641542.....	26	0701010 ....	102, 107, 122
0271338 .....	170	0460161 .....	287	0641604.....	277, 281	0701012 .	74, 81, 93, 101,
0271475 .....	392	0461416 .....	351	0641605.....	166, 172	109, 121	
0271544 .....	87, 211	0461614 .....	172	0641606...74, 81, 95, 100,		0701014 .....	91, 99, 107
0271545 .....	117, 211	0480050 .....	69, 88, 118	102, 108, 134, 156,		0701015 ...	70, 74, 81, 92,
0271546 .....	117, 211	0480111 .....	88, 118	161, 172, 175, 179,		118, 122	
0271547 .....	87, 211	0480119 .....	88	180, 204		0701022 .....	91, 99, 107
0271548 .....	393	0480121 .....	88	0641607....	172, 176, 179,	0701414 .....	64, 74, 80
0271550 .....	211, 237	0540078 .....	191	191		0701417 .....	69
0271551 .....	211, 237	0540083 .....	191	0641608....	13, 14, 17, 18,	0711414 .....	88
0271552 .....	149, 211	0540099 .....	191	21, 39, 44, 65, 93, 100,		0721003 ....	205, 206, 211
0271608 .....	25	0540104 .....	191	108, 122, 156, 160,		0721004 ...	64, 70, 74, 94,
0271609 .....	25	0540107 .....	191	175, 179, 191		101, 141, 205	
0271610 .....	25	0561076 .....	166, 172	0641609.....	153	0721005 .....	80, 141
0271611 .....	25	0561185 .....	175, 179	0641610....	18, 21, 64, 73,	0721006 70, 88, 100, 107,	
0271612 .....	25	0561237 .....	172, 351	80, 88, 93, 100, 108,		113, 118, 122, 156, 160	
0271613 .....	25	0561248 .....	175	122, 175, 179, 199,		0721010 .....	107, 205
0271672 .....	123	0630427 .....	189	204, 209		0721014 .....	93
0271771 .....	394	0630462 .....	237	0641611....	137, 172, 191	0731005 .....	237
0271895 .....	393	0630464 .....	205, 209	0641612....	13, 14, 18, 65,	0741606 .....	149
0271912 .....	392	0630490 .....	14	175, 237		0741607 .....	166, 172
0271941 .....	199	0630491 .....	149	0641613.....	44	0801019 ....	165, 170, 175
0271945 .....	199	0630498 ...	63, 73, 79, 92,	0641614.....	133, 394	0801020 .....	175
0272070 .....	167, 172	100, 108, 121		0641618....	172, 175, 179	0801021 .....	175
0272077 .....	392	0630507 .....	156, 160	0641624....	102, 167, 172	0801022 .....	165, 179
0272135 .....	170	0630518 .....	142, 145	0641628.....	176	0801023 .....	179
0272254 .....	394	0630534 ...	246, 249, 257,	0641640.....	180	0801025 .....	170, 179
0272296 .....	25	268		0641712.....	65	0801026 .....	179
0272301 .....	394			0641772.....	88, 118	0801027 .....	179
0272312 .....	393					0801066 .....	179

## SECTION 10 - SPECIAL OPTIONS

0801078.....	179	0902237.....	156	1001117320.....	199	1220096.....	211
0801085.....	175	0902242.....	156, 160	1001118416.....	233	1220102.....	211
0801228.....	179	0902243.....	73, 80	1001118417.....	219	1260017.....	53
0840026.....	100	0902309.....	96, 104, 111	1001137005.....	366, 375, 395	1260136.....	238
0860038.....	357, 365, 374	0902310.....	66	1001137672.....	394	1282396.....	302
0860520.....	379, 384	0902313.....	156	1001138796.....	273	1282474.....	304, 306
0860984.....	203, 205	0902335.....	161	1001142504.....	394	1282490.....	287
0860989.....	139	0902417.....	82	1001142505.....	394	1282520.....	357
0860990.....	139	0902473.....	83, 104	1001143256.....	394	1282571.....	304
0860991.....	139	0902511.....	80	1001144629.....	199	1282663.....	305
0860992.....	139	0902520.....	137	1001149560.....	394	1282665.....	305, 393
0860993.....	139	0902527.....	122	1001166538.....	235	1282668.....	305, 393
0860994.....	139	0902539.....	107	1001166539.....	221	1282672.....	304
0861018.....	139	0902751.....	209	1001175815.....	393	1282685.....	304, 306
0861041.....	206	0902756.....	118	1001204904.....	393	1282828.....	304
0861042.....	203	0920083.....	57	1001204908.....	393	1282937.....	304, 306
0861043.....	203	0920084.....	25, 31	1001205175.....	394	1283309.....	393
0861082.....	206	0920109.....	53, 57	1001223331.....	170, 251	1300019.....	26
0861083.....	203	0920110.....	25, 31	1001223332.....	251	1320012 64, 93, 100, 108, 121	
0861084.....	203	0920117.....	25	1001223511.....	249	1320016.... 64, 73, 80, 93, 101, 109, 121	
0861102.....	139	0920119.....	53, 58	1001223512.....	165, 249	1320017.....	113
0861103.....	139	0940038.....	237	1001227121.....	394	1320019.... 65, 66, 75, 96, 107	
0861115.....	139	0940049.....	156, 161	1001228002.....	165, 271	1320022.... 64, 74, 80, 91, 93, 99, 100, 107, 108, 122	
0861116.....	139	0940070 ...	64, 73, 80, 93, 101, 109, 121	1001228003.....	165, 170, 265	1320031.....	65, 81
0861117.....	139	0940071.....	156, 160	1001228004.....	165, 170, 261	1320032.....	94, 110
0861118.....	139	0961127.....	358	1001228005.....	179, 279	1320040.....	238
0861121.....	139	0961890.....	241, 275	1001228006.....	175, 285	1320060.... 75, 81, 93, 95, 100, 108, 204	
0861122.....	139	0961893 ...	243, 245, 249, 257, 267	1001228007.....	179, 281	1320061.....	94
0861131.....	139	0961894 ...	243, 245, 251, 267	1001228042.....	165, 170, 255	1320070.....	93
0861134.....	203	0961896 ...	277, 281, 283, 285	1001242409.....	392	1320095.....	204
0861135.....	203	0961897.....	259, 261	1001243183.....	392	1320127.....	134
0861232.....	139	0961898.....	253, 255	1001243184.....	392	1320131.....	82
0861233.....	139	0961899.....	263	1060012.....	350	1320176.....	82
0861244.....	139	0961947 ...	172, 243, 245, 249, 257, 267, 271	1060016.....	351	1320218.....	134
0861245.....	139	0961948 .	15, 18, 22, 166, 172, 179, 259, 261	1060279.....	379, 384	1320220.....	134
0861251.....	139	0961949 ...	166, 172, 175, 253, 255, 263, 265	1060330 ...	209, 238, 358, 362	1320222.... 65, 74, 81, 92, 99, 102, 123	
0861252.....	139	0961950.....	13, 14, 17	1060341 ...	238, 358, 365, 366, 374, 375	1320223.... 65, 74, 81, 92, 94, 99, 101, 109, 122	
0861302.....	139	0961951 ...	166, 172, 179, 243, 245, 251, 267, 273	1060494 ...	350, 351, 357, 358, 362, 363, 365, 370, 371, 374	1320229.....	166, 172
0861332.....	139	0961977.....	275	1060515.....	350	1320243.....	166, 172
0861333.....	139	0961986 ...	65, 74, 81, 94, 101, 109, 122	1060516.....	350, 351	1320244.....	82, 102
0861407.....	145	0962005.....	15, 18, 22	1060516.....	350, 351	1320245.....	82, 102
0861408.....	145	0962031.....	65, 122	1060603.....	350, 351	1340050.....	79, 101
0861409.....	145	0962051.....	153	1060637 ...	65, 75, 82, 94, 102, 109, 123	1340056.....	63, 73, 94
0861410.....	145	0962272.....	15, 18, 22	1060896 ....	362, 370, 371	1340060.. 63, 79, 94, 101, 109, 121	
0861411.....	145	0962335.....	172	1060902.....	363, 371	1380136.....	44
0861414.....	209, 210	0962336.....	257	1060918 ....	199, 209, 370	1380147.....	153
0861415.....	209	0962474.....	241	1060945.....	371	1580011 63, 92, 100, 108, 121	
0861468.....	145	1001099835.....	175	1100098.....	13, 17	1580012.....	200, 392
0861469.....	145	1001099836.....	180	1120367.....	133	1580013.....	200, 392
0861470.....	145	1001100321 ..	69, 87, 117	1120460.....	15	1600211.....	92, 100
0861471.....	145	1001104982.....	392	1120484.....	133	1600218.....	204
0861474.....	209	1001104983.....	392	1120487.....	133	1600239.....	203, 225
0861506.....	139	1001104984.....	392	1120552.....	26	1600242.....	203, 213
0861507.....	139	1001107153.....	180	1180336.....	180	1600283.....	203, 229
0861517.....	199, 209	1001108725.....	393	1180338.....	180	1600284.....	203, 215
0861537.....	209, 211	1001109692.....	393	1180339.....	175	1600298.....	108
0902087.....	91	1001110133.....	393	1220022.....	205	1600312.....	145
0902088.....	91, 99	1001113961.....	231, 233	1220023.....	205		
0902109.....	137						
0902132.....	113						
0902159.....	64						
0902206.....	149						
0902210.....	118						
0902212.....	96						
0902216.....	66						
0902217.....	75						
0902219.....	156, 160						

## SECTION 10 - SPECIAL OPTIONS

1600313 .....	209	1683263 .....	170, 267	1701923.....	385	1703098.....	386
1600314 .....	108	1683264 .....	267	1701924.....	385	1703162 ...	64, 73, 80, 92, 100, 108, 121
1600317 .....	209, 217	1683266 .....	165, 267	1702153.....	379	1703181.....	380
1600318 .....	209, 231	1683267 .....	267	1702265.....	380	1703188.....	385
1600327 .....	145	1683269 .....	267	1702271.....	385	1703403.....	39
1600424 .....	213	1683271 .....	165, 243	1702282.....	379	1703404.....	39
1641808 .....	94, 102	1683272 .....	243	1702284.....	379	1703444.....	39
1660157 .....	91, 99	1683274 .....	243, 245	1702292.....	379	1703450.....	39
1660183 .....	63	1683280 .....	13, 17, 241	1702300.....	379, 384	1703453.....	383
1660184 .....	75	1683281 .....	241	1702387.....	205, 211	1703467.....	140, 145
1660218 .....	95	1683283 .....	241	1702537.....	140	1703468.....	140, 145
1660219 .....	137	1683288 ....	165, 170, 263	1702552.....	384	1703469.....	386
1660219RR .....	137	1683289 .....	263	1702563.....	199, 203	1703476.....	82, 101
1660220 .....	64, 121	1683291 .....	263	1702564.....	203, 209	1703534.....	301
1660222 .....	64	1683294 ....	165, 170, 259	1702565.....	203, 209	1703536.....	385
1660223 .....	137	1683295 .....	259	1702566.....	203, 209	1703538.....	385
1660223RR .....	137	1683297 .....	259	1702567.....	203, 209	1703541.....	386
1660233 .....	63	1683299 ....	165, 170, 253	1702573.....	384	1703543.....	386
1660234 .....	75, 84	1683300 .....	253	1702583.....	383	1703544.....	385
1660239 .....	121	1683302 .....	253	1702585.....	383	1703548.....	385
1660249 .....	95	1683304 .....	14, 21, 275	1702610.....	141, 145	1703549.....	385
1660250 .....	95, 103, 110	1683307 .....	179, 277	1702612.....	379	1703549.....	385
1670752 .....	18, 21	1683308 .....	277	1702617.....	385	1703622.....	142
1670764 .....	394	1683310 .....	277	1702633.....	140	1703631.....	101
1670767 .....	156, 161	1683312 .....	175, 283	1702676.....	199, 203, 209	1703797.....	379
1670768 .....	179	1683313 .....	283	1702688.....	380	1703798.....	379
1670769 .....	172, 351	1683314 .....	283	1702689.....	386	1703804.....	379
1670770 .....	156	1683317 .....	179, 277	1702690.....	384	1703805.....	379
1670777 .....	26	1683318 .....	277	1702720.....	385, 393	1703808.....	380, 386
1670784 .....	394	1683320 .....	277	1702740.....	26	1703899.....	384
1670785 .....	237	1683333 .....	243, 245	1702773.....	379, 383	1703900.....	384
1670786 .....	237	1683415 .....	165, 245	1702774.....	379, 383	1703909.....	113
1670787 .....	237	1683416 .....	245	1702783.....	379	1703911.....	113
1670788 .....	237	1683418 .....	170, 245	1702784.....	379, 384	1703924.....	384
1670789 .....	237	1683419 .....	245	1702785.....	379	1703930.....	383
1670791 .....	237	1683949.....	267	1702786.....	380	1703936.....	383
1670793 .....	237	1683952.....	245	1702788.....	392	1703948.....	383
1670795 .....	237	1683962.....	267	1702818.....	379, 383	1703984.....	385
1670796 .....	237	1683963 .....	245, 251	1702819.....	379, 383	1703990.....	385
1670797 .....	237	1683972.....	267	1702860.....	379, 383	1703996.....	384
1670798 .....	237	1683973.....	267	1702861.....	379, 383	1704000.....	384
1670799 .....	237	1683976 .....	245, 249	1702868.....	379	1704003.....	384
1670801 .....	237	1683977.....	245	1702901.....	380	1704006.....	384
1670803 .....	237	1684001.....	259	1702903.....	380, 385	1704096.....	380
1670804 .....	237	1684005.....	259	1702908.....	380	1704099.....	384
1670819 .....	189	1684014 .....	253	1702924.....	380, 385	1704100.....	385
1670824 .....	189	1684015 .....	253	1702925.....	380, 385	1704104.....	380
1670829 ...	142, 145, 204, 209	1684017 .....	263	1702926.....	380	1704107.....	386
1670836 .....	179	1684019 .....	263	1702927.....	380, 385	1704108.....	386
1671037 .....	210	1684090 .....	257	1702938.....	211, 238	1704112.....	386
1683053 ...	243, 245, 249, 257, 267	1684092.....	257	1702961.....	380	1704116.....	386
1683054 .....	277, 283	1684498 ....	165, 170, 253	1702962.....	380	1704174.....	392
1683055 ...	243, 245, 251, 267	1700584 .....	379, 384	1702966.....	380	1704260.....	205, 209
1683057 .....	241	1700818 .....	113, 385	1702971.....	383	1704268.....	385
1683061 .....	259	1701500 .....	379, 384	1702972.....	384	1704271.....	385
1683067 .....	253	1701502 .....	379, 383	1702973.....	384	1704272.....	39
1683069 .....	263	1701503 .....	379, 383	1702974.....	385	1704274.....	39
1683208 ..	14, 18, 21, 275	1701504 .....	379, 383	1702975.....	384	1704275.....	39
1683253 .....	170, 243	1701505 .	65, 74, 81, 123, 380, 385	1702976.....	386	1704277.....	379, 384
1683254 .....	243	1701509 .....	379, 383	1702979.....	385	1704885.....	380, 386
1683256 .....	267	1701518 .....	383	1703004.....	386	1705132.....	146, 210
1683258 .....	171, 257	1701529 .....	379, 384	1703007.....	385	1705364.....	26
1683259 .....	257	1701542 ....	94, 101, 380, 385	1703090.....	204	1840012.....	140
1683261 .....	257	1701543 ....	113, 380, 385	1703091.....	204	1840013.....	140
		1701645 .....	380	1703092.....	204	1840014.....	140
				1703093.....	204	1840015.....	140
				1703097.....	386	1870038.....	306

## SECTION 10 - SPECIAL OPTIONS

1870039.....	306	2220261 .....	134	2220646 .....	299	2660071.....	191
1870052.....	306	2220270 .....	93, 102	2220654 .....	300	2660082.....	191
1870053.....	306	2220273 ...	64, 74, 80, 91, 94, 99, 102, 134	2220657 .....	300	2660099.....	191
1870075.....	306	2220313 ...	64, 74, 80, 122	2220671 .....	293	2660105.....	191
1870087.....	306	2220315 .....	91, 102	2220675 .....	113	2660109.....	191
1870089.....	306	2220317 .....	103	2220710 .....	291	2680423.....	156, 160
1870113.....	306	2220362 .....	291, 293	2220720 .....	65, 92, 100	2680424.....	156, 160
1870131.....	306	2220363 .....	291	2220738 .....	294	2680427.....	156, 160
1870132.....	306	2220365 .....	291, 293	2220767 .....	109	2680433.....	156, 160
2000126.....	91, 95	2220366 .....	299	2220794 .....	74, 81	2680434.....	156, 160
2000131.....	63	2220371 ...	291, 293, 297, 300	2220800 .....	294	2680440.....	160
2000132.....	73, 75	2220372 .....	300	2220805 .....	108	2680441.....	160
2000146.....	79, 83	2220373 .....	291, 301	2220810 .....	299	2680442.....	160
2000149.....	91, 95	2220374 .....	300	2220833 .....	293, 294	2680447.....	160
2000151.....	121	2220375 ...	291, 293, 299	2220873 .....	299, 301	2720015.....	103
2000156.....	99, 103	2220376 .....	299	2220883 ...	246, 249, 251, 253, 255, 257, 259, 261, 263, 283, 285	2720042.....	113
2000160.....	99, 103	2220377 ...	291, 293, 299	2220885 ...	241, 243, 245, 249, 251, 257, 268, 273, 277, 281	2720058... 64, 74, 81, 82, 91, 92, 94, 101, 109, 122	
2000164.....	107, 110	2220379 .....	299	2220886 ...	253, 255, 261, 285	2720112.....	113
2000166.....	107, 110, 115	2220381 .....	299	2220888 .....	263	2720144.....	113, 134
2000172.....	107, 110	2220414 .....	299	2220893 .....	44	2720160.....	94
2000173.....	79, 84	2220415 ...	293, 297, 299	2220899 .....	300	2720271 ... 64, 74, 80, 93, 101	
2000174.....	107, 110, 115	2220416 .....	299	2220909 .....	293	2720338.....	102
2000181.....	107, 110, 115	2220418 .....	134	2220914 .....	294	2720341.....	110, 111
2000182.....	107, 110, 115	2220428 .....	299	2220921 .....	300	2720351.....	74, 80
2000189.....	79, 84	2220429 .....	299	2220923 .....	299	2720392.....	113, 115
2060025... 63, 73, 79, 92, 100, 108, 121		2220430 .....	108	2220947 .....	301	2720393.....	92
2080040.....	196, 199	2220435 .....	291, 294	2220974 .....	299	2720394.....	94
2080044.....	172	2220437 .....	92, 99	2220994 .....	92, 99	2720395.....	64
2120077.....	113	2220451 .....	73, 80, 291	2220998 .....	300	2720396.....	64
2120145.....	44	2220459 .....	64, 74, 80	2220999 .....	300	2720397.....	73, 80
2120146.....	43	2220466 ...	291, 293, 294, 297, 299	2221018 .....	134	2720398.....	73, 80
2120149.....	44, 388	2220468 .....	300	2221019 .....	115, 134	2720423.....	82
2120150.....	43, 388	2220472 .....	299	2221023 .....	82, 102	2720434.....	81
2120169.....	102	2220473 ...	291, 293, 300, 301	2221024 .....	134	2720435.....	92, 100, 108
2160002.....	53	2220490 ...	291, 293, 297	2221028 .....	82, 102	2720436.....	94, 101, 109
2180104.....	113	2220497 .....	299	2221036 .....	301	2720441.....	121
2180125.....	134	2220498 .....	300	2221053 .....	301	2720442.....	121
2180344.....	53	2220500 .....	293, 300	2221065 .....	300	2720449.....	80
2180360.....	113	2220501 .....	291, 294	2400057 .....	142	2720472.....	109
2180371.....	109	2220502 .....	294, 300	2400060 ...	355, 364, 373	2740063.....	304
2180380.....	301	2220504 ...	291, 294, 297	2400061 ...	355, 364, 373, 388	2750532... 64, 74, 80, 91, 93, 99, 102, 107, 108, 122	
2180387.....	134	2220507 .....	291, 294	2400065 ...	363, 371, 388	2750756.....	293
2180388.....	134	2220510 .....	300	2400066 .....	363, 371	2750770.....	293
2180389.....	134	2220511 .....	300	2420109 .....	92	2750790.....	293
2180418.....	113, 115, 134	2220550 .....	294	2420172 .....	141, 145	2750900.....	297
2180467.....	93, 102, 109	2220567 .....	299	2420187 .....	99, 110	2751013.....	293, 297
2180536... 64, 74, 80, 91, 99		2220568 .....	293	2420189 .....	92	2751017.....	293
2180703.....	82, 102, 133	2220574 .....	300	2420203 .....	69, 88, 117	2751020.....	297
2180724.....	301	2220578 .....	299	2460011 .....	69, 87, 117	2751032.....	53
2180798... 63, 73, 79, 93, 101, 109, 121		2220582 ...	291, 294, 297, 299	2460013 .....	69, 87, 117	2751396.....	293
2180800.....	134	2220596 .....	293, 299	2460032 .....	87, 117	2751427.....	293
2200204.....	113	2220599 .....	134	2460034 .....	87, 117	2752245.....	291
2200221.....	94, 121	2220602 .....	294, 299	2500005 .....	91, 99	2752249.....	293
2200222.....	133	2220603 .....	297, 301	2560122 .....	44	2752258.....	291
2200233.....	93, 133	2220605 .....	293	2560123 .....	44	2752324.....	291
2220001.....	53	2220609 .....	299	2560136 .....	203, 209	2752341.....	300
2220005.....	113, 115	2220618 .....	299	2600211 .....	205, 210	2752343.....	300
2220064.....	113, 115	2220619 .....	297, 299	2600216 .....	196	2752349.....	293
2220082.....	113	2220622 .....	293	2600219 .....	196	2752354.....	291
2220124.....	107	2220628 .....	299	2600281 .....	199	2752356.....	300
2220235.....	291, 293	2220635 .....	297, 300	2600287 .....	196	2752398.....	293, 294
2220250... 64, 74, 80, 92, 93, 99, 102, 109						2752434.....	300
2220251.....	113						



## SECTION 10 - SPECIAL OPTIONS

2752444.....	301	2760105 ...	141, 145, 203, 209	2910001.....	356	3251102.70,	89, 118, 211
2752453.....	300	2780205.....	53, 55	2910023.....	393	3251243.....	379, 383
2752459.....	291	2780212.....	14	2910046.....	393	3251813.....	379, 383
2752462.....	300	2780213.....	25, 29	2910100.....	393	3252220.....	385
2752466.....	300	2792177.....	302	2910460.....	393	3252221.....	392
2752468.....	300	2792188.....	299, 302	2910461.....	393	3252489.....	385
2752469.....	300	2792189.....	299, 302	2910462.....	393	3252540.....	385
2752473.....	291, 293	2792191.....	302	2910463.....	393	3272605....	167, 173, 183
2752484.....	301	2792193.....	291, 302	2910477.....	392	3290801.....	74
2752497.....	300	2792194.....	302	2910869.....	393	3300106.....	15, 25
2752500.....	299	2792195.....	44, 293, 302	2910931.....	393	3300151.....	394
2752506.....	299	2792196.....	302	2910946.....	393	3300205.....	141, 145
2752516.....	299	2792199.....	297, 302	2920110.....	149	3300353.....	210
2752519.....	299	2792230.....	302	2920113.....	150	3300390.....	142
2752573.....	293, 299	2792315.....	302	2920129....	141, 205, 209, 350, 352, 363, 370, 371	3300393.....	196
2752579.....	300	2792405.....	302	2920130.....	149	3300408....	142, 145, 209
2752591.....	299	2820031	70, 88, 118, 351	2920140....	196, 200, 358, 365, 374	3310601.....	141, 153
2752592.....	293, 300	2820035 ...	196, 200, 358, 365, 374	2920162.....	69, 88, 117	3310801.....	189
2752593.....	293, 300	2820076.....	161	2920214.....	149	3310805....	44, 134, 189
2752600.....	299	2820077.....	161	2920215.....	149	3311001... ..	122, 141, 156, 160, 199, 205, 211
2752601.....	300	2820078.....	161	2940074....	196, 199, 388	3311005... ..	70, 74, 88, 93, 100, 107, 113, 118, 150, 160, 196, 205, 206
2752602.....	291, 293	2820082.....	161	2940088.....	156, 160	3311401... ..	121, 145, 179, 191, 204, 379
2752603.....	300	2820083.....	161	3010088.....	238	3311405... ..	44, 64, 74, 80, 91, 93, 99, 101, 109, 113, 122, 150, 153, 160, 189, 196, 199, 200, 204, 209, 238, 384, 394
2752604.....	299	2840016.....	153	3020021.....	75, 85	3311501.....	44, 161, 237
2752618.....	301	2840018.....	153	3100076.....	82	3311505... ..	15, 18, 44, 66, 74, 75, 81, 83, 94, 96, 104, 111, 122, 123, 156, 160, 167, 172, 196
2752620.....	291, 294	2860012.....	70, 88, 118	3124114.....	111	3311601....	83, 104, 133, 156, 161, 205, 210, 211
2752635.....	299	2880030....	140, 145, 388	3160200.....	53, 61	3311605... ..	18, 21, 64, 73, 80, 88, 93, 100, 108, 118, 122, 153, 156, 160, 172, 176, 181, 199, 205, 209, 237
2752636.....	300	2890245.....	15	3160204.....	25, 37	3313403.....	15
2752650.....	301	2900708.....	43	3160205.....	25, 35	3321001.....	64
2752655.....	299	2900752.....	127	3160273.....	53, 61	3321005.....	80
2752656.....	299	2900766.....	31, 57	3200362..	63, 81, 92, 100, 108, 122	3321401.....	91, 99
2752723.....	299	2900767.....	32, 58	3200377.....	91	3321402.....	65
2752724.....	299	2900768.....	32, 57	3200378.....	63, 73, 79	3321602.....	65
2752783.....	300	2900770....	43, 183, 241, 259, 261, 283, 285	3200386.....	191	3323403.....	15
2752807.....	293	2900788.....	37	3200387.....	191	3340608....	277, 279, 281
2752813.....	291, 293	2900792 ...	243, 245, 249, 251, 253, 255, 257, 259, 261, 263, 265, 283, 285	3200388.....	191	3340705.....	175, 179
2752814.....	291	2900826.....	127	3200389.....	191	3340756.....	175, 179
2752823.....	297	2900827.....	128	3200390.....	191	3340764.....	180
2752824.....	297	2900827.....	128	3200393.....	191	3340765.....	180
2752889.....	294	2900936.....	393	3200394.....	191	3340787.....	180
2752890.....	293	2900968.....	393	3200395.....	191	3340871.....	175, 179
2752899.....	293	2901273.....	259, 261	3200396.....	191	3340881.....	175, 179
2752912.....	294	2901278.....	277, 283	3200397.....	191	3380423.....	379, 384
2752919.....	293	2901285.....	253, 255	3200401.....	121		
2752920.....	297	2901285.....	253, 255	3200407.....	191		
2752928.....	299	2901301 ...	243, 246, 251, 268	3200408.....	191		
2752929.....	299	2901303 ...	243, 246, 249, 257, 268	3220097.....	66, 96		
2752939.....	300	2901321.....	241	3220098.....	96		
2752962.....	297	2901322.....	263, 265	3220099.....	66		
2752966.....	291, 293	2901358.....	74, 81	3220100.....	75		
2752970.....	291, 294	2901362....	93, 101, 109	3220101.....	75		
2752985.....	300	2901363.....	65	3220103.....	82		
2752987.....	301	2901392.....	73, 80	3220104.....	82		
2752988.....	300	2901443.....	375, 394	3220105.....	66, 96		
2752989.....	301	2901539.....	101	3220106.....	96		
2752990.....	300	2901540.....	81	3220107.....	66		
2752991.....	300	2901763.....	48	3220111.....	83, 104		
2753046.....	301	2901861.....	281, 285	3220113.....	83, 104, 111		
2753047.....	300	2901959.....	122	3220114.....	104, 111		
2753052.....	300	2902203.....	393	3220128.....	123		
2753055.....	300	2902470.....	393	3250032.....	380		
2753056.....	300	2902472.....	393	3250033.....	380		
2753132.....	299			3250872.....	39		
2753133.....	299			3250914.....	64		
2753134.....	300						
2753135.....	300						

## SECTION 10 - SPECIAL OPTIONS

3380428.....81, 93, 121	3450606 ..... 176	3539923 ..... 160	3740132.....142
3380434.....199, 379, 384	3450810 ..... 15	3539930 ..... 167, 172	3760133.....179
3420592.....39	3451012 ..... 15	3539956 ..... 82, 93, 121	3760170.....53
3421453.....39	3480188 ... 243, 245, 251, 267	3539971 ..... 79	3760368....243, 245, 249, 257, 267, 283
3421565.....53	3480206 ..... 253	3539972 ..... 91, 99, 107	3760369....241, 243, 245, 251, 267
3422325 ..... 14	3480210 ... 243, 245, 249, 257, 267	3539988 ... 103, 108, 161	3760370.....259
3422419 ..... 171	3480211 ..... 259	3570103 ..... 92, 100	3760372.....253
3422420 ..... 171	3480212 ..... 277, 283	3570104 ..... 94, 101	3760384.....263
3422421 ..... 171	3480216 ..... 263	3570133 ..... 94, 102	3790012....102, 110, 150, 200, 204, 205, 210, 211
3422422 ..... 171	3510488 ..... 195	3570238 ..... 82, 102	3790110.....184, 279
3422426....13, 14, 17, 18, 21	3510497 ..... 195	3570270 ..... 176	3790152....65, 74, 81, 92, 99, 107, 123
3422427 ..... 14	3510542 ..... 195	3570277 ..... 176	3820001.....39, 150, 191, 379, 384
3422429.....14, 18, 21	3510543 ..... 195	3570283 ..... 121	3841143....13, 14, 17, 18, 21, 64, 73, 80, 93, 100, 108, 121, 166, 171
3422430.....14, 18, 21	3510545 ..... 195	3570374 ..... 167, 172	3841203....166, 171, 175
3422431 ..... 13, 17	3510546 ..... 195	3570375 ..... 176	3841255.....91, 99
3422432 ..... 171	3510565 ..... 195	3570752 ..... 113	3841258.....13, 14, 17
3422434 ..... 166	3510566 ..... 195	3570754 ..... 83	3841262.....14
3422435 ..... 171	3510728 ..... 195	3571421 ..... 79, 100	3841263.....14
3422440 ..... 171	3510760 ..... 195	3572279 ..... 108	3841285.....18, 21
3422442 ..... 165, 170	3510822 ..... 199	3572280 ..... 109	3841288.....64
3422443 ..... 165, 170	3510833 ..... 199	3572307 ..... 107	3841291.....21
3422444 ..... 165, 170	3520026 ..... 142	3572308 ..... 107	3841295.....176
3422446 ..... 63	3520028 ... 69, 70, 87, 88, 117, 118, 204, 209	3572601 ..... 121	3841329.....39
3422447 ..... 166	3520032 ..... 386	3572722 ..... 115	3841340.....172, 179
3422448..73, 79, 93, 100, 108, 121	3520033 ..... 161, 386	3573241 ..... 111	3841347.....176
3422452 ..... 165, 171	3520035 ..... 146	3573279 ..... 123	3841516.....121
3422453 ..... 166	3520054 ..... 142	3580134 ..... 69, 88, 118	3900141.....257
3422454 ..... 166	3520072 ..... 196, 199	3580158 ..... 87	3900166.....166
3422457 ..... 179	3520173 ..... 205	3580250 ..... 117	3900207.....196
3422477 ..... 171	3520174 ..... 142, 211	3580255 ..... 69	3900217.....65, 122
3422489 ..... 166	3530072 ..... 237	3580259 ..... 82	3900224.....205, 210
3422492 ..... 18, 21	3536089 ..... 196, 200	3580260 ..... 102	3900232.....83, 104, 156, 161
3422530 ..... 153	3537287 ..... 63	3580276 ..... 88, 118	3900239.....166, 172
3422532 ..... 65, 81	3537288 ..... 92, 94	3600164 ... 63, 73, 91, 99, 126	3900268.....141, 145
3422533..74, 81, 94, 101, 109, 122	3537290 ..... 63	3600242 ... 63, 73, 79, 91, 99, 107, 121, 131	3910608.....141, 153
3422553 ..... 39	3537318 ..... 53	3600243 ..... 43	3910610.....153, 203
3422558 ..... 171	3537416 ..... 73, 79	3600260 ... 63, 73, 79, 91, 99, 107, 121, 126	3910804.....142, 145
3422559 ..... 171	3537417 ..... 73, 79	3600377 ..... 110	3910806.....44
3422560 ..... 171	3537420 ..... 73, 79	3620030 ..... 63	3910808.....134
3422561 ..... 171	3537445 ..... 153	3620032 ..... 92	3911008.....196, 199
3422563 ..... 171	3537691 ..... 63, 73	3620033 ..... 73, 79	3911024.....142
3422565 ..... 166	3538047 ..... 13, 14, 17	3620040 ... 100, 108, 121	3911040.....150
3422566 ..... 171	3538247 ..... 277, 281	3640493 ..... 304	3930816.....189
3422571 ..... 165, 170	3538724 ..... 63, 73, 92	3640970 ..... 141, 206	3930824.....189
3422572 ..... 165, 170	3538758 ..... 180	3641182 ..... 206	3931408.....82, 189
3422573 ..... 165, 170	3538771 ..... 277	3641882 ..... 206	3931412.....204
3422575....165, 170, 175	3538819 ..... 203	3700010 ..... 141, 204	3931430.....189
3422576 ..... 165, 171	3538873 ..... 92, 100	3730022 ..... 352	3931448.....277, 281
3422577 ..... 166	3539139 ..... 64	3730023 ..... 352	3931516....243, 245, 249, 257, 267, 277, 281, 283, 285
3422578 ..... 166	3539219 ..... 141, 145	3730099 ..... 352	3931620....64, 73, 80, 91, 99, 107, 121, 243, 245, 251, 267, 273
3422579 ..... 171	3539228 ..... 176	3740049 ... 141, 145, 205, 206, 305, 358, 365, 372, 374, 388	3931672.....205, 211
3422580 ..... 166	3539236 ..... 176	3740057 ..... 142, 305	3931720.....259, 261
3422582 ..... 166	3539275 ..... 205, 206	3740058 ..... 204, 304	3931860.....53
3422583 ..... 171	3539281 ..... 149	3740063 ..... 204	3932032.....253, 255
3422590 ..... 18, 21	3539412 ..... 176	3740066 ..... 142, 305	3932224.....53
3422592 ..... 13, 14, 17	3539504 ..... 70	3740067 ... 63, 73, 79, 92, 100, 108, 121, 388	
3422802 ..... 18, 21	3539662 ..... 39	3740080 . 70, 88, 92, 100, 108, 118, 390	
3422860 ..... 171	3539685 ..... 196	3740112 ..... 141	
3422861 ..... 171	3539719 ..... 237	3740113 ..... 142, 205	
3422867 ..... 171	3539779 ..... 166, 172	3740115 ..... 205	
3430816 ..... 153	3539872 . 63, 79, 92, 100, 108, 121	3740126 ..... 123, 356	
3450304 ..... 211	3539877 ..... 14, 17		
3450306 ..... 176	3539879 ..... 14, 18		
3450404 ..... 153			

## SECTION 10 - SPECIAL OPTIONS

3932240 .....	263, 265	4240033 .....	101	4460071.....	199, 204, 210, 362, 365, 370, 374	4460466 ...	350, 362, 370, 371
3941404 .....	102	4240099 93, 95, 101, 113, 196, 200		4460125.....	357, 358, 365, 374	4460467 ...	204, 358, 366, 375, 394
3960098 .....	14	4240102 .....	133	4460134.....	357, 358, 362, 365, 371, 374	4460470 ...	146, 204, 210, 350, 362, 370, 372
3960389 . 65, 80, 94, 101, 109, 122, 156, 160		4240112 .....	133	4460190 69, 87, 117, 358, 365		4460471 ...	146, 204, 210, 350, 362, 370, 372
3960407 .....	74, 81	4280295 .....	133	4460205.....	357, 358, 362, 365, 370, 374	4460473 ...	351, 362, 370, 371
3960418 .....	156, 161	4300056 .....	91, 99	4460224.....	352, 356, 357	4460475 .....	123, 357
3960438 .....	160	4300097 .....	25	4460225.....	350, 352, 353, 362, 370	4460476 ....	123, 354, 356
3960447 .....	156	4300120 .....	25	4460226.....	210, 222, 235, 370, 371, 372	4460488 .....	146, 210
3960461 .....	150	4300148 .....	122	4460227.....	210, 362, 370, 372	4460499 48, 51, 352, 354, 357, 364, 373	
3960462 .....	156, 160	4340678 .....	203, 209	4460233.....	357, 358, 365, 374	4460502 .....	350
3960467 .....	161	4340684 .....	203, 210	4460234.....	142, 149, 150	4460503 ....	206, 350, 351
3960468 . 65, 81, 94, 100, 109, 123		4360031 ....	199, 204, 210	4460265.....	213, 215, 222, 226, 235, 350, 354	4460508 ...	350, 351, 352, 362, 363, 370, 371
3960469 . 65, 81, 94, 100, 109, 123		4360037 .....	91, 99	4460266.....	213, 215, 226, 354, 356	4460509 ...	351, 362, 370, 371
3990001 .....	352	4360057 .....	237	4460267.....	213, 215, 226, 350, 352, 353, 354, 357, 364, 365, 373, 374	4460510 ...	204, 358, 366, 375, 394
3990010 ...	350, 352, 355, 358, 365, 372, 374, 388	4360065 .....	91, 99	4460268.....	213, 215, 226, 352, 353, 354, 356, 372, 373, 374	4460526 ...	141, 142, 146, 372
4060092 ....	357, 365, 374	4360157 .....	92, 99	4460315.....	357, 363, 364, 365, 372, 373, 374	4460536 ...	351, 353, 363, 371
4060700 ....	357, 365, 374	4360188 .....	113, 115	4460320.....	352, 354, 357, 364, 365, 373, 374	4460539 ...	351, 352, 363, 371
4060802 70, 88, 118, 211		4360232 ...	204, 211, 366, 374	4460326.....	353, 357, 364, 373	4460579 ....	355, 363, 372
4060803 .....	196	4360256 .....	82	4460346.....	357, 365, 374	4460580 ....	354, 363, 372
4060804 ...	44, 65, 75, 94, 102, 109, 123, 181	4360265 .....	101	4460374.....	354	4460582 ....	354, 363, 372
4060805 ...	65, 75, 81, 94, 123, 179	4360282 .....	141, 204	4460375.....	354	4460587 .....	354
4060806 .....	94, 102, 109	4360289 .....	139, 203	4460418.....	350, 352, 355, 362, 363, 370, 372	4460588 .....	354
4060807 .....	44	4360294 ...	65, 70, 74, 81, 88, 94, 101, 109, 118, 122, 388	4460419.....	350, 352, 355, 362, 363, 370, 372	4460589 .....	354, 355
4060808 .....	15, 19, 175	4360306 .....	44, 150	4460424.....	352, 354, 357, 363, 364, 365, 372, 373, 374	4460590 .....	354
4060906 .....	141, 145	4360314 ....	141, 204, 205	4460425.....	238, 358, 366, 375	4460591 ....	354, 355, 356
4060907 .....	149	4360315 .....	140	4460426.....	141, 146, 372	4460598 ...	196, 200, 211, 358, 366, 374
4060918 .....	44	4360328 ...	145, 210, 388	4460428.....	141, 189, 204, 210, 238, 350, 358, 362, 370	4460600 ....	141, 206, 305
4060959 .....	393	4360331 ...	102, 199, 204, 205, 210, 388	4460434.....	370, 372	4460601 .....	141, 206
4070863 .....	175, 179	4360336 70, 88, 102, 110, 118, 150, 205, 211		4460442.....	358	4460602 .....	141, 206
4070864 .....	175, 179	4360345 .....	204	4460445.....	353, 354, 357, 364, 373	4460603 .....	141, 206
4070878 ....	13, 14, 17, 18	4360387 ...	142, 203, 210, 211, 238, 388	4460449.....	355	4460607 ...	141, 206, 304
4070879 ....	13, 14, 17, 18	4360392 ...	63, 73, 79, 92, 100, 108, 121, 388	4460457.....	123, 355, 357, 363, 373	4460608 ...	354, 355, 356
4070897 .....	175, 179	4360395 .....	139, 203	4460458.....	123, 355, 357, 363, 373	4460611 ...	65, 74, 81, 93, 101, 109, 122
4070898 .....	175, 179	4360402 .....	141	4460459.....	123, 354, 357	4460613 ....	206, 350, 351
4070929 .....	175, 179	4360405 .....	92, 99	4460460.....	355, 363, 373	4460614 .....	351
4070932 .....	181	4360407 .....	203, 210	4460464.....	210, 350, 351, 353, 362, 363, 370, 371, 372	4460620 .....	350
4070944 .....	14, 17	4360417 .....	44, 150	4460465.....	350, 353, 362, 370, 371	4460621 .....	350
4070945 .....	14, 17	4360436 .....	133			4460628 .....	141
4070987 .....	142, 145	4360455 .....	92, 99			4460629 .....	206
4070991 .....	142	4360469 ...	140, 145, 388			4460630 .....	141
4100025 . 75, 83, 95, 102, 108		4360475 ...	139, 146, 203, 210, 388			4460631 .....	141, 206
4120012 .....	141, 305	4360476 ...	141, 146, 204, 210, 388			4460632 .....	206
4120013 .....	206, 304	4360542 .....	69, 87, 117			4460634 .....	352, 372
4120035 ...	141, 205, 350, 352, 362, 363, 370, 372	4400275 .....	134			4460635 .....	352, 372
4130325 .....	14	4400372 .....	133, 134			4460693 .....	356
4130326 .....	14	4400373 .....	133			4460701 ...	357, 358, 365, 374
4130330 .....	18, 21	4400399 .....	133			4460708 ....	210, 370, 371
4130331 .....	18, 21	4400407 .....	133			4460711 .....	142
4130340 .....	14	4400420 .....	134			4460713 ....	355, 364, 373
4130341 .....	14	4420038 .....	133, 141			4460720 .....	350
4160138 .....	64	4420051 .....	385			4460721 .....	350
4160143 .....	156, 160	4420060 .....	180, 189			4460725 ....	355, 364, 373
4160152 .....	156, 160	4460023 .....	70, 88, 118				
4220162 .....	149	4460027 69, 87, 117, 358, 365					
4220165 .....	196	4460042 .....	196, 210				
4220168 .....	196	4460049 .....	237				
4240018 .....	206						
4240032 .....	93, 149, 150, 206						

## SECTION 10 - SPECIAL OPTIONS

4460726.....355, 364, 373	4567071 ..... 94, 101	4641045 ..... 189	4770600.....153
4460728.....364, 373	4567072 ..... 64	4641097 ..... 43, 47	4791400...74, 81, 91, 94, 100, 113
4460742.....356, 364, 373	4567073 66, 96, 104, 111, 123	4641105 ..... 189	4791600.....92, 93, 101
4460758.....142	4567080 ..... 379, 384	4641139 ..... 189	4812000.....118
4460760.....142	4567112 ..... 79	4641162 ..... 241	4831900...65, 75, 82, 85, 94, 101, 109, 123
4460761 .....210, 370, 372	4567169 ..... 94	4700005 ..... 113	4832000..75, 85, 93, 101, 107, 109
4460777 .....355	4567172 ..... 39	4711000 ..... 205	4844790.....166, 171
4460780.....353	4567213 ..... 82, 102	4711400 ... 13, 17, 44, 65, 75, 81, 94, 102, 109, 123, 149, 189, 196, 200, 238, 394	4844815.....171
4460783.....353	4567214 ..... 82, 102	4711500 ... 39, 44, 45, 66, 75, 83, 96, 104, 111, 123, 211, 294	4844816.....171
4460784.....353	4567215 ..... 102	4711600 ... 13, 14, 17, 18, 39, 44, 75, 81, 122, 166, 172, 175, 180	4844817.....171
4460790.....354	4567241 ..... 176	4711800 .... 153, 166, 172	4844924.....195
4460799.....355, 364, 373	4567428 ..... 82	4711900 ..... 82	4844925.....195
4460800.....355, 364, 373	4567429 ..... 83	4712600 ..... 39	4844926.....195
4460836.....353	4567430 ..... 83	4713000 ..... 39	4844927.....195
4460837 .....353	4567431 ..... 83	4713400 ..... 39	4844954.....195
4460850.....353	4567571 ..... 82, 102	4740016 ..... 15	4844955.....195
4460856.....353	4567572 ..... 82, 102	4740076 ..... 156, 161	4844956.....195
4460857 .....353	4567573 ..... 82	4740158 ..... 13, 14, 17	4844958.....53
4460865.....362, 370, 371	4567574 ..... 82	4740171 ..... 160	4844960.....13
4460866....362, 363, 370, 371, 372	4567576 ..... 82	4740171 ..... 160	4844961.....63, 73, 93
4460871....210, 217, 219, 231, 233, 362, 363, 364, 370, 372, 373	4567730 ..... 102	4740274 .65, 82, 94, 102, 109, 122	4844964.....133
4460873....362, 363, 370, 372	4567731 ..... 102	4740362 ... 150, 200, 204, 210	4844969.....180
4460874....146, 362, 370, 372	4567815 ..... 82	4740397 70, 88, 118, 211	4844972.....180
4460875....146, 362, 370, 372	4567879 ..... 109	4740439 ..... 171	4844979.....180
4460876.....363, 372	4568116 ..... 133	4740442 ..... 65, 122	4844983.....176
4460878.....363, 372	4568119 ..... 133	4740444 ..... 141, 146	4844984.....175
4460879.....362, 370	4568158 ..... 110	4740444 ..... 141, 146	4845035.....92, 100, 121
4460880....363, 364, 372, 373	4568355 ..... 123	4750600 ..... 141, 153	4845041.....17
4460887....362, 363, 370, 372	4640113 ..... 26	4750800 ..... 44, 134	4845059.....63
4460889.....363, 373	4640261 ..... 39	4751000 ... 64, 70, 74, 80, 88, 93, 99, 100, 107, 113, 118, 122, 141, 150, 153, 156, 160, 196, 199, 205, 206, 237	4845080.....73, 79
4460890.....363, 373	4640391 ..... 113	4751400 ... 64, 74, 80, 93, 101, 108, 113, 122, 146, 153, 156, 161, 167, 172, 179, 189, 200, 205, 210, 379, 384	4845127.....166, 172
4460891.....371	4640438 ..... 259, 261	4751500 ... 15, 18, 70, 82, 88, 107, 118, 122, 156, 160, 196, 237	4845152.....94
4460897 .....371	4640509 ... 243, 245, 249, 251, 253, 255, 257, 259, 261, 263, 265, 283, 285	4751600 ... 64, 70, 74, 80, 83, 88, 93, 100, 104, 108, 118, 122, 133, 134, 137, 156, 160, 161, 167, 172, 200, 204, 210, 237, 277	4845157.....64
4460905....146, 210, 370, 372	4640525 ..... 241	4751800 ... 13, 17, 65, 75, 82, 93, 100, 108, 122, 137, 156, 176, 237	4845162.....73
4460959.....374	4640605 ... 253, 255, 263, 265	4751900 ..... 69, 88	4845163.....153
4460960.....374	4640647 ..... 283, 285	4752000 ... 65, 74, 81, 94, 102, 109, 123	4845181.....69
4460968.....189	4640744 ..... 299	4760600 ..... 141	4845184.....88
4520171 .....26	4640750 ..... 91	4761000 ... 142, 156, 160, 196, 205, 211	4845194.....156, 160
4520172 .....26	4640751 ..... 73, 79	4761400 ..... 146, 191	4845200.....156
4520173 .....26	4640858 ..... 241	4761500 ..... 107, 237	4845203.....156, 160
4520210.....26	4640862 .... 277, 279, 281	4761600 ..... 39	4845281.....39
4520211.....26	4640866 ..... 43		4845283.....39
4520259.....26	4640871 ..... 13, 17		4845308.....237
4562083.....379	4640902 ..... 257		4845309.....237
4562516.....94	4640906 ..... 45, 293		4845327.....195
4564281.....91, 99, 110	4640907 ..... 43		4845328.....195
4564417 .....118	4640908 ..... 43		4845384.....179
4566408.....259	4640920 ..... 43, 47		4845394.....82
4566425.....277	4640921 ..... 43, 51		4845395.....81
4566468....243, 245, 249, 251, 267	4640922 ..... 44, 51		4845404..63, 79, 93, 100, 108, 121
4566471 .....257	4640923 ..... 15, 18		4845408.....195
4566501.....253	4640925 ..... 189		4845409.....195
4566605.....91, 99, 107	4640929 ..... 189		4845410.....196
4566667 .....263	4640930 ..... 43		4845412.....195
4566832.....13, 17	4640932 ... 246, 249, 251		4845413.....195
4566892.....176	4640937 ..... 18		4845414.....160
4566986.....65, 75	4640939 ..... 297		4845426.....195
	4640952 ..... 63		4845450.....39
	4640989 ..... 91, 99, 107		4845451.....39
	4640999 ..... 283, 285		
	4641019 ..... 121		
	4641022 ..... 133		

## SECTION 10 - SPECIAL OPTIONS

4845453	63	4922166	140, 353	4933167	306, 363	70002731	219
4845469	195	4922168	352	4933168	306, 363	70002732	219
4845531	88	4922185	140, 353	4933212	371, 372	70002733	219
4845532	121	4922200	140, 353	4933213	371, 372	70002734	219
4845612	102	4922329	140, 353	4933215	304, 365, 374	70002735	219
4845668	83, 104	4922335	352	4933216	365, 374	70002813	83
4845682	166, 171	4922380	140, 353	4933218	305	70002906	219
4846005	165	4922482	365, 374	4933219	305	70003483	199
4846006	170	4922484	305	4933228	306, 351	70003556	84
4846101	195	4922485	146, 210	70000121	115	70003784	203, 210
4846102	195	4922493	362, 370	70000123	69, 87, 117	70004738	235
4846103	195	4922494	362, 371	70000124	69, 87, 117	70004739	235
4846236	108	4922508	364, 372, 373	70000125	69, 87, 117	70004740	235
4846248	108	4922509	210, 305, 362	70000163	103	70004741	235
4846253	195	4922514	363, 372	70000579	47	70004742	235
4846254	195	4922515	363, 372	70000580	47	70004743	235
4846255	195	4922516	363	70000582	47	70004744	235
4846452	199	4922637	371	70000583	47	70004745	235
4846479	79	4922638	372	70000646	103	70004746	235
4846510	121	4922639	210, 305, 370	70000787	75	70004747	235
4846566	79	4922641	365, 374	70001002	83, 84	70004748	235
4846573	167, 173	4922643	365, 374	70001017	66, 82, 83, 96, 104, 111, 123	70004749	235
4860158	26	4922666	146, 210, 370, 372	7000126	69, 87, 117	70004750	235
4891400	44	4922810	371	70001423	84	70004751	235
4891500	45, 293	4922811	371	70001498	84	70004752	221
4891600	64, 74, 80, 92, 99, 107, 122, 153, 167, 173	4932783	304	70001681	83, 84	70004753	221
4891800	25, 44, 53, 153, 167, 173	4932797	306, 351	70001697	184, 187	70004754	221
4892000	53	4932798	306, 351	70001941	149	70004755	221
4892600	167, 173	4932799	306, 351	70001976	47, 48, 51	70004756	221
4895000	25	4932812	306	70001999	180	70004757	221
4920385	75	4932815	305	70002000	180	70004758	221
4921736	140, 353	4932828	304, 358	70002001	175	70004759	221
4921737	140, 353	4932839	305	70002002	175	70004760	221
4921738	140, 353	4932848	305, 350	70002002	175	70004761	221
4921739	140, 352	4932894	304	70002011	180	70004762	221
4921771	43, 357	4932896	304	70002012	180	70004763	221
4921772	44, 357	4932902	304	7000209	55	70004764	221
4921801	357, 365	4932903	304	7000214	55	70004765	221
4921828	358	4932904	306	7000217	55	70004766	221
4921829	358, 365, 374	4932905	305, 350	70002234	75, 84	70004767	221
4921848	140, 352	4932906	306	70002235	69, 87, 117	70004768	221
4921850	395	4932909	306, 351	7000228	55	70004769	221
4921922	140, 352	4932911	306, 351	7000229	55	70004770	221
4921924	140, 353	4932912	351	7000230	55	70004771	221
4921925	140, 353	4932914	305, 350	70002307	95, 103, 110	70004772	221
4921926	140, 353	4932915	304, 358	70002373	271	70004773	222
4921927	43, 357, 364, 373	4932917	305	70002411	83, 84	70004774	222
4921928	44, 357, 364, 373	4932917	305	70002412	279	70004775	222
4921938	358	4932940	304, 358	7000242	55	70005230	235
4921954	365, 374	4932962	306, 351	7000246	55	7000625	199, 204, 210
4921955	358	4932971	305	7000253	55	70006369	265
4921970	140, 353	4932977	304	70002530	83, 84	70006370	265
4921991	206, 350	4932980	305	7000255	55	70006371	265
4921992	351	4932986	304	7000256	55	70006372	265
4922002	352	4932989	305, 358	70002567	111	70006373	265
4922006	352	4932990	304	7000257	55	70006374	265
4922007	352	4932993	304	7000258	55	70006442	273
4922008	352	4933006	305	7000263	55	70006443	273
4922012	395	4933025	304	7000269	55	70006444	273
4922016	394	4933026	304	7000270	55	70006445	273
4922095	305	4933027	306	70002724	233	70006446	273
4922165	140, 352	4933055	306, 351	70002725	233	70006447	273
		4933063	306, 351	70002726	233	7000646	95
		4933114	306, 351	70002727	233	70006478	261
		4933149	305	70002728	233	70006479	261
		4933150	304	70002729	233	70006480	261
		4933162	305	70002730	219	70006481	261

## SECTION 10 - SPECIAL OPTIONS

70006482.....281, 285	7003952.....215	7007427.....35	7007987.....31, 57
70006483.....281, 285	7003953.....215, 217	7007428.....35	7008833.....73, 80, 356
70006484.....285	7003956.....213, 215	7007429.....35	7008835.....73, 80
70006486.....255	7003957.....213, 225	7007430.....35	7008836.....73, 80, 356
70006487.....255	7003958.....213	7007431.....35	7010103.....131
70006488.....255	7003959.....213	7007434.....35	7010104.....131
70006489.....255	7003960.....213	7007435.....126	7010105.....131
70006597.....271	7003961.....213	7007436.....126	7010108.....35
70006599.....271	7003963.....225	7007437.....35, 126	7010109.....35
70006601.....271	7003966.....225	7007438.....35, 126	7010110.....35
7000663.....75, 83, 84	7003967.....225	7007439.....35, 126	7010111.....35
70006654.....281	7003968.....225	7007440.....126	7010112.....35
70006655.....281	7003969.....229, 231	7007441.....126	7010113.....35
70006774.....271	7003972... 225, 229, 231,	7007442.....126	7010114.....35
70006775.....271	233	7007444.....126	7010115.....35
70006776.....271	7003973... 225, 229, 231,	7007445.....126	7010116.....35
70006793.....279	233	7007446.....35	7010117.....35
70006813.....279	7003974... 213, 215, 225	7007449.....126	7010118.....35
70006814.....279	7003976... 213, 215, 217	7007453.....126	7010119.....35
70006815.....279	7003977... 213, 215, 217	7007454.....126	7010120.....127
70006816.....279	7003978.....225	7007456.....127	7010121.....127
70006817.....279	7003980... 229, 231, 233	7007458.....127	7010122.....127
70006818.....279	7003981.....225	7007459.....35, 127	7010474.....55
70006819.....279	7003982.....225, 233	7007461.....127	7010488.....55
70006820.....279	7003983... 229, 231, 233	7007463.....127	7010492.....55
70006821.....279	7003984.....225	7007466.....127	7010494.....55
7000699.....75, 83	7003985.....226	7007468.....127	7010542.....47, 48
7000731.....32	7003986.....231	7007469.....127	7010543.....48
7000796.....31	7003989... 229, 231, 233	7007470.....127	7010638.....79, 101
7000884.....95, 103	7003992... 215, 217, 229,	7007471.....127	7011112... 246, 249, 251
7000897.....103, 110	231	7007472.....127	7011185.....283
7001438.....127	7003993... 215, 217, 229,	7007474.....127	7011328.....43
7001498.....127	231	7007475.....127	7011331.....183
7001625.....275	7003994.....231	7007476.....127	7011332.....183
7001626.....275	7004275.....394	7007477.....127	7011346.....183
7001627.....275	7004276.....394	7007478.....127	7011712.....31
7001628.....275	7005841.....61	7007482.....127	7011713.....31, 57
7001629.....275	7005842.....61	7007483.....127	7011714.....31, 57
7001630.....275	7005845.....61	7007484.....127	7011715.....31, 57
7001633.....275	7005848.....61	7007485.....127	7011716.....31, 57
7001711.....29	7005881.....61	7007486.....127	7011717.....31, 57
7001909.....55	7005882.....61	7007487.....127	7011719.....57
7001911.....55	7005889.....61	7007488.....127	7011720.....57
7001928.....55	7005890.....61	7007489.....131	7012442.....15
7001931.....55	7005891.....61	7007490.....127	7012513.....69, 87, 117
7001985.....55	7005892.....61	7007491.....127	7012514.....69, 87, 117
7001987.....55	7005893.....61	7007492.....127	7012518.....47
7001988.....55	7005894.....61	7007494.....127	7012558.....69, 87, 117
70022564.....271	7005895.....61	7007496.....127	7012560.....140
70023371.....271, 279	7006140.....180, 388	7007497... 127, 356, 364,	7012599.....75, 83
70023373.....279	7006151.....180	373	7012611.....140, 204
7002821... 358, 366, 375,	7006152... 175, 180, 388	7007498... 127, 356, 364,	7012612.....140, 204
394	7006158.....180	373	7012664... 63, 73, 79, 94,
7002822.....394	7006161.....180	7007499.....127	101, 109, 121, 388
7002823... 358, 366, 375,	7007208.....126	7007633.....55	7012679.....95, 103
394	7007412.....127	7007914.....57	7012680.....95
7002826.....394	7007413.....126	7007923.....31, 57	7012681.....95
7002828.....366, 375	7007414.....126	7007924.....31	7012682.....95, 356
7002840.13, 17, 394, 395	7007416.....126	7007933.....31	7012683.....95
7003657.....69, 87, 117	7007417.....126	7007934.....57	7012690.....95
7003886.....226	7007419.....126	7007970.....31, 57	7012693.....13, 17
7003928... 215, 217, 219	7007420.....126	7007977.....31, 57	7012694.....43
7003933.....231	7007421.....126	7007979.....31, 57	7012698.....75
7003935.....229, 231	7007423.....126	7007980.....31, 57	7012699.....43
7003941... 229, 231, 233	7007424.....126	7007983.....31, 57	7012700.....37
7003946... 225, 229, 231	7007425.....35, 126	7007985.....31, 57	7012701.....37
7003951.....213	7007426.....35	7007986.....31	7012702.....37

## SECTION 10 - SPECIAL OPTIONS

7012703..... 37	7014717..... 29	7016800.... 65, 74, 81, 93,	7019110..... 229, 231
7012704..... 37	7014718..... 29	101, 109, 122	7019111... 213, 215, 217,
7012705..... 37	7014719..... 29	7016802..... 74, 81, 122	229, 231
7012706..... 37	7014720..... 29	7016803..... 74, 81	7019112..... 229, 231
7012707..... 37	7014721..... 29	7016804.. 74, 81, 93, 101,	7019114..... 231
7012708..... 37	7014722..... 29	109, 122	7019115..... 229, 231
7012709..... 37	7014723..... 29	7016805..... 65, 74, 93	7019117..... 229
7012710..... 37	7014724..... 29	7016806..... 65	7019122... 213, 215, 217
7012711..... 37	7014725..... 29	7016807.... 93, 101, 109	7019123... 213, 215, 217
7012712..... 37	7014726..... 29	7016808..... 93, 101, 109	7019141..... 215, 217
7012713..... 37	7014727..... 29	7016809..... 65	7019142..... 215, 217
7012714..... 37	7014728..... 29	7016810..... 65	7019143..... 215, 217
7012715..... 37	7014729..... 29	7016811..... 65, 122	7019144..... 215, 217
7012716..... 37	7014730..... 29	7016812..... 74, 81	7019145..... 215, 217
7012768..... 388	7014731..... 29	7016815..... 81	7019147..... 215, 217
7012769..... 47, 48	7014800..... 134	7016816..... 81, 101	7019149..... 215, 217
7012771..... 44	7014801..... 134	7016826..... 81, 101	7019150..... 215, 217
7012772... 44, 47, 48, 51,	7014802..... 134	7016827..... 81, 101	7019151..... 229, 231
388	7014803..... 134	7016831..... 122	7019153..... 229
7012773... 44, 47, 48, 51	7014810..... 134, 388	7016845..... 81	7019154..... 229, 231
7012774..... 44, 48, 51	7014811..... 134	7017089..... 55	7019155..... 229, 231
7012775..... 47, 48	7016180..... 108, 121	7017101..... 183	7019156..... 229
7012776..... 51	7016206..... 26	7017102..... 183	7019157..... 229
7012799..... 48	7016309..... 75	7017106..... 184	7019158..... 229
7012905..... 45, 293	7016312..... 43, 388	7017115..... 183	7019159..... 229
7012907..... 43	7016313..... 44, 388	7017116..... 183	7019160... 225, 229, 231
7012914..... 47, 48	7016314..... 133	7017117..... 183	7019161..... 229, 231
7012918..... 47, 48	7016315..... 140, 204	7017118..... 184	7019162... 229, 231, 233
7012941..... 43	7016322..... 153	7017119..... 183	7019163..... 229
7012944. 43, 45, 47, 293,	7016323..... 66	7017142..... 184	7019164... 229, 231, 233
388	7016324..... 66, 390	7017156..... 184	7019165... 229, 231, 233
7012953. 43, 47, 51, 189,	7016325..... 66	7017157..... 184	7019166... 229, 231, 388
257	7016326..... 66	7017158..... 184, 187	7019167... 229, 231, 233
7012954..... 43	7016327..... 66	7017159..... 184, 187	7019168..... 229, 231
7012959..... 43	7016328..... 83, 84, 390	7017162..... 183, 187	7019171..... 217
7012961..... 43, 257	7016330..... 75, 83	7017163..... 183, 187	7019174..... 215, 217
7012965..... 51	7016331.. 75, 83, 84, 390	7017164..... 183, 187	7019177..... 217
7012967..... 47, 48	7016332..... 75, 83, 84	7017174..... 183	7019192..... 213
7012969..... 48	7016336..... 356	7017177..... 183	7019193..... 213
7012970..... 189	7016340..... 66, 390	7017183..... 183, 187	7019194... 229, 231, 233
7012972..... 45, 293	7016342..... 137	7017193..... 183, 187	7019197..... 215, 217
7012974..... 45, 293	7016346..... 204	7017410..... 47	7019607..... 75, 83
7012980..... 15, 18, 19	7016374..... 153	7017411..... 47	7019658... 66, 75, 82, 95,
7012987..... 131	7016380..... 149	7017418..... 47	103, 123, 133
7012988..... 131	7016399... 196, 200, 358,	7017420..... 44, 48, 51	7019921..... 95
7012989..... 47	365, 374	7017421..... 51	7019924..... 103
7012992..... 18	7016422..... 61	7017422..... 51	7019925..... 95, 111
7012993..... 15, 18	7016423..... 61	7017423..... 48	7019929..... 95
7012994..... 19	7016424..... 61	7017427..... 47	7019930... 95, 104, 111
7012998... 44, 47, 48, 51	7016425..... 61	7017428..... 47, 48	7019931..... 95, 104
7013187..... 137	7016426..... 61	7017515..... 113	7019932... 95, 103, 111
7013711..... 43	7016427..... 61	7018602..... 31, 57	7019933..... 95, 103
7013755..... 43	7016502..... 175, 388	7018603..... 31, 57	7019976..... 103, 110
7013796..... 43	7016510..... 175	7018605..... 31, 57	7019977..... 103, 110
7013799..... 43	7016519..... 180	7018606..... 31, 57	7019978..... 103, 111
7014700..... 29	7016521..... 180	7018607..... 31, 57	7019980..... 103, 356
7014701..... 29	7016600..... 95, 103	7018608..... 32, 58	7019982..... 103
7014702..... 29	7016601... 95, 103, 390	7018609..... 31, 57	7019983..... 103
7014706..... 29	7016605..... 95, 103	7018612..... 32, 58	7019985..... 103
7014709..... 29	7016652..... 196, 395	7018912..... 47, 48, 51	7019986..... 110
7014710..... 29	7016654..... 394	7018942..... 51	7019988..... 103
7014711..... 29	7016655..... 394	7018945..... 51	7019993..... 110
7014712..... 29	7016700..... 43	7018946..... 51	7019994..... 110
7014713..... 29	7016701..... 43	7018948..... 51	7019996..... 110
7014714..... 29	7016702..... 43	7018952..... 48	7019997..... 103
7014715..... 29	7016744..... 43	7019103..... 229, 231	7020023..... 75
7014716..... 29		7019104..... 213	7020025..... 83

## SECTION 10 - SPECIAL OPTIONS

7020027.....	83, 84	7020479.....	84	7022178.....	95, 103, 111	7023655.....	110
7020073.....	66	7020480.....	84	7022180.....	95, 103, 110	7023656.....	110
7020108.....	69, 87, 117	7020487.....	84	7022203.....	43	7023657.....	111
7020109.....	69, 87, 117	7021214.....	127	7022808.....	215, 217, 219	7023658.....	110
7020110.....	69, 87, 117	7021310.....	48	7022810.....	229	7023659.....	115
7020111.....	69, 87, 117	7021657.....	18	7022811.....	213, 215	7023660.....	115
7020120.....	95, 103, 110	7021868.....	103, 110, 390	7022812.....	231	7023662.....	110
7020135.....	26	7021869.....	95	7022813.....	213, 215	7023663.....	110, 356, 364, 373
7020168.....	84	7022127.....	123	7022814.....	217	7023679.....	356, 364, 373
7020175.....	140, 204, 210	7022134.....	110	7022815.....	217, 219	7023680.....	115
7020176.....	140, 204, 210	7022136.....	110	7022816.....	217	7023687.....	103
7020190.....	69, 87, 117	7022139.....	110	7022817.....	217	7024036.....	37
7020191.....	69, 87, 117	7022142.....	110	7022818.....	217, 388	7024100.....	55
7020192.....	69, 88, 117	7022143.....	95, 103, 110	7022819.....	217, 219, 373	7024321.....	95, 103
7020193.....	69, 87, 117	7022144.....	111	7022820.....	373	7024398.....	82
7020246.....	145	7022149.....	111	7022822.....	231	7024560.....	83
7020404.....	76, 83	7022150.....	95, 104, 111	7022823.....	231	7024565.....	76, 84
7020408.....	76, 84	7022151.....	103, 111	7022824.....	231, 388	7024598.....	153
7020411.....	75, 84	7022153.....	95, 103, 111	7022825.....	364, 373	7025122.....	103
7020414.....	83	7022154.....	111	7023340.....	73, 80	7025124.....	111
7020418.....	76	7022155.....	111	7023471.....	95	7025125.....	103
7020419.....	76, 83	7022156.....	103, 111	7023603.....	115	7025126.....	95, 103
7020425.....	83	7022157.....	104, 111	7023613.....	111	7025145.....	95
7020427.....	75, 83	7022158.....	110	7023634.....	123	7026199.....	69, 87, 117
7020431.....	76, 83	7022159.....	110	7023635.....	123	7026522.....	84
7020449.....	84	7022160.....	110	7023637.....	110, 111	7026607.....	84
7020458.....	84	7022161.....	110	7023638.....	123	7026608.....	84
7020461.....	84	7022162.....	110	7023639.....	123	7026631.....	83, 84
7020462.....	84	7022164.....	111	7023640.....	123	7027250.....	76, 83
7020463.....	83, 84	7022165.....	115	7023641.....	123	7027292.....	103
7020464.....	84	7022166.....	115	7023642.....	123	7027402.....	103, 111
7020465.....	83, 84	7022167.....	115	7023644.....	111	7027411.....	111
7020468.....	84	7022168.....	115	7023645.....	115	7027887.....	69, 88, 118
7020471.....	83, 84	7022170.....	115	7023652.....	110	8896941.....	359, 394
7020474.....	84	7022171.....	115	7023653.....	110	91083218.....	110
7020477.....	76, 83	7022177.....	123	7023654.....	110		







3120719



An Oshkosh Corporation Company

**Corporate Office**  
**JLG Industries, Inc.**  
**1 JLG Drive**  
**McConnellsburg, PA 17233-9533 USA**  
**☎ (717) 485-5161 (Corporate)**  
**☎ (877) 554-5438 (Customer Support)**  
**☎ (717) 485-6417**

**Visit our website for JLG Worldwide Locations.**  
**[www.jlg.com](http://www.jlg.com)**