



Illustrated Parts Manual

Models

600A

600AJ

Prior to
SN 0300069000

P/N
3120841

January 31, 2019 - Rev AM



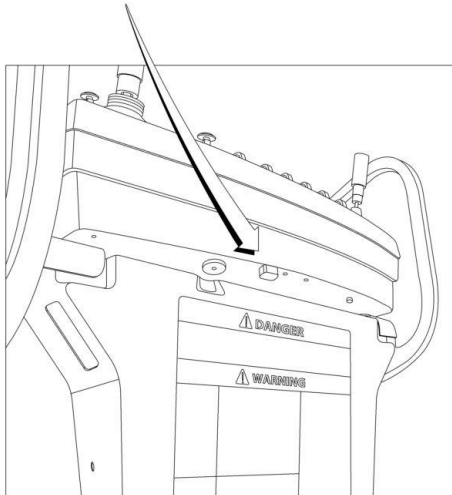
An Oshkosh Corporation Company

REVISION LOG

NOTES:

ADE SYSTEM IDENTIFICATION

Most 600A and 600AJ machines from S/N 64249 incorporate the ADE System, but no clean S/N break exist. The following machine serial numbers prior to S/N 64249 also utilize ADE System: 63908, 63912, 63932, 63936, 63938, 63954, 63959 and 63963. A machine that incorporates ADE System can be outwardly identified by the analyzer connection at the base of the platform control box.



MANUAL REVISION LOG:

February 1996 - A - Original Issue Of Manual

September 1997 - B - Revised (Manual edited to 0010519 Revision 31)

February 1998 - C - Change 1 (Manual edited to 0010519 Revision 37)

Pages Affected:

Cover

Effectivity Page: a

Table of Contents Pages: i & ii

Section 1 Pages: 1-1 & 1-28 to 1-30

Section 2 Pages: 2-1, 2-2, 2-4 to 2-6, 2-10, 2-20, 2-22 to 2-24, 2-26, 2-27, 2-29, 2-31 to 2-36,
2-38, 2-39, 2-42, 2-45, 2-48, to 2-51, 2-58 to 2-59B, 2-62 to 2-65 & 2-67 to 2-69

Section 3 Pages: 3-1, 3-13, 3-21 to 3-24

Section 4 Pages: 4-1, 4-5 to 4-9, 4-17 & 4-18

Section 5 Pages: 5-1 & 5-28 to 5-30

Section 7 Pages: 7-1 to 7-28

Section 8 Pages: 8-4 & 8-5

REVISION LOG

Section 9 Pages: 9-1

Section 10 Pages: 10-2

February 12, 1999 - D - Revised (Manual edited to 0010519 Revision 50)

September 30, 1999 - E - Revised (Manual edited to 0010519 Revision 58)

March 1, 2000 - F - Revised (Manual edited to 0010519 Revision 63)

August 22, 2001 - G - Revised (Manual edited to 0010519 Revision 73)

(Manual edited to 0010577 Revision 6 With ADE System)

March 1, 2002 - H - Revised (Manual edited to 0010577 Revision 9)

July 1, 2002 - I - Revised (Manual edited to 0010577 Revision 18)

February 15, 2003 - J - Added "Prior to S/N 0300069000" to Front Cover. Refer to Parts Manual 3121855 for Machines Built S/N 0300069000 to 0300087000.

March 6, 2003 - K - Revised Manual

June 16, 2003 - L - Revised Manual

May 5, 2004 - M - Revised Manual

April 11, 2005 - N - Revised Manual

November 15, 2005 - O - Revised Manual

April 18, 2006 - P - Revised Manual

July 19, 2006 - Q - Revised Manual

December 12, 2006 - R - Revised Manual

May 1, 2007 - S - Revised Manual

August 16, 2007 - T - Revised Manual

December 4, 2007 - U - Revised Manual

March 31, 2008 - V - Revised Manual

September 15, 2008 - W - Revised Manual

February 15, 2009 - X - Revised Manual

August 1, 2009 - Y - Revised Manual

March 25, 2010 - Z - Revised Manual

August 15, 2010 - AA - Revised Manual

May 27, 2011 - AB - Revised Manual

August 29, 2011 - AC - Revised Manual

December 23, 2011 - AD - Revised Manual

April 27, 2012 - AE - Revised Manual

July 24, 2012 - AF - Revised Manual

November 2, 2012 - AG - Revised Manual

March 7, 2013 - AH - Revised Manual

June 6, 2013 - AI - Revised Manual

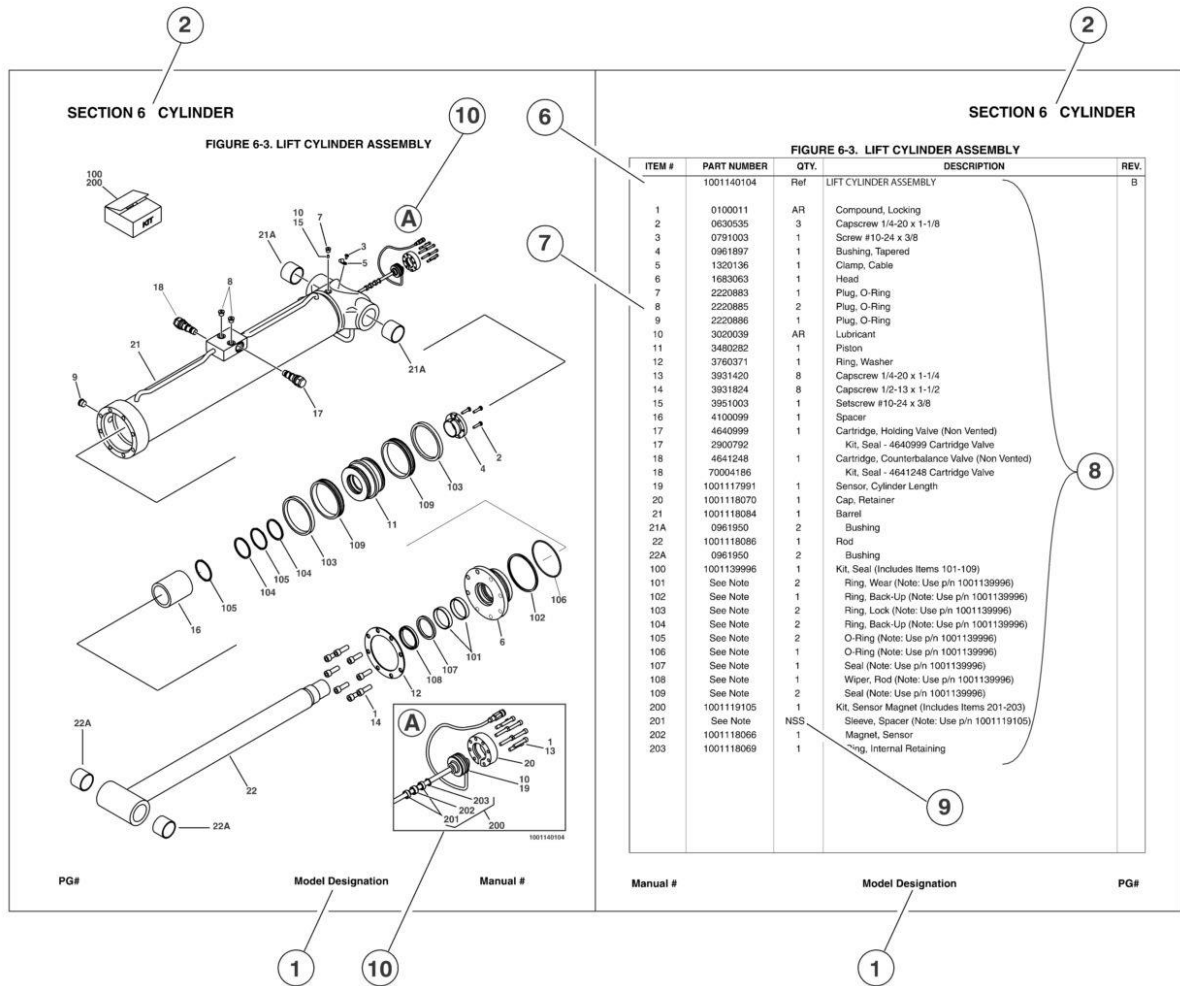
September 1, 2013 - AJ - Revised Manual

June 1, 2015 - AK - Revised Manual

December 14, 2015 - AL - Revised Manual (Revision 4)

January 31, 2019 - AM - Revised Manual

GENERAL INFORMATION



1) MACHINE IDENTIFICATION

Machines are identified by model and in some cases a combination of models, serial number (SN) or regional standard (i.e ANSI, CE, CSA). Components may also be identified by SN or manufacturer. Common components that may be identified by these characteristics are engines and hydraulic components.

2) PARTS MANUAL ORGANIZATION

Product information in this manual is organized under section titles. Frame, Cylinder, Hydraulic and Electrical are a few examples. Each section is organized by figure and page number. The information within the Figure is then organized by item number, part number, description and corresponding illustration (s).

3) TABLE OF CONTENTS

A table of contents is found toward the beginning of the manual. Figure number, description and page number are provided for quick reference to the page containing the related information.

4) RECOMMENDED SPARE PARTS

The Recommended Spare Parts, located near the end of the manual, reference most frequently used maintenance parts.

5) PART NUMBER INDEX

A numerical index listing all part numbers and the corresponding page number(s) appears at the back of the manual.

GENERAL INFORMATION

6) NON-SERVICED PARTS

In some instances, it is necessary to display non-serviced parts, assemblies or installations. In the case of assemblies and installations there will be a Ref in the Qty column. In case of parts that are not available for service within assemblies or components, there will be a NSS (Not Sold Separately) or NLA (No Longer Available) listed in the Qty. column of the manual.

7) PARTS LIST ITEM NUMBERS

Numbers shown in the item# column correspond to numbers used in the associated illustration (s). Item numbers which are missing from the sequence in the parts list are not used on that page

8) INDENTED PARTS DESCRIPTION

An indented part description is included in the item under which it is indented.

9) ABB REVIATION AND SYMBOLS

| | | | |
|--------------|---|---------------|------------------------------------|
| AC..... | .. Alternating Current | LCD | Liquid Crystal Display |
| ADE..... | ..Advanced Design Electronics | LED | Light Emitting Diodes |
| ANSI | ..American National Standards Institute | LH..... | .. Left Hand |
| AR..... | ..As Required | LSS | ..Load Sensing System |
| ASSY | .. Assembly | M(m)..... | .. Metric/Meter |
| AUX..... | ..A uxiliary | MM (mm) | ..Milimeter |
| AWG..... | ..American Wire Gauge | mA..... | .. Milliamps |
| B/M..... | .. Bill of Material | NLA..... | ..No Longer Available |
| CE..... | ..European Conformity | NPT | .. National Pipe Threads |
| CCW | ..Counter Clockwise | NSS | ..Not Sold Separately |
| cm..... | ..Centimeter | OD..... | ..Outside Diameter |
| CW..... | ..Clockwise | ORB..... | .. O-Ring Boss |
| CSA..... | ..Canadian Standards Association | ORFS..... | .. O-Ring Face Seal |
| CYL..... | ..Cylinder | OZ (oz)..... | ..Ounces |
| DIA..... | ..Diameter | PG | ..Page |
| DC..... | ..Direct Current | P/N..... | ..Part Number |
| EMS | ..Emergency Stop | qt..... | ..Quarts |
| ENG | ..Engine | QTY..... | ..Quantity |
| FT (ft)..... | ..Feet | REF | ..Reference |
| GA(Ga)..... | ..G auge | REV | ..Revision Level |
| HYD | ..Hydraulic | RH..... | .. Right Hand |
| Hz..... | ..Her tz | SAE..... | .. Society of Automotive Engineers |
| ID..... | ..Inside Diameter | SN..... | ..Serial Number |
| in..... | ..inches | SPEC(S)..... | ..Specifications |
| ISO..... | ..I nternational Organization for Standards | T/T..... | ..T urntable |
| JIC..... | ..Joint Industry Council | UGM | ..Univ ersal G round Module |
| KG | ..Kilogram | V..... | ..Volts |
| L..... | ..Liter | W..... | ..Watts |
| LB..... | ..P ounds | #..... | ..Number |

10) ILLUSTRATION REFERENCE LETTERS

When necessary, illustrations may contain reference letters that are intended to track information (i. e. hoses, harnesses) from one point to another or to track visual enlargement of components to show details that may be located in another area on the illustration.

Note: Due to continuous product improvements, JLG Industries, Inc. reserves the right to make specification changes without prior notification. Contact JLG Industries, Inc. for updated information.

TABLE OF CONTENTS

| | |
|--|-----|
| SECTION 1 - FRAME..... | 9 |
| FIGURE 1-1. 2WD FRONT AXLE AND STEERING INSTALLATIONS..... | 10 |
| FIGURE 1-2. 4WD FRONT AXLE AND STEERING INSTALLATIONS..... | 14 |
| FIGURE 1-3. 4WS REAR STEERING INSTALLATIONS..... | 18 |
| FIGURE 1-4. TIRE AND WHEEL DRIVE INSTALLATIONS..... | 20 |
| FIGURE 1-5. DRIVE HUB ASSEMBLY..... | 24 |
| FIGURE 1-6. DRIVE BRAKE ASSEMBLY..... | 26 |
| FIGURE 1-7. DRIVE MOTOR ASSEMBLY - SUNSTRAND (2WD)..... | 30 |
| FIGURE 1-8. DRIVE MOTOR ASSEMBLY - REXROTH (4WD)..... | 32 |
| FIGURE 1-9. TOW PACKAGE INSTALLATION (OPTIONAL)..... | 34 |
| SECTION 2 - TURNTABLE..... | 37 |
| FIGURE 2-1. CONTROL VALVES INSTALLATIONS..... | 38 |
| FIGURE 2-2. MAIN VALVE BLOCK ASSEMBLY..... | 42 |
| FIGURE 2-3. ACCESSORY VALVE ASSEMBLIES..... | 46 |
| FIGURE 2-4. SWING DRIVE, TURNTABLE BEARING AND LOCK INSTALLATIONS..... | 48 |
| FIGURE 2-5. SWING HUB ASSEMBLY..... | 50 |
| FIGURE 2-6. SWING BRAKE ASSEMBLY..... | 52 |
| FIGURE 2-7. SWING MOTOR ASSEMBLY..... | 56 |
| FIGURE 2-8. DEUTZ ENGINE INSTALLATION - WITHOUT NOISE REDUCTION (Prior to SN 0300029930)..... | 58 |
| FIGURE 2-9. DEUTZ ENGINE INSTALLATION - WITH NOISE REDUCTION (SN 0300028190 through 0300069000)..... | 64 |
| FIGURE 2-10. GENERATOR INSTALLATION (OPTIONAL - DEUTZ ENGINE MACHINES)..... | 70 |
| FIGURE 2-11. PISTON PUMP ASSEMBLY..... | 74 |
| FIGURE 2-12. GEAR PUMP ASSEMBLY..... | 80 |
| FIGURE 2-13. TANKS INSTALLATION..... | 82 |
| FIGURE 2-14. ROTARY COUPLING INSTALLATION..... | 84 |
| FIGURE 2-15. GROUND CONTROL BOX INSTALLATIONS (Prior to SN 0300064249)..... | 86 |
| FIGURE 2-16. GROUND CONTROL BOX INSTALLATIONS (ADE SYSTEM) (SN 0300064249 through 0300069000)..... | 90 |
| FIGURE 2-17. ELECTRICAL OPTIONS INSTALLATION (TURNTABLE MOUNTED)..... | 94 |
| FIGURE 2-18. ENGINE TRAY JACK INSTALLATION (OPTIONAL)..... | 98 |
| FIGURE 2-19. HOODS INSTALLATIONS - WITHOUT NOISE REDUCTION..... | 100 |
| FIGURE 2-20. HOODS INSTALLATIONS - WITH NOISE REDUCTION..... | 104 |
| SECTION 3 - BOOM..... | 109 |
| FIGURE 3-1. BOOMS AND CYLINDERS INSTALLATION - 600A..... | 110 |
| FIGURE 3-2. BOOMS AND CYLINDERS INSTALLATION - 600AJ..... | 114 |
| FIGURE 3-3. TOWER BOOM ASSEMBLIES..... | 120 |
| FIGURE 3-4. MAIN BOOM ASSEMBLIES..... | 124 |
| FIGURE 3-5. ROTATOR ASSEMBLIES (FRONT ENTRY PLATFORM)..... | 128 |
| FIGURE 3-6. ROTATOR ASSEMBLIES (SIDE ENTRY PLATFORM)..... | 132 |
| FIGURE 3-7. VALVES AND SWITCHES INSTALLATION (BOOM MOUNTED)..... | 134 |
| FIGURE 3-8. BOOM WIPERS INSTALLATIONS (OPTIONAL)..... | 138 |
| SECTION 4 - PLATFORM..... | 141 |
| FIGURE 4-1. PLATFORM COMPONENTS INSTALLATION (FRONT ENTRY)..... | 142 |
| FIGURE 4-2. PLATFORM COMPONENTS INSTALLATION (SIDE ENTRY)..... | 146 |
| FIGURE 4-3. PLATFORM CONSOLE ASSEMBLY (Prior to SN 0300064249)..... | 150 |
| FIGURE 4-4. PLATFORM CONSOLE ASSEMBLY (WITH ADE SYSTEM) (SN 0300064249 through 0300069000)..... | 156 |
| FIGURE 4-5. CONTROLLER ASSEMBLY (SWING AND LIFT) (Prior to SN 0300039749)..... | 160 |
| FIGURE 4-6. CONTROLLER ASSEMBLY (SWING AND LIFT) (SN 0300039749 through 0300064248)..... | 162 |
| FIGURE 4-7. CONTROLLER ASSEMBLY (SWING AND LIFT) (WITH ADE SYSTEM) (ORIGINAL EQUIPMENT) (SN 0300064249 through 0300069000)..... | 164 |
| FIGURE 4-8. CONTROLLER ASSEMBLY (SWING AND LIFT) (WITH ADE SYSTEM) (SERVICE REPLACEMENT) (SN 0300064249 through 0300069000)..... | 166 |
| FIGURE 4-9. CONTROLLER ASSEMBLY (SWING AND LIFT) (WITH ADE SYSTEM) (SERVICE REPLACEMENT) (SN 0300064249 through 0300069000)..... | 168 |
| FIGURE 4-10. CONTROLLER ASSEMBLY (DRIVE AND STEER) (Prior to SN 0300039749)..... | 172 |
| FIGURE 4-11. CONTROLLER ASSEMBLY (DRIVE AND STEER) (SN 0300039749 through 0300064248)..... | 176 |
| FIGURE 4-12. CONTROLLER ASSEMBLY (DRIVE AND STEER) (WITH ADE SYSTEM) (ORIGINAL EQUIPMENT) (SN 0300064249 through 0300069000)..... | 178 |
| FIGURE 4-13. CONTROLLER ASSEMBLY (DRIVE AND STEER) (WITH ADE SYSTEM) (SERVICE REPLACEMENT) (SN 0300064249 through 0300069000)..... | 180 |

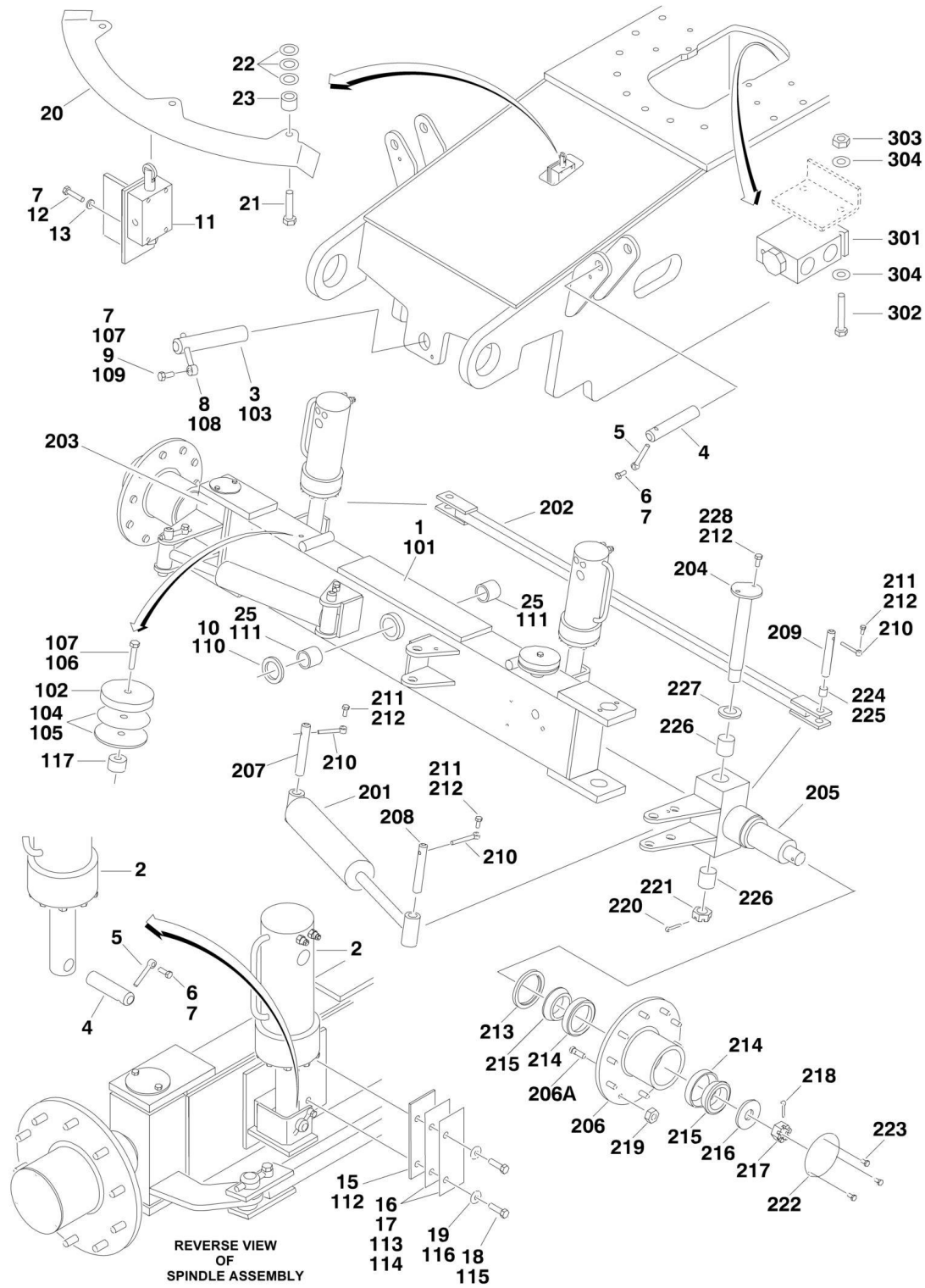
TABLE OF CONTENTS

| | |
|---|-----|
| FIGURE 4-14. CONTROLLER ASSEMBLY (DRIVE AND STEER) (WITH ADE SYSTEM) (SERVICE REPLACEMENT) (SN 0300064249 through 0300069000) | 182 |
| FIGURE 4-15. SOFT TOUCH SYSTEM INSTALLATION (OPTIONAL) | 184 |
| FIGURE 4-16. LOAD SENSING SYSTEM INSTALLATION (FRONT ENTRY PLATFORM) | 188 |
| SECTION 5 - CYLINDER..... | 191 |
| FIGURE 5-1. AXLE LOCKOUT CYLINDER ASSEMBLY | 192 |
| FIGURE 5-2. PLATFORM LEVEL CYLINDER ASSEMBLIES (Prior to SN 0300024714)..... | 194 |
| FIGURE 5-3. PLATFORM LEVEL CYLINDER ASSEMBLIES (ORIGINAL EQUIPMENT) (SN 0300024714 through 0300069000) | 196 |
| FIGURE 5-4. LEVEL CYLINDER ASSEMBLY - PLATFORM SLAVE (600A) (SERVICE REPLACEMENT) | 200 |
| FIGURE 5-5. LEVEL CYLINDER ASSEMBLY - PLATFORM SLAVE (600AJ) (SERVICE REPLACEMENT)..... | 202 |
| FIGURE 5-6. LEVEL (UPRIGHT) CYLINDER ASSEMBLY..... | 204 |
| FIGURE 5-7. LEVEL CYLINDER ASSEMBLY - UPRIGHT (SERVICE REPLACEMENT) | 206 |
| FIGURE 5-8. LIFT (ARTICULATING JIB) CYLINDER ASSEMBLY - 600AJ..... | 208 |
| FIGURE 5-9. LIFT (MAIN BOOM) CYLINDER ASSEMBLY (ORIGINAL EQUIPMENT) | 210 |
| FIGURE 5-10. LIFT CYLINDER ASSEMBLY - MAIN BOOM (SERVICE REPLACEMENT) | 212 |
| FIGURE 5-11. LIFT (TOWER BOOM) CYLINDER ASSEMBLY (ORIGINAL EQUIPMENT)..... | 214 |
| FIGURE 5-12. LIFT CYLINDER ASSEMBLY - TOWER BOOM (SERVICE REPLACEMENT)..... | 216 |
| FIGURE 5-13. MASTER CYLINDER ASSEMBLIES (ORIGINAL EQUIPMENT) | 218 |
| FIGURE 5-14. MASTER CYLINDER ASSEMBLY - 600A (SERVICE REPLACEMENT) | 222 |
| FIGURE 5-15. MASTER CYLINDER ASSEMBLY - 600AJ (SERVICE REPLACEMENT) | 224 |
| FIGURE 5-16. STEER CYLINDER ASSEMBLIES | 226 |
| FIGURE 5-17. TELESCOPE (MAIN BOOM) CYLINDER ASSEMBLIES (ORIGINAL EQUIPMENT) | 228 |
| FIGURE 5-18. TELESCOPE CYLINDER ASSEMBLY - MAIN BOOM (600A) (SERVICE REPLACEMENT) | 230 |
| FIGURE 5-19. TELESCOPE CYLINDER ASSEMBLY - MAIN BOOM (600AJ) (SERVICE REPLACEMENT) | 232 |
| FIGURE 5-20. TELESCOPE (TOWER BOOM) CYLINDER ASSEMBLY (ORIGINAL EQUIPMENT)..... | 234 |
| FIGURE 5-21. TELESCOPE CYLINDER ASSEMBLY - TOWER BOOM (SERVICE REPLACEMENT)..... | 236 |
| FIGURE 5-22. CYLINDER BELLOWS INSTALLATION (OPTIONAL) | 238 |
| SECTION 6 - HYDRAULIC | 241 |
| FIGURE 6-1. DRIVE HYDRAULIC DIAGRAM - 2WD/2WS | 242 |
| FIGURE 6-2. DRIVE HYDRAULIC DIAGRAM - 4WD/2WS | 244 |
| FIGURE 6-3. HYDRAULIC DIAGRAM - OSCILLATING AXLE | 248 |
| FIGURE 6-4. HYDRAULIC DIAGRAM - STANDARD | 250 |
| FIGURE 6-5. HYDRAULIC DIAGRAM LIST..... | 254 |
| SECTION 7 - ELECTRICAL..... | 255 |
| FIGURE 7-1. ELECTRICAL DIAGRAM LIST | 256 |
| FIGURE 7-2. ELECTRICAL SCHEMATIC - CE SPEC MACHINES WITH COLORED WIRING (Prior to SN 0300035129)..... | 260 |
| FIGURE 7-3. ELECTRICAL SCHEMATIC - CE SPEC MACHINES WITH NUMBERED COLORED WIRING (SN 0300035129 through 0300069000)..... | 264 |
| FIGURE 7-4. ELECTRICAL SCHEMATIC - AUSTRALIAN MACHINES WITH COLORED WIRING (Prior to SN 0300035129) .. | 268 |
| FIGURE 7-5. ELECTRICAL SCHEMATIC - AUSTRALIAN MACHINES WITH NUMBERED COLORED WIRING (SN 0300035129 through 0300069000)..... | 272 |
| FIGURE 7-6. ELECTRICAL SCHEMATIC - DIESEL/GAS MACHINES (WITH ADE SYSTEM) (SN 0300064249 through 0300069000) | 276 |
| FIGURE 7-7. HARNESS COMPONENTS INSTALLATION (Prior to SN 0300064249) | 280 |
| FIGURE 7-8. HARNESS COMPONENTS INSTALLATION (WITH ADE SYSTEM) (SN 0300064249 through 0300064269)..... | 288 |
| FIGURE 7-9. HARNESS COMPONENTS INSTALLATION (WITH ADE SYSTEM) (SN 0300064270 through 0300069000)..... | 294 |
| SECTION 8 - DECALS | 301 |
| FIGURE 8-1. DECALS INSTALLATION..... | 302 |
| SECTION 9 - RECOMMENDED SERVICE PARTS STOCK..... | 307 |
| FIGURE 9-1. MODELS 600A/600AJ/N600AJ STANDARD PARTS..... | 308 |
| SECTION 10 - SPECIAL OPTIONS | 309 |
| FIGURE 10-1. SPECIAL OPTIONS | 310 |
| PART NUMBER INDEX..... | 313 |

SECTION 1 - FRAME

SECTION 1 - FRAME

FIGURE 1-1. 2WD FRONT AXLE AND STEERING INSTALLATIONS



SECTION 1 - FRAME

FIGURE 1-1. 2WD FRONT AXLE AND STEERING INSTALLATIONS

| ITEM | PART NUMBER | QTY | DESCRIPTION | REV |
|------|-------------|-----|--|-----|
| | | Ref | AXLE INSTALLATIONS - OSCILLATING | |
| | 0255404 | Ref | 8ft/2.4m Wide Machines (Prior to SN 0300041868) | 7 |
| | 0256398 | Ref | 8ft/2.4m Wide Machines (SN 0300041868 through 0300069000) | 3 |
| | 0255418 | Ref | 7ft/2.1m Wide Machines (Prior to SN 0300041868) | 6 |
| | 0256397 | Ref | 7ft/2.1m Wide Machines (SN 0300041868 through 0300069000) | 4 |
| 1 | | Ref | Axle Weldment Options: | |
| 1 | 4844929 | 1 | 8ft/2.4m Wide Machine | |
| 1 | 4844960 | 1 | 7ft/2.1m Wide Machine | |
| 2 | 1683280 | 2 | Lockout Cylinder Assembly (See CYLINDER SECTION for Breakdown) | |
| 3 | | Ref | Pin, Pivot Options: | |
| 3 | 3422431 | NLA | Pin, Pivot (Use p/n 3422592) (Prior to SN 0300041868) | |
| 3 | 3422592 | 1 | Pin, Pivot (SN 0300041868 through 0300069000) | |
| 4 | 3422426 | 4 | Pin, Cylinder | |
| 5 | 3841143 | 4 | Keeper, Pin | |
| 6 | 0641608 | 4 | Bolt 3/8in-16NC x 1in | |
| 7 | 0100011 | AR | Compound, Locking | |
| 8 | 3841258 | 1 | Keeper, Pin | |
| 9 | 0642012 | 1 | Bolt 5/8in-11NC x 1-1/2in | |
| 10 | 4740158 | 1 | Thrustwasher | |
| 11 | 4640871 | 1 | Valve, Cam | |
| 11 | 7012693 | 1 | Seal Kit - 4640871 Valve | |
| 11 | 7002840 | 1 | Tool, Pin Removal | |
| 12 | 0641414 | 4 | Bolt 1/4in-20NC x 1-7/8in | |
| 13 | 4711400 | 8 | Flatwasher 1/4in Thin | |
| 15 | 3538047 | 2 | Plate, Wear | |
| 16 | 4070878 | 4 | Shim, (.06) | |
| 17 | 4070879 | 4 | Shim, (.12) | |
| 18 | 0641612 | 4 | Bolt 3/8in-16NC x 1-1/2in | |
| 19 | 4711600 | 4 | Flatwasher 3/8in Thin | |
| 20 | 1100098 | 1 | Cam, Lockout | |
| 21 | 0641820 | 3 | Bolt 1/2in-13NC x 2in | |
| 22 | 4751800 | 9 | Flatwasher 1/2in Regular | |
| 23 | 4566832 | 3 | Tube, Spacer | |
| 25 | 0961950 | 2 | Bushing | |
| | | Ref | AXLE INSTALLATIONS - FIXED | |
| | 0255416 | Ref | 8ft/2.4m Wide Machines (Prior to SN 0300041868) | 3 |
| | 0256623 | Ref | 8ft/2.4m Wide Machines (SN 0300041868 through 0300069000) | 3 |
| | 0255419 | Ref | 7ft/2.1m Wide Machines (Prior to SN 0300041868) | 3 |
| | 0256624 | Ref | 7ft/2.1m Wide Machines (SN 0300041868 through 0300069000) | 2 |
| 101 | | Ref | Axle Weldment Options: | |
| 101 | 4844929 | 1 | 8ft/2.4 Wide Machines | |
| 101 | 4844960 | 1 | 7ft/2.1 Wide Machines | |
| 102 | 3539877 | 2 | Plate, Stop | |
| 103 | | Ref | Pin, Pivot Options: | |
| 103 | 3422325 | NLA | Pin, Pivot (Use p/n 3422592) (Prior to SN 0300041868) | |
| 103 | 3422592 | 1 | Pin, Pivot (SN 0300041868 through 0300069000) | |
| 104 | 4070944 | AR | Shim (.06) | |
| 105 | 4070945 | AR | Shim (.25) | |
| 106 | 0641826 | 4 | Bolt 1/2in-13NC x 3-1/4in | |

SECTION 1 - FRAME

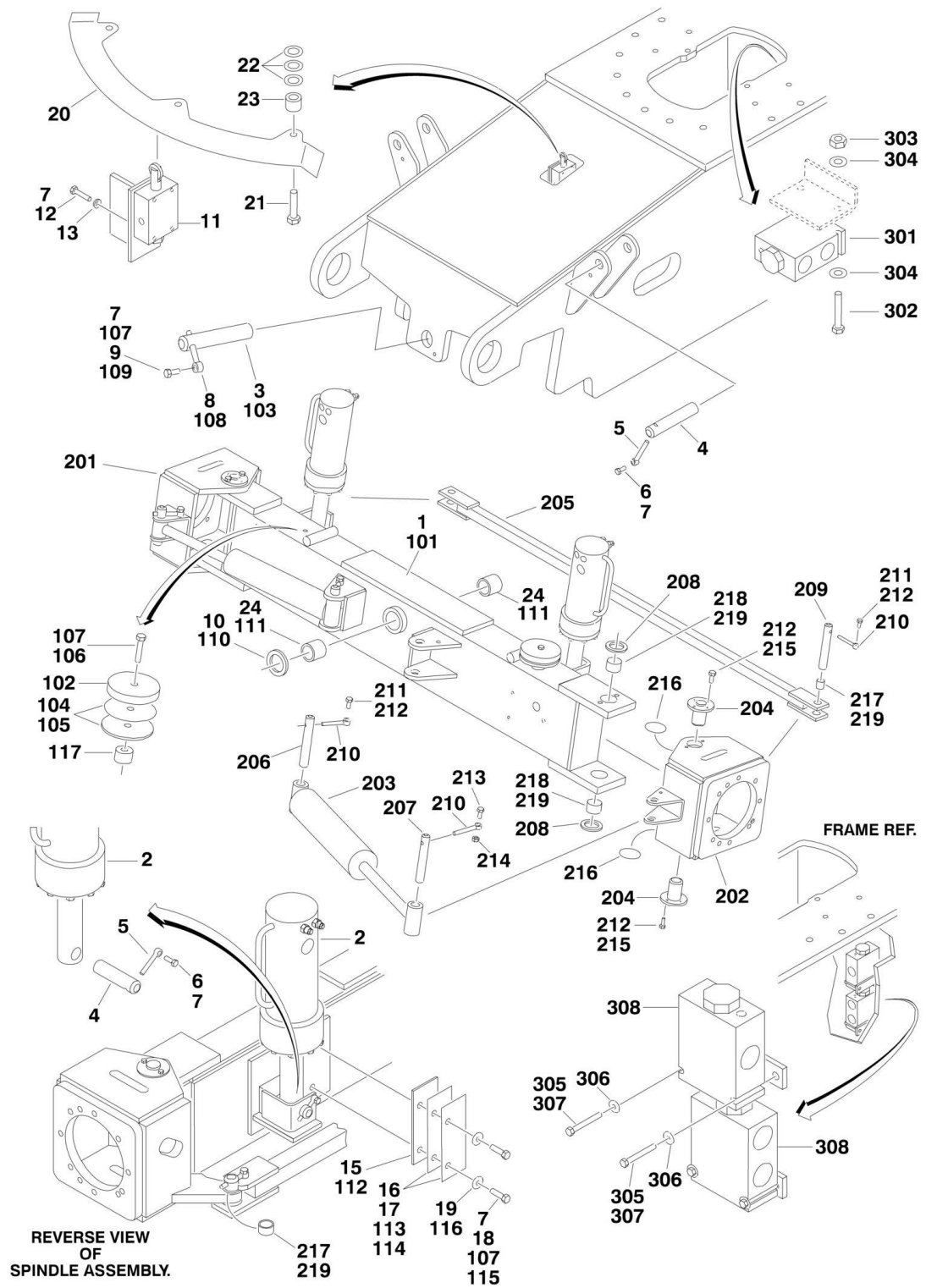
| ITEM | PART NUMBER | QTY | DESCRIPTION | REV |
|------|-------------|-----|---|-----|
| 107 | 0100019 | AR | Compound, Locking | |
| 108 | 3841258 | 1 | Keeper, Pin | |
| 109 | 0642012 | 1 | Bolt 5/8in-11NC x 1-1/2in | |
| 110 | 4740158 | 1 | Thrustwasher | |
| 111 | 0961950 | 2 | Bushing | |
| 112 | 3538047 | 2 | Plate, Wear | |
| 113 | 4070878 | AR | Shim (.06) | |
| 114 | 4070879 | AR | Shim (.12) | |
| 115 | 0641612 | 4 | Bolt 3/8in-16NC x 1-1/2in | |
| 116 | 4711600 | 4 | Flatwasher 3/8in Thin | |
| 117 | 3539879 | 2 | Plate, Stop | |
| | | Ref | STEERING INSTALLATIONS | |
| | 0255405 | Ref | 8ft/2.4m Wide Machines (Prior to SN 0300041868) | 4 |
| | 0256388 | Ref | 8ft/2.4m Wide Machines (SN 0300041868 through 0300069000) | 4 |
| | 0255406 | Ref | 7ft/2.1m Wide Machines (Prior to SN 0300041868) | 3 |
| | 0256391 | Ref | 7ft/2.1m Wide Machines (SN 0300041868 through 0300069000) | 4 |
| 201 | | Ref | Steer Cylinder Assembly Options: (See CYLINDER SECTION for Breakdown) | |
| 201 | 1683208 | 2 | 8ft/2.4 Wide Machines | |
| 201 | 1683304 | 2 | 7ft/2.1 Wide Machines | |
| 202 | | Ref | Tierod Options: | |
| 202 | 3841262 | 1 | 8ft/2.4 Wide Machines | |
| 202 | 3841263 | 1 | 7ft/2.1 Wide Machines | |
| 203 | | Ref | Spindle Options: (Right Side) | |
| 203 | 4130325 | NLA | Spindle (Use p/n 4130341) (Prior to SN 0300041868) | |
| 203 | 4130341 | 1 | Spindle (SN 0300041868 through 0300069000) | |
| 204 | 3422427 | 2 | Kingpin | |
| 205 | | Ref | Spindle Options: (Left Side) | |
| 205 | 4130326 | NLA | Spindle (Use p/n 4130340) (Prior to SN 0300041868) | |
| 205 | 4130340 | 1 | Spindle (SN 0300041868 through 0300069000) | |
| 206 | 2780212 | 2 | Hub | |
| 206A | 0630490 | 16 | Stud, Wheel (8 Per Hub) | |
| 207 | 3422426 | 2 | Pin | |
| 208 | 3422429 | 2 | Pin | |
| 209 | 3422430 | 2 | Pin | |
| 210 | 3841143 | 6 | Keeper | |
| 211 | 0641608 | 6 | Bolt 3/8in-16NC x 1in | |
| 212 | 0100011 | AR | Compound, Locking | |
| 213 | 3960098 | 2 | Seal | |
| 214 | 0440019 | 4 | Cone, Bearing | |
| 215 | 0440018 | 4 | Cup, Bearing | |
| 216 | 4740016 | 2 | Washer, Hardened | |
| 217 | 3323403 | 2 | Nut, Slotted 1-1/2in-12NF | |
| 218 | 3450810 | 2 | Pin, Cotter 1/4in x 2 1/2in | |
| 219 | 3300106 | 16 | Lugnut 5/8in | |
| 220 | 3451012 | 2 | Pin, Cotter 1/4in x 3in | |
| 221 | 3313403 | 2 | Nut, Slotted 1-1/2in-6NC | |
| 222 | 1120460 | 2 | Cap, Hub | |
| 223 | 0641404 | 6 | Bolt 1/4in-20NC x 1/2in | |
| 224 | 0962005 | 2 | Bushing | |
| 225 | 0100063 | AR | Loctite #RC609 | |
| 226 | | Ref | Bushing Options: | |

SECTION 1 - FRAME

| ITEM | PART NUMBER | QTY | DESCRIPTION | REV |
|------|-------------|----------------|---|-----|
| 226 | 0961948 | 4 | Bushing (Prior to SN 0300062140) | |
| 226 | 0962272 | 4 | Bushing (SN 0300062140 through 0300069000) | |
| 227 | 0440161 | 2 | Thrustwasher | |
| 228 | 0681608 | 4 | Bolt 3/8in-16NC x 1in (Grade 8) | |
| | 2890245 | 1 | Wheel Bearing Retention Washer Replacement Kit (Includes Items 216 & 218) | |
| | | Ref | VALVE INSTALLATIONS | |
| | 0255413 | Ref | Valve (Prior to SN 0300056718) | 5-C |
| | 0270123 | Ref | Valve (SN 0300056718 through 0300069000) | 3-B |
| 301 | 4640923 | 1 | Valve, Flow Divider | |
| 301 | 7012442 | 1 | Cartridge | |
| 301 | 7012980 | 1 | Seal Kit - 7012442 Cartridge | |
| 301 | 7012993 | 1 | Orifice | |
| 302 | 0641522 | 2 | Bolt 5/16in-18NC x 2-3/4in | |
| 303 | 3311505 | 2 | Locknut 5/16in-18NC | |
| 304 | 4751500 | 4 | Flatwasher 5/16in Regular | |
| 305 | 4060808 | 3.5 ft/1.1m | Shield, Flex Trim (Not Shown) | |

SECTION 1 - FRAME

FIGURE 1-2. 4WD FRONT AXLE AND STEERING INSTALLATIONS



SECTION 1 - FRAME

FIGURE 1-2. 4WD FRONT AXLE AND STEERING INSTALLATIONS

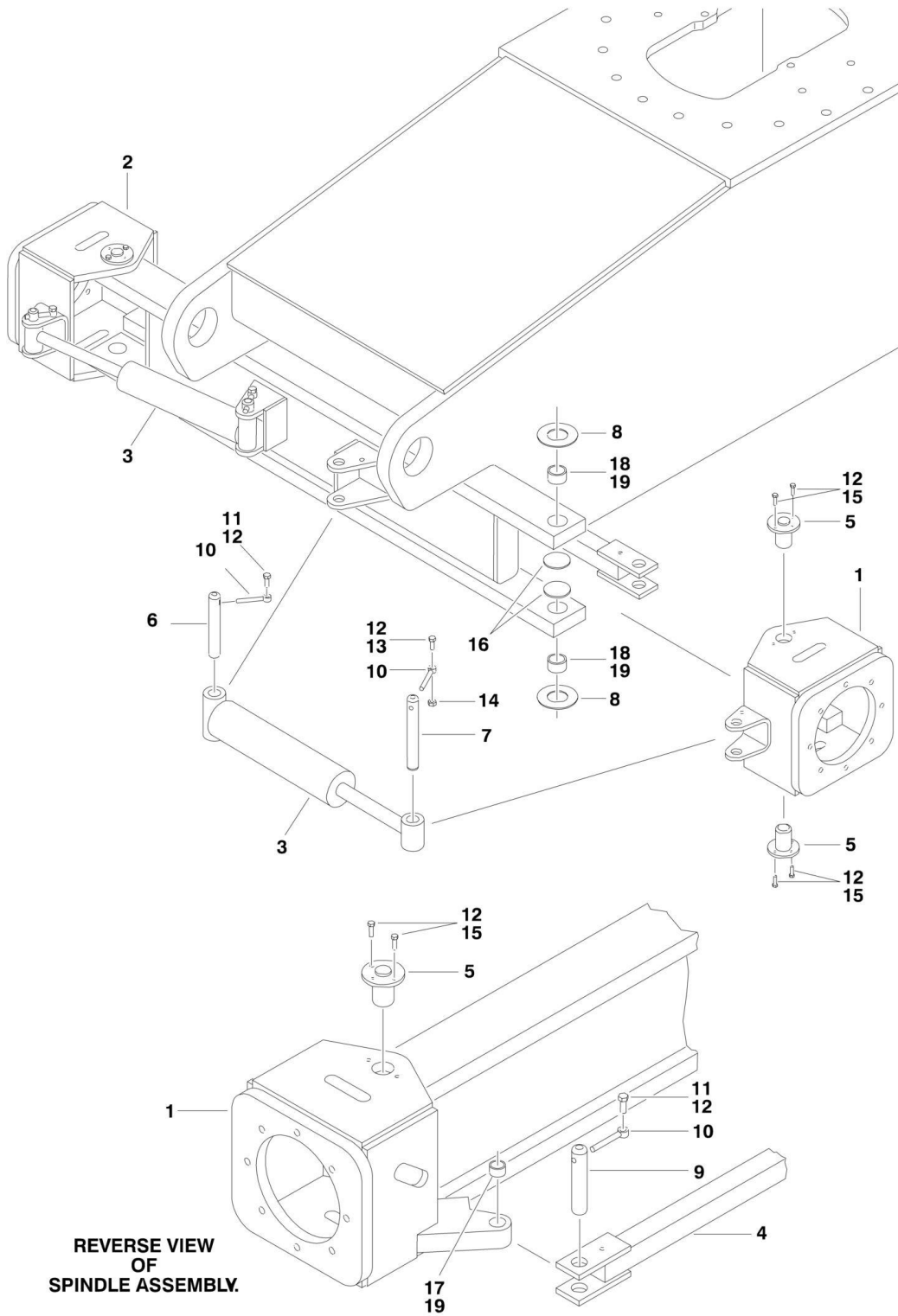
| ITEM | PART NUMBER | QTY | DESCRIPTION | REV |
|------|-------------|-----|--|-----|
| | | Ref | AXLE INSTALLATIONS - OSCILLATING | |
| | 0255415 | Ref | Axle (Prior to SN 0300041868) | 4 |
| | 0256392 | Ref | Axle (SN 0300041868 through 0300069000) | 3 |
| 1 | 4845041 | 1 | Axle Weldment | |
| 2 | 1683280 | 2 | Lockout Cylinder Assembly (See CYLINDER SECTION for Breakdown) | |
| 3 | | Ref | Pin, Pivot Options: | |
| 3 | 3422431 | NLA | Pin, Pivot (Use p/n 3422592) (Prior to SN 0300041868) | |
| 3 | 3422592 | 1 | Pin, Pivot (SN 0300041868 through 0300069000) | |
| 4 | 3422426 | 4 | Pin, Cylinder | |
| 5 | 3841143 | 4 | Keeper, Pin | |
| 6 | 0641608 | 4 | Bolt 3/8in-16NC x 1in | |
| 7 | 0100011 | AR | Compound, Locking | |
| 8 | 3841258 | 1 | Keeper | |
| 9 | 0642012 | 1 | Bolt 5/8in-11NC x 1-1/2in | |
| 10 | 4740158 | 1 | Thrustwasher | |
| 11 | 4640871 | 1 | Valve, Cam | |
| 11 | 7012693 | 1 | Seal Kit - 4640871 Valve | |
| 11 | 7002840 | 1 | Tool, Pin Removal | |
| 12 | 0641414 | 4 | Bolt 1/4in-20NC x 1 3/4in | |
| 13 | 4711400 | 4 | Flatwasher 1/4in Thin | |
| 15 | 3538047 | 2 | Plate, Axle Wear | |
| 16 | 4070878 | AR | Shim (.06) | |
| 17 | 4070879 | AR | Shim (.12) | |
| 18 | 0641608 | 4 | Bolt 3/8in-16NC x 1in | |
| 19 | 4711600 | 4 | Flatwasher 3/8in Thin | |
| 20 | 1100098 | 1 | Cam, Lockout | |
| 21 | 0641816 | 3 | Bolt 1/2in-13NC x 2in | |
| 22 | 4751800 | AR | Flatwasher 1/2in Regular | |
| 23 | 4566832 | 3 | Spacer, Tube | |
| 24 | 0961950 | 2 | Bushing, Bronze | |
| | | Ref | AXLE INSTALLATIONS - FIXED | |
| | 0255417 | Ref | Axle (Prior to SN 0300041868) | 3 |
| | 0256625 | Ref | Axle (SN 0300041868 through 0300069000) | 3 |
| 101 | 4845041 | 1 | Axle Weldment | |
| 102 | 3539877 | 2 | Plate, Stop | |
| 103 | | Ref | Pin, Pivot Options: | |
| 103 | 3422431 | NLA | Pin, Pivot (Use p/n 3422592) (Prior to SN 0300041868) | |
| 103 | 3422592 | 1 | Pin, Pivot (SN 0300041868 through 0300069000) | |
| 104 | 4070944 | AR | Shim (.06) | |
| 105 | 4070945 | AR | Shim (.25) | |
| 106 | 0641820 | 2 | Bolt 1/2in-13NC x 2-1/2in | |
| 107 | 0100019 | AR | Compound, Locking | |
| 108 | 3841258 | 1 | Keeper, Pin | |
| 109 | 0642012 | 1 | Bolt 5/8in-11NC x 1-1/2in | |
| 110 | 4740158 | 1 | Thrustwasher | |
| 111 | 0961950 | 2 | Bushing | |
| 112 | 3538047 | 2 | Plate, Wear | |
| 113 | 4070878 | AR | Shim (.06) | |
| 114 | 4070879 | AR | Shim (.12) | |

SECTION 1 - FRAME

| ITEM | PART NUMBER | QTY | DESCRIPTION | REV |
|------|-------------|------------|--|-----|
| 115 | 0641612 | 4 | Bolt 3/8in-16NC x 1-1/2in | |
| 116 | 4711600 | 4 | Flatwasher 3/8in Thin | |
| 117 | 3539879 | 2 | Plate, Stop | |
| | | Ref | STEERING INSTALLATIONS | |
| | 0255411 | Ref | Steering (Prior to SN 0300041868) | 3 |
| | 0256399 | Ref | Steering (SN 0300041868 through 0300069000) | 4 |
| 201 | 4130330 | 1 | Spindle - Right Side | |
| 202 | 4130331 | 1 | Spindle - Left Side | |
| 203 | 1683208 | 2 | Steer Cylinder Assembly (See CYLINDER SECTION for Breakdown) | |
| 204 | | Ref | Pin, Pivot Options: | |
| 204 | 3422492 | NLA | Pin, Pivot (Use p/n 3422802) (Prior to SN 0300041868) | |
| 204 | 3422590 | NLA | Pin, Pivot (Use p/n 3422802) (SN 0300041868 through 0300043444) | |
| 204 | 3422802 | 1 | Pin, Pivot (SN 0300043445 through 0300069000) | |
| 205 | 3841285 | 1 | Tie-Rod | |
| 206 | 3422426 | 2 | Pin, Steer Cylinder | |
| 207 | 3422429 | 2 | Pin, Steer Cylinder | |
| 208 | 0440161 | 4 | Thrustwasher | |
| 209 | 3422430 | 2 | Pin, Tie-Rod | |
| 210 | 3841143 | 6 | Keeper, Pin | |
| 211 | 0641608 | 4 | Bolt 3/8in-16NC x 1in | |
| 212 | 0100011 | AR | Compound, Locking | |
| 213 | 0641610 | 2 | Bolt 3/8in-16NC x 1-1/4in | |
| 214 | 3311605 | 2 | Locknut 3/8in-16NC | |
| 215 | 0681608 | 8 | Bolt 3/8in-16NC x 1in (Grade 8) | |
| 216 | 1670752 | 4 | Cover, Kingpin Only (Prior to SN 0300043445) | |
| 217 | 0962005 | 2 | Bushing, Bronze | |
| 218 | | Ref | Bushing Options: | |
| 218 | 0961948 | NLA | Bushing (Use p/n 0962272) (Prior to SN 0300044952) | |
| 218 | 0962272 | 4 | Bushing (SN 0300044952 through 0300069000) | |
| 219 | 0100063 | AR | Loctite #RC609 | |
| | | Ref | VALVE INSTALLATIONS | |
| | 0255414 | Ref | Valve Installation (Prior to SN 0300056718) | 6-C |
| | 0270124 | Ref | Valve Installation (SN 0300056718 through 0300069000) | 3-D |
| 301 | 4640923 | 1 | Valve, Flow Divider | |
| 301 | 7012992 | 1 | Cartridge | |
| 301 | 7012980 | 1 | Seal Kit- 7012992 Cartridge | |
| 301 | 7012993 | 1 | Orifice | |
| 302 | 0641522 | 2 | Bolt 5/16in-18NC x 2-3/4in | |
| 303 | 3311505 | 2 | Locknut 5/16in-18NC | |
| 304 | 4751500 | 4 | Flatwasher 5/16in Regular | |
| 305 | 0641520 | 4 | Bolt 5/16in-18NC x 2-1/2in | |
| 306 | 4751500 | 4 | Flatwasher 5/16in Regular | |
| 307 | 0100011 | AR | Compound, Locking (Prior to SN 68274) | |
| 308 | 4640937 | 2 | Valve, Flow Divider | |
| 308 | 7021657 | 1 | Cartridge | |
| 308 | 7012980 | 1 | Seal Kit- 7021657 Cartridge | |
| 308 | 7012994 | 1 | Orifice | |
| 309 | 4060808 | 3/5ft/1.1m | Shield, Flex Trim | |

SECTION 1 - FRAME

FIGURE 1-3. 4WS REAR STEERING INSTALLATIONS



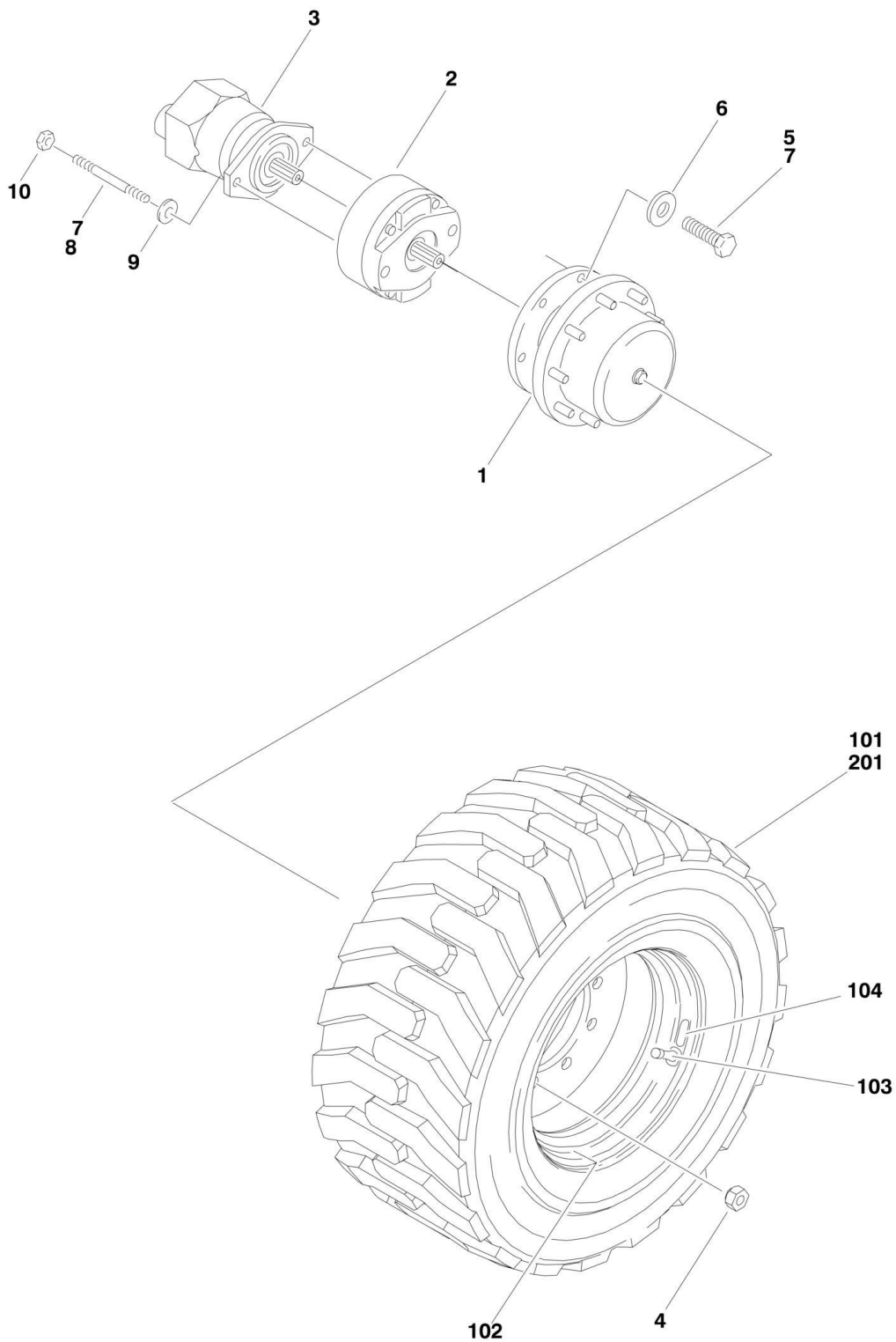
SECTION 1 - FRAME

FIGURE 1-3. 4WS REAR STEERING INSTALLATIONS

| ITEM | PART NUMBER | QTY | DESCRIPTION | REV |
|------|-------------|-----|--|-----|
| | | Ref | 4WS REAR STEERING INSTALLATIONS OPTIONS: | |
| | 0256716 | Ref | 2WD/4WS 8ft Wide/2.4m Machines (Prior to SN 0300041868) | 2 |
| | 0256717 | Ref | 2WD/4WS 8ft Wide/2.4m Machines (SN 0300041868 through 0300069000) | 2 |
| | 0255854 | Ref | 2WD/4WS 7ft Wide/2.1m Machines (Prior to SN 0300041868) | 2 |
| | 0256523 | Ref | 2WD/4WS 7ft Wide/2.1m Machines (SN 0300041868 through 0300069000) | 2 |
| | 0255412 | Ref | 4WD/4WS Machines (Prior to SN 0300041868) | 2 |
| | 0256715 | Ref | 4WD/4WS Machines (SN 0300041868 through 0300069000) | 2 |
| | | Ref | REAR STEERING INSTALLATION | |
| | 0255411 | Ref | 8ft/2.4m Width Frame (Prior to SN 0300041868) | 4 |
| | 0256399 | Ref | 8ft/2.4m Width Frame (SN 0300041868 through 0300069000) | 4 |
| | 0255855 | Ref | 7ft/2.1m Width Frame (Prior to SN 0300041868) | 3 |
| | 0256400 | Ref | 7ft/2.1m Width Frame (SN 0300041868 through 0300069000) | 4 |
| 1 | 4130331 | 1 | Spindle - Right Side | |
| 2 | 4130330 | 1 | Spindle - Left Side | |
| 3 | | Ref | Steer Cylinder Assembly (See CYLINDER SECTION for Breakdown) | |
| 3 | 1683208 | 2 | 8ft/2.4m Wide Machine | |
| 3 | 1683304 | 2 | 7ft/2.1m Wide Machine | |
| 4 | | Ref | Tie-Rod Options: | |
| 4 | 3841285 | 1 | 8ft/2.4m Wide Machine | |
| 4 | 3841291 | 1 | 7ft/2.1m Wide Machine | |
| 5 | | Ref | Kingpin Options: | |
| 5 | 3422492 | NLA | Kingpin (Use p/n 3422802) (Prior to SN 0300041868) | |
| 5 | 3422590 | NLA | Kingpin (Use p/n 3422802) (SN 0300041868 through 0300043444) | |
| 5 | 3422802 | 4 | Kingpin (SN 0300043445 through 0300069000) | |
| 6 | 3422426 | 2 | Pin, Steer Cylinder | |
| 7 | 3422429 | 2 | Pin, Steer Cylinder | |
| 8 | 0440161 | 4 | Thrustwasher | |
| 9 | 3422430 | 2 | Pin, Tie-Rod | |
| 10 | 3841143 | 6 | Keeper, Pin | |
| 11 | 0641608 | 4 | Bolt 3/8in-16NC x 1in | |
| 12 | 0100011 | AR | Compound, Locking | |
| 13 | 0641610 | 2 | Bolt 3/8in-16NC x 1-1/4in | |
| 14 | 3311605 | 2 | Locknut 3/8in-16NC | |
| 15 | 0681608 | 8 | Bolt 3/8in-16NC x 1in (Grade 8) | |
| 16 | 1670752 | 4 | Cover, Kingpin Only (Prior to SN 0300043445) | |
| 17 | 0962005 | 2 | Bushing, Bronze | |
| 18 | | Ref | Bushing Options: | |
| 18 | 0961948 | NLA | Bushing (Use p/n 0962272) (Prior to SN 0300044952) | |
| 18 | 0962272 | 4 | Bushing (SN 0300044952 through 0300069000) | |
| 19 | 0100063 | AR | Loctite #RC609 | |

SECTION 1 - FRAME

FIGURE 1-4. TIRE AND WHEEL DRIVE INSTALLATIONS



SECTION 1 - FRAME

FIGURE 1-4. TIRE AND WHEEL DRIVE INSTALLATIONS

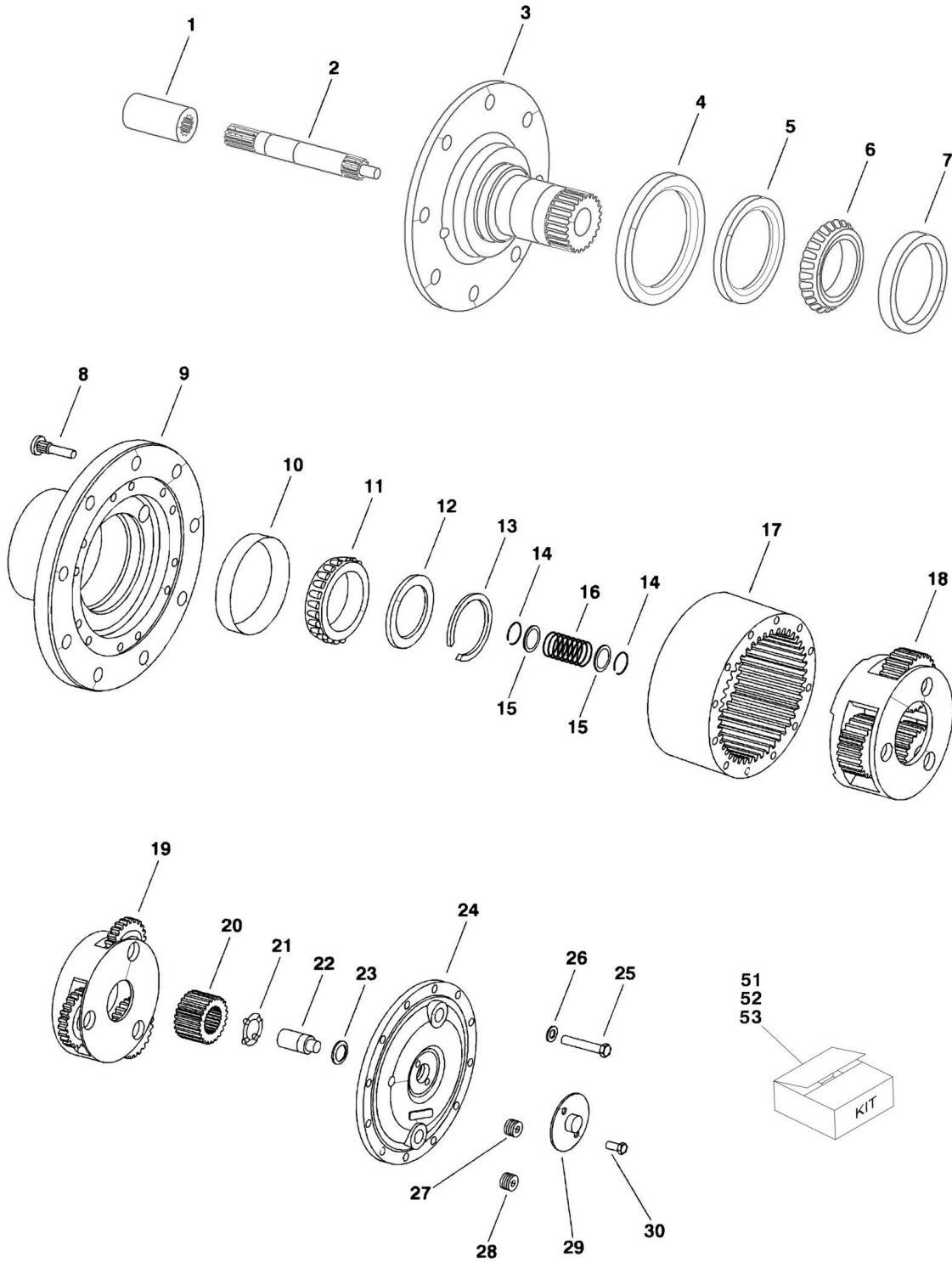
| ITEM | PART NUMBER | QTY | DESCRIPTION | REV |
|------|-------------|-----|---|-----|
| | | Ref | WHEEL DRIVE INSTALLATIONS | |
| | 0255413 | Ref | Wheel Drive Installation 2WD (Prior to SN 0300056718) | 5-C |
| | 0270123 | Ref | Wheel Drive Installation 2WD (SN 0300056718 through 0300069000) | 1-A |
| | 0255414 | Ref | Wheel Drive Installation 4WD (Prior to SN 0300056718) | 6-C |
| | 0270124 | Ref | Wheel Drive Installation 4WD (SN 0300056718 through 0300069000) | 3-D |
| 1 | 2780213 | AR | Drive Hub Assembly (1 Per Drive Wheel) (See DRIVE HUB ASSEMBLY for Breakdown) | |
| 2 | | Ref | Drive Brake Assembly (1 Per Drive Wheel) (See DRIVE BRAKE ASSEMBLY for Breakdown) | |
| 2 | 0920084 | AR | Drive Brake Assembly (Prior to SN 0300033476) | |
| 2 | 0920110 | AR | Drive Brake Assembly (SN 0300033476 through 0300056717) | |
| 2 | 0920117 | NLA | Drive Brake Assembly (Use p/n 0920119) (SN 0300056718 through 0300069000) | |
| 3 | | Ref | Drive Motor Assembly (1 Per Wheel Drive) Options: | |
| 3 | 3160205 | 2 | 2WD (See DRIVE MOTOR ASSEMBLY - SUNSTRAND (2WD) for Breakdown) | |
| 3 | 3160204 | 4 | 4WD (See DRIVE MOTOR ASSEMBLY - REXROTH (4WD) for Breakdown) | |
| 4 | 3300106 | AR | Lugnut (8 Per Wheel) | |
| 5 | 0682016 | AR | Bolt 5/8in-11NC x 2in (8 Per Drive Wheel) (Grade 8) | |
| 6 | 4892000 | AR | Flatwasher 5/8in Hardened (8 Per Drive Wheel) | |
| 7 | 0100011 | AR | Compound, Locking (Prior to SN 0300068274) | |
| 8 | | Ref | Stud (2 Per Drive Wheel) Options: | |
| 8 | 4300120 | AR | Stud 1/2in-13NC x 5-1/2in (Prior to SN 0300056718) | |
| 8 | 4300097 | AR | Stud 1/2in-13NC x 5-1/8in (SN 0300056718 through 0300069000) | |
| 9 | 4891800 | AR | Flatwasher 1/2in Hardened (2 Per Drive Wheel) | |
| 10 | 3311801 | AR | Nut 1/2in-13NC (2 Per Wheel Drive) | |
| | | Ref | 8 FT/2.4M WIDTH MACHINES TIRE AND WHEEL INSTALLATION OPTIONS: | |
| | 0255420 | Ref | Tire and Wheel Installation - Pneumatic | - |
| | 0271612 | Ref | Tire and Wheel Installation - Pneumatic | 1 |
| | 0255421 | Ref | Tire and Wheel Installation - Foam Filled | - |
| | 0271613 | Ref | Tire and Wheel Installation - Foam Filled | 1 |
| | | Ref | Note: Assemblies may require ballast/foam filling to manufacturer's specifications prior to installing on a machine. Refer to Operation and Safety or Service and Maintenance Manuals. | |
| | | Ref | Purchase individual tire and/or rim only if able to foam fill tire and wheel assembly, otherwise, purchase complete assembly. | |
| | 0255513 | 2 | Tire and Wheel Assembly - Galaxy Pneumatic (Right Side) | 1-A |
| | 0271609 | 2 | Tire and Wheel Assembly - OTR Pneumatic (Right Side) | A |
| | 0255605 | 2 | Tire and Wheel Assembly - Galaxy Foam-Filled (Right Side) | - |
| | 0271611 | 2 | Tire and Wheel Assembly - OTR Foam-Filled (Right Side) | A |
| | 0255514 | 2 | Tire and Wheel Assembly - Galaxy Pneumatic (Left Side) | A |
| | 0271608 | 2 | Tire and Wheel Assembly - OTR Pneumatic (Left Side) | 1-A |
| | 0255606 | 2 | Tire and Wheel Assembly - Galaxy Foam-Filled (Left Side) | - |
| | 0271610 | 2 | Tire and Wheel Assembly - OTR Foam-Filled (Left Side) | A |
| 101 | | Ref | Tire 14 x 17.5 Options: | |
| 101 | 4520171 | AR | Galaxy (1 Per Assembly) | |

SECTION 1 - FRAME

| ITEM | PART NUMBER | QTY | DESCRIPTION | REV |
|------|-------------|-----|--|-----|
| 101 | 4520259 | AR | OTR (1 Per Assembly) | |
| 102 | 4860158 | AR | Rim, Wheel (1 Per Assembly) | |
| 103 | 4640113 | AR | Valve, Air | |
| 104 | 1702740 | AR | Decal - Tire Pressure | |
| | | Ref | 8FT/2.4M AND 7FT/2.1M WIDTH FRAME MACHINES TIRE AND WHEEL INSTALLATION OPTIONS: | |
| | 0255422 | Ref | Tire and Wheel Installation - Air-Boss | - |
| | 0258764 | Ref | Tire and Wheel Installation - Air-Boss (Non-Marking) (SN 0300039220 through 0300069000) | 2 |
| 201 | | Ref | Tire and Wheel Assembly - Right Side Options: | |
| 201 | 4520172 | 2 | Air-Boss | |
| 201 | 4520210 | 2 | Air-Boss (Non-Marking) | |
| 201 | | Ref | Tire and Wheel Assembly - Left Side Options: | |
| 201 | 4520173 | 2 | Air-Boss | |
| 201 | 4520211 | 2 | Air-Boss (Non-Marking) | |
| 201 | | Ref | Tire Repair Section (20 Per Assembly) Options: | |
| 201 | 7016206 | 80 | Air-Boss | |
| 201 | 7020135 | 80 | Air-Boss (Non-Marking) | |
| | 0255397 | Ref | WHEEL COVER INSTALLATION (OPTIONAL) (NOT SHOWN) | 2-A |
| 301 | 1670777 | 4 | Cover, Wheel | |
| 302 | 0641542 | 16 | Bolt 5/16in-18NC x 5-1/4in | |
| 303 | 0100011 | AR | Compound, Locking | |

SECTION 1 - FRAME

FIGURE 1-5. DRIVE HUB ASSEMBLY



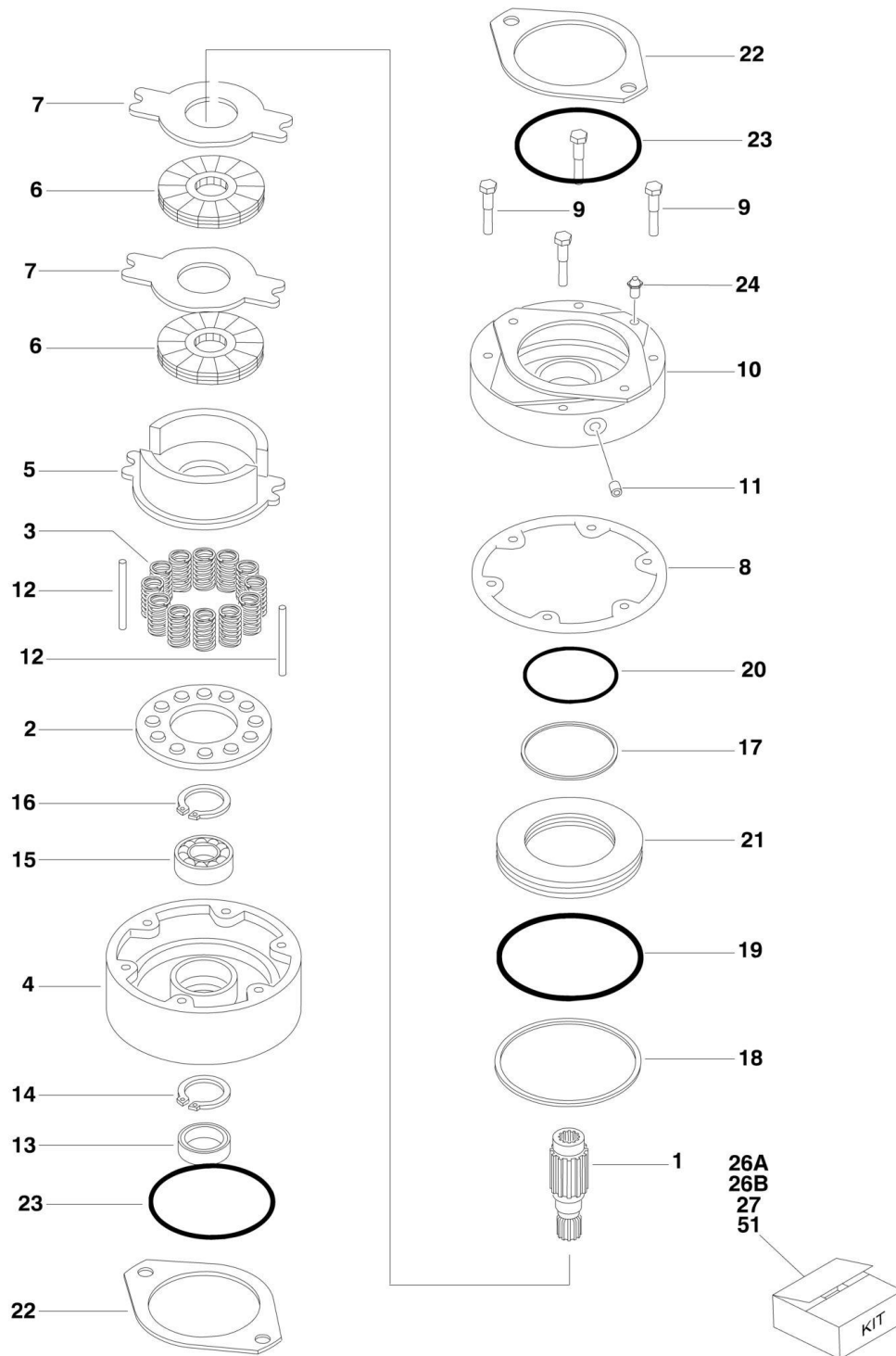
SECTION 1 - FRAME

FIGURE 1-5. DRIVE HUB ASSEMBLY

| ITEM | PART NUMBER | QTY | DESCRIPTION | REV |
|------|-------------|-----|--|-----|
| | 2780213 | Ref | DRIVE HUB ASSEMBLY | B |
| 1 | 7014700 | 1 | Coupling - 13 Teeth | |
| 2 | 7014701 | 1 | Shaft, Input - 13 Teeth | |
| 3 | | Ref | Spindle Options: | |
| 3 | 7014702 | 1 | With Threaded Holes | |
| 3 | 7014731 | 1 | Without Threaded Holes | |
| 4 | 7014728 | 1 | Seal, Boot | |
| 5 | See Note | NSS | Seal, Oil (Note: Use Item 51 or 52) | |
| 6 | See Note | NSS | Cone, Bearing (Note: Use Item 52) | |
| 7 | See Note | NSS | Cup, Bearing (Note: Use Item 52) | |
| 8 | 7014727 | 8 | Bolt, Wheel 5/8in | |
| 9 | 7014706 | 1 | Hub | |
| 10 | See Note | NSS | Cup, Bearing (Note: Use Item 52) | |
| 11 | See Note | NSS | Cone, Bearing (Note: Use Item 52) | |
| 12 | 7001711 | 1 | Thrustwasher | |
| 13 | See Note | 1 | Retaining Ring Kit (Note: Use Item 51, 52 or 53) | |
| 14 | 7014711 | 2 | Ring, Retaining | |
| 15 | 7014712 | 2 | Thrustwasher | |
| 16 | 7014710 | 1 | Spring | |
| 17 | 7014713 | 1 | Gear, Ring | |
| 18 | 7014714 | 1 | Secondary Carrier Assembly | |
| 19 | 7014715 | 1 | Primary Carrier Assembly | |
| 20 | 7014716 | 1 | Gear, Sun - 15 Teeth | |
| 21 | 7014722 | 1 | Thrustwasher | |
| 22 | 7014717 | 1 | Plunger, Disengage | |
| 23 | 7014718 | 1 | O-Ring | |
| 24 | 7014719 | 1 | Cover, Hub | |
| 25 | 7014721 | 12 | Bolt | |
| 26 | 7014720 | 12 | Flatwasher | |
| 27 | 7014725 | 1 | Plug, Magnetic | |
| 28 | 7014726 | 1 | Plug, Pipe | |
| 29 | 7014723 | 1 | Cover, Disengage | |
| 30 | 7014724 | 2 | Bolt | |
| 51 | 7014730 | 1 | Seal Kit (Includes Items 5 & 13) | |
| 52 | 7014729 | 1 | Bearing and Seal Kit (Includes Items 5, 6, 7, 10, 11 & 13) | |
| 53 | 7014709 | 1 | Retaining Ring Kit (Includes Qty 6 Retaining Rings) | |

SECTION 1 - FRAME

FIGURE 1-6. DRIVE BRAKE ASSEMBLY



SECTION 1 - FRAME

FIGURE 1-6. DRIVE BRAKE ASSEMBLY

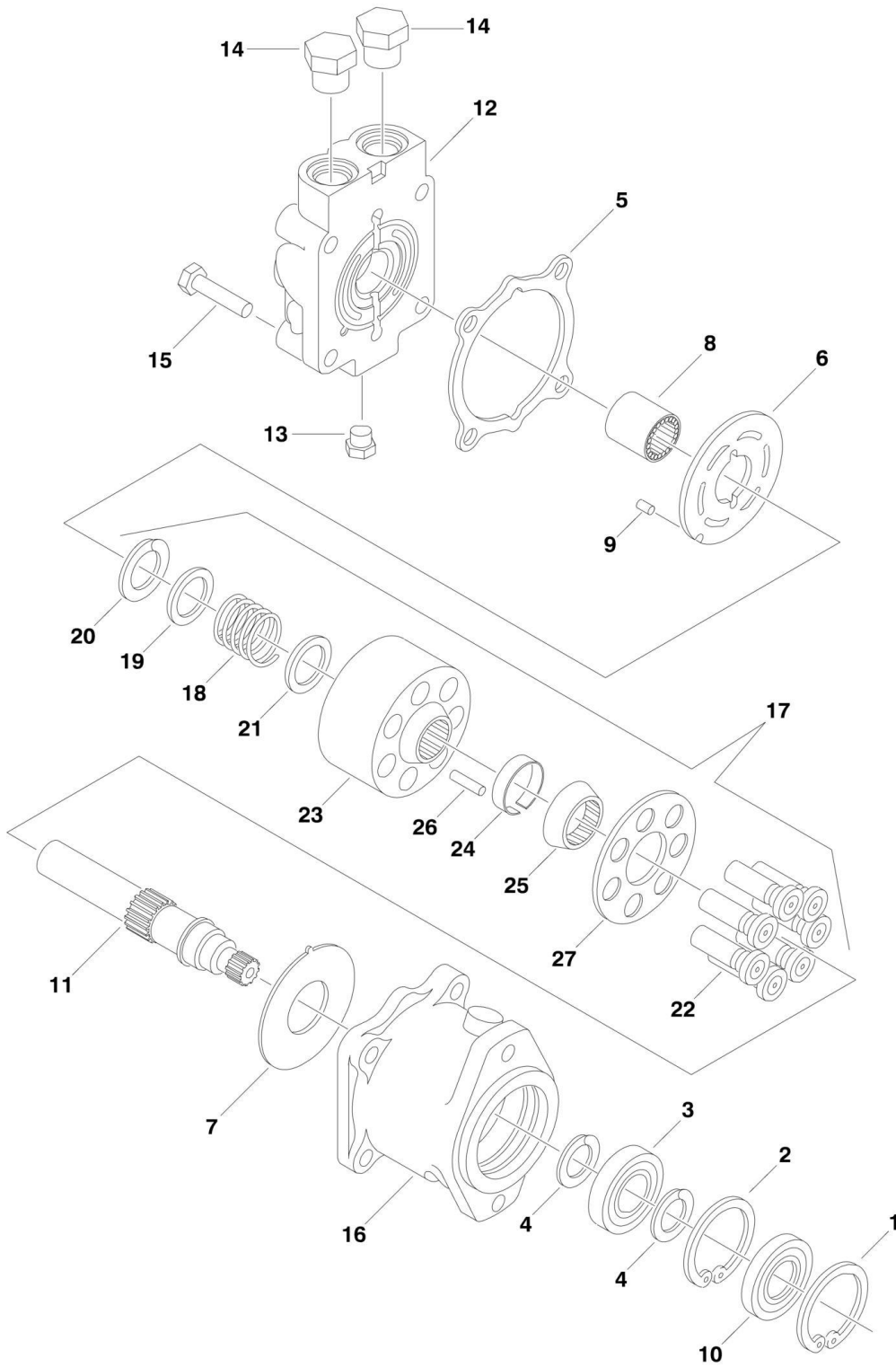
| ITEM | PART NUMBER | QTY | DESCRIPTION | REV |
|------|-------------|-----|--|-----|
| | | Ref | DRIVE BRAKE ASSEMBLY OPTIONS: | |
| | 0920084 | Ref | Drive Brake Assembly (Prior to SN 0300033476) | A |
| | 0920110 | Ref | Drive Brake Assembly (SN 0300033476 through 0300056536) | C |
| 1 | 7011712 | 1 | Shaft Options: | |
| 2 | | Ref | Guide, Spring Options: | |
| 2 | 7011717 | 1 | 0920084 Brake (Prior to SN 0300033476) | |
| 2 | 7018606 | 1 | 0920110 Brake (SN 0300033476 through 0300056536) | |
| 3 | | Ref | Spring Options: | |
| 3 | 7007979 | 6 | 0920084 Brake (Inner) (Prior to SN 0300033476) | |
| 3 | 7007980 | 6 | 0920084 Brake (Outer) (Prior to SN 0300033476) | |
| 3 | 7007970 | 6 | 0920110 Brake (Red) (SN 0300033476 through 0300056536) | |
| 3 | 7018602 | 3 | 0920110 Brake (Blue) (SN 0300033476 through 0300056536) | |
| 4 | | Ref | Housing Options: | |
| 4 | 7011713 | 1 | 0920084 Brake (Prior to SN 0300033476) | |
| 4 | 7018605 | 1 | 0920110 Brake (SN 0300033476 through 0300056536) | |
| 5 | | Ref | Return Plate and Separator Assembly Options: | |
| 5 | See Note | NSS | Return, Plate - 0920084 Brake (Note: Use Item 27) (Prior to SN 0300033476) | |
| 5 | 7011715 | 2 | Separator Assy - 0920084 Brake (Prior to SN 0300033476) | |
| 5 | 7011714 | 4 | Pin | |
| 5 | 7007983 | 2 | Separator | |
| 5 | See Note | 1 | Return Plate and Separator - 0920110 Brake (Note: Use Item 27) (SN 0300033476 through 0300056536) | |
| 6 | See Note | NSS | Rotor (Note: Use Item 27) | |
| 7 | See Note | NSS | Stator (Note: Use Item 27) | |
| 8 | See Note | NSS | Seal, Case (Note: Use Item 26A, 26B or 27) | |
| 9 | | Ref | Bolt, Washer Head Options: | |
| 9 | 7007985 | 4 | 0920084 Brake (Prior to SN 0300033476) | |
| 9 | 7018607 | 4 | 0920110 Brake (SN 0300033476 through 0300056536) | |
| 10 | 7007986 | 1 | Cover | |
| 11 | | Ref | Hardware Options: | |
| 11 | 7000796 | 1 | Screw, Bleeder (Prior to SN 0300033906) | |
| 11 | 7018609 | 1 | Plug, Pipe (SN 0300033906 through 0300056536) | |
| 12 | 7007987 | 2 | Pin, Dowel | |
| 13 | See Note | NSS | Seal, Oil (Note: Use Item 26A or 26B) | |
| 14 | 7011716 | 1 | Ring, Retaining | |
| 15 | See Note | NSS | Bearing (Note: Use Item 26B) | |
| 16 | 7007977 | 1 | Ring, Retaining | |
| 17 | See Note | NSS | Ring, Back-up (Note: Use Item 26A) | |
| 18 | See Note | NSS | Ring, Back-up (Note: Use Item 26A) | |
| 19 | See Note | NSS | O-Ring (Note: Use Item 26A) | |
| 20 | See Note | NSS | O-Ring (Note: Use Item 26A) | |
| 21 | | Ref | Piston Options: | |
| 21 | 7007923 | 1 | 0920084 Brake (Prior to SN 0300033476) | |
| 21 | 7018603 | 1 | 0920110 Brake (SN 0300033476 through 0300056536) | |
| 22 | 7007933 | 2 | Gasket | |
| 23 | See Note | NSS | O-Ring (Note: Use Item 26A, 26B or 27) | |
| 24 | 7007924 | 1 | Plug, Pipe | |
| 26 | | Ref | Seal Kit Options: | |
| 26A | 2900766 | 1 | Seal Kit (Includes Items 8, 13, 17, 18, 19, 20, 22 & 23) | |

SECTION 1 - FRAME

| ITEM | PART NUMBER | QTY | DESCRIPTION | REV |
|------|-------------|-----|--|-----|
| 26B | 2900768 | 1 | Seal Kit (Includes Items 8, 13, 15, 22 & 23) | |
| 27 | | Ref | Lining Kit Options: (Includes Items 5, 6, 7, 8, 22 & 23) | |
| 27 | 2900767 | 1 | 0920084 Brake (Prior to SN 0300033476) | |
| 27 | 7018608 | 1 | 0920110 Brake (SN 0300033476 through 0300056535) | |
| | | Ref | DRIVE BRAKE ASSEMBLY (NOT SHOWN) (SN 0300056536 through 0300069000) | B |
| | | Ref | NOTE: WAS P/N 0920117 - USE P/N 0920119 AS REPLACEMENT. | |
| 51 | 7018612 | 1 | Kit, Repair - 0920117 & 0920119 Brakes | |
| 51 | 7000731 | 1 | Gasket, Mounting Face | |
| | | Ref | Note: No Other Parts Available. | |

SECTION 1 - FRAME

FIGURE 1-7. DRIVE MOTOR ASSEMBLY - SUNSTRAND (2WD)



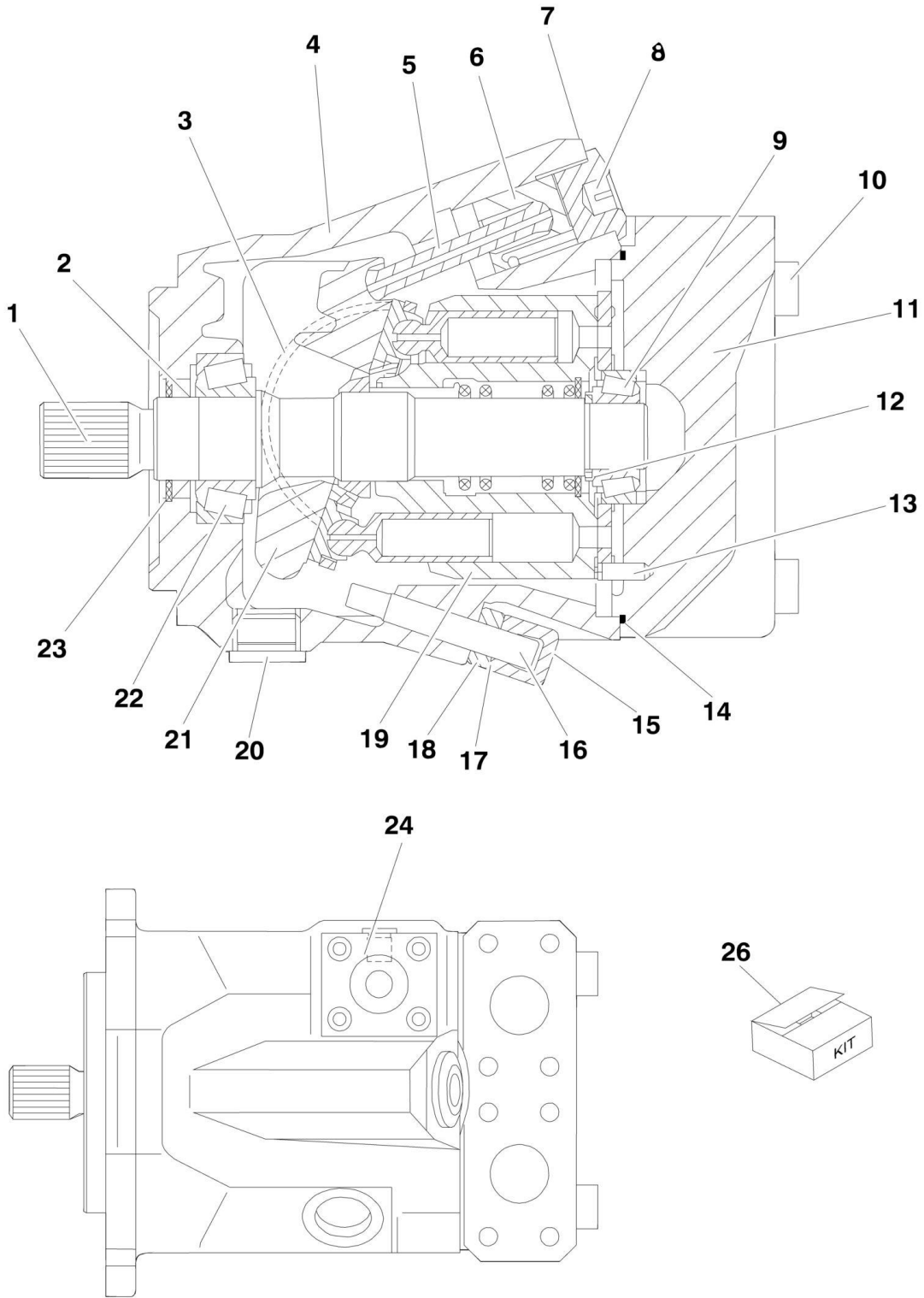
SECTION 1 - FRAME

FIGURE 1-7. DRIVE MOTOR ASSEMBLY - SUNSTRAND (2WD)

| ITEM | PART NUMBER | QTY | DESCRIPTION | REV |
|------|-------------|-----|--|-----|
| | 3160205 | Ref | DRIVE MOTOR ASSEMBLY - SUNSTRAND (2WD) | B |
| 1 | 7007438 | 1 | Ring, Retaining | |
| 2 | 7007438 | 1 | Ring, Retaining | |
| 3 | 7007437 | 1 | Bearing, Ball | |
| 4 | 7007439 | 2 | Ring, Retaining | |
| 5 | 7010108 | 1 | Gasket, End Cap | |
| 6 | 7010109 | 1 | Plate, Motor Valve | |
| 7 | 7010110 | 1 | Plate, Thrust | |
| 8 | 7007425 | 1 | Bearing, Needle | |
| 9 | 7007446 | 1 | Pin | |
| 10 | 7007459 | 1 | Seal, Lip | |
| 11 | 7010111 | 1 | Shaft | |
| 12 | 7010112 | 1 | Cap, End | |
| 13 | 7010113 | 1 | Plug | |
| 14 | 7010114 | 2 | Plug | |
| 15 | 7010115 | 4 | Screw | |
| 16 | 3160205 | 1 | Housing (Note: Not Available for Purchase) | |
| 17 | 7010116 | 1 | Cylinder Block Assembly (Includes Items 18-27) | |
| 18 | 7007428 | 1 | Spring | |
| 19 | 7007427 | 1 | Washer | |
| 20 | 7007426 | 1 | Ring, Retaining | |
| 21 | 7007429 | 1 | Washer | |
| 22 | 7010117 | 7 | Piston Assembly | |
| 23 | 7010118 | 1 | Block, Cylinder | |
| 24 | 7007430 | 1 | Retainer, Pin | |
| 25 | 7007434 | 1 | Guide, Slip Retainer | |
| 26 | 7007431 | 3 | Pin, Slip Retainer | |
| 27 | 7010119 | 1 | Retainer, Slip | |

SECTION 1 - FRAME

FIGURE 1-8. DRIVE MOTOR ASSEMBLY - REXROTH (4WD)



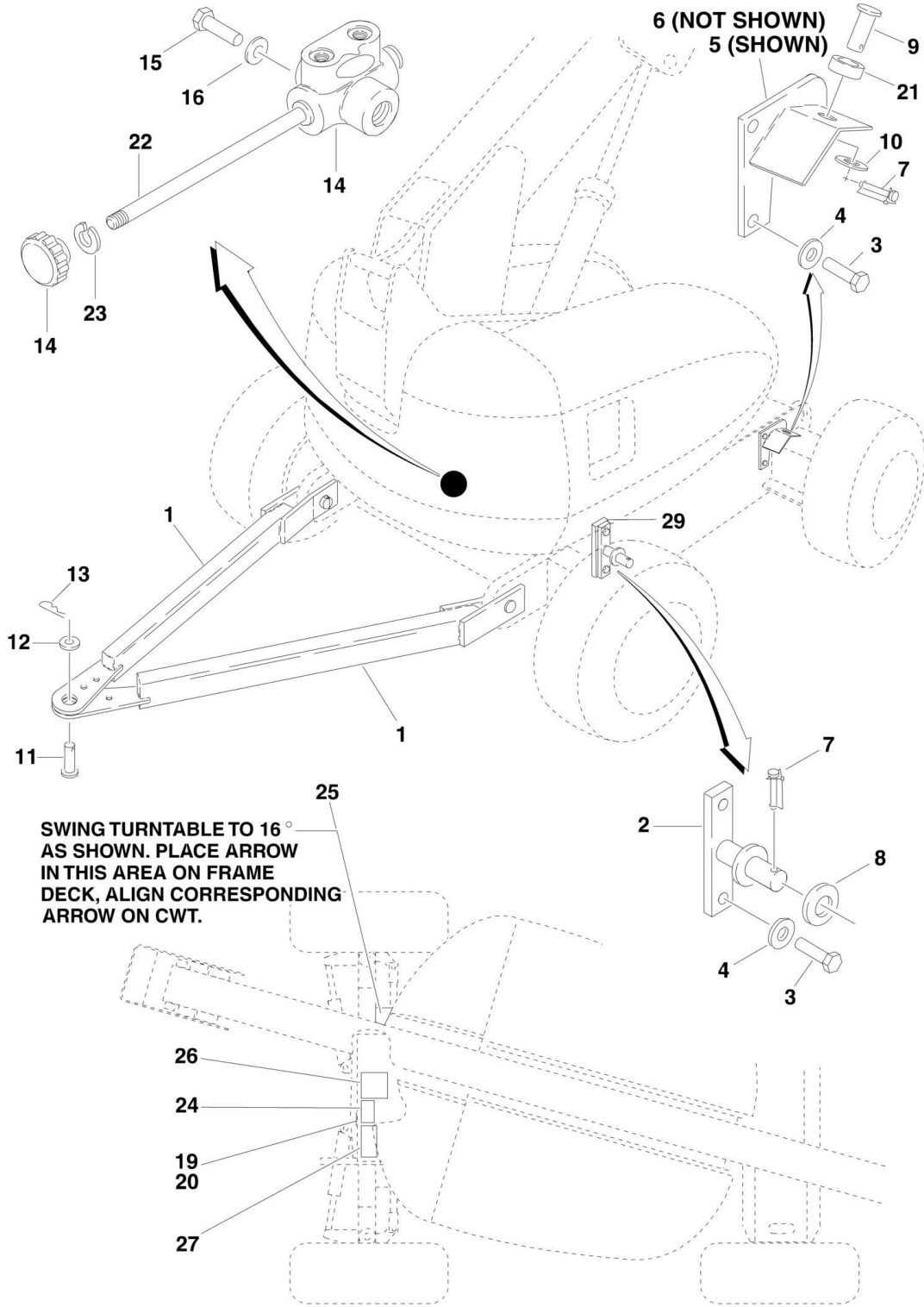
SECTION 1 - FRAME

FIGURE 1-8. DRIVE MOTOR ASSEMBLY - REXROTH (4WD)

| ITEM | PART NUMBER | QTY | DESCRIPTION | REV |
|------|-------------|-----|--|-----|
| | 3160204 | Ref | DRIVE MOTOR ASSEMBLY - REXROTH (4WD) | |
| 1 | 7012701 | 1 | Shaft - 13 Teeth | |
| 2 | See Note | NSS | Seal, Shaft (Note: Use Item 26) | |
| 3 | 7012702 | 2 | Bearing, Cradle | |
| 4 | 3160204 | 1 | Housing (Note: Not Available for Purchase) | |
| 5 | 7012703 | 1 | Rod, Piston | |
| 6 | 7012704 | 1 | Piston, Stroking | |
| 7 | See Note | NSS | O-Ring (Note: Use Item 26) | |
| 8 | 7012705 | 1 | Nut, Adaptor | |
| 9 | 7012706 | 1 | Bearing, Roller | |
| 10 | 7012707 | 4 | Bolt, Socket Head M12 x 65 | |
| 11 | 7012708 | 1 | Block, Port | |
| 12 | 7012709 | 1 | Shim | |
| 13 | 7012710 | 1 | Pin, Dowel M6 x 18 | |
| 14 | See Note | NSS | O-Ring (Note: Use Item 26) | |
| 15 | 7012711 | 1 | Nut, Cap M10 x 1 | |
| 16 | 7012712 | 1 | Screw, Adjusting | |
| 17 | See Note | NSS | O-Ring (Note: Use Item 26) | |
| 18 | 7012713 | 1 | Nut, Jam M10 x 1 | |
| 19 | 7012716 | 1 | Rotary Group Assembly | |
| 20 | See Note | 1 | Plug (Note: Not Available for Purchase) | |
| 21 | 7024036 | 1 | Plate, Swash | |
| 22 | 7012714 | 1 | Bearing, Roller | |
| 23 | 7012715 | 1 | V-Ring | |
| 24 | 7012700 | 1 | Control Plate Assembly (Prior to SN 0300029852) | |
| 26 | 2900788 | 1 | Seal Kit (Includes Items 2, 7, 14, 17 and O-Rings under Item 24) | |

SECTION 1 - FRAME

FIGURE 1-9. TOW PACKAGE INSTALLATION (OPTIONAL)



SECTION 1 - FRAME

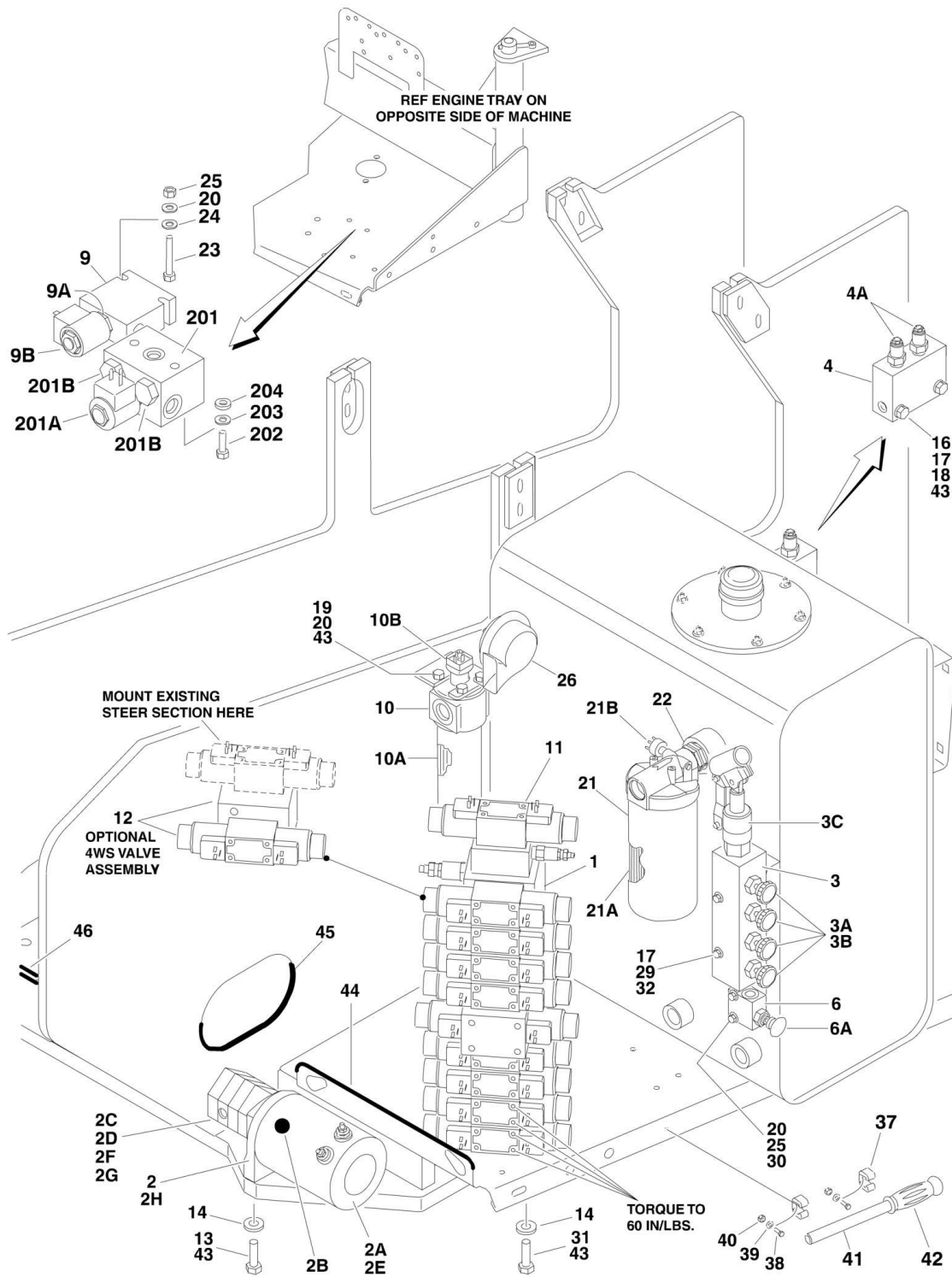
FIGURE 1-9. TOW PACKAGE INSTALLATION (OPTIONAL)

| ITEM | PART NUMBER | QTY | DESCRIPTION | REV |
|------|--------------|-----|-----------------------------------|-----|
| | | Ref | TOW INSTALLATION OPTIONS: | |
| | 0257436 | Ref | 7ft/2.1m width machines | 3 |
| | 0257101 | Ref | 8ft/2.4m width machines | 2 |
| 1 | 4845281 | 1 | Tow Bar Weldment | |
| 2 | | Ref | Bracket, Tow Bar Options: | |
| 2 | Not Required | 0 | 7ft/2.1m Width Machines | |
| 2 | 4845283 | 2 | 8ft/2.4m width machines | |
| 3 | | Ref | Bolt 3/8in-16NC x 1in Options: | |
| 3 | Not Required | 0 | 7ft/2.1m Width Machines | |
| 3 | 0641608 | 8 | 8ft/2.4m width machines | |
| 4 | | Ref | Flatwasher 3/8in Options: | |
| 4 | Not Required | 0 | 7ft/2.1m Width Machines | |
| 4 | 4711600 | 8 | 8ft/2.4m width machines | |
| 5 | | Ref | Bracket, Tow Bar Options: | |
| 5 | Not Required | 0 | 7ft/2.1m Width Machines | |
| 5 | 4845450 | 1 | 8ft/2.4m width machines | |
| 6 | | Ref | Bracket, Tow Bar Options: | |
| 6 | Not Required | 0 | 7ft/2.1m Width Machines | |
| 6 | 4845451 | 1 | 8ft/2.4m width machines | |
| 7 | 3421453 | 4 | Pin, Snap | |
| 8 | 4712600 | AR | Flatwasher 1in | |
| 9 | 3422553 | 2 | Pin, Tow Bar | |
| 10 | 4713400 | 2 | Flatwasher 1 1/2in | |
| 11 | 3422553 | 1 | Pin, Tow Bar | |
| 12 | 4713000 | 2 | Flatwasher 1 1/4in | |
| 13 | 3420592 | 1 | Hairpin | |
| 14 | 4640261 | 1 | Diversion Valve Assembly | |
| 15 | 0641505 | 2 | Bolt 5/16in-18NC x 5/8in | |
| 16 | 4711500 | 2 | Flatwasher 5/16in | |
| 19 | 3250872 | 1 | Nameplate | |
| 20 | 3820001 | 4 | Rivet | |
| 21 | 4567172 | 2 | Tube, Spacer | |
| 22 | 3841329 | 1 | Rod Extension | |
| 23 | 4761600 | 1 | Lockwasher 3/8in | |
| 24 | 1703403 | 1 | Decal - Instruction | |
| 25 | 1703404 | 2 | Decal - Match Arrow | |
| 26 | 1703444 | 1 | Decal | |
| 27 | 1703450 | 1 | Decal | |
| 28 | 3539662 | 1 | Plate, Valve Mounting (Not Shown) | |
| 29 | | Ref | Bar, Tow Clamp Options: | |
| 29 | Not Required | 0 | 7ft/2.1m Width Machines | |
| 29 | 0362519 | 4 | 8ft/2.4m width machines | |

SECTION 2 - TURNTABLE

SECTION 2 - TURNTABLE

FIGURE 2-1. CONTROL VALVES INSTALLATIONS



SECTION 2 - TURNTABLE

FIGURE 2-1. CONTROL VALVES INSTALLATIONS

| ITEM | PART NUMBER | QTY | DESCRIPTION | REV |
|------|--------------|-----|--|-----|
| | | Ref | CONTROL VALVES INSTALLATIONS | |
| | 0255440 | Ref | Control Valves Installations 600A 2WS | 9 |
| | 0255442 | Ref | Control Valves Installations 600A 4WS | 9 |
| | 0255441 | Ref | Control Valves Installations 600AJ 2WS | 11 |
| | 0255443 | Ref | Control Valves Installations 600AJ 4WS | 9 |
| 1 | | Ref | Main Valve Block Assembly (See MAIN VALVE BLOCK ASSEMBLY for Breakdown) Options: | |
| 1 | 4640920 | 1 | Main Valve Block Assembly (Prior to SN 0300041204) | |
| 1 | 4641097 | 1 | Main Valve Block Assembly (SN 0300041204 through 0300069000) | |
| 2 | 3600243 | 1 | Auxiliary Pump Assembly | A |
| 2A | 7013755 | 1 | Replacement Motor | |
| 2A | 7013799 | 1 | Brush Kit - 7013755 Motor | |
| 2B | 7013711 | 1 | Coupling | |
| 2C | 7013796 | 1 | Replacement Pump | |
| 2C | See Note | 1 | Seal Kit (Note: Not Available - Purchase Individual Components) | |
| 2C | 7016700 | 1 | Seal, Oil | |
| 2C | 7016701 | 1 | O-Ring | |
| 2C | 7016702 | 1 | O-Ring | |
| 2D | 7022203 | 4 | Bolt (Pump to Bracket) | |
| 2E | 7016744 | 2 | Bolt (Motor to Bracket) | |
| 3 | 4640930 | 1 | Manual Descent Valve Assembly | |
| 3A | 7012954 | 4 | Cartridge, Needle | |
| 3A | 7012953 | 4 | Seal, Kit - 7012954 Cartridge | |
| 3B | 7012961 | 4 | Knob | |
| 3C | 7012694 | 1 | Cartridge, Pump | |
| 3C | 7012699 | 1 | Seal Kit - 7012694 Cartridge | |
| 4 | 4640908 | 1 | Counterbalance Valve Assembly | |
| 4A | 7011328 | 2 | Cartridge, Counterbalance | |
| 4A | 2900770 | 2 | Seal Kit - 7011328 Cartridge | |
| 6 | 4640866 | 1 | Manual Pull Valve Assembly | |
| 6 | 2900708 | 1 | Seal Kit - 4640866 Valve | |
| 6A | 7012959 | 1 | Knob | |
| 9 | 4640907 | 1 | Brake Valve Assembly | |
| 9A | 7012941 | 1 | Cartridge without Coil | |
| 9A | 7012907 | 1 | Seal Kit - 7012941 Cartridge | |
| 9B | 7012944 | 1 | Coil | |
| 10 | 2120146 | 1 | Hydraulic Pressure Filter Assembly | |
| 10A | 2120150 | 1 | Element, Filter | |
| 10B | 7016312 | 1 | Switch, Clog Indicator | |
| 11 | | Ref | Articulating Jib Valve Kit (See ACCESSORY VALVE ASSEMBLIES for Breakdown) Options: | |
| 11 | Not Required | 0 | 600A - 2WS/600A - 4WS | |
| 11 | 4640921 | 1 | 600AJ - 2WS/600AJ - 4WS | |
| 11 | | Ref | Harness, Articulating Jib Options (Not Shown - ELECTRICAL SECTION for Breakdown) | |
| 11 | 4921771 | 1 | Harness, Articulating Jib (Prior to SN 0300035129) | |
| 11 | 4921927 | 1 | Harness, Articulating Jib (SN 0300035129 through 0300069000) | |
| 12 | | Ref | 4WS Valve Assembly (See ACCESSORY VALVE ASSEMBLIES | |

SECTION 2 - TURNTABLE

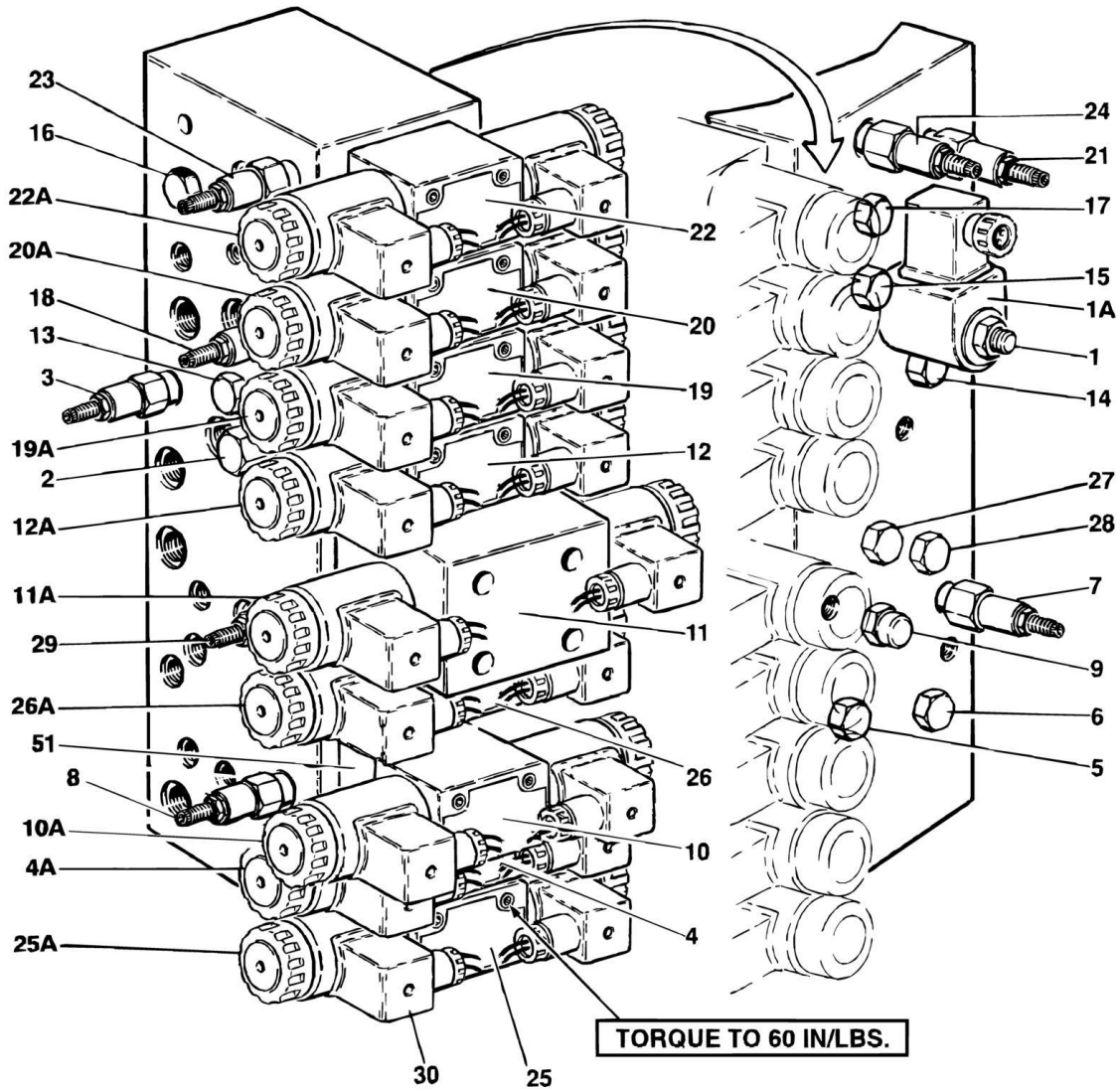
| ITEM | PART NUMBER | QTY | DESCRIPTION | REV |
|------|--------------|------------|---|-----|
| | | | for Breakdown) Options: | |
| 12 | Not Required | 0 | 600A - 2WS/600AJ - 2WS | |
| 12 | 4640922 | 1 | 600A - 4WS/600AJ - 4WS | |
| 12 | | Ref | Harness, 4WS Options (Not Shown - See ELECTRICAL SECTION for Breakdown): | |
| 12 | 4921772 | 1 | Harness, 4WS (Prior to SN 0300035129) | |
| 12 | 4921928 | 1 | Harness, 4WS (SN 0300035129 through 0300069000) | |
| 13 | 0641613 | 2 | Bolt 3/8in-16NC x 1-5/8in | |
| 14 | 4711600 | 2 | Flatwasher 3/8in Thin | |
| 16 | 4891800 | 2 | Flatwasher 1/2in Hardened | |
| 17 | 4711500 | 8 | Flatwasher 5/16in Thin | |
| 18 | 3311501 | 2 | Nut 5/16in-18NC | |
| 19 | 0651406 | 4 | Bolt 1/4in-28NF x 3/4in | |
| 20 | 4711400 | 14 | Flatwasher 1/4in Thin | |
| 21 | 2120145 | 1 | Return Filter Assembly | B |
| 21A | 2120149 | 1 | Element, Filter | |
| 21B | 7016313 | 1 | Switch, Clog Indicator | |
| 22 | 2220893 | 1 | Fitting, Adaptor | |
| 23 | 0641416 | 2 | Bolt 1/4in-20NC x 2in | |
| 24 | 4891400 | 2 | Flatwasher 1/4in Hardened | |
| 25 | 3311405 | 6 | Locknut 1/4in x 20NC | |
| 26 | 0140001 | 1 | Horn | |
| 29 | 0641522 | 2 | Bolt 5/16in-18NC x 2-3/4in | |
| 30 | 0641414 | 2 | Bolt 1/4in-20NC x 1-3/4in | |
| 31 | 0641608 | 3 | Bolt 3/8in-16NC x 1in | |
| 32 | 3311505 | 2 | Locknut 5/16in-18NC | |
| 37 | 1380136 | 2 | Clip, Gripper | |
| 38 | 3910806 | 2 | Screw #8 x 3/4in | |
| 39 | 4750800 | 4 | Flatwasher #8 Regular | |
| 40 | 3310805 | 2 | Locknut #8 | |
| 41 | 2560122 | 1 | Handle | |
| 42 | 2560123 | 1 | Grip, Handle | |
| 43 | 0100011 | AR | Compound, Locking | |
| 44 | 4060804 | 16 | Trim-Loc 3/16in | |
| | | in/40cm | | |
| 45 | 4060918 | 79 in/1.9m | Trim-Loc 5/8in | |
| 46 | 4060807 | 18 | Trim-Loc 3/8in | |
| | | in/46cm | | |
| | 0255362 | Ref | TILT INDICATOR INSTALLATION (Prior to SN 0300064249) | - |
| 101 | 4360416 | 1 | Sensor, Tilt Indicator | |
| 102 | 0641406 | 2 | Bolt 1/4in-20NC x 3/4in | |
| 103 | 3311405 | 2 | Locknut 1/4in-20NC | |
| | 2792195 | Ref | 4WD DRIVE HYDRAULIC DIAGRAM | 8 |
| 201 | 4640906 | 1 | Valve, 2-Speed Motor Control | |
| 201A | 7012974 | 1 | Cartridge without Coil | |
| 201A | 7012905 | 1 | Seal Kit | |
| 201A | 7012944 | 1 | Coil | |
| 201B | See Note | 2 | Cartridge, Check Valve (Note: Not Available - Purchase Complete Valve Assembly) | |
| 201B | 7012972 | 2 | Seal Kit | |
| 202 | 0641508 | 2 | Bolt 5/16in-18NC x 1in | |
| 203 | 4891500 | 2 | Flatwasher 5/16in Hardened | |

SECTION 2 - TURNTABLE

| ITEM | PART NUMBER | QTY | DESCRIPTION | REV |
|------|-------------|-----|------------------------|-----|
| 204 | 4711500 | 2 | Flatwasher 5/16in Thin | |

SECTION 2 - TURNTABLE

FIGURE 2-2. MAIN VALVE BLOCK ASSEMBLY



SECTION 2 - TURNTABLE

FIGURE 2-2. MAIN VALVE BLOCK ASSEMBLY

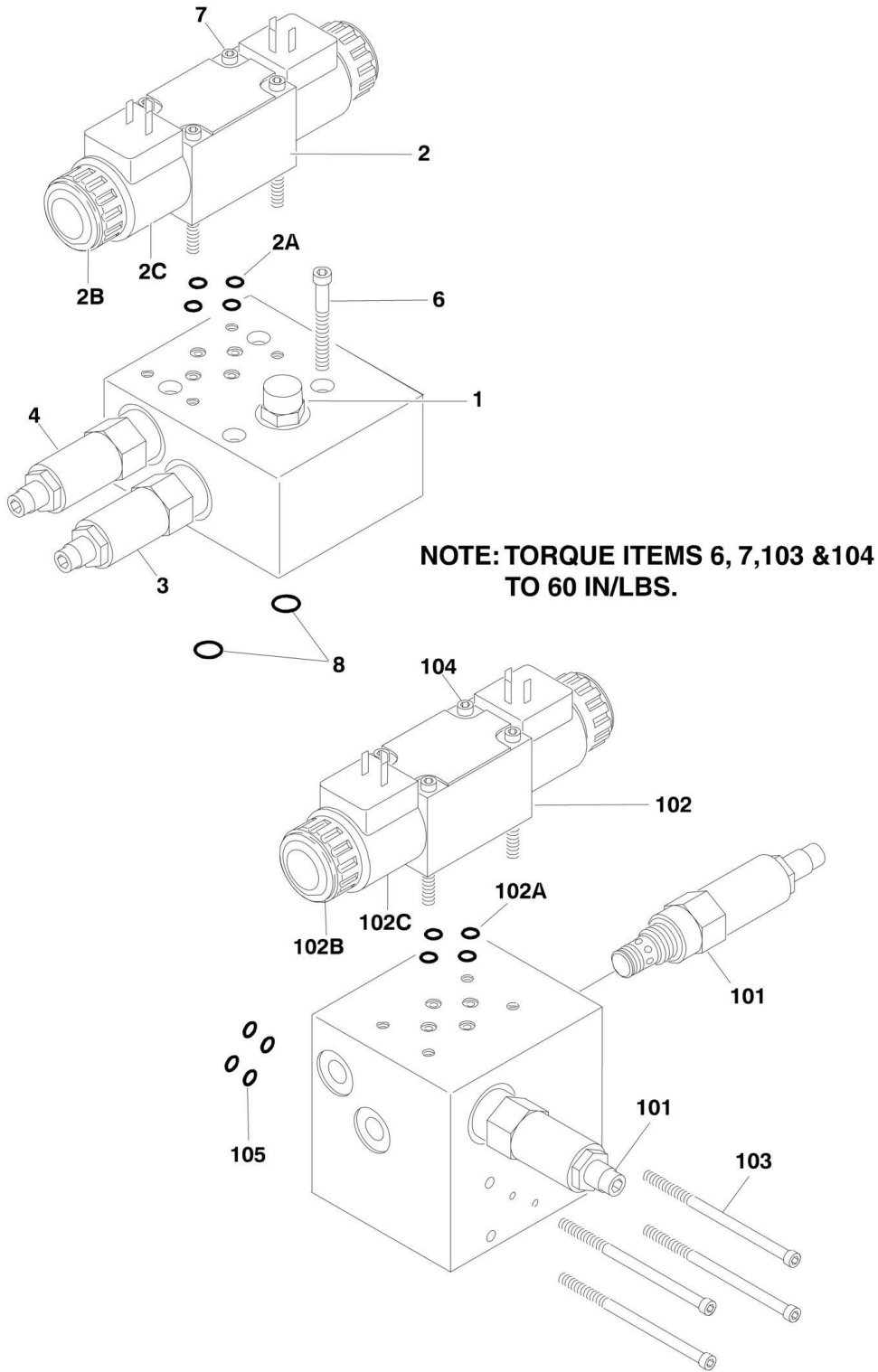
| ITEM | PART NUMBER | QTY | DESCRIPTION | REV |
|------|-------------|-----|---|-----|
| | | Ref | MAIN VALVE BLOCK ASSEMBLY | |
| | 4640920 | Ref | Main Valve Block Assembly (Prior to SN 0300041204) | D |
| | 4641097 | Ref | Main Valve Block Assembly (SN 0300041204 through 0300069000) | B |
| 1 | 7017410 | 1 | Cartridge, without Coil | |
| 1 | 7012967 | 1 | Seal Kit - 7017410 Cartridge | |
| 1A | 7012944 | 1 | Coil | |
| 2 | 7017411 | 1 | Cartridge, Pressure Sensing | |
| 2 | 7012518 | 1 | Seal Kit | |
| 3 | 7017418 | 1 | Cartridge (Main Relief) | |
| 3 | 7012998 | 1 | Seal Kit | |
| 4 | 70001976 | 1 | Control Valve Assembly (Platform Level) (was p/n 7012770) | |
| 4 | 7012773 | 1 | Seal Kit | |
| 4A | 7012772 | 2 | Coil | |
| 4A | 7018912 | 2 | Nut | |
| 5 | 7012914 | 1 | Cartridge, Check Valve | |
| 5 | 7012918 | 1 | Seal Kit - 7012914 Cartridge | |
| 6 | 7012914 | 1 | Cartridge, Check Valve | |
| 6 | 7012918 | 1 | Seal Kit - 7012914 Cartridge | |
| 7 | 7017428 | 1 | Cartridge, Relief Valve (Platform Level Backward Relief) | |
| 7 | 7012998 | 1 | Seal Kit - 7017428 Cartridge | |
| 8 | 7017427 | 1 | Cartridge, Relief Valve (Platform Level Forward Relief) | |
| 8 | 7012998 | 1 | Seal Kit - 7012912 Cartridge | |
| 9 | 7012989 | 1 | Cartridge, Flow Control | |
| 9 | 7012953 | 1 | Seal Kit - 7012989 Cartridge | |
| 10 | 70001976 | 1 | Control Valve Assembly (Platform Rotate) (was p/n 7012770) | |
| 10 | 7012773 | 1 | Seal Kit | |
| 10A | 7012772 | 2 | Coil | |
| 10A | 7018912 | 2 | Nut | |
| 11 | 70000579 | 1 | Control Valve Assembly (Upper Tele) (was p/n 7012766) | |
| | | Ref | Note: Refer to Vendor P/N on Valve Nameplate before ordering Parts. 7012766 is RR00567495 or R900567495. 70000579 is R900930080. | |
| 11 | | Ref | Seal Kit Options: | |
| 11 | 7012769 | 1 | 7012766 Valve | |
| 11 | 70000583 | 1 | 70000579 Valve | |
| 11A | | Ref | Coil Options: | |
| 11A | 7012772 | 1 | 7012766 Valve (was p/n 7012768) | |
| 11A | 70000582 | 1 | 70000579 Valve | |
| 11A | | Ref | Nut, Coil Options: | |
| 11A | 7018912 | 1 | 7012766 Valve | |
| 11A | 70000580 | 1 | 70000579 Valve | |
| 12 | 7012775 | 1 | Control Valve Assembly (Flow Control) | |
| 12 | 7012773 | 1 | Seal Kit | |
| 12A | 7012772 | 2 | Coil | |
| 12A | 7018912 | 2 | Nut | |
| 13 | 7010542 | 1 | Cartridge, Shuttle | |
| 13 | 7010543 | 1 | Seal Kit - 7010542 Cartridge | |
| 14 | 7010542 | 1 | Cartridge, Shuttle | |
| 14 | 7010543 | 1 | Seal Kit - 7010542 Cartridge | |

SECTION 2 - TURNTABLE

| ITEM | PART NUMBER | QTY | DESCRIPTION | REV |
|------|-------------|-----|---|-----|
| 15 | 7010542 | 1 | Cartridge, Shuttle | |
| 15 | 7010543 | 1 | Seal Kit - 7010542 Cartridge | |
| 16 | 7010542 | 1 | Cartridge, Shuttle | |
| 16 | 7010543 | 1 | Seal Kit - 7010542 Cartridge | |
| 17 | 7010542 | 1 | Cartridge, Shuttle | |
| 17 | 7010543 | 1 | Seal Kit - 7010542 Cartridge | |
| 18 | 7017420 | 1 | Cartridge, Relief Valve | |
| 18 | 7012998 | 1 | Seal Kit - 7017420 Cartridge | |
| 19 | 7012775 | 1 | Control Valve Assembly (Upper Lift) | |
| 19 | 7012773 | 1 | Seal Kit | |
| 19 | 7012799 | 1 | Lanyard Assembly (Not Shown) | |
| 19A | 7012772 | 2 | Coil | |
| 19A | 7018912 | 2 | Nut | |
| 20 | 7012775 | 1 | Control Valve Assembly (Swing) | |
| 20 | 7012773 | 1 | Seal Kit | |
| 20A | 7012772 | 2 | Coil | |
| 20A | 7018912 | 2 | Nut | |
| 21 | 7017423 | 1 | Cartridge, Relief Valve (Swing Right/Left Relief) | |
| 21 | 7012998 | 1 | Seal Kit - 7017423 Cartridge | |
| 22 | 7012774 | 1 | Control Valve Assembly (Swing) | |
| 22 | 7012773 | 1 | Seal Kit | |
| 22A | 7012772 | 2 | Coil | |
| 22A | 7018912 | 2 | Nut | |
| 23 | 7017428 | 1 | Cartridge, Relief Valve (Steer Left Relief) | |
| 23 | 7012998 | 1 | Seal Kit - 7017428 Cartridge | |
| 24 | 7017428 | 1 | Cartridge, Relief Valve (Steer Right Relief) | |
| 24 | 7012998 | 1 | Seal Kit - 7017428 Cartridge | |
| 25 | 70001976 | 1 | Control Valve Assembly (Lower Tele) (was p/n 7012770) | |
| 25 | 7012773 | 1 | Seal Kit | |
| 25A | 7012772 | 2 | Coil | |
| 25A | 7018912 | 2 | Nut | |
| 26 | 7018952 | 1 | Control Valve Assembly (Lower Lift) Options: | |
| 26 | 7012769 | 1 | Seal Kit | |
| 26A | 7012772 | 2 | Coil | |
| 26A | 7018912 | 2 | Nut | |
| 26A | 7012799 | 1 | Lanyard Cable Assembly | |
| 27 | 7012969 | 1 | Cartridge, Check | |
| 27 | 7012967 | 1 | Seal Kit - 7012969 Cartridge | |
| 28 | 7012914 | 1 | Cartridge, Check | |
| 28 | 7012918 | 1 | Seal Kit - 7012914 Cartridge | |
| 30 | 4460499 | 19 | Connector, Din with Diode (Part of Valve Harness) | |
| | 2901763 | 1 | ROTATE SANDWICH VALVE KIT | A |
| 51 | 7021310 | 1 | Block, Valve | |

SECTION 2 - TURNTABLE

FIGURE 2-3. ACCESSORY VALVE ASSEMBLIES



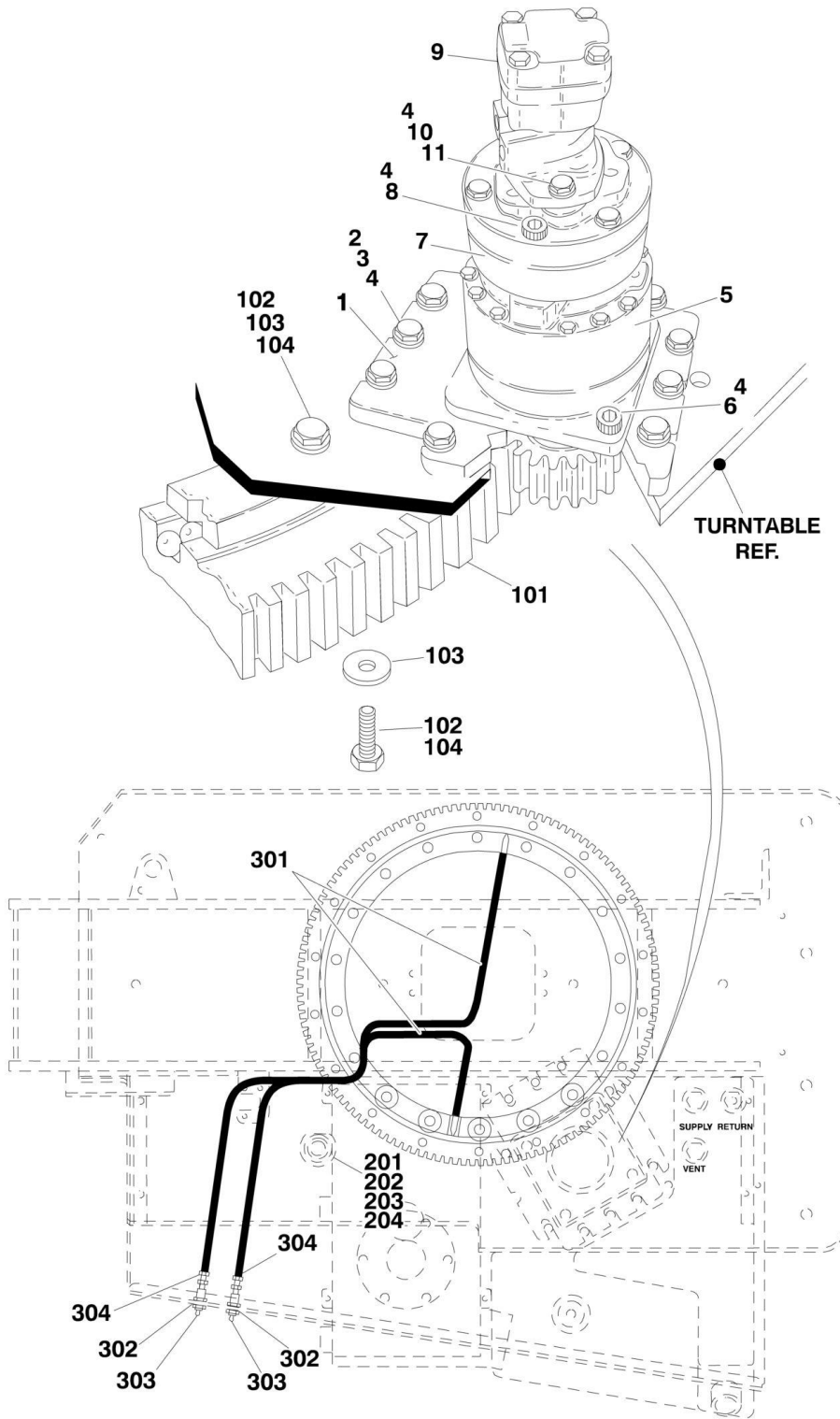
SECTION 2 - TURNTABLE

FIGURE 2-3. ACCESSORY VALVE ASSEMBLIES

| ITEM | PART NUMBER | QTY | DESCRIPTION | REV |
|------|-------------|-----|---|-----|
| | 4640921 | Ref | ARTICULATING JIB VALVE ASSEMBLY | D |
| 1 | 7012965 | 1 | Cartridge, Flow Control | |
| 1 | 7012953 | 1 | Seal Kit - 7012965 Cartridge | |
| 2 | 70001976 | 1 | Directional Control Valve Assembly (was p/n 7012770) | |
| 2 | 7012773 | 1 | Seal Kit | |
| 2A | 7018945 | 4 | O-Ring | |
| 2B | 7018912 | 2 | Nut | |
| 2C | 7012772 | 2 | Coil | |
| 3 | 7017421 | 1 | Cartridge, Relief | |
| 3 | 7012998 | 1 | Seal Kit - 7017421 Cartridge | |
| 4 | 7017422 | 1 | Cartridge, Relief | |
| 4 | 7012998 | 1 | Seal Kit - 7017422 Cartridge | |
| 5 | 4460499 | 2 | Connector, Din with Diode (Part of Valve Harness) | |
| 6 | 7018946 | 4 | Capscrew, Socket Head #10-24NC x 5in (Not Shown - Used to Mount Valve Assembly) | |
| 7 | 7018942 | 4 | Capscrew, Socket Head #10-24NC x 2in | |
| 8 | 7012776 | 4 | O-Ring (Not Shown - Used to Mount to Main Valve) | |
| | 4640922 | Ref | 4WS VALVE ASSEMBLY | B |
| 101 | 7017420 | 2 | Cartridge, Flow Control | |
| 101 | 7012998 | 2 | Seal Kit - 7017420 Cartridge | |
| 102 | 7012774 | 1 | Directional Control Valve Assembly | |
| 102 | 7012773 | 1 | Seal Kit | |
| 102A | 7018945 | 4 | O-Ring | |
| 102B | 7018912 | 2 | Nut | |
| 102C | 7012772 | 2 | Coil | |
| 103 | 7018946 | 4 | Capscrew, Socket Head #10-24NC x 5in (Used to Mount Valve Assembly) | |
| 104 | 7018942 | 4 | Capscrew, Socket Head #10-24NC x 2in | |
| 105 | 7018948 | 4 | O-Ring (Used to Mount to Main Valve) | |

SECTION 2 - TURNTABLE

FIGURE 2-4. SWING DRIVE, TURNTABLE BEARING AND LOCK INSTALLATIONS



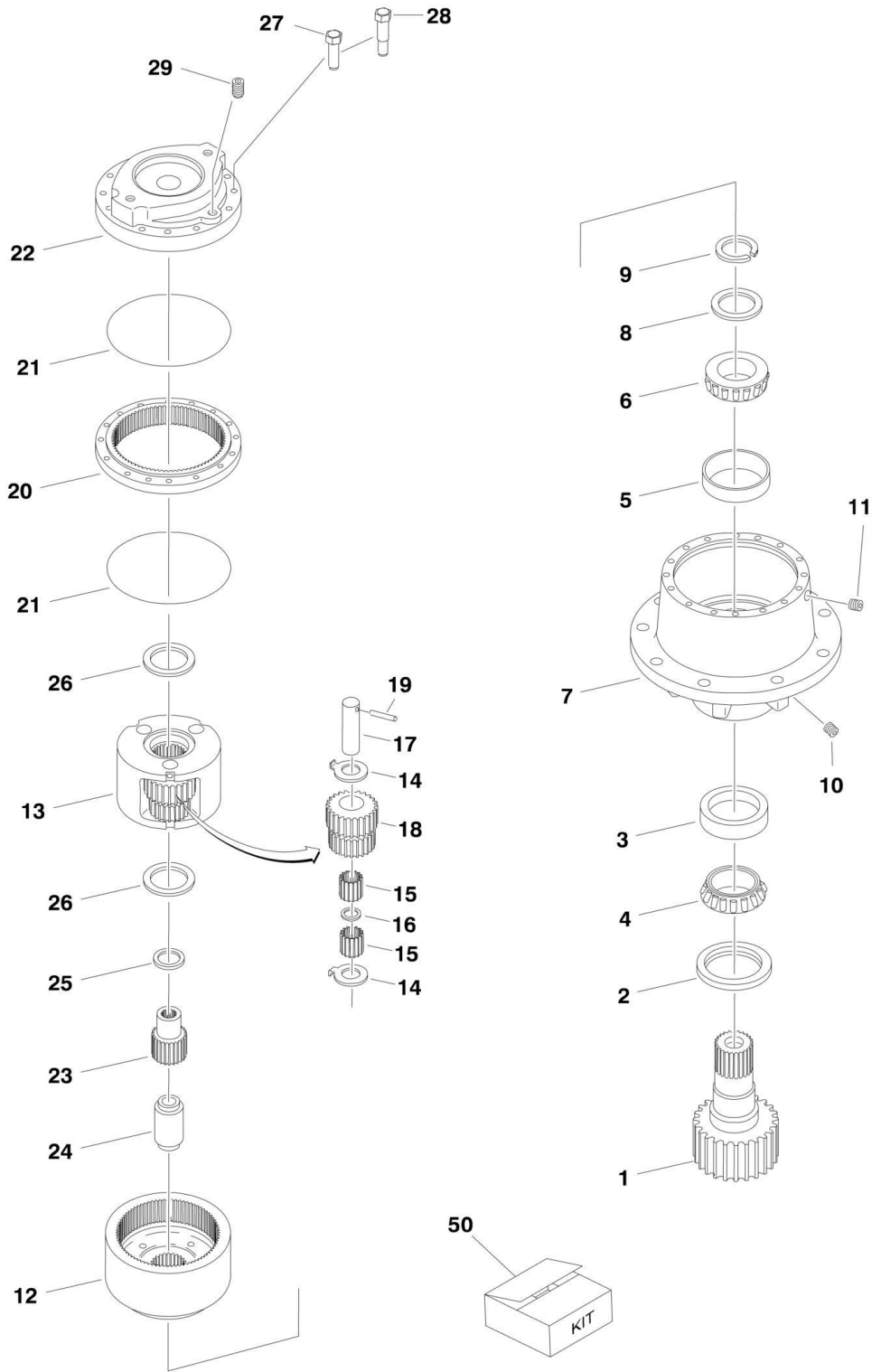
SECTION 2 - TURNTABLE

FIGURE 2-4. SWING DRIVE, TURNTABLE BEARING AND LOCK INSTALLATIONS

| ITEM | PART NUMBER | QTY | DESCRIPTION | REV |
|------|-------------|-----------|---|-----|
| | | Ref | SWING DRIVE INSTALLATIONS | |
| | 0255025 | Ref | Swing Drive Installations (Prior to SN 0300064566) | 4-B |
| | 0270329 | Ref | Swing Drive Installations (SN 0300064566 through 0300069000) | A |
| 1 | 3537318 | 1 | Plate, Swing Drive Mounting | |
| 2 | 0642018 | 10 | Bolt 5/8in - 11NC x 2-1/4in | |
| 3 | 4892000 | 10 | Flatwasher 5/8in Hardened | |
| 4 | 0100011 | AR | Compound, Locking | |
| 5 | 2780205 | 1 | Hub, Swing Assembly (See SWING HUB ASSEMBLY for Breakdown) | |
| 6 | 3932224 | 4 | Bolt 1/2in - 13NC x 1-1/2in | |
| 7 | | Ref | Brake, Swing Assembly (See SWING BRAKE ASSEMBLY for Breakdown) (Note: Recommend using 0920109 in place of original 0920083) | |
| 7 | 0920109 | 1 | Brake, Swing Assembly (SN 0300033476 through 0300064565) | |
| 7 | 0920119 | 1 | Brake, Swing Assembly (SN 0300064566 through 0300069000) | |
| 8 | 3931860 | 2 | Bolt Socket Head 1/2in - 13NC x 3-3/4in (Prior to SN 0300064566) | |
| 9 | | Ref | Motor, Swing Assembly (See SWING MOTOR ASSEMBLY for Breakdown) | |
| 9 | 3160200 | 1 | Motor, Swing Assembly (Prior to SN 0300064566) | |
| 9 | 3160273 | 1 | Motor, Swing Assembly (SN 0300064566 through 0300069000) | |
| 10 | | Ref | Bolt Options: | |
| 10 | 0641811 | 2 | Bolt 1/2in - 13NC x 1-3/8in (Prior to SN 0300064566) | |
| 10 | 0681836 | 2 | Bolt 1/2in - 13NC x 4-1/2in (SN 0300064566 through 0300069000) | |
| 11 | 4891800 | 2 | Flatwasher 1/2in Hardened | |
| | 0254798 | Ref | TURNTABLE BEARING INSTALLATION | A-A |
| 101 | 0440207 | NLA | Bearing Kit (Use p/n 2915087) (Kit Includes Bearing and Mounting Hardware) | |
| 102 | 0682016 | 36 | Bolt 5/8in - 11NC X 2in (Grade 8) | |
| 103 | 4892000 | 36 | Flatwasher 5/8in Hardened | |
| 104 | 0100019 | AR | Compound, Locking | |
| | 0255410 | Ref | TURNTABLE LOCK INSTALLATION | - |
| 201 | 4844958 | 1 | Pin | |
| 202 | 3421565 | 1 | Pin, Snap | |
| 203 | 3760170 | 2 | Ring, Quick Release | |
| 204 | 1260017 | 9 in/23cm | Chain | |
| | 0255444 | Ref | REMOTE BEARING LUBE INSTALLATION | 1 |
| | 1282398 | Ref | REMOTE BEARING LUBE INSTALLATION | C |
| 301 | 2751032 | 2 | Hose, Grease | |
| 302 | 2180344 | 2 | Fitting, Bulkhead | |
| 303 | 2160002 | 2 | Fitting, Grease | |
| 304 | 2220001 | 2 | Fitting, Straight | |

SECTION 2 - TURNTABLE

FIGURE 2-5. SWING HUB ASSEMBLY



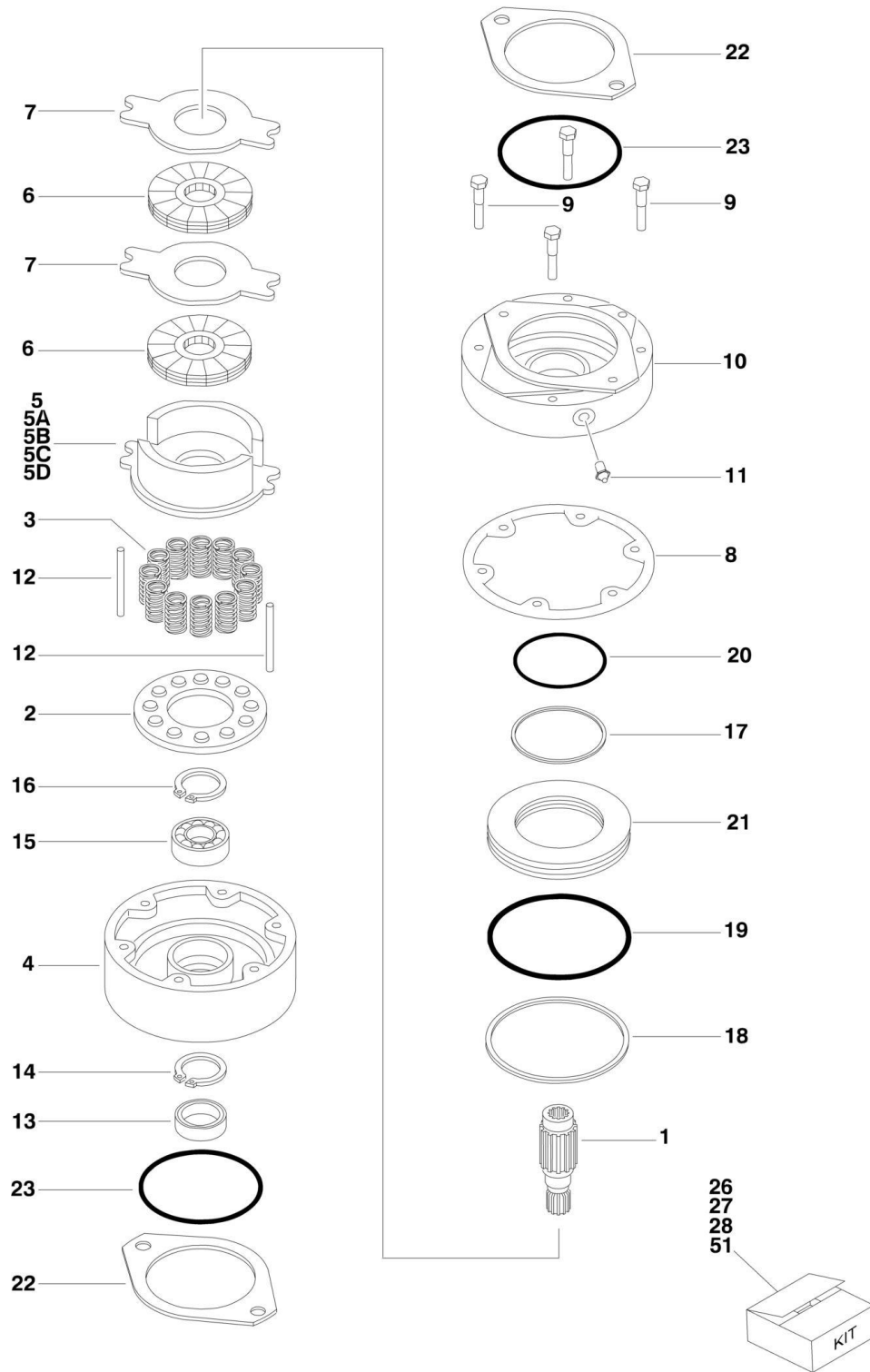
SECTION 2 - TURNTABLE

FIGURE 2-5. SWING HUB ASSEMBLY

| ITEM | PART NUMBER | QTY | DESCRIPTION | REV |
|------|-------------|-----|---|-----|
| | 2780205 | Ref | SWING HUB ASSEMBLY | |
| | | Ref | HOUSING ASSEMBLY | |
| 1 | 7010492 | 1 | Shaft, Output | |
| 2 | 7000228 | 1 | Seal, Lip | |
| 3 | 7000255 | 1 | Cup, Bearing | |
| 4 | 7000256 | 1 | Cone, Bearing | |
| 5 | 7000257 | 1 | Cup, Bearing | |
| 6 | 7000258 | 1 | Cone, Bearing | |
| 7 | 7017089 | 1 | Housing | |
| 8 | 7007633 | 1 | Thrustwasher | |
| 9 | 7000229 | 1 | Ring, Retaining | |
| 10 | 7010494 | 2 | Pipe, Plug | |
| 11 | 7001928 | 2 | Pipe, Plug | |
| 12 | 7000246 | 2 | Gear, Internal | |
| 13 | | Ref | CARRIER ASSEMBLY | |
| 13 | 7001931 | 1 | Carrier | |
| 14 | 7001985 | 6 | Thrustwasher, Tanged | |
| 15 | 7001909 | 96 | Bearing, Needle | |
| 16 | 7000263 | 3 | Spacer, Thrust | |
| 17 | 7001911 | 3 | Shaft, Planet | |
| 18 | 7001987 | 3 | Gear, Cluster | |
| 19 | 7010474 | 3 | Roll Pin | |
| 20 | 7001988 | 1 | Ring Gear | |
| 21 | 7000230 | 2 | O-Ring | |
| 22 | 7000209 | 1 | Cover, Input | |
| 23 | 7010488 | 1 | Gear, Sun | |
| 24 | 7000269 | 1 | Spacer, Input | |
| 25 | 7000270 | 1 | Thrustwasher | |
| 26 | 7000253 | 2 | Thrustwasher | |
| 27 | 7000217 | 8 | Bolt | |
| 28 | 7000214 | 4 | Bolt, Shoulder | |
| 29 | 7000242 | 1 | Pipe, Plug | |
| 50 | 7024100 | 1 | Seal Kit (Includes Items 2, 9, 21 & 26) | |

SECTION 2 - TURNTABLE

FIGURE 2-6. SWING BRAKE ASSEMBLY



SECTION 2 - TURNTABLE

FIGURE 2-6. SWING BRAKE ASSEMBLY

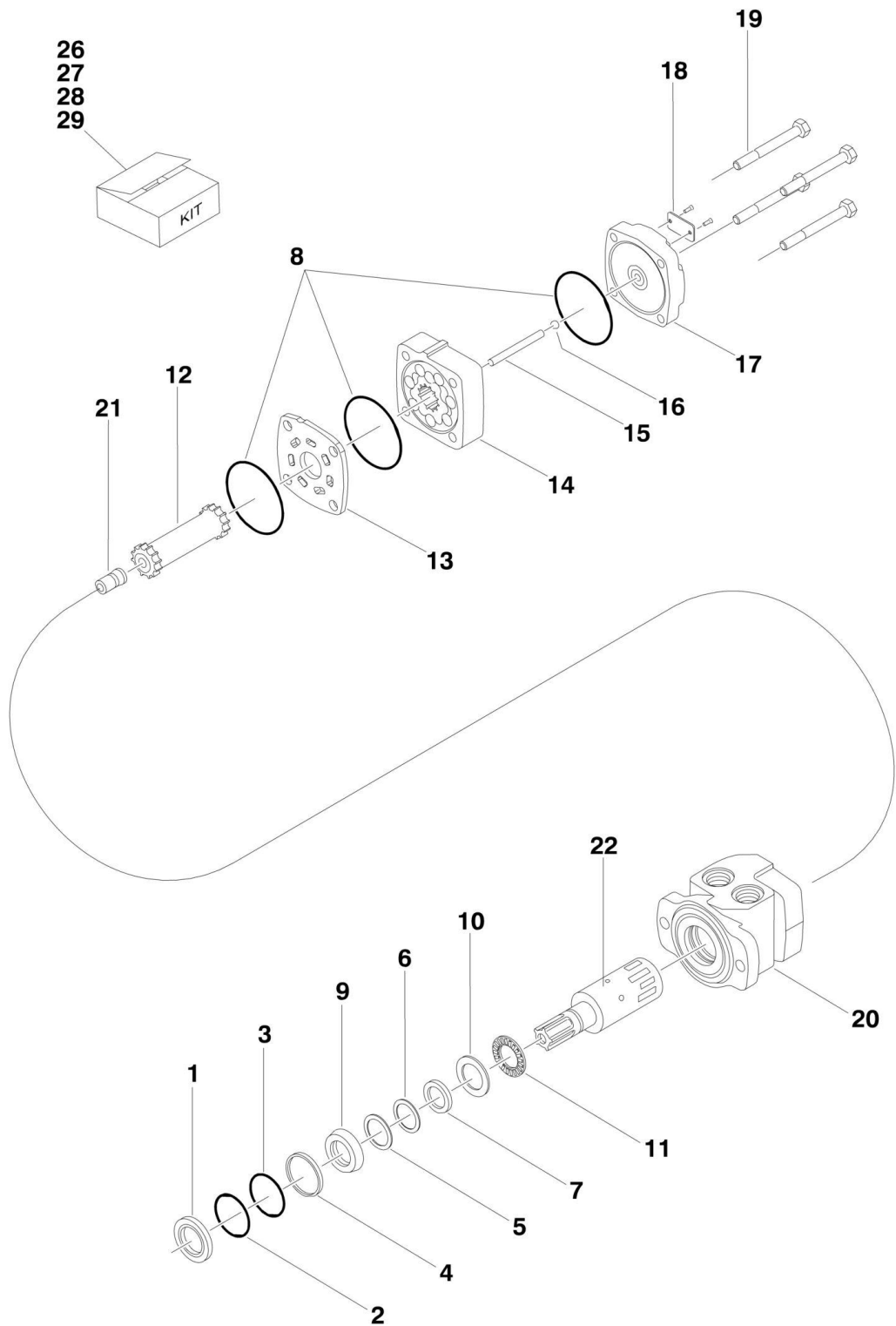
| ITEM | PART NUMBER | QTY | DESCRIPTION | REV |
|------|-------------|-----|---|-----|
| | | Ref | SWING BRAKE ASSEMBLY OPTIONS: | |
| | 0920083 | Ref | Swing Brake Assembly (Prior to SN 0300033476) | A |
| | 0920109 | Ref | Swing Brake Assembly (SN 0300033476 through 0300064566) | B |
| 1 | 7011720 | 1 | Shaft | |
| 2 | | Ref | Guide, Spring Options: | |
| 2 | 7011717 | 1 | 0920083 Brake (Prior to SN 0300033476) | |
| 2 | 7018606 | 1 | 0920109 Brake (SN 0300033476 through 0300069000) | |
| 3 | | Ref | Spring Options: | |
| 3 | 7007979 | 6 | 0920083 Brake (Inner) (Prior to SN 0300033476) | |
| 3 | 7007980 | 6 | 0920083 Brake (Outer) (Prior to SN 0300033476) | |
| 3 | 7007970 | 6 | 0920109 Brake (Red) (SN 0300033476 through 0300064566) | |
| 3 | 7018602 | 3 | 0920109 Brake (Blue) (SN 0300033476 through 0300064566) | |
| 4 | | Ref | Housing Options: | |
| 4 | 7011713 | 1 | 0920083 Brake (Prior to SN 0300033476) | |
| 4 | 7018605 | 1 | 0920109 Brake (SN 0300033476 through 0300064566) | |
| 5 | | Ref | Return Plate and Separator Assembly Options: | |
| 5A | | Ref | 0920083 Brake (Prior to SN 0300033476) | |
| 5B | See Note | NSS | Plate, Return - 0920083 Brake (Note: Use Item 28) (Prior to SN 0300033476) | |
| 5C | 7011715 | 2 | Separator Assy - 0920083 Brake (Prior to SN 0300033476) | |
| 5C | 7011714 | 4 | Pin | |
| 5C | 7007983 | 2 | Separator | |
| 5D | See Note | NSS | 0920109 Brake (Note: Use Item 28) (SN 0300033476 through 0300064566) | |
| 6 | See Note | NSS | Rotor (Note: Use Item 28) | |
| 7 | See Note | NSS | Stator (Note: Use Item 28) | |
| 8 | See Note | NSS | Seal, Oil (Note: Use Item 26 or 27) | |
| 9 | | Ref | Bolt, Washer Head Options: | |
| 9 | 7007985 | 4 | 0920083 Brake (Prior to SN 0300033476) | |
| 9 | 7018607 | 4 | 0920109 Brake (SN 0300033476 through 0300064566) | |
| 10 | 7011719 | 1 | Cover | |
| 11 | | Ref | Hardware Options: | |
| 11 | 7007914 | 1 | Screw, Bleeder (Prior to SN 0300033906) | |
| 11 | 7018609 | 1 | Plug, Pipe (SN 0300033906 through 0300064566) | |
| 12 | 7007987 | 2 | Pin, Dowel | |
| 13 | See Note | NSS | Seal, Oil (Note: Use Item 26 or 27) | |
| 14 | 7011716 | 1 | Ring, Retaining | |
| 15 | See Note | NSS | Bearing (Note: Use Item 27) | |
| 16 | 7007977 | 1 | Ring, Retaining | |
| 17 | See Note | NSS | Ring, Back-up (Note: Use Item 26) | |
| 18 | See Note | NSS | Ring, Back-up (Note: Use Item 26) | |
| 19 | See Note | NSS | O-Ring (Note: Use Item 26) | |
| 20 | See Note | NSS | O-Ring (Note: Use Item 26) | |
| 21 | | Ref | Piston Options: | |
| 21 | 7007923 | 1 | 0920083 Brake (Prior to SN 0300033476) | |
| 21 | 7018603 | 1 | 0920109 Brake (SN 0300033476 through 0300064566) | |
| 22 | 7007934 | 2 | Gasket | |
| 23 | See Note | NSS | O-Ring (Note: Use Item 26, 27 or 28) | |
| 26 | 2900766 | 1 | Seal Kit (Includes Items 8, 13, 17, 18, 19, 20, 22 & 23) | |
| 27 | 2900768 | 1 | Bearing Kit (Includes Items 8, 13, 14, 15, 16, 22 & 23) | |

SECTION 2 - TURNTABLE

| ITEM | PART NUMBER | QTY | DESCRIPTION | REV |
|------|-------------|-----|---|-----|
| 28 | | Ref | Lining Kit Options: | |
| 28 | 2900767 | | 0920083 Brake (Includes Items 5B, 6, 7, 8, 22 & 23) (Prior to SN 0300033476) | |
| 28 | 7018608 | | 0920109 Brake (Includes Items 5D, 6, 7, 8, 22 & 23) (SN 0300033476 through 0300064565) | |
| | 0920119 | Ref | SWING BRAKE ASSEMBLY (NOT SHOWN) (SN 0300064566 through 0300069000) | B |
| 51 | 7018612 | 1 | Kit, Repair | |
| | | Ref | Note: Repair Kit Only (No Other Service Parts Available) | |

SECTION 2 - TURNTABLE

FIGURE 2-7. SWING MOTOR ASSEMBLY



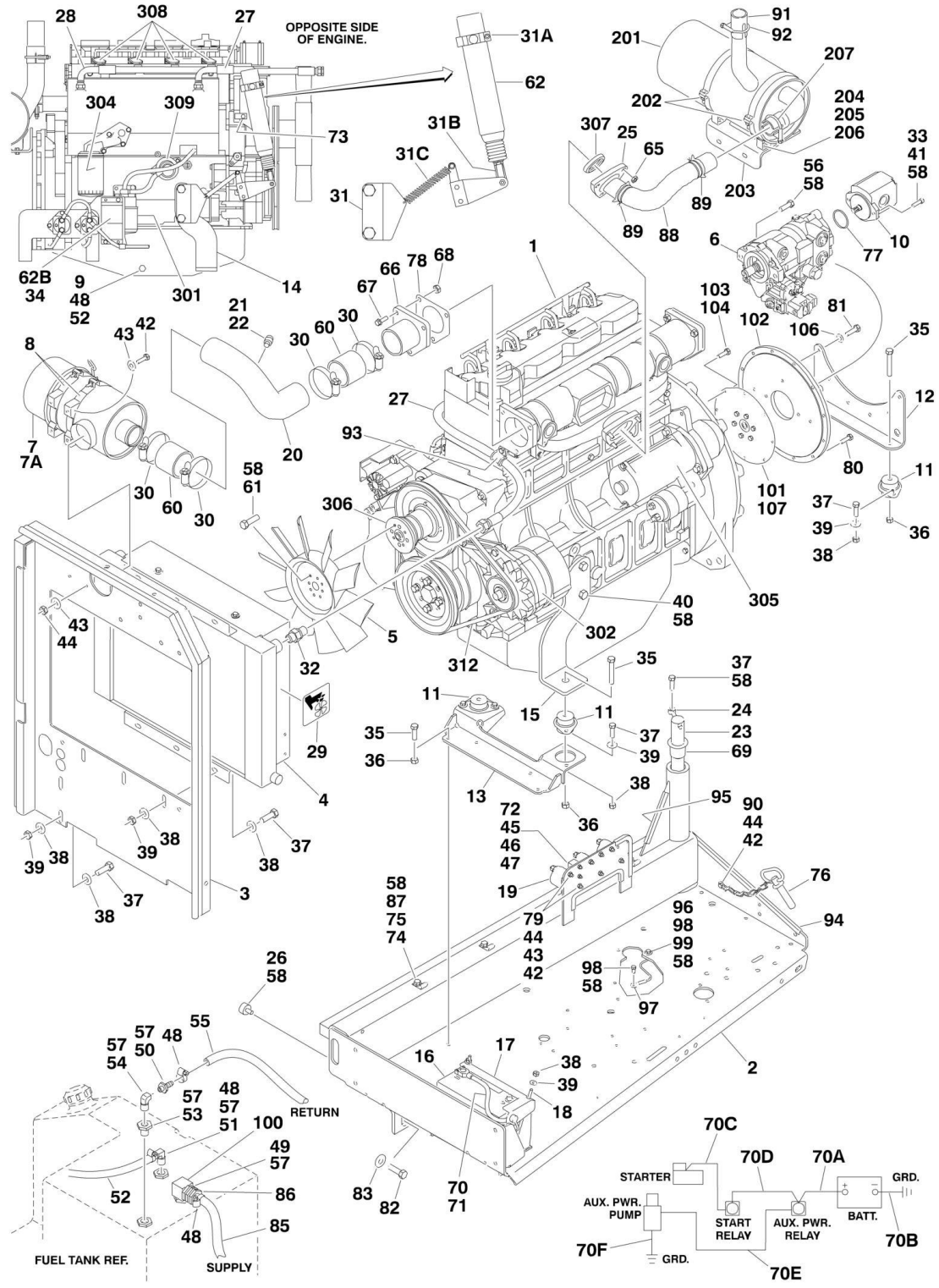
SECTION 2 - TURNTABLE

FIGURE 2-7. SWING MOTOR ASSEMBLY

| ITEM | PART NUMBER | QTY | DESCRIPTION | REV |
|------|-------------|-----|--|-----|
| | | Ref | SWING MOTOR ASSEMBLY OPTIONS: | |
| | 3160200 | Ref | Swing Motor Assembly (Prior to SN 0300064566) | C |
| | 3160273 | Ref | Swing Motor Assembly (SN 0300064566 through 0300069000) | B |
| 1 | See Note | NSS | Seal, Dust (Note: Use Item 26) | |
| 2 | See Note | NSS | Ring, Split Wire (Note: Use Item 26) | |
| 3 | See Note | NSS | Shim, Metal Back-up (Note: Use Item 26) | |
| 4 | See Note | NSS | Seal, High Pressure (Note: Use Item 26) | |
| 5 | See Note | NSS | Shim, Metal Back-up (Note: Use Item 26) | |
| 6 | See Note | NSS | Seal, Teflon Back-up (Note: Use Item 26) | |
| 7 | See Note | NSS | Seal, Shaft (Note: Use Item 26) | |
| 8 | See Note | NSS | Seal, Body (Note: Use Item 26) | |
| 9 | See Note | NSS | Carrier, Seal (Note: Use Item 27) | |
| 10 | See Note | NSS | Thrustwasher (Note: Use Item 27) | |
| 11 | | Ref | Bearing, Thrust Options: | |
| 11 | 7005842 | 1 | Motor p/n 3160200 | |
| 11 | 7016422 | 1 | Motor p/n 3160273 | |
| 12 | 7005889 | 1 | Link, Drive | |
| 13 | | Ref | Plate, Wear Options: | |
| 13 | 7005845 | 1 | Motor p/n 3160200 | |
| 13 | 7016423 | 1 | Motor p/n 3160273 | |
| 14 | 7005890 | 1 | Rotor Assembly | |
| 15 | 7005891 | 1 | Pin, Drive Link | |
| 16 | See Note | 1 | Ball (Note: Use Item 28) | |
| 17 | See Note | 1 | Cover, End (Note: Use Item 28) | |
| 18 | See Note | 1 | Tag, I.D. (Note: Not Available for Purchase) | |
| 19 | 7005892 | 4 | Bolt | |
| 20 | | Ref | Housing Options: | |
| 20 | 7005841 | 1 | Motor p/n 3160200 | |
| 20 | 7016425 | 1 | Motor p/n 3160273 | |
| 21 | 7005893 | 1 | Plug, Cooling | |
| 22 | | Ref | Shaft Options: | |
| 22 | 7005894 | 1 | Motor p/n 3160200 | |
| 22 | 7016426 | 1 | Motor p/n 3160273 | |
| 26 | 7005881 | 1 | Seal Kit (Includes Items 1-8) | |
| 27 | 7005882 | 1 | Seal Carrier Kit (Includes Items 9 & 10) | |
| 28 | | Ref | End Cover Kit (Includes Items 16 & 17) Options: | |
| 28 | 7005848 | 1 | Motor p/n 3160200 | |
| 28 | 7016424 | 1 | Motor p/n 3160273 | |
| 29 | | Ref | Housing/Shaft Kit (Includes Items 20-22) Options: | |
| 29 | 7005895 | 1 | Motor p/n 3160200 | |
| 29 | 7016427 | 1 | Motor p/n 3160273 | |

SECTION 2 - TURNTABLE

FIGURE 2-8. DEUTZ ENGINE INSTALLATION - WITHOUT NOISE REDUCTION (Prior to SN 0300029930)



SECTION 2 - TURNTABLE

FIGURE 2-8. DEUTZ ENGINE INSTALLATION - WITHOUT NOISE REDUCTION (Prior to SN 0300029930)

| ITEM | PART NUMBER | QTY | DESCRIPTION | REV |
|------|-------------|-----|---|------|
| | 0255425 | Ref | ENGINE ASSEMBLY AND INSTALLATION | 11-J |
| 1 | 2000132 | 1 | Engine - Deutz F4M1011F Diesel | |
| 2 | 4844961 | 1 | Tray Engine | |
| 3 | 3538724 | 1 | Plate, Radiator Mounting | |
| 4 | 3620033 | 1 | Cooler, Oil | |
| 5 | 2060025 | 1 | Fan | |
| 6 | | Ref | Piston Pump Assembly Options: (See PISTON PUMP ASSEMBLY for Breakdown) | |
| 6 | 3600164 | 1 | 13 Tooth Pump (Original Equipment) | |
| 6 | 3600260 | 1 | 15 Tooth Pump (Option for Field Replacement Requires 15 Tooth Coupling P/N 1660234) | |
| 7 | 1340056 | 1 | Air Cleaner Assembly | |
| 7A | 7012664 | 1 | Element, Air Cleaner | |
| 8 | 0340041 | 2 | Band, Mounting | |
| 9 | 4640751 | 1 | Valve, Oil Drain | |
| 10 | 3600242 | 1 | Gear Pump Assembly (See GEAR PUMP ASSEMBLY for Breakdown) | |
| 11 | 3200378 | 4 | Mount, Rubber Engine | |
| 12 | 3537420 | 1 | Bracket, Engine Mounting - Rear | |
| 13 | 3537691 | 1 | Bracket, Engine Mounting - Front | |
| 14 | 3537416 | 1 | Support, Engine - Right | |
| 15 | 3537417 | 1 | Support, Engine - Left | |
| 16 | 0400075 | 1 | Battery | |
| 17 | 0181727 | 1 | Hold-Down, Battery | |
| 18 | 0630498 | 2 | Rod, Hold-Down | |
| 19 | 3740067 | 2 | Relay | |
| 20 | 4845080 | 1 | Tube, Air Intake | |
| 21 | 4360392 | 1 | Switch, Restrictor Indicator | |
| 22 | 2180798 | 1 | Fitting | |
| 23 | 3422448 | 1 | Pin, Pivot | |
| 24 | 3841143 | 1 | Keeper, Pin | |
| 25 | 4845162 | 1 | Tube, Exhaust | |
| 26 | 0940070 | 1 | Bumper, Rubber | |
| 27 | 2720397 | 1 | Hose, Oil Cooler - Left (36in) | |
| 28 | 2720398 | 1 | Hose, Oil Cooler - Right (30in) | |
| 29 | 1703162 | 2 | Nameplate - Fan Caution Options: | |
| 30 | 1320016 | 4 | Clamp, Hose | |
| 31 | 2901392 | 1 | Throttle Mounting Kit | |
| 31A | 7008833 | 1 | Bracket, Throttle | |
| 31B | 7008835 | 1 | Coupling, Ball Joint | |
| 31C | 7008836 | 1 | Spring | |
| 31D | 7023340 | AR | Screw, Shoulder 3/8in x 3/8in (Not Shown) | |
| 32 | 2220451 | 2 | Fitting, Straight | |
| 33 | 3931620 | 2 | Bolt, Socket Head 3/8in-16NC x 1-1/4in | |
| 34 | 0902243 | 1 | Bracket, Control Module Mounting | |
| 35 | 0641816 | 4 | Bolt 1/2in-13NC x 2in | |
| 36 | 3311805 | 4 | Locknut 1/2in-13NC | |
| 37 | 0641610 | 21 | Bolt 3/8in-16NC x 1-1/4in | |
| 38 | 3311605 | 22 | Locknut 3/8in-16NC | |

SECTION 2 - TURNTABLE

| ITEM | PART NUMBER | QTY | DESCRIPTION | REV |
|------|-------------|------------|--|-----|
| 39 | 4751600 | 44 | Flatwasher 3/8in Regular | |
| 40 | 0701414 | 4 | Bolt M14 x 30mm | |
| 41 | 4891600 | 2 | Flatwasher 3/8in Hardened | |
| 42 | 0641406 | 12 | Bolt 1/4in-20NC x 3/4in | |
| 43 | 4751400 | 20 | Flatwasher 1/4in Regular | |
| 44 | 3311405 | 13 | Locknut 1/4in-20NC | |
| 45 | 0721004 | 2 | Bolt #10-24NC x 5/8in | |
| 46 | 3311005 | 2 | Locknut #10-24NC | |
| 47 | 4751000 | 2 | Flatwasher #10 Regular | |
| 48 | 1320022 | 6 | Clamp, Hose | |
| 49 | 2220273 | 2 | Fitting, Reducer | |
| 50 | 2180536 | 1 | Fitting, Straight | |
| 51 | 2220313 | 1 | Fitting, 90 | |
| 52 | 2750532 | 6 ft/1.83m | Hose 3/8in | |
| 53 | 2220250 | 1 | Fitting, Reducer | |
| 54 | 2220459 | 1 | Fitting, 90 | |
| 55 | 2720271 | 15 ft/4.6m | Hose 3/16in | |
| 56 | 0641812 | 4 | Bolt 1/2in-13NC x 1-1/2in | |
| 57 | 0100020 | AR | Sealant, Thread | |
| 58 | 0100011 | AR | Compound, Locking | |
| 60 | 2720351 | 6 in/15cm | Coupling, Rubber Intake | |
| 61 | 0700810 | 4 | Bolt M8 x 20mm | |
| 62 | 0060033 | NLA | Actuator Assembly (Use p/n 2910000) (See ELECTRICAL SECTION for Breakdown) | |
| 65 | 3290801 | 3 | Nut M8 | |
| 66 | 0080177 | 1 | Air Intake Adapter Weldment | |
| 67 | 0641510 | 3 | Bolt 5/16in-18NC x 1-1/4in | |
| 68 | 3311505 | 3 | Locknut 5/16in-18NC | |
| 69 | 0961986 | 2 | Bushing, Flanged | |
| 70 | 2901358 | 1 | Battery Cable Kit | |
| 70A | 7016800 | 1 | Cable, Battery (Red) | |
| 70B | 7016812 | 1 | Cable, Battery (Black) | |
| 70C | 7016802 | 1 | Cable (Red) | |
| 70D | 7016803 | 1 | Cable (Red) | |
| 70E | 7016804 | 1 | Cable (Red) | |
| 70F | 7016805 | 1 | Cable (Black) (Prior to SN 0300025556) | |
| 71 | 4460611 | 1 | Terminal, Battery Jumper Post | |
| 72 | 4360294 | 1 | Breaker, Circuit - 30 Amp | |
| 73 | 1320222 | 1 | J-Clip 3/8in | |
| 74 | 1320223 | 3 | J-Clip 1/2in | |
| 75 | 0641606 | 3 | Bolt 3/8in-16NC x 3/4in | |
| 76 | 3422533 | 1 | Pin, Hitch | |
| 77 | 3790152 | 1 | O-Ring | |
| 78 | 3960407 | 1 | Gasket | |
| 79 | 4791400 | 4 | Starwasher 1/4in | |
| 80 | 0701012 | 4 | Bolt M10 x 25mm | |
| 81 | 0701015 | 4 | Bolt M10 x 35mm | |
| 82 | 0642010 | 1 | Bolt 5/8in-11NC x 1-1/4in | |
| 83 | 4752000 | 1 | Flatwasher 5/8in Regular | |
| 84 | 1701505 | 1 | Decal - Diesel (Not Shown - Located on Hood) | |
| 85 | 2720058 | 16 ft/4.9m | Hose | |
| 86 | 2220794 | 1 | Fitting, Barbed | |

SECTION 2 - TURNTABLE

| ITEM | PART NUMBER | QTY | DESCRIPTION | REV |
|------|-------------|---------------|--|-----|
| 87 | 4711600 | 3 | Flatwasher 3/8in Thin | |
| 88 | 4100025 | 19 in/49cm | Sleeve, Fiberglass | |
| 89 | 4920385 | 2 ft/60cm | Wire | |
| 90 | 4711400 | 1 | Flatwasher 1/4in Thin | |
| 91 | 4566986 | 1 | Tube, Adapter | |
| 92 | 1320019 | 1 | Clamp, Exhaust | |
| 93 | 1320060 | 1 | Clamp, Hose | |
| 94 | 4060805 | 7 in/18cm | Flex-Trim 1/4in | |
| 95 | 4060804 | 16 in/40cm | Flex-Trim 3/16in | |
| 96 | 4751800 | 1 | Flatwasher 1/2in Regular | |
| 97 | 1060637 | 1 | Lanyard | |
| 98 | 0641808 | 2 | Bolt 1/2in-13NC x 1in | |
| 99 | 3311801 | 1 | Nut 1/2in-13NC | |
| 100 | 7019658 | 1 | Fitting 90, W/Pick-Up Tube | |
| | 0256191 | Ref | PUMP COUPLING INSTALLATION | - |
| 101 | | Ref | Coupling, Hayes Options: | |
| 101 | 1660184 | 1 | 13 Tooth Pump (Originally Equipped) | |
| 101 | 1660234 | 1 | 15 Tooth Pump (Option for field replacement) | |
| 102 | 0080163 | 1 | Plate, Pump Adapter | |
| 103 | 0700810 | 6 | Bolt M8 x 20mm | |
| 104 | 4831900 | 6 | Lockwasher M8 | |
| 106 | 4832000 | 8 | Lockwasher M10 | |
| 107 | 3020021 | AR | Grease, Coupling | |
| | | Ref | MUFFLER INSTALLATIONS | |
| | 0255875 | Ref | Standard Equipment | - |
| | 0255876 | Ref | Optional Purifier | - |
| 201 | | Ref | Muffler Options: | |
| 201 | 3220100 | 1 | Standard Spark Arresting | |
| 201 | 3220101 | 1 | Optional Catalytic Purifier | |
| 202 | 0340041 | 2 | Band, Clamp | |
| 203 | 0902217 | 1 | Bracket | |
| 204 | 0641508 | 4 | Bolt 5/16in-18NC x 1in | |
| 205 | 4711500 | 8 | Flatwasher 5/16in Thin | |
| 206 | 3311505 | 4 | Locknut 5/16in-18NC | |
| 207 | 1320019 | 1 | Clamp, Exhaust | |
| | 2000132 | Ref | ENGINE COMPONENTS | |
| 301 | 7020023 | 1 | Filter, Fuel (was p/n 7016328) | |
| 302 | 7000663 | 1 | Alternator (was p/ns 7016329 & 7020410) | |
| 302 | 70002234 | 1 | Bracket, Adjusting (Not Shown) | |
| 303 | 7016330 | 1 | Switch, Oil Pressure (Not Shown) | |
| 304 | 7016331 | 1 | Filter, Oil | |
| 305 | 7016332 | 1 | Starter | |
| 306 | 70000787 | 1 | Support, Fan | |
| 307 | 7000699 | 1 | Seal (Doughnut) | |
| 308 | 7012599 | 4 | Pump, Fuel Injection | |
| 308 | 7020427 | 4 | Injection (Not Shown) | |
| 309 | 7012698 | 1 | Pump, Fuel Supply | |
| 309 | 7020411 | 1 | Seal, Pump to Block | |
| 309 | 7016309 | 1 | Washer, Copper | |
| 310 | 7019607 | 1 | Shutdown, Throttle (Not Shown) | |

SECTION 2 - TURNTABLE

| ITEM | PART NUMBER | QTY | DESCRIPTION | REV |
|------|-------------|-----|--|-----|
| 311 | 7020404 | 1 | Washer, Oil Drain Plug (Not Shown) | |
| 312 | 7020408 | 1 | V-Belt | |
| 313 | 7020418 | 1 | Dipstick Oil Level (Not Shown) | |
| 314 | 7020419 | 1 | Hose, Fuel Return (Not Shown) | |
| 315 | 7020431 | 1 | Gasket, Valve Cover (Not Shown) | |
| 316 | See Note | 1 | Flywheel/Ring Gear Assembly (Not Shown) (Note: Not Available for Purchase) | |
| 316 | 7020477 | 1 | Ring Gear Only (Not Shown) | |
| 317 | 7024565 | 1 | Sensor, Tach (Not Shown - Located on Flywheel Housing) | |
| 318 | 7027250 | 1 | Spring, Actuator (Not Shown) | |

SECTION 2 - TURNTABLE

FIGURE 2-9. DEUTZ ENGINE INSTALLATION - WITH NOISE REDUCTION (SN 0300028190 through 0300069000)

| ITEM | PART NUMBER | QTY | DESCRIPTION | REV |
|------|-------------|-----------|--|-----|
| | | Ref | ENGINE ASSEMBLY AND INSTALLATIONS | |
| | 0256757 | Ref | Engine Assembly and Installation (Standard) (SN 0300028190 through 0300064248) | 9-H |
| | 0270850 | Ref | Engine Assembly and Installation - With ADE System (SN 0300064249 through 0300069000) | 8-G |
| 1 | | Ref | Engine - Deutz F4M1011F Diesel Options: | |
| 1 | 2000146 | 1 | Standard Machines | |
| 1 | 2000173 | 1 | ADE System (SN 0300028190 through 0300065628) | |
| 1 | 2000189 | 1 | ADE System (SN 0300065629 through 0300069000) | |
| 2 | 4845404 | 1 | Tray Engine | |
| 3 | 3539872 | 1 | Plate, Radiator Mounting | |
| 4 | 3620033 | 1 | Cooler, Oil | |
| 5 | 2060025 | 1 | Fan | |
| 6 | 3600260 | 1 | Piston Pump Assembly (See PISTON PUMP ASSEMBLY for Breakdown) | |
| 7 | 1340060 | 1 | Air Cleaner Assembly | |
| 7A | 7012664 | 1 | Element | |
| 8 | 0340041 | 2 | Band, Mounting | |
| 9 | 4640751 | 1 | Valve, Oil Drain | |
| 10 | 3600242 | 1 | Gear Pump Assembly (See GEAR PUMP ASSEMBLY for Breakdown) | |
| 11 | 3200378 | 2 | Mount, Rubber Engine (Rear) | |
| 12 | 3537420 | 1 | Bracket, Engine Mounting - Rear | |
| 13 | 3539971 | 1 | Bracket, Engine Mounting - Front | |
| 14 | 3537416 | 1 | Support, Engine - Right | |
| 15 | | Ref | Support, Engine - Left Options: | |
| 15 | 3537417 | 1 | Support, Engine - Left (SN 0300028190 through 0300064393) | |
| 15 | 4846479 | 1 | Support, Engine - Left (SN 0300064394 through 0300068965) | |
| 15 | 4846566 | 1 | Support, Engine - Left (SN 0300068966 through 0300069000) | |
| 16 | 0400075 | 1 | Battery | |
| 17 | 0181727 | 1 | Hold-Down, Battery | |
| 18 | 0630498 | 2 | Rod, Hold-Down | |
| 19 | 3740067 | 2 | Relay | |
| 20 | 4567112 | 1 | Tee, Air Intake Tube | |
| 21 | 4360392 | 1 | Switch, Restrictor Indicator | |
| 22 | 2180798 | 1 | Fitting | |
| 23 | 3422448 | 1 | Pin, Pivot | |
| 24 | 3841143 | 1 | Keeper, Pin | |
| 25 | 3960389 | 5 ft/1.5m | Seal | |
| 26 | 0940070 | 1 | Bumper, Rubber | |
| 27 | | Ref | Hose, Oil Cooler - Left Options: | |
| 27 | 2720397 | 1 | Hose 36in (SN 0300028190 through 0300034756) | |
| 27 | 2720398 | 1 | Hose 30in (SN 0300034757 through 0300069000) | |
| 28 | 2720398 | 1 | Hose, Oil Cooler - Right (30in) | |
| 29 | 1703162 | 2 | Nameplate - Fan Caution | |
| 30 | 1320016 | 4 | Clamp, Hose | |
| 31 | 2901392 | 1 | Throttle Mounting Kit (SN 0300028190 through 0300064249) | |
| 31A | 7008833 | 1 | Bracket, Throttle | |
| 31B | 7008835 | 1 | Coupling, Ball Joint | |
| 31C | 7008836 | 1 | Spring | |

SECTION 2 - TURNTABLE

| ITEM | PART NUMBER | QTY | DESCRIPTION | REV |
|------|-------------|------------|---|-----|
| 31D | 7023340 | AR | Screw, Shoulder 3/8in x 3/8in (Not Shown) | |
| 32 | 2220451 | 2 | Fitting, Straight | |
| 33 | 3931620 | 2 | Capscrew, Socket Head 3/8in-16NC x 1-1/4in | |
| 34 | | Ref | Bracket, Control Module Mounting Options: | |
| 34 | 0902243 | 1 | Bracket, Control Module Mounting (SN 0300028190 through 0300044157) | |
| 34 | 0902511 | 1 | Bracket, Control Module Mounting (SN 0300044158 through 0300064394) | |
| 35 | 0641818 | 2 | Bolt 1/2in-13NC x 2-1/4in | |
| 36 | 3311805 | 4 | Locknut 1/2in-13NC | |
| 37 | 0641610 | AR | Bolt 3/8-16NC x 1-1/4in | |
| 38 | 3311605 | AR | Locknut 3/8in-16NC | |
| 39 | 4751600 | AR | Flatwasher 3/8in Regular | |
| 40 | 0701414 | AR | Bolt 1/4in-20NC x 3/4in | |
| 41 | 4891600 | 2 | Washer, Hardened 3/8in | |
| 42 | 0641407 | AR | Bolt 1/4in-20NC x 7/8in | |
| 43 | 4751400 | AR | Flatwasher 1/4in Regular | |
| 44 | 3311405 | AR | Locknut 1/4in-20NC | |
| 45 | 0721005 | 2 | Bolt #10-24NC x 5/8in (SN 0300028190 through 0300064249) | |
| 46 | 3321005 | 2 | Locknut #10-24NC (SN 0300028190 through 0300064249) | |
| 47 | 4751000 | 2 | Flatwasher #10 Regular (SN 0300028190 through 0300064249) | |
| 48 | 1320022 | 6 | Clamp, Hose | |
| 49 | 2220273 | 2 | Fitting, Reducer | |
| 50 | 2180536 | 1 | Fitting, Straight | |
| 51 | 2220313 | 1 | Fitting, 90 | |
| 52 | 2750532 | 6 ft/1.83m | Hose 3/8in | |
| 53 | 2220250 | 1 | Fitting, Reducer | |
| 54 | 2220459 | 1 | Fitting, 90 | |
| 55 | 2720271 | 15 ft/4.6m | Hose 3/16in | |
| 56 | 0641812 | 4 | Bolt 1/2in-13NC x 1-1/2in | |
| 57 | 0100020 | AR | Sealant, Thread | |
| 58 | 0100011 | AR | Compound, Locking | |
| 60 | | Ref | Coupling, Rubber Intake Options: | |
| 60 | 2720351 | 6 in/15cm | Coupling, Rubber Intake (SN 0300028190 through 0300067976) | |
| 60 | 2720449 | 1 | Coupling, Rubber Intake (SN 0300067977 through 0300069000) | |
| 61 | 0700808 | 4 | Bolt M8 x 16mm | |
| 62 | 0060033 | NLA | Actuator Assembly (Use p/n 2910000) (See ELECTRICAL SECTION for Breakdown) (SN 0300028190 through 0300064249) | |
| 63 | 0641507 | AR | Bolt 5/16in-18NC x 7/8in | |
| 64 | 3380428 | 1 | Panel, Rubber | |
| 65 | 2720434 | 1 | Elbow, Rubber | |
| 66 | 4845395 | 1 | Air Intake Adapter Weldment | |
| 67 | 0641510 | 3 | Bolt 5/16in-18NC x 1-1/4in | |
| 68 | 3311505 | 7 | Locknut 5/16in-18NC | |
| 69 | 0961986 | 2 | Bushing, Flanged | |
| 70 | 2901358 | 1 | Battery Cable Kit (Standard) | |
| 70A | 7016800 | 1 | Cable, Battery (Red) | |
| 70B | 7016812 | 1 | Cable, Battery (Black) | |
| 70C | 7016802 | 1 | Cable (Red) | |
| 70D | 7016803 | 1 | Cable (Red) | |

SECTION 2 - TURNTABLE

| ITEM | PART NUMBER | QTY | DESCRIPTION | REV |
|------|--------------|--------------|---|-----|
| 70E | 7016804 | 1 | Cable (Red) | |
| 70F | Not Required | 0 | Not Required | |
| 71 | 4460611 | 1 | Terminal, Battery Jumper Post | |
| 72 | 4360294 | 1 | Breaker, Circuit - 30 Amp (SN 0300028190 through 0300064249) | |
| 73 | 1320222 | 1 | J-Clip 3/8in | |
| 74 | 1320223 | 3 | J-Clip 1/2in | |
| 75 | 0641606 | 3 | Bolt 3/8in-16NC x 3/4in | |
| 76 | 3422532 | 1 | Pin, Hitch | |
| 77 | 3790152 | 1 | O-Ring | |
| 78 | 3960407 | 1 | Gasket | |
| 79 | 4791400 | 4 | Starwasher 1/4in | |
| 80 | 0701012 | 4 | Bolt, Metric M10 x 25mm | |
| 81 | 0701015 | 4 | Bolt, Metric M10 x 35mm | |
| 82 | 0642010 | 1 | Bolt 5/8in-11NC x 1-1/4in | |
| 83 | 4752000 | 1 | Flatwasher 5/8in Regular | |
| 84 | 1701505 | 1 | Decal - Diesel (Not Shown - Located on Hood) | |
| 85 | 2720058 | 16 ft/4.9m | Hose | |
| 86 | 2220794 | 1 | Fitting, Barbed | |
| 87 | 4711600 | 3 | Flatwasher 3/8in Thin | |
| 88 | 1320031 | 2 | Clamp Only (SN 0300028190 through 0300042668) | |
| 89 | 3200362 | 2 | Mount, Rubber Engine (Front) | |
| 90 | 4711400 | 1 | Flatwasher 1/4in Thin | |
| 91 | 3960468 | 1 | Seal, Foam Gasket | |
| 92 | 3960469 | 1 | Seal, Foam Gasket | |
| 93 | 1320060 | 1 | Clamp, Hose Only (SN 0300028190 through 0300034757) | |
| 94 | 4060805 | 2.9 ft/0.88m | Flex-Trim 1/4in | |
| 95 | 4711900 | 6 | Flatwasher 9/16in Thin | |
| 96 | 4751800 | 2 | Flatwasher 1/2in Regular | |
| 97 | 1060637 | 1 | Lanyard | |
| 98 | 0641808 | 2 | Bolt 1/2in-13NC x 1in | |
| 99 | 3311801 | 1 | Nut 1/2in-13NC | |
| 100 | 3539956 | 1 | Plate, Support | |
| 101 | 2720423 | 1 | Hose Only (SN 0300028190 through 0300042668) | |
| 102 | 1320131 | 2 | Clamp Only (SN 0300028190 through 0300042668) | |
| 103 | | Ref | Tuning Tube Weldment Options: | |
| 103 | 4845394 | 1 | Tuning Tube Weldment (SN 0300028190 through 0300042667) | |
| 103 | 4567815 | 1 | Tuning Tube Weldment (SN 0300042668 through 0300069000) | |
| 104 | 0641826 | 2 | Bolt 1/2in-13NC x 3-1/4in | |
| 105 | 4740274 | 4 | Washer, Snubbing | |
| 106 | 7019658 | 1 | Fitting 90, W/Pick-Up Tube | |
| | | Ref | MUFFLER INSTALLATIONS | |
| | 0256689 | Ref | Standard Equipment (Spark Arresting) | - |
| | 0256690 | Ref | Optional Equipment (Catalytic) | - |
| 201 | | Ref | Muffler Options: | |
| 201 | 3220103 | 1 | Spark Arresting | |
| 201 | 3220104 | 1 | Catalytic | |
| 201 | | Ref | Clamp Options: | |
| 201 | 1320176 | 1 | Muffler p/n 3220103 | |

SECTION 2 - TURNTABLE

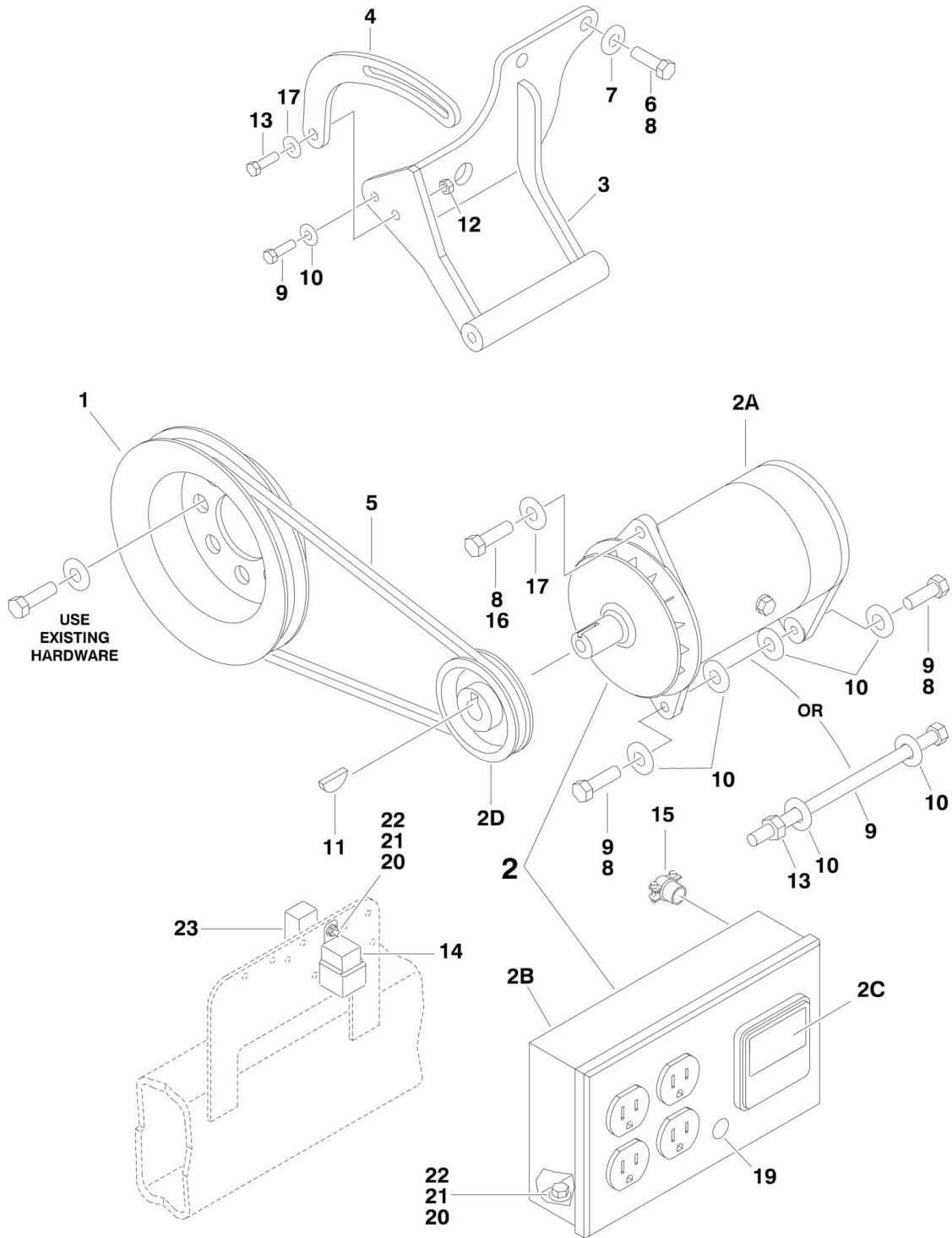
| ITEM | PART NUMBER | QTY | DESCRIPTION | REV |
|------|-------------|-----|---|-----|
| 201 | 70001017 | 1 | Muffler p/n 3220104 | |
| 201 | 7024398 | 1 | Tube, Exhaust | |
| 201 | 7024560 | 1 | Plug, Brass | |
| 201 | 7020471 | 4 | Gasket | |
| | 2000146 | Ref | ENGINE COMPONENTS (SN 0300028190 through 0300064249) | |
| 301 | 8320270 | 1 | Filter, Fuel (was p/n 7016639) | |
| 302 | 7000663 | 1 | Alternator (was p/ns 7016329, 7020436 & 7020410) | |
| 303 | 7016330 | 1 | Switch, Oil Pressure | |
| 304 | 7016331 | 1 | Filter, Oil (was p/n 7016641) | |
| 304 | 70002813 | 1 | Gasket, Filter Head to Engine Block | |
| 305 | 7016332 | 1 | Starter | |
| 306 | 7026631 | 1 | Dipstick, Engine Oil (was p/ns 7019664 & 7016640) (Not Shown) | |
| 306 | 70001002 | 1 | Tube, Oil Dipstick (was p/n 7019664) (Not Shown) | |
| 307 | 7020025 | 1 | Switch, Engine Temperature | |
| 308 | 7020414 | 1 | V-Belt | |
| 309 | | Ref | Gasket, Cylinder Head Options (Not Shown): | |
| 309 | 70001681 | 1 | 1 Notch | |
| 309 | 70002411 | 1 | 2 Notches | |
| 309 | 70002530 | 1 | 3 Notches | |
| 309 | 7020431 | 1 | Gasket, Valve Cover (Not Shown) | |
| 310 | 7000699 | 1 | Seal (Doughnut) | |
| 310 | 7020471 | 4 | Gasket (Muffler to Head) | |
| 310 | See Note | 8 | Nut, Muffler Attaching (Note: Not Available for Purchase) | |
| 311 | 7019607 | 1 | Shutdown, Throttle (was p/n 7016359) (Not Shown) | |
| 312 | 7012599 | 4 | Pump, Fuel Injection | |
| 312 | 7020427 | 4 | Injector, Fuel (Not Shown) | |
| 312 | 7020425 | 4 | Nozzle (Not Shown) | |
| 313 | 7020463 | 1 | Pump, Fuel Supply | |
| 313 | 7020419 | 1 | Hose, Fuel Return | |
| 314 | 7020027 | 1 | Flywheel/Ring Gear Assembly (Not Shown) | |
| 314 | 7020477 | 1 | Ring Gear Only (Not Shown) | |
| 315 | 7020404 | 1 | Washer, Oil Drain Plug (Not Shown) | |
| 316 | 7027250 | 1 | Spring, Actuator (Not Shown) | |
| 317 | 7020465 | 2 | Cap, Oil Fill (Not Shown - Located on Top and Left Sides) | |
| | 2000173 | Ref | ENGINE COMPONENTS (SN 0300064249 through 0300065628) | |
| | 2000189 | Ref | ENGINE COMPONENTS (SN 0300065629 through 0300069000) | |
| 351 | 7016328 | 1 | Filter, Fuel | |
| 352 | 7000663 | 1 | Alternator (was p/n 7020410) | |
| 352 | 70003556 | | Pulley, Alternator | |
| 352 | 7020464 | 1 | Regulator, Voltage | |
| 352 | 70002234 | 1 | Bracket, Adjustable | |
| 353 | 7020461 | 1 | Switch, Oil Pressure | |
| 354 | 7016331 | 1 | Filter, Oil | |
| 355 | | Ref | Starter Options: | |
| 355 | 7016332 | 1 | 2000173 Engine | |
| 355 | 7020479 | 1 | 2000189 Engine | |
| 355 | See Note | 1 | Relay (Note: Not Available for Purchase) | |
| 355 | 7026608 | 2 | Bolt, Starter Mounting | |
| 355 | 70001498 | 1 | Shield, Starter Heat (Not Shown) | |
| 356 | 7026631 | 1 | Dipstick Oil Level (Not Shown) | |
| 356 | 7020487 | 1 | Seal, Dipstick (Not Shown) | |

SECTION 2 - TURNTABLE

| ITEM | PART NUMBER | QTY | DESCRIPTION | REV |
|------|-------------|-----|---|-----|
| 356 | 70001002 | | Tube, Dipstick | |
| 357 | 7020168 | 1 | Switch, Engine Temperature | |
| 357 | 7020480 | 1 | Seal, Temp Switch (Not Shown) | |
| 358 | 7020408 | 1 | V-Belt | |
| 359 | 7020458 | 1 | Fuel, Solenoid | |
| 360 | 7020462 | 4 | Fuel Injection Pump | |
| 360 | 7026522 | 4 | Injector, Fuel (Includes Nozzle Element) (Not Shown) | |
| 361 | | Ref | Fuel Pump Supply Options: | |
| 361 | 7020463 | 1 | 2000173 Engine | |
| 361 | 7020463 | 1 | 2000189 Engine (was p/n 7024413) | |
| 361 | 7020411 | 1 | Seal, Pump to Block (Not Shown) | |
| 362 | 7020465 | 2 | Cap, Oil Fill (Not Shown - Located on Top and Left Sides) | |
| 363 | 7020474 | 1 | Pump, Oil Lube (Not Shown - Located on Left Side) | |
| 363 | 7020468 | 1 | Ring, Pump Sealing | |
| 364 | 7020449 | 4 | Gasket, Intake Manifold to Engine Block (Not Shown) | |
| 365 | | Ref | Sensor, Tach (Not Shown - Located on Flywheel Housing) | |
| 365 | 7024565 | 1 | 2000173 Engine | |
| 365 | 7024565 | 1 | 2000189 Engine (was p/n 7020481) | |
| 366 | 7020458 | 1 | Actuator, Throttle (Not Shown) | |
| 366 | 7026607 | 1 | Spring, Actuator (was p/n 7027276) | |
| 367 | 7020471 | 4 | Gasket, Exhaust Manifold to Engine Block | |
| 368 | 70001423 | 1 | Head, Fuel Filter | |
| 369 | | Ref | Gasket, Head Options (Not Shown): | |
| 369 | 70001681 | 1 | 1 Notch Gasket | |
| 369 | 70002411 | 1 | 2 Notch Gasket | |
| 369 | 70002530 | 1 | 3 Notches | |
| 370 | | Ref | Flywheel (Not Shown) | |
| 370 | 7020027 | 1 | 2000173 Engine | |
| 370 | See Note | 1 | 2000189 Engine (Note: Not Available for Purchase) | |
| | 0256847 | Ref | PUMP COUPLING INSTALLATION | - |
| 401 | 1660234 | 1 | Coupling, Hayes | |
| 402 | 0080163 | 1 | Plate, Pump Adapter | |
| 403 | 0700810 | 6 | Bolt M8 x 20mm | |
| 404 | 4831900 | 6 | Lockwasher M8 | |
| 406 | 4832000 | 8 | Lockwasher M10 | |
| 407 | 3020021 | AR | Grease, Coupling | |

SECTION 2 - TURNTABLE

FIGURE 2-10. GENERATOR INSTALLATION (OPTIONAL - DEUTZ ENGINE MACHINES)



SECTION 2 - TURNTABLE

FIGURE 2-10. GENERATOR INSTALLATION (OPTIONAL - DEUTZ ENGINE MACHINES)

| ITEM | PART NUMBER | QTY | DESCRIPTION | REV |
|------|-------------|-----|--|-----|
| | | Ref | GENERATOR INSTALLATION OPTIONS: | |
| | | Ref | Note: Numbered Colored Wiring starts after SN 0300035129. | |
| | 0255396 | Ref | 110V Generator (Prior to SN 0300035129) | 3 |
| | 0257853 | Ref | 110V Generator (SN 0300035129 through 0300064248) | 3 |
| | 0271544 | Ref | 110V Generator - ADE System (SN 0300064249 through 0300068965) | 3 |
| | 0272480 | Ref | 110V Generator - ADE System (SN 0300068966 through 0300069000) | 2 |
| | 0272293 | Ref | 110V 50Hz Generator - ADE System (SN 0300063865 through 0300066586) | 1 |
| | 0272482 | Ref | 110V 50Hz Generator - ADE System (SN 0300066587 through 0300069000) | 1 |
| | 0257160 | Ref | 220V Generator (Prior to SN 0300035129) | 2 |
| | 0257857 | Ref | 220V Generator (SN 0300035129 through 0300064248) | 4 |
| | 0271547 | Ref | 220V Generator - ADE System (SN 0300064249 through 0300068965) | 3 |
| | 0272481 | Ref | 220V Generator - ADE System (SN 0300068966 through 0300069000) | 2 |
| 1 | 3580158 | 1 | Pulley | |
| 2 | | Ref | Generator and Control Box Assembly Options: | |
| 2 | 2460011 | 1 | 110V/60Hz Assembly (Prior to SN 0300066056) | I |
| 2 | 2460032 | 1 | 110V/60Hz Assembly (SN 0300066056 through 0300069000) | C |
| 2 | 2460039 | 1 | 110V/50Hz Assembly (SN 0300063865 through 0300069000) | B |
| 2 | 2460013 | 1 | 220V Assembly (Prior to SN 0300066056) | B |
| 2 | 2460034 | 1 | 220V Assembly (SN 0300066056 through 0300068965) | B |
| 2 | 2460013 | 1 | 220V Assembly (SN 0300068966 through 0300069000) | B |
| 2A | | Ref | Generator, Replacement Options: | |
| 2A | 7012558 | 1 | 110V/60Hz Generator Only | |
| 2A | 2460049 | 1 | 110V/50Hz Generator Only | |
| 2A | 1001100321 | 1 | 220 Volt Generator Only | |
| | | Ref | Note: Replacement Generators come standard with p/n 3580134 pulley. This pulley may not be correct for all applications. Refer to pulley options below. | |
| 2A | 7020193 | 1 | Cord, Power - 12ft Length | |
| 2A | | Ref | Armature with Slip Rings Options: | |
| 2A | 7026199 | 1 | Armature for 110 Volt | |
| 2A | 70000123 | 1 | Armature for 220 Volt | |
| 2A | 7020108 | 4 | Brushes | |
| 2A | 7020109 | 4 | Holder, Brush | |
| 2A | 7012513 | 4 | Cap, Brush Holder | |
| 2A | 7012514 | 1 | Fan | |
| 2A | 7020110 | 1 | Bell, Front | |
| 2A | 7020111 | 1 | Bell, Rear | |
| 2A | 7020190 | 2 | Bearing | |
| 2B | | Ref | Box, Control Options: | |
| 2B | 70002239 | 1 | 110V/50Hz Control Box Only | |
| 2B | 7003657 | 1 | 110V/60Hz Control Box Only | |
| 2B | 70002235 | 1 | 220V Control Box Only | |
| 2B | 3520028 | 1 | Plug, Hole | |
| 2B | | Ref | Receptacle Options: | |
| 2B | 4460190 | 1 | Receptacle, Standard (110V Only) | |

SECTION 2 - TURNTABLE

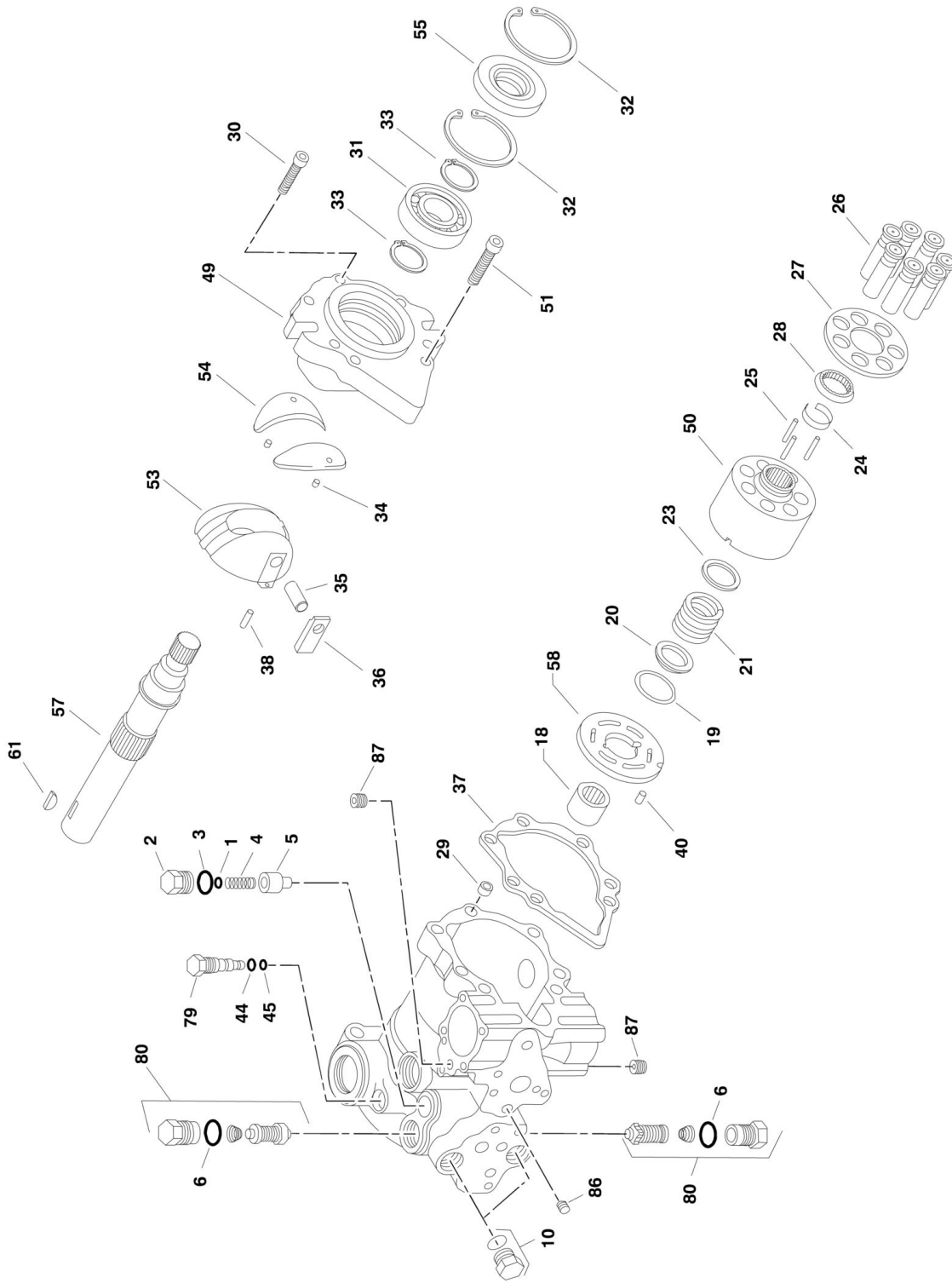
| ITEM | PART NUMBER | QTY | DESCRIPTION | REV |
|------|-------------|-----|---|-----|
| 2B | 4460027 | 1 | Receptacle, Twistlock (110V Only) | |
| 2B | 70000124 | 1 | Receptacle, Double (220V Only) | |
| 2B | 70000125 | 1 | Receptacle, Single (220V Only) | |
| 2B | | Ref | Circuit Breaker Options: | |
| 2B | 70002240 | 1 | Circuit Breaker for 110V/50Hz | |
| 2B | 4360542 | 1 | Circuit Breaker for 110V/60Hz | |
| 2B | 7000126 | 1 | Circuit Breaker for 220V | |
| 2B | 7020191 | 1 | Switch, Toggle | |
| 2B | 2920162 | 1 | Lamp | |
| 2C | | Ref | Voltmeter Options: | |
| 2C | 2420203 | 1 | Voltmeter for 110 Volt | |
| 2C | 7020192 | 1 | Voltmeter for 220 Volt | |
| 2D | | Ref | Pulley Options: | |
| 2D | 3580134 | 1 | Pulley 110V/50Hz | |
| 2D | 3580134 | 1 | Pulley 110V/60Hz (Prior to SN 0300066056) | |
| 2D | 3580276 | 1 | Pulley 110V/60Hz (SN 0300066056 through 0300069000) | |
| 2D | 3580134 | 1 | Pulley 220V (Prior to SN 0300066056) | |
| 2D | 3580276 | 1 | Pulley 220V (SN 0300066056 through 0300068965) | |
| 2D | 3580134 | 1 | Pulley 220V (SN 0300068966 through 0300069000) | |
| 2D | 7027887 | 1 | Key, Woodruff | |
| 3 | | Ref | Bracket, Generator Mounting Options: | |
| 3 | 4845184 | 1 | Bracket, Generator Mounting (Prior to SN 0300034200) | |
| 3 | 4845531 | 1 | Bracket, Generator Mounting (SN 0300034200 through 0300064394) | |
| 4 | | Ref | Arm, Adjusting Options: | |
| 4 | 0200530 | 1 | Arm, Adjusting (Prior to SN 0300064394) | |
| 4 | 0200741 | 1 | Arm, Adjusting (SN 0300064394 through 0300068965) | |
| 4 | 0200742 | 1 | Arm, Adjusting (SN 0300068966 through 0300069000) | |
| 5 | | Ref | V-Belt Option: | |
| 5 | 0480050 | 1 | V-Belt (Prior to SN 0300064394) | |
| 5 | 0480119 | 1 | V-Belt (SN 0300064394 through 0300066055) | |
| 5 | 0480111 | 1 | V-Belt (SN 0300066056 through 0300068965) | |
| 5 | 0480121 | 1 | V-Belt (SN 0300068966 through 0300069000) | |
| 6 | 0711414 | 2 | Bolt, Metric 14mm x 30mm (Prior to SN 0300064394) | |
| 7 | | Ref | Hardware Options: | |
| 7 | 4751900 | 2 | Flatwasher 9/16in Regular (Prior to SN 0300064394) | |
| 7 | 0641610 | 1 | Bolt 3/8in-16NC x 1-1/2in (SN 0300064394 through 0300069000) | |
| 8 | 0100011 | AR | Compound, Locking | |
| 9 | | Ref | Bolt Options: | |
| 9 | 0681612 | 3 | Bolt 3/8in-16NC x 1-1/2in (Grade 8) (Prior to SN 0300064394) | |
| 9 | 0641772 | 1 | Bolt 7/16in-14NC x 9in (SN 0300064394 through 0300069000) | |
| 10 | 4751600 | 6 | Flatwasher 3/8in Regular | |
| 11 | 2860012 | 1 | Key, Woodruff | |
| 12 | 3311605 | 1 | Locknut 3/8in-16NC | |
| 13 | | Ref | Hardware Options: | |
| 13 | 0700819 | AR | Bolt, Metric 8mm x 55mm (Prior to SN 0300064394) | |
| 13 | 3311705 | AR | Locknut 7/16in-14NC (SN 0300064394 through 0300069000) | |
| 14 | 3740080 | 1 | Relay | |
| 15 | 4460023 | 1 | Connector, Strain Relief | |
| 16 | 0641508 | 1 | Bolt 5/16in-18NC x 1in | |
| 17 | 4751500 | AR | Flatwasher 5/16in Regular | |

SECTION 2 - TURNTABLE

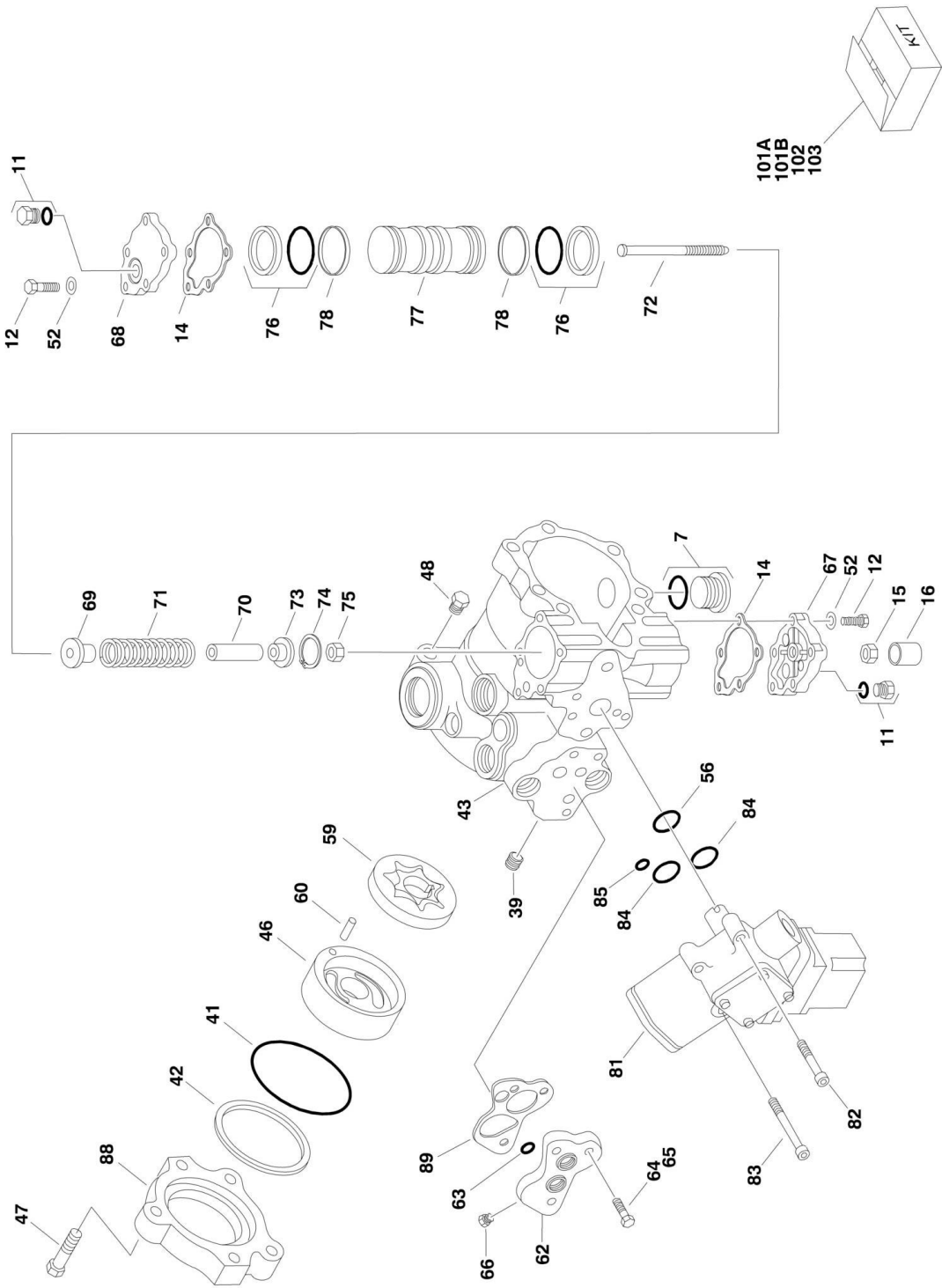
| ITEM | PART NUMBER | QTY | DESCRIPTION | REV |
|------|-------------|-----------|---|-----|
| 19 | 3520028 | 1 | Plug, Hole | |
| 20 | 0721006 | 4 | Bolt #10-24NC x 3/4in | |
| 21 | 3311005 | 4 | Locknut #10-24NC | |
| 22 | 4751000 | 9 | Flatwasher #10 Regular | |
| 23 | 4360294 | 1 | Breaker, Circuit - 30 Amp | |
| 25 | 4360336 | 1 | Switch, Toggle (Not Shown - Located at Platform) | |
| 26 | 4740397 | 1 | Bushing (Not Shown - Located at Platform) | |
| 27 | 4060802 | 1 | Guard, Switch (Not Shown - Located at Platform) | |
| 29 | 2820031 | 4 in/10cm | Heat Shrink (Not Shown - Located at Platform) | |
| 30 | 3251102 | 1 | Decal (Not Shown - Located at Platform) | |
| 31 | 1705325 | 1 | Decal - 120V 50Hz Only (Not Shown - Located at Control Box) | |

SECTION 2 - TURNTABLE

FIGURE 2-11. PISTON PUMP ASSEMBLY



SECTION 2 - TURNTABLE



SECTION 2 - TURNTABLE

FIGURE 2-11. PISTON PUMP ASSEMBLY

| ITEM | PART NUMBER | QTY | DESCRIPTION | REV |
|------|-------------|-----|---|-----|
| | | Ref | PISTON PUMP ASSEMBLIES | |
| | 3600164 | Ref | Piston Pump Assemblies 13 Tooth Pump Spline (Prior to SN 0300029318) | A |
| | 3600260 | Ref | Piston Pump Assemblies 15 Tooth Pump Spline (SN 0300029318 through 0300069000) | - |
| 1 | 7007413 | 1 | Shim Kit | |
| 2 | 7007414 | 1 | Plug | |
| 3 | See Note | NSS | O-Ring (Note: Use Item 101A) | |
| 4 | 7007416 | 1 | Spring, Relief Valve | |
| 5 | 7007417 | 1 | Valve, Relief | |
| 6 | See Note | NSS | O-Ring (Note: Use Item 101A) | |
| 7 | 7007419 | 2 | Plug | |
| 10 | 7007420 | 2 | Plug | |
| 11 | 7007208 | 2 | Plug | |
| 12 | 7007421 | 10 | Screw | |
| 14 | See Note | NSS | Gasket, Servo Cover (Note: Use Item 101A) | |
| 15 | 7007423 | 1 | Nut, Special | |
| 16 | 7007424 | 1 | Cover, Adjustment | |
| 18 | 7007425 | 1 | Bearing, Needle | |
| 19 | See Note | NSS | Ring, Retaining (Note: Use Item 103) | |
| 20 | See Note | NSS | Washer (Note: Use Item 103) | |
| 21 | See Note | NSS | Spring (Note: Use Item 103) | |
| 23 | See Note | NSS | Washer (Note: Use Item 103) | |
| 24 | See Note | NSS | Retainer (Note: Use Item 103) | |
| 25 | See Note | NSS | Pin, Slipper Holddown (Note: Use Item 103) | |
| 26 | See Note | NSS | Piston Assembly (Note: Use Item 103) | |
| 27 | See Note | NSS | Retainer, Slipper (Note: Use Item 103) | |
| 28 | See Note | NSS | Guide, Retainer (Note: Use Item 103) | |
| 29 | 7007435 | 1 | Pin, Spring | |
| 30 | 7007436 | 1 | Screw, 12 Point Head | |
| 31 | 7007437 | 1 | Bearing, Ball | |
| 32 | 7007438 | 2 | Ring, Retainer | |
| 33 | 7007439 | 2 | Ring | |
| 34 | 7007440 | 2 | Pin, Spring | |
| 35 | 7007441 | 1 | Handle, Pin | |
| 36 | 7007442 | 1 | Sleeve, Bearing | |
| 37 | See Note | NSS | Gasket, Front Cover (Note: Use Item 101A) | |
| 38 | 7007444 | 1 | Pin | |
| 39 | 7007445 | 1 | Plug, Expansion | |
| 40 | See Note | NSS | Pin (Note: Use Item 103) | |
| 41 | See Note | NSS | O-Ring (Note: Use Item 101A or 102) | |
| 42 | See Note | NSS | Ring, Load Temper (Note: Use Item 101A or 102) | |
| 43 | 7007449 | 1 | Housing, Pump | |
| 44 | See Note | NSS | Ring, Back-up (Note: Use Item 101A) | |
| 45 | See Note | NSS | O-Ring (Note: Use Item 101A) | |
| 46 | See Note | NSS | Cover, Gerotor (Note: Use Item 102) | |
| 47 | 7007453 | 3 | Bolt, Hex | |
| 48 | 7007208 | 1 | Plug | |
| 49 | 7007454 | 1 | Cover, Front | |
| 50 | See Note | NSS | Block, Cylinder (Note: Use Item 103) | |

SECTION 2 - TURNTABLE

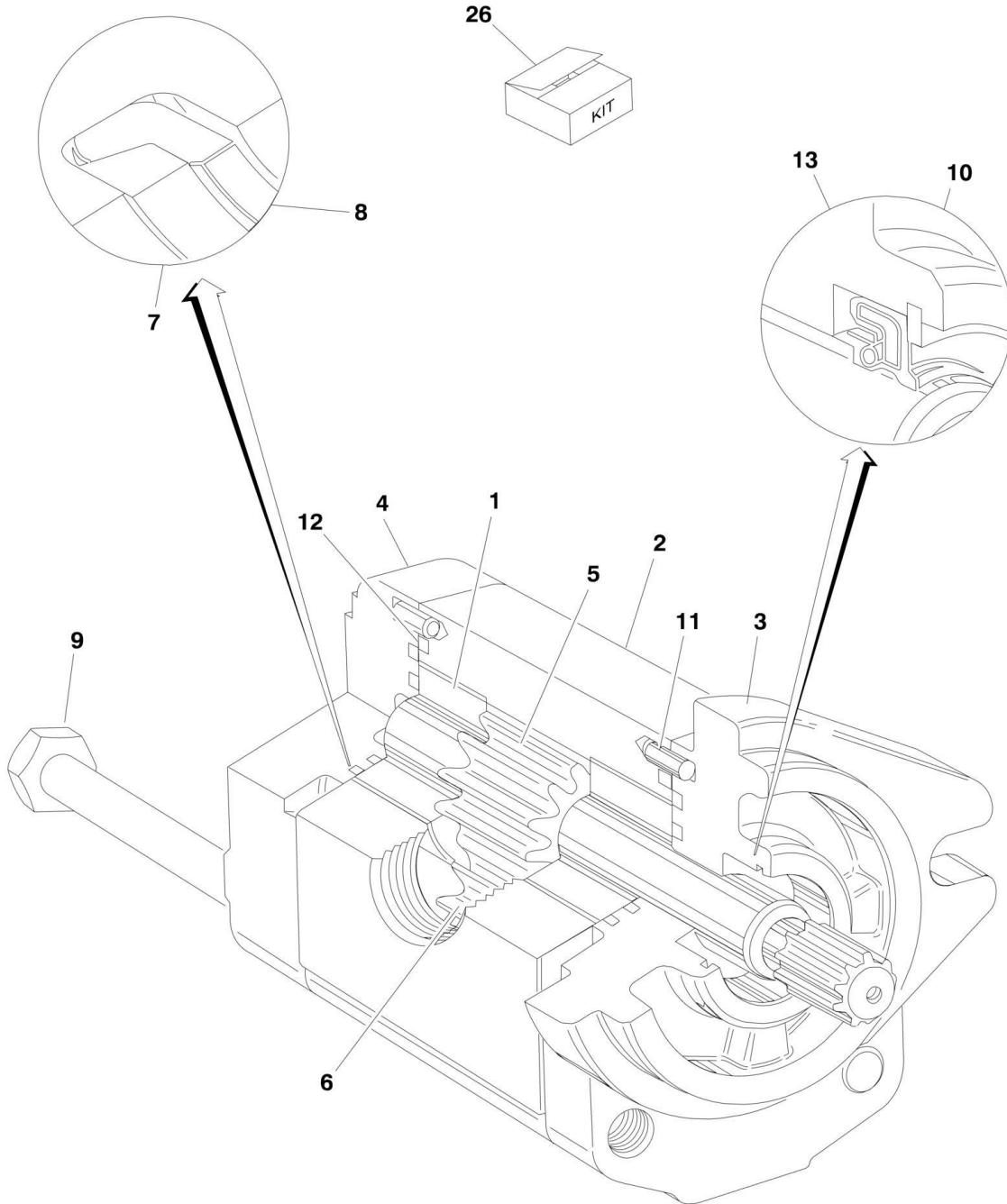
| ITEM | PART NUMBER | QTY | DESCRIPTION | REV |
|------|-------------|-----|---|-----|
| 51 | 7007456 | 6 | Screw | |
| 52 | 7001438 | 10 | Washer | |
| 53 | See Note | NSS | Swash Plate (Note: Use Item 103) | |
| 54 | 7007458 | 1 | Journal, Bearing | |
| 55 | 7007459 | 1 | Seal, Lip | |
| 56 | See Note | NSS | O-Ring (Note: Use Item 101A) | |
| 57 | | Ref | Shaft, Main Pump Options: | |
| 57 | 7007461 | 1 | Shaft, Main Pump 13 Tooth Spline (Prior to SN 29318) | |
| 57 | 7010121 | 1 | Shaft, Main Pump 15 Tooth Spline (SN 29318 through 69000) | |
| 58 | 7021214 | 1 | Plate, Valve | |
| 59 | 7007463 | 1 | Gerotor Assembly | |
| 60 | See Note | NSS | Pin (Note: Use Item 102) | |
| 61 | See Note | NSS | Kay, Woodruff (Note: Use Item 102) | |
| 62 | 7007466 | 1 | Adaptor, Remote Filtration (Without By-Pass) | |
| 63 | See Note | NSS | O-Ring (Note: Use Item 101A) | |
| 64 | 7007468 | 2 | Screw | |
| 65 | 7007469 | 2 | Screw | |
| 66 | 7007470 | 1 | Plug | |
| 67 | 7007471 | 1 | Cover, Servo (With Adjuster) | |
| 67 | 7007490 | 2 | Stop, Servo (Not Shown) | |
| 67 | 7007491 | 2 | Nut, Special (Not Shown) | |
| 67 | 7007492 | 2 | Ring, External (Not Shown) | |
| 68 | 7007482 | 1 | Cover, Servo (Without Adjuster) | |
| 69 | 7007483 | 1 | Guide, Spring | |
| 70 | 7007484 | 1 | Stop, Servo | |
| 71 | 7007485 | 1 | Spring | |
| 72 | 7007486 | 1 | Screw | |
| 73 | 7007487 | 1 | Guide, Spring | |
| 74 | 7007488 | 1 | Ring, Retaining | |
| 75 | 7007499 | 1 | Locknut | |
| 76 | See Note | NSS | Ring, Piston (Note: Use Item 101A or 101B) | |
| 77 | 7007494 | 1 | Piston, Servo | |
| 78 | See Note | NSS | O-Ring (Note: Use Item 101A or 101B) | |
| 79 | 7007472 | 1 | Valve, Bypass | |
| 80 | 7010122 | 2 | Valve, Pressure Relief (Includes Item 6) (was p/n 7007473) | |
| 81 | 7007474 | 1 | Control, Dual Oil-Filled | |
| 81 | 7007496 | 1 | Coil Assembly (Pilot) | |
| 81 | 7007497 | 1 | Plug (Pump) | |
| 81 | 7007498 | 1 | Plug (Valve Harness) | |
| 82 | 7007478 | 2 | Screw | |
| 83 | 7001498 | 2 | Screw | |
| 84 | See Note | NSS | O-Ring (Note: Use Item 101A) | |
| 85 | See Note | NSS | O-Ring (Note: Use Item 101A) | |
| 86 | 7007475 | 1 | Plug, Orifice/Screen (.156) | |
| 87 | 7007477 | 2 | Plug, Orifice (.37) | |
| 88 | 7007476 | 1 | Adapter, Auxiliary Pump | |
| 89 | 7010120 | 1 | Spacer/Gasket | |
| 101 | | Ref | Seal Kit Options: | |
| 101A | 2900752 | 1 | Complete (Includes Items 3, 6, 14, 37, 41, 42, 44, 45, 55, 56, 63, 76, 78, 84 & 85) | |
| 101B | 7007412 | 1 | Servo Piston (Includes Items 76 & 78) | |
| 102 | 2900826 | 1 | Charge Pump Kit (Includes Items 41, 42, 46, 59, 60 & 61) | |

SECTION 2 - TURNTABLE

| ITEM | PART NUMBER | QTY | DESCRIPTION | REV |
|------|-------------|-----|--|-----|
| 103 | 2900827 | 1 | Cylinder Block Kit (Includes Items 19-28, 40, 50, 53 & 58) | |

SECTION 2 - TURNTABLE

FIGURE 2-12. GEAR PUMP ASSEMBLY



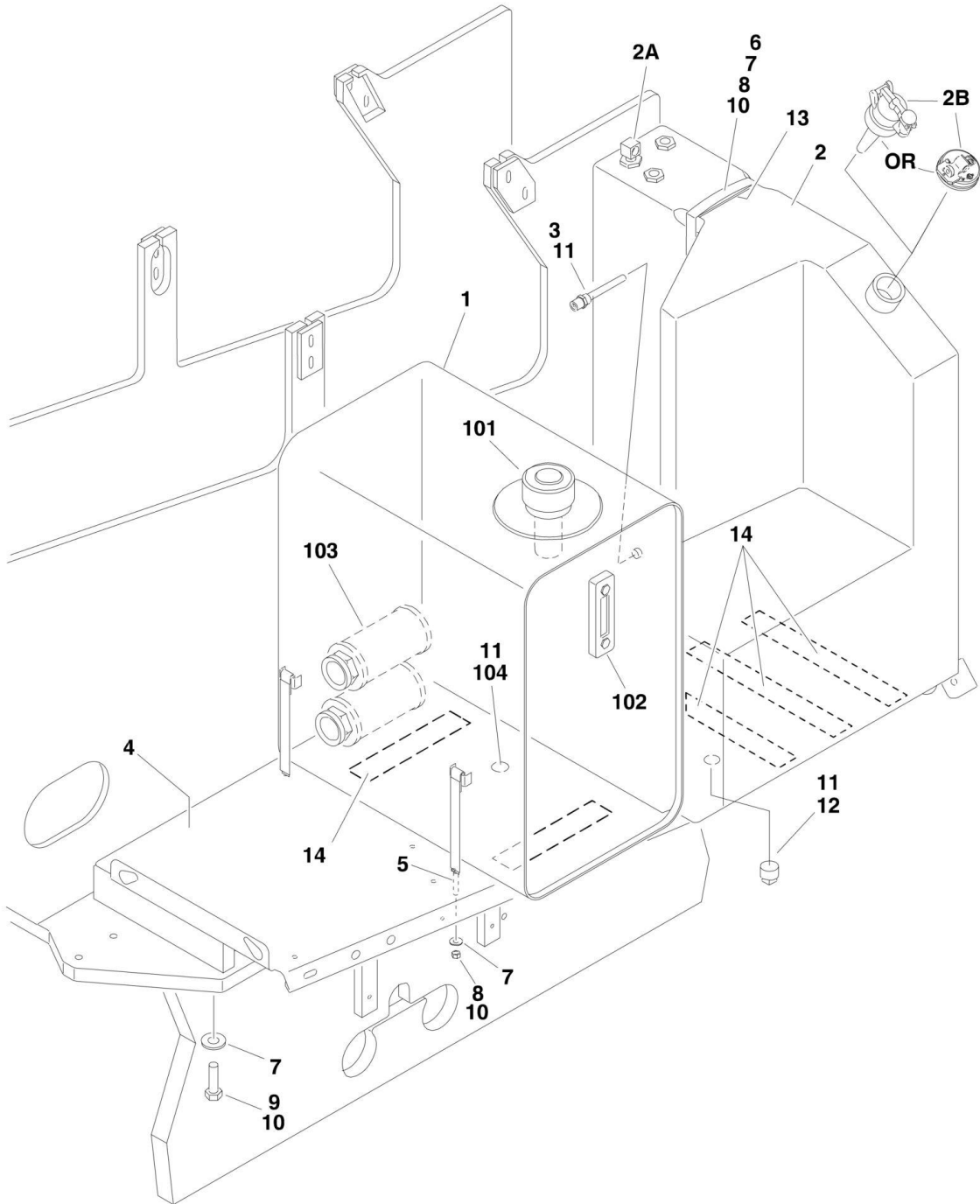
SECTION 2 - TURNTABLE

FIGURE 2-12. GEAR PUMP ASSEMBLY

| ITEM | PART NUMBER | QTY | DESCRIPTION | REV |
|------|-------------|-----|---|-----|
| | 3600242 | Ref | GEAR PUMP ASSEMBLY | |
| 1 | 7010105 | 2 | Bearing/Bushing | |
| 2 | See Note | 1 | Housing (Note: Use p/n 3600242) | |
| 3 | See Note | 1 | Flange (Note: Use p/n 3600242) | |
| 4 | 7010103 | 1 | Cover | |
| 5 | 7012987 | 1 | Gear, Drive | |
| 6 | 7012988 | 1 | Gear, Idler | |
| 7 | See Note | NSS | Ring, Anti-Extrusion (Note: Use Item 26) | |
| 8 | See Note | NSS | Seal (Note: Use Item 26) | |
| 9 | See Note | 4 | Bolt (Note: Not Available for Purchase) | |
| 10 | 7010104 | 1 | Ring, Retaining | |
| 11 | See Note | 4 | Pin, Dowel (Note: Not Available for Purchase) | |
| 12 | See Note | NSS | Seal, O-Ring (Note: Use Item 26) | |
| 13 | See Note | NSS | Seal, Shaft (Note: Use Item 26) | |
| 26 | 7007489 | 1 | Seal Kit (Includes Items 7, 8, 12 & 13) | |

SECTION 2 - TURNTABLE

FIGURE 2-13. TANKS INSTALLATION



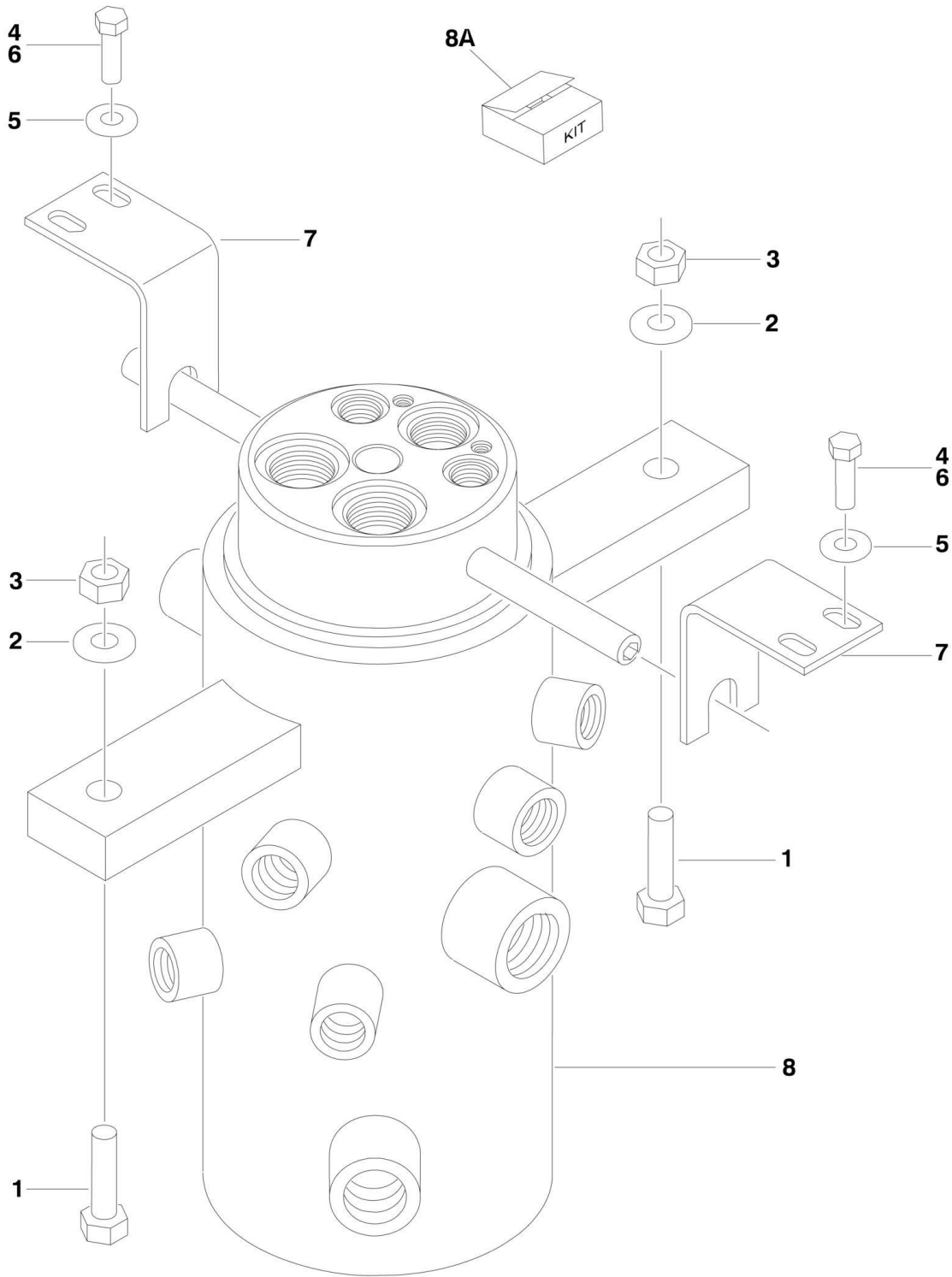
SECTION 2 - TURNTABLE

FIGURE 2-13. TANKS INSTALLATION

| ITEM | PART NUMBER | QTY | DESCRIPTION | REV |
|------|-------------|-----|--|-----|
| | 0255409 | Ref | TANKS INSTALLATION (STANDARD PARTS) | 6 |
| | 0257482 | Ref | TANKS INSTALLATION (WITH LOCKING CAP) | 1 |
| 1 | 4400372 | 1 | Hydraulic Tank Assembly (See Items 101-104 for Breakdown) | |
| 2 | | Ref | Tank, Fuel Options: | |
| 2 | 4400373 | 1 | Tank, Fuel (Prior to SN 0300030687) | |
| 2 | 4400399 | 1 | Tank, Fuel (SN 0300030687 through 0300069000) | |
| 2A | 7019658 | 1 | Fitting, 90, W/Pick-Up Tube | |
| 2B | | Ref | Cap Options: | |
| 2B | 7016314 | 1 | Standard - Non-Locking (Part of Item 2) | |
| 2B | 1120487 | 1 | Blue Lockable Cap (Not Included with Tank - Purchase Separately) (Lock Not Included) | |
| 3 | 4360436 | 1 | Switch, Fuel Level | |
| 4 | 4844964 | 1 | Hydraulic Tray Weldment | |
| 5 | 4240112 | 4 | Strap, Tank | |
| 6 | 4240102 | 1 | Strap, Tank | |
| 7 | 4751600 | 12 | Flatwasher 3/8in Regular | |
| 8 | 3311601 | 6 | Nut 3/8in-16NC | |
| 9 | 0641614 | 6 | Bolt 3/8in-16NC x 1-3/4in | |
| 10 | 0100011 | AR | Compound, Locking | |
| 11 | 0100079 | AR | Sealant, Pipe | |
| 12 | 2200222 | 1 | Fitting | |
| 13 | 4280295 | 25 | Strip, Protective | |
| 14 | 4420038 | AR | Tape, Rubber | |
| | 4400372 | Ref | HYDRAULIC OIL TANK ASSEMBLY | J |
| 101 | | Ref | Filler/Breather Assembly Options: | |
| 101 | 7014803 | 1 | Filler/Breather Assembly (Prior to June 1997) | |
| 101 | 7014810 | 1 | Filler/Breather Assembly (June 1997 to SN 0300069000) | |
| 101 | 7014811 | 1 | Cap, Breather (Fits 7014803 & 7014810) | |
| 102 | 7014802 | 1 | Gauge, Sight | |
| 103 | 7014801 | 2 | Strainer | |
| 104 | 7014800 | 1 | Plug, Magnetic | |

SECTION 2 - TURNTABLE

FIGURE 2-14. ROTARY COUPLING INSTALLATION



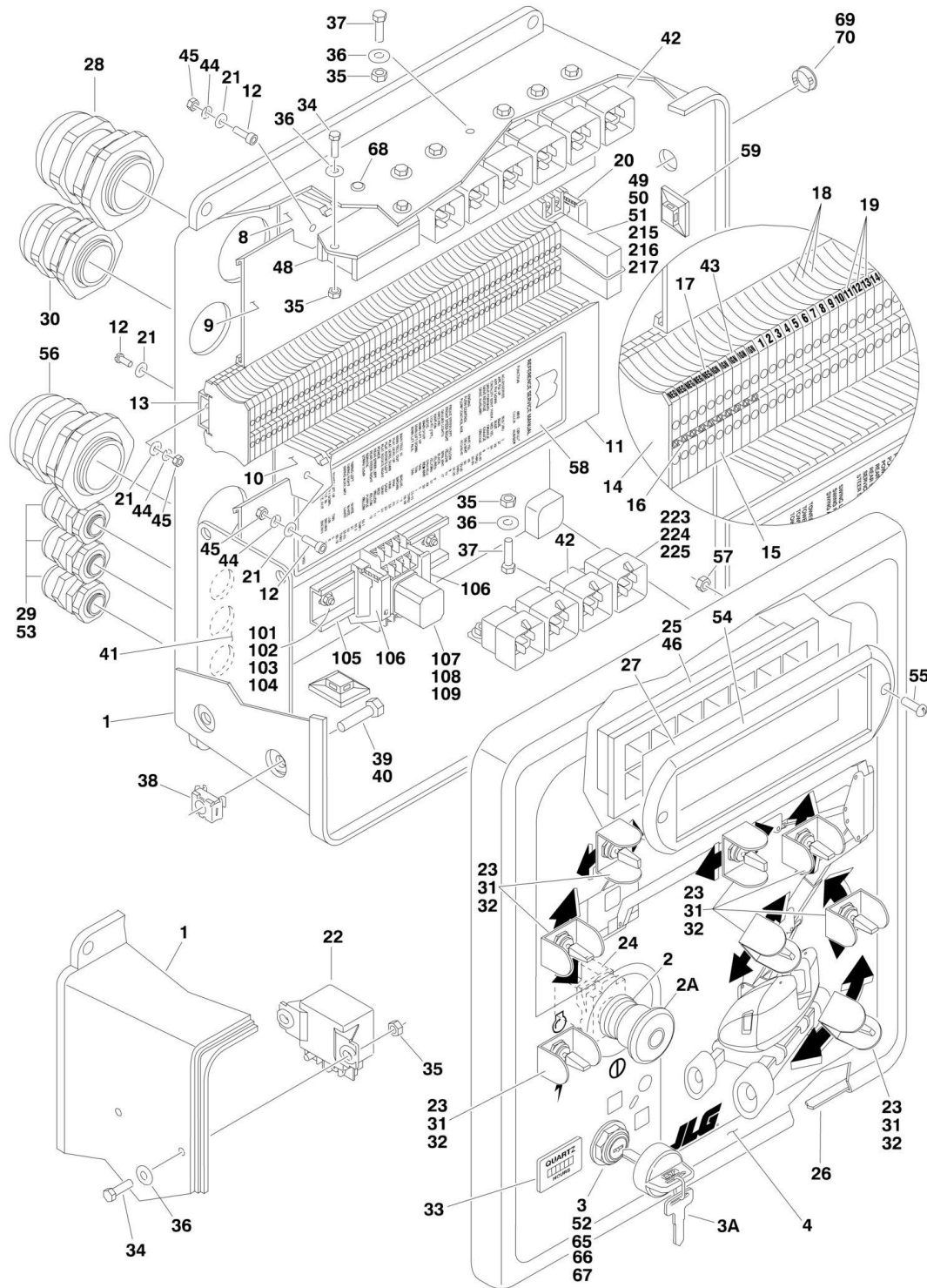
SECTION 2 - TURNTABLE

FIGURE 2-14. ROTARY COUPLING INSTALLATION

| ITEM | PART NUMBER | QTY | DESCRIPTION | REV |
|------|-------------|-----|---|-----|
| | | Ref | ROTARY COUPLING INSTALLATIONS | |
| | 0255262 | Ref | 2WS | 5 |
| | 0255294 | Ref | 4WS | 2 |
| 1 | 0641820 | 2 | Bolt 1/2in-13NC x 2-1/2in | |
| 2 | 4751800 | 4 | Flatwasher 1/2in Regular | |
| 3 | 3311805 | 2 | Locknut 1/2in-13NC | |
| 4 | 0641611 | 4 | Bolt 3/8in-16NC x 1-3/8in | |
| 5 | 4751600 | 4 | Flatwasher 3/8in Regular | |
| 6 | 0100011 | AR | Compound, Locking | |
| 7 | | Ref | Bracket | |
| 7 | 0902109 | NLA | Bracket (Use p/n 0902520) (Prior to SN 0300041296) | |
| 7 | 0902520 | 2 | Bracket (SN 0300041296 through 0300069000) | |
| 8 | | Ref | Coupling, Rotary Options: | |
| 8 | 1660219 | 1 | 2WS | |
| 8 | 1660223 | 1 | 4WS | |
| 8A | | Ref | Seal Kit Options: | |
| 8A | 7013187 | 1 | 2WS | |
| 8A | 7016342 | 1 | 4WS | |
| 8A | | Ref | Rebuilt Coupling Options: | |
| 8A | 1660219RR | 1 | 2WS | |
| 8A | 1660223RR | 1 | 4WS | |

SECTION 2 - TURNTABLE

FIGURE 2-15. GROUND CONTROL BOX INSTALLATIONS (Prior to SN 0300064249)



SECTION 2 - TURNTABLE

FIGURE 2-15. GROUND CONTROL BOX INSTALLATIONS (Prior to SN 0300064249)

| ITEM | PART NUMBER | QTY | DESCRIPTION | REV |
|------|-------------|-------|---|-----|
| | | Ref | Numbered Colored Wiring Starts with SN 0300035129 | |
| | | Ref | GROUND CONTROL BOX ASSEMBLY OPTIONS: | |
| | 0861044 | Ref | Ground Control Box Assembly 600A (Prior to SN 0300035129) | 3 |
| | 0861119 | Ref | Ground Control Box Assembly 600A (SN 0300035129 through 0300064249) | 7 |
| | 0861045 | Ref | Ground Control Box Assembly 600AJ (Prior to SN 0300035129) | 3 |
| | 0861120 | Ref | Ground Control Box Assembly 600AJ (SN 0300035129 through 0300064249) | 7 |
| 1 | | Ref | Box, Fiberglass Options: | |
| 1 | 0861018 | 1 | Box, Fiberglass (Prior to SN 0300035129) | |
| 1 | 0861131 | 1 | Box, Fiberglass (SN 0300044645 through 0300044651) | |
| 1 | 0861302 | 1 | Box, Fiberglass (SN 0300044652 through 0300064249) | |
| 2 | | Ref | Switch, Emergency Stop Options: | |
| 2 | 4360395 | 1 | Switch, Emergency Stop (Prior to SN 0300036019) | |
| 2 | 4360289 | 1 | Switch, Emergency Stop (SN 0300036019 through 0300044651) | |
| 2 | 4360475 | 1 | Switch, Emergency Stop (SN 0300044652 through 0300064249) | |
| 2A | | Ref | Cap Options: | |
| 2A | 7016315 | 1 | Cap, Red (Used on Switch p/n 4360395) | |
| 2A | 7012611 | 1 | Cap, Mushroom Head (Used on Switch p/n 4360289) | |
| 2A | 7020175 | 1 | Cap, Red (Used on Switch p/n 4360475) | |
| 2A | 7012612 | 1 | Boot (Used on Switch p/n 4360289) | |
| 2A | 7020176 | 1 | Block, Contact (Used on Switch p/n 4360475) | |
| 3 | | Ref | Switch, Key Options: | |
| 3 | 4360319 | 1 | Switch, Key (Prior to SN 0300044652) | |
| 3 | 4360470 | 1 | Switch, Key (Common Key) (SN 0300044652 through 0300064249) | |
| 3A | 7012560 | 1 Set | Key Replacement (Use with 4360319 Switch) | |
| 3A | 2860030 | 1 Set | Key Replacement (Use with 4360470 Common KeySwitch) | |
| 4 | | Ref | Decal - Faceplate Options: | |
| 4 | 1702633 | 1 | Decal - Faceplate 600A (Prior to SN 0300035129) | |
| 4 | 1703467 | 1 | Decal - Faceplate 600A (SN 0300035129 through 0300064249) | |
| 4 | 1702537 | 1 | Decal - Faceplate 600AJ (Prior to SN 0300035129) | |
| 4 | 1703468 | 1 | Decal - Faceplate 600AJ (SN 0300035129 through 0300064249) | |
| 5 | | Ref | Engine Harness Assembly (See ELECTRICAL SECTION for Breakdown) | |
| 5 | 4921737 | 1 | Deutz Engine Machines (Prior to SN 0300035129) | |
| 5 | 4921925 | 1 | Deutz Engine Machines (SN 0300035129 through 0300064249) | |
| 6 | | Ref | Valve Harness Assembly Options: (See ELECTRICAL SECTION for Breakdown) | |
| 6 | 4921739 | 1 | Valve Harness Assembly (Prior to SN 0300026233) | |
| 6 | 4921848 | 1 | Valve Harness Assembly (SN 0300026233 through 0300035128) | |
| 6 | 4921922 | 1 | Valve Harness Assembly (SN 0300035129 through 0300064249) | |
| 8 | 1840012 | 1 | Duct, Wiring - 2in/5cm | |
| 9 | 1840013 | 1 | Duct, Cover - 2in/5cm | |

SECTION 2 - TURNTABLE

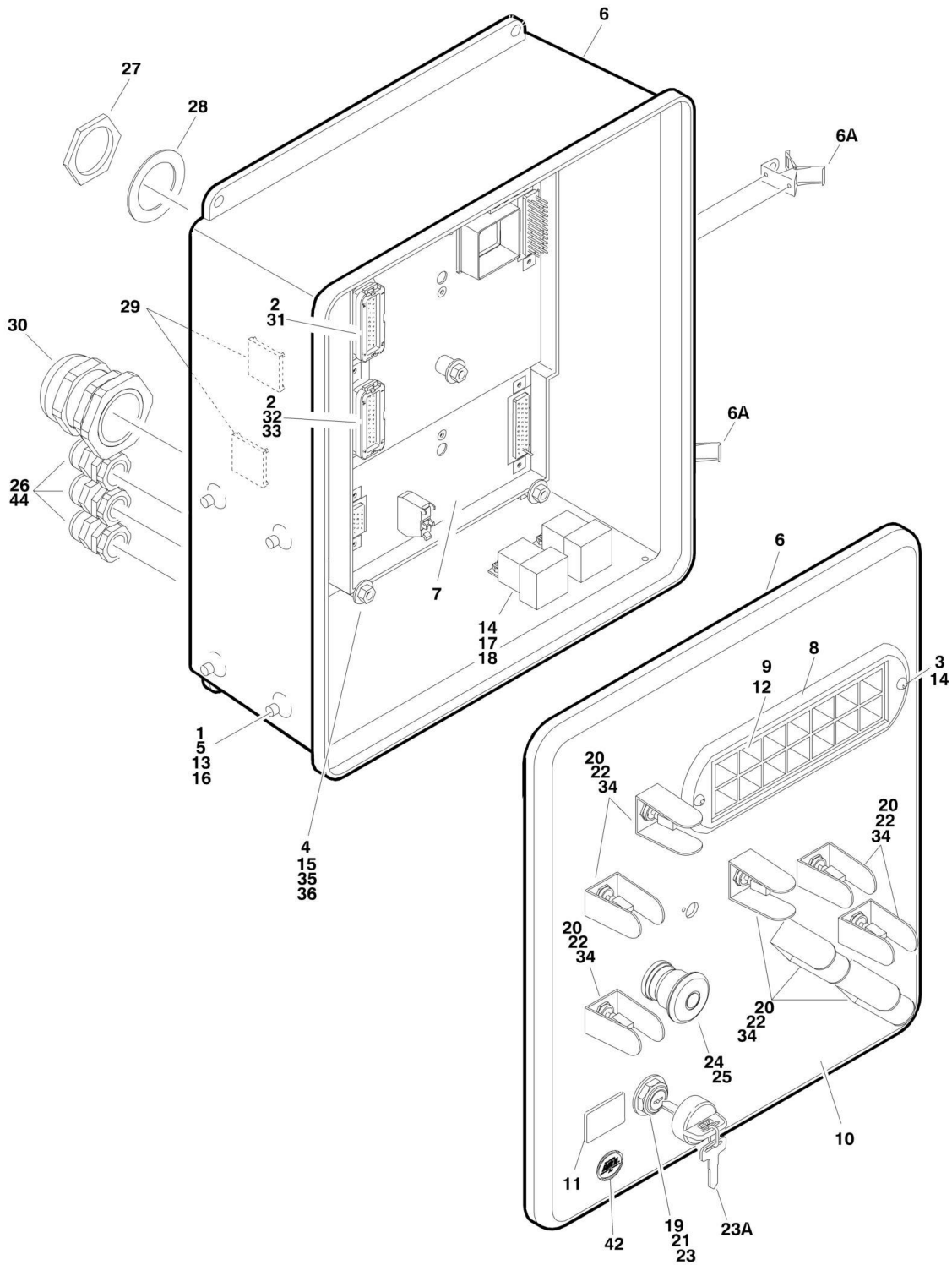
| ITEM | PART NUMBER | QTY | DESCRIPTION | REV |
|------|-------------|-----------|---|-----|
| 10 | 1840014 | 1 | Duct, Wiring - 3in/7.6cm | |
| 11 | 1840015 | 1 | Duct, Cover - 3in/7.6cm | |
| 12 | 3910608 | 6 | Screw #6-32NC x 1/2in | |
| 13 | 3640970 | 1 | Rail | |
| 14 | 4460602 | 1 | Barrier, Terminal | |
| 15 | 4460601 | 10 | Block, Terminal | |
| 16 | 4460603 | 1 | Bussbar - 10 Position (Requires being cut into (2) 5 position bussbars) | |
| 17 | 4460631 | AR | Marker, Terminal (Negative) | |
| 18 | 4460600 | AR | Block, Terminal | |
| 19 | 4460628 | AR | Marker, Terminal (1-50) | |
| 20 | 4460607 | 1 | Stop, Terminal | |
| 21 | 4750600 | 12 | Flatwasher #6 Regular | |
| 22 | 3740112 | 1 | Relay, Bosch | |
| 23 | 4360314 | AR | Switch, Toggle | |
| 24 | | Ref | Switch, Contact Block Options: | |
| 24 | 4360282 | 1 | Switch, Contact Block (Prior to SN 0300044652) | |
| 24 | 4360476 | 1 | Switch, Contact Block (SN 0300044652 through 0300064249) | |
| 25 | 2760105 | 1 | Housing, Display Light | |
| 25 | 2920129 | 7 | Bulb, Light | |
| 25 | 4120035 | 7 | Socket, Light | |
| 26 | 4420038 | 4 in/10cm | Insulation, Adhesive Foam | |
| 27 | 1702610 | 1 | Decal - Ground Control Display | |
| 28 | 4460526 | 1 | Connector, Strain Relief | |
| 29 | 4460428 | 3 | Connector, Strain Relief | |
| 30 | 4460426 | 1 | Connector, Strain Relief | |
| 31 | 4740444 | AR | Washer, Special | |
| 32 | 4060906 | AR | Shield, Toggle Switch | |
| 33 | 2420172 | 1 | Gauge, Hourmeter | |
| 34 | 0721005 | AR | Screw #10-24NC x 5/8in | |
| 35 | 3311001 | AR | Nut #10-24NC (Prior to SN 0300055241) | |
| 36 | 4751000 | AR | Flatwasher #10 Regular | |
| 37 | | Ref | Screw Options: | |
| 37 | 0721004 | AR | Screw #10-24NC (Prior to SN 0300055241) | |
| 37 | 3900268 | AR | Screw #10-24NC x 1/2in (SN 0300055241 through 0300064249) | |
| 38 | 3300205 | 4 | Nut, Retainer | |
| 39 | 0641506 | 4 | Bolt 5/16in-18NC x 3/4in | |
| 40 | 0100011 | AR | Compound, Locking | |
| 41 | 3539219 | 1 | Plate, Reinforcement | |
| 42 | 3740049 | AR | Relay - SPDT | |
| 43 | 4460630 | AR | Marker, Terminal (Ignition) | |
| 44 | 4760600 | 6 | Lockwasher #6 | |
| 45 | 3310601 | 6 | Nut #6-32NC | |
| 46 | 3700010 | 1 | Reflector Only (Prior to SN 0300027331) | |
| 52 | 3300390 | 1 | Nut with Weather Resistant Boot (SN 0300027331 through 0300044652) | |
| 53 | 3520054 | 1 | Plug, Hole (SN 0300028933 through 0300035128) | |
| 54 | 1670829 | 1 | Bezel (SN 0300035129 through 0300069000) | |
| 55 | 0630518 | 2 | Capscrew, Button Head (SN 0300035129 through 0300064249) | |
| 56 | | Ref | Connector, Strain Relief Options: | |
| 56 | 4460526 | 1 | Connector, Strain Relief (Prior to SN 0300035129) | |

SECTION 2 - TURNTABLE

| ITEM | PART NUMBER | QTY | DESCRIPTION | REV |
|------|-------------|-----|--|-----|
| 56 | 4460711 | 1 | Connector, Strain Relief (SN 0300035129 through 0300069000) | |
| 57 | 3300408 | 13 | Locknut, Plastic Insert (SN 0300035129 through 0300064249) | |
| 58 | 1703622 | 1 | Decal - Service Manual Reference (SN 0300035129 through 0300064249) | |
| 59 | 4460234 | 6 | Base, Tie-Strap (SN 0300035129 through 0300064249) | |
| 65 | 4070991 | 1 | Shim, .125 (SN 0300044652 through 0300064249) | |
| 66 | 4070987 | 1 | Shim, .015 (SN 0300044652 through 0300064249) | |
| 67 | 3910804 | 6 | Screw (SN 0300044652 through 0300064249) | |
| 68 | 3520174 | 4 | Plug (SN 0300055241 through 0300064249) | |
| 69 | 0100009 | AR | Adhesive (SN 0300055241 through 0300064249) | |
| 70 | 3520026 | 1 | Plug (SN 0300055241 through 0300064249) | |
| | | Ref | DRIVE CUT-OUT ELECTRICAL COMPONENTS (EN280 SPEC ONLY) | - |
| 101 | 3910608 | 2 | Screw, Machine #6-32NC x 1/2in | |
| 102 | 4750600 | 2 | Flatwasher #6 Regular | |
| 103 | 4760600 | 2 | Lockwasher #6 | |
| 104 | 3310601 | 2 | Nut #6-32NC | |
| 105 | 3640493 | 1 | Rail, Mounting | |
| 106 | 4460607 | 2 | Stop, Terminal | |
| 107 | 4120013 | 1 | Socket, Relay | |
| 108 | 3740058 | 1 | Relay | |
| 109 | 3740063 | 1 | Spring, Relay | |
| | 0259233 | Ref | BPE LOAD SENSING DEVICE INSTALLATION (FRENCH SPEC) (SN 0300058378 through 0300064249) | 4-C |
| | 0271474 | Ref | BPE LOAD SENSING DEVICE INSTALLATION (FRENCH SPEC) (SN 0300058378 through 0300064249) | 1-A |
| 215 | 3740057 | 1 | Relay | |
| 216 | 4120012 | 1 | Socket, Relay | |
| 217 | 3740066 | 1 | Spring, Relay | |
| 223 | 3740049 | 1 | Relay | |
| 224 | 3300408 | 1 | Locknut #10-24NC | |
| 225 | 0721006 | 1 | Screw #10-24NC x 3/4in | |

SECTION 2 - TURNTABLE

FIGURE 2-16. GROUND CONTROL BOX INSTALLATIONS (ADE SYSTEM) (SN 0300064249 through 0300069000)



SECTION 2 - TURNTABLE

FIGURE 2-16. GROUND CONTROL BOX INSTALLATIONS (ADE SYSTEM) (SN 0300064249 through 0300069000)

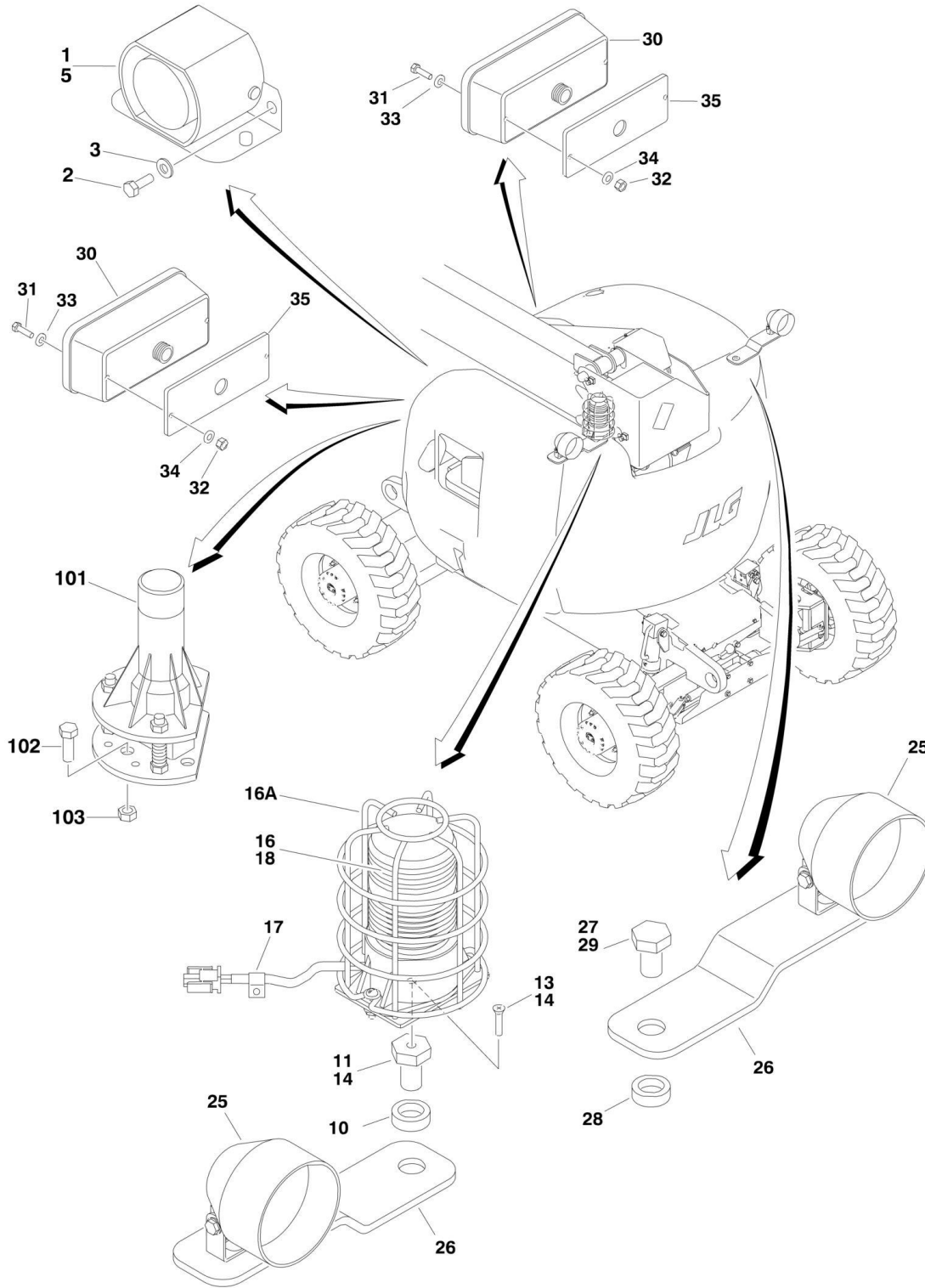
| ITEM | PART NUMBER | QTY | DESCRIPTION | REV |
|------|-------------|-----|--|-----|
| | | Ref | GROUND CONTROL BOX ASSEMBLIES | |
| | | Ref | Ground Control Box Assemblies 600A | |
| | 0861412 | Ref | Ground Control Box Assemblies (SN 0300064249 through 0300064269) | E |
| | 0861472 | Ref | Ground Control Box Assemblies (SN 0300064270 through 0300069000) | E |
| | | Ref | Ground Control Box Assemblies 600AJ | |
| | 0861413 | Ref | Ground Control Box Assemblies (SN 0300064249 through 0300064269) | E |
| | 0861473 | Ref | Ground Control Box Assemblies (SN 0300064270 through 0300069000) | D |
| 1 | 0100011 | AR | Compound, Locking | |
| 2 | 0100048 | AR | Grease, Dielectric | |
| 3 | 0630518 | 2 | Capscrew, Button Head | |
| 4 | 0630548 | 5 | Tap, Bolt 2 1/2in | |
| 5 | 0641506 | 4 | Bolt 5/16in-18NC x 3/4in | |
| 6 | 0861407 | 1 | Box, Fiberglass | |
| 6A | 7020246 | 2 | Latch | |
| 7 | | Ref | Module, Ground Control Options (Re-calibration Required when Replaced): | |
| 7 | 1600312 | 1 | Module, Ground Control (SN 0300064249 through 0300064269) | |
| 7 | 1600327 | NLA | Module, Ground Control (Use p/n 2915014) (SN 0300064270 through 0300069000) | |
| 8 | 1670829 | 1 | Bezel | |
| 9 | 1702610 | 1 | Decal - Ground Control Display | |
| 10 | | Ref | Decal - Faceplate Options: | |
| 10 | 1703467 | 1 | Decal - Faceplate 600A | |
| 10 | 1703468 | 1 | Decal - Faceplate 600AJ | |
| 11 | 2420172 | 1 | Gauge, Hourmeter | |
| 12 | 2760105 | 1 | Housing, Display Light | |
| 13 | 3300205 | 4 | Nut, Retainer | |
| 14 | 3300408 | 4 | Locknut, Plastic Insert | |
| 15 | 3311401 | 10 | Nut 1/4in-20NC | |
| 16 | 3539219 | 1 | Plate, Reinforcement | |
| 17 | 3740049 | 2 | Relay | |
| 18 | 3900268 | 2 | Screw, Flange #10 x 1/2in | |
| 19 | 3910804 | 6 | Screw #8-32NC x 1/4in | |
| 20 | 4060906 | 8 | Shield, Toggle Switch | |
| 21 | 4070987 | 1 | Shim (.125in) | |
| 22 | 4360328 | 8 | Switch, Toggle | |
| 23 | 4360470 | 1 | Switch, Key | |
| 23A | 2860030 | 1 | Key Replacement | |
| 24 | 4360475 | 1 | Switch, Emergency Stop | |
| 25 | 4360476 | 1 | Switch, Contact Block | |
| 26 | 4460426 | AR | Connector, Strain Relief | |
| 27 | 4460470 | 1 | Nut, Terminal | |
| 28 | 4460471 | 1 | Lockwasher, Terminal | |
| 29 | 4460488 | 7 | Mounting Base, Terminal | |
| 30 | 4460526 | 1 | Connector, Strain Relief | |

SECTION 2 - TURNTABLE

| ITEM | PART NUMBER | QTY | DESCRIPTION | REV |
|------|-------------|-----|---|-----|
| 31 | 4460874 | 1 | Connector, Natural | |
| 32 | 4460875 | 1 | Connector, Gray | |
| 33 | 4460905 | 4 | Connector, Amp Seal Plug | |
| 34 | 4740444 | 8 | Washer, Special | |
| 35 | 4751400 | 20 | Flatwasher 1/4in Regular | |
| 36 | 4761400 | 10 | Lockwasher 1/4in | |
| 40 | | Ref | Harness, Analyzer Cable Options: (Not Shown) | |
| 40 | 4922485 | 1 | Harness, Analyzer Cable (SN 0300064249 through 0300064269) | |
| 40 | 4922666 | 1 | Harness, Analyzer Cable (SN 0300064270 through 0300069000) | |
| 42 | 1705132 | 1 | Decal - Control ADE (SN 0300066873 through 0300069000) | |
| 44 | 3520035 | | Plug, Cap (SN 0300068131 through 0300069000) | |

SECTION 2 - TURNTABLE

FIGURE 2-17. ELECTRICAL OPTIONS INSTALLATION (TURNTABLE MOUNTED)



SECTION 2 - TURNTABLE

FIGURE 2-17. ELECTRICAL OPTIONS INSTALLATION (TURNTABLE MOUNTED)

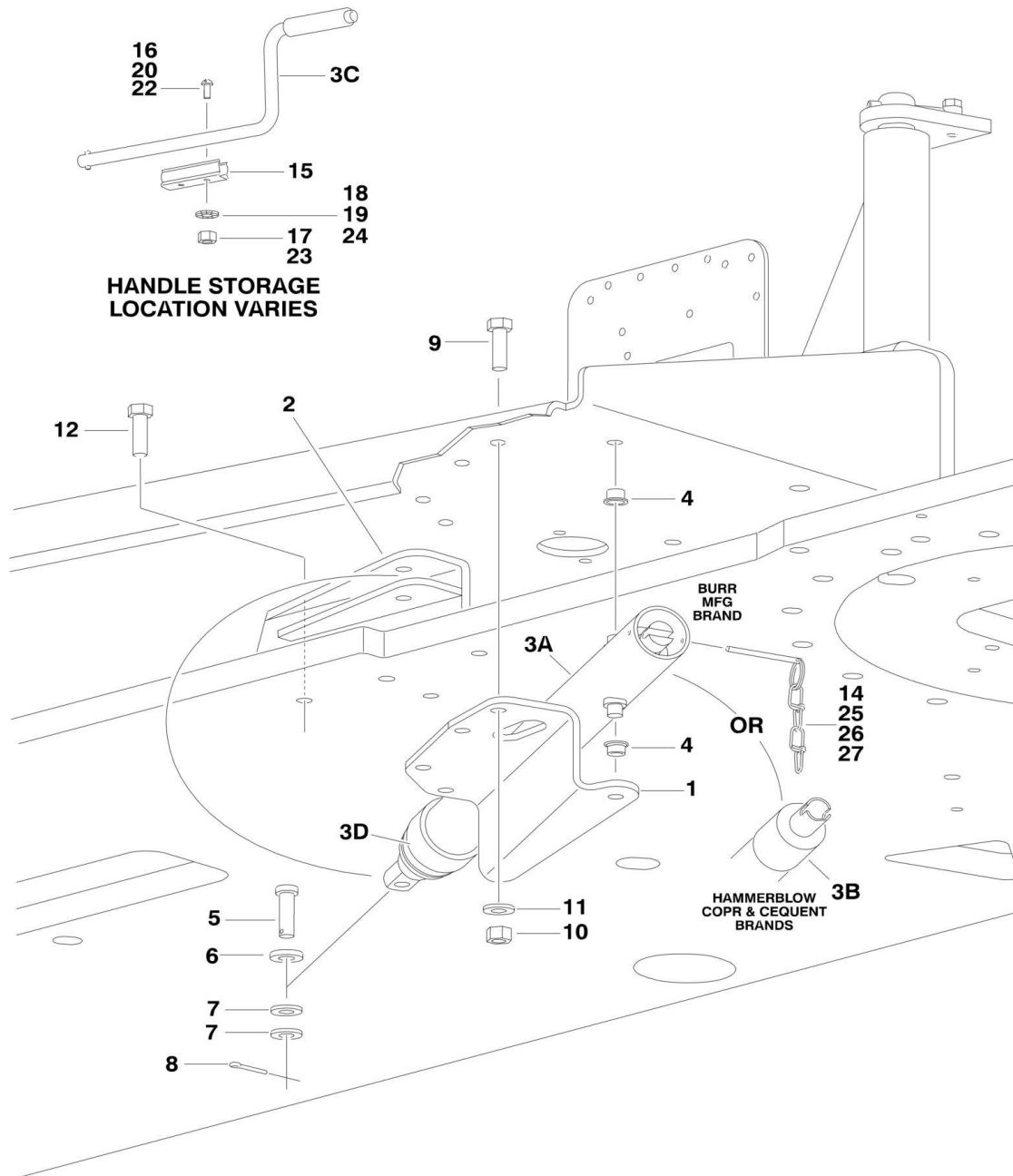
| ITEM | PART NUMBER | QTY | DESCRIPTION | REV |
|------|-------------|-----|---|-----|
| | | Ref | ALARMS INSTALLATIONS | |
| | 0255368 | Ref | Alarms Installations (Prior to SN 0300035129) | 2 |
| | 0257886 | Ref | Alarms Installations (SN 0300035129 through 0300064248) | 1 |
| | 0270833 | Ref | Alarms Installations (ADE System) (SN 0300064249 through 0300069000) | 1 |
| 1 | | Ref | Alarm/Harness Assembly Options: | |
| 1 | 0255914 | 1 | Alarm/Harness Assembly (Colored Wiring) (Prior to SN 0300035129) | |
| 1 | 0257886 | 1 | Alarm/Harness Assembly (Numbered Colored Wiring) (SN 0300035129 through 0300069000) | |
| 2 | 0641406 | 2 | Bolt 1/4in-20NC x 3/4in | |
| 3 | 4711400 | 2 | Flatwasher 1/4in Thin | |
| 5 | 0100048 | AR | Sealant, Silicone | |
| | | Ref | STROBE LIGHT INSTALLATIONS (AMBER) (OPTIONAL) | |
| | 0255393 | Ref | Strobe Light Installations (Amber) (Optional) (Colored Wiring) (Prior to SN 0300035129) | 1 |
| | 0257885 | Ref | Strobe Light Installations (Amber) (Optional) (Numbered Colored Wiring) (SN 0300035129 through 0300064248) | 2 |
| | 0270805 | Ref | Strobe Light Installations (Amber) (Optional) (ADE System) (SN 0300064249 through 0300069000) | 1 |
| 10 | 4220162 | 1 | Spacer, Stop (Used with ECCO Model 6640 Only) | |
| 11 | | Ref | Adapter Options: | |
| 11 | 0630491 | 1 | Adapter used with ECCO Model 6640 | |
| 11 | 0080241 | 1 | Adapter used with ECCO Model 6650 | |
| 12 | 3539281 | 1 | Plate, Mounting (Used with ECCO Model 6640 Only) | |
| 13 | 0741606 | 1 | Screw, Flathead Countersunk 3/8in-16NC x 3/4in (Used with ECCO Model 6640 Only) | |
| 14 | 0100011 | AR | Compound, Locking | |
| 15 | 4240032 | 1 | Tie-Strap (Not Shown) | |
| 16 | 0255917 | NLA | Strobe Light/Guard/Harness Assembly (Use p/n 0272507) | |
| 16 | 2920130 | NLA | Strobe Light/Guard/Harness Assembly (Use p/n 0272507) | |
| 16 | 2920214 | NLA | Strobe Light/Guard/Harness Assembly (Use p/n 0272507) | |
| 16 | | Ref | Bulb, Replacement Options: | |
| 16 | 7016380 | 1 | Bulb used with ECCO Model 6640 | |
| 16 | 70001941 | 1 | Bulb used with ECCO Model 6650 | |
| 16A | | Ref | Guard Options: | |
| 16A | 4060907 | 1 | Guard used with ECCO Model 6640 | |
| 16A | 2920215 | 1 | Guard used with ECCO Model 6650 | |
| 17 | 4460234 | 1 | Clamp | |
| 18 | 0100048 | AR | Sealant, Silicone | |
| | | Ref | LIGHTS INSTALLATIONS (OPTIONAL) | |
| | 0255387 | Ref | Lights Installations (Optional) (Colored Wiring) (Prior to SN 0300035129) | 2 |
| | 0257884 | Ref | Lights Installations (Optional) (Numbered Colored Wiring) (SN 0300035129 through 0300064248) | 1 |
| | 0271552 | Ref | Lights Installations (Optional) (ADE System) (SN 0300064249 through 0300069000) | 2 |
| 25 | 2920110 | 2 | Headlight | |
| 26 | 0902206 | 2 | Bracket, Mounting | |
| 27 | 0642612 | 1 | Bolt 1in-8NC x 1-1/2in | |
| 28 | 4220162 | 2 | Spacer | |
| 29 | 0100011 | AR | Compound, Locking | |

SECTION 2 - TURNTABLE

| ITEM | PART NUMBER | QTY | DESCRIPTION | REV |
|------|-------------|-----|---|-----|
| 30 | 2920113 | 2 | Taillight | |
| 31 | 3911040 | 4 | Screw, Machine #10-24NC x 2 1/2 | |
| 32 | 3311005 | 4 | Nut #10-24NC | |
| 33 | 4751000 | 4 | Flatwasher #10 Regular | |
| 34 | 4740362 | 4 | Washer, Fender | |
| 35 | 3960461 | 2 | Gasket | |
| 37 | 4240032 | 21 | Tie-Strap (Not Shown) | |
| 38 | 4460234 | 21 | Mount, Tie-Strap (Not Shown) | |
| 39 | 4360336 | 1 | Switch, Toggle (Not Shown - Located on Console) | |
| 40 | 3790012 | 1 | O- Ring (Not Shown - Located on Console) | |
| 41 | 3820001 | 11 | Pop Rivet (Not Shown) | |
| | 0255362 | Ref | TILT INDICATOR INSTALLATION (Prior to SN 0300064249) | - |
| 101 | 4360416 | 1 | Sensor, Tilt Indicator | |
| 102 | 0641406 | 2 | Bolt 1/4in-20NC x 3/4in | |
| 103 | 3311405 | 2 | Locknut 1/4in-20NC | |

SECTION 2 - TURNTABLE

FIGURE 2-18. ENGINE TRAY JACK INSTALLATION (OPTIONAL)



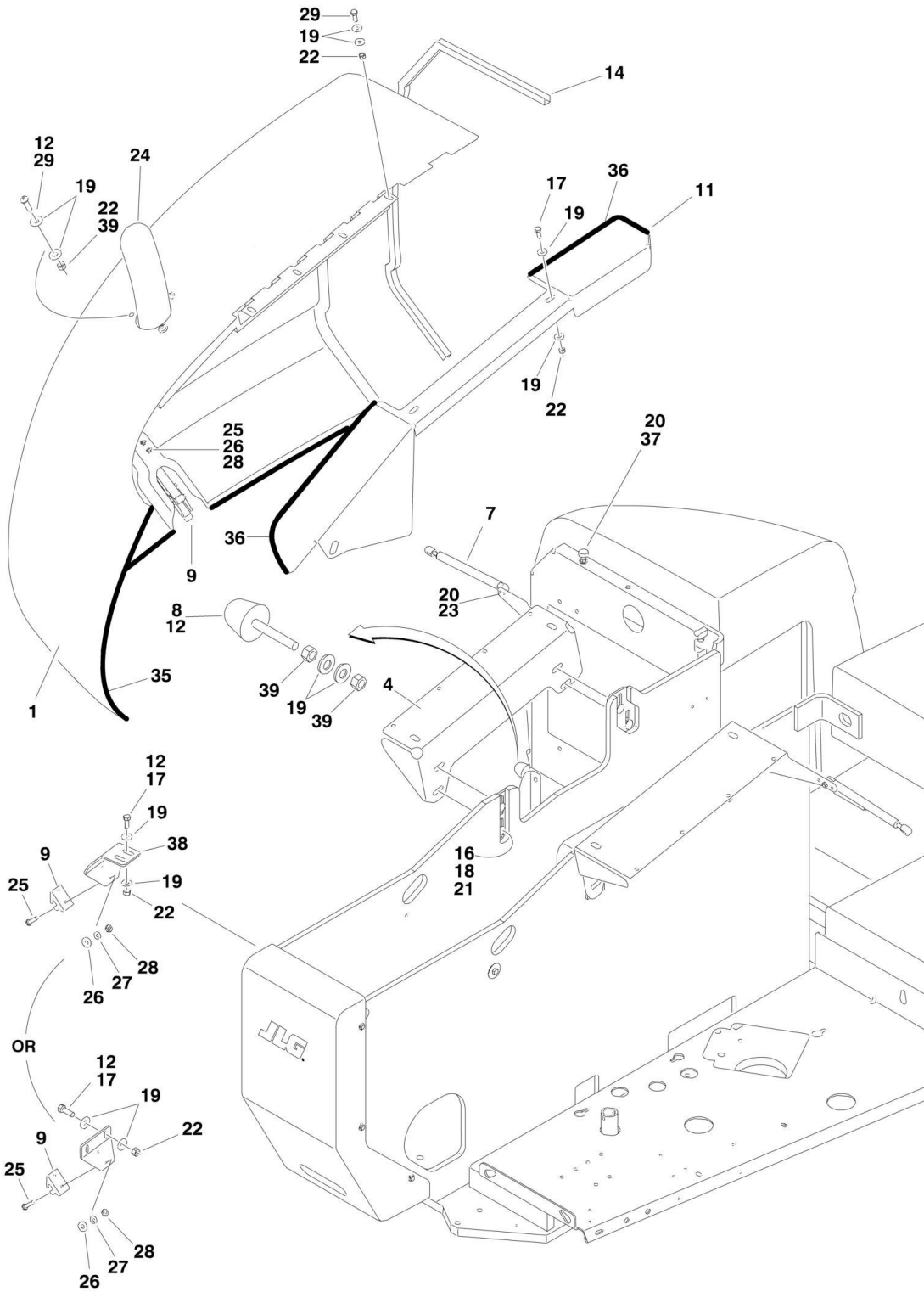
SECTION 2 - TURNTABLE

FIGURE 2-18. ENGINE TRAY JACK INSTALLATION (OPTIONAL)

| ITEM | PART NUMBER | QTY | DESCRIPTION | REV |
|------|-------------|-----|--|-----|
| | 0255880 | Ref | ENGINE TRAY JACK INSTALLATION | 5-G |
| 1 | 3537445 | 1 | Bracket | |
| 2 | 4845163 | 1 | Bracket | |
| 3 | 2840016 | 1 | Hydraulic Jack Assembly (Prior to SN 0300027329) | |
| 3 | 2840018 | 1 | Hydraulic Jack Assembly (SN 0300027329 through 0300069000) | |
| 3A | | Ref | Burr Manufacturing Brand | |
| 3B | | Ref | Hammerblow Corp and Cequent Brands | |
| 3C | | Ref | Handle Options: | |
| 3C | 7016374 | 1 | Burr Manufacturing Brand | |
| 3C | 7024598 | 1 | Hammerblow Corp and Cequent Brands | |
| 3D | 7016322 | 1 | Wiper (Burr Manufacturing Brand Only) | |
| 4 | 0962051 | 2 | Bushing, Flanged | |
| 5 | 3430816 | 1 | Pin, Clevis | |
| 6 | 4891800 | 1 | Flatwasher 1/2in Hardened | |
| 7 | 4711800 | AR | Flatwasher 1/2in Thin | |
| 8 | 3450404 | 1 | Pin, Cotter 1/8in x 1in | |
| 9 | 0641609 | 4 | Bolt 3/8in-16NC x 1-1/8in | |
| 10 | 3311605 | 4 | Locknut 3/8in-16NC | |
| 11 | 4891600 | 4 | Flatwasher 3/8in Hardened | |
| 12 | 0641810 | 4 | Bolt 1/2in-13NC x 1-1/4in | |
| 14 | 3422530 | 1 | Pins and Chain | |
| 15 | 1380147 | 1 | Clip, Spring | |
| 16 | 3910610 | 2 | Screw, Machine #6-32NC x 1-1/8in (Prior to SN 0300027570) | |
| 17 | 3310601 | 2 | Nut #6-32NC (Prior to SN 0300027570) | |
| 18 | 4750600 | 2 | Flatwasher #6 Regular (Prior to SN 0300027570) | |
| 19 | 4751000 | 2 | Flatwasher #10 Regular (Prior to SN 0300027570) | |
| 20 | 0100011 | AR | Compound, Locking (Prior to SN 0300027570) | |
| 22 | 3910608 | 2 | Screw #6-32NC x 1in (SN 0300027570 through 0300069000) | |
| 23 | 3310601 | 2 | Nut #6-32NC (SN 0300027658 through 0300069000) | |
| 24 | 4770600 | 2 | Starwasher #6 (SN 0300027658 through 0300069000) | |
| 25 | 0641406 | 1 | Bolt 1/4in-20NC x 3/4in (SN 0300031342 through 0300069000) | |
| 26 | 4751400 | 2 | Flatwasher 1/4in Regular (SN 0300031342 through 0300069000) | |
| 27 | 3311405 | 1 | Locknut 1/4in-20NC (SN 0300031342 through 0300069000) | |

SECTION 2 - TURNTABLE

FIGURE 2-19. HOODS INSTALLATIONS - WITHOUT NOISE REDUCTION



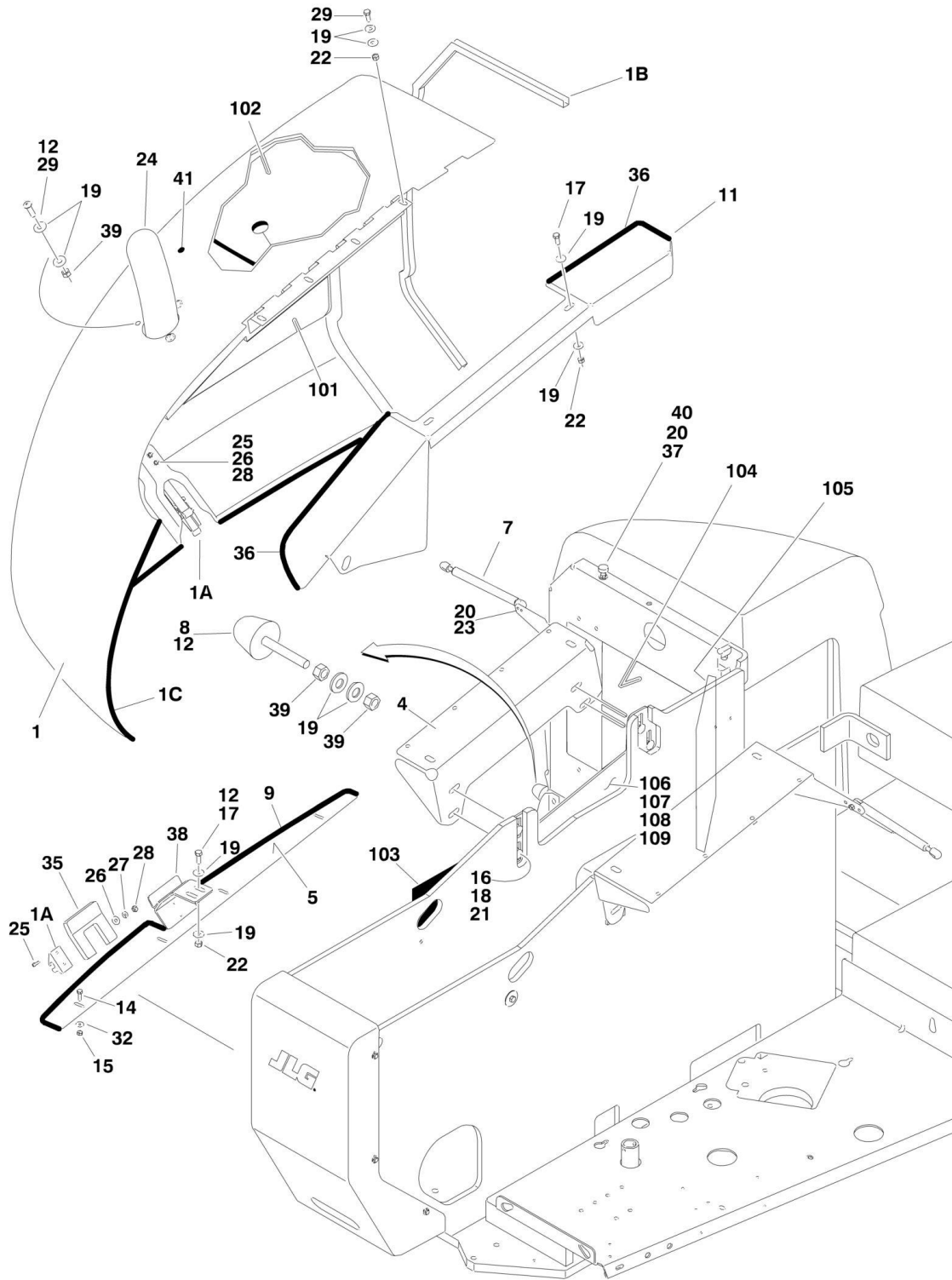
SECTION 2 - TURNTABLE

FIGURE 2-19. HOODS INSTALLATIONS - WITHOUT NOISE REDUCTION

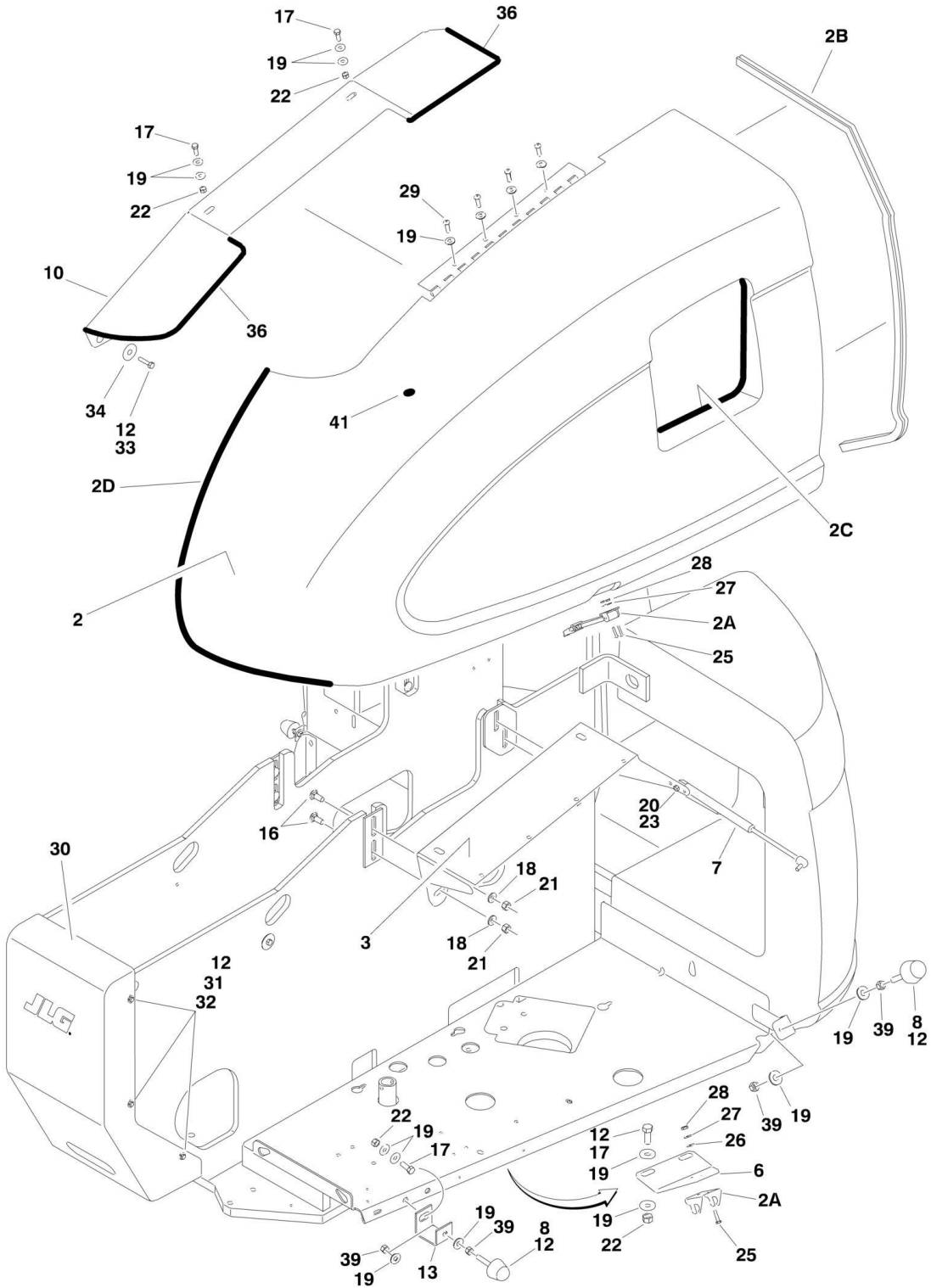
| ITEM | PART NUMBER | QTY | DESCRIPTION | REV |
|------|-------------|----------------|---|-----|
| | 0255407 | Ref | HOODS INSTALLATION | 3 |
| 1 | 2680423 | 1 | Hood - Engine Side (Includes Items 9, 14, 15 & 35) | |
| 2 | 2680424 | NLA | Hood - Tank Side (Use p/n 1671243) | |
| 3 | 4845203 | 1 | Mount - Tank Side | |
| 4 | 4845200 | 1 | Mount - Engine Side | |
| 5 | 0902237 | 1 | Bracket, Latch - Engine Side Only (Prior to SN 0300027349) | |
| 6 | 0902242 | 1 | Bracket, Latch - Tank Side | |
| 7 | 4160143 | 2 | Spring, Gas (Prior to SN 0300027329) | |
| 7 | 4160152 | 2 | Spring, Gas (SN 0300027329 through 0300069000) | |
| 8 | 0940071 | 4 | Bumper | |
| 9 | 2940088 | 2 | Latch, Hood (Part of Items 2 & 51) | |
| 10 | 2680434 | 1 | Spacer, Hood (Tank Side) | |
| 11 | 2680433 | 1 | Spacer, Hood (Engine Side) | |
| 12 | 0100011 | AR | Compound, Locking | |
| 13 | 0902219 | 1 | Bracket, Bumper | |
| 14 | 3960462 | 11 ft/3.4m | Trim (Part of Items 2 & 51) | |
| 15 | 3960447 | 55 in/1.4m | Trim (Part of Items 2 & 51) | |
| 16 | 0630507 | 8 | Bolt, Carriage 1/2in-13NC x 1-1/4in | |
| 17 | 0641608 | 12 | Bolt 3/8in-16NC x 1in | |
| 18 | 4751800 | 8 | Flatwasher 1/2in Regular | |
| 19 | 4751600 | 48 | Flatwasher 3/16in Regular | |
| 20 | 4751500 | 4 | Flatwasher 5/16in Regular | |
| 21 | 3311805 | 8 | Locknut 1/2in-13NC | |
| 22 | 3311605 | 23 | Locknut 3/8in-16NC | |
| 23 | 3311505 | 2 | Locknut 5/16in-18NC | |
| 24 | 4845194 | 1 | Outlet, Exhaust | |
| 25 | 0721006 | 4 | Bolt #10-24NC x 3/4in | |
| 26 | 4751000 | 4 | Flatwasher #10 Regular | |
| 27 | 4761000 | 4 | Lockwasher #10 | |
| 28 | 3311001 | 4 | Bolt #10-24NC | |
| 29 | 3900232 | 11 | Bolt, Button Head 3/8in-16NC x 1in | |
| 30 | 1670770 | 1 | Cover, Turntable - Steel (Prior to SN 0300027941) | |
| 30 | 1670767 | 1 | Cover, Turntable - Polyethylene (SN 0300027941 through 0300069000) | |
| 31 | 0641404 | 6 | Bolt 1/4in-20NC x 1/2in | |
| 32 | 4751400 | 6 | Flatwasher 1/4in Regular | |
| 33 | 0641606 | 2 | Bolt 3/8in-16NC x 3/4in | |
| 34 | 4740076 | 2 | Washer, Fender | |
| 35 | 3960389 | 6.3 ft/1.9m | Seal (Part of Items 2 & 51) | |
| 36 | 3960418 | 6.5 ft/2m | Seal | |
| 37 | 0940049 | 1 | Bumper (SN 0300027349 through 0300069000) | |
| 38 | 0902313 | 1 | Bracket, Latch - Engine Side (SN 0300027349 through 0300069000) | |
| 39 | 3311601 | 3 | Nut 3/8in-16NC | |

SECTION 2 - TURNTABLE

FIGURE 2-20. HOODS INSTALLATIONS - WITH NOISE REDUCTION



SECTION 2 - TURNTABLE



SECTION 2 - TURNTABLE

FIGURE 2-20. HOODS INSTALLATIONS - WITH NOISE REDUCTION

| ITEM | PART NUMBER | QTY | DESCRIPTION | REV |
|------|-------------|-----------|--|-----|
| | 0256821 | Ref | HOODS INSTALLATIONS | 4 |
| 1 | 2680423 | 1 | Hood - Engine Side (Prior to SN 0300037414) | |
| 1 | 2680440 | 1 | Hood - Engine Side (SN 0300037414 through 0300069000) | |
| 1A | 2940088 | 1 | Latch, Hood | |
| 1B | 3960462 | AR | Trim | |
| 1C | 3960389 | AR | Seal | |
| 2 | 2680424 | NLA | Hood - Tank Side (Use p/n 1671216) (Prior to SN 0300037414) | |
| 2 | 2680441 | NLA | Hood - Tank Side (Use p/n 1671216) (SN 0300037414 through 0300069000) | |
| 2A | 2940088 | 1 | Latch, Hood | |
| 2B | 3960462 | AR | Trim | |
| 2C | 3960438 | AR | Trim | |
| 2D | 3960389 | AR | Seal | |
| 3 | 4845203 | 1 | Mount - Tank Side | |
| 4 | 4845414 | 1 | Mount - Engine Side | |
| 5 | 3539923 | 1 | Plate, Seal | |
| 6 | 0902242 | 1 | Bracket, Latch - Tank Side | |
| 7 | 4160152 | 2 | Spring, Gas (Prior to SN 0300030959) | |
| 7 | 4160143 | 2 | Spring, Gas (SN 0300030959 through 0300069000) | |
| 8 | 0940071 | 4 | Bumper | |
| 9 | 3960389 | 3.5 ft/1m | Seal (Prior to SN 0300037414) | |
| 10 | 2680434 | 1 | Spacer, Hood (Tank Side) | |
| 11 | 2680433 | 1 | Spacer, Hood (Engine Side) | |
| 12 | 0100011 | AR | Compound, Locking | |
| 13 | 0902219 | 1 | Bracket, Bumper | |
| 14 | 0641407 | 4 | Bolt 1/4in-20NC x 7/8in | |
| 15 | 3311405 | 4 | Locknut 1/4in-20NC | |
| 16 | 0630507 | 8 | Bolt, Carriage 1/2in-13NC x 1-1/4in | |
| 17 | 0641608 | 11 | Bolt 3/8in-16NC x 1in | |
| 18 | 4740171 | 8 | Flatwasher 1/2in Hardened | |
| 19 | 4751600 | 40 | Flatwasher 3/16in Regular | |
| 20 | 4751500 | 4 | Flatwasher 5/16in Regular | |
| 21 | 3311805 | 8 | Locknut 1/2in-13NC | |
| 22 | 3311605 | 23 | Locknut 3/8in-16NC | |
| 23 | 3311505 | 2 | Locknut 5/16in-18NC | |
| 24 | 4845194 | 1 | Outlet, Exhaust | |
| 25 | 0721006 | 4 | Bolt #10-24NC x 3/4in | |
| 26 | 4751000 | 4 | Flatwasher #10 Regular | |
| 27 | 4761000 | 4 | Lockwasher #10 | |
| 28 | 3311001 | 4 | Bolt #10-24NC | |
| 28 | 3311005 | 4 | Locknut #10-24NC (SN 0300037414 through 0300069000) | |
| 29 | 3900232 | 11 | Bolt, Button Head 3/8in-16NC x 1in | |
| 30 | 1670767 | 1 | Cover, Turntable | |
| 31 | 0641404 | 6 | Bolt 1/4in-20NC x 1/2in | |
| 32 | 4751400 | 6 | Flatwasher 1/4in Regular | |
| 34 | 4740076 | 2 | Washer, Fender | |
| 35 | 3960467 | 1 | Seal, Foam | |
| 36 | 3960418 | 6.5 ft/2m | Seal (Prior to SN 0300037414) | |
| 36 | 3960418 | 7 ft/2.1m | Seal (SN 0300037414 through 0300069000) | |
| 37 | 0940049 | 1 | Bumper (SN 0300027349 through 0300069000) | |

SECTION 2 - TURNTABLE

| ITEM | PART NUMBER | QTY | DESCRIPTION | REV |
|------|-------------|-----|--|-----|
| 38 | 0902335 | 1 | Bracket, Latch - Engine Side | |
| 39 | 3311601 | 11 | Nut 3/8in-16NC | |
| 40 | 3311501 | 2 | Nut 5/16in-18NC (SN 0300037414 through 0300069000) | |
| 41 | 3520033 | 2 | Plug (SN 0300037414 through 0300069000) | |
| | 0256822 | Ref | NOISE REDUCTION INSTALLATION | - |
| 101 | 2820076 | 1 | Foam, Acoustical | |
| 102 | 2820077 | 1 | Foam, Acoustical | |
| 103 | 2820078 | 1 | Foam, Acoustical | |
| 104 | 2820082 | 1 | Foam, Acoustical | |
| 105 | 2820083 | 1 | Foam, Acoustical | |
| 106 | 3539988 | 1 | Plate, Baffle | |
| 107 | 0641606 | 5 | Bolt 3/8in-16NC x 3/4in | |
| 108 | 4751600 | 5 | Flatwasher 3/8in Regular | |
| 109 | 0100011 | AR | Compound, Locking | |

SECTION 3 - BOOM

SECTION 3 - BOOM

FIGURE 3-1. BOOMS AND CYLINDERS INSTALLATION - 600A

| ITEM | PART NUMBER | QTY | DESCRIPTION | REV |
|------|-------------|-----|---|-----|
| | | Ref | BOOMS AND CYLINDERS INSTALLATION - 600A | |
| | 0255238 | Ref | Boom and Cylinder Installation (Machines with Front Entry Platform Built) (Prior to SN 0300041868) | 12 |
| | 0258694 | Ref | CE Spec Boom and Cylinder Installation (Machines with Front Entry Platform Built) (SN 0300041868 through 0300069000) | 8 |
| | 0256321 | Ref | Australian Spec Boom and Cylinder Installation (Machines with Front Entry Platform Built) (SN 0300041868 through 0300069000) | 5 |
| | 0272326 | Ref | CE/Australian Spec - Boom and Cylinder Installation (Side Entry Platform) | 1 |
| 1 | 0801019 | 1 | Tower Boom Assembly -Tower (See TOWER BOOM ASSEMBLIES for Breakdown) | |
| 2 | | Ref | Upright Weldment Options: | |
| 2 | 4844945 | NLA | Upright Weldment (Use p/n 4846005) (Prior to SN 0300042671) | |
| 2 | 4846005 | 1 | Upright Weldment (SN 0300042671 through 0300069000) | |
| 3 | 0801022 | 1 | Main Boom Assembly (See MAIN BOOM ASSEMBLIES for Breakdown) | |
| 4 | 1683288 | NLA | Tower Lift Cylinder Assembly (Use p/n 1001228003) (See CYLINDER SECTION for Breakdown) (Original Equipment) | |
| 4 | 1001228003 | 1 | Tower Lift Cylinder Assembly (See CYLINDER SECTION for Breakdown) (Service Replacement) | |
| 5 | 1683299 | NLA | Upright Level Cylinder Assembly (See CYLINDER SECTION for Breakdown) (Use p/n 1001228042) (Original Equipment) | |
| 5 | 1684498 | NLA | Upright Level Cylinder Assembly (See CYLINDER SECTION for Breakdown) (Use p/n 1001228042) (Service Replacement) | |
| 5 | 1001228042 | 1 | Upright Level Cylinder Assembly (See CYLINDER SECTION for Breakdown) (Service Replacement) | |
| 6 | 1683294 | NLA | Main Lift Cylinder Assembly (Use p/n 1001228004) (See CYLINDER SECTION for Breakdown) (Original Equipment) | |
| 6 | 1001228004 | 1 | Main Lift Cylinder Assembly (See CYLINDER SECTION for Breakdown) (Service Replacement) | |
| 7 | 1683266 | NLA | Master Cylinder Assembly (Use p/n 1001228002) (See CYLINDER SECTION for Breakdown) (Original Equipment) | |
| 7 | 1001228002 | 1 | Master Cylinder Assembly (See CYLINDER SECTION for Breakdown) (Service Replacement) | |
| 8 | | Ref | Platform Level Cylinder Assembly Options (See CYLINDER SECTION for Breakdown) | |
| 8 | 1683271 | 1 | Platform Level Cylinder Assembly (Prior to SN 0300024714) | |
| 8 | 1683415 | NLA | Platform Level Cylinder Assembly (Use p/n 1001223512) (Original Equipment) (SN 0300024714 through 0300069000) | |
| 8 | 1001223512 | 1 | Platform Level Cylinder Assembly (Service Replacement) | |
| 9 | | Ref | Pin Options: | |
| 9 | 3422442 | NLA | Pin (Use p/n 3422571) (Prior to SN 0300041868) | |
| 9 | 3422571 | 4 | Pin (SN 0300041868 through 0300069000) | |
| 10 | | Ref | Pin Options: | |
| 10 | 3422444 | NLA | Pin (Use p/n 3422573) (Prior to SN 0300041868) | |
| 10 | 3422573 | 1 | Pin (SN 0300041868 through 0300069000) | |
| 11 | 3422575 | 1 | Pin | |
| 12 | | Ref | Pin Options: | |
| 12 | 3422443 | NLA | Pin (Use p/n 3422572) (Prior to SN 0300041868) | |
| 12 | 3422572 | 2 | Pin (SN 0300041868 through 0300069000) | |
| 13 | | Ref | Pin Options: | |
| 13 | 3422452 | NLA | Pin (Use p/n 3422576) (Prior to SN 0300041868) | |

SECTION 3 - BOOM

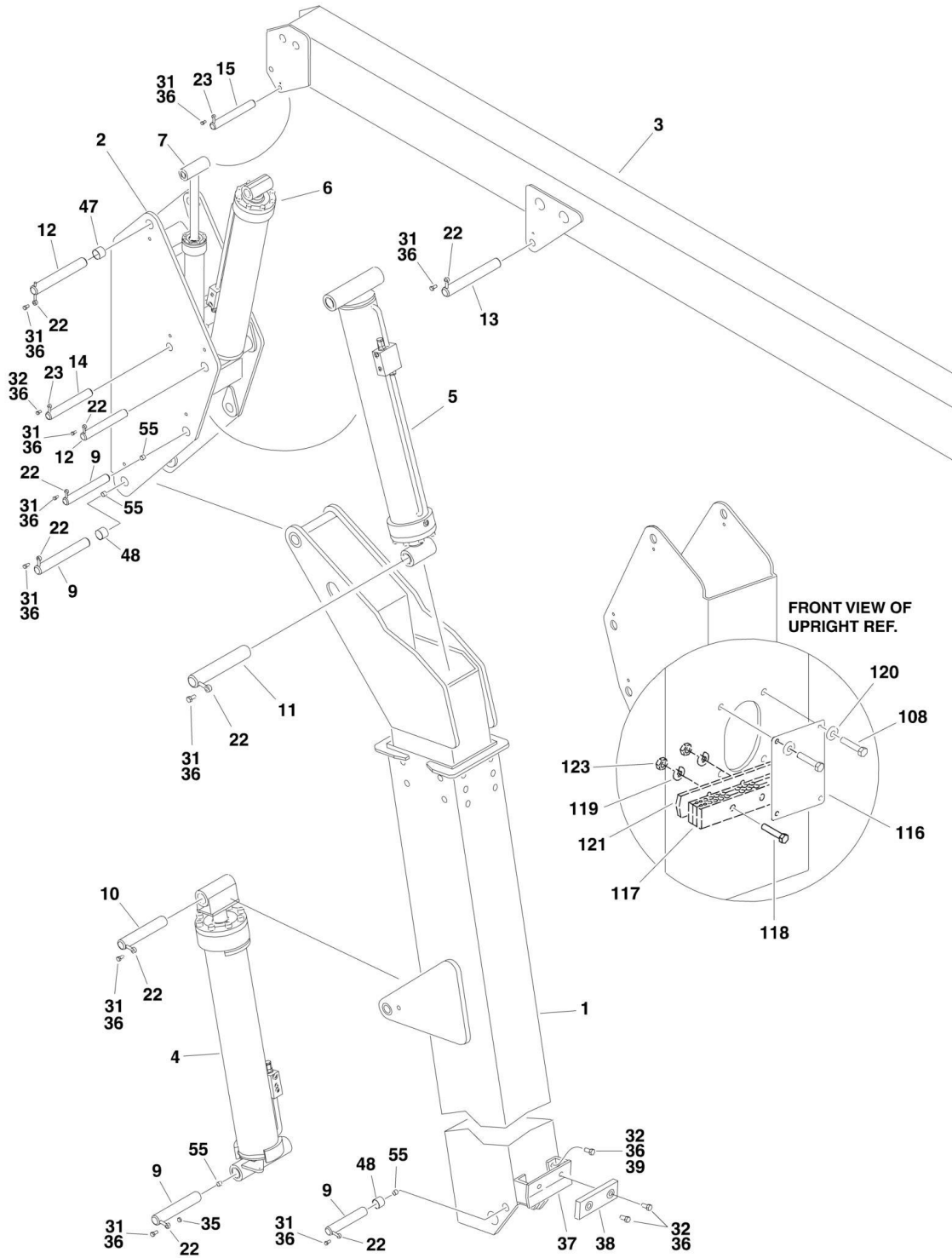
| ITEM | PART NUMBER | QTY | DESCRIPTION | REV |
|------|-------------|-----|--|------|
| 13 | 3422576 | 1 | Pin (SN 0300041868 through 0300069000) | |
| 14 | | Ref | Pin Options: | |
| 14 | 3422434 | NLA | Pin (Use p/n 3422565) (Prior to SN 0300041868) | |
| 14 | 3422565 | 1 | Pin (SN 0300041868 through 0300069000) | |
| 15 | | Ref | Pin Options: | |
| 15 | 3422453 | NLA | Pin (Use p/n 3422577) (Prior to SN 0300041868) | |
| 15 | 3422577 | 1 | Pin (SN 0300041868 through 0300069000) | |
| 16 | | Ref | Pin Options: | |
| 16 | 3422454 | NLA | Pin (Use p/n 3422578) (Prior to SN 0300041868) | |
| 16 | 3422578 | 1 | Pin (SN 0300041868 through 0300069000) | |
| 17 | | Ref | Pin Options: | |
| 17 | 3422489 | NLA | Pin (Use p/n 3422580) (Prior to SN 0300041868) | |
| 17 | 3422580 | 1 | Pin (SN 0300041868 through 0300069000) | |
| 19 | 3841203 | 9 | Keeper, Pin - 1/2in | |
| 20 | 3841143 | 5 | Keeper, Pin - 3/8in | |
| 21 | | Ref | Rotator Assembly Options: | |
| 21 | 0060035 | NLA | Front Entry Platform (Use p/n 0060076) (See ROTATOR ASSEMBLIES (FRONT ENTRY PLATFORM) for Breakdown) | |
| 21 | 0060068 | 1 | Side Entry Platform (See ROTATOR ASSEMBLIES (SIDE ENTRY PLATFORM) for Breakdown) | |
| 22 | | Ref | Platform Support Weldment Options: | |
| 22 | 4844790 | 1 | All Specs (Front Entry Platform) (Prior to SN 0300036526) | |
| 22 | 4845682 | 1 | All Specs (Front Entry Platform) (SN 0300036526 through 0300038050) | |
| 22 | 4844790 | 1 | CE Spec (Front Entry Platform) (SN 0300038051 through 0300069000) | |
| 22 | 4846081 | 1 | Australian Spec (Front Entry Platform) (SN 0300038051 through 0300069000) | |
| | | Ref | Note: For Side Entry Platform Machines See Items 201 to 210 for Support Installation | |
| 23 | 0100011 | AR | Compound, Locking | |
| 24 | 0641810 | 15 | Bolt 1/2in-13NC x 1-1/4in | |
| 25 | 0641607 | AR | Bolt 3/8in-16NC x 7/8in | |
| 26 | 3900166 | 1 | Screw, Socket Head Countersunk - 3/8in-16NC x 7/8in | |
| 27 | 4845127 | 1 | Boom Rest Weldment (Front Entry Platform) | |
| 28 | 0561076 | 1 | Block, Boom Rest | |
| 29 | 0641605 | 4 | Bolt 3/8in-16NC x 5/8in | |
| 30 | 0641820 | 4 | Bolt 1/2in-13NC x 2-1/2in (Front Entry Platform) | |
| 31 | 4711800 | 8 | Flatwasher 1/2in Thin (Front Entry Platform) | |
| 32 | 3311805 | 4 | Locknut 1/2in-13NC (Front Entry Platform) | |
| 33 | 0681610 | 4 | Bolt 3/8in-16NC x 1-1/4in (Grade 8) (Front Entry Platform) | |
| 34 | 4711600 | 4 | Flatwasher 3/8in Thin (Front Entry Platform) | |
| 35 | 0961951 | 2 | Bushing | |
| 36 | 0961948 | 2 | Bushing | |
| 37 | 0961949 | 4 | Bushing | |
| 38 | 3422582 | 1 | Pin | |
| 39 | 3900239 | 4 | Setscrew Only (SN 0300027329 through 0300069000) | |
| | 0255423 | Ref | POWER TRACK INSTALLATION | 10-I |
| 108 | 0641403 | 4 | Bolt 1/4in-20NC x 3/8in | |
| 116 | 3539779 | 1 | Plate, Cover | |
| 117 | | Ref | Clamp, Block Options: | |
| 117 | 1320229 | 1 | Clamp, Block (Prior to SN 0300034102) | |
| 117 | 1320243 | 1 | Clamp, Block (SN 0300034102 through 69000) | |

SECTION 3 - BOOM

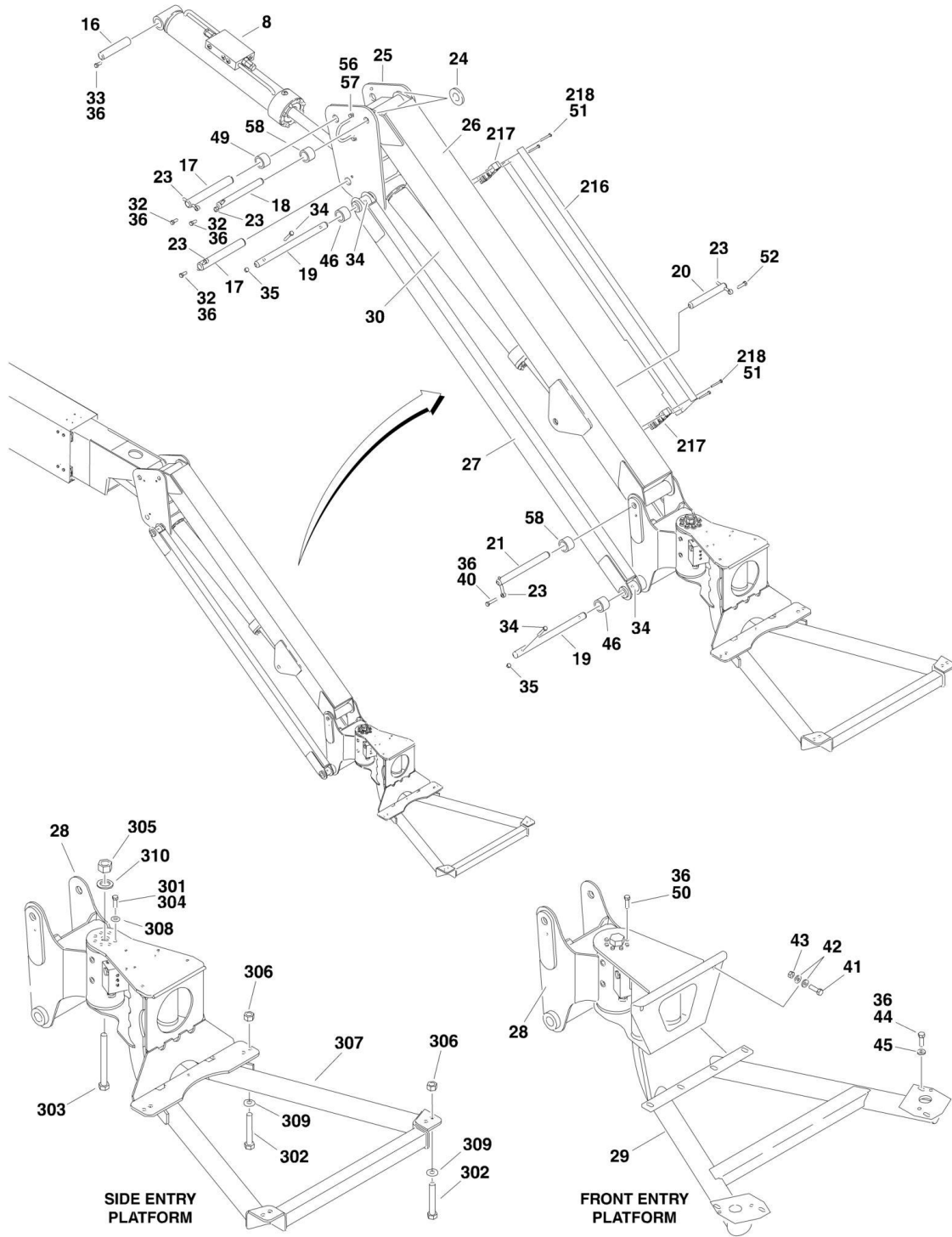
| ITEM | PART NUMBER | QTY | DESCRIPTION | REV |
|------|-------------|-----|--|-----|
| 118 | | Ref | Bolt Options: | |
| 118 | 0641624 | 2 | Bolt 3/8in-16NC x 3in (Prior to SN 0300034102) | |
| 118 | 0641532 | 2 | Bolt 5/16in-18NC x 4in (SN 0300034102 through 0300069000) | |
| 119 | 4751600 | 2 | Flatwasher 3/8in Regular | |
| 120 | 4751400 | 4 | Flatwasher 1/4in Regular | |
| 121 | | Ref | Plate Options: | |
| 121 | 3539930 | 1 | Plate (SN 0300027207 through 0300034101) | |
| 121 | 3570374 | 1 | Plate (SN 0300034102 through 0300069000) | |
| 123 | 3311505 | 2 | Nut 5/16in-18NC Only (SN 0300034102 through 0300069000) | |
| | 0272070 | Ref | PLATFORM SUPPORT INSTALLATIONS (SIDE ENTRY PLATFORM) (AUSTRALIAN SPEC) | B |
| | See Note | Ref | CE Spec Machines (Note: For Replacement Parts, Contact JLG Customer Service and Request Manual p/n 3124287) | |
| 201 | 0100011 | AR | Compound, Locking | |
| 202 | 0641812 | 8 | Bolt 1/2in-13NC x 1-1/2in | |
| 203 | 0642682 | 1 | Bolt 1in-8NC x 10-1/4in | |
| 204 | 0681608 | 8 | Bolt 3/8in-16NC x 1in | |
| 205 | 3272605 | 1 | Locknut 1in-8NC | |
| 206 | 3311805 | 8 | Locknut 1/2in-13NC | |
| 207 | 4846573 | 1 | Support Weldment | |
| 208 | 4891600 | 8 | Flatwasher 3/8in Hardened | |
| 209 | 4891800 | 8 | Flatwasher 1/2in Hardened | |
| 210 | 4892600 | 1 | Flatwasher 1in Hardened | |

SECTION 3 - BOOM

FIGURE 3-2. BOOMS AND CYLINDERS INSTALLATION - 600AJ



SECTION 3 - BOOM



SECTION 3 - BOOM

FIGURE 3-2. BOOMS AND CYLINDERS INSTALLATION - 600AJ

| ITEM | PART NUMBER | QTY | DESCRIPTION | REV |
|------|-------------|-----|---|-----|
| | | Ref | BOOMS AND CYLINDERS INSTALLATION - 600AJ | |
| | 0255239 | Ref | Boom and Cylinder Installation (Front Entry Platform Machines Built) (Prior to SN 0300041868) | 17 |
| | 0256322 | Ref | Australian Spec Boom and Cylinder Installation (Front Entry Platform Machines Built) (SN 0300041868 through 0300064249) | 7 |
| | 0258695 | Ref | CE Spec Boom and Cylinder Installation (Front Entry Platform Machines Built) (SN 0300041868 through 0300064248) | 9 |
| | 0271339 | Ref | CE/Australian Spec - Boom and Cylinder Installation (With ADE System) (Front Entry Platform Machines Built) (SN 0300064249 through 0300069000) | 5 |
| | 0272135 | Ref | CE/Australian Spec - Boom and Cylinder Installation (With ADE System) (Side Entry Platform Machines) | 1 |
| 1 | 0801019 | 1 | Tower Boom Assembly -Tower (See TOWER BOOM ASSEMBLIES for Breakdown) | |
| 2 | | Ref | Upright Weldment Options: | |
| 2 | 4844945 | NLA | Upright Weldment (Use p/n 4846006) (Prior to SN 0300042671) | |
| 2 | 4846006 | 1 | Upright Weldment (SN 0300042671 through 0300069000) | |
| 3 | 0801025 | 1 | Main Boom Assembly (See MAIN BOOM ASSEMBLIES for Breakdown) | |
| 4 | 1683288 | NLA | Tower Lift Cylinder Assembly (Use p/n 1001228003) (See CYLINDER SECTION for Breakdown) (Original Equipment) | |
| 4 | 1001228003 | 1 | Tower Lift Cylinder Assembly (See CYLINDER SECTION for Breakdown) (Service Replacement) | |
| 5 | 1683299 | NLA | Upright Level Cylinder Assembly (See CYLINDER SECTION for Breakdown) (Use p/n 1001228042) (Original Equipment) | |
| 5 | 1684498 | NLA | Upright Level Cylinder Assembly (See CYLINDER SECTION for Breakdown) (Use p/n 1001228042) (Service Replacement) | |
| 5 | 1001228042 | 1 | Upright Level Cylinder Assembly (See CYLINDER SECTION for Breakdown) (Service Replacement) | |
| 6 | 1683294 | NLA | Main Lift Cylinder Assembly (Use p/n 1001228004) (See CYLINDER SECTION for Breakdown) (Original Equipment) | |
| 6 | 1001228004 | 1 | Main Lift Cylinder Assembly (See CYLINDER SECTION for Breakdown) (Service Replacement) | |
| 7 | 1683263 | NLA | Master Cylinder Assembly (Use p/n 1001228052) (See CYLINDER SECTION for Breakdown) (Original Equipment) | |
| 7 | 1001228052 | 1 | Master Cylinder Assembly (See CYLINDER SECTION for Breakdown) (Service Replacement) | |
| 8 | | Ref | Platform Level Cylinder Assembly Options (See CYLINDER SECTION for Breakdown) | |
| 8 | 1683253 | 1 | Platform Level Cylinder Assembly (Prior to SN 0300024714) | |
| 8 | 1683418 | NLA | Platform Level Cylinder Assembly (Use p/n 1001223331) (Original Equipment) (SN 0300024714 through 0300069000) | |
| 8 | 1001223331 | 1 | Platform Level Cylinder Assembly (Service Replacement) | |
| 9 | | Ref | Pin Options: | |
| 9 | 3422442 | NLA | Pin (Use p/n 3422571) (Prior to SN 0300041868) | |
| 9 | 3422571 | 4 | Pin ANSI (SN 0300041868 through 0300069000) | |
| 10 | | Ref | Pin Options: | |
| 10 | 3422444 | NLA | Pin ANSI (Use p/n 3422573) (Prior to SN 0300041868) | |
| 10 | 3422573 | 1 | Pin (SN 0300041868 through 0300069000) | |
| 11 | 3422575 | 1 | Pin | |
| 12 | | Ref | Pin Options: | |
| 12 | 3422443 | NLA | Pin (Use p/n 3422572) (Prior to SN 0300041868) | |

SECTION 3 - BOOM

| ITEM | PART NUMBER | QTY | DESCRIPTION | REV |
|------|-------------|-----|--|-----|
| 12 | 3422572 | 2 | Pin (SN 0300041868 through 0300069000) | |
| 13 | | Ref | Pin Options: | |
| 13 | 3422452 | NLA | Pin (Use p/n 3422576) (Prior to SN 0300041868) | |
| 13 | 3422576 | 1 | Pin (SN 0300041868 through 0300069000) | |
| 14 | | Ref | Pin Options: | |
| 14 | 3422435 | NLA | Pin (Use p/n 3422566) (Prior to SN 0300041868) | |
| 14 | 3422566 | 1 | Pin (SN 0300041868 through 0300069000) | |
| 15 | | Ref | Pin Options: | |
| 15 | 3422477 | NLA | Pin (Use p/n 3422579) (Prior to SN 0300041868) | |
| 15 | 3422579 | 1 | Pin (SN 0300041868 through 0300069000) | |
| 16 | | Ref | Pin Options: | |
| 16 | 3422440 | NLA | Pin (Use p/n 3422583) (Prior to SN 0300041868) | |
| 16 | 3422583 | 1 | Pin (SN 0300041868 through 0300069000) | |
| 17 | | Ref | Pin Options: | |
| 17 | 3422422 | NLA | Pin (Use p/n 3422561) (Prior to SN 0300041868) | |
| 17 | 3422561 | 2 | Pin (SN 0300041868 through 0300069000) | |
| 18 | | Ref | Pin Options: | |
| 18 | 3422419 | NLA | Pin (Use p/n 3422860) (Prior to SN 0300041868) | |
| 18 | 3422558 | NLA | Pin (Use p/n 3422860) (SN 0300041868 through 0300053999) | |
| 18 | 3422860 | 1 | Pin (SN 0300054000 through 0300069000) | |
| 19 | | Ref | Pin Options: | |
| 19 | 3422420 | NLA | Pin (Use p/n 3422861) (Prior to SN 0300041868) | |
| 19 | 3422559 | NLA | Pin (Use p/n 3422861) (SN 0300041868 through 0300053999) | |
| 19 | 3422861 | 2 | Pin (SN 0300054000 through 0300069000) | |
| 20 | | Ref | Pin Options: | |
| 20 | 3422421 | NLA | Pin (Use p/n 3422867) (Prior to SN 0300041868) | |
| 20 | 3422560 | NLA | Pin (Use p/n 3422867) (SN 0300041868 through 0300053999) | |
| 20 | 3422867 | 1 | Pin (SN 0300054000 through 0300069000) | |
| 21 | | Ref | Pin Options: | |
| 21 | 3422432 | NLA | Pin (Use p/n 3422563) (Prior to SN 0300041868) | |
| 21 | 3422563 | 1 | Pin (Front Entry Platform) (SN 0300041868 through 0300069000) | |
| 21 | 3422860 | 1 | Pin (Side Entry Platform) (SN 0300041868 through 0300069000) | |
| 22 | 3841203 | 9 | Keeper, Pin - 1/2in | |
| 23 | 3841143 | 7 | Keeper, Pin - 3/8in | |
| 24 | 4740439 | 2 | Thrustwasher | |
| 25 | 4844815 | 1 | Pivot Weldment | |
| 26 | 4844816 | 1 | Tube Weldment - Top | |
| 27 | 4844817 | 2 | Tube Weldment - Bottom | |
| 28 | | Ref | Rotator Assembly Options: | |
| 28 | 0060031 | NLA | Front Entry Platform (Use p/n 0060074) (See ROTATOR ASSEMBLIES (FRONT ENTRY PLATFORM) for Breakdown) | |
| 28 | 0060066 | 1 | Side Entry Platform (See ROTATOR ASSEMBLIES (SIDE ENTRY PLATFORM) for Breakdown) | |
| 29 | | Ref | Support Weldment Options: | |
| 29 | 4844790 | 1 | All Specs (Front Entry Platform) (Prior to SN 0300036526) | |
| 29 | 4845682 | 1 | All Specs (Front Entry Platform) (SN 0300036526 through 0300038050) | |
| 29 | 4844790 | 1 | CE Spec (Front Entry Platform) (SN 0300038051 through 0300069000) | |
| 29 | 4846081 | 1 | Australian Spec (Front Entry Platform) (SN 0300038051 through 0300069000) | |

SECTION 3 - BOOM

| ITEM | PART NUMBER | QTY | DESCRIPTION | REV |
|------|-------------|-----|---|------|
| | | Ref | Note: For Side Entry Platform See Items 301 to 310 for Support Installation | |
| 30 | 1683258 | 1 | Extend-A-Reach Lift Cylinder Assembly (See CYLINDER SECTION for Breakdown) | |
| 31 | 0641810 | 9 | Bolt 1/2in-13NC x 1-1/4in | |
| 32 | 0641607 | AR | Bolt 3/8in-16NC x 7/8in | |
| 33 | 0741607 | 1 | Screw, Countersunk 3/8in-16NC x 7/8in | |
| 34 | 0641618 | 4 | Bolt 3/8in-16NC x 2-1/4in | |
| 35 | 3311605 | 5 | Locknut 3/8in-16NC | |
| 36 | 0100011 | AR | Compound, Locking | |
| 37 | 4845127 | 1 | Boom Rest Weldment (Front Entry Platform) | |
| 38 | 0561076 | 1 | Block, Boom Rest | |
| 39 | 0641605 | 4 | Bolt 3/8in-16NC x 5/8in | |
| 40 | 0461614 | 1 | Bolt 3/8in-16NC x 1-3/4in | |
| 41 | 0641820 | 4 | Bolt 1/2in-13NC x 2-1/2in (Front Entry Platform) | |
| 42 | 4711800 | 8 | Flatwasher 1/2in Thin (Front Entry Platform) | |
| 43 | 3311805 | 4 | Locknut 1/2in-13NC (Front Entry Platform) | |
| 44 | 0681610 | 4 | Bolt 3/8in-16NC x 1-1/4in (Grade 8) (Front Entry Platform) | |
| 45 | 4711600 | 4 | Flatwasher 3/8in Thin (Front Entry Platform) | |
| 46 | 0961947 | 6 | Bushing | |
| 47 | 0961948 | 2 | Bushing | |
| 48 | 0961949 | 4 | Bushing | |
| 49 | 0961951 | 2 | Bushing | |
| 50 | 0641810 | 6 | Bolt 1/2in-13NC x 1in | |
| 51 | 2080044 | 4 | Rivnut | |
| 52 | 0641611 | 1 | Bolt 3/8in-16NC x 1-3/8in | |
| 55 | 3900239 | 4 | Setscrew Only (SN 0300027329 through 0300069000) | |
| 56 | 3841340 | 1 | Loop, Hose Only (SN 0300033678 through 0300069000) | |
| 57 | 0641606 | 2 | Bolt 3/8in-16NC x 3/4in Only (SN 0300033678 through 0300069000) | |
| 58 | 0962335 | 4 | Bushing | |
| | 0255423 | Ref | POWER TRACK INSTALLATION | 10-I |
| 108 | 0641403 | 4 | Bolt 1/4in-20NC x 3/8in | |
| 116 | 3539779 | 1 | Plate, Cover | |
| 117 | | Ref | Clamp, Block Options: | |
| 117 | 1320229 | 1 | Clamp, Block (Prior to SN 0300034102) | |
| 117 | 1320243 | 1 | Clamp, Block (SN 0300034102 through 0300069000) | |
| 118 | | Ref | Bolt Options: | |
| 118 | 0641624 | 2 | Bolt 3/8in-16NC x 3in (Prior to SN 0300034102) | |
| 118 | 0641532 | 2 | Bolt 5/16in-18NC x 4in (SN 0300034102 through 0300069000) | |
| 119 | 4751600 | 2 | Flatwasher 3/8in Regular | |
| 120 | 4751400 | 4 | Flatwasher 1/4in Regular | |
| 121 | | Ref | Plate Options: | |
| 121 | 3539930 | 1 | Plate (SN 0300027207 through 0300034101) | |
| 121 | 3570374 | 1 | Plate (SN 0300034102 through 0300069000) | |
| 123 | 3311505 | 2 | Nut 5/16in-18NC Only (SN 0300034102 through 0300069000) | |
| | | Ref | CABLE INSTALLATION OPTIONS: | |
| | 0255878 | Ref | Cable Installation (Prior to SN 0300064249) | 9 |
| | 0270821 | Ref | Cable Installation (SN 0300064249 through 0300069000) | 6-E |
| 216 | 1670769 | 1 | Cover | |
| 217 | 0561237 | 2 | Clamp, Block | |
| 218 | 0641416 | 4 | Bolt 1/4in-20NC x 2in | |

SECTION 3 - BOOM

| ITEM | PART NUMBER | QTY | DESCRIPTION | REV |
|------|-------------|-----|--|-----|
| | | Ref | PLATFORM SUPPORT INSTALLATIONS (SIDE ENTRY PLATFORM) | |
| | 0272070 | Ref | Australian Spec | B |
| | See Note | Ref | CE Spec Machines (Note: For Replacement Parts, Contact JLG Customer Service and Request Manual p/n 3124287) | C |
| 301 | 0100011 | AR | Compound, Locking | |
| 302 | | Ref | Bolt Options: | |
| 302 | 0641812 | 8 | Australian Spec - Bolt 1/2in-13NC x 1-1/2in | |
| 302 | 0641822 | 8 | CE Spec - Bolt 1/2in-13NC x 2-3/4in | |
| 303 | 0642682 | 1 | Bolt 1in-8NC x 10-1/4in | |
| 304 | | Ref | Bolt Options: | |
| 304 | 0681608 | 8 | Australian Spec - Bolt 3/8in-16NC x 1in | |
| 304 | 0681610 | 8 | CE Spec - Bolt 3/8in-16NC x 1-1/4in | |
| 305 | 3272605 | 1 | Locknut 1in-8NC | |
| 306 | 3311805 | 8 | Locknut 1/2in-13NC | |
| 307 | 4846573 | 1 | Support Weldment | |
| 308 | 4891600 | 8 | Flatwasher 3/8in Hardened | |
| 309 | 4891800 | 8 | Flatwasher 1/2in Hardened | |
| 310 | 4892600 | 1 | Flatwasher 1in Hardened | |

SECTION 3 - BOOM

FIGURE 3-3. TOWER BOOM ASSEMBLIES

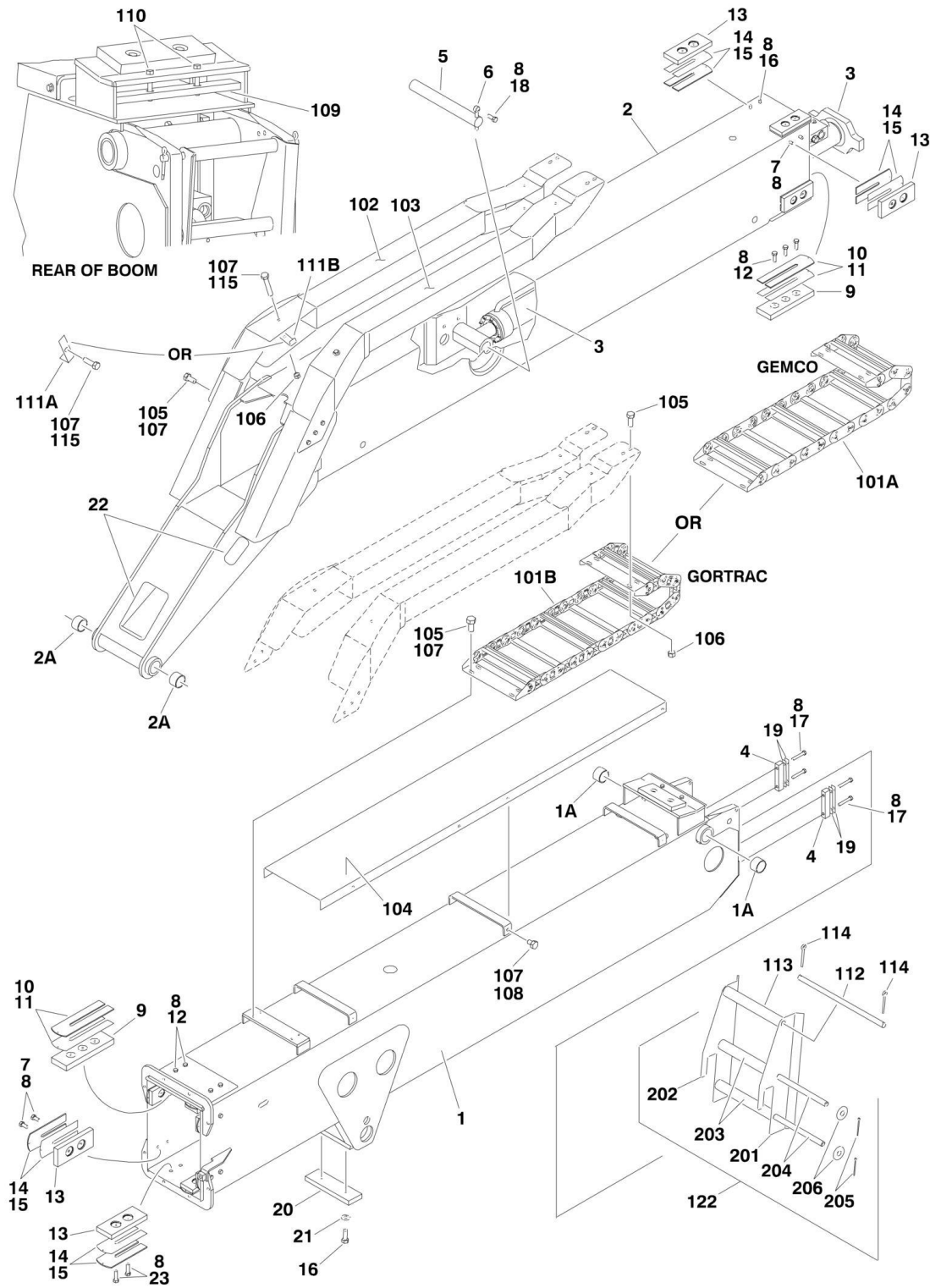


FIGURE 3-3. TOWER BOOM ASSEMBLIES

| ITEM | PART NUMBER | QTY | DESCRIPTION | REV |
|------|-------------|--------|--|------|
| | 0801019 | Ref | TOWER BOOM ASSEMBLY | 7-H |
| 1 | 0801020 | 1 | Base Weldment (Prior to SN 0300027207) | |
| 1 | 0801085 | 1 | Base Weldment (SN 0300027207 through 0300069000) | |
| 1A | 0961949 | 2 | Bushing | |
| 2 | 0801021 | 1 | Fly Weldment | |
| 2A | 0961949 | 2 | Bushing | |
| 3 | 1683312 | NLA | Cylinder Assembly - Tower Telescope (Use p/n 1001228006) (See CYLINDER SECTION for Breakdown) (Original Equipment) | |
| 3 | 1001228006 | 1 | Cylinder Assembly - Tower Telescope (See CYLINDER SECTION for Breakdown) (Service Replacement) | |
| 4 | 0561185 | 2 | Block, Attach | |
| 5 | 3422575 | 1 | Pin | |
| 6 | 3841203 | 1 | Keeper, Pin | |
| 7 | 0641606 | 26 | Bolt 3/8in-16NC x 3/4in | |
| 8 | 0100011 | AR | Compound, Locking | |
| 9 | | Ref | Pad, Wear Options: | |
| 9 | 3340705 | 4 | Pad, Wear (Prior to SN 0300064394) | |
| 9 | 3340871 | 4 | Pad, Wear (SN 0300064394 through 0300069000) | |
| 10 | 4070863 | AR | Shim .12 | |
| 11 | 4070864 | AR | Shim .05 | |
| 12 | 0641612 | 12 | Bolt 3/8in-16NC x 1-1/2in | |
| 13 | | Ref | Pad, Wear Options: | |
| 13 | 3340756 | 12 | Pad, Wear (Prior to SN 0300064394) | |
| 13 | 3340881 | 12 | Pad, Wear (SN 0300064394 through 0300069000) | |
| 14 | 4070897 | AR | Shim .05 | |
| 15 | 4070898 | AR | Shim .12 | |
| 16 | 0641608 | 6 | Bolt 3/8in-16NC x 1in | |
| 17 | 0641618 | 4 | Bolt 3/8in-16NC x 2- 1/4in | |
| 18 | 0641809 | 1 | Bolt 3/8in-16NC x 1-1/8in | |
| 19 | 4070929 | AR | Shim | |
| 20 | 0561248 | 1 | Block, Boom Rest Only (SN 0300027207 through 0300069000) | |
| 21 | 4711600 | 2 | Flatwasher 3/8in Thin | |
| 22 | 4060808 | 31 | Flex-Trim Only (SN 0300027207 through 0300069000) | |
| 23 | 0641610 | 4 | Bolt 3/8in-16NC x 1-1/4in (SN 0300038051 through 0300069000) | |
| | 0255423 | Ref | POWER TRACK INSTALLATION | 10-I |
| 101 | | Ref | Power Track Assembly Options: | |
| | | Ref | Note: Various Power Tracks use on this model. Identify brand before ordering parts. | |
| 101A | 1180339 | NLA | Gemco Brand Power Track (Use p/n 1001099835) | |
| 101A | | Ref | Replacement Parts: | |
| 101A | 7016502 | AR | Repair Section (Includes 10 Link Pin, 4 Radius Links, 4 Carrier Links, 1 Carrier Weldment, 10 Slugs and 20 Bearing Plates) | |
| 101A | 7016510 | 2 Pair | Feet, Mounting | |
| 101A | 7006152 | AR | Pin Kit (Includes 1 pin, 1 Retaining Ring and 4 Washers) | |
| 101B | 1001099835 | 1 | Gortrac Brand Power Track | |
| 101B | | Ref | Replacement Parts: | |
| 101B | 70002001 | AR | Repair Section | |
| 101B | 70002002 | 1 | Mounting Bracket Kit | |
| 102 | 4844984 | NLA | Tube Weldment (Right Side) (Use p/n 1001151542) | |

SECTION 3 - BOOM

| ITEM | PART NUMBER | QTY | DESCRIPTION | REV |
|------|-------------|-----|--|-----|
| 103 | 4844983 | NLA | Tube Weldment (Left Side) (Use p/n 1001151586) | |
| 104 | 3539228 | 1 | Plate, Cover | |
| 105 | 0641607 | 14 | Bolt 3/8in-16NC x 7/8in | |
| 106 | 3311605 | 6 | Locknut 3/8in-16NC | |
| 107 | 0100011 | AR | Compound, Locking | |
| 108 | 0641403 | 10 | Bolt 1/4in-20NC x 3/8in | |
| 109 | 3539236 | 1 | Plate, Hose Clamp | |
| 110 | 0641516 | 2 | Bolt 5/16in-18NC x 2in | |
| 111 | | Ref | Plate Options: | |
| 111A | 3539412 | 2 | Plate (Prior to SN 0300034102) | |
| 111B | 3570375 | 2 | Plate (SN 0300034102 through 0300069000) | |
| 112 | 3841295 | 1 | Rod | |
| 113 | 4566892 | 1 | Tube (Prior to SN 0300034102) | |
| 113 | 4567241 | 1 | Tube (SN 0300034102 through 0300069000) | |
| 114 | 3450606 | 2 | Pin, Cotter | |
| 115 | 0641628 | 2 | Bolt 3/8in-16NC x 3-1/2in | |
| 122 | 0257573 | 1 | Roller Hanger Assembly (Includes Items 201-205 Only) (SN 0300034084 through 0300069000) | |
| | 0257573 | Ref | ROLLER HANGER ASSEMBLY | 1-A |
| 201 | 3570277 | 1 | Plate (Left Side) | |
| 202 | 3570270 | 1 | Plate (Right Side) | |
| 203 | 4567241 | 2 | Roller, Tube | |
| 204 | 3841347 | 2 | Rod | |
| 205 | 3450306 | 4 | Pin, Cotter | |
| 206 | 4751800 | 4 | Flatwasher 1/2in Regular | |

SECTION 3 - BOOM

FIGURE 3-4. MAIN BOOM ASSEMBLIES

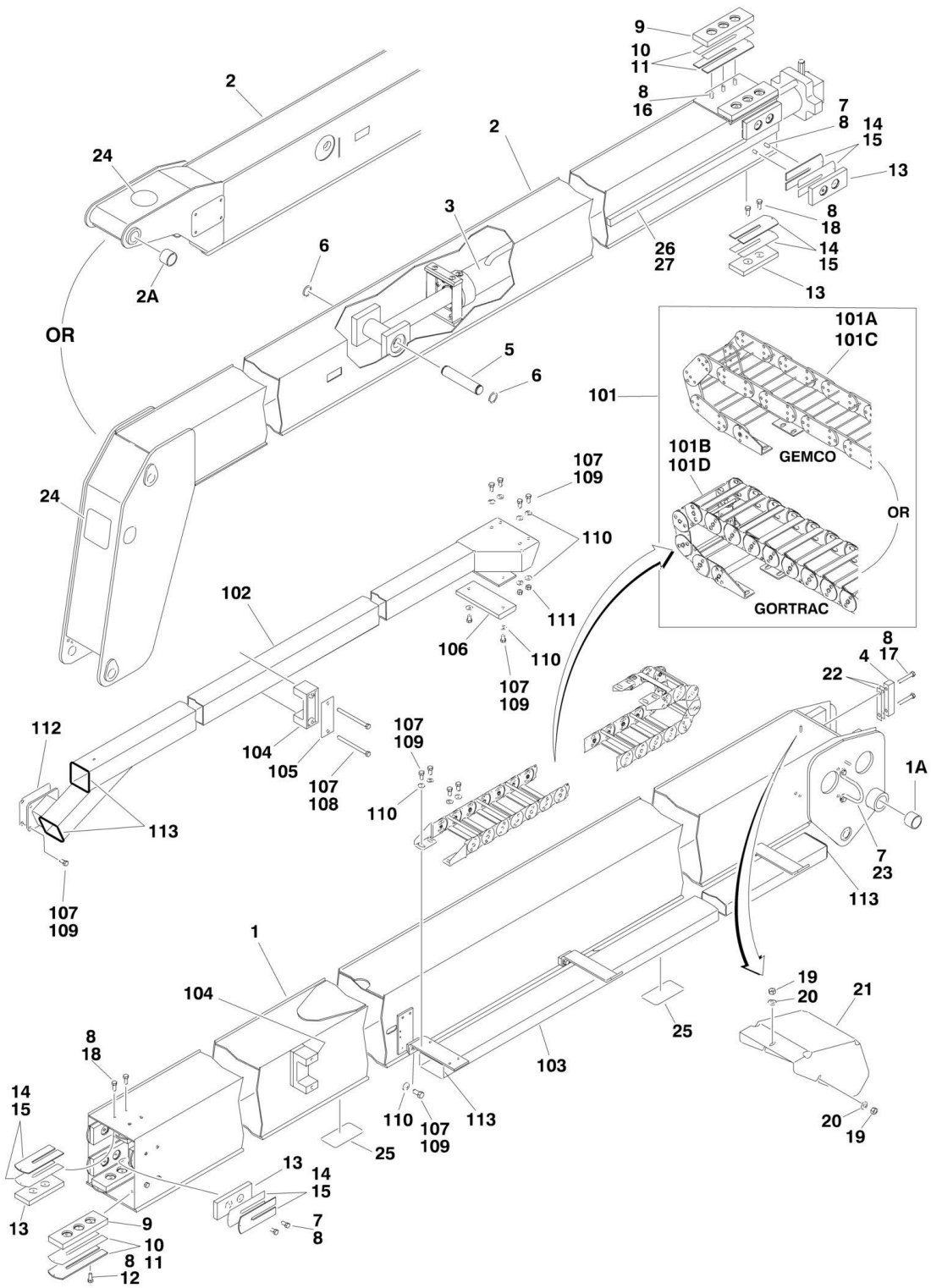


FIGURE 3-4. MAIN BOOM ASSEMBLIES

| ITEM | PART NUMBER | QTY | DESCRIPTION | REV |
|------|--------------|-----|---|------|
| | 0801022 | Ref | BOOM ASSEMBLY - 600A | 12-F |
| | 0801025 | Ref | BOOM ASSEMBLY - 600AJ | 7-D |
| 1 | | Ref | Base Weldment Options: | |
| 1 | 0801023 | 1 | Base Weldment 600A | |
| 1 | 0801026 | 1 | Base Weldment 600AJ | |
| 1A | 0961948 | 2 | Bushing (Note: Must be Purchased Separately) | |
| 2 | | Ref | Fly Weldment Options: | |
| 2 | 0801066 | 1 | Fly Weldment 600A (Prior to SN 0300024714) | |
| 2 | 0801078 | 1 | Fly Weldment 600A (SN 0300024714 through 0300053958) | |
| 2 | 0801228 | 1 | Fly Weldment 600A (SN 0300053959 through 0300069000) | |
| 2 | 0801027 | 1 | Fly Weldment 600AJ | |
| 2A | | Ref | Bushing (Note: Must be Purchased Separately) | |
| 2A | Not Required | 0 | Bushing 600A | |
| 2A | 0961951 | 2 | Bushing 600AJ | |
| 3 | | Ref | Telescope Cylinder Assembly Options: (See CYLINDER SECTION for Breakdown) | |
| 3 | 1683307 | NLA | Telescope Cylinder Assembly 600A (Use p/n 1001228005) (Original Equipment) | |
| 3 | 1001228005 | 1 | Telescope Cylinder Assembly 600A (Service Replacement) | |
| 3 | 1683317 | NLA | Telescope Cylinder Assembly 600AJ (Use p/n 1001228007) (Original Equipment) | |
| 3 | 1001228007 | 1 | Telescope Cylinder Assembly 600AJ (Service Replacement) | |
| 4 | 0561185 | 2 | Block | |
| 5 | 3422457 | 1 | Pin | |
| 6 | 3760133 | 2 | Ring, Retaining | |
| 7 | 0641606 | 18 | Bolt 3/8in-16NC x 3/4in | |
| 8 | 0100011 | AR | Compound, Locking | |
| 9 | | Ref | Pad, Wear Options: | |
| 9 | 3340705 | 4 | Pad, Wear (Prior to SN 0300064394) | |
| 9 | 3340871 | 4 | Pad, Wear (SN 0300064394 through 0300069000) | |
| 10 | 4070863 | AR | Shim .12 | |
| 11 | 4070864 | AR | Shim .05 | |
| 12 | 0641610 | 6 | Bolt 3/8in-16NC x 1-1/4in | |
| 13 | | Ref | Pad, Wear Options: | |
| 13 | 3340756 | 12 | Pad, Wear (Prior to SN 0300064394) | |
| 13 | 3340881 | 12 | Pad, Wear (SN 0300064394 through 0300069000) | |
| 14 | 4070897 | AR | Shim .05 | |
| 15 | 4070898 | AR | Shim .12 | |
| 16 | 0641608 | 6 | Bolt 3/8in-16NC x 1in | |
| 17 | 0641618 | 4 | Bolt 3/8in-16NC x 2-1/4in | |
| 18 | 0641607 | 8 | Bolt 3/8in-16NC x 7/8in | |
| 19 | 3311401 | 3 | Nut 1/4in-20NC | |
| 20 | 4751400 | 3 | Flatwasher 1/4in Regular | |
| 21 | 1670768 | 1 | Cover, Boom | |
| 22 | 4070929 | AR | Shim | |
| 23 | 4845384 | NLA | Clamp, Hose (Use p/n 3841340) (SN 0300027207 through 0300033682) | |
| 23 | 3841340 | 1 | Clamp, Hose (SN 0300033683 through 0300069000) | |
| 24 | 4060805 | AR | Flex-Trim (SN 0300027207 through 0300069000) | |
| 25 | 1670836 | 6 | Cover, Boom (SN 0300034047 through 0300069000) | |

SECTION 3 - BOOM

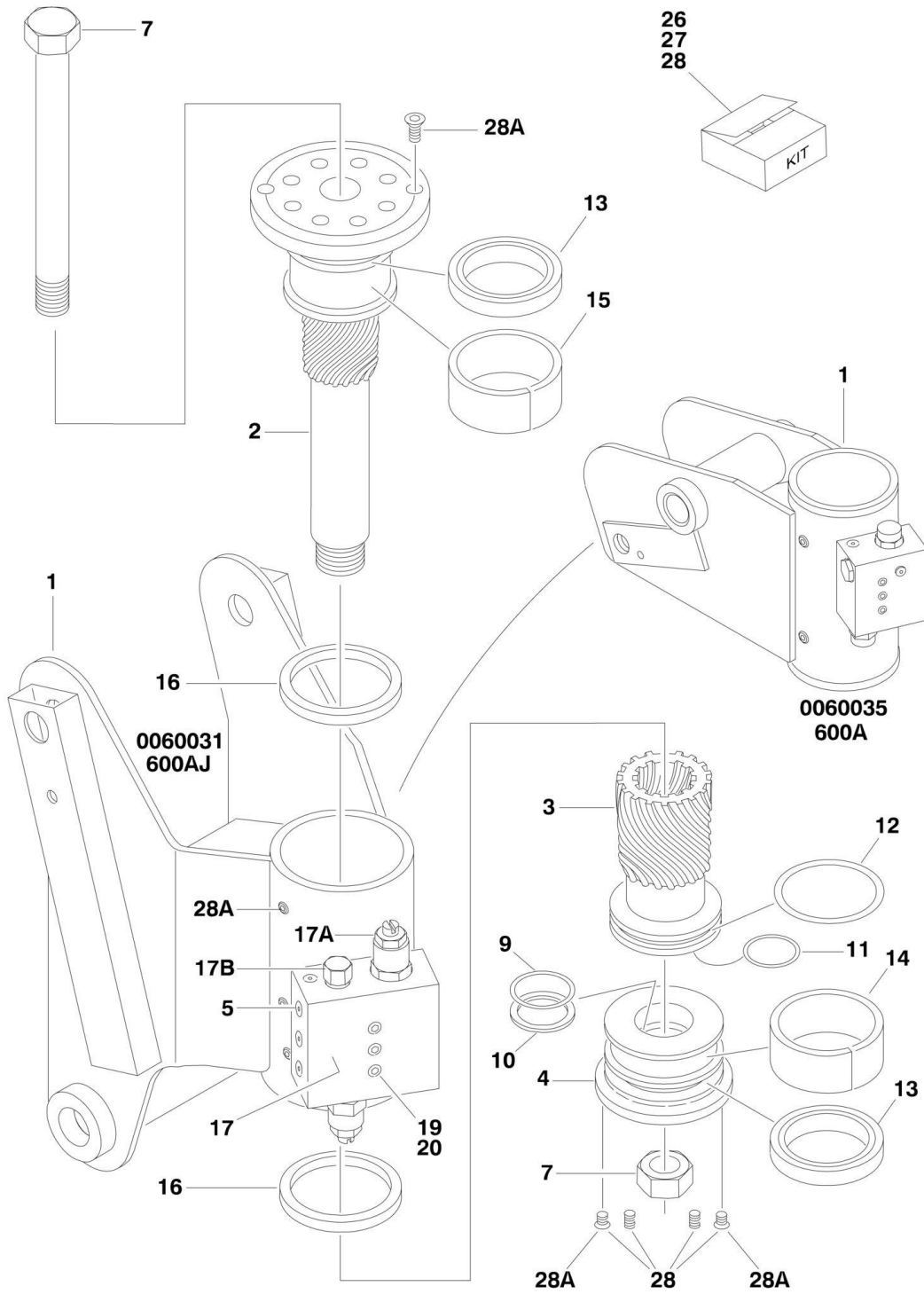
| ITEM | PART NUMBER | QTY | DESCRIPTION | REV |
|------|--------------|-----------|---|-----|
| 26 | | Ref | Tape, Two Sided Foam Options: | |
| 26 | 4420060 | 10 ft./3m | Tape, Two Sided Foam 600A | |
| 26 | Not Required | 0 | Tape, Two Sided Foam 600AJ | |
| 27 | | Ref | Bar, Fiberglass Options: | |
| 27 | 0362529 | 1 | Bar, Fiberglass 600A | |
| 27 | Not Required | 0 | Bar, Fiberglass 600AJ | |
| | 0255281 | Ref | POWER TRACK INSTALLATION - 600A | 6-E |
| | 0255288 | Ref | POWER TRACK INSTALLATION - 600AJ | 5-D |
| 101 | | Ref | Power Track Assembly Options: | |
| | | Ref | Note: Various Power Tracks use on this model. Identify brand before ordering parts. | |
| 101A | 1180336 | NLA | 600A - Gemco Brand Power Track (Use p/n 1001107153) | |
| 101A | | Ref | Replacement Parts: | |
| 101A | 7006140 | AR | Repair Section (Includes 10 Link Pin, 4 Radius Links, 8 Carrier Links, 4 Rod Carrier, 8 Screws, 10 Slugs and 20 Bearing Plates) (600A) | |
| 101A | 7006151 | 2 Pair | Feet, Mounting (600A) | |
| 101A | 7006161 | AR | Rod (600A) | |
| 101A | 7006152 | AR | Pin Kit (Includes 1 pin, 1 Retaining Ring & 4 Washers) (600A) | |
| 101B | 1001107153 | 1 | 600A - Gortrac Brand Power Track | |
| 101B | | Ref | Replacement Parts: | |
| 101B | 70002011 | AR | Repair Section (600A) | |
| 101B | 70002012 | 1 | Mounting Bracket Kit (600A) | |
| 101C | 1180338 | NLA | 600AJ - Gemco Brand Power Track (Use p/n 1001099836) | |
| 101C | | Ref | Replacement Parts: | |
| 101E | 7016519 | AR | Repair Section (Includes 10 Link Pin, 4 Radius Links, 8 Carrier Links, 4 Rod Carrier, 8 Screws, 10 Slugs and 20 Bearing Plates) (600AJ) | |
| 101C | 7006151 | 2 Pair | Feet, Mounting (600AJ) | |
| 101C | 7016521 | AR | Rod (600AJ) | |
| 101C | 7006158 | AR | Screw (600AJ) | |
| 101C | 7006152 | AR | Pin Kit (Includes 1 pin, 1 Retaining Ring and 4 Washers) (600AJ) | |
| 101D | 1001099836 | 1 | 600AJ - Gortrac Brand Power Track | |
| 101D | | Ref | Replacement Parts: | |
| 101D | 70001999 | AR | Repair Section (600AJ) | |
| 101D | 70002000 | 1 | Mounting Bracket Kit (600AJ) | |
| 102 | | Ref | Tube Weldment Options: | |
| 102 | 4844969 | 1 | Tube Weldment 600A | |
| 102 | 4844978 | 1 | Tube Weldment 600AJ | |
| 103 | | Ref | Support, Power Track Options: | |
| 103 | 4844972 | 1 | Support, Power Track 600A | |
| 103 | 4844979 | 1 | Support, Power Track 600AJ | |
| 104 | 3340764 | 2 | Pad, Wear | |
| 105 | 3538758 | 1 | Plate, Cover Support | |
| 106 | | Ref | Pad Options | |
| 106 | 3340787 | 1 | Pad 600A | |
| 106 | 3340765 | 1 | Pad 600AJ | |
| 107 | 0100011 | AR | Compound, Locking | |
| 108 | 0641640 | 2 | Bolt 3/8in-16NC x 5in | |
| 109 | 0641606 | 22 | Bolt 3/8in-16NC x 3/4in | |
| 110 | 4711600 | 18 | Flatwasher 3/8in Thin | |

SECTION 3 - BOOM

| ITEM | PART NUMBER | QTY | DESCRIPTION | REV |
|------|-------------|-----|--|-----|
| 111 | 3311605 | 4 | Locknut 3/8in-16NC | |
| 112 | 4070932 | AR | Shim | |
| 113 | 4060804 | AR | Flex-Trim (SN 0300027207 through 0300069000) | |

SECTION 3 - BOOM

FIGURE 3-5. ROTATOR ASSEMBLIES (FRONT ENTRY PLATFORM)



SECTION 3 - BOOM

FIGURE 3-5. ROTATOR ASSEMBLIES (FRONT ENTRY PLATFORM)

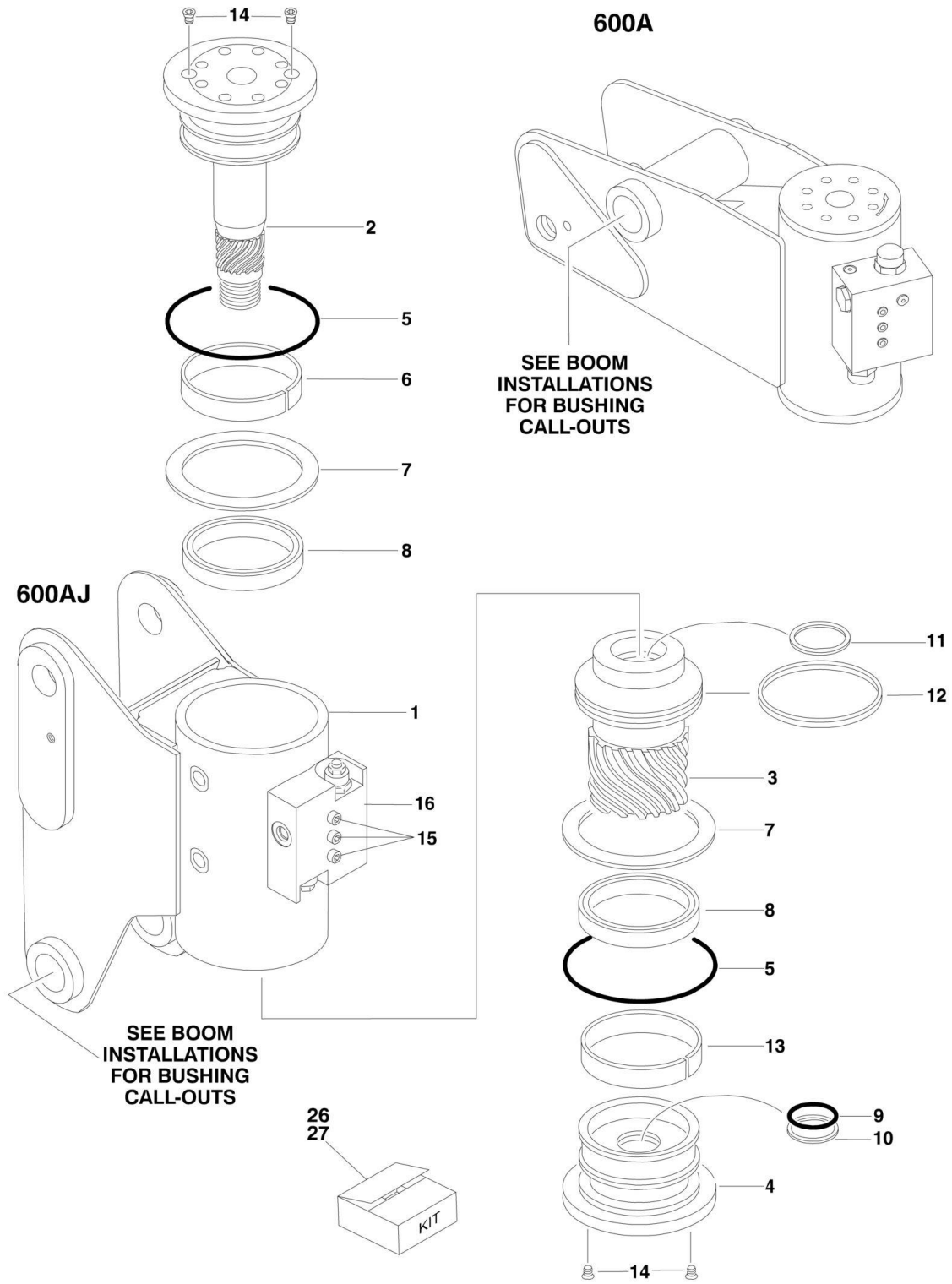
| ITEM | PART NUMBER | QTY | DESCRIPTION | REV |
|------|-------------|-----|---|-----|
| | | Ref | ROTATOR ASSEMBLIES | |
| | 0060035 | Ref | Rotator Assemblies 600A (Original Equipment) | G |
| | 0060076 | Ref | Rotator Assemblies 600A (Service Replacement) | B |
| | 0060031 | Ref | Rotator Assemblies 600AJ (Original Equipment) | H |
| | 0060074 | Ref | Rotator Assemblies 600AJ (Service Replacement) | B |
| | | Ref | Note: Before ordering parts, identify whether original equipment rotator has been replaced with service replacement. Service replacement rotator uses spacer plate bolted on the top with 8 capscrews (Not shown - located at item 2). | |
| | | Ref | Original equipment rotator does not use spacer plate. | |
| 1 | See Note | 1 | Housing/Ring Gear Assembly (Note: Note Available - Purchase Complete Assembly) | |
| 2 | | Ref | Shaft Weldment Options: | |
| 2 | 7017177 | 1 | 0060035 Rotators | |
| 2 | 7017117 | 1 | 0060031 Rotators | |
| 2 | 7017162 | 1 | 0060076 & 0060074 Rotators | |
| 2 | See Note | 1 | Plate, Spacer (Not Shown) (0060076 & 0060074 Rotators Only) (Note: Note Available for Purchase) | |
| 3 | | Ref | Piston/Sleeve Options: | |
| 3 | 7017115 | 1 | 0060035 & 0060031 Rotators | |
| 3 | 7017163 | 1 | 0060076 & 0060074 Rotators | |
| 4 | | Ref | Cap, End Options: | |
| 4 | 7017174 | 1 | 0060035 Rotators | |
| 4 | 7017116 | 1 | 0060031 Rotators | |
| 4 | 7017164 | 1 | 0060076 & 0060074 Rotators | |
| 5 | See Note | 6 | Plug, Port (Note: Note Available for Purchase) | |
| 7 | 7017102 | 1 | Tie-Rod/Locknut Assy (Prior to SN 0300039950) | |
| 7 | 7017119 | 1 | Bolt 1in-8NC x 11in (SN 0300039950 through 0300069000) | |
| 7 | 3272605 | AR | Locknut 1in-8NC (SN 0300039950 through 0300069000) | |
| 9 | See Note | 1 | Seal, Cap (Note: Use Item 26) | |
| 10 | See Note | 1 | Ring, Back-up (Cap) (Note: Use Item 26) | |
| 11 | See Note | 1 | Seal, Rod (Note: Use Item 26) | |
| 12 | See Note | 1 | Seal, Piston (Note: Use Item 26) | |
| 13 | See Note | 2 | Packing, Bearing (Note: Use Item 26) | |
| 14 | See Note | 1 | Bearing, Cap (Note: Use Item 27) | |
| 15 | See Note | 1 | Bearing, Shaft (Note: Use Item 27) | |
| 16 | See Note | 2 | Thrustwasher (Note: Use Item 27) | |
| 17 | | Ref | Valve Assembly Options: | |
| 17 | 7017101 | 1 | 0060035 & 0060031 Rotators | |
| 17 | 7017183 | 1 | 0060076 & 0060074 Rotators | |
| 17A | | Ref | Cartridge, Valve Options: | |
| 17A | 7011331 | 2 | Cartridge for Helac p/n 24736 | |
| 17A | 7017193 | 2 | Cartridge for Helac p/n 27600 | |
| 17A | 2900770 | 2 | Seal Kit - 7011331 Valve | |
| 17A | 7017183 | 2 | Seal Kit - 7017193 Valve | |
| | | Ref | (Note: Not Available for Purchase) | |
| 17B | | Ref | Cartridge, Valve Options: | |
| 17B | 7011332 | AR | Cartridge for Helac p/n 24736 | |
| 17B | See Note | 1 | Cartridge for Helac p/n 27600 (Not Shown - Located on Side of Valve Block) (Note: Not Available for Purchase) | |

SECTION 3 - BOOM

| ITEM | PART NUMBER | QTY | DESCRIPTION | REV |
|------|-------------|-----|--|-----|
| 17B | 7011346 | 2 | Seal Kit - 7011332 Valve | |
| 17B | See Note | 1 | Seal Kit - Valve Located on Side of Block (Note: Not Available for Purchase) | |
| 18 | 7017118 | 2 | Setscrew (0060035 & 0060031 Rotators Only) | |
| 19 | See Note | 3 | Bolt 1/4 x 1-1/2 (Grade 8) (Note: Not Available for Purchase) | |
| 20 | 3790110 | 3 | O-Ring (Not Shown - Located between Valve and Actuator Housing) | |
| 26 | | Ref | Seal Kit Options (Includes Items 9-13): | |
| 26 | 7017157 | 1 | 0060035 & 0060031 Rotators | |
| 26 | 7017158 | 1 | 0060076 & 0060074 Rotators | |
| 27 | | Ref | Bearing Kit Options (Includes Items 14-16): | |
| 27 | 7017106 | 1 | 0060035 Rotators | |
| 27 | 7017156 | 1 | 0060031 Rotators | |
| 27 | 7017159 | 1 | 0060076 & 0060074 Rotators | |
| 28 | 7017142 | 1 | Hardware Kit Hardware Kit for 0060035 & 0060031 Rotators (Includes End Cap Dowel Pins and Items 6 & 28A) | |
| 28A | 70001697 | 6 | Screw, Countersunk 1/4in-20NC x 3/8in Grade 8 | |

SECTION 3 - BOOM

FIGURE 3-6. ROTATOR ASSEMBLIES (SIDE ENTRY PLATFORM)



SECTION 3 - BOOM

FIGURE 3-6. ROTATOR ASSEMBLIES (SIDE ENTRY PLATFORM)

| ITEM | PART NUMBER | QTY | DESCRIPTION | REV |
|------|-------------|-----|--|-----|
| | | Ref | ROTATOR ASSEMBLIES | |
| | 0060068 | Ref | Rotator Assemblies (600A) | A |
| | 0060066 | Ref | Rotator Assemblies (600AJ) | C |
| 1 | See Note | 1 | Housing/Ring Gear Assembly (Note: Not Available - Purchase Complete Assembly) | |
| 2 | 7017162 | 1 | Shaft | |
| 3 | 7017163 | 1 | Piston/Sleeve Assembly | |
| 4 | 7017164 | 1 | Cap, End | |
| 5 | See Note | NSS | O-Ring (Note: Use Item 26) | |
| 6 | See Note | NSS | Bearing, Shaft (Note: Use Item 27) | |
| 7 | See Note | NSS | Thrustwasher (Note: Use Item 27) | |
| 8 | See Note | NSS | Packing, Bearing (Note: Use Item 26) | |
| 9 | See Note | NSS | Seal, Cap (Note: Use Item 26) | |
| 10 | See Note | NSS | Ring, Back-up Cap (Note: Use Item 26) | |
| 11 | See Note | NSS | Seal, Rod (Note: Use Item 26) | |
| 12 | See Note | NSS | Seal, Piston (Note: Use Item 26) | |
| 13 | See Note | NSS | Bearing, Cap (Note: Use Item 27) | |
| 14 | 70001697 | 6 | Capscrew 1/4in-20NC x 3/8in (Grade 8) | |
| 15 | See Note | 3 | Bolt 1/4 x 1-1/2 (Grade 8) (Note: Not Available for Purchase) | |
| 16 | 7017183 | 1 | Valve Assembly | |
| 16 | 7017193 | 2 | Cartridge, Valve | |
| 16 | See Note | 2 | Seal Kit - 7017193 Valve (Note: Not Available for Purchase) | |
| 16 | See Note | 1 | Cartridge, Valve (Not Shown - Located on Side of Block) (Note: Not Available for Purchase) | |
| 16 | See Note | 1 | Seal Kit - Valve Located on Side of Block (Note: Not Available for Purchase) | |
| 26 | 7017158 | 1 | Seal Kit (Includes Items 5, 8-12 & Hardware Kit) | |
| 27 | 7017159 | 1 | Bearing Kit (Includes Items 6, 7 & 13) | |

SECTION 3 - BOOM

FIGURE 3-7. VALVES AND SWITCHES INSTALLATION (BOOM MOUNTED)

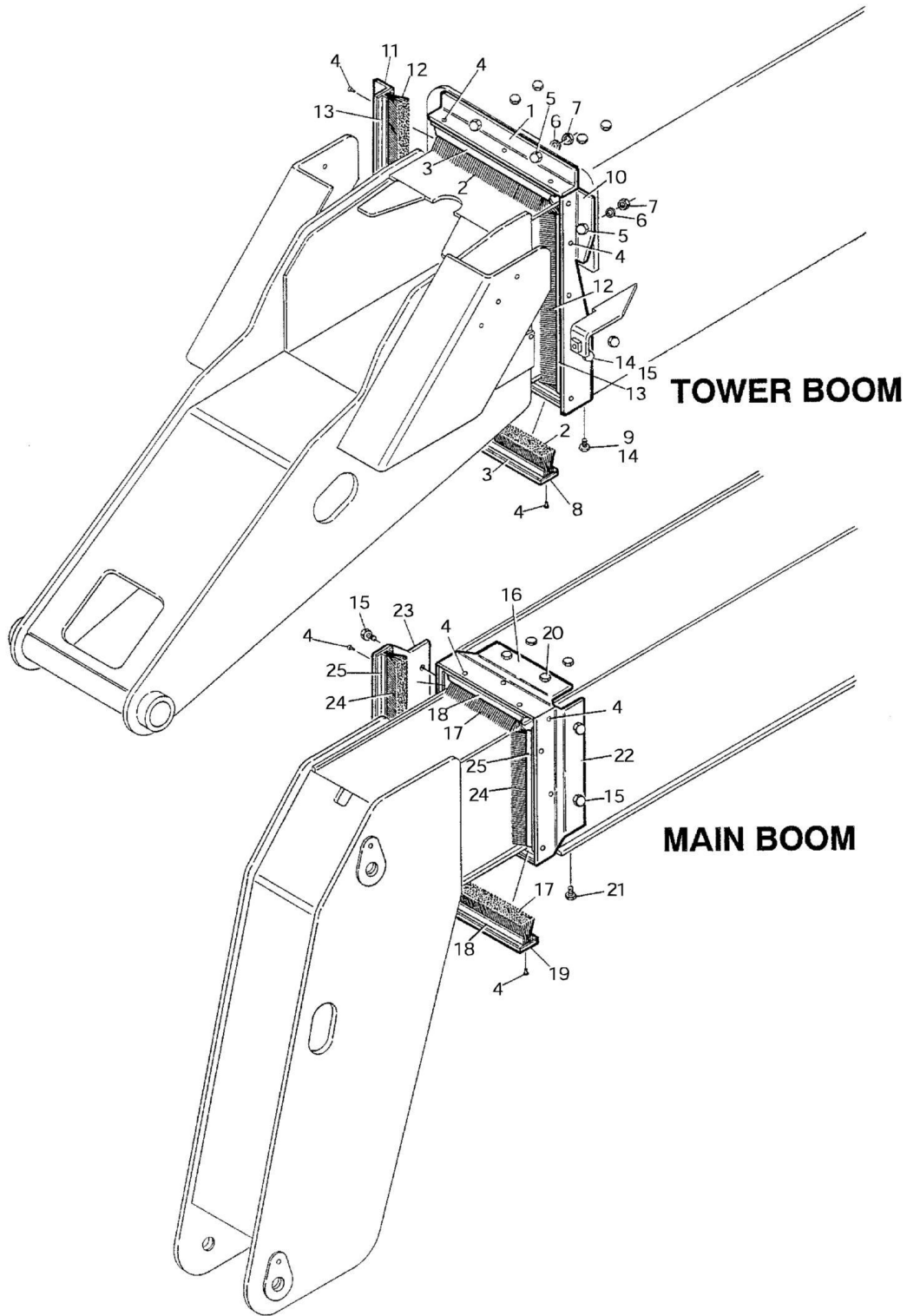
| ITEM | PART NUMBER | QTY | DESCRIPTION | REV |
|------|-------------|-----------|--|-----|
| | 0255438 | Ref | BOOM VALVES AND LIMIT SWITCHES INSTALLATION (STANDARD) | 6-G |
| 1 | | Ref | Valve, Manual 2-Way Options: | |
| 1 | 4640925 | 2 | Valve, Manual 2-Way (Prior to SN 0300037959) | |
| 1 | 4641045 | 2 | Valve, Manual 2-Way (SN 0300037959 through 0300042377) | |
| 1 | 4641105 | 2 | Valve, Manual 2-Way (SN 0300042378 through 0300049398) | |
| 1 | 4641139 | 2 | Valve, Manual 2-Way (SN 0300049399 through 0300069000) | |
| 2 | See Note | 2 | Switch, Limit (was p/n 4360322 - Purchase p/ns 4360578 & 4460968 as Replacement) | |
| 3 | | Ref | Connector, Strain Relief Options: | |
| 3 | 4460428 | 2 | Use with p/n 4360322 Switch | |
| 3 | 4460968 | 2 | Use with p/n 4360578 Switch | |
| 4 | 3931430 | 6 | Bolt, Socket Head 1/4in-20NC x 1-7/8in | |
| 6 | 0100011 | AR | Compound, Locking | |
| 7 | 0630427 | 2 | Bolt, Special | |
| 8 | 3311801 | 2 | Nut 1/2in-13NC | |
| 9 | 3930824 | 4 | Bolt, Socket Head #8-32NC x 1-1/2in | |
| 10 | 3310801 | 4 | Nut #8-32NC | |
| 11 | 4751400 | 8 | Flatwasher 1/4in Regular | |
| 12 | 1670819 | 1 | Cover, Switch (SN 0300027349 through 0300069000) | |
| 13 | 3931408 | 2 | Bolt, Socket 1/4in-20NC x 1/2in (SN 0300027349 through 0300069000) | |
| | 0255440 | Ref | VALVES INSTALLATION - 600A 2WS | 9 |
| | 0255441 | Ref | VALVES INSTALLATION - 600AJ 2WS | 11 |
| | 0255442 | Ref | VALVES INSTALLATION - 600A 4WS | 9 |
| | 0255443 | Ref | VALVES INSTALLATION - 600AJ 4WS | 9 |
| 101 | 4640929 | 1 | Valve Assembly (Relief) | |
| 101A | 7012970 | 1 | Cartridge | |
| 101A | 7012953 | 1 | Seal Kit - 7012970 Cartridge | |
| 102 | 4711400 | 2 | Flatwasher 1/4in Thin | |
| 103 | 3311405 | 2 | Locknut 1/4in-20NC | |
| 104 | 0641424 | 2 | Bolt 1/4in-20NC x 3in | |
| | 0255699 | Ref | LIMIT SWITCHES INSTALLATION - 600A DUAL CAPACITY | 3-C |
| 201 | See Note | 2 | Switch, Limit (was p/n 4360322 - Purchase p/ns 4360578 & 4460968 as Replacement) | |
| 202 | | Ref | Connector, Strain Relief Options: | |
| 202 | 4460428 | 2 | Use with p/n 4360322 Switch | |
| 202 | 4460968 | 2 | Use with p/n 4360578 Switch | |
| 203 | 0100035 | AR | Compound, Locking | |
| 204 | 3930816 | 2 | Bolt, Socket Head #8-32NC x 1in | |
| 205 | 3930824 | 2 | Bolt, Socket Head #8-32NC x 1-1/2in | |
| 206 | 3310805 | 2 | Locknut #8-32NC | |
| 207 | 0362529 | 1 | Bar, Fiberglass | |
| 208 | 4420060 | 9.8 ft/3m | Tape, Foam | |
| 209 | 4751400 | 4 | Flatwasher 1/4in Regular (SN 0300028924 through 0300069000) | |
| 211 | 1670824 | 1 | Cover, Switch (SN 0300028924 through 0300069000) | |
| 212 | 0641403 | 4 | Bolt 1/4in-20NC x 3/8in (SN 0300028924 through 0300069000) | |
| | | Ref | 8 METER SWITCH INSTALLATIONS | |
| | 0256346 | Ref | Prior to SN 0300035129 (Colored Wiring) | 2-A |
| | 0257894 | Ref | SN 0300035129 through 0300069000 (Numbered Colored Wiring) | 3-B |

SECTION 3 - BOOM

| ITEM | PART NUMBER | QTY | DESCRIPTION | REV |
|------|-------------|----------------|--|-----|
| 231 | See Note | 1 | Switch, Limit (was p/n 4360322 - Purchase p/ns 4360578 & 4460968 as Replacement) | |
| 232 | | Ref | Connector, Strain Relief Options: | |
| 232 | 4460428 | 1 | Use with p/n 4360322 Switch | |
| 232 | 4460968 | 1 | Use with p/n 4360578 Switch | |
| 233 | 0100035 | AR | Compound, Locking | |
| 234 | 3930816 | 2 | Bolt, Socket Head #8-32NC x 1in | |
| 235 | 0362612 | 1 | Bar, Fiberglass | |
| 236 | 4420060 | 7.1 in/2.2m | Tape, Foam | |
| 237 | 1060016 | 18 ft/5.5m | Cable, Electrical - 16/3 (Not Shown) | |
| 239 | 1670820 | 1 | Cover, Switch (SN 0300028924 through 0300069000) | |
| 240 | 4751400 | 4 | Flatwasher 1/4in Regular (SN 0300028924 through 0300069000) | |
| 242 | 0641403 | 4 | Bolt 3/8in-16NC x 3/8in (SN 0300028924 through 0300069000) | |
| 243 | 3539055 | 1 | Plate (Welded on part) (Not Shown) (SN 0300049751 through 0300069000) | |
| | 0256331 | Ref | TRANSPORT POSITION SWITCHES INSTALLATION - 600A (EURO SPEC ONLY) | 2-A |
| | 0256336 | Ref | TRANSPORT POSITION SWITCHES INSTALLATION - 600AJ (EURO SPEC ONLY) | 2-A |
| 251 | See Note | 1 | Switch, Limit (was p/n 4360322 - Purchase p/ns 4360578 & 4460968 as Replacement) | |
| 252 | | Ref | Connector, Strain Relief Options: | |
| 252 | 4460428 | 1 | Use with p/n 4360322 Switch | |
| 252 | 4460968 | 1 | Use with p/n 4360578 Switch | |
| 253 | 0100035 | AR | Compound, Locking | |
| 254 | 3930816 | 2 | Bolt, Socket Head #8-32NC x 1in | |
| 255 | | Ref | Bar, Fiberglass Options: | |
| 255 | 0362611 | 1 | Bar, Fiberglass (600A) | |
| 255 | 0362529 | 1 | Bar, Fiberglass (600AJ) | |
| 256 | 4420060 | Ref | Tape, Foam | |
| 256 | 4420060 | 161 in/4m | Tape, Foam (600A) | |
| 256 | 4420060 | 127 in/3.2m | Tape, Foam (600AJ) | |
| 257 | 4751400 | 4 | Flatwasher 1/4in Regular (SN 0300028924 through 0300069000) | |
| 259 | 1670824 | 1 | Cover, Switch (SN 0300028924 through 0300069000) | |
| 260 | 0641403 | 4 | Bolt 3/8in-16NC x 3/8in (SN 0300028924 through 0300069000) | |

SECTION 3 - BOOM

FIGURE 3-8. BOOM WIPERS INSTALLATIONS (OPTIONAL)



SECTION 3 - BOOM

FIGURE 3-8. BOOM WIPERS INSTALLATIONS (OPTIONAL)

| ITEM | PART NUMBER | QTY | DESCRIPTION | REV |
|------|-------------|-----|--|-----|
| | | Ref | BOOM wiper INSTALLATION (STANDARD PARTS) | |
| | 0256276 | Ref | Boom Wipers Installations - 600A | 2 |
| | 0256366 | Ref | Boom Wipers Installations - 600AJ | 3 |
| 1 | 3200386 | 2 | Mount, Wiper (Tower Top) | |
| 2 | 0540078 | 2 | Brush, Wiper (Tower Top and Bottom) | |
| 3 | 2660071 | 2 | Holder, Brush (Tower Top and Bottom) | |
| 4 | 3820001 | 30 | Rivet | |
| 5 | 0641409 | 8 | Bolt 1/4in-20NC x 1-1/8in | |
| 6 | 4761400 | 8 | Lockwasher 1/4in | |
| 7 | 3311401 | 8 | Nut 1/4in-20NC | |
| 8 | 3200388 | 1 | Mount, Wiper (Tower Bottom) (Prior to SN 0300038141) | |
| 9 | 0641611 | 2 | Bolt 3/8in-16NC x 1-3/8in (Prior to SN 0300038141) | |
| 10 | 3200387 | 1 | Mount, Wiper (Tower Side - Left Side) (Prior to SN 0300038141) | |
| 10 | 3200407 | | Mount, Wiper (Tower Side - Left Side) (SN 0300038141 through 0300069000) | |
| 11 | 3200393 | 1 | Mount, Wiper (Tower Side - Right Side) (Prior to SN 0300038141) | |
| 11 | 3200408 | | Mount, Wiper (Tower Side - Right Side) (SN 0300038141 through 0300069000) | |
| 12 | 0540099 | 2 | Brush, Wiper (Tower Side) | |
| 13 | 2660099 | 2 | Holder, Brush (Tower Side) | |
| 14 | 0100011 | AR | Compound, Locking | |
| 15 | 0641607 | 4 | Bolt 3/8in-16NC x 7/8in | |
| 16 | 3200389 | 1 | Mount, Wiper (Main Top) | |
| 17 | 0540083 | 2 | Brush, Wiper (Main Top and Bottom) | |
| 18 | 2660082 | 2 | Holder, Brush (Main Top and Bottom) | |
| 19 | 3200390 | 1 | Mount, Wiper (Main Bottom) | |
| 20 | 0641608 | 2 | Bolt 3/8in-16NC x 1in | |
| 21 | 0641611 | 2 | Bolt 3/8in-16NC x 1-3/8in | |
| 22 | | Ref | Mount, Wiper (Main Side - Left Side) Options: | |
| 22 | 3200394 | 1 | Mount, Wiper 600A | |
| 22 | 3200396 | 1 | Mount, Wiper 600AJ | |
| 23 | | Ref | Mount, Wiper (Main Side - Right Side) Options: | |
| 23 | 3200395 | 1 | Mount, Wiper 600A | |
| 23 | 3200397 | 1 | Mount, Wiper 600AJ | |
| 24 | | Ref | Brush, Wiper (Main Side) | |
| 24 | 0540104 | 2 | Brush, Wiper (Main Side) (600A) | |
| 24 | 0540104 | 2 | Brush, Wiper (Main Side) (Prior to SN 0300049396) | |
| 24 | 0540107 | 2 | Brush, Wiper (Main Side) (SN 0300049396 through 0300069000) | |
| 25 | | Ref | Holder, Brush (Main Side) | |
| 25 | 2660105 | 2 | Holder, Brush (Main Side) (600A) | |
| 25 | 2660105 | 2 | Holder, Brush (Main Side) (Prior to SN 0300049396) | |
| 25 | 2660109 | 2 | Holder, Brush (Main Side) (SN 0300049396 through 0300069000) | |

SECTION 4 - PLATFORM

SECTION 4 - PLATFORM

FIGURE 4-1. PLATFORM COMPONENTS INSTALLATION (FRONT ENTRY)

| ITEM | PART NUMBER | QTY | DESCRIPTION | REV |
|------|-------------|-----|--|-----|
| | | Ref | PLATFORM OPTIONS: | |
| | 3510751 | Ref | 5ft/1.52m Platform - With Self-Closing Gate (EN280 & CE Specs) | 2 |
| | 3510728 | Ref | 5ft/1.52m Platform - With Self-Closing Gate (Australian Spec) | 3 |
| | 3510499 | Ref | 6ft/1.83m Platform - With Drop Bar (EN280 & CE Specs) | 3-A |
| | 3510763 | Ref | 6ft/1.83m Platform - With Drop Bar (Mesh to Mid Rail) (EN280 & CE Specs) | 1-A |
| | 3510537 | Ref | 6ft/1.83m Platform - With Self-Closing Gate (EN280 Spec) | 2 |
| | 3510542 | Ref | 6ft/1.83m Platform - (Australian Spec) | 3 |
| | 3510500 | Ref | 8ft/2.44m Platform - With Drop Bar (EN280 & CE Specs) | 2-A |
| | 3510764 | Ref | 8ft/2.44m Platform - With Drop Bar (Mesh to Mid Rail) (EN280 & CE Specs) | 1-A |
| | 3510538 | Ref | 8ft/2.44m Platform - With Self-Closing Gate (EN280 Spec) | 2 |
| | 3510543 | Ref | 8ft/2.44m Platform - (Australian Spec) | 3 |
| | | Ref | PLATFORM ASSEMBLY (STANDARD PARTS) | |
| 4 | | Ref | Rail Weldment - Back Options: | |
| 4 | 4844927 | 1 | Rail Weldment (Prior to SN 0300026233) | |
| 4 | 4845328 | 1 | Rail Weldment (SN 0300026233 through 0300069000) | |
| 6 | 3900207 | AR | Fastener | |
| | | Ref | Note: P/N 3900207 Fastener may be replaced with p/n 0641416 bolt, p/n 4751400 flatwasher, p/n 3311405 locknut and p/n 3300151 acorn type nut. Acorn type nut required to meet industry safety requirements. | |
| 7 | 3300393 | AR | Collar | |
| 8 | 3520072 | 4 | Plug, Cap | |
| 14 | 0641524 | 4 | Bolt 5/16in-18NC x 3in | |
| 15 | 3311505 | 4 | Locknut 5/16in-18NC | |
| 16 | 4751500 | 4 | Flatwasher 5/16in Regular | |
| 17 | 2080040 | AR | Fastener | |
| 17 | 7016652 | 1 | Fastener Tool (Small Fasteners Only) | |
| | | Ref | PLATFORM ASSEMBLIES - WITH DROP BAR (VARIABLE PARTS) | |
| 51 | | Ref | Floor Weldment Options: | |
| 51 | 4846184 | 1 | 5ft/1.52m Platforms | |
| 51 | 4845290 | 1 | 6ft/1.83m Platforms | |
| 51 | 4845289 | 1 | 8ft/2.44m Platforms | |
| 52 | | Ref | Rail Weldment - Right Side Options: | |
| 52 | 4846194 | 1 | 5ft/1.52m Platforms | |
| 52 | 4844955 | 1 | 6ft/1.83m Platforms | |
| 52 | 4846228 | 1 | 6ft/1.83m Platforms (Mesh to Mid Rail) | |
| 52 | 4844924 | 1 | 8ft/2.44m Platforms | |
| 52 | 4846240 | 1 | 8ft/2.44m Platforms (Mesh to Mid Rail) | |
| 53 | | Ref | Rail Weldment - Left Side Options: | |
| 53 | 4846195 | 1 | 5ft/1.52m Platforms | |
| 53 | 4844956 | 1 | 6ft/1.83m Platforms | |
| 53 | 4846229 | 1 | 6ft/1.83m Platforms (Mesh to Mid Rail) | |
| 53 | 4844925 | 1 | 8ft/2.44m Platforms | |
| 53 | 4846241 | 1 | 8ft/2.44m Platforms (Mesh to Mid Rail) | |
| 54 | 4845287 | 1 | Rail Weldment - Top | |
| 55 | 4845288 | 1 | Bar, Drop | |
| 56 | 0641418 | 2 | Bolt 1/4in-20NC x 2-1/4in | |

SECTION 4 - PLATFORM

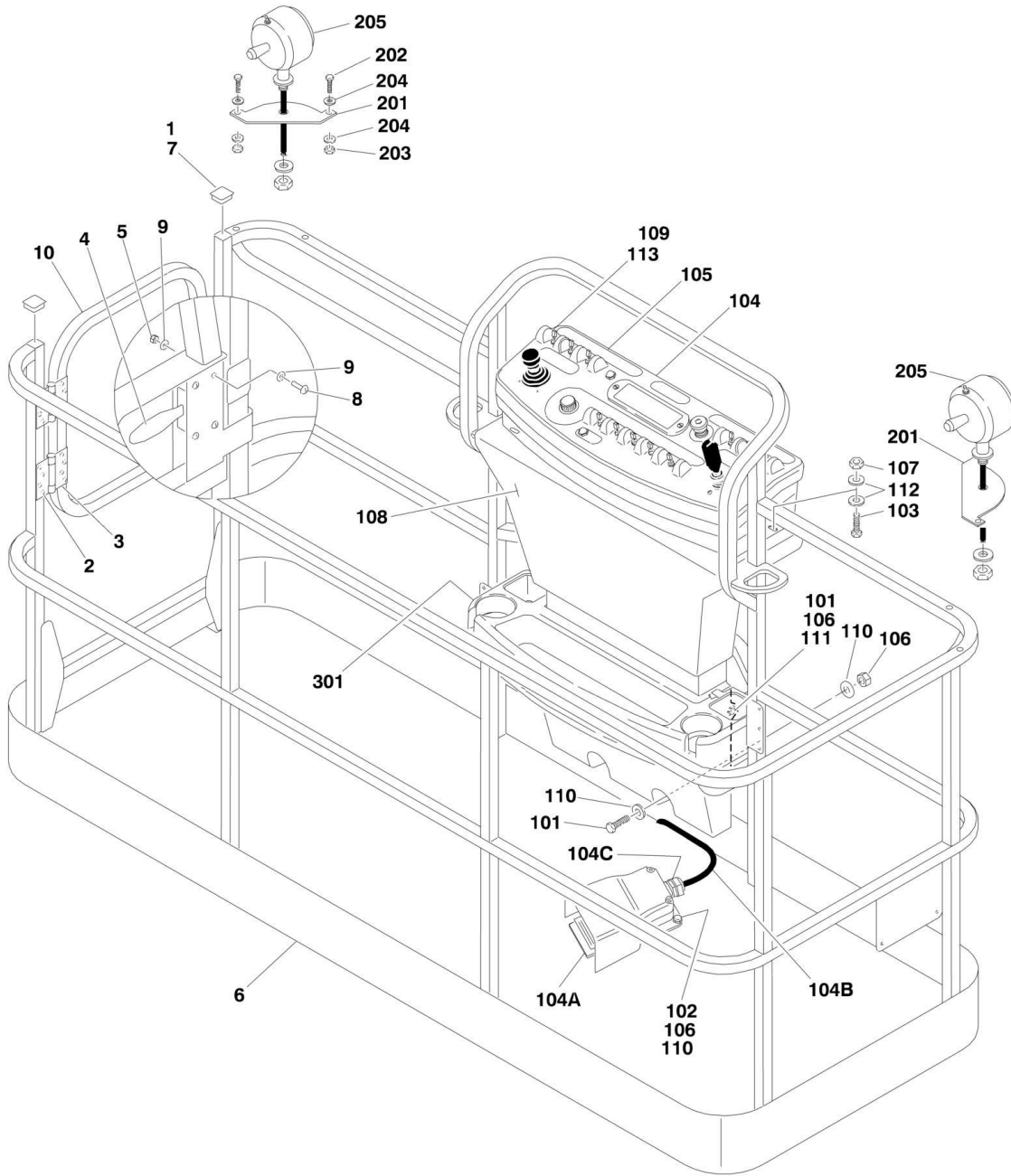
| ITEM | PART NUMBER | QTY | DESCRIPTION | REV |
|------|-------------|-----------|--|-----|
| 57 | 4740411 | 4 | Washer, Nylon | |
| 58 | 3300151 | 2 | Nut, Acorn 1/4in-20NC | |
| 59 | 0961845 | 2 | Bushing | |
| 60 | 4420055 | 7 in/18cm | Tape | |
| | | Ref | PLATFORM ASSEMBLIES WITH SELF-CLOSING GATE (VARIABLE PARTS) | |
| 71 | | Ref | Floor Weldment Options: | |
| 71 | 4846101 | 1 | 5ft/1.52m Platforms (Australian Spec) | |
| 71 | 4845290 | 1 | 6ft/1.83m Platforms (EN280 & CE Specs) | |
| 71 | 4844954 | 1 | 6ft/1.83m Platforms (Australian Spec) | |
| 71 | 4845289 | 1 | 8ft/2.44m Platforms (EN280 Spec) | |
| 71 | 4844928 | 1 | 8ft/2.44m Platforms (Australian Spec) | |
| 72 | | Ref | Rail Weldment - Right Side Options: | |
| 72 | 4846102 | 1 | 5ft/152m Platforms (Australian Spec) (Prior to SN 0300055241) | |
| 72 | 4846194 | 1 | 5ft/152m Platforms (Australian Spec) (SN 0300055241 through 0300069000) | |
| 72 | 4844955 | 1 | 6ft/1.83m Platforms | |
| 72 | 4844924 | 1 | 8ft/2.44m Platforms | |
| 73 | | Ref | Rail Weldment - Left Side Options: | |
| 73 | 4846103 | 1 | 5ft/1.52m Platforms (Australian Spec) (Prior to SN 0300055241) | |
| 73 | 4846195 | 1 | 5ft/1.52m Platforms (Australian Spec) (SN 0300055241 through 0300069000) | |
| 73 | 4844956 | 1 | 6ft/1.83m Platforms | |
| 73 | 4844925 | 1 | 8ft/2.44m Platforms | |
| 74 | 4845327 | 1 | Gate (Prior to SN 0300027649) | |
| 74 | 4845426 | 1 | Gate (SN 0300027649 through 0300069000) | |
| 75 | | Ref | Hinge Options: | |
| 75 | 2600219 | 2 | Hinge (Prior to SN 0300068582) | |
| 75 | 2600287 | 2 | Hinge (SN 0300068582 through 0300069000) | |
| 76 | 2940074 | 1 | Latch | |
| 77 | 3911016 | 4 | Screw, Machine #10-24NC x 2in | |
| 78 | 4751000 | 4 | Flatwasher #10 Regular | |
| 79 | 3311005 | 4 | Locknut #10-24NC | |
| 80 | 4761000 | 4 | Lockwasher #10 (Prior to SN 0300068582) | |
| 81 | 3539685 | 1 | Plate, Catch | |
| 82 | 4220165 | 1 | Stop, Gate (Prior to SN 0300027649) | |
| 82 | 4220168 | 1 | Stop, Gate (EN280 & CE Spec) (SN 0300027649 through 0300069000) | |
| 82 | 4220165 | 1 | Stop, Gate (Australian Spec) (SN 0300027649 through 0300069000) | |
| 83 | 4060803 | 6 ft/1.8m | Trimlock | |
| | | Ref | PLATFORM WORKLIGHTS INSTALLATIONS (OPTIONAL) | |
| | 0255392 | Ref | Platform Worklights Installations (Optional) (Colored Wiring) (Prior to SN 0300035129) | 2-B |
| | 0258048 | Ref | Platform Worklights Installations (Optional) (Numbered Colored Wiring) (SN 0300035129 through 0300064248) | 2-F |
| | 0270814 | Ref | Platform Worklights Installations (Optional) (ADE System) (SN 0300064249 through 0300069000) | 3-E |
| 101 | 3536089 | 2 | Plate, Mounting | |
| 102 | 0641414 | 4 | Bolt 1/4in-20NC x 1-3/4in | |
| 103 | 3311405 | 4 | Locknut 1/4in-20NC | |
| 104 | 4711400 | 8 | Flatwasher 1/4in Thin | |
| 105 | 2920140 | 2 | Worklight | |

SECTION 4 - PLATFORM

| ITEM | PART NUMBER | QTY | DESCRIPTION | REV |
|------|-------------|-----------|--------------------------------------|-----|
| 105 | 7016399 | 2 | Bulb, Replacement (1 Per Worklight) | |
| 106 | 4240099 | 10 | Tie-Strap | |
| 107 | 2820035 | 9 ft/2.8m | Loom, Vinyl (Not Shown) | |
| 108 | 4460042 | 2 | End, Terminal (Not Shown) | |
| 109 | 4460598 | 1 | Connector, Strain Relief (Not Shown) | |

SECTION 4 - PLATFORM

FIGURE 4-2. PLATFORM COMPONENTS INSTALLATION (SIDE ENTRY)



SECTION 4 - PLATFORM

FIGURE 4-2. PLATFORM COMPONENTS INSTALLATION (SIDE ENTRY)

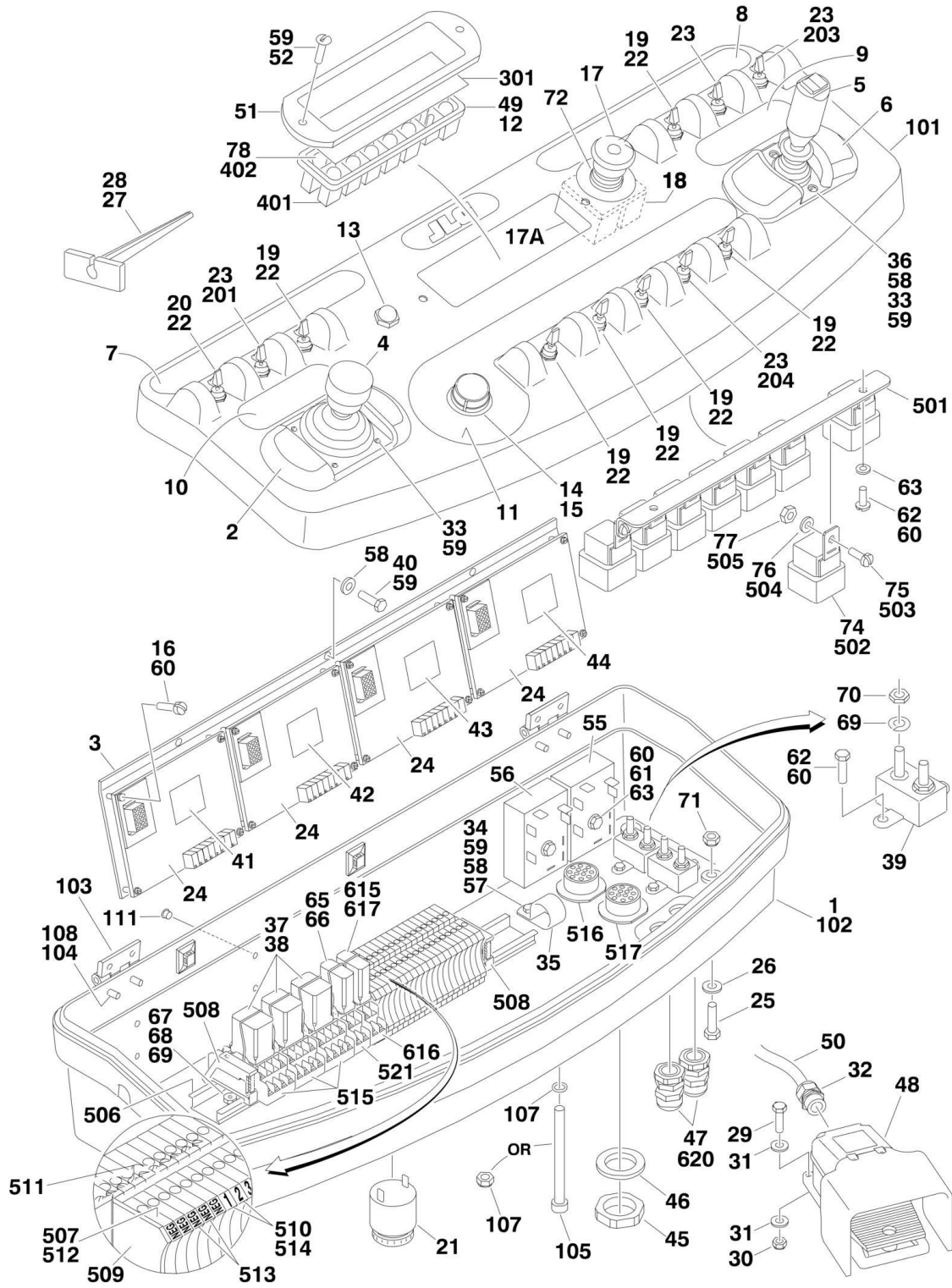
| ITEM | PART NUMBER | QTY | DESCRIPTION | REV |
|------|-------------|------------|--|-----|
| | | Ref | PLATFORM ASSEMBLIES: | |
| | 3510822 | NLA | 8ft (2.44m) with No Mesh (Use p/n 1001144023) | B-A |
| | 3510833 | NLA | 6ft (1.83m) with No Mesh (Use p/n 1001144024) | B-A |
| | | Ref | Note: When replacing 8ft/2.44m platform with Soft Touch option, new Soft Touch Rail p/n 4846673 must be purchased to accommodate limit switch locations. | |
| | | Ref | Note: When replacing platform on machines with SkyCutter option, new bracket p/n 1001145405 must be purchased to accommodate SkyCutter components. | |
| 1 | 0100040 | AR | Sealant, Adhesive | |
| 2 | 2080040 | 16 | Fastener, Huck | |
| 3 | 2600281 | 2 | Hinge, Self-Closing | |
| 4 | 2940074 | 1 | Latch | |
| 5 | 3311001 | 4 | Nut #10-24NC | |
| 6 | See Note | 1 | Platform Weldment (Note: Not Available - Purchase Platform Assembly) | |
| 7 | 3520072 | 2 | Cap-Plug | |
| 8 | 3911008 | 4 | Screw #10-24NC x 1in | |
| 9 | 4751000 | 8 | Flatwasher #10 Regular | |
| 10 | | Ref | Gate Weldment Options: | |
| 10 | 4846452 | 1 | Gate for Original Equipment Platform p/n 3510822, 3510833 | |
| 10 | 1001144629 | 1 | Gate for Service Replacement Platform p/ns 1001144023, 1001144024 | |
| | | Ref | CONSOLE BOX INSTALLATIONS | |
| | 0271945 | Ref | Console Box Installation 2WD | A |
| | 0271941 | Ref | Console Box Installation 4WD | A |
| 101 | 0641406 | 4 | Bolt 1/4in-20NC x 3/4in | |
| 102 | 0641408 | 3 | Bolt 1/4in-20NC x 1in | |
| 103 | 0641610 | 4 | Bolt 3/8in-16NC x 1-1/4in | |
| 104 | 0861517 | 1 | Platform Console Box Assembly (See PLATFORM CONSOLE ASSEMBLY (WITH ADE SYSTEM) for Breakdown) | |
| 104A | 0272970 | 1 | Footswitch Assembly (Includes Footswitch and Items 104B & 104C) | |
| | | Ref | Note: Assembly p/n 0272970 may use either p/n 4360031 or p/n 1001117320. If Original Equipment was replaced as an "assembly," p/n 1001117320 may have been used as part of the Service Replacement. Identify component before ordering parts. | |
| 104A | | Ref | Footswitch Less Cable Options: | |
| 104A | 4360031 | 1 | Original Equipment | |
| 104A | 1001117320 | 1 | Service Replacement | |
| 104A | | Ref | Block, Contact Options (see Note Above): | |
| 104A | 7000625 | 2 | Contact Block for 4360031 Footswitch | |
| 104A | 70003483 | 1 | Contact Block for 1001117320 Footswitch | |
| 104B | 1060918 | 7 ft/2.14m | Cable, Electrical - 18/3 | |
| 104C | 4460071 | 1 | Connector, Strain Relief | |
| 105 | | Ref | Decal - Horn Options: | |
| 105 | 1702563 | 1 | Decal - Horn 2WD | |
| 105 | 1702676 | 1 | Decal - Horn 4WD | |
| 106 | 3311405 | 7 | Locknut 1/4in-20NC | |
| 107 | 3311605 | 4 | Locknut 3/8in-16NC | |
| 108 | 3380434 | 1 | Panel, Decal Mount | |

SECTION 4 - PLATFORM

| ITEM | PART NUMBER | QTY | DESCRIPTION | REV |
|------|-------------|-----|---|-----|
| 109 | 4360331 | 1 | Switch (4WD) | |
| 110 | 4740362 | 7 | Washer, Fender 1/4in | |
| 111 | 4751400 | 4 | Flatwasher 1/4in Regular | |
| 112 | 4751600 | 8 | Flatwasher 3/8in Regular | |
| 113 | 3790012 | 1 | O-Ring | |
| | 0270814 | Ref | WORKLIGHTS INSTALLATIONS (optional) | 3-E |
| 201 | 3536089 | 2 | Plate, Mounting | |
| 202 | 0641414 | 4 | Bolt 1/4in-20NC x 1-3/4in | |
| 203 | 3311405 | 4 | Locknut 1/4in-20NC | |
| 204 | 4711400 | 8 | Flatwasher 1/4in Thin | |
| 205 | 2920140 | 2 | Worklight | |
| 205 | 7016399 | 2 | Bulb, Replacement (1 Per Worklight) | |
| 206 | 4240099 | 10 | Tie-Strap (Not Shown) | |
| 207 | 2820035 | 9 | Loom, Vinyl (Not Shown) | |
| 209 | 4460598 | 1 | Connector, Strain Relief (Not Shown - Located at Console Box) | |
| | | Ref | TRAY INSTALLATIONS (OPTIONAL) | |
| 301 | 1580012 | 1 | Tray, Storage (Center) | |
| 302 | 1580013 | 1 | Tray, Storage (Rail Mounted - Not Shown) | |

SECTION 4 - PLATFORM

FIGURE 4-3. PLATFORM CONSOLE ASSEMBLY (Prior to SN 0300064249)



SECTION 4 - PLATFORM

FIGURE 4-3. PLATFORM CONSOLE ASSEMBLY (Prior to SN 0300064249)

| ITEM | PART NUMBER | QTY | DESCRIPTION | REV |
|------|-------------|-----|--|-----|
| | | Ref | Note: Numbered Colored Wiring starts with SN 0300035129 | |
| | | Ref | PLATFORM CONSOLE AND FOOTSWITCH ASSEMBLIES OPTIONS: | |
| | 0860986 | Ref | Platform Console and Footswitch Assemblies 2WD CE & EN280 Spec (Prior to SN 0300035129) | 7-F |
| | 0861136 | Ref | Platform Console and Footswitch Assemblies 2WD CE EN280 Spec (SN 0300035129 through 0300064249) | 8-E |
| | 0861084 | Ref | Platform Console and Footswitch Assemblies 2WD Australian Spec (Prior to SN 0300035129) | 8-A |
| | 0861135 | Ref | Platform Console and Footswitch Assemblies 2WD Australian Spec (SN 0300035129 through 0300064249) | 7-E |
| | 0861048 | Ref | Platform Console and Footswitch Assemblies 4WD CE & EN280 Spec (Prior to SN 0300035129) | 7-F |
| | 0861137 | Ref | Platform Console and Footswitch Assemblies 4WD CE & EN280 Spec (SN 0300035129 through 0300064249) | 8-E |
| | 0861083 | Ref | Platform Console and Footswitch Assemblies 4WD Australian Spec (Prior to SN 0300035129) | 1-A |
| | 0861134 | Ref | Platform Console and Footswitch Assemblies 4WD Australian Spec (SN 0300035129 through 0300064249) | 7-E |
| 1 | 0860984 | 1 | Box, Console Assembly (See Items 101-108 for Breakdown) | |
| 2 | 4340678 | 1 | Support, Hand | |
| 3 | 3538819 | 1 | Plate, Mounting | |
| 4 | | Ref | Controller Assembly (Lift and Swing) Options: | |
| 4 | 1600242 | 1 | Prior to SN 0300039654 (See OEM CONTROLLER ASSEMBLY (SWING AND LIFT) for Breakdown) | |
| 4 | 1600284 | 1 | SN 0300039654 through 0300064249 (See OEM CONTROLLER ASSEMBLY (SWING AND LIFT) for Breakdown) | |
| 5 | | Ref | Controller Assembly (Drive and Steer) Options: | |
| 5 | 1600239 | 1 | Prior to SN 0300039654 (See OEM CONTROLLER ASSEMBLY (DRIVE/STEER) for Breakdown) | |
| 5 | 1600283 | 1 | SN 0300039654 through 0300064249 (See OEM CONTROLLER ASSEMBLY (DRIVE/STEER) for Breakdown) | |
| 6 | 4340684 | 1 | Support, Hand | |
| 7 | | Ref | Decal - Controls Options: (Console Left Side) | |
| 7 | 1702563 | 1 | Prior to June 1996 | |
| 7 | 1702676 | 1 | June 1996 to SN 0300064249 | |
| 8 | 1702564 | 1 | Decal (Stop) | |
| 9 | 1702565 | 1 | Decal (Drive and Steer) | |
| 10 | 1702566 | 1 | Decal (Lift and Swing) | |
| 11 | 1702567 | 1 | Decal (Speed/Lower Lift/Tele/Rotate/Jib) | |
| 12 | 2760105 | 1 | Housing, Display Light | |
| 13 | 4360387 | 1 | Switch, Pushbutton | |
| 14 | 2560136 | 1 | Knob, Speed Control | |
| 15 | 4360407 | 1 | Controller, Speed | |
| 15 | See Note | 1 | Gasket "Top Hat" (Included with Switch) (Note: Not Available - Purchase Complete Controller.) | |
| 15 | 70003784 | 1 | Seal | |
| 16 | 3910610 | 16 | Screw #6-32NC x 5/8in | |
| 17 | | Ref | Switch, Emergency Stop Options: | |
| 17 | 4360395 | 1 | Switch, Emergency Stop (Prior to SN 0300036019) | |
| 17 | 4360289 | 1 | Switch, Emergency Stop (SN 0300035129 through 0300044644) | |

SECTION 4 - PLATFORM

| ITEM | PART NUMBER | QTY | DESCRIPTION | REV |
|------|-------------|-----|---|-----|
| 17 | 4360475 | 1 | Switch, Emergency Stop (SN 0300044645 through 0300064249) | |
| 17A | | Ref | Cap Options: | |
| 17A | 7016315 | 1 | Cap, Red (Used on Switch p/n 4360395) | |
| 17A | 7012611 | 1 | Cap, Mushroom Head (Used on Switch p/n 4360289) | |
| 17A | 7012612 | 1 | Boot (Used on Switch p/n 4360289) | |
| 17A | 7020175 | 1 | Cap, Red (Used on Switch p/n 4360475) | |
| 17A | 7020176 | 1 | Block, Contact (SN 0300044645 through 0300064249) | |
| 18 | | Ref | Block, Contact Options: | |
| 18 | 4360282 | 1 | Block, Contact (Prior to SN 0300044645) | |
| 18 | 4360476 | 1 | Block, Contact (SN 0300044645 through 0300064249) | |
| 19 | 4360314 | 6 | Switch, Toggle | |
| 20 | | Ref | Switch, Toggle Options: | |
| 20 | 4360345 | 1 | Switch, Toggle 2WD | |
| 20 | 4360331 | 1 | Switch, Toggle 4WD | |
| 21 | 0140026 | 1 | Alarm | |
| 22 | 3790012 | 7 | O-Ring | |
| 23 | 3520028 | 4 | Plug, Hole (For switch call-outs at these locations, refer to options installation below) | |
| 24 | 1600218 | 4 | Card, Control | |
| 24 | 7016346 | 4 | Fuse - 5 Amp (1Per Card) | |
| 25 | | Ref | Bolt Options: | |
| 25 | 0641606 | 4 | Bolt 3/8in-16NC x 3/4in (Prior to SN 0300039778) | |
| 25 | 0641610 | 4 | Bolt 3/8in-16NC x 1-1/4in (SN 0300039778 through 0300064249) | |
| 26 | 4751600 | 4 | Flatwasher 3/8in Regular | |
| 27 | 4460467 | 1 | Tool, Pin Extraction (Blue 16-18 Gauge) (Not Shown) | |
| 28 | 4460510 | 1 | Tool, Pin Extraction (Yellow 12-14 Gauge) (Not Shown) | |
| 29 | 0641408 | 3 | Bolt 1/4in-20NC x 1in | |
| 30 | 3311405 | 3 | Locknut 1/4in-20NC | |
| 31 | 4740362 | 3 | Washer, Fender 1/4in | |
| 32 | 4460071 | 1 | Connector, Strain Relief | |
| 33 | 0641404 | 8 | Bolt 1/4in-20NC x 1/2in | |
| 34 | 3311401 | 1 | Nut 1/4in-20NC | |
| 35 | 1320060 | 1 | Clamp | |
| 36 | 1320095 | 1 | Clamp | |
| 37 | 3740058 | 3 | Relay - 4PDT | |
| 38 | 3740063 | 3 | Spring, Relay | |
| 39 | 4360232 | 2 | Breaker, Circuit - 15 Amp | |
| 40 | 3931412 | 3 | Capscrew, Socket Head 1/4in-20NC x 3/4in (Prior to SN 0300039749) | |
| 40 | 0641406 | 3 | Bolt 1/4in-20NC x 3/4in (SN 0300039749 through 0300064249) | |
| 41 | 1703090 | 1 | Decal - Control Card (Lift) | |
| 42 | 1703091 | 1 | Decal - Control Card (Swing) | |
| 43 | 1703092 | 1 | Decal - Control Card (Flow Control) | |
| 44 | 1703093 | 1 | Decal - Control Card (Drive) | |
| 45 | 4460470 | 2 | Nut, Conduit | |
| 46 | 4460471 | 2 | Washer | |
| 47 | 4460428 | 2 | Connector, Strain Relief | |
| 48 | 4360031 | 1 | Footswitch | |
| 48 | 7000625 | 2 | Block, Contact | |
| 49 | 3700010 | 14 | Reflector (Prior to SN 0300027331) | |

SECTION 4 - PLATFORM

| ITEM | PART NUMBER | QTY | DESCRIPTION | REV |
|------|--------------|-----|---|-----|
| 51 | 1670829 | 1 | Bezel | |
| 52 | 0630464 | 2 | Screw, Button Head #10-24NC x 1/2in | |
| 55 | 3740113 | 1 | Relay, Time Delay | |
| 56 | 3740115 | 1 | Relay, Time Delay | |
| 57 | 0641406 | 1 | Bolt 1/4in-20NC x 3/4in | |
| 58 | 4751400 | 5 | Flatwasher 1/4in Regular | |
| 59 | 0100011 | AR | Compound, Locking | |
| 60 | 0100035 | AR | Compound, Locking | |
| 61 | 0721010 | 2 | Screw, Machine #10-24NC x 1-1/4in | |
| 62 | 0721003 | 4 | Screw, Machine #10-24NC x 3/8in | |
| 63 | 4751000 | 2 | Flatwasher #10 Regular | |
| 65 | | Ref | Relay - DPDT | |
| 65 | 3740057 | 1 | CE & EN280 Spec | |
| 65 | Not Required | 0 | Australian Spec | |
| 66 | | Ref | Spring, Relay | |
| 66 | 3740066 | 1 | CE & EN280 Spec | |
| 66 | Not Required | 0 | Australian Spec | |
| 67 | 0721004 | 2 | Bolt #10-32NF x 1/2in | |
| 68 | 4711000 | 2 | Flatwasher #10 Thin | |
| 69 | 4761000 | 6 | Lockwasher #10 | |
| 70 | 3311001 | 4 | Nut #10-24NC | |
| 71 | 3311605 | 4 | Locknut 3/8in-16NC (SN 0300039777 through 0300064249) | |
| 72 | 1704260 | 1 | Decal - EMS | |
| 73 | 3539275 | 1 | Plate, Relay Mounting (SN 0300055241 through 0300064249) | |
| 74 | 3740049 | AR | Relay, Bosch (SN 0300055241 through 0300064249) | |
| 75 | 0721003 | AR | Screw #10-24NC x 3/8in (SN 0300055241 through 0300064249) | |
| 76 | 4751000 | AR | Flatwasher #10 Regular (SN 0300055241 through 0300064249) | |
| 77 | 3311005 | AR | Locknut #10-24NC (SN 0300055241 through 0300064249) | |
| 78 | 2920129 | 12 | Bulb, Light (SN 0300055241 through 0300064249) | |
| | 0860984 | Ref | CONSOLE BOX ASSEMBLY | 6-E |
| 101 | 1220022 | 1 | Lid, Cast | |
| 102 | 1220023 | 1 | Bottom, Box | |
| 103 | 2600211 | 2 | Hinge | |
| 104 | 3900224 | 8 | Capscrew, Socket Head Countersunk 6mm x 16mm | |
| 105 | 3931672 | 1 | Capscrew, Socket Head 3/8in-16NC x 4-1/2in | |
| 107 | | Ref | Fastener Options: | |
| 107 | See Note | 1 | O-Ring (Prior to May 1996) (Note: Recommend using 3311601 Nut in place of original 3790109O-Ring) | |
| 107 | 3311601 | 1 | Nut 3/8in-16NC | |
| 108 | 0100011 | AR | Compound, Locking | |
| 111 | 3520173 | 4 | Plug (SN 0300038808 through 0300064249) | |
| | | Ref | CONSOLE BOX OPTIONS | |
| 201 | | Ref | 4WS Switch Option Components | |
| 201 | 4360331 | 1 | Switch, Toggle | |
| 201 | 3790012 | 1 | O-Ring | |
| 203 | | Ref | Lights Switch Option Components | |
| 203 | 4360336 | 1 | Switch, Toggle | |
| 203 | 3790012 | 1 | O-Ring | |
| 204 | | Ref | Articulating Jib Switch Option Components | |
| 204 | 4360314 | 1 | Switch, Toggle | |
| 204 | 3790012 | 1 | O-Ring | |
| | 0236632 | Ref | LIGHT PANEL DISPLAY INSTALLATION (EN280 & CE SPEC) | - |

SECTION 4 - PLATFORM

| ITEM | PART NUMBER | QTY | DESCRIPTION | REV |
|------|--------------|-----|---|-----|
| 301 | 1703084 | 1 | Decal - Light Panel Display | |
| | 0256633 | Ref | LIGHT PANEL DISPLAY INSTALLATION (AUSTRALIAN SPEC) | - |
| 301 | 1703085 | 1 | Decal - Light Panel Display | |
| | | Ref | HARNESS COMPONENTS | |
| 401 | 4120035 | 7 | Base, Light | |
| 402 | 2920129 | 7 | Bulb, Light | |
| | | Ref | ELECTRICAL COMPONENTS INSTALLATIONS: | |
| | 0860986 | Ref | 2WD CE & EN280 Spec (Prior to SN 0300035129) | 7-F |
| | 0861084 | Ref | 2WD Australian Spec (Prior to SN 0300035129) | 1-A |
| | 0861048 | Ref | 4WD CE & EN280 Spec (Prior to SN 0300035129) | 7-F |
| | 0861083 | Ref | 2WD Australian Spec (Prior to SN 0300035129) | 1-A |
| | 4921994 | Ref | CE & EN280 Spec (SN 0300035129 through 0300064249) | 2-E |
| | 4921991 | Ref | Australian Spec (SN 0300035129 through 0300064249) | 1-A |
| | | Ref | Prior to SN 0300035129 (Note the following components are part of the console assembly. After SN 35129, parts are available as a harness which is part of the console assembly.) | |
| 501 | 3539275 | 1 | Plate, Relay Mounting | |
| 502 | 3740049 | 8 | Relay, Bosch | |
| 503 | 0721003 | 8 | Screw #10-24NC x 3/8in | |
| 504 | 4751000 | 8 | Flatwasher #10 Regular | |
| 505 | 3311005 | 8 | Locknut #10-24NC | |
| 506 | | Ref | Track Options: | |
| 506 | 3640970 | 1 | Track (Prior to SN 0300035129) | |
| 506 | 3641182 | 1 | Track (SN 0300035129 through 0300069000) | |
| 507 | 4460601 | AR | Block, Terminal | |
| 508 | 4460607 | 2 | Stop, End | |
| 509 | 4460602 | 1 | Barrier, Terminal | |
| 510 | 4460629 | 2 | Marker, Terminal (6-15) | |
| 511 | 4460603 | 1 | Bar, Buss - 10 Position (Cut into [2] 5 Position Bars) | |
| 512 | 4460600 | AR | Block, Terminal | |
| 513 | 4460631 | 1 | Marker, Terminal (Negative) | |
| 514 | 4460632 | AR | Marker, Terminal (1-5) | |
| 515 | 4120013 | 3 | Socket, Relay | |
| 516 | 4460613 | 1 | Connector - 21 Position | |
| 517 | 4460503 | 1 | Connector - 31 Position | |
| 519 | 4240032 | 20 | Tie-Strap (Not Shown) | |
| 520 | 4240018 | 10 | Tie-Strap (Not Shown) | |
| 521 | | Ref | Relay, Socket Options: | |
| 521 | 4120012 | 1 | CE & EN280 Spec | |
| 521 | Not Required | 0 | Australian Spec | |
| | 0259233 | Ref | BPE LOAD SENSING DEVICE INSTALLATION (FRENCH SPEC) (SN 0300058378 through 0300064249) | 4-C |
| | 0271474 | Ref | BPE LOAD SENSING DEVICE INSTALLATION (FRENCH SPEC) (SN 0300058378 through 0300064249) | 1-A |
| 615 | 3740057 | 1 | Relay | |
| 616 | 4120012 | 1 | Base, Relay | |
| 617 | 3740066 | 1 | Spring, Relay | |
| 620 | 4460428 | 1 | Relief, Strain | |

SECTION 4 - PLATFORM

FIGURE 4-4. PLATFORM CONSOLE ASSEMBLY (WITH ADE SYSTEM) (SN 0300064249 through 0300069000)

| ITEM | PART NUMBER | QTY | DESCRIPTION | REV |
|------|-------------|-----------|--|-----|
| | | Ref | CONSOLE BOX AND FOOTSWITCH ASSEMBLIES | |
| | 0861415 | Ref | Console Box and Footswitch Assemblies (SN 0300064249 through 0300064269) | E |
| | 0861474 | Ref | Console Box and Footswitch Assemblies (SN 0300064270 through 0300068289) | B |
| | 0861517 | Ref | Console Box and Footswitch Assemblies (SN 0300068290 through 0300069000) | A |
| 1 | 0100009 | AR | Sealant | |
| 2 | 0100020 | AR | Sealant | |
| 3 | 0100035 | AR | Compound, Locking | |
| 4 | 0100048 | AR | Grease, Dielectric | |
| 5 | 0140011 | 1 | Alarm | |
| 6 | 0630464 | 2 | Screw, Button Head #10-24NC x 1/2in | |
| 7 | 0641404 | 8 | Bolt 1/4in-20NC x 1/2in | |
| 8 | 0641406 | 4 | Bolt 1/4in-20NC x 3/4in | |
| 9 | 0641408 | 3 | Bolt 1/4in-20NC x 1in | |
| 10 | 0641416 | 4 | Bolt 1/4in-20NC x 2in | |
| 11 | 0641610 | 4 | Bolt 3/8in-16NC x 1-1/4in | |
| 12 | | Ref | Box, Console Options: | |
| | | Ref | Note: No exact SN break exists. 0300067725 to 0300068965 may use either box. | |
| 12 | 0861414 | 1 | Box, Console - Aluminum (See Items 101-107 for Breakdown) | |
| 12 | 0861537 | 1 | Box, Console - Die Cast (See Items 110-115 for Breakdown) | |
| 13 | 0902751 | 4 | Bracket, Card Support | |
| 14 | | Ref | Cable Options: | |
| 14 | 1060330 | 7 ft/2.1m | Cable, 16/3 (SN 0300064249 through 0300064269) | |
| 14 | 1060918 | 8 ft/2.4m | Cable, 18/3 (SN 0300064270 through 0300069000) | |
| 15 | 1600317 | NLA | Controller Assembly (Lift and Swing) (See OEM CONTROLLER ASSEMBLY (SWING AND LIFT) (WITH ADE SYSTEM) for Breakdown) (Use p/n 1001129555) | |
| 15 | 100118417 | NLA | Controller Assembly (Lift and Swing) (See OEM CONTROLLER ASSEMBLY (SWING AND LIFT) (WITH ADE SYSTEM) for Breakdown) (Use p/n 1001129555) | |
| 16 | 1600318 | NLA | Controller Assembly (Drive and Steer) (See OEM CONTROLLER ASSEMBLY (DRIVE/STEER) (WITH ADE SYSTEM) for Breakdown) (Use p/n 1001212415) | |
| 17 | 1600313 | 1 | Controller, Module (Re-calibration Required when Replaced) | |
| 18 | 1670829 | 1 | Bezel | |
| 19 | 1702564 | 1 | Decal (Stop) | |
| 20 | 1702565 | 1 | Decal (Drive and Steer) | |
| 21 | 1702566 | 1 | Decal (Lift and Swing) | |
| 22 | 1702567 | 1 | Decal (Function Speed) | |
| 23 | 1702676 | 1 | Decal (Horn) | |
| 24 | 1704260 | 1 | Decal - EMS | |
| 25 | 2560136 | 1 | Handle, Knob | |
| 26 | 2760105 | 1 | Housing, Display Light | |
| 27 | 2920129 | 12 | Bulb, Light | |
| 28 | 3300408 | 2 | Locknut, Nylon Insert | |
| 29 | 3311405 | 11 | Locknut 1/4in-20NC | |
| 30 | 3311605 | 4 | Locknut 3/8in-16NC | |
| 31 | 3520028 | 4 | Plug, Hole 1/2in | |

SECTION 4 - PLATFORM

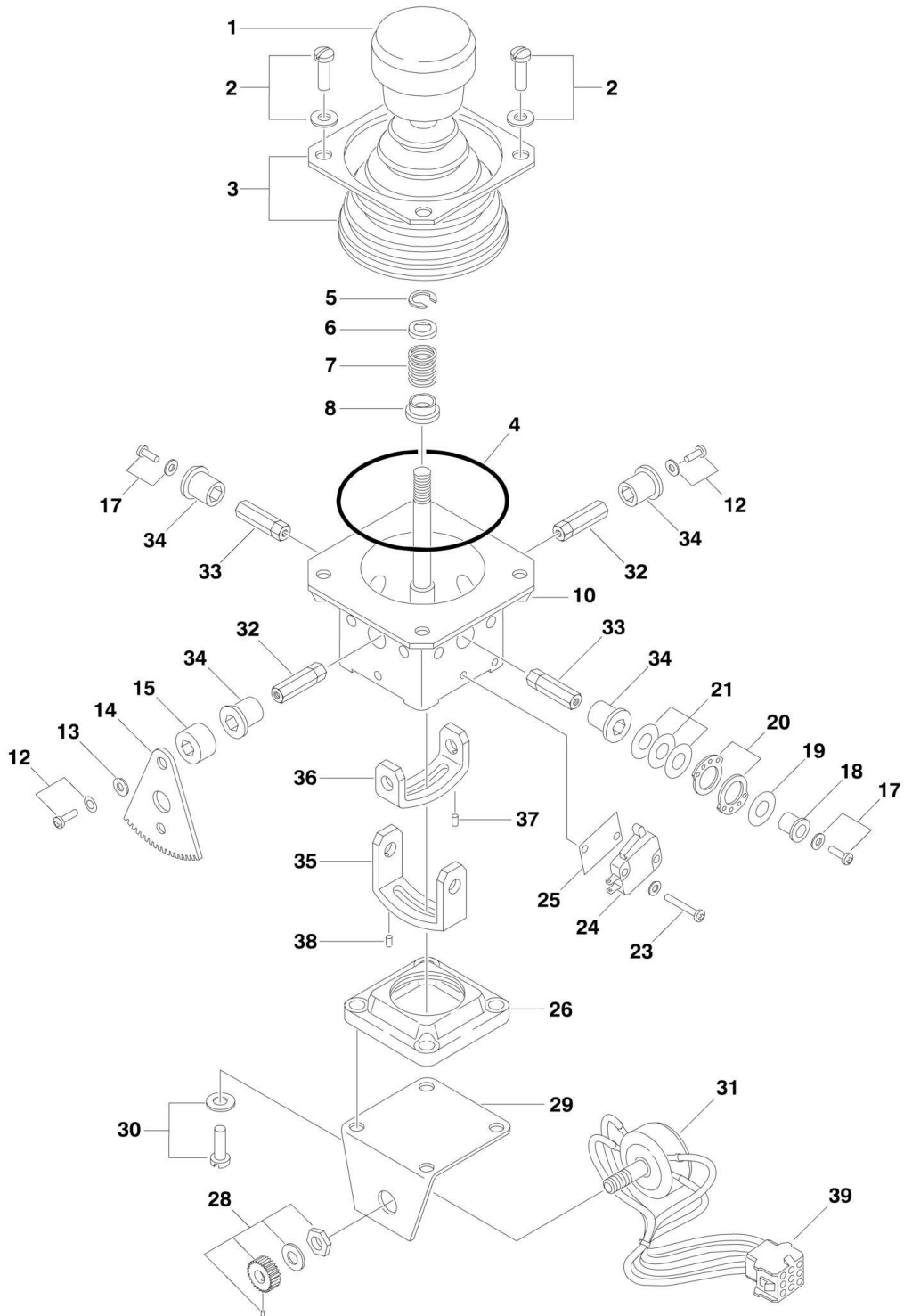
| ITEM | PART NUMBER | QTY | DESCRIPTION | REV |
|------|-------------|-----|---|-----|
| 32 | 4340678 | 1 | Support, Hand | |
| 33 | 4340684 | 1 | Support, Hand | |
| 34 | 4360031 | 1 | Footswitch | |
| 34 | 7000625 | 2 | Block, Contact | |
| 35 | 4360328 | 6 | Switch, Toggle | |
| 36 | 4360331 | 1 | Switch, Toggle | |
| 37 | 4360387 | 1 | Switch, Pushbutton | |
| 38 | 4360407 | 1 | Controller, Speed | |
| 38 | See Note | 1 | Gasket "Top Hat" (Included with Switch) (Note: Not Available - Purchase Complete Controller.) | |
| 38 | 70003784 | 1 | Seal | |
| 39 | 4360475 | 1 | Switch, Emergency Stop | |
| 39 | 7020175 | 1 | Cap, Red | |
| 39A | 7020176 | 1 | Contact Block | |
| 40 | 4360476 | 1 | Block, Contact | |
| 41 | 4460042 | 3 | Terminal, Ring (Not Shown) | |
| 42 | 4460071 | 1 | Connector, Strain Relief | |
| 43 | 4460226 | 2 | Socket, Contact | |
| 44 | 4460428 | 2 | Connector, Strain Relief | |
| 45 | 4460464 | 1 | Terminal, Deutsch | |
| 46 | 4460470 | 1 | Nut, Terminal | |
| 47 | 4460471 | 1 | Lockwasher, Terminal | |
| 48 | 4460905 | 5 | Connector, Amp Seal Plug | |
| 49 | 4740362 | 3 | Washer 1/4in (Fender) | |
| 50 | 4751400 | 16 | Flatwasher 1/4in Regular | |
| 51 | 4751600 | 4 | Flatwasher 3/8in Regular | |
| 52 | | Ref | Harness, Platform Box Options: | |
| 52 | 4922509 | 1 | Harness, Platform Box (SN 0300064249 through 0300064269) | |
| 52 | 4922639 | 1 | Harness, Platform Box (SN 0300064270 through 0300069000) | |
| 53 | | Ref | Harness, Analyzer Cable Options: (Not Shown) | |
| 53 | 4922485 | 1 | Harness, Analyzer Cable (SN 0300064249 through 0300064269) | |
| 53 | 4922666 | 1 | Harness, Analyzer Cable (SN 0300064270 through 0300069000) | |
| 53 | 4460871 | 4 | Terminal, Socket | |
| 53 | 4460761 | 1 | Housing - 4 Position | |
| 53 | 4460227 | 4 | Pin | |
| 54 | 3790012 | 7 | O-Ring | |
| 55 | 4460708 | 2 | Connector, Female - 15 Position (Not Shown - See ELECTRICAL SECTION for Location) | |
| 56 | 0100081 | AR | Adhesive (SN 0300064398 through 0300069000) | |
| 57 | 1671037 | 1 | Cover (SN 0300068918 through 0300069000) | |
| 58 | 1705132 | 1 | Decal - ADE (SN 0300068918 through 0300069000) | |
| 59 | 3300353 | 4 | Nut, Tinnerman (SN 0300068918 through 0300069000) | |
| 60 | 4460226 | 3 | Wire, Tie (Not Shown) (SN 0300068918 through 0300069000) | |
| 61 | 4460488 | 1 | Base, Mounting (SN 0300068918 through 0300069000) | |
| | 0861414 | Ref | CONSOLE BOX ASSEMBLY - ALUMINUM | C |
| 101 | 0100011 | AR | Compound, Locking | |
| 102 | 0861414 | 1 | Console Top (Note: Not Available for Purchase) | |
| 103 | 0861414 | 1 | Console Bottom (Note: Not Available for Purchase) | |
| 104 | 2600211 | 2 | Hinge | |
| 105 | 3311601 | 1 | Nut 3/8in-16NC | |

SECTION 4 - PLATFORM

| ITEM | PART NUMBER | QTY | DESCRIPTION | REV |
|------|-------------|-----|---|-----|
| 106 | 3900224 | 8 | Screw Countersunk | |
| 107 | 3931672 | 1 | Screw 3/8in-16NC x 4-1/2in | |
| 108 | 3520174 | 3 | Plug, 3/16 (Not Shown) | |
| | 0861537 | Ref | CONSOLE BOX ASSEMBLY - DIE CAST | A |
| 110 | 1220096 | 1 | Console Bottom | |
| 111 | 1220102 | 1 | Console Top | |
| 112 | 3311601 | 1 | Nut 3/8in-16NC | |
| 113 | 3450304 | 2 | Pin, Cotter | |
| 114 | 3931672 | 1 | Screw 3/8in-16NC x 4-1/2in | |
| 115 | 4711500 | 2 | Flatwasher 5/16in Thin | |
| | | Ref | LIGHT PANEL DECAL INSTALLATION | |
| | 0256632 | Ref | Euro Spec | - |
| | 0256633 | Ref | Australian Spec | - |
| 201 | | Ref | Decal - Display Options: | |
| 201 | 1703084 | 1 | Euro Spec | |
| 201 | 1703085 | 1 | Australian Spec | |
| | 0271552 | Ref | HEAD AND TAIL LIGHTS INSTALLATION (OPTIONAL) | 1 |
| 301 | 4360336 | 1 | Switch, Toggle | |
| 301 | 3790012 | 1 | O-Ring | |
| | | Ref | SOFT TOUCH SYSTEM INSTALLATION (OPTIONAL) | |
| | 0271550 | Ref | 6ft Platform | 1 |
| | 0271551 | Ref | 8ft Platform | 1 |
| 401 | 4360387 | 1 | Switch, Pushbutton | |
| 402 | 1702938 | 1 | Decal - Soft Touch Override | |
| | | Ref | GENERATOR INSTALLATION (OPTIONAL) | |
| | 0271544 | Ref | 100V Deutz | 1 |
| | 0271547 | Ref | 220V Deutz | 1 |
| 501 | 4360336 | 1 | Switch, Toggle | |
| 502 | 4740397 | 1 | Bushing | |
| 503 | 4060802 | 1 | Guard, Switch | |
| 504 | 3251102 | 1 | Decal - Generator ON/OFF | |
| | 0270814 | Ref | PLATFORM WORKLIGHT INSTALLATION (OPTIONAL) | 3 |
| 601 | 4360232 | 1 | Breaker, Circuit - 15Amp | |
| 602 | 0721003 | 2 | Bolt #10-24NC x 3/8in | |
| 603 | 4761000 | 4 | Lockwasher #10 | |
| 604 | 3311001 | 2 | Nut #10-24NC | |
| 605 | 4460598 | 1 | Connector, Strain Relief | |

SECTION 4 - PLATFORM

FIGURE 4-5. CONTROLLER ASSEMBLY (SWING AND LIFT) (Prior to SN 0300039749)



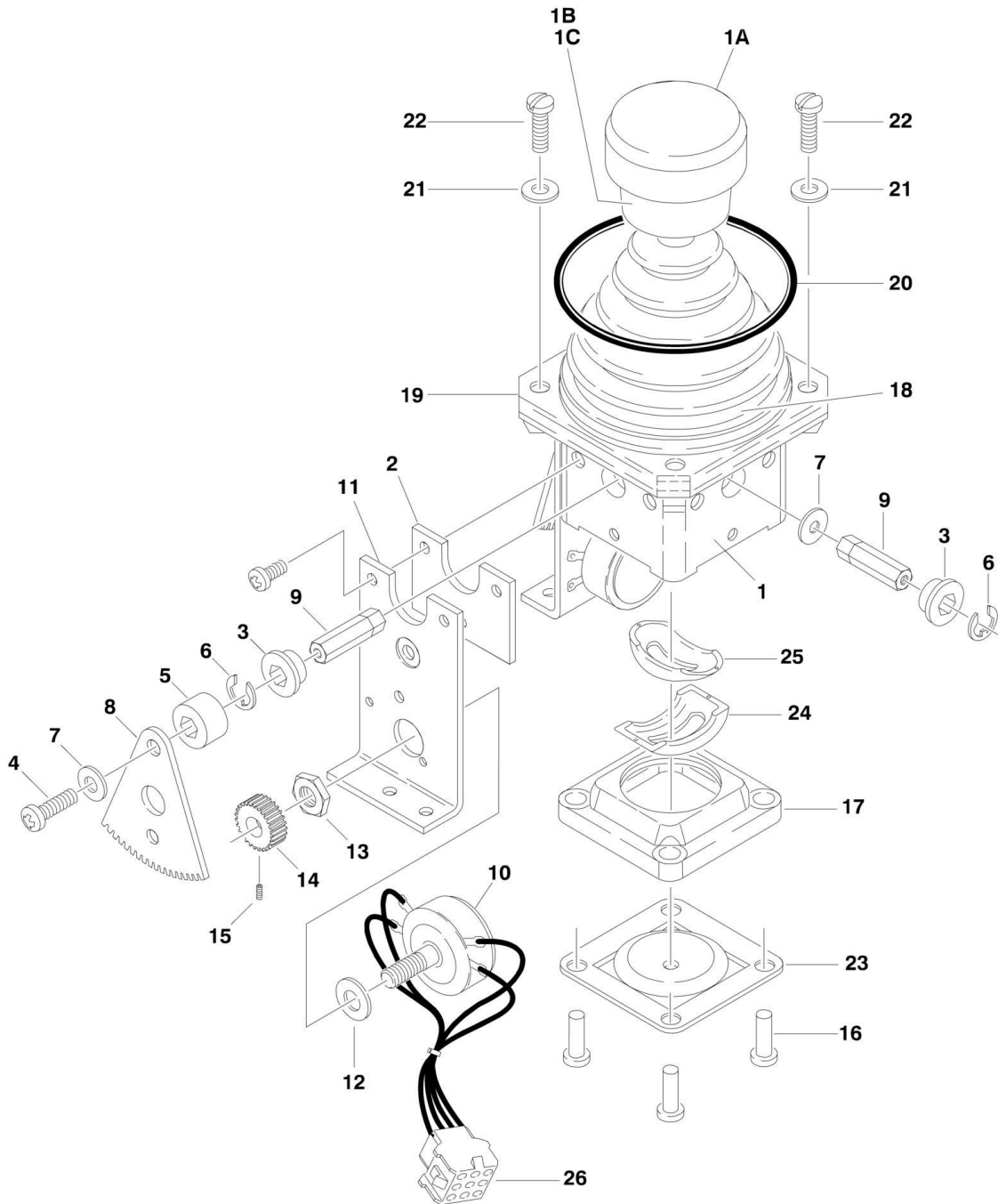
SECTION 4 - PLATFORM

FIGURE 4-5. CONTROLLER ASSEMBLY (SWING AND LIFT) (Prior to SN 0300039749)

| ITEM | PART NUMBER | QTY | DESCRIPTION | REV |
|------|-------------|-----|--|-----|
| | 1600242 | Ref | CONTROLLER ASSEMBLY (LIFT/SWING) (Prior to SN 0300039749) | A |
| 1 | 7003951 | 1 | Knob, Handle | |
| 2 | 7022811 | 4 | Screw M14 x 25mm | |
| 2 | See Note | 4 | Washer (Note: Not Available for Purchase) | |
| 3 | 7022813 | 1 | Plate (was p/n 7003954) | |
| 3 | 7022813 | 1 | Boot (was p/n 7003955) | |
| 4 | 7003956 | 1 | O-Ring | |
| 5 | 7003957 | 1 | Ring, Retaining | |
| 6 | 7003959 | 1 | Retainer, Spring | |
| 7 | 7003958 | 1 | Spring, Return | |
| 8 | 7003960 | 1 | Bushing, Nylon Shaft | |
| 10 | See Note | 1 | Casting, Handle (Note: Not Available for Purchase) | |
| 12 | See Note | 2/2 | Screw M3 x.05 and Starwasher M3 (Note: Not Available - Purchase Locally) | |
| 13 | See Note | 2 | Spacer (Note: Not Available for Purchase) | |
| 14 | 7003977 | 2 | Gear, Drive | |
| 15 | See Note | 2 | Bearing (Note: Not Available for Purchase) | |
| 17 | See Note | 2 | Screw M3 (Note: Not Available - Purchase Locally) | |
| 17 | See Note | 2 | Washer, Wavy (Note: Not Available for Purchase) | |
| 18 | 7019193 | 2 | Coupling, Cam | |
| 19 | See Note | 2 | Spacer, Cam (Note: Not Available for Purchase) | |
| 20 | See Note | 4 | Cam, 4 Hole (Note: Not Available for Purchase) | |
| 21 | See Note | 6 | Cam (Note: Not Available for Purchase) | |
| 23 | See Note | 4/4 | Screw/Washer (Note: Not Available - Purchase Locally) | |
| 24 | 7003961 | 2 | Micro-Switch | |
| 25 | See Note | 2 | Insulator (Note: Not Available for Purchase) | |
| 26 | See Note | 1 | Gate (Note: Not Available for Purchase) | |
| 28 | 7003976 | 2 | Gear | |
| 28 | See Note | 2 | Setscrew (Note: Not Available - Purchase Locally) | |
| 28 | See Note | 2 | Spacer (Note: Not Available for Purchase) | |
| 28 | See Note | 2 | Nut (Note: Not Available for Purchase) | |
| 29 | See Note | 1 | Plate, Pot Mounting (Note: Not Available for Purchase) | |
| 30 | See Note | 4/4 | Screw M4 x 14/Washer M4 (Note: Not Available for Purchase) | |
| 31 | 7003974 | 2 | Potentiometer | |
| 32 | 7019192 | 1 | Pin | |
| 33 | 7019104 | 2 | Pin | |
| 34 | 7019111 | 2 | Bushing | |
| 35 | 7019122 | 1 | Limiter, Gate - Outer | |
| 36 | 7019123 | 1 | Limiter, Gate - Inner | |
| 37 | See Note | 1 | Setscrew (Note: Not Available for Purchase) | |
| 38 | See Note | 1 | Setscrew (Note: Not Available for Purchase) | |
| 39 | 4460266 | 1 | Cap, Connector - 9 Pin (Not Shown) | |
| 39 | 4460268 | 8 | Socket, Female (Not Shown) | |
| 39 | 4460265 | 1 | Plug - 9 Pin (Part of Platform Wiring) (Not Shown) | |
| 39 | 4460267 | 8 | Pin, Male (Part of Platform Wiring) (Not Shown) | |

SECTION 4 - PLATFORM

FIGURE 4-6. CONTROLLER ASSEMBLY (SWING AND LIFT) (SN 0300039749 through 0300064248)



SECTION 4 - PLATFORM

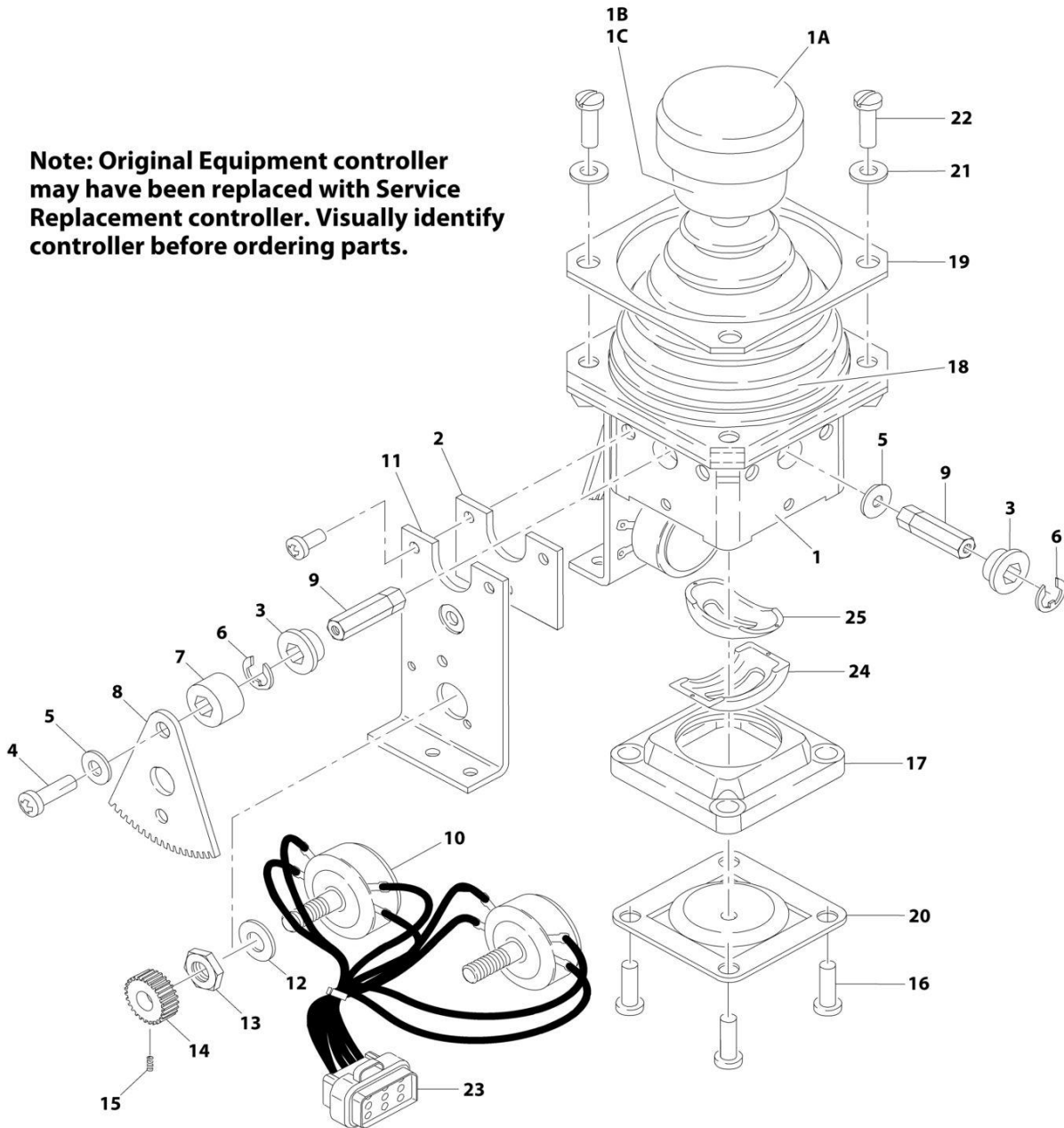
FIGURE 4-6. CONTROLLER ASSEMBLY (SWING AND LIFT) (SN 0300039749 through 0300064248)

| ITEM | PART NUMBER | QTY | DESCRIPTION | REV |
|------|-------------|-----|---|-----|
| | 1600284 | Ref | CONTROLLER ASSEMBLY (LIFT/SWING) | A |
| 1 | 7019141 | 1 | Mechanical Assembly (Includes Base, Handle Stem and Items 1A, 1B, 1C & 18 Boot) | |
| 1A | 7019197 | 1 | Handle Cap and Rod | |
| 1B | 7003928 | 1 | Spring | |
| 1C | 7022808 | 1 | Cap, Lift | |
| 2 | 7019142 | 2 | Plate | |
| 3 | 7019111 | 4 | Bearing, Gear | |
| 4 | 7019143 | 2 | Screw | |
| 5 | 7019144 | 2 | Spacer, Cam | |
| 6 | 7019145 | 4 | E-Clip | |
| 7 | 7019174 | 2 | Spacer | |
| 8 | 7003977 | 2 | Gear, Drive | |
| 9 | 7019147 | 4 | Shaft | |
| 10 | 7003974 | 2 | Potentiometer | |
| 11 | 7019142 | 2 | Plate | |
| 12 | 7003992 | 2 | Washer | |
| 13 | 7003993 | 2 | Nut | |
| 14 | 7003976 | 2 | Gear, Slave | |
| 15 | 7019149 | 2 | Setscrew | |
| 16 | 7003952 | 4 | Screw | |
| 17 | 7019150 | 1 | Gate | |
| 18 | 7022813 | 1 | Boot (was 7003955) | |
| 19 | 7022813 | 1 | Plate, Plastic (was p/n 7003954) | |
| 20 | 7003956 | 1 | Gasket | |
| 21 | 7003953 | 4 | Washer | |
| 22 | 7022811 | 4 | Screw | |
| 23 | See Note | 1 | Center, Detent (Note: Not Available for Purchase) | |
| 24 | 7019122 | 1 | Gimble, Outer | |
| 25 | 7019123 | 1 | Gimble, Inner | |
| 26 | 4460266 | 1 | Connector - 9 Pin | |
| 26 | 4460268 | 8 | Socket, Female | |
| 26 | 4460265 | 1 | Plug - 9 Pin (Part of Platform Wiring) (Not Shown) | |
| 26 | 4460267 | 8 | Pin, Male (Part of Platform Wiring) (Not Shown) | |

SECTION 4 - PLATFORM

FIGURE 4-7. CONTROLLER ASSEMBLY (SWING AND LIFT) (WITH ADE SYSTEM) (ORIGINAL EQUIPMENT) (SN 0300064249 through 0300069000)

Note: Original Equipment controller may have been replaced with Service Replacement controller. Visually identify controller before ordering parts.



ART_1600317

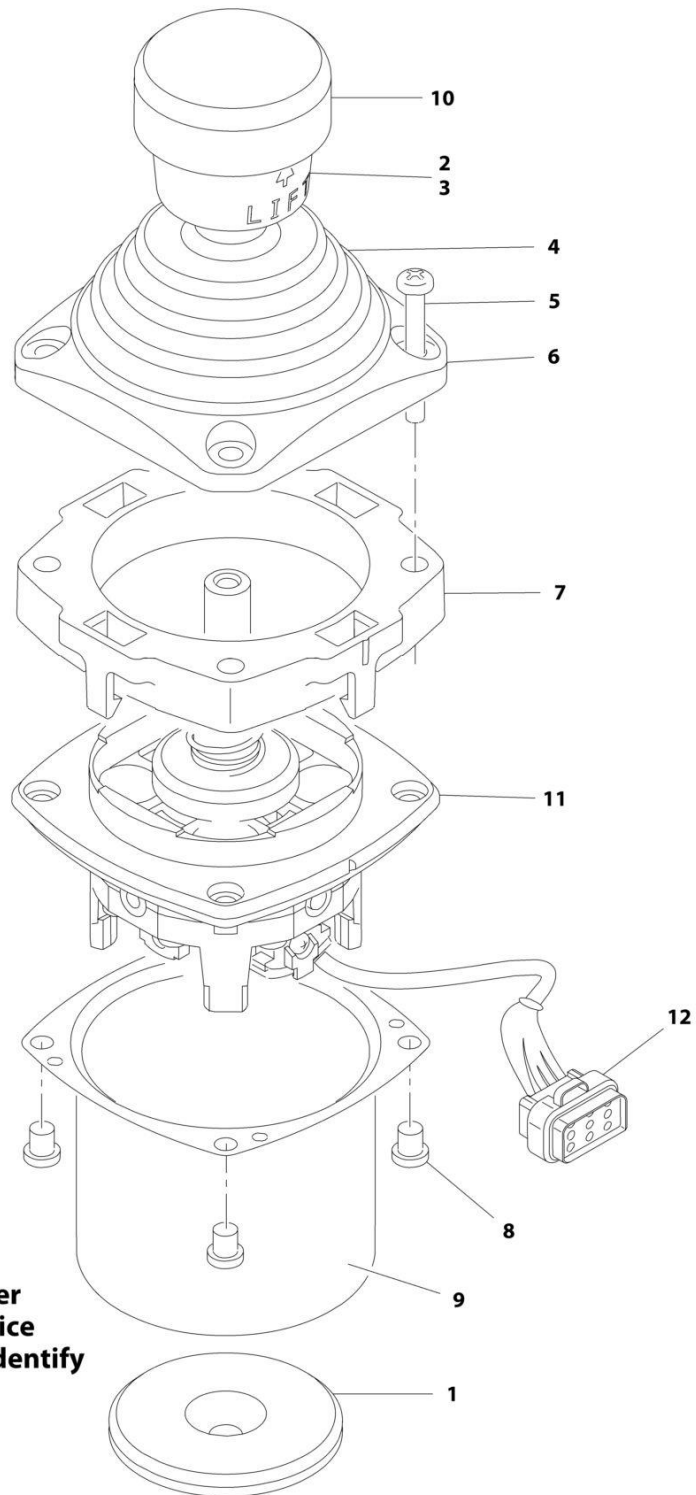
SECTION 4 - PLATFORM

FIGURE 4-7. CONTROLLER ASSEMBLY (SWING AND LIFT) (WITH ADE SYSTEM) (ORIGINAL EQUIPMENT) (SN 0300064249 through 0300069000)

| ITEM | PART NUMBER | QTY | DESCRIPTION | REV |
|------|-------------|-----|--|-----|
| | | Ref | Note: Original Equipment controller may have been replaced with Service Replacement controller. Visually identify controller before ordering parts. | |
| | 1600317 | Ref | CONTROLLER ASSEMBLY | C |
| | | Ref | Note: Use p/n 1001129555 Kit as Replacement. | |
| 1 | 7019141 | 1 | Mechanical Assembly (Includes Base, Handle Stem and Items 1A, 1B, 1C & 18) | |
| 1A | 7019197 | 1 | Handle Cap and Rod | |
| 1B | 7003928 | 1 | Spring | |
| 1C | 7022808 | 1 | Cap, Lift | |
| 2 | 7019171 | 2 | Plate | |
| 3 | 7019111 | 4 | Bearing, Gear | |
| 4 | 7019143 | 2 | Screw | |
| 5 | 7019144 | 2 | Spacer, Cam | |
| 6 | 7019145 | 4 | E-Clip | |
| 7 | 7019174 | 2 | Spacer | |
| 8 | 7003977 | 2 | Gear, Drive | |
| 9 | | Ref | Shaft Options: | |
| 9 | 7019147 | 2 | Shaft, Short | |
| 9 | 7019177 | 2 | Shaft, Long | |
| 10 | 7022818 | 2 | Potentiometer | |
| 11 | 7019142 | 2 | Plate | |
| 12 | 7003992 | 2 | Washer | |
| 13 | 7003993 | 2 | Nut | |
| 14 | 7003976 | 2 | Gear, Slave | |
| 15 | 7019149 | 2 | Setscrew | |
| 16 | 7022816 | 4 | Screw | |
| 17 | 7019150 | 1 | Gate | |
| 18 | 7022814 | 1 | Boot | |
| 19 | 7022815 | 1 | Bezel | |
| 20 | See Note | NSS | Center, Detent (Note: Use p/n 1001129555) | |
| 21 | 7003953 | 4 | Washer | |
| 22 | 7022817 | 4 | Screw | |
| 23 | 7022819 | 1 | Plug, Male 8 Position (Natural) | |
| 23 | 4460871 | 8 | Socket, Female | |
| 24 | 7019122 | 1 | Gimble, Outer | |
| 25 | 7019123 | 1 | Gimble, Inner | |

SECTION 4 - PLATFORM

FIGURE 4-8. CONTROLLER ASSEMBLY (SWING AND LIFT) (WITH ADE SYSTEM) (SERVICE REPLACEMENT) (SN 0300064249 through 0300069000)



Note: Original Equipment controller may have been replaced with Service Replacement controller. Visually identify controller before ordering parts.

ART_100118417

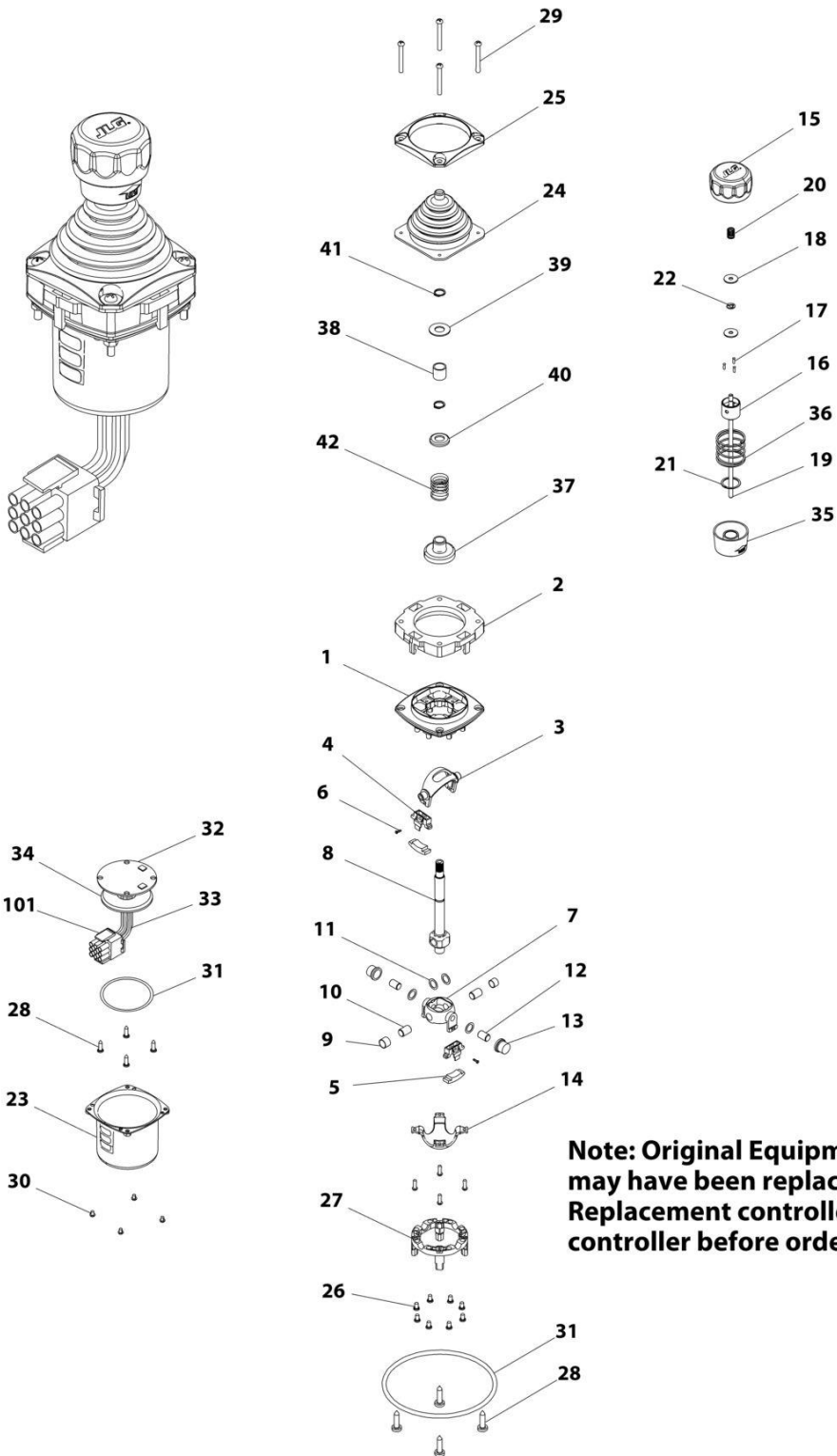
SECTION 4 - PLATFORM

FIGURE 4-8. CONTROLLER ASSEMBLY (SWING AND LIFT) (WITH ADE SYSTEM) (SERVICE REPLACEMENT) (SN 0300064249 through 0300069000)

| ITEM | PART NUMBER | QTY | DESCRIPTION | REV |
|------|-------------|-----|--|-----|
| | | Ref | Note: Original Equipment controller may have been replaced with Service Replacement controller. Visually identify controller before ordering parts. | |
| | 1001118417 | Ref | CONTROLLER ASSEMBLY | E |
| | | Ref | Note: Use p/n 1001129555 as Replacement. | |
| 1 | 70002730 | 1 | Gasket | |
| 2 | 7003928 | 1 | Spring | |
| 3 | 7022808 | 1 | Cap, Lift | |
| 4 | 70002731 | 1 | Boot | |
| 5 | 70002732 | 4 | Screw | |
| 6 | 7022815 | 1 | Bezel | |
| 7 | 70002733 | 1 | Adapter | |
| 8 | 70002734 | 4 | Screw | |
| 9 | 70002735 | 1 | Can, Enclosure | |
| 10 | 70002906 | 1 | Cap | |
| 11 | See Note | NSS | Mechanical Assembly (Note: Use p/n 1001129555) | |
| 12 | 7022819 | 1 | Connector - 8 Position | |
| 12 | 4460871 | 6 | Socket, Female | |

SECTION 4 - PLATFORM

FIGURE 4-9. CONTROLLER ASSEMBLY (SWING AND LIFT) (WITH ADE SYSTEM) (SERVICE REPLACEMENT) (SN 0300064249 through 0300069000)



Note: Original Equipment controller may have been replaced with Service Replacement controller. Visually identify controller before ordering parts.

ART_1001166539

SECTION 4 - PLATFORM

FIGURE 4-9. CONTROLLER ASSEMBLY (SWING AND LIFT) (WITH ADE SYSTEM) (SERVICE REPLACEMENT) (SN 0300064249 through 0300069000)

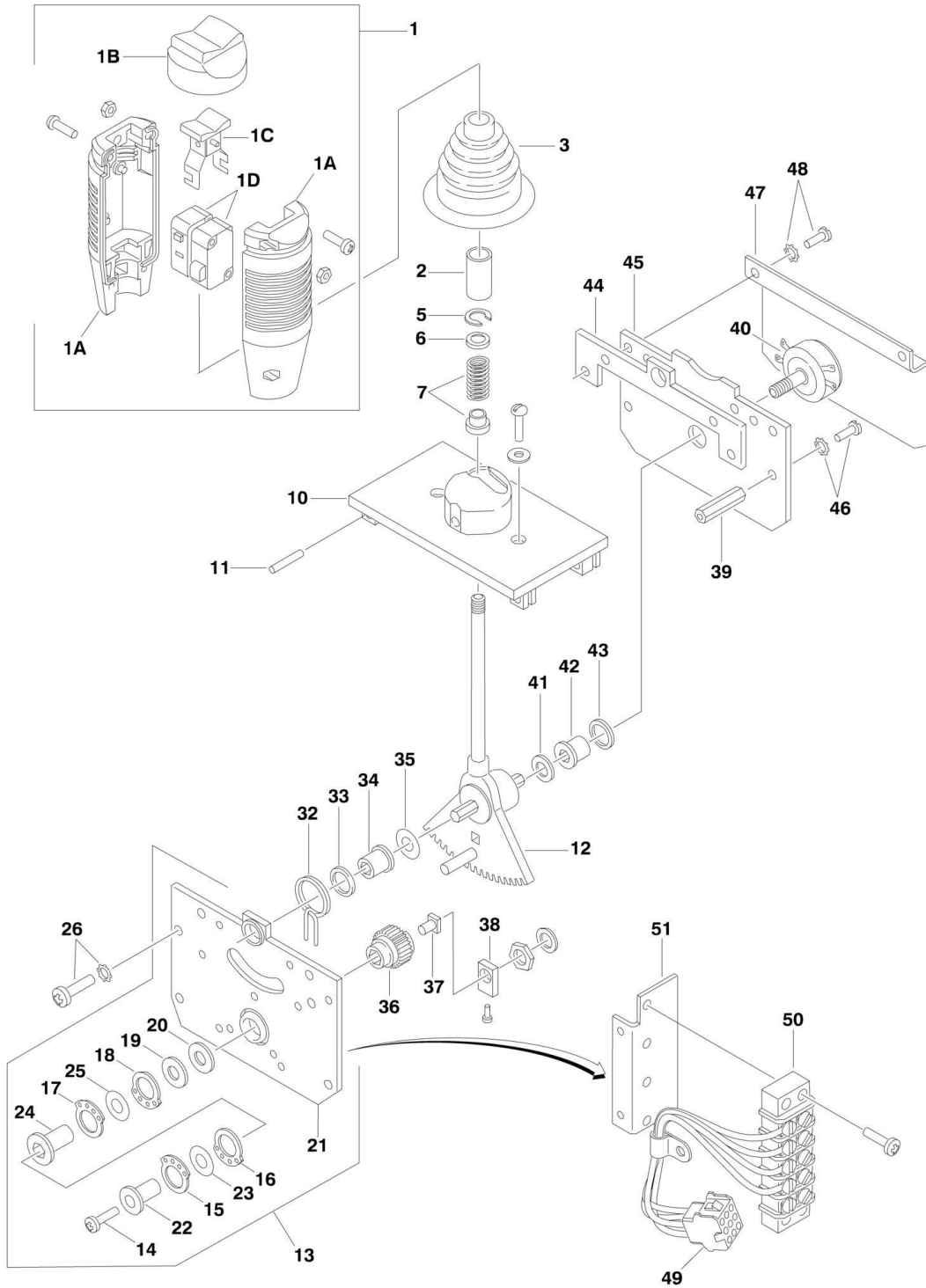
| ITEM | PART NUMBER | QTY | DESCRIPTION | REV |
|------|-------------|-----|--|-----|
| | | Ref | Note: Original Equipment controller may have been replaced with Service Replacement controller. Visually identify controller before ordering parts. | |
| | 1001166539 | Ref | CONTROLLER ASSEMBLY (SWING AND LIFT) | D |
| | | Ref | Note: Use p/n 1001129555 as Replacement. | |
| 1 | See Note | NSS | Main Cast Body (Note: Not Available - Purchase Complete Assembly) | |
| 2 | 70004752 | 1 | Adapter | |
| 3 | See Note | NSS | Pivot Arm, Plastic (Note: Not Available - Purchase Complete Assembly) | |
| 4 | See Note | NSS | Holder, Magnet (Note: Not Available - Purchase Complete Assembly) | |
| 5 | See Note | NSS | Arc, Magnet (Note: Not Available - Purchase Complete Assembly) | |
| 6 | See Note | NSS | Screw (Note: Not Available for Purchase) | |
| 7 | See Note | NSS | Pivot Arm, Cast (Note: Not Available - Purchase Complete Assembly) | |
| 8 | See Note | NSS | Shaft, Main (Note: Not Available - Purchase Complete Assembly) | |
| 9 | See Note | NSS | Bearing (Note: Not Available - Purchase Complete Assembly) | |
| 10 | See Note | NSS | Pin (Note: Not Available - Purchase Complete Assembly) | |
| 11 | See Note | NSS | Shim (Note: Not Available - Purchase Complete Assembly) | |
| 12 | See Note | NSS | Pin (Note: Not Available - Purchase Complete Assembly) | |
| 13 | See Note | NSS | Bearing (Note: Not Available - Purchase Complete Assembly) | |
| 14 | See Note | NSS | Dome, Centering (Note: Not Available - Purchase Complete Assembly) | |
| 15 | 70004753 | 1 | Cap | |
| 16 | 70004754 | 1 | Insert, Cap | |
| 17 | 70004755 | 3 | Pin | |
| 18 | 70004756 | 2 | Washer | |
| 19 | 70004757 | 1 | Pin, Centering | |
| 20 | 70004758 | 1 | Spring | |
| 21 | 70004759 | 1 | Ring, Retaining | |
| 22 | 70004760 | 1 | E-Ring | |
| 23 | 70004761 | 1 | Can, Enclosure | |
| 24 | 70004762 | 1 | Boot | |
| 25 | 70004763 | 1 | Bezel | |
| 26 | See Note | NSS | Screw (Note: Not Available for Purchase) | |
| 27 | See Note | NSS | Base, Mounting (Note: Not Available - Purchase Complete Assembly) | |
| 28 | See Note | NSS | Screw (Note: Not Available for Purchase) | |
| 29 | 70004764 | 4 | Screw | |
| 30 | 70004765 | 4 | Screw | |
| 31 | 70004766 | 1 | O-Ring | |
| 32 | See Note | NSS | Plate (Note: Not Available - Purchase Complete Assembly) | |
| 33 | See Note | NSS | Harness (Note: Not Available - Purchase Complete Assembly) | |
| 34 | 70004767 | 1 | Grommet, Rubber | |
| 35 | 70004768 | 1 | Housing | |
| 36 | 70004769 | 1 | Spring | |
| 37 | 70004770 | 1 | Stopper | |
| 38 | 70004771 | 1 | Spacer | |
| 39 | 70004772 | 1 | Washer | |

SECTION 4 - PLATFORM

| ITEM | PART NUMBER | QTY | DESCRIPTION | REV |
|------|-------------|-----|------------------------|-----|
| 40 | 70004773 | 1 | Disc | |
| 41 | 70004774 | 2 | Ring, Retaining | |
| 42 | 70004775 | 1 | Spring | |
| 101 | 4460265 | 1 | Connector - 9 Position | |
| 101 | 4460226 | 6 | Socket, Female | |

SECTION 4 - PLATFORM

FIGURE 4-10. CONTROLLER ASSEMBLY (DRIVE AND STEER) (Prior to SN 0300039749)



SECTION 4 - PLATFORM

FIGURE 4-10. CONTROLLER ASSEMBLY (DRIVE AND STEER) (Prior to SN 0300039749)

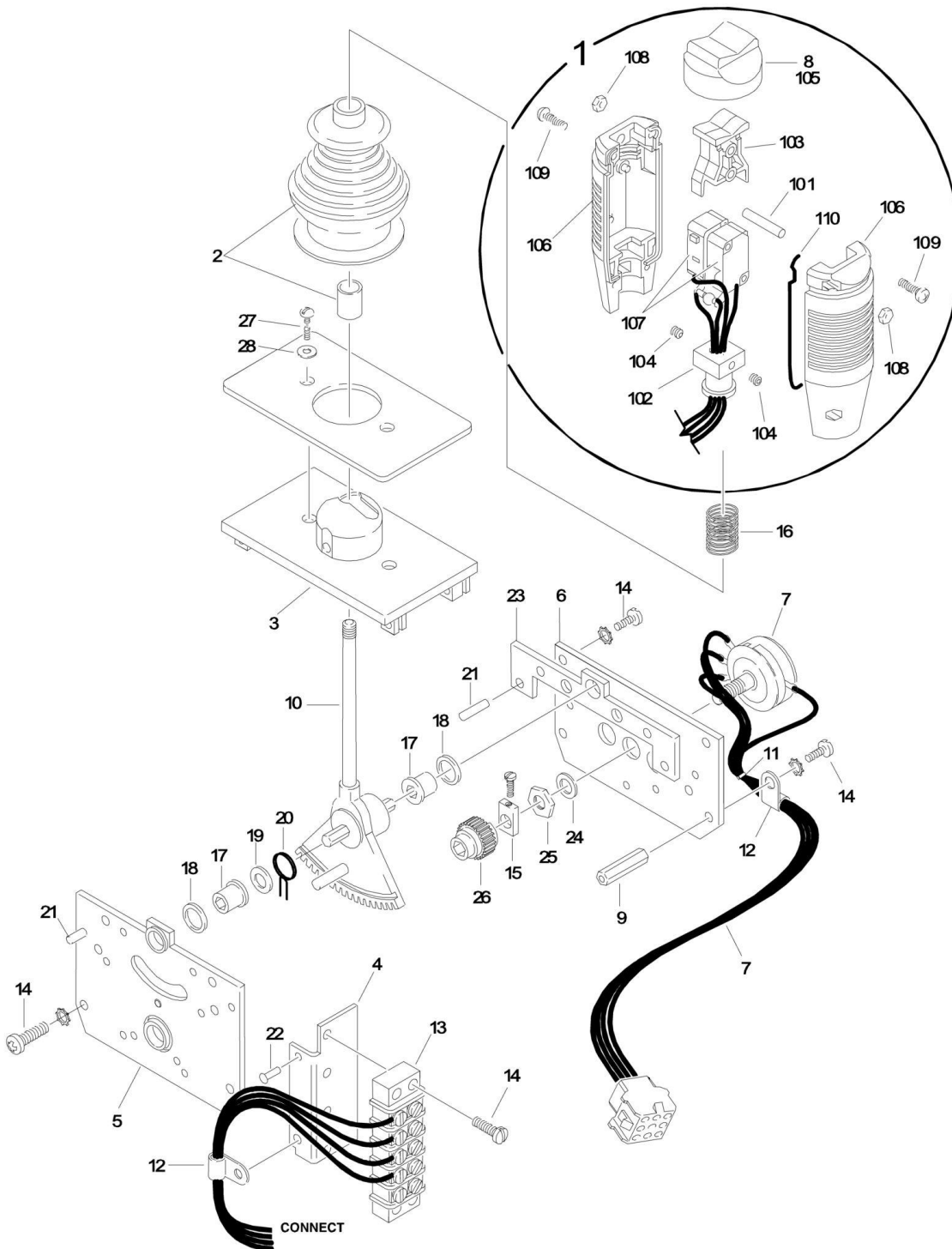
| ITEM | PART NUMBER | QTY | DESCRIPTION | REV |
|------|-------------|-----|--|-----|
| | 1600239 | Ref | CONTROLLER ASSEMBLY (DRIVE/STEER) (Prior to SN 0300039749) | C |
| 1 | 7003978 | 1 | Handle Assembly | |
| 1A | 7003973 | 2 | Half, Handle | |
| 1B | 7003972 | 1 | Boot, Switch | |
| 1C | 7003981 | 1 | Rocker | |
| 1D | 7003982 | 2 | Switch, Micro | |
| 2 | 7003984 | 1 | Coupling | |
| 3 | 7003966 | 1 | Boot | |
| 5 | 7003957 | 1 | Ring, Retainer | |
| 6 | 7003967 | 1 | Flatwasher | |
| 7 | 7003968 | 1 | Detent, Assembly | |
| 10 | 7019160 | 1 | Plate, Base | |
| 11 | See Note | 1 | Pin (Note: Not Available for Purchase) | |
| 12 | 7003963 | 1 | Shaft/Gear Assembly | |
| 13 | See Note | 1 | Micro Cam Assembly (Includes Items 14-25) (Note: Not Available for Purchase) | |
| 14 | See Note | 1 | Screw (Note: Not Available for Purchase) | |
| 15 | See Note | 1 | Cam, 4 Hole (Note: Not Available for Purchase) | |
| 16 | See Note | 1 | Cam, 4 Hole (Note: Not Available for Purchase) | |
| 17 | See Note | 1 | Cam, 4 Hole (Note: Not Available for Purchase) | |
| 18 | See Note | 1 | Cam, 4 Hole (Note: Not Available for Purchase) | |
| 19 | See Note | 1 | Spacer, Cam (Note: Not Available for Purchase) | |
| 20 | See Note | 1 | Spacer, Cam (Note: Not Available for Purchase) | |
| 21 | See Note | 1 | Plate, Cam - Left Side (Note: Not Available for Purchase) | |
| 22 | See Note | 1 | Coupling, Cam (Note: Not Available for Purchase) | |
| 23 | See Note | 1 | Spacer, Cam (Note: Not Available for Purchase) | |
| 24 | See Note | 1 | Coupling, Cam (Note: Not Available for Purchase) | |
| 25 | See Note | 1 | Spacer, Cam (Note: Not Available for Purchase) | |
| 26 | See Note | 4 | Screw (Note: Not Available for Purchase) | |
| 26 | See Note | 4 | Washer (Note: Not Available for Purchase) | |
| 32 | 7003946 | 1 | Spring, Return (Note: Not Available for Purchase) | |
| 33 | See Note | 1 | Spacer (Note: Not Available for Purchase) | |
| 34 | See Note | 1 | Bearing (Note: Not Available for Purchase) | |
| 35 | See Note | 1 | Washer, Cam Retainer (Note: Not Available for Purchase) | |
| 36 | See Note | 1 | Gear, Slave (Note: Not Available for Purchase) | |
| 37 | See Note | 1 | Nut/Cam Assembly (Note: Not Available for Purchase) | |
| 38 | See Note | 1 | Coupling, Potentiometer (Note: Not Available for Purchase) | |
| 39 | See Note | 2 | Stand-Off (Note: Not Available for Purchase) | |
| 40 | 7003974 | 1 | Potentiometer | |
| 41 | See Note | 1 | Washer, Cam Retainer (Note: Not Available for Purchase) | |
| 42 | See Note | 1 | Bearing (Note: Not Available for Purchase) | |
| 43 | See Note | 1 | Spacer (Note: Not Available for Purchase) | |
| 44 | See Note | 1 | Plate, Mounting (Note: Not Available for Purchase) | |
| 45 | See Note | 1 | Plate, Potentiometer (Note: Not Available for Purchase) | |
| 46 | See Note | 2 | Screw (Note: Not Available for Purchase) | |
| 46 | See Note | 2 | Washer (Note: Not Available for Purchase) | |
| 47 | See Note | 1 | Heat Shrink (Note: Not Available for Purchase) | |
| 48 | See Note | 2 | Screw (Note: Not Available for Purchase) | |
| 48 | See Note | 2 | Washer (Note: Not Available for Purchase) | |

SECTION 4 - PLATFORM

| ITEM | PART NUMBER | QTY | DESCRIPTION | REV |
|------|-------------|-----|---|-----|
| 49 | 4460266 | 1 | Connector, Amp (9Pin) (Not Shown) | |
| 49 | 4460268 | 7 | Socket (Not Shown) | |
| 49 | 4460265 | 1 | Plug, Amp (9Pin) (Not Shown - Part of Harness) | |
| 49 | 4460267 | 7 | Pin (Not Shown - Part of Harness) | |
| 50 | 7003886 | 1 | Strip, Terminal - 3 Position | |
| 50 | See Note | 1 | Strip, Terminal - 5 Position (Note: Not Available for Purchase) | |
| 51 | 7003985 | 1 | Brace | |

SECTION 4 - PLATFORM

FIGURE 4-11. CONTROLLER ASSEMBLY (DRIVE AND STEER) (SN 0300039749 through 0300064248)



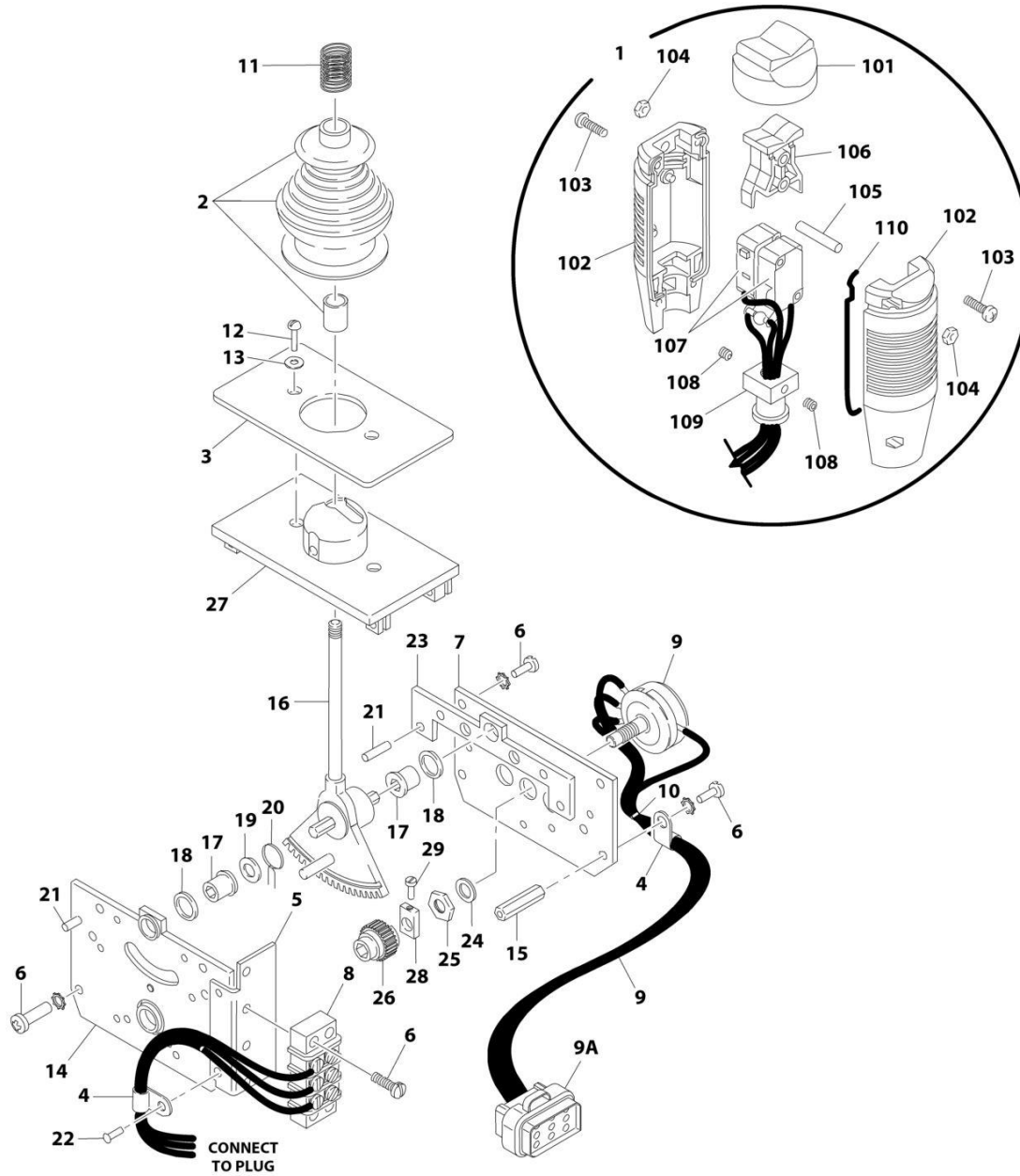
SECTION 4 - PLATFORM

FIGURE 4-11. CONTROLLER ASSEMBLY (DRIVE AND STEER) (SN 0300039749 through 0300064248)

| ITEM | PART NUMBER | QTY | DESCRIPTION | REV |
|------|-------------|-----|---|-----|
| | 1600283 | Ref | CONTROLLER ASSEMBLY (DRIVE/STEER) (SN 0300039749 through 0300064249) | |
| 1 | 7022810 | 1 | Handle Assembly (See items 101-110 for Breakdown) | |
| 2 | 7019161 | 1 | Boot and Sleeve | |
| 3 | 7019160 | 1 | Cast Housing Assembly | |
| 4 | 7019159 | 1 | Bracket, Mounting | |
| 5 | 7019158 | 1 | Plate, Mounting (Left Side) | |
| 6 | 7019157 | 1 | Plate, Pot Mounting | |
| 7 | 7019156 | 1 | Electric Assembly | |
| 8 | 7003972 | 1 | Boot, Rocker | |
| 9 | 7019115 | 2 | Stand-Off | |
| 10 | 7019155 | 1 | Shaft 8mm | |
| 11 | 7019151 | AR | Tie-Strap | |
| 12 | 7019154 | 2 | Clamp, Wire | |
| 13 | 7019153 | 1 | Strip, Terminal - 5 Position | |
| 14 | 7019117 | 8 | Screw | |
| 15 | 7019163 | 1 | Potentiometer Coupling Assembly | |
| 16 | 7019162 | 1 | Spring | |
| 17 | 7019111 | 2 | Bearing | |
| 18 | 7019110 | 2 | Spacer, Head Gear | |
| 19 | 7019112 | 1 | Washer | |
| 20 | 7003946 | 1 | Spring, Return | |
| 21 | 7019103 | 4 | Pin | |
| 22 | See Note | 1 | Rivet (Note: Not Available - Purchase Locally) | |
| 23 | 7019168 | 1 | Plate, Mounting (Right Side) | |
| 24 | 7003992 | 1 | Washer | |
| 25 | 7003993 | 1 | Nut | |
| 26 | 7003935 | 1 | Gear, Slave | |
| 27 | 7003969 | 2 | Screw | |
| 28 | 7003941 | 2 | Washer | |
| | 7022810 | Ref | HANDLE ASSEMBLY | |
| 101 | 7019164 | 1 | Axle | |
| 102 | 7019194 | 1 | Coupling | |
| 103 | 7019165 | 1 | Rocker | |
| 104 | 7003983 | 2 | Setscrew | |
| 105 | 7003972 | 1 | Boot, Switch | |
| 106 | 7003973 | 2 | Half, Handle | |
| 107 | 7019166 | 2 | Switch, Micro | |
| 108 | 7019167 | 4 | Nut | |
| 109 | 7003980 | 4 | Screw | |
| 110 | 7003989 | 2 | Gasket | |

SECTION 4 - PLATFORM

FIGURE 4-12. CONTROLLER ASSEMBLY (DRIVE AND STEER) (WITH ADE SYSTEM) (ORIGINAL EQUIPMENT) (SN 0300064249 through 0300069000)



Note: Original Equipment controller may have been replaced with Service Replacement controller. Visually identify controller before ordering parts.

ART_1600318

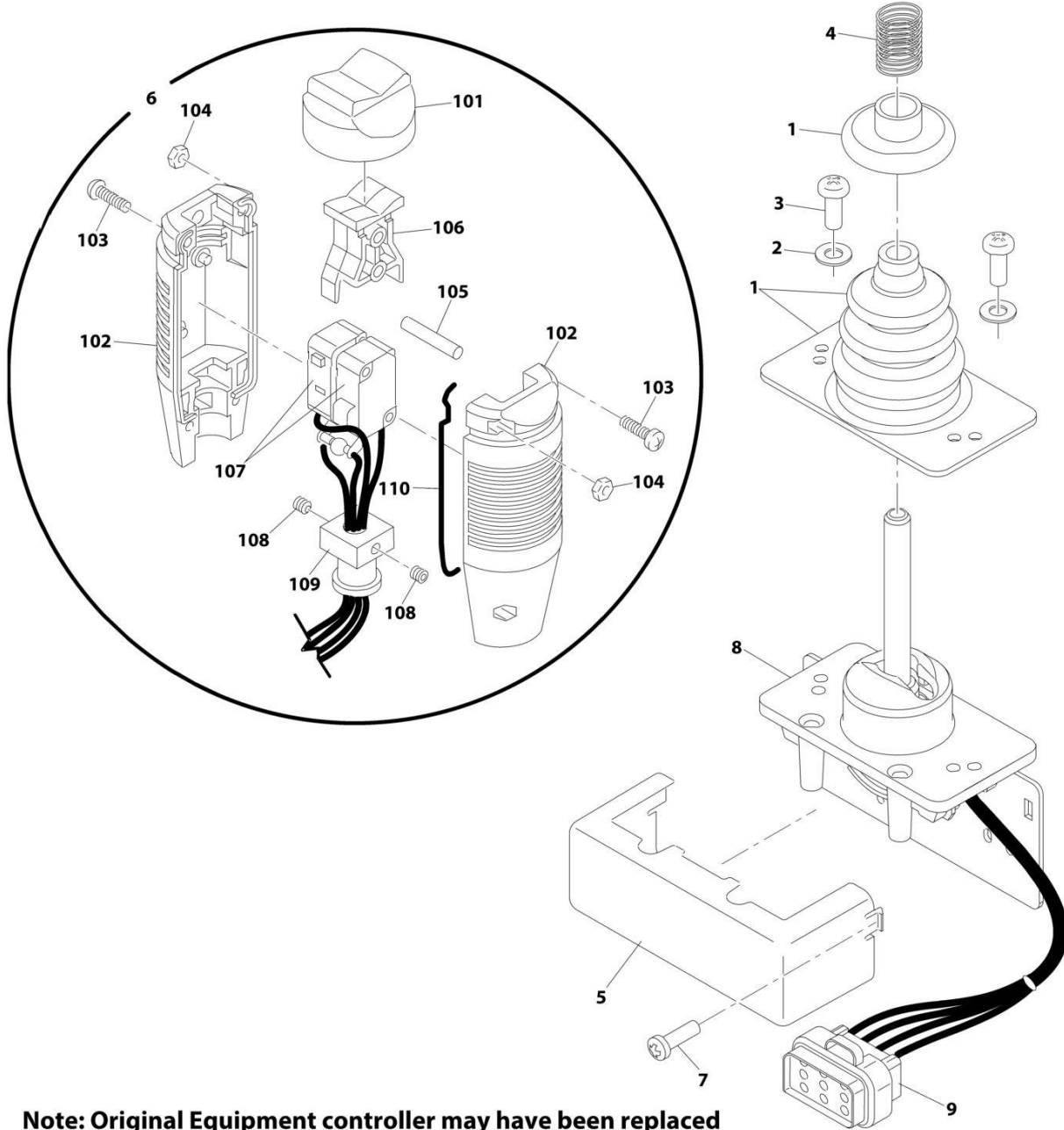
SECTION 4 - PLATFORM

FIGURE 4-12. CONTROLLER ASSEMBLY (DRIVE AND STEER) (WITH ADE SYSTEM) (ORIGINAL EQUIPMENT) (SN 0300064249 through 0300069000)

| ITEM | PART NUMBER | QTY | DESCRIPTION | REV |
|------|-------------|-----|--|-----|
| | | Ref | Note: Original Equipment controller may have been replaced with Service Replacement controller. Visually identify controller before ordering parts. | |
| | 1600318 | Ref | CONTROLLER ASSEMBLY | C |
| | | Ref | Note: Use p/n 1001212415 as Replacement. | |
| 1 | 7022812 | 1 | Handle Assembly (See Items 101-110 for Breakdown) | |
| 2 | 7019161 | 1 | Boot and Sleeve | |
| 3 | 7003933 | 1 | Gasket | |
| 4 | 7019154 | 2 | Clamp, Wire | |
| 5 | 7022823 | 1 | Bracket, Mounting | |
| 6 | 7003994 | 1 | Screw | |
| 7 | 7022822 | 1 | Plate, Pot Mounting | |
| 8 | 7003986 | 1 | Strip, Terminal - 3 Position | |
| 9 | 7022824 | 1 | Electric Assembly | |
| 9A | 1001113961 | 1 | Plug, Male - 8 Position (Black) (was p/n 7022825) | |
| 9A | 4460871 | 7 | Socket, Female | |
| 10 | 7019151 | AR | Tie-Strap | |
| 11 | 7019162 | 1 | Spring | |
| 12 | 7003969 | 2 | Screw | |
| 13 | 7003941 | 2 | Washer | |
| 14 | See Note | NSS | Plate, Mounting (Left Side) (Note: Use p/n 1001166538) | |
| 15 | 7019115 | 2 | Stand-Off | |
| 16 | 7019155 | 1 | Shaft 8mm | |
| 17 | 7019111 | 2 | Bearing | |
| 18 | 7019110 | 2 | Spacer, Head Gear | |
| 19 | 7019112 | 1 | Washer | |
| 20 | 7003946 | 1 | Spring, Return | |
| 21 | 7019103 | 4 | Pin | |
| 22 | See Note | NSS | Rivet (Note: Not Available - Purchase Locally) | |
| 23 | 7019168 | 1 | Plate, Mounting (Right Side) | |
| 24 | 7003992 | 1 | Washer | |
| 25 | 7003993 | 1 | Nut | |
| 26 | 7003935 | 1 | Gear, Slave | |
| 27 | 7019160 | 1 | Plate, Base | |
| 28 | 7019114 | 1 | Coupling, Potentiometer | |
| 29 | See Note | NSS | Cup Point Screw (Note: Not Available for Purchase) | |
| | 7022812 | Ref | HANDLE ASSEMBLY | |
| 101 | 7003972 | 1 | Boot, Switch | |
| 102 | 7003973 | 2 | Half, Handle | |
| 103 | 7003980 | 4 | Screw | |
| 104 | 7019167 | 4 | Nut | |
| 105 | 7019164 | 1 | Axle | |
| 106 | 7019165 | 1 | Rocker | |
| 107 | See Note | NSS | Wiring for Controller Assembly p/n 1600318 (Note: Use p/n 1001166538) | |
| 107 | 7019166 | 2 | Switch, Micro | |
| 108 | 7003983 | 2 | Setscrew | |
| 109 | 7019194 | 1 | Coupling | |
| 110 | 7003989 | 2 | Gasket | |

SECTION 4 - PLATFORM

FIGURE 4-13. CONTROLLER ASSEMBLY (DRIVE AND STEER) (WITH ADE SYSTEM) (SERVICE REPLACEMENT) (SN 0300064249 through 0300069000)



Note: Original Equipment controller may have been replaced with Service Replacement controller. Visually identify controller before ordering parts.

ART_1001118416

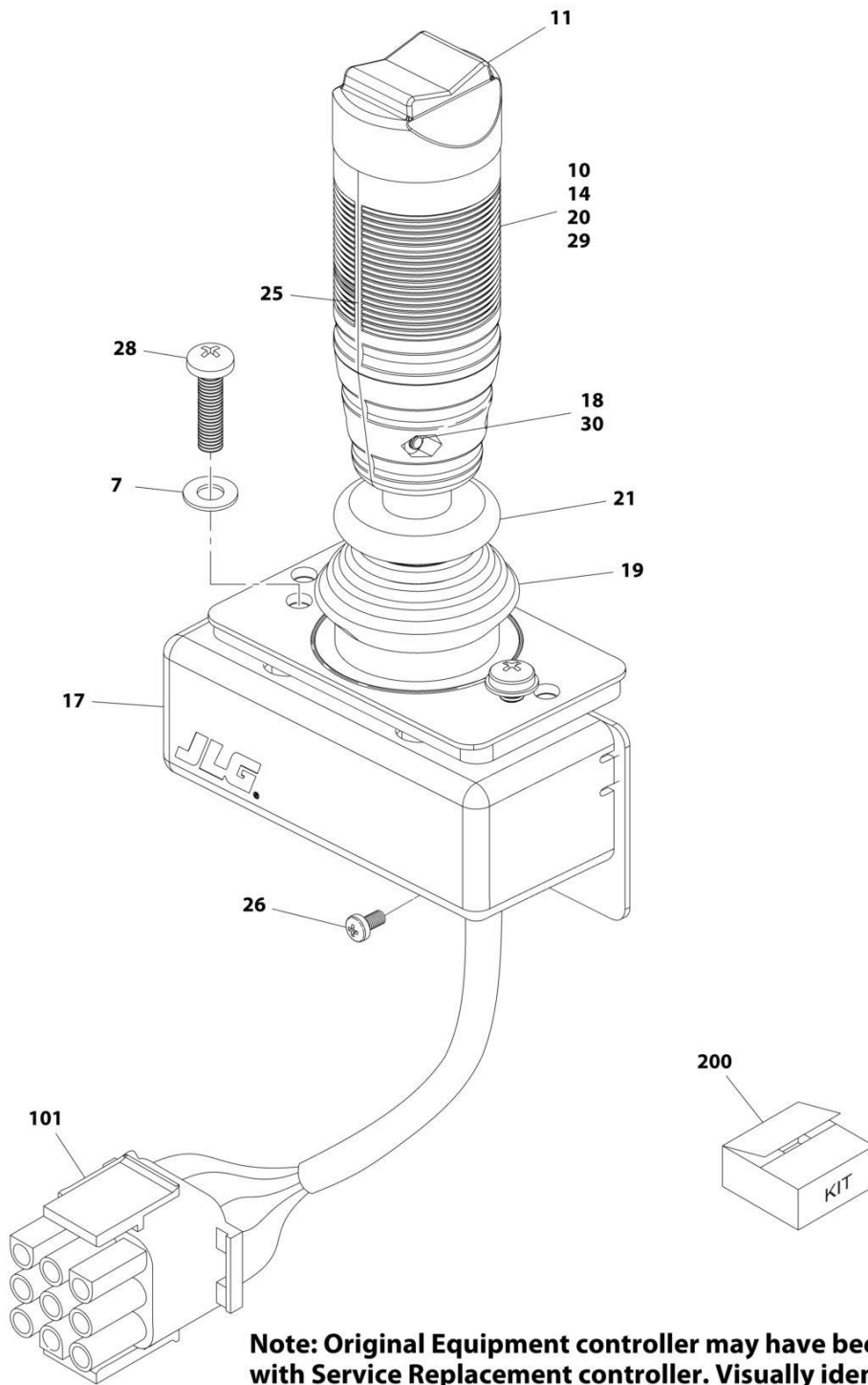
SECTION 4 - PLATFORM

FIGURE 4-13. CONTROLLER ASSEMBLY (DRIVE AND STEER) (WITH ADE SYSTEM) (SERVICE REPLACEMENT) (SN 0300064249 through 0300069000)

| ITEM | PART NUMBER | QTY | DESCRIPTION | REV |
|------|-------------|-----|--|-----|
| | | Ref | Note: Original Equipment controller may have been replaced with Service Replacement controller. Visually identify controller before ordering parts. | |
| | 1001118416 | Ref | CONTROLLER ASSEMBLY | D |
| | | Ref | Note: Use p/n 1001212415 as Replacement. | |
| 1 | 70002724 | 1 | Boot and Control Lock Assembly | |
| 2 | 7003941 | 2 | Washer | |
| 3 | 70002725 | 2 | Screw | |
| 4 | 7019162 | 1 | Spring | |
| 5 | 70002726 | 1 | Enclosure | |
| 6 | 70002727 | 1 | Handle Assembly (See Items 101-110 for Breakdown) | |
| 7 | 70002728 | 1 | Screw | |
| 8 | See Note | NSS | Mechanical Assembly (Note: Use p/n 1001166538) | |
| 9 | 1001113961 | 1 | Plug, Male - 8 Position (Black) (was p/n 7022825) | |
| 9 | 4460871 | 7 | Socket, Female | |
| | 70002727 | Ref | HANDLE ASSEMBLY | |
| 101 | 7003972 | 1 | Boot, Switch | |
| 102 | 7003973 | 2 | Half, Handle | |
| 103 | 7003980 | 4 | Screw | |
| 104 | 7019167 | 4 | Nut | |
| 105 | 7019164 | 1 | Axle | |
| 106 | 7019165 | 1 | Rocker | |
| 107 | 70002729 | 1 | Wiring Assembly | |
| 107 | 7003982 | 2 | Switch, Micro | |
| 108 | 7003983 | 2 | Set Screw | |
| 109 | 7019194 | 1 | Coupling | |
| 110 | 7003989 | 2 | Gasket | |

SECTION 4 - PLATFORM

FIGURE 4-14. CONTROLLER ASSEMBLY (DRIVE AND STEER) (WITH ADE SYSTEM) (SERVICE REPLACEMENT) (SN 0300064249 through 0300069000)



ART_1001166538

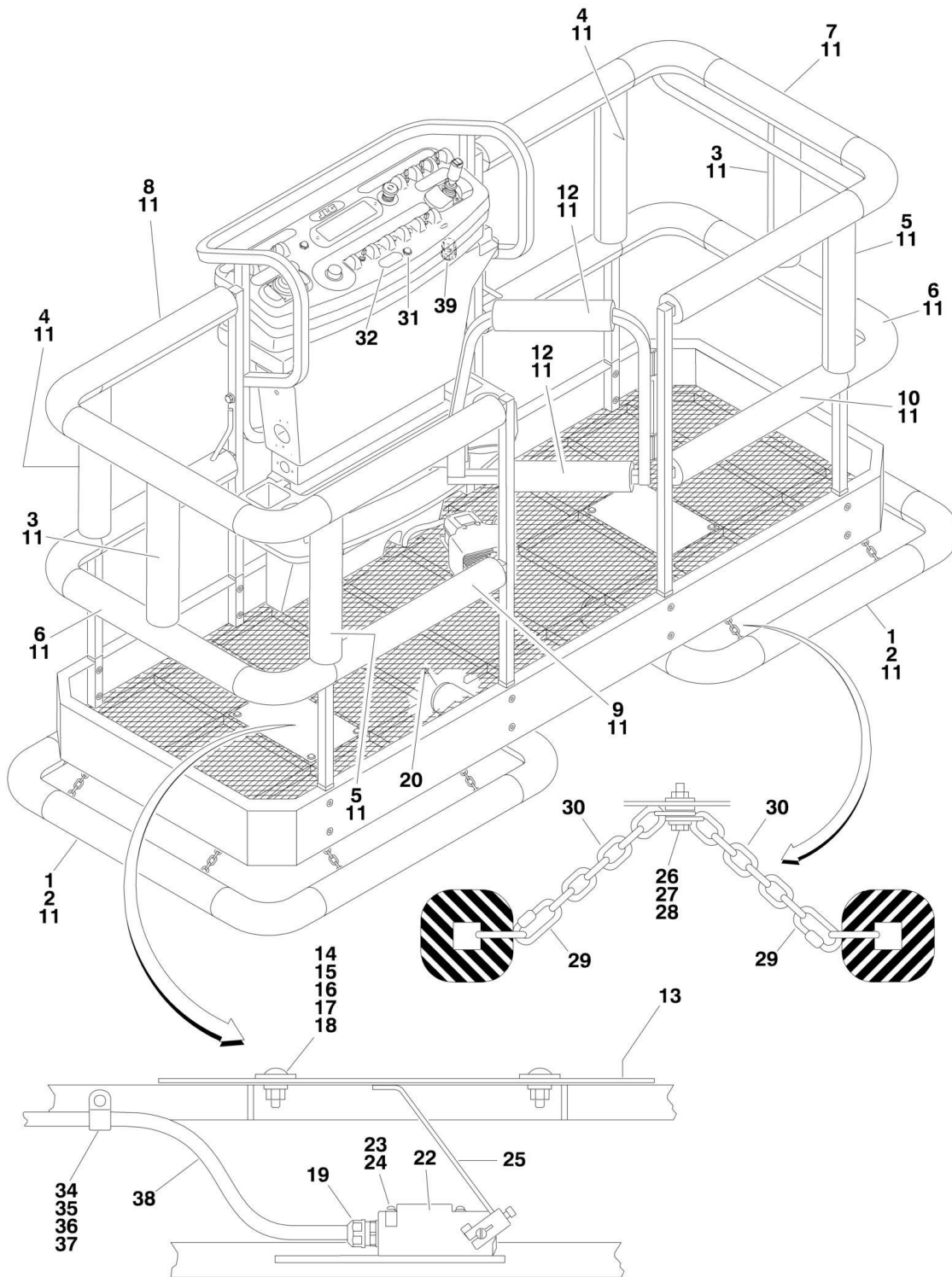
SECTION 4 - PLATFORM

FIGURE 4-14. CONTROLLER ASSEMBLY (DRIVE AND STEER) (WITH ADE SYSTEM) (SERVICE REPLACEMENT) (SN 0300064249 through 0300069000)

| ITEM | PART NUMBER | QTY | DESCRIPTION | REV |
|------|-------------|-----|--|-----|
| | | Ref | Note: Original Equipment controller may have been replaced with Service Replacement controller. Visually identify controller before ordering parts. | |
| | 1001166538 | Ref | CONTROLLER ASSEMBLY | E |
| | | Ref | Note: Use p/n 1001212415 as Replacement. | |
| 7 | 70004738 | 2 | Washer | |
| 10 | 70004739 | 1 | Roller | |
| 11 | 70004740 | 1 | Boot, Switch | |
| 14 | 70004741 | 2 | Half, Handle | |
| 17 | 70004742 | 1 | Enclosure | |
| 18 | 70004743 | 4 | Nut | |
| 19 | 70004744 | NLA | Boot, Controller (Note: Use Item 200) | |
| 20 | 70004745 | NLA | Tube, Locking (Note: Use Item 200) | |
| 21 | 70004746 | NLA | Disc, Locking (Note: Use Item 200) | |
| 25 | 70004747 | 2 | Seal, Rope | |
| 26 | 70004748 | 1 | Screw, M3 x 6 | |
| 28 | 70004749 | 2 | Screw, M5 x 20 | |
| 29 | 70004750 | 1 | Pin, Dowel | |
| 30 | 70004751 | 4 | Screw, M3 x 16 | |
| 101 | 4460265 | 1 | Connector - 9 Position | |
| 101 | 4460226 | 7 | Socket, Female | |
| 200 | 70005230 | 1 | Boot Kit (Includes Items 19-21) | |

SECTION 4 - PLATFORM

FIGURE 4-15. SOFT TOUCH SYSTEM INSTALLATION (OPTIONAL)



SECTION 4 - PLATFORM

FIGURE 4-15. SOFT TOUCH SYSTEM INSTALLATION (OPTIONAL)

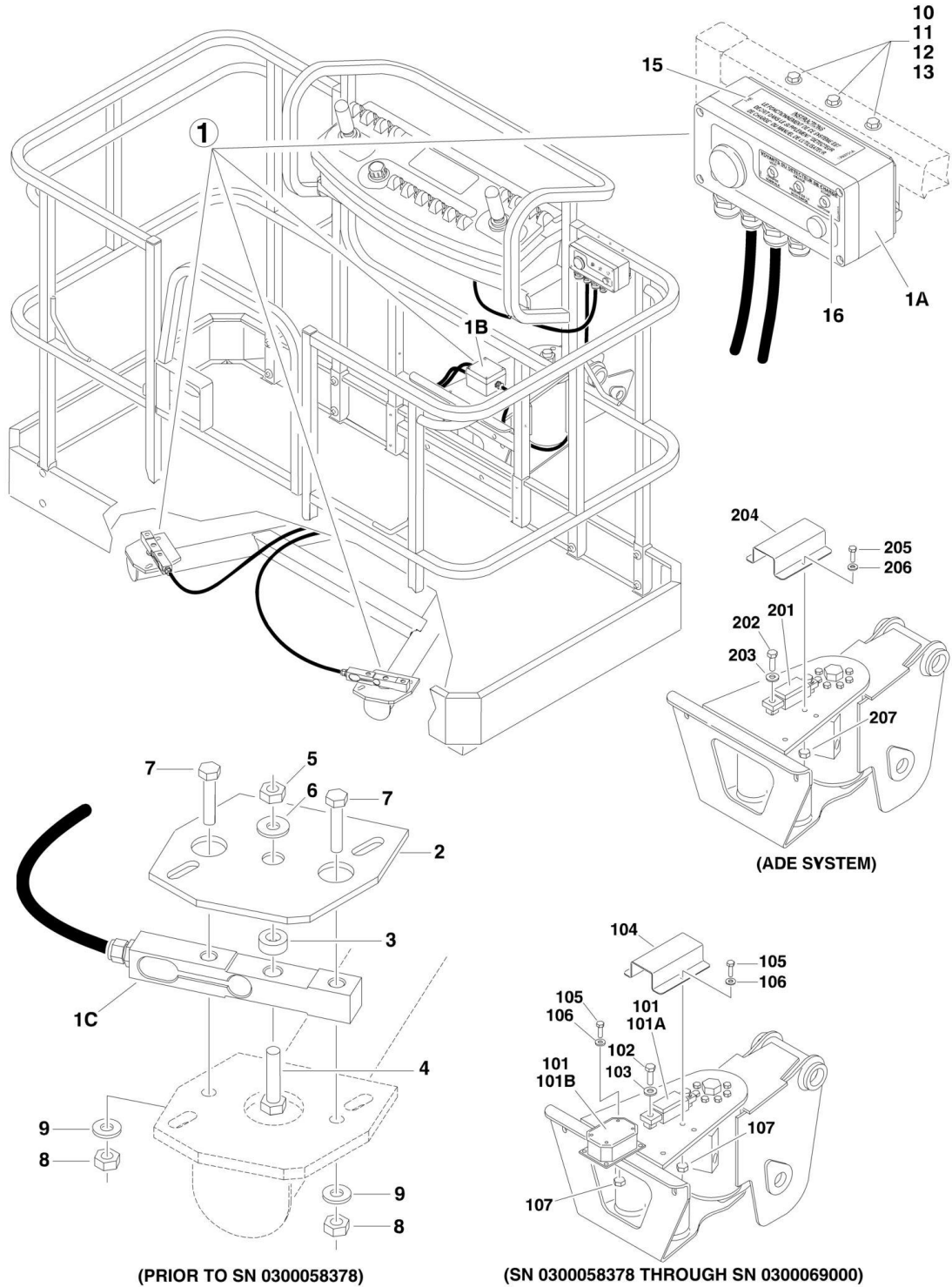
| ITEM | PART NUMBER | QTY | DESCRIPTION | REV |
|------|-------------|----------|---|-----|
| | | Ref | SOFT TOUCH SYSTEM INSTALLATION OPTIONS: | |
| | 0257840 | Ref | 6ft/1.8m Platforms (Prior to SN 0300035129) | 1 |
| | 0257849 | Ref | 6ft/1.8m Platforms (SN 0300035129 through 0300064248) | 1 |
| | 0271550 | Ref | 6ft/1.8m Platforms - ADE System (SN 0300064249 through 0300069000) | 1 |
| | 0257841 | Ref | 8ft/2.4m Platforms (Prior to SN 0300035129) | 1 |
| | 0257850 | Ref | 8ft/2.4m Platforms (SN 0300035129 through 0300064248) | 1 |
| | 0271551 | Ref | 8ft/2.4m Platforms - ADE System (SN 0300064249 through 0300069000) | 1 |
| 1 | | Ref | Rail Weldment Options: | |
| 1 | 4845308 | 2 | 6ft/1.8m Platforms | |
| 1 | 4845309 | 2 | 8ft/2.4m Platforms | |
| 2 | | Ref | Cover, Rail Options: | |
| 2 | 1670804 | 2 | 6ft/1.8m Platforms | |
| 2 | 1670803 | 2 | 8ft/2.4m Platforms | |
| 3 | 1670787 | 2 | Cover, End Post | |
| 4 | 1670785 | 2 | Cover, Front Right Post | |
| 5 | 1670786 | 2 | Cover, Front Left Post | |
| 6 | 1670793 | 2 | Cover, End Mid Rail | |
| 7 | | Ref | Cover, Right End Top Options: | |
| 7 | 1670798 | 1 | 6ft/1.8m Platforms | |
| 7 | 1670796 | 1 | 8ft/2.4m Platforms | |
| 8 | | Ref | Cover, Left End Top Options: | |
| 8 | 1670797 | 1 | 6ft/1.8m Platforms | |
| 8 | 1670795 | 1 | 8ft/2.4m Platforms | |
| 9 | | Ref | Cover, Left Mid Rail Options: | |
| 9 | 1670799 | 1 | 6ft/1.8m Platforms | |
| 9 | 1670789 | 1 | 8ft/2.4m Platforms | |
| 10 | | Ref | Cover, Right Mid Rail Options: | |
| 10 | 1670801 | 1 | 6ft/1.8m Platforms | |
| 10 | 1670791 | 1 | 8ft/2.4m Platforms | |
| 11 | 0940038 | 70 | Padding, Bumper | |
| | | ft/21.4m | | |
| 12 | 1670788 | 2 | Cover, Gate | |
| 13 | 3539719 | 2 | Plate, Switch Strike | |
| 14 | 0630462 | 8 | Bolt, Carriage | |
| 15 | 4761500 | 8 | Lockwasher 5/16in | |
| 16 | 4751800 | 8 | Flatwasher 1/2in Regular | |
| 17 | 3311501 | 8 | Nut 5/16in-18NC | |
| 18 | 4751500 | 8 | Flatwasher 5/16in Regular | |
| 19 | 4460049 | 2 | Connector, Strain Relief | |
| 20 | 3530072 | 4 | Plug, Cap | |
| 22 | 4360057 | 2 | Switch, Limit | |
| 23 | 0731005 | 4 | Bolt #10-32NC x 5/8in | |
| 24 | 4751000 | 4 | Lockwasher #10 | |
| 25 | 0200550 | 2 | Arm, Switch | |
| 26 | 0641612 | 8 | Bolt 3/8in-16NC x 1-1/2in | |
| 27 | 4751600 | 40 | Flatwasher 3/8in Regular | |
| 28 | 3311605 | 8 | Locknut 3/8in-16NC | |
| 29 | 3010088 | 16 | Link, Quick | |

SECTION 4 - PLATFORM

| ITEM | PART NUMBER | QTY | DESCRIPTION | REV |
|------|-------------|------------|--|-----|
| 30 | 1260136 | 10 ft/3m | Chain | |
| 31 | 4360387 | 1 | Switch, Push Button | |
| 32 | 1702938 | 1 | Decal - Soft Touch Override | |
| 34 | 1320040 | 4 | Clamp | |
| 35 | 0641406 | 4 | Bolt 1/4in-20NC x 3/4in | |
| 36 | 4711400 | 8 | Flatwasher 1/4in Thin | |
| 37 | 3311405 | 4 | Locknut 1/4in-20NC | |
| 38 | | Ref | Cable Options: | |
| 38 | 1060330 | 16 ft/4.9m | Cable, Electrical - 16/3 (SN 0300029105 through 0300064248) | |
| 38 | 1060341 | 16 ft/4.9m | Cable, Electrical - 16/2 (SN 0300064249 through 0300069000) | |
| 39 | | Ref | Connector, Strain Relief Options: | |
| 39 | 4460428 | 1 | Connector, Strain Relief (Prior to SN 0300032415) | |
| 39 | 4460425 | 1 | Terminal, Strain Relief (SN 0300032415 through 0300069000) | |

SECTION 4 - PLATFORM

FIGURE 4-16. LOAD SENSING SYSTEM INSTALLATION (FRONT ENTRY PLATFORM)



SECTION 4 - PLATFORM

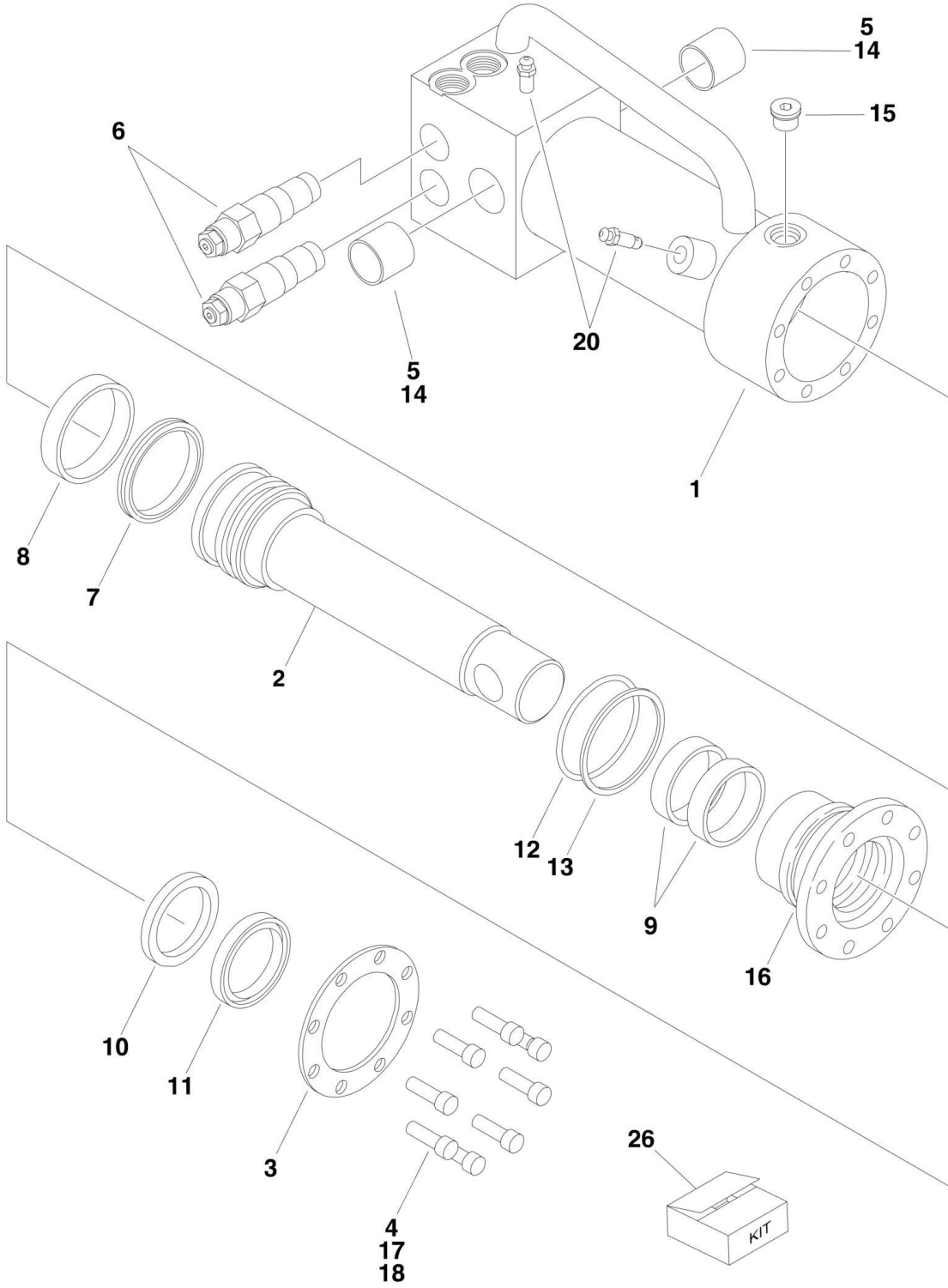
FIGURE 4-16. LOAD SENSING SYSTEM INSTALLATION (FRONT ENTRY PLATFORM)

| ITEM | PART NUMBER | QTY | DESCRIPTION | REV |
|------|-------------|-----|--|-----|
| | 0257997 | Ref | PLATFORM LOAD SENSING DEVICE INSTALLATION (WITHOUT ADE SYSTEM) (Prior to SN 0300058378) | 3-A |
| 1 | 2901557 | 1 | Load Sensing Assembly | |
| 1A | 7020057 | 1 | Display Unit - 12V DC. | |
| 1B | 7020058 | 1 | Converter (Junction Box) | |
| 1C | 7020059 | 2 | Load Cell | |
| 2 | 3570740 | 2 | Plate, Spacer | |
| 3 | 0962180 | 2 | Spacer, Load Cell | |
| 4 | 0641818 | 2 | Bolt 1/2in-13NC x 2-1/4in | |
| 5 | 3311805 | 2 | Locknut 1/2in-13NC | |
| 6 | 4751800 | 2 | Flatwasher 1/2in Regular | |
| 7 | 0641616 | 4 | Bolt 3/8in-16NC x 2in | |
| 8 | 3300143 | 4 | Locknut 3/8in-16NC | |
| 9 | 4751600 | 4 | Flatwasher 3/8in Regular | |
| 10 | 0641416 | 3 | Bolt 1/4in-20NC x 2in | |
| 11 | 3311401 | 3 | Nut 1/4in-20NC | |
| 12 | 4751400 | 3 | Flatwasher 1/4in Regular | |
| 13 | 4761400 | 3 | Lockwasher 1/4in | |
| 15 | 1703791 | 1 | Decal - Instruction Load Sensing System | |
| 16 | 1703801 | 1 | Decal - Load Sensing Device Lights | |
| 17 | 3124025 | 1 | Manual Supplement (Not Shown) | |
| | 0259233 | Ref | PLATFORM LOAD SENSING DEVICE INSTALLATION (WITHOUT ADE SYSTEM) (SN 0300058378 through 0300069000) | 4-C |
| | 0271474 | 1 | PLATFORM LOAD SENSING DEVICE INSTALLATION (WITHOUT ADE SYSTEM) (SN 0300058378 through 0300069000) | 1-B |
| 101 | 2901811 | 1 | Load Sensing Assembly | |
| 101A | 3990109 | 1 | Transducer, Pressure | |
| 101B | 7023332 | 1 | Card, Control | |
| 101B | 7023331 | 1 | Fuse | |
| 101B | 7023333 | 1 | Holder, Fuse | |
| 102 | 0701010 | 2 | Bolt 10mm x 20mm | |
| 103 | 4812000 | 2 | Flatwasher 10mm | |
| 104 | 1670900 | 1 | Cover, Load Cell | |
| 105 | 0641407 | 4 | Bolt 1/4in-20NC x 7/8in | |
| 106 | 4761400 | 4 | Lockwasher 1/4in | |
| 107 | 3311401 | 4 | Nut 1/4in-20NC | |
| | 0271543 | Ref | PLATFORM LOAD SENSING DEVICE INSTALLATION (WITH ADE SYSTEM) | 1A |
| 201 | 3990109 | 1 | Transducer, Pressure | |
| 202 | 0701010 | 2 | Bolt 10mm x 20mm | |
| 203 | 4812000 | 2 | Flatwasher 10mm | |
| 204 | 1670900 | 1 | Cover, Load Cell | |
| 205 | 0641407 | 2 | Bolt 1/4in-20NC x 7/8in | |
| 206 | 4761400 | 2 | Lockwasher 1/4in | |
| 207 | 3311401 | 2 | Nut 1/4in-20NC | |
| 209 | 4460226 | 4 | Terminal, Socket (Not Shown) (Located in Console Box) | |

SECTION 5 - CYLINDER

SECTION 5 - CYLINDER

FIGURE 5-1. AXLE LOCKOUT CYLINDER ASSEMBLY



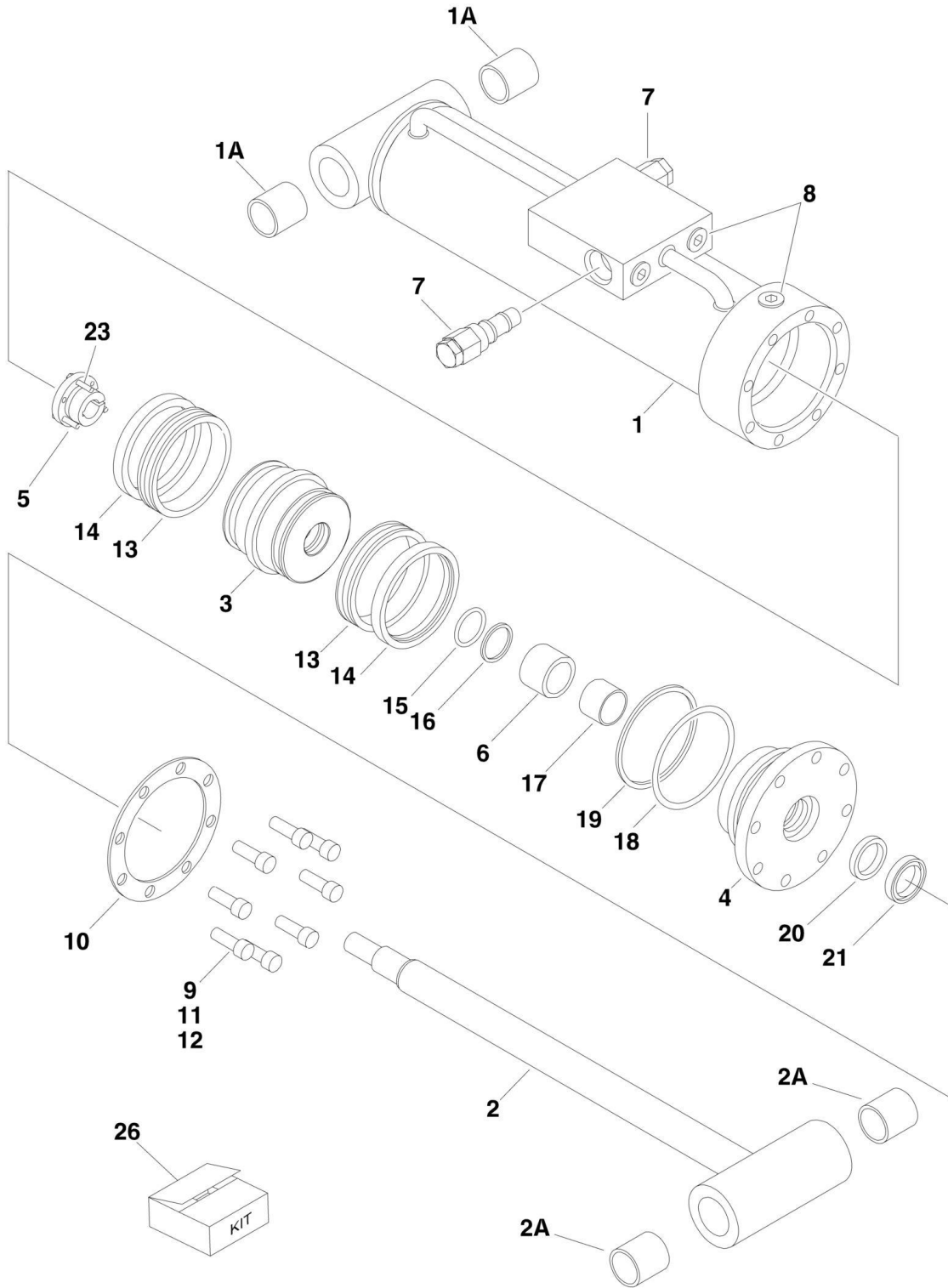
SECTION 5 - CYLINDER

FIGURE 5-1. AXLE LOCKOUT CYLINDER ASSEMBLY

| ITEM | PART NUMBER | QTY | DESCRIPTION | REV |
|------|-------------|-----|--|-----|
| | 1683280 | Ref | AXLE LOCKOUT CYLINDER ASSEMBLY | 6-D |
| 1 | 1683281 | 1 | Barrel Weldment | |
| 2 | 1683283 | 1 | Rod Weldment | |
| 3 | 3760369 | 1 | Ring, Washer | |
| 4 | 0681610 | 8 | Bolt 3/8in-16NC x 1-1/4in (Grade 8) | |
| 5 | | Ref | Bushing Options: | |
| 5 | 0961890 | 4 | Bushing (Prior to SN 0300069092) | |
| 5 | 0962474 | 4 | Bushing (SN 0300069092 through 0300069000) | |
| 6 | | Ref | Valve, Cartridge Options: | |
| 6 | 4640525 | 2 | Valve, Cartridge (Prior to SN 0300056900) | |
| 6 | 4641162 | 2 | Valve, Cartridge (SN 0300056900 through 0300069000) | |
| 6 | 2900770 | 2 | Seal Kit - 4640525 Valve | |
| 7 | See Note | NSS | Seal (Note: Use Item 26) | |
| 8 | See Note | NSS | Ring, Wear (Note: Use Item 26) | |
| 9 | See Note | NSS | Ring, Wear (Note: Use Item 26) | |
| 10 | See Note | NSS | Seal, Rod (Note: Use Item 26) | |
| 11 | See Note | NSS | Wiper, Rod (Note: Use Item 26) | |
| 12 | See Note | NSS | O-Ring (Note: Use Item 26) | |
| 13 | See Note | NSS | Ring, Back-up (Note: Use Item 26) | |
| 14 | 0100063 | AR | Adhesive | |
| 15 | 2220885 | 1 | Plug, O-Ring | |
| 16 | 1683057 | 1 | Head | |
| 17 | 0100011 | AR | Compound, Locking | |
| 18 | 0100038 | AR | Primer, Locking | |
| 20 | 4640858 | 2 | Valve, Bleeder | |
| 26 | 2901321 | 1 | Seal Kit (Includes Items 7-13) | |

SECTION 5 - CYLINDER

FIGURE 5-2. PLATFORM LEVEL CYLINDER ASSEMBLIES (Prior to SN 0300024714)



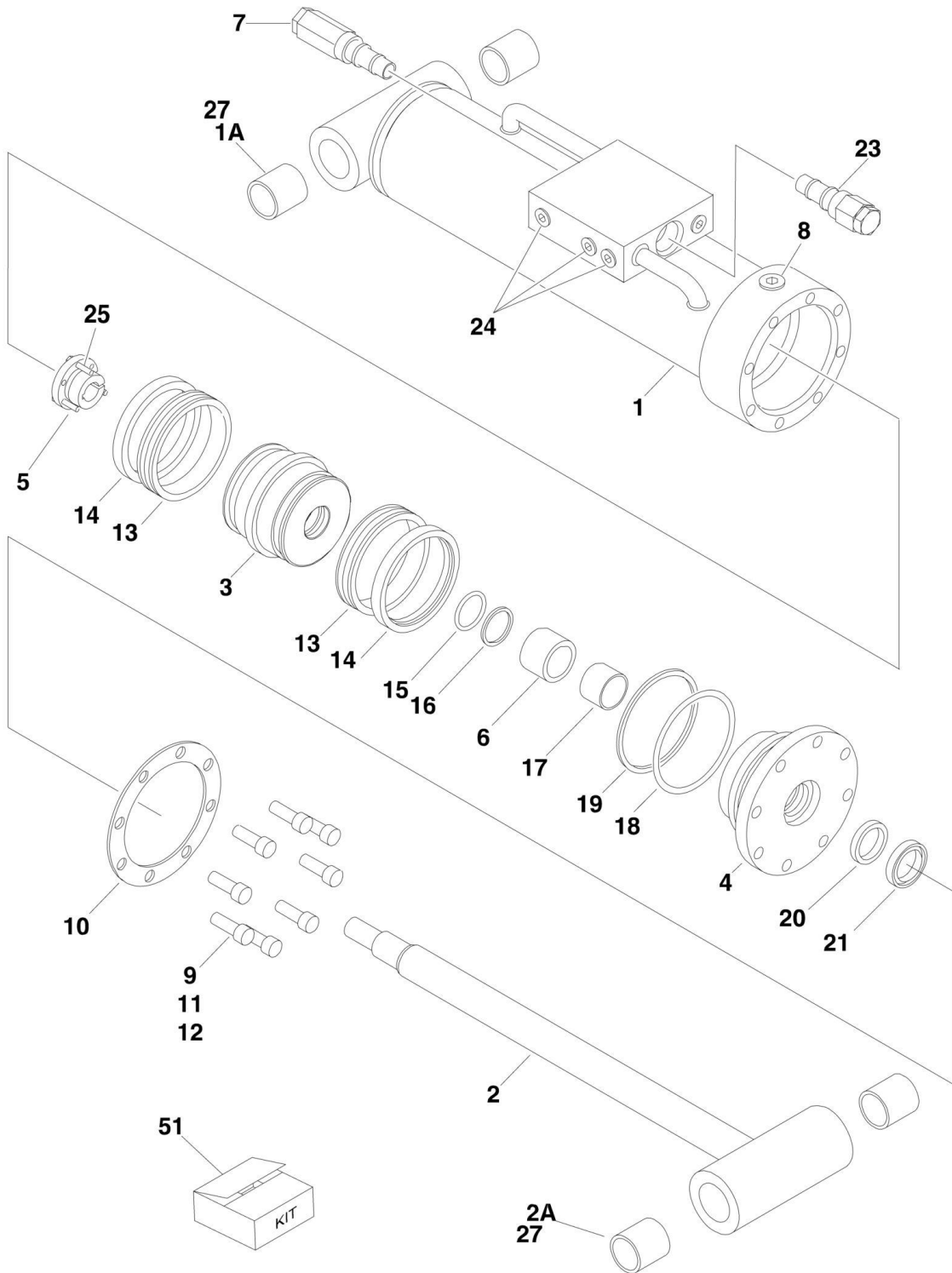
SECTION 5 - CYLINDER

FIGURE 5-2. PLATFORM LEVEL CYLINDER ASSEMBLIES (Prior to SN 0300024714)

| ITEM | PART NUMBER | QTY | DESCRIPTION | REV |
|------|-------------|-----|--|-----|
| | 1683271 | Ref | PLATFORM LEVEL CYLINDER ASSEMBLY - 600A | 2-B |
| | 1683253 | Ref | PLATFORM LEVEL CYLINDER ASSEMBLY - 600AJ | 3-E |
| 1 | | Ref | Barrel Options: | |
| 1 | 1683272 | 1 | Barrel 600A | |
| 1 | 1683254 | 1 | Barrel 600AJ | |
| 1A | | Ref | Bushing Options: | |
| 1A | 0961947 | 2 | Bushing 600A | |
| 1A | 0961951 | 2 | Bushing 600AJ | |
| 2 | | Ref | Rod Options: | |
| 2 | 1683274 | 1 | Rod 600A | |
| 2 | 1683333 | 1 | Rod 600AJ | |
| 2A | | Ref | Bushing Options: | |
| 2A | 0961947 | 2 | Bushing 600A | |
| 2A | 0961951 | 2 | Bushing 600AJ | |
| 3 | | Ref | Piston Options: | |
| 3 | 3480210 | 1 | Piston 600A | |
| 3 | 3480188 | 1 | Piston 600AJ | |
| 4 | | Ref | Head Options: | |
| 4 | 1683053 | 1 | Head 600A | |
| 4 | 1683055 | 1 | Head 600AJ | |
| 5 | | Ref | Bushing, Tapered Options: | |
| 5 | 0961893 | 1 | Bushing, Tapered 600A | |
| 5 | 0961894 | 1 | Bushing, Tapered 600AJ | |
| 6 | 4566468 | 1 | Spacer | |
| 7 | 4640509 | 1 | Cartridge, Valve | |
| 7 | 2900792 | 1 | Seal Kit - 4640509 Valve | |
| 8 | 2220885 | 1 | Plug, O-Ring | |
| 9 | | Ref | Capscrew Options: | |
| 9 | 3931516 | 8 | 600A - Capscrew, Socket Head 5/16in-18NC x 1in | |
| 9 | 3931620 | 8 | 600AJ - Capscrew, Socket Head 3/8in-16NC x 1-1/4in | |
| 10 | | Ref | Ring, Washer Options: | |
| 10 | 3760368 | 1 | Ring, Washer 600A | |
| 10 | 3760369 | 1 | Ring, Washer 600AJ | |
| 11 | 0100011 | AR | Compound, Locking | |
| 12 | 0100038 | AR | Primer, Locking | |
| 13 | See Note | 2 | Seal (Note: Use Item 26) | |
| 14 | See Note | 2 | Ring, Lock (Note: Use Item 26) | |
| 15 | See Note | 1 | O-Ring (Note: Use Item 26) | |
| 16 | See Note | 1 | Ring, Back-up (Note: Use Item 26) | |
| 17 | See Note | 1 | Ring, Wear (Note: Use Item 26) | |
| 18 | See Note | 1 | O-Ring (Note: Use Item 26) | |
| 19 | See Note | 1 | Ring, Back-up (Note: Use Item 26) | |
| 20 | See Note | 1 | Seal, Rod (Note: Use Item 26) | |
| 21 | See Note | 1 | Wiper (Note: Use Item 26) | |
| 23 | 0630535 | 3 | Bolt #10 - 24NC x 1-1/8in | |
| 26 | | Ref | Seal Kit Options (Includes Items 13-21): | |
| 26 | 2901303 | 1 | Seal Kit 600A | |
| 26 | 2901301 | 1 | Seal Kit 600AJ | |

SECTION 5 - CYLINDER

FIGURE 5-3. PLATFORM LEVEL CYLINDER ASSEMBLIES (ORIGINAL EQUIPMENT) (SN 0300024714 through 0300069000)



SECTION 5 - CYLINDER

FIGURE 5-3. PLATFORM LEVEL CYLINDER ASSEMBLIES (ORIGINAL EQUIPMENT) (SN 0300024714 through 0300069000)

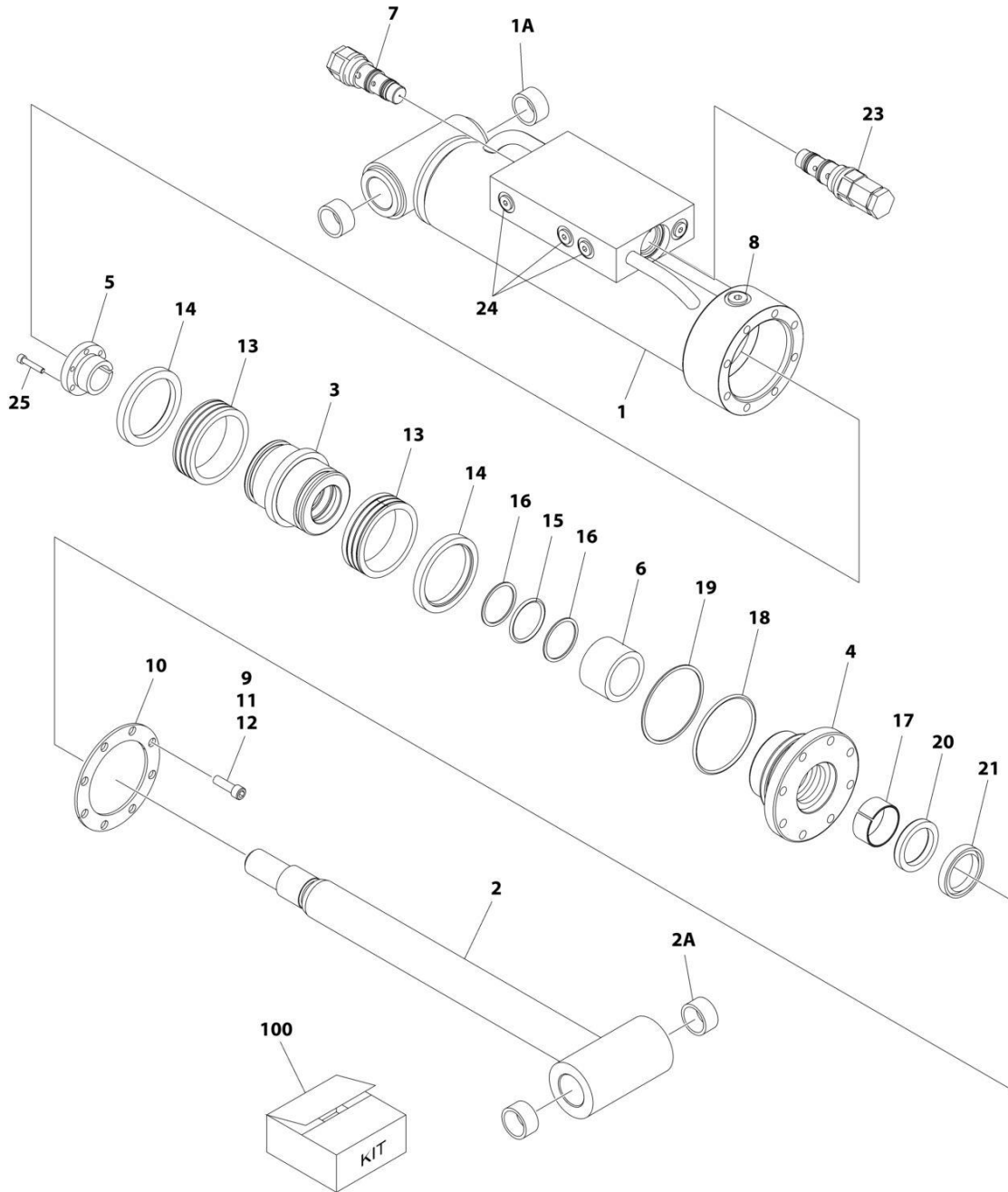
| ITEM | PART NUMBER | QTY | DESCRIPTION | REV |
|------|-------------|-----|--|-----|
| | 1683415 | Ref | PLATFORM LEVEL CYLINDER ASSEMBLY - 600A | C |
| | 1683418 | Ref | PLATFORM LEVEL CYLINDER ASSEMBLY - 600AJ | D |
| | | Ref | Note: Original Cylinder may have been replaced with Service Replacement. Identify PN Stamped on Cylinder Before Ordering Parts. | |
| 1 | | Ref | Barrel Weldment Options: | |
| 1 | 1683416 | 1 | Barrel Weldment 600A (Note: Includes Item 1A) 600A (SN 0300024714 through 0300053551) | |
| 1 | 1683977 | 1 | Barrel Weldment 600A (Note: Includes Item 1A) 600A (SN 0300053552 through 0300069000) | |
| 1 | 1683419 | 1 | Barrel Weldment 600AJ (Note: Includes Item 1A) 600AJ (SN 0300024714 through 0300052684) | |
| 1 | 1683952 | 1 | Barrel Weldment 600AJ (Note: Item 1A not included. Purchase Separately) (SN 0300052685 through 0300069000) | |
| 1A | | Ref | Bushing Options: | |
| 1A | 0961947 | 2 | 600A - Bushing | |
| 1A | 0961951 | 2 | 600AJ - Bushing | |
| 2 | | Ref | Rod Weldment Options: | |
| 2 | 1683274 | 1 | Rod Weldment 600A (Note: Includes Item 2A) (SN 0300024714 through 0300053551) | |
| 2 | 1683976 | 1 | Rod Weldment 600A (Note: Includes Item 2A) (SN 0300053552 through 0300069000) | |
| 2 | 1683963 | 1 | Rod Weldment 600AJ (Note: Includes Item 2A) | |
| 2 | 1683333 | 1 | Rod Weldment 600AJ Note: Item 2A not included. Purchase PN 1683963) | |
| 2A | | Ref | Bushing Options: | |
| 2A | 0961947 | 2 | 600A - Bushing | |
| 2A | 0961951 | 2 | 600AJ - Bushing | |
| 3 | | Ref | Piston Options: | |
| 3 | 3480210 | 1 | Piston 600A | |
| 3 | 3480188 | 1 | Piston 600AJ | |
| 4 | | Ref | Head Options: | |
| 4 | 1683053 | 1 | Head 600A | |
| 4 | 1683055 | 1 | Head 600AJ | |
| 5 | | Ref | Bushing, Tapered (Includes Item 25) Options: | |
| 5 | 0961893 | 1 | Bushing, Tapered 600A | |
| 5 | 0961894 | 1 | Bushing, Tapered 600AJ | |
| 6 | 4566468 | 1 | Spacer | |
| 7 | 4640509 | 1 | Cartridge, Valve | |
| 7 | 2900792 | 1 | Seal Kit - 4640509 Valve | |
| 8 | 2220885 | 1 | Plug, O-Ring | |
| 9 | | Ref | Capscrew, Socket Head Options: | |
| 9 | 3931516 | 8 | 600A - Capscrew 5/16in-18NC x 1in | |
| 9 | 3931620 | 8 | 600AJ - Capscrew 3/8in-16NC x 1-1/4in | |
| 10 | | Ref | Ring, Washer Options: | |
| 10 | 3760368 | 1 | Ring, Washer 600A | |
| 10 | 3760369 | 1 | Ring, Washer 600AJ | |
| 11 | 0100011 | AR | Compound, Locking | |
| 12 | 0100038 | AR | Primer, Locking | |
| 13 | See Note | 2 | Seal (Note: Use Item 51) | |
| 14 | See Note | 2 | Ring, Lock (Note: Use Item 51) | |

SECTION 5 - CYLINDER

| ITEM | PART NUMBER | QTY | DESCRIPTION | REV |
|------|-------------|-----|--|-----|
| 15 | See Note | 1 | O-Ring (Note: Use Item 51) | |
| 16 | See Note | 1 | Ring, Back-up (Note: Use Item 51) | |
| 17 | See Note | 1 | Ring, Wear (Note: Use Item 51) | |
| 18 | See Note | 1 | O-Ring (Note: Use Item 51) | |
| 19 | See Note | 1 | Ring, Back-up (Note: Use Item 51) | |
| 20 | See Note | 1 | Seal, Rod (Note: Use Item 51) | |
| 21 | See Note | 1 | Wiper (Note: Use Item 51) | |
| 23 | 4640932 | 1 | Cartridge, Valve | |
| 23 | 7011112 | 1 | Seal Kit - 4640932 Valve | |
| 24 | 2220883 | 8 | Plug, O-Ring | |
| 25 | | Ref | Bolt Options: | |
| 25 | 0630534 | 3 | 600A - Bolt #10 - 24NC x 1in | |
| 25 | 0630535 | 3 | 600AJ - Bolt 1/4in - 20NC x 1-1/8in | |
| 27 | 0100063 | AR | Adhesive | |
| 51 | | Ref | Seal Kit Options (Includes Items 13-21): | |
| 51 | 2901303 | 1 | Seal Kit 600A | |
| 51 | 2901301 | 1 | Seal Kit 600AJ | |

SECTION 5 - CYLINDER

FIGURE 5-4. LEVEL CYLINDER ASSEMBLY - PLATFORM SLAVE (600A) (SERVICE REPLACEMENT)



ART_1001223512

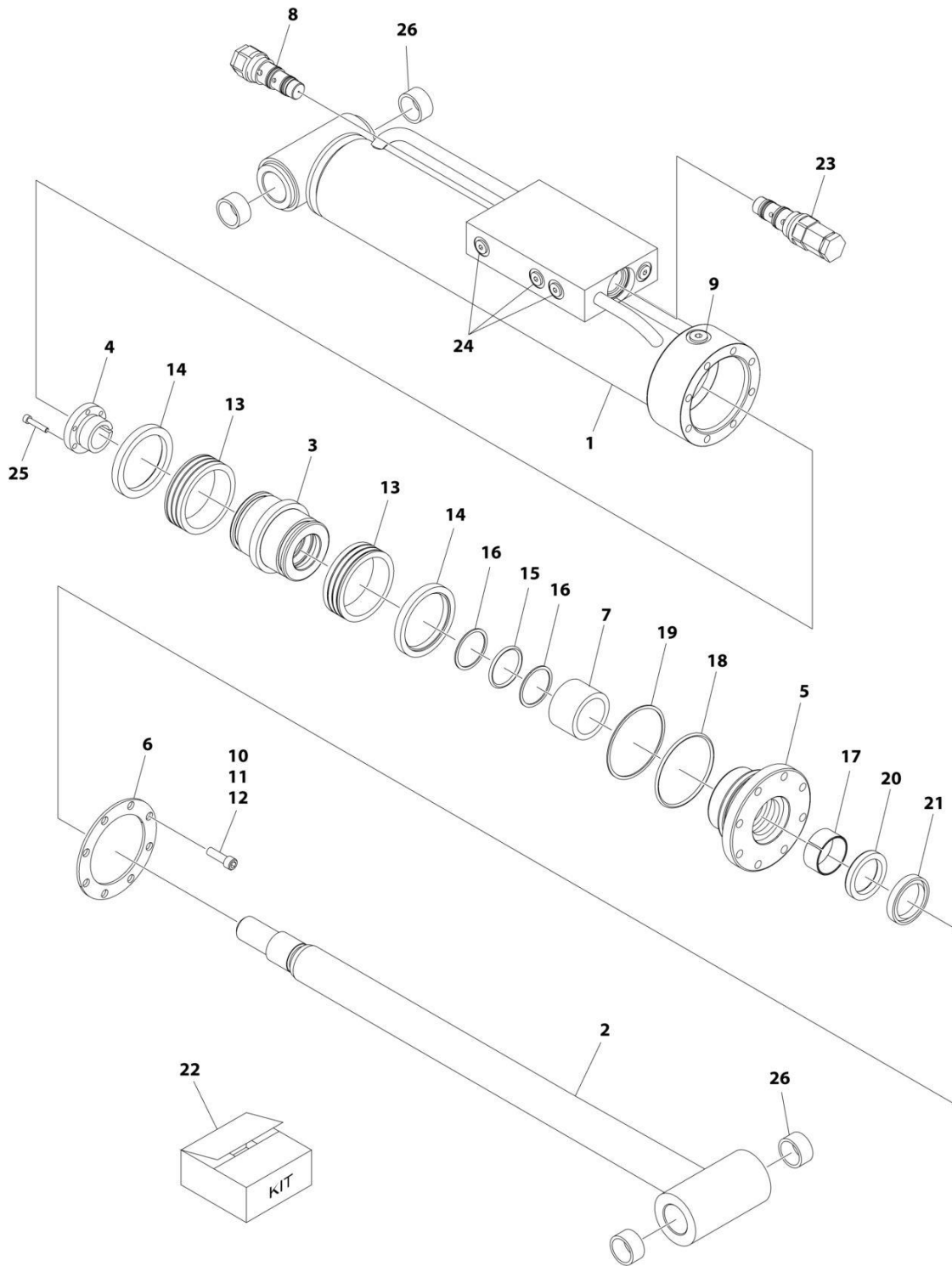
SECTION 5 - CYLINDER

FIGURE 5-4. LEVEL CYLINDER ASSEMBLY - PLATFORM SLAVE (600A) (SERVICE REPLACEMENT)

| ITEM | PART NUMBER | QTY | DESCRIPTION | REV |
|------|-------------|-----|---|-----|
| | 1001223512 | Ref | LEVEL CYLINDER ASSEMBLY | A |
| | | Ref | Note: Original Cylinder may have been replaced with Service Replacement. Identify PN Stamped on Cylinder Before Ordering Parts. | |
| 1 | 1001223511 | 1 | Barrel | |
| 1A | 0961947 | 2 | Bushing | |
| 2 | 1683976 | 1 | Rod | |
| 2A | 0961947 | 2 | Bushing | |
| 3 | 3480210 | 1 | Piston | |
| 4 | 1683053 | 1 | Head | |
| 5 | 0961893 | 1 | Bushing, Tapered | |
| 6 | 4566468 | 1 | Spacer | |
| 7 | 4640509 | 1 | Cartridge, Valve | |
| 7 | 2900792 | 1 | Seal Kit - 4640509 Valve | |
| 8 | 2220885 | 1 | Plug, O-Ring | |
| 9 | 3931516 | 8 | Capscrew, Socket Head | |
| 10 | 3760368 | 1 | Ring, Washer | |
| 11 | 0100011 | AR | Compound, Locking | |
| 12 | 0100038 | AR | Primer, Locking | |
| 13 | See Note | NSS | Seal (Note: Use Item 100) | |
| 14 | See Note | NSS | Ring, Lock (Note: Use Item 100) | |
| 15 | See Note | NSS | O-Ring (Note: Use Item 100) | |
| 16 | See Note | NSS | Ring, Back-up (Note: Use Item 100) | |
| 17 | See Note | NSS | Ring, Wear (Note: Use Item 100) | |
| 18 | See Note | NSS | O-Ring (Note: Use Item 100) | |
| 19 | See Note | NSS | Ring, Back-up (Note: Use Item 100) | |
| 20 | See Note | NSS | Seal, Rod (Note: Use Item 100) | |
| 21 | See Note | NSS | Wiper (Note: Use Item 100) | |
| 23 | 4640932 | 1 | Cartridge, Valve | |
| 23 | 7011112 | 1 | Seal Kit - 4640932 Valve | |
| 24 | 2220883 | 8 | Plug, O-Ring | |
| 25 | 0630534 | 3 | Bolt #10 x 1 | |
| 100 | 2901303 | 1 | Seal Kit (Includes Items 13-21) | |

SECTION 5 - CYLINDER

FIGURE 5-5. LEVEL CYLINDER ASSEMBLY - PLATFORM SLAVE (600AJ) (SERVICE REPLACEMENT)



ART_1001223331

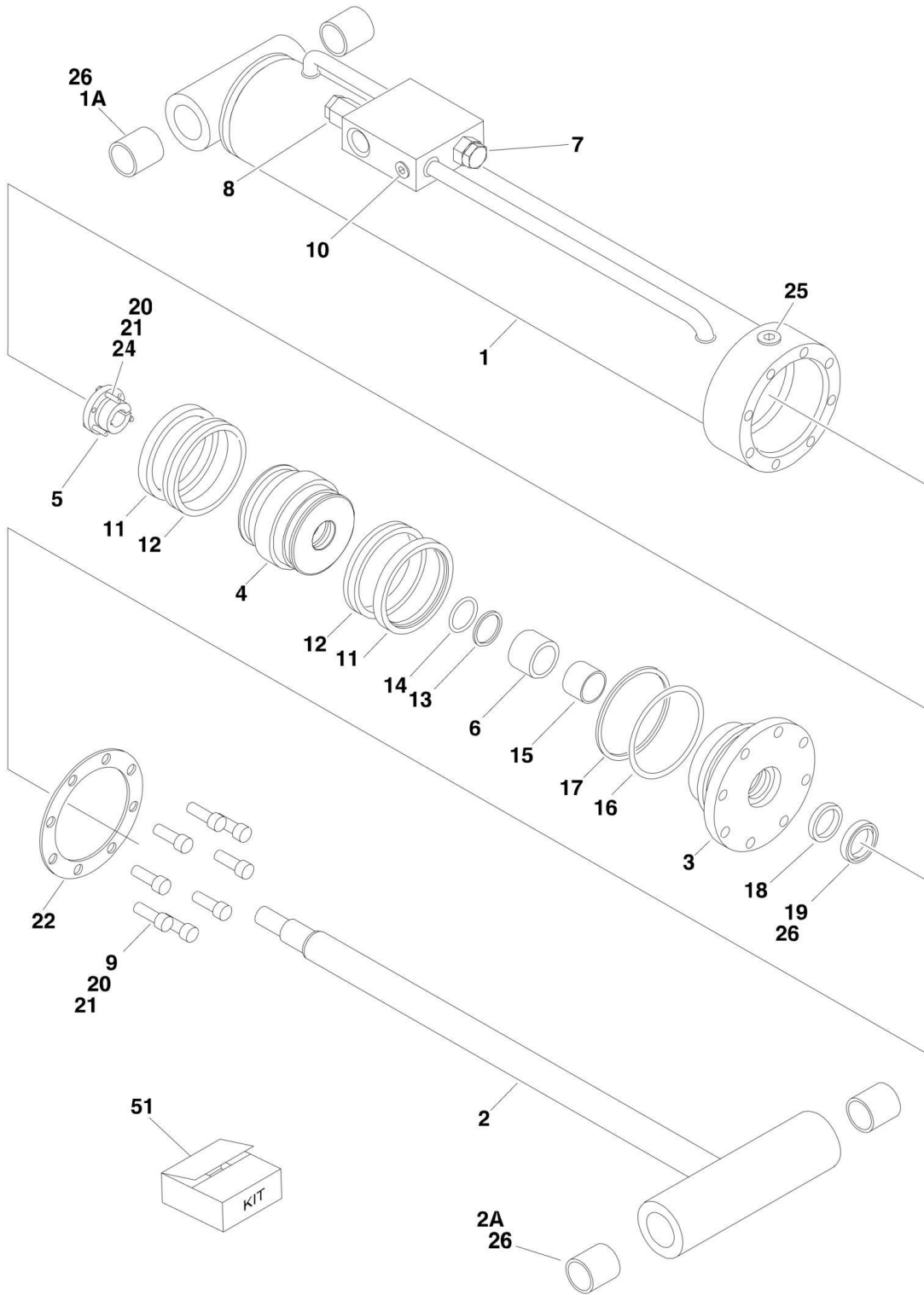
SECTION 5 - CYLINDER

FIGURE 5-5. LEVEL CYLINDER ASSEMBLY - PLATFORM SLAVE (600AJ) (SERVICE REPLACEMENT)

| ITEM | PART NUMBER | QTY | DESCRIPTION | REV |
|------|-------------|-----|---|-----|
| | 1001223331 | Ref | LEVEL CYLINDER ASSEMBLY | B |
| | | Ref | Note: Original Cylinder may have been replaced with Service Replacement. Identify PN Stamped on Cylinder Before Ordering Parts. | |
| 1 | 1001223332 | 1 | Barrel | |
| 2 | 1683963 | 1 | Rod | |
| 3 | 3480188 | 1 | Head | |
| 4 | 0961894 | 1 | Bushing, Tapered | |
| 5 | 1683055 | 1 | Head | |
| 6 | 3760369 | 1 | Ring, Washer | |
| 7 | 4566468 | 1 | Spacer | |
| 8 | 4640509 | 1 | Cartridge, Valve | |
| 8 | 2900792 | 1 | Seal Kit - 4640509 Valve | |
| 9 | 2220885 | 1 | Plug | |
| 10 | 3931620 | 8 | Capscrew 3/8 x 1-1/4 | |
| 11 | 0100011 | AR | Compound, Locking | |
| 12 | 0100038 | AR | Primer, Locking | |
| 13 | See Note | NSS | Seal (Note: Use Item 22) | |
| 14 | See Note | NSS | Ring, Lock (Note: Use Item 22) | |
| 15 | See Note | NSS | O-Ring (Note: Use Item 22) | |
| 16 | See Note | NSS | Ring, Back-up (Note: Use Item 22) | |
| 17 | See Note | NSS | Ring, Wear (Note: Use Item 22) | |
| 18 | See Note | NSS | O-Ring (Note: Use Item 22) | |
| 19 | See Note | NSS | Ring, Back-up (Note: Use Item 22) | |
| 20 | See Note | NSS | Seal (Note: Use Item 22) | |
| 21 | See Note | NSS | Wiper (Note: Use Item 22) | |
| 22 | 2901301 | 1 | Seal Kit (Includes Items 13-21) | |
| 23 | 4640932 | 1 | Cartridge, Valve | |
| 23 | 7011112 | 1 | Seal Kit - 4640932 Valve | |
| 24 | 2220883 | 8 | Plug | |
| 25 | 0630535 | 3 | Bolt 1/4 x 1-1/8 | |
| 26 | 0961951 | 4 | Bushing | |

SECTION 5 - CYLINDER

FIGURE 5-6. LEVEL (UPRIGHT) CYLINDER ASSEMBLY



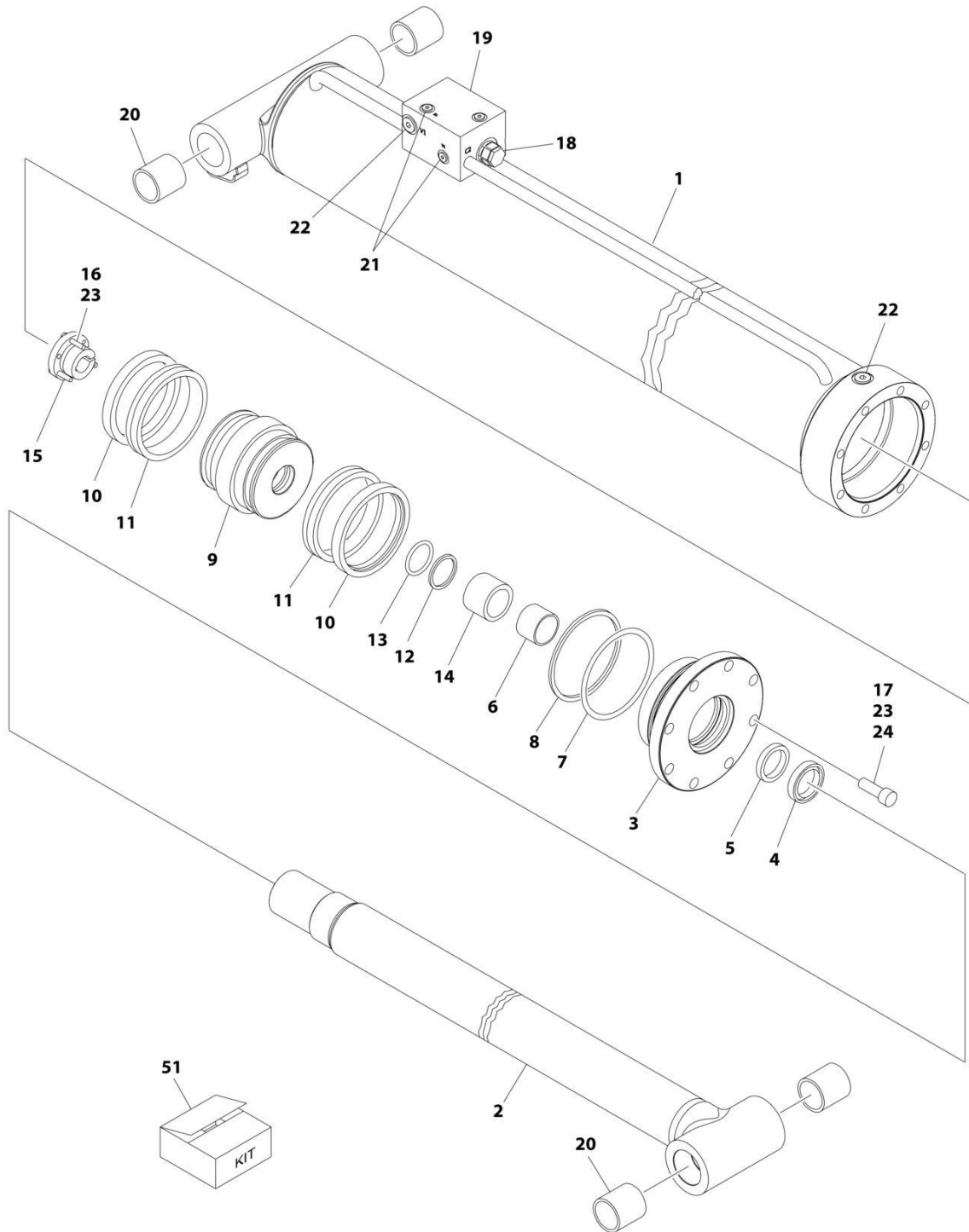
SECTION 5 - CYLINDER

FIGURE 5-6. LEVEL (UPRIGHT) CYLINDER ASSEMBLY

| ITEM | PART NUMBER | QTY | DESCRIPTION | REV |
|------|-------------|-----|---|-----|
| | | Ref | LEVEL (UPRIGHT) CYLINDER ASSEMBLY | |
| | 1683299 | Ref | Original Equipment | F |
| | 1684498 | Ref | Service Replacement | C |
| | | Ref | Note: Original Equipment components may have been replaced with Service Replacement components part. Identify p/n stamped on cylinder before ordering parts. | |
| 1 | | Ref | Barrel Weldment Options: | |
| 1 | 1683300 | 1 | Barrel Weldment (Prior to SN 0300056430) | |
| 1 | 1684014 | NLA | Barrel Weldment (Original Equipment) (Use p/n 0370035) (SN 0300056430 through 0300069000) | |
| 1 | 0370035 | 1 | Service Replacement | |
| 1A | 0961949 | 2 | Bushing | |
| 2 | | Ref | Rod Weldment Options: | |
| 2 | 1683302 | 1 | Rod Weldment (Prior to SN 0300056430) | |
| 2 | 1684015 | 1 | Rod Weldment (SN 0300056430 through 0300069000) | |
| 2A | 0961949 | 2 | Bushing | |
| 3 | 1683067 | 1 | Head | |
| 4 | 3480206 | 1 | Piston | |
| 5 | 0961898 | 1 | Bushing, Tapered (Use item #24 in place of supplied bolts) | |
| 6 | 4566501 | 1 | Spacer, Tube | |
| 7 | 4640509 | 1 | Cartridge, Valve | |
| 7 | 2900792 | 1 | Seal Kit - 4640509 Valve | |
| 8 | 4640605 | 1 | Cartridge, Valve | |
| 8 | 2900792 | 1 | Seal Kit - 4640605 Valve | |
| 9 | 3932032 | 8 | Bolt, Socket Head 5/16in-11NC x 2in | |
| 10 | 2220883 | 2 | Plug, O-Ring | |
| 11 | See Note | NSS | Ring, Lock (Note: Use Item 51) | |
| 12 | See Note | NSS | Seal, Hydrolock (Note: Use Item 51) | |
| 13 | See Note | NSS | O-Ring (Note: Use Item 51) | |
| 14 | See Note | NSS | Ring, Back-up (Note: Use Item 51) | |
| 15 | See Note | NSS | Ring, Wear (Note: Use Item 51) | |
| 16 | See Note | NSS | O-Ring (Note: Use Item 51) | |
| 17 | See Note | NSS | Ring, Back-up (Note: Use Item 51) | |
| 18 | See Note | NSS | Seal, Rod (Note: Use Item 51) | |
| 19 | See Note | NSS | Wiper (Note: Use Item 51) | |
| 20 | 0100011 | AR | Compound, Locking | |
| 21 | 0100038 | AR | Primer, Locking | |
| 22 | 3760372 | 1 | Washer, Ring | |
| 24 | 0630536 | 3 | Bolt 3/8in-16NC x 1-1/2in | |
| 25 | 2220886 | 1 | Plug, O-Ring | |
| 26 | 0100063 | AR | Adhesive | |
| 51 | 2901285 | 1 | Seal Kit (Includes Items 11-19) | |

SECTION 5 - CYLINDER

FIGURE 5-7. LEVEL CYLINDER ASSEMBLY - UPRIGHT (SERVICE REPLACEMENT)



ART_1001228042

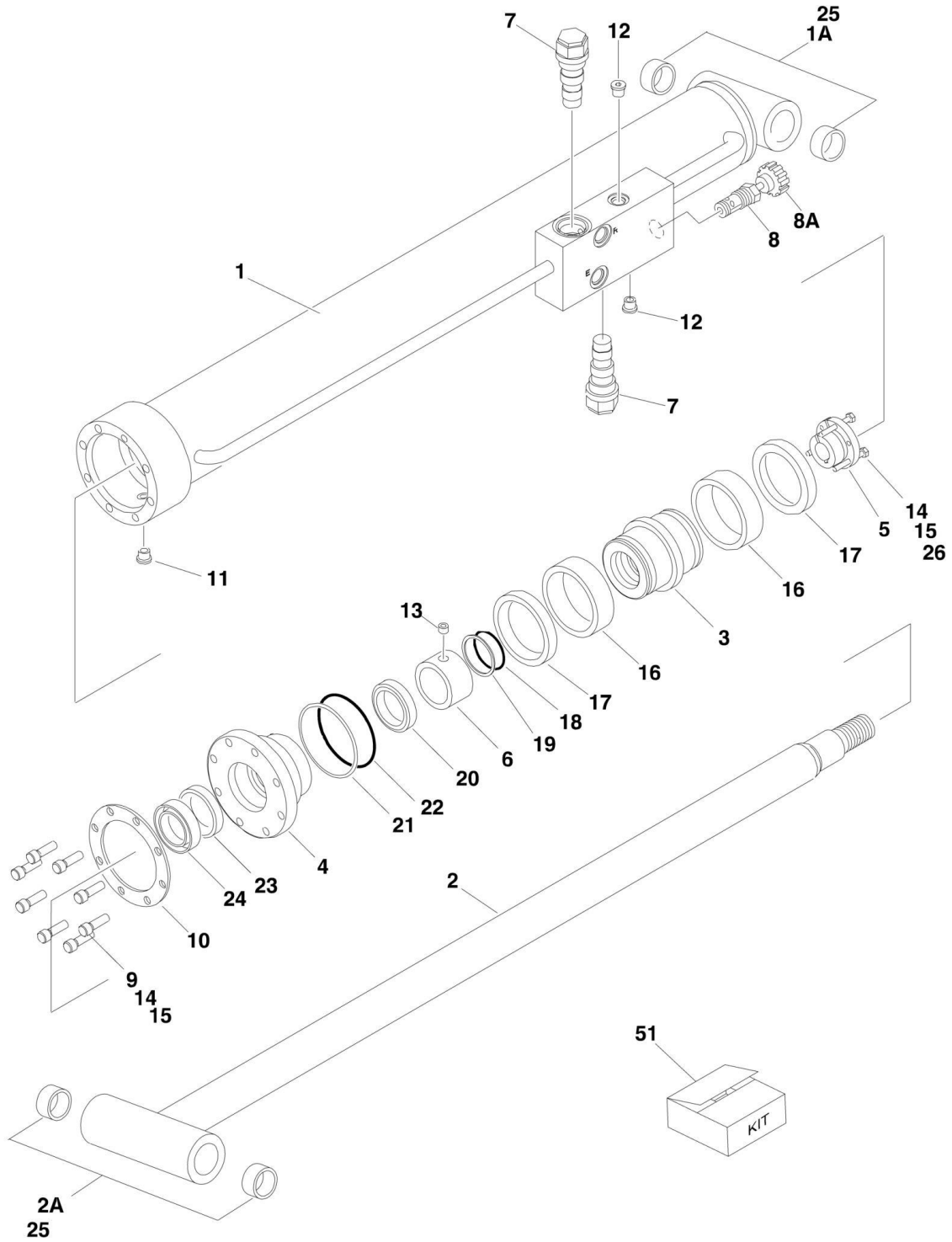
SECTION 5 - CYLINDER

FIGURE 5-7. LEVEL CYLINDER ASSEMBLY - UPRIGHT (SERVICE REPLACEMENT)

| ITEM | PART NUMBER | QTY | DESCRIPTION | REV |
|------|-------------|-----|--|-----|
| | 1001228042 | Ref | UPRIGHT LEVEL CYLINDER ASSEMBLY | E |
| | | Ref | Note: Original Equipment components may have been replaced with Service Replacement components part. Identify p/n stamped on cylinder before ordering parts. | |
| 1 | See Note | NSS | Barrel (Note: Not Available for Purchase) | |
| 2 | 70006489 | 1 | Rod | |
| 3 | 70006488 | 1 | Head | |
| 4 | See Note | NSS | Wiper (Note: Use Item 51) | |
| 5 | See Note | NSS | Seal, Rod (Note: Use Item 51) | |
| 6 | See Note | NSS | Ring, Wear (Note: Use Item 51) | |
| 7 | See Note | NSS | O-Ring (Note: Use Item 51) | |
| 8 | See Note | NSS | Ring, Back-up (Note: Use Item 51) | |
| 9 | 70006487 | 1 | Piston | |
| 10 | See Note | NSS | Ring, Lock (Note: Use Item 51) | |
| 11 | See Note | NSS | Seal, Hydrolock (Note: Use Item 51) | |
| 12 | See Note | NSS | O-Ring (Note: Use Item 51) | |
| 13 | See Note | NSS | Ring, Back-up (Note: Use Item 51) | |
| 14 | 70006486 | 1 | Spacer, Tube | |
| 15 | 0961898 | 1 | Bushing, Tapered (Use Item #16 in place of supplied bolts) | |
| 16 | 0630536 | 3 | Bolt 3/8 x 1-1/2 | |
| 17 | 3932032 | 8 | Bolt, Socket Head 5/16 x 2 | |
| 18 | 4640509 | 1 | Cartridge, Valve | |
| 18 | 2900792 | 1 | Seal Kit - 4640509 Valve | |
| 19 | 4640605 | 1 | Cartridge, Valve | |
| 19 | 2900792 | 1 | Seal Kit - 4640605 Valve | |
| 20 | 0961949 | 4 | Bushing | |
| 21 | 2220883 | 5 | Plug, O-Ring | |
| 22 | 2220886 | AR | Plug, O-Ring | |
| 23 | 0100011 | AR | Compound, Locking | |
| 24 | 0100038 | AR | Primer, Locking | |
| 51 | 2901285 | 1 | Seal Kit (Includes Items 4-8 & 10-13) | |

SECTION 5 - CYLINDER

FIGURE 5-8. LIFT (ARTICULATING JIB) CYLINDER ASSEMBLY - 600AJ



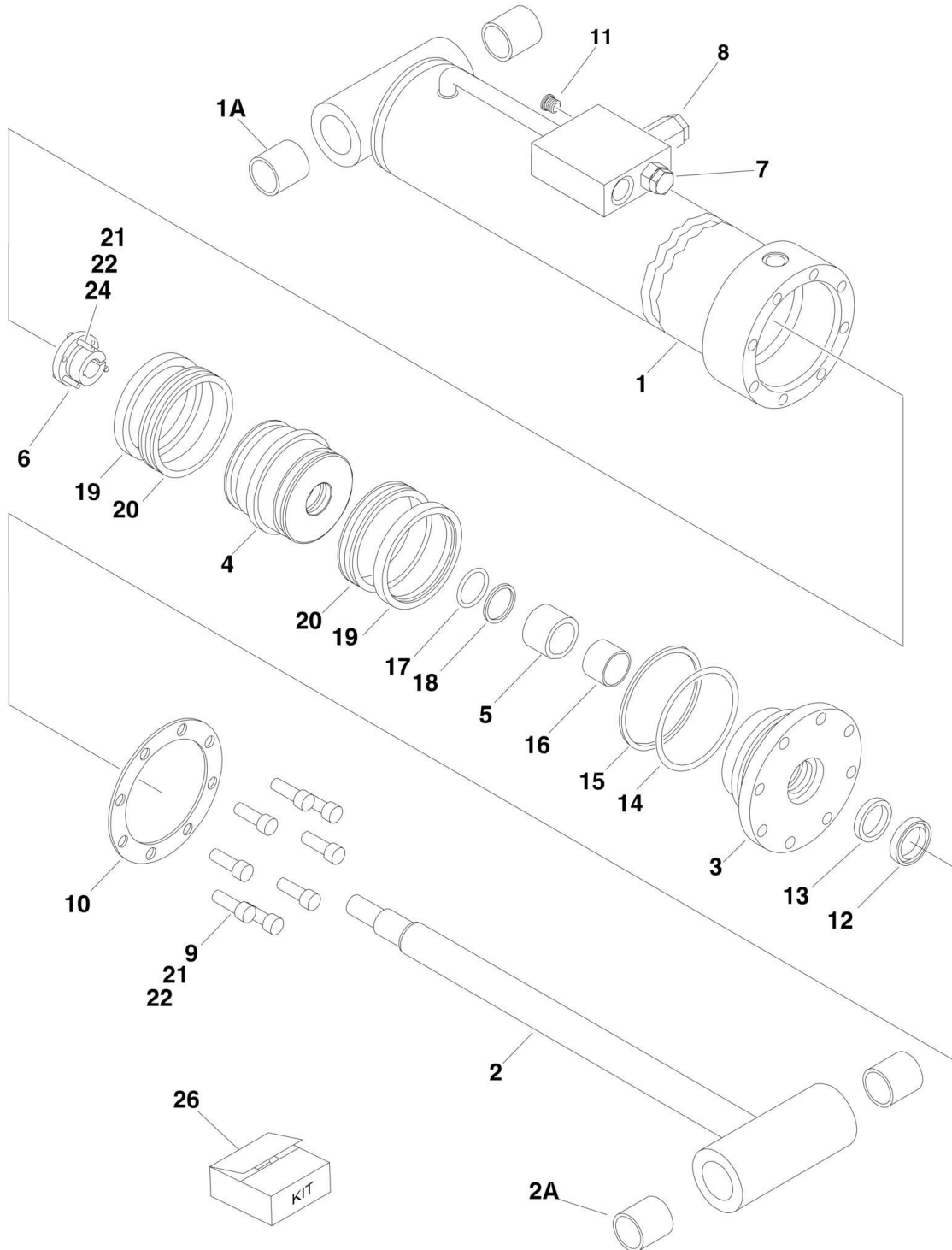
SECTION 5 - CYLINDER

FIGURE 5-8. LIFT (ARTICULATING JIB) CYLINDER ASSEMBLY - 600AJ

| ITEM | PART NUMBER | QTY | DESCRIPTION | REV |
|------|-------------|-----|---|-----|
| | 1683258 | Ref | LIFT CYLINDER ASSEMBLY - 600AJ | C |
| 1 | | Ref | Barrel Options: | |
| 1 | 1683259 | 1 | Barrel (Prior to SN 0300062140) | |
| 1 | 1684092 | 1 | Barrel (SN 0300062140 through 0300069000) | |
| 1A | | Ref | Bushing Options: | |
| 1A | 0961947 | 2 | Bushing (Prior to SN 0300062140) | |
| 1A | 0962336 | 2 | Bushing (SN 0300062140 through 0300069000) | |
| 2 | | Ref | Rod Options: | |
| 2 | 1683261 | 1 | Rod (Prior to SN 0300062140) | |
| 2 | 1684090 | 1 | Rod (SN 0300062140 through 0300069000) | |
| 2A | | Ref | Bushing Options: | |
| 2A | 0961947 | 2 | Bushing (Prior to SN 0300062140) | |
| 2A | 0962336 | 2 | Bushing (SN 0300062140 through 0300069000) | |
| 3 | 3480210 | 1 | Piston | |
| 4 | 1683053 | 1 | Head | |
| 5 | 0961893 | 1 | Bushing, Tapered | |
| 6 | 4566471 | 1 | Spacer | |
| 7 | 4640509 | 2 | Cartridge, Valve | |
| 7 | 2900792 | 2 | Seal Kit - 4640509 Valve | |
| 8 | 4640902 | 1 | Cartridge, Valve | |
| 8 | 7012953 | 1 | Seal Kit - 4640902 Valve | |
| 8A | 7012961 | 1 | Knob | |
| 9 | 3931516 | 8 | Capscrew, Socket Head 5/16in-18NC x 1in | |
| 10 | 3760368 | 1 | Ring, Washer | |
| 11 | 2220885 | 1 | Plug, O-Ring #6 | |
| 12 | 2220883 | 2 | Plug, O-Ring #4 | |
| 13 | 3900141 | 1 | Setscrew 1/4in-20NC x 3/8in | |
| 14 | 0100011 | AR | Compound, Locking | |
| 15 | 0100038 | AR | Primer, Locking | |
| 16 | See Note | NSS | Seal (Note: Use Item 51) | |
| 17 | See Note | NSS | Ring, Lock (Note: Use Item 51) | |
| 18 | See Note | NSS | O-Ring (Note: Use Item 51) | |
| 19 | See Note | NSS | Ring, Back-up (Note: Use Item 51) | |
| 20 | See Note | NSS | Ring, Wear (Note: Use Item 51) | |
| 21 | See Note | NSS | O-Ring (Note: Use Item 51) | |
| 22 | See Note | NSS | Ring, Back-up (Note: Use Item 51) | |
| 23 | See Note | NSS | Seal, Rod (Note: Use Item 51) | |
| 24 | See Note | NSS | Wiper (Note: Use Item 51) | |
| 25 | 0100063 | AR | Adhesive | |
| 26 | 0630534 | 3 | Bolt #10 - 24NC x 1in | |
| 51 | 2901303 | 1 | Seal Kit (Includes Items 16-24) | |

SECTION 5 - CYLINDER

FIGURE 5-9. LIFT (MAIN BOOM) CYLINDER ASSEMBLY (ORIGINAL EQUIPMENT)



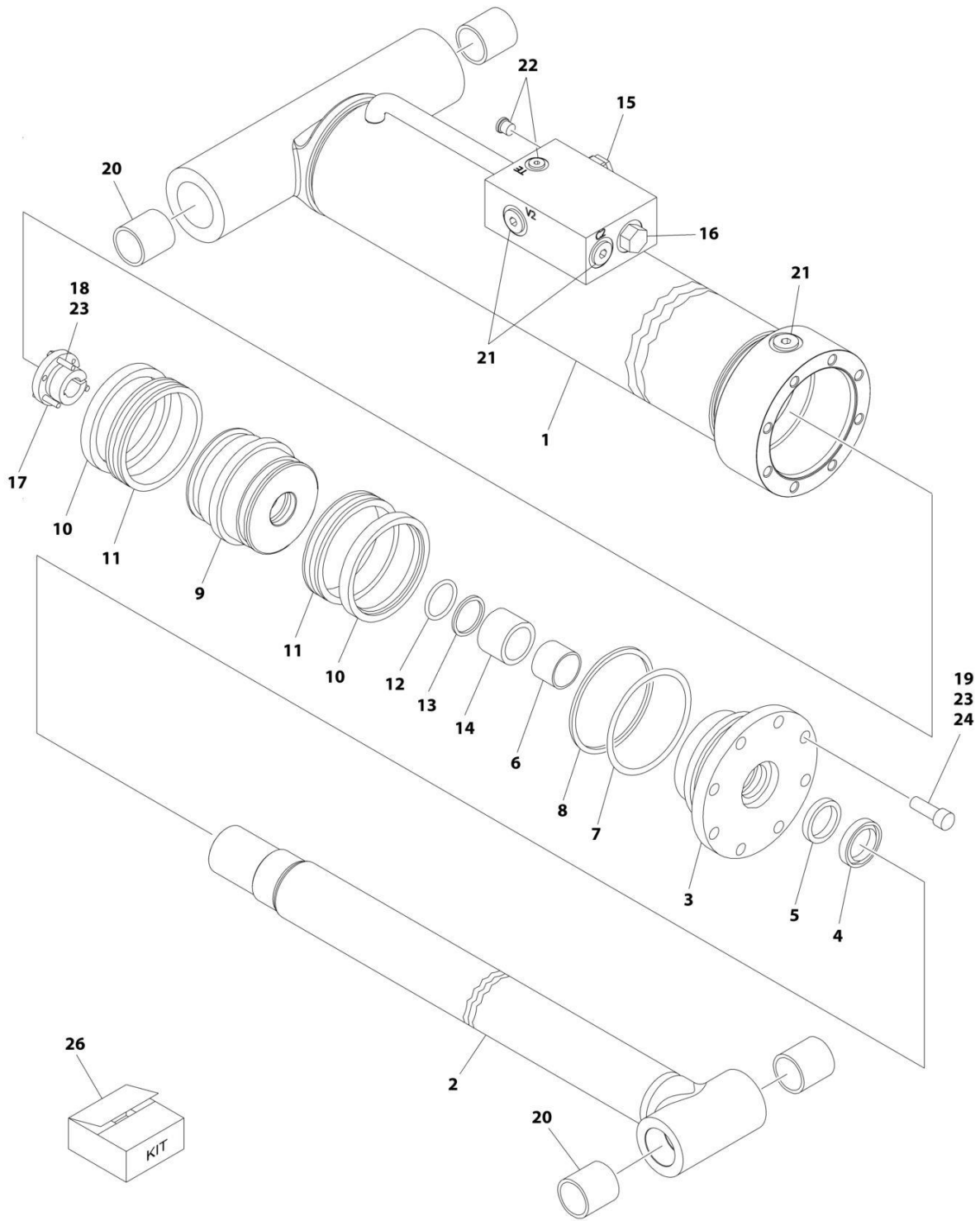
SECTION 5 - CYLINDER

FIGURE 5-9. LIFT (MAIN BOOM) CYLINDER ASSEMBLY (ORIGINAL EQUIPMENT)

| ITEM | PART NUMBER | QTY | DESCRIPTION | REV |
|------|-------------|-----|---|-----|
| | 1683294 | Ref | LIFT (MAIN BOOM) CYLINDER ASSEMBLY | G |
| | | Ref | | |
| | | | Note: Original Equipment components may have been replaced with Service Replacement components part. Identify p/n stamped on cylinder before ordering parts. | |
| 1 | | Ref | Barrel Options: | |
| 1 | 1683295 | 1 | Barrel (Prior to SN 0300055554) | |
| 1 | 1684001 | 1 | Barrel (SN 0300055554 through 0300069000) | |
| 1A | 0961948 | 2 | Bushing | |
| 2 | | Ref | Rod Options: | |
| 2 | 1683297 | 1 | Rod (Prior to SN 0300055554) | |
| 2 | 1684005 | 1 | Rod (SN 0300055554 through 0300069000) | |
| 2A | 0961948 | 2 | Bushing | |
| 3 | 1683061 | 1 | Head | |
| 4 | 3480211 | 1 | Piston | |
| 5 | 4566408 | 1 | Spacer | |
| 6 | 0961897 | 1 | Bushing, Tapered | |
| 7 | 4640438 | 1 | Cartridge, Valve | |
| 7 | 2900770 | 1 | Seal Kit - 4640438 Valve | |
| 8 | 4640509 | 1 | Cartridge, Valve | |
| 8 | 2900792 | 1 | Seal Kit - 4640509 Valve | |
| 9 | 3931720 | 8 | Capscrew, Socket Head 7/16in-14NC x 1-1/4in | |
| 10 | 3760370 | 1 | Ring, Washer | |
| 11 | 2220883 | 1 | Plug, O-Ring #6 | |
| 12 | See Note | NSS | Wiper (Note: Use Item 26) | |
| 13 | See Note | NSS | Seal, Rod (Note: Use Item 26) | |
| 14 | See Note | NSS | O-Ring (Note: Use Item 26) | |
| 15 | See Note | NSS | Ring, Back-up (Note: Use Item 26) | |
| 16 | See Note | NSS | Ring, Wear (Note: Use Item 26) | |
| 17 | See Note | NSS | O-Ring (Note: Use Item 26) | |
| 18 | See Note | NSS | Ring, Back-up (Note: Use Item 26) | |
| 19 | See Note | NSS | Ring, Lock (Note: Use Item 26) | |
| 20 | See Note | NSS | Seal (Note: Use Item 26) | |
| 21 | 0100011 | AR | Compound, Locking | |
| 22 | 0100038 | AR | Primer, Locking | |
| 24 | 0630535 | 3 | Bolt 1/4in-20NC x 1-1/8in | |
| 26 | 2901273 | 1 | Seal Kit (Includes Items 12-20) | |

SECTION 5 - CYLINDER

FIGURE 5-10. LIFT CYLINDER ASSEMBLY - MAIN BOOM (SERVICE REPLACEMENT)



ART_1001228004

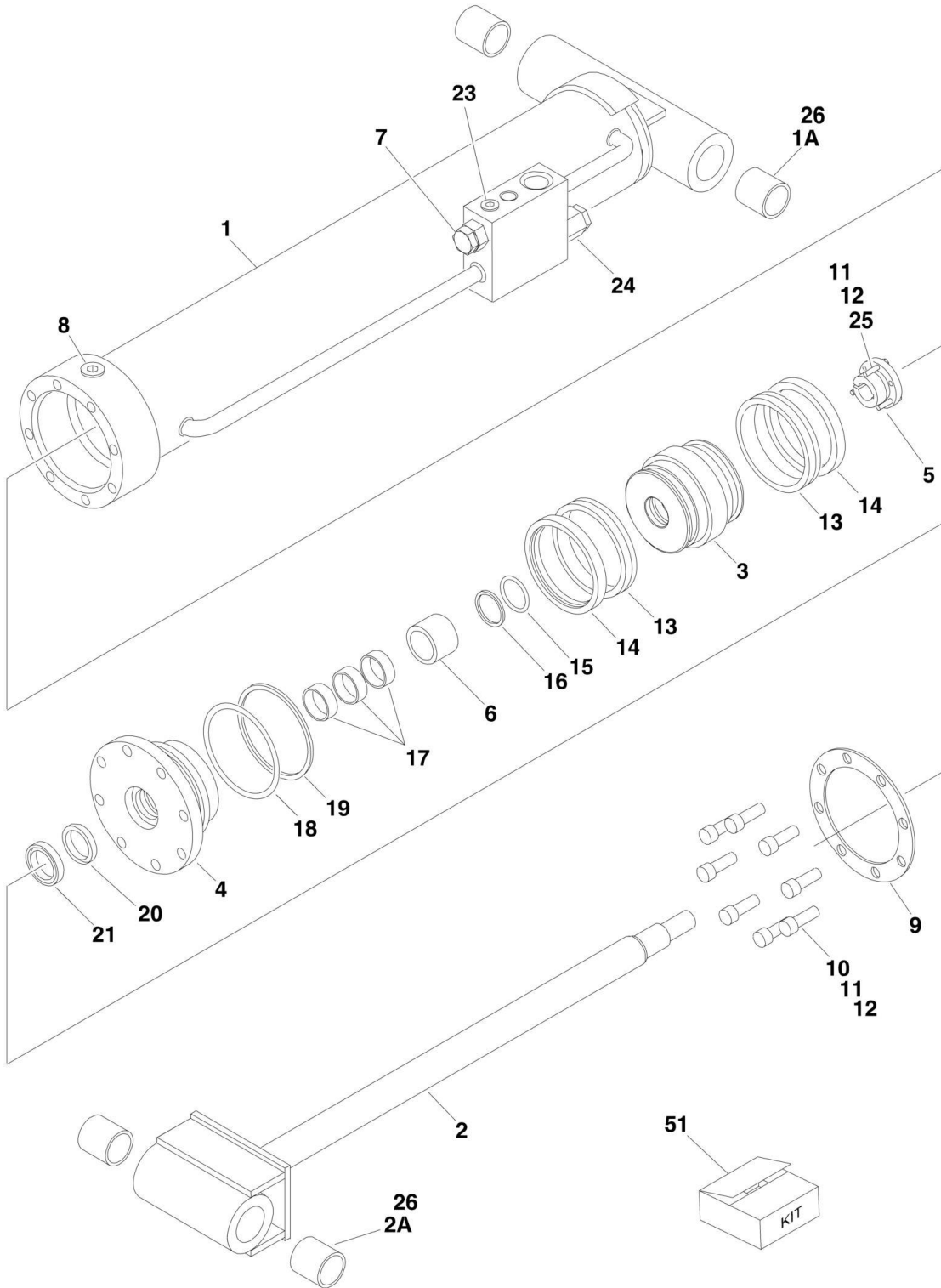
SECTION 5 - CYLINDER

FIGURE 5-10. LIFT CYLINDER ASSEMBLY - MAIN BOOM (SERVICE REPLACEMENT)

| ITEM | PART NUMBER | QTY | DESCRIPTION | REV |
|------|-------------|-----|--|-----|
| | 1001228004 | Ref | LIFT CYLINDER ASSEMBLY - MAIN BOOM | C |
| | | Ref | Note: Original Equipment components may have been replaced with Service Replacement components part. Identify p/n stamped on cylinder before ordering parts. | |
| 1 | See Note | NSS | Barrel (Note: Not Available for Purchase) | |
| 2 | 70006481 | 1 | Rod | |
| 3 | 70006480 | 1 | Head | |
| 4 | See Note | NSS | Wiper (Note: Use Item 26) | |
| 5 | See Note | NSS | Seal, Rod (Note: Use Item 26) | |
| 6 | See Note | NSS | Ring, Wear (Note: Use Item 26) | |
| 7 | See Note | NSS | O-Ring (Note: Use Item 26) | |
| 8 | See Note | NSS | Ring, Back-up (Note: Use Item 26) | |
| 9 | 70006479 | 1 | Piston | |
| 10 | See Note | NSS | Ring, Lock (Note: Use Item 26) | |
| 11 | See Note | NSS | Seal (Note: Use Item 26) | |
| 12 | See Note | NSS | O-Ring (Note: Use Item 26) | |
| 13 | See Note | NSS | Ring, Back-up (Note: Use Item 26) | |
| 14 | 70006478 | 1 | Spacer | |
| 15 | 4640509 | 1 | Cartridge, Valve | |
| 15 | 2900792 | 1 | Seal Kit - 4640509 Valve | |
| 16 | 4640438 | 1 | Cartridge, Valve | |
| 16 | 2900770 | 1 | Seal Kit - 4640438 Valve | |
| 17 | 0961897 | 1 | Bushing, Tapered | |
| 18 | 0630535 | 3 | Bolt 1/4 x 1-1/8 | |
| 19 | 3931720 | 8 | Capscrew, Socket Head 7/16 x 1-1/4 | |
| 20 | 0961948 | 2 | Bushing | |
| 21 | 2220886 | 4 | Plug, O-Ring | |
| 22 | 2220883 | 3 | Plug, O-Ring | |
| 23 | 0100011 | AR | Compound, Locking | |
| 24 | 0100038 | AR | Primer, Locking | |
| 26 | 2901273 | 1 | Seal Kit (Includes Items 4-8 & 10-13) | |

SECTION 5 - CYLINDER

FIGURE 5-11. LIFT (TOWER BOOM) CYLINDER ASSEMBLY (ORIGINAL EQUIPMENT)



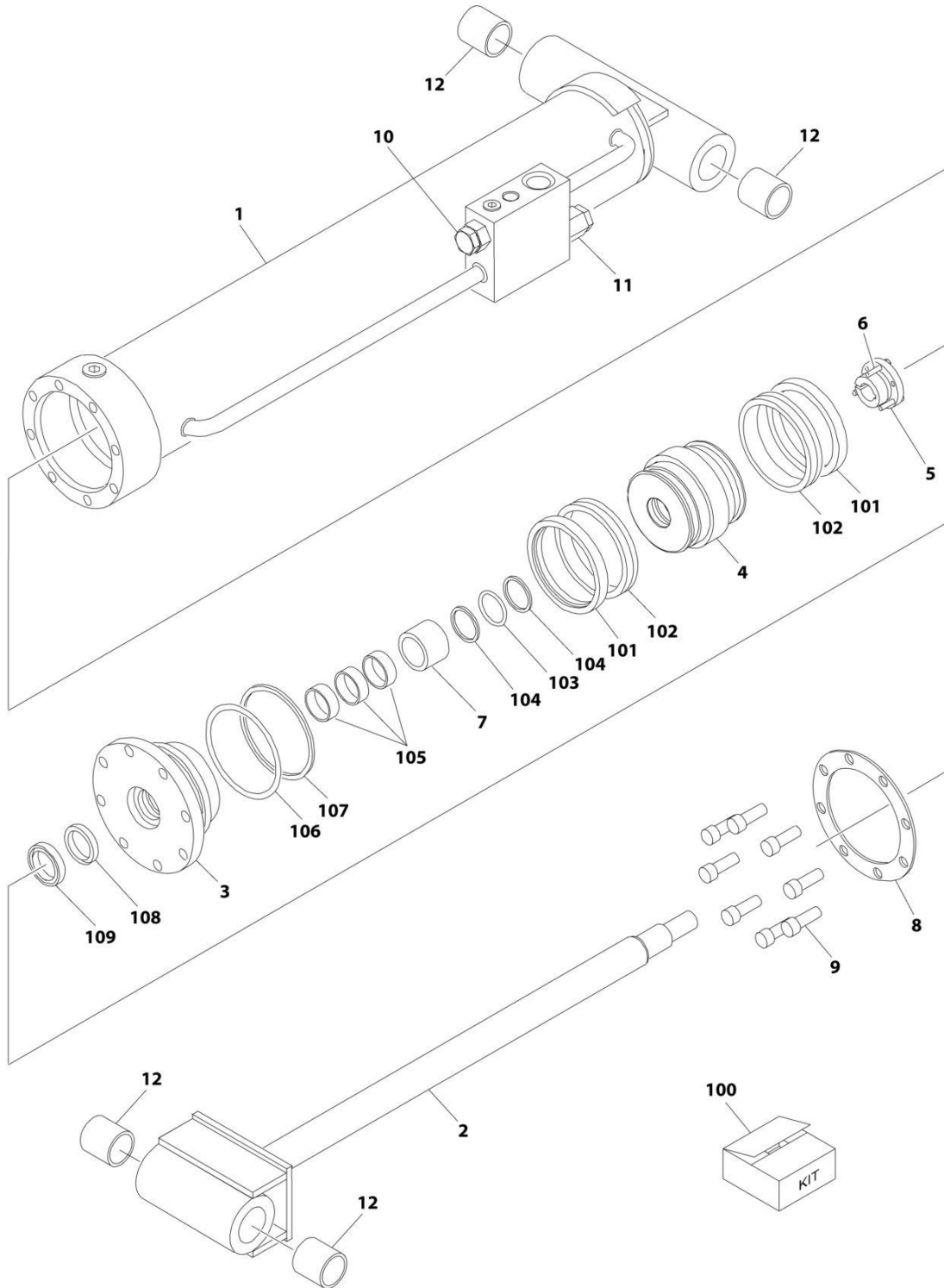
SECTION 5 - CYLINDER

FIGURE 5-11. LIFT (TOWER BOOM) CYLINDER ASSEMBLY (ORIGINAL EQUIPMENT)

| ITEM | PART NUMBER | QTY | DESCRIPTION | REV |
|------|-------------|-----|---|-----|
| | 1683288 | Ref | LIFT (TOWER BOOM) CYLINDER ASSEMBLY | L |
| | | Ref | Note: Original Equipment components may have been replaced with Service Replacement components part. Identify p/n stamped on cylinder before ordering parts. | |
| 1 | | Ref | Barrel Options: | |
| 1 | 1683289 | 1 | Barrel (Prior to SN 0300057328) | |
| 1 | 1684017 | 1 | Barrel (SN 0300057328 through 0300069000) | |
| 1A | 0961949 | 2 | Bushing | |
| 2 | | Ref | Rod Options: | |
| 2 | 1683291 | 1 | Rod (Prior to SN 0300057328) | |
| 2 | 1684019 | 1 | Rod (SN 0300057328 through 0300069000) | |
| 2A | 0961949 | 2 | Bushing | |
| 3 | 3480216 | 1 | Piston | |
| 4 | 1683069 | 1 | Head | |
| 5 | 0961899 | 1 | Bushing, Tapered | |
| 6 | 4566667 | 1 | Spacer | |
| 7 | 4640605 | 1 | Cartridge, Valve | |
| 7 | 2900792 | 1 | Seal Kit - 4640605 | |
| 8 | 2220888 | 1 | Plug, O-Ring #12 | |
| 9 | 3760384 | 1 | Ring, Washer | |
| 10 | 3932240 | 8 | Capscrew, Socket Head 3/4in-10NC x 2-1/2in | |
| 11 | 0100011 | AR | Compound, Locking | |
| 12 | 0100038 | AR | Primer, Locking | |
| 13 | See Note | NSS | Seal (Note: Use Item 51) | |
| 14 | See Note | NSS | Ring, Lock (Note: Use Item 51) | |
| 15 | See Note | NSS | O-Ring (Note: Use Item 51) | |
| 16 | See Note | NSS | Ring, Back-up (Note: Use Item 51) | |
| 17 | See Note | NSS | Ring, Wear (Note: Use Item 51) | |
| 18 | See Note | NSS | O-Ring (Note: Use Item 51) | |
| 19 | See Note | NSS | Ring, Back-up (Note: Use Item 51) | |
| 20 | See Note | NSS | Seal, Rod (Note: Use Item 51) | |
| 21 | See Note | NSS | Wiper (Note: Use Item 51) | |
| 23 | 2220883 | 2 | Plug, O-Ring #4 | |
| 24 | 4640509 | 1 | Counterbalance | |
| 24 | 2900792 | 1 | Seal Kit - 4640509 | |
| 25 | 0630536 | 3 | Bolt 3/8in-16NC x 1-1/2in | |
| 26 | 0100063 | AR | Adhesive | |
| 51 | 2901322 | 1 | Seal Kit (Includes Items 13-21) | |

SECTION 5 - CYLINDER

FIGURE 5-12. LIFT CYLINDER ASSEMBLY - TOWER BOOM (SERVICE REPLACEMENT)



ART_1001228003

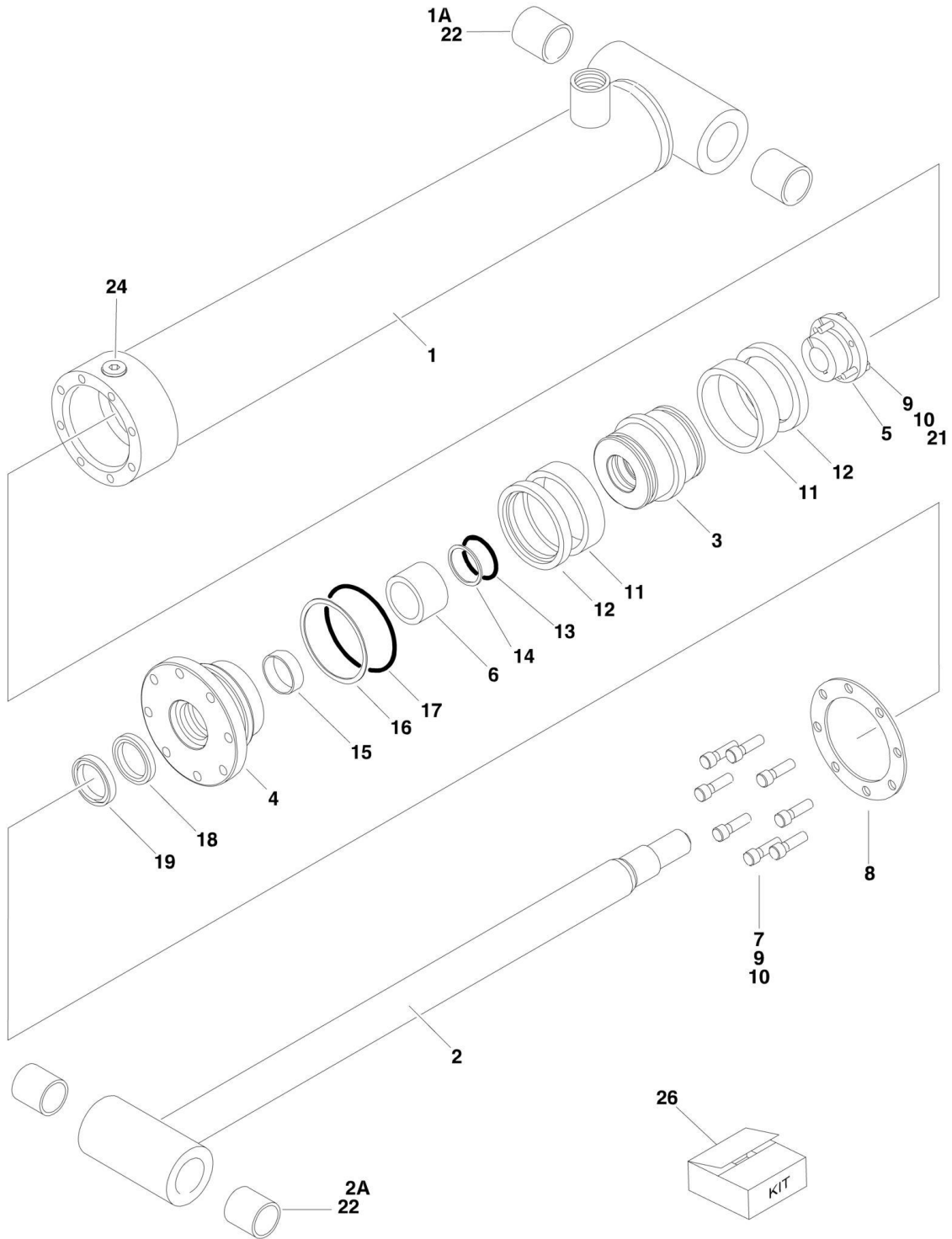
SECTION 5 - CYLINDER

FIGURE 5-12. LIFT CYLINDER ASSEMBLY - TOWER BOOM (SERVICE REPLACEMENT)

| ITEM | PART NUMBER | QTY | DESCRIPTION | REV |
|------|-------------|-----|---|-----|
| | 1001228003 | Ref | LIFT CYLINDER ASSEMBLY | D |
| | | Ref | Note: Original Cylinder may have been replaced with Service Replacement. Identify PN Stamped on Cylinder Before Ordering Parts. | |
| 1 | See Note | NSS | Barrel (Note: Not Available For Purchase) | |
| 2 | 70006374 | 1 | Rod | |
| 3 | 70006373 | 1 | Head | |
| 4 | 70006372 | 1 | Piston | |
| 5 | 70006371 | 1 | Bushing, Tapered | |
| 6 | 0630536 | 3 | Bolt 3/8 x 1-1/2 | |
| 7 | 70006370 | 1 | Spacer | |
| 8 | 70006369 | 1 | Ring, Washer | |
| 9 | 3932240 | 8 | Capscrew 3/4 x 2-1/2 | |
| 10 | 4640605 | 1 | Cartridge, Valve | |
| 10 | 2900792 | 1 | Seal Kit - 4640605 Valve | |
| 11 | 4640509 | 1 | Cartridge, Valve | |
| 11 | 2900792 | 1 | Seal Kit - 4640509 Valve | |
| 12 | 0961949 | 4 | Bushing | |
| 100 | 2901322 | 1 | Seal Kit (Includes Items 101-109) | |
| 101 | See Note | NSS | Ring, Lock (Note: Use Item 100) | |
| 102 | See Note | NSS | Seal (Note: Use Item 100) | |
| 103 | See Note | NSS | O-Ring (Note: Use Item 100) | |
| 104 | See Note | NSS | Ring, Back-up (Note: Use Item 100) | |
| 105 | See Note | NSS | Ring, Wear (Note: Use Item 100) | |
| 106 | See Note | NSS | O-Ring (Note: Use Item 100) | |
| 107 | See Note | NSS | Ring, Back-up (Note: Use Item 100) | |
| 108 | See Note | NSS | Seal, Rod (Note: Use Item 100) | |
| 109 | See Note | NSS | Wiper (Note: Use Item 100) | |

SECTION 5 - CYLINDER

FIGURE 5-13. MASTER CYLINDER ASSEMBLIES (ORIGINAL EQUIPMENT)



SECTION 5 - CYLINDER

FIGURE 5-13. MASTER CYLINDER ASSEMBLIES (ORIGINAL EQUIPMENT)

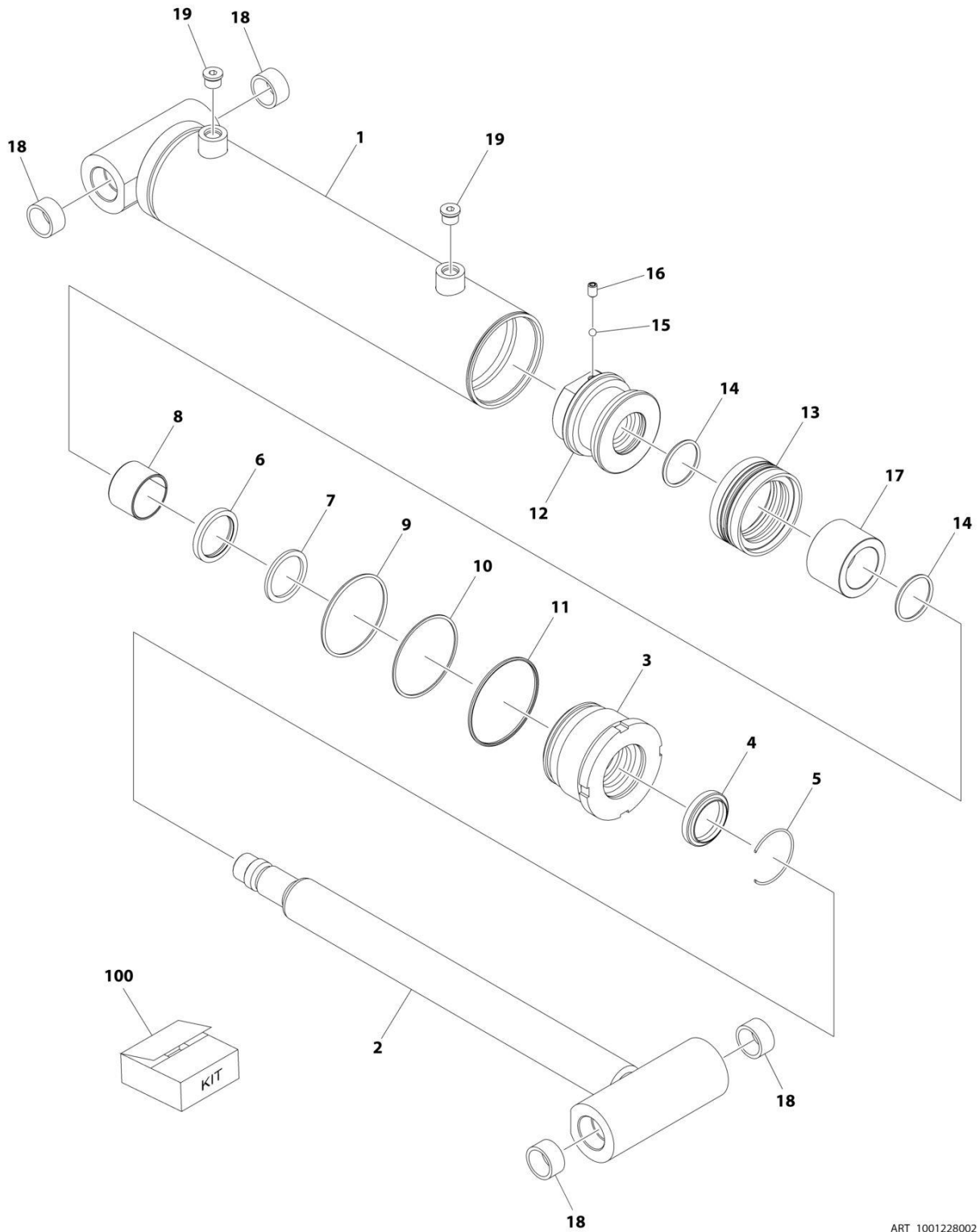
| ITEM | PART NUMBER | QTY | DESCRIPTION | REV |
|------|-------------|-----|--|-----|
| | 1683266 | Ref | MASTER CYLINDER ASSEMBLY - 600A | C |
| | 1683263 | Ref | MASTER CYLINDER ASSEMBLY - 600AJ | E |
| | | Ref | Note: Original Cylinder May Have Been Replaced with Service Replacement. Identify PN Stamped on Cylinder Before Ordering Parts. | |
| 1 | | Ref | Barrel Options: | |
| 1 | 1683267 | 1 | Barrel (Note: Includes Item 1A) 600A (Prior to SN 0300053542) | |
| 1 | 1683972 | 1 | Barrel (Note: Includes Item 1A) 600A (SN 0300053542 through 0300069000) | |
| 1 | 1683264 | 1 | Barrel (Note: Includes Item 1A) 600AJ (Prior to SN 0300052685) | |
| 1 | 1683949 | 1 | Barrel ((Note: Item 1A not included. Purchase Separately) 600AJ (SN 0300052685 through 0300069000)) | |
| 1A | | Ref | Bushing Options: | |
| 1A | 0961947 | 2 | 600A - Bushing | |
| 1A | 0961951 | 2 | 600AJ - Bushing | |
| 2 | | Ref | Rod Options: | |
| 2 | 1683269 | 1 | Rod 600A (Note: Includes Item 2A) (Prior to SN 0300053542) | |
| 2 | 1683973 | 1 | Rod 600A (Note: Includes Item 2A) (SN 0300053542 through 0300069000) | |
| 2 | 1683256 | 1 | Rod 600AJ (Note: Includes Item 2A) (Prior to SN 0300052685) | |
| 2 | 1683962 | 1 | Rod 600AJ (Note: Item 2A not included. Purchase Separately) (SN 0300052685 through 0300069000) | |
| 2A | | Ref | Bushing Options: | |
| 2A | 0961947 | 2 | 600A - Bushing | |
| 2A | 0961951 | 2 | 600AJ - Bushing | |
| 3 | | Ref | Piston Options: | |
| 3 | 3480210 | 1 | Piston 600A | |
| 3 | 3480188 | 1 | Piston 600AJ | |
| 4 | | Ref | Head Options: | |
| 4 | 1683053 | 1 | Head 600A | |
| 4 | 1683055 | 1 | Head 600AJ | |
| 5 | | Ref | Bushing, Tapered Options (Use item 21 in place of supplied bolts): | |
| 5 | 0961893 | 1 | Bushing, Tapered 600A | |
| 5 | 0961894 | 1 | Bushing, Tapered 600AJ | |
| 6 | 4566468 | 1 | Spacer | |
| 7 | | Ref | Capscrew, Socket Head Options: | |
| 7 | 3931516 | 8 | 600A - Capscrew, Socket Head 5/16in-18NC x 1in | |
| 7 | 3931620 | 8 | 600AJ - Capscrew, Socket Head 3/8in-16NCx1-1/4in | |
| 8 | | Ref | Ring, Washer Options: | |
| 8 | 3760368 | 1 | Ring, Washer 600A | |
| 8 | 3760369 | 1 | Ring, Washer 600AJ | |
| 9 | 0100011 | AR | Compound, Locking | |
| 10 | 0100038 | AR | Primer, Locking | |
| 11 | See Note | 2 | Seal (Note: Use Item 26) | |
| 12 | See Note | 2 | Ring, Lock (Note: Use Item 26) | |
| 13 | See Note | 1 | O-Ring (Note: Use Item 26) | |
| 14 | See Note | 1 | Ring, Back-up (Note: Use Item 26) | |
| 15 | See Note | 1 | Ring, Wear (Note: Use Item 26) | |
| 16 | See Note | 1 | O-Ring (Note: Use Item 26) | |

SECTION 5 - CYLINDER

| ITEM | PART NUMBER | QTY | DESCRIPTION | REV |
|------|-------------|-----|--|-----|
| 17 | See Note | 1 | Ring, Back-up (Note: Use Item 26) | |
| 18 | See Note | 1 | Seal, Rod (Note: Use Item 26) | |
| 19 | See Note | 1 | Wiper (Note: Use Item 26) | |
| 21 | | Ref | Bolt Options: | |
| 21 | 0630534 | 3 | 600A - Bolt #10 - 24NC x 1in | |
| 21 | 0630535 | 3 | 600AJ - Bolt 1/4in-20NC x 1-1/8in | |
| 22 | 0100063 | AR | Adhesive | |
| 24 | 2220885 | 1 | Plug, O-Ring #6 - 600AJ Only (SN 0300052685 through 0300069000) | |
| 26 | | Ref | Seal Kit Options (Includes Items 11-19): | |
| 26 | 2901303 | 1 | Seal Kit 600A | |
| 26 | 2901301 | 1 | Seal Kit 600AJ | |

SECTION 5 - CYLINDER

FIGURE 5-14. MASTER CYLINDER ASSEMBLY - 600A (SERVICE REPLACEMENT)



ART_1001228002

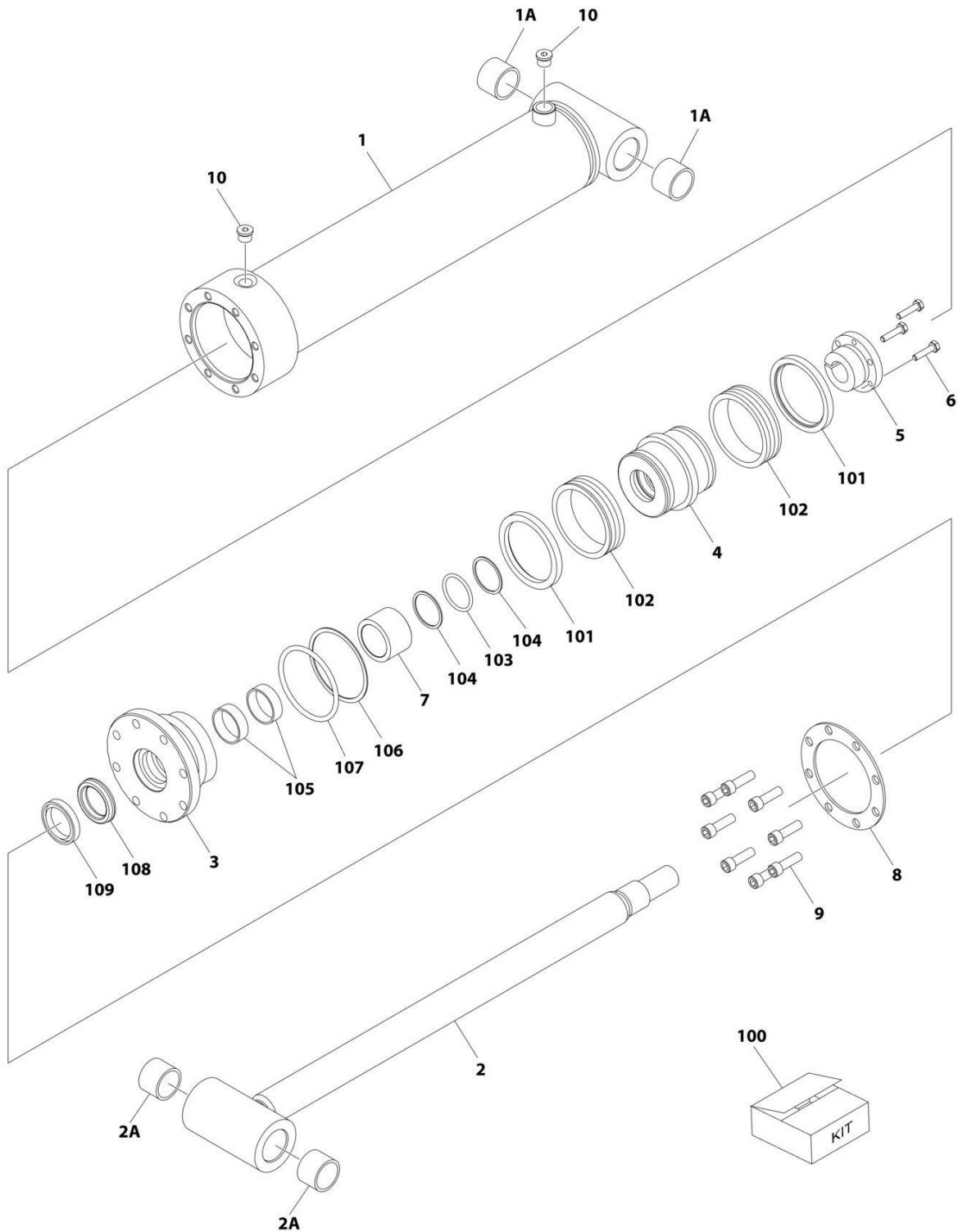
SECTION 5 - CYLINDER

FIGURE 5-14. MASTER CYLINDER ASSEMBLY - 600A (SERVICE REPLACEMENT)

| ITEM | PART NUMBER | QTY | DESCRIPTION | REV |
|------|-------------|-----|---|-----|
| | 1001228002 | Ref | MASTER CYLINDER ASSEMBLY | B |
| | | Ref | Note: Original Cylinder May Have Been Replaced with Service Replacement. Identify PN Stamped on Cylinder Before Ordering Parts. | |
| 1 | See Note | NSS | Barrel (Note: Not Available for Purchase) | |
| 2 | 70006774 | 1 | Rod | |
| 3 | 70006599 | 1 | Head | |
| 4 | See Note | NSS | Wiper Rod (Note: Use Item 100) | |
| 5 | 70002373 | 1 | Ring, Retaining | |
| 6 | See Note | NSS | Seal, Rod (Note: Use Item 100) | |
| 7 | See Note | NSS | Ring, Back-up (Note: Use Item 100) | |
| 8 | See Note | NSS | Ring, Wear (Note: Use Item 100) | |
| 9 | See Note | NSS | O-Ring (Note: Use Item 100) | |
| 10 | See Note | NSS | Ring, Back-up (Note: Use Item 100) | |
| 11 | See Note | NSS | O-Ring (Note: Use Item 100) | |
| 12 | 70006597 | 1 | Piston | |
| 13 | See Note | NSS | Seal Piston (Note: Use Item 100) | |
| 14 | See Note | NSS | O-Ring (Note: Use Item 100) | |
| 15 | 70022564 | 1 | Ball | |
| 16 | 70006601 | 1 | Setscrew | |
| 17 | 70006775 | 1 | Spacer | |
| 18 | 0961947 | 4 | Bushing | |
| 19 | 70023371 | 2 | Plug, O-Ring | |
| 100 | 70006776 | 1 | Seal Kit (Includes Items 4, 6-11, 13 & 14) | |

SECTION 5 - CYLINDER

FIGURE 5-15. MASTER CYLINDER ASSEMBLY - 600AJ (SERVICE REPLACEMENT)



ART_1001228052

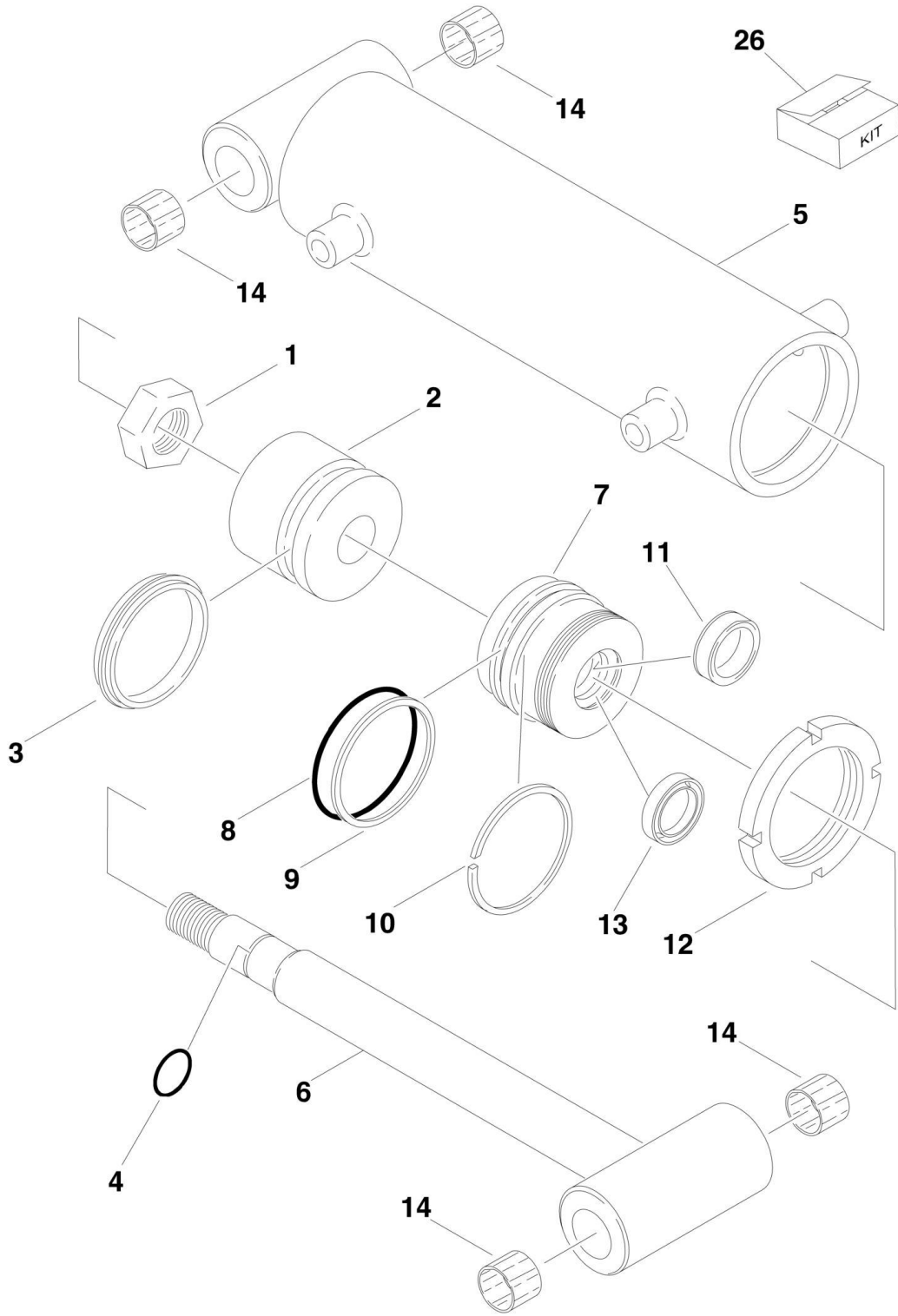
SECTION 5 - CYLINDER

FIGURE 5-15. MASTER CYLINDER ASSEMBLY - 600AJ (SERVICE REPLACEMENT)

| ITEM | PART NUMBER | QTY | DESCRIPTION | REV |
|------|-------------|-----|---|-----|
| | 1001228052 | Ref | MASTER CYLINDER ASSEMBLY | B |
| | | Ref | Note: Original Cylinder May Have Been Replaced with Service Replacement. Identify PN Stamped on Cylinder Before Ordering Parts. | |
| 1 | See Note | NSS | Barrel (Note: Not Available for Purchase) | |
| 1A | 0961951 | 2 | Bushing | |
| 2 | 70006447 | 1 | Rod Weldment | |
| 2A | 0961951 | 2 | Bushing | |
| 3 | 70006446 | 1 | Head | |
| 4 | 70006445 | 1 | Piston | |
| 5 | 70006444 | 1 | Bushing, Tapered | |
| 6 | 0630535 | 3 | Capscrew 1/4 x 1-1/8 | |
| 7 | 70006443 | 1 | Spacer | |
| 8 | 70006442 | 1 | Ring, Washer | |
| 9 | 3931620 | 8 | Capscrew 3/8 x 1-1/4 | |
| 10 | 2220885 | 2 | Plug, O-Ring | |
| 100 | 1001138796 | 1 | Seal Kit (Includes Items 101-109) | |
| 101 | See Note | NSS | Ring, Wear (Note: Use Item 100) | |
| 102 | See Note | NSS | Seal, Piston (Note: Use Item 100) | |
| 103 | See Note | NSS | O-Ring (Note: Use Item 100) | |
| 104 | See Note | NSS | Ring, Back-up (Note: Use Item 100) | |
| 105 | See Note | NSS | Ring, Wear (Note: Use Item 100) | |
| 106 | See Note | NSS | O-Ring (Note: Use Item 100) | |
| 107 | See Note | NSS | Ring, Back-up (Note: Use Item 100) | |
| 108 | See Note | NSS | Seal, Rod (Note: Use Item 100) | |
| 109 | See Note | NSS | Wiper, Rod (Note: Use Item 100) | |

SECTION 5 - CYLINDER

FIGURE 5-16. STEER CYLINDER ASSEMBLIES



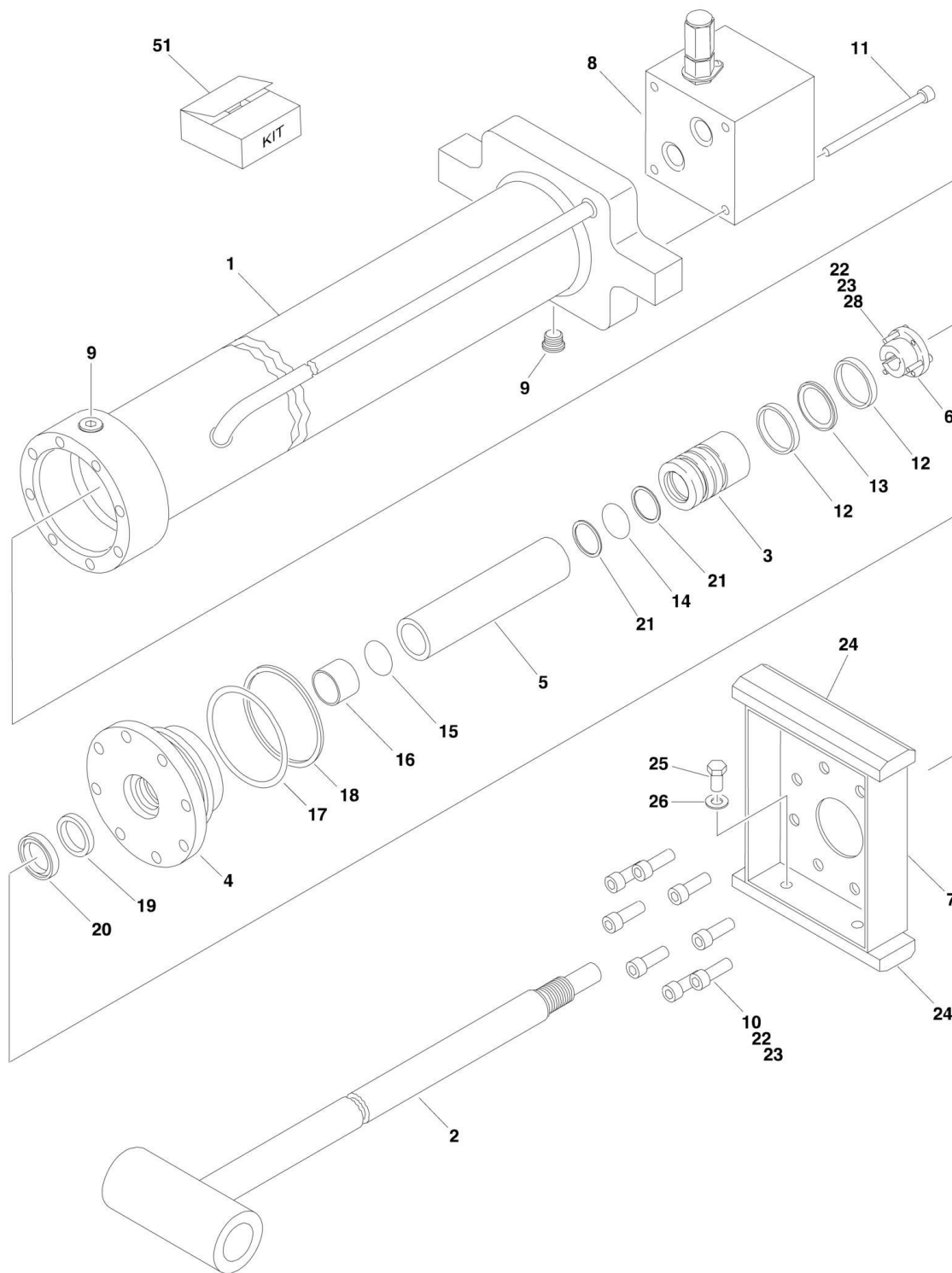
SECTION 5 - CYLINDER

FIGURE 5-16. STEER CYLINDER ASSEMBLIES

| ITEM | PART NUMBER | QTY | DESCRIPTION | REV |
|------|-------------|-----|---|-----|
| | | Ref | STEER CYLINDER ASSEMBLIES | |
| | 1683208 | Ref | 8ft/2.4m Width Machines | C |
| | 1683304 | Ref | 7ft/2.1m Width Machines | A |
| 1 | 7001626 | 1 | Locknut | |
| 2 | 7001627 | 1 | Piston | |
| 3 | See Note | NSS | Seal (Note: Use Item 26) | |
| 4 | See Note | NSS | O-Ring (Note: Use Item 26) | |
| 5 | See Note | 1 | Barrel (Note: Not Available for Purchase) | |
| 6 | | Ref | Rod Options: | |
| 6 | 7001633 | 1 | 8ft/2.4m Width Machines | |
| 6 | 7001628 | 1 | 7ft/2.1m Width Machines | |
| 7 | 7001629 | 1 | Guide | |
| 8 | See Note | NSS | O-Ring (Note: Use Item 26) | |
| 9 | See Note | NSS | Ring, Back-up (Note: Use Item 26) | |
| 10 | See Note | NSS | Ring, Retaining (Note: Use Item 26) | |
| 11 | See Note | NSS | Seal, Lip (Note: Use Item 26) | |
| 12 | 7001630 | 1 | Nut, Spanner | |
| 13 | See Note | NSS | Ring, Wiper (Note: Use Item 26) | |
| 14 | | Ref | Bushing Options: | |
| 14 | 0961977 | 4 | 8ft/2.4m Width Machines | |
| 14 | 0961890 | 4 | 7ft/2.1m Width Machines | |
| 26 | 7001625 | 1 | Seal Kit (Includes Items 3, 4, 8-11 & 13) | |

SECTION 5 - CYLINDER

FIGURE 5-17. TELESCOPE (MAIN BOOM) CYLINDER ASSEMBLIES (ORIGINAL EQUIPMENT)



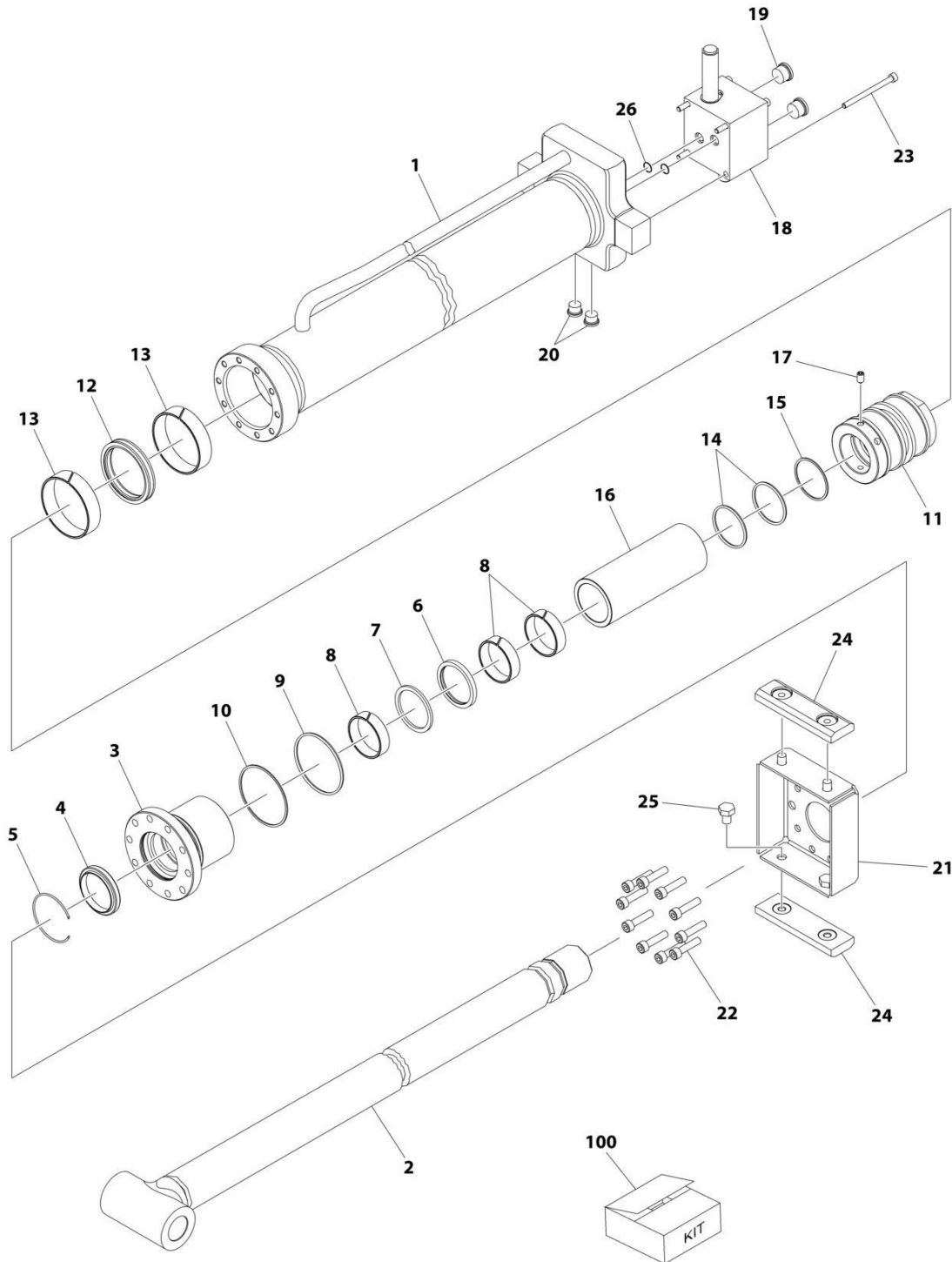
SECTION 5 - CYLINDER

FIGURE 5-17. TELESCOPE (MAIN BOOM) CYLINDER ASSEMBLIES (ORIGINAL EQUIPMENT)

| ITEM | PART NUMBER | QTY | DESCRIPTION | REV |
|------|-------------|-----|--|-----|
| | 1683307 | Ref | TELESCOPE CYLINDER ASSEMBLY - 600A | 3-E |
| | 1683317 | Ref | TELESCOPE CYLINDER ASSEMBLY - 600AJ | 3-E |
| | | Ref | Note: Original Cylinder may have been replaced with Service Replacement. Identify PN Stamped on Cylinder Before Ordering Parts. | |
| 1 | | Ref | Barrel Options: | |
| 1 | 1683308 | 1 | Barrel 600A | |
| 1 | 1683318 | 1 | Barrel 600AJ | |
| 2 | | Ref | Rod Options: | |
| 2 | 1683310 | 1 | Rod 600A | |
| 2 | 1683320 | 1 | Rod 600AJ | |
| 3 | 3480212 | 1 | Piston | |
| 4 | 1683054 | 1 | Head | |
| 5 | 4566425 | 1 | Spacer | |
| 6 | 0961896 | 1 | Bushing, Tapered | |
| 7 | | Ref | Plate, Wear Pad Mounting Options: | |
| 7 | 3538771 | 1 | Plate, Wear Pad Mounting 600A | |
| 7 | 3538247 | 1 | Plate, Wear Pad Mounting 600AJ | |
| 8 | 4640862 | 1 | Valve Block Assembly (No Service Parts Available -Replace Complete Assembly) | |
| 9 | 2220885 | 2 | Plug, O-Ring | |
| 10 | 3931516 | 8 | Capscrew, Socket Head 5/16in-18NC x 1in | |
| 11 | 3931448 | 4 | Capscrew, Socket Head 1/4in-20NC x 3in | |
| 12 | See Note | NSS | Ring, Wear (Note: Use Item 51) | |
| 13 | See Note | NSS | Seal (Note: Use Item 51) | |
| 14 | See Note | NSS | O-Ring (Note: Use Item 51) | |
| 15 | See Note | NSS | O-Ring (Note: Use Item 51) | |
| 16 | See Note | NSS | Ring, Wear (Note: Use Item 51) | |
| 17 | See Note | NSS | O-Ring (Note: Use Item 51) | |
| 18 | See Note | NSS | Ring, Back-up (Note: Use Item 51) | |
| 19 | See Note | NSS | Seal, Rod (Note: Use Item 51) | |
| 20 | See Note | NSS | Wiper (Note: Use Item 51) | |
| 21 | See Note | NSS | Ring, Back-up (Note: Use Item 51) | |
| 22 | 0100038 | AR | Primer, Locking | |
| 23 | 0100011 | AR | Compound, Locking | |
| 24 | 3340608 | 2 | Pad, Wear | |
| 25 | 0641604 | 4 | Bolt 3/8in-16NC x 1/2in | |
| 26 | 4751600 | 4 | Flatwasher 3/8in Regular | |
| 28 | 0630535 | 3 | Bolt 1/4in-20NC x 1-1/8in | |
| 51 | 2901278 | 1 | Seal Kit (Includes Items 12-21) | |

SECTION 5 - CYLINDER

FIGURE 5-18. TELESCOPE CYLINDER ASSEMBLY - MAIN BOOM (600A) (SERVICE REPLACEMENT)



ART_1001228005

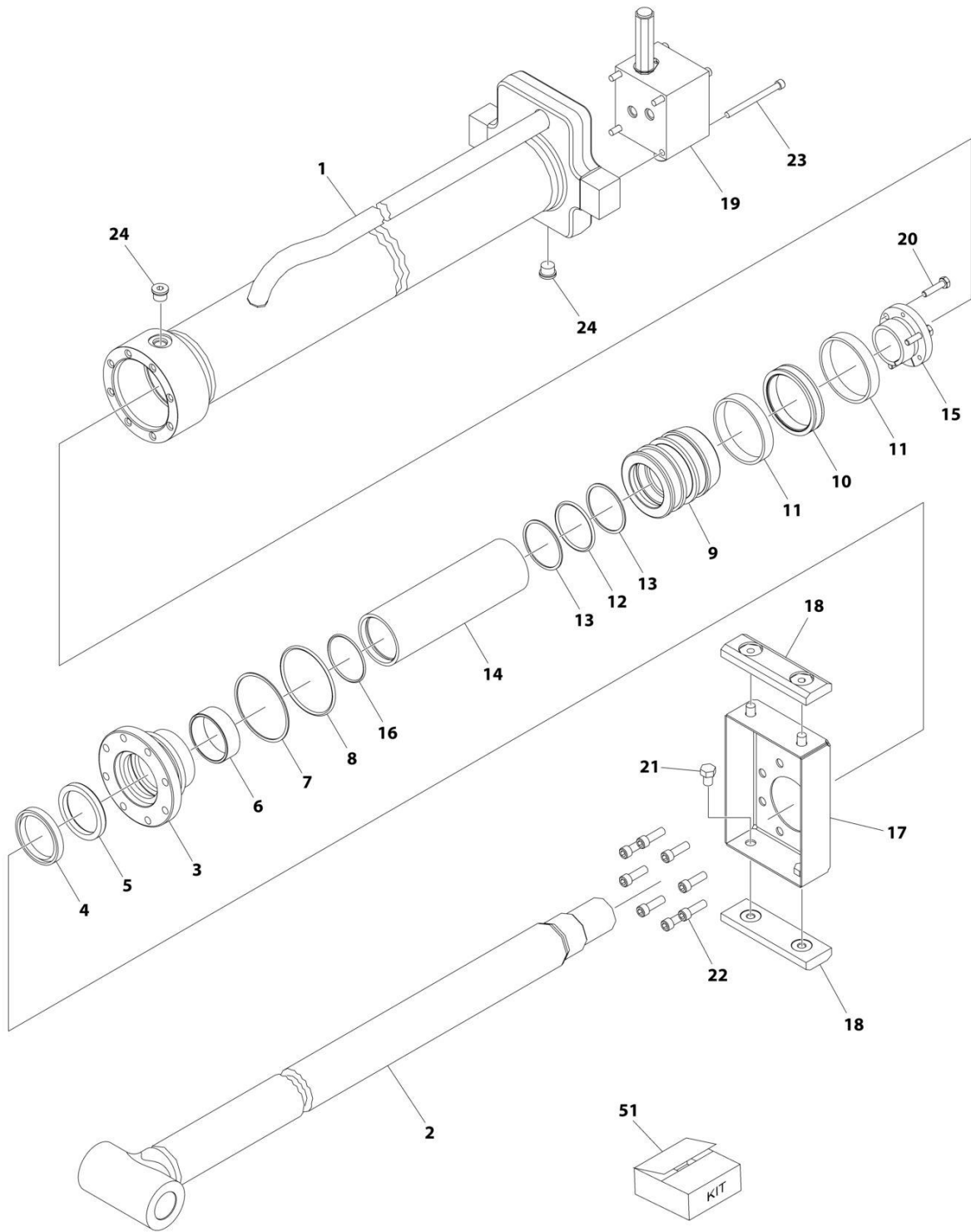
SECTION 5 - CYLINDER

FIGURE 5-18. TELESCOPE CYLINDER ASSEMBLY - MAIN BOOM (600A) (SERVICE REPLACEMENT)

| ITEM | PART NUMBER | QTY | DESCRIPTION | REV |
|------|-------------|-----|---|-----|
| | 1001228005 | Ref | TELESCOPE CYLINDER ASSEMBLY - MAIN BOOM | C |
| | | Ref | Note: Original Cylinder may have been replaced with Service Replacement. Identify PN Stamped on Cylinder Before Ordering Parts. | |
| 1 | See Note | NSS | Barrel (Note: Use p/n 1001228005) | |
| 2 | 70006813 | 1 | Rod | |
| 3 | 70006814 | 1 | Head | |
| 4 | See Note | NSS | Wiper (Note: Use Item 100) | |
| 5 | 70002412 | 1 | Ring, Retaining | |
| 6 | See Note | NSS | Seal, Rod (Note: Use Item 100) | |
| 7 | See Note | NSS | Ring, Back-up (Note: Use Item 100) | |
| 8 | See Note | NSS | Ring, Wear (Note: Use Item 100) | |
| 9 | See Note | NSS | O-Ring (Note: Use Item 100) | |
| 10 | See Note | NSS | Ring, Back-up (Note: Use Item 100) | |
| 11 | 70006815 | 1 | Piston | |
| 12 | See Note | NSS | Seal (Note: Use Item 100) | |
| 13 | See Note | NSS | Ring, Wear (Note: Use Item 100) | |
| 14 | See Note | NSS | O-Ring (Note: Use Item 100) | |
| 15 | See Note | NSS | Ring, Back-up (Note: Use Item 100) | |
| 16 | 70006816 | 1 | Spacer | |
| 17 | 70006817 | 1 | Setscrew | |
| 18 | 4640862 | 1 | Valve Block Assembly (Note: No Service Parts Available - Replace Complete Assembly) | |
| 19 | 70023373 | 2 | Plug | |
| 20 | 70023371 | 2 | Plug | |
| 21 | 70006818 | 1 | Plate, Wear Pad | |
| 22 | 70006793 | 10 | Capscrew | |
| 23 | 70006819 | 4 | Capscrew | |
| 24 | 3340608 | 2 | Pad, Wear | |
| 25 | 70006820 | 3 | Bolt | |
| 26 | 3790110 | 2 | O-Ring (Located Between Barrel & Valve) | |
| 100 | 70006821 | 1 | Seal Kit (Includes Items 4, 6-10 & 12-15) | |

SECTION 5 - CYLINDER

FIGURE 5-19. TELESCOPE CYLINDER ASSEMBLY - MAIN BOOM (600AJ) (SERVICE REPLACEMENT)



ART_1001228007

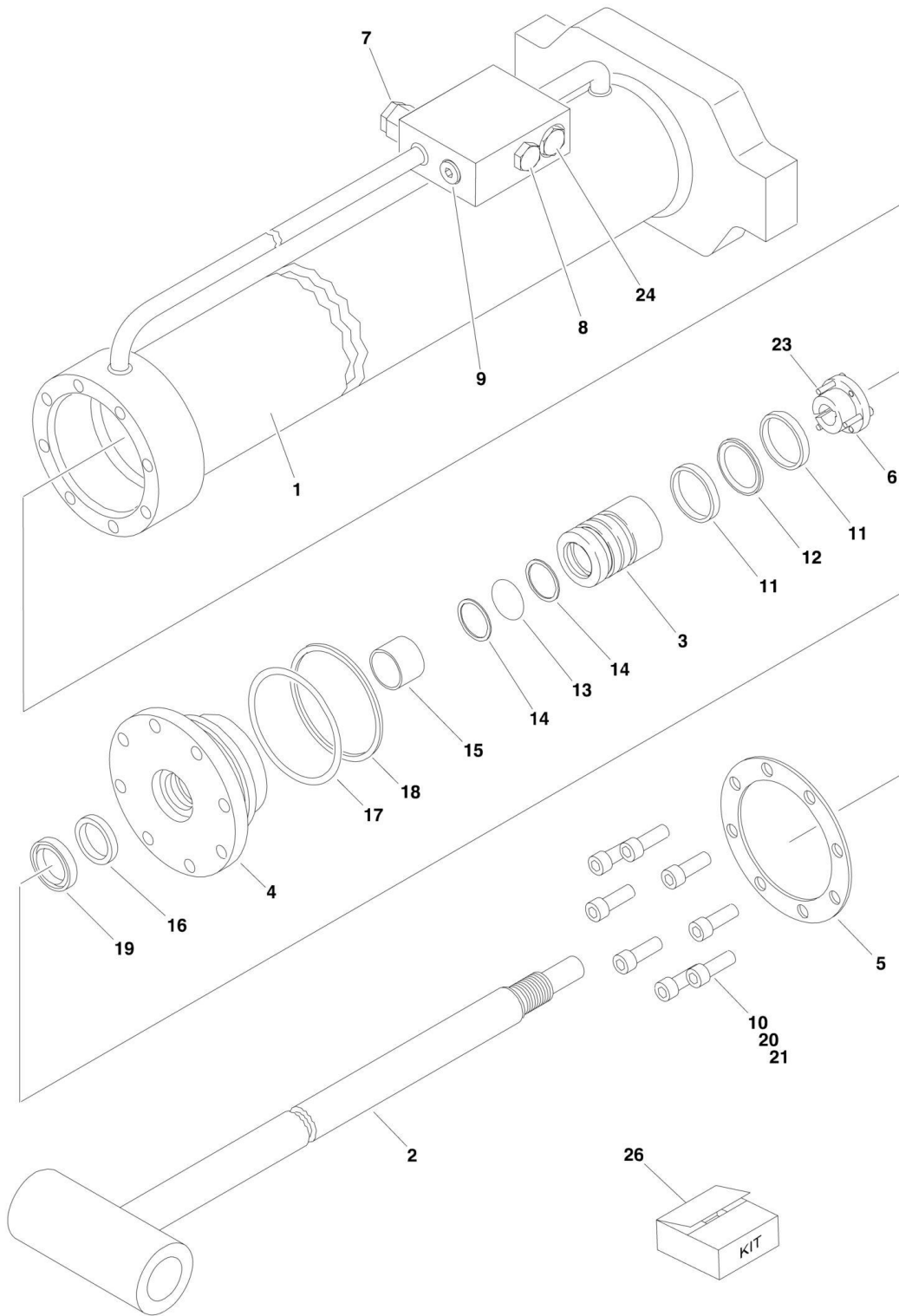
SECTION 5 - CYLINDER

FIGURE 5-19. TELESCOPE CYLINDER ASSEMBLY - MAIN BOOM (600AJ) (SERVICE REPLACEMENT)

| ITEM | PART NUMBER | QTY | DESCRIPTION | REV |
|------|-------------|-----|---|-----|
| | 1001228007 | Ref | TELESCOPE CYLINDER ASSEMBLY | E |
| | | Ref | Note: Original Cylinder may have been replaced with Service Replacement. Identify PN Stamped on Cylinder Before Ordering Parts. | |
| 1 | See Note | NSS | Barrel (Note: Use p/n 1001228007) | |
| 2 | 70006654 | 1 | Rod | |
| 3 | 70006483 | 1 | Head | |
| 4 | See Note | NSS | Wiper (Note: Use Item 51) | |
| 5 | See Note | NSS | Seal, Rod (Note: Use Item 51) | |
| 6 | See Note | NSS | Ring, Wear (Note: Use Item 51) | |
| 7 | See Note | NSS | O-Ring (Note: Use Item 51) | |
| 8 | See Note | NSS | Ring, Back-up (Note: Use Item 51) | |
| 9 | 70006482 | 1 | Piston | |
| 10 | See Note | NSS | Seal (Note: Use Item 51) | |
| 11 | See Note | NSS | Ring, Wear (Note: Use Item 51) | |
| 12 | See Note | NSS | O-Ring (Note: Use Item 51) | |
| 13 | See Note | NSS | Ring, Back-up (Note: Use Item 51) | |
| 14 | 70006655 | 1 | Spacer | |
| 15 | 0961896 | 1 | Bushing, Tapered | |
| 16 | See Note | NSS | O-Ring (Note: Use Item 51) | |
| 17 | 3538247 | 1 | Plate, Wear Pad Mounting | |
| 18 | 3340608 | 2 | Pad, Wear | |
| 19 | 4640862 | 1 | Valve Block Assembly (Note: No Service Part Available - Replace Complete Assembly) | |
| 20 | 0630535 | 3 | Bolt 1/4 x 1-1/8 | |
| 21 | 0641604 | 4 | Bolt 3/8 x 1/2 | |
| 22 | 3931516 | 8 | Capscrew 5/16 x 1 | |
| 22 | 0100038 | AR | Primer, Locking | |
| 22 | 0100011 | AR | Compound, Locking | |
| 23 | 3931448 | 4 | Capscrew 1/4 x 3 | |
| 24 | 2220885 | AR | Plug, O-Ring | |
| 51 | 2901861 | 1 | Seal Kit - 1001228007 Cylinder (Includes Item 4-8, 10-13 & 16) | |

SECTION 5 - CYLINDER

FIGURE 5-20. TELESCOPE (TOWER BOOM) CYLINDER ASSEMBLY (ORIGINAL EQUIPMENT)



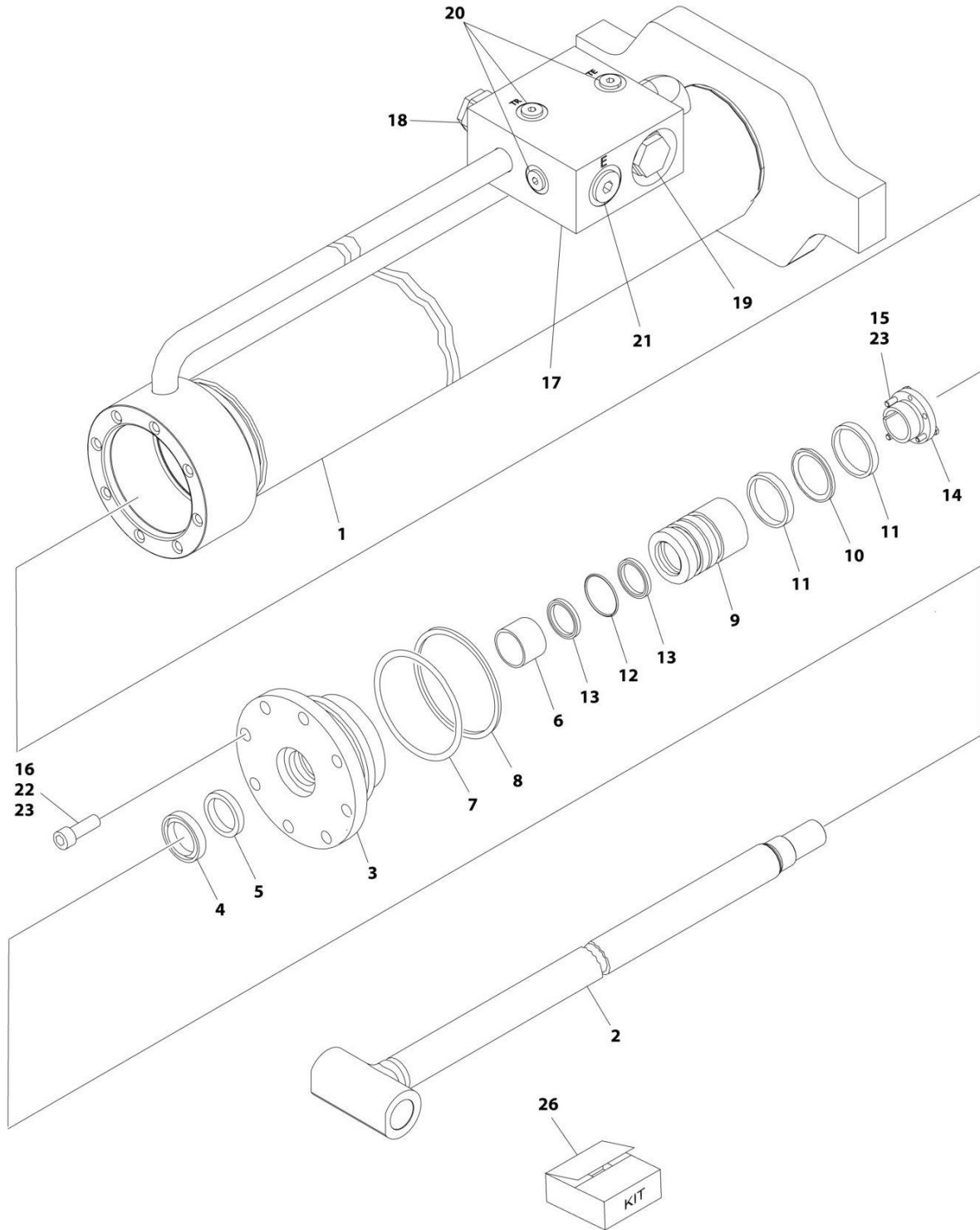
SECTION 5 - CYLINDER

FIGURE 5-20. TELESCOPE (TOWER BOOM) CYLINDER ASSEMBLY (ORIGINAL EQUIPMENT)

| ITEM | PART NUMBER | QTY | DESCRIPTION | REV |
|------|-------------|------------|---|-----|
| | 1683312 | Ref Ref | TELESCOPE (TOWER BOOM) CYLINDER ASSEMBLY Note: Original Equipment components may have been replaced with Service Replacement components part. Identify p/n stamped on cylinder before ordering parts | 4-E |
| 1 | 1683313 | 1 | Barrel | |
| 2 | 1683314 | 1 | Rod | |
| 3 | 3480212 | 1 | Piston | |
| 4 | 1683054 | 1 | Head | |
| 5 | 3760368 | 1 | Ring, Washer | |
| 6 | 0961896 | 1 | Bushing, Tapered | |
| 7 | 4640509 | 2 | Cartridge, Valve | |
| 7 | 2900792 | 2 | Seal Kit - 4640509 Valve | |
| 8 | 4640647 | 1 | Cartridge, Valve | |
| 8 | 2900770 | 1 | Seal Kit - 4640647 Valve | |
| 9 | 2220883 | 1 | Plug, O-Ring | |
| 10 | 3931516 | 8 | Capscrew, Socket Head 5/16in-18NC x 1in | |
| 11 | See Note | NSS | Ring, Wear (Note: Use Item 26) | |
| 12 | See Note | NSS | T-Seal (Note: Use Item 26) | |
| 13 | See Note | NSS | O-Ring (Note: Use Item 26) | |
| 14 | See Note | NSS | Ring, Back-up (Note: Use Item 26) | |
| 15 | See Note | NSS | Ring, Wear (Note: Use Item 26) | |
| 16 | See Note | NSS | Seal, Rod (Note: Use Item 26) | |
| 17 | See Note | NSS | O-Ring (Note: Use Item 26) | |
| 18 | See Note | NSS | Ring, Back-up (Note: Use Item 26) | |
| 19 | See Note | NSS | Wiper (Note: Use Item 26) | |
| 20 | 0100038 | AR | Primer, Locking | |
| 21 | 0100011 | AR | Compound, Locking | |
| 23 | 0630535 | 3 | Bolt 1/4in-20NC x 1-1/8in | |
| 24 | 4640509 | 1 | Cartridge, Valve (Recommend using 4640999 as a replacement) (Prior to SN 0300028176) | |
| 24 | 2900792 | 1 | Seal Kit - 4640509 Valve | |
| 24 | 4640999 | 1 | Cartridge, Valve (SN 0300028176 through 0300069000) | |
| 24 | 7011185 | 1 | Seal Kit - 4640999 Valve | |
| 26 | 2901278 | 1 | Seal Kit (Includes Items 11-19) | |

SECTION 5 - CYLINDER

FIGURE 5-21. TELESCOPE CYLINDER ASSEMBLY - TOWER BOOM (SERVICE REPLACEMENT)



ART_1001228006

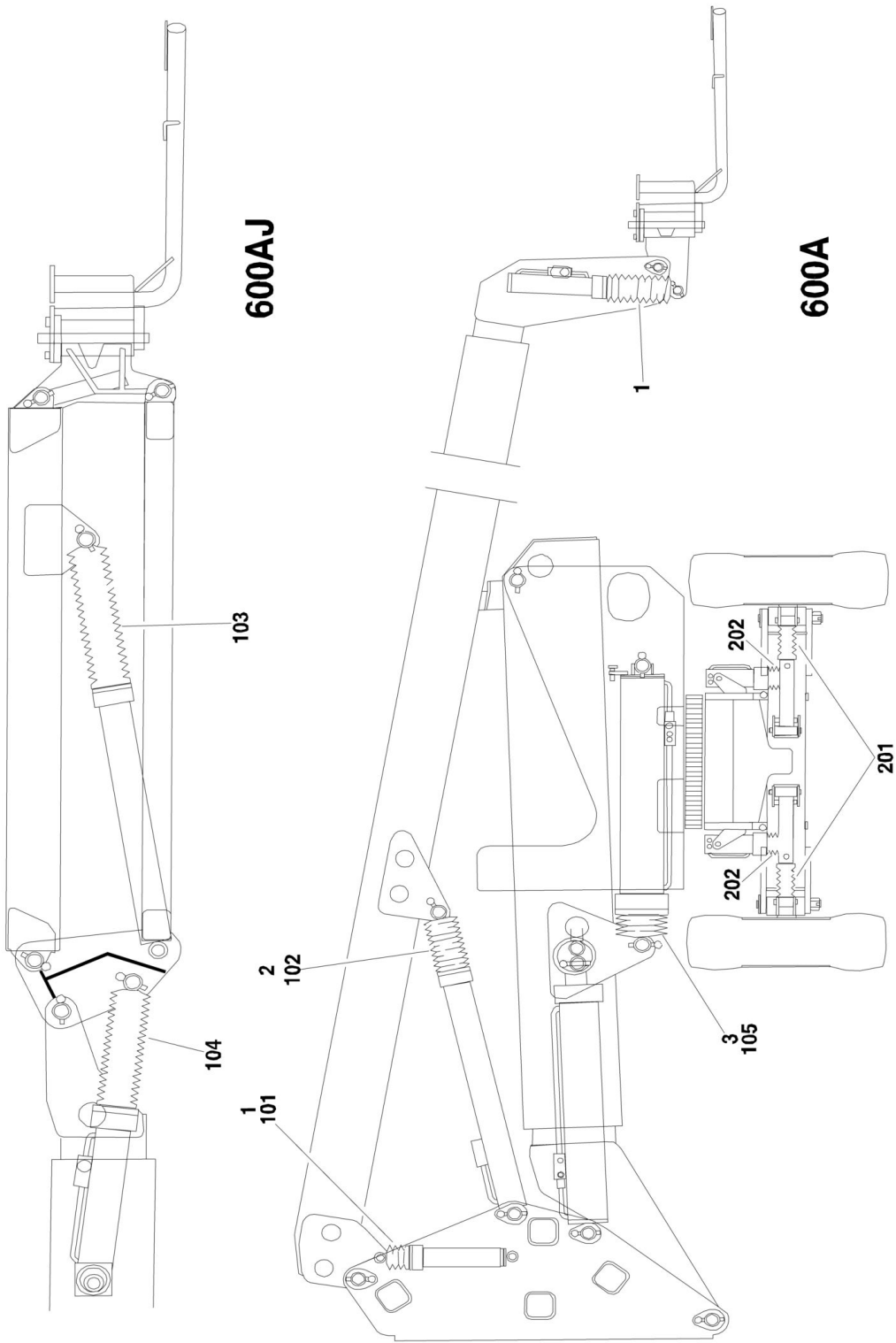
SECTION 5 - CYLINDER

FIGURE 5-21. TELESCOPE CYLINDER ASSEMBLY - TOWER BOOM (SERVICE REPLACEMENT)

| ITEM | PART NUMBER | QTY | DESCRIPTION | REV |
|------|-------------|-----|--|-----|
| | 1001228006 | Ref | TELESCOPE CYLINDER ASSEMBLY - TOWER BOOM | D |
| | | Ref | Note: Original Equipment components may have been replaced with Service Replacement components part. Identify p/n stamped on cylinder before ordering parts. | |
| 1 | See Note | NSS | Barrel (Note: Not Available for Purchase) | |
| 2 | 70006484 | 1 | Rod | |
| 3 | 70006483 | 1 | Head | |
| 4 | See Note | NSS | Wiper (Note: Use Item 26) | |
| 5 | See Note | NSS | Seal, Rod (Note: Use Item 26) | |
| 6 | See Note | NSS | Ring, Wear (Note: Use Item 26) | |
| 7 | See Note | NSS | O-Ring (Note: Use Item 26) | |
| 8 | See Note | NSS | Ring, Back-Up (Note: Use Item 26) | |
| 9 | 70006482 | 1 | Piston | |
| 10 | See Note | NSS | T-Seal (Note: Use Item 26) | |
| 11 | See Note | NSS | Ring, Wear (Note: Use Item 26) | |
| 12 | See Note | NSS | O-Ring (Note: Use Item 26) | |
| 13 | See Note | NSS | Ring, Back-Up (Note: Use Item 26) | |
| 14 | 0961896 | 1 | Bushing, Tapered | |
| 15 | 0630535 | 3 | Bolt 1/4 x 1-1/8 | |
| 16 | 3931516 | 8 | Capscrew 5/16 x 1 | |
| 17 | 4640647 | 1 | Cartridge, Valve | |
| 17 | 2900770 | 1 | Seal Kit - 4640647 Valve | |
| 18 | 4640509 | 2 | Cartridge, Valve | |
| 18 | 2900792 | 2 | Seal Kit - 4640509 Valve | |
| 19 | 4640999 | 1 | Cartridge, Valve | |
| 19 | 2900792 | 1 | Seal Kit - 4640999 Valve | |
| 20 | 2220883 | 3 | Plug, O-Ring | |
| 21 | 2220886 | 2 | Plug, O-Ring | |
| 22 | 0100038 | AR | Primer, Locking | |
| 23 | 0100011 | AR | Compound, Locking | |
| 26 | 2901861 | 1 | Seal Kit - 1001228006 Cylinder (Includes Items 4-8 & 10-13) | |

SECTION 5 - CYLINDER

FIGURE 5-22. CYLINDER BELLOWS INSTALLATION (OPTIONAL)



SECTION 5 - CYLINDER

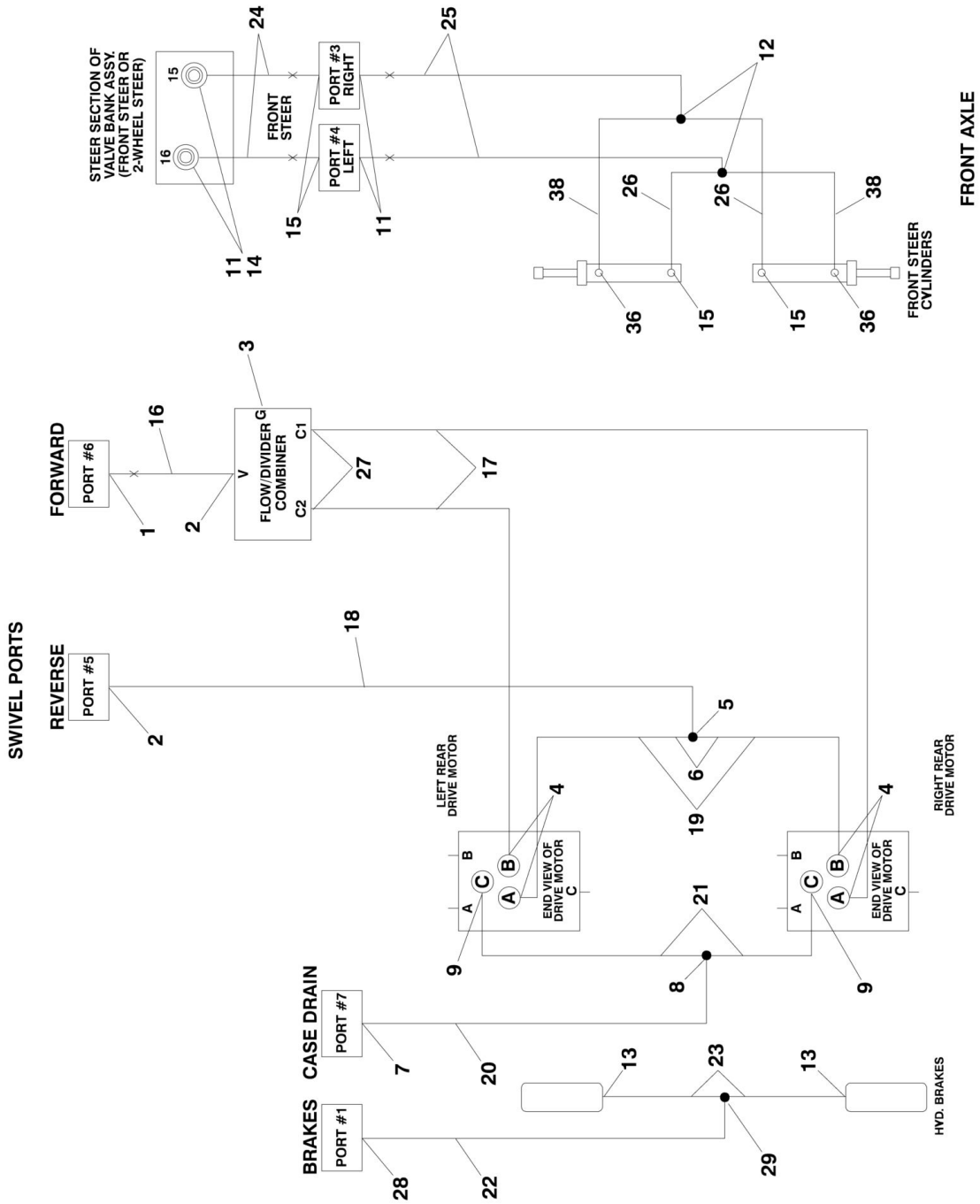
FIGURE 5-22. CYLINDER BELLOWS INSTALLATION (OPTIONAL)

| ITEM | PART NUMBER | QTY | DESCRIPTION | REV |
|------|--------------|-----|--|-----|
| | 0255927 | Ref | CYLINDER BELLOWS INSTALLATION (600A) | 1 |
| 1 | 0460152 | 2 | Bellows, Cylinder (Master and Platform Level Cylinders) | |
| 2 | 0460155 | 1 | Bellows, Cylinder (Main Lift Cylinder) | |
| 3 | 0460154 | 1 | Bellows, Cylinder (Tower Lift Cylinder) | |
| | 0255928 | Ref | CYLINDER BELLOWS INSTALLATION (600AJ) | 1 |
| 101 | 0460151 | 1 | Bellows, Cylinder (Master and Platform Level Cylinders) | |
| 102 | 0460155 | 1 | Bellows, Cylinder (Main Lift Cylinder) | |
| 103 | 0460161 | 1 | Bellows, Cylinder (Articulating Jib Lift Cylinder) | |
| 104 | 0460160 | 1 | Bellows, Cylinder (Articulating Jib Level Cylinder) | |
| 105 | 0460154 | 1 | Bellows, Cylinder (Tower Lift Cylinder) | |
| | 1282490 | Ref | CYLINDER BELLOWS INSTALLATION (FRAME) | - |
| | 0255482 | Ref | 2WD/2WS & 4WD/2WS 8ft/2.4m Width Machines with Oscillating Axle | - |
| | 0255483 | Ref | 2WD/2WS & 4WD/2WS 8ft/2.4m Width Machines with Fixed Axle | - |
| | 0255486 | Ref | 2WD/4WS & 4WD/2WS 8ft/2.4m Width Machines with Oscillating Axle | - |
| | 0255487 | Ref | 2WD/4WS & 4WD/4WS 8ft/2.4m Width Machines with Fixed Axle | - |
| | 0255484 | Ref | 2WD/2WS 7ft/2.1m Width Machines with Oscillating Axle | - |
| | 0255485 | Ref | 2WD/2WS 7ft/2.1m Width Machines with Fixed Axle | - |
| | 0255488 | Ref | 2WD/4WS 7ft/2.1m Width Machines with Oscillating Axle | - |
| | 0255489 | Ref | 2WD/4WS 7ft/2.1m Width Machines with Fixed Axle | - |
| 201 | | Ref | Bellows, Cylinder (Steer Cylinder) | |
| 201 | 0460150 | AR | 8ft/2.4m Width Machines | |
| 201 | 0460157 | AR | 7ft/2.1m Width Machines | |
| 202 | | Ref | Bellows, Cylinder (Oscillating Axle Cylinders) | |
| 202 | 0460159 | AR | With Oscillating Axle | |
| 202 | Not Required | 0 | Without Oscillating Axle | |

SECTION 6 - HYDRAULIC

SECTION 6 - HYDRAULIC

FIGURE 6-1. DRIVE HYDRAULIC DIAGRAM - 2WD/2WS



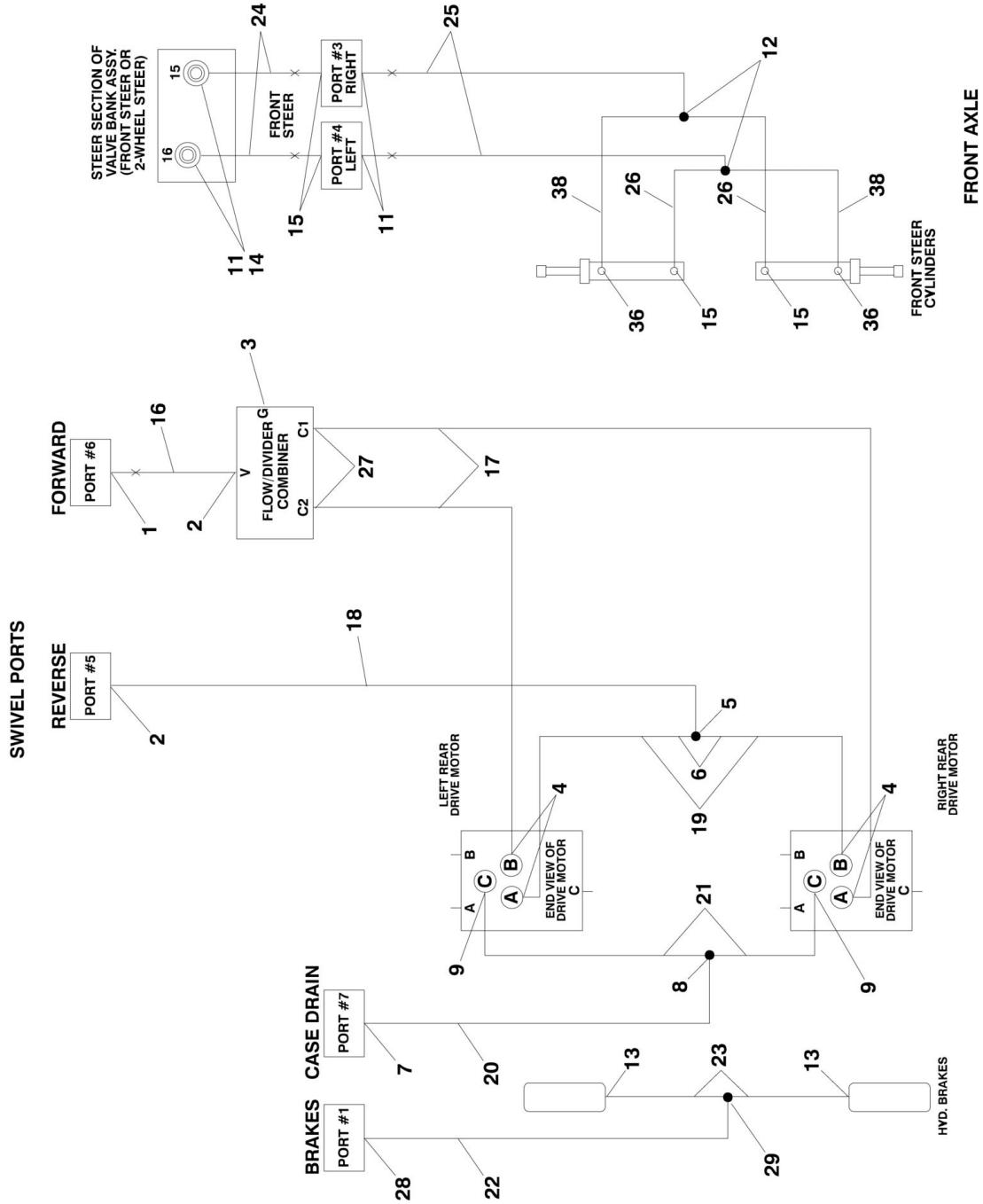
SECTION 6 - HYDRAULIC

FIGURE 6-1. DRIVE HYDRAULIC DIAGRAM - 2WD/2WS

| ITEM | PART NUMBER | QTY | DESCRIPTION | REV |
|------|-------------|-----|--|-----|
| | 2792193 | Ref | DRIVE HYDRAULIC DIAGRAM - 2WD/2WS | 4 |
| 1 | 2220377 | 1 | Fitting, Straight | |
| 2 | 2220365 | 2 | Fitting, 45 | |
| 3 | 2220235 | 1 | Fitting, Plug | |
| 4 | 2220451 | 4 | Fitting, Straight | |
| 5 | 2220363 | 1 | Fitting, Tee | |
| 6 | 2220710 | 2 | Fitting, Reducer | |
| 7 | 2220375 | 1 | Fitting, Straight | |
| 8 | 2220362 | 1 | Fitting, Tee | |
| 9 | 2220373 | 2 | Fitting, Straight | |
| 11 | 2220371 | 2 | Fitting, Straight | |
| 12 | 2220490 | 2 | Fitting, Tee | |
| 13 | 2220466 | 2 | Fitting, 90 | |
| 14 | 2220507 | 2 | Fitting, 90 | |
| 15 | 2220473 | 4 | Fitting, 90 | |
| 16 | 2752354 | 1 | Hose | |
| 17 | 2752258 | 2 | Hose | |
| 18 | 2752324 | 1 | Hose | |
| 19 | 2752245 | 2 | Hose | |
| 20 | 2752813 | 1 | Hose | |
| 21 | 2752814 | 2 | Hose | |
| 22 | 2752602 | 1 | Hose | |
| 23 | 2752459 | 2 | Hose | |
| 24 | 2752620 | 2 | Hose | |
| 25 | 2752473 | 2 | Hose | |
| 26 | 2752966 | 2 | Hose | |
| 27 | 2220435 | 2 | Fitting, Straight | |
| 28 | 2220582 | 1 | Fitting, Straight | |
| 29 | 2220504 | 1 | Fitting, Straight | |
| 36 | 2220501 | 2 | Fitting, 45 | |
| 38 | 2752970 | 2 | Hose | |

SECTION 6 - HYDRAULIC

FIGURE 6-2. DRIVE HYDRAULIC DIAGRAM - 4WD/2WS



SECTION 6 - HYDRAULIC

FIGURE 6-2. DRIVE HYDRAULIC DIAGRAM - 4WD/2WS

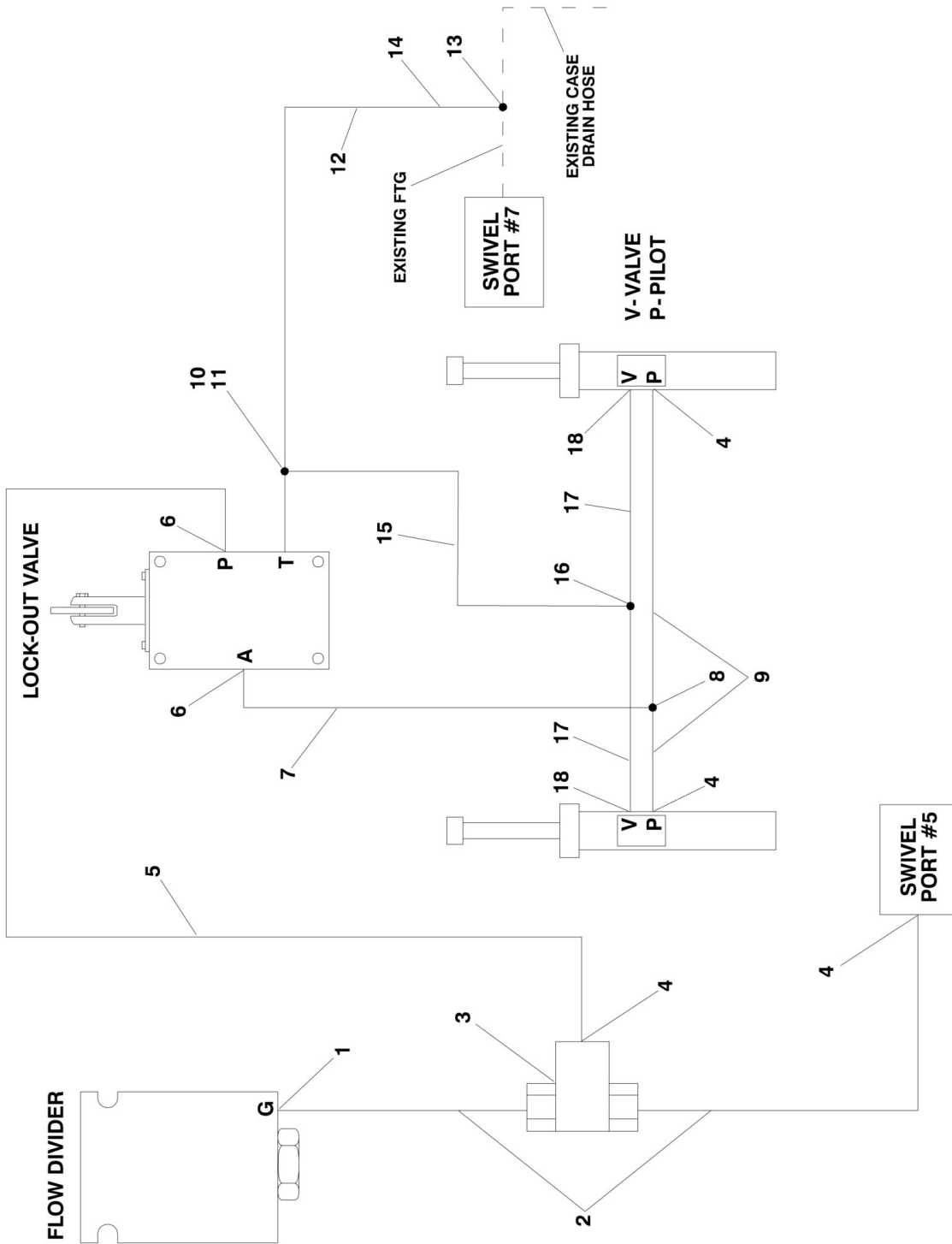
| ITEM | PART NUMBER | QTY | DESCRIPTION | REV |
|------|-------------|-----|---|-----|
| | 2792195 | Ref | DRIVE HYDRAULIC DIAGRAM - 4WD/2WS | 8 |
| 1 | 2220377 | 1 | Fitting, Straight | |
| 2 | 2752349 | 1 | Hose | |
| 3 | 2220365 | 1 | Fitting, 45 | |
| 5 | 2220833 | 8 | Fitting, Reducer | |
| 6 | 2220500 | 4 | Fitting, 45 | |
| 7 | 2752398 | 2 | Hose | |
| 8 | 2220596 | 4 | Fitting, 90 | |
| 10 | 2220622 | 4 | Fitting, Reducer (Prior to SN 0300058640) | |
| 12 | 2751017 | 1 | Hose (Prior to SN 0300037775) | |
| 12 | 2751013 | 1 | Hose (SN 0300037775 through 0300069000) | |
| 13 | 2750770 | 1 | Hose (Prior to SN 0300037775) | |
| 13 | 2751013 | 1 | Hose (SN 0300037775 through 0300069000) | |
| 14 | 2220466 | 6 | Fitting, 90 | |
| 15 | 2220490 | 2 | Fitting, Tee | |
| 16 | 2220671 | 4 | Fitting, 90 | |
| 17 | 2752807 | 2 | Hose | |
| 18 | 2220362 | 2 | Fitting, Tee | |
| 19 | 2220375 | 2 | Fitting, Straight | |
| 20 | 2752813 | 1 | Hose | |
| 21 | 2220473 | 6 | Fitting, 90 | |
| 22 | 2752602 | 1 | Hose | |
| 23 | 2752592 | 2 | Hose | |
| 24 | 2220371 | 4 | Fitting, Straight | |
| 25 | 2750756 | 1 | Hose | |
| 26 | 2220568 | 2 | Fitting, 45 | |
| 28 | 2752249 | 2 | Hose | |
| 29 | 2220235 | 4 | Fitting, Plug | |
| 31 | 2752807 | 1 | Hose | |
| 32 | 2752890 | 2 | Hose | |
| 33 | 2750790 | 1 | Hose | |
| 34 | 2752919 | 2 | Hose | |
| 35 | 2220415 | 3 | Fitting, Straight | |
| 36 | 2752899 | 2 | Hose | |
| 37 | 2752966 | 2 | Hose | |
| 38 | 2752593 | 1 | Hose | |
| 39 | 2752473 | 2 | Hose | |
| 40 | 2220909 | 1 | Fitting, Office (.015) | |
| 41 | 2220605 | 1 | Fitting, Tee | |
| 42 | 2752573 | 1 | Hose | |
| 43 | 2751427 | 2 | Hose | |
| 44 | 2751396 | 1 | Hose | |
| 45 | 4640906 | 1 | Valve, 2-Speed Motor Control | |
| 45 | 7012974 | 1 | Cartridge without Coil | |
| 45 | 7012905 | 1 | Seal Kit | |
| 45 | 7012944 | 1 | Coil | |
| 45 | 4640906 | 2 | Cartridge, Check Valve (Note: Not Available for Purchase) | |
| 45 | 7012972 | 2 | Seal Kit | |
| 46 | 0641508 | 2 | Bolt 5/16in-18NC x 1in | |
| 47 | 4891500 | 2 | Flatwasher 5/16in Hardened | |

SECTION 6 - HYDRAULIC

| ITEM | PART NUMBER | QTY | DESCRIPTION | REV |
|------|-------------|-----|--|-----|
| 48 | 4711500 | 2 | Flatwasher 5/16in Thin | |
| 49 | 2220507 | 2 | Fitting, 90 | |
| 50 | 2752620 | 2 | Hose | |
| 52 | 2220914 | 1 | Orifice (.043) | |
| 53 | | Ref | Fitting Options: | |
| 53 | 2220550 | 2 | Fitting (Prior to SN 0300058640) | |
| 53 | 2220833 | 2 | Fitting (SN 0300058640 through 0300069000) | |
| 54 | | Ref | Fitting, Tee Options: | |
| 54 | 2220738 | 2 | Fitting, Tee (Prior to SN 0300058640) | |
| 54 | 2220602 | 2 | Fitting, Tee (SN 0300058640 through 0300069000) | |
| 55 | 2220435 | 2 | Fitting, Straight | |
| 56 | 2752398 | 2 | Hose | |
| 57 | 2752889 | 2 | Hose | |
| 58 | 2220582 | 5 | Fitting, Straight | |
| 59 | 2220504 | 4 | Fitting, Tee | |
| 60 | 2220466 | 2 | Fitting, Straight | |
| 67 | 2220800 | 4 | Fitting, Straight | |
| 68 | 2752912 | 2 | Hose | |
| 69 | 2220501 | 2 | Fitting, 45 | |
| 71 | 2752970 | 2 | Hose | |
| 73 | 2220502 | 1 | Fitting, 45, (SN 0300057328 through 0300069000) | |

SECTION 6 - HYDRAULIC

FIGURE 6-3. HYDRAULIC DIAGRAM - OSCILLATING AXLE



SECTION 6 - HYDRAULIC

FIGURE 6-3. HYDRAULIC DIAGRAM - OSCILLATING AXLE

| ITEM | PART NUMBER | QTY | DESCRIPTION | REV |
|------|-------------|-----|---|-----|
| | 2792230 | Ref | HYDRAULIC DIAGRAM - OSCILLATING AXLE | - |
| 1 | 2220466 | 1 | Fitting, 90 | |
| 2 | 2751020 | 2 | Hose | |
| 3 | 4640939 | 1 | Valve, Shuttle | |
| 4 | 2220582 | 6 | Fitting, Straight | |
| 5 | 2751013 | 1 | Hose | |
| 6 | 2220415 | 2 | Fitting, Straight | |
| 7 | 2750900 | 1 | Hose | |
| 8 | 2220504 | 1 | Fitting, Tee | |
| 9 | 2752920 | 2 | Hose | |
| 10 | 2220603 | 1 | Fitting, Straight | |
| 11 | 2220635 | 1 | Fitting, Tee | |
| 12 | 2752824 | 1 | Hose | |
| 13 | 2220385 | 1 | Fitting, Tee | |
| 14 | 2220619 | 1 | Fitting, Reducer | |
| 15 | 2752823 | 1 | Hose | |
| 16 | 2220490 | 1 | Fitting, Tee | |
| 17 | 2752962 | 2 | Hose | |
| 18 | 2220371 | 2 | Fitting, Straight | |

SECTION 6 - HYDRAULIC

FIGURE 6-4. HYDRAULIC DIAGRAM - STANDARD

| ITEM | PART NUMBER | QTY | DESCRIPTION | REV |
|------|-------------|-----|---|-----|
| | 2792188 | Ref | HYDRAULIC DIAGRAM - STANDARD (600A) | 18 |
| | 2792189 | Ref | HYDRAULIC DIAGRAM - STANDARD (600AJ) | 19 |
| 3 | 2220377 | 3 | Fitting, Straight | |
| 4 | 2220646 | 2 | Fitting, 90 | |
| 5 | 2752655 | 1 | Hose | |
| 6 | 2220578 | 3 | Fitting, 90 | |
| 7 | 2220366 | 2 | Fitting, 90 | |
| 8 | 2220385 | 2 | Fitting, Tee | |
| 9 | 2220618 | 3 | Fitting, Reducer | |
| 10 | 2752500 | 1 | Hose | |
| 11 | 2752519 | 1 | Hose | |
| 12 | 2753132 | 1 | Hose | |
| 13 | 2220472 | 2 | Fitting, 90 | |
| 14 | 2752928 | 1 | Hose | |
| 15 | 2220375 | 2 | Fitting, Straight | |
| 16 | 2752591 | 1 | Hose | |
| 17 | 2220466 | 8 | Fitting, 90 | |
| 18 | 2220415 | 5 | Fitting, Straight | |
| 20 | 2752723 | 1 | Hose | |
| 21 | 2220379 | 2 | Fitting, Straight | |
| 22 | 2752656 | 1 | Hose | |
| 23 | 2220567 | 1 | Fitting, 90 | |
| 24 | 2752724 | 1 | Hose | |
| 25 | 2220376 | 1 | Fitting, Straight | |
| 26 | 2220810 | 1 | Fitting, Reducer | |
| 27 | 4640744 | 1 | Valve, Check | |
| 28 | 2752604 | 2 | Hose | |
| | | Ref | (Note: Also Requires #69 & #68 for Complete Run Up Boom) | |
| 29 | 2752929 | 1 | Hose | |
| 30 | 2220602 | 2 | Fitting, Tee | |
| 31 | 2220619 | 6 | Fitting, Reducer | |
| 32 | 2220416 | 1 | Fitting, 90 | |
| 33 | 2752635 | 1 | Hose | |
| 34 | 2753133 | 1 | Hose | |
| 35 | 2220497 | 2 | Fitting, Straight | |
| 36 | 2752573 | 5 | Hose | |
| 37 | 2220414 | AR | Fitting, Straight (600A - Qty1 /600AJ - Qty2) (Prior to SN 0300058640) | |
| 38 | 2220428 | AR | Fitting, Quick Coupling (600A - Qty3 /600AJ - Qty4) | |
| 39 | 2220429 | AR | Cap, Dust (600A - Qty3 /600AJ - Qty4) | |
| 40 | 2220873 | 2 | Fitting | |
| 41 | 2752600 | 2 | Hose | |
| 42 | 2220582 | 6 | Fitting, Straight | |
| 43 | 2752506 | 1 | Hose (600A) | |
| 43 | 2752516 | 1 | Hose (600AJ) | |
| 44 | 2220596 | 3 | Fitting, 90 | |
| 45 | 2220628 | 6 | Fitting, 90 | |
| 46 | 2220609 | 7 | Fitting, Reducer | |
| 47 | 2220381 | AR | Fitting, Long Straight (600A - Qty5 /600AJ - Qty6) | |
| 48 | 2220974 | 1 | Fitting, Long Straight | |

SECTION 6 - HYDRAULIC

| ITEM | PART NUMBER | QTY | DESCRIPTION | REV |
|------|-------------|-----|--|-----|
| 49 | 2220923 | 5 | Fitting, Long Straight | |
| 50 | 2220374 | 3 | Fitting | |
| 51 | 2220574 | 1 | Fitting, Straight | |
| 52 | 2220921 | 1 | Fitting, Reducer | |
| 53 | 2220498 | 1 | Fitting, 45 | |
| 54 | 2752783 | 1 | Hose | |
| 55 | 2752469 | 1 | Hose | |
| 56 | 2220372 | AR | Fitting, Straight (600A - Qty5 /600AJ - Qty7) | |
| 57 | 2220899 | 2 | Fitting, Tee | |
| 58 | 2752636 | 1 | Hose (600A) | |
| 58 | 2752468 | 1 | Hose (600AJ) | |
| 59 | 2220371 | 1 | Fitting, Straight (600A Only) | |
| 60 | 2220657 | 1 | Fitting, 45, (600A Only) | |
| 61 | | Ref | Fitting, Tee Options: | |
| 61 | 2220635 | 1 | Fitting, Tee (Prior to SN 0300068131) | |
| 61 | 2221065 | 1 | Fitting, Tee (SN 0300068131 through 0300069000) | |
| 62 | | Ref | Hose Options: | |
| 62 | 2752466 | 1 | Hose (Prior to SN 0300068131) | |
| 62 | 2752462 | 1 | Hose (SN 0300068131 through 0300069000) | |
| 63 | 2753134 | 1 | Hose | |
| 63 | 2753134 | 1 | Hose | |
| 64 | 2752497 | 1 | Hose | |
| 65 | 2220999 | 1 | Fitting, Tee | |
| 67 | 2220500 | 1 | Fitting, 45 | |
| 68 | 2752601 | 3 | Hose | |
| | | Ref | (Note: Also Requires #69 & #28 or #76 for Complete Run Up Boom) | |
| 69 | 2220510 | 3 | Fitting, Coupling | |
| 70 | 2220468 | 2 | Fitting, Straight | |
| 71 | 2753052 | 1 | Hose | |
| 72 | 2220502 | 4 | Fitting, 45 | |
| 73 | 2752603 | 2 | Hose | |
| 74 | 2753055 | 1 | Hose | |
| 75 | 2752939 | 2 | Hose | |
| 76 | 2752579 | 1 | Hose | |
| | | Ref | (Note: Also Requires #69 & #68 for Complete Run Up Boom) | |
| 77 | 2220654 | 4 | Fitting, 90 | |
| 78 | 2220511 | 1 | Fitting, Coupling (600AJ Only) | |
| 79 | 2753056 | 1 | Hose | |
| 80 | 2752991 | 1 | Hose | |
| 81 | 2753135 | 1 | Hose | |
| 82 | 2752434 | 1 | Hose | |
| 84 | 2753047 | 2 | Hose (600AJ) | |
| | | Ref | (Note: Also Requires #78 & #106 for Complete Run Up Boom) | |
| 85 | 2220473 | 1 | Fitting, 90, (600AJ Only) | |
| 86 | 2752453 | 1 | Hose | |
| 87 | 2752593 | 1 | Hose | |
| 88 | 2752988 | 1 | Hose | |
| 89 | 2752990 | 1 | Hose | |
| 90 | 2752985 | 1 | Hose | |
| 91 | 2752343 | 1 | Hose | |
| 92 | | Ref | Hose Options: | |

SECTION 6 - HYDRAULIC

| ITEM | PART NUMBER | QTY | DESCRIPTION | REV |
|------|-------------|-----|--|-----|
| 92 | 2752356 | 1 | Hose (Prior to SN 0300064394) | |
| 92 | 2752341 | 1 | Hose (SN 0300064394 through 0300069000) | |
| 93 | 2752592 | 1 | Hose | |
| 94 | 2220998 | 2 | Fitting, Straight | |
| 95 | 2220603 | 2 | Fitting, Straight | |
| 96 | 2753046 | 1 | Hose (600A) | |
| 96 | 2752650 | 1 | Hose (600AJ) | |
| 97 | 2752444 | 1 | Hose (600AJ Only) (Prior to SN 0300052685) | |
| 98 | 2220473 | 1 | Fitting, 90 | |
| 100 | 2180724 | 1 | Fitting, Modified 90, (600AJ Only) | |
| 101 | 2180380 | 1 | Plug, Orifice .06 (600AJ Only) | |
| 102 | 0100011 | AR | Compound, Locking | |
| 103 | 0100038 | AR | Primer, Locking | |
| 104 | 1703534 | 2 | Decal, Hose Tags (Not Shown) | |
| 105 | 2752989 | 2 | Hose | |
| 106 | 2752618 | 2 | Hose (600AJ Only) | |
| | | Ref | (Note: Also Requires #78 & #84 for Complete Run Up Boom) | |
| 107 | 2752987 | 1 | Hose | |
| 108 | 2220373 | 1 | Fitting, Straight | |
| 109 | 2220947 | 1 | Fitting, Straight | |
| 110 | 2221036 | 1 | Fitting, O-Ring | |
| 111 | 2752484 | 1 | Hose | |
| 112 | 2220873 | 1 | Fitting, Nipple (SN 0300058640 through 0300069000) | |
| 113 | 2221053 | 1 | Fitting, Tee (SN 0300068131 through 0300069000) | |

SECTION 6 - HYDRAULIC

FIGURE 6-5. HYDRAULIC DIAGRAM LIST

| ITEM | PART NUMBER | QTY | DESCRIPTION | REV |
|------|-------------|-----|--|-----|
| | | Ref | Note: Diagrams with part numbers 2792193, 2792195, 2792230 & 1282396 are shown in the preceding pages. Information on diagrams not shown is available from JLG Service/Parts Departments. | |
| | 1282396 | Ref | Drive Hydraulic Diagrams | |
| | | Ref | 600A & 600AJ with 8ft/2.4m Width Frame: | |
| | 2792193 | Ref | 2WD/2WS | |
| | 2792194 | Ref | 2WD/4WS | |
| | 2792195 | Ref | 4WD/2WS | |
| | 2792196 | Ref | 4WD/4WS | |
| | | Ref | 600A & 600AJ with 7ft/2.1m Width Frame: | |
| | 2792191 | Ref | 2WD/2WS | |
| | 2792192 | Ref | 2WD/2WS | |
| | 2792230 | Ref | Oscillating Axle Hydraulic Diagram | |
| | 2792188 | Ref | Standard Hydraulic Diagram - 600A | |
| | 1282396 | Ref | Standard Hydraulic Diagram - 600A | |
| | 2792189 | Ref | Standard Hydraulic Diagram - 600AJ | |
| | 1282396 | Ref | Standard Hydraulic Diagram - 600AJ | |
| | 2792177 | Ref | Standard Hydraulic Schematic | |
| | 2792405 | Ref | Tool Circuit Hydraulic Diagram | |
| | 2792315 | Ref | Tow Hydraulic Diagram | |

SECTION 7 - ELECTRICAL

SECTION 7 - ELECTRICAL

FIGURE 7-1. ELECTRICAL DIAGRAM LIST

| ITEM | PART NUMBER | QTY | DESCRIPTION | REV |
|------|-------------|-----|---|-----|
| | | Ref | Note: Diagrams with part numbers 1870044, 1870059, 1870050, 1870071 & 1870132 are not shown in the following pages. Diagrams not shown are available from the JLG Service Department. Note: Numbered Wiring Starts With S/N 0300035129 | |
| | | Ref | ALARM ELECTRICAL DIAGRAMS | |
| | 4932783 | Ref | Alarm Electrical (Prior to SN 0300035129) | A |
| | 1282474 | Ref | Alarm Electrical Diagrams (Prior to SN 0300035129) | - |
| | 4932903 | Ref | Alarm Electrical Diagrams - Motion (SN 0300035129 through 0300036477) | 2 |
| | 1282685 | Ref | Alarm Electrical Diagrams - Motion | D |
| | 4933026 | Ref | Alarm Electrical Diagrams - Motion (SN 0300036477 through 0300069000) | 1 |
| | 1282937 | Ref | Alarm Electrical Diagrams - Motion (SN 0300036477 through 0300069000) | A |
| | 4932902 | Ref | Alarm Electrical - Travel (SN 0300035129 through 0300036476) | 2 |
| | 1282685 | Ref | Alarm Electrical Diagrams - Motion (SN 0300035129 through 0300036476) | D |
| | 4933025 | Ref | Alarm Electrical - Travel (SN 0300036477 through 0300069000) | 1 |
| | 1282937 | Ref | Alarm Electrical Diagrams - Motion | A |
| | 0259233 | Ref | BPE LOAD SENSING DEVICE ELECTRICAL DIAGRAM | C |
| | 0271474 | Ref | BPE LOAD SENSING DEVICE ELECTRICAL | B |
| | 4922304 | 1 | Harness, Wiring (Installation 0259233) | |
| | 4922616 | 1 | Harness, Wiring (Lift Down) (Installation 0271474) | |
| | 1282571 | Ref | COLD WEATHER START ELECTRICAL DIAGRAM (DEUTZ) | F |
| | | Ref | DRIVE CUT-OUT ELECTRICAL DIAGRAMS | |
| | 4932896 | Ref | Drive Cut-Out Electrical Above Elevation Tilt or Beyond Transport (Prior to SN 0300035129) | 1 |
| | 1282672 | Ref | Drive Cut-Out Electrical Above Elevation Tilt or Beyond Transport (Prior to SN 0300035129) | - |
| | 4932990 | Ref | Drive Cut-Out Electrical Above Elevation Tilt or Beyond Transport (SN 0300035129 through 0300069000) | 2 |
| | 1282828 | Ref | Drive Cut-Out Electrical Above Elevation Tilt or Beyond Transport Above Elevation Tilt (SN 0300035129 through 0300069000) | B |
| | 4932894 | Ref | Drive Cut-Out Electrical Above Elevation Tilt (Prior to SN 0300035129) | 1 |
| | 1282672 | Ref | Drive Cut-Out Electrical Above Elevation Tilt (Prior to SN 0300035129) | - |
| | 4932993 | Ref | Drive Cut-Out Electrical Above Elevation Tilt (SN 0300035129 through 0300069000) | 2 |
| | 1282828 | Ref | Drive Cut-Out Electrical Above Elevation Tilt (SN 0300035129 through 0300069000) | B |
| | 4932894 | Ref | Drive Cut-Out Electrical 8 Meter 600A (Prior to SN 0300035129) | 1 |
| | 1282672 | Ref | Drive Cut-Out Electrical 8 Meter (Prior to SN 0300035129) | - |
| | 4932992 | Ref | Drive Cut-Out Electrical 8 Meter 600A (SN 0300035129 through 0300069000) | 2 |
| | 1282828 | Ref | Drive Cut-Out Electrical 8 Meter (SN 0300035129 through 0300069000) | B |
| | 0256346 | Ref | Drive Cut-Out Electrical 8 Meter 600AJ (Prior to SN 0300035129) | 1 |
| | 1282672 | Ref | Drive Cut-Out Electrical 8 Meter (Prior to SN 0300035129) | - |

SECTION 7 - ELECTRICAL

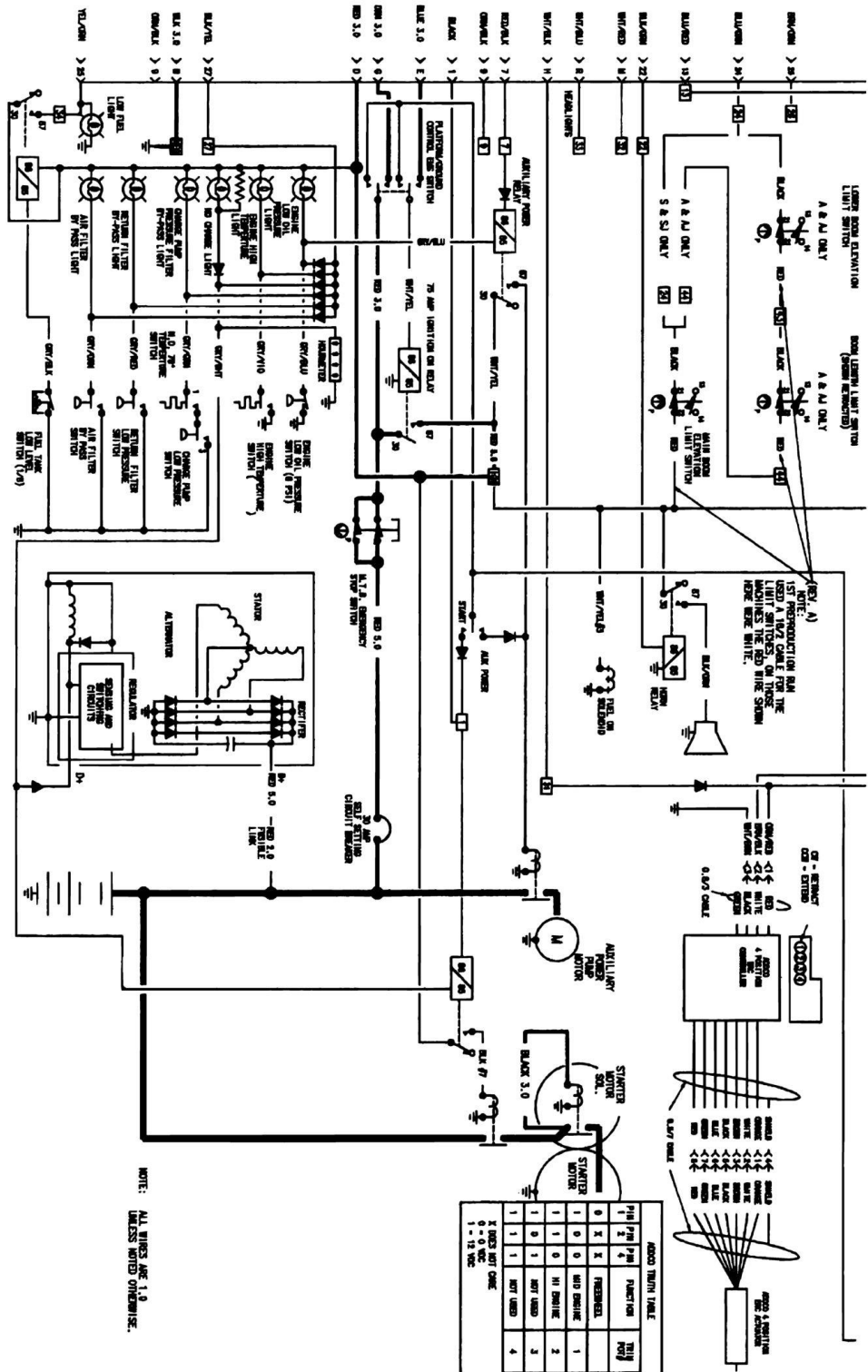
| ITEM | PART NUMBER | QTY | DESCRIPTION | REV |
|------|-------------|-----|--|-----|
| | 4932992 | Ref | Drive Cut-Out Electrical 8 Meter 600AJ (SN 0300035129 through 0300069000) | 2 |
| | 1282828 | Ref | Drive Cut-Out Electrical 8 Meter (SN 0300035129 through 0300069000) | B |
| | 3640493 | 1 | Rail, Mounting | |
| | 4460607 | 2 | Stop, Terminal | |
| | 4120013 | 1 | Socket, Relay | |
| | 3740058 | 1 | Relay 4PDT | |
| | 2740063 | 1 | Spring, Relay | |
| | | Ref | ENGINE LOW OIL SHUTDOWN ELECTRICAL DIAGRAMS | |
| | 4932977 | Ref | Engine Low Oil Shutdown Electrical (Prior to SN 0300035129) | 1-A |
| | 4932986 | Ref | Engine Low Oil Shutdown Electrical (SN 0300035129 through 0300069000) | 2-B |
| | | Ref | GENERATOR ELECTRICAL DIAGRAMS | |
| | 4932828 | Ref | Generator Electrical Diagrams 110V (Prior to SN 0300035129) | 2-C |
| | 4932915 | Ref | Generator Electrical Diagrams 110V (SN 0300035129 through 0300064248) | 2-C |
| | 4933158 | Ref | Generator Electrical Diagrams 110Volt (ADE SYSTEM) (SN 0300064249 through 0300069000) | 1-A |
| | 4932940 | Ref | Generator Electrical Diagrams 220V (Prior to SN 0300035129) | - |
| | 4932989 | Ref | Generator Electrical Diagrams 220V (SN 0300035129 through 0300064248) | 1-B |
| | 4933162 | Ref | Generator Electrical Diagrams 220 Volt (ADE SYSTEM) (SN 0300064249 through 0300069000) | 1-A |
| | | Ref | LIGHTS ELECTRICAL DIAGRAMS: | |
| | 4932839 | Ref | Headlight/Taillight (Prior to SN 0300035129) | 1-A |
| | 4932917 | Ref | Headlight/Taillight (SN 0300035129 through 0300064248) | 3-D |
| | 4922095 | 1 | Harness (Located in Platform Console Box) | |
| | 3740049 | 1 | Relay | |
| | 4933219 | Ref | Headlight/Taillight (ADE System) (SN 0300064249 through 0300069000) | 1-A |
| | 4922484 | 1 | Harness (Located in Ground Console Box) | |
| | 3740049 | 1 | Relay | |
| | 4933006 | Ref | LOAD SENSING SYSTEM ELECTRICAL DIAGRAM | 1 |
| | | Ref | OIL COOLER ELECTRICAL DIAGRAMS | |
| | 0256765 | Ref | Deutz Machines | 3 |
| | 1282665 | Ref | Duetz Machines | C |
| | 0270723 | Ref | PLATFORM BEACON ELECTRICAL DIAGRAM | 1-A |
| | | Ref | PLATFORM ELECTRICAL DIAGRAMS | |
| | 4932849 | Ref | CE & EN280 Specs (Prior to SN 03000351129) | 5-H |
| | 4932974 | Ref | CE & EN280 Specs (SN 03000351129 through 0300064249) | 5-E |
| | 4932848 | Ref | Australian Spec (Prior to SN 0300029430) | 1-E |
| | 4932914 | Ref | Australian Spec (SN 0300029430 through 0300035128) | 5-D |
| | 4932905 | Ref | Australian Spec (SN 0300035129 through 0300064248) | 7-E |
| | 4922509 | Ref | With ADE System (SN 0300064249 through 0300064269) | 3-D |
| | 4922639 | Ref | With ADE System (SN 0300064270 through 0300069000) | C |
| | | Ref | PLATFORM SOFT TOUCH SYSTEM ELECTRICAL DIAGRAMS | |
| | 4922939 | Ref | Platform Soft Touch System (Prior to SN 0300035129) | - |
| | 4932980 | Ref | Platform Soft Touch System (SN 0300035129 through 0300064249) | 2-C |
| | 3740057 | 1 | Relay (Located in Platform Console Box) | |
| | 4120012 | 1 | Socket, Relay (Located in Platform Console Box) | |
| | 3740066 | 1 | Spring, Relay (Located in Platform Console Box) | |

SECTION 7 - ELECTRICAL

| ITEM | PART NUMBER | QTY | DESCRIPTION | REV |
|------|-------------|-----|---|-----|
| | 3740049 | 1 | Relay (Located in Platform Console Box) | |
| | 4460600 | 1 | Block, Terminal (Located in Platform Console Box) | |
| | 4933218 | Ref | PLATFORM SOFT TOUCH SYSTEM ELECTRICAL DIAGRAM (WITH ADE SYSTEM) (SN 0300064249 through 0300069000) | 1-A |
| | | Ref | PLATFORM WORKLIGHTS ELECTRICAL DIAGRAMS | |
| | 0255392 | Ref | Platform Worklights Electrical Diagrams (Prior to SN 0300035129) | 2-B |
| | 0258048 | Ref | Platform Worklights Electrical Diagrams (SN 0300035129 through 0300064248) | 2-E |
| | 0270814 | Ref | Platform Worklights Electrical Diagrams with ADE System (SN 0300064249 through 0300069000) | 2-C |
| | 4932971 | Ref | POWER TOOL ELECTRICAL DIAGRAM | 2-A |
| | | Ref | STANDARD ELECTRICAL DIAGRAMS | |
| | 4932850 | Ref | Standard Electrical Diagrams (Prior to SN 0300035129) | 5-G |
| | 4932976 | Ref | Standard Electrical Diagrams (SN 0300035129 through 0300064248) | 5-E |
| | 4933185 | Ref | Deutz Engine (With ADE System) (SN 0300064249 through 0300069000) | 3-C |
| | | Ref | STANDARD ELECTRICAL SCHEMATICS | |
| | 1870044 | Ref | CE Spec (Prior to SN 0300035129) | E |
| | 1870059 | Ref | CE Spec (SN 0300035129 through 0300069000) | E |
| | 1870050 | Ref | Australian Spec (Prior to SN 0300035129) | B |
| | 1870071 | Ref | Australian Spec (SN 0300035129 through 0300069000) | C |
| | 1870132 | Ref | Deutz/Ford EFI (With ADE System) (SN 0300064249 through 0300069000) | B |
| | | Ref | STROBE LIGHT ELECTRICAL DIAGRAMS | |
| | 4932812 | Ref | Strobe Light Electrical Diagrams (Prior to SN 0300035129) | - |
| | 1282474 | Ref | Strobe Light Electrical Diagrams (Prior to SN 0300035129) | - |
| | 4932904 | Ref | Strobe Light Electrical Diagrams (SN 0300035129 through 0300036476) | 2 |
| | 1282685 | Ref | Strobe Light Electrical Diagrams (SN 0300035129 through 0300036476) | D |
| | 4933027 | Ref | Strobe Light Electrical Diagrams (SN 0300036477 through 0300064248) | 1 |
| | 1282937 | Ref | Strobe Light Electrical Diagrams (SN 0300036477 through 0300064248) | A |
| | 0255919 | Ref | Strobe Light Electrical Diagrams with ADE System (SN 0300064249 through 0300069000) | - |

SECTION 7 - ELECTRICAL

FIGURE 7-2. ELECTRICAL SCHEMATIC - CE SPEC MACHINES WITH COLORED WIRING (Prior to SN 0300035129)



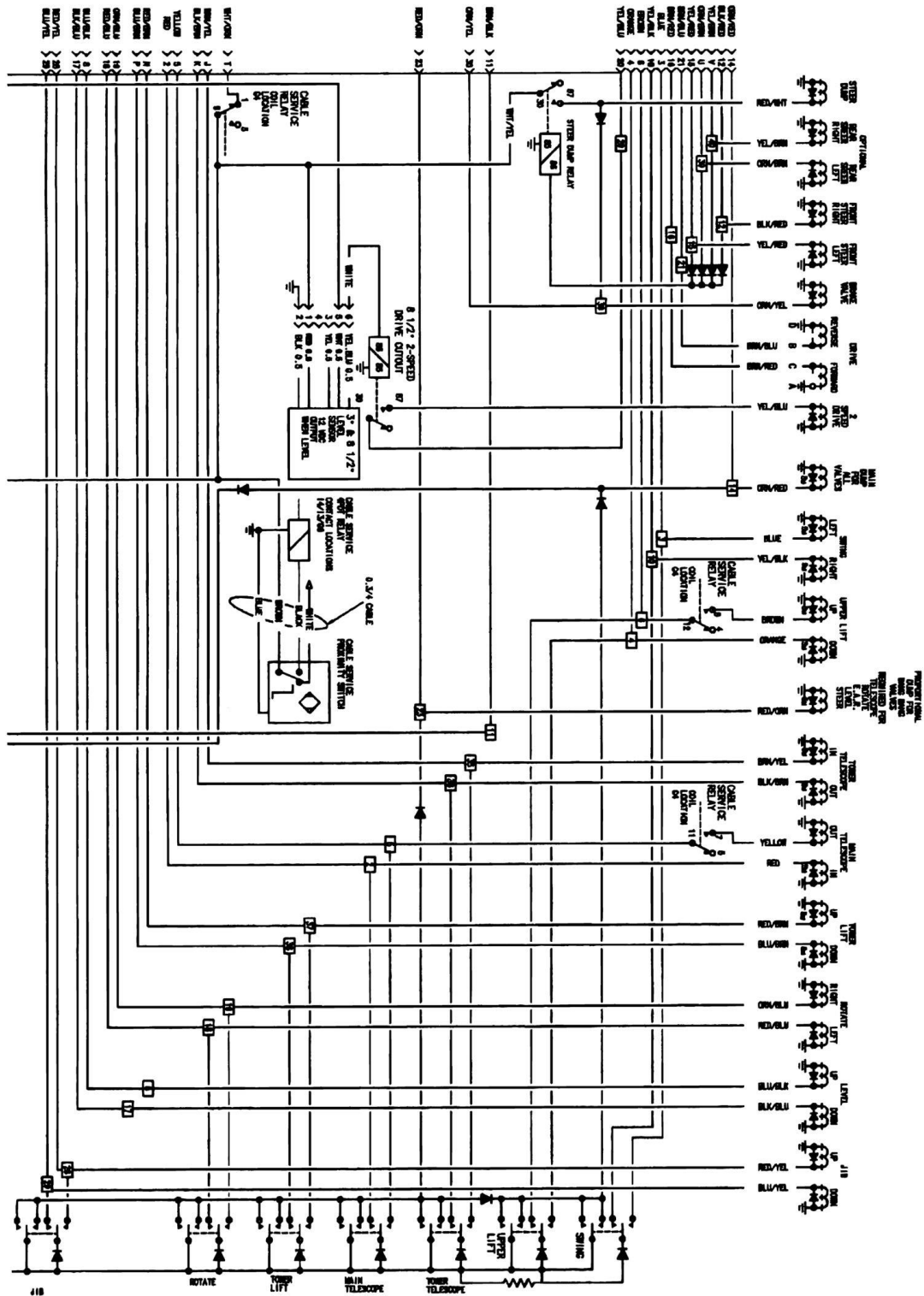
WIRE TRAY TABLE

| Pin | Pin | Pin | Function | Wiring |
|-----|-----|-----|----------|--------|
| 1 | 2 | 3 | RED/WH | 1 |
| 4 | 5 | 6 | RED/WH | 2 |
| 7 | 8 | 9 | RED/WH | 3 |
| 10 | 11 | 12 | RED/WH | 4 |
| 13 | 14 | 15 | RED/WH | 1 |
| 16 | 17 | 18 | RED/WH | 2 |
| 19 | 20 | 21 | RED/WH | 3 |
| 22 | 23 | 24 | RED/WH | 4 |

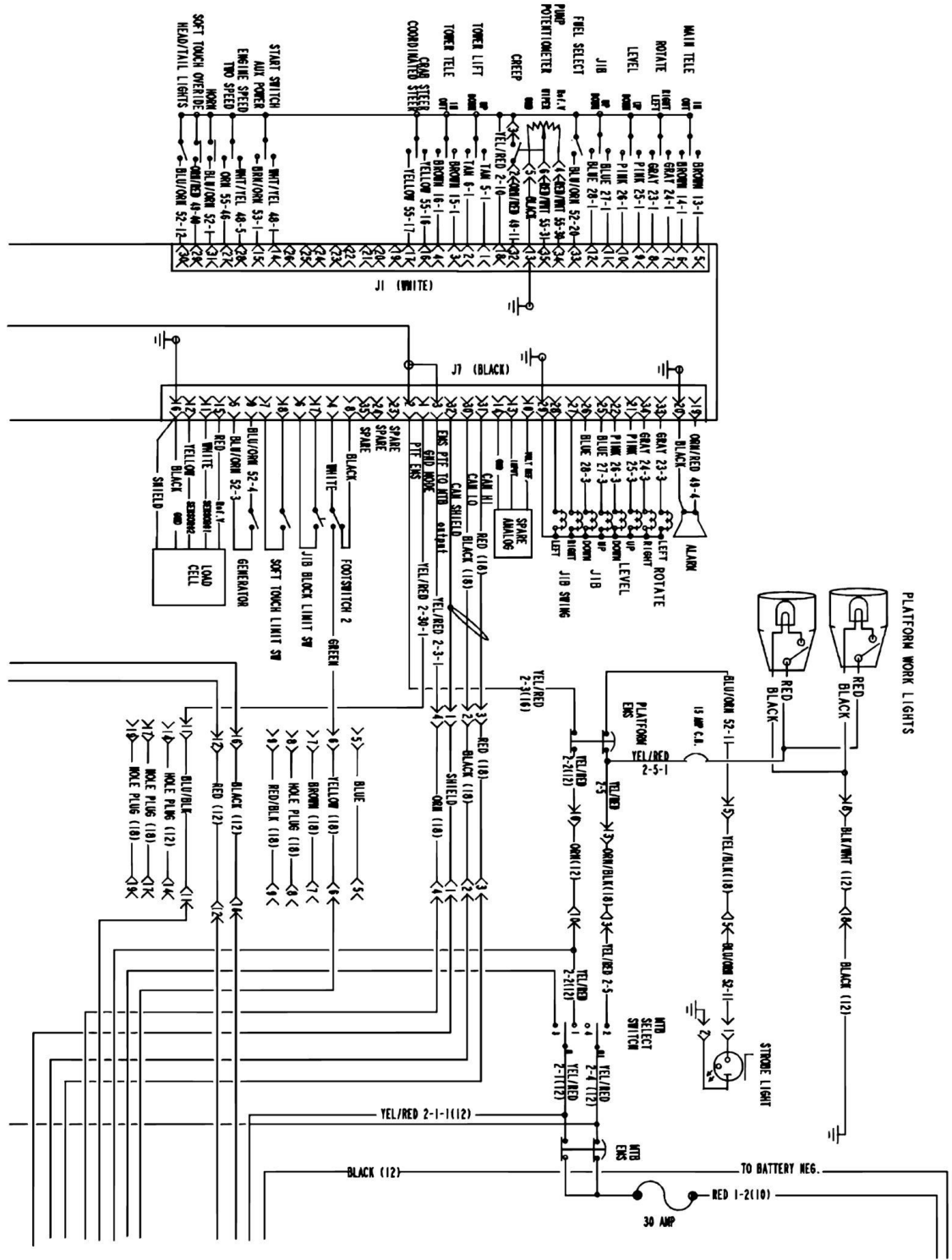
X INDICATES NOT USED
0 = 0-0 VOLT
1 = 12 VOLT

NOTE: ALL WIRES ARE 1.0 UNLESS NOTED OTHERWISE.

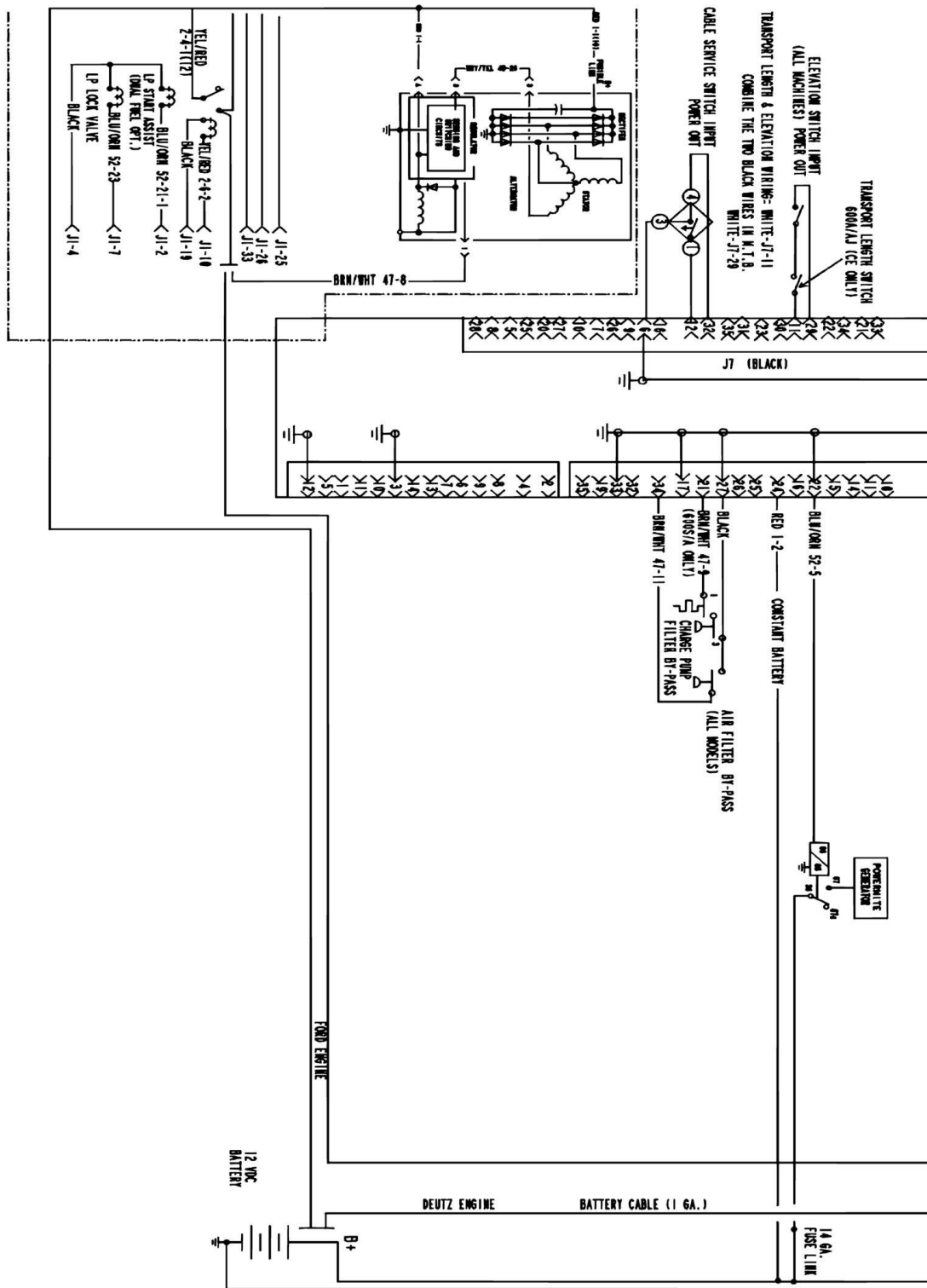
SECTION 7 - ELECTRICAL



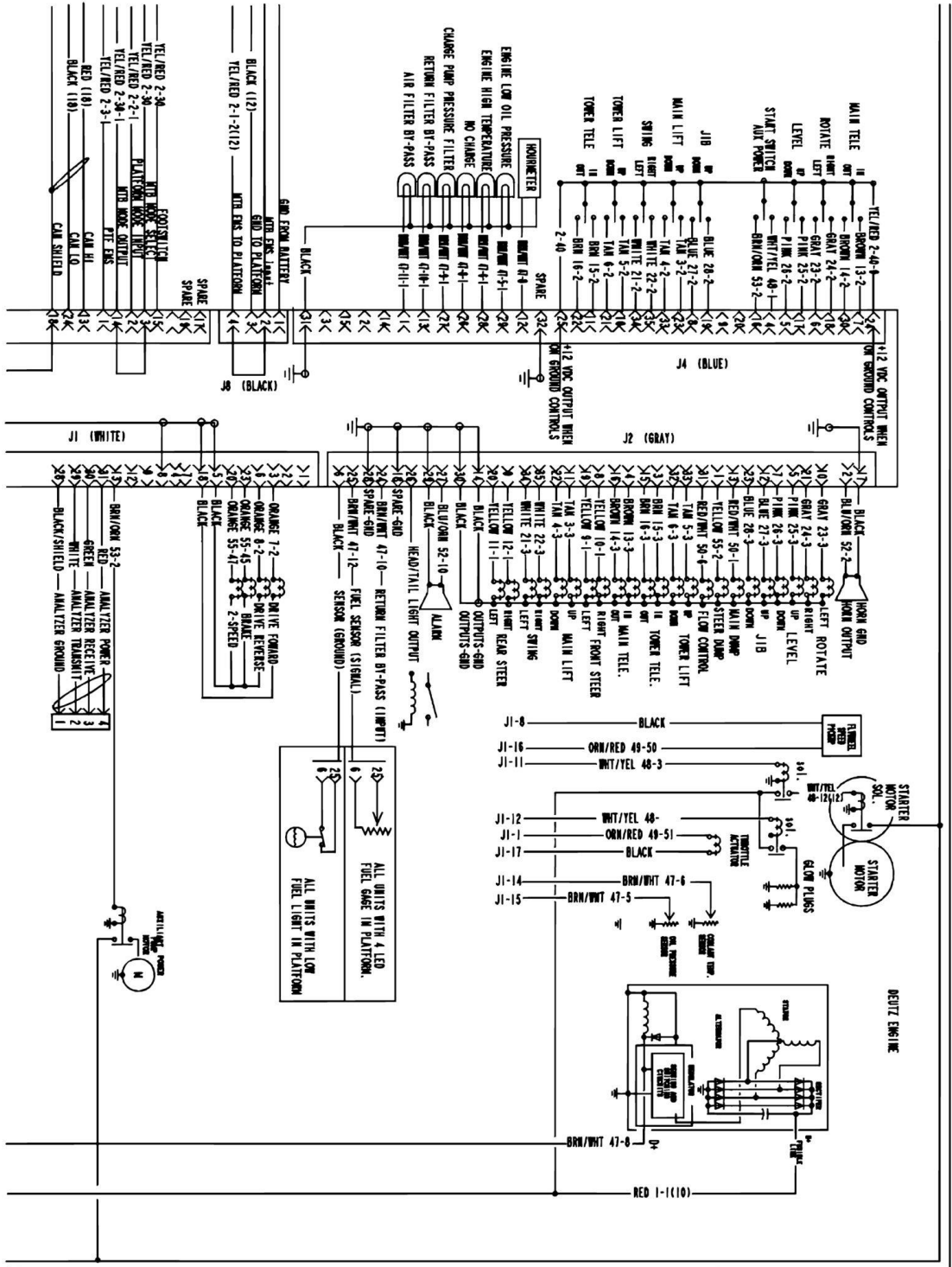
SECTION 7 - ELECTRICAL



SECTION 7 - ELECTRICAL

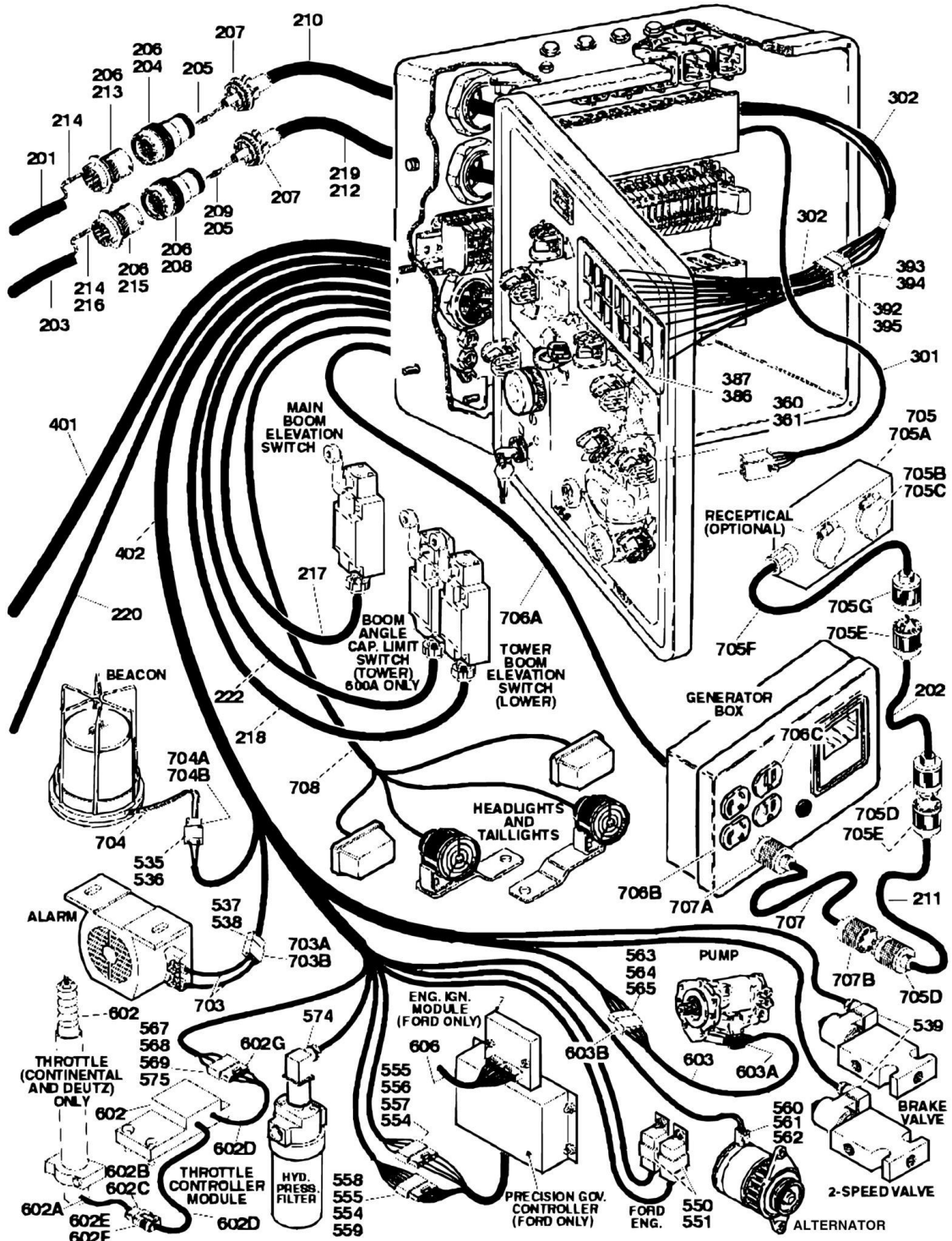


SECTION 7 - ELECTRICAL



1870132 - B

SECTION 7 - ELECTRICAL



SECTION 7 - ELECTRICAL

FIGURE 7-7. HARNESS COMPONENTS INSTALLATION (Prior to SN 0300064249)

| ITEM | PART NUMBER | QTY | DESCRIPTION | REV |
|------|-------------|------------------|--|-----|
| | | Ref | PLATFORM BOX WIRING DIAGRAMS | |
| | | Ref | Note: Numbered Colored Wiring starts with SN 0300035129. | |
| | 4932849 | Ref | Platform Box Wiring Diagrams CE & EN280 Spec Machines (Prior to SN 0300035129) | 5-H |
| | 4921994 | Ref | Platform Box Wiring Diagrams CE & EN280 Spec Machines (SN 0300035129 through 0300064249) | 3-F |
| | 4932974 | Ref | Platform Box Wiring Diagrams CE & EN280 Specs (SN 0300035129 through 0300064249) | 6-F |
| | 4932848 | Ref | Australian Spec (Prior to SN 0300029430) | 1-E |
| | 4932914 | Ref | Australian Spec (SN 0300029430 through 0300035128) | 5-D |
| | 4921991 | Ref | Australian Spec (SN 0300035129 through 0300064249) | 2-E |
| | 4932905 | Ref | Australian Spec (SN 0300035129 through 0300069000) | 7-E |
| 1 | See Note | AR | Harness, Switch (Make from Individual Wires) (Note: Not Available for Purchase) | |
| 2 | See Note | AR | Harness, Light Panel (Make from Individual Wires) (Note: Not Available for Purchase) | |
| 39 | | Ref | Cable, Electrical (To Footswitch - Does Not Include Terminal Ends) Options: | |
| 39 | 1060012 | 7 ft/2.1m | Cable, Electrical (To Footswitch - Does Not Include Terminal Ends) (Prior to SN 0300060643) | |
| 39 | 1060515 | 7 ft/2.1m | Cable, Electrical (To Footswitch - Does Not Include Terminal Ends) (SN 0300060643 through 0300064249) | |
| 44 | 2920129 | 12 | Bulb, Light | |
| 48 | 4460265 | 2 | Plug - 9 Position | |
| 49 | 4460418 | 8 | Connector - 6 Position | |
| 50 | 4460419 | 62 | Socket, Female | |
| 55 | | Ref | Connector - 15 Position Options: | |
| 55 | 4460620 | 4 | Connector - 15 Position (Prior to SN 0300035129) | |
| 55 | 4460720 | 4 | Connector - 15 Position (SN 0300035129 through 0300064249) | |
| 56 | | Ref | Socket, Female Options: | |
| 56 | 4460621 | 43 | Socket, Female (Prior to SN 0300035129) | |
| 56 | 4460721 | 43 | Socket, Female (SN 0300035129 through 0300064249) | |
| 60 | 4460464 | 40 | Pin, Deutsch (14-16 Gauge) | |
| 61 | 4460508 | 4 | Pin, Deutsch (10-12 Gauge) | |
| 62 | 3990010 | 13 | Diode 3 Amp (Not Shown) | |
| 64 | 4460225 | 1 | Connector, Male - 6 Position | |
| 65 | 4460267 | 21 | Pin, Male | |
| 66 | 3990010 | 11 | Diode 6 Amp (Not Shown) | |
| 68 | 4120035 | 12 | Base, Light | |
| | | Ref | PLATFORM BOX ASSEMBLY COMPONENTS | |
| 101 | 4460613 | 1 | Receptacle - 21 Pin | |
| 102 | 4460503 | 1 | Receptacle - 3 Pin | |
| 103 | 4460470 | 2 | Nut, Conduit | |
| 104 | 4460471 | 2 | Washer | |
| 105 | 4460428 | 1 | Connector, Strain Relief | |
| | | Ref | BOOM CABLES INSTALLATIONS | |
| | 0255870 | Ref | Cable Installation - 600A (Standard Parts) | 10 |
| | 0255878 | Ref | Cable Installation - 600AJ | 10 |
| 201 | 1060516 | 46.5 ft/14.2m | Cable, Electrical- 16/30 (Does Not Include Terminals) | |
| 202 | 1060494 | 46.5 | Cable, Electrical- 12/3 (Does Not Include Plug Ends) (Prior to | |

SECTION 7 - ELECTRICAL

| ITEM | PART NUMBER | QTY | DESCRIPTION | REV |
|------|--------------|------------------|---|-----|
| 202 | 1060709 | ft/14.2m 46.5 | SN 0300041488) Cable, Electrical- 12/3 (Does Not Include Plug Ends) (SN 0300041488 through 0300064249) | |
| 202 | 1060461 | ft/14.2m 46.5 | Cable, Electrical- 12/3 (Does Not Include Plug Ends) (SN 0300041488 through 0300064249) | |
| 203 | 1060603 | 46.5 ft/14.2m | Cable, Electrical- 12/4 and 16/10 (Does Not Include Terminals) | |
| 204 | 4460502 | 2 | Plug, Connector (31 Pin) | |
| 205 | 4460465 | AR | Socket, Female - #16 | |
| 206 | 4460466 | 25 | Seal, Plug | |
| 207 | 4460473 | 4 | Clamp, Cable | |
| 208 | 4460614 | 2 | Plug, Connector (19 Pin) | |
| 209 | 4460509 | 8 | Socket, Female - #12 | |
| 210 | 1060516 | 37 ft/11.3m | Cable, Electrical- 16/30 (Does Not Include Terminals) | |
| 211 | 1060461 | 37 ft/11.3m | Cable, Electrical- 12/3 (Does Not Include Plug Ends) (Prior to SN 0300041488) | |
| 211 | 1060709 | 37 ft/11.3m | Cable, Electrical- 12/3 (Does Not Include Plug Ends) (SN 0300041488 through 0300064249) | |
| 211 | 1060461 | 37 ft/11.3m | Cable, Electrical- 12/3 (Does Not Include Plug Ends) (SN 0300041488 through 0300064249) | |
| 212 | 1060603 | 37 ft/11.3m | Cable, Electrical - 12/4 and 16/10 (Does Not Include Terminals) | |
| 213 | 4460503 | 1 | Receptacle, Connector (31 Pin) | |
| 214 | 4460464 | AR | Pin, Male - #16 | |
| 215 | 4460613 | 1 | Receptacle, Connector (19 Pin) | |
| 216 | 4460508 | 4 | Pin, Male - #12 | |
| 217 | 1060016 | 37 ft/11.3m | Cable, Electrical - 16/3 | |
| 218 | 1060016 | 37 ft/11.3m | Cable, Electrical - 16/3 | |
| 219 | 2820031 | 8 in/20cm | Heat Shrink | |
| 220 | 1060016 | 37 ft/11.3m | Cable, Electrical - 16/3 | |
| 221 | 1060016 | 19 ft/5.8m | Cable, Electrical - 16/3 | |
| 222 | Not Required | 0 | Not Required | |
| 223 | 4460539 | 1 | Connector, Terminal | |
| 224 | 4460536 | 1 | Plug, Terminal | |
| | Ref | | GROUND CONTROL BOX WIRING DIAGRAMS | |
| | Ref | | Note: Numbered Colored Wiring starts with S/N 0300035129. | |
| | 4932850 | Ref | Deutz Engine Machines (Prior to SN 0300035129) | 5-F |
| | 4932976 | Ref | Deutz Engine Machines (SN 0300035129 through 0300064249) | 4-C |
| 301 | | Ref | Harness, Switch Options: | |
| 301 | See Note | AR | Harness, Switch (Make From Individual Wires) (Note: Not available for purchase) (Prior to SN 0300035129) | |
| 301 | 4921992 | AR | SN 0300035129 through 0300064249 (Includes Items 360 & 361) | 3-D |
| 302 | | Ref | Harness, Light Panel Options: | |
| 302 | See Note | AR | Harness, Light Panel (Make From Individual Wires) (Note: Not available for purchase) (Prior to SN 0300035129) | |
| 302 | 4922002 | AR | Harness, Light Panel (SN 0300035129 through 0300064249) | 2-D |
| 303 | | Ref | Sub-Harness, Start Options: (Not Shown) | |
| 303 | See Note | AR | Sub-Harness, Start (Make From Individual Wires) (Note: Not available for purchase) (Prior to SN 0300035129) | |
| 303 | 4922008 | AR | Sub-Harness, Start (SN 0300035129 through 0300064249) | 4-D |

SECTION 7 - ELECTRICAL

| ITEM | PART NUMBER | QTY | DESCRIPTION | REV |
|------|--------------|-----|--|-----|
| 360 | 4460418 | AR | Connector - 6 Position | |
| 361 | 4460419 | AR | Socket, Female | |
| 372 | Not Required | 0 | Not Required | |
| 384 | 3990010 | AR | Diode 6 Amp (Not Shown) | |
| 386 | 4120035 | AR | Base, Light | |
| 386 | 4460634 | AR | Insert, Terminal (Signal Wire) | |
| 386 | 4460635 | AR | Insert, Terminal (Double Wire) | |
| 387 | 2920129 | AR | Bulb, Light | |
| 388 | 3990001 | 7 | Diode 3 Amp (Not Shown) | |
| 389 | 3730099 | 1 | Resistor 750 Ohm (Not Shown) | |
| 391 | 3730022 | 1 | Resistor 500 Ohm (Not Shown - Located at Alternator Light) (Prior to SN 0300036354) | |
| 391 | 3730023 | 1 | Resistor 510 Ohm (Not Shown - Located at Alternator Light) (SN 0300036354 through 0300064249) | |
| 392 | 4460267 | 6 | Pin, Male | |
| 393 | 4460268 | 6 | Socket, Female | |
| 394 | 4460224 | 1 | Connector, Female - 6 Position | |
| 395 | 4460225 | 1 | Connector, Male - 6 Position | |
| | | Ref | GROUND CONTROL BOX ASSEMBLY COMPONENTS | |
| | | Ref | Note: Numbered Colored Wiring starts with SN 0300035129 | |
| | | Ref | Valve Harness Assembly Options: | |
| 401 | | 1 | Valve Harness Assembly (Prior to SN 0300026233) | |
| 401 | 4921739 | 1 | Valve Harness Assembly (SN 0300026233 through 0300035128) | |
| 401 | 4921848 | 1 | Valve Harness Assembly (SN 0300026233 through 0300035128) | |
| 401 | 4921922 | 1 | Valve Harness Assembly (SN 0300035129 through 0300064249) | |
| 401A | 4460499 | 19 | Connector, DIN | |
| 401B | 4460320 | 2 | Connector, Female - 2 Position | |
| 401C | 4460267 | 7 | Pin, Male | |
| 401D | 4460424 | 1 | Plug, Male - 2 Position | |
| 401E | 4460268 | 5 | Socket, Female | |
| 401F | 4460539 | 1 | Plug, Male - 3 Position (Prior to SN 0300026233) | |
| 401F | 4460225 | 1 | Connector, Male - 6 Position (SN 0300026233 through 0300064249) | |
| 401G | 4460465 | 3 | Socket, Female (Prior to SN 0300026233) | |
| 401G | 4460267 | 3 | Pin, Male (SN 0300026233 through 0300064249) | |
| 401H | 4460326 | 1 | Plug, Male - 3 Position | |
| 401J | 4460445 | 1 | Connector, Female - 3 Position | |
| 401K | 4460536 | 1 | Connector, Deutsch - 3 Position (Prior to SN 0300026233) | |
| 401K | See Note | AR | Connector - 6 Position (SN 0300026233 through 0300064249) | |
| 401L | 4460464 | 3 | Pin, Male (Prior to SN 0300026233) | |
| 401L | See Note | AR | Pin (Note: After SN 0300026233, #401K & #401L are no longer part of Valve Harness. See Tilt Indicator Harness) (SN 0300026233 through 0300064249) | |
| 402 | | Ref | Engine Harness Assembly Options: (See Items 501-574) | |
| 402 | 4921737 | 1 | Deutz Engine Machines (Prior to SN 0300035129) | 4-E |
| 402 | 4921925 | 1 | Deutz Engine Machines (SN 0300035129 through 0300064249) | 6-G |
| | | Ref | ENGINE HARNESS ASSEMBLY OPTIONS - DEUTZ: | 4-E |
| | | Ref | Note: Numbered Wiring starts with SN 0300035129. | |
| | 4921737 | Ref | Deutz Engines (Prior to SN 0300035129) | 4-E |
| | 4921925 | Ref | Deutz Engines (SN 0300035129 through 0300064249) | 6-G |
| 528 | 4460268 | 13 | Socket, Female | |
| 529 | 4460267 | 12 | Pin, Male | |

SECTION 7 - ELECTRICAL

| ITEM | PART NUMBER | QTY | DESCRIPTION | REV |
|------------|--------------|-----|---|-----|
| 535 | 4460424 | 1 | Plug, Male - 2 Position | |
| 536 | 4460268 | 2 | Socket, Female | |
| 537 | 4460320 | 1 | Connector, Female - 2 Position | |
| 538 | 4460267 | 2 | Pin, Male | |
| 539 | 4460499 | 3 | Connector, DIN with Diode | |
| 545 | | Ref | Connector, Female Options: | |
| 545 | 4460445 | 1 | 3 Position (Prior to SN 0300044053) | |
| 545 | 4460268 | 3 | Socket, Female (Prior to SN 0300044053) | |
| 545 | 4460777 | 1 | 4 Position (SN 0300044053 through 0300064249) | |
| 545 | 4460591 | 1 | Lock, Terminal (SN 0300044053 through 0300064249) | |
| 545 | 4460589 | 3 | Socket, Female (SN 0300044053 through 0300064249) | |
| 545 | 4460608 | 3 | Seal, Cable (SN 0300044053 through 0300064249) | |
| 547 | 4460265 | 1 | Plug, Male - 9 Position | |
| 548 | 4460266 | 1 | Connector, Female - 9 Position | |
| 550 to 551 | Not Required | 0 | Not Required | |
| 554 to 562 | Not Required | 0 | Not Required | |
| 563 | 4460460 | 1 | Connector, Male | |
| 564 | 4460457 | 4 | Socket, Female | |
| 565 | 4460458 | 4 | Seal, Socket | |
| 574 | 4460449 | 1 | Connector, DIN without Diode | |
| | | Ref | STANDARD HARNESS COMPONENTS | |
| | | Ref | Note: Numbered Wiring starts with SN 0300035129. | |
| 601 | See Note | 1 | Tilt Indicator Harness (Note: Not Available for Purchase) | |
| 601A | See Note | AR | Pin (Note, #601A is part of Valve Harness. See Valve Harness.) (Prior to SN 0300026233) | |
| 601A | 4460268 | 6 | Socket, Female (SN 0300026233 through 0300064249) | |
| 601B | See Note | 1 | Plug (Note, 601B is part of Valve Harness. See Valve Harness.) (Prior to SN 0300026233) | |
| 601B | 4460224 | 1 | Connector, Female - 6 Position (SN 0300026233 through 0300064249) | |
| 602 | See Note | 1 | Throttle Actuator/Controller Harness - Deutz (Note: Not Available for Purchase) | |
| 602 | 0060033 | NLA | Throttle Actuator and Controller Assembly (Use p/n 2910000) | |
| 602 | 7008833 | 1 | Mounting Clamp Kit (Not Shown) | |
| 602 | 7008836 | 1 | Spring, Retract (Not Shown) | |
| 602A | See Note | 1 | Throttle Actuator and Harness (Purchase p/n 2910000) (Note: Not Available for Purchase) | |
| 602A | 7016336 | 1 | Boot Kit | |
| 602B | See Note | 9 | Pin, Male (Note: Not Available for Purchase) | |
| 602C | See Note | 1 | Connector, Male (Note: Not Available for Purchase) | |
| 602D | 2910001 | 1 | Controller and Harnesses | |
| 602E | See Note | 9 | Socket, Female (Note: Not Available for Purchase) | |
| 602F | See Note | 1 | Connector, Female (Note: Not Available for Purchase) | |
| 602G | See Note | 1 | Plug, Male - 4 Position (Note: Not Available for Purchase) | |
| 602G | 4460693 | 4 | Pin, Male | |
| 602G | 4460591 | 1 | Clip | |
| 602G | 4460608 | 4 | Seal, Terminal | |
| 603 | See Note | 1 | Sunstrand Pump Harness (Note: Not Available for Purchase) | |
| 603A | 7007497 | 1 | Plug (Pump End) | |
| 603B | 7007498 | 1 | Plug (Engine Harness End) | |
| 604 | See Note | 1 | Controller Harness Assembly (Lift and Swing) (Note: Not Available for Purchase) | |
| 604A | 4460266 | 1 | Connector, Female - 9 Position | |

SECTION 7 - ELECTRICAL

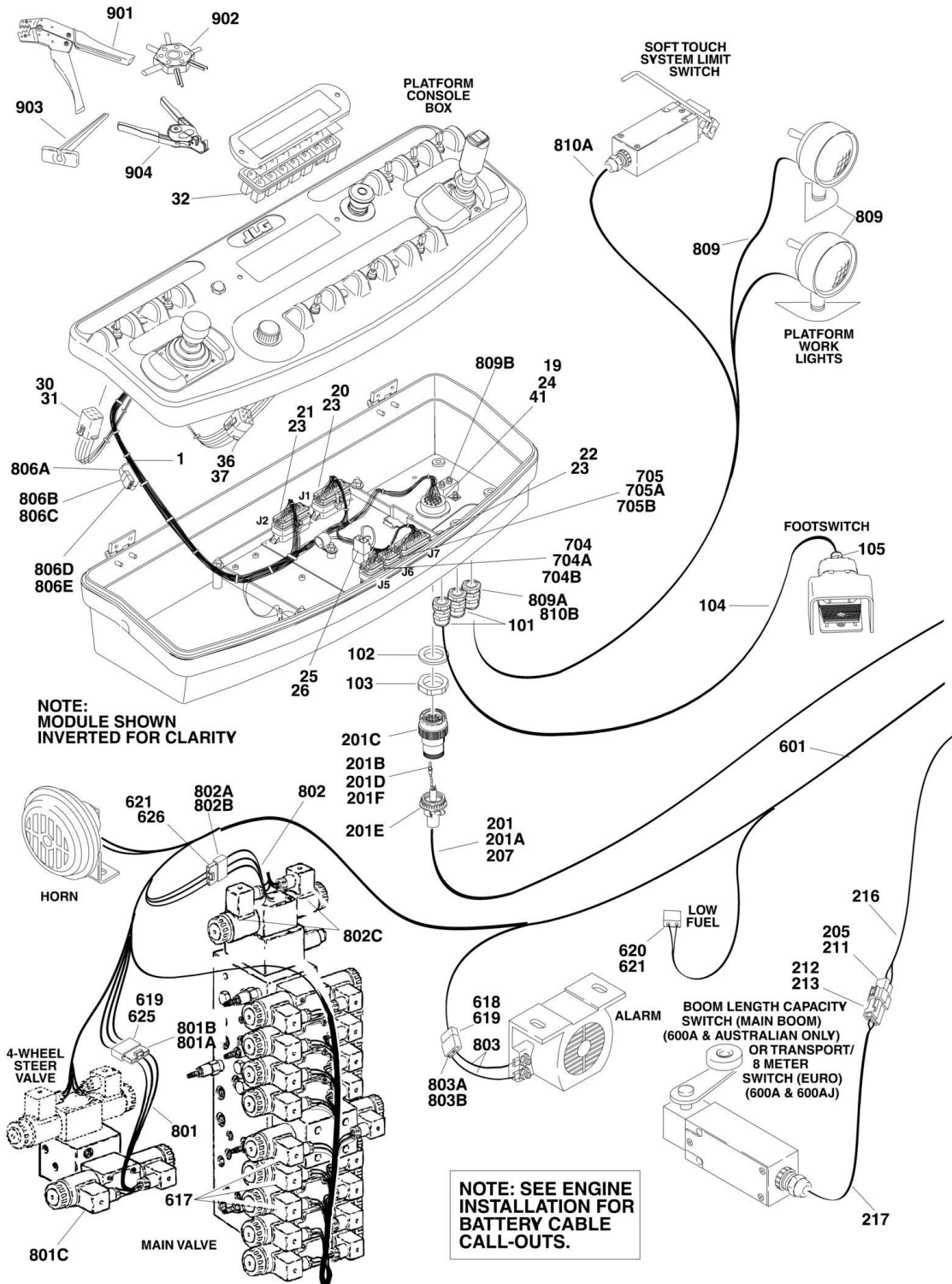
| ITEM | PART NUMBER | QTY | DESCRIPTION | REV |
|------|--------------|---------|---|-----|
| 604B | 4460268 | 7 | Socket, Female | |
| 605 | See Note | 1 | Controller Harness/Circuit Board Assembly (Drive and Steer) (Note: Not Available for Purchase) | |
| 605A | 4460266 | 1 | Connector, Female - 9 Position | |
| 605B | 4460268 | 7 | Socket, Female | |
| 606 | Not Required | 0 | Not Required | |
| | | Ref | OPTIONAL HARNESS COMPONENTS | |
| | | Ref | Note: Numbered Colored Wiring starts with SN 0300035129. | |
| 701 | | Ref | 4WS Valve Harness Options: | |
| 701 | 4921772 | 1 | 4WS Valve Harness (Prior to SN 0300035129) | |
| 701 | 4921928 | 1 | 4WS Valve Harness (SN 0300035129 through 0300064249) | |
| 701A | 4460268 | 3 | Socket, Female | |
| 701B | 4460445 | 1 | Connector, Female - 3 Position | |
| 701C | 4460499 | 2 | Connector, DIN with Diode | |
| 702 | | Ref | Articulating Jib Valve Harness Options: (600AJ Only) | |
| 702 | 4921771 | 1 | Articulating Jib Valve Harness (Prior to SN 0300035129) | |
| 702 | 4921927 | 1 | Articulating Jib Valve Harness (SN 0300035129 through 0300064249) | |
| 702A | 4460326 | 1 | Plug, Male - 3 Position | |
| 702B | 4460267 | 3 | Pin, Male | |
| 702C | 4460499 | 2 | Connector, DIN with Diode | |
| 703 | | Ref | Alarm Harness Options: (Includes Alarm) | |
| 703 | 0255914 | 1 | Alarm Harness (Prior to SN 0300035129) | |
| 703 | 0257887 | 1 | Alarm Harness (SN 0300035129 through 0300064249) | |
| 703A | 4460424 | 1 | Plug, Male - 2 Position | |
| 703B | 4460268 | 2 | Socket, Female | |
| 704 | 0255917 | 1 | Strobe Light Harness (Includes Strobe Light) | |
| 704A | 4460320 | 1 | Connector, Female - 2 Position | |
| 704B | 4460267 | 2 | Pin, Male | |
| 705 | 0256202 | Ref | AC (110V) to Platform Receptacle Components | 4 |
| 705 | See Note | Ref | AC (220V) to Platform Receptacle Components (Note: Not Available for Purchase) | D |
| 705A | 0860038 | 1 | Box, Switch | |
| 705B | | Ref | Receptacle Options: | |
| 705B | See Note | 1 | 110V GFI (Note: Not Available for Purchase) | |
| 705B | See Note | 1 | 220V GFI (Note: Not Available for Purchase) | |
| 705C | | Ref | Shield, Cover Options: | |
| 705C | See Note | 1 | 110V GFI (Note: Not Available for Purchase) | |
| 705C | See Note | 1 | 220V GFI (Note: Not Available for Purchase) | |
| 705D | | Ref | Plug, Male Options: | |
| 705D | 4460709 | 2 | 110V GFI (Note: Not Available for Purchase) | |
| 705D | See Note | 2 | 220V GFI (Note: Not Available for Purchase) | |
| 705E | | Ref | Connector, Female Options: | |
| 705E | 4460710 | 2 | 110V GFI | |
| 705E | See Note | 2 | 220V GFI (Note: Not Available for Purchase) | |
| 705F | | Ref | Harness-Receptacle Box to Boom Options: | |
| 705F | 4921820 | 1 | 110V | |
| 705F | See Note | 1 | 220V (Note: Not Available for Purchase) | |
| 705F | 1060461 | 18 | Cable, Electrical - 12/3 | |
| | | in/47cm | | |
| 705G | 4460709 | 1 | Plug, Male (110V) | |
| 705G | See Note | 1 | Plug, Male (220V) (Note: Not Available for Purchase) | |

SECTION 7 - ELECTRICAL

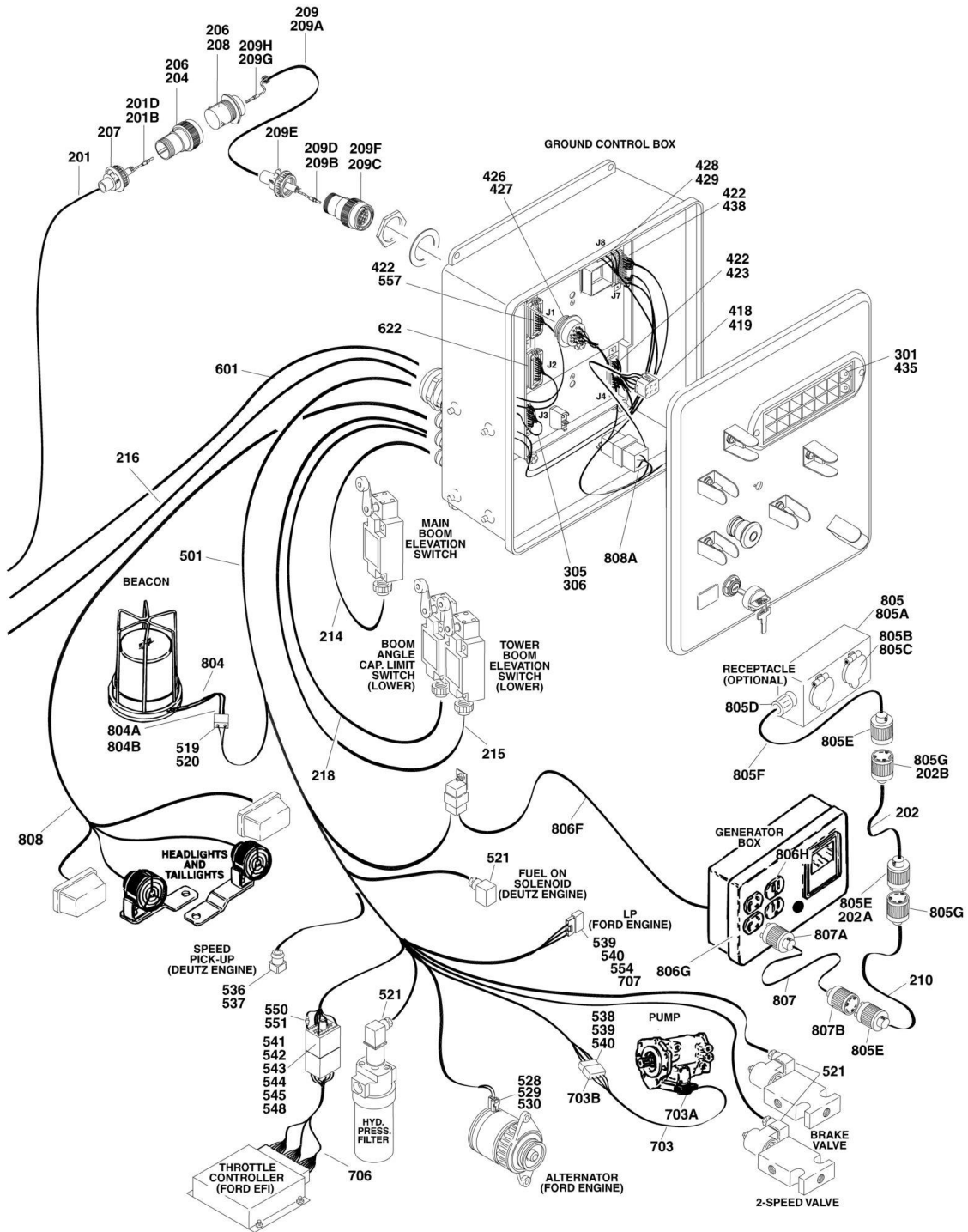
| ITEM | PART NUMBER | QTY | DESCRIPTION | REV |
|------|-------------|----------------|---|-----|
| 705H | 0961127 | 1 | Bushing, Snap (Not Shown) (Prior to SN 0300040858) | |
| 706 | | Ref | Generator Electrical Components | |
| 706 | 4932828 | Ref | 110V (Prior to SN 0300035129) | 2-C |
| 706 | 4932940 | Ref | 220V (Prior to SN 0300035129) | 1-A |
| 706 | 4932915 | Ref | 110V (SN 0300035129 through 0300064249) | 1-A |
| 706 | 4932989 | Ref | 220V (SN 0300035129 through 0300064249) | - |
| 706 | 3990010 | 1 | Diode - 6 Amp (Not Shown) | |
| 706A | | Ref | Harness - On/Off Switch (Powermite Control Box to Ground Control Box) | |
| 706A | 4921828 | 1 | Harness - On/Off Switch (Powermite Control Box to Ground Control Box) (Prior to SN 0300035129) | |
| 706A | 4921938 | 1 | Harness - On/Off Switch (Powermite Control Box to Ground Control Box) (SN 0300035129 through 0300064249) | |
| 706B | 4460027 | 1 | Receptacle, Electrical (Industrial) (110V) | |
| 706B | 4460125 | 1 | Receptacle, Electrical (220V) | |
| 706C | 4460190 | 1 | Receptacle, Electrical (Standard) (110V) | |
| 706C | 4460125 | 1 | Receptacle, Electrical (220V) | |
| 707 | 4921829 | 1 | Generator to Rear of Boom Harness (110V) | |
| 707 | 4921957 | 1 | Generator to Rear of Boom Harness (220V) | |
| | | Ref | Note: Harness used to connect AC at platform harness to generator receptacle to power platform receptacle. | |
| 707 | 1060494 | 26 ft/8m | Cable, Electrical - 12/3 | |
| 707A | 4460205 | 1 | Plug, Male (110V) | |
| 707A | 4460233 | 1 | Plug, Male (220V) | |
| 707B | 4460134 | 1 | Receptacle, Female (110V) | |
| 707B | 4460701 | 1 | Receptacle, Female (220V) | |
| 708 | See Note | 1 | Lights Harness (Note: Not Available for Purchase) | |
| 708 | 3740049 | 1 | Relay (Not Shown) | |
| 708 | 1060341 | 37 ft/11.3m | Cable, Electrical - 16/2 | |
| 709 | 2920140 | 2 | Platform Worklights Harness (Includes Light and Wire Only) | |
| 709 | 2820035 | 9 ft/2.8m | Loom, Vinyl | |
| 709 | 7016399 | 1 | Bulb, Replacement (50 watts) (1 Per) | |
| 709A | 4460598 | 1 | Connector, Strain Relief | |
| 709A | 4460442 | 2 | Terminal (Not Shown-Located in Platform Console) | |
| 710 | See Note | 1 | Soft-Touch System Harness (Note: Not Available for Purchase) | |
| 710A | 1060330 | 16 ft/4.9m | Cable, Electrical - 16/3 (Prior to SN 0300029105) | |
| 710A | 1060341 | 16 ft/4.9m | Cable, Electrical - 16/3 (SN 0300029105 through 0300064249) | |
| 710B | 4460425 | 1 | Connector, Strain Relief (SN 0300029105 through 0300064249) | |
| 710B | 4460428 | 1 | Connector, Strain Relief (Prior to SN 0300029105) | |
| | | Ref | TOOLS | |
| 801 | 7002821 | 1 | Crimper (For Wire to Pin/Socket Connections) | |
| 802 | 7002823 | 1 | Extractor (For Removal of Pin/Socket from Connectors) | |
| 803 | 4460467 | 1 | Extractor, Pin (Blue 16-18 Gauge) (For Removal of Pin/Socket from Connectors) | |
| 803 | 4460510 | 1 | Extractor, Pin (Yellow 12-14 Gauge) (For Removal of Pin/Socket from Connectors) | |
| 804 | 8896941 | 1 | Stripper, Wire | |

SECTION 7 - ELECTRICAL

FIGURE 7-8. HARNESS COMPONENTS INSTALLATION (WITH ADE SYSTEM) (SN 0300064249 through 0300064269)



SECTION 7 - ELECTRICAL



SECTION 7 - ELECTRICAL

FIGURE 7-8. HARNESS COMPONENTS INSTALLATION (WITH ADE SYSTEM) (SN 0300064249 through 0300064269)

| ITEM | PART NUMBER | QTY | DESCRIPTION | REV |
|------|-------------|------------------|---|-----|
| | 4922509 | Ref | PLATFORM BOX HARNESS ASSEMBLY | 3-D |
| 1 | 4922509 | 1 | Harness, Console Box | |
| 19 | 4460866 | 1 | Connector - 19 Position | |
| 20 | 4460874 | 1 | Connector - 35 Position (Natural) | |
| 21 | 4460875 | 1 | Connector - 35 Position (Gray) | |
| 22 | 4460873 | 1 | Connector - 35 Position (Black) | |
| 23 | 4460871 | 48 | Socket, Female | |
| 24 | 4460464 | 7 | Pin, Male (16 Gauge) | |
| 25 | 4460879 | 1 | Terminal, Housing 2 Position | |
| 26 | 4460887 | 2 | Terminal, (12 Gauge) | |
| 30 | 4460418 | 4 | Connector - 6 Position | |
| 31 | 4460419 | 12 | Socket, Female | |
| 32 | 4120035 | 7 | Base, Light | |
| 36 | 4460225 | 1 | Connector, Male - 6 Position | |
| 37 | 4460227 | 6 | Pin | |
| 41 | 4460508 | 3 | Pin, Male (12 Gauge) | |
| | | Ref | PLATFORM BOX ASSEMBLY COMPONENTS | |
| 101 | 4460428 | 2 | Connector, Strain Relief | |
| 102 | 4460470 | 1 | Nut, Conduit | |
| 103 | 4460471 | 1 | Washer | |
| 104 | 1060330 | 1 | Cable, Electrical - 16/3 | |
| 105 | 4460071 | 1 | Connector, Strain Relief | |
| | | Ref | BOOM CABLES INSTALLATION | |
| | 0270819 | Ref | Boom Cables Installation 600A | 3 |
| | 0270821 | Ref | Boom Cables Installation 600AJ | 3 |
| 201 | 4922493 | 1 | Harness, Main Boom | |
| 201A | 1060896 | 45.5 ft/13.9m | Cable | |
| 201B | 4460465 | 22 | Socket, Female - #16 | |
| 201C | 4460865 | 1 | Connector - 19 Position | |
| 201D | 4460509 | 8 | Socket, Female - #12 | |
| 201E | 4460473 | 1 | Clamp, Cable | |
| 201F | 4460466 | 4 | Seal, Plug | |
| 202 | 1060461 | 46 ft/14m | Cable, Electrical - 12/3 (Does not include plug ends) | |
| 204 | 4460865 | 1 | Connector - 19 Position | |
| 205 | 4460465 | 3 | Socket, Female - #16 | |
| 206 | 4460466 | 8 | Seal, Plug | |
| 207 | 4460473 | 1 | Clamp, Cable | |
| 208 | 4460866 | 1 | Connector - 19 Position | |
| 209 | 4922494 | 1 | Harness, Lower Boom Cable | |
| 209A | 1060896 | 35.5 ft/10.8m | Cable | |
| 209B | 4460465 | 11 | Socket, Female - #16 | |
| 209C | 4460865 | 1 | Connector - 19 Position | |
| 209D | 4460509 | 4 | Socket, Female - #12 | |
| 209E | 4460473 | 1 | Clamp, Cable | |
| 209F | 4460466 | 4 | Seal, Plug | |
| 209G | 4460464 | 11 | Pin, Male (16 Gauge) | |
| 209H | 4460508 | 4 | Pin, Male (12 Gauge) | |

SECTION 7 - ELECTRICAL

| ITEM | PART NUMBER | QTY | DESCRIPTION | REV |
|------|-------------|-----------------|--|-----|
| 210 | 1060461 | 33 ft/10m | Cable, Electrical - 12/3 (Does not include plug ends) | |
| 211 | 4460539 | 1 | Connector, Terminal (600A Only) | |
| 212 | 4460536 | 1 | Plug, Terminal (600A Only) | |
| 213 | 4460464 | 3 | Pin, Male (16 Gauge) | |
| 214 | 1060902 | 37 ft/11.3m | Cable, Electrical - 18/2 Main Boom Limit Switch | |
| 215 | 1060902 | Ref | Cable, Electrical - 18/2 Tower Boom Limit Switch | |
| 215 | 1060902 | 37 ft/11.3m | Cable, Electrical - 18/2 Tower Boom Limit Switch 600A | |
| 215 | 1060902 | 18 ft/5.5m | Cable, Electrical - 18/2 Tower Boom Limit Switch 600AJ | |
| 216 | 1060902 | 37 ft/11.3m | Cable, Electrical - 18/2 Main Boom Length (600A Only) | |
| 217 | 1060902 | Ref | Cable, Electrical - 18/2 Main Boom Length | |
| 217 | 1060902 | 19 ft/5.8m | Cable, Electrical - 18/2 Main Boom Length 600A | |
| 217 | 1060902 | 16.5 ft/5.0m | Cable, Electrical - 18/2 Main Boom Length 600AJ | |
| | 4933185 | Ref | GROUND CONTROL BOX DIAGRAMS | 3-C |
| 301 | 2920129 | 6 | Bulb, Light | |
| 302 | 4460871 | 6 | Socket, Female | |
| 307 | 2400065 | 1 | Fuse, 30Amp (Not Shown) | |
| 308 | 2400066 | 1 | Fuse, Holder W/Cover (Not Shown) | |
| | 4922516 | Ref | GROUND CONTROL HARNESS ASSEMBLY | 4-E |
| 418 | 4460419 | 27 | Socket, Female | |
| 419 | 4460418 | 9 | Connector - 6 Position | |
| 422 | 4460871 | 39 | Socket, Female | |
| 423 | 4460876 | 1 | Connector - 35 Position (Blue) | |
| 426 | 4460464 | 10 | Pin, Male (16 Gauge) | |
| 427 | 4460866 | 1 | Connector - 19 Position | |
| 428 | 4460878 | 1 | Housing, Terminal - 4 Position | |
| 429 | 4460887 | 3 | Terminal (12 Gauge) | |
| 435 | 4120035 | 6 | Base, Light | |
| 438 | 4460873 | 1 | Connector - 35 Position (Black) | |
| | 4922515 | Ref | ENGINE HARNESS ASSEMBLY | 5-E |
| 501 | 4922515 | 1 | Harness, Assembly | |
| 519 | 4460424 | 1 | Plug, Male - 2 Position | |
| 520 | 4460268 | 2 | Socket, Female | |
| 521 | 4460880 | AR | DIN Connector without Diode | |
| 536 | 4460890 | 1 | Housing - 2 Position | |
| 537 | 4460889 | 2 | Terminal | |
| 538 | 4460460 | 1 | Connector, Male - 4 Position | |
| 539 | 4460457 | AR | Terminal, Female | |
| 540 | 4460458 | AR | Seal, Terminal | |
| 557 | 4460871 | AR | Socket, Female | |
| | 4922508 | Ref | VALVE HARNESS ASSEMBLY | 2-A |
| 601 | 4922508 | 1 | Harness, Assembly | |
| 617 | 4460880 | 15 | DIN Connector | |
| 618 | 4460320 | 1 | Connector, Female - 2 Position | |
| 619 | 4460267 | 5 | Pin, Male | |
| 620 | 4460424 | 1 | Plug, Male - 2 Position | |
| 621 | 4460268 | 5 | Socket, Female | |
| 622 | 4460871 | 28 | Socket, Female | |
| 625 | 4460326 | 1 | Connector, Male - 3 Position | |

SECTION 7 - ELECTRICAL

| ITEM | PART NUMBER | QTY | DESCRIPTION | REV |
|------------|--------------|----------------|--|-----|
| 626 | 4460445 | 1 | Connector, Female - 3 Position | |
| | | Ref | STANDARD HARNESS COMPONENTS | |
| 703 | See Note | 1 | Pump Harness (Note: Not Available for Purchase) | |
| 703A | 7007497 | 1 | Plug (Pump End) | |
| 703B | 7007498 | 1 | Plug (Engine Harness End) | |
| 704 | See Note | 1 | Controller Harness Assembly (Lift and Swing) (Note: Not Available for Purchase) | |
| 704A | 7022819 | 1 | Plug, Male - 8 Position (Natural) | |
| 704B | 4460871 | 8 | Socket, Female | |
| 705 | See Note | 1 | Controller Harness/Circuit Board Assembly (Drive and Steer) (Note: Not Available for Purchase) | |
| 705A | 7022825 | 1 | Plug, Female - 8 Position (Black) | |
| 705B | 4460871 | 7 | Socket, Female | |
| 706 to 707 | Not Required | 0 | Not Required | |
| | | Ref | OPTIONAL HARNESS COMPONENTS | |
| 801 | 4921928 | 1 | 4WS Valve Harness | |
| 801A | 4460268 | 3 | Socket, Female | |
| 801B | 4460445 | 1 | Connector, Female - 3 Position | |
| 801C | 4460499 | 2 | Connector, DIN with Diode | |
| 802 | 4921927 | 1 | Jib Valve Harness (600AJ Only) | |
| 802A | 4460326 | 1 | Plug, Male - 3 Position | |
| 802B | 4460267 | 3 | Pin, Male | |
| 802C | 4460499 | 2 | Connector, DIN with Diode | |
| 803 | 0257887 | 1 | Alarm Harness (Includes Alarm) | |
| 803A | 4460424 | 1 | Plug, Male - 2 Position | |
| 803B | 4460268 | 2 | Socket, Female | |
| 804 | 0255917 | 1 | Strobe Light Harness (Includes Strobe Light) | |
| 804A | 4460320 | 1 | Connector, Female - 2 Position | |
| 804B | 4460267 | 2 | Pin, Male | |
| 805 | 0256202 | Ref | AC to Platform Receptacle Components | 4-G |
| 805A | 0860038 | 1 | Box, Switch | |
| 805B | Not Required | 0 | Receptacle | |
| 805C | Not Required | 0 | Shield, Cover | |
| 805D | Not Required | 0 | Connector, Strain Relief | |
| 805E | 4460709 | 2 | Plug, Male | |
| 805F | 4921820 | 1 | Harness-Receptacle Box to Boom | |
| 805F | 1060494 | 2.5 ft/0.8m | Cable, Electrical - 12/3 | |
| 805G | 4460710 | 2 | Connector, Female | |
| 806 | | Ref | Generator Electrical Components | |
| 806 | 4933158 | Ref | 110V | 1-A |
| 806 | 4933162 | Ref | 220V | 1-A |
| 806 | 3990010 | 1 | Diode - 6 Amp (Not Shown) | |
| 806A | 4922483 | 1 | Harness - On/Off Switch | |
| 806B | 4460320 | 1 | Connector, Female - 2 Position | |
| 806C | 4460267 | 2 | Pin, Male | |
| 806D | 4460424 | 1 | Plug, Male - 2 Position | |
| 806E | 4460268 | 2 | Socket, Female | |
| 806F | 4922482 | 1 | Powermite Control Box to Relay | |
| 806G | 4460027 | 1 | Receptacle, Electrical (Industrial) (110V) | |
| 806G | 4460125 | 1 | Receptacle, Electrical (220V) | |
| 806H | 4460190 | 1 | Receptacle, Electrical (Standard) (110V) | |

SECTION 7 - ELECTRICAL

| ITEM | PART NUMBER | QTY | DESCRIPTION | REV |
|------|--------------|----------------|---|-----|
| 806H | 4460125 | 1 | Receptacle, Electrical (220V) | |
| 807 | 4921957 | 1 | Generator to Rear of Boom Harness (110V/220V) | |
| | | Ref | Note: Harness used to connect AC at platform harness to generator receptacle to power platform receptacle. | |
| 807 | 1060461 | 6 ft/1.8m | Cable, Electrical - 12/3 | |
| 807A | Not Required | 0 | Plug, Male | |
| 807B | Not Required | 0 | Receptacle, Female | |
| 808 | See Note | 1 | Lights Harness (Note: Not Available for Purchase) | |
| 808 | 1060341 | 37 ft/11.3m | Cable, Electrical - 16/2 | |
| 808A | 3740049 | 1 | Relay | |
| 808B | 4922643 | 1 | Harness, Bag (Located at Ground Control Box) (Not Shown) | |
| 809 | 2920140 | 2 | Platform Worklights Harness (Includes Light and Wire Only) | |
| 809 | 2820035 | 9 ft/2.8m | Loom, Vinyl | |
| 809 | 7016399 | 1 | Bulb, Replacement (50 watts) (1 Per) | |
| 809A | 4460598 | 1 | Connector, Strain Relief | |
| 809B | 4360232 | 1 | Circuit Breaker, 15Amp | |
| 810 | See Note | 1 | Soft-Touch System Harness (Note: Not Available for Purchase) | |
| 810A | 1060341 | 16 ft/4.9m | Cable, Electrical - 16/3 | |
| 810B | 4460425 | 1 | Connector, Strain Relief | |
| | | Ref | TOOLS | |
| 901 | 7002821 | 1 | Crimper (For Wire to Pin/Socket Connections) | |
| 902 | 7002823 | 1 | Extractor (For Removal of Pin/Socket from Connectors) | |
| 903 | 4460467 | 1 | Extractor, Pin (Blue 16-18 Gauge) (For Removal of Pin/Socket from Connectors) | |
| 903 | 4460510 | 1 | Extractor, Pin (Yellow 12-14 Gauge) (For Removal of Pin/Socket from Connectors) | |
| 904 | 7002828 | 1 | Stripper, Wire | |
| 905 | 1001137005 | 1 | Software Cable Kit (Not Shown) | |

SECTION 7 - ELECTRICAL

FIGURE 7-9. HARNESS COMPONENTS INSTALLATION (WITH ADE SYSTEM) (SN 0300064270 through 0300069000)

| ITEM | PART NUMBER | QTY | DESCRIPTION | REV |
|------|-------------|------------------|---|-----|
| | 4922639 | Ref | PLATFORM BOX HARNESS ASSEMBLY | C |
| 1 | 4922639 | 1 | Harness, Console Box | |
| 19 | 4460866 | 1 | Connector - 19 Position | |
| 20 | 4460874 | 1 | Connector - 35 Position (Natural) | |
| 21 | 4460875 | 1 | Connector - 35 Position (Gray) | |
| 22 | 4460873 | 1 | Connector - 35 Position (Black) | |
| 23 | 4460871 | 70 | Socket, Female | |
| 24 | 4460464 | 7 | Pin, Male (16 Gauge) | |
| 25 | 4460879 | 1 | Terminal, Housing 2 Position | |
| 26 | 4460887 | 2 | Terminal, (12 Gauge) | |
| 30 | 4460418 | 8 | Connector - 6 Position | |
| 31 | 4460419 | 24 | Terminal, Female | |
| 32 | 4120035 | 12 | Base, Light | |
| 36 | 4460225 | 1 | Connector - 6 Position | |
| 37 | 4460227 | 28 | Pin, Male | |
| 41 | 4460508 | 3 | Pin, Male (12 Gauge) | |
| 43 | 4460434 | 2 | Connector - 15 Position | |
| 44 | 2920129 | 12 | Lamp, Indicator | |
| | | Ref | PLATFORM BOX ASSEMBLY COMPONENTS | |
| 104 | 0100048 | AR | Grease, Dielectric (Not Shown) | |
| 114 | 1060918 | 8 ft/2.4m | Cable, Electrical - 18/3 | |
| 142 | 4460071 | 1 | Connector, Strain Relief | |
| 143 | 4460226 | 2 | Socket, Female | |
| 144 | 4460428 | 2 | Connector, Strain Relief | |
| 146 | 4460470 | 1 | Nut, Terminal | |
| 147 | 4460471 | 1 | Lockwasher, Terminal | |
| 148 | 4460905 | 5 | Seal, Plug | |
| 153 | 4922666 | 1 | Harness, Analyzer Cable | 1-A |
| 153 | 4460226 | 4 | Socket, Female (Not Shown - Located at J2) | |
| 153A | 4460761 | 1 | Connector, Female - 4 Position | |
| 153A | 4460227 | 4 | Pin, Male | |
| 155 | 4460708 | 2 | Terminal, 15 Pin Mate-N-Loc | |
| | | Ref | BOOM CABLES INSTALLATION | |
| | 0270819 | Ref | Boom Cables Installation 600A | 5 |
| | 0270821 | Ref | Boom Cables Installation 600AJ | 6 |
| | 0272626 | Ref | Boom Cables Installation 600A (With 7500W Generator) (SkyPower) | 1 |
| | 0272627 | Ref | Boom Cables Installation 600AJ (With 7500W Generator) (SkyPower) | 1 |
| 201 | 4922493 | 1 | Harness, Main Boom | |
| 201A | 1060896 | 45.5 ft/13.9m | Cable | |
| 201B | 4460465 | 22 | Socket, Female - #16 | |
| 201C | 4460865 | 1 | Connector - 19 Position | |
| 201D | 4460509 | 8 | Socket, Female - #12 | |
| 201E | 4460473 | 1 | Clamp, Cable | |
| 201F | 4460466 | 4 | Seal, Plug | |
| 202 | 1060461 | 46 ft/14m | Cable, Electrical - 12/3 (Does not include plug ends) | |
| 202 | 4922810 | 1 | Harness, Electrical - 8/5 (Does not include plug ends) (With 7500W Generator) | |

SECTION 7 - ELECTRICAL

| ITEM | PART NUMBER | QTY | DESCRIPTION | REV |
|------|-------------|------------------|---|-----|
| 202 | 1060945 | 47 ft/14.3m | Cable, Electrical - 8/5 (With 7500W Generator) | |
| 204 | 4460865 | 1 | Connector - 19 Position | |
| 205 | 4460465 | 3 | Socket, Female - #16 | |
| 206 | 4460466 | 8 | Seal, Plug | |
| 207 | 4460473 | 1 | Clamp, Cable | |
| 208 | 4460866 | 1 | Connector - 19 Position | |
| 209 | 4922494 | 1 | Harness, Lower Boom Cable | |
| 209A | 1060896 | 35.5 ft/10.8m | Cable | |
| 209B | 4460465 | 11 | Socket, Female - #16 | |
| 209C | 4460865 | 1 | Connector - 19 Position | |
| 209D | 4460509 | 4 | Socket, Female - #12 | |
| 209E | 4460473 | 1 | Clamp, Cable | |
| 209F | 4460466 | 4 | Seal, Plug | |
| 209G | 4460464 | 11 | Pin, Male (16 Gauge) | |
| 209H | 4460508 | 4 | Pin, Male (12 Gauge) | |
| 210 | 1060461 | 33 ft/10m | Cable, Electrical - 12/3 (Does not include plug ends) | |
| 210 | 4922811 | 1 | Harness, Electrical - 8/5 (Does not include plug ends) (With 7500W Generator) | |
| 210 | 1060945 | 36 ft/10.9m | Cable, Electrical - 8/5 (With 7500W Generator) | |
| 211 | 4460891 | 1 | Connector, Terminal (600A Only) | |
| 212 | 4460897 | 1 | Plug, Terminal (600A Only) | |
| 213 | 4460464 | 3 | Pin, Male (16 Gauge) | |
| 214 | 1060902 | 37 ft/11.3m | Cable, Electrical - 18/2 Main Boom Limit Switch | |
| 215 | 1060902 | Ref | Cable, Electrical - 18/2 Tower Boom Limit Switch | |
| 215 | 1060902 | 37 ft/11.3m | Cable, Electrical - 18/2 Tower Boom Limit Switch 600A | |
| 215 | 1060902 | 18 ft/5.5m | Cable, Electrical - 18/2 Tower Boom Limit Switch 600AJ | |
| 216 | 1060902 | 37 ft/11.3m | Cable, Electrical - 18/2 Main Boom Length (600A Only) | |
| 217 | 1060902 | Ref | Cable, Electrical - 18/2 Main Boom Length | |
| 217 | 1060902 | 19 ft/5.8m | Cable, Electrical - 18/2 Main Boom Length 600A | |
| 217 | 1060902 | 16.5 ft/5.0m | Cable, Electrical - 18/2 Main Boom Length 600AJ | |
| | 4933214 | Ref | GROUND CONTROL BOX DIAGRAMS | 2-B |
| 301 | 2920129 | 6 | Bulb, Light | |
| 307 | 2400065 | 1 | Fuse, 30Amp | |
| 308 | 2400066 | 1 | Fuse, Holder W/Cover | |
| 310 | 4460708 | 2 | Receptacle, Female - 15 Position | |
| 310 | 4460226 | 10 | Socket, Female | |
| 310 | 4922637 | 1 | Harness, Jumper (Not Shown) | |
| | | Ref | GROUND CONTROL HARNESS ASSEMBLY | |
| 417 | 3740049 | 2 | Relay | |
| 426 | 4460426 | 2 | Connector, Strain Relief | |
| 427 | 4460470 | 1 | Nut, Terminal | |
| 428 | 4460471 | 1 | Lockwasher, Terminal | |
| 430 | 4460526 | 1 | Connector, Strain Relief | |
| 431 | 4460874 | 1 | Connector (Natural) | |
| 432 | 4460875 | 1 | Connector (Gray) | |
| 433 | 4460905 | 4 | Connector, Amp Seal Plug | |

SECTION 7 - ELECTRICAL

| ITEM | PART NUMBER | QTY | DESCRIPTION | REV |
|------|-------------|-----|--|-----|
| 437 | 4922515 | 1 | Engine Harness Assembly (Not Shown - See 501 to 566 for Breakdown) | |
| 438 | 4922508 | 1 | Valve Harness Assembly (See 601 to 628 for Breakdown) | |
| 439 | 4922638 | 1 | Ground Control Box Harness Assembly | 3-C |
| 439A | 4460418 | 9 | Connector, Female - 6 Position | |
| 439A | 4460419 | 27 | Socket, Female | |
| 439B | 4460876 | 1 | Connector, 35 - Position | |
| 439B | 4460871 | AR | Socket, Female | |
| 439B | 4460905 | 2 | Seal, Plug | |
| 439C | 4460866 | 1 | Connector - 19 Position | |
| 439C | 4460464 | 10 | Pin, Male Deutsch (16 Gauge) | |
| 439D | 4460878 | 1 | Housing, Terminal - 4 Position | |
| 439D | 4460887 | 3 | Terminal (12 Gauge) | |
| 439E | 4120035 | 6 | Base, Light | |
| 439E | 4460634 | 7 | Terminal (16 Gauge) | |
| 439F | 4460873 | 1 | Connector, 35 - Position (Black) | |
| 439F | 4460871 | AR | Socket, Female | |
| 439F | 4460635 | 5 | Terminal (12 Gauge) | |
| 439G | 4460871 | AR | Socket, Female | |
| 439H | 4460434 | 2 | Plug, Male 15 - Position | |
| 439H | 4460227 | AR | Pin | |
| 439I | 3990010 | 2 | Diode - 6 Amp (Not Shown) | |
| 440 | 4922666 | 1 | Cable, Analyzer | 1-A |
| 440A | 4460226 | 4 | Socket, Female | |
| 440B | 4460761 | 1 | Connector, Female 4- Position | |
| 440B | 4460227 | 4 | Pin, Male | |
| 441 | 4933214 | 1 | Ground Control Box Wiring Diagram (Not Shown - See Items 301 to 310 for Breakdown) | |
| | 4922515 | Ref | ENGINE HARNESS ASSEMBLY | 5-E |
| 501 | 4922515 | 1 | Harness, Assembly | |
| 519 | 4460424 | 1 | Plug, Male - 2 Position | |
| 520 | 4460268 | 2 | Socket, Female | |
| 521 | 4460880 | AR | DIN Connector without Diode | |
| 536 | 4460890 | 1 | Housing - 2 Position | |
| 537 | 4460889 | 2 | Terminal | |
| 538 | 4460460 | 1 | Connector, Male - 4 Position | |
| 539 | 4460457 | AR | Terminal, Female | |
| 540 | 4460458 | AR | Seal, Terminal | |
| 557 | 4460871 | AR | Socket, Female | |
| | 4922508 | Ref | VALVE HARNESS ASSEMBLY | 4-D |
| 601 | 4922508 | 1 | Harness, Assembly | |
| 617 | 4460880 | 15 | DIN Connector | |
| 618 | 4460320 | 1 | Connector, Female - 2 Position | |
| 619 | 4460267 | 5 | Pin, Male | |
| 620 | 4460424 | 1 | Connector, Male - 2 Position | |
| 621 | 4460268 | 5 | Pin, Female | |
| 622 | 4460871 | 28 | Socket, Female | |
| 625 | 4460326 | 1 | Connector, Male - 3 Position | |
| 626 | 4460445 | 1 | Connector, Female - 3 Position | |
| | | Ref | STANDARD HARNESS COMPONENTS | |
| 703 | See Note | 1 | Pump Harness (Note: Not Available for Purchase) | |
| 703A | 7007497 | 1 | Plug (Pump End) | |

SECTION 7 - ELECTRICAL

| ITEM | PART NUMBER | QTY | DESCRIPTION | REV |
|------------|--------------|----------------|---|-----|
| 703B | 7007498 | 1 | Plug (Engine Harness End) | |
| 704 | See Note | 1 | Controller Harness Assembly (Lift and Swing) (Note: Not Available for Purchase) | |
| 704A | 7022819 | 1 | Plug, Male - 8 Position (Natural) | |
| 704B | 4460871 | 8 | Socket, Female | |
| 705 | See Note | 1 | Controller Harness/Circuit Board Assembly (Drive and Steer) (Note: Not Available for Purchase) | |
| 705A | 7022825 | 1 | Plug, Male - 8 Position (Black) | |
| 705B | 4460871 | 7 | Socket, Female | |
| 706 to 707 | Not Required | 0 | Not Required | |
| | | Ref | OPTIONAL HARNESS COMPONENTS | |
| 801 | 4921928 | 1 | 4WS Valve Harness | |
| 801A | 4460268 | 3 | Socket, Female | |
| 801B | 4460445 | 1 | Connector, Female - 3 Position | |
| 801C | 4460499 | 2 | Connector, DIN with Diode | |
| 802 | 4921927 | 1 | Jib Valve Harness (600AJ Only) | |
| 802A | 4460326 | 1 | Plug, Male - 3 Position | |
| 802B | 4460267 | 3 | Pin, Male | |
| 802C | 4460499 | 2 | Connector, DIN with Diode | |
| 803 | 0257887 | 1 | Alarm Harness (Includes Alarm) | |
| 803A | 4460424 | 1 | Plug, Male - 2 Position | |
| 803B | 4460268 | 2 | Socket, Female | |
| 804 | 0255917 | 1 | Strobe Light Harness (Includes Strobe Light) | |
| 804A | 4460320 | 1 | Connector, Female - 2 Position | |
| 804B | 4460267 | 2 | Pin, Male | |
| 805 | 0256202 | Ref | AC to Platform Receptacle Components | 5 |
| 805 | 0272433 | Ref | With 7500W Generator (SkyPower) | 1 |
| 805A | 0860038 | 1 | Box, Switch | |
| 805B | Not Required | 0 | Receptacle | |
| 805C | Not Required | 0 | Shield, Cover | |
| 805D | Not Required | 0 | Connector, Strain Relief | |
| 805E | 4460709 | 2 | Plug, Male | |
| 805E | 4460959 | 1 | With 7500W Generator (SkyPower) | |
| 805F | 4460710 | 1 | Connector, Female | |
| 806 | | Ref | Generator Electrical Components | |
| 806 | 4933215 | Ref | 110V | 1-A |
| 806 | 4933216 | Ref | 220V | 1-A |
| 806 | 3990010 | 1 | Diode - 6 Amp (Not Shown) | |
| 806A | 4922641 | 1 | Harness - On/Off Switch | |
| 806B | 4922482 | 1 | Harness - Powermite Control Box to Relay | |
| 807 | 4921957 | 1 | Generator to Rear of Boom Harness (110V/220V) | |
| | | Ref | Note: Harness used to connect AC at platform harness to generator receptacle to power platform receptacle. | |
| 807 | 1060461 | 6 ft/1.8m | Cable, Electrical - 12/3 | |
| 807A | Not Required | 0 | Plug, Male | |
| 807B | Not Required | 0 | Receptacle, Female | |
| 807B | 4460960 | 1 | With 7500W Generator (SkyPower) | |
| 808 | See Note | 1 | Lights Harness (Note: Not Available for Purchase) | |
| 808 | 1060341 | 37 ft/11.3m | Cable, Electrical - 16/2 | |
| 808A | 3740049 | 1 | Relay | |
| 808B | 4922643 | 1 | Harness, Bag (Located at Ground Control Box) (Not Shown) | |

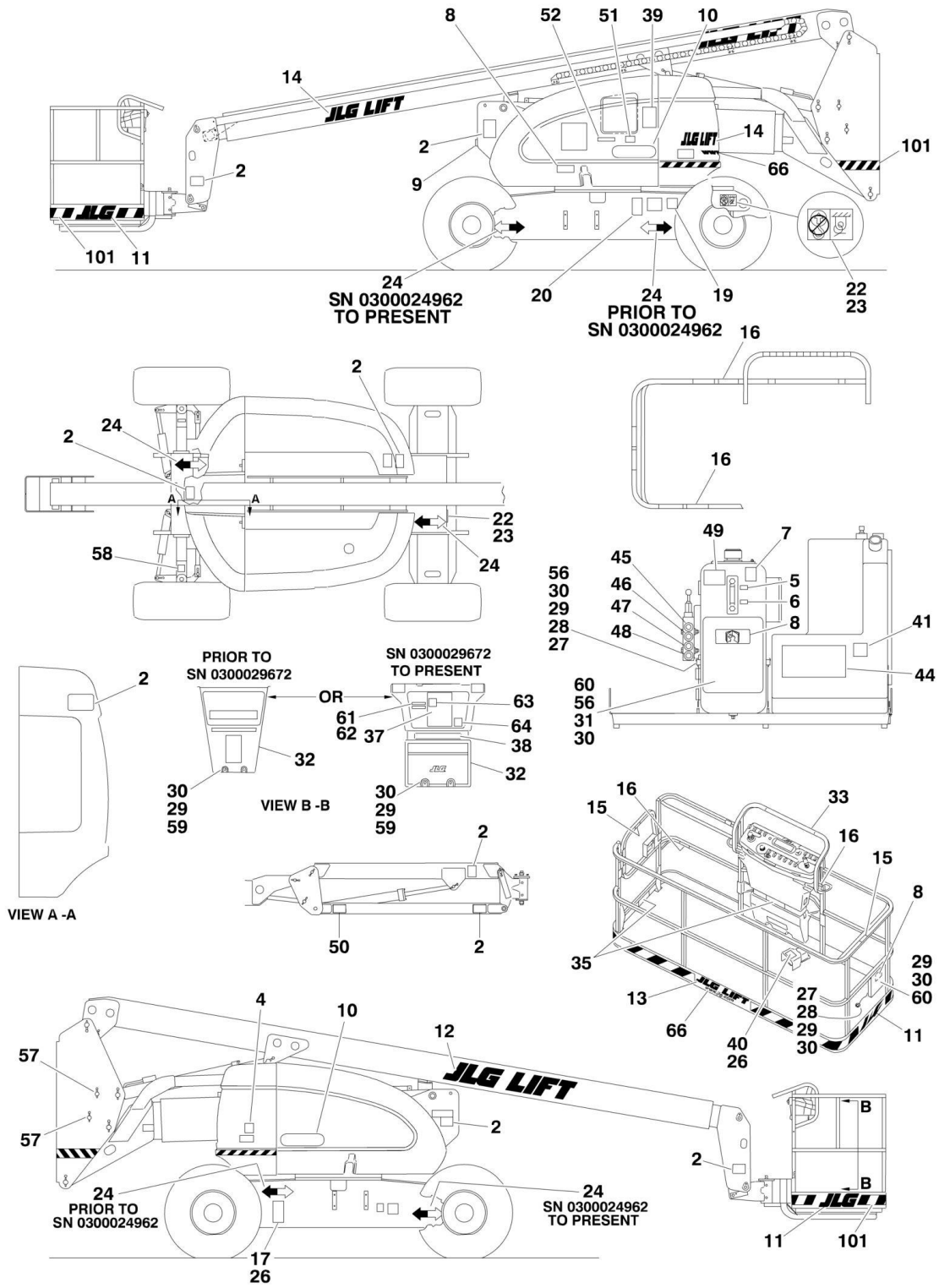
SECTION 7 - ELECTRICAL

| ITEM | PART NUMBER | QTY | DESCRIPTION | REV |
|------|-------------|------------|---|-----|
| 809 | 2920140 | 2 | Platform Worklights Harness (Includes Light and Wire Only) | |
| 809 | 2820035 | 9 ft/2.8m | Loom, Vinyl | |
| 809 | 7016399 | 1 | Bulb, Replacement (50 watts) (1 Per) | |
| 809A | 4460598 | 1 | Connector, Strain Relief | |
| 809B | 4360232 | 1 | Circuit Breaker, 15Amp | |
| 810 | See Note | 1 | Soft-Touch System Harness (Note: Not Available for Purchase) | |
| 810A | 1060341 | 16 ft/4.9m | Cable, Electrical - 16/3 | |
| 810B | 4460425 | 1 | Connector, Strain Relief | |
| | | Ref | TOOLS | |
| 901 | 7002821 | 1 | Crimper (For Wire to Pin/Socket Connections) | |
| 902 | 7002823 | 1 | Extractor (For Removal of Pin/Socket from Connectors) | |
| 903 | 4460467 | 1 | Extractor, Pin (Blue 16-18 Gauge) (For Removal of Pin/Socket from Connectors) | |
| 903 | 4460510 | 1 | Extractor, Pin (Yellow 12-14 Gauge) (For Removal of Pin/Socket from Connectors) | |
| 904 | 7002828 | 1 | Stripper, Wire | |
| 905 | 2901443 | 1 | Analyzer Kit (Not Shown) (SN 0300064249 through 0300069000) | |
| 906 | 1001137005 | 1 | Software Cable Kit (Not Shown) | |

SECTION 8 - DECALS

SECTION 8 - DECALS

FIGURE 8-1. DECALS INSTALLATION



SECTION 8 - DECALS

FIGURE 8-1. DECALS INSTALLATION

| ITEM | PART NUMBER | QTY | DESCRIPTION | REV |
|------|--------------|-----|---|-----|
| | | Ref | DECAL INSTALLATIONS | |
| | 0255453 | Ref | 600A Common Decals | 9 |
| | 0256626 | Ref | 600A Australian Spec | 7 |
| | 0256282 | Ref | 600A Dutch Spec | 4 |
| | 0256279 | Ref | 600A French Spec | 5 |
| | 0256280 | Ref | 600A German Spec | 4 |
| | 0256281 | Ref | 600A Italian Spec | 4 |
| | 0256283 | Ref | 600A Spanish Spec | 4 |
| | 0256278 | Ref | 600A UK English Spec | 6 |
| | 0255457 | Ref | 600AJ Common Decals | 11 |
| | 0256627 | Ref | 600AJ Australian Spec | 7 |
| | 0256289 | Ref | 600AJ Dutch Spec | 4 |
| | 0256286 | Ref | 600AJ French Spec | 5 |
| | 0256287 | Ref | 600AJ German Spec | 4 |
| | 0256288 | Ref | 600AJ Italian Spec | 4 |
| | 0256290 | Ref | 600AJ Spanish Spec | 4 |
| | 0256285 | Ref | 600AJ UK English Spec | 6 |
| 2 | 1701518 | 6 | Decal - Crushing | |
| 4 | | Ref | Decal Options: | |
| 4 | Not Required | 0 | Australian Specs | |
| 4 | 1702928 | 1 | Decal - CE - Dutch/ French/ German/ Italian/ Spanish/ UK Spec (Prior to SN 0300065629) | |
| 4 | 1705084 | 1 | Decal - Sound Power Level - Dutch/ French/ German/ Italian/ Spanish/ UK Spec (SN 0300065629 through 0300069000) | |
| 5 | 1701502 | 1 | Decal - High Oil Level | |
| 6 | 1701503 | 1 | Decal - Low Oil Level | |
| 7 | 1701504 | 1 | Decal - Hydraulic Oil | |
| 8 | 1701509 | 2 | Decal - Manual | |
| 9 | | Ref | Nameplate - Voltage Options: | |
| 9 | Not Required | 0 | Dutch/ French/ German/ Italian/ Spanish/ UK Spec | |
| 9 | 3251242 | 1 | Australian Spec (240V-50Hz) | |
| 10 | | Ref | Decal - Model Designation Options: | |
| 10 | 1702818 | 2 | 600A | |
| 10 | 1702819 | 2 | 600AJ | |
| 11 | 1702773 | 2 | Decal - JLG (5in Height) | |
| 12 | 1702861 | 2 | Decal - JLG Lift (8in Height) | |
| 13 | 1702774 | 1 | Decal - JLG (3-1/2in Height) | |
| 14 | 1702860 | 2 | Decal - JLG Lift (5in Height) | |
| 16 | | Ref | Decal - Attach Lanyard Here Options: | |
| 16 | Not Required | 0 | Dutch/ French/ German/ Italian/ Spanish/ UK Spec | |
| 16 | 1702612 | 4 | Australian Spec (Prior to SN 0300061066) | |
| 16 | 1704277 | 4 | Australian Spec (SN 0300061066 through 0300069000) | |
| 17 | See Note | 1 | Nameplate - Serial Number (Note: Not Available for Purchase) | |
| 19 | See Note | 1 | Decal - Bar Code (Note: Not Available for Purchase) | |
| 20 | 1700584 | 1 | Decal - Patent | |
| 22 | 1702300 | 4 | Decal - Tie Down/Lift | |
| 23 | 1701500 | 4 | Decal - Tie Down/Lift | |
| 24 | 1701529 | 4 | Decal - Arrow | |
| 26 | | Ref | Rivet Options: | |
| 26 | Not Required | 0 | UK Specs | |

SECTION 8 - DECALS

| ITEM | PART NUMBER | QTY | DESCRIPTION | REV |
|------|-------------|-----|---|-----|
| 26 | 3820001 | 4 | Australian/ Dutch/ French/ German/ Italian/ Spanish Specs | |
| 27 | 0641408 | 1 | Bolt 1/4in-20NC x 1in | |
| 28 | 1060279 | 1 | Cable, Lanyard | |
| 29 | 3311401 | 3 | Nut 1/4in-20NC | |
| 30 | 4751400 | AR | Flatwasher 1/4in Regular | |
| 31 | 0860520 | 1 | Box, Manual Storage | |
| 32 | | Ref | Panel, Pedestal Options: | |
| 32 | 3380423 | 1 | Panel, Pedestal (Prior to SN 0300029672) | |
| 32 | 3380434 | 1 | Panel, Pedestal (SN 0300029672 through 0300069000) | |
| 37 | | Ref | Decal - Capacity Options: | |
| 37 | 1690697 | 1 | Australian/ French/ German/ Italian/ Spanish/ UK Spec | |
| 37 | 1701596 | 1 | Dutch Spec | |
| 38 | | Ref | Decal - Caution Options: | |
| 38 | 1703183 | 1 | Australian and UK Spec | |
| 38 | 1703186 | 1 | Dutch Spec | |
| 38 | 1703184 | 1 | French Spec | |
| 38 | 1703190 | 1 | German Spec | |
| 38 | 1703185 | 1 | Italian Spec | |
| 38 | 1703187 | 1 | Spanish Spec | |
| 39 | | Ref | Decal - Caution Options: | |
| 39 | 1691483 | 1 | Australian and UK Spec | |
| 39 | 1701596 | 1 | Dutch Spec | |
| 39 | 1693289 | 1 | French Spec | |
| 39 | 1693291 | 1 | German Spec | |
| 39 | 1701602 | 1 | Italian Spec | |
| 39 | 1701798 | 1 | Spanish Spec | |
| 40 | | Ref | Decal - Footswitch Options: | |
| 40 | 3252347 | 1 | Australian and UK Spec | |
| 40 | 1703518 | 1 | Dutch Spec | |
| 40 | 1693292 | 1 | French Spec | |
| 40 | 1693294 | 1 | German Spec | |
| 40 | 1701600 | 1 | Italian Spec | |
| 40 | 1701791 | 1 | Spanish Spec | |
| 41 | 1701505 | 1 | Decal - Fuel (Diesel) | |
| 44 | | Ref | Decal - Instructions Options: | |
| 44 | 1702926 | 1 | Australian and UK Spec | |
| 44 | 1702999 | 1 | Dutch Spec | |
| 44 | 1702987 | 1 | French Spec | |
| 44 | 1702991 | 1 | German Spec | |
| 44 | 1702995 | 1 | Italian Spec | |
| 44 | 1703003 | 1 | Spanish Spec | |
| 45 | 1702903 | 1 | Decal - #1 | |
| 46 | 1702927 | 1 | Decal - #2 | |
| 47 | 1702924 | 1 | Decal - #3 | |
| 48 | 1702925 | 1 | Decal - #4 | |
| 49 | | Ref | Decal Options: | |
| 49 | 1702265 | 1 | Australian and UK Spec | |
| 49 | 1702268 | 1 | Dutch Spec | |
| 49 | 1702270 | 1 | French Spec | |
| 49 | 1702267 | 1 | German Spec | |
| 49 | 1702269 | 1 | Italian Spec | |

SECTION 8 - DECALS

| ITEM | PART NUMBER | QTY | DESCRIPTION | REV |
|------|--------------|------------|--|-----|
| 49 | 1702266 | 1 | Spanish Spec | |
| 50 | | Ref | Decal - Manual Descent Options: | |
| 50 | 1702908 | 2 | 600AJ Australian and UK Spec | |
| 50 | 1702998 | 2 | 600AJ Dutch Spec | |
| 50 | 1702986 | 2 | 600AJ French Spec | |
| 50 | 1702990 | 2 | 600AJ German Spec | |
| 50 | 1702994 | 2 | 600AJ Italian Spec | |
| 50 | 1703002 | 2 | 600AJ Spanish Spec | |
| 51 | | Ref | Decal - Manual Descent Options: | |
| 51 | 1702901 | 1 | Australian and UK Spec | |
| 51 | 1702996 | 1 | Dutch Spec | |
| 51 | 1702984 | 1 | French Spec | |
| 51 | 1702988 | 1 | German Spec | |
| 51 | 1702992 | 1 | Italian Spec | |
| 51 | 1703000 | 1 | Spanish Spec | |
| 56 | 0100011 | AR | Compound, Locking | |
| 57 | | Ref | Plug Options: | |
| 57 | 3520032 | 2 | 600A | |
| 57 | 3520033 | 2 | 600AJ | |
| 58 | 1703469 | 4 | Decal - Maximum Tire Load | |
| 59 | 0641414 | 2 | Bolt 1/4in-20NC x 1-3/4in | |
| 60 | 0641406 | 4 | Bolt 1/4in-20NC x 3/4in | |
| 61 | | Ref | Decal - Maintenance Options: | |
| 61 | 1703663 | 1 | Australian Spec | |
| 61 | Not Required | 0 | Dutch/ French/ German/ Italian/ Spanish/ UK Spec | |
| 62 | | Ref | Decal - Caution Options: | |
| 62 | 1703664 | 1 | Australian Spec | |
| 62 | Not Required | 0 | Dutch/ French/ German/ Italian/ Spanish/ UK Spec | |
| 63 | | Ref | Decal - Platform Capacity Options: | |
| 63 | 1703675 | 1 | Australian Spec | |
| 63 | Not Required | 0 | Dutch/ French/ German/ Italian/ Spanish/ UK Spec | |
| 64 | | Ref | Decal - Danger Options: | |
| 64 | 1703665 | 1 | Australian Spec | |
| 64 | Not Required | 0 | Dutch/ French/ German/ Italian/ Spanish/ UK Spec | |
| 66 | 1704885 | 2 | Decal - Website (SN 0300067890 through 0300069000) | |
| | 0257734 | Ref | SAFETY STRIPES INSTALLATION | 1 |
| 101 | 4420051 | 20 ft/6.1m | Decal - Corner Warning Stripe | |

SECTION 9 - RECOMMENDED SERVICE PARTS STOCK

SECTION 9 - RECOMMENDED SERVICE PARTS STOCK

SECTION 9 - RECOMMENDED SERVICE PARTS STOCK

FIGURE 9-1. MODELS 600A/600AJ/N600AJ STANDARD PARTS

| ITEM | PART NUMBER | QTY | DESCRIPTION | REV |
|------|-------------|---------|---|-----|
| | Note | Ref | Note: The following list will service fleets of machines (built to current production per date on the front cover) with emergency repair parts which can be installed in the field. Parts from the list should be replaced when inventory is depleted to keep service parts stock supplied. For further information, contact your JLG dealer or the JLG Industries Parts Department. | |
| | | Ref | STANDARD PARTS | |
| | 7012944 | 1 | Coil | |
| | 2120150 | 4 | Element, Filter | |
| | 7016312 | 1 | Switch, Indicator | |
| | 2120149 | 1 | Element, Filter | |
| | 7016313 | 1 | Switch, Indicator | |
| | 7012772 | 1 | Coil | |
| | 7012768 | 1 | Coil | |
| | 7012664 | 1 Dozen | Element, Air Cleaner | |
| | 3740067 | 1 | Relay | |
| | 4360392 | 1 | Switch, Indicator | |
| | 4360294 | 1 | Breaker, Circuit | |
| | 7016328 | 4 | Filter, Fuel | |
| | 7016331 | 12 | Filter, Oil | |
| | 3740080 | 1 | Relay, Bosch (Machines with Generator) | |
| | 7014810 | 1 | Breather | |
| | 4360475 | 1 | Switch, Mushroom | |
| | 4360470 | 1 | Switch, Key | |
| | 2860030 | 1 | Key, Replacement | |
| | 4360328 | 1 | Switch, Toggle | |
| | 4360331 | 1 | Switch, Toggle | |
| | 4360336 | 1 | Switch, Toggle | |
| | 4360476 | 1 | Contact, Switch Block | |
| | 3740049 | 1 | Relay | |
| | 7016502 | 2 | Power Track Repair Section | |
| | 7006140 | 2 | Power Track Repair Section | |
| | 7006152 | 24 | Power Track Pin Kit | |
| | 2940074 | 1 | Latch | |
| | 7022818 | 1 | Potentiometer | |
| | 7022824 | 1 | Electric Assembly | |
| | 7019166 | 1 | Switch, Micro | |
| | 4360387 | 1 | Switch, Push Button | |
| | 2400065 | 2 | Fuse, 30Amp | |
| | 3990010 | 2 | Diode | |

SECTION 10 - SPECIAL OPTIONS

SECTION 10 - SPECIAL OPTIONS

FIGURE 10-1. SPECIAL OPTIONS

| ITEM | PART NUMBER | QTY | DESCRIPTION | REV |
|------|-------------|-----|--|-----|
| | | Ref | Note: This list is to accommodate machines ordered with special equipment. Options may not be applicable to all models. For more specific parts information contact JLG Parts Department. | |
| | | Ref | MISCELLANEOUS SPECIAL OPTIONS | |
| | | Ref | Airline to Platform Installation Options: | |
| | 0256342 | Ref | 1/2in - 600A | |
| | 0271475 | Ref | 1/2in Airline and (1) Welding Cable - 600A | |
| | 0258966 | Ref | 1/2in - 600AJ | |
| | | Ref | Biodegradable Hydraulic Fluid Decals Options: | |
| | 1702788 | 1 | Decal - Biodegradable Hydraulic Fluid (All except German Spec) | |
| | 1704174 | 1 | Decal - Synthetic Biodegradable Hydraulic Fluid (All except German Spec) | |
| | 1703479 | 1 | Decal - Biodegradable Hydraulic Fluid (German Spec Only) | |
| | 1704175 | 1 | Decal - Synthetic Biodegradable Hydraulic Fluid (German Spec Only) | |
| | 2910477 | Ref | Cam Valve Replacement Kit | |
| | 0256789 | Ref | Camera Mount Assembly | |
| | 1282518 | Ref | Capacity Rating Decal Installations | |
| | 0256760 | Ref | Capacity Rating Decal Installations (600A) | |
| | 0256761 | Ref | Capacity Rating Decal Installations (600A) | |
| | 0256769 | Ref | Capacity Rating Decal Installations (600AJ) | |
| | 0256772 | Ref | Capacity Rating Decal Installations (600AJ) | |
| | | Ref | ClearSky (Telematics) Installations (Dealer Installed) | |
| | 1001242409 | Ref | ClearSky (Telematics) Access Control Installation Kit (Dealer Installed) (ANSI, ANSI Export and CSA Specs) | |
| | 1001243183 | Ref | ClearSky (Telematics) Added-on Kit (Dealer Installed) (ANSI, ANSI Export and CSA Specs) | |
| | 1001243184 | Ref | ClearSky (Telematics) Added-on Kit (Dealer Installed) (CE Specs) | |
| | | Ref | ClearSky (Telematics) Kits | |
| | 1001139130 | Ref | Australian Spec | |
| | 1001104983 | Ref | CE Spec | |
| | | Ref | Note: Refer to ClearSky (Telematics) Manual p/n 3128499 for Serviceable Parts. | |
| | 0256060 | Ref | Cold Weather Package - Deutz | |
| | 0258927 | Ref | Cold Weather Package with Glow Plugs - Deutz | |
| | 0271333 | Ref | Cold Weather Package with Glow Plugs - Deutz (With ADE System) (Prior to SN 64249) | |
| | 0271912 | Ref | Cold Weather Package with Glow Plugs - Deutz (With ADE System) (SN 64249 through 69000) | |
| | 0257157 | Ref | Cold Weather Package with Ether Start - Deutz | |
| | | Ref | Container - Tray Storage Options: | |
| | 1580012 | 1 | Center | |
| | 1580013 | 1 | Rail | |
| | 2900975 | Ref | Decal Kit | |
| | 1001108725 | Ref | Decal Kit - Platform | |
| | 0272312 | Ref | Decal Installation - Tire Sealant | |
| | 2902203 | 1 | Kit - Tire Sealant | |
| | | Ref | Filter Kits: | |
| | | Ref | Combined Filter Kit (Hydraulic/Air and Fuel/Engine Oil) | |

SECTION 10 - SPECIAL OPTIONS

| ITEM | PART NUMBER | QTY | DESCRIPTION | REV |
|------|-------------|-----|---|-----|
| | 1001110993 | 1 | Deutz Engine (Prior to SN 0300069000) | |
| | | Ref | Hydraulic/Air Filter | |
| | 2910931 | 1 | Deutz Engine W/Noise Reduction (Prior to SN 0300064249) | |
| | 1001109692 | 1 | Deutz Engine | |
| | | Ref | Fuel/Engine Oil Filter | |
| | 1001110133 | 1 | Deutz Engine | |
| | 4060959 | Ref | Footswitch Shield | |
| | See Note | Ref | Generator (2500W) Installation Kit (Note: Contact JLG Parts Dept) | |
| | 1001175815 | Ref | Generator (4000W/50Hz) Installation Kit | |
| | See Note | Ref | Generator (7500W) Installation Kit (Note: Contact JLG Parts Dept) | |
| | 0258928 | Ref | Glow Plug Installation (Deutz) | |
| | 0271548 | Ref | Glow Plug Installation (Deutz) (With ADE System) | |
| | 2910100 | Ref | Hose/Cable Chafe Kit | |
| | 1001204908 | Ref | Hose Kit - Lower Boom (600A) | |
| | 1001204904 | Ref | Hose Kit - Lower Boom (600AJ) | |
| | 2902470 | Ref | Hose Kit - Upper Boom (600A) | |
| | 2902472 | Ref | Hose Kit - Upper Boom (600AJ) | |
| | | Ref | Light Installation at Control Panels | |
| | 0256632 | Ref | CE Spec | |
| | 0256633 | Ref | Australian Spec | |
| | 0257997 | Ref | Load Sensing System Installation | |
| | 0256765 | Ref | Oil Cooler Installation - Deutz | |
| | 1282665 | Ref | Oil Cooler Installation - Deutz | |
| | 0256343 | Ref | Oxy-Acetylene Lines to Platform Installation | |
| | 0270723 | Ref | Platform Beacon Installation | |
| | 0255398 | Ref | Platform Console Cover Installation (Prior to SN 0300067890) | |
| | 1670764 | 1 | Cover, Console | |
| | 1670784 | 1 | Tear Away Sheet (10 Pack) | |
| | 0258703 | Ref | Platform Console Cover Installation (SN 0300067890 through 0300069000) | |
| | 1001205175 | Ref | Platform Console Cover Add-on Kit | |
| | | Ref | Platform Entry Kit | |
| | 1001142504 | Ref | Kit, Replace Swing Gate with Drop Bar | |
| | 1001142505 | Ref | Kit, Replace Drop Bar with Swing Gate | |
| | 0256829 | Ref | Platform Self-Closing Gate Installation | |
| | 0256202 | Ref | Receptacle at Platform Installation | |
| | | Ref | Platform Huck Fasteners Replacement Hardware | |
| | 7002840 | 1 | Antirotation Pin Removal Tool | |
| | 0641614 | AR | Bolt 1/4in-20NC x 2in | |
| | 3311405 | AR | Locknut 1/4in-20NC | |
| | 4711400 | AR | Flatwasher 1/4in Thin | |
| | 3300151 | AR | Acorn Nut 1/4in-20NC | |
| | | Ref | Sky Accessory: | |
| | 0272606 | Ref | Plasma Cutter (SkyCutter) | |
| | 0272607 | Ref | Decal - SkyCutter | |
| | 0272619 | Ref | SkyPower - 7500W 50Hz | |
| | 0272589 | Ref | Decal - SkyPower | |
| | 0272521 | Ref | Welder - Stick, 250A | |
| | 0272588 | Ref | Decal - SkyWelder | |
| | | Ref | Note: For Breakdown of Sky Accessories Refer to Accessory | |

SECTION 10 - SPECIAL OPTIONS

| ITEM | PART NUMBER | QTY | DESCRIPTION | REV |
|------|-------------|-----|---|-----|
| | | | Manual p/n 3124242 | |
| | | Ref | SkyGuard Component Options: | |
| | 1001149560 | Ref | SkyGuard Complete Add-On Kit (Non-UGM Machines) | |
| | 1001137672 | Ref | SkyGuard Platform Sensor Kit | |
| | 1001143256 | Ref | SkyGuard Blue Beacon Kit | |
| | 0272301 | Ref | Tire Sealant Installation | |
| | | Ref | Tools for Service | |
| | 2901443 | 1 | Analyzer Kit | |
| | 8896941 | 1 | Wire Stripper | |
| | 7002821 | 1 | Wire Crimper (To install wire ends to wires) | |
| | 7002823 | 1 | Pin/Socket Extractor - Universal (To Remove Pins/Sockets from Connectors) | |
| | 4460467 | 1 | Extractor - 16-18 Gauge (For Removal of Pin/Sockets from Deutsch Connectors) | |
| | 4460510 | 1 | Extractor - 12-14 Gauge (For Removal of Pin/Sockets from Deutsch Connectors) | |
| | 7002822 | 1 | Screwdriver, Potentiometer (To Adjust Drive Controllers) | |
| | 7016654 | 1 | Screwdriver, Magnetic | |
| | 7004275 | 1 | Seal Installation Tool - 1in | |
| | 7004276 | 1 | Seal Installation Tool - 1 1/2in | |
| | 7002826 | 1 | Seal Installation Tool - 2in | |
| | 7016655 | 1 | Wire Rope Sheave Gauge | |
| | 7016652 | 1 | Huck Bolt FASTER (For Small Huck Bolts Only) | |
| | 4921850 | 1 | Throttle Service Harness | |
| | 4922012 | 1 | "Rexroth" Card Service Harness | |
| | 2900838 | 1 | U.S. Standards Fastener (Hardware) Kit | |
| | 7014676 | 1 | U.S. Standards Tool Kit | |
| | 1001137005 | 1 | Software Cable Kit | |
| | 7002840 | 1 | Pin Removal Tool (Oscillating Axle Cam Valve) | |
| | 0255385 | Ref | Tool (Hydraulic) Circuit Installation - Deutz Engine 600A (Prior to SN 0300066200) | |
| | 0272350 | Ref | Tool (Hydraulic) Circuit Installation - Deutz Engine 600A (SN 0300066200 through 0300069000) | |
| | 0255901 | Ref | Tool (Hydraulic) Circuit Installation - Deutz Engine 600AJ | |
| | 0257728 | Ref | Tube Rack Installation | |
| | 0258918 | Ref | Utility Rack Installation | |
| | 0256344 | Ref | Weld Leads Installation | |

PART NUMBER INDEX

SECTION 10 - SPECIAL OPTIONS

| | | | | | | | |
|--------------|--|--------------|-----------------------|--------------|---------------|--------------|-----------------------|
| 0060031..... | 117, 129 | 0255406..... | 12 | 0256287..... | 303 | 0258695..... | 116 |
| 0060033..... | 60, 66, 285 | 0255407..... | 102 | 0256288..... | 303 | 0258703..... | 311 |
| 0060035..... | 112, 129 | 0255409..... | 83 | 0256289..... | 303 | 0258764..... | 22 |
| 0060066..... | 117, 133 | 0255410..... | 49 | 0256290..... | 303 | 0258918..... | 312 |
| 0060068..... | 112, 133 | 0255411..... | 16, 19 | 0256321..... | 111 | 0258927..... | 310 |
| 0060074..... | 129 | 0255412..... | 19 | 0256322..... | 116 | 0258928..... | 311 |
| 0060076..... | 129 | 0255413..... | 13, 21 | 0256331..... | 136 | 0258966..... | 310 |
| 0080163..... | 61, 69 | 0255414..... | 16, 21 | 0256336..... | 136 | 0259233..... | 89, 154, 189, 256 |
| 0080177..... | 60 | 0255415..... | 15 | 0256342..... | 310 | 0270123..... | 13, 21 |
| 0080241..... | 95 | 0255416..... | 11 | 0256343..... | 311 | 0270124..... | 16, 21 |
| 0100009..... | 89, 157 | 0255417..... | 15 | 0256344..... | 312 | 0270329..... | 49 |
| 0100011..... | 11, 12, 15, 16, 19, 21, 22, 40, 49, 60, 66, 72, 83, 85, 88, 91, 95, 99, 102, 106, 107, 112, 113, 118, 119, 121, 122, 125, 126, 135, 139, 153, 158, 193, 195, 197, 201, 203, 205, 207, 209, 211, 213, 215, 219, 229, 233, 235, 237, 253, 305 | 0255418..... | 11 | 0256346..... | 135, 256 | 0270723..... | 257, 311 |
| 0100019..... | 12, 15, 49 | 0255419..... | 11 | 0256366..... | 139 | 0270805..... | 95 |
| 0100020..... | 60, 66, 157 | 0255420..... | 21 | 0256388..... | 12 | 0270814..... | 144, 148, 159, 258 |
| 0100035..... | 135, 136, 153, 157 | 0255421..... | 21 | 0256391..... | 12 | 0270819..... | 290, 296 |
| 0100038..... | 193, 195, 197, 201, 203, 205, 207, 209, 211, 213, 215, 219, 229, 233, 235, 237, 253 | 0255422..... | 22 | 0256392..... | 15 | 0270821..... | 118, 290, 296 |
| 0100040..... | 147 | 0255423..... | 112, 118, 121 | 0256397..... | 11 | 0270833..... | 95 |
| 0100048..... | 91, 95, 157, 296 | 0255425..... | 59 | 0256398..... | 11 | 0270850..... | 65 |
| 0100063..... | 12, 16, 19, 193, 198, 205, 209, 215, 220 | 0255438..... | 135 | 0256399..... | 16, 19 | 0271333..... | 310 |
| 0100079..... | 83 | 0255440..... | 39, 135 | 0256400..... | 19 | 0271339..... | 116 |
| 0100081..... | 158 | 0255441..... | 39, 135 | 0256523..... | 19 | 0271474..... | 89, 154, 189, 256 |
| 0140001..... | 40 | 0255442..... | 39, 135 | 0256623..... | 11 | 0271475..... | 310 |
| 0140011..... | 157 | 0255443..... | 39, 135 | 0256624..... | 11 | 0271543..... | 189 |
| 0140026..... | 152 | 0255444..... | 49 | 0256625..... | 15 | 0271544..... | 71, 159 |
| 0181727..... | 59, 65 | 0255445..... | 303 | 0256626..... | 303 | 0271547..... | 71, 159 |
| 0200530..... | 72 | 0255453..... | 303 | 0256627..... | 303 | 0271548..... | 311 |
| 0200550..... | 185 | 0255457..... | 303 | 0256632..... | 159, 311 | 0271550..... | 159, 185 |
| 0200741..... | 72 | 0255482..... | 239 | 0256633..... | 154, 159, 311 | 0271551..... | 159, 185 |
| 0200742..... | 72 | 0255483..... | 239 | 0256689..... | 67 | 0271552..... | 95, 159 |
| 0236632..... | 153 | 0255484..... | 239 | 0256690..... | 67 | 0271608..... | 21 |
| 0254798..... | 49 | 0255485..... | 239 | 0256715..... | 19 | 0271609..... | 21 |
| 0255025..... | 49 | 0255486..... | 239 | 0256716..... | 19 | 0271610..... | 21 |
| 0255238..... | 111 | 0255487..... | 239 | 0256717..... | 19 | 0271611..... | 21 |
| 0255239..... | 116 | 0255488..... | 239 | 0256717..... | 19 | 0271612..... | 21 |
| 0255262..... | 85 | 0255489..... | 239 | 0256757..... | 65 | 0271613..... | 21 |
| 0255281..... | 126 | 0255513..... | 21 | 0256760..... | 310 | 0271912..... | 310 |
| 0255288..... | 126 | 0255514..... | 21 | 0256761..... | 310 | 0271941..... | 147 |
| 0255294..... | 85 | 0255605..... | 21 | 0256765..... | 257, 311 | 0271945..... | 147 |
| 0255362..... | 40, 96 | 0255606..... | 21 | 0256769..... | 310 | 0272070..... | 113, 119 |
| 0255368..... | 95 | 0255699..... | 135 | 0256772..... | 310 | 0272135..... | 116 |
| 0255385..... | 312 | 0255854..... | 19 | 0256789..... | 310 | 0272293..... | 71 |
| 0255387..... | 95 | 0255855..... | 19 | 0256789..... | 310 | 0272301..... | 312 |
| 0255392..... | 144, 258 | 0255870..... | 282 | 0256821..... | 106 | 0272312..... | 310 |
| 0255393..... | 95 | 0255875..... | 61 | 0256822..... | 107 | 0272326..... | 111 |
| 0255396..... | 71 | 0255876..... | 61 | 0256829..... | 311 | 0272350..... | 312 |
| 0255397..... | 22 | 0255878..... | 118, 282 | 0256847..... | 69 | 0272433..... | 299 |
| 0255398..... | 311 | 0255880..... | 99 | 0257101..... | 35 | 0272480..... | 71 |
| 0255404..... | 11 | 0255901..... | 312 | 0257157..... | 310 | 0272481..... | 71 |
| 0255405..... | 12 | 0255914..... | 95, 286 | 0257160..... | 71 | 0272482..... | 71 |
| | | 0255917..... | 95, 286, 292, 299 | 0257436..... | 35 | 0272521..... | 311 |
| | | 0255919..... | 258 | 0257482..... | 83 | 0272588..... | 311 |
| | | 0255927..... | 239 | 0257573..... | 122 | 0272589..... | 311 |
| | | 0255928..... | 239 | 0257728..... | 312 | 0272606..... | 311 |
| | | 0256060..... | 310 | 0257734..... | 305 | 0272607..... | 296 |
| | | 0256191..... | 61 | 0257840..... | 185 | 0272627..... | 296 |
| | | 0256202..... | 286, 292, 299, 311 | 0257841..... | 185 | 0272970..... | 147 |
| | | 0256276..... | 139 | 0257849..... | 185 | 0340041..... | 59, 61, 65 |
| | | 0256278..... | 303 | 0257850..... | 185 | 0362519..... | 35 |
| | | 0256279..... | 303 | 0257853..... | 71 | 0362529..... | 126, 135, 136 |
| | | 0256280..... | 303 | 0257857..... | 71 | 0362611..... | 136 |
| | | 0256281..... | 303 | 0257884..... | 95 | 0362612..... | 136 |
| | | 0256282..... | 303 | 0257885..... | 95 | | |
| | | 0256283..... | 303 | 0257886..... | 95 | | |
| | | 0256285..... | 303 | 0257887..... | 286, 292, 299 | | |
| | | 0256286..... | 303 | 0257894..... | 135 | | |
| | | | | 0257997..... | 189, 311 | | |
| | | | | 0258048..... | 144, 258 | | |
| | | | | 0258694..... | 111 | | |

SECTION 10 - SPECIAL OPTIONS

| | | | | | | | |
|---------------|---|--|---|--------------|---------------|------------------|---|
| 0370035 | 205 | 0641516 | 122 | 0731005..... | 185 | 0961890 | 193, 227 |
| 0400075 | 59, 65 | 0641520 | 16 | 0741606..... | 95 | 0961893 ... | 195, 197, 201, 209, 219 |
| 0440018 | 12 | 0641522 | 13, 16, 40 | 0741607..... | 118 | 0961894 ... | 195, 197, 203, 219 |
| 0440019 | 12 | 0641524 | 143 | 0801019..... | 111, 116, 121 | 0961896 ... | 229, 233, 235, 237 |
| 0440161 | 13, 16, 19 | 0641532 | 113, 118 | 0801020..... | 121 | 0961897 | 211, 213 |
| 0440207 | 49 | 0641542 | 22 | 0801021..... | 121 | 0961898 | 205, 207 |
| 0460150 | 239 | 0641604 | 229, 233 | 0801022..... | 111, 125 | 0961899 | 215 |
| 0460151 | 239 | 0641605 | 112, 118 | 0801023..... | 125 | 0961947 ... | 118, 195, 197, 201, 209, 219, 223 |
| 0460152 | 239 | 0641606 60, 67, 102, 107, 118, 121, 125, 126, 152 | | 0801025..... | 116, 125 | 0961948 . | 13, 16, 19, 112, 118, 125, 211, 213 |
| 0460154 | 239 | 0641607 ... | 112, 118, 122, 125, 139 | 0801026..... | 125 | 0961949 ... | 112, 118, 121, 205, 207, 215, 217 |
| 0460155 | 239 | 0641608 ... | 11, 12, 15, 16, 19, 35, 40, 102, 106, 121, 125, 139 | 0801027..... | 125 | 0961950 | 11, 12, 15 |
| 0460157 | 239 | 0641609 | 99 | 0801066..... | 125 | 0961951 ... | 112, 118, 125, 195, 197, 203, 219, 225 |
| 0460159 | 239 | 0641610 ... | 16, 19, 59, 66, 72, 121, 125, 147, 152, 157 | 0801078..... | 125 | 0961977 | 227 |
| 0460160 | 239 | 0641611 | 85, 118, 139 | 0801085..... | 121 | 0961986 | 60, 66 |
| 0460161 | 239 | 0641612 . | 11, 12, 16, 121, 185 | 0801228..... | 125 | 0962005 | 12, 16, 19 |
| 0461614 | 118 | 0641613 | 40 | 0860038..... | 286, 292, 299 | 0962051 | 99 |
| 0480050 | 72 | 0641614 | 83, 311 | 0860520..... | 304 | 0962180 | 189 |
| 0480111 | 72 | 0641616 | 189 | 0860984..... | 151, 153 | 0962272 | 13, 16, 19 |
| 0480119 | 72 | 0641618 ... | 118, 121, 125 | 0860986..... | 151, 154 | 0962335 | 118 |
| 0480121 | 72 | 0641624 | 113, 118 | 0861018..... | 87 | 0962336 | 209 |
| 0540078 | 139 | 0641628 | 122 | 0861044..... | 87 | 0962474 | 193 |
| 0540083 | 139 | 0641640 | 126 | 0861045..... | 87 | 1001099835 | 121 |
| 0540099 | 139 | 0641772 | 72 | 0861048..... | 151, 154 | 1001099836 | 126 |
| 0540104 | 139 | 0641808 | 61, 67 | 0861083..... | 151, 154 | 1001100321 | 71 |
| 0540107 | 139 | 0641809 | 121 | 0861084..... | 151, 154 | 1001104983 | 310 |
| 0561076 | 112, 118 | 0641810 | 99, 112, 118 | 0861119..... | 87 | 1001107153 | 126 |
| 0561185 | 121, 125 | 0641811 | 49 | 0861120..... | 87 | 1001108725 | 310 |
| 0561237 | 118 | 0641812 60, 66, 113, 119 | | 0861131..... | 87 | 1001109692 | 311 |
| 0561248 | 121 | 0641816 | 15, 59 | 0861134..... | 151 | 1001110133 | 311 |
| 0630427 | 135 | 0641818 | 66, 189 | 0861135..... | 151 | 1001110993 | 311 |
| 0630462 | 185 | 0641820 . | 11, 15, 85, 112, 118 | 0861136..... | 151 | 1001113961 | 179, 181 |
| 0630464 | 153, 157 | 0641822 | 119 | 0861137..... | 151 | 1001117320 | 147 |
| 0630490 | 12 | 0641826 | 11, 67 | 0861139..... | 151 | 1001118416 | 181 |
| 0630491 | 95 | 0642010 | 60, 67 | 0861302..... | 87 | 1001118417 | 157, 167 |
| 0630498 | 59, 65 | 0642012 | 11, 12, 15 | 0861407..... | 91 | 1001137005 | 293, 300, 312 |
| 0630507 | 102, 106 | 0642018 | 49 | 0861412..... | 91 | 1001137672 | 312 |
| 0630518 | 88, 91 | 0642612 | 95 | 0861413..... | 91 | 1001138796 | 225 |
| 0630534 ... | 198, 201, 209, 220 | 0642682 | 113, 119 | 0861414..... | 157, 158 | 1001139130 | 310 |
| 0630535 ... | 195, 198, 203, 211, 213, 220, 225, 229, 233, 235, 237 | 0651406 | 40 | 0861415..... | 157 | 1001142504 | 311 |
| 0630536 ... | 205, 207, 215, 217 | 0681608 . | 13, 16, 19, 113, 119 | 0861472..... | 91 | 1001142505 | 311 |
| 0630548 | 91 | 0681610 ... | 112, 118, 119, 193 | 0861473..... | 91 | 1001143256 | 312 |
| 0641403 ... | 112, 118, 122, 135, 136 | 0681612 | 72 | 0861474..... | 157 | 1001144629 | 147 |
| 0641404 | 12, 102, 106, 152, 157 | 0681836 | 49 | 0861517..... | 147, 157 | 1001149560 | 312 |
| 0641406 ... | 40, 60, 95, 96, 99, 147, 152, 153, 157, 186, 305 | 0682016 | 21, 49 | 0861537..... | 157, 159 | 1001166538 | 183 |
| 0641407 | 66, 106, 189 | 0700808 | 66 | 0902109..... | 85 | 1001166539 | 169 |
| 0641408 ... | 147, 152, 157, 304 | 0700810 | 60, 61, 69 | 0902206..... | 95 | 1001175815 | 311 |
| 0641409 | 139 | 0700819 | 72 | 0902217..... | 61 | 1001204904 | 311 |
| 0641414 . | 11, 15, 40, 144, 148, 305 | 0701010 | 189 | 0902219..... | 102, 106 | 1001204908 | 311 |
| 0641416 | 40, 118, 157, 189 | 0701012 | 60, 67 | 0902237..... | 102 | 1001205175 | 311 |
| 0641418 | 143 | 0701015 | 60, 67 | 0902242..... | 102, 106 | 1001223331 | 116, 203 |
| 0641424 | 135 | 0701016 | 60, 67 | 0902243..... | 59, 66 | 1001223332 | 203 |
| 0641505 | 35 | 0701017 | 60, 67 | 0902313..... | 102 | 1001223511 | 201 |
| 0641506 | 88, 91 | 0701018 | 60, 66 | 0902335..... | 107 | 1001223512 | 111, 201 |
| 0641507 | 66 | 0711414 | 72 | 0902511..... | 66 | 1001228002 | 111, 223 |
| 0641508 .. | 40, 61, 72, 245 | 0721003 ... | 153, 154, 159 | 0902520..... | 85 | 1001228003 | 111, 116, 217 |
| 0641510 | 60, 66 | 0721004 | 60, 88, 153 | 0902751..... | 157 | 1001228004 | 111, 116, 213 |
| | | 0721005 | 66, 88 | 0920083..... | 53 | 1001228005 | 125, 231 |
| | | 0721006 73, 89, 102, 106 | | 0920084..... | 21, 27 | | |
| | | 0721010 | 153 | 0920109..... | 49, 53 | | |
| | | | | 0920110..... | 21, 27 | | |
| | | | | 0920117..... | 21 | | |
| | | | | 0920119..... | 49, 54 | | |
| | | | | 0940038..... | 185 | | |
| | | | | 0940049..... | 102, 106 | | |
| | | | | 0940070..... | 59, 65 | | |
| | | | | 0940071..... | 102, 106 | | |
| | | | | 0961127..... | 287 | | |
| | | | | 0961845..... | 144 | | |

SECTION 10 - SPECIAL OPTIONS

| | | | | | | | |
|-----------------|---|---------------------------------------|----------|--------------|---------------|--------------|---------------|
| 1001228006..... | 121, 237 | 1580012..... | 148, 310 | 1683267..... | 219 | 1701791..... | 304 |
| 1001228007..... | 125, 233 | 1580013..... | 148, 310 | 1683269..... | 219 | 1701798..... | 304 |
| 1001228042..... | 111, 116, 207 | 1600218..... | 152 | 1683271..... | 111, 195 | 1702265..... | 304 |
| 1001228052..... | 116, 225 | 1600239..... | 151, 173 | 1683272..... | 195 | 1702266..... | 305 |
| 1001242409..... | 310 | 1600242..... | 151, 161 | 1683274..... | 195, 197 | 1702267..... | 304 |
| 1001243183..... | 310 | 1600283..... | 151, 177 | 1683280..... | 11, 15, 193 | 1702268..... | 304 |
| 1001243184..... | 310 | 1600284..... | 151, 163 | 1683281..... | 193 | 1702269..... | 304 |
| 1060012..... | 282 | 1600312..... | 91 | 1683283..... | 193 | 1702270..... | 304 |
| 1060016..... | 136, 283 | 1600313..... | 157 | 1683288.... | 111, 116, 215 | 1702300..... | 303 |
| 1060279..... | 304 | 1600317..... | 157, 165 | 1683289..... | 215 | 1702537..... | 87 |
| 1060330.... | 157, 186, 287, 290 | 1600318..... | 157, 179 | 1683291..... | 215 | 1702563..... | 147, 151 |
| 1060341.... | 186, 287, 293, 299, 300 | 1600327..... | 91 | 1683294.... | 111, 116, 211 | 1702564..... | 151, 157 |
| 1060461.... | 283, 286, 290, 291, 293, 296, 297, 299 | 1660184..... | 61 | 1683295..... | 211 | 1702565..... | 151, 157 |
| 1060494.... | 282, 287, 292 | 1660219..... | 85 | 1683297..... | 211 | 1702566..... | 151, 157 |
| 1060515..... | 282 | 1660219RR..... | 85 | 1683299.... | 111, 116, 205 | 1702567..... | 151, 157 |
| 1060516..... | 282, 283 | 1660223..... | 85 | 1683300..... | 205 | 1702610..... | 88, 91 |
| 1060603..... | 283 | 1660223RR..... | 85 | 1683302..... | 205 | 1702612..... | 303 |
| 1060637..... | 61, 67 | 1660234..... | 61, 69 | 1683304..... | 12, 19, 227 | 1702633..... | 87 |
| 1060709..... | 283 | 1670752..... | 16, 19 | 1683307..... | 125, 229 | 1702676.... | 147, 151, 157 |
| 1060896.... | 290, 296, 297 | 1670764..... | 311 | 1683308..... | 229 | 1702740..... | 22 |
| 1060902..... | 291, 297 | 1670767..... | 102, 106 | 1683310..... | 229 | 1702773..... | 303 |
| 1060918.... | 147, 157, 296 | 1670768..... | 125 | 1683312..... | 121, 235 | 1702774..... | 303 |
| 1060945..... | 297 | 1670769..... | 118 | 1683313..... | 235 | 1702788..... | 310 |
| 1100098..... | 11, 15 | 1670770..... | 102 | 1683314..... | 235 | 1702818..... | 303 |
| 1120460..... | 12 | 1670777..... | 22 | 1683317..... | 125, 229 | 1702819..... | 303 |
| 1120487..... | 83 | 1670784..... | 311 | 1683318..... | 229 | 1702860..... | 303 |
| 1180336..... | 126 | 1670785..... | 185 | 1683320..... | 229 | 1702861..... | 303 |
| 1180338..... | 126 | 1670786..... | 185 | 1683333..... | 195, 197 | 1702901..... | 305 |
| 1180339..... | 121 | 1670787..... | 185 | 1683415..... | 111, 197 | 1702903..... | 304 |
| 1220022..... | 153 | 1670788..... | 185 | 1683416..... | 197 | 1702908..... | 305 |
| 1220023..... | 153 | 1670789..... | 185 | 1683418..... | 116, 197 | 1702924..... | 304 |
| 1220096..... | 159 | 1670791..... | 185 | 1683419..... | 197 | 1702925..... | 304 |
| 1220102..... | 159 | 1670793..... | 185 | 1683949..... | 219 | 1702926..... | 304 |
| 1260017..... | 49 | 1670795..... | 185 | 1683952..... | 197 | 1702927..... | 304 |
| 1260136..... | 186 | 1670796..... | 185 | 1683962..... | 219 | 1702928..... | 303 |
| 1282396..... | 254 | 1670797..... | 185 | 1683963..... | 197, 203 | 1702938..... | 159, 186 |
| 1282398..... | 49 | 1670798..... | 185 | 1683972..... | 219 | 1702984..... | 305 |
| 1282474..... | 256, 258 | 1670799..... | 185 | 1683973..... | 219 | 1702986..... | 305 |
| 1282490..... | 239 | 1670801..... | 185 | 1683976..... | 197, 201 | 1702987..... | 304 |
| 1282518..... | 310 | 1670803..... | 185 | 1683977..... | 197 | 1702988..... | 305 |
| 1282571..... | 256 | 1670804..... | 185 | 1684001..... | 211 | 1702990..... | 305 |
| 1282665..... | 257, 311 | 1670819..... | 135 | 1684005..... | 211 | 1702991..... | 304 |
| 1282672..... | 256 | 1670820..... | 136 | 1684014..... | 205 | 1702992..... | 305 |
| 1282685..... | 256, 258 | 1670824..... | 135, 136 | 1684015..... | 205 | 1702994..... | 305 |
| 1282828..... | 256, 257 | 1670829.88, 91, 153, 157 | | 1684017..... | 215 | 1702995..... | 304 |
| 1282937..... | 256, 258 | 1670836..... | 125 | 1684019..... | 215 | 1702996..... | 305 |
| 1320016..... | 59, 65 | 1670900..... | 189 | 1684090..... | 209 | 1702998..... | 305 |
| 1320019..... | 61 | 1671037..... | 158 | 1684092..... | 209 | 1702999..... | 304 |
| 1320022..... | 60, 66 | 1683053... 195, 197, 201, 209, 219 | | 1684498.... | 111, 116, 205 | 1703000..... | 305 |
| 1320031..... | 67 | 1683054..... | 229, 235 | 1690697..... | 304 | 1703002..... | 305 |
| 1320040..... | 186 | 1683055... 195, 197, 203, 219 | | 1691483..... | 304 | 1703003..... | 304 |
| 1320060..... | 61, 67, 152 | 1683057..... | 193 | 1693289..... | 304 | 1703084..... | 154, 159 |
| 1320095..... | 152 | 1683061..... | 211 | 1693291..... | 304 | 1703085..... | 154, 159 |
| 1320131..... | 67 | 1683067..... | 205 | 1693292..... | 304 | 1703090..... | 152 |
| 1320176..... | 67 | 1683069..... | 215 | 1693294..... | 304 | 1703091..... | 152 |
| 1320222..... | 60, 67 | 1683208...12, 16, 19, 227 | | 1700584..... | 303 | 1703092..... | 152 |
| 1320223..... | 60, 67 | 1683253..... | 116, 195 | 1701500..... | 303 | 1703093..... | 152 |
| 1320229..... | 112, 118 | 1683254..... | 195 | 1701502..... | 303 | 1703162..... | 59, 65 |
| 1320243..... | 112, 118 | 1683256..... | 219 | 1701503..... | 303 | 1703183..... | 304 |
| 1340056..... | 59 | 1683258..... | 118, 209 | 1701504..... | 303 | 1703184..... | 304 |
| 1340060..... | 65 | 1683259..... | 209 | 1701505..... | 60, 67, 304 | 1703185..... | 304 |
| 1380136..... | 40 | 1683261..... | 209 | 1701509..... | 303 | 1703186..... | 304 |
| 1380147..... | 99 | 1683263..... | 116, 219 | 1701518..... | 303 | 1703187..... | 304 |
| | | 1683264..... | 219 | 1701529..... | 303 | 1703190..... | 304 |
| | | 1683266..... | 111, 219 | 1701596..... | 304 | 1703403..... | 35 |
| | | | | 1701600..... | 304 | 1703404..... | 35 |
| | | | | 1701602..... | 304 | 1703444..... | 35 |

SECTION 10 - SPECIAL OPTIONS

| | | | | | | | |
|---------|-----------------------|---------|---|---------|---------------|---------|----------|
| 1703450 | 35 | 2220381 | 251 | 2220921 | 252 | 2752434 | 252 |
| 1703467 | 87, 91 | 2220385 | 249, 251 | 2220923 | 252 | 2752444 | 253 |
| 1703468 | 87, 91 | 2220414 | 251 | 2220947 | 253 | 2752453 | 252 |
| 1703469 | 305 | 2220415 | 245, 249, 251 | 2220974 | 251 | 2752459 | 243 |
| 1703479 | 310 | 2220416 | 251 | 2220998 | 253 | 2752462 | 252 |
| 1703518 | 304 | 2220428 | 251 | 2220999 | 252 | 2752466 | 252 |
| 1703534 | 253 | 2220429 | 251 | 2221036 | 253 | 2752468 | 252 |
| 1703622 | 89 | 2220435 | 243, 246 | 2221053 | 253 | 2752469 | 252 |
| 1703663 | 305 | 2220451 | 59, 66, 243 | 2221065 | 252 | 2752473 | 243, 245 |
| 1703664 | 305 | 2220459 | 60, 66 | 2400065 | 291, 297, 308 | 2752484 | 253 |
| 1703665 | 305 | 2220466 | 243, 245, 246, 249, 251 | 2400066 | 291, 297 | 2752497 | 252 |
| 1703675 | 305 | 2220468 | 252 | 2420172 | 88, 91 | 2752500 | 251 |
| 1703791 | 189 | 2220472 | 251 | 2420203 | 72 | 2752506 | 251 |
| 1703801 | 189 | 2220473 | 243, 245, 252, 253 | 2460011 | 71 | 2752516 | 251 |
| 1704174 | 310 | 2220490 | 243, 245, 249 | 2460013 | 71 | 2752519 | 251 |
| 1704175 | 310 | 2220497 | 251 | 2460032 | 71 | 2752573 | 245, 251 |
| 1704260 | 153, 157 | 2220498 | 252 | 2460034 | 71 | 2752579 | 252 |
| 1704277 | 303 | 2220500 | 245, 252 | 2460039 | 71 | 2752591 | 251 |
| 1704885 | 305 | 2220501 | 243, 246 | 2460049 | 71 | 2752592 | 245, 253 |
| 1705084 | 303 | 2220502 | 246, 252 | 2560122 | 40 | 2752593 | 245, 252 |
| 1705132 | 92, 158 | 2220504 | 243, 246, 249 | 2560123 | 40 | 2752600 | 251 |
| 1705325 | 73 | 2220507 | 243, 246 | 2560136 | 151, 157 | 2752601 | 252 |
| 1840012 | 87 | 2220510 | 252 | 2600211 | 153, 158 | 2752602 | 243, 245 |
| 1840013 | 87 | 2220511 | 252 | 2600219 | 144 | 2752603 | 252 |
| 1840014 | 88 | 2220550 | 246 | 2600281 | 147 | 2752604 | 251 |
| 1840015 | 88 | 2220567 | 251 | 2600287 | 144 | 2752618 | 253 |
| 1870044 | 258 | 2220568 | 245 | 2660071 | 139 | 2752620 | 243, 246 |
| 1870050 | 258 | 2220574 | 252 | 2660082 | 139 | 2752635 | 251 |
| 1870059 | 258 | 2220578 | 251 | 2660099 | 139 | 2752636 | 252 |
| 1870071 | 258 | 2220582 | 243, 246, 249, 251 | 2660105 | 139 | 2752650 | 253 |
| 1870132 | 258 | 2220596 | 245, 251 | 2660109 | 139 | 2752655 | 251 |
| 2000132 | 59, 61 | 2220602 | 246, 251 | 2680423 | 102, 106 | 2752656 | 251 |
| 2000146 | 65, 68 | 2220603 | 249, 253 | 2680424 | 102, 106 | 2752723 | 251 |
| 2000173 | 65, 68 | 2220605 | 245 | 2680433 | 102, 106 | 2752724 | 251 |
| 2000189 | 65, 68 | 2220609 | 251 | 2680434 | 102, 106 | 2752783 | 252 |
| 2060025 | 59, 65 | 2220618 | 251 | 2680440 | 106 | 2752807 | 245 |
| 2080040 | 143, 147 | 2220619 | 249, 251 | 2680441 | 106 | 2752813 | 243, 245 |
| 2080044 | 118 | 2220622 | 245 | 2720058 | 60, 67 | 2752814 | 243 |
| 2120145 | 40 | 2220628 | 251 | 2720271 | 60, 66 | 2752823 | 249 |
| 2120146 | 39 | 2220635 | 249, 252 | 2720351 | 60, 66 | 2752824 | 249 |
| 2120149 | 40, 308 | 2220646 | 251 | 2720397 | 59, 65 | 2752889 | 246 |
| 2120150 | 39, 308 | 2220654 | 252 | 2720398 | 59, 65 | 2752890 | 245 |
| 2160002 | 49 | 2220657 | 252 | 2720423 | 67 | 2752899 | 245 |
| 2180344 | 49 | 2220671 | 245 | 2720434 | 66 | 2752912 | 246 |
| 2180380 | 253 | 2220710 | 243 | 2720449 | 66 | 2752919 | 245 |
| 2180536 | 60, 66 | 2220738 | 246 | 2740063 | 257 | 2752920 | 249 |
| 2180724 | 253 | 2220794 | 60, 67 | 2750532 | 60, 66 | 2752928 | 251 |
| 2180798 | 59, 65 | 2220800 | 246 | 2750756 | 245 | 2752929 | 251 |
| 2200222 | 83 | 2220810 | 251 | 2750770 | 245 | 2752939 | 252 |
| 2220001 | 49 | 2220833 | 245, 246 | 2750790 | 245 | 2752962 | 249 |
| 2220235 | 243, 245 | 2220873 | 251, 253 | 2750900 | 249 | 2752966 | 243, 245 |
| 2220250 | 60, 66 | 2220883 | 198, 201, 203, 205, 207, 209, 211, 213, 215, 235, 237 | 2751013 | 245, 249 | 2752970 | 243, 246 |
| 2220273 | 60, 66 | 2220885 | 193, 195, 197, 201, 203, 209, 220, 225, 229, 233 | 2751017 | 245 | 2752985 | 252 |
| 2220313 | 60, 66 | 2220886 | 205, 207, 213, 237 | 2751020 | 249 | 2752987 | 253 |
| 2220362 | 243, 245 | 2220888 | 215 | 2751032 | 49 | 2752988 | 252 |
| 2220363 | 243 | 2220893 | 40 | 2751396 | 245 | 2752989 | 253 |
| 2220365 | 243, 245 | 2220899 | 252 | 2751427 | 245 | 2752990 | 252 |
| 2220366 | 251 | 2220909 | 245 | 2752245 | 243 | 2752991 | 252 |
| 2220371 | 243, 245, 249, 252 | 2220914 | 246 | 2752249 | 245 | 2753046 | 253 |
| 2220372 | 252 | | | 2752258 | 243 | 2753047 | 252 |
| 2220373 | 243, 253 | | | 2752324 | 243 | 2753052 | 252 |
| 2220374 | 252 | | | 2752341 | 253 | 2753055 | 252 |
| 2220375 | 243, 245, 251 | | | 2752343 | 252 | 2753056 | 252 |
| 2220376 | 251 | | | 2752349 | 245 | 2753132 | 251 |
| 2220377 | 243, 245, 251 | | | 2752354 | 243 | 2753133 | 251 |
| 2220379 | 251 | | | 2752356 | 253 | 2753134 | 252 |
| | | | | 2752398 | 245, 246 | 2753135 | 252 |

SECTION 10 - SPECIAL OPTIONS

| | | | |
|----------------------------|-----------------------------|-----------------------------|----------------------------|
| 2760105.88, 91, 151, 157 | 2910931 311 | 3311505 ... 13, 16, 40, 60, | 3422566.....117 |
| 2780205.....49, 51 | 2920110 95 | 61, 66, 102, 106, 113, | 3422571..... 111, 116 |
| 2780212..... 12 | 2920113 96 | 118, 143 | 3422572..... 111, 117 |
| 2780213.....21, 25 | 2920129 88, 153, 154, | 3311601 83, 102, 107, | 3422573..... 111, 116 |
| 2792177254 | 157, 282, 284, 291, | 153, 158, 159 | 3422575.... 111, 116, 121 |
| 2792188.....251, 254 | 296, 297 | 3311605 ... 16, 19, 59, 66, | 3422576..... 112, 117 |
| 2792189.....251, 254 | 2920130 95 | 72, 99, 102, 106, 118, | 3422577..... 112 |
| 2792191.....254 | 2920140 ... 144, 148, 287, | 122, 127, 147, 153, | 3422578..... 112 |
| 2792192.....254 | 293, 300 | 157, 185 | 3422579..... 117 |
| 2792193.....243, 254 | 2920162 72 | 3311705 72 | 3422580..... 112 |
| 2792194.....254 | 2920214 95 | 3311801 .. 21, 61, 67, 135 | 3422582..... 112 |
| 2792195.....40, 245, 254 | 2920215 95 | 3311805 .59, 66, 85, 102, | 3422583..... 117 |
| 2792196.....254 | 2940074 ... 144, 147, 308 | 106, 112, 113, 118, | 3422590..... 16, 19 |
| 2792230.....249, 254 | 2940088 102, 106 | 119, 189 | 3422592..... 11, 15 |
| 2792315.....254 | 3010088 185 | 3313403 12 | 3422802..... 16, 19 |
| 2792405.....254 | 3020021 61, 69 | 3321005 66 | 3422860..... 117 |
| 282003173, 283 | 3124025 189 | 3323403 12 | 3422861..... 117 |
| 2820035.... 145, 148, 287, | 3160200 49, 57 | 3340608 229, 231, 233 | 3422867..... 117 |
| 293, 300 | 3160204 21, 33 | 3340705 121, 125 | 3430816..... 99 |
| 2820076..... 107 | 3160205 21, 31 | 3340756 121, 125 | 3450304..... 159 |
| 2820077..... 107 | 3160273 49, 57 | 3340764 126 | 3450306..... 122 |
| 2820078..... 107 | 3200362 67 | 3340765 126 | 3450404..... 99 |
| 2820082..... 107 | 3200378 59, 65 | 3340787 126 | 3450606..... 122 |
| 2820083..... 107 | 3200386 139 | 3340871 121, 125 | 3450810..... 12 |
| 2840016..... 99 | 3200387 139 | 3340881 121, 125 | 3451012..... 12 |
| 2840018..... 99 | 3200388 139 | 3380423 304 | 3480188.... 195, 197, 203, |
| 2860012..... 72 | 3200389 139 | 3380428 66 | 219 |
| 2860030..... 87, 91, 308 | 3200390 139 | 3380434 147, 304 | 3480206..... 205 |
| 2890245..... 13 | 3200393 139 | 3420592 35 | 3480210.... 195, 197, 201, |
| 2900708..... 39 | 3200394 139 | 3421453 35 | 209, 219 |
| 2900752..... 77 | 3200395 139 | 3421565 49 | 3480211..... 211 |
| 2900766..... 27, 53 | 3200396 139 | 3422325 11 | 3480212..... 229, 235 |
| 2900767..... 28, 54 | 3200397 139 | 3422419 117 | 3480216..... 215 |
| 2900768..... 28, 53 | 3200407 139 | 3422420 117 | 3510499..... 143 |
| 2900770..... 39, 129, 193, | 3200408 139 | 3422421 117 | 3510500..... 143 |
| 211, 213, 235, 237 | 3220100 61 | 3422422 117 | 3510537..... 143 |
| 2900788..... 33 | 3220101 61 | 3422426 ... 11, 12, 15, 16, | 3510538..... 143 |
| 2900792.... 195, 197, 201, | 3220103 67 | 19 | 3510542..... 143 |
| 203, 205, 207, 209, | 3220104 67 | 3422427 12 | 3510543..... 143 |
| 211, 213, 215, 217, | 3250872 35 | 3422429 12, 16, 19 | 3510728..... 143 |
| 235, 237 | 3251102 73, 159 | 3422430 12, 16, 19 | 3510751..... 143 |
| 2900826..... 77 | 3251242 303 | 3422431 11, 15 | 3510763..... 143 |
| 2900827..... 78 | 3252347 304 | 3422432 117 | 3510764..... 143 |
| 2900838..... 312 | 3272605 ... 113, 119, 129 | 3422434 112 | 3510822..... 147 |
| 2900975..... 310 | 3290801 60 | 3422435 117 | 3510833..... 147 |
| 2901273..... 211, 213 | 3300106 12, 21 | 3422440 117 | 3520026..... 89 |
| 2901278..... 229, 235 | 3300143 189 | 3422442 111, 116 | 3520028. 71, 73, 152, 157 |
| 2901285..... 205, 207 | 3300151 144, 311 | 3422443 111, 116 | 3520032..... 305 |
| 2901301.... 195, 198, 203, | 3300205 88, 91 | 3422444 111, 116 | 3520033..... 107, 305 |
| 220 | 3300353 158 | 3422448 59, 65 | 3520035..... 92 |
| 2901303.... 195, 198, 201, | 3300390 88 | 3422452 111, 117 | 3520054..... 88 |
| 209, 220 | 3300393 143 | 3422453 112 | 3520072..... 143, 147 |
| 2901321 193 | 3300408 89, 91, 157 | 3422454 112 | 3520173..... 153 |
| 2901322..... 215, 217 | 3310601 88, 89, 99 | 3422457 125 | 3520174..... 89, 159 |
| 2901358..... 60, 66 | 3310801 135 | 3422477 117 | 3530072..... 185 |
| 2901392..... 59, 65 | 3310805 40, 135 | 3422489 112 | 3536089..... 144, 148 |
| 2901443..... 300, 312 | 3311001 88, 102, 106, | 3422492 16, 19 | 3537318..... 49 |
| 2901557..... 189 | 147, 153, 159 | 3422530 99 | 3537416..... 59, 65 |
| 2901763..... 44 | 3311005 . 60, 73, 96, 106, | 3422532 67 | 3537417..... 59, 65 |
| 2901811 189 | 144, 153, 154 | 3422533 60 | 3537420..... 59, 65 |
| 2901861 233, 237 | 3311401 91, 125, 139, | 3422553 35 | 3537445..... 99 |
| 2902203..... 310 | 152, 189, 304 | 3422558 117 | 3537691..... 59 |
| 2902470..... 311 | 3311405 ... 40, 60, 66, 96, | 3422559 117 | 3538047..... 11, 12, 15 |
| 2902472..... 311 | 99, 106, 135, 144, 147, | 3422560 117 | 3538247..... 229, 233 |
| 2910001..... 285 | 148, 152, 157, 186, 311 | 3422561 117 | 3538724..... 59 |
| 2910100..... 311 | 3311501 40, 107, 185 | 3422563 117 | 3538758..... 126 |
| 2910477..... 310 | | 3422565 112 | 3538771..... 229 |

SECTION 10 - SPECIAL OPTIONS

| | | | | | | | |
|---------------|---|---------------|---|----------------------------------|--|---------------|---|
| 3538819 | 151 | 3820001 | 35, 96, 139, 304 | 4060918..... | 40 | 4360542 | 72 |
| 3539055 | 136 | 3841143 ... | 11, 12, 15, 16, 19, 59, 65, 112, 117 | 4060959..... | 311 | 4400372 | 83 |
| 3539219 | 88, 91 | 3841203 | 112, 117, 121 | 4070863..... | 121, 125 | 4400373 | 83 |
| 3539228 | 122 | 3841258 | 11, 12, 15 | 4070864..... | 121, 125 | 4400399 | 83 |
| 3539236 | 122 | 3841262 | 12 | 4070878..... | 11, 12, 15 | 4420038 | 83, 88 |
| 3539275 | 153, 154 | 3841263 | 12 | 4070879..... | 11, 12, 15 | 4420051 | 305 |
| 3539281 | 95 | 3841285 | 16, 19 | 4070897..... | 121, 125 | 4420055 | 144 |
| 3539412 | 122 | 3841291 | 19 | 4070898..... | 121, 125 | 4420060 | 126, 135, 136 |
| 3539662 | 35 | 3841295 | 122 | 4070929..... | 121, 125 | 4460023 | 72 |
| 3539685 | 144 | 3841329 | 35 | 4070932..... | 127 | 4460027 | 72, 287, 292 |
| 3539719 | 185 | 3841340 | 118, 125 | 4070944..... | 11, 15 | 4460042 | 145, 158 |
| 3539779 | 112, 118 | 3841347 | 122 | 4070945..... | 11, 15 | 4460049 | 185 |
| 3539872 | 65 | 3900141 | 209 | 4070987..... | 89, 91 | 4460071 ... | 147, 152, 158, 290, 296 |
| 3539877 | 11, 15 | 3900166 | 112 | 4070991..... | 89 | 4460125 | 287, 292, 293 |
| 3539879 | 12, 16 | 3900207 | 143 | 4100025..... | 61 | 4460134 | 287 |
| 3539923 | 106 | 3900224 | 153, 159 | 4120012..... | 89, 154, 257 | 4460190 | 71, 287, 292 |
| 3539930 | 113, 118 | 3900232 | 102, 106 | 4120013..... | 89, 154, 257 | 4460205 | 287 |
| 3539956 | 67 | 3900239 | 112, 118 | 4120035..... | 88, 154, 282, 284, 290, 291, 296, 298 | 4460224 | 284, 285 |
| 3539971 | 65 | 3900268 | 88, 91 | 4130325..... | 12 | 4460225 ... | 282, 284, 290, 296 |
| 3539988 | 107 | 3910608 | 88, 89, 99 | 4130326..... | 12 | 4460226 ... | 158, 170, 183, 189, 296, 297, 298 |
| 3570270 | 122 | 3910610 | 99, 151 | 4130330..... | 16, 19 | 4460227 ... | 158, 290, 296, 298 |
| 3570277 | 122 | 3910804 | 89, 91 | 4130331..... | 16, 19 | 4460233 | 287 |
| 3570374 | 113, 118 | 3910806 | 40 | 4130340..... | 12 | 4460234 | 89, 95, 96 |
| 3570375 | 122 | 3911008 | 147 | 4130341..... | 12 | 4460265 ... | 161, 163, 170, 174, 183, 282, 285 |
| 3570740 | 189 | 3911016 | 144 | 4160143..... | 102, 106 | 4460266 ... | 161, 163, 174, 285, 286 |
| 3580134 | 72 | 3911040 | 96 | 4160152..... | 102, 106 | 4460267 ... | 161, 163, 174, 282, 284, 285, 286, 291, 292, 298, 299 |
| 3580158 | 71 | 3930816 | 135, 136 | 4220162..... | 95 | 4460268 ... | 161, 163, 174, 284, 285, 286, 291, 292, 298, 299 |
| 3580276 | 72 | 3930824 | 135 | 4220165..... | 144 | 4460320 ... | 284, 285, 286, 291, 292, 298, 299 |
| 3600164 | 59, 76 | 3931408 | 135 | 4220168..... | 144 | 4460326 ... | 284, 286, 291, 292, 298, 299 |
| 3600242 | 59, 65, 81 | 3931412 | 152 | 4240018..... | 154 | 4460418 ... | 282, 284, 290, 291, 296, 298 |
| 3600243 | 39 | 3931430 | 135 | 4240032..... | 95, 96, 154 | 4460419 ... | 282, 284, 290, 291, 296, 298 |
| 3600260 | 59, 65, 76 | 3931448 | 229, 233 | 4240099..... | 145, 148 | 4460424 ... | 284, 285, 286, 291, 292, 298, 299 |
| 3620033 | 59, 65 | 3931516 ... | 195, 197, 201, 209, 219, 229, 233, 235, 237 | 4240102..... | 83 | 4460425 ... | 186, 287, 293, 300 |
| 3640493 | 89, 257 | 3931620 | 59, 66, 195, 197, 203, 219, 225 | 4240112..... | 83 | 4460426 | 88, 91, 297 |
| 3640970 | 88, 154 | 3931672 | 153, 159 | 4280295..... | 83 | 4460428 | 88, 135, 136, 152, 154, 158, 186, 282, 287, 290, 296 |
| 3641182 | 154 | 3931720 | 211, 213 | 4300097..... | 21 | 4460434 | 296, 298 |
| 3700010 | 88, 152 | 3931860 | 49 | 4300120..... | 21 | 4460442 | 287 |
| 3730022 | 284 | 3932032 | 205, 207 | 43400678..... | 151, 158 | 4460445 ... | 284, 285, 286, 292, 298, 299 |
| 3730023 | 284 | 3932224 | 49 | 4340684..... | 151, 158 | 4460449 | 285 |
| 3730099 | 284 | 3932240 | 215, 217 | 4360031 | 147, 152, 158 | 4460457 | 285, 291, 298 |
| 3740049 | 88, 89, 91, 153, 154, 257, 258, 287, 293, 297, 299, 308 | 3960098 | 12 | 4360057 | 185 | 4460460 | 285, 291, 298 |
| 3740057 | 89, 153, 154, 257 | 3960389 | 65, 102, 106 | 4360232 | 152, 159, 293, 300 | 4460464 ... | 158, 282, 283, 284, 290, 291, 296, 297, 298 |
| 3740058 | 89, 152, 257 | 3960407 | 60, 67 | 4360282..... | 88, 152 | 4460465 ... | 283, 284, 290, 296, 297 |
| 3740063 | 89, 152 | 3960418 | 102, 106 | 4360289..... | 87, 151 | | |
| 3740066 | 89, 153, 154, 257 | 3960438 | 106 | 4360294.... | 60, 67, 73, 308 | | |
| 3740067 | 59, 65, 308 | 3960447 | 102 | 4360314..... | 88, 152, 153 | | |
| 3740080 | 72, 308 | 3960461 | 96 | 4360319..... | 87 | | |
| 3740112 | 88 | 3960462 | 102, 106 | 4360328..... | 91, 158, 308 | | |
| 3740113 | 153 | 3960467 | 106 | 4360331 | 148, 152, 153, 158, 308 | | |
| 3740115 | 153 | 3960468 | 67 | 4360336 73, 96, 153, 159, 308 | | | |
| 3760133 | 125 | 3960469 | 67 | 4360345..... | 152 | | |
| 3760170 | 49 | 3990001 | 284 | 4360387 | 151, 158, 159, 186, 308 | | |
| 3760368 ... | 195, 197, 201, 209, 219, 235 | 3990010 ... | 282, 284, 287, 292, 298, 299, 308 | 4360392..... | 59, 65, 308 | | |
| 3760369 ... | 193, 195, 197, 203, 219 | 3990109 | 189 | 4360395..... | 87, 151 | | |
| 3760370 | 211 | 4060802 | 73, 159 | 4360407..... | 151, 158 | | |
| 3760372 | 205 | 4060803 | 144 | 4360416..... | 40, 96 | | |
| 3760384 | 215 | 4060804 | 40, 61, 127 | 4360436..... | 83 | | |
| 3790012 | 96, 148, 152, 153, 158, 159 | 4060805 | 61, 67, 125 | 4360470..... | 87, 91, 308 | | |
| 3790110 | 130, 231 | 4060807 | 40 | 4360475 87, 91, 152, 158, 308 | | | |
| 3790152 | 60, 67 | 4060808 | 13, 16, 121 | 4360476 88, 91, 152, 158, 308 | | | |
| | | 4060906 | 88, 91 | | | | |
| | | 4060907 | 95 | | | | |

SECTION 10 - SPECIAL OPTIONS

| | | | |
|---|--|---|-----------------------|
| 4460466.....283, 290, 296, 297 | 4460875 92, 290, 296, 297 | 4640939 249 | 4844925..... 143, 144 |
| 4460467 152, 287, 293, 300, 312 | 4460876 291, 298 | 4640999 235, 237 | 4844927..... 143 |
| 4460470.....91, 152, 158, 282, 290, 296, 297 | 4460878 291, 298 | 4641045 135 | 4844928..... 144 |
| 446047191, 152, 158, 282, 290, 296, 297 | 4460879 290, 296 | 4641097 39, 43 | 4844929..... 11 |
| 4460473.....283, 290, 296, 297 | 4460880 291, 298 | 4641105 135 | 4844945..... 111, 116 |
| 4460488.....91, 158 | 4460887 ... 290, 291, 296, 298 | 4641139 135 | 4844954..... 144 |
| 4460499 44, 47, 284, 285, 286, 292, 299 | 4460889 291, 298 | 4641162 193 | 4844955..... 143, 144 |
| 4460502.....283 | 4460890 291, 298 | 4711000 153 | 4844956..... 143, 144 |
| 4460503..... 154, 282, 283 | 4460891 297 | 4711400 ... 11, 15, 40, 61, 67, 95, 135, 144, 148, 186, 311 | 4844958..... 49 |
| 4460508.....282, 283, 290, 296, 297 | 4460897 297 | 4711500 ... 35, 40, 41, 61, 159, 246 | 4844960..... 11 |
| 4460509.....283, 290, 296, 297 | 4460905 92, 158, 296, 297, 298 | 4711600 ... 11, 12, 15, 16, 35, 40, 61, 67, 112, 118, 121, 126 | 4844961..... 59 |
| 4460510..... 152, 287, 293, 300, 312 | 4460959 299 | 4711800 99, 112, 118 | 4844964..... 83 |
| 4460526..... 88, 91, 297 | 4460960 299 | 4711900 67 | 4844969..... 126 |
| 4460536.....283, 284, 291 | 4460968 135, 136 | 4712600 35 | 4844972..... 126 |
| 4460539.....283, 284, 291 | 4520171 21 | 4713000 35 | 4844978..... 126 |
| 4460589.....285 | 4520172 22 | 4713400 35 | 4844979..... 126 |
| 4460591.....285 | 4520173 22 | 4740016 12 | 4844983..... 122 |
| 4460598..... 145, 148, 159, 287, 293, 300 | 4520210 22 | 4740076 102, 106 | 4844984..... 121 |
| 4460600..... 88, 154, 258 | 4520211 22 | 4740158 11, 12, 15 | 4845041..... 15 |
| 4460601..... 88, 154 | 4520259 22 | 4740171 106 | 4845080..... 59 |
| 4460602..... 88, 154 | 4566408 211 | 4740274 67 | 4845127..... 112, 118 |
| 4460603..... 88, 154 | 4566425 229 | 4740362 96, 148, 152, 158 | 4845162..... 59 |
| 4460607 88, 89, 154, 257 | 4566468 ... 195, 197, 201, 203, 219 | 4740397 73, 159 | 4845163..... 99 |
| 4460608.....285 | 4566471 209 | 4740411 144 | 4845184..... 72 |
| 4460611 60, 67 | 4566501 205 | 4740439 117 | 4845194..... 102, 106 |
| 4460613..... 154, 282, 283 | 4566667 215 | 4740444 88, 92 | 4845200..... 102 |
| 4460614.....283 | 4566832 11, 15 | 4750600 88, 89, 99 | 4845203..... 102, 106 |
| 4460620.....282 | 4566892 122 | 4750800 40 | 4845281..... 35 |
| 4460621 282 | 4566986 61 | 4751000 ... 60, 66, 73, 88, 96, 99, 102, 106, 144, 147, 153, 154, 185 | 4845283..... 143 |
| 4460628..... 88 | 4567112 65 | 4751400 ... 60, 66, 92, 99, 102, 106, 113, 118, 125, 135, 136, 148, 153, 158, 189, 304 | 4845288..... 143 |
| 4460629..... 154 | 4567172 35 | 4751500 . 13, 16, 72, 102, 106, 143, 185 | 4845289..... 143, 144 |
| 4460630..... 88 | 4567241 122 | 4751600 ... 60, 66, 72, 83, 85, 102, 106, 107, 113, 118, 148, 152, 158, 185, 189, 229 | 4845290..... 143, 144 |
| 4460631..... 88, 154 | 4567815 67 | 4751800 ... 11, 15, 61, 67, 85, 102, 122, 185, 189 | 4845308..... 185 |
| 4460632..... 154 | 4640113 22 | 4751900 72 | 4845309..... 185 |
| 4460634..... 284, 298 | 4640261 35 | 4752000 60, 67 | 4845327..... 144 |
| 4460635..... 284, 298 | 4640438 211, 213 | 4760600 88, 89 | 4845328..... 143 |
| 4460693.....285 | 4640509 ... 195, 197, 201, 203, 205, 207, 209, 211, 213, 215, 217, 235, 237 | 4761000 ... 102, 106, 144, 153, 159 | 4845384..... 125 |
| 4460701.....287 | 4640525 193 | 4770600 99 | 4845394..... 67 |
| 4460708..... 158, 296, 297 | 4640605 ... 205, 207, 215, 217 | 4791400 60, 67 | 4845395..... 66 |
| 4460709..... 286, 292, 299 | 4640647 235, 237 | 4812000 189 | 4845404..... 65 |
| 4460710..... 286, 292, 299 | 4640744 251 | 4831900 61, 69 | 4845414..... 106 |
| 4460711 89 | 4640751 59, 65 | 4832000 61, 69 | 4845426..... 144 |
| 4460720 282 | 4640858 193 | 4844790 112, 117 | 4845450..... 35 |
| 4460721 282 | 4640862 ... 229, 231, 233 | 4844815 117 | 4845451..... 35 |
| 4460761 158, 296, 298 | 4640866 39 | 4844816 117 | 4845531..... 72 |
| 4460777 285 | 4640871 11, 15 | 4844817 117 | 4845682..... 112, 117 |
| 4460865..... 290, 296, 297 | 4640902 209 | 4844924 143, 144 | 4846005..... 111 |
| 4460866..... 290, 291, 296, 297, 298 | 4640906 40, 245 | | 4846006..... 116 |
| 4460871 158, 165, 167, 179, 181, 290, 291, 292, 296, 298, 299 | 4640907 39 | | 4846081..... 112, 117 |
| 4460873..... 290, 291, 296, 298 | 4640908 39 | | 4846101..... 144 |
| 4460874..... 92, 290, 296, 297 | 4640920 39, 43 | | 4846102..... 144 |
| | 4640921 39, 47 | | 4846103..... 144 |
| | 4640922 40, 47 | | 4846184..... 143 |
| | 4640923 13, 16 | | 4846194..... 143, 144 |
| | 4640925 135 | | 4846195..... 143, 144 |
| | 4640929 135 | | 4846228..... 143 |
| | 4640930 39 | | 4846229..... 143 |
| | 4640932 ... 198, 201, 203 | | 4846240..... 143 |
| | 4640937 16 | | 4846241..... 143 |
| | | | 4846452..... 147 |
| | | | 4846479..... 65 |
| | | | 4846566..... 65 |
| | | | 4846573..... 113, 119 |
| | | | 4860158..... 22 |
| | | | 4891400..... 40 |
| | | | 4891500..... 40, 245 |

SECTION 10 - SPECIAL OPTIONS

| | | | |
|---|---------------------------|----------------------------|-----------------------------------|
| 4891600 . 60, 66, 99, 113, 119 | 4932915 257, 287 | 7000257 51 | 70006374 217 |
| 4891800 ... 21, 40, 49, 99, 113, 119 | 4932917 257 | 7000258 51 | 70006442 225 |
| 4892000 21, 49 | 4932940 257, 287 | 7000263 51 | 70006443 225 |
| 4892600 113, 119 | 4932971 258 | 7000269 51 | 70006444 225 |
| 4920385 61 | 4932974 257, 282 | 7000270 51 | 70006445 225 |
| 4921737 87, 284 | 4932976 258, 283 | 70002724 181 | 70006446 225 |
| 4921739 87, 284 | 4932977 257 | 70002725 181 | 70006447 225 |
| 4921771 39, 286 | 4932980 257 | 70002726 181 | 70006478 213 |
| 4921772 40, 286 | 4932986 257 | 70002727 181 | 70006479 213 |
| 4921820 286, 292 | 4932989 257, 287 | 70002728 181 | 70006480 213 |
| 4921828 287 | 4932990 256 | 70002729 181 | 70006481 213 |
| 4921829 287 | 4932992 256, 257 | 70002730 167 | 70006482 233, 237 |
| 4921848 87, 284 | 4932993 256 | 70002731 167 | 70006483 233, 237 |
| 4921850 312 | 4933006 257 | 70002732 167 | 70006484 237 |
| 4921922 87, 284 | 4933025 256 | 70002733 167 | 70006486 207 |
| 4921925 87, 284 | 4933026 256 | 70002734 167 | 70006487 207 |
| 4921927 39, 286, 292, 299 | 4933027 258 | 70002735 167 | 70006488 207 |
| 4921928 40, 286, 292, 299 | 4933158 257, 292 | 70002813 68 | 70006489 207 |
| 4921938 287 | 4933162 257, 292 | 70002906 167 | 70006597 223 |
| 4921957 ... 287, 293, 299 | 4933185 258, 291 | 70003483 147 | 70006599 223 |
| 4921991 154, 282 | 4933214 297, 298 | 70003556 68 | 70006601 223 |
| 4921992 283 | 4933215 299 | 70003784 151, 158 | 7000663 61, 68 |
| 4921994 154, 282 | 4933216 299 | 70004738 183 | 70006654 233 |
| 4922002 283 | 4933218 258 | 70004739 183 | 70006655 233 |
| 4922008 283 | 4933219 257 | 70004740 183 | 70006774 223 |
| 4922012 312 | 70000123 71 | 70004741 183 | 70006775 223 |
| 4922095 257 | 70000124 72 | 70004742 183 | 70006776 223 |
| 4922304 256 | 70000125 72 | 70004743 183 | 70006793 231 |
| 4922482 292, 299 | 70000579 43 | 70004744 183 | 70006813 231 |
| 4922483 292 | 70000580 43 | 70004745 183 | 70006814 231 |
| 4922484 257 | 70000582 43 | 70004746 183 | 70006815 231 |
| 4922485 92, 158 | 70000583 43 | 70004747 183 | 70006816 231 |
| 4922493 290, 296 | 70000787 61 | 70004748 183 | 70006817 231 |
| 4922494 290, 297 | 70001002 68, 69 | 70004749 183 | 70006818 231 |
| 4922508 291, 298 | 70001017 68 | 70004750 183 | 70006819 231 |
| 4922509 ... 158, 257, 290 | 7000126 72 | 70004751 183 | 70006820 231 |
| 4922515 291, 298 | 70001423 69 | 70004752 169 | 70006821 231 |
| 4922516 291 | 70001498 68 | 70004753 169 | 7000699 61, 68 |
| 4922616 256 | 70001681 68, 69 | 70004754 169 | 7000731 28 |
| 4922637 297 | 70001697 130, 133 | 70004755 169 | 7000796 27 |
| 4922638 298 | 70001941 95 | 70004756 169 | 7001438 77 |
| 4922639 ... 158, 257, 296 | 70001976 43, 44, 47 | 70004757 169 | 7001498 77 |
| 4922641 299 | 70001999 126 | 70004758 169 | 7001625 227 |
| 4922643 293, 299 | 70002000 126 | 70004759 169 | 7001626 227 |
| 4922666 92, 158, 296, 298 | 70002001 121 | 70004760 169 | 7001627 227 |
| 4922810 296 | 70002002 121 | 70004761 169 | 7001628 227 |
| 4922811 297 | 70002011 126 | 70004762 169 | 7001629 227 |
| 4922939 257 | 70002012 126 | 70004763 169 | 7001630 227 |
| 4932783 256 | 7000209 51 | 70004764 169 | 7001633 227 |
| 4932812 258 | 7000214 51 | 70004765 169 | 7001711 25 |
| 4932828 257, 287 | 7000217 51 | 70004766 169 | 7001909 51 |
| 4932839 257 | 70002234 61, 68 | 70004767 169 | 7001911 51 |
| 4932848 257, 282 | 70002235 71 | 70004768 169 | 7001928 51 |
| 4932849 257, 282 | 70002239 71 | 70004769 169 | 7001931 51 |
| 4932850 258, 283 | 70002240 72 | 70004770 169 | 7001985 51 |
| 4932894 256 | 7000228 51 | 70004771 169 | 7001987 51 |
| 4932896 256 | 7000229 51 | 70004772 169 | 7001988 51 |
| 4932902 256 | 7000230 51 | 70004773 170 | 70022564 223 |
| 4932903 256 | 70002373 223 | 70004774 170 | 70023371 223, 231 |
| 4932904 258 | 70002411 68, 69 | 70004775 170 | 70023373 231 |
| 4932905 257, 282 | 70002412 231 | 70005230 183 | 7002821 ... 287, 293, 300, 312 |
| 4932914 257, 282 | 7000242 51 | 7000625 147, 152, 158 | 7002822 312 |
| | 7000246 51 | 70006369 217 | 7002823 ... 287, 293, 300, 312 |
| | 7000253 51 | 70006370 217 | 7002826 312 |
| | 70002530 68, 69 | 70006371 217 | 7002828 293, 300 |
| | 7000255 51 | 70006372 217 | |
| | 7000256 51 | 70006373 217 | |

SECTION 10 - SPECIAL OPTIONS

| | | | |
|----------------------------------|----------------------------------|-------------------------|----------------------------------|
| 7002840.....11, 15, 311, 312 | 7007416.....76 | 7007933.....27 | 7012702.....33 |
| 7003657.....71 | 7007417.....76 | 7007934.....53 | 7012703.....33 |
| 7003886.....174 | 7007419.....76 | 7007970.....27, 53 | 7012704.....33 |
| 7003928.....163, 165, 167 | 7007420.....76 | 7007977.....27, 53 | 7012705.....33 |
| 7003933.....179 | 7007421.....76 | 7007979.....27, 53 | 7012706.....33 |
| 7003935.....177, 179 | 7007423.....76 | 7007980.....27, 53 | 7012707.....33 |
| 7003941.....177, 179, 181 | 7007424.....76 | 7007983.....27, 53 | 7012708.....33 |
| 7003946.....173, 177, 179 | 7007425.....31, 76 | 7007985.....27, 53 | 7012709.....33 |
| 7003951.....161 | 7007426.....31 | 7007986.....27 | 7012710.....33 |
| 7003952.....163 | 7007427.....31 | 7007987.....27, 53 | 7012711.....33 |
| 7003953.....163, 165 | 7007428.....31 | 7008833.....59, 65, 285 | 7012712.....33 |
| 7003956.....161, 163 | 7007429.....31 | 7008835.....59, 65 | 7012713.....33 |
| 7003957.....161, 173 | 7007430.....31 | 7008836.....59, 65, 285 | 7012714.....33 |
| 7003958.....161 | 7007431.....31 | 7010103.....81 | 7012715.....33 |
| 7003959.....161 | 7007434.....31 | 7010104.....81 | 7012716.....33 |
| 7003960.....161 | 7007435.....76 | 7010105.....81 | 7012768.....308 |
| 7003961.....161 | 7007436.....76 | 7010108.....31 | 7012769.....43, 44 |
| 7003963.....173 | 7007437.....31, 76 | 7010109.....31 | 7012772...43, 44, 47, 308 |
| 7003966.....173 | 7007438.....31, 76 | 7010110.....31 | 7012773.....43, 44, 47 |
| 7003967.....173 | 7007439.....31, 76 | 7010111.....31 | 7012774.....44, 47 |
| 7003968.....173 | 7007440.....76 | 7010112.....31 | 7012775.....43, 44 |
| 7003969.....177, 179 | 7007441.....76 | 7010113.....31 | 7012776.....47 |
| 7003972....173, 177, 179, 181 | 7007442.....76 | 7010114.....31 | 7012799.....44 |
| 7003973....173, 177, 179, 181 | 7007444.....76 | 7010115.....31 | 7012905.....40, 245 |
| 7003974....161, 163, 173 | 7007445.....76 | 7010116.....31 | 7012907.....39 |
| 7003976....161, 163, 165 | 7007446.....31 | 7010117.....31 | 7012914.....43, 44 |
| 7003977....161, 163, 165 | 7007449.....76 | 7010118.....31 | 7012918.....43, 44 |
| 7003978.....173 | 7007453.....76 | 7010119.....31 | 7012941.....39 |
| 7003980....177, 179, 181 | 7007454.....76 | 7010120.....77 | 7012944..39, 40, 43, 245, 308 |
| 7003981.....173 | 7007456.....77 | 7010121.....77 | 7012953..39, 43, 47, 135, 209 |
| 7003982.....173, 181 | 7007458.....77 | 7010122.....77 | 7012954.....39 |
| 7003983....177, 179, 181 | 7007459.....31, 77 | 7010474.....51 | 7012959.....39 |
| 7003984.....173 | 7007461.....77 | 7010488.....51 | 7012961.....39, 209 |
| 7003985.....174 | 7007463.....77 | 7010492.....51 | 7012965.....47 |
| 7003986.....179 | 7007466.....77 | 7010494.....51 | 7012967.....43, 44 |
| 7003989....177, 179, 181 | 7007468.....77 | 7010542.....43, 44 | 7012969.....44 |
| 7003992....163, 165, 177, 179 | 7007469.....77 | 7010543.....43, 44 | 7012970.....135 |
| 7003993....163, 165, 177, 179 | 7007470.....77 | 7011112...198, 201, 203 | 7012972.....40, 245 |
| 7003994.....179 | 7007471.....77 | 7011185.....235 | 7012974.....40, 245 |
| 7004275.....312 | 7007472.....77 | 7011328.....39 | 7012980.....13, 16 |
| 7004276.....312 | 7007474.....77 | 7011331.....129 | 7012987.....81 |
| 7005841.....57 | 7007475.....77 | 7011332.....129 | 7012988.....81 |
| 7005842.....57 | 7007476.....77 | 7011346.....130 | 7012989.....43 |
| 7005845.....57 | 7007477.....77 | 7011712.....27 | 7012992.....16 |
| 7005848.....57 | 7007478.....77 | 7011713.....27, 53 | 7012993.....13, 16 |
| 7005881.....57 | 7007482.....77 | 7011714.....27, 53 | 7012994.....16 |
| 7005882.....57 | 7007483.....77 | 7011715.....27, 53 | 7012998.....43, 44, 47 |
| 7005889.....57 | 7007484.....77 | 7011716.....27, 53 | 7013187.....85 |
| 7005890.....57 | 7007485.....77 | 7011717.....27, 53 | 7013711.....39 |
| 7005891.....57 | 7007486.....77 | 7011719.....53 | 7013755.....39 |
| 7005892.....57 | 7007487.....77 | 7011720.....53 | 7013796.....39 |
| 7005893.....57 | 7007488.....77 | 7012442.....13 | 7013799.....39 |
| 7005894.....57 | 7007489.....81 | 7012513.....71 | 7014676.....312 |
| 7005895.....57 | 7007490.....77 | 7012514.....71 | 7014700.....25 |
| 7006140.....126, 308 | 7007491.....77 | 7012518.....43 | 7014701.....25 |
| 7006151.....126 | 7007492.....77 | 7012558.....71 | 7014702.....25 |
| 7006152....121, 126, 308 | 7007494.....77 | 7012560.....87 | 7014709.....25 |
| 7006158.....126 | 7007496.....77 | 7012599.....61, 68 | 7014710.....25 |
| 7006161.....126 | 700749777, 285, 292, 298 | 7012611.....87, 152 | 7014711.....25 |
| 7007208.....76 | 700749877, 285, 292, 299 | 7012612.....87, 152 | 7014712.....25 |
| 7007412.....77 | 7007499.....77 | 7012664.....59, 65, 308 | 7014713.....25 |
| 7007413.....76 | 7007633.....51 | 7012693.....11, 15 | 7014714.....25 |
| 7007414.....76 | 7007914.....53 | 7012694.....39 | 7014715.....25 |
| | 7007923.....27, 53 | 7012698.....61 | 7014716.....25 |
| | 7007924.....27 | 7012699.....39 | |
| | | 7012700.....33 | |
| | | 7012701.....33 | |

SECTION 10 - SPECIAL OPTIONS

| | | | | | | | |
|---------------|-------------------------|---------------|-------------------------|--------------|---------------|---------------|--------------------|
| 7014717 | 25 | 7016803 | 60, 66 | 7019123..... | 161, 163, 165 | 7020418 | 62 |
| 7014718 | 25 | 7016804 | 60, 67 | 7019141..... | 163, 165 | 7020419 | 62, 68 |
| 7014719 | 25 | 7016805 | 60 | 7019142..... | 163, 165 | 7020425 | 68 |
| 7014720 | 25 | 7016812 | 60, 66 | 7019143..... | 163, 165 | 7020427 | 61, 68 |
| 7014721 | 25 | 7017089 | 51 | 7019144..... | 163, 165 | 7020431 | 62, 68 |
| 7014722 | 25 | 7017101 | 129 | 7019145..... | 163, 165 | 7020449 | 69 |
| 7014723 | 25 | 7017102 | 129 | 7019147..... | 163, 165 | 7020458 | 69 |
| 7014724 | 25 | 7017106 | 130 | 7019149..... | 163, 165 | 7020461 | 68 |
| 7014725 | 25 | 7017115 | 129 | 7019150..... | 163, 165 | 7020462 | 69 |
| 7014726 | 25 | 7017116 | 129 | 7019151..... | 177, 179 | 7020463 | 68, 69 |
| 7014727 | 25 | 7017117 | 129 | 7019153..... | 177 | 7020464 | 68 |
| 7014728 | 25 | 7017118 | 130 | 7019154..... | 177, 179 | 7020465 | 68, 69 |
| 7014729 | 25 | 7017119 | 129 | 7019155..... | 177, 179 | 7020468 | 69 |
| 7014730 | 25 | 7017142 | 130 | 7019156..... | 177 | 7020471 | 68, 69 |
| 7014731 | 25 | 7017156 | 130 | 7019157..... | 177 | 7020474 | 69 |
| 7014800 | 83 | 7017157 | 130 | 7019158..... | 177 | 7020477 | 62, 68 |
| 7014801 | 83 | 7017158 | 130, 133 | 7019159..... | 177 | 7020479 | 68 |
| 7014802 | 83 | 7017159 | 130, 133 | 7019160..... | 173, 177, 179 | 7020480 | 69 |
| 7014803 | 83 | 7017162 | 129, 133 | 7019161..... | 177, 179 | 7020487 | 68 |
| 7014810 | 83, 308 | 7017163 | 129, 133 | 7019162..... | 177, 179, 181 | 7021214 | 77 |
| 7014811 | 83 | 7017164 | 129, 133 | 7019163..... | 177 | 7021310 | 44 |
| 7016206 | 22 | 7017174 | 129 | 7019164..... | 177, 179, 181 | 7021657 | 16 |
| 7016309 | 61 | 7017177 | 129 | 7019165..... | 177, 179, 181 | 7022203 | 39 |
| 7016312 | 39, 308 | 7017183 | 129, 133 | 7019166..... | 177, 179, 308 | 7022808 ... | 163, 165, 167 |
| 7016313 | 40, 308 | 7017193 | 129, 133 | 7019167..... | 177, 179, 181 | 7022810 | 177 |
| 7016314 | 83 | 7017410 | 43 | 7019168..... | 177, 179 | 7022811 | 161, 163 |
| 7016315 | 87, 152 | 7017411 | 43 | 7019171..... | 165 | 7022812 | 179 |
| 7016322 | 99 | 7017418 | 43 | 7019174..... | 163, 165 | 7022813 | 161, 163 |
| 7016328 | 68, 308 | 7017420 | 44, 47 | 7019177..... | 165 | 7022814 | 165 |
| 7016330 | 61, 68 | 7017421 | 47 | 7019192..... | 161 | 7022815 | 165, 167 |
| 7016331 | 61, 68, 308 | 7017422 | 47 | 7019193..... | 161 | 7022816 | 165 |
| 7016332 | 61, 68 | 7017423 | 44 | 7019194..... | 177, 179, 181 | 7022817 | 165 |
| 7016336 | 285 | 7017427 | 43 | 7019197..... | 163, 165 | 7022818 | 165, 308 |
| 7016342 | 85 | 7017428 | 43, 44 | 7019607..... | 61, 68 | 7022819 ... | 165, 167, 292, 299 |
| 7016346 | 152 | 7018602 | 27, 53 | 7019658..... | 61, 67, 83 | 7022822 | 179 |
| 7016374 | 99 | 7018603 | 27, 53 | 7020023..... | 61 | 7022823 | 179 |
| 7016380 | 95 | 7018605 | 27, 53 | 7020025..... | 68 | 7022824 | 179, 308 |
| 7016399 ... | 145, 148, 287, 293, 300 | 7018606 | 27, 53 | 7020027..... | 68, 69 | 7022825 | 292, 299 |
| 7016422 | 57 | 7018607 | 27, 53 | 7020057..... | 189 | 7023331 | 189 |
| 7016423 | 57 | 7018608 | 28, 54 | 7020058..... | 189 | 7023332 | 189 |
| 7016424 | 57 | 7018609 | 27, 53 | 7020059..... | 189 | 7023333 | 189 |
| 7016425 | 57 | 7018612 | 28, 54 | 7020108..... | 71 | 7023340 | 59, 66 |
| 7016426 | 57 | 7018912 | 43, 44, 47 | 7020109..... | 71 | 7024036 | 33 |
| 7016427 | 57 | 7018942 | 47 | 7020110..... | 71 | 7024100 | 51 |
| 7016502 | 121, 308 | 7018945 | 47 | 7020111..... | 71 | 7024398 | 68 |
| 7016510 | 121 | 7018946 | 47 | 7020135..... | 22 | 7024560 | 68 |
| 7016519 | 126 | 7018948 | 47 | 7020168..... | 69 | 7024565 | 62, 69 |
| 7016521 | 126 | 7018952 | 44 | 7020175..... | 87, 152, 158 | 7024598 | 99 |
| 7016652 | 143, 312 | 7019103 | 177, 179 | 7020176..... | 87, 152, 158 | 7026199 | 71 |
| 7016654 | 312 | 7019104 | 161 | 7020190..... | 71 | 7026522 | 69 |
| 7016655 | 312 | 7019110 | 177, 179 | 7020191..... | 72 | 7026607 | 69 |
| 7016700 | 39 | 7019111 ... | 161, 163, 165, 177, 179 | 7020192..... | 72 | 7026608 | 68 |
| 7016701 | 39 | 7019112 | 177, 179 | 7020193..... | 71 | 7026631 | 68 |
| 7016702 | 39 | 7019114 | 179 | 7020246..... | 91 | 7027250 | 62, 68 |
| 7016744 | 39 | 7019115 | 177, 179 | 7020404..... | 62, 68 | 7027887 | 72 |
| 7016800 | 60, 66 | 7019117 | 177 | 7020408..... | 62, 69 | 8320270 | 68 |
| 7016802 | 60, 66 | 7019122 ... | 161, 163, 165 | 7020411..... | 61, 69 | 8896941 | 287, 312 |
| | | | | 7020414..... | 68 | | |



3120841



An Oshkosh Corporation Company

Corporate Office
JLG Industries, Inc.
1 JLG Drive
McConnellsburg, PA 17233-9533 USA
☎ (717) 485-5161 (Corporate)
☎ (877) 554-5438 (Customer Support)
☎ (717) 485-6417

Visit our website for JLG Worldwide Locations.
www.jlg.com