



Illustrated Parts Manual

Models **600A** **600AJ**

SN 0300069000 to
SN 0300087000

P/N
3121177

January 31, 2019 - Rev AJ

ANSI

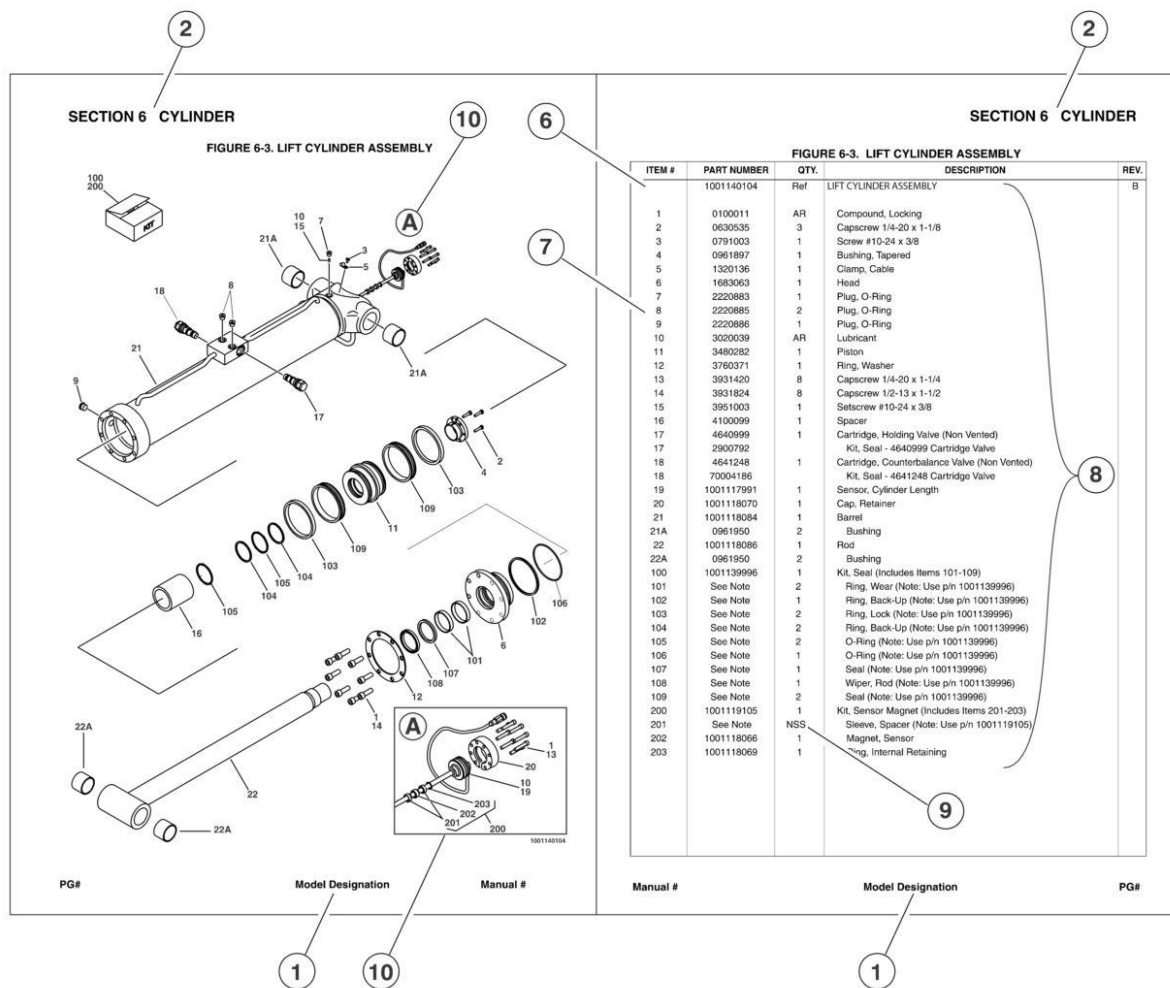


An Oshkosh Corporation Company

REVISION LOG

March 6, 2003 - A - Original Issue of Manual (Manual edited to 0010577 Revision 27)
June 16, 2003 - B - Revised Manual (Edited to 0010577 Revision 31)
September 12, 2003 - C - Revised Manual (Edited to 0010577 Revision 37)
January 12, 2004 - D - Revised Manual (Edited to 0010577 Revision 39)
May 5, 2004 - E - Revised Manual (Edited to 0010577 Revision 42)
September 9, 2004 - F - Revised Manual (Edited to 0010577 Revision 44)
December 6, 2004 - G - Revised Manual (Edited to 0010577 Revision 50 & 0010629 Rev 3)
April 12, 2005 - H - Revised Manual (Edited to 0010577 Revision 51 & 0010629 Rev 11)
June 1, 2005 - I - Revised Manual (Edited to 0010577 Revision 51 & 0010629 Rev 14)
August 26, 2005 - J - Revised Manual (Edited to 0010577 Revision 51 & 0010629 Rev 17)
November 15, 2005 - K - Revised Manual
April 18, 2006 - L - Revised Manual
July 19, 2006 - M - Revised Manual
December 12, 2006 - N - Revised Manual
May 1, 2007 - O - Revised Manual
August 16, 2007 - P - Revised Manual
December 4, 2007 - Q - Revised Manual
March 31, 2008 - R - Revised Manual
September 15, 2008 - S - Revised Manual
February 15, 2009 - T - Revised Manual
August 1, 2009 - U - Revised Manual
March 25, 2010 - V - Revised Manual
August 15, 2010 - W - Revised Manual
February 24, 2011 - X - Revised Manual
May 27, 2011 - Y - Revised Manual
August 29, 2011 - Z - Revised Manual
December 23, 2011 - AA - Revised Manual
April 27, 2012 - AB - Revised Manual
July 24, 2012 - AC - Revised Manual
November 2, 2012 - AD - Revised Manual
March 7, 2013 - AE - Revised Manual
June 6, 2013 - AF - Revised Manual
September 1, 2013 - AG - Revised Manual
June 1, 2015 - AH - Revised Manual
December 14, 2015 - AI - Revised Manual (Revision 4)
January 31, 2019 - AJ - Revised Manual

GENERAL INFORMATION



1) MACHINE IDENTIFICATION

Machines are identified by model and in some cases a combination of models, serial number (SN) or regional standard (i.e. ANSI, CE, CSA). Components may also be identified by SN or manufacturer. Common components that may be identified by these characteristics are engines and hydraulic components.

2) PARTS MANUAL ORGANIZATION

Product information in this manual is organized under section titles. Frame, Cylinder, Hydraulic and Electrical are a few examples. Each section is organized by figure and page number. The information within the Figure is then organized by item number, part number, description and corresponding illustration(s).

3) TABLE OF CONTENTS

A table of contents is found toward the beginning of the manual. Figure number, description and page number are provided for quick reference to the page containing the related information.

4) RECOMMENDED SPARE PARTS

The Recommended Spare Parts, located near the end of the manual, reference most frequently used maintenance parts.

5) PART NUMBER INDEX

A numerical index listing all part numbers and the corresponding page number(s) appears at the back of the manual.

GENERAL INFORMATION

6) NON-SERVICED PARTS

In some instances, it is necessary to display non-serviced parts, assemblies or installations. In the case of assemblies and installations there will be a Ref in the Qty column. In case of parts that are not available for service within assemblies or components, there will be a NSS (Not Sold Separately) or NLA (No Longer Available) listed in the Qty. column of the manual.

7) PARTS LIST ITEM NUMBERS

Numbers shown in the item# column correspond to numbers used in the associated illustration (s). Item numbers which are missing from the sequence in the parts list are not used on that page

8) INDENTED PARTS DESCRIPTION

An indented part description is included in the item under which it is indented.

9) ABB REVIATION AND SYMBOLS

AC.....	.. Alternating Current	LCD Liquid Crystal Display
ADE.....	.. Advanced Design Electronics	LED Light Emitting Diodes
ANSI American National Standards Institute	LH.....	.. Left Hand
AR.....	.. As Required	LSS Load Sensing System
ASSY Assembly	M(m).....	.. Metric/Meter
AUX.....	.. A uxiliary	MM (mm) Milimeter
AWG.....	.. American WireG auge	mA.....	.. Miliamps
B/M.....	.. Bill of Material	NLA.....	.. No Longer A vailable
CE.....	.. European Conformity	NPT National Pipe Threads
CCW Counter Clockwise	NSS Not So ld Separately
cm.....	.. Centimet er	OD.....	.. Outside Diameter
CW Clockwise	ORB.....	.. O-Ring Boss
CSA.....	.. Canadian Standards Association	ORFS.....	.. O-Ring Face Seal
CYL.....	.. Cylinder	OZ (oz).....	.. Ounces
DIA.....	.. Diameter	PG Page
DC.....	.. Direct Current	P/N.....	.. Part Num ber
EMS Emergency Stop	qt.....	.. Quarts
ENG Engine	QTY.....	.. Quantity
FT (ft).....	.. Feet	REF Reference
GA (Ga).....	.. G auge	REV Revision Level
HYD.....	.. Hydraulic	RH.....	.. Right Hand
Hz.....	.. Her tz	SAE.....	.. Society of A utomotive E ngineers
ID.....	.. Inside Diameter	SN.....	.. Serial Number
in.....	.. inches	SPEC(S).....	.. Specifications
ISO.....	.. I nternational Organ ization for Stand ards	T/T.....	.. T urntable
JIC.....	.. Joint Indust ry Council	UGM Univ ersal G round Module
KG Kilogram	V.....	.. Volts
L.....	.. Liter	W.....	.. Watts
LB P ounds	#.....	.. Number

10) ILLUSTRATION REFERENCE LETTERS

When necessary, illustrations may contain reference letters that are intended to track information (i. e. hoses, harnesses) from one point to another or to track visual enlargement of components to show details that may be located in another area on the illustration.

Note: Due to continuous product improvements, JLG Industries, Inc. reserves the right to make specification changes without prior notification. Contact JLG Industries, Inc. for updated information.

TABLE OF CONTENTS

SECTION 1 - FRAME.....	11
FIGURE 1-1. 2WD FRONT AXLE AND STEERING INSTALLATIONS (SN 0300069000 through 0300081835).....	12
FIGURE 1-2. 2WD FRONT AXLE AND STEERING INSTALLATIONS (SN 0300081836 through 0300087000).....	16
FIGURE 1-3. 4WD FRONT AXLE AND STEERING INSTALLATIONS (SN 0300069000 through 0300081835).....	20
FIGURE 1-4. 4WD FRONT AXLE AND STEERING INSTALLATIONS (SN 0300081836 through 0300087000).....	24
FIGURE 1-5. 4WS REAR STEERING INSTALLATIONS (SN 0300069000 through 0300081835).....	28
FIGURE 1-6. 4WS REAR STEERING INSTALLATIONS (SN 0300081836 through 0300087000).....	30
FIGURE 1-7. TIRE AND WHEEL DRIVE INSTALLATIONS.....	32
FIGURE 1-8. DRIVE HUB ASSEMBLY (SN 0300069000 through 0300081835).....	36
FIGURE 1-9. DRIVE HUB/BRAKE ASSEMBLY (SN 0300081836 through 0300087000).....	38
FIGURE 1-10. DRIVE MOTOR ASSEMBLY (2WD MACHINES) (SN 0300069000 through 0300071019).....	42
FIGURE 1-11. DRIVE MOTOR ASSEMBLY (2WD MACHINES) (SN 0300071020 through 0300081835).....	44
FIGURE 1-12. DRIVE MOTOR ASSEMBLY (4WD MACHINES) (SN 0300069000 through 0300081835).....	46
FIGURE 1-13. DRIVE MOTOR ASSEMBLY (2WD & 4WD MACHINES) (ORIGINAL EQUIPMENT) (SN 0300081836 through 0300087000).....	48
FIGURE 1-14. DRIVE MOTOR ASSEMBLY (2WD & 4WD MACHINES) (SERVICE REPLACEMENT).....	52
FIGURE 1-15. DRIVE VALVES AND SHIELDS INSTALLATION (FRAME MOUNTED) (SN 0300069000 through 0300081835).....	54
FIGURE 1-16. DRIVE VALVES AND SHIELDS INSTALLATION (FRAME MOUNTED) (SN 0300081836 through 0300087000).....	56
FIGURE 1-17. TOW PACKAGE INSTALLATION (OPTIONAL) (SN 0300069000 through 0300081835).....	60
FIGURE 1-18. TOW PACKAGE INSTALLATION (OPTIONAL) (SN 0300081836 through 0300087000).....	64
SECTION 2 - TURNTABLE.....	67
FIGURE 2-1. CONTROL VALVES INSTALLATIONS.....	68
FIGURE 2-2. MAIN VALVE BLOCK ASSEMBLY.....	74
FIGURE 2-3. ACCESSORY VALVE ASSEMBLIES.....	78
FIGURE 2-4. SWING DRIVE, TURNTABLE BEARING AND LOCK INSTALLATIONS.....	80
FIGURE 2-5. SWING HUB ASSEMBLY.....	82
FIGURE 2-6. SWING MOTOR ASSEMBLY.....	84
FIGURE 2-7. CATERPILLAR ENGINE INSTALLATION.....	86
FIGURE 2-8. DEUTZ ENGINE INSTALLATION (SN 0300069000 through 0300077489).....	94
FIGURE 2-9. DEUTZ ENGINE INSTALLATION (SN 0300077490 through 0300087000).....	102
FIGURE 2-10. FORD ENGINE INSTALLATION - LRG-425 (SN 0300069000 through 0300079887).....	110
FIGURE 2-11. DUAL FUEL INSTALLATION (OPTIONAL - FORD ENGINE MACHINES).....	118
FIGURE 2-12. FORD ENGINE INSTALLATION - LRG-425 (SN 0300079888 through 0300087000).....	120
FIGURE 2-13. PISTON PUMP ASSEMBLY (SN 0300069000 through 0300079887).....	126
FIGURE 2-14. PISTON PUMP ASSEMBLY (SN 0300079888 through 0300087000).....	132
FIGURE 2-15. GEAR PUMP ASSEMBLY.....	136
FIGURE 2-16. TANK INSTALLATIONS.....	138
FIGURE 2-17. ROTARY COUPLING INSTALLATIONS (SN 0300069000 through 0300081835).....	142
FIGURE 2-18. ROTARY COUPLING INSTALLATIONS (SN 0300081836 through 0300087000).....	144
FIGURE 2-19. GROUND CONTROL BOX ASSEMBLIES.....	148
FIGURE 2-20. ELECTRICAL OPTIONS INSTALLATIONS (TURNTABLE MOUNTED).....	152
FIGURE 2-21. ENGINE TRAY JACK INSTALLATIONS (OPTIONAL).....	156
FIGURE 2-22. HOODS INSTALLATIONS.....	158
FIGURE 2-23. 2500W GENERATOR INSTALLATION - CATERPILLAR MACHINES (OPTIONAL).....	162

TABLE OF CONTENTS

FIGURE 2-24. 2500W GENERATOR INSTALLATION - DEUTZ MACHINES (OPTIONAL).....	166
FIGURE 2-25. 2500W GENERATOR INSTALLATION - FORD MACHINES (OPTIONAL) (SN 0300069000 through 0300079887)	170
FIGURE 2-26. 2500W GENERATOR INSTALLATION - FORD MACHINES (OPTIONAL) (SN 0300079888 through 0300087000)	174
FIGURE 2-27. 7500W SKYPOWER GENERATOR INSTALLATION - CATERPILLAR AND DEUTZ ENGINES	178
FIGURE 2-28. 7500W SKYPOWER GENERATOR INSTALLATION - FORD ENGINES	184
SECTION 3 - BOOM.....	189
FIGURE 3-1. BOOMS AND CYLINDERS INSTALLATION - 600A	190
FIGURE 3-2. BOOMS AND CYLINDERS INSTALLATION - 600AJ	194
FIGURE 3-3. TOWER BOOM ASSEMBLIES.....	200
FIGURE 3-4. MAIN BOOM ASSEMBLIES	204
FIGURE 3-5. ROTATOR ASSEMBLIES (FRONT ENTRY PLATFORM)	208
FIGURE 3-6. ROTATOR ASSEMBLIES (SIDE ENTRY PLATFORM)	212
FIGURE 3-7. VALVES AND SWITCHES INSTALLATION (BOOM MOUNTED)	214
SECTION 4 - PLATFORM.....	217
FIGURE 4-1. PLATFORM ASSEMBLIES (FRONT ENTRY PLATFORM)	218
FIGURE 4-2. PLATFORM ASSEMBLIES - SIDE ENTRY.....	222
FIGURE 4-3. PLATFORM COMPONENTS INSTALLATION (FALL ARREST PLATFORM)	226
FIGURE 4-4. PLATFORM CONSOLE ASSEMBLY	228
FIGURE 4-5. CONTROLLER ASSEMBLY (LIFT AND SWING)	232
FIGURE 4-6. CONTROLLER ASSEMBLY (LIFT AND SWING)	234
FIGURE 4-7. CONTROLLER ASSEMBLY (LIFT AND SWING)	236
FIGURE 4-8. CONTROLLER ASSEMBLY (DRIVE AND STEER)	240
FIGURE 4-9. CONTROLLER ASSEMBLY (DRIVE AND STEER)	242
FIGURE 4-10. CONTROLLER ASSEMBLY (DRIVE AND STEER)	244
FIGURE 4-11. SOFT TOUCH SYSTEM INSTALLATION (OPTIONAL).....	246
FIGURE 4-12. PLATFORM PADDING INSTALLATION (SIDE ENTRY PLATFORM) (OPTIONAL).....	248
SECTION 5 - CYLINDER.....	251
FIGURE 5-1. AXLE LOCKOUT CYLINDER ASSEMBLY (SN 0300069000 through 0300081835).....	252
FIGURE 5-2. AXLE LOCKOUT CYLINDER ASSEMBLY (SN 0300081836 through 0300087000).....	254
FIGURE 5-3. PLATFORM LEVEL CYLINDER ASSEMBLY (ORIGINAL EQUIPMENT)	256
FIGURE 5-4. LEVEL CYLINDER ASSEMBLY - PLATFORM SLAVE (600A) (SERVICE REPLACEMENT).....	260
FIGURE 5-5. LEVEL CYLINDER ASSEMBLY - PLATFORM SLAVE (600AJ) (SERVICE REPLACEMENT)	262
FIGURE 5-6. LEVEL CYLINDER ASSEMBLY - UPRIGHT	264
FIGURE 5-7. LEVEL CYLINDER ASSEMBLY - UPRIGHT (SERVICE REPLACEMENT)	266
FIGURE 5-8. LIFT CYLINDER ASSEMBLY - ARTICULATING JIB - 600AJ	268
FIGURE 5-9. LIFT CYLINDER ASSEMBLY - ARTICULATING JIB - 600AJ (SERVICE REPLACEMENT)	270
FIGURE 5-10. LIFT CYLINDER ASSEMBLY - ARTICULATING JIB - 600AJ (SERVICE REPLACEMENT)	272
FIGURE 5-11. LIFT CYLINDER ASSEMBLY - MAIN BOOM (ORIGINAL EQUIPMENT)	274
FIGURE 5-12. LIFT CYLINDER ASSEMBLY - MAIN BOOM (SERVICE REPLACEMENT)	276
FIGURE 5-13. LIFT CYLINDER ASSEMBLY - TOWER BOOM (ORIGINAL EQUIPMENT).....	278
FIGURE 5-14. LIFT CYLINDER ASSEMBLY - TOWER BOOM (SERVICE REPLACEMENT).....	280
FIGURE 5-15. MASTER CYLINDER ASSEMBLY (ORIGINAL EQUIPMENT).....	282

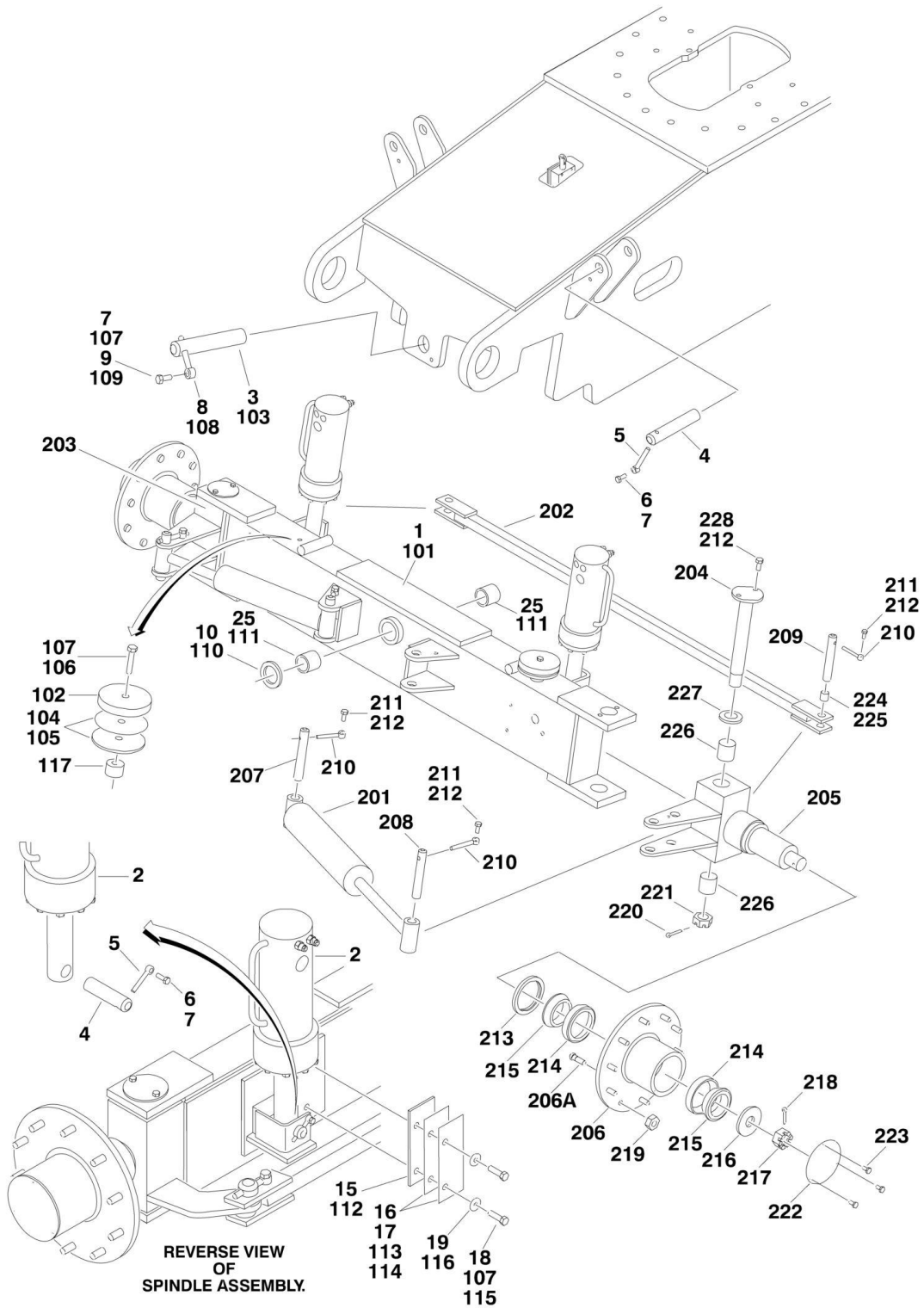
TABLE OF CONTENTS

FIGURE 5-16. MASTER CYLINDER ASSEMBLY - 600A (SERVICE REPLACEMENT)	286
FIGURE 5-17. MASTER CYLINDER ASSEMBLY - 600AJ (SERVICE REPLACEMENT).....	288
FIGURE 5-18. STEER CYLINDER ASSEMBLY.....	290
FIGURE 5-19. TELESCOPE CYLINDER ASSEMBLY - MAIN BOOM (ORIGINAL EQUIPMENT).....	292
FIGURE 5-20. TELESCOPE CYLINDER ASSEMBLY - MAIN BOOM (600A) (SERVICE REPLACEMENT).....	294
FIGURE 5-21. TELESCOPE CYLINDER ASSEMBLY - MAIN BOOM (600AJ) (SERVICE REPLACEMENT).....	296
FIGURE 5-22. TELESCOPE CYLINDER ASSEMBLY - TOWER BOOM (ORIGINAL EQUIPMENT)	298
FIGURE 5-23. TELESCOPE CYLINDER ASSEMBLY - TOWER BOOM (SERVICE REPLACEMENT).....	300
FIGURE 5-24. CYLINDER BELLOWS INSTALLATION (OPTIONAL).....	302
SECTION 6 - HYDRAULIC	305
FIGURE 6-1. DRIVE HYDRAULIC DIAGRAM - 2WD/2WS (SN 0300069000 through 0300081835).....	306
FIGURE 6-2. DRIVE HYDRAULIC DIAGRAM - 2WD/2WS (SN 0300081836 through 0300087000).....	308
FIGURE 6-3. DRIVE HYDRAULIC DIAGRAM - 4WD/2WS (SN 0300069000 through 0300081835).....	310
FIGURE 6-4. DRIVE HYDRAULIC DIAGRAM - 4WD/2WS (SN 0300081836 through 0300087000).....	314
FIGURE 6-5. HYDRAULIC DIAGRAM - OSCILLATING AXLE (SN 0300069000 through 0300081835)	316
FIGURE 6-6. HYDRAULIC DIAGRAM - OSCILLATING AXLE (SN 0300081836 through 0300087000)	318
FIGURE 6-7. HYDRAULIC DIAGRAM - STANDARD (SN 0300069000 through 0300081835).....	320
FIGURE 6-8. HYDRAULIC DIAGRAM - STANDARD (SN 0300081836 through 0300087000).....	324
FIGURE 6-9. HYDRAULIC DIAGRAM LIST	328
SECTION 7 - ELECTRICAL	329
FIGURE 7-1. ELECTRICAL DIAGRAM LIST.....	330
FIGURE 7-2. ELECTRICAL SCHEMATIC - DEUTZ AND ALL CATERPILLAR AND FORD (SN 0300069000 through 0300084828)	332
FIGURE 7-3. ELECTRICAL SCHEMATIC - DEUTZ ENGINE (SN 0300084827 through 0300087000).....	338
FIGURE 7-4. HARNESS COMPONENTS INSTALLATION.....	342
SECTION 8 - DECALS.....	353
FIGURE 8-1. DECAL INSTALLATION - ANSI SPEC (SN 0300069000 through 0300086149)	354
FIGURE 8-2. DECAL INSTALLATION - ANSI SPEC (SN 0300086150 through 0300087000)	358
FIGURE 8-3. DECAL INSTALLATION (COUNTRY SPECS) (SN 0300069000 through 0300086149)	362
FIGURE 8-4. DECAL INSTALLATION (COUNTRY SPECS) (SN 0300086150 through 0300087000)	368
SECTION 9 - RECOMMENDED SERVICE PARTS STOCK	373
FIGURE 9-1. MODEL 600A/600AJ STANDARD PARTS	374
FIGURE 9-2. MODEL 600A/600AJ VARIABLE PARTS	376
SECTION 10 - SPECIAL OPTIONS.....	377
FIGURE 10-1. SPECIAL OPTIONS.....	378
PART NUMBER INDEX	383

SECTION 1 - FRAME

SECTION 1 - FRAME

FIGURE 1-1. 2WD FRONT AXLE AND STEERING INSTALLATIONS (SN 0300069000 through 0300081835)



SECTION 1 - FRAME

FIGURE 1-1. 2WD FRONT AXLE AND STEERING INSTALLATIONS (SN 0300069000 through 0300081835)

ITEM	PART NUMBER	QTY	DESCRIPTION	REV
		Ref	AXLE INSTALLATIONS - OSCILLATING	
	0256398	Ref	8ft/2.4m Wide Machines	3
	0256397	Ref	7ft/2.1m Wide Machines	4
1		Ref	Axle Weldment Options:	
1	4844929	1	8ft/2.4m Wide Machine	
1	4844960	1	7ft/2.1m Wide Machine	
2	1683280	2	Lockout Cylinder Assembly (See CYLINDER SECTION for Breakdown)	
3	3422592	1	Pin, Pivot	
4	3422426	4	Pin, Cylinder	
5	3841143	4	Keeper, Pin	
6	0641608	4	Bolt 3/8in-16NC x 1in	
7	0100011	AR	Compound, Locking	
8	3841258	1	Keeper, Pin	
9	0642012	1	Bolt 5/8in-11NC x 1-1/2in	
10	4740158	1	Thrustwasher	
15	3538047	2	Plate, Wear	
16	4070878	4	Shim, (.06)	
17	4070879	4	Shim, (.12)	
18	0641612	4	Bolt 3/8in-16NC x 1-1/2in	
19	4711600	4	Flatwasher 3/8in Thin	
25	0961950	2	Bushing	
		Ref	AXLE INSTALLATIONS - FIXED	
	0256623	Ref	8ft/2.4m Wide Machines	3
	0256624	Ref	7ft/2.1m Wide Machines	2
101		Ref	Axle Weldment Options:	
101	4844929	1	8ft/2.4m Wide Machines	
101	4844960	1	7ft/2.1m Wide Machines	
102	3539877	2	Plate, Stop	
103	3422592	1	Pin, Pivot	
104	4070944	AR	Shim (.06)	
105	4070945	AR	Shim (.25)	
106	0641826	4	Bolt 1/2in-13NC x 3-1/4in	
107	0100019	AR	Compound, Locking	
108	3841258	1	Keeper, Pin	
109	0642012	1	Bolt 5/8in-11NC x 1-1/2in	
110	4740158	1	Thrustwasher	
111	0961950	2	Bushing	
112	3538047	2	Plate, Wear	
113	4070878	AR	Shim (.06)	
114	4070879	AR	Shim (.12)	
115	0641612	4	Bolt 3/8in-16NC x 1-1/2in	
116	4711600	4	Flatwasher 3/8in Thin	
117	3539879	2	Plate, Stop	
		Ref	STEERING INSTALLATIONS	
	0256388	Ref	8ft/2.4m Wide Machines	4
	0256391	Ref	7ft/2.1m Wide Machines	4
201		Ref	Steer Cylinder Assembly Options: (See CYLINDER SECTION for Breakdown)	

SECTION 1 - FRAME

ITEM	PART NUMBER	QTY	DESCRIPTION	REV
201	1683208	2	8ft/2.4m Wide Machines	
201	1683304	2	7ft/2.1m Wide Machines	
202		Ref	Tie-Rod Options:	
202	3841262	1	8ft/2.4m Wide Machines	
202	3841263	1	7ft/2.1m Wide Machines	
203	4130341	1	Spindle (Right Side)	
204	3422427	2	Kingpin	
205	4130340	1	Spindle (Left Side)	
206	2780212	2	Hub	
206A	0630490	16	Stud, Wheel (8 Per Hub)	
207	3422426	2	Pin	
208	3422429	2	Pin	
209	3422430	2	Pin	
210	3841143	6	Keeper	
211	0641608	6	Bolt 3/8in-16NC x 1in	
212	0100011	AR	Compound, Locking	
213	3960098	2	Seal	
214	0440019	4	Cone, Bearing	
215	0440018	4	Cup, Bearing	
216	4740016	2	Flatwasher, Hardened	
217	3323403	2	Nut, Slotted 1-1/2in-12NF	
218	3450810	2	Pin, Cotter 1/4in x 2-1/2in	
219	3300106	16	Lugnut 5/8in	
220	3451012	2	Pin, Cotter 1/4in x 3in	
221	3313403	2	Nut, Slotted 1-1/2in-6NC	
222	1120460	2	Cap, Hub	
223	0641404	6	Bolt 1/4in-20NC x 1/2in	
224	0962005	2	Bushing	
225	0100063	AR	Loctite, #RC609	
226	0962272	4	Bushing	
227	0440161	2	Thrustwasher	
228	0681608	4	Bolt 3/8in-16NC x 1in (Grade 8)	
	2890245	1	Wheel Bearing Retention Washer Replacement Kit (Includes Items 216 & 218)	

SECTION 1 - FRAME

FIGURE 1-2. 2WD FRONT AXLE AND STEERING INSTALLATIONS (SN 0300081836 through 0300087000)

ITEM	PART NUMBER	QTY	DESCRIPTION	REV
		Ref	AXLE INSTALLATIONS - OSCILLATING	
	0273954	Ref	8ft/2.4m Wide Machines without Tow Package	D
	0274234	Ref	8ft/2.4m Wide Machines with Tow Package	A
	0274047	Ref	7ft/2.1m Wide Machines without Tow Package	A
	0274256	Ref	7ft/2.1m Wide Machines with Tow Package	A
1	0100011	AR	Compound, Locking	
2		Ref	Axle Weldment Options:	
2	0280167	1	8ft/2.4m Wide Machine without Tow Package	
2	0280183	1	8ft/2.4m Wide Machine with Tow Package	
2	0280171	1	7ft/2.1m Wide Machine without Tow Package	
2	0280185	1	7ft/2.1m Wide Machine with Tow Package	
3	0641814	8	Bolt 1/2in-13NC x 1-3/4in	
4	0642012	1	Bolt 5/8in-11NC x 1-1/2in	
5	0961950	2	Bushing	
6	1684280	NLA	Lockout Cylinder Assembly (Use p/n 1001167359) (See CYLINDER SECTION for Breakdown) (Original Equipment)	
6	1001167359	2	Lockout Cylinder Assembly (See CYLINDER SECTION for Breakdown) (Service Replacement)	
7	3422592	1	Pin, Pivot	
8	3841258	1	Keeper, Pin	
9	4740158	1	Thrustwasher	
10	4891800	8	Flatwasher 1/2in Hardened	
14	4071101	AR	Shim	
		Ref	AXLE INSTALLATIONS - FIXED	
	0273959	Ref	8ft/2.4m Wide Machines	D
	0274054	Ref	7ft/2.1m Wide Machines	B
101	0100011	AR	Compound, Locking	
102		Ref	Axle Weldment Options:	
102	0280167	1	8ft/2.4m Wide Machines	
102	0280171	1	7ft/2.1m Wide Machines	
103		Ref	Bolt 1/2in-13NC Options:	
103	0641818	2	8ft/2.4m Wide Machines (2-1/4in Length)	
103	0641816	2	7ft/2.1m Wide Machines (2in Length)	
104	0642012	1	Bolt 5/8in-11NC x 1-1/2in	
105	0961950	2	Bushing	
106	3422592	1	Pin, Pivot	
107	3539877	2	Plate, Stop	
108	3841258	1	Keeper, Pin	
109		Ref	Shim Options:	
109	4070944	12	Shim (.06) for 8ft/2.4m Wide Machines	
109	4070945	2	Shim (.25) for 7ft/2.1m Wide Machines	
110	4740158	1	Thrustwasher	
111		Ref	Spacer Options:	
111	4740542	2	8ft/2.4m Wide Machines (SN 0300069000 through 0300084828)	
111	4071101	2	8ft/2.4m Wide Machines (SN 0300084829 through 0300087000)	
111	4740543	2	7ft/2.1m Wide Machines	
115	4071101	AR	Shim	
	0274132	Ref	STEERING INSTALLATION (8FT/2.4M WIDTH MACHINES)	B

SECTION 1 - FRAME

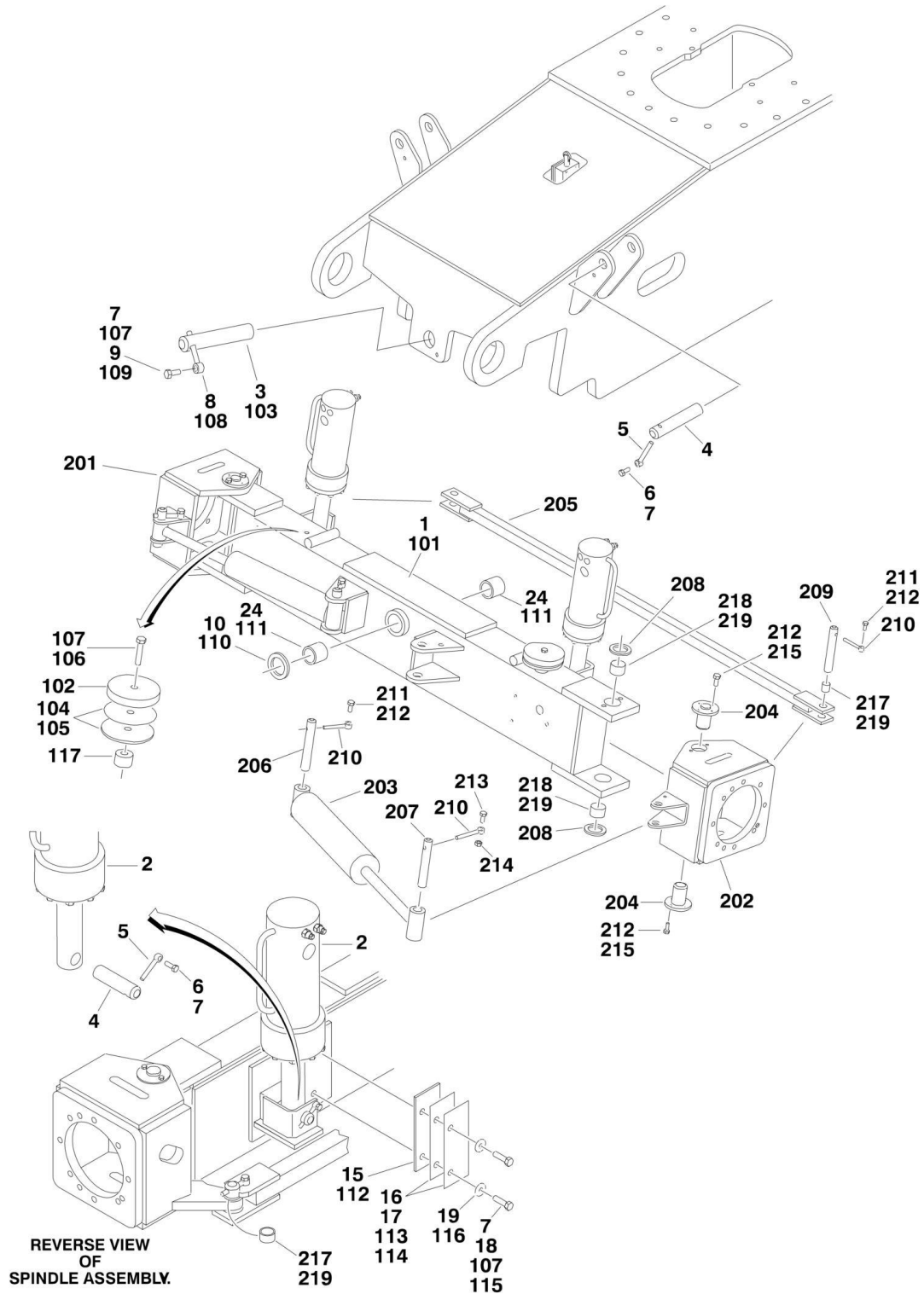
ITEM	PART NUMBER	QTY	DESCRIPTION	REV
201	0100011	AR	Compound, Locking	
202	0641608	6	Bolt 3/8in-16NC x 1in	
203	0642012	2	Bolt 5/8in-11NC x 1-1/2in	
204	0682020	12	Bolt 5/8in-11NC x 2-1/2in (Grade 8)	
205	0962005	2	Bushing	
206	0962131	4	Bushing	
207	1683208	2	Steer Cylinder Assembly (See CYLINDER SECTION for Breakdown)	
208	3272001	12	Nut 5/8in-11NC (Grade 8)	
209	3422426	2	Pin	
210	3422429	2	Pin	
211	3422430	2	Pin	
212	3422900	2	Kingpin	
213	3841143	6	Keeper	
214	3841258	2	Keeper	
215	3841285	1	Tie-Rod	
216	4130401	1	Spindle (Left Side)	
217	4130402	1	Spindle (Right Side)	
218	4130410	2	Hub Assembly (See Items 301-311 for Breakdown)	
219	4740256	2	Thrustwasher	
220	4740463	2	Thrustwasher	
221	4892000	2	Flatwasher 5/8in Hardened	
	4130410	Ref	HUB ASSEMBLY (8FT/2.4M WIDTH MACHINES)	A
		Ref	Note: Qty is Per Assembly	
301	0440170	2	Cone, Bearing	
302	0440171	2	Cup, Bearing	
303	0721003	3	Screw #10-24NC x 3/8in	
304	1120304	2	Cap, Hub	
305	2780271	1	Hub	
305A	0630490	9	Stud, Wheel	
306	3323403	1	Nut, Slotted 1-1/2in-12NF	
307	3451010	1	Pin, Cotter 5/16in x 2-1/2in	
308	3960343	1	Seal	
309	4130409	1	Adapter, Spindle	
310	4740283	1	Flatwasher, Hardened	
311	4761000	3	Lockwasher #10	
		Ref	STEERING INSTALLATION (7FT/2.1M WIDTH MACHINES)	
	0274257	Ref	2WS with 7ft/2.1m Wide Frame with Tow Package	B
	0274062	Ref	4WS with 7ft/2.1m Width Frame without Tow Package	G
401	0100011	AR	Compound, Locking	
402	0100063	AR	Loctite # RC609	
403	0440018	4	Cup, Bearing	
404	0440019	4	Cone, Bearing	
405	0440161	2	Thrustwasher	
406	0641404	6	Bolt 1/4in-20NC x 1/2in	
407	0641608	4	Bolt 3/8in-16NC x 1in	
408	0681608	4	Bolt 3/8in-16NC x 1in (Grade 8)	
409	0962005	4	Bushing	
410	0962272	4	Bushing	
411	1120460	2	Cap, Hub	
412	1684418	2	Steer Cylinder Assembly (See CYLINDER SECTION for Breakdown)	

SECTION 1 - FRAME

ITEM	PART NUMBER	QTY	DESCRIPTION	REV
413		Ref	Hub Options:	
413	2780276	2	Without Tow Package	
413	4130413	1	With Tow Package (Left Side)	
413	4130415	1	With Tow Package (Right Side)	
413A	0630490	18	Stud, Wheel (9 Per Hub)	
414	3300106	18	Nut, Wheel	
415	3323403	2	Nut, Slotted 1-1/2in-12NF	
416	3422426	2	Pin	
417		Ref	Pin Options:	
417	3422429	2	Without Tow Package	
417	3422429	1	With Tow Package	
417	3422427	1	With Tow Package	
418	3422430	2	Pin	
419	3423175	2	Kingpin	
420	3450810	2	Pin, Cotter 1/4in x 2-1/2in	
421	3451010	2	Pin, Cotter 5/16in x 2-1/2in	
422	3841143	6	Keeper	
423	3841263	1	Tie-Rod	
424	3960098	2	Seal	
425	4130413	1	Spindle (Right Side)	
426	4130414	1	Spindle (Left Side)	
427	4740016	2	Flatwasher, Hardened	
428	0642012	2	Bolt 5/8in-11NC x 1-1/2in	
437	2220237	2	Plug	
438	3313403	2	Nut, Slotted 1-1/2in-6NC	
	2890245	1	Wheel Bearing Retention Washer Replacement Kit (Includes Items 420 & 427)	

SECTION 1 - FRAME

FIGURE 1-3. 4WD FRONT AXLE AND STEERING INSTALLATIONS (SN 0300069000 through 0300081835)



SECTION 1 - FRAME

FIGURE 1-3. 4WD FRONT AXLE AND STEERING INSTALLATIONS (SN 0300069000 through 0300081835)

ITEM	PART NUMBER	QTY	DESCRIPTION	REV
	0256392	Ref	AXLE INSTALLATIONS - OSCILLATING	3
1	4845041	1	Axle Weldment	
2	1683280	2	Lockout Cylinder Assembly (See CYLINDER SECTION for Breakdown)	
3	3422592	1	Pin, Pivot	
4	3422426	4	Pin, Cylinder	
5	3841143	4	Keeper, Pin	
6	0641608	4	Bolt 3/8in-16NC x 1in	
7	0100011	AR	Compound, Locking	
8	3841258	1	Keeper	
9	0642012	1	Bolt 5/8in-11NC x 1-1/2in	
10	4740158	1	Thrustwasher	
15	3538047	2	Plate, Axle Wear	
16	4070878	AR	Shim (.06)	
17	4070879	AR	Shim (.12)	
18	0641608	4	Bolt 3/8in-16NC x 1in	
19	4711600	4	Flatwasher 3/8in Thin	
24	0961950	2	Bushing, Bronze	
	0256625	Ref	AXLE INSTALLATIONS - FIXED	3
101	4845041	1	Axle Weldment	
102	3539877	2	Plate, Stop	
103	3422592	1	Pin, Pivot	
104	4070944	AR	Shim (.06)	
105	4070945	AR	Shim (.25)	
106	0641820	2	Bolt 1/2in-13NC x 2-1/2in	
107	0100019	AR	Compound, Locking	
108	3841258	1	Keeper, Pin	
109	0642012	1	Bolt 5/8in-11NC x 1-1/2in	
110	4740158	1	Thrustwasher	
111	0961950	2	Bushing	
112	3538047	2	Plate, Wear	
113	4070878	AR	Shim (.06)	
114	4070879	AR	Shim (.12)	
115	0641612	4	Bolt 3/8in-16NC x 1-1/2in	
116	4711600	4	Flatwasher 3/8in Thin	
117	3539879	2	Plate, Stop	
	0256399	Ref	STEERING INSTALLATIONS	4
201	4130330	1	Spindle - Right Side	
202	4130331	1	Spindle - Left Side	
203	1683208	2	Steer Cylinder Assembly (See CYLINDER SECTION for Breakdown)	
204	3422802	1	Pin, Pivot	
205	3841285	1	Tie-Rod	
206	3422426	2	Pin, Steer Cylinder	
207	3422429	2	Pin, Steer Cylinder	
208	0440161	4	Thrustwasher	
209	3422430	2	Pin, Tie-Rod	
210	3841143	6	Keeper, Pin	
211	0641608	4	Bolt 3/8in-16NC x 1in	

SECTION 1 - FRAME

ITEM	PART NUMBER	QTY	DESCRIPTION	REV
212	0100011	AR	Compound, Locking	
213	0641610	2	Bolt 3/8in-16NC x 1-1/4in	
214	3311605	2	Locknut 3/8in-16NC	
215	0681608	8	Bolt 3/8in-16NC x 1in (Grade 8)	
217	0962005	2	Bushing, Bronze	
218	0962272	4	Bushing	
219	0100063	AR	Loctite, #RC609	

SECTION 1 - FRAME

FIGURE 1-4. 4WD FRONT AXLE AND STEERING INSTALLATIONS (SN 0300081836 through 0300087000)

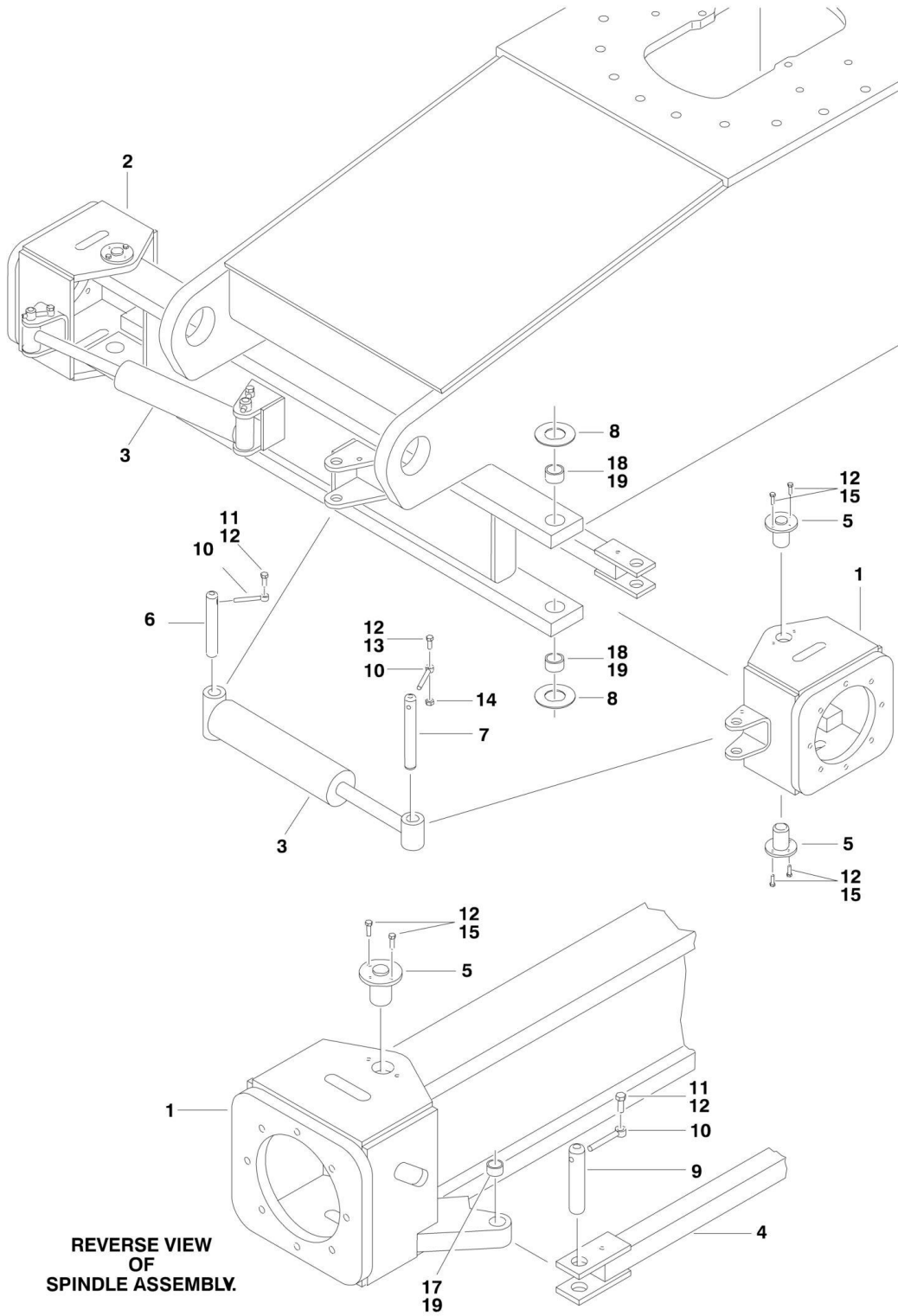
ITEM	PART NUMBER	QTY	DESCRIPTION	REV
		Ref	AXLE INSTALLATIONS - OSCILLATING	
	0273954	Ref	8ft/2.4m Wide Machines without Tow Package	D
	0274234	Ref	8ft/2.4m Wide Machines with Tow Package	A
1	0100011	AR	Compound, Locking	
2		Ref	Axle Weldment Options:	
2	0280167	1	8ft/2.4m Wide Machine without Tow Package	
2	0280183	1	8ft/2.4m Wide Machine with Tow Package	
3	0641814	8	Bolt 1/2in-13NC x 1-3/4in	
4	0642012	1	Bolt 5/8in-11NC x 1-1/2in	
5	0961950	2	Bushing	
6	1684280	NLA	Lockout Cylinder Assembly (Use p/n 1001167359) (See CYLINDER SECTION for Breakdown) (Original Equipment)	
6	1001167359	2	Lockout Cylinder Assembly (See CYLINDER SECTION for Breakdown) (Service Replacement)	
7	3422592	1	Pin, Pivot	
8	3841258	1	Keeper, Pin	
9	4740158	1	Thrustwasher	
10	4891800	8	Flatwasher 1/2in Hardened	
14	4071101	AR	Shim	
	0273959	Ref	AXLE INSTALLATIONS - FIXED	C
101	0100011	AR	Compound, Locking	
102	0280167	1	Axle Weldment	
103	0641818	2	Bolt 1/2in-13NC x 2-1/4in	
104	0642012	1	Bolt 5/8in-11NC x 1-1/2in	
105	0961950	2	Bushing	
106	3422592	1	Pin, Pivot	
107	3539877	2	Plate, Stop	
108	3841258	1	Keeper, Pin	
109	4070944	8	Shim (.06)	
110	4740158	1	Thrustwasher	
111	4740542	2	Spacer	
115	4071101	AR	Shim	
		Ref	STEERING INSTALLATION	
	0273940	Ref	2WS without Tow Package	B
	0274220	Ref	2WS with Tow Package	B
	0274121	Ref	4WS without Tow Package	B
	0274220	Ref	4WS with Tow Package	B
201	0100011	AR	Compound, Locking	
202	0100063	AR	Loctite # RC609	
203	0641608	6	Bolt 3/8in-16NC x 1in	
204	0642012	2	Bolt 5/8in-11NC x 1-1/2in	
205	0962005	2	Bushing	
206	0962131	4	Bushing	
207	1683208	2	Steer Cylinder Assembly (See CYLINDER SECTION for Breakdown)	
208	3422426	2	Pin	
209		Ref	Pin Options:	
209	3422429	2	Without Tow Package	
209	3422429	1	With Tow Package	

SECTION 1 - FRAME

ITEM	PART NUMBER	QTY	DESCRIPTION	REV
209	3422427	1	With Tow Package	
210	3422430	2	Pin	
211	3422900	2	Kingpin	
212	3841143	6	Keeper	
213	3841258	2	Keeper	
214	3841285	1	Tie-Rod	
215	4130401	1	Spindle (Left Side)	
216		Ref	Spindle (Right Side) Options:	
216	4130402	1	Without Tow Package	
216	4130412	1	With Tow Package	
217	4740256	2	Thrustwasher	
218	4740463	2	Thrustwasher	

SECTION 1 - FRAME

FIGURE 1-5. 4WS REAR STEERING INSTALLATIONS (SN 0300069000 through 0300081835)



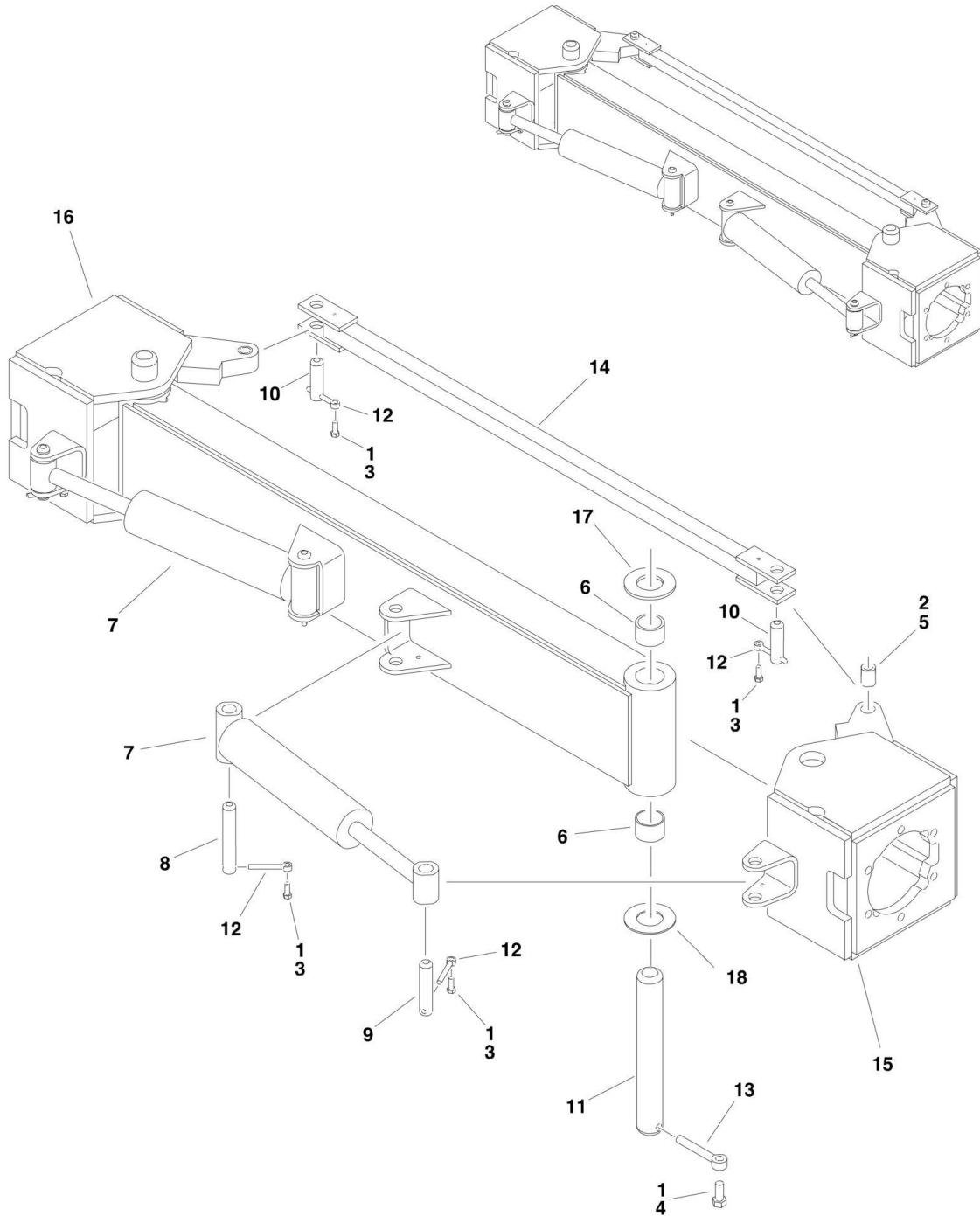
SECTION 1 - FRAME

FIGURE 1-5. 4WS REAR STEERING INSTALLATIONS (SN 0300069000 through 0300081835)

ITEM	PART NUMBER	QTY	DESCRIPTION	REV
		Ref	4WS REAR STEERING INSTALLATIONS OPTIONS:	
	0256717	Ref	2WD/4WS 8ft/2.4m Wide Machines	2
	0256523	Ref	2WD/4WS 7ft/2.1m Wide Machines	2
	0256715	Ref	4WD/4WS Machines	2
		Ref	REAR STEERING INSTALLATION	
	0256399	Ref	8ft/2.4m Width Frame	4
	0256400	Ref	7ft/2.1m Width Frame	4
1	4130331	1	Spindle - Right Side	
2	4130330	1	Spindle - Left Side	
3		Ref	Steer Cylinder Assembly (See CYLINDER SECTION for Breakdown)	
3	1683208	2	8ft/2.4m Wide Machine	
3	1683304	2	7ft/2.1m Wide Machine	
4		Ref	Tie-Rod Options:	
4	3841285	1	8ft/2.4m Wide Machine	
4	3841291	1	7ft/2.1m Wide Machine	
5	3422802	4	Kingpin	
6	3422426	2	Pin, Steer Cylinder	
7	3422429	2	Pin, Steer Cylinder	
8	0440161	4	Thrustwasher	
9	3422430	2	Pin, Tie-Rod	
10	3841143	6	Keeper, Pin	
11	0641608	4	Bolt 3/8in-16NC x 1in	
12	0100011	AR	Compound, Locking	
13	0641610	2	Bolt 3/8in-16NC x 1-1/4in	
14	3311605	2	Locknut 3/8in-16NC	
15	0681608	8	Bolt 3/8in-16NC x 1in (Grade 8)	
17	0962005	2	Bushing, Bronze	
18	0962272	4	Bushing	
19	0100063	AR	Loctite, #RC609	

SECTION 1 - FRAME

FIGURE 1-6. 4WS REAR STEERING INSTALLATIONS (SN 0300081836 through 0300087000)



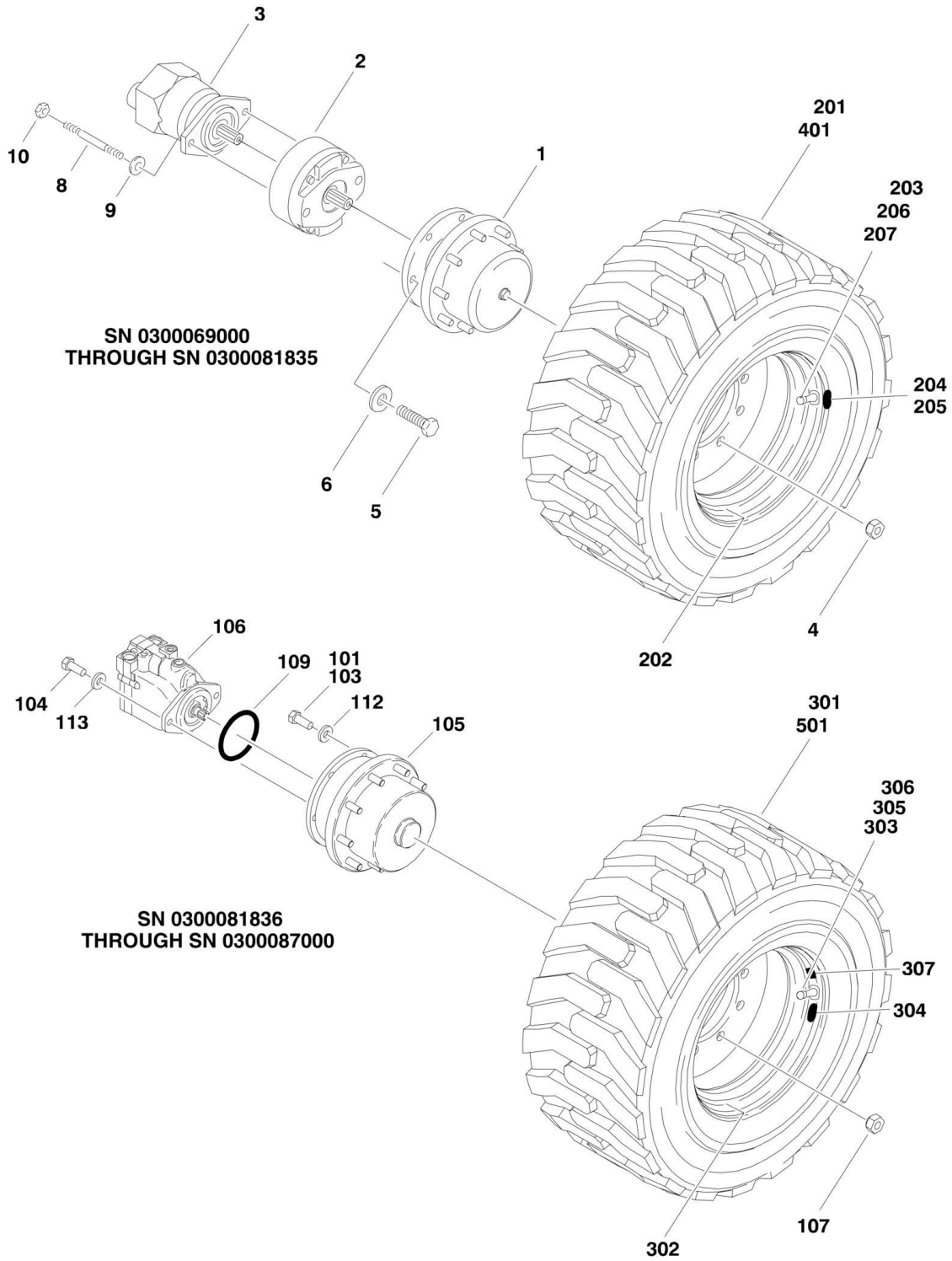
SECTION 1 - FRAME

FIGURE 1-6. 4WS REAR STEERING INSTALLATIONS (SN 0300081836 through 0300087000)

ITEM	PART NUMBER	QTY	DESCRIPTION	REV
		Ref	4WS REAR STEERING INSTALLATIONS OPTIONS:	
	See Note	NLA	2WD/4WS 8ft/2.4m Wide Machines (Note: No Longer Available)	
	0274062	Ref	2WD/4WS 7ft/2.1m Wide Machines	G
	0274121	Ref	4WD/4WS Machines	2
1	0100011	AR	Compound, Locking	
2	0100063	AR	Loctite # RC609	
3	0641608	6	Bolt 3/8in-16NC x 1in	
4	0642012	2	Bolt 5/8in-11NC x 1-1/2in	
5	0962005	2	Bushing	
6	0962131	4	Bushing	
7		Ref	Steer Cylinder Assembly Option (See CYLINDER SECTION for Breakdown):	
7	1684418	2	7ft/2.1m Wide Machines	
7	1683208	2	8ft/2.4m Wide Machines	
8	3422426	2	Pin	
9	3422429	2	Pin	
10	3422430	2	Pin	
11	3422900	2	Kingpin	
12	3841143	6	Keeper	
13	3841258	2	Keeper	
14		Ref	Tie-Rod Options:	
14	3841677	1	7ft/2.1m Wide Machines	
14	3841285	1	8ft/2.4m Wide Machines	
15	4130401	1	Spindle (Left Side)	
16	4130402	1	Spindle (Right Side)	
17	4740256	2	Thrustwasher	
18	4740463	2	Thrustwasher	

SECTION 1 - FRAME

FIGURE 1-7. TIRE AND WHEEL DRIVE INSTALLATIONS



SECTION 1 - FRAME

FIGURE 1-7. TIRE AND WHEEL DRIVE INSTALLATIONS

ITEM	PART NUMBER	QTY	DESCRIPTION	REV
		Ref	WHEEL DRIVE INSTALLATIONS (SN 0300069000 through 0300081835)	
	0270123	Ref	Wheel Drive Installation 2WD	3-B
	0270124	Ref	wheel drive installations 4WD	3-E
1	2780213	AR	Drive Hub Assembly (1 Per Drive Wheel) (See DRIVE HUB ASSEMBLY for Breakdown)	
2	0920117	NLA	Drive Brake Assembly (1 Per Drive Wheel) (Use p/n 0920119)	
2	7018612	AR	Repair Kit - 0920117 & 0920119 Brakes (Includes Case Seal, Piston Inner and Outer O-Rings and Back-up Rings, Stator Disc, Rotor Disc, Return Plate, Springs, Oil Seal, Bearing, 2 Retaining Rings and 2 Mounting Face Gaskets) (1 Per Assy)	
2	7000731	AR	Gasket, Mounting Face	
		Ref	Note: No Other Parts Available.	
3		Ref	Drive Motor Assembly (1 Per Wheel Drive) Options:	
3	3160205	2	Drive Motor Assembly (1 Per Wheel Drive) 2WD (See DRIVE MOTOR ASSEMBLY for Breakdown) (SN 0300069000 through 0300071019)	
3	3160297	2	Drive Motor Assembly (1 Per Wheel Drive) 2WD (See DRIVE MOTOR ASSEMBLY for Breakdown) (SN 0300071020 through 0300081835)	
3	3160204	4	Drive Motor Assembly (1 Per Wheel Drive) 4WD (See DRIVE MOTOR ASSEMBLY for Breakdown)	
4	3300106	AR	Lugnut (8 Per Wheel)	
5	0682016	AR	Bolt 5/8in-11NC x 2in (8 Per Drive Wheel) (Grade 8)	
6	4895000	AR	Flatwasher 5/8in Hardened (8 Per Drive Wheel)	
8	4300097	AR	Stud 1/2in-13NC x 5-1/8in (2 Per Drive Wheel)	
9	4891800	AR	Flatwasher 1/2in Hardened (2 Per Drive Wheel)	
10	3311801	AR	Nut 1/2in-13NC (2 Per Wheel Drive)	
		Ref	WHEEL DRIVE INSTALLATIONS (SN 0300081836 through 0300087000)	
	0273049	Ref	Wheel Drive Installations 2WD/2WS	D
	0274441	Ref	Wheel Drive Installations 2WD/4WS	B
	0273048	Ref	Wheel Drive Installations 4WD/2WS	F
	0273366	Ref	Wheel Drive Installations 4WD/4WS	E
		Ref	Note: 2WD Qty Shown. For 4WD, Double Qty Shown.	
101	0100011	AR	Compound, Locking	
103	0681810	4	Bolt 1/2in-13NC x 1-1/4in (Grade 8)	
104	0682016	12	Bolt 5/8in-11NC x 2in (Grade 8)	
105	2780269	2	Drive Hub Assembly (See DRIVE HUB ASSEMBLY for Breakdown)	
106		Ref	Drive Motor Assembly Options (See DRIVE MOTOR ASSEMBLY for Breakdown):	
106	3160299	NLA	Drive Motor Assembly 2WD (Use p/n 3160249)	
106	3160300	NLA	Drive Motor Assembly 4WD (Use p/n 3160350)	
107	3300106	18	Nut, Wheel	
109	3790045	1	O-Ring	
112	4891800	4	Flatwasher 1/2in Hardened	
113	4740393	12	Flatwasher 5/8in Hardened	
		Ref	PNEUMATIC AND FOAM-FILLED TIRE AND WHEEL INSTALLATIONS (8 FT/2.4M WIDTH MACHINES)	
		Ref	Pneumatic and Foam-Filled Tire and Wheel Installations (SN 0300069000 through 0300081835)	
	0255420	Ref	Tire and Wheel Installation - Pneumatic	-

SECTION 1 - FRAME

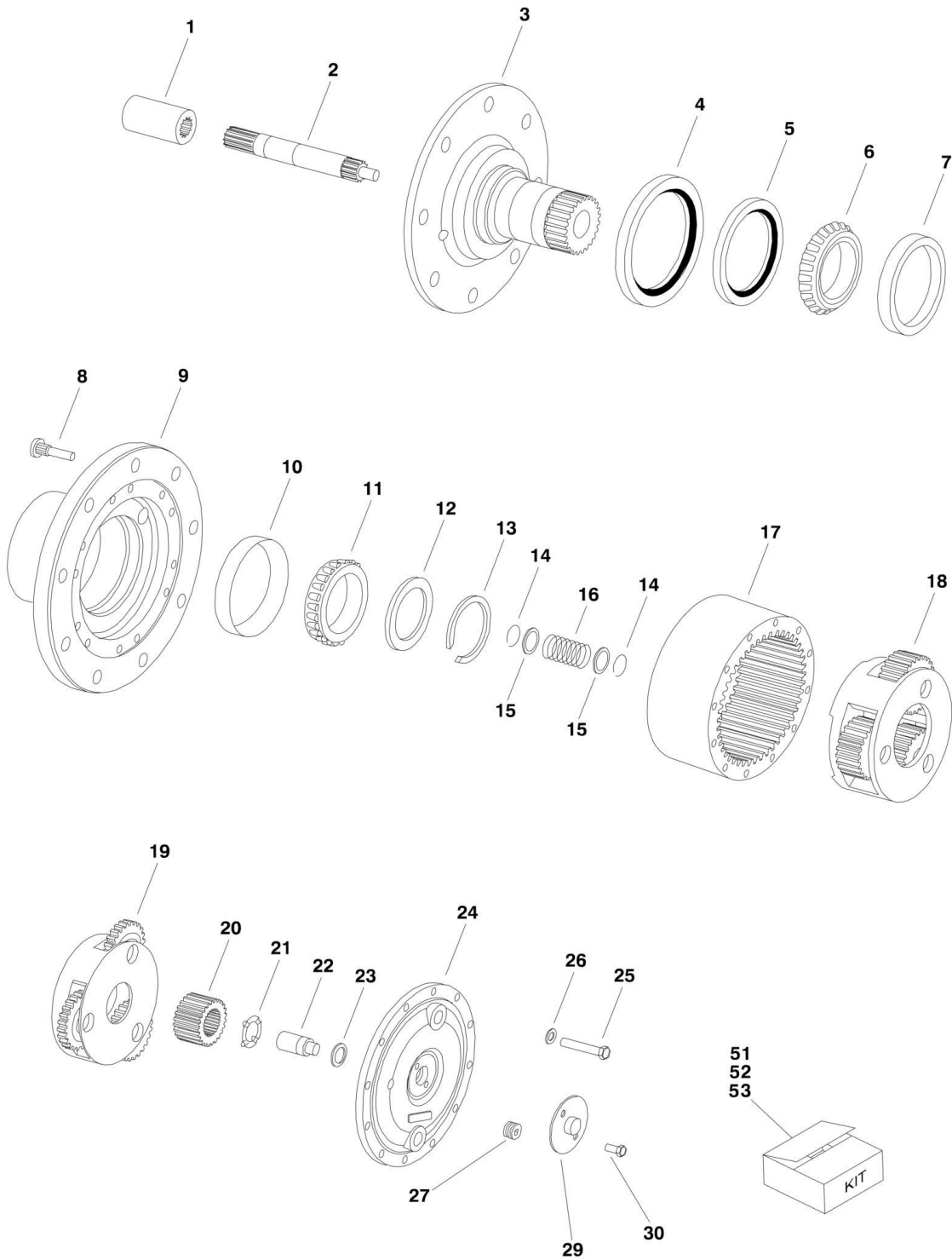
ITEM	PART NUMBER	QTY	DESCRIPTION	REV
	0271612	Ref	Tire and Wheel Installation - Pneumatic	1
	0272296	Ref	Tire and Wheel Installation - Pneumatic (With Tire Sealant)	1
	0255421	Ref	Tire and Wheel Installation - Foam Filled	-
	0271613	Ref	Tire and Wheel Installation - Foam Filled	1
		Ref	Note: Assemblies may require ballast/foam filling to manufacturer's specifications prior to installing on a machine. Refer to Operation and Safety or Service and Maintenance Manuals.	
		Ref	Purchase individual tire and/or rim only if able to foam fill tire and wheel assembly, otherwise, purchase complete assembly.	
	0255513	2	Tire and Wheel Assembly - Galaxy Pneumatic (Right Side)	1-B
	0271609	2	Tire and Wheel Assembly - OTR Pneumatic (Right Side)	A
	0272331	2	Tire and Wheel Assembly - OTR Pneumatic Tire Sealant (Right Side)	A
	0255605	2	Tire and Wheel Assembly - Galaxy Foam-Filled (Right Side)	B
	0271611	2	Tire and Wheel Assembly - OTR Foam-Filled (Right Side)	A
	0255514	2	Tire and Wheel Assembly - Galaxy Pneumatic (Left Side)	B
	0271608	2	Tire and Wheel Assembly - OTR Pneumatic (Left Side)	1-A
	0272332	2	Tire and Wheel Assembly - OTR Pneumatic Tire Sealant (Left Side)	A
	0255606	2	Tire and Wheel Assembly - Galaxy Foam-Filled (Left Side)	B
	0271610	2	Tire and Wheel Assembly - OTR Foam-Filled (Left Side)	A
201		Ref	Tire 14 x 17.5 Options:	
201	4520171	AR	Galaxy (1 Per Assembly)	
201	4520259	AR	OTR (1 Per Assembly)	
202	4860158	AR	Rim, Wheel (1 Per Assembly)	
203	4640113	AR	Valve, Air (1 Per Assembly)	
204	1702740	AR	Decal - Tire Pressure (1 Per Assembly)	
205	1705364	AR	Decal - Tire Sealant (OTR Pneumatic TS Only)	
206	1120552	AR	Chemical, Tire Sealant (Green) (OTR Pneumatic TS Only)	
207	1300019	AR	Cap, Valve Stem (Green) (OTR Pneumatic TS Only)	
		Ref	PNEUMATIC AND FOAM-FILLED TIRE AND WHEEL INSTALLATIONS (8 FT/2.4M WIDTH MACHINES)	
		Ref	Pneumatic and Foam-Filled Tire and Wheel Installations (SN 0300081836 through 0300087000)	
	4520328	Ref	Tire and Wheel Installation - Pneumatic	1
	4520346	Ref	Tire and Wheel Installation - Foam Filled	1
	0274533	Ref	Tire and Wheel Installation - Pneumatic with Sealant (SN 0300083338 through 0300087000)	1
		Ref	Note: Assemblies may require ballast/foam filling to manufacturer's specifications prior to installing on a machine. Refer to Operation and Safety or Service and Maintenance Manuals.	
		Ref	Purchase individual tire and/or rim only if able to foam fill tire and wheel assembly, otherwise, purchase complete assembly.	
	4520289	2	Tire and Wheel Assembly - Pneumatic (Left Side)	C
	4520344	2	Tire and Wheel Assembly - Foam-Filled (Left Side)	A
	4520427	2	Tire and Wheel Assembly - Pneumatic W/Sealant (Left Side)	A
	4520290	2	Tire and Wheel Assembly - Pneumatic (Right Side)	C
	4520345	2	Tire and Wheel Assembly - Foam-Filled (Right Side)	A
	4520428	2	Tire and Wheel Assembly - Pneumatic W/Sealant (Right Side)	A
301	4520288	AR	Tire - IN355/55D625 (1 Per Assembly)	
302	4520287	AR	Rim, Wheel (1 Per Assembly)	

SECTION 1 - FRAME

ITEM	PART NUMBER	QTY	DESCRIPTION	REV
303	4640113	AR	Valve, Air (1 Per Assembly)	
304	1702740	AR	Decal - Tire Pressure (1 Per Assembly)	
		Ref	Note: Items 305-307 used with tires with sealant only.	
305	1120552	AR	Cap, Valve Stem (1 Per Assembly)	
306	1300019	120 oz	Sealant, Tire (1 Per Assembly)	
307	1705364	AR	Decal - Tire Sealant (1 Per Assembly)	
401		Ref	SOLID AIRBOSS TIRE AND WHEEL INSTALLATIONS (8FT/2.4M AND 7FT/2.1M WIDTH MACHINES)	
401		Ref	Solid Airboss Tire and Wheel Installations (SN 0300069000 through 0300081835)	
401	0255422	Ref	Tire and Wheel Installation - Air-Boss	-
401	0258764	Ref	Tire and Wheel Installation - Air-Boss (Non-Marking)	2
401		Ref	Tire and Wheel Assembly - Right Side Options:	
401	4520172	2	Air-Boss	
401	4520210	2	Air-Boss (Non-Marking)	
401		Ref	Tire and Wheel Assembly - Left Side Options:	
401	4520173	2	Air-Boss	
401	4520211	2	Air-Boss (Non-Marking)	
401		Ref	Tire Repair Section (20 Per Assembly) Options:	
401	7016206	80	Air-Boss	
401	7020135	80	Air-Boss (Non-Marking)	
501		Ref	AIRBOSS TIRE AND WHEEL INSTALLATIONS (8FT/2.4M AND 7FT/2.1M WIDTH MACHINES)	
501		Ref	Airboos Tire and Wheel Installations (SN 0300081836 through 0300087000)	
501	4520341	Ref	Tire and Wheel Installation - Air-Boss	A
501	4520284	2	Tire and Wheel Assembly - Right Side	
501	4520283	2	Tire and Wheel Assembly - Left Side	
501	7016206	80	Tire Repair Section (20 Per Assembly)	
	0255397	Ref	WHEEL COVER INSTALLATION (OPTIONAL) (NOT SHOWN)	2-A
		Ref	Note: Used on Machines SN 0300069000 through SN 0300081836 with Pneumatic or Foam-Filled Tires and Wheels only. Not Available for Machines SN 0300081836 through SN 0300087000.	
601	1670777	4	Cover, Wheel	
602	0641542	16	Bolt 5/16in-18NC x 5-1/4in	
603	0100011	AR	Compound, Locking (Not Shown)	

SECTION 1 - FRAME

FIGURE 1-8. DRIVE HUB ASSEMBLY (SN 0300069000 through 0300081835)



SECTION 1 - FRAME

FIGURE 1-8. DRIVE HUB ASSEMBLY (SN 0300069000 through 0300081835)

ITEM	PART NUMBER	QTY	DESCRIPTION	REV
	2780213	Ref	DRIVE HUB ASSEMBLY	B
1	7014700	1	Coupling - 13 Teeth	
2	7014701	1	Shaft, Input - 13 Teeth	
3		Ref	Spindle Options:	
3	7014702	1	With Threaded Holes	
3	7014731	1	Without Threaded Holes	
4	7014728	1	Seal, Boot	
5	See Note	NSS	Seal, Oil (Note: Use Item 51 or 52)	
6	See Note	NSS	Cone, Bearing (Note: Use Item 52)	
7	See Note	NSS	Cup, Bearing (Note: Use Item 52)	
8	7014727	8	Bolt, Wheel 5/8in	
9	7014706	1	Hub	
10	See Note	NSS	Cup, Bearing (Note: Use Item 52)	
11	See Note	NSS	Cone, Bearing (Note: Use Item 52)	
12	7001711	1	Thrustwasher	
13	See Note	NSS	Retaining Ring Kit (Note: Use Item 51 or 52)	
14	7014711	2	Ring, Retaining	
15	7014712	2	Thrustwasher	
16	7014710	1	Spring	
17	7014713	1	Gear, Ring	
18	7014714	1	Secondary Carrier Assembly	
19	7014715	1	Primary Carrier Assembly	
20	7014716	1	Gear, Sun - 15 Teeth	
21	7014722	1	Thrustwasher	
22	7014717	1	Plunger, Disengage	
23	7014718	1	O-Ring	
24	7014719	1	Cover, Hub	
25	7014721	12	Bolt	
26	7014720	12	Flatwasher	
27	7014725	1	Plug, Magnetic	
28	7014726	1	Plug, Pipe	
29	7014723	1	Cover, Disengage	
30	7014724	2	Bolt	
51	7014730	1	Seal Kit (Includes Items 5 & 13)	
52	7014729	1	Bearing and Seal Kit (Includes Items 5, 6, 7, 10, 11 & 13)	
53	7014709	1	Retaining Ring Kit (Includes Qty 6 Retaining Rings)	

SECTION 1 - FRAME

FIGURE 1-9. DRIVE HUB/BRAKE ASSEMBLY (SN 0300081836 through 0300087000)

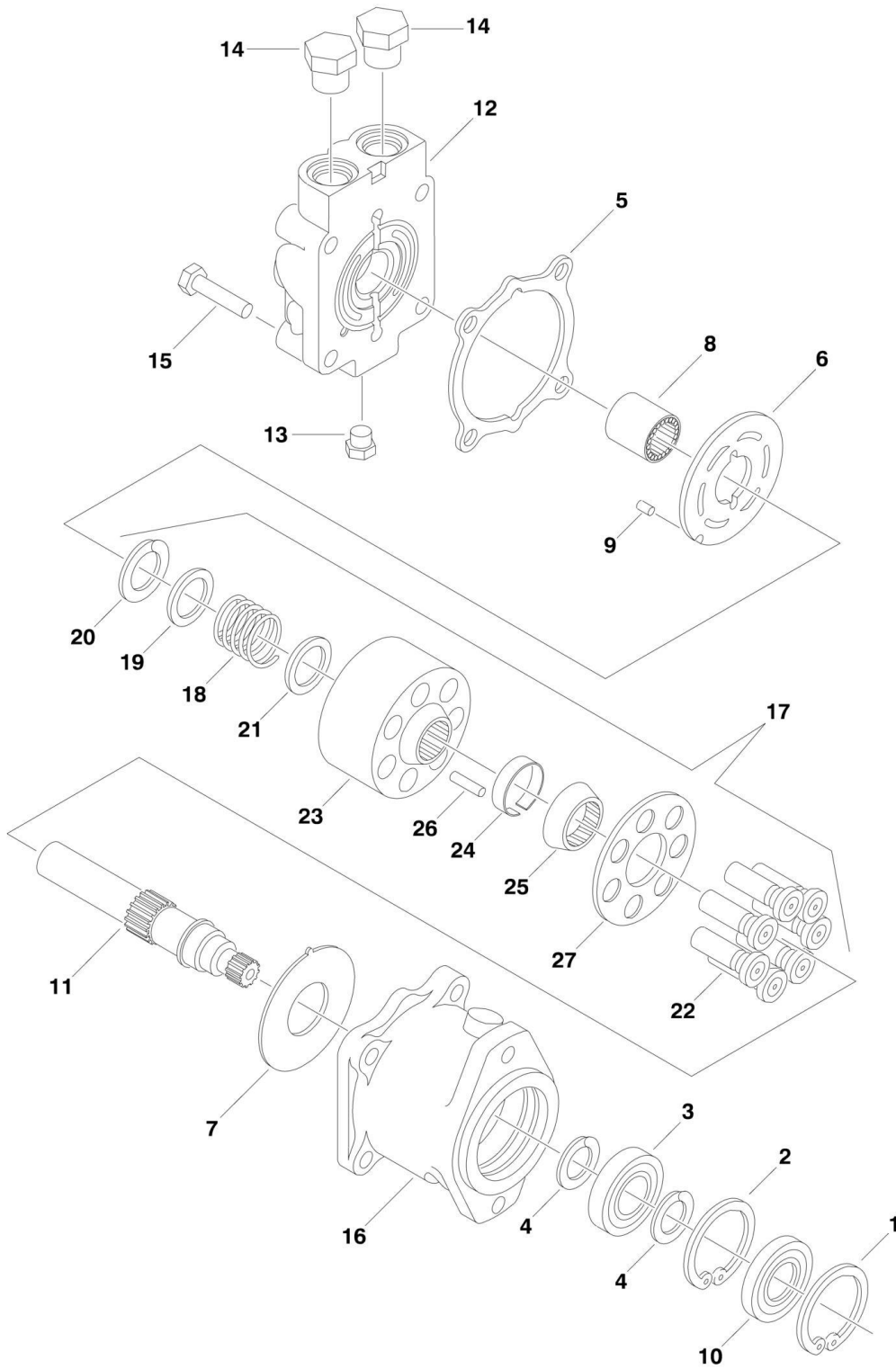
ITEM	PART NUMBER	QTY	DESCRIPTION	REV
	2780269	Ref	DRIVE HUB/BRAKE ASSEMBLY	B
1	See Note	1	Spindle/Housing Assembly (Note: Not Available - Purchase Individual Components)	
1A	7024729	1	Spindle	
1B	70001119	1	Seal, Lip	
1C	7024735	2	Bearing (Includes Cup and Cone)	
1D	2780269	1	Housing (Note: Not Available for Purchase)	
1E	7024730	1	Ring, Gear	
1F	See Note	NSS	Nut, Bearing (Note: Use Item 26A)	
1G	See Note	2	Setscrew 1/4in-28NF x 1/2in (Note: Use Item 26A, 26B, 27A or 27B)	
1H	7024732	9	Stud, Wheel	
1K	7024125	1	Ring, Retaining	
1L	7024124	1	Spring	
1M	7024129	1	Thrustwasher	
2	7024741	1	Thrustwasher	
3	See Note	1	Carrier Assembly (Note: Not Available - Purchase Individual Components)	
3A	7024725	1	Carrier	
3B	7024127	6	Thrustwasher	
3C	7024733	42	Bearing, Needle	
3E	7024724	3	Shaft, Planet	
3F	7024727	3	Gear, Planet	
4	See Note	1	Planet Gear Sub-Assembly (Note: Not Available - Purchase Individual Components)	
4B	7024740	12	Thrustwasher	
4C	7024734	84	Bearing, Needle	
4D	7024736	3	Spacer, Thrust	
4E	7024726	3	Shaft, Planet	
4F	7024728	3	Gear, Planet	
4G	7001913	6	Roll Pin	
4H	7024742	1	Thrustwasher	
5	7017027	1	Ring, Retaining	
6	See Note	1	Cover Assembly (Note: Not Available - Purchase Individual Components)	
6A	7024731	1	Plate, Cover	
6B	7017093	1	Cap, Disengage	
6C	7000216	2	Bolt 1/2in-20NC x 1/2in	
6D	7024739	1	Pin, Dowel	
6E	7017095	1	O-Ring	
6F	7017072	2	Plug, Pipe with O-Ring	
6G	7024738	1	Ring, Retaining	
7	7024722	1	Coupling	
8	See Note	1	Brake, Input (Note: Not Available - Purchase Individual Components)	
8A	70000782	1	Piston, Brake	
8B	7024743	1	Plate, Pressure	
8C	See Note	1	Ring, Retaining (Note: Use Item 26B, 27A or 27B)	
8D	See Note	1	O-Ring (Note: Use Item 26B or 27A)	
8E	See Note	1	Ring, Back-up (Note: Use Item 26B or 27A)	
8F	See Note	1	O-Ring (Note: Use Item 26B or 27A)	

SECTION 1 - FRAME

ITEM	PART NUMBER	QTY	DESCRIPTION	REV
8H	See Note	1	Ring, Back-up (Note: Use Item 26B or 27A)	
8J	See Note	8	Rotor, Brake (Note: Use Item 27A)	
8K	See Note	9	Stator, Brake (Note: Use Item 27A)	
8L	See Note	AR	Spring, Brake (Note: Use Item 27B)	
9	7024721	1	Shaft, Input	
11	7024723	1	Gear, Sun	
12	See Note	1	Plug (Note: Not Available for Purchase)	
15	See Note	1	Plate, ID (Not Shown) (Note: Not Available for Purchase)	
16	7000281	4	Screw, Drive	
17	7024134	1	O-Ring	
18	7024744	1	O-Ring	
19	7017022	3	Screw, Countersunk 3/8in-16NC	
20	7024737	1	Ring, Retaining	
21	See Note	1	Plug (Note: Not Available for Purchase)	
26		Ref	Seal Kit Options:	
26A	7024744	1	Hub Seal Kit (Includes Items 1B, 1F, 1G, 17, 18 & 19)	
26B	7024765	1	Brake Seal Kit (Includes Items 1G, 8C, 8D, 8E, 8F & 8H)	
27		Ref	Repair Kit Options:	
27A	7024764	1	Brake Lining Kit (Includes Items 1G, 8C, 8D, 8E, 8F, 8H, 8J & 8K)	
27B	7024766	1	Brake Spring Kit (Includes Items 1G, 8C & 8L)	

SECTION 1 - FRAME

FIGURE 1-10. DRIVE MOTOR ASSEMBLY (2WD MACHINES) (SN 0300069000 through 0300071019)



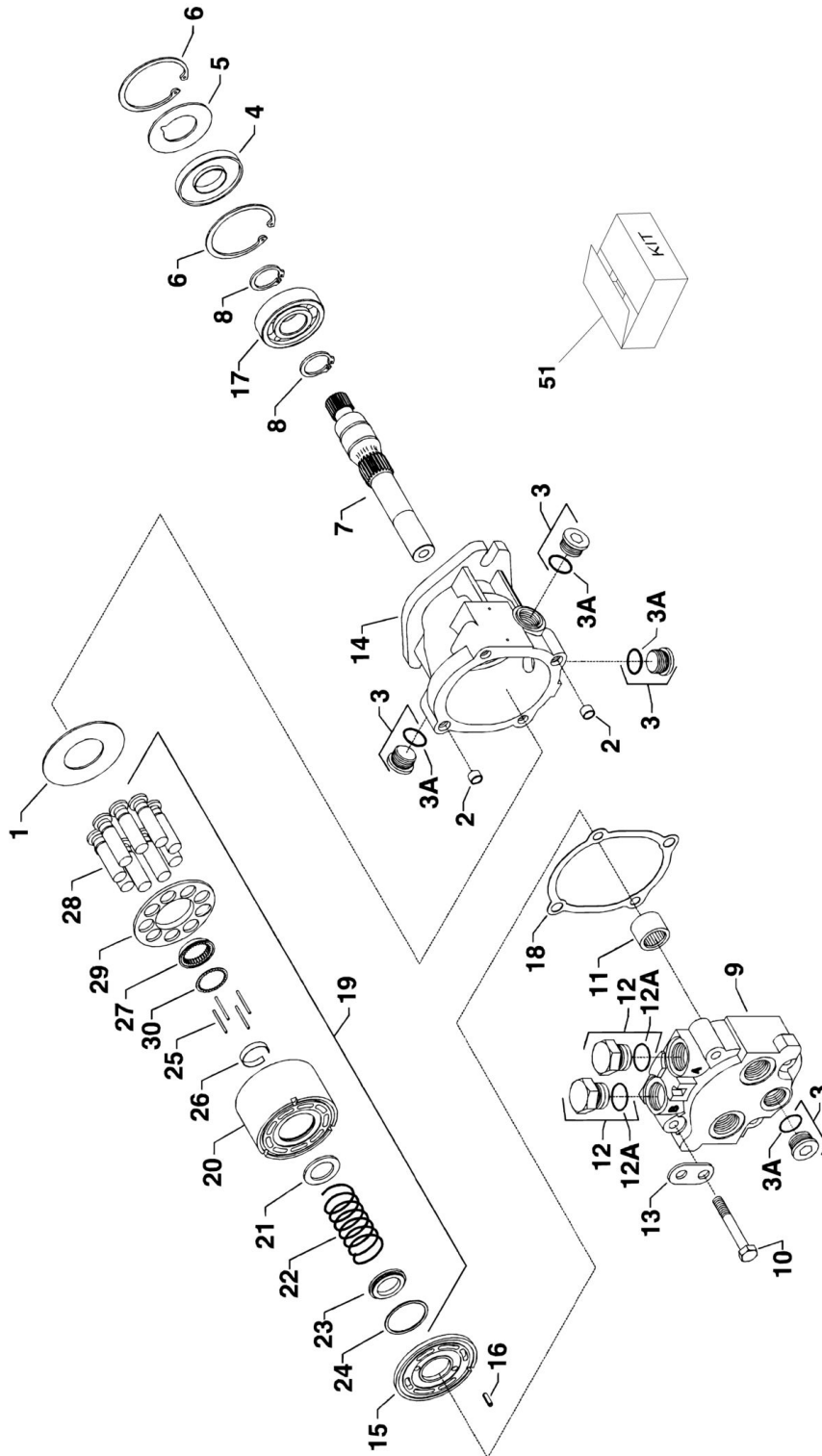
SECTION 1 - FRAME

FIGURE 1-10. DRIVE MOTOR ASSEMBLY (2WD MACHINES) (SN 0300069000 through 0300071019)

ITEM	PART NUMBER	QTY	DESCRIPTION	REV
	3160205	Ref	DRIVE MOTOR ASSEMBLY - SUNSTRAND (2WD)	B
1	7007438	1	Ring, Retaining	
2	7007438	1	Ring, Retaining	
3	7007437	1	Bearing, Ball	
4	7007439	2	Ring, Retaining	
5	7010108	1	Gasket, End Cap	
6	7010109	1	Plate, Motor Valve	
7	7010110	1	Plate, Thrust	
8	7007425	1	Bearing, Needle	
9	7007446	1	Pin	
10	7007459	1	Seal, Lip	
11	7010111	1	Shaft	
12	7010112	1	Cap, End	
13	7010113	1	Plug	
14	7010114	2	Plug	
15	7010115	4	Screw	
16	3160205	1	Housing (Note: Not Available for Purchase)	
17	7010116	1	Cylinder Block Assembly (Includes Items 18-27)	
18	7007428	1	Spring	
19	7007427	1	Washer	
20	7007426	1	Ring, Retaining	
21	7007429	1	Washer	
22	7010117	7	Piston Assembly	
23	7010118	1	Block, Cylinder	
24	7007430	1	Retainer, Pin	
25	7007434	1	Guide, Slip Retainer	
26	7007431	3	Pin, Slip Retainer	
27	7010119	1	Retainer, Slip	

SECTION 1 - FRAME

FIGURE 1-11. DRIVE MOTOR ASSEMBLY (2WD MACHINES) (SN 0300071020 through 0300081835)



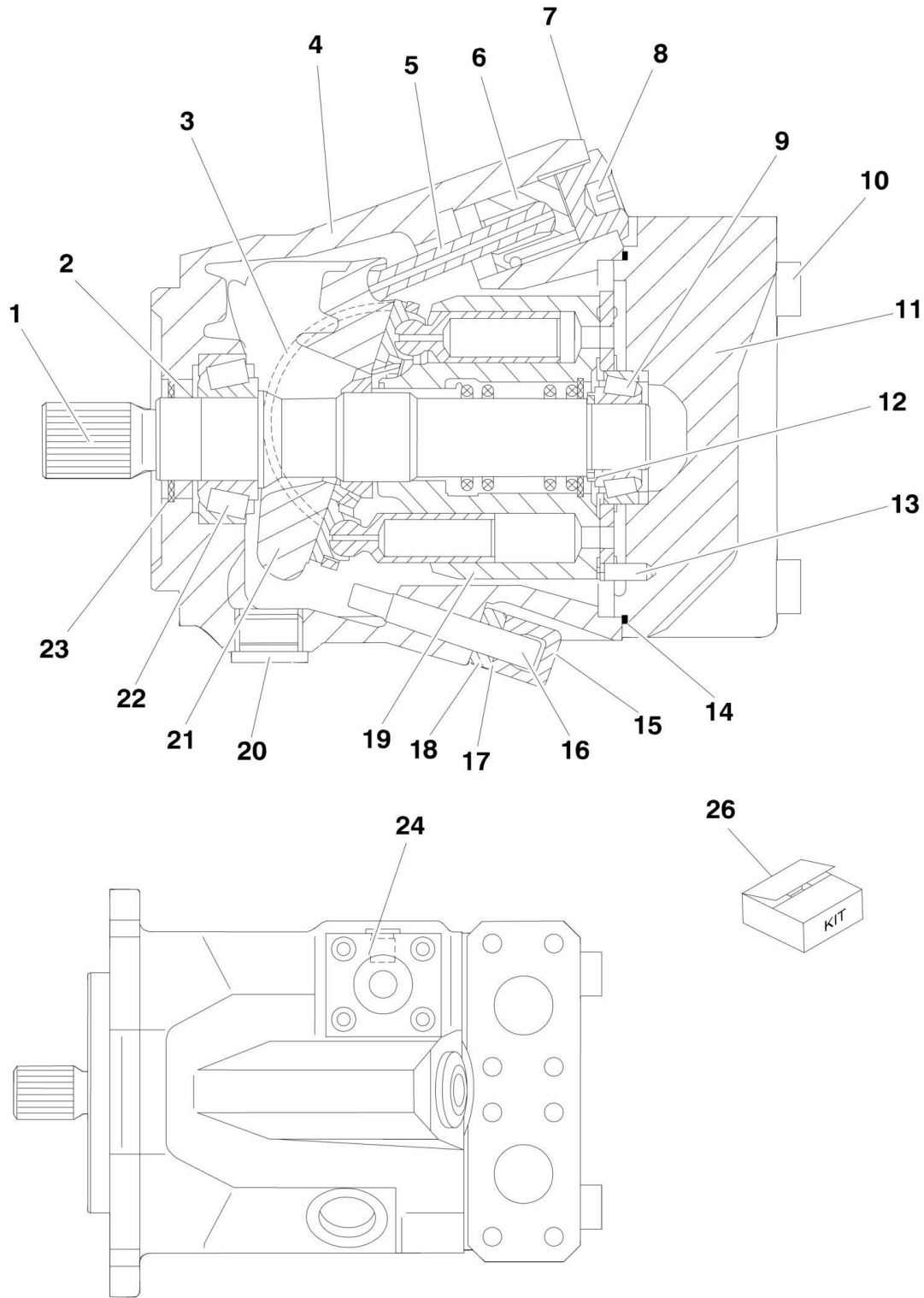
SECTION 1 - FRAME

FIGURE 1-11. DRIVE MOTOR ASSEMBLY (2WD MACHINES) (SN 0300071020 through 0300081835)

ITEM	PART NUMBER	QTY	DESCRIPTION	REV
	3160297	Ref	DRIVE MOTOR ASSEMBLY - SUNSTRAND (2WD)	A
1	7024834	1	Plate, Thrust	
2	7007435	2	Pin, Spring	
3	7023964	4	Plug	
3A	7007415	4	O-Ring	
4	7007459	1	Seal, Lip	
5	7022371	1	Washer, Support	
6	7007438	2	Ring, Retaining	
7	7024835	1	Shaft	
8	7007439	2	Ring, Retaining	
9	7024836	1	Cap, End	
10	7024837	4	Screw	
11	7024838	1	Bearing, Needle	
12	7007419	2	Plug	
12A	7007418	2	O-Ring	
13	7024839	1	Bracket, Lifting	
14	3160297	1	Housing (Note: Not Available for Purchase)	
15	7024841	1	Plate, Motor Valve	
16	7024842	1	Pin, Slotted	
17	7007437	1	Bearing, Ball	
18	See Note	NSS	Gasket, End Cap (Note: Use Item 51)	
19	7024840	1	Cylinder Block Assembly (Includes Items 20-30)	
20	See Note	NSS	Block, Cylinder (Note: Use Item 19)	
21	See Note	NSS	Washer (Note: Use Item 19)	
22	See Note	NSS	Spring (Note: Use Item 19)	
23	7007427	1	Washer	
24	7007426	1	Ring, Retaining	
25	See Note	NSS	Pin, Slip Retainer (Note: Use Item 19)	
26	See Note	NSS	Retainer, Pin (Note: Use Item 19)	
27	See Note	NSS	Guide, Slip Retainer (Note: Use Item 19)	
28	See Note	NSS	Piston Assembly (Note: Use Item 19)	
29	See Note	NSS	Retainer, Slip (Note: Use Item 19)	
30	See Note	NSS	Thrustwasher (Note: Use Item 19)	
51	7024843	1	Seal Kit (Includes Items 3A, 4, 12A & 18)	

SECTION 1 - FRAME

FIGURE 1-12. DRIVE MOTOR ASSEMBLY (4WD MACHINES) (SN 0300069000 through 0300081835)



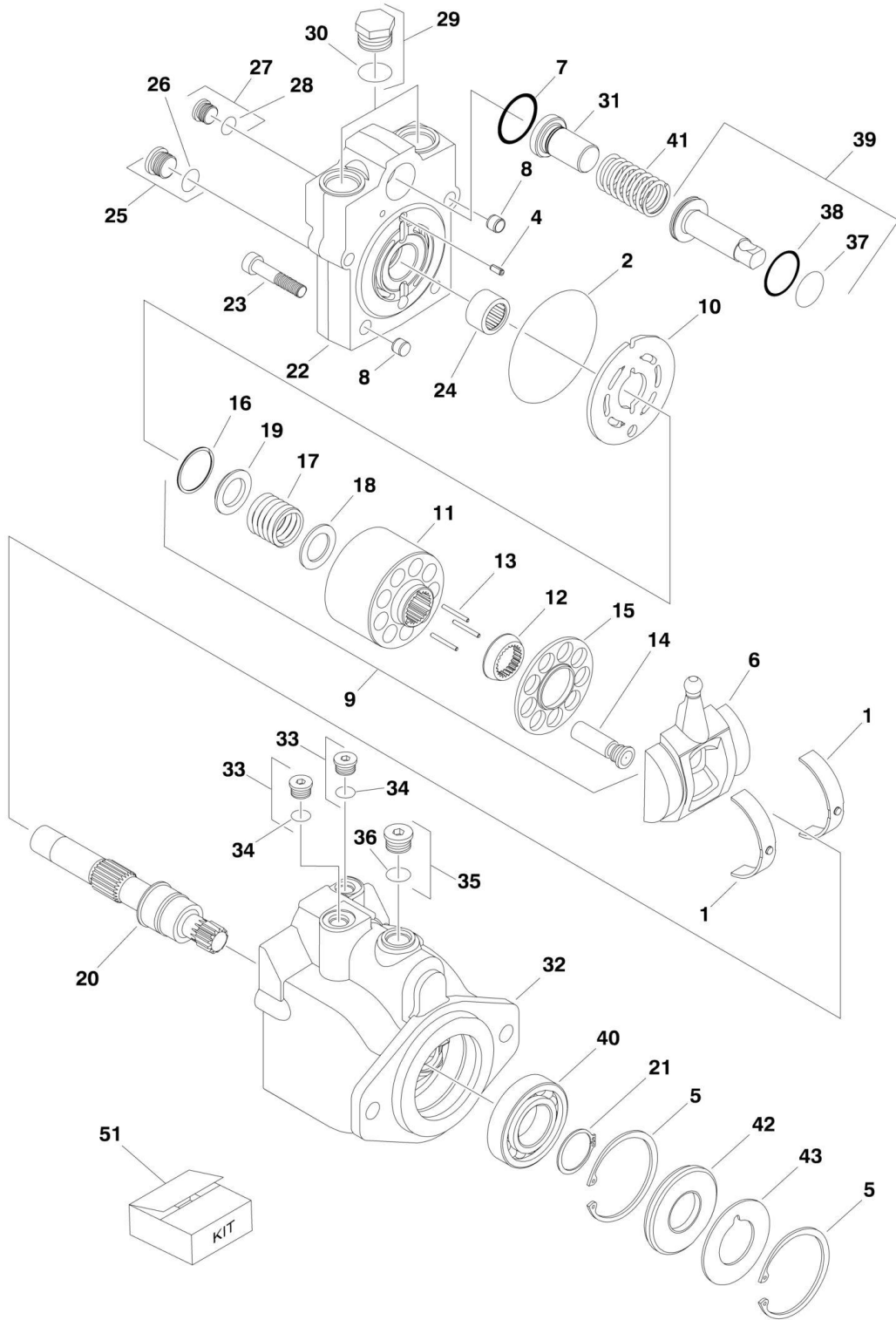
SECTION 1 - FRAME

FIGURE 1-12. DRIVE MOTOR ASSEMBLY (4WD MACHINES) (SN 0300069000 through 0300081835)

ITEM	PART NUMBER	QTY	DESCRIPTION	REV
	3160204	Ref	DRIVE MOTOR ASSEMBLY - REXROTH (4WD)	A
1	7012701	1	Shaft - 13 Teeth	
2	See Note	NSS	Seal, Shaft (Note: Use Item 26)	
3	7012702	2	Bearing, Cradle	
4	3160204	1	Housing (Note: Not Available for Purchase)	
5	7012703	1	Rod, Piston	
6	7012704	1	Piston, Stroking	
7	See Note	NSS	O-Ring (Note: Use Item 26)	
8	7012705	1	Nut, Adaptor	
9	7012706	1	Bearing, Roller	
10	7012707	4	Bolt, Socket Head M12 x 65	
11	7012708	1	Block, Port	
12	7012709	1	Shim	
13	7012710	1	Pin, Dowel M6 x 18	
14	See Note	NSS	O-Ring (Note: Use Item 26)	
15	7012711	1	Nut, Cap M10 x 1	
16	7012712	1	Screw, Adjusting	
17	See Note	NSS	O-Ring (Note: Use Item 26)	
18	7012713	1	Nut, Jam M10 x 1	
19	7012716	1	Rotary Group Assembly	
20	See Note	1	Plug (Note: Not Available for Purchase)	
21	7024036	1	Plate, Swash	
22	7012714	1	Bearing, Roller	
23	7012715	1	V-Ring	
24	7012700	1	Control Plate Assembly (SN 0300069000 through 0300029852)	
26	2900788	1	Seal Kit (Includes Items 2, 7, 14, 17 and O-Rings under Item 24)	

SECTION 1 - FRAME

FIGURE 1-13. DRIVE MOTOR ASSEMBLY (2WD & 4WD MACHINES) (ORIGINAL EQUIPMENT) (SN 0300081836 through 0300087000)



SECTION 1 - FRAME

FIGURE 1-13. DRIVE MOTOR ASSEMBLY (2WD & 4WD MACHINES) (ORIGINAL EQUIPMENT) (SN 0300081836 through 0300087000)

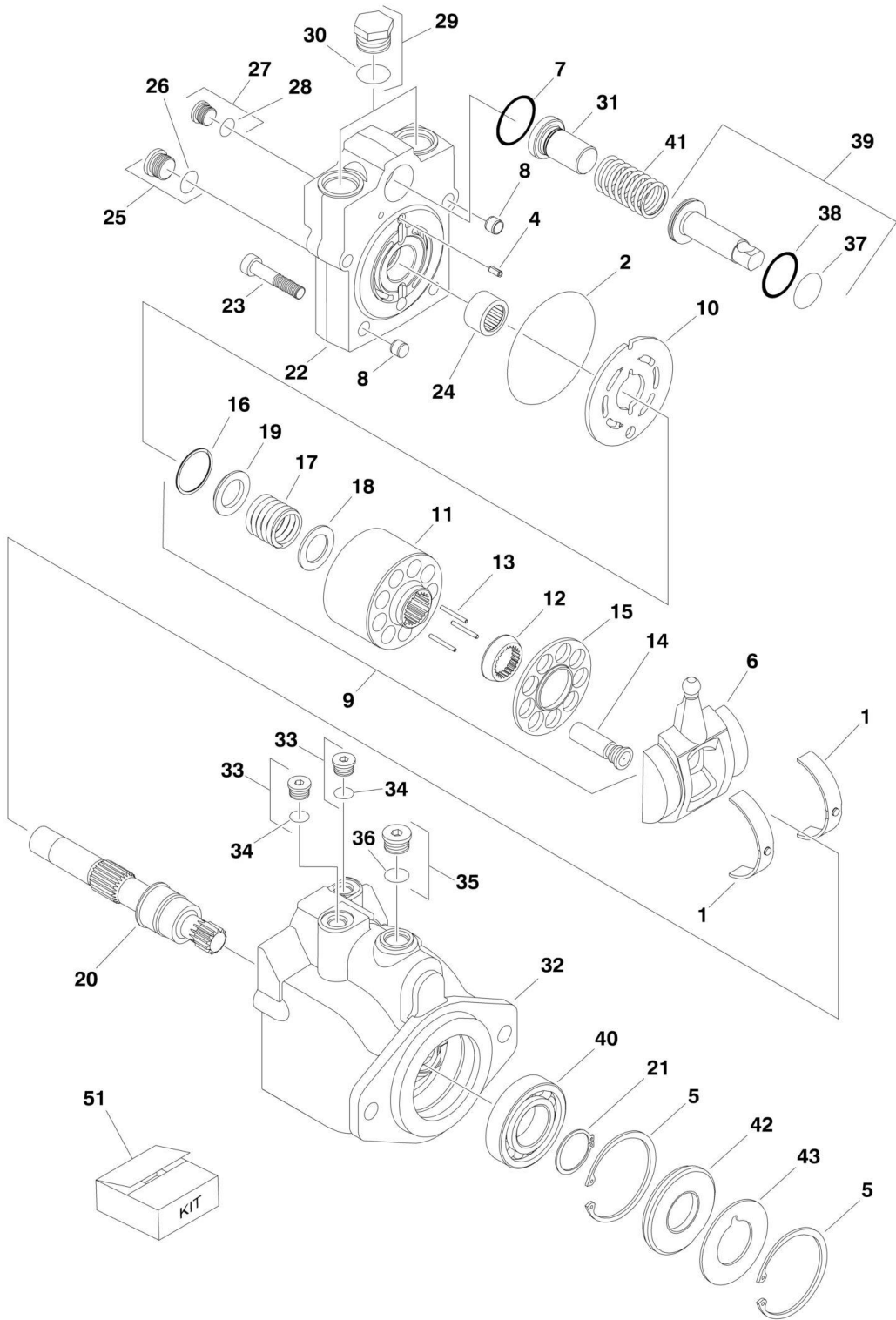
ITEM	PART NUMBER	QTY	DESCRIPTION	REV
		Ref	DRIVE MOTOR ASSEMBLY (ORIGINAL EQUIPMENT)	
	3160299	Ref	Drive Motor Assembly (Original Equipment) 2WD	C
	3160300	Ref	Drive Motor Assembly (Original Equipment) 4WD	C
		Ref	Note: Original Equipment Motor p/n 3160299 & p/n 3160300 uses 4 bolts to assemble the motor. Service Replacement Motor p/n 3160349 & p/n 3160350 motors use 5 bolts to assemble the motor.	
		Ref	Visually identify component before ordering parts. If equipped with 3160349 or 3160350 refer to next illustration.	
1	7022302	2	Bearing, Journal	
2	See Note	NSS	O-Ring (Note: Use Item 51)	
3	See Note	NSS	O-Ring (Note: Use Item 51)	
4	7007446	1	Pin	
5	7007438	2	Ring, Retaining	
6	7024861	1	Swash Plate	
7	See Note	NSS	O-Ring (Note: Use Item 51)	
8	7007435	2	Pin	
9	7022320	1	Cylinder Block Kit (Includes Items 11-19)	
10	7024862	1	Plate, Valve	
11	7024863	1	Block, Cylinder	
12	7024864	1	Guide, Slipper Retainer	
13	7021275	3	Pin, Slipper Hold Down	
14	7024865	9	Piston Assembly	
15	7024866	1	Retainer, Slipper	
16	7022311	1	Ring, Retaining	
17	7024867	1	Spring	
18	7024868	1	Washer	
19	7022314	1	Retainer, Spring	
20	7023910	1	Shaft	
21	7007439	1	Ring, Retaining	
22	7024869	1	Cap, End - Axial	
23	7022368	4	Screw	
24	7021249	1	Bearing, Needle	
25	7022321	1	Plug (Includes Item 26)	
26	See Note	NSS	O-Ring (Note: Use Item 25 or 51)	
27	7022318	1	Plug (Includes Item 28)	
28	See Note	NSS	O-Ring (Note: Use Item 27 or 51)	
29	7027419	2	Plug (Includes Item 30)	
30	See Note	NSS	O-Ring (Note: Use Item 29 or 51)	
31		Ref	Seat, Spring Options:	
31	7024853	1	Seat, Spring 2WD/2WS	
31	7022372	1	Seat, Spring 2WD/4WS, 4WD/2WS & 4WD/4WS	
32	7022370	1	Housing	
33	7022318	2	Plug (Items Item 34)	
34	See Note	NSS	O-Ring (Note: Use Item 33 or 51)	
35	7022321	1	Plug (Items Item 36)	
36	See Note	NSS	O-Ring (Note: Use Item 35 or 51)	
37	See Note	NSS	O-Ring (Note: Use Item 51)	
38	See Note	NSS	Ring, Seal (Note: Use Item 51)	
39	7024871	1	Piston, Servo	

SECTION 1 - FRAME

ITEM	PART NUMBER	QTY	DESCRIPTION	REV
40	7007437	1	Bearing	
41	7022326	1	Spring	
42	See Note	NSS	Seal, Lip (Note: Use Item 51)	
43	7022371	1	Washer, Support	
51	7022328	1	Seal Kit (Includes Items 2, 3, 7, 26, 28, 30, 34, 36, 37, 38 & 42)	

SECTION 1 - FRAME

FIGURE 1-14. DRIVE MOTOR ASSEMBLY (2WD & 4WD MACHINES) (SERVICE REPLACEMENT)



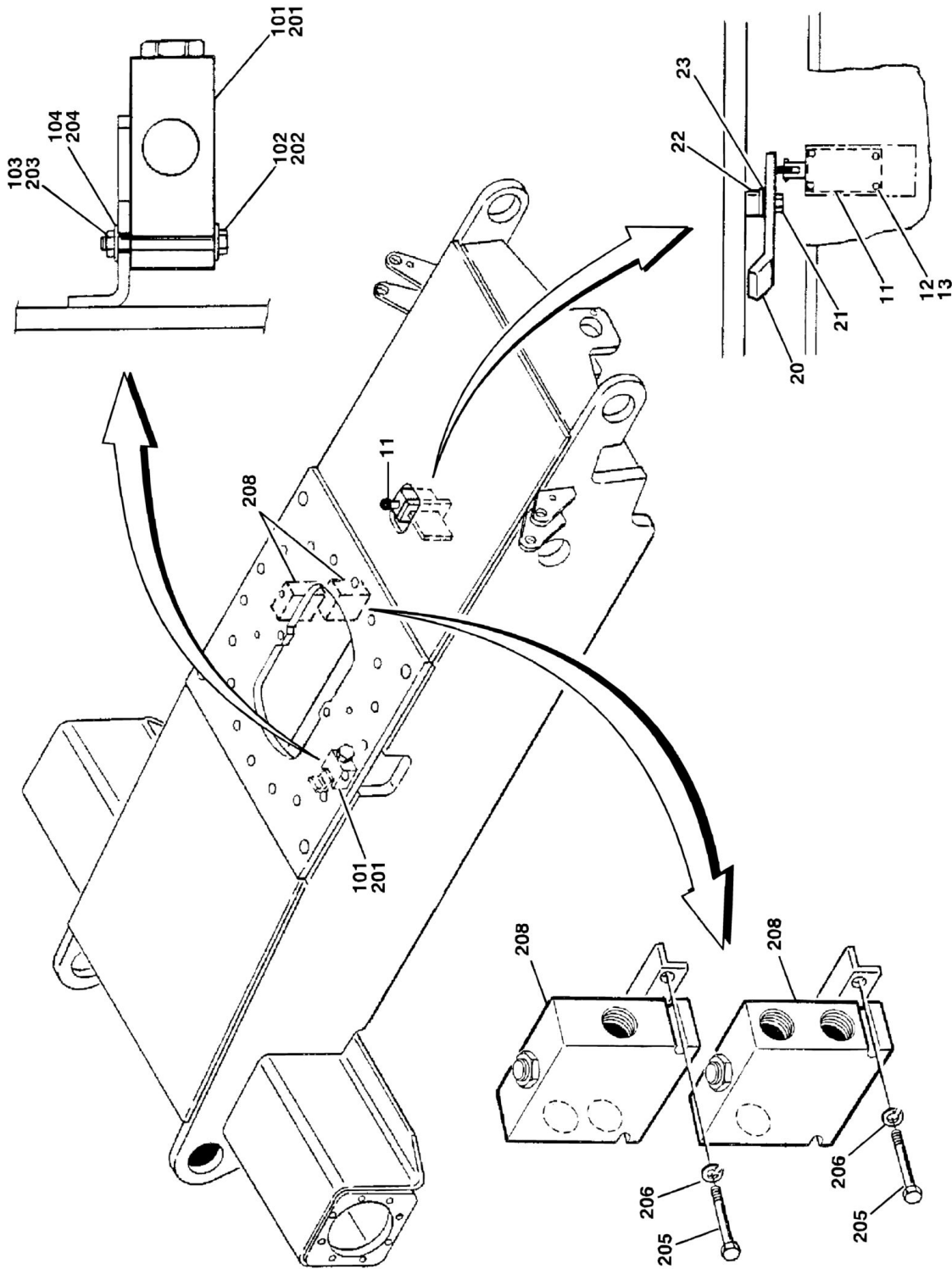
SECTION 1 - FRAME

FIGURE 1-14. DRIVE MOTOR ASSEMBLY (2WD & 4WD MACHINES) (SERVICE REPLACEMENT)

ITEM	PART NUMBER	QTY	DESCRIPTION	REV
		Ref	DRIVE MOTOR ASSEMBLY (SERVICE REPLACEMENT)	
	3160349	Ref	2WD (Service Replacement Motor for p/n 3160299)	B
	3160350	Ref	4WD (Service Replacement Motor for p/n 3160300)	B
1	7022302	2	Bearing, Journal	
2	7007446	1	Pin	
3	7007438	2	Ring, Retaining	
4	70000794	1	Swash Plate	
5	See Note	2	Pin (Note: Not Available for Purchase)	
6	See Note	NSS	Gasket (Note: Use Item 51)	
7	7027740	1	Cylinder Block Kit (Includes Items 9-17)	
8	7024862	1	Plate, Valve	
9	7027740	1	Block, Cylinder	
10	7027740	1	Guide, Slipper Retainer	
11	7021275	3	Pin, Slipper Hold Down	
12	7024865	9	Piston Assembly	
13	7027740	1	Retainer, Slipper	
14	7022311	1	Ring, Retaining	
15	7024867	1	Spring	
16	7022313	1	Washer	
17	7022314	1	Retainer, Spring	
18	7023910	1	Shaft	
19	7007439	1	Ring, Retaining	
20	70000795	1	Cap, End - Axial	
21	7022368	5	Screw	
22	7021249	1	Bearing, Needle	
23	2220886	1	Plug (Includes Item 24)	
24	See Note	NSS	O-Ring (Note: Use Item 23 or 51)	
25	2220883	1	Plug (Includes Item 26)	
26	See Note	NSS	O-Ring (Note: Use Item 25 or 51)	
27	7027419	2	Plug (Includes Item 28)	
28	See Note	NSS	O-Ring (Note: Use Item 27 or 51)	
29		Ref	Seat, Spring Options:	
29	7024853	1	Seat, Spring 2WD/2WS	
29	7022372	1	Seat, Spring 2WD/4WS, 4WD/2WS & 4WD/4WS	
30	See Note	1	Housing (Note: Not Available - Purchase Complete Assy)	
31	2220883	2	Plug (Includes Item 32)	
32	See Note	NSS	O-Ring (Note: Use Item 31 or 51)	
33	2220886	1	Plug (Includes Item 34)	
34	See Note	NSS	O-Ring (Note: Use Item 33 or 51)	
35	See Note	NSS	O-Ring (Note: Use Item 51)	
36	See Note	NSS	Ring, Seal (Note: Use Item 51)	
37	7024871	1	Piston, Servo	
38	7007437	1	Bearing	
39	7022326	1	Spring	
40	See Note	NSS	Seal, Lip (Note: Use Item 51)	
41	7022371	1	Washer, Support	
51	7022328	1	Seal Kit (Includes Items 6, 24, 26, 28, 32, 34, 35, 36 & 40)	

SECTION 1 - FRAME

FIGURE 1-15. DRIVE VALVES AND SHIELDS INSTALLATION (FRAME MOUNTED) (SN 0300069000 through 0300081835)



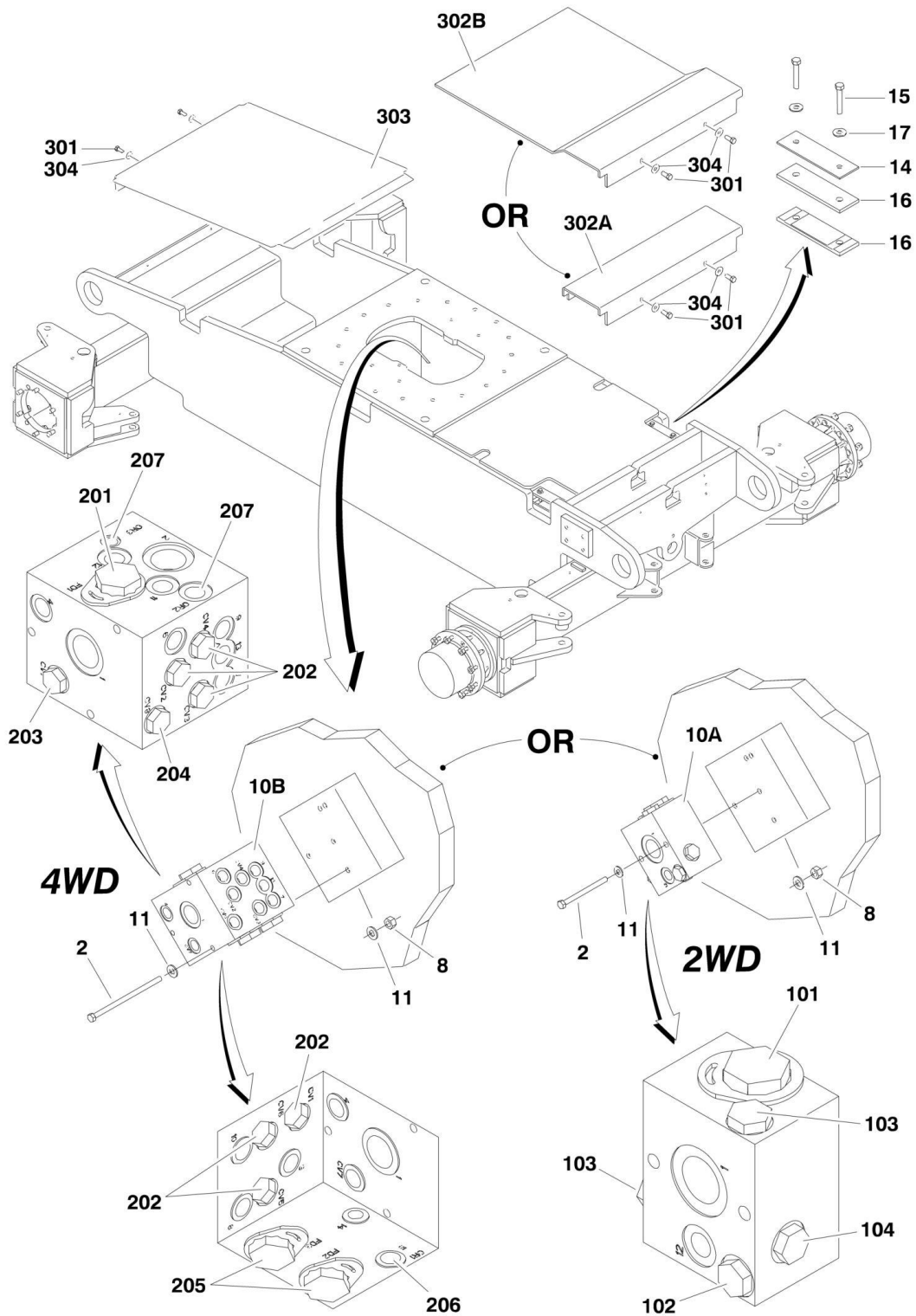
SECTION 1 - FRAME

FIGURE 1-15. DRIVE VALVES AND SHIELDS INSTALLATION (FRAME MOUNTED) (SN 0300069000 through 0300081835)

ITEM	PART NUMBER	QTY	DESCRIPTION	REV
		Ref	OSCILLATING AXLE LOCKOUT VALVE INSTALLATIONS	
	0256398	Ref	2WD with 8ft/2.4m Wide Frame	3
	0256397	Ref	2WD with 7ft/2.1m Wide Frame	4
	0256392	Ref	4WD	3
11	4640871	1	Valve, Cam	
11	7012693	1	Seal Kit - 4640871 Valve	
11	7002840	1	Tool, Pin Removal	
12	0641414	4	Bolt 1/4in-20NC x 1-7/8in	
13	4711400	8	Flatwasher 1/4in Thin	
20	1100098	1	Cam, Lockout	
21	0641816	3	Bolt 1/2in-13NC x 2in	
22	4751800	9	Flatwasher 1/2in Regular	
23	4566832	3	Tube, Spacer	
	0270123	Ref	FRAME VALVE INSTALLATIONS (2WD)	3-B
101	4640923	1	Valve, Flow Divider	
101	7012442	1	Cartridge	
101	7012980	1	Seal Kit - 7012442 Cartridge	
101	7012993	1	Orifice	
102	0641522	2	Bolt 5/16in-18NC x 2-3/4in	
103	3311505	2	Locknut 5/16in-18NC	
104	4751500	4	Flatwasher 5/16in Regular	
105	4060808	3.5 ft/1.1m	Shield, Flex Trim (Not Shown)	
	0270124	Ref	FRAME VALVE INSTALLATIONS (4WD)	3-E
201	4640923	1	Valve, Flow Divider	
201	7012992	1	Cartridge	
201	7012980	1	Seal Kit - 7012992 Cartridge	
201	7012993	1	Orifice	
202	0641522	2	Bolt 5/16in-18NC x 2-3/4in	
203	3311505	2	Locknut 5/16in-18NC	
204	4751500	4	Flatwasher 5/16in Regular	
205	0641520	4	Bolt 5/16in-18NC x 2-1/2in	
206	4751500	4	Flatwasher 5/16in Regular	
208	4640937	2	Valve, Flow Divider	
208	7021657	1	Cartridge	
208	7012980	1	Seal Kit - 7021657 Cartridge	
208	7012994	1	Orifice	
209	4060808	3/5ft/1.1m	Shield, Flex Trim (Not Shown)	

SECTION 1 - FRAME

FIGURE 1-16. DRIVE VALVES AND SHIELDS INSTALLATION (FRAME MOUNTED) (SN 0300081836 through 0300087000)



SECTION 1 - FRAME

FIGURE 1-16. DRIVE VALVES AND SHIELDS INSTALLATION (FRAME MOUNTED) (SN 0300081836 through 0300087000)

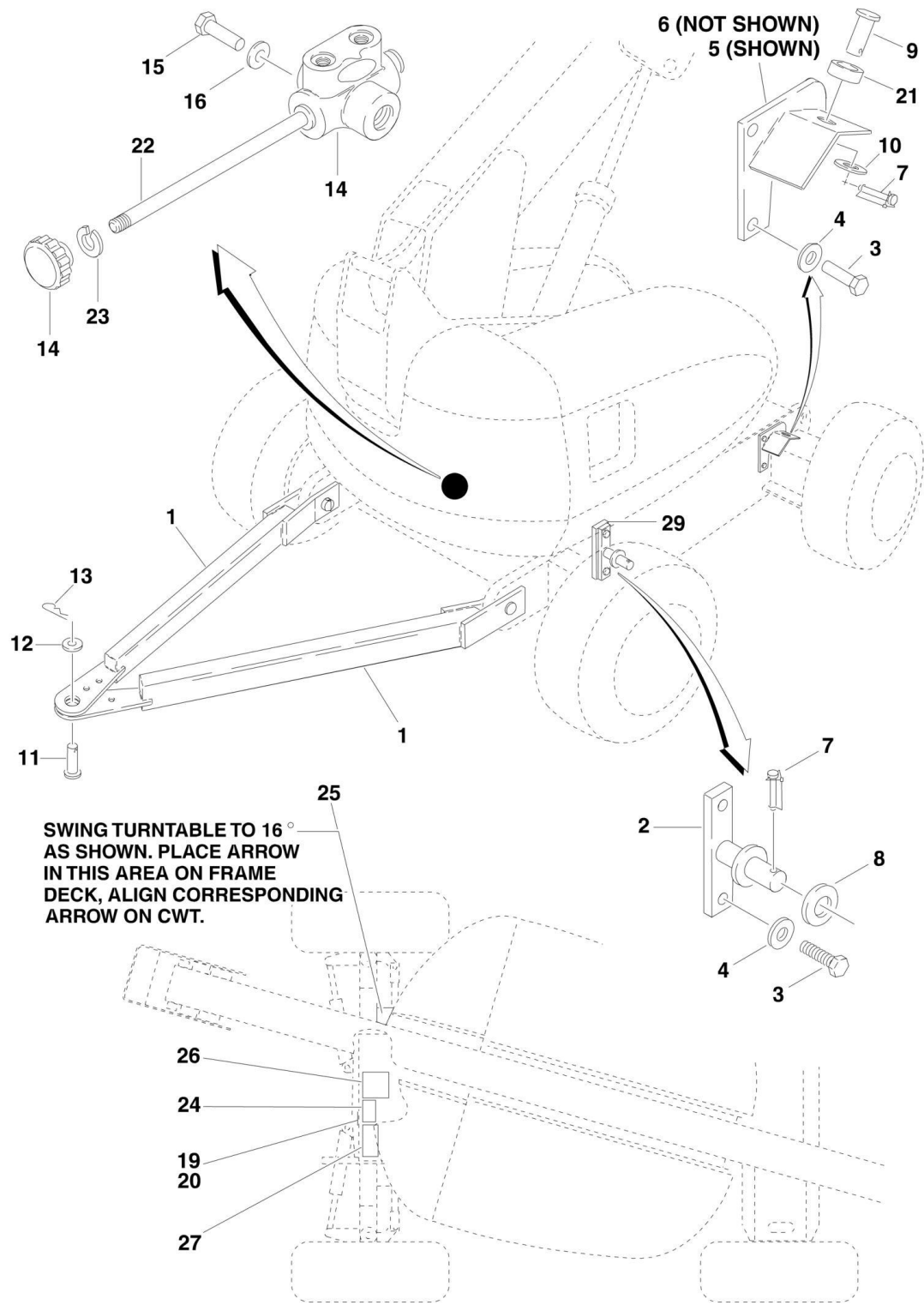
ITEM	PART NUMBER	QTY	DESCRIPTION	REV
		Ref	DRIVE VALVES INSTALLATION OPTIONS:	
	0273049	Ref	Drive Valves Installation 2WD/2WS	D
	0274441	Ref	Drive Valves Installation 2WD/4WS	B
	0273048	Ref	Drive Valves Installation 4WD/2WS	F
	0273366	Ref	Drive Valves Installation 4WD/4WS	E
2		Ref	Bolt 5/16in-18NC Options:	
2	0641532	2	4in Length (2WD)	
2	0641552	3	6-1/2in Length (4WD)	
8	3311505	AR	Locknut 5/16in-18NC	
10		Ref	Flow Divider Valve Assembly Options:	
10A		Ref	Flow Divider Valve Assembly 2WD Options (See Items 101-104 for Breakdown):	
10A	4641287	NLA	Flow Divider Valve Assembly (Use p/n 1001100120) (Original Equipment)	
10A	4641409	NLA	Flow Divider Valve Assembly (Use p/n 1001100120) (Original Equipment)	
10A	4641409	NLA	Flow Divider Valve Assembly (Use p/n 1001100120) (Original Equipment)	
10A	1001100120	1	Service Replacement	
		Ref	Note: Original Equipment Valve may have been replaced with Service Replacement Valve. Identify p/n stamped on valve before ordering parts.	
10B		Ref	Flow Divider Valve Assembly 4WD Options (See Items 201-205 for Breakdown):	
10B	4641280	NLA	Flow Divider Valve Assembly (Use p/n 1001198503) (Original Equipment)	
10B	4641410	NLA	Flow Divider Valve Assembly (Use p/n 1001198503) (Original Equipment)	
10B	4641410	NLA	Flow Divider Valve Assembly (Use p/n 1001198503) (Original Equipment)	
10B	1001098503	1	Service Replacement	
		Ref	Note: Original Equipment Valve may have been replaced with Service Replacement Valve. Identify p/n stamped on valve before ordering parts.	
11	4711500	AR	Flatwasher 5/16in Thin	
14		Ref	Bar, Clamping	
14	Not Required	0	Bar, Clamping 2WD/2WS	
14	0363012	2	Bar, Clamping 2WD/2WS, 4WD/2WS & 4WD/4WS	
15	0641618	4	Bolt 3/8in-16NC x 2-1/4in	
16	3340911	4	Rubber, Clamp	
17	4751600	4	Flatwasher 3/8in Regular	
		Ref	FLOW DIVIDER ASSEMBLY (2WD)	
	4641287	Ref	Flow Divider Assembly (2WD) (Original Equipment) (SN 0300081836 through 0300086893)	C
	4641409	Ref	Flow Divider Assembly (2WD) (Original Equipment) (SN 0300086894 through 0300087000)	B
	1001100120	Ref	Service Replacement	A
101	7023933	1	Valve, Cartridge (Flow Divider)	
101	7021625	1	Seal Kit - Flow Divider Cartridge	
101	70000781	1	Locking Kit	
102		Ref	Valve, Cartridge (Check) Options:	

SECTION 1 - FRAME

ITEM	PART NUMBER	QTY	DESCRIPTION	REV
102	7024850	1	Valve, Cartridge (Check) (Used with p/n 4641287) (SN 0300081836 through 0300086893)	
102	7024892	1	Valve, Cartridge (Check) (Used with p/n 4641409 & p/n 1001100120) (SN 0300086894 through 0300087000)	
102	7023936	1	Seal Kit - Check Cartridge	
103	7022397	2	Valve, Cartridge (Check)	
103	7022399	2	Seal Kit - Check Cartridge	
104	7023935	1	Valve, Cartridge (Check)	
104	7023936	1	Seal Kit - Check Cartridge	
		Ref	FLOW DIVIDER ASSEMBLY (4WD)	
	4641280	Ref	Flow Divider Assembly (4WD) (Original Equipment) (SN 0300081836 through 0300086893)	C
	4641410	Ref	Flow Divider Assembly (4WD) (Original Equipment) (SN 0300086894 through 0300087000)	B
	1001098503	Ref	Service Replacement	A
201	7023933	1	Valve, Cartridge (Flow Divider)	
201	7021625	1	Seal Kit - Flow Divider Cartridge	
202		Ref	Valve, Cartridge (Check) Options:	
202	7022397	6	Valve, Cartridge (p/n 4641280 & p/n 4641410)	
202	7022399	6	Seal Kit - Check Cartridge	
202	70003408	6	Valve, Cartridge (p/n 1001098503)	
202	7022399	6	Seal Kit - Check Cartridge	
203	7023935	1	Valve, Cartridge (Check)	
203	7023936	1	Seal Kit - Check Cartridge	
204		Ref	Valve, Cartridge (Check) Options:	
204	7024850	1	Valve, Cartridge (Check) (Used with p/n 4641280) (SN 0300081836 through 0300086893)	
204	7024892	1	Valve, Cartridge (Check) (Used with p/n 4641410 & p/n 1001098503) (SN 0300086894 through 0300087000)	
204	7023936	1	Seal Kit - Check Cartridge	
205	7023917	2	Valve, Cartridge (Flow Divider)	
205	7021625	2	Seal Kit - Flow Divider Cartridge	
206	70002063	1	Plug, Orifice	
207	70002064	2	Plug, Orifice	
		Ref	FRAME SHIELDS INSTALLATION	
	0274349	Ref	Frame Shields Installation 2WD/2WS	C
	0274229	Ref	Frame Shields Installation 2WD/4WS (n600A/AJ Only)	A
	0274349	Ref	Frame Shields Installation 4WD/2WS	E
	0274348	Ref	Frame Shields Installation 4WD/4WS	D
301	0641608	AR	Bolt, 3/8in-16NC x 7/8in	
302		Ref	Shield, Frame - Front Options:	
302A	3380557	1	Machines with 8ft/2.4m Wide Frames	
302B	3380560	1	Machines with 7ft/2.1m Wide Frames	
303		Ref	Shield, Frame - Rear Options:	
303	Not Required	0	2WS Machines with 8ft/2.4m Wide Frames	
303	3380573	1	4WS Machines with 8ft/2.4m Wide Frames	
303	3380558	1	Machines with 7ft/2.1m Wide Frames	
304	4751600	AR	Flatwasher, 3/8in Regular	

SECTION 1 - FRAME

FIGURE 1-17. TOW PACKAGE INSTALLATION (OPTIONAL) (SN 0300069000 through 0300081835)



SECTION 1 - FRAME

FIGURE 1-17. TOW PACKAGE INSTALLATION (OPTIONAL) (SN 0300069000 through 0300081835)

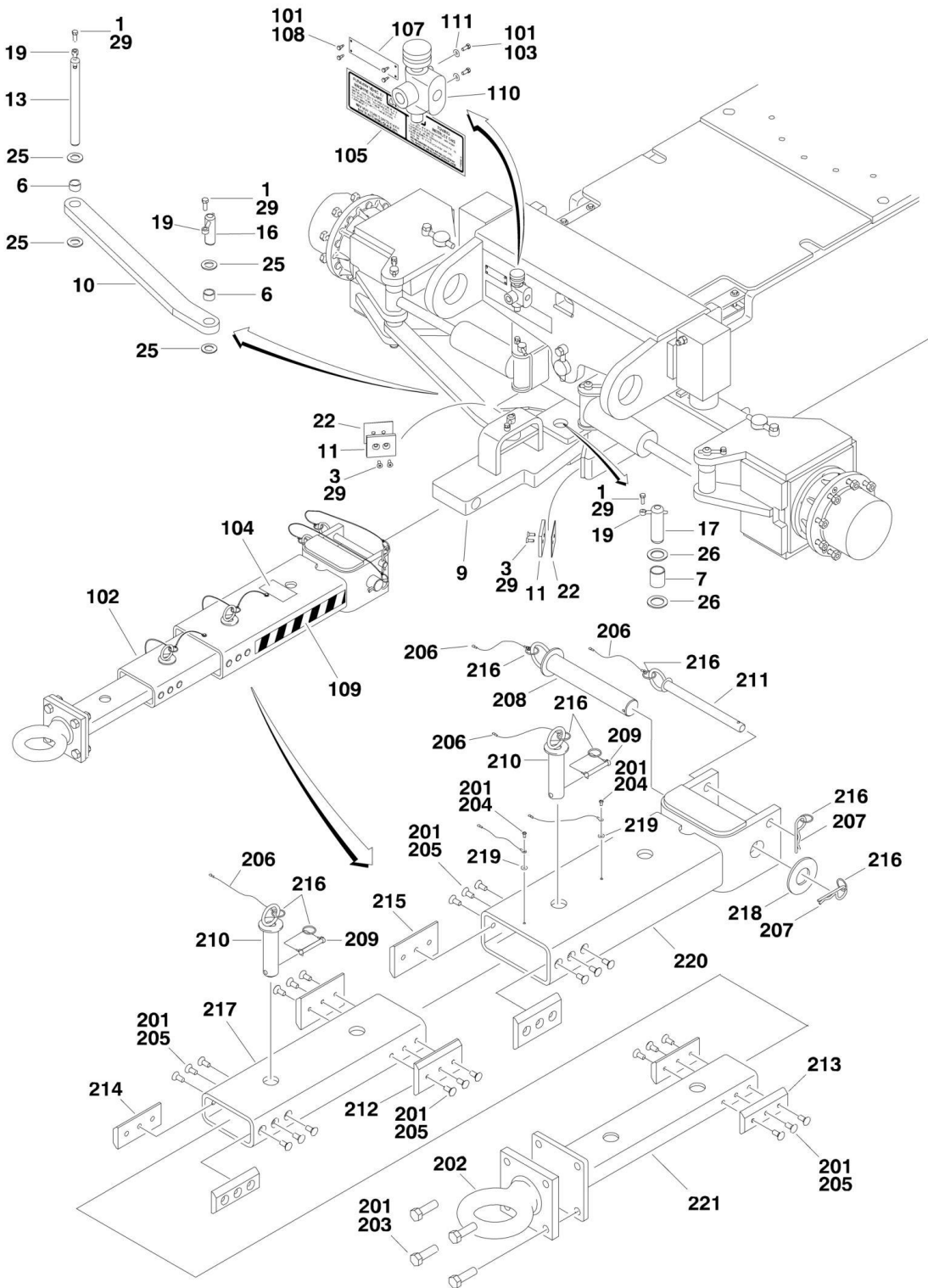
ITEM	PART NUMBER	QTY	DESCRIPTION	REV
		Ref	TOW INSTALLATION OPTIONS:	
	0257436	Ref	7ft/2.1m Width Machines - ANSI Spec	3
	0259427	Ref	7ft/2.1m Width Machines - CSA Spec	1
	0257101	Ref	8ft/2.4m Width Machines - ANSI Spec	2
	0259426	Ref	8ft/2.4m Width Machines - CSA Spec	1
1	4845281	1	Tow Bar Weldment	
2		Ref	Bracket, Tow Bar Options:	
2	Not Required	0	7ft/2.1m Width Machines	
2	4845283	2	8ft/2.4m width machines	
3		Ref	Bolt 3/8in-16NC x 1in Options:	
3	Not Required	0	7ft/2.1m Width Machines	
3	0641608	8	8ft/2.4m width machines	
4		Ref	Flatwasher 3/8in Thin Options:	
4	Not Required	0	7ft/2.1m Width Machines	
4	4711600	8	8ft/2.4m width machines	
5		Ref	Bracket, Tow Bar Options:	
5	Not Required	0	7ft/2.1m Width Machines	
5	4845450	1	8ft/2.4m width machines	
6		Ref	Bracket, Tow Bar Options:	
6	Not Required	0	7ft/2.1m Width Machines	
6	4845451	1	8ft/2.4m width machines	
7	3421453	4	Pin, Snap	
8	4712600	AR	Flatwasher 1in Thin	
9	3422553	2	Pin, Tow Bar	
10	4713400	2	Flatwasher 1-1/2in Thin	
11	3422553	1	Pin, Tow Bar	
12	4713000	2	Flatwasher 1-1/4in Thin	
13	3420592	1	Hairpin	
14	4640261	1	Diversion Valve Assembly	
15	0641505	2	Bolt 5/16in-18NC x 5/8in	
16	4711500	2	Flatwasher 5/16in Thin	
19		Ref	Nameplate Options:	
19	3250872	1	ANSI Spec	
19	1704272	1	CSA Spec	
20		Ref	Rivet Options:	
20	3820001	4	ANSI Spec	
20	Not Required	0	CSA Spec	
21	4567172	2	Tube, Spacer	
22	3841329	1	Rod Extension	
23	4761600	1	Lockwasher 3/8in	
24		Ref	Decal - Instruction Options:	
24	1703403	1	ANSI Spec	
24	1704275	1	CSA Spec	
25	1703404	2	Decal - Match Arrow	
26	1703444	1	Decal	
27		Ref	Decal Options:	
27	1703450	1	ANSI Spec	
27	1704274	1	CSA Spec	
28	3539662	1	Plate, Valve Mounting (Not Shown)	
29		Ref	Bar, Tow Clamp Options:	

SECTION 1 - FRAME

ITEM	PART NUMBER	QTY	DESCRIPTION	REV
29	Not Required	0	7ft/2.1m Width Machines	
29	0362519	4	8ft/2.4m width machines	

SECTION 1 - FRAME

FIGURE 1-18. TOW PACKAGE INSTALLATION (OPTIONAL) (SN 0300081836 through 0300087000)



SECTION 1 - FRAME

FIGURE 1-18. TOW PACKAGE INSTALLATION (OPTIONAL) (SN 0300081836 through 0300087000)

ITEM	PART NUMBER	QTY	DESCRIPTION	REV
		Ref	TOW INSTALLATIONS	
	0274257	Ref	7ft/2.1m Width Machines	A
	0274220	Ref	8ft/2.4m Width Machines	B
1	0641608	3	Bolt 3/8in-16NC x 1in	
3	0741607	8	Bolt 3/8in-16NC x 1in Options	
6	0962292	2	Bushing	
7	0962348	1	Bushing	
9	2980125	1	Pivot	
10		Ref	Link, Tow Options:	
10	2575716	1	7ft/2.1m Width Machines	
10	3010141	1	8ft/2.4m Width Machines	
11	3340966	2	Pad, Stop	
13	3422327	1	Pin	
16	3422813	1	Pin	
17	3422848	1	Pin	
19	3841143	3	Keeper, Pin	
22	4071059	2	Shim	
25		Ref	Thrustwasher Options:	
25	4740184	1	7ft/2.1m Width Machines	
25	4740111	2	8ft/2.4m Width Machines	
26	4740155	2	Thrustwasher	
29	0100011	AR	Compound, Locking	
	0274235	Ref	TOW BAR INSTALLATION	B
101	0100011	AR	Compound, Locking	
102	0270528	1	Bar Assembly (See Items 201-221 for Breakdown)	
103	0641516	2	Bolt 5/16in-18NC x 2	
104	1704578	2	Decal - Crushing	
105	1705090	1	Decal - Towing Instructions	
107	3250872	1	Nameplate, Steer/Tow Select Valve	
108	3940604	4	Screw, Self-Tapping #6-32NF x 1/2in	
109	4420051	AR	Tape, Safety	
110	4640261	1	Valve, Float Position	
111	4751500	2	Flatwasher 5/16in Regular	
	0270528	Ref	TOW BAR ASSEMBLY	A
201	0100011	AR	Compound, Locking	
202	0362910	1	Pintle, Draw Eye	
203	0642010	4	Bolt 5/8in-11NC x 1-1/4in	
204	0721004	2	Screw, Hex Machine	
205	0741607	24	Screw, Countersunk 3/8in-16NC x 7/8in	
206	1060584	6	Cable, Lanyard	
207	3420372	2	Pin, Cotter	
208	3420447	1	Pin, Towing	
209	3421565	2	Pin, Snap	
210	3422841	2	Pin	
211	3422847	1	Pin	
212	3572009	2	Plate, Slide Stop	
213	3572010	2	Plate, Slide Stop	
214	3572011	2	Plate, Slide Stop	
215	3572012	2	Plate, Slide Stop	
216	3760170	8	Ring, Split	

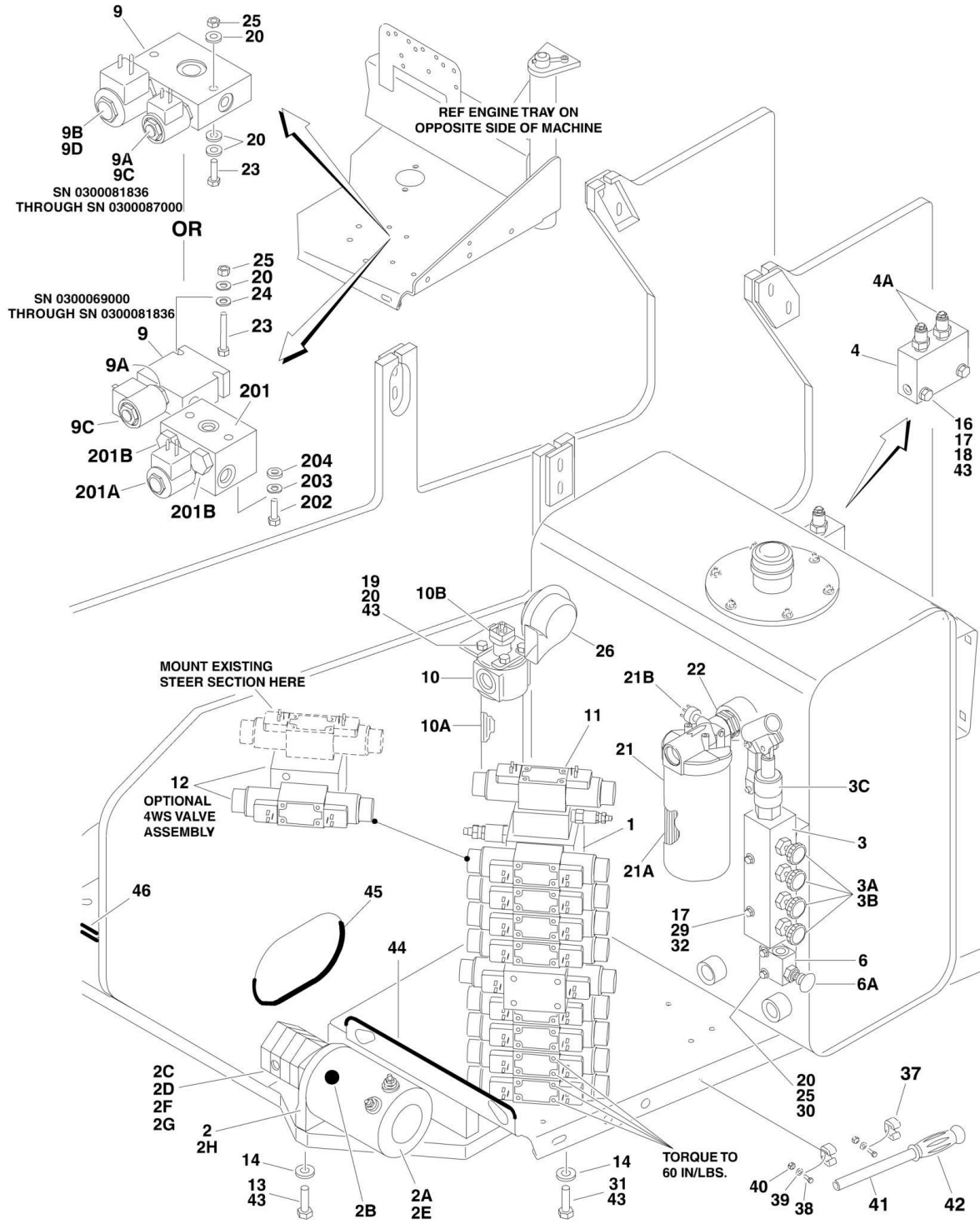
SECTION 1 - FRAME

ITEM	PART NUMBER	QTY	DESCRIPTION	REV
217	4568133	1	Tube, Tow Bar	
218	4740036	1	Flatwasher, Special	
219	4751000	2	Flatwasher #10 Regular	
220	4846295	1	Tow Bar Attach Weldment	
221	4846296	1	Pintle Attach Weldment	

SECTION 2 - TURNTABLE

SECTION 2 - TURNTABLE

FIGURE 2-1. CONTROL VALVES INSTALLATIONS



SECTION 2 - TURNTABLE

FIGURE 2-1. CONTROL VALVES INSTALLATIONS

ITEM	PART NUMBER	QTY	DESCRIPTION	REV
		Ref	CONTROL VALVES INSTALLATIONS	
	0255440	Ref	Control Valves Installations 600A 2WS (SN 0300069000 through 0300081835)	13
	0274276	Ref	Control Valves Installations 600A 2WS (SN 0300081836 through 0300084828)	1
	0274309	Ref	Control Valves Installations 600A 2WS (SN 0300084829 through 0300087000)	1
	0255442	Ref	Control Valves Installations 600A 4WS (SN 0300069000 through 0300081835)	12
	0274278	Ref	Control Valves Installations 600A 4WS (SN 0300081836 through 0300084828)	1
	0274311	Ref	Control Valves Installations 600A 4WS (SN 0300084829 through 0300087000)	1
	0255441	Ref	Control Valves Installations 600AJ 2WS (SN 0300069000 through 0300081835)	15
	0274277	Ref	Control Valves Installations 600AJ 2WS (SN 0300081836 through 0300084828)	1
	0274310	Ref	Control Valves Installations 600AJ 2WS (SN 0300084829 through 0300087000)	1
	0255443	Ref	Control Valves Installations 600AJ 4WS (SN 0300069000 through 0300081835)	12
	0274279	Ref	Control Valves Installations 600AJ 4WS (SN 0300081836 through 0300084828)	1
	0274312	Ref	Control Valves Installations 600AJ 4WS (SN 0300084829 through 0300087000)	1
1	4641097	1	Main Valve Block Assembly (See MAIN VALVE BLOCK ASSEMBLY for Breakdown)	
2		Ref	Auxiliary Pump Assembly Options:	
2	3600243	1	Auxiliary Pump Assembly (SN 0300069000 through 0300070783)	B
2	3600365	1	Auxiliary Pump Assembly (SN 0300070784 through 0300087000)	B
2A		Ref	Replacement Motor Options:	
2A	7013755	1	Replacement Motor for Pump p/n 3600243	
2A	7013799	1	Brush Kit - 7013755 Motor	
2A	7004290	1	Replacement Motor with Endhead Item 2H for Pump p/n 3600365 (was p/n 7011067)	
2A	7004248	1	Replacement Motor without Endhead Item 2H for Pump p/n 3600365	
2A	7011065	1	Brush Kit - 7011067 Motor	
2B		Ref	Coupling Options:	
2B	7013711	1	Coupling for Pump p/n 3600243	
2B	7011063	1	Coupling for Pump p/n 3600365	
2C		Ref	Replacement Pump Options:	
2C	7013796	1	Replacement Pump for Pump p/n 3600243	
2C	See Note	1	Seal Kit (Note: Not Available Purchase Individual Components)	
2C	7016700	1	Seal, Oil	
2C	7016701	1	O-Ring	
2C	7016702	1	O-Ring	
2C	7011064	1	Replacement Pump for Pump p/n 3600365	
2C	7011066	1	Seal Kit	
2C	See Note	1	Relief Valve (Note: Not Available - Replace Complete Pump)	

SECTION 2 - TURNTABLE

ITEM	PART NUMBER	QTY	DESCRIPTION	REV
2D		Ref	Bolt (Pump to Bracket) Options:	
2D	7022203	4	Bolt for Pump p/n 3600243	
2D	7011043	4	Bolt for Pump p/n 3600365	
2E		Ref	Bolt (Motor to Bracket) Options:	
2E	7016744	2	Bolt for Pump p/n 3600243	
2E	See Note	2	Bolt for Pump p/n 3600365 (Note: Not Available for Purchase)	
2F		Ref	Gasket Options:	
2F	7016746	1	Gasket for Pump p/n 3600243	
2F	7011044	1	Gasket for Pump p/n 3600365	
2G		Ref	Lockwasher Options:	
2G	Not Required	0	Lockwasher for Pump p/n 3600243	
2G	7011048	4	Lockwasher for Pump p/n 3600365	
2H		Ref	Endhead, Motor Options:	
2H	7016747	4	Endhead for Pump p/n 3600243	
2H	7011062	4	Endhead for Pump p/n 3600365	
3	4640930	1	Manual Descent Valve Assembly (SN 0300069000 through 0300070977)	
3A	7012954	4	Cartridge, Needle	
3A	7012953	4	Seal, Kit - 7012954 Cartridge	
3B	7012961	4	Knob	
3C	7012694	1	Cartridge, Pump	
3C	7012699	1	Seal Kit - 7012694 Cartridge	
4	4640908	1	Counterbalance Valve Assembly	
4A	7011328	2	Cartridge, Counterbalance	
4A	2900770	2	Seal Kit - 7011328 Cartridge	
6	4640866	1	Manual Pull Valve Assembly	
6	2900708	1	Seal Kit - 4640866 Valve	
6A	7012959	1	Knob	
9		Ref	Brake Valve Assembly Options:	
9	4640907	1	Brake Valve Assembly (SN 0300069000 through 0300081835)	
9	4641108	NLA	Brake Valve Assembly (Use p/n 1001099391) (SN 0300081836 through 0300086999)	
9		Ref	Brake Valve Assembly (SN 0300087000 through 03000137663)	
9A	7012941	1	Cartridge without Coil Options:	
9A	7012907	1	Seal Kit - 7012941 Cartridge (Brake Valve p/n 4640907)	
9A	7010543	1	Seal Kit - 7012941 Cartridge (Brake Valve p/n 4641108 & 1001099391)	
9B		Ref	Cartridge without Coil Options:	
9B	Not Required	0	Brake Valve p/n 4640907	
9B	7012995	1	Brake Valve p/n 4641108 & 1001099391	
9B	7012518	1	Seal Kit - 7012995 Cartridge (Brake Valve p/n 4641108)	
9C	7012944	1	Coil	
9D		Ref	Coil Options:	
9D	Not Required	0	Brake Valve p/n 4640907	
9D	7012943	1	Brake Valve p/n 4641108 & 1001099391	
10		Ref	Hydraulic Pressure Filter Assembly Options:	
10	2120146	1	Hydraulic Pressure Filter Assembly (SN 0300069000 through 0300084828)	
10	2120209	1	Hydraulic Pressure Filter Assembly (SN 0300084829 through 0300087000)	
10A	2120150	1	Element, Filter - p/n 2120146	

SECTION 2 - TURNTABLE

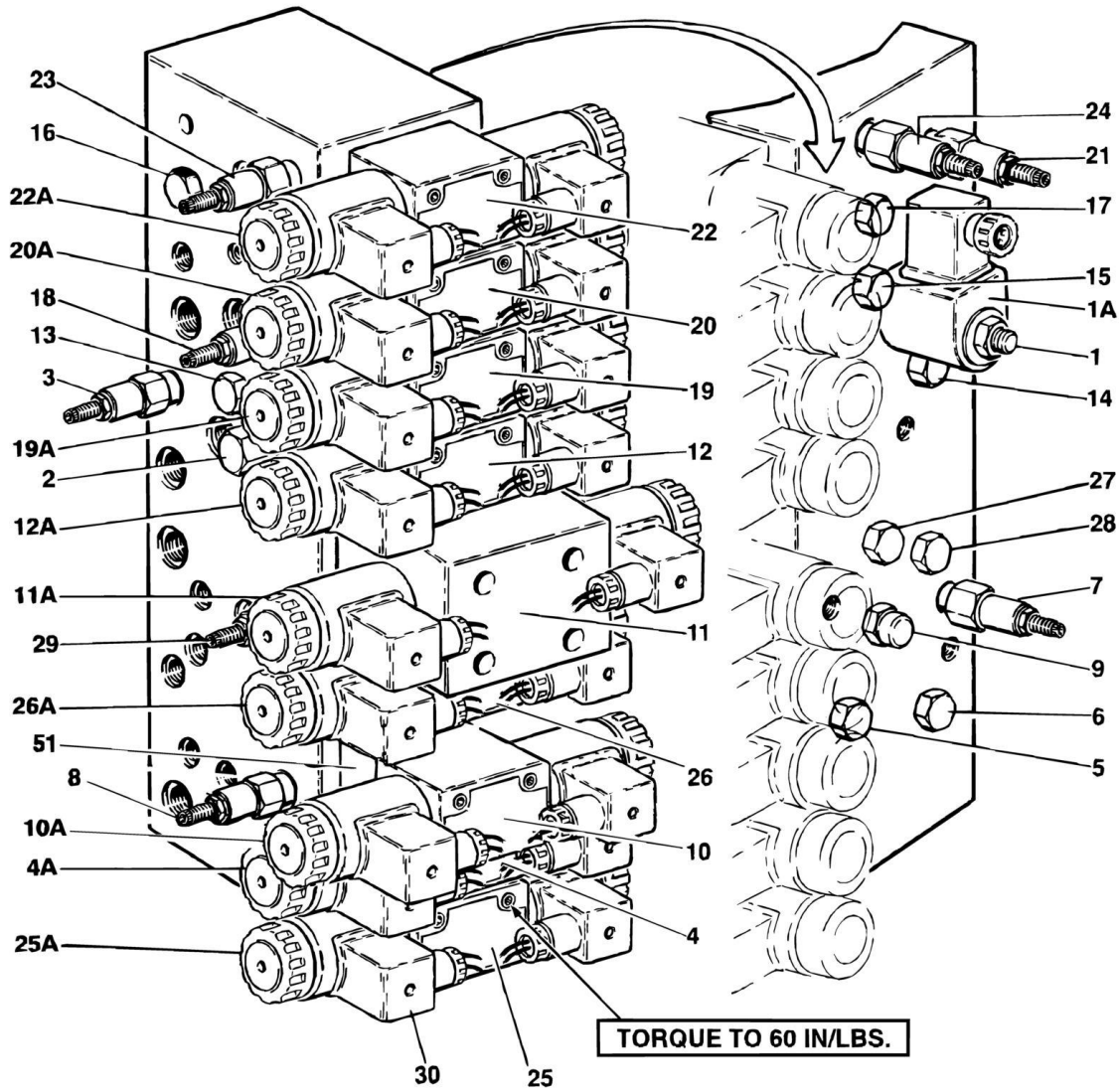
ITEM	PART NUMBER	QTY	DESCRIPTION	REV
10A	2120210	1	Element, Filter - p/n 2120209	
10B	7016312	1	Switch, Clog Indicator - p/n 2120146	
10B	7020020	1	Manual Indicator - p/n 2120209	
10C	7023206	1	O-Ring, Filter Bowl - p/n 2120146 (Not Shown)	
10C	70000934	1	O-Ring, Filter Bowl - p/n 2120209 (Not Shown)	
11		Ref	Articulating Jib Valve Kit (See ACCESSORY VALVE ASSEMBLIES for Breakdown) Options:	
11	Not Required	0	Articulating Jib Valve Kit 600A - 2WS/600A - 4WS	
11	4640921	1	Articulating Jib Valve Kit 600AJ - 2WS/600AJ - 4WS	
11	4921927	1	Harness, Articulating Jib (Not Shown - See ELECTRICAL SECTION for Breakdown)	
12		Ref	4WS Valve Assembly (See ACCESSORY VALVE ASSEMBLIES for Breakdown) Options:	
12	Not Required	0	4WS Valve Assembly 600A - 2WS/600AJ - 2WS	
12	4640922	1	4WS Valve Assembly 600A - 4WS/600AJ - 4WS	
12	4921928	1	Harness, 4WS (Not Shown - See ELECTRICAL SECTION for Breakdown)	
13	0641613	2	Bolt 3/8in-16NC x 1-5/8in	
14	4711600	AR	Flatwasher 3/8in Thin	
16	4891800	2	Flatwasher 1/2in Hardened (SN 0300069000 through 0300074392)	
17	4711500	AR	Flatwasher 5/16in Thin	
18		Ref	Hardware Options:	
18	3311501	2	Nut 5/16in-18NC (SN 0300069000 through 0300074391)	
18	0641514	2	Bolt 5/16in-18NC x 1-3/4in (SN 0300074392 through 0300087000)	
19	0651406	AR	Bolt 1/4in-28NF x 3/4in	
20	4711400	AR	Flatwasher 1/4in Thin	
21		Ref	Return Filter Assembly Options:	
21	2120145	1	Return Filter Assembly (SN 0300069000 through 0300084828)	B
21	2120164	1	Return Filter Assembly (SN 0300084829 through 0300087000)	B
21A	2120149	1	Element, Filter	
21B	7016313	1	Switch, Clog Indicator - p/n 2120145	
21B	7020021	1	Manual Indicator - p/n 2120164	
22	2220893	1	Fitting, Adaptor	
23	0641416	2	Bolt 1/4in-20NC x 2in	
24	4891400	4	Flatwasher 1/4in Hardened	
25	3311405	AR	Locknut 1/4in-20NC	
26	0140001	1	Horn	
29	0641522	2	Bolt 5/16in-18NC x 2-3/4in (SN 0300069000 through 0300070977)	
30	0641414	2	Bolt 1/4in-20NC x 1-3/4in	
31	0641608	3	Bolt 3/8in-16NC x 1in	
32	3311505	2	Locknut 5/16in-18NC (SN 0300069000 through 0300070977)	
37	1380136	2	Clip, Gripper (SN 0300069000 through 0300070977)	
38	3910806	2	Screw #8 x 3/4in (SN 0300069000 through 0300070977)	
39	4750800	4	Flatwasher #8 Regular (SN 0300069000 through 0300070977)	
40	3310805	2	Locknut #8 (SN 0300069000 through 0300070977)	
41	2560122	1	Handle (SN 0300069000 through 0300070977)	
42	2560123	1	Grip, Handle (SN 0300069000 through 0300070977)	
43	0100011	AR	Compound, Locking	
44	4060804	16	Trim-Loc 3/16in	

SECTION 2 - TURNTABLE

ITEM	PART NUMBER	QTY	DESCRIPTION	REV
45	4060918	79 in/1.9m	Trim-Loc 5/8in	8
46	4060807	18 in/46cm	Trim-Loc 3/8in	
	2792195	Ref	4WD DRIVE HYDRAULIC DIAGRAM (SN 0300069000 through 0300081835)	
201	4640906	1	Valve, 2-Speed Motor Control	
201A	7012974	1	Cartridge without Coil	
201A	7012905	1	Seal Kit	
201A	7012944	1	Coil	
201B	4640906	2	Cartridge, Check Valve (Note: Not Available for Purchase)	
201B	7012972	2	Seal Kit	
202	0641508	2	Bolt 5/16in-18NC x 1in	
203	4891500	2	Flatwasher 5/16in Hardened	
204	4711500	2	Flatwasher 5/16in Thin	

SECTION 2 - TURNTABLE

FIGURE 2-2. MAIN VALVE BLOCK ASSEMBLY



SECTION 2 - TURNTABLE

FIGURE 2-2. MAIN VALVE BLOCK ASSEMBLY

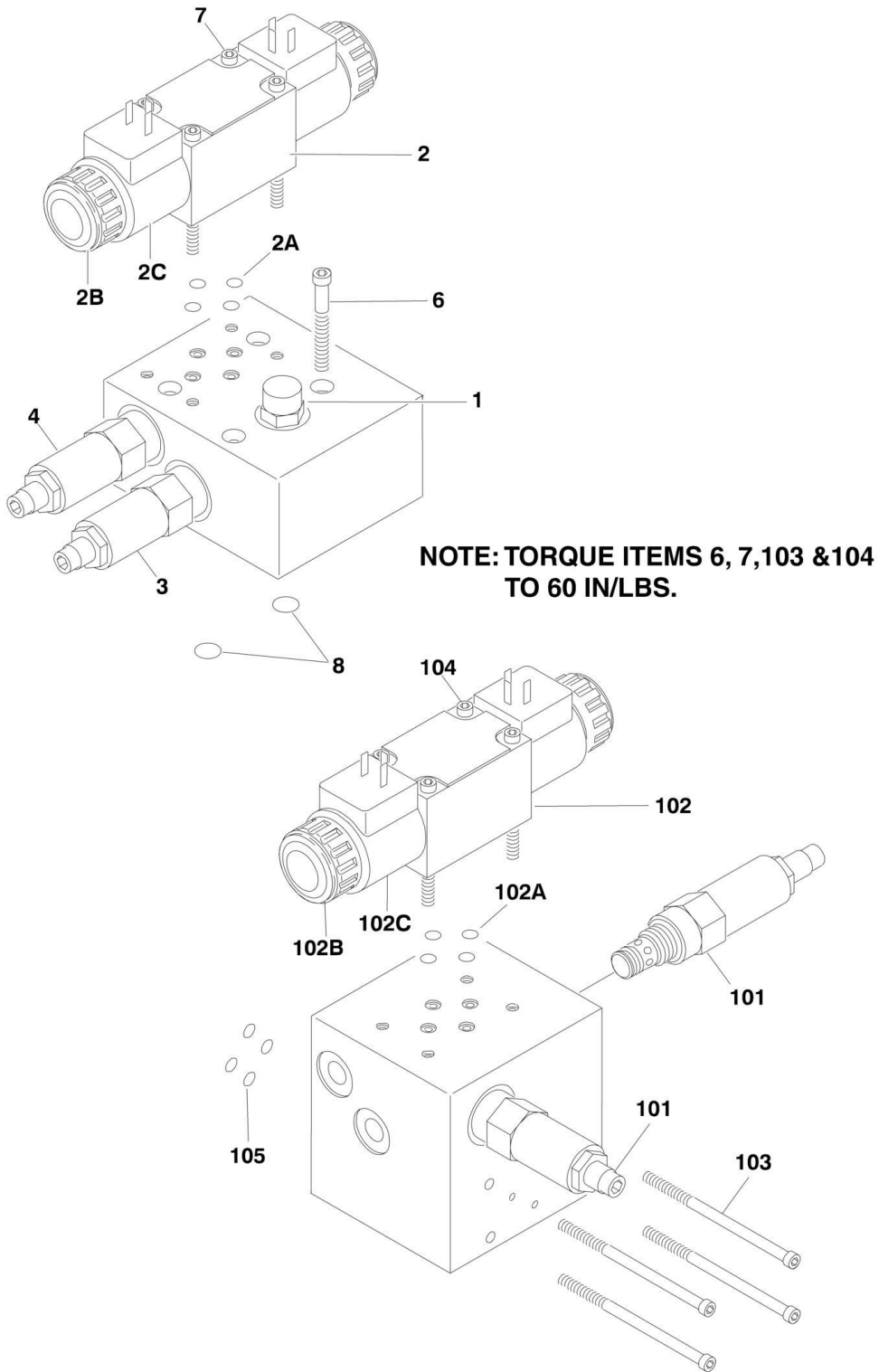
ITEM	PART NUMBER	QTY	DESCRIPTION	REV
	4641097	Ref	MAIN VALVE BLOCK ASSEMBLY	B
1	7017410	1	Cartridge, without Coil	
1	7012967	1	Seal Kit - 7017410 Cartridge	
1A	7012944	1	Coil	
2	7017411	1	Cartridge, Pressure Sensing	
2	7012518	1	Seal Kit	
3	7017418	1	Cartridge (Main Relief)	
3	7012998	1	Seal Kit	
4	70001976	1	Control Valve Assembly (Platform Level) (was p/n 7012770)	
4	7012773	1	Seal Kit	
4A	7012772	2	Coil	
4A	7018912	2	Nut	
5	7012914	1	Cartridge, Check Valve	
5	7012918	1	Seal Kit - 7012914 Cartridge	
6	7012914	1	Cartridge, Check Valve	
6	7012918	1	Seal Kit - 7012914 Cartridge	
7	7017428	1	Cartridge, Relief Valve (Platform Level Backward Relief)	
7	7012998	1	Seal Kit - 7017428 Cartridge	
8	7017427	1	Cartridge, Relief Valve (Platform Level Forward Relief)	
8	7012998	1	Seal Kit - 7012912 Cartridge	
9	7012989	1	Cartridge, Flow Control	
9	7012953	1	Seal Kit - 7012989 Cartridge	
10	70001976	1	Control Valve Assembly (Platform Rotate) (was p/n 7012770)	
10	7012773	1	Seal Kit	
10A	7012772	2	Coil	
10A	7018912	2	Nut	
11		Ref	Control Valve Assembly Options (Upper Tele):	
11	70000579	1	Control Valve Assembly (was p/n 7012766) (SN 0300069000 through 0300092880)	
11	70000579	1	Control Valve Assembly (SN 0300092881 through 0300087000)	
		Ref	Note: Refer to Vendor P/N on Valve Nameplate before ordering Parts. 7012766 is RR00567495 or R900567495. 70000579 is R900930080.	
11		Ref	Seal Kit Options:	
11	7012769	1	7012766 Valve	
11	70000583	1	70000579 Valve	
11A		Ref	Coil Options:	
11A	7012772	1	7012766 Valve (was p/n 7012768)	
11A	70000582	1	70000579 Valve	
11A		Ref	Nut, Coil Options:	
11A	7018912	1	7012766 Valve	
11A	70000580	1	70000579 Valve	
12	7012775	1	Control Valve Assembly (Flow Control)	
12	7012773	1	Seal Kit	
12A	7012772	2	Coil	
12A	7018912	2	Nut	
13	7010542	1	Cartridge, Shuttle	
13	7010543	1	Seal Kit - 7010542 Cartridge	
14	7010542	1	Cartridge, Shuttle	
14	7010543	1	Seal Kit - 7010542 Cartridge	

SECTION 2 - TURNTABLE

ITEM	PART NUMBER	QTY	DESCRIPTION	REV
15	7010542	1	Cartridge, Shuttle	
15	7010543	1	Seal Kit - 7010542 Cartridge	
16	7010542	1	Cartridge, Shuttle	
16	7010543	1	Seal Kit - 7010542 Cartridge	
17	7010542	1	Cartridge, Shuttle	
17	7010543	1	Seal Kit - 7010542 Cartridge	
18	7017420	1	Cartridge, Relief Valve	
18	7012998	1	Seal Kit - 7017420 Cartridge	
19	7012775	1	Control Valve Assembly (Upper Lift)	
19	7012773	1	Seal Kit	
19	7012799	1	Lanyard Assembly (Not Shown)	
19A	7012772	2	Coil	
19A	7018912	2	Nut	
20	7012775	1	Control Valve Assembly (Swing)	
20	7012773	1	Seal Kit	
20A	7012772	2	Coil	
20A	7018912	2	Nut	
21	7017423	1	Cartridge, Relief Valve (Swing Right/Left Relief)	
21	7012998	1	Seal Kit - 7017423 Cartridge	
22	7012774	1	Control Valve Assembly (Steer)	
22	7012773	1	Seal Kit	
22A	7012772	2	Coil	
22A	7018912	2	Nut	
23	7017428	1	Cartridge, Relief Valve (Steer Left Relief)	
23	7012998	1	Seal Kit - 7017428 Cartridge	
24	7017428	1	Cartridge, Relief Valve (Steer Right Relief)	
24	7012998	1	Seal Kit - 7017428 Cartridge	
25	70001976	1	Control Valve Assembly (Lower Tele) (was p/n 7012770)	
25	7012773	1	Seal Kit	
25A	7012772	2	Coil	
25A	7018912	2	Nut	
26	7018952	1	Control Valve Assembly (Lower Lift)	
26	7012769	1	Seal Kit	
26A	7012772	2	Coil	
26A	7018912	2	Nut	
26A	7012799	1	Lanyard Cable Assembly	
27	7012969	1	Cartridge, Check	
27	7012967	1	Seal Kit - 7012969 Cartridge	
28	7012914	1	Cartridge, Check	
28	7012918	1	Seal Kit - 7012914 Cartridge	
30	4460499	19	Connector, Din with Diode (Part of Valve Harness)	
	2901763	1	ROTATE SANDWICH VALVE KIT	A
51	7021310	1	Block, Valve	

SECTION 2 - TURNTABLE

FIGURE 2-3. ACCESSORY VALVE ASSEMBLIES



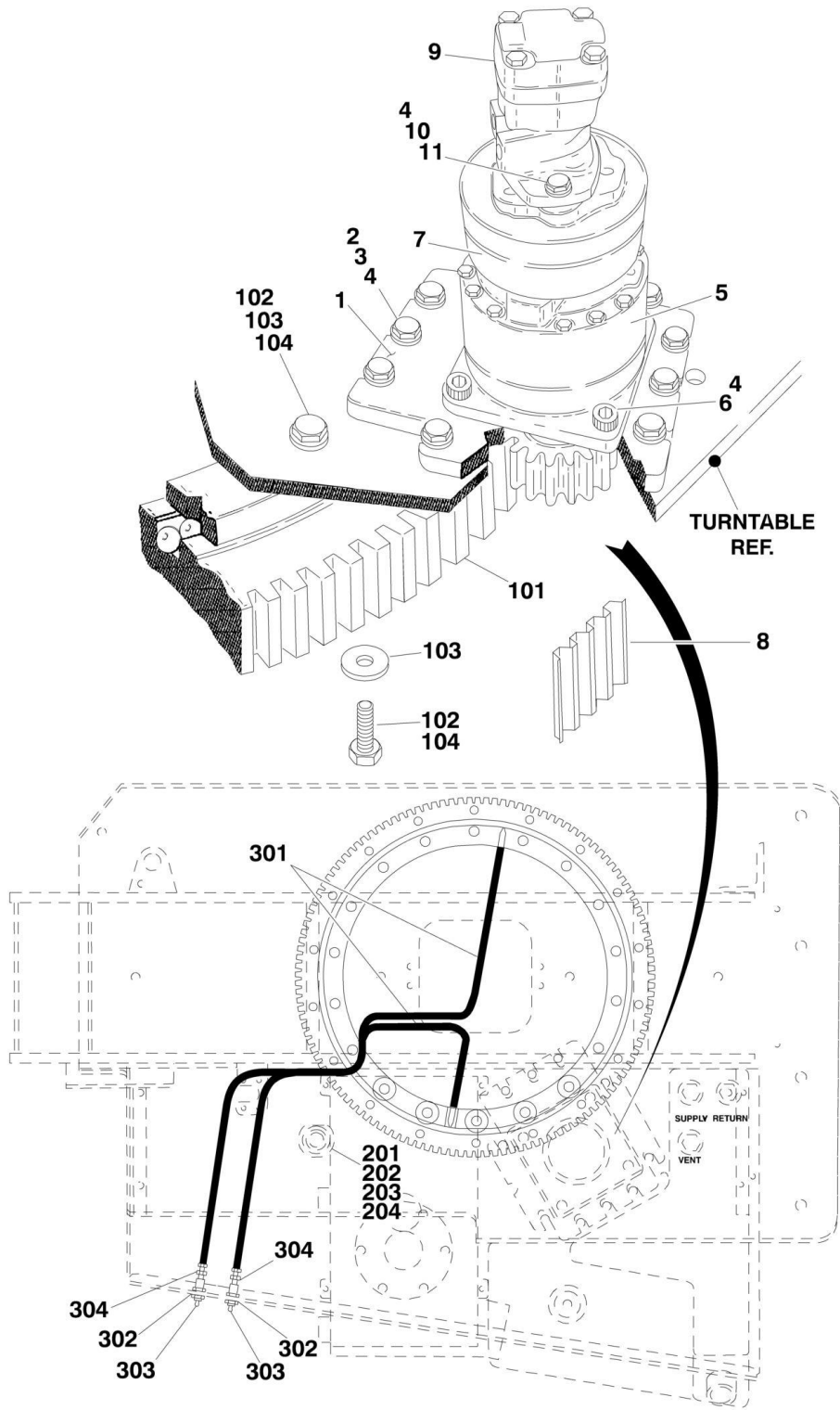
SECTION 2 - TURNTABLE

FIGURE 2-3. ACCESSORY VALVE ASSEMBLIES

ITEM	PART NUMBER	QTY	DESCRIPTION	REV
	4640921	Ref	ARTICULATING JIB VALVE ASSEMBLY	D
1	7012965	1	Cartridge, Flow Control	
1	7012953	1	Seal Kit - 7012965 Cartridge	
2	70001976	1	Directional Control Valve Assembly (was p/n 7012770)	
2	7012773	1	Seal Kit	
2A	7018945	4	O-Ring	
2B	7018912	2	Nut	
2C	7012772	2	Coil	
3	7017421	1	Cartridge, Relief	
3	7012998	1	Seal Kit - 7017421 Cartridge	
4	7017422	1	Cartridge, Relief	
4	7012998	1	Seal Kit - 7017422 Cartridge	
5	4460499	2	Connector, Din with Diode (Part of Valve Harness)	
6	7018946	4	Capscrew, Socket Head #10-24NC x 5in (Not Shown - Used to Mount Valve Assembly)	
7	7018942	4	Capscrew, Socket Head #10-24NC x 2in	
8	7012776	4	O-Ring (Not Shown - Used to Mount to Main Valve)	
	4640922	Ref	4WS VALVE ASSEMBLY	B
101	7017420	2	Cartridge, Flow Control	
101	7012998	2	Seal Kit - 7017420 Cartridge	
102	7012774	1	Directional Control Valve Assembly	
102	7012773	1	Seal Kit	
102A	7018945	4	O-Ring	
102B	7018912	2	Nut	
102C	7012772	2	Coil	
103	7018946	4	Capscrew, Socket Head #10-24NC x 5in (Used to Mount Valve Assembly)	
104	7018942	4	Capscrew, Socket Head #10-24NC x 2in	
105	7018948	4	O-Ring (Used to Mount to Main Valve)	

SECTION 2 - TURNTABLE

FIGURE 2-4. SWING DRIVE, TURNTABLE BEARING AND LOCK INSTALLATIONS



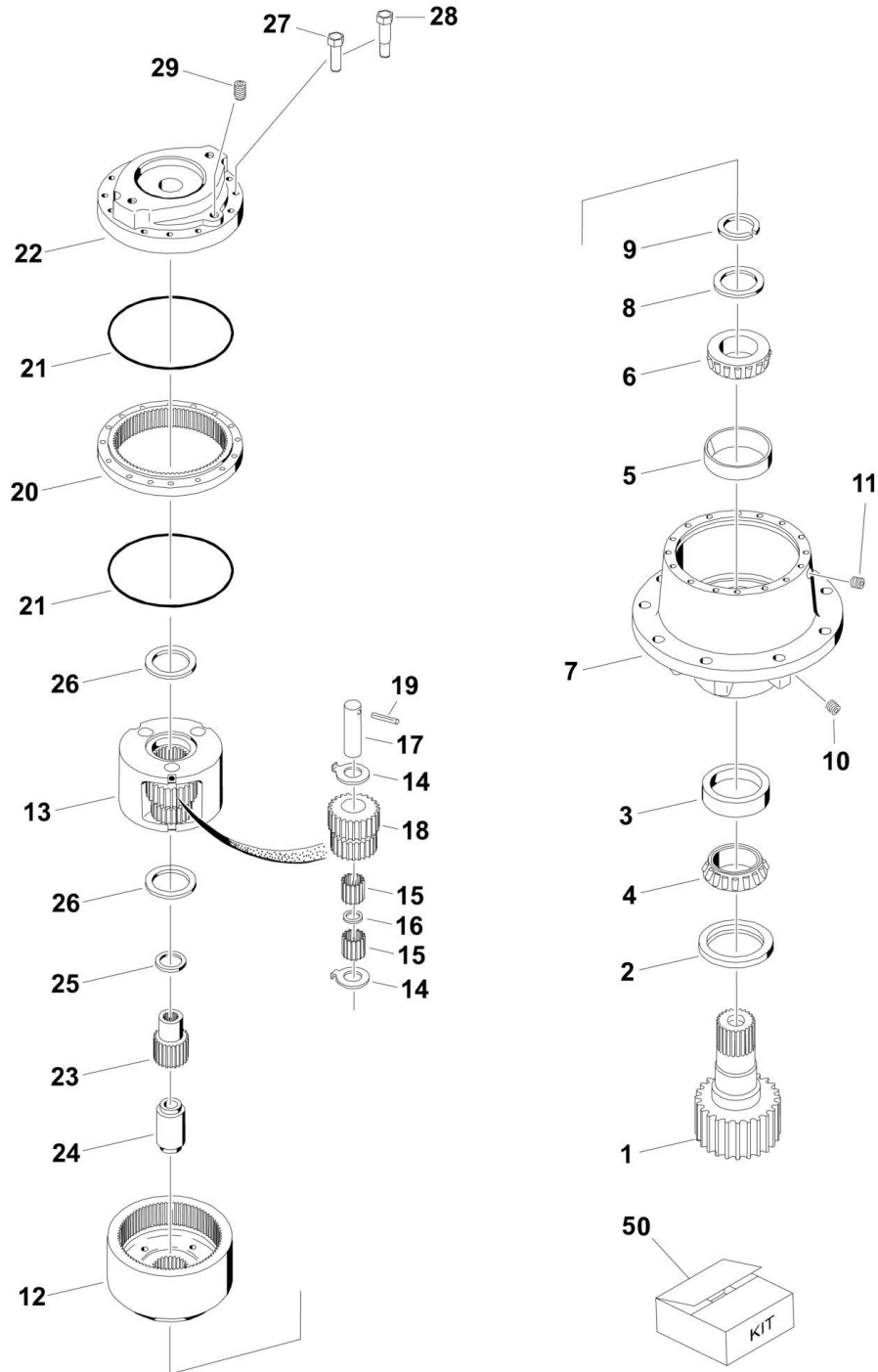
SECTION 2 - TURNTABLE

FIGURE 2-4. SWING DRIVE, TURNTABLE BEARING AND LOCK INSTALLATIONS

ITEM	PART NUMBER	QTY	DESCRIPTION	REV
	0270329	Ref	SWING DRIVE INSTALLATIONS	A
1	3537318	1	Plate, Swing Drive Mounting	
2	0642018	10	Bolt 5/8in - 11NC x 2-1/4in	
3	4892000	10	Flatwasher 5/8in Hardened	
4	0100011	AR	Compound, Locking	
5	2780205	1	Swing Hub Assembly (See SWING HUB ASSEMBLY for Breakdown)	
6	3932224	4	Bolt 1/2in - 13NC x 1-1/2in	
7	0920119	1	Swing Brake Assembly	
7	7018612	1	Repair Kit - 0920119 Brake (Note: Kit is only repair part available)	
9	3160273	1	Swing Motor Assembly (See SWING MOTOR ASSEMBLY for Breakdown)	
10	0681836	2	Bolt 1/2in - 13NC x 4-1/2in	
11	4891800	2	Flatwasher 1/2in Hardened	
	0254798	Ref	TURNTABLE BEARING INSTALLATION	1-A
101	0440207	NLA	Bearing Kit (Use p/n 2915087) (Kit Includes Bearing and Mounting Hardware)	
102	0682016	36	Bolt 5/8in - 11NC X 2in (Grade 8)	
103	4892000	36	Flatwasher 5/8in Hardened	
104	0100019	AR	Compound, Locking	
	0255410	Ref	TURNTABLE LOCK INSTALLATION	-
201	4844958	1	Pin	
202	3421565	1	Pin, Snap	
203	3760170	2	Ring, Quick Release	
204	1260017	9 in/23cm	Chain	
	0255444	Ref	REMOTE BEARING LUBE INSTALLATION	1-D
301	2751032	2	Hose, Grease	
302	2180344	2	Fitting, Bulkhead	
303	2160002	2	Fitting, Grease	
304	2220001	2	Fitting, Straight	

SECTION 2 - TURNTABLE

FIGURE 2-5. SWING HUB ASSEMBLY



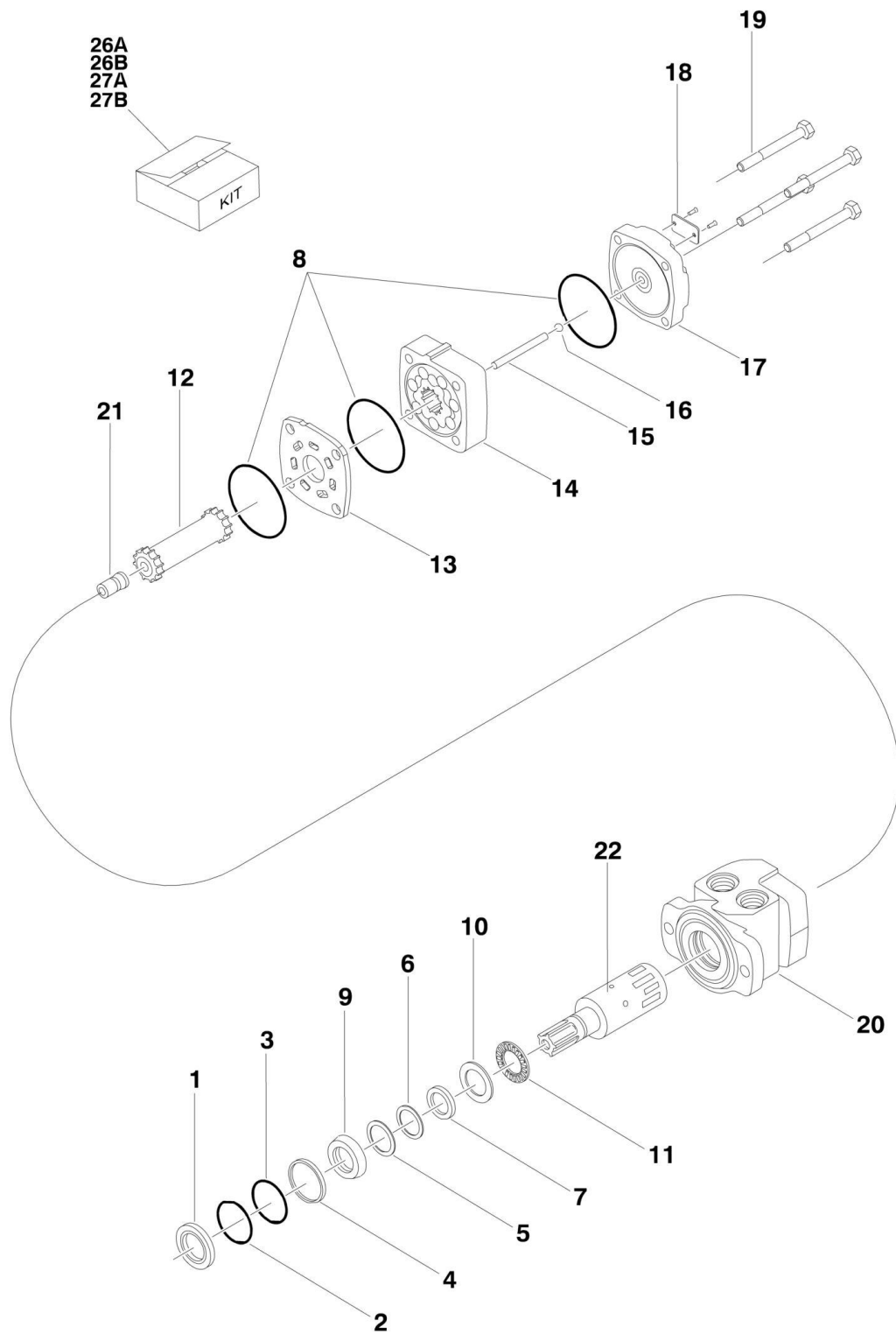
SECTION 2 - TURNTABLE

FIGURE 2-5. SWING HUB ASSEMBLY

ITEM	PART NUMBER	QTY	DESCRIPTION	REV
	2780205	Ref	SWING HUB ASSEMBLY	-
		Ref	HOUSING ASSEMBLY	
1	7010492	1	Shaft, Output	
2	7000228	1	Seal, Lip	
3	7000255	1	Cup, Bearing	
4	7000256	1	Cone, Bearing	
5	7000257	1	Cup, Bearing	
6	7000258	1	Cone, Bearing	
7	7017089	1	Housing	
8	7007633	1	Thrustwasher	
9	7000229	1	Ring, Retaining	
10	7010494	2	Pipe, Plug	
11	7001928	2	Pipe, Plug	
12	7000246	2	Gear, Internal	
13		Ref	CARRIER ASSEMBLY	
13	7001931	1	Carrier	
14	7001985	6	Thrustwasher, Tanged	
15	7001909	96	Bearing, Needle	
16	7000263	3	Spacer, Thrust	
17	7001911	3	Shaft, Planet	
18	7001987	3	Gear, Cluster	
19	7010474	3	Roll Pin	
20	7001988	1	Ring Gear	
21	7000230	2	O-Ring	
22	7000209	1	Cover, Input	
23	7010488	1	Gear, Sun	
24	7000269	1	Spacer, Input	
25	7000270	1	Thrustwasher	
26	7000253	2	Thrustwasher	
27	7000217	8	Bolt	
28	7000214	4	Bolt, Shoulder	
29	7000242	1	Pipe, Plug	
50	7024100	1	Seal Kit (Includes Items 2, 9, 21 & 26)	

SECTION 2 - TURNTABLE

FIGURE 2-6. SWING MOTOR ASSEMBLY



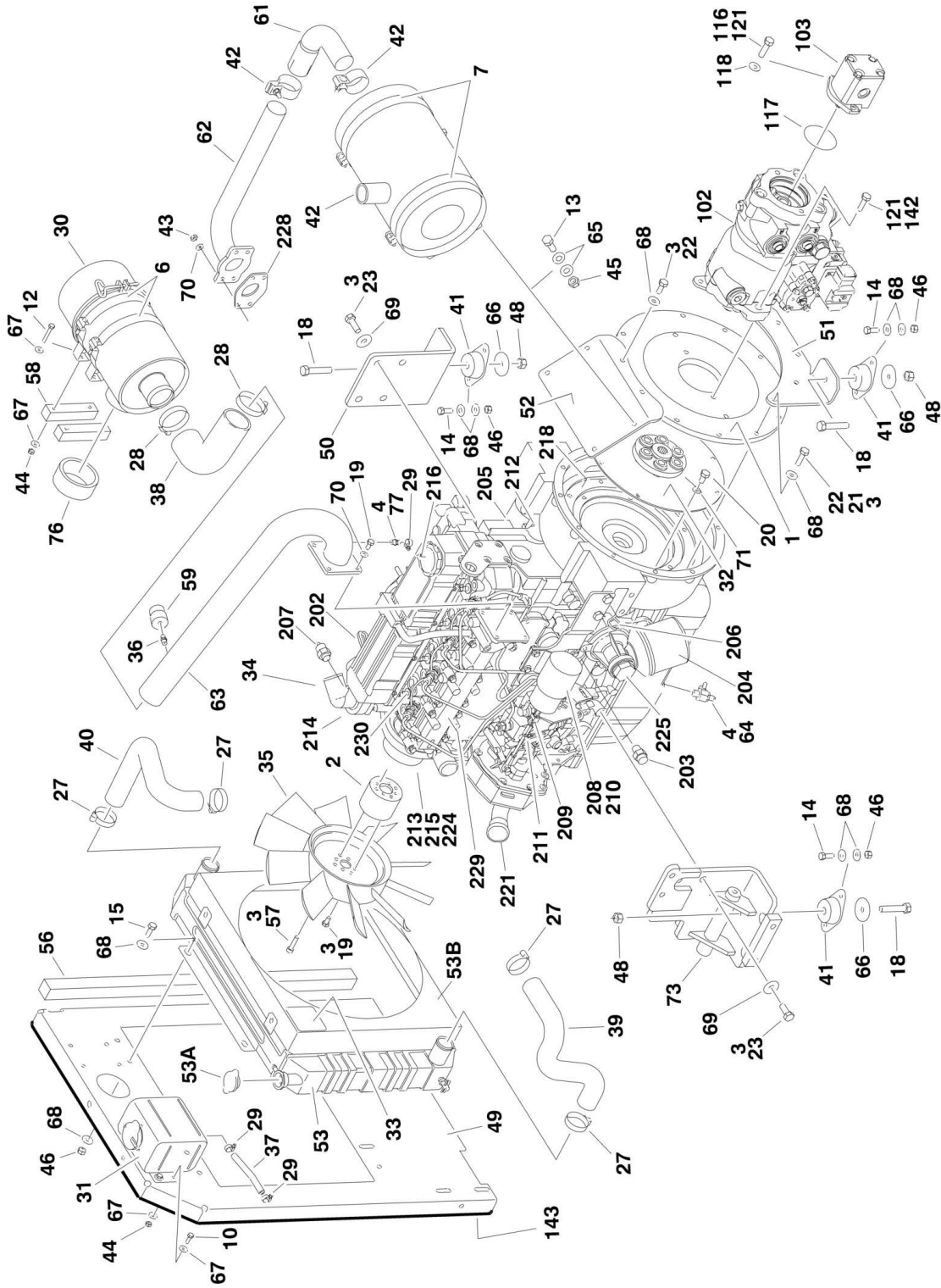
SECTION 2 - TURNTABLE

FIGURE 2-6. SWING MOTOR ASSEMBLY

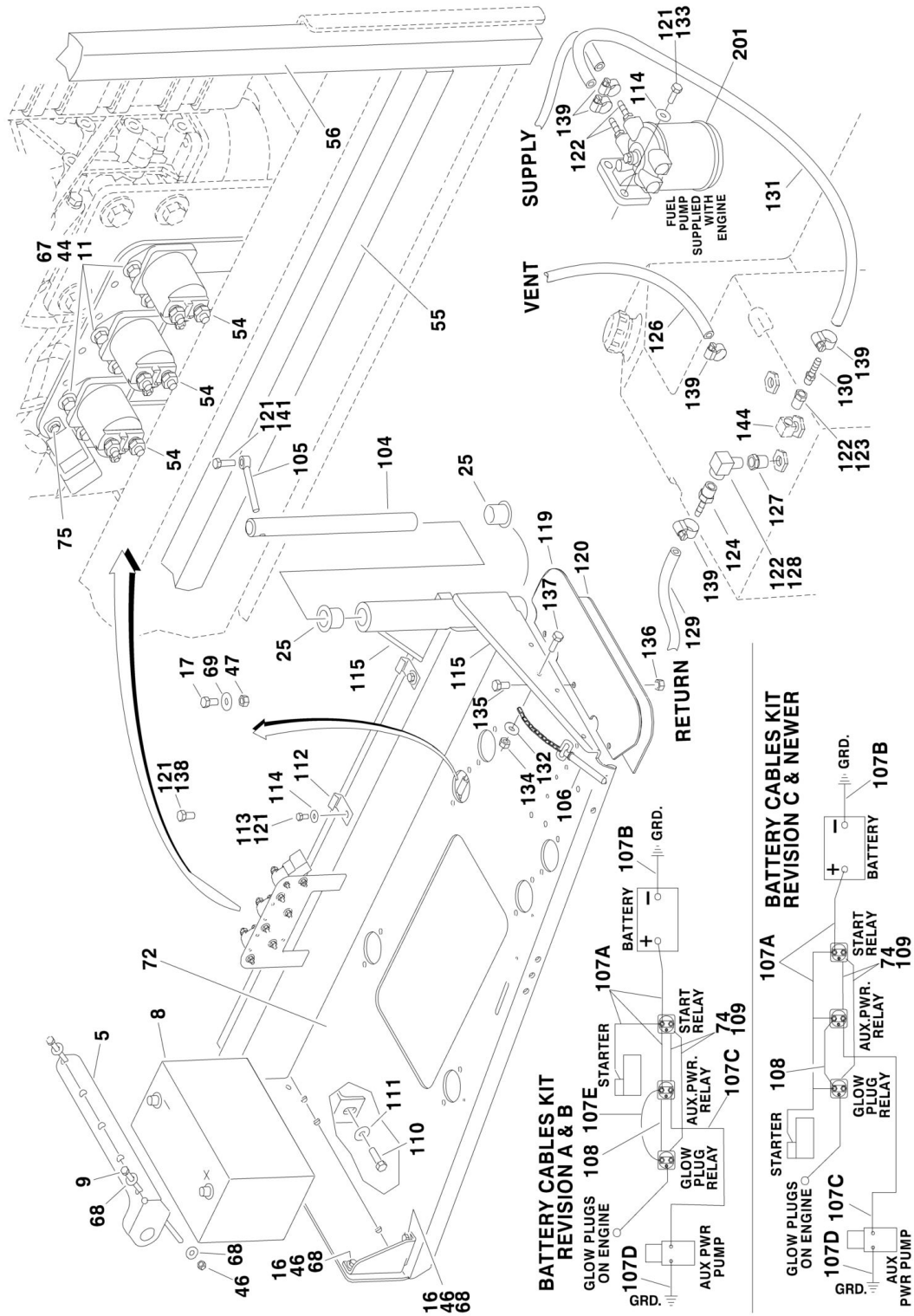
ITEM	PART NUMBER	QTY	DESCRIPTION	REV
	3160273	Ref	SWING MOTOR ASSEMBLY	B
1	See Note	NSS	Seal, Dust (Note: Use Item 26A)	
2	See Note	NSS	Ring, Split Wire (Note: Use Item 26A)	
3	See Note	NSS	Shim, Metal Back-up (Note: Use Item 26A)	
4	See Note	NSS	Seal, High Pressure (Note: Use Item 26A)	
5	See Note	NSS	Shim, Metal Back-up (Note: Use Item 26A)	
6	See Note	NSS	Seal, Teflon Back-up (Note: Use Item 26A)	
7	See Note	NSS	Seal, Shaft (Note: Use Item 26A)	
8	See Note	NSS	Seal, Body (Note: Use Item 26A)	
9	See Note	NSS	Carrier, Seal (Note: Use Item 26B)	
10	See Note	NSS	Thrustwasher (Note: Use Item 26B)	
11	7016422	1	Bearing, Thrust	
12	7005889	1	Link, Drive	
13	7016423	1	Plate, Wear	
14	7005890	1	Rotor Assembly	
15	7005891	1	Pin, Drive Link	
16	See Note	NSS	Ball (Note: Use Item 27A)	
17	See Note	NSS	Cover, End (Note: Use Item 27A)	
18	See Note	1	Tag, I.D. (Note: Not Available for Purchase)	
19	7005892	4	Bolt	
20	7016425	1	Housing	
21	7005893	1	Plug, Cooling	
22	7016426	1	Shaft	
26		Ref	Seal Kit Options:	
26A	7005881	1	Seal Kit (Includes Items 1-8)	
26B	7005882	1	Seal Carrier Kit (Includes Items 9 & 10)	
27		Ref	Repair Kit Options:	
27A	7016424	1	End Cover Kit (Includes Items 16 & 17)	
27B	7016427	1	Housing/Shaft Kit (Includes Items 20-22)	

SECTION 2 - TURNTABLE

FIGURE 2-7. CATERPILLAR ENGINE INSTALLATION



SECTION 2 - TURNTABLE



SECTION 2 - TURNTABLE

FIGURE 2-7. CATERPILLAR ENGINE INSTALLATION

ITEM	PART NUMBER	QTY	DESCRIPTION	REV
		Ref	CATERPILLAR ENGINE ASSEMBLY	
	0272796	Ref	Caterpillar Engine Assembly (SN 0300069000 through 0300084828)	F
	0274491	Ref	Caterpillar Engine Assembly (SN 0300084829 through 0300087000)	B
1	0080181	1	Adaptor, Pump Mounting Plate	
2	0080243	1	Adaptor, Fan Spacer	
3	0100011	AR	Compound, Locking	
4	0100020	AR	Sealant, Thread	
5	0181727	1	Hold-Down, Battery	
6	0340041	2	Band, Mounting	
7	0340046	2	Band, Muffler	
8	0400075	1	Battery	
9	0630498	2	Rod, Hold-Down	
10	0641406	4	Bolt 1/4in-20NC x 3/4in	
11	0641407	6	Bolt 1/4in-20NC x 7/8in	
12	0701414	4	Bolt 1/4in-20NC x 3/4in	
13	0641507	4	Bolt 5/16in-18NC x 7/8in	
14	0641608	8	Bolt 3/8-16NC x 1in	
15	0641609	4	Bolt 3/8-16NC x 1-1/8in	
16	0641610	4	Bolt 3/8-16NC x 1-1/4in	
17	0641808	1	Bolt 1/2in-13NC x 1in	
18	0641828	4	Bolt 1/2in-13NC x 2-1/2in	
19	0700808	8	Bolt, M8 x 16mm	
20	0701010	8	Bolt, M10 x 20mm	
21	0701012	4	Bolt, M10 x 25mm	
22	0701015	8	Bolt, M10 x 35mm	
23	0701214	8	Bolt, M12 x 30mm	
24	0940070	1	Bumper, Rubber	
25	0961986	2	Bearing, Flange	
26	1060637	1	Lanyard	
27		Ref	Clamp, Hose Options:	
27	1320012	4	Clamp, Hose (SN 0300069000 through 0300084828)	
27	8405104	4	Clamp, Hose (SN 0300084829 through 0300087000)	
28	1320016	2	Clamp, Hose	
29		Ref	Clamp, Hose Options:	
29	1320022	3	Clamp, Hose (SN 0300069000 through 0300084828)	
29	8405009	2	Clamp, Hose (SN 0300084829 through 0300087000)	
30	1340060	1	Air Cleaner Assembly	
30	7012664	1	Element, Air Cleaner	
31	1580011	1	Container, Coolant Overflow	
32	1660239	1	Coupling, Pump	
33	1703162	2	Decal - Fan Blade	
34	2000194	1	Caterpillar Engine Assembly	
35	2060025	1	Fan	
36	2180798	1	Fitting (SN 0300069000 through 0300084828)	
37	2720058	0.33 ft	Hose	
38	2720434	1	Elbow, Rubber	
39	2720509	1	Hose, Radiator (Bottom)	
40	2720510	1	Hose, Radiator (Top)	

SECTION 2 - TURNTABLE

ITEM	PART NUMBER	QTY	DESCRIPTION	REV
41	3200406	4	Mount, Engine	
42	3220113	1	Muffler, Spark Arresting	
42	70001017	1	Clamp	
43	3290801	4	Nut M8 x 1.25	
44	3311405	14	Locknut 1/4in-20NC	
45	3311505	4	Locknut 5/16in-18NC	
46	3311605	18	Locknut 3/8in-16NC	
47	3311801	1	Nut 1/2in-13NC	
48	3311805	4	Locknut 1/2in-13NC	
49	3539872	1	Plate, Radiator Mounting	
50	3574206	1	Plate, Motor Mount	
51	3574207	1	Plate, Engine Mount (Rear)	
52	3574208	1	Bracket, Muffler	
53	3620047	1	Radiator	
53A	7027412	1	Cap	
53B	70004182	1	Shroud, Fan	
54	3740067	3	Relay, Solenoid Assembly	
55	3960468	1	Seal, Foam Gasket	
56	3960469	1	Seal, Foam Gasket	
57	4031911	4	Bolt Metric m8 x 35mm	
58	4220191	2	Block, Spacer	
59	4360392	1	Switch, Restrictor Indicator (SN 0300069000 through 0300084828)	
61	4567073	1	Tube, Exhaust	
62	4568721	1	Exhaust Tube Weldment	
63		Ref	Tube, Air Intake Weldment Options:	
63	4568788	1	Tube, Air Intake Weldment (SN 0300069000 through 0300084828)	
63	4569177	1	Tube, Air Intake Weldment (SN 0300084829 through 0300087000)	
64	4640750	1	Valve, Oil Drain	
65	4711500	8	Flatwasher 5/16in Thin	
66	4740274	4	Washer, Snubbing	
67	4751400	28	Flatwasher 1/4in Regular	
68	4751600	48	Flatwasher 3/8in Regular	
69	4751800	8	Flatwasher 1/2in Regular	
70	4811900	8	Flatwasher M8	
71	4832000	8	Lockwasher M10	
72	4846790	1	Tray Engine	
73	4846805	1	Mount, Engine/Generator - Left	
74	4922737	1	Harness, Relay Ground	
75	0721006	1	Bolt #10-24NC x 3/4in	
76	2720515	1	Seal, Air Cleaner	
77	2220767	1	Fitting (SN 0300075603 through 0300087000)	
		Ref	CATERPILLAR ENGINE INSTALLATIONS	
	0273520	Ref	Caterpillar Engine Installations (SN 0300069000 through 0300081835)	3
	0273972	Ref	Caterpillar Engine Installations (SN 0300081836 through 0300084828)	1
	0274525	Ref	Caterpillar Engine Installations (SN 0300084829 through 0300087000)	1/A
102		Ref	Piston Pump Assembly Options:	

SECTION 2 - TURNTABLE

ITEM	PART NUMBER	QTY	DESCRIPTION	REV
102	3600260	1	Piston Pump Assembly (See PISTON PUMP ASSEMBLY for Breakdown) (SN 0300069000 through 0300081835)	
102	3600381	1	Piston Pump Assembly (See PISTON PUMP ASSEMBLY for Breakdown) (SN 0300081836 through 0300087000)	
103	3600242	1	Gear Pump Assembly (See GEAR PUMP ASSEMBLY for Breakdown)	
104	3422448	1	Pin, Pivot	
105	3841143	1	Keeper, Pin	
106	3422553	1	Pin, Hitch	
107	2902296	1	Battery Cable Kit	
		Ref	Note: 2902296 Rev A version is no longer available. Verify whether machine is equipped with 2 or 3 relays on the engine tray. If there are 3 relays, purchase latest revision of 2902296 kit. If there are 2 relays, purchase individual items as replacement.	
107A		Ref	Cable, Battery (Red)	
107A	1001116241	1	Machines with 2 Relays on Engine Tray (was p/n 7027000)	
107A	1001116240	1	Machines with 3 Relays on Engine Tray (was p/n 7027000)	
107B	7027004	1	Cable, Battery (Black)	
107C	7027002	1	Cable (Red)	
107D	7027003	1	Cable (Black)	
107E	7027001	1	Cable (Red) (No Longer Part of 2902296 Kit.)	
108	1060904	1	Cable, Battery	
109	4922737	1	Harness, Relay Ground	
110	0642010	1	Bolt 5/8in-11NC x 1-1/4in	
111	4752000	1	Flatwasher 5/8in Regular	
112	1320223	2	J-Clip 1/2in	
113	0641606	2	Bolt 3/8in-16NC x 3/4in	
114	4711600	4	Flatwasher 3/8in Thin	
115	4060805	2	Flex-Trim 1/4in	
		ft/0.7mm		
116	3931620	2	Bolt 3/8in-16NC x 1-1/4	
117	3790152	1	O-Ring	
118	4891600	2	Flatwasher 3/8in Hardened	
119	3380428	1	Panel, Rubber	
120	3539956	1	Plate, Support	
121	0100011	AR	Compound, Locking	
122	0100020	AR	Sealant, Thread	
123	2220273	1	Fitting, Reducer	
124		Ref	Fitting, Straight Options:	
124	2180536	1	Fitting, Straight (SN 0300069000 through 0300075350)	
124	2220794	1	Fitting, Straight (SN 0300075351 through 0300087000)	
125	2220313	1	Fitting, 90	
126	2750532	6 ft/1.8m	Hose 3/8in	
127	2220250	1	Fitting, Reducer	
128	2220459	1	Fitting, 90	
129		Ref	Hose Options:	
129	2720271	15 ft/4.6m	Hose (SN 0300069000 through 0300075350)	
129	2720058	15 ft/4.6m	Hose (SN 0300075351 through 0300087000)	
130	2220794	1	Fitting, Barbed	
131	2720058	30 ft/9.1m	Hose	
132	4751400	4	Flatwasher 1/4in Regular	
133	0641608	2	Bolt 3/8in-16NC x 1in	

SECTION 2 - TURNTABLE

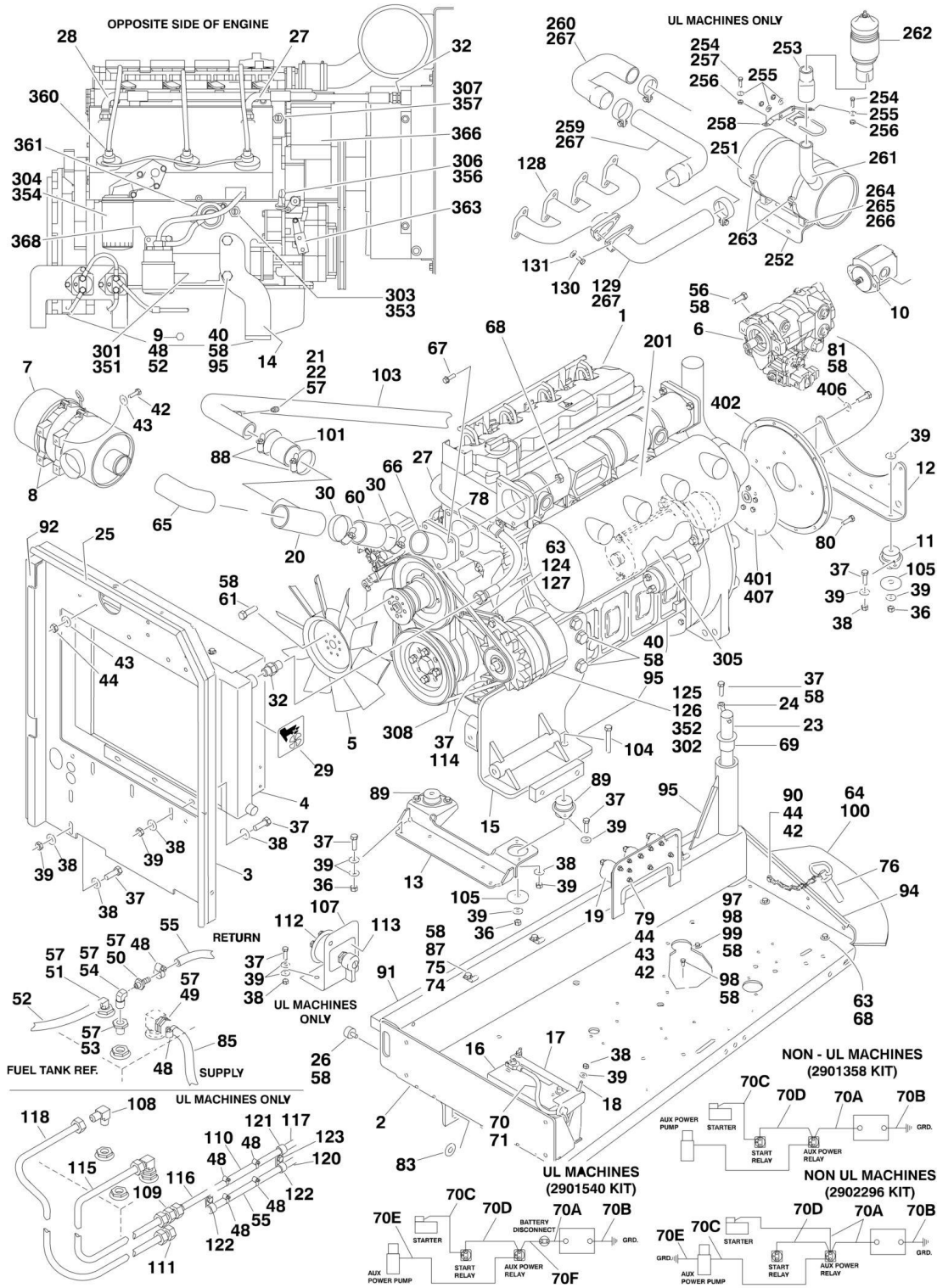
ITEM	PART NUMBER	QTY	DESCRIPTION	REV
134	3311405	2	Locknut 1/4in-20NC	
135	0641507	3	Bolt 5/16in-18NC x 1-1/4in	
136	3311505	3	Locknut 5/16in-18NC	
137	0641407	1	Bolt 1/4in-20NC x 7/8in	
138	0641808	1	Bolt 1/2in-13NC x 1in	
139	1320022	7	Clamp, Hose	
140	1701505	1	Decal - Diesel (Not Shown - Located on Hood)	
141	0641610	1	Bolt 3/8in-16NC x 1-1/4in	
142	0641812	2	Bolt 1/2in-18NC x 1-3/4in	
143	3960389	5 ft/1.5m	Seal, Hood	
144	7019658	1	90 Fitting W/Pick-Up Tube	
	2000194	Ref	ENGINE COMPONENTS	C
201	7026830	1	Filter, Fuel	
202	7026831	1	Alternator	
203	7026814	1	Relief Valve, Oil Pressure	
203	7026815		Gasket, Relief Valve	
203	1001097554		Sensor, Oil Pressure (Not Shown)	
204	7026811	1	Filter, Oil	
205	7026833	1	Starter	
206	7026834	1	Dipstick Oil Level	
207	7026840	1	Sensor, Water Temperature	
207	7026882	1	Seal, Sensor	
208	1600361	1	Actuator, Throttle (was p/n 7026842)	
208	7026835	1	Connector, Actuator	
209	7026843	1	Actuator, Linkage Kit	
210	0902910	NLA	Mounting Bracket, Actuator (Use p/n 7026887)	
211	7026839	1	Pump, Fuel Supply	
212	7026841	1	Sensor, Tach	
212	7026836	1	Connector, Speed Sensor	
213		Ref	Pump, Water Options:	
213	7026823	1	Caterpillar Engine SNs (Not Machine SN) Prior to SN 3440833	
213	70001120	1	Caterpillar Engine SNs (Not Machine SN) SN 344083 to Present	
213	7026824	1	Gasket, Water Pump Cover	
213	7026825	1	Gasket, Water Pump	
214	7026822	1	Thermostat	
214	7026820	1	Gasket, Thermostat Housing	
214	7026821	1	Gasket, Coolant	
215	70001742	1	Pulley, Water Pump	
216	7026800	1	Cap, Filler	
217	7026801	1	Gasket, Valve Cover (Not Shown)	
218	7026802	1	Flywheel Assy (W/Gear)	
218	7026803	1	Gear, Flywheel	
219	7026804	1	Gasket (Not Shown - Located Between Engine Block and Bellhousing)	
220	7026805	1	Seal, Rear Main (Not Shown - Located on Rear of Engine Block)	
221	7026806	1	Cap, Filler	
222	7026807	1	Seal, Front Main (Not Shown - Located on Front of Engine Block)	
223	7026809	1	Gasket, Oil Pan (Not Shown)	
224	7026810	1	Belt	
225	7026813	1	Seal, Oil Filter Head (Between Oil Filter Head and Engine Block)	
225	7026812	1	Seal, Oil Filter Head Bolt	
226	7026819	1	Cooler, Oil (Not Shown)	

SECTION 2 - TURNTABLE

ITEM	PART NUMBER	QTY	DESCRIPTION	REV
226	7026816	2	O-Ring (Not Shown - Located Between Oil Cooler and Cover)	
226	7026817	4	O-Ring (Not Shown - Located Between Oil Cooler and Cover)	
226	7026818	1	Gasket (Not Shown - Located Between Oil Cooler Cover and Engine Block)	
227	7026826	1	Gasket, Exhaust Manifold to Engine Block (Not Shown)	
228	7026827	1	Gasket, Exhaust Manifold to Exhaust Pipe	
229	7026829	1	Gasket, Intake Manifold to Engine Block	
229	7026828	1	Gasket, Intake Manifold to Air Intake Tube	
230	7026832	4	Plug, Glow	
231	7026845	1	Block Heater Kit (Not Shown)	
231	7026838	1	Gasket, Block Heater (Not Shown)	

SECTION 2 - TURNTABLE

FIGURE 2-8. DEUTZ ENGINE INSTALLATION (SN 0300069000 through 0300077489)



SECTION 2 - TURNTABLE

FIGURE 2-8. DEUTZ ENGINE INSTALLATION (SN 0300069000 through 0300077489)

ITEM	PART NUMBER	QTY	DESCRIPTION	REV
		Ref	ENGINE ASSEMBLY AND INSTALLATIONS	
	0270850	Ref	Engine Assembly and Installation (Non UL)	11/J
	0273851	Ref	Engine Assembly and Installation (UL)	1/A
1		Ref	Engine - Deutz F4M1011F Diesel	
1	2000189	1	Non UL Machines	
1	2000146	1	UL Machines	
2	4845404	1	Tray Engine	
3		Ref	Plate, Radiator Mounting Options:	
3	3539872	1	Non UL Machines	
3	3571421	1	UL Machines	
4	3620033	1	Cooler, Oil	
5	2060025	1	Fan	
6	3600260	1	Piston Pump Assembly (See PISTON PUMP ASSEMBLY for Breakdown)	
7		Ref	Air Cleaner Assembly Options:	
7	1340060	1	Non UL Machines	
7A	7012664	1	Element	
7A	1340050	1	UL Machines	
7A	7010638	1	Element	
8	0340041	2	Band, Mounting	
9	4640751	1	Valve, Oil Drain	
10	3600242	1	Gear Pump Assembly (See GEAR PUMP ASSEMBLY for Breakdown)	
11	3200378	2	Mount, Rubber Engine (Rear)	
12	3537420	1	Bracket, Engine Mounting - Rear	
13	3539971	1	Bracket, Engine Mounting - Front	
14	3537416	1	Support, Engine - Right	
15		Ref	Support, Engine - Left Options:	
15	4846566	1	Non UL Machines	
15	3537417	1	UL Machines	
16	0400075	1	Battery	
17	0181727	1	Hold-Down, Battery	
18	0630498	2	Rod, Hold-Down	
19	3740067	2	Relay	
21	4360392	1	Switch, Restrictor Indicator	
22	2180798	1	Fitting	
23	3422448	1	Pin, Pivot	
24	3841143	1	Keeper, Pin	
25	3960389	5 ft/1.5m	Seal	
26	0940070	1	Bumper, Rubber	
27	2720398	1	Hose, Oil Cooler - Left	
28	2720398	1	Hose, Oil Cooler - Right	
29	1703162	2	Nameplate - Fan Caution	
30	1320016	4	Clamp, Hose	
32	2220451	2	Fitting, Straight	
33	3931620	2	Capscrew, Socket Head 3/8in-16NC x 1-1/4in	
35	0641818	2	Bolt 1/2in-13NC x 2-1/4in	
36	3311805	4	Locknut 1/2in-13NC	
37	0641610	AR	Bolt 3/8in-16NC x 1-1/4in	
38	3311605	AR	Locknut 3/8in-16NC	

SECTION 2 - TURNTABLE

ITEM	PART NUMBER	QTY	DESCRIPTION	REV
39	4751600	AR	Flatwasher 3/8in Regular	
40	0701414	AR	Bolt 1/4in-20NC x 3/4in	
41	4891600	2	Flatwasher 3/8in Hardened	
42	0641407	AR	Bolt 1/4in-20NC x 7/8in	
43	4751400	AR	Flatwasher 1/4in Regular	
44	3311405	AR	Locknut 1/4in-20NC	
48	1320022	6	Clamp, Hose	
49	2220273	2	Fitting, Reducer	
50	2180536	1	Fitting, Straight	
51	2220313	1	Fitting, 90	
52	2750532	6 ft/1.83m	Hose 3/8in	
53	2220250	1	Fitting, Reducer	
54	2220459	1	Fitting, 90	
55	2720271	15 ft/4.6m	Hose 3/16in	
56	0641812	4	Bolt 1/2in-13NC x 1-1/2in	
57	0100020	AR	Sealant, Thread	
58	0100011	AR	Compound, Locking	
60	2720449	AR	Coupling, Rubber Intake	
61	0700808	4	Bolt M8 x 16mm	
63		Ref	Bolt Options:	
63	0641507	3	Bolt 5/16in-18NC x 7/8in (Non UL Machines)	
63	0641508	4	Bolt 5/16in-18NC x 1in (UL Machines)	
64	3380428	1	Panel, Rubber	
65	2720434	1	Elbow, Rubber	
66	4845395	1	Air Intake Adapter Weldment	
67	0641510	3	Bolt 5/16in-18NC x 1-1/4in	
68	3311505	7	Locknut 5/16in-18NC	
69	0961986	2	Bushing, Flanged	
70	2901358	1	Battery Cable Kit (Non UL Machines) (SN 0300069000 through 0300074732)	
70	2902296	1	Battery Cable Kit (Non UL Machines) (SN 0300074733 through 0300077489)	
		Ref	Note: 2902296 Rev A version is no longer available. Verify whether machine is equipped with 2 or 3 relays on the engine tray. If there are 3 relays, purchase latest revision of 2902296 kit. If there are 2 relays, purchase individual items as replacement.	
70	2901540	1	Battery Cable Kit (UL Machines)	
70A	7016800	1	Cable, Battery (Red) (p/n kit 2901358)	
70A	1001116241	1	Cable, Battery (Red) (Machines with 2 Relays on Engine Tray) (was p/n 7027000) (p/n kit 2902296)	
70A	1001116240	1	Cable, Battery (Red) (Machines with 3 Relays on Engine Tray) (was p/n 7027000) (p/n kit 2902296)	
70A	7016826	1	Cable, Battery (Red) (p/n kit 2901540)	
70B	7016812	1	Cable, Battery (Black) (p/n kit 2901358)	
70B	7027004	1	Cable, Battery (Black) (p/n kit 2902296)	
70B	7016812	1	Cable, Battery (Black) (p/n kit 2901540)	
70C	7016802	1	Cable (Red) (p/n kit 2901358)	
70C	7027002	1	Cable (Red) (p/n kit 2902296)	
70C	7016845	1	Cable (Red) (p/n kit 2901540)	
70D	7016803	1	Cable (Red) (p/n kit 2901358)	
70D	7027001	1	Cable (Red) (No Longer Part of 2902296 Kit.)	
70D	7016815	1	Cable (Red) (p/n kit 2901540)	

SECTION 2 - TURNTABLE

ITEM	PART NUMBER	QTY	DESCRIPTION	REV
70E	7016824	1	Cable (Red) (p/n kit 2901358)	
70E	7027003	1	Cable (Black) (p/n kit 2902296)	
70E	7016816	1	Cable (Red) (p/n kit 2901540)	
70F	Not Required	0	(p/n kit 2901358/p/n kit 2902296)	
70F	7016827	1	Cable (Red) (p/n kit 2901540)	
71	4460611	1	Terminal, Battery Jumper Post (SN 0300069000 through 0300074733)	
72	4360294	1	Breaker, Circuit 30A Self Resetting	
73	1320222	1	J-Clip 3/8in	
74	1320223	4	J-Clip 1/2in	
75	0641606	3	Bolt 3/8in-16NC x 3/4in	
76		Ref	Pin, Hitch Options:	
76	3422532	1	Standard Machines	
76	3422533	1	UL Machines	
77	3790152	1	O-Ring	
78	3960407	1	Gasket	
79	4791400	4	Starwasher 1/4in	
80	0701012	4	Bolt M10 x 25mm	
81	0701015	4	Bolt M10 x 35mm	
82	0642010	1	Bolt 5/8in-11NC x 1-1/4in	
83	4752000	1	Flatwasher 5/8in Regular	
84	1701505	1	Decal - Diesel (Not Shown - Located on Hood)	
85	2720058	16 ft/4.9m	Hose	
86	2220794	1	Fitting, Barbed	
87	4711600	3	Flatwasher 3/8in Thin	
89	3200362	2	Mount, Rubber Engine (Front)	
90	4711400	1	Flatwasher 1/4in Thin	
91	3960468	1	Seal, Foam Gasket	
92	3960469	1	Seal, Foam Gasket	
94	4060805	2.9 ft/0.88m	Flex-Trim 1/4in	
96	4751800	2	Flatwasher 1/2in Regular	
97	1060637	1	Lanyard	
98	0641808	2	Bolt 1/2in-13NC x 1in	
99	3311801	1	Nut 1/2in-13NC	
100	3539956	1	Plate, Support	
103		Ref	Tuning Tube Weldment Options:	
103	4567815	1	Non UL Machines	
103	4845080	1	UL Machines	
104	0641826	2	Bolt 1/2in-13NC x 3-1/4in	
105	4740274	4	Washer, Snubbing	
107	3570238	1	Plate, Switch Mounting (UL Machines Only)	
108	2180703	1	Fitting, 90 (UL Machines Only)	
109	2221023	1	Fitting, Union (UL Machines Only)	
110	2720058	1.66 ft/0.6m	Hose (UL Machines Only)	
111	2221028	1	Fitting, Union (UL Machines Only)	
112	4360256	1	Switch, Battery Disconnect (UL Machines Only)	
113	1703476	1	Decal, Battery Disconnect (UL Machines Only)	
114	4567576	1	Spacer, Tube (UL Machines Only)	
115	4567213	1	Tubing, Fuel (UL Machines Only)	
116	4567214	1	Tubing, Fuel (UL Machines Only)	

SECTION 2 - TURNTABLE

ITEM	PART NUMBER	QTY	DESCRIPTION	REV
117	4567574	1	Tubing, Fuel (UL Machines Only)	
118	4567571	1	Tubing, Fuel (UL Machines Only)	
119	4567572	1	Tubing, Fuel (UL Machines Only)	
120	4567573	1	Tubing, Fuel (UL Machines Only)	
121	1320245	5	Clamp (UL Machines Only)	
122	1320244	5	Clamp (UL Machines Only)	
123	3931408	5	Bolt 1/4in-20NC x 1/2in (UL Machines Only)	
124	0902417	1	Bracket, Alternator (UL Machines Only)	
125	0160020	1	Alternator (UL) 72 Amp (UL Machines Only)	
126	3580259	1	Pulley, Alternator (UL Machines Only)	
127	4751500	1	Flatwasher 5/16in Regular (UL Machines Only)	
128	3100076	1	Manifold, Exhaust (UL Machines Only)	
129	4567428	1	Weldment, Exhaust Tube (UL Machines Only)	
130	0700812	3	Bolt 8mm x 25mm (UL Machines Only)	
131	4831900	3	Lockwasher M8 (UL Machines Only)	
132	7019658	1	90 Fitting W/Pick-Up Tube	
		Ref	MUFFLER INSTALLATIONS (NON UL MACHINES)	
	0256689	Ref	Standard Equipment (Spark Arresting)	-
	0256690	Ref	Optional Equipment (Catalytic)	-
201		Ref	Muffler Options:	
201	3220103	1	Spark Arresting	
201	3220104	1	Catalytic	
201		Ref	Clamp Options:	
201	1320176	1	Muffler p/n 3220103	
201	70001017	1	Muffler p/n 3220104	
201	7024398	1	Tube, Exhaust	
201	7024560	1	Plug, Brass	
	0258569	Ref	MUFFLER INSTALLATION (UL MACHINES)	1
251	3220113	1	Muffler, Spark Arrestor	
251	70001017	1	Clamp	
252	3570754	1	Plate, Muffler Mount	
253	4845668	1	Weldment, Exhaust Tube	
254	3900232	5	Bolt, Button Head 3/8in-16NC x 1-1/4in	
255	4751600	5	Flatwasher 3/8in Regular	
256	3311601	5	Nut 3/8in-16NC	
257	0100011	AR	Compound, Locking	
258	0902473	1	Bracket	
259	4567429	1	Tube, Exhaust	
260	4567430	1	Tube, Exhaust	
261	4567431	1	Tube, Exhaust	
262	3220111	1	Spark Arrestor	
263	0340046	2	Band, Muffler	
264	0641507	4	Bolt 5/16in-18NC x 7/8in	
265	4711500	8	Flatwasher 5/16in Thin	
266	3311505	4	Locknut 5/16in-18NC	
267	4100025	3.5	Sleeve	
		ft/1.06m		
	2000146	Ref	ENGINE COMPONENTS (UL MACHINES)	
301	7016328	1	Filter, Fuel (was p/n 7016639)	
302	7000663	1	Alternator (was p/ns 7016329, 7020436 & 7020410)	
303	7016330	1	Switch, Oil Pressure	
304	7016331	1	Filter, Oil (was p/n 7016641)	

SECTION 2 - TURNTABLE

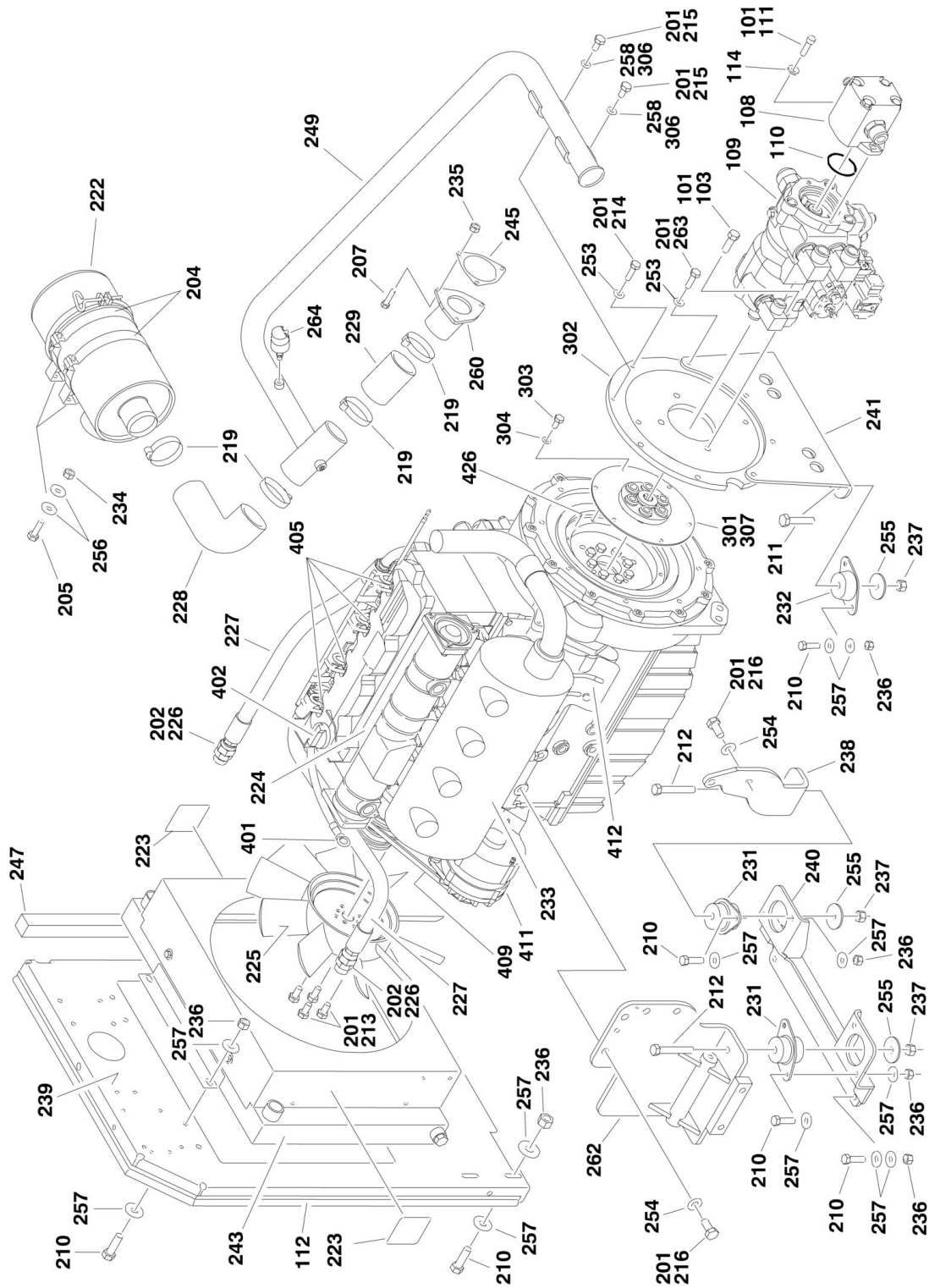
ITEM	PART NUMBER	QTY	DESCRIPTION	REV
305	7016332	1	Starter	
306	7026631	1	Dipstick, Engine Oil (was p/ns 7019664 & 7016640)	
306	70001002	1	Tube, Oil Dipstick (was p/n 7019664)	
307	7020025	1	Switch, Engine Temperature	
308	7020414	1	V-Belt	
309		Ref	Gasket, Cylinder Head Options (Not Shown):	
309	70001681	1	1 Notch	
309	70002411	1	2 Notches	
309	70002530	1	3 Notches	
309	7020431	1	Gasket, Valve Cover (Not Shown)	
310	7000699	1	Seal (Doughnut)	
310	See Note	8	Nut, Muffler Attaching (Note: Not Available for Purchase)	
311	7019607	1	Shutdown, Throttle (was p/n 7016359) (Not Shown)	
312	7012599	4	Pump, Fuel Injection (Not Shown)	
312	7020427	4	Injector, Fuel (Not Shown)	
312	7020425	4	Nozzle (Not Shown)	
313	7020463	1	Pump, Fuel Supply	
313	7020419	1	Hose, Fuel Return	
314	7020027	1	Flywheel/Ring Gear Assembly (Not Shown)	
314	7020477	1	Ring Gear Only (Not Shown)	
315	7020404	1	Washer, Oil Drain Plug (Not Shown)	
316	7027250	1	Spring, Actuator (Not Shown)	
	2000189	Ref	ENGINE COMPONENTS (NON UL MACHINES)	
351	7016328	1	Filter, Fuel	
352	7000663	1	Alternator (was p/n 7020410)	
352	7020464	1	Regulator	
352	70003556	1	Pulley, Alternator	
352	70002234	1	Bracket, Adjustable	
353	7020461	1	Switch, Oil Pressure	
354	7016331	1	Filter, Oil	
355	7020479	1	Starter	
355	See Note	1	Relay (Note: Not Available for Purchase)	
355	7026608	2	Bolt, Starter Mounting	
355	70001498	1	Shield, Starter Heat (Not Shown)	
356	7026631	1	Dipstick Oil Level	
356	7020487	1	Seal, Dipstick (Not Shown)	
356	70001002		Tube, Dipstick	
357	7020168	1	Switch, Engine Temperature	
357	7020480	1	Seal, Temp Switch	
358	7020408	1	V-Belt	
360	7020462	4	Fuel Injection Pump	
360	7026522	4	Injector, Fuel (Includes Nozzle Element) (Not Shown)	
361	7020463	1	Fuel Pump Supply (was p/n 7024413)	
361	7020411	1	Seal, Pump to Block (Not Shown)	
362	7020465	2	Cap, Oil Fill (Not Shown - Located on Top and Left Sides)	
363	7020474	1	Pump, Oil Lube	
363	7020468	1	Ring, Pump Sealing	
364	7020449	4	Gasket, Intake Manifold to Engine Block (Not Shown)	
365	7024565	1	Sensor, Tach (Not Shown - Located on Flywheel Housing) (was p/n 7020481)	
366	7020458	1	Actuator	
366	7026607	1	Spring, Actuator (was p/n 7027276)	

SECTION 2 - TURNTABLE

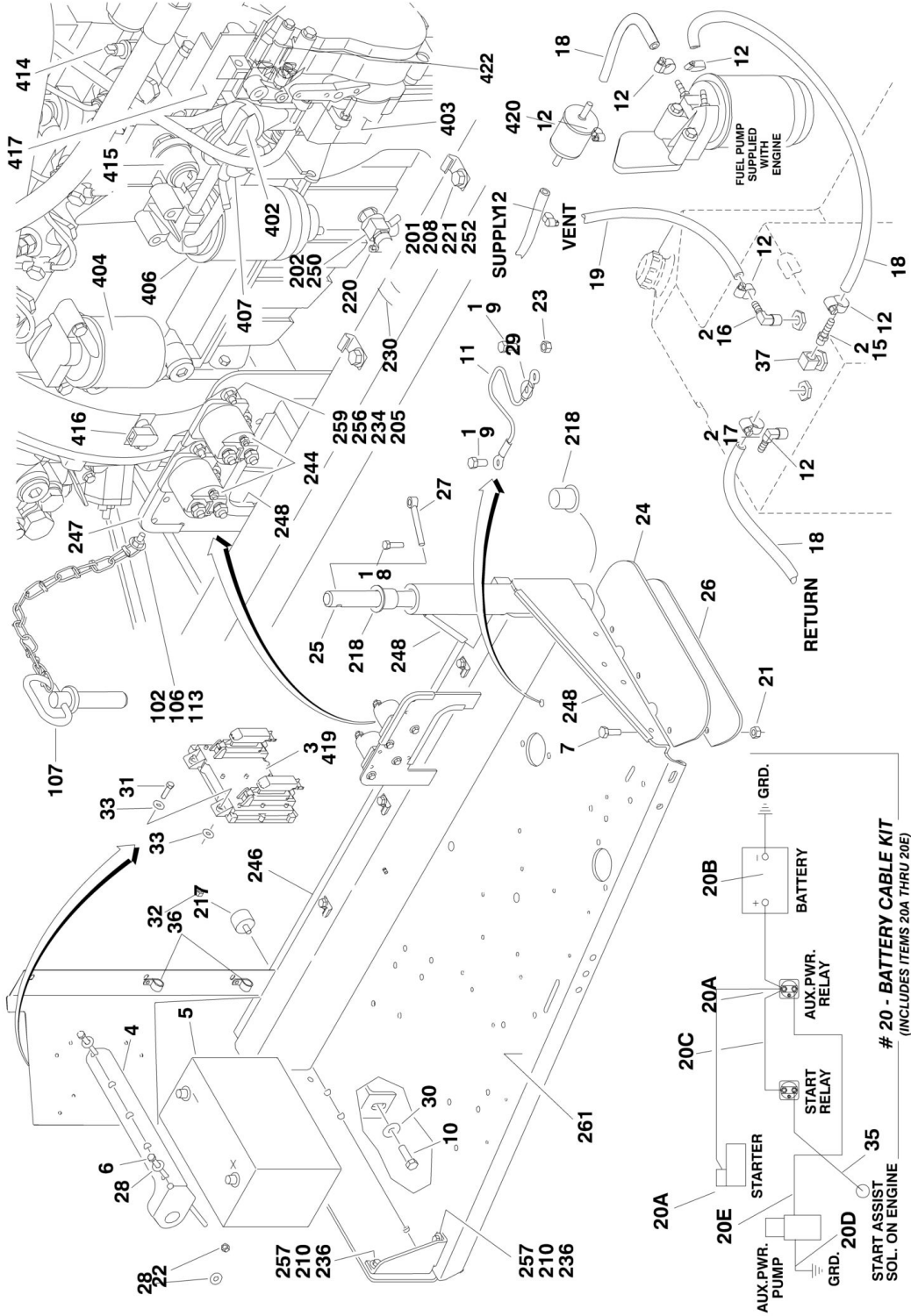
ITEM	PART NUMBER	QTY	DESCRIPTION	REV
367	7020471	4	Gasket, Exhaust Manifold to Engine Block	
368	70001423	1	Head, Fuel Filter	
369		Ref	Gasket, Head Options (Not Shown):	
369	70001681	1	1 Notch Gasket	
369	70002411	1	2 Notch Gasket	
369	70002530	1	3 Notches	
370	See Note	1	Flywheel (Not Shown) (Note: Not Available for Purchase)	
370	7024579		Ring Gear (Not Shown)	
	0256847	Ref	PUMP COUPLING INSTALLATION	-
401	1660234	1	Coupling, Hayes	
402	0080163	1	Plate, Pump Adapter	
403	0700810	6	Bolt Metric M8 x 20mm	
404	4831900	6	Lockwasher M8	
406	4832000	8	Lockwasher M10	

SECTION 2 - TURNTABLE

FIGURE 2-9. DEUTZ ENGINE INSTALLATION (SN 0300077490 through 0300087000)



SECTION 2 - TURNTABLE



20 - BATTERY CABLE KIT
(INCLUDES ITEMS 20A THRU 20E)

SECTION 2 - TURNTABLE

FIGURE 2-9. DEUTZ ENGINE INSTALLATION (SN 0300077490 through 0300087000)

ITEM	PART NUMBER	QTY	DESCRIPTION	REV
		Ref	DEUTZ ENGINE INSTALLATIONS	
	0273685	Ref	Deutz Engine Installations (SN 0300077490 through 0300081835)	3/A
	0273970	Ref	Deutz Engine Installations (SN 0300081836 through 0300087000)	3/B
	0274299	Ref	Deutz Engine Installations (SN 0300081836 through 0300087000)	C
1	0100011	AR	Compound, Locking	
2	0100020	AR	Sealant, Pipe	
3	0100048	AR	Grease, Dielectric	
4	0181727	1	Hold-Down, Battery	
5	0400075	1	Battery	
6	0630498	2	Bolt, Battery Hold-Down	
7	0641507	3	Bolt 5/16in-18NC x 7/8in	
8	0641610	1	Bolt 3/8in-16NC x 1-1/4in	
9	0641808	2	Bolt 1/2in-13NC x 1in	
10	0642010	1	Bolt 5/8in-11NC x 1-1/4in	
11	1060637	1	Cable, Lanyard	
12	1320022	AR	Clamp, Hose	
13	1701505	1	Decal - Diesel (Not Shown - Located on Hood)	
15	2180348	1	Fitting, Straight Barbed	
16	2220313	1	Fitting, 90	
17	2221176	1	Fitting, Straight Barbed	
18	2720058	30 ft/9.2m	Hose	
19	2750532	6 ft/1.8m	Hose	
20	2902296	1	Battery Cable Kit	B
		Ref	Note: 2902296 Rev A version is no longer available. Verify weather machine is equipped with 2 or 3 relays on the engine tray.	
		Ref	If there are 3 relays, purchase latest revision of 2902296 kit. If there are 2 relays, purchase individual items as replacement.	
20A	1001116241	1	Cable, Battery (Red) (Machines with 2 Relays on Engine Tray) (was p/n 7027000)	
20A	1001116240	1	Cable, Battery (Red) (Machines with 3 Relays on Engine Tray) (was p/n 7027000)	
20B	7027004	1	Cable, Battery (Black)	
20C	7027001	1	Cable (Red) (No Longer Part of 2902296 Kit.)	
20D	7027003	1	Cable (Black)	
20E	7027002	1	Cable (Red)	
21	3311505	10	Locknut 5/16in-18NC	
22	3311605	2	Locknut 3/8in-16NC	
23	3311801	1	Nut 1/2in-13NC	
24	3380428	1	Panel, Rubber	
25	3422448	1	Pin, Pivot	
26	3539956	1	Plate, Support	
27	3841143	1	Pin, Keeper	
28	4751600	4	Flatwasher 3/8in Regular	
29	4751800	1	Flatwasher 1/2in Regular	
30	4752000	1	Flatwasher 5/8in Regular	
32	0641409	4	Bolt 1/4in-20NC x 1-1/8in (SN 0300084829 through 0300087000)	

SECTION 2 - TURNTABLE

ITEM	PART NUMBER	QTY	DESCRIPTION	REV
33	3311405	4	Locknut 1/4in-20NC (SN 0300084829 through 0300087000)	
34	4711400	8	Flatwasher 1/4in Thin (SN 0300084829 through 0300087000)	
35	4922978	1	Harness, Start Assist Solenoid (See ELECTRICAL SECTION for Breakdown) (SN 0300077490 through 0300084828)	
36	85941017	2	Clamp (Not Shown - Located on Turntable) (SN 0300084829 through 0300087000)	
37	7019658	1	90 Fitting W/Pick-Up Tube	
		Ref	ENGINE AND PUMP ASSEMBLIES:	
	2000224	Ref	Engine and Pump Assemblies (SN 0300077490 through 0300081835)	C
	2000221	Ref	Engine and Pump Assemblies (SN 0300081836 through 0300084828)	D
	2000280	Ref	Engine and Pump Assemblies (SN 0300084829 through 0300087000)	B
101	0100011	AR	Compound, Locking	
102	0641407	1	Bolt 1/4in-20NC x 7/8in	
103	0641812	2	Bolt 1/2in-13NC x 1-1/2in	
105	3020016	3.75 gal	Oil, Motor (Not Shown)	
106	3311405	1	Locknut 1/4in-20NC	
107	3422532	1	Pin, Hitch	
108	3600395	1	Gear Pump Assembly with Fittings (See GEAR PUMP ASSEMBLY for Breakdown)	
109		Ref	Piston Pump Assembly with Fittings Options:	
109	3600397	1	Piston Pump Assembly with Fittings (See PISTON PUMP ASSEMBLY for Breakdown) (SN 0300077490 through 0300081835)	
109	3600396	1	Piston Pump Assembly with Fittings (See PISTON PUMP ASSEMBLY for Breakdown) (SN 0300081836 through 0300087000)	
110	3790152	1	O-Ring	
111	3931620	2	Capscrew 3/8in-16NC x 1-1/4in	
112	3960389	5 ft/1.5m	Seal	
113	4751400	1	Flatwasher 1/4in Regular	
114	4891600	2	Flatwasher 3/8in Hardened	
		Ref	ENGINE AND PUMP ASSEMBLIES OPTIONS:	
	2000219	Ref	Engine and Pump Assemblies (SN 0300077490 through 0300084828)	F
	2000279	Ref	Engine and Pump Assemblies (SN 0300084829 through 0300087000)	C
	0256689	Ref	MUFFLER INSTALLATION - SPARK ARRESTING (STANDARD)	-
	0256690	Ref	MUFFLER INSTALLATION - CATALYTIC (OPTIONAL)	-
201	0100011	AR	Compound, Locking	
202	0100020	AR	Sealant, Pipe	
204	0340041	2	Band, Air Cleaner	
205	0641407	8	Bolt 1/4in-20NC x 7/8in	
207	0641510	3	Bolt 5/16in-18NC x 1-1/4in	
208	0641606	3	Bolt 3/8in-16NC x 3/4in	
210	0641610	20	Bolt 3/8in-16NC x 1-1/4in	
211	0641818	2	Bolt 1/2in-13NC x 2-1/4in	
212	0641826	2	Bolt 1/2in-13NC x 3-1/4in	
213	0700808	4	Bolt M8 x 16mm	
214	0701012	2	Bolt M10 x 25mm	
215	0701015	2	Bolt M10 x 35mm	
216	0701414	6	Bolt M14 x 130mm	

SECTION 2 - TURNTABLE

ITEM	PART NUMBER	QTY	DESCRIPTION	REV
217	0940070	1	Bumper	
218	0961986	2	Bushing, Flanged	
219	1320016	4	Clamp	
220	1320022	1	Clamp, Hose	
221	1320223	3	J-Clip	
222	1340060	1	Air Cleaner Assembly Filter Element	
222	7012664	1	Element, Filter (Not Shown)	
223	1703162	2	Decal - Caution Fan Blade	
224		Ref	Engine, Deutz - F4M2011 Tier II Options:	
224	2000216	1	Engine, Deutz - F4M2011 Tier II (SN 0300077490 through 0300084828)	
224	2000274	1	Engine, Deutz - F4M2011 Tier II (SN 0300084829 through 0300087000)	
225	2060025	1	Fan	
226	2220451	2	Fitting, Straight	
227	2720398	2	Hose, Oil Cooler	
228	2720434	1	Elbow, Rubber	
229	2720449	1	Hose, Air Cleaner	
230	2750532	1 ft/30cm	Hose, Oil Drain	
231	3200362	2	Mount, Motor	
232	3200406	2	Mount, Motor	
233		Ref	Muffler Options:	
233	3220103	1	Spark Arresting (Standard)	
233	3220104	1	Catalytic (Optional)	
233		Ref	Clamp Options:	
233	1320176	1	Muffler p/n 3220103	
233	70001017	1	Muffler p/n 3220104	
233	7024398	1	Tube, Exhaust	
233	7024560	1	Plug, Brass	
234	3311405	8	Locknut 1/4in-20NC	
235	3311505	3	Locknut 5/16in-18NC	
236	3311605	AR	Locknut 3/8in-16NC	
237	3311805	4	Locknut 1/2in-13NC	
238	3537416	1	Plate, Engine Mounting (Front Right Side)	
239	3539872	1	Plate, Radiator Mounting	
240	3539971	1	Plate, Engine Mounting (Front Bottom)	
241	3534978	1	Plate, Engine Mounting (Rear)	
243	3620033	1	Radiator	
244	3740067	2	Relay	
245	3960407	1	Gasket, Air Intake	
246	3960468	1	Seal	
247	3960369	1	Seal	
248	4060805	37 in/1m	Flex-Trim	
249		Ref	Tube, Tuning Options:	
249	4567815	1	Tube, Tuning (SN 0300077490 through 0300084828)	
249	4569171	1	Tube, Tuning (SN 0300084829 through 0300087000)	
250	4640751	1	Valve, Oil Drain	
252	4711600	3	Flatwasher 3/8in Thin	
253	4711700	6	Flatwasher 7/16in Thin (SN 0300084829 through 0300087000)	
254	4711900	6	Flatwasher 9/16in Thin	
255	4740274	4	Washer, Snubbing	
256	4751400	AR	Flatwasher 1/4in Regular	

SECTION 2 - TURNTABLE

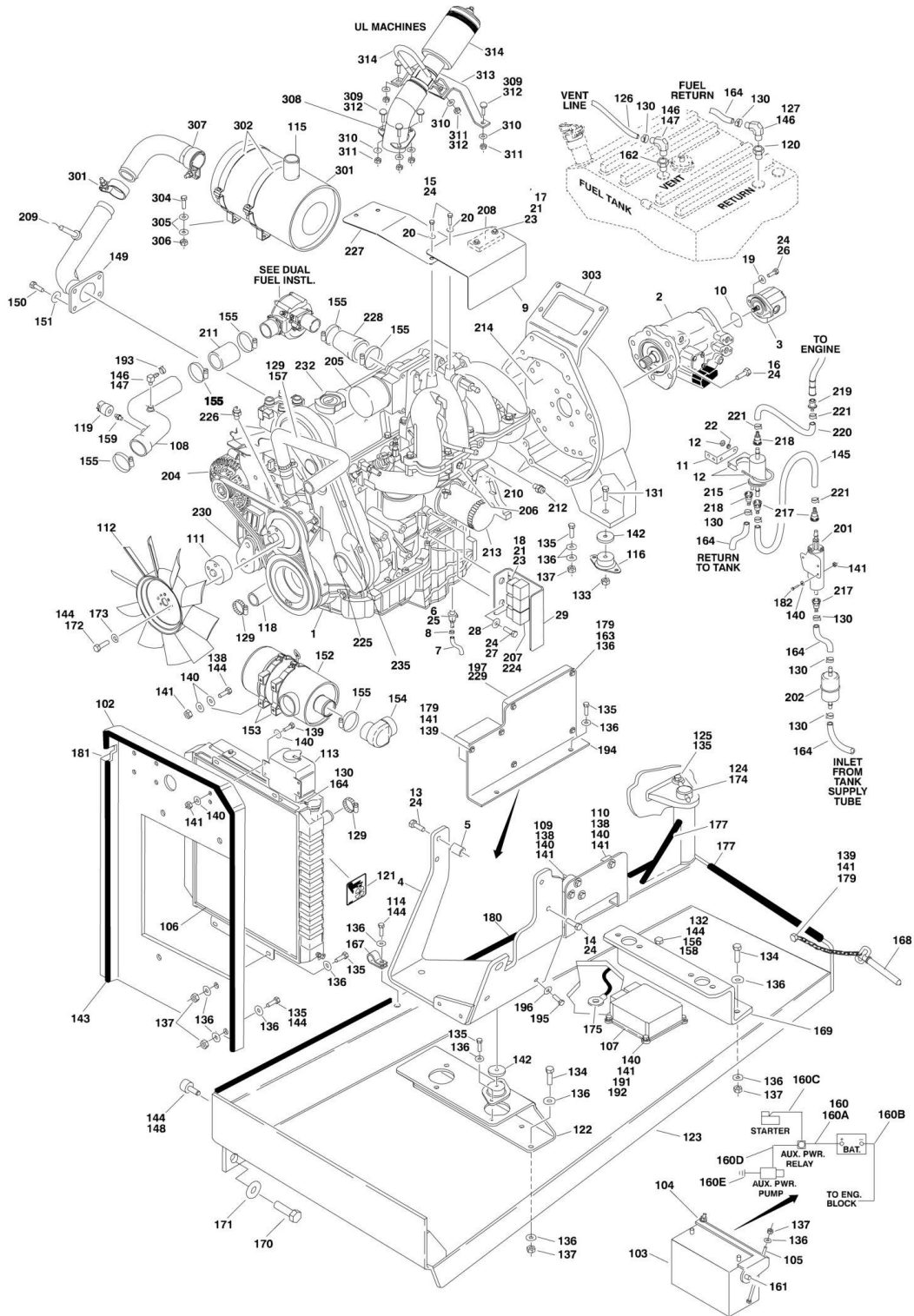
ITEM	PART NUMBER	QTY	DESCRIPTION	REV
257	4751600	40	Flatwasher 3/8in Regular	
258	4751700	2	Flatwasher 7/16in Regular (SN 0300084829 through 0300087000)	
259	4791400	4	Starwasher 1/4in	
260	4845395	1	Adapter, Air Intake	
261	4845404	1	Tray, Engine	
262	4846566	1	Plate, Engine Mounting (Front Left Side)	
263	0701014	4	Bolt M10 x 30mm (SN 0300084829 through 0300087000)	
264	4360392	1	Indicator, Restriction (SN 0300077490 through 0300084828)	
264	2180798	1	Fitting	
	0256847	Ref	PUMP COUPLING INSTALLATION	2
301	1660234	1	Coupling, Hayes	
302	0080163	1	Plate, Pump Adapter	
303	0700810	63	Bolt Metric M8 x 20mm	
304	4831900	6	Lockwasher M8	
306	4832000	8	Lockwasher M10 (SN 0300077490 through 0300084828)	
307	3020021	AR	Grease, Coupling	
		Ref	ENGINE COMPONENTS	
	2000216	Ref	Engine Components (SN 0300077490 through 0300084828)	C
	2000274	Ref	Engine Components (SN 0300084829 through 0300087000)	A
401	7026631	1	Dipstick	
401	7020487	1	O-Ring, Dipstick	
402	7020465	1	Cap, Filler	
403	70001850	1	Pump, Oil Lube (was p/ns 7020484 & 70000045)	
403	7020468	1	Seal Between Oil Pump and Engine Block (Not Shown)	
404	7016331	1	Filter, Oil (was p/n 7016641)	
405		Ref	Pump, Injector Options:	
405	7027246	4	Series A Injector	
405	7027608	4	Series B Injector	
405	7027609	4	Series C Injector	
405	7027610	4	Series D Injector	
405	7020447	4	Gasket (1 per Injector)	
406	7016328	1	Filter, Fuel	
407	70000916	1	Pump, Fuel Supply (was p/n 7027238)	
407	7020411	1	O-Seal Between Fuel Pump and Engine Block (Not Shown)	
408	7020449	4	Gasket, Intake Manifold (Not Shown)	
409	7020408	1	V-Belt	
410	7020471	4	Gasket, Exhaust Manifold to Engine Block (Not Shown)	
410	See Note	1	Gasket, Exhaust Manifold to Exhaust Pipe (Not Shown) (Note: Not Available for Purchase)	
410	70002200	8	Stud, Muffler Attaching	
411	7000663	1	Alternator (was p/n 7020410)	
411	7020464	1	Regulator, Voltage (Not Shown)	
411	70002234	1	Bracket, Adjusting (Not Shown)	
412	7020479	1	Starter	
412	7026608	1	Solenoid	
412	70001498	1	Shield, Starter Heat	
413	See Note	2	Plug- In Connector (Not Shown) (Note: Not Available for Purchase)	
414	7027241	1	Transmitter, Temperature (Used on p/n 2000216)	
414	7027791	1	Transmitter, Temperature (Used on p/n 2000274)	
414	See Note	1	Ring, Sealing (Note: Not Available for Purchase)	

SECTION 2 - TURNTABLE

ITEM	PART NUMBER	QTY	DESCRIPTION	REV
415	7020461	1	Sensor, Oil Pressure (Used on p/n 2000216)	
415	7027790	1	Sensor, Oil Pressure (Used on p/n 2000274)	
416	7024565	1	Sensor, Speed	
417	7020458	1	Actuator, Throttle (Used on p/n 2000216)	
417	7027792	1	Actuator, Throttle (Used on p/n 2000274)	
417	7026607	2	Spring, Actuator (was p/n 7027276)	
418	7027236	1	Sensor, Temperature (Not Shown)	
419	7027795	1	Deutz EMR2 Controller, Module (SN 0300084829 through 0300087000)	
419	7027796	1	Harness. EMR2 Module (SN 0300084829 through 0300087000)	
420	7027245	1	Filter, Fuel In-line (2000216 Engine Only)	
421	70000800	1	Timing Belt/Idler Kit Options (Used on p/n 2000216) (Not Shown):	
422	7027239	1	Solenoid, Throttle	
423	See Note	1	Gasket, Valve Cover (Not Shown) (Note: Not Available for Purchase)	
424		Ref	Gasket, Cylinder Head Options (Not Shown):	
424	See Note	1	2000216 Engines (Note: Not Available for Purchase)	
424		Ref	2000274 Engines:	
424	70003001	1	1 Notch	
424	70003002	1	2 Notches	
424	70003003	1	3 Notches	
425		Ref	Harness, Engine Options (Not Shown):	
425	See Note	1	Harness. Engine (Note: Not Available for Purchase) (SN 0300077490 through 0300084828)	
425	7027794	1	Harness, Engine (SN 0300084829 through 0300087000)	
425	7027793	1	Plug, Connector	
426	70000264	1	Flywheel	
426	7024579	1	Ring Gear	
427	7020459	1	Thermostat (Located at rear of engine block - Not Shown)	
427	7020460	1	Spring, Compression (Not Shown)	

SECTION 2 - TURNTABLE

FIGURE 2-10. FORD ENGINE INSTALLATION - LRG-425 (SN 0300069000 through 0300079887)



SECTION 2 - TURNTABLE

FIGURE 2-10. FORD ENGINE INSTALLATION - LRG-425 (SN 0300069000 through 0300079887)

ITEM	PART NUMBER	QTY	DESCRIPTION	REV
		Ref	ENGINE ASSEMBLIES	
	0270849	Ref	Standard Gas Machines (SN 0300069000 through 0300073339)	3-B
	0270847	Ref	Dual Fuel Machines (SN 0300069000 through 0300073338)	5-D
	0272899	Ref	Dual Fuel Machines (SN 0300073339 through 0300079888)	2-B
1		Ref	Engine - Ford LRG-425 Options:	
1	2000172	1	Standard Gas Machines	
1	2000182	1	Dual Fuel Machines (SN 0300069000 through 0300073338)	
1	2000196	1	Dual Fuel Machines (SN 0300073339 through 0300087000)	
2	3600260	1	Piston Pump Assembly (See PISTON PUMP ASSEMBLY for Breakdown)	
3	3600242	1	Gear Pump Assembly (See GEAR PUMP ASSEMBLY for Breakdown)	
4		Ref	Plate, Engine Mounting - Front Options:	
4	3539972	1	Plate, Engine Mounting - Front (SN 0300069000 through 0300073338)	
4	4846806	1	Plate, Engine Mounting - Front (SN 0300073339 through 0300079888)	
5	4566605	1	Tube, Spacer	
6	4640989	1	Valve, Oil Drain	
7	2750532	1	Hose	
		ft/30.5cm		
8	1320022	1	Clamp	
9	3572307	1	Plate, Module Mounting (SN 0300069000 through 0300073339)	
10	3790152	1	O-Ring	
11	0902539	1	Bracket, Fuel Filter/Pressure Regulator	
12	1320019	1	Clamp, Exhaust	
13	0701022	2	Bolt M10 x 70mm	
14	0701014	2	Bolt M10 x 30mm	
15	0700810	2	Bolt M8 x 20mm (SN 0300069000 through 0300073339)	
16	0641812	2	Bolt 1/2in-13NC x 1-1/2in	
17	0721010	2	Bolt #10-24NC x 1-1/4in (SN 0300069000 through 0300073339)	
18	0721006	3	Bolt #10-24NC x 3/4in (SN 0300069000 through 0300073339)	
19	4891600	2	Flatwasher 3/8in Hardened	
20	4751500	2	Flatwasher 5/16in Regular (SN 0300069000 through 0300073338)	
21	4751000	AR	Flatwasher #10 Regular (SN 0300069000 through 0300073339)	
22	4761500	2	Lockwasher 5/16in	
23	3311005	AR	Locknut #10-24NC (SN 0300069000 through 0300073339)	
24	0100011	AR	Compound, Locking	
25	0100020	AR	Sealant	
26	3931620	2	Screw 3/8in-16NC x 1-1/4in	
27	0701010	2	Bolt M10 x 20mm	
28	4832000	2	Flatwasher M10	
29	3572308	1	Plate, Relay Mount	
		Ref	ENGINE INSTALLATIONS	
	0270848	Ref	Standard Gas Machines (SN 0300069000 through 0300073339)	6-E
	0270846	Ref	Dual Fuel Machines (SN 0300069000 through 0300073338)	5-E
	0272898	Ref	Dual Fuel Machines (SN 0300073339 through 0300079888)	4-D
102	3539872	1	Mount, Radiator	
103		Ref	Battery Options:	
103	0400075	1	Battery (Wet)	

SECTION 2 - TURNTABLE

ITEM	PART NUMBER	QTY	DESCRIPTION	REV
103	7016180	1	Battery (Dry)	
104	0181727	1	Battery Hold-Down	
105	0630498	2	Bolt, Tie-Down	
106	3620040	1	Radiator	
107	1600314	1	Controller, ECM (SN 0300069000 through 0300073339)	
108		Ref	Tube, Air Intake Options:	
108	4846248	1	Standard Gas Machines	
108	4846236	1	Dual Fuel Machines	
109	3740067	1	Relay (Auxiliary Power)	
110	3740080	1	Relay, Bosch	
111	0080214	1	Spacer, Fan	
112	2060025	1	Fan	
113	1580011	1	Tank, Coolant Recovery	
114	0641606	8	Bolt 3/8in-16NC x 3/4in	
115	3539988	1	Plate, Baffle (Not Shown)	
116	3200362	4	Mount, Rubber	
117	4100025	1.5 ft/0.5m	Sleeve	
118	2720435	1	Hose, Radiator - Bottom	
119	4360392	1	Indicator, Clogged Filter	
120	2220430	1	Fitting, Reducer	
121	1703162	2	Decal - Fan Blade	
122		Ref	Plate, Engine Mount (Front) Options:	
122	3572279	1	Plate, Engine Mount (Front) (SN 0300069000 through 0300073338)	
122	3574504	1	Plate, Engine Mount (Front) (SN 0300073339 through 0300079888)	
123	4845404	1	Tray Weldment	
124	3422448	1	Pin, Pivot	
125	3841143	1	Pin, Keeper	
126	2750532	5 ft/1.52m	Hose	
127	2220805	1	Fitting, Barbed 90	
128	1320060	1	Clamp (SN 0300069000 through 0300073339)	
129	1320012	4	Clamp, Hose	
130	1320022	8	Clamp	
131	0641828	4	Bolt 1/2in-13NC x 3-1/2in	
132	4751800	1	Flatwasher 1/2in Regular	
133	3311805	4	Locknut 1/2in-13NC	
134	0641610	8	Bolt 3/8in-16NC x 1-1/4in	
135	0641608	16	Bolt 3/8in-16NC x 1in	
136	4751600	53	Flatwasher 3/8in Regular	
137	3311605	AR	Locknut 3/8in-16NC	
138	0641408	7	Bolt 1/4in-20NC x 1in	
139	0641406	AR	Bolt 1/4in-20NC x 3/4in	
140	4751400	AR	Flatwasher 1/4in Regular	
141	3311405	AR	Locknut 1/4in-20NC	
142	4740274	4	Washer, Snubbing	
143	3960389	5 ft/1.52m	Seal	
144	0100011	AR	Compound, Locking	
145	2720472	1	Hose	
146	0100020	AR	Sealant	
147	2220767	1	Fitting, Barbed	

SECTION 2 - TURNTABLE

ITEM	PART NUMBER	QTY	DESCRIPTION	REV
148	0940070	1	Bumper, Rubber	
149	4567879	1	Tube, Exhaust	
150	0701012	4	Bolt M10 x 25mm	
151	4832000	4	Lockwasher M10	
152	1340060	1	Air Cleaner Assembly	
152	7012664	1	Element, Air Cleaner	
153	0340041	2	Band, Air Cleaner	
154	0080201	1	Elbow, Rubber	
155	1320016	AR	Clamp	
156	3311801	1	Nut 1/2in-13NC	
157	2720436	1	Hose, Radiator - Top	
158	0641808	2	Bolt 1/2in-13NC x 1in	
159	2180798	1	Fitting, Restrictor Indicator	
160	2901362	1	Battery Cable Kit (SN 0300069000 through 0300074732)	C
160	2902297	1	Battery Cable Kit (SN 0300074733 through 0300079888)	A
160A	7016800	1	Cable, Battery (Red) (Kit p/n 2901362)	
160A	7027006	1	Cable, Battery (Red) (Kit p/n 2902297)	
160B	7016807	1	Cable, Battery (Black) (Kit p/n 2901362)	
160B	7027005	1	Cable, Battery (Black) (Kit p/n 2902297)	
160C	7016808	1	Cable (Red) (Kit p/n 2901362)	
160C	7027007	1	Cable (Red) (Kit p/n 2902297)	
160D	7016804	1	Cable (Red) (Kit p/n 2901362)	
160D	7027002	1	Cable (Red) (Kit p/n 2902297)	
160E	Not Required	0	Cable (Kit p/n 2901362)	
160E	7027003	1	Cable (Black) (Kit p/n 2902297)	
161	4460611	1	Terminal, Battery Jumper Post (SN 0300069000 through 0300074733)	
162	2220250	2	Fitting, Reducer	
163	0641414	4	Bolt 1/4in-20NC x 1-3/4in (SN 0300073339 through 0300079888)	
164	2720058	12 ft/3.7m	Hose, Fuel Line	
167	1320223	3	Clamp	
168	3422533	1	Pin, Hitch	
169	3572280	1	Plate, Engine Mount (Rear)	
170	0642010	1	Bolt 5/8in-11NC x 1-1/4in	
171	4752000	1	Flatwasher 5/8in Regular	
172	0700819	4	Bolt M8 x 55mm	
173	4831900	4	Lockwasher M8	
174	0961986	2	Flange, Bearing	
175	1060637	1	Lanyard	
177		Ref	Flexible Trim Options:	
177	4060804	2.9 ft/0.88m	Flexible Trim 3/16in (SN 0300069000 through 0300073338)	
177	4060805	2.9 ft/0.88m	Flexible Trim 1/4in (SN 0300073339 through 0300079888)	
179	4711400	AR	Flatwasher 1/4in Thin	
180	3960468	1	Seal, Foam 1-1/4in x 1-1/4in x 47-1/4in	
181	3960469	1	Seal, Foam 1-1/4in x 1-1/4in x 32in	
182	0641410	3	Bolt 1/4in-20NC x 1-1/4in	
183	4360336	1	Switch (Dual Fuel Machines) (Not Shown - Located on Console Box)	
184	3790012	1	O-Ring (Not Shown - Located on Console Box)	

SECTION 2 - TURNTABLE

ITEM	PART NUMBER	QTY	DESCRIPTION	REV
191	4568158	4	Standoff (SN 0300069000 through 0300073339)	
192	0641424	4	Bolt 1/4in-20NC x 3in (SN 0300069000 through 0300073339)	
193	1320032	1	Clamp	
194		Ref	Plate ECM/Relay Mount Options:	
194	3574162	1	Plate ECM/Relay Mount (SN 0300073339 through 0300073350)	
194	0902951	1	Plate ECM/Relay Mount (SN 0300073351 through 0300087000)	
195	0641808	1	Bolt 1/2in-13NC x 1in (SN 0300073339 through 0300079888)	
196	4771800	1	Starwasher 1/2in (SN 0300073339 through 0300079888)	
197	0100048	AR	Grease, Dielectric (SN 0300073339 through 0300079888)	
		Ref	ENGINE COMPONENTS	
	2000172	Ref	Standard (SN 0300069000 through 0300073339)	
	2000182	Ref	Dual Fuel (SN 0300069000 through 0300073338)	
	2000196	Ref	Dual Fuel (SN 0300073339 through 0300079888)	
201	3600377	1	Fuel Pump and Isolator Assembly (was p/n 7022133)	
201	7022134	1	Harness, Fuel Pump Wiring	
202	91083218	1	Filter, Fuel (was p/n 7022135)	
203	7019986	1	Starter (Not Shown)	
204	7019977	1	Alternator with Pulley and Regulator	
204	7000897	1	Alternator without Pulley and Regulator	
205		Ref	Actuator, Throttle Options:	
205	7023655	1	Actuator, Throttle (2000172 & 2000182 Engines) (SN 0300069000 through 0300073338)	
205	7023683	1	Actuator, Throttle (2000196 Engines) (SN 0300073339 through 0300079888)	
205	7023652	1	Plate, Actuator Adapter	
205	7023654	1	Gasket, Actuator to Adapter Plate	
205	7023653	2	Bolt (Adapter Plate to Intake Manifold)	
205	7023656	4	Bolt (Actuator to Adapter Plate)	
206	7019996	1	Sensor, Air Temperature (was p/n 7023661)	
206	7023662	1	Bracket, Air Temperature Sensor	
207		Ref	Harness, Engine Control Processor Options:	
207	7023663	1	Harness, Engine Control Processor (SN 0300069000 through 0300073338)	
207	7023681	1	Harness, Engine Control Processor (SN 0300073339 through 0300079888)	
208	7022139	1	Sensor, MAP	
209		Ref	Sensor, EGR Options:	
209	7019994	1	Sensor, EGR (2000172 & 2000182 Engines) (SN 0300069000 through 0300073338)	
209	7023682	1	Sensor, EGR (2000196 Engines) (SN 0300073339 through 0300079888)	
210	2420187	1	Dipstick (was p/n 7022140)	
210	4564281	1	Tube, Dipstick (was p/n 7022146)	
211	7023658	1	Horn, Rubber Air	
212	7023637		Switch, Oil Pressure	
213	7021868	1	Filter, Oil (was p/n 7022147 & 7022173)	
214	1660250	1	Coupling, Pump (was p/n 7016662)	
214	7019976	1	Flywheel	
214	7022180	1	Ring Gear	
215	7019993	1	Pressure Regulator and Filter Assembly	
216	70002307	1	Gasket, Exhaust (Manifold to Pipe)	

SECTION 2 - TURNTABLE

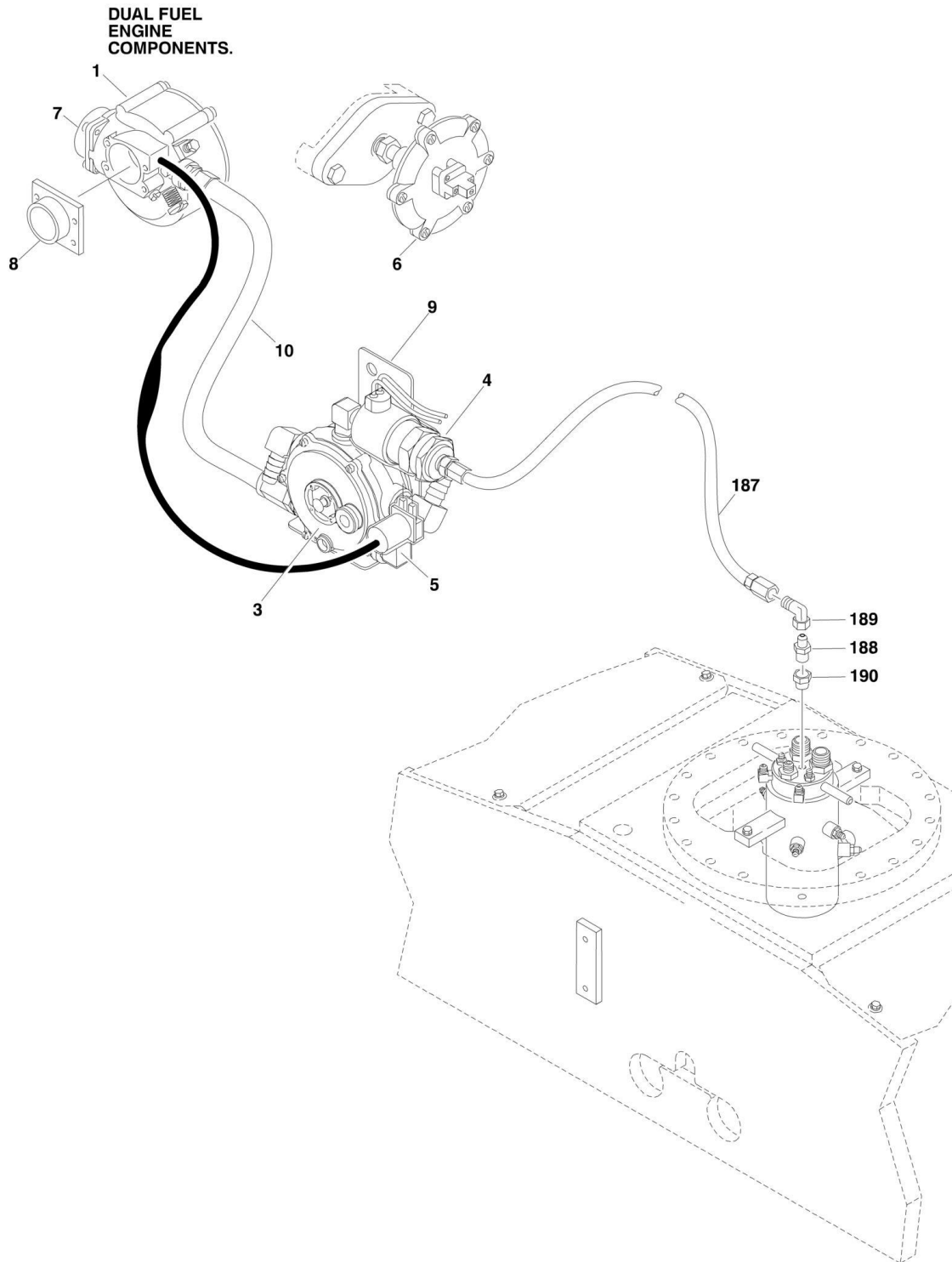
ITEM	PART NUMBER	QTY	DESCRIPTION	REV
216	7022143	1	Gasket, Exhaust (Manifold to Cylinder Head) (Not Shown)	
217	7022158	3	Connector	
218	7022159	2	Connector	
219	7022160	1	Connector	
220	7022161	2	Tube, Supply	
221	7022162	2	Clamp	
222	7019925	1	PCV Valve (Not Shown)	
223	7019930	1	Coil, Ignition (Not Shown)	
223	7022157	1	Wire Set, Spark Plug (Not Shown)	
223	7019932	4	Spark Plug (Not Shown)	
224		Ref	Relay Options:	
224	7023613	3	Relay (2000172 & 2000182 Engines) (SN 0300069000 through 0300073338)	
224	7023695	3	Relay (2000196 Engines) (SN 0300073339 through 0300079888)	
225	7022153	1	Pump, Water	
225	7022154	1	Gasket, Water Pump	
225	7022155	1	Sensor, Water Temperature (Not Shown)	
225	7022156	1	Thermostat (Not Shown)	
225	7023644	1	Hose, Water Pump (By-Pass) (Not Shown)	
226	7022178	1	Sensor, Crank Shaft	
227	3573241	1	Plate, LP Mixer Mounting (Engine p/n 2000182 Only)	
228	2720341	1	Hose, Rubber (was p/n 7022141)	
229	1600363	1	Module, EPM	
229	2915195		EPM Update Kit (was p/n 7023685)	
230	7027402	1	Belt, Drive (was p/n 7019979)	
230	70002567	1	Tensioner, Belt	
231	7022149	1	Gasket Kit, Lower Manifold (Not Shown)	
231	7025124	1	Gasket Kit, Upper Manifold (was p/n 7022148) (Not Shown)	
231	7022144	1	Gasket, Upper Manifold Throttle (Not Shown)	
232	7022151	1	Cap, Oil Fill	
233	7022179	1	Sensor, Camshaft (Not Shown)	
234	7023657	1	Harness, TPS Harness (Not Shown)	
235	7022150	1	Belt, Timing	
	3124114	1	Service Manual, Ford EFI System Diagnostic	
		Ref	MUFFLER INSTALLATIONS	
	0258390	Ref	Standard Spark Arresting	1
	0258391	Ref	Optional Catalytic	1
	0258571	Ref	Standard Spark Arresting - UL Machines	3
301		Ref	Muffler Options:	
301	3220113	1	Standard/UL Spark Arresting	
301	3220114	1	Optional Catalytic	
301	70001017	1	Clamp	
302	0340046	2	Band	
303	0902309	1	Bracket, Muffler	
304	0641507	4	Bolt 5/16in-18NC x 7/8in	
305	4711500	8	Flatwasher 5/16in Thin	
306	3311505	4	Locknut 5/16in-18NC	
307	4567073	1	Tube, Exhaust	
307	70001017	1	Clamp	
		Ref	Note: Items 308 to 314 UL Machines Only.	
308	4845668	1	Tube, Exhaust	

SECTION 2 - TURNTABLE

ITEM	PART NUMBER	QTY	DESCRIPTION	REV
309	3900232	5	Bolt, Button Head 3/8in-16NC x 1-1/4in	
310	4751600	5	Flatwasher 3/8in Regular	
311	3311601	7	Nut 3/8in-16NC	
312	0100011	AR	Compound, Locking	
313	0902473	1	Bracket, Exhaust Support	
314	3220111	1	Spark Arrestor	

SECTION 2 - TURNTABLE

FIGURE 2-11. DUAL FUEL INSTALLATION (OPTIONAL - FORD ENGINE MACHINES)



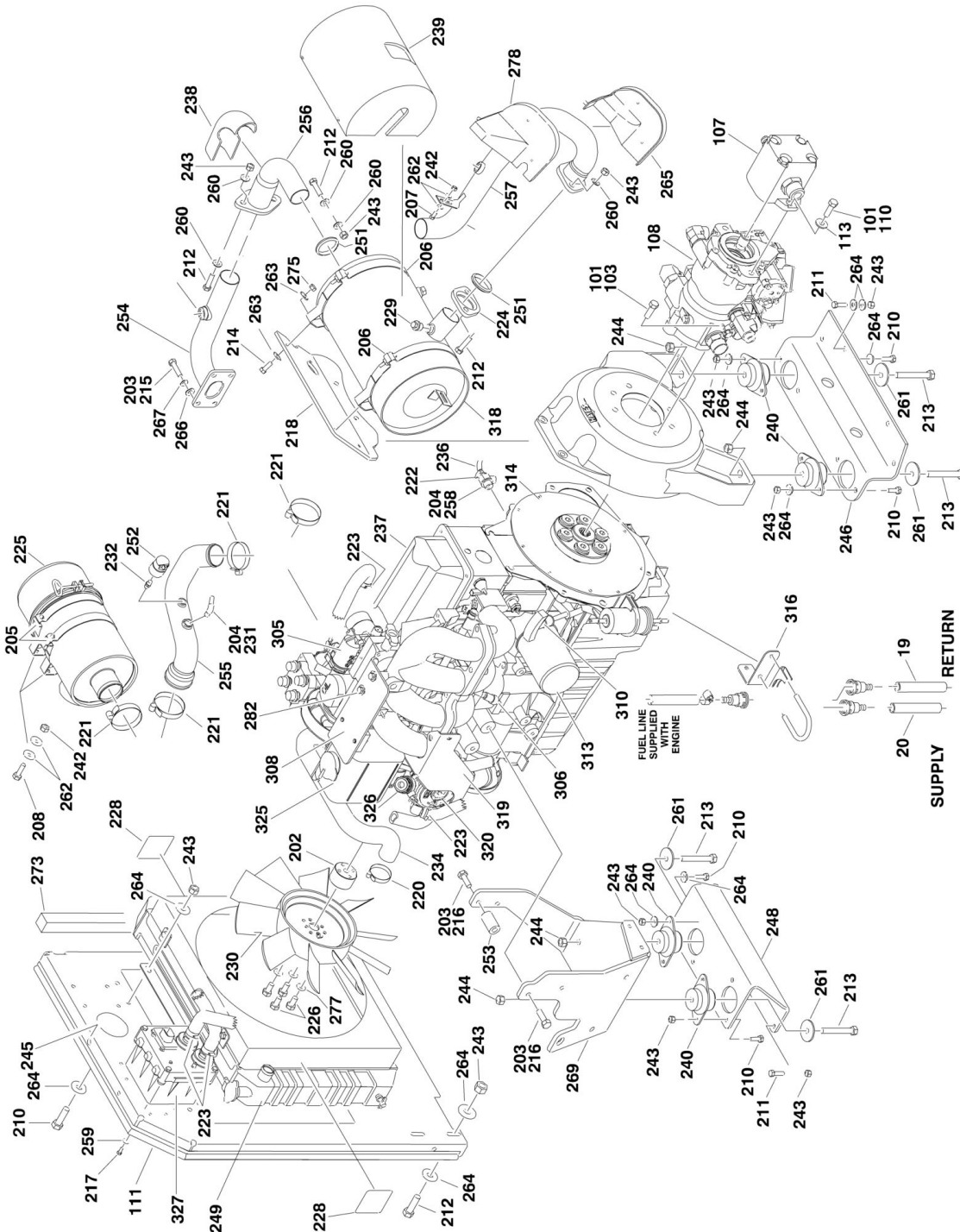
SECTION 2 - TURNTABLE

FIGURE 2-11. DUAL FUEL INSTALLATION (OPTIONAL - FORD ENGINE MACHINES)

ITEM	PART NUMBER	QTY	DESCRIPTION	REV
	2000182	Ref	DUAL FUEL ENGINE COMPONENTS (SN 0300069000 through 0300073338)	
	2000196	Ref	DUAL FUEL ENGINE COMPONENTS (SN 0300073339 through 0300079888)	
		Ref	Note: See Engine Installation (FORD ENGINE INSTALLATION - LRG-425) for (SN 0300079888 through 0300087000)	
	7023665	1	Dual Fuel Conversion Kit (Note: Includes hose, fittings, clamps and items indented below. For replacement hose, fittings and clamps supply locally.)	
1	7022165	1	Mixer	
1	7022171	1	Repair Kit - 7022165 Mixer	
1	7023645	1	Gasket, Mixer	
3	7022167	1	Convertor	
3	7022170	1	Repair Kit - 7022167 Convertor	
4	7023680	1	Filter, LP Shut-Off (was p/n 7022169)	
4	7023680	NLA	Electrical Connector Kit (No Longer Available - was p/n 7023679)	
5	7022168	1	Valve, Solenoid	
6	4360188	1	Switch, Vacuum	
7	7023603	1	Adapter	
7	7023659	1	Gasket	
7	7023660	4	Screw M6 x 14mm	
8	7022166	1	Adaptor	
9	3572722	1	Bracket	
10	70000121	1	Hose, LP	
		Ref	DUAL FUEL MACHINE COMPONENTS	
	0270846	Ref	Dual Fuel Machine Components (SN 0300069000 through 0300073338)	5/E
	0272898	Ref	Dual Fuel Machine Components (SN 0300073339 through 0300079887)	1/B
	0274017	Ref	Dual Fuel Machine Components (SN 0300079888 through 0300087000)	B
187	2720392	1	Hose	
188	2180418	1	Fitting, Straight	
189	2220064	1	Fitting, 90	
190	2220005	1	Fitting, Reducer	

SECTION 2 - TURNTABLE

FIGURE 2-12. FORD ENGINE INSTALLATION - LRG-425 (SN 0300079888 through 0300087000)



SECTION 2 - TURNTABLE

FIGURE 2-12. FORD ENGINE INSTALLATION - LRG-425 (SN 0300079888 through 0300087000)

ITEM	PART NUMBER	QTY	DESCRIPTION	REV
		Ref	ENGINE INSTALLATIONS	
	0274017	Ref	Engine Installations (SN 0300069000 through 0300084828)	C
	0274521	Ref	Engine Installations (SN 0300084829 through 0300087000)	A
1	0100011	AR	Compound, Locking	
2	0100020	AR	Sealant	
3	0100048	AR	Grease, Dielectric	
4	0181727	1	Angle, Battery Hold-Down	
5	0400075	1	Battery	
6	0630498	2	Bolt, Battery Hold-Down	
7	0641608	1	Bolt 3/8in-16NC x 1in	
8	0641808	2	Bolt 1/2in-13NC x 1in	
9	0642010	1	Bolt 5/8in-11NC x 1-1/4in	
10	1320022	7	Clamp (Not Shown - Located on Turntable to clamp fuel line)	
11	1701542	1	Decal - Gas (Not Shown - Located on Hood)	
12	1701543	1	Decal - LP (Not Shown - Located on Frame)	
17	2220313	1	Fitting, 90	
18	2221176	1	Fitting, 90	
19	2720058	12 ft/3.7m	Hose, Fuel Line	
20	2720472	1	Hose, Fuel Line	
21	2720532	5 ft/1.5m	Hose, Fuel Line	
22	2902297	1	Battery Cable Kit	A
22A	7027006	1	Cable, Battery (Red)	
22B	7027005	1	Cable, Battery (Black)	
22C	7027007	1	Cable (Red)	
22D	7027002	1	Cable (Red)	
22E	7027003	1	Cable (Black)	
23	3311605	2	Locknut 3/8in-16NC	
24	3311801	1	Nut 1/2in-13NC	
25	3422448	1	Pin	
26	3790012	1	O-Ring (Not Shown - Located at Platform Console Box)	
27	3841143	1	Pin, Keeper	
28	4360336	1	Switch, Toggle (Not Shown - Located at Platform Console Box)	
29	4751600	4	Flatwasher 3/8in Regular	
30	4751800	1	Flatwasher 1/2in Regular	
31	4752000	1	Flatwasher 5/8in Regular	
32	0641410	3	Bolt 1/4in-20NC x 1-1/4in	
33	1060637	1	Cable, Lanyard	
34	3311405	3	Locknut 1/4in-20NC	
35	4711400	3	Flatwasher 1/4in Thin	
		Ref	ENGINE AND PUMP ASSEMBLIES	
	2000256	Ref	Engine and Pump Assemblies (SN 0300069000 through 0300084828)	C
	2000300	Ref	Engine and Pump Assemblies (SN 0300084829 through 0300087000)	A
101	0100011	AR	Compound, Locking	
102	0641407	1	Bolt 1/4in-20NC x 7/8in	
103	0641812	2	Bolt 1/2in-13NC x 1-1/2in	
105	3311405	1	Locknut 1/4in-20NC	
106	3422532	1	Pin, Hitch	

SECTION 2 - TURNTABLE

ITEM	PART NUMBER	QTY	DESCRIPTION	REV
107	3600395	1	Load Sensing Pump Assembly with Fittings Options (See GEAR PUMP ASSEMBLY for Breakdown)	
108	3600396	1	Piston Pump Assembly with Fittings Options (See PISTON PUMP ASSEMBLY for Breakdown)	
109		Ref	O-Ring Options:	
109	3790152	1	O-Ring (SN 0300069000 through 0300084828)	
109	3790012	1	O-Ring (SN 0300084829 through 0300087000)	
110	3931620	2	Bolt 3/8in-16NC x 1-1/4in	
111	3960389	5 ft/1.5m	Seal	
112	4751400	1	Flatwasher 1/4in Regular	
113	4891600	2	Flatwasher 3/8in Hardened	
		Ref	ENGINE ASSEMBLY	
	2000209	Ref	Engine Assembly (SN 0300069000 through 0300084828)	D
	2000299	Ref	Engine Assembly (SN 0300084829 through 0300087000)	B
201	0080201	1	Adapter 90 Elbow	
202	0080214	1	Adapter, Fan Spacer	
203	0100011	AR	Compound, Locking	
204	0100020	AR	Sealant, Pipe	
205	0340041	2	Band, Air Cleaner	
206	0340046	2	Band, Muffler	
207	0641406	3	Bolt 1/4in-20NC x 3/4in	
208	0641408	6	Bolt 1/4in-20NC x 1in	
209	0641414	4	Bolt 1/4in-20NC x 1-3/4in	
210	0641608	14	Bolt 3/8in-16NC x 1in	
211	0641610	10	Bolt 3/8in-16NC x 1-1/4in	
212	0641612	8	Bolt 3/8in-16NC x 1-1/2in	
213	0641828	4	Bolt 1/2in-13NC x 3-1/2in	
214	0641507	4	Bolt 5/16in-18NC x 7/8in	
215	0701012	4	Bolt 10mm x 25mm	
216	0701014	4	Bolt 10mm x 30mm	
217	0760606	4	Bolt 6mm x 12mm	
218	0903079	1	Bracket, Muffler	
219	0961986	2	Bushing, Flanged	
220	1320012	4	Clamp	
221	1320016	3	Clamp	
222	1320022	1	Clamp, Hose	
223	1320033	8	Clamp, Hose	
224	1321138	3	Plate, Exhaust Flange	
225	1340060	1	Air Cleaner Assembly Filter Element	
225	7012664	1	Element, Filter (Not Shown)	
226	0700819	4	Bolt 8mm x 55mm	
228	1703162	2	Decal - Caution Fan Blade	
229	1120588	1	Plug	
230	2060025	1	Fan	
231	2180467	1	Fitting	
232	2180798	1	Fitting, Restriction Indicator (SN 0300069000 through 0300084828)	
233	2720435	1	Hose, Radiator (Bottom)	
234	2720436	1	Hose, Radiator (Upper)	
235	2720514	1	Hose, 45 Elbow	
236	2750532	6 in/15cm	Hose, Oil Drain	
237	2000272	1	Engine (See Items 301-326 for Engine Components)	

SECTION 2 - TURNTABLE

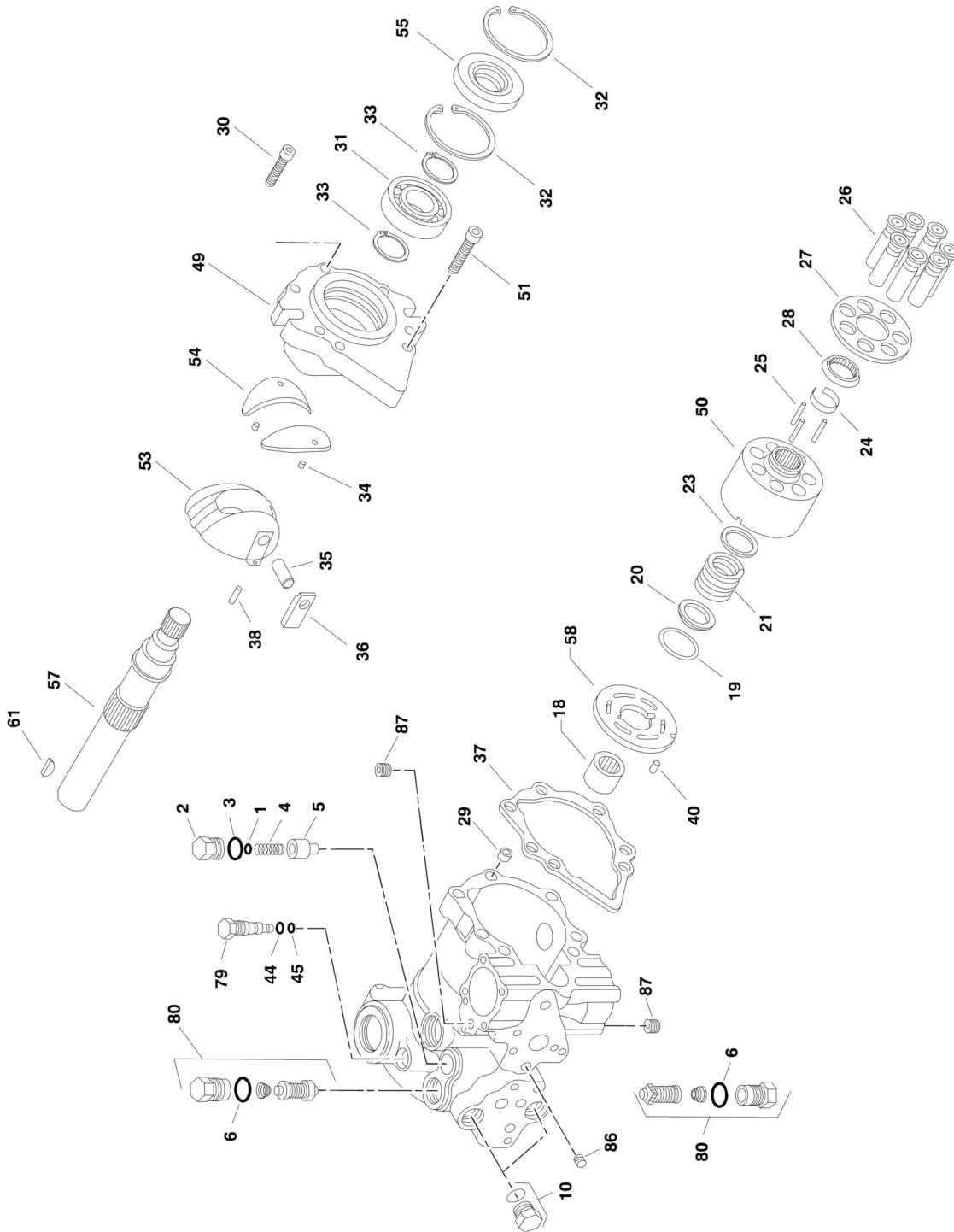
ITEM	PART NUMBER	QTY	DESCRIPTION	REV
238	2820173	2	Insulation, Exhaust (Elbow)	
239	2820180	1	Insulation, Catalytic Muffler	
240	3200362	4	Mount, Motor	
242	3311405	13	Locknut 1/4in-20NC	
243	3311605	30	Locknut 3/8in-16NC	
244	3311805	4	Locknut 1/2in-13NC	
245	3539872	1	Plate, Radiator Mounting	
246	3572280	1	Plate, Engine Mount	
247	3574162	1	Plate, ECM/Relay Mount	
248	3574504	1	Plate, Engine Mount	
249	3620040	1	Radiator	
250	3740067	1	Relay	
251	3960591	3	Gasket, Exhaust	
252	4360392	1	Indicator, Restriction (SN 0300069000 through 0300084828)	
253	4566605	1	Tube, Spacer	
254		Ref	Tube, Exhaust Options:	
254	4567879	1	Tube, Exhaust (SN 0300069000 through 0300082976)	
254	4569203	1	Tube, Exhaust (SN 0300082977 through 0300087000)	
255		Ref	Tube, Intake Options:	
255	4568951	1	Tube, Intake (SN 0300069000 through 0300084828)	
255	4569173	1	Tube, Intake (SN 0300084829 through 0300087000)	
256	4569083	1	Tube, Exhaust	
257	4569092	1	Tube, Exhaust	
258	4640989	1	Valve, Oil Drain	
259	4711400	16	Flatwasher 1/4in Thin	
260	4711600	12	Flatwasher 3/8in Thin	
261	4740274	4	Washer, Snubbing	
262	4751400	12	Flatwasher 1/4in Regular	
263	4751500	8	Flatwasher 5/16in Regular	
264	4751600	51	Flatwasher 3/8in Regular	
265	2820186	1	Insulation, Exhaust (Shield)	
266	4812000	4	Flatwasher 10M	
267	4832000	4	Lockwasher 10m	
268	4845404	1	Tray, Engine	
269	4846806	1	Plate, Engine Mounting	
270	0641606	1	Bolt 3/8in-16NC x 3/4in	
271	0940070	1	Bumper	
272	1320223	3	J-Clip	
273	3960469	1	Seal	
274	4060805	37 in/1m	Flex-Trim	
275	3311505	4	Locknut 5/16in-18NC	
276	3960468	1	Seal	
277	4831900	4	Lockwasher M8	
278	2820187	1	Insulation, Exhaust	
279	2820188	1	Insulation, Shell	
280	4920385	10 ft/3m	Wire, Safety (Not Shown)	
281	2300004	AR	Fluid, Anti-Freeze (Not Shown)	
282	4711500	2	Flatwasher 5/16 Thin (SN 0300084829 through 0300087000)	
	2000272	Ref	ENGINE COMPONENTS	B
301	3600377	1	Fuel Pump and Isolator Assembly (was p/ns 7022133 & 7027407)	
301	7022134	1	Harness, Fuel Pump (Not Shown)	

SECTION 2 - TURNTABLE

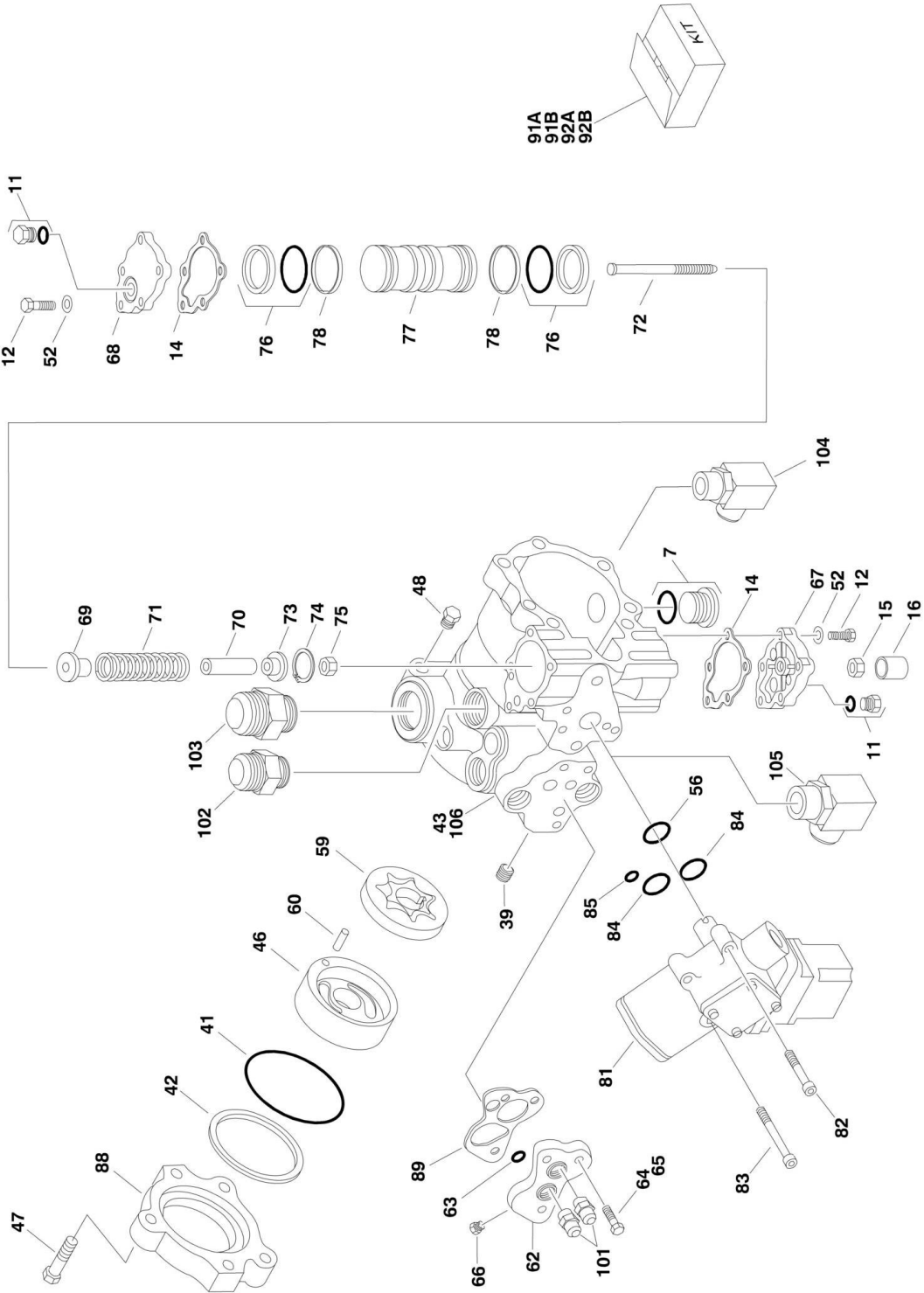
ITEM	PART NUMBER	QTY	DESCRIPTION	REV
302	91083218	1	Filter, Fuel (was p/n 7022135)	
303	7012679	1	Starter (was p/n 7027408)	
304	7019977	1	Alternator with Regulator and Pulley	
304	7000897	1	Alternator without Regulator and Pulley	
305	7023683	1	Actuator, Throttle	
305	7027404	1	Gasket, Actuator (Not Shown)	
306	7019996	1	Sensor, Air Temperature (was p/n 7023661)	
307	7023681	1	Harness, Engine Control (was p/n 7027403) (Not Shown)	
308	7022139	1	Sensor, MAP	
309	7023682	1	Sensor, EGR	
310	2420187	1	Dipstick (was p/n 7022140)	
310	4564281	1	Tube, Dipstick	
311	7027400	1	Mixer Assembly	
313	7021868	1	Filter, Oil (was p/n 7022147 & 7022173)	
314	1660250	1	Coupling, Pump	
314	7019976	1	Flywheel (Not Shown)	
314	7022180	1	Ring Gear (Not Shown)	
315	7019993	1	Pressure Regulator and Filter Assembly	
316	0902539	1	Bracket	
317	1600374	1	Module, EPM	
317	7027413	1	Harness, EPM Jumper	
318	3220134	1	Muffler	
319	0903010	1	Bracket, LP Regulator	
320	7023698	1	Regulator, LP	
321	7019994	1	Sensor, EGR (was p/n 7027406)	
322	70002307	1	Gasket, Exhaust (Manifold to Pipe)	
322	7022143	1	Gasket, Exhaust (Manifold to Cylinder Head) (was p/n 7027401) (Not Shown)	
323	7027402	1	Belt, Drive	
324	7027405	4	Spark Plug (Not Shown)	
325	1580011	1	Bottle, Overflow	
326	7027409	1	LP Filter Shutoff W/Leads	
327	7023699	1	Megajector	
327	7027410	1	Harness, Megajector	
327	70001690	1	Hose Kit - Megajector	
328	7019925	1	PCV Valve (Not Shown)	
329	7022155	1	Sensor, Water Temperature (Not Shown)	
330	7022150	1	Belt, Timing (Not Shown)	
331	70002567	1	Tensioner, Belt	

SECTION 2 - TURNTABLE

FIGURE 2-13. PISTON PUMP ASSEMBLY (SN 0300069000 through 0300079887)



SECTION 2 - TURNTABLE



SECTION 2 - TURNTABLE

FIGURE 2-13. PISTON PUMP ASSEMBLY (SN 0300069000 through 0300079887)

ITEM	PART NUMBER	QTY	DESCRIPTION	REV
	3600260	Ref	PISTON PUMP ASSEMBLY	B
1	7007413	1	Shim Kit	
2	7007414	1	Plug	
3	See Note	NSS	O-Ring (Note: Use Item 91A)	
4	7007416	1	Spring, Relief Valve	
5	7007417	1	Valve, Relief	
6	See Note	NSS	O-Ring (Note: Use Item 91A)	
7	7007419	2	Plug	
10	7007420	2	Plug	
11	7007208	2	Plug	
12	7007421	10	Screw	
14	See Note	NSS	Gasket, Servo Cover (Note: Use Item 91A)	
15	7007423	1	Nut, Special	
16	7007424	1	Cover, Adjustment	
18	7007425	1	Bearing, Needle	
19	See Note	NSS	Ring, Retaining (Note: Use Item 92B)	
20	See Note	NSS	Washer (Note: Use Item 92B)	
21	See Note	NSS	Spring (Note: Use Item 92B)	
23	See Note	NSS	Washer (Note: Use Item 92B)	
24	See Note	NSS	Retainer (Note: Use Item 92B)	
25	See Note	NSS	Pin, Slipper Holddown (Note: Use Item 92B)	
26	See Note	NSS	Piston Assembly (Note: Use Item 92B)	
27	See Note	NSS	Retainer, Slipper (Note: Use Item 92B)	
28	See Note	NSS	Guide, Retainer (Note: Use Item 92B)	
29	7007435	1	Pin, Spring	
30	7007436	1	Screw, 12 Point Head	
31	7007437	1	Bearing, Ball	
32	7007438	2	Ring, Retainer	
33	7007439	2	Ring	
34	7007440	2	Pin, Spring	
35	7007441	1	Handle, Pin	
36	7007442	1	Sleeve, Bearing	
37	See Note	NSS	Gasket, Front Cover (Note: Use Item 91A)	
38	7007444	1	Pin	
39	7007445	1	Plug, Expansion	
40	See Note	NSS	Pin (Note: Use Item 92B)	
41	See Note	NSS	O-Ring (Note: Use Item 91A or 92A)	
42	See Note	NSS	Ring, Load Temper (Note: Use Item 91A or 92A)	
43	7007449	1	Housing, Pump	
44	See Note	NSS	Ring, Back-up (Note: Use Item 91A)	
45	See Note	NSS	O-Ring (Note: Use Item 91A)	
46	See Note	NSS	Cover, Gerotor (Note: Use Item 92A)	
47	7007453	3	Bolt, Hex	
48	7007208	1	Plug	
49	7007454	1	Cover, Front	
50	See Note	NSS	Block, Cylinder (Note: Use Item 92B)	
51	7007456	6	Screw	
52	7001438	10	Washer	
53	See Note	NSS	Swash Plate (Note: Use Item 92B)	
54	7007458	1	Journal, Bearing	

SECTION 2 - TURNTABLE

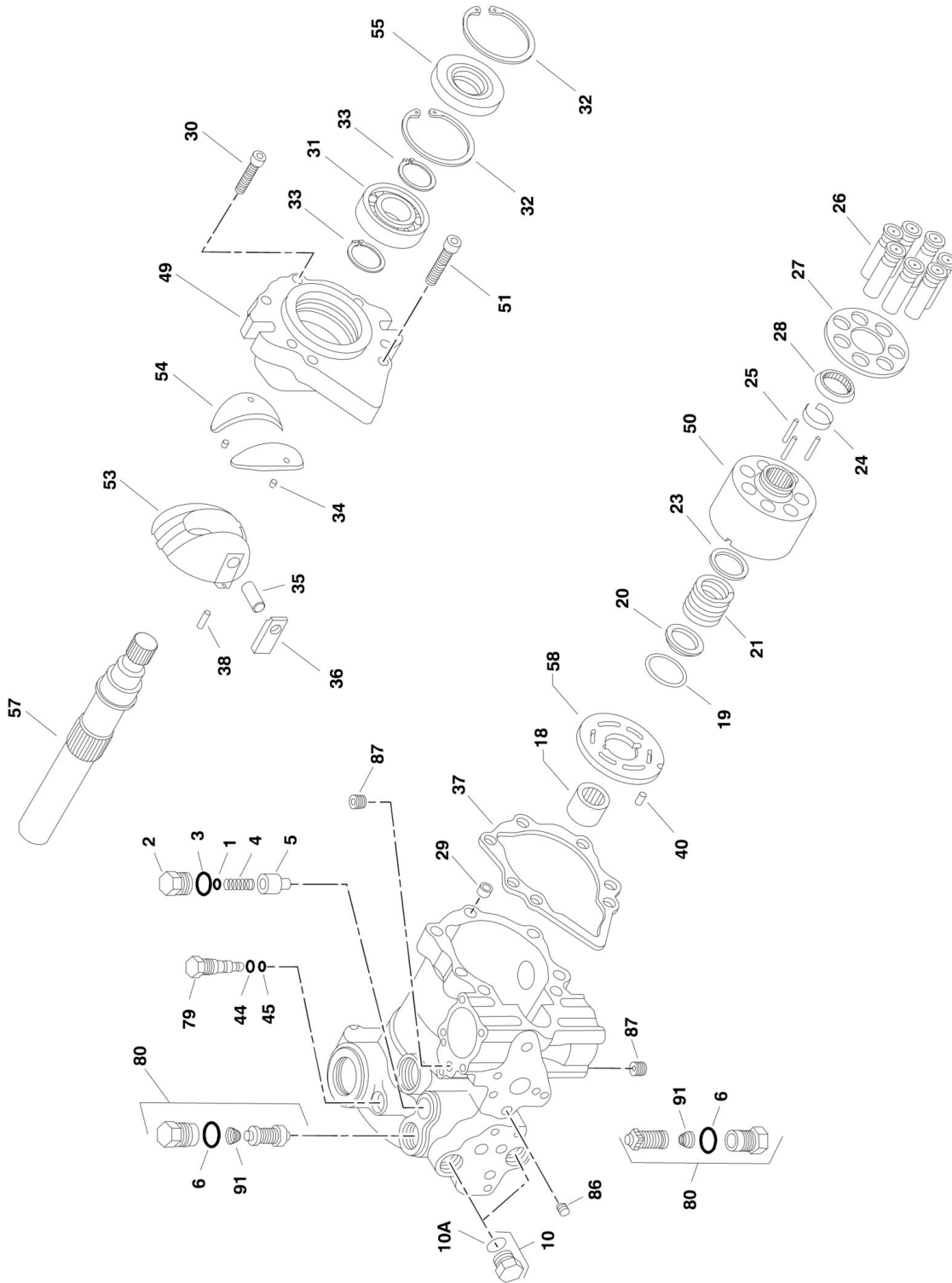
ITEM	PART NUMBER	QTY	DESCRIPTION	REV
55	7007459	1	Seal, Lip	
56	See Note	NSS	O-Ring (Note: Use Item 91A)	
57	7010121	1	Shaft, Main Pump	
58	7021214	1	Plate, Valve	
59	7007463	1	Gerotor Assembly	
60	See Note	NSS	Pin (Note: Use Item 92A)	
61	See Note	NSS	Key, Woodruff (Note: Use Item 92A)	
62	7007466	1	Adaptor, Remote Filtration (Without By-Pass)	
63	See Note	NSS	O-Ring (Note: Use Item 91A)	
64	7007468	2	Screw	
65	7007469	2	Screw	
66	7007470	1	Plug	
67	7007471	1	Cover, Servo (With Adjuster)	
67	7007490	2	Stop, Servo (Not Shown)	
67	7007491	2	Nut, Special (Not Shown)	
67	7007492	2	Ring, External (Not Shown)	
68	7007482	1	Cover, Servo (Without Adjuster)	
69	7007483	1	Guide, Spring	
70	7007484	1	Stop, Servo	
71	7007485	1	Spring	
72	7007486	1	Screw	
73	7007487	1	Guide, Spring	
74	7007488	1	Ring, Retaining	
75	7007499	1	Locknut	
76	See Note	NSS	Ring, Piston (Note: Use Item 91A or 91B)	
77	7007494	1	Piston, Servo	
78	See Note	NSS	O-Ring (Note: Use Item 91A or 91B)	
79	7007472	1	Valve, Bypass	
80	7010122	2	Valve, Pressure Relief (Includes Item 6) (was p/n 7007473)	
81	7007474	1	Control, Dual Oil-Filled	
81	7007496	1	Coil Assembly (Pilot)	
81	7007497	1	Plug (Pump)	
81	7007498	1	Plug (Valve Harness)	
82	7007478	2	Screw	
83	7001498	2	Screw	
84	See Note	NSS	O-Ring (Note: Use Item 91A)	
85	See Note	NSS	O-Ring (Note: Use Item 91A)	
86	7007475	1	Plug, Orifice/Screen (.156)	
87	7007477	2	Plug, Orifice (.37)	
88	7007476	1	Adapter, Auxiliary Pump	
89	7010120	1	Spacer/Gasket	
91		Ref	Seal Kit Options:	
91A	2900752	1	Seal Kit - Complete (Includes Items 3, 6, 14, 37, 41, 42, 44, 45, 55, 56, 63, 76, 78, 84 & 85)	
91B	7007412	1	Seal Kit - Servo Piston (Includes Items 76 & 78)	
92		Ref	Repair Kit Options:	
92A	2900826	1	Charge Pump Kit (Includes Items 41, 42, 46, 59, 60 & 61)	
92B	2900827	1	Cylinder Block Kit (Includes Items 19-28, 40, 50, 53 & 58)	
	3600397	Ref	PISTON PUMP AND FITTING ASSEMBLY	A
101	2220374	2	Fitting, Straight	
102	2220375	1	Fitting, Straight	
103	2220377	1	Fitting, Straight	

SECTION 2 - TURNTABLE

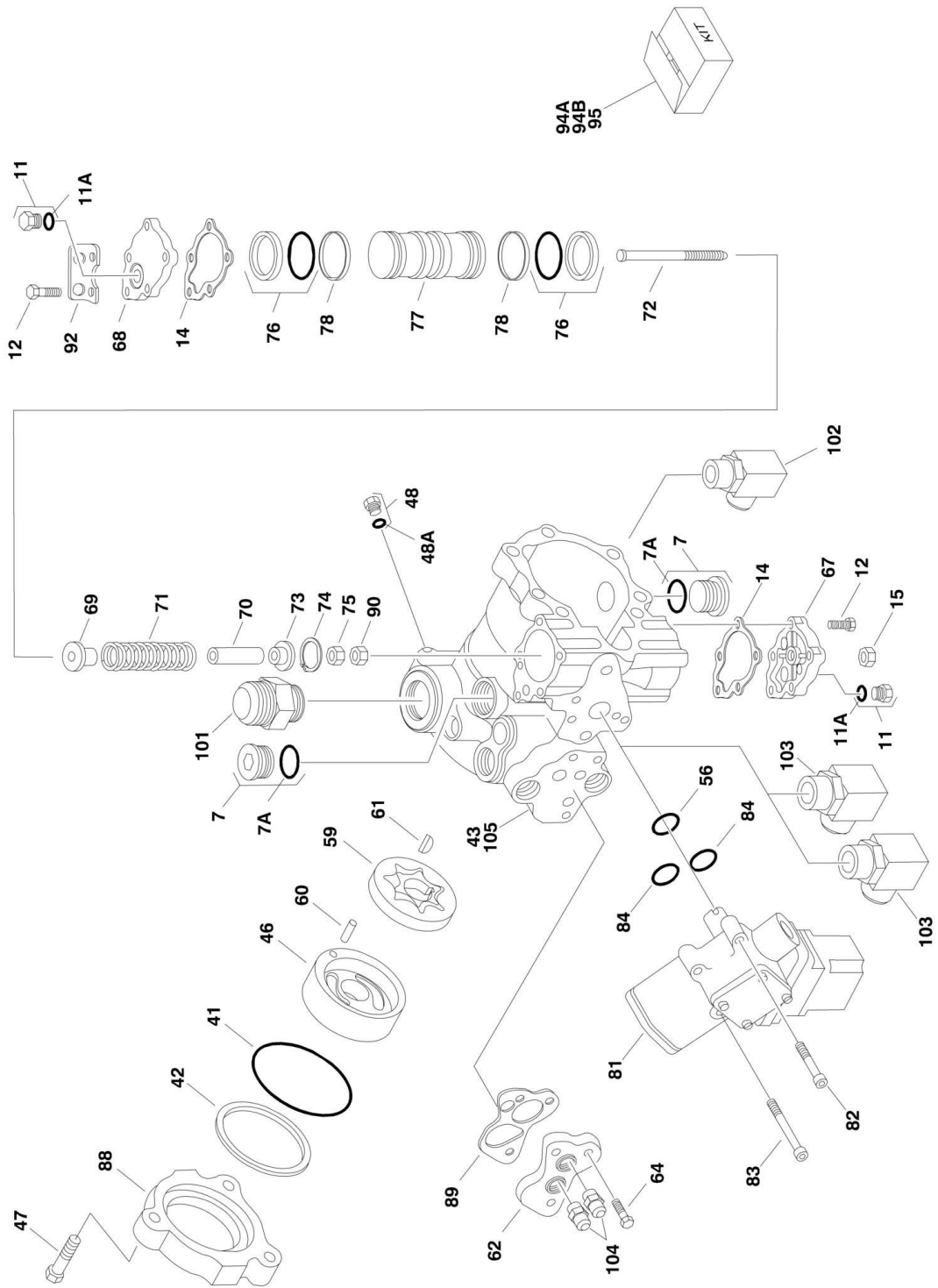
ITEM	PART NUMBER	QTY	DESCRIPTION	REV
104	2220578	1	Fitting, 90	
105	2220646	2	Fitting, 90	
106	3600260	1	Pump, Piston (Includes Items 1-89)	

SECTION 2 - TURNTABLE

FIGURE 2-14. PISTON PUMP ASSEMBLY (SN 0300079888 through 0300087000)



SECTION 2 - TURNTABLE



SECTION 2 - TURNTABLE

FIGURE 2-14. PISTON PUMP ASSEMBLY (SN 0300079888 through 0300087000)

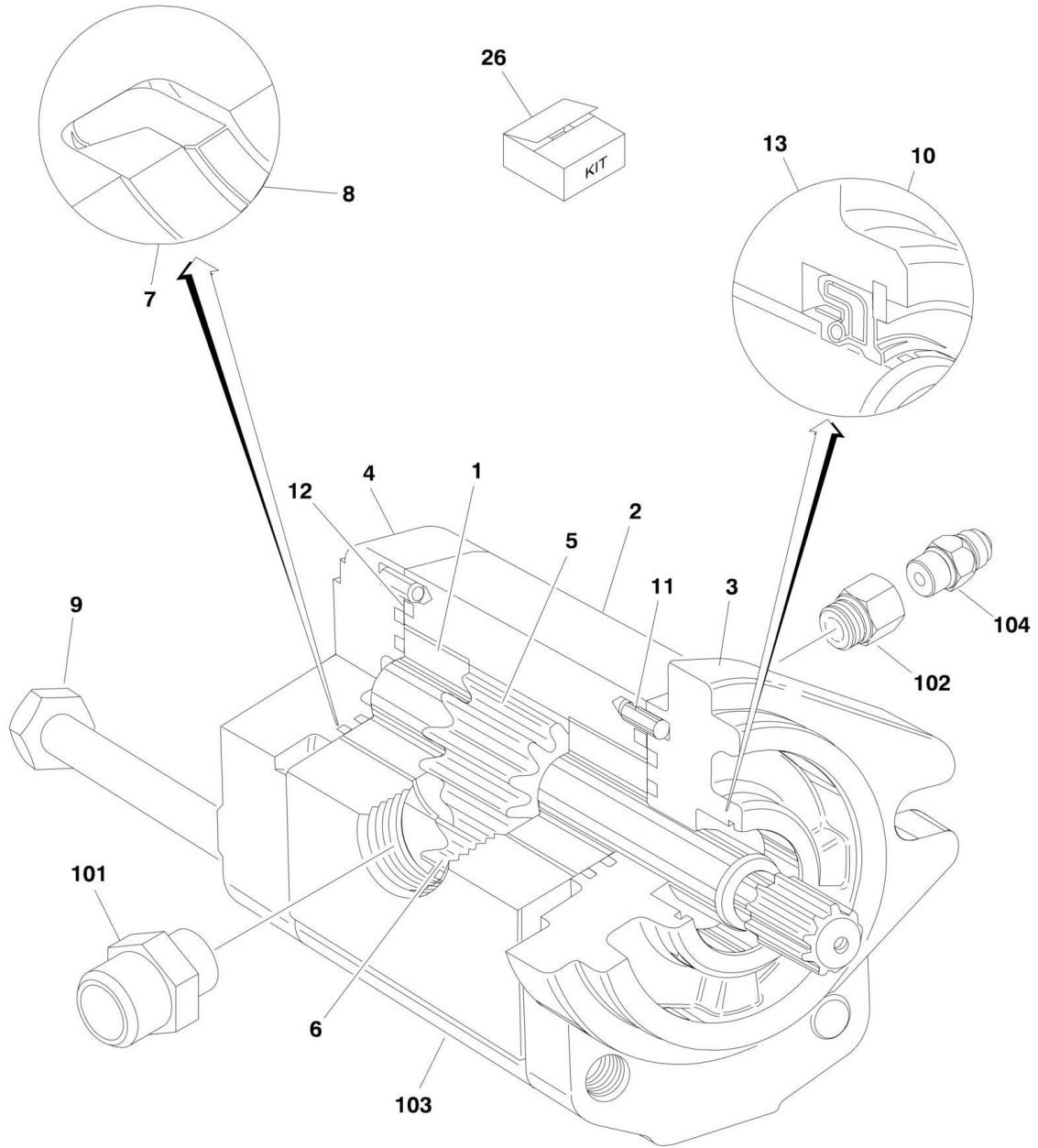
ITEM	PART NUMBER	QTY	DESCRIPTION	REV
	3600381	Ref	PISTON PUMP ASSEMBLY	A
1	7007413	1	Shim Kit	
2	7007414	1	Plug	
3	See Note	NSS	O-Ring (Note: Use Item 94A)	
4	7021200	1	Spring, Relief Valve	
5	7007417	1	Valve, Relief	
6	See Note	NSS	O-Ring (Note: Use Item 94A)	
7	7007419	2	Plug	
7A	7007418	2	O-Ring	
10	7007470	2	Plug	
10A	7021256	2	O-Ring	
11	7007470	2	Plug	
11A	7021256	2	O-Ring	
12	7021223	10	Screw	
14	See Note	NSS	Gasket, Servo Cover (Note: Use Item 94A)	
15	7007423	1	Nut, Special	
18	7007425	1	Bearing, Needle	
19	See Note	NSS	Ring, Retaining (Note: Use Item 95)	
20	See Note	NSS	Washer (Note: Use Item 95)	
21	See Note	NSS	Spring (Note: Use Item 95)	
23	See Note	NSS	Washer (Note: Use Item 95)	
24	See Note	NSS	Retainer (Note: Use Item 95)	
25	See Note	NSS	Pin, Slipper Holddown (Note: Use Item 95)	
26	See Note	NSS	Piston Assembly (Note: Use Item 95)	
27	See Note	NSS	Retainer, Slipper (Note: Use Item 95)	
28	See Note	NSS	Guide, Retainer (Note: Use Item 95)	
29	7007435	1	Pin, Spring	
30	7021202	1	Screw	
31	7007437	1	Bearing, Ball	
32	7007438	2	Ring, Retainer	
33	7007439	2	Ring	
34	7021203	2	Pin, Spring	
35	7007441	1	Handle, Pin	
36	7007442	1	Sleeve, Bearing	
37	See Note	NSS	Gasket, Front Cover (Note: Use Item 94A)	
38	7007444	1	Pin	
40	7007446	1	Pin	
41	See Note	NSS	O-Ring (Note: Use Item 94A)	
42	See Note	NSS	Ring, Load Temper (Note: Use Item 94A)	
43	7023977	1	Housing, Pump	
44	See Note	NSS	Ring, Back-up (Note: Use Item 94A)	
45	See Note	NSS	O-Ring (Note: Use Item 94A)	
46	7007452	1	Cover, Gerotor	
47	7007453	3	Bolt, Hex	
48	7007208	1	Plug	
48A	7007207	1	O-Ring	
49	7007454	1	Cover, Front	
50	See Note	NSS	Block, Cylinder (Note: Use Item 95)	
51	7021207	6	Screw	
53	7007457	1	Swash Plate	

SECTION 2 - TURNTABLE

ITEM	PART NUMBER	QTY	DESCRIPTION	REV
54	7021212	1	Journal, Bearing	
55	7007459	1	Seal, Lip	
56	See Note	NSS	O-Ring (Note: Use Item 94A)	
57	7010121	1	Shaft, Main Pump	
58	7021214	1	Plate, Valve	
59	7007463	1	Gerotor Assembly	
60	7007464	1	Pin	
61	7007465	1	Key, Woodruff	
62	7007466	1	Adaptor, Remote Filtration (Without By-Pass)	
64	7021218	3	Screw	
67	7021220	1	Cover, Servo (Without Adjuster)	
68	7021219	1	Cover, Servo (Without Adjuster)	
69	7023979	1	Guide, Spring	
70	7007484	1	Stop, Servo	
71	7007485	1	Spring	
72	7021221	1	Screw	
73	7007487	1	Guide, Spring	
74	7007488	1	Ring, Retaining	
75	7021222	1	Locknut	
76	See Note	NSS	Ring, Piston (Note: Use Item 94A or 94B)	
77	7007494	1	Piston, Servo	
78	See Note	NSS	O-Ring (Note: Use Item 94A or 94B)	
79	7007472	1	Valve, Bypass	
80	7024851	2	Valve, Pressure Relief (Includes Item 6)	
81	7007474	1	Control, Dual Oil-Filled	
81	7007496	1	Coil Assembly (Pilot)	
81	7007497	1	Plug (Pump)	
81	7007498	1	Plug (Valve Harness)	
82	7001498	2	Screw	
83	7007478	2	Screw	
84	7001433	2	O-Ring	
86	7007475	1	Plug, Orifice/Screen (.156)	
87	7007477	2	Plug, Orifice (.37)	
88	7007476	1	Adapter, Auxiliary Pump	
89	7021217	1	Spacer/Gasket	
90	7021206	1	Nut	
91	7024800	2	Spring	
92	7021201	1	Bracket, Lifting	
94		Ref	Seal Kit Options:	
94A	7021232	1	Seal Kit - Complete (Includes Items 3, 6, 14, 37, 41, 42, 44, 45, 55, 56, 76, 78 & 89)	
94B	7007412	1	Seal Kit - Servo Piston (Includes Items 76 & 78)	
95	7010116	1	Cylinder Block Kit (Includes Items 19-28 & 50)	
	3600396	Ref	PISTON PUMP AND FITTING ASSEMBLY	A
101	2220479	1	Fitting, Straight	
102	2220578	1	Fitting, 90	
103	2220646	2	Fitting, 90	
104	2220947	2	Fitting, Straight	
105	3600381	1	Pump Options (Includes Items 1-92)	

SECTION 2 - TURNTABLE

FIGURE 2-15. GEAR PUMP ASSEMBLY



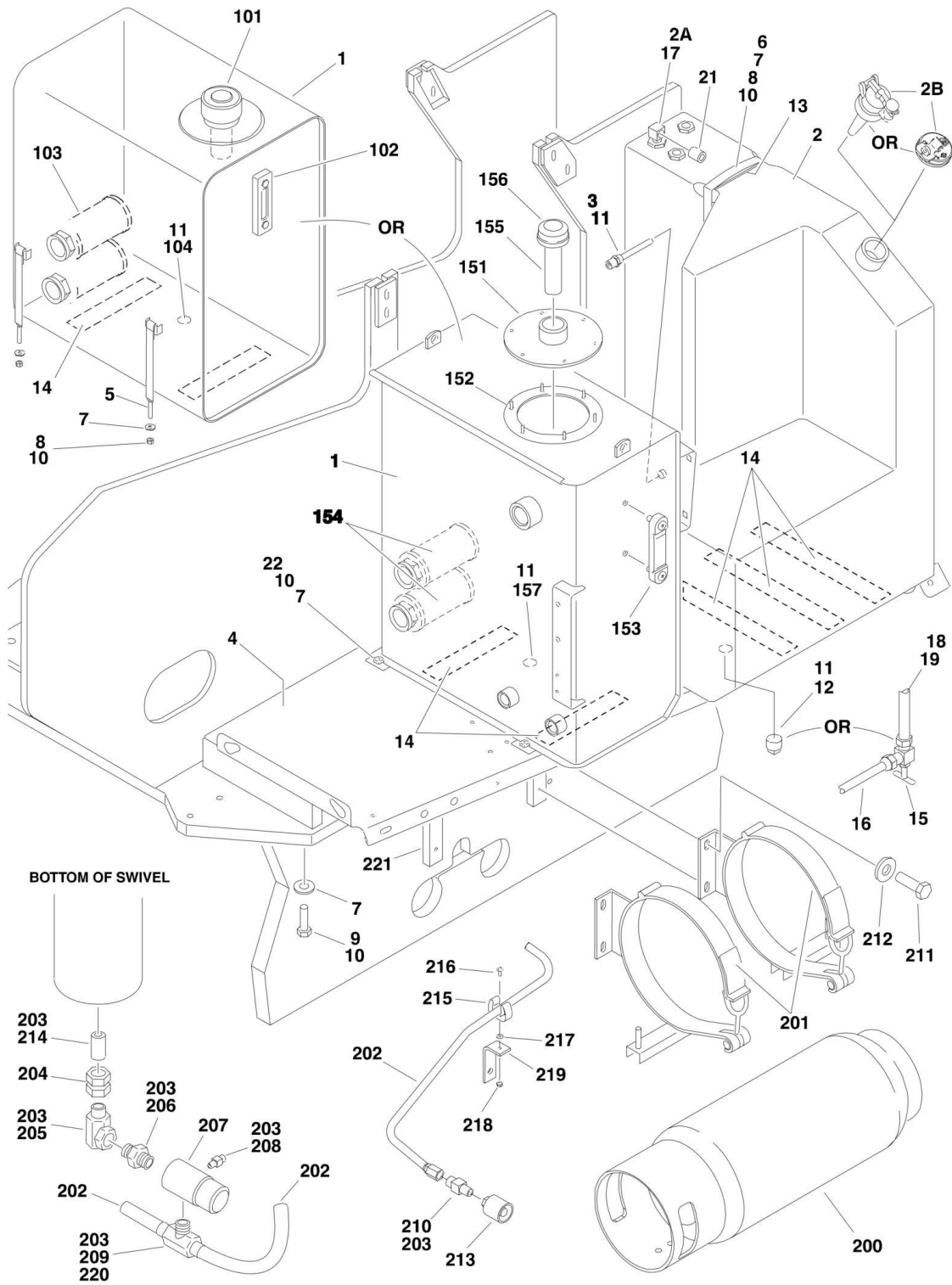
SECTION 2 - TURNTABLE

FIGURE 2-15. GEAR PUMP ASSEMBLY

ITEM	PART NUMBER	QTY	DESCRIPTION	REV
	3600242	Ref	GEAR PUMP ASSEMBLY	
1	7010105	2	Bearing/Bushing	
2	See Note	NSS	Housing (Note: Use p/n 3600242)	
3	See Note	NSS	Flange (Note: Use p/n 3600242)	
4	7010103	1	Cover	
5	7012987	1	Gear, Drive	
6	7012988	1	Gear, Idler	
7	See Note	NSS	Ring, Anti-Extrusion (Note: Use Item 26)	
8	See Note	NSS	Seal (Note: Use Item 26)	
9	See Note	4	Bolt (Note: Not Available for Purchase)	
10	7010104	1	Ring, Retaining	
11	See Note	4	Pin, Dowel (Note: Not Available for Purchase)	
12	See Note	NSS	Seal, O-Ring (Note: Use Item 26)	
13	See Note	NSS	Seal, Shaft (Note: Use Item 26)	
26	7007489	1	Seal Kit (Includes Items 7, 8, 12 & 13)	
	3600395	Ref	GEAR PUMP AND FITTING ASSEMBLY	A
101	2220376	1	Fitting, Straight	
102	2220810	1	Fitting, Reducer	
103	3600242	1	Pump (Includes Items 1-13)	
104	4640744	1	Fitting, Check Valve	

SECTION 2 - TURNTABLE

FIGURE 2-16. TANK INSTALLATIONS



SECTION 2 - TURNTABLE

FIGURE 2-16. TANK INSTALLATIONS

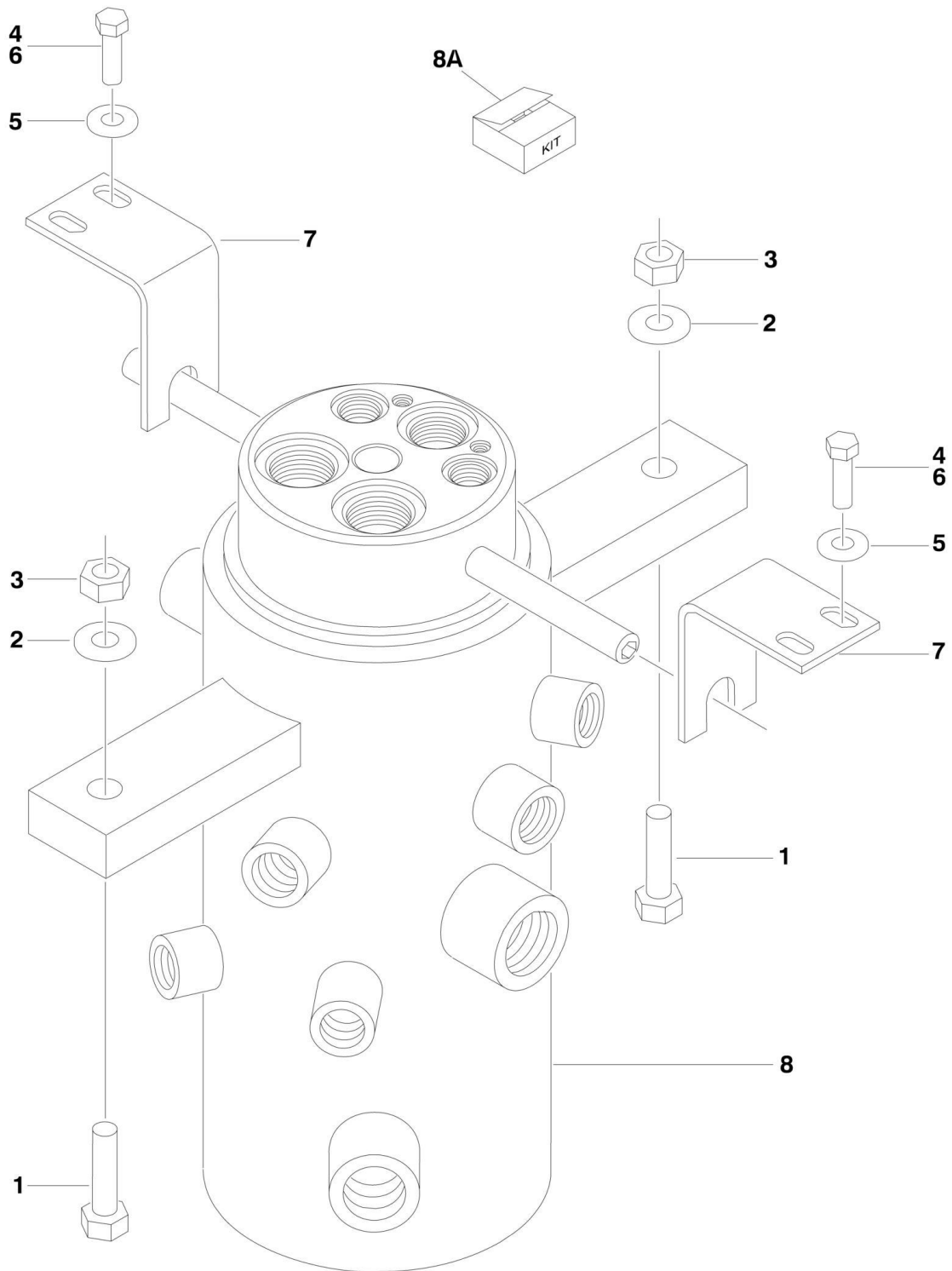
ITEM	PART NUMBER	QTY	DESCRIPTION	REV
		Ref	TANK INSTALLATIONS	
	0255409	Ref	All Machines without Locking Fuel Cap	7
	0270395	Ref	Gas Machines with Locking Fuel Cap	2
	0257482	Ref	Diesel Machines with Locking Fuel Cap	1
	0257671	Ref	UL Machines	4
	0258606	Ref	UL LP Gas Machines Only	2
1		Ref	Hydraulic Tank Assembly Options:	
1	4400372	1	Hydraulic Tank Assembly (See Items 101-104 for Breakdown) (SN 0300069000 through 0300072294)	
1	4400454	1	Hydraulic Tank Assembly (See Items 151-157 for Breakdown) (SN 0300072295 through 0300087000)	
2		Ref	Tank, Fuel Options:	
2	4400399	1	Standard	
2	4400407	1	UL Machines Only	
2	Not Required	0	UL Machines LP Gas Only	
2A	7019658	1	Fitting, 90 W/Pick-Up Tub	
2B		Ref	Cap Options:	
2B	7016314	1	Standard - Non-Locking (Part of Item 2)	
2B	1120484	1	Red Lockable Cap - Gas/Dual Fuel Machines (Not Included with Tank - Purchase Separately) (Lock Not Included)	
2B	1120487	1	Blue Lockable Cap - Diesel Machines (Not Included with Tank - Purchase Separately) (Lock Not Included)	
2B	1120367	1	UL Machines (Not Included with Tank - Purchase Separately)	
2B	Not Required	0	UL Machines LP Gas Only	
3	4360436	1	Switch, Fuel Level	
4	4844964	1	Hydraulic Tray Weldment	
5	4240112	4	Strap, Tank (SN 0300069000 through 0300072295)	
6	4240102	1	Strap, Tank (Not Required on UL Machines)	
7	4751600	12	Flatwasher 3/8in Regular	
8	3311601	6	Nut 3/8in-16NC	
9	0641614	6	Bolt 3/8in-16NC x 1-3/4in	
10	0100011	AR	Compound, Locking	
11		Ref	Sealant, Pipe Options:	
11	0100079	AR	(Standard Machines)	
11	0100020	AR	(UL Machines)	
12	2200233	1	Fitting	
13	4280295	25	Strip, Protective	
14	4420038	AR	Tape, Rubber	
15		Ref	Valve, Needle	
15	4641022	1	Standard Gas Machines, Valve, Needle - Located on Bottom of Fuel Tank	
15	4641022	1	UL Gas Machines, Valve, Needle - Located on Top of Fuel Tank	
15	Not Required	0	Diesel Machines	
16	4568116	1	Tube, Fuel	
18	0100062	AR	Retaining Compound #680	
19	4568119	1	Tube, Fuel	
20	2180703	1	Fitting, 90 (Not Shown Located on Top of Fuel Tank)(UL Machines Only)	
21	2220273	1	Fitting, Reducer (UL Machines Only)	

SECTION 2 - TURNTABLE

ITEM	PART NUMBER	QTY	DESCRIPTION	REV
22	0641606	4	Bolt 3/8-16NC x 3/4 (SN 0300072295 through 0300087000)	
	4400372	Ref	HYDRAULIC OIL TANK ASSEMBLY (SN 0300069000 through 0300072295)	J
101	7014810	1	Filler/Breather Assembly	
101	7014811	1	Cap, Breather	
102	7014802	1	Gage, Sight	
103	7014801	2	Strainer	
104	7014800	1	Plug, Magnetic	
	4400454	Ref	HYDRAULIC OIL TANK ASSEMBLY (SN 0300072295 through 0300087000)	C
151	7024439	1	Cover	
152	7024440	1	Gasket	
153	7024441	1	Gauge, Sight	
154	7024442	1	Strainer 1-1/4inNPT	
155	7024443	1	Neck, Fill (Helgesen Brand)	
155	See Note	NSS	Neck, Fill (Hydac Brand) (Note: Use p/n 7004862)	
155	7024445	1	Screen (Helgesen Brand)	
155	See Note	NSS	Screen (Hydac Brand) (Note: Use p/n 7004862)	
156	7024444	1	Breather/Fill Cap (Helgesen Brand)	
156	70004862	1	Breather/Fill Cap/Strainer Kit (Hydac Brand)	
157	7024446	1	Plug, Magnetic	
	0255524	Ref	LP TANK BRACKETS INSTALLATION	7
200		Ref	Tank, LP Options:	
200	4400275	1	Aluminum	
200	4400420	1	Steel	
201	1320220	2	Clamp	
201	1320127	2	Clamp, Toggle (1 Per Clamp)	
202	2720144	2	Hose	
203	0100020	AR	Sealant, Pipe	
204	2221019	1	Fitting, Reducer	
205	2180125	1	Fitting, 90 Swivel	
206	2220261	1	Fitting, Nipple	
207	2180388	1	Fitting, Bulkhead	
208	2180389	1	Valve, Relief	
209	2220418	1	Fitting, Tee	
210	2180387	2	Fitting, Straight	
211	0641606	8	Bolt 3/8in-16NC x 3/4in	
212	4751600	8	Flatwasher 3/8in Regular	
213	2180418	2	Fitting, Connector	
214	2221018	1	Fitting, Nipple	
215	1320218	2	Clamp, Spring	
216	3910808	2	Screw #8-32NC x 1/2in	
217	4750800	4	Flatwasher #8 Regular	
218	3310805	2	Locknut #8-32NC	
219	0181949	2	Angle, Support	
220	2221024	2	Fitting, Union Ball Check	
221	0362519	4	Bar	

SECTION 2 - TURNTABLE

FIGURE 2-17. ROTARY COUPLING INSTALLATIONS (SN 0300069000 through 0300081835)



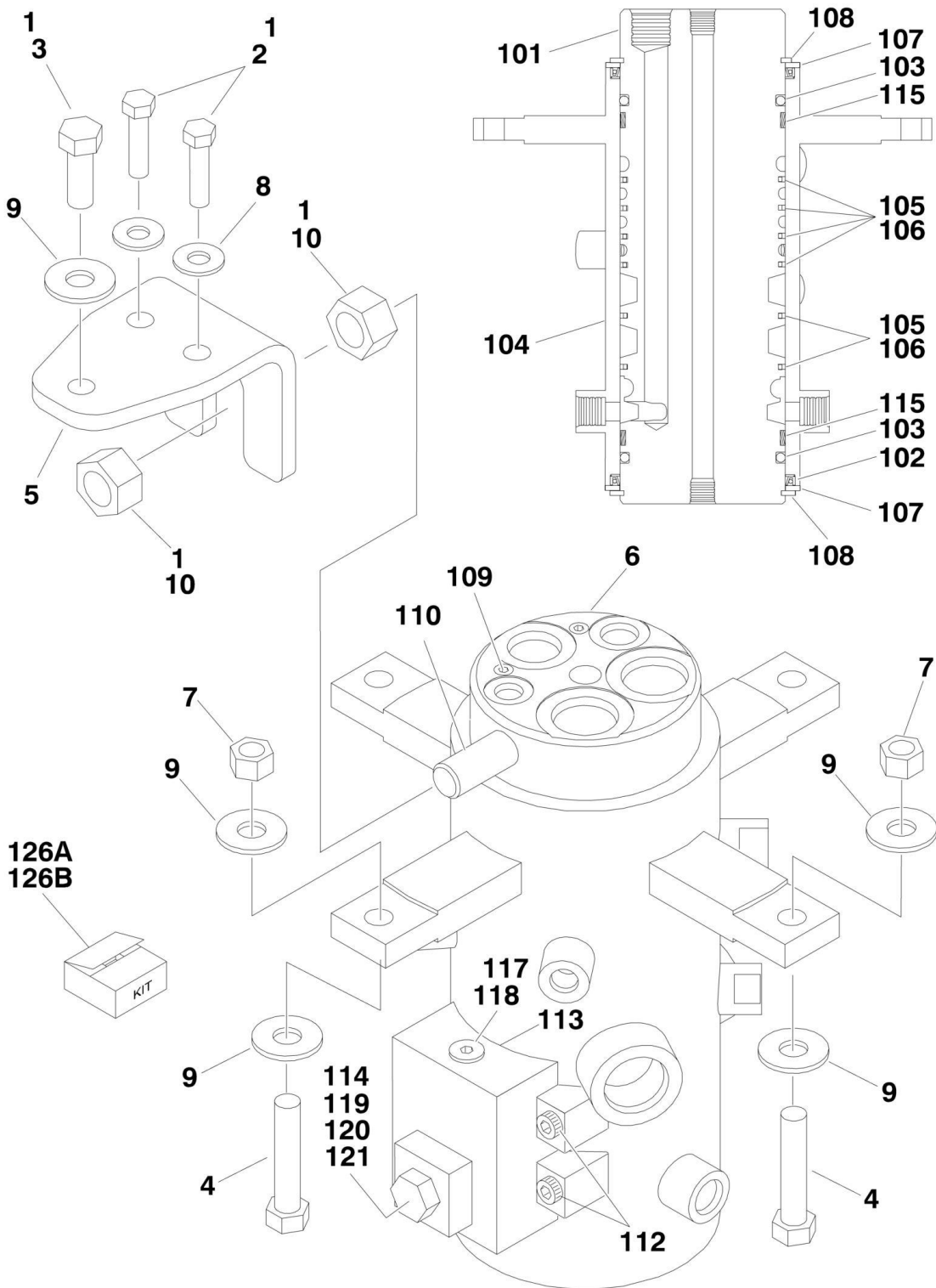
SECTION 2 - TURNTABLE

FIGURE 2-17. ROTARY COUPLING INSTALLATIONS (SN 0300069000 through 0300081835)

ITEM	PART NUMBER	QTY	DESCRIPTION	REV
		Ref	ROTARY COUPLING INSTALLATIONS	
	0255262	Ref	2WS	5
	0255294	Ref	4WS	2
1	0641820	2	Bolt 1/2in-13NC x 2-1/2in	
2	4751800	4	Flatwasher 1/2in Regular	
3	3311805	2	Locknut 1/2in-13NC	
4	0641611	4	Bolt 3/8in-16NC x 1-3/8in	
5	4751600	4	Flatwasher 3/8in Regular	
6	0100011	AR	Compound, Locking	
7	0902520	2	Bracket	
8		Ref	Coupling, Rotary Options:	
8	1660219	1	2WS	
8	1660223	1	4WS	
8A		Ref	Seal Kit Options:	
8A	7013187	1	2WS	
8A	7016342	1	4WS	
8A		Ref	Rebuilt Coupling Options:	
8A	1660219RR	1	2WS	
8A	1660223RR	1	4WS	

SECTION 2 - TURNTABLE

FIGURE 2-18. ROTARY COUPLING INSTALLATIONS (SN 0300081836 through 0300087000)



SECTION 2 - TURNTABLE

FIGURE 2-18. ROTARY COUPLING INSTALLATIONS (SN 0300081836 through 0300087000)

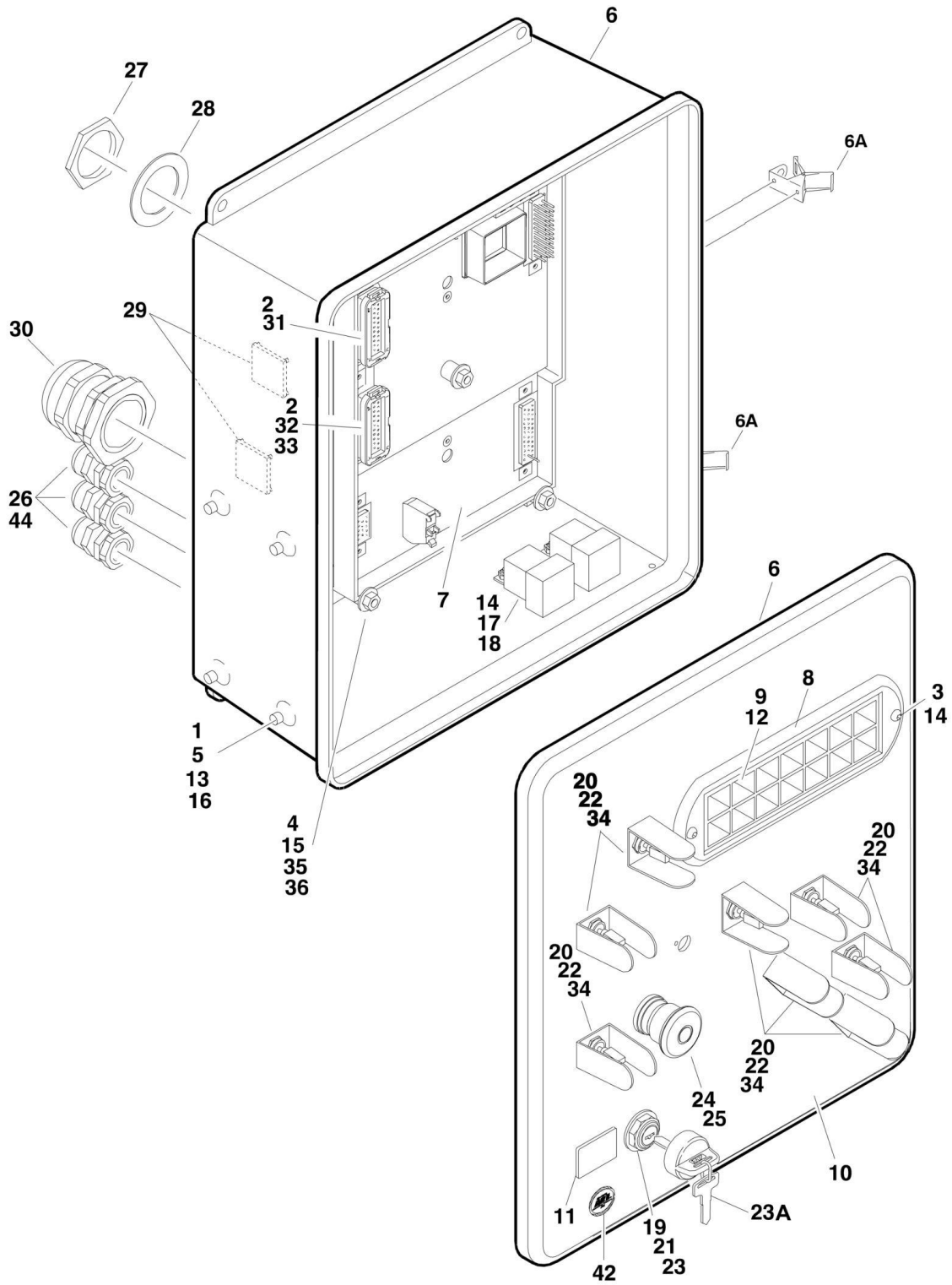
ITEM	PART NUMBER	QTY	DESCRIPTION	REV
		Ref	ROTARY COUPLING INSTALLATIONS	
	0273052	Ref	2WS	D
	0273161	Ref	4WS	D
1	0100011	AR	Compound, Locking	
2	0641612	2	Bolt 3/8in-16NC x 1-1/2in	
3	0641811	1	Bolt 1/2in-13NC x 1-3/8in	
4	0641820	2	Bolt 1/2in-13NC x 2-1/2in	
5	0903056	1	Bracket	
6		Ref	Coupling, Rotary Options (See Items 101-121 for Breakdown):	
6		Ref	2WS	
6	1660257	NLA	Original Equipment (Use p/n 1660303)	
6	1660303	1	Service Replacement	
		Ref	Note: Original Equipment Rotary may have been replaced with Service Replacement Rotary. Identify p/n stamped on rotary before ordering parts.	
6		Ref	4WS	
6	1660258	NLA	Original Equipment (Use p/n 1660304)	
6	1660304	1	Service Replacement	
		Ref	Note: Original Equipment Rotary may have been replaced with Service Replacement Rotary. Identify p/n stamped on rotary before ordering parts.	
7	3271805	2	Locknut 1/2in-13NC	
8	4751600	2	Flatwasher 3/8in Regular	
9	4751800	5	Flatwasher 1/2in Regular	
10	3322201	2	Nut 3/4in-16NC	
		Ref	ROTARY COUPLING ASSEMBLIES	
		Ref	2WS	
	1660257	Ref	Original Equipment	D
	1660303	Ref	Service Replacement	B
		Ref	4WS	
	1660258	Ref	Original Equipment	D
	1660304	Ref	Service Replacement	A
101	See Note	1	Body (Note: Not Available - Purchase Complete Assy)	
102		Ref	Seal Options:	
102		Ref	2WS	
102	7026189	2	Original Equipment (p/n 1660257)	
102	See Note	2	Service Replacement (p/n 1660303) (Note: Not Available - Purchase Complete Assy)	
102	See Note	2	4WS (Note: Use Item 126B)	
103	See Note	2	O-Ring (Note: Use Items 126A or 126B)	
104	See Note	1	Housing (Note: Not Available - Purchase Complete Assy)	
105	See Note	AR	Seal, Cap (Note: Use Items 126A or 126B)	
105		Ref	2WS	
105		Ref	4WS	
106	See Note	AR	O-Ring (Note: Use Items 126A or 126B)	
106		Ref	2WS	
106		Ref	4WS	
107		Ref	Ring Options:	
107	7026503	2	2WS	
107	7026511	2	4WS	
108		Ref	Ring, Retaining Options:	

SECTION 2 - TURNTABLE

ITEM	PART NUMBER	QTY	DESCRIPTION	REV
108	7026504	2	2WS	
108	7013189	2	4WS	
109		Ref	Plug Options:	
109		Ref	2WS	
109	See Note	2	Original Equipment (Note: Not Available for Purchase)	
109	80934561	2	Service Replacement	
109		Ref	4WS	
109	See Note	4	Original Equipment (Note: Not Available for Purchase)	
109	80934561	4	Service Replacement	
110	See Note	1	Lug, Torque (Note: Not Available for Purchase)	
112	7026197	4	Bolt 5/16in-18NC x 1-1/4in	
113	See Note	3	O-Ring (Note: Use Item 126A or 126B)	
114	See Note	1	O-Ring (Note: Use Item 126A or 126B)	
115	See Note	2	Bearing (Note: Use Item 126A or 126B)	
116	7024404	1	Block Valve Assembly	
117	7026505	1	Plug	
118	7026506	1	Valve, Check	
119	7026507	1	Plug	
120		Ref	Plunger, Valve Options:	
120	7026508	1	Original Equipment	
120	7024404	1	Service Replacement	
121	7026509	1	Spring, Compression	
122	See Note	AR	Protective Netting (Not Shown) (Original Equipment Only) (Note: Not Available for Purchase)	
		Ref	Seal Kit Options:	
126A		Ref	2WS	
126A	7026510	1	Original Equipment (Includes Items 103, 105, 106, 113, 114 & 115)	
126A	70001248	1	Service Replacement (Includes Items 102, 103, 105, 106, 113, 114 & 115)	
126B		Ref	4WS	
126B	7026512	1	Original Equipment (Includes Items 102, 103, 105, 106, 113, 114 & 115)	
126B	70002212	1	Service Replacement (Includes Items 102, 103, 105, 106, 113, 114 & 115) (was p/n 70001249)	

SECTION 2 - TURNTABLE

FIGURE 2-19. GROUND CONTROL BOX ASSEMBLIES



SECTION 2 - TURNTABLE

FIGURE 2-19. GROUND CONTROL BOX ASSEMBLIES

ITEM	PART NUMBER	QTY	DESCRIPTION	REV
		Ref	GROUND CONTROL BOX ASSEMBLIES	
		Ref	Caterpillar Engine Machines	
	0861617	Ref	Caterpillar Engine Machines 600A (SN 0300069000 through 0300084828)	C
	0861700	Ref	Caterpillar Engine Machines 600A (SN 0300084829 through 0300087000)	A
	0861618	Ref	Caterpillar Engine Machines 600AJ (SN 0300069000 through 0300084828)	C
	0861701	Ref	Caterpillar Engine Machines 600AJ (SN 0300084829 through 0300087000)	A
		Ref	Deutz Engine Machines	
	0861470	Ref	Deutz Engine Machines 600A Non UL Spec (SN 0300069000 through 0300084828)	G
	0861689	Ref	Deutz Engine Machines 600A Non UL Spec (SN 0300084829 through 0300087000)	A
	0861664	Ref	Deutz Engine Machines 600A UL Spec	A
	0861471	Ref	Deutz Engine Machines 600AJ Non UL Spec (SN 0300069000 through 0300084828)	G
	0861690	Ref	Deutz Engine Machines 600AJ Non UL Spec (SN 0300084829 through 0300087000)	A
	0861665	Ref	Deutz Engine Machines 600AJ UL Spec	A
		Ref	Ford Engine Machines	
	0861468	Ref	Ford Engine Machines 600A (SN 0300069000 through 0300084828)	G
	0861704	Ref	Ford Engine Machines 600A (SN 0300084829 through 0300087000)	A
	0861469	Ref	Ford Engine Machines 600AJ (SN 0300069000 through 0300084828)	G
	0861705	Ref	Ford Engine Machines 600AJ (SN 0300084829 through 0300087000)	A
1	0100011	AR	Compound, Locking	
2	0100048	AR	Grease, Dielectric	
3	0630518	2	Capscrew, Button Head	
4	0630548	5	Tap, Bolt 2-1/2in	
5	0641506	4	Bolt 5/16in-18NC x 3/4in	
6	0861407	1	Box, Fiberglass	
6A	7020246	2	Latch	
7		Ref	Module, Ground Control (Re-calibration Required when Replaced) Options:	
7	1600327	NLA	Caterpillar/Deutz/Ford Engine - Non UL Specs (Use p/n 2915014)	
7	1600364	1	Caterpillar/Ford Engine - Non UL Specs (SN 0300077490 through 0300087000)	
7	1600364	1	Deutz Engine - Non UL Spec (SN 0300077490 through 0300084828)	
7	1600411	1	Deutz Engine - Non UL Spec (SN 0300084829 through 0300087000)	
7	1600364	1	Deutz Engine - UL Machines	
8	1670829	1	Bezel	
9		Ref	Decal - Ground Control Display Options:	
9	1702610	1	Non UL Machines (SN 0300069000 through 0300084828)	
9	1705753	1	Non UL Machines (SN 0300084829 through 0300087000)	
9	1702610	1	UL Machines	

SECTION 2 - TURNTABLE

ITEM	PART NUMBER	QTY	DESCRIPTION	REV
10		Ref	Decal - Faceplate Options:	
10	1703467	1	Decal - Faceplate 600A	
10	1703468	1	Decal - Faceplate 600AJ	
11	2420172	1	Gauge, Hourmeter	
12	2760105	1	Housing, Display Light	
13	3300205	4	Nut, Retainer	
14	3300408	AR	Locknut, Plastic Insert	
15	3311401	AR	Nut 1/4in-20NC	
16	3539219	1	Plate, Reinforcement	
17	3740049	AR	Relay	
18	3900268	2	Screw, Flange #10 x 1/2in	
19	3910804	6	Screw #8-32NC x 1/4in	
20	4060906	8	Shield, Toggle Switch	
21	4070987	1	Shim (.125in)	
22	4360328	8	Switch, Toggle	
23	4360469	1	Switch, Key	
23A	2860030	1	Key Replacement	
24	4360475	1	Switch, Emergency Stop	
25	4360476	1	Switch, Contact Block	
26	4460426	AR	Terminal, Strain Relief	
27	4460470	1	Nut, Terminal	
28	4460471	1	Lockwasher, Terminal	
29	4460488	AR	Mounting Base, Terminal	
30	4460526	1	Connector, Strain Relief	
31	4460874	1	Connector, Natural	
32	4460875	1	Connector, Gray	
33	4460905	4	Connector, Amp Seal Plug	
34	4740444	AR	Washer, Special	
35	4751400	20	Flatwasher 1/4in Regular	
36	4761400	AR	Lockwasher 1/4in	
40	4922666	1	Harness, Analyzer Cable (Not Shown) (SN 0300069000 through 0300084828)	
42	1705132	1	Decal - Control ADE	
44	3520035	1	Plug, Cap	

SECTION 2 - TURNTABLE

FIGURE 2-20. ELECTRICAL OPTIONS INSTALLATIONS (TURNTABLE MOUNTED)

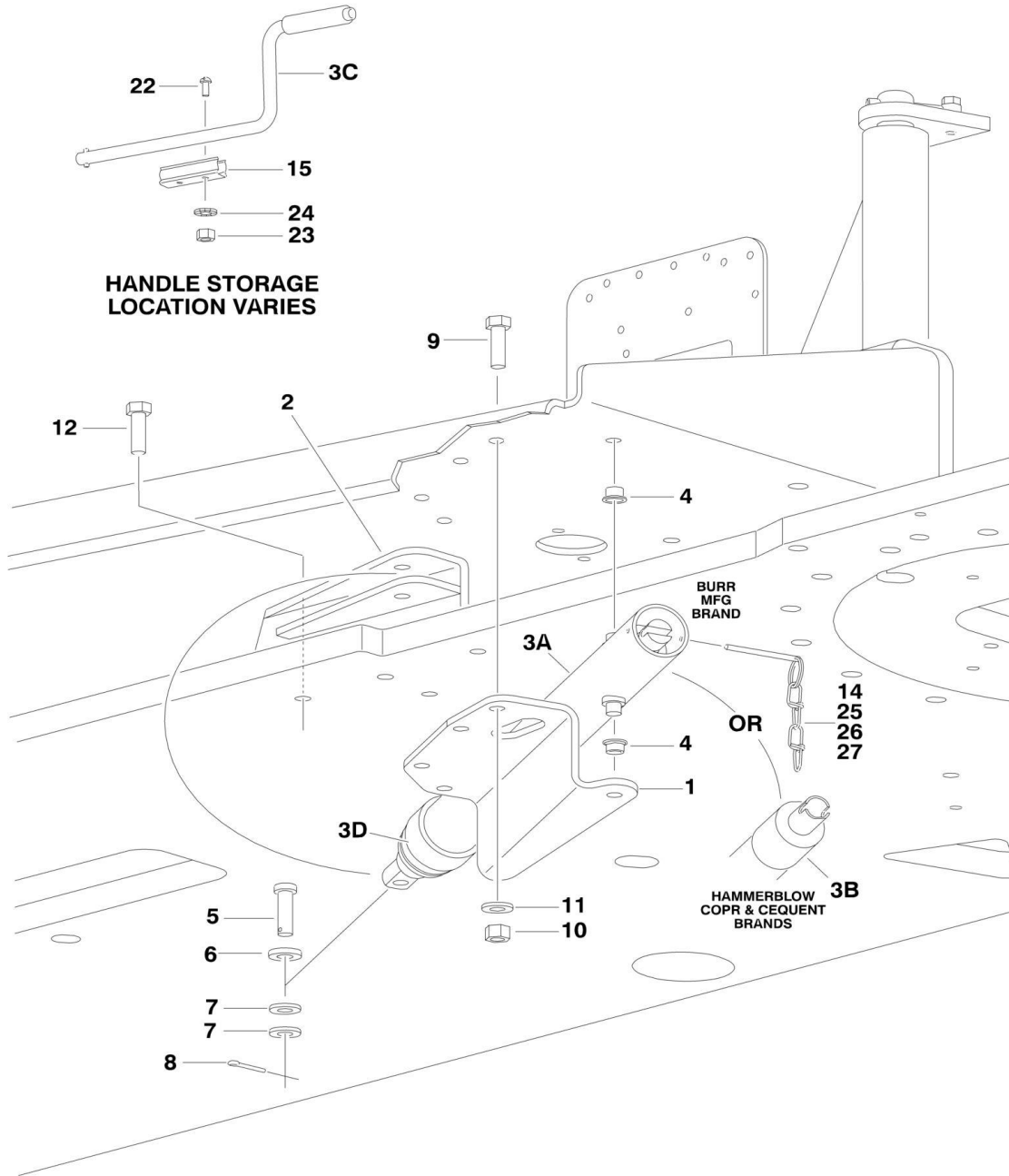
ITEM	PART NUMBER	QTY	DESCRIPTION	REV
	0270833	Ref	ALARMS INSTALLATIONS	1
1	0257887	1	Alarm/Harness Assembly	
1	0140032	1	Alarm	
1	2820035	6 in/15cm	Loom	
1	4460424	1	Plug	
1	4460268	2	Socket	
2	0641406	2	Bolt 1/4in-20NC x 3/4in	
3	4711400	2	Flatwasher 1/4in Thin	
5	0100048	AR	Sealant, Silicone	
	0270805	Ref	STROBE LIGHT INSTALLATIONS (AMBER) (OPTIONAL)	2
10	4220162	1	Spacer, Stop (Used with ECCO Model 6640 Only)	
11		Ref	Adapter Options:	
11	0630491	1	Adapter used with ECCO Model 6640	
11	0080241	1	Adapter used with ECCO Model 6650	
12	3539281	1	Plate, Mounting (Used with ECCO Model 6640 Only)	
13	0741606	1	Screw, Flathead Countersunk 3/8in-16NC x 3/4in (Used with ECCO Model 6640 Only)	
14	0100011	AR	Compound, Locking	
15	4240032	1	Wire-Tie (Not Shown)	
16	0255917	NLA	Strobe Light/Guard/Harness Assembly (Use p/n 0272507) (Includes Item 11 also)	
16	2920130	NLA	Strobe Light/Guard/Harness Assembly (Use p/n 0272507) (Includes Item 11 also)	
16	2920214	NLA	Strobe Light/Guard/Harness Assembly (Use p/n 0272507) (Includes Item 11 also)	
16		Ref	Bulb, Replacement Options:	
16	7016380	1	Bulb, Replacement used with ECCO Model 6640	
16	70001941	1	Bulb, Replacement used with ECCO Model 6650	
16A		Ref	Guard Options:	
16A	4060907	1	Guard used with ECCO Model 6640	
16A	2920215	1	Guard used with ECCO Model 6650	
17	4460234	1	Clamp (Not Shown)	
18	0100048	AR	Sealant, Silicone	
	0271552	Ref	LIGHTS INSTALLATIONS (OPTIONAL)	2
25	2920110	2	Headlight	
26	0902206	2	Bracket, Mounting	
27	0642612	1	Bolt 1in-8NC x 1 1/2in	
		Ref	(Note: Use Item 11 if Strobe Light uses the same mount)	
28	4220162	2	Spacer	
29	0100011	AR	Compound, Locking	
30	2920113	2	Taillight	
31	3911040	4	Screw, Machine #10-24NC x 2 1/2	
32	3311005	4	Nut #10-24NC	
33	4751000	4	Flatwasher #10	
34	4740362	4	Washer, Fender	
35	3960461	2	Gasket	
37	4240032	21	Tie-Strap (Not Shown)	
38	4460234	21	Mount, Tie-Strap (Not Shown)	
39	4360336	1	Switch, Toggle (Not Shown - Located on Console)	
40	3790012	1	O-Ring (Not Shown - Located on Console)	

SECTION 2 - TURNTABLE

ITEM	PART NUMBER	QTY	DESCRIPTION	REV
41	3820001	11	Pop Rivet (Not Shown)	1/A
	0274200	Ref	CHASSIS ILLUMINATION LIGHT INSTALLATION	
101	2920157	4	Lamp, Worklight	
102	0903119	2	Bracket, Light Mounting	
103	0642612	4	Bolt 1/4in-20NC x 7/8in	
104	0642612	2	Bolt 1in-8NC x 1 1/2in	
		Ref	(Note: Use Item 11 if Strobe Light uses the same mount)	
105	0902206	2	Bracket, Light Mounting	
106	4220162	2	Spacer	
108	3790012	1	O-Ring (Not Shown - Located at Platform Console Box)	
109	4360336	1	Switch, Toggle (Not Shown - Located at Platform Console Box)	
110	4460234	10	Mount, Cable (Not Shown)	
111	4751400	2	Flatwasher 1/4in Regular	
112	0100011	AR	Compound, Locking	
113	4240032	21	Strap, Tie (Not Shown)	
114	1705170	1	Decal, Lights (Not Shown - Located at Platform Console Box)	

SECTION 2 - TURNTABLE

FIGURE 2-21. ENGINE TRAY JACK INSTALLATIONS (OPTIONAL)



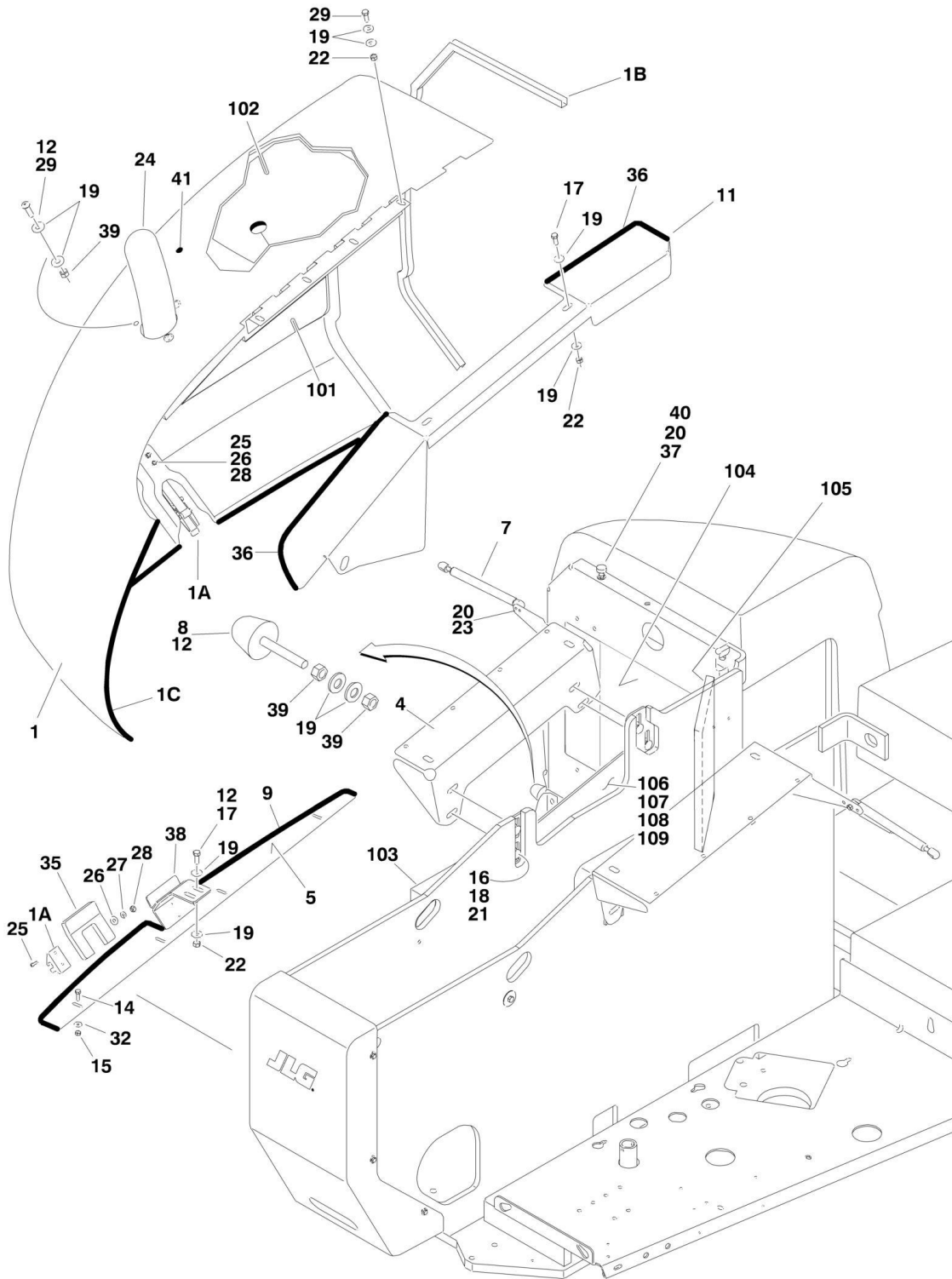
SECTION 2 - TURNTABLE

FIGURE 2-21. ENGINE TRAY JACK INSTALLATIONS (OPTIONAL)

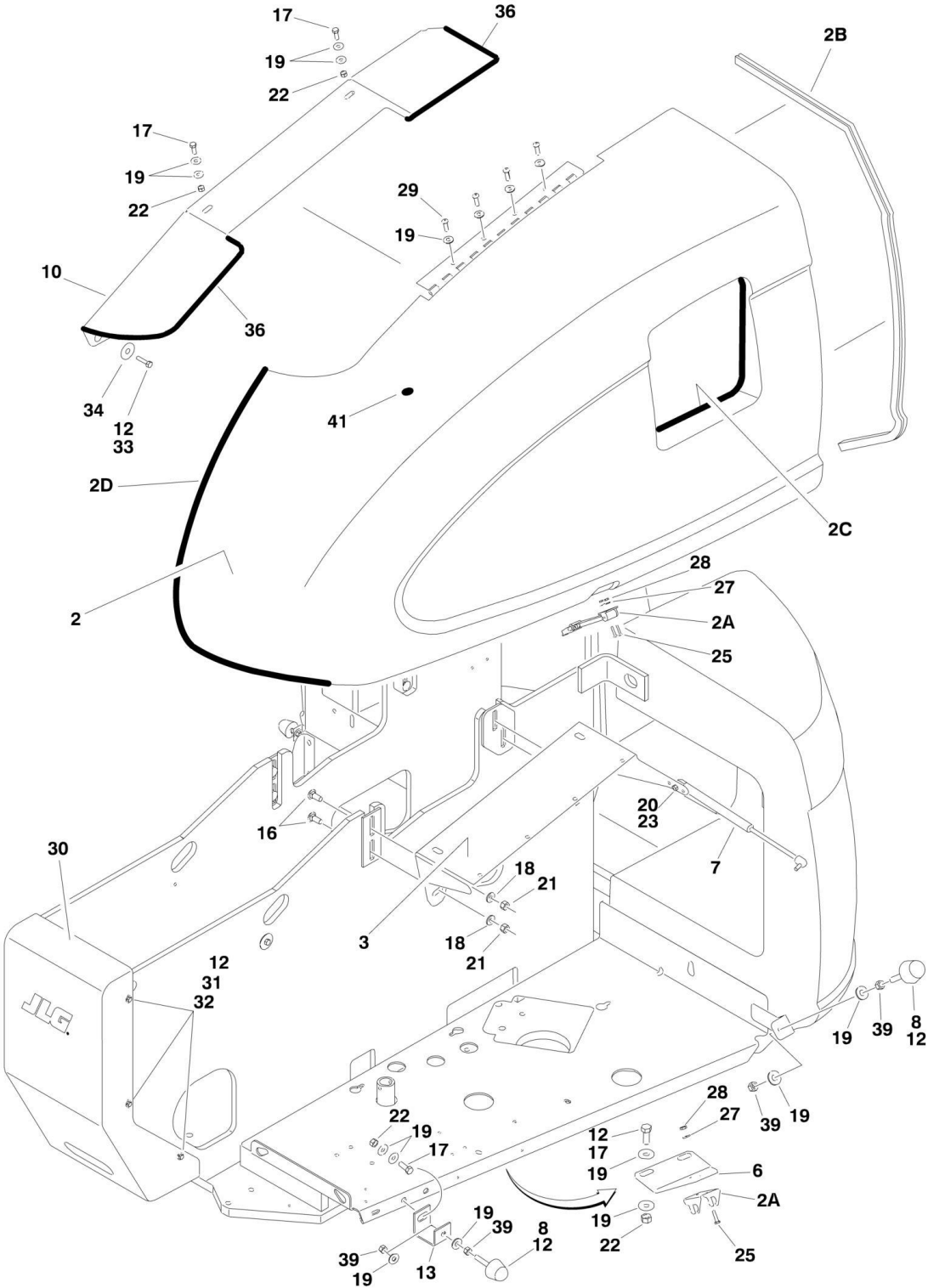
ITEM	PART NUMBER	QTY	DESCRIPTION	REV
	0255880	Ref	ENGINE TRAY JACK INSTALLATION	6/H
1	3537445	1	Bracket	
2	4845163	1	Bracket	
3	2840018	1	Jack and Handle Assembly Options:	
3A		Ref	Burr Manufacturing Brand	
3B		Ref	Hammerblow Corp and Cequent Brands	
3C		Ref	Handle Options:	
3C	7016374	1	Burr Manufacturing Brand	
3C	7024598	1	Hammerblow Corp and Cequent Brands	
3D	7016322	1	Wiper (Burr Manufacturing Brand Only)	
4	0962051	2	Bushing, Flanged	
5	3430816	1	Pin, Clevis	
6	4891800	1	Flatwasher 1/2in Hardened	
7	4711800	AR	Flatwasher 1/2in Thin	
8	3450404	1	Pin, Cotter 1/8in x 1in	
9	0641609	4	Bolt 3/8in-16NC x 1-1/8in	
10	3311605	4	Locknut 3/8in-16NC	
11	4891600	4	Flatwasher 3/8in Hardened	
12	0641810	4	Bolt 1/2in-13NC x 1-1/4in	
14	3422530	1	Pins and Chain (SN 0300069000 through 0300070917)	
15	1380147	1	Clip, Spring	
22	3910608	2	Screw #6-32NC x 1in	
23	3310601	2	Nut #6-32NC	
24	4770600	2	Starwasher #6	
25	0641406	1	Bolt 1/4in-20NC x 3/4in (SN 0300069000 through 0300070917)	
26	4751400	2	Flatwasher 1/4in Regular (SN 0300069000 through 0300070917)	
27	3311405	1	Locknut 1/4in-20NC (SN 0300069000 through 0300070917)	

SECTION 2 - TURNTABLE

FIGURE 2-22. HOODS INSTALLATIONS



SECTION 2 - TURNTABLE



SECTION 2 - TURNTABLE

FIGURE 2-22. HOODS INSTALLATIONS

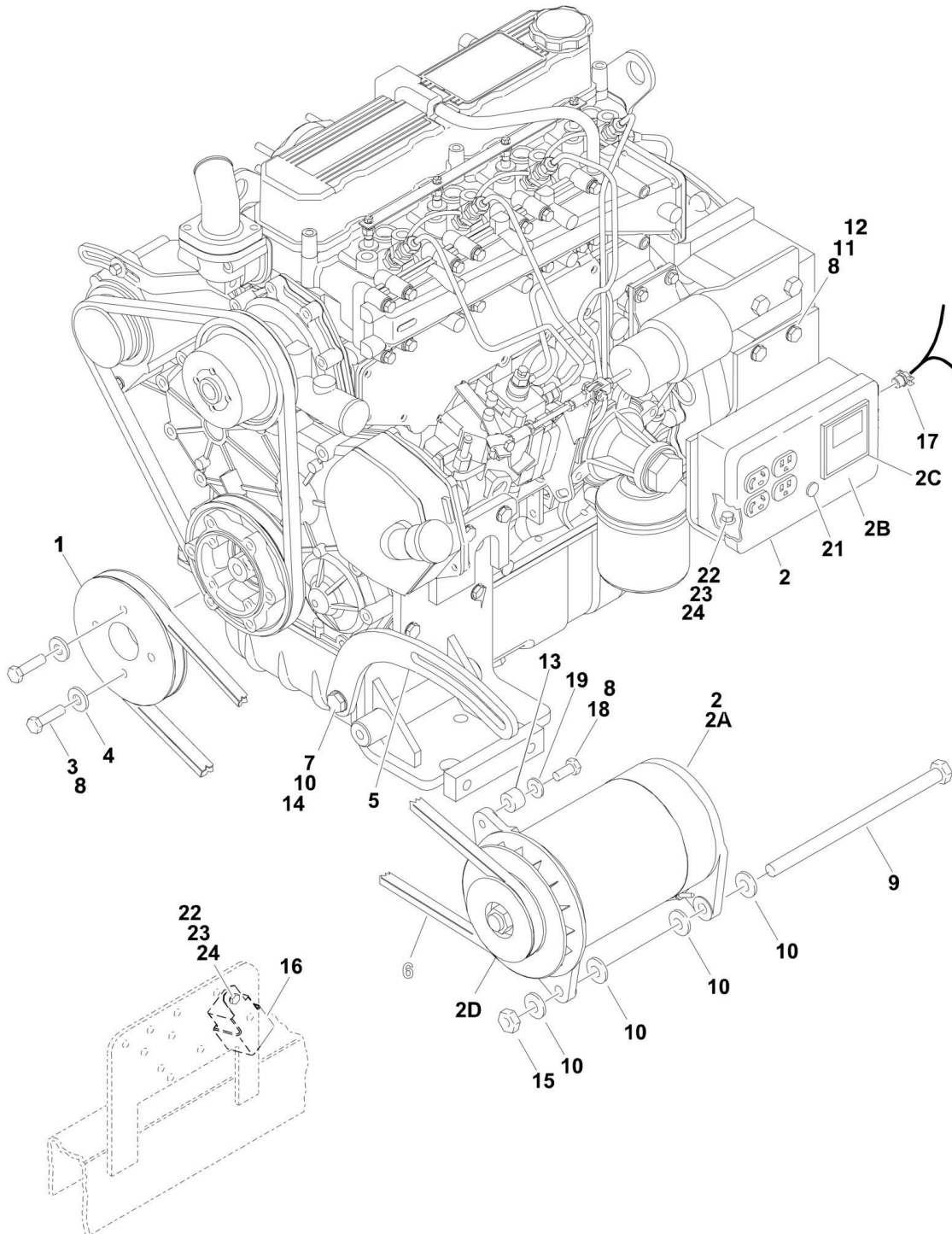
ITEM	PART NUMBER	QTY	DESCRIPTION	REV
		Ref	HOODS INSTALLATIONS	
	0256821	Ref	Caterpillar/Deutz Engine Non UI Machines	4
	0258579	Ref	Deutz Engine UL Machines	1
	0256933	Ref	Ford Engine Non UL Machines (SN 0300069000 through 0300079887)	5
	0274204	Ref	Ford Engine Non UL Machines (SN 0300079888 through 0300087000)	1
	0258580	Ref	Ford Engine UL Machines	1
1		Ref	Hood - Engine Side Options:	
1	2680440	1	Caterpillar/Deutz Engine Machines	
1	2680442	1	Ford Engine Non UL Machines (SN 0300069000 through 0300079887)	
1	1671179	1	Ford Engine Non UL Machines (SN 0300079888 through 0300087000)	
1	2680447	1	Ford Engine UL Machines	
1A	2940088	1	Latch, Hood	
1B	3960462	AR	Trim	
1C	3960389	AR	Seal	
2	2680441	NLA	Hood - Tank Side (Use p/n 1671216)	
2A	2940088	1	Latch, Hood	
2B	3960462	AR	Trim	
2C	3960438	AR	Trim	
2D	3960389	AR	Seal	
3	4845203	1	Mount - Tank Side	
4	4845414	1	Mount - Engine Side	
5	3539923	1	Plate, Seal	
6	0902242	1	Bracket, Latch - Tank Side	
7	4160143	2	Spring, Gas	
8	0940071	4	Bumper	
10	2680434	1	Spacer, Hood (Tank Side)	
11	2680433	1	Spacer, Hood (Engine Side)	
12	0100011	AR	Compound, Locking	
13	0902219	1	Bracket, Bumper	
14	0641407	4	Bolt 1/4in-20NC x 7/8in	
15	3311405	4	Locknut 1/4in-20NC	
16	0630507	8	Bolt, Carriage 1/2in-13NC x 1-1/4in	
17	0641608	11	Bolt 3/8in-16NC x 1in	
18	4740171	8	Flatwasher 1/2in Hardened	
19	4751600	40	Flatwasher 3/8in Regular	
20	4751500	AR	Flatwasher 5/16in Regular	
21	3311805	8	Locknut 1/2in-13NC	
22	3311605	AR	Locknut 3/8in-16NC	
23	3311505	2	Locknut 5/16in-18NC	
24		Ref	Outlet, Exhaust Options:	
24	4845194	1	Caterpillar/Deutz Engine Machines	
24	4845194	1	Ford Engine Machines (SN 0300069000 through 0300079887)	
24	3460420	1	Ford Engine Machines (SN 0300079888 through 0300087000)	
25	0721006	4	Bolt #10-24NC x 3/4in	
26	4751000	4	Flatwasher #10 Regular	
27	4761000	4	Lockwasher #10	

SECTION 2 - TURNTABLE

ITEM	PART NUMBER	QTY	DESCRIPTION	REV
28	3311001	4	Bolt #10-24NC	
28	3311005	4	Locknut #10-24NC	
29	3900232	11	Bolt, Button Head 3/8in-16NC x 1in	
30	1670767	1	Cover, Turntable	
31		Ref	Bolt Options:	
31	0641404	6	Bolt 1/4in-20NC x 1/2in - Caterpillar/Deutz Engine Machines	
31	0641404	6	Bolt 1/4in-20NC x 1/2in - Ford Engine Machines (SN 0300069000 through 0300079887)	
31	0641405	6	Bolt 1/4in-20NC x 3/4in - Ford Engine Machines (SN 0300079888 through 0300087000)	
32	4751400	AR	Flatwasher 1/4in Regular	
34	4740076	2	Washer, Fender	
35	3960467	1	Seal, Foam	
36	3960418	7 ft/2.1m	Seal	
37	0940049	1	Bumper	
38	0902335	1	Bracket, Latch - Engine Side	
39	3311601	11	Nut 3/8in-16NC	
40	3311501	2	Nut 5/16in-18NC	
41	3520033	2	Plug	
	0256822	Ref	NOISE REDUCTION INSTALLATION	-
101	2820076	1	Foam, Acoustical	
102	2820077	1	Foam, Acoustical	
103	2820078	1	Foam, Acoustical	
104	2820082	1	Foam, Acoustical	
105	2820083	1	Foam, Acoustical	
106	3539988	1	Plate, Baffle	
107	0641606	5	Bolt 3/8in-16NC x 3/4in	
108	4751600	5	Flatwasher 3/8in Regular	
109	0100011	AR	Compound, Locking	

SECTION 2 - TURNTABLE

FIGURE 2-23. 2500W GENERATOR INSTALLATION - CATERPILLAR MACHINES (OPTIONAL)



SECTION 2 - TURNTABLE

FIGURE 2-23. 2500W GENERATOR INSTALLATION - CATERPILLAR MACHINES (OPTIONAL)

ITEM	PART NUMBER	QTY	DESCRIPTION	REV
		Ref	GENERATOR INSTALLATION OPTIONS:	
	0273518	Ref	110V/60Hz (SN 0300069000 through 0300081835)	2/B
	0274081	Ref	110V/60Hz (SN 0300081836 through 0300087000)	1/A
	0273538	Ref	110V/50Hz (SN 0300069000 through 0300081835)	2/B
	0274091	Ref	110V/50Hz (SN 0300081836 through 0300087000)	1/A
	0273539	Ref	220V/50Hz (SN 0300069000 through 0300081835)	2/B
	0274087	Ref	220V/50Hz (SN 0300081836 through 0300087000)	1/A
1	3580322	1	Pulley	
2		Ref	Generator and Control Box Assembly Options:	
2	2460032	1	110V/60Hz (SN 0300069000 through 0300081835)	
2	2460055	1	110V/60Hz (SN 0300081836 through 0300087000)	
2	2460039	1	110V/50Hz (SN 0300069000 through 0300081835)	
2	2460057	1	110V/50Hz (SN 0300081836 through 0300087000)	
2	2460013	1	220V/50Hz (SN 0300069000 through 0300081835)	
2	2460056	1	220V/50Hz (SN 0300081836 through 0300087000)	
2A	7012558	1	Generator Only - 110V/60Hz	
2A	2460049	1	Generator Only - 110V/50Hz	
2A	1001100321	1	Generator Only - 220V/50Hz	
		Ref	Note: Replacement Generators come standard with p/n 3580134 pulley. This pulley may not be correct for all applications. Refer to pulley options below.	
2A		Ref	Armature with Slip Rings Options:	
2A	7026199	1	Armature with Slip Rings - 110V/60Hz	
2A	70000122	1	Armature with Slip Rings - 110V/50Hz	
2A	70000123	1	Armature with Slip Rings - 220V/50Hz	
2A	7012513	4	Cap, Brush Holder	
2A	7020108	4	Brush	
2A	7020109	4	Holder, Brush	
2A	7012514	1	Fan	
2A	7020110	1	Bell, Front	
2A	7020111	1	Bell, Rear	
2A	7020190	2	Bearing	
2B	7003657	1	Box, Control - 110V/60Hz (SN 0300069000 through 0300081835)	
2B	7019680	1	Box, Control - 110V/60Hz (SN 0300081836 through 0300087000)	
2B	70002239	1	Box, Control - 110V/50Hz (SN 0300069000 through 0300081835)	
2B	7019680	1	Box, Control - 110V/50Hz (SN 0300081836 through 0300087000)	
2B	70002235	1	Box, Control - 220V/50Hz (SN 0300069000 through 0300081835)	
2B	70000127	1	Box, Control - 220V/50Hz (SN 0300081836 through 0300087000)	
2B		Ref	Receptacle Options:	
2B	4460190	1	Receptacle, Standard (110V Only)	
2B	4460027	1	Receptacle, Twistlock (110V Only)	
2B	70000124	1	Receptacle, Double (220V/50Hz Only)	
2B	70000125	1	Receptacle, Single (220V/50Hz Only)	
2B		Ref	Breaker, Circuit Options:	
2B	4360542	1	Breaker 110V/60Hz	

SECTION 2 - TURNTABLE

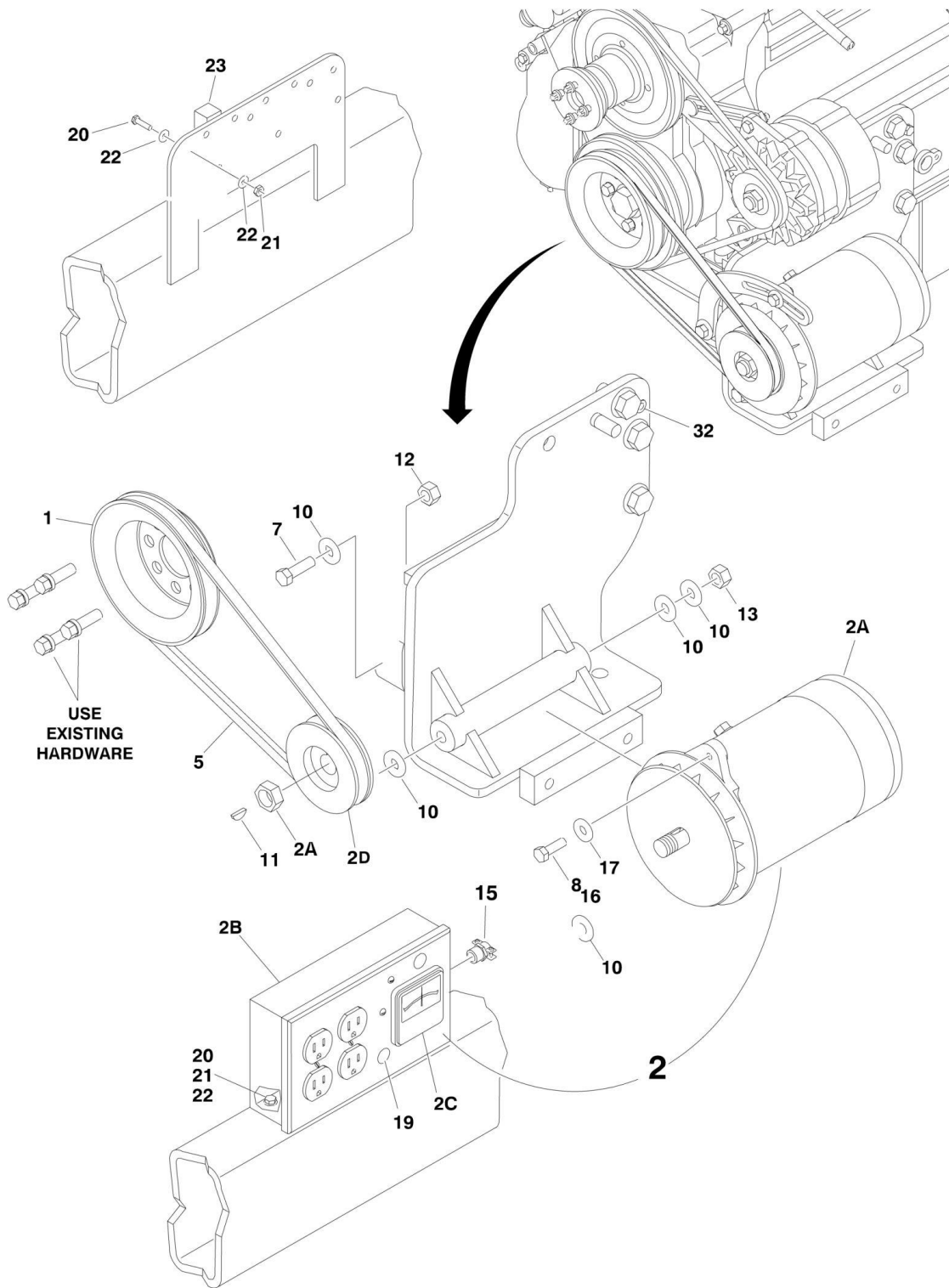
ITEM	PART NUMBER	QTY	DESCRIPTION	REV
2B	70002240	1	Breaker 110V/50Hz (SN 0300069000 through 0300081835)	
2B	4360542	1	Breaker 110V/50Hz (SN 0300081836 through 0300087000)	
2B	70000126	1	Breaker 220V/50Hz	
2B	2920162	1	Lamp Only (SN 0300069000 through 0300081835)	
2B	7020191	1	Switch, Toggle Only (SN 0300069000 through 0300081835)	
2B	3520028	1	Plug, Hole	
2C		Ref	Voltmeter Options:	
2C	2420203	1	Voltmeter - 110V	
2C	7020192	1	Voltmeter - 220V	
2D		Ref	Pulley Options:	
2D	3580276	1	Pulley - 60Hz	
2D	3580134	1	Pulley - 50Hz	
2D	7027887	1	Key, Woodruff	
2D	0480120	1	110V/50Hz	
2D	0480120	1	220V/50Hz	
3	0700816	4	Bolt M8 x 40mm	
4	4811900	4	Flatwasher M8	
5		Ref	Arm, Adjusting Options:	
5	0200742	1	Arm, Adjusting (SN 0300069000 through 0300074394)	
5	0200819	1	Arm, Adjusting (SN 0300074395 through 0300087000)	
6		Ref	V-Belt Options:	
6	0480121	1	110V/60Hz	
6	0480120	1	110V/50Hz	
6	0480120	1	220V/50Hz	
7	0641610	1	Bolt 3/8in-16NC x 1-1/4in	
8	0100011	AR	Compound, Locking	
9	0641772	1	Bolt 7/16in-14NC x 9in	
10	4751600	6	Flatwasher 3/8in Regular	
11	3574684	1	Plate, Box Mounting	
12	0761210	2	Bolt M12 x 20mm	
13		Ref	Bushing, Spacer Options:	
13	0962653	1	Bushing, Spacer (SN 0300069000 through 0300074394)	
13	0962563	1	Bushing, Spacer (SN 0300074395 through 0300087000)	
14	3311605	1	Locknut 3/8in-16NC	
15	3311705	1	Locknut 7/16in-14NC	
16	3740080	1	Relay	
17	4460023	1	Connector, Strain Relief (SN 0300069000 through 0300081835)	
18	0641508	1	Bolt 5/16in-18NC x 1in	
19	4751500	1	Flatwasher 5/16in Regular	
21	3520028	1	Plug, Hole	
22	0721006	AR	Bolt #10-24NC x 3/4in	
23	3311005	AR	Locknut #10-24NC	
24	4751000	AR	Flatwasher #10 Regular	
25	4360336	1	Switch, Toggle (Not Shown - Located at Platform)	
26	4740397	1	Bushing (Not Shown - Located at Platform)	
27	4060802	1	Guard, Switch (Not Shown - Located at Platform)	
28		Ref	Decal - Voltage Options (Not Shown - Located at Platform):	
28	Not Required	0	110V/60Hz (ANSI and ANSI Export Specs)	
28	1705325	1	110V/50Hz (CE Spec)	
28	3252507	1	220V/50Hz (ANSI Export, Australian and CE Specs)	

SECTION 2 - TURNTABLE

ITEM	PART NUMBER	QTY	DESCRIPTION	REV
29	2820031	AR	Heat Shrink (Not Shown - Located at Platform)	
30	3251102	1	Decal (Not Shown - Located at Platform)	

SECTION 2 - TURNTABLE

FIGURE 2-24. 2500W GENERATOR INSTALLATION - DEUTZ MACHINES (OPTIONAL)



SECTION 2 - TURNTABLE

FIGURE 2-24. 2500W GENERATOR INSTALLATION - DEUTZ MACHINES (OPTIONAL)

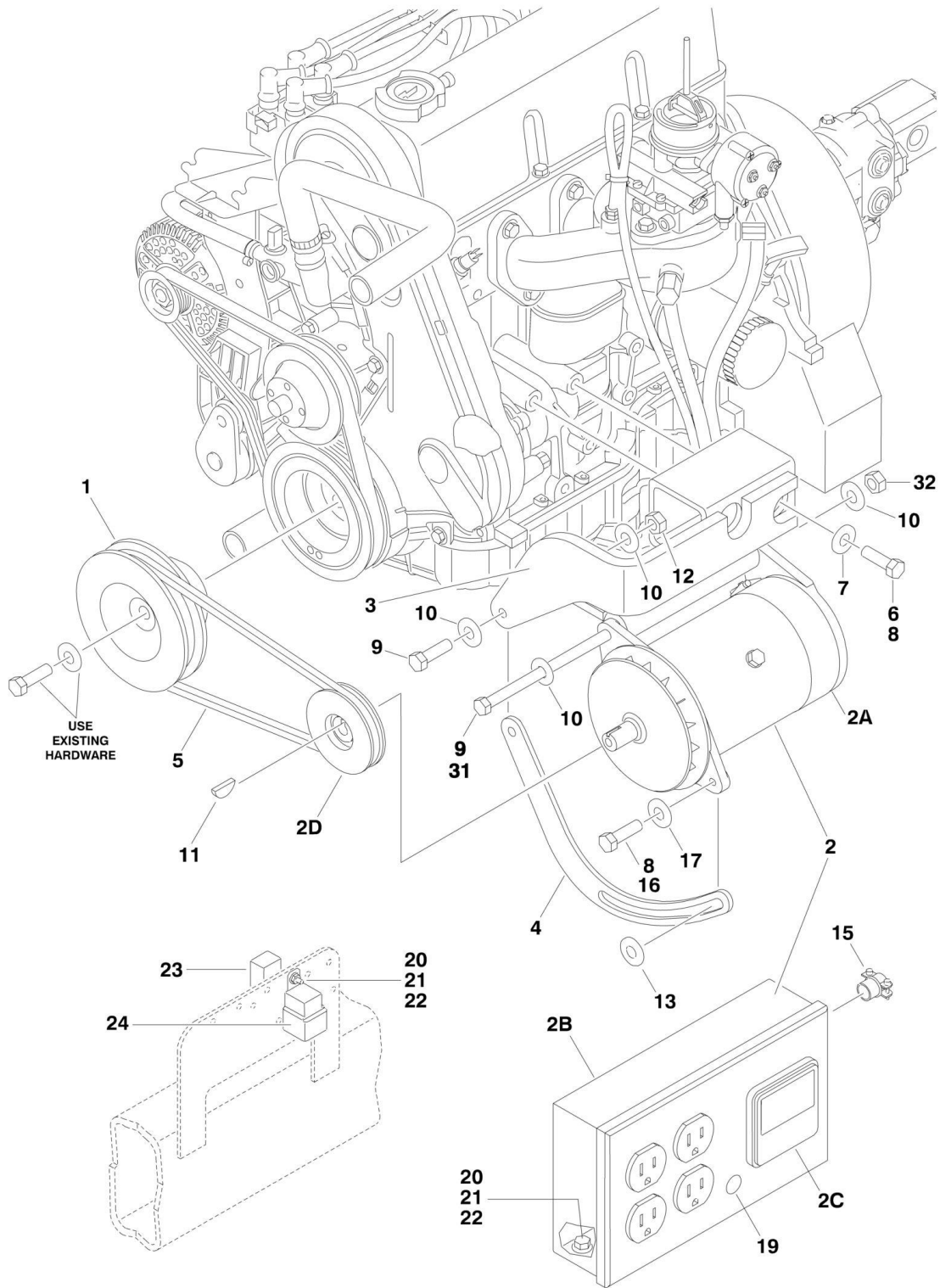
ITEM	PART NUMBER	QTY	DESCRIPTION	REV
		Ref	GENERATOR INSTALLATIONS	
	0272480	Ref	110V Generator (SN 0300069000 through 0300081835)	2
	0274082	Ref	110V Generator (SN 0300081836 through 0300087000)	1
	0272481	Ref	220V Generator (SN 0300069000 through 0300081835)	2
	0274086	Ref	220V Generator (SN 0300081836 through 0300087000)	1
1	3580158	1	Pulley	
2		Ref	Generator and Control Box Assembly Options:	
2	2460032	1	110V/60Hz (SN 0300069000 through 0300081835)	
2	2460055	1	110V/60Hz (SN 0300081836 through 0300087000)	
2	2460013	1	220V/50Hz (SN 0300069000 through 0300081835)	
2	2460056	1	220V/50Hz (SN 0300081836 through 0300087000)	
2A	7012558	1	Generator Only - 110V/60Hz	
2A	1001100321	1	Generator Only - 220V/50Hz	
		Ref	Note: Replacement Generators come standard with p/n 3580134 pulley. This pulley may not be correct for all applications. Refer to pulley options below.	
2A		Ref	Armature with Slip Rings Options:	
2A	7026199	1	Armature with Slip Rings - 110V/60Hz	
2A	70000123	1	Armature with Slip Rings - 220V/50Hz	
2A	7012513	4	Cap, Brush Holder	
2A	7020108	4	Brush	
2A	7020109	4	Holder, Brush	
2A	7012514	1	Fan	
2A	7020110	1	Bell, Front	
2A	7020111	1	Bell, Rear	
2A	7020190	2	Bearing	
2B	7003657	1	Box, Control - 110V/60Hz (SN 0300069000 through 0300081835)	
2B	7019680	1	Box, Control - 110V/60Hz (SN 0300081836 through 0300087000)	
2B	70002235	1	Box, Control - 220V/50Hz (SN 0300069000 through 0300081835)	
2B	70000127	1	Box, Control - 220V/50Hz (SN 0300081836 through 0300087000)	
2B		Ref	Receptacle Options:	
2B	4460190	1	Receptacle, Standard (110V Only)	
2B	4460027	1	Receptacle, Twistlock (110V Only)	
2B	70000124	1	Receptacle, Double (220V/50Hz Only)	
2B	70000125	1	Receptacle, Single (220V/50Hz Only)	
2B		Ref	Breaker, Circuit Options:	
2B	4360542	1	Breaker 110V/60Hz	
2B	70000126	1	Breaker 220V/50Hz	
2B	2920162	1	Lamp Only (SN 0300069000 through 0300081835)	
2B	7020191	1	Switch, Toggle Only (SN 0300069000 through 0300081835)	
2B	3520028	1	Plug, Hole	
2C		Ref	Voltmeter Options:	
2C	2420203	1	Voltmeter - 110V	
2C	7020192	1	Voltmeter - 220V	
2D		Ref	Pulley Options:	
2D	3580276	1	Pulley - 60Hz	
2D	3580134	1	Pulley - 50Hz	

SECTION 2 - TURNTABLE

ITEM	PART NUMBER	QTY	DESCRIPTION	REV
2D	7027887	1	Key, Woodruff	
4	0200742	1	Arm, Adjusting	
5	0480121	1	V-Belt	
7	0641610	1	Bolt 3/8in-16NC x 1-1/4in	
8	0100011	AR	Compound, Locking	
9	0641772	1	Bolt 7/16in-14NC x 9in	
10	4751600	6	Flatwasher 3/8in Regular	
11	2860012	1	Key, Woodruff	
12	3311605	1	Locknut 3/8in-16NC	
13	3311705	1	Locknut 7/16in-14NC	
14	3740080	1	Relay	
15	4460023	1	Connector, Strain Relief	
16	0641508	1	Bolt 5/16in-18NC x 1in	
17	4751500	AR	Flatwasher 5/16in Regular	
19	3520028	1	Plug, Hole (SN 0300069000 through 0300081835)	
20	0721006	4	Bolt #10-24NC x 3/4in	
21	3311005	4	Locknut #10-24NC	
22	4751000	9	Flatwasher #10 Regular	
23	4360294	1	Breaker, Circuit - 30 Amp (SN 0300069000 through 0300081835)	
25	4360336	1	Switch, Toggle (Not Shown - Located at Platform)	
26	4740397	1	Bushing (Not Shown - Located at Platform)	
27	4060802	1	Guard, Switch (Not Shown - Located at Platform)	
28	3252507	1	Decal - 220V - 50/60Hz (Not Shown - Located on Turntable)	
29	2820031	4 in/10cm	Heat Shrink (Not Shown - Located at Platform)	
30	3251102	1	Decal (Not Shown - Located at Platform)	

SECTION 2 - TURNTABLE

FIGURE 2-25. 2500W GENERATOR INSTALLATION - FORD MACHINES (OPTIONAL) (SN 0300069000 through 0300079887)



SECTION 2 - TURNTABLE

FIGURE 2-25. 2500W GENERATOR INSTALLATION - FORD MACHINES (OPTIONAL) (SN 0300069000 through 0300079887)

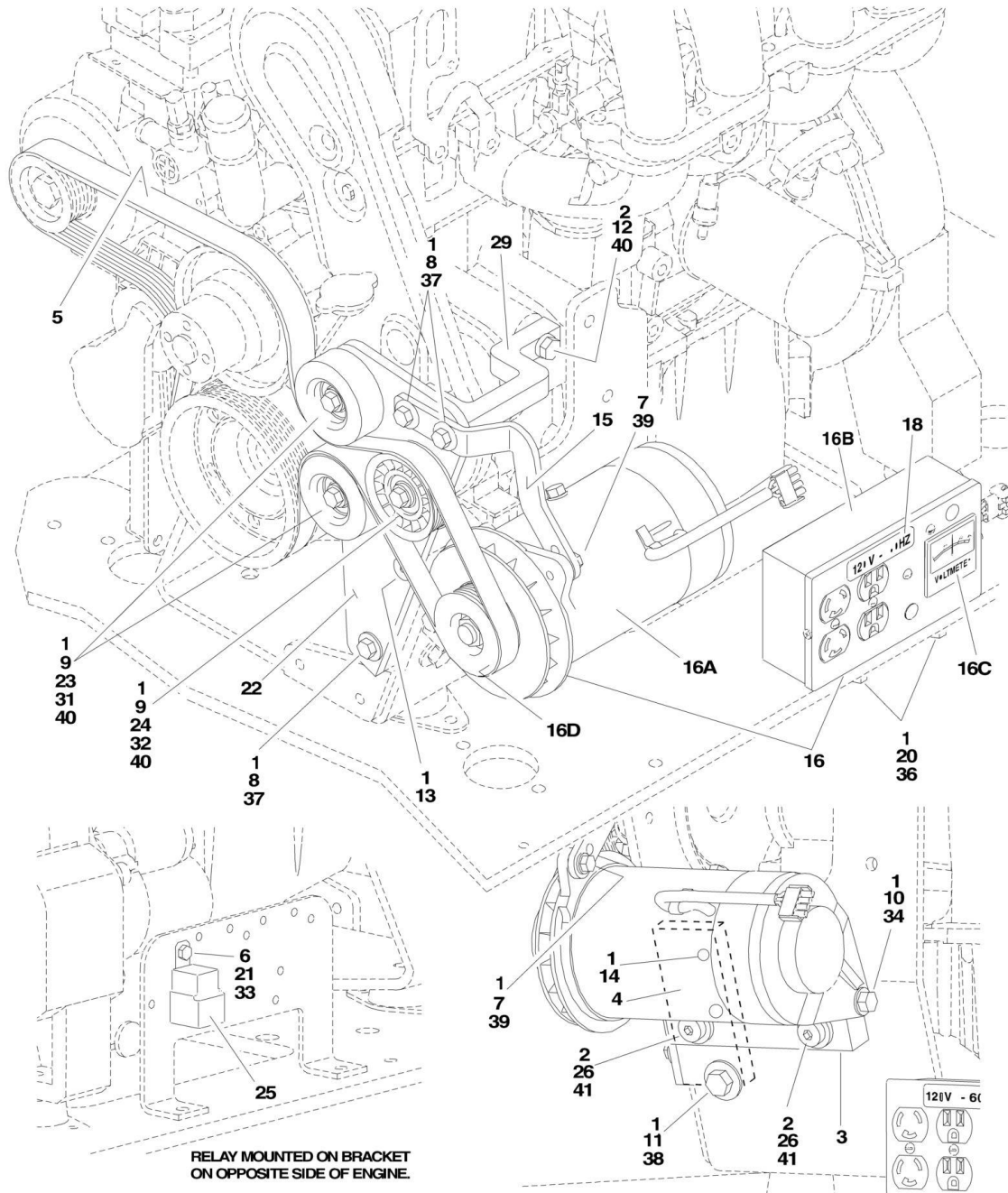
ITEM	PART NUMBER	QTY	DESCRIPTION	REV
		Ref	GENERATOR INSTALLATION OPTIONS:	
	0271545	Ref	110V Generator	5
	0271546	Ref	220V Generator	4
1	3580250	1	Pulley	
2		Ref	Generator and Control Box Assembly Options:	
2	2460032	1	110Volt Assembly (SN 0300069000 through 0300069574)	C
2	2460044	1	110Volt Assembly (SN 0300069575 through 0300079888)	A
2	2460013	1	220Volt Assembly	B
2A	7012558	1	Generator Only - 110V/60Hz	
2A	1001100321	1	Generator Only - 220V/50Hz	
		Ref	Note: Replacement Generators come standard with p/n 3580134 pulley. This pulley may not be correct for all applications. Refer to pulley options below.	
2A		Ref	Armature with Slip Rings Options:	
2A	7026199	1	Armature with Slip Rings - 110V/60Hz	
2A	70000123	1	Armature with Slip Rings - 220V/50Hz	
2A	7012513	4	Cap, Brush Holder	
2A	7020108	4	Brush	
2A	7020109	4	Holder, Brush	
2A	7012514	1	Fan	
2A	7020110	1	Bell, Front	
2A	7020111	1	Bell, Rear	
2A	7020190	2	Bearing	
2B	7003657	1	Box, Control - 110V/60Hz	
2B	70002235	1	Box, Control - 220V/50Hz	
2B		Ref	Receptacle Options:	
2B	4460190	1	Receptacle, Standard (110V Only)	
2B	4460027	1	Receptacle, Twistlock (110V Only)	
2B	70000124	1	Receptacle, Double (220V/50Hz Only)	
2B	70000125	1	Receptacle, Single (220V/50Hz Only)	
2B		Ref	Breaker, Circuit Options:	
2B	4360542	1	Breaker 110V/60Hz	
2B	70000126	1	Breaker 220V/50Hz	
2B	2920162	1	Lamp	
2B	7020191	1	Switch, Toggle	
2B	3520028	1	Plug, Hole	
2C		Ref	Voltmeter Options:	
2C	2420203	1	Voltmeter - 110V	
2C	7020192	1	Voltmeter - 220V	
2D		Ref	Pulley Options:	
2D	3580276	1	Pulley - 60Hz (SN 0300069000 through 0300069574)	
2D	3580307	1	Pulley - 60Hz (SN 0300069575 through 0300079888)	
2D	3580134	1	Pulley - 50Hz	
2D	7027887	1	Key, Woodruff	
3	0902756	1	Bracket, Generator Mounting	
4	0200547	1	Arm, Adjusting	
5		Ref	V-Belt Options:	
5	0480111	1	110Volt Generator (SN 0300069000 through 0300073382)	
5	0480134	1	110Volt Generator (SN 0300073383 through 0300079888)	

SECTION 2 - TURNTABLE

ITEM	PART NUMBER	QTY	DESCRIPTION	REV
5	0480050	1	220Volt Generator	
6	0701015	2	Bolt M10 x 35mm	
7	4812000	2	Flatwasher 10mm	
8	0100011	AR	Compound, Locking	
9	0681612	1	Bolt 3/8in-16NC x 1-1/2in (Grade 8)	
10	4751600	6	Flatwasher 3/8in Regular	
11	2860012	1	Key, Woodruff	
12	3311605	1	Locknut 3/8in-16NC	
13	4564417	1	Spacer, Tube	
15	4460023	1	Connector, Strain Relief	
16	0641508	1	Bolt 5/16in-18NC x 1in	
17	4751500	2	Flatwasher 5/16in Regular	
19	3520028	1	Plug, Hole	
20	0721006	4	Bolt #10-24NC x 3/4in	
21	3311005	4	Locknut #10-24NC	
22	4751000	9	Flatwasher #10 Regular	
23	4360294	1	Breaker, Circuit - 30 Amp	
24	3740080	1	Relay, Bosch	
25	4360336	1	Switch, Toggle (Not Shown - Located at Platform)	
26	4740397	1	Bushing (Not Shown - Located at Platform)	
27	4060802	1	Guard, Switch (Not Shown - Located at Platform)	
29	2820031	4 in/10cm	Heat Shrink (Not Shown - Located at Platform)	
30	3251102	1	Decal (Not Shown - Located at Platform)	
31	0641772	1	Bolt 7/16in-14NC x 9in	
32	3311705	1	Locknut 7/16in-14NC	

SECTION 2 - TURNTABLE

FIGURE 2-26. 2500W GENERATOR INSTALLATION - FORD MACHINES (OPTIONAL) (SN 0300079888 through 0300087000)



SECTION 2 - TURNTABLE

FIGURE 2-26. 2500W GENERATOR INSTALLATION - FORD MACHINES (OPTIONAL) (SN 0300079888 through 0300087000)

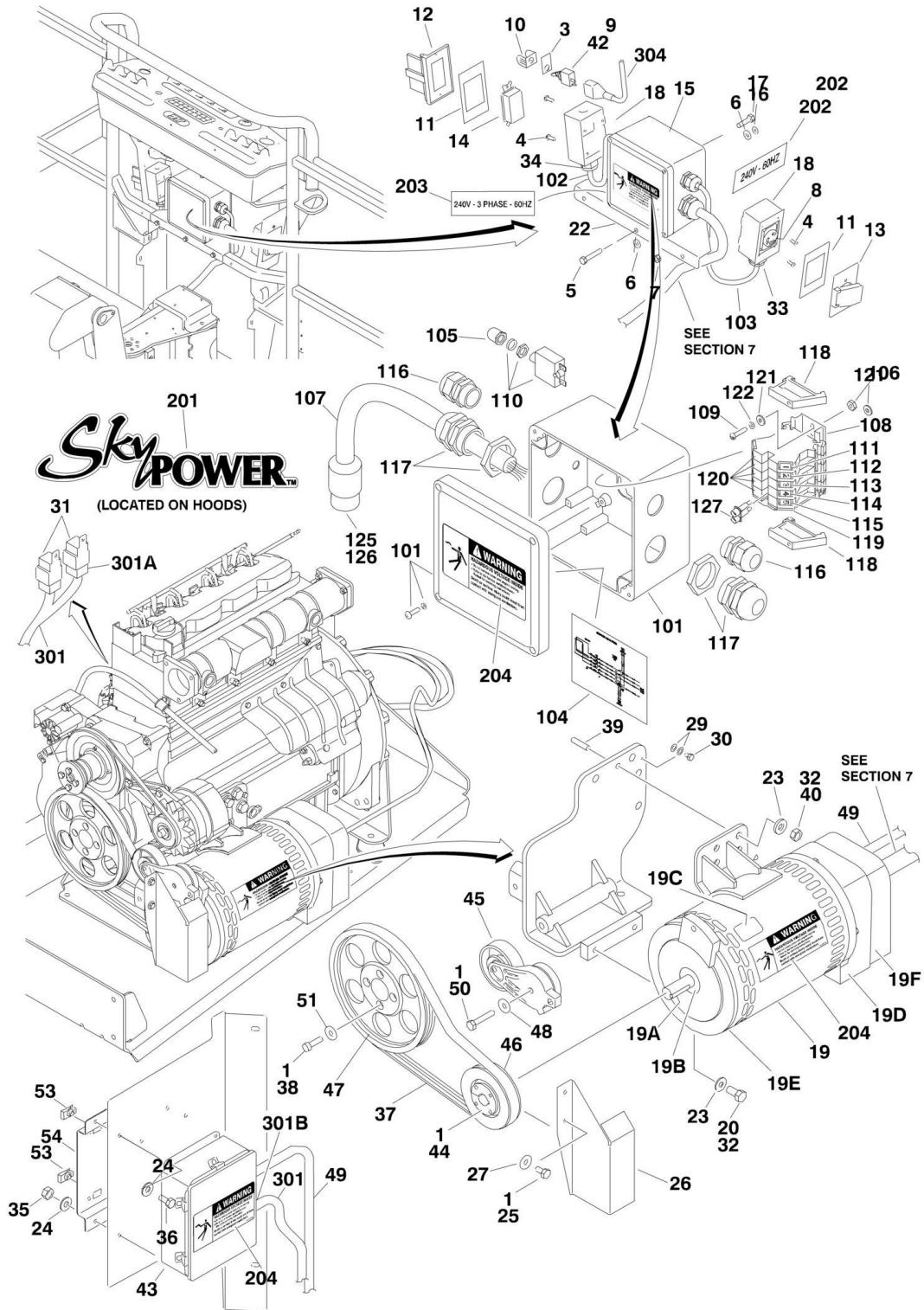
ITEM	PART NUMBER	QTY	DESCRIPTION	REV
		Ref	GENERATOR INSTALLATION OPTIONS:	
	0273507	Ref	110V Generator with ADE System (SN 0300079888 through 0300087000)	C
	0273511	Ref	220V Generator with ADE System (SN 0300079888 through 0300087000)	C
1	0100011	AR	Compound, Locking	
2	0100019	AR	Compound, Locking	
3	0363082	1	Bar, Generator Adjuster	
4	0363097	1	Bar, Pulley Mounting	
5	0480135	1	V-Belt	
6	0641405	1	Bolt 1/4in-20NC x 5/8in	
7	0641508	1	Bolt 5/16in-18NC x 1in	
8	0641611	3	Bolt 3/8in-16NC x 1-3/8in	
9	0641612	3	Bolt 3/8in-16NC x 1-1/2in	
10	0641718	2	Bolt 7/16in-14NC x 2-1/4in	
11	0641810	1	Bolt 1/2in-13NC x 1-1/4in	
12	0701015	1	Bolt 10mm x 35mm	
13	0741606	1	Screw, Countersunk 3/8in-16NC x 3/4in	
14	0741808	1	Screw, Countersunk 1/2in-13NC x 1in	
15	0902952	1	Bracket, Generator Mounting	
16		Ref	Generator and Control Box Assembly Options:	
16	2460051	1	110Volt Assembly	
16	2460052	1	220Volt Assembly	
16A	7012558	1	Generator Only - 110V/60Hz	
16A	1001100321	1	Generator Only - 220V/50Hz	
		Ref	Note: Replacement Generators come standard with p/n 3580134 pulley. This pulley may not be correct for all applications. Refer to pulley options below.	
16A		Ref	Armature with Slip Rings Options:	
16A	7026199	1	Armature with Slip Rings - 110V/60Hz	
16A	70000123	1	Armature with Slip Rings - 220V/50Hz	
16A	7012513	4	Cap, Brush Holder	
16A	7020108	4	Brush	
16A	7020109	4	Holder, Brush	
16A	7012514	1	Fan	
16A	7020110	1	Bell, Front	
16A	7020111	1	Bell, Rear	
16A	7020190	2	Bearing	
16B	7019680	1	Box, Control - 110V/60Hz	
16B	70000127	1	Box, Control - 220V/50Hz	
16B		Ref	Receptacle Options:	
16B	4460190	1	Receptacle, Standard (110V Only)	
16B	4460027	1	Receptacle, Twistlock (110V Only)	
16B	70000124	1	Receptacle, Double (220V/50Hz Only)	
16B	70000125	1	Receptacle, Single (220V/50Hz Only)	
16B		Ref	Breaker, Circuit Options:	
16B	4360542	1	Breaker 110V/60Hz	
16B	70000126	1	Breaker 220V/50Hz	
16B	3520028	1	Plug, Hole	
16C		Ref	Voltmeter Options:	

SECTION 2 - TURNTABLE

ITEM	PART NUMBER	QTY	DESCRIPTION	REV
16C	2420203	1	Voltmeter - 110V	
16C	7020192	1	Voltmeter - 220V	
16D		Ref	Pulley Options:	
16D	3580324	1	Pulley - 60Hz	
16D	3580325	1	Pulley - 50Hz	
16D	7027887	1	Key, Woodruff	
17	2820031	AR	Heat Shrink (Not Shown - Located at Platform)	
18		Ref	Decal	
18	1702590	1	110V Generator	
18	3251243	1	220V Generator	
19		Ref	Nameplate Options (Not Shown - Located at Platform):	
19	3252764	1	Nameplate (SN 0300079888 through 0300085045)	
19	3251102	1	Nameplate (SN 0300085046 through 0300087000)	
20	3311005	2	Locknut #10-24NC	
21	3311405	1	Locknut 1/4in-20NC	
22	3574225	1	Plate, Pulley Mounting	
23	3580312	1	Pulley, Idler	
24	3580313	1	Pulley, Grooved Idler	
25	3740080	1	Relay, Bosch	
26	3900322	2	Screw, Shoulder	
27	4060802	1	Guard, Switch (Not Shown - Located at Platform)	
28	4240018	AR	Tie-Strap	
29	4340738	1	Support, Idler Pulley	
30	4360336	1	Switch, Toggle (Not Shown - Located at Platform)	
31	4568734	1	Spacer, Tube (Idler Pulley Non-Grooved)	
32	4568735	1	Spacer, Tube (Idler Pulley Grooved)	
33	4711400	1	Flatwasher 1/4in Thin	
34	4711700	2	Flatwasher 7/16in Thin	
35	4740397	1	Spacer	
36	4751000	2	Flatwasher #10 Regular	
37	4751600	3	Flatwasher 3/8in Regular	
38	4751800	1	Flatwasher 1/2in Regular	
39	4891500	1	Flatwasher 5/16in Hardened	
40	4891600	4	Flatwasher 3/8in Hardened	
41	4892000	2	Flatwasher 5/8in Hardened	

SECTION 2 - TURNTABLE

FIGURE 2-27. 7500W SKYPOWER GENERATOR INSTALLATION - CATERPILLAR AND DEUTZ ENGINES



SECTION 2 - TURNTABLE

FIGURE 2-27. 7500W SKYPOWER GENERATOR INSTALLATION - CATERPILLAR AND DEUTZ ENGINES

ITEM	PART NUMBER	QTY	DESCRIPTION	REV
		Ref	7500W SKYPOWER GENERATOR INSTALLATION	
	0273576	Ref	60Hz and Caterpillar Engine	H
	0272618	Ref	60Hz and Deutz Engine	G
		Ref	Note: See ELECTRICAL SECTION for Boom Cable Components.	
1	0100011	AR	Compound, Locking	
3	3252764	1	Nameplate	
4	3910606	8	Screw #6-32NC x 3/8in	
5	0641516	3	Bolt 5/16in-18NC x 2in	
6	4711500	10	Flatwasher 5/16in Thin	
7	3311505	3	Locknut 5/16in-18NC	
8	4460958	1	Receptacle, Female Twist-Lock	
9	4360336	1	Switch, Toggle	
10	4060802	1	Guard, Switch	
11	3960422	2	Gasket	
12	4060700	1	Cover, Receptacle	
13	4061043	1	Cover, Receptacle	
14	4460346	1	Receptacle	
15	0861542	1	Junction Box Assembly (See Items 101-127 for Breakdown)	
16	4761500	4	Flatwasher 5/16in Regular	
17	0641505	4	Bolt 5/16in-18NC x 5/8in	
18	0860038	2	Box, Switch	
19		Ref	Generator Assembly Options:	
19	2460050	1	Caterpillar Engine	
19	2460048	1	Deutz Engine	
19	70003631	1	Brushholder Assembly (Not Shown) (was p/n 7024484)	
19	7024485	1	Breaker, Circuit 30Amp (Not Shown)	
19	70001696	1	Boot, Breaker (was p/n 7024486 - Not Shown)	
19	7027799	1	Block, Connection - 6 Position (Not Shown)	
19	70002460	6	Nut, Brass (Attaches p/n 7027799 to Cover) (Not Shown)	
19	7026597	1	Connector, W/Lead (Not Shown)	
19	7026188	1	Connector, Clamp (Not Shown)	
19		Ref	Plate, End Panel Options:	
19	70004170	1	Caterpillar Engine	
19	70004169	1	Deutz Engine (was p/n 70002255)	
19		Ref	Stator Options (Not Shown):	
19	70001969	1	2460050 Generator	
19	70002088	1	2460048 Generator	
19	70001974	1	Decal - Terminal Connections (Not Shown)	
19	70000863	1	Fan (Not Shown)	
19	70002297	4	Stud (Not Shown)	
19A	70004171	1	Key (was p/n 7024561)	
19A	70001100	1	Armature, Generator (Includes p/n 70001384 & 70000863)	
19A	70001384	1	Bearing, Ball Radial	
19B	70001966	1	Bearing, Ball Radial (Located in Belt Tensioner Endbell)	
19B	70003708	1	Ring, Internal Retaining (Located in Belt Tensioner Endbell)	
19B	70003709	1	Ring, External Retaining (Located in Belt Tensioner Endbell)	
19C	70001973	1	Decal - Warning Moving Parts	
19D		Ref	Endbell, Brush Block Options (was p/n 70001385):	

SECTION 2 - TURNTABLE

ITEM	PART NUMBER	QTY	DESCRIPTION	REV
19D	70004170	1	Caterpillar Engine Machines	
19D	70004169	1	Deutz Engine Machines	
19E	70001953	1	Endbell, Belt Tensioner	
19F		Ref	Endbell, Shroud Options:	
19F	70004170	1	Caterpillar Engine (was p/ns 70001970 & 70001971)	
19F	70004169	1	Deutz Engine (was p/n 70002290)	
20	0641808	AR	Bolt 1/2in-13NC x 1in	
22	0902888	1	Bracket, Box Mounting	
23	4711800	AR	Flatwasher 1/2in Thin	
24	4711400	AR	Flatwasher 1/4in Thin	
25	0641404	AR	Bolt 1/4in-20NC x 1/2in	
26		Ref	Shield Options:	
26	Not Required	0	Caterpillar Engine	
26	4061049	1	Deutz Engine	
27	4751400	2	Flatwasher 1/4in Regular	
28	4240018	AR	Tie-Strap (Not Shown)	
29	4791400	2	Starwasher 1/4in	
30	0641403	1	Bolt 1/4in-20NC x 3/8in	
31	3740080	2	Relay	
32	0100019	AR	Compound, Locking	
33	4460051	1	Connector, Strain Relief	
34	4460071	1	Connector, Strain Relief	
35	3311405	4	Locknut 1/4in-20NC	
36		Ref	Bolt Options:	
36	0641405	4	Bolt 1/4in-20NC x 5/8in (SN 0300069000 through 0300084828)	
36	0641406	4	Bolt 1/4in-20NC x 3/4in (SN 0300084829 through 0300087000)	
37	0480129	1	Belt, Drive	
38		Ref	Bolt, Metric Options:	
38	0700815	4	Caterpillar Engine (Bolt M8 x 35mm)	
38	4032015	4	Deutz Engine (Capscrew M10 x 55mm)	
39	4300157	1	Stud	
40	3311801	1	Nut 1/2in-13NC	
41	0100062	1	Loctite (Not Shown)	
42	2820031	1	Insulator	
43	0861538	1	Control Box Assembly (was p/n 7024487):	
43	7024488	1	Card, Circuit - Generator Power	
43	See Note	1	Fuse (Note: Not Available - Purchase Locally)	
43	7024489	1	Card, Circuit - Control	
43	70000619	1	Harness, Circuit Card	
44	0962520	1	Bushing, Split Taper	
45	3580317	1	Tensioner, Belt	
46	3580318	1	Pulley	
47		Ref	Pulley Options:	
47	3580321	1	Caterpillar Engine	
47	3580320	1	Deutz Engine	
48	4711600	1	Flatwasher 3/8in Thin	
49	4922925	1	Harness, Generator	
50		Ref	Bolt 3/8in-16NC x 2-1/4in Options:	
50	3931632	1	Caterpillar Engine (Socket Head Capscrew) (SN 0300069000 through 0300093325)	

SECTION 2 - TURNTABLE

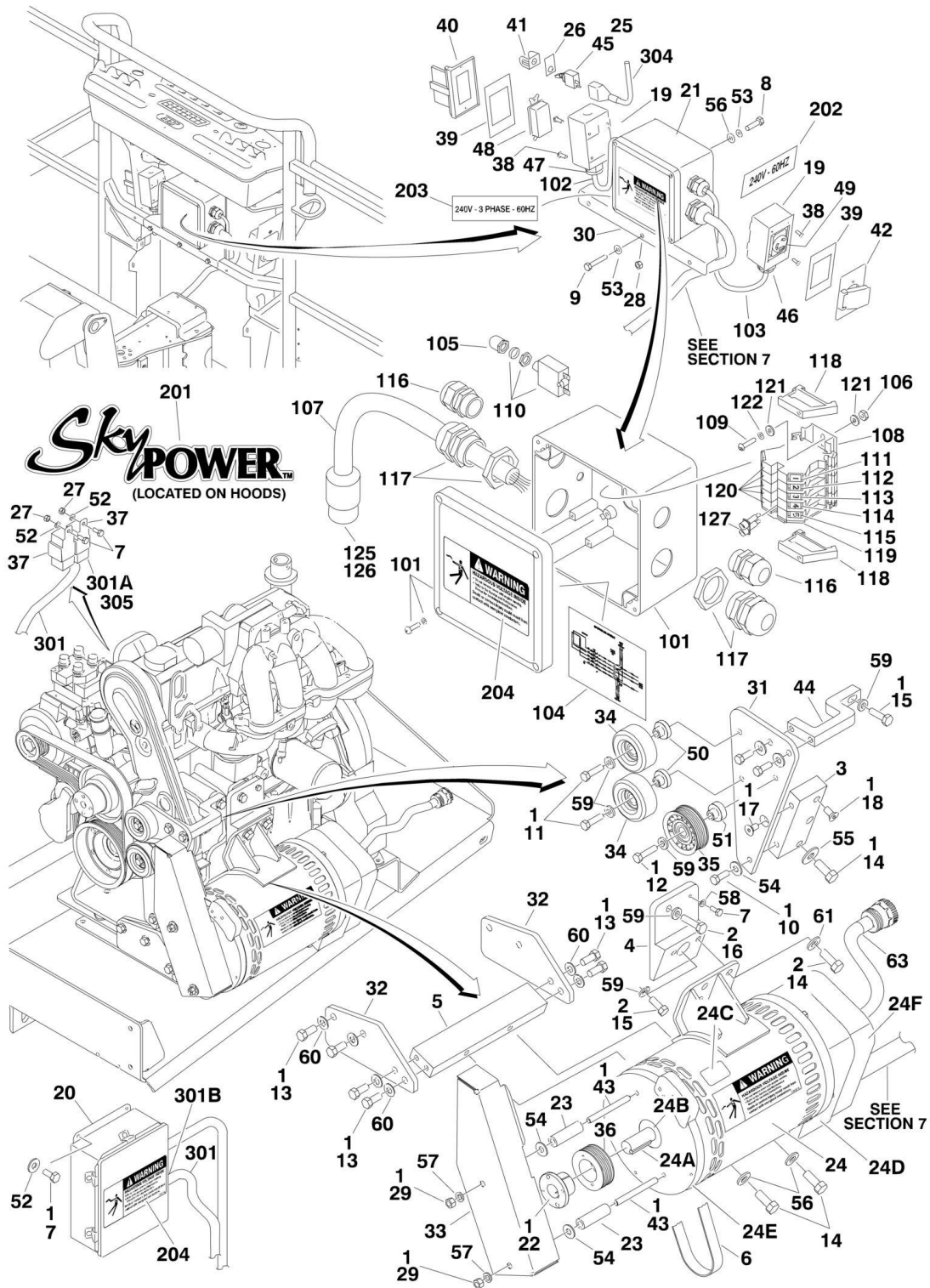
ITEM	PART NUMBER	QTY	DESCRIPTION	REV
50	0641618	1	Caterpillar Engine (Hex Head Bolt) (SN 0300093326 through 0300087000)	
50	0641618	1	Deutz Engine (Hex Head Bolt)	
51	4811900	4	Flatwasher M8 (Caterpillar Engine Only)	
52	2902300	1	Remote Oil Filter Kit (Not Shown - Caterpillar Engine Only) (SN 0300069000 through 0300078185)	
53	3300454	4	Nut Special 1/4in-20NC (Deutz Engine Only) (SN 0300084829 through 0300087000)	
54	3575863	1	Plate, EMR2 Mount (Deutz Engine Only) (SN 0300084829 through 0300087000)	
	0861542	Ref	JUNCTION BOX ASSEMBLY	C
101	0861541	1	Box, Junction	
102	1060494	2 ft/.6m	Cable, Electrical 12/3	
103	1060708	2.5 ft/.76m	Cable, Electrical 10/3	
104	1705376	1	Decal - Wiring Schematic	
105	3300396	1	Cover, Fuse	
106	3310601	2	Nut #6-32NC	
107	1060343	1.5 ft/.46m	Cable, Electrical 10/4	
108		Ref	Rail, Relay Options:	
108	3640986	1	Rail, Relay (SN 0300069000 through 0300072913)	
108	3641533	1	Rail, Relay (SN 0300072914 through 0300087000)	
109	3910610	2	Bolt #6-32NC x 5/8	
110	4360070	1	Circuit Breaker - 15 Amp	
111	4460411	2	Marker Strip #1	
112	4460412	4	Marker Strip #2	
113	4460413	2	Marker Strip #3	
114	4460414	2	Marker Strip #4	
115	4460415	4	Marker Strip #5	
116	4460425	2	Strain Relief, Terminal	
117	4460426	2	Connector, Strain Relief	
118	4460607	2	Terminal, End Stop	
119	4460956	1	Terminal, Block End	
120	4460957	7	Terminal, Block	
121	4750600	4	Flatwasher, #6 Regular	
122	4760600	2	Lockwasher #6 Regular	
125	1671092	1	Cover	
126	4460963	1	Connector	
127	4461001	2	Terminal, Cross Connector (SN 0300072914 through 0300087000)	
	0272435	Ref	DECAL INSTALLATION	A
201	1705460	2	Decal - SkyPower	
202	1705374	1	Decal - 240V - 60Hz	
203	1705375	1	Decal - 240V - 3 Phase	
204	1705387	3	Decal, Hazardous Voltage	
	4933264	Ref	ELECTRICAL DIAGRAM COMPONENTS	C
301	4922757	1	Generator Harness	3-C
301A	4460374	2	Plug, Sealed Relay	
301A	4460375	7	Terminal	
301B	4460967	1	Plug, Male - 3 Position	
301B	4460465	3	Socket, Female	
301C	2400060	1	Fuse Holder (Not Shown)	

SECTION 2 - TURNTABLE

ITEM	PART NUMBER	QTY	DESCRIPTION	REV
301C	2400064	1	Fuse - 5 Amp (Not Shown)	
304	4922641	1	Switch Harness	

SECTION 2 - TURNTABLE

FIGURE 2-28. 7500W SKYPOWER GENERATOR INSTALLATION - FORD ENGINES



SECTION 2 - TURNTABLE

FIGURE 2-28. 7500W SKYPOWER GENERATOR INSTALLATION - FORD ENGINES

ITEM	PART NUMBER	QTY	DESCRIPTION	REV
	0273109	Ref	7500W SKYPOWER GENERATOR INSTALLATION	E
		Ref	Note: See ELECTRICAL SECTION for Boom Cable Components.	
1	0100011	AR	Compound, Locking	
2	0100019	AR	Compound, Locking	
3	0363097	1	Bar, Pulley Mount	
4	0363201	1	Bar, Generator Mount (Top)	
5	0363202	1	Bar, Generator Mount (Bottom)	
6	0480130	1	Belt, Generator	
7	0641405	7	Bolt 1/4in-20NC x 5/8in	
8	0641505	4	Bolt 5/16in-18NC x 5/8in	
9	0641516	3	Bolt 5/16in-18NC x 2in	
10	0641608	3	Bolt 3/8in-16NC x 1in	
11	0641611	2	Bolt 3/8in-16NC x 1-3/8in	
12	0641612	1	Bolt 3/8in-16NC x 1-1/2in	
13	0641708	8	Bolt 7/16in-14NC x 1in	
14	0641810	5	Bolt 1/2in-13NC x 1-1/4in	
15	0701015	2	Bolt M10 x 35mm	
16	0701016	1	Bolt M10 x 40mm	
17	0741606	1	Screw, Flathead Countersunk 3/8in-16NC x 3/4in	
18	0741808	1	Screw, Flathead Countersunk 1/2in-13NC x 1in	
19	0860038	2	Box, Switch	
20	0861538	1	Control Box Assembly (was p/n 7024487):	
20	7024488	1	Card, Circuit - Generator Power	
20	See Note	1	Fuse (Note: Not Available - Purchase Locally)	
20	7024489	1	Card, Circuit - Control	
20	70000619	1	Harness, Circuit Card	
21	0861542	1	Junction Box Assembly (See Items 101-127 for Breakdown)	
22	0962520	1	Bushing, Split Taper	
23	0962521	2	Spacer, Tube	
24	2460048	1	Generator Assembly	
24	70003631	1	Brushholder Assembly (Not Shown) (was p/n 7024484)	
24	7024485	1	Breaker, Circuit 30Amp (Not Shown)	
24	70001696	1	Boot, Breaker (was p/n 7024486 - Not Shown)	
24	70001966	1	Bearing, Ball Radial (Located In Belt Tensioner Endbell - Not Shown)	
24	7027799	1	Block, Connector 6 Position (Not Shown)	
24	70002460	6	Nut, Brass (Attaches p/n 7027799 to Cover) (Not Shown)	
24	7026188	1	Clamp, Cable (Not Shown)	
24	7026597	1	Connector, W/Leads (Not Shown)	
24	70002088	1	Stator (Not Shown)	
24	70004169	1	Panel, End (Not Shown) (was p/n 70002255)	
24	70001974	1	Decal - Terminal Connections (Not Shown)	
24	70000863	1	Fan (Not Shown)	
24	70002297	4	Stud (Not Shown)	
24A	70004171	1	Key (was p/n 7024561)	
24A	70001100	1	Armature, Generator (Includes Radial Ball Bearing on End with Brushes and Fan)	
24A	70001384	1	Bearing, Ball Radial	
24B	70001966		Bearing, Radial Ball (Located in Belt Tensioner Endbell)	

SECTION 2 - TURNTABLE

ITEM	PART NUMBER	QTY	DESCRIPTION	REV
24B	70003708	1	Ring, Internal Retaining (Located in Belt Tensioner Endbell)	
24B	70003709	1	Ring, External Retaining (Located in Belt Tensioner Endbell)	
24C	70001973	1	Decal - Warning Moving Parts	
24D	70004169	1	Endbell, Brush Block (was p/n 70001385)	
24E	70001953	1	Endbell, Belt Tensioner	
24F	70004169	1	Endbell, Shroud Assembly (was p/n 70002290)	
25	2820031	1	Insulator	
26	3252764	1	Nameplate	
27	3311405	6	Locknut 1/4in-20NC	
28	3311505	3	Locknut 5/16in-18NC	
29	3311601	2	Nut 3/8in-16NC	
30	0902888	1	Bracket, Box Mounting	
31	3574225	1	Plate, Pulley Mounting	
32	3574229	2	Plate, Gusset Generator Mounting	
33	3574262	1	Plate, Shield	
34	3580312	2	Pulley, Idler	
35	3580313	1	Pulley, Idler Grooved	
36	3580314	1	Pulley, Drive Grooved	
37	3740080	2	Relay	
38	3910606	8	Screw #6-32NC x 3/8in	
39	3960422	2	Gasket	
40	4060700	1	Cover, Receptacle	
41	4060802	1	Guard, Switch	
42	4061043	1	Cover, Receptacle	
43	4300111	2	Stud, Chain Assembly	
44	4340738	1	Support, Idler Pulley Mount	
45	4360336	1	Switch, Toggle	
46	4460051	1	Connector, Strain Relief	
47	4460071	1	Connector, Strain Relief	
48	4460346	1	Receptacle	
49	4460958	1	Receptacle, Female Twist-Lock	
50	4568734	2	Tube, Spacer Pulley	
51	4568735	1	Tube, Spacer Pulley Grooved	
52	4711400	10	Flatwasher 1/4in Thin	
53	4711500	10	Flatwasher 5/16in Thin	
54	4711600	5	Flatwasher 3/8in Thin	
55	4711800	1	Flatwasher 1/2in Thin	
56	4761500	4	Lockwasher 5/16in	
57	4761600	2	Lockwasher 3/8in	
58	4791400	1	Starwasher 1/4in	
59	4891600	6	Flatwasher 3/8in Hardened	
60	4891700	8	Flatwasher 7/16in Hardened	
61	4891800	4	Flatwasher 1/2in Hardened	
63	4922905	1	Harness, Generator	
	0861542	Ref	JUNCTION BOX ASSEMBLY	C
101	0861541	1	Box, Junction	
102	1060494	2 ft/.6m	Cable, Electrical 12/3	
103	1060708	2.5 ft/.76m	Cable, Electrical 10/3	
104	1705376	1	Decal - Wiring Schematic	
105	3300396	1	Cover, Fuse	
106	3310601	2	Nut #6-32NC	

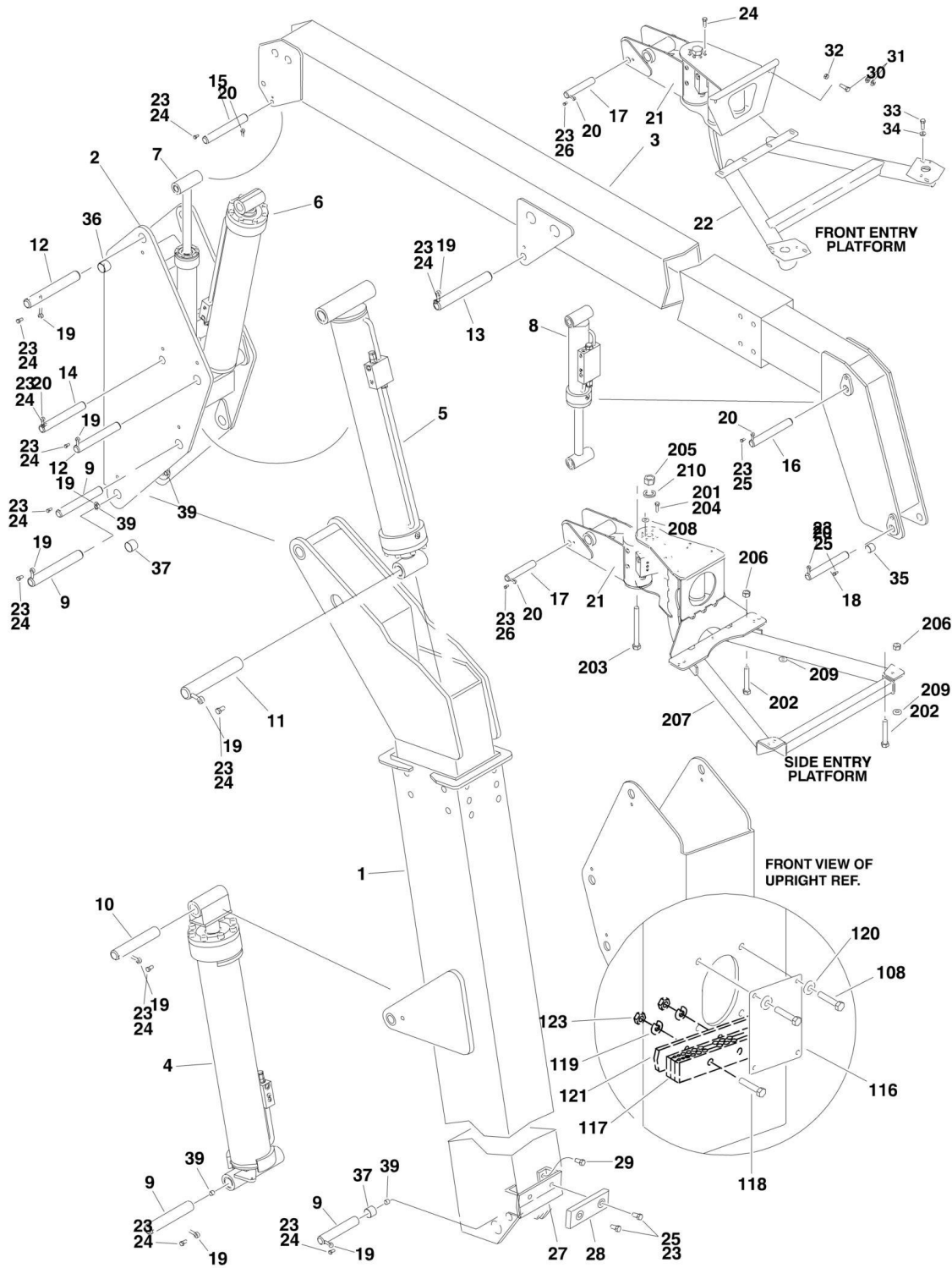
SECTION 2 - TURNTABLE

ITEM	PART NUMBER	QTY	DESCRIPTION	REV
107	1060343	1.5 ft/.46m	Cable, Electrical 10/4	
108		Ref	Rail, Relay Options:	
108	3640986	1	Rail, Relay (SN 0300069000 through 0300072913)	
108	3641533	1	Rail, Relay (SN 0300072914 through 0300087000)	
109	3910610	2	Bolt #6-32NC x 5/8	
110	4360070	1	Circuit Breaker - 15 Amp	
111	4460411	2	Marker Strip #1	
112	4460412	4	Marker Strip #2	
113	4460413	2	Marker Strip #3	
114	4460414	2	Marker Strip #4	
115	4460415	4	Marker Strip #5	
116	4460425	2	Strain Relief, Terminal	
117	4460426	2	Connector, Strain Relief	
118	4460607	2	Terminal, End Stop	
119	4460956	1	Terminal, Block End	
120	4460957	7	Terminal, Block	
121	4750600	4	Flatwasher, #6 Regular	
122	4760600	2	Lockwasher #6	
125	1671092	1	Cover	
126	4460963	1	Connector	
127	4461001	2	Terminal, Cross Connector (SN 0300072914 through 0300087000)	
	0272435	Ref	DECAL INSTALLATION	A
201	1705460	2	Decal - SkyPower	
202	1705374	1	Decal - 240V - 60Hz	
203	1705375	1	Decal - 240V - 3 Phase	
204	1705387	3	Decal, Hazardous Voltage	
	4933283	Ref	ELECTRICAL DIAGRAM COMPONENTS	2-B
301	4922905	1	Generator Harness	2-B
301A	4460374	2	Plug, Sealed Relay	
301A	4460375	7	Terminal	
301B	4460967	1	Plug, Male - 3 Position	
301B	4460465	3	Socket, Female	
301C	2400060	2	Fuseholder (Not Shown)	
301C	2400064	2	Fuse - 5 Amp (Not Shown)	
304	4922641	1	Switch Harness	
305	4460375	1	Terminal	

SECTION 3 - BOOM

SECTION 3 - BOOM

FIGURE 3-1. BOOMS AND CYLINDERS INSTALLATION - 600A



SECTION 3 - BOOM

FIGURE 3-1. BOOMS AND CYLINDERS INSTALLATION - 600A

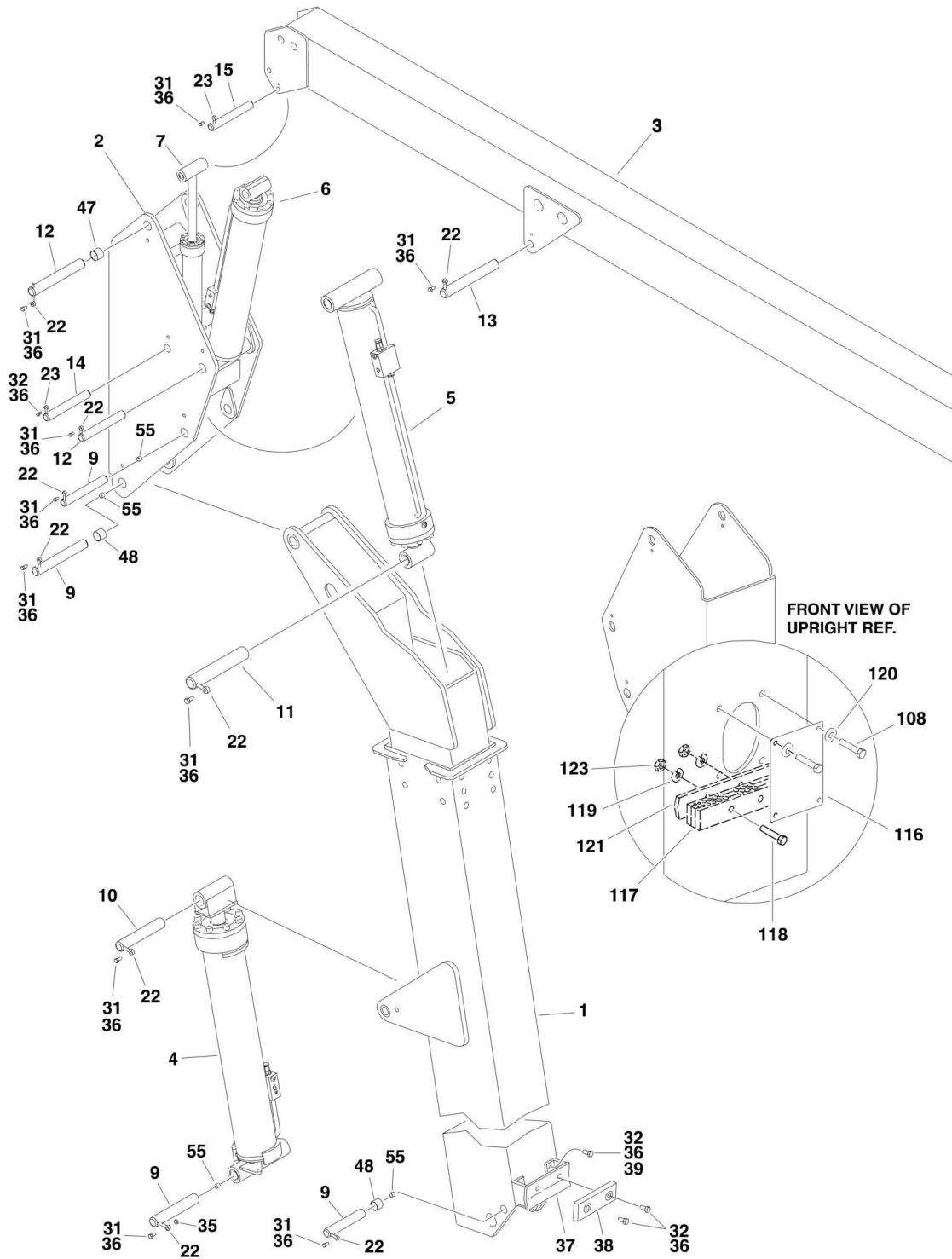
ITEM	PART NUMBER	QTY	DESCRIPTION	REV
		Ref	BOOMS AND CYLINDERS INSTALLATION - 600A	
	0256321	Ref	Machines with Front Entry Platform	5
	0272326	Ref	Machines with Side Entry Platform	1
1	0801019	1	Tower Boom Assembly - Tower (See TOWER BOOM ASSEMBLIES for Breakdown)	
2	4846005	1	Upright Weldment	
3	0801022	1	Main Boom Assembly (See MAIN BOOM ASSEMBLIES for Breakdown)	
4	1683288	NLA	Tower Lift Cylinder Assembly (Use p/n 1001228003) (See CYLINDER SECTION for Breakdown) (Original Equipment)	
4	1001228003	1	Tower Lift Cylinder Assembly (See CYLINDER SECTION for Breakdown) (Service Replacement)	
5	1683299	NLA	Upright Level Cylinder Assembly (Use p/n 1001228042) (See CYLINDER SECTION for Breakdown) (Original Equipment)	
5	1684498	NLA	Upright Level Cylinder Assembly (Use p/n 1001228042) (See CYLINDER SECTION for Breakdown) (Service Replacement)	
5	1001228042	1	Upright Level Cylinder Assembly (See CYLINDER SECTION for Breakdown) (Service Replacement)	
6	1683294	NLA	Main Lift Cylinder Assembly (Use p/n 1001228004) (See CYLINDER SECTION for Breakdown) (Original Equipment)	
6	1001228004	1	Main Lift Cylinder Assembly (See CYLINDER SECTION for Breakdown) (Service Replacement)	
7	1683266	NLA	Master Cylinder Assembly (Use p/n 1001228002) (See CYLINDER SECTION for Breakdown) (Original Equipment)	
7	1001228002	1	Master Cylinder Assembly (See CYLINDER SECTION for Breakdown) (Service Replacement)	
8	1683415	NLA	Platform Level Cylinder Assembly (Use p/n 1001223512) (See CYLINDER SECTION for Breakdown) (Original Equipment)	
8	1001223512	1	Platform Level Cylinder Assembly (See CYLINDER SECTION for Breakdown) (Service Replacement)	
9	3422571	4	Pin	
10	3422573	1	Pin	
11	3422575	1	Pin	
12	3422572	2	Pin	
13	3422576	1	Pin	
14	3422565	1	Pin	
15	3422577	1	Pin	
16	3422578	1	Pin	
17	3422580	1	Pin	
18	3422582	1	Pin	
19	3841203	9	Keeper, Pin - 1/2in	
20	3841143	5	Keeper, Pin - 3/8in	
21		Ref	Rotator Assembly Options:	
21	0060076	1	Front Entry Platform (p/n was 0060035) (See ROTATOR ASSEMBLIES (FRONT ENTRY PLATFORM) for Breakdown)	
21	0060068	1	Side Entry Platform (See ROTATOR ASSEMBLIES (SIDE ENTRY PLATFORM) for Breakdown)	
22		Ref	Platform Support Weldment Options:	
22	4844790	1	Front Entry Platform Machines	
22	See Note	1	Side Entry Platform Machines (Note: See Items 201 to 210)	
23	0100011	AR	Compound, Locking	
24	0641810	AR	Bolt 1/2in-13NC x 1-1/4in	
25	0741607	AR	Screw, Countersunk 3/8in-16NC x 7/8in	

SECTION 3 - BOOM

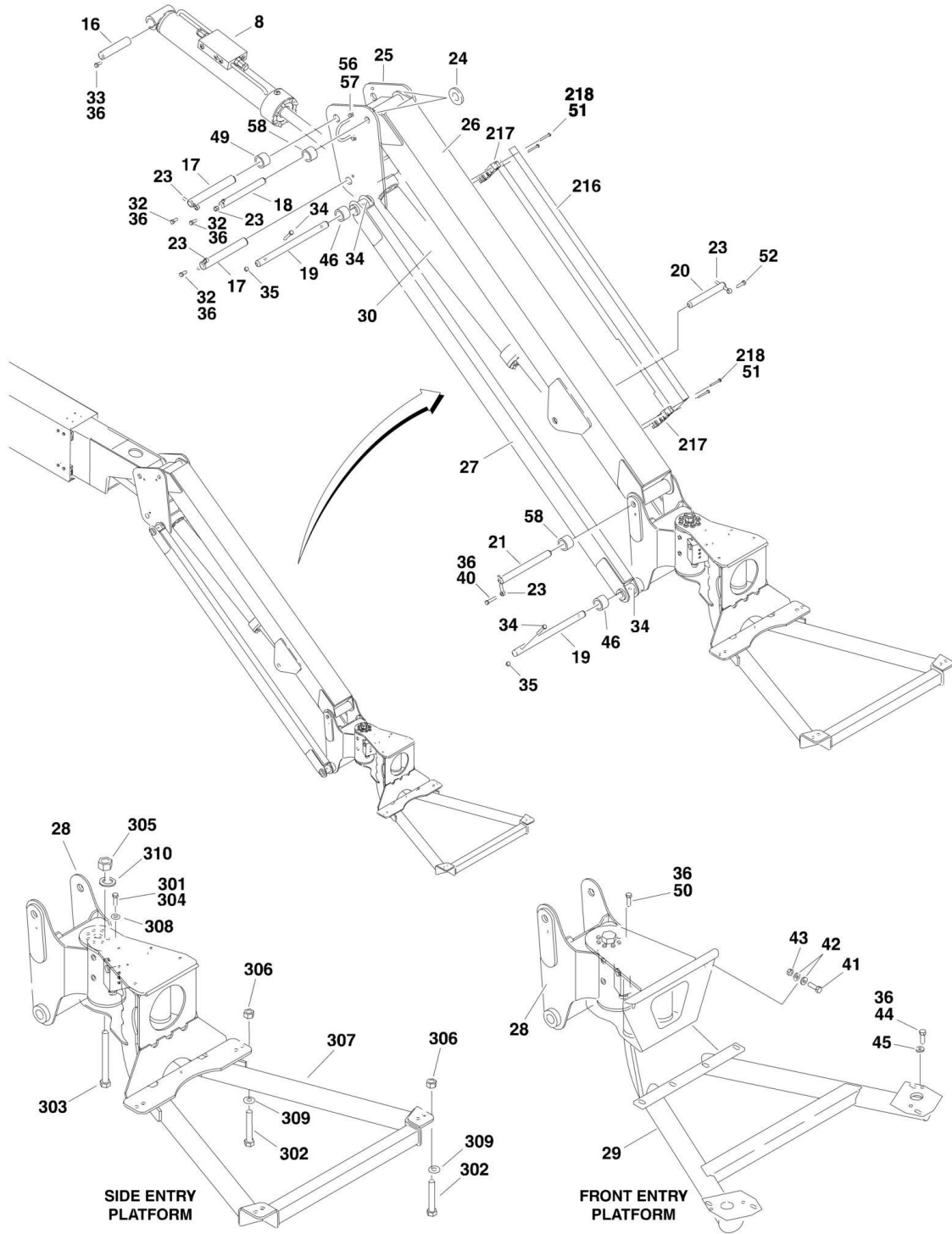
ITEM	PART NUMBER	QTY	DESCRIPTION	REV
26	3900166	1	Screw, Socket Head Countersunk - 3/8in-16NC x 7/8in	
27	4845127	1	Boom Rest Weldment (Front Entry Platform Machines)	
28	0561076	1	Block, Boom Rest	
29	0641605	4	Bolt 3/8in-16NC x 5/8in	
30	0641820	4	Bolt 1/2in-13NC x 2-1/2in (Front Entry Platform Machines)	
31	4711800	8	Flatwasher 1/2in Thin (Front Entry Platform Machines)	
32	3311805	4	Locknut 1/2in-13NC (Front Entry Platform Machines)	
33	0681610	4	Bolt 3/8in-16NC x 1-1/4in (Grade 8) (Front Entry Platform Mach)	
34	4711600	4	Flatwasher 3/8in Thin (Front Entry Platform Machines)	
35	0961951	2	Bushing	
36	0961948	2	Bushing	
37	0961949	4	Bushing	
39	3900239	4	Setscrew	
	0255423	Ref	POWER TRACK INSTALLATION	12/K
108	0641403	4	Bolt 1/4in-20NC x 3/8in	
116	3539779	1	Plate, Cover	
117	1320243	1	Clamp, Block	
118	0641532	2	Bolt 5/16in-18NC x 4in	
119	4751600	2	Flatwasher 3/8in Regular (SN 0300069000 through 0300084624)	
120	4751400	4	Flatwasher 1/4in Regular	
121	3570374	1	Plate	
123	3311505	2	Nut 5/16in-18NC	
125	4751500	2	Flatwasher 5/16in Regular (SN 0300084624 through 0300087000)	
	0272070	Ref	PLATFORM SUPPORT INSTALLATIONS (SIDE ENTRY PLATFORM MACHINES)	C
201	0100011	AR	Compound, Locking	
202	0641812	8	Bolt 1/2in-13NC x 1-1/2in	
203	0642684	1	Bolt 1in-8NC x 10-1/2in	
204	0681608	8	Bolt 3/8in-16NC x 1in	
205	3272605	1	Locknut 1in-8NC	
206	3311805	8	Locknut 1/2in-13NC	
207	4846573	1	Support Weldment	
208	4891600	8	Flatwasher 3/8in Hardened	
209	4891800	8	Flatwasher 1/2in Hardened	
210	4892600	1	Flatwasher 1in Hardened	

SECTION 3 - BOOM

FIGURE 3-2. BOOMS AND CYLINDERS INSTALLATION - 600AJ



SECTION 3 - BOOM



SECTION 3 - BOOM

FIGURE 3-2. BOOMS AND CYLINDERS INSTALLATION - 600AJ

ITEM	PART NUMBER	QTY	DESCRIPTION	REV
		Ref	BOOMS AND CYLINDERS INSTALLATION - 600AJ	
	0271338	Ref	Front Entry Platform Machines	6
	0272135	Ref	Side Entry Platform Machines	3
1	0801019	1	Tower Boom Assembly - Tower (See TOWER BOOM ASSEMBLIES for Breakdown)	
2	4846006	1	Upright Weldment	
3	0801025	1	Main Boom Assembly (See MAIN BOOM ASSEMBLIES for Breakdown)	
4	1683288	NLA	Tower Lift Cylinder Assembly (Use p/n 1001228003) (See CYLINDER SECTION for Breakdown) (Original Equipment)	
4	1001228003	1	Tower Lift Cylinder Assembly (See CYLINDER SECTION for Breakdown) (Service Replacement)	
5	1683299	NLA	Upright Level Cylinder Assembly (Use p/n 1001228042) (See CYLINDER SECTION for Breakdown) (Original Equipment)	
5	1684498	NLA	Upright Level Cylinder Assembly (Use p/n 1001228042) (See CYLINDER SECTION for Breakdown) (Service Replacement)	
5	1001228042	1	Upright Level Cylinder Assembly (See CYLINDER SECTION for Breakdown) (Service Replacement)	
6	1683294	NLA	Main Lift Cylinder Assembly (Use p/n 1001228004) (See CYLINDER SECTION for Breakdown) (Original Equipment)	
6	1001228004	1	Main Lift Cylinder Assembly (See CYLINDER SECTION for Breakdown) (Service Replacement)	
7	1683263	NLA	Master Cylinder Assembly (Use p/n 1001228052) (See CYLINDER SECTION for Breakdown) (Original Equipment)	
7	1001228052	1	Master Cylinder Assembly (See CYLINDER SECTION for Breakdown) (Service Replacement)	
8	1683418	NLA	Platform Level Cylinder Assembly (Use p/n 1001223331) (See CYLINDER SECTION for Breakdown) (Original Equipment)	
8	1001223331	1	Platform Level Cylinder Assembly (See CYLINDER SECTION for Breakdown) (Service Replacement)	
9	3422571	4	Pin	
10	3422573	1	Pin	
11	3422575	1	Pin	
12	3422572	2	Pin	
13	3422576	1	Pin	
14	3422566	1	Pin	
15	3422579	1	Pin	
16	3422583	1	Pin	
17	3422561	2	Pin	
18	3422860	1	Pin	
19	3422861	2	Pin	
20	3422867	1	Pin	
21	3422563	1	Pin (Front Entry Platform)	
21	3422860	1	Pin (Side Entry Platform)	
22	3841203	9	Keeper, Pin - 1/2in	
23	3841143	7	Keeper, Pin - 3/8in	
24	4740439	2	Thrustwasher	
25	4844815	1	Pivot Weldment	
26	4844816	1	Tube Weldment - Top	
27	4844817	2	Tube Weldment - Bottom	
28		Ref	Rotator Assembly Options:	
28	0060074	1	Front Entry Platform (p/n was 0060031) (See ROTATOR ASSEMBLIES (FRONT ENTRY PLATFORM) for Breakdown)	

SECTION 3 - BOOM

ITEM	PART NUMBER	QTY	DESCRIPTION	REV
28	0060066	1	Side Entry Platform (See ROTATOR ASSEMBLIES (SIDE ENTRY PLATFORM) for Breakdown)	
29		Ref	Support Weldment Options:	
29	4844790	1	Front Entry Platform	
29	See Note	1	Side Entry Platform (Note: See Items 301 to 310)	
30		Ref	Extend-A-Reach Lift Cylinder Assembly Options (See CYLINDER SECTION for Breakdown):	
30	1683258	1	Extend-A-Reach Lift Cylinder Assembly (SN 0300069000 through 0300070976)	
30	1683609	NLA	Extend-A-Reach Lift Cylinder Assembly (Use p/n 1001248012) (Original Equipment) (SN 0300070977 through 0300087000)	
30	1001228012	NLA	Extend-A-Reach Lift Cylinder Assembly (Use p/n 1001248012) (Service Replacement)	
30	1001248012	1	Extend-A-Reach Lift Cylinder Assembly (Service Replacement)	
31	0641810	9	Bolt 1/2in-13NC x 1-1/4in	
32	0641607	AR	Bolt 3/8in-16NC x 7/8in	
33	0741607	1	Screw, Countersunk 3/8in-16NC x 7/8in	
34	0641618	4	Bolt 3/8in-16NC x 2-1/4in	
35	3311605	5	Locknut 3/8in-16NC	
36	0100011	AR	Compound, Locking	
37	4845127	1	Boom Rest Weldment (Front Entry Platform) (SN 0300069000 through 0300070977)	
38	0561076	1	Block, Boom Rest	
39	0641605	4	Bolt 3/8in-16NC x 5/8in	
40	0461614	1	Bolt 3/8in-16NC x 1-3/4in	
41	0641820	4	Bolt 1/2in-13NC x 2-1/2in (Front Entry Platform)	
42	4711800	8	Flatwasher 1/2in Thin (Front Entry Platform)	
43	3311805	4	Locknut 1/2in-13NC (Front Entry Platform)	
44	0681610	4	Bolt 3/8in-16NC x 1-1/4in (Grade 8) (Front Entry Platform)	
45	4711600	4	Flatwasher 3/8in Thin (Front Entry Platform)	
46	0961947	6	Bushing	
47	0961948	2	Bushing	
48	0961949	4	Bushing	
49	0961951	2	Bushing	
50	0641810	6	Bolt 1/2in-13NC x 1in (Front Entry Platform)	
51	2080044	4	Rivnut	
52	0641611	1	Bolt 3/8in-16NC x 1-3/8in	
55	3900239	4	Setscrew	
56	3841340	1	Loop, Hose	
57	0641606	2	Bolt 3/8in-16NC x 3/4in	
58	0962335	4	Bushing	
	0255423	Ref	POWER TRACK INSTALLATION	12-K
108	0641403	4	Bolt 1/4in-20NC x 3/8in	
116	3539779	1	Plate, Cover	
117	1320243	1	Clamp, Block	
118	0641532	2	Bolt 5/16in-18NC x 4in	
119	4751600	2	Flatwasher 3/8in Regular (SN 0300069000 through 0300084623)	
120	4751400	4	Flatwasher 1/4in Regular	
121	3570374	1	Plate	
123	3311505	2	Nut 5/16in-18NC	
125	4751500	2	Flatwasher 5/16 Regular (SN 0300084624 through 0300087000)	
	0270821	Ref	CABLE INSTALLATION	7-F
216	1670769	1	Cover	

SECTION 3 - BOOM

ITEM	PART NUMBER	QTY	DESCRIPTION	REV
217	0561237	2	Clamp, Block	C
218	0641416	4	Bolt 1/4in-20NC x 2in	
	0272070	Ref	PLATFORM SUPPORT INSTALLATIONS (SIDE ENTRY PLATFORM)	
301	0100011	AR	Compound, Locking	
302	0641812	8	Bolt 1/2in-13NC x 1-1/2in	
303	0642684	1	Bolt 1in-8NC x 10-1/2in	
304	0681608	8	Bolt 3/8in-16NC x 1in	
305	3272605	1	Locknut 1in-8NC	
306	3311805	8	Locknut 1/2in-13NC	
307	4846573	1	Support Weldment	
308	4891600	8	Flatwasher 3/8in Hardened	
309	4891800	8	Flatwasher 1/2in Hardened	
310	4892600	1	Flatwasher 1in Hardened	

FIGURE 3-3. TOWER BOOM ASSEMBLIES

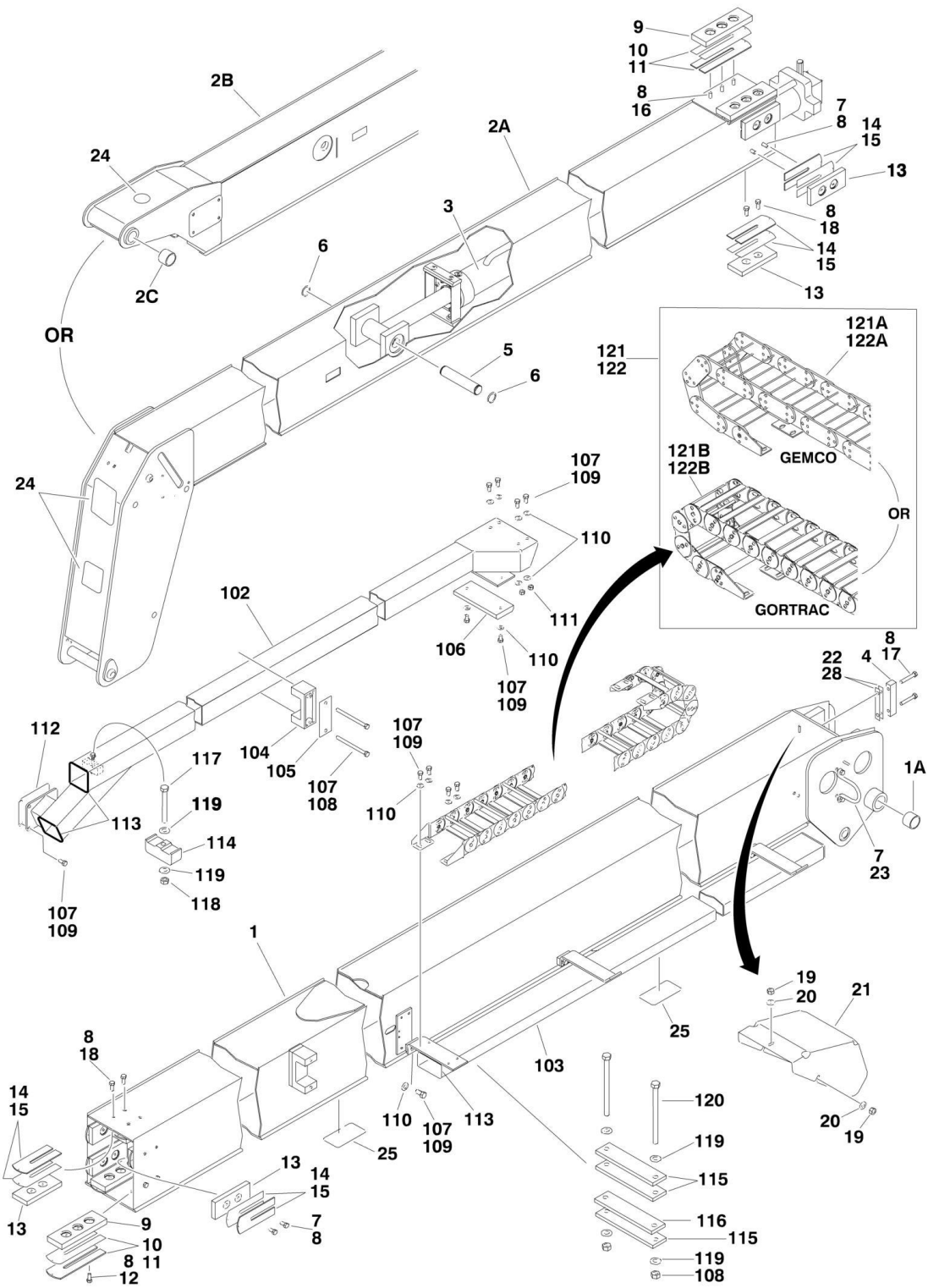
ITEM	PART NUMBER	QTY	DESCRIPTION	REV
	0801019	Ref	TOWER BOOM ASSEMBLY	8-I
1	0801085	1	Base Weldment	
1A	0961949	2	Bushing	
2	0801021	1	Fly Weldment	
2A	0961949	2	Bushing	
3	1683312	NLA	Cylinder Assembly - Tower Telescope (Use p/n 1001228006) (See CYLINDER SECTION for Breakdown) (Original Equipment)	
3	1001228006	1	Cylinder Assembly - Tower Telescope (See CYLINDER SECTION for Breakdown) (Service Replacement)	
4	0561185	2	Block, Attach	
5	3422575	1	Pin	
6	3841203	1	Keeper, Pin	
7	0641606	26	Bolt 3/8in-16NC x 3/4in	
8	0100011	AR	Compound, Locking	
9	3340871	4	Pad, Wear	
10	4070863	AR	Shim .12	
11	4070864	AR	Shim .05	
12	0641612	12	Bolt 3/8in-16NC x 1-1/2in	
13	3340881	12	Pad, Wear	
14	4070897	AR	Shim .05	
15	4070898	AR	Shim .12	
16	0641608	6	Bolt 3/8in-16NC x 1in	
17	0641618	4	Bolt 3/8in-16NC x 2-1/4in	
18	0641809	1	Bolt 3/8in-16NC x 1-1/8in	
19	4070929	AR	Shim	
20	0561248	1	Block, Boom Rest	
21	4711600	2	Flatwasher 3/8in Thin	
22	4060808	54	Flex-Trim	
		in/137cm		
23	0641610	4	Bolt 3/8in-16NC x 1-1/4in	
	0255423	Ref	POWER TRACK INSTALLATION	12-K
101		Ref	Power Track Assembly Options:	
		Ref	Note: Various Power Tracks use on this model. Identify brand before ordering parts.	
101A	1180339	NLA	Gemco Brand Power Track (Use p/n 1001199835)	
101A		Ref	Replacement Parts:	
101A	7016502	AR	Repair Section (Includes 10 Link Pin, 4 Radius Links, 4 Carrier Links, 1 Carrier Weldment, 10 Slugs and 20 Bearing Plates)	
101A	7016510	2 Pair	Feet, Mounting	
101A	7006152	AR	Pin Kit (Includes 1 pin, 1 Retaining Ring and 4 Washers)	
101B	1001099835	1	Gortrac Brand Power Track	
101B		Ref	Replacement Parts:	
101B	70002001	AR	Repair Section	
101B	70002002	1	Mounting Bracket Kit	
102	4844984	NLA	Tube Weldment (Right Side) (Use p/n 1001151542)	
103	4844983	NLA	Tube Weldment (Left Side) (Use p/n 1001151586)	
104	3539228	1	Plate, Cover	
105	0641606	14	Bolt 3/8in-16NC x 3/4in	
106	3311605	6	Locknut 3/8in-16NC	
107	0100011	AR	Compound, Locking	

SECTION 3 - BOOM

ITEM	PART NUMBER	QTY	DESCRIPTION	REV
108	0641403	10	Bolt 1/4in-20NC x 3/8in	
109	3539236	1	Plate, Hose Clamp	
110	0641516	2	Bolt 5/16in-18NC x 2in	
111	3570375	2	Plate	
112	3841295	1	Rod	
113	4567241	1	Tube	
114	3450606	2	Pin, Cotter	
115	0641628	2	Bolt 3/8in-16NC x 3-1/2in	
119	4751600	14	Flatwasher 3/8in Regular (SN 0300084624 through 0300087000)	
122	0257573	1	Roller Hanger Assembly (Includes Items 201-205)	
124	4711400	6	Flatwasher 1/4in Regular (SN 0300082634 through 0300087000)	
	0257573	Ref	ROLLER HANGER ASSEMBLY	1-A
201	3570277	1	Plate (Left Side)	
202	3570270	1	Plate (Right Side)	
203	4567241	2	Roller, Tube	
204	3841347	2	Rod	
205	3450306	4	Pin, Cotter	
206	4751800	4	Flatwasher 1/2in Regular	

SECTION 3 - BOOM

FIGURE 3-4. MAIN BOOM ASSEMBLIES



SECTION 3 - BOOM

FIGURE 3-4. MAIN BOOM ASSEMBLIES

ITEM	PART NUMBER	QTY	DESCRIPTION	REV
	0801022	Ref	BOOM ASSEMBLY - 600A	13-G
	0801025	Ref	BOOM ASSEMBLY - 600AJ	8-E
1		Ref	Base Weldment Options:	
1	0801023	1	Base Weldment 600A	
1	0801026	1	Base Weldment 600AJ	
1A	0961948	2	Bushing (Note: Must be Purchased Separately)	
2		Ref	Fly Weldment Options:	
2A	0801228	1	Fly Weldment 600A	
2B	0801027	1	Fly Weldment 600AJ	
2C		Ref	Bushing Options (Note: Must be Purchased Separately):	
2C	Not Required	0	Bushing 600A	
2C	0961951	2	Bushing 600AJ	
3		Ref	Telescope Cylinder Assembly Options: (See CYLINDER SECTION for Breakdown)	
3	1683307	NLA	Telescope Cylinder Assembly 600A (Use p/n 1001228005) (Original Equipment)	
3	1001228005	1	Telescope Cylinder Assembly 600A (Service Replacement)	
3	1683317	NLA	Telescope Cylinder Assembly 600AJ (Use p/n 1001228007) (Original Equipment)	
3	1001228007	1	Telescope Cylinder Assembly 600AJ (Service Replacement)	
4	0561185	2	Block	
5	3422457	1	Pin	
6	3760133	2	Ring, Retaining	
7	0641606	18	Bolt 3/8in-16NC 3/4in	
8	0100011	AR	Compound, Locking	
9	3340871	4	Pad, Wear	
10	4070863	AR	Shim .12	
11	4070864	AR	Shim .05	
12	0641610	6	Bolt 3/8in-16NC x 1-1/4in	
13	3340881	12	Pad, Wear	
14	4070897	AR	Shim .05	
15	4070898	AR	Shim .12	
16	0641608	6	Bolt 3/8in-16NC x 1in	
17	0641618	4	Bolt 3/8in-16NC x 2-1/4in	
18	0641607	8	Bolt 3/8in-16NC x 7/8in	
19	3311401	3	Nut 1/4in-20NC	
20	4751400	3	Flatwasher 1/4in Regular	
21	1670768	1	Cover, Boom	
22	4070929	AR	Shim	
23	3841340	1	Clamp, Hose	
24	4060805	AR	Flex-Trim	
25	1670836	6	Cover, Boom	
26		Ref	Tape, Two Sided Foam Options:	
26	4420060	10 ft/3m	Tape, Two Sided Foam 600A	
26	Not Required	0	Tape, Two Sided Foam 600AJ	
27		Ref	Bar, Fiberglass Options:	
27	0362529	1	Bar, Fiberglass 600A	
27	Not Required	0	Bar, Fiberglass 600AJ	
28	4071007	AR	Shim	
	0255281	Ref	POWER TRACK INSTALLATION - 600A	7-F

SECTION 3 - BOOM

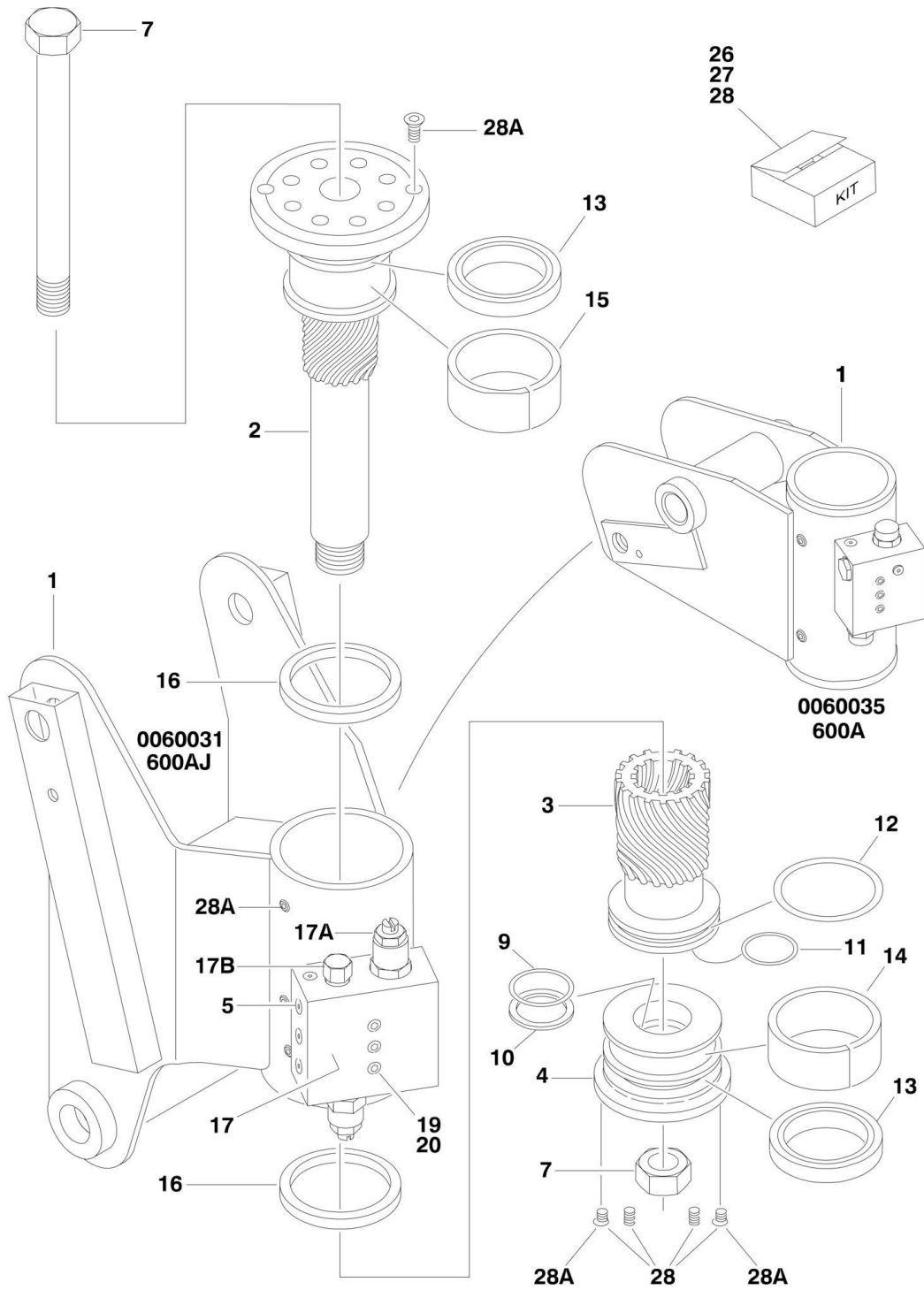
ITEM	PART NUMBER	QTY	DESCRIPTION	REV
	0255288	Ref	POWER TRACK INSTALLATION - 600AJ	6-E
102		Ref	Tube Weldment Options:	
102	4844969	1	Tube Weldment 600A	
102	4844978	1	Tube Weldment 600AJ	
103		Ref	Support, Power Track Options:	
103	4844972	1	Support, Power Track 600A	
103	4844979	1	Support, Power Track 600AJ	
104	3340764	2	Pad, Wear	
105	3538758	1	Plate, Cover Support	
106	Not Required	0	Pad Options:	
106	3340787	1	Pad 600A	
106	3340765	1	Pad 600AJ	
107	0100011	AR	Compound, Locking	
108	0641640	2	Bolt 3/8in-16NC x 5in	
109	0641606	22	Bolt 3/8in-16NC x 3/4in	
110	4711600	18	Flatwasher 3/8in Thin	
111	3311605	4	Locknut 3/8in-16NC	
112	4070932	AR	Shim	
113	4060804	AR	Flex-Trim	
114	1320314	1	Clamp, Hose/Cable (SN 0300070977 through 0300087000)	
115		Ref	Plate Options: (SN 0300070977 through 0300087000)	
115	3574171	3	600A	
115	3574185	3	600AJ	
116		Ref	Shim Options: (SN 0300070977 through 0300087000)	
116	4071061	3	600A	
116	4071062	3	600AJ	
117	0641522	1	Bolt 5/16in-18NC x 2-3/4in (SN 0300070977 through 0300087000)	
118	3311505	3	Locknut 5/16in-18NC (SN 0300070977 through 0300087000)	
119	4711500	6	Flatwasher 5/16in Thin	
120	0641536	2	Bolt 5/16in-18NC x 4-1/2in (SN 0300070977 through 0300087000)	
121		Ref	600A Power Track Assembly Options:	
		Ref	Note: Various Power Tracks use on this model. Identify brand before ordering parts.	
121A	1180336	NLA	Gemco Brand Power Track (Use p/n 1001107153) (600A)	
121A	7006140	AR	Repair Section (Includes 10 Link Pin, 4 Radius Links, 8 Carrier Links, 4 Rod Carrier, 8 Screws, 10 Slugs and 20 Bearing Plates) (600A)	
121A	7006151	2 Pair	Feet, Mounting (600A)	
121A	7006161	AR	Rod (600A)	
121A	7006152	AR	Pin Kit (Includes 1 pin, 1 Retaining Ring and 4 Washers) (600A)	
121B	1001107153	1	Gortrac Brand Power Track (600A)	
121B	70002011	AR	Repair Section (600A)	
121B	70002012	1	Mounting Bracket Kit (600A)	
122		Ref	600AJ Power Track Assembly Options:	
		Ref	Note: Various Power Tracks use on this model. Identify brand before ordering parts.	
122	1180338	NLA	Gemco Brand Power Track (Use p/n 1001199836) (600AJ)	
122A	7016519	AR	Repair Section (Includes 10 Link Pin, 4 Radius Links, 8 Carrier Links, 4 Rod Carrier, 8 Screws, 10 Slugs and 20 Bearing Plates) (600AJ)	

SECTION 3 - BOOM

ITEM	PART NUMBER	QTY	DESCRIPTION	REV
122A	7006151	2 Pair	Feet, Mounting (600AJ)	
122A	7016521	AR	Rod (600AJ)	
122A	7006158	AR	Screw (600AJ)	
122A	7006152	AR	Pin Kit (Includes 1 pin, 1 Retaining Ring and 4 Washers) (600AJ)	
122B	1001099836		Gortrac Brand Power Track (600AJ)	
122B	70001999	AR	Repair Section (600AJ)	
122B	70002000	1	Mounting Bracket Kit (600AJ)	

SECTION 3 - BOOM

FIGURE 3-5. ROTATOR ASSEMBLIES (FRONT ENTRY PLATFORM)



SECTION 3 - BOOM

FIGURE 3-5. ROTATOR ASSEMBLIES (FRONT ENTRY PLATFORM)

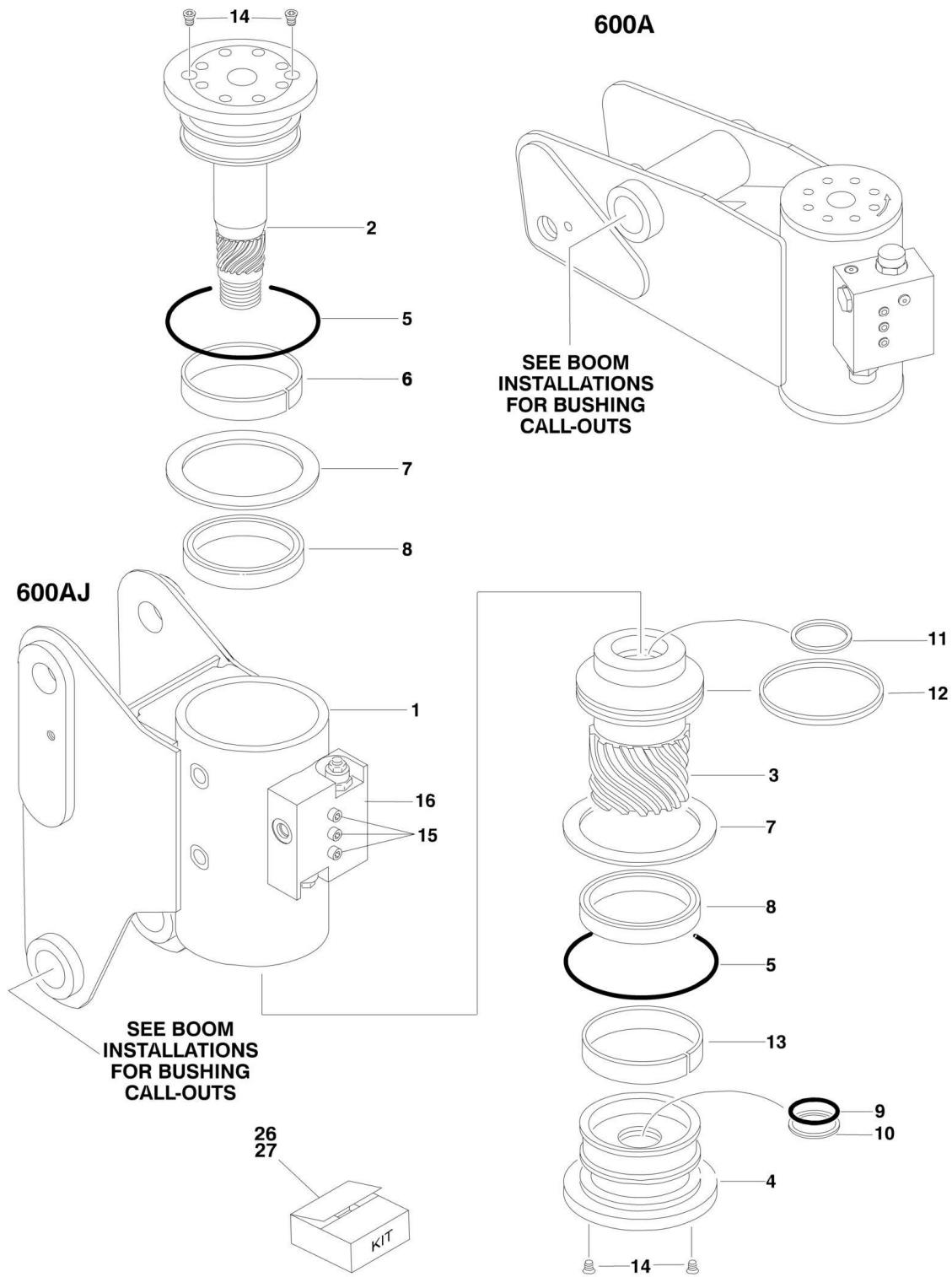
ITEM	PART NUMBER	QTY	DESCRIPTION	REV
		Ref	ROTATOR ASSEMBLIES	
	0060035	Ref	Rotator Assemblies 600A (Original Equipment)	G
	0060076	Ref	Rotator Assemblies 600A (Service Replacement)	B
	0060031	Ref	Rotator Assemblies 600AJ (Original Equipment)	H
	0060074	Ref	Rotator Assemblies 600AJ (Service Replacement)	B
		Ref	Note: Before ordering parts, identify whether original equipment rotator has been replaced with service replacement. Service replacement rotator uses spacer plate bolted on the top with 8 capscrews (Not shown - located at item 2). Original equipment rotator does not use spacer plate.	
1	See Note	1	Housing/Ring Gear Assembly (Note: Not Available - Purchase Complete Assembly)	
2		Ref	Shaft Options:	
2	7017177	1	0060035 Rotators	
2	7017117	1	0060031 Rotators	
2	7017162	1	0060076 & 0060074 Rotators	
2	See Note	1	Plate, Spacer (Not Shown) (0060076 & 0060074 Rotators Only) (Note: Not Available for Purchase)	
3		Ref	Piston/Sleeve Options:	
3	7017115	1	0060035 & 0060031 Rotators	
3	7017163	1	0060076 & 0060074 Rotators	
4		Ref	Cap, End Options:	
4	7017174	1	0060035 Rotators	
4	7017116	1	0060031 Rotators	
4	7017164	1	0060076 & 0060074 Rotators	
5	See Note	6	Plug, Port (Note: Not Available for Purchase)	
6	7017142	2	Plug	
7	7017119	1	Bolt 1in-8NC x 11in	
7	3272605	AR	Locknut 1in-8NC	
9	See Note	1	Seal, Cap (Note: Use Item 26)	
10	See Note	1	Ring, Back-up (Cap) (Note: Use Item 26)	
11	See Note	1	Seal, Rod (Note: Use Item 26)	
12	See Note	1	Seal, Piston (Note: Use Item 26)	
13	See Note	2	Packing, Bearing (Note: Use Item 26)	
14	See Note	1	Bearing, Cap (Note: Use Item 27)	
15	See Note	1	Bearing, Shaft (Note: Use Item 27)	
16	See Note	2	Thrustwasher (Note: Use Item 27)	
17		Ref	Valve Assembly Options:	
17	7017101	Ref	0060035 & 0060031 Rotators	
17	7017183	1	0060076 & 0060074 Rotators	
17A		Ref	Cartridge, Valve Options:	
17A	7011331	2	Cartridge for Helac p/n 24736	
17A	7017193	2	Cartridge for Helac p/n 27600	
17A	2900770	2	Seal Kit - 7011331 Valve	
17A	See Note	2	Seal Kit - 7017193 Valve (Note: Not Available for Purchase)	
17B		Ref	Cartridge, Valve Options:	
17B	7011332	AR	Cartridge for Helac p/n 24736	
17B	See Note	1	Cartridge for Helac p/n 27600 (Not Shown - Located on Side of Valve Block) (Note: Not Available for Purchase)	
17B	7011346	2	Seal Kit - 7011332 Valve	

SECTION 3 - BOOM

ITEM	PART NUMBER	QTY	DESCRIPTION	REV
17B	See Note	1	Seal Kit - Valve Located on Side of Block (Note: Not Available for Purchase)	
18	7017118	2	Setscrew (0060035 & 0060031 Rotators Only)	
19	See Note	3	Bolt 1/4 x 1-1/2 (Grade 8) (Note: Not Available for Purchase)	
20	3790110	3	O-Ring (Not Shown - Located between Valve and Actuator Housing)	
26		Ref	Seal Kit Options (Includes Items 9-13):	
26	7017157	1	0060035 & 0060031 Rotators	
26	7017158	1	0060076 & 0060074 Rotators (Includes Hardware Kit)	
27		Ref	Bearing Kit Options (Includes Items 14-16):	
27	7017106	1	0060035 Rotators (600A Actual Production)	
27	7017156	1	0060031 Rotators (600AJ Actual Production)	
27	7017159	1	0060076 & 0060074 Rotators (Recommended Replacement)	
28	7017142	1	Hardware Kit for 0060035 & 0060031 Rotators (Includes End Cap Dowel Pins and Items 6 & 28A)	
28	See Note	1	Hardware Kit for 0060075 & 0060076 Rotators (Note: Use p/n 7017158)	
28A	70001697	6	Screw, Countersunk 1/4in-20NC x 3/8in Grade 8	

SECTION 3 - BOOM

FIGURE 3-6. ROTATOR ASSEMBLIES (SIDE ENTRY PLATFORM)



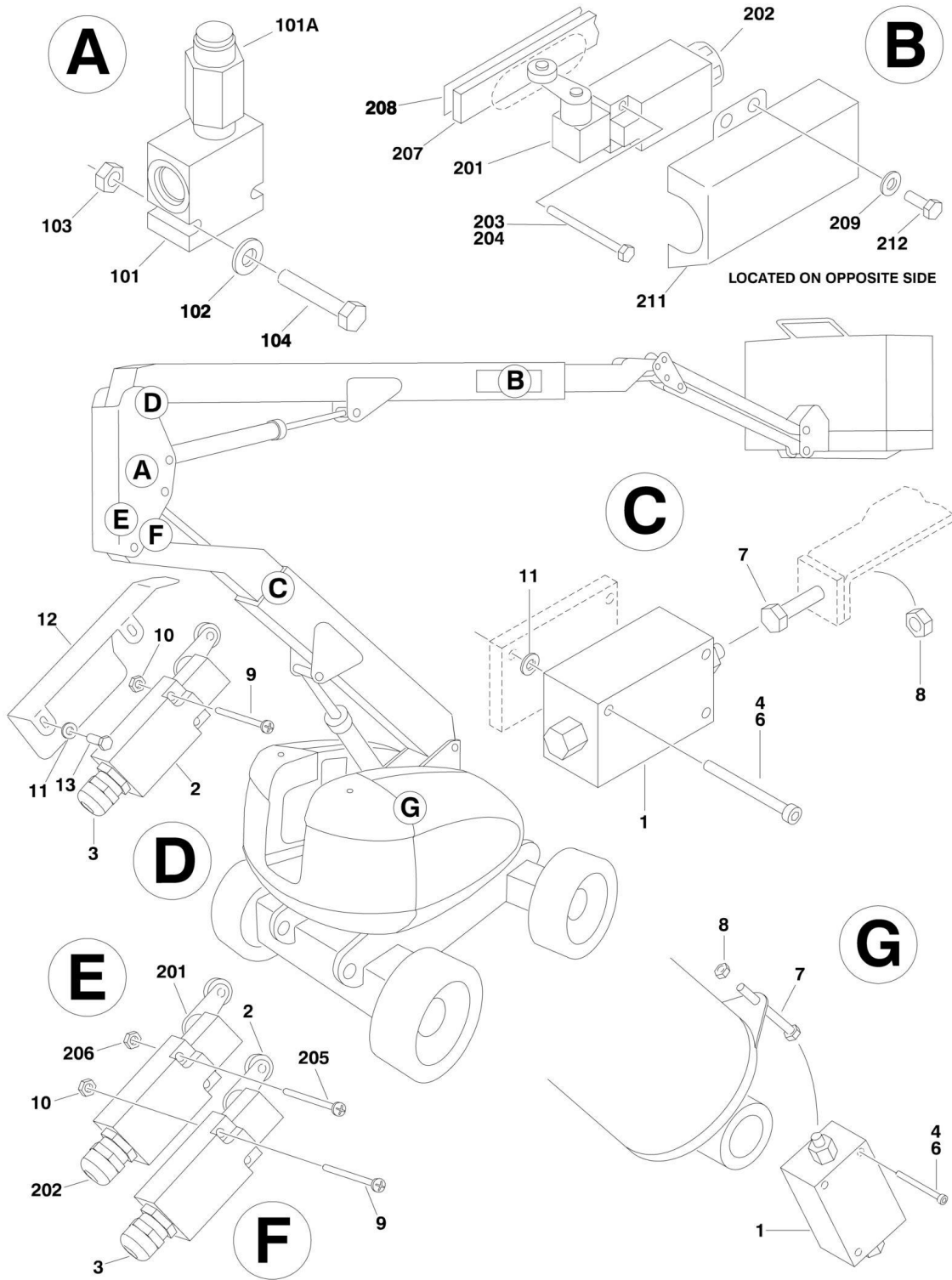
SECTION 3 - BOOM

FIGURE 3-6. ROTATOR ASSEMBLIES (SIDE ENTRY PLATFORM)

ITEM	PART NUMBER	QTY	DESCRIPTION	REV
		Ref	ROTATOR ASSEMBLIES	
	0060068	Ref	Rotator Assemblies 600A	A
	0060066	Ref	Rotator Assemblies 600AJ	C
1	See Note	1	Housing/Ring Gear Assembly (Note: Not Available - Purchase Complete Assembly)	
2	7017162	1	Shaft	
3	7017163	1	Piston/Sleeve Assembly	
4	7017164	1	Cap, End	
5	See Note	NSS	O-Ring (Note: Use Item 26)	
6	See Note	NSS	Bearing, Shaft (Note: Use Item 27)	
7	See Note	NSS	Thrustwasher (Note: Use Item 27)	
8	See Note	NSS	Packing, Bearing (Note: Use Item 26)	
9	See Note	NSS	Seal, Cap (Note: Use Item 26)	
10	See Note	NSS	Ring, Back-up Cap (Note: Use Item 26)	
11	See Note	NSS	Seal, Rod (Note: Use Item 26)	
12	See Note	NSS	Seal, Piston (Note: Use Item 26)	
13	See Note	NSS	Bearing, Cap (Note: Use Item 27)	
14	70001697	6	Capscrew 1/4in-20NC x 3/8in (Grade 8)	
15	See Note	3	Bolt 1/4 x 1-1/2 (Grade 8) (Note: Not Available for Purchase)	
16	7017183	1	Valve Assembly	
16	7017193	2	Cartridge, Valve	
16	See Note	2	Seal Kit - 7017193 Valve (Note: Not Available - Purchase Complete Assembly)	
16	See Note	1	Cartridge, Valve (Not Shown - Located on Side of Block) (Note: Not Available - Purchase Complete Assembly)	
16	See Note	1	Seal Kit - Valve Located on Side of Block (Note: Not Available - Purchase Complete Assembly)	
26	7017158	1	Seal Kit (Includes Items 5, 8-12 & Hardware Kit)	
27	7017159	1	Bearing Kit (Includes Items 6, 7 & 13)	

SECTION 3 - BOOM

FIGURE 3-7. VALVES AND SWITCHES INSTALLATION (BOOM MOUNTED)



SECTION 3 - BOOM

FIGURE 3-7. VALVES AND SWITCHES INSTALLATION (BOOM MOUNTED)

ITEM	PART NUMBER	QTY	DESCRIPTION	REV
	0255438	Ref	BOOM VALVES AND LIMIT SWITCHES INSTALLATION(STANDARD)	9/I
1	4641139	2	Valve, Manual 2-Way	
2		Ref	Switch, Limit Options: (Note: p/n 4360578 does not include #3 Connector - Purchase Separately)	
2	4360322	NLA	Switch, Limit (was p/n 4360578)	
2	4360549	NLA	Switch, Limit (was p/n 4360578)	
2	4360578	2	Switch, Limit (SN 0300080875 through 0300087000)	
3		Ref	Connector, Strain Relief Options:	
3	4460428	2	Use with p/n 4360322 Switch	
3	4460968	2	Use with p/n 4360549 & 4360578 Switches	
4	3931430	6	Bolt, Socket Head 1/4in-20NC x 1-7/8in	
6	0100011	AR	Compound, Locking	
7	0630427	2	Bolt, Special	
8	3311801	3	Nut 1/2in-13NC	
9	3930824	4	Bolt, Socket Head #8-32NC x 1-1/2in	
10	3310801	4	Nut #8-32NC	
11	4751400	8	Flatwasher 1/4in Regular	
12	1670819	1	Cover, Switch	
13	3931408	2	Bolt, Socket 1/4in-20NC x 1/2in	
		Ref	VALVES INSTALLATION	
	0255440	Ref	Valves Installation 600A 2WS (SN 0300069000 through 0300081835)	13
	0274276	Ref	Valves Installation 600A 2WS (SN 0300081836 through 0300084828)	1
	0274309	Ref	Valves Installation 600A 2WS (SN 0300084829 through 0300087000)	1
	0255442	Ref	Valves Installation 600A 4WS (SN 0300069000 through 0300081835)	12
	0274278	Ref	Valves Installation 600A 4WS (SN 0300081836 through 0300084828)	1
	0274311	Ref	Valves Installation 600A 4WS (SN 0300084829 through 0300087000)	1
	0255441	Ref	Valves Installation 600AJ 2WS (SN 0300069000 through 0300081835)	15
	0274277	Ref	Valves Installation 600AJ 2WS (SN 0300081836 through 0300084828)	1
	0274310	Ref	Valves Installation 600AJ 2WS (SN 0300084829 through 0300087000)	1
	0255443	Ref	Valves Installation 600AJ 4WS (SN 0300069000 through 0300081835)	12
	0274279	Ref	Valves Installation 600AJ 4WS (SN 0300081836 through 0300084828)	1
	0274312	Ref	Valves Installation 600AJ 4WS (SN 0300084829 through 0300087000)	1
101	4640929	1	Valve Assembly (Relief)	
101A	7012970	1	Cartridge	
101A	7012953	1	Seal Kit - 7012970 Cartridge	
102	4711400	2	Flatwasher 1/4in Thin	
103	3311405	2	Locknut 1/4in-20NC	
104	0641424	2	Bolt 1/4in-20NC x 3in	
	0255699	Ref	LIMIT SWITCHES INSTALLATION - 600A DUAL CAPACITY	5/C

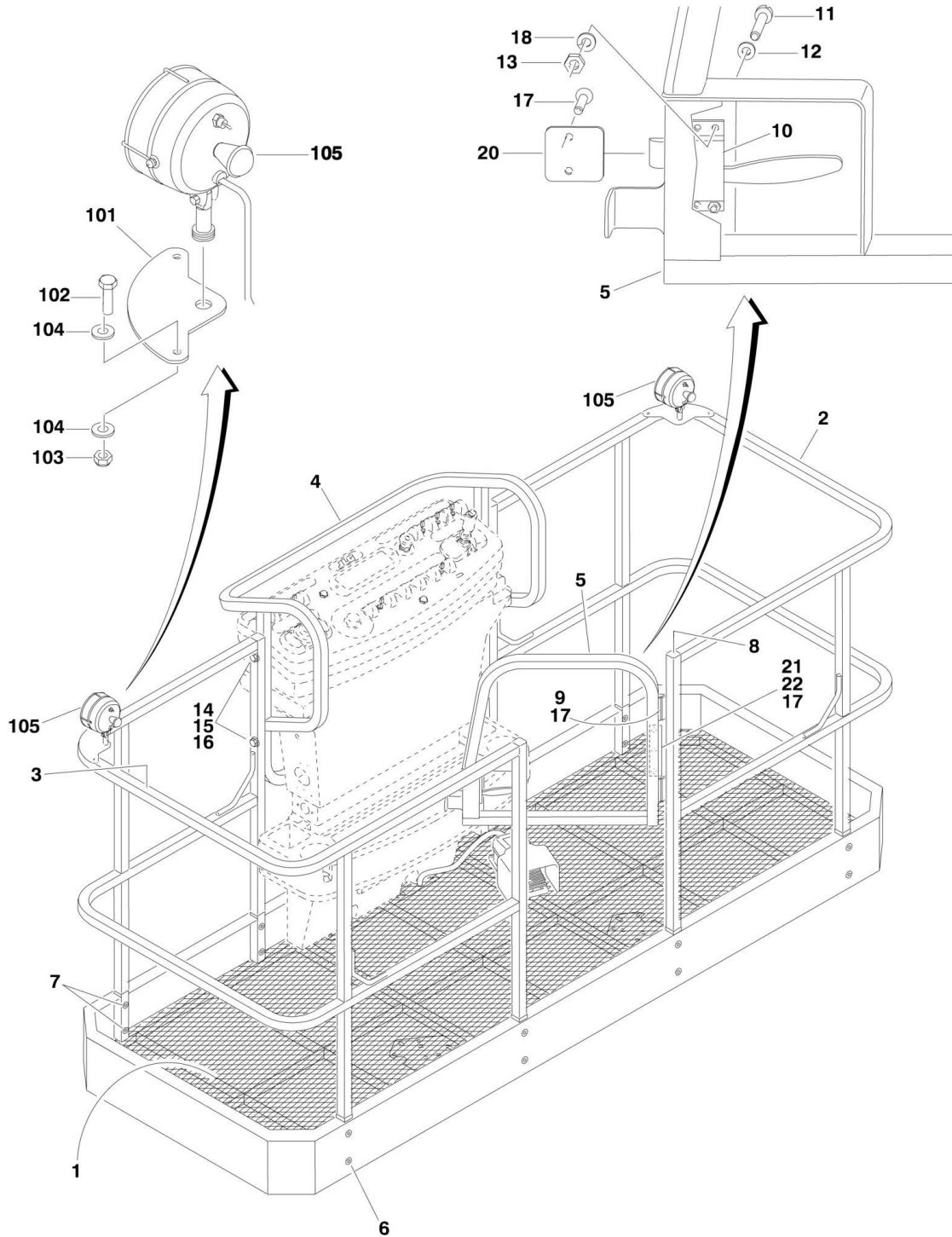
SECTION 3 - BOOM

ITEM	PART NUMBER	QTY	DESCRIPTION	REV
201		Ref	Switch, Limit Options: (Note: p/n 4360578 does not include #3 Connector - Purchase Separately)	
201	4360322	NLA	Switch, Limit (Use p/n 4360578)	
201	4360549	NLA	Switch, Limit (Use p/n 4360578)	
201	4360578	2	Switch, Limit (SN 0300080875 through 0300087000)	
202		Ref	Connector, Strain Relief Options:	
202	4460428	2	Use with p/n 4360322 Switch	
202	4460968	2	Use with p/n 4360549 & 4360578 Switches	
203	0100035	AR	Compound, Locking	
204	3930816	2	Bolt, Socket Head #8-32NC x 1in	
205	3930824	2	Bolt, Socket Head #8-32NC x 1-1/2in	
206	3310805	2	Locknut #8-32NC	
207	0362529	1	Bar, Fiberglass	
208	4420060	9.8 ft/3m	Tape, Foam	
209	4751400	4	Flatwasher 1/4in Regular	
211	1670824	1	Cover, Switch	
212	0641403	4	Bolt 1/4in-20NC x 3/8in	

SECTION 4 - PLATFORM

SECTION 4 - PLATFORM

FIGURE 4-1. PLATFORM ASSEMBLIES (FRONT ENTRY PLATFORM)



SECTION 4 - PLATFORM

FIGURE 4-1. PLATFORM ASSEMBLIES (FRONT ENTRY PLATFORM)

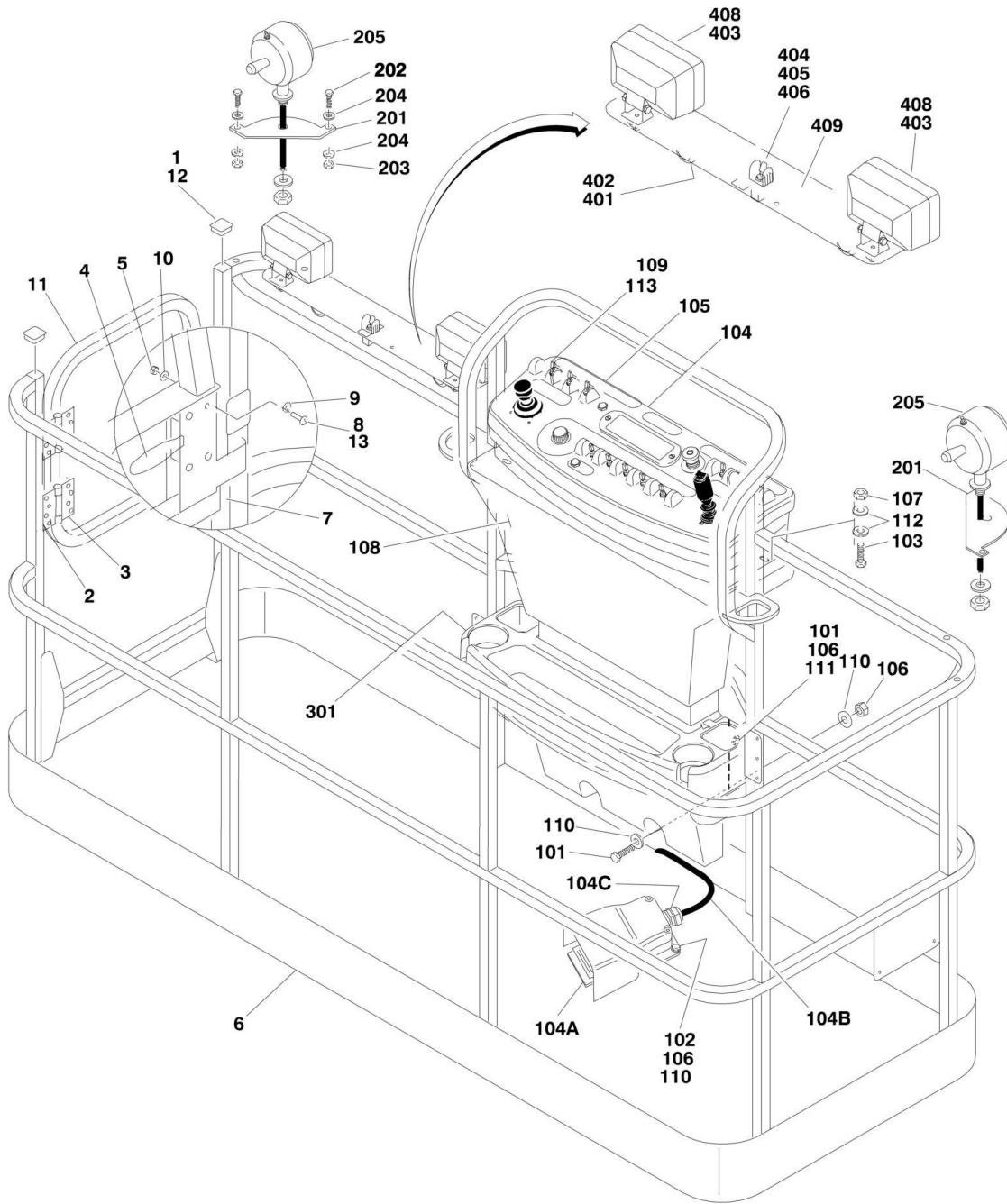
ITEM	PART NUMBER	QTY	DESCRIPTION	REV
		Ref	PLATFORM OPTIONS:	
	3510760	Ref	4ft (1.22m) with Self-Closing Gate	3
	3510728	Ref	5ft (1.52m) with Self-Closing Gate	3
	3510497	Ref	6ft (1.83m) Standard	8
	3510542	Ref	6ft (1.83m) with Self-Closing Gate	3
	3510545	Ref	6ft (1.83m) with Mesh to Top Rail	-
	3510565	Ref	6ft (1.83m) with Mesh to Top Rail and Self-Closing Gate	3
	3510488	Ref	8ft (2.44m) Standard	8
	3510543	Ref	8ft (2.44m) Self-Closing Gate	3
	3510546	Ref	8ft (2.44m) with Mesh to Top Rail	-
	3510566	Ref	8ft (2.44m) with Mesh to Top Rail and Self-Closing Gate	4
1		Ref	Floor Weldment Options:	
1	4846253	1	4ft (1.22m) Platforms	
1	4846101	1	5ft (1.52m) Platforms	
1	4844954	1	6ft (1.83m) Platforms	
1	4844928	1	8ft (2.44m) Platforms	
2		Ref	Rail Weldment - Right Side Options:	
2	4846254	1	4ft (1.22m) Standard Platforms	
2	4846102	1	5ft (1.52m) Standard Platforms	
2	4844955	1	6ft (1.83m) Standard Platforms	
2	4845408	1	6ft (1.83m) Mesh to Top Rail Platforms	
2	4844924	1	8ft (2.44m) Standard Platforms	
2	4845412	1	8ft (2.44m) Mesh to Top Rail Platforms	
3		Ref	Rail Weldment - Left Side Options:	
3	4846255	1	4ft (1.22m) Standard Platforms	
3	4846103	1	5ft (1.52m) Standard Platforms	
3	4844956	1	6ft (1.83m) Standard Platforms	
3	4845409	1	6ft (1.83m) Mesh to Top Rail Platforms	
3	4844925	1	8ft (2.44m) Standard Platforms	
3	4845413	1	8ft (2.44m) Mesh to Top Rail Platforms	
4	4845328	1	Rail Weldment - Back	
5		Ref	Gate Weldment Options:	
5		Ref	With Self-Closing Gate	
5	4845426	1	4ft (1.22m) & 5ft (1.52m) Platforms	
5	4844926	1	6ft (1.83m) & 8ft (2.44m) Platforms	
5		Ref	Standard Gate	
5	4845327	1	6ft (1.83m) & 8ft (2.44m) Platforms	
5		Ref	With Self-Closing Gate and Mesh to Top Rail	
5	4845469	1	6ft (1.83m) & 8ft (2.44m) Platforms	
5		Ref	Mesh to Top Rail	
5	4845410	1	6ft (1.83m) & 8ft (2.44m) Platforms	
6	3900207	AR	Fastener	
		Ref	Note: p/n 3900207 Fastener may be replaced with p/n 0641416 bolt, p/n 4751400 flatwasher, p/n 3311405 locknut and p/n 3300151 acorn type nut. Acorn type nut required to meet industry safety requirements.	
7	3300393	AR	Collar	
8	3520072	4	Plug, Cap	
9	2600287	2	Hinge	
10	2940074	1	Latch	

SECTION 4 - PLATFORM

ITEM	PART NUMBER	QTY	DESCRIPTION	REV
11	3911008	4	Screw #10-24NC x 1/2in	
12	4751000	4	Flatwasher #10 Regular	
13	3311005	4	Nut #10-24NC	
14	0641524	4	Bolt 5/16in-18NC x 3in	
15	3311505	4	Locknut 5/16in-18NC	
16	4751500	4	Flatwasher 5/16in Regular	
17	2080040	13	Fastener	
17	7016652	1	Fastener Tool (Small Fasteners Only)	
18	Not Required	0	Lockwasher 3/8in	
20	3539685	1	Plate, Latch	
21		Ref	Stop, Gate Options:	
21	4220165	1	Standard Gate	
21	4220165	1	Self-Closing Gate	
22	4060803	0.6 ft/0.2m	Trim	
		Ref	WORKLIGHTS INSTALLATIONS (OPTIONAL)	
	0270814	Ref	Worklights Installations (SN 0300069000 through 0300074444)	3-E
	0273492	Ref	Worklights Installations (SN 0300074445 through 0300087000)	C
101	3536089	2	Plate, Mounting	
102	0641414	4	Bolt 1/4in-20NC x 1-3/4in	
103	3311405	4	Locknut 1/4in-20NC	
104	4711400	8	Flatwasher 1/4in Thin	
105	2920140	2	Worklight	
105	7016399	2	Bulb, Replacement (1 Per Worklight)	
106	4240099	10	Tie-Strap	
107	2820035	9 ft/2.8m	Loom, Vinyl (Not Shown)	
108	4460042	2	End, Terminal (Not Shown)	
109		Ref	Connector, Strain Relief Options (Not Shown):	
109	4460598	1	Connector, Strain Relief (SN 0300069000 through 0300074444)	
109	4460426	1	Connector, Strain Relief (SN 0300074445 through 0300087000)	

SECTION 4 - PLATFORM

FIGURE 4-2. PLATFORM ASSEMBLIES - SIDE ENTRY



SECTION 4 - PLATFORM

FIGURE 4-2. PLATFORM ASSEMBLIES - SIDE ENTRY

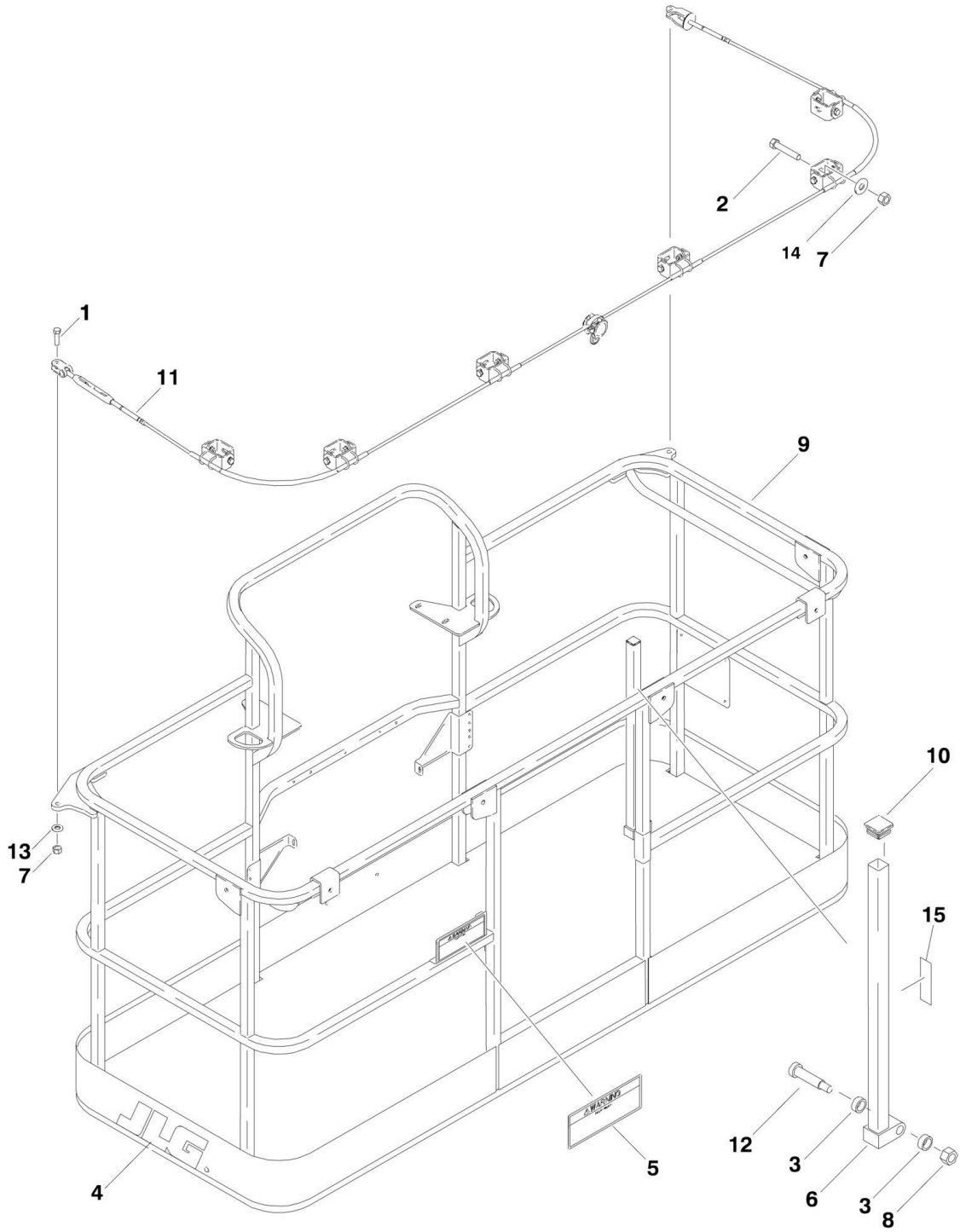
ITEM	PART NUMBER	QTY	DESCRIPTION	REV
		Ref	PLATFORM ASSEMBLIES:	
	3510830	NLA	2.6ft x 4ft (0.70m x 1.22m) with No Mesh (Use p/n 1001144027)	B-E
	3510831	NLA	2.6ft x 5ft (0.70m x 1.52m) with No Mesh (Use p/n 1001144026)	B-E
	3510832	Ref	2.6ft x 6ft (0.70m x 1.83m) with No Mesh) (SN 0300069000 through 0300077489)	E
	3510833	NLA	3ft x 6ft (0.9m x 1.83m) with No Mesh (Use p/n 1001144024)	B-E
	3510822	NLA	3ft x 8ft (0.9m x 2.44m) with No Mesh (was p/n 1001144023)	B-E
		Ref	Note: Original Equipment platform may have been replaced with Service Replacement platform. Identify platform before ordering parts.	
		Ref	Note: Platform and Mesh must be ordered separately for Platforms with Mesh. See SPECIAL OPTIONS SECTION for Mesh Installations.	
		Ref	Note: When replacing 8ft/2.44m platform with Soft Touch option, new Soft Touch Rail p/n 4846673 must be purchased to accommodate limit switch locations.	
		Ref	Note: When replacing platform on machines with SkyCutter option, new bracket p/n 1001145405 must be purchased to accommodate SkyCutter components.	
1	0100040	AR	Sealant, Adhesive (SN 0300069000 through 0300073445)	
2	2080040	16	Fastener, Huck	
3	2600281	2	Hinge, Self-Closing	
4	2940074	1	Latch	
5	3311001	4	Nut #10-24NC (SN 0300069000 through 0300077335)	
6	See Note	1	Platform Weldment (Note: Purchase Platform Assembly)	
7	3520072	AR	Cap-Plug	
8		Ref	Hardware Options:	
8	3911008	4	Screw #10-24NC x 1in (SN 0300069000 through 0300077334)	
8	3820020	4	Pop Rivet (SN 0300077335 through 0300087000)	
9	4751000	4	Flatwasher #10 Regular	
10	4761000	4	Lockwasher #10 (SN 0300069000 through 0300077335)	
11		Ref	Gate Weldment Options:	
11	4846452	1	Gate for Original Equipment Platform p/n 3510822, 3510830, 3510831, 3510833	
11	1001144629	1	Gate for Service Replacement Platform p/ns 1001144023, 1001144024, 1001144026, 1001144027	
12	3520198	2	Square-Plug (SN 0300073445 through 0300087000)	
13	0100011	AR	Compound, Locking (SN 0300069000 through 0300077335)	
		Ref	CONSOLE BOX INSTALLATIONS	
	0271945	Ref	Console Box Installations 2WD	A
	0271941	Ref	Console Box Installations 4WD	A
101	0641406	4	Bolt 1/4in-20NC x 3/4in	
102	0641408	3	Bolt 1/4in-20NC x 1in	
103	0641610	4	Bolt 3/8in-16NC x 1-1/4in	
104	0861517	1	Platform Console Box Assembly (See PLATFORM CONSOLE ASSEMBLY for Breakdown)	
104A	0272970	1	Footswitch Assembly (Includes Footswitch and Items 104B & 104C)	B
		Ref	Note: Assembly p/n 0272970 may use either p/n 4360031 or p/n 1001117320. If Original Equipment was replaced as an "assembly," p/n 1001117320 may have been used as part of the Service Replacement. Identify component before ordering parts.	

SECTION 4 - PLATFORM

ITEM	PART NUMBER	QTY	DESCRIPTION	REV
104A		Ref	Footswitch Less Cable Options:	
104A	4360031	1	Original Equipment	
104A	1001117320	1	Service Replacement	
104A		Ref	Block, Contact Options (See Note Above):	
104A	7000625	2	Contact Block for 4360031 Footswitch	
104A	70003483	1	Contact Block for 1001117320 Footswitch	
104B	1060918	7 ft/2.14m	Cable, Electrical - 18/3	
104C	4460071	1	Connector, Strain Relief	
105		Ref	Decal - Horn Options:	
105	1702563	1	Decal - Horn 2WD	
105	1702676	1	Decal - Horn 4WD	
106	3311405	7	Locknut 1/4in-20NC	
107	3311605	4	Locknut 3/8in-16NC	
108	3380434	1	Panel, Decal Mount	
109	4360331	1	Switch (4WD)	
110	4740362	7	Flatwasher 1/4in Fender	
111	4751400	4	Flatwasher 1/4in Regular	
112	4751600	8	Flatwasher 3/8in Regular	
113	3790012	1	O-Ring	
		Ref	WORKLIGHTS INSTALLATIONS (optional)	
	0270814	Ref	Worklights Installations (SN 0300069000 through 0300074444)	3-E
	0273492	Ref	Worklights Installations (SN 0300074445 through 0300087000)	B
201	3536089	2	Plate, Mounting	
202	0641414	4	Bolt 1/4in-20NC x 1-3/4in	
203	3311405	4	Locknut 1/4in-20NC	
204	4711400	8	Flatwasher 1/4in Thin	
205	2920140	2	Worklight	
205	7016399	2	Bulb, Replacement (1 Per Worklight)	
206	4240099	10	Tie-Strap (Not Shown)	
207	2820035	9	Loom, Vinyl (Not Shown)	
209		Ref	Connector, Strain Relief Options (Not Shown - Located at Console Box):	
209	4460598	1	Connector, Strain Relief (SN 0300069000 through 0300074444)	
209	4460426	1	Connector, Strain Relief (SN 0300074445 through 0300087000)	
		Ref	TRAY INSTALLATIONS (OPTIONAL)	
301	1580012	1	Tray, Storage (Center)	
302	1580013	1	Tray, Storage (Rail Mounted - Not Shown)	
	0274180	Ref	FLOODLIGHT INSTALLATION	A
401	0641518	2	Bolt 5/16in-18NC x 2-1/4in	
402	2560173	2	Handle	
403	2920157	2	Lamp, Work Light	
404	3250585	1	Nameplate - Light On	
405	4060802	1	Guard, Switch	
406	4360336	1	Switch, Toggle	
407	4420037	1	Tape, Insulation (Not Shown)	
408	4751800	2	Flatwasher 1/2in Regular	
409	4846561	1	Mount, Light	
410	4922892	1	Harness 12/3 (Lower Boom) (Not Shown)	
411	4922894	1	Harness 12/3 (Upper Boom) (Not Shown)	

SECTION 4 - PLATFORM

FIGURE 4-3. PLATFORM COMPONENTS INSTALLATION (FALL ARREST PLATFORM)



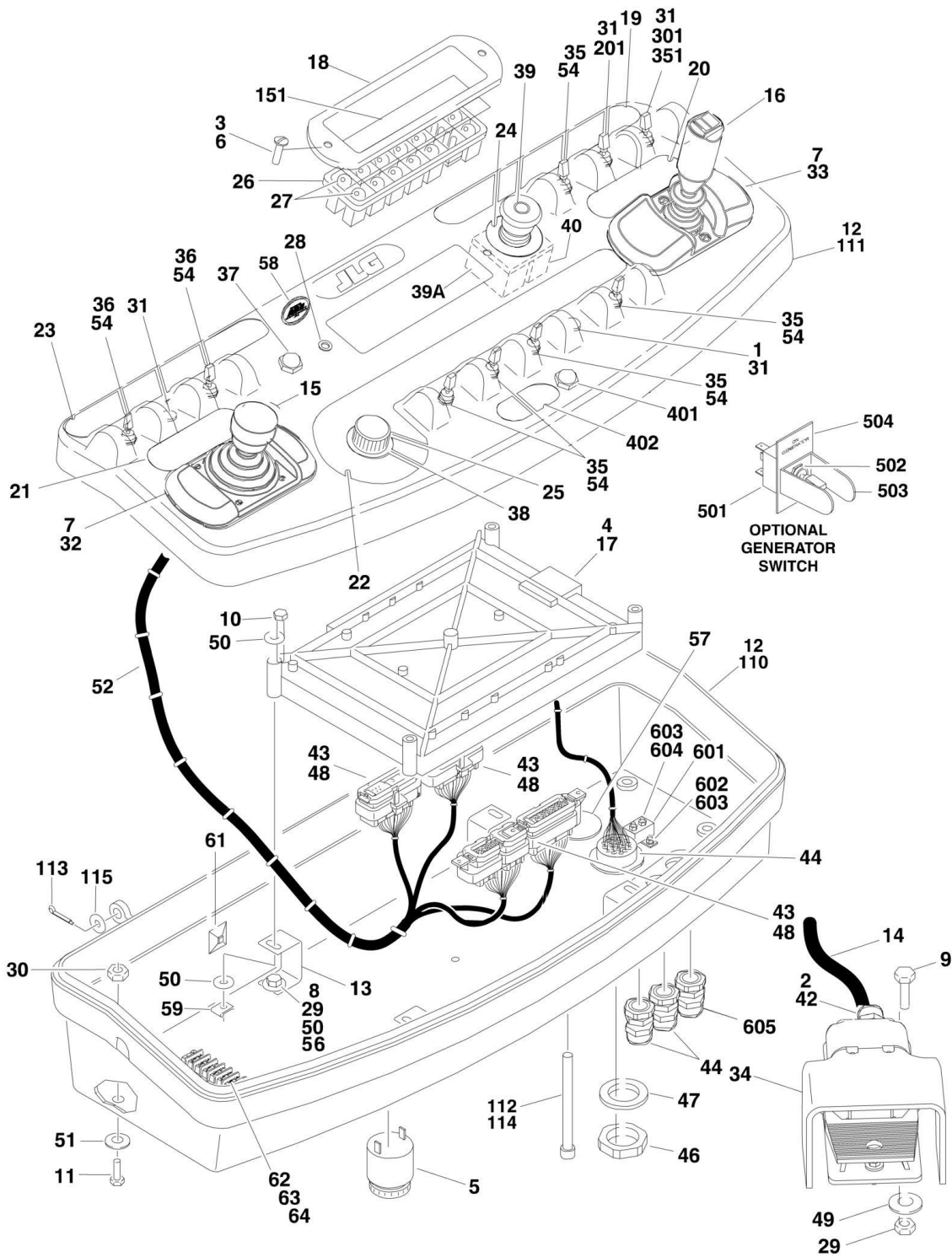
SECTION 4 - PLATFORM

FIGURE 4-3. PLATFORM COMPONENTS INSTALLATION (FALL ARREST PLATFORM)

ITEM	PART NUMBER	QTY	DESCRIPTION	REV
	3510868	Ref	PLATFORM ASSEMBLY (FALL ARREST)	B
1	0681814	2	Bolt 1/2in-13NC x 1-3/4in (Grade 8)	
2	0681822	6	Bolt 1/2in-13NC x 2-3/4in (Grade 8)	
3	0962270	2	Bearing, Oilite	
4	1702773	1	Decal - JLG	
5	1705014	1	Decal - Safety	
6	2410014	1	Gate Weldment	
7	3271805	8	Locknut 1/2in-13NC (Grade 8)	
8	3311605	1	Locknut 3/8in-16NC	
9	See Note	1	Platform Weldment (Note: Purchase Platform Assembly)	
10	3520072	1	Cap-Plug	
11	3890040	1	Cable, Fall Arrest	
12	3900054	1	Bolt 1/2in-13NC x 1-3/4in	
13	4711800	2	Flatwasher 1/2in Thin	
14	4751800	6	Flatwasher 1/2in Regular	
15	1706385	1	Decal - Drop Bar (SN 0300085921 through 0300087000)	

SECTION 4 - PLATFORM

FIGURE 4-4. PLATFORM CONSOLE ASSEMBLY



SECTION 4 - PLATFORM

FIGURE 4-4. PLATFORM CONSOLE ASSEMBLY

ITEM	PART NUMBER	QTY	DESCRIPTION	REV
	0861517	Ref	CONSOLE BOX AND FOOTSWITCH ASSEMBLIES	G
1	0100009	AR	Sealant	
2	0100020	AR	Sealant	
3	0100035	AR	Compound, Locking	
4	0100048	AR	Grease, Dielectric	
5	0140011	1	Alarm	
6	0630464	2	Screw, Button Head #10-24NC x 1/2in	
7	0641404	8	Bolt 1/4in-20NC x 1/2in	
8	0641406	4	Bolt 1/4in-20NC x 3/4in	
9	0641408	3	Bolt 1/4in-20NC x 1in	
10	0641414	4	Bolt 1/4in-20NC x 1-3/4in	
11	0641610	4	Bolt 3/8in-16NC x 1-1/4in	
12	0861537	1	Box, Console (See Items 101-115 for Breakdown)	
13	0902751	4	Bracket, Card Support	
14	1060918	8 ft/2.4m	Cable	
15	1600317	NLA	Controller Assembly (Lift and Swing) (See CONTROLLER ASSEMBLY (LIFT AND SWING) for Breakdown) (Use p/n 1001129555)	
15	100118417	NLA	Controller Assembly (Lift and Swing) (See CONTROLLER ASSEMBLY (LIFT AND SWING) for Breakdown) (Use p/n 1001129555)	
16	1600318	NLA	Controller Assembly (Drive and Steer) (See CONTROLLER ASSEMBLY (DRIVE AND STEER) for Breakdown) (Use p/n 1001212415)	
17		Ref	Controller, Module (Re-calibration Required when Replaced) Options:	
17	1600313	NLA	Controller, Module (Use p/n 1600375)	
17	1600375	1	Controller, Module (SN 0300077490 through 0300087000)	
18	1670829	1	Bezel	
19		Ref	Decal (Stop) Options:	
19	1702564	1	Decal (Stop) (SN 0300069000 through 0300073027)	
19	1704997	1	Decal (Stop) (SN 0300073028 through 0300087000)	
20	1702565	1	Decal (Drive and Steer)	
21	1702566	1	Decal (Lift and Swing)	
22	1702567	1	Decal (Function Speed)	
23	1702676	1	Decal (Horn)	
24	1704260	1	Decal - EMS	
25	2560136	1	Handle, Knob	
26	2760105	1	Housing, Display Light	
27	2920129	12	Bulb, Light	
28	3300408	2	Locknut, Nylon Insert	
29	3311405	11	Locknut 1/4in-20NC	
30	3311605	4	Locknut 3/8in-16NC	
31	3520054	4	Plug, Hole	
32	4340678	1	Support, Hand	
33	4340684	1	Support, Hand	
34	4360031	1	Footswitch	
34	7000625	2	Block, Contact	
35	4360328	6	Switch, Toggle	
36	4360331	1	Switch, Toggle	
37	4360387	1	Switch, Pushbutton	

SECTION 4 - PLATFORM

ITEM	PART NUMBER	QTY	DESCRIPTION	REV
38	4360407	1	Controller, Speed	
38	See Note	1	Gasket "Top Hat" (Included with Switch) (Note: Not Available - Purchase Complete Controller.)	
38	70003784	1	Seal	
39	4360475	1	Switch, Emergency Stop	
39	7020175	1	Cap, Red	
39A	7020176	1	Contact Block	
40	4360476	1	Block, Contact	
41	4460042	3	Terminal, Ring (Not Shown)	
42	4460071	1	Connector, Strain Relief	
43	4460226	2	Socket, Contact	
44	4460428	2	Connector, Strain Relief	
45	4460464	1	Terminal, Deutsch	
46	4460470	1	Nut, Terminal	
47	4460471	1	Lockwasher, Terminal	
48	4460905	5	Connector, Amp Seal Plug	
49	4740362	3	Flatwasher 1/4in Fender	
50	4751400	16	Flatwasher 1/4in Regular	
51	4751600	4	Flatwasher 3/8in Regular	
52	4922639	1	Harness, Platform Box	
53	4922666	1	Harness, Analyzer Cable (Not Shown)	
53	4460871	4	Terminal, Socket	
53	4460761	1	Housing - 4 Position	
53	4460227	4	Pin	
54	3790012	7	O-Ring	
55	4460708	2	Connector, Female - 15 Position (Not Shown - See ELECTRICAL SECTION for Location)	
56	0100081	AR	Adhesive	
57	1671037	1	Cover	
58	1705132	1	Decal - ADE	
59	3300353	4	Nut, Tinnerman	
60	4460226	3	Wire, Tie (Not Shown)	
61	4460488	1	Base, Mounting	
62	0721008	1	Bolt #10-24NC x 1 (SN 0300071584 through 0300087000)	
63	3311001	1	Nut #10-24NC (SN 0300071584 through 0300087000)	
64	4460007	1	Bar, Buss (SN 0300071584 through 0300087000)	
	0272970	1	Preassembled Footswitch Kit (Includes Items 2, 14, 34, 41, 42, 43 & 45)	
	0861537	Ref	CONSOLE BOX ASSEMBLY	C
110	0861537	1	Console Bottom (Note: Not Available for Purchase)	
111	0861537	1	Console Top (Note: Not Available for Purchase)	
112	3311601	1	Nut 3/8in-16NC	
113		Ref	Pin Options:	
113	3450304	2	Pin, Cotter (SN 0300069000 through 0300073731)	
113	3420156	2	Hair Pin, Cotter (SN 0300073731 through 0300087000)	
114	0630568	1	Screw 3/8in-16NC x 4-1/2in	
115	4711500	2	Flatwasher 5/16in Thin	
	0256631	Ref	LIGHT PANEL DECAL INSTALLATION	-
151	1702387	1	Decal - Display	
	0270764	Ref	DUAL FUEL SWITCH INSTALLATION	5
201	4360336	1	Switch, Toggle	
201	3790012	1	O-Ring	

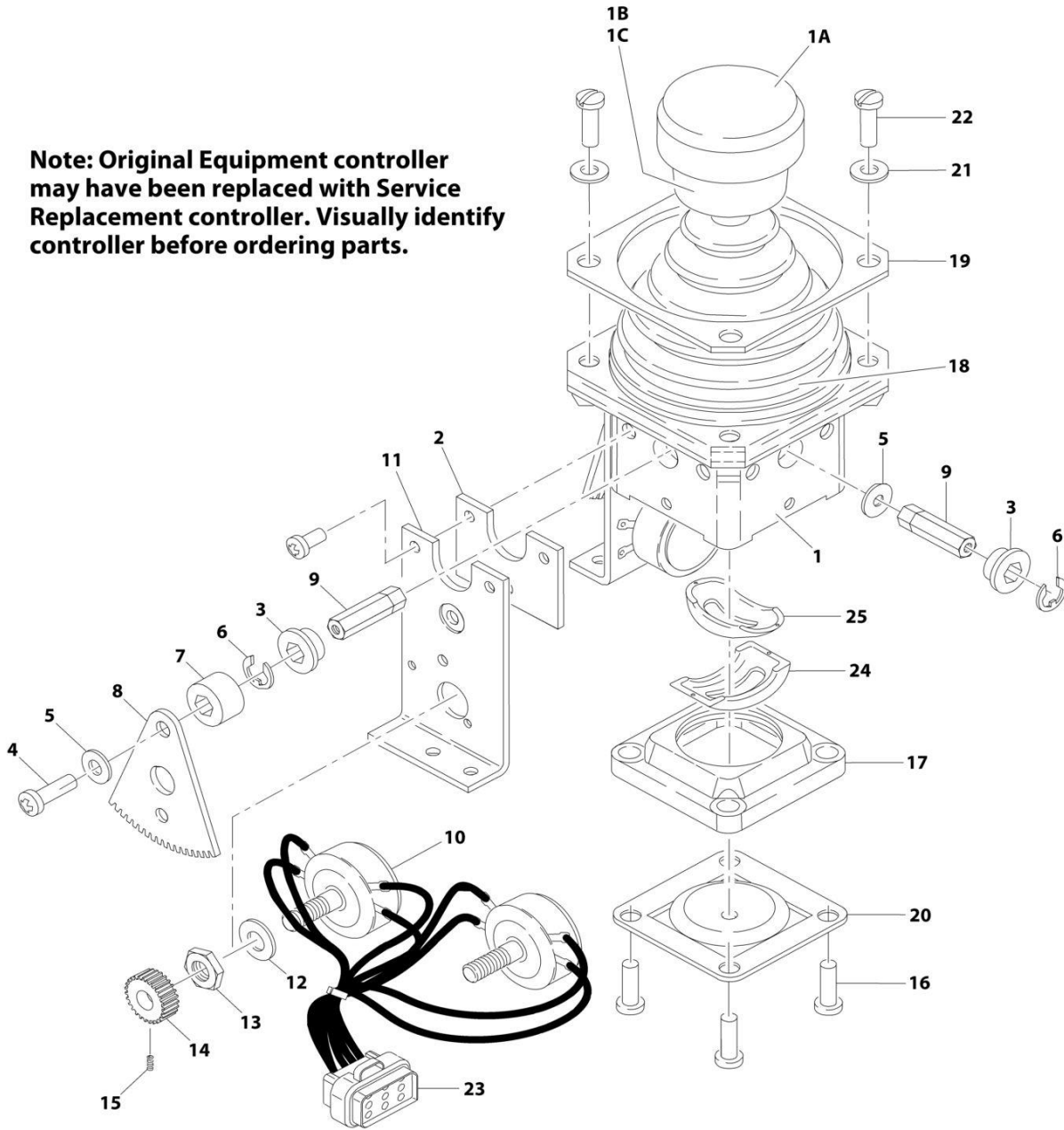
SECTION 4 - PLATFORM

ITEM	PART NUMBER	QTY	DESCRIPTION	REV
	0271552	Ref	HEAD AND TAIL LIGHTS INSTALLATION (OPTIONAL)	2
301	4360336	1	Switch, Toggle	
301	3790012	1	O-Ring	
	0274200	Ref	CHASSIS ILLUMINATION LIGHT INSTALLATION	1-A
351	4360336	1	Switch, Toggle	
351	3790012	1	O-Ring	
		Ref	SOFT TOUCH SYSTEM INSTALLATION (OPTIONAL)	
	0273824	Ref	Soft Touch - 36 x 72	A
	0272427	Ref	Soft Touch - 36 x 96	C
401	4360387	1	Switch, Pushbutton	
402	1702938	1	Decal - Soft Touch Override	
		Ref	GENERATOR INSTALLATION (OPTIONAL)	
	0273518	Ref	110V/60Hz - Caterpillar	1-A
	0273538	Ref	110V/50Hz - Caterpillar	1-A
	0273539	Ref	220V/50Hz - Caterpillar	1-A
	0272480	Ref	110v/60Hz - Deutz	2
	0272481	Ref	220V/50Hz - DEUTZ	2
	0271545	Ref	110v/60Hz - Ford	5
	0271546	Ref	220v/50Hz - Ford	4
501	4360336	1	Switch, Toggle	
502	4740397	1	Bushing	
503	4060802	1	Guard, Switch	
504	3251102	1	Decal - Generator ON/OFF	
		Ref	PLATFORM WORKLIGHT INSTALLATION (OPTIONAL)	
	0270814	Ref	Platform Worklight Installation (SN 0300069000 through 0300074444)	3-E
	0273492	Ref	Platform Worklight Installation (SN 0300074445 through 0300087000)	B
601	4360232	1	Breaker, Circuit - 15Amp (SN 0300069000 through 0300074445)	
602	0721003	2	Bolt #10-24NC x 3/8in (SN 0300069000 through 0300074445)	
603	4761000	4	Lockwasher #10 (SN 0300069000 through 0300074445)	
604	3311001	2	Nut #10-24NC (SN 0300069000 through 0300074445)	
605		Ref	Connector, Strain Relief Options:	
605	4460598	1	Connector, Strain Relief (SN 0300069000 through 0300074424)	
605	4460426	1	Connector, Strain Relief (SN 0300074425 through 0300087000)	

SECTION 4 - PLATFORM

FIGURE 4-5. CONTROLLER ASSEMBLY (LIFT AND SWING)

Note: Original Equipment controller may have been replaced with Service Replacement controller. Visually identify controller before ordering parts.



ART_1600317

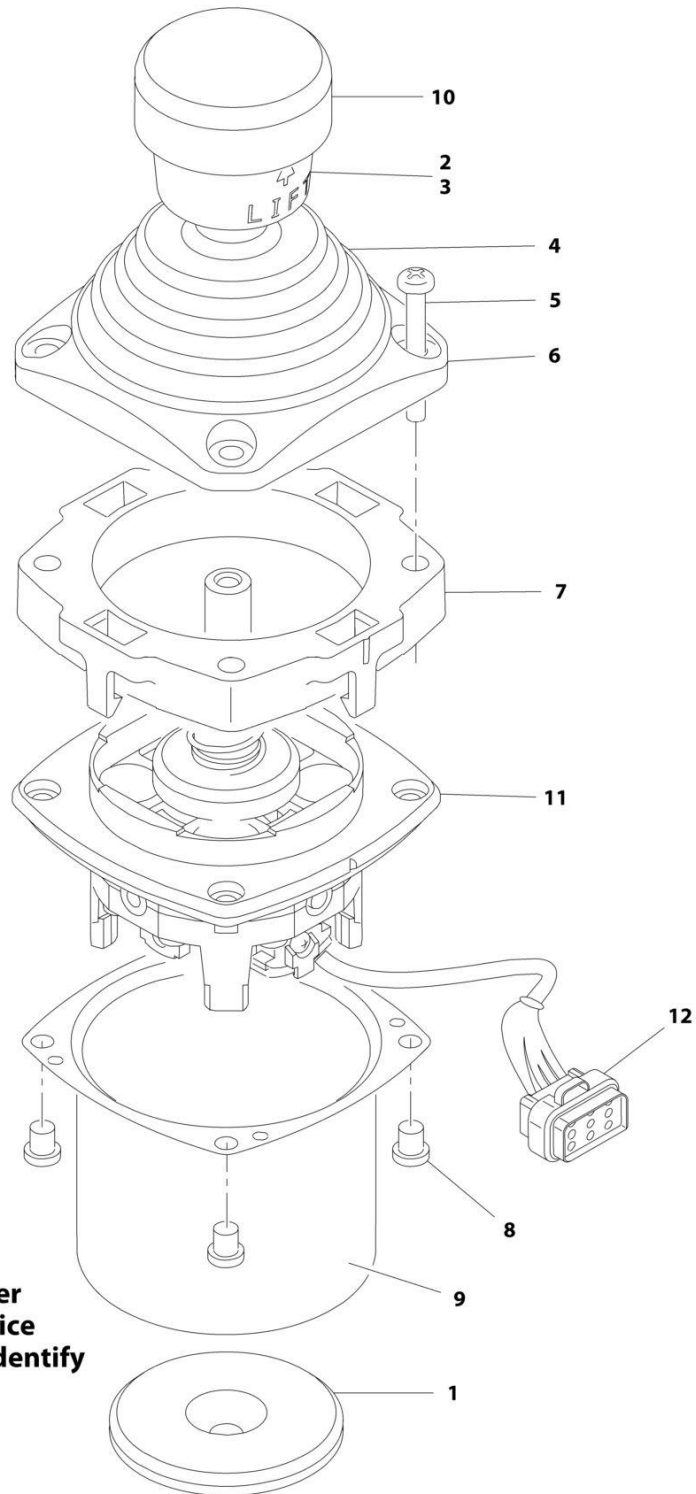
SECTION 4 - PLATFORM

FIGURE 4-5. CONTROLLER ASSEMBLY (LIFT AND SWING)

ITEM	PART NUMBER	QTY	DESCRIPTION	REV
		Ref	Note: Original Equipment controller may have been replaced with Service Replacement controller. Visually identify controller before ordering parts.	
	1600317	Ref	CONTROLLER ASSEMBLY	C
		Ref	Note: Use p/n 1001129555 Kit as Replacement.	
1	7019141	1	Mechanical Assembly (Includes Base, Handle Stem and Items 1A, 1B, 1C & 18)	
1A	7019197	1	Handle Cap and Rod	
1B	7003928	1	Spring	
1C	7022808	1	Cap, Lift	
2	7019171	2	Plate	
3	7019111	4	Bearing, Gear	
4	7019143	2	Screw	
5	7019144	2	Spacer, Cam	
6	7019145	4	E-Clip	
7	7019174	2	Spacer	
8	7003977	2	Gear, Drive	
9		Ref	Shaft Options:	
9	7019147	2	Shaft, Short	
9	7019177	2	Shaft, Long	
10	7022818	2	Potentiometer	
11	7019142	2	Plate	
12	7003992	2	Washer	
13	7003993	2	Nut	
14	7003976	2	Gear, Slave	
15	7019149	2	Setscrew	
16	7022816	4	Screw	
17	7019150	1	Gate	
18	7022814	1	Boot	
19	7022815	1	Bezel	
20	See Note	NSS	Center, Detent (Note: Use p/n 1001129555)	
21	7003953	4	Washer	
22	7022817	4	Screw	
23	7022819	1	Plug, Male - 8 Position (Natural)	
23	4460871	8	Socket, Female	
24	7019122	1	Gimble, Outer	
25	7019123	1	Gimble, Inner	

SECTION 4 - PLATFORM

FIGURE 4-6. CONTROLLER ASSEMBLY (LIFT AND SWING)



Note: Original Equipment controller may have been replaced with Service Replacement controller. Visually identify controller before ordering parts.

ART_100118417

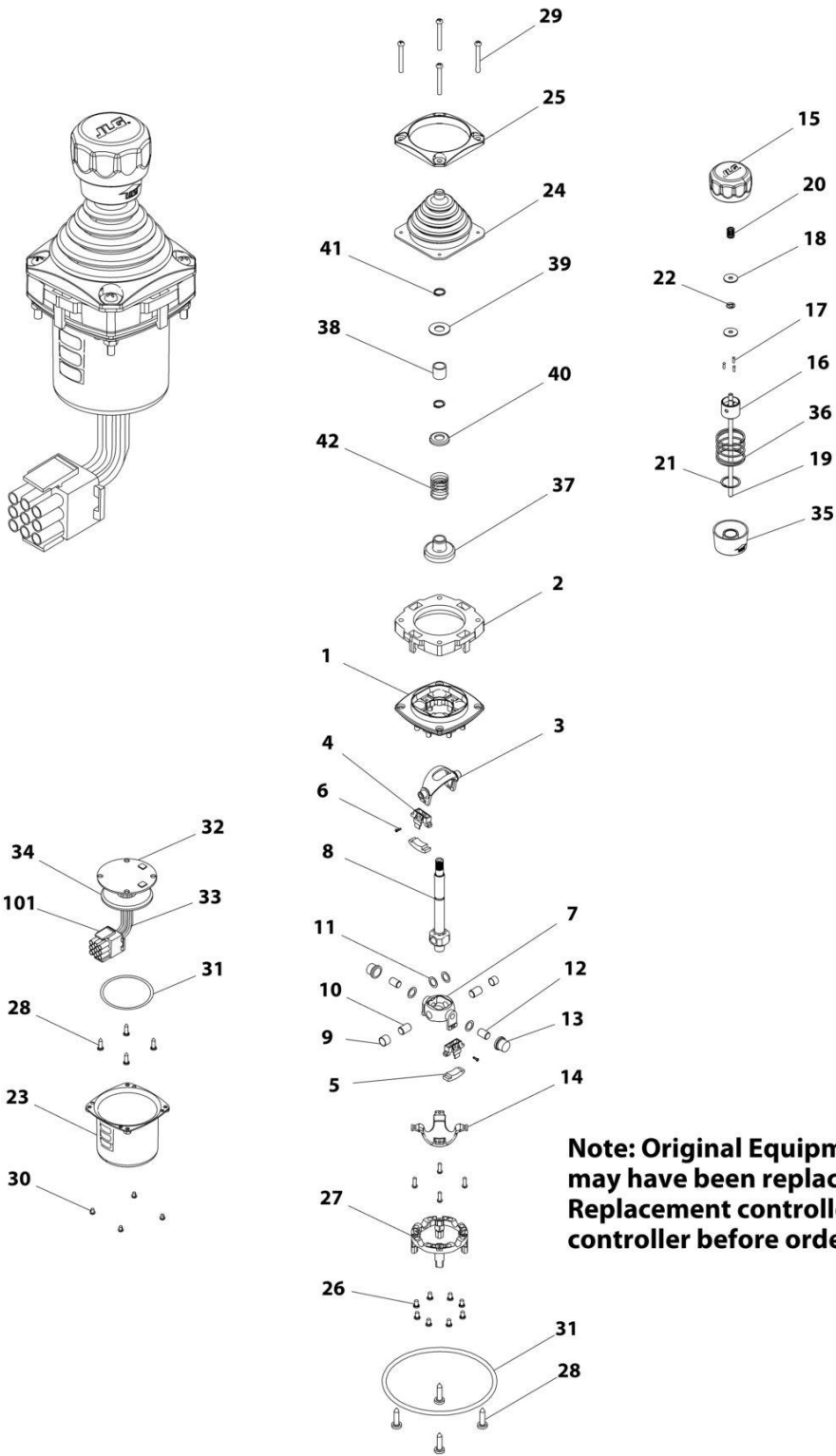
SECTION 4 - PLATFORM

FIGURE 4-6. CONTROLLER ASSEMBLY (LIFT AND SWING)

ITEM	PART NUMBER	QTY	DESCRIPTION	REV
		Ref	Note: Original Equipment controller may have been replaced with Service Replacement controller. Visually identify controller before ordering parts.	
	1001118417	Ref	CONTROLLER ASSEMBLY	E
		Ref	Note: Use p/n 1001129555 as Replacement.	
1	70002730	1	Gasket	
2	7003928	1	Spring	
3	7022808	1	Cap, Lift	
4	70002731	1	Boot	
5	70002732	4	Screw	
6	7022815	1	Bezel	
7	70002733	1	Adapter	
8	70002734	4	Screw	
9	70002735	1	Can, Enclosure	
10	70002906	1	Cap	
11	See Note	NSS	Mechanical Assembly (Note: Use p/n 1001129555)	
12	7022819	1	Connector - 8 Position	
12	4460871	6	Socket, Female	

SECTION 4 - PLATFORM

FIGURE 4-7. CONTROLLER ASSEMBLY (LIFT AND SWING)



ART_1001166539

SECTION 4 - PLATFORM

FIGURE 4-7. CONTROLLER ASSEMBLY (LIFT AND SWING)

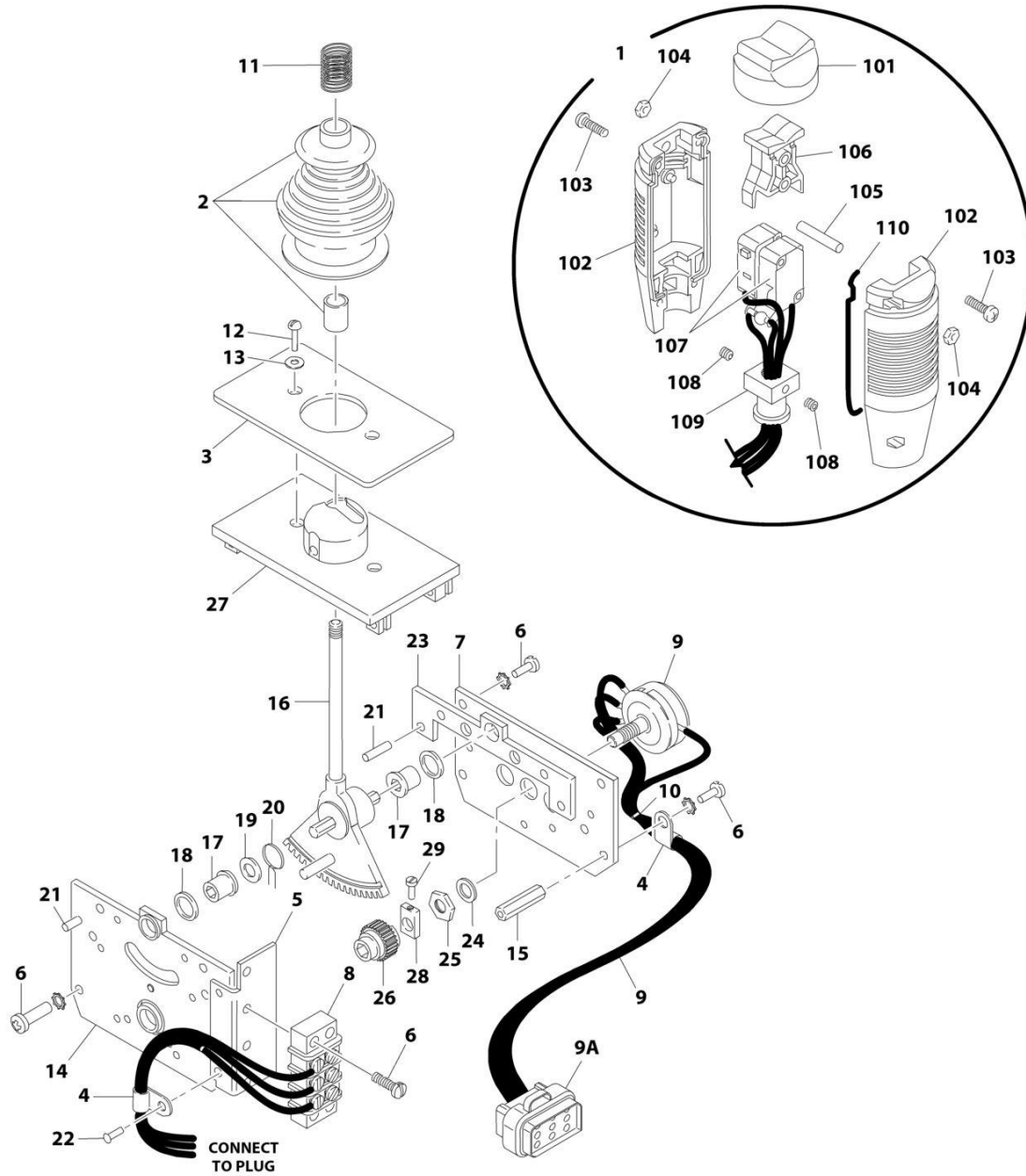
ITEM	PART NUMBER	QTY	DESCRIPTION	REV
		Ref	Note: Original Equipment controller may have been replaced with Service Replacement controller. Visually identify controller before ordering parts.	
	1001166539	Ref	CONTROLLER ASSEMBLY	D
		Ref	Note: Use p/n 1001129555 as Replacement.	
1	See Note	NSS	Main Cast Body (Note: Not Available - Purchase Complete Assembly)	
2	70004752	1	Adapter	
3	See Note	NSS	Pivot Arm, Plastic (Note: Not Available - Purchase Complete Assembly)	
4	See Note	NSS	Holder, Magnet (Note: Not Available - Purchase Complete Assembly)	
5	See Note	NSS	Arc, Magnet (Note: Not Available - Purchase Complete Assembly)	
6	See Note	NSS	Screw (Note: Not Available for Purchase)	
7	See Note	NSS	Pivot Arm, Cast (Note: Not Available - Purchase Complete Assembly)	
8	See Note	NSS	Shaft, Main (Note: Not Available - Purchase Complete Assembly)	
9	See Note	NSS	Bearing (Note: Not Available - Purchase Complete Assembly)	
10	See Note	NSS	Pin (Note: Not Available - Purchase Complete Assembly)	
11	See Note	NSS	Shim (Note: Not Available - Purchase Complete Assembly)	
12	See Note	NSS	Pin (Note: Not Available - Purchase Complete Assembly)	
13	See Note	NSS	Bearing (Note: Not Available - Purchase Complete Assembly)	
14	See Note	NSS	Dome, Centering (Note: Not Available - Purchase Complete Assembly)	
15	70004753	1	Cap	
16	70004754	1	Insert, Cap	
17	70004755	3	Pin	
18	70004756	2	Washer	
19	70004757	1	Pin, Centering	
20	70004758	1	Spring	
21	70004759	1	Ring, Retaining	
22	70004760	1	E-Ring	
23	70004761	1	Can, Enclosure	
24	70004762	1	Boot	
25	70004763	1	Bezel	
26	See Note	NSS	Screw (Note: Not Available for Purchase)	
27	See Note	NSS	Base, Mounting (Note: Not Available - Purchase Complete Assembly)	
28	See Note	NSS	Screw (Note: Not Available for Purchase)	
29	70004764	4	Screw	
30	70004765	4	Screw	
31	70004766	1	O-Ring	
32	See Note	NSS	Plate (Note: Not Available - Purchase Complete Assembly)	
33	See Note	NSS	Harness (Note: Not Available - Purchase Complete Assembly)	
34	70004767	1	Grommet, Rubber	
35	70004768	1	Housing	
36	70004769	1	Spring	
37	70004770	1	Stopper	
38	70004771	1	Spacer	
39	70004772	1	Washer	
40	70004773	1	Disc	

SECTION 4 - PLATFORM

ITEM	PART NUMBER	QTY	DESCRIPTION	REV
41	70004774	2	Ring, Retaining	
42	70004775	1	Spring	
101	4460265	1	Connector - 9 Position	
101	4460226	6	Socket, Female	

SECTION 4 - PLATFORM

FIGURE 4-8. CONTROLLER ASSEMBLY (DRIVE AND STEER)



Note: Original Equipment controller may have been replaced with Service Replacement controller. Visually identify controller before ordering parts.

ART_1600318

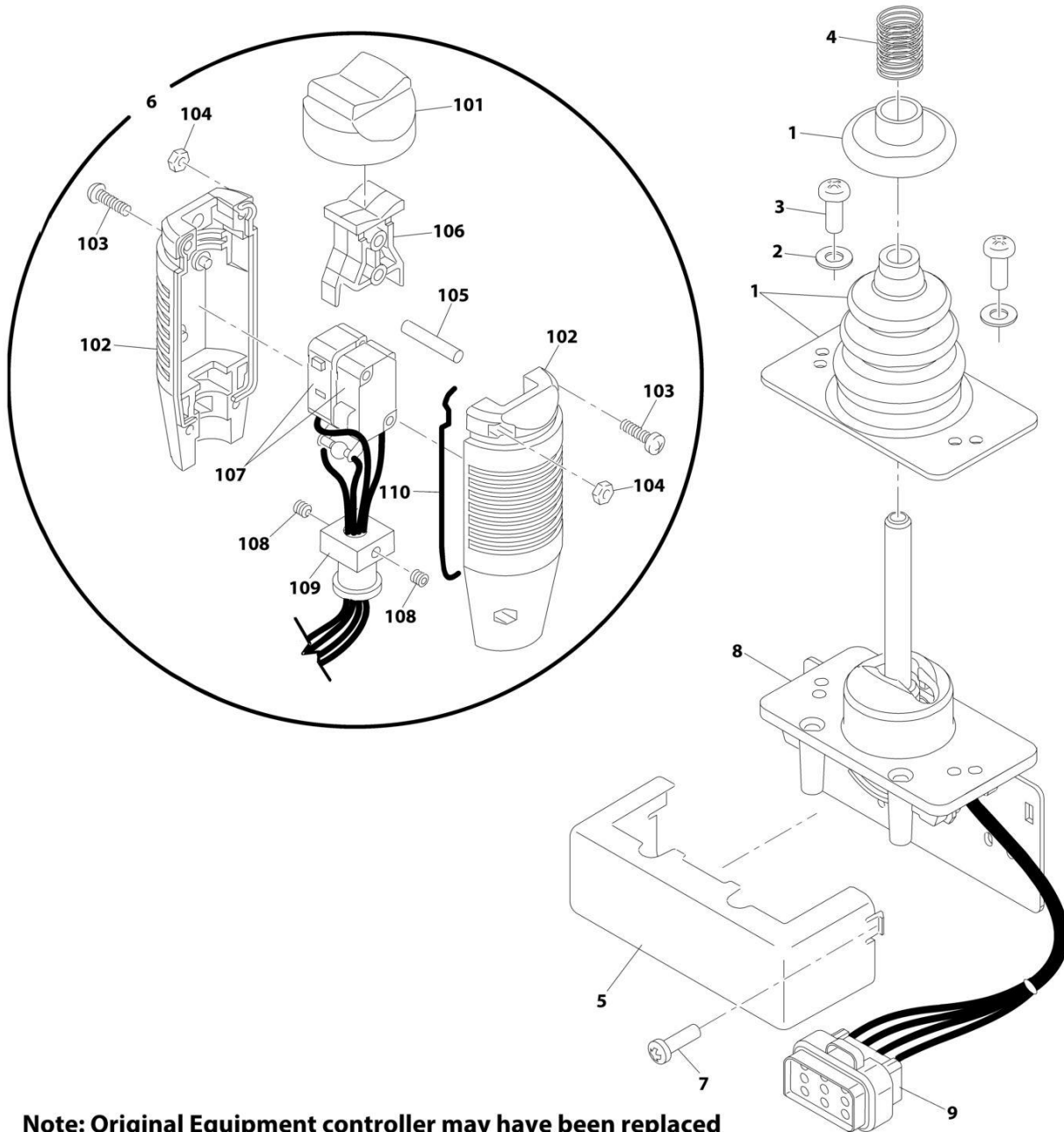
SECTION 4 - PLATFORM

FIGURE 4-8. CONTROLLER ASSEMBLY (DRIVE AND STEER)

ITEM	PART NUMBER	QTY	DESCRIPTION	REV
		Ref	Note: Original Equipment controller may have been replaced with Service Replacement controller. Visually identify controller before ordering parts.	
	1600318	Ref	CONTROLLER ASSEMBLY	C
		Ref	Note: Use p/n 1001212415 as Replacement.	
1	7022812	1	Handle Assembly (See Items 101-110 for Breakdown)	
2	7019161	1	Boot and Sleeve	
3	7003933	1	Gasket	
4	7019154	2	Clamp, Wire	
5	7022823	1	Bracket, Mounting	
6	7003994	1	Screw	
7	7022822	1	Plate, Pot Mounting	
8	7003986	1	Strip, Terminal - 3 Position	
9	7022824	1	Electric Assembly	
9A	1001113961	1	Plug, Male - 8 Position (Black) (was p/n 7022825)	
9A	4460871	7	Socket, Female	
10	7019151	AR	Tie-Strap	
11	7019162	1	Spring	
12	7003969	2	Screw	
13	7003941	2	Washer	
14	See Note	NSS	Plate, Mounting (Left Side) (Note: Not Available for Purchase)	
15	7019115	2	Stand-Off	
16	7019155	1	Shaft 8mm	
17	7019111	2	Bearing	
18	7019110	2	Spacer, Head Gear	
19	7019112	1	Washer	
20	7003946	1	Spring, Return	
21	7019103	4	Pin	
22	See Note	NSS	Rivet (Note: Not Available - Purchase Locally)	
23	7019168	1	Plate, Mounting (Right Side)	
24	7003992	1	Washer	
25	7003993	1	Nut	
26	7003935	1	Gear, Slave	
27	7019160	1	Plate, Base	
28	7019114	1	Coupling, Potentiometer	
29	See Note	NSS	Cup Point Screw (Note: Not Available for Purchase)	
	7022812	Ref	HANDLE ASSEMBLY	
101	7003972	1	Boot, Switch	
102	7003973	2	Half, Handle	
103	7003980	4	Screw	
104	7019167	4	Nut	
105	7019164	1	Axle	
106	7019165	1	Rocker	
107	See Note	NSS	Wiring for Controller Assembly p/n 1600318 (Note: Use p/n 1001166538)	
107	7019166	2	Switch, Micro	
108	7003983	2	Setscrew	
109	7019194	1	Coupling	
110	7003989	2	Gasket	

SECTION 4 - PLATFORM

FIGURE 4-9. CONTROLLER ASSEMBLY (DRIVE AND STEER)



Note: Original Equipment controller may have been replaced with Service Replacement controller. Visually identify controller before ordering parts.

ART_1001118416

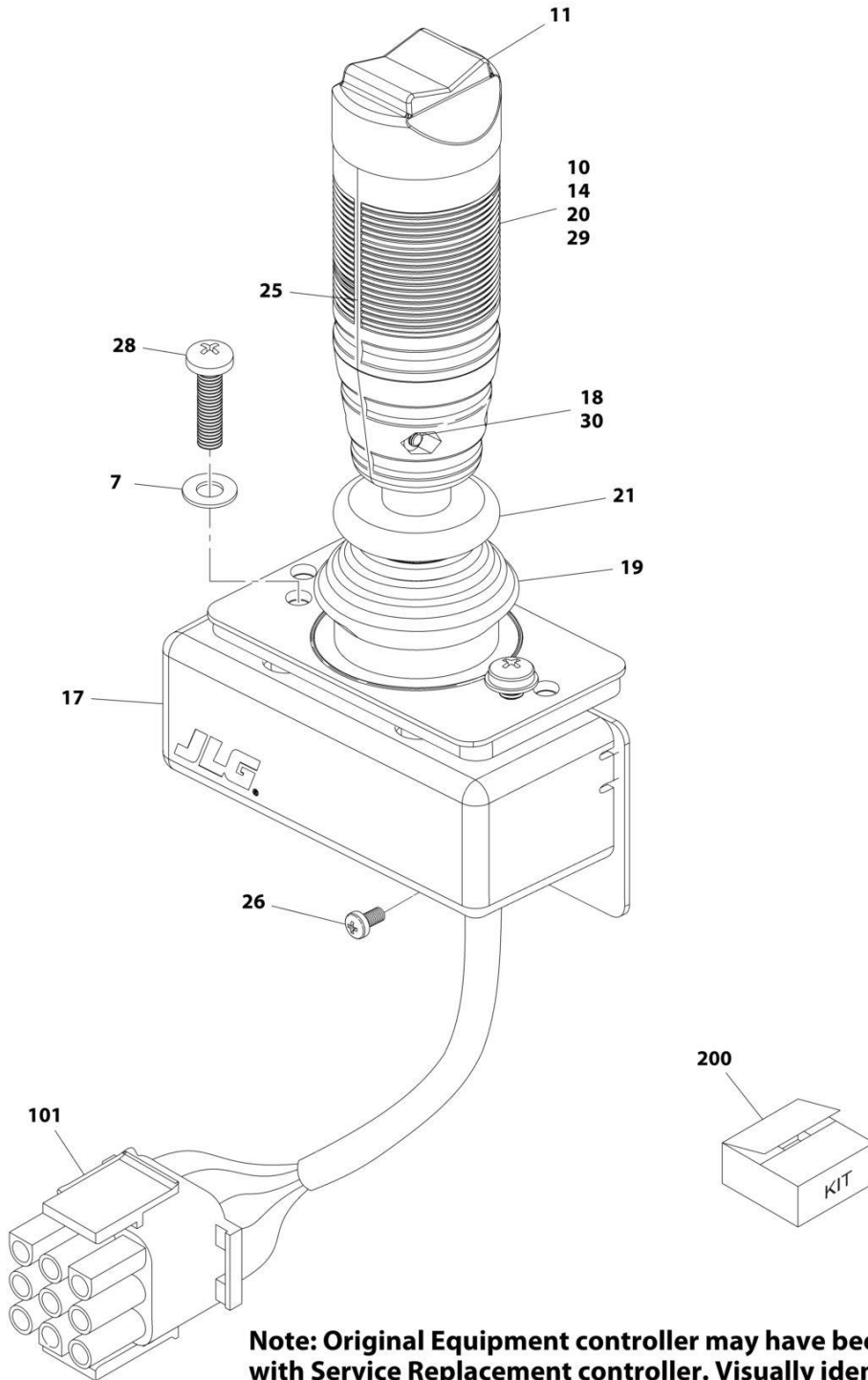
SECTION 4 - PLATFORM

FIGURE 4-9. CONTROLLER ASSEMBLY (DRIVE AND STEER)

ITEM	PART NUMBER	QTY	DESCRIPTION	REV
		Ref	Note: Original Equipment controller may have been replaced with Service Replacement controller. Visually identify controller before ordering parts.	
	1001118416	Ref	CONTROLLER ASSEMBLY	D
		Ref	Note: Use p/n 1001212415 as Replacement.	
1	70002724	1	Boot and Control Lock Assembly	
2	7003941	2	Washer	
3	70002725	2	Screw	
4	7019162	1	Spring	
5	70002726	1	Enclosure	
6	70002727	1	Handle Assembly (See Items 101-110 for Breakdown)	
7	70002728	1	Screw	
8	See Note	NSS	Mechanical Assembly (Note: Use p/n 1001166538)	
9	1001113961	1	Plug, Male - 8 Position (Black) (was p/n 7022825)	
9	4460871	7	Socket, Female	
	70002727	Ref	HANDLE ASSEMBLY	
101	7003972	1	Boot, Switch	
102	7003973	2	Half, Handle	
103	7003980	4	Screw	
104	7019167	4	Nut	
105	7019164	1	Axle	
106	7019165	1	Rocker	
107	70002729	1	Wiring Assembly	
107	7003982	2	Switch, Micro	
108	7003983	2	Set Screw	
109	7019194	1	Coupling	
110	7003989	2	Gasket	

SECTION 4 - PLATFORM

FIGURE 4-10. CONTROLLER ASSEMBLY (DRIVE AND STEER)



Note: Original Equipment controller may have been replaced with Service Replacement controller. Visually identify controller before ordering parts.

ART_1001166538

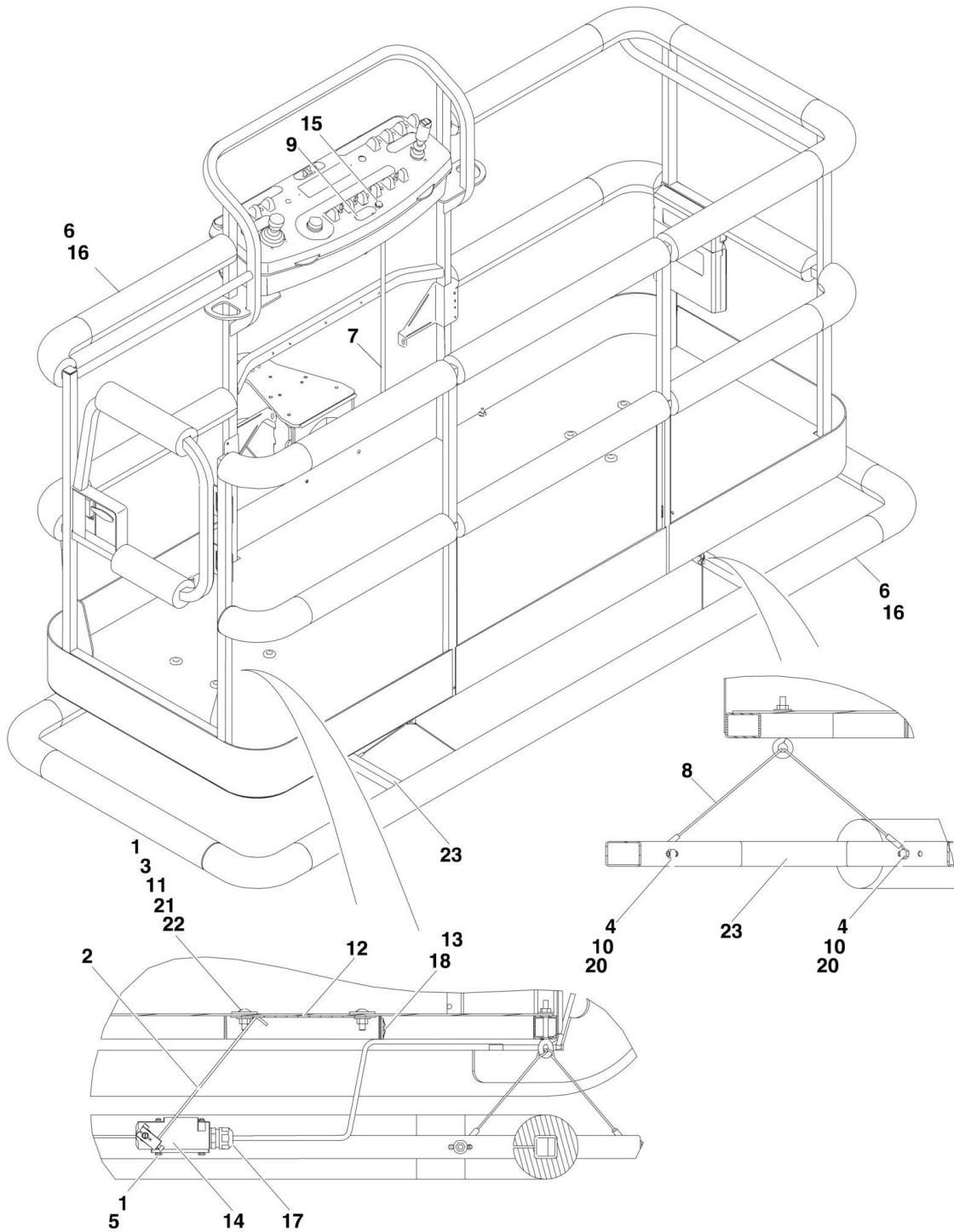
SECTION 4 - PLATFORM

FIGURE 4-10. CONTROLLER ASSEMBLY (DRIVE AND STEER)

ITEM	PART NUMBER	QTY	DESCRIPTION	REV
		Ref	Note: Original Equipment controller may have been replaced with Service Replacement controller. Visually identify controller before ordering parts.	
	1001166538	Ref	CONTROLLER ASSEMBLY	E
		Ref	Note: Use p/n 1001212415 as Replacement.	
7	70004738	2	Washer	
10	70004739	1	Roller	
11	70004740	1	Boot, Switch	
14	70004741	2	Half, Handle	
17	70004742	1	Enclosure	
18	70004743	4	Nut	
19	70004744	NLA	Boot, Controller (Note: Use Item 200)	
20	70004745	NLA	Tube, Locking (Note: Use Item 200)	
21	70004746	NLA	Disc, Locking (Note: Use Item 200)	
25	70004747	2	Seal, Rope	
26	70004748	1	Screw, M3 x 6	
28	70004749	2	Screw, M5 x 20	
29	70004750	1	Pin, Dowel	
30	70004751	4	Screw, M3 x 16	
101	4460265	1	Connector - 9 Position	
101	4460226	7	Socket, Female	
200	70005230	1	Boot Kit (Includes Items 19-21)	

SECTION 4 - PLATFORM

FIGURE 4-11. SOFT TOUCH SYSTEM INSTALLATION (OPTIONAL)



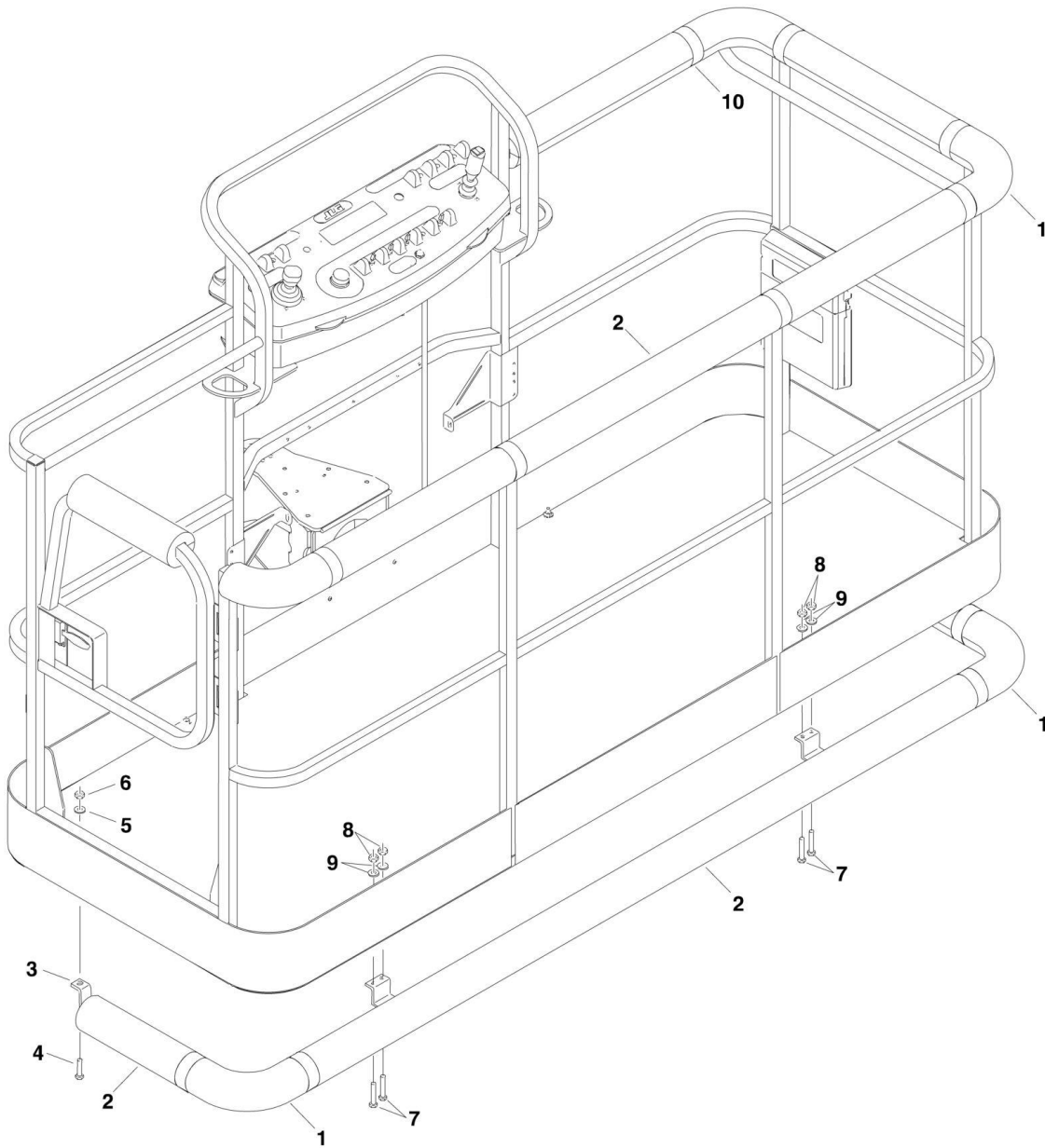
SECTION 4 - PLATFORM

FIGURE 4-11. SOFT TOUCH SYSTEM INSTALLATION (OPTIONAL)

ITEM	PART NUMBER	QTY	DESCRIPTION	REV
		Ref	SOFT TOUCH SYSTEM INSTALLATIONS	
	0273824	Ref	6ft Platforms (Side Entry Platform)	A
	0272427	Ref	8ft Platforms (Side Entry Platform)	C
	0273706	Ref	8Ft/2.4m Platforms w/Fall Arrest	A
1	0100011	AR	Compound, Locking	
2	0200048	2	Arm, Switch	
3	0630462	8	Bolt, Carriage	
4	0641414	8	Bolt 1/4in-20NC x 1 3/4in	
5	0721005	4	Bolt #10-24NC x 5/8in	
6		Ref	Bumper Kits (Includes Corners and Enough Straight Material for One Platform)	
6	0940134	1	6ft Platform	
6	0940103	1	8ft Platform	
6	0940133	1	8ft/2.4m Platforms w/Fall Arrest	
6	0940092	1	Bumper (Corner) Options:	
6		Ref	6ft/8ft Platform	
6		Ref	8ft/2.4m Platforms w/Fall Arrest	
6	0940094	AR	Bumper (12ft Length)	
7	1060341		Cable, Electrical - 16/2 Options:	
7	1060341	22 ft/6.7m	6ft Platform	
7	1060341	23 ft/7m	8ft Platform	
8	1060903	4	Wire Rope and Eyebolt Assembly	
9	1702938	1	Decal - Soft Touch Override	
10	3311401	8	Nut 1/4in-20NC	
11	3311501	8	Nut 5/16in-18NC	
12		Ref	Plate, Switch Strike Options:	
12	3575359	2	6ft Platform	
12	3574091	2	8ft Platform	
13	4240099	7	Tie-Strap	
14	4360057	2	Switch, Limit	
15	4360387	1	Switch, Push Button	
16	4420068	1	Tape, Adhesive	
17	4460049	2	Connector, Strain Relief	
18	4460234	7	Tie-Strap	
19	4460425	1	Connector, Strain Relief	
20	4751400	8	Flatwasher 1/4in	
21	4751500	12	Flatwasher 5/16in	
22	4751800	8	Flatwasher 1/2in	
23		Ref	Rail, Soft Touch Options:	
23	3641569	1	6ft Platform	
23	4846673	1	8ft Platform	
24		Ref	Soft-Touch Installation Kit Options (Not Shown) (Includes Items 2-23):	
		Ref	Note: May not be available for all machines depending on existing options. Contact JLG Parts Dept before ordering.	
24	1001121592	1	Kit - 6ft Platform without Fall Arrest	
24	1001121593	1	Kit - 8ft Platform without Fall Arrest	

SECTION 4 - PLATFORM

FIGURE 4-12. PLATFORM PADDING INSTALLATION (SIDE ENTRY PLATFORM) (OPTIONAL)



SECTION 4 - PLATFORM

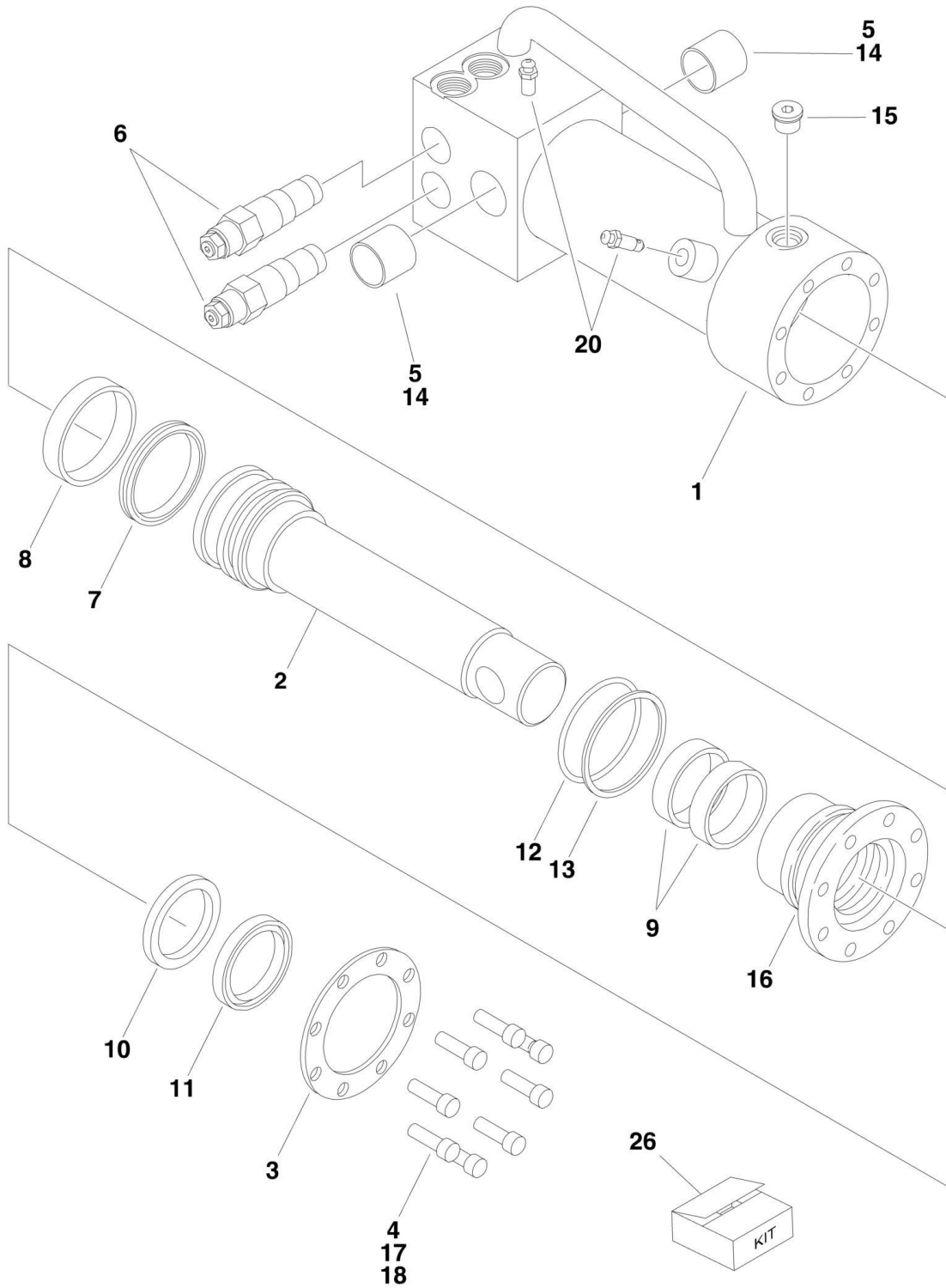
FIGURE 4-12. PLATFORM PADDING INSTALLATION (SIDE ENTRY PLATFORM) (OPTIONAL)

ITEM	PART NUMBER	QTY	DESCRIPTION	REV
	0273542	Ref	PADDING INSTALLATION (30 X 48 SIDE ENTRY PLATFORM)	A
1	0940092	4	Bumper, Pad (Corner)	
2	0940094	9 ft/2.7m	Bumper, Pad (Square Tubing)	
3	0940131	1	Bumper, Rail	
4	0641516	2	Bolt 5/16in-18NC x 2in	
5	4751500	2	Flatwasher 5/16in	
6	3311505	2	Locknut 5/16in-18NC	
7	0641813	4	Bolt 1/2in-13NC x 1 5/8in	
8	3311805	4	Locknut 1/2in-13NC	
9	4891800	4	Flatwasher 1/2in Hardened	
10	4420068	30 ft/9.1m	Tape	

SECTION 5 - CYLINDER

SECTION 5 - CYLINDER

FIGURE 5-1. AXLE LOCKOUT CYLINDER ASSEMBLY (SN 0300069000 through 0300081835)



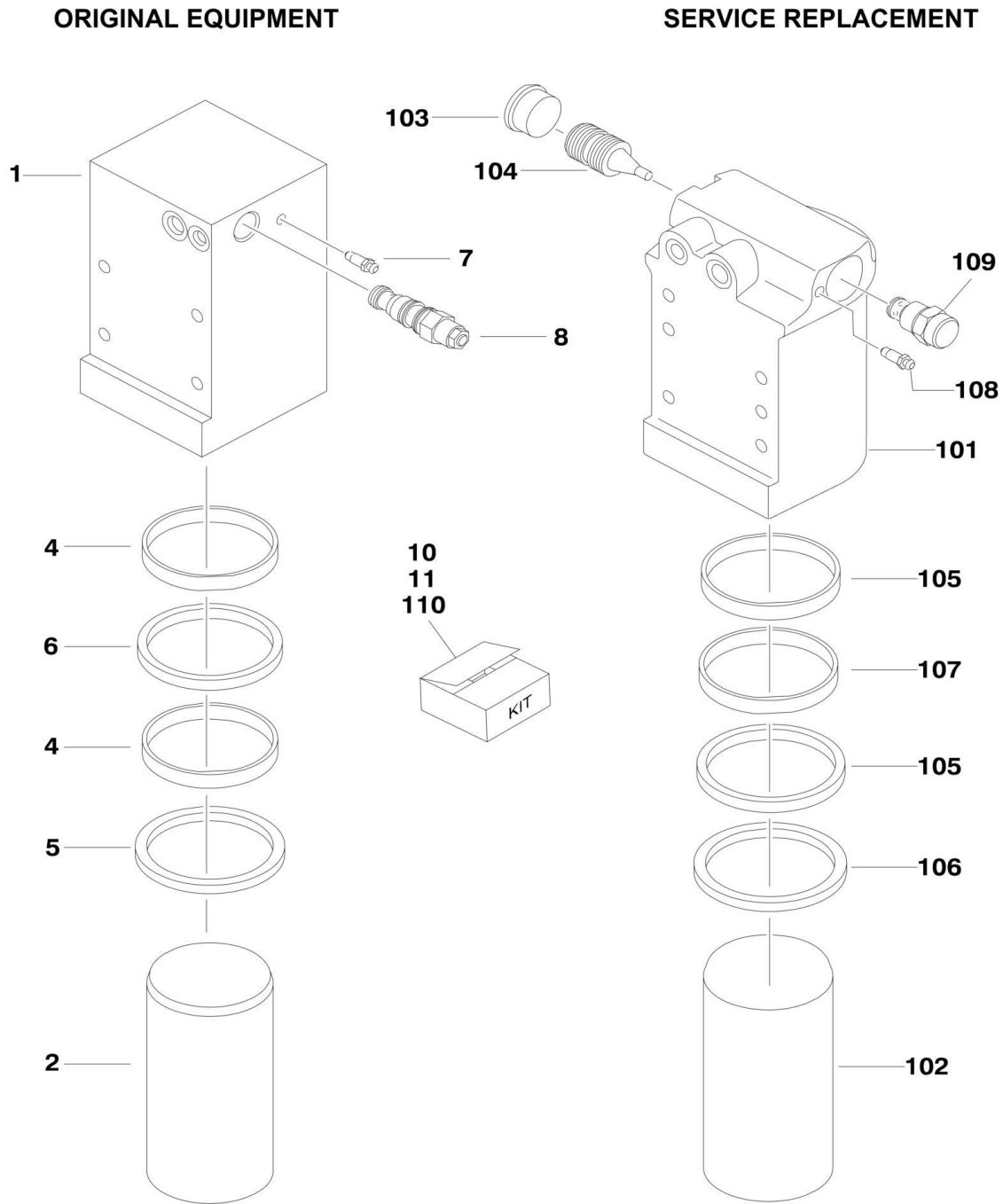
SECTION 5 - CYLINDER

FIGURE 5-1. AXLE LOCKOUT CYLINDER ASSEMBLY (SN 0300069000 through 0300081835)

ITEM	PART NUMBER	QTY	DESCRIPTION	REV
	1683280	Ref	AXLE LOCKOUT CYLINDER ASSEMBLY	6-D
1	1683281	1	Barrel Weldment	
2	1683283	1	Rod Weldment	
3	3760369	1	Ring, Washer	
4	0681610	8	Bolt 3/8in-16NC x 1-1/4in (Grade 8)	
5	0962474	4	Bushing	
6	4641162	2	Valve, Cartridge	
6	2900770	1	Seal Kit - 4640525 Valve	
7	See Note	NSS	Seal (Note: Use Item 26)	
8	See Note	NSS	Ring, Wear (Note: Use Item 26)	
9	See Note	NSS	Ring, Wear (Note: Use Item 26)	
10	See Note	NSS	Seal, Rod (Note: Use Item 26)	
11	See Note	NSS	Wiper, Rod (Note: Use Item 26)	
12	See Note	NSS	O-Ring (Note: Use Item 26)	
13	See Note	NSS	Ring, Back-up (Note: Use Item 26)	
14	0100063	AR	Adhesive	
15	2220885	1	Plug, O-Ring	
16	1683057	1	Head	
17	0100011	AR	Compound, Locking	
18	0100038	AR	Primer, Locking	
20	4640858	2	Valve, Bleeder	
26	2901321	1	Seal Kit (Includes Items 7-13)	

SECTION 5 - CYLINDER

FIGURE 5-2. AXLE LOCKOUT CYLINDER ASSEMBLY (SN 0300081836 through 0300087000)



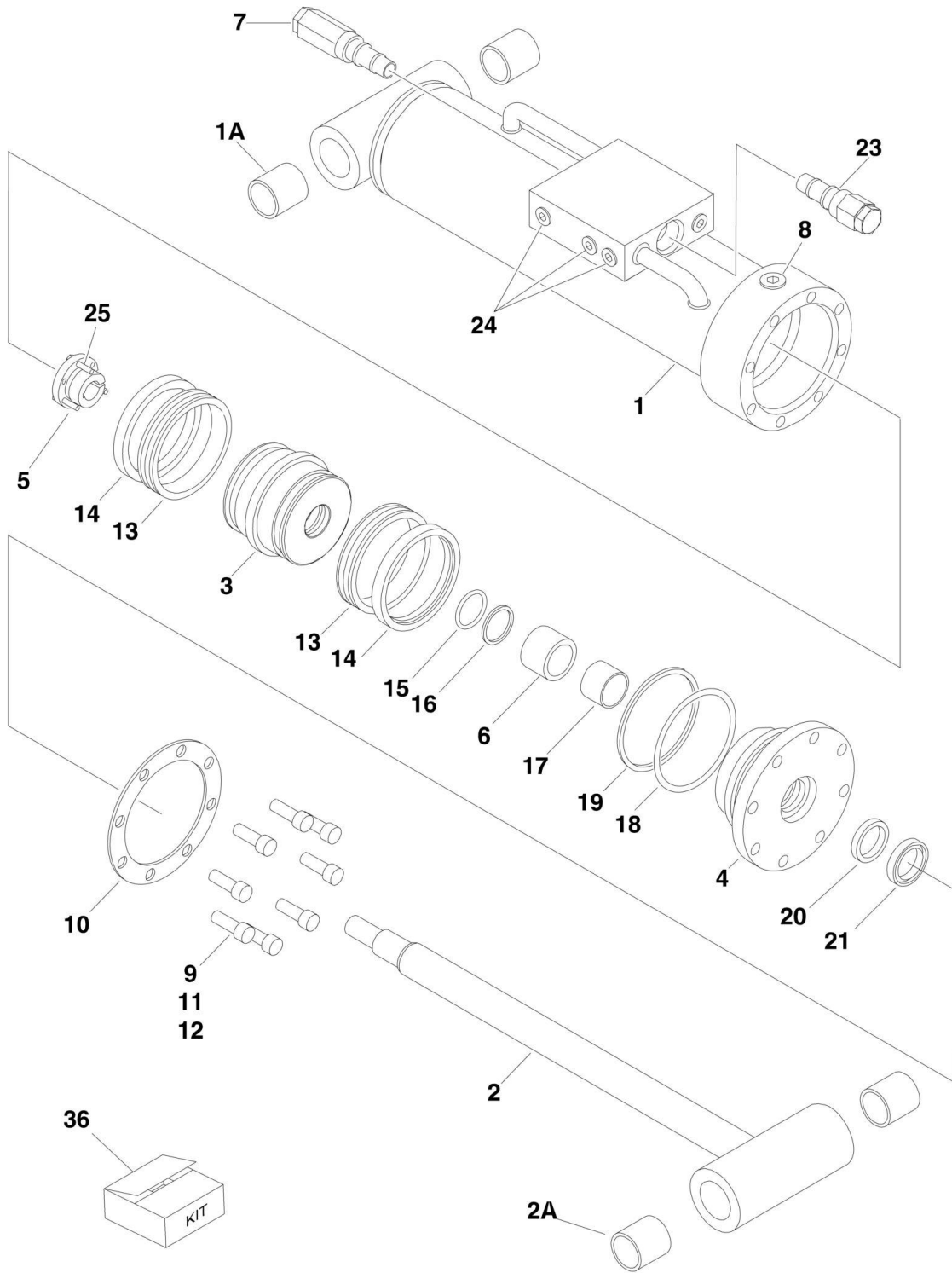
SECTION 5 - CYLINDER

FIGURE 5-2. AXLE LOCKOUT CYLINDER ASSEMBLY (SN 0300081836 through 0300087000)

ITEM	PART NUMBER	QTY	DESCRIPTION	REV
	1684280	Ref	AXLE LOCKOUT CYLINDER ASSEMBLY	G
		Ref	Note: Original Equipment components may have been replaced with Service Replacement components part. Identify p/n stamped on cylinder before ordering parts.	
1	1684289	1	Barrel	
2	1684290	1	Rod	
4	See Note	NSS	Ring, Wear (Note: Use Item 16)	
5	See Note	NSS	Wiper (Note: Use Item 16)	
6	See Note	NSS	Seal, Rod (Note: Use Item 16)	
7	4640858	1	Bleeder	
8	4641319	1	Cartridge, Valve	
8	7024879	1	Seal Kit	
10	2902266	1	Seal Kit (Includes Items 4-6)	
11	1001167359	1	Cylinder Replacement Kit (Kit Replaces p/n 1684280 with Current Design)	
	1684465	Ref	AXLE LOCKOUT CYLINDER ASSEMBLY (SERVICE REPLACEMENT)	J
		Ref	Note: Original Equipment components may have been replaced with Service Replacement components part. Identify p/n stamped on cylinder before ordering parts.	
101	0370026	1	Barrel	
102	1684290	1	Rod	
103	2220890	1	Plug	
104	3480288	1	Piston, Pilot	
105	See Note	1	Ring, Wear (Note: Use Item 110)	
106	See Note	1	Wiper (Note: Use Item 110)	
107	See Note	1	Seal, Rod (Note: Use Item 110)	
108	4640858	1	Bleeder	
109	4641390	1	Cartridge, Valve	
109	7017496	1	Seal Kit	
110	2902266	1	Seal Kit (Includes Items 104-106)	

SECTION 5 - CYLINDER

FIGURE 5-3. PLATFORM LEVEL CYLINDER ASSEMBLY (ORIGINAL EQUIPMENT)



SECTION 5 - CYLINDER

FIGURE 5-3. PLATFORM LEVEL CYLINDER ASSEMBLY (ORIGINAL EQUIPMENT)

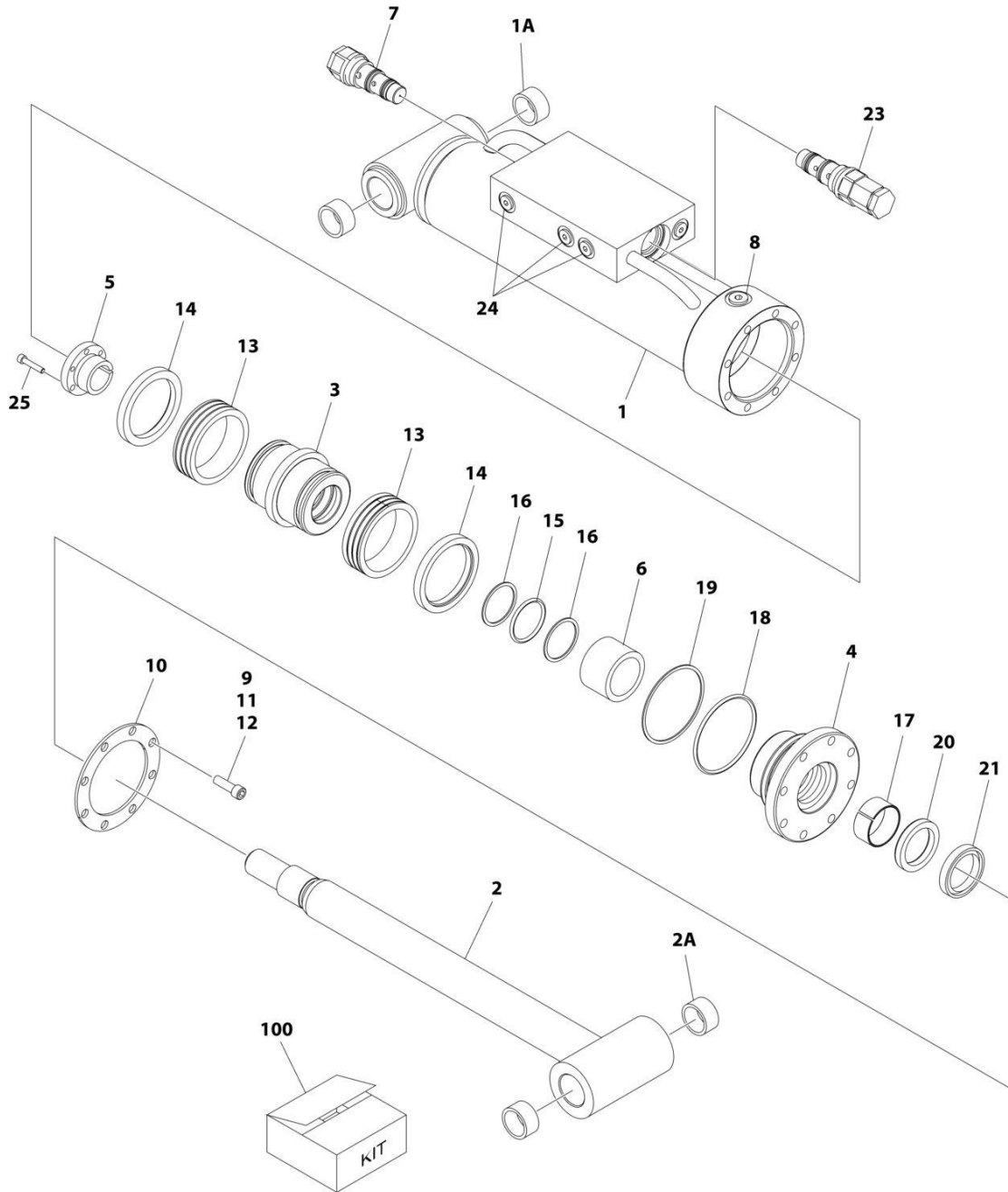
ITEM	PART NUMBER	QTY	DESCRIPTION	REV
	1683415	Ref	PLATFORM LEVEL CYLINDER ASSEMBLY - 600A	C
	1683418	Ref	PLATFORM LEVEL CYLINDER ASSEMBLY - 600AJ	D
		Ref	Note: Original Cylinder may have been replaced with Service Replacement. Identify PN Stamped on Cylinder Before Ordering Parts	
1		Ref	Barrel Weldment Options:	
1	1683977	1	Barrel Weldment 600A (Note: Includes Item 1A)	
1	1683952	1	Barrel Weldment 600AJ (Note: Item 1A not included. Purchase Separately)	
1A		Ref	Bushing Options:	
1A	0961947	2	600A	
1A	0961951	2	600AJ	
2		Ref	Rod Weldment Options:	
2	1683976	1	Rod Weldment 600A (Note: Includes Item 2A)	
2	1683963	1	Rod Weldment 600AJ (Note: Item 2A not included. Purchase Separately)	
2A		Ref	Bushing Options:	
2A	0961947	2	600A	
2A	0961951	2	600AJ	
3		Ref	Piston Options:	
3	3480210	1	Piston 600A	
3	3480188	1	Piston 600AJ	
4		Ref	Head Options:	
4	1683053	1	Head 600A	
4	1683055	1	Head 600AJ	
5		Ref	Bushing, Tapered (Includes Item 25) Options:	
5	0961893	1	Bushing, Tapered 600A	
5	0961894	1	Bushing, Tapered 600AJ	
6	4566468	1	Spacer	
7	4640509	1	Cartridge, Valve	
7	2900792	1	Seal Kit - 4640509 Valve	
8	2220885	1	Plug, O-Ring	
9		Ref	Capscrew, Socket Head Options:	
9	3931516	8	600A - Capscrew 5/16in-18NC x 1in	
9	3931620	8	600AJ - Capscrew 3/8in-16NC x 1-1/4in	
10		Ref	Ring, Washer Options:	
10	3760368	1	Ring, Washer 600A	
10	3760369	1	Ring, Washer 600AJ	
11	0100011	AR	Compound, Locking	
12	0100038	AR	Primer, Locking	
13	See Note	2	Seal (Note: Use Item 36)	
14	See Note	2	Ring, Lock (Note: Use Item 36)	
15	See Note	1	O-Ring (Note: Use Item 36)	
16	See Note	1	Ring, Back-up (Note: Use Item 36)	
17	See Note	1	Ring, Wear (Note: Use Item 36)	
18	See Note	1	O-Ring (Note: Use Item 36)	
19	See Note	1	Ring, Back-up (Note: Use Item 36)	
20	See Note	1	Seal, Rod (Note: Use Item 36)	
21	See Note	1	Wiper (Note: Use Item 36)	
23	4640932	1	Cartridge, Valve	

SECTION 5 - CYLINDER

ITEM	PART NUMBER	QTY	DESCRIPTION	REV
23	7011112	1	Seal Kit - 4640932 Valve	
24	2220883	8	Plug, O-Ring	
25		Ref	Bolt Options:	
25	0630534	3	600A - Bolt #10 - 24NC x 1in	
25	0630535	3	600AJ - Bolt 1/4in - 20NC x 1-1/8in	
36		Ref	Seal Kit Options (Includes Items 13-21):	
36	2901303	1	Seal Kit 600A	
36	2901301	1	Seal Kit 600AJ	

SECTION 5 - CYLINDER

FIGURE 5-4. LEVEL CYLINDER ASSEMBLY - PLATFORM SLAVE (600A) (SERVICE REPLACEMENT)



ART_1001223512

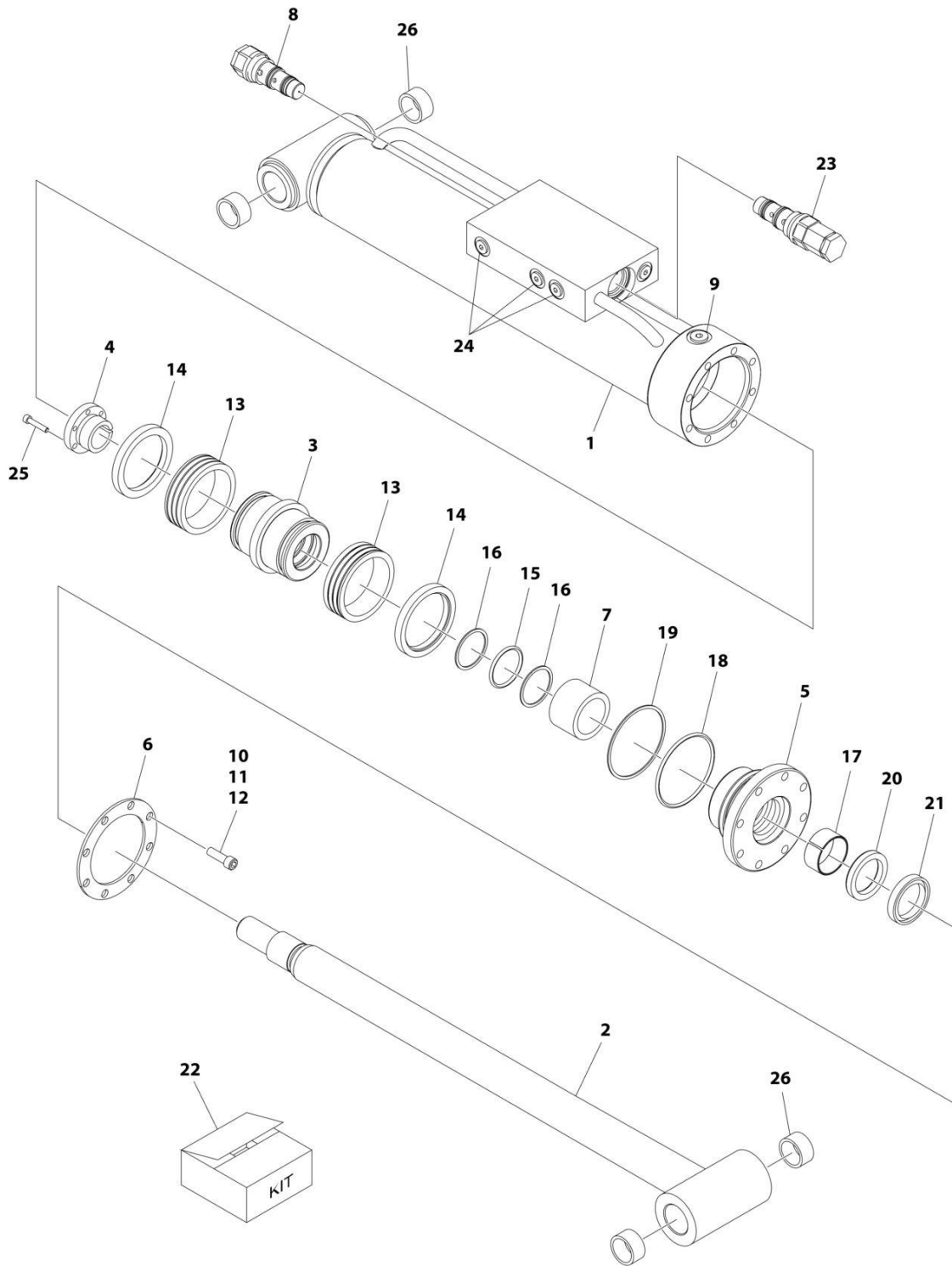
SECTION 5 - CYLINDER

FIGURE 5-4. LEVEL CYLINDER ASSEMBLY - PLATFORM SLAVE (600A) (SERVICE REPLACEMENT)

ITEM	PART NUMBER	QTY	DESCRIPTION	REV
	1001223512	Ref	LEVEL CYLINDER ASSEMBLY	A
		Ref	Note: Original Cylinder may have been replaced with Service Replacement. Identify PN Stamped on Cylinder Before Ordering Parts.	
1	1001223511	1	Barrel	
1A	0961947	2	Bushing	
2	1683976	1	Rod	
2A	0961947	2	Bushing	
3	3480210	1	Piston	
4	1683053	1	Head	
5	0961893	1	Bushing, Tapered	
6	4566468	1	Spacer	
7	4640509	1	Cartridge, Valve	
7	2900792	1	Seal Kit - 4640509 Valve	
8	2220885	1	Plug, O-Ring	
9	3931516	8	Capscrew, Socket Head	
10	3760368	1	Ring, Washer	
11	0100011	AR	Compound, Locking	
12	0100038	AR	Primer, Locking	
13	See Note	NSS	Seal (Note: Use Item 100)	
14	See Note	NSS	Ring, Lock (Note: Use Item 100)	
15	See Note	NSS	O-Ring (Note: Use Item 100)	
16	See Note	NSS	Ring, Back-up (Note: Use Item 100)	
17	See Note	NSS	Ring, Wear (Note: Use Item 100)	
18	See Note	NSS	O-Ring (Note: Use Item 100)	
19	See Note	NSS	Ring, Back-up (Note: Use Item 100)	
20	See Note	NSS	Seal, Rod (Note: Use Item 100)	
21	See Note	NSS	Wiper (Note: Use Item 100)	
23	4640932	1	Cartridge, Valve	
23	7011112	1	Seal Kit - 4640932 Valve	
24	2220883	8	Plug, O-Ring	
25	0630534	3	Bolt #10 x 1	
100	2901303	1	Seal Kit (Includes Items 13-21)	

SECTION 5 - CYLINDER

FIGURE 5-5. LEVEL CYLINDER ASSEMBLY - PLATFORM SLAVE (600AJ) (SERVICE REPLACEMENT)



ART_1001223331

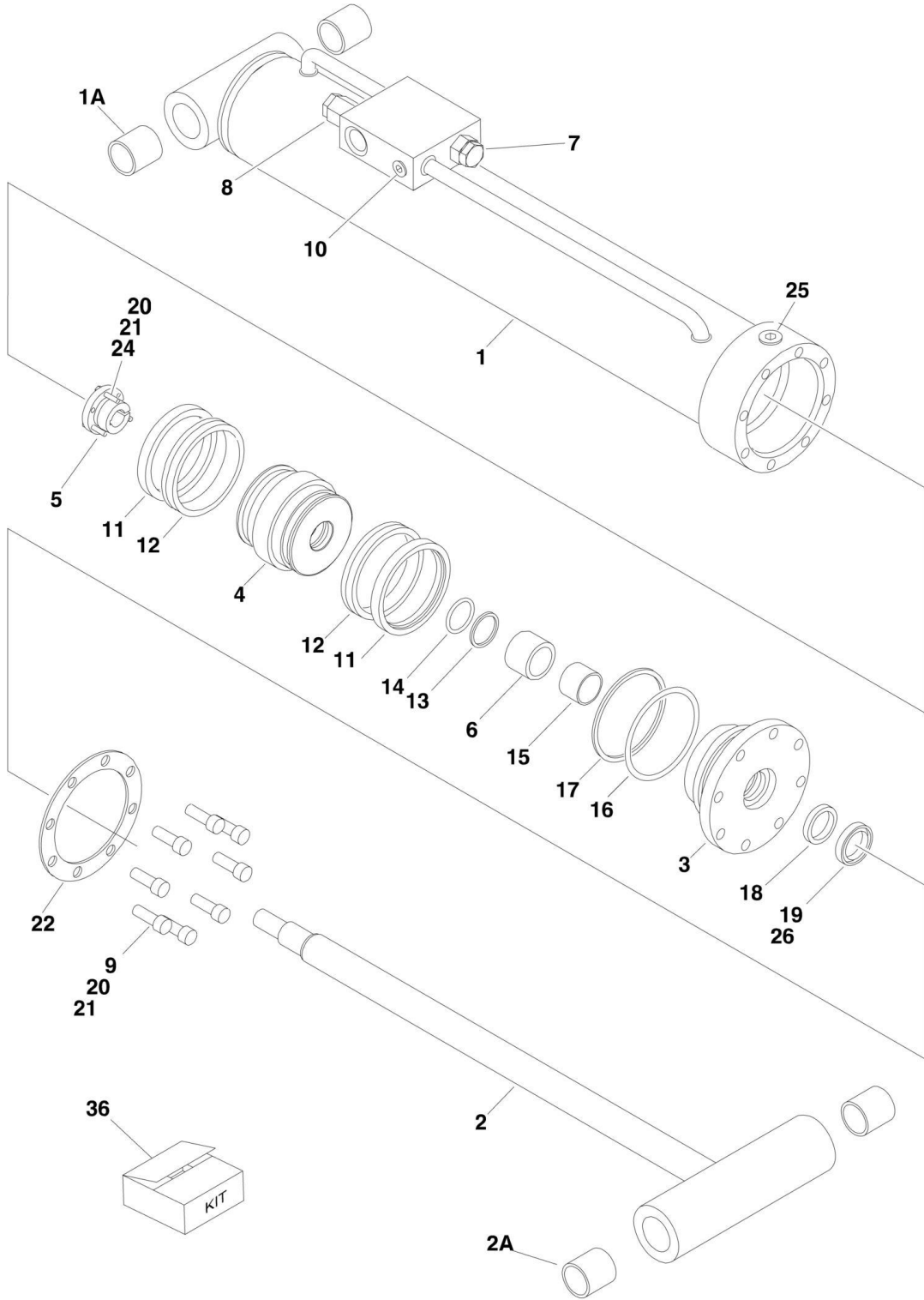
SECTION 5 - CYLINDER

FIGURE 5-5. LEVEL CYLINDER ASSEMBLY - PLATFORM SLAVE (600AJ) (SERVICE REPLACEMENT)

ITEM	PART NUMBER	QTY	DESCRIPTION	REV
	1001223331	Ref	LEVEL CYLINDER ASSEMBLY	B
		Ref	Note: Original Cylinder may have been replaced with Service Replacement. Identify PN Stamped on Cylinder Before Ordering Parts.	
1	1001223332	1	Barrel	
2	1683963	1	Rod	
3	3480188	1	Head	
4	0961894	1	Bushing, Tapered	
5	1683055	1	Head	
6	3760369	1	Ring, Washer	
7	4566468	1	Spacer	
8	4640509	1	Cartridge, Valve	
8	2900792	1	Seal Kit - 4640509 Valve	
9	2220885	1	Plug	
10	3931620	8	Capscrew 3/8 x 1-1/4	
11	0100011	AR	Compound, Locking	
12	0100038	AR	Primer, Locking	
13	See Note	NSS	Seal (Note: Use Item 22)	
14	See Note	NSS	Ring, Lock (Note: Use Item 22)	
15	See Note	NSS	O-Ring (Note: Use Item 22)	
16	See Note	NSS	Ring, Back-up (Note: Use Item 22)	
17	See Note	NSS	Ring, Wear (Note: Use Item 22)	
18	See Note	NSS	O-Ring (Note: Use Item 22)	
19	See Note	NSS	Ring, Back-up (Note: Use Item 22)	
20	See Note	NSS	Seal (Note: Use Item 22)	
21	See Note	NSS	Wiper (Note: Use Item 22)	
22	2901301	1	Seal Kit (Includes Items 13-21)	
23	4640932	1	Cartridge, Valve	
23	7011112	1	Seal Kit - 4640932 Valve	
24	2220883	8	Plug	
25	0630535	3	Bolt 1/4 x 1-1/8	
26	0961951	4	Bushing	

SECTION 5 - CYLINDER

FIGURE 5-6. LEVEL CYLINDER ASSEMBLY - UPRIGHT



SECTION 5 - CYLINDER

FIGURE 5-6. LEVEL CYLINDER ASSEMBLY - UPRIGHT

ITEM	PART NUMBER	QTY	DESCRIPTION	REV
		Ref	LEVEL CYLINDER ASSEMBLY - UPRIGHT OPTIONS:	
	1683299	Ref	Original Equipment	F
	1684498	Ref	Service Replacement	C
		Ref	Note: Original Equipment components may have been replaced with Service Replacement components part. Identify p/n stamped on cylinder before ordering parts.	
1		Ref	Barrel Weldment	
1	1684014	NLA	Original Equipment (Use p/n 0370035)	
1	0370035	1	Service Replacement	
1A	0961949	2	Bushing	
2	1684015	1	Rod Weldment	
2A	0961949	2	Bushing	
3	1683067	1	Head	
4	3480206	1	Piston	
5	0961898	1	Bushing, Tapered (Use item #24 in place of supplied bolts)	
6	4566501	1	Spacer, Tube	
7	4640509	1	Cartridge, Valve	
7	2900792	1	Seal Kit - 4640509 Valve	
8	4640605	1	Cartridge, Valve	
8	2900792	1	Seal Kit - 4640605 Valve	
9	3932032	8	Bolt, Socket Head 5/16in-11NC x 2in	
10	2220883	2	Plug, O-Ring	
11	See Note	NSS	Ring, Lock (Note: Use Item 36)	
12	See Note	NSS	Seal, Hydrolock (Note: Use Item 36)	
13	See Note	NSS	O-Ring (Note: Use Item 36)	
14	See Note	NSS	Ring, Back-up (Note: Use Item 36)	
15	See Note	NSS	Ring, Wear (Note: Use Item 36)	
16	See Note	NSS	O-Ring (Note: Use Item 36)	
17	See Note	NSS	Ring, Back-up (Note: Use Item 36)	
18	See Note	NSS	Seal, Rod (Note: Use Item 36)	
19	See Note	NSS	Wiper (Note: Use Item 36)	
20	0100011	AR	Compound, Locking	
21	0100038	AR	Primer, Locking	
22	3760372	1	Washer, Ring	
24	0630536	3	Bolt 3/8in-16NC x 1-1/2in	
25	2220886	1	Plug, O-Ring	
26	0100063	AR	Adhesive	
36	2901285	1	Seal Kit (Includes Items 11-19)	

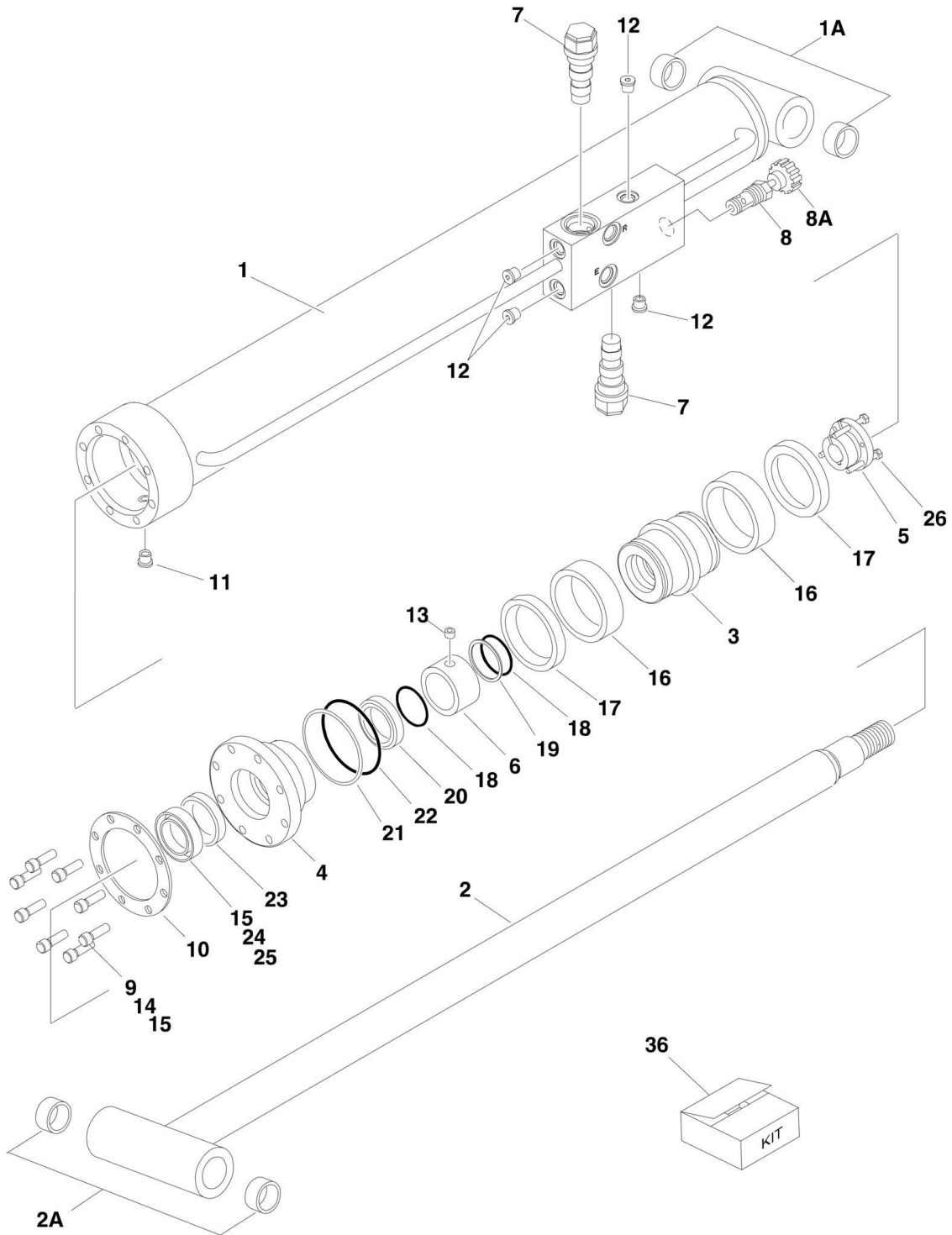
SECTION 5 - CYLINDER

FIGURE 5-7. LEVEL CYLINDER ASSEMBLY - UPRIGHT (SERVICE REPLACEMENT)

ITEM	PART NUMBER	QTY	DESCRIPTION	REV
	1001228042	Ref	UPRIGHT LEVEL CYLINDER ASSEMBLY	E
		Ref	Note: Original Equipment components may have been replaced with Service Replacement components part. Identify p/n stamped on cylinder before ordering parts.	
1	See Note	NSS	Barrel (Note: Not Available for Purchase)	
2	70006489	1	Rod	
3	70006488	1	Head	
4	See Note	NSS	Wiper (Note: Use Item 51)	
5	See Note	NSS	Seal, Rod (Note: Use Item 51)	
6	See Note	NSS	Ring, Wear (Note: Use Item 51)	
7	See Note	NSS	O-Ring (Note: Use Item 51)	
8	See Note	NSS	Ring, Back-up (Note: Use Item 51)	
9	70006487	1	Piston	
10	See Note	NSS	Ring, Lock (Note: Use Item 51)	
11	See Note	NSS	Seal, Hydrolock (Note: Use Item 51)	
12	See Note	NSS	O-Ring (Note: Use Item 51)	
13	See Note	NSS	Ring, Back-up (Note: Use Item 51)	
14	70006486	1	Spacer, Tube	
15	0961898	1	Bushing, Tapered (Use Item #16 in place of supplied bolts)	
16	0630536	3	Bolt 3/8 x 1-1/2	
17	3932032	8	Bolt, Socket Head 5/16 x 2	
18	4640509	1	Cartridge, Valve	
18	2900792	1	Seal Kit - 4640509 Valve	
19	4640605	1	Cartridge, Valve	
19	2900792	1	Seal Kit - 4640605 Valve	
20	0961949	4	Bushing	
21	2220883	5	Plug, O-Ring	
22	2220886	AR	Plug, O-Ring	
23	0100011	AR	Compound, Locking	
24	0100038	AR	Primer, Locking	
51	2901285	1	Seal Kit (Includes Items 4-8 & 10-13)	

SECTION 5 - CYLINDER

FIGURE 5-8. LIFT CYLINDER ASSEMBLY - ARTICULATING JIB - 600AJ



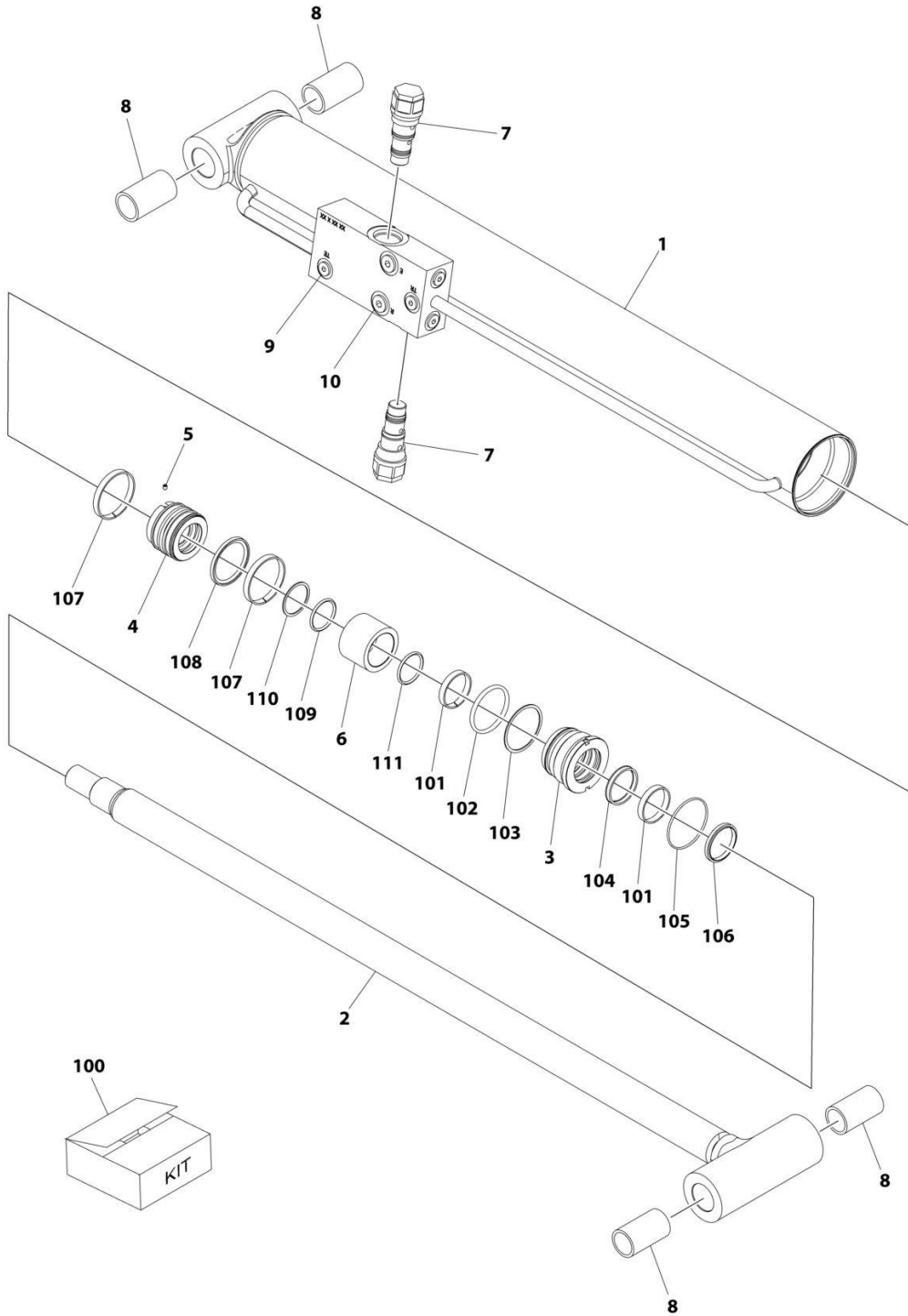
SECTION 5 - CYLINDER

FIGURE 5-8. LIFT CYLINDER ASSEMBLY - ARTICULATING JIB - 600AJ

ITEM	PART NUMBER	QTY	DESCRIPTION	REV
		Ref	LIFT CYLINDER ASSEMBLY - 600AJ OPTIONS:	
	1683258	Ref	Lift Cylinder Assembly (SN 0300069000 through 0300070976)	E
	1683609	Ref	Lift Cylinder Assembly (Original Equipment) (SN 0300070977 through 0300087000)	H
		Ref	Note: Original Cylinder May Have Been Replaced with Service Replacement. Identify PN Stamped on Cylinder Before Ordering Parts.	
1		Ref	Barrel Options:	
1	1684092	1	Barrel (SN 0300069000 through 0300070976)	
1	1684089	1	Barrel (SN 0300070977 through 0300087000)	
1A	0962336	2	Bushing	
2	1684090	1	Rod	
2A	0962336	2	Bushing	
3	3480210	1	Piston	
4	1683053	1	Head	
5	0961893	1	Bushing, Tapered	
6		Ref	Spacer, Tube Options:	
6	4566471	NLA	Spacer, Tube (Use p/n 4100100)	
6	4100100	1	Spacer, Tube (SN 0300079599 through 0300087000)	
7	4640509	2	Cartridge, Valve	
7	2900792	2	Seal Kit - 4640509 Valve	
8	4640902	1	Cartridge, Valve Only (SN 0300069000 through 0300070977)	
8	7012953	1	Seal Kit - 4640902 Valve	
8A	7012961	1	Knob	
9	3931516	8	Capscrew, Socket Head 5/16in-18NC x 1in	
10	3760368	1	Ring, Washer	
11	2220885	1	Plug, O-Ring #6	
12	2220883	4	Plug, O-Ring #4	
13	3900141	1	Setscrew 1/4in-20NC x 3/8in (SN 0300069000 through 0300079601)	
14	0100011	AR	Compound, Locking	
15	0100038	AR	Primer, Locking	
16	See Note	NSS	Seal (Note: Use Item 36)	
17	See Note	NSS	Ring, Lock (Note: Use Item 36)	
18	See Note	NSS	O-Ring (Note: Use Item 36)	
19	See Note	NSS	Ring, Back-up (Note: Use Item 36)	
20	See Note	NSS	Ring, Wear (Note: Use Item 36)	
21	See Note	NSS	O-Ring (Note: Use Item 36)	
22	See Note	NSS	Ring, Back-up (Note: Use Item 36)	
23	See Note	NSS	Seal, Rod (Note: Use Item 36)	
24	See Note	NSS	Wiper (Note: Use Item 36)	
25	0100063	AR	Adhesive	
26	0630534	3	Bolt #10 - 24NC x 1in	
36	2901303	1	Seal Kit (Includes Items 16-24)	

SECTION 5 - CYLINDER

FIGURE 5-9. LIFT CYLINDER ASSEMBLY - ARTICULATING JIB - 600AJ (SERVICE REPLACEMENT)



ART_1001228012

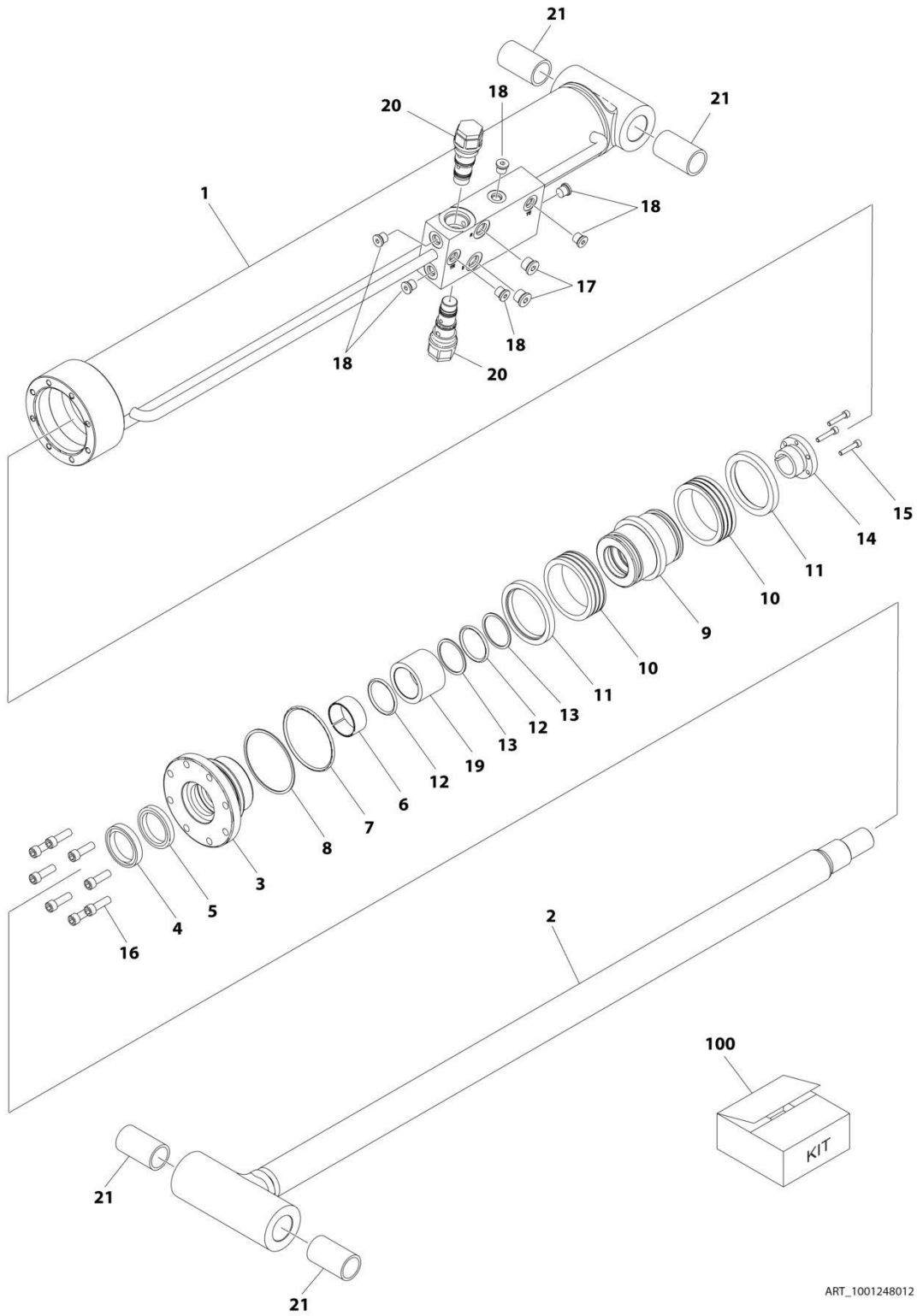
SECTION 5 - CYLINDER

FIGURE 5-9. LIFT CYLINDER ASSEMBLY - ARTICULATING JIB - 600AJ (SERVICE REPLACEMENT)

ITEM	PART NUMBER	QTY	DESCRIPTION	REV
	1001228012	Ref	LIFT CYLINDER ASSEMBLY - JIB	C
		Ref	Note: Original Cylinder May Have Been Replaced with Service Replacement. Identify PN Stamped on Cylinder Before Ordering Parts.	
1	See Note	NSS	Barrel (Note: Not Available for Purchase)	
2	70006572	1	Rod	
3	70006571	1	Head	
4	70006570	1	Piston	
5	70023915	1	Screw	
6	70006569	1	Spacer	
7	4640509	2	Cartridge, Valve	
7	2900792	2	Seal Kit - 4640509 Valve	
8	0962336	4	Bushing	
9	2220883	6	Plug, O-Ring	
10	2220885	2	Plug, O-Ring	
100	70006568	1	Seal Kit (Includes Items 101-111)	
101	See Note	NSS	Ring, Wear (Note: Use Item 100)	
102	See Note	NSS	O-Ring (Note: Use Item 100)	
103	See Note	NSS	Ring, Back-up (Note: Use Item 100)	
104	See Note	NSS	Seal, Rod (Note: Use Item 100)	
105	See Note	NSS	O-Ring (Note: Use Item 100)	
106	See Note	NSS	Wiper (Note: Use Item 100)	
107	See Note	NSS	Ring, Wear (Note: Use Item 100)	
108	See Note	NSS	Seal (Note: Use Item 100)	
109	See Note	NSS	O-Ring (Note: Use Item 100)	
110	See Note	NSS	Ring, Back-up (Note: Use Item 100)	
111	See Note	NSS	O-Ring (Note: Use Item 100)	

SECTION 5 - CYLINDER

FIGURE 5-10. LIFT CYLINDER ASSEMBLY - ARTICULATING JIB - 600AJ (SERVICE REPLACEMENT)



ART_1001248012

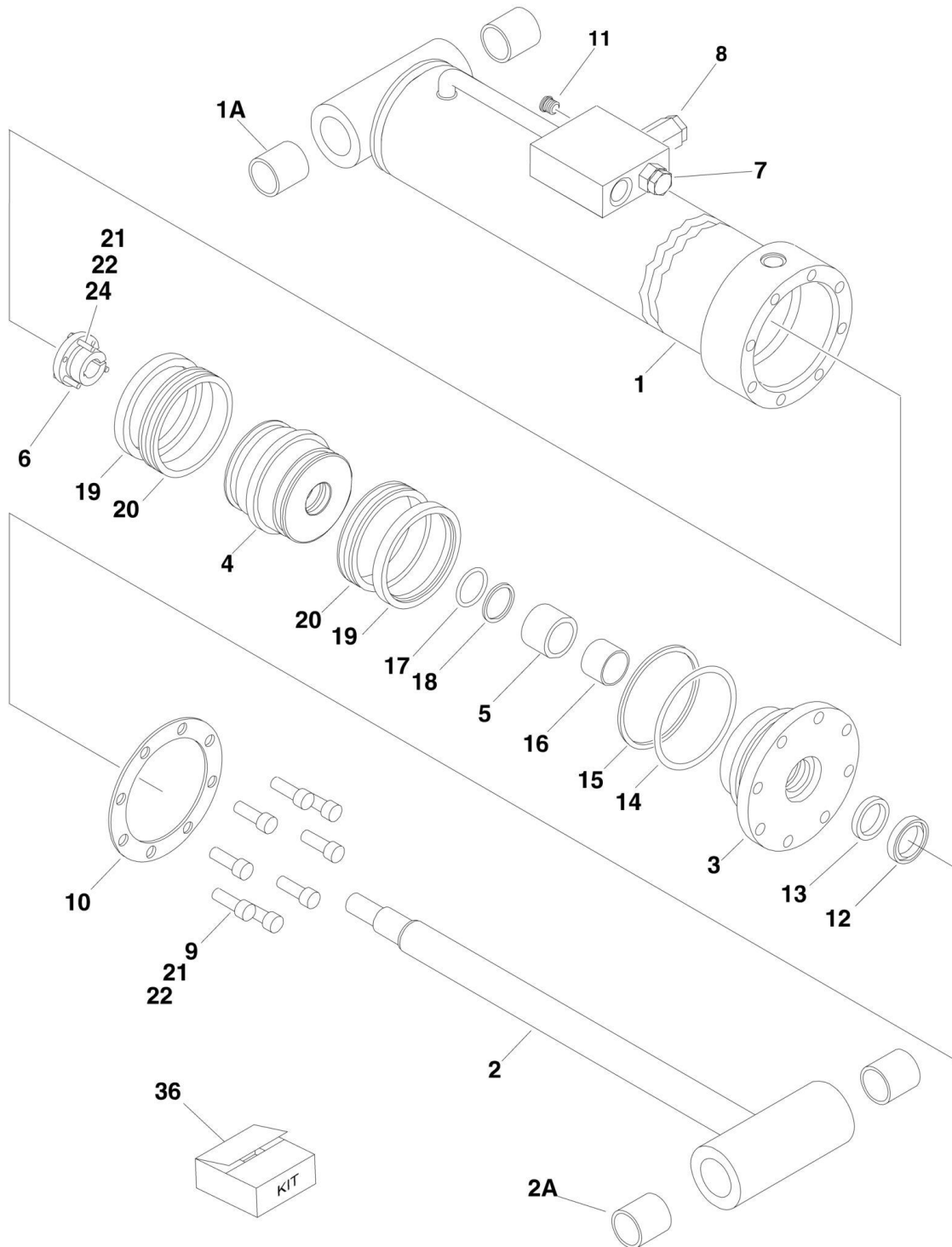
SECTION 5 - CYLINDER

FIGURE 5-10. LIFT CYLINDER ASSEMBLY - ARTICULATING JIB - 600AJ (SERVICE REPLACEMENT)

ITEM	PART NUMBER	QTY	DESCRIPTION	REV
	1001248012	Ref	LIFT CYLINDER ASSEMBLY - JIB	C
		Ref	Note: Original Cylinder May Have Been Replaced with Service Replacement. Identify PN Stamped on Cylinder Before Ordering Parts.	
1	See Note	NSS	Barrel (Note: Not Available for Purchase)	
2	70006734	1	Rod	
3	70006649	1	Head	
4	See Note	NSS	Wiper (Note: Use Item 100)	
5	See Note	NSS	Seal, Rod (Note: Use Item 100)	
6	See Note	NSS	Ring, Wear (Note: Use Item 100)	
7	See Note	NSS	O-Ring (Note: Use Item 100)	
8	See Note	NSS	Ring, Back-up (Note: Use Item 100)	
9	70006650	1	Piston	
10	See Note	NSS	Seal (Note: Use Item 100)	
11	See Note	NSS	Ring, Lock (Note: Use Item 100)	
12	See Note	NSS	O-Ring (Note: Use Item 100)	
13	See Note	NSS	Ring, Back-up (Note: Use Item 100)	
14	0961893	1	Bushing, Tapered	
15	0630534	3	Capscrew, Socket Head #10 x 1	
16	70006735	8	Capscrew 5/16	
17	2220885	2	Plug, O-Ring	
18	2220883	6	Plug, O-Ring	
19	70006736	1	Spacer	
20	4640509	2	Cartridge, Valve	
20	2900792	2	Seal Kit - 4640509 Valve	
21	0962336	4	Bushing	
100	1001138795	1	Seal Kit (Includes Items 4-8 & 10-13)	

SECTION 5 - CYLINDER

FIGURE 5-11. LIFT CYLINDER ASSEMBLY - MAIN BOOM (ORIGINAL EQUIPMENT)



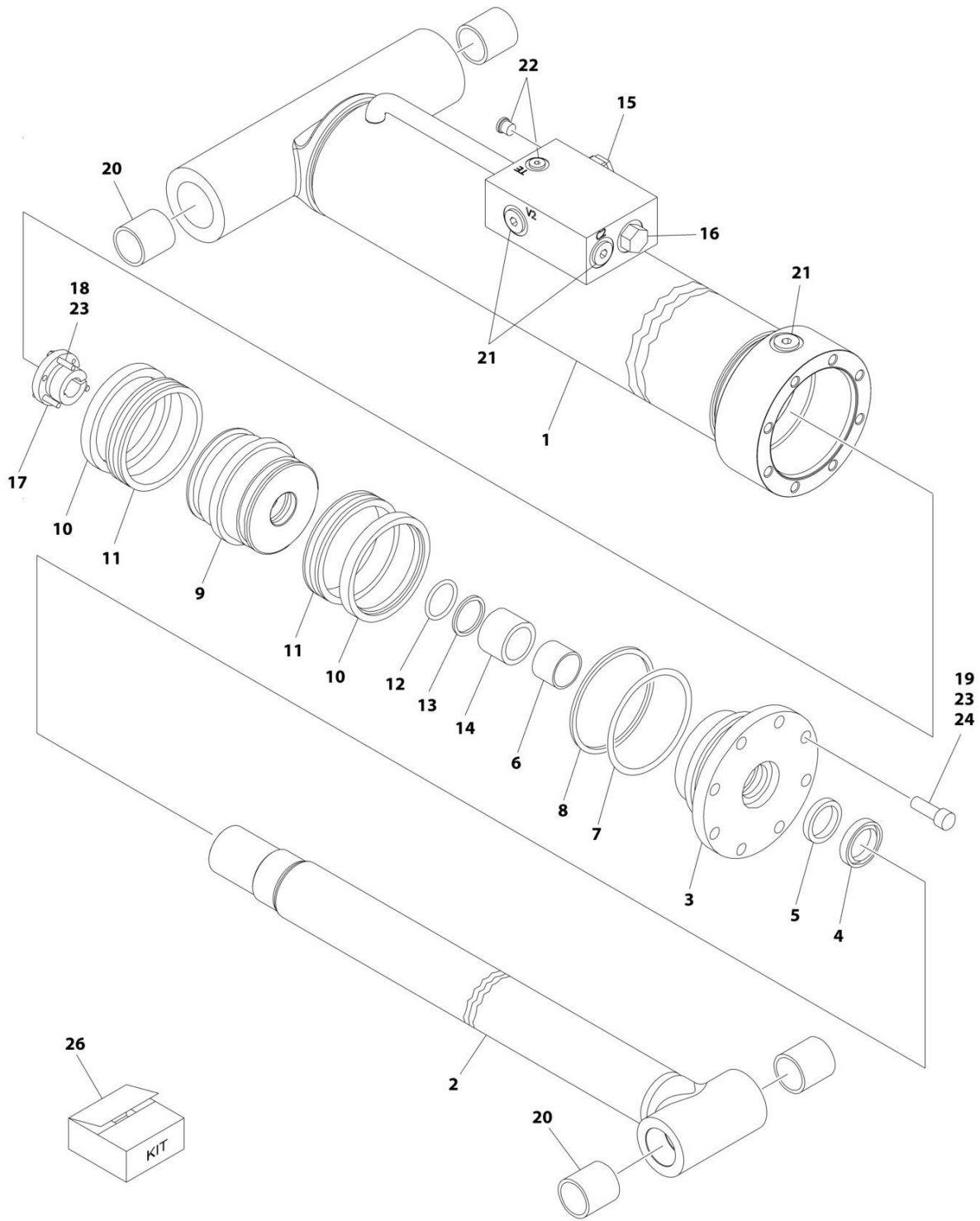
SECTION 5 - CYLINDER

FIGURE 5-11. LIFT CYLINDER ASSEMBLY - MAIN BOOM (ORIGINAL EQUIPMENT)

ITEM	PART NUMBER	QTY	DESCRIPTION	REV
	1683294	Ref	LIFT CYLINDER ASSEMBLY - MAIN BOOM Note: Original Equipment components may have been replaced with Service Replacement components part. Identify p/n stamped on cylinder before ordering parts.	G
		Ref		
1	1684001	1	Barrel	
1A	0961948	2	Bushing	
2	1684005	1	Rod	
2A	0961948	2	Bushing	
3	1683061	1	Head	
4	3480211	1	Piston	
5	4566408	1	Spacer	
6	0961897	1	Bushing, Tapered	
7	4640438	1	Cartridge, Valve	
7	2900770	1	Seal Kit - 4640438 Valve	
8	4640509	1	Cartridge, Valve	
8	2900792	1	Seal Kit - 4640509 Valve	
9	3931720	8	Capscrew, Socket Head 7/16in-14NC x 1-1/4in	
10	3760370	1	Ring, Washer	
11	2220883	1	Plug, O-Ring #6	
12	See Note	NSS	Wiper (Note: Use Item 36)	
13	See Note	NSS	Seal, Rod (Note: Use Item 36)	
14	See Note	NSS	O-Ring (Note: Use Item 36)	
15	See Note	NSS	Ring, Back-up (Note: Use Item 36)	
16	See Note	NSS	Ring, Wear (Note: Use Item 36)	
17	See Note	NSS	O-Ring (Note: Use Item 36)	
18	See Note	NSS	Ring, Back-up (Note: Use Item 36)	
19	See Note	NSS	Ring, Lock (Note: Use Item 36)	
20	See Note	NSS	Seal (Note: Use Item 36)	
21	0100011	AR	Compound, Locking	
22	0100038	AR	Primer, Locking	
24	0630535	3	Bolt 1/4in-20NC x 1-1/8in	
36	2901273	1	Seal Kit (Includes Items 12-20)	

SECTION 5 - CYLINDER

FIGURE 5-12. LIFT CYLINDER ASSEMBLY - MAIN BOOM (SERVICE REPLACEMENT)



ART_1001228004

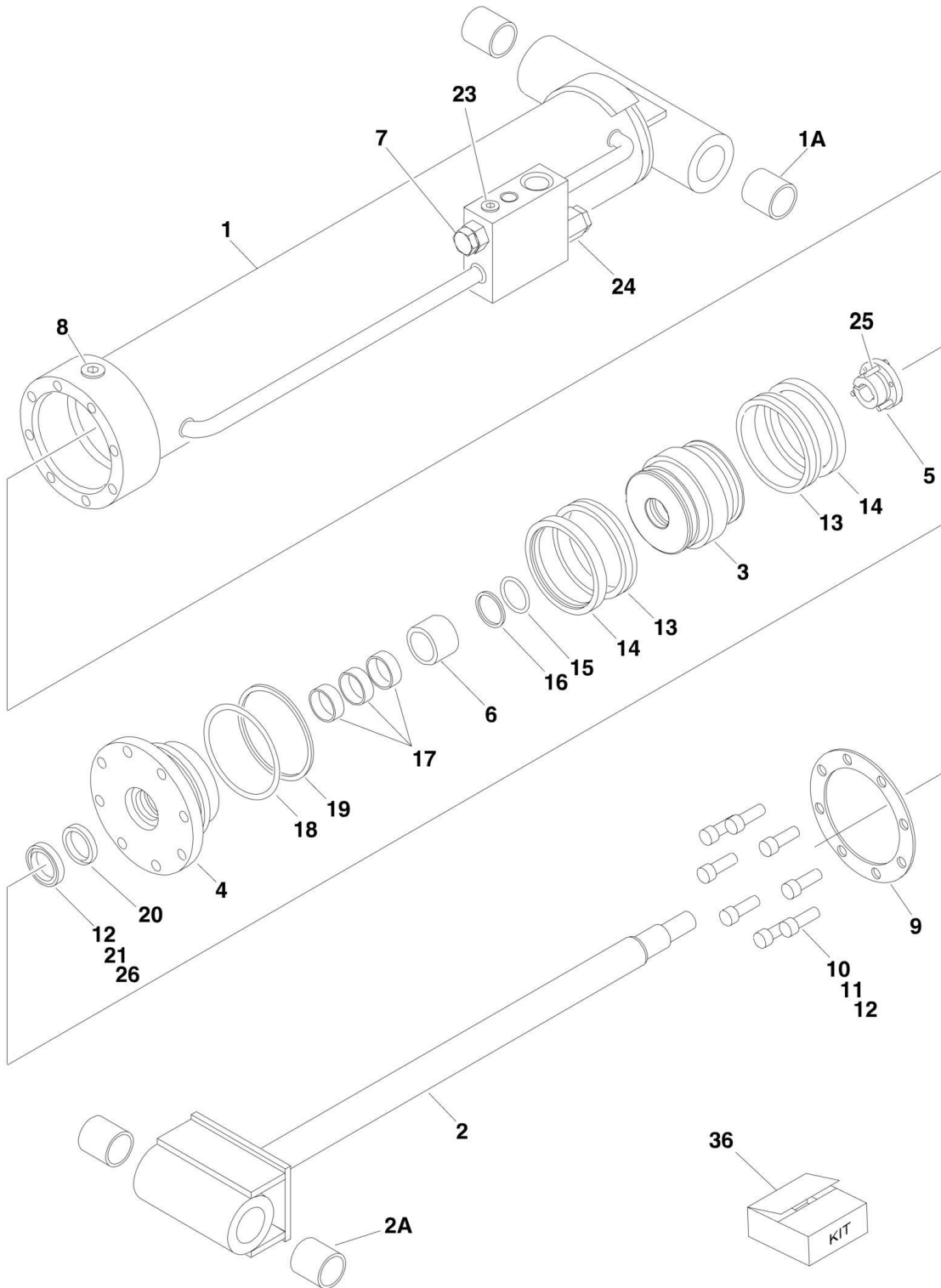
SECTION 5 - CYLINDER

FIGURE 5-12. LIFT CYLINDER ASSEMBLY - MAIN BOOM (SERVICE REPLACEMENT)

ITEM	PART NUMBER	QTY	DESCRIPTION	REV
	1001228004	Ref	LIFT CYLINDER ASSEMBLY - MAIN BOOM	C
		Ref	Note: Original Equipment components may have been replaced with Service Replacement components part. Identify p/n stamped on cylinder before ordering parts.	
1	See Note	NSS	Barrel (Note: Not Available for Purchase)	
2	70006481	1	Rod	
3	70006480	1	Head	
4	See Note	NSS	Wiper (Note: Use Item 26)	
5	See Note	NSS	Seal, Rod (Note: Use Item 26)	
6	See Note	NSS	Ring, Wear (Note: Use Item 26)	
7	See Note	NSS	O-Ring (Note: Use Item 26)	
8	See Note	NSS	Ring, Back-up (Note: Use Item 26)	
9	70006479	1	Piston	
10	See Note	NSS	Ring, Lock (Note: Use Item 26)	
11	See Note	NSS	Seal (Note: Use Item 26)	
12	See Note	NSS	O-Ring (Note: Use Item 26)	
13	See Note	NSS	Ring, Back-up (Note: Use Item 26)	
14	70006478	1	Spacer	
15	4640509	1	Cartridge, Valve	
15	2900792	1	Seal Kit - 4640509 Valve	
16	4640438	1	Cartridge, Valve	
16	2900770	1	Seal Kit - 4640438 Valve	
17	0961897	1	Bushing, Tapered	
18	0630535	3	Bolt 1/4 x 1-1/8	
19	3931720	8	Capscrew, Socket Head 7/16 x 1-1/4	
20	0961948	2	Bushing	
21	2220886	4	Plug, O-Ring	
22	2220883	3	Plug, O-Ring	
23	0100011	AR	Compound, Locking	
24	0100038	AR	Primer, Locking	
26	2901273	1	Seal Kit (Includes Items 4-8 & 10-13)	

SECTION 5 - CYLINDER

FIGURE 5-13. LIFT CYLINDER ASSEMBLY - TOWER BOOM (ORIGINAL EQUIPMENT)



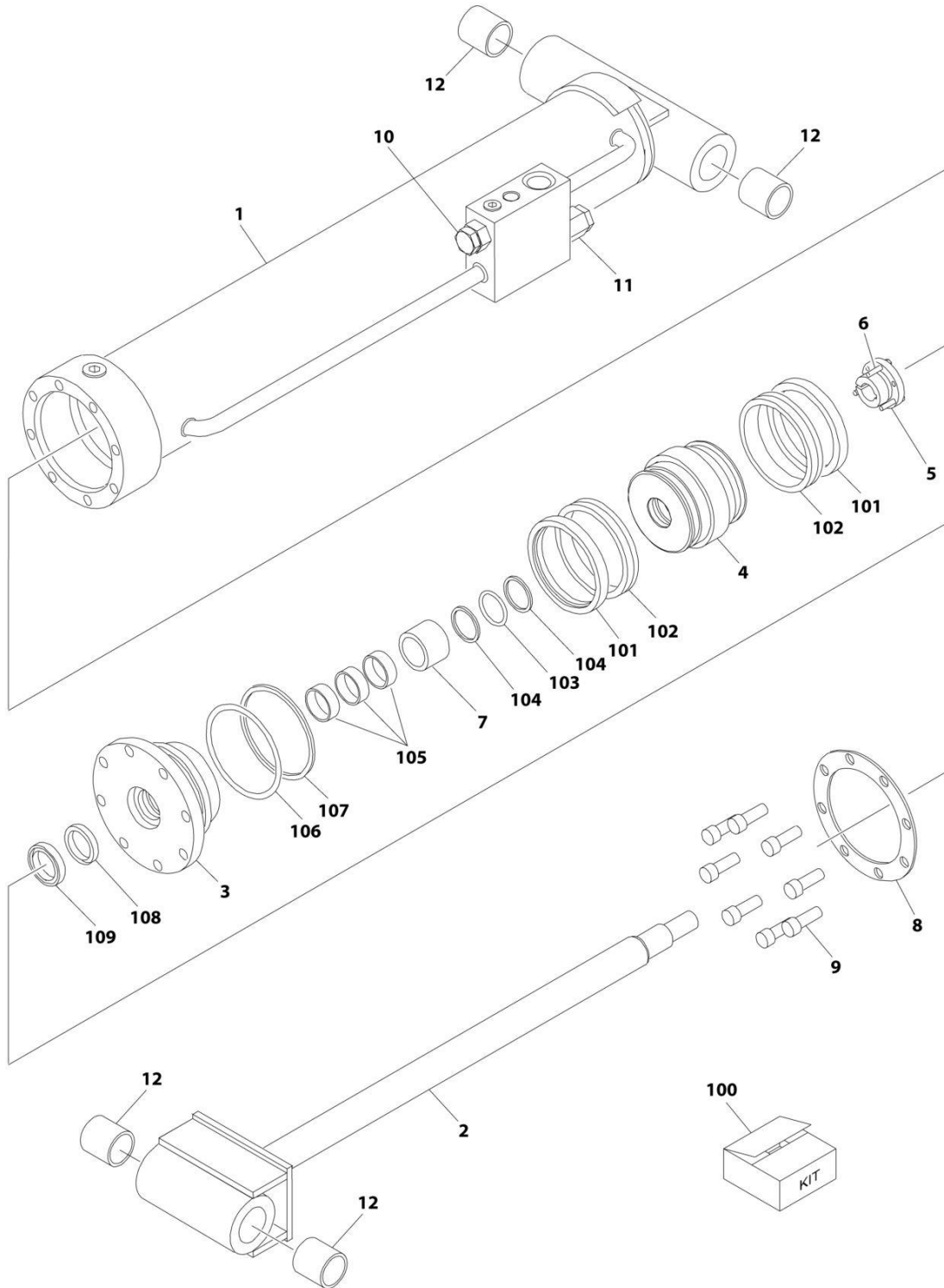
SECTION 5 - CYLINDER

FIGURE 5-13. LIFT CYLINDER ASSEMBLY - TOWER BOOM (ORIGINAL EQUIPMENT)

ITEM	PART NUMBER	QTY	DESCRIPTION	REV
	1683288	Ref	LIFT CYLINDER ASSEMBLY - TOWER BOOM	L
		Ref		
1	1684017	1	Barrel	
1A	0961949	2	Bushing	
2	1684019	1	Rod	
2A	0961949	2	Bushing	
3	3480216	1	Piston	
4	1683069	1	Head	
5	0961899	1	Bushing, Tapered	
6	4566667	1	Spacer	
7	4640605	1	Cartridge, Valve	
7	2900792	1	Seal Kit - 4640605	
8	2220888	1	Plug, O-Ring #12	
9	3760384	1	Ring, Washer	
10	3932240	8	Capscrew, Socket Head 3/4in-10NC x 2-1/2in	
11	0100011	AR	Compound, Locking	
12	0100038	AR	Primer, Locking	
13	See Note	NSS	Seal (Note: Use Item 36)	
14	See Note	NSS	Ring, Lock (Note: Use Item 36)	
15	See Note	NSS	O-Ring (Note: Use Item 36)	
16	See Note	NSS	Ring, Back-up (Note: Use Item 36)	
17	See Note	NSS	Ring, Wear (Note: Use Item 36)	
18	See Note	NSS	O-Ring (Note: Use Item 36)	
19	See Note	NSS	Ring, Back-up (Note: Use Item 36)	
20	See Note	NSS	Seal, Rod (Note: Use Item 36)	
21	See Note	NSS	Wiper (Note: Use Item 36)	
23	2220883	2	Plug, O-Ring #4	
24	4640509	1	Counterbalance	
24	2900792	1	Seal Kit - 4640509	
25	0630536	3	Bolt 3/8in-16NC x 1-1/2in	
26	0100063	AR	Adhesive	
36	2901322	1	Seal Kit (Includes Items 13-21)	

SECTION 5 - CYLINDER

FIGURE 5-14. LIFT CYLINDER ASSEMBLY - TOWER BOOM (SERVICE REPLACEMENT)



ART_1001228003

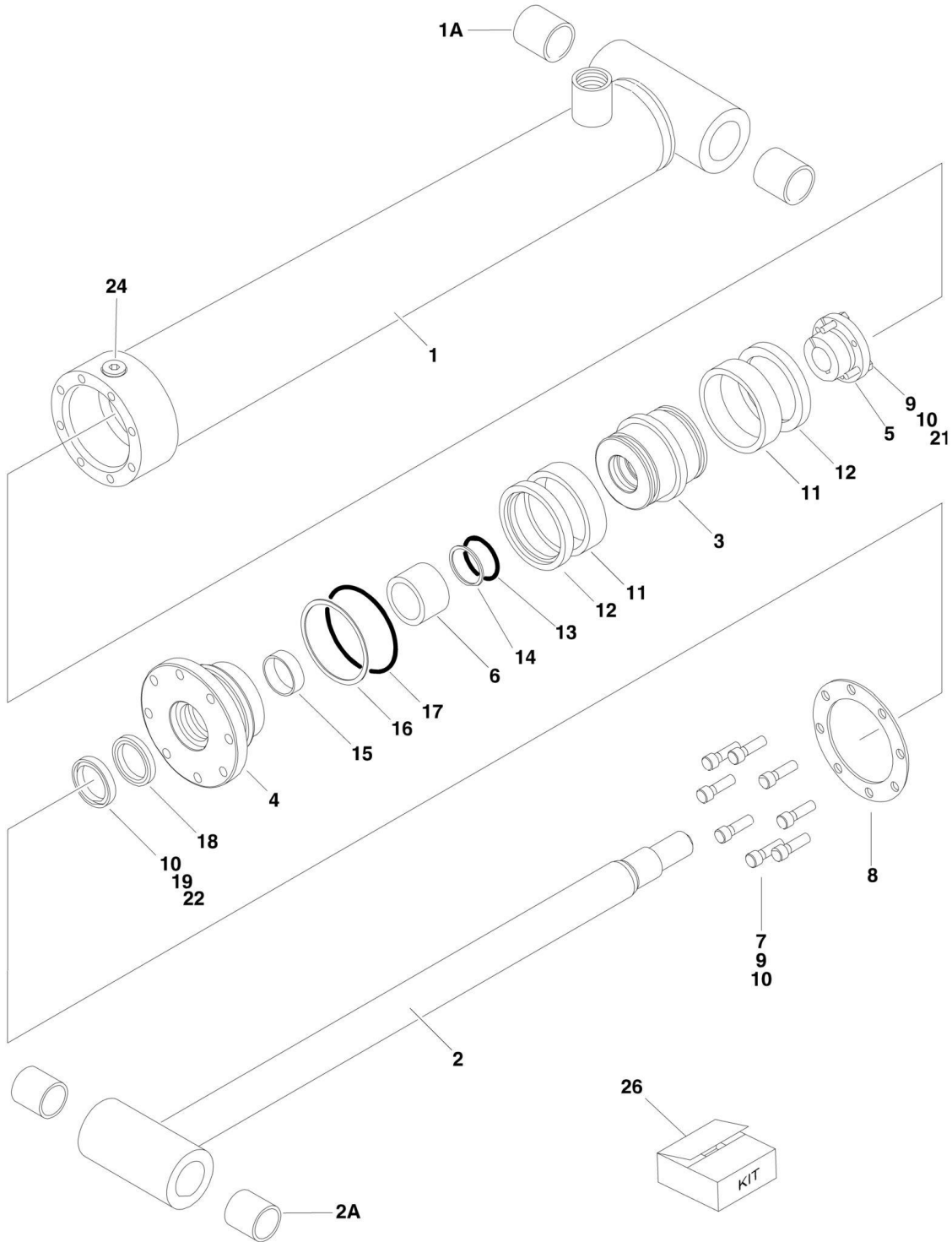
SECTION 5 - CYLINDER

FIGURE 5-14. LIFT CYLINDER ASSEMBLY - TOWER BOOM (SERVICE REPLACEMENT)

ITEM	PART NUMBER	QTY	DESCRIPTION	REV
	1001228003	Ref	LIFT CYLINDER ASSEMBLY	D
		Ref	Note: Original Cylinder may have been replaced with Service Replacement. Identify PN Stamped on Cylinder Before Ordering Parts.	
1	See Note	NSS	Barrel (Note: Not Available For Purchase)	
2	70006374	1	Rod	
3	70006373	1	Head	
4	70006372	1	Piston	
5	70006371	1	Bushing, Tapered	
6	0630536	3	Bolt 3/8 x 1-1/2	
7	70006370	1	Spacer	
8	70006369	1	Ring, Washer	
9	3932240	8	Capscrew 3/4 x 2-1/2	
10	4640605	1	Cartridge, Valve	
10	2900792	1	Seal Kit - 4640605 Valve	
11	4640509	1	Cartridge, Valve	
11	2900792	1	Seal Kit - 4640509 Valve	
12	0961949	4	Bushing	
100	2901322	1	Seal Kit (Includes Items 101-109)	
101	See Note	NSS	Ring, Lock (Note: Use Item 100)	
102	See Note	NSS	Seal (Note: Use Item 100)	
103	See Note	NSS	O-Ring (Note: Use Item 100)	
104	See Note	NSS	Ring, Back-up (Note: Use Item 100)	
105	See Note	NSS	Ring, Wear (Note: Use Item 100)	
106	See Note	NSS	O-Ring (Note: Use Item 100)	
107	See Note	NSS	Ring, Back-up (Note: Use Item 100)	
108	See Note	NSS	Seal, Rod (Note: Use Item 100)	
109	See Note	NSS	Wiper (Note: Use Item 100)	

SECTION 5 - CYLINDER

FIGURE 5-15. MASTER CYLINDER ASSEMBLY (ORIGINAL EQUIPMENT)



SECTION 5 - CYLINDER

FIGURE 5-15. MASTER CYLINDER ASSEMBLY (ORIGINAL EQUIPMENT)

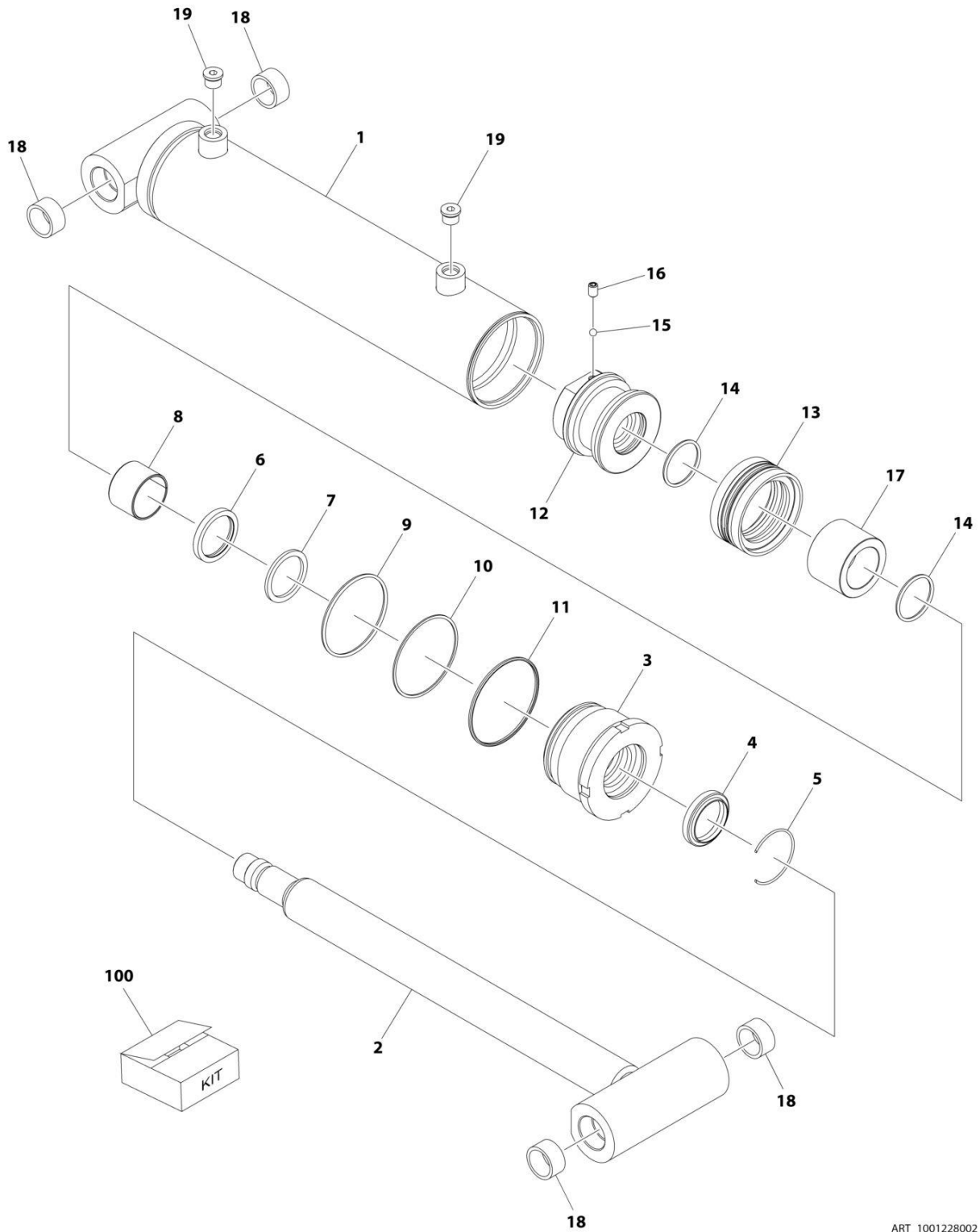
ITEM	PART NUMBER	QTY	DESCRIPTION	REV
	1683266	Ref	MASTER CYLINDER ASSEMBLY - 600A	C
	1683263	Ref	MASTER CYLINDER ASSEMBLY - 600AJ	E
		Ref	Note: Original Cylinder May Have Been Replaced with Service Replacement. Identify PN Stamped on Cylinder Before Ordering Parts.	
1		Ref	Barrel Options:	
1	1683972	1	Barrel 600A (Note: Includes Item 1A)	
1	1683949	1	Barrel 600AJ (Note: Item 1A not included. Purchase Separately)	
1A		Ref	Bushing Options:	
1A	0961947	2	600A - Bushing	
1A	0961951	2	600AJ - Bushing	
2		Ref	Rod Options:	
2	1683973	1	Rod 600A (Note: Includes Item 2A)	
2	1683962	1	Rod 600AJ (Note: Item 2A not included. Purchase Separately)	
2A		Ref	Bushing Options:	
2A	0961947	2	600A - Bushing	
2A	0961951	2	600AJ - Bushing	
3		Ref	Piston Options:	
3	3480210	1	Piston 600A	
3	3480188	1	Piston 600AJ	
4		Ref	Head Options:	
4	1683053	1	Head 600A	
4	1683055	1	Head 600AJ	
5		Ref	Bushing, Tapered Options (Use item 21 in place of supplied bolts):	
5	0961893	1	Bushing, Tapered 600A	
5	0961894	1	Bushing, Tapered 600AJ	
6	4566468	1	Spacer	
7		Ref	Capscrew, Socket Head Options:	
7	3931516	8	600A - Capscrew, Socket Head 5/16in-18NC x 1in	
7	3931620	8	600AJ - Capscrew, Socket Head 3/8in-16NC x 1-1/4in	
8		Ref	Ring, Washer Options:	
8	3760368	1	Ring, Washer 600A	
8	3760369	1	Ring, Washer 600AJ	
9	0100011	AR	Compound, Locking	
10	0100038	AR	Primer, Locking	
11	See Note	2	Seal (Note: Use Item 26)	
12	See Note	2	Ring, Lock (Note: Use Item 26)	
13	See Note	1	O-Ring (Note: Use Item 26)	
14	See Note	1	Ring, Back-up (Note: Use Item 26)	
15	See Note	1	Ring, Wear (Note: Use Item 26)	
16	See Note	1	O-Ring (Note: Use Item 26)	
17	See Note	1	Ring, Back-up (Note: Use Item 26)	
18	See Note	1	Seal, Rod (Note: Use Item 26)	
19	See Note	1	Wiper (Note: Use Item 26)	
21		Ref	Bolt Options:	
21	0630534	3	600A - Bolt #10 - 24NC x 1in	
21	0630535	3	600AJ - Bolt 1/4in-20NC x 1-1/8in	
22	0100063	AR	Adhesive	

SECTION 5 - CYLINDER

ITEM	PART NUMBER	QTY	DESCRIPTION	REV
24	2220885	1	Plug, O-Ring #6 (600AJ Only)	
26		Ref	Seal Kit Options (Includes Items 11-19):	
26	2901303	1	Seal Kit 600A	
26	2901301	1	Seal Kit 600AJ	

SECTION 5 - CYLINDER

FIGURE 5-16. MASTER CYLINDER ASSEMBLY - 600A (SERVICE REPLACEMENT)



ART_1001228002

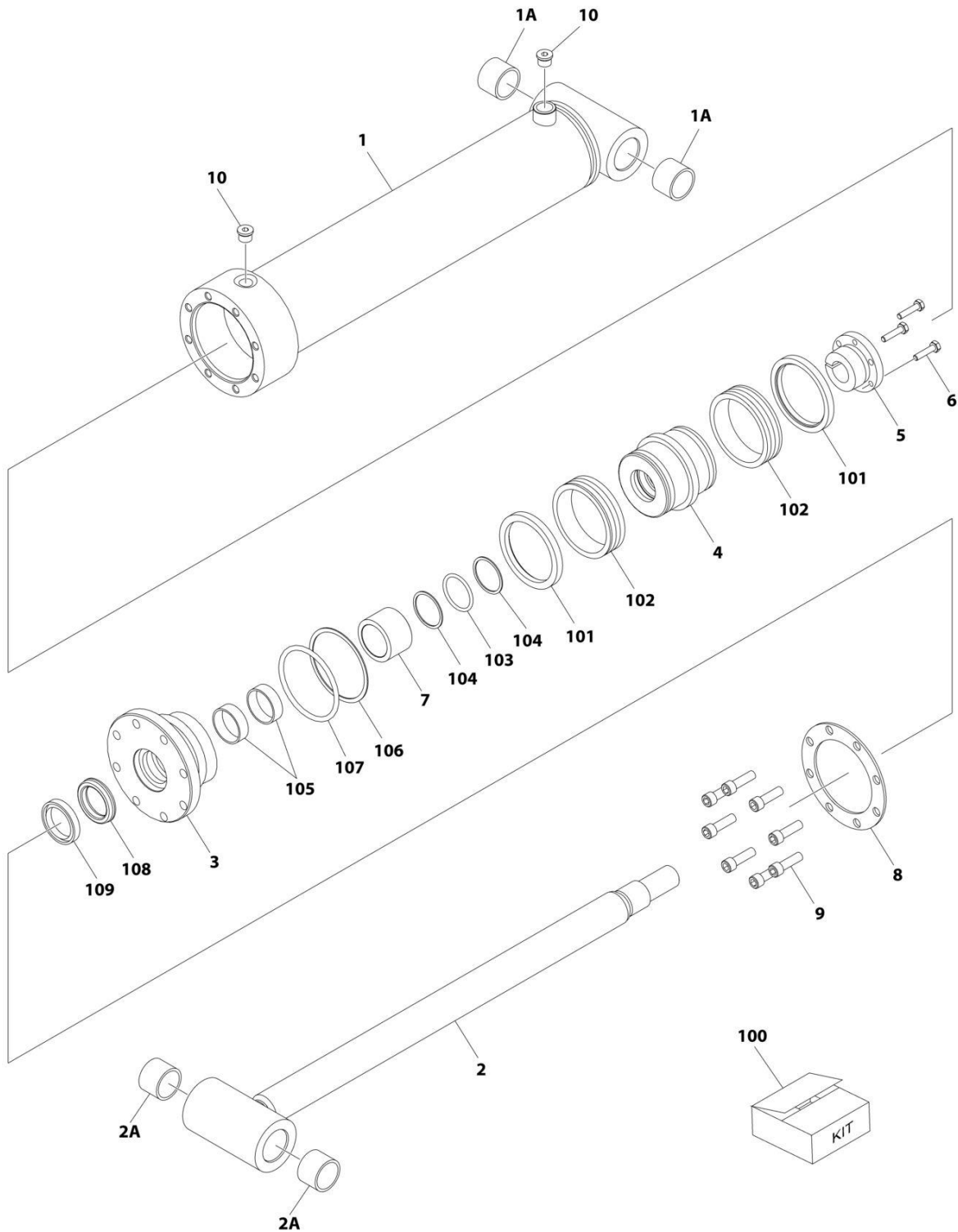
SECTION 5 - CYLINDER

FIGURE 5-16. MASTER CYLINDER ASSEMBLY - 600A (SERVICE REPLACEMENT)

ITEM	PART NUMBER	QTY	DESCRIPTION	REV
	1001228002	Ref	MASTER CYLINDER ASSEMBLY	B
		Ref	Note: Original Cylinder May Have Been Replaced with Service Replacement. Identify PN Stamped on Cylinder Before Ordering Parts.	
1	See Note	NSS	Barrel (Note: Not Available for Purchase)	
2	70006774	1	Rod	
3	70006599	1	Head	
4	See Note	NSS	Wiper Rod (Note: Use Item 100)	
5	70002373	1	Ring, Retaining	
6	See Note	NSS	Seal, Rod (Note: Use Item 100)	
7	See Note	NSS	Ring, Back-up (Note: Use Item 100)	
8	See Note	NSS	Ring, Wear (Note: Use Item 100)	
9	See Note	NSS	O-Ring (Note: Use Item 100)	
10	See Note	NSS	Ring, Back-up (Note: Use Item 100)	
11	See Note	NSS	O-Ring (Note: Use Item 100)	
12	70006597	1	Piston	
13	See Note	NSS	Seal Piston (Note: Use Item 100)	
14	See Note	NSS	O-Ring (Note: Use Item 100)	
15	70022564	1	Ball	
16	70006601	1	Setscrew	
17	70006775	1	Spacer	
18	0961947	4	Bushing	
19	70023371	2	Plug, O-Ring	
100	70006776	1	Seal Kit (Includes Items 4, 6-11, 13 & 14)	

SECTION 5 - CYLINDER

FIGURE 5-17. MASTER CYLINDER ASSEMBLY - 600AJ (SERVICE REPLACEMENT)



ART_1001228052

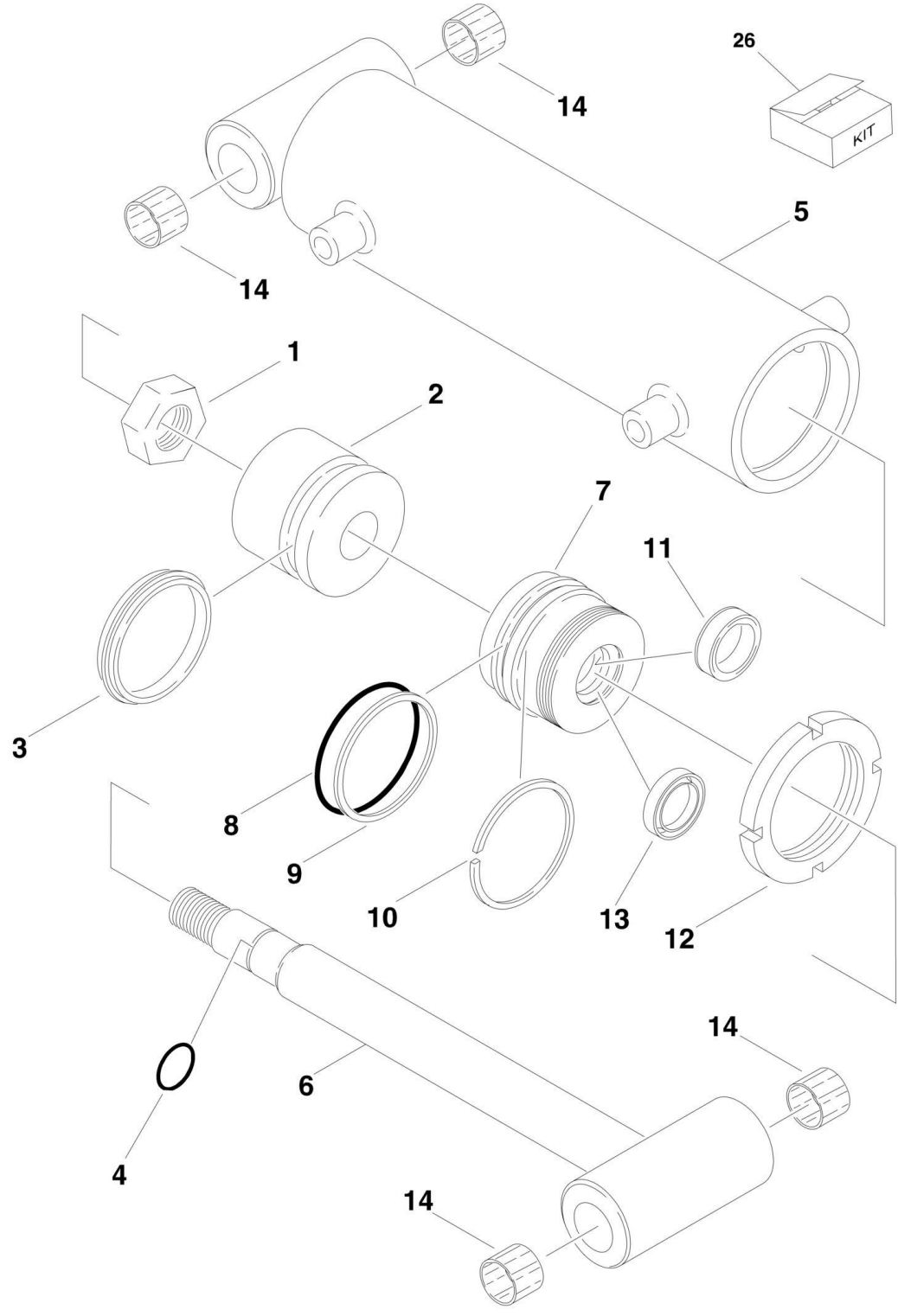
SECTION 5 - CYLINDER

FIGURE 5-17. MASTER CYLINDER ASSEMBLY - 600AJ (SERVICE REPLACEMENT)

ITEM	PART NUMBER	QTY	DESCRIPTION	REV
	1001228052	Ref	MASTER CYLINDER ASSEMBLY	B
		Ref	Note: Original Cylinder May Have Been Replaced with Service Replacement. Identify PN Stamped on Cylinder Before Ordering Parts.	
1	See Note	NSS	Barrel (Note: Not Available for Purchase)	
1A	0961951	2	Bushing	
2	70006447	1	Rod Weldment	
2A	0961951	2	Bushing	
3	70006446	1	Head	
4	70006445	1	Piston	
5	70006444	1	Bushing, Tapered	
6	0630535	3	Capscrew 1/4 x 1-1/8	
7	70006443	1	Spacer	
8	70006442	1	Ring, Washer	
9	3931620	8	Capscrew 3/8 x 1-1/4	
10	2220885	2	Plug, O-Ring	
100	1001138796	1	Seal Kit (Includes Items 101-109)	
101	See Note	NSS	Ring, Wear (Note: Use Item 100)	
102	See Note	NSS	Seal, Piston (Note: Use Item 100)	
103	See Note	NSS	O-Ring (Note: Use Item 100)	
104	See Note	NSS	Ring, Back-up (Note: Use Item 100)	
105	See Note	NSS	Ring, Wear (Note: Use Item 100)	
106	See Note	NSS	O-Ring (Note: Use Item 100)	
107	See Note	NSS	Ring, Back-up (Note: Use Item 100)	
108	See Note	NSS	Seal, Rod (Note: Use Item 100)	
109	See Note	NSS	Wiper, Rod (Note: Use Item 100)	

SECTION 5 - CYLINDER

FIGURE 5-18. STEER CYLINDER ASSEMBLY



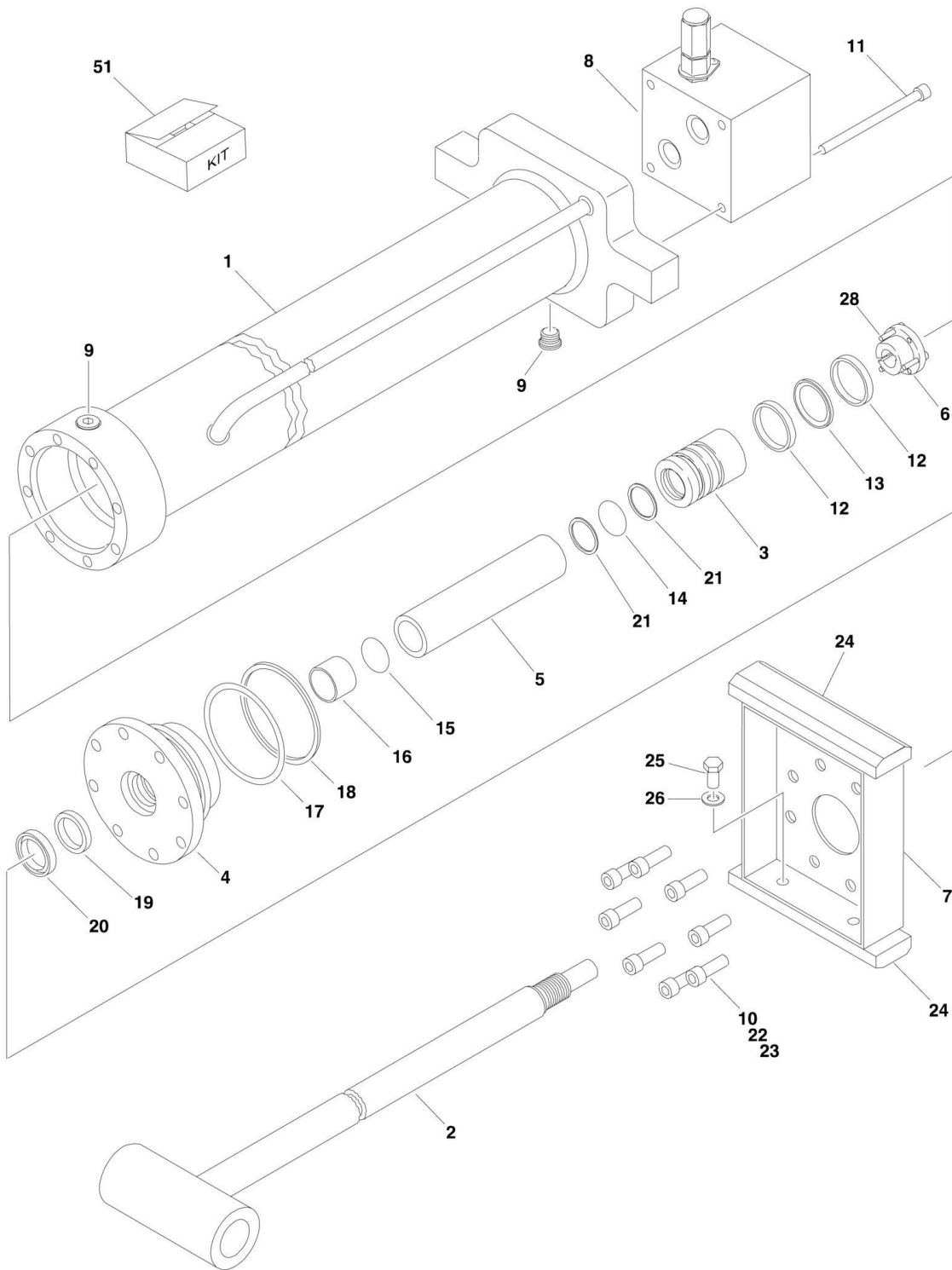
SECTION 5 - CYLINDER

FIGURE 5-18. STEER CYLINDER ASSEMBLY

ITEM	PART NUMBER	QTY	DESCRIPTION	REV
		Ref	STEER CYLINDER ASSEMBLIES	
	1683208	Ref	8ft/2.4m Width Machines	C
	1683304	Ref	7ft/2.1m Width Machines (SN 0300069000 through 0300081835)	A
	1684418	Ref	7ft/2.1m Width Machines (SN 0300081836 through 0300087000)	A
1	7001626	1	Locknut	
2	7001627	1	Piston	
3	See Note	1	Seal (Note: Use Item 26)	
4	See Note	1	O-Ring (Note: Use Item 26)	
5	See Note	1	Barrel (Note: Not Available for Purchase)	
6		Ref	Rod Options:	
6	7001633	1	8ft/2.4m Width Machines	
6	7001628	1	7ft/2.1m Width Machines (SN 0300069000 through 0300081835)	
6	7023038	1	7ft/2.1m Width Machines (SN 0300081836 through 0300087000)	
7	7001629	1	Guide	
8	See Note	NSS	O-Ring (Note: Use Item 26)	
9	See Note	NSS	Ring, Back-up (Note: Use Item 26)	
10	See Note	NSS	Ring, Retaining (Note: Use Item 26)	
11	See Note	NSS	Seal, Lip (Note: Use Item 26)	
12	7001630	1	Nut, Spanner	
13	See Note	NSS	Ring, Wiper (Note: Use Item 26)	
14		Ref	Bushing Options:	
14	0961977	4	8ft/2.4m Width Machines	
14	0961890	4	7ft/2.1m Width Machines	
26	7001625	1	Seal Kit (Includes Items 3, 4, 8-11 & 13)	

SECTION 5 - CYLINDER

FIGURE 5-19. TELESCOPE CYLINDER ASSEMBLY - MAIN BOOM (ORIGINAL EQUIPMENT)



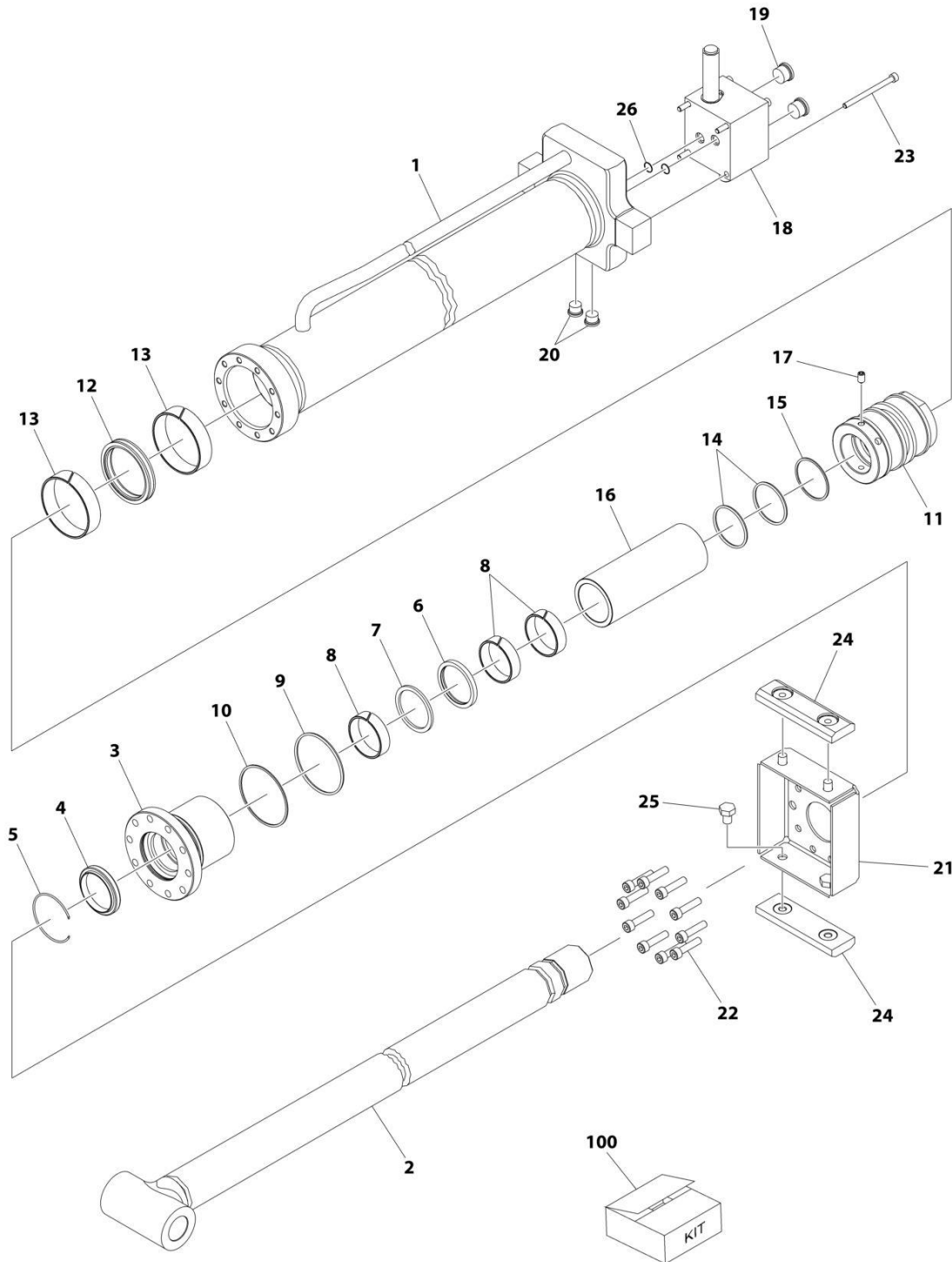
SECTION 5 - CYLINDER

FIGURE 5-19. TELESCOPE CYLINDER ASSEMBLY - MAIN BOOM (ORIGINAL EQUIPMENT)

ITEM	PART NUMBER	QTY	DESCRIPTION	REV
	1683307	Ref	TELESCOPE CYLINDER ASSEMBLY - 600A	6-F
	1683317	Ref	TELESCOPE CYLINDER ASSEMBLY - 600AJ	6-F
		Ref	Note: Original Cylinder may have been replaced with Service Replacement. Identify PN Stamped on Cylinder Before Ordering Parts.	
1		Ref	Barrel Options:	
1	1683308	1	Barrel 600A	
1	1683318	1	Barrel 600AJ	
2		Ref	Rod Options:	
2	1683310	NLA	Rod 600A (Use p/n 1683308)	
2	1684308	1	Rod 600A (SN 0300073902 through 0300087000)	
2	1683320	NLA	Rod 600AJ (Use p/n 1683310)	
2	1684310	1	Rod 600AJ (SN 0300073902 through 0300087000)	
3	3480212	1	Piston	
4	1683054	1	Head	
5	4566425	1	Spacer	
6	0961896	1	Bushing, Tapered	
7		Ref	Plate, Wear Pad Mounting Options:	
7	3538771	1	Plate, Wear Pad Mounting 600A	
7	3538247	1	Plate, Wear Pad Mounting 600AJ	
8	4640862	1	Valve Block Assembly (No Service Parts Available - Replace Complete Assembly)	
9	2220885	2	Plug, O-Ring	
10	3931516	8	Capscrew, Socket Head 5/16in-18NC x 1in	
11	3931448	4	Capscrew, Socket Head 1/4in-20NC x 3in	
12		Ref	Ring, Wear (Note: Use Item 51)	
13	See Note	1	Seal (Note: Use Item 51)	
14	See Note	1	O-Ring (Note: Use Item 51)	
15	See Note	1	O-Ring (Note: Use Item 51)	
16	See Note	1	Ring, Wear (Note: Use Item 51)	
17	See Note	1	O-Ring (Note: Use Item 51)	
18	See Note	1	Ring, Back-up (Note: Use Item 51)	
19	See Note	1	Seal, Rod (Note: Use Item 51)	
20	See Note	1	Wiper (Note: Use Item 51)	
21	See Note	2	Ring, Back-up (Note: Use Item 51)	
22	0100038	AR	Primer, Locking	
23	0100011	AR	Compound, Locking	
24	3340608	2	Pad, Wear	
25	0641604	4	Bolt 3/8in-16NC x 1/2in	
26	4751600	4	Flatwasher 3/8in Regular	
28	0630535	3	Bolt 1/4in-20NC x 1-1/8in	
51		Ref	Seal Kit Options (Includes Items 12-21):	
51	2901278	1	Seal Kit (SN 0300069000 through 0300070401)	
51	2901861	1	Seal Kit (SN 0300070402 through 0300087000)	

SECTION 5 - CYLINDER

FIGURE 5-20. TELESCOPE CYLINDER ASSEMBLY - MAIN BOOM (600A) (SERVICE REPLACEMENT)



ART_1001228005

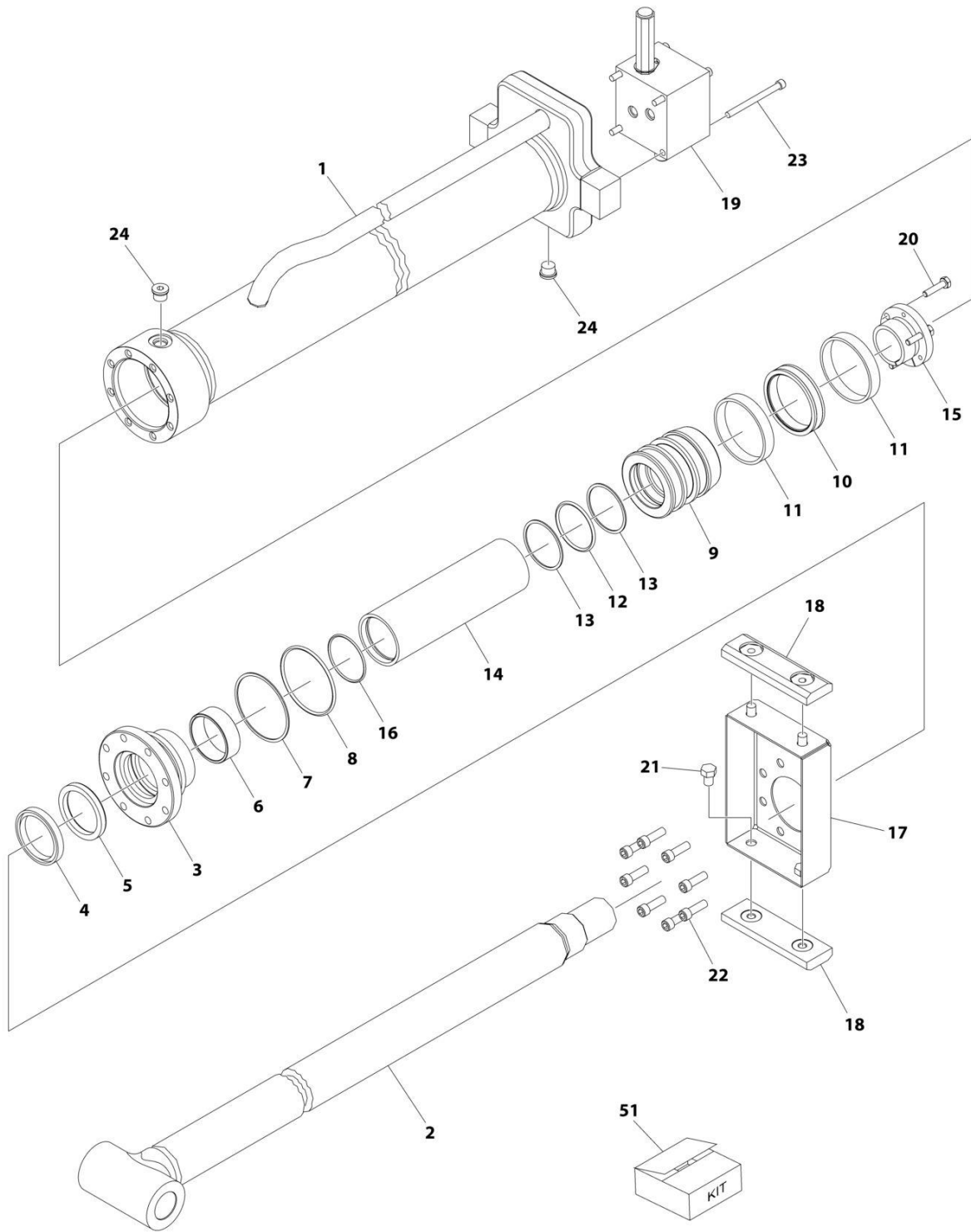
SECTION 5 - CYLINDER

FIGURE 5-20. TELESCOPE CYLINDER ASSEMBLY - MAIN BOOM (600A) (SERVICE REPLACEMENT)

ITEM	PART NUMBER	QTY	DESCRIPTION	REV
	1001228005	Ref	TELESCOPE CYLINDER ASSEMBLY - MAIN BOOM	C
		Ref	Note: Original Cylinder may have been replaced with Service Replacement. Identify PN Stamped on Cylinder Before Ordering Parts.	
1	See Note	NSS	Barrel (Note: Use p/n 1001228005)	
2	70006813	1	Rod	
3	70006814	1	Head	
4	See Note	NSS	Wiper (Note: Use Item 100)	
5	70002412	1	Ring, Retaining	
6	See Note	NSS	Seal, Rod (Note: Use Item 100)	
7	See Note	NSS	Ring, Back-up (Note: Use Item 100)	
8	See Note	NSS	Ring, Wear (Note: Use Item 100)	
9	See Note	NSS	O-Ring (Note: Use Item 100)	
10	See Note	NSS	Ring, Back-up (Note: Use Item 100)	
11	70006815	1	Piston	
12	See Note	NSS	Seal (Note: Use Item 100)	
13	See Note	NSS	Ring, Wear (Note: Use Item 100)	
14	See Note	NSS	O-Ring (Note: Use Item 100)	
15	See Note	NSS	Ring, Back-up (Note: Use Item 100)	
16	70006816	1	Spacer	
17	70006817	1	Setscrew	
18	4640862	1	Valve Block Assembly (Note: No Service Parts Available - Replace Complete Assembly)	
19	70023373	2	Plug	
20	70023371	2	Plug	
21	70006818	1	Plate, Wear Pad	
22	70006793	10	Capscrew	
23	70006819	4	Capscrew	
24	3340608	2	Pad, Wear	
25	70006820	3	Bolt	
26	3790110	2	O-Ring (Located Between Barrel & Valve)	
100	70006821	1	Seal Kit (Includes Items 4, 6-10 & 12-15)	

SECTION 5 - CYLINDER

FIGURE 5-21. TELESCOPE CYLINDER ASSEMBLY - MAIN BOOM (600AJ) (SERVICE REPLACEMENT)



ART_1001228007

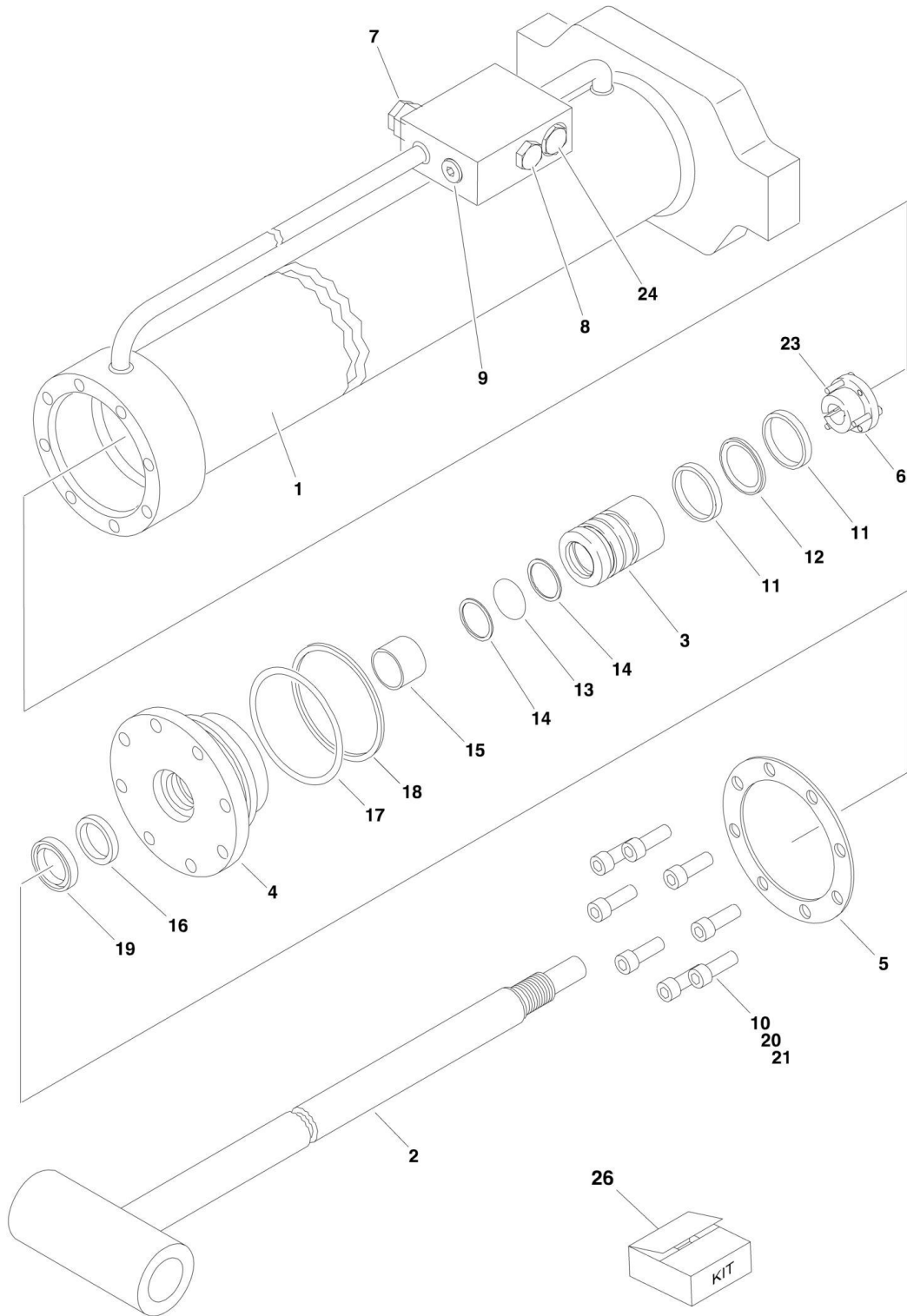
SECTION 5 - CYLINDER

FIGURE 5-21. TELESCOPE CYLINDER ASSEMBLY - MAIN BOOM (600AJ) (SERVICE REPLACEMENT)

ITEM	PART NUMBER	QTY	DESCRIPTION	REV
	1001228007	Ref	TELESCOPE CYLINDER ASSEMBLY	E
		Ref	Note: Original Cylinder may have been replaced with Service Replacement. Identify PN Stamped on Cylinder Before Ordering Parts.	
1	See Note	NSS	Barrel (Note: Use p/n 1001228007)	
2	70006654	1	Rod	
3	70006483	1	Head	
4	See Note	NSS	Wiper (Note: Use Item 51)	
5	See Note	NSS	Seal, Rod (Note: Use Item 51)	
6	See Note	NSS	Ring, Wear (Note: Use Item 51)	
7	See Note	NSS	O-Ring (Note: Use Item 51)	
8	See Note	NSS	Ring, Back-up (Note: Use Item 51)	
9	70006482	1	Piston	
10	See Note	NSS	Seal (Note: Use Item 51)	
11	See Note	NSS	Ring, Wear (Note: Use Item 51)	
12	See Note	NSS	O-Ring (Note: Use Item 51)	
13	See Note	NSS	Ring, Back-up (Note: Use Item 51)	
14	70006655	1	Spacer	
15	0961896	1	Bushing, Tapered	
16	See Note	NSS	O-Ring (Note: Use Item 51)	
17	3538247	1	Plate, Wear Pad Mounting	
18	3340608	2	Pad, Wear	
19	4640862	1	Valve Block Assembly (Note: No Service Part Available - Replace Complete Assembly)	
20	0630535	3	Bolt 1/4 x 1-1/8	
21	0641604	4	Bolt 3/8 x 1/2	
22	3931516	8	Capscrew 5/16 x 1	
22	0100038	AR	Primer, Locking	
22	0100011	AR	Compound, Locking	
23	3931448	4	Capscrew 1/4 x 3	
24	2220885	AR	Plug, O-Ring	
51	2901861	1	Seal Kit - 1001228007 Cylinder (Includes Item 4-8, 10-13 & 16)	

SECTION 5 - CYLINDER

FIGURE 5-22. TELESCOPE CYLINDER ASSEMBLY - TOWER BOOM (ORIGINAL EQUIPMENT)



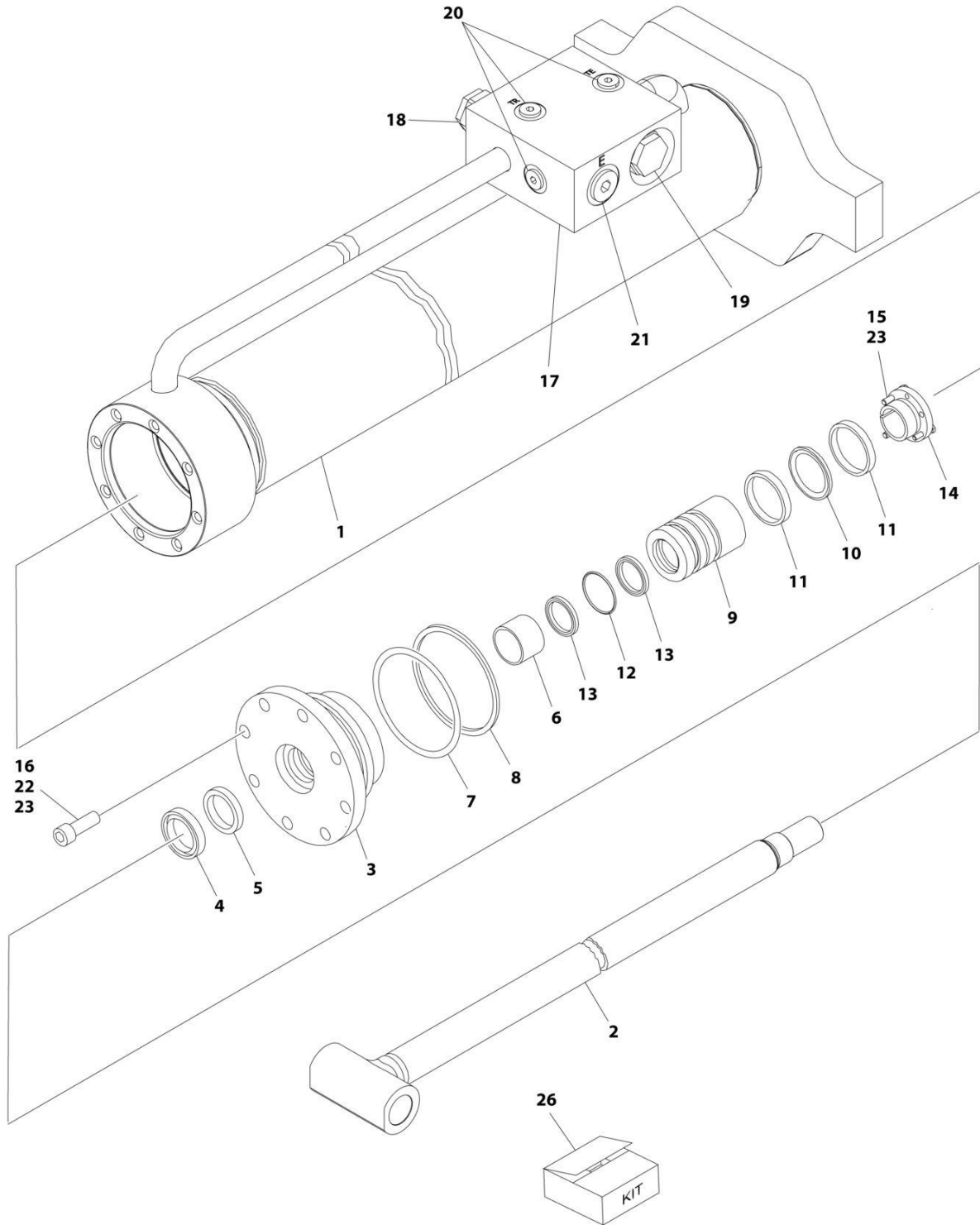
SECTION 5 - CYLINDER

FIGURE 5-22. TELESCOPE CYLINDER ASSEMBLY - TOWER BOOM (ORIGINAL EQUIPMENT)

ITEM	PART NUMBER	QTY	DESCRIPTION	REV
	1683312	Ref	TELESCOPE (TOWER BOOM) CYLINDER ASSEMBLY Note: Original Equipment components may have been replaced with Service Replacement components part. Identify p/n stamped on cylinder before ordering parts.	5-E
		Ref		
1	1683313	1	Barrel	
2	1683314	1	Rod	
3	3480212	1	Piston	
4	1683054	1	Head	
5	3760368	1	Ring, Washer	
6	0961896	1	Bushing, Tapered	
7	4640509	2	Cartridge, Valve	
7	2900792	2	Seal Kit - 4640509 Valve	
8	4640647	1	Cartridge, Valve	
8	2900770	1	Seal Kit - 4640647 Valve	
9	2220883	1	Plug, O-Ring	
10	3931516	8	Capscrew, Socket Head 5/16in-18NC x 1in	
11	See Note	2	Ring, Wear (Note: Use Item 26)	
12	See Note	1	T-Seal (Note: Use Item 26)	
13	See Note	1	O-Ring (Note: Use Item 26)	
14	See Note	2	Ring, Back-up (Note: Use Item 26)	
15	See Note	1	Ring, Wear (Note: Use Item 26)	
16	See Note	1	Seal, Rod (Note: Use Item 26)	
17	See Note	1	O-Ring (Note: Use Item 26)	
18	See Note	1	Ring, Back-up (Note: Use Item 26)	
19	See Note	1	Wiper (Note: Use Item 26)	
20	0100038	AR	Primer, Locking	
21	0100011	AR	Compound, Locking	
23	0630535	3	Bolt 1/4in-20NC x 1-1/8in	
24	4640999	1	Cartridge, Valve	
24	7011185	1	Seal Kit - 4640999 Valve	
26		Ref	Seal Kit Options (Includes Items 11-19):	
26	2901278	1	Seal Kit (SN 0300069000 through 0300070401)	
26	2901861	1	Seal Kit (SN 0300070402 through 0300087000)	

SECTION 5 - CYLINDER

FIGURE 5-23. TELESCOPE CYLINDER ASSEMBLY - TOWER BOOM (SERVICE REPLACEMENT)



ART_1001228006

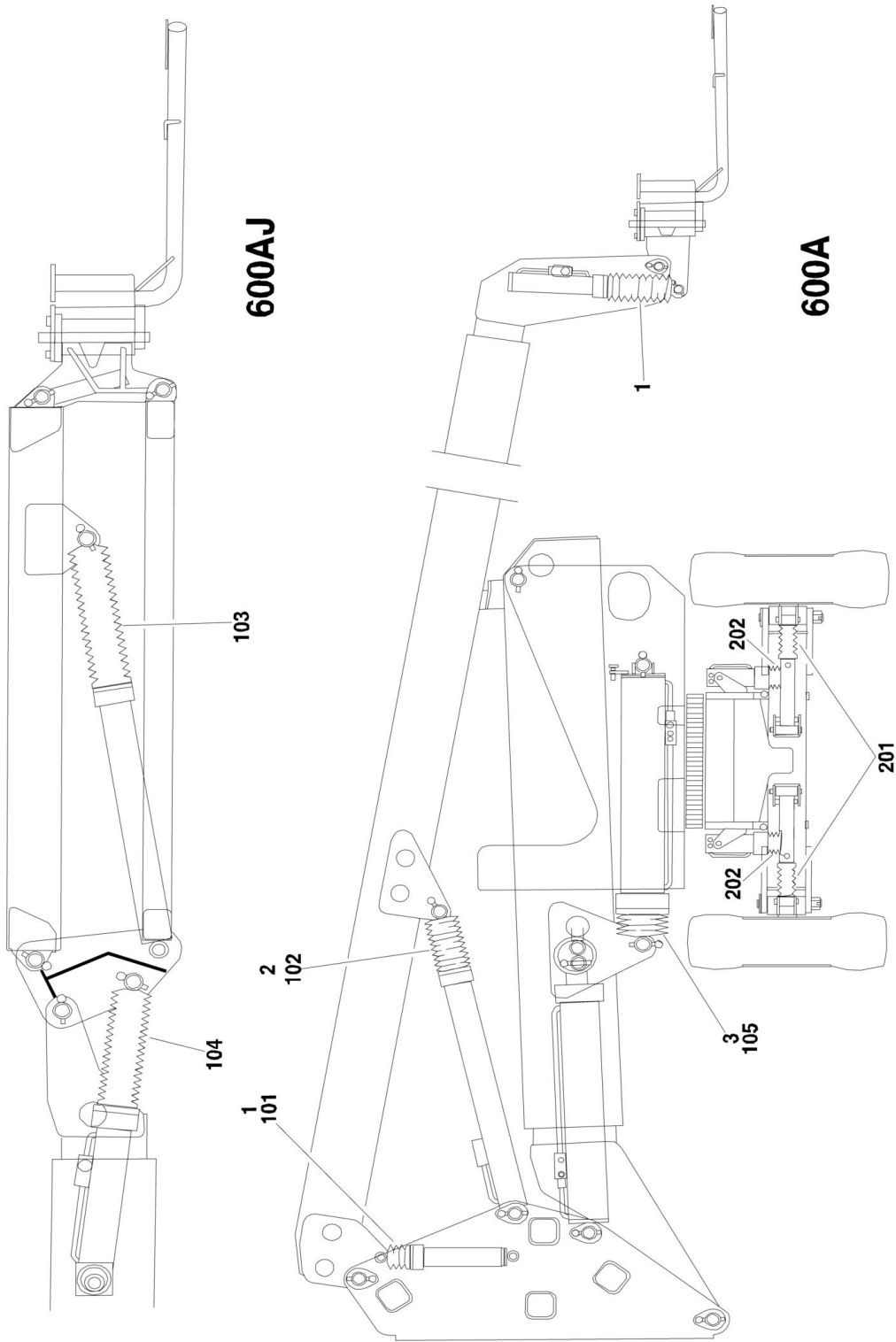
SECTION 5 - CYLINDER

FIGURE 5-23. TELESCOPE CYLINDER ASSEMBLY - TOWER BOOM (SERVICE REPLACEMENT)

ITEM	PART NUMBER	QTY	DESCRIPTION	REV
	1001228006	Ref	TELESCOPE CYLINDER ASSEMBLY - TOWER BOOM	D
		Ref	Note: Original Equipment components may have been replaced with Service Replacement components part. Identify p/n stamped on cylinder before ordering parts.	
1	See Note	NSS	Barrel (Note: Not Available for Purchase)	
2	70006484	1	Rod	
3	70006483	1	Head	
4	See Note	NSS	Wiper (Note: Use Item 26)	
5	See Note	NSS	Seal, Rod (Note: Use Item 26)	
6	See Note	NSS	Ring, Wear (Note: Use Item 26)	
7	See Note	NSS	O-Ring (Note: Use Item 26)	
8	See Note	NSS	Ring, Back-Up (Note: Use Item 26)	
9	70006482	1	Piston	
10	See Note	NSS	T-Seal (Note: Use Item 26)	
11	See Note	NSS	Ring, Wear (Note: Use Item 26)	
12	See Note	NSS	O-Ring (Note: Use Item 26)	
13	See Note	NSS	Ring, Back-Up (Note: Use Item 26)	
14	0961896	1	Bushing, Tapered	
15	0630535	3	Bolt 1/4 x 1-1/8	
16	3931516	8	Capscrew 5/16 x 1	
17	4640647	1	Cartridge, Valve	
17	2900770	1	Seal Kit - 4640647 Valve	
18	4640509	2	Cartridge, Valve	
18	2900792	2	Seal Kit - 4640509 Valve	
19	4640999	1	Cartridge, Valve	
19	2900792	1	Seal Kit - 4640999 Valve	
20	2220883	3	Plug, O-Ring	
21	2220886	2	Plug, O-Ring	
22	0100038	AR	Primer, Locking	
23	0100011	AR	Compound, Locking	
26	2901861	1	Seal Kit - 1001228006 Cylinder (Includes Items 4-8 & 10-13)	

SECTION 5 - CYLINDER

FIGURE 5-24. CYLINDER BELLOWS INSTALLATION (OPTIONAL)



SECTION 5 - CYLINDER

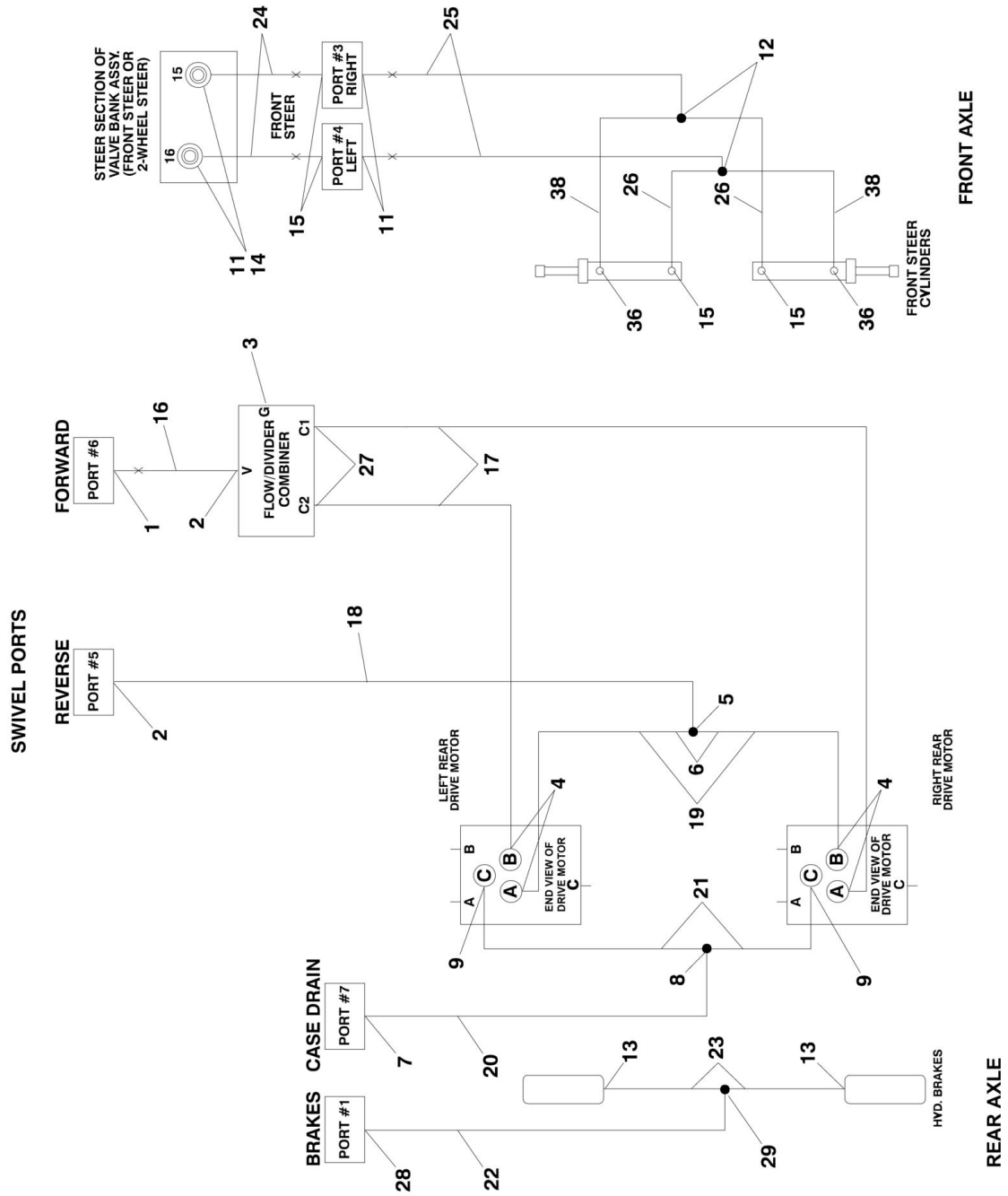
FIGURE 5-24. CYLINDER BELLOWS INSTALLATION (OPTIONAL)

ITEM	PART NUMBER	QTY	DESCRIPTION	REV
	0255927	Ref	CYLINDER BELLOWS INSTALLATION (600A)	1
1	0460152	2	Bellows, Cylinder (Master and Platform Level Cylinders)	
2	0460155	1	Bellows, Cylinder (Main Lift Cylinder)	
3	0460154	1	Bellows, Cylinder (Tower Lift Cylinder)	
	0255928	Ref	CYLINDER BELLOWS INSTALLATION (600AJ)	2
101	0460151	1	Bellows, Cylinder (Master and Platform Level Cylinders)	
102	0460155	1	Bellows, Cylinder (Main Lift Cylinder)	
103	0460161	1	Bellows, Cylinder (Articulating Jib Lift Cylinder)	
104	0460160	1	Bellows, Cylinder (Articulating Jib Level Cylinder)	
105	0460154	1	Bellows, Cylinder (Tower Lift Cylinder)	
		Ref	CYLINDER BELLOWS INSTALLATION (FRAME)	
	0255482	Ref	2WD/2WS & 4WD/2WS 8ft/2.4m Width Machines with Oscillating Axle	-
	0255483	Ref	2WD/2WS & 4WD/2WS 8ft/2.4m Width Machines with Fixed Axle	-
	0255486	Ref	2WD/4WS & 4WD/2WS 8ft/2.4m Width Machines with Oscillating Axle	-
	0255487	Ref	2WD/4WS & 4WD/4WS 8ft/2.4m Width Machines with Fixed Axle	-
	0255484	Ref	2WD/2WS 7ft/2.1m Width Machines with Oscillating Axle	-
	0255485	Ref	2WD/2WS 7ft/2.1m Width Machines with Fixed Axle	-
	0255488	Ref	2WD/4WS 7ft/2.1m Width Machines with Oscillating Axle	-
	0255489	Ref	2WD/4WS 7ft/2.1m Width Machines with Fixed Axle	-
201		Ref	Bellows, Cylinder (Steer Cylinder)	
201	0460150	AR	8ft/2.4m Width Machines	
201	0460157	AR	7ft/2.1m Width Machines	
202		Ref	Bellows, Cylinder (Oscillating Axle Cylinders)	
202	0460159	AR	With Oscillating Axle	
202	Not Required	0	Without Oscillating Axle	

SECTION 6 - HYDRAULIC

SECTION 6 - HYDRAULIC

FIGURE 6-1. DRIVE HYDRAULIC DIAGRAM - 2WD/2WS (SN 0300069000 through 0300081835)



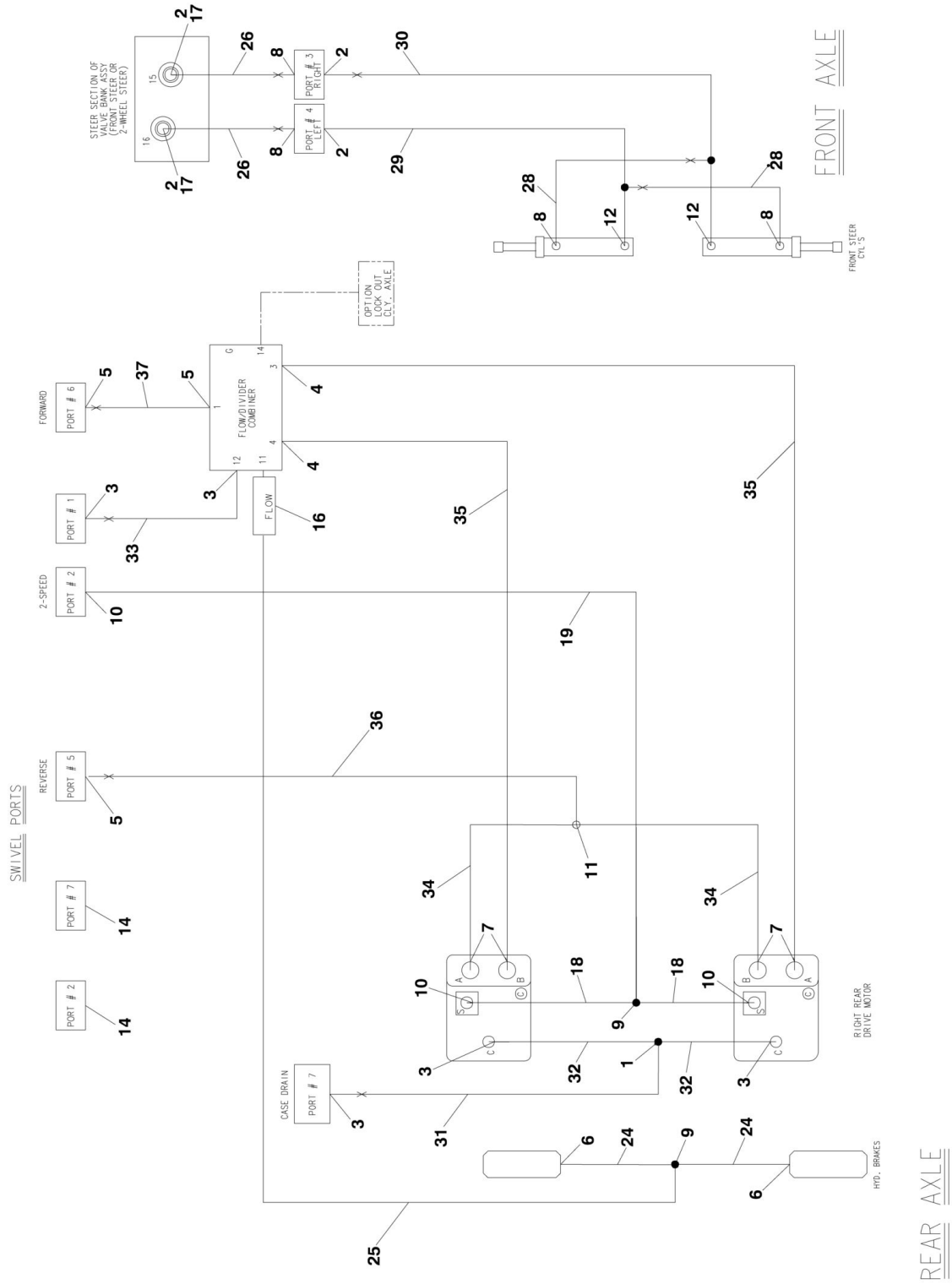
SECTION 6 - HYDRAULIC

FIGURE 6-1. DRIVE HYDRAULIC DIAGRAM - 2WD/2WS (SN 0300069000 through 0300081835)

ITEM	PART NUMBER	QTY	DESCRIPTION	REV
	2792193	Ref	DRIVE HYDRAULIC DIAGRAM - 2WD/2WS	5
1	2220377	1	Fitting, Straight	
2	2220365	2	Fitting, 45	
3	2220235	1	Fitting, Plug	
4	2220451	4	Fitting, Straight	
5	2220363	1	Fitting, Tee	
6	2220710	2	Fitting, Reducer	
7	2220375	1	Fitting, Straight	
8	2220362	1	Fitting, Tee	
9	2220373	2	Fitting, Straight	
11	2220371	4	Fitting, Straight	
12	2220490	2	Fitting, Tee	
13	2220466	2	Fitting, 90	
14	2220507	2	Fitting, 90	
15	2220473	4	Fitting, 90	
16	2752354	1	Hose	
17	2752258	2	Hose	
18	2752324	1	Hose	
19	2752245	2	Hose	
20	2752813	1	Hose	
21	2752814	2	Hose	
22	2752602	1	Hose	
23	2752459	2	Hose	
24	2752620	2	Hose	
25	2752473	2	Hose	
26	2752966	2	Hose	
27	2220435	2	Fitting, Straight	
28	2220582	1	Fitting, Straight	
29	2220504	1	Fitting, Straight	
36	2220501	2	Fitting, 45	
38	2752970	2	Hose	

SECTION 6 - HYDRAULIC

FIGURE 6-2. DRIVE HYDRAULIC DIAGRAM - 2WD/2WS (SN 0300081836 through 0300087000)



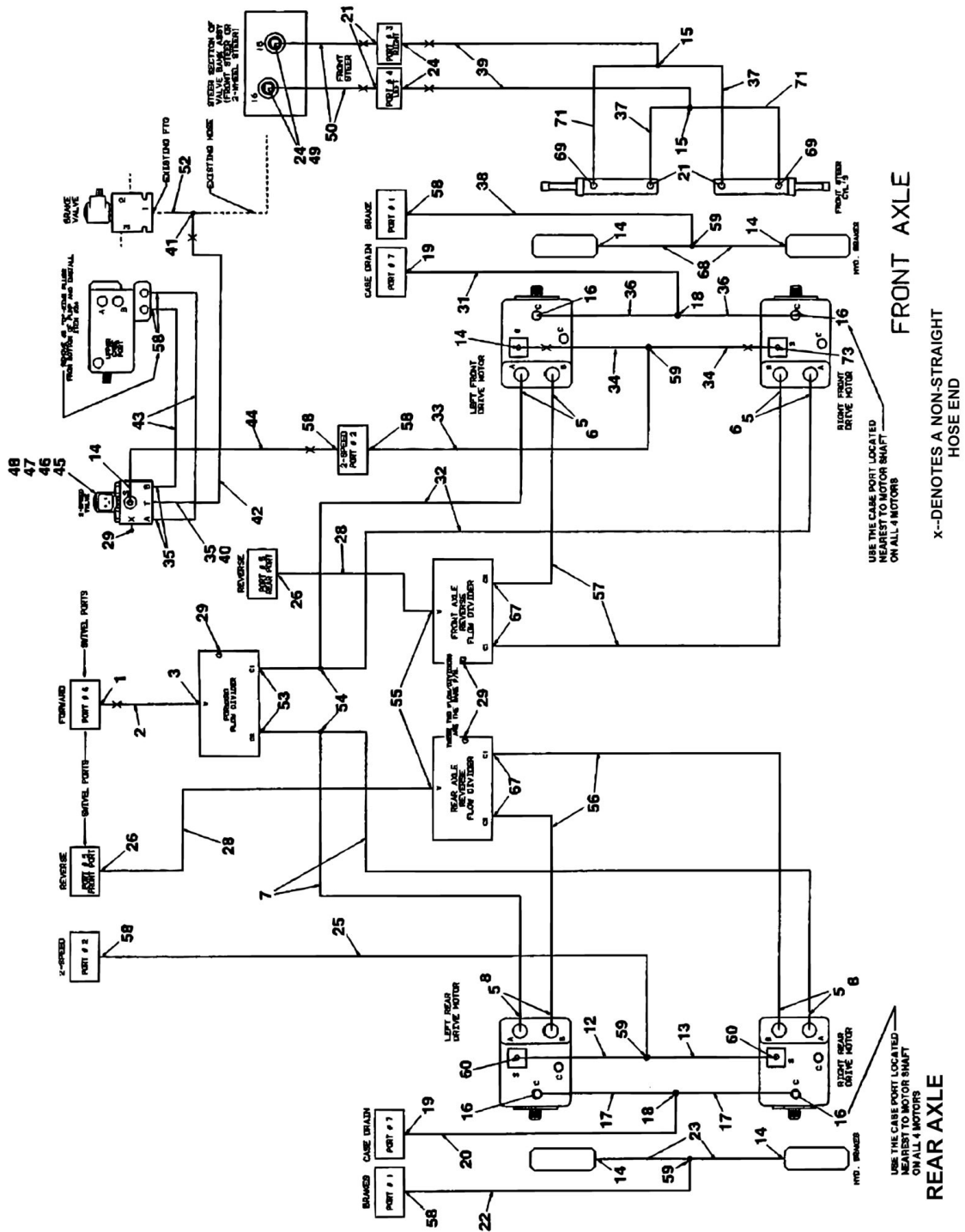
SECTION 6 - HYDRAULIC

FIGURE 6-2. DRIVE HYDRAULIC DIAGRAM - 2WD/2WS (SN 0300081836 through 0300087000)

ITEM	PART NUMBER	QTY	DESCRIPTION	REV
	2792692	Ref	DRIVE HYDRAULIC DIAGRAM - 2WD/2WS	2
1	2220362	1	Fitting, Tee	
2	2220371	4	Fitting, Straight	
3	2220373	5	Fitting, Straight	
4	2220498	2	Fitting, 45 (SN 0300081851 through 0300087000)	
5	2220377	3	Fitting, Straight	
6	2220415	2	Fitting, Straight	
7	2220451	4	Fitting, Straight	
8	2220473	4	Fitting, 90	
9	2220504	2	Fitting, Tee	
10	2220582	3	Fitting, Straight	
11	2221170	1	Fitting, Tee	
12	2220606	2	Fitting, Tee	
14	2220237	2	Fitting, Plug	
16	4641307	1	Valve, Check	
17	2220507	2	Fitting, 90	
18	2753925	2	Hose	
19	2753924	1	Hose	
24	2752592	2	Hose	
25	2752910	1	Hose	
26	2752620	2	Hose	
28		Ref	Hose Options:	
28	2753397	2	Hose (SN 0300081836 through 0300081850)	
28	2754235	2	Hose (SN 0300081851 through 0300087000)	
29	2752475	1	Hose	
30	2752611	1	Hose	
31	2752928	1	Hose	
32	2753929	2	Hose	
33	2752929	1	Hose	
34	2753969	2	Hose	
35	2753967	2	Hose	
36	2752341	1	Hose	
37	2753435	1	Hose	

SECTION 6 - HYDRAULIC

FIGURE 6-3. DRIVE HYDRAULIC DIAGRAM - 4WD/2WS (SN 0300069000 through 0300081835)



SECTION 6 - HYDRAULIC

FIGURE 6-3. DRIVE HYDRAULIC DIAGRAM - 4WD/2WS (SN 0300069000 through 0300081835)

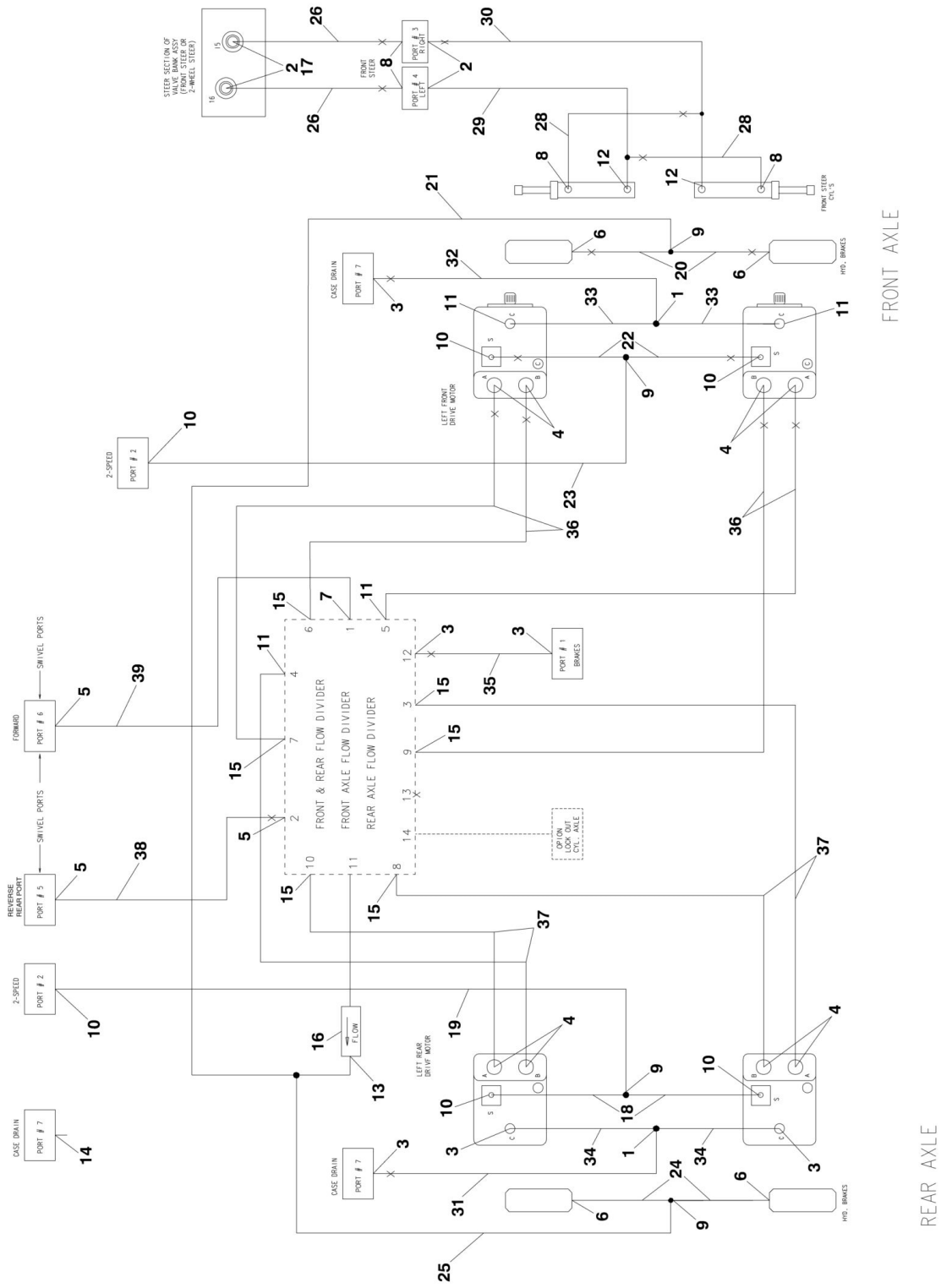
ITEM	PART NUMBER	QTY	DESCRIPTION	REV
	2792195	Ref	DRIVE HYDRAULIC DIAGRAM - 4WD/2WS	8
1	2220377	1	Fitting, Straight	
2	2752349	1	Hose	
3	2220365	1	Fitting, 45	
5	2220833	8	Fitting, Reducer	
6	2220500	4	Fitting, 45	
7	2752398	2	Hose	
8	2220596	4	Fitting, 90	
12	2751013	1	Hose	
13	2751013	1	Hose	
14	2220466	6	Fitting, 90	
15	2220490	2	Fitting, Tee	
16	2220671	4	Fitting, 90	
17	2752807	2	Hose	
18	2220362	2	Fitting, Tee	
19	2220375	2	Fitting, Straight	
20	2752813	1	Hose	
21	2220473	6	Fitting, 90	
22	2752602	1	Hose	
23	2752592	2	Hose	
24	2220371	4	Fitting, Straight	
25	2750756	1	Hose	
26	2220568	2	Fitting, 45	
28	2752249	2	Hose	
29	2220235	4	Fitting, Plug	
31	2752807	1	Hose	
32	2752890	2	Hose	
33	2750790	1	Hose	
34	2752919	2	Hose	
35	2220415	3	Fitting, Straight	
36	2752899	2	Hose	
37	2752966	2	Hose	
38	2752593	1	Hose	
39	2752473	2	Hose	
40	2220909	1	Fitting, Office (.015)	
41	2220605	1	Fitting, Tee	
42	2752573	1	Hose	
43	2751427	2	Hose	
44	2751396	1	Hose	
45	4640906	1	Valve, 2-Speed Motor Control	
45	7012974	1	Cartridge without Coil	
45	7012905	1	Seal Kit	
45	7012944	1	Coil	
45	4640906	2	Cartridge, Check Valve (Note Not Available for Purchase)	
45	7012972	2	Seal Kit	
46	0641508	2	Bolt 5/16in-18NC x 1in	
47	4891500	2	Flatwasher 5/16in Hardened	
48	4711500	2	Flatwasher 5/16in Thin	
49	2220507	2	Fitting, 90	
50	2752620	2	Hose	

SECTION 6 - HYDRAULIC

ITEM	PART NUMBER	QTY	DESCRIPTION	REV
52	2220914	1	Orifice (.043)	
53	2220833	2	Fitting, Reducer	
54	2220602	2	Fitting, Tee	
55	2220435	2	Fitting, Straight	
56	2752398	2	Hose	
57	2752889	2	Hose	
58	2220582	5	Fitting, Straight	
59	2220504	4	Fitting, Tee	
60	2220466	2	Fitting, Straight	
67	2220800	4	Fitting, Straight	
68	2752912	2	Hose	
69	2220501	2	Fitting, 45	
71	2752970	2	Hose	
73	2220502	1	Fitting, 45	

SECTION 6 - HYDRAULIC

FIGURE 6-4. DRIVE HYDRAULIC DIAGRAM - 4WD/2WS (SN 0300081836 through 0300087000)



SECTION 6 - HYDRAULIC

FIGURE 6-4. DRIVE HYDRAULIC DIAGRAM - 4WD/2WS (SN 0300081836 through 0300087000)

ITEM	PART NUMBER	QTY	DESCRIPTION	REV
	2792687	Ref	DRIVE HYDRAULIC DIAGRAM - 4WD/2WS	1
1	2220362	2	Fitting, Tee	
2	2220371	4	Fitting, Straight	
3	2220373	6	Fitting, Straight	
4	2220375	8	Fitting, Straight	
5	2220377	3	Fitting, Straight	
6	2220415	4	Fitting, Straight	
7	2220646	1	Fitting, 90	
8	2220473	4	Fitting, 90	
9	2220504	4	Fitting, Tee	
10	2220582	6	Fitting, Straight	
11	2220596	4	Fitting, 90	
12	2220606	2	Fitting, Tee	
13	2220861	1	Fitting, Tee	
14	2220237	1	Fitting, Plug	
15	2220500	6	Fitting, 45	
16	4641284	1	Valve, Check	
17	2220507	2	Fitting, 90	
18	2753925	2	Hose	
19	2753924	1	Hose	
20	2753926	2	Hose	
21	2754229	1	Hose	
22	2752574	2	Hose	
23	2754230	1	Hose	
24	2752592	2	Hose	
25	2752910	1	Hose	
26	2752620	2	Hose	
28	2754235	2	Hose	
29	2754234	1	Hose	
30	2754233	1	Hose	
31	2752928	1	Hose	
32	2754231	1	Hose	
33	2753928	2	Hose	
34	2753929	2	Hose	
35	2752929	1	Hose	
36	2754232	4	Hose	
37	2753930	4	Hose	
38	2754227	1	Hose	
39	2754228	1	Hose	

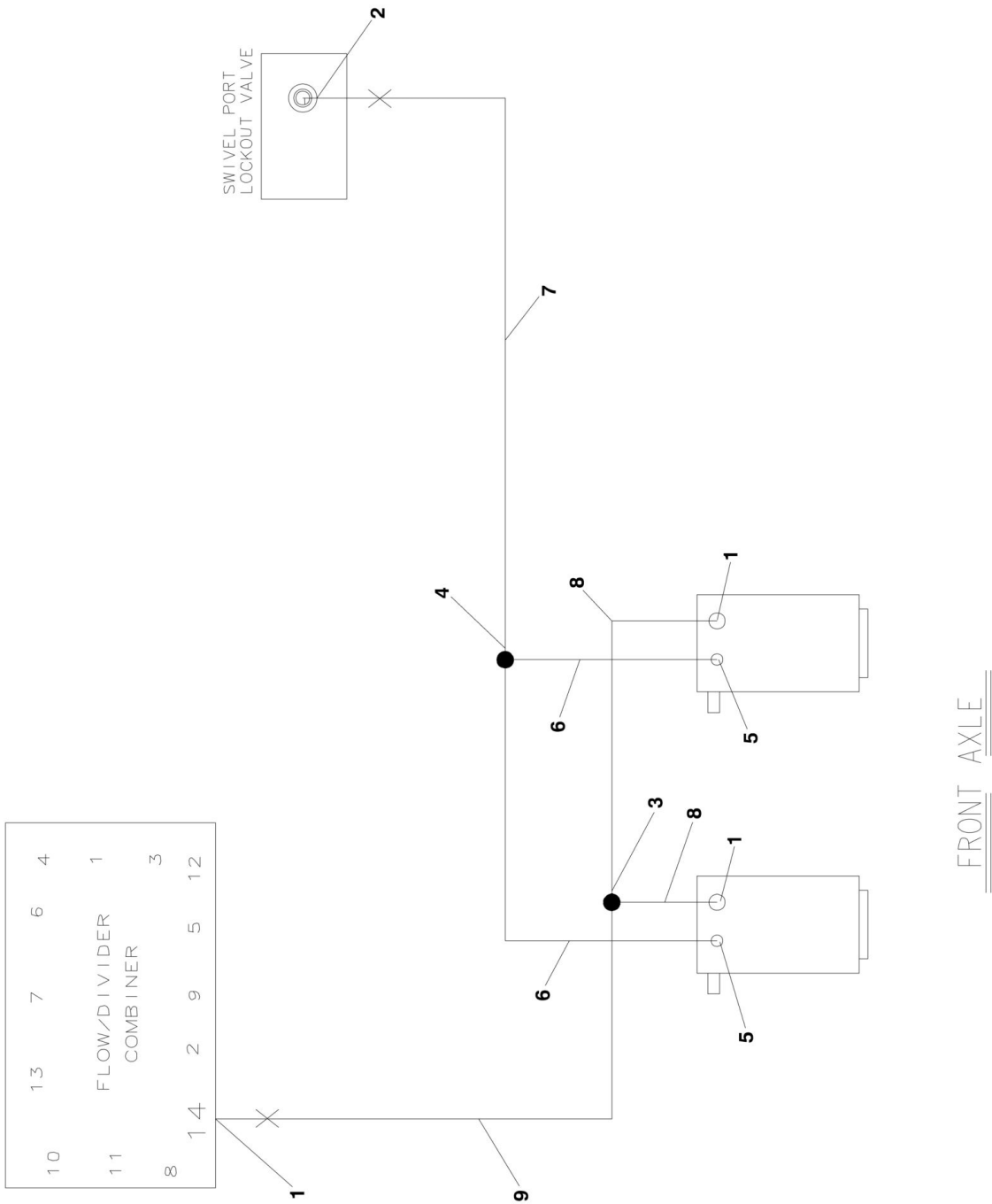
SECTION 6 - HYDRAULIC

FIGURE 6-5. HYDRAULIC DIAGRAM - OSCILLATING AXLE (SN 0300069000 through 0300081835)

ITEM	PART NUMBER	QTY	DESCRIPTION	REV
	2792230	Ref	HYDRAULIC DIAGRAM - OSCILLATING AXLE	
1	2220466	1	Fitting, 90	
2	2751020	2	Hose	
3	4640939	1	Valve, Shuttle	
4	2220582	6	Fitting, Straight	
5	2751013	1	Hose	
6	2220415	2	Fitting, Straight	
7	2750900	1	Hose	
8	2220504	1	Fitting, Tee	
9	2752920	2	Hose	
10	2220603	1	Fitting, Straight	
11	2220635	1	Fitting, Tee	
12	2752824	1	Hose	
13	2220385	1	Fitting, Tee	
14	2220619	1	Fitting, Reducer	
15	2752823	1	Hose	
16	2220490	1	Fitting, Tee	
17	2752962	2	Hose	
18	2220371	2	Fitting, Straight	

SECTION 6 - HYDRAULIC

FIGURE 6-6. HYDRAULIC DIAGRAM - OSCILLATING AXLE (SN 0300081836 through 0300087000)



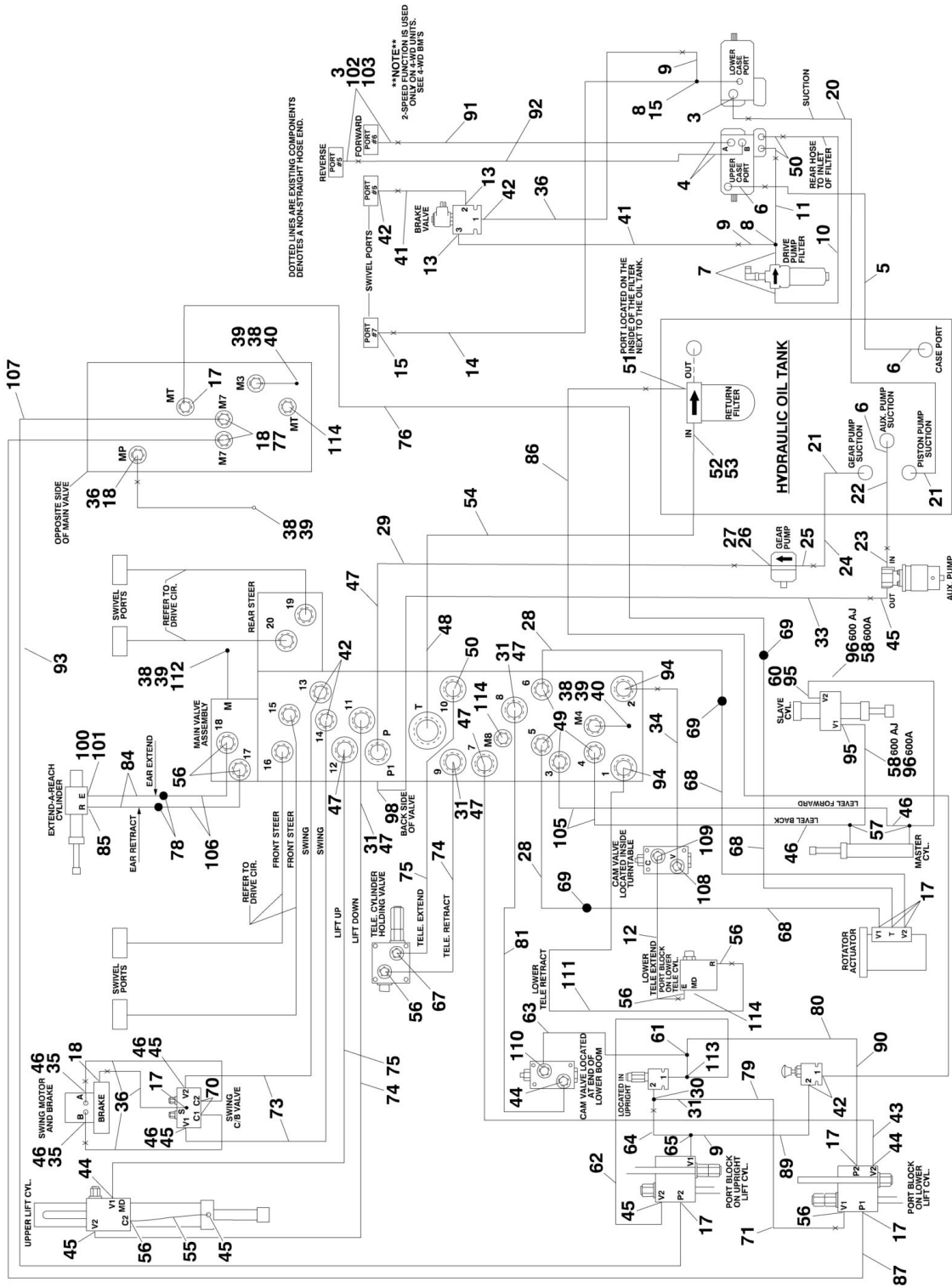
SECTION 6 - HYDRAULIC

FIGURE 6-6. HYDRAULIC DIAGRAM - OSCILLATING AXLE (SN 0300081836 through 0300087000)

ITEM	PART NUMBER	QTY	DESCRIPTION	REV
	2792690	Ref	HYDRAULIC DIAGRAM - OSCILLATING AXLE	1
1	2220371	3	Fitting, Straight	
2	2220468	1	Fitting, Straight	
3	2220490	1	Fitting, Tee	
4	2220504	1	Fitting, Tee	
5	2220415	2	Fitting, Straight	
6	2751434	2	Hose	
7	2751410	1	Hose	
8	2753933	2	Hose	
9	2752462	1	Hose	

SECTION 6 - HYDRAULIC

FIGURE 6-7. HYDRAULIC DIAGRAM - STANDARD (SN 030069000 through 0300081835)



SECTION 6 - HYDRAULIC

FIGURE 6-7. HYDRAULIC DIAGRAM - STANDARD (SN 0300069000 through 0300081835)

ITEM	PART NUMBER	QTY	DESCRIPTION	REV
	2792188	Ref	HYDRAULIC DIAGRAM - STANDARD (600A)	21
	2792189	Ref	HYDRAULIC DIAGRAM - STANDARD (600AJ)	22
3	2220377	3	Fitting, Straight	
4	2220646	2	Fitting, 90	
5	2752655	1	Hose	
6	2220578	3	Fitting, 90	
7	2220366	2	Fitting, 90	
8	2220385	2	Fitting, Tee	
9	2220618	3	Fitting, Reducer	
10	2752500	1	Hose	
11	2752519	1	Hose	
12	2753132	1	Hose	
13	2220472	2	Fitting, 90	
14	2752928	1	Hose	
15	2220375	2	Fitting, Straight	
16	2752591	1	Hose (SN 0300069000 through 0300070977)	
17	2220466	8	Fitting, 90	
18	2220415	5	Fitting, Straight	
20	2752723	1	Hose	
21	2220379	2	Fitting, Straight	
22	2752656	1	Hose	
23	2220567	1	Fitting, 90	
24	2752724	1	Hose	
25	2220376	1	Fitting, Straight	
26	2220810	1	Fitting, Reducer	
27	4640744	1	Valve, Check	
28	2752604	2	Hose (Note: Also Requires #69 & #68 for Complete Run Up Boom)	
29	2752929	1	Hose	
30	2220602	2	Fitting, Tee	
31	2220619	6	Fitting, Reducer	
32	2220416	1	Fitting, 90 (SN 0300069000 through 0300070977)	
33	2752635	1	Hose	
34	2753133	1	Hose	
35	2220497	2	Fitting, Straight	
36	2752573	5	Hose	
38	2220428	AR	Fitting, Quick Coupling (600A - Qty.3 /600AJ - Qty.4)	
39	2220429	AR	Cap, Dust (600A - Qty.3 /600AJ - Qty.4)	
40	2220873	2	Fitting	
41	2752600	2	Hose	
42	2220582	6	Fitting, Straight	
43	2752506	1	Hose (600A)	
43	2752516	1	Hose (600AJ)	
44	2220596	3	Fitting, 90	
45	2220628	6	Fitting, 90	
46	2220609	AR	Fitting, Reducer	
47	2220381	AR	Fitting, Long Straight (600A - Qty.5 /600AJ - Qty.6)	
48	2220974	1	Fitting, Long Straight	
49	2220923	4	Fitting, Long Straight	
50	2220374	3	Fitting	
51	2220574	1	Fitting, Straight	

SECTION 6 - HYDRAULIC

ITEM	PART NUMBER	QTY	DESCRIPTION	REV
52	2220921	1	Fitting, Reducer	
53	2220498	1	Fitting, 45	
54	2752783	1	Hose	
55	2752469	1	Hose	
56	2220372	AR	Fitting, Straight (600A - Qty.5 /600AJ - Qty.7)	
57	2220899	2	Fitting, Tee	
58	2752636	1	Hose (600A)	
58	2752468	1	Hose (600AJ)	
60	2220657	1	Fitting, 45 (600A Only)	
61	2221065	1	Fitting, Tee	
62	2752462	1	Hose	
63	2753134	1	Hose	
63	2753134	1	Hose	
64	2752497	1	Hose	
65	2220999	1	Fitting, Tee	
67	2220500	1	Fitting, 45	
68	2752601	3	Hose (Note: Also Requires #69 & #28 or #76 for Complete Run Up Boom)	
69	2220510	3	Fitting, Coupling	
70	2220468	2	Fitting, Straight	
71	2753052	1	Hose	
72	2220502	4	Fitting, 45 (SN 0300069000 through 0300070977)	
73	2752603	2	Hose	
74	2753055	1	Hose	
75	2752939	2	Hose	
76	2752579	1	Hose (Note: Also Requires #69 & #68 for Complete Run Up Boom)	
77	2220654	2	Fitting, 90	
78	2220511	1	Fitting, Coupling (600AJ Only)	
79	2753056	1	Hose	
80	2752991	1	Hose	
81	2753135	1	Hose	
82	2752434	1	Hose (SN 0300069000 through 0300070977)	
84	2753047	2	Hose (600AJ Only) (Note: Also Requires #78 & #106 for Complete Run Up Boom)	
85	2220473	1	Fitting, 90 (600AJ Only)	
86	2752453	1	Hose	
87	2752593	1	Hose	
88	2752988	1	Hose (SN 0300069000 through 0300070977)	
89	2752990	1	Hose	
90	2752985	1	Hose	
91	2752343	1	Hose	
92	2752341	1	Hose	
93	2752592	1	Hose (SN 0300069000 through 0300070977)	
94	2220998	2	Fitting, Straight	
95	2220603	2	Fitting, Straight	
96	2753046	1	Hose (600A)	
96	2752650	1	Hose (600AJ)	
98	2220473	1	Fitting, 90	
100	2180724	1	Fitting, Modified 90 (600AJ Only)	
101	2180380	1	Plug, Orifice.06 (600AJ Only)	
102	0100011	AR	Compound, Locking	
103	0100038	AR	Primer, Locking	

SECTION 6 - HYDRAULIC

ITEM	PART NUMBER	QTY	DESCRIPTION	REV
104	1703534	2	Decal, Hose Tags (Not Shown)	
105	2752989	2	Hose	
106	2752618	2	Hose (600AJ Only) (Note: Also Requires #78 & #84 for Complete Run Up Boom)	
107	2752987	1	Hose	
108	2220373	1	Fitting, Straight	
109	2220947	1	Fitting, Straight	
110	2221036	1	Fitting, O-Ring	
111	2752484	1	Hose	
112	2220873	1	Fitting, Nipple	
113	2221053	1	Fitting, Tee	
114	2220235	3	Plug (SN 0300070977 through 0300081835)	

SECTION 6 - HYDRAULIC

FIGURE 6-8. HYDRAULIC DIAGRAM - STANDARD (SN 0300081836 through 0300087000)

ITEM	PART NUMBER	QTY	DESCRIPTION	REV
	2792688	Ref	HYDRAULIC DIAGRAM - STANDARD (600A)	5
	2792689	Ref	HYDRAULIC DIAGRAM - STANDARD (600AJ)	3
1	2220605	1	Fitting, Tee	
2	2220409	1	Fitting, 45	
3	2220377	3	Fitting, Straight	
4	2220646	2	Fitting, 90	
5	2752655	1	Hose	
6	2220578	2	Fitting, 90	
7		Ref	Fitting, 90 Options:	
7	2220366	2	Fitting, 90 (SN 0300081836 through 0300084828)	
7	2221042	2	Fitting, 90 (SN 0300084829 through 0300087000)	
8		Ref	Fitting, Tee Options:	
8	2220385	1	Fitting, Tee (SN 0300081836 through 0300084828)	
8	2220948	1	Fitting, Tee (SN 0300084829 through 0300087000)	
9	2220618	1	Fitting, Reducer	
10		Ref	Hose Options:	
10	2752500	1	Hose (SN 0300081836 through 0300084828)	
10	2754329	1	Hose (SN 0300084829 through 0300087000)	
11		Ref	Hose	
11	2752519	1	Hose (SN 0300081836 through 0300084828)	
11	2754330	1	Hose (SN 0300084829 through 0300087000)	
12	2753132	1	Hose	
13	2220738	1	Fitting, Tee	
14		Ref	Hose Options:	
14	2752928	1	Hose (SN 0300081836 through 0300084828)	
14	2754328	1	Hose (SN 0300084829 through 0300087000)	
15	2220375	AR	Fitting, Straight (600A - Qty.1 /600AJ - Qty.2)	
16	2220474	1	Fitting, 90	
17	2220466	10	Fitting, 90	
18	2220415	4	Fitting, Straight	
19	2753325	1	Hose	
20	2752723	1	Hose	
21	2220379	2	Fitting, Straight	
22	2752656	1	Hose	
23	2220567	1	Fitting, 90	
24	2752724	1	Hose	
25	2220376	1	Fitting, Straight	
26	2220810	1	Fitting, Reducer	
27	4640744	1	Valve, Check	
28	2752604	2	Hose (Note: Also Requires #69 & #68 for Complete Run Up Boom)	
29	2752929	1	Hose	
30	2220602	1	Fitting, Tee	
31	2220619	3	Fitting, Reducer	
32	2751396	1	Hose	
33	2752635	1	Hose	
34	2753133	1	Hose	
35	2220497	2	Fitting, Straight	
36	2752573	AR	Hose (600A - Qty.4 /600AJ - Qty.3)	
37	2220414	1	Fitting, Straight	
38	2220428	AR	Fitting, Quick Coupling (600A - Qty.3 /600AJ - Qty.4)	

SECTION 6 - HYDRAULIC

ITEM	PART NUMBER	QTY	DESCRIPTION	REV
39	2220429	AR	Cap, Dust (600A - Qty.3 /600AJ - Qty.4)	
40	2220873	2	Fitting	
41	2752600	1	Hose 600A (SN 0300081836 through 0300084828)	
41	2753968	1	Hose 600A (SN 0300084829 through 0300087000)	
41	2753968	1	Hose (600AJ)	
42	2220582	6	Fitting, Straight	
43	2752506	1	Hose (600A)	
43	2752516	1	Hose (600AJ)	
44	2220596	4	Fitting, 90	
45	2220628	6	Fitting, 90	
46	2220609	6	Fitting, Reducer	
47	2220381	6	Fitting, Long Straight	
48	2220974	1	Fitting, Long Straight	
49	2220923	4	Fitting, Long Straight	
50	2220374	AR	Fitting Options:	
50		Ref	Fitting (SN 0300081836 through 0300084828)	
50		Ref	Fitting (SN 0300084829 through 0300087000)	
51	2220574	1	Fitting, Straight	
52	2220921	1	Fitting, Reducer	
53	2220498	1	Fitting, 45	
54	2752783	1	Hose	
55	2752469	1	Hose	
56	2220372	AR	Fitting, Straight (600A - Qty.5 /600AJ - Qty.7)	
57	2220899	2	Fitting, Tee	
58	2752636	1	Hose (600A)	
58	2752468	1	Hose (600AJ)	
60	2220657	1	Fitting, 45 (600A Only)	
61	2221065	1	Fitting, Tee	
62	2752462	1	Hose	
63	2753134	1	Hose	
64	2752497	1	Hose	
65	2220999	1	Fitting, Tee	
67	2220500	1	Fitting, 45	
68	2752601	3	Hose (Note: Also Requires #69 & #28 or #76 for Complete Run Up Boom)	
69	2220510	3	Fitting, Coupling	
70	2220468	2	Fitting, Straight	
71	2753052	1	Hose	
73	2752603	2	Hose	
74	2753055	2	Hose	
75	2752939	2	Hose	
76	2752579	1	Hose (Note: Also Requires #69 & #68 for Complete Run Up Boom)	
77	2220654	2	Fitting, 90	
78	2220511	1	Fitting, Coupling (600AJ Only)	
79	2753056	1	Hose	
80	2752991	1	Hose	
81	2753135	1	Hose	
84	2753047	2	Hose (600AJ Only) (Note: Also Requires #78 & #106 for Complete Run Up Boom)	
85	2220473	1	Fitting, 90 (600AJ Only)	
86	2752453	1	Hose	
87	2752593	1	Hose	

SECTION 6 - HYDRAULIC

ITEM	PART NUMBER	QTY	DESCRIPTION	REV
89	2752990	1	Hose	
90	2752985	1	Hose	
91		Ref	Hose Options:	
91	2752343	1	72in/1.83m Length	
91	2752341	1	66in/1.68m Length	
92		Ref	Hose Options:	
92	2752343	1	72in/1.83m Length	
92	2752341	1	66in/1.68m Length	
94	2220998	2	Fitting, Straight	
95	2220603	2	Fitting, Straight	
96	2753046	1	Hose (600A)	
96	2752650	1	Hose (600AJ)	
98	2220473	1	Fitting, 90	
100	2180724	1	Fitting, Modified 90 (600AJ Only)	
101	2180380	1	Plug, Orifice.06 (600AJ Only)	
102	0100011	AR	Compound, Locking	
103	0100038	AR	Primer, Locking	
104	1703534	2	Decal, Hose Tags (Not Shown)	
105	2752989	2	Hose	
106	2752618	2	Hose (600AJ Only) (Note: Also Requires #78 & #84 for Complete Run Up Boom)	
107	2752987	1	Hose	
108	2220373	AR	Fitting, Straight (600A - Qty.1 /600AJ - Qty.2)	
109	2220947		Fitting, Straight Options:	
109		Ref	Fitting, Straight (SN 0300081836 through 0300084828)	
109		Ref	Fitting, Straight (SN 0300084829 through 0300087000)	
110	2221036	1	Fitting, O-Ring	
111	2752484	1	Hose	
112	2220873	1	Fitting, Nipple	
113	2221053	1	Fitting, Tee	
114	2220235	3	Plug	
115	2752519	1	Hose	

SECTION 6 - HYDRAULIC

FIGURE 6-9. HYDRAULIC DIAGRAM LIST

ITEM	PART NUMBER	QTY	DESCRIPTION	REV
		Ref	Note: Information on diagrams not shown is available from JLG Service/Parts Departments.	
	1282396	Ref	Drive Hydraulic Diagrams	
		Ref	600A & 600AJ with 8ft/2.4m Width Frame:	
	2792193	Ref	Drive Hydraulic 2WD/2WS (SN 0300069000 through 0300081835)	
	2792692	Ref	Drive Hydraulic 2WD/2WS (SN 0300081836 through 0300087000)	
	2792194	Ref	Drive Hydraulic 2WD/4WS (SN 0300069000 through 0300081835)	
	2792702	Ref	Drive Hydraulic 2WD/4WS (SN 0300081836 through 0300087000)	
	2792195	Ref	Drive Hydraulic 4WD/2WS (SN 0300069000 through 0300081835)	
	2792687	Ref	Drive Hydraulic 4WD/2WS (SN 0300081836 through 0300087000)	
	2792196	Ref	Drive Hydraulic 4WD/4WS (SN 0300069000 through 0300081835)	
	2792697	Ref	Drive Hydraulic 4WD/4WS (SN 0300081836 through 0300087000)	
		Ref	600A & 600AJ with 7ft/2.1m Width Frame:	
	2792191	Ref	Drive Hydraulic 2WD/2WS	
	2792192	Ref	Drive Hydraulic 2WD/2WS	
		Ref	OSCILLATING AXLE HYDRAULIC DIAGRAMS	
	2792230	Ref	Oscillating Axle Hydraulic Diagrams (SN 0300069000 through 0300081835)	
	2792690	Ref	Oscillating Axle Hydraulic Diagrams (SN 0300081836 through 0300087000)	
		Ref	STANDARD HYDRAULIC DIAGRAM - 600A	
	2792188	Ref	Standard Hydraulic Diagram (SN 0300069000 through 0300081835)	
	1282396	Ref	Standard Hydraulic Diagram (SN 0300069000 through 0300081835)	
	2792688	Ref	Standard Hydraulic Diagram (SN 0300081836 through 0300087000)	
	1283429	Ref	Standard Hydraulic Diagram (SN 0300081836 through 0300087000)	
		Ref	STANDARD HYDRAULIC DIAGRAM - 600AJ	
	2792189	Ref	Standard Hydraulic Diagram (SN 0300069000 through 0300081835)	
	1282396	Ref	Standard Hydraulic Diagram (SN 0300069000 through 0300081835)	
	2792689	Ref	Standard Hydraulic Diagram (SN 0300081836 through 0300087000)	
	1283429	Ref	Standard Hydraulic Diagram (SN 0300081836 through 0300087000)	
		Ref	Standard Hydraulic Schematic	
	2792177	Ref	Standard Hydraulic Schematic (SN 0300069000 through 0300081835)	
	2792691	Ref	Standard Hydraulic Schematic (SN 0300081836 through 0300087000)	
	2792405	Ref	Tool Circuit Hydraulic Diagram	
	2792315	Ref	Tow Hydraulic Diagram	

SECTION 7 - ELECTRICAL

SECTION 7 - ELECTRICAL

FIGURE 7-1. ELECTRICAL DIAGRAM LIST

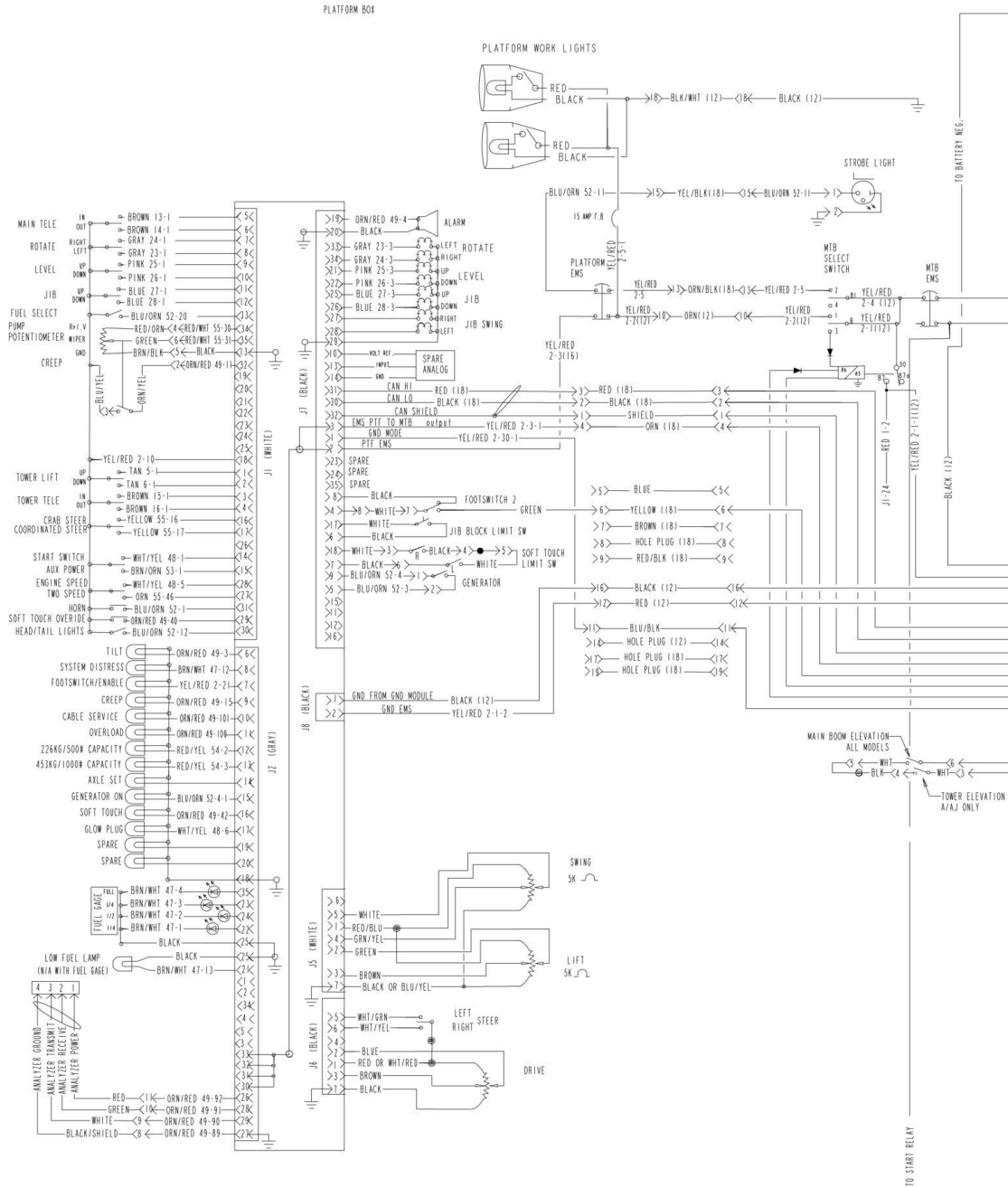
ITEM	PART NUMBER	QTY	DESCRIPTION	REV
		Ref	Note: Diagrams not shown are available from the JLG Service Department.	
		Ref	ALARM ELECTRICAL DIAGRAMS	
	4933025	Ref	Motion	1
	1282937	Ref	Motion	A
	4933026	Ref	Travel	1
	1282937	Ref	Travel	A
	1282571	Ref	COLD WEATHER START ELECTRICAL DIAGRAM (DEUTZ)	J
		Ref	DRIVE CUT-OUT ELECTRICAL DIAGRAM	
	4932993	Ref	Above Elevation Tilt	2-B
	1282828	Ref	Above Elevation Tilt	
	3640493	1	Rail, Mounting	
	4460607	2	Stop, Terminal	
	4120013	1	Socket, Relay	
	3740058	1	Relay 4PDT	
	2740063	1	Spring, Relay	
	4933307	Ref	DRIVE/STEER CUT-OUT ELECTRICAL DIAGRAMS	A
	4932986	Ref	ENGINE LOW OIL SHUTDOWN ELECTRICAL DIAGRAM	2-B
	4933308	Ref	FLOOD LIGHTS ELECTRICAL DIAGRAM	1-A
		Ref	GENERATOR ELECTRICAL DIAGRAMS	
	4933215	Ref	110V (SN 0300069000 through 0300081835)	1-B
	4933216	Ref	220V (SN 0300069000 through 0300081835)	1-B
	4933300	Ref	110V/220V (SN 0300081836 through 0300087000)	1-A
	4933264	Ref	Caterpillar/Deutz Engines - 7500W Generator	1-C
	4933283	Ref	Ford Engines - 7500W Generator	1-A
	4933219	Ref	HEADLIGHTS/TAILLIGHTS ELECTRICAL DIAGRAM	1-B
	4933312	Ref	CHASSIS ILLUMINATION ELECTRICAL DIAGRAM	1-A
	4922484	1	Harness (Located in Ground Console Box)	
	3740049	1	Relay	
		Ref	OIL COOLER ELECTRICAL DIAGRAMS	
	0256765	Ref	Deutz Machines	5
	1282665	Ref	Deutz Machines	E
	0256778	Ref	Ford Machines	3
	1283309	Ref	Ford Machines	C
	0270723	Ref	PLATFORM BEACON ELECTRICAL DIAGRAM	1-A
	4922639	Ref	PLATFORM ELECTRICAL DIAGRAMS	F
	4933218	Ref	PLATFORM SOFT TOUCH SYSTEM ELECTRICAL DIAGRAM	1-B
	3740057	1	Relay (Located in Platform Console Box)	
	4120012	1	Socket, Relay (Located in Platform Console Box)	
	3740066	1	Spring, Relay (Located in Platform Console Box)	
	3740049	1	Relay (Located in Platform Console Box)	
	4460600	1	Block, Terminal (Located in Platform Console Box)	
		Ref	PLATFORM WORKLIGHTS ELECTRICAL DIAGRAM	
	0270814	Ref	Platform Worklights Electrical Diagram (SN 0300069000 through 0300074444)	3-E
	0273492	Ref	Platform Worklights Electrical Diagram (SN 0300074445 through 0300087000)	B
	4933263	Ref	POWER TOOL ELECTRICAL DIAGRAM	1-B
		Ref	STANDARD ELECTRICAL DIAGRAMS	

SECTION 7 - ELECTRICAL

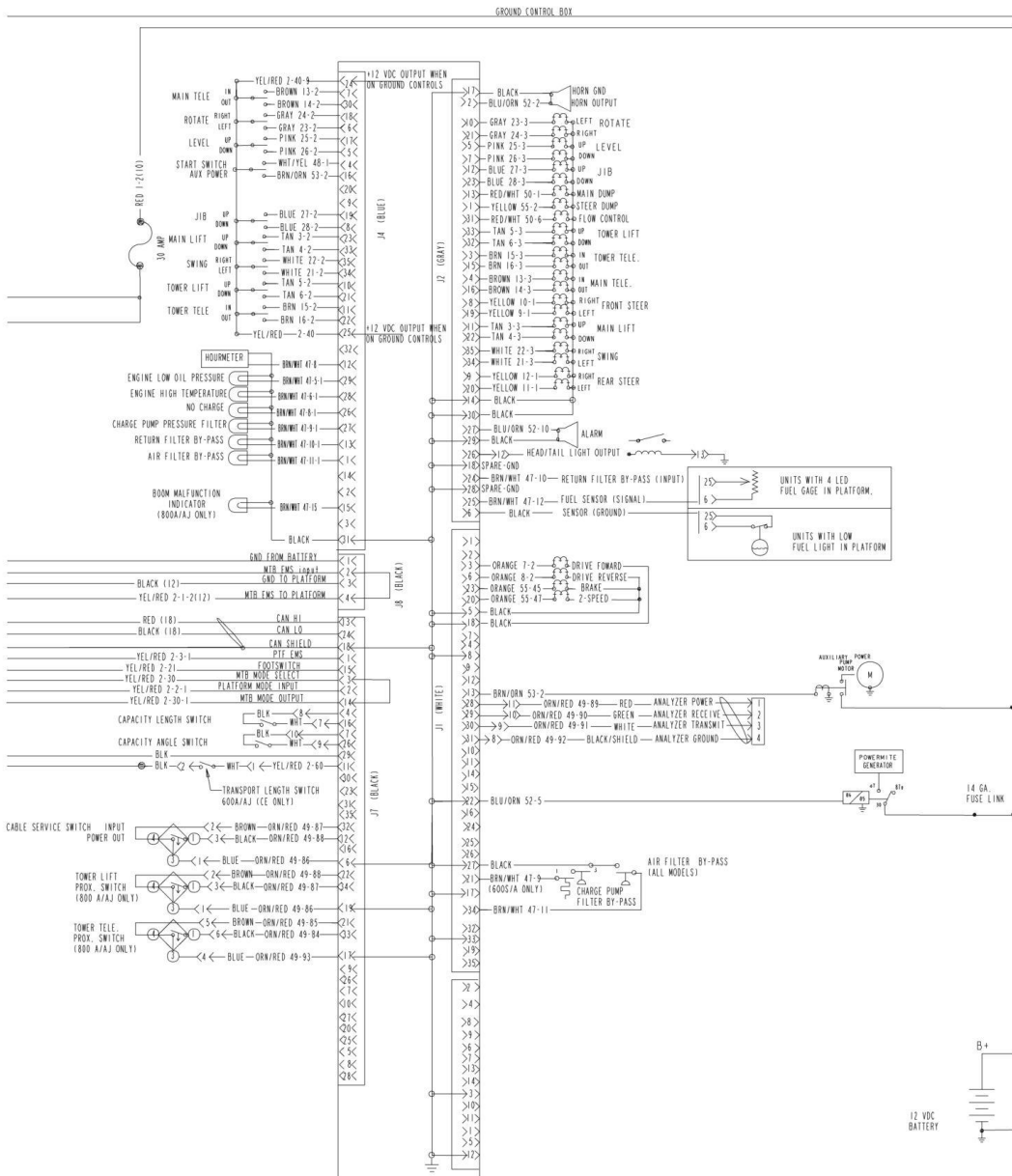
ITEM	PART NUMBER	QTY	DESCRIPTION	REV
	4933295	Ref	Caterpillar Engine (SN 0300069000 through 0300084828)	2-C
	4933329	Ref	Caterpillar Engine (SN 0300084829 through 0300087000)	1-A
	4933213	Ref	Deutz Engine (SN 0300069000 through 0300084828)	2-B
	4933319	Ref	Deutz Engine (SN 0300084829 through 0300087000)	D
	4933063	Ref	Deutz Engine - UL Machines	2-D
	4933212	Ref	Ford EFI Engine (SN 0300069000 through 0300084828)	3-C
	4933331	Ref	Ford EFI Engine (SN 0300084829 through 0300087000)	1-A
	4933055	Ref	Ford Engine - UL Machines	2-F
		Ref	STANDARD ELECTRICAL SCHEMATIC	
	1870132	Ref	Caterpillar and Ford Engine Machines	H
	1870132	Ref	Deutz Engine Machines (SN 0300069000 through 0300084828)	H
	1870191	Ref	Deutz Engine Machines (SN 0300084829 through 0300087000)	A

SECTION 7 - ELECTRICAL

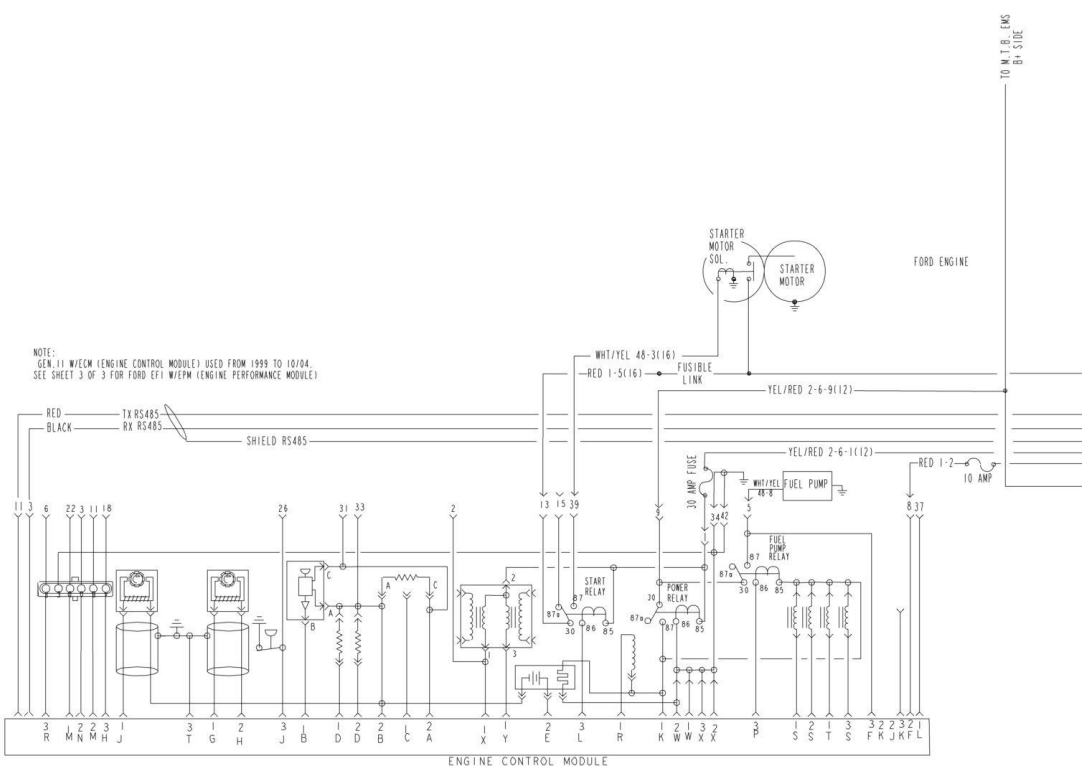
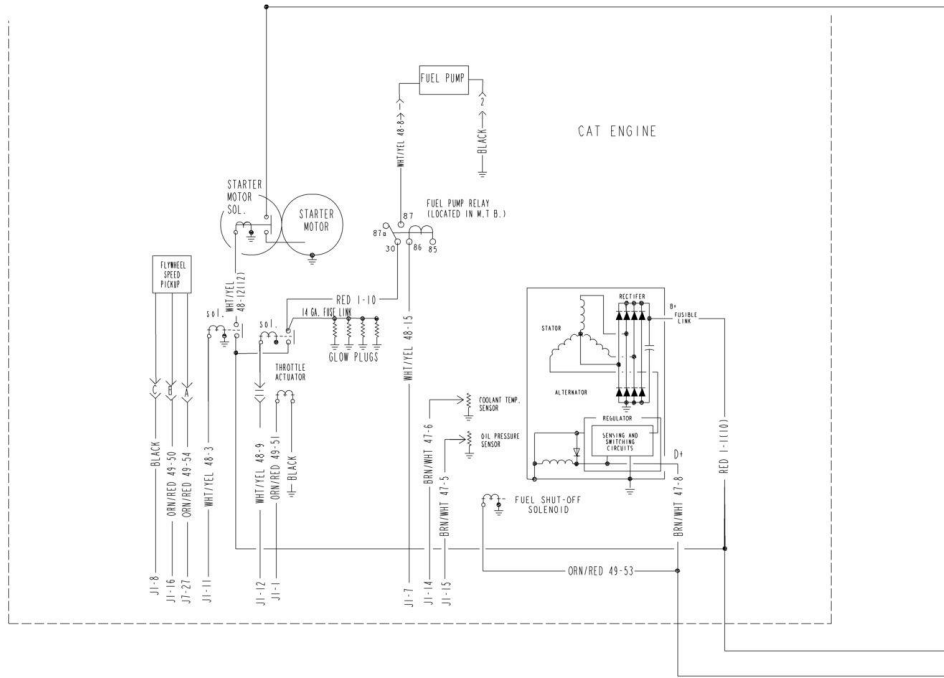
FIGURE 7-2. ELECTRICAL SCHEMATIC - DEUTZ AND ALL CATERPILLAR AND FORD (SN 0300069000 through 0300084828)



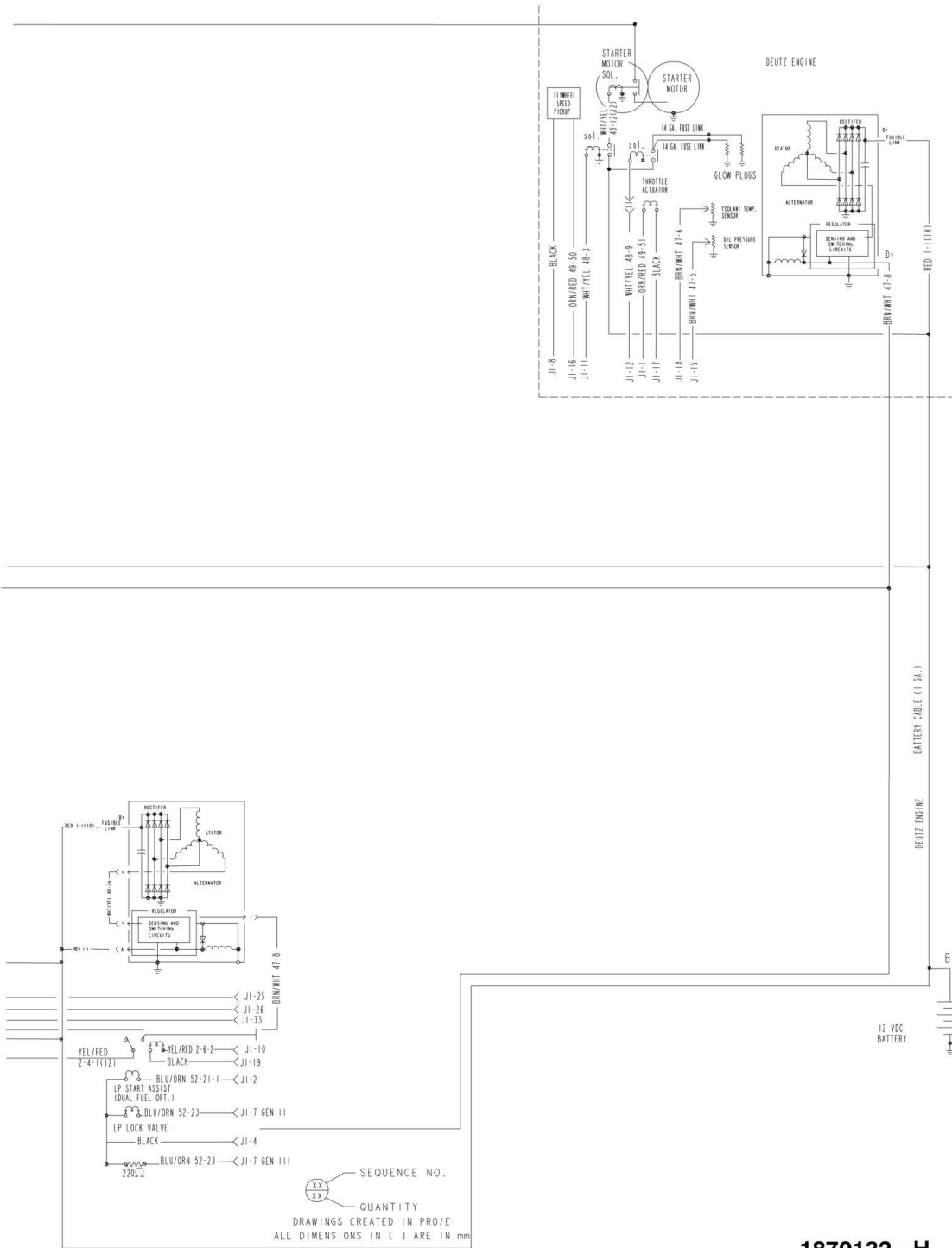
SECTION 7 - ELECTRICAL



SECTION 7 - ELECTRICAL

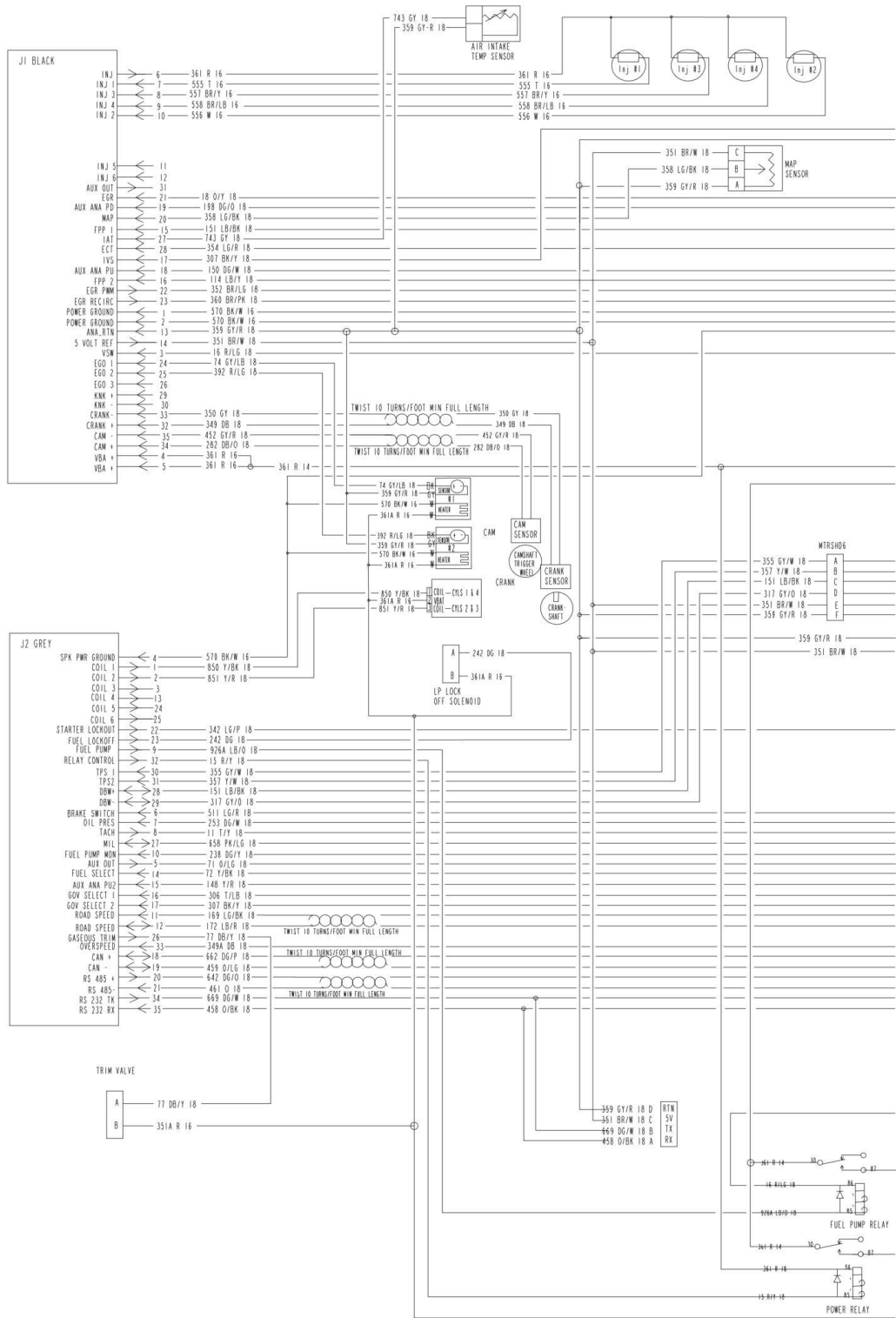


SECTION 7 - ELECTRICAL

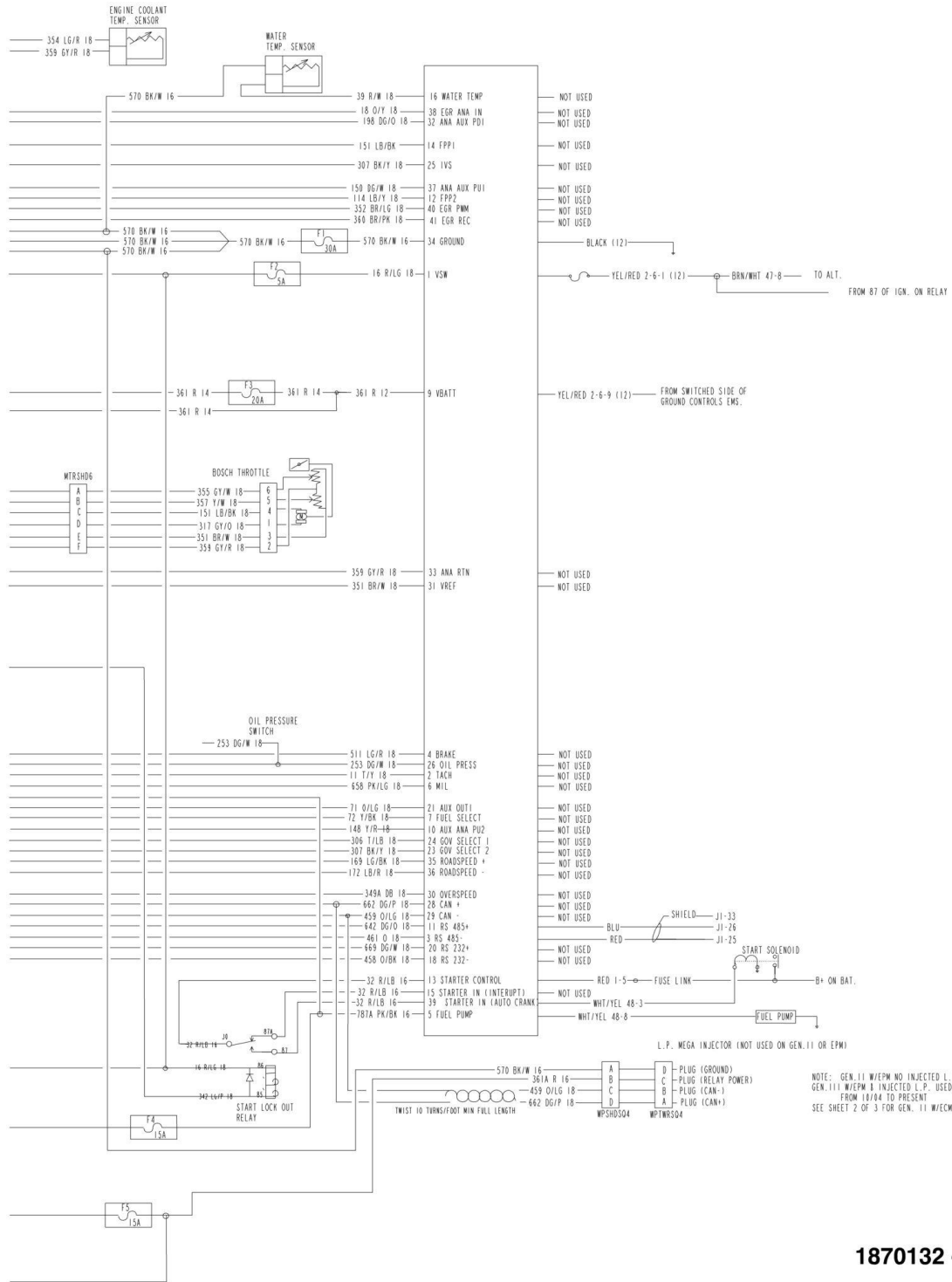


1870132 - H

SECTION 7 - ELECTRICAL



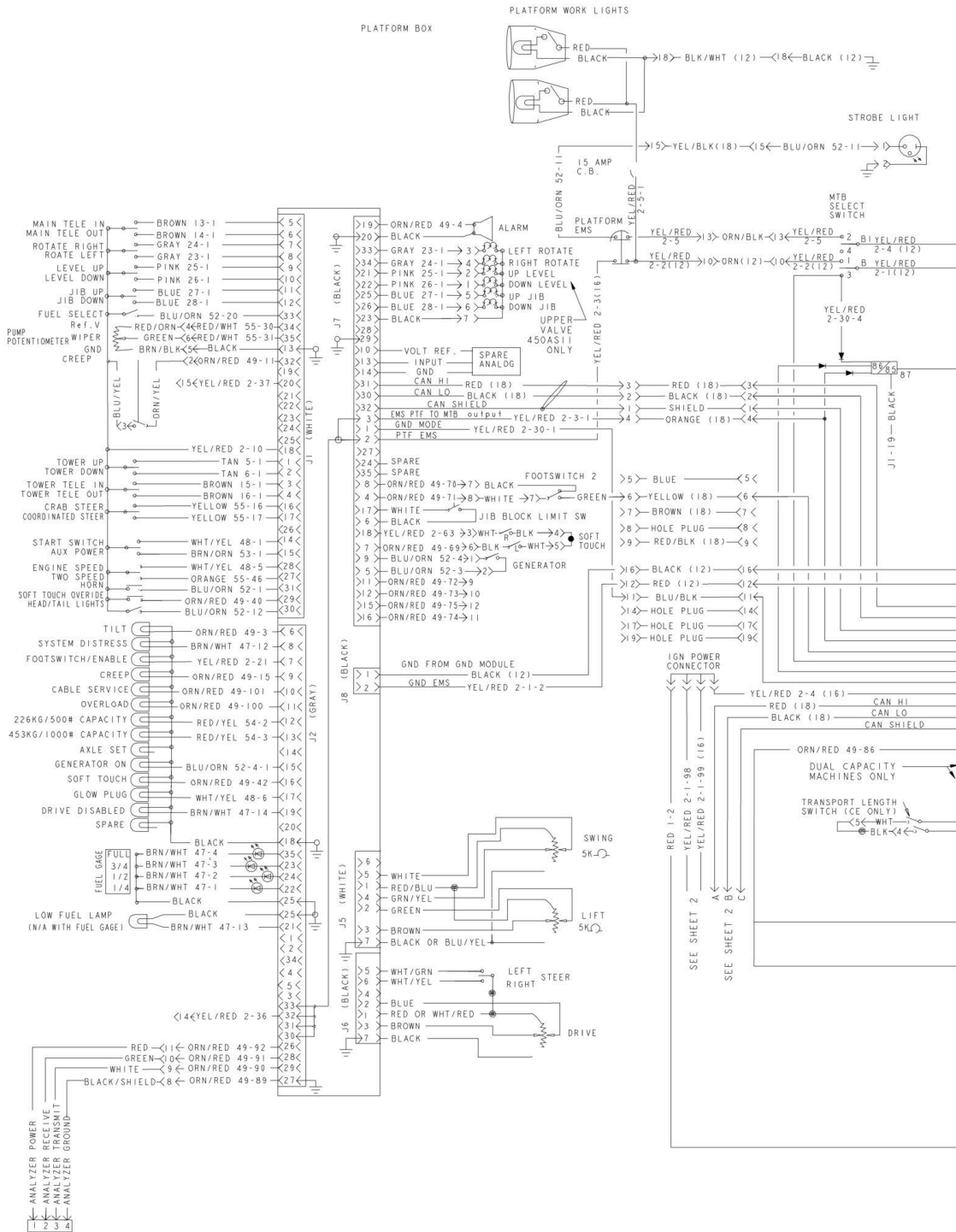
SECTION 7 - ELECTRICAL



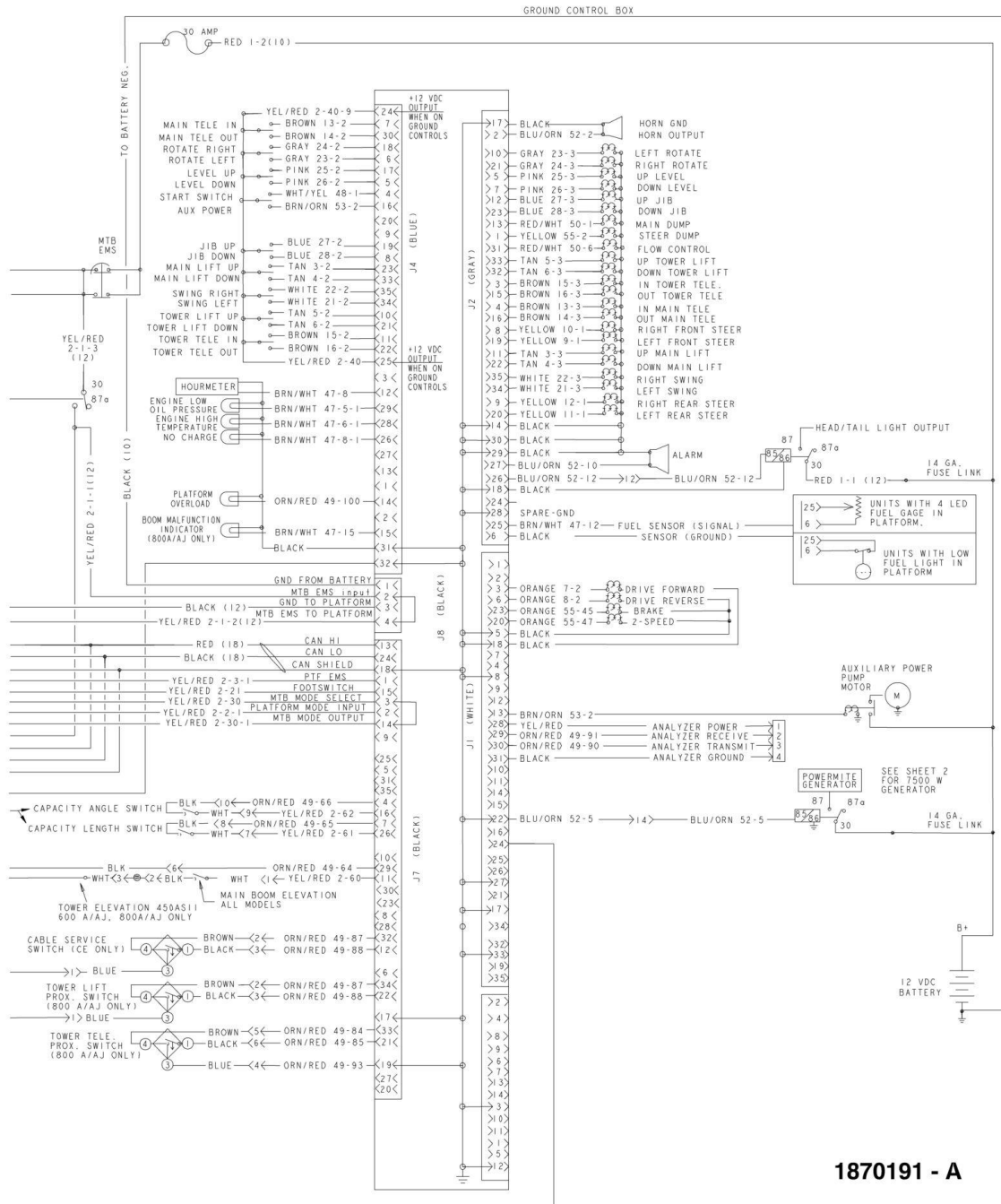
1870132 - H

SECTION 7 - ELECTRICAL

FIGURE 7-3. ELECTRICAL SCHEMATIC - DEUTZ ENGINE (SN 0300084827 through 0300087000)

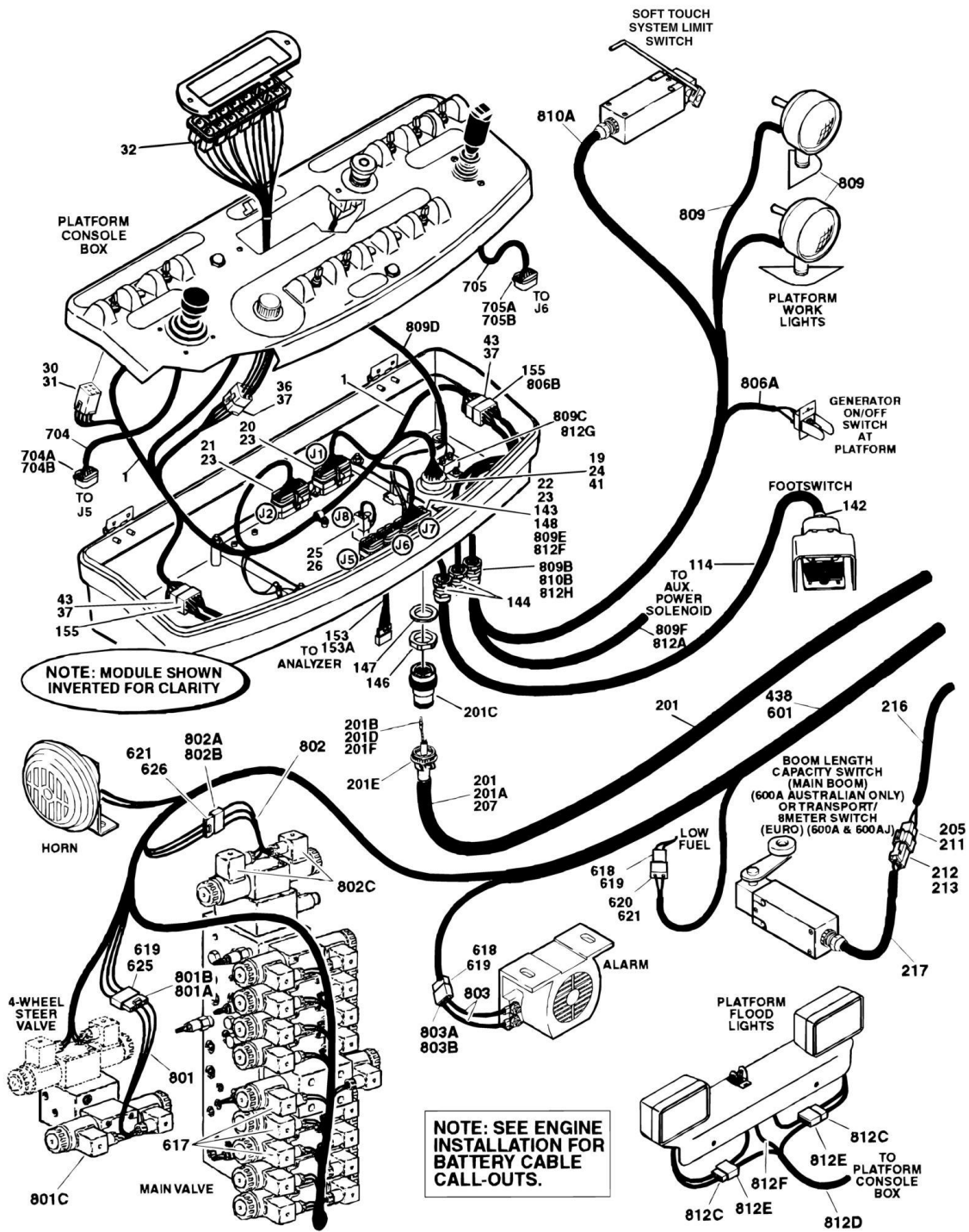


SECTION 7 - ELECTRICAL



SECTION 7 - ELECTRICAL

FIGURE 7-4. HARNESS COMPONENTS INSTALLATION



SECTION 7 - ELECTRICAL

FIGURE 7-4. HARNESS COMPONENTS INSTALLATION

ITEM	PART NUMBER	QTY	DESCRIPTION	REV
	4922639	Ref	PLATFORM BOX HARNESS ASSEMBLY	5
1	4922639	1	Harness, Console Box	
19	4460866	1	Connector - 19 Position	
20	4460874	1	Connector - 35 Position (Natural)	
21	4460875	1	Connector - 35 Position (Gray)	
22	4460873	1	Connector - 35 Position (Black)	
23	4460871	70	Socket, Female	
24	4460464	7	Pin, Male (16 Gauge)	
25	4460879	1	Terminal, Housing 2 Position	
26	4460887	2	Terminal, (12 Gauge)	
30	4460418	8	Connector - 6 Position	
31	4460419	24	Terminal, Female	
32	4120035	12	Base, Light	
36	4460225	1	Connector - 6 Position	
37	4460227	28	Pin, Male	
41	4460508	3	Pin, Male (12 Gauge)	
43	4460434	2	Connector - 15 Position	
44	2920129	12	Lamp, Indicator	
		Ref	PLATFORM BOX ASSEMBLY COMPONENTS	
104	0100048	AR	Grease, Dielectric (Used at Module Connections)	
114	1060918	8 ft/2.4m	Cable, Electrical - 18/3	
142	4460071	1	Connector, Strain Relief	
143	4460226	2	Socket, Female	
144	4460428	2	Connector, Strain Relief	
146	4460470	1	Nut, Terminal	
147	4460471	1	Lockwasher, Terminal	
148	4460905	5	Seal, Plug	
153	4922666	1	Harness, Analyzer Cable	2-B
153	4460226	4	Socket, Female (Not Shown - Located at J2)	
153A	4460761	1	Connector, Female - 4 Position	
153A	4460227	4	Pin, Male	
155	4460708	2	Terminal, 15 Pin Mate-N-Loc	
		Ref	BOOM CABLES INSTALLATION	
	0270818	Ref	Boom Cables Installation 600A	6
	0270820	Ref	Boom Cables Installation 600AJ	6
	0272624	Ref	Boom Cables Installation 600A (With 7500W Generator) (SkyPower)	2
	0272625	Ref	Boom Cables Installation 600AJ (With 7500W Generator) (SkyPower)	2
	0274618	Ref	Boom Cables Installation 600AJ (Dual AC)	1-A
201	4922493	1	Harness, Main Boom	
201A	1060896	45.5 ft/13.9m	Cable	
201B	4460465	22	Socket, Female - #16	
201C	4460865	1	Connector - 19 Position	
201D	4460509	8	Socket, Female - #12	
201E	4460473	1	Clamp, Cable	
201F	4460466	4	Seal, Plug	
202		Ref	Cable, Electrical - 12/3 Options (Does not include plug ends) (Qty 2 Required for Dual AC):	

SECTION 7 - ELECTRICAL

ITEM	PART NUMBER	QTY	DESCRIPTION	REV
202	1060494	46 ft/14m	Cable, Electrical - 12/3 (SN 0300069000 through 0300071457)	
202	4922894	1	Cable, Electrical - 12/3 (SN 0300071458 through 0300087000)	
202A	4460205	1	Plug, Male (110V)	
202B	4460134	1	Connector, Female (110V)	
202B	4922810	1	Harness, Electrical - 8/5 (Does not include plug ends) (With 7500W Generator)	
202B	1060945	47 ft/14.3m	Cable, Electrical - 8/5 (With 7500W Generator)	
204	4460865	1	Connector - 19 Position	
205	4460465	2	Socket, Female - #18 (SN 0300069000 through 0300071458)	
206	4460466	8	Seal, Plug	
207	4460473	1	Clamp, Cable	
208	4460866	1	Connector - 19 Position	
209	4922494	1	Harness, Lower Boom Cable	
209A	1060896	35.5 ft/10.8m	Cable	
209B	4460465	22	Socket, Female - #16	
209C	4460865	1	Connector - 19 Position	
209D	4460509	8	Socket, Female - #12	
209E	4460473	1	Clamp, Cable	
209F	4460466	4	Seal, Plug	
209G	4460464	11	Pin, Male (16 Gauge)	
209H	4460508	4	Pin, Male (12 Gauge)	
210		Ref	Cable, Electrical - 12/3 Options (Does not include plug ends) (Qty 2 Required for Dual AC):	
210	1060494	33 ft/10m	Cable, Electrical - 12/3 (SN 0300069000 through 0300071457)	
210	4922892	1	Cable, Electrical - 12/3 (SN 0300071458 through 0300087000)	
210	4922811	1	Harness, Electrical - 8/5 (Does not include plug ends) (With 7500W Generator)	
210	1060945	36 ft/10.9m	Cable, Electrical - 8/5 (With 7500W Generator)	
211	4460891	1	Connector, Terminal (600A Only) (SN 0300069000 through 0300071458)	
212	4460897	1	Plug, Terminal (600A Only) (SN 0300069000 through 0300071458)	
213	4460464	AR	Pin, Male (16 Gauge) (SN 0300069000 through 0300071458)	
214		Ref	Cable, Electrical - 18/2 Main Boom Limit Switch	
214	1060902	37 ft/11.3m	Cable, Electrical - 18/2 Main Boom Limit Switch (SN 0300069000 through 0300071457)	
214	1061033	AR	Cable, Electrical - 18/2 Main Boom Limit Switch (600A - Qty.3 /600AJ - Qty.2) (SN 0300071458 through 0300087000)	
215	1060902	AR	Cable, Electrical - 18/2 Tower Boom Limit Switch	
215	1060902	37 ft/11.3m	Cable, Electrical - 18/2 Main Boom Limit Switch 600A (SN 0300069000 through 0300071458)	
215	1060902	18 ft/5.5m	Cable, Electrical - 18/2 Main Boom Limit Switch 600AJ (SN 0300069000 through 0300071458)	
216		Ref	Cable, Electrical - 18/2 Main Boom Length Options (600A Only):	
216	1060902	37 ft/11.3m	Cable, Electrical - 18/2 Main Boom Length (SN 0300069000 through 0300071457)	
216	4922891	1	Cable, Electrical - 18/2 Main Boom Length (SN 0300071458 through 0300087000)	
217		Ref	Cable, Electrical - 18/2 Main Boom Length Options (600A Only):	
217	1060902	19 ft/5.8m	Cable, Electrical - 18/2 Main Boom Length (SN 0300069000 through 0300071457)	

SECTION 7 - ELECTRICAL

ITEM	PART NUMBER	QTY	DESCRIPTION	REV
217	4922890	1	Cable, Electrical - 18/2 Main Boom Length (SN 0300071458 through 0300087000)	
218	1060902	37 ft/11.3m	Cable, Electrical - 18/2 Main Boom Cap. Angle (600A Only) (SN 0300069000 through 0300071458)	
		Ref	GROUND CONTROL BOX DIAGRAMS	
	4933295	Ref	Caterpillar Engine (SN 0300069000 through 0300084828)	2-C
	4933329	Ref	Caterpillar Engine (SN 0300084829 through 0300087000)	1-A
	4933213	Ref	Deutz Engine (SN 0300069000 through 0300084828)	2-B
	4933319	Ref	Deutz Engine (SN 0300084829 through 0300087000)	D
	4933212	Ref	Ford EFI Engine (SN 0300069000 through 0300084828)	3-C
	4933331	Ref	Ford EFI Engine (SN 0300084829 through 0300087000)	1-A
301	2920129	AR	Bulb, Light	
307	2400065	1	Fuse, 30Amp	
308	2400066	1	Fuse, Holder W/Cover	
310	4460708	AR	Receptacle, Female - 15 Position	
310	4460226	AR	Socket, Female	
310	4922637	1	Harness, Jumper (Not Shown)	
		Ref	Note: Items 313-318 is used on Deutz Engine Only. (SN 0300084829 through 0300087000)	
313	4461072	1	Connector, Flange Mount Receptacle (Part of 2902443 Kit)	
314	4461074	1	Connector, Backshell (Part of 2902443 Kit)	
314	4461071	4	Socket, Female (Part of 2902443 Kit)	
315	4461073	1	Cap, Dust (Part of 2902443 Kit)	
316	4460894	1	Plug, Connector (6 Pin)	
317	4460892	1	Junction, Connector (6 Pin)	
	2902443	1	Connector Kit (Includes Items 313-315)	
		Ref	GROUND CONTROL HARNESS ASSEMBLY	
417	3740049	AR	Relay	
426	4460426	AR	Connector, Strain Relief	
427	4460470	1	Nut, Terminal	
428	4460471	1	Lockwasher, Terminal	
430	4460526	1	Connector, Strain Relief	
431	4460874	1	Connector (Natural)	
432	4460875	1	Connector (Gray)	
433	4460905	4	Connector, Amp Seal Plug	
437		Ref	Engine Harness Assembly (Not Shown - See 501 to 566 for Breakdown)	
437	4922921	1	Caterpillar Engine Machines (SN 0300069000 through 0300084828)	
437	4923227	1	Caterpillar Engine Machines (SN 0300084829 through 0300087000)	
437	4922515	1	Deutz Engine Machines (Non UL Machines) (SN 0300069000 through 0300084828)	
437	4923212	1	Deutz Engine Machines (Non UL Machines) (SN 0300084829 through 0300087000)	
437	4923063	1	Deutz Engine Machines (UL Machines)	
437	4922514	1	Ford Engine Machines with EFI (SN 0300069000 through 0300084828)	
437	4923226	1	Ford Engine Machines with EFI (SN 0300084829 through 0300087000)	
438		Ref	Valve Harness Assembly Options (See 601 to 628 for Breakdown):	
438	4922508	1	Valve Harness Assembly (SN 0300069000 through 0300084828)	

SECTION 7 - ELECTRICAL

ITEM	PART NUMBER	QTY	DESCRIPTION	REV
438	4923224	1	Valve Harness Assembly (SN 0300084829 through 0300087000)	
439		Ref	Ground Control Box Harness Assembly Options	
439	4922638	1	Caterpillar/Deutz Engine (SN 0300069000 through 0300084828)	5-F
439	4923231	1	Caterpillar Engine (SN 0300084829 through 0300087000)	2-B
439	4923223	1	Deutz Engine (SN 0300084829 through 0300087000)	D
439A	4460418	AR	Connector, Female - 6 Position	
439A	4460419	AR	Socket, Female	
439B	4460876	1	Connector, 35 - Position	
439B	4460871	AR	Socket, Female	
439B	4460905	2	Seal, Plug	
439C	4460866	1	Connector - 19 Position	
439C	4460464	AR	Pin, Male Deutsch (16 Gauge)	
439D	4460878	1	Housing, Terminal - 4 Position	
439D	4460887	3	Terminal (12 Gauge)	
439E	4120035	AR	Base, Light	
439E	4460634	AR	Terminal (16 Gauge)	
439F	4460873	1	Connector, 35 - Position (Black)	
439F	4460871	AR	Socket, Female	
439F	4460635	5	Terminal (12 Gauge)	
439G	4460871	AR	Socket, Female	
439H	4460434	2	Plug, Male 15 - Position	
439H	4460227	AR	Pin	
439I	3990010	2	Diode - 6 Amp (Not Shown)	
439J	4460761	1	Connector, Female 4 - Position (SN 0300084829 through 0300087000)	
439J	4460227	4	Pin, Male (SN 0300084829 through 0300087000)	
439K	4460536	1	Connector, Female 3 - Position (Deutz Engine Only) (SN 0300084829 through 0300087000)	
439K	4460943	3	Pin, Male (Deutz Engine Only) (SN 0300084829 through 0300087000)	
440	4922666	1	Cable, Analyzer	2-B
440A	4460226	4	Socket, Female	
440B	4460761	1	Connector, Female 4 - Position	
440B	4460227	4	Pin, Male	
441		Ref	Ground Control Box Wiring Diagram (Not Shown - See Items 301 to 310 for Breakdown)	
441	4933295	1	Caterpillar Engine (SN 0300069000 through 0300084828)	
441	4933329	1	Caterpillar Engine (SN 0300084829 through 0300087000)	
441	4933213	1	Deutz Engine (SN 0300069000 through 0300084828)	
441	4933319	1	Deutz Engine (SN 0300084829 through 0300087000)	
441	4933212	1	Ford Engine (SN 0300069000 through 0300084828)	
441	4933331	1	Ford Engine (SN 0300084829 through 0300087000)	
		Ref	ENGINE HARNESS ASSEMBLIES	
	4922921	Ref	Caterpillar Engine (SN 0300069000 through 0300084828)	3-C
	4923227	Ref	Caterpillar Engine (SN 0300084829 through 0300087000)	1-A
	4922515	Ref	Deutz Enigne (Non UL Machines) (SN 0300069000 through 0300084828)	5-E
	4923212	Ref	Deutz Enigne (Non UL Machines) (SN 0300084829 through 0300087000)	C
	4923063	Ref	Deutz Enigne (UL Machines)	1-A
	4922514	Ref	Ford Engine (SN 0300069000 through 0300084828)	9-I
	4923226	Ref	Ford Engine (SN 0300084829 through 0300087000)	2-B

SECTION 7 - ELECTRICAL

ITEM	PART NUMBER	QTY	DESCRIPTION	REV
501		Ref	Harness, Assembly Options:	
501	4922921	1	Caterpillar Engine (SN 0300069000 through 0300084828)	
501	4923227	1	Caterpillar Engine (SN 0300084829 through 0300087000)	
501	4922515	1	Deutz Engine (Non UL Machines) (SN 0300069000 through 0300084828)	
501	4923212	1	Deutz Engine (Non UL Machines) (SN 0300084829 through 0300087000)	
501	4923063	1	Deutz Engine (UL Machines)	
501	4922514	1	Ford Engine (SN 0300069000 through 0300084828)	
501	4923226	1	Ford Engine (SN 0300084829 through 0300087000)	
519	4460424	1	Receptacle, Female - 2 Position	
520	4460268	AR	Socket, Female	
521	4460880	AR	DIN Connector without Diode	
522	4460891	2	Connector, Male - 2 Position (Caterpillar Engine Only)	
522	4460465	7	Socket, Female	
528	4460582	3	Terminal (Ford Engine Only)	
529	4460580	1	Lock, Terminal (Ford Engine Only)	
530	4460579	1	Housing - 3 Position (Ford Engine Only)	
536	4460890	1	Housing - 2 Position (Deutz Engine Only)	
537	4460889	2	Terminal (Deutz Engine Only)	
538	4460460	1	Connector, Male - 4 Position	
539	4460457	AR	Terminal, Female	
540	4460458	AR	Seal, Terminal	
541	4460713	1	Connector, Housing 42 Position (Ford Engine Only)	
542	4460725	1	Connector Wedge Lock, Center (Ford Engine Only)	
543	4460726	2	Connector Wedge Lock, Side (Ford Engine Only)	
544	4460800	29	Connector, Plug (Ford Engine Only)	
545	4460799	7	Pin, Male (Ford Engine Only)	
548	4460728	3	Pin, Male (Ford Engine Only)	
550	2400061	AR	Fuse (Ford Engine Only)	
551	2400060	2	Holder, Fuse (Ford Engine Only)	
554	4460742	1	Connector, Male - 2 Position (Ford Engine Only)	
557	4460871	AR	Socket, Female	
567	2400065	1	Fuse, 30Amp (SN 0300073731 through 0300087000)	
568	3730120	1	Resistor Assembly (SN 0300073731 through 0300087000)	
568A	4460978	1	Receptacle, Male - 2 Position	
568B	4460979	2	Pin, Male	
568C	4460458	2	Seal, Terminal	
568D	3730121	1	Resistor	
569	2400061	1	Fuse (Deutz Engine - UL Machines Only)	
570	2400060	1	Holder, Fuse (Deutz Engine - UL Machines Only)	
		Ref	Note: Items 571-575 is used on Deutz Engine (SN 0300084829 to SN 0300087000).	
571	4461070	1	Connector, Receptacle W/Resistor (3 Position)	
572	4460539	1	Connector, Male - 3 Position	
572	4460944	3	Socket, Female	
573	4461095	1	Connector, Male - 3 Position	
573	4460944	3	Socket, Female	
574	4461052	1	Connector, Receptacle - 25 Position	
574	4461005	5	Terminal (Gold)	
574	4461006	5	Seal, Terminal	
574	4461060	2	Terminal (Tin)	

SECTION 7 - ELECTRICAL

ITEM	PART NUMBER	QTY	DESCRIPTION	REV
574	4461054	2	Seal, Terminal	
575	4461053	1	Cover, Plug	
		Ref	VALVE HARNESS ASSEMBLIES	
	4922508	Ref	Valve Harness Assemblies (SN 0300069000 through 0300084828)	5-E
	4923224	Ref	Valve Harness Assemblies (SN 0300084829 through 0300087000)	4-D
601	4922508	1	Harness, Assembly (SN 0300069000 through 0300084828)	
601	4923224	1	Harness, Assembly (SN 0300084829 through 0300087000)	
617	4460880	AR	DIN Connector	
618	4460320	AR	Connector, Female - 2 Position	
619	4460267	AR	Pin, Male	
620	4460424	1	Connector, Male - 2 Position	
621	4460268	5	Socket, Female	
622	4460871	AR	Socket, Female	
625	4460326	1	Connector, Male - 3 Position	
626	4460445	1	Connector, Female - 3 Position	
		Ref	STANDARD HARNESS COMPONENTS	
703	See Note	1	Pump Harness (Note: Not Available for Purchase)	
703A	7007497	1	Plug (Pump End)	
703B	7007498	1	Plug (Engine Harness End)	
704	See Note	1	Controller Harness Assembly (Lift and Swing) (Note: Not Available for Purchase)	
704A	7022819	1	Plug, Male - 8 Position (Natural)	
704B	4460871	8	Socket, Female	
705	See Note	1	Controller Harness/Circuit Board Assembly (Drive and Steer) (Note: Not Available for Purchase)	
705A	7022825	1	Plug, Male - 8 Position (Black)	
705B	4460871	7	Socket, Female	
706		Ref	FORD ENGINE HARNESS OPTIONS (FOR REPLACEMENT PARTS REFER TO FORD ENGINE DEALER (FORD EFI ENGINE MACHINES):	
706	7023663	1	Ford Engine Harness (SN 0300069000 through 0300073338)	
706	7023681	1	Ford Engine Harness (SN 0300073339 through 0300087000)	
707		Ref	Deutz Engine Harness Components (For replacement parts refer to Deutz engine dealer) (SN 0300084829 through 0300087000)	
707A	7027796	1	Deutz Engine Harness (Not Shown) (For replacement parts refer to Deutz engine dealer) (SN 0300084829 through 0300087000)	
707B	4461052	1	Connector, Receptacle - 25 Position (SN 0300084829 through 0300087000)	
707B	4461053	1	Cover, Plug (SN 0300084829 through 0300087000)	
707B	4461005	5	Terminal (Gold) (SN 0300084829 through 0300087000)	
707B	4461006	5	Seal, Terminal (SN 0300084829 through 0300087000)	
707B	4461060	2	Terminal (Tin) (SN 0300084829 through 0300087000)	
707B	4461054	2	Seal, Terminal (SN 0300084829 through 0300087000)	
707B	4461008	18	Plug, Hole (SN 0300084829 through 0300087000)	
707C	7027793	1	Connector (SN 0300084829 through 0300087000)	
707D	7027794		Deutz Engine Harness (SN 0300084829 through 0300087000)	
708	See Note	1	Dual Fuel Shut-Off Filter Harness (Note: Not Available for Purchase)	
708	7023679	1	Electrical Connector Kit (Includes [1] 2 Position Connector, 2 Pins and 2 Seals)	
709	4922968	1	Dual Fuel Shut-Off Filter Extension Harness (Not Shown)	
709A	4460742	1	Connector, Male - 2 Position	

SECTION 7 - ELECTRICAL

ITEM	PART NUMBER	QTY	DESCRIPTION	REV
709B	4460458	4	Seal, Terminal	
709C	4460743	2	Socket, Female	
709D	4460978	1	Receptacle, Male - 2 Position	
709E	4460979	2	Pin, Male	
		Ref	OPTIONAL HARNESS COMPONENTS	
801	4921928	1	4WS Valve Harness	
801A	4460268	3	Socket, Female	
801B	4460445	1	Connector, Female - 3 Position	
801C	4460499	2	Connector, DIN with Diode	
802	4921927	1	Jib Valve Harness (600AJ Only)	
802A	4460326	1	Plug, Male - 3 Position	
802B	4460267	3	Pin, Male	
802C	4460499	2	Connector, DIN with Diode	
803	0257887	1	Alarm Harness (Includes Alarm)	
803	0140032	1	Alarm	
803	2820035	6 in/15cm	Loom	
803	4460424	1	Plug	
803	4460268	2	Socket	
803A	4460424	1	Plug, Male - 2 Position	
803B	4460268	2	Socket, Female	
804		Ref	Strobe Light Harness Options (Includes Strobe Light):	
804	0255917	1	Strobe Light Harness (SN 0300069000 through 0300069717)	
804	0272507	1	Strobe Light Harness (SN 0300069718 through 0300087000)	
804A	4460320	1	Connector, Female - 2 Position	
804B	4460267	2	Pin, Male	
805		Ref	AC to Platform Receptacle Components Options:	
805	0255382	Ref	110V GFI Receptacle	4
805	0257176	Ref	220V Receptacle	4
805	0272433	Ref	7500W Generator (SkyPower) Connectors	1
805	0274618	Ref	Dual AC	1
805A	0860038	1	Box, Switch	
805B		Ref	Receptacle Options:	
805B	4460346	1	110V GFI	
805B	4460125	1	220V	
805C		Ref	Shield, Cover Options:	
805C	4060700	1	110V GFI	
805C	4060092	1	220V	
805D	4460071	1	Connector, Strain Relief	
805E		Ref	Plug, Male Options:	
805E	4460205	2	110V GFI (Qty 4 Required for Dual AC)	
805E	4460233	2	220V	
805E	4460959	2	7500W Generator (SkyPower)	
805E	1671092	2	Cover (Optional on SkyPower)	
805F		Ref	Connector, Female Options:	
805F	4460134	1	110V GFI (Qty 2 Required for Dual AC)	
805F	4460701	1	220V	
805F	4460960	1	7500W Generator (SkyPower)	
805F	1671093	1	Cover (Optional on SkyPower)	
806		Ref	Generator Electrical Components	
806	4933215	AR	110V (SN 0300069000 through 0300077489)	1-B
806	4933216	AR	220V (SN 0300069000 through 0300077489)	1-B

SECTION 7 - ELECTRICAL

ITEM	PART NUMBER	QTY	DESCRIPTION	REV
806	4933300	AR	110V/220V (SN 0300077490 through 0300087000)	1-A
806	3990010	1	Diode - 6 Amp (Not Shown)	
806A	4922641	1	Harness - On/Off Switch	
806B	4460226	2	Socket, Female	
806C		Ref	Powermite Control Box to Relay Options:	
806C	4922482	1	Powermite Control Box to Relay (SN 0300069000 through 0300079611)	
806C	4922970	1	Powermite Control Box to Relay (SN 0300079612 through 0300087000)	
806D	4460027	1	Receptacle, Twist Lock (110V Only)	
806E	4460961	1	Connector, Female - 4 Position (SN 0300077490 through 0300087000)	
806E	4460705	4	Pin, Male	
806F	4460321	1	Connector, Male - 4 Position (SN 0300077490 through 0300087000)	
806F	4460906	4	Socket, Female	
807	4921829	1	Generator to Rear of Boom Harness (110V)	
807	4921954	1	Generator to Rear of Boom Harness (220V)	
		Ref	Note: Harness used to connect AC at platform harness to generator receptacle to power platform receptacle.	
807	1060494	6 ft/1.8m	Cable, Electrical - 12/3 (110V)	
807	1060494	26 ft/8m	Cable, Electrical - 12/3 (220V)	
807A	4460205	1	Plug, Male (110V)	
807A	4460233	1	Plug, Male (220V)	
807B	4460134	1	Receptacle, Female (110V)	
807B	4460701	1	Receptacle, Female (220V)	
807B	4460960	1	With 7500W Generator (SkyPower)	
808	See Note	1	Lights Harness Options (Note: Not Available for Purchase)	
808		Ref	Headlights Harness	
808	1060341	37 ft/11.3m	Cable, Electrical - 16/3	
808		Ref	Chassis Illumination Lights Harness	
808	1060341	40 ft/12.2m	Cable, Electrical - 16/3	
808A	3740049	1	Relay	
808B	4922643	1	Harness, Bag (Located at Ground Control Box) (Not Shown)	
809		Ref	Platform Worklights Components	
809A	2920140	2	Platform Worklights External Harness (Includes Light and Wire Only)	
809B	4460598	1	Connector, Strain Relief	
809C	4360232	1	Circuit Breaker, 15Amp (SN 0300069000 through 0300074445)	
809D	4922498	1	Platform Worklights Internal Harness (SN 0300069000 through 0300074445)	
809E	4460871	3	Socket, Female (SN 0300069000 through 0300074445)	
		Ref	Note: Items 807F - 807K. (SN 0300074445 through 0300087000)	
809F	4922894	1	Platform Worklights Harness	
809F	1060494	47 ft/14.3mm	Cable, Electrical - 12/3	
809G	4460459	1	Connector, Female - 3 Position	
809G	4460789	3	Terminal, Seal	
809G	4460790	3	Socket, Female	
809H	4460476	1	Connector, Male - 3 Position	
809H	4460789	3	Terminal, Seal	

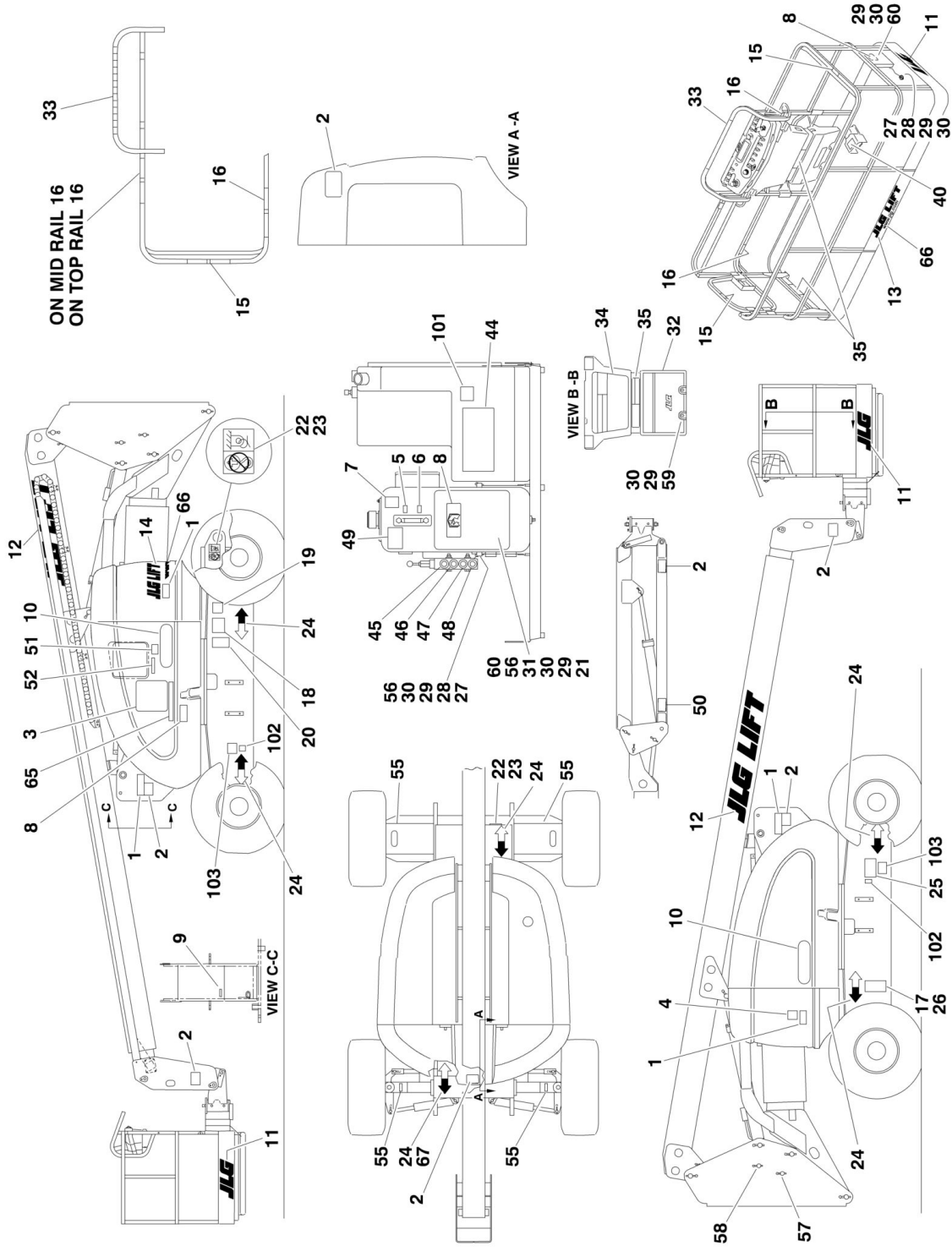
SECTION 7 - ELECTRICAL

ITEM	PART NUMBER	QTY	DESCRIPTION	REV
809H	4460850	3	Pin, Male	
809I	4922892	1	Worklights Harness to Aux. Power Solenoid	
809I	1060494	33 ft/10.1mm	Cable, Electrical - 12/3	
809J	2400070	1	Fuse	
809K	2400066	1	Holder, Fuse	
810	See Note	1	Soft-Touch System Harness (Note: Not Available for Purchase)	
810A	1060341	23 ft/7m	Cable, Electrical - 16/3	
810B	4460425	1	Connector, Strain Relief	
812	4933308	1	Floodlights Harness Components	
812A	1060494	33 ft/10.1m	Electrical Cable 12/3 (Lower to Aux Relay)	
812B	1060494	47 ft/14.3m	Electrical Cable 12/3 (Upper to Console Box)	
812C	4460320	2	Plug, Male - 2 Position	
812C	4460227	4	Pin, Male	
812D	4922764	1	Floodlight Harness (Lights to Switch)	
812E	4460424	2	Connector, Female - 2 Position	
812E	4460226	4	Socket, Female	
812F	1060977	1	Cord, 2 Wire Coiled (Console Box Circuit Breaker to Switch)	
812G	4360232	1	Circuit Breaker - 15 Amp	
812H	4460425	1	Strain, Relief	
		Ref	TOOLS	
901	7002821	1	Crimper (For Wire to Pin/Socket Connections)	
902	7002823	1	Extractor (For Removal of Pin/Socket from Connectors)	
903	4460467	1	Extractor, Pin (Blue 16-18 Gauge) (For Removal of Pin/Socket from Connectors)	
903	4460510	1	Extractor, Pin (Yellow 12-14 Gauge) (For Removal of Pin/Socket from Connectors)	
904	7002828	1	Stripper, Wire	
905	2901443	1	Analyzer Kit (Not Shown)	
906	1001137005	1	Software Cable Kit (Not Shown)	

SECTION 8 - DECALS

SECTION 8 - DECALS

FIGURE 8-1. DECAL INSTALLATION - ANSI SPEC (SN 0300069000 through 0300086149)



SECTION 8 - DECALS

FIGURE 8-1. DECAL INSTALLATION - ANSI SPEC (SN 0300069000 through 0300086149)

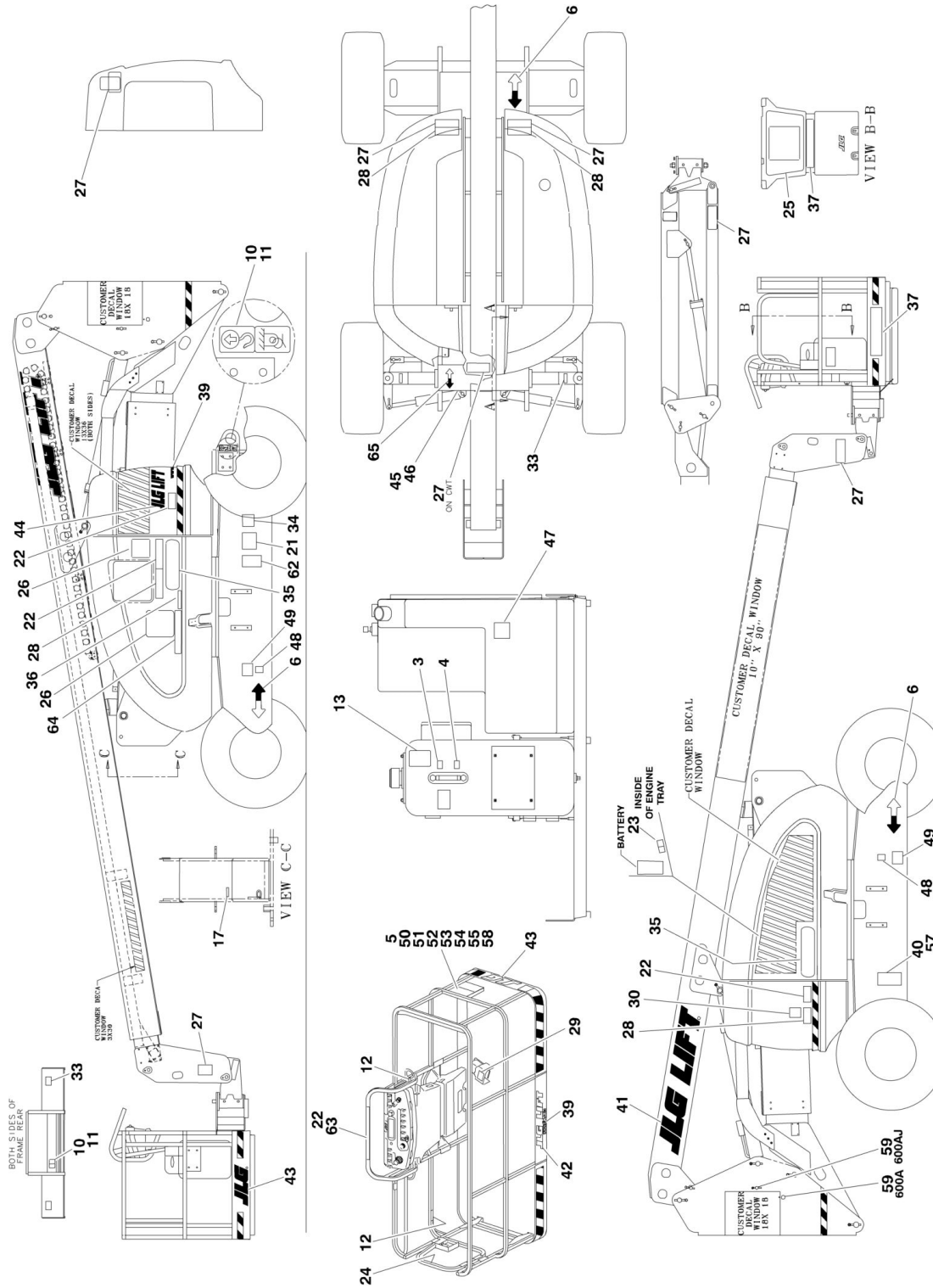
ITEM	PART NUMBER	QTY	DESCRIPTION	REV
	0271010	Ref	DECALS INSTALLATION - JLG Logo	3
	0255452	Ref	DECALS INSTALLATION - 600A	18
	0255456	Ref	DECAL INSTALLATION - 600AJ	17
1	1703805	4	Decal - Electrocutation	
2	1703804	6	Decal - Crushing	
3	1703798	1	Decal - Ground Control Warning	
4	3251813	1	Decal - USA	
5	1701502	1	Decal - High Oil Level	
6	1701503	1	Decal - Low Oil Level	
7	1701504	1	Decal - Hydraulic Oil	
8	1701509	AR	Decal - Manual	
9	3251243	1	Nameplate - 120V-60HZ	
10		Ref	Decal Options:	
10	1702818	2	Decal - 600A	
10	1702819	2	Decal - 600AJ	
11	1702773	AR	Decal - JLG (5in Height)	
12	1702861	AR	Decal - JLG Lift (8in Height) Options:	
12		Ref	Decal - JLG Lift (8in Height) (SN 0300069000 through 0300070122)	
12		Ref	Decal - JLG Lift (8in Height) (SN 0300070123 through 0300086149)	
13	1702774	1	Decal - JLG Lift (3-1/2in Height)	
14	1702860	AR	Decal - JLG Lift (5in Height) Options:	
14		Ref	Decal - JLG Lift (5in Height) (SN 0300069000 through 0300070122)	
14		Ref	Decal - JLG Lift (5in Height) (SN 0300070123 through 0300086149)	
15	1702868	2	Decal - No Hands	
16	1704277	4	Decal - Attach Lanyard Here	
17	See Note	1	Nameplate, Serial Number (Note: Not Available for Purchase)	
18	1702153	1	Decal - Inspection	
19	See Note	1	Decal - Bar Code (Note: Not Available for Purchase)	
20	1700584	1	Decal - Patent	
21	4567080	4	Tube, Spacer	
22	1702300	4	Decal - Tie Down/Lift	
23	1701500	4	Decal - Tie Down/Lift	
24	1701529	AR	Decal - Arrow	
26	3820001	4	Rivet	
27	0641408	1	Bolt 1/4in-20NC x 1in	
28	1060279	1	Cable, Lanyard	
29	3311401	AR	Nut 1/4in	
30	4751400	AR	Flatwasher 1/4in Regular	
31	0860520	1	Box, Manual Storage	
32	3380434	1	Panel, Pedestal (SN 0300069000 through 0300076286)	
33	1702784	1	Decal - Legend	
34	1703797	1	Decal - Warning/Danger	
35		Ref	Decal Options:	
35	1704096	2	600A - Decal - Warning	
35	1701645	2	600AJ - Decal - Maximum Capacity	
44	1702926	1	Decal - Instructions (SN 0300069000 through 0300070977)	

SECTION 8 - DECALS

ITEM	PART NUMBER	QTY	DESCRIPTION	REV
45	1702903	1	Decal - #1 (SN 0300069000 through 0300070977)	
46	1702927	1	Decal - #2 (SN 0300069000 through 0300070977)	
47	1702924	1	Decal - #3 (SN 0300069000 through 0300070977)	
48	1702925	1	Decal - #4 (SN 0300069000 through 0300070977)	
49		Ref	Decal Options:	
49	1702265	1	Decal 600A (SN 0300069000 through 0300070977)	
49	1702265	1	Decal 600AJ	
50		Ref	Decal Options:	
50	Not Required	0	Decal 600A	
50	1702908	2	Decal 600AJ (SN 0300069000 through 0300070977)	
51	1702901	1	Decal (SN 0300069000 through 0300070977)	
52		Ref	Decal Capacity Options:	
52	1704104	1	600A - Decal - 500lbs Unrestricted Capacity	
52	1702688	1	600AJ - Decal - 500lbs Maximum Capacity	
55	1703469	4	Decal - Tire Load (SN 0300069776 through 0300086149)	
56	0100011	AR	Compound, Locking	
57	Not Required	0	Not Required	
58		Ref	Plug Options:	
58	Not Required	0	600A	
58	3250033	2	600AJ - Plug, Hole 1in	
59	0641414	2	Bolt 1/4in-20NC x 1-3/4in (SN 0300069000 through 0300076286)	
60	0641406	4	Bolt 1/4in-20NC x 3/4in	
65	1703808	1	Decal - Legend MTB	
66	1704885	2	Decal - Website	
67	1703687	1	Decal - Arrow (SN 0300081836 through 0300086149)	
		Ref	DECAL INSTALLATION (OPTIONAL PARTS)	
101		Ref	Decal - Fuel	
101	1701505	1	Diesel	
101	1701542	1	Gas	
102	1701543	1	Decal - LP Gas	
103		Ref	Decal - Warning Prop 65	
103	1702962	1	Diesel	
103	1702961	1	Gas	

SECTION 8 - DECALS

FIGURE 8-2. DECAL INSTALLATION - ANSI SPEC (SN 0300086150 through 0300087000)



SECTION 8 - DECALS

FIGURE 8-2. DECAL INSTALLATION - ANSI SPEC (SN 0300086150 through 0300087000)

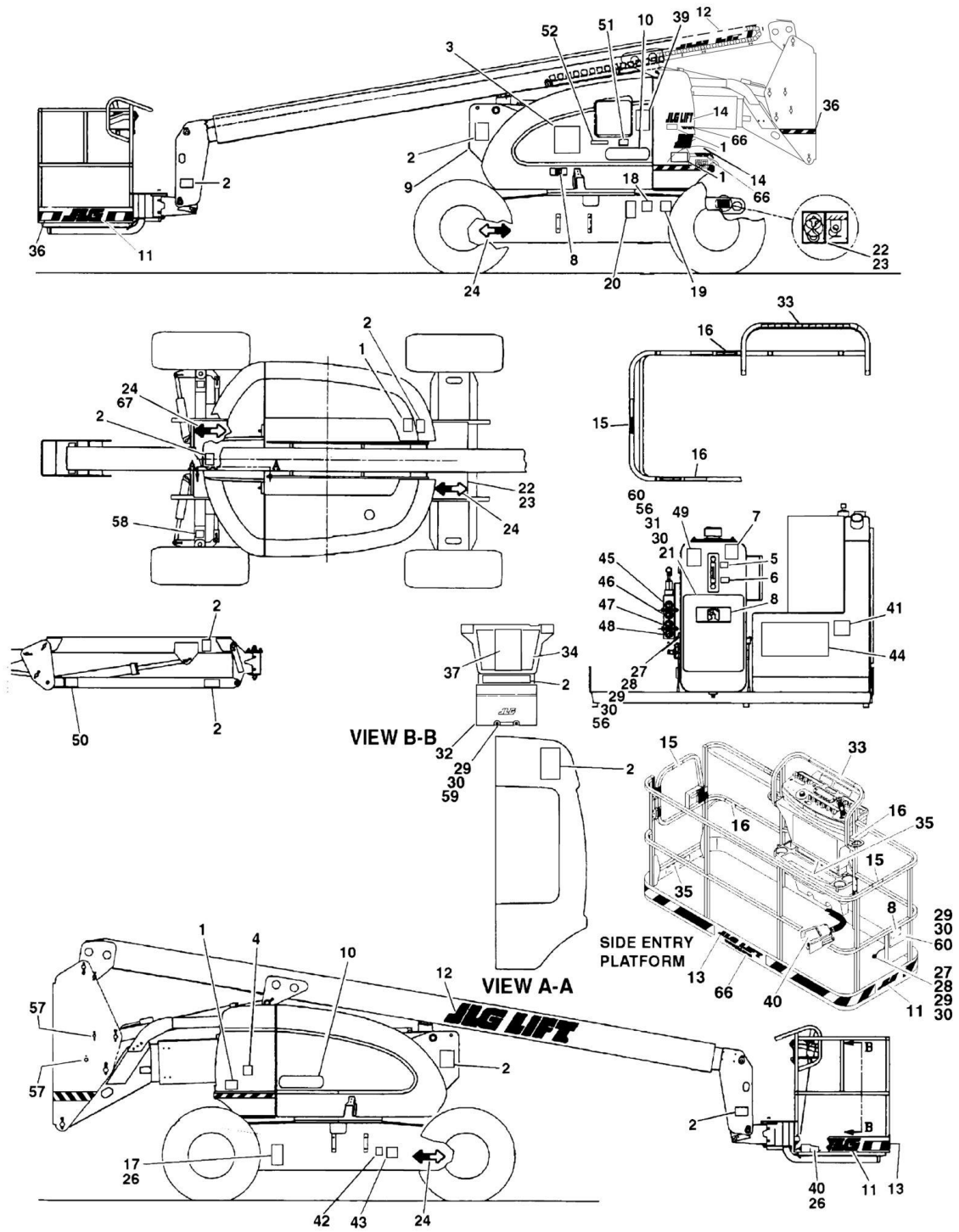
ITEM	PART NUMBER	QTY	DESCRIPTION	REV
		Ref	DECALS INSTALLATION	
	0274094	Ref	Decal Installation - JLG Logo	1
	0273891	Ref	Decal Installation - 600A	1
	0273892	Ref	Decal Installation - 600AJ	1
3	1701502	1	Decal - High Oil Level	
4	1701503	1	Decal - Low Oil Level	
5	1701509	1	Decal - Manual	
6	1701529	6	Decal - Arrow	
10	1703811	4	Decal - Tie Down/Lift	
11	1703814	6	Decal - Tie Down	
12	1704277	4	Decal - Attach Lanyard Here	
13	1704412	1	Decal - Hydraulic Oil Chart	
17	3251243	1	Nameplate - 120V-60Hz	
21	1702153	1	Decal - Inspection	
22	1703953	7	Decal - Warning Crushing	
23	1704972	1	Decal - Warning Explosion/Fire	
24	1702868	2	Decal - No Hands	
25	1703797	1	Decal - Warning/Danger	
26	1705336	1	Decal - Warning Inspection (MTB)	
27	1703804	6	Decal - Warning Crushing	
28	1703805	5	Decal - Danger Electrocution	
29	3252347	1	Nameplate - Footswitch	
30	3251813	1	Decal - USA	
33	1703469	4	Decal - Max Tire Load	
34	See Note	1	Decal - Bar Code (Note: Not Available for Purchase)	
35		Ref	Decal Options:	
35	1702818	2	Decal - 600A	
35	1702819	2	Decal - 600AJ	
36		Ref	Decal Capacity Options:	
36	1704104	1	600A - Decal - 500lbs Unrestricted Capacity	
36	1702688	1	600AJ - Decal - 500lbs Maximum Capacity	
37		Ref	Decal Capacity Options:	
37	1704096	2	600A - Decal - 500lbs Unrestricted Capacity	
37	1701645	2	600AJ - Decal - 500lbs Maximum Capacity	
39	1704885	2	Decal - Website	
40	See Note	1	Nameplate, Manufacturers (Note: Not Available for Purchase)	
41	1702861	2	Decal - JLG Lift (8in Height)	
42	1702774	1	Decal - JLG Lift (3-1/2in Height)	
43	1702773	2	Decal - JLG (5in Height)	
44	1702860	1	Decal - JLG Lift (5in Height)	
45	3250872	1	Nameplate - Steer/Tow Selector	
46	1705090	1	Decal - Towing Instructions	
47		Ref	Decal - Fuel	
47	1701505	1	Diesel	
47	1701542	1	Gas	
48	1701543	1	Decal - LP Gas (Ford Engine Machines Only)	
49	1700818	2	Decal - LP Gas (Liquid) (Ford Engine Machines Only)	
50	0100011	AR	Compound, Locking	
51	0641406	4	Bolt 1/4in-20NC x 3/4in	
52	0641408	1	Bolt 1/4in-20NC x 1in	

SECTION 8 - DECALS

ITEM	PART NUMBER	QTY	DESCRIPTION	REV
53	0860520	1	Box, Manual Storage	
54	1060279	1	Cable, Lanyard	
55	3311405	5	Locknut 1/4in	
57	3820001	4	Rivet	
58	4751400	10	Flatwasher 1/4in Regular	
59	3250033	2	Plug	
62	1700584	1	Decal - Patent	
63	1702784	1	Decal - Legend	
64	1703808	1	Decal - Legend (MTB)	
65	1703687	1	Decal - Direction Arrow (6-3/4in)	

SECTION 8 - DECALS

FIGURE 8-3. DECAL INSTALLATION (COUNTRY SPECS) (SN 0300069000 through 0300086149)



SECTION 8 - DECALS

FIGURE 8-3. DECAL INSTALLATION (COUNTRY SPECS) (SN 0300069000 through 0300086149)

ITEM	PART NUMBER	QTY	DESCRIPTION	REV
		Ref	DECAL INSTALLATIONS	
	0271010	Ref	Decal Installation - JLG Logo	2
	0257495	Ref	600A BRAZIL SPEC (SPANISH/PORTUGUESE LANGUAGES)	5
	0259331	Ref	600A Canadian Spec (English/French Languages)	13
	0256284	Ref	600A Japanese Spec	4
	0256670	Ref	600A Latin American Spec (English/Spanish Languages)	12
	0255453	Ref	600A Common Decals (Use with Brazil and Japanese Specs)	14
	0257496	Ref	600AJ Brazilian Spec (Spanish/Portuguese Languages)	5
	0259332	Ref	600AJ Canadian Spec (English/French Languages)	12
	0256291	Ref	600AJ Japanese Spec	4
	0256671	Ref	600AJ Latin American Spec (English/Spanish Languages)	12
	0255457	Ref	600AJ Common Decals (Use with Brazil and Japanese Specs)	14
1		Ref	Decal - Danger Electrocution Options:	
1	Not Required	0	Brazil and Japanese Specs	
1	1703936	4	Canadian Spec	
1	1702585	4	Latin American Spec	
2		Ref	Decal - Crushing Options:	
2	1701518	6	Brazil and Japanese Specs	
2	1703948	6	Canadian Spec	
2	1702583	6	Latin American Spec	
3		Ref	Decal - Danger/Warning Options:	
3	Not Required	0	Brazil and Japanese Specs	
3	1703930	1	Canadian Spec	
3	1702971	1	Latin American Spec	
4		Ref	Decal - USA Options:	
4	Not Required	0	Brazil and Japanese Specs	
4	3251813	1	Canadian Spec	
4	3251813	AR	Latin American Spec	
5	1701502	1	Decal - High Oil Level	
6	1701503	1	Decal - Low Oil Level	
7	1701504	1	Decal - Hydraulic Oil	
8	1701509	AR	Decal - Manual	
9		Ref	Nameplate - Voltage Options:	
9	Not Required	0	Brazil and Japanese Specs	
9	3251243	1	Canadian Spec (120V-60HZ)	
9	1703453	1	Latin American Spec	
10		Ref	Decal - Model Designation Options:	
10	1702818	2	Decal - Model Designation 600A	
10	1702819	2	Decal - Model Designation 600AJ	
11	1702773	2	Decal - JLG (5in Height)	
12	1702861	AR	Decal - JLG Lift (8in Height) Options:	
12		Ref	Decal - JLG Lift (8in Height) (SN 0300069000 through 0300070122)	
12		Ref	Decal - JLG Lift (8in Height) (SN 0300070123 through 0300086150)	
13	1702774	1	Decal - JLG (3-1/2in Height)	
14	1702860	AR	Decal - JLG Lift (5in Height) Options:	
14		Ref	Decal - JLG Lift (5in Height) (SN 0300069000 through 0300070122)	
14		Ref	Decal - JLG Lift (5in Height) (SN 0300070123 through 86150)	

SECTION 8 - DECALS

ITEM	PART NUMBER	QTY	DESCRIPTION	REV
15		Ref	Decal - No Hands Options:	
15	1703899	2	Brazil Spec	
15	1704000	2	Canadian Spec	
15	Not Required	0	Japanese Spec	
15	1702975	2	Latin American Spec	
16		Ref	Decal - Attach Lanyard Here Options:	
16	1704277	AR	Brazil Spec	
16	1704277	AR	Canadian Spec	
16	Not Required	0	Japanese Spec	
16	1704277	AR	Latin American Spec	
17	See Note	1	Nameplate - Serial Number (Note: Not Available for Purchase)	
18		Ref	Decal - Inspection Options:	
18	Not Required	0	Brazil Spec	
18	1704006	1	Canadian Spec	
18	Not Required	0	Japanese Spec	
18	1702552	1	Latin American Spec	
19	See Note	1	Decal - Bar Code (Note: Not Available for Purchase)	
20		Ref	Decal - Patent Options:	
20	1700584	1	Brazil and Japanese Specs	
20	1700584	1	Canadian Spec	
20	1702573	1	Latin American Spec	
21	4567080	4	Tube, Spacer	
22	1702300	4	Decal - Tie Down/Lift	
23	1701500	4	Decal - Tie Down/Lift	
24	1701529	AR	Decal - Arrow	
26	3820001	4	Rivet	
27	0641408	1	Bolt 1/4in-20NC x 1in	
28	1060279	1	Cable, Lanyard	
29	3311405	AR	Locknut 1/4in-20NC	
30	4751400	AR	Flatwasher 1/4in Regular	
31	0860520	1	Box, Manual Storage	
32	3380434	1	Panel, Pedestal (SN 0300069000 through 0300076286)	
33		Ref	Decal - Legend Options:	
33	Not Required	0	Brazil and Japanese Specs	
33	1702784	1	Canadian Spec	
33	1702972	1	Latin American Spec	
34		Ref	Decal - Warning/Danger Options:	
34	Not Required	0	Brazil and Japanese Specs	
34	1703924	1	Canadian Spec	
34	1702973	1	Latin American Spec	
35		Ref	Decal - Warning Options:	
35	Not Required	0	600A Brazil Spec	
35	Not Required	0	600AJ Brazil Spec	
35	1704099	2	600A Canadian Spec	
35	1703996	2	600AJ Canadian Spec	
35	Not Required	0	600A Japanese Spec	
35	Not Required	0	600AJ Japanese Spec	
35	1704100	2	600A Latin American Spec	
35	1702974	2	600AJ Latin American Spec	
36	4420051	21 ft/6.4m	Decal - Corner Warning Stripe	
37		Ref	Decal - Capacity Options:	

SECTION 8 - DECALS

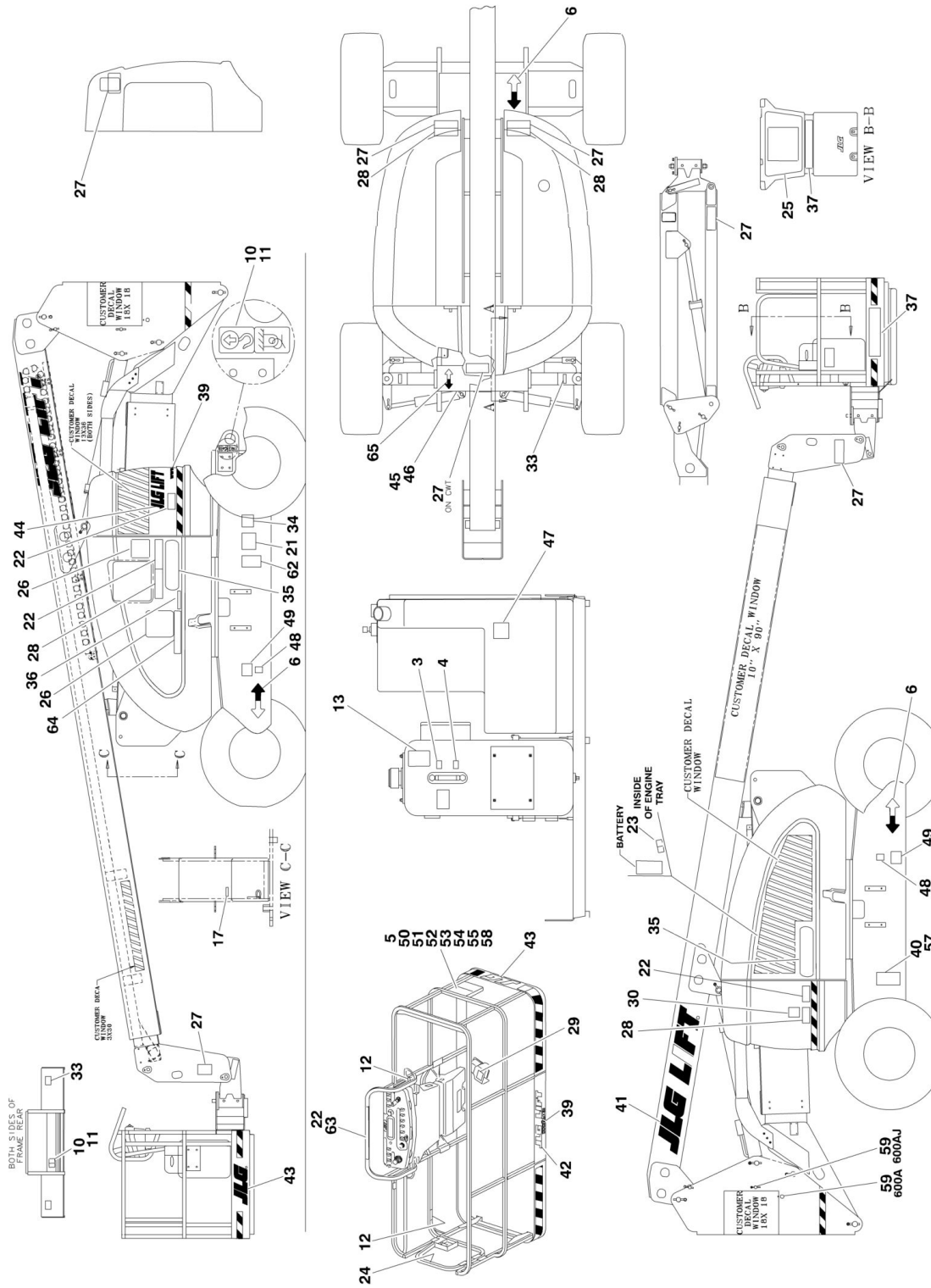
ITEM	PART NUMBER	QTY	DESCRIPTION	REV
37	1703536	1	Brazil Spec	
37	Not Required	0	Canadian Spec	
37	1701924	1	Japanese Spec	
37	Not Required	0	Latin American Spec	
38		Ref	Decal - Caution Options:	
38	1703538	1	Brazil Spec	
38	Not Required	0	Canadian Spec	
38	1703188	1	Japanese Spec	
38	Not Required	0	Latin American Spec	
39		Ref	Decal - Caution Options:	
39	1703548	1	Brazil Spec	
39	Not Required	0	Canadian Spec	
39	1701923	1	Japanese Spec	
39	Not Required	0	Latin American Spec	
40		Ref	Decal - Footswitch Options:	
40	3252540	1	Brazil Spec	
40	1703984	1	Canadian Spec	
40	3252220	1	Japanese Spec	
40	3252489	1	Latin American Spec	
41		Ref	Decal - Fuel Options:	
41	1701505	1	Diesel Machines	
41	1701542	1	Gas Machines	
42		Ref	Decal - LPG Gas	
42	Not Required	0	Non-Dual Fuel Machines	
42	1701543	1	Dual Fuel Machines	
43		Ref	Decal - LP Gas Liquid Withdrawal System	
43	Not Required	0	Non-Dual Fuel Machines	
43	1700818	1	Dual Fuel Machines (English Language)	
43	1704271	1	Dual Fuel Machines (Canadian Spec)	
43	1702720	1	Dual Fuel Machines (Spanish Language)	
44		Ref	Decal - Instructions Options:	
44	1703549	1	Brazil Spec (SN 0300069000 through 0300070977)	
44	1704268	1	Canadian Spec (SN 0300069000 through 0300070977)	
44	1703007	1	Japanese Spec (SN 0300069000 through 0300070977)	
44	1702979	1	Latin American Spec (SN 0300069000 through 0300070977)	
45	1702903	1	Decal - #1 (SN 0300069000 through 0300070977)	
46	1702927	1	Decal - #2 (SN 0300069000 through 0300070977)	
47	1702924	1	Decal - #3 (SN 0300069000 through 0300070977)	
48	1702925	1	Decal - #4 (SN 0300069000 through 0300070977)	
49		Ref	Decal Options:	
49	1703544	1	Brazil Spec	
49	1703990	1	Canadian Spec	
49	1702271	1	Japanese Spec	
49	1702617	1	Latin American Spec	
50		Ref	Decal Options:	
50	Not Required	0	Decal 600A	
50	1703541	2	Decal 600AJ (SN 0300069000 through 0300070977)	
51		Ref	Decal Options:	
51	1703543	1	Brazil Spec (SN 0300069000 through 0300070977)	
51	1704116	1	Canadian Spec (SN 0300069000 through 0300070977)	
51	1703004	1	Japanese Spec (SN 0300069000 through 0300070977)	

SECTION 8 - DECALS

ITEM	PART NUMBER	QTY	DESCRIPTION	REV
51	1702976	1	Latin American Spec (SN 0300069000 through 0300070977)	
52		Ref	Decal - Capacity Options:	
52	Not Required	0	600A Brazil Spec	
52	Not Required	0	600AJ Brazil Spec	
52	1704107	1	600A Canadian Spec	
52	1704112	1	600AJ Canadian Spec	
52	Not Required	0	600A Japanese Spec	
52	Not Required	0	600AJ Japanese Spec	
52	1704108	1	600A Latin American Spec	
52	1702689	1	600AJ Latin American Spec	
56	0100011	AR	Compound, Locking	
57		Ref	Plug Options:	
57	Not Required	0	600A	
57	3520033	2	Plug 600AJ	
58		Ref	Decal - Wheel Load Options:	
58	1703469	4	Canadian (SN 0300069776 through 0300086150)	
58	Not Required	0	Latin American Specs	
58	1703469	4	Brazil and Japanese Specs	
59	0641414	2	Bolt 1/4in-20NC x 1-3/4in (SN 0300069000 through 0300076286)	
60	0641406	4	Bolt 1/4in-20NC x 3/4in	
65		Ref	Decal - Legend Options:	
65	Not Required	0	Brazil Spec	
65	1703808	1	Canadian Spec	
65	Not Required	0	Japanese Spec	
65	Not Required	0	Latin American Spec	
66	1704885	2	Decal - Website	
67	1703687	1	Decal - Arrow (SN 0300081836 through 0300086150)	

SECTION 8 - DECALS

FIGURE 8-4. DECAL INSTALLATION (COUNTRY SPECS) (SN 0300086150 through 0300087000)



SECTION 8 - DECALS

FIGURE 8-4. DECAL INSTALLATION (COUNTRY SPECS) (SN 0300086150 through 0300087000)

ITEM	PART NUMBER	QTY	DESCRIPTION	REV
		Ref	DECAL INSTALLATIONS	
	0274094	Ref	Decals Installation - JLG Logo	1
	0273901	Ref	600A Brazil Spec (Portuguese Languages)	1
	0273893	Ref	600A Canadian Spec (English/French Languages)	1
	0273903	Ref	600A Japanese Spec	1
	0273899	Ref	600A Latin American Spec (English/Spanish Languages)	1
	0273891	Ref	600A Common Decals (ANSI Export)	1
	0273902	Ref	600aj Brazilian Spec (Portuguese Languages)	1
	0273894	Ref	600AJ Canadian Spec (English/French Languages)	1
	0273904	Ref	600AJ Japanese Spec	1
	0273900	Ref	600AJ Latin American Spec (English/Spanish Languages)	1
	0273892	Ref	600AJ Common Decals (ANSI Export)	1
3	1701502	1	Decal - High Oil Level	
4	1701503	1	Decal - Low Oil Level	
5	1701509	1	Decal - Manual	
6	1701529	6	Decal - Arrow	
10	1703811	4	Decal - Tie Down/Lift	
11	1703814	6	Decal - Tie Down	
12	1704277	4	Decal - Attach Lanyard Here	
13	1704412	1	Decal - Hydraulic Oil Chart	
17		Ref	Nameplate - Voltage Options:	
17	Not Required	0	Brazil Specs	
17	3251813	1	Canadian Spec	
17	3251243	1	Japanese Specs	
17	3251243	AR	Latin American Spec	
21		Ref	Decal - Inspection Options:	
21	1705901	1	Brazil Specs	
21	1704006	1	Canadian Spec	
21	Not Required	0	Japanese Spec	
21	1704007	1	Latin American Spec	
22		Ref	Decal - Warning Crushing Options:	
22	1705903	7	Brazil Specs	
22	1703942	7	Canadian Spec	
22	1703944	3	Japanese Spec	
22	1703941	7	Latin American Spec	
23		Ref	Decal - Warning Explosion/Fire Options:	
23	1706059	1	Brazil Specs	
23	1706064	1	Canadian Spec	
23	1706062	1	Japanese Spec	
23	1706063	1	Latin American Spec	
24		Ref	Decal - No Hands Options:	
24	1705967	2	Brazil Specs	
24	1704000	2	Canadian Spec	
24	Not Required	0	Japanese Spec	
24	1704001	2	Latin American Spec	
25		Ref	Decal - Warning/Danger Options:	
25	1705895	1	Brazil Specs	
25	1703924	1	Canadian Spec	
25	1703926	1	Japanese Spec	
25	1703923	1	Latin American Spec	

SECTION 8 - DECALS

ITEM	PART NUMBER	QTY	DESCRIPTION	REV
26		Ref	Decal - Warning Inspection (MTB)	
26	1705896	1	Brazil Specs	
26	1705347	1	Canadian Spec	
26	1705344	1	Japanese Spec	
26	1705917	1	Latin American Spec	
27		Ref	Decal - Warning Crushing Options:	
27	1705898	5	Brazil Specs	
27	1703948	6	Canadian Spec	
27	1703950	3	Japanese Spec	
27	1703947	3	Latin American Spec	
28		Ref	Decal - Danger Electrocution Options:	
28	1705897	5	Brazil Specs	
28	1703936	5	Canadian Spec	
28	1703938	4	Japanese Spec	
28	1703935	3	Latin American Spec	
29		Ref	Decal - Foot Switch Options:	
29	1705902	1	Brazil Specs	
29	1703984	1	Canadian Spec	
29	1703980	1	Japanese Spec	
29	1703983	1	Latin American Spec	
30	3251813	1	Decal - USA	
33	1703469	4	Decal - Max Tire Load	
34	See Note	1	Decal - Bar Code (Note: Not Available for Purchase)	
35		Ref	Decal Options:	
35	1702818	2	Decal - 600A	
35	1702819	2	Decal - 600AJ	
36		Ref	Decal Capacity Options:	
36		Ref	600A - Decal - 500lbs Unrestricted Capacity	
36	1706381	1	Brazil Specs	
36	1704107	1	Canadian Spec	
36	1704110	1	Japanese Spec	
36	1704106	1	Latin American Spec	
36	1704112	1	600AJ - Decal - 500lbs Maximum Capacity	
37		Ref	Decal Capacity Options:	
37		Ref	600A - Decal - 500lbs Unrestricted Capacity	
37	1706380	2	Brazil Specs	
37	1704099	2	Canadian Spec	
37	1704102	1	Japanese Spec	
37	1704098	1	Latin American Spec	
37	1703996	2	600AJ - Decal - 500lbs Maximum Capacity	
39	1704885	2	Decal - Website	
40	See Note	1	Nameplate, Manufacturers (Note: Not Available for Purchase)	
41	1702861	2	Decal - JLG Lift (8in Height)	
42	1702774	1	Decal - JLG Lift (3 1/2in Height)	
43	1702773	2	Decal - JLG (5in Height)	
44	1702860	1	Decal - JLG Lift (5in Height)	
45	3250872	1	Nameplate - Steer/Tow Selector	
46	1705090	1	Decal - Towing Instructions	
47		Ref	Decal - Fuel	
47	1701505	1	Diesel	
47	1701542	1	Gas	

SECTION 8 - DECALS

ITEM	PART NUMBER	QTY	DESCRIPTION	REV
48	1701543	1	Decal - LP Gas	
49		Ref	Decal - LP Gas (Liquid) Options:	
49	Not Required	0	Brazil Specs	
49	1704271	2	Canadian Spec	
49	Not Required	0	Japanese Specs	
49	1702720	1	Latin American Spec	
50	0100011	AR	Compound, Locking	
51	0641406	4	Bolt 1/4in-20NC x 3/4in	
52	0641408	1	Bolt 1/4in-20NC x 1in	
53	0860520	1	Box, Manual Storage	
54	1060279	1	Cable, Lanyard	
55	3311405	5	Locknut 1/4in-20NC	
57	3820001	4	Rivet	
58	4751400	10	Flatwasher 1/4in Regular	
59	3250033	2	Plug	
62		Ref	Decal - Patent	
62	1700584	1	Brazil Specs	
62	1700584	1	Canadian Spec	
62	1700584	1	Japanese Specs	
62	1702573	1	Latin American Spec	
63		Ref	Decal - Legend Options:	
63	Not Required	0	Brazil Specs	
63	1702784	1	Canadian Spec	
63	Not Required	0	Japanese Specs	
63	1702972	1	Latin American Spec	
64	1703808	1	Decal - Legend (MTB)	
65	1703687	1	Decal - Direction Arrow (6-3/4in)	

SECTION 9 - RECOMMENDED SERVICE PARTS STOCK

SECTION 9 - RECOMMENDED SERVICE PARTS STOCK

SECTION 9 - RECOMMENDED SERVICE PARTS STOCK

FIGURE 9-1. MODEL 600A/600AJ STANDARD PARTS

ITEM	PART NUMBER	QTY	DESCRIPTION	REV
	Note	Ref	Note: The following list will service one machine (built to current production per date on the front cover) with emergency repair parts which can be installed in the field. Parts from the list should be replaced when inventory is depleted to keep service parts stock supplied. For further information, contact your JLG dealer or the JLG Industries Parts Department.	
		Ref	STANDARD PARTS	
	7012944	1	Coil	
	7012943	1	Coil	
	2120150	12	Element Filter	
	7016312	1	Switch, Indicator	
	2120149	12	Element, Filter	
	7016313	1	Switch, Indicator	
	7012772	1	Coil	
	7012768	1	Coil	
	7012664	12	Element, Air Cleaner	
	3740067	1	Relay	
	4360392	1	Switch, Indicator	
	7014810	1	Breather	
	4360475	1	Switch, Mushroom	
	4360469	1	Switch, Key	
	2860030	1	Key, Replacement	
	4360328	1	Switch, Toggle	
	4360476	1	Contact, Switch Block	
	3740049	1	Relay	
	4360294	1	Breaker, Circuit	
	7016502	2	Power Track Repair Section	
	7006140	2	Power Track Repair Section	
	7006152	24	Power Track Pin Kit	
	2940074	1	Latch	
	4360331	1	Switch, Toggle	
	7022818	1	Potentiometer	
	7022824	1	Electric Assembly	
	7019166	1	Switch, Micro	
	2400061	2	Fuse, 10Amp	
	2400065	2	Fuse, 30Amp	
	3990010	2	Diode	

SECTION 9 - RECOMMENDED SERVICE PARTS STOCK

FIGURE 9-2. MODEL 600A/600AJ VARIABLE PARTS

ITEM	PART NUMBER	QTY	DESCRIPTION	REV
	Note	Ref	Note: The following list will service one machine (built to current production per date on the front cover) with emergency repair parts which can be installed in the field. Parts from the list should be replaced when inventory is depleted to keep service parts stock supplied. For further information, contact your JLG dealer or the JLG Industries Parts Department.	
		Ref	VARIABLE PARTS	
	7026830	12	Filter, Fuel (Machines with Caterpillar Engine)	
	7026811	12	Filter, Oil (Machines with Caterpillar Engine)	
	7016328	12	Filter, Fuel (Machines with Deutz Engine)	
	7016331	12	Filter, Oil (Machines with Deutz Engine)	
	7027795	1	Deutz EMR2 Controller, Module	
	7021868	12	Filter, Oil (Machines with Ford Engine)	
	91083218	12	Filter, Fuel (Machines with Ford Engine)	
	1600364	1	Module, Ground Control	
	3740080	1	Relay, Bosch (Machine with Generator)	
	4360387	1	Switch, Push Button (Machines with Soft-Touch Platform)	
	4360578	1	Switch, Limit	
	1600375	1	Controller, Module	
	4360057	1	Switch, Limit	

SECTION 10 - SPECIAL OPTIONS

SECTION 10 - SPECIAL OPTIONS

FIGURE 10-1. SPECIAL OPTIONS

ITEM	PART NUMBER	QTY	DESCRIPTION	REV
		Ref	Note: This list is to accommodate machines ordered with special equipment. Options may not be applicable to all models. For more specific parts information contact JLG Parts Department.	
		Ref	MISCELLANEOUS SPECIAL OPTIONS	
		Ref	Airline to Platform Installation Options:	
	0256342	Ref	1/2in - 600A	
	0271475	Ref	1/2in Airline and (1) Welding Cable - 600A	
	0258966	Ref	1/2in - 600AJ	
	0255368	Ref	Alarm Installation (Tilt)	
	0255400	Ref	Alternator Installation - Enclosed	
	0256276	Ref	Boom Wiper Installation - 600A	
	0256366	Ref	Boom Wiper Installation - 600AJ	
	2910477	Ref	Cam Valve Replacement Kit	
	0256789	Ref	Camera Mount Assembly	
		Ref	ClearSky (Telematics) Installations (Dealer Installed)	
	1001242409	Ref	ClearSky (Telematics) Access Control Installation Kit (Dealer Installed) (ANSI, ANSI Export and CSA Specs)	
	1001243183	Ref	ClearSky (Telematics) Added-on Kit (Dealer Installed) (ANSI, ANSI Export and CSA Specs)	
	1001243184	Ref	ClearSky (Telematics) Added-on Kit (Dealer Installed) (CE Specs)	
		Ref	ClearSky (Telematics) Kits	
	1001104982	Ref	ANSI Spec	
	1001104983	Ref	ANSI Export/Japanese Spec	
	1001104984	Ref	CSA Spec	
		Ref	Note: Refer to ClearSky (Telematics) Manual p/n 3128499 for Serviceable Parts.	
	0273575	Ref	Cold Weather Package - Caterpillar Engine	
	0256060	Ref	Cold Weather Package - Deutz	
	0258927	Ref	Cold Weather Package with Glow Plugs - Deutz	
	0271912	Ref	Cold Weather Package with Glow Plugs - Deutz	
	0257157	Ref	Cold Weather Package with Ether Start - Deutz	
	0255386	Ref	Cold Weather Package - Ford	
		Ref	Container - Tray Storage Options:	
	1580012	1	Center	
	1580013	1	Rail	
		Ref	Decal Installations Options:	
	1702788	1	Decal - Biodegradable Hydraulic Fluid	
	1704174	1	Decal - Syn Biodegradable Hydraulic Fluid	
	1702868	Ref	Decal - No Hands (Platform With Mesh to Top Rail)	
	1704000	Ref	Decal - No Hands - CSA (Platform With Mesh to Top Rail)	
	0253550	Ref	Decal Installation - CSA	
	3252221	1	Nameplate - CSA	
	0256957	Ref	Decal Installation - Lanyard Attach (GM K-1 Spec)	
	0256487	Ref	Decal Installation - Prop 65 Warning (Diesel Machines) (California Spec)	
	0256488	Ref	Decal Installation - Prop 65 Warning (Gasoline Machines) (California Spec)	
	0257195	Ref	Government Warranty Decal Installation	

SECTION 10 - SPECIAL OPTIONS

ITEM	PART NUMBER	QTY	DESCRIPTION	REV
	0273253	Ref	Hertz Decals Installation	
	0274182	Ref	Nations Rent Decals Installation	
	0274246	Ref	National Equipment Services (NES) Decals Installation	
	0271123	Ref	Sunbelt Decals Installation	
	0271895	Ref	United Decals Installation	
	0272312	Ref	Decal Installation - Tire Sealant	
	0273770	Ref	Decal Installation - Fall Arrest	
	2902203	1	Kit - Tire Sealant	
		Ref	Decal Kits	
	2910023	Ref	Decal Kit - ANSI Spec (600A) (SN 0300069000 through 0300086149)	
	2900968	Ref	Decal Kit - ANSI Spec (600AJ) (SN 0300069000 through 0300086149)	
	2902307	Ref	Decal Kit - ANSI Spec (600A/600AJ) (SN 0300086150 through 0300087000)	
	2900936	Ref	Decal Kit - Brazil Spec (600A) (SN 0300069000 through 0300086149)	
	2910046	Ref	Decal Kit - Brazil Spec (600AJ) (SN 0300069000 through 0300086149)	
	2902312	Ref	Decal Kit - Brazil Spec (600A/600AJ) (SN 0300086150 through 0300087000)	
	2900975	Ref	Decal Kit - Master (SN 0300069000 through 0300086149)	
	2902303	Ref	Decal Kit - Master (SN 0300086150 through 0300087000)	
	1001108718	Ref	Decal Kit - Platform (600A)	
	1001108725	Ref	Decal Kit - Platform (600AJ)	
	1001119561	Ref	Decal Kit - Platform Box	
	2902350	Ref	Decal Kit - Tire Load (SN 0300086150 through 0300087000)	
	2902395	Ref	Drive/Steer Cutout Kit	
		Ref	Filter Kits:	
		Ref	Combined Filter Kit (Hydraulic/Air and Fuel/Engine Oil)	
		Ref	Caterpillar Engine	
	2915137	NLA	Caterpillar Engine (Use p/n 1001110994)	
	1001114031	NLA	Caterpillar Engine (Use p/n 1001110994)	
	1001114123	NLA	Caterpillar Engine (Use p/n 1001110991)	
	1001114124	NLA	Caterpillar Engine (Use p/n 1001110991)	
		Ref	Deutz Engine	
	2910463	NLA	Deutz Engine (Use p/n 1001110993)	
	1001110990	1	Deutz Engine (SN 0300084829 through 0300087000)	
		Ref	Ford Engine	
	2910462	1	Ford LRG-425 W/Carb Engine	
	1001114042	1	Ford LRG-425 W/EFI Engine (SN 0300084829 through 0300087000)	
	2910460	NLA	Ford LRG-425 W/EFI Engine (Use p/n 1001114039)	
		Ref	Hydraulic/Air Filter	
	2910924	NLA	Caterpillar Engines (Use p/n 1001109692) (SN 0300069000 through 030086999)	
	1001109684	1	Caterpillar Engines (SN 0300087000 through 0300089000)	
	2910924	NLA	Deutz Engines (Use p/n 1001109692) (SN 0300069000 through 0300084828)	
	1001109684	1	Deutz Engines (SN 0300084829 through 0300089000)	
	2910924	NLA	Ford Engines (Use p/n 1001109692)	
		Ref	Fuel/Engine Oil Filter	
	1001110137	1	Caterpillar Engine	

SECTION 10 - SPECIAL OPTIONS

ITEM	PART NUMBER	QTY	DESCRIPTION	REV
	1001110133	1	Deutz Engine	
	4060959	Ref	Footswitch Shield	
	0271548	Ref	Glow Plug Installation (Deutz Engine Machines)	
		Ref	Engine Block Heater Installations:	
	2580055	Ref	Caterpillar Engine Machines	
	0258696	Ref	Ford Engine Machines	
	2910100	Ref	Hose/Cable Chafe Kit	
	2902471	Ref	Hose Kit - Lower Boom (600A)	
	1001204904	Ref	Hose Kit - Lower Boom (600AJ)	
	2902470	Ref	Hose Kit - Upper Boom (600A)	
	2902472	Ref	Hose Kit - Upper Boom (600AJ)	
	1001204923	Ref	Hostile Environment Package (600A) (SN 0300087000 through 0300089000)	
	1001204924	Ref	Hostile Environment Package (600AJ) (SN 0300087000 through 0300089000)	
		Ref	Hydraulic Fluids	
	2300014	Ref	Mobil 424	
	2300027	Ref	Mobil 224H Bio	
	2300029	Ref	Mobil EAL ISO 46 Bio	
	2300016	Ref	Mobil Delvac 15W-40	
	2300019	Ref	Quaker State Quintolubric 888-46 Fire Resistant	
	1702720	Ref	LP Gas Decal (Latin America)	
	0256765	Ref	Oil Cooler Installation - Deutz	
	1282665	Ref	Oil Cooler Installation - Deutz	
	0256778	Ref	Oil Cooler Installation - Ford	
	1283309	Ref	Oil Cooler Installation - Ford	
	0256343	Ref	Oxy-Acetylene Lines to Platform Installation	
	0270723	Ref	Platform Beacon Installation	
	0258703	Ref	Platform Console Cover Installation	
	1001205175	Ref	Platform Console Cover Add-on Kit	
		Ref	Platform Entry Kit	
	1001142504	Ref	Kit, Replace Swing Gate with Drop Bar	
	1001142505	Ref	Kit, Replace Drop Bar with Swing Gate	
	3510868	Ref	Platform (36 X 96) W/Fall Arrest (Front Entry Platform)	
		Ref	Platform Mesh Installations	
	0273145	Ref	36in X 8ft (91.5cm x 2.44m)	
	0273148	Ref	30in X 6ft (76cm x 1.83m)	
	0273149	Ref	36in X 6ft (91.5cm x 1.83m)	
	0273146	Ref	30in X 5ft (76cm x 1.52m)	
	0273147	Ref	30in X 4ft (76cm x 1.22m)	
		Ref	Platform Mesh Decal - No Hands	
	1702868	Ref	ANSI	
	1704000	Ref	CSA	
	0256829	Ref	Platform Self-Closing Gate Installation (GM Spec)	
		Ref	Platform, Top Rail Extension (W/Front Entry)	
	0270511	Ref	3ftx6ft Platforms	
	0271771	Ref	3ftx8ft Platforms	
		Ref	Platform, Top Rail Extension (W/Side Entry)	
	0272733	Ref	3ftx6ft Platforms	
	0272725	Ref	3ftx8ft Platforms	
		Ref	Platform Huck Fasteners Replacement Hardware	
	0641614	AR	Bolt 1/4in-20NC x 2in	

SECTION 10 - SPECIAL OPTIONS

ITEM	PART NUMBER	QTY	DESCRIPTION	REV
	3311405	AR	Locknut 1/4in-20NC	
	4711400	AR	Flatwasher 1/4in	
	3300151	AR	Acorn Nut 1/4in-20NC	
	0274597	Ref	Rain Cap Installation	
		Ref	Sky Accessory:	
		Ref	Note: For Breakdown of Sky Accessories Refer to Accessory Manual p/n 3124242	
	0272590	Ref	Plasma Cutter (SkyCutter)	
	0272599	Ref	Decal - SkyCutter	
	0272254	Ref	Welder - Stick, 250A	
	0272448	Ref	Decal - SkyWelder	
	0272395	Ref	SkyGlazier (Model 600A Only) (Domestic)	
	0272387	Ref	SkyGlazier (Model 600A Only) (Spanish)	
	0272955	Ref	SkyGlazier (Model 600A Only) (Portuguese)	
	0272418	Ref	Decal - SkyGlazier (Model 600A Only)	
	0273353	Ref	SkyCutter/SkyWelder Combo	
		Ref	SkyGuard Component Options:	
	1001149560	Ref	SkyGuard Complete Add-On Kit (Non - UGM Machines)	
	1001137672	Ref	SkyGuard Platform Sensor Kit	
	1001143256	Ref	SkyGuard Blue Beacon Kit	
	1001227120	Ref	SkyPower Generator Service Kit (Caterpillar Engines)	
	1001227121	Ref	SkyPower Generator Service Kit (Deutz Engines)	
	0273706	Ref	Soft Touch System W/Fall Arrest Platform (Front Entry Platform)	
	0272301	Ref	Tire Sealant Installation	
		Ref	Tools for Service	
	2901443	1	Analyzer Kit	
	7002840	1	Antirotation Pin Removal Tool	
	8896941	1	Wire Stripper	
	7002821	1	Wire Crimper (To install wire ends to wires)	
	7002823	1	Pin/Socket Extractor - Universal (To Remove Pins/Sockets from Connectors)	
	4460467	1	Extractor - 16-18 Gauge (For Removal of Pin/Sockets from Deutsch Connectors)	
	4460510	1	Extractor - 12-14 Gauge (For Removal of Pin/Sockets from Deutsch Connectors)	
	7002822	1	Screwdriver, Potentiometer (To Adjust Drive Controllers)	
	7016654	1	Screwdriver, Magnetic	
	7004275	1	Seal Installation Tool - 1in	
	7004276	1	Seal Installation Tool - 1 1/2in	
	7002826	1	Seal Installation Tool - 2in	
	7016655	1	Wire Rope Sheave Gauge	
	7016652	1	Huck Bolt Faster (For Small Huck Bolts Only)	
	4921850	1	Throttle Service Harness	
	1001137005	1	Software Cable Kit	
	7002840	1	Pin Removal Tool (Oscillating Axle Cam Valve)	
	0272350	Ref	Tool (Hydraulic) Circuit Installation	
	0257728	Ref	Tube Rack Installation	
	0258918	Ref	Utility Rack Installation	
	0256344	Ref	Weld Leads Installation - 600A	
	0272772	Ref	Weld Leads Installation - 600AJ (1 Cable)	

PART NUMBER INDEX

SECTION 10 - SPECIAL OPTIONS

0060031.....209	0255382..... 350	0256765..... 330, 380	0271609.....34
0060035.....209	0255386..... 378	0256778..... 330, 380	0271610.....34
0060066..... 197, 213	0255397..... 35	0256789..... 378	0271611.....34
0060068..... 191, 213	0255400..... 378	0256821..... 160	0271612.....34
0060074..... 196, 209	0255409..... 139	0256822..... 161	0271613.....34
0060076..... 191, 209	0255410..... 81	0256829..... 380	0271771.....380
0080163..... 100, 107	0255420..... 33	0256847..... 100, 107	0271895.....379
0080181.....88	0255421..... 34	0256933..... 160	0271912.....378
0080201..... 113, 123	0255422..... 35	0256957..... 378	0271941.....223
0080214..... 112, 123	0255423.... 192, 197, 201	0257101..... 61	0271945.....223
0080241..... 153	0255438..... 215	0257157..... 378	0272070..... 192, 198
0080243.....88	0255440..... 69, 215	0257176..... 350	0272135.....196
0100009.....229	0255441..... 69, 215	0257195..... 378	0272254.....381
0100011.... 13, 14, 17, 18, 21, 22, 25, 29, 31, 33, 35, 65, 71, 81, 88, 90, 96, 98, 104, 105, 111, 112, 116, 122, 123, 139, 143, 145, 149, 153, 154, 160, 161, 164, 168, 172, 175, 179, 185, 191, 192, 197, 198, 201, 205, 206, 215, 223, 247, 253, 257, 261, 263, 265, 267, 269, 275, 277, 279, 283, 293, 297, 299, 301, 322, 327, 356, 359, 366, 371	0255442..... 69, 215	0257436..... 61	0272296.....34
0100019...13, 21, 81, 175, 180, 185	0255443..... 69, 215	0257482..... 139	0272301.....381
0100020..88, 90, 96, 104, 105, 111, 112, 122, 123, 139, 140, 229	0255444..... 81	0257495..... 363	0272312.....379
0100035.....216, 229	0255452..... 355	0257496..... 363	0272326.....191
0100038....253, 257, 261, 263, 265, 267, 269, 275, 277, 279, 283, 293, 297, 299, 301, 322, 327	0255453..... 363	0257573..... 202	0272331.....34
0100040.....223	0255456..... 355	0257671..... 139	0272332.....34
0100048.... 104, 114, 122, 149, 153, 229, 344	0255457..... 363	0257728..... 381	0272350.....381
0100062..... 139, 180	0255482..... 303	0257887..... 153, 350	0272387.....381
0100063.... 14, 18, 22, 25, 29, 31, 253, 265, 269, 279, 283	0255483..... 303	0258390..... 115	0272395.....381
0100079..... 139	0255484..... 303	0258391..... 115	0272418.....381
0100081.....230	0255485..... 303	0258569..... 98	0272427.....231, 247
0140001..... 71	0255486..... 303	0258571..... 115	0272433.....350
0140011.....229	0255487..... 303	0258579..... 160	0272435..... 181, 187
0140032..... 153, 350	0255488..... 303	0258580..... 160	0272448.....381
0160020.....98	0255489..... 303	0258606..... 139	0272480..... 167, 231
0181727 88, 95, 104, 112, 122	0255513..... 34	0258696..... 380	0272481..... 167, 231
0181949..... 140	0255514..... 34	0258703..... 380	0272507.....350
0200048.....247	0255524..... 140	0258764..... 35	0272590.....381
0200547..... 171	0255605..... 34	0258918..... 381	0272599.....381
0200742..... 164, 168	0255606..... 34	0258927..... 378	0272618.....179
0200819..... 164	0255699..... 215	0258966..... 378	0272624.....344
0253550.....378	0255880..... 157	0259331..... 363	0272625.....344
0254798..... 81	0255917..... 153, 350	0259332..... 363	0272725.....380
0255262..... 143	0255927..... 303	0259426..... 61	0272733.....380
0255281.....205	0255928..... 303	0259427..... 61	0272772.....381
0255288.....206	0256060..... 378	0270123..... 33, 55	0272796..... 88
0255294..... 143	0256276..... 378	0270124..... 33, 55	0272898..... 111, 119
0255368.....378	0256284..... 363	0270329..... 81	0272899.....111
	0256291..... 363	0270395..... 139	0272955.....381
	0256321..... 191	0270511..... 380	0272970.....223, 230
	0256342..... 378	0270528..... 65	0273048..... 33, 57
	0256343..... 380	0270723..... 330, 380	0273049..... 33, 57
	0256344..... 381	0270764..... 230	0273052.....145
	0256366..... 378	0270805..... 153	0273109.....185
	0256388..... 13	0270814 ... 220, 224, 231, 330	0273145.....380
	0256391..... 13	0270818..... 344	0273146.....380
	0256392..... 21, 55	0270820..... 344	0273147.....380
	0256397..... 13, 55	0270821..... 197	0273148.....380
	0256398..... 13, 55	0270833..... 153	0273149.....380
	0256399..... 21, 29	0270846..... 111, 119	0273161.....145
	0256400..... 29	0270847..... 111	0273253.....379
	0256487..... 378	0270848..... 111	0273353.....381
	0256488..... 378	0270849..... 111	0273366..... 33, 57
	0256523..... 29	0270850..... 95	0273492... 220, 224, 231, 330
	0256623..... 13	0271010..... 355, 363	0273507.....175
	0256624..... 13	0271123..... 379	0273511.....175
	0256625..... 21	0271338..... 196	0273518..... 163, 231
	0256631..... 230	0271475..... 378	0273520..... 89
	0256670..... 363	0271545..... 171, 231	0273538..... 163, 231
	0256671..... 363	0271546..... 171, 231	0273539..... 163, 231
	0256689..... 98, 105	0271548..... 380	0273542.....249
	0256690..... 98, 105	0271552..... 153, 231	0273575.....378
	0256715..... 29	0271608..... 34	0273576.....179
	0256717..... 29		

SECTION 10 - SPECIAL OPTIONS

0273685	104	0340046	88, 98, 115, 123	0641406.....	88, 112, 123,	064181291, 96, 105, 111,	
0273706	247, 381	0362519	62, 140	153, 157, 180, 223,		122, 192, 198	
0273770	379	0362529	205, 216	229, 356, 359, 366, 371		0641813	249
0273824	231, 247	0362910	65	0641407..	88, 91, 96, 105,	0641814	17, 25
0273851	95	0363012	57	122, 160		0641816	17, 55
0273891	359, 369	0363082	175	0641408....	112, 123, 223,	0641818 ...	17, 25, 95, 105
0273892	359, 369	0363097	175, 185	229, 355, 359, 364, 371		0641820	21, 143, 145,
0273893	369	0363201	185	0641409.....	104	192, 197	
0273894	369	0363202	185	0641410.....	113, 122	0641826	13, 97, 105
0273899	369	0370026	255	064141455, 71, 113, 123,		0641828	88, 112, 123
0273900	369	0370035	265	220, 224, 229, 247,		0642010 .	65, 90, 97, 104,
0273901	369	0400075	88, 95, 104, 111,	356, 366		113, 122	
0273902	369	122		0641416.....	71, 198	0642012 ...	13, 17, 18, 19,
0273903	369	0440018	14, 18	0641424.....	114, 215	21, 25, 31	
0273904	369	0440019	14, 18	0641505.....	61, 179, 185	0642018	81
0273940	25	0440161 ...	14, 18, 21, 29	0641506.....	149	0642612	153, 154
0273954	17, 25	0440170	18	0641507....	88, 91, 96, 98,	0642684	192, 198
0273959	17, 25	0440171	18	104, 115, 123		0651406	71
0273970	104	0440207	81	0641508 72, 96, 164, 168,		0681608 ...	14, 18, 22, 29,
0273972	89	0460150	303	172, 175, 311		192, 198	
0274017	119, 122	0460151	303	0641510.....	96, 105	0681610	192, 197, 253
0274047	17	0460152	303	0641514.....	71	0681612	172
0274054	17	0460154	303	0641516.....	65, 179, 185,	0681810	33
0274062	18, 31	0460155	303	202, 249		0681814	227
0274081	163	0460157	303	0641518.....	224	0681822	227
0274082	167	0460159	303	0641520.....	55	0681836	81
0274086	167	0460160	303	0641522.....	55, 71, 206	0682016	33, 81
0274087	163	0460161	303	0641524.....	220	0682020	18
0274091	163	0461614	197	0641532.....	57, 192, 197	0700808	88, 96, 105
0274094	359, 369	0480050	172	0641536.....	206	0700810	100, 107, 111
0274121	25, 31	0480111	171	0641542.....	35	0700812	98
0274132	17	0480120	164	0641552.....	57	0700815	180
0274180	224	0480121	164, 168	0641604.....	293, 297	0700816	164
0274182	379	0480129	180	0641605.....	192, 197	0700819	113, 123
0274200	154, 231	0480130	185	064160690, 97, 105, 112,		0701010	88, 111
0274204	160	0480134	171	124, 140, 161, 197,		070101288, 97, 105, 113,	
0274220	25, 65	0480135	175	201, 205, 206		123	
0274229	58	0561076	192, 197	0641607.....	197, 205	0701014	107, 111, 123
0274234	17, 25	0561185	201, 205	0641608....	13, 14, 18, 21,	070101588, 97, 105, 172,	
0274235	65	0561237	198	25, 29, 31, 58, 61, 65,		175, 185	
0274246	379	0561248	201	71, 88, 90, 112, 122,		0701016	185
0274256	17	0630427	215	123, 160, 185, 201, 205		0701022	111
0274257	18, 65	0630462	247	0641609.....	88, 157	0701214	88
0274276	69, 215	0630464	229	0641610....	22, 29, 88, 91,	0701414	88, 96, 105
0274277	69, 215	0630490	14, 18, 19	95, 104, 105, 112, 123,		0721003	18, 231
0274278	69, 215	0630491	153	164, 168, 201, 205,		0721004	65
0274279	69, 215	0630498	88, 95, 104, 112,	223, 229		0721005	247
0274299	104	122		0641611....	143, 175, 185,	0721006	89, 111, 160,
0274309	69, 215	0630507	160	197		164, 168, 172	
0274310	69, 215	0630518	149	0641612 13, 21, 123, 145,		0721008	230
0274311	69, 215	0630534 ...	258, 261, 269,	175, 185, 201		0721010	111
0274312	69, 215	273, 283		0641613.....	71	0741606	153, 175, 185
0274348	58	0630535 ...	258, 263, 275,	0641614.....	139, 380	0741607	65, 191, 197
0274349	58	277, 283, 289, 293,		0641618.....	57, 181, 197,	0741808	175, 185
0274441	33, 57	297, 299, 301		201, 205		0760606	123
0274491	88	0630536 ...	265, 267, 279,	0641628.....	202	0761210	164
0274521	122	281		0641640.....	206	0801019	191, 196, 201
0274525	89	0630548	149	0641708.....	185	0801021	201
0274533	34	0630568	230	0641718.....	175	0801022	191, 205
0274597	381	0641403 ...	180, 192, 197,	0641772....	164, 168, 172	0801023	205
0274618	344, 350	202, 216		0641808 ..	88, 91, 97, 104,	0801025	196, 205
0280167	17, 25	0641404 14, 18, 161, 180,		113, 114, 122, 180		0801026	205
0280171	17	229		0641809.....	201	0801027	205
0280183	17, 25	0641405 ...	161, 175, 180,	0641810....	157, 175, 185,	0801085	201
0280185	17	185		191, 197		0801228	205
0340041	88, 95, 105, 113,			0641811.....	145	0860038	179, 185, 350
123							

SECTION 10 - SPECIAL OPTIONS

0860520.....355, 360, 364, 371	0961949... 192, 197, 201, 265, 267, 279, 281	1001204924 380	1320022.. 88, 91, 96, 104, 106, 111, 112, 122, 123
0861407..... 149	0961950.... 13, 17, 21, 25	1001205175 380	1320032..... 114
0861468..... 149	0961951... 192, 197, 205, 257, 263, 283, 289	1001223331 196, 263	1320033..... 123
0861469..... 149	0961977 291	1001223332 263	1320060..... 112
0861470..... 149	096198688, 96, 106, 113, 123	1001223511 261	1320127..... 140
0861471..... 149	0962005... 14, 18, 22, 25, 29, 31	1001223512 191, 261	1320176..... 98, 106
0861517..... 223, 229	0962051 157	1001227120 381	1320218..... 140
0861537..... 229, 230	0962131 18, 25, 31	1001227121 381	1320220..... 140
0861538..... 180, 185	0962270 227	1001228002 191, 287	1320222..... 97
0861541..... 181, 186	0962272... 14, 18, 22, 29	1001228003 191, 196, 281	132022390, 97, 106, 113, 124
0861542.... 179, 181, 185, 186	0962292 65	1001228004 191, 196, 277	1320243..... 192, 197
0861617..... 149	0962335 197	1001228005 205, 295	1320244..... 98
0861618..... 149	0962336.... 269, 271, 273	1001228006 201, 301	1320245..... 98
0861664..... 149	0962348 65	1001228007 205, 297	1320314..... 206
0861665..... 149	0962474 253	1001228012 197, 271	1321138..... 123
0861689..... 149	0962520 180, 185	1001228042 191, 196, 267	1340050..... 95
0861690..... 149	0962521 185	1001228052 196, 289	134006088, 95, 106, 113, 123
0861700..... 149	0962563 164	1001242409 378	1380136..... 71
0861701..... 149	0962653 164	1001243183 378	1380147..... 157
0861704..... 149	1001097554 91	1001243184 378	1580011..... 88, 112, 125
0861705..... 149	1001098503 57, 58	1001248012 197, 273	1580012..... 224, 378
0902206..... 153, 154	1001099835 201	1060279 ... 355, 360, 364, 371	1580013..... 224, 378
0902219..... 160	1001099836 207	1060341 247, 351, 352	1600313..... 229
0902242..... 160	1001100120 57	1060343 181, 187	1600314..... 112
0902309..... 115	1001100321 163, 167, 171, 175	1060494 ... 181, 186, 345, 351, 352	1600317..... 229, 233
0902335..... 161	1001104982 378	1060584 65	1600318..... 229, 241
0902417..... 98	1001104983 378	106063788, 97, 104, 113, 122	1600327..... 149
0902473..... 98, 116	1001104984 378	1060708 181, 186	1600361..... 91
0902520..... 143	1001107153 206	1060896 344, 345	1600363..... 115
0902539..... 111, 125	1001108718 379	1060902 345, 346	1600364..... 149, 376
0902751..... 229	1001108725 379	1060903 247	1600374..... 125
0902756..... 171	1001109684 379	1060904 90	1600375..... 229, 376
0902888..... 180, 186	1001110133 380	1060918 224, 229, 344	1600411..... 149
0902910..... 91	1001110137 379	1060945 345	1660219..... 143
0902951..... 114	1001110990 379	1060977 352	1660219RR 143
0902952..... 175	1001113961 241, 243	1061033 345	1660223..... 143
0903010..... 125	1001114031 379	1100098 55	1660223RR 143
0903056..... 145	1001114042 379	1120304 18	1660234..... 100, 107
0903079..... 123	1001114123 379	1120367 139	1660239..... 88
0903119..... 154	1001114124 379	1120460 14, 18	1660250..... 114, 125
0920117..... 33	1001116240 .. 90, 96, 104	1120484 139	1660257..... 145
0920119..... 81	1001116241 .. 90, 96, 104	1120487 139	1660303..... 145
0940049..... 161	1001117320 224	1120552 34, 35	1660304..... 145
094007088, 95, 106, 113, 124	1001118416 243	1120588 123	1670767..... 161
0940071..... 160	1001118417 229, 235	1180336 206	1670768..... 205
0940092..... 247, 249	1001119561 379	1180338 206	1670769..... 197
0940094..... 247, 249	1001121592 247	1180339 201	1670777..... 35
0940103..... 247	1001121593 247	1260017 81	1670819..... 215
0940131..... 249	1001137005 352, 381	1282396 328	1670824..... 216
0940133..... 247	1001137672 381	1282571 330	1670829..... 149, 229
0940134..... 247	1001138795 273	1282665 330, 380	1670836..... 205
0961890..... 291	1001138796 289	1282828 330	1671037..... 230
0961893.... 257, 261, 269, 273, 283	1001142504 380	1282937 330	1671092.... 181, 187, 350
0961894.... 257, 263, 283	1001142505 380	1283309 330, 380	1671093..... 350
0961896.... 293, 297, 299, 301	1001143256 381	1283429 328	1671179..... 160
0961897..... 275, 277	1001144629 223	1300019 34, 35	1683053.... 257, 261, 269, 283
0961898..... 265, 267	1001149560 381	1320012 88, 112, 123	1683054..... 293, 299
0961899..... 279	1001166538 245	132001688, 95, 106, 113, 123	1683055.... 257, 263, 283
0961947.... 197, 257, 261, 283, 287	1001166539 237	1320019 111	1683057..... 253
0961948.... 192, 197, 205, 275, 277	1001167359.. 17, 25, 255		1683061..... 275
	1001204904 380		1683067..... 265
	1001204923 380		1683069..... 279

SECTION 10 - SPECIAL OPTIONS

1683208 ... 14, 18, 21, 25, 29, 31, 291	1701543 ... 122, 356, 359, 365, 371	1703404 61	1704271 365, 371
1683258 197, 269	1701645 355, 359	1703444 61	1704272 61
1683263 196, 283	1701923 365	1703450 61	1704274 61
1683266 191, 283	1701924 365	1703453 363	1704275 61
1683280 13, 21, 253	1702153 355, 359	1703467 150	1704277 ... 355, 359, 364, 369
1683281 253	1702265 356	1703468 150	1704412 359, 369
1683283 253	1702271 365	1703469 ... 356, 359, 366, 370	1704578 65
1683288 ... 191, 196, 279	1702300 355, 364	1703476 97	1704885 ... 356, 359, 366, 370
1683294 ... 191, 196, 275	1702387 230	1703534 323, 327	1704972 359
1683299 ... 191, 196, 265	1702552 364	1703536 365	1704997 229
1683304 14, 29, 291	1702563 224	1703538 365	1705014 227
1683307 205, 293	1702564 229	1703541 365	1705090 65, 359, 370
1683308 293	1702565 229	1703543 365	1705132 150, 230
1683310 293	1702566 229	1703544 365	1705170 154
1683312 201, 299	1702567 229	1703548 365	1705325 164
1683313 299	1702573 364, 371	1703549 365	1705336 359
1683314 299	1702583 363	1703687 ... 356, 360, 366, 371	1705344 370
1683317 205, 293	1702585 363	1703797 355, 359	1705347 370
1683318 293	1702590 176	1703798 355	1705364 34, 35
1683320 293	1702610 149	1703804 355, 359	1705374 181, 187
1683415 191, 257	1702617 365	1703805 355, 359	1705375 181, 187
1683418 196, 257	1702676 224, 229	1703808 ... 356, 360, 366, 371	1705376 181, 186
1683609 197, 269	1702688 356, 359	1703811 359, 369	1705387 181, 187
1683949 283	1702689 366	1703814 359, 369	1705460 181, 187
1683952 257	1702720 ... 365, 371, 380	1703899 364	1705753 149
1683962 283	1702740 34, 35	1703923 369	1705895 369
1683963 257, 263	1702773 ... 227, 355, 359, 363, 370	1703924 364, 369	1705896 370
1683972 283	1702774 ... 355, 359, 363, 370	1703926 369	1705897 370
1683973 283	1702784 ... 355, 360, 364, 371	1703928 369	1705898 370
1683976 257, 261	1702788 378	1703930 363	1705901 369
1683977 257	1702818 ... 355, 359, 363, 370	1703935 370	1705902 370
1684001 275	1702819 ... 355, 359, 363, 370	1703936 363, 370	1705903 369
1684005 275	1702860 ... 355, 359, 363, 370	1703938 370	1705917 370
1684014 265	1702861 ... 355, 359, 363, 370	1703941 369	1705967 369
1684015 265	1702868 ... 355, 359, 378, 380	1703942 369	1706059 369
1684017 279	1702901 356	1703944 369	1706062 369
1684019 279	1702903 356, 365	1703947 370	1706063 369
1684089 269	1702908 356	1703948 363, 370	1706064 369
1684090 269	1702924 356, 365	1703950 370	1706380 370
1684092 269	1702925 356, 365	1703953 359	1706381 370
1684280 17, 25, 255	1702926 355	1703980 370	1706385 227
1684289 255	1702927 356, 365	1703983 370	1870132 331
1684290 255	1702938 231, 247	1703984 365, 370	1870191 331
1684308 293	1702961 356	1703990 365	2000146 95, 98
1684310 293	1702962 356	1703996 364, 370	2000172 111, 114
1684418 18, 31, 291	1702971 363	1704000 ... 364, 369, 378, 380	2000182 ... 111, 114, 119
1684465 255	1702972 364, 371	1704001 369	2000189 95, 99
1684498 ... 191, 196, 265	1702973 364	1704006 364, 369	2000194 88, 91
1700584 ... 355, 360, 364, 371	1702974 364	1704007 369	2000196 ... 111, 114, 119
1700818 359, 365	1702975 364	1704096 355, 359	2000209 123
1701500 355, 364	1702976 366	1704098 370	2000216 106, 107
1701502 ... 355, 359, 363, 369	1702979 365	1704099 364, 370	2000219 105
1701503 ... 355, 359, 363, 369	1703004 365	1704100 364	2000221 105
1701504 355, 363	1703007 365	1704102 370	2000224 105
1701505 91, 97, 104, 356, 359, 365, 370	1703162 88, 95, 106, 112, 123	1704104 356, 359	2000256 122
1701509 ... 355, 359, 363, 369	1703188 365	1704106 370	2000272 123, 124
1701518 363	1703403 61	1704107 366, 370	2000274 106, 107
1701529 ... 355, 359, 364, 369		1704108 366	2000279 105
1701542 ... 122, 356, 359, 365, 370		1704110 370	2000280 105
		1704112 366, 370	2000299 123
		1704116 365	2000300 122
		1704174 378	2060025 88, 95, 106, 112, 123
		1704260 229	2080040 220, 223
		1704268 365	2080044 197

SECTION 10 - SPECIAL OPTIONS

2120145.....71	2220468 319, 322, 326	2220909 311	2720341.....115
2120146.....70	2220472 321	2220914 312	2720392.....119
2120149.....71, 374	2220473 ... 307, 309, 311, 315, 322, 326, 327	2220921 322, 326	2720398.....95, 106
2120150.....70, 374	2220474 325	2220923 321, 326	2720434.....88, 96, 106
2120164.....71	2220479 135	2220947 ... 135, 323, 327	2720435.....112, 123
2120209.....70	2220490 ... 307, 311, 317, 319	2220948 325	2720436.....113, 123
2120210.....71	2220497 321, 325	2220974 321, 326	2720449.....96, 106
2160002.....81	2220498 ... 309, 322, 326	2220998 322, 327	2720472.....112, 122
2180125.....140	2220500 ... 311, 315, 322, 326	2220999 322, 326	2720509.....88
2180344.....81	2220501 307, 312	2221018 140	2720510.....88
2180348.....104	2220502 312, 322	2221019 140	2720514.....123
2180380.....322, 327	2220504 ... 307, 309, 312, 315, 317, 319	2221023 97	2720515.....89
2180387.....140	2220507 ... 307, 309, 311, 315	2221024 140	2720532.....122
2180388.....140	2220510 322, 326	2221028 97	2740063.....330
2180389.....140	2220511 322, 326	2221036 323, 327	2750532 90, 96, 104, 106, 111, 112, 123
2180418.....119, 140	2220567 321, 325	2221042 325	2750756.....311
2180467.....123	2220568 311	2221053 323, 327	2750790.....311
2180536.....90, 96	2220574 321, 326	2221065 322, 326	2750900.....317
2180703.....97, 139	2220578 ... 130, 135, 321, 325	2221170 309	2751013.....311, 317
2180724.....322, 327	2220582 ... 307, 309, 312, 315, 317, 321, 326	2221176 104, 122	2751020.....317
2180798 88, 95, 107, 113, 123	2220596 ... 311, 315, 321, 326	2300004 124	2751032.....81
2200233.....139	2220602 ... 312, 321, 325	2300014 380	2751036.....311, 325
2220001.....81	2220603 ... 317, 322, 327	2300016 380	2751410.....319
2220005.....119	2220605 311, 325	2300019 380	2751427.....311
2220064.....119	2220606 309, 315	2300027 380	2751434.....319
2220235 ... 307, 311, 323, 327	2220609 321, 326	2300029 380	2752245.....307
2220237 19, 309, 315	2220618 321, 325	2400060 ... 181, 187, 348	2752249.....311
2220250 90, 96, 113	2220619 ... 317, 321, 325	2400061 348, 374	2752258.....307
2220261 140	2220628 321, 326	2400064 182, 187	2752324.....307
2220273 90, 96, 139	2220635 317	2400065 ... 346, 348, 374	2752341 ... 309, 322, 327
2220313 90, 96, 104, 122	2220646 ... 130, 135, 315, 321, 325	2400066 346, 352	2752343.....322, 327
2220362 ... 307, 309, 311, 315	2220654 322, 326	2400070 352	2752349.....311
2220363.....307	2220657 322, 326	2410014 227	2752354.....307
2220365.....307, 311	2220671 311	2420172 150	2752398.....311, 312
2220366.....321, 325	2220710 307	2420187 114, 125	2752434.....322
2220371 ... 307, 309, 311, 315, 317, 319	2220738 325	2420203 ... 164, 167, 171, 176	2752453.....322, 326
2220372.....322, 326	2220767 89, 112	2460013 ... 163, 167, 171	2752459.....307
2220373 ... 307, 309, 315, 323, 327	2220794 90, 97	2460032 ... 163, 167, 171	2752462 ... 319, 322, 326
2220374 ... 129, 321, 326	2220800 312	2460039 163	2752468.....322, 326
2220375 ... 129, 307, 311, 315, 321, 325	2220805 112	2460044 171	2752469.....322, 326
2220376 ... 137, 321, 325	2220810 ... 137, 321, 325	2460048 179, 185	2752473.....307, 311
2220377 ... 129, 307, 309, 311, 315, 321, 325	2220833 311, 312	2460049 163	2752475.....309
2220379.....321, 325	2220861 315	2460050 179	2752484.....323, 327
2220381.....321, 326	2220873 ... 321, 323, 326, 327	2460051 175	2752497.....322, 326
2220385 ... 317, 321, 325	2220883 53, 258, 261, 263, 265, 267, 269, 271, 273, 275, 277, 279, 299, 301	2460052 175	2752500.....321, 325
2220409.....325	2220885 ... 253, 257, 261, 263, 269, 271, 273, 284, 289, 293, 297	2460055 163, 167	2752506.....321, 326
2220414.....325	2220886 53, 265, 267, 277, 301	2460056 163, 167	2752516.....321, 326
2220415 ... 309, 311, 315, 317, 319, 321, 325	2220888 279	2460057 163	2752519 ... 321, 325, 327
2220416.....321	2220890 255	2560122 71	2752573 ... 311, 321, 325
2220418.....140	2220893 71	2560123 71	2752574.....315
2220428.....321, 325	2220899 322, 326	2560136 229	2752579.....322, 326
2220429.....321, 326		2560173 224	2752591.....321
2220430.....112		2575716 65	2752592 ... 309, 311, 315, 322
2220435.....307, 312		2580055 380	2752593 ... 311, 322, 326
2220451 ... 95, 106, 307, 309		2600281 223	2752600.....321, 326
2220459.....90, 96		2600287 219	2752601.....322, 326
2220466 ... 307, 311, 312, 317, 321, 325		2680433 160	2752602.....307, 311
		2680434 160	2752603.....322, 326
		2680440 160	2752604.....321, 325
		2680441 160	2752611.....309
		2680442 160	2752618.....323, 327
		2680447 160	2752620 ... 307, 309, 311, 315
		2720058 . 88, 90, 97, 104, 113, 122	2752635.....321, 325
		2720144 140	2752636.....322, 326
		2720271 90, 96	

SECTION 10 - SPECIAL OPTIONS

2752650	322, 327	2780205	81, 83	2901362.....	113	3250872.61, 65, 359, 370	
2752655	321, 325	2780212	14	2901443.....	352, 381	3251102... 165, 168, 172,	
2752656	321, 325	2780213	33, 37	2901540.....	96	176, 231	
2752723	321, 325	2780269	33, 39	2901763.....	76	3251243... 176, 355, 359,	
2752724	321, 325	2780271	18	2901861....	293, 297, 299,	363, 369	
2752783	322, 326	2780276	19	301		3251813... 355, 359, 363,	
2752807	311	2792177	328	2902203.....	379	369, 370	
2752813	307, 311	2792188	321, 328	2902266.....	255	3252220	365
2752814	307	2792189	321, 328	2902296.....	90, 96, 104	3252221	378
2752823	317	2792191	328	2902297	113, 122	3252347	359
2752824	317	2792192	328	2902300.....	181	3252489	365
2752889	312	2792193	307, 328	2902303.....	379	3252507	164, 168
2752890	311	2792194	328	2902307.....	379	3252540	365
2752899	311	2792195	72, 311, 328	2902312.....	379	3252764.... 176, 179, 186	
2752910	309, 315	2792196	328	2902350.....	379	3271805	145, 227
2752912	312	2792230	317, 328	2902395.....	379	3272001	18
2752919	311	2792315	328	2902443.....	346	3272605.... 192, 198, 209	
2752920	317	2792405	328	2902470.....	380	3290801	89
2752928 ... 309, 315, 321,		2792687	315, 328	2902471.....	380	3300106	14, 19, 33
325		2792688	325, 328	2902472.....	380	3300151	381
2752929 ... 309, 315, 321,		2792689	325, 328	2910023.....	379	3300205	150
325		2792690	319, 328	2910046.....	379	3300353	230
2752939	322, 326	2792691	328	2910100.....	380	3300393	219
2752962	317	2792692	309, 328	2910460.....	379	3300396	181, 186
2752966	307, 311	2792697	328	2910462.....	379	3300408	150, 229
2752970	307, 312	2792702	328	2910463.....	379	3300454	181
2752985	322, 327	2820031 ... 165, 168, 172,		2910477.....	378	3310601 157, 181, 186	
2752987	323, 327	176, 180, 186		2910924.....	379	3310801	215
2752988	322	2820035 ... 153, 220, 224,		2915137.....	379	3310805	71, 140, 216
2752989	323, 327	350		2915195.....	115	3311001 ... 161, 223, 230,	
2752990	322, 327	2820076	161	2920110.....	153	231	
2752991	322, 326	2820077	161	2920113.....	153	3311005 ... 111, 153, 161,	
2753046	322, 327	2820078	161	2920129....	229, 344, 346	164, 168, 172, 176, 220	
2753047	322, 326	2820082	161	2920130.....	153	3311401 ... 150, 205, 247,	
2753052	322, 326	2820083	161	2920140....	220, 224, 351	355	
2753055	322, 326	2820173	124	2920157.....	154, 224	3311405 ... 71, 89, 91, 96,	
2753056	322, 326	2820180	124	2920162....	164, 167, 171	105, 106, 112, 122,	
2753132	321, 325	2820186	124	2920214.....	153	124, 157, 160, 176,	
2753133	321, 325	2820187	124	2920215.....	153	180, 186, 215, 220,	
2753134	322, 326	2820188	124	2940074....	219, 223, 374	224, 229, 360, 364,	
2753135	322, 326	2840018	157	2940088.....	160	371, 381	
2753325	325	2860012	168, 172	2980125.....	65	3311501	71, 161, 247
2753397	309	2860030	150, 374	3010141.....	65	3311505 ... 55, 57, 71, 89,	
2753435	309	2890245	14, 19	3020016.....	105	91, 96, 98, 104, 106,	
2753924	309, 315	2900708	70	3020021.....	107	115, 124, 160, 179,	
2753925	309, 315	2900752	129	3100076.....	98	186, 192, 197, 206,	
2753926	315	2900770 70, 209, 253,		3124114.....	115	220, 249	
2753928	315	275, 277, 299, 301		3160204.....	33, 47	3311601	98, 116, 139,
2753929	309, 315	2900788	47	3160205.....	33, 43	161, 186, 230	
2753930	315	2900792 ... 257, 261, 263,		3160273.....	81, 85	3311605 ... 22, 29, 89, 95,	
2753933	319	265, 267, 269, 271,		3160297.....	33, 45	104, 106, 112, 122,	
2753967	309	273, 275, 277, 279,		3160299.....	33, 49	124, 157, 160, 164,	
2753968	326	281, 299, 301		3160300.....	33, 49	168, 172, 197, 201,	
2753969	309	2900826	129	3160349.....	53	206, 224, 227, 229	
2754227	315	2900827	129	3160350.....	53	3311705 164, 168, 172	
2754228	315	2900936	379	3200362....	97, 106, 112,	3311801. 33, 89, 97, 104,	
2754229	315	2900968	379	124		113, 122, 180, 215	
2754230	315	2900975	379	3200378.....	95	331180589, 95, 106, 112,	
2754231	315	2901273	275, 277	3200406.....	89, 106	124, 143, 160, 192,	
2754232	315	2901278	293, 299	3220103.....	98, 106	197, 198, 249	
2754233	315	2901285	265, 267	3220104.....	98, 106	3313403	14, 19
2754234	315	2901301 ... 258, 263, 284		3220111.....	98, 116	3322201	145
2754235	309, 315	2901303 ... 258, 261, 269,		3220113.....	89, 98, 115	3323403	14, 18, 19
2754328	325	284		3220114.....	115	3340608 293, 295, 297	
2754329	325	2901321	253	3220134.....	125	3340764	206
2754330	325	2901322	279, 281	3250033....	356, 360, 371	3340765	206
2760105	150, 229	2901358	96	3250585.....	224	3340787	206

SECTION 10 - SPECIAL OPTIONS

3340871.....201, 205	3480206.....265	3572012.....65	3760368....257, 261, 269,
3340881.....201, 205	3480210 ... 257, 261, 269,	3572279.....112	283, 299
3340911.....57	283	3572280.....113, 124	3760369....253, 257, 263,
3340966.....65	3480211.....275	3572307.....111	283
3380428.....90, 96, 104	3480212.....293, 299	3572308.....111	3760370.....275
3380434.....224, 355, 364	3480216.....279	3572722.....119	3760372.....265
3380557.....58	3480288.....255	3573241.....115	3760384.....279
3380558.....58	3510488.....219	3574091.....247	3790012....113, 122, 123,
3380560.....58	3510497.....219	3574162.....114, 124	153, 154, 224, 230, 231
3380573.....58	3510542.....219	3574171.....206	3790045.....33
3420156.....230	3510543.....219	3574185.....206	3790110.....210, 295
3420372.....65	3510545.....219	3574206.....89	379015290, 97, 105, 111,
3420447.....65	3510546.....219	3574207.....89	123
3420592.....61	3510565.....219	3574208.....89	3820001.....61, 154, 355,
3421453.....61	3510566.....219	3574225.....176, 186	360, 364, 371
3421565.....65, 81	3510728.....219	3574229.....186	3820020.....223
3422327.....65	3510760.....219	3574262.....186	3841143....13, 14, 18, 19,
3422426....13, 14, 18, 19,	3510822.....223	3574504.....112, 124	21, 26, 29, 31, 65, 90,
21, 25, 29, 31	3510830.....223	3574684.....164	95, 104, 112, 122, 191,
3422427.....14, 19, 26	3510831.....223	3575359.....247	196
3422429....14, 18, 19, 21,	3510832.....223	3575863.....181	3841203....191, 196, 201
25, 29, 31	3510833.....223	3580134 ... 164, 167, 171	3841258....13, 17, 18, 21,
3422430....14, 18, 19, 21,	3510868.....227, 380	3580158.....167	25, 26, 31
26, 29, 31	3520028 ... 164, 167, 168,	3580250.....171	3841262.....14
342244890, 95, 104, 112,	171, 172, 175	3580259.....98	3841263.....14, 19
122	3520033.....161, 366	3580276 ... 164, 167, 171	3841285....18, 21, 26, 29,
3422457.....205	3520035.....150	3580307.....171	31
3422530.....157	3520054.....229	3580312.....176, 186	3841291.....29
3422532.....97, 105, 122	3520072 ... 219, 223, 227	3580313.....176, 186	3841295.....202
3422533.....97, 113	3520198.....223	3580314.....186	3841329.....61
3422553.....61, 90	3534978.....106	3580317.....180	3841340.....197, 205
3422561.....196	3536089.....220, 224	3580318.....180	3841347.....202
3422563.....196	3537318.....81	3580320.....180	3841677.....31
3422565.....191	3537416.....95, 106	3580321.....180	3890040.....227
3422566.....196	3537417.....95	3580322.....163	3900054.....227
3422571.....191, 196	3537420.....95	3580324.....176	3900141.....269
3422572.....191, 196	3537445.....157	3580325.....176	3900166.....192
3422573.....191, 196	3538047.....13, 21	3600242 90, 95, 111, 137	3900207.....219
3422575....191, 196, 201	3538247.....293, 297	3600243.....69	3900232.....98, 116, 161
3422576.....191, 196	3538758.....206	360026090, 95, 111, 128,	3900239.....192, 197
3422577.....191	3538771.....293	130	3900268.....150
3422578.....191	3539219.....150	3600365.....69	3900322.....176
3422579.....196	3539228.....201	3600377.....114, 124	3910606.....179, 186
3422580.....191	3539236.....202	3600381....90, 134, 135	3910608.....157
3422582.....191	3539281.....153	3600395 ... 105, 123, 137	3910610.....181, 187
3422583.....196	3539662.....61	3600396 ... 105, 123, 135	3910804.....150
3422592....13, 17, 21, 25	3539685.....220	3600397.....105, 129	3910806.....71
3422802.....21, 29	3539779.....192, 197	3620033.....95, 106	3910808.....140
3422813.....65	353987289, 95, 106, 111,	3620040.....112, 124	3911008.....220, 223
3422841.....65	124	3620047.....89	3911040.....153
3422847.....65	3539877 ... 13, 17, 21, 25	3640493.....330	3930816.....216
3422848.....65	3539879.....13, 21	3640986.....181, 187	3930824.....215, 216
3422860.....196	3539923.....160	3641533.....181, 187	3931408.....98, 215
3422861.....196	3539956.....90, 97, 104	3641569.....247	3931430.....215
3422867.....196	3539971.....95, 106	3730120.....348	3931448.....293, 297
3422900.....18, 26, 31	3539972.....111	3730121.....348	3931516....257, 261, 269,
3423175.....19	3539988.....112, 161	3740049 ... 150, 330, 346,	283, 293, 297, 299, 301
3430816.....157	3570238.....97	351, 374	393162090, 95, 105, 111,
3450304.....230	3570270.....202	3740057.....330	123, 257, 263, 283, 289
3450306.....202	3570277.....202	3740058.....330	3931632.....180
3450404.....157	3570374.....192, 197	3740066.....330	3931720.....275, 277
3450606.....202	3570375.....202	374006789, 95, 106, 112,	3932032.....265, 267
3450810.....14, 19	3570754.....98	124, 374	3932224.....81
3451010.....18, 19	3571421.....95	3740080 ... 112, 164, 168,	3932240.....279, 281
3451012.....14	3572009.....65	172, 176, 180, 186, 376	3940604.....65
3460420.....160	3572010.....65	3760133.....205	3960098.....14, 19
3480188....257, 263, 283	3572011.....65	3760170.....65, 81	3960343.....18

SECTION 10 - SPECIAL OPTIONS

3960369	106	4220162	153, 154	4460205.....	345, 350, 351	4460634	347
396038991, 95, 105, 112, 123, 160		4220165	220	4460225.....	344	4460635	347
3960407	97, 106	4220191	89	4460226.....	230, 238, 245, 344, 346, 347, 351, 352	4460701	350, 351
3960418	161	4240018	176, 180	4460227.....	230, 344, 347, 352	4460705	351
3960422	179, 186	4240032	153, 154	4460233.....	350, 351	4460708	230, 344, 346
3960438	160	4240099	220, 224, 247	4460234.....	153, 154, 247	4460713	348
3960461	153	4240102	139	4460265.....	238, 245	4460725	348
3960462	160	4240112	139	4460267.....	349, 350	4460726	348
3960467	161	4280295	139	4460268....	153, 348, 349, 350	4460728	348
396046889, 97, 106, 113, 124		4300097	33	4460320.....	349, 350, 352	4460742	348, 349
3960469 89, 97, 113, 124		4300111	186	4460321	351	4460743	350
3960591	124	4300157	180	4460326.....	349, 350	4460761	230, 344, 347
3990010	347, 351, 374	4340678	229	4460346.....	179, 186, 350	4460789	351
4031911	89	4340684	229	4460374.....	181, 187	4460790	351
4032015	180	4340738	176, 186	4460375.....	181, 187	4460799	348
4060092	350	4360031	224, 229	4460411.....	181, 187	4460800	348
4060700	179, 186, 350	4360057	247, 376	4460412.....	181, 187	4460850	352
4060802 ...	164, 168, 172, 176, 179, 186, 224, 231	4360070	181, 187	4460413.....	181, 187	4460865	344, 345
4060803	220	4360188	119	4460414.....	181, 187	4460866	344, 345, 347
4060804	71, 113, 206	4360232 ...	231, 351, 352	4460415.....	181, 187	4460871 ...	230, 233, 235, 241, 243, 344, 347, 348, 349, 351
406080590, 97, 106, 113, 124, 205		4360256	97	4460418.....	344, 347	4460873	344, 347
4060807	72	4360294	97, 168, 172, 374	4460419.....	344, 347	4460874	150, 344, 346
4060808	55, 201	4360322	215, 216	4460424....	153, 348, 349, 350, 352	4460875	150, 344, 346
4060906	150	4360328	150, 229, 374	4460425....	181, 187, 247, 352	4460876	347
4060907	153	4360331 ...	224, 229, 374	4460426....	150, 181, 187, 220, 224, 231, 346	4460877	347
4060918	72	4360336 ...	113, 122, 153, 154, 164, 168, 172, 176, 179, 186, 224, 230, 231	4460428....	215, 216, 230, 344	4460878	347
4060959	380	4360387 ...	229, 231, 247, 376	4460434.....	344, 347	4460879	344
4061043	179, 186	436039289, 95, 107, 112, 124, 374		4460445.....	349, 350	4460880	348, 349
4061049	180	4360407	230	4460457.....	348	4460887	344, 347
4070863	201, 205	4360436	139	4460458.....	348, 350	4460889	348
4070864	201, 205	4360469	150, 374	4460459.....	351	4460890	348
4070878	13, 21	4360475	150, 230, 374	4460460.....	348	4460891	345, 348
4070879	13, 21	4360476	150, 230, 374	4460464....	230, 344, 345, 347	4460892	346
4070897	201, 205	4360542 ...	163, 164, 167, 171, 175	4460465....	181, 187, 344, 345, 348	4460894	346
4070898	201, 205	4360549	215, 216	4460466.....	344, 345	4460897	345
4070929	201, 205	4360578	215, 216, 376	4460467.....	352, 381	4460905 ...	150, 230, 344, 346, 347
4070932	206	4400275	140	4460470....	150, 230, 344, 346	4460906	351
4070944	13, 17, 21, 25	4400372	139, 140	4460471....	150, 230, 344, 346	4460943	347
4070945	13, 17, 21	4400399	139	4460473.....	344, 345	4460944	348
4070987	150	4400407	139	4460476.....	351	4460956	181, 187
4071007	205	4400420	140	4460488.....	150, 230	4460957	181, 187
4071059	65	4400454	139, 140	4460499.....	76, 79, 350	4460958	179, 186
4071061	206	4420037	224	4460508.....	344, 345	4460959	350
4071062	206	4420038	139	4460509.....	344, 345	4460960	350, 351
4071101	17, 25	4420051	65, 364	4460510.....	352, 381	4460961	351
4100025	98, 112	4420060	205, 216	4460526.....	150, 346	4460963	181, 187
4100100	269	4420068	247, 249	4460536.....	347	4460967	181, 187
4120012	330	4460007	230	4460539.....	348	4460968	215, 216
4120013	330	4460023	164, 168, 172	4460579.....	348	4460978	348, 350
4120035	344, 347	4460027 ...	163, 167, 171, 175, 351	4460580.....	348	4460979	348, 350
4130330	21, 29	4460042	220, 230	4460582.....	348	4461001	181, 187
4130331	21, 29	4460049	247	4460598....	220, 224, 231, 351	4461005	348, 349
4130340	14	4460051	180, 186	4460600.....	330	4461006	348, 349
4130341	14	4460071 ...	180, 186, 224, 230, 344, 350	4460607.....	181, 187, 330	4461008	349
4130401	18, 26, 31	4460125	350	4460611.....	97, 113	4461052	348, 349
4130402	18, 26, 31	4460134	345, 350, 351			4461053	349
4130409	18	4460190 ...	163, 167, 171, 175			4461054	349
4130410	18					4461060	348, 349
4130412	26					4461070	348
4130413	19					4461071	346
4130414	19					4461072	346
4130415	19					4461073	346
4160143	160					4461074	346
						4461095	348
						4520171	34

SECTION 10 - SPECIAL OPTIONS

4520172.....	35	273, 275, 277, 279,	4740283	18	4844960.....	13
4520173.....	35	281, 299, 301	4740362	153, 224, 230	4844964.....	139
4520210.....	35	4640605 ... 265, 267, 279,	4740393	33	4844969.....	206
4520211.....	35	281	4740397 ...	164, 168, 172,	4844972.....	206
4520259.....	34	4640647	176, 231	4844978.....	206	
4520283.....	35	299, 301	4740439	196	4844979.....	206
4520284.....	35	4640744	4740444	150	4844983.....	201
4520287.....	34	137, 321, 325	4740463	18, 26, 31	4844984.....	201
4520288.....	34	4640750	4740542	17, 25	4845041.....	21
4520289.....	34	89	4740543	17	4845080.....	97
4520290.....	34	4640751	4750600	181, 187	4845127.....	192, 197
4520328.....	34	95, 106	4750800	71, 140	4845163.....	157
4520341.....	35	4640858	4751000	66, 111, 153,	4845194.....	160
4520344.....	34	253, 255	160, 164, 168, 172,	4845203.....	160	
4520345.....	34	4640862	176, 220, 223	4845281.....	61	
4520346.....	34	293, 295, 297	4751400 . 89, 90, 96, 105,	4845283.....	61	
4520427.....	34	4640866	106, 112, 123, 124,	4845327.....	219	
4520428.....	34	70	150, 154, 157, 161,	4845328.....	219	
4564281.....	114, 125	4640871	180, 192, 197, 205,	4845395.....	96, 107	
4564417.....	172	55	215, 216, 224, 230,	4845404.....	95, 107, 112,	
4566408.....	275	4640902	247, 355, 360, 364, 371	124		
4566425.....	293	269	4751500 . 55, 65, 98, 111,	4845408.....	219	
4566468....	257, 261, 263,	4640932 ...	124, 160, 164, 168,	4845409.....	219	
283		257, 261, 263	172, 192, 197, 220,	4845410.....	219	
4566471.....	269	4640937	247, 249	4845412.....	219	
4566501.....	265	4640939	4751600 ...	4845413.....	219	
4566605.....	111, 124	4640989	57, 58, 89, 96,	4845414.....	160	
4566667.....	279	111, 124	98, 104, 107, 112, 116,	4845426.....	219	
4566832.....	55	299, 301	122, 124, 139, 140,	4845450.....	61	
4567073.....	89, 115	4641022	143, 145, 160, 161,	4845451.....	61	
4567080.....	355, 364	139	164, 168, 172, 176,	4845469.....	219	
4567172.....	61	4641097	192, 197, 202, 224,	4845668.....	98, 115	
4567213.....	97	69, 75	230, 293	4846005.....	191	
4567214.....	97	4641108	4751700	4846006.....	196	
4567241.....	202	70	4751800 . 55, 89, 97, 104,	4846101.....	219	
4567428.....	98	4641139	112, 122, 143, 145,	4846102.....	219	
4567429.....	98	215	176, 202, 224, 227, 247	4846103.....	219	
4567430.....	98	4641162	4752000 90, 97, 104, 113,	4846236.....	112	
4567431.....	98	253	122	4846248.....	112	
4567571.....	98	4641280	4760600	4846253.....	219	
4567572.....	98	57, 58	181, 187	4846254.....	219	
4567573.....	98	4641284	4761000	4846255.....	219	
4567574.....	98	315	18, 160, 223,	4846295.....	66	
4567576.....	97	4641287	231	4846296.....	66	
4567815.....	97, 106	57	4761400	4846452.....	223	
4567879.....	113, 124	4641307	150	4846561.....	224	
4568116.....	139	309	4761500	4846566.....	95, 107	
4568119.....	139	4641319	111, 179, 186	4846573.....	192, 198	
4568133.....	66	255	4761600	4846673.....	247	
4568158.....	114	255	4770600	4846790.....	89	
4568721.....	89	4641390	4771800	4846805.....	89	
4568734.....	176, 186	57	4791400	4846806.....	111, 124	
4568735.....	176, 186	4641409	97, 107, 180,	4860158.....	34	
4568788.....	89	4641410	186	4891400.....	71	
4568951.....	124	57, 58	4811900	4891500.....	72, 176, 311	
4569083.....	124	113, 122, 124, 153,	89, 164, 181	4891600 90, 96, 105, 111,		
4569092.....	124	176, 180, 186, 202,	4812000	123, 157, 176, 186,		
4569171.....	106	215, 220, 224, 381	4831900	192, 198		
4569173.....	124	4711500 ...	113, 124	4891700.....	186	
4569177.....	89	57, 61, 71, 72,	4832000	4891800....	17, 25, 33, 71,	
4569203.....	124	89, 98, 115, 124, 179,	89, 100, 107,	81, 157, 186, 192, 198,		
4640113.....	34, 35	186, 206, 230, 311	113, 124	249		
4640261.....	61, 65	4711600 ...	4844790	4892000.....	18, 81, 176	
4640438.....	275, 277	13, 21, 61, 71,	191, 197	4892600.....	192, 198	
4640509....	257, 261, 263,	90, 97, 106, 124, 180,	4844815	4895000.....	33	
265, 267, 269, 271,		186, 192, 197, 201, 206	4844816	4920385.....	124	
		4711700	4844817	4921829.....	351	
		106, 176	4844924			
		4711800 ...	4844925			
		157, 180, 186,	4844926			
		192, 197, 227	4844928			
		4711900	4844929			
		106	4844954			
		4712600	4844955			
		61	4844956			
		4713000	4844958			
		61				
		4713400				
		61				
		4740016				
		14, 19				
		4740036				
		66				
		4740076				
		161				
		4740111				
		65				
		4740155				
		65				
		4740158				
		13, 17, 21, 25				
		4740171				
		160				
		4740184				
		65				
		4740256				
		18, 26, 31				
		4740274 89, 97, 106, 112,				
		124				

SECTION 10 - SPECIAL OPTIONS

4921850	381	70000123 .	163, 167, 171, 175	70002297	179, 185	70004757	237
4921927	71, 350	70000124 .	163, 167, 171, 175	7000230	83	70004758	237
4921928	71, 350	70000125 .	163, 167, 171, 175	70002307	114, 125	70004759	237
4921954	351	70000126 .	164, 167, 171, 175	70002373	287	70004760	237
4922482	351	70000127 ..	163, 167, 175	70002411	99, 100	70004761	237
4922484	330	70000264	108	70002412	295	70004762	237
4922493	344	70000579	75	7000242	83	70004763	237
4922494	345	70000580	75	7000246	83	70004764	237
4922498	351	70000582	75	70002460	179, 185	70004765	237
4922508	346, 349	70000583	75	7000253	83	70004766	237
4922514	346, 347, 348	70000619	180, 185	70002530	99, 100	70004767	237
4922515	346, 347, 348	70000781	57	7000255	83	70004768	237
4922637	346	70000782	39	7000256	83	70004769	237
4922638	347	70000794	53	70002567	115, 125	70004770	237
4922639	230, 330, 344	70000795	53	7000257	83	70004771	237
4922641	182, 187, 351	70000800	108	7000258	83	70004772	237
4922643	351	70000863	179, 185	7000263	83	70004773	237
4922666 ...	150, 230, 344, 347	70000916	107	7000269	83	70004774	238
4922737	89, 90	70000934	71	7000270	83	70004775	238
4922757	181	70001002	99	70002724	243	70004862	140
4922764	352	70001017	89, 98, 106, 115	70002725	243	70005230	245
4922810	345	70001100	179, 185	70002726	243	7000625	224, 229
4922811	345	70001119	39	70002727	243	70006369	281
4922890	346	70001120	91	70002728	243	70006370	281
4922891	345	70001248	146	70002729	243	70006371	281
4922892	224, 345, 352	70001384	179, 185	70002730	235	70006372	281
4922894	224, 345, 351	70001423	100	70002731	235	70006373	281
4922905	186, 187	70001498	99, 107	70002732	235	70006374	281
4922921	346, 347, 348	70001681	99, 100	70002733	235	70006442	289
4922925	180	70001690	125	70002734	235	70006443	289
4922968	349	70001696	179, 185	70002735	235	70006444	289
4922970	351	70001697	210, 213	7000281	40	70006445	289
4922978	105	70001742	91	70002906	235	70006446	289
4923063	346, 347, 348	70001850	107	70003001	108	70006447	289
4923212	346, 347, 348	70001941	153	70003002	108	70006478	277
4923223	347	70001953	180, 186	70003003	108	70006479	277
4923224	347, 349	70001966	179, 185	70003408	58	70006480	277
4923226	346, 347, 348	70001969	179	70003483	224	70006481	277
4923227	346, 347, 348	70001973	179, 186	70003556	99	70006482	297, 301
4923231	347	70001974	179, 185	70003631	179, 185	70006483	297, 301
4932986	330	70001976	75, 76, 79	70003708	179, 186	70006484	301
4932993	330	70001999	207	70003709	179, 186	70006486	267
4933025	330	70002000	207	70003784	230	70006487	267
4933026	330	70002001	201	70004169 ..	179, 180, 185, 186	70006488	267
4933055	331	70002002	201	70004170	179, 180	70006489	267
4933063	331	70002011	206	70004171	179, 185	70006568	271
4933212	331, 346, 347	70002012	206	70004182	89	70006569	271
4933213	331, 346, 347	70002063	58	70004738	245	70006570	271
4933215	330, 350	70002064	58	70004739	245	70006571	271
4933216	330, 350	70002088	179, 185	70004740	245	70006572	271
4933218	330	7000209	83	70004741	245	70006597	287
4933219	330	7000209	83	70004742	245	70006599	287
4933263	330	7000214	83	70004743	245	70006601	287
4933264	181, 330	7000216	39	70004744	245	7000663	98, 99, 107
4933283	187, 330	7000217	83	70004745	245	70006649	273
4933295	331, 346, 347	70002200	107	70004746	245	70006650	273
4933300	330, 351	70002212	146	70004747	245	70006654	297
4933307	330	70002234	99, 107	70004748	245	70006655	297
4933308	330, 352	70002235 ..	163, 167, 171	70004749	245	70006734	273
4933312	330	70002239	163	70004750	245	70006735	273
4933319	331, 346, 347	70002240	164	70004751	245	70006736	273
4933329	331, 346, 347	7000228	83	70004752	237	70006774	287
4933331	331, 346, 347	7000229	83	70004753	237	70006775	287
70000121	119			70004754	237	70006776	287
70000122	163			70004755	237	70006793	295
				70004756	237	70006813	295
						70006814	295

SECTION 10 - SPECIAL OPTIONS

70006815.....	295	7005891	85	7007482	129	7012679.....	125
70006816.....	295	7005892	85	7007483	129	7012693.....	55
70006817.....	295	7005893	85	7007484	129, 135	7012694.....	70
70006818.....	295	7006140	206, 374	7007485	129, 135	7012699.....	70
70006819.....	295	7006151	206, 207	7007486	129	7012700.....	47
70006820.....	295	7006152 ...	201, 206, 207, 374	7007487	129, 135	7012701.....	47
70006821.....	295	7006158	207	7007488	129, 135	7012702.....	47
7000699.....	99	7006161	206	7007489	137	7012703.....	47
7000731.....	33	7007207	134	7007490	129	7012704.....	47
7000897.....	114, 125	7007208	128, 134	7007491	129	7012705.....	47
7001433.....	135	7007412	129, 135	7007492	129	7012706.....	47
7001438.....	128	7007413	128, 134	7007494	129, 135	7012707.....	47
7001498.....	129, 135	7007414	128, 134	7007496	129, 135	7012708.....	47
7001625.....	291	7007415	45	7007497 ...	129, 135, 349	7012709.....	47
7001626.....	291	7007416	128	7007498 ...	129, 135, 349	7012710.....	47
7001627.....	291	7007417	128, 134	7007499	129	7012711.....	47
7001628.....	291	7007418	45, 134	7007633	83	7012712.....	47
7001629.....	291	7007419	45, 128, 134	7010103	137	7012713.....	47
7001630.....	291	7007420	128	7010104	137	7012714.....	47
7001633.....	291	7007421	128	7010105	137	7012715.....	47
7001711.....	37	7007422	128	7010108	43	7012716.....	47
7001909.....	83	7007423	128, 134	7010109	43	7012768.....	374
7001911.....	83	7007424	128	7010110	43	7012769.....	75, 76
7001913.....	39	7007425	43, 128, 134	7010111	43	7012772... 75, 76, 79, 374	
7001928.....	83	7007426	43, 45	7010112	43	7012773.....	75, 76, 79
7001931.....	83	7007427	43, 45	7010113	43	7012774.....	76, 79
7001985.....	83	7007428	43	7010114	43	7012775.....	75, 76
7001987.....	83	7007429	43	7010115	43	7012776.....	79
7001988.....	83	7007430	43	7010116	43, 135	7012799.....	76
70022564.....	287	7007431	43	7010117	43	7012905.....	72, 311
70023371.....	287, 295	7007434	43	7010118	43	7012907.....	70
70023373.....	295	7007435	45, 49, 128, 134	7010119	43	7012914.....	75, 76
70023915.....	271	7007436	128	7010120	129	7012918.....	75, 76
7002821.....	352, 381	7007437 ...	43, 45, 50, 53, 128, 134	7010121	129, 135	7012941.....	70
7002822.....	381	7007438 ...	43, 45, 49, 53, 128, 134	7010122	129	7012943.....	70, 374
7002823.....	352, 381	7007439 ...	43, 45, 49, 53, 128, 134	7010474	83	7012944... 70, 72, 75, 311, 374	
7002826.....	381	7007440	128	7010488	83	7012953.. 70, 75, 79, 215, 269	
7002828.....	352	7007441	128, 134	7010492	83	7012954.....	70
7002840.....	55, 381	7007442	128, 134	7010494	83	7012959.....	70
7003657	163, 167, 171	7007443	128, 134	7010542	75, 76	7012961.....	70, 269
7003928.....	233, 235	7007444	128, 134	7010543	70, 75, 76	7012965.....	79
7003933.....	241	7007445	128	7010638	95	7012967.....	75, 76
7003935.....	241	7007446 ...	43, 49, 53, 134	7011043	70	7012969.....	76
7003941.....	241, 243	7007449	128	7011044	70	7012970.....	215
7003946.....	241	7007452	134	7011048	70	7012972.....	72, 311
7003953.....	233	7007453	128, 134	7011062	70	7012974.....	72, 311
7003969.....	241	7007454	128, 134	7011063	69	7012980.....	55
7003972.....	241, 243	7007455	128	7011064	69	7012987.....	137
7003973.....	241, 243	7007456	128	7011065	69	7012988.....	137
7003976.....	233	7007457	134	7011066	69	7012989.....	75
7003977.....	233	7007458	128	7011112 ...	258, 261, 263	7012992.....	55
7003980.....	241, 243	7007459	43, 45, 129, 135	7011185	299	7012993.....	55
7003982.....	243	7007463	129, 135	7011328	70	7012994.....	55
7003983.....	241, 243	7007464	135	7011331	209	7012995.....	70
7003986.....	241	7007465	135	7011332	209	7012998.....	75, 76, 79
7003989.....	241, 243	7007466	129, 135	7011346	209	7013187.....	143
7003992.....	233, 241	7007468	129	7012442	55	7013189.....	146
7003993.....	233, 241	7007469	129	7012513 ...	163, 167, 171, 175	7013711.....	69
7003994.....	241	7007470	129, 134	7012514 ...	163, 167, 171, 175	7013755.....	69
7004248.....	69	7007471	129	7012518	70, 75	7013796.....	69
7004275.....	381	7007472	129, 135	7012558 ...	163, 167, 171, 175	7013799.....	69
7004276.....	381	7007474	129, 135	7012599	99	7014700.....	37
7004290.....	69	7007475	129, 135	7012664 88, 95, 106, 113, 123, 374		7014701.....	37
7005881.....	85	7007476	129, 135			7014702.....	37
7005882.....	85	7007477	129, 135			7014706.....	37
7005889.....	85	7007478	129, 135				
7005890.....	85						

SECTION 10 - SPECIAL OPTIONS

7014709.....	37	7016812.....	96	7019155.....	241	7020471.....	100, 107
7014710.....	37	7016815.....	96	7019160.....	241	7020474.....	99
7014711.....	37	7016816.....	97	7019161.....	241	7020477.....	99
7014712.....	37	7016824.....	97	7019162.....	241, 243	7020479.....	99, 107
7014713.....	37	7016826.....	96	7019164.....	241, 243	7020480.....	99
7014714.....	37	7016827.....	97	7019165.....	241, 243	7020487.....	99, 107
7014715.....	37	7016845.....	96	7019166.....	241, 374	7021200.....	134
7014716.....	37	7017022.....	40	7019167.....	241, 243	7021201.....	135
7014717.....	37	7017027.....	39	7019168.....	241	7021202.....	134
7014718.....	37	7017072.....	39	7019171.....	233	7021203.....	134
7014719.....	37	7017089.....	83	7019174.....	233	7021206.....	135
7014720.....	37	7017093.....	39	7019177.....	233	7021207.....	134
7014721.....	37	7017095.....	39	7019194.....	241, 243	7021212.....	135
7014722.....	37	7017101.....	209	7019197.....	233	7021214.....	129, 135
7014723.....	37	7017106.....	210	7019607.....	99	7021217.....	135
7014724.....	37	7017115.....	209	7019658.91, 98, 105, 139		7021218.....	135
7014725.....	37	7017116.....	209	7019680.....	163, 167, 175	7021219.....	135
7014726.....	37	7017117.....	209	7019925.....	115, 125	7021220.....	135
7014727.....	37	7017118.....	210	7019930.....	115	7021221.....	135
7014728.....	37	7017119.....	209	7019932.....	115	7021222.....	135
7014729.....	37	7017142.....	209, 210	7019976.....	114, 125	7021223.....	134
7014730.....	37	7017156.....	210	7019977.....	114, 125	7021232.....	135
7014731.....	37	7017157.....	210	7019986.....	114	7021249.....	49, 53
7014800.....	140	7017158.....	210, 213	7019993.....	114, 125	7021256.....	134
7014801.....	140	7017159.....	210, 213	7019994.....	114, 125	7021275.....	49, 53
7014802.....	140	7017162.....	209, 213	7019996.....	114, 125	7021310.....	76
7014810.....	140, 374	7017163.....	209, 213	7020020.....	71	7021625.....	57, 58
7014811.....	140	7017164.....	209, 213	7020021.....	71	7021657.....	55
7016180.....	112	7017174.....	209	7020025.....	99	7021868....	114, 125, 376
7016206.....	35	7017177.....	209	7020027.....	99	7022134.....	114, 124
7016312.....	71, 374	7017183.....	209, 213	7020108....	163, 167, 171, 175	7022139.....	114, 125
7016313.....	71, 374	7017193.....	209, 213	7020109....	163, 167, 171, 175	7022143.....	115, 125
7016314.....	139	7017410.....	75	7020110....	163, 167, 171, 175	7022144.....	115
7016322.....	157	7017411.....	75	7020111....	163, 167, 171, 175	7022149.....	115
7016328.....	98, 99, 107, 376	7017418.....	75	7020111....	163, 167, 171, 175	7022150.....	115, 125
7016330.....	98	7017420.....	76, 79	7020135.....	35	7022151.....	115
7016331.....	98, 99, 107, 376	7017421.....	79	7020168.....	99	7022153.....	115
7016332.....	99	7017422.....	79	7020175.....	230	7022154.....	115
7016342.....	143	7017423.....	76	7020176.....	230	7022155.....	115, 125
7016374.....	157	7017427.....	75	7020190....	163, 167, 171, 175	7022156.....	115
7016380.....	153	7017428.....	75, 76	7020191....	164, 167, 171	7022157.....	115
7016399.....	220, 224	7017496.....	255	7020192....	164, 167, 171, 176	7022158.....	115
7016422.....	85	7018612.....	33, 81	7020246.....	149	7022159.....	115
7016423.....	85	7018912.....	75, 76, 79	7020404.....	99	7022160.....	115
7016424.....	85	7018942.....	79	7020408.....	99, 107	7022161.....	115
7016425.....	85	7018945.....	79	7020411.....	99, 107	7022162.....	115
7016426.....	85	7018946.....	79	7020414.....	99	7022165.....	119
7016427.....	85	7018948.....	79	7020419.....	99	7022166.....	119
7016502.....	201, 374	7018952.....	76	7020425.....	99	7022167.....	119
7016510.....	201	7019103.....	241	7020427.....	99	7022168.....	119
7016519.....	206	7019110.....	241	7020431.....	99	7022170.....	119
7016521.....	207	7019111.....	233, 241	7020447.....	107	7022171.....	119
7016652.....	220, 381	7019112.....	241	7020449.....	99, 107	7022178.....	115
7016654.....	381	7019114.....	241	7020458.....	99, 108	7022179.....	115
7016655.....	381	7019115.....	241	7020459.....	108	7022180.....	114, 125
7016700.....	69	7019122.....	233	7020460.....	108	7022203.....	70
7016701.....	69	7019123.....	233	7020461.....	99, 108	7022302.....	49, 53
7016702.....	69	7019141.....	233	7020462.....	99	7022311.....	49, 53
7016744.....	70	7019142.....	233	7020463.....	99	7022313.....	53
7016746.....	70	7019143.....	233	7020464.....	99, 107	7022314.....	49, 53
7016747.....	70	7019144.....	233	7020465.....	99, 107	7022318.....	49
7016800.....	96, 113	7019145.....	233	7020466.....	99, 107	7022320.....	49
7016802.....	96	7019147.....	233	7020467.....	99	7022321.....	49
7016803.....	96	7019149.....	233	7020468.....	99, 107	7022326.....	50, 53
7016804.....	113	7019150.....	233			7022328.....	50, 53
7016807.....	113	7019151.....	241			7022368.....	49, 53
7016808.....	113	7019154.....	241			7022370.....	49

SECTION 10 - SPECIAL OPTIONS

7022371.....	45, 50, 53	7024404.....	146	7024863.....	49	7026829.....	92
7022372.....	49, 53	7024439.....	140	7024864.....	49	7026830.....	91, 376
7022397.....	58	7024440.....	140	7024865.....	49, 53	7026831.....	91
7022399.....	58	7024441.....	140	7024866.....	49	7026832.....	92
7022808.....	233, 235	7024442.....	140	7024867.....	49, 53	7026833.....	91
7022812.....	241	7024443.....	140	7024868.....	49	7026834.....	91
7022814.....	233	7024444.....	140	7024869.....	49	7026835.....	91
7022815.....	233, 235	7024445.....	140	7024871.....	49, 53	7026836.....	91
7022816.....	233	7024446.....	140	7024879.....	255	7026838.....	92
7022817.....	233	7024485.....	179, 185	7024892.....	58	7026839.....	91
7022818.....	233, 374	7024488.....	180, 185	7025124.....	115	7026840.....	91
7022819.....	233, 235, 349	7024489.....	180, 185	7026188.....	179, 185	7026841.....	91
7022822.....	241	7024560.....	98, 106	7026189.....	145	7026843.....	91
7022823.....	241	7024565.....	99, 108	7026197.....	146	7026845.....	92
7022824.....	241, 374	7024579.....	100, 108	7026199... 163, 167, 171, 175		7026882.....	91
7022825.....	349	7024598.....	157	7026503.....	145	7027001.....	90, 96, 104
7023038.....	291	7024721.....	40	7026504.....	146	7027002 90, 96, 104, 113, 122	
7023206.....	71	7024722.....	39	7026505.....	146	7027003 90, 97, 104, 113, 122	
7023603.....	119	7024723.....	40	7026506.....	146	7027004.....	90, 96, 104
7023613.....	115	7024724.....	39	7026507.....	146	7027005.....	113, 122
7023637.....	114	7024725.....	39	7026508.....	146	7027006.....	113, 122
7023644.....	115	7024726.....	39	7026509.....	146	7027007.....	113, 122
7023645.....	119	7024727.....	39	7026510.....	146	7027236.....	108
7023652.....	114	7024728.....	39	7026511.....	145	7027239.....	108
7023653.....	114	7024729.....	39	7026512.....	146	7027241.....	107
7023654.....	114	7024730.....	39	7026522.....	99	7027245.....	108
7023655.....	114	7024731.....	39	7026597.....	179, 185	7027246.....	107
7023656.....	114	7024732.....	39	7026607.....	99, 108	7027250.....	99
7023657.....	115	7024733.....	39	7026608.....	99, 107	7027400.....	125
7023658.....	114	7024734.....	39	7026631.....	99, 107	7027402.....	115, 125
7023659.....	119	7024735.....	39	7026800.....	91	7027404.....	125
7023660.....	119	7024736.....	39	7026801.....	91	7027405.....	125
7023662.....	114	7024737.....	40	7026802.....	91	7027409.....	125
7023663.....	114, 349	7024738.....	39	7026803.....	91	7027410.....	125
7023665.....	119	7024739.....	39	7026804.....	91	7027412.....	89
7023679.....	349	7024740.....	39	7026805.....	91	7027413.....	125
7023680.....	119	7024741.....	39	7026806.....	91	7027419.....	49, 53
7023681.....	114, 125, 349	7024742.....	39	7026807.....	91	7027608.....	107
7023682.....	114, 125	7024743.....	39	7026809.....	91	7027609.....	107
7023683.....	114, 125	7024744.....	40	7026810.....	91	7027610.....	107
7023695.....	115	7024764.....	40	7026811.....	91, 376	7027740.....	53
7023698.....	125	7024765.....	40	7026812.....	91	7027790.....	108
7023699.....	125	7024766.....	40	7026813.....	91	7027791.....	107
7023910.....	49, 53	7024800.....	135	7026814.....	91	7027792.....	108
7023917.....	58	7024834.....	45	7026815.....	91	7027793.....	108, 349
7023933.....	57, 58	7024835.....	45	7026816.....	92	7027794.....	108, 349
7023935.....	58	7024836.....	45	7026817.....	92	7027795.....	108, 376
7023936.....	58	7024837.....	45	7026818.....	92	7027796.....	108, 349
7023964.....	45	7024838.....	45	7026819.....	91	7027799.....	179, 185
7023977.....	134	7024839.....	45	7026820.....	91	7027887... 164, 168, 171, 176	
7023979.....	135	7024840.....	45	7026821.....	91	80934561.....	146
7024036.....	47	7024841.....	45	7026822.....	91	8405009.....	88
7024100.....	83	7024842.....	45	7026823.....	91	8405104.....	88
7024124.....	39	7024843.....	45	7026824.....	91	85941017.....	105
7024125.....	39	7024850.....	58	7026825.....	91	8896941.....	381
7024127.....	39	7024851.....	135	7026826.....	92	91083218... 114, 125, 376	
7024129.....	39	7024853.....	49, 53	7026827.....	92		
7024134.....	40	7024861.....	49	7026828.....	92		
7024398.....	98, 106	7024862.....	49, 53				



3121177



An Oshkosh Corporation Company

Corporate Office
JLG Industries, Inc.
1 JLG Drive
McConnellsburg, PA 17233-9533 USA
☎ (717) 485-5161 (Corporate)
☎ (877) 554-5438 (Customer Support)
☎ (717) 485-6417

Visit our website for JLG Worldwide Locations.
www.jlg.com