



Illustrated Parts Manual

Model **ES1330L**

SN B200000001 TO B200071548
SN B200071600 TO B200071606
Except PVCs 2004 & 2104 machines

P/N
3121795

April 15, 2022 - Rev F

ANSI

CE



An Oshkosh Corporation Company

REVISION LOG

May 30, 2019 - A - Original Issue of Manual (1001250000 Rev A)

March 30, 2020 - B - Revised Manual (1001250000 Rev F)

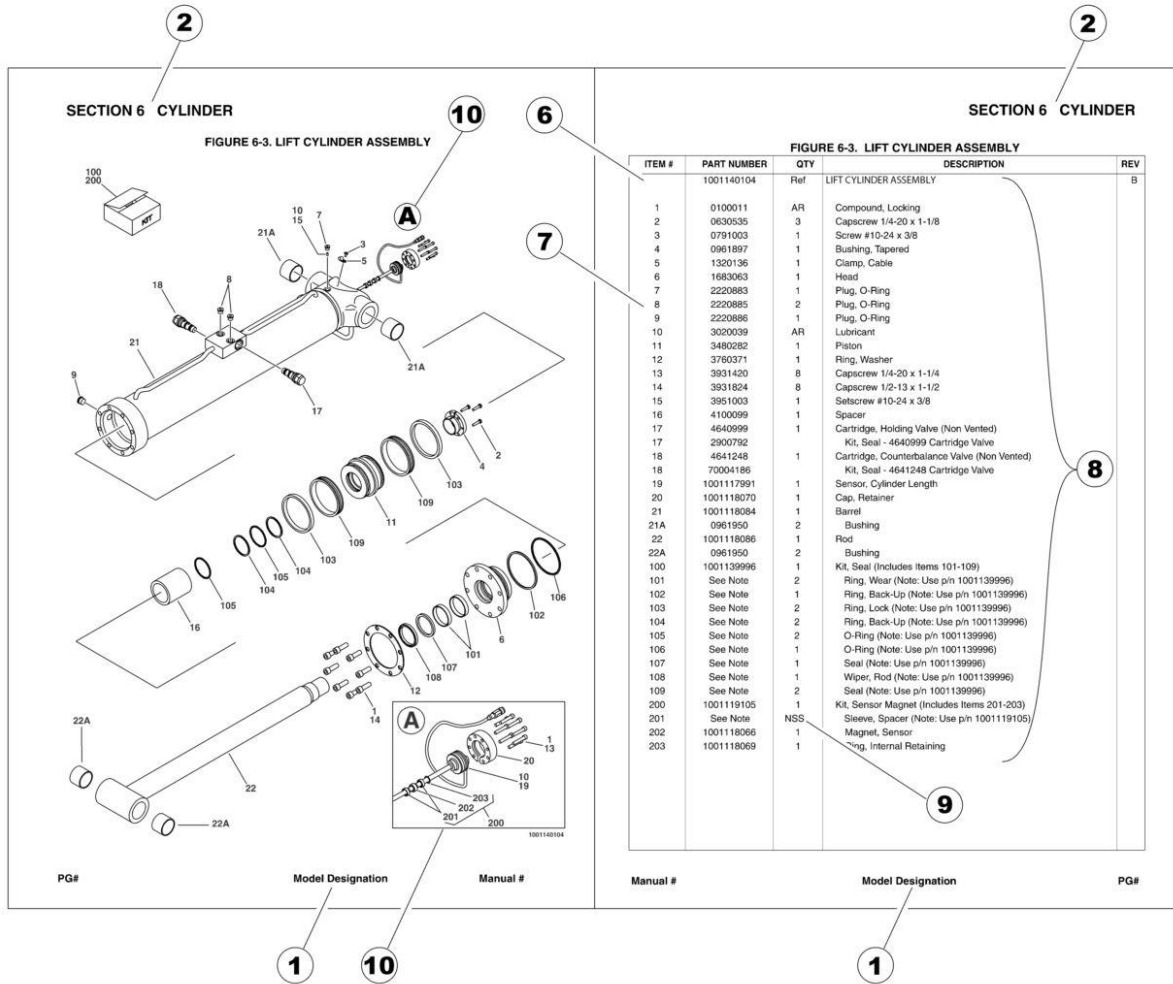
September 30, 2020 - C - Revised Manual (1001250000 Rev H)

March 15, 2021 - D - Revised Manual (1001250000 Rev K)

October 1, 2021 - E - Revised Manual (1001250000 Rev M)

April 15, 2022 - F - Revised Manual (1001250000 Rev M)

GENERAL INFORMATION



1) MACHINE IDENTIFICATION

Machines are identified by model and in some cases a combination of models, serial number (SN) or regional standard (i.e ANSI, CE, CSA). Components may also be identified by SN or manufacturer. Common components that may be identified by these characteristics are engines and hydraulic components.

2) PARTS MANUAL ORGANIZATION

Product information in this manual is organized under section titles. Frame, Cylinder, Hydraulic and Electrical are a few examples. Each section is organized by figure and page number. The information within the Figure is then organized by item number, part number, description and corresponding illustration (s).

3) TABLE OF CONTENTS (NOT SHOWN)

A table of contents is found toward the beginning of the manual. Figure number, description and page number are provided for quick reference to the page containing the related information.

4) RECOMMENDED SPARE PARTS (NOT SHOWN)

The Recommended Spare Parts List, located near the end of the manual, reference most frequently used maintenance parts.

5) PART NUMBER INDEX (NOT SHOWN)

A numerical index listing all part numbers and the corresponding page number(s) appears at the back of the manual.

GENERAL INFORMATION

6) NON-SERVICED PARTS

In some instances, it is necessary to display non-serviced parts, assemblies or installations. In the case of assemblies and installations there will be a Ref in the Qty. column. In case of parts that are not available for service within assemblies or components, there will be a NSS (Not Sold Separately) or NLA (No Longer Available) listed in the Qty. column of the manual.

7) PARTS LIST ITEM NUMBERS

Numbers shown in the item# column correspond to numbers used in the associated illustration (s). Item numbers which are missing from the sequence in the parts list are not used on that page.

8) INDENTED PARTS DESCRIPTION

An indented part description is included in the item under which it is indented.

9) ABBREVIATION AND SYMBOLS

AC.....	Alternating Current	L.....	Liter
ADE.....	Advanced Design Electronics	LB(LBS).....	Pounds
AG.....	Agricultural	LCD.....	Liquid Crystal Display
ANSI.....	American National Standards Institute	LED.....	Light Emitting Diodes
AR.....	As Required	LH.....	Left Hand
ASSY.....	Assembly	LRC.....	Low Rated Countries
AUS.....	Australia	LSS.....	Load Sensing System
AUX.....	Auxiliary	M(m).....	Metric/Meter
AWG.....	American Wire Gauge	MM(mm).....	Milimeter
B/M.....	Bill of Material	mA.....	Miliamps
CAC.....	Charge Air Cooler	NLA.....	No Longer Available
CE.....	European Conformity	NPT.....	National Pipe Threads
CCW.....	Counter Clockwise	NSS.....	Not Sold Separately
CM.....	Centimeter	OD.....	Outside Diameter
CW.....	Clockwise	ORB.....	O-Ring Boss
CSA.....	Canadian Standards Association	ORFS.....	O-Ring Face Seal
CYL.....	Cylinder	OZ (oz).....	Ounces
DIA.....	Diameter	PG.....	Page
DC.....	Direct Current	PN.....	Part Number
DEF.....	Diesel Exhaust Fluid	QT(qt.).....	Quarts
EMS.....	Emergency Stop	QTY.....	Quantity
ENG.....	Engine	REF.....	Reference
FT(ft).....	Feet	REV.....	Revision Level
GA(Ga).....	Gauge	RH.....	Right Hand
HRC.....	High Rated Countries	SAE.....	Society of Automotive Engineers
HVAC.....	Heating, Ventilating, and Air Conditioning	SN.....	Serial Number
HYD.....	Hydraulic	SPEC(S).....	Specifications
Hz.....	Hertz	T/T.....	Turntable
ID.....	Inside Diameter	UGM.....	Universal Ground Module
IN.....	inches	V.....	Volts
ISO.....	International Organization for Standards	W.....	Watts
JIC.....	Joint Industry Council	#.....	Number
KG.....	Kilogram		

10) ILLUSTRATION REFERENCE LETTERS

When necessary, illustrations may contain reference letters that are intended to track information (i. e. hoses, harnesses) from one point to another or to track visual enlargement of components to show details that may be located in another area on the illustration.

Note: Due to continuous product improvements, JLG Industries, Inc. reserves the right to make specification changes without prior notification. Contact JLG Industries, Inc. for updated information.

TABLE OF CONTENTS

SECTION 1 - FRAME.....	11
FIGURE 1-1. STEER INSTALLATION	12
FIGURE 1-2. DRIVE COMPONENTS INSTALLATION.....	14
FIGURE 1-3. DRIVE MOTOR ASSEMBLY	16
FIGURE 1-4. TIRE/WHEEL INSTALLATION	18
FIGURE 1-5. POTHOLE PROTECTION SYSTEM INSTALLATION	20
FIGURE 1-6. TILT SENSOR INSTALLATION	22
FIGURE 1-7. BATTERY CHARGER INSTALLATION - DELTA-Q (LOCALLY SUPPLIED PLUG)	24
FIGURE 1-8. BATTERY CHARGER INSTALLATION - DELTA-Q (110V PLUG)	26
FIGURE 1-9. BATTERY CHARGER INSTALLATION - DELTA-Q (AUSTRALIAN PLUG)	28
FIGURE 1-10. BATTERY CHARGER INSTALLATION - DELTA-Q (CE SPECS) (110V IEC YELLOW PLUG)	30
FIGURE 1-11. BATTERY CHARGER INSTALLATION - DELTA-Q (CE SPECS) (220V IEC BLUE PLUG)	32
FIGURE 1-12. BATTERY CHARGER INSTALLATION - DELTA-Q (CE SPECS) (AFSINT107 PLUG)	34
FIGURE 1-13. BATTERY CHARGER INSTALLATION - DELTA-Q (CE SPECS) (CEE7 - GRD PLUG)	36
FIGURE 1-14. BATTERY CHARGER INSTALLATION - DELTA-Q (LESS AC CABLE)	38
FIGURE 1-15. BATTERY CHARGER INSTALLATION - DELTA-Q WITH CAN TERMINAL (LESS AC CABLE)	40
FIGURE 1-16. BATTERY CHARGER INSTALLATION - GREEN POWER (LOCALLY SUPPLIED PLUG).....	42
FIGURE 1-17. BATTERY CHARGER INSTALLATION - GREEN POWER (110V PLUG)	44
FIGURE 1-18. BATTERY CHARGER INSTALLATION - GREEN POWER (CHINA PLUG)	46
FIGURE 1-19. BATTERY CHARGER INSTALLATION - GREEN POWER (KOREAN PLUG)	48
FIGURE 1-20. BATTERY CHARGER INSTALLATION - GREEN POWER (LESS AC CABLE)	50
FIGURE 1-21. STROBE LIGHT INSTALLATION - SINGLE (AMBER) (WITH GUARD) (SN B20000001 through B200062115) ..	52
FIGURE 1-22. STROBE LIGHT INSTALLATION - SINGLE (AMBER) (WITH GUARD) (SN B200062116 through B200065277) ..	54
FIGURE 1-23. STROBE LIGHT INSTALLATION - DUAL (AMBER) (WITH GUARD) (SN B20000001 through B200062115)	56
FIGURE 1-24. STROBE LIGHT INSTALLATION - DUAL (AMBER) (WITH GUARD) (SN B200062116 through B200065277)	58
FIGURE 1-25. ALARM INSTALLATION (AMBIENT/WHITE NOISE)	60
FIGURE 1-26. LADDER INSTALLATION.....	62
FIGURE 1-27. FRAME COVER INSTALLATION	64
SECTION 2 - GROUND CONTROLS	67
FIGURE 2-1. HYDRAULIC COMPONENT INSTALLATION	68
FIGURE 2-2. MOTOR/PUMP/TANK ASSEMBLY	70
FIGURE 2-3. CLEANGUARD INSTALLATION	72
FIGURE 2-4. ELECTRICAL COMPONENTS INSTALLATION (WITH LSS) (Prior to SN B200067714)	74
FIGURE 2-5. ELECTRICAL COMPONENTS INSTALLATION (WITH LSS WITH PLATFORM DRIVE SELECT SWITCH) (CHINA & MEXICO BUILT MACHINES) (SN B200067714 to Present)	76
FIGURE 2-6. MOBILE CONTROL INSTALLATION	78
FIGURE 2-7. MDI INSTALLATION	80
FIGURE 2-8. BATTERIES INSTALLATION - STANDARD BATTERIES WITHOUT DISCONNECT	82
FIGURE 2-9. BATTERIES INSTALLATION - STANDARD BATTERIES WITH DISCONNECT	84
FIGURE 2-10. BATTERIES INSTALLATION - AGM BATTERIES WITHOUT DISCONNECT	86
FIGURE 2-11. BATTERIES INSTALLATION - AGM VISION BATTERIES WITHOUT DISCONNECT	88
FIGURE 2-12. BATTERIES INSTALLATION - AGM BATTERIES WITH DISCONNECT	90
FIGURE 2-13. BATTERIES INSTALLATION - AGM VISION BATTERIES WITH DISCONNECT	92
FIGURE 2-14. DOORS INSTALLATION	94
SECTION 3 - SCISSORS ARMS.....	97
FIGURE 3-1. SCISSORS ARMS INSTALLATION WITH LSS	98
FIGURE 3-2. SCISSORS ARMS INSTALLATION WITH LSS	100
SECTION 4 - PLATFORM	103
FIGURE 4-1. PLATFORM INSTALLATION	104
FIGURE 4-2. PLATFORM EXTENSION INSTALLATION	106
FIGURE 4-3. RAILS INSTALLATION (1.0M TUBE IN TUBE)	108
FIGURE 4-4. RAILS INSTALLATION (1.1M TUBE IN TUBE)	110
FIGURE 4-5. RAILS INSTALLATION (SIDE BY SIDE)	112
FIGURE 4-6. GATE LATCH INSTALLATION	114
FIGURE 4-7. PLATFORM CONTROL INSTALLATION	116
FIGURE 4-8. DRIVE/STEER CONTROLLER ASSEMBLY	118
FIGURE 4-9. PLATFORM CONTROL PLUG INSTALLATION	120
SECTION 5 - CYLINDER	123

TABLE OF CONTENTS

FIGURE 5-1. LIFT CYLINDER ASSEMBLY	124
FIGURE 5-2. STEER CYLINDER ASSEMBLY	126
SECTION 6 - HYDRAULIC	129
FIGURE 6-1. HYDRAULIC DIAGRAM.....	130
SECTION 7 - ELECTRICAL	133
FIGURE 7-1. AC BOX AT PLATFORM INSTALLATION - 110V GFI (ALL SPECS EXCEPT CE SPECS)	134
FIGURE 7-2. AC BOX AT PLATFORM INSTALLATION - 110V IEC YELLOW (CE SPECS)	136
FIGURE 7-3. AC BOX AT PLATFORM INSTALLATION - 220V IEC BLUE (CE SPECS)	138
FIGURE 7-4. AC BOX AT PLATFORM INSTALLATION - 220V CEE7 POST GROUND (CE SPECS)	140
FIGURE 7-5. AC BOX AT PLATFORM INSTALLATION - 220V CEE7 SIDE GROUND (CE SPECS)	142
FIGURE 7-6. AC BOX AT PLATFORM INSTALLATION - 220V AFSINT 107 (CE SPECS).....	144
FIGURE 7-7. AC BOX AT PLATFORM INSTALLATION - 220V AUSTRALIAN PLUG (AUSTRALIAN SPECS)	146
FIGURE 7-8. AC BOX AT PLATFORM INSTALLATION - 220V CHINA PLUG (CHINA SPECS)	148
FIGURE 7-9. AC BOX AT PLATFORM INSTALLATION - 220V LOCALLY SUPPLIED	150
FIGURE 7-10. BREAKER BOX KIT WITH 1 DOUBLE BREAKER (AUSTRALIAN SPECS)	152
FIGURE 7-11. BREAKER BOX KIT WITH 1 DOUBLE BREAKER (CE SPECS)	154
FIGURE 7-12. BREAKER BOX KIT WITH 3 BREAKER	156
FIGURE 7-13. CHARGER PLUG INSTALLATION (LOCALLY SUPPLIED PLUG) (ALL SPECS EXCEPT ANSI & AUSTRALIAN SPECS).....	158
FIGURE 7-14. CHARGER PLUG INSTALLATION (110V PLUG) (ANSI & CSA SPECS)	160
FIGURE 7-15. CHARGER PLUG INSTALLATION (AUSTRALIAN PLUG) (AUSTRALIAN SPECS)	162
FIGURE 7-16. CHARGER PLUG INSTALLATION (110V IEC YELLOW PLUG) (CE SPECS)	164
FIGURE 7-17. CHARGER PLUG INSTALLATION (220V IEC BLUE PLUG) (CE SPECS)	166
FIGURE 7-18. CHARGER PLUG INSTALLATION (220V CEE7 PLUG) (CE SPECS)	168
FIGURE 7-19. CHARGER PLUG INSTALLATION (220V AFSINT107 PLUG) (CE SPECS)	170
FIGURE 7-20. CHARGER PLUG INSTALLATION (CHINA PLUG) (CHINA SPECS).....	172
FIGURE 7-21. CHARGER PLUG INSTALLATION (KOREAN PLUG) (KOREAN SPECS)	174
FIGURE 7-22. CHASSIS HARNESS (WITH LSS WITHOUT PLATFORM DRIVE SELECT SWITCH) (CHINA BUILT MACHINES) (Prior to SN B200067714).....	176
FIGURE 7-23. CHASSIS HARNESS (WITH PLATFORM DRIVE SELECT SWITCH) (CHINA & MEXICO BUILT MACHINES) ..	180
FIGURE 7-24. DRIVE CONTROL HARNESS	184
FIGURE 7-25. GROUND TO PLATFORM CABLE INSTALLATION - WITHOUT PLATFORM COIL CABLE/WITHOUT AC CABLE/WITHOUT FOOTSWITCH.....	186
FIGURE 7-26. GROUND TO PLATFORM CABLE INSTALLATION - WITHOUT PLATFORM COIL CABLE/WITH AC CABLE/WITHOUT FOOTSWITCH.....	188
FIGURE 7-27. GROUND TO PLATFORM CABLE INSTALLATION - WITHOUT PLATFORM COIL CABLE/WITH AC CABLE/WITHOUT FOOTSWITCH (AUSTRALIAN SPECS)	190
FIGURE 7-28. GROUND TO PLATFORM CABLE INSTALLATION - WITHOUT PLATFORM COIL CABLE/WITHOUT AC CABLE/WITH FOOTSWITCH.....	192
FIGURE 7-29. GROUND TO PLATFORM CABLE INSTALLATION - WITHOUT PLATFORM COIL CABLE/WITH AC CABLE/WITH FOOTSWITCH.....	194
FIGURE 7-30. GROUND TO PLATFORM CABLE INSTALLATION - WITH PLATFORM COIL CABLE/WITHOUT AC CABLE/WITHOUT FOOTSWITCH.....	196
FIGURE 7-31. GROUND TO PLATFORM CABLE INSTALLATION - WITH PLATFORM COIL CABLE/WITH AC CABLE/WITHOUT FOOTSWITCH.....	198
FIGURE 7-32. GROUND TO PLATFORM CABLE INSTALLATION - WITH PLATFORM COIL CABLE/WITH AC CABLE/WITHOUT FOOTSWITCH (AUSTRALIAN SPECS)	200
FIGURE 7-33. GROUND TO PLATFORM CABLE INSTALLATION - WITH PLATFORM COIL CABLE/WITHOUT AC CABLE/WITH FOOTSWITCH.....	202
FIGURE 7-34. GROUND TO PLATFORM CABLE INSTALLATION - WITH PLATFORM COIL CABLE/WITH AC CABLE/WITH FOOTSWITCH	204
FIGURE 7-35. LIFT DOWN HARNESS (WITH LSS)	206
FIGURE 7-36. PLATFORM CONTROL BOX HARNESS	208
FIGURE 7-37. RECEPTACLE BOX KIT - 110V GFI	210
FIGURE 7-38. RECEPTACLE BOX KIT - 110V IEC YELLOW (CE SPEC)	212
FIGURE 7-39. RECEPTACLE BOX KIT - 220V IEC BLUE (CE SPEC)	214
FIGURE 7-40. RECEPTACLE BOX KIT - 220V CEE7 POST GROUND (CE SPEC)	216
FIGURE 7-41. RECEPTACLE BOX KIT - 220V CEE7 SIDE GROUND (CE SPEC)	218
FIGURE 7-42. RECEPTACLE BOX KIT - 220V AFSINT 107 (CE SPEC)	220
FIGURE 7-43. INVERTER INSTALLATION	222
FIGURE 7-44. HARNESS, AC EXTENSION	224
FIGURE 7-45. HARNESS, INVERTER	226

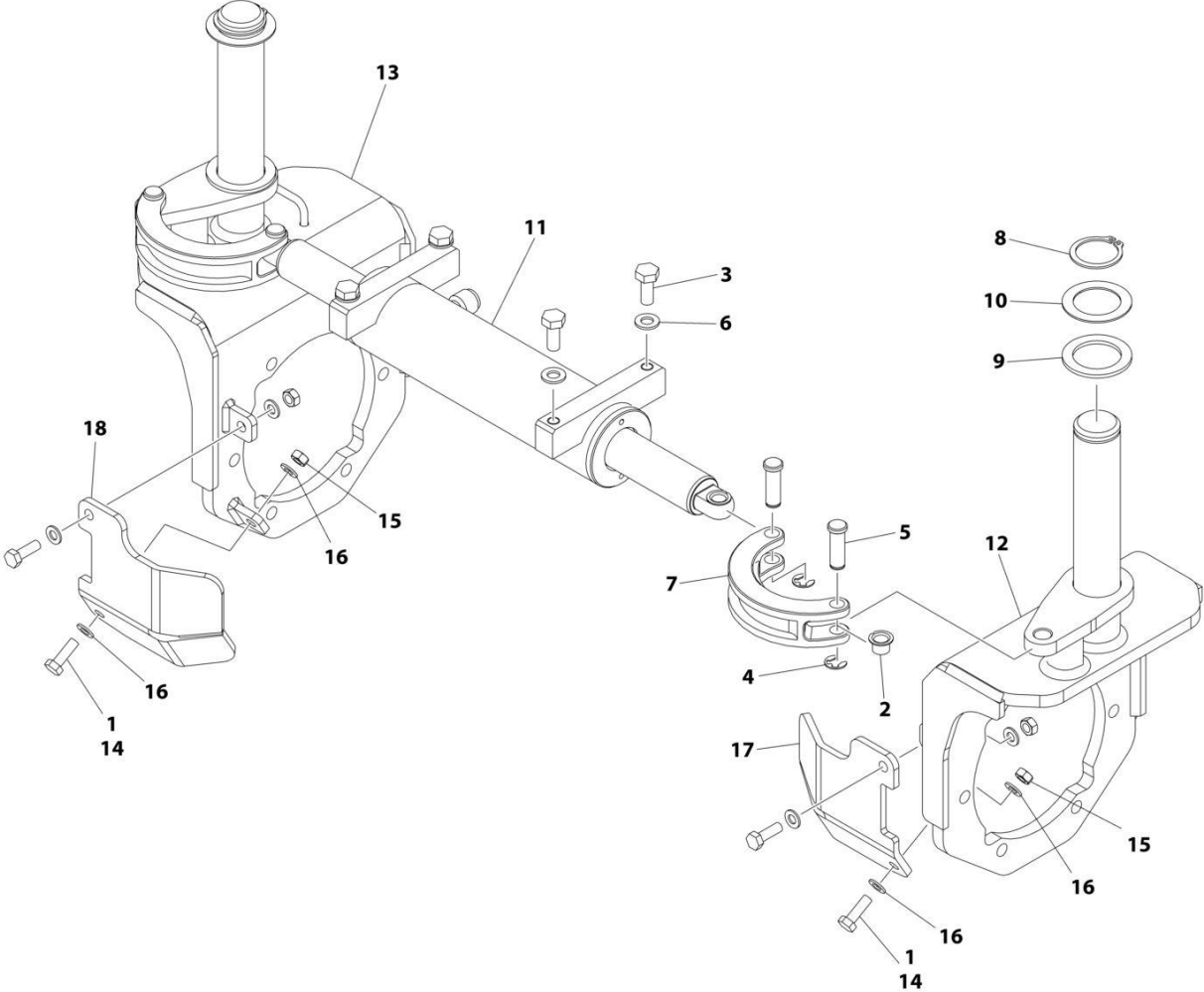
TABLE OF CONTENTS

SECTION 8 - DECALS	229
FIGURE 8-1. DECAL INSTALLATION (ANSI SPECS)	230
FIGURE 8-2. DECAL INSTALLATION (AUSTRALIAN SPECS).....	234
FIGURE 8-3. DECAL INSTALLATION (CE SPECS)	238
FIGURE 8-4. DECAL INSTALLATION (CHINA SPECS)	242
FIGURE 8-5. DECAL INSTALLATION (CSA SPECS)	246
FIGURE 8-6. DECAL INSTALLATION (JAPANESE SPECS).....	250
FIGURE 8-7. DECAL INSTALLATION (KOREAN SPECS)	254
FIGURE 8-8. DECAL INSTALLATION - OPTIONS	258
SECTION 9 - RECOMMENDED SERVICE PARTS STOCK	261
FIGURE 9-1. RECOMMENDED SERVICE PARTS STOCK	262
SECTION 10 - SPECIAL OPTIONS	263
FIGURE 10-1. SPECIAL OPTIONS.....	264
PART NUMBER INDEX	265

SECTION 1 - FRAME

SECTION 1 - FRAME

FIGURE 1-1. STEER INSTALLATION



ART_1001243106

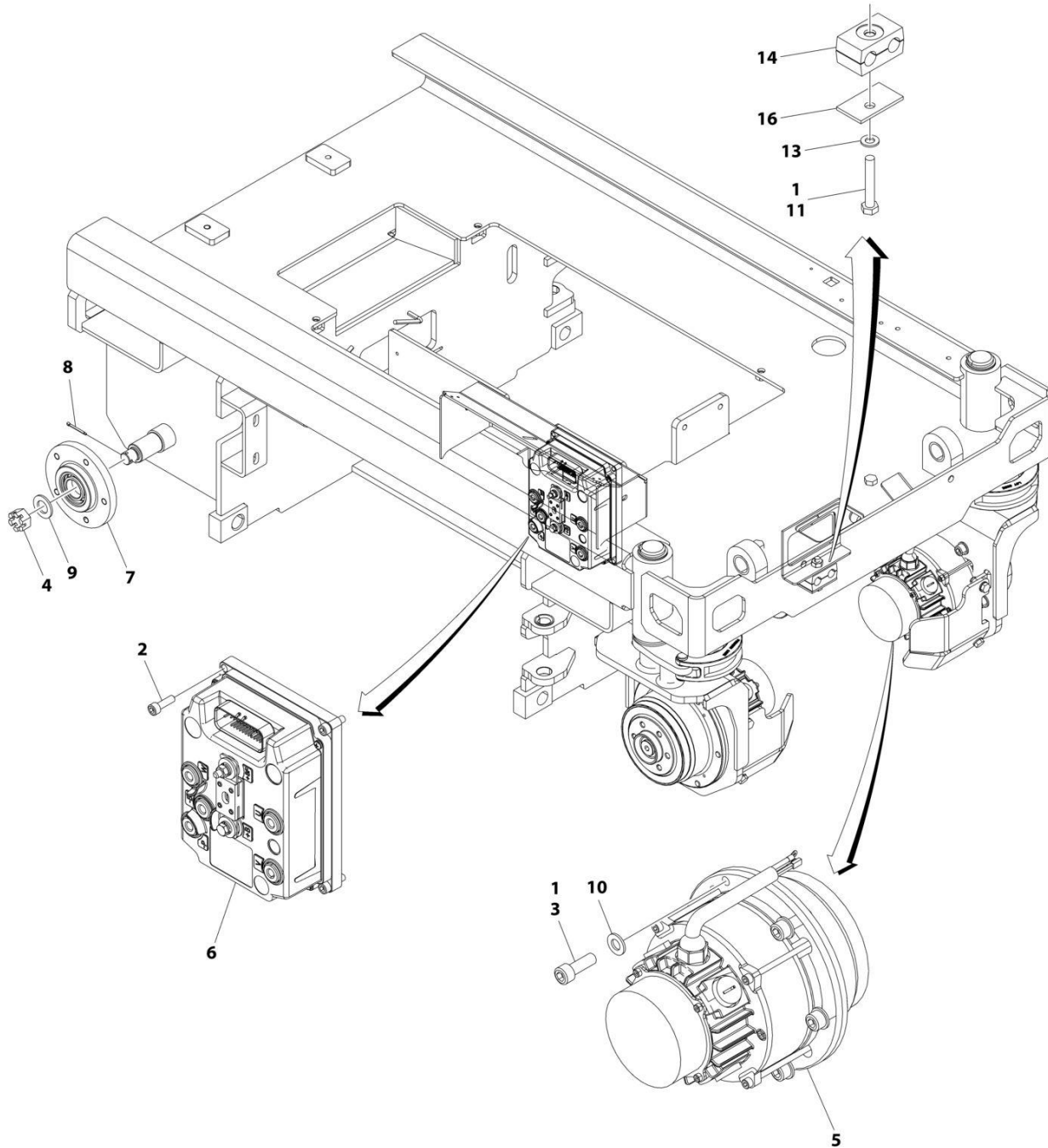
SECTION 1 - FRAME

FIGURE 1-1. STEER INSTALLATION

ITEM	PART NUMBER	QTY	DESCRIPTION	REV
	1001243106	Ref	STEER INSTALLATION	B
1	0100011	AR	Compound, Locking	
2	0440259	2	Bearing	
3	0761012	4	Bolt M10 x 25	
4	1380153	4	Clip	
5	3423037	4	Pin	
6	4812000	4	Washer M10	
7	4846757	2	Lug, Steering	
8	1001099560	2	Ring, Retaining	
9	1001233524	2	Washer	
10	1001233525	2	Washer	
11	1001234461	1	Steer Cylinder Assembly (See Separate Breakdown in CYLINDER SECTION)	
12	1001243248	1	Spindle (LH)	
13	1001243249	1	Spindle (RH)	
14	0760812	4	Bolt M8 x 25	
15	3290801	4	Nut M8	
16	4811900	8	Washer M8	
17	1001246920	1	Cover (LH)	
18	1001246921	1	Cover (RH)	
100	1001236834	4	Bearing (Part of Frame) (Not Shown)	

SECTION 1 - FRAME

FIGURE 1-2. DRIVE COMPONENTS INSTALLATION



ART_1001241599

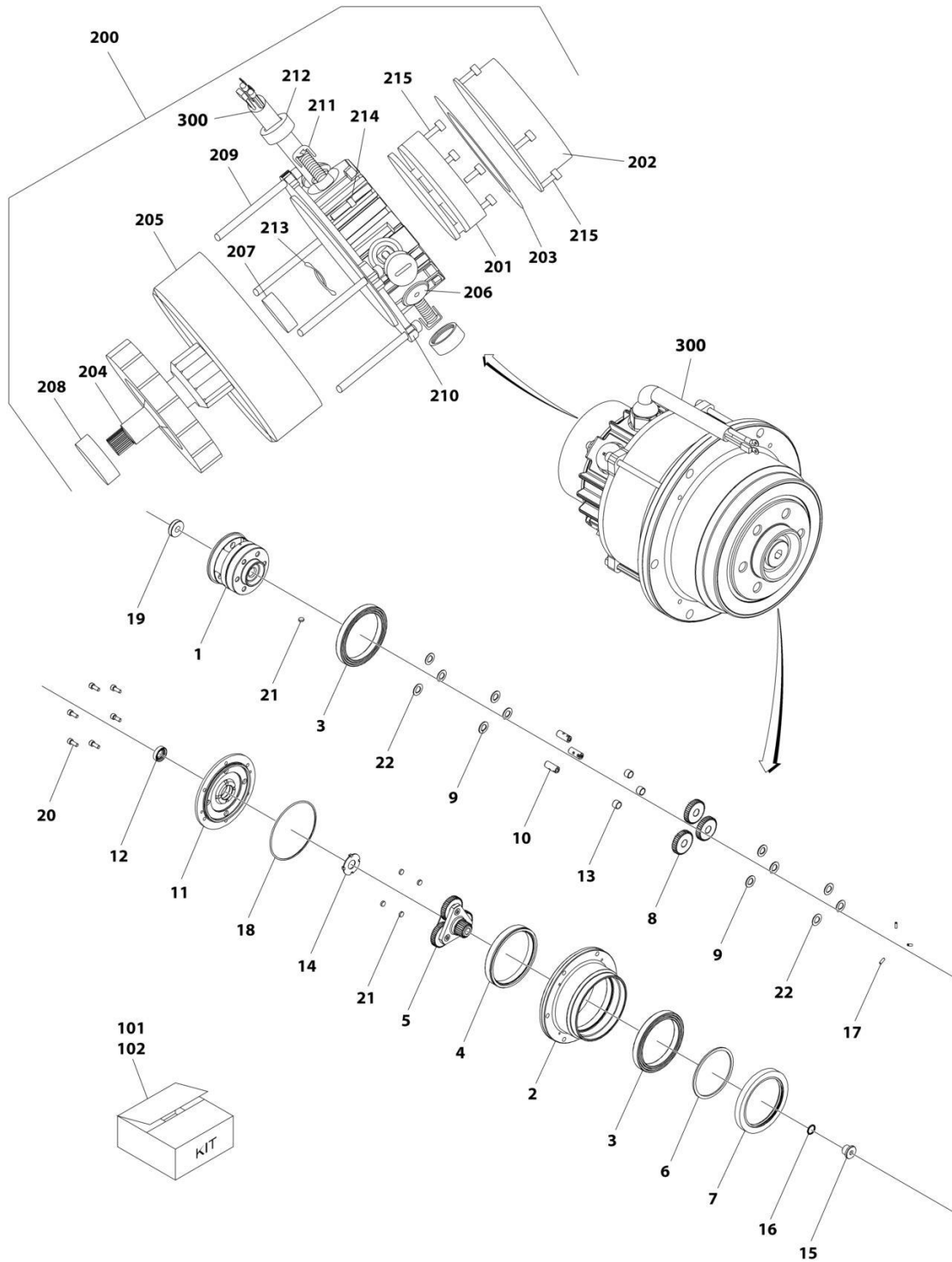
SECTION 1 - FRAME

FIGURE 1-2. DRIVE COMPONENTS INSTALLATION

ITEM	PART NUMBER	QTY	DESCRIPTION	REV
	1001241599	Ref	DRIVE COMPONENTS INSTALLATION	G
1	0100011	AR	Compound, Locking	
2	4031708	4	Capscrew M6 x 20	
3	4032010	12	Capscrew M10 x 30	
4	3322203	2	Nut 3/4	
5	1001243257	2	Drive Motor Assembly (See Separate Breakdown in this Section)	
6	1001243107	1	Module, Control (Drive) (Note: Recalibration Required when Replaced.)	
7	1001242978	2	Hub, Assembly	
7	1001242980	4	Bearing (2 Per Hub)	
8	3391210	2	Pin, Cotter 3.2 x 30	
9	4812500	2	Washer M20	
10	4812000	12	Washer M10	
11	0700818	1	Bolt M8 x 50	
13	4811900	1	Washer M8	
14	1001249667	1	Clamp	
15	4240017	AR	Tie-Strap (Not Shown)	
16	1321752	1	Plate, Clamp	

SECTION 1 - FRAME

FIGURE 1-3. DRIVE MOTOR ASSEMBLY



ART_1001243257

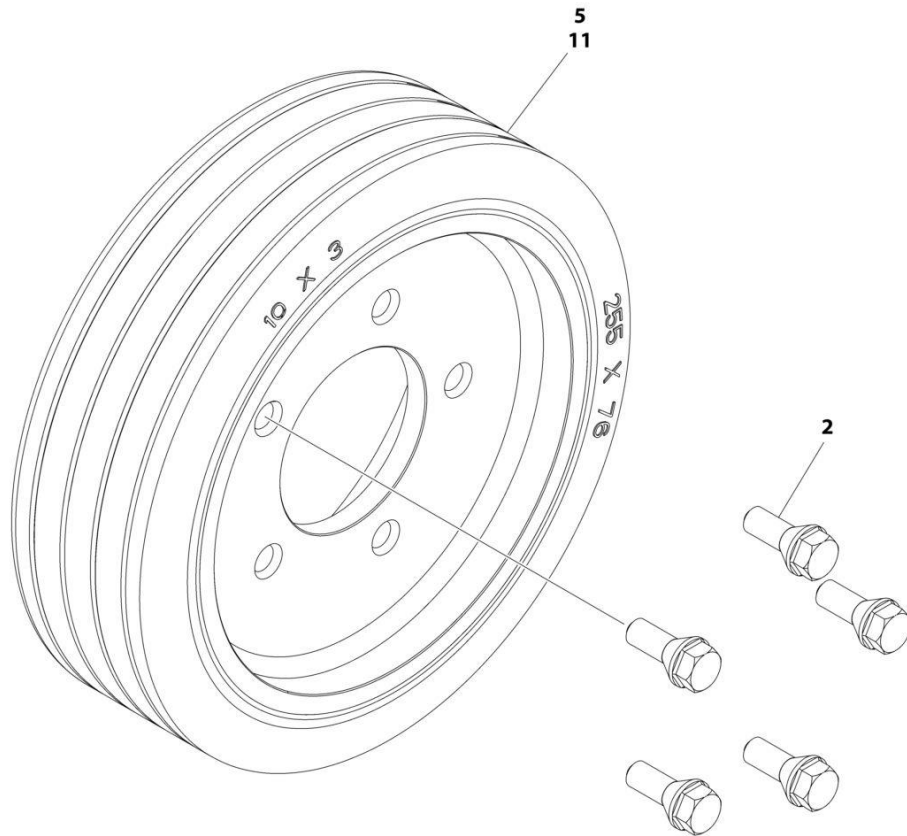
SECTION 1 - FRAME

FIGURE 1-3. DRIVE MOTOR ASSEMBLY

ITEM	PART NUMBER	QTY	DESCRIPTION	REV
	1001243257	Ref	DRIVE MOTOR ASSEMBLY	F
1	70007267	1	Spindle/Carrier	
2	70007266	1	Ring Gear	
3	See Note	NSS	Bearing (Note: Use Item 101)	
4	70007265	1	Ring Gear	
5	70007264	1	Carrier Sub-Assembly - Primary	
6	70007263	1	Ring, Retaining	
7	See Note	NSS	Seal, Lip (Note: Use Item 101 or 102)	
8	70007262	3	Gear, Planet - Secondary	
9	70007261	6	Washer	
10	70007260	3	Shaft, Planet	
11	70007259	1	Cap, End	
12	See Note	NSS	Seal, Lip (Note: Use Item 101 or 102)	
13	See Note	NSS	Bearing (Note: Use Item 101)	
14	70007258	1	Thrustwasher	
15	70007257	1	Plug	
16	See Note	NSS	O-Ring (Note: Use Item 101 or 102)	
17	70007256	3	Pin	
18	See Note	NSS	O-Ring (Note: Use Item 101 or 102)	
19	70007255	1	Thrustwasher	
20	70007254	6	Capscrew M6	
21	70007253	5	Magnet	
22	70007252	6	Washer	
101	70007269	1	Bearing Kit (Includes Items 3,7,12,13,16,18)	
102	70007268	1	Seal Kit (Includes Items 7,12,16,18)	
200	70007270	1	Motor Kit (Includes Items 201-215)	
201	70007271	1	ELECTRIC BRAKE	
202	See Note	NSS	Cover (Note: Use Item 200)	
203	70007273	1	Gasket	
204	See Note	NSS	Armature (Note: Use Item 200)	
205	See Note	NSS	Frame & Field (Note: Use Item 200)	
206	See Note	NSS	Plug (Note: Use Item 200)	
207	See Note	NSS	Bearing (Note: Use Item 200)	
208	See Note	NSS	Bearing (Note: Use Item 200)	
209	See Note	NSS	Capscrew (Note: Use Item 200)	
210	See Note	NSS	Commutator (Note: Use Item 200)	
211	70007272	4	Brush	
212	70007274	4	Cover, Brush	
213	See Note	NSS	Washer, Wavy (Note: Use Item 200)	
214	See Note	3	Capscrew	
215	70007275	8	Capscrew M4 x 12	
300	1001246639	1	Motor Harness	
300	4460891	1	Plug, Male - 2 Position	
300	4460465	2	Socket, Female	

SECTION 1 - FRAME

FIGURE 1-4. TIRE/WHEEL INSTALLATION



ART_1001241546

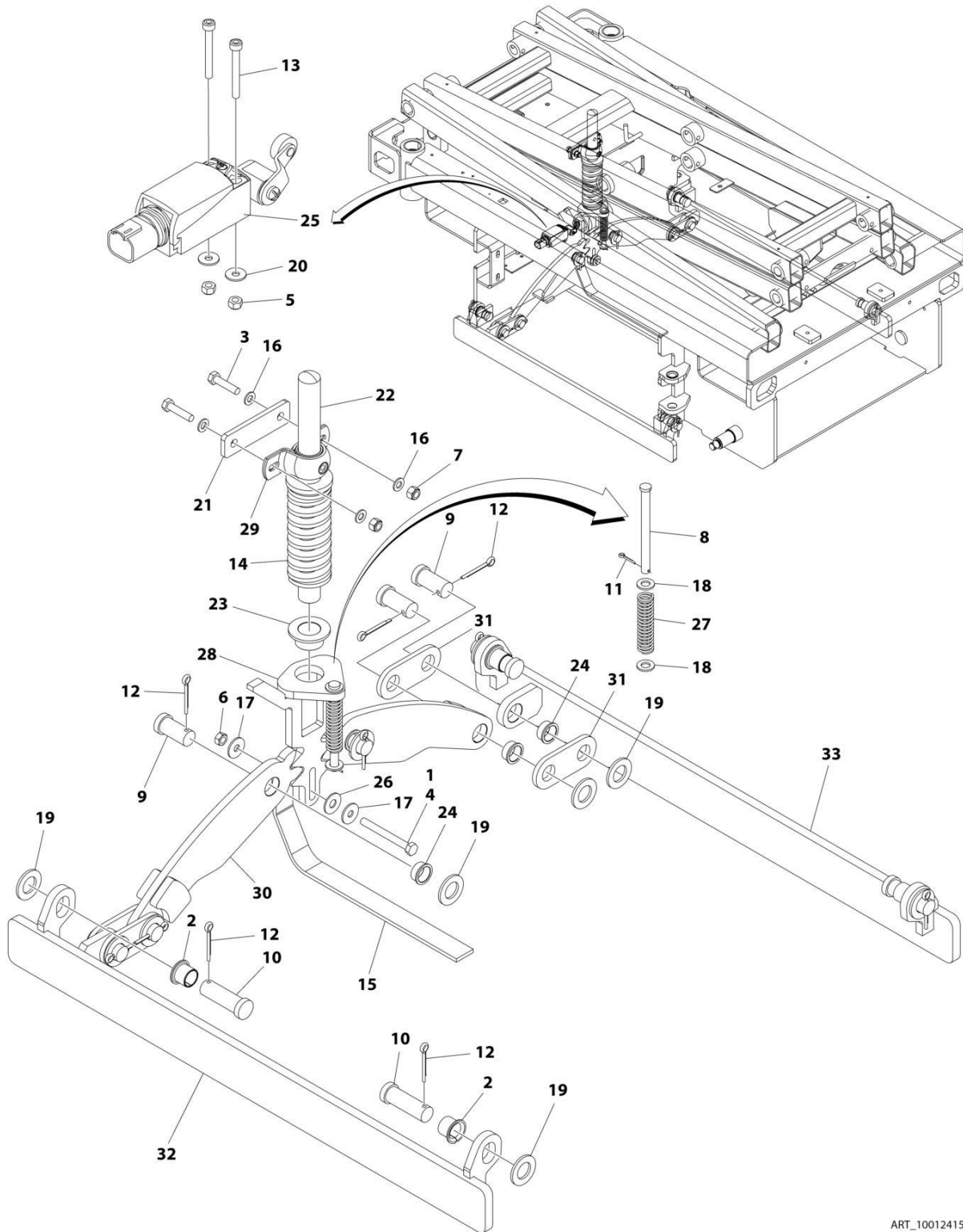
SECTION 1 - FRAME

FIGURE 1-4. TIRE/WHEEL INSTALLATION

ITEM	PART NUMBER	QTY	DESCRIPTION	REV
	1001241546	Ref	TIRE/WHEEL INSTALLATION	E
		Ref	Note: Must Replace Tire and Wheel Assemblies in Pairs Per Axle	
2	1001245139	22	Bolt, Wheel M10 X 1.5	
5	1001241601	2	Tire and Wheel (Non - Marking) (Front)	
11	1001237518	2	Tire and Wheel (Non - Marking) (Rear)	

SECTION 1 - FRAME

FIGURE 1-5. POTHOLE PROTECTION SYSTEM INSTALLATION



ART_1001241542

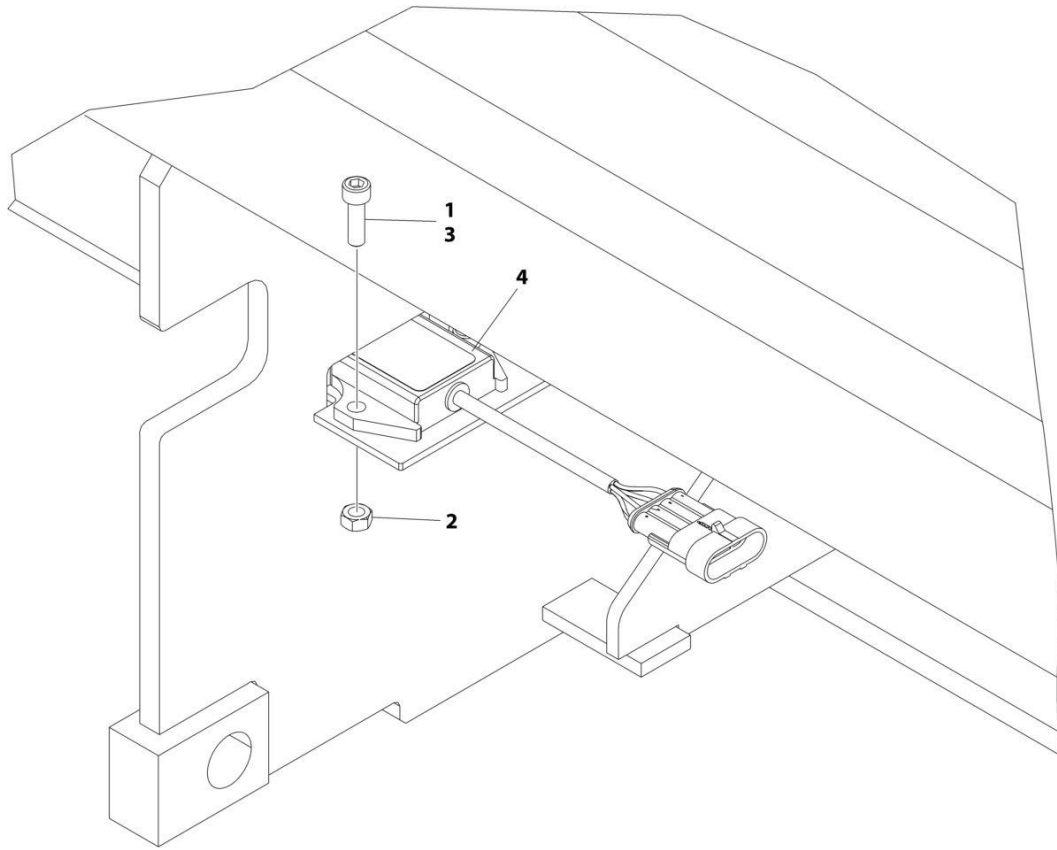
SECTION 1 - FRAME

FIGURE 1-5. POTHOLE PROTECTION SYSTEM INSTALLATION

ITEM	PART NUMBER	QTY	DESCRIPTION	REV
	1001241542	Ref	POTHOLE PROTECTION SYSTEM INSTALLATION	E
1	0100011	AR	Compound, Locking	
2	0440263	4	Bearing	
3	0700815	2	Bolt M8 x 35	
4	0700823	1	Bolt M8 x 75	
5	3290405	2	Nut M4	
6	3290801	1	Nut M8	
7	3290805	2	Nut M8	
8	3430636	1	Pin	
9	3431212	6	Pin	
10	3431218	4	Pin	
11	3450303	1	Pin, Cotter 3/32 x 3/4	
12	3450505	10	Pin, Cotter 5/32 x 1/2	
13	4031511	2	Capscrew M4 x 35	
14	4160202	1	Spring	
15	4240147	1	Strap, Anti-Static	
16	4811900	4	Washer M8	
17	4811902	2	Washer M8	
18	4812000	2	Washer M10	
19	4812500	14	Washer M20	
20	1001091102	2	Washer M4	
21	1001202987	1	Plate, Mounting	
22	1001202988	1	Actuator (Upper)	
23	1001203869	1	Bearing	
24	1001203870	6	Bearing	
25	1001203871	1	Switch, Limit	
26	1001203872	1	Washer 3/8	
27	1001212068	1	Spring	
28	1001214526	1	Actuator (Lower)	
29	1001215953	1	Bearing	
30	1001249846	2	Plate, Pinion	
31	1001236849	4	Link	
32	1001241543	1	Bar (LH)	
33	1001241544	1	Bar (RH)	

SECTION 1 - FRAME

FIGURE 1-6. TILT SENSOR INSTALLATION



ART_1001237507

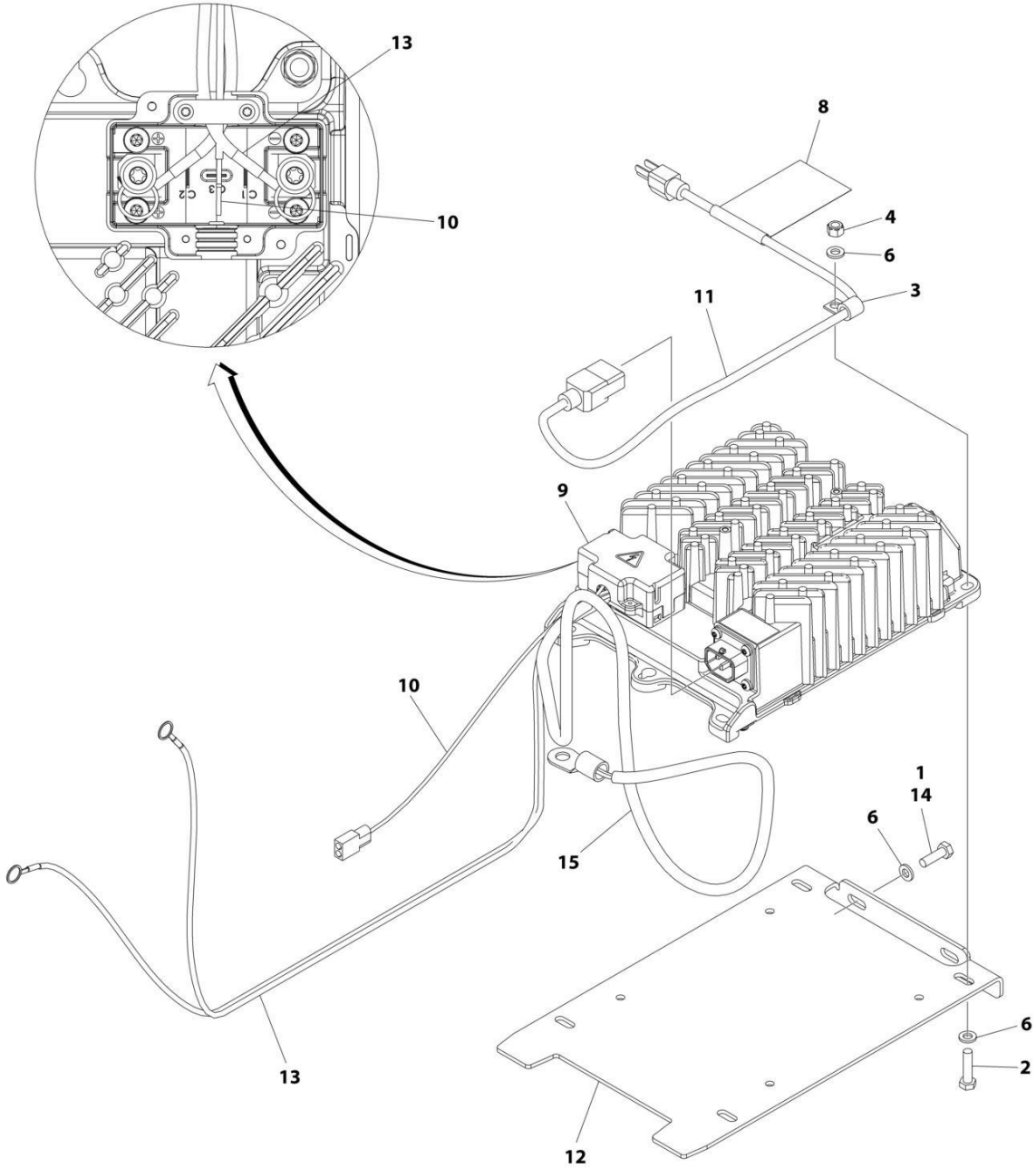
SECTION 1 - FRAME

FIGURE 1-6. TILT SENSOR INSTALLATION

ITEM	PART NUMBER	QTY	DESCRIPTION	REV
	1001237507	Rev	TILT SENSOR INSTALLATION	C
1	0100011	1	Compound, Locking	
2	3290601	1	Nut M6 x 20	
3	4031708	1	Capscrew M6 x 20	
4	1001186466	1	Sensor, Tilt	

SECTION 1 - FRAME

FIGURE 1-7. BATTERY CHARGER INSTALLATION - DELTA-Q (LOCALLY SUPPLIED PLUG)



ART_1001244598_C

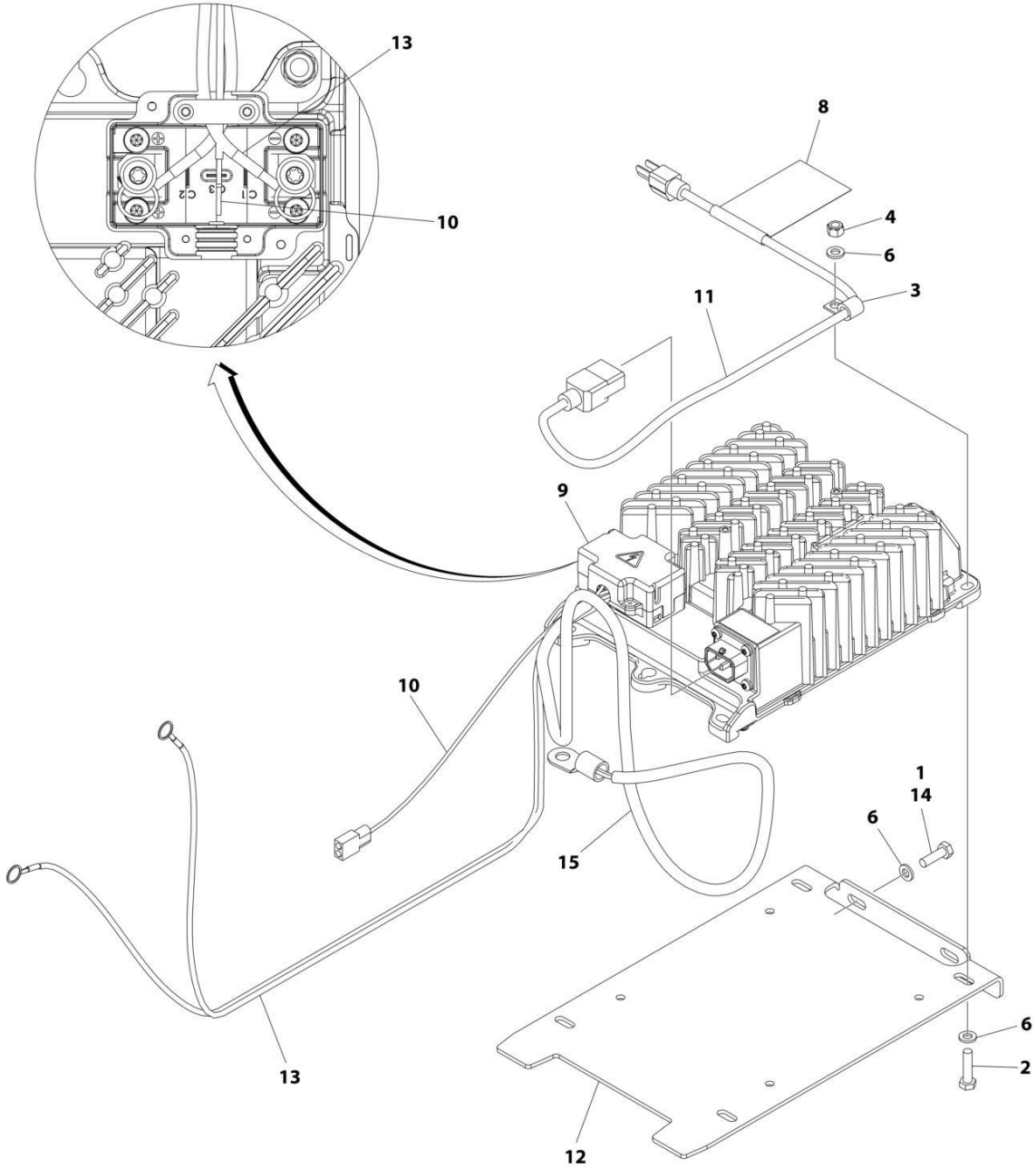
SECTION 1 - FRAME

FIGURE 1-7. BATTERY CHARGER INSTALLATION - DELTA-Q (LOCALLY SUPPLIED PLUG)

ITEM	PART NUMBER	QTY	DESCRIPTION	REV
	1001244598	Ref	BATTERY CHARGER INSTALLATION - DELTA-Q (LOCALLY SUPPLIED PLUG)	C
1	0760610	2	Bolt M6 x 20	
2	0760612	4	Bolt M6 x 25	
3	1321293	1	Clamp	
4	3290605	4	Nut M6	
5	4240017	AR	Tie-Strap (Not Shown)	
6	4811700	10	Washer M6	
8	1001102489	1	Decal - Charger	
9	1001249940	1	Charger, Battery - Delta-Q	
10	1001207009	1	Charger Interlock Harness	
10	4460424	1	Receptacle, Female - 2 Position	
10	4460227	2	Pin, Male	
11	1001207974	1	Cable, Charger AC Input	
12	1001237462	1	Bracket	
13	1001241489	1	Charger DC Connection Harness	
14	0100011	AR	Compound, Locking	
15	1001260628	1	Sensor, Temperature	

SECTION 1 - FRAME

FIGURE 1-8. BATTERY CHARGER INSTALLATION - DELTA-Q (110V PLUG)



ART_1001244603_C

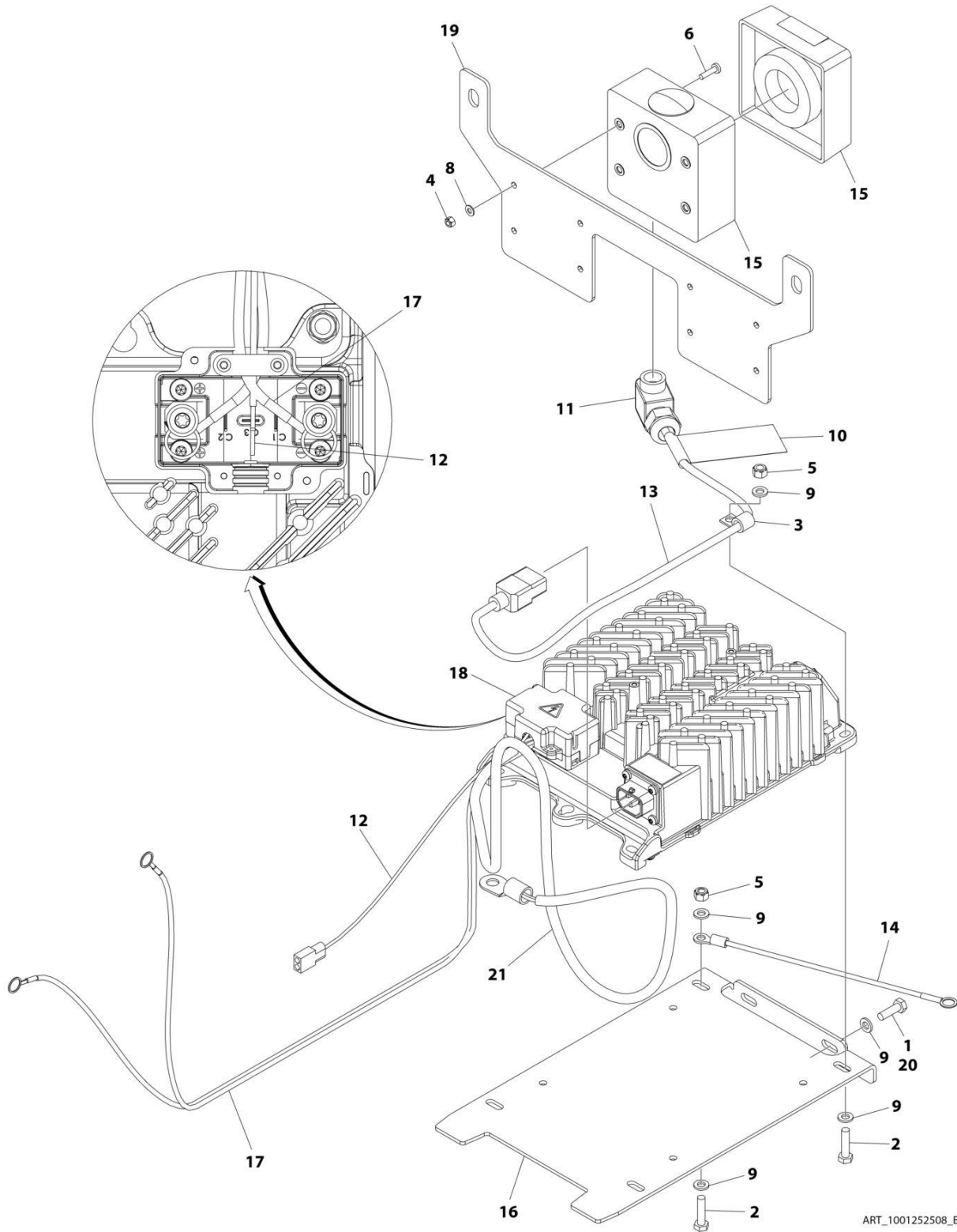
SECTION 1 - FRAME

FIGURE 1-8. BATTERY CHARGER INSTALLATION - DELTA-Q (110V PLUG)

ITEM	PART NUMBER	QTY	DESCRIPTION	REV
	1001244603	Ref	BATTERY CHARGER INSTALLATION - DELTA-Q (110V PLUG)	C
1	0760610	2	Bolt M6 x 20	
2	0760612	4	Bolt M6 x 25	
3	1321293	1	Clamp	
4	3290605	4	Nut M6	
5	4240017	AR	Tie-Strap (Not Shown)	
6	4811700	10	Washer M6	
8	1001102489	1	Decal - Charger	
9	1001249940	1	Charger, Battery - Delta-Q	
10	1001207009	1	Charger Interlock Harness	
10	4460424	1	Receptacle, Female - 2 Position	
10	4460227	2	Pin, Male	
11	1001207970	1	Charger AC Input Cable	
12	1001237462	1	Bracket	
13	1001241489	1	Charger DC Connection Harness	
14	0100011	AR	Compound, Locking	
15	1001260628	1	Sensor, Temperature	

SECTION 1 - FRAME

FIGURE 1-9. BATTERY CHARGER INSTALLATION - DELTA-Q (AUSTRALIAN PLUG)



ART_1001252508_B

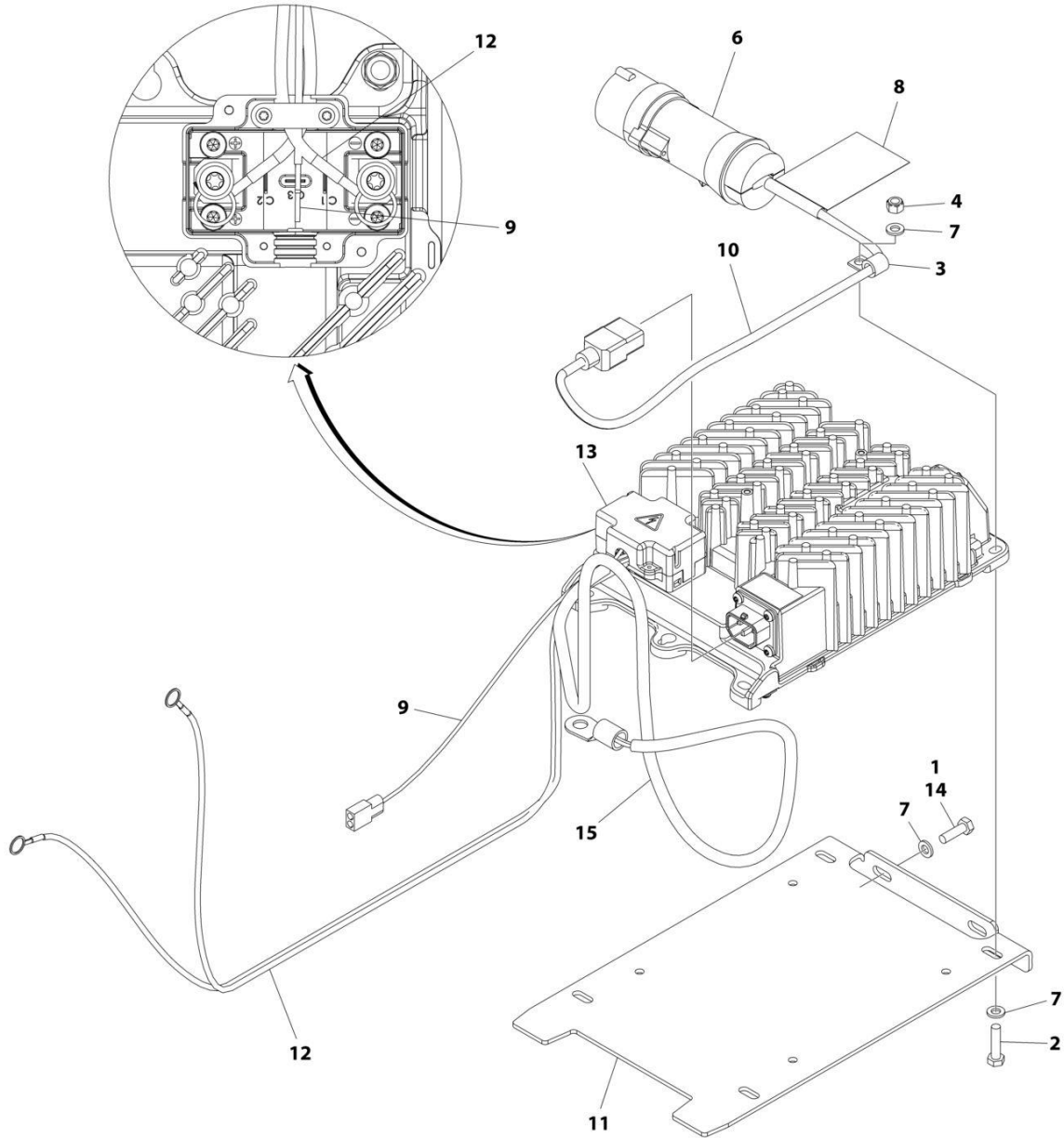
SECTION 1 - FRAME

FIGURE 1-9. BATTERY CHARGER INSTALLATION - DELTA-Q (AUSTRALIAN PLUG)

ITEM	PART NUMBER	QTY	DESCRIPTION	REV
	1001252508	Ref	BATTERY CHARGER INSTALLATION	B
1	0760610	2	Bolt M6 x 20	
2	0760612	4	Bolt M6 x 25	
3	1321293	1	Clamp	
4	3290405	4	Nut M4	
5	3290605	4	Nut M6	
6	4010408	4	Screw M4 x 16	
7	4240017	AR	Tie-Strap (Not Shown)	
8	4811400	4	Washer M4	
9	4811700	10	Washer M6	
10	1001102489	1	Decal - Charger Label	
11	1001103471	1	Connector, Strain Relief 90	
12	1001207009	1	Harness, Charger Interlock	
12	4460424	1	Receptacle, Female - 2 Position	
12	4460227	2	Pin, Male	
13	1001207974	1	Cable, AC Input	
14	1001227219	1	Harness, Earth/Ground Link	
15	1001227267	1	Receptacle, Australian	
16	1001237462	1	Bracket	
17	1001241489	1	Harness, Charger DC	
18	1001249940	1	Charger, Battery - Delta-Q	
19	1001253626	1	Bracket	
20	0100011	AR	Compound, Locking	
21	1001260628	1	Sensor, Temperature	

SECTION 1 - FRAME

FIGURE 1-10. BATTERY CHARGER INSTALLATION - DELTA-Q (CE SPECS) (110V IEC YELLOW PLUG)



ART_1001255205_B

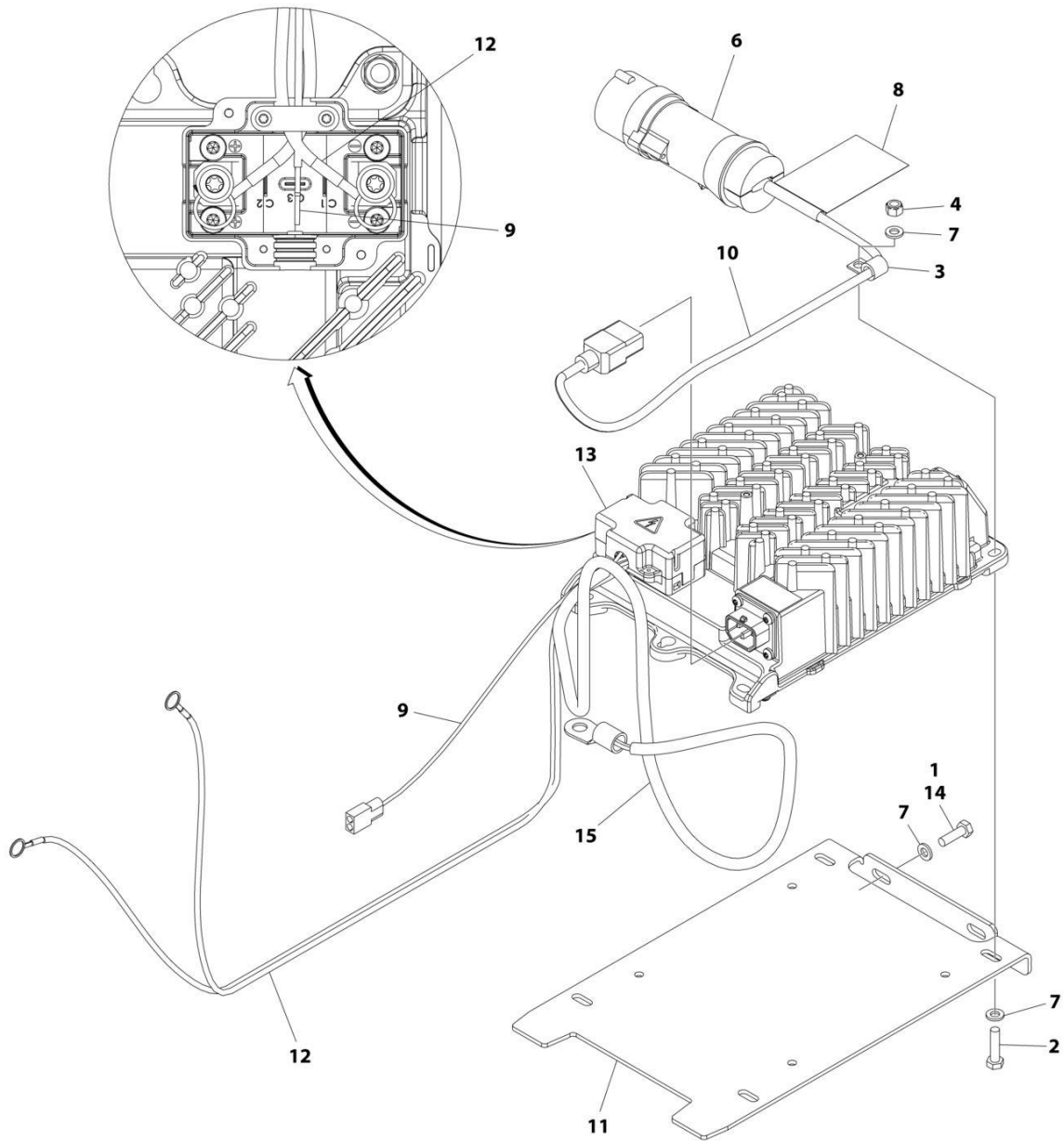
SECTION 1 - FRAME

FIGURE 1-10. BATTERY CHARGER INSTALLATION - DELTA-Q (CE SPECS) (110V IEC YELLOW PLUG)

ITEM	PART NUMBER	QTY	DESCRIPTION	REV
	1001255205	Ref	BATTERY CHARGER INSTALLATION	B
1	0760610	2	Bolt M6 x 20	
2	0760612	4	Bolt M6 x 25	
3	1321293	1	Clamp	
4	3290605	4	Nut M6	
5	4240017	AR	Tie-Strap (Not Shown)	
6	4461196	1	Plug, Male	
7	4811700	10	Washer M6	
8	1001102489	1	Decal - Charger Label	
9	1001207009	1	Harness, Charger Interlock	
9	4460424	1	Receptacle, Female - 2 Position	
9	4460227	2	Pin, Male	
10	1001207974	1	Cable, Charger AC	
11	1001237462	1	Bracket	
12	1001241489	1	Harness, Charger DC	
13	1001249940	1	Charger, Battery - Delta-Q	
14	0100011	AR	Compound, Locking	
15	1001260628	1	Sensor, Temperature	

SECTION 1 - FRAME

FIGURE 1-11. BATTERY CHARGER INSTALLATION - DELTA-Q (CE SPECS) (220V IEC BLUE PLUG)



ART_1001255206_B

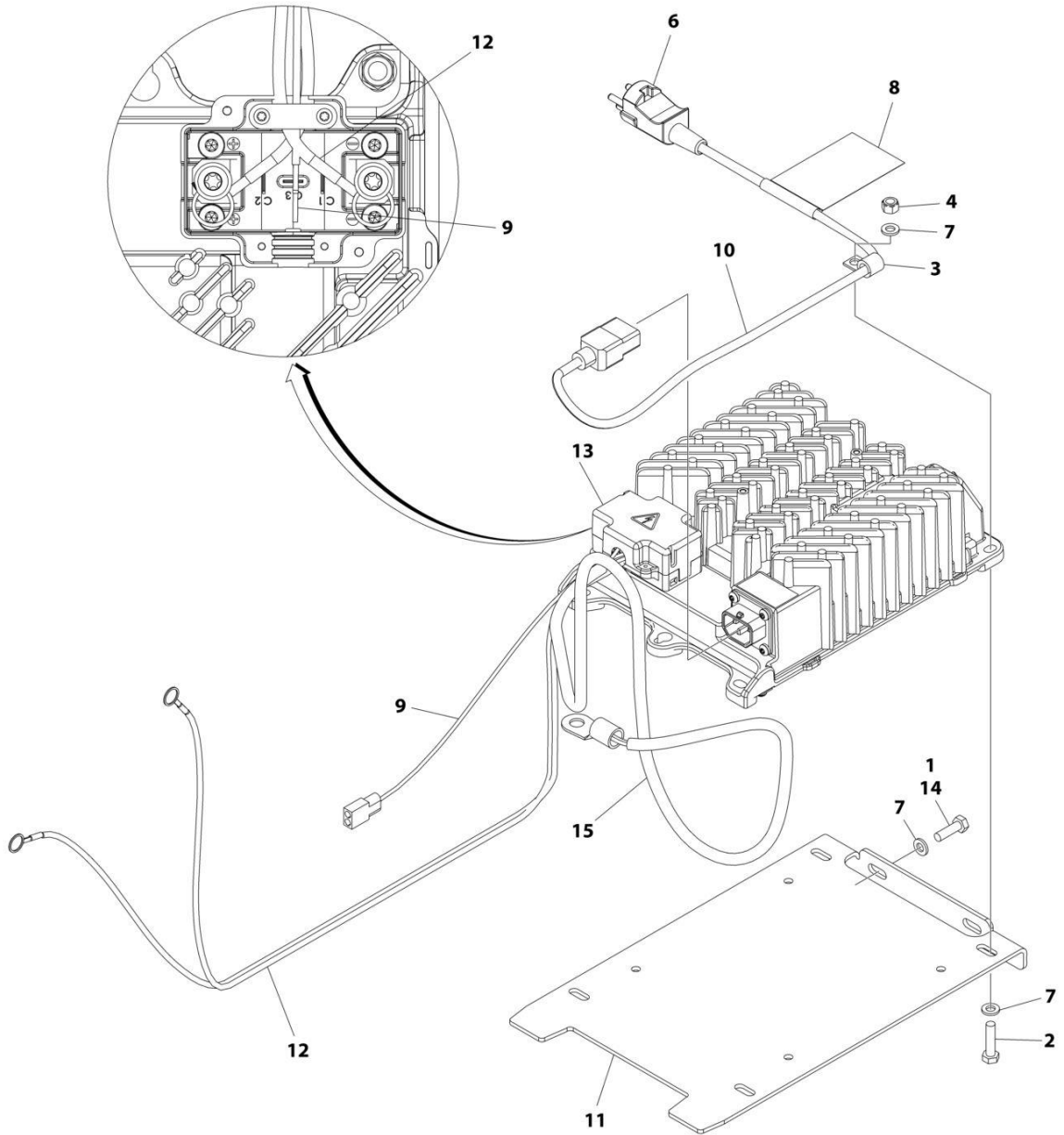
SECTION 1 - FRAME

FIGURE 1-11. BATTERY CHARGER INSTALLATION - DELTA-Q (CE SPECS) (220V IEC BLUE PLUG)

ITEM	PART NUMBER	QTY	DESCRIPTION	REV
	1001255206	Ref	BATTERY CHARGER INSTALLATION	B
1	0760610	2	Bolt M6 x 20	
2	0760612	4	Bolt M6 x 25	
3	1321293	1	Clamp	
4	3290605	4	Nut M6	
5	4240017	AR	Tie-Strap (Not Shown)	
6	4461199	1	Plug, Male	
7	4811700	10	Washer M6	
8	1001102489	1	Decal - Charger Label	
9	1001207009	1	Harness, Charger Interlock	
9	4460424	1	Receptacle, Female - 2 Position	
9	4460227	2	Pin, Male	
10	1001207974	1	Cable, Charger AC	
11	1001237462	1	Bracket	
12	1001241489	1	Harness, Charger DC	
13	1001249940	1	Charger, Battery - Delta-Q	
14	0100011	AR	Compound, Locking	
15	1001260628	1	Sensor, Temperature	

SECTION 1 - FRAME

FIGURE 1-12. BATTERY CHARGER INSTALLATION - DELTA-Q (CE SPECS) (AFSINT107 PLUG)



ART_1001255204_B

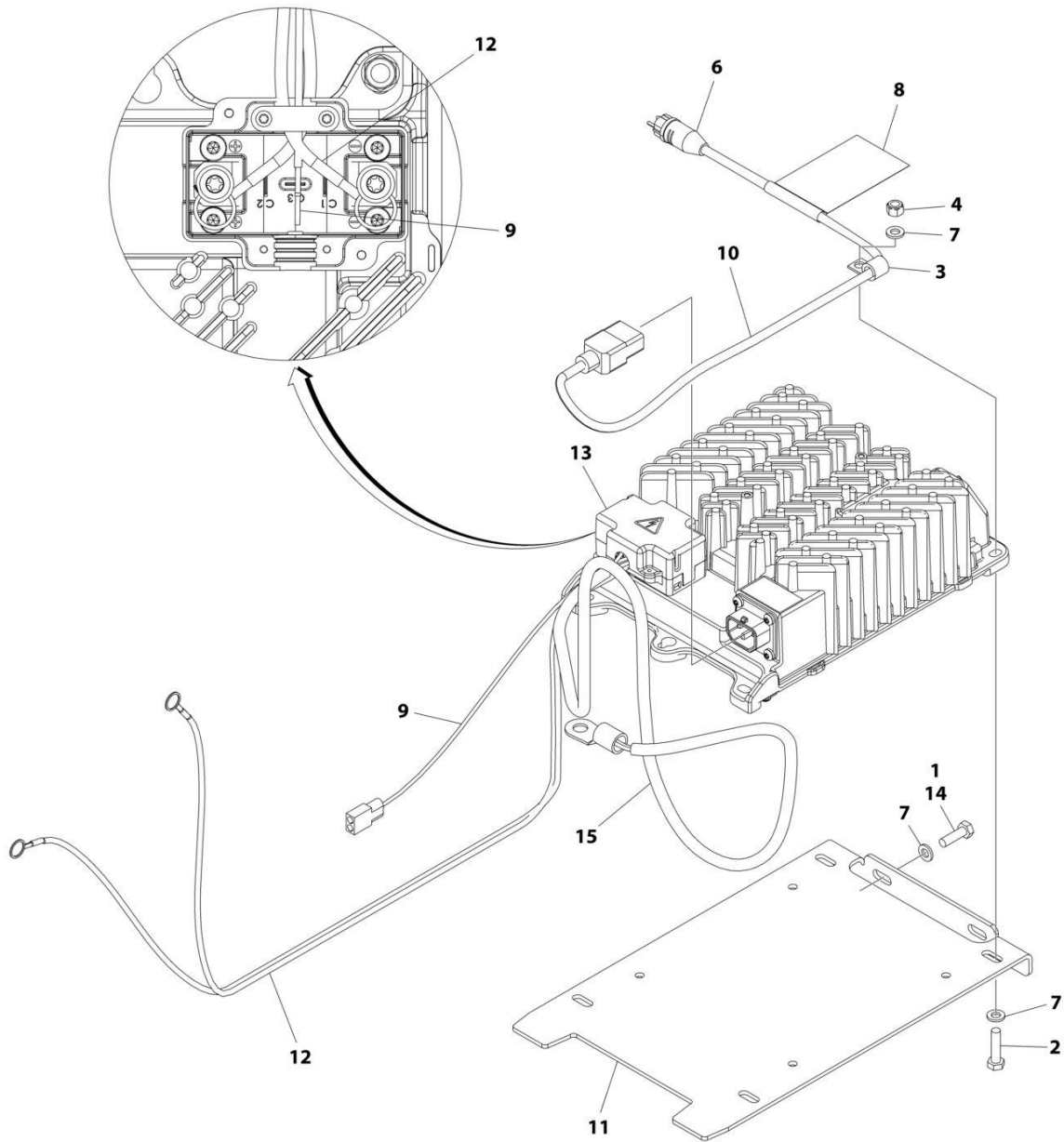
SECTION 1 - FRAME

FIGURE 1-12. BATTERY CHARGER INSTALLATION - DELTA-Q (CE SPECS) (AFSINT107 PLUG)

ITEM	PART NUMBER	QTY	DESCRIPTION	REV
	1001255204	Ref	BATTERY CHARGER INSTALLATION	B
1	0760610	2	Bolt M6 x 20	
2	0760612	4	Bolt M6 x 25	
3	1321293	1	Clamp	
4	3290605	4	Nut M6	
5	4240017	AR	Tie-Strap (Not Shown)	
6	4461249	1	Plug, Male	
7	4811700	10	Washer M6	
8	1001102489	1	Decal - Charger Label	
9	1001207009	1	Harness, Charger Interlock	
9	4460424	2	Receptacle, Female - 2 Position	
9	4460227	1	Pin, Male	
10	1001207974	1	Cable, Charger AC	
11	1001237462	1	Bracket	
12	1001241489	1	Harness, Charger DC	
13	1001249940	1	Charger, Battery - Delta-Q	
14	0100011	AR	Compound, Locking	
15	1001260628	1	Sensor, Temperature	

SECTION 1 - FRAME

FIGURE 1-13. BATTERY CHARGER INSTALLATION - DELTA-Q (CE SPECS) (CEE7 - GRD PLUG)



ART_1001255203_B

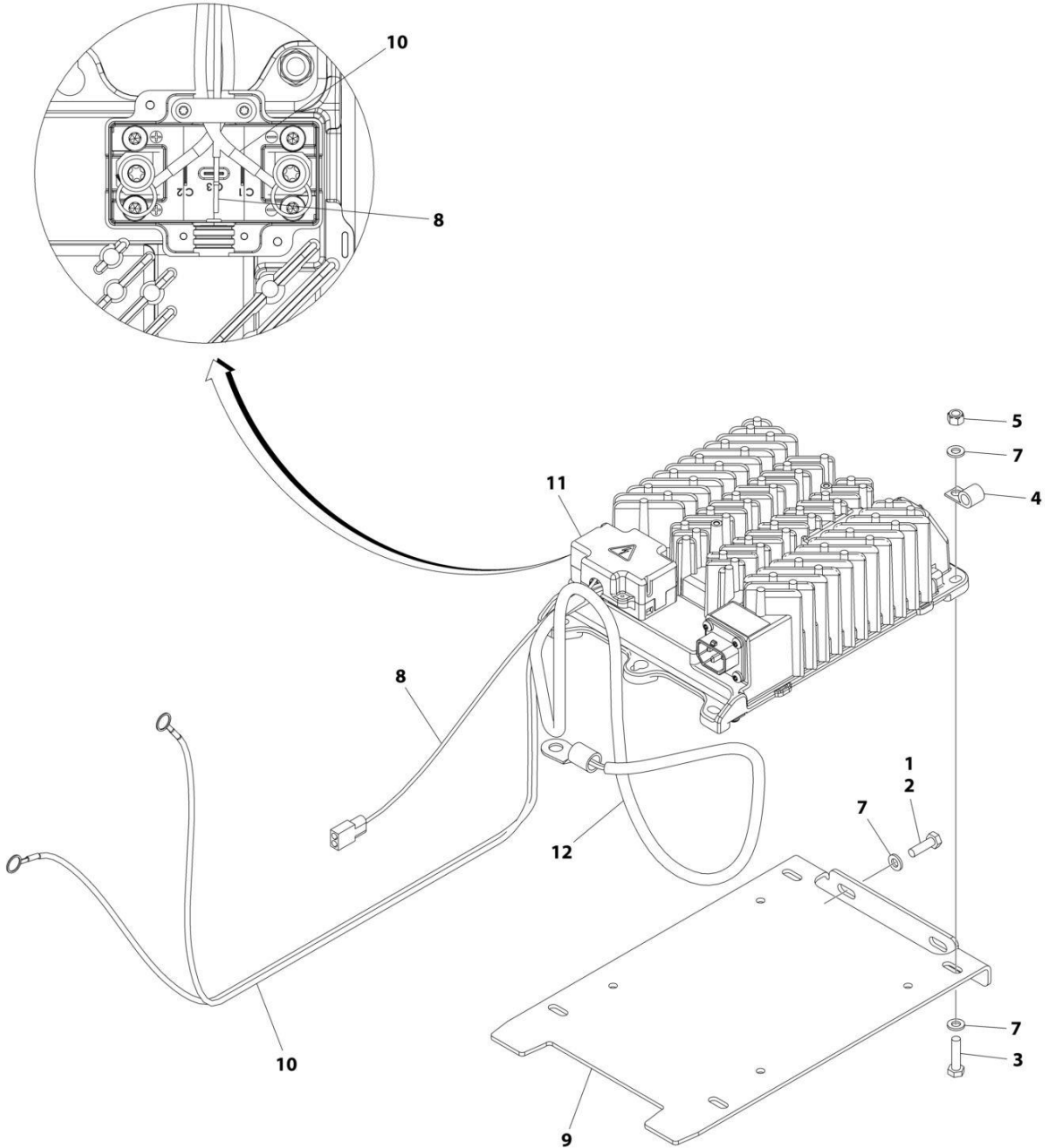
SECTION 1 - FRAME

FIGURE 1-13. BATTERY CHARGER INSTALLATION - DELTA-Q (CE SPECS) (CEE7 - GRD PLUG)

ITEM	PART NUMBER	QTY	DESCRIPTION	REV
	1001255203	Ref	BATTERY CHARGER INSTALLATION	B
1	0760610	2	Bolt M6 x 20	
2	0760612	4	Bolt M6 x 25	
3	1321293	1	Clamp	
4	3290605	4	Nut M6	
5	4240017	AR	Tie-Strap (Not Shown)	
6	4461205	1	Plug, Male	
7	4811700	10	Washer M6	
8	1001102489	1	Decal - Charger Label	
9	1001207009	1	Harness, Charger Interlock	
9	4460424	1	Receptacle, Female - 2 Position	
9	4460227	2	Pin, Male	
10	1001207974	1	Cable, Charger AC	
11	1001237462	1	Bracket	
12	1001241489	1	Harness, Charger DC	
13	1001249940	1	Charger, Battery - Delta-Q	
14	0100011	AR	Compound, Locking	
15	1001260628	1	Sensor, Temperature	

SECTION 1 - FRAME

FIGURE 1-14. BATTERY CHARGER INSTALLATION - DELTA-Q (LESS AC CABLE)



ART_1001264943

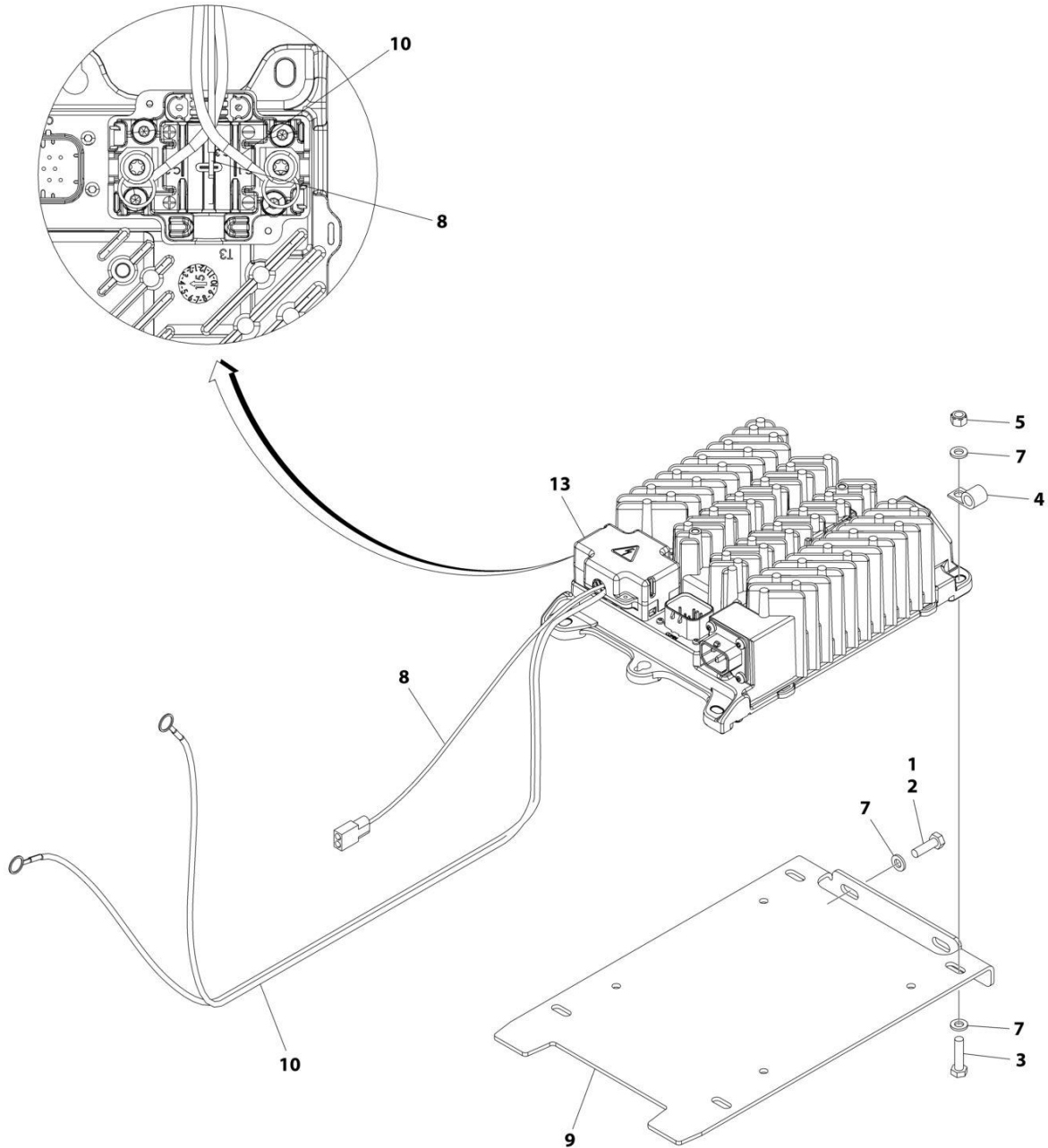
SECTION 1 - FRAME

FIGURE 1-14. BATTERY CHARGER INSTALLATION - DELTA-Q (LESS AC CABLE)

ITEM	PART NUMBER	QTY	DESCRIPTION	REV
	1001264943	Ref	BATTERY CHARGER INSTALLATION - DELTA-Q (LESS AC CABLE)	A
1	0100011	AR	Compound, Locking	
2	0760610	2	Bolt M6 x 20	
3	0760612	4	Bolt M6 x 25	
4	1321293	1	Clamp	
5	3290605	4	Nut M6	
6	4240017	AR	Tie-Strap (Not Shown)	
7	4811700	10	Washer M6	
8	1001207009	1	Charger Interlock Harness	
8	4460424	1	Receptacle, Female - 2 Position	
8	4460227	2	Pin, Male	
9	1001237462	1	Bracket	
10	1001241489	1	Charger DC Connection Harness	
11	1001249940	1	Charger, Battery - Delta-Q	
12	1001260628	1	Sensor, Temperature	

SECTION 1 - FRAME

FIGURE 1-15. BATTERY CHARGER INSTALLATION - DELTA-Q WITH CAN TERMINAL (LESS AC CABLE)



ART_1001264944

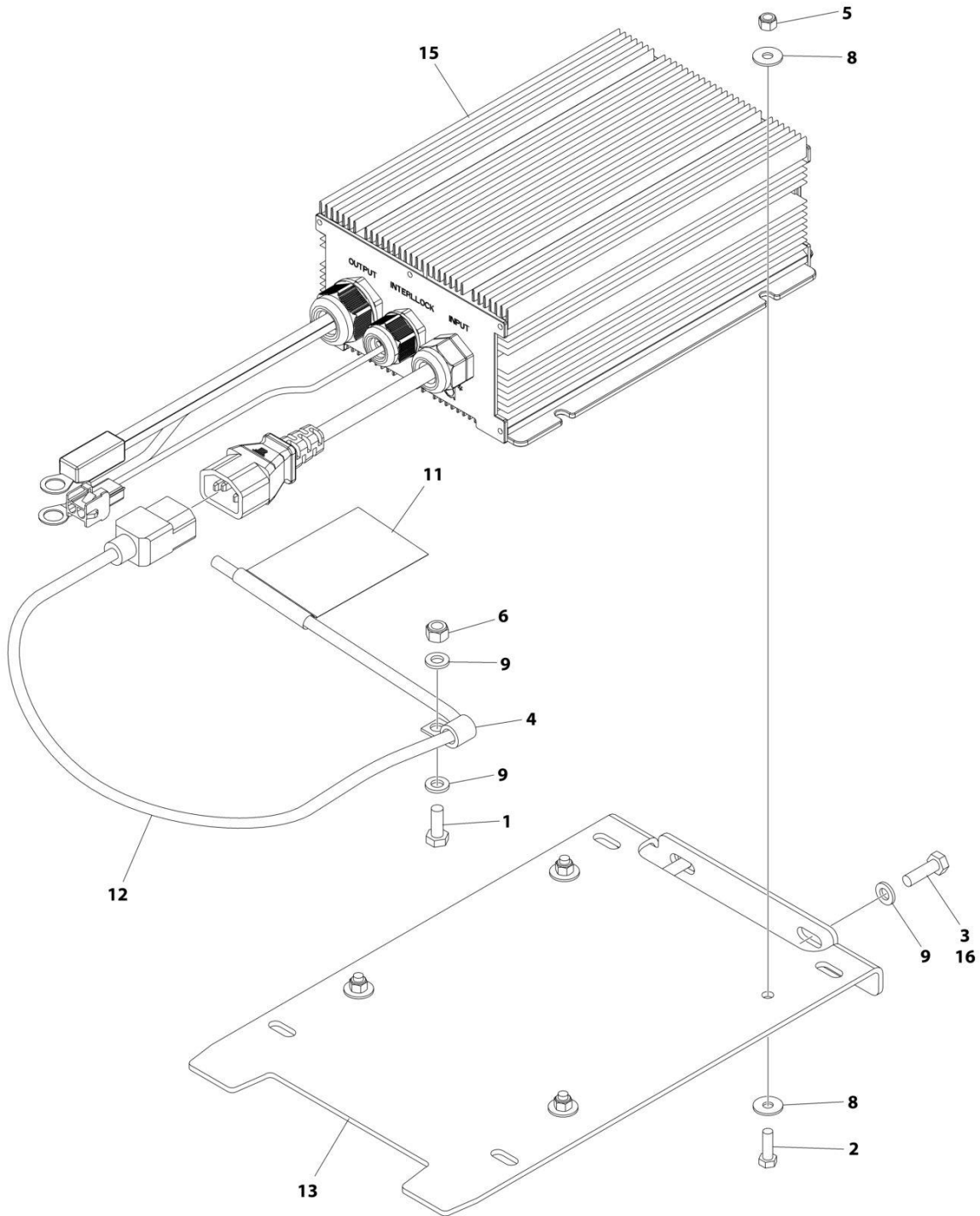
SECTION 1 - FRAME

FIGURE 1-15. BATTERY CHARGER INSTALLATION - DELTA-Q WITH CAN TERMINAL (LESS AC CABLE)

ITEM	PART NUMBER	QTY	DESCRIPTION	REV
	1001264944	Ref	BATTERY CHARGER INSTALLATION - DELTA-Q WITH CAN TERMINAL (LESS AC CABLE)	A
1	0100011	AR	Compound, Locking	
2	0760610	2	Bolt M6 x 20	
3	0760612	4	Bolt M6 x 25	
4	1321293	1	Clamp	
5	3290605	4	Nut M6	
6	4240017	AR	Tie-Strap (Not Shown)	
7	4811700	10	Washer M6	
8	1001207009	1	Charger Interlock Harness	
8	4460424	1	Receptacle, Female - 2 Position	
8	4460227	2	Pin, Male	
9	1001237462	1	Bracket	
10	1001241489	1	Charger DC Connection Harness	
11	1001254027	1	Can Splice Harness (Not Shown - See Separate Breakdown in ELECTRICAL Section)	
12	1001254028	1	Charger To Battery Harness (Not Shown - See Separate Breakdown in ELECTRICAL Section)	
13	1001264978	1	Charger, Battery - Delta-Q with Can Terminal	

SECTION 1 - FRAME

FIGURE 1-16. BATTERY CHARGER INSTALLATION - GREEN POWER (LOCALLY SUPPLIED PLUG)



ART_1001244600

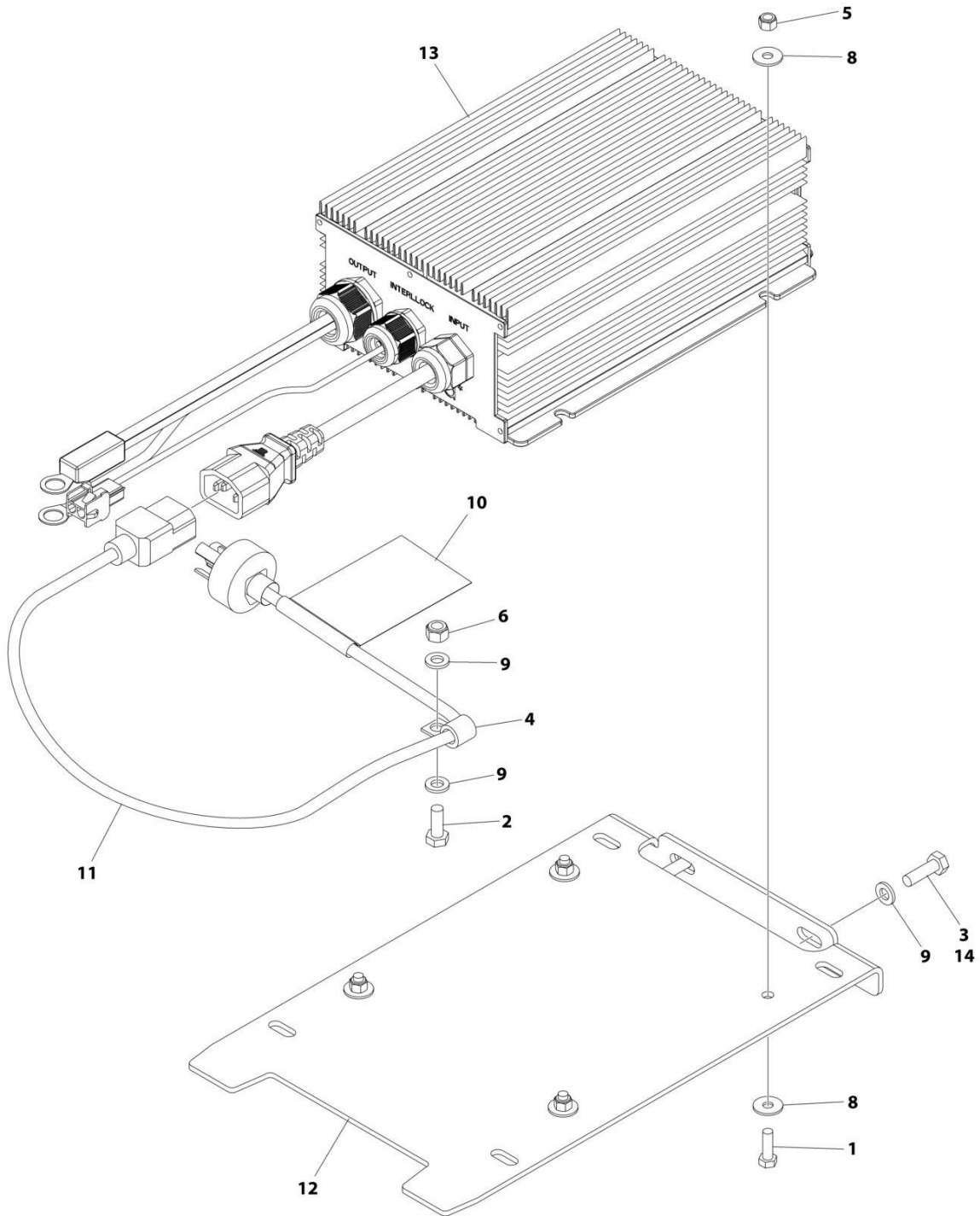
SECTION 1 - FRAME

FIGURE 1-16. BATTERY CHARGER INSTALLATION - GREEN POWER (LOCALLY SUPPLIED PLUG)

ITEM	PART NUMBER	QTY	DESCRIPTION	REV
	1001244600	Ref	BATTERY CHARGER INSTALLATION - GREEN POWER (LOCALLY SUPPLIED PLUG)	C
1	0760608	1	Bolt M6 x 16	
2	0760508	4	Bolt M5 x 16	
3	0760610	2	Bolt M5 x 20	
4	1321293	1	Clamp, Cable	
5	3290505	4	Nut M5	
6	3290605	1	Nut M6	
7	4240017	AR	Tie-Strap (Not Shown)	
8	4811602	8	Washer M5	
9	4811700	4	Washer M6	
11	1001102489	1	Decal - Charger	
12	1001207974	1	Cable, Charger AC Input	
13	1001237462	1	Bracket	
15	1001244478	1	Charger, Battery-Green Power	
16	0100011	AR	Compound, Locking	

SECTION 1 - FRAME

FIGURE 1-17. BATTERY CHARGER INSTALLATION - GREEN POWER (110V PLUG)



ART_1001250219

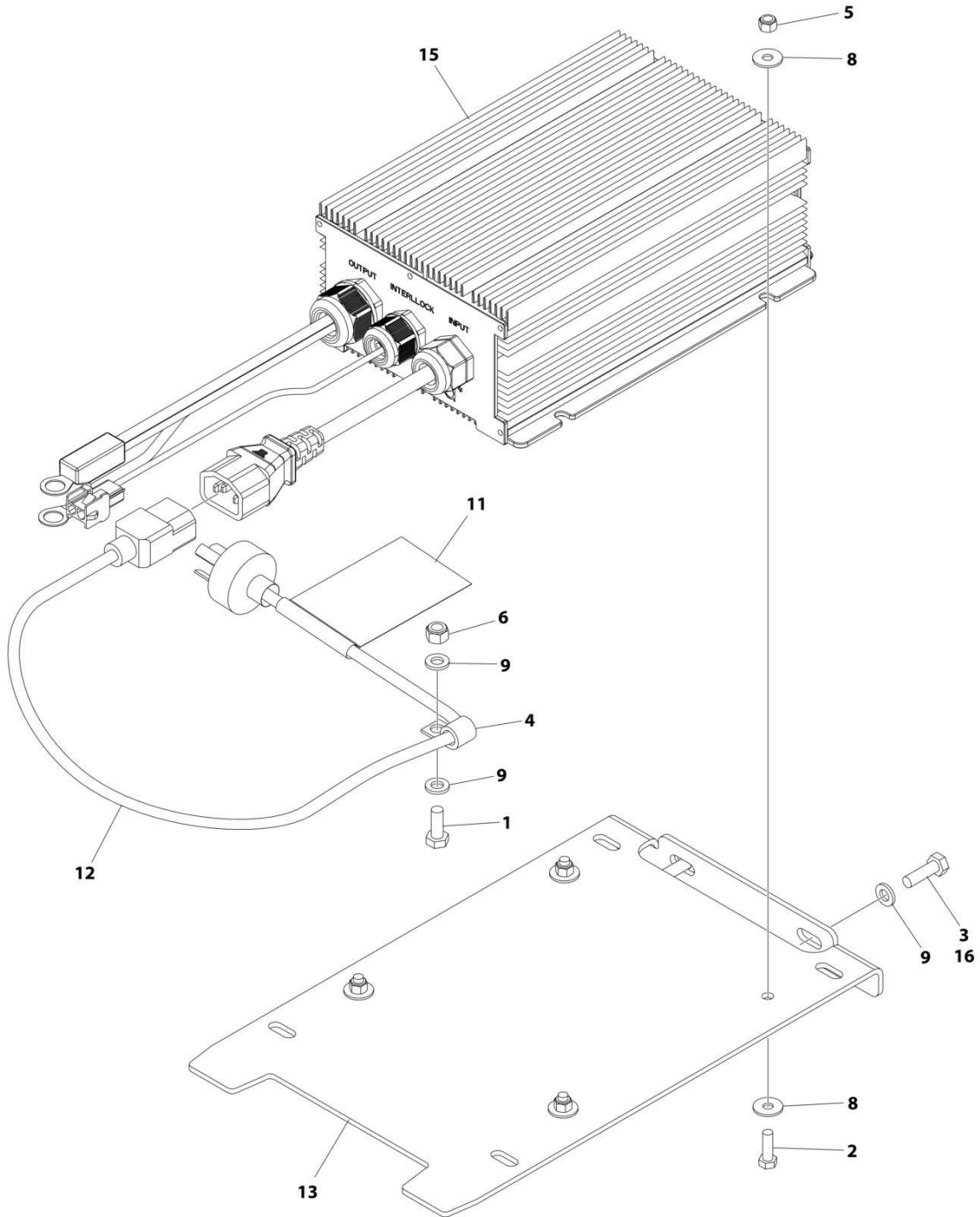
SECTION 1 - FRAME

FIGURE 1-17. BATTERY CHARGER INSTALLATION - GREEN POWER (110V PLUG)

ITEM	PART NUMBER	QTY	DESCRIPTION	REV
	1001250219	Ref	BATTERY CHARGER INSTALLATION - GREEN POWER (110V PLUG)	B
1	0760508	4	Bolt M5 x 16	
2	0760608	1	Bolt M6 x 16	
3	0760610	2	Bolt M5 x 20	
4	1321293	1	Clamp, Cable	
5	3290505	4	Nut M5	
6	3290605	1	Nut M6	
7	4240017	AR	Tie-Strap (Not Shown)	
8	4811602	8	Washer M5	
9	4811700	4	Washer M6	
10	1001102489	1	Decal - Charger	
11	1001207970	1	Cable, Charger AC Input	
12	1001237462	1	Bracket	
13	1001244478	1	Charger, Battery-Green Power	
14	0100011	AR	Compound, Locking	

SECTION 1 - FRAME

FIGURE 1-18. BATTERY CHARGER INSTALLATION - GREEN POWER (CHINA PLUG)



ART_1001244599

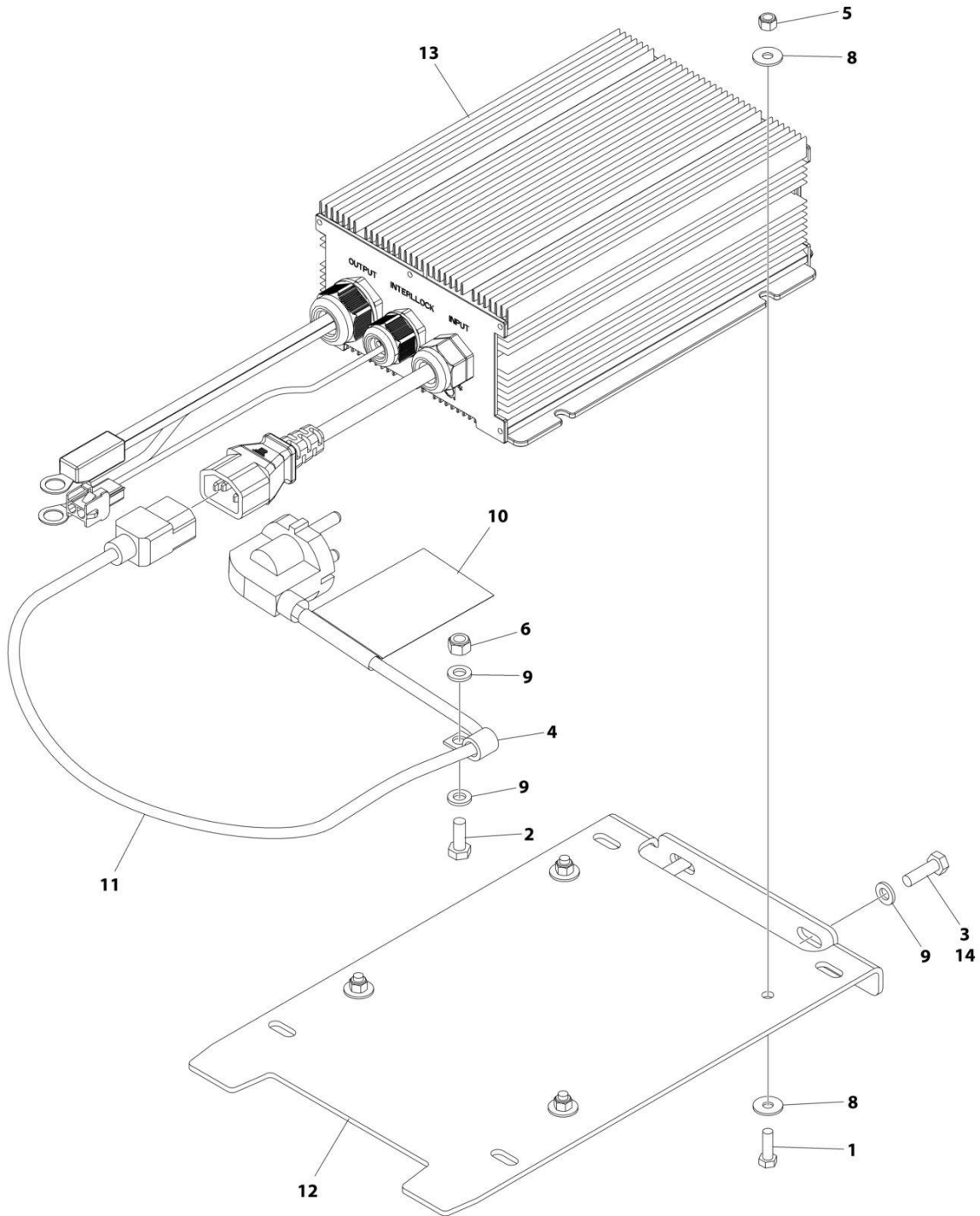
SECTION 1 - FRAME

FIGURE 1-18. BATTERY CHARGER INSTALLATION - GREEN POWER (CHINA PLUG)

ITEM	PART NUMBER	QTY	DESCRIPTION	REV
	1001244599	Ref	BATTERY CHARGER INSTALLATION - GREEN POWER (CHINA PLUG)	C
1	0760608	1	Bolt M6 x 16	
2	0760508	4	Bolt M5 x 16	
3	0760610	2	Bolt M5 x 20	
4	1321293	1	Clamp, Cable	
5	3290505	4	Nut M5	
6	3290605	1	Nut M6	
7	4240017	AR	Tie-Strap (Not Shown)	
8	4811602	8	Washer M5	
9	4811700	4	Washer M6	
11	1001102489	1	Decal - Charger	
12	1001207973	1	Cable, Charger AC Input	
13	1001237462	1	Bracket	
15	1001244478	1	Charger, Battery-Green Power	
16	0100011	AR	Compound, Locking	

SECTION 1 - FRAME

FIGURE 1-19. BATTERY CHARGER INSTALLATION - GREEN POWER (KOREAN PLUG)



ART_1001250218

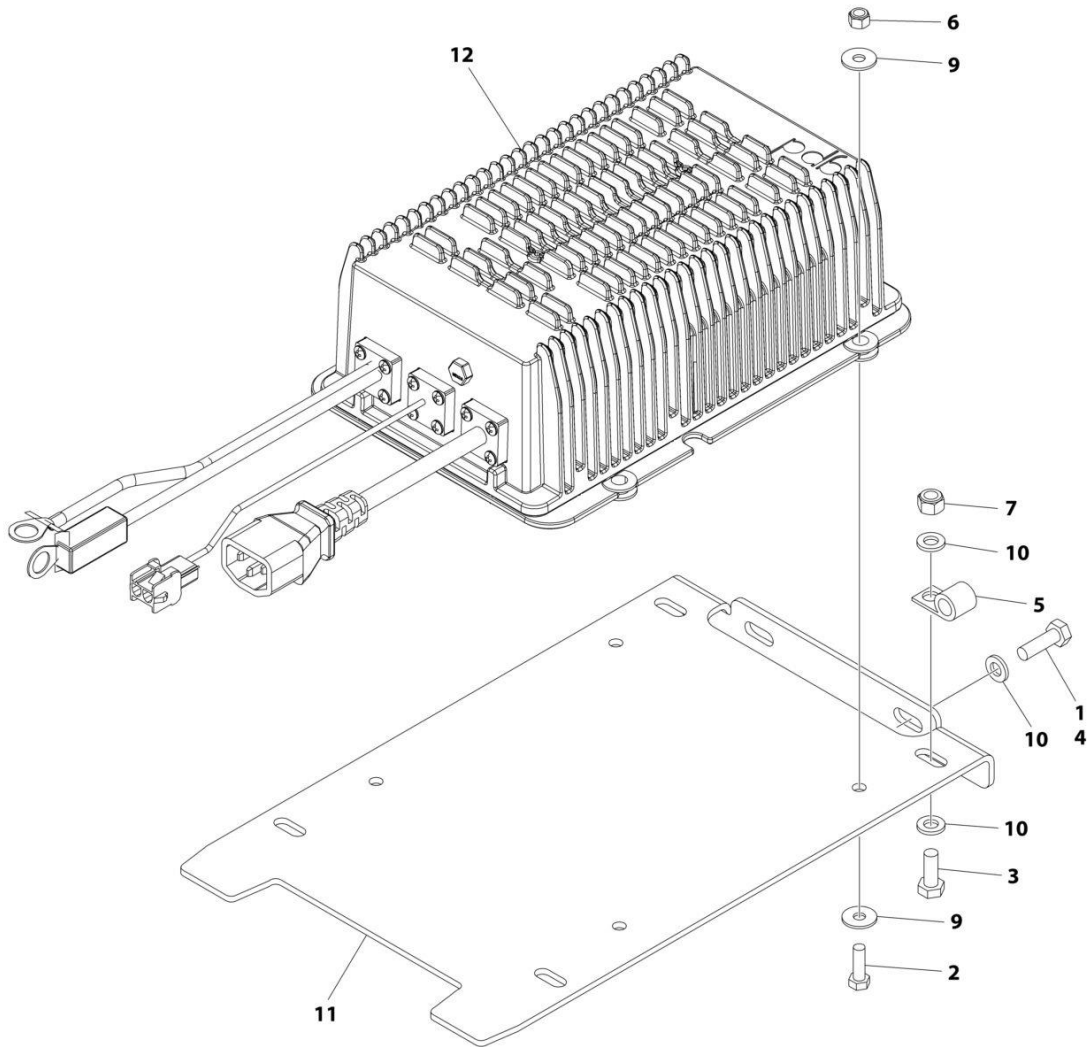
SECTION 1 - FRAME

FIGURE 1-19. BATTERY CHARGER INSTALLATION - GREEN POWER (KOREAN PLUG)

ITEM	PART NUMBER	QTY	DESCRIPTION	REV
	1001250218	Ref	BATTERY CHARGER INSTALLATION - GREEN POWER (KOREAN PLUG)	B
1	0760508	4	Bolt M5 x 16	
2	0760608	1	Bolt M6 x 16	
3	0760610	2	Bolt M5 x 20	
4	1321293	1	Clamp, Cable	
5	3290505	4	Nut M5	
6	3290605	1	Nut M6	
7	4240017	AR	Tie-Strap (Not Shown)	
8	4811602	8	Washer M5	
9	4811700	4	Washer M6	
10	1001102489	1	Decal - Charger	
11	1001221949	1	Cable, Charger AC Input	
12	1001237462	1	Bracket	
13	1001244478	1	Charger, Battery-Green Power	
14	0100011	AR	Compound, Locking	

SECTION 1 - FRAME

FIGURE 1-20. BATTERY CHARGER INSTALLATION - GREEN POWER (LESS AC CABLE)



ART_1001264945

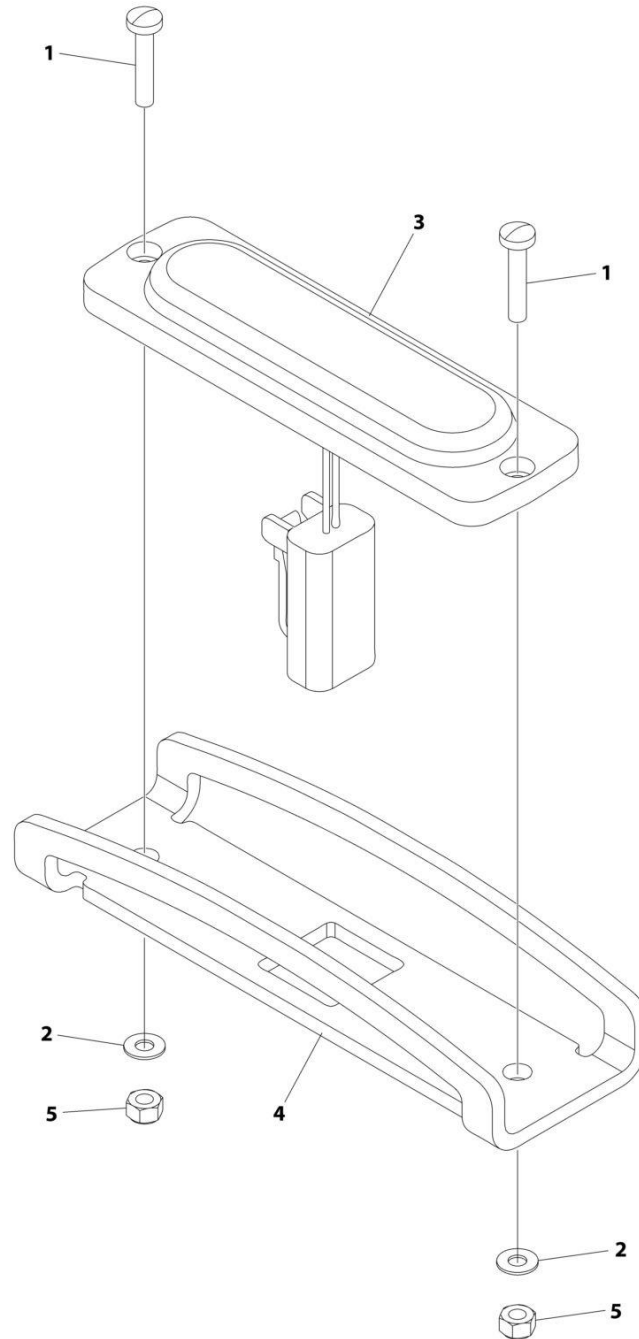
SECTION 1 - FRAME

FIGURE 1-20. BATTERY CHARGER INSTALLATION - GREEN POWER (LESS AC CABLE)

ITEM	PART NUMBER	QTY	DESCRIPTION	REV
	1001264945	Ref	BATTERY CHARGER INSTALLATION - GREEN POWER (LESS AC CABLE)	C
1	0100011	AR	Compound, Locking	
2	0760508	4	Bolt M5 x 16	
3	0760608	1	Bolt M6 x 16	
4	0760610	2	Bolt M5 x 20	
5	1321293	1	Clamp, Cable	
6	3290505	4	Nut M5	
7	3290605	1	Nut M6	
8	4240017	AR	Tie-Strap (Not Shown)	
9	4711000	8	Washer #10	
10	4811700	4	Washer M6	
11	1001237462	1	Bracket	
12	1001285138	1	Charger, Battery-Green Power	

SECTION 1 - FRAME

FIGURE 1-21. STROBE LIGHT INSTALLATION - SINGLE (AMBER) (WITH GUARD) (SN B20000001 through B200062115)



ART_1001239314

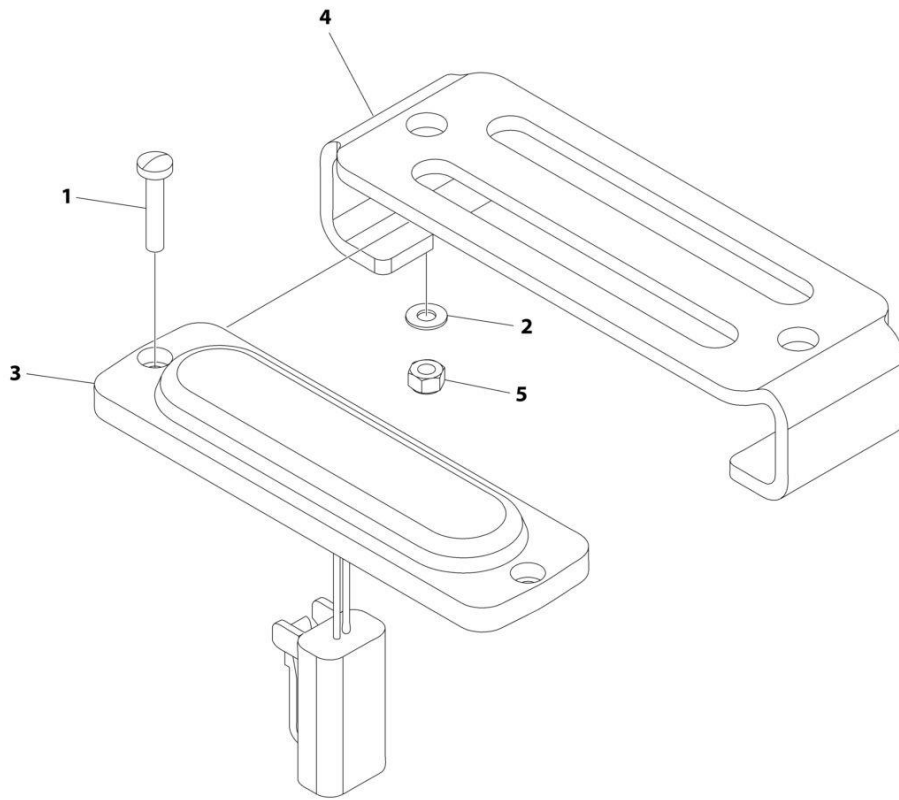
SECTION 1 - FRAME

FIGURE 1-21. STROBE LIGHT INSTALLATION - SINGLE (AMBER) (WITH GUARD) (SN B20000001 through B200062115)

ITEM	PART NUMBER	QTY	DESCRIPTION	REV
	1001239314	Rev	STROBE LIGHT INSTALLATION - SINGLE (AMBER) (WITH GUARD)	C
1	4010308	2	Screw M3 x 16	
2	1001110544	2	Washer M3	
3	1001239224	1	Light, Strobe	
3	4460891	1	Plug, Male - 2 Position	
3	4460465	2	Socket, Female	
4	1001249966	1	Guard	
5	3290305	2	Nut M3	

SECTION 1 - FRAME

FIGURE 1-22. STROBE LIGHT INSTALLATION - SINGLE (AMBER) (WITH GUARD) (SN B200062116 through B200065277)



ART_1001239314_D

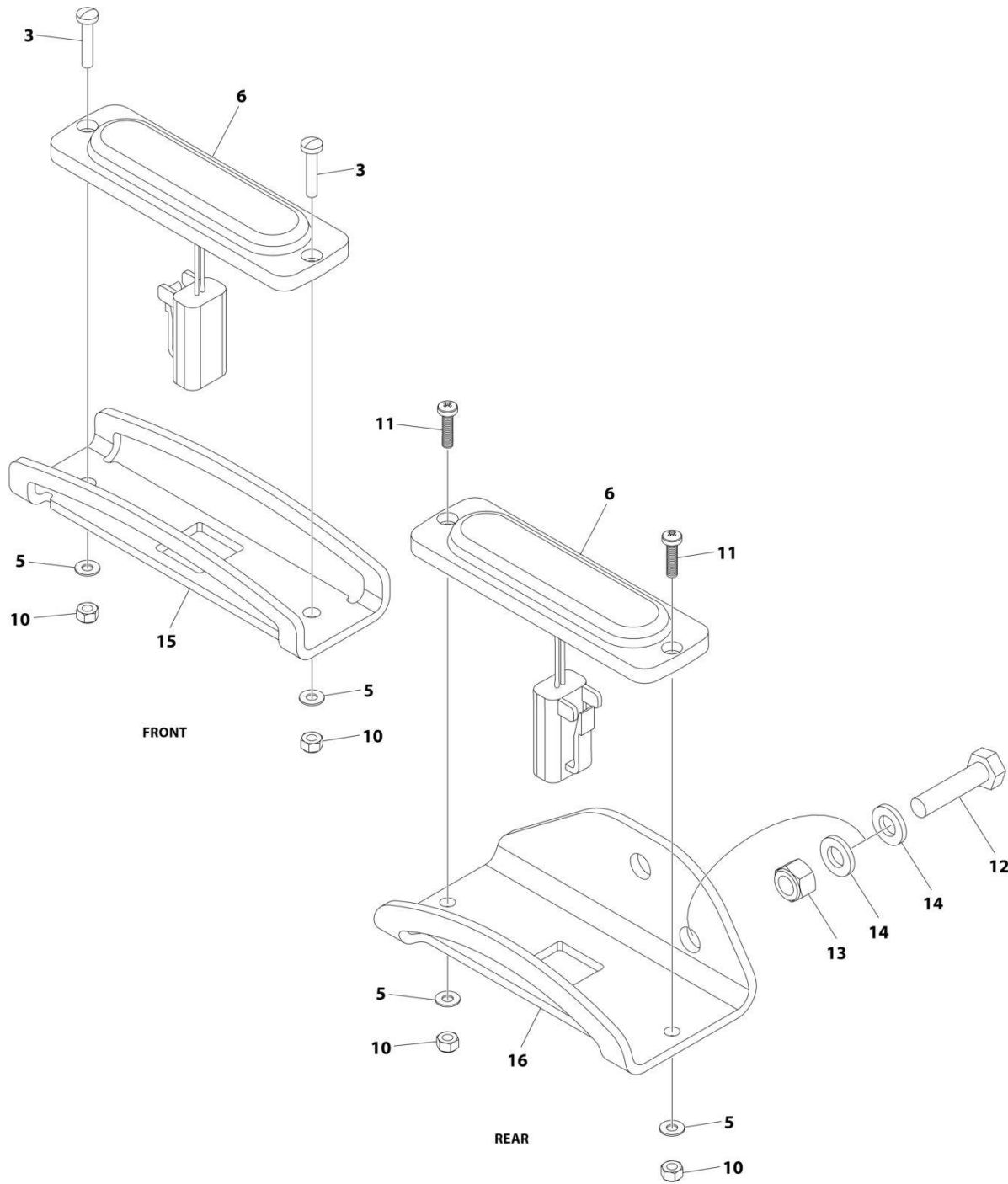
SECTION 1 - FRAME

FIGURE 1-22. STROBE LIGHT INSTALLATION - SINGLE (AMBER) (WITH GUARD) (SN B200062116 through B200065277)

ITEM	PART NUMBER	QTY	DESCRIPTION	REV
	1001239314	Rev	STROBE LIGHT INSTALLATION - SINGLE (AMBER) (WITH GUARD)	D
1	4010308	2	Screw M3 x 16	
2	1001110544	2	Washer M3	
3	1001239224	1	Light, Strobe	
3	4460891	1	Plug, Male - 2 Position	
3	4460465	2	Socket, Female	
4	1001239661	1	Guard	
5	3290305	2	Nut M3	

SECTION 1 - FRAME

FIGURE 1-23. STROBE LIGHT INSTALLATION - DUAL (AMBER) (WITH GUARD) (SN B20000001 through B200062115)



ART_1001239315

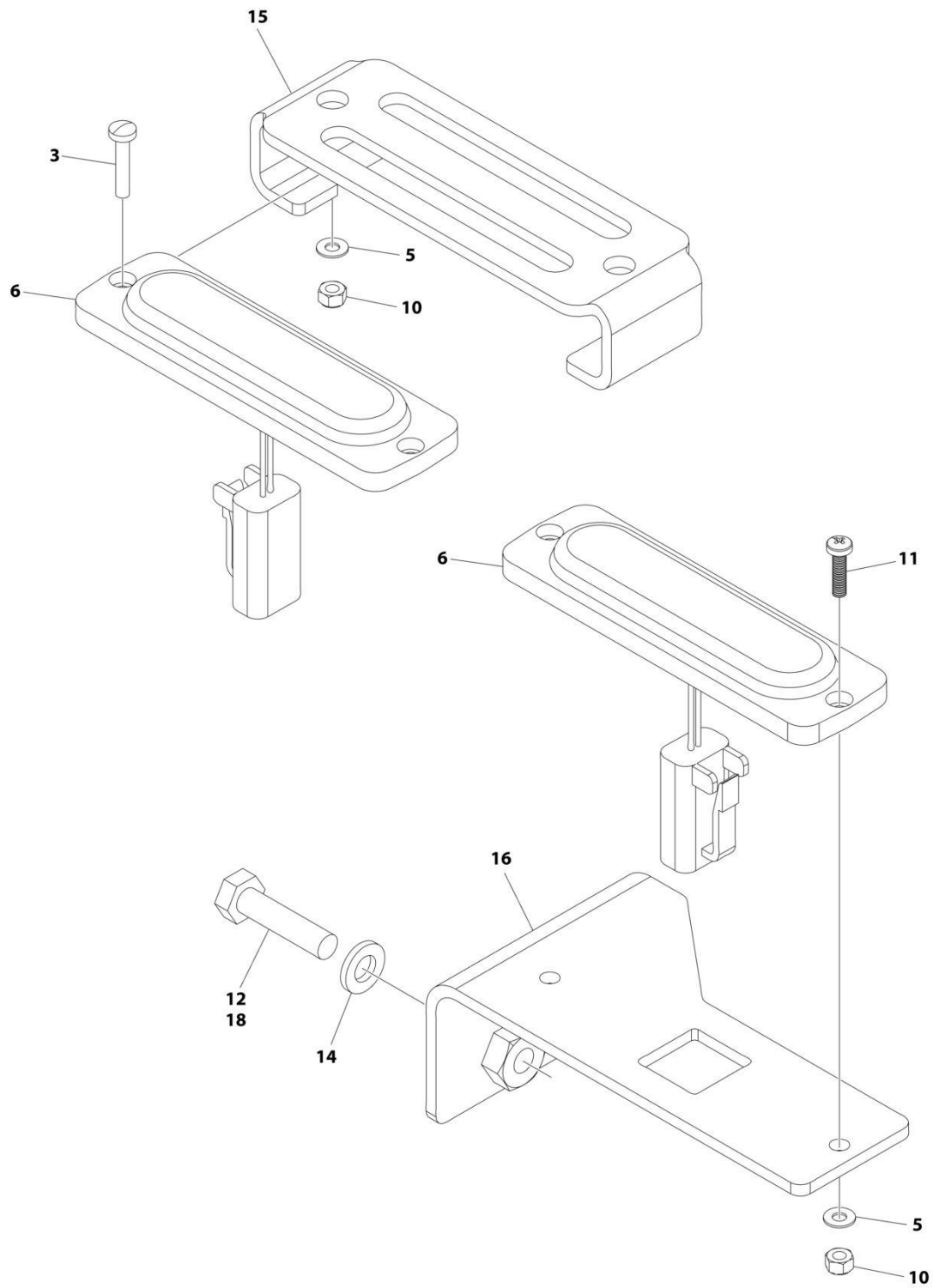
SECTION 1 - FRAME

FIGURE 1-23. STROBE LIGHT INSTALLATION - DUAL (AMBER) (WITH GUARD) (SN B20000001 through B200062115)

ITEM	PART NUMBER	QTY	DESCRIPTION	REV
	1001239315	Ref	STROBE LIGHT INSTALLATION - DUAL (AMBER) (WITH GUARD)	D
3	4010308	2	Screw M3 x 16	
5	1001110544	4	Washer M3	
6	1001239224	2	Light, Strobe	
6	4460891	1	Plug, Male - 2 Position	
6	4460465	2	Socket, Female	
10	3290305	4	Nut M3	
11	1001198576	2	Screw	
12	0700612	2	Capscrew M6 x 25	
13	3290605	2	Nut M6	
14	4811700	4	Washer M6	
15	1001249966	1	Guard	
16	1001249967	1	Bracket	
17	1001250078	1	Strobe Light Jumper Harness (Not Shown)	
17	4460897	2	Receptacle, Female - 2 Position	
17	4460464	4	Pin, Male	
17	4460891	1	Plug, Male - 2 Position	
17	4460465	2	Socket, Female	

SECTION 1 - FRAME

FIGURE 1-24. STROBE LIGHT INSTALLATION - DUAL (AMBER) (WITH GUARD) (SN B200062116 through B200065277)



ART_1001239315_F

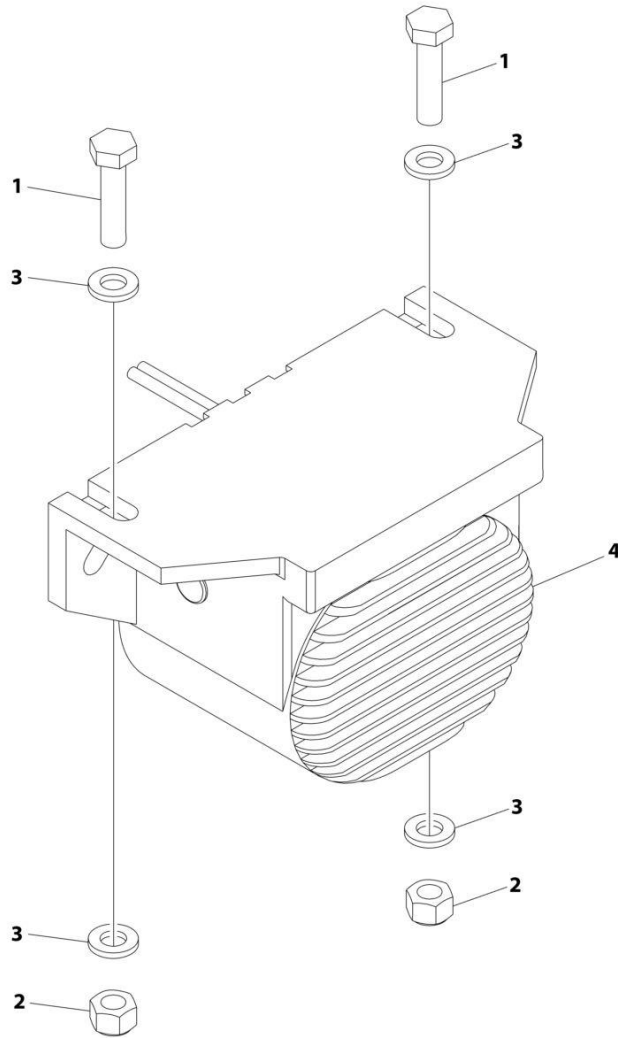
SECTION 1 - FRAME

FIGURE 1-24. STROBE LIGHT INSTALLATION - DUAL (AMBER) (WITH GUARD) (SN B200062116 through B200065277)

ITEM	PART NUMBER	QTY	DESCRIPTION	REV
	1001239315	Ref	STROBE LIGHT INSTALLATION - DUAL (AMBER) (WITH GUARD)	F
3	4010308	2	Screw M3 x 16	
5	1001110544	4	Washer M3	
6	1001239224	2	Light, Strobe	
6	4460891	1	Plug, Male - 2 Position	
6	4460465	2	Socket, Female	
10	3290305	4	Nut M3	
11	1001198576	2	Screw	
12	0700612	2	Capscrew M6 x 25	
14	4811700	2	Washer M6	
15	1001239661	1	Guard	
16	1001256745	1	Bracket	
17	1001250078	1	Strobe Light Jumper Harness (Not Shown)	
17	4460897	2	Receptacle, Female - 2 Position	
17	4460464	4	Pin, Male	
17	4460891	1	Plug, Male - 2 Position	
17	4460465	2	Socket, Female	
18	0100011	AR	Compound, Locking	

SECTION 1 - FRAME

FIGURE 1-25. ALARM INSTALLATION (AMBIENT/WHITE NOISE)



ART_1001204495

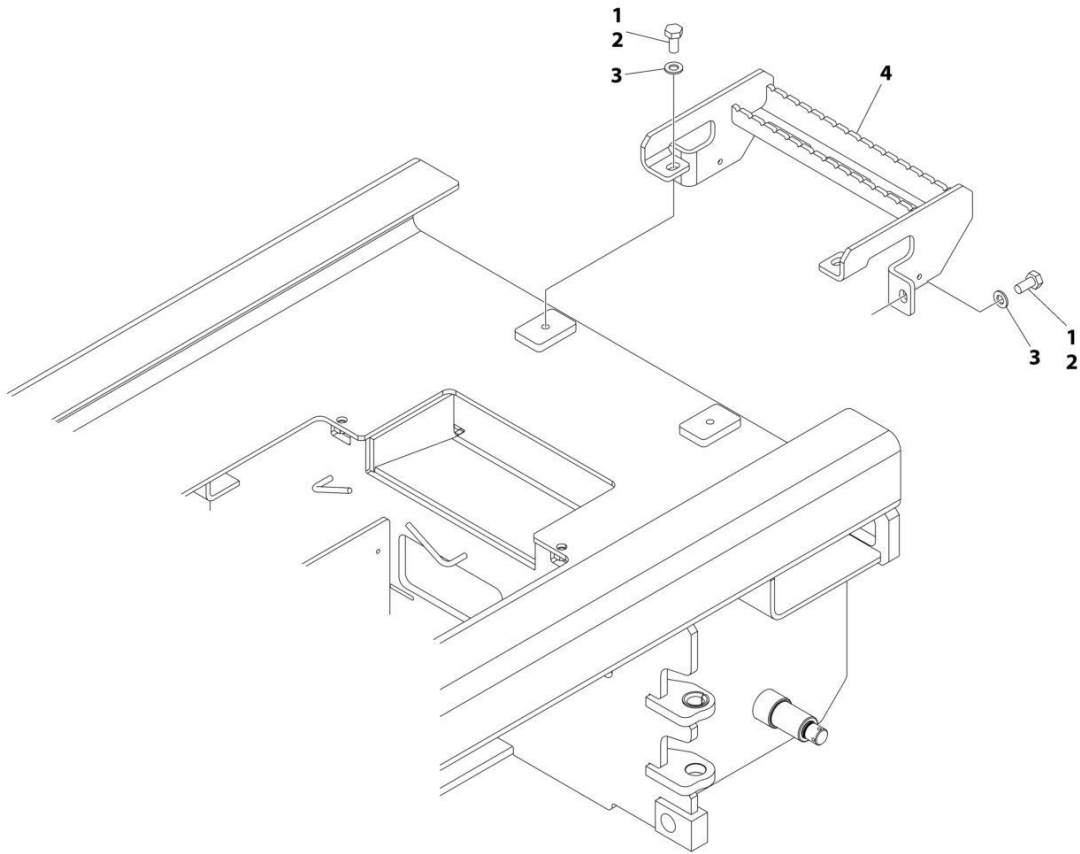
SECTION 1 - FRAME

FIGURE 1-25. ALARM INSTALLATION (AMBIENT/WHITE NOISE)

ITEM	PART NUMBER	QTY	DESCRIPTION	REV
	1001204495	Ref	ALARM INSTALLATION (AMBIENT/WHITE NOISE)	B
1	0760612	2	Bolt M6 x 25	
2	3290605	2	Nut M6	
3	4811700	4	Washer M6	
4	1001182806	1	Alarm	
4	4460897	1	Receptacle, Female - 2 Position	
4	4460464	2	Pin, Male	

SECTION 1 - FRAME

FIGURE 1-26. LADDER INSTALLATION



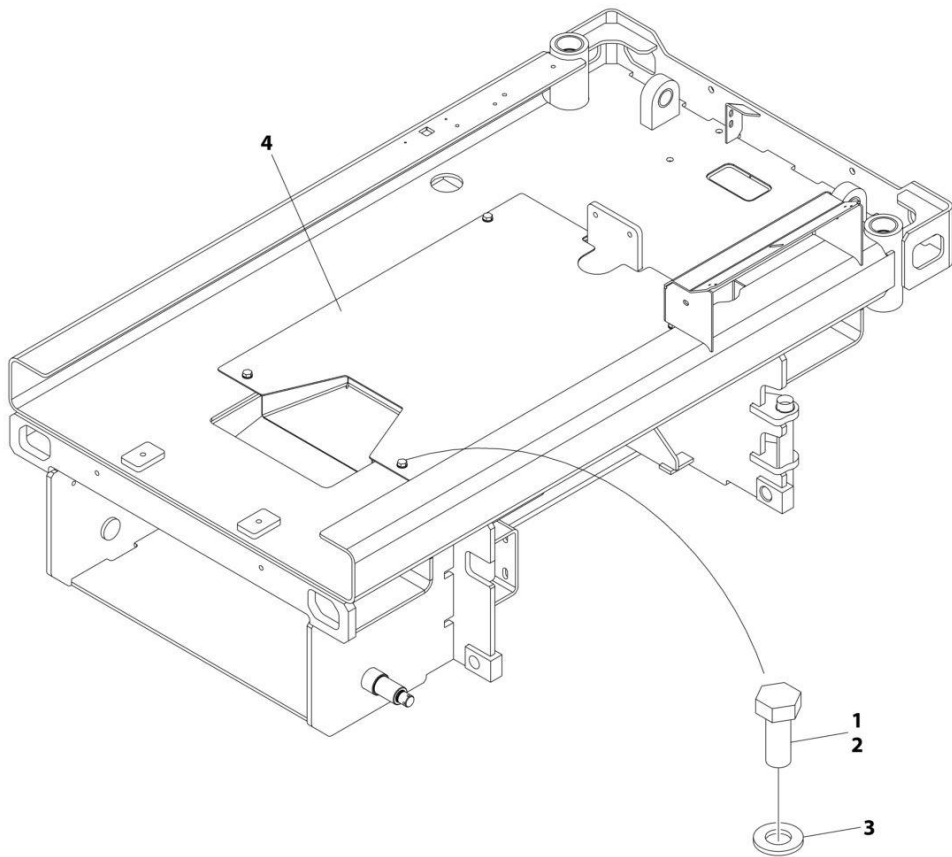
ART_1001244160

FIGURE 1-26. LADDER INSTALLATION

ITEM	PART NUMBER	QTY	DESCRIPTION	REV
	1001244160	Ref	LADDER INSTALLATION	E
1	0100011	AR	Compound, Locking	
2	0761011	4	Bolt M10 x 22	
3	4812000	4	Washer M10	
4	1001250403	1	Ladder	

SECTION 1 - FRAME

FIGURE 1-27. FRAME COVER INSTALLATION



ART_1001241589

SECTION 1 - FRAME

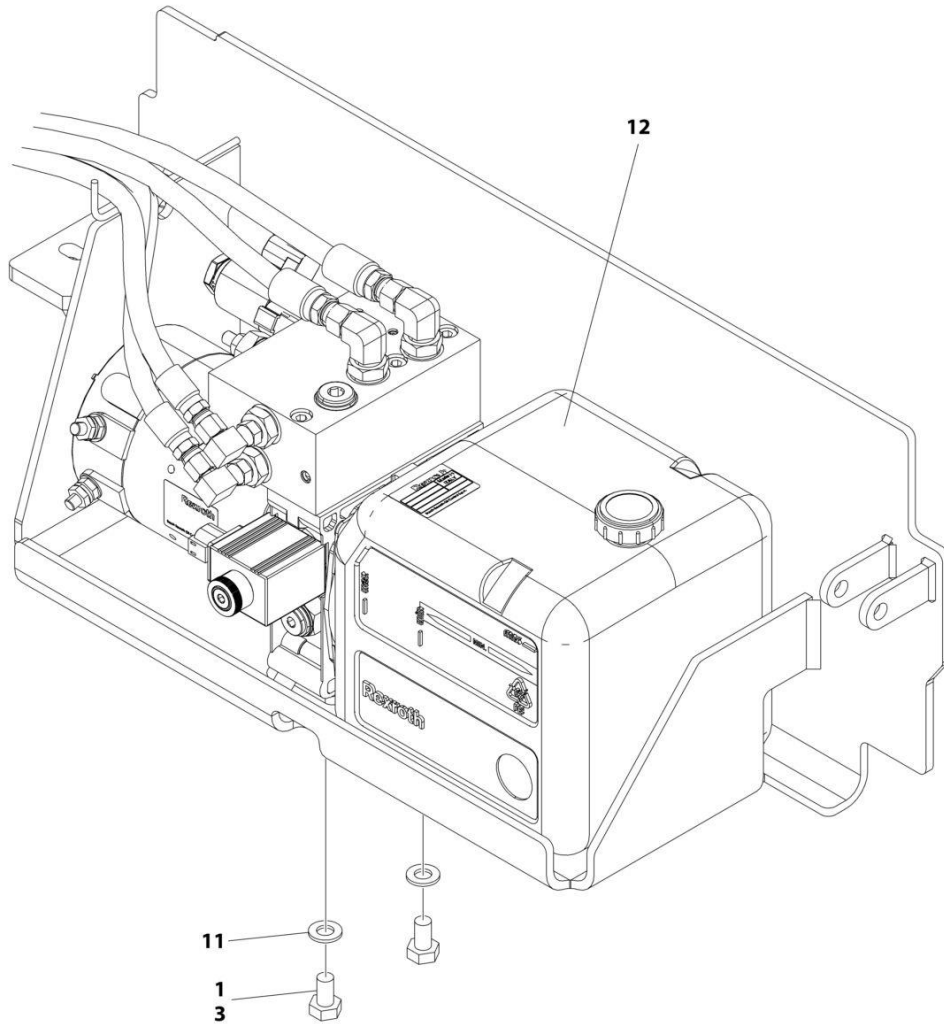
FIGURE 1-27. FRAME COVER INSTALLATION

ITEM	PART NUMBER	QTY	DESCRIPTION	REV
	1001241589	Ref	FRAME COVER INSTALLATION	D
1	0100011	AR	Compound, Locking	
2	0760810	4	Bolt M8 x 20	
3	4811900	4	Washer M8	
4	1001243838	1	Cover	

SECTION 2 - GROUND CONTROLS

SECTION 2 - GROUND CONTROLS

FIGURE 2-1. HYDRAULIC COMPONENT INSTALLATION



ART_1001235002_10F2

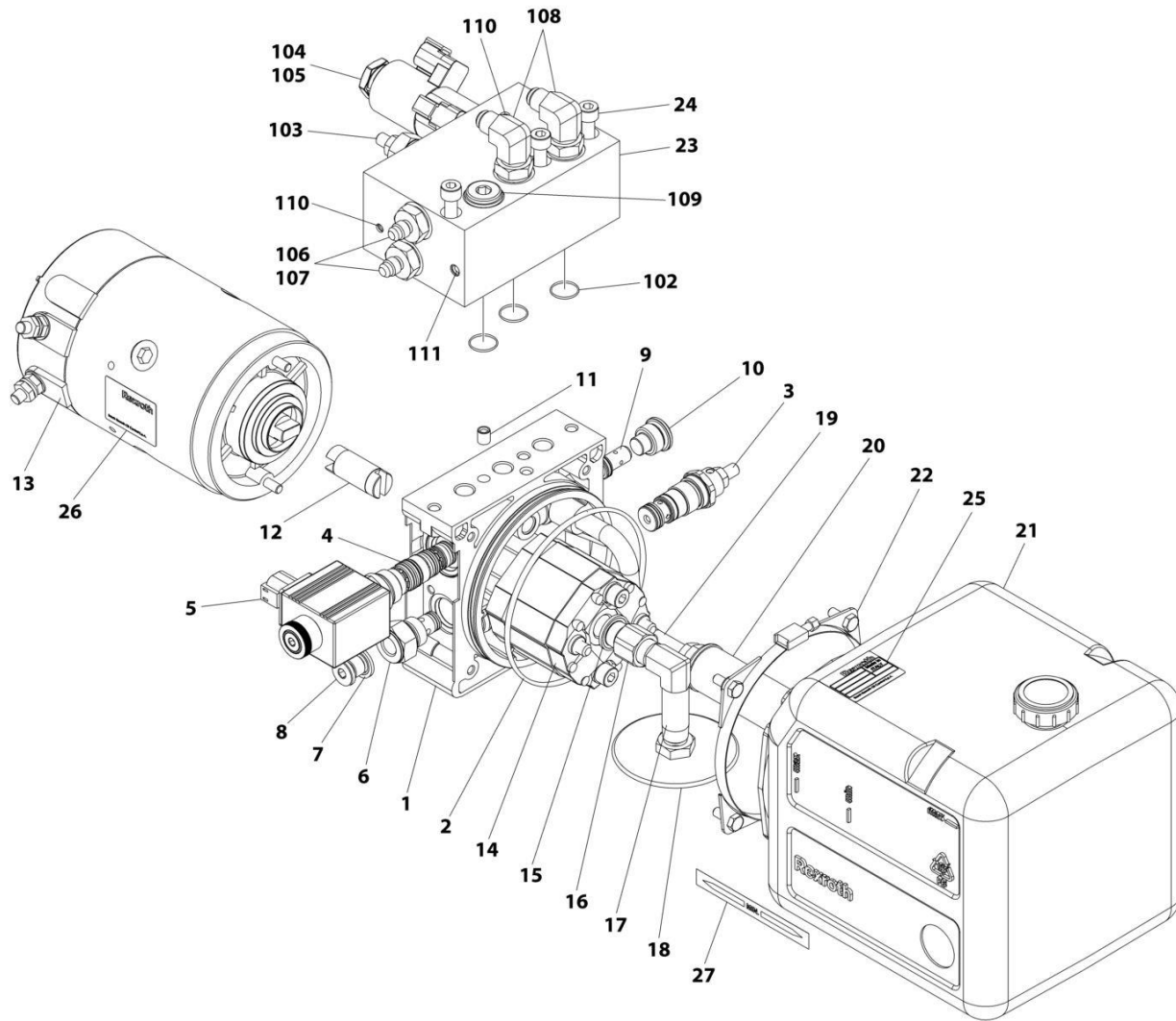
SECTION 2 - GROUND CONTROLS

FIGURE 2-1. HYDRAULIC COMPONENT INSTALLATION

ITEM	PART NUMBER	QTY	DESCRIPTION	REV
	1001235002	Rev	HYDRAULIC COMPONENTS INSTALLATION	I
1	0100011	AR	Compound, Locking	
3	0761009	2	Bolt M10 x 18	
11	4812000	AR	Washer M10	
12	1001245851	1	Motor/Pump/Tank Assembly (See Separate Breakdown in this Section)	

SECTION 2 - GROUND CONTROLS

FIGURE 2-2. MOTOR/PUMP/TANK ASSEMBLY



ART_1001245851

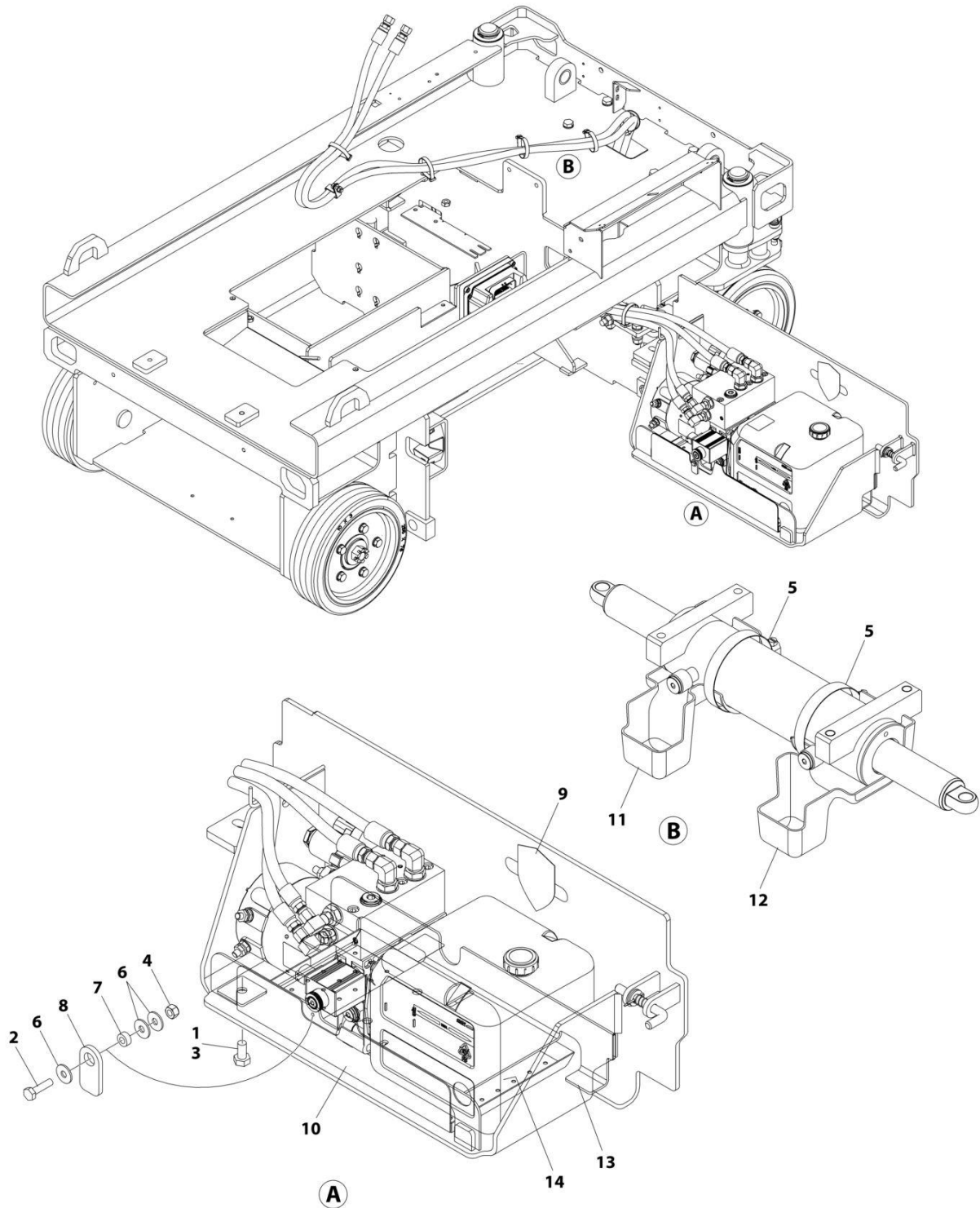
SECTION 2 - GROUND CONTROLS

FIGURE 2-2. MOTOR/PUMP/TANK ASSEMBLY

ITEM	PART NUMBER	QTY	DESCRIPTION	REV
	1001245851	Ref	MOTOR/PUMP/TANK ASSEMBLY	B
1	See Note	NSS	Manifold (Note: Purchase p/n 1001245851)	
2	70003690	1	O-Ring	
3	70007120	1	Cartridge, Valve (No Seal Kit Available)	
4	70003685	1	Cartridge, Valve (No Seal Kit Available)	
5	70003686	1	Coil	
6	See Note	NSS	Cartridge, Valve (No Seal Kit Available) (Note: Use p/n 70005636)	
7	See Note	NSS	Seal (Note: Use p/n 70005636)	
8	See Note	NSS	Plug (Note: Use p/n 70005636)	
9	70007121	1	Cartridge, Valve (No Seal Kit Available)	
10	See Note	NSS	Plug (Note: Not Available for Purchase)	
11	See Note	NSS	Plug (Note: Not Available for Purchase)	
12	70007122	1	Coupling (Pump to Motor)	
13	70007123	1	Motor, Replacement	
14	70007124	1	Pump, Replacement	
15	See Note	NSS	Seal (Note: Not Available for Purchase)	
16	See Note	NSS	Fitting (Note: Not Available for Purchase)	
17	See Note	NSS	Pipe, Suction (Note: Not Available for Purchase)	
18	70003696	1	Filter, Suction	
19	See Note	NSS	Pipe, Return (Note: Not Available for Purchase)	
20	70003734	1	Filter, Return	
21	70007125	1	Tank	
22	70007126	1	Clamp Kit - Tank	
23	70007127	1	Valve Assembly (Note: Sold as Assembly Only)	
24	See Note	NSS	Capscrew M8 x 55 (Note: Not Available - Purchase Locally)	
25	See Note	NSS	Nameplate - Identification (Note: Not Available for Purchase)	
26	See Note	NSS	Decal (Note: Not Available for Purchase)	
27	70007128	1	Decal - Oil Level	
102	70008248	3	Seal	
103	70005637	2	Valve, Relief	
104	70007589	1	Cartridge	
105	70008249	2	Coil	
106	70003706	2	Filter	
107	70008250	2	Adaptor, 3/8 - 7/16 JIC	
108	70005635	2	Adaptor, 3/8 90-Degree - 9/16 JIC	
109	70005632	1	Plug, 3/8	
110	70008251	8	Plug, Ball Seal - 6MM	
111	70008252	1	Plug, Ball Seal - 8MM	

SECTION 2 - GROUND CONTROLS

FIGURE 2-3. CLEANGUARD INSTALLATION



ART_1001265088

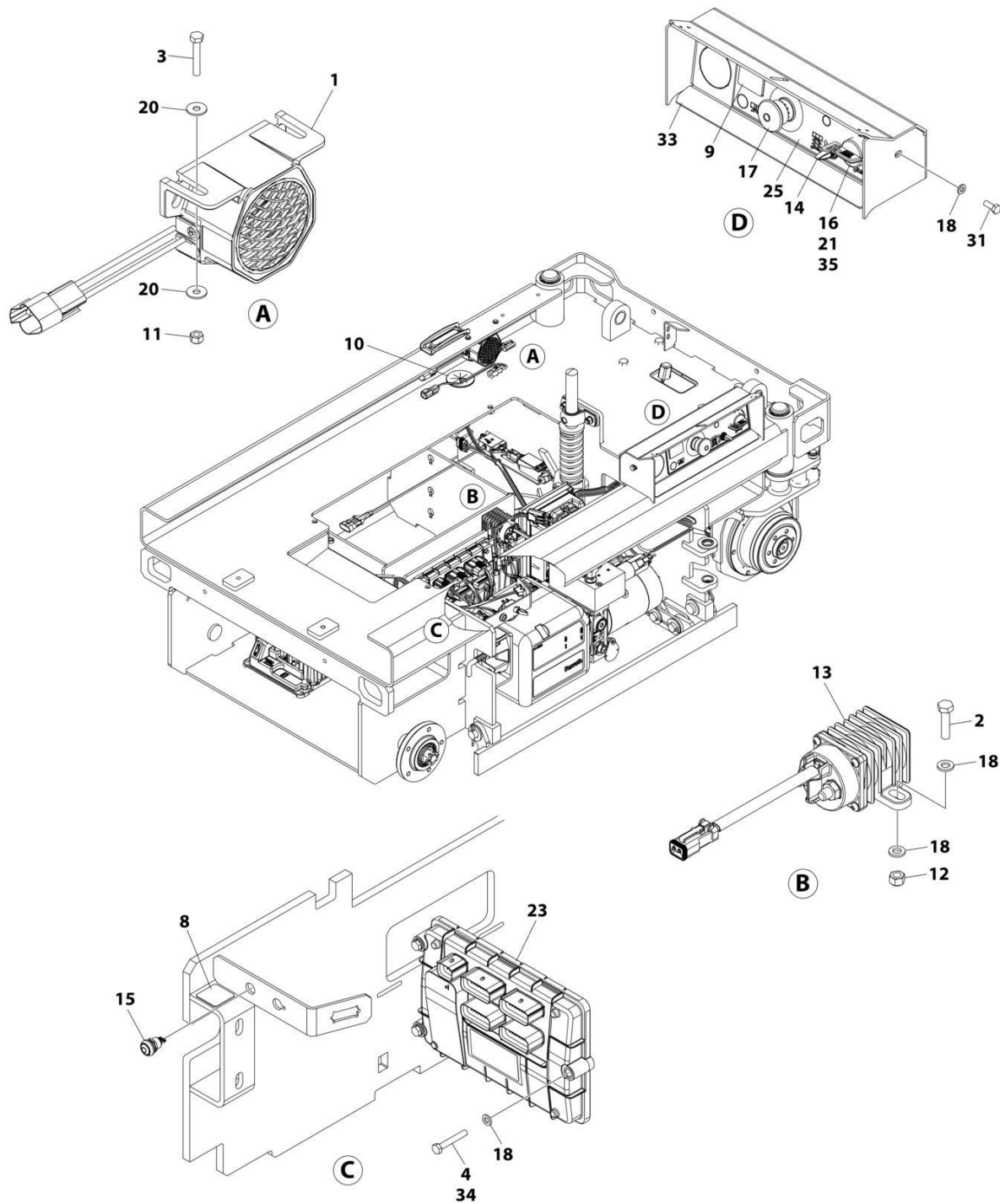
SECTION 2 - GROUND CONTROLS

FIGURE 2-3. CLEANGUARD INSTALLATION

ITEM	PART NUMBER	QTY	DESCRIPTION	REV
	1001265088	Ref	CLEANGUARD INSTALLATION	B
1	0100011	AR	Compound, Locking	
2	0760408	1	Bolt M4 x 16	
3	0761010	2	Bolt M10 x 20	
4	3290405	1	Nut M4	
5	8405204	2	Clamp	
6	1001091102	3	Washer M4	
7	1001260503	1	Tube	
8	1001260504	1	Plate, Stopper	
9	1001262581	1	Decal - Clean Guard	
10	1001265409	1	Tray	
11	1001266166	1	Tray (LH)	
12	1001266167	1	Tray (RH)	
13	1001266955	1	Bracket	
14	1001274560	1	Pad	

SECTION 2 - GROUND CONTROLS

FIGURE 2-4. ELECTRICAL COMPONENTS INSTALLATION (WITH LSS) (Prior to SN B200067714)



ART_1001243252

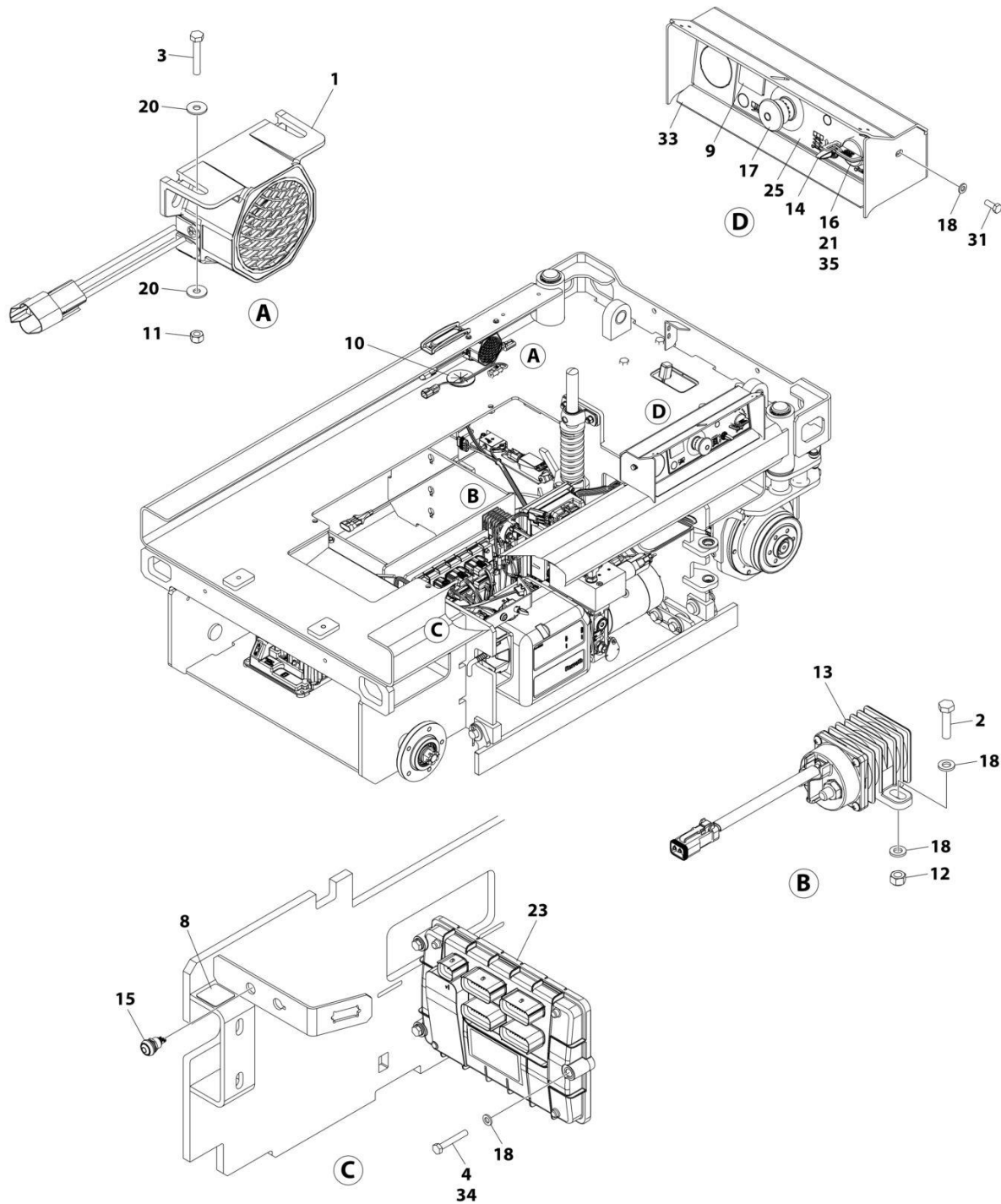
SECTION 2 - GROUND CONTROLS

FIGURE 2-4. ELECTRICAL COMPONENTS INSTALLATION (WITH LSS) (Prior to SN B200067714)

ITEM	PART NUMBER	QTY	DESCRIPTION	REV
	1001243252	Ref	ELECTRICAL COMPONENTS INSTALLATION (WITH LSS)	G
1	0140043	1	Alarm	
2	0700612	2	Bolt M6 x 25	
3	0700412	2	Bolt M6 x 25	
4	0700616	3	Bolt M6 x 40	
8	1706679	1	Decal - Brake Release	
9	2420172	1	Hourmeter	
10	2540045	2	Grommet	
11	3290405	2	Nut M4	
12	3290605	2	Nut M6	
13	3740150	1	Relay	
14	4360328	1	Switch, Toggle	
15	1001226749	1	Switch, Push Button	
16	4360469	1	Switch, Key	
16	2860030	1 Set	Key, Replacement	
17	4360475	1	Switch, Emergency Stop	
17	7020175	1	Cap	
17	7020176	1	Block, Contact	
18	4811700	9	Washer M6	
20	1001091102	4	Washer M4	
21	1001130590	1	Plate, Key Switch	
23	1001200629	1	Module, Control (Note: Re-calibration Required when Replaced)	
25	1001209682	1	Decal - Ground Control	
28	1001243254	1	Chassis Harness (Not Shown - See Separate Breakdown in ELECTRICAL SECTION)	
29	1001243255	1	Drive Control Harness (Not Shown - See Separate Breakdown in ELECTRICAL SECTION)	
30	4240017	AR	Tie-Strap (Not Shown)	
31	0760608	2	Bolt M6 x 16	
33	1001249645	1	Bracket, Ground Control	
34	0100011	AR	Compound, Locking	
35	3910804	3	Screw #8 x 1/4	

SECTION 2 - GROUND CONTROLS

FIGURE 2-5. ELECTRICAL COMPONENTS INSTALLATION (WITH LSS WITH PLATFORM DRIVE SELECT SWITCH) (CHINA & MEXICO BUILT MACHINES) (SN B200067714 to Present)



ART_1001243252_J

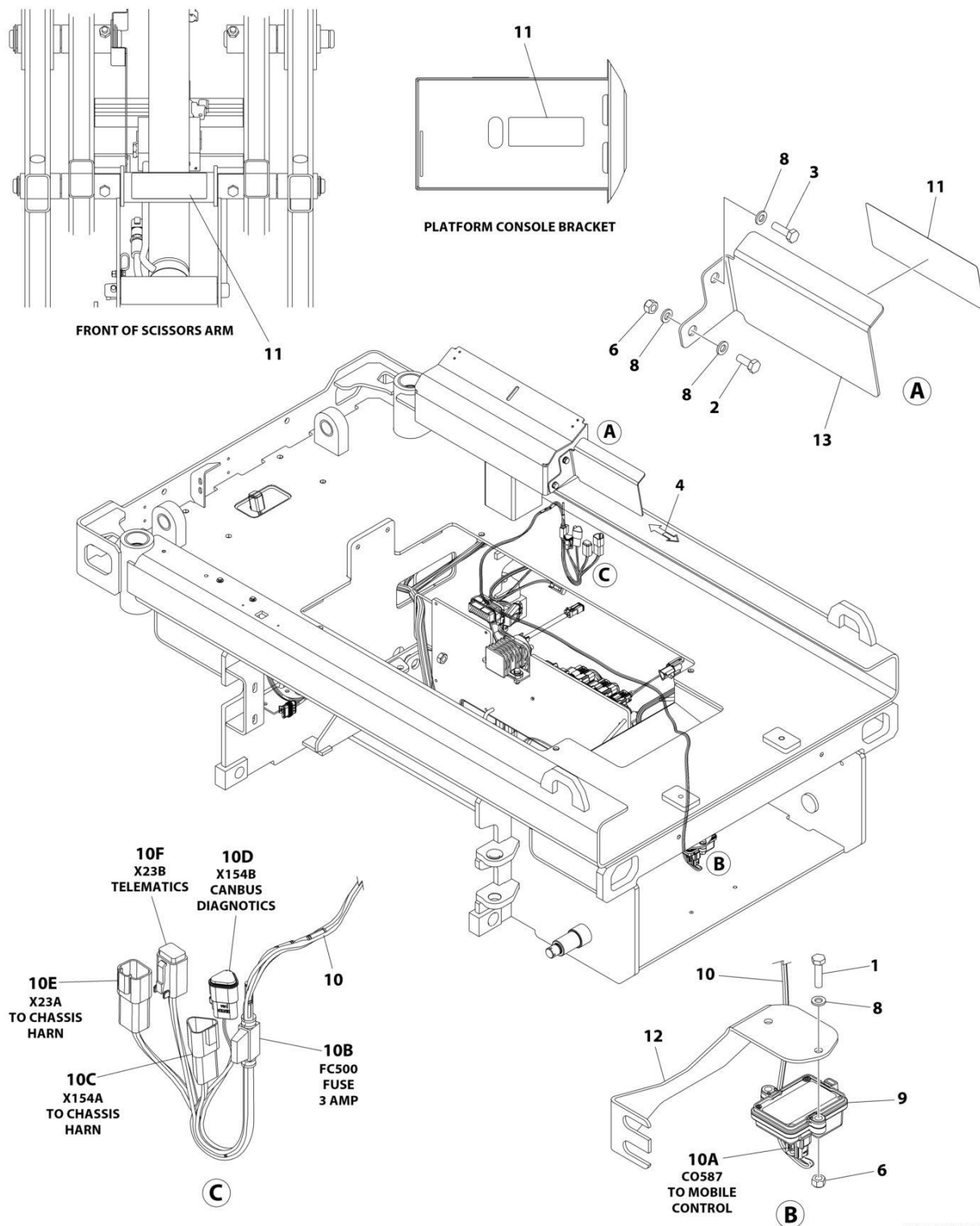
SECTION 2 - GROUND CONTROLS

FIGURE 2-5. ELECTRICAL COMPONENTS INSTALLATION (WITH LSS WITH PLATFORM DRIVE SELECT SWITCH) (CHINA & MEXICO BUILT MACHINES) (SN B200067714 to Present)

ITEM	PART NUMBER	QTY	DESCRIPTION	REV
	1001243252	Ref	ELECTRICAL COMPONENTS INSTALLATION (WITH LSS)	J
1	0140043	1	Alarm	
2	0700612	2	Bolt M6 x 25	
3	0700412	2	Bolt M6 x 25	
4	0700616	3	Bolt M6 x 40	
8	1706679	1	Decal - Brake Release	
9	2420172	1	Hourmeter	
10	2540045	2	Grommet	
11	3290405	2	Nut M4	
12	3290605	2	Nut M6	
13	3740150	1	Relay	
14	4360328	1	Switch, Toggle	
15	1001226749	1	Switch, Push Button	
16	4360469	1	Switch, Key	
16	2860030	1 Set	Key, Replacement	
17	1001274559	1	Switch, Emergency Stop (Plastic)	
17	4360475	1	Switch, Emergency Stop (Metal)	
17	7020175	1	Cap	
17	7020176	1	Block, Contact	
18	4811700	9	Washer M6	
20	1001091102	4	Washer M4	
21	1001130590	1	Plate, Key Switch	
23	1001200629	1	Module, Control (Note: Re-calibration Required when Replaced)	
25	1001209682	1	Decal - Ground Control	
28	1001266214	1	Chassis Harness (Not Shown - See Separate Breakdown in ELECTRICAL Section)	
29	1001243255	1	Drive Control Harness (Not Shown - See Separate Breakdown in ELECTRICAL Section)	
30	4240017	AR	Tie-Strap (Not Shown)	
31	0760608	2	Bolt M6 x 16	
33	1001249645	1	Bracket, Ground Control	
34	0100011	AR	Compound, Locking	
35	3910804	3	Screw #8 x 1/4	
36	0100048	AR	Grease, Dielectric (Not Shown)	

SECTION 2 - GROUND CONTROLS

FIGURE 2-6. MOBILE CONTROL INSTALLATION



ART_1001253737

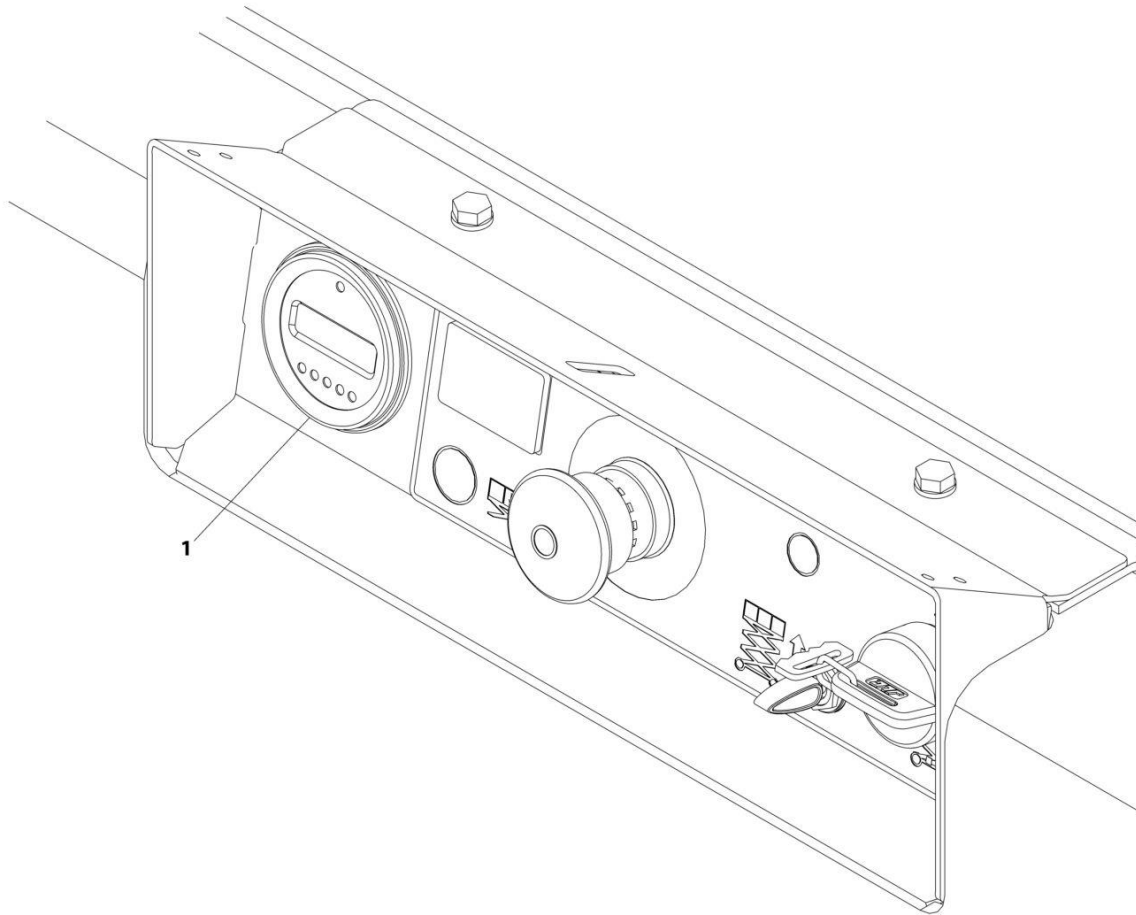
SECTION 2 - GROUND CONTROLS

FIGURE 2-6. MOBILE CONTROL INSTALLATION

ITEM	PART NUMBER	QTY	DESCRIPTION	REV
	1001253737	Ref	MOBILE CONTROL INSTALLATION	A
1	0700612	2	Bolt M6 x 25	
2	0760608	1	Bolt M6 x 16	
3	0760610	1	Bolt M6 x 20	
4	1703819	1	Decal - Direction Arrow	
5	3121792	1	Manual, Mobile Control (Not Shown)	
6	3290605	3	Nut M6	
7	4240017	AR	Tie-Strap (Not Shown)	
8	4811700	5	Washer M6	
9	1001245293	1	Control, Mobile	
10	1001245299	1	Mobile Control Harness	
10A	1001205409	1	Connector - 8 Position	
10A	1001162887	4	Terminal	
10A	1001163340	4	Plug, Terminal	
10B	2400060	1	Fuseholder with Cap	
10B	1001196635	1	Fuse 3 Amp	
10C	1001144147	1	Receptacle, Female - 3 Position	
10C	4460943	2	Pin, Male	
10D	4460466	1	Plug, Terminal	
10D	1001116812	1	Plug, Male - 3 Position	
10D	4460944	2	Socket, Female	
10D	4460466	1	Plug, Terminal	
10E	4460932	1	Receptacle, Female - 4 Position	
10F	4460464	4	Pin, Terminal	
10F	4460884	1	Pin, Male	
10F	4460465	4	Socket, Female	
11	1001248768	3	Decal, Mobile Control	
12	1001253625	1	Bracket, Module	
13	1001253715	1	Plate, Decal	

SECTION 2 - GROUND CONTROLS

FIGURE 2-7. MDI INSTALLATION



ART_1001207293

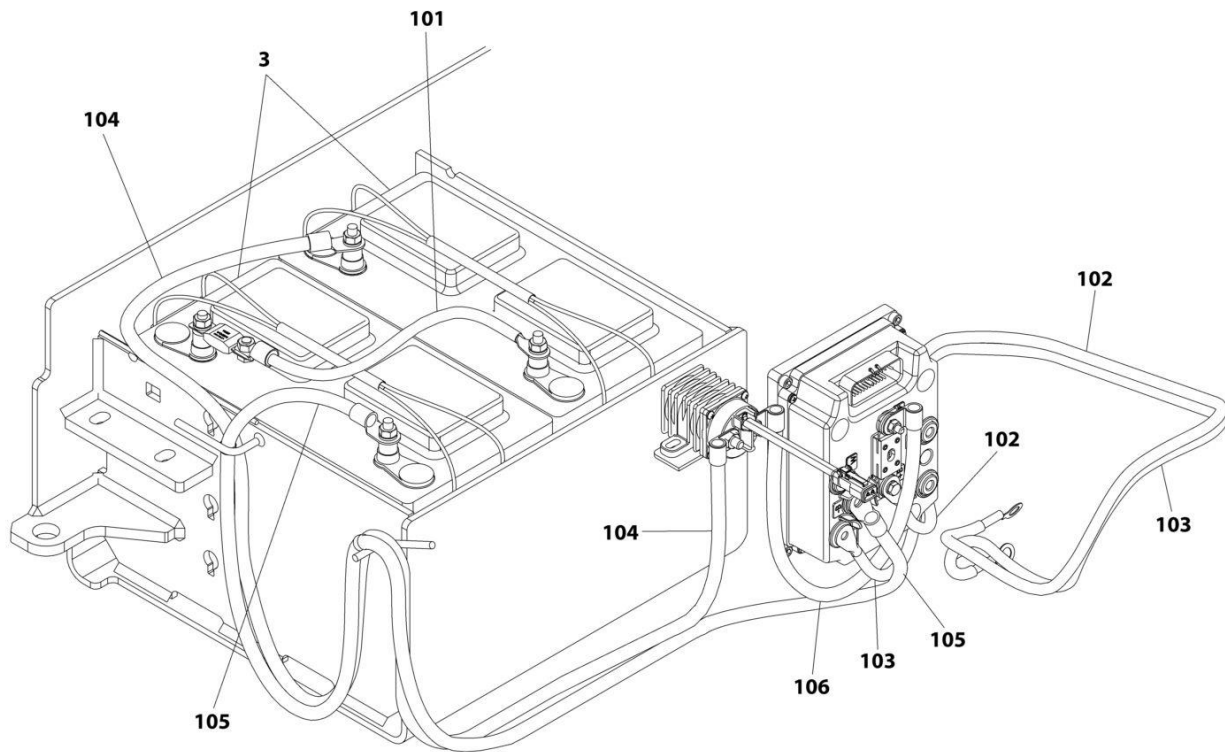
SECTION 2 - GROUND CONTROLS

FIGURE 2-7. MDI INSTALLATION

ITEM	PART NUMBER	QTY	DESCRIPTION	REV
1	1001207293	Ref	MDI INSTALLATION	B
	1001200632	1	Gauge, MDI	

SECTION 2 - GROUND CONTROLS

FIGURE 2-8. BATTERIES INSTALLATION - STANDARD BATTERIES WITHOUT DISCONNECT



ART_1001243226

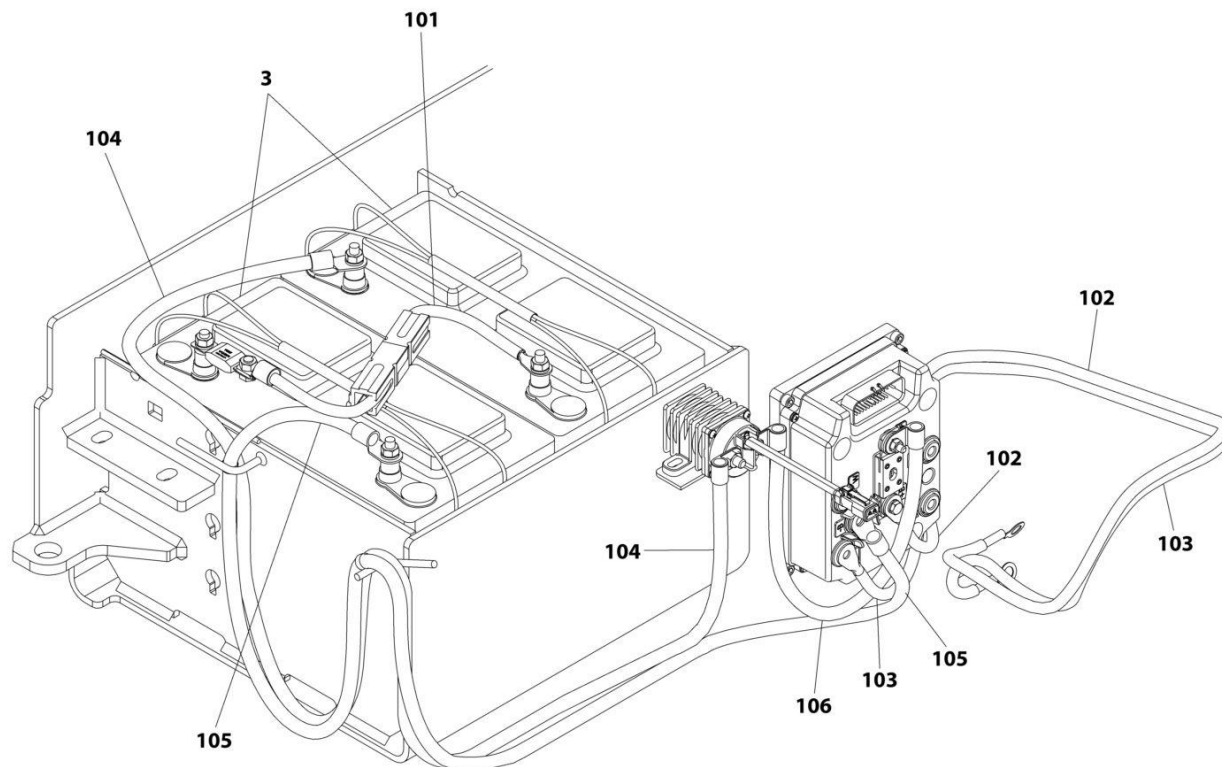
SECTION 2 - GROUND CONTROLS

FIGURE 2-8. BATTERIES INSTALLATION - STANDARD BATTERIES WITHOUT DISCONNECT

ITEM	PART NUMBER	QTY	DESCRIPTION	REV
	1001243226	Ref	BATTERIES INSTALLTION - STANDARD BATTERIES WITHOUT DISCONNECT	E
1	0100051	AR	Grease, Terminal (Not Shown)	
2	4240017	AR	Tie-Strap (Not Shown)	
3	1001233714	2	Battery	
100	1001243230	1	Battery Cable Kit (Not Shown)	
101	1001239303	1	Cable, Positive (+) to Negative (-)	
102	1001243232	1	Cable, Pump Motor (+) to Module (+B)	
103	1001243233	1	Cable, Pump Motor (-) to Module (-P)	
104	1001244338	1	Cable, Battery (+) to Relay	
105	1001243235	1	Cable, Battery (-) to Module (-B)	
106	1001244339	1	Cable, Relay to Module (+BF)	

SECTION 2 - GROUND CONTROLS

FIGURE 2-9. BATTERIES INSTALLATION - STANDARD BATTERIES WITH DISCONNECT



ART_1001243227

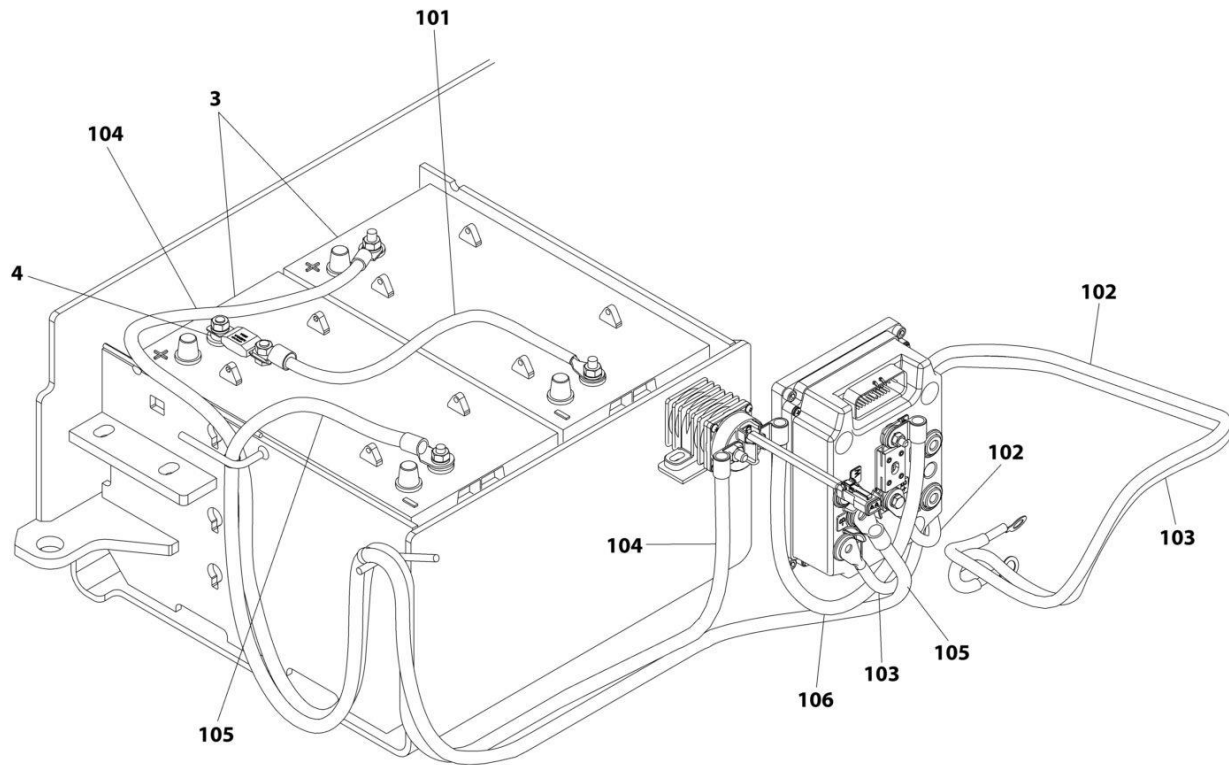
SECTION 2 - GROUND CONTROLS

FIGURE 2-9. BATTERIES INSTALLATION - STANDARD BATTERIES WITH DISCONNECT

ITEM	PART NUMBER	QTY	DESCRIPTION	REV
	1001243227	Ref	BATTERIES INSTALLATION - STANDARD BATTERIES WITH DISCONNECT	E
1	0100051	AR	Grease, Terminal (Not Shown)	
2	4240017	AR	Tie-Strap (Not Shown)	
3	1001233714	2	Battery	
100	1001243231	1	Battery Cable Kit (Not Shown)	
101	1001238060	1	Cable, Positive (+) to Negative (-)	
102	1001243232	1	Cable, Pump Motor (+) to Module (+B)	
103	1001243233	1	Cable, Pump Motor (-) to Module (-P)	
104	1001244338	1	Cable, Battery (+) to Relay	
105	1001243235	1	Cable, Battery (-) to Module (-B)	
106	1001244339	1	Cable, Relay to Module (+BF)	

SECTION 2 - GROUND CONTROLS

FIGURE 2-10. BATTERIES INSTALLATION - AGM BATTERIES WITHOUT DISCONNECT



ART_1001243228

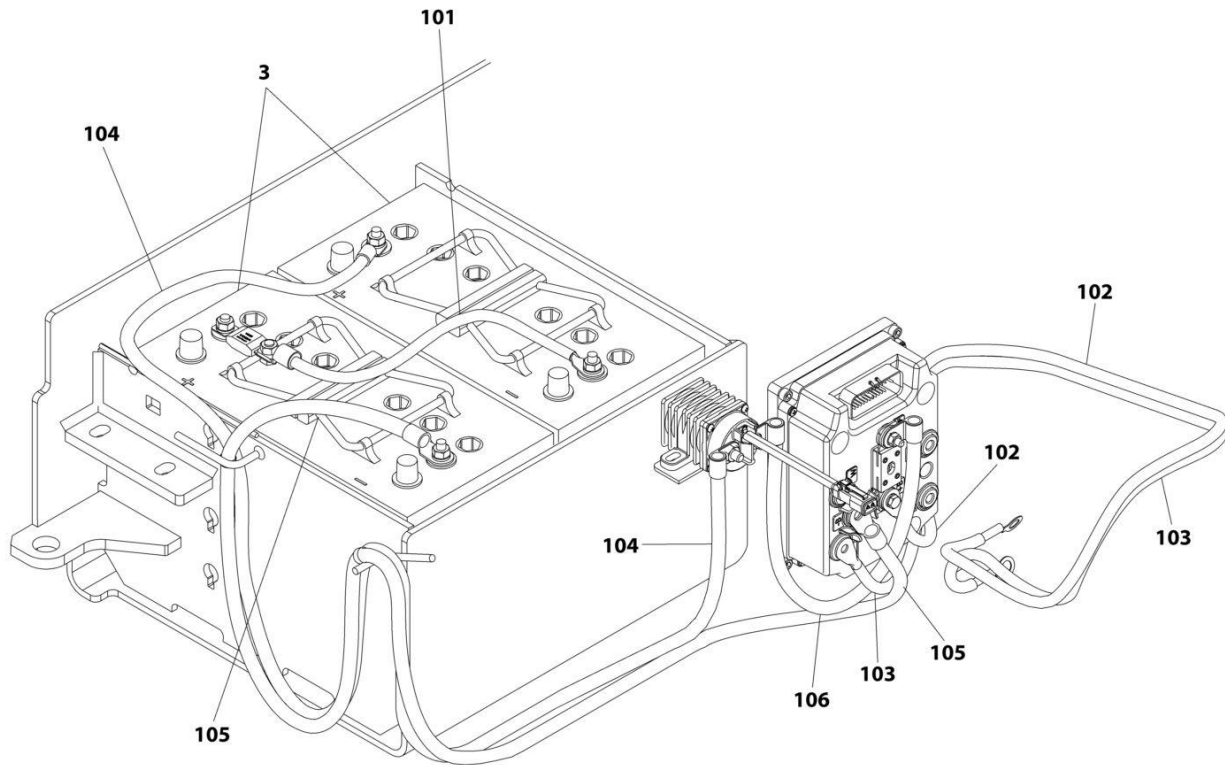
SECTION 2 - GROUND CONTROLS

FIGURE 2-10. BATTERIES INSTALLATION - AGM BATTERIES WITHOUT DISCONNECT

ITEM	PART NUMBER	QTY	DESCRIPTION	REV
	1001243228	Ref	BATTERIES INSTALLATION - AGM BATTERIES WITHOUT DISCONNECT	E
1	0100051	AR	Grease, Terminal (Not Shown)	
2	4240017	AR	Tie-Strap (Not Shown)	
3	1001125916	2	Battery	
4	1001249668	1	Washer	
100	1001243230	1	Battery Cable Kit (Not Shown)	
101	1001239303	1	Cable, Positive (+) to Negative (-)	
102	1001243232	1	Cable, Pump Motor (+) to Module (+B)	
103	1001243233	1	Cable, Pump Motor (-) to Module (-P)	
104	1001244338	1	Cable, Battery (+) to Relay	
105	1001243235	1	Cable, Battery (-) to Module (-B)	
106	1001244339	1	Cable, Relay to Module (+BF)	

SECTION 2 - GROUND CONTROLS

FIGURE 2-11. BATTERIES INSTALLATION - AGM VISION BATTERIES WITHOUT DISCONNECT



ART_1001255263

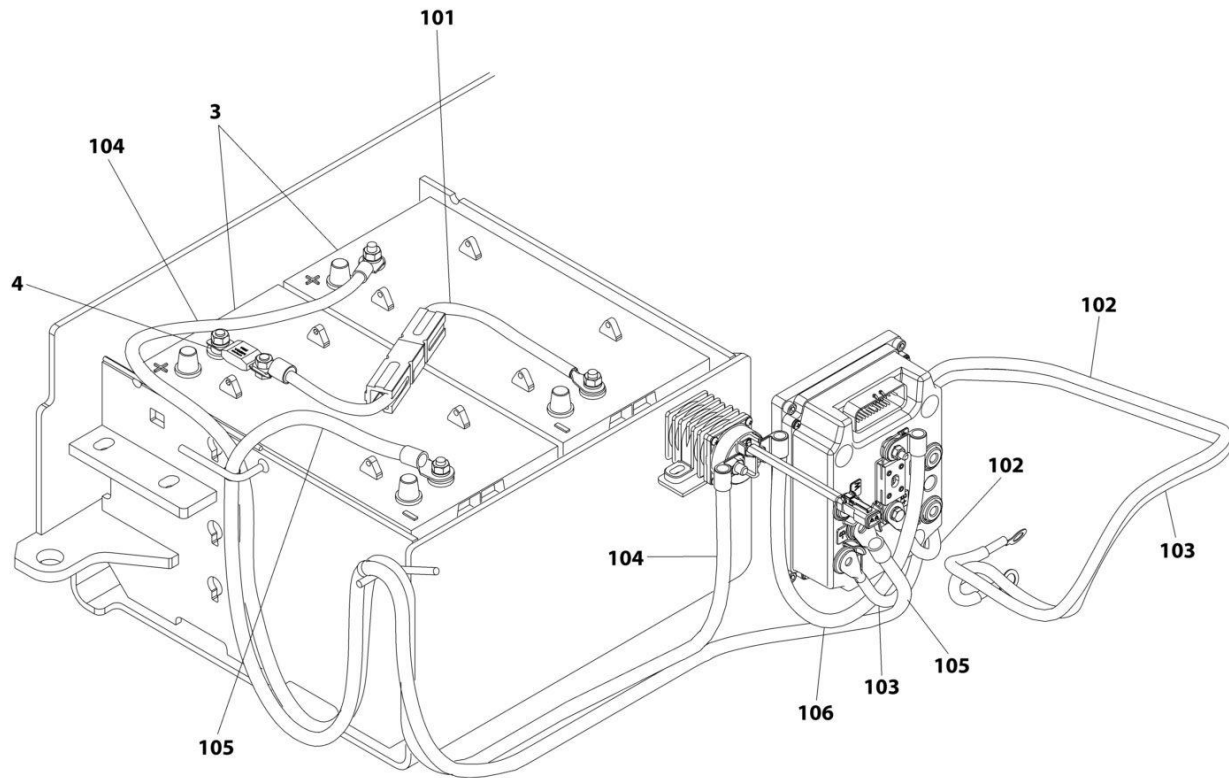
SECTION 2 - GROUND CONTROLS

FIGURE 2-11. BATTERIES INSTALLATION - AGM VISION BATTERIES WITHOUT DISCONNECT

ITEM	PART NUMBER	QTY	DESCRIPTION	REV
	1001255263	Ref	BATTERIES INSTALLATION - AGM VISION BATTERIES WITHOUT DISCONNECT	A
1	0100051	AR	Grease, Terminal (Not Shown)	
2	4240017	AR	Tie-Strap (Not Shown)	
3	1001254633	2	Battery	
100	1001243230	1	Battery Cable Kit (Not Shown)	
101	1001239303	1	Cable, Positive (+) to Negative (-)	
102	1001243232	1	Cable, Pump Motor (+) to Module (+B)	
103	1001243233	1	Cable, Pump Motor (-) to Module (-P)	
104	1001244338	1	Cable, Battery (+) to Relay	
105	1001243235	1	Cable, Battery (-) to Module (-B)	
106	1001244339	1	Cable, Relay to Module (+BF)	

SECTION 2 - GROUND CONTROLS

FIGURE 2-12. BATTERIES INSTALLATION - AGM BATTERIES WITH DISCONNECT



ART_1001243229

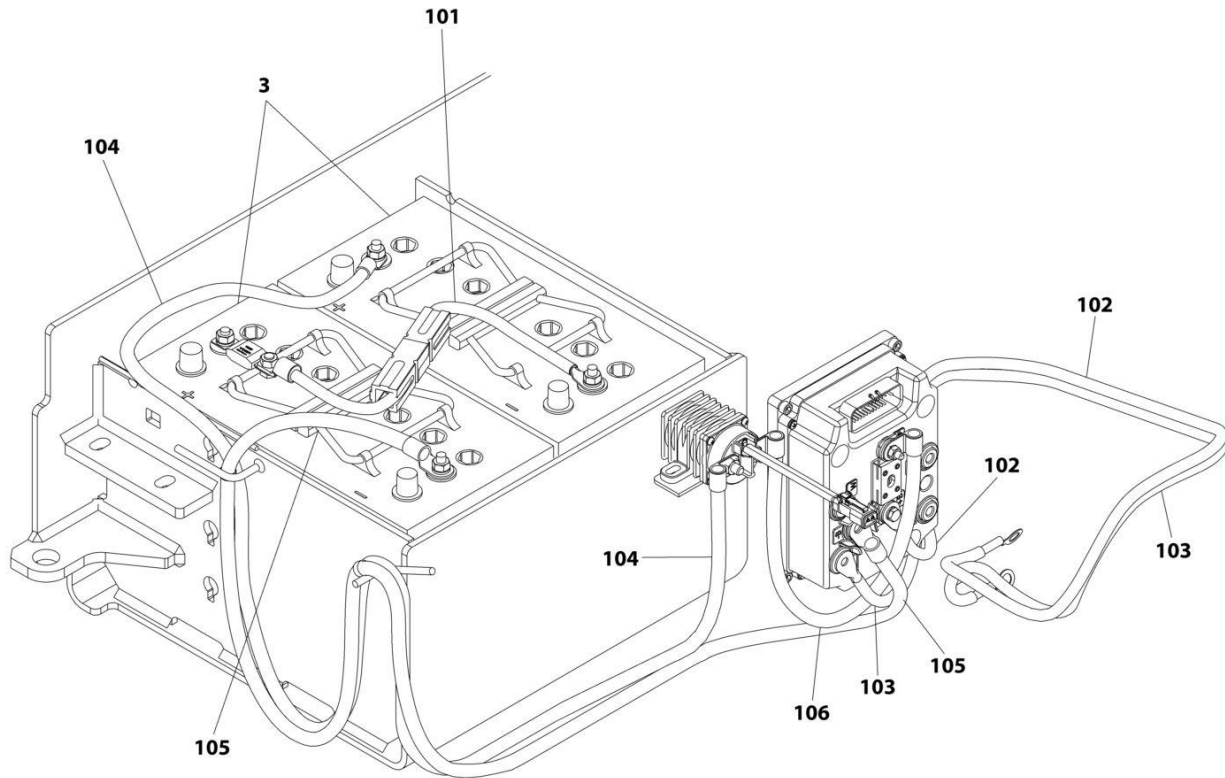
SECTION 2 - GROUND CONTROLS

FIGURE 2-12. BATTERIES INSTALLATION - AGM BATTERIES WITH DISCONNECT

ITEM	PART NUMBER	QTY	DESCRIPTION	REV
	1001243229	Rev	BATTERIES INSTALLATION - AGM BATTERIES WITH DISCONNECT	E
1	0100051	AR	Grease, Terminal (Not Shown)	
2	4240017	AR	Tie-Strap (Not Shown)	
3	1001125916	2	Battery	
4	1001249668	1	Washer	
100	1001243231	1	Battery Cable Kit (Not Shown)	
101	1001238060	1	Cable, Positive (+) to Negative (-)	
102	1001243232	1	Cable, Pump Motor (+) to Module (+B)	
103	1001243233	1	Cable, Pump Motor (-) to Module (-P)	
104	1001244338	1	Cable, Battery (+) to Relay	
105	1001243235	1	Cable, Battery (-) to Module (-B)	
106	1001244339	1	Cable, Relay to Module (+BF)	

SECTION 2 - GROUND CONTROLS

FIGURE 2-13. BATTERIES INSTALLATION - AGM VISION BATTERIES WITH DISCONNECT



ART_1001255264

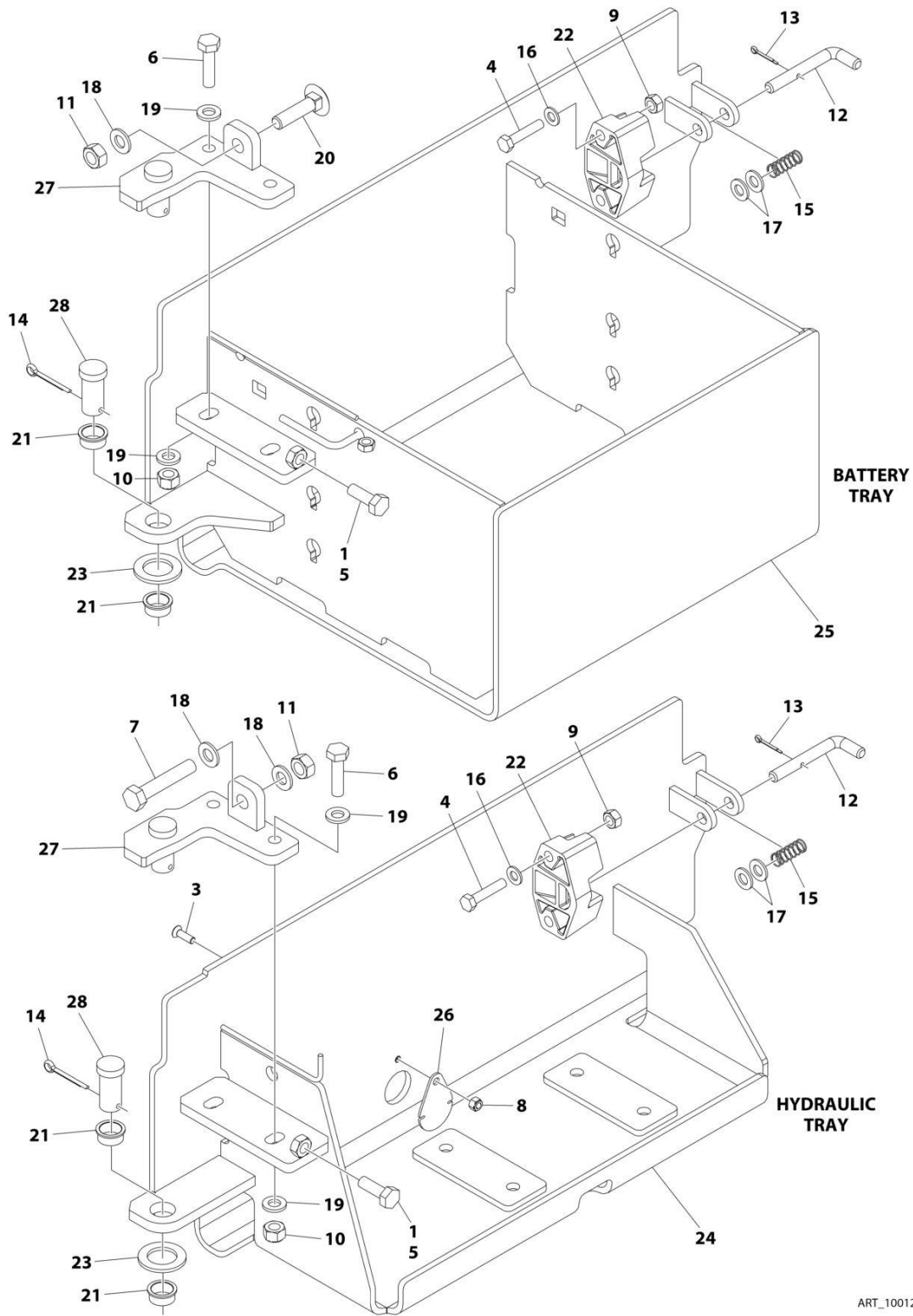
SECTION 2 - GROUND CONTROLS

FIGURE 2-13. BATTERIES INSTALLATION - AGM VISION BATTERIES WITH DISCONNECT

ITEM	PART NUMBER	QTY	DESCRIPTION	REV
	1001255264	Rev	BATTERIES INSTALLATION - AGM VISION BATTERIES WITH DISCONNECT	A
1	0100051	AR	Grease, Terminal (Not Shown)	
2	4240017	AR	Tie-Strap (Not Shown)	
3	1001254633	2	Battery	
100	1001243231	1	Battery Cable Kit (Not Shown)	
101	1001238060	1	Cable, Positive (+) to Negative (-)	
102	1001243232	1	Cable, Pump Motor (+) to Module (+B)	
103	1001243233	1	Cable, Pump Motor (-) to Module (-P)	
104	1001244338	1	Cable, Battery (+) to Relay	
105	1001243235	1	Cable, Battery (-) to Module (-B)	
106	1001244339	1	Cable, Relay to Module (+BF)	

SECTION 2 - GROUND CONTROLS

FIGURE 2-14. DOORS INSTALLATION



ART_1001236861

SECTION 2 - GROUND CONTROLS

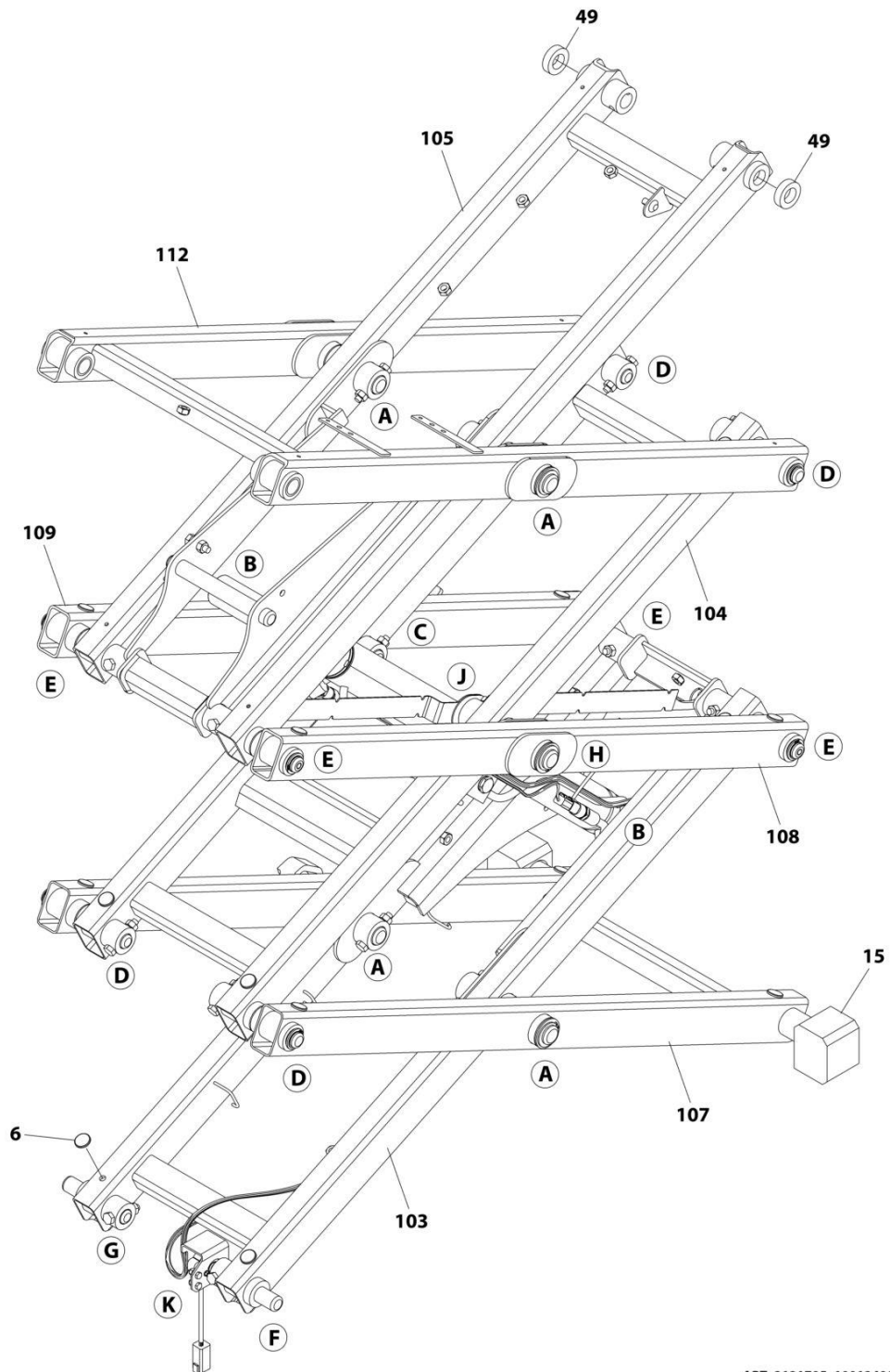
FIGURE 2-14. DOORS INSTALLATION

ITEM	PART NUMBER	QTY	DESCRIPTION	REV
	1001236861	Rev	DOORS INSTALLATION	C
1	0100011	AR	Compound, Locking	
3	0630576	1	Screw M6 x 20	
4	0700816	4	Bolt M8 x 40	
5	0761014	2	Bolt M10 x 30	
6	0761016	4	Bolt M10 x 40	
7	0761221	1	Bolt M12 x 65	
8	3290605	1	Nut M6	
9	3290805	4	Nut M8	
10	3291005	4	Nut M10	
11	3291201	2	Nut M12	
12	3423243	2	Pin, Latch	
13	3450303	2	Pin, Cotter 3/32 x 3/4	
14	3450505	2	Pin Cotter 5/32 x 1/2	
15	4160214	2	Spring	
16	4811900	4	Washer M8	
17	4812000	4	Washer M10	
18	4812100	3	Washer M12	
19	5241000	8	Washer M10	
20	1001245750	1	Bolt M12 x 50	
21	1001203870	4	Bearing	
22	1001214810	2	Support Latch	
23	1001229792	2	Washer	
24	1001236856	1	Tray, Hydraulic	
25	1001236860	1	Tray, Battery	
26	1001239457	1	Cover	
27	1001244672	2	Bracket	
28	3431212	2	Pin	

SECTION 3 - SCISSORS ARMS

SECTION 3 - SCISSORS ARMS

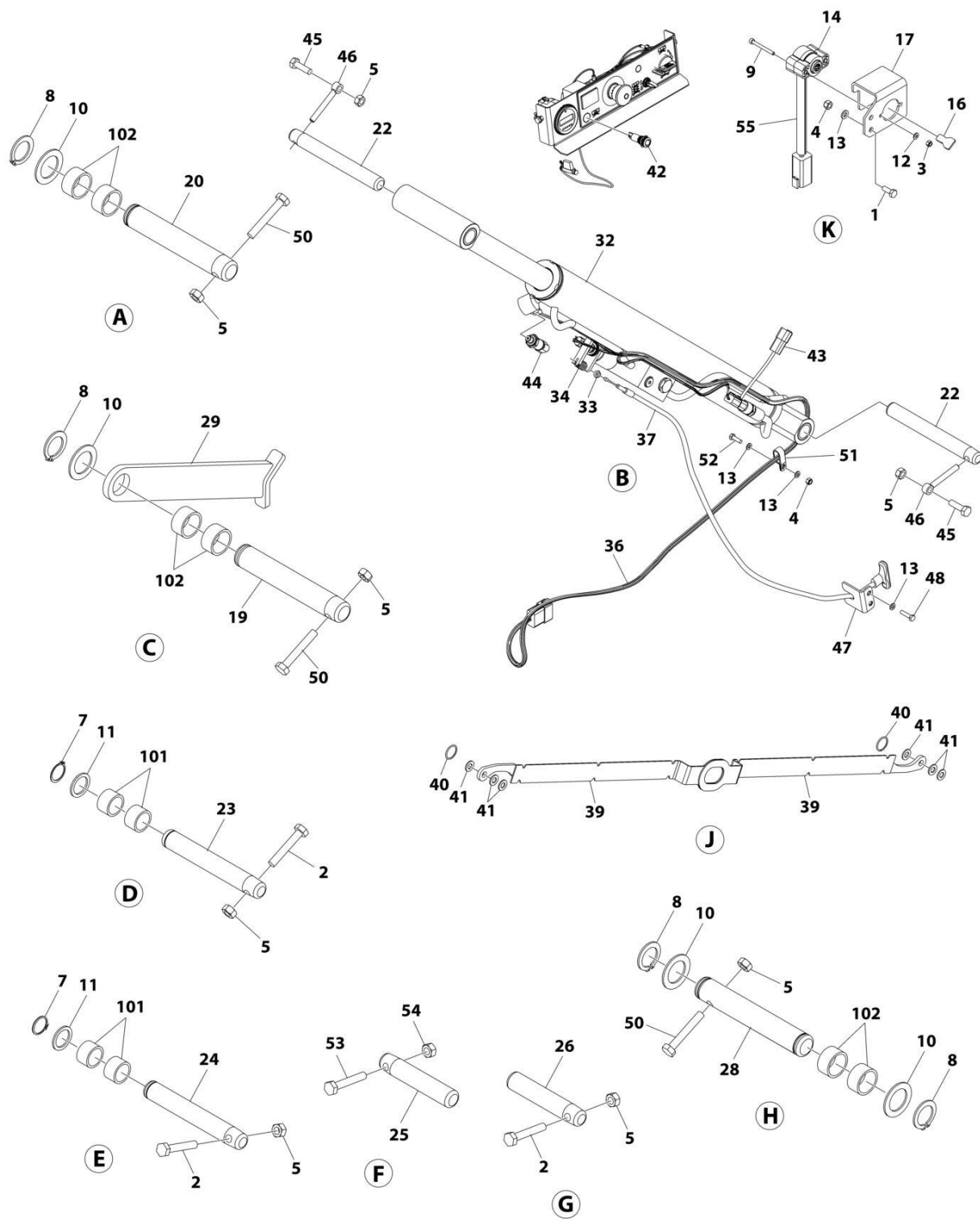
FIGURE 3-1. SCISSORS ARMS INSTALLATION WITH LSS



ART_3121795_1001249876_10F2

SECTION 3 - SCISSORS ARMS

FIGURE 3-2. SCISSORS ARMS INSTALLATION WITH LSS



ART_3121795_1001249876_20F2

SECTION 3 - SCISSORS ARMS

FIGURE 3-2. SCISSORS ARMS INSTALLATION WITH LSS

ITEM	PART NUMBER	QTY	DESCRIPTION	REV
	1001249876	Ref	SCISSOR ARMS INSTALLATION (WITH LSS)	L
1	0760608	2	Bolt M6 x 16	
2	0701020	9	Bolt M10 x 60	
3	3290405	2	Nut M4	
4	3290605	3	Nut M6	
5	3291007	17	Nut M10	
6	3340962	16	Pad	
7	3760115	8	Ring, Retaining	
8	3760387	7	Ring, Retaining	
9	4031512	2	Capscrew M4 x 40	
10	4740438	7	Washer	
11	4740531	8	Washer	
12	4811400	2	Washer M4	
13	4811700	6	Washer M6	
14	1001146963	1	Sensor, Angle	
15	1001204311	2	Block, Lower Slide	
16	1001205345	1	Key (SN B200000001 through B200062115)	
16	1001234204	1	Key (SN B200062116 through B200065277)	
17	1001231268	1	Mount	
19	1001233860	1	Pin	
20	1001233861	4	Pin	
22	1001233863	2	Pin	
23	1001233864	4	Pin	
24	1001233865	4	Pin	
25	1001233866	1	Pin	
26	1001233867	1	Pin	
28	1001239737	1	Pin	
29	1001244144	1	Prop, Arm	
31	1001244320	1	Arm Kit (Not Shown - See Item 101-112)	
32	1001236222	1	Lift Cylinder Assembly (See Separate Breakdown in Cylinder Section)	
33	3321402	1	Nut 1/4	
34	4160078	1	Spring	
35	4240017	AR	Tie-Strap (Not Shown)	
36	1001239374	1	Liftdown Harness (See Separate Breakdown in Electrical Section)	
37	1001239404	1	Cable, Manual Descent	
39	1001245790	2	Support	
40	3760170	2	Ring	
41	4812000	6	Washer M10	
42	1001200631	1	Light, Indicator	
43	1001235104	1	Transducer, Pressure	
44	1001225164	1	Transducer, Pressure	
45	0701015	2	Bolt M10 x 35	
46	3841143	2	Keeper, Pin	
47	1001253153	1	Mount (SN B2000000001 through B2000066469, Excluding B2000066338)	
47	1001263443	1	Mount (SN B2000066469 to Present)	
48	0760612	2	Bolt M6 x 25	
49	1001246303	2	Sleeve	
50	0701021	6	Bolt M10 x 65	

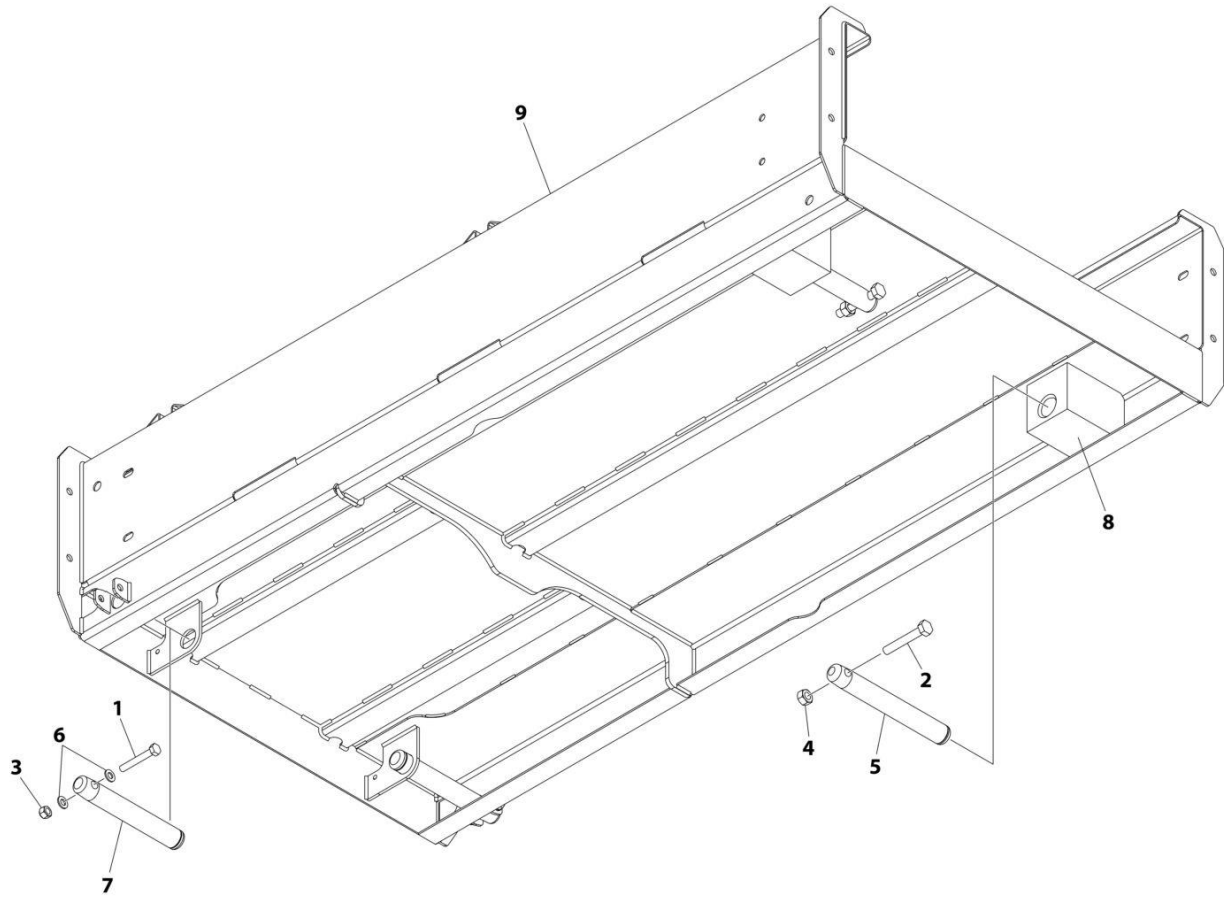
SECTION 3 - SCISSORS ARMS

ITEM	PART NUMBER	QTY	DESCRIPTION	REV
51	1321385	1	Clamp	
52	0760610	1	Bolt M6 x 20	
53	1001258226	1	Bolt M8 x 40 (M10 Shoulder)	
54	3290807	1	Nut M8	
55	1001262299	1	Conduit	
100	0440263	2	Bushing (Part of Frame)	
	1001244320	Ref	ARM KIT	
101	0440264	20	Bearing	
102	0440265	12	Bearing	
103	1001245386	1	Arm, Bottom Inside	
104	1001233834	1	Arm, Mid Inside	
105	1001245388	1	Arm, Top Inside	
107	1001233837	1	Arm, Bottom Outside	
108	1001245634	1	Arm, Mid Outside	
109	1001245635	1	Arm, Mid Outside with Prop Mount	
112	1001245451	1	Arm, Top Outside	

SECTION 4 - PLATFORM

SECTION 4 - PLATFORM

FIGURE 4-1. PLATFORM INSTALLATION



ART_1001248157

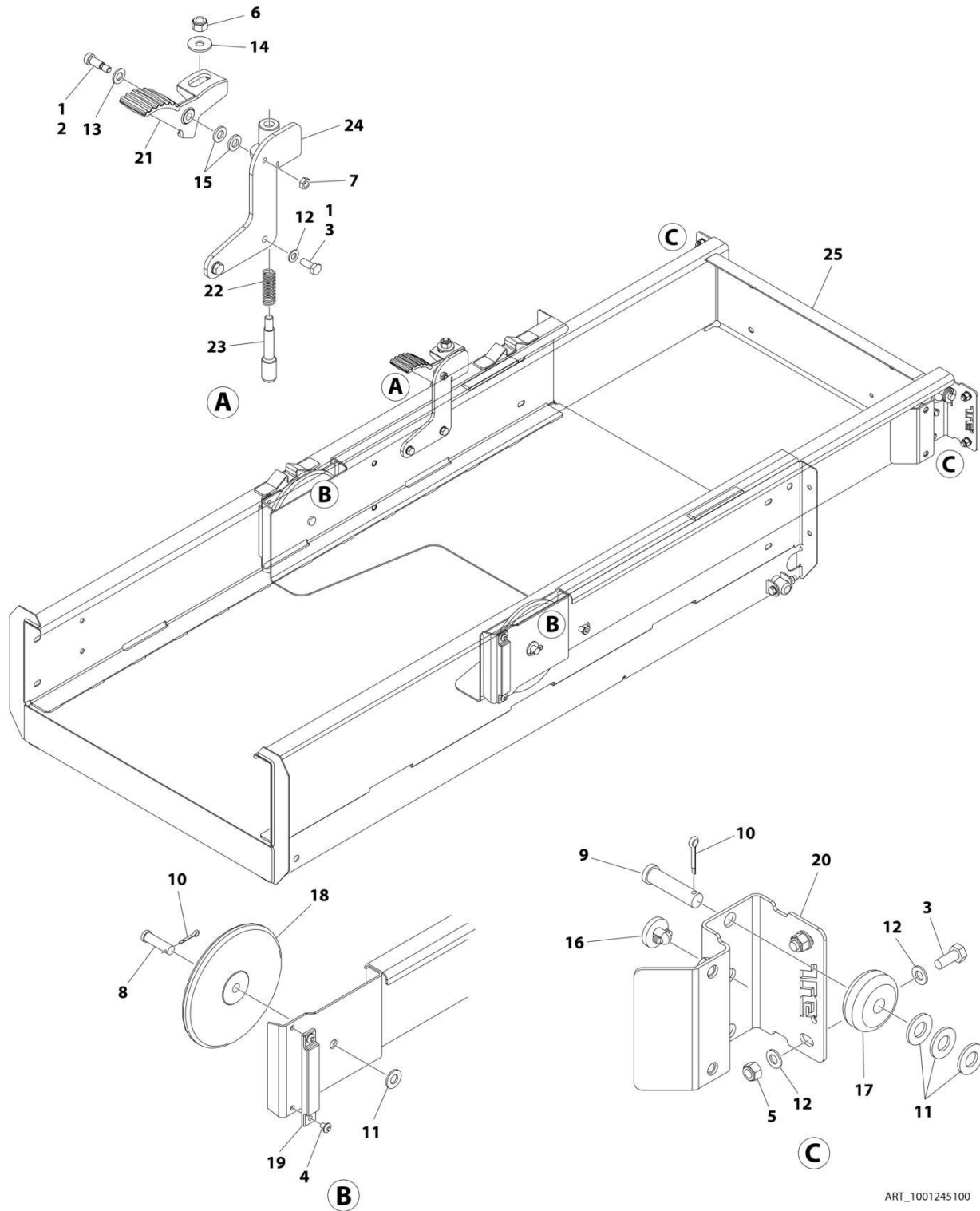
SECTION 4 - PLATFORM

FIGURE 4-1. PLATFORM INSTALLATION

ITEM	PART NUMBER	QTY	DESCRIPTION	REV
	1001248157	Ref	PLATFORM INSTALLATION	A
1	0700819	2	Bolt M8 x 55	
2	0701021	2	Bolt M10 x 65	
3	3290805	2	Nut M8	
4	3291007	2	Nut M10	
5	3423032	2	Pin	
6	4811900	4	Washer M8	
7	1001203443	2	Pin	
8	1001205156	2	Block, Slide	
9	1001248155	1	Platform	

SECTION 4 - PLATFORM

FIGURE 4-2. PLATFORM EXTENSION INSTALLATION



ART_1001245100

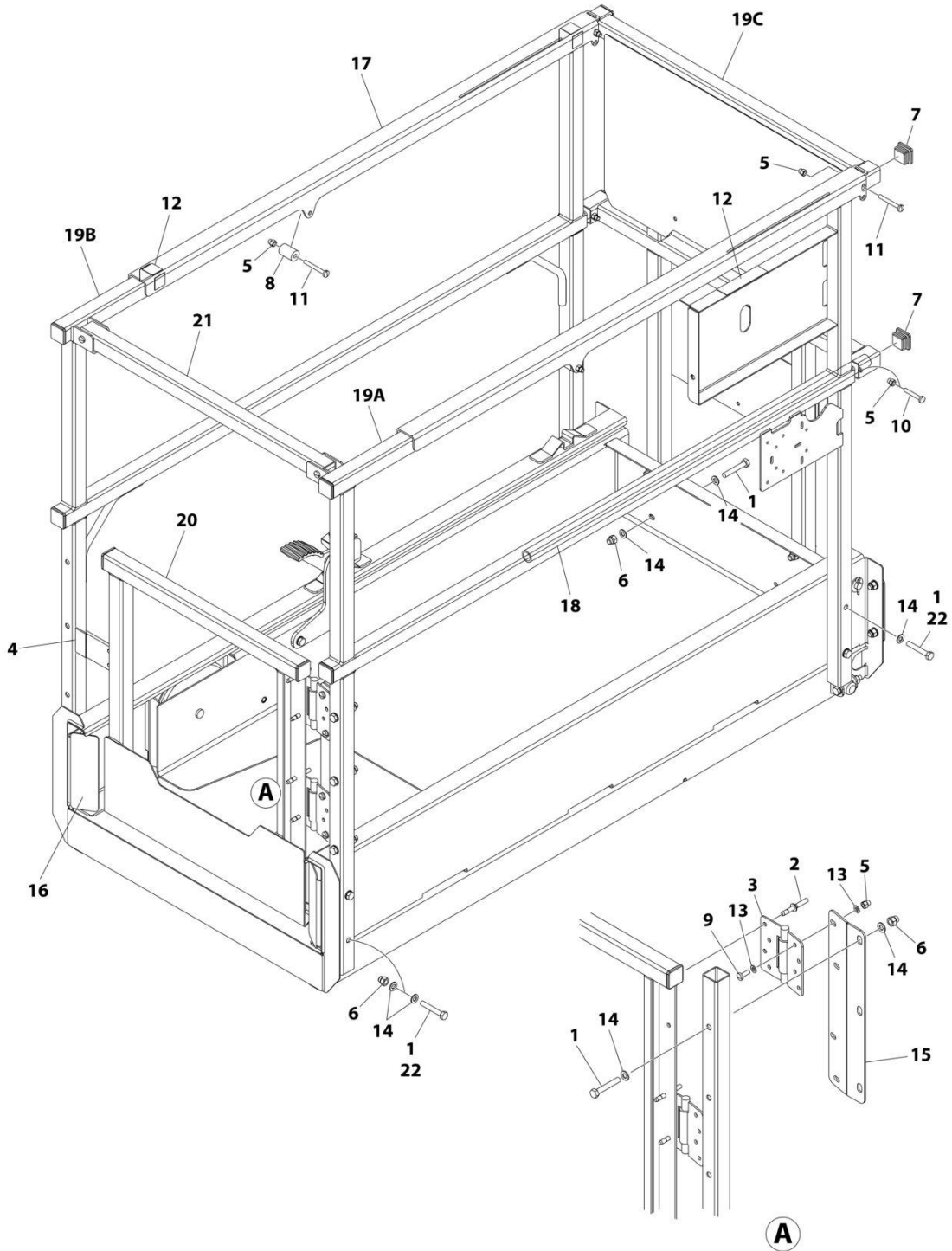
SECTION 4 - PLATFORM

FIGURE 4-2. PLATFORM EXTENSION INSTALLATION

ITEM	PART NUMBER	QTY	DESCRIPTION	REV
	1001245100	Ref	PLATFORM EXTENSION INSTALLATION	C
1	0100011	AR	Compound, Locking	
2	0630183	1	Screw 3/8 x 1	
3	0760810	6	Bolt M8 x 20	
4	2080040	4	Fastener	
5	3290805	4	Nut M8	
6	3291005	1	Nut M10	
7	3311502	1	Nut 5/16	
8	3430814	2	Pin	
9	3430816	2	Pin	
10	3450403	4	Pin, Cotter 1/8 x 3/4	
11	4711800	8	Washer 1/2	
12	4811900	10	Washer M8	
13	4812000	1	Washer M10	
14	4812002	1	Washer M10	
15	5241000	2	Washer M10	
16	1001137675	2	Bumper	
17	1001205422	2	Roller (Front)	
18	1001205430	2	Roller (Rear)	
19	1001208852	2	Pad	
20	1001210064	2	Support	
21	1001217043	1	Plate	
22	1001221475	1	Spring	
23	1001221476	1	Rod	
24	1001236129	1	Bracket	
25	1001245099	1	Extension, Platform	

SECTION 4 - PLATFORM

FIGURE 4-3. RAILS INSTALLATION (1.0M TUBE IN TUBE)



ART_1001245103

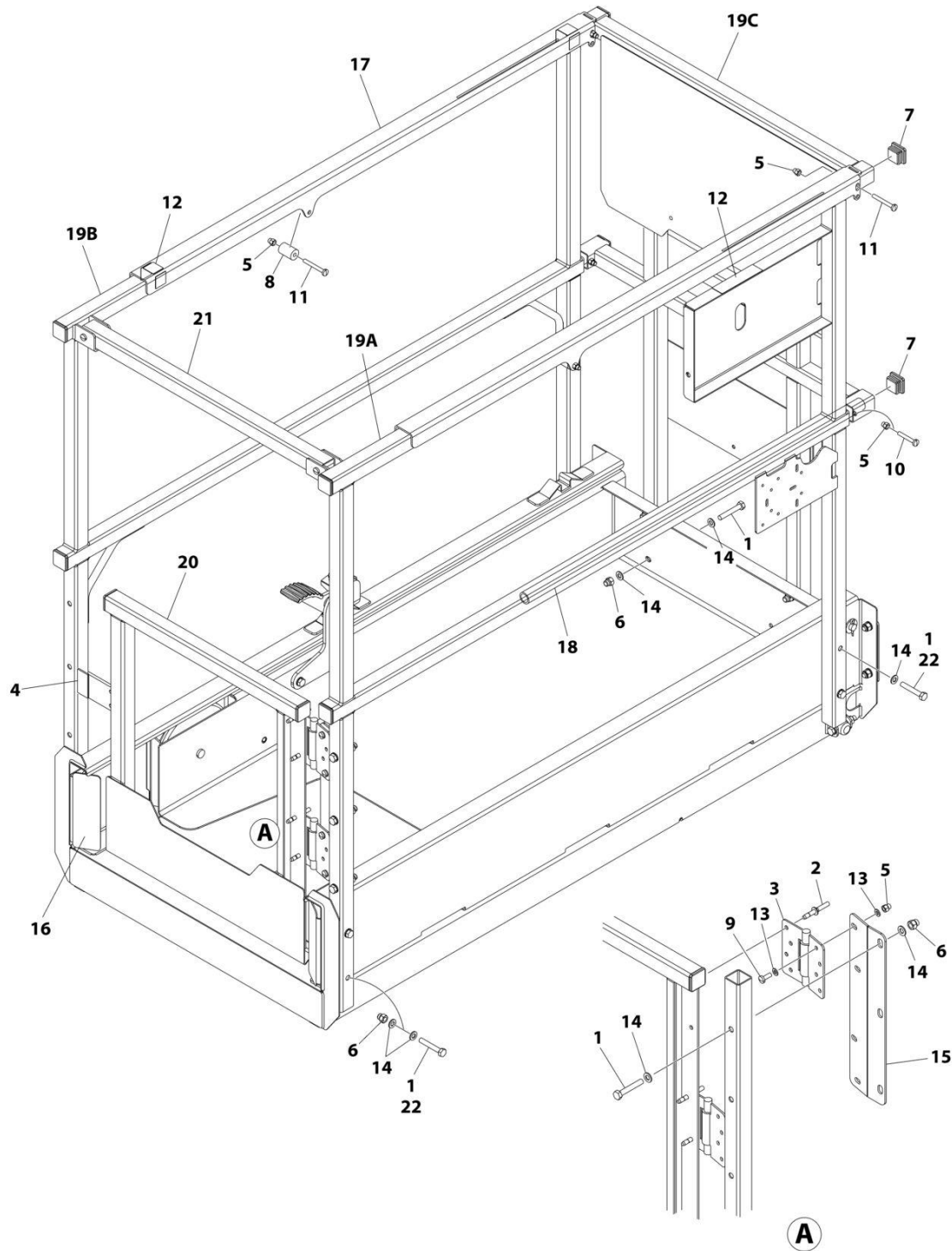
SECTION 4 - PLATFORM

FIGURE 4-3. RAILS INSTALLATION (1.0M TUBE IN TUBE)

ITEM	PART NUMBER	QTY	DESCRIPTION	REV
	1001245103	Ref	RAILS INSTALLATION (1.0M TUBE IN TUBE)	B
1	0700818	15	Bolt M8 x 50	
2	2080040	4	Fastener	
3	2600281	2	Hinge	
4	3080007	1	Latch, Magnetic Gate	
5	3290606	12	Nut M6	
6	3290806	11	Nut M8	
7	3520072	10	Plug	
8	3860111	2	Roller	
9	4010608	4	Screw M6 x 16	
10	4010616	2	Screw M6 x 40	
11	4010618	6	Screw M6 x 50	
12	4420062	16 in /40cm	Tape	
13	4811700	8	Washer M6	
14	4811900	26	Washer M8	
15	1001210586	1	Support	
16	1001210963	2	Cover	
17	1001244095	2	Rail, Top Slide	
18	1001244096	2	Rod	
19	1001245102	1	Rail, Kit (Not Shown)	
19A	1001244045	1	Rail, Side (RH)	
19B	1001244047	1	Rail, Side (LH)	
19C	1001245101	1	Rail, Front Extension	
20	1001245110	1	Gate	
21	1001245138	1	Rail, Rear	
22	0100011	AR	Compound, Locking	

SECTION 4 - PLATFORM

FIGURE 4-4. RAILS INSTALLATION (1.1M TUBE IN TUBE)



ART_1001245107

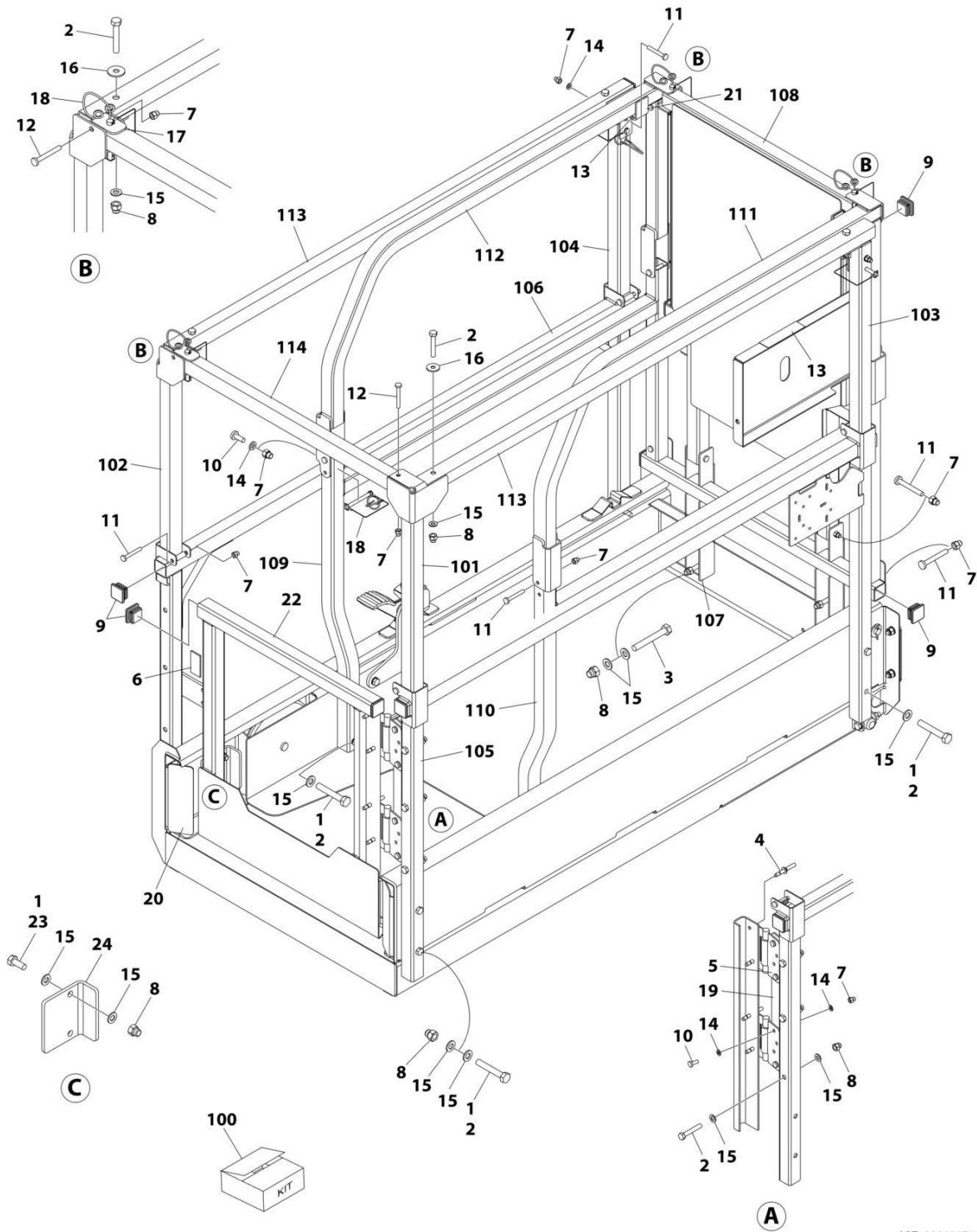
SECTION 4 - PLATFORM

FIGURE 4-4. RAILS INSTALLATION (1.1M TUBE IN TUBE)

ITEM	PART NUMBER	QTY	DESCRIPTION	REV
	1001245107	Ref	RAILS INSTALLATION (1.1M TUBE IN TUBE)	B
1	0700818	15	Bolt M8 x 50	
2	2080040	4	Fastener	
3	2600281	2	Hinge	
4	3080007	1	Latch, Magnetic Gate	
5	3290606	12	Nut M6	
6	3290806	11	Nut M8	
7	3520072	10	Plug	
8	3860111	2	Roller	
9	4010608	4	Screw M6 x 16	
10	4010616	2	Screw M6 x 40	
11	4010618	6	Screw M6 x 50	
12	4420062	16 in /40cm	Tape	
13	4811700	8	Washer M6	
14	4811900	26	Washer M8	
15	1001210586	1	Support	
16	1001210963	2	Cover	
17	1001244095	2	Rail, Top Slide	
18	1001244096	2	Rod	
19	1001245108	1	Rail, Kit (Not Shown)	
19A	1001244093	1	Rail, Side (RH)	
19B	1001244092	1	Rail, Side (LH)	
19C	1001245106	1	Rail, Front Extension	
20	1001245110	1	Gate	
21	1001245138	1	Rail, Rear	
22	0100011	AR	Compound, Locking	

SECTION 4 - PLATFORM

FIGURE 4-5. RAILS INSTALLATION (SIDE BY SIDE)



ART_1001245119

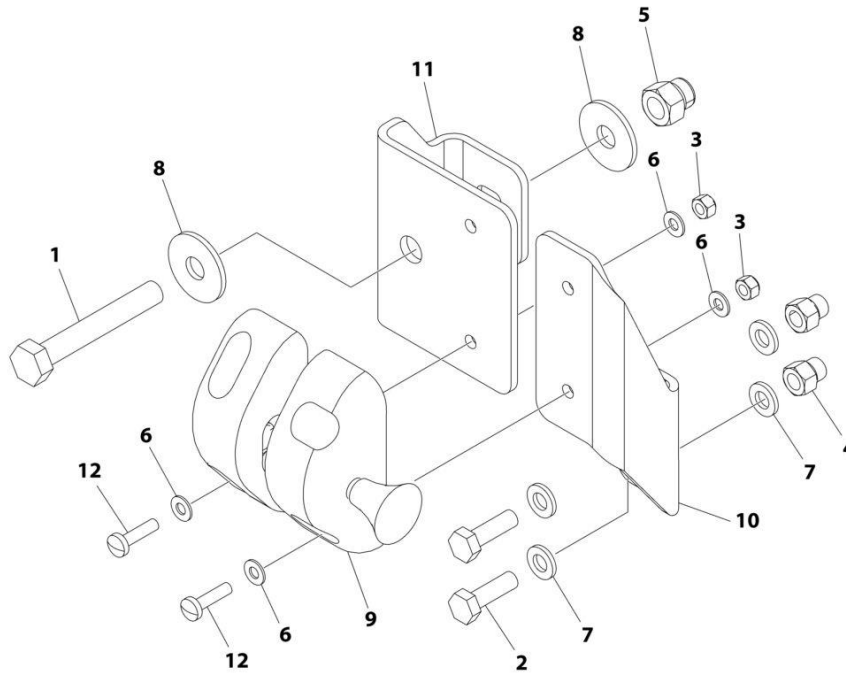
SECTION 4 - PLATFORM

FIGURE 4-5. RAILS INSTALLATION (SIDE BY SIDE)

ITEM	PART NUMBER	QTY	DESCRIPTION	REV
	1001245119	Ref	RAILS INSTALLATION (SIDE BY SIDE)	B
1	0100011	AR	Compound, Locking	
2	0700818	19	Bolt M8 x 50	
3	0700820	4	Bolt M8 x 60	
4	2080040	4	Fastener	
5	2600281	2	Hinge	
6	3080007	1	Latch, Magnetic Gate	
7	3290606	23	Nut M6	
8	3290806	17	Nut M8	
9	3520072	12	Plug	
10	4010608	5	Screw M6 x 16	
11	4010617	16	Screw M6 x 45	
12	4010618	2	Screw M6 x 50	
13	4420062	15 in/ 37cm	Tape	
14	4811700	13	Washer M6	
15	4811900	38	Washer M8	
16	4811902	4	Washer M8	
17	1001154378	1	Bracket	
18	1001187587	6	Pin, With Lanyard	
19	1001210586	1	Support	
20	1001210963	2	Cover	
21	1001232257	2	Brace	
22	1001245110	1	Gate	
23	0760810	2	Bolt M8 x 20	
24	1001232622	1	Bracket	
100	1001245120	1	Rail, Kit (Not Shown)	
101	1001229739	1	Rail (RH Upper Rear)	
102	1001229740	1	Rail (LH Upper Rear)	
103	1001229741	1	Rail (RH Upper Front)	
104	1001229742	1	Rail (LH Upper Front)	
105	1001245121	1	Rail (RH Lower)	
106	1001245122	1	Rail (LH Lower)	
107	1001245123	1	Rail (Lower Extension)	
108	1001245125	1	Rail (Upper Front Extension)	
109	1001245129	1	Rail (Extension LH Side Upper)	
110	1001245131	1	Rail (Extension RH Side Upper)	
111	1001245132	1	Rail (Extension RH Side Lower)	
112	1001245134	1	Rail (Extension LH Side Lower)	
113	1001245135	2	Rail (RH and LH Side Upper)	
114	1001245136	1	Rail (Rear Top)	

SECTION 4 - PLATFORM

FIGURE 4-6. GATE LATCH INSTALLATION



ART_1001220995

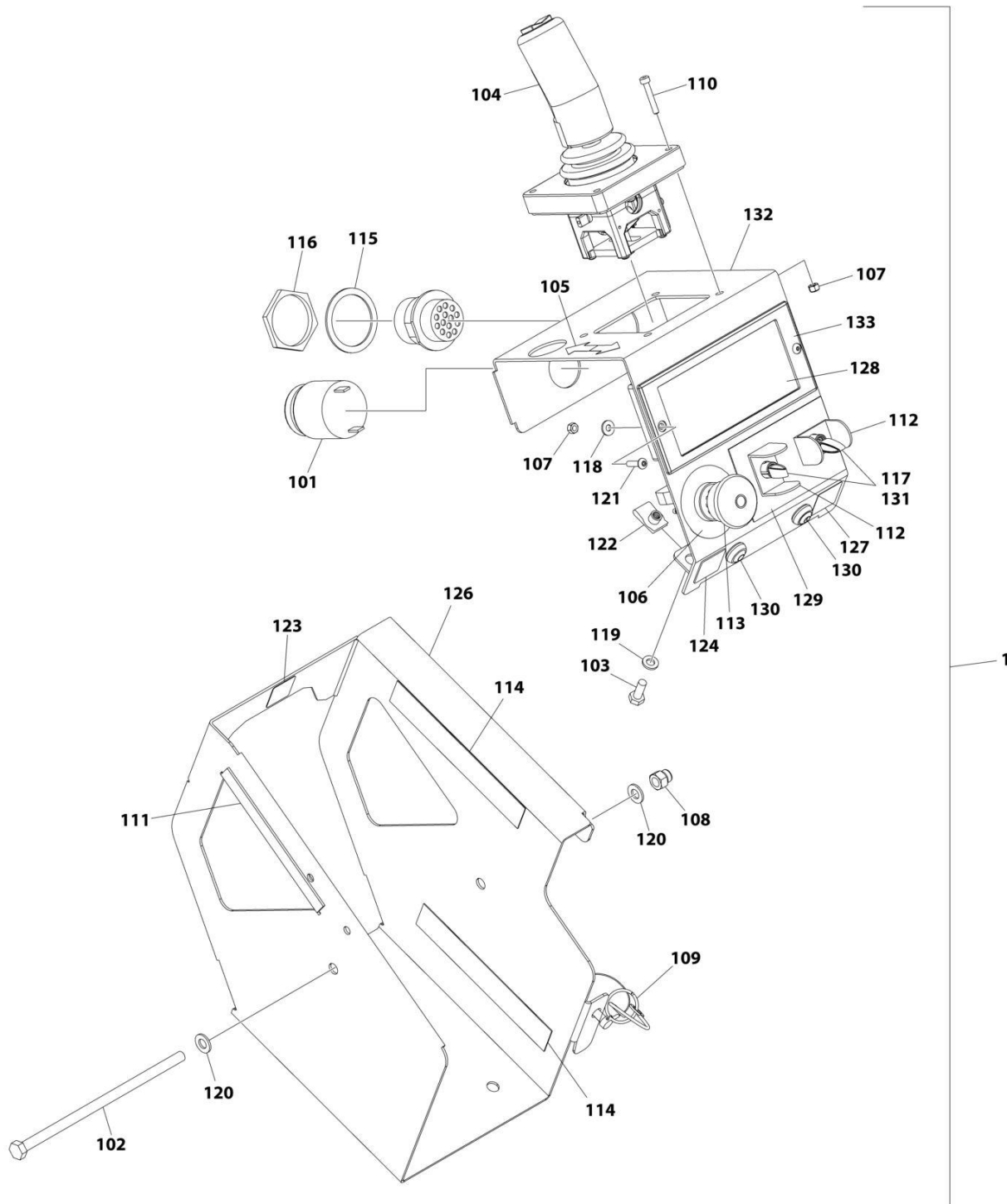
SECTION 4 - PLATFORM

FIGURE 4-6. GATE LATCH INSTALLATION

ITEM	PART NUMBER	QTY	DESCRIPTION	REV
	1001220995	Ref	GATE LATCH INSTALLATION	B
1	0700819	1	Bolt M8 x 55	
2	0760610	2	Bolt M6 x 20	
3	3290405	4	Nut M4	
4	3290606	2	Nut M6	
5	3290806	1	Nut M8	
6	4811400	8	Washer M4	
7	4811700	4	Washer M6	
8	4811902	2	Washer M8	
9	1001134821	1	Latch	
10	1001220409	1	Mount	
11	1001220410	1	Plate	
12	4010408	4	Screw M4 x 16	

SECTION 4 - PLATFORM

FIGURE 4-7. PLATFORM CONTROL INSTALLATION



ART_1001274659

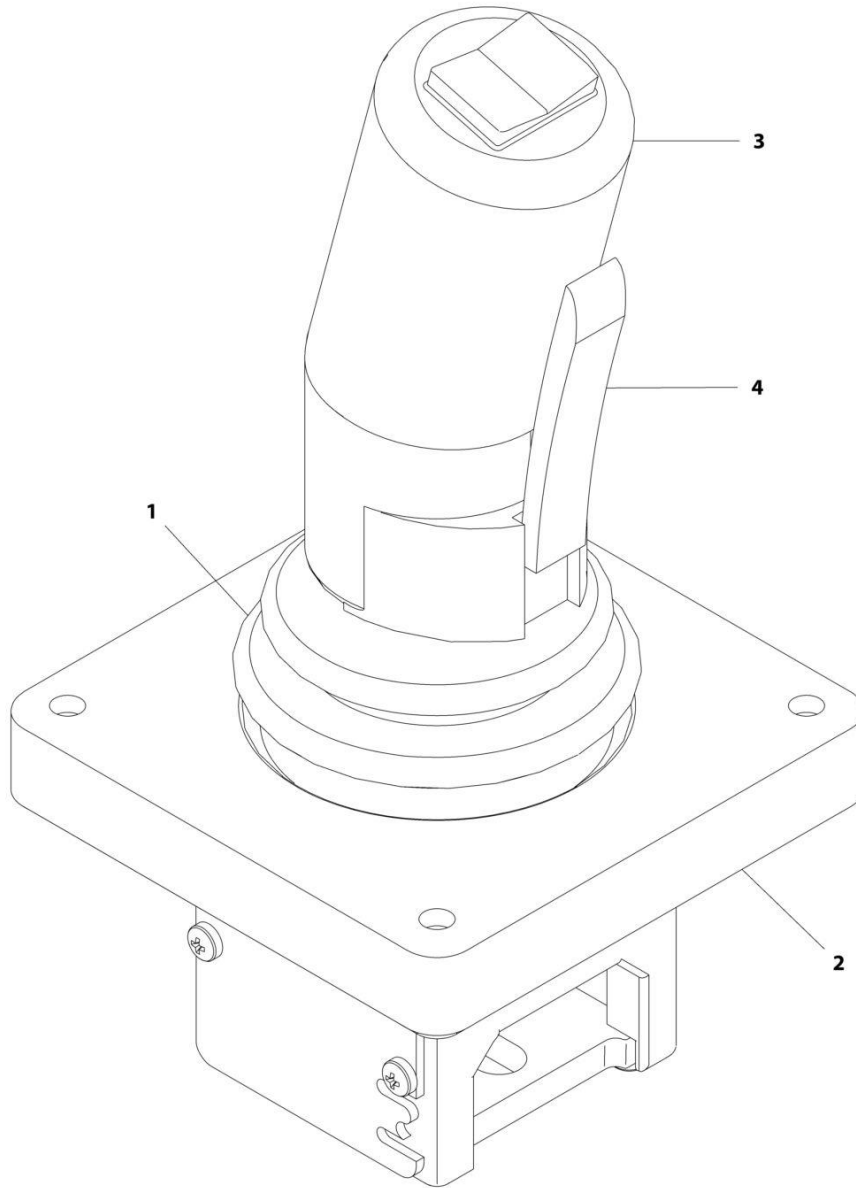
SECTION 4 - PLATFORM

FIGURE 4-7. PLATFORM CONTROL INSTALLATION

ITEM	PART NUMBER	QTY	DESCRIPTION	REV
	1001274659	Ref	PLATFORM CONTROL INSTALLATION (LED)	A
1	1001274604	1	Platform Control Box	B
101	0140030	1	Alarm	
102	0700835	1	Bolt M8 x 180	
103	0760610	2	Bolt M6 x 20	
104	1600402	1	Controller Assembly (See Separate Breakdown in this Section)	
105	1703819	1	Decal - Arrow	
106	1704260	1	Decal - Emergency Stop	
107	3290405	6	Nut M4	
108	3290806	1	Nut M8	
109	3423278	1	Pin, Snap with Lanyard	
110	4031509	4	Capscrew M4 x 25	
111	4060803	6 in/ 14cm	Flex-Trim	
112	4060906	2	Guard, Switch	
113	4360475	1	Switch, Emergency Stop	
113	7020175	1	Cap	
113	7020176	1	Block, Contact	
114	4420062	12 in/ 30cm	Tape	
115	4460496	1	Washer, Terminal	
116	4460497	1	Nut, Terminal	
117	4711700	2	Washer 7/16	
118	4811400	2	Washer M4	
119	4811700	2	Washer M6	
120	4811900	2	Washer M8	
121	1001047064	2	Screw M4 x 15	
122	1001130220	2	Nut, Tinnerman M6	
123	1001132358	1	Decal - Steer	
124	1001132361	1	Decal - Horn	
125	1001200819	1	Platform Control Box Harness (Not Shown) (See Separate Breakdown in ELECTRICAL Section)	
126	1001209596	1	Plate, Box (Outside)	
127	1001213886	1	Decal - Indoor/Outdoor	
128	1001218285	1	Decal - Platform Control	
129	1001220893	1	Decal - Lift/Drive Function	
130	1001226749	2	Switch, Push Button	
131	1001258446	2	Switch, Toggle	
132	1001262655	1	Plate, Box (Inside)	
133	1001274605	1	Module, Platform Control	

SECTION 4 - PLATFORM

FIGURE 4-8. DRIVE/STEER CONTROLLER ASSEMBLY



ART_1600402

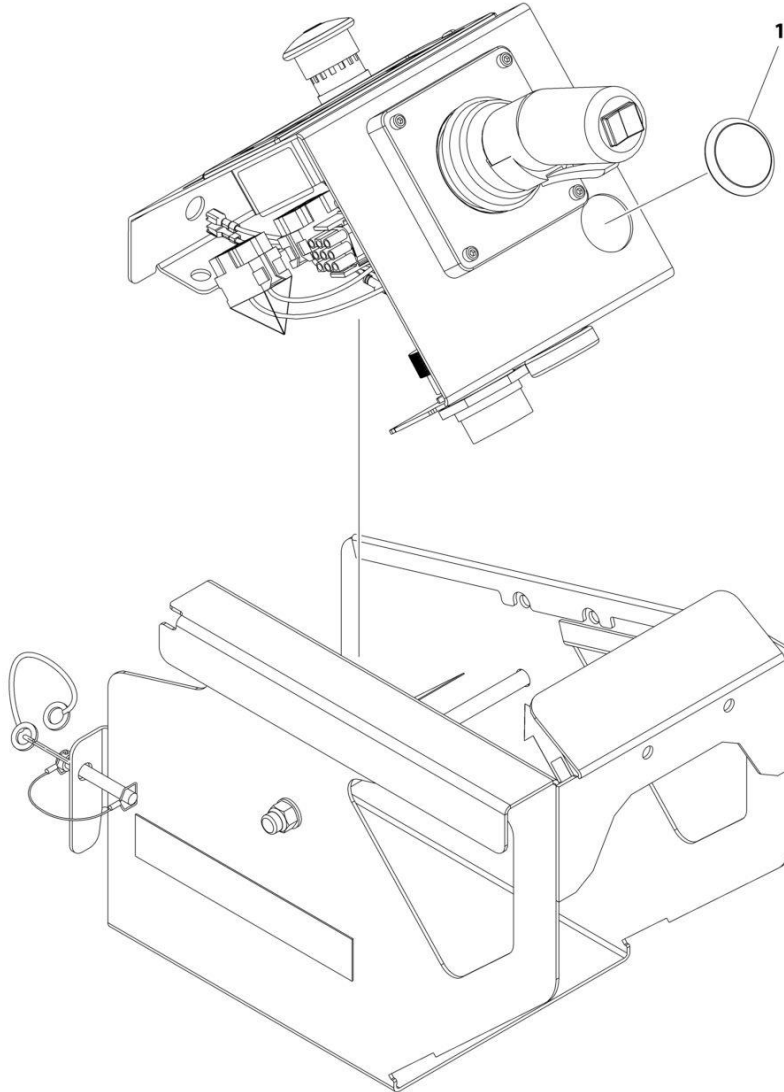
SECTION 4 - PLATFORM

FIGURE 4-8. DRIVE/STEER CONTROLLER ASSEMBLY

ITEM	PART NUMBER	QTY	DESCRIPTION	REV
	1600402	Ref	DRIVE/STEER CONTROLLER ASSEMBLY	A
1	70001250	1	Boot, Panel	
2	70001252	1	Gasket, Mounting	
2	70001251	1	Bezel, Mounting	
3	70003650	1	Handle Repair Kit (Includes handle gasket, item#4 push button and item #4 lever installed in front handle half, back handle half, top actuator, boot and hardware.)	
3	70000084	1	Cap, Rubber	
3	70000082	1	Microswitch	
3	7027766	1	Ring, Retaining	
3	7027365	1	Actuator, Handle	
3	70001253	1	Gasket, Handle	
3	70000683	4	Washer, Neoprene	
3	70000685	2	Spacer, Plastic	
3	70000686	2	Screw (Top)	
3	70000684	2	Screw (Bottom)	
4	7027367	1	Switch, Push Button	
4	7027765	1	Lever, Enable	

SECTION 4 - PLATFORM

FIGURE 4-9. PLATFORM CONTROL PLUG INSTALLATION



ART_1001274661

SECTION 4 - PLATFORM

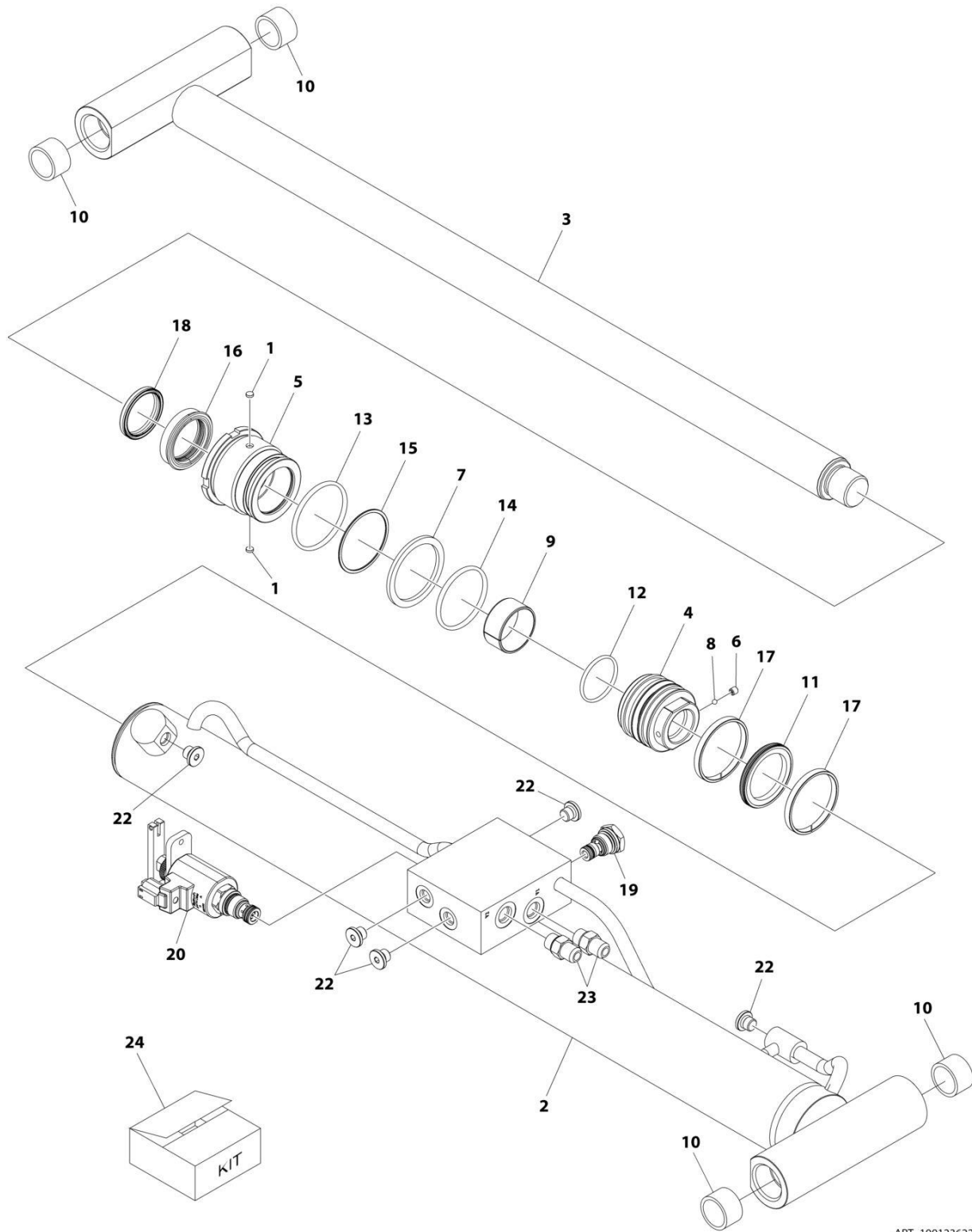
FIGURE 4-9. PLATFORM CONTROL PLUG INSTALLATION

ITEM	PART NUMBER	QTY	DESCRIPTION	REV
1	1001274661	Ref	PLATFORM CONTROL PLUG INSTALLATION	A
	1001262221	1	Plug	

SECTION 5 - CYLINDER

SECTION 5 - CYLINDER

FIGURE 5-1. LIFT CYLINDER ASSEMBLY



ART_1001236222

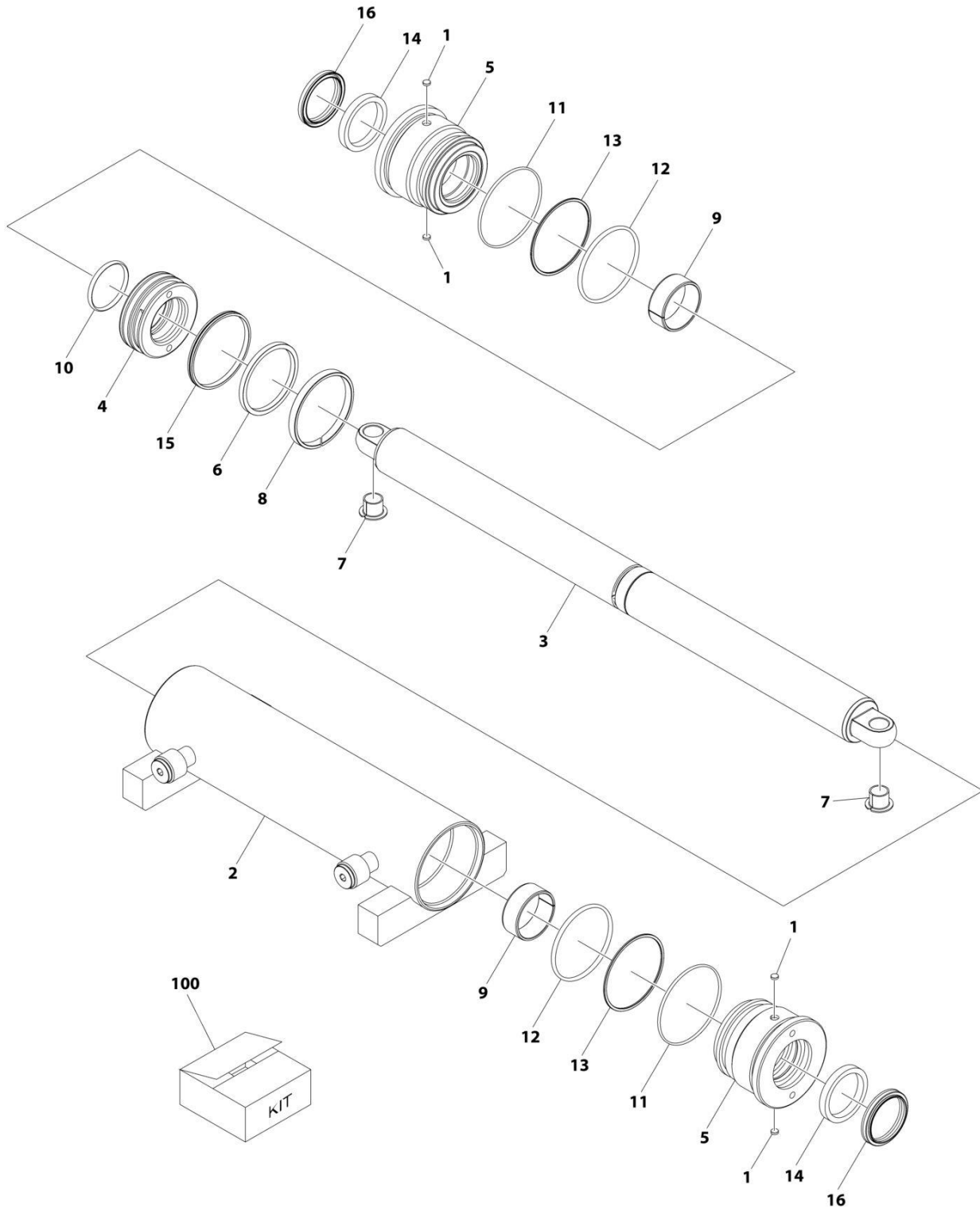
SECTION 5 - CYLINDER

FIGURE 5-1. LIFT CYLINDER ASSEMBLY

ITEM	PART NUMBER	QTY	DESCRIPTION	REV
	1001236222	Ref	LIFT CYLINDER ASSEMBLY	B
		Ref	Note: Original Cylinder May Have Been Replaced with Service Replacement. Identify PN Stamped on Cylinder Before Ordering Parts.	
1	70003636	2	Insert, Locking	
2	See Note	NSS	Barrel (Note: Use p/n 1001236222)	
3	70007129	1	Rod	
4	70007130	1	Piston	
5	70007131	1	Head	
6	See Note	NSS	Setscrew (Note: Use Item 24)	
7	70007132	1	Ring, Back-up	
8	See Note	NSS	Ball (Note: Use Item 24)	
9	70007133	1	Ring, Wear	
10	0962292	4	Bearing	
11	See Note	NSS	Ring, Wear (Note: Use Item 24)	
12	See Note	NSS	O-Ring (Note: Use Item 24)	
13	See Note	NSS	O-Ring (Note: Use Item 24)	
14	See Note	NSS	O-Ring (Note: Use Item 24)	
15	See Note	NSS	Ring, Back-up (Note: Use Item 24)	
16	See Note	NSS	Seal, Rod (Note: Use Item 24)	
17	See Note	NSS	Seal, Piston (Note: Use Item 24)	
18	See Note	NSS	Wiper (Note: Use Item 24)	
19	70004585	1	Valve, Check (Bosch Rexroth)	
19	70008142	1	Valve, Check (Sant - Valvole)	
20	70005236	1	Valve, Manual Descent (Bosch Rexroth)	
20	70008143	1	Valve, Manual Descent (Sant - Valvole)	
21	70007134	2	Fitting, Straight (Not Shown)	
22	2220883	5	Plug	
23	70007135	2	Fitting, Straight	
24	70007136	1	Seal Kit - Cylinder (Includes Items 6, 8 & 11-18)	

SECTION 5 - CYLINDER

FIGURE 5-2. STEER CYLINDER ASSEMBLY



ART_1001234461

SECTION 5 - CYLINDER

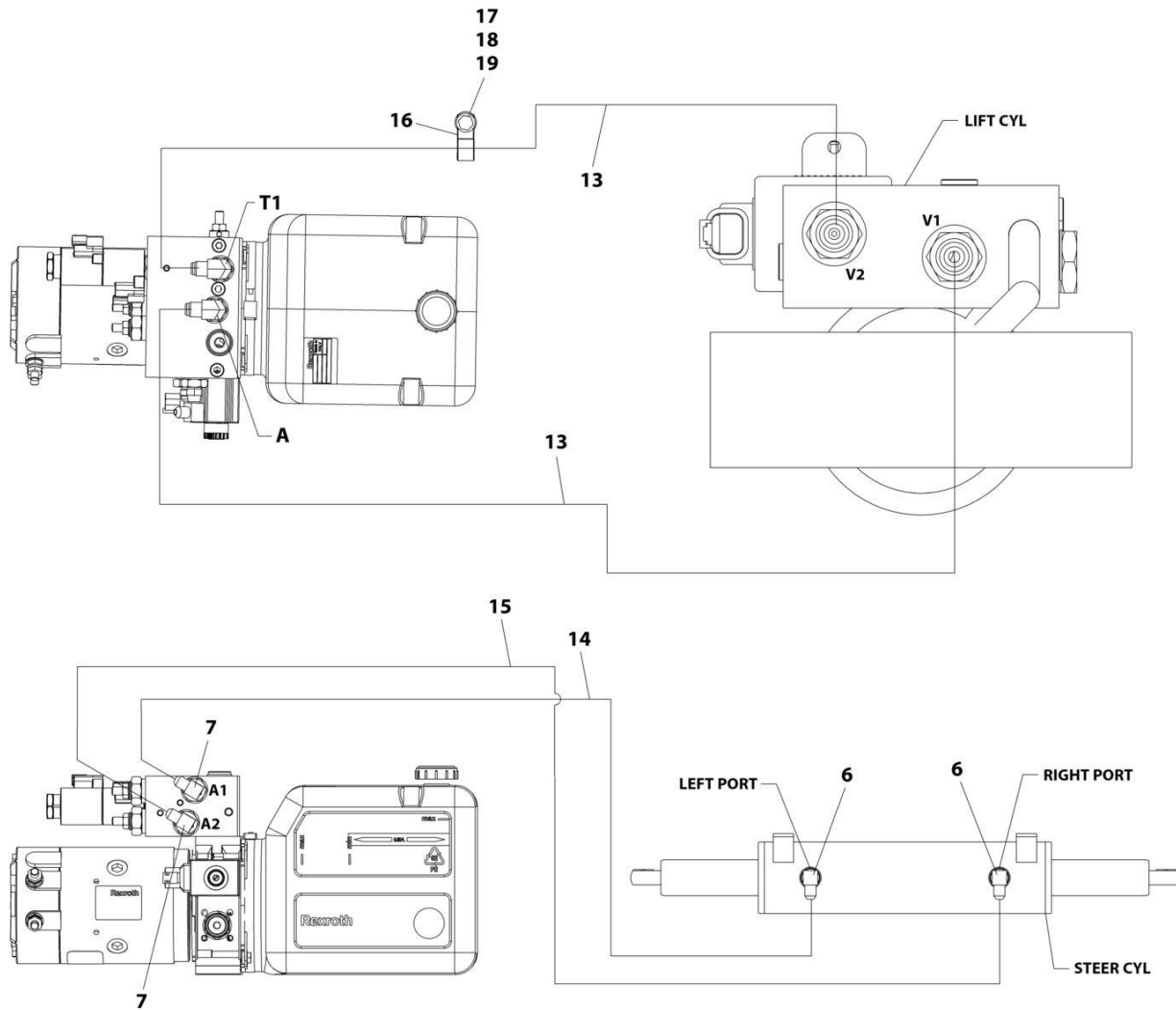
FIGURE 5-2. STEER CYLINDER ASSEMBLY

ITEM	PART NUMBER	QTY	DESCRIPTION	REV
	1001234461	Ref	STEER CYLINDER ASSEMBLY	A
		Ref	Note: Original Cylinder May Have Been Replaced with Service Replacement. Identify PN Stamped on Cylinder Before Ordering Parts.	
1	70003636	4	Insert, Locking	
2	See Note	NSS	Barrel (Note: Use p/n 1001234461)	
3	70007074	1	Rod	
4	70007075	1	Piston	
5	70007076	2	Head	
6	70007077	1	Ring, Retaining	
7	0440259	2	Bushing	
8	See Note	NSS	Ring, Wear (Note: Use Item 100)	
9	See Note	NSS	Ring, Wear (Note: Use Item 100)	
10	See Note	NSS	O-Ring (Note: Use Item 100)	
11	See Note	NSS	O-Ring (Note: Use Item 100)	
12	See Note	NSS	O-Ring (Note: Use Item 100)	
13	See Note	NSS	Ring, Back-up (Note: Use Item 100)	
14	See Note	NSS	Seal, Rod (Note: Use Item 100)	
15	See Note	NSS	Seal, Piston (Note: Use Item 100)	
16	See Note	NSS	Wiper (Note: Use Item 100)	
100	70007118	1	Seal Kit - Cylinder (Includes Items 8-16)	

SECTION 6 - HYDRAULIC

SECTION 6 - HYDRAULIC

FIGURE 6-1. HYDRAULIC DIAGRAM



ART_1001235002_2OF2

SECTION 6 - HYDRAULIC

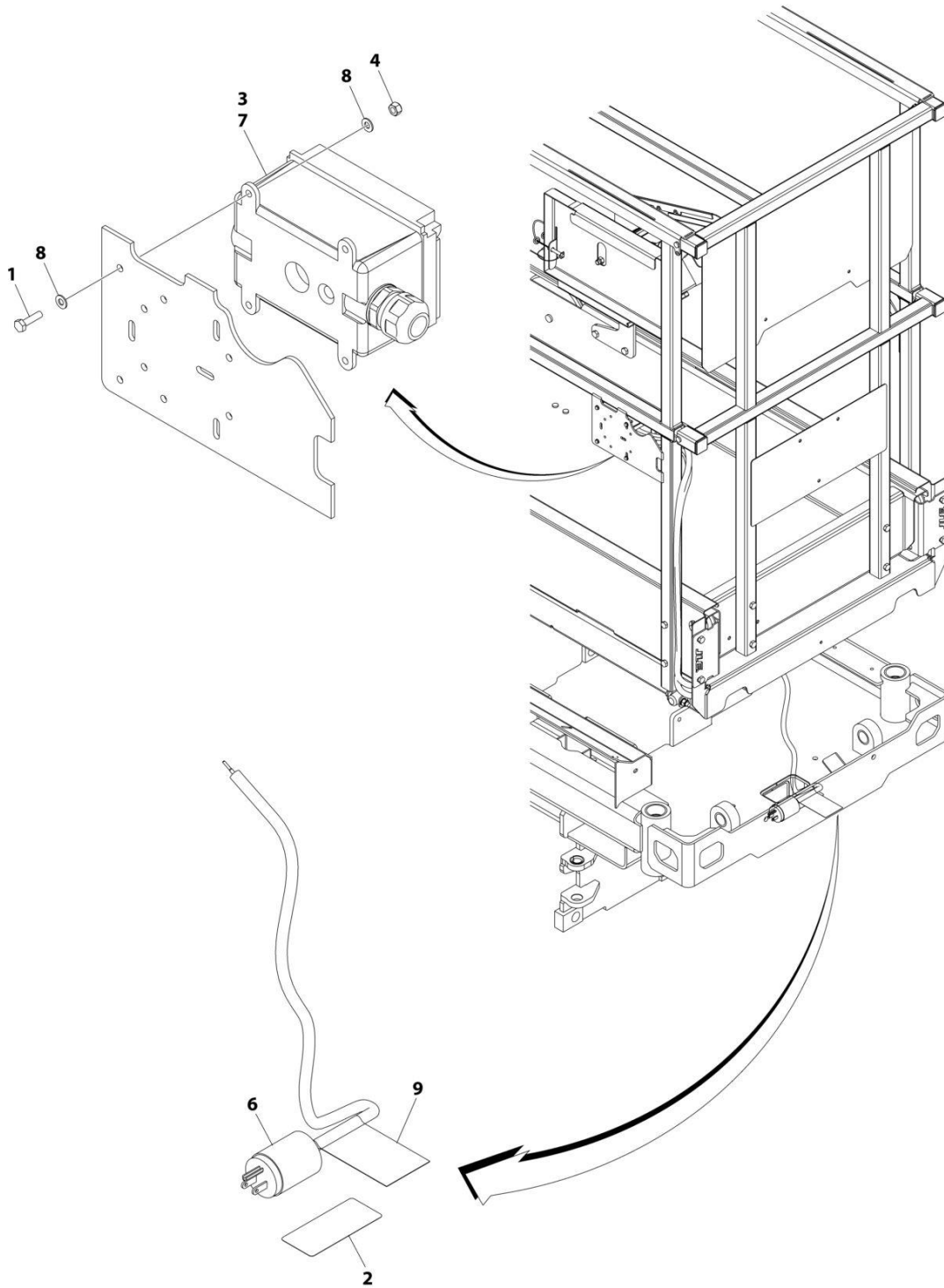
FIGURE 6-1. HYDRAULIC DIAGRAM

ITEM	PART NUMBER	QTY	DESCRIPTION	REV
	1001235002	Rev	HYDRAULIC DIAGRAM	I
6	2220466	2	Adapter, 90	
7	2220654	2	Adapter, 90	
9	4240018	8	Tie-Strap (Not Shown)	
13	1001249887	2	Hose	
14	1001238025	1	Hose	
15	1001238026	1	Hose	
16	1001247924	1	Clamp, Hoses	
18	3290601	1	Nut M6	
20	0700610	1	Screw M6 x 20	
21	4811700	2	Washer M6	

SECTION 7 - ELECTRICAL

SECTION 7 - ELECTRICAL

FIGURE 7-1. AC BOX AT PLATFORM INSTALLATION - 110V GFI (ALL SPECS EXCEPT CE SPECS)



ART_1001244911

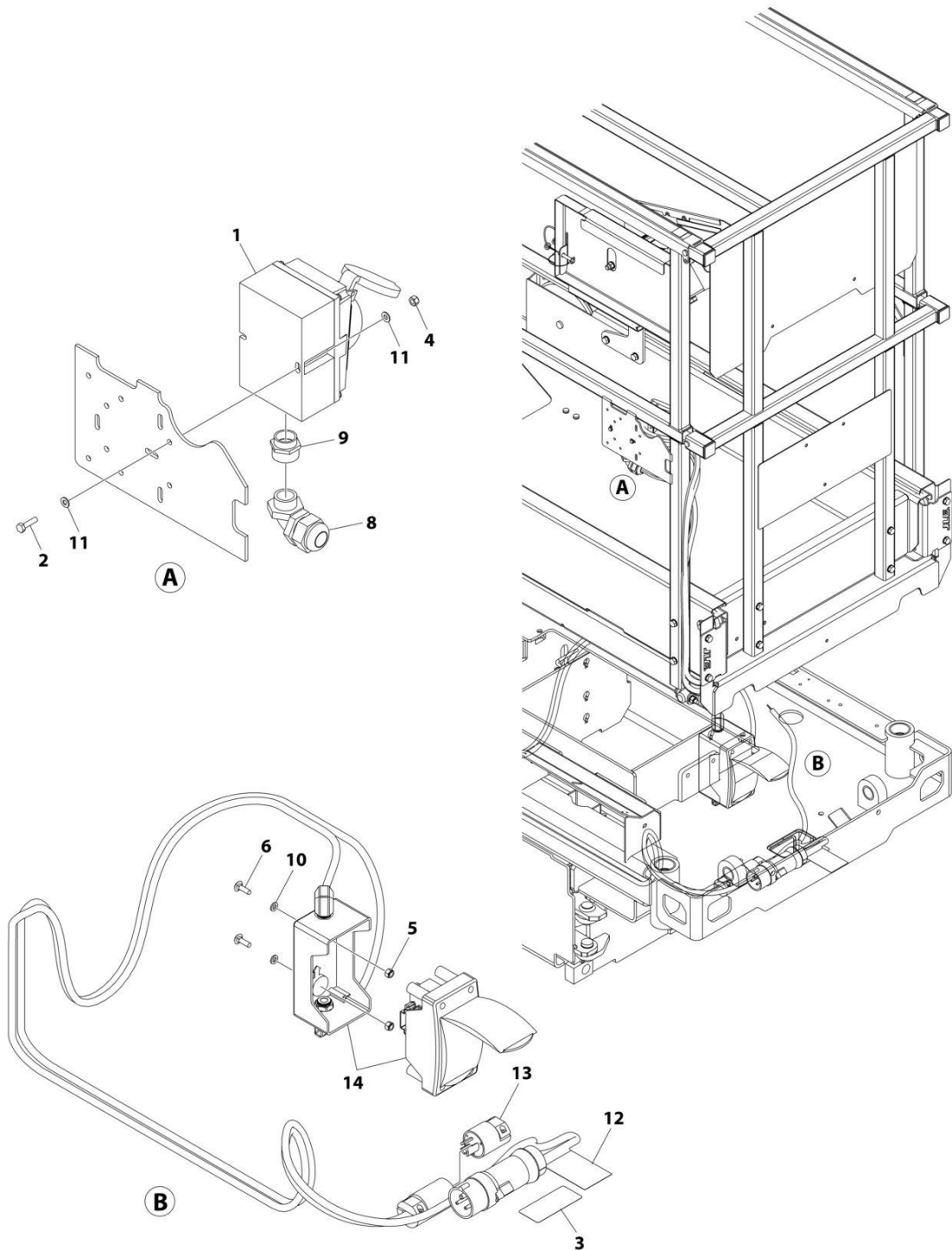
SECTION 7 - ELECTRICAL

FIGURE 7-1. AC BOX AT PLATFORM INSTALLATION - 110V GFI (ALL SPECS EXCEPT CE SPECS)

ITEM	PART NUMBER	QTY	DESCRIPTION	REV
	1001244911	Ref	AC BOX AT PLATFORM INSTALLATION - 110V GFI	A
1	0760408	4	Bolt M4 x 16	
2	1703464	1	Decal - AC Power	
3	2902431	1	Receptacle Box Kit (See Separate Breakdown in this Section)	
4	3290405	4	Nut M4	
5	4240017	AR	Tie-Strap (Not Shown)	
6	4460138	1	Plug, Male - AC	
7	4460315	1	Terminal	
8	4811400	8	Washer M4	
9	1001102258	1	Decal - AC Label	

SECTION 7 - ELECTRICAL

FIGURE 7-2. AC BOX AT PLATFORM INSTALLATION - 110V IEC YELLOW (CE SPECS)



ART_1001244916

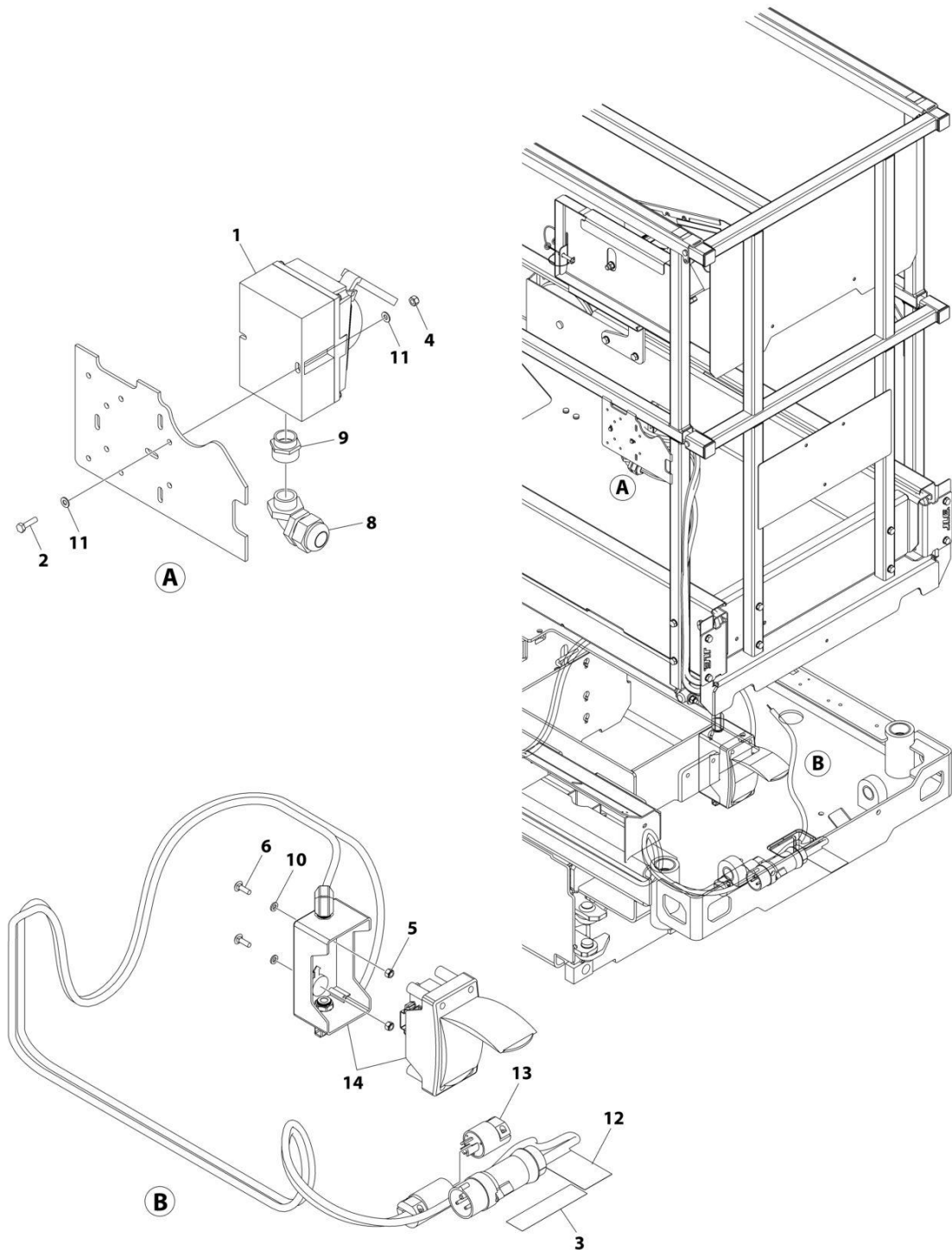
SECTION 7 - ELECTRICAL

FIGURE 7-2. AC BOX AT PLATFORM INSTALLATION - 110V IEC YELLOW (CE SPECS)

ITEM	PART NUMBER	QTY	DESCRIPTION	REV
	1001244916	Ref	AC BOX AT PLATFORM INSTALLATION - 110V IEC YELLOW	B
1	0275216	1	Receptacle Box Kit - 110V IEC Yellow (See Separate Breakdown in this Section)	
2	0760408	2	Bolt M4 x 16	
3	1703464	1	Decal - AC Power	
4	3290405	2	Nut M4	
5	3290605	2	Nut M6	
6	1001100451	2	Bolt M6 x 20	
7	4240017	AR	Tie-Strap (Not Shown)	
8	4461257	1	Connector, Strain Relief	
9	4461258	1	Connector, Adapter	
10	4811700	2	Washer M6	
11	4811400	4	Washer M4	
12	1001102258	1	Decal - AC Label	
13	1001120204	1	Plug, Male Twist	
14	1001244909	1	Breaker Box Kit (See Separate Breakdown in this Section)	

SECTION 7 - ELECTRICAL

FIGURE 7-3. AC BOX AT PLATFORM INSTALLATION - 220V IEC BLUE (CE SPECS)



ART_1001244917

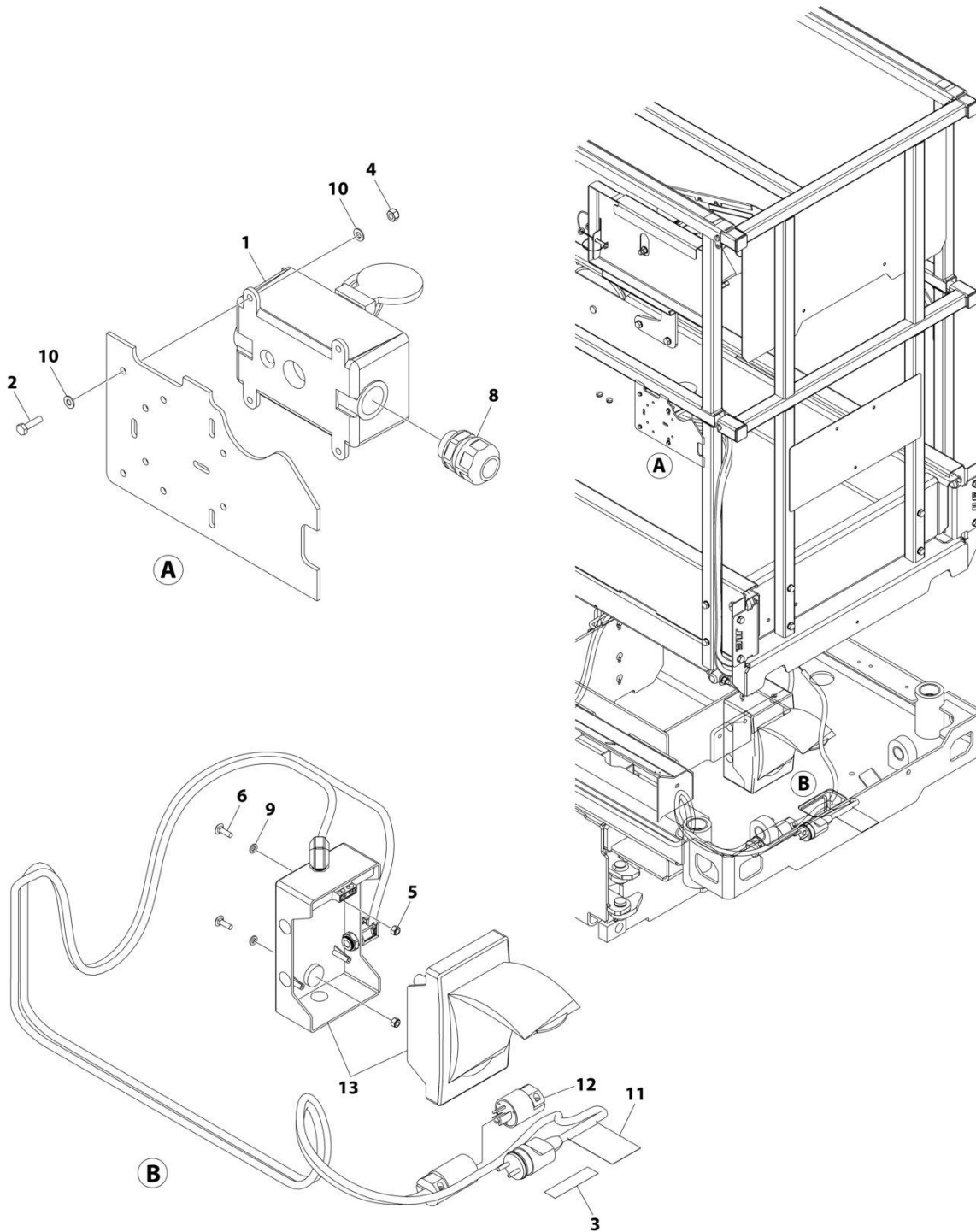
SECTION 7 - ELECTRICAL

FIGURE 7-3. AC BOX AT PLATFORM INSTALLATION - 220V IEC BLUE (CE SPECS)

ITEM	PART NUMBER	QTY	DESCRIPTION	REV
	1001244917	Ref	AC BOX AT PLATFORM INSTALLATION - 220V IEC BLUE	B
1	0275217	1	Receptacle Box Kit - 220V IEC Blue (See Separate Breakdown in this Section)	
2	0760408	2	Bolt M4 x 16	
3	3252507	1	Decal - AC Power	
4	3290405	2	Nut M4	
5	3290605	2	Nut M6	
6	1001100451	2	Bolt M6 x 20	
7	4240017	AR	Tie-Strap (Not Shown)	
8	4461257	1	Connector, Strain Relief	
9	4461258	1	Connector, Adapter	
10	4811700	2	Washer M6	
11	4811400	4	Washer M4	
12	1001102258	1	Decal - AC Label	
13	1001120204	1	Plug, Male Twist	
14	1001244909	1	Breaker Box Kit (See Separate Breakdown in this Section)	

SECTION 7 - ELECTRICAL

FIGURE 7-4. AC BOX AT PLATFORM INSTALLATION - 220V CEE7 POST GROUND (CE SPECS)



ART_1001244913

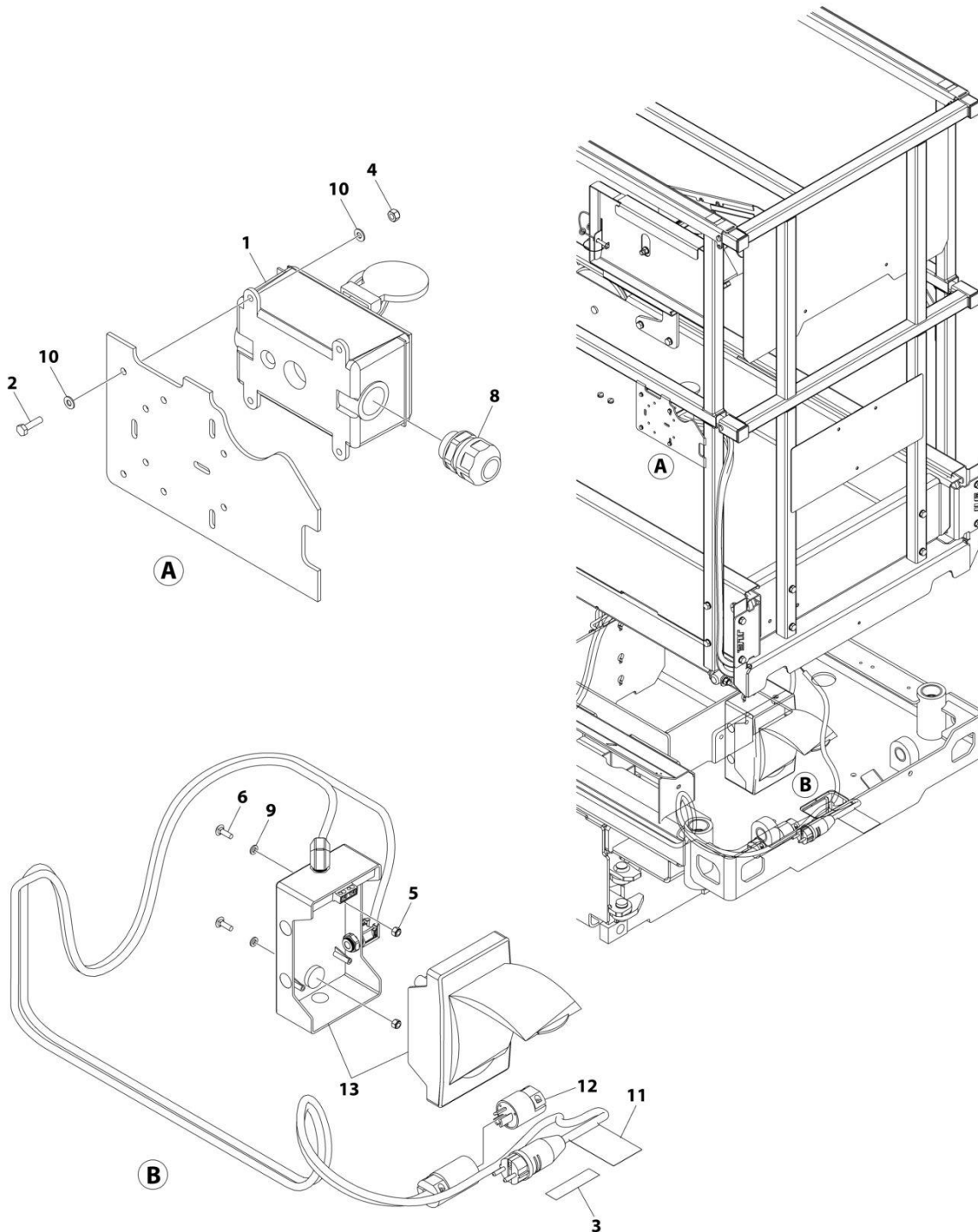
SECTION 7 - ELECTRICAL

FIGURE 7-4. AC BOX AT PLATFORM INSTALLATION - 220V CEE7 POST GROUND (CE SPECS)

ITEM	PART NUMBER	QTY	DESCRIPTION	REV
	1001244913	Ref	AC BOX AT PLATFORM INSTALLATION - 220V CEE7 POST GROUND	B
1	0275452	1	Receptacle Box Kit - 220V CEE7 Post Ground (See Separate Breakdown in this Section)	
2	0760408	4	Bolt M4 x 16	
3	3252507	1	Decal - AC Power	
4	3290405	4	Nut M4	
5	3290605	2	Nut M6	
6	1001100451	2	Bolt M6 x 20	
7	4240017	AR	Tie-Strap (Not Shown)	
8	4460662	1	Connector, Strain Relief	
9	4811700	2	Washer M6	
10	4811400	8	Washer M4	
11	1001102258	1	Decal - AC Label	
12	1001120204	1	Plug, Male Twist	
13	1001244908	1	Breaker Box Kit (See Separate Breakdown in this Section)	

SECTION 7 - ELECTRICAL

FIGURE 7-5. AC BOX AT PLATFORM INSTALLATION - 220V CEE7 SIDE GROUND (CE SPECS)



ART_1001244914

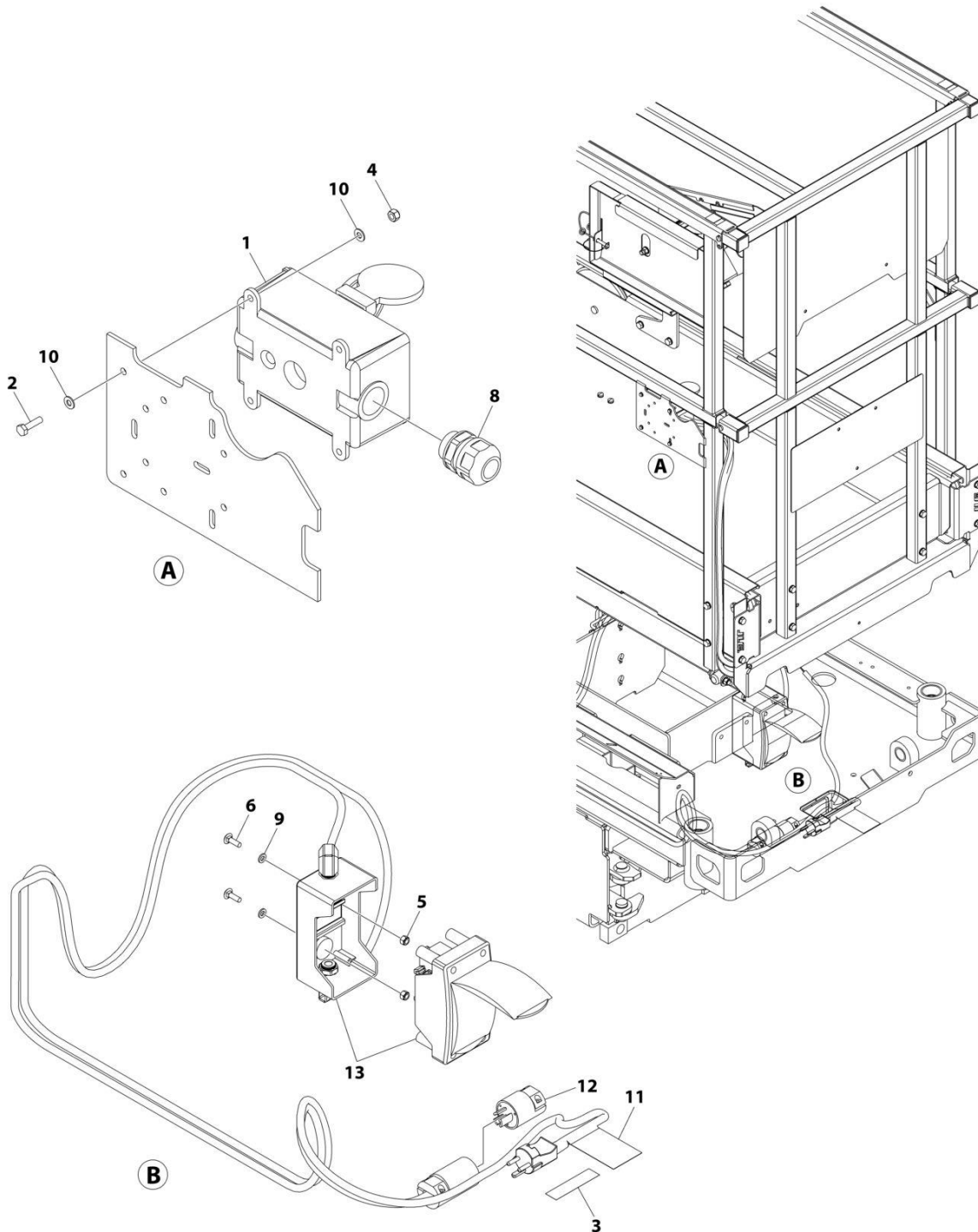
SECTION 7 - ELECTRICAL

FIGURE 7-5. AC BOX AT PLATFORM INSTALLATION - 220V CEE7 SIDE GROUND (CE SPECS)

ITEM	PART NUMBER	QTY	DESCRIPTION	REV
	1001244914	Ref	AC BOX AT PLATFORM INSTALLATION - 220V CEE7 SIDE GROUND	B
1	0275453	1	Receptacle Box Kit - 220V CEE7 Side Ground (See Separate Breakdown in this Section)	
2	0760408	4	Bolt M4 x 16	
3	3252507	1	Decal - AC Power	
4	3290405	4	Nut M4	
5	3290605	2	Nut M6	
6	1001100451	2	Bolt M6 x 20	
7	4240017	AR	Tie-Strap (Not Shown)	
8	4460662	1	Connector, Strain Relief	
9	4811700	2	Washer M6	
10	4811400	8	Washer M4	
11	1001102258	1	Decal - AC Label	
12	1001120204	1	Plug, Male Twist	
13	1001244908	1	Breaker Box Kit (See Separate Breakdown in this Section)	

SECTION 7 - ELECTRICAL

FIGURE 7-6. AC BOX AT PLATFORM INSTALLATION - 220V AFSINT 107 (CE SPECS)



ART_1001244915

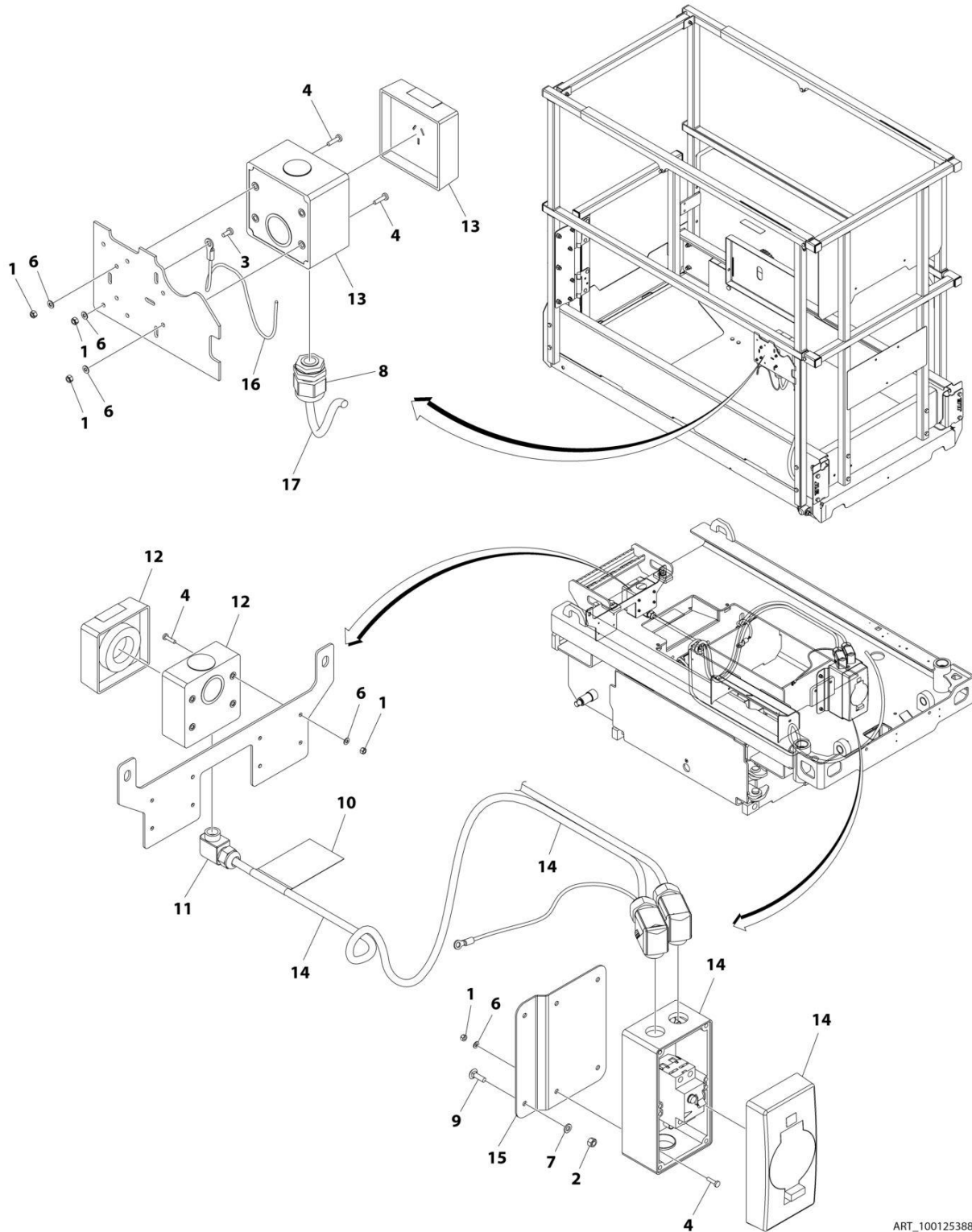
SECTION 7 - ELECTRICAL

FIGURE 7-6. AC BOX AT PLATFORM INSTALLATION - 220V AFSINT 107 (CE SPECS)

ITEM	PART NUMBER	QTY	DESCRIPTION	REV
	1001244915	Ref	AC BOX AT PLATFORM INSTALLATION - 220V AFSINT 107	B
1	0275454	1	Receptacle Box Kit - 220V AFSINT 107 (See Separate Breakdown in this Section)	
2	0760408	4	Bolt M4 x 16	
3	3252507	1	Decal - AC Power	
4	3290405	4	Nut M4	
5	3290605	2	Nut M6	
6	1001100451	2	Bolt M6 x 20	
7	4240017	AR	Tie-Strap (Not Shown)	
8	4460662	1	Connector, Strain Relief	
9	4811700	2	Washer M6	
10	4811400	8	Washer M4	
11	1001102258	1	Decal - AC Label	
12	1001120204	1	Plug, Male Twist	
13	1001244909	1	Breaker Box Kit (See Separate Breakdown in this Section)	

SECTION 7 - ELECTRICAL

FIGURE 7-7. AC BOX AT PLATFORM INSTALLATION - 220V AUSTRALIAN PLUG (AUSTRALIAN SPECS)



ART_1001253885

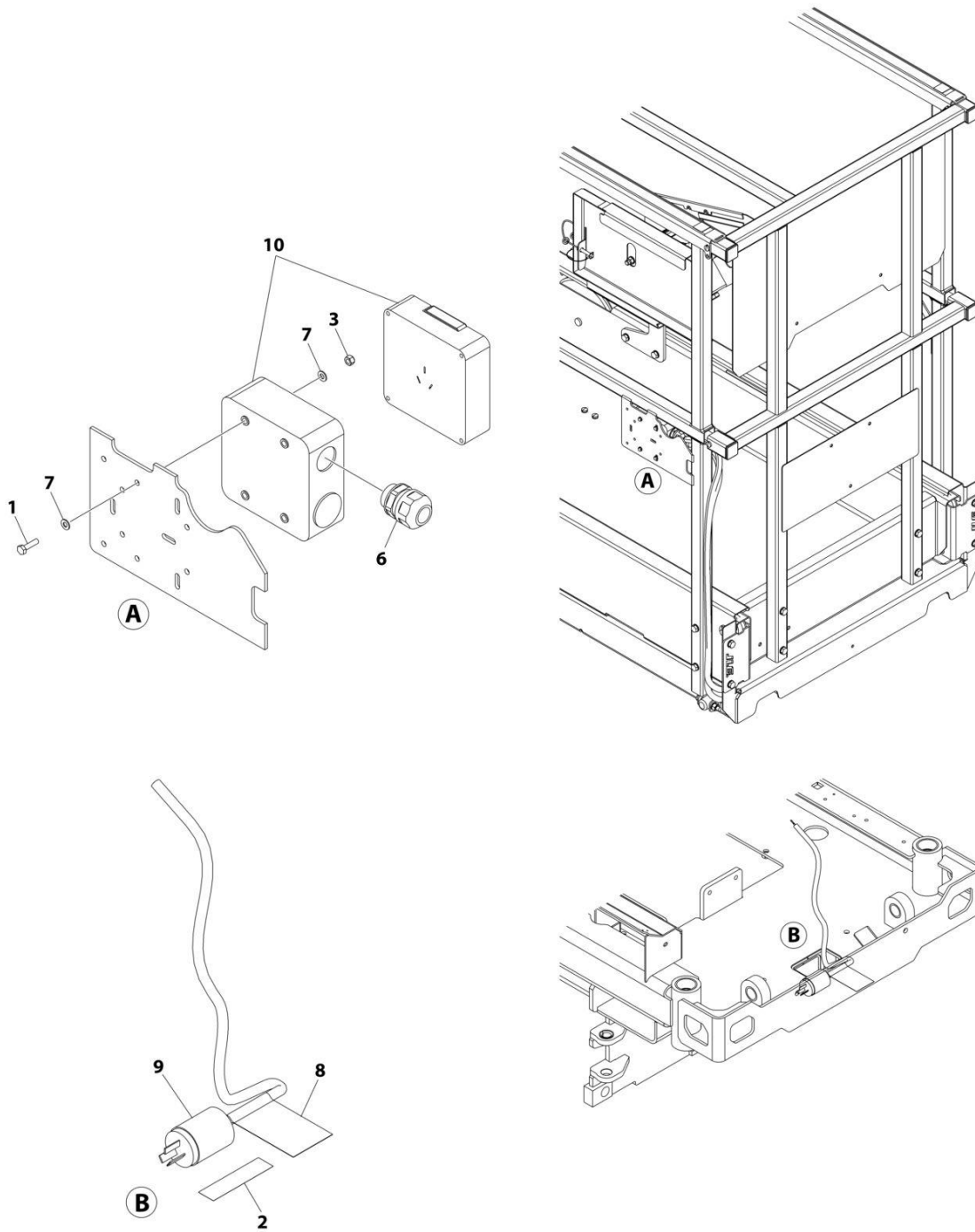
SECTION 7 - ELECTRICAL

FIGURE 7-7. AC BOX AT PLATFORM INSTALLATION - 220V AUSTRALIAN PLUG (AUSTRALIAN SPECS)

ITEM	PART NUMBER	QTY	DESCRIPTION	REV
	1001253885	Ref	AC BOX AT PLATFORM INSTALLATION - 220V	A
1	3290405	13	Nut M4	
2	3290605	2	Nut M6	
3	4010405	1	Screw M4 x 10	
4	4010408	12	Screw M4 x 16	
5	4240017	AR	Tie-Starp (Not Shown)	
6	4811400	13	Washer M4	
7	4811700	2	Washer M6	
8	1001097150	1	Connector, Strain Relief	
9	1001100451	2	Bolt M6 x 20	
10	1001102258	1	Decal - AC Label	
11	1001103471	1	Connector, Strain Relief 90	
12	1001227267	1	Receptacle, Female	
13	1001227268	1	Receptacle, Female	
14	1001253969	1	Breaker Box Assembly (See Separate Breakdown in this Section)	
15	1001253972	1	Bracket	
16	1001245744	1	Harness, Earth/Ground	
17	1001245747	1	Conduit	

SECTION 7 - ELECTRICAL

FIGURE 7-8. AC BOX AT PLATFORM INSTALLATION - 220V CHINA PLUG (CHINA SPECS)



ART_1001244918

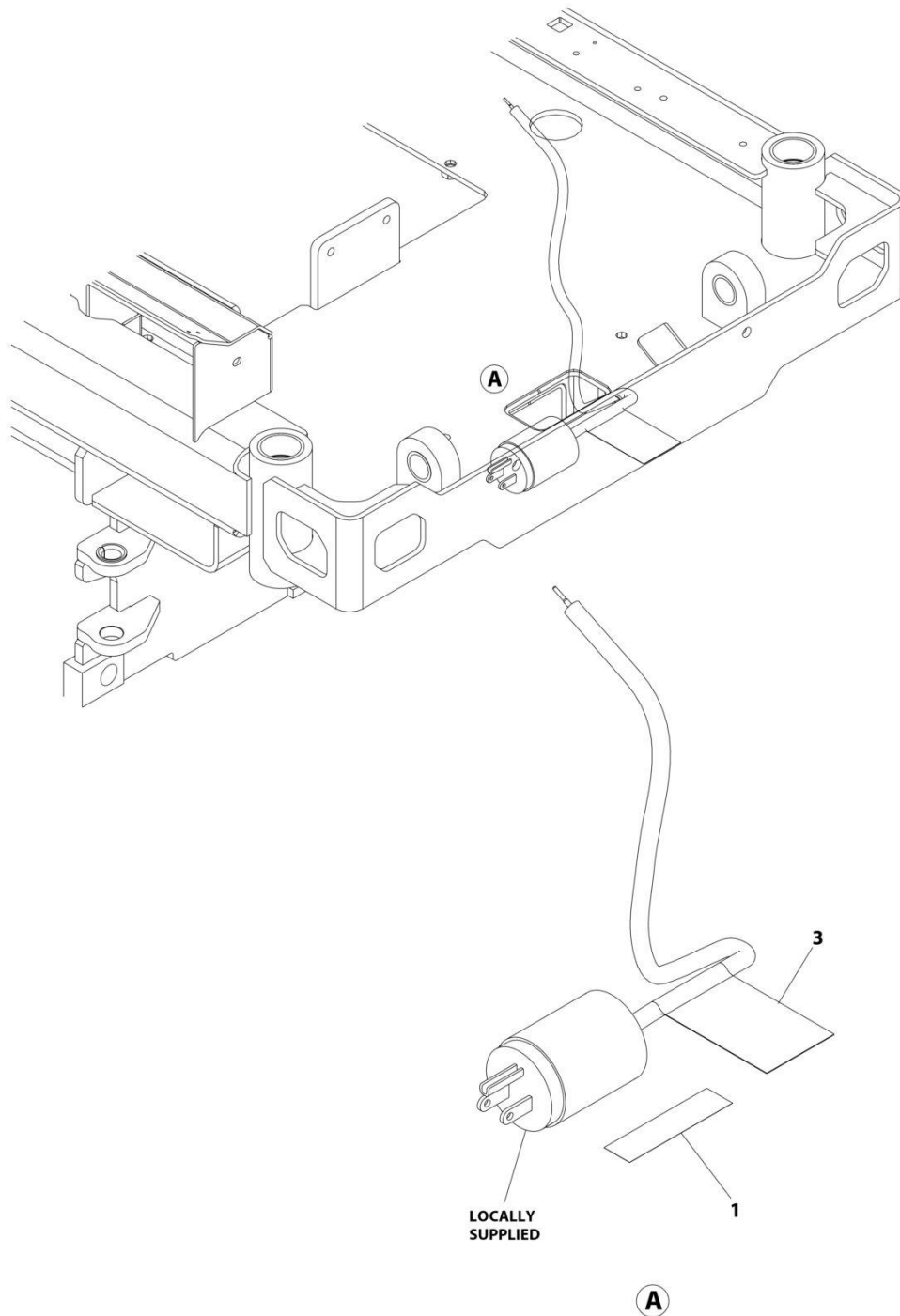
SECTION 7 - ELECTRICAL

FIGURE 7-8. AC BOX AT PLATFORM INSTALLATION - 220V CHINA PLUG (CHINA SPECS)

ITEM	PART NUMBER	QTY	DESCRIPTION	REV
	1001244918	Ref	AC BOX AT PLATFORM INSTALLATION - 220V CHINA PLUG	A
1	0760408	4	Bolt M4 x 16	
2	3252507	1	Decal - 220 Volt	
3	3290405	4	Nut M4	
4	4240017	AR	Tie-Strap (Not Shown)	
5	4460315	1	Terminal (Not Shown)	
6	4460968	1	Connector, Strain Relief	
7	4811400	8	Washer M4	
8	1001102258	1	Decal - AC Label	
9	1001187816	1	Plug	
10	1001188116	1	Box	

SECTION 7 - ELECTRICAL

FIGURE 7-9. AC BOX AT PLATFORM INSTALLATION - 220V LOCALLY SUPPLIED



ART_1001244912

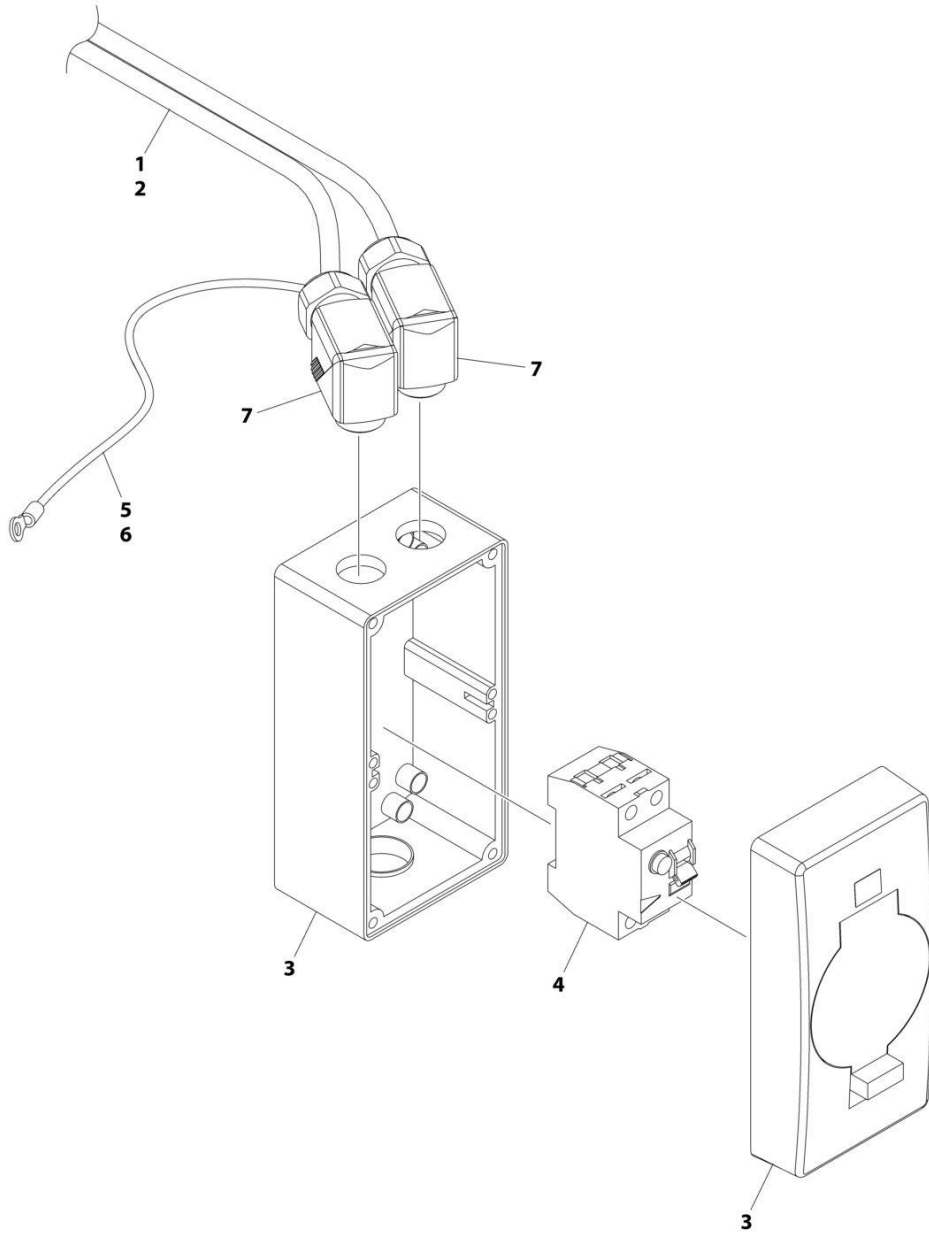
SECTION 7 - ELECTRICAL

FIGURE 7-9. AC BOX AT PLATFORM INSTALLATION - 220V LOCALLY SUPPLIED

ITEM	PART NUMBER	QTY	DESCRIPTION	REV
	1001244912	Ref	AC BOX AT PLATFORM INSTALLATION - 220V LOCALLY SUPPLIED COMPONENTS	A
1	3252507	1	Decal - 220 Volt	
2	4240017	AR	Tie-Strap (Not Shown)	
3	1001102258	1	Decal - AC Label	

SECTION 7 - ELECTRICAL

FIGURE 7-10. BREAKER BOX KIT WITH 1 DOUBLE BREAKER (AUSTRALIAN SPECS)



ART_1001253969

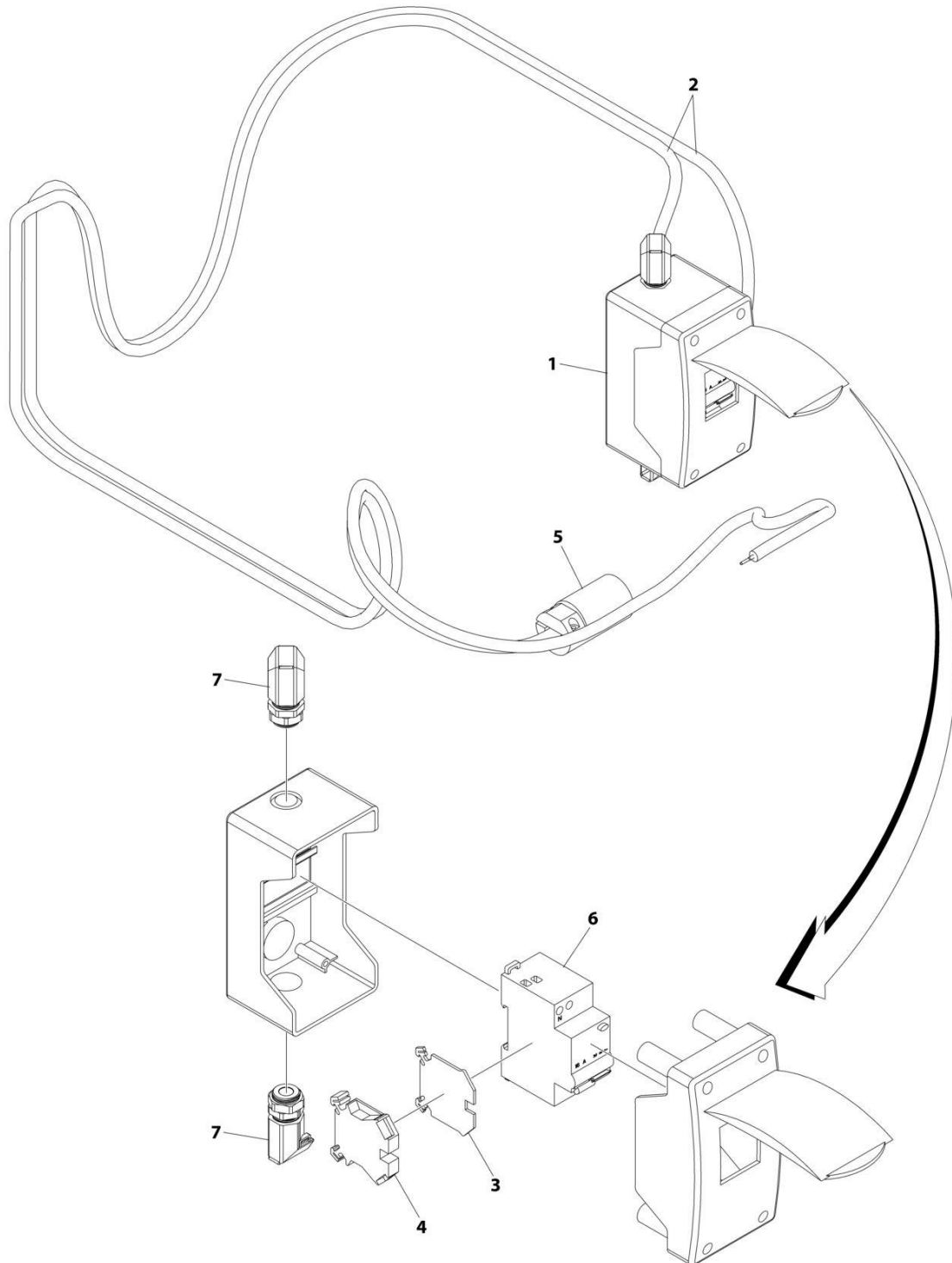
SECTION 7 - ELECTRICAL

FIGURE 7-10. BREAKER BOX KIT WITH 1 DOUBLE BREAKER (AUSTRALIAN SPECS)

ITEM	PART NUMBER	QTY	DESCRIPTION	REV
	1001253969	1	BREAKER BOX KIT WITH 1 DOUBLE BREAKER	A
1	1060908	59 in /1.5m	Cable	
2	1001125927	44cm	Conduit, Dia 16	
3	1001227269	1	Box, Breaker with Cover	
4	1001228191	1	Breaker, 250V Double Pole	
5	1001245743	1	Block, Terminal	
6	1001245744	1	Harness, Earth/Ground	
7	1001245917	2	Connector, Strain Relief 90	

SECTION 7 - ELECTRICAL

FIGURE 7-11. BREAKER BOX KIT WITH 1 DOUBLE BREAKER (CE SPECS)



ART_1001244909

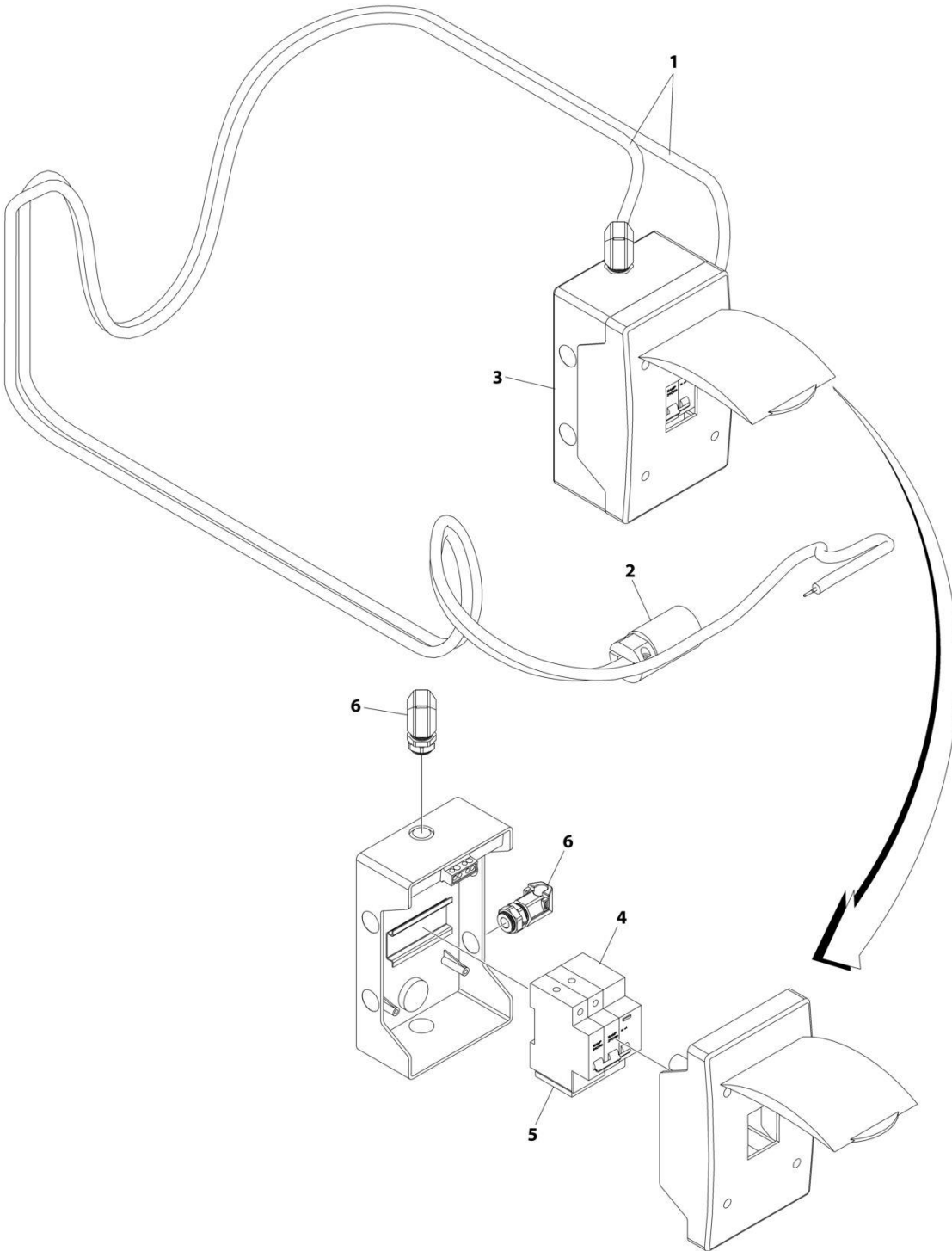
SECTION 7 - ELECTRICAL

FIGURE 7-11. BREAKER BOX KIT WITH 1 DOUBLE BREAKER (CE SPECS)

ITEM	PART NUMBER	QTY	DESCRIPTION	REV
	1001244909	1	BREAKER BOX KIT WITH 1 DOUBLE BREAKER	A
1	0861880	1	Box, Breaker	
2	1060908	19 ft/5.7m	Cable, 12/3	
3	4460956	1	Barrier, Terminal	
4	4460957	1	Block, Terminal	
5	1001120205	1	Connector, Female	
6	1001181045	1	Breaker - 30mA/16Amp	
7	1001217164	2	Connector, Strain Relief - 90	

SECTION 7 - ELECTRICAL

FIGURE 7-12. BREAKER BOX KIT WITH 3 BREAKER



ART_1001244908

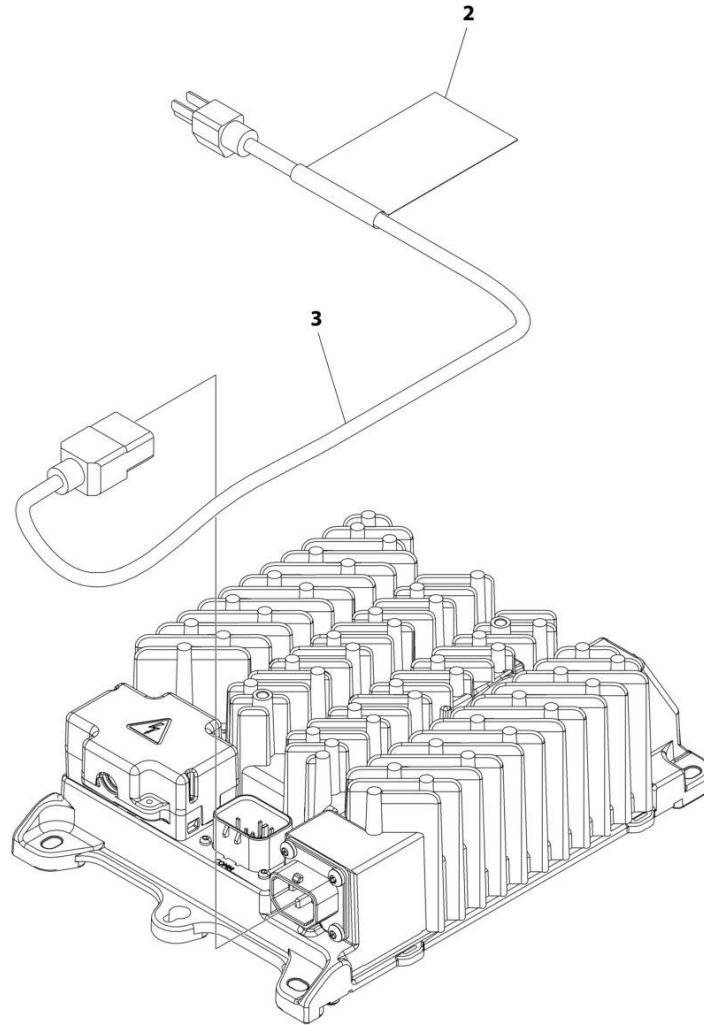
SECTION 7 - ELECTRICAL

FIGURE 7-12. BREAKER BOX KIT WITH 3 BREAKER

ITEM	PART NUMBER	QTY	DESCRIPTION	REV
	1001244908	1	BREAKER BOX KIT WITH 3 BREAKERS	B
1	1060908	19 ft/5.7m	Cable, 12/3 Receptacle	
2	1001120205	1	Connector, Female	
3	1001152483	1	Box, Breaker	
4	1001189171	1	Breaker, 30mA	
5	1001189172	1	Breaker - 16Amp Double	
6	1001217164	2	Connector, Strain Relief - 90	

SECTION 7 - ELECTRICAL

FIGURE 7-13. CHARGER PLUG INSTALLATION (LOCALLY SUPPLIED PLUG) (ALL SPECS EXCEPT ANSI & AUSTRALIAN SPECS)



ART_1001264946

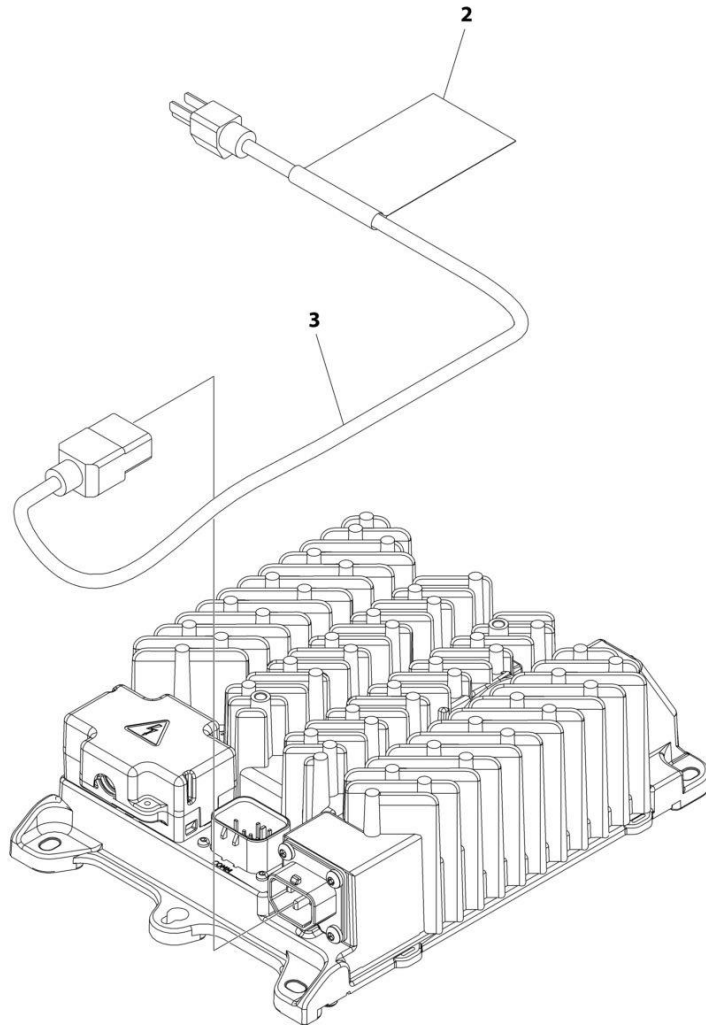
SECTION 7 - ELECTRICAL

FIGURE 7-13. CHARGER PLUG INSTALLATION (LOCALLY SUPPLIED PLUG) (ALL SPECS EXCEPT ANSI & AUSTRALIAN SPECS)

ITEM	PART NUMBER	QTY	DESCRIPTION	REV
	1001264946	Ref	CHARGER PLUG INSTALLATION (LOCALLY SUPPLIED PLUG)	A
1	4240017	AR	Tie-Strap (Not Shown)	
2	1001102489	1	Decal - Charger	
3	1001207974	1	Cable, Charger AC Input	

SECTION 7 - ELECTRICAL

FIGURE 7-14. CHARGER PLUG INSTALLATION (110V PLUG) (ANSI & CSA SPECS)



ART_1001264947

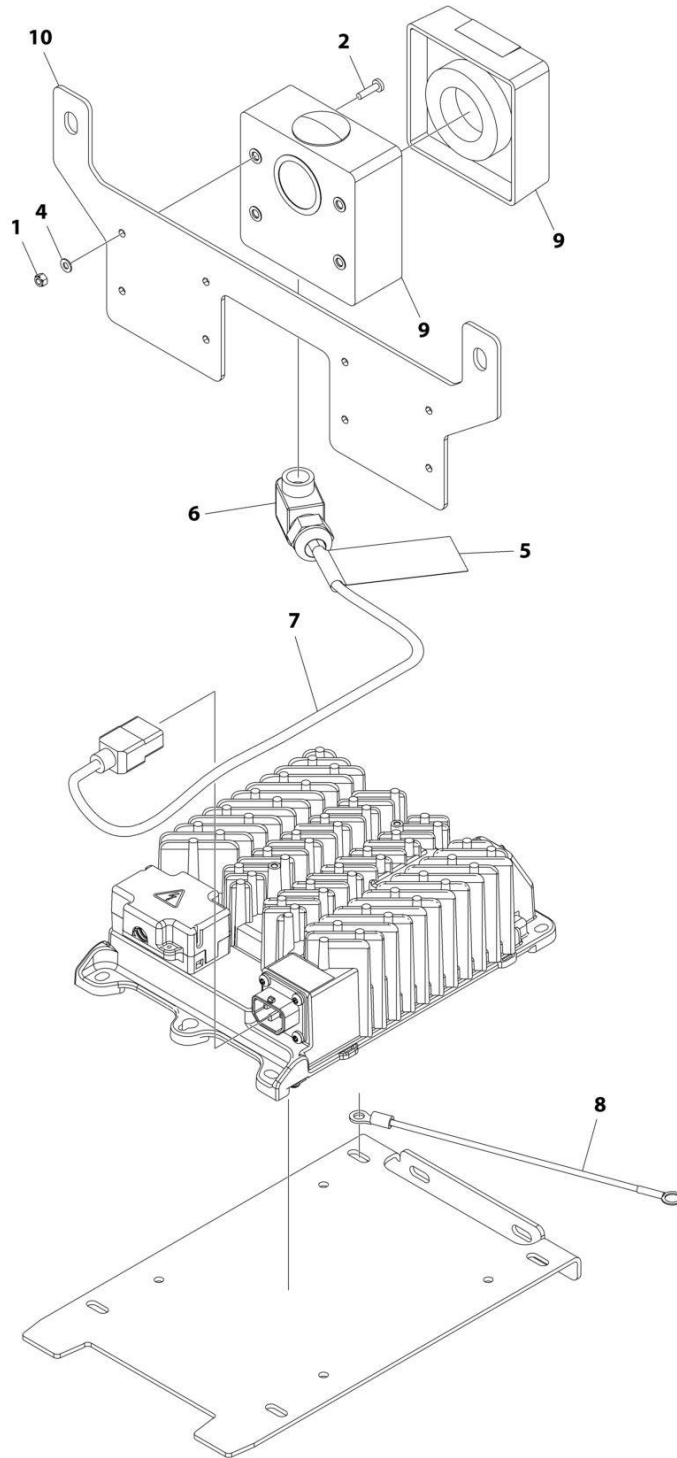
SECTION 7 - ELECTRICAL

FIGURE 7-14. CHARGER PLUG INSTALLATION (110V PLUG) (ANSI & CSA SPECS)

ITEM	PART NUMBER	QTY	DESCRIPTION	REV
	1001264947	Ref	CHARGER PLUG INSTALLATION (110V PLUG)	A
1	4240017	AR	Tie-Strap (Not Shown)	
2	1001102489	1	Decal - Charger	
3	1001207970	1	Cable, Charger AC Input	

SECTION 7 - ELECTRICAL

FIGURE 7-15. CHARGER PLUG INSTALLATION (AUSTRALIAN PLUG) (AUSTRALIAN SPECS)



ART_1001264954

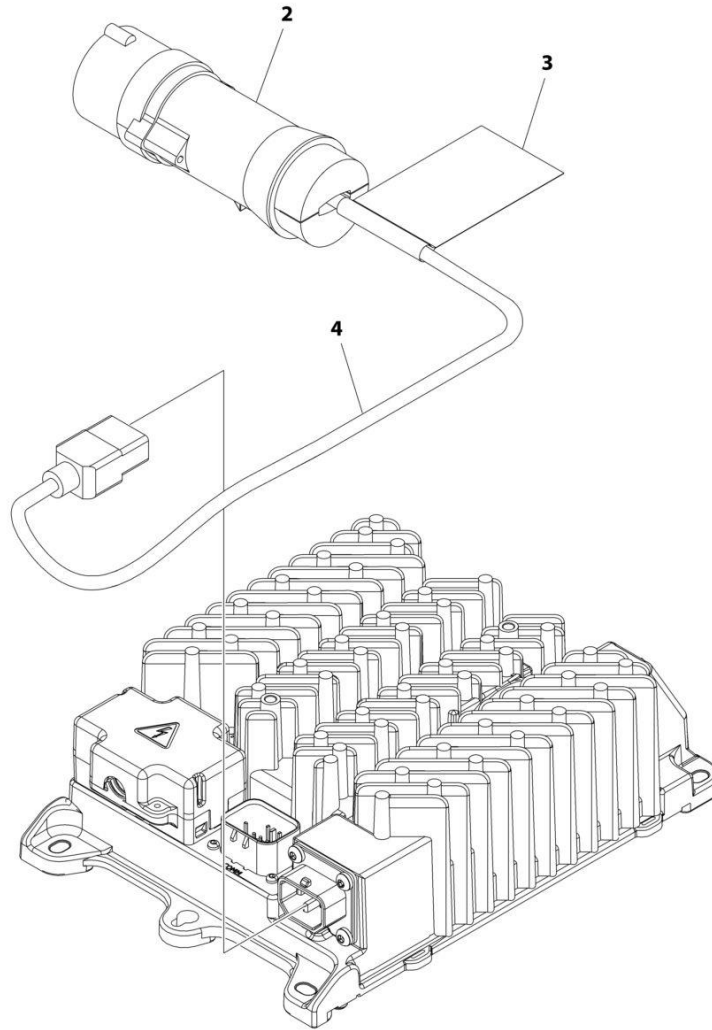
SECTION 7 - ELECTRICAL

FIGURE 7-15. CHARGER PLUG INSTALLATION (AUSTRALIAN PLUG) (AUSTRALIAN SPECS)

ITEM	PART NUMBER	QTY	DESCRIPTION	REV
	1001264954	Ref	CHARGER PLUG INSTALLATION (AUSTRALIAN PLUG)	A
1	3290405	4	Nut M4	
2	4010408	4	Screw M4 x 16	
3	4240017	AR	Tie-Strap (Not Shown)	
4	4811400	4	Washer M4	
5	1001102489	1	Decal - Charger Label	
6	1001103471	1	Connector, Strain Relief 90	
7	1001207974	1	Cable, AC Input	
8	1001227219	1	Harness, Earth/Ground Link	
9	1001227267	1	Receptacle, Australian	
10	1001253626	1	Bracket	

SECTION 7 - ELECTRICAL

FIGURE 7-16. CHARGER PLUG INSTALLATION (110V IEC YELLOW PLUG) (CE SPECS)



ART_1001264951

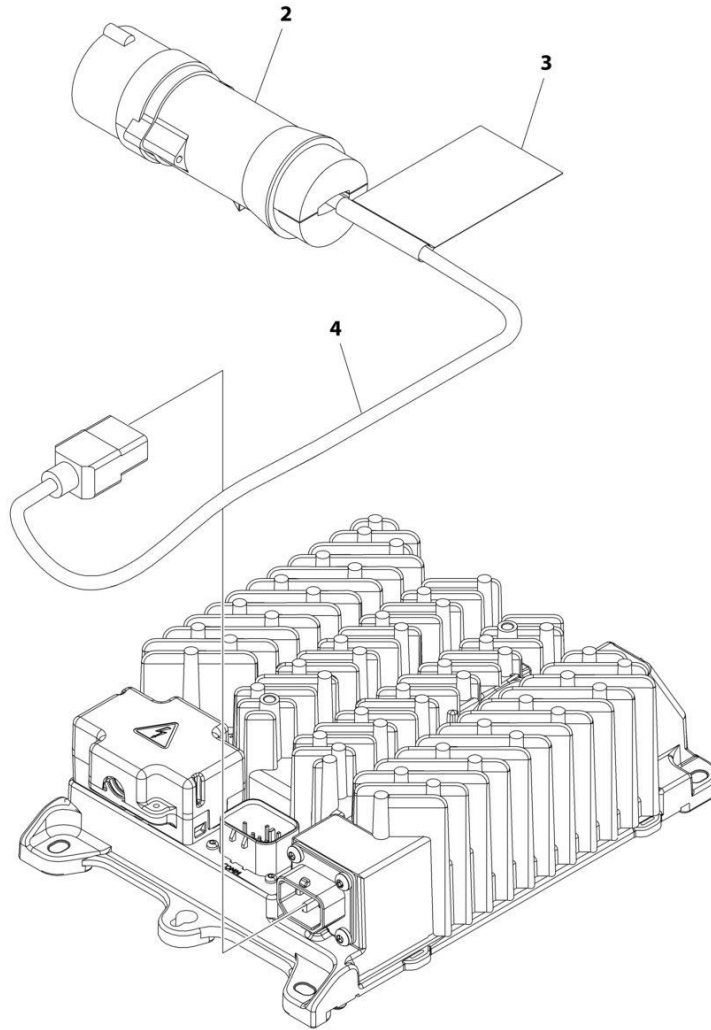
SECTION 7 - ELECTRICAL

FIGURE 7-16. CHARGER PLUG INSTALLATION (110V IEC YELLOW PLUG) (CE SPECS)

ITEM	PART NUMBER	QTY	DESCRIPTION	REV
	1001264951	Ref	CHARGER PLUG INSTALLATION (110V IEC YELLOW PLUG)	A
1	4240017	AR	Tie-Strap (Not Shown)	
2	4461196	1	Plug, Male	
3	1001102489	1	Decal - Charger	
4	1001207974	1	Cable, Charger AC Input	

SECTION 7 - ELECTRICAL

FIGURE 7-17. CHARGER PLUG INSTALLATION (220V IEC BLUE PLUG) (CE SPECS)



ART_1001264952

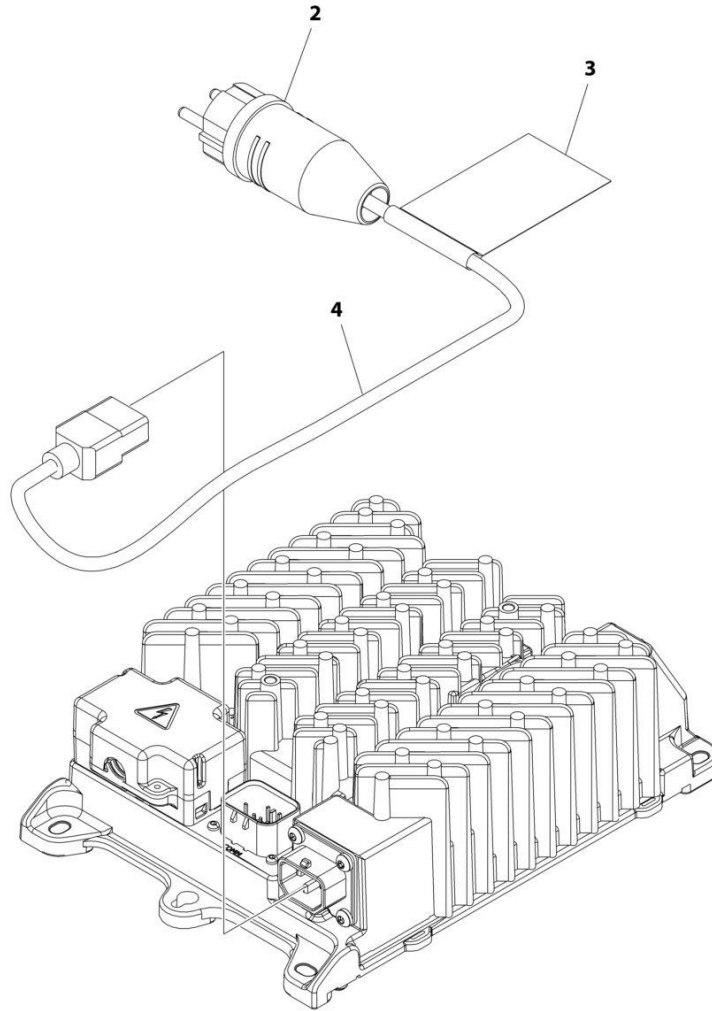
SECTION 7 - ELECTRICAL

FIGURE 7-17. CHARGER PLUG INSTALLATION (220V IEC BLUE PLUG) (CE SPECS)

ITEM	PART NUMBER	QTY	DESCRIPTION	REV
	1001264952	Ref	CHARGER PLUG INSTALLATION (220V IEC BLUE PLUG)	A
1	4240017	AR	Tie-Strap (Not Shown)	
2	4461199	1	Plug, Male	
3	1001102489	1	Decal - Charger	
4	1001207974	1	Cable, Charger AC Input	

SECTION 7 - ELECTRICAL

FIGURE 7-18. CHARGER PLUG INSTALLATION (220V CEE7 PLUG) (CE SPECS)



ART_1001264949

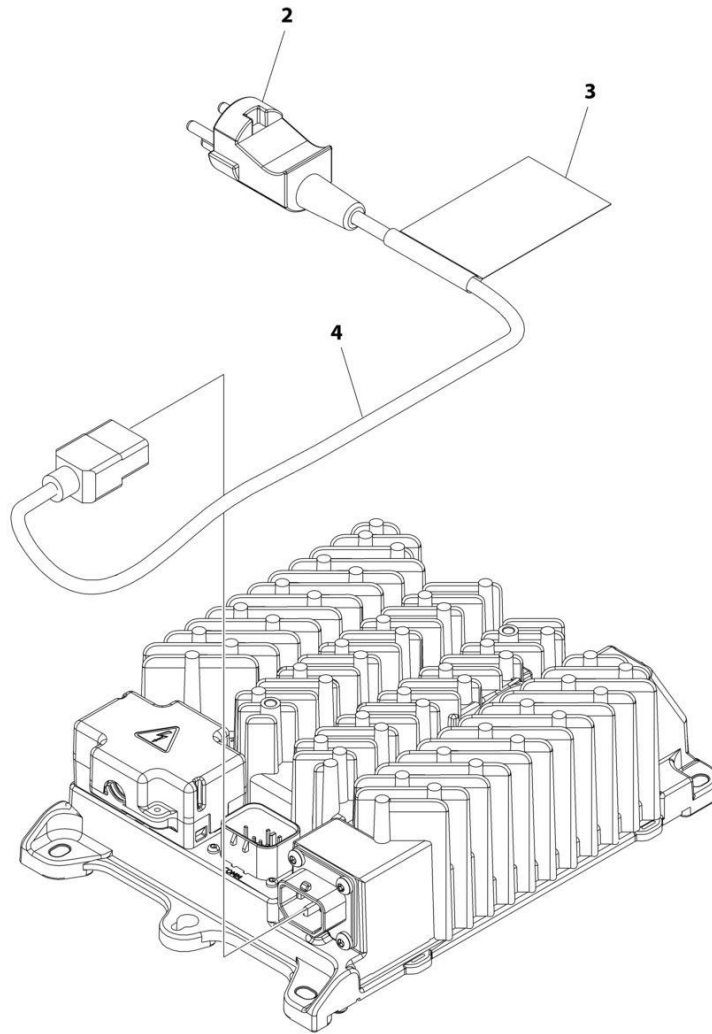
SECTION 7 - ELECTRICAL

FIGURE 7-18. CHARGER PLUG INSTALLATION (220V CEE7 PLUG) (CE SPECS)

ITEM	PART NUMBER	QTY	DESCRIPTION	REV
	1001264949	Ref	CHARGER PLUG INSTALLATION (220V CEE7 PLUG)	A
1	4240017	AR	Tie-Strap (Not Shown)	
2	4461205	1	Plug, Male	
3	1001102489	1	Decal - Charger	
4	1001207974	1	Cable, Charger AC Input	

SECTION 7 - ELECTRICAL

FIGURE 7-19. CHARGER PLUG INSTALLATION (220V AFSINT107 PLUG) (CE SPECS)



ART_1001264950

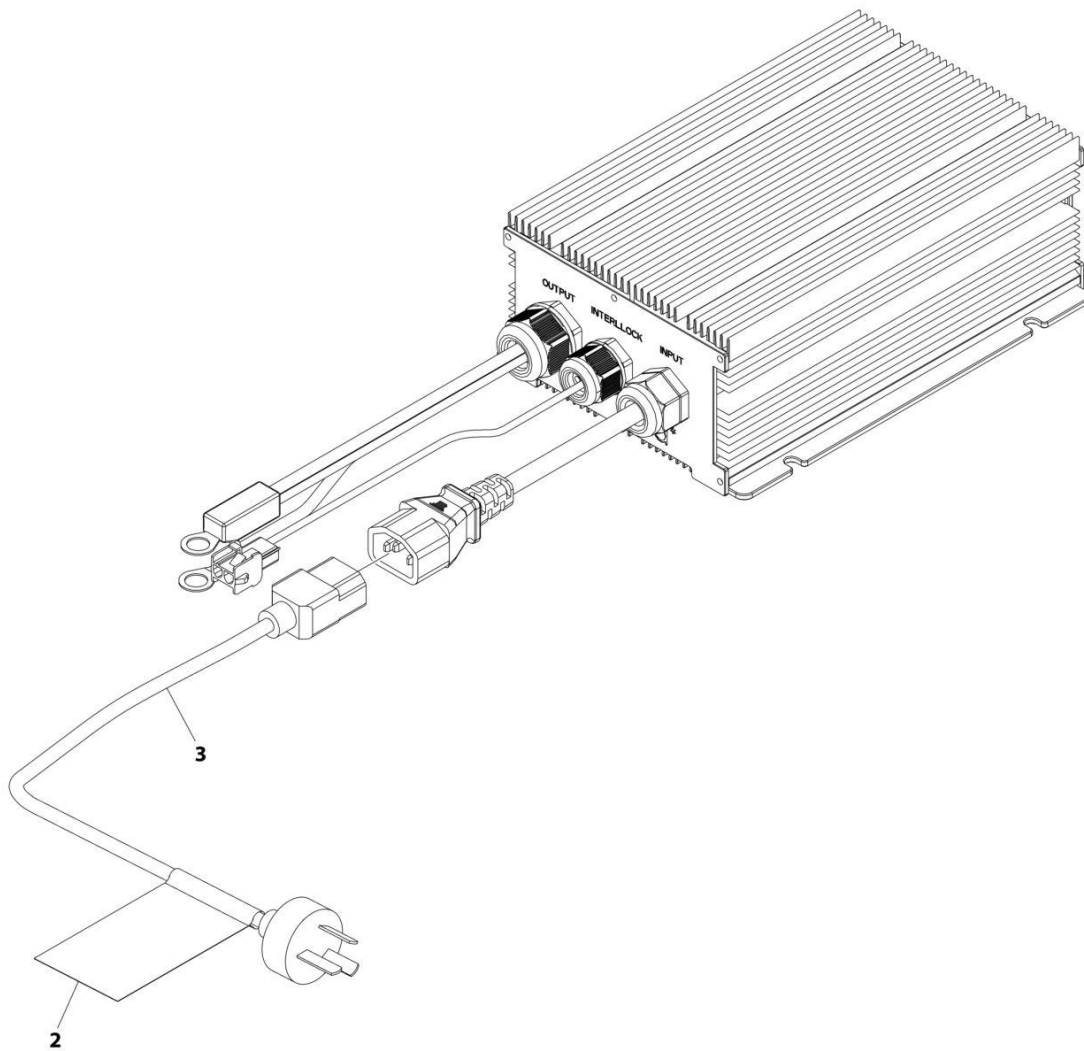
SECTION 7 - ELECTRICAL

FIGURE 7-19. CHARGER PLUG INSTALLATION (220V AFSINT107 PLUG) (CE SPECS)

ITEM	PART NUMBER	QTY	DESCRIPTION	REV
	1001264950	Ref	CHARGER PLUG INSTALLATION (220V AFSINT107 PLUG)	A
1	4240017	AR	Tie-Strap (Not Shown)	
2	4461249	1	Plug, Male	
3	1001102489	1	Decal - Charger	
4	1001207974	1	Cable, Charger AC Input	

SECTION 7 - ELECTRICAL

FIGURE 7-20. CHARGER PLUG INSTALLATION (CHINA PLUG) (CHINA SPECS)



ART_1001264953

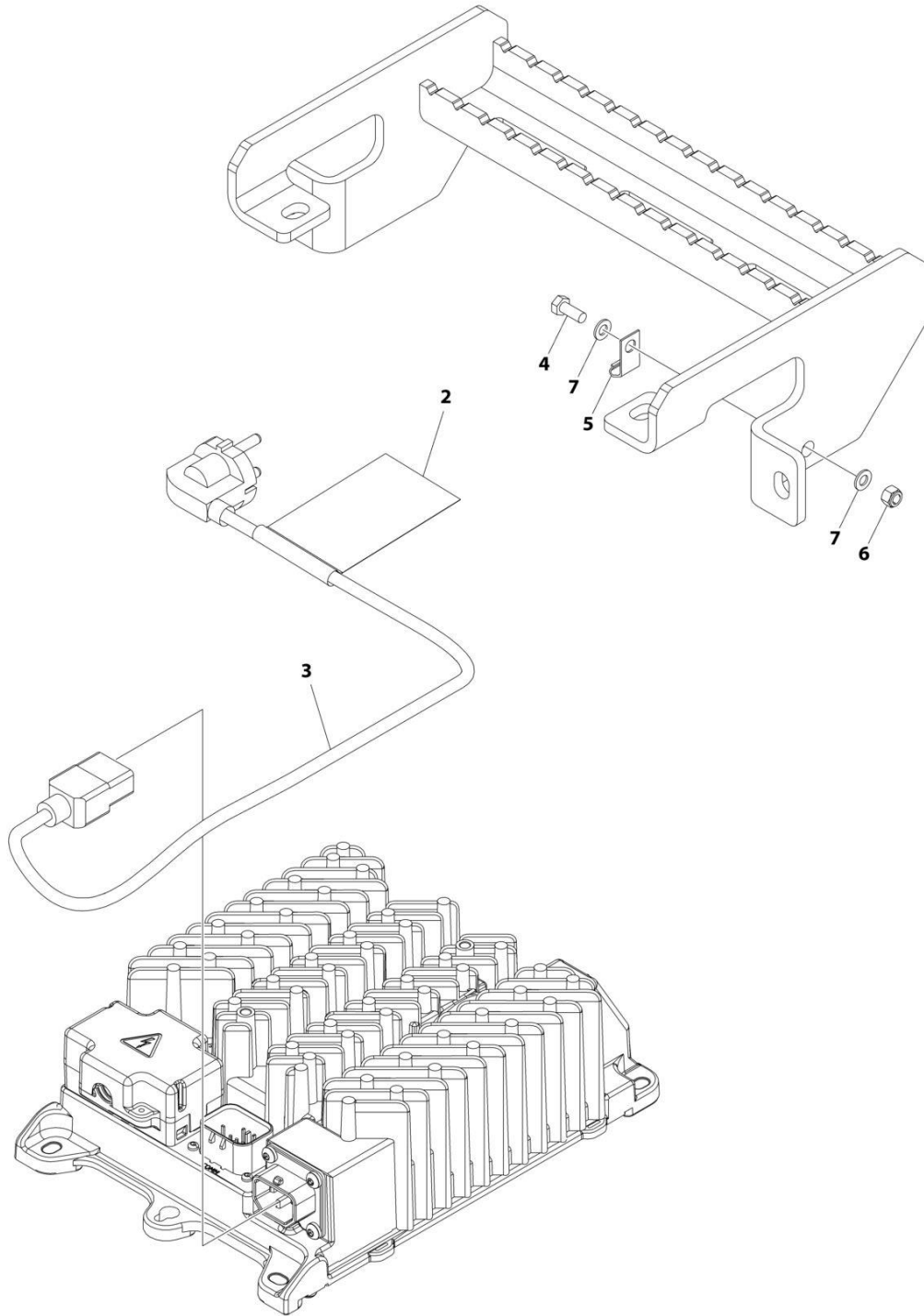
SECTION 7 - ELECTRICAL

FIGURE 7-20. CHARGER PLUG INSTALLATION (CHINA PLUG) (CHINA SPECS)

ITEM	PART NUMBER	QTY	DESCRIPTION	REV
	1001264953	Ref	CHARGER PLUG INSTALLATION (CHINA PLUG)	A
1	4240017	AR	Tie-Strap (Not Shown)	
2	1001102489	1	Decal - Charger	
3	1001207973	1	Cable, Charger AC Input	

SECTION 7 - ELECTRICAL

FIGURE 7-21. CHARGER PLUG INSTALLATION (KOREAN PLUG) (KOREAN SPECS)



ART_1001264948

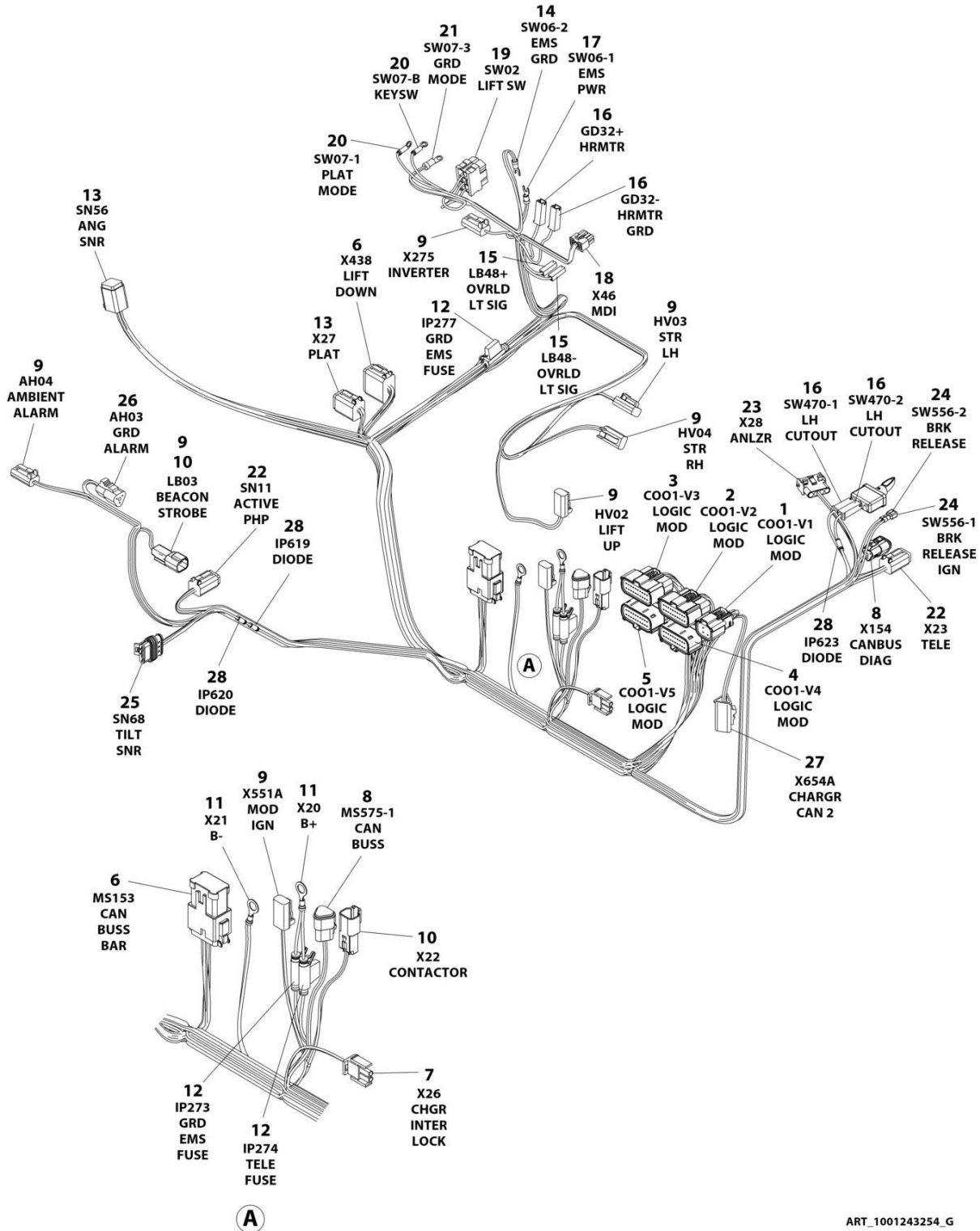
SECTION 7 - ELECTRICAL

FIGURE 7-21. CHARGER PLUG INSTALLATION (KOREAN PLUG) (KOREAN SPECS)

ITEM	PART NUMBER	QTY	DESCRIPTION	REV
	1001264948	Ref	CHARGER PLUG INSTALLATION (KOREAN PLUG)	B
1	4240017	AR	Tie-Strap (Not Shown)	
2	1001102489	1	Decal - Charger	
3	1001221949	1	Cable, Charger AC Input	
4	0760810	1	Bolt M8 x 20	
5	1320223	1	Clamp	
6	3290805	1	Nut M8	
7	4811900	2	Washer M8	

SECTION 7 - ELECTRICAL

**FIGURE 7-22. CHASSIS HARNESS (WITH LSS WITHOUT PLATFORM DRIVE SELECT SWITCH)
(CHINA BUILT MACHINES) (Prior to SN B200067714)**



ART_1001243254_G

SECTION 7 - ELECTRICAL

**FIGURE 7-22. CHASSIS HARNESS (WITH LSS WITHOUT PLATFORM DRIVE SELECT SWITCH)
(CHINA BUILT MACHINES) (Prior to SN B200067714)**

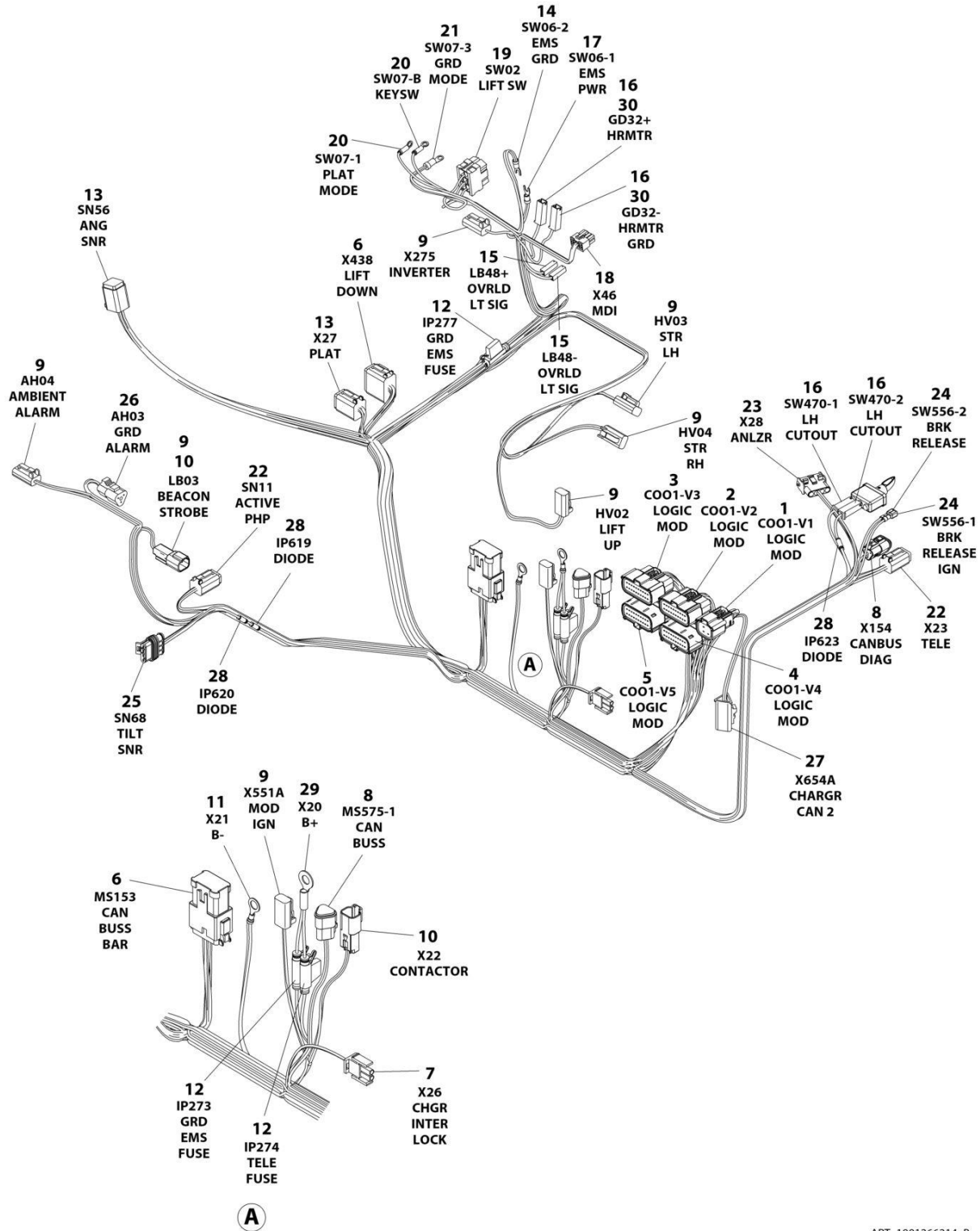
ITEM	PART NUMBER	QTY	DESCRIPTION	REV
	1001243254	Ref	CHASSIS HARNESS (WITH LSS)	H
1	1001205409	1	Connector - 8 Position	
1	1001162887	6	Terminal	
1	1001163340	2	Plug, Terminal	
2	1001205410	1	Connector - 20 Position	
2	1001162887	13	Terminal	
2	1001163340	7	Plug, Terminal	
3	1001162886	1	Connector - 20 Position	
3	1001162887	15	Terminal	
3	1001163340	5	Plug, Terminal	
4	1001205411	1	Connector - 20 Position	
4	1001162887	16	Terminal	
4	1001163340	4	Plug, Terminal	
5	1001205412	1	Connector - 20 Position	
5	1001162887	14	Terminal	
5	1001163340	6	Plug, Terminal	
6	4460933	2	Plug, Male - 12 Position	
6	4460465	22	Socket, Female	
6	4460466	2	Plug, Terminal	
6	1001125677	1	Bussbar - 12 Position	
7	4460320	1	Plug, Male - 2 Position	
7	4460226	1	Socket, Female	
8	1001116812	2	Plug, Male - 3 Position	
8	4460944	4	Socket, Female	
8	4460466	1	Plug, Terminal	
8	1001144296	1	Cap	
9	4460891	7	Plug, Male- 3 Position	
9	4460465	11	Socket, Female	
9	4460466	2	Plug, Terminal	
9	1001144295	2	Cap	
10	4460897	2	Receptacle, Female - 2 Position	
10	4460464	4	Pin, Male	
11	4460670	2	Terminal, Ring	
12	2400060	3	Fuseholder with Cover	
12		Ref	Fuse 5Amp	
12		Ref	Fuse 15Amp	
13	4460894	2	Plug, Male - 6 Position	
13	4460465	10	Socket, Female	
13	4460944	2	Socket, Female	
14	4460115	1	Terminal, Fork	
15	1001117000	2	Cover, Terminal	
15	1001118387	2	Terminal	
16	4460260	4	Cover, Terminal	
16	4460259	4	Terminal	
17	4460183	1	Terminal, Fork	
18	1001151629	1	Connector- 8 Position	
18	4461023	2	Terminal	
18	4460877	2	Terminal	
19	4460418	1	Connector, Switch	

SECTION 7 - ELECTRICAL

ITEM	PART NUMBER	QTY	DESCRIPTION	REV
19	4460419	3	Terminal	
20	4460247	2	Terminal, Ring	
21	4460042	1	Terminal, Ring	
22	4460884	2	Plug, Male - 4 Position	
22	4460465	8	Socket, Female	
22	1001192401	1	Cap	
23	4460761	1	Receptacle, Female- 4 Position	
23	4460227	4	Pin, Male	
24	1001201885	2	Terminal	
25	1001103012	1	Plug, Male- 4 Position	
25	1001196589	4	Terminal	
25	1001104498	4	Seal	
26	4460539	1	Plug, Male -2 Position	
26	4460465	3	Socket, Female	
27	4460965	1	Plug, Male - 3 Position	
27	4460944	2	Socket, Female	
27	4460966	1	Plug, Terminal	
28	8229031	3	Diode - 6Amp	

SECTION 7 - ELECTRICAL

FIGURE 7-23. CHASSIS HARNESS (WITH PLATFORM DRIVE SELECT SWITCH) (CHINA & MEXICO BUILT MACHINES)



ART_1001266214_B

SECTION 7 - ELECTRICAL

FIGURE 7-23. CHASSIS HARNESS (WITH PLATFORM DRIVE SELECT SWITCH) (CHINA & MEXICO BUILT MACHINES)

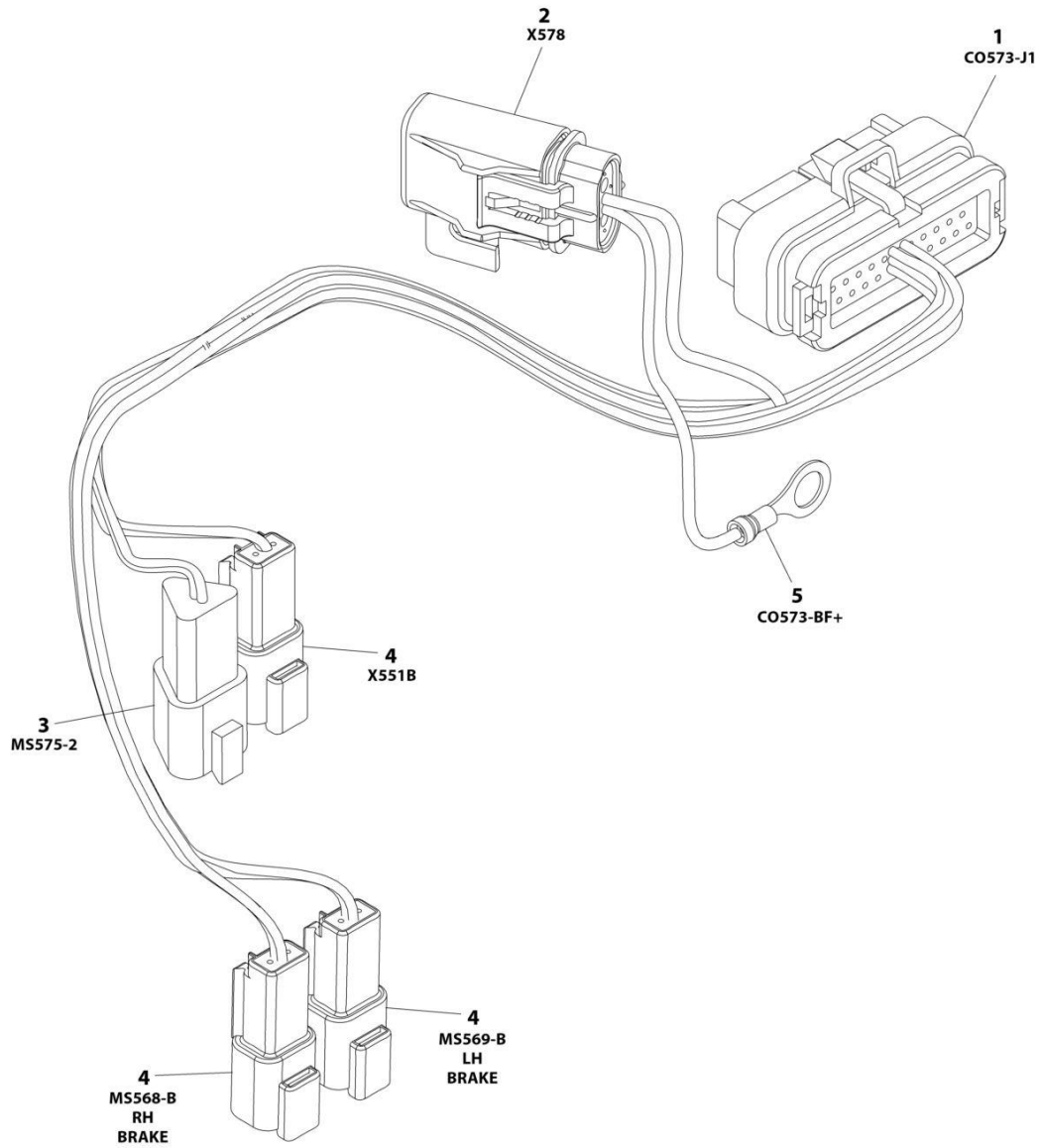
ITEM	PART NUMBER	QTY	DESCRIPTION	REV
	1001266214	Ref	CHASSIS HARNESS (WITH LSS)	B
1	1001205409	1	Connector - 8 Position	
1	1001162887	8	Terminal	
2	1001205410	1	Connector - 20 Position	
2	1001162887	13	Terminal	
2	1001163340	7	Plug, Terminal	
3	1001162886	1	Connector - 20 Position	
3	1001162887	15	Terminal	
3	1001163340	5	Plug, Terminal	
4	1001205411	1	Connector - 20 Position	
4	1001162887	16	Terminal	
4	1001163340	4	Plug, Terminal	
5	1001205412	1	Connector - 20 Position	
5	1001162887	14	Terminal	
5	1001163340	6	Plug, Terminal	
6	4460933	2	Plug, Male - 12 Position	
6	4460465	22	Socket, Female	
6	4460466	2	Plug, Terminal	
6	1001125677	1	Bussbar - 12 Position	
7	4460320	1	Plug, Male - 2 Position	
7	4460226	1	Socket, Female	
8	1001116812	2	Plug, Male - 3 Position	
8	4460944	4	Socket, Female	
8	4460466	1	Plug, Terminal	
8	1001144296	1	Cap	
9	4460891	7	Plug, Male- 3 Position	
9	4460465	11	Socket, Female	
9	4460466	2	Plug, Terminal	
9	1001144295	2	Cap	
10	4460897	2	Receptacle, Female - 2 Position	
10	4460464	4	Pin, Male	
11	4460670	1	Terminal, Ring	
12	2400060	3	Fuseholder with Cover	
12		Ref	Fuse 5Amp	
12		Ref	Fuse 15Amp	
13	4460894	2	Plug, Male - 6 Position	
13	4460465	10	Socket, Female	
13	4460944	2	Socket, Female	
14	4460115	1	Terminal, Fork	
15	1001117000	2	Cover, Terminal	
15	1001118387	2	Terminal	
16	4460260	4	Cover, Terminal	
16	4460259	2	Terminal	
17	4460183	1	Terminal, Fork	
18	1001151629	1	Connector- 8 Position	
18	4461023	2	Terminal	
18	4460877	2	Terminal	
19	4460418	1	Connector, Switch	
19	1001159186	3	Terminal	

SECTION 7 - ELECTRICAL

ITEM	PART NUMBER	QTY	DESCRIPTION	REV
20	4460247	2	Terminal, Ring	
21	4460042	1	Terminal, Ring	
22	4460884	2	Plug, Male - 4 Position	
22	4460465	8	Socket, Female	
22	1001192401	1	Cap	
23	4460761	1	Receptacle, Female- 4 Position	
23	4460227	4	Pin, Male	
24	1001201885	2	Terminal	
25	1001103012	1	Plug, Male- 4 Position	
25	1001196589	4	Terminal	
25	1001104498	4	Seal	
26	4460539	1	Plug, Male -2 Position	
26	4460465	3	Socket, Female	
27	4460965	1	Plug, Male - 3 Position	
27	4460944	2	Socket, Female	
27	4460966	1	Plug, Terminal	
27	1001144296	1	Cap	
28	8229031	3	Diode - 6Amp	
29	8220045	1	Terminal, Ring	
30	1001272868	2	Terminal	

SECTION 7 - ELECTRICAL

FIGURE 7-24. DRIVE CONTROL HARNESS



ART_1001243255

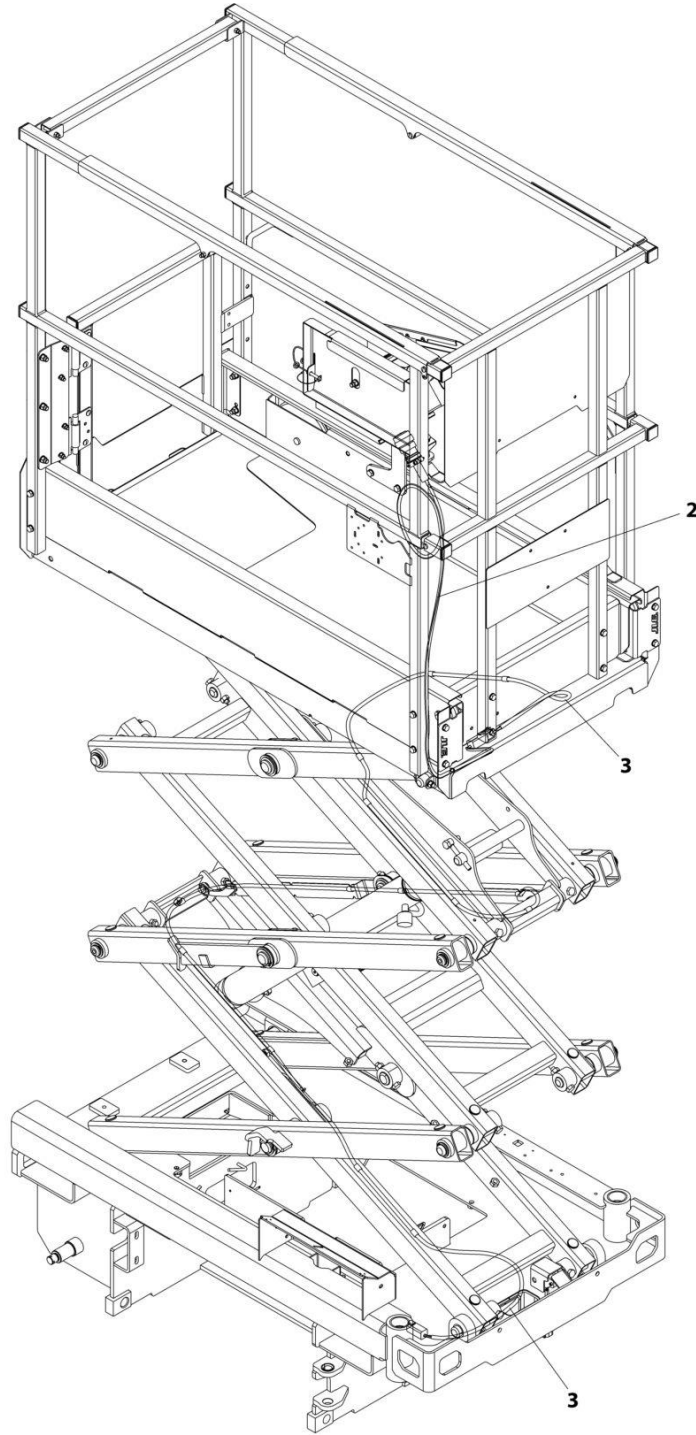
SECTION 7 - ELECTRICAL

FIGURE 7-24. DRIVE CONTROL HARNESS

ITEM	PART NUMBER	QTY	DESCRIPTION	REV
	1001243255	Ref	DRIVE CONTROL HARNESS	C
1	4460873	1	Connector- 35 Position	
1	4460871	8	Socket, Female	
1	4460905	27	Plug, Terminal	
2	1001217843	1	Connector, Fuseholder	
2	1001116733	2	Terminal	
2	8229234	1	Fuse 10Amp ATO	
2	1001217842	1	Cover, Fuse	
3	1001144147	1	Receptacle, Female - 3 Position	
3	4460943	2	Pin, Male	
3	4460466	1	Plug, Terminal	
4	4460897	3	Receptacle, Female - 2 Position	
4	4460464	6	Pin, Male	
5	4460670	1	Terminal, Ring	

SECTION 7 - ELECTRICAL

FIGURE 7-25. GROUND TO PLATFORM CABLE INSTALLATION - WITHOUT PLATFORM COIL CABLE/WITHOUT AC CABLE/WITHOUT FOOTSWITCH



ART_1001244437

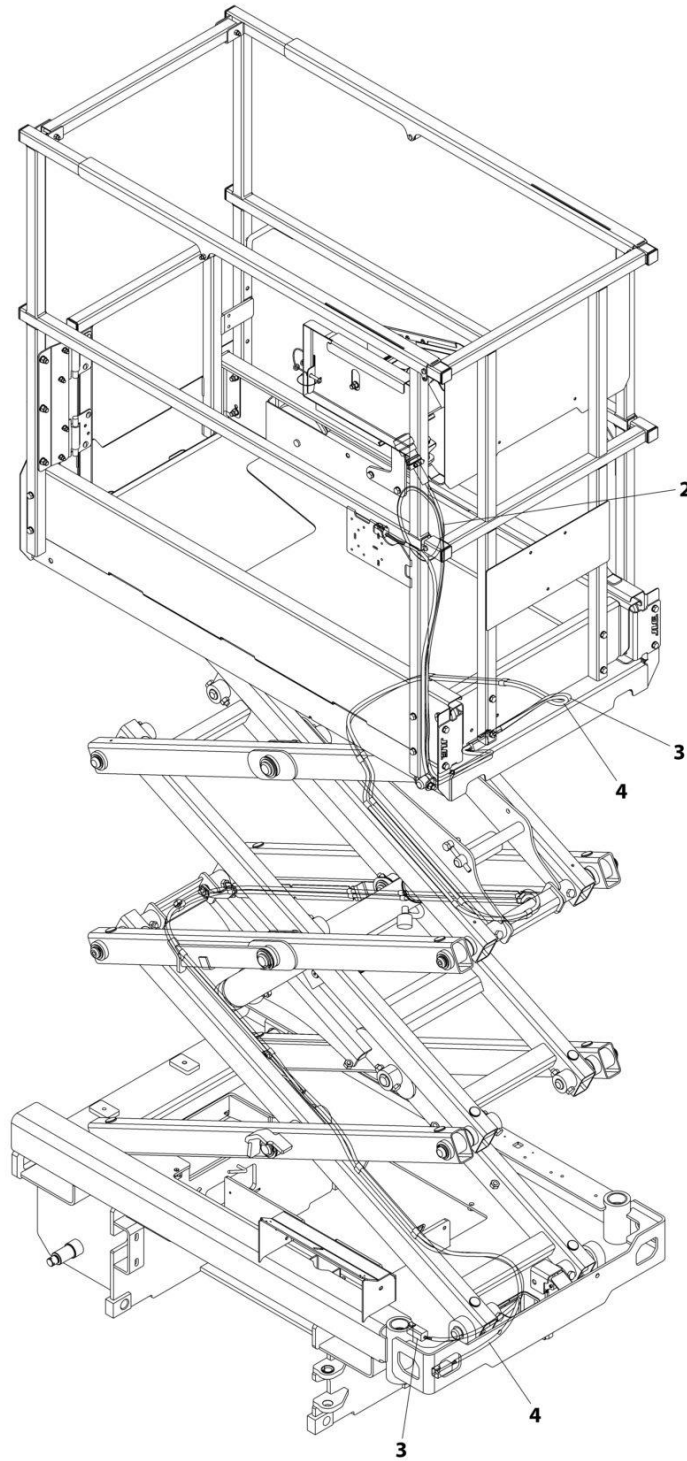
SECTION 7 - ELECTRICAL

FIGURE 7-25. GROUND TO PLATFORM CABLE INSTALLATION - WITHOUT PLATFORM COIL CABLE/WITHOUT AC CABLE/WITHOUT FOOTSWITCH

ITEM	PART NUMBER	QTY	DESCRIPTION	REV
	1001244437	Ref	GROUND TO PLATFORM CABLE INSTALLATION	C
1	4240017	AR	Tie-Strap (Not Shown)	
2	1001241320	1	Platform Harness	
2	4460754	1	Connector - 14 Position (x61 Platform Box)	
2	4460465	6	Socket, Female	
2	4460944	2	Socket, Female	
2	4460466	6	Plug, Terminal	
2	4460899	1	Receptacle, Female - 6 Position (x60 Platform)	
2	4460464	4	Pin, Male	
2	4460943	2	Pin, Male	
3	1001244444	1	Cable Assembly - Ground to Platform	
3	4460899	1	Receptacle, Female - 6 Position (x58 Chassis)	
3	4460464	4	Pin, Male	
3	4460943	2	Pin, Male	
3	4460894	1	Plug, Male - 6 Position (x59 Platform)	
3	4460465	4	Socket, Female	
3	4460944	2	Socket, Female	

SECTION 7 - ELECTRICAL

FIGURE 7-26. GROUND TO PLATFORM CABLE INSTALLATION - WITHOUT PLATFORM COIL CABLE/WITH AC CABLE/WITHOUT FOOTSWITCH



ART_1001244438

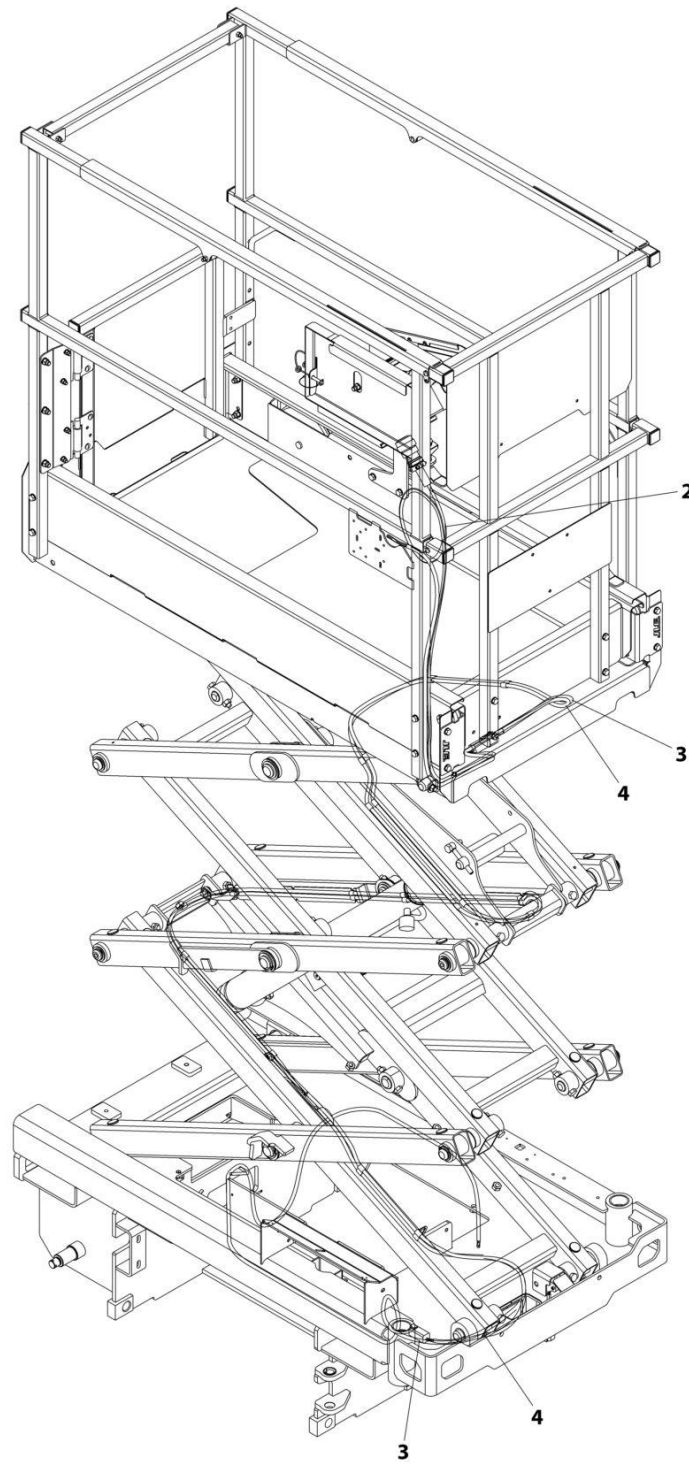
SECTION 7 - ELECTRICAL

**FIGURE 7-26. GROUND TO PLATFORM CABLE INSTALLATION - WITHOUT PLATFORM COIL
CABLE/WITH AC CABLE/WITHOUT FOOTSWITCH**

ITEM	PART NUMBER	QTY	DESCRIPTION	REV
	1001244438	Ref	GROUND TO PLATFORM CABLE INSTALLATION	C
1	4240017	AR	Tie-Strap (Not Shown)	
2	1001241320	1	Platform Harness	
2	4460754	1	Connector - 14 Position (x61 Platform Box)	
2	4460465	6	Socket, Female	
2	4460944	2	Socket, Female	
2	4460466	6	Plug, Terminal	
2	4460899	1	Receptacle, Female - 6 Position (x60 Platform)	
2	4460464	4	Pin, Male	
2	4460943	2	Pin, Male	
3	1001244444	1	Cable Assembly - Ground to Platform	
3	4460899	1	Receptacle, Female - 6 Position (x58 Chassis)	
3	4460464	4	Pin, Male	
3	4460943	2	Pin, Male	
3	4460894	1	Plug, Male - 6 Position (x59 Platform)	
3	4460465	4	Socket, Female	
3	4460944	2	Socket, Female	
4	1001244445	1	Cable, AC	

SECTION 7 - ELECTRICAL

FIGURE 7-27. GROUND TO PLATFORM CABLE INSTALLATION - WITHOUT PLATFORM COIL CABLE/WITH AC CABLE/WITHOUT FOOTSWITCH (AUSTRALIAN SPECS)



ART_1001253887

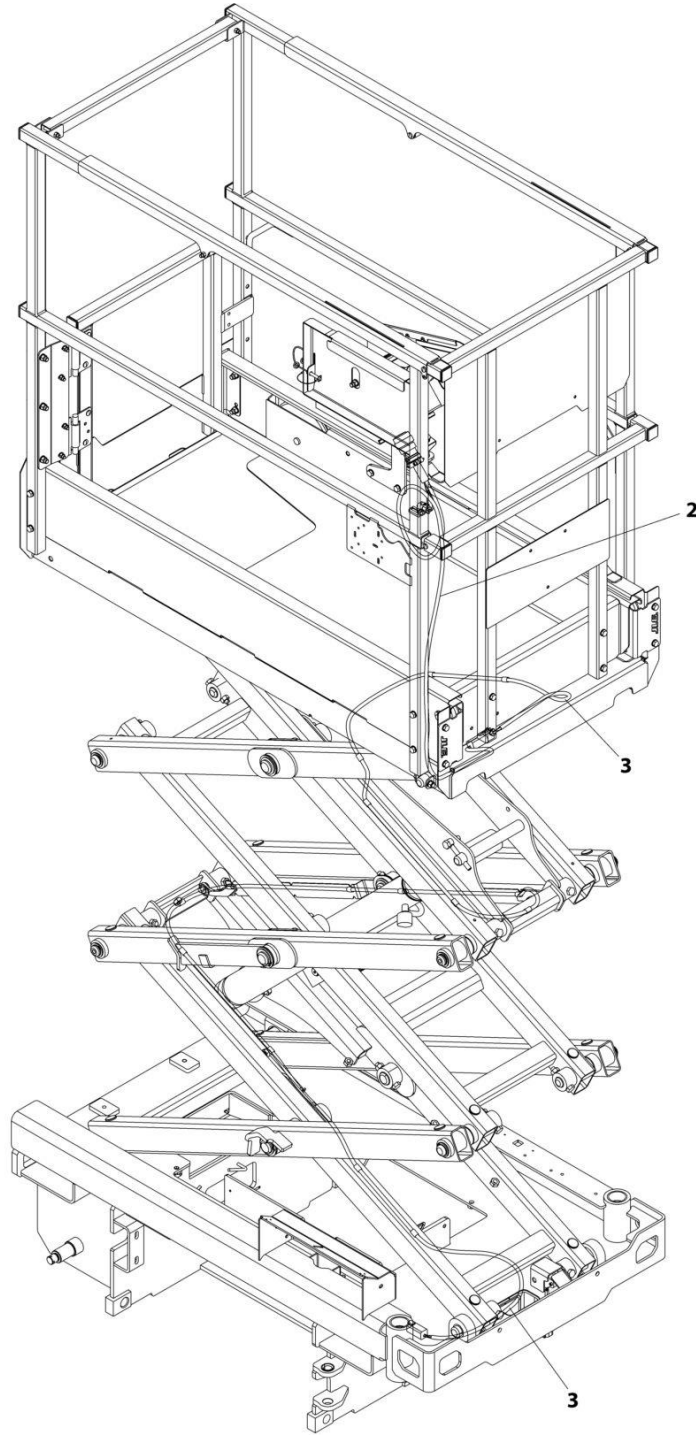
SECTION 7 - ELECTRICAL

FIGURE 7-27. GROUND TO PLATFORM CABLE INSTALLATION - WITHOUT PLATFORM COIL CABLE/WITH AC CABLE/WITHOUT FOOTSWITCH (AUSTRALIAN SPECS)

ITEM	PART NUMBER	QTY	DESCRIPTION	REV
	1001253887	Ref	GROUND TO PLATFORM CABLE INSTALLATION	A
1	4240017	AR	Tie-Strap (Not Shown)	
2	1001241320	1	Platform Harness	
2	4460754	1	Connector - 14 Position (x61 Platform Box)	
2	4460465	6	Socket, Female	
2	4460944	2	Socket, Female	
2	4460466	6	Plug, Terminal	
2	4460899	1	Receptacle, Female - 6 Position (x60 Platform)	
2	4460464	4	Pin, Male	
2	4460943	2	Pin, Male	
3	1001244444	1	Cable Assembly - Ground to Platform	
3	4460899	1	Receptacle, Female - 6 Position (x58 Chassis)	
3	4460464	4	Pin, Male	
3	4460943	2	Pin, Male	
3	4460894	1	Plug, Male - 6 Position (x59 Platform)	
3	4460465	4	Socket, Female	
3	4460944	2	Socket, Female	
4	1001253889	1	Cable, AC	

SECTION 7 - ELECTRICAL

FIGURE 7-28. GROUND TO PLATFORM CABLE INSTALLATION - WITHOUT PLATFORM COIL CABLE/WITHOUT AC CABLE/WITH FOOTSWITCH



ART_1001244439

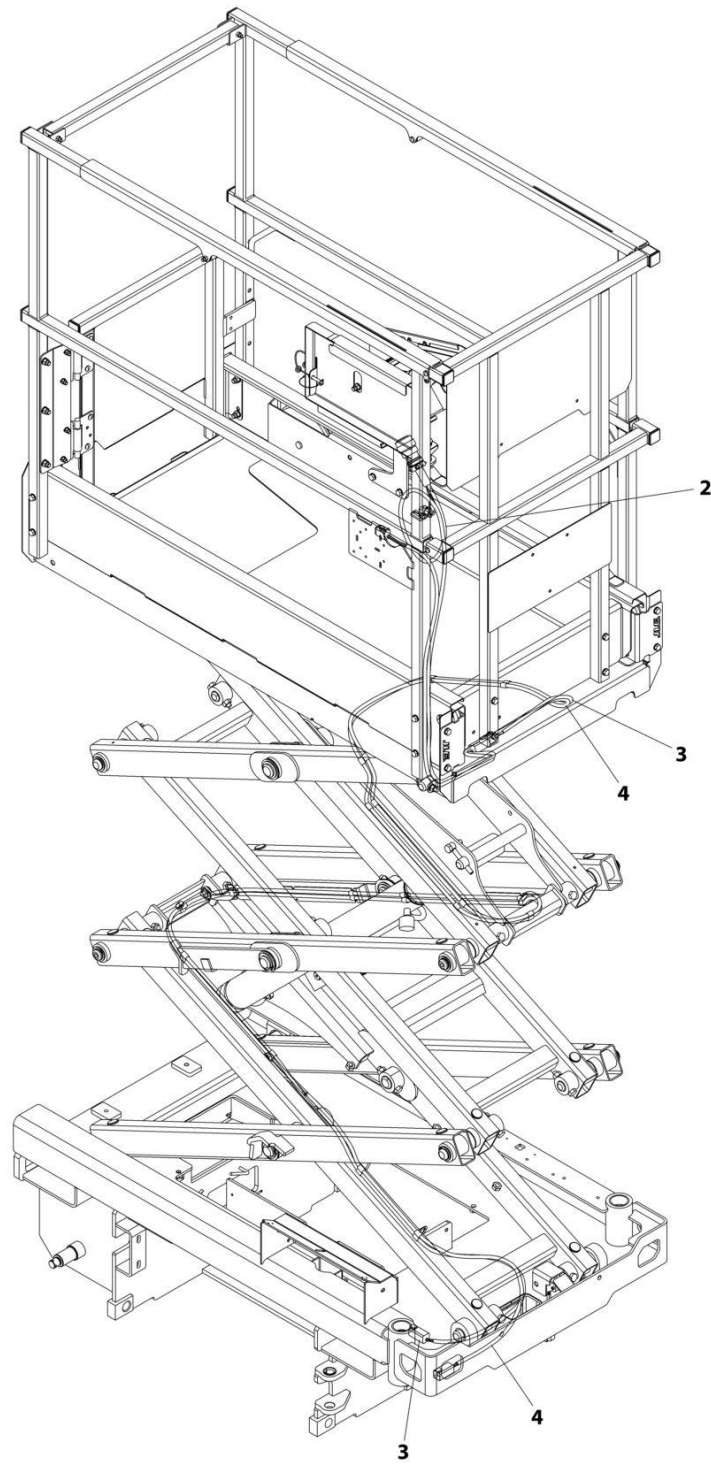
SECTION 7 - ELECTRICAL

FIGURE 7-28. GROUND TO PLATFORM CABLE INSTALLATION - WITHOUT PLATFORM COIL CABLE/WITHOUT AC CABLE/WITH FOOTSWITCH

ITEM	PART NUMBER	QTY	DESCRIPTION	REV
	1001244439	Ref	GROUND TO PLATFORM CABLE INSTALLATION	C
1	4240017	AR	Tie-Strap (Not Shown)	
2	1001241321	1	Platform Harness	
2	4460754	1	Connector - 14 Position (x61 Platform Box)	
2	4460465	6	Socket, Female	
2	4460944	2	Socket, Female	
2	4460466	6	Plug, Terminal	
2	4460899	1	Receptacle, Female - 6 Position (x60 Platform)	
2	4460464	4	Pin, Male	
2	4460943	2	Pin, Male	
2	4460891	1	Plug, Male - 2 Position (SW63 Footswitch)	
2	4460465	2	Socket, Female	
2	4460539	1	Plug, Male - 3 Position (SW475 Overhead Switch)	
2	4460465	2	Socket, Female	
2	4460466	1	Plug, Terminal	
3	1001244444	1	Cable Assembly - Ground to Platform	
3	4460899	1	Receptacle, Female - 6 Position (x58 Chassis)	
3	4460464	4	Pin, Male	
3	4460943	2	Pin, Male	
3	4460894	1	Plug, Male - 6 Position (x59 Platform)	
3	4460465	4	Socket, Female	
3	4460944	2	Socket, Female	

SECTION 7 - ELECTRICAL

FIGURE 7-29. GROUND TO PLATFORM CABLE INSTALLATION - WITHOUT PLATFORM COIL CABLE/WITH AC CABLE/WITH FOOTSWITCH



ART_1001244440

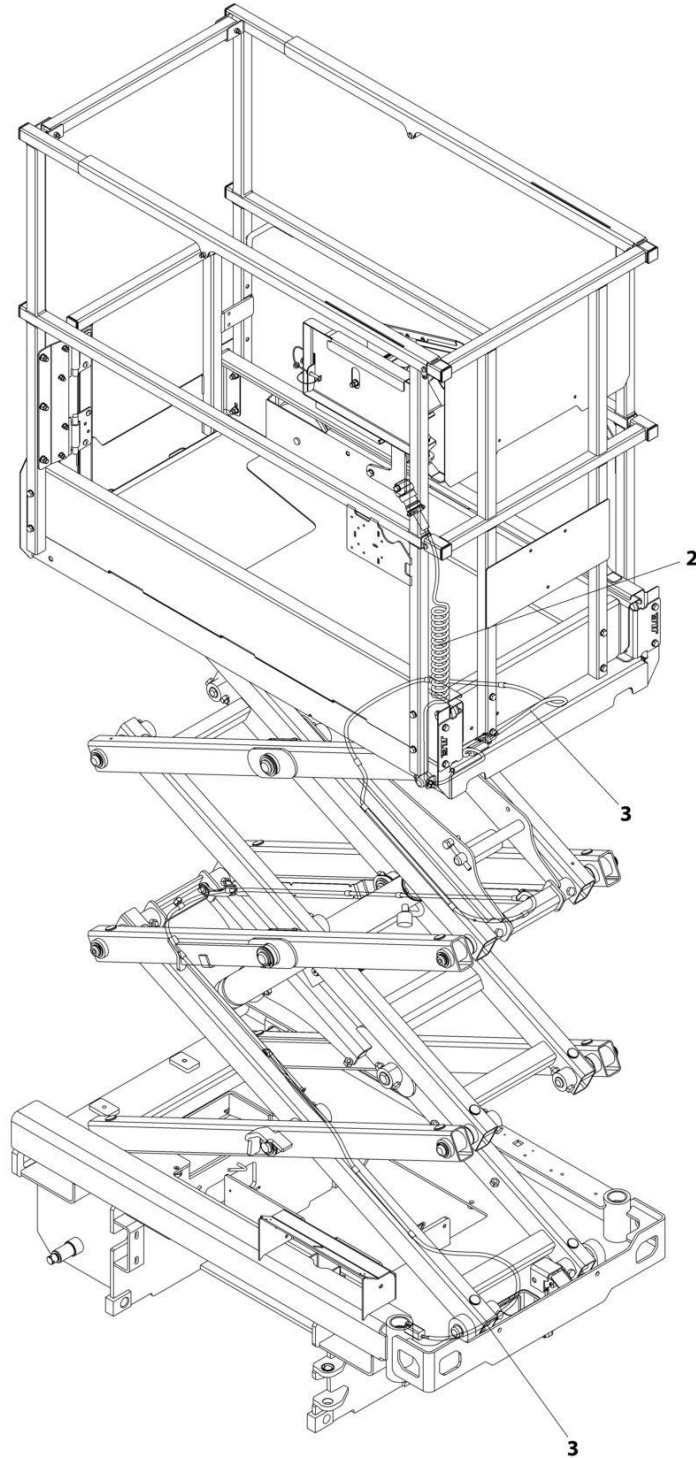
SECTION 7 - ELECTRICAL

FIGURE 7-29. GROUND TO PLATFORM CABLE INSTALLATION - WITHOUT PLATFORM COIL CABLE/WITH AC CABLE/WITH FOOTSWITCH

ITEM	PART NUMBER	QTY	DESCRIPTION	REV
	1001244440	Ref	GROUND TO PLATFORM CABLE INSTALLATION	C
1	4240017	AR	Tie-Strap (Not Shown)	
2	1001241321	1	Platform Harness	
2	4460754	1	Connector - 14 Position (x61 Platform Box)	
2	4460465	6	Socket, Female	
2	4460944	2	Socket, Female	
2	4460466	6	Plug, Terminal	
2	4460899	1	Receptacle, Female - 6 Position (x60 Platform)	
2	4460464	4	Pin, Male	
2	4460943	2	Pin, Male	
2	4460891	1	Plug, Male - 2 Position (SW63 Footswitch)	
2	4460465	2	Socket, Female	
2	4460539	1	Plug, Male - 3 Position (SW475 Overhead Switch)	
2	4460465	2	Socket, Female	
2	4460466	1	Plug, Terminal	
3	1001244444	1	Cable Assembly - Ground to Platform	
3	4460899	1	Receptacle, Female - 6 Position (x58 Chassis)	
3	4460464	4	Pin, Male	
3	4460943	2	Pin, Male	
3	4460894	1	Plug, Male - 6 Position (x59 Platform)	
3	4460465	4	Socket, Female	
3	4460944	2	Socket, Female	
4	1001244445	1	Cable, AC	

SECTION 7 - ELECTRICAL

FIGURE 7-30. GROUND TO PLATFORM CABLE INSTALLATION - WITH PLATFORM COIL CABLE/WITHOUT AC CABLE/WITHOUT FOOTSWITCH



ART_1001261046

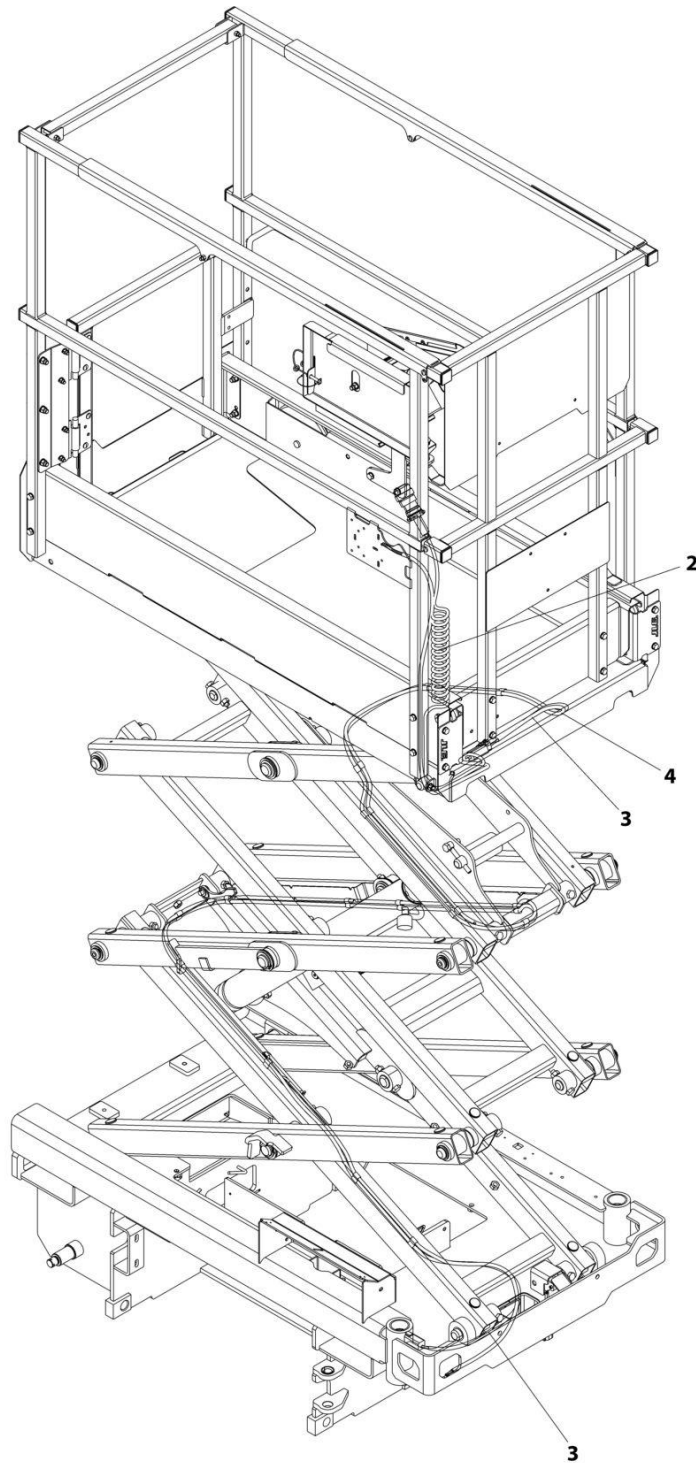
SECTION 7 - ELECTRICAL

FIGURE 7-30. GROUND TO PLATFORM CABLE INSTALLATION - WITH PLATFORM COIL CABLE/WITHOUT AC CABLE/WITHOUT FOOTSWITCH

ITEM	PART NUMBER	QTY	DESCRIPTION	REV
	1001261046	Ref	GROUND TO PLATFORM CABLE INSTALLATION	B
1	4240017	AR	Tie-Strap (Not Shown)	
2	1001265533	1	Platform Harness	
2	4460754	1	Connector - 14 Position (x61 Platform Box)	
2	4460465	6	Socket, Female	
2	4460944	2	Socket, Female	
2	4460466	6	Plug, Terminal	
2	4460899	1	Receptacle, Female - 6 Position (x60 Platform)	
2	4460464	4	Pin, Male	
2	4460943	2	Pin, Male	
3	1001244444	1	Cable Assembly - Ground to Platform	
3	4460899	1	Receptacle, Female - 6 Position (x58 Chassis)	
3	4460464	4	Pin, Male	
3	4460943	2	Pin, Male	
3	4460894	1	Plug, Male - 6 Position (x59 Platform)	
3	4460465	4	Socket, Female	
3	4460944	2	Socket, Female	

SECTION 7 - ELECTRICAL

FIGURE 7-31. GROUND TO PLATFORM CABLE INSTALLATION - WITH PLATFORM COIL CABLE/WITH AC CABLE/WITHOUT FOOTSWITCH



ART_1001261047

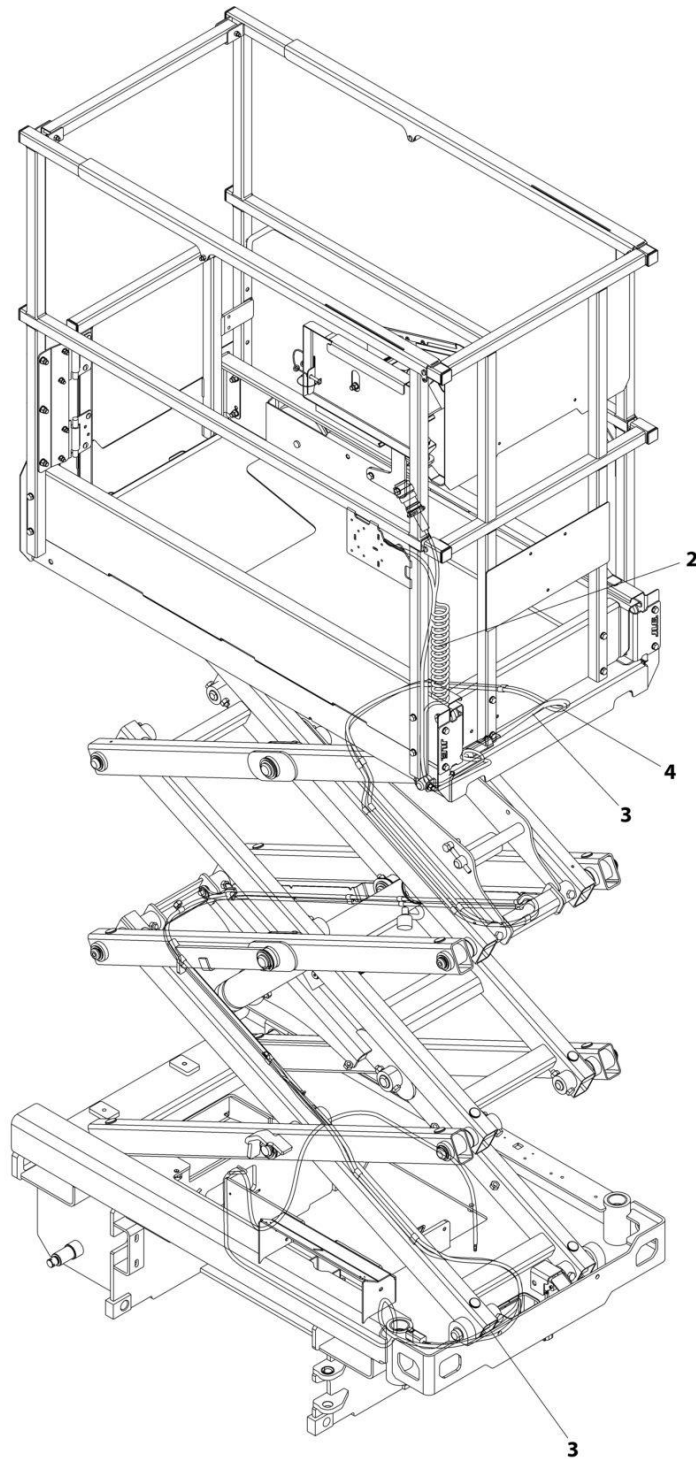
SECTION 7 - ELECTRICAL

**FIGURE 7-31. GROUND TO PLATFORM CABLE INSTALLATION - WITH PLATFORM COIL
CABLE/WITH AC CABLE/WITHOUT FOOTSWITCH**

ITEM	PART NUMBER	QTY	DESCRIPTION	REV
	1001261047	Ref	GROUND TO PLATFORM CABLE INSTALLATION	A
1	4240017	AR	Tie-Strap (Not Shown)	
2	1001265533	1	Platform Harness	
2	4460754	1	Connector - 14 Position (x61 Platform Box)	
2	4460465	6	Socket, Female	
2	4460944	2	Socket, Female	
2	4460466	6	Plug, Terminal	
2	4460899	1	Receptacle, Female - 6 Position (x60 Platform)	
2	4460464	4	Pin, Male	
2	4460943	2	Pin, Male	
3	1001244444	1	Cable Assembly - Ground to Platform	
3	4460899	1	Receptacle, Female - 6 Position (x58 Chassis)	
3	4460464	4	Pin, Male	
3	4460943	2	Pin, Male	
3	4460894	1	Plug, Male - 6 Position (x59 Platform)	
3	4460465	4	Socket, Female	
3	4460944	2	Socket, Female	
4	1001244445	1	Cable, AC	

SECTION 7 - ELECTRICAL

FIGURE 7-32. GROUND TO PLATFORM CABLE INSTALLATION - WITH PLATFORM COIL CABLE/WITH AC CABLE/WITHOUT FOOTSWITCH (AUSTRALIAN SPECS)



ART_1001261051

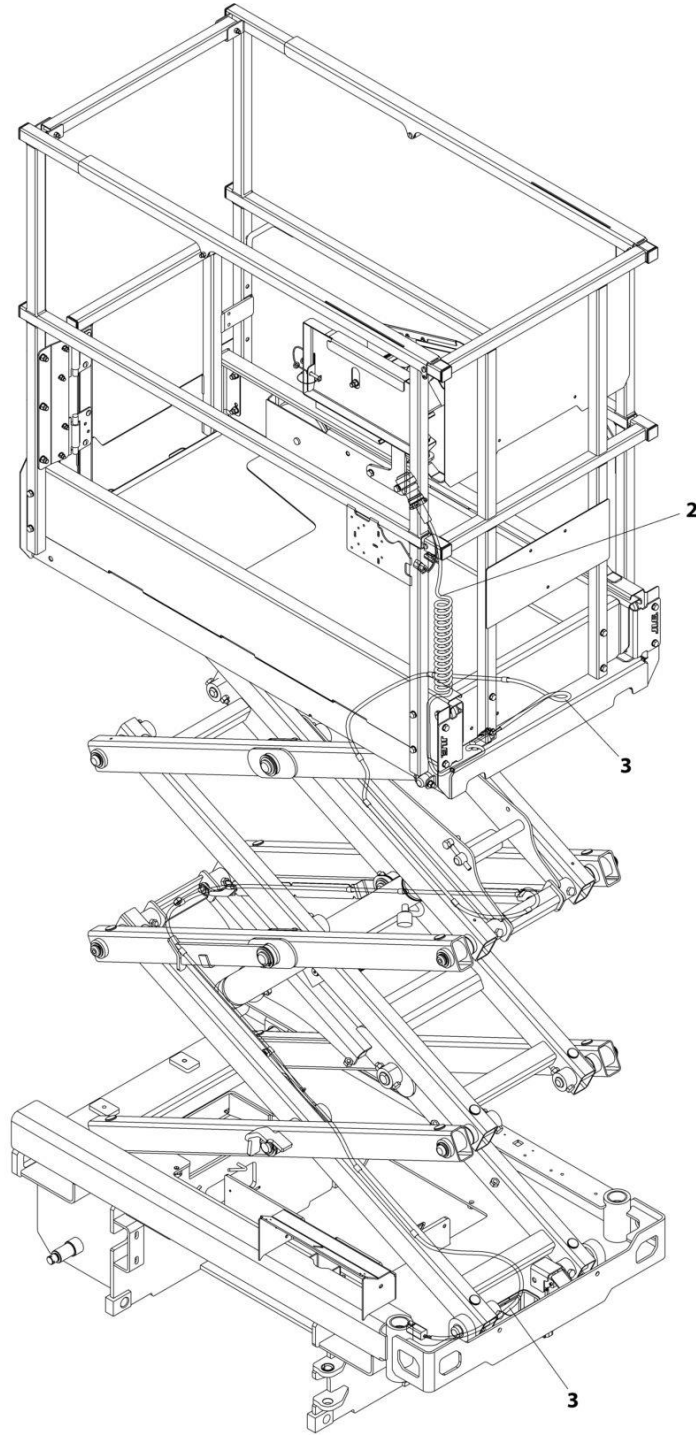
SECTION 7 - ELECTRICAL

**FIGURE 7-32. GROUND TO PLATFORM CABLE INSTALLATION - WITH PLATFORM COIL
CABLE/WITH AC CABLE/WITHOUT FOOTSWITCH (AUSTRALIAN SPECS)**

ITEM	PART NUMBER	QTY	DESCRIPTION	REV
	1001261051	Ref	GROUND TO PLATFORM CABLE INSTALLATION	B
1	4240017	AR	Tie-Strap (Not Shown)	
2	1001265534	1	Platform Harness	
2	4460754	1	Connector - 14 Position (x61 Platform Box)	
2	4460465	6	Socket, Female	
2	4460944	2	Socket, Female	
2	4460466	6	Plug, Terminal	
2	4460899	1	Receptacle, Female - 6 Position (x60 Platform)	
2	4460464	4	Pin, Male	
2	4460943	2	Pin, Male	
3	1001244444	1	Cable Assembly - Ground to Platform	
3	4460899	1	Receptacle, Female - 6 Position (x58 Chassis)	
3	4460464	4	Pin, Male	
3	4460943	2	Pin, Male	
3	4460894	1	Plug, Male - 6 Position (x59 Platform)	
3	4460465	4	Socket, Female	
3	4460944	2	Socket, Female	
4	1001253889	1	Cable, AC	

SECTION 7 - ELECTRICAL

FIGURE 7-33. GROUND TO PLATFORM CABLE INSTALLATION - WITH PLATFORM COIL CABLE/WITHOUT AC CABLE/WITH FOOTSWITCH



ART_1001261048

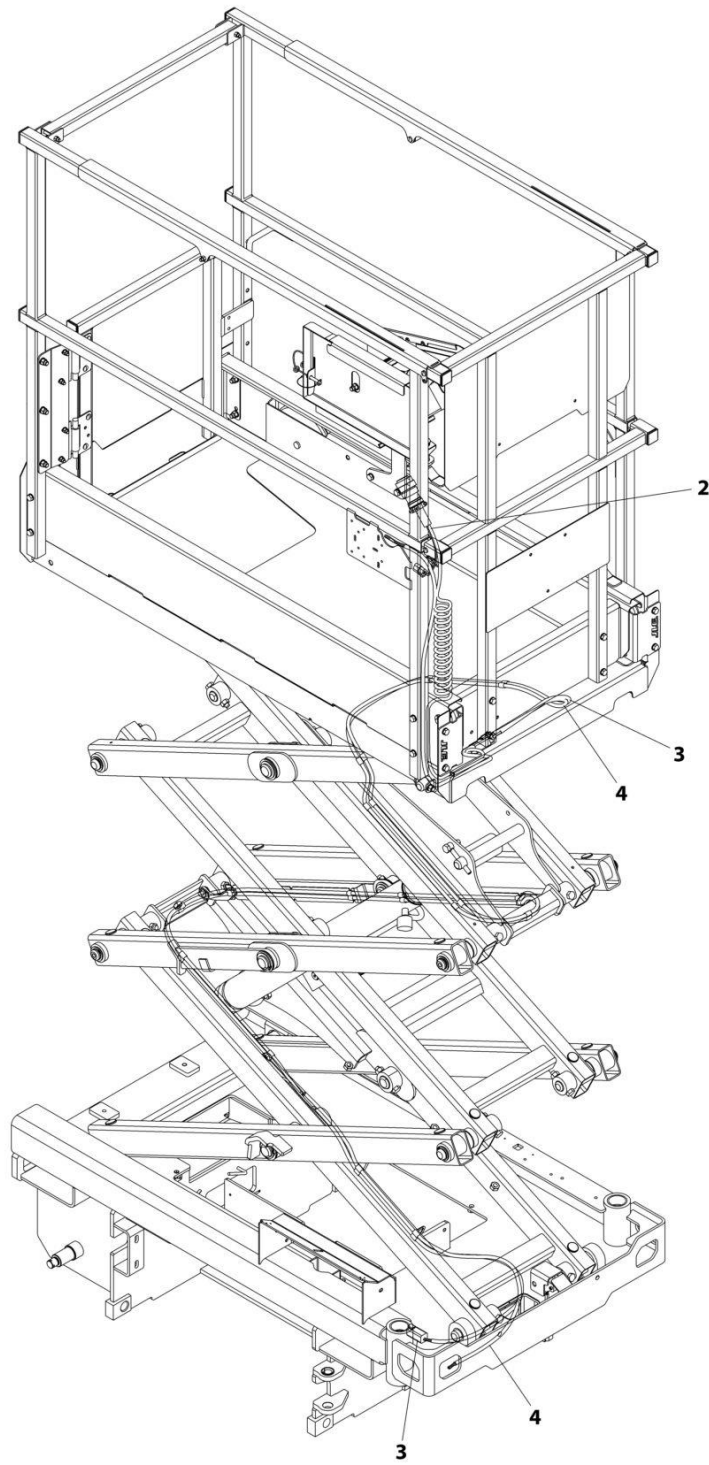
SECTION 7 - ELECTRICAL

**FIGURE 7-33. GROUND TO PLATFORM CABLE INSTALLATION - WITH PLATFORM COIL
CABLE/WITHOUT AC CABLE/WITH FOOTSWITCH**

ITEM	PART NUMBER	QTY	DESCRIPTION	REV
	1001261048	Ref	GROUND TO PLATFORM CABLE INSTALLATION	B
1	4240017	AR	Tie-Strap (Not Shown)	
2	1001265534	1	Platform Harness	
2	4460754	1	Connector - 14 Position (x61 Platform Box)	
2	4460465	8	Socket, Female	
2	4460944	2	Socket, Female	
2	4460466	4	Plug, Terminal	
2	4460899	1	Receptacle, Female - 6 Position (x60 Platform)	
2	4460464	4	Pin, Male	
2	4460943	2	Pin, Male	
2	4460891	1	Plug, Male - 2 Position (SW63 Footswitch)	
2	4460465	2	Socket, Female	
2	4460539	1	Plug, Male - 3 Position (SW475 Overhead Switch)	
2	4460465	2	Socket, Female	
2	4460466	1	Plug, Terminal	
3	1001244444	1	Cable Assembly - Ground to Platform	
3	4460899	1	Receptacle, Female - 6 Position (x58 Chassis)	
3	4460464	4	Pin, Male	
3	4460943	2	Pin, Male	
3	4460894	1	Plug, Male - 6 Position (x59 Platform)	
3	4460465	4	Socket, Female	
3	4460944	2	Socket, Female	

SECTION 7 - ELECTRICAL

FIGURE 7-34. GROUND TO PLATFORM CABLE INSTALLATION - WITH PLATFORM COIL CABLE/WITH AC CABLE/WITH FOOTSWITCH



ART_1001261049

SECTION 7 - ELECTRICAL

**FIGURE 7-34. GROUND TO PLATFORM CABLE INSTALLATION - WITH PLATFORM COIL
CABLE/WITH AC CABLE/WITH FOOTSWITCH**

ITEM	PART NUMBER	QTY	DESCRIPTION	REV
	1001261049	Ref	GROUND TO PLATFORM CABLE INSTALLATION	B
1	4240017	AR	Tie-Strap (Not Shown)	
2	1001223262	1	Platform Harness	
2	4460754	1	Connector - 14 Position (x61 Platform Box)	
2	4460465	8	Socket, Female	
2	4460944	2	Socket, Female	
2	4460466	4	Plug, Terminal	
2	4460899	1	Receptacle, Female - 6 Position (x60 Platform)	
2	4460464	4	Pin, Male	
2	4460943	2	Pin, Male	
2	4460891	1	Plug, Male - 2 Position (SW63 Footswitch)	
2	4460465	2	Socket, Female	
2	4460539	1	Plug, Male - 3 Position (SW475 Overhead Switch)	
2	4460465	2	Socket, Female	
2	4460466	1	Plug, Terminal	
3	1001244444	1	Cable Assembly - Ground to Platform	
3	4460899	1	Receptacle, Female - 6 Position (x58 Chassis)	
3	4460464	4	Pin, Male	
3	4460943	2	Pin, Male	
3	4460894	1	Plug, Male - 6 Position (x59 Platform)	
3	4460465	4	Socket, Female	
3	4460944	2	Socket, Female	
4	1001244445	1	Cable, AC	

SECTION 7 - ELECTRICAL

FIGURE 7-35. LIFT DOWN HARNESS (WITH LSS)



ART_1001239374

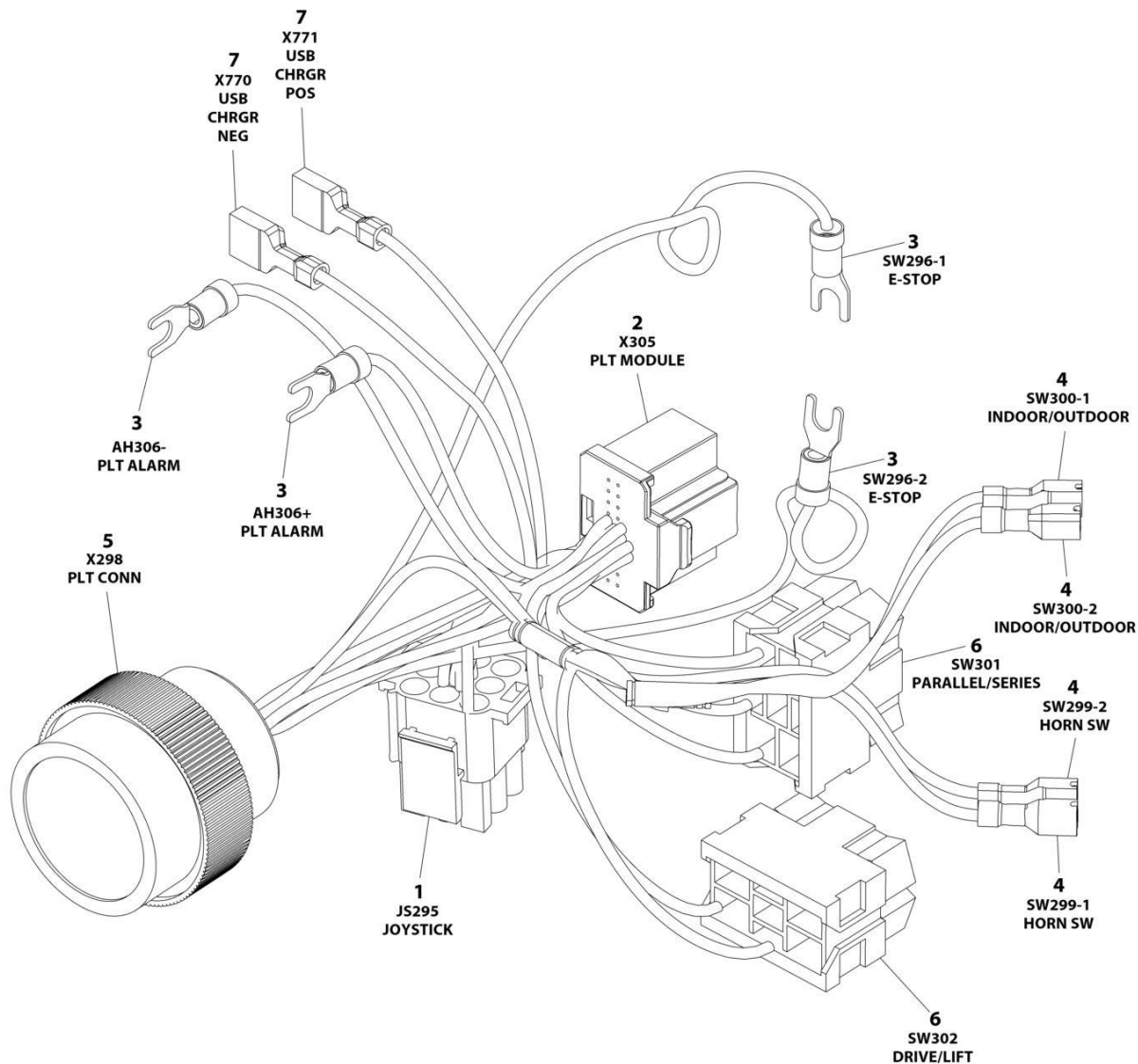
SECTION 7 - ELECTRICAL

FIGURE 7-35. LIFT DOWN HARNESS (WITH LSS)

ITEM	PART NUMBER	QTY	DESCRIPTION	REV
	1001239374	Ref	LIFT DOWN HARNESS (WITH LSS)	E
1	4460970	1	Receptacle, Female - 12 Position	
1	4460464	9	Pin, Male	
1	4460466	3	Plug, Terminal	
2	4460891	1	Plug, Male - 2 Position	
2	4460465	2	Socket, Female	
3	4460884	1	Plug, Male - 4 Position	
3	4460465	4	Socket, Female	
4	4460539	1	Plug, Male - 3 Position	
4	4460465	3	Socket, Female	

SECTION 7 - ELECTRICAL

FIGURE 7-36. PLATFORM CONTROL BOX HARNESS



ART_1001200819

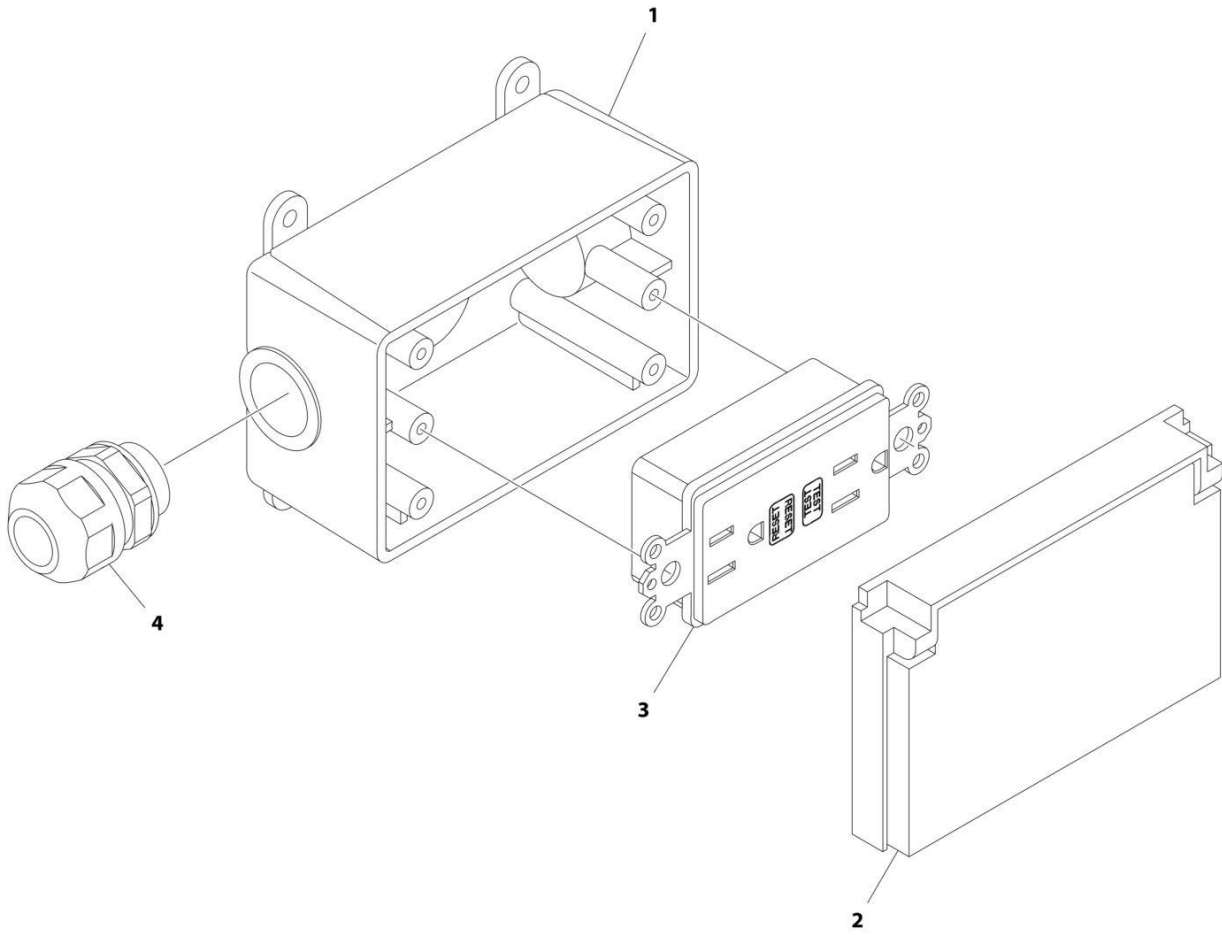
SECTION 7 - ELECTRICAL

FIGURE 7-36. PLATFORM CONTROL BOX HARNESS

ITEM	PART NUMBER	QTY	DESCRIPTION	REV
	1001200819	Ref	PLATFORM CONTROL BOX HARNESS	E
1	4460265	1	Plug, Male - 9 Position	
1	4460267	6	Pin, Male	
2	1001212036	1	Connector - 20 Position	
2	1001212035	16	Terminal	
3	4460183	4	Terminal, Fork	
4	1001201885	4	Terminal with Cover	
5	4461016	1	Connector - 14 Position	
5	4460464	8	Pin, Male	
5	4460466	6	Plug, Terminal	
6	4460418	2	Connector - 6 Position	
6	1001159186	5	Terminal	
7	1001194421	2	Terminal	

SECTION 7 - ELECTRICAL

FIGURE 7-37. RECEPTACLE BOX KIT - 110V GFI



ART_2902431

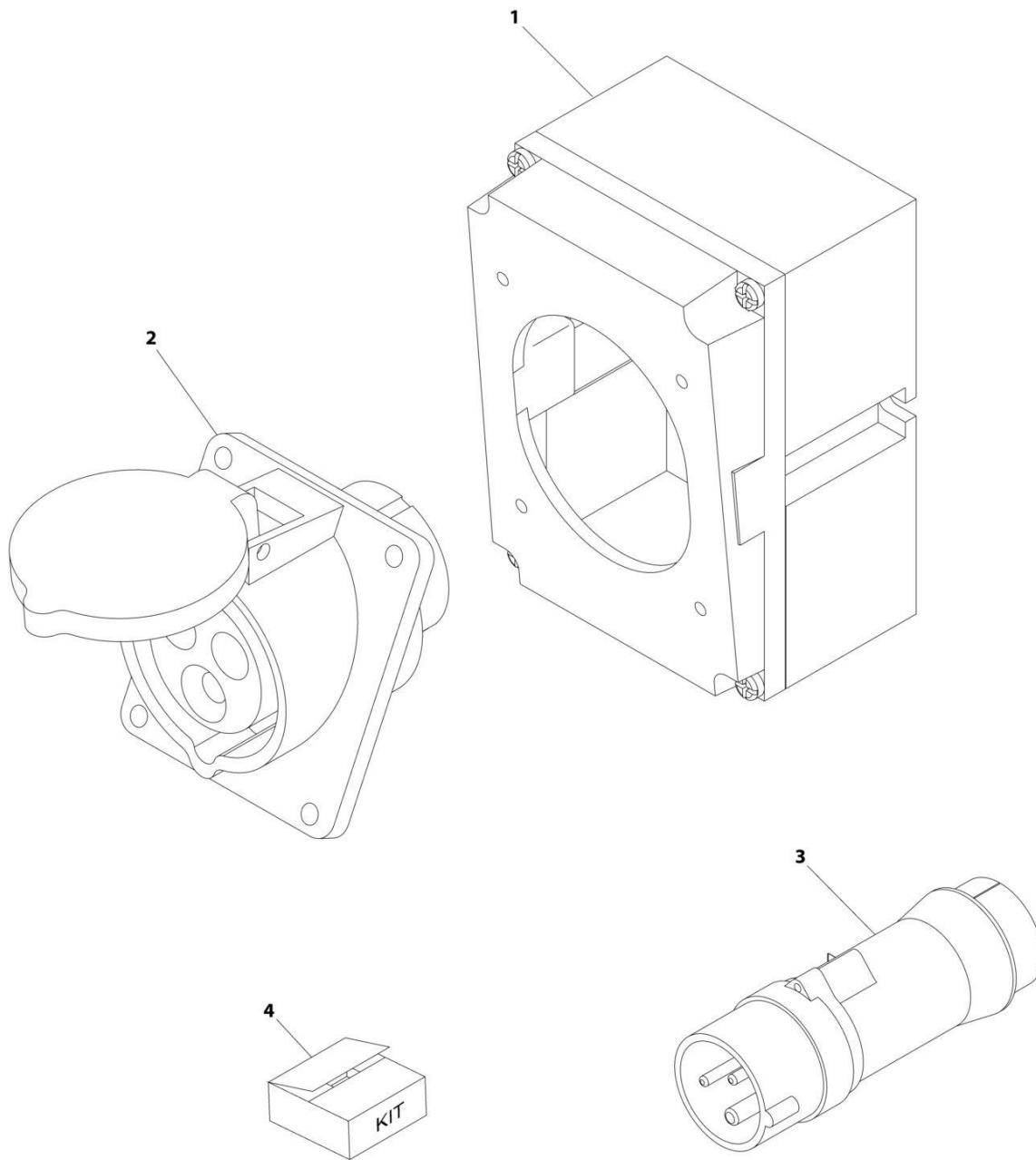
SECTION 7 - ELECTRICAL

FIGURE 7-37. RECEPTACLE BOX KIT - 110V GFI

ITEM	PART NUMBER	QTY	DESCRIPTION	REV
	2902431	Ref	RECEPTACLE BOX KIT - 110V GFI	D
1	0861731	1	Box, Receptacle	
2	1671207	1	Cover, Receptacle	
3	4460346	1	Receptacle	
4	4460662	1	Connector, Strain Relief	

SECTION 7 - ELECTRICAL

FIGURE 7-38. RECEPTACLE BOX KIT - 110V IEC YELLOW (CE SPEC)



ART_0275216

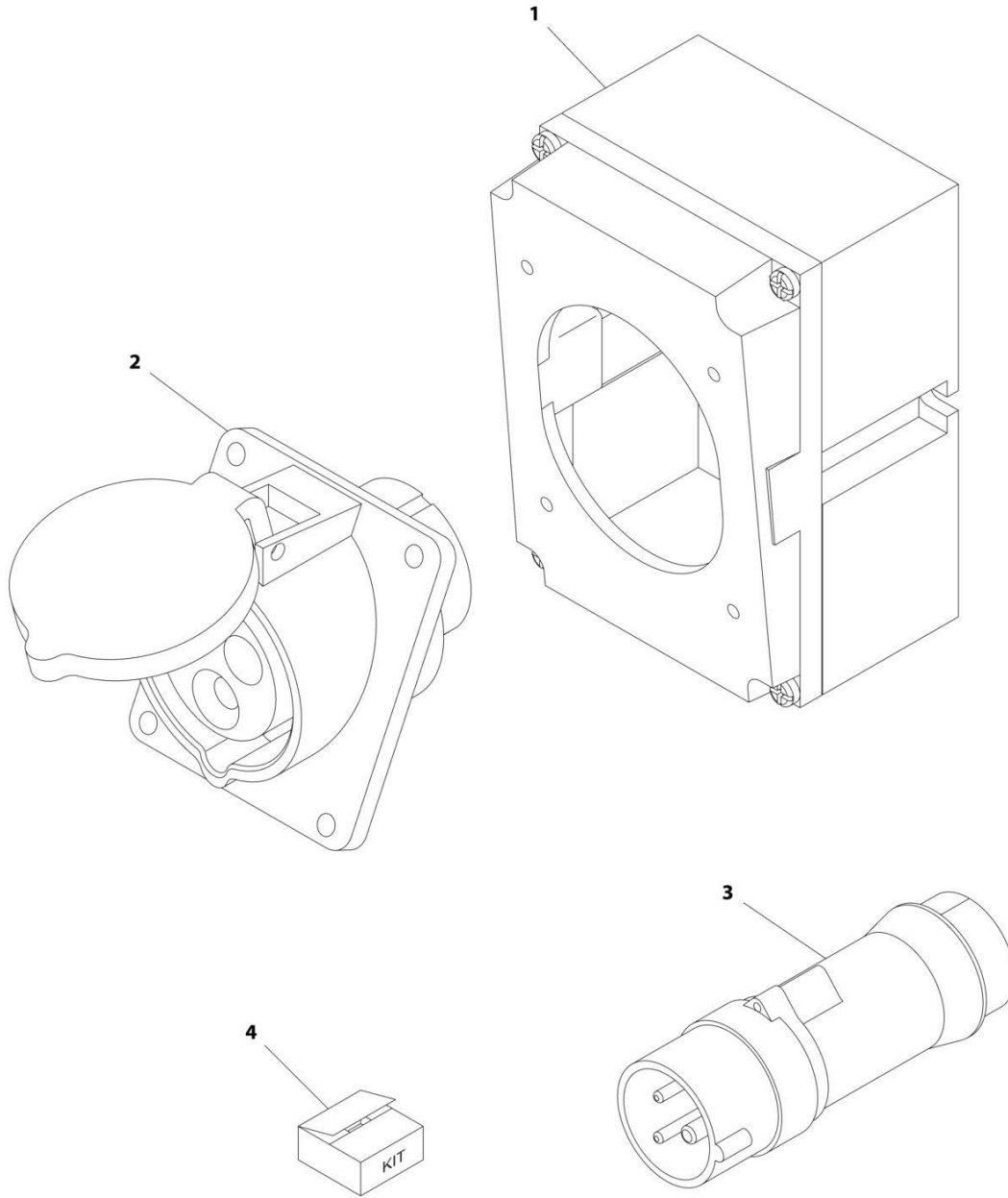
SECTION 7 - ELECTRICAL

FIGURE 7-38. RECEPTACLE BOX KIT - 110V IEC YELLOW (CE SPEC)

ITEM	PART NUMBER	QTY	DESCRIPTION	REV
	0275216	Ref	RECEPTACLE BOX KIT - 110V IEC YELLOW	B
1	0861781	1	Box, Switch	
2	4461198	1	Receptacle	
3	4461196	1	Plug, Male	
4	1001100341	1	Plug and Socket Kit (Includes Items 1-3 and Female Plug p/n 4461197)	

SECTION 7 - ELECTRICAL

FIGURE 7-39. RECEPTACLE BOX KIT - 220V IEC BLUE (CE SPEC)



ART_0275217

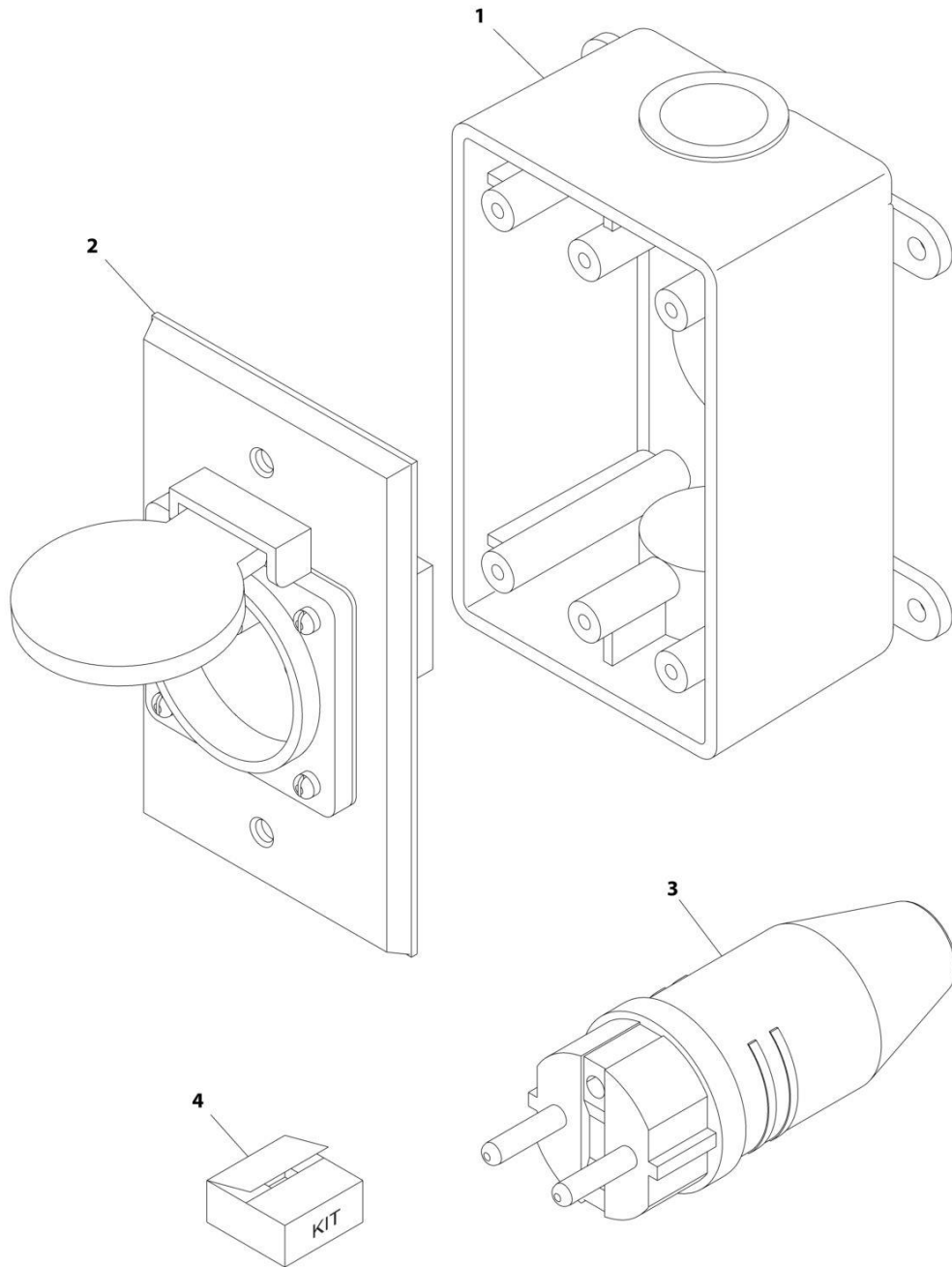
SECTION 7 - ELECTRICAL

FIGURE 7-39. RECEPTACLE BOX KIT - 220V IEC BLUE (CE SPEC)

ITEM	PART NUMBER	QTY	DESCRIPTION	REV
	0275217	Ref	RECEPTACLE BOX KIT - 220V IEC BLUE	B
1	0861781	1	Box, Switch	
2	4461201	1	Receptacle	
3	4461199	1	Plug, Male	
4	1001100342	1	Plug and Socket Kit (Includes Items 1-3 and Female Plug p/n 4461200)	

SECTION 7 - ELECTRICAL

FIGURE 7-40. RECEPTACLE BOX KIT - 220V CEE7 POST GROUND (CE SPEC)



ART_0275452-C

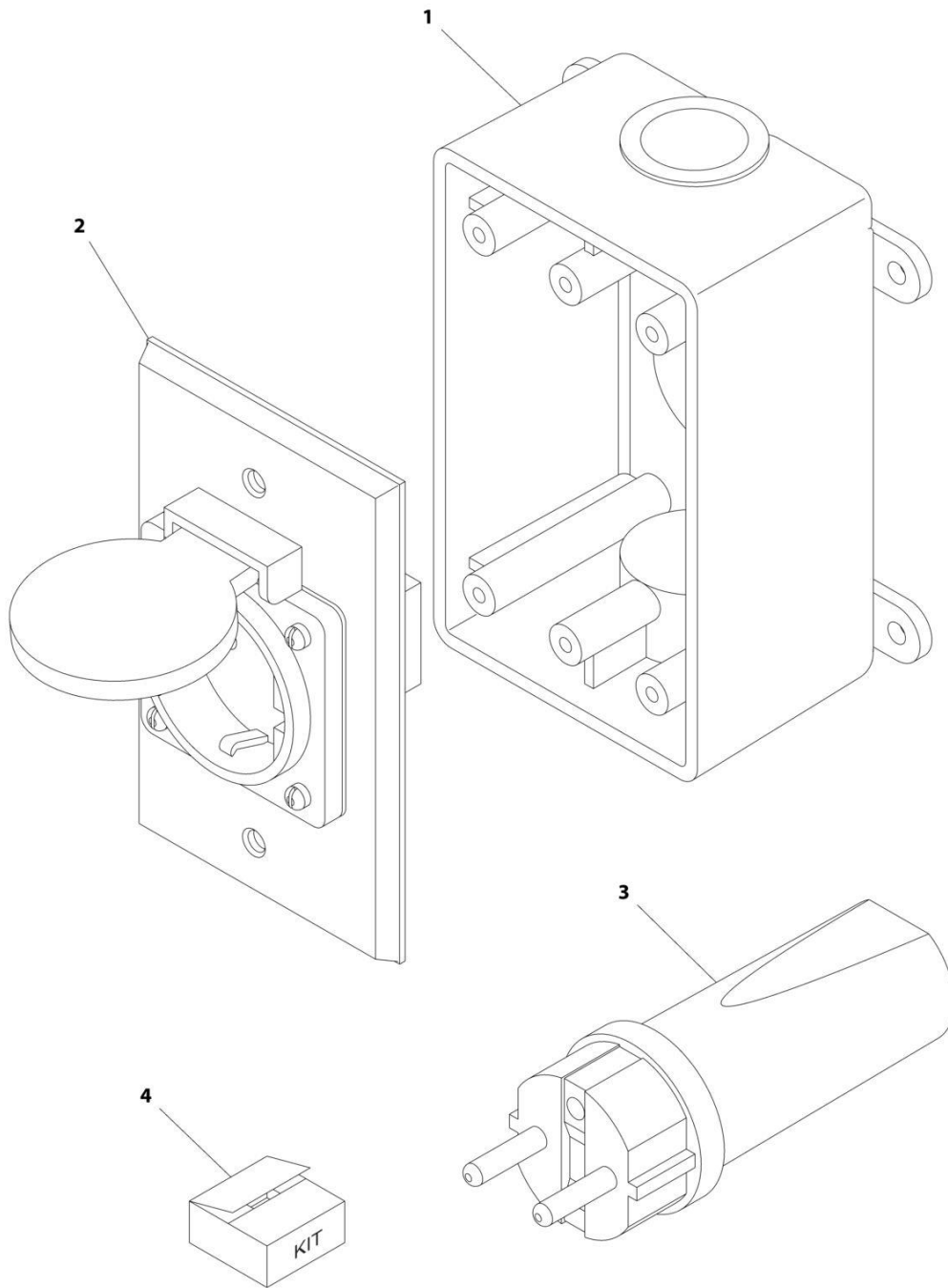
SECTION 7 - ELECTRICAL

FIGURE 7-40. RECEPTACLE BOX KIT - 220V CEE7 POST GROUND (CE SPEC)

ITEM	PART NUMBER	QTY	DESCRIPTION	REV
	0275452	Ref	RECEPTACLE BOX KIT - 220V CEE7 POST GROUND 2IN X 4IN BOX	C
1	0861731	1	Box, Switch	
2	4461244	1	Receptacle	
3	4461205	1	Plug, Male	
4	1001100345	1	Plug and Socket Kit (Includes Items 1-3 and Female Plug p/n 4461203)	

SECTION 7 - ELECTRICAL

FIGURE 7-41. RECEPTACLE BOX KIT - 220V CEE7 SIDE GROUND (CE SPEC)



ART_0275453

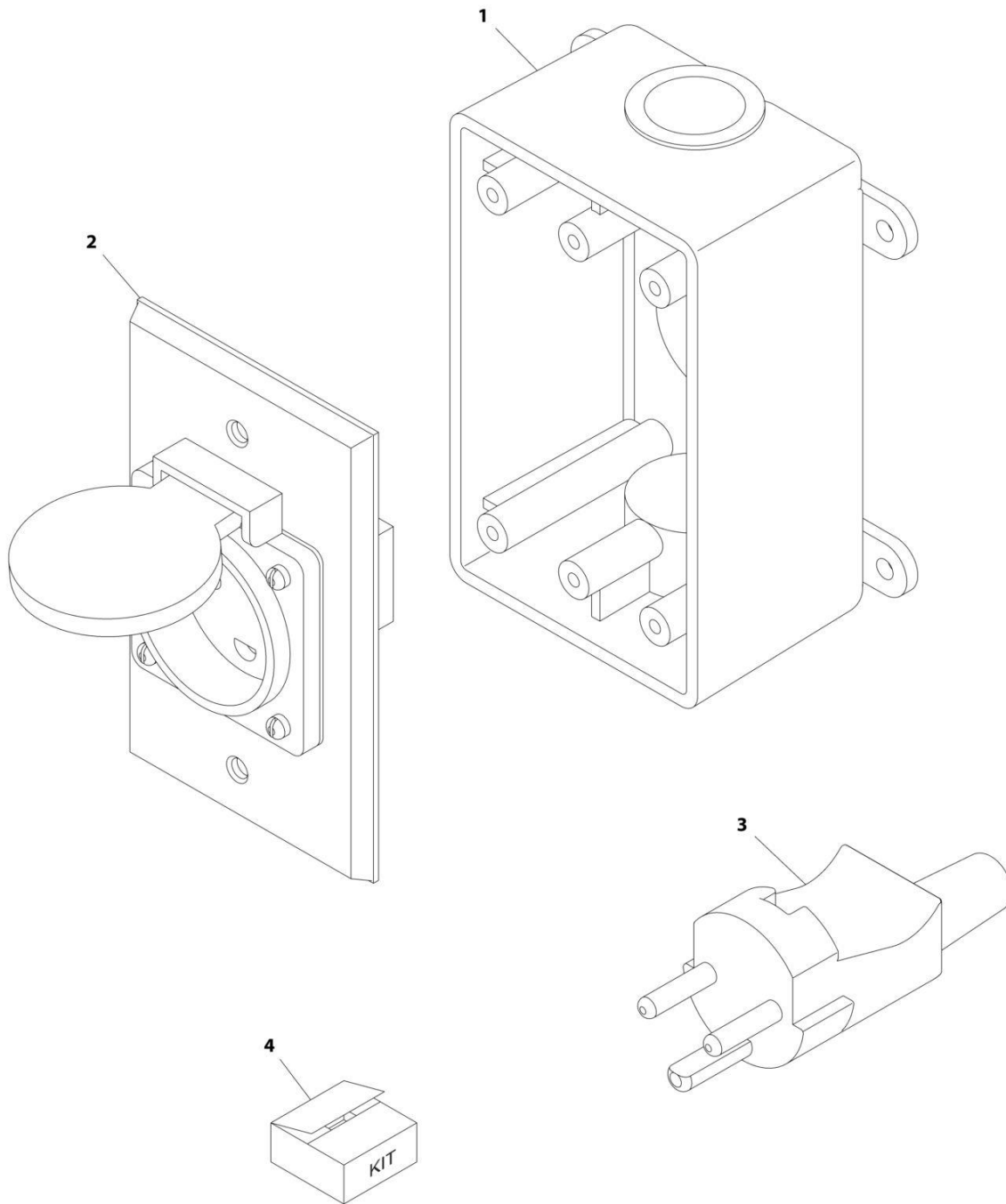
SECTION 7 - ELECTRICAL

FIGURE 7-41. RECEPTACLE BOX KIT - 220V CEE7 SIDE GROUND (CE SPEC)

ITEM	PART NUMBER	QTY	DESCRIPTION	REV
	0275453	Ref	RECEPTACLE BOX KIT - 220V CEE7 SIDE GROUND	B
1	0861731	1	Box, Switch	
2	4461245	1	Receptacle	
3	4461205	1	Plug, Male	
4	1001100347	1	Plug and Socket Kit (Includes Items 1-3 and Female Plug p/n 4461206)	

SECTION 7 - ELECTRICAL

FIGURE 7-42. RECEPTACLE BOX KIT - 220V AFSINT 107 (CE SPEC)



ART_0275454

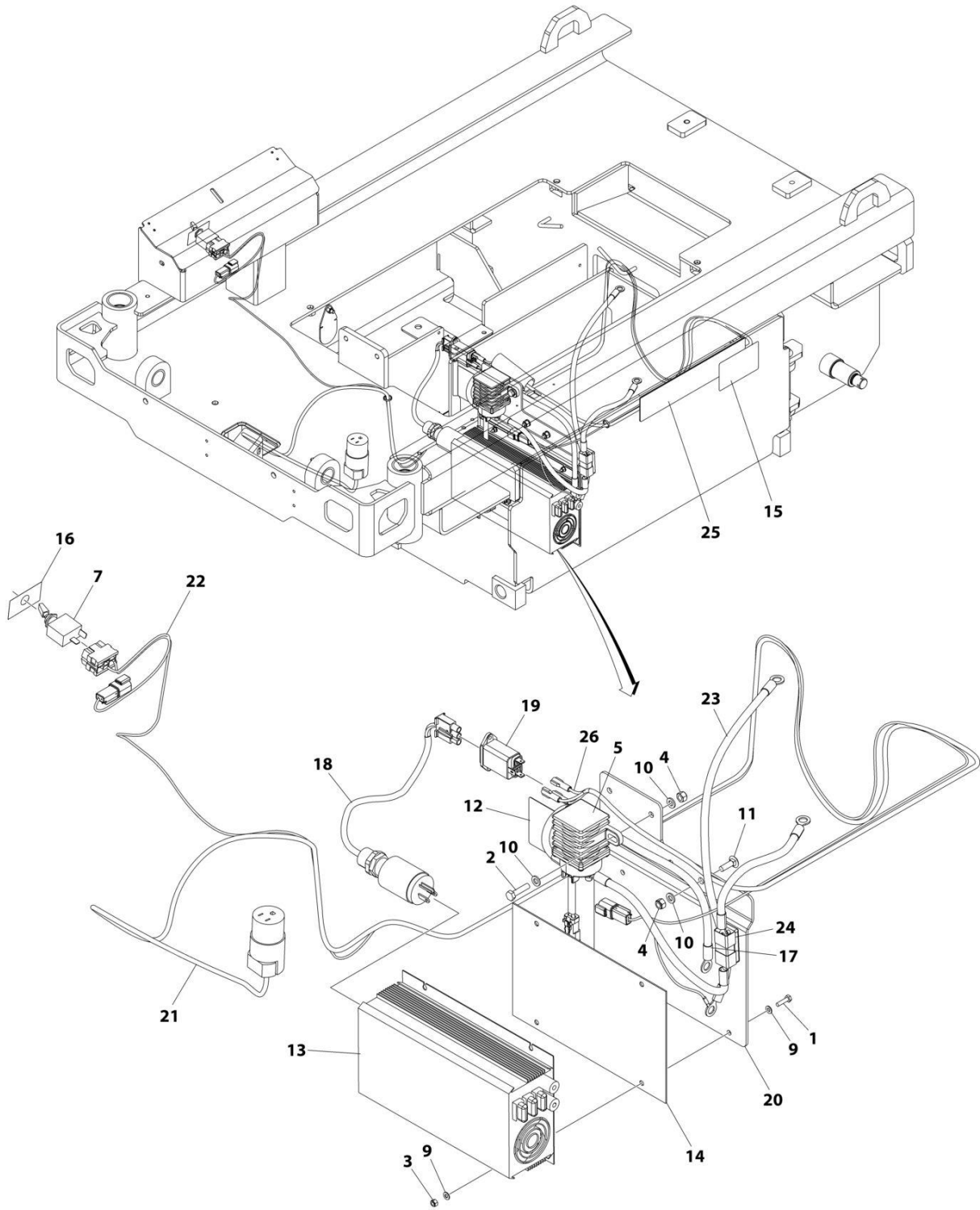
SECTION 7 - ELECTRICAL

FIGURE 7-42. RECEPTACLE BOX KIT - 220V AFSINT 107 (CE SPEC)

ITEM	PART NUMBER	QTY	DESCRIPTION	REV
	0275454	Ref	RECEPTACLE BOX KIT - 220V AFSINT 107	B
1	0861731	1	Box, Switch	
2	4461246	1	Receptacle	
3	4461249	1	Plug, Male	
4	1001100346	1	Plug and Socket Kit (Includes Items 1-3 and Female Plug p/n 4461250)	

SECTION 7 - ELECTRICAL

FIGURE 7-43. INVERTER INSTALLATION



ART_1001274502

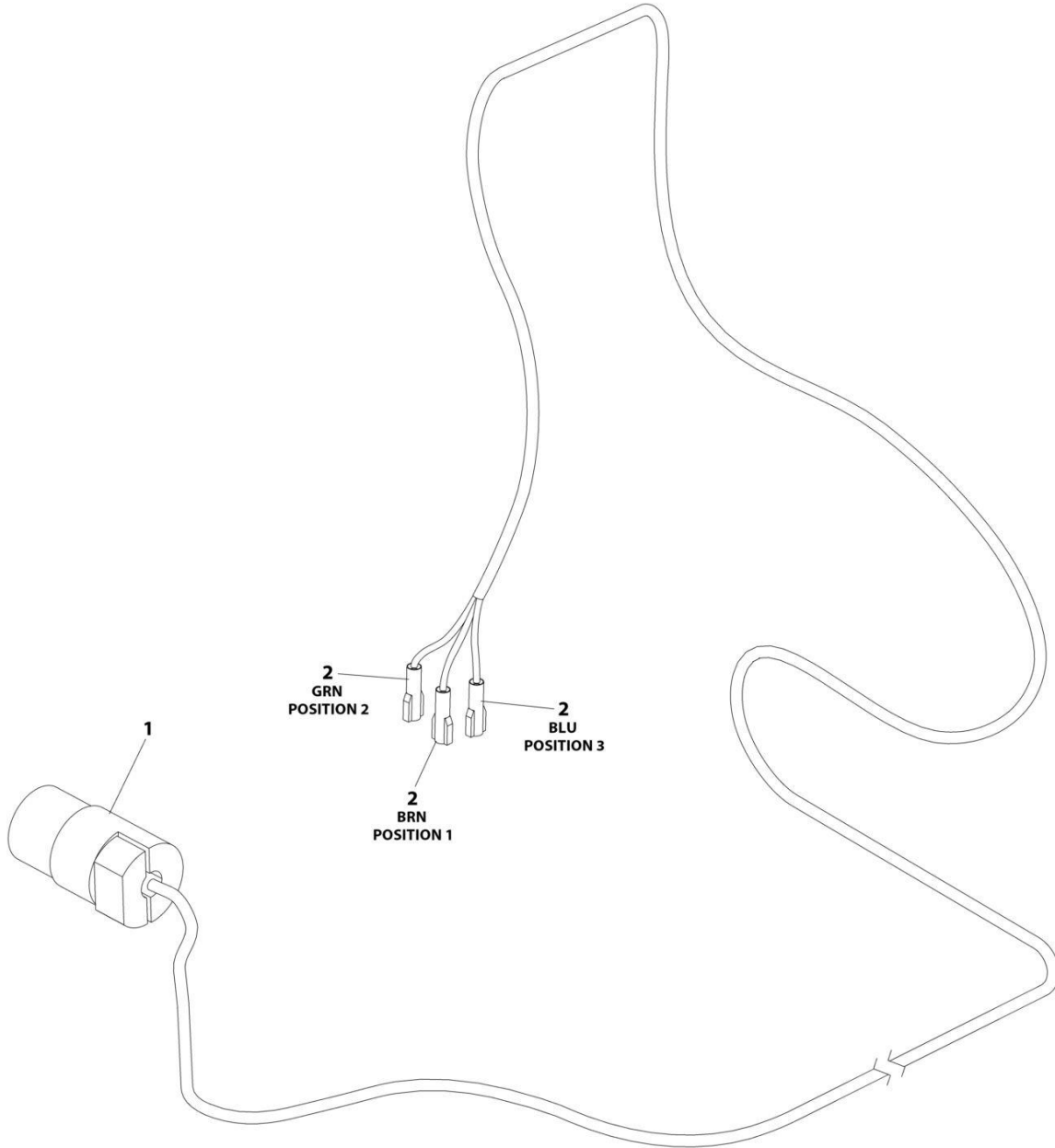
SECTION 7 - ELECTRICAL

FIGURE 7-43. INVERTER INSTALLATION

ITEM	PART NUMBER	QTY	DESCRIPTION	REV
	1001274502	Ref	INVERTER INSTALLATION	B
1	0760408	4	Bolt M4 x 16	
2	0760612	2	Bolt M6 x 25	
3	3290405	4	Nut M4	
4	3290605	4	Nut M6	
5	3740150	1	Relay	
6	4240017	AR	Tie-Strap	
7	4360336	1	Switch, Toggle	
9	4811400	8	Washer M4	
10	4811700	6	Washer M6	
11	1001100451	2	Bolt M6 x 20	
12	1001125483	1	Decal - Pressure Wash	
13	1001136757	1	Inverter	
14	1001142173	1	Insulate	
15	1001143009	1	Decal - Inverter	
16	1001143010	1	Decal - On/Off Inverter	
17	1001145762	1	Cable, Inverter +ve to Relay	
18	1001145881	1	Harness, AC Extension	
19	1001157547	1	Filter, AC	
20	1001274556	1	Support	
21	1001275545	1	Harness, AC Extension (See Separate Breakdown in this Section)	
22	1001275546	1	Harness, Inverter (See Separate Breakdown in this Section)	
23	1001275547	1	Cable, Pump Control B- to Inverter	
24	1001275548	1	Cable, Battery +ve to Relay	
25	1001146794	1	Decal - Battery Charger	
26	1001226400	1	Insulate	

SECTION 7 - ELECTRICAL

FIGURE 7-44. HARNESS, AC EXTENSION



ART_1001275545

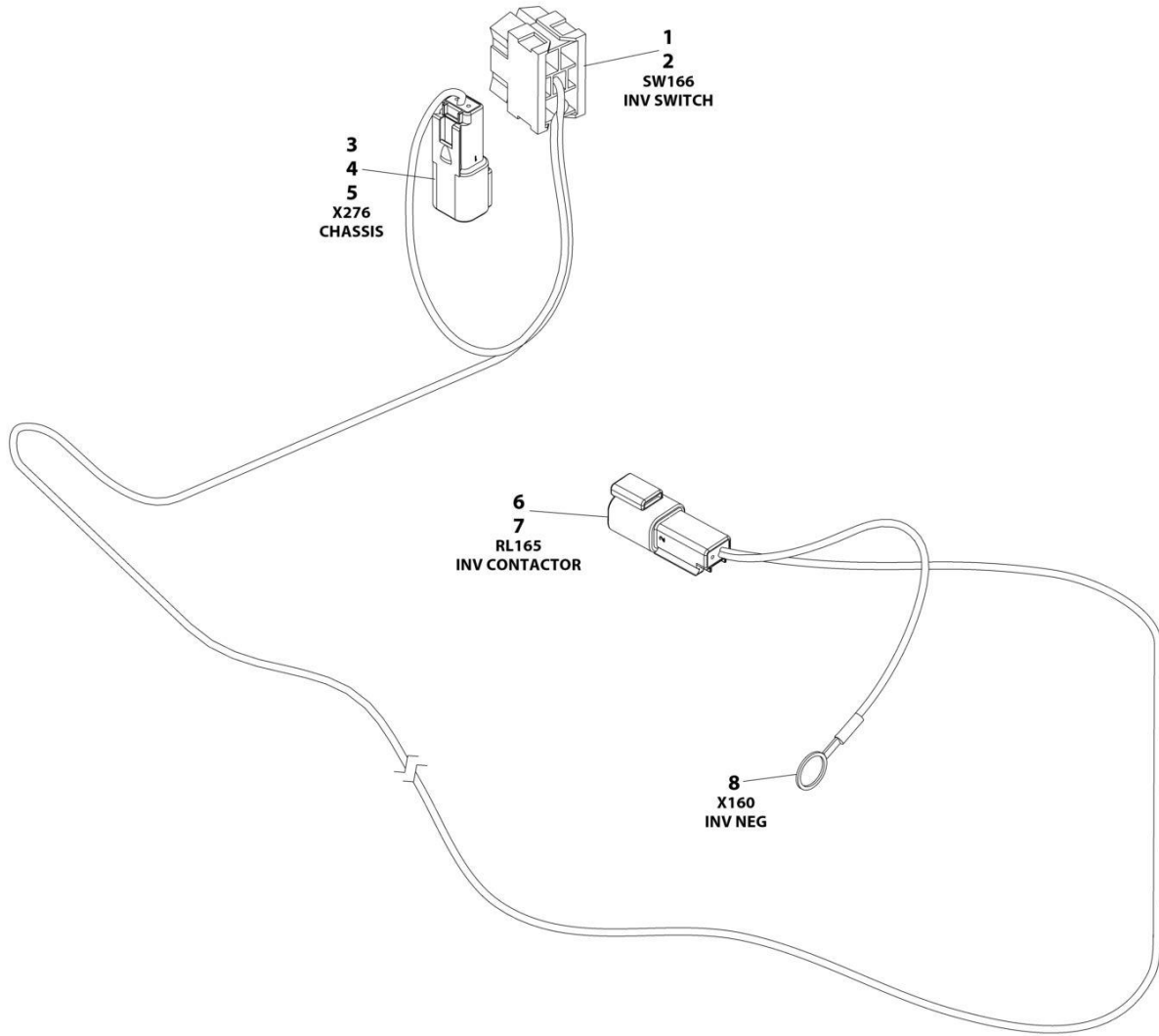
SECTION 7 - ELECTRICAL

FIGURE 7-44. HARNESS, AC EXTENSION

ITEM	PART NUMBER	QTY	DESCRIPTION	REV
	1001275545	Ref	HARNESS, AC EXTENSION	A
1	4460779	1	Receptacle, Female	
2	1001117096	3	Connector	

SECTION 7 - ELECTRICAL

FIGURE 7-45. HARNESS, INVERTER



ART_1001275546

SECTION 7 - ELECTRICAL

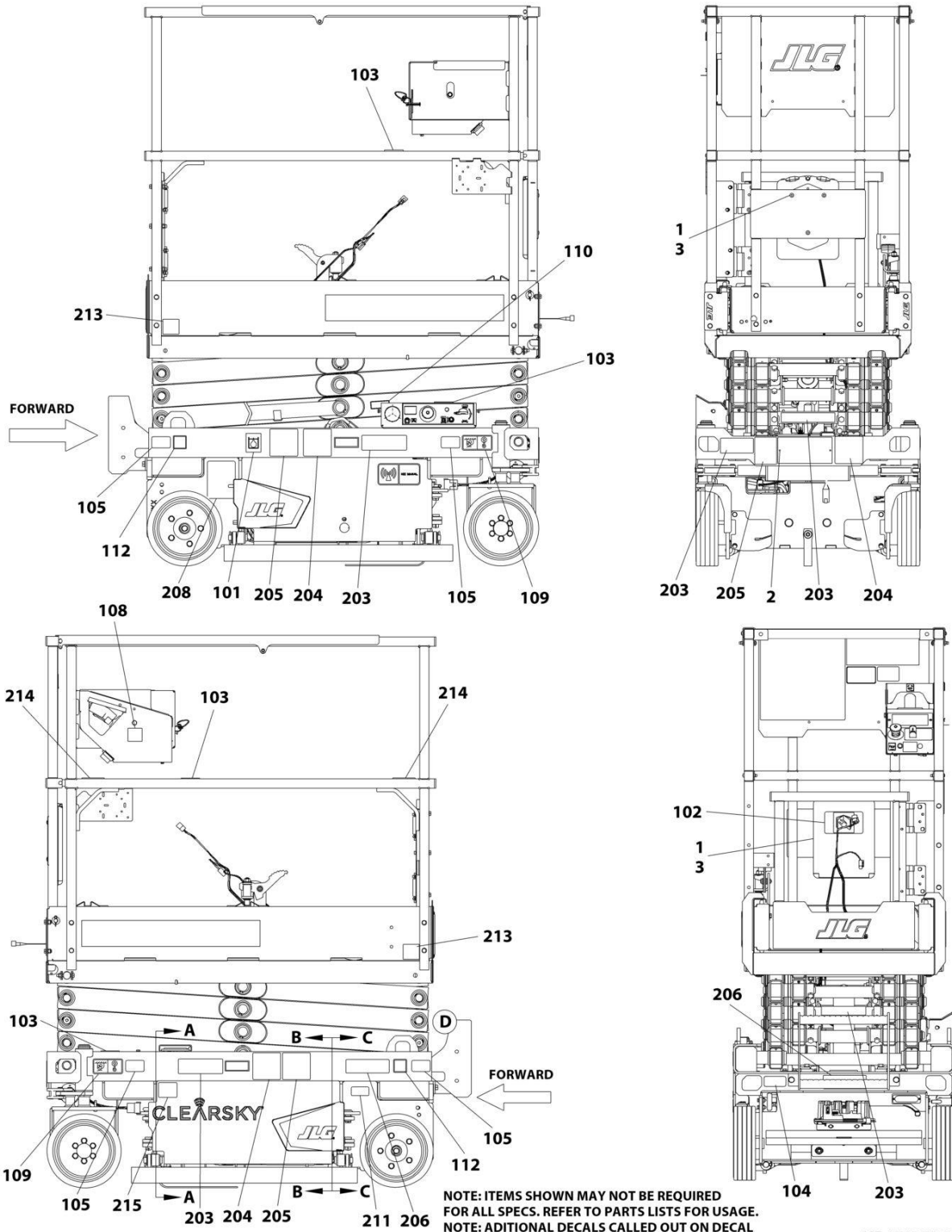
FIGURE 7-45. HARNESS, INVERTER

ITEM	PART NUMBER	QTY	DESCRIPTION	REV
	1001275546	Ref	HARNESS, INVERTER	A
1	4460418	1	Connector, Switch	
2	4460419	2	Terminal	
3	4460897	1	Receptacle, Female - 2 Position	
4	4460464	1	Pin, Male	
5	4460466	1	Plug, Terminal	
6	4460897	1	Receptacle, Female - 2 Position	
7	4460464	2	Pin, Male	
8	4460722	1	Terminal, Ring	

SECTION 8 - DECALS

SECTION 8 - DECALS

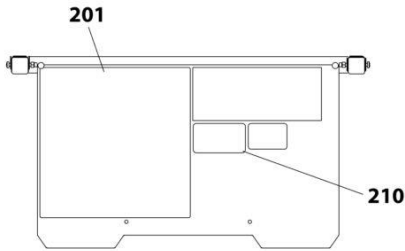
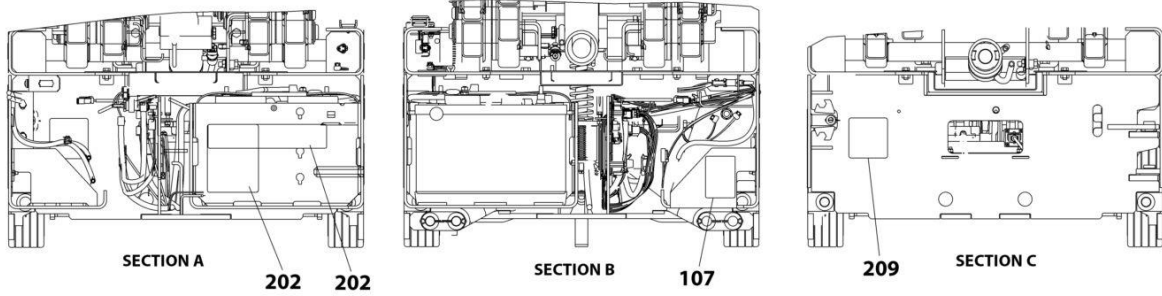
FIGURE 8-1. DECAL INSTALLATION (ANSI SPECS)



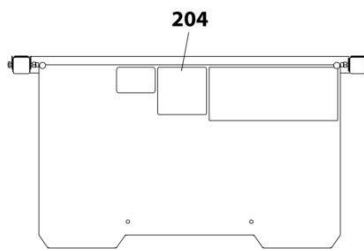
NOTE: ITEMS SHOWN MAY NOT BE REQUIRED FOR ALL SPECS. REFER TO PARTS LISTS FOR USAGE.
 NOTE: ADDITIONAL DECALS CALLED OUT ON DECAL INSTALLATION - OPTIONS.

ART_1001247301_10F2

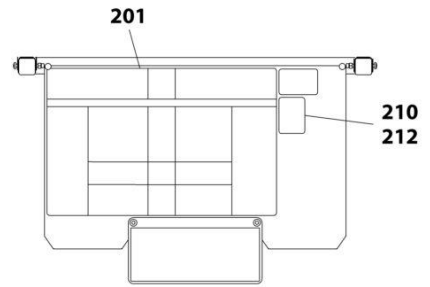
SECTION 8 - DECALS



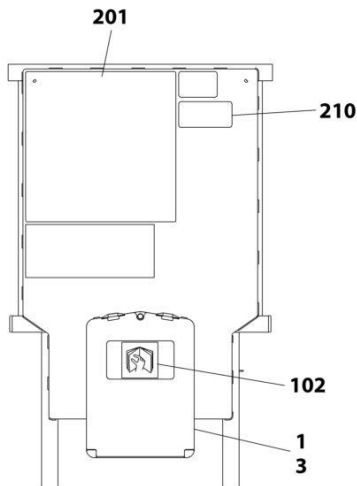
FIXED RAIL (ANSI SPECS)



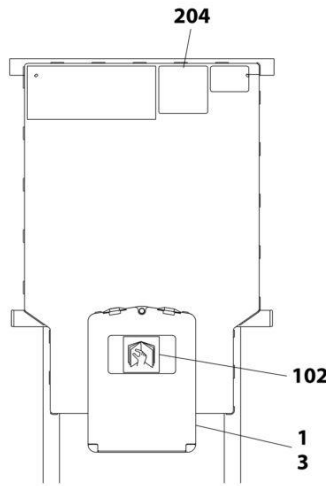
FIXED RAIL (CE AND JAPANESE SPECS)



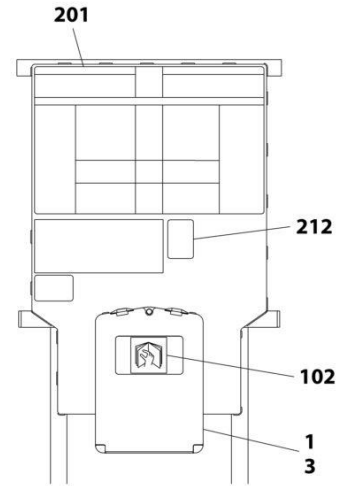
FIXED RAIL (CHINA, CSA AND KOREAN SPECS)



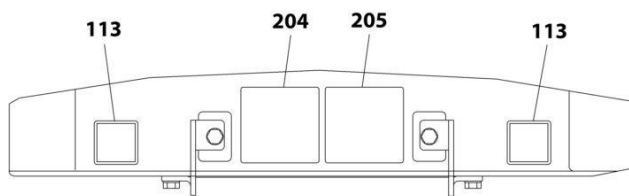
FOLDING RAIL (ANSI SPECS)



FOLDING RAIL (CE SPECS)



FOLDING RAIL (CHINA AND KOREAN SPECS)



DETAIL D
TOP REAR OF FRAME

NOTE: ITEMS SHOWN MAY NOT BE REQUIRED FOR ALL SPECS. REFER TO PARTS LISTS FOR USAGE.
NOTE: ADDITIONAL DECALS CALLED OUT ON DECAL INSTALLATION - OPTIONS.

ART_1001247301_20F2

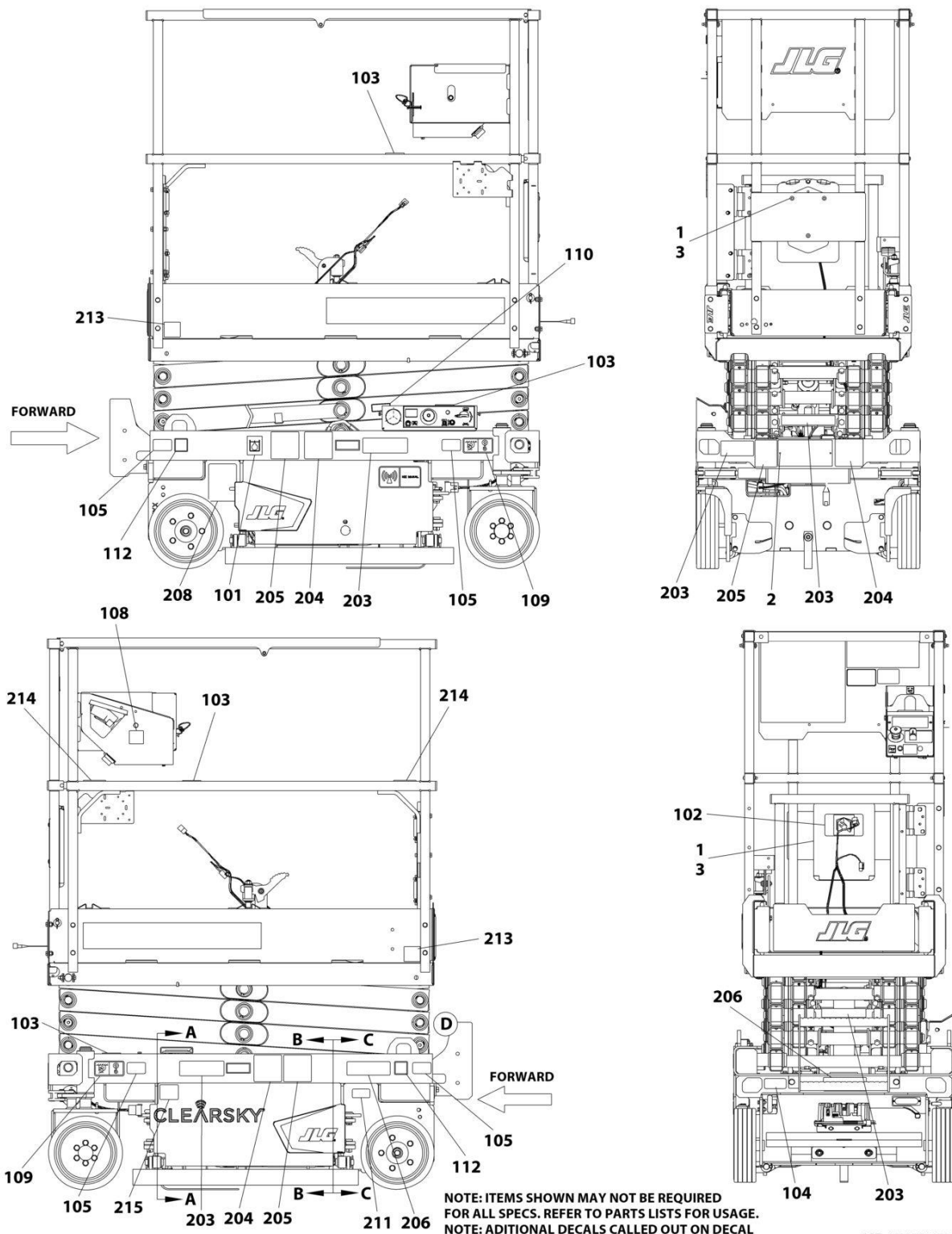
SECTION 8 - DECALS

FIGURE 8-1. DECAL INSTALLATION (ANSI SPECS)

ITEM	PART NUMBER	QTY	DESCRIPTION	REV
	1001247301	Ref	DECALS INSTALLATION (ANSI SPECS)	E
	1001247399	Ref	DECALS CHART DRAWING	K
1	2080040	3	Fastener	
2	2080057	4	Fastener	
3	8990147	1	Holder Manual	
100	1001247296	1	Master Decal Kit (Not Shown)	F
101	1701504	1	Decal - Hydraulic Oil	
102	1701640	1	Decal - Manual	
103	1703819	4	Decal - Directional Arrow	
104	1001248126	1	Decal - Manual Descent Instructions	
105	1704016	4	Decal - Fork Lift	
107	1704412	1	Decal - Hydraulic Oil Chart	
108	1001132359	1	Decal - Control Box Locate	
109	1001162864	2	Decal - Lift Point/Tie Down	
110	1001220430	1	Decal - Safety Prop	
112	1001212290	1	Decal - Tie Down	
113	1001212291	1	Decal - Lifting Lug	
201	1703816	1	Decal - Danger/Warning	
202	1001146794	1	Decal - Battery/Charger Service	
203	1001211777	4	Decal - Crushing Hazard	
204	1001211779	4	Decal - Electrocution	
206	1703813	2	Decal - Warning Battery Ventilation	
208	1001131270	1	Decal - Patent	
209	1001223055	1	Decal - Yearly Inspection	
210	1001231801	1	Decal - Warning Prop 65	
211	1001228370	1	Decal - ICES	
214	1704277	2	Decal - Lanyard Attach	
215	1702155	1	Decal - Battery Disconnect	

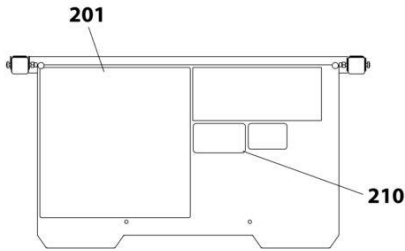
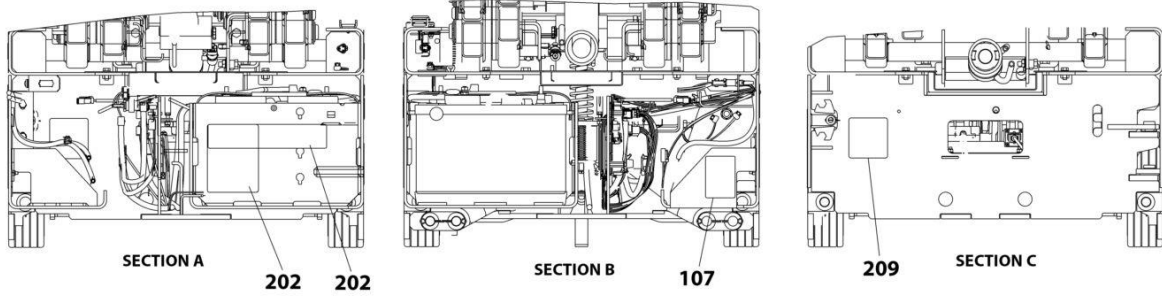
SECTION 8 - DECALS

FIGURE 8-2. DECAL INSTALLATION (AUSTRALIAN SPECS)

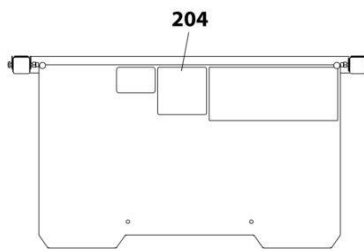


ART_1001256628_10F2

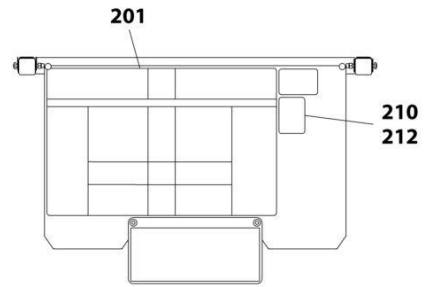
SECTION 8 - DECALS



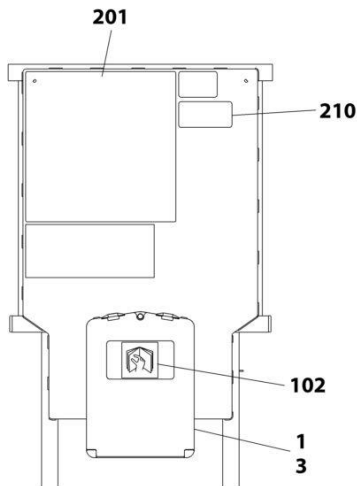
FIXED RAIL (ANSI SPECS)



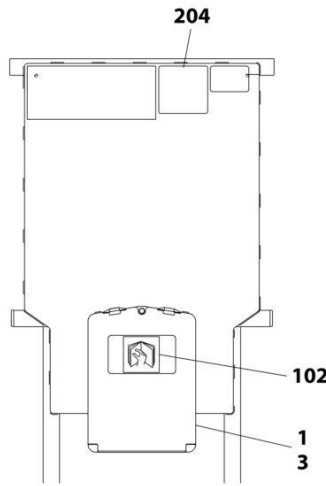
FIXED RAIL (CE AND JAPANESE SPECS)



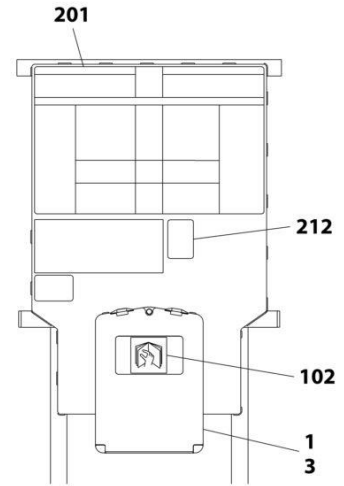
FIXED RAIL (CHINA, CSA AND KOREAN SPECS)



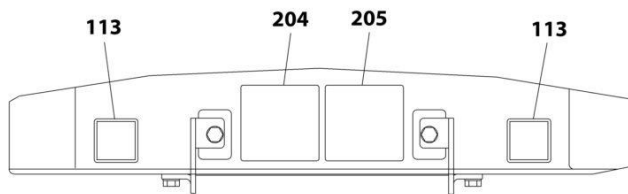
FOLDING RAIL (ANSI SPECS)



FOLDING RAIL (CE SPECS)



FOLDING RAIL (CHINA AND KOREAN SPECS)



DETAIL D
TOP REAR OF FRAME

NOTE: ITEMS SHOWN MAY NOT BE REQUIRED FOR ALL SPECS. REFER TO PARTS LISTS FOR USAGE.
NOTE: ADDITIONAL DECALS CALLED OUT ON DECAL INSTALLATION - OPTIONS.

ART_1001256628_20F2

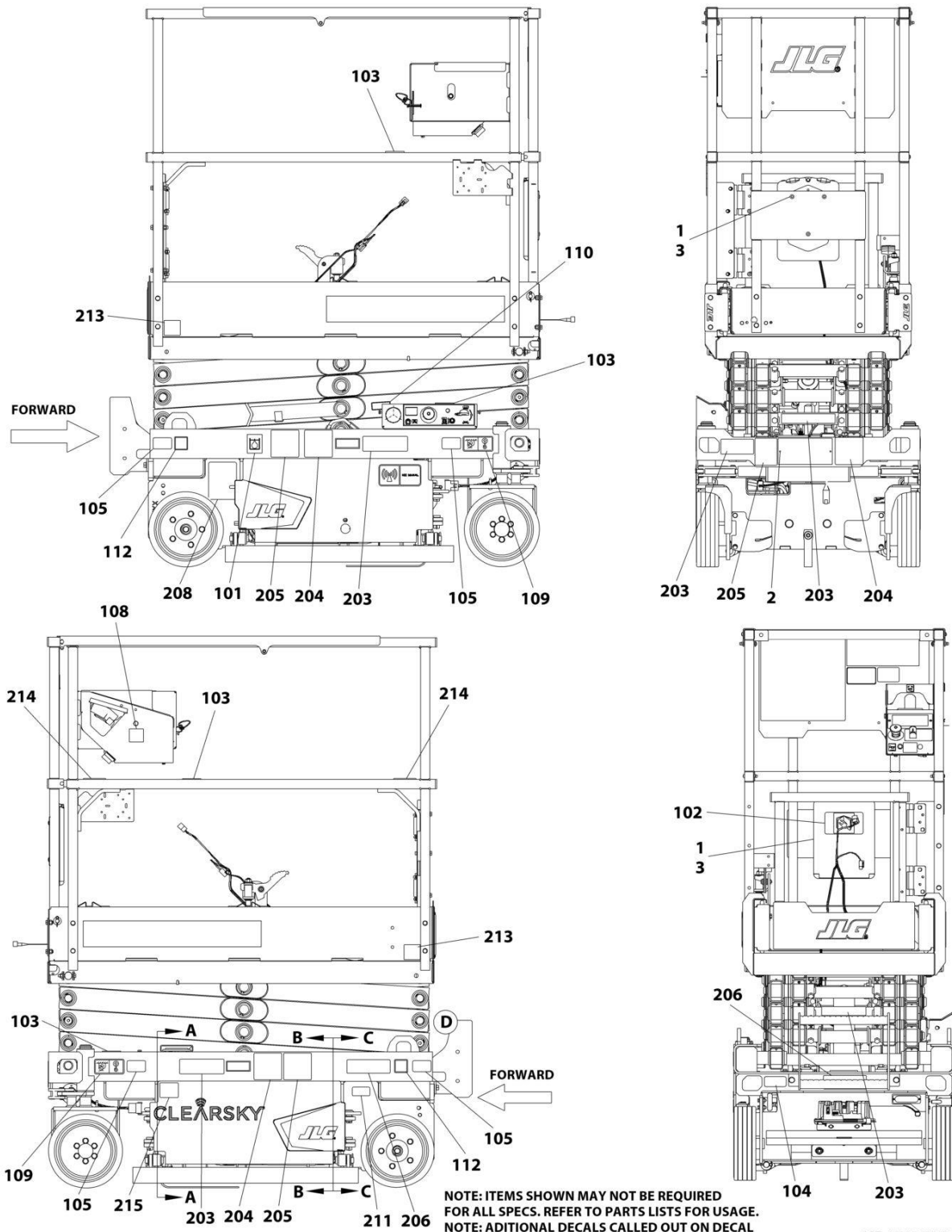
SECTION 8 - DECALS

FIGURE 8-2. DECAL INSTALLATION (AUSTRALIAN SPECS)

ITEM	PART NUMBER	QTY	DESCRIPTION	REV
	1001256628	Ref	DECALS INSTALLATION	B
	1001247399	Ref	DECALS CHART DRAWING	I
1	2080040	3	Fastener	
2	2080057	4	Fastener	
3	8990147	1	Holder Manual	
100	1001247296	1	Master Decal Kit (Not Shown)	F
101	1701504	1	Decal - Hydraulic Oil	
102	1701640	1	Decal - Manual	
103	1703819	4	Decal - Directional Arrow	
104	1001248126	1	Decal - Manual Descent	
105	1704016	4	Decal - Fork Lift	
107	1704412	1	Decal - Hydraulic Oil Chart	
108	1001132359	1	Decal - Control Box Locate	
109	1001162864	4	Decal - Lift Point/Tie Down	
110	1001220430	1	Decal - Safety Prop	
112	1001212290	1	Decal - Tie Down	
113	1001212291	1	Decal - Lifting Lug	
202	1001146794	1	Decal - See Manual	
203	1001219172	4	Decal - Crushing	
204	1001219171	5	Decal - Electrocution	
206	1705670	2	Decal - Fire Hazard	
214	1704277	2	Decal - Lanyard Attach	
215	1702155	1	Decal - Battery Disconnect	

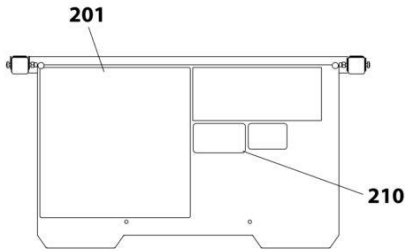
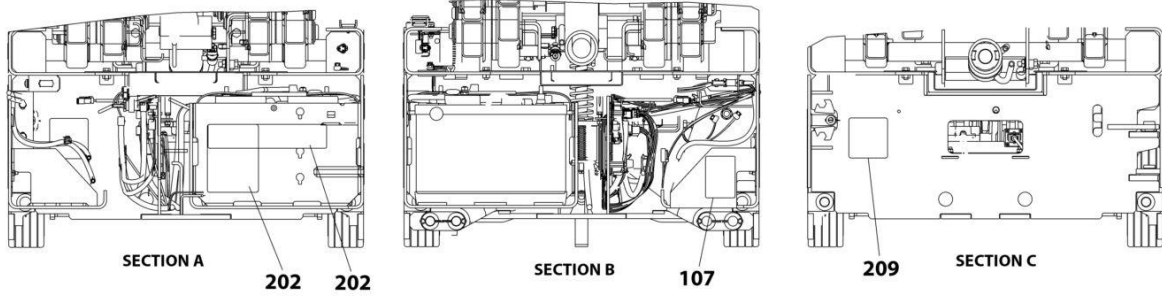
SECTION 8 - DECALS

FIGURE 8-3. DECAL INSTALLATION (CE SPECS)

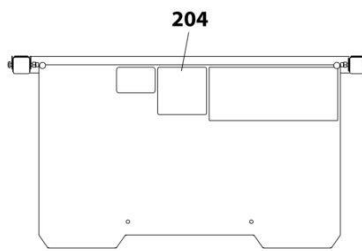


ART_1001247305_10F2

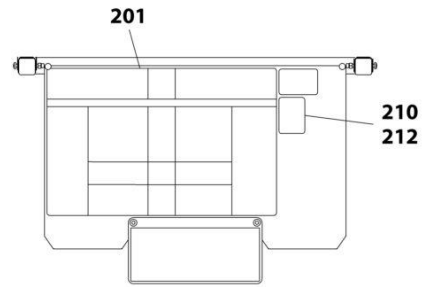
SECTION 8 - DECALS



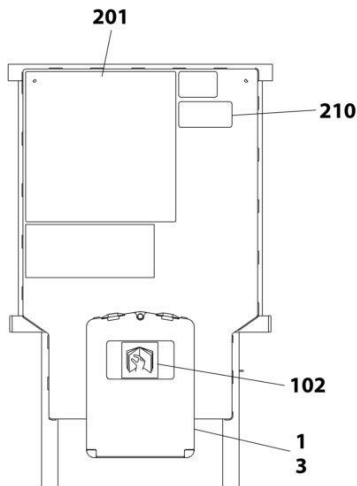
FIXED RAIL (ANSI SPECS)



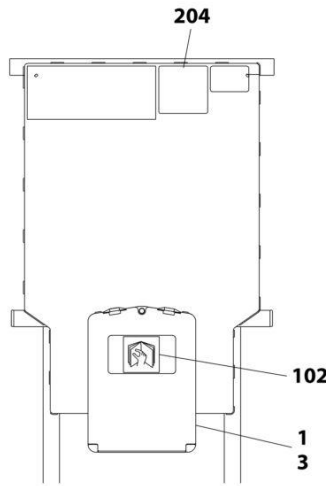
FIXED RAIL (CE AND JAPANESE SPECS)



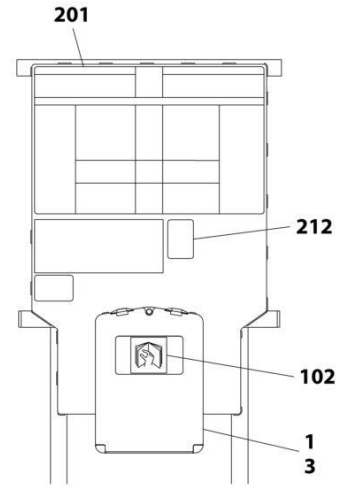
FIXED RAIL (CHINA, CSA AND KOREAN SPECS)



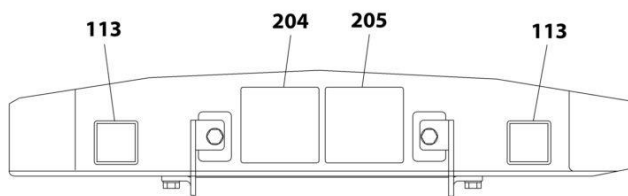
FOLDING RAIL (ANSI SPECS)



FOLDING RAIL (CE SPECS)



FOLDING RAIL (CHINA AND KOREAN SPECS)



DETAIL D
TOP REAR OF FRAME

NOTE: ITEMS SHOWN MAY NOT BE REQUIRED FOR ALL SPECS. REFER TO PARTS LISTS FOR USAGE.
NOTE: ADDITIONAL DECALS CALLED OUT ON DECAL INSTALLATION - OPTIONS.

ART_1001247305_20F2

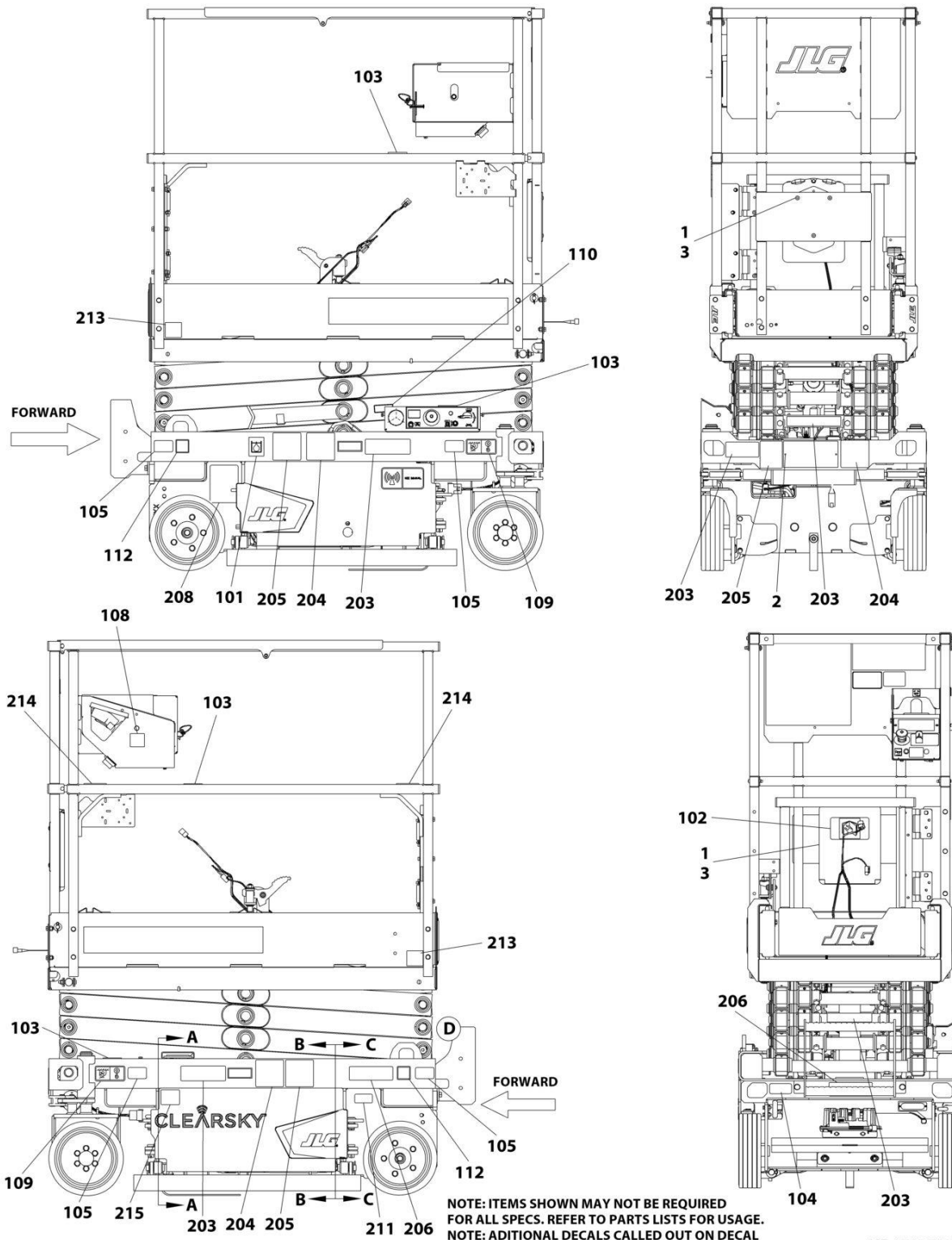
SECTION 8 - DECALS

FIGURE 8-3. DECAL INSTALLATION (CE SPECS)

ITEM	PART NUMBER	QTY	DESCRIPTION	REV
	1001247305	Ref	DECALS INSTALLATION (CE & UK CA SPECS)	E
	1001247399	Ref	DECALS CHART DRAWING	K
1	2080040	3	Fastener	
2	2080057	4	Fastener	
3	8990147	1	Holder Manual	
100	1001247296	1	Master Decal Kit (Not Shown)	F
101	1701504	1	Decal - Hydraulic Oil	
102	1701640	1	Decal - Manual	
103	1703819	4	Decal - Directional Arrow	
104	1001248126	1	Decal - Manual Descent	
105	1704016	4	Decal - Fork Lift	
107	1704412	1	Decal - Hydraulic Oil Chart	
108	1001132359	1	Decal - Control Box Locate	
109	1001162864	4	Decal - Lift Point/Tie Down	
110	1001220430	1	Decal - Safety Prop	
112	1001212290	1	Decal - Tie Down	
113	1001212291	1	Decal - Lifting Lug	
202	1001247310	1	Decal - See Manual	
203	1001219172	4	Decal - Crushing	
204	1001219171	5	Decal - Electrocution	
206	1705670	2	Decal - Fire Hazard	
214	1704277	2	Decal - Lanyard Attach	
215	1702155	1	Decal - Battery Disconnect	

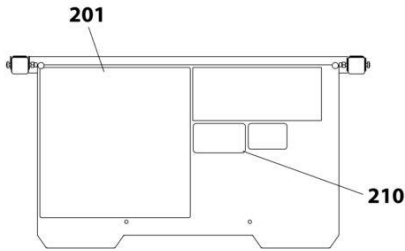
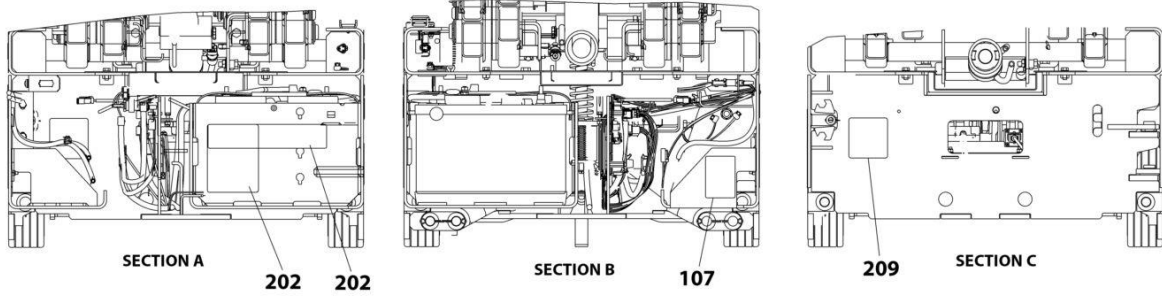
SECTION 8 - DECALS

FIGURE 8-4. DECAL INSTALLATION (CHINA SPECS)

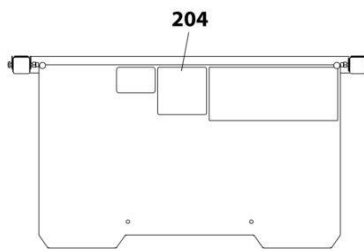


ART_1001247303_10F2

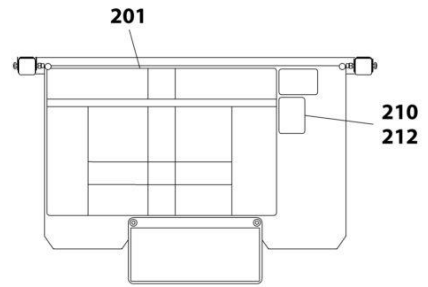
SECTION 8 - DECALS



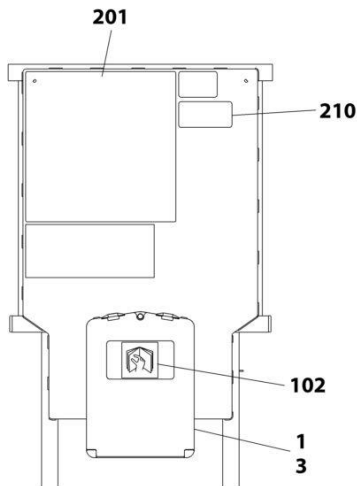
FIXED RAIL (ANSI SPECS)



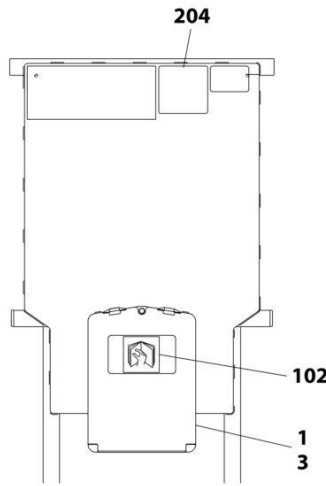
FIXED RAIL (CE AND JAPANESE SPECS)



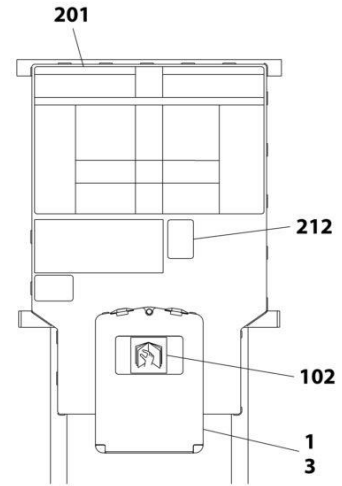
FIXED RAIL (CHINA, CSA AND KOREAN SPECS)



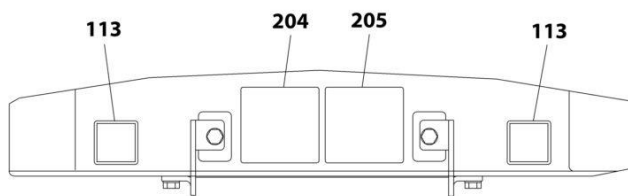
FOLDING RAIL (ANSI SPECS)



FOLDING RAIL (CE SPECS)



FOLDING RAIL (CHINA AND KOREAN SPECS)



DETAIL D
TOP REAR OF FRAME

NOTE: ITEMS SHOWN MAY NOT BE REQUIRED FOR ALL SPECS. REFER TO PARTS LISTS FOR USAGE.
NOTE: ADDITIONAL DECALS CALLED OUT ON DECAL INSTALLATION - OPTIONS.

ART_1001247303_20F2

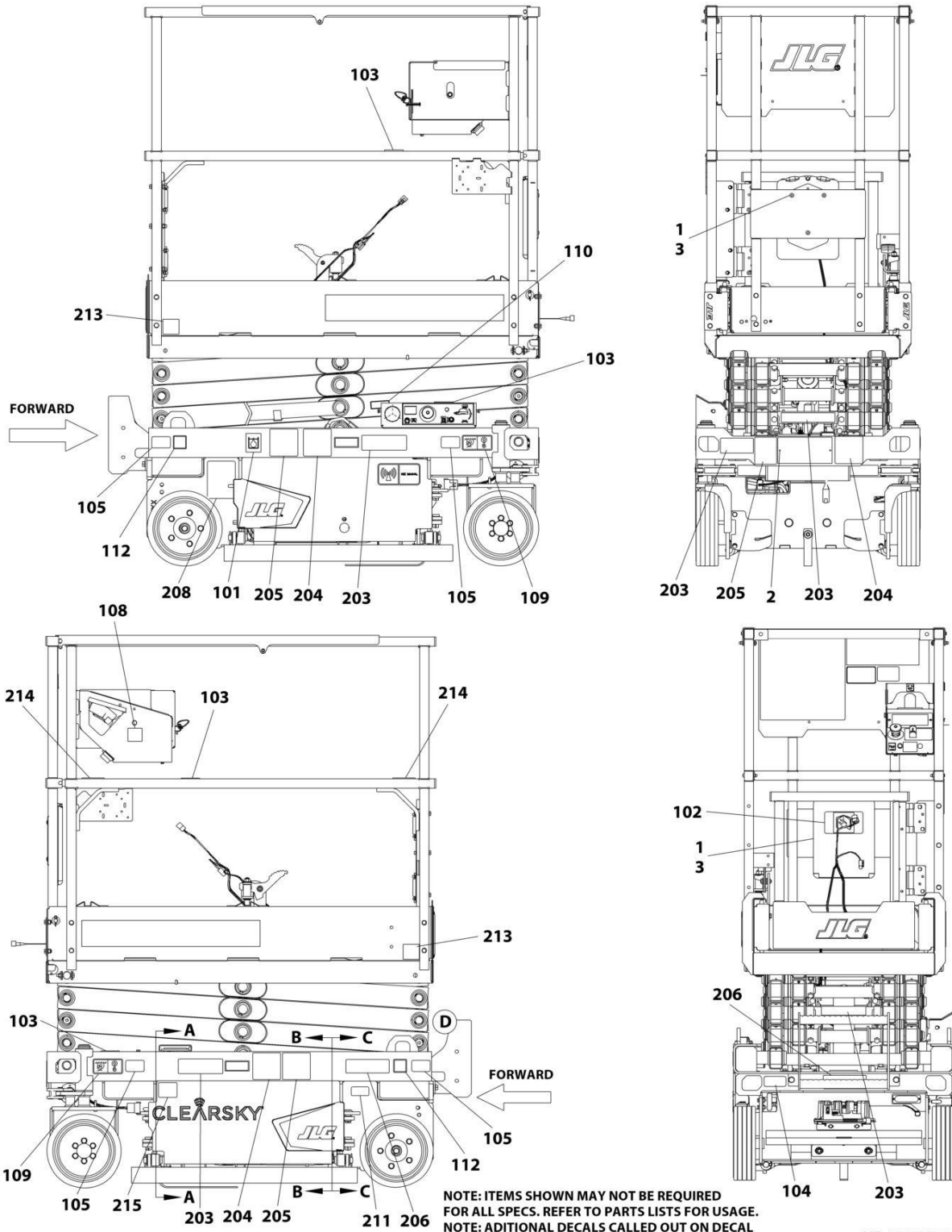
SECTION 8 - DECALS

FIGURE 8-4. DECAL INSTALLATION (CHINA SPECS)

ITEM	PART NUMBER	QTY	DESCRIPTION	REV
	1001247303	Ref	DECALS INSTALLATION (CHINA SPECS)	E
	1001247399	Ref	DECALS CHART DRAWING	K
1	2080040	3	Fastener	
2	2080057	4	Fastener	
3	8990147	1	Holder Manual	
100	1001247296	1	Master Decal Kit (Not Shown)	F
101	1701504	1	Decal - Hydraulic Oil	
102	1701640	1	Decal - Manual	
103	1703819	4	Decal - Directional Arrow	
104	1001248126	1	Decal - Manual Descent	
105	1704016	4	Decal - Fork Lift	
107	1704412	1	Decal - Hydraulic Oil Chart	
108	1001132359	1	Decal - Control Box Locate	
109	1001162864	4	Decal - Lift Point/Tie Down	
110	1001220430	1	Decal - Safety Prop	
112	1001212290	1	Decal - Tie Down	
113	1001212291	1	Decal - Lifting Lug	
201	1001247311	1	Decal - Danger/Warning	
202	1001146794	1	Decal - Battery/Charger Service	
203	1001249894	4	Decal - Crushing Hazard	
204	1001211779	4	Decal - Electrocution	
205	1001215747	4	Decal - Danger Electrocution	
206	1704344	2	Decal - Warning Battery Ventilation	
209	1001224051	1	Decal - Yearly Inspection	
212	1001244301	1	Decal - NO Platform to Ground	
213	1001244298	2	Decal - App	
214	1704277	2	Decal - Lanyard Attach	
215	1702155	1	Decal - Battery Disconnect	

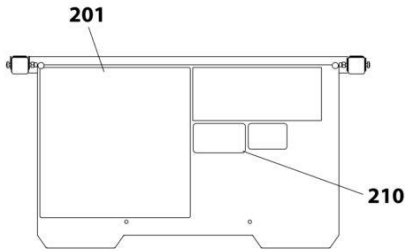
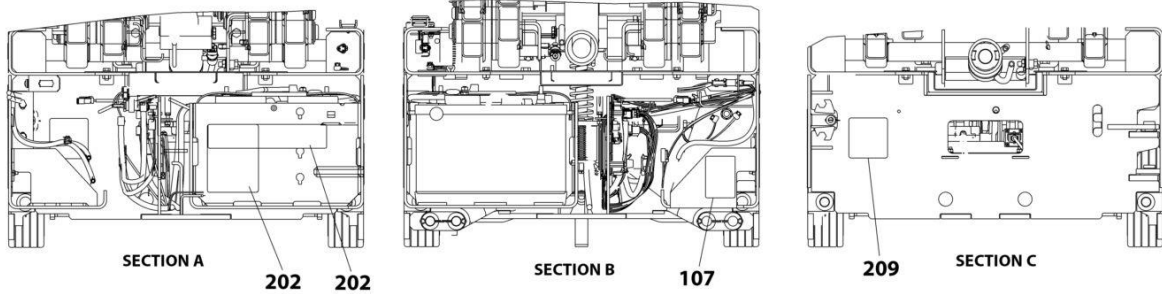
SECTION 8 - DECALS

FIGURE 8-5. DECAL INSTALLATION (CSA SPECS)

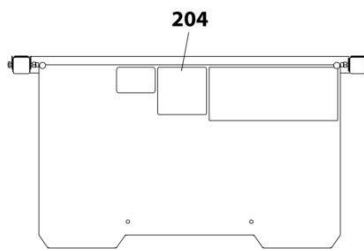


ART_1001254501_10F2

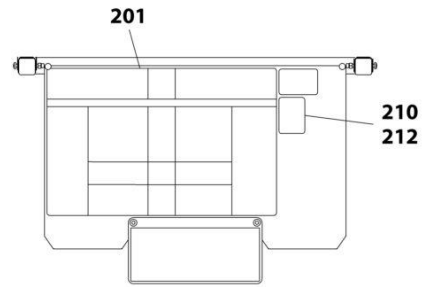
SECTION 8 - DECALS



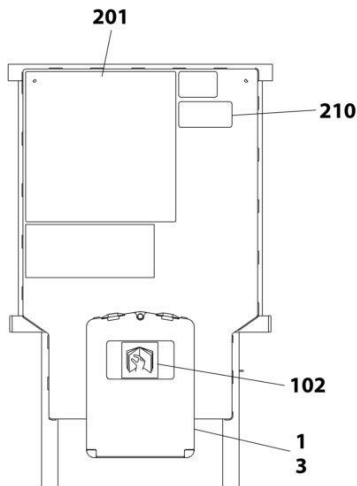
FIXED RAIL (ANSI SPECS)



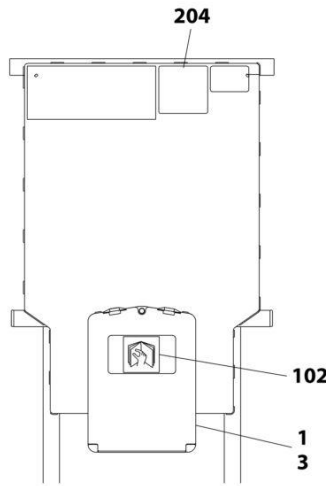
FIXED RAIL (CE AND JAPANESE SPECS)



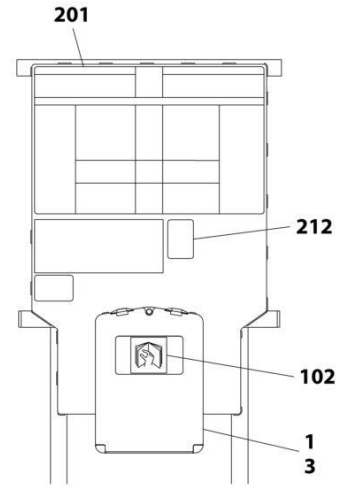
FIXED RAIL (CHINA, CSA AND KOREAN SPECS)



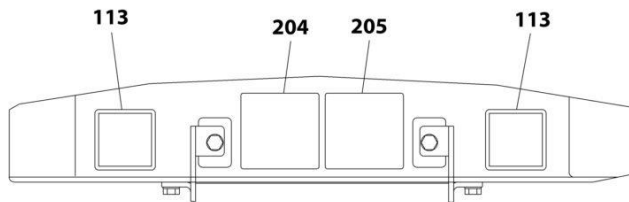
FOLDING RAIL (ANSI SPECS)



FOLDING RAIL (CE SPECS)



FOLDING RAIL (CHINA AND KOREAN SPECS)



DETAIL D
TOP REAR OF FRAME

NOTE: ITEMS SHOWN MAY NOT BE REQUIRED FOR ALL SPECS. REFER TO PARTS LISTS FOR USAGE.
NOTE: ADDITIONAL DECALS CALLED OUT ON DECAL INSTALLATION - OPTIONS.

ART_1001254501_20F2

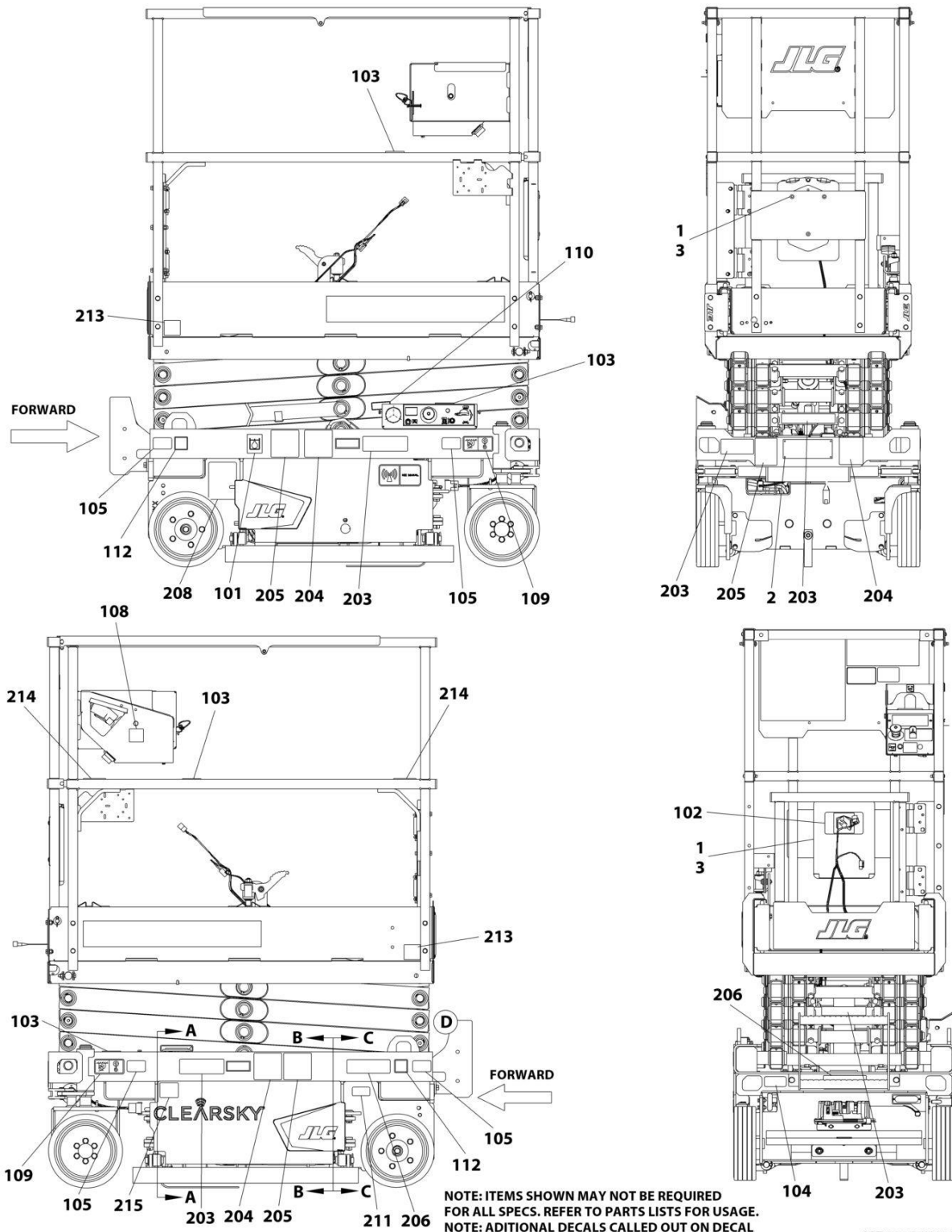
SECTION 8 - DECALS

FIGURE 8-5. DECAL INSTALLATION (CSA SPECS)

ITEM	PART NUMBER	QTY	DESCRIPTION	REV
	1001254501	Ref	DECALS INSTALLATION (CSA SPECS)	D
	1001247399	Ref	DECALS CHART DRAWING	K
1	2080040	3	Fastener	
2	2080057	4	Fastener	
3	8990147	1	Holder Manual	
100	1001247296	1	Master Decal Kit (Not Shown)	F
101	1701504	1	Decal - Hydraulic Oil	
102	1701640	1	Decal - Manual	
103	1703819	4	Decal - Directional Arrow	
104	1001248126	1	Decal - Manual Descent Instructions	
105	1704016	4	Decal - Fork Lift	
107	1704412	1	Decal - Hydraulic Oil Chart	
108	1001132359	1	Decal - Control Box Locate	
109	1001162864	4	Decal - Lift Point/Tie Down	
110	1001220430	1	Decal - Safety Prop	
112	1001212290	1	Decal - Tie Down	
113	1001212291	1	Decal - Lifting Lug	
201	1704684	1	Decal - Danger/Warning	
202	1001146794	1	Decal - Battery/Charger Service	
203	1705311	4	Decal - Crushing Hazard	
204	1001211779	4	Decal - Electrocution	
206	1704340	2	Decal - Warning Battery Ventilation	
208	1001131270	1	Decal - Patent	
209	1001223971	1	Decal - Yearly Inspection	
210	1001231801	1	Decal - Warning Prop 65	
211	1001228370	1	Decal - ICES	
214	1704277	2	Decal - Lanyard Attach	
215	1702155	1	Decal - Battery Disconnect	

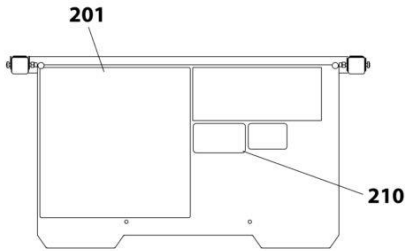
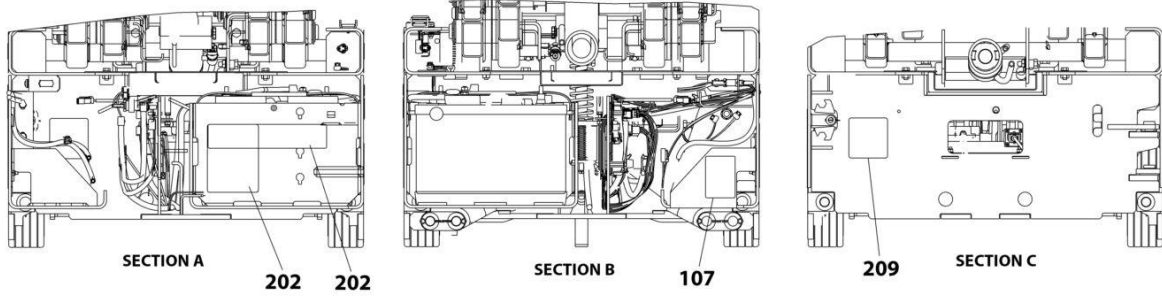
SECTION 8 - DECALS

FIGURE 8-6. DECAL INSTALLATION (JAPANESE SPECS)

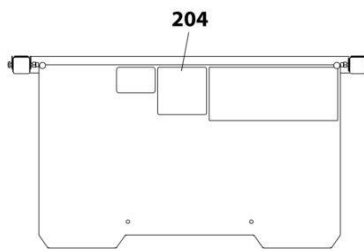


ART_1001247304_10F2

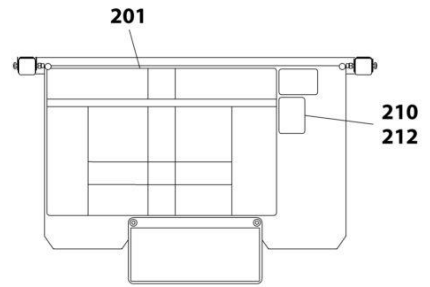
SECTION 8 - DECALS



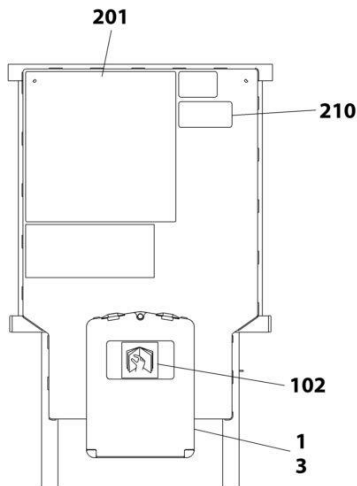
FIXED RAIL (ANSI SPECS)



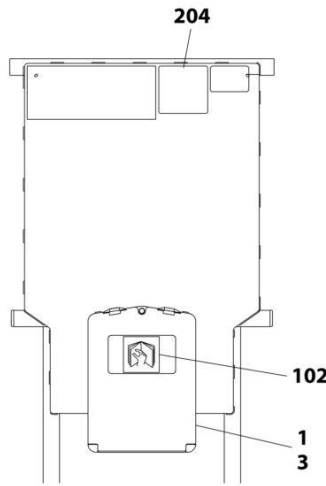
FIXED RAIL (CE AND JAPANESE SPECS)



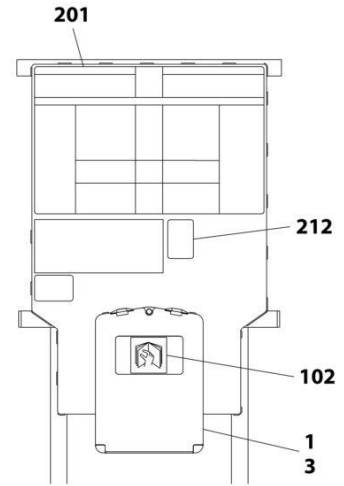
FIXED RAIL (CHINA, CSA AND KOREAN SPECS)



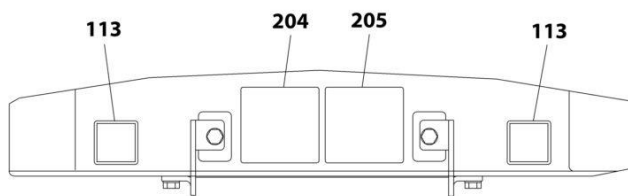
FOLDING RAIL (ANSI SPECS)



FOLDING RAIL (CE SPECS)



FOLDING RAIL (CHINA AND KOREAN SPECS)



DETAIL D
TOP REAR OF FRAME

NOTE: ITEMS SHOWN MAY NOT BE REQUIRED FOR ALL SPECS. REFER TO PARTS LISTS FOR USAGE.
NOTE: ADDITIONAL DECALS CALLED OUT ON DECAL INSTALLATION - OPTIONS.

ART_1001247304_20F2

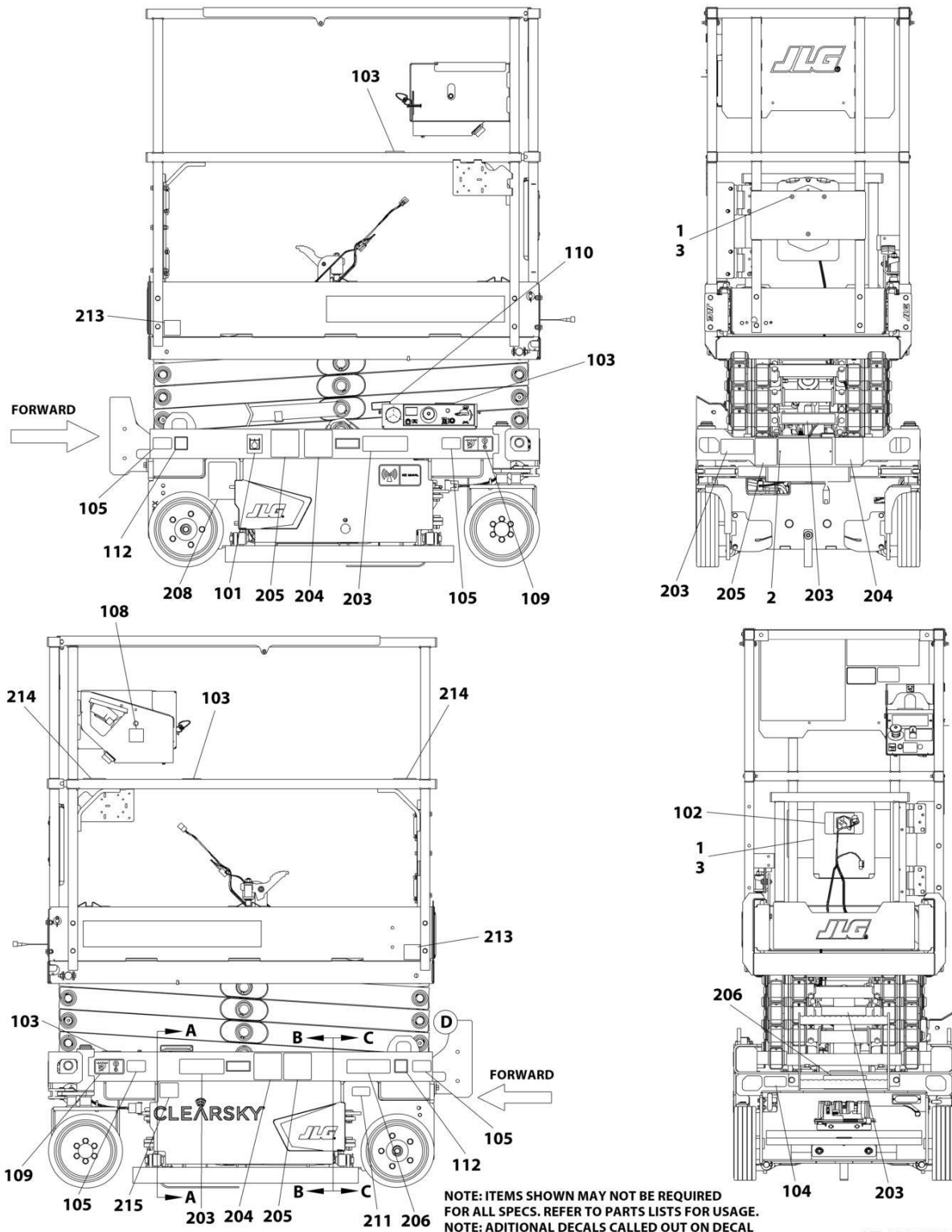
SECTION 8 - DECALS

FIGURE 8-6. DECAL INSTALLATION (JAPANESE SPECS)

ITEM	PART NUMBER	QTY	DESCRIPTION	REV
	1001247304	Ref	DECALS INSTALLATION (JAPANESE SPECS)	G
	1001247399	Ref	DECALS CHART DRAWING	K
1	2080040	4	Fastener	
2	2080057	4	Fastener	
3	0860520	1	Holder Manual	
100	1001247296	1	Master Decal Kit (Not Shown)	F
101	1701504	1	Decal - Hydraulic Oil	
102	1701640	1	Decal - Manual	
103	1703819	4	Decal - Directional Arrow	
104	1001248126	1	Decal - Manual Descent	
105	1704016	4	Decal - Fork Lift	
107	1704412	1	Decal - Hydraulic Oil Chart	
108	1001132359	1	Decal - Control Box Locate	
109	1001162864	4	Decal - Lift Point/Tie Down	
110	1001220430	1	Decal - Safety Prop	
112	1001212290	1	Decal - Tie Down	
113	1001212291	1	Decal - Lifting Lug	
202	1001146794	1	Decal - Battery/Charger Service	
203	1001219172	4	Decal - Crushing	
204	1001219171	5	Decal - Electrocution	
206	1705670	2	Decal - Fire Hazard	
214	1704277	2	Decal - Lanyard Attach	

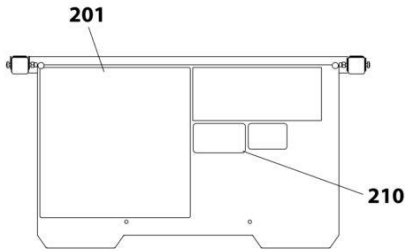
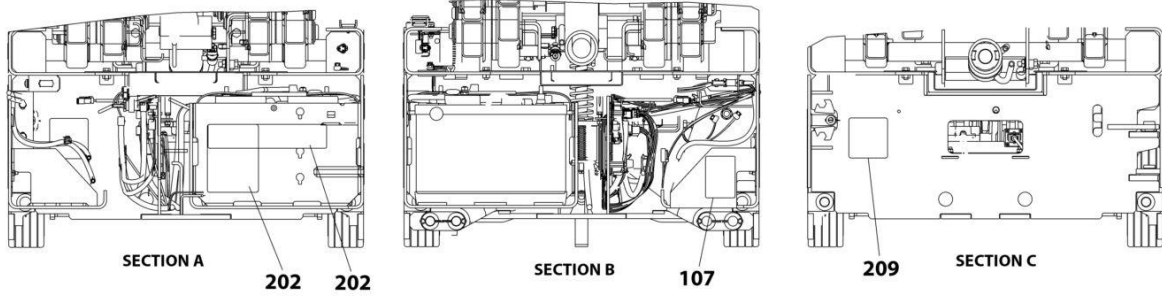
SECTION 8 - DECALS

FIGURE 8-7. DECAL INSTALLATION (KOREAN SPECS)

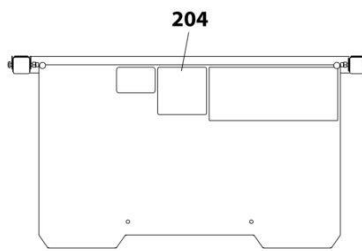


ART_1001247302_10F2

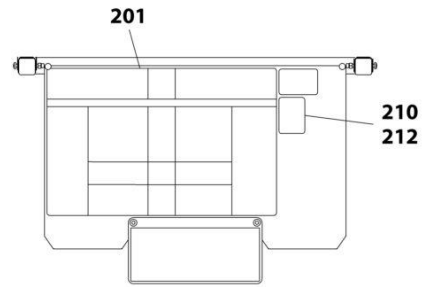
SECTION 8 - DECALS



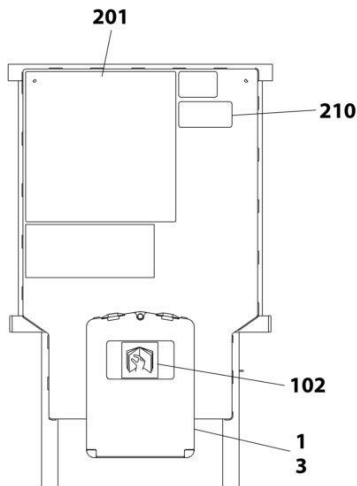
FIXED RAIL (ANSI SPECS)



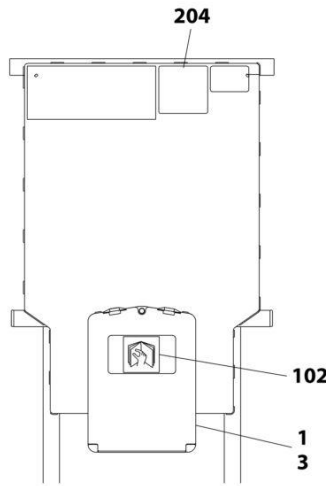
FIXED RAIL (CE AND JAPANESE SPECS)



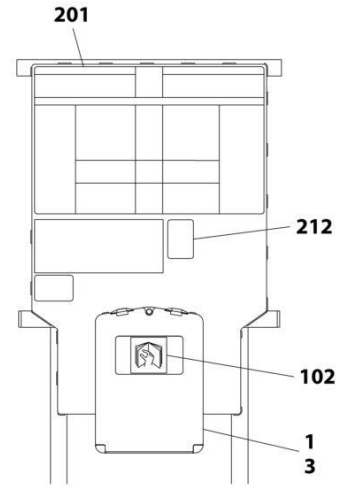
FIXED RAIL (CHINA, CSA AND KOREAN SPECS)



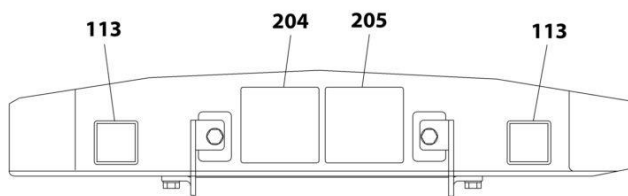
FOLDING RAIL (ANSI SPECS)



FOLDING RAIL (CE SPECS)



FOLDING RAIL (CHINA AND KOREAN SPECS)



DETAIL D
TOP REAR OF FRAME

NOTE: ITEMS SHOWN MAY NOT BE REQUIRED FOR ALL SPECS. REFER TO PARTS LISTS FOR USAGE.
NOTE: ADDITIONAL DECALS CALLED OUT ON DECAL INSTALLATION - OPTIONS.

ART_1001247302_20F2

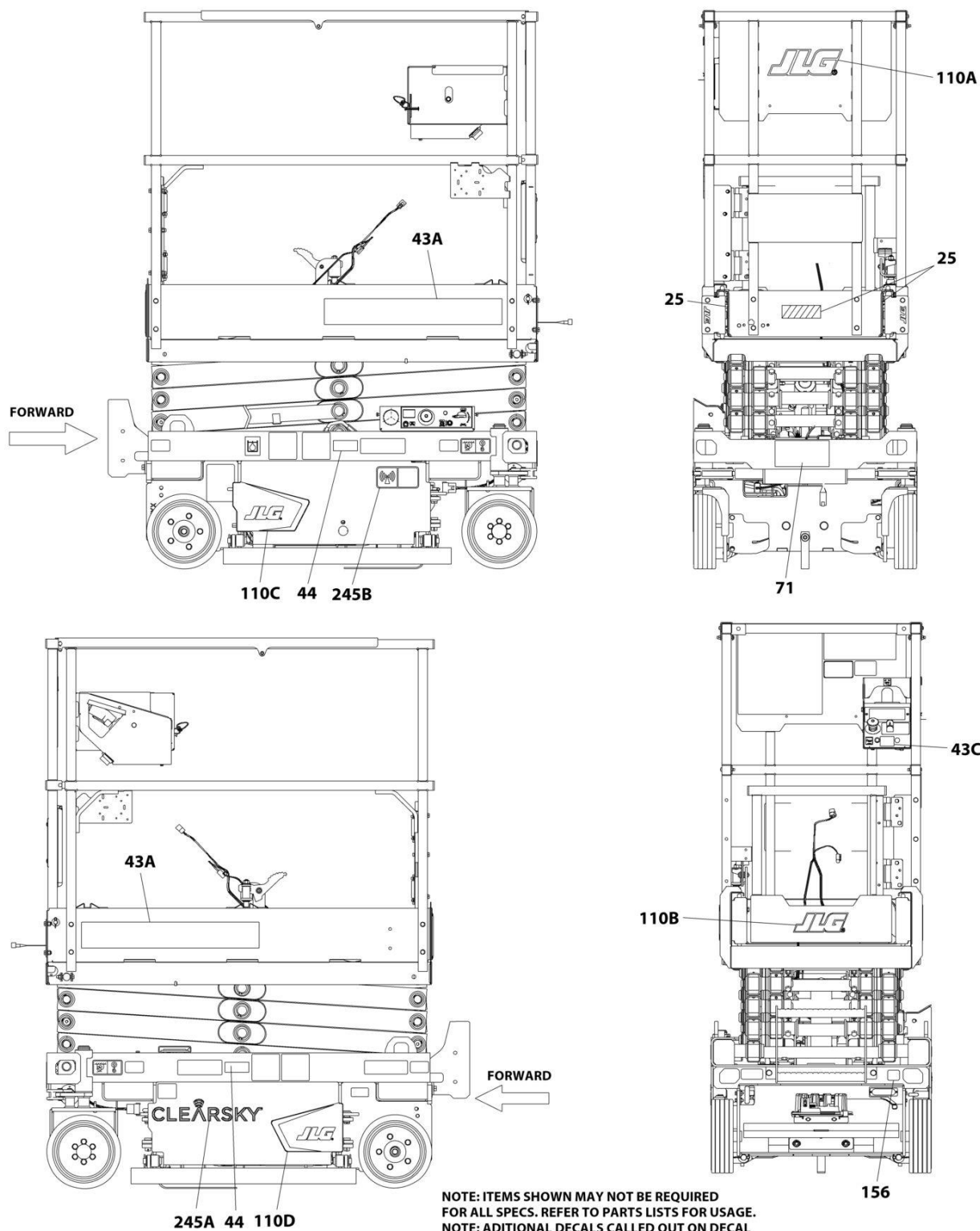
SECTION 8 - DECALS

FIGURE 8-7. DECAL INSTALLATION (KOREAN SPECS)

ITEM	PART NUMBER	QTY	DESCRIPTION	REV
	1001247302	Ref	DECALS INSTALLATION (KOREAN SPECS)	E
	1001247399	Ref	DECAL CHART DRAWING	K
1	2080040	3	Fastener	
2	2080057	4	Fastener	
3	8990147	1	Holder Manual	
100	1001247296	1	Master Decal Kit (Not Shown)	F
101	1701504	1	Decal - Hydraulic Oil	
102	1701640	1	Decal - Manual	
103	1703819	4	Decal - Directional Arrow	
104	1001248126	1	Decal - Manual Descent	
105	1704016	4	Decal - Fork Lift	
107	1704412	1	Decal - Hydraulic Oil Chart	
108	1001132359	1	Decal - Control Box Locate	
109	1001162864	4	Decal - Lift Point/Tie Down	
110	1001220430	1	Decal - Safety Prop	
112	1001212290	1	Decal - Tie Down	
113	1001212291	1	Decal - Lifting Lug	
201	1001247309	1	Decal - Danger/Warning	
202	1001146794	1	Decal - Battery/Charger Service	
203	1001249893	4	Decal - Crushing Hazard	
204	1001211779	4	Decal - Electrocution	
205	1001215750	4	Decal - Danger Electrocution	
206	1707022	2	Decal - Warning Battery Ventilation	
209	1001224048	1	Decal - Yearly Inspection	
214	1704277	2	Decal - Lanyard Attach	
215	1702155	1	Decal - Battery Disconnect	

SECTION 8 - DECALS

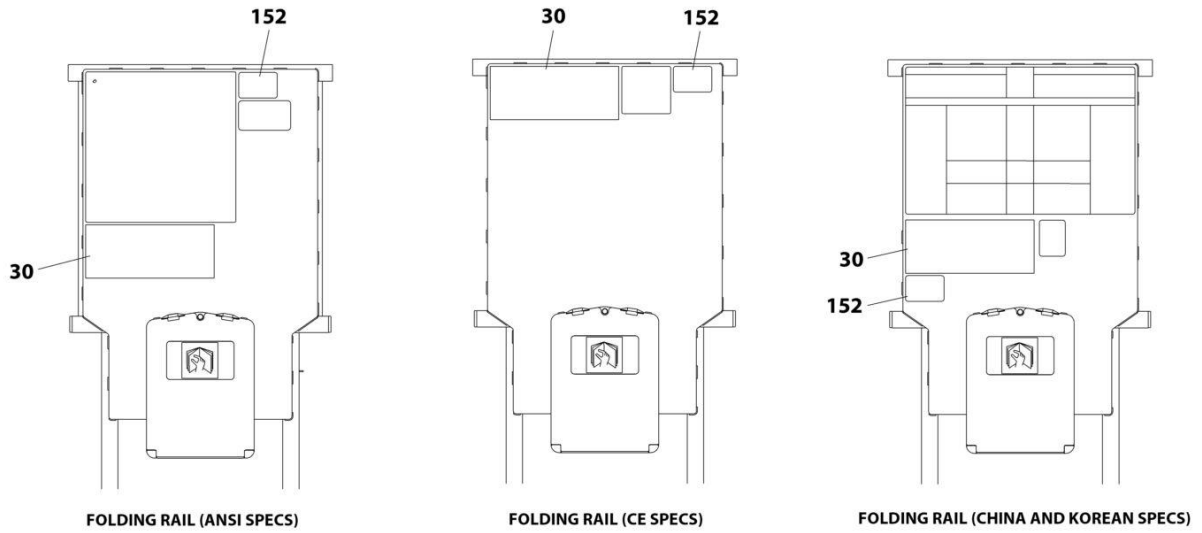
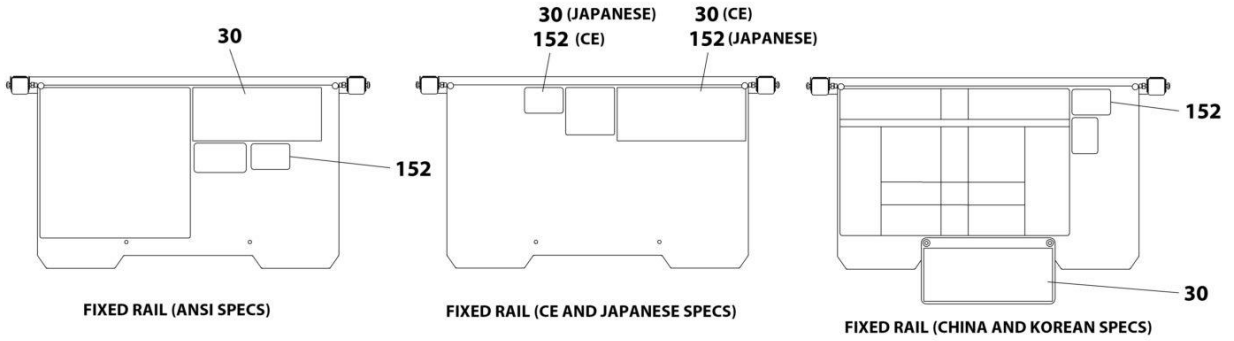
FIGURE 8-8. DECAL INSTALLATION - OPTIONS



NOTE: ITEMS SHOWN MAY NOT BE REQUIRED FOR ALL SPECS. REFER TO PARTS LISTS FOR USAGE.
 NOTE: ADDITIONAL DECALS CALLED OUT ON DECAL INSTALLATION - OPTIONS.

ART_DECAL_OPTIONS_10F2

SECTION 8 - DECALS



NOTE: ITEMS SHOWN MAY NOT BE REQUIRED FOR ALL SPECS. REFER TO PARTS LISTS FOR USAGE.
NOTE: ADDITIONAL DECALS CALLED OUT ON DECAL INSTALLATION - OPTIONS.

ART_DECAL_OPTIONS_2OF2

SECTION 8 - DECALS

FIGURE 8-8. DECAL INSTALLATION - OPTIONS

ITEM	PART NUMBER	QTY	DESCRIPTION	REV
		Ref	DECAL INSTALLATION - OPTIONS	
	1001247399	Ref	DECAL CHART DRAWING	F
25	1001247712	Ref	Corner Stripes Installation	
25	4420051	3 ft/ 92cm	Tape, Safety	
30		Ref	Decal - Capacity Options:	
30	1001246677	1	Decal - Capacity (500lb/227kg) (Indoor Only Machines) (ANSI, ANSI Export, CE, China & Korean Specs)	
	1001265839	1	Decal - Capacity (500lb/227kg) (500lb/227kg) (Indoor/Outdoor Machines) (China, CSA and Korean Specs)	
30	1001247537	1	Decal - Capacity (China and Korean Specs)	B
30	1001246677	1	Decal - Capacity (500lb/227kg) (Indoor Only Machines) (China and Korean Specs)	
30	1001265839	1	Decal - Capacity (500lb/227kg) (500lb/227kg) (Indoor/Outdoor Machines) (China, CSA and Korean Specs)	
30	1001247344	1	Plate, Decal Mounting (Indoor Only Machines)	
30	1001216865	1	Plate, Decal Mounting (Indoor/Outdoor Machines)	
30	2080040	2	Fastener	
43	1001247536	1	Decal - Model Designation	D
43A	1001246681	1	Decal - Model Designation	
43C	1001249939	1	Decal - Model Designation	
44	1001247660	2	Decal - Maximum Tire Load	
71	See Note	NSS	Decal - Manufacturers Serial Number (Note: Not Available for Purchase)	
	1001256603	1	JLG Decals Installation	B
110A	1001256675	1	Decal - JLG	
110B	1001256676	1	Decal - JLG	
110C	1001256677	1	Decal - Door	
110D	1001256678	1	Decal - Door	
152		Ref	Decal - No Pipe Racks Allowed Options:	
152	1001092071	1	Decal - No Pipe Racks Allowed (English) (ANSI, ANSI Export and China Specs)	
152	1001092497	1	Decal - No Pipe Racks Allowed (English) (CE and Japanese Specs)	
152	1001120622	1	Decal - No Pipe Racks Allowed (English/Chinese) (China Specs)	
152	1001092580	1	Decal - No Pipe Racks Allowed (English/French) (CSA Specs)	
152	1001120621	1	Decal - No Pipe Racks Allowed (English/Korean) (Korean Specs)	
156	1001173703	1	Decal - EAC (Russian/CIS Specs)	
245	1001236984	Ref	Decal - Clear Sky	
245A	1001116208	1	Decal - Clear Sky	
245B	1001120989	1	Decal - Radio Frequency	

SECTION 9 - RECOMMENDED SERVICE PARTS STOCK

SECTION 9 - RECOMMENDED SERVICE PARTS STOCK

SECTION 9 - RECOMMENDED SERVICE PARTS STOCK

FIGURE 9-1. RECOMMENDED SERVICE PARTS STOCK

ITEM	PART NUMBER	QTY	DESCRIPTION	REV
		Ref	Note: The following list will service one machine (built to current production per date on the front cover) with emergency repair parts which can be installed in the field. Parts from the list should be replaced when inventory is depleted to keep service parts stock supplied. For further information, contact your JLG dealer or the JLG Industries Parts Department.	
		Ref	STANDARD PARTS	
	3740150	1	Relay	
	4360328	1	Switch, Toggle	
	4360469	1	Switch, Key (All Specs except CE Specs)	
	2860030	1	Key, Replacement	
	4360475	1	Switch, Emergency Stop	
	3080007	1	Magnet, Latch	
	1600402	1	Controller, Drive/Steer	
	4360345	1	Switch, Toggle	
	1001200633	1	Switch, Push Button	
	8229234	2	Fuse - 10AMP ATO	
		Ref	VARIABLE PARTS	
	1001243107	1	Module, Control (Drive)	
	1001203871	1	Switch, Roller	
	1001186466	1	Sensor, Tilt	
	1001200629	1	Module, Control	
	1001226749	1	Switch, Push Button (Machines with LSS)	
	1001200746	1	Sensor, Angle (Machines without LSS)	
	1001146963	1	Sensor, Angle (Machines with LSS)	
	1001224873	1	Module, Platform	
	1001181045	1	Breaker 30mAmp/16Amp (CE Specs Machines)	
	1001189171	1	Breaker 30mAmp (CE Specs Machines)	
	1001189172	1	Breaker 16Amp Double (CE Specs Machines)	

SECTION 10 - SPECIAL OPTIONS

SECTION 10 - SPECIAL OPTIONS

FIGURE 10-1. SPECIAL OPTIONS

ITEM	PART NUMBER	QTY	DESCRIPTION	REV
		Ref	Note: This list is to accommodate machines ordered with special equipment. Options may not be applicable to all models. For more specific parts information contact the JLG Parts Department.	
		Ref	SPECIAL OPTIONS	
	1001209921	Ref	Antivandalism Package (Factory Installed)	
	1001225173	Ref	Antivandalism Add-On Kit (Dealer Installed)	
	1001255129	Ref	Beacon Light (Single) Add-On Kit (Dealer Installed)	
	1001274645	Ref	Beacon Light (Dual) Add-On Kit (Dealer Installed)	
	1001269174	Ref	Cleanguard Add-on Kit (Dealer Installed)	
		Ref	ClearSky Telematics Installations (Factory Installed)	
	1001247531	Ref	ClearSky Telematics Installation - Canbus (Factory Installed) (ANSI & CSA Specs)	
	1001247533	Ref	ClearSky Telematics Installation - Canbus (Factory Installed) (Australian Specs)	
	1001247532	Ref	ClearSky Telematics Installation - Canbus (Factory Installed) CE Specs)	
	1001247534	Ref	ClearSky Telematics Installation - Canbus (Factory Installed) (China Specs)	
		Ref	Decal Kit Options:	
	1001274821	Ref	Decal Kit – ES1330L/ES1530L	
		Ref	Electrical Connector Kits	
	1001148902	Ref	Amp/Tyco Electrical Connector Kit	
	1001148903	Ref	Deutsch DT Electrical Connector Kit	
	1001148904	Ref	Deutsch HD Electrical Connector Kit	
	1001148905	Ref	Packard Electrical Connector Kit	
	1001148906	Ref	Various Electrical Connector Kit	
	1001236533	Ref	Footswitch Installation (Factory Installed) (ANSI Export & Japanese Specs Only)	
	1001255128	Ref	Footswitch Add-On Kit (Dealer Installed)	
	1001268465	Ref	Hostile Environment Package Installation	
	1001273633	Ref	Indoor/Outside Kit (CE Specs)	
	1001246444	Ref	Low Height Retrixtion System Installation (ANSI Export, Japan & Korean Specs)	
	1001254661	Ref	Service Kits/Tools	C
	1001269479	Ref	SkySense (Level 1) Installation	
		Ref	Tools for Service	
	2901443	1	Analyzer Kit	
	1001232474	1	Benchtop Harness	
	8896941	1	Wire Stripper	
	7002821	1	Wire Crimper (To install wire ends to wires)	
	7002823	1	Pin/Socket Extractor - Universal (To Remove Pins/Sockets from Connectors)	
	4460467	1	Extractor - 16-18 Gauge (For Removal Pins/Sockets from Deutsch Connectors)	
	4460510	1	Extractor - 12-14 Gauge (For Removal of Pins/Sockets from Deutsch Connectors)	
	7002822	1	Screwdriver, Potentiometer (To Adjust Drive Controllers)	
	7016654	1	Screwdriver, Magnetic	
	7004275	1	Seal Installation Tool - 1in	
	7004276	1	Seal Installation Tool - 1-1/2in	
	7002826	1	Seal Installation Tool - 2in	

PART NUMBER INDEX

SECTION 10 - SPECIAL OPTIONS

0100011.....13, 15, 21, 23, 25, 27, 29, 31, 33, 35, 37, 39, 41, 43, 45, 47, 49, 51, 59, 63, 65, 69, 73, 75, 77, 95, 107, 109, 111, 113	0861880155	1001146794223, 232, 236, 244, 248, 252, 256	1001209596.....117
0100048.....77	0962292125	1001146963101, 262	1001209682.....75, 77
0100051.....83, 85, 87, 89, 91, 93	1001047064.....117	1001148902264	1001209921.....264
0140030.....117	1001091102....21, 73, 75, 77	1001148903264	1001210064.....107
0140043.....75, 77	1001092071.....260	1001148904264	1001210586.....109, 111, 113
0275216.....137, 213	1001092497.....260	1001148905264	1001210963.....109, 111, 113
0275217.....139, 215	1001092580.....260	1001148906264	1001211777.....232
0275452.....141, 217	1001097150.....147	1001151629177, 181	1001211779.....232, 244, 248, 256
0275453.....143, 219	1001099560.....13	1001152483157	1001212035.....209
0275454.....145, 221	1001100341.....213	1001154378113	1001212036.....209
0440259.....13, 127	1001100342.....215	1001157547223	1001212068.....21
0440263.....21, 102	1001100345.....217	1001159186181, 209	1001212290.....232, 236, 240, 244, 248, 252, 256
0440264.....102	1001100346.....221	1001162864232, 236, 240, 244, 248, 252, 256	1001212291.....232, 236, 240, 244, 248, 252, 256
0440265.....102	1001100347.....219	1001162886177, 181	1001213886.....117
0630183.....107	1001100451.....137, 139, 141, 143, 145, 147, 223	1001162887 ..79, 177, 181	1001214526.....21
0630576.....95	1001102258.....135, 137, 139, 141, 143, 145, 147, 149, 151	1001163340 ..79, 177, 181	1001214810.....95
0700412.....75, 77	1001102489....25, 27, 29, 31, 33, 35, 37, 43, 45, 47, 49, 159, 161, 163, 165, 167, 169, 171, 173, 175	1001173703260	1001215747.....244
0700610.....131	1001103012.....178, 182	1001181045155, 262	1001215750.....256
0700612.....57, 59, 75, 77, 79	1001103471..29, 147, 163	100118280661	1001215953.....21
0700616.....75, 77	1001104498.....178, 182	100118646623, 262	1001216865.....260
0700815.....21	100110544....53, 55, 57, 59	1001187587113	1001217043.....107
0700816.....95	1001116208.....260	1001187816149	1001217164.....155, 157
0700818.....15, 109, 111, 113	1001116733.....185	1001188116149	1001217842.....185
0700819.....105, 115	1001116812..79, 177, 181	1001189171157, 262	1001217843.....185
0700820.....113	1001117000.....177, 181	1001189172157, 262	1001218285.....117
0700823.....21	1001117096.....225	1001192401178, 182	1001219171.....236, 240, 252
0700835.....117	1001118387.....177, 181	1001194421209	1001219172.....236, 240, 252
0701015.....101	1001120204.....137, 139, 141, 143, 145	1001196589178, 182	1001220409.....115
0701020.....101	1001120205.....155, 157	100119663579	1001220410.....115
0701021.....101, 105	1001120621.....260	100119857657, 59	1001220430.....232, 236, 240, 244, 248, 252, 256
0760408.....73, 135, 137, 139, 141, 143, 145, 149, 223	1001120622.....260	1001200629 ..75, 77, 262	1001220893.....117
0760508.....43, 45, 47, 49, 51	1001120989.....260	1001200631101	1001220995.....115
0760608.....43, 45, 47, 49, 51, 75, 77, 79, 101	1001125483.....223	100120063281	1001221475.....107
0760610.....25, 27, 29, 31, 33, 35, 37, 39, 41, 43, 45, 47, 49, 51, 79, 102, 115, 117	1001125677.....177, 181	1001200633262	1001221476.....107
0760612.....25, 27, 29, 31, 33, 35, 37, 39, 41, 61, 101, 223	1001125916.....87, 91	1001200634262	1001221949.....49, 175
0760810.....65, 107, 113, 175	1001125927.....153	1001200746262	1001223055.....232
0760812.....13	1001130220.....117	1001200819117, 209	1001223262.....205
0761009.....69	1001130590.....75, 77	1001201885178, 182, 209	1001223971.....248
0761010.....73	1001131270.....232, 248	100120298721	1001224048.....256
0761011.....63	1001132358.....117	100120298821	1001224051.....244
0761012.....13	1001132359.....232, 236, 240, 244, 248, 252, 256	1001203443105	1001224873.....262
0761014.....95	1001132361.....117	100120386921	1001225164.....101
0761016.....95	1001134821.....115	100120387021, 95	1001225173.....264
0761221.....95	1001136757.....223	100120387121, 262	1001226400.....223
0860520.....252	1001137675.....107	100120387221	1001226749..75, 77, 117, 262
0861731.....211, 217, 219, 221	1001142173.....223	1001204311101	1001227219.....29, 163
0861781.....213, 215	1001143009.....223	100120449561	1001227267..29, 147, 163
	1001144147.....79, 185	1001205156105	1001227268.....147
	1001144295.....177, 181	1001205345101	1001227269.....153
	1001144296.....177, 181, 182	1001205409 ..79, 177, 181	1001228191.....153
	1001145762.....223	1001205410177, 181	1001228370.....232, 248
	1001145881.....223	1001205411177, 181	1001229739.....113
		1001205412177, 181	1001229740.....113
		1001205422107	1001229741.....113
		1001205430107	1001229742.....113
		1001207009 ..25, 27, 29, 31, 33, 35, 37, 39, 41	1001229792.....95
		100120729381	1001231268.....101
		1001207970 ..27, 45, 161	
		100120797347, 173	
		1001207974 ..25, 29, 31, 33, 35, 37, 43, 159, 163, 165, 167, 169, 171	
		1001208852107	

SECTION 10 - SPECIAL OPTIONS

1001231801 232, 248	1001243230 83, 87, 89	1001245110 109, 111,	1001249668 87, 91
1001232257 113	1001243231 85, 91, 93	113	1001249846 21
1001232474 264	1001243232 83, 85, 87,	1001245119 113	1001249876 101
1001232622 113	89, 91, 93	1001245120 113	1001249887 131
1001233524 13	1001243233 83, 85, 87,	1001245121 113	1001249893 256
1001233525 13	89, 91, 93	1001245122 113	1001249894 244
1001233714 83, 85	1001243235 83, 85, 87,	1001245123 113	1001249939 260
1001233834 102	89, 91, 93	1001245125 113	1001249940 25, 27, 29,
1001233837 102	1001243248 13	1001245129 113	31, 33, 35, 37, 39
1001233860 101	1001243249 13	1001245131 113	1001249966 53, 57
1001233861 101	1001243252 75, 77	1001245132 113	1001249967 57
1001233863 101	1001243254 75, 177	1001245134 113	1001250078 57, 59
1001233864 101	1001243255 75, 77, 185	1001245135 113	1001250218 49
1001233865 101	1001243257 15, 17	1001245136 113	1001250219 45
1001233866 101	1001243838 65	1001245138 109, 111	1001250403 63
1001233867 101	1001244045 109	1001245139 19	1001252508 29
1001234204 101	1001244047 109	1001245293 79	1001253153 101
1001234461 13, 127	1001244092 111	1001245299 79	1001253625 79
1001235002 69, 131	1001244093 111	1001245386 102	1001253626 29, 163
1001235104 101	1001244095 109, 111	1001245388 102	1001253715 79
1001236129 107	1001244096 109, 111	1001245451 102	1001253737 79
1001236222 101, 125	1001244144 101	1001245634 102	1001253885 147
1001236533 264	1001244160 63	1001245635 102	1001253887 191
1001236834 13	1001244298 244	1001245743 153	1001253889 191, 201
1001236849 21	1001244301 244	1001245744 147, 153	1001253969 147, 153
1001236856 95	1001244320 101, 102	1001245747 147	1001253972 147
1001236860 95	1001244338 83, 85, 87,	1001245750 95	1001254027 41
1001236861 95	89, 91, 93	1001245790 101	1001254028 41
1001236984 260	1001244339 83, 85, 87,	1001245851 69, 71	1001254501 248
1001237462 25, 27, 29,	89, 91, 93	1001245917 153	1001254633 89, 93
31, 33, 35, 37, 39, 41,	1001244437 187	1001246303 101	1001254661 264
43, 45, 47, 49, 51	1001244438 189	1001246444 264	1001255128 264
1001237507 23	1001244439 193	1001246639 17	1001255129 264
1001237518 19	1001244440 195	1001246677 260	1001255203 37
1001238025 131	1001244444 187, 189,	1001246681 260	1001255204 35
1001238026 131	191, 193, 195, 197,	1001246920 13	1001255205 31
1001238060 85, 91, 93	199, 201, 203, 205	1001246921 13	1001255206 33
1001239224 53, 55, 57,	1001244445 189, 195,	1001247296 232, 236,	1001255263 89
59	199, 205	240, 244, 248, 252, 256	1001255264 93
1001239303 83, 87, 89	1001244478 43, 45, 47,	1001247301 232	1001256603 260
1001239314 53, 55	49	1001247302 256	1001256628 236
1001239315 57, 59	1001244598 25	1001247303 244	1001256675 260
1001239374 101, 207	1001244599 47	1001247304 252	1001256676 260
1001239404 101	1001244600 43	1001247305 240	1001256677 260
1001239457 95	1001244603 27	1001247309 256	1001256678 260
1001239661 55, 59	1001244672 95	1001247310 240	1001256745 59
1001239737 101	1001244908 141, 143,	1001247311 244	1001258226 102
1001241320 187, 189,	157	1001247344 260	1001258446 117
191	1001244909 137, 139,	1001247399 232, 236,	1001260503 73
1001241321 193, 195	145, 155	240, 244, 248, 252,	1001260504 73
1001241489 25, 27, 29,	1001244911 135	256, 260	1001260628 25, 27, 29,
31, 33, 35, 37, 39, 41	1001244912 151	1001247531 264	31, 33, 35, 37, 39
1001241542 21	1001244913 141	1001247532 264	1001261046 197
1001241543 21	1001244914 143	1001247533 264	1001261047 199
1001241544 21	1001244915 145	1001247534 264	1001261048 203
1001241546 19	1001244916 137	1001247536 260	1001261049 205
1001241589 65	1001244917 139	1001247537 260	1001261051 201
1001241599 15	1001244918 149	1001247660 260	1001262221 121
1001241601 19	1001245099 107	1001247712 260	1001262299 102
1001242978 15	1001245100 107	1001247924 131	1001262581 73
1001242980 15	1001245101 109	1001248126 232, 236,	1001262655 117
1001243106 13	1001245102 109	240, 244, 248, 252, 256	1001263443 101
1001243107 15, 262	1001245103 109	1001248155 105	1001264943 39
1001243226 83	1001245106 111	1001248157 105	1001264944 41
1001243227 85	1001245107 111	1001248768 79	1001264945 51
1001243228 87	1001245108 111	1001249645 75, 77	1001264946 159
1001243229 91		1001249667 15	1001264947 161

SECTION 10 - SPECIAL OPTIONS

1001264948	175	1704412	232, 236, 240, 244, 248, 252, 256	3450403.....	107	4460418	177, 181, 209, 227
1001264949	169	1704684	248	3450505.....	21, 95	4460419	178, 227
1001264950	171	1705311	248	3520072.....	109, 111, 113	4460424	25, 27, 29, 31, 33, 35, 37, 39, 41
1001264951	165	1705670	236, 240, 252	3740150.75, 77, 223, 262		4460464	57, 59, 61, 79, 177, 181, 185, 187, 189, 191, 193, 195, 197, 199, 201, 203, 205, 207, 209, 227
1001264952	167	1706679	75, 77	3760115.....	101	4460465	17, 53, 55, 57, 59, 79, 177, 178, 181, 182, 187, 189, 191, 193, 195, 197, 199, 201, 203, 205, 207
1001264953	173	1707022	256	3760170.....	101	4460466	79, 177, 181, 185, 187, 189, 191, 193, 195, 197, 199, 201, 203, 205, 207, 209, 227
1001264954	163	2080040 ...	107, 109, 111, 113, 232, 236, 240, 244, 248, 252, 256, 260	3760387.....	101	4460467	264
1001264978	41	2800057 ...	232, 236, 240, 244, 248, 252, 256	3841143.....	101	4460496	117
1001265088	73	2220466	131	3860111.....	109, 111	4460497	117
1001265409	73	2220654	131	3910804.....	75, 77	4460510	264
1001265533	197, 199	2220883	125	4010308.....	53, 55, 57, 59	4460539	178, 182, 193, 195, 203, 205, 207
1001265534	201, 203	2400060	79, 177, 181	4010405.....	147	4460662	141, 143, 145, 211
1001265839	260	2420172	75, 77	4010408.....	29, 115, 147, 163	4460670	177, 181, 185
1001266166	73	2540045	75, 77	4010608.....	109, 111, 113	4460722	227
1001266167	73	2600281	109, 111, 113	4010616.....	109, 111	4460754	187, 189, 191, 193, 195, 197, 199, 201, 203, 205
1001266214	77, 181	2860030	75, 77, 262	4010617.....	113	4460761	178, 182
1001266955	73	2901443	264	4010618.....	109, 111, 113	4460779	225
1001268465	264	2902431	135, 211	4031509.....	117	4460871	185
1001269174	264	3080007 ...	109, 111, 113, 262	4031511.....	21	4460873	185
1001269479	264	3121792	79	4031512.....	101	4460877	177, 181
1001272868	182	3252507 ...	139, 141, 143, 145, 149, 151	4031708.....	15, 23	4460884	79, 178, 182, 207
1001273633	264	3290305	53, 55, 57, 59	4032010.....	15	4460891	17, 53, 55, 57, 59, 177, 181, 193, 195, 203, 205, 207
1001274502	223	3290405	21, 29, 73, 75, 77, 101, 115, 117, 135, 137, 139, 141, 143, 145, 147, 149, 163, 223	4060803.....	117	4460894	177, 181, 187, 189, 191, 193, 195, 197, 199, 201, 203, 205
1001274556	223	3290601	23, 131	4060906.....	117	4460897 ..	57, 59, 61, 177, 181, 185, 227
1001274559	77	3290605	25, 27, 29, 31, 33, 35, 37, 39, 41, 43, 45, 47, 49, 51, 57, 61, 75, 77, 79, 95, 101, 137, 139, 141, 143, 145, 147, 223	4160078.....	101	4460899	187, 189, 191, 193, 195, 197, 199, 201, 203, 205
1001274560	73	3290606	109, 111, 113, 115	4160202.....	21	4460905	185
1001274604	117	3290801	13, 21	4160214.....	95	4460932	79
1001274605	117	3290805 21, 95, 105, 107, 175		4240017.....	15, 25, 27, 29, 31, 33, 35, 37, 39, 41, 43, 45, 47, 49, 51, 75, 77, 79, 83, 85, 87, 89, 91, 93, 101, 135, 137, 139, 141, 143, 145, 147, 149, 151, 159, 161, 163, 165, 167, 169, 171, 173, 175, 187, 189, 191, 193, 195, 197, 199, 201, 203, 205, 223	4240018.....	131
1001274645	264	3290806 ...	109, 111, 113, 115, 117	4240147.....	21	4460894	177, 181, 187, 189, 191, 193, 195, 197, 199, 201, 203, 205
1001274659	117	3290807	102	4360328.....	75, 77, 262	4460897 ..	57, 59, 61, 177, 181, 185, 227
1001274661	121	3291005	95, 107	4360336.....	223	4460899	187, 189, 191, 193, 195, 197, 199, 201, 203, 205
1001274821	264	3291007	101, 105	4360345.....	262	4460905	185
1001275545	223, 225	3291201	95	4360345.....	75, 77, 262	4460932	79
1001275546	223, 227	3311502	107	4360469.....	75, 77, 262	4460933	177, 181
1001275547	223	3321402	101	4360475.75, 77, 117, 262		4460943	79, 185, 187, 189, 191, 193, 195, 197, 199, 201, 203, 205
1001275548	223	3322203	15	4420051.....	260	4460944	79, 177, 178, 181, 182, 187, 189, 191, 193, 195, 197, 199, 201, 203, 205
1001285138	51	3340962	101	4420062.....	109, 111, 113, 117	4460956	155
1060908.....	153, 155, 157	3391210	15	4460042.....	178, 182	4460957	155
1320223.....	175	3423032	105	4460115.....	177, 181	4460965	178, 182
1321293.....	25, 27, 29, 31, 33, 35, 37, 39, 41, 43, 45, 47, 49, 51	3423037	13	4460138.....	135	4460966	178, 182
1321385.....	102	3423243	95	4460183.....	177, 181, 209	4460968	149
1321752.....	15	3423278	117	4460226.....	177, 181	4460970	207
1380153.....	13	3430636	21	4460227.....	25, 27, 29, 31, 33, 35, 37, 39, 41, 178, 182		
1600402.....	117, 119, 262	3430814	107	4460247.....	178, 182		
1671207.....	211	3430816	107	4460259.....	177, 181		
1701504.....	232, 236, 240, 244, 248, 252, 256	3431212	21, 95	4460260.....	177, 181		
1701640.....	232, 236, 240, 244, 248, 252, 256	3431218	21	4460265.....	209		
1702155.....	232, 236, 240, 244, 248, 256	3450303	21, 95	4460267.....	209		
1703464.....	135, 137			4460315.....	135, 149		
1703813.....	232			4460320.....	177, 181		
1703816.....	232			4460346.....	211		
1703819.....	79, 117, 232, 236, 240, 244, 248, 252, 256						
1704016.....	232, 236, 240, 244, 248, 252, 256						
1704260.....	117						
1704277.....	232, 236, 240, 244, 248, 252, 256						
1704340.....	248						
1704344.....	244						

SECTION 10 - SPECIAL OPTIONS

4461016209	4812000 13, 15, 21, 63, 69, 95, 101, 107	70007120..... 71	70007270..... 17
4461023 177, 181	4812002 107	70007121..... 71	70007271..... 17
4461196 31, 165, 213	4812100 95	70007122..... 71	70007272..... 17
4461198 213	4812500 15, 21	70007123..... 71	70007273..... 17
4461199 33, 167, 215	4846757 13	70007124..... 71	70007274..... 17
4461201 215	5241000 95, 107	70007125..... 71	70007275..... 17
4461205 37, 169, 217, 219	70000082 119	70007126..... 71	70007589..... 71
4461244 217	70000084 119	70007127..... 71	70008142..... 125
4461245 219	70000683 119	70007128..... 71	70008143..... 125
4461246 221	70000684 119	70007129..... 125	70008248..... 71
4461249 35, 171, 221	70000685 119	70007130..... 125	70008249..... 71
4461257 137, 139	70000686 119	70007131..... 125	70008250..... 71
4461258 137, 139	70001250 119	70007132..... 125	70008251..... 71
4711000 51	70001251 119	70007133..... 125	70008252..... 71
4711700 117	70001252 119	70007134..... 125	7002821 264
4711800 107	70001253 119	70007135..... 125	7002822 264
4740438 101	70003636 125, 127	70007136..... 125	7002823 264
4740531 101	70003650 119	70007252..... 17	7002826 264
4811400 29, 101, 115, 117, 135, 137, 139, 141, 143, 145, 147, 149, 163, 223	70003685 71	70007253..... 17	7004275 264
4811602 43, 45, 47, 49	70003686 71	70007254..... 17	7004276 264
4811700 25, 27, 29, 31, 33, 35, 37, 39, 41, 43, 45, 47, 49, 51, 57, 59, 61, 75, 77, 79, 101, 109, 111, 113, 115, 117, 131, 137, 139, 141, 143, 145, 147, 223	70003690 71	70007255..... 17	7016654 264
4811900 13, 15, 21, 65, 95, 105, 107, 109, 111, 113, 117, 175	70003696 71	70007256..... 17	7020175 75, 77, 117
4811902 21, 113, 115	70003706 71	70007257..... 17	7020176 75, 77, 117
	70003734 71	70007258..... 17	7027365 119
	70004585 125	70007259..... 17	7027367 119
	70005236 125	70007260..... 17	7027765 119
	70005632 71	70007261..... 17	7027766 119
	70005635 71	70007262..... 17	8220045 182
	70005637 71	70007263..... 17	8229031 178, 182
	70007074 127	70007264..... 17	8229234 185, 262
	70007075 127	70007265..... 17	8405204 73
	70007076 127	70007266..... 17	8896941 264
	70007077 127	70007267..... 17	8990147 232, 236, 240, 244, 248, 256
	70007118 127	70007268..... 17	
		70007269..... 17	



**Corporate Office
JLG Industries, Inc.
1 JLG Drive
McConnellsburg, PA 17233-9533 USA
☎ (717) 485-5161 (Corporate)
☎ (877) 554-5438 (Customer Support)
📠 (717) 485-6417**

**Visit our website for JLG Worldwide Locations.
www.jlg.com**



OSHKOSH™