



Illustrated Parts Manual

Models

X22SJP
X660SJ

P/N
31221533

May 5, 2023- Rev B

ANSI

CE

**UK
CA**



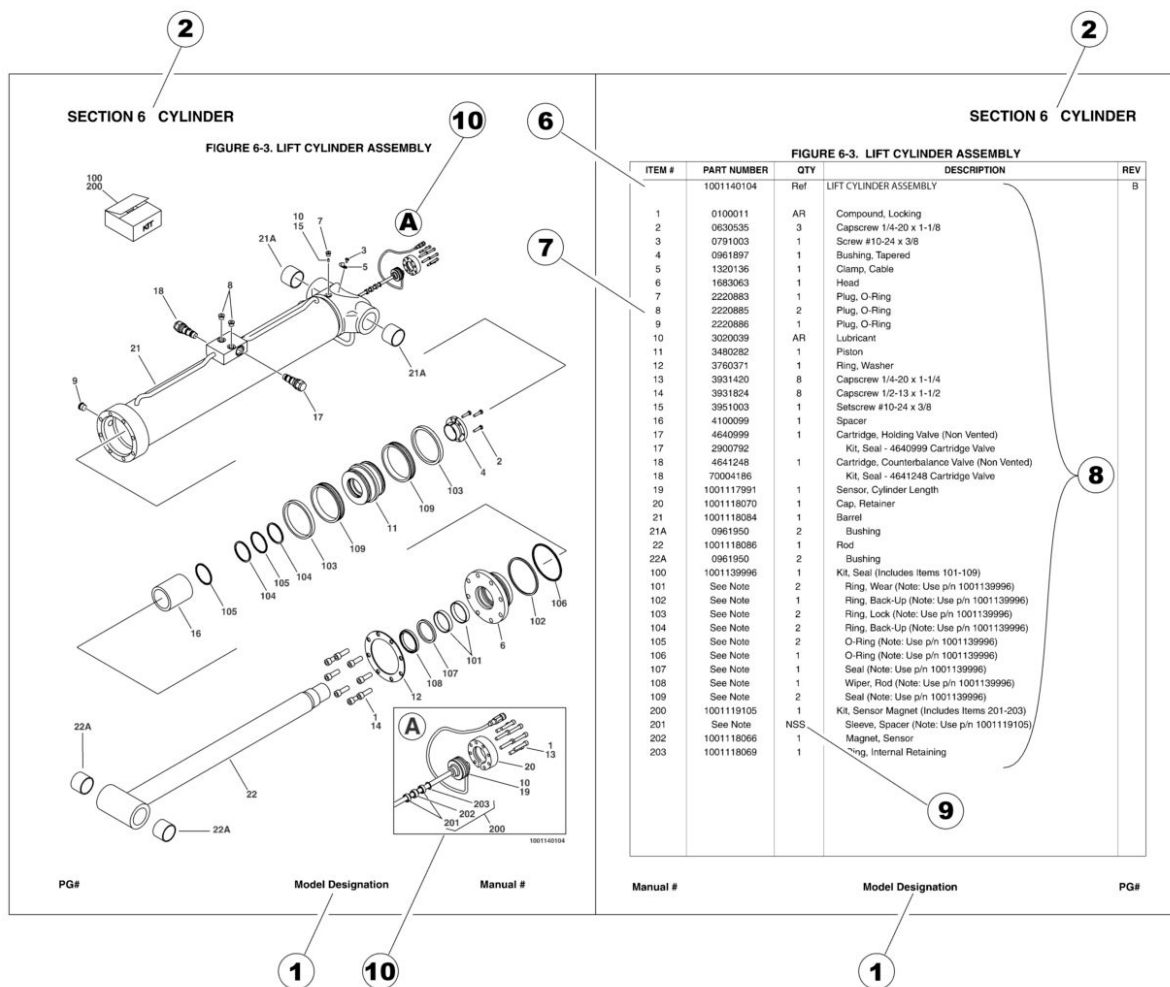
An Oshkosh Corporation Company

REVISION LOG

November 9, 2022 - A - Original Issue Of Manual

May 5, 2023 - B- Revised Manual (Edited to B/M 1001500660 Revision D)

GENERAL INFORMATION



1) MACHINE IDENTIFICATION

Machines are identified by model and in some cases a combination of models, serial number (SN) or regional standard (i.e ANSI, CE, CSA). Components may also be identified by SN or manufacturer. Common components that may be identified by these characteristics are engines and hydraulic components.

2) PARTS MANUAL ORGANIZATION

Product information in this manual is organized under section titles. Frame, Cylinder, Hydraulic and Electrical are a few examples. Each section is organized by figure and page number. The information within the Figure is then organized by item number, part number, description and corresponding illustration (s).

3) TABLE OF CONTENTS (NOT SHOWN)

A table of contents is found toward the beginning of the manual. Figure number, description and page number are provided for quick reference to the page containing the related information.

4) RECOMMENDED SPARE PARTS (NOT SHOWN)

The Recommended Spare Parts List, located near the end of the manual, reference most frequently used maintenance parts.

5) PART NUMBER INDEX (NOT SHOWN)

A numerical index listing all part numbers and the corresponding page number(s) appears at the back of the manual.

GENERAL INFORMATION

6) NON-SERVICED PARTS

In some instances, it is necessary to display non-serviced parts, assemblies or installations. In the case of assemblies and installations there will be a Ref in the Qty. column. In case of parts that are not available for service within assemblies or components, there will be a NSS (Not Sold Separately) or NLA (No Longer Available) listed in the Qty. column of the manual.

7) PARTS LIST ITEM NUMBERS

Numbers shown in the item# column correspond to numbers used in the associated illustration (s). Item numbers which are missing from the sequence in the parts list are not used on that page.

8) INDENTED PARTS DESCRIPTION

An indented part description is included in the item under which it is indented.

9) ABBREVIATION AND SYMBOLS

| | | | |
|-------------|--|--------------|---------------------------------|
| AC..... | Alternating Current | L..... | Liter |
| ADE..... | Advanced Design Electronics | LB(LBS)..... | Pounds |
| AG..... | Agricultural | LCD..... | Liquid Crystal Display |
| ANSI..... | American National Standards Institute | LED..... | Light Emitting Diodes |
| AR..... | As Required | LH..... | Left Hand |
| ASSY..... | Assembly | LRC..... | Low Rated Countries |
| AUS..... | Australia | LSS..... | Load Sensing System |
| AUX..... | Auxiliary | M(m)..... | Metric/Meter |
| AWG..... | American Wire Gauge | MM(mm)..... | Milimeter |
| B/M..... | Bill of Material | mA..... | Miliamps |
| CAC..... | Charge Air Cooler | NLA..... | No Longer Available |
| CE..... | European Conformity | NPT..... | National Pipe Threads |
| CCW..... | Counter Clockwise | NSS..... | Not Sold Separately |
| CM..... | Centimeter | OD..... | Outside Diameter |
| CW..... | Clockwise | ORB..... | O-Ring Boss |
| CSA..... | Canadian Standards Association | ORFS..... | O-Ring Face Seal |
| CYL..... | Cylinder | OZ (oz)..... | Ounces |
| DIA..... | Diameter | PG..... | Page |
| DC..... | Direct Current | PN..... | Part Number |
| DEF..... | Diesel Exhaust Fluid | QT(qt.)..... | Quarts |
| EMS..... | Emergency Stop | QTY..... | Quantity |
| ENG..... | Engine | REF..... | Reference |
| FT(ft)..... | Feet | REV..... | Revision Level |
| GA(Ga)..... | Gauge | RH..... | Right Hand |
| HRC..... | High Rated Countries | SAE..... | Society of Automotive Engineers |
| HVAC..... | Heating, Ventilating, and Air Conditioning | SN..... | Serial Number |
| HYD..... | Hydraulic | SPEC(S)..... | Specifications |
| Hz..... | Hertz | T/T..... | Turntable |
| ID..... | Inside Diameter | UGM..... | Universal Ground Module |
| IN..... | inches | V..... | Volts |
| ISO..... | International Organization for Standards | W..... | Watts |
| JIC..... | Joint Industry Council | #..... | Number |
| KG..... | Kilogram | | |

10) ILLUSTRATION REFERENCE LETTERS

When necessary, illustrations may contain reference letters that are intended to track information (i. e. hoses, harnesses) from one point to another or to track visual enlargement of components to show details that may be located in another area on the illustration.

Note: Due to continuous product improvements, JLG Industries, Inc. reserves the right to make specification changes without prior notification. Contact JLG Industries, Inc. for updated information.

TABLE OF CONTENTS

| | |
|--|-----|
| SECTION 1 - UNDERCARRIAGE..... | 9 |
| FIGURE 1-1. TRACKED UNDERCARRIAGE | 10 |
| FIGURE 1-2. HYDRAULIC EXTENSION..... | 12 |
| SECTION 2 - BASE & TURNTABLE..... | 15 |
| FIGURE 2-1. TURRET BASE..... | 16 |
| FIGURE 2-2. HOODS INSTALLATION | 18 |
| FIGURE 2-3. OUTRIGGERS INSTALLATION | 20 |
| FIGURE 2-4. TURNTABLE INSTALLATION | 22 |
| SECTION 3 - ENGINE | 25 |
| FIGURE 3-1. ENGINE COUPLING - PUMP | 26 |
| FIGURE 3-2. ENGINE SPARE PARTS - DIESEL | 28 |
| FIGURE 3-3. ENGINE SPARE PARTS - DIESEL | 30 |
| FIGURE 3-4. ELECTRIC MOTOR..... | 32 |
| SECTION 4 - BOOM..... | 35 |
| FIGURE 4-1. MAIN BOOM ASSEMBLY..... | 36 |
| FIGURE 4-2. MAIN BOOM ASSEMBLY..... | 38 |
| FIGURE 4-3. MAIN BOOM ASSEMBLY..... | 40 |
| FIGURE 4-4. MAIN BOOM ASSEMBLY..... | 42 |
| FIGURE 4-5. JIB - PLATFORM SUPPORT..... | 44 |
| SECTION 5 - PLATFORM..... | 47 |
| FIGURE 5-1. PLATFORM - SKY GUARD - SKY LINE | 48 |
| FIGURE 5-2. PLATFORM - SKY GUARD - SKY LINE | 50 |
| SECTION 6 - CYLINDER..... | 53 |
| FIGURE 6-1. OUTRIGGER STABILIZER CYLINDER ASSEMBLY..... | 54 |
| FIGURE 6-2. LIFT CYLINDER ASSEMBLY - MAIN BOOM..... | 56 |
| FIGURE 6-3. TELESCOPE CYLINDER ASSEMBLY | 58 |
| FIGURE 6-4. LIFT CYLINDER ASSEMBLY - JIB..... | 60 |
| FIGURE 6-5. LEVEL CYLINDER ASSEMBLY - BOOM | 62 |
| FIGURE 6-6. LEVEL CYLINDER ASSEMBLY - PLATFORM..... | 64 |
| SECTION 7 - HYDRAULIC | 67 |
| FIGURE 7-1. SUPPLY AND DISCHARGE HYDRAULIC SYSTEM..... | 68 |
| FIGURE 7-2. SUPPLY AND DISCHARGE HYDRAULIC SYSTEM..... | 70 |
| FIGURE 7-3. HYDRAULIC SYSTEM UNDERCARRIAGE EXPANSION | 72 |
| FIGURE 7-4. HYDRAULIC SYSTEM FOR TRACTION..... | 74 |
| FIGURE 7-5. STABILIZERS CYLINDERS HYDRAULIC SYSTEM | 76 |
| FIGURE 7-6. ROTATION HYDRAULIC SYSTEM | 78 |
| FIGURE 7-7. MAIN LIFTING HYDRAULIC SYSTEM | 80 |
| FIGURE 7-8. TELESCOPIC HYDRAULIC SYSTEM..... | 82 |
| FIGURE 7-9. LEVELING CYLINDERS HYDRAULIC SYSTEM..... | 84 |
| FIGURE 7-10. JIB HYDRAULIC SYSTEM | 86 |
| FIGURE 7-11. CAGE ROTATION HYDRAULIC SYSTEM | 88 |
| FIGURE 7-12. AIR AND WATER HYDRAULIC SYSTEM | 90 |
| FIGURE 7-13. HYDRAULIC FITTINGS..... | 92 |
| FIGURE 7-14. HYDRAULIC DISTRIBUTORS..... | 94 |
| SECTION 8 - ELECTRICAL..... | 97 |
| FIGURE 8-1. ELECTRICAL SYSTEM COMPONENTS..... | 98 |
| FIGURE 8-2. ELECTRICAL SYSTEM COMPONENTS - MODEM..... | 100 |
| FIGURE 8-3. ELECTRICAL SYSTEM COMPONENTS - ROTATION SENSOR..... | 102 |
| FIGURE 8-4. ELECTRICAL SYSTEM COMPONENTS - LITHIUM BATTERY PACK..... | 104 |
| FIGURE 8-5. ELECTRICAL SYSTEM COMPONENTS..... | 106 |
| FIGURE 8-6. ELECTRICAL SYSTEM - CABLES..... | 108 |

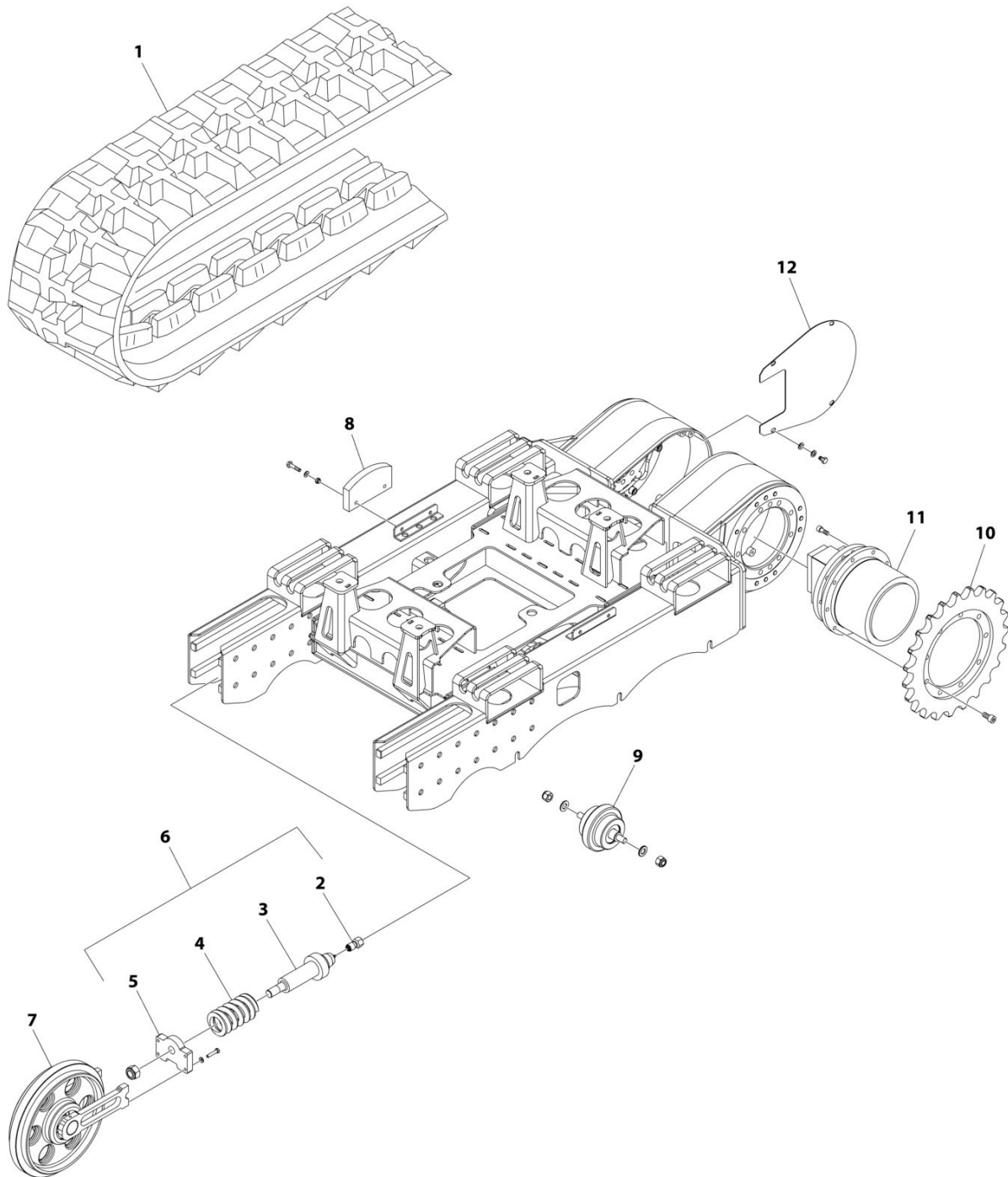
TABLE OF CONTENTS

| | |
|--|-----|
| FIGURE 8-7. ELECTRICAL SYSTEM - CONNECTORS AND FUSES | 110 |
| FIGURE 8-8. REMOTE CONTROL COMPONENTS | 114 |
| SECTION 9 - DECALS | 117 |
| FIGURE 9-1. DECALS INSTALLATION..... | 118 |
| SECTION 10 - RECOMMENDED SERVICE PARTS STOCK..... | 123 |
| FIGURE 10-1. RECOMMENDED SERVICE PARTS STOCK..... | 124 |
| PART NUMBER INDEX..... | 125 |

SECTION 1 - UNDERCARRIAGE

SECTION 1 - UNDERCARRIAGE

FIGURE 1-1. TRACKED UNDERCARRIAGE



ART_01-01-00

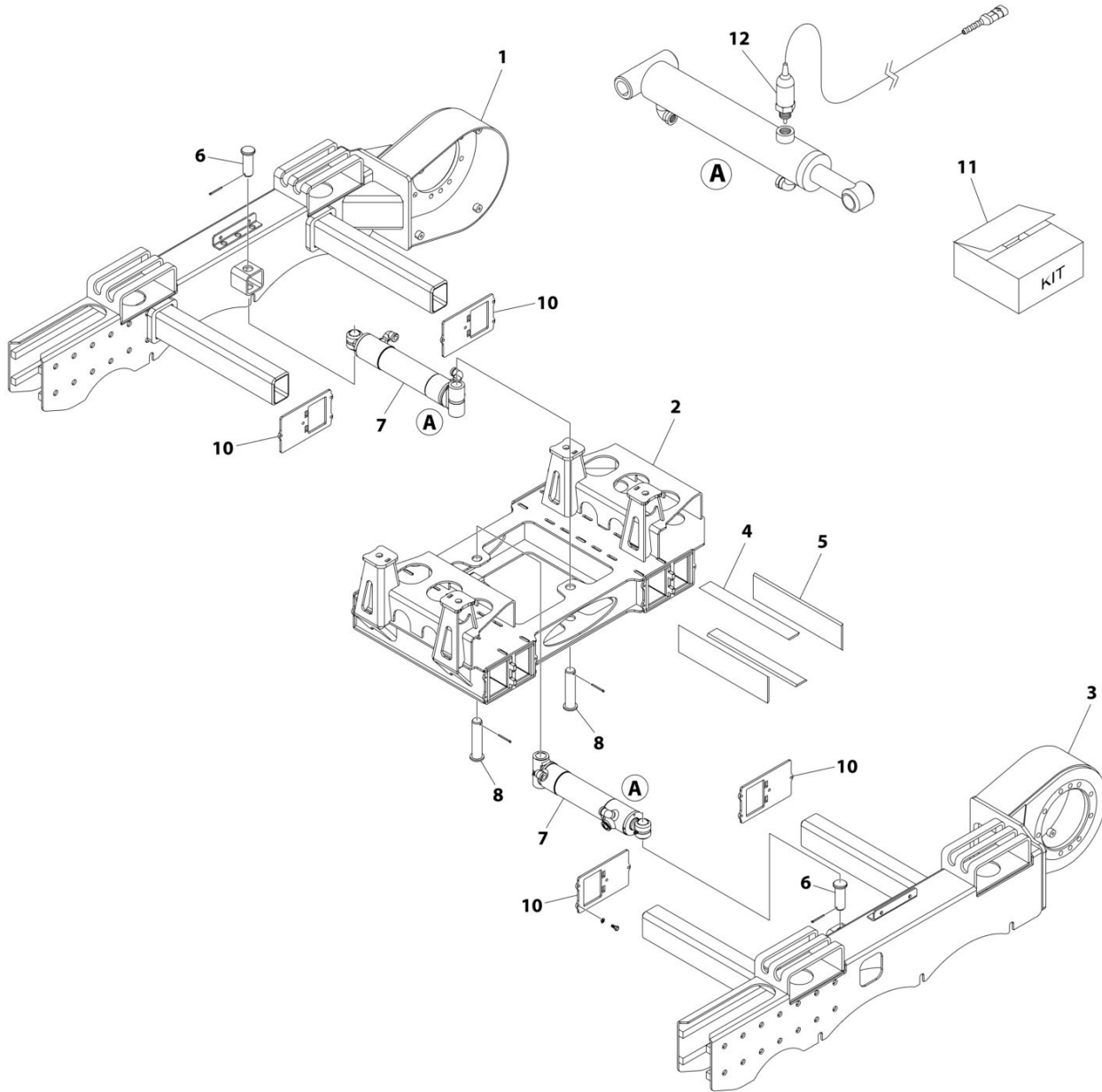
SECTION 1 - UNDERCARRIAGE

FIGURE 1-1. TRACKED UNDERCARRIAGE

| ITEM | PART NUMBER | QTY | DESCRIPTION | REV |
|------|-------------|-----|-----------------------|-----|
| | | Ref | TRACKED UNDERCARRIAGE | A |
| 1 | 283058CB | 2 | Track | |
| 2 | 03149200 | 1 | Hydraulic Valve | |
| 3 | 10681670 | 1 | Cylinder | |
| 4 | 03024801 | 1 | Spring | |
| 5 | 08357800 | 2 | Idler Fixing Plate | |
| 6 | 183575Y1 | 2 | Idler Support | |
| 7 | 183577H2 | 2 | Idler Wheel | |
| 8 | 08360000 | 2 | Upper Roller Rail | |
| 9 | 147310H2 | 6 | Carrier Roller | |
| 10 | 046748H2 | 2 | Sprocket Wheel | |
| 11 | 264491H2 | 2 | Gear Motor | |
| 12 | 083602H2 | 2 | Cover, Track | |

SECTION 1 - UNDERCARRIAGE

FIGURE 1-2. HYDRAULIC EXTENSION



ART_01-02-00

SECTION 1 - UNDERCARRIAGE

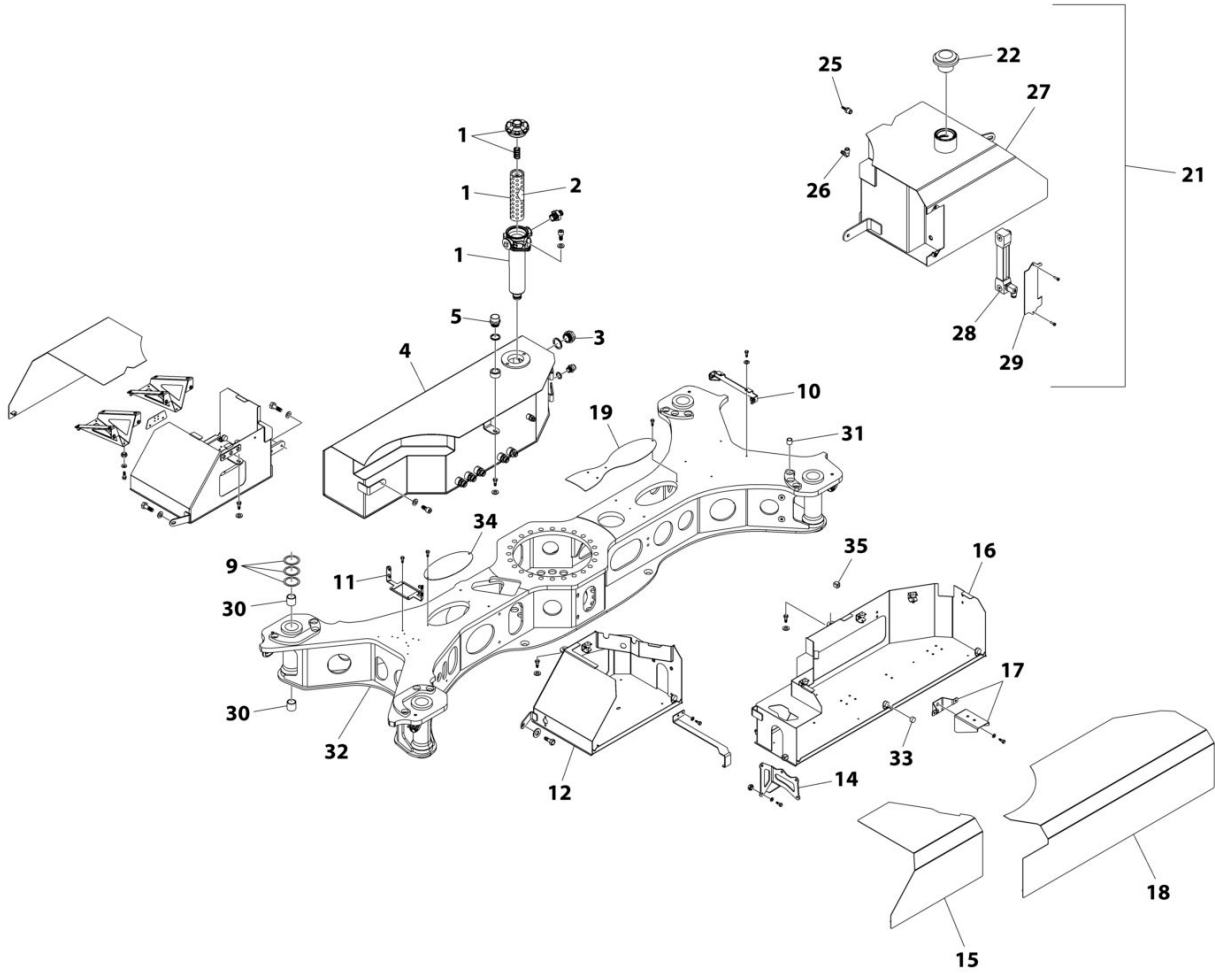
FIGURE 1-2. HYDRAULIC EXTENSION

| ITEM | PART NUMBER | QTY | DESCRIPTION | REV |
|------|-------------|-----|---|-----|
| | | Ref | HYDRAULIC EXTENSION | A |
| 1 | 383533H2 | 1 | Assembled Right Side | |
| 2 | 383515H2 | 1 | Central Undercarriage Structure | |
| 3 | 383550H2 | 1 | Assembled Left Side | |
| 4 | 08360400 | 8 | Expansion Guide | |
| 5 | 08360300 | 8 | Expansion Guide | |
| 6 | 04256300 | 2 | Pin | |
| 7 | 283824H2 | 2 | Cylinder, Widening System | |
| 8 | 04256400 | 2 | Pin | |
| 10 | 083601H2 | 4 | Enlargement Guide Cover | |
| 11 | 2838240001 | 1 | Seal Kit - 283824H2 Cylinder | |
| 12 | 17329500 | 2 | Switch, N/O Contact (Includes Cable & Connector) (Note: Purchase separate when replacing cylinder) | |

SECTION 2 - BASE & TURNTABLE

SECTION 2 - BASE & TURNTABLE

FIGURE 2-1. TURRET BASE



ART_02-01-00

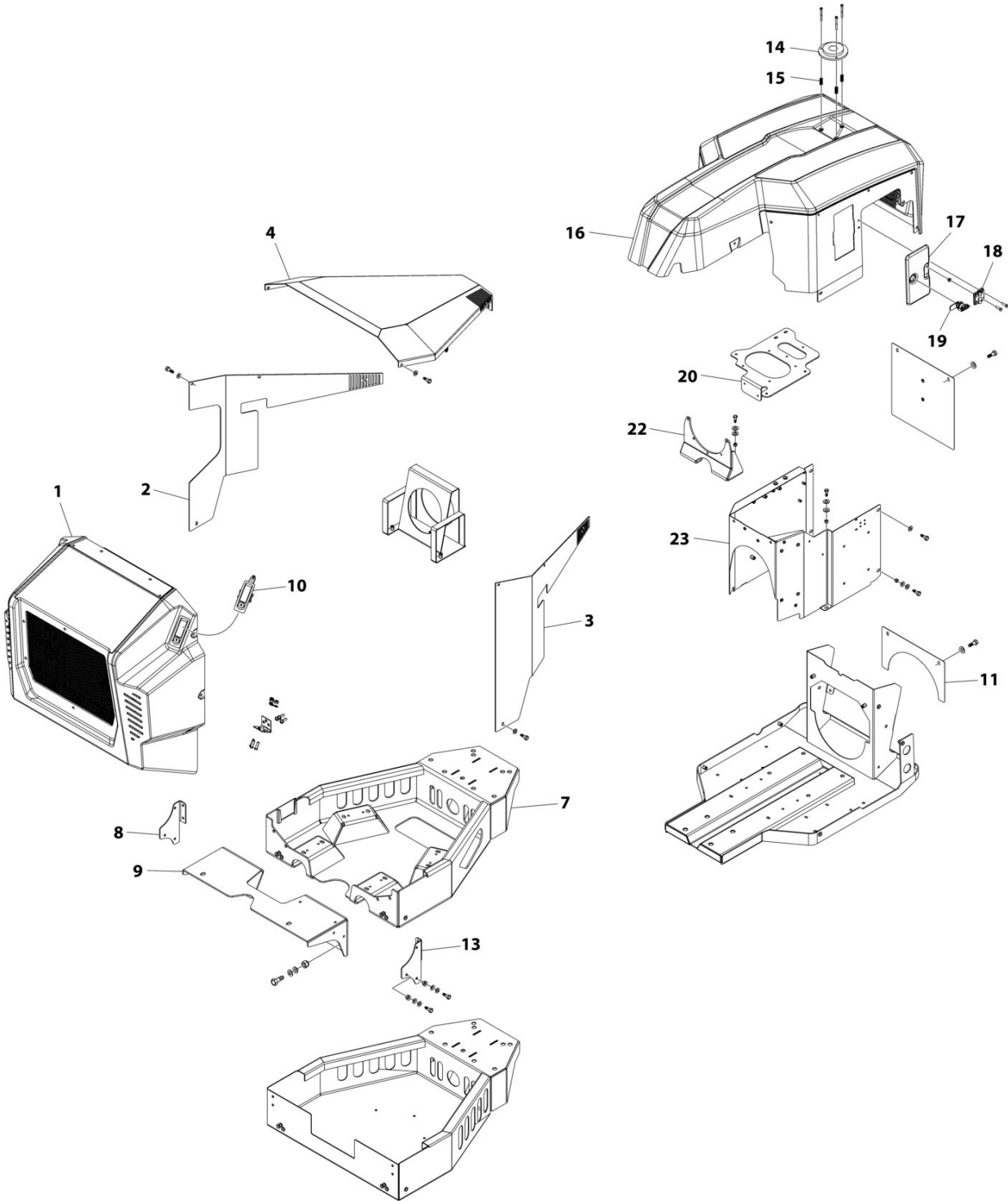
SECTION 2 - BASE & TURNTABLE

FIGURE 2-1. TURRET BASE

| ITEM | PART NUMBER | QTY | DESCRIPTION | REV |
|------|-------------|-----|--------------------------------|-----|
| | | Ref | TURRET BASE | A |
| 1 | 15120100 | 1 | Complete Hydraulic Oil Filter | |
| 2 | 05120200 | 1 | Hydraulic Filter | |
| 3 | 05061800 | 1 | Oil Level | |
| 4 | 183443J2 | 1 | Assembled Oil Tank | |
| 4 | 383443J2 | 1 | Tank, Hinowa Red | |
| 5 | 05611800 | 1 | Plug, Oil | |
| 9 | 07878100 | 12 | Washer | |
| 10 | 183726Y1 | 1 | Bracket, Motor Cover | |
| 11 | 183807H3 | 1 | Folded Diesel Engine Cover | |
| 12 | 183494J2 | 1 | Box, Battery | |
| 14 | 083627Y1 | 1 | Bracket, Hand Pump Fixing | |
| 15 | 383505J2 | 1 | Cover, Battery Box | |
| 16 | 383456J2 | 1 | Box, Control Valve | |
| 17 | 083651Y1 | 1 | Bracket, Diesel Delivery Block | |
| 18 | 383504J2 | 1 | Protection | |
| 19 | 083650H2 | 1 | Rear Plate Base Closure | |
| 21 | 185114J2 | 1 | Assembled Diesel Tank | |
| 22 | 05656400 | 2 | Cap, Key Diesel | |
| 22 | 1851140001 | 2 | Cap, Key Diesel | |
| 22 | 28512600 | 1 | Diesel Fuel Filler | |
| 25 | RS001400 | 1 | Fitting, Straight | |
| 26 | RS002700 | 1 | Fitting | |
| 27 | 385114J2 | 1 | Tank, Diesel | |
| 28 | 28362800 | 1 | Sensor, Diesel Level | |
| 29 | 085127H1 | 1 | Diesel Sensor Closing Cover | |
| 30 | 07256800 | 8 | Bush | |
| 31 | 06957900 | 8 | Bushing, Self-Lubricating | |
| 32 | 183356H2 | 1 | Frame | |
| 32 | 383356H2 | 1 | Welded Chassis | |
| 33 | 06477600 | 9 | Magneto Ø20 with M3 Hole | |
| 34 | 083370H2 | 1 | Cover, Closing | |
| 35 | 08389300 | AR | Component Box Spacer | |

SECTION 2 - BASE & TURNTABLE

FIGURE 2-2. HOODS INSTALLATION



ART_02-02-00

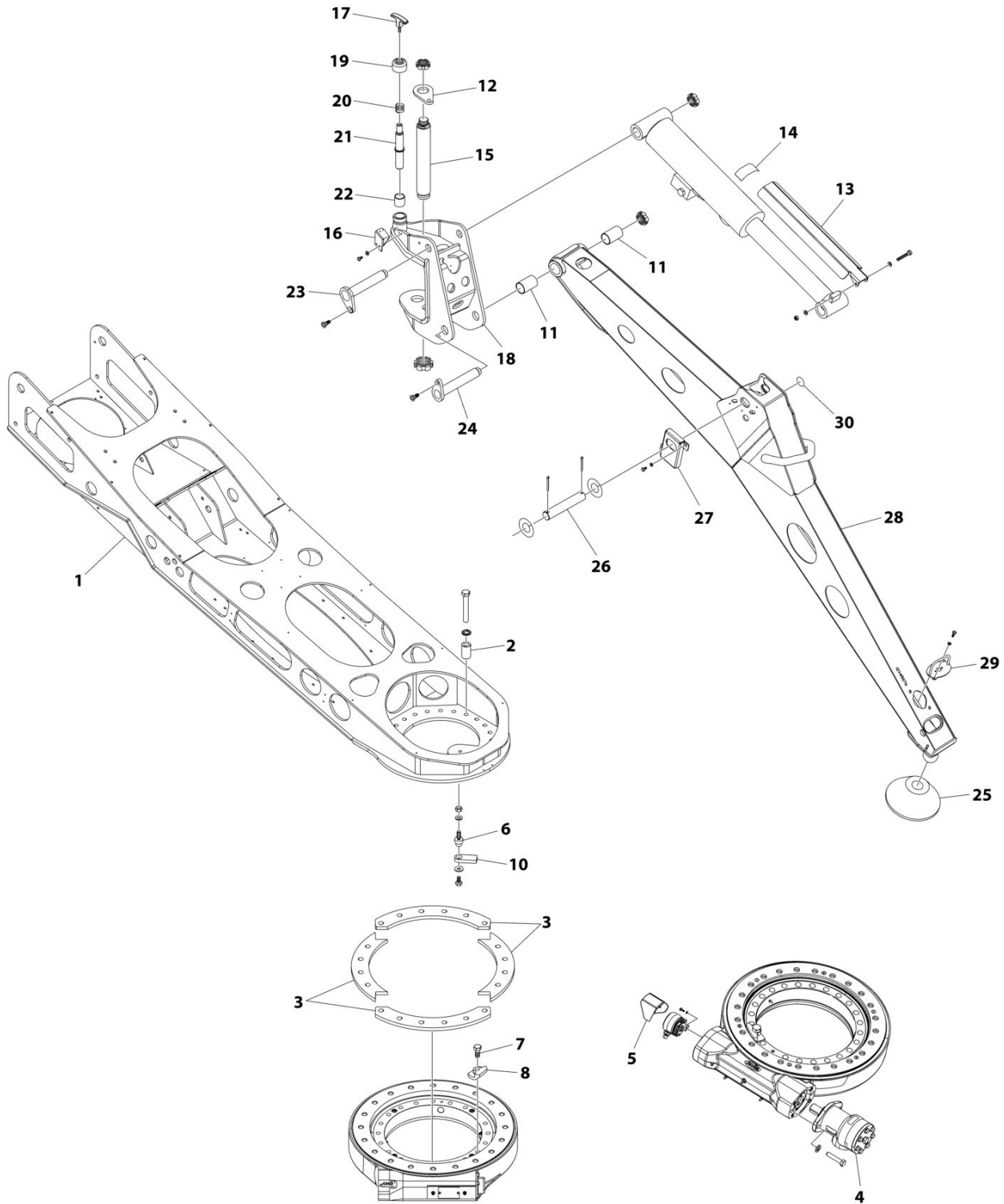
SECTION 2 - BASE & TURNTABLE

FIGURE 2-2. HOODS INSTALLATION

| ITEM | PART NUMBER | QTY | DESCRIPTION | REV |
|------|-------------|-----|---|-----|
| | | Ref | HOODS INSTALLATION | A |
| 1 | 28378800 | 1 | Hood | |
| 2 | 083842Z3 | 1 | Cover, Right Side | |
| 3 | 083843Z3 | 1 | Cover, Left Side | |
| 4 | 183840Z3 | 1 | Diesel Engine Metal Hood | |
| 7 | 183605H2 | 1 | Complete Diesel Engine Support TC22 | |
| 8 | 083813H2 | 1 | Left Bracket Frame Anchorage Cover Diesel | |
| 9 | 183613H2 | 1 | Support, Heat Exchanger | |
| 10 | 08353000 | 1 | Profile | |
| 11 | 083710H2 | 1 | Electric Motor Upper Shield | |
| 13 | 083812H2 | 1 | Bracket, Frame Anchor | |
| 14 | 05427200 | 1 | Level | |
| 15 | 05444800 | 3 | Spring | |
| 16 | 28378400 | 1 | Electric Motor Hood | |
| 17 | 2837840001 | 1 | Door For Cover | |
| 18 | 08519900 | 1 | Hinge | |
| 19 | 08520000 | 1 | Lock With Wing Driver | |
| 20 | 083717H2 | 1 | Bracket | |
| 22 | 183703H2 | 1 | Support, Electric Motor | |
| 23 | 183709H2 | 1 | Bracket, Electrical Component | |

SECTION 2 - BASE & TURNTABLE

FIGURE 2-3. OUTRIGGERS INSTALLATION



ART_02-03-00

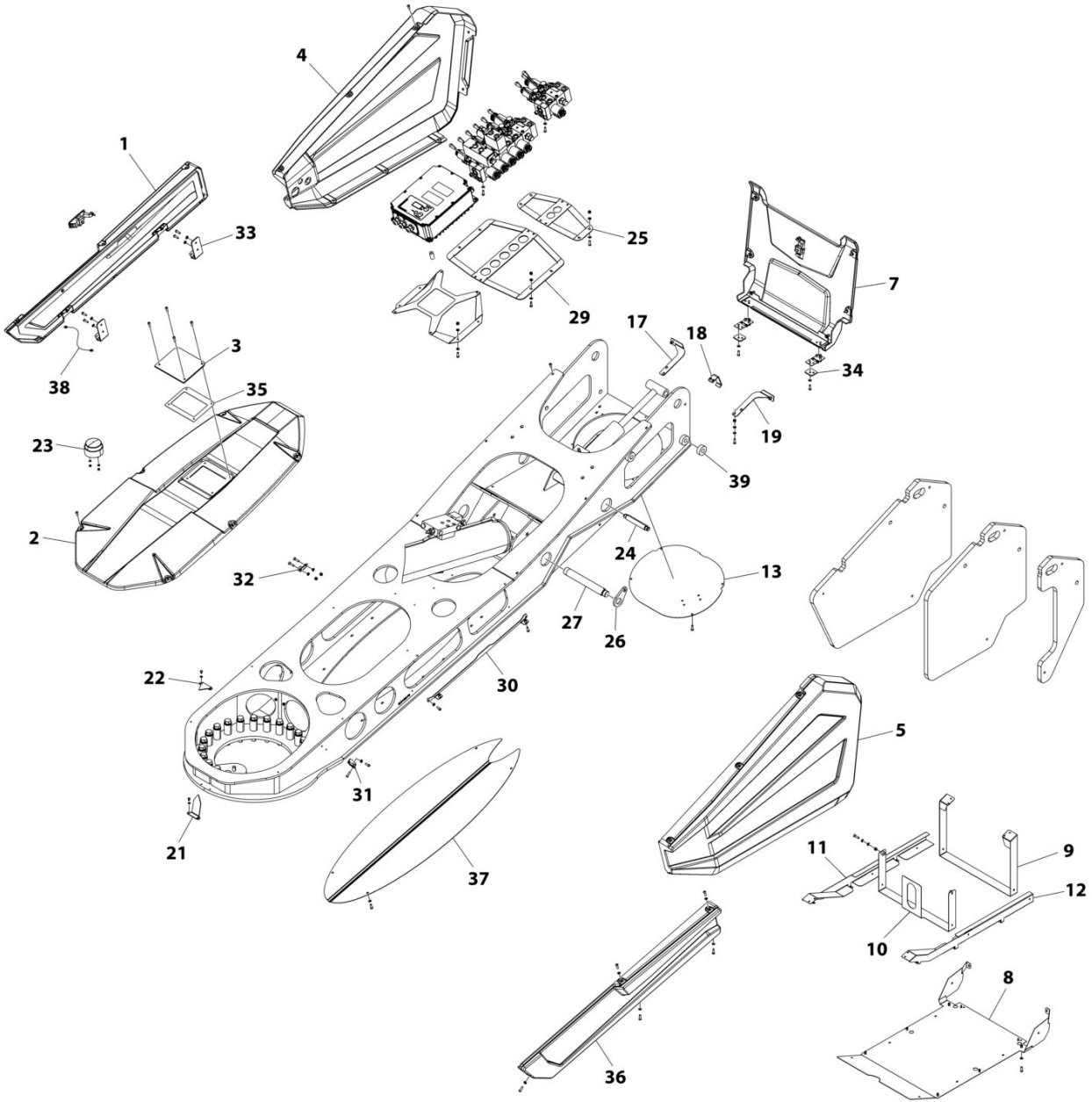
SECTION 2 - BASE & TURNTABLE

FIGURE 2-3. OUTRIGGERS INSTALLATION

| ITEM | PART NUMBER | QTY | DESCRIPTION | REV |
|------|-------------|------|----------------------------|-----|
| | | Ref | OUTRIGGERS INSTALLATION | A |
| 1 | 383555H2 | 1 | Support, Boom | |
| 2 | 06551600 | 47 | Pliers | |
| 3 | 083408Y1 | 4 | Support, Arm | |
| 4 | 283662H3 | 1 | Rotary Motor | |
| 5 | 083657H2 | 1 | Rotation Sensor Protection | |
| 6 | 064423Y1 | 1 | Pin | |
| 7 | 083631Y1 | 1 | Fixed Rotation Stop | |
| 8 | 282979H3 | 1 | Slew Ring | |
| 10 | 064422Y1 | 1 | Retainer | |
| 11 | 06422200 | 2 | Bushing | |
| 12 | 064968Y1 | 4 | Collar, Pin | |
| 13 | 083652H2 | 4 | Runner | |
| 14 | 07894900 | 4 ft | Pad | |
| 15 | 07582800 | 4 | Pin | |
| 16 | 083656H2 | 4 | Folded Micro Stabilizer | |
| 17 | 06520700 | 4 | Handle | |
| 18 | 183387H2 | 4 | Articulation | |
| 18 | 383387H2 | 1 | Stabilizer Joint | |
| 19 | 07611300 | 4 | Cover | |
| 20 | 07599800 | 4 | Spring | |
| 21 | 08342900 | 4 | Pin | |
| 22 | 07599600 | 1 | Bush | |
| 23 | 07585600 | 4 | Pin | |
| 24 | 07583000 | 4 | Pin | |
| 25 | 08342700 | 4 | Disc, Stabilizer | |
| 26 | 08342800 | 4 | Pin | |
| 27 | 075882H2 | 2 | Cover, Protection | |
| 27 | 077401H2 | 2 | Cover, Protection | |
| 28 | 183409J2 | 4 | Arm, Outrigger | |
| 29 | 376018H2 | 4 | Support | |
| 30 | 07690400 | 5 | Plug | |

SECTION 2 - BASE & TURNTABLE

FIGURE 2-4. TURNTABLE INSTALLATION



ART_02-04-00

SECTION 2 - BASE & TURNTABLE

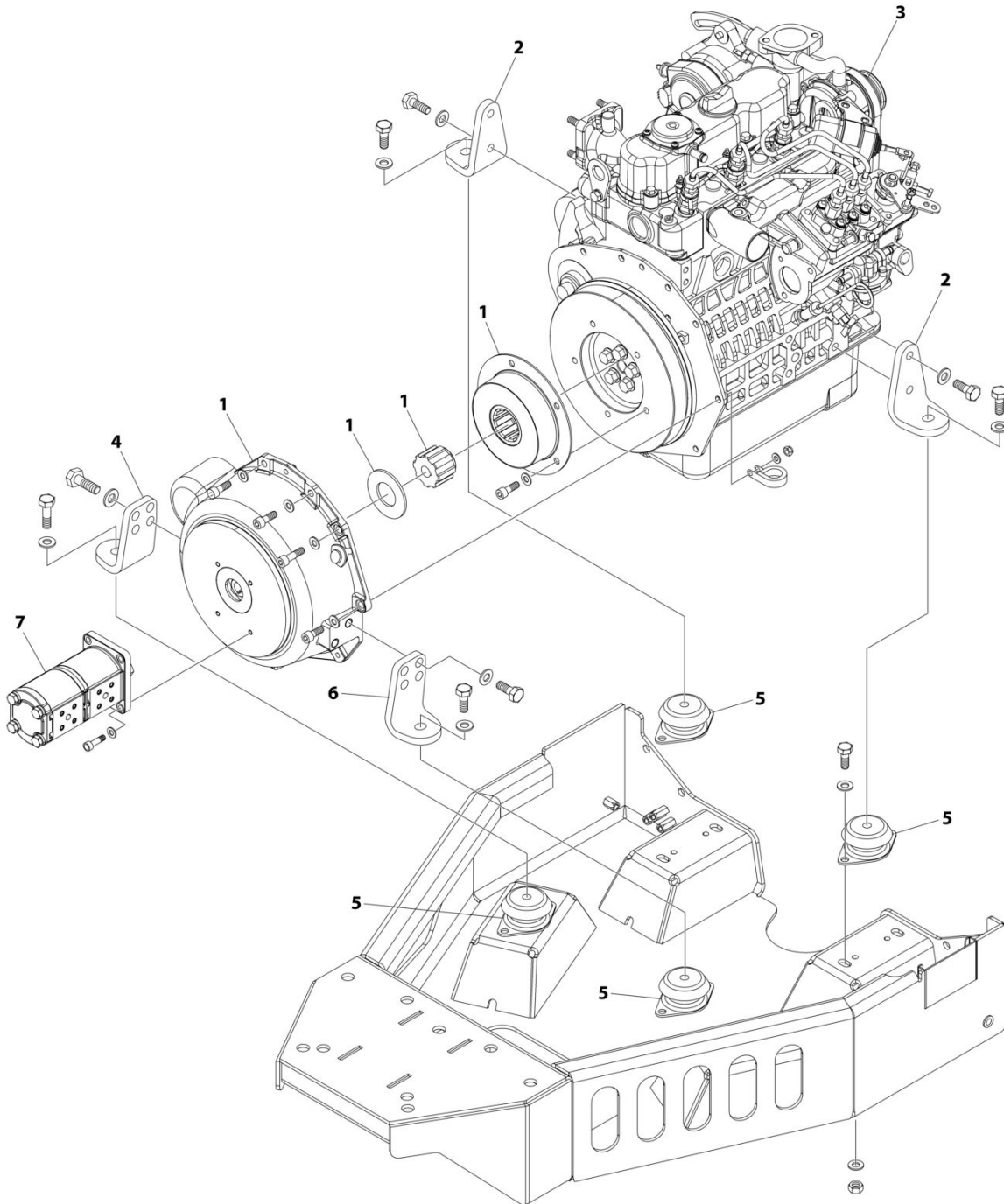
FIGURE 2-4. TURNTABLE INSTALLATION

| ITEM | PART NUMBER | QTY | DESCRIPTION | REV |
|------|-------------|-----|--|-----|
| | | Ref | TURNTABLE INSTALLATION | A |
| 1 | 28377900 | 1 | Cover, Control Valve | |
| 2 | 28377600 | 1 | Support, Slew Ring Hood | |
| 3 | 08377700 | 1 | Lexan Battery Charger TC22 | |
| 3 | 084648Z3 | 1 | Closing | |
| 4 | 28378100 | 1 | Cover, Ballast Left | |
| 5 | 28378200 | 1 | Cover, Ballast Right | |
| 7 | 28378300 | 1 | Pads Housing Hood | |
| 8 | 183730H2 | 1 | Lower Closure Support Diesel Arms | |
| 9 | 083798Y1 | 1 | Front Bracket Support Pads And Batteries | |
| 10 | 083799Y1 | 1 | Rear Bracket Support Pads And Batteries | |
| 11 | 083800Y1 | 1 | Left Bracket For Pads And Batteries Support | |
| 12 | 083797Y1 | 1 | Right Folded Support Pads And Batteries | |
| 13 | 083775H2 | 1 | Upper Closure Battery Compartment Arm Support | |
| 17 | 183728H2 | 1 | Rear Cover Fixing Bracket 2 | |
| 18 | 083731H2 | 1 | Rear Cover Lock Striker Diesel Arm | |
| 19 | 183727H2 | 1 | Rear Cover Fixing Bracket 1 | |
| 21 | 083722D2 | 1 | Alignment Indicator | |
| 22 | 083721D2 | 1 | Mobile Alignment Indicator | |
| 23 | 1001181405 | 1 | Lamp, Strobe Beacon | |
| 24 | 06867600 | 1 | Pin | |
| 25 | 083618Y1 | 1 | Bracket, 1 El. Plane Distributor Fixing | |
| 26 | 064967Y1 | 2 | Pin Drop | |
| 27 | 08342500 | 1 | Lifting Side Support Cylinder Fixing Plug TC22 | |
| 29 | 083619Y1 | 1 | Bracket, 5 El. Plane Distributor Fixing | |
| 30 | 183729Y1 | 1 | Support, Arm Cover Fixing Bracket | |
| 31 | 183806Y1 | 1 | Support, Right Arm Cover Fixing | |
| 32 | 083732H2 | 1 | Lock Striker | |
| 33 | 08378000 | 1 | Bracket, Frame | |
| 34 | 084295Y1 | 2 | Hinges Fixing Plate | |
| 35 | 837760001 | 1 | Gasket Epdm | |
| 36 | 28377800 | 1 | Cover, Right Arm Support | |
| 37 | 083661H2 | 1 | Support, Lower Arm Closure | |
| 38 | 08280200 | 1 | Mobile Roof Stop Rope | |
| 39 | 083801Y1 | 2 | Support, Spacer Pads And Batteries | |

SECTION 3 - ENGINE

SECTION 3 - ENGINE

FIGURE 3-1. ENGINE COUPLING - PUMP



ART_03-01-00

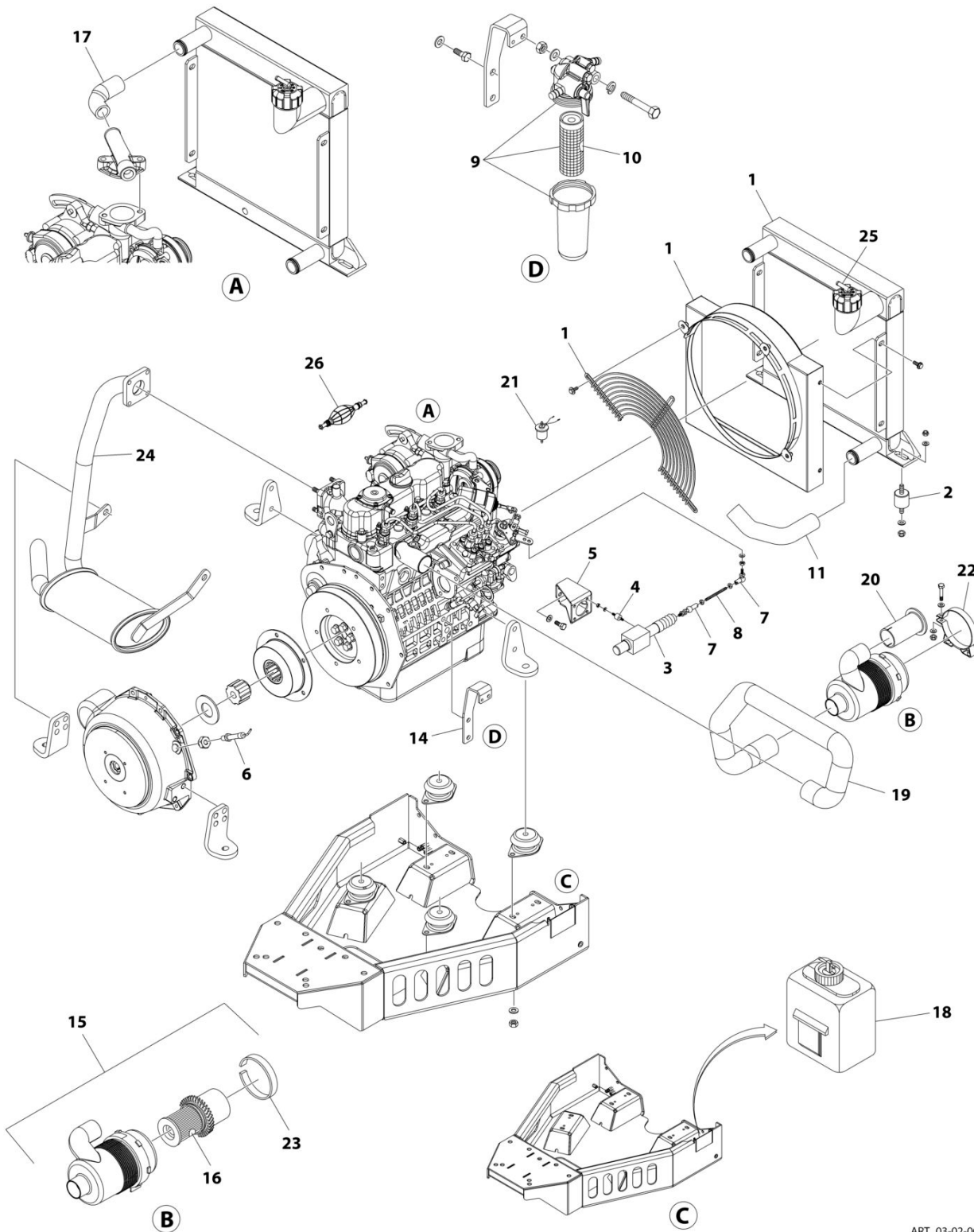
SECTION 3 - ENGINE

FIGURE 3-1. ENGINE COUPLING - PUMP

| ITEM | PART NUMBER | QTY | DESCRIPTION | REV |
|------|-------------|-----|------------------------------------|-----|
| | | Ref | ENGINE COUPLING - PUMP | A |
| 1 | 28053100 | 1 | Coupling, Pump | |
| 2 | 075718Y1 | 2 | Support, Rear | |
| 3 | 28056700 | 1 | Kubota Engine Kit With Attachments | |
| 4 | 075716Y1 | 1 | Support, Right | |
| 5 | 27018000 | 4 | Mount, Motor | |
| 6 | 075717Y1 | 1 | Support, Left | |
| 7 | 284674H3 | 1 | Pump Assembly | |

SECTION 3 - ENGINE

FIGURE 3-2. ENGINE SPARE PARTS - DIESEL



ART_03-02-00

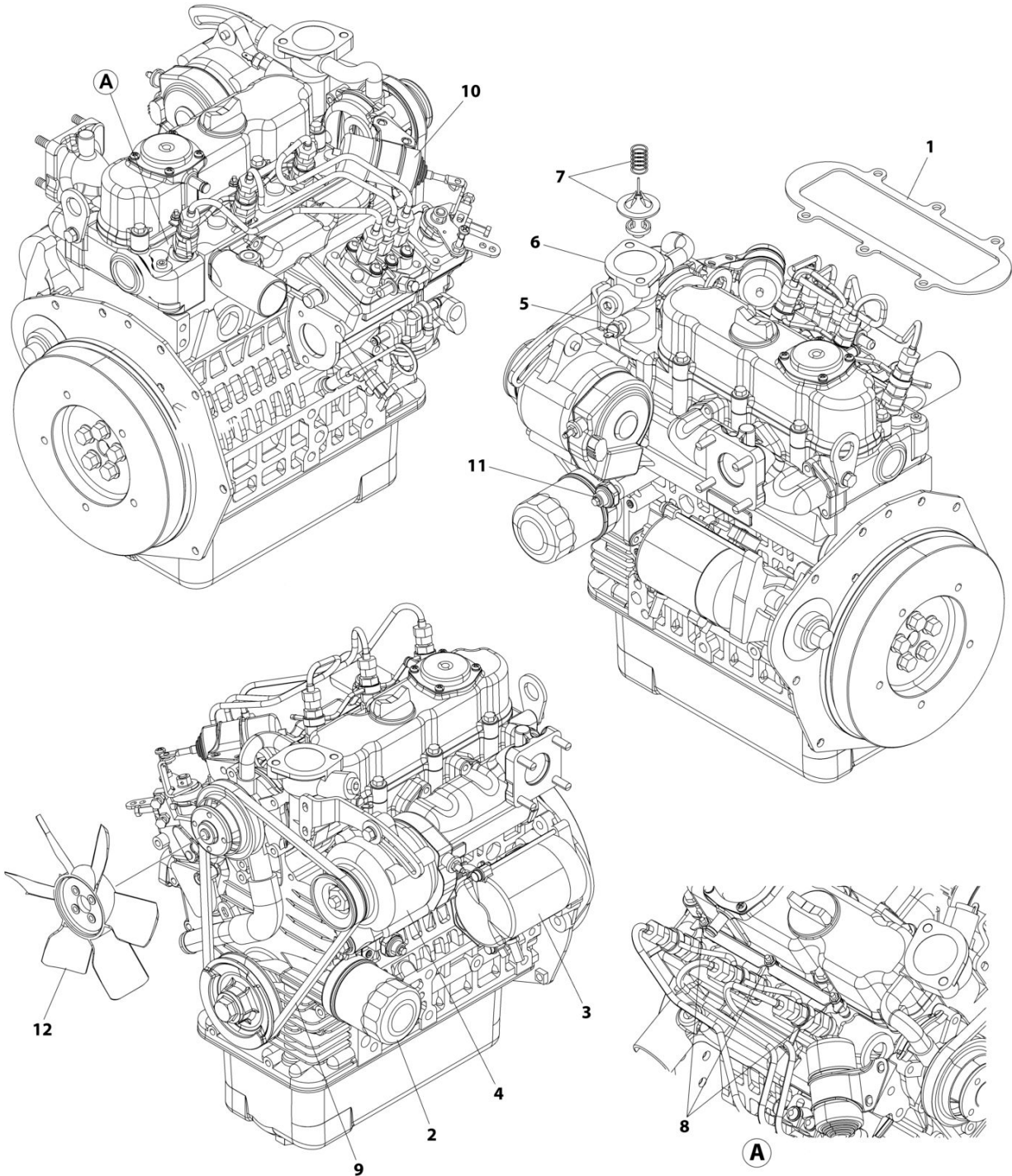
SECTION 3 - ENGINE

FIGURE 3-2. ENGINE SPARE PARTS - DIESEL

| ITEM | PART NUMBER | QTY | DESCRIPTION | REV |
|------|-------------|-----|-------------------------------|-----|
| | | Ref | ENGINE SPARE PARTS - DIESEL | A |
| 1 | 084571Y1 | 1 | Bracket | |
| 1 | 28052700 | 1 | Radiator | |
| 1 | 28432200 | 1 | Water Cooler | |
| 2 | 06145700 | 2 | Mount, Rubber | |
| 3 | 26551500 | 1 | Valve, Piston | |
| 4 | 06551400 | 4 | Mount, Rubber | |
| 5 | 080523Y1 | 1 | Actuator Fixing Bracket | |
| 6 | 27602400 | 1 | Sensor, Speed | |
| 7 | 07598700 | 1 | Joints, Angle | |
| 8 | 07598600 | 1 | Tie-Rod | |
| 9 | 17404200 | 1 | Fuel Filter Assembly | |
| 10 | 1740420001 | 1 | Element, Filter | |
| 11 | 08052000 | 1 | Sleeve | |
| 14 | 380853Y1 | 1 | Engine Diesel Filter Bracket | |
| 15 | 27345100 | 1 | Air Filter Assembly | |
| 16 | 2734510001 | 1 | External, Element, Air Filter | |
| 16 | 2734510002 | 1 | Internal, Element, Air Filter | |
| 17 | 08051900 | 1 | Sleeve | |
| 18 | 25779900 | 1 | Reservoir, Coolant | |
| 19 | 08356700 | 1 | Sleeve | |
| 20 | 08380800 | 1 | Pipe | |
| 21 | 2734250006 | 1 | Pump | |
| 22 | 07343100 | 1 | Bracket | |
| 23 | 07430200 | 1 | Seal | |
| 24 | 08051800 | 1 | Muffler | |
| 25 | 2805270001 | 1 | Cap | |
| 26 | 07495500 | 1 | Pump | |

SECTION 3 - ENGINE

FIGURE 3-3. ENGINE SPARE PARTS - DIESEL



ART_03-03-00

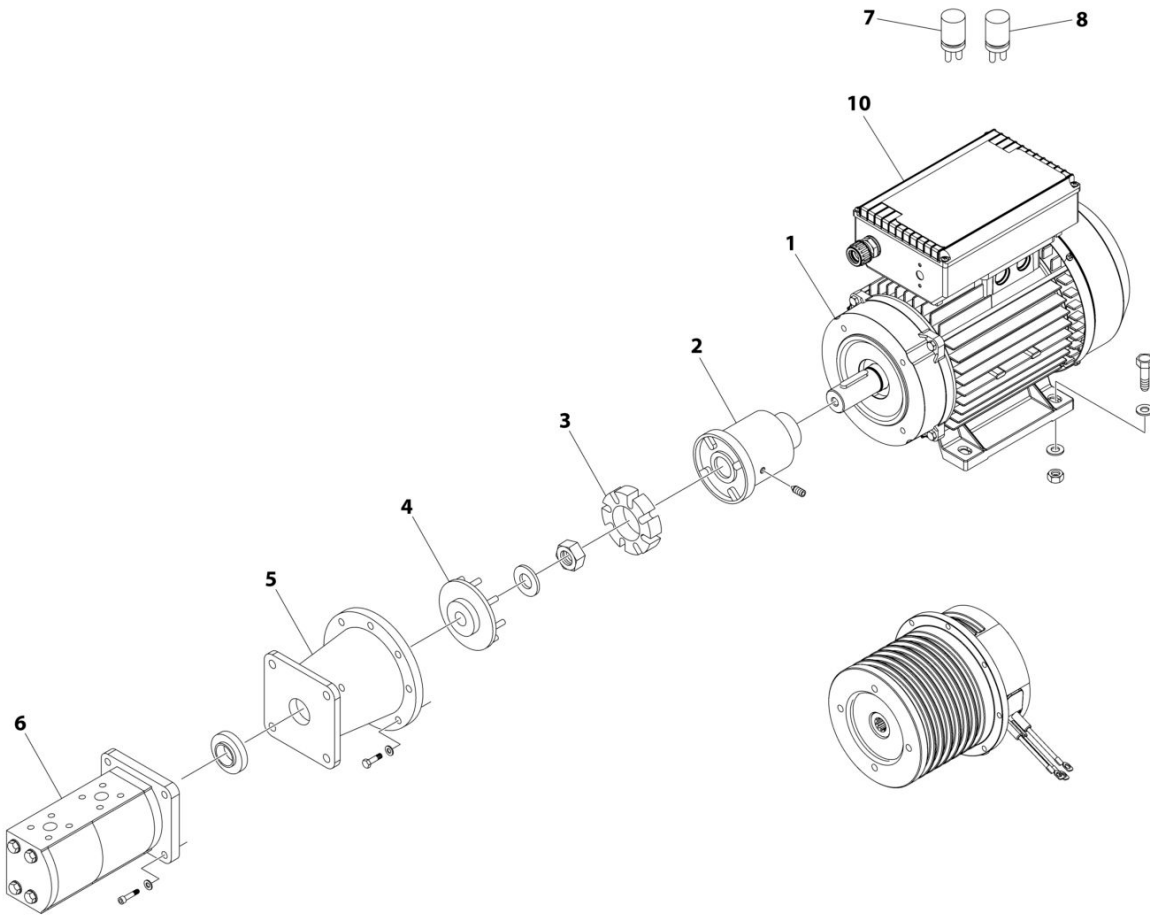
SECTION 3 - ENGINE

FIGURE 3-3. ENGINE SPARE PARTS - DIESEL

| ITEM | PART NUMBER | QTY | DESCRIPTION | REV |
|------|-------------|-----|-----------------------------|-----|
| | | Ref | ENGINE SPARE PARTS - DIESEL | A |
| 1 | 2734250003 | 1 | Gasket, Valve Cover | |
| 2 | 2734250002 | 1 | Filter, Oil | |
| 3 | 2805670004 | 1 | Starter | |
| 4 | 2734250013 | 1 | Alternator | |
| 5 | 2734250009 | 1 | Sensor, Temperature | |
| 6 | 2805670003 | 1 | Pump, Water | |
| 7 | 2734250008 | 1 | Thermostat & Spring | |
| 8 | 2805670002 | 1 | Plug, Glow | |
| 9 | 2734250011 | 1 | Belt, Drive | |
| 10 | 2734250004 | 1 | Solenoid, Stop | |
| 11 | 2734250007 | 1 | Sensor, Oil Pressure | |
| 12 | 2734250001 | 1 | Fan | |
| 12 | 2805670005 | 1 | Fan Blower | |

SECTION 3 - ENGINE

FIGURE 3-4. ELECTRIC MOTOR



ART_03-04-00

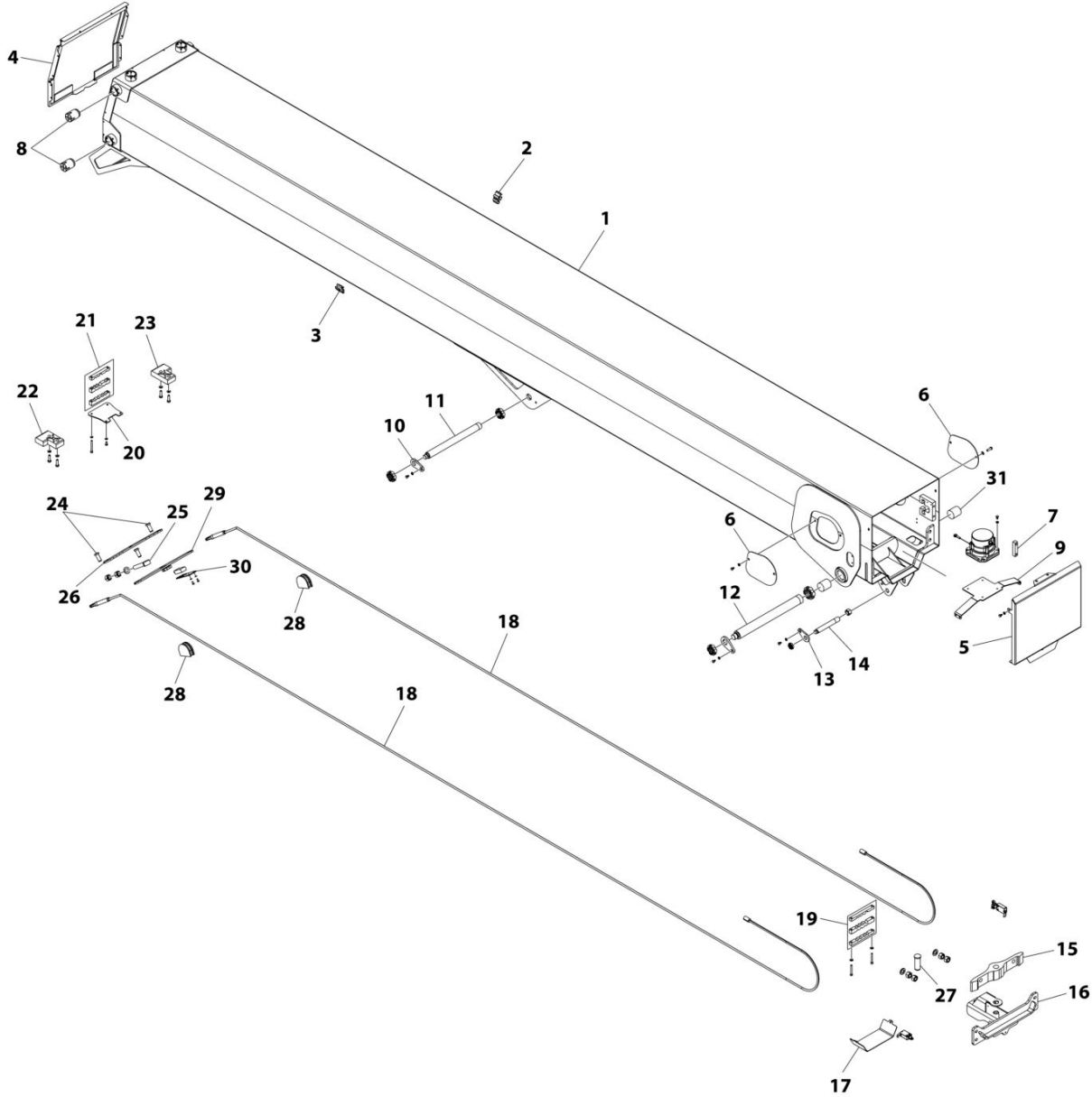
FIGURE 3-4. ELECTRIC MOTOR

| ITEM | PART NUMBER | QTY | DESCRIPTION | REV |
|------|-------------|-----|----------------------|-----|
| | | Ref | ELECTRIC MOTOR | A |
| 1 | 25576400 | 1 | Motor, Electric 110V | |
| 2 | 05563400 | 1 | Coupling, Motor Side | |
| 3 | 04310100 | 1 | Connection, Joint | |
| 4 | 04615300 | 1 | Coupling | |
| 5 | 05510200 | 1 | Lantern | |
| 6 | 283825H3 | 1 | Pump, Hydraulic | |
| 7 | 2557640001 | 1 | Capacitor 110V MF200 | |
| 8 | 2557640002 | 1 | Capacitor 110V MF500 | |
| 10 | 2769110002 | 1 | Condenser Box | |

SECTION 4 - BOOM

SECTION 4 - BOOM

FIGURE 4-1. MAIN BOOM ASSEMBLY



ART_04-01-00

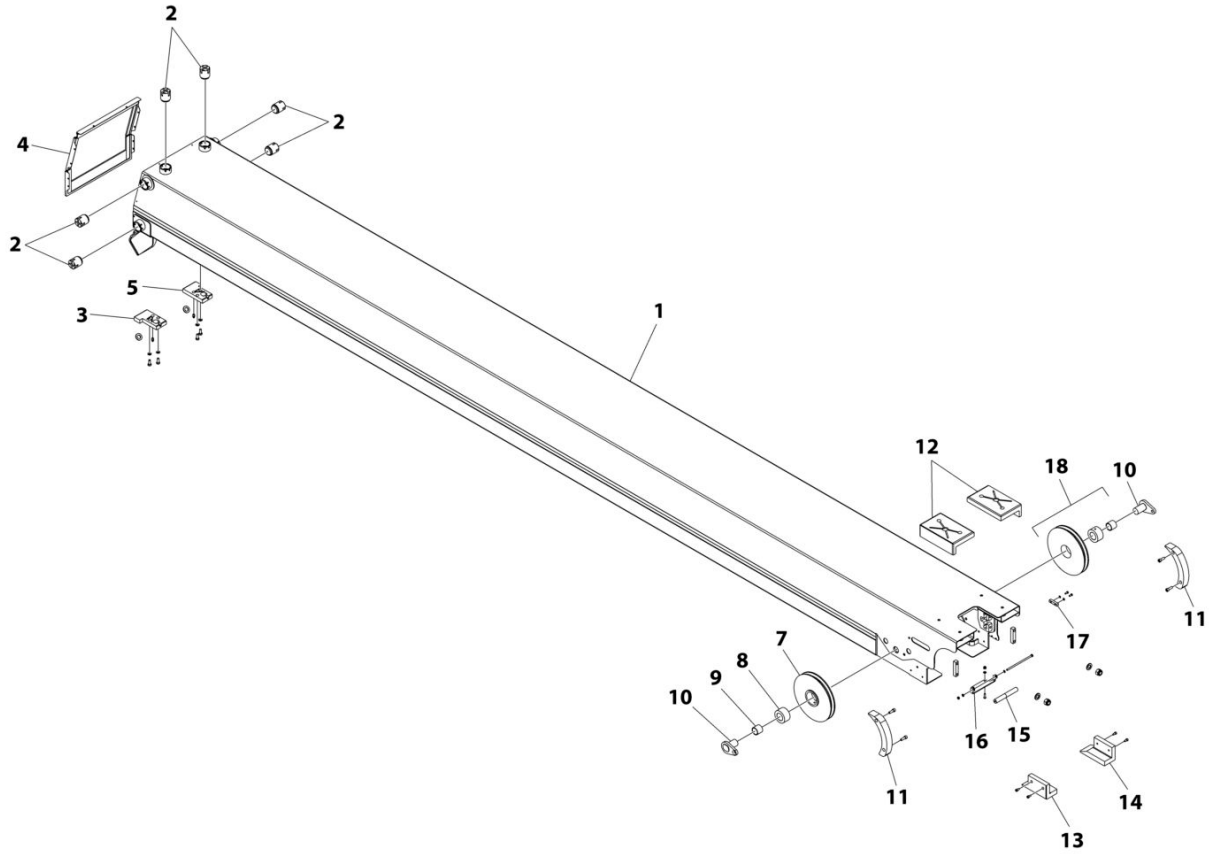
SECTION 4 - BOOM

FIGURE 4-1. MAIN BOOM ASSEMBLY

| ITEM | PART NUMBER | QTY | DESCRIPTION | REV |
|------|-------------|-----|--|-----|
| | | Ref | MAIN BOOM | A |
| 1 | 183165J1 | 1 | Boom | |
| 2 | 18375900 | 4 | Clamp, Left Rigid Pipes | |
| 3 | 18375800 | 4 | Clamp, Right Rigid Pipes | |
| 4 | 18326900 | 1 | Kit, Brushes | |
| 5 | 083267H3 | 1 | Main Boom Back Closure | |
| 6 | 083266H3 | 2 | Main Boom Side Closure | |
| 7 | 083319Y2 | 4 | Plate | |
| 8 | 06301200 | 6 | Block, Slide | |
| 9 | 083268Y1 | 1 | Bracket | |
| 10 | 064966Y1 | 2 | Pin Drop | |
| 11 | 08342400 | 1 | Lifting Side Arm Cylinder Fixing Plug TC22 | |
| 12 | 08342600 | 1 | Fixing Plug Main Boom TC22 | |
| 13 | 064965Y1 | 2 | Pin Drop | |
| 14 | 06230600 | 1 | Pin | |
| 15 | 083376Y1 | 1 | Sling Bar Exit Cable 2° Slippage TC22 Cataphoresis | |
| 16 | 383371Y1 | 1 | Exit Ropes Balancer 2 | |
| 17 | 083283H3 | 1 | Cover | |
| 18 | 08331000 | 2 | Re-Entry Cable 2° Slippage TC22 | |
| 19 | 083286Y1 | 1 | Rear Pipe Blocking Plate | |
| 20 | 083284Y1 | 1 | Rear Lower Slide On Second Arm | |
| 21 | 083285Y1 | 1 | Rear Pipe Blocking Plate | |
| 22 | 08326400 | 1 | Block, Slide | |
| 23 | 08326500 | 1 | Block, Slide | |
| 24 | 07999000 | 3 | Pin | |
| 25 | 07906300 | 1 | Tie-Rod | |
| 26 | 083279Y1 | 1 | Rear Lower Slide on Second Arm | |
| 27 | 08337700 | 1 | Sling Bar Pivot Exit Cable 2° Slippage TC22 | |
| 28 | 08328700 | 2 | Rear Lower Slide On Second Arm | |
| 29 | 383280Y1 | 1 | Balancer Ropes Return Main Boom | |
| 30 | 083288Y1 | 1 | Micro Regulation Plate | |
| 31 | 08335000 | 2 | Bush | |

SECTION 4 - BOOM

FIGURE 4-2. MAIN BOOM ASSEMBLY



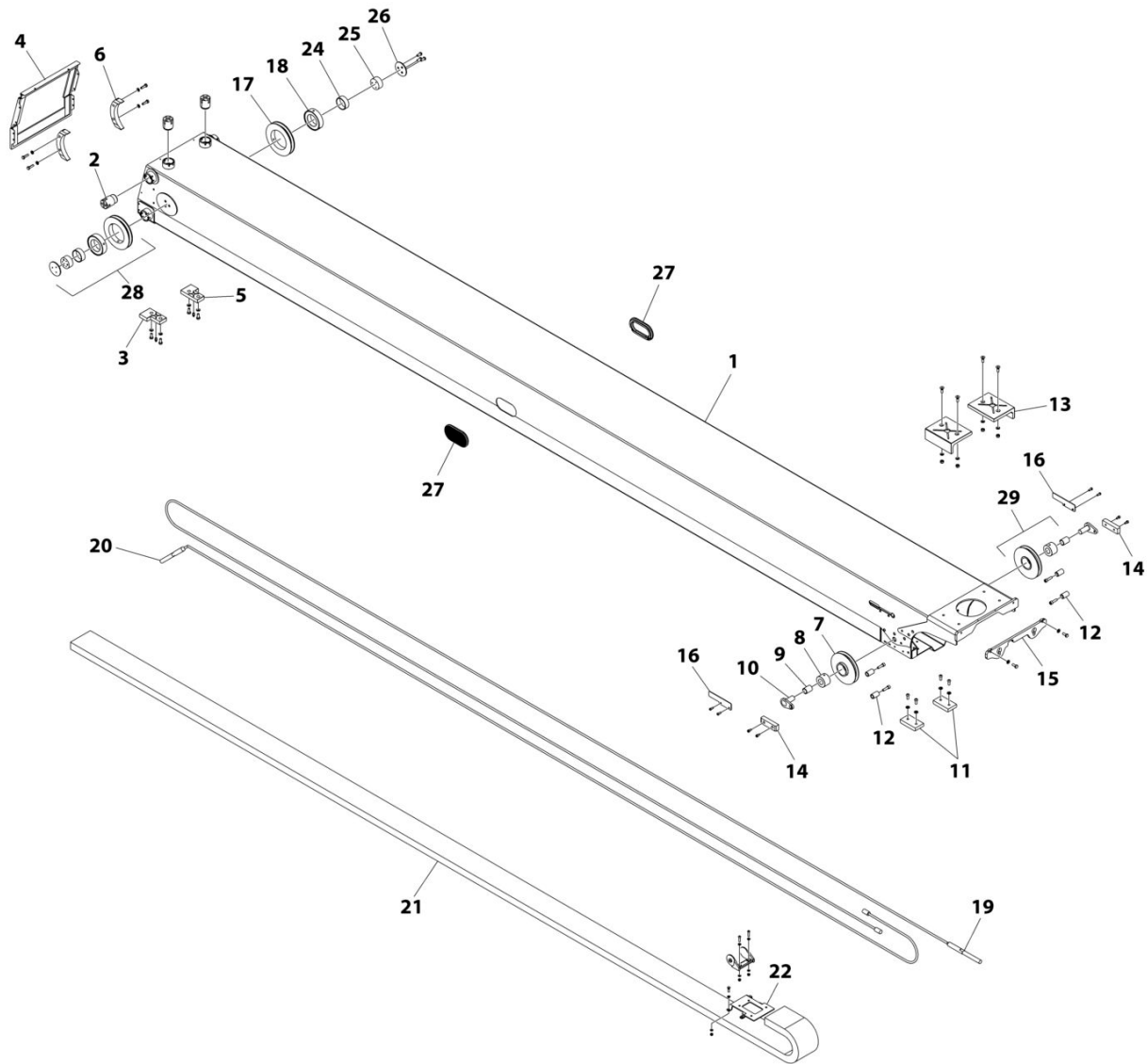
ART_04-02-00

FIGURE 4-2. MAIN BOOM ASSEMBLY

| ITEM | PART NUMBER | QTY | DESCRIPTION | REV |
|------|-------------|-----|--------------------------------|-----|
| | | Ref | MAIN BOOM ASSEMBLY | A |
| 1 | 383148J2 | 1 | Boom | |
| 2 | 07246000 | 8 | Block, Slide | |
| 3 | 08324000 | 1 | Block, Slide | |
| 4 | 18324800 | 1 | Kit, Brushes | |
| 5 | 08323900 | 1 | Block, Slide | |
| 7 | 08324700 | 1 | Rear Lower Slide on Second Arm | |
| 8 | 08398400 | 1 | Bushing, Wheel | |
| 9 | 06586200 | 1 | Bushing | |
| 10 | 08324300 | 2 | Pin, Pulley Fastening | |
| 11 | 08324100 | 2 | Block, Slide | |
| 12 | 08324200 | 2 | Block, Slide | |
| 13 | 08325600 | 1 | Block, Slide | |
| 14 | 08325700 | 1 | Block, Slide | |
| 15 | 08323700 | 1 | Roller For Catenary | |
| 16 | 083238Y1 | 1 | Block, Slide | |
| 17 | 083244Y1 | AR | Block, Micro | |
| 18 | 18324500 | 2 | Pulley | |

SECTION 4 - BOOM

FIGURE 4-3. MAIN BOOM ASSEMBLY



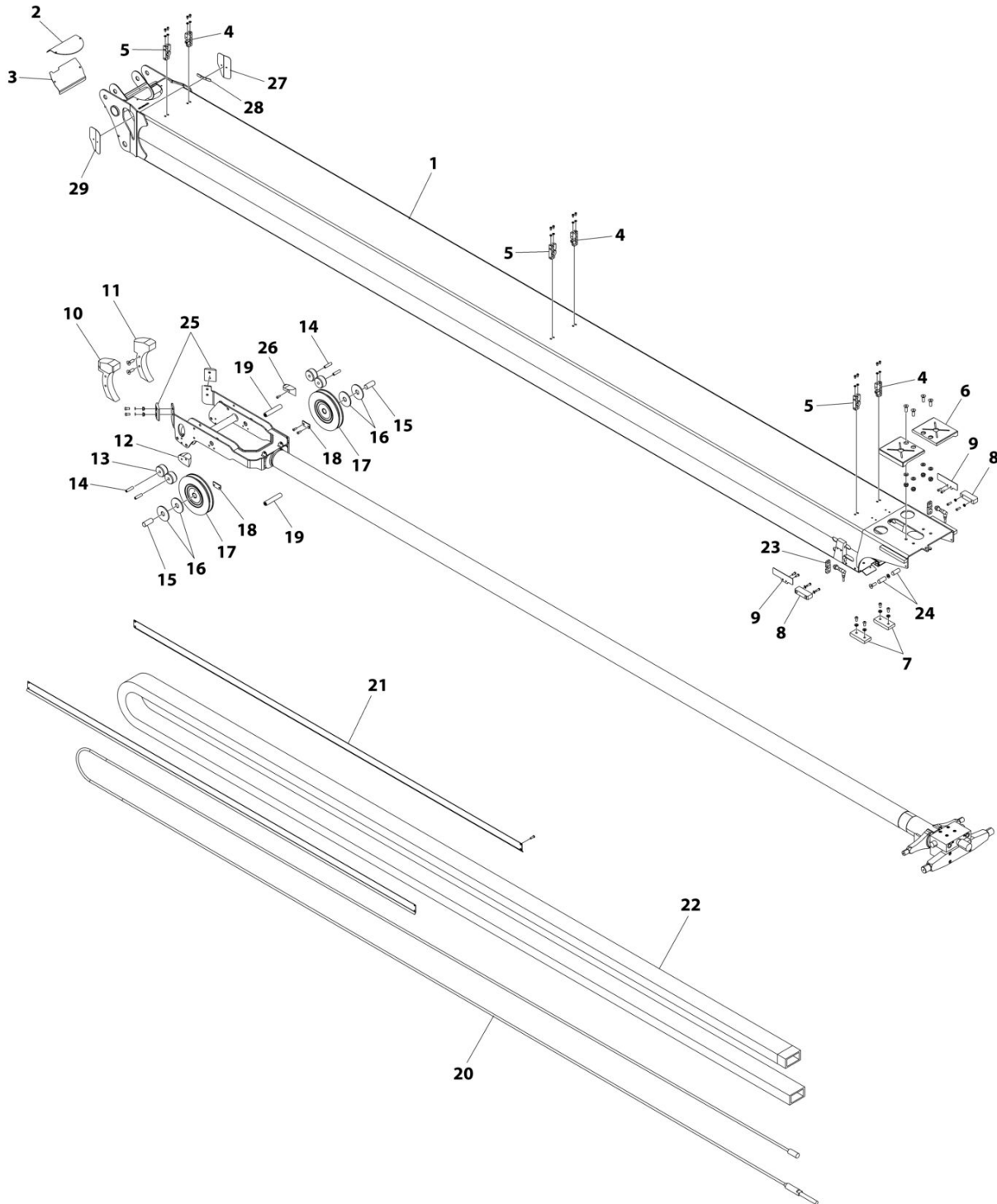
ART_04-03-00

FIGURE 4-3. MAIN BOOM ASSEMBLY

| ITEM | PART NUMBER | QTY | DESCRIPTION | REV |
|------|-------------|-----|--|-----|
| | | Ref | MAIN BOOM ASSEMBLY | A |
| 1 | 383136J2 | 1 | Boom | |
| 2 | 07918000 | 4 | Block, Slide | |
| 3 | 08321700 | 1 | Block, Slide | |
| 4 | 18322500 | 1 | Kit, Brushes | |
| 5 | 08321800 | 1 | Block, Slide | |
| 6 | 08323500 | 2 | Block, Slide | |
| 7 | 06622900 | 1 | Pulley | |
| 8 | 06321200 | 1 | Bushing | |
| 9 | 06422300 | 1 | Bushing | |
| 10 | 08322000 | 2 | Rear Lower Slide on Second Arm | |
| 11 | 08322100 | 2 | Block, Slide | |
| 12 | 08323400 | 4 | Rear Lower Slide on Second Arm | |
| 13 | 08321600 | 2 | Rear Lower Slide on Second Arm | |
| 14 | 08321500 | 2 | Rear Lower Slide on Second Arm | |
| 15 | 083236Y1 | 1 | Block, Slide | |
| 16 | 083219Y1 | 2 | Ropes Cover | |
| 17 | 08322300 | 1 | Rear Lower Slide on Second Arm | |
| 18 | 08397900 | 1 | Wheel Bushing Cable Exit Slippage Cable 3 TC22 | |
| 19 | 18331300 | 2 | Rope, Exit | |
| 20 | 08331100 | 2 | Re-Entry Cable 3° Slippage TC22 | |
| 21 | 28331400 | 1 | Catenaria Main Boom - 2° Sfilo | |
| 22 | 083233Y1 | 1 | Bracket | |
| 24 | 08431600 | 1 | Bushing | |
| 25 | 08322400 | 2 | Pin | |
| 26 | 08374800 | 2 | Round Containment Pulley Exit 2nd Exit | |
| 27 | 08407800 | 2 | Closing Cover Unloading Slippage 2 TC22 | |
| 28 | 18322200 | 2 | Pulley | |
| 29 | 16710000 | 2 | Pulley | |

SECTION 4 - BOOM

FIGURE 4-4. MAIN BOOM ASSEMBLY



ART_04-04-00

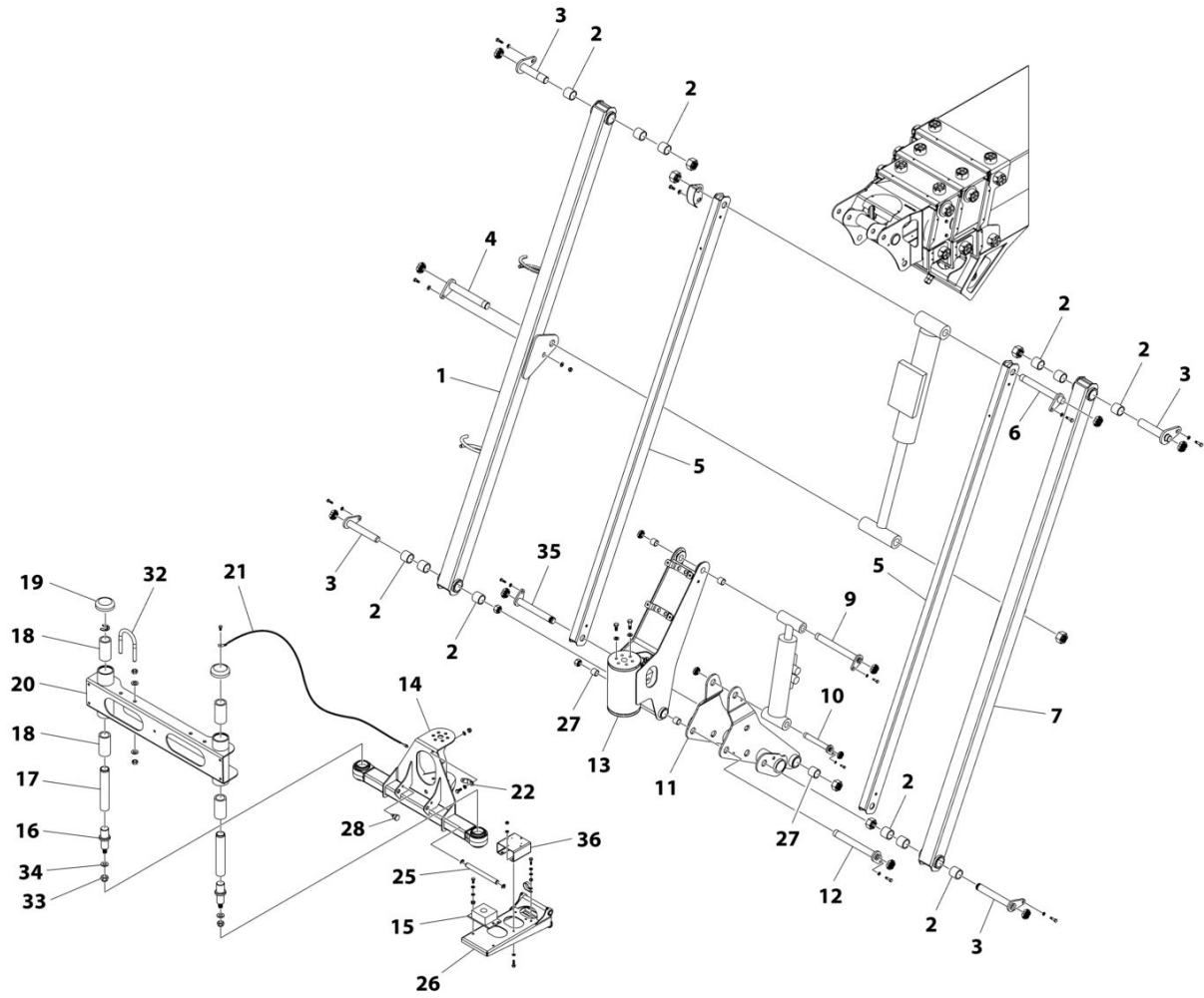
SECTION 4 - BOOM

FIGURE 4-4. MAIN BOOM ASSEMBLY

| ITEM | PART NUMBER | QTY | DESCRIPTION | REV |
|------|-------------|-----|---|-----|
| | | Ref | MAIN BOOM ASSEMBLY | A |
| 1 | 383114J2 | 1 | Boom | |
| 2 | 084969H3 | 1 | Front Closure | |
| 3 | 083211H3 | 1 | Front Lower Extension Arm Closure | |
| 4 | 08320800 | 3 | Block, Right | |
| 5 | 08320900 | 3 | Block, Left | |
| 6 | 08320500 | 2 | Block, Slide | |
| 7 | 08320600 | 2 | Block, Slide | |
| 8 | 08320700 | 2 | Block, Slide | |
| 9 | 083212Y1 | 2 | Cover | |
| 10 | 08330100 | 1 | Block, Slide | |
| 11 | 08330200 | 1 | Block, Slide | |
| 12 | 08390400 | 1 | Right Skate Overhead Contact Line Centering on Cylinder Slippage TC22 | |
| 13 | 08330400 | 2 | Roll on Cylinder MB TC22 | |
| 14 | 08330500 | 2 | Pivot Roll on Cylinder MB TC22 | |
| 15 | 08330000 | 2 | Wheel Plug Exit Slippage Main Boom TC22 | |
| 16 | 08461500 | 4 | Pulley Spacer | |
| 17 | 07271800 | 1 | Bushing | |
| 17 | 08329800 | 1 | Main Boom Output Ropes Pulley | |
| 17 | 083299Y1 | 1 | Bush Pulley | |
| 17 | 18329700 | 2 | Assembled Pulley Rope Exit | |
| 18 | 072787Y1 | 2 | Plate | |
| 19 | 08330300 | 2 | Roller for Catenary | |
| 19 | 08390500 | 2 | Sheet Metal Guide Overhead Contact Line 3° Slippage TC22 | |
| 20 | 08331200 | 2 | Cable, Exit | |
| 21 | 08374700 | 2 | Sheet Metal Guide Overhead Contact Line 3° Slippage TC22 | |
| 22 | 28331500 | 1 | Catenary 2nd Stage - 3rd Stage | |
| 23 | 083308Y1 | 2 | Fixing Sensor Plate 3° Slippage TC22 Cataphoresis | |
| 24 | 08320100 | 2 | Overhead Contact Line Roll 3° Slippage | |
| 25 | 08324600 | 2 | Block, Slide | |
| 26 | 08431700 | 1 | Left Skate Centering Overhead Contact Line on Cylinder Slippage TC22 | |
| 27 | 085104H3 | 1 | Left Side Closure | |
| 28 | 085105H3 | 2 | Lateral Closure | |
| 29 | 085106H3 | 1 | Right Side Closure | |

SECTION 4 - BOOM

FIGURE 4-5. JIB - PLATFORM SUPPORT



ART_04-05-00

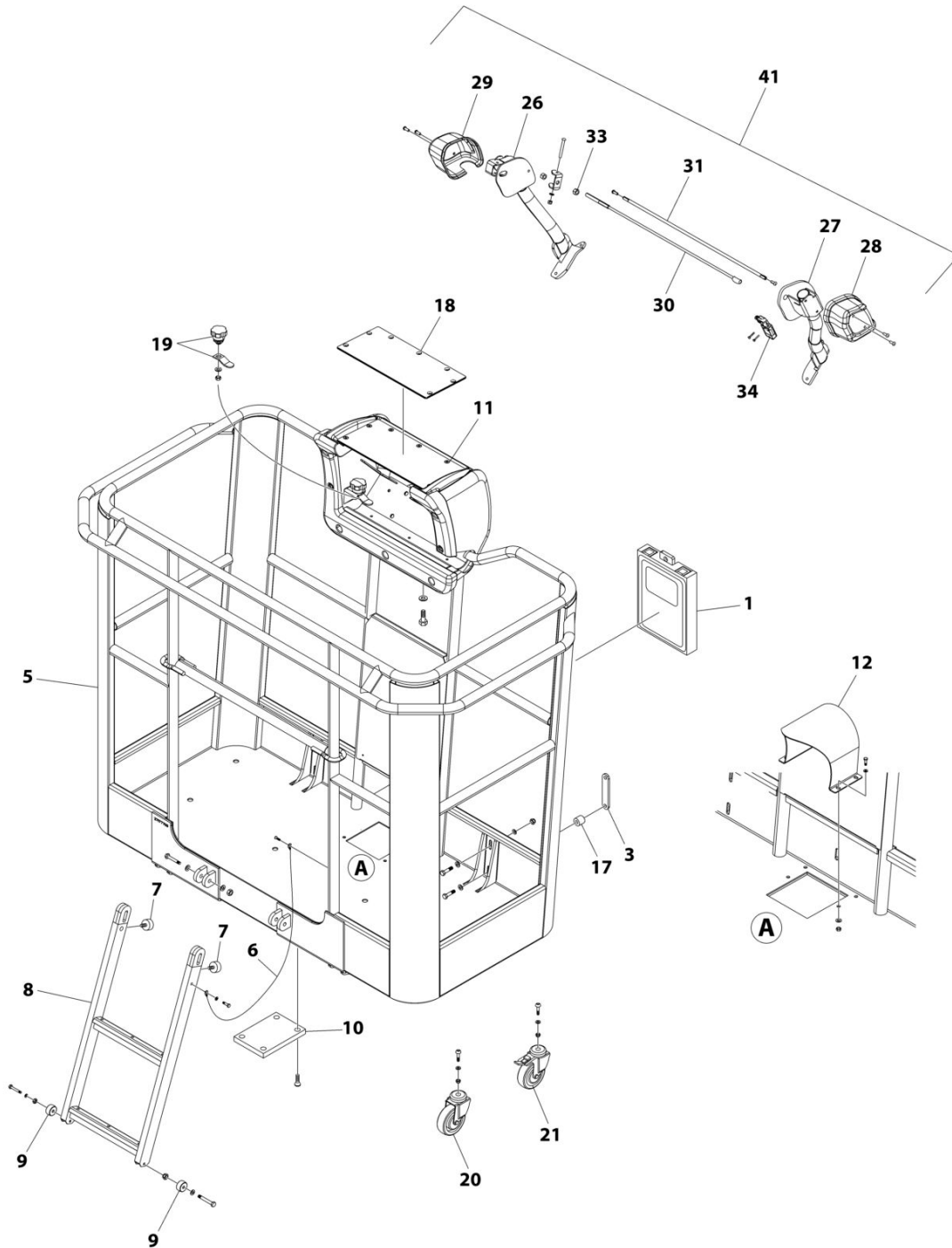
FIGURE 4-5. JIB - PLATFORM SUPPORT

| ITEM | PART NUMBER | QTY | DESCRIPTION | REV |
|------|-------------|-----|--------------------------|-----|
| | | Ref | JIB - BASKET SUPPORT | A |
| 1 | 183768J2 | 1 | Link, Jib Left | |
| 2 | 06272600 | AR | Bushing | |
| 3 | 07093500 | 4 | Pin | |
| 4 | 07093800 | 1 | Pin | |
| 5 | 183337J2 | 2 | Link, Jib Mid | |
| 6 | 08342300 | 1 | Pin | |
| 7 | 170947J2 | 1 | Link, Jib Right | |
| 9 | 07093700 | 1 | Pin | |
| 10 | 06235600 | 1 | Pin | |
| 11 | 175401J2 | 1 | Upright, Jib | |
| 12 | 06235700 | 1 | Pin | |
| 13 | 2648910002 | 1 | Seal Kit | |
| 13 | 271778H2 | 1 | Rotator Assembly | |
| 14 | 377660H2 | 1 | Support, Basket | |
| 15 | 056187H3 | 1 | Box | |
| 16 | 07190900 | 2 | Bolt M16 x 115 Grade 8.8 | |
| 17 | 07146500 | 2 | Pin | |
| 18 | 27146200 | 4 | Bearing | |
| 19 | 07146400 | 2 | Cap | |
| 20 | 371459H2 | 1 | Support | |
| 21 | 06665000 | 2 | Cable | |
| 22 | 07052900 | 1 | Bracket | |
| 25 | 07766500 | 1 | Pin | |
| 26 | 377661H2 | 1 | Bracket, Load Cell | |
| 27 | 06272700 | 2 | Bushing | |
| 28 | 07771500 | 1 | Handle | |
| 32 | 07031800 | 2 | U-Clamp | |
| 33 | 07193000 | 2 | Nut M16 | |
| 34 | 07192600 | 2 | Washer | |
| 35 | 07093600 | 1 | Pin | |
| 36 | 072404H3 | 1 | Support, Foot Switch | |

SECTION 5 - PLATFORM

SECTION 5 - PLATFORM

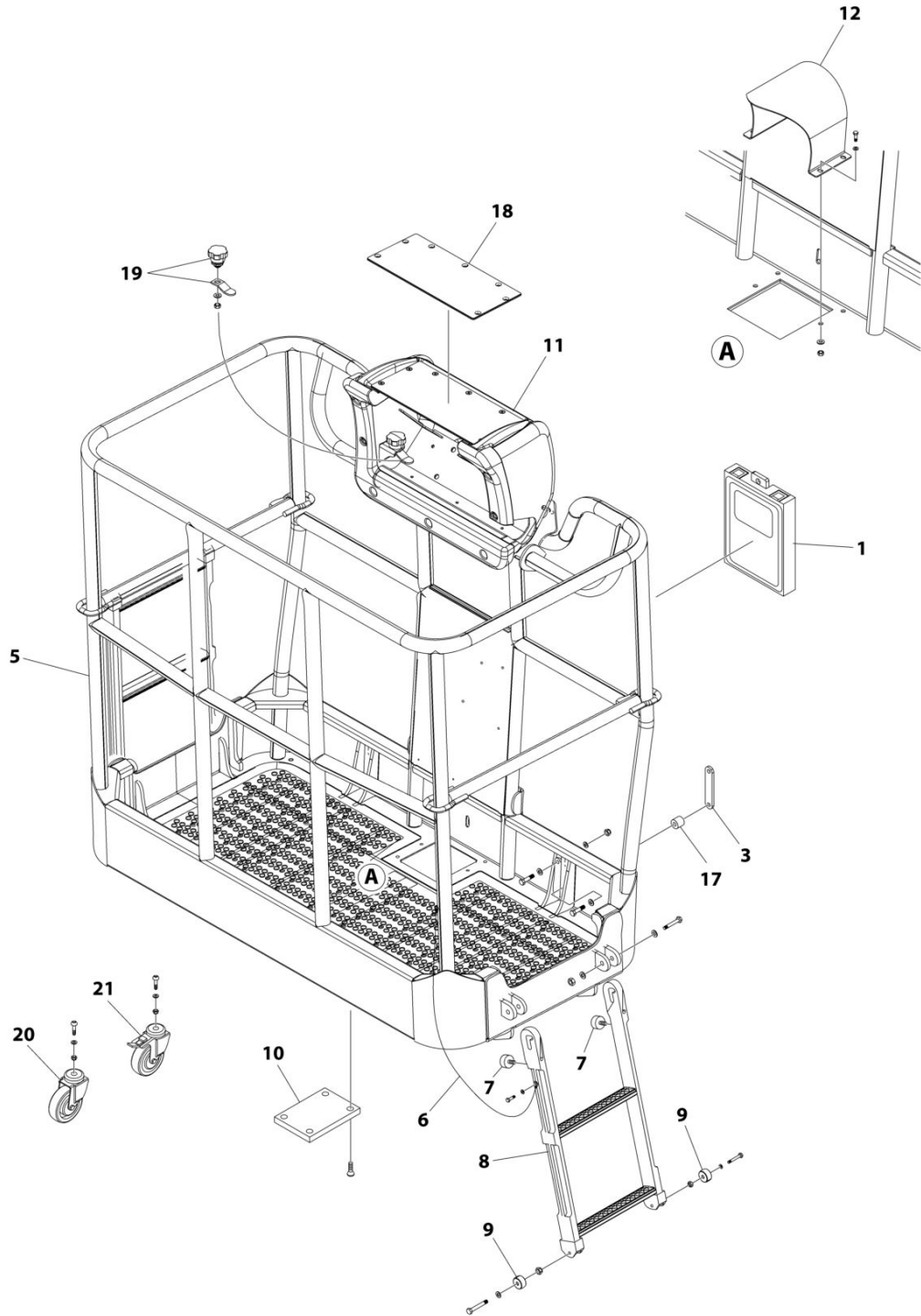
FIGURE 5-1. PLATFORM - SKY GUARD - SKY LINE



ART_04-06-00_10F2

SECTION 5 - PLATFORM

FIGURE 5-2. PLATFORM - SKY GUARD - SKY LINE



ART_04-06-00_20F2

SECTION 5 - PLATFORM

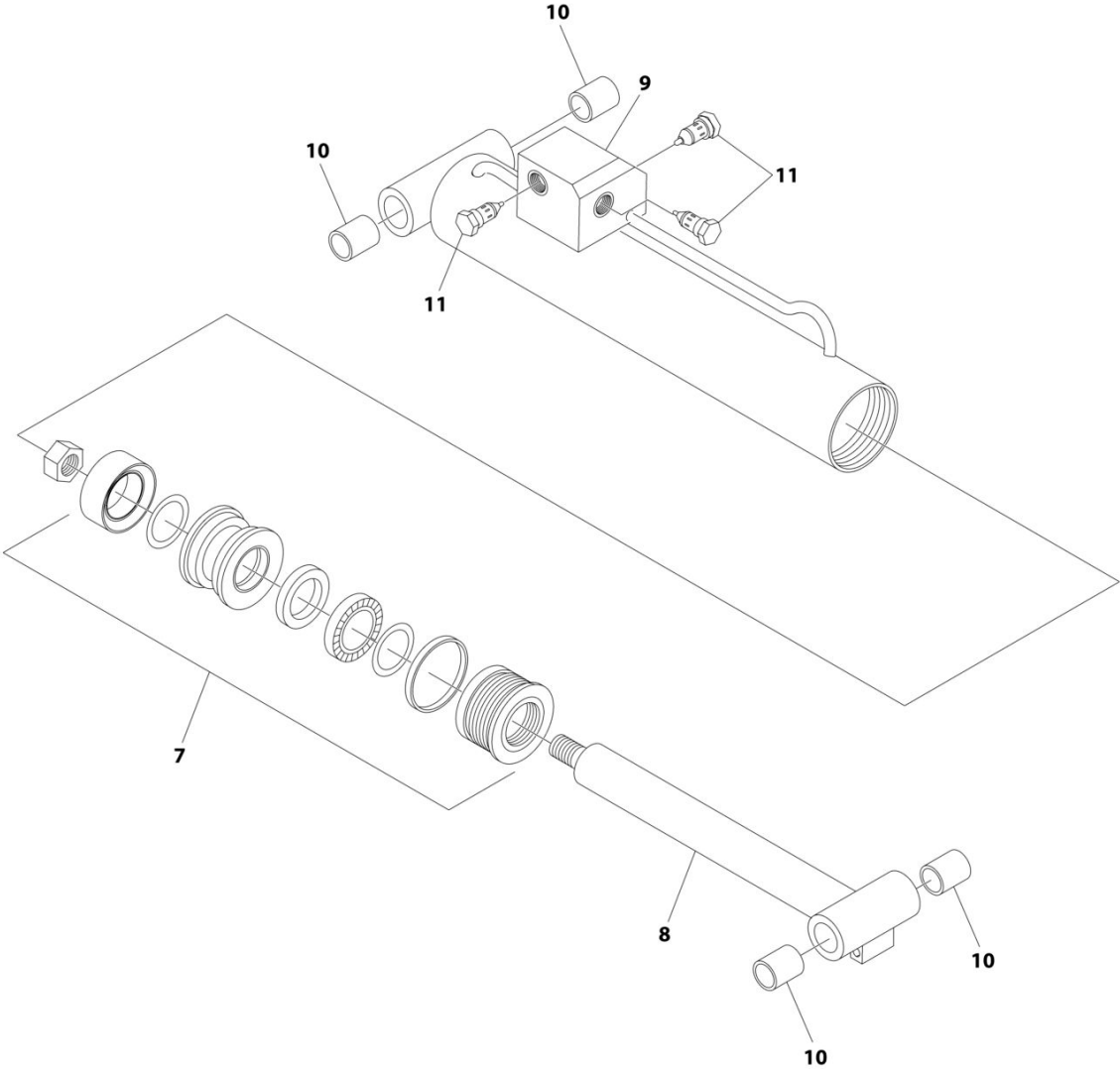
FIGURE 5-2. PLATFORM - SKY GUARD - SKY LINE

| ITEM | PART NUMBER | QTY | DESCRIPTION | REV |
|------|-------------|-----|-------------------------------|-----|
| | | Ref | BASKET - SKY GUARD - SKY LINE | A |
| 1 | 05643600 | 1 | Box, Maunal Storage | |
| 3 | 072398H3 | 2 | Plate | |
| 5 | 28250000 | 1 | Basket | |
| 6 | 06598500 | 4 | Cable | |
| 7 | 05475900 | 4 | Damping | |
| 8 | 36585800 | 2 | Ladder | |
| 9 | 06585900 | 4 | Roller | |
| 10 | 058600H3 | 1 | Plate | |
| 11 | 17569900 | 1 | Shield | |
| 12 | 06418600 | 1 | Shield | |
| 17 | 07239700 | 2 | Spacer | |
| 18 | 07690700 | 1 | Cover | |
| 19 | 07192700 | 1 | Fastener and Lever Kit | |
| 20 | 07687300 | 2 | Wheel | |
| 21 | 07751100 | 2 | Wheel with Brake | |
| 26 | 38302300 | 1 | Support | |
| 27 | 38302200 | 1 | Support | |
| 28 | 08310700 | 1 | Cover | |
| 29 | 08310800 | 1 | Cover | |
| 30 | 08132300 | 1 | Glass Fiber Wand | |
| 31 | 08309700 | 1 | Spacer | |
| 33 | 3311601 | 1 | Nut 3/8 | |
| 34 | 18310600 | 1 | Wire | |
| 41 | 18357300 | 1 | Skyline Kit | |

SECTION 6 - CYLINDER

SECTION 6 - CYLINDER

FIGURE 6-1. OUTRIGGER STABILIZER CYLINDER ASSEMBLY



ART_06-01-00

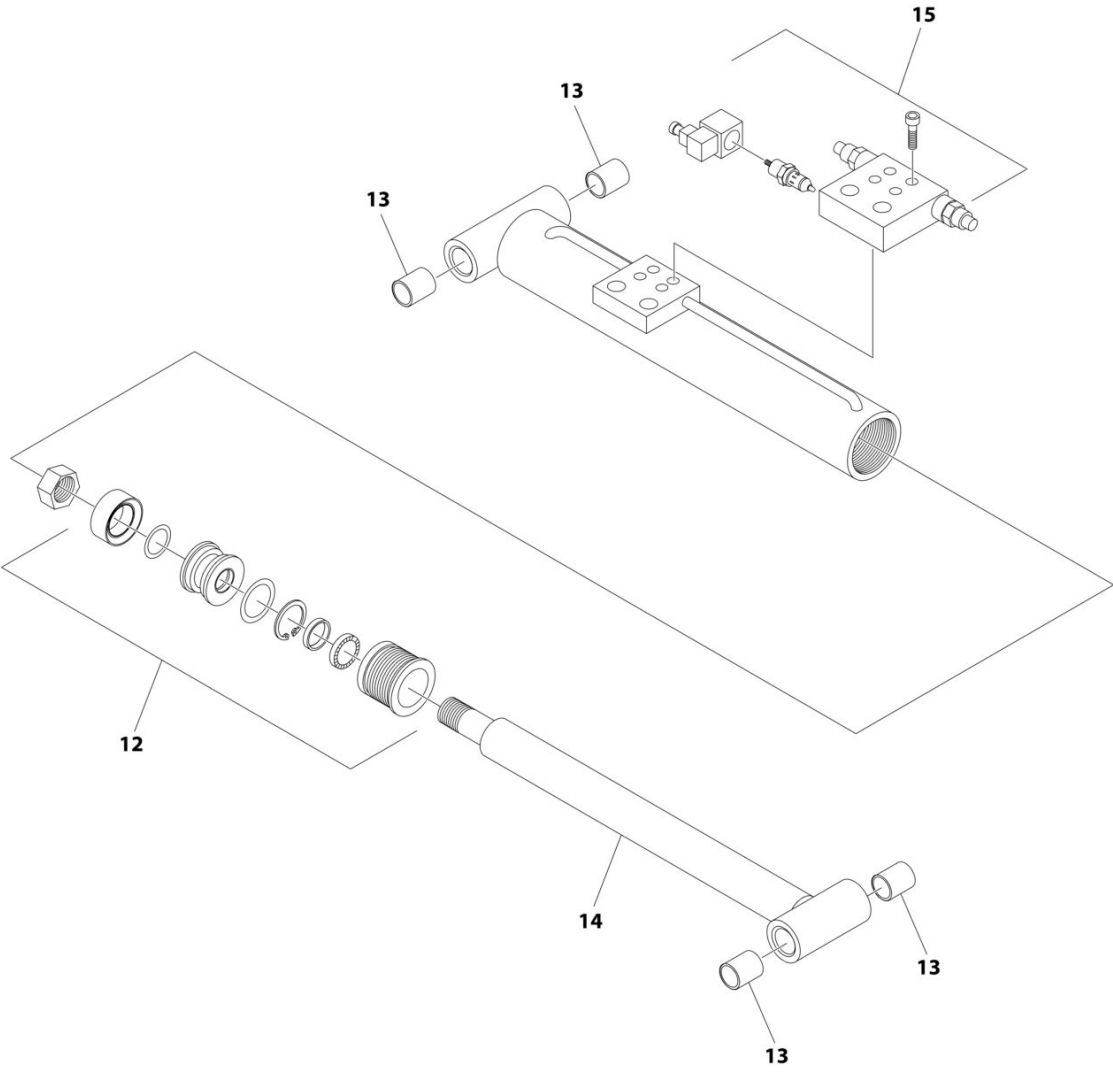
SECTION 6 - CYLINDER

FIGURE 6-1. OUTRIGGER STABILIZER CYLINDER ASSEMBLY

| ITEM | PART NUMBER | QTY | DESCRIPTION | REV |
|------|-------------|-----|---|-----|
| | 283188H2 | Ref | OUTRIGGER STABILIZER CYLINDER ASSEMBLY | A |
| | | Ref | Note: Original Cylinder May Have Been Replaced with Service Replacement. Identify PN Stamped on Cylinder Before Ordering Parts. | |
| 7 | 2831880001 | 1 | Seal Kit - 283188H2 Cylinder | |
| 8 | 2831880002 | 1 | Rod | |
| 9 | 2705540002 | 1 | Block | |
| 10 | 2627870005 | 4 | Bushing | |
| 11 | 2594900009 | 3 | Cartridge, Valve | |

SECTION 6 - CYLINDER

FIGURE 6-2. LIFT CYLINDER ASSEMBLY - MAIN BOOM



ART_06-02-00

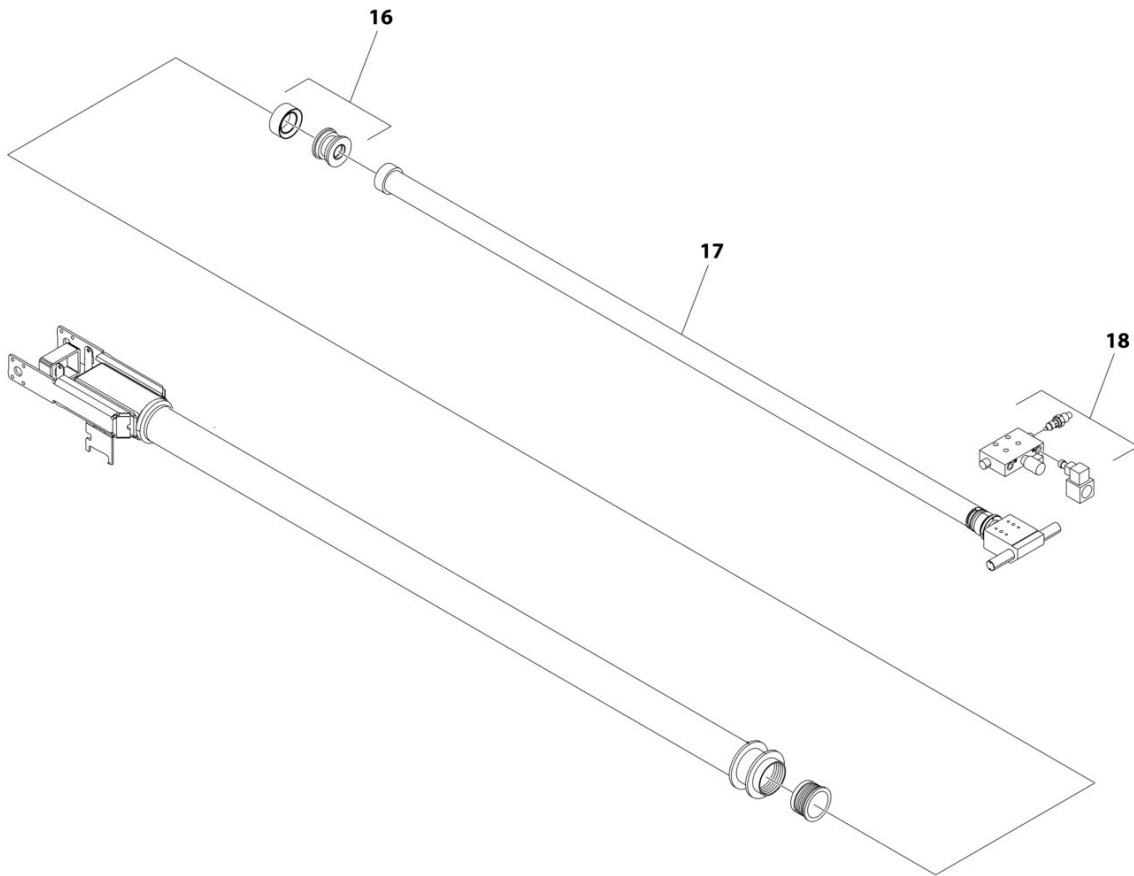
SECTION 6 - CYLINDER

FIGURE 6-2. LIFT CYLINDER ASSEMBLY - MAIN BOOM

| ITEM | PART NUMBER | QTY | DESCRIPTION | REV |
|------|-------------|-----|---|-----|
| | 283187H2 | Ref | LIFT CYLINDER ASSEMBLY - MAIN BOOM | A |
| | | Ref | Note: Original Cylinder May Have Been Replaced with Service Replacement. Identify PN Stamped on Cylinder Before Ordering Parts. | |
| 12 | 2831870004 | 1 | Seal Kit - 283187H2 Cylinder | |
| 13 | 2628180003 | 4 | Bushing | |
| 14 | 2831870002 | 1 | Rod | |
| 15 | 2831870001 | 1 | Valve Assembly | |

SECTION 6 - CYLINDER

FIGURE 6-3. TELESCOPE CYLINDER ASSEMBLY



ART_06-03-00

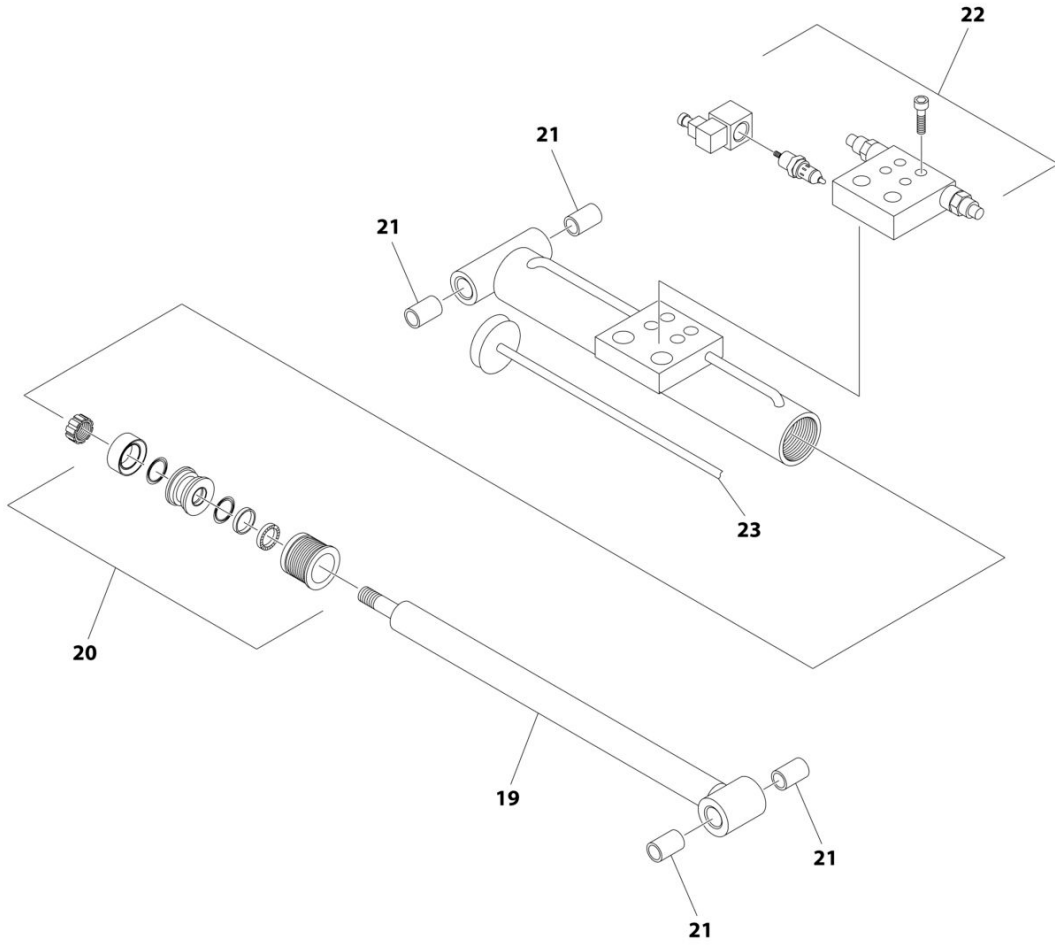
SECTION 6 - CYLINDER

FIGURE 6-3. TELESCOPE CYLINDER ASSEMBLY

| ITEM | PART NUMBER | QTY | DESCRIPTION | REV |
|------|-------------|-----|---|-----|
| | 282985H2 | Ref | TELESCOPE CYLINDER ASSEMBLY | A |
| | | Ref | Note: Original Cylinder May Have Been Replaced with Service Replacement. Identify PN Stamped on Cylinder Before Ordering Parts. | |
| 16 | 2829850002 | 1 | Seal Kit - 282985H2 Cylinder | |
| 17 | 282985H201 | 1 | Rod | |
| 18 | 2818050001 | 1 | Valve Assembly | |

SECTION 6 - CYLINDER

FIGURE 6-4. LIFT CYLINDER ASSEMBLY - JIB



ART_06-04-00

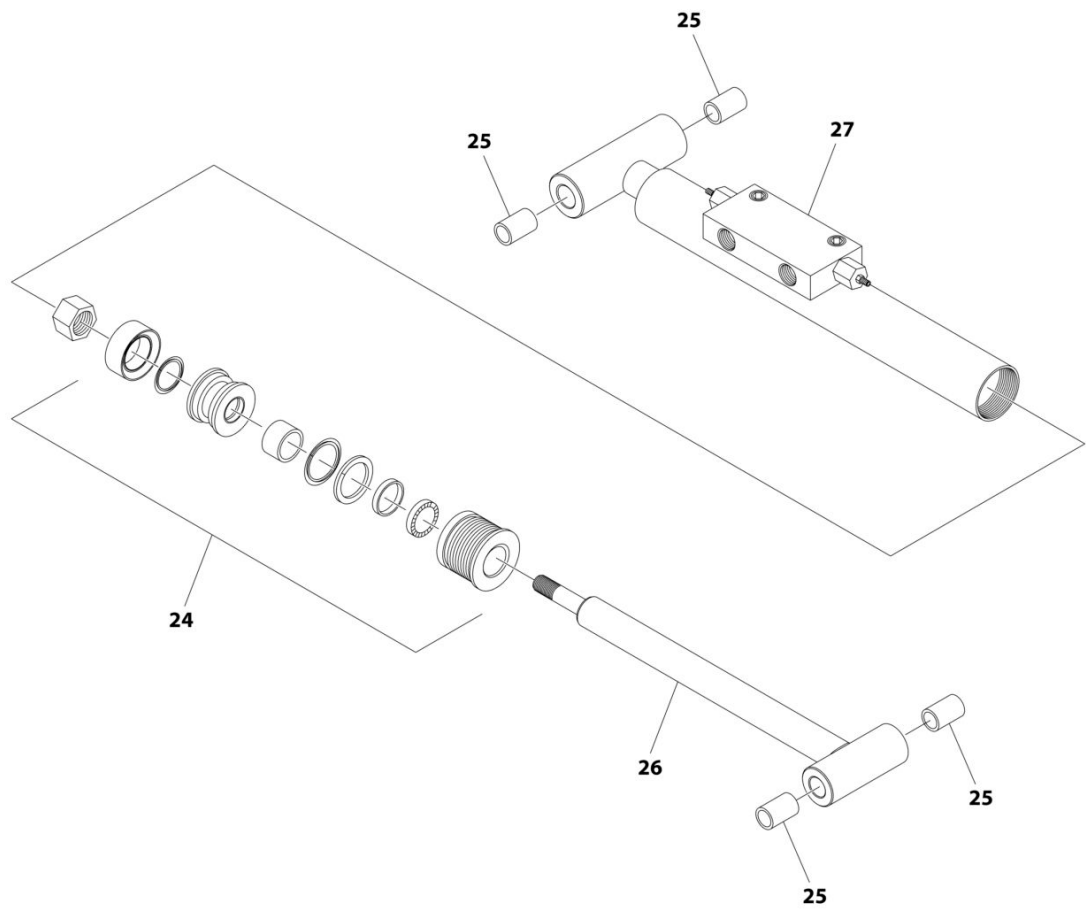
SECTION 6 - CYLINDER

FIGURE 6-4. LIFT CYLINDER ASSEMBLY - JIB

| ITEM | PART NUMBER | QTY | DESCRIPTION | REV |
|------|-------------|-----|---|-----|
| | 283186H2 | Ref | LIFT CYLINDER ASSEMBLY - JIB | A |
| | | Ref | Note: Original Cylinder May Have Been Replaced with Service Replacement. Identify PN Stamped on Cylinder Before Ordering Parts. | |
| 19 | 2706930002 | 1 | Rod | |
| 20 | 2706930001 | 1 | Seal Kit - 283186H2 Cylinder | |
| 21 | | Ref | Bushing | |
| 22 | 2831860001 | 1 | Valve Assembly | |
| 23 | 2818070002 | 1 | Sensor, Linear | |

SECTION 6 - CYLINDER

FIGURE 6-5. LEVEL CYLINDER ASSEMBLY - BOOM



ART_06-05-00

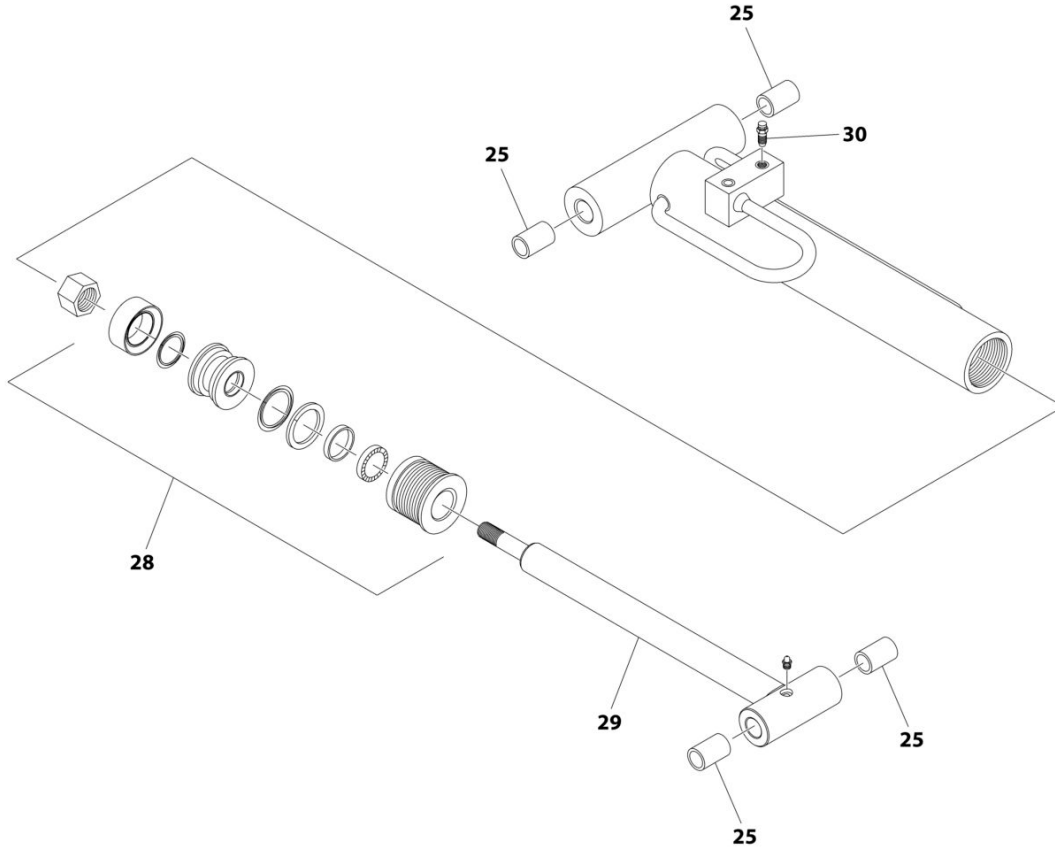
SECTION 6 - CYLINDER

FIGURE 6-5. LEVEL CYLINDER ASSEMBLY - BOOM

| ITEM | PART NUMBER | QTY | DESCRIPTION | REV |
|------|-------------|-----|---|-----|
| | 283258H2 | Ref | LEVEL CYLINDER ASSEMBLY - BOOM | A |
| | | Ref | Note: Original Cylinder May Have Been Replaced with Service Replacement. Identify PN Stamped on Cylinder Before Ordering Parts. | |
| 24 | 2832580001 | 1 | Seal Kit - 283258H2 Cylinder | |
| 25 | 2627890006 | 4 | Bushing | |
| 26 | 2832580002 | 1 | Rod | |
| 27 | 2832580003 | 1 | Valve Assembly | |

SECTION 6 - CYLINDER

FIGURE 6-6. LEVEL CYLINDER ASSEMBLY - PLATFORM



ART_06-06-00

SECTION 6 - CYLINDER

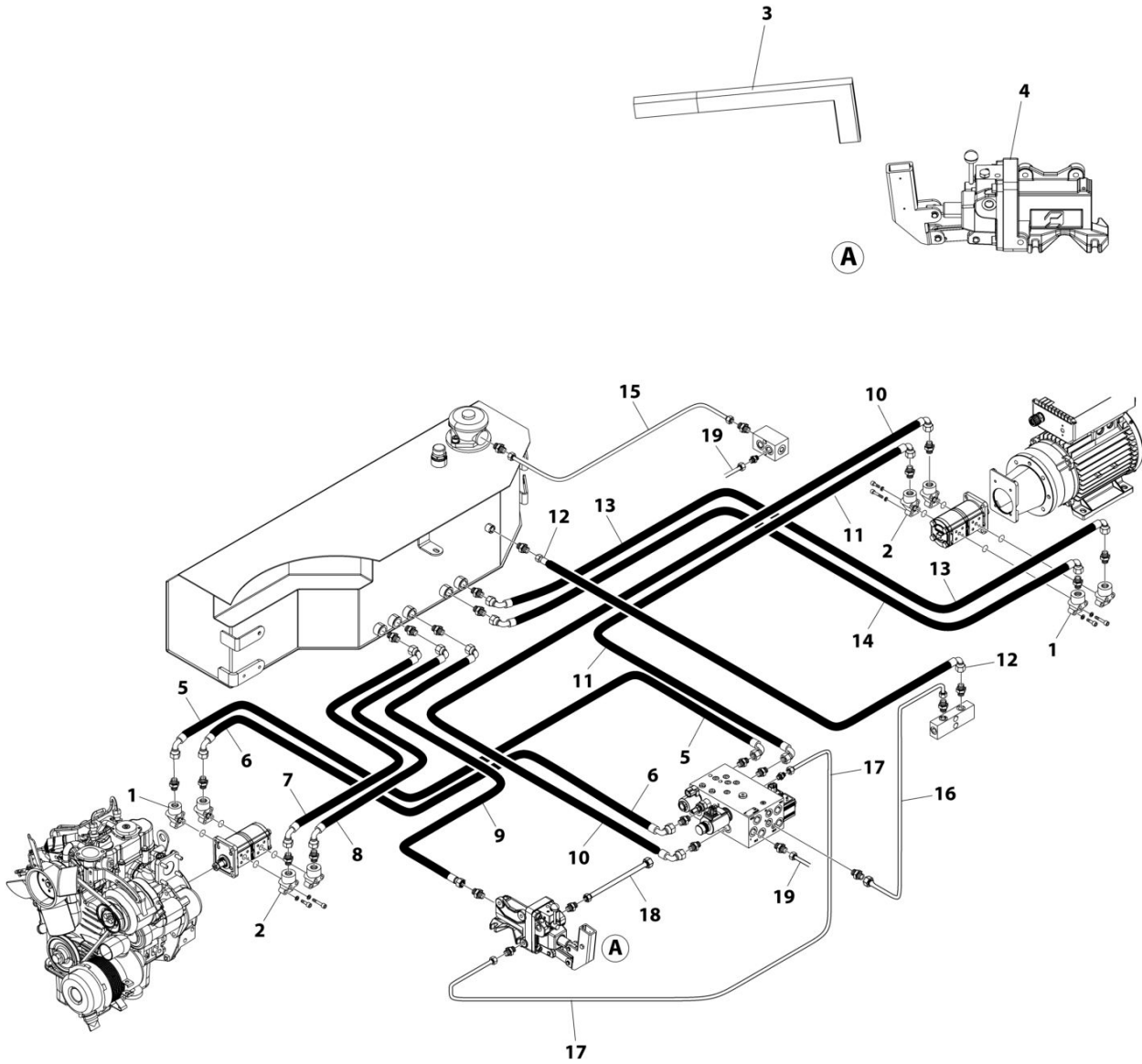
FIGURE 6-6. LEVEL CYLINDER ASSEMBLY - PLATFORM

| ITEM | PART NUMBER | QTY | DESCRIPTION | REV |
|------|-------------|-----|---|-----|
| | 270693H2 | Ref | LEVEL CYLINDER ASSEMBLY - PLATFORM | A |
| | | Ref | Note: Original Cylinder May Have Been Replaced with Service Replacement. Identify PN Stamped on Cylinder Before Ordering Parts. | |
| 25 | 2627890006 | 4 | Bushing | |
| 28 | 2706930001 | 1 | Seal Kit - 270693H2 Cylinder | |
| 29 | 2706930002 | 1 | Rod | |
| 30 | 2588290008 | 1 | Screw | |

SECTION 7 - HYDRAULIC

SECTION 7 - HYDRAULIC

FIGURE 7-1. SUPPLY AND DISCHARGE HYDRAULIC SYSTEM



ART_07-01-00

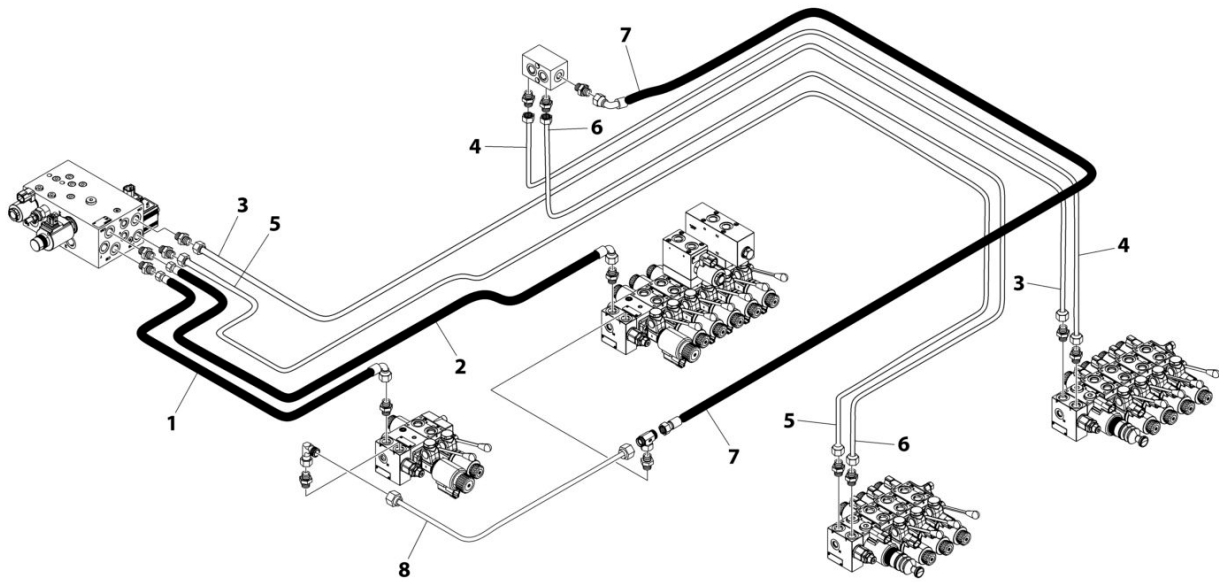
SECTION 7 - HYDRAULIC

FIGURE 7-1. SUPPLY AND DISCHARGE HYDRAULIC SYSTEM

| ITEM | PART NUMBER | QTY | DESCRIPTION | REV |
|------|-------------|-----|---------------------------------------|-----|
| | | Ref | SUPPLY AND DISCHARGE HYDRAULIC SYSTEM | A |
| 1 | 04048100 | 2 | Fitting | |
| 1 | 07459300 | 2 | Flange Flow Pump with Straight Out | |
| 2 | 04845400 | 2 | Fitting | |
| 3 | 18272800 | 1 | Lever | |
| 4 | 26459400 | 1 | Hand Pump | |
| 5 | 08391600 | 1 | Hose | |
| 6 | 08391700 | 1 | Hose | |
| 7 | 08391300 | 1 | Hose | |
| 8 | 08391400 | 1 | Hose | |
| 9 | 08400600 | 1 | Hose | |
| 10 | 08391900 | 1 | Hose | |
| 11 | 08391800 | 1 | Hose | |
| 12 | 08392000 | 1 | Hose | |
| 13 | 08391500 | 1 | Hose | |
| 14 | 08393100 | 1 | Hose | |
| 15 | 08364100 | 1 | Hose | |
| 16 | 08363900 | 1 | Hose | |
| 16 | 08364000 | 1 | Hose | |
| 17 | 08363300 | 1 | Hose | |
| 18 | 08363200 | 1 | Hose | |
| 19 | 08363800 | 1 | Hose | |

SECTION 7 - HYDRAULIC

FIGURE 7-2. SUPPLY AND DISCHARGE HYDRAULIC SYSTEM



ART_07-02-00

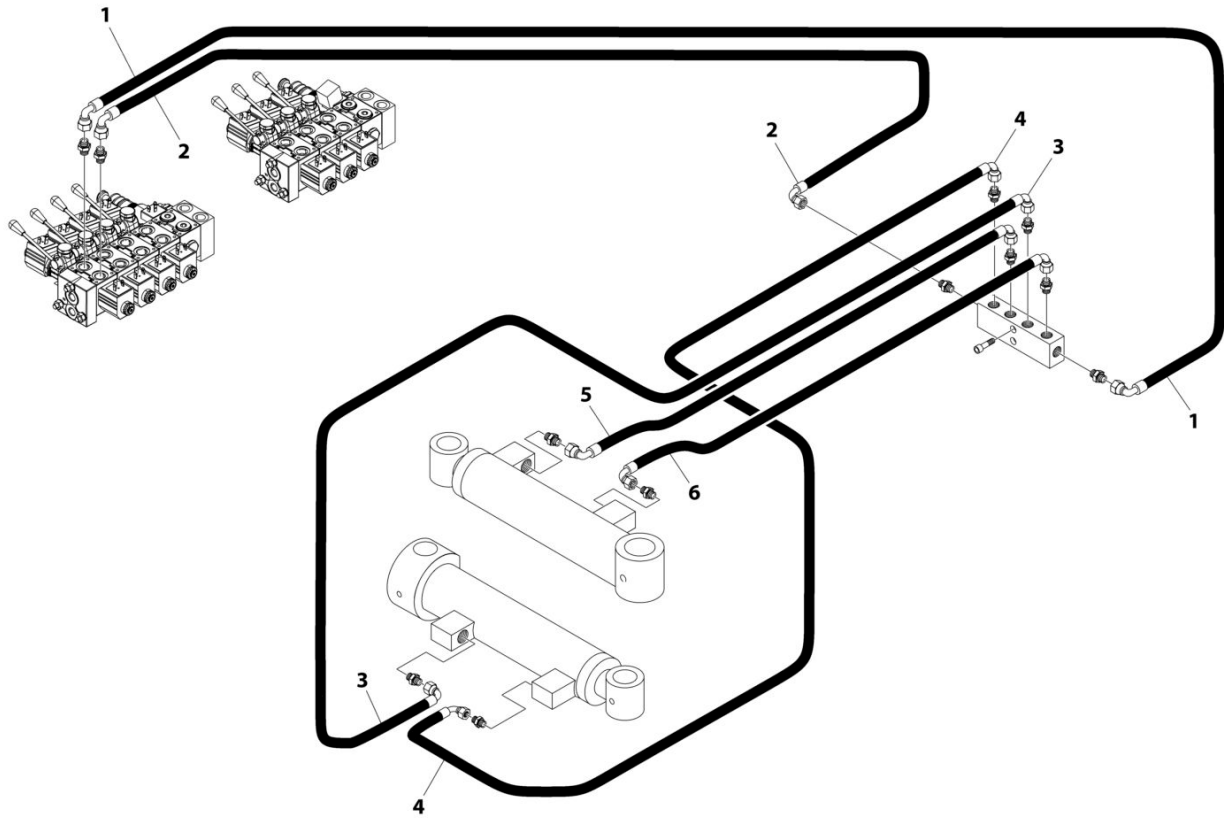
SECTION 7 - HYDRAULIC

FIGURE 7-2. SUPPLY AND DISCHARGE HYDRAULIC SYSTEM

| ITEM | PART NUMBER | QTY | DESCRIPTION | REV |
|------|-------------|-----|---------------------------------------|-----|
| | | Ref | SUPPLY AND DISCHARGE HYDRAULIC SYSTEM | A |
| 1 | 08401700 | 1 | Hose | |
| 2 | 08401600 | 1 | Hose | |
| 3 | 08363600 | 1 | Hose | |
| 4 | 08363700 | 1 | Hose | |
| 5 | 08363400 | 1 | Hose | |
| 6 | 08363500 | 1 | Hose | |
| 7 | 08401500 | 1 | Hose | |
| 8 | 08402100 | 1 | Hose | |

SECTION 7 - HYDRAULIC

FIGURE 7-3. HYDRAULIC SYSTEM UNDERCARRIAGE EXPANSION



ART_07-03-00

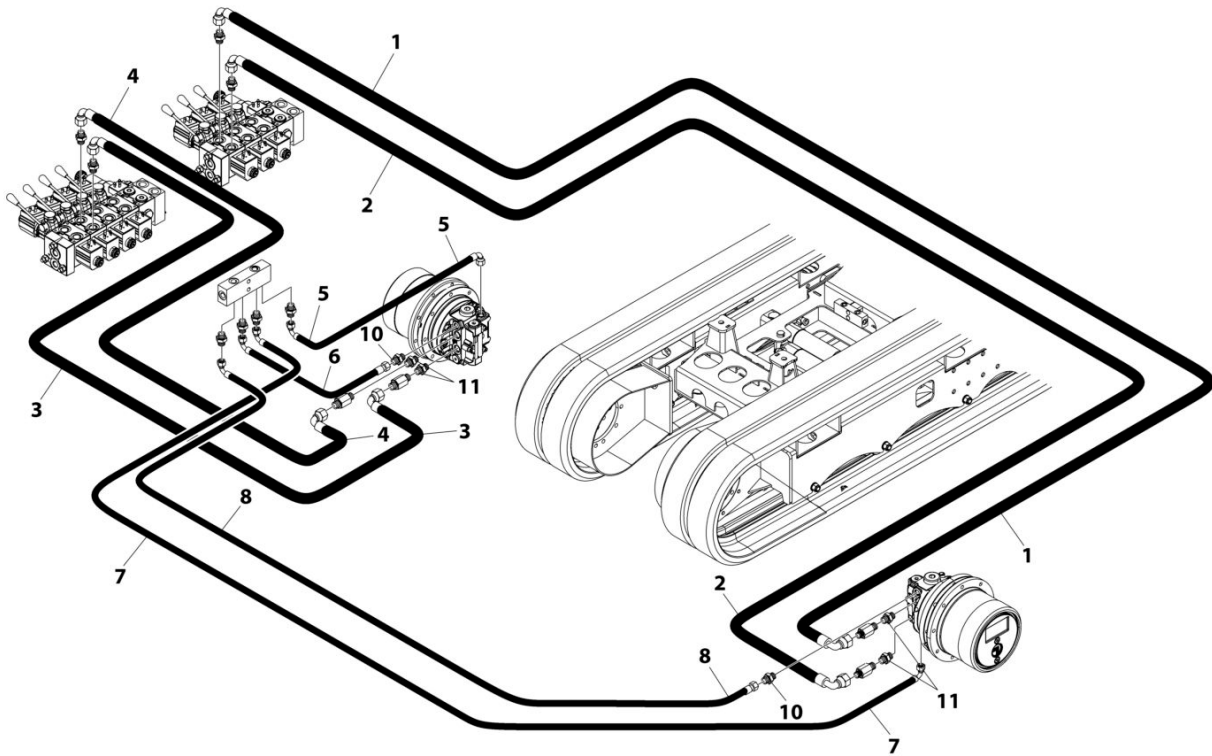
SECTION 7 - HYDRAULIC

FIGURE 7-3. HYDRAULIC SYSTEM UNDERCARRIAGE EXPANSION

| ITEM | PART NUMBER | QTY | DESCRIPTION | REV |
|------|-------------|-----|--|-----|
| | | Ref | HYDRAULIC SYSTEM UNDERCARRIAGE EXPANSION | A |
| 1 | 08392900 | 1 | Hose | |
| 2 | 08393000 | 1 | Hose | |
| 3 | 08380300 | 1 | Hose | |
| 4 | 08380400 | 1 | Hose | |
| 5 | 08380500 | 1 | Hose | |
| 6 | 08380200 | 1 | Hose | |

SECTION 7 - HYDRAULIC

FIGURE 7-4. HYDRAULIC SYSTEM FOR TRACTION



ART_07-04-00

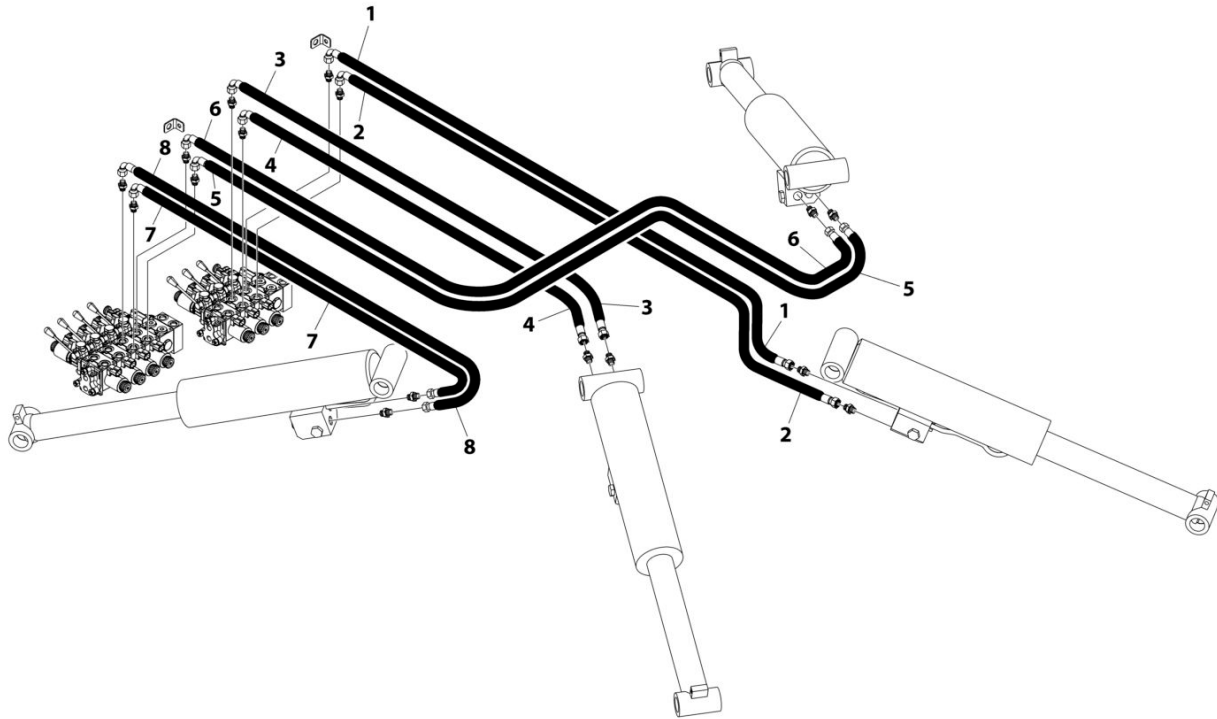
SECTION 7 - HYDRAULIC

FIGURE 7-4. HYDRAULIC SYSTEM FOR TRACTION

| ITEM | PART NUMBER | QTY | DESCRIPTION | REV |
|------|-------------|-----|-------------------------------|-----|
| | | Ref | HYDRAULIC SYSTEM FOR TRACTION | A |
| 1 | 08392300 | 1 | Hose | |
| 2 | 08392400 | 1 | Hose | |
| 3 | 08392800 | 1 | Hose | |
| 4 | 08392700 | 1 | Hose | |
| 5 | 08392600 | 1 | Hose | |
| 6 | 08392500 | 1 | Hose | |
| 7 | 08392200 | 1 | Hose | |
| 8 | 08392100 | 1 | Hose | |
| 10 | 05582000 | 2 | Fitting | |
| 11 | 05582600 | 4 | Fitting | |

SECTION 7 - HYDRAULIC

FIGURE 7-5. STABILIZERS CYLINDERS HYDRAULIC SYSTEM



ART_07-05-00

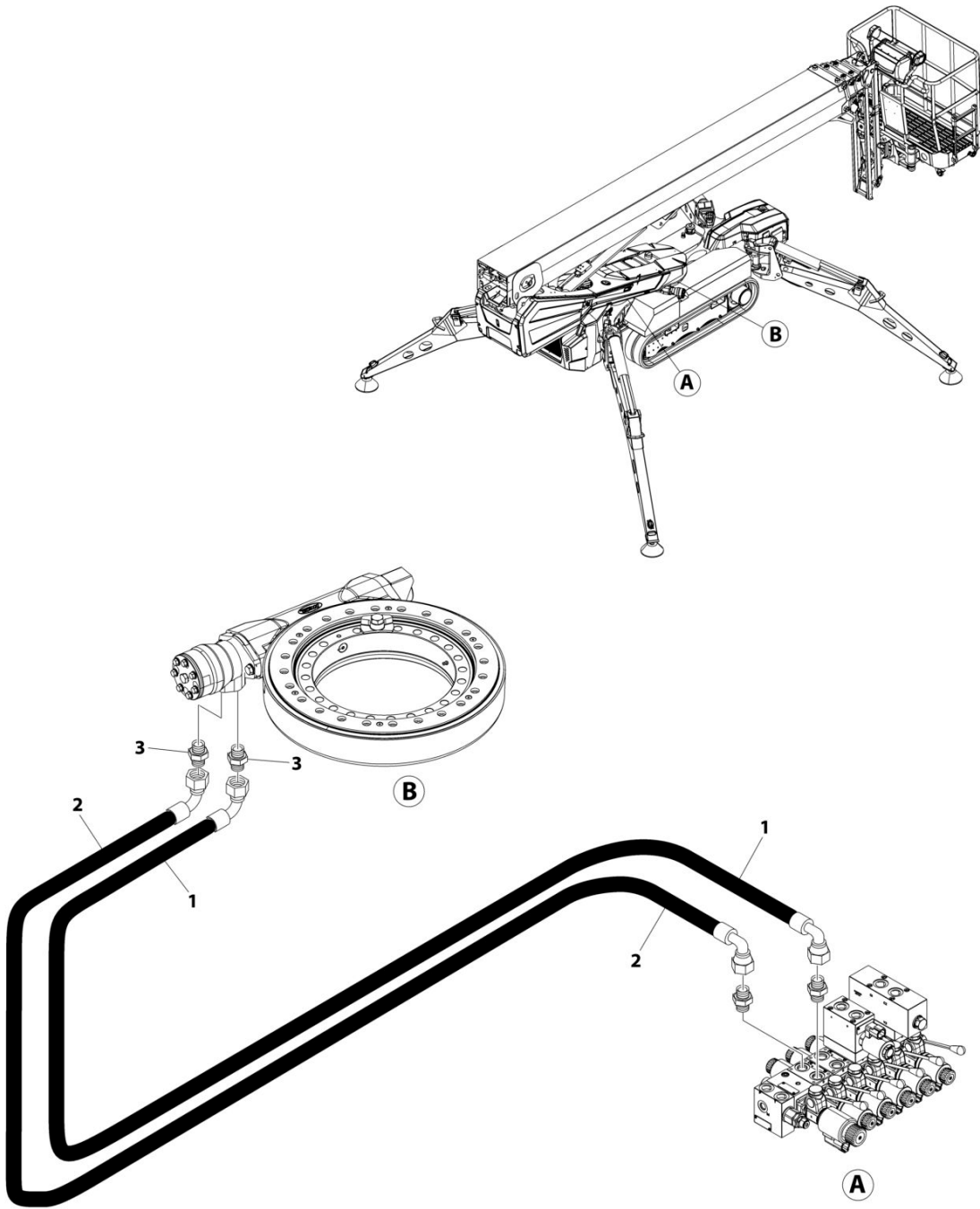
SECTION 7 - HYDRAULIC

FIGURE 7-5. STABILIZERS CYLINDERS HYDRAULIC SYSTEM

| ITEM | PART NUMBER | QTY | DESCRIPTION | REV |
|------|-------------|-----|--|-----|
| | | Ref | STABILIZERS CYLINDERS HYDRAULIC SYSTEM | A |
| 1 | 08400800 | 1 | Hose | |
| 2 | 08400700 | 1 | Hose | |
| 3 | 08401200 | 1 | Hose | |
| 4 | 08401100 | 1 | Hose | |
| 5 | 08400900 | 1 | Hose | |
| 6 | 08401000 | 1 | Hose | |
| 7 | 08401300 | 1 | Hose | |
| 8 | 08401400 | 1 | Hose | |

SECTION 7 - HYDRAULIC

FIGURE 7-6. ROTATION HYDRAULIC SYSTEM



ART_07-06-00

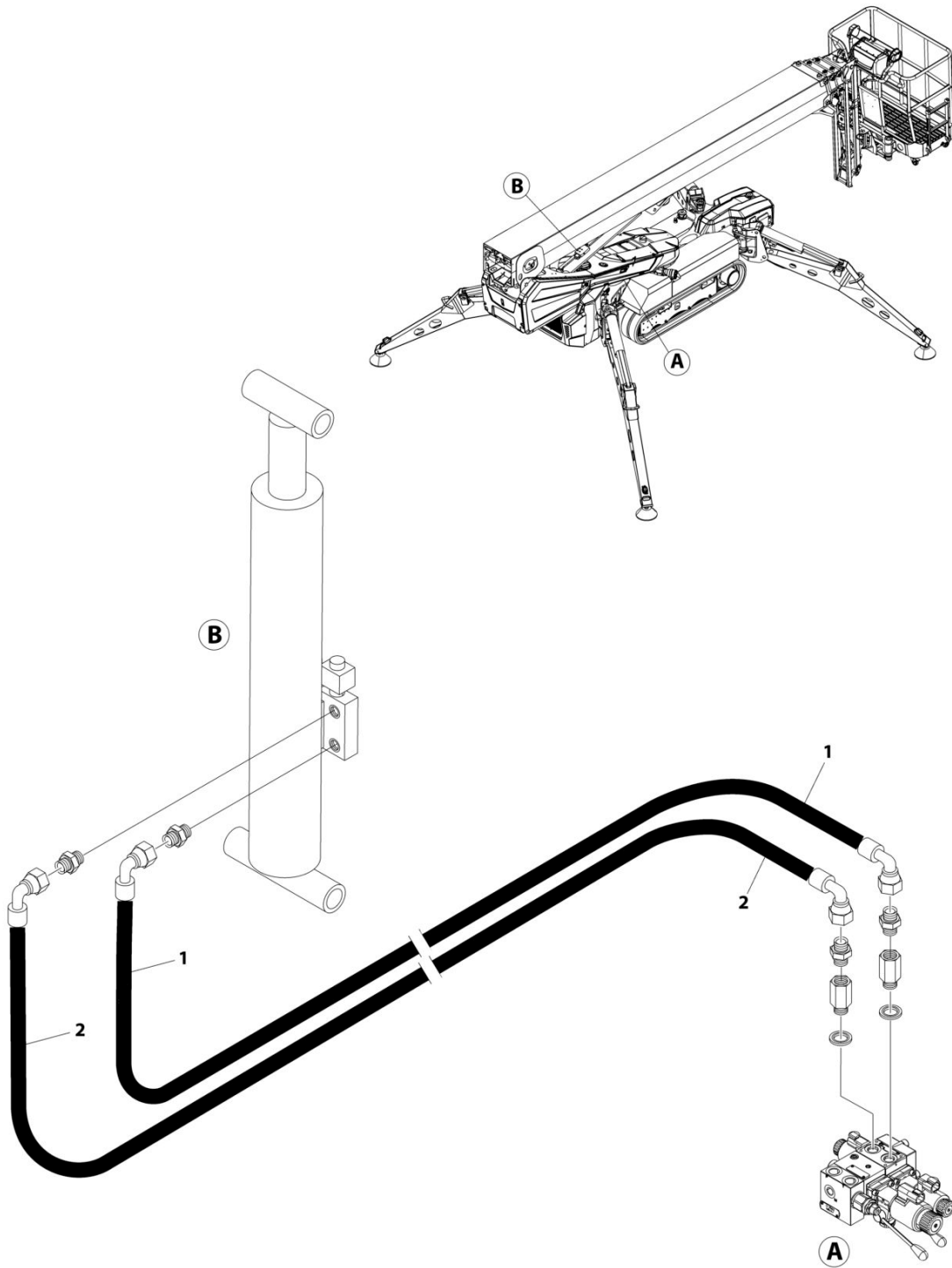
SECTION 7 - HYDRAULIC

FIGURE 7-6. ROTATION HYDRAULIC SYSTEM

| ITEM | PART NUMBER | QTY | DESCRIPTION | REV |
|------|-------------|-----|---------------------------|-----|
| | | Ref | ROTATION HYDRAULIC SYSTEM | A |
| 1 | 08404700 | 1 | Hose | |
| 2 | 08404600 | 1 | Hose | |
| 3 | 6841300 | 2 | Fitting | |

SECTION 7 - HYDRAULIC

FIGURE 7-7. MAIN LIFTING HYDRAULIC SYSTEM



ART_07-07-00

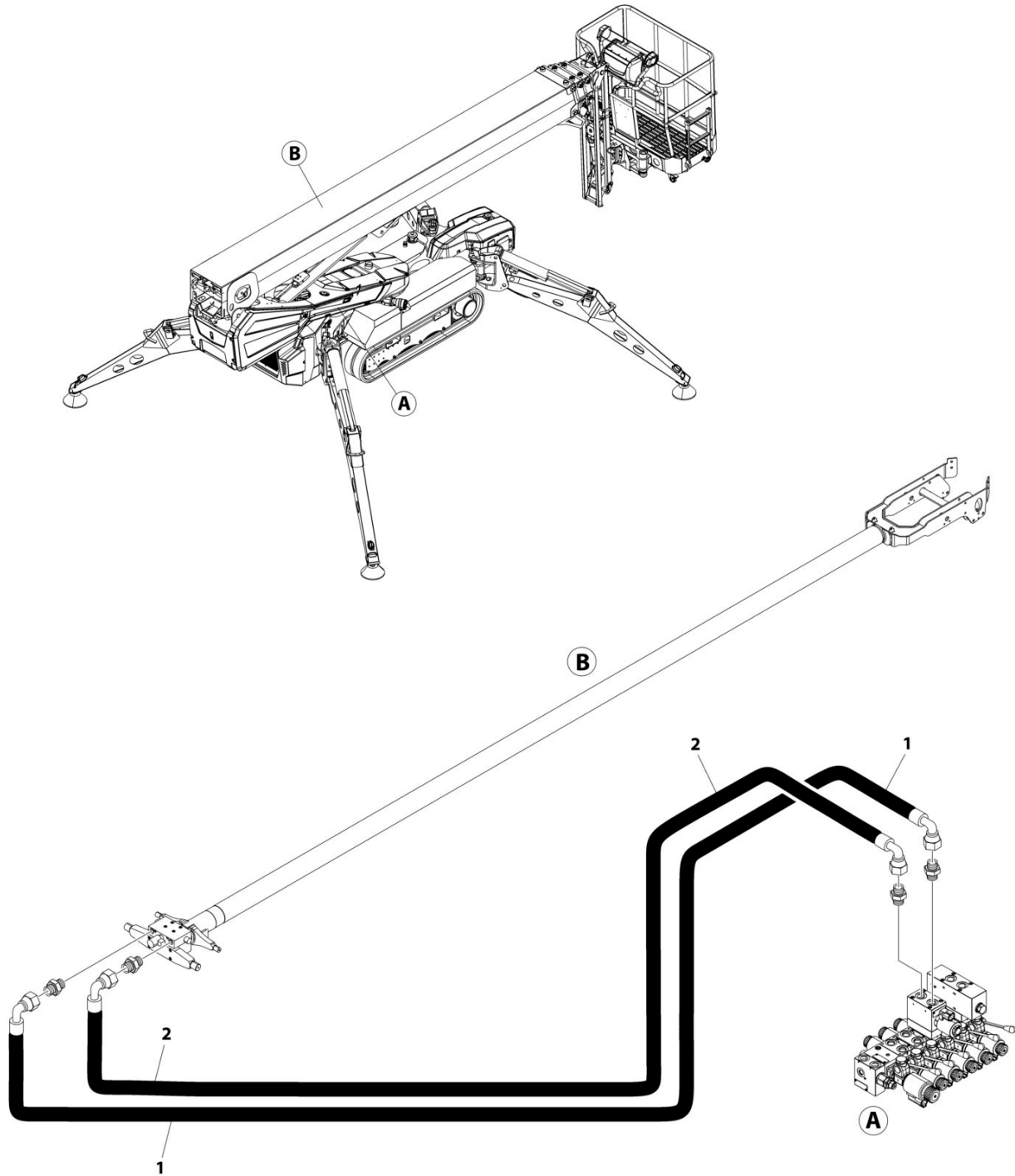
SECTION 7 - HYDRAULIC

FIGURE 7-7. MAIN LIFTING HYDRAULIC SYSTEM

| ITEM | PART NUMBER | QTY | DESCRIPTION | REV |
|------|-------------|-----|-------------------------------|-----|
| | | Ref | MAIN LIFTING HYDRAULIC SYSTEM | A |
| 1 | 08404500 | 1 | Hose | |
| 2 | 08404400 | 1 | Hose | |

SECTION 7 - HYDRAULIC

FIGURE 7-8. TELESCOPIC HYDRAULIC SYSTEM



ART_07-08-00

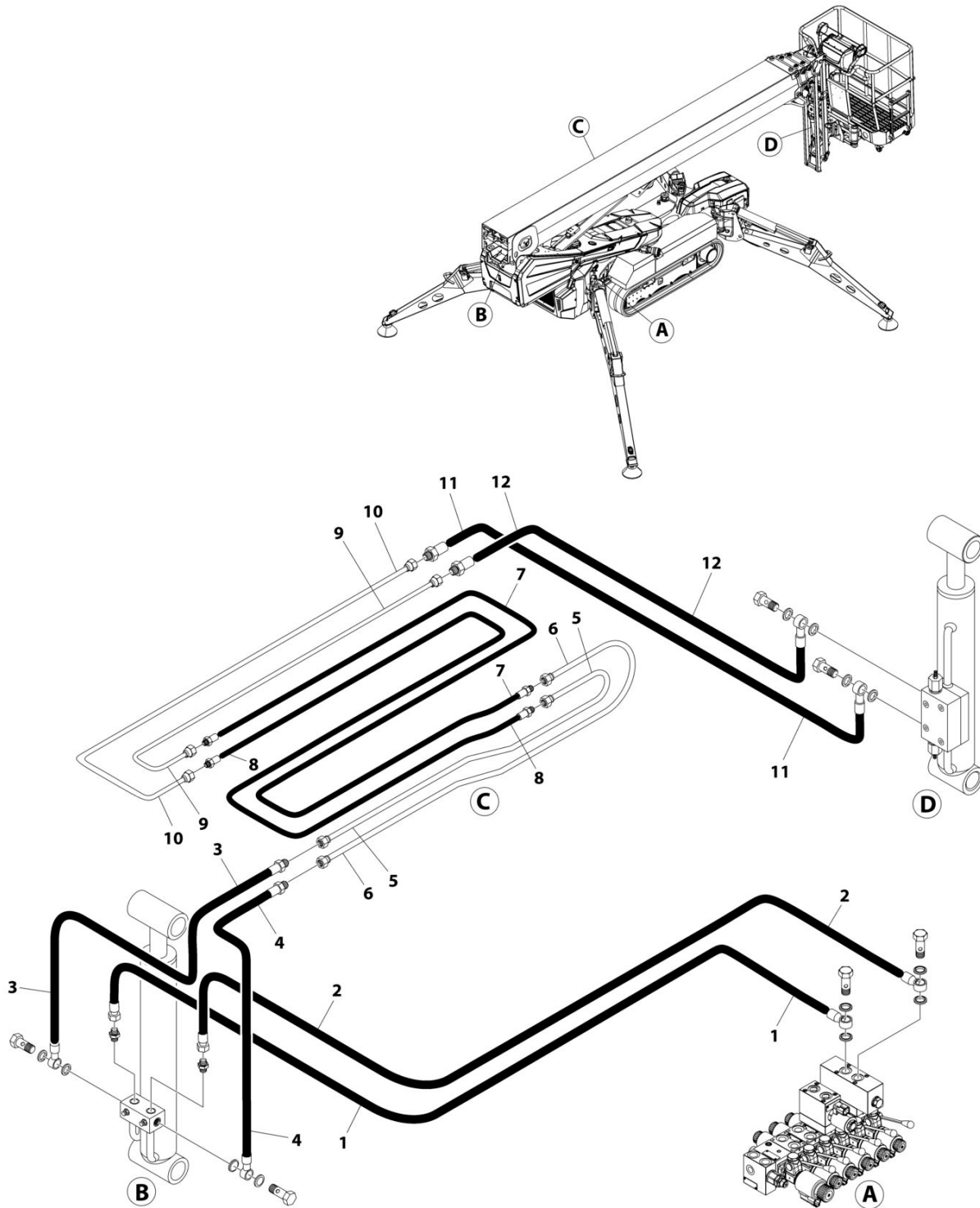
SECTION 7 - HYDRAULIC

FIGURE 7-8. TELESCOPIC HYDRAULIC SYSTEM

| ITEM | PART NUMBER | QTY | DESCRIPTION | REV |
|------|-------------|-----|-----------------------------|-----|
| | | Ref | TELESCOPIC HYDRAULIC SYSTEM | A |
| 1 | 08405300 | 1 | Hose | |
| 2 | 08405200 | 1 | Hose | |

SECTION 7 - HYDRAULIC

FIGURE 7-9. LEVELING CYLINDERS HYDRAULIC SYSTEM



ART_07-09-00

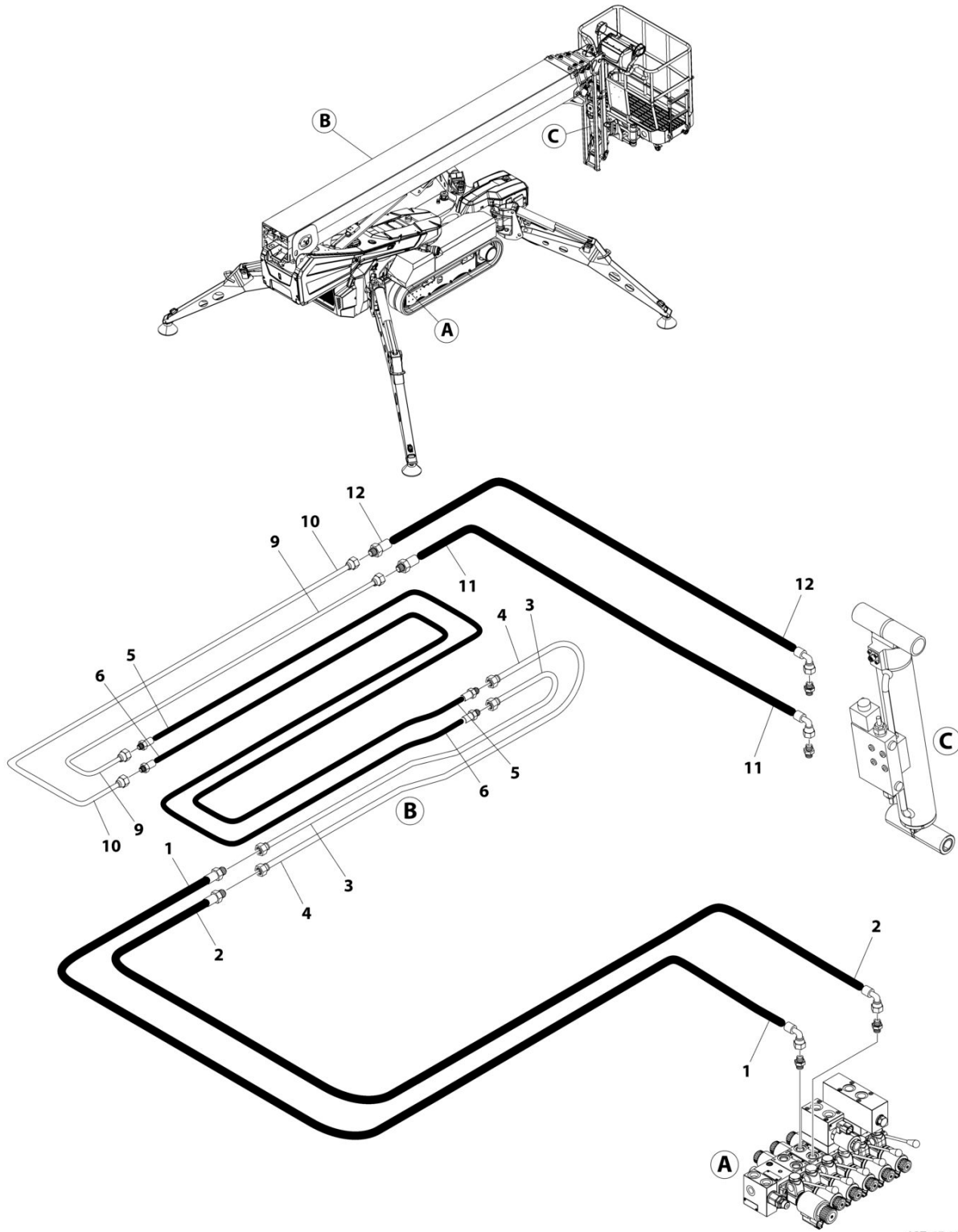
SECTION 7 - HYDRAULIC

FIGURE 7-9. LEVELING CYLINDERS HYDRAULIC SYSTEM

| ITEM | PART NUMBER | QTY | DESCRIPTION | REV |
|------|-------------|-----|-------------------------------------|-----|
| | | Ref | LEVELING CYLINDERS HYDRAULIC SYSTEM | A |
| 1 | 08405500 | 1 | Hose | |
| 2 | 08405400 | 1 | Hose | |
| 3 | 08405700 | 1 | Hose | |
| 4 | 08405600 | 1 | Hose | |
| 5 | 08329500 | 1 | Hose | |
| 6 | 08329100 | 1 | Hose | |
| 7 | 08373400 | 1 | Hose | |
| 8 | 08373800 | 1 | Hose | |
| 9 | 08319400 | 1 | Hose | |
| 10 | 08319800 | 1 | Hose | |
| 11 | 08376200 | 1 | Hose | |
| 12 | 08376300 | 1 | Hose | |

SECTION 7 - HYDRAULIC

FIGURE 7-10. JIB HYDRAULIC SYSTEM



ART_07-10-00

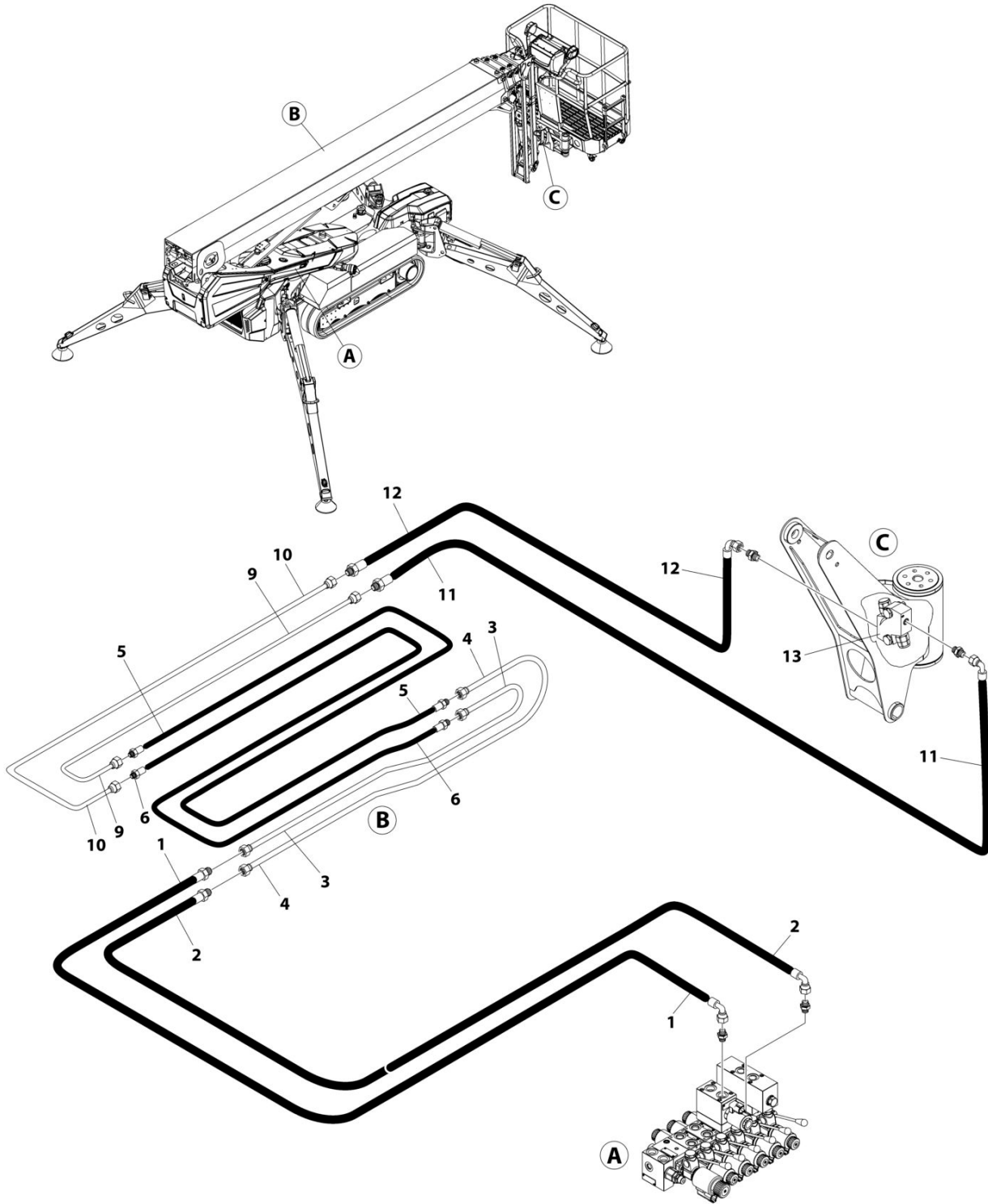
SECTION 7 - HYDRAULIC

FIGURE 7-10. JIB HYDRAULIC SYSTEM

| ITEM | PART NUMBER | QTY | DESCRIPTION | REV |
|------|-------------|-----|----------------------|-----|
| | | Ref | JIB HYDRAULIC SYSTEM | A |
| 1 | 08410000 | 1 | Hose | |
| 2 | 08410100 | 1 | Hose | |
| 3 | 08329400 | 1 | Hose | |
| 4 | 08329200 | 1 | Hose | |
| 5 | 08373600 | 1 | Hose | |
| 6 | 08374100 | 1 | Hose | |
| 9 | 08319300 | 1 | Hose | |
| 10 | 08319200 | 1 | Hose | |
| 11 | 08376600 | 1 | Hose | |
| 12 | 08376700 | 1 | Hose | |

SECTION 7 - HYDRAULIC

FIGURE 7-11. CAGE ROTATION HYDRAULIC SYSTEM



ART_07-11-00

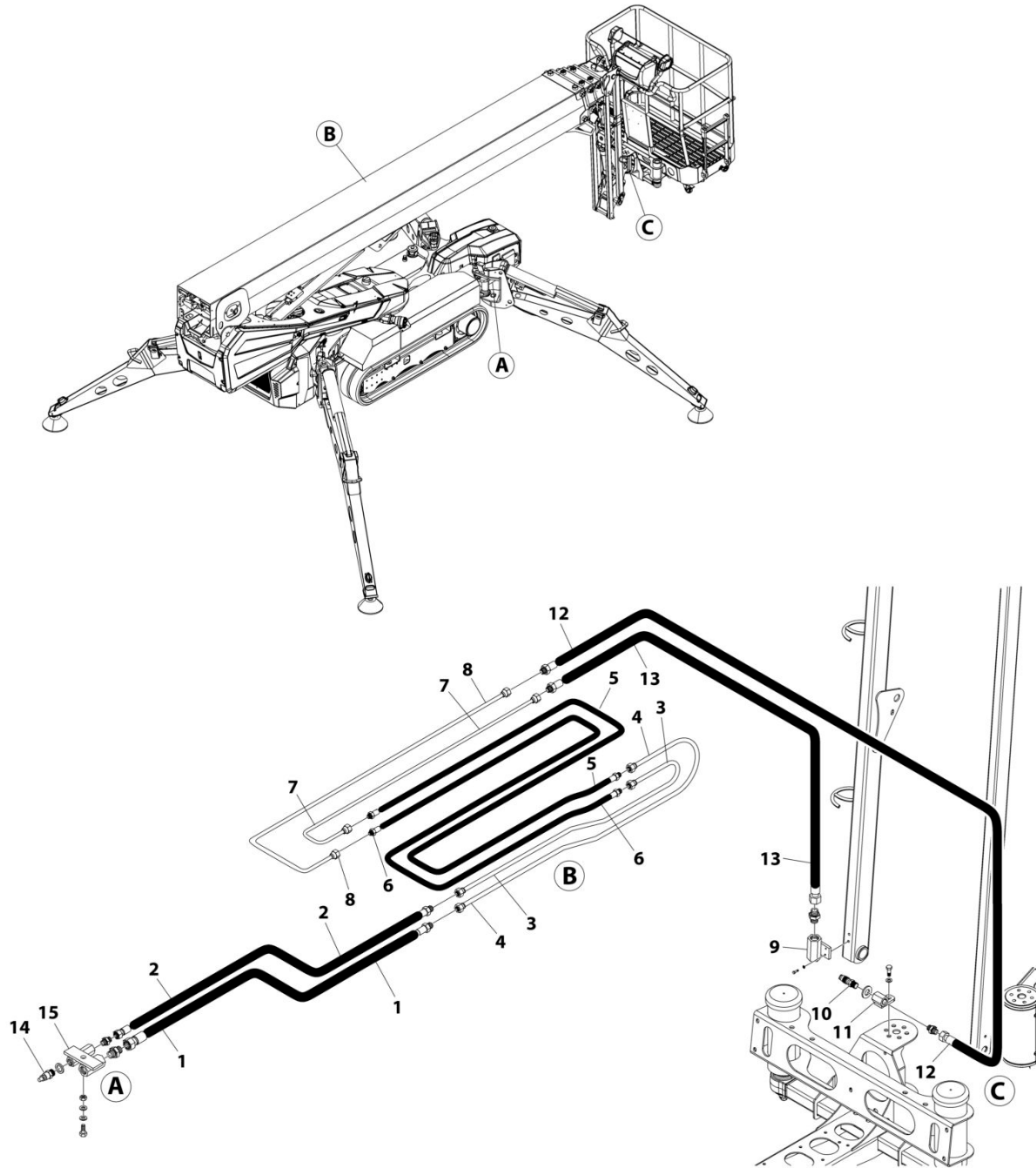
SECTION 7 - HYDRAULIC

FIGURE 7-11. CAGE ROTATION HYDRAULIC SYSTEM

| ITEM | PART NUMBER | QTY | DESCRIPTION | REV |
|------|-------------|-----|--------------------------------|-----|
| | | Ref | CAGE ROTATION HYDRAULIC SYSTEM | A |
| 1 | 08405100 | 1 | Hose | |
| 2 | 08405000 | 1 | Hose | |
| 3 | 08329300 | 1 | Hose | |
| 4 | 08328900 | 1 | Hose | |
| 5 | 08373700 | 1 | Hose | |
| 6 | 08374000 | 1 | Hose | |
| 9 | 08319900 | 1 | Hose | |
| 10 | 08319600 | 1 | Hose | |
| 11 | 08376400 | 1 | Hose | |
| 12 | 08376500 | 1 | Hose | |
| 13 | 2648910001 | 1 | Hydraulic Valve | |

SECTION 7 - HYDRAULIC

FIGURE 7-12. AIR AND WATER HYDRAULIC SYSTEM



ART_07-12-00

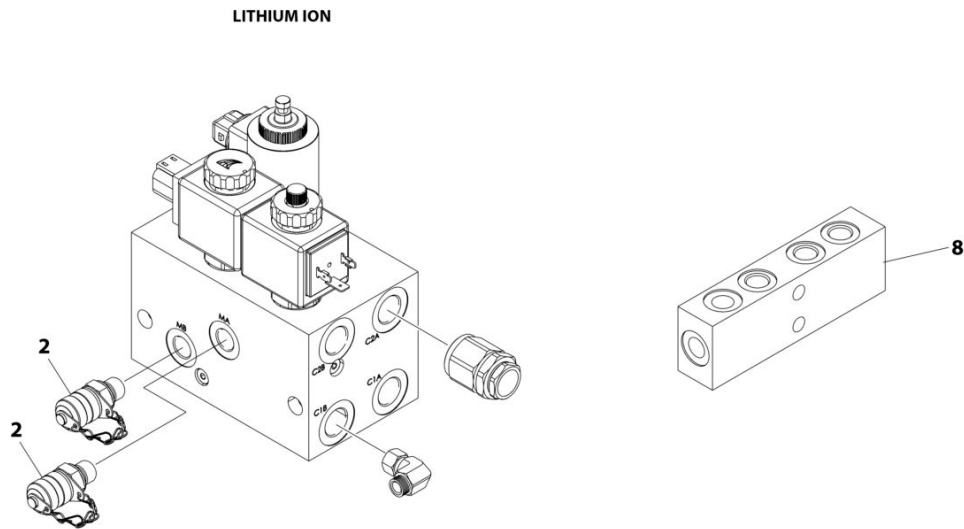
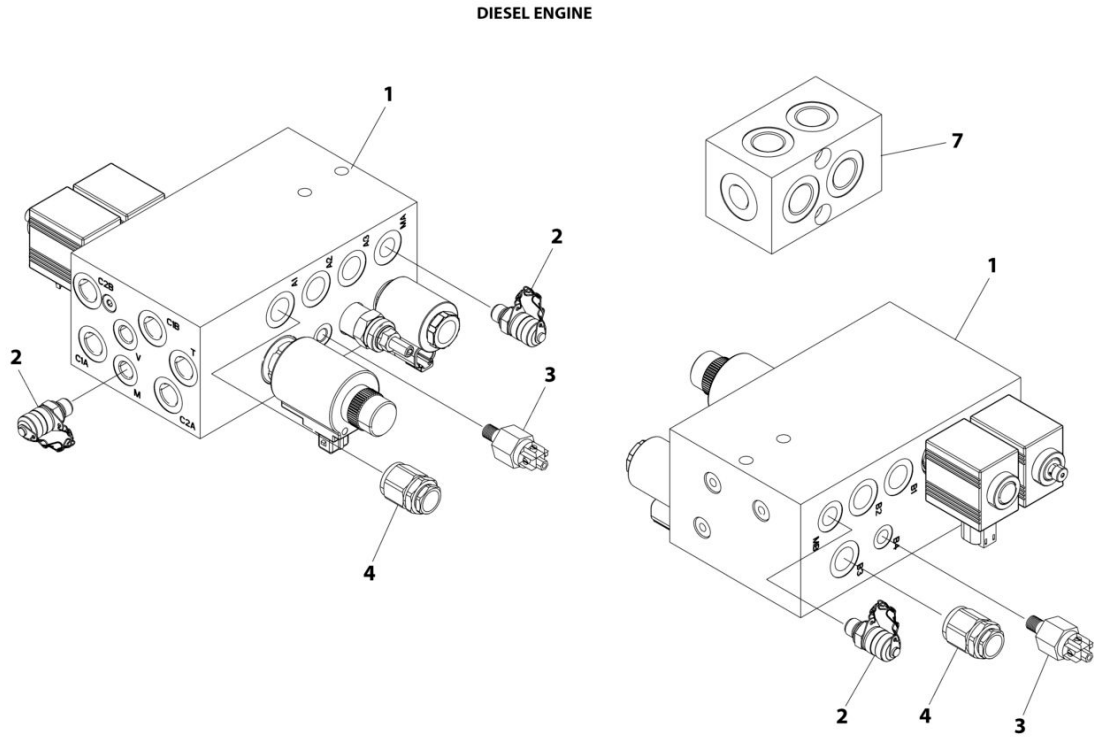
SECTION 7 - HYDRAULIC

FIGURE 7-12. AIR AND WATER HYDRAULIC SYSTEM

| ITEM | PART NUMBER | QTY | DESCRIPTION | REV |
|------|-------------|-----|--------------------------------|-----|
| | | Ref | AIR AND WATER HYDRAULIC SYSTEM | A |
| 1 | 08404800 | 1 | Hose | |
| 2 | 08404900 | 1 | Hose | |
| 3 | 08329000 | 1 | Hose | |
| 4 | 08329600 | 1 | Hose | |
| 5 | 08373900 | 1 | Hose | |
| 6 | 08373500 | 1 | Hose | |
| 7 | 08319700 | 1 | Hose | |
| 8 | 08319500 | 1 | Hose | |
| 9 | 08114900 | 1 | Fitting | |
| 10 | 05580200 | 1 | Faucet | |
| 11 | 04845100 | 1 | Support | |
| 12 | 08376100 | 1 | Hose | |
| 13 | 08376000 | 1 | Hose | |
| 14 | 05509900 | 1 | Fitting, Quick Coupling | |
| 15 | 07611000 | 1 | Fitting, Straight | |

SECTION 7 - HYDRAULIC

FIGURE 7-13. HYDRAULIC FITTINGS



ART_07-13-00

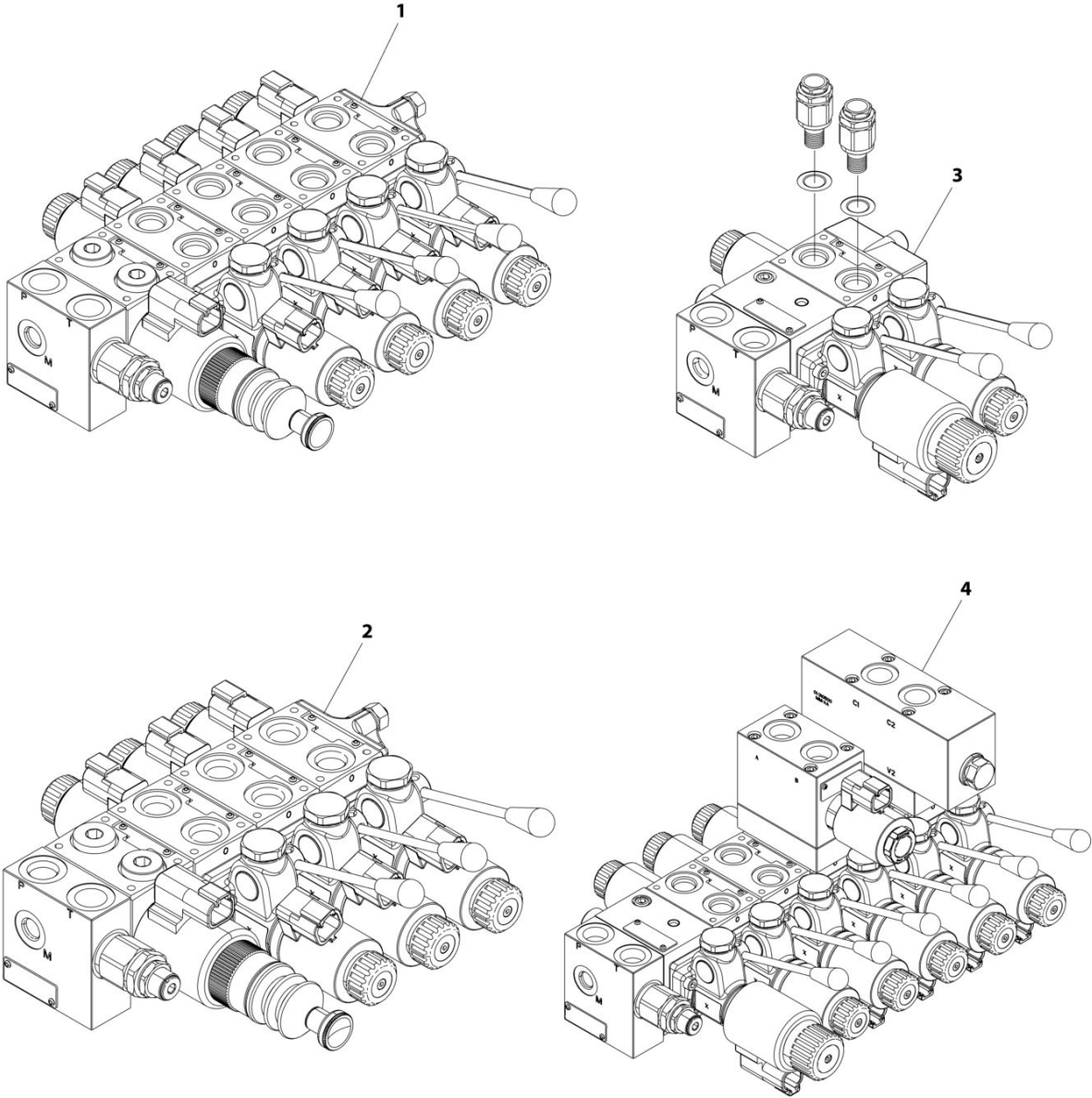
SECTION 7 - HYDRAULIC

FIGURE 7-13. HYDRAULIC FITTINGS

| ITEM | PART NUMBER | QTY | DESCRIPTION | REV |
|------|-------------|-----|--------------------------|-----|
| | | Ref | HYDRAULIC FITTINGS | A |
| 1 | 18307600 | 1 | Flow Block | |
| 2 | 03014400 | 3 | Valve, Pressure Test | |
| 3 | 26964400 | 2 | Pressure Switch | |
| 4 | 07688400 | 6 | Fitting | |
| 7 | 08402200 | 1 | Unloading Collector TC22 | |
| 8 | 04707700 | 1 | Manifold | |

SECTION 7 - HYDRAULIC

FIGURE 7-14. HYDRAULIC DISTRIBUTORS



ART_07-14-00

SECTION 7 - HYDRAULIC

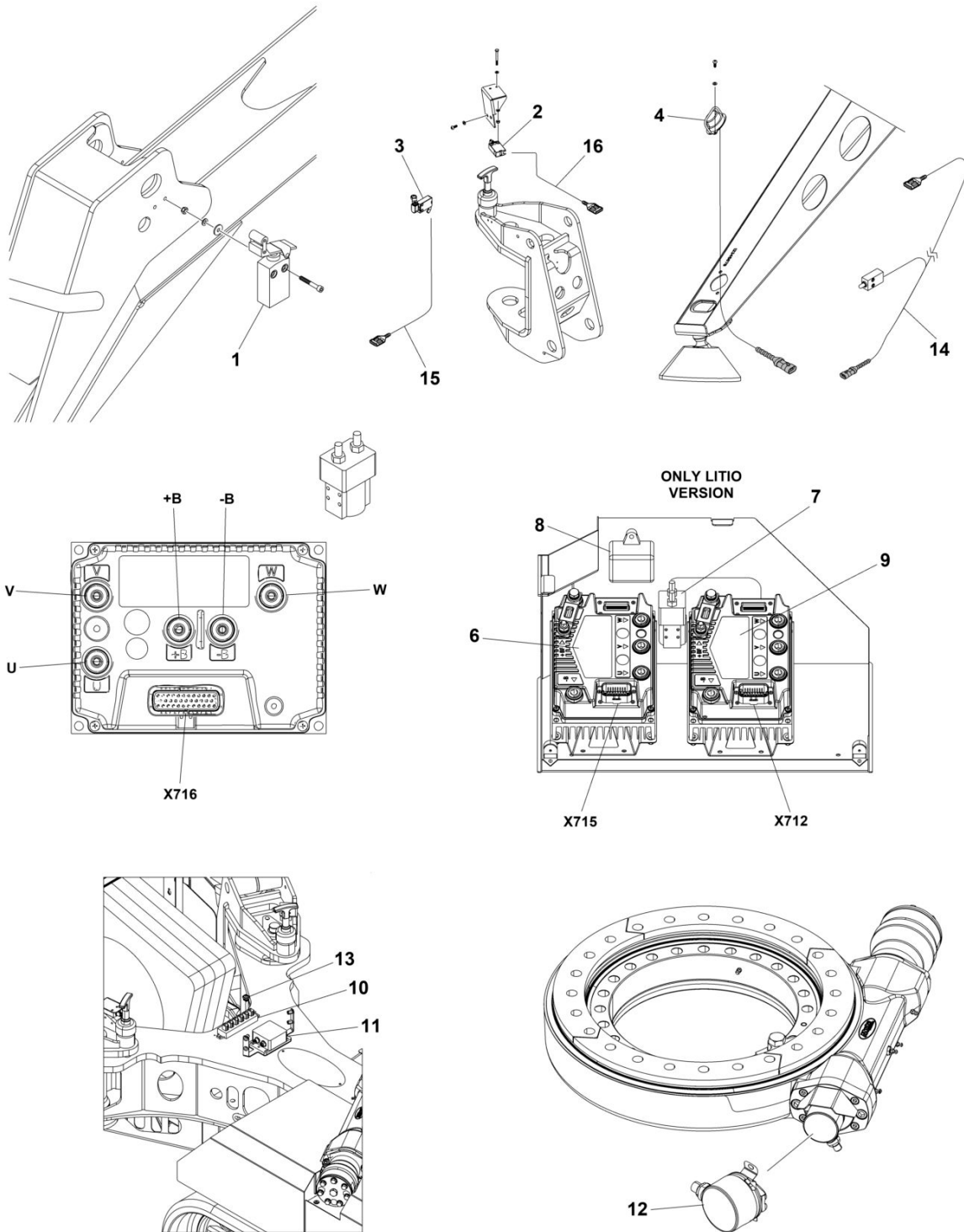
FIGURE 7-14. HYDRAULIC DISTRIBUTORS

| ITEM | PART NUMBER | QTY | DESCRIPTION | REV |
|------|-------------|-----|-----------------------------------|-----|
| | | Ref | HYDRAULIC DISTRIBUTORS | A |
| 1 | 28307300 | 1 | Valve, Distributor Four Elements | |
| 2 | 28307400 | 1 | Valve, Distributor Three Elements | |
| 3 | 28313100 | 1 | Valve, Distributor One Element | |
| 4 | 28307500 | 1 | Valve, Distributor Five Elements | |

SECTION 8 - ELECTRICAL

SECTION 8 - ELECTRICAL

FIGURE 8-1. ELECTRICAL SYSTEM COMPONENTS



ART_08-01-00

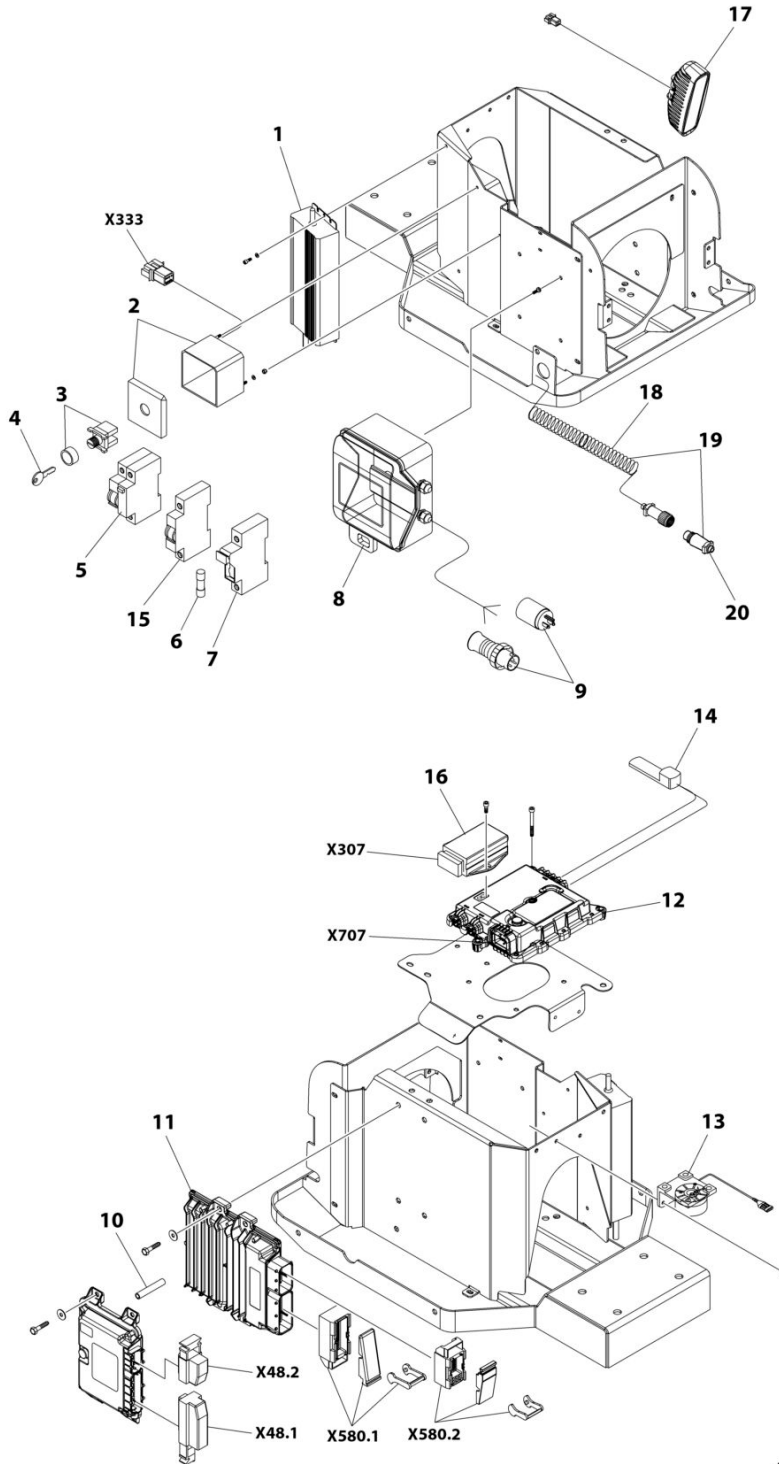
SECTION 8 - ELECTRICAL

FIGURE 8-1. ELECTRICAL SYSTEM COMPONENTS

| ITEM | PART NUMBER | QTY | DESCRIPTION | REV |
|------|-------------|-----|--------------------------------------|-----|
| | | Ref | ELECTRICAL SYSTEM COMPONENTS | A |
| 1 | 1770740001 | 1 | Switch | |
| 2 | 1679900012 | 1 | Switch/Sensor | |
| 3 | 1679900004 | 1 | Switch/Sensor | |
| 4 | 1757250023 | 1 | Lamp, LED | |
| 8 | 1730720088 | 1 | Insulator | |
| 10 | 1730720087 | 1 | Connector, Junction | |
| 11 | 28008200 | 1 | Inclinometer | |
| 12 | 27997100 | 1 | Switch, Sensor | |
| 13 | 1730720098 | 1 | Plug, Junction Connector | |
| 14 | 1832600013 | 1 | Cable, Extension and Micro STAB TC22 | |
| 15 | 1832600007 | 1 | Cable, Extension and Micro POSM TC22 | |
| 16 | 1832600014 | 1 | Cable, Extension and Micro POS TC22 | |

SECTION 8 - ELECTRICAL

FIGURE 8-2. ELECTRICAL SYSTEM COMPONENTS - MODEM



ART_08-02-00

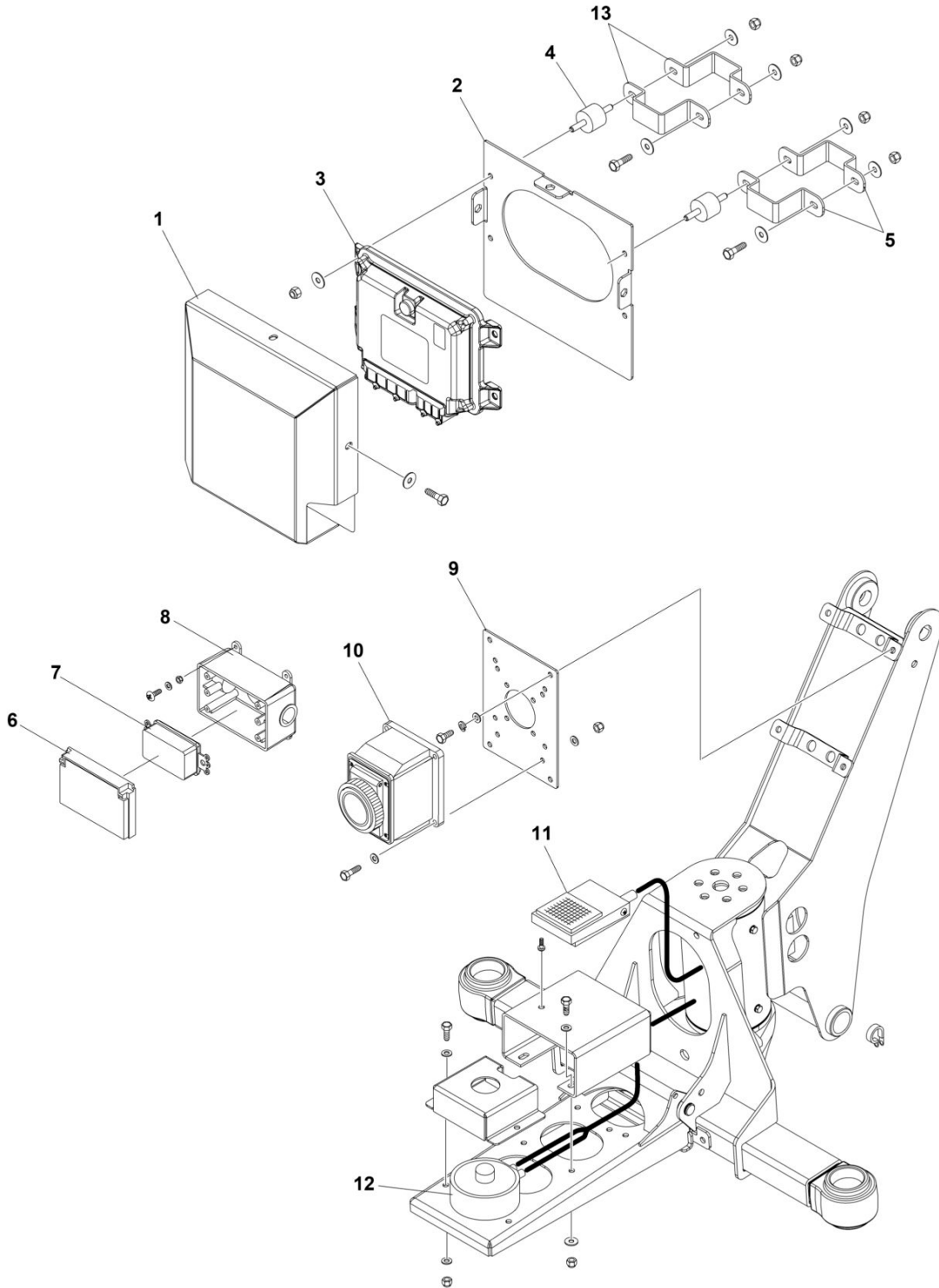
SECTION 8 - ELECTRICAL

FIGURE 8-2. ELECTRICAL SYSTEM COMPONENTS - MODEM

| ITEM | PART NUMBER | QTY | DESCRIPTION | REV |
|------|-------------|-----|--|-----|
| | | Ref | ELECTRICAL SYSTEM COMPONENTS | A |
| 1 | 1757250007 | 1 | Electronic Power Supply - 285W | |
| 1 | 1757260008 | 1 | Harness (Battery To Charger Includes Connector & Diode) | |
| 1 | 17572600081 | 1 | Connector, Diode (Not Shown) | |
| 1 | 1764260003 | 1 | Diode 20A (Not Shown) | |
| 1 | 27527400 | 1 | Switching Power Supply 285W IP65 | |
| 2 | 1772950019 | 1 | Box, Key Switch | |
| 3 | 1585570006 | 1 | Selector | |
| 4 | 1651290015 | 1 | Key | |
| 5 | 1556350063 | 1 | Breaker, Circuit | |
| 6 | 1730720017 | 1 | Tube Fuse 10A | |
| 7 | 1730720015 | 1 | Fuse Holder Tube 220/110V | |
| 8 | 1757250008 | 1 | Electrical Box | |
| 9 | 1757250002 | 1 | Plug, Male - 120V | |
| 10 | 077087Y2 | 4 | Spacer | |
| 11 | 07844200 | 1 | Resistor - 120 OHM | |
| 11 | 08014700 | 1 | Module, Control Kit | |
| 11 | 17162400 | 1 | Module, Control | |
| 11 | 17162500 | 1 | Harness | |
| 11 | 1787280015 | 1 | Replacement Control Module (ECM 1 & 2 Master) | |
| 11 | 26582800 | 1 | Adapter | |
| 12 | 18448000 | 1 | Modem, GPS | |
| 12 | 1844800001 | 1 | Modem, GPS | |
| 13 | 06639100 | 1 | Alarm | |
| 14 | 28448200 | 1 | Sensor | |
| 15 | 1757250006 | 1 | Relay | |
| 16 | 1772950021 | 1 | Relay | |
| 17 | 1817030001 | 1 | Worklight 12V with 2-Way Connector | |
| 18 | 18295100 | 1 | Ground Remote Control Cable ODU Version without Bridge | |
| 19 | 18294900 | 1 | Ground Remote Control Cable ODU Version with Bridge | |
| 20 | 08295000 | 1 | Switch, Emergency Ground Activation (with ODU Connector) | |

SECTION 8 - ELECTRICAL

FIGURE 8-3. ELECTRICAL SYSTEM COMPONENTS - ROTATION SENSOR



ART_08-03-00

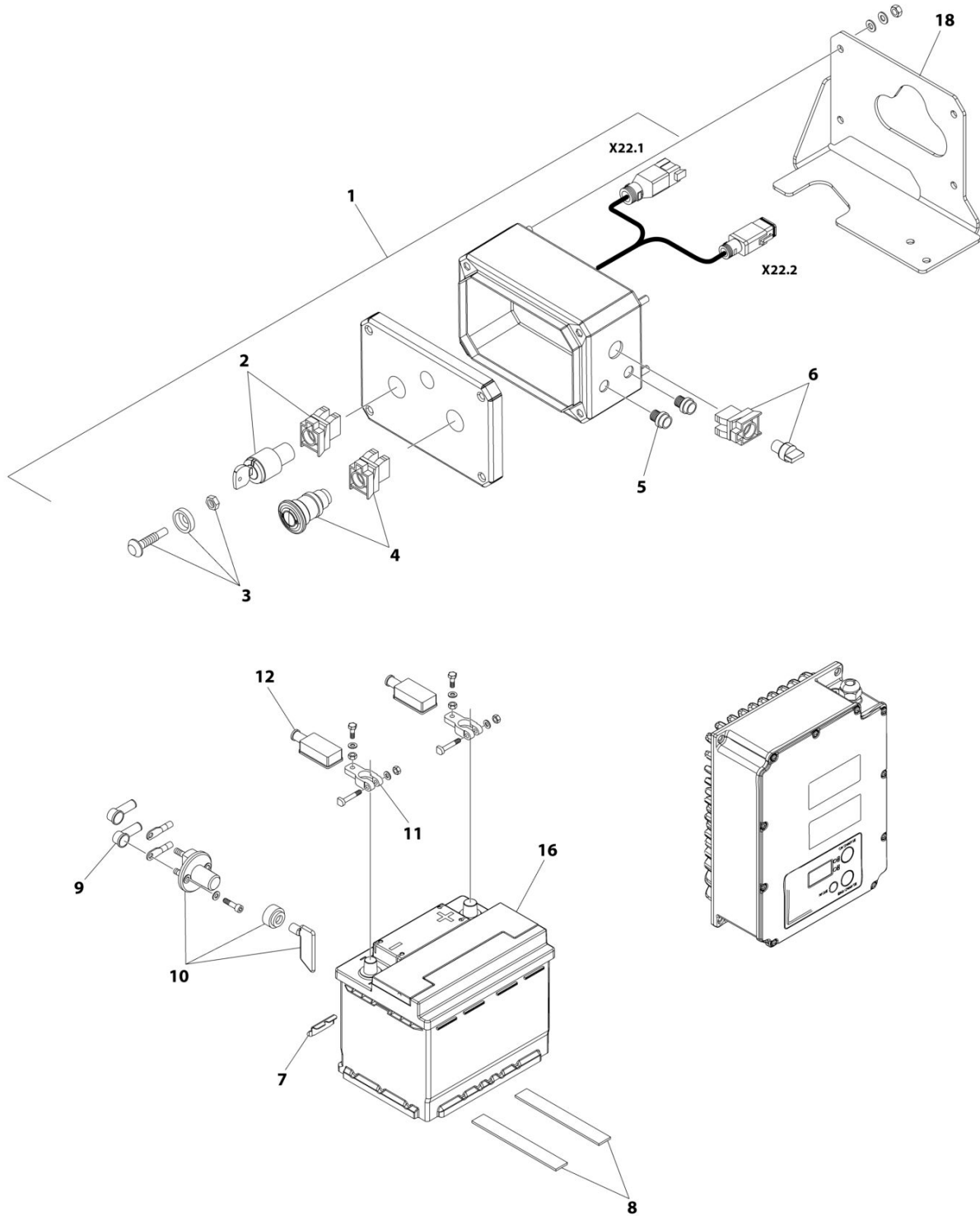
SECTION 8 - ELECTRICAL

FIGURE 8-3. ELECTRICAL SYSTEM COMPONENTS - ROTATION SENSOR

| ITEM | PART NUMBER | QTY | DESCRIPTION | REV |
|------|-------------|-----|------------------------------|-----|
| | | Ref | ELECTRICAL SYSTEM COMPONENTS | A |
| 1 | 083772H2 | 1 | Cover, ECM 3 | |
| 2 | 083771H2 | 1 | Mountr, ECM 3 | |
| 3 | 1772950016 | 2 | Control Board | |
| 4 | 04152300 | 4 | Spring Support | |
| 5 | 083770H2 | 4 | Clamp | |
| 9 | 077089H2 | 1 | Bracket, Platform Receptacle | |
| 10 | 1591700002 | 1 | Electrical Socket 110V | |
| 11 | 1772950015 | 1 | Footswitch | |
| 11 | 27031700 | 1 | Foot Switch | |
| 12 | 17669800 | 1 | Sensor, Load | |
| 13 | 083769H2 | 4 | Clamp | |

SECTION 8 - ELECTRICAL

FIGURE 8-4. ELECTRICAL SYSTEM COMPONENTS - LITHIUM BATTERY PACK



ART_08-04-00

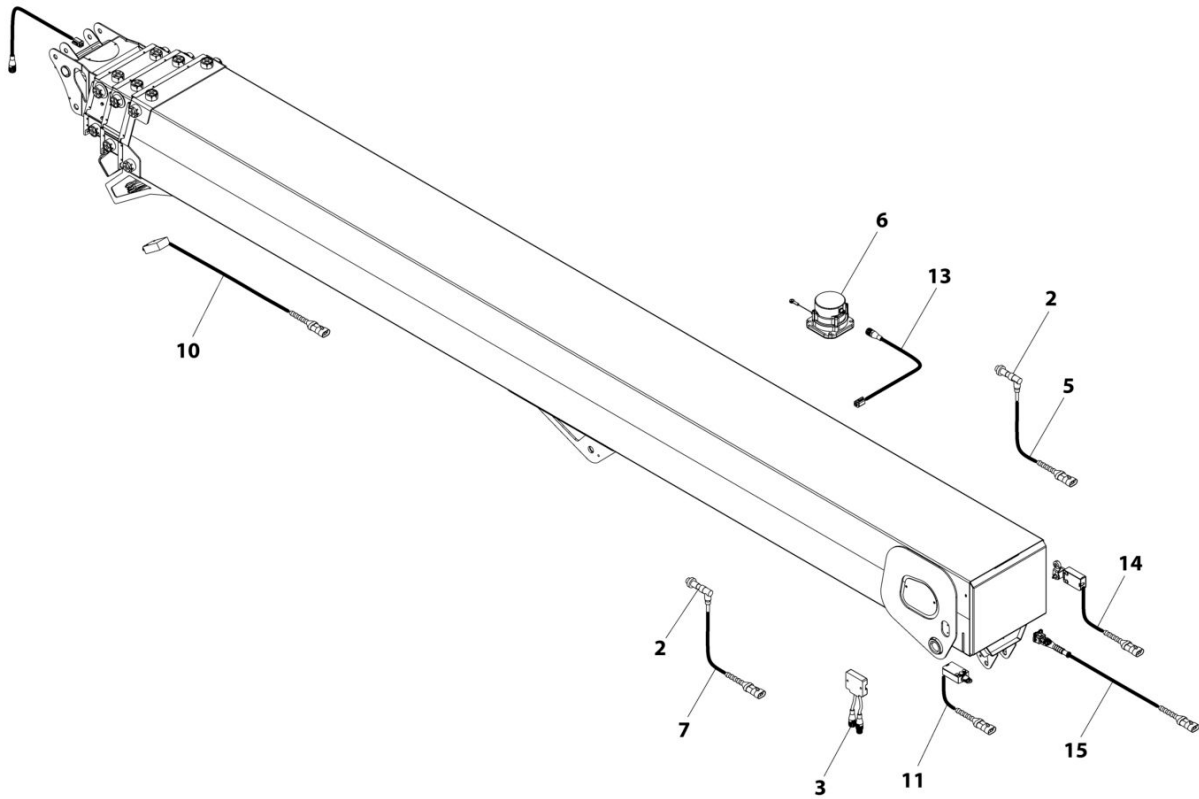
SECTION 8 - ELECTRICAL

FIGURE 8-4. ELECTRICAL SYSTEM COMPONENTS - LITHIUM BATTERY PACK

| ITEM | PART NUMBER | QTY | DESCRIPTION | REV |
|------|-------------|-----|----------------------------------|-----|
| | | Ref | ELECTRICAL SYSTEM COMPONENTS | A |
| 1 | 1832620001 | 1 | Box, Ground Key | |
| 2 | 1692150001 | 1 | Block | |
| 3 | 1730720005 | 1 | Light | |
| 4 | 1773980004 | 1 | Button | |
| 5 | 1628400005 | 1 | Button | |
| 6 | 1556350068 | 1 | Switch, 3 Position | |
| 7 | 051705Y1 | 1 | Plate, Battery | |
| 8 | 07894800 | 2 | Compound Licking | |
| 9 | 1733730029 | 1 | Cover | |
| 9 | 1739150022 | 1 | Cover, Battery Terminal - Red | |
| 10 | 04774900 | 1 | Switch, Battery Cut-Out | |
| 11 | 1739150025 | 1 | Clamp, Battery Terminal Post (-) | |
| 12 | 1739150024 | 1 | Cover, Battery Terminal - Black | |
| 16 | 1739150023 | 1 | Clamp, Battery Terminal Post (+) | |
| 16 | 27668600 | 1 | Battery | |
| 18 | 083664Y1 | 1 | Bracket | |

SECTION 8 - ELECTRICAL

FIGURE 8-5. ELECTRICAL SYSTEM COMPONENTS



ART_08-05-00

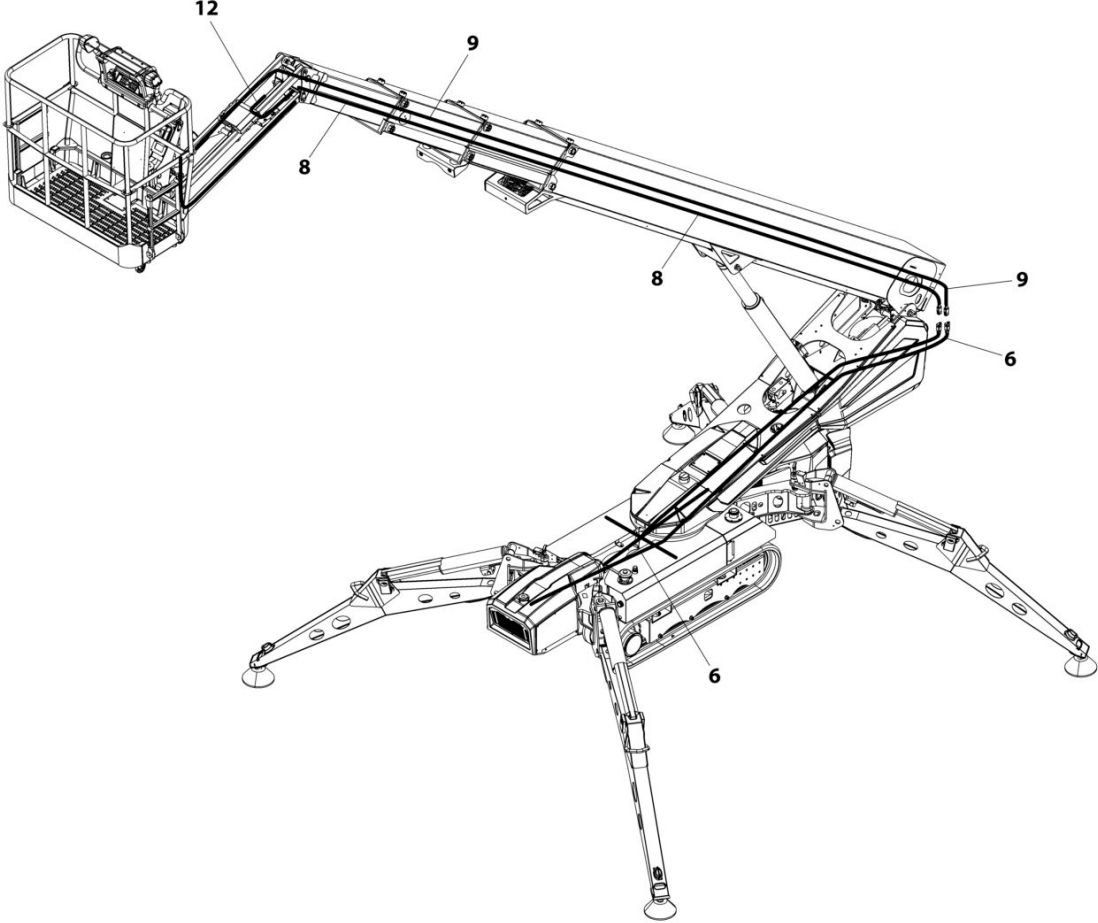
SECTION 8 - ELECTRICAL

FIGURE 8-5. ELECTRICAL SYSTEM COMPONENTS

| ITEM | PART NUMBER | QTY | DESCRIPTION | REV |
|------|-------------|-----|---------------------------------------|-----|
| | | Ref | ELECTRICAL SYSTEM COMPONENTS | A |
| 2 | 27920500 | 2 | Sensor, Proximity | |
| 3 | 28327800 | 1 | Inclinometer | |
| 5 | 1832600002 | 1 | Cable, Extension Proximity Left TC22 | |
| 6 | 28327700 | 1 | Wire, Transducer | |
| 7 | 1832600003 | 1 | Cable, Extension Proximity Right TC22 | |
| 10 | 1832600006 | 1 | Cable, Extension Return TC22 | |
| 11 | 1832600008 | 1 | Cable, Extension Out TC22 | |
| 13 | 1832600010 | 1 | Cable, Sensor Extension TC22 | |
| 14 | 1832600011 | 1 | Cable, Micro Extension TC22 | |
| 15 | 1832600012 | 1 | Cable, Emergency Extension TC22 | |

SECTION 8 - ELECTRICAL

FIGURE 8-6. ELECTRICAL SYSTEM - CABLES



ART_08-06-00

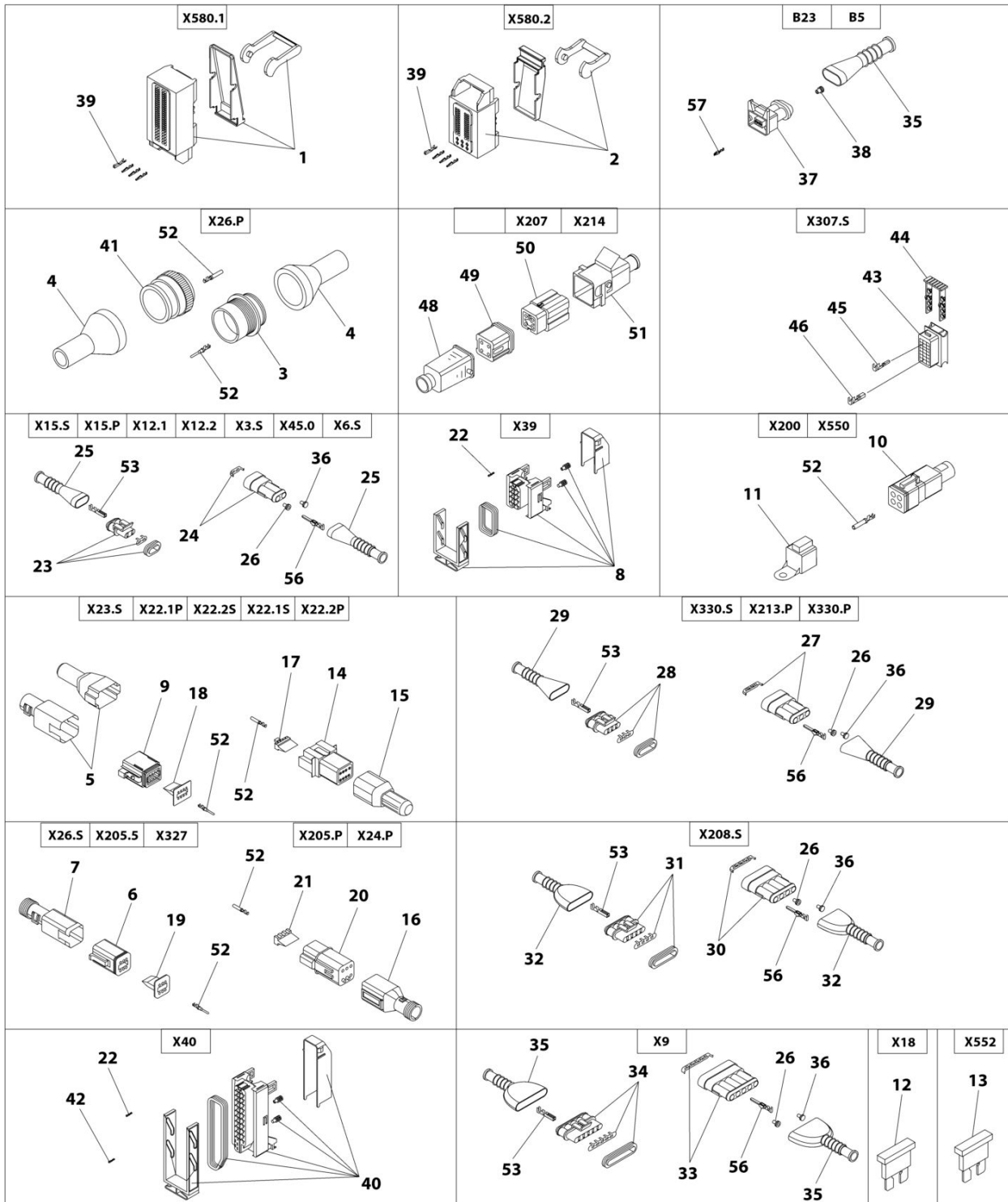
SECTION 8 - ELECTRICAL

FIGURE 8-6. ELECTRICAL SYSTEM - CABLES

| ITEM | PART NUMBER | QTY | DESCRIPTION | REV |
|------|-------------|-----|------------------------|-----|
| | | Ref | ELECTRICAL SYSTEM | A |
| 6 | 1832600015 | 1 | Cable | |
| 8 | 1832600004 | 1 | Cable, Extension | |
| 9 | 1832600005 | 1 | Cable, Extension | |
| 12 | 1832600009 | 1 | Cable, Cylinder Sensor | |

SECTION 8 - ELECTRICAL

FIGURE 8-7. ELECTRICAL SYSTEM - CONNECTORS AND FUSES



ART_08-07-00

SECTION 8 - ELECTRICAL

FIGURE 8-7. ELECTRICAL SYSTEM - CONNECTORS AND FUSES

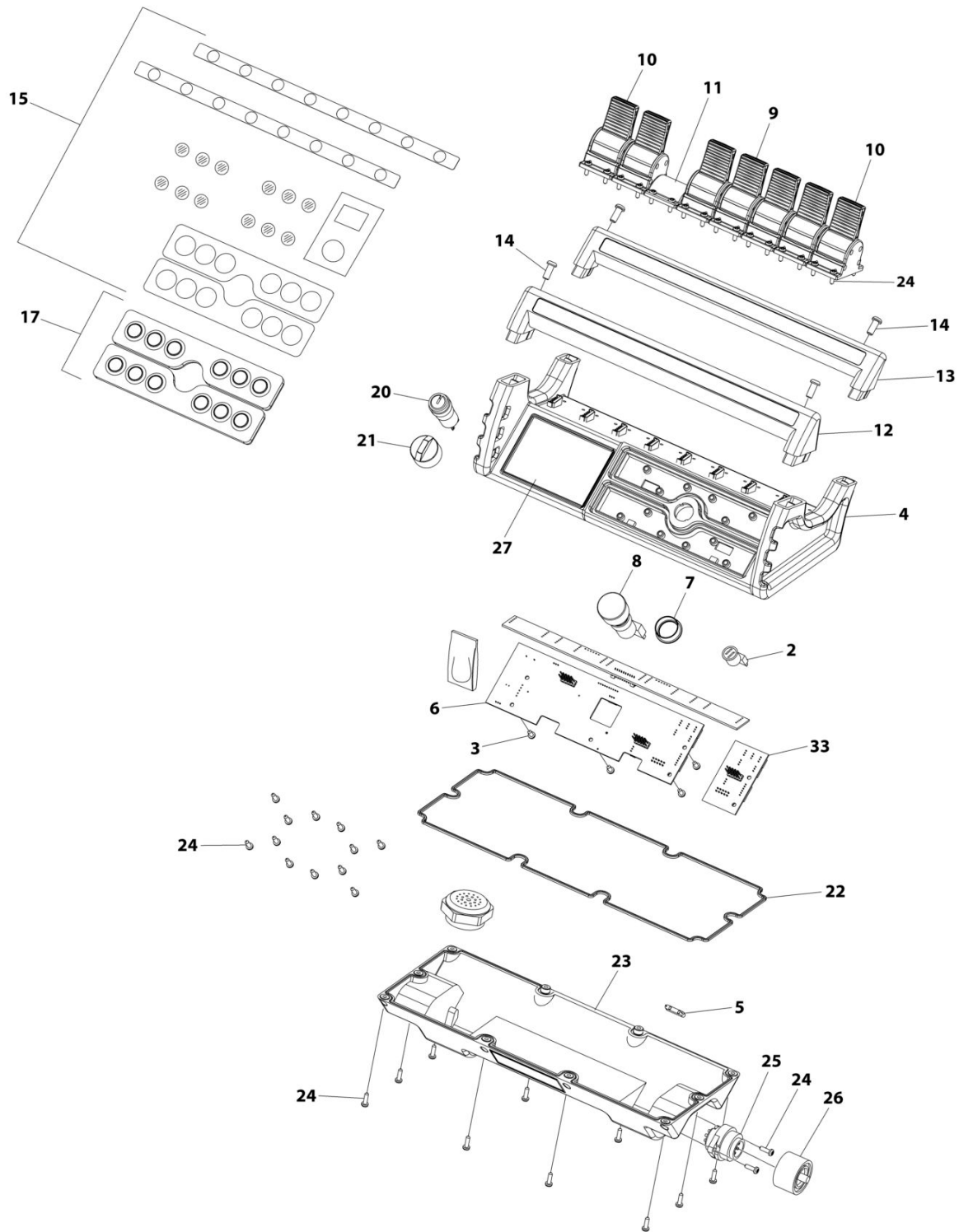
| ITEM | PART NUMBER | QTY | DESCRIPTION | REV |
|------|-------------|-----|--------------------------------|-----|
| | | Ref | CONNECTOR COMPONENTS | A |
| 1 | 1772950005 | 1 | Connector | |
| 2 | 1772950006 | 1 | Connector | |
| 3 | 1730720051 | 1 | Connector | |
| 4 | 1730720054 | 1 | Cap | |
| 5 | 1730720035 | 1 | Cap | |
| 5 | 1757250025 | 1 | Cap | |
| 6 | 1730720037 | 1 | Connector, Male - 6 Position | |
| 7 | 1730720039 | 1 | Cap | |
| 8 | 1772950009 | 1 | Connector | |
| 9 | 1730720033 | 1 | Connector, Male - 8 Position | |
| 10 | 1763330001 | 1 | Connector, 4-Way Male | |
| 11 | 1763330002 | 1 | Cap for 4-Way Male Connector | |
| 12 | 07700700 | 1 | Fuse 25A | |
| 13 | 05760700 | 1 | Fuse 5A | |
| 14 | 1730720029 | 1 | Connector, 8-Way Female | |
| 15 | 1730720031 | 1 | Protection | |
| 15 | 1757250026 | 1 | Cap | |
| 16 | 1730720084 | 1 | Protection | |
| 17 | 1730720030 | 1 | Plate | |
| 18 | 1730720034 | 1 | Plate | |
| 19 | 1730720038 | 1 | Plate | |
| 20 | 1730720041 | 1 | Connector, 6-Way Female | |
| 21 | 1730720042 | 1 | Connector | |
| 22 | 1772950007 | 1 | Ferrule Female | |
| 23 | 1757250031 | 1 | Connector | |
| 24 | 1757250032 | 1 | Connector | |
| 25 | 1757250033 | 1 | Cap | |
| 26 | 1757250043 | 3 | Rubber Seal | |
| 26 | 1757250043 | 1 | Rubber Seal | |
| 27 | 1757250035 | 1 | Connector | |
| 28 | 1757250034 | 1 | Connector | |
| 29 | 1757250036 | 1 | Cap | |
| 30 | 1757250038 | 1 | Connector | |
| 31 | 1757250037 | 1 | Connector | |
| 32 | 1757250039 | 1 | Cap | |
| 33 | 1757250041 | 1 | Connector | |
| 34 | 1757250040 | 1 | Connector, Female - 5 Position | |
| 34 | 1757250056 | 1 | Connector, Male - 5 Position | |
| 35 | 1757250027 | 1 | Cap | |
| 35 | 1757250042 | 1 | Connector, Female - 5 Position | |
| 35 | 1757250057 | 1 | Connector, Male - 5 Position | |
| 36 | 1757250046 | 1 | Seal | |
| 37 | 1757250044 | 1 | Connector | |
| 38 | 1757250045 | 1 | Seal | |
| 39 | 1772950001 | 1 | Ferrule Female | |
| 39 | 1772950002 | 1 | Ferrule Female | |
| 39 | 1772950003 | 1 | Ferrule Female | |
| 39 | 1772950004 | 1 | Ferrule Female | |
| 40 | 1772950010 | 1 | Connector | |

SECTION 8 - ELECTRICAL

| ITEM | PART NUMBER | QTY | DESCRIPTION | REV |
|------|-------------|-----|----------------------------------|-----|
| 41 | 1730720059 | 1 | Connector | |
| 42 | 1772950008 | 1 | Ferrule Female | |
| 43 | 17473600 | 1 | Connector, 24-Way | |
| 44 | 17473700 | 1 | Slide for 24-Way Connector | |
| 45 | 17306300 | 1 | Ferrule Female | |
| 46 | 17473800 | 1 | Ferrule Female | |
| 48 | 1730720083 | 1 | Complete Connector PM 220V 3-Way | |
| 49 | 1730720082 | 1 | Connector | |
| 50 | 1730720080 | 1 | Connector | |
| 51 | 1730720081 | 1 | Complete Connector PF 220V 3-Way | |
| 52 | 1730720032 | 1 | Terminal Male 0.5-1 | |
| 52 | 1730720036 | 1 | Terminal Female 0.5-1 | |
| 52 | 1730720040 | 1 | Terminal Female | |
| 52 | 1730720043 | 1 | Terminal Male | |
| 52 | 1730720055 | 1 | Contact Male | |
| 52 | 1730720056 | 1 | Cap 12-16 | |
| 52 | 1730720057 | 1 | Cap 16 | |
| 52 | 1730720058 | 1 | Contact Pin | |
| 52 | 1730720061 | 1 | Contact Female | |
| 52 | 1730720068 | 1 | Cap | |
| 52 | 1730720069 | 1 | Contact Female | |
| 53 | 1757250048 | 1 | Ferrule Female | |
| 56 | 1757250049 | 1 | Ferrule Male | |
| 56 | 1757250049 | 3 | Ferrule Male | |
| 57 | 1739150047 | 1 | Contact Female | |

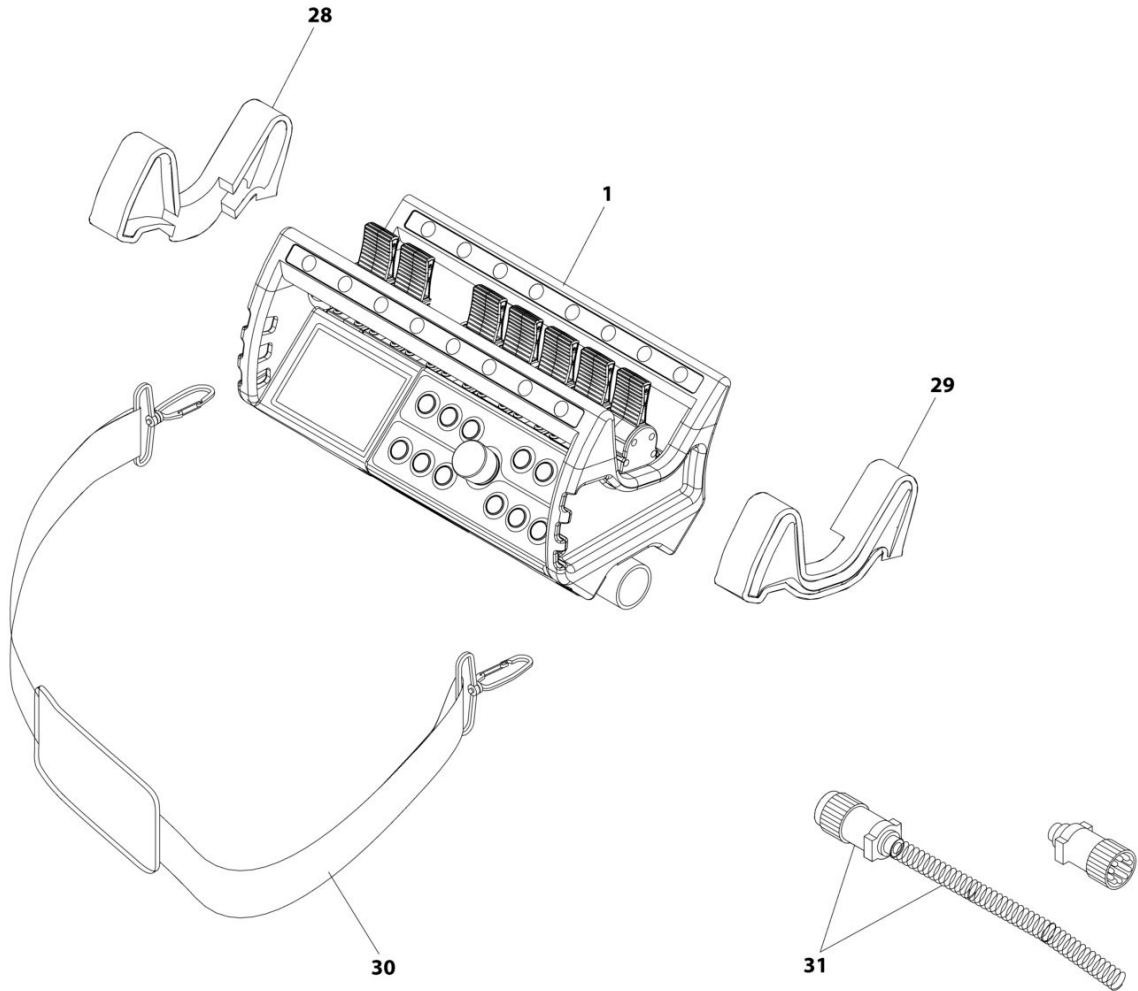
SECTION 8 - ELECTRICAL

FIGURE 8-8. REMOTE CONTROL COMPONENTS



ART_08-08-00_10F2

SECTION 8 - ELECTRICAL



ART_08-08-00_2OF2

SECTION 8 - ELECTRICAL

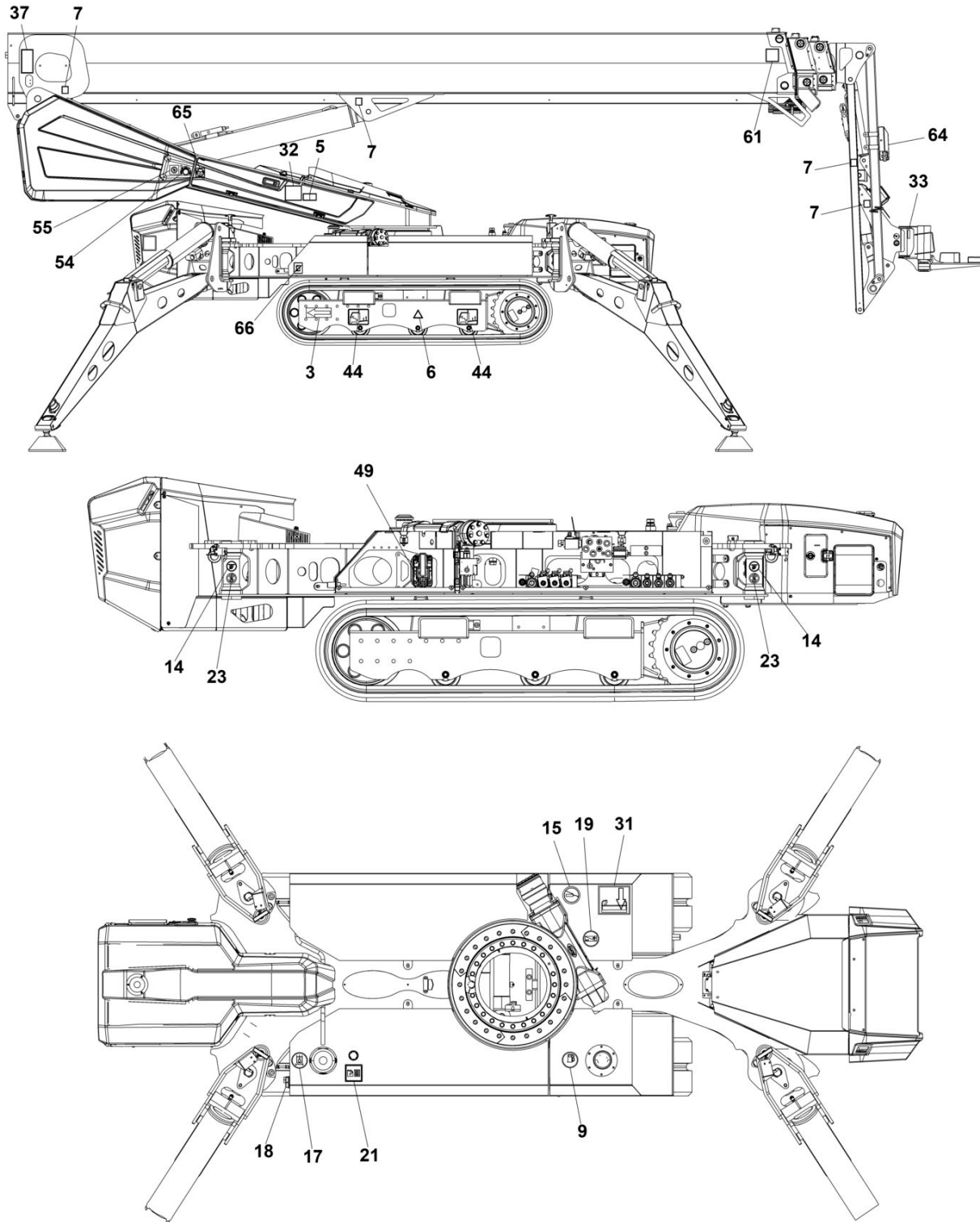
FIGURE 8-8. REMOTE CONTROL COMPONENTS

| ITEM | PART NUMBER | QTY | DESCRIPTION | REV |
|------|-------------|-----|--|-----|
| | | Ref | REMOTE CONTROL COMPONENTS | A |
| 1 | 28350600 | 1 | Control, Remote | |
| 2 | 07359400 | 1 | Switch, Remote Emergency | |
| 3 | 2646170003 | AR | Screw | |
| 4 | 2801270001 | 1 | Cover, Control Box Top (Note: Does not Include Switches or Controls) | |
| 5 | 07359500 | 1 | Reed, Contact | |
| 6 | 2801270003 | 1 | PC Board | |
| 7 | 2646170007 | 1 | Ring | |
| 8 | 2646170008 | 1 | Switch, Emergency Stop | |
| 9 | 17550700 | 1 | Kit, Black Cover, Joystick | |
| 9 | 2646170009 | 1 | Lever, Black | |
| 10 | 17550800 | 1 | Kit, Red Cover, Joystick | |
| 10 | 2646170010 | 1 | Lever, Red | |
| 11 | 2646170011 | 1 | Cover | |
| 12 | 2646170012 | 1 | Shroud, Upper Grip | |
| 13 | 2646170013 | 1 | Shroud, Lower Grip | |
| 14 | 2646170014 | AR | Screw | |
| 15 | 27005200 | 1 | Decal Kit | |
| 17 | 2646170017 | 1 | Pad, Button | |
| 20 | 2683930001 | 1 | Switch, 3S Series | |
| 21 | 2683930002 | 1 | Key, Ignition | |
| 22 | 2801270008 | 1 | Gasket | |
| 23 | 2827500001 | 1 | Bottom, Box | |
| 24 | 2646170024 | AR | Screw | |
| 25 | 2827500002 | 1 | Connector | |
| 26 | 2827500003 | 1 | Cover, Connector | |
| 27 | 2801270004 | 1 | Display | |
| 28 | 07027200 | 1 | Protection (LH) | |
| 29 | 07027100 | 1 | Protection (RH) | |
| 30 | 2646170030 | 1 | Strap | |
| 31 | 18249000 | 1 | Cable, Spiral - Remote Controls (with ODU Connector) | |
| 33 | 08295000 | 1 | Switch, Emergency Ground Activation (with ODU Connector) | |

SECTION 9 - DECALS

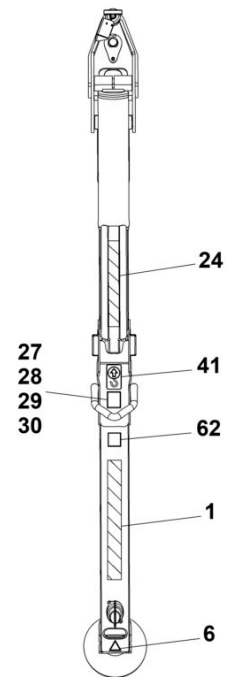
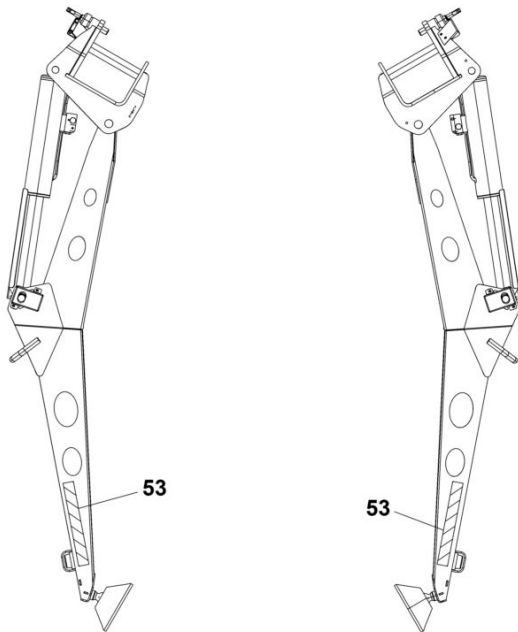
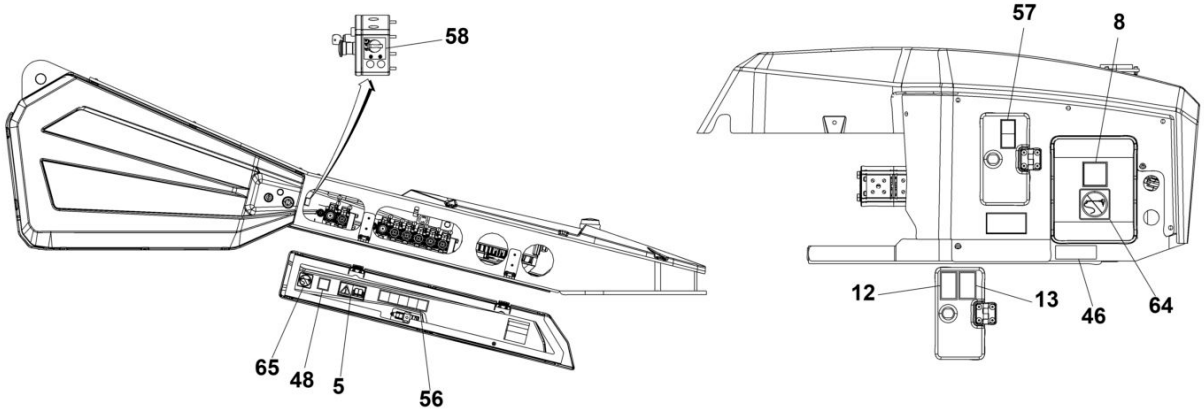
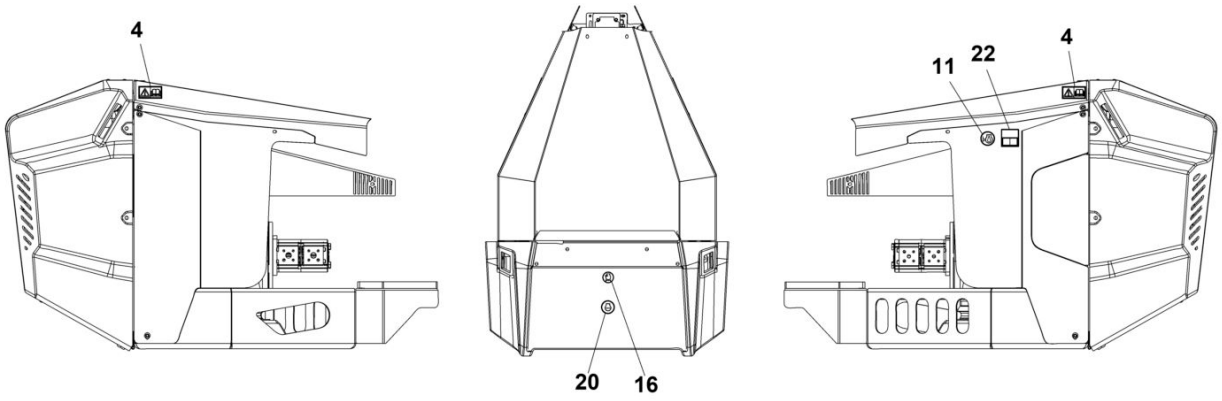
SECTION 9 - DECALS

FIGURE 9-1. DECALS INSTALLATION



ART_09-01-00_10F2

SECTION 9 - DECALS



ART_09-01-00_20F2

SECTION 9 - DECALS

FIGURE 9-1. DECALS INSTALLATION

| ITEM | PART NUMBER | QTY | DESCRIPTION | REV |
|------|-------------|-----|------------------------------------|-----|
| | | Ref | DECALS | A |
| 1 | 06039700 | 4 | Decal - Safety (Red/White) | |
| 2 | 06040400 | 1 | Decal (Not Shown) | |
| 3 | 06040500 | 2 | Decal - Safety | |
| 4 | 06040900 | 2 | Decal - Safety | |
| 5 | | Ref | Decal | |
| 6 | 06041200 | 6 | Decal - Safety | |
| 7 | 06041300 | 8 | Decal - Safety | |
| 8 | 06042400 | 3 | Decal - Safety | |
| 9 | 06043900 | 1 | Decal - Diesel | |
| 11 | 06060000 | 1 | Decal - Safety | |
| 12 | 06085900 | 1 | Decal - Safety | |
| 13 | 06086000 | 1 | Decal - Safety | |
| 14 | 06086200 | 4 | Decal - Anchor Ring | |
| 15 | 06136900 | 1 | Decal - Safety | |
| 16 | 0616460099 | 1 | Decal | |
| 17 | 06164700 | 1 | Decal - Safety | |
| 18 | 06165000 | 1 | Decal - Safety | |
| 19 | 06207700 | 1 | Decal | |
| 20 | 0621420099 | 1 | Decal | |
| 21 | 06226900 | 1 | Decal | |
| 22 | 06227200 | 1 | Decal - Oil Level | |
| 23 | 06311200 | 4 | Decal - No Lift | |
| 24 | 06436900 | 4 | Decal | |
| 25 | 06448100 | 2 | Decal - Safety (Not Shown) | |
| 26 | 06448200 | 2 | Decal - Safety (Not Shown) | |
| 27 | 06555500 | 1 | Decal | |
| 28 | 06555600 | 1 | Decal - Safety | |
| 29 | 06555700 | 1 | Decal - Safety | |
| 30 | 06555800 | 1 | Decal - Safety | |
| 31 | 06665700 | 1 | Decal | |
| 32 | 0666570099 | 1 | Decal | |
| 33 | 06706500 | 1 | Decal - Safety | |
| 34 | 06840400 | 1 | Decal - Remote (Not Shown) | |
| 35 | 06840700 | 1 | Decal (Not Shown) | |
| 36 | 07034200 | 1 | Decal (Not Shown) | |
| 37 | 07058800 | 2 | Decal - Safety | |
| 38 | 07058800 | 4 | Decal - Safety (Not Shown) | |
| 39 | 07060500 | 2 | Decal - JLG (Not Shown) | |
| 40 | 07071000 | 1 | Decal (Not Shown) | |
| 41 | 07071200 | 4 | Decal - Lift | |
| 42 | 07499300 | 1 | Decal (Not Shown) | |
| 43 | 07668200 | 1 | Decal - Emergency Stop (Not Shown) | |
| 44 | 07839500 | 4 | Decal - Forklift | |
| 45 | 07878400 | 1 | Decal - Safety (Not Shown) | |
| 46 | 08061600 | 1 | Decal - Air and Water | |
| 47 | 0814130099 | 1 | Decal (Not Shown) | |
| 48 | 0827830099 | 1 | Decal | |
| 49 | 08279600 | 1 | Decal | |
| 50 | 08318500 | 1 | Decal (Not Shown) | |

SECTION 9 - DECALS

| ITEM | PART NUMBER | QTY | DESCRIPTION | REV |
|------|--------------|-----|------------------------------------|-----|
| 51 | 08347400 | 2 | Decal (Not Shown) | |
| 52 | 08347500 | 2 | Decal (Not Shown) | |
| 53 | 08433900 | 8 | Decal | |
| 54 | 0843450099 | 1 | Decal | |
| 55 | 0843460099 | 1 | Decal | |
| 56 | 0843490099 | 1 | Decal | |
| 57 | 0843500099 | 1 | Decal | |
| 58 | 08438500 | 1 | Decal | |
| 60 | 08440000 | 1 | Decal (Not Shown) | |
| 61 | 08441400 | 2 | Decal | |
| 62 | 08487400 | 4 | Decal | |
| 63 | 08549000 | 2 | Decal (Not Shown) | |
| 64 | 1001125483 | 2 | Decal - Pressure Wash | |
| 65 | 100112548399 | 2 | Decal | |
| 66 | 1702155 | 1 | Decal - Battery Disconnect | |
| 67 | 1704277 | 2 | Decal - Lanyard Attach (Not Shown) | |
| 68 | 18440500 | 1 | Decal Kit (Not Shown) | |

SECTION 10 - RECOMMENDED SERVICE PARTS STOCK

SECTION 10 - RECOMMENDED SERVICE PARTS STOCK

SECTION 10 - RECOMMENDED SERVICE PARTS STOCK

FIGURE 10-1. RECOMMENDED SERVICE PARTS STOCK

PART NUMBER INDEX

| | | | | | | | |
|-----------------|-----|-----------------|-----|-----------------|----------|---------------|-----|
| 03014400..... | 93 | 06448200..... | 120 | 07599600..... | 21 | 08323400..... | 41 |
| 03024801..... | 11 | 06477600..... | 17 | 07599800..... | 21 | 08323500..... | 41 |
| 03149200..... | 11 | 064965Y1..... | 37 | 07611000..... | 91 | 083236Y1..... | 41 |
| 04048100..... | 69 | 064966Y1..... | 37 | 07611300..... | 21 | 08323700..... | 39 |
| 04152300..... | 103 | 064967Y1..... | 23 | 07668200..... | 120 | 083238Y1..... | 39 |
| 04256300..... | 13 | 064968Y1..... | 21 | 07687300..... | 51 | 08323900..... | 39 |
| 04256400..... | 13 | 06520700..... | 21 | 07688400..... | 93 | 08324000..... | 39 |
| 04310100..... | 33 | 06551400..... | 29 | 07690400..... | 21 | 08324100..... | 39 |
| 04615300..... | 33 | 06551600..... | 21 | 07690700..... | 51 | 08324200..... | 39 |
| 046748H2..... | 11 | 06555500..... | 120 | 07700700..... | 111 | 08324300..... | 39 |
| 04707700..... | 93 | 06555600..... | 120 | 077087Y2..... | 101 | 083244Y1..... | 39 |
| 04774900..... | 105 | 06555700..... | 120 | 077089H2..... | 103 | 08324600..... | 43 |
| 04845100..... | 91 | 06555800..... | 120 | 077401H2..... | 21 | 08324700..... | 39 |
| 04845400..... | 69 | 06585900..... | 51 | 07751100..... | 51 | 08325600..... | 39 |
| 05061800..... | 17 | 06586200..... | 39 | 07766500..... | 45 | 08325700..... | 39 |
| 05120200..... | 17 | 06598500..... | 51 | 07771500..... | 45 | 08326400..... | 37 |
| 051705Y1..... | 105 | 06622900..... | 41 | 07839500..... | 120 | 08326500..... | 37 |
| 05427200..... | 19 | 06639100..... | 101 | 07844200..... | 101 | 083266H3..... | 37 |
| 05444800..... | 19 | 06665000..... | 45 | 07878100..... | 17 | 083267H3..... | 37 |
| 05475900..... | 51 | 06665700..... | 120 | 07878400..... | 120 | 083268Y1..... | 37 |
| 05509900..... | 91 | 0666570099..... | 120 | 07894800..... | 105 | 083279Y1..... | 37 |
| 05510200..... | 33 | 06706500..... | 120 | 07894900..... | 21 | 083283H3..... | 37 |
| 05563400..... | 33 | 06840400..... | 120 | 07906300..... | 37 | 083284Y1..... | 37 |
| 05580200..... | 91 | 06840700..... | 120 | 07918000..... | 41 | 083285Y1..... | 37 |
| 05582000..... | 75 | 06867600..... | 23 | 07999000..... | 37 | 083286Y1..... | 37 |
| 05582600..... | 75 | 06957900..... | 17 | 08014700..... | 101 | 08328700..... | 37 |
| 05611800..... | 17 | 07027100..... | 116 | 08051800..... | 29 | 083288Y1..... | 37 |
| 056187H3..... | 45 | 07027200..... | 116 | 08051900..... | 29 | 08328900..... | 89 |
| 05643600..... | 51 | 07031800..... | 45 | 08052000..... | 29 | 08329000..... | 91 |
| 05656400..... | 17 | 07034200..... | 120 | 080523Y1..... | 29 | 08329100..... | 85 |
| 05760700..... | 111 | 07052900..... | 45 | 08061600..... | 120 | 08329200..... | 87 |
| 058600H3..... | 51 | 07058800..... | 120 | 08114900..... | 91 | 08329300..... | 89 |
| 06039700..... | 120 | 07060500..... | 120 | 08132300..... | 51 | 08329400..... | 87 |
| 06040400..... | 120 | 07071000..... | 120 | 0814130099..... | 120 | 08329500..... | 85 |
| 06040500..... | 120 | 07071200..... | 120 | 0827830099..... | 120 | 08329600..... | 91 |
| 06040900..... | 120 | 07093500..... | 45 | 08279600..... | 120 | 08329800..... | 43 |
| 06041200..... | 120 | 07093600..... | 45 | 08280200..... | 23 | 083299Y1..... | 43 |
| 06041300..... | 120 | 07093700..... | 45 | 08295000..... | 101, 116 | 08330000..... | 43 |
| 06042400..... | 120 | 07093800..... | 45 | 08309700..... | 51 | 08330100..... | 43 |
| 06043900..... | 120 | 07146400..... | 45 | 08310700..... | 51 | 08330200..... | 43 |
| 06060000..... | 120 | 07146500..... | 45 | 08310800..... | 51 | 08330300..... | 43 |
| 06085900..... | 120 | 07190900..... | 45 | 08318500..... | 120 | 08330400..... | 43 |
| 06086000..... | 120 | 07192600..... | 45 | 08319200..... | 87 | 08330500..... | 43 |
| 06086200..... | 120 | 07192700..... | 51 | 08319300..... | 87 | 083308Y1..... | 43 |
| 06136900..... | 120 | 07193000..... | 45 | 08319400..... | 85 | 08331000..... | 37 |
| 06145700..... | 29 | 07239700..... | 51 | 08319500..... | 91 | 08331100..... | 41 |
| 0616460099..... | 120 | 072398H3..... | 51 | 08319600..... | 89 | 08331200..... | 43 |
| 06164700..... | 120 | 072404H3..... | 45 | 08319700..... | 91 | 083319Y2..... | 37 |
| 06165000..... | 120 | 07246000..... | 39 | 08319800..... | 85 | 08335000..... | 37 |
| 06207700..... | 120 | 07256800..... | 17 | 08319900..... | 89 | 083370H2..... | 17 |
| 0621420099..... | 120 | 07271800..... | 43 | 08320100..... | 43 | 083376Y1..... | 37 |
| 06226900..... | 120 | 072787Y1..... | 43 | 08320500..... | 43 | 08337700..... | 37 |
| 06227200..... | 120 | 07343100..... | 29 | 08320600..... | 43 | 083408Y1..... | 21 |
| 06230600..... | 37 | 07359400..... | 116 | 08320700..... | 43 | 08342300..... | 45 |
| 06235600..... | 45 | 07359500..... | 116 | 08320800..... | 43 | 08342400..... | 37 |
| 06235700..... | 45 | 07430200..... | 29 | 08320900..... | 43 | 08342500..... | 23 |
| 06272600..... | 45 | 07459300..... | 69 | 083211H3..... | 43 | 08342600..... | 37 |
| 06272700..... | 45 | 07495500..... | 29 | 083212Y1..... | 43 | 08342700..... | 21 |
| 06301200..... | 37 | 07499300..... | 120 | 08321500..... | 41 | 08342800..... | 21 |
| 06311200..... | 120 | 075716Y1..... | 27 | 08321600..... | 41 | 08342900..... | 21 |
| 06321200..... | 41 | 075717Y1..... | 27 | 08321700..... | 41 | 08347400..... | 121 |
| 06418600..... | 51 | 075718Y1..... | 27 | 08321800..... | 41 | 08347500..... | 121 |
| 06422200..... | 21 | 07582800..... | 21 | 083219Y1..... | 41 | 08353000..... | 19 |
| 06422300..... | 41 | 07583000..... | 21 | 08322000..... | 41 | 08356700..... | 29 |
| 06436900..... | 120 | 07585600..... | 21 | 08322100..... | 41 | 08357800..... | 11 |
| 064422Y1..... | 21 | 075882H2..... | 21 | 08322300..... | 41 | 08360000..... | 11 |
| 064423Y1..... | 21 | 07598600..... | 29 | 08322400..... | 41 | 083601H2..... | 13 |
| 06448100..... | 120 | 07598700..... | 29 | 083233Y1..... | 41 | 083602H2..... | 11 |

| | | | | | | | |
|----------|-----|------------|-----|--------------|-----|-------------|-----|
| 08360300 | 13 | 08390400 | 43 | 084969H3 | 43 | 1739150023 | 105 |
| 08360400 | 13 | 08390500 | 43 | 085104H3 | 43 | 1739150024 | 105 |
| 083618Y1 | 23 | 08391300 | 69 | 085105H3 | 43 | 1739150025 | 105 |
| 083619Y1 | 23 | 08391400 | 69 | 085106H3 | 43 | 1739150047 | 112 |
| 083627Y1 | 17 | 08391500 | 69 | 085127H1 | 17 | 17404200 | 29 |
| 083631Y1 | 21 | 08391600 | 69 | 08519900 | 19 | 1740420001 | 29 |
| 08363200 | 69 | 08391700 | 69 | 08520000 | 19 | 17473600 | 112 |
| 08363300 | 69 | 08391800 | 69 | 08549000 | 121 | 17473700 | 112 |
| 08363400 | 71 | 08391900 | 69 | 1001125483 | 121 | 17473800 | 112 |
| 08363500 | 71 | 08392000 | 69 | 100112548399 | 121 | 175401J2 | 45 |
| 08363600 | 71 | 08392100 | 75 | 1001181405 | 23 | 17550700 | 116 |
| 08363700 | 71 | 08392200 | 75 | 10681670 | 11 | 17550800 | 116 |
| 08363800 | 69 | 08392300 | 75 | 147310H2 | 11 | 17569900 | 51 |
| 08363900 | 69 | 08392400 | 75 | 15120100 | 17 | 1757250002 | 101 |
| 08364000 | 69 | 08392500 | 75 | 1556350063 | 101 | 1757250006 | 101 |
| 08364100 | 69 | 08392600 | 75 | 1556350068 | 105 | 1757250007 | 101 |
| 083650H2 | 17 | 08392700 | 75 | 1585570006 | 101 | 1757250008 | 101 |
| 083651Y1 | 17 | 08392800 | 75 | 1591700002 | 103 | 1757250023 | 99 |
| 083652H2 | 21 | 08392900 | 73 | 1628400005 | 105 | 1757250025 | 111 |
| 083656H2 | 21 | 08393000 | 73 | 1651290015 | 101 | 1757250026 | 111 |
| 083657H2 | 21 | 08393100 | 69 | 16710000 | 41 | 1757250027 | 111 |
| 083661H2 | 23 | 08397900 | 41 | 1679900004 | 99 | 1757250031 | 111 |
| 083664Y1 | 105 | 08398400 | 39 | 1679900012 | 99 | 1757250032 | 111 |
| 083710H2 | 19 | 08400600 | 69 | 1692150001 | 105 | 1757250033 | 111 |
| 083717H2 | 19 | 08400700 | 77 | 1702155 | 121 | 1757250034 | 111 |
| 083721D2 | 23 | 08400800 | 77 | 1704277 | 121 | 1757250035 | 111 |
| 083722D2 | 23 | 08400900 | 77 | 170947J2 | 45 | 1757250036 | 111 |
| 083731H2 | 23 | 08401000 | 77 | 17162400 | 101 | 1757250037 | 111 |
| 083732H2 | 23 | 08401100 | 77 | 17162500 | 101 | 1757250038 | 111 |
| 08373400 | 85 | 08401200 | 77 | 17306300 | 112 | 1757250039 | 111 |
| 08373500 | 91 | 08401300 | 77 | 1730720005 | 105 | 1757250040 | 111 |
| 08373600 | 87 | 08401400 | 77 | 1730720015 | 101 | 1757250041 | 111 |
| 08373700 | 89 | 08401500 | 71 | 1730720017 | 101 | 1757250042 | 111 |
| 08373800 | 85 | 08401600 | 71 | 1730720029 | 111 | 1757250043 | 111 |
| 08373900 | 91 | 08401700 | 71 | 1730720030 | 111 | 1757250044 | 111 |
| 08374000 | 89 | 08402100 | 71 | 1730720031 | 111 | 1757250045 | 111 |
| 08374100 | 87 | 08402200 | 93 | 1730720032 | 112 | 1757250046 | 111 |
| 08374700 | 43 | 08404400 | 81 | 1730720033 | 111 | 1757250048 | 112 |
| 08374800 | 41 | 08404500 | 81 | 1730720034 | 111 | 1757250049 | 112 |
| 08376000 | 91 | 08404600 | 79 | 1730720035 | 111 | 1757250056 | 111 |
| 08376100 | 91 | 08404700 | 79 | 1730720036 | 112 | 1757250057 | 111 |
| 08376200 | 85 | 08404800 | 91 | 1730720037 | 111 | 1757260008 | 101 |
| 08376300 | 85 | 08404900 | 91 | 1730720038 | 111 | 17572600081 | 101 |
| 08376400 | 89 | 08405000 | 89 | 1730720039 | 111 | 1763330001 | 111 |
| 08376500 | 89 | 08405100 | 89 | 1730720040 | 112 | 1763330002 | 111 |
| 08376600 | 87 | 08405200 | 83 | 1730720041 | 111 | 1764260003 | 101 |
| 08376700 | 87 | 08405300 | 83 | 1730720042 | 111 | 17669800 | 103 |
| 083769H2 | 103 | 08405400 | 85 | 1730720043 | 112 | 1770740001 | 99 |
| 083770H2 | 103 | 08405500 | 85 | 1730720051 | 111 | 1772950001 | 111 |
| 083771H2 | 103 | 08405600 | 85 | 1730720054 | 111 | 1772950002 | 111 |
| 083772H2 | 103 | 08405700 | 85 | 1730720055 | 112 | 1772950003 | 111 |
| 083775H2 | 23 | 08407800 | 41 | 1730720056 | 112 | 1772950004 | 111 |
| 08377700 | 23 | 08410000 | 87 | 1730720057 | 112 | 1772950005 | 111 |
| 08378000 | 23 | 08410100 | 87 | 1730720058 | 112 | 1772950006 | 111 |
| 083797Y1 | 23 | 084295Y1 | 23 | 1730720059 | 112 | 1772950007 | 111 |
| 083798Y1 | 23 | 08431600 | 41 | 1730720061 | 112 | 1772950008 | 112 |
| 083799Y1 | 23 | 08431700 | 43 | 1730720068 | 112 | 1772950009 | 111 |
| 083800Y1 | 23 | 08433900 | 121 | 1730720069 | 112 | 1772950010 | 111 |
| 083801Y1 | 23 | 0843450099 | 121 | 1730720080 | 112 | 1772950015 | 103 |
| 08380200 | 73 | 0843460099 | 121 | 1730720081 | 112 | 1772950016 | 103 |
| 08380300 | 73 | 0843490099 | 121 | 1730720082 | 112 | 1772950019 | 101 |
| 08380400 | 73 | 0843500099 | 121 | 1730720083 | 112 | 1772950021 | 101 |
| 08380500 | 73 | 08438500 | 121 | 1730720084 | 111 | 1773980004 | 105 |
| 08380800 | 29 | 08440000 | 121 | 1730720087 | 99 | 1787280015 | 101 |
| 083812H2 | 19 | 08441400 | 121 | 1730720088 | 99 | 1817030001 | 101 |
| 083813H2 | 19 | 084571Y1 | 29 | 1730720098 | 99 | 18249000 | 116 |
| 083842Z3 | 19 | 08461500 | 43 | 17329500 | 13 | 18272800 | 69 |
| 083843Z3 | 19 | 084648Z3 | 23 | 1733730029 | 105 | 18294900 | 101 |
| 08389300 | 17 | 08487400 | 121 | 1739150022 | 105 | 18295100 | 101 |

| | | | | | | | |
|-----------------|-----|------------------|--------|------------------|-----|-----------------|-----|
| 18307600..... | 93 | 1851140001 | 17 | 2734510001 | 29 | 28331500..... | 43 |
| 18310600..... | 51 | 185114J2 | 17 | 2734510002 | 29 | 28350600..... | 116 |
| 183165J1..... | 37 | 25576400 | 33 | 27527400 | 101 | 28362800..... | 17 |
| 18322200..... | 41 | 2557640001 | 33 | 27602400 | 29 | 283662H3..... | 21 |
| 18322500..... | 41 | 2557640002 | 33 | 27668600 | 105 | 28377600..... | 23 |
| 18324500..... | 39 | 25779900 | 29 | 2769110002 | 33 | 28377800..... | 23 |
| 18324800..... | 39 | 2588290008 | 65 | 27920500 | 107 | 28377900..... | 23 |
| 1832600002..... | 107 | 2594900009 | 55 | 27997100 | 99 | 28378100..... | 23 |
| 1832600003..... | 107 | 2627870005 | 55 | 28008200 | 99 | 28378200..... | 23 |
| 1832600004..... | 109 | 2627890006 | 63, 65 | 2801270001 | 116 | 28378300..... | 23 |
| 1832600005..... | 109 | 2628180003 | 57 | 2801270003 | 116 | 28378400..... | 19 |
| 1832600006..... | 107 | 264491H2 | 11 | 2801270004 | 116 | 2837840001..... | 19 |
| 1832600007..... | 99 | 26459400 | 69 | 2801270008 | 116 | 28378800..... | 19 |
| 1832600008..... | 107 | 2646170003 | 116 | 28052700 | 29 | 2838240001..... | 13 |
| 1832600009..... | 109 | 2646170007 | 116 | 2805270001 | 29 | 283824H2..... | 13 |
| 1832600010..... | 107 | 2646170008 | 116 | 28053100 | 27 | 283825H3..... | 33 |
| 1832600011..... | 107 | 2646170009 | 116 | 28056700 | 27 | 28432200..... | 29 |
| 1832600012..... | 107 | 2646170010 | 116 | 2805670002 | 31 | 28448200..... | 101 |
| 1832600013..... | 99 | 2646170011 | 116 | 2805670003 | 31 | 284674H3..... | 27 |
| 1832600014..... | 99 | 2646170012 | 116 | 2805670004 | 31 | 28512600..... | 17 |
| 1832600015..... | 109 | 2646170013 | 116 | 2805670005 | 31 | 3311601..... | 51 |
| 1832620001..... | 105 | 2646170014 | 116 | 2805670001 | 59 | 36585800..... | 51 |
| 18326900..... | 37 | 2646170017 | 116 | 2818070002 | 61 | 371459H2..... | 45 |
| 18329700..... | 43 | 2646170024 | 116 | 28250000 | 51 | 376018H2..... | 21 |
| 18331300..... | 41 | 2646170030 | 116 | 2827500001 | 116 | 377660H2..... | 45 |
| 183337J2..... | 45 | 2648910001 | 89 | 2827500002 | 116 | 377661H2..... | 45 |
| 183356H2..... | 17 | 2648910002 | 45 | 2827500003 | 116 | 380853Y1..... | 29 |
| 183387H2..... | 21 | 26551500 | 29 | 282979H3..... | 21 | 38302200..... | 51 |
| 183409J2..... | 21 | 26582800 | 101 | 2829850002 | 59 | 38302300..... | 51 |
| 183443J2..... | 17 | 2683930001 | 116 | 282985H2..... | 59 | 383114J2..... | 43 |
| 183494J2..... | 17 | 2683930002 | 116 | 282985H201..... | 59 | 383136J2..... | 41 |
| 18357300..... | 51 | 26964400 | 93 | 283058CB | 11 | 383148J2..... | 39 |
| 183575Y1..... | 11 | 27005200 | 116 | 28307300 | 95 | 383280Y1..... | 37 |
| 183577H2..... | 11 | 27018000 | 27 | 28307400 | 95 | 383356H2..... | 17 |
| 183605H2..... | 19 | 27031700 | 103 | 28307500 | 95 | 383371Y1..... | 37 |
| 183613H2..... | 19 | 2705540002 | 55 | 28313100 | 95 | 383387H2..... | 21 |
| 183703H2..... | 19 | 2706930001 | 61, 65 | 2831860001 | 61 | 383443J2..... | 17 |
| 183709H2..... | 19 | 2706930002 | 61, 65 | 283186H2..... | 61 | 383456J2..... | 17 |
| 183726Y1..... | 17 | 270693H2 | 65 | 2831870001 | 57 | 383504J2..... | 17 |
| 183727H2..... | 23 | 27146200 | 45 | 2831870002 | 57 | 383505J2..... | 17 |
| 183728H2..... | 23 | 271778H2 | 45 | 2831870004 | 57 | 383515H2..... | 13 |
| 183729Y1..... | 23 | 2734250001 | 31 | 283187H2..... | 57 | 383533H2..... | 13 |
| 183730H2..... | 23 | 2734250002 | 31 | 2831880001 | 55 | 383550H2..... | 13 |
| 18375800..... | 37 | 2734250003 | 31 | 2831880002 | 55 | 383555H2..... | 21 |
| 18375900..... | 37 | 2734250004 | 31 | 283188H2..... | 55 | 385114J2..... | 17 |
| 183768J2..... | 45 | 2734250006 | 29 | 2832580001 | 63 | 6841300..... | 79 |
| 183806Y1..... | 23 | 2734250007 | 31 | 2832580002 | 63 | 837760001..... | 23 |
| 183807H3..... | 17 | 2734250008 | 31 | 2832580003 | 63 | RS001400..... | 17 |
| 183840Z3..... | 19 | 2734250009 | 31 | 283258H2..... | 63 | RS002700..... | 17 |
| 18440500..... | 121 | 2734250011 | 31 | 28327700 | 107 | | |
| 18448000..... | 101 | 2734250013 | 31 | 28327800 | 107 | | |
| 1844800001..... | 101 | 27345100 | 29 | 28331400 | 41 | | |



**Corporate Office
JLG Industries, Inc.
1 JLG Drive
McConnellsburg, PA 17233-9533 USA**
☎ **(717) 485-5161 (Corporate)**
☎ **(877) 554-5438 (Customer Support)**
📠 **(717) 485-6417**

**Visit our website for JLG Worldwide Locations.
www.jlg.com**



OSHKOSH™