



Illustrated Parts Manual

Models **T350** **T500J**

SN 003000001 to
SN 0030012108

3121199

September 15, 2023 - Rev AK

ANSI

CE



An Oshkosh Corporation Company

REVISION LOG

December 15, 2004 - A - Original Issue Of Manual (Edited to B/M 0010612 Revision 3)
March 15, 2005 - B - Revised Manual (Edited to B/M 0010612 Revision 5)
August 31, 2005 - C - Revised Manual (Edited to B/M 0010612 Revision 8)
February 15, 2006 - D - Revised Manual (Edited to B/M 0010612 Revision 14)
July 18, 2006 - E - Revised Manual (Edited to B/M 0010612 Revision 16)
November 13, 2006 - F - Revised Manual (Edited to B/M 0010612 Revision 19)
January 31, 2007 - G - Revised Manual (Edited to B/M 0010612 Revision 20)
June 1, 2007 - H - Revised Manual (Edited to B/M 0010612 Revision 22)
January 15, 2008 - I - Revised Manual (Edited to B/M 0010612 Revision 26)
July 31, 2008 - J - Revised Manual (Edited to B/M 0010612 Revision 27)
March 1, 2009 - K - Revised Manual (Edited to B/M 0010612 Revision 28)
July 2, 2010 - L - Revised Manual (Edited to B/M 0010612 Revision 31)
January 15, 2011 - M - Revised Manual (Edited to B/M 0010612 Revision 32)
May 5, 2011 - N - Revised Manual (Edited to B/M 0010612 Revision 32)
August 1, 2011 - O - Revised Manual (Edited to B/M 0010612 Revision 33)
November 4, 2011 - P - Revised Manual (Edited to B/M 0010612 Revision 34)
March 23, 2012 - Q - Revised Manual (Edited to B/M 0010612 Revision 34)
July 6, 2012 - R - Revised Manual (Edited to B/M 0010612 Revision B)
October 3, 2012 - S - Revised Manual (Edited to B/M 0010612 Revision B)
February 8, 2013 - T - Revised Manual (Edited to B/M 0010612 Revision C)
June 1, 2013 - U - Revised Manual (Edited to B/M 0010612 Revision E)
September 1, 2013 - V - Revised Manual (Edited to B/M 0010612 Revision F)
December 30, 2013 - W - Revised Manual (Edited to B/M 0010612 Revision F)
February 1, 2015 - X - Revised Manual (Edited to B/M 0010612 Revision I)
April 15, 2016 - Y - Revised Manual (Edited to B/M 0010612 Revision O)
July 8, 2016 - Z - Revised Manual (Edited to B/M 0010612 Revision R)
December 31, 2016 - AA - Revised Manual (Edited to B/M 0010612 Revision S)
March 23, 2017 - AB - Revised Manual (Edited to B/M 0010612 Revision S)
June 30, 2017 - AC - Revised Manual (Edited to B/M 0010612 Revision S)
September 29, 2017 - AD - Revised Manual (Edited to B/M 0010612 Revision T)
December 22, 2017 - AE - Revised Manual (Edited to B/M 0010612 Revision T)

REVISION LOG

March 29, 2018 - AF - Revised Manual (Edited to B/M 0010612 Revision U)

June 15, 2018 - AG - Revised Manual (Edited to B/M 0010612 Revision W)

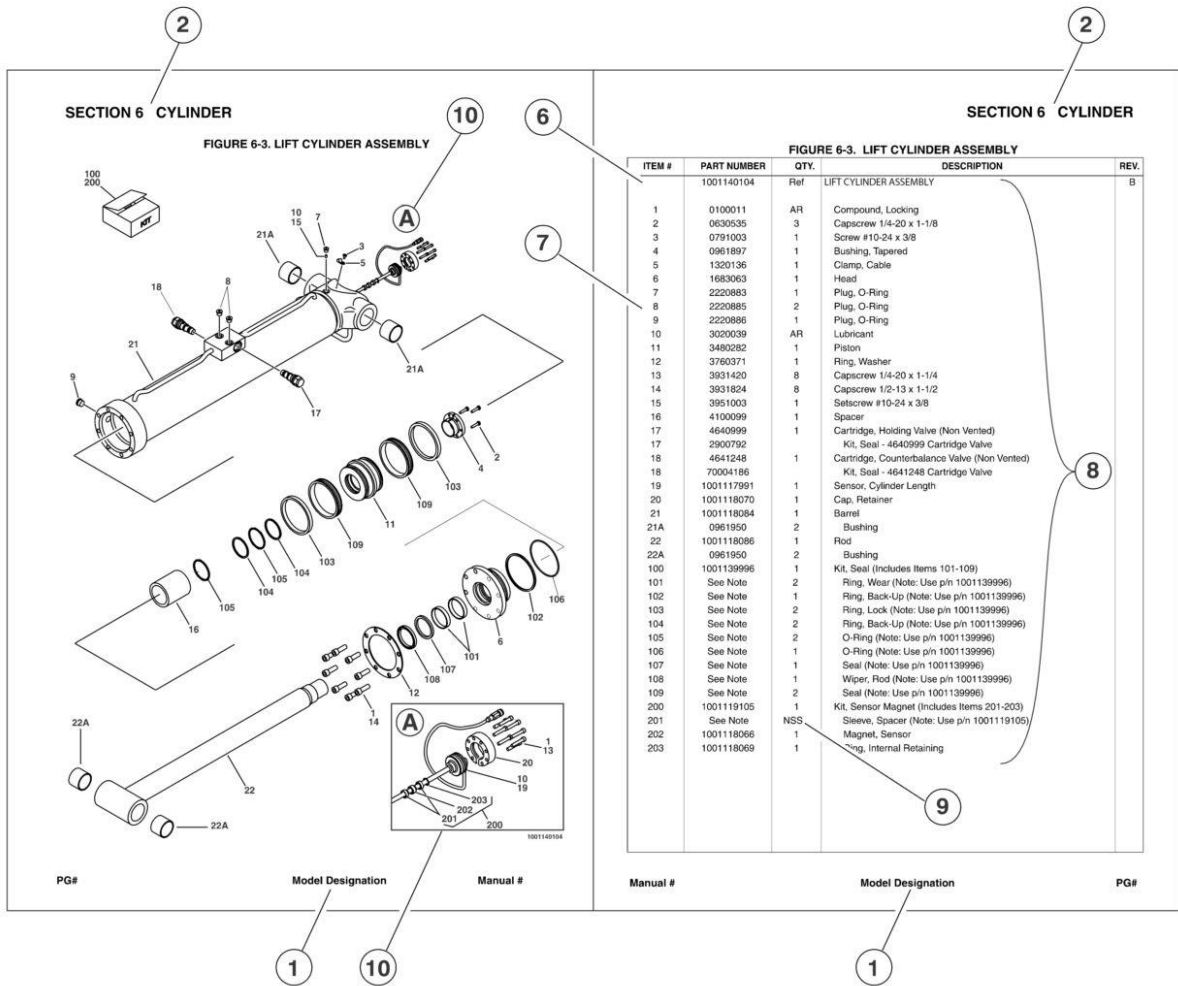
September 28, 2018 - AH - Revised Manual (Edited to B/M 0010612 Revision Z)
(Revision 2)

January 2, 2020 - AI - Revised Manual (Edited to B/M 0010612 Revision Z)

January 28, 2020 - AJ - Revised Manual (Edited to B/M 0010612 Revision Z)

September 15, 2023 - AK - Revised Manual (Edited to B/M 0010612 Revision Z)

GENERAL INFORMATION



1) MACHINE IDENTIFICATION

Machines are identified by model and in some cases a combination of models, serial number (SN) or regional standard (i.e ANSI, CE, CSA). Components may also be identified by SN or manufacturer. Common components that may be identified by these characteristics are engines and hydraulic components.

2) PARTS MANUAL ORGANIZATION

Product information in this manual is organized under section titles. Frame, Cylinder, Hydraulic and Electrical are a few examples. Each section is organized by figure and page number. The information within the Figure is then organized by item number, part number, description and corresponding illustration (s).

3) TABLE OF CONTENTS

A table of contents is found toward the beginning of the manual. Figure number, description and page number are provided for quick reference to the page containing the related information.

4) RECOMMENDED SPARE PARTS

The Recommended Spare Parts, located near the end of the manual, reference most frequently used maintenance parts.

5) PART NUMBER INDEX

A numerical index listing all part numbers and the corresponding page number(s) appears at the back of the manual.

GENERAL INFORMATION

6) NON-SERVICED PARTS

In some instances, it is necessary to display non-serviced parts, assemblies or installations. In the case of assemblies and installations there will be a Ref in the Qty column. In case of parts that are not available for service within assemblies or components, there will be a NSS (Not Sold Separately) or NLA (No Longer Available) listed in the Qty. column of the manual.

7) PARTS LIST ITEM NUMBERS

Numbers shown in the item# column correspond to numbers used in the associated illustration (s). Item numbers which are missing from the sequence in the parts list are not used on that page

8) INDENTED PARTS DESCRIPTION

An indented part description is included in the item under which it is indented.

9) ABB REVIATION AND SYMBOLS

AC.....	.. Alternating Current	LCD Liquid Crystal Display
ADE.Advanced Design Electronics	LED Light Emitting Diodes
ANSIAmerican National Standards Institute	LH... Left Hand
AR.As Required	LSSLoad Sensing System
ASSY Assembly	M(m)...	.. Metric/Meter
AUX...A uxiliary	MM (mm)Milimeter
AWG.....	..American Wire Gauge	mA.....	.. Milliamps
B/M.....	.. Bill of Material	NLA.....	..No Longer Available
CE.....	..European Conformity	NPT National Pipe Threads
CCWCounter Clockwise	NSSNot Sold Separately
cm.....	.. Centimeter	OD.....	..Outside Diameter
CW.....	..Clockwise	ORB.....	.. O-Ring Bos s
CSA.Canadian Standards Association	ORFS.....	.. O-Ring Face Seal
CYL.....	..Cylinder	OZ (oz).Ounces
DIA.Diameter	PGPage
DC.....	..Direct Current	P/N.....	..Part Number
EMS Emergency Stop	qt.....	..Quarts
ENGEngine	QTY.....	..Quantity
FT (ft).....	.. Feet	REFReference
GA(Ga).. Gauge	REVRevision Level
HYDHydraulic	RH... Right Hand
Hz.....	.. Her tz	SAE.....	.. Society of Automotive E ngineers
ID.....	..Inside Diameter	SN.....	..Serial Number
in.....	.. inches	SPEC(S).....	..Specifications
ISO.....	..I nternational Organ ization for Stand ards	T/T.....	..T urntable
JIC.....	..Joint Indust ry Council	UGMUniv ersal G round Module
KGKilogram	V.....	.. Volts
L.....	..Liter	W.....	.. Watts
LB.....	..P ounds	#.....	.. Number

10) ILLUSTRATION REFERENCE LETTERS

When necessary, illustrations may contain reference letters that are intended to track information (i. e. hoses, harnesses) from one point to another or to track visual enlargement of components to show details that may be located in another area on the illustration.

Note: Due to continuous product improvements, JLG Industries, Inc. reserves the right to make specification changes without prior notification. Contact JLG Industries, Inc. for updated information.

TABLE OF CONTENTS

SECTION 1 - FRAME.....	11
FIGURE 1-1. TONGUE JACK INSTALLATIONS (WITH POLY JACK TIRES)	12
FIGURE 1-2. TONGUE JACK INSTALLATIONS (WITH PNEUMATIC JACK TIRES).....	14
FIGURE 1-3. AXLE AND TONGUE INSTALLATION WITH ELECTRIC BRAKES (ANSI, ANSI EXPORT, AUSTRALIAN AND SOUTH AFRICA SPECS).....	16
FIGURE 1-4. AXLE AND TONGUE INSTALLATION WITH HYDRAULIC BRAKES - WITH 2IN BALL (ANSI, ANSI EXPORT AND AUSTRALIAN SPEC MACHINES)	20
FIGURE 1-5. AXLE AND TONGUE INSTALLATION WITH HYDRAULIC BRAKES - WITH 50MM BALL (ANSI EXPORT, AUSTRALIAN AND SOUTH AFRICA SPEC MACHINES)	26
FIGURE 1-6. AXLE AND TONGUE INSTALLATION WITH MECHANICAL BRAKES (CE SPEC MACHINES).....	30
FIGURE 1-7. HYDRAULIC BRAKE COUPLER WITH 2 INCH BALL ASSEMBLY (ANSI AND ANSI EXPORT SPEC MACHINES) (Prior to SN 0030002099).....	34
FIGURE 1-8. HYDRAULIC BRAKE COUPLER WITH COMBINATION 2 INCH BALL ASSEMBLY (ANSI AND ANSI EXPORT SPEC MACHINES) (Prior to SN 0030002099)	36
FIGURE 1-9. HYDRAULIC BRAKE COUPLER WITH COMBINATION 2 INCH BALL ASSEMBLY (ANSI AND ANSI EXPORT SPEC MACHINES) (SN 0030002099 through 0030012032).....	38
FIGURE 1-10. HYDRAULIC BRAKE COUPLER WITH 2 INCH BALL AND COLLAR ASSEMBLY (ANSI AND ANSI EXPORT SPEC MACHINES) (T350,T500J) (SN 0030010384 through 0030012032)	40
FIGURE 1-11. HYDRAULIC BRAKE COUPLER WITH 50MM BALL ASSEMBLY (CE SPEC MACHINES)	42
FIGURE 1-12. HYDRAULIC BRAKE COUPLER WITH 50MM BALL ASSEMBLY - T350 (CSA SPEC MACHINES)	44
FIGURE 1-13. PARKING BRAKE CABLE (ANSI, ANSI EXPORT AND AUSTRALIAN SPEC MACHINES ONLY) AND TRANSPORT LOCK ASSEMBLIES	46
FIGURE 1-14. ELECTRIC BRAKE AND AXLE ASSEMBLY	48
FIGURE 1-15. HYDRAULIC BRAKE ASSEMBLY (ANSI AND ANSI EXPORT SPEC MACHINES)	52
FIGURE 1-16. MECHANICAL BRAKE ASSEMBLY (CE SPEC MACHINES)	58
FIGURE 1-17. CHASSIS DRIVE INSTALLATION (OPTIONAL)	62
FIGURE 1-18. DRIVE ENABLE VALVE ASSEMBLY (USED WITH DRIVE OPTION ONLY)	68
FIGURE 1-19. DRIVE DIRECTIONAL VALVE ASSEMBLY (USED WITH DRIVE OPTION ONLY).....	70
FIGURE 1-20. DRIVE MOTOR ASSEMBLY (USED WITH DRIVE OPTION ONLY).....	72
FIGURE 1-21. CONTROL MODULES AND VALVES INSTALLATION	74
FIGURE 1-22. CONTROL VALVE ASSEMBLY (ELECTRIC POWERED MACHINES)	78
FIGURE 1-23. CONTROL VALVE ASSEMBLY (GAS POWERED MACHINES)	82
FIGURE 1-24. HONDA ENGINE INSTALLATION (GAS POWERED MACHINES).....	86
FIGURE 1-25. BATTERIES INSTALLATION (ELECTRIC POWERED MACHINES) (Prior to SN 0030001804).....	92
FIGURE 1-26. BATTERIES INSTALLATION (ELECTRIC POWERED MACHINES) (SN 0030001804 through 0030012032)	94
FIGURE 1-27. MAC BATTERY CHARGER ASSEMBLY (ELECTRIC POWERED MACHINES)	96
FIGURE 1-28. DELTA-Q AND PRO CHARGING BATTERY CHARGER ASSEMBLIES (ELECTRIC POWERED MACHINES)...	98
FIGURE 1-29. TAILLIGHTS AND MARKERS INSTALLATION (ANSI AND ANSI EXPORT SPECS).....	100
FIGURE 1-30. TAILLIGHTS AND MARKERS INSTALLATION (AUSTRALIAN, CE AND SOUTH AFRICA SPECS)	102
FIGURE 1-31. SPARE TIRE AND WHEEL CHOCKS INSTALLATIONS (OPTIONAL)	106
FIGURE 1-32. FENDERS INSTALLATION	110
FIGURE 1-33. FRAME COVERS INSTALLATION	114
FIGURE 1-34. OUTRIGGERS INSTALLATION	116
FIGURE 1-35. SIDE GUARDS INSTALLATION	120
SECTION 2 - TURNTABLE	123
FIGURE 2-1. SWING DRIVE AND TURNTABLE BEARING INSTALLATIONS	124

TABLE OF CONTENTS

FIGURE 2-2. TURNTABLE BEARING ASSEMBLY	128
FIGURE 2-3. SWING DRIVE MOTOR ASSEMBLY (WHITE)	130
FIGURE 2-4. SWING DRIVE MOTOR ASSEMBLY (PARKER)	132
FIGURE 2-5. GROUND CONTROL BOX ASSEMBLY AND INSTALLATION	134
FIGURE 2-6. TURNTABLE MOUNTED COMPONENTS (STROBE LIGHT, ALARM AND ACCESSORY TRAY)	138
FIGURE 2-7. 2500W GENERATOR INSTALLATION (OPTIONAL) (Prior to SN 0030004340)	140
FIGURE 2-8. 3000W GENERATOR INSTALLATION (OPTIONAL) (SN 0030004340 through 0030012032).....	144
SECTION 3 - BOOM.....	147
FIGURE 3-1. BOOM ASSEMBLY AND INSTALLATION (T350).....	148
FIGURE 3-2. MAIN BOOM ASSEMBLY (T350).....	154
FIGURE 3-3. BOOM ASSEMBLY AND INSTALLATION (T500J)	156
FIGURE 3-4. MAIN BOOM ASSEMBLY (T500J)	162
FIGURE 3-5. MATERIAL HOOK INSTALLATION (OPTIONAL)	166
SECTION 4 - PLATFORM	169
FIGURE 4-1. PLATFORM AND ROTATOR INSTALLATIONS	170
FIGURE 4-2. PLATFORM ROTATOR ASSEMBLY (OPTIONAL)	174
FIGURE 4-3. CONSOLE BOX ASSEMBLY	176
SECTION 5 - CYLINDER.....	179
FIGURE 5-1. BRAKE RELEASE CYLINDER ASSEMBLY.....	180
FIGURE 5-2. DRIVE ENGAGE CYLINDER ASSEMBLY	182
FIGURE 5-3. JIB CYLINDER ASSEMBLY (T500J).....	184
FIGURE 5-4. PLATFORM LEVEL (SLAVE) CYLINDER ASSEMBLY (T350)	186
FIGURE 5-5. PLATFORM LEVEL (SLAVE) CYLINDER ASSEMBLY (T500J)	188
FIGURE 5-6. LIFT CYLINDER ASSEMBLY	190
FIGURE 5-7. MASTER CYLINDER ASSEMBLY	192
FIGURE 5-8. OUTRIGGER CYLINDER ASSEMBLY.....	194
FIGURE 5-9. TELESCOPE CYLINDER ASSEMBLY.....	196
SECTION 6 - HYDRAULIC	199
FIGURE 6-1. HYDRAULIC DIAGRAM - BOOM AND CHASSIS (ALL SPECS) (T350).....	200
FIGURE 6-2. HYDRAULIC DIAGRAM - BOOM AND CHASSIS (T500J).....	202
FIGURE 6-3. HYDRAULIC DIAGRAM - DRIVE AND SET.....	206
FIGURE 6-4. HYDRAULIC DIAGRAM LIST.....	210
SECTION 7 - ELECTRICAL.....	211
FIGURE 7-1. ELECTRICAL COMPONENTS INSTALLATION - ELECTRIC POWERED MACHINES (Prior to SN 00300001804)	212
FIGURE 7-2. ELECTRICAL COMPONENTS INSTALLATION - ELECTRIC POWERED MACHINES (SN 00300001804 through 0030012032)	222
FIGURE 7-3. ELECTRICAL COMPONENTS INSTALLATION - ENGINE POWERED MACHINES	232
SECTION 8 - DECALS	241
FIGURE 8-1. DECAL INSTALLATION (ANSI SPEC) (Prior to SN 0030000281)	242
FIGURE 8-2. DECAL INSTALLATION (ANSI SPEC) (SN 0030000281 through 0030012032).....	246
FIGURE 8-3. DECAL INSTALLATION (COUNTRY SPEC)	250

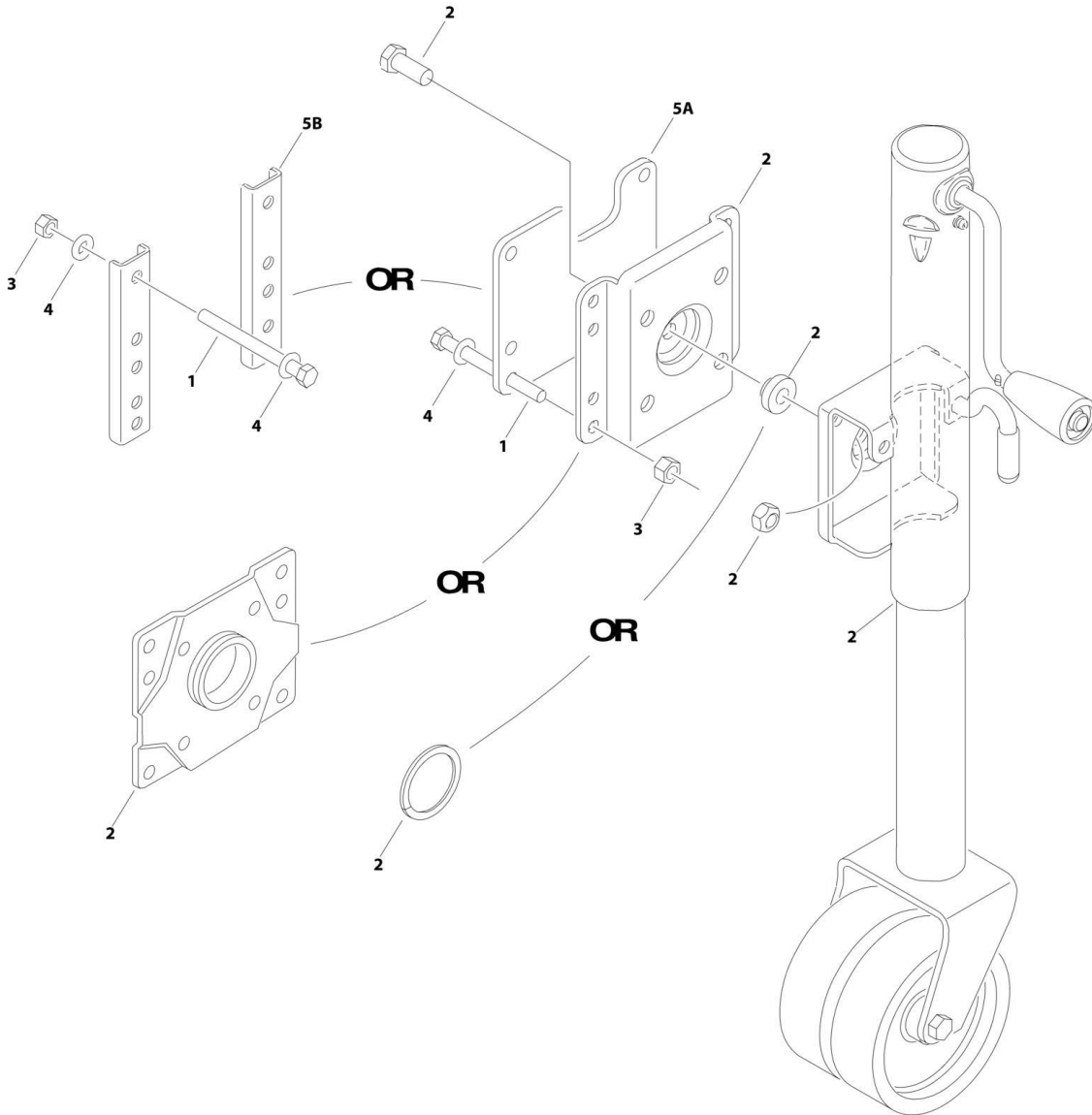
TABLE OF CONTENTS

FIGURE 8-4. DECAL INSTALLATION (AUSTRALIAN AND CE SPECS)	258
SECTION 9 - RECOMMENDED SERVICE PARTS STOCK	261
FIGURE 9-1. RECOMMENDED SERVICE PARTS STOCK	262
SECTION 10 - SPECIAL OPTIONS.....	265
FIGURE 10-1. SPECIAL OPTIONS.....	266
PART NUMBER INDEX	269

SECTION 1 - FRAME

SECTION 1 - FRAME

FIGURE 1-1. TONGUE JACK INSTALLATIONS (WITH POLY JACK TIRES)



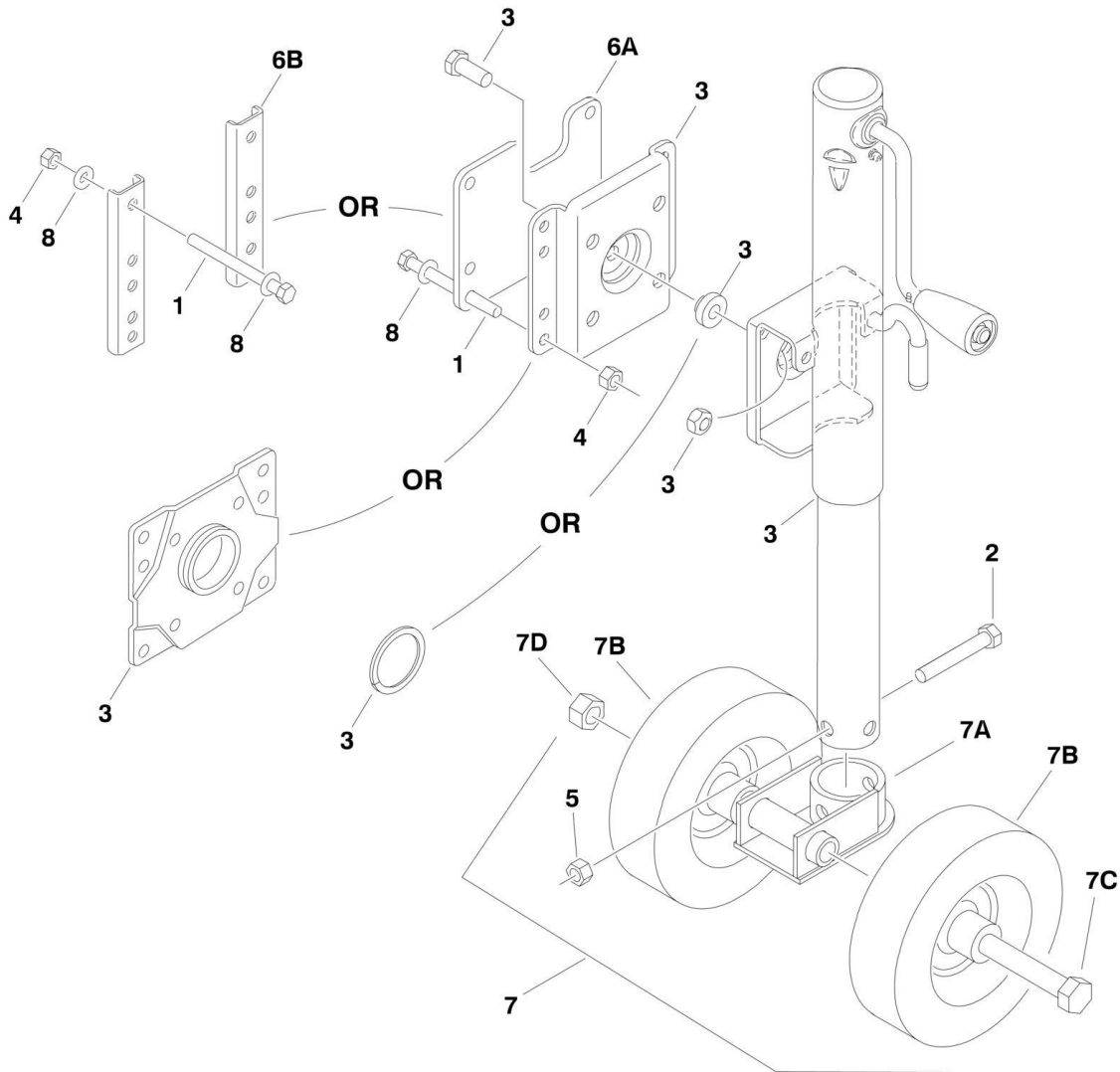
SECTION 1 - FRAME

FIGURE 1-1. TONGUE JACK INSTALLATIONS (WITH POLY JACK TIRES)

ITEM	PART NUMBER	QTY	DESCRIPTION	REV
		Ref	JACK INSTALLATION (WITH POLY JACK TIRES)	
	0274306	Ref	Jack Installation (All Specs) (T350)	C
	0274308	Ref	Jack Installation - with Ball Hitch (All Specs Except CE Spec) (T500J)	B
	0274486	Ref	Jack Installation - with Ball Hitch (CE and South Africa Spec) (T500J)	B
	0274453	Ref	Jack Installation - with Combination Hitch (ANSI and ANSI Export Specs) (T500J)	C
1		Ref	Bolt Options:	
1	0641632	4	3/8in-16NC x 4in	
1	0641630	4	3/8in-16NC x 3-3/4in	
1	0641638	4	3/8in-16NC x 4-3/4in	
2	2840026	1	Jack Assembly (No Service Parts Available Due to the Variety of Jacks Used by either JLG or Supplier. Replace Complete Assembly) (was p/n 2840020)	
3	3311605	4	Locknut 3/8in-16NC	
4	4751600	8	Flatwasher 3/8in Wide	
5		Ref	Mounting Options:	
5A	3575757	1	Plate	
5B	7027727	2	Strap, Mounting	

SECTION 1 - FRAME

FIGURE 1-2. TONGUE JACK INSTALLATIONS (WITH PNEUMATIC JACK TIRES)



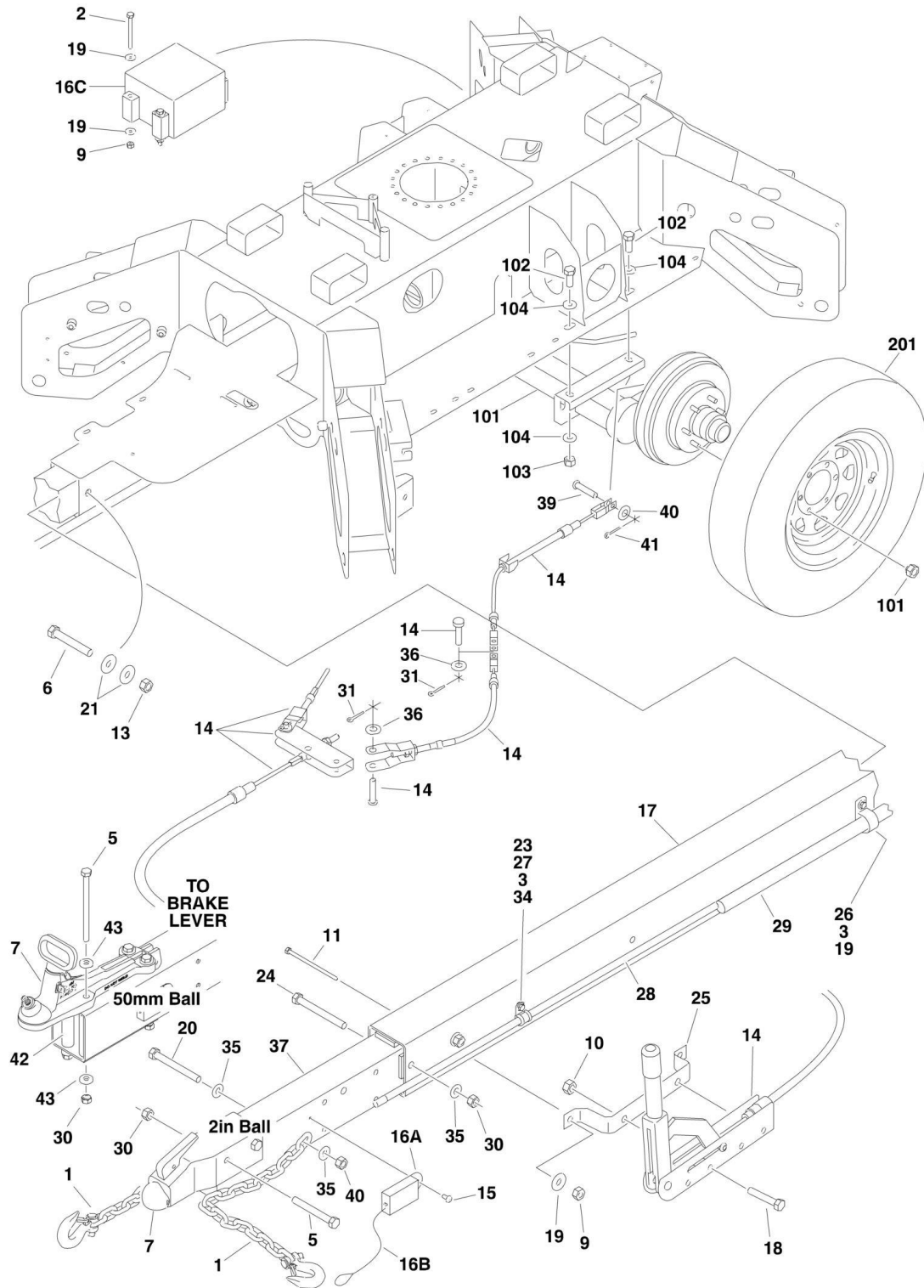
SECTION 1 - FRAME

FIGURE 1-2. TONGUE JACK INSTALLATIONS (WITH PNEUMATIC JACK TIRES)

ITEM	PART NUMBER	QTY	DESCRIPTION	REV
		Ref	JACK INSTALLATIONS (WITH PNEUMATIC JACK TIRES)	
	0274305	Ref	Jack Installation (ANSI and ANSI Export Specs) (T350)	B
	0274485	Ref	Jack Installation (Australian and CE Specs) (T350)	B
	0274307	Ref	Jack Installation - with Ball Hitch (ANSI and ANSI Export Specs) (T500J)	B
	0274452	Ref	Jack Installation - with Combination Hitch (ANSI and ANSI Export Specs) (T500J)	B
	0274486	Ref	Jack Installation (Australian and CE Specs) (T500J)	B
1		Ref	Bolt Options:	
1	0641632	4	3/8in-16NC x 4in	
1	0641630	4	3/8in-16NC x 3-3/4in	
1	0641638	4	3/8in-16NC x 4-3/4in	
2	0641826	1	Bolt 1/2in-13NC x 3-1/4in	
3	2840026	1	Jack Assembly (No Service Parts Available Due to the Variety of Jacks Supplied under the Same P/N. Replace Complete Assembly)	
		Ref	Note: Replacement Jack is supplied with poly wheels. Pneumatic wheels can not be used with replacement jack.	
4	3311605	4	Locknut 3/8in-16NC	
5	3311805	1	Locknut 1/2in-13NC	
6		Ref	Plate, Mounting Options:	
6A	3575757	1	Plate, Mounting (T350)	
6A	Not Required	0	Plate, Mounting (ANSI and ANSI Export Specs with Ball Hitch) (T500J)	
6A	3575757	1	Plate, Mounting (ANSI and ANSI Export Specs with Combination Hitch) (T500J)	
6A	Not Required	0	Plate, Mounting (Australian and CE Specs with Ball Hitch) (T500J)	
6B	7027727	2	Strap, Mounting	
7	4341002	1	Tire and Support Assembly	
7A	4340992	1	Support	
7B	See Note	2	Tire, Pneumatic (Note: Not Available - Purchase p/n 4341002)	
7C	See Note	1	Bolt, Axle 3/4in (Note: Not Available - Purchase p/n 4341002)	
7D	See Note	1	Locknut 3/4in (Note: Not Available - Purchase p/n 4341002)	
8	4711600	4	Bolt 5/8in-11NC x 2-1/2in	

SECTION 1 - FRAME

FIGURE 1-3. AXLE AND TONGUE INSTALLATION WITH ELECTRIC BRAKES (ANSI, ANSI EXPORT, AUSTRALIAN AND SOUTH AFRICA SPECS)



SECTION 1 - FRAME

FIGURE 1-3. AXLE AND TONGUE INSTALLATION WITH ELECTRIC BRAKES (ANSI, ANSI EXPORT, AUSTRALIAN AND SOUTH AFRICA SPECS)

ITEM	PART NUMBER	QTY	DESCRIPTION	REV
		Ref	ELECTRIC BRAKE AND TONGUE INSTALLATION	
	0273648	Ref	Electric Brake and Tongue Installation - with 2in Ball (ANSI and ANSI Export Specs) (T350)	I
	0273654	Ref	Electric Brake and Tongue Installation - with 2in Ball (ANSI and ANSI Export Specs) (T500J)	I
	0274767	Ref	Electric Brake and Tongue Installation - with 50mm Ball (ANSI Export and Australian Specs) (T500J)	E
	0275626	Ref	Electric Brake and Tongue Installation - with 50mm Ball (South Africa Specs) (T500J)	C
1		Ref	Chain, Safety with Hook Options:	
1	70212	2	2in Ball (ANSI and ANSI Export Specs)	
1	Not Required	0	50mm Ball (ANSI Export, Australian and South Africa Specs)	
2	0641422	4	Bolt 1/4in-20NC x 2-3/4in	
3	0641412	AR	Bolt 1/4in-20NC x 1-1/2in	
5		Ref	Bolt Options:	
5	0641832	2	Bolt 1/2in-13NC x 4in (2in Ball - ANSI and ANSI Export Specs)	
5	0711234	4	Bolt (Metric) 12mm x 170mm (50mm Ball - ANSI Export, Australian and South Africa Specs)	
6		Ref	Bolt Options:	
6	0642240	2	Bolt 3/4in-10NC x 5in (2in Ball - ANSI and ANSI Export Specs)	
6	0642246	2	Bolt 3/4in-10NC x 5-3/4in (50mm Ball - ANSI Export, Australian and South Africa Specs)	
7		Ref	Coupler Assembly - Electric Brake Options (No Repair Parts Available):	
7	1660273	1	2in Ball (ANSI and ANSI Export Specs)	
7	1660297	1	50mm Ball (ANSI Export, Australian and South Africa Specs)	
9	3311405	6	Locknut 1/4in-20NC	
10	3311505	2	Locknut 5/16in-18NC	
11		Ref	Bolt Options:	
11	0641430	2	Bolt 1/4in-20NC x 3-3/4in (2in Ball - ANSI and ANSI Export Specs)	
11	0641438	2	Bolt 1/4in-20NC x 4-3/4in (50mm Ball - ANSI Export, Australian and South Africa Specs)	
11	0641440	2	Bolt 1/4in-20NC x 5in (50mm Ball - ANSI Export, Australian and South Africa Specs)	
13	3312205	2	Locknut 3/4in-10NC	
14		Ref	Parking Brake Cable Assembly Options (See PARKING BRAKE CABLE (ANSI, ANSI EXPORT and AUSTRALIAN SPEC MACHINES ONLY) and TRANSPORT LOCK ASSEMBLIES for Breakdown):	
14	3890043	1	Parking Brake Cable Assembly (T350)	
14	3890044	1	Parking Brake Cable Assembly (T500J)	
15	4191706	1	Screw, Rolling Thread 6mm x 12mm	
16	4360570	1	Breakaway Switch Kit	
16A	71820	1	Switch, Replacement Breakaway	
16B	71820-1	1	Replacement Switch Pin and Cable	
16C	See Note	1	Charger, Replacement Battery (Note: Not Available - Purchase Complete Kit p/n 4360570)	
17		Ref	Tongue Options:	
17	4568985	1	Tongue (Use p/n 4569512) (T350) (Prior to SN 0030002199)	
17	4569512	1	Tongue (T350) (SN 0030002199 through 0030012032)	
17	4568986	1	Tongue (2in Ball - ANSI and ANSI Export Specs) (T500J)	

SECTION 1 - FRAME

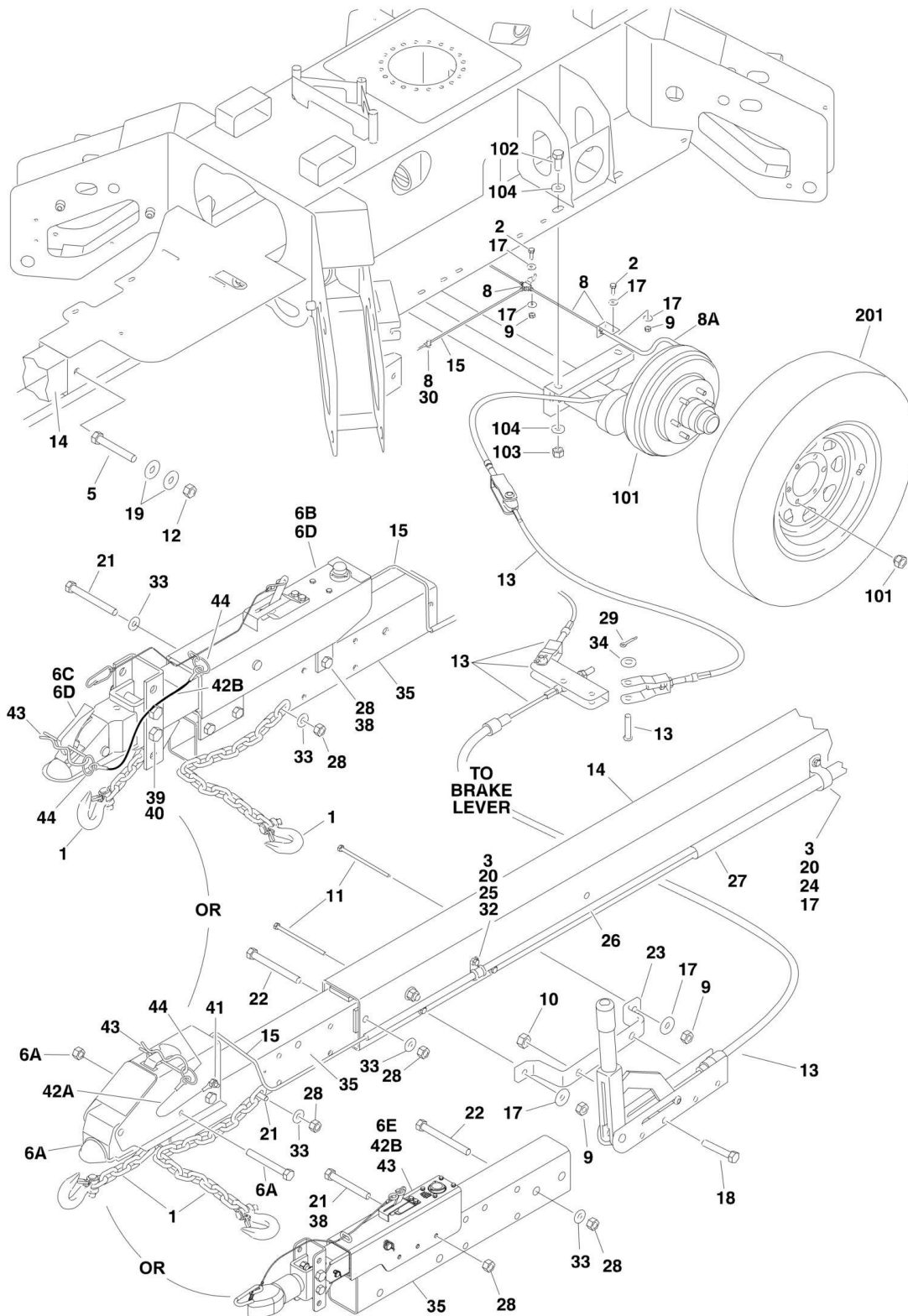
ITEM	PART NUMBER	QTY	DESCRIPTION	REV
17	4569445	1	Tongue (50mm Ball - ANSI Export, Australian) (T500J)	
17	4569470	1	Tongue (50mm Ball - South Africa Spec) (T500J)	
18	0641514	2	Bolt 5/16in-18NC x 1-3/4in	
19	4751400	15	Flatwasher 1/4in Regular	
20		Ref	Bolt Options:	
20	0641836	2	Bolt 1/2in-13NC x 4-1/2in (2in Ball - ANSI and ANSI Export Specs)	
20	Not Required	0	50mm Ball - ANSI Export, Australian and South Africa Specs	
21	4752200	4	Flatwasher 3/4in Regular	
23	8580420	AR	Wellnut	
24		Ref	Bolt Options:	
24	0641838	2	Bolt 1/2in-13NC x 4-3/4in (2in Ball - ANSI and ANSI Export Specs) (T500J)	
24	Not Required	0	50mm Ball - ANSI Export, Australian and South Africa Specs	
25	0903108	1	Bracket, Parking Brake	
26	1320060	AR	Clamp	
27	1320061	1	Clamp	
28	1560016	1	Conduit	
29	1560017	2	Conduit	
30		Ref	Nut Options:	
30	3311805	3	Locknut 1/2in-13NC (2in Ball - ANSI and ANSI Export Specs)	
30	3331211	4	Nut M12 x 1.75 (50mm Ball - ANSI Export, Australian and South Africa Specs)	
31	3450304	4	Pin, Cotter	
32	4240032	AR	Tiestrap 4in/10cm (Not Shown)	
33	4240033	AR	Tiestrap 7in/18cm (Not Shown)	
34	4711400	1	Flatwasher 1/4in Thin	
35		Ref	Flatwasher Options:	
35	4711800	4	Flatwasher 1/2in Thin (2in Ball - ANSI and ANSI Export Specs)	
35	Not Required	0	50mm Ball - ANSI Export, Australian and South Africa Specs	
36	4751500	4	Flatwasher 5/16in Regular	
37		Ref	Adapter, Tongue Options:	
37	Not Required	0	Adapter, Tongue (T350)	
37	0080265	1	Adapter, Tongue (All Specs except South Africa Spec - Use p/n 0080291) (T500J) (Prior to SN 0030002199)	
37	0080291	1	Adapter, Tongue (All Specs except South Africa Spec) (T500J) (SN 0030002199 through 0030012032)	
37	Not Required	0	Adapter, Tongue (South Africa Spec) (T500J)	
38		Ref	Trailer Plug Harness Options (Not Shown - See ELECTRICAL SECTION for Breakdown):	
38	4923203	1	2in Ball - ANSI and ANSI Export Specs	
38	4923318	1	50mm Ball - ANSI Export, Australian and South Africa Specs	
39	3430506	2	Pin, Clevis	
40	4711500	2	Flatwasher 5/16inThin	
41	3450302	2	Pin, Cotter	
42	4569438	4	Spacer (50mm Ball - ANSI Export, Australian and South Africa Specs Only)	
43	4891800	8	Flatwasher 1/2in Hardened (50mm Ball - ANSI Export, Australian and South Africa Specs Only)	
		Ref	ELECTRIC BRAKE AND AXLE INSTALLATION	
	0273699	Ref	Electric Brake and Axle Installation (T350)	B
	0273700	Ref	Electric Brake and Axle Installation (T500J)	B

SECTION 1 - FRAME

ITEM	PART NUMBER	QTY	DESCRIPTION	REV
101		Ref	Axle Assembly with Electric Brakes Options (See ELECTRICAL BRAKE AND AXLE ASSEMBLY for Breakdown):	
101	0280158	1	Axle Assembly with Electric Brakes (T350)	
101	0280159	1	Axle Assembly with Electric Brakes (T500J)	
102	0642012	4	Bolt 5/8in-11NC x 1-1/2in	
103	3312005	4	Locknut 5/8in-11NC	
104	4892000	8	Flatwasher 5/8in Hardened	
		Ref	TIRE AND WHEEL INSTALLATION	
		Ref	Tire and Wheel Installation (T350)	
	0273610	Ref	ANSI and ANSI Export Specs (T350) (Prior to SN 0030002529)	B
	0275210	Ref	ANSI and ANSI Export Specs (T350) (SN 0030002529 through 0030012032)	C
	0275210	Ref	Australian and South Africa Specs (T350)	C
		Ref	Tire and Wheel Installation (T500J)	
	0273611	Ref	ANSI and ANSI Export Specs (T500J) (Prior to SN 0030002529)	B
	0275211	Ref	ANSI and ANSI Export Specs (T500J) (SN 0030002529 through 0030012032)	B
	0275211	Ref	Australian and South Africa Specs (T500J)	B
201		Ref	Tire and Wheel Assembly	
201	4520323	2	Tire and Wheel Assembly (205-75-R14) (ANSI and ANSI Export Specs) (Serviced as an Assembly Only) (Use p/n 1001109586) (T350) (Prior to SN 0030002529)	
201	4520613	2	Tire and Wheel Assembly (205-75-R14) (ANSI and ANSI Export Specs) (Serviced as an Assembly Only) (Use p/n 1001109586) (T350) (Prior to SN 0030002529)	
201	4520613	2	Tire and Wheel Assembly (205-75-R14) (ANSI and ANSI Export Specs and Australian and South Africa Specs) (Serviced as an Assembly Only) (Use p/n 1001109586) (T350) (SN 0030002529 through 0030003104, Prior to SN 0030003105)	
201	1001109586	2	Tire and Wheel Assembly (215-75-R14) (ANSI and ANSI Export Specs and Australian and South Africa Specs) (T350) (SN 0030003105 through 0030012032)	
201	70002204	2	Tire, Replacement (215-75-R14)	
201	70002205	2	Wheel, Replacement (14 x 6)	
201	4520322	2	Tire and Wheel Assembly (225-75-R15) (ANSI and ANSI Export Specs) (Serviced as an Assembly Only) (Use p/n 4520614) (T500J) (Prior to SN 0030002529)	
201	4520614	2	Tire and Wheel Assembly (225-75-R15) (ANSI and ANSI Export Specs and Australian and South Africa Specs - All) (Serviced as an Assembly Only) (T500J) (SN 0030002529 through 0030012032)	

SECTION 1 - FRAME

FIGURE 1-4. AXLE AND TONGUE INSTALLATION WITH HYDRAULIC BRAKES - WITH 2IN BALL (ANSI, ANSI EXPORT AND AUSTRALIAN SPEC MACHINES)



SECTION 1 - FRAME

**FIGURE 1-4. AXLE AND TONGUE INSTALLATION WITH HYDRAULIC BRAKES - WITH 2IN BALL
(ANSI, ANSI EXPORT AND AUSTRALIAN SPEC MACHINES)**

ITEM	PART NUMBER	QTY	DESCRIPTION	REV
		Ref	HYDRAULIC BRAKE AND TONGUE INSTALLATIONS	
	0273647	Ref	Hydraulic Brake and Tongue Installations With 2in Ball (T350) (T350 Prior to SN 0030002099)	I
	0273649	Ref	Hydraulic Brake and Tongue Installations With Combination 2in Ball (T350 Prior to SN 0030002099)	E
	0275907	Ref	Hydraulic Brake and Tongue Installations (T350) (T350 SN 0030002099 through 0030012032)	E
	1001243180	Ref	Hydraulic Brake and Tongue Installations With 2in Ball and Collar (T350 SN 0030010384 through 0030012032)	A
	0273653	Ref	Hydraulic Brake and Tongue Installations With 2in Ball (T500J) (T500J Prior to SN 0030002099)	H
	0273655	Ref	Hydraulic Brake and Tongue Installations With Combination 2in Ball (T500J) (T500J Prior to SN 0030002099)	F
	0275908	Ref	Hydraulic Brake and Tongue Installations (T500J) (T500J SN 0030002099 through 0030012032)	E
	1001243181	Ref	Hydraulic Brake and Tongue Installations With 2in Ball and Collar (T350 SN 0030010384 through 0030012032)	A
1	70212	2	Chain, Safety with Hook	
2	0641406	AR	Bolt 1/4in-20NC x 3/4in	
3	0641412	AR	Bolt 1/4in-20NC x 1-1/2in	
5		Ref	Bolt Options:	
5	0642240	2	Bolt with 2 inch Ball (Prior to SN 0030002099)	
5	0642244	2	Bolt with Combination 2 inch Ball (Prior to SN 0030002099)	
5	0642244	2	Bolt (SN 0030002099 through 0030012032)	
5	0642240	2	Bolt with 2 inch Ball (SN 0030010384 through 0030012032)	
6		Ref	Coupler Assembly - Hydraulic Brake Options:	
6A	1660265	1	Coupler Assembly with 2in Ball (See HYDRAULIC BRAKE COUPLER WITH 2 INCH BALL ASSEMBLY (ANSI AND ANSI EXPORT SPEC MACHINES) for Breakdown) (Prior to SN 0030002099)	
6B	1660279	1	Coupler Assembly with 2in Ball Combination (See HYDRAULIC BRAKE COUPLER WITH COMBINATION 2 INCH BALL ASSEMBLY (ANSI AND ANSI EXPORT SPEC MACHINES) for Breakdown) (Prior to SN 0030002099)	
6C	1660278	1	Coupler Assembly with 2in Ball Combination (Prior to SN 0030002099)	
6C	See Note	1	Latch Repair Kit - 1660278 Coupler (Note: Not Available - Purchase p/n 1660278)	
6D		Ref	With 2in Ball Combination (See HYDRAULIC BRAKE COUPLER WITH COMBINATION 2 INCH BALL ASSEMBLY (ANSI AND ANSI EXPORT SPEC MACHINES) for Breakdown)	
6D	1660307	NLA	Coupler Assembly (Use p/n 1001116350) (SN 0030002099 through 0030003342)	
6D	1001116350	1	Coupler Assembly (SN 0030003343 through 0030012032)	
6E	1001243182	1	With 2in Ball and Collar (See HYDRAULIC BRAKE COUPLER WITH 2 INCH BALL AND COLLAR ASSEMBLY (ANSI, ANSI EXPORT AND CSA SPEC MACHINES) for Breakdown) (SN 0030010384 through 0030012032)	
8	2902349	1	Brake Line Kit (Includes qty 2 of these items: 12in Steel Lines with Fittings, 18in Hoses, Mounting Angles and Clamps. Also, Includes qty 1 Tee Fitting with Mounting Bracket)	
8A	7027890	2	Replacement Hose Only	
9	3311405	AR	Locknut 1/4in-20NC	
10	3311505	2	Locknut 5/16in-18NC	

SECTION 1 - FRAME

ITEM	PART NUMBER	QTY	DESCRIPTION	REV
11		Ref	Bolt Options:	
11	0641430	AR	1/4in-20NC x 3-3/4in	
11	0641438	AR	1/4in-20NC x 4-3/4in	
11	0641440	AR	1/4in-20NC x 5in	
12	3312205	2	Locknut 3/4in-10NC	
13		Ref	Parking Brake Cable Assembly Options (See PARKING BRAKE CABLE (ANSI, ANSI EXPORT AND AUSTRALIAN SPEC MACHINES ONLY) AND TRANSPORT LOCK ASSEMBLIES for Breakdown):	
13	3890041	1	Parking Brake Cable Assembly (T350)	
13	3890042	1	Parking Brake Cable Assembly (T500J)	
14		Ref	Tongue Options:	
14	4568985	1	Tongue (Use p/n 4569512) (T350)	
14	4568986	1	Tongue (T500J)	
15		Ref	Brake Line Options:	
15	4569096	1	Brake Line (T350)	
15	4569097	1	Brake Line (T500J)	
17	4751400	AR	Flatwasher 1/4in Regular	
18	0641514	2	Bolt 5/16in-18NC x 1-3/4in	
19	4752200	4	Flatwasher 3/4in Regular	
20	8580420	AR	Wellnut	
21		Ref	Bolt Options:	
21	0641836	1	Bolt with 2 inch Ball (Prior to SN 0030002099)	
21	0641838	1	Bolt with Combination 2 inch Ball (Prior to SN 0030002099)	
21	0641838	1	Bolt (SN 0030002099 through 0030012032)	
22	0641838	2	Bolt 1/2in-13NC x 4-3/4in (T500J)	
23	0903108	1	Bracket, Parking Brake	
24	1320060	AR	Clamp	
25	1320061	1	Clamp (Not Shown) (T500J)	
26	1560016	1	Conduit	
27	1560017	AR	Conduit	
28	3311805	AR	Locknut 1/2in-13NC	
29	3450304	AR	Pin, Cotter	
30	3820017	2	Rivet	
31	4240032	AR	Tiestrap 4in/10cm (Not Shown)	
31	4240033	AR	Tiestrap 7in/18cm (Not Shown)	
32	4711400	AR	Flatwasher 1/4in Thin	
33	4711800	AR	Flatwasher 1/2in Thin	
34	4751500	2	Flatwasher 5/16in Regular	
35		Ref	Adapter, Tongue Options:	
35	Not Required	0	Adapter, Tongue (T350)	
35	0080265	1	Adapter, Tongue (Use p/n 0080291) (T500J)	
37	2300006	AR	Fluid, Brake - DOT3 (Not Shown)	
38		Ref	Bolt Options:	
38	Not Required	0	Bolt with 2 inch Ball (Supplied with Coupler Item 6A) (Prior to SN 0030002099)	
38	0641832	3	Bolt 1/2in-13NC x 4in	
38	0641836	3	Bolt 1/2in-13NC x 4-1/2in	
39		Ref	Bolt 5/8in-11NC x 4-1/4in	
39	Not Required	0	Bolt 5/8in-11NC x 4-1/4in with 2 inch Ball (Prior to SN 0030002099)	
39	0642034	2	Bolt 5/8in-11NC x 4-1/4in with Combination 2 inch Ball (Prior to SN 0030002099)	

SECTION 1 - FRAME

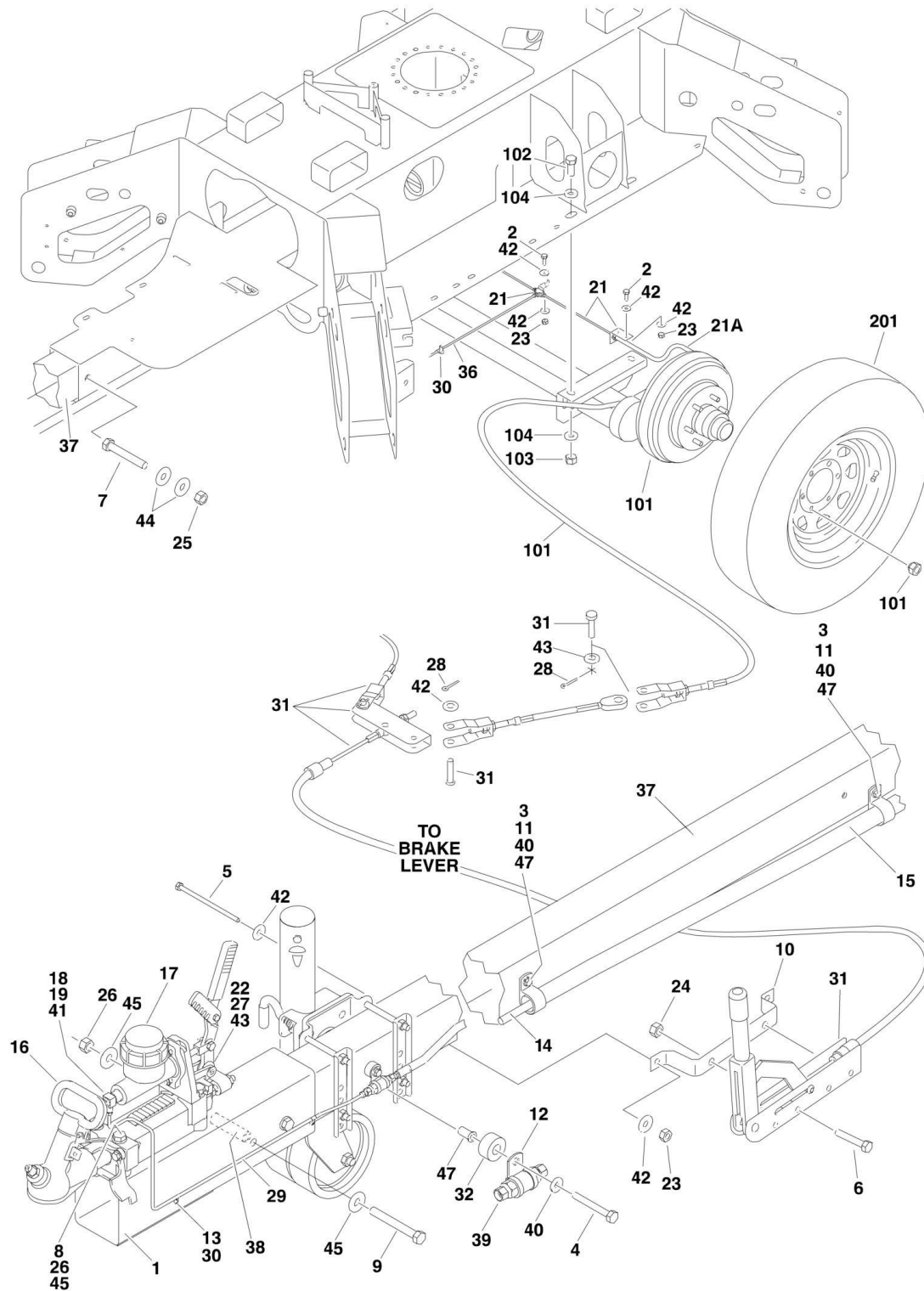
ITEM	PART NUMBER	QTY	DESCRIPTION	REV
39	Not Required	0	Bolt 5/8in-11NC x 4-1/4in (Supplied with Coupler Item 6D) (SN 0030002099 through 0030012032)	
39	Not Required	0	Bolt 5/8in x 1-1/2in (Supplied with Coupler Item 6E) (SN 0030010384 through 0030012032)	
40		Ref	Locknut 5/8in-11NC	
40	Not Required	0	Locknut 5/8in-11NC with 2 inch Ball (Prior to SN 0030002099)	
40	3312005	2	Locknut 5/8in-11NC with Combination 2 inch Ball (Prior to SN 0030002099)	
40	Not Required	0	Locknut 5/8in-11NC (Supplied with Coupler Item 6D) (SN 0030002099 through 0030012032)	
40	Not Required	0	Locknut 5/8in (Supplied with Coupler Item 6E) (SN 0030010384 through 0030012032)	
41	0721005	1	Screw, Machine #10-24NC x 5/8in (With 2 inch Ball Only)	
41	4751000	2	Flatwasher #10 Regular (With 2 inch Ball Only)	
41	3311005	1	Locknut #10-24NC (With 2 inch Ball Only)	
42		Ref	Lanyard Options (Not Used): (SN 0030002099 through 0030002199)	
42A	1060380	1	Lanyard 10in/25.4cm Length	
42B	1060799	1	Lanyard 11-1/2in/29cm Length	
43	3420592	1	Hairpin (Not Used) (SN 0030002099 through 0030002199)	
44	3760170	1	Ring, Split Only with Combination 2 inch Ball (Prior to SN 0030002099)	
		Ref	HYDRAULIC BRAKE AND AXLE INSTALLATION	
	0273608	Ref	Hydraulic Brake and Axle Installation (All Machines) (T350) (Except SN 0030000121 through 0030000140, Excluding 0030000142, 0030000143 and 0030000153)	B
	9984242	Ref	Hydraulic Brake and Axle Installation (T350) (T350 SN 0030000121 through 0030000140; Including 0030000142, 0030000143 and 0030000153)	A
	0273609	Ref	Hydraulic Brake and Axle Installation (T500J)	B
101		Ref	Axle Assembly with Hydraulic Brakes Options (See HYDRAULIC BRAKE ASSEMBLY (ANSI AND ANSI EXPORT SPEC MACHINES for Breakdown):	
101	0280154	1	Axle Assembly with Hydraulic Brakes (T350) (T350 Except SN 0030000121 through 0030000140; Excluding 0030000142, 0030000143 and 0030000153)	
	9984240	1	Axle Assembly with Hydraulic Brakes (Use p/n 0280154) (T350 SN 0030000121 through 0030000140; Including 0030000142, 0030000143 and 0030000153)	
101	0280155	1	Axle Assembly with Hydraulic Brakes (T500J)	
102	0642012	4	Bolt 5/8in-11NC x 1-1/2in	
103	3312005	4	Locknut 5/8in-11NC	
104	4892000	8	Flatwasher 5/8in Hardened	
105	9984241	8	Spacer (Not Shown) (T350) (T350 SN 0030000121 through 0030000140; Including 0030000142, 0030000143 and 0030000153)	
		Ref	TIRE AND WHEEL INSTALLATION	
		Ref	Tire and Wheel Installation (T350)	
	0273610	Ref	ANSI and ANSI Export Specs (T350) (Prior to SN 0030002529)	B
	0275210	Ref	ANSI and ANSI Export Specs (T350) (SN 0030002529 through 0030012032)	C
	0275210	Ref	Australian Specs (T350)	C
		Ref	Tire and Wheel Installation (T500J)	
	0273611	Ref	ANSI and ANSI Export Specs (T500J) (Prior to SN 0030002529)	B

SECTION 1 - FRAME

ITEM	PART NUMBER	QTY	DESCRIPTION	REV
	0275211	Ref	ANSI and ANSI Export Specs (T500J) (SN 0030002529 through 0030012032)	B
	0275211	Ref	Australian Specs (T500J)	B
201		Ref	Tire and Wheel Assembly	
201	4520323	2	Tire and Wheel Assembly (205-75-R14) (ANSI and ANSI Export Specs) (Serviced as an Assembly Only) (Use p/n 1001109586) (T350) (Prior to SN 0030002529)	
201	4520613	2	Tire and Wheel Assembly (205-75-R14) (ANSI and ANSI Export Specs) (Serviced as an Assembly Only) (Use p/n 1001109586) (T350) (Prior to SN 0030002529)	
201	4520613	2	Tire and Wheel Assembly (205-75-R14) (ANSI and ANSI Export Specs and Australian Specs) (Serviced as an Assembly Only) (Use p/n 1001109586) (T350) (SN 0030002529 through 0030003104, Prior to SN 0030003105)	
201	1001109586	2	Tire and Wheel Assembly (215-75-R14) (ANSI and ANSI Export Specs and Australian Specs) (T350) (SN 0030003105 through 0030012032)	
201	70002204	2	Tire, Replacement (215-75-R14)	
201	70002205	2	Wheel, Replacement (14 x 6)	
201	4520322	2	Tire and Wheel Assembly (225-75-R15) (ANSI and ANSI Export Specs) (Serviced as an Assembly Only) (Use p/n 4520614) (T500J) (Prior to SN 0030002529)	
201	4520614	2	Tire and Wheel Assembly (225-75-R15) (ANSI and ANSI Export Specs and Australian Specs - All) (Serviced as an Assembly Only) (T500J) (SN 0030002529 through 0030012032)	

SECTION 1 - FRAME

FIGURE 1-5. AXLE AND TONGUE INSTALLATION WITH HYDRAULIC BRAKES - WITH 50MM BALL
(ANSI EXPORT, AUSTRALIAN AND SOUTH AFRICA SPEC MACHINES)



SECTION 1 - FRAME

**FIGURE 1-5. AXLE AND TONGUE INSTALLATION WITH HYDRAULIC BRAKES - WITH 50MM BALL
(ANSI EXPORT, AUSTRALIAN AND SOUTH AFRICA SPEC MACHINES)**

ITEM	PART NUMBER	QTY	DESCRIPTION	REV
		Ref	HYDRAULIC BRAKE AND TONGUE INSTALLATIONS	
	0274766	Ref	Hydraulic Brake and Tongue Installations - with 50mm Ball (ANSI Export and Australian Specs) (T350)	F
	0275629	Ref	Hydraulic Brake and Tongue Installations - with 50mm Ball (South Africa Specs) (T350)	E
1		Ref	Adapter, Tongue Options:	
1	0080282	1	Adapter, Tongue (ANSI Export and Australian Spec) (T350)	
1	0080286	1	Adapter, Tongue (South Africa Spec) (T350)	
1	See Note	1	Adapter, Tongue (Note: Not Available for Purchase) (T500J)	
2	0641406	5	Bolt 1/4in-20NC x 3/4in	
3	0641412	2	Bolt 1/4in-20NC x 1-1/2in	
4	0641416	1	Bolt 1/4in-20NC x 2in	
5	0641430	2	Bolt 1/4in-20NC x 3-3/4in	
6	0641514	2	Bolt 5/16in-18NC x 1-3/4in	
7	0642240	2	Bolt 3/4in-10NC x 5in	
8	0711227	4	Bolt (Metric) 12 x 100mm	
9	0711229	2	Bolt (Metric) 12 x 120mm	
10	0903108	1	Bracket, Parking Brake	
11	1320060	2	Clamp	
12	1320061	1	Clamp	
13	1321676	2	Clamp	
14	1560016	1	Conduit	
15	1560017	1	Conduit	
16	1660298	1	Coupler, 50mm Ball (Note: No Service Parts Breakdown at Time of Printing)	
17	1684524	1	Cylinder, Master Brake Assembly (Note: No Service Parts Breakdown at Time of Printing)	
18	2221272	1	Fitting	
19	2221273	1	Fitting	
20	2300006	AR	Fluid, Brake - DOT3 (Not Shown)	
21	2902349	1	Brake Line Kit (Includes qty 2 of these items: 12in Steel Lines with Fittings, 18in Hoses, Mounting Angles and Clamps. Also, Includes qty 1 Tee Fitting with Mounting Bracket)	
21A	7027890	2	Replacement Hose Only	
22	2980130	1	Lever, Pivot	
23	3311405	7	Locknut 1/4in-20NC	
24	3311505	2	Locknut 5/16in-18NC	
25	3312205	2	Locknut 3/4in-10NC	
26	3331211	6	Nut M12 x 1.75	
27	3371910	1	Pin, Roll	
28	3450304	AR	Pin, Cotter	
29	3460557	1	Pipe, Brake Line Assembly	
30	3820017	4	Rivet, Pop	
31		Ref	Parking Brake Cable Assembly Options (See PARKING BRAKE CABLE (ANSI, ANSI EXPORT AND AUSTRALIAN SPEC MACHINES ONLY) AND TRANSPORT LOCK ASSEMBLIES for Breakdown):	
31	3890041	1	Parking Brake Cable Assembly (T350)	
31	3890042	1	Parking Brake Cable Assembly (T500J)	
32	4071122	1	Shim, Spacer	
33	4240032	AR	Tiestrap 4in/10cm (Not Shown)	

SECTION 1 - FRAME

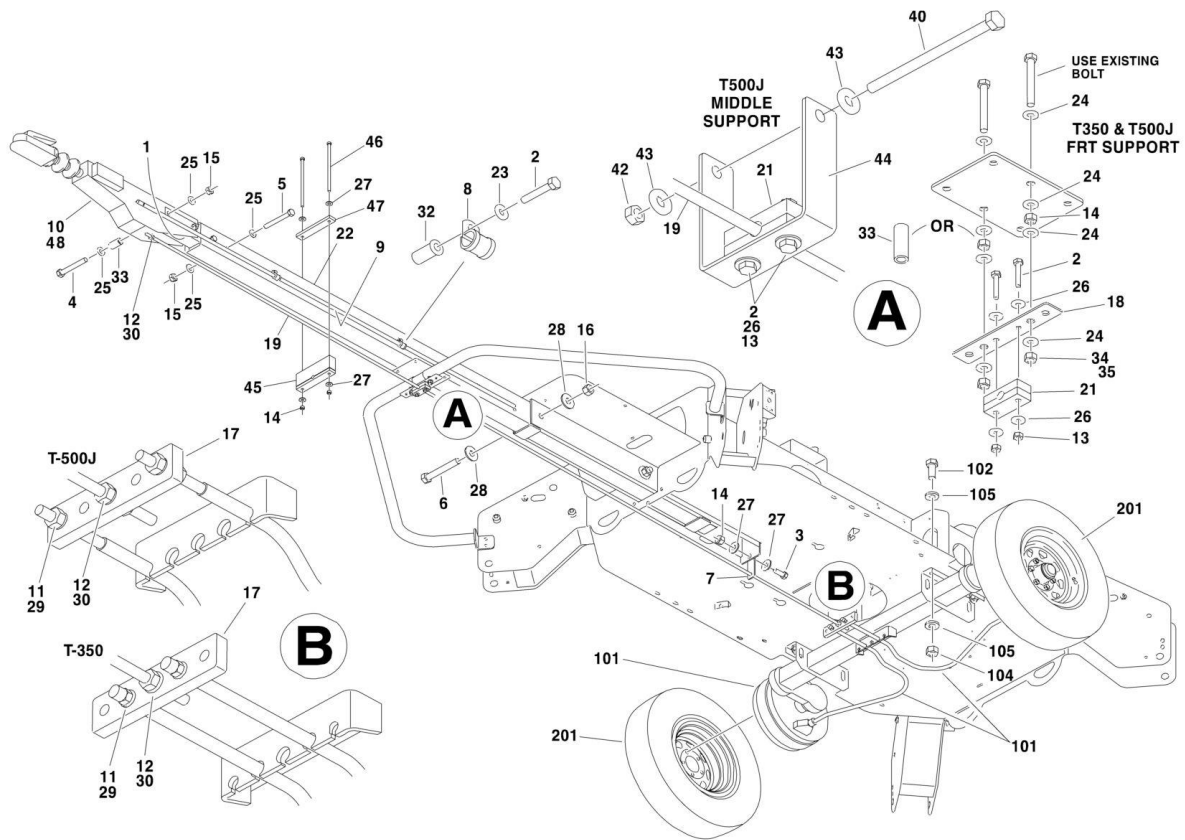
ITEM	PART NUMBER	QTY	DESCRIPTION	REV
34	4240033	AR	Tiestrap 7in/18cm (Not Shown)	
35	4460121	6	Terminal, Wire Cap (Not Shown)	
36	4569096	1	Tube, Hydraulic Brake	
37		Ref	Tongue Options:	
37	4569447	1	Tongue (T350)	
37	See Note	1	Tongue (Note: Not available for purchase) (T500J)	
38	4569450	2	Tube, Spacer	
39	4641496	1	Valve, 10lb. Residual Pressure	
40	4711400	3	Flatwasher 1/4in Thin	
41	4740571	2	Flatwasher, Copper	
42	4751400	16	Flatwasher 1/4in Regular	
43	4751500	4	Flatwasher 5/16in Regular	
44	4752200	4	Flatwasher 3/4in Regular	
45	4812100	10	Flatwasher 12mm	
46		Ref	Trailer Plug Harness Options (Not Shown - See ELECTRICAL SECTION for Breakdown):	
46	4923268	1	Trailer Plug Harness (Prior to SN 0030002169)	
46	4923317	1	Trailer Plug Harness (SN 0030002169 through 0030012032)	
47	8580420	3	Wellnut	
		Ref	HYDRAULIC BRAKE AND AXLE INSTALLATION	
	0273608	Ref	Hydraulic Brake and Axle Installation (T350)	B
	0273609	Ref	Hydraulic Brake and Axle Installation (T350)	B
101		Ref	Axle Assembly with Hydraulic Brakes Options (See HYDRAULIC BRAKE ASSEMBLY (ANSI AND ANSI EXPORT SPEC MACHINES for Breakdown):	
101	0280154	1	Axle Assembly with Hydraulic Brakes (T350)	
101	0280155	1	Axle Assembly with Hydraulic Brakes (T500J)	
102	0642012	4	Bolt 5/8in-11NC x 1-1/2in	
103	3312005	4	Locknut 5/8in-11NC	
104	4892000	8	Flatwasher 5/8in Hardened	
		Ref	TIRE AND WHEEL INSTALLATION	
		Ref	Tire and Wheel Installation (T350)	
	0273610	Ref	ANSI and ANSI Export Specs (T350) (Prior to SN 0030002529)	B
	0275210	Ref	ANSI and ANSI Export Specs (T350) (SN 0030002529 through 0030012032)	C
	0275210	Ref	Australian and South Africa Specs (T350)	C
		Ref	Tire and Wheel Installation (T500J)	
	0273611	Ref	ANSI and ANSI Export Specs (T500J) (Prior to SN 0030002529)	B
	0275211	Ref	ANSI and ANSI Export Specs (T500J) (SN 0030002529 through 0030012032)	B
	0275211	Ref	Australian and South Africa Specs (T500J)	B
201		Ref	Tire and Wheel Assembly	
201	4520323	2	Tire and Wheel Assembly (205-75-R14) (ANSI and ANSI Export Specs) (Serviced as an Assembly Only) (Use p/n 1001109586) (T350) (Prior to SN 0030002529)	
201	4520613	2	Tire and Wheel Assembly (205-75-R14) (ANSI and ANSI Export Specs) (Serviced as an Assembly Only) (Use p/n 1001109586) (T350) (Prior to SN 0030002529)	
201	4520613	2	Tire and Wheel Assembly (205-75-R14) (ANSI and ANSI Export Specs and Australian and South Africa Specs) (Serviced as an Assembly Only) (Use p/n 1001109586) (T350) (SN 0030002529 through 0030003105, Prior to SN 0030003105)	

SECTION 1 - FRAME

ITEM	PART NUMBER	QTY	DESCRIPTION	REV
201	1001109586	2	Tire and Wheel Assembly (215-75-R14) (ANSI and ANSI Export Specs and Australian and South Africa Specs) (T350) (SN 0030003105 through 0030012032)	
201	70002204	2	Tire, Replacement (215-75-R14)	
201	70002205	2	Wheel, Replacement (14 x 6)	
201	4520322	2	Tire and Wheel Assembly (225-75-R15) (ANSI and ANSI Export Specs) (Serviced as an Assembly Only) (Use p/n 4520614) (T500J) (Prior to SN 0030002529)	
201	4520614	2	Tire and Wheel Assembly (225-75-R15) (ANSI and ANSI Export Specs and Australian and South Africa Specs - All) (Serviced as an Assembly Only) (T500J) (SN 0030002529 through 0030012032)	

SECTION 1 - FRAME

FIGURE 1-6. AXLE AND TONGUE INSTALLATION WITH MECHANICAL BRAKES (CE SPEC MACHINES)



SECTION 1 - FRAME

FIGURE 1-6. AXLE AND TONGUE INSTALLATION WITH MECHANICAL BRAKES (CE SPEC MACHINES)

ITEM	PART NUMBER	QTY	DESCRIPTION	REV
		Ref	HYDRAULIC BRAKE AND TONGUE INSTALLATIONS	
	0273651	Ref	Hydraulic Brake and Tongue Installations - with 50mm Ball (Machines without Drive Option) (T350)	G
	0275379	Ref	Hydraulic Brake and Tongue Installations - with 50mm Ball (Machines with Drive Option) (T350)	D
	0273657	Ref	Hydraulic Brake and Tongue Installations - with 50mm Ball (Machines without Drive Option) (South Africa Spec) (T500J) (SN 0030006102 through 0030012032)	G
	0273658	Ref	Hydraulic Brake and Tongue Installations - with 50mm Ball (Machines with Drive Option) (T500J)	B
1		Ref	Adapter, Hitch	
1	0080266	1	Adapter, Hitch (T350) (Prior to SN 0030008590)	
1	1001227795	1	Adapter, Hitch (T350) (SN 0030008590 through 0030012032)	
1	Not Required	0	Adapter, Hitch (T500J)	
2	0641412	AR	Bolt 1/4in-20NC x 1-1/2in	
3	0641608	AR	Bolt 3/8in-16NC x 1in	
4		Ref	Bolt Options:	
4	0711225	2	Bolt 12mm x 85mm (T350) (Prior to SN 0030007184)	
4	0711228	2	Bolt 12mm x 110mm (T350) (SN 0030007184 through 0030012032)	
4	0711631	2	Bolt 16mm x 140mm (T500J)	
5	0711227	2	Bolt 12mm x 100mm (T350)	
6		Ref	Bolt Options:	
6	0642240	2	Bolt 3/4in-10NC x 5in (T350)	
6	0642244	2	Bolt 3/4in-10NC x 5-1/2in (T500J)	
7	0903215	1	Bracket, Brake Rod Support (Without Drive Option Only)	
8	1320061	AR	Clamp	
9	1560016	AR	Conduit Options:	
9		Ref	Conduit (T350)	
9		Ref	Conduit (T500J)	
10		Ref	Coupler Assembly - Hydraulic Brake Options (See HYDRAULIC BRAKE COUPLER WITH 50MM BALL ASSEMBLY (CE SPEC MACHINES) for Breakdown):	
10	1660282	NLA	Coupler Assembly - Hydraulic Brake (Use p/n 1001214170) (T350)	
10	1001161223	NLA	Coupler Assembly - Hydraulic Brake (Use p/n 1001214170) (T350) (Prior to SN 0030007184)	
10	1001214168	1	Coupler Assembly - Hydraulic Brake (T350) (SN 0030007184 through 0030012032)	
10	1660283	1	Coupler Assembly - Hydraulic Brake (T500J)	
11		Ref	Nut Options:	
11	3290801	4	Nut M8 (T350)	
11	3291001	4	Nut M10 (T500J)	
12	3291001	3	Nut M10	
13	3311405	AR	Locknut 1/4in-20NC	
14	3311605	AR	Locknut 3/8in-16NC	
15		Ref	Nut M12	
15	3331205	4	Nut M12 (Use p/n 3331217) (T350)	
15	3291605	2	Nut M16 (T500J)	
16	3312205	2	Locknut 3/4in-10NC	
17	3575853	1	Plate, Equalizer (Parking Brake) (Without Drive Option Only)	

SECTION 1 - FRAME

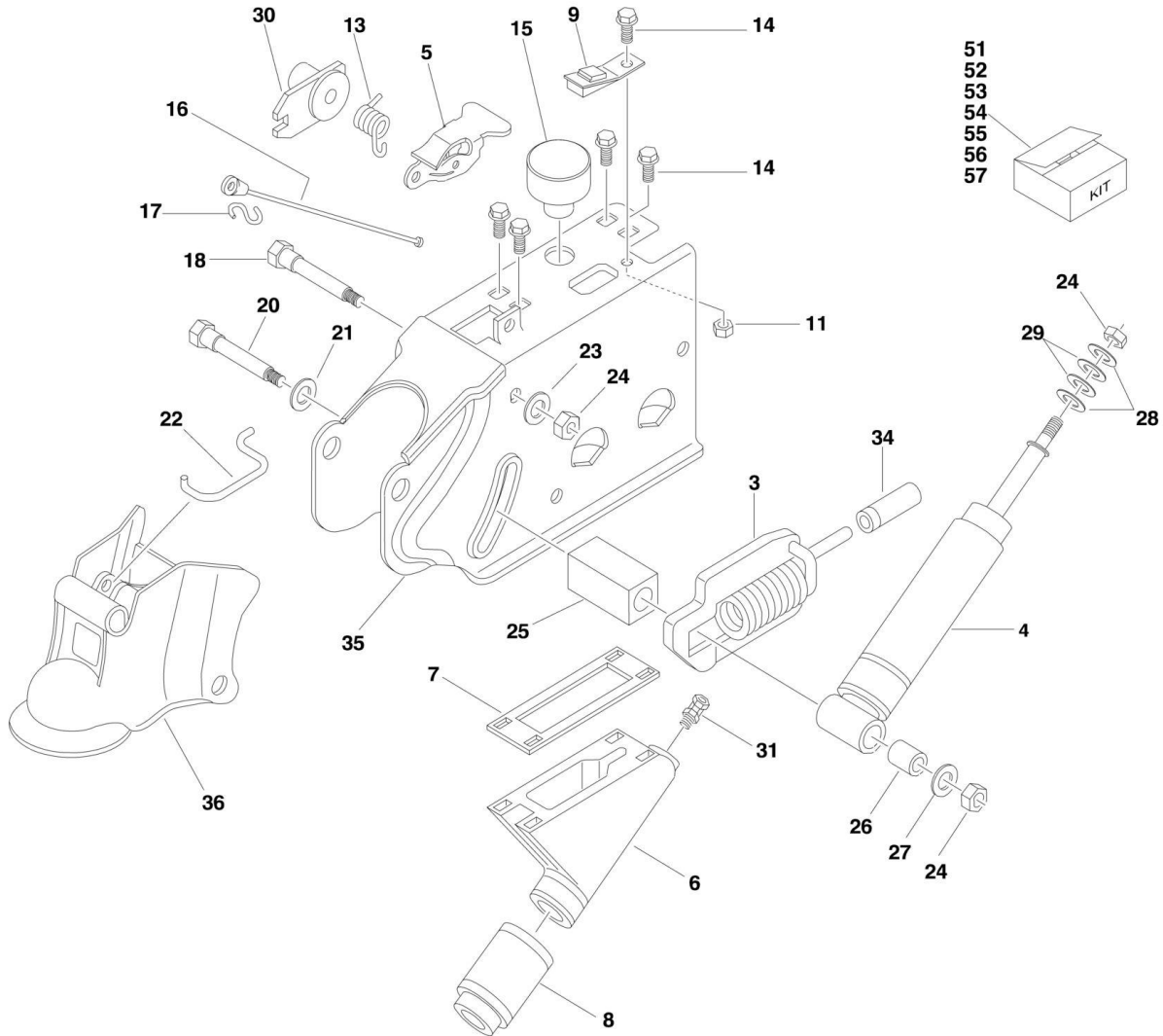
ITEM	PART NUMBER	QTY	DESCRIPTION	REV
18	3575869	1	Plate, Support (Parking Brake)	
19		Ref	Rod Options (Without Drive Option Only):	
19	3841696	1	Rod (T350)	
19	3841697	1	Rod (T500J)	
20	4240032	AR	Tie-Strap 4in/10cm (Not Shown)	
21	4341040	1	Support, Brake Rod	
22		Ref	Tube, Tongue Options:	
22	4569182	1	Tube, Tongue (T350)	
22	4569220	1	Tube, Tongue (T500J)	
23	4711400	AR	Flatwasher 1/4in Thin	
24		Ref	Flatwasher Options:	
24	4711600	8	Flatwasher (3/8in Thin) (T350)	
24	4751600	4	Flatwasher (3/8in Regular) (T500J)	
25		Ref	Flatwasher Options:	
25	4812100	8	Flatwasher M12 (T350)	
25	4812300	4	Flatwasher M16 (T500J)	
26	4751400	AR	Flatwasher 1/4in Regular	
27	4751600	AR	Flatwasher 3/8in Regular	
28	4752200	4	Flatwasher 3/4in Regular	
29		Ref	Flatwasher Options:	
29	4811900	4	Flatwasher M8 (T350)	
29	4812000	4	Flatwasher M10 (T500J)	
30	4812000	3	Flatwasher M10	
31		Ref	Harness Options (Not Shown - See ELECTRICAL SECTION for Breakdown):	
31		Ref	Harness Options: (T350)	
31	4923268	1	Harness (T350) (Prior to SN 0030005642)	
31	1001155254	1	Harness (T350) (SN 0030005642 through 0030012032)	
31	4923269	1	Harness (T500J)	
32	8580420	AR	Wellnut	
33		Ref	Stop, Hitch Options:	
33	4220259	AR	Stop, Hitch (T350)	
33	4220260	AR	Stop, Hitch (T500J)	
34		Ref	Nut Options	
34	3311605	2	Locknut 3/8in-16NC (T350)	
34	3311608	2	Serrated Flange Nut 3/8in-16NC (T500J)	
35	0100011	AR	Compound, Locking	
40	0641538	1	Bolt 5/16in-18NC x 4-3/4in (T500J)	
42	3311505	1	Locknut 5/16in-18NC (T500J)	
43	4751500	2	Flatwasher 5/16in Regular (T500J)	
44	0903216	1	Bracket, Support (T500J)	
45	1001186711	1	Support, Brake Rod (Africa Spec Only) (T500J) (SN 0030006102 through 0030012032)	
46	0641668	AR	Bolt, 3/8-16NC x 8 1/2 (Africa Spec Only) (T500J) (SN 0030006102 through 0030012032)	
47	3575786	1	Bar, Tube Mount (Africa Spec Only) (T500J) (SN 0030006102 through 0030012032)	
48	1001214169	1	Coupling, Adapter Plate (T350) (SN 0030007184 through 0030008590)	
		Ref	BRAKE AND AXLE INSTALLATION	
	0273652	Ref	Brake and Axle Installation (T350)	D
	0273656	Ref	Brake and Axle Installation (South Africa Spec) (T500J) (SN 0030006102 through 0030012032)	E

SECTION 1 - FRAME

ITEM	PART NUMBER	QTY	DESCRIPTION	REV
101		Ref	Axle Assembly with Brakes Options (See MECHANICAL BRAKE ASSEMBLY (CE SPEC MACHINES) for Breakdown):	
101	0280186	1	Axle Assembly with Brakes (T350)	
101	0280187	1	Axle Assembly with Brakes (T500J)	
102	0642012	4	Bolt 5/8in-11NC x 1-1/2in	
104	3312005	4	Locknut 5/8in-11NC	
105	4892000	8	Flatwasher 5/8in Hardened	
	0274351	Ref	Axle Assembly with Brakes (T350)	D
	0274352	Ref	Axle Assembly with Brakes (225-75-R16 Radial) (South Africa Spec) (T500J) (SN 0030006102 through 0030012032)	E
201		Ref	Tire and Wheel Assembly Options (Serviced as an Assembly Only):	
201	4520377	2	185R14C Tire and Wheel (T350)	
201	4520378	2	225R16C Tire and Wheel (T500J)	
201		Ref	Decal - Tire Pressure Options (Not Shown Located on Frame Below VIN Plate):	
201	1706705	2	Decal - 4.5 Bar (T350)	
201	1706706	2	Decal - 5.7 Bar (T500J)	

SECTION 1 - FRAME

FIGURE 1-7. HYDRAULIC BRAKE COUPLER WITH 2 INCH BALL ASSEMBLY (ANSI AND ANSI EXPORT SPEC MACHINES) (Prior to SN 0030002099)



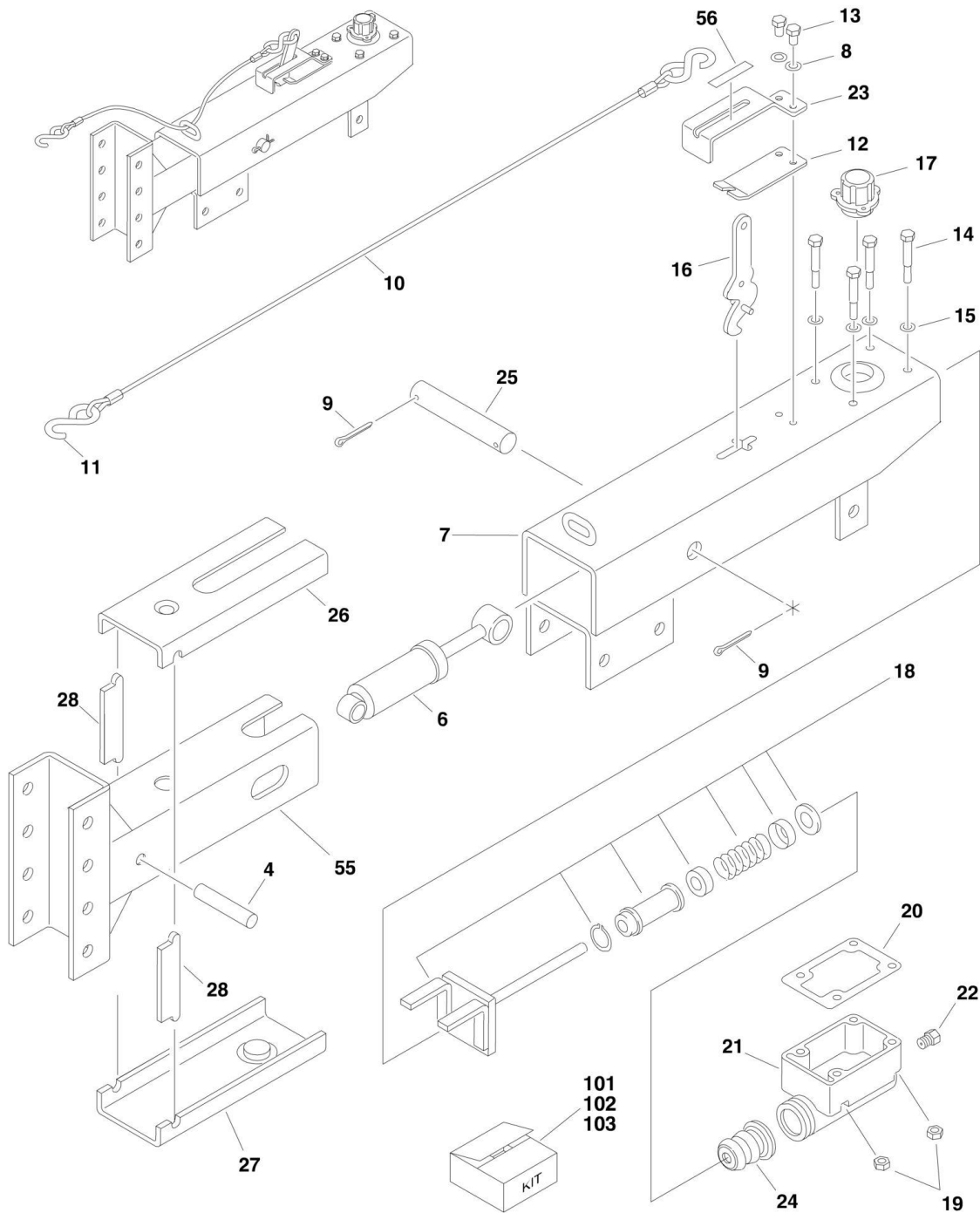
SECTION 1 - FRAME

FIGURE 1-7. HYDRAULIC BRAKE COUPLER WITH 2 INCH BALL ASSEMBLY (ANSI AND ANSI EXPORT SPEC MACHINES) (Prior to SN 0030002099)

ITEM	PART NUMBER	QTY	DESCRIPTION	REV
	1660265	Ref	HYDRAULIC BRAKE COUPLER WITH 2 INCH BALL ASSEMBLY	B
3	See Note	1	Push-Rod (Note: Use Item 55 or 56)	
4	7027680	1	Shock Absorber	
5	7027683	1	Handle, Release	
6	7027687	1	Master Cylinder	
7	See Note	1	Gasket (Note: Use Item 55 or 56)	
8	7027686	1	Boot	
9	See Note	1	Stop (Note: Use Item 54, 55 or 56)	
11	See Note	1	Locknut (Note: Use Item 54, 55 or 56)	
13	7027683	1	Spring	
14	See Note	5	Bolt (Note: Use Item 54, 55 or 56)	
15	7027681	1	Cap	
16	See Note	1	Lanyard (Note: Use Item 55 or 56)	
17	See Note	1	S-Hook (Note: Use Item 55 or 56)	
18	7027683	1	Bolt	
20	7027682	1	Bolt	
21	7027682	1	Flatwasher	
22	7027683	1	Link	
23	See Note	1	Flatwasher (Note: Not Available for Purchase)	
24	See Note	3	Locknut (Note: Use Item 51, 52, 53, 54, 55 or 56)	
25	7027682	1	Block	
26	7027682	1	Bushing	
27	7027682	1	Flatwasher	
28	7027680	2	Flatwasher	
29	7027680	2	Flatwasher	
30	7027683	1	Bracket	
31	70000233	1	Fitting, Elbow	
34	See Note	1	Piston (Note: Use Item 55 or 56)	
35	See Note	1	Housing (Note: Purchase Complete Assembly p/n 1660265)	
36	See Note	1	Hitch (Note: Purchase Complete Assembly p/n 1660265)	
51	7027680	1	Kit 1 - Shock Absorber Kit (Includes Qty 1 of Item 4 & Qty 2 of Items 24, 28 & 29)	
52	7027682	1	Kit 2 - Hardware Kit (Includes Qty 1 of Items 20, 21, 25, 26, 27 & Qty of Item 24)	
53	7027683	1	Kit 3 - Release Handle Kit (Includes Qty 1 of Items 5, 13, 18, 22, 30 & Qty 3 of Item 24)	
54	7027684	1	Kit 4 - Stop and Spring Kit (Includes Qty 1 of Items 9, 11, 14 & 24)	
55	7027685	1	Kit 5 - Push Rod Kit (Includes Qty 1 of 3, 7, 8, 9, 11, 16, 17, 34 & Qty 2 of Item 24 & Qty 5 of Item 14)	
56	7027687	1	Kit 6 - Master Cylinder & Push Rod Kit (Includes Qty 1 of Items 3, 6-9, 11, 16, 17, 34 & Qty 2 of Item 24 & Qty 5 of Item 14)	
57	7027689	1	Kit 7 - Solenoid Kit (Includes Solenoid, Cylinder and Gasket)	

SECTION 1 - FRAME

FIGURE 1-8. HYDRAULIC BRAKE COUPLER WITH COMBINATION 2 INCH BALL ASSEMBLY (ANSI AND ANSI EXPORT SPEC MACHINES) (Prior to SN 0030002099)



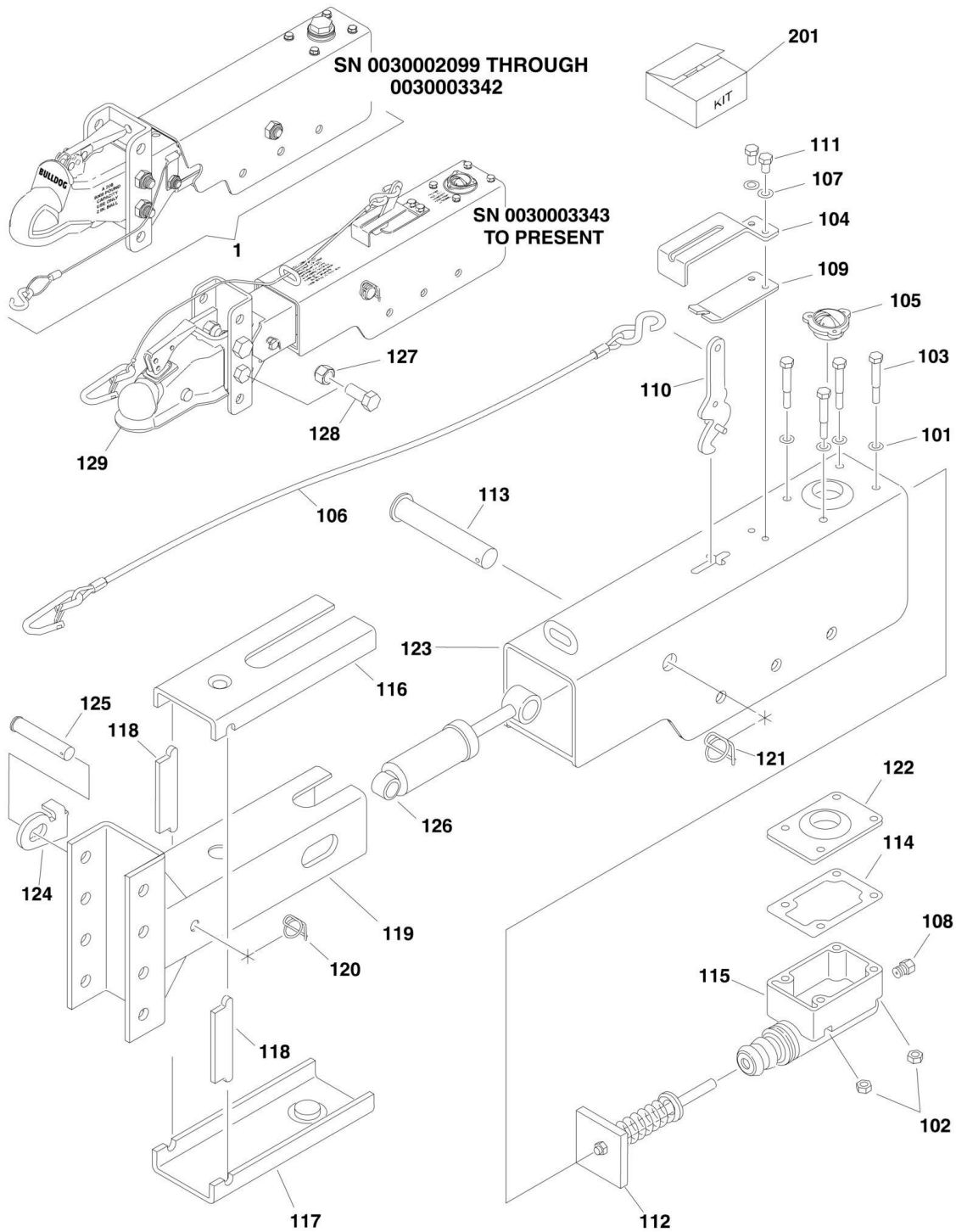
SECTION 1 - FRAME

FIGURE 1-8. HYDRAULIC BRAKE COUPLER WITH COMBINATION 2 INCH BALL ASSEMBLY (ANSI AND ANSI EXPORT SPEC MACHINES) (Prior to SN 0030002099)

ITEM	PART NUMBER	QTY	DESCRIPTION	REV
	1660279	Ref	HYDRAULIC BRAKE COUPLER WITH COMBINATION 2 INCH BALL ASSEMBLY	B
4	7026352	1	Pin	
6	7026353	1	Shock, Damper	
7	7026354	1	Case, Outer	
8	4761500	2	Lockwasher 5/16in	
9	See Note	2	Pin, Cotter (Note: Not Available - Purchase Locally)	
10	19613	1	Cable with Hooks	
11	See Note	2	Hook (Note: Not Available Purchase p/n 19613)	
12	7026361	1	Plate, Emergency Lever Spring	
13	0641505	2	Bolt 5/16in-18NC x 5/8in	
14	0641416	4	Bolt 1/4in-20NCx 2in	
15	4761400	4	Lockwasher 1/4in	
16	7026361	1	Lever, Emergency	
17	19616	1	Cap, Master Cylinder (Includes Diaphragm and Ring)	
18	See Note	1	Push Rod and Piston Assembly (Master Cylinder) (Note: Not Available - Purchase Repair Kit p/n 7026362)	
19	3311401	4	Nut 1/4in-20NC	
20	7026370	1	Gasket (Master Cylinder)	
21	19615	1	Reservoir (Master Cylinder)	
22	7026355	1	Fitting with Orifice	
23	7026356	1	Guide, Emergency Lever	
24	7026374	1	Boot	
25	7026357	1	Pin	
26	7026358	1	Slider, Upper	
27	7026359	1	Slider, Lower	
28	7026360	2	Spacer, Side	
55	7027718	1	Slider, Channel Centered	
56	7026373	1	Decal - Towable/Not Towable	
101	7026361	1	Kit 1 - Emergency Lever Replacement Kit (Includes Items 11,12 & 16)	
102	7026362	1	Kit 2 - Master Cylinder Repair Kit (Includes Items 20, 24 & Parts to Rebuilt #18)	
103	19615	1	Kit 3 - Master Cylinder Replacement Kit (Includes Items 14, 15, 19, 20 & 21)	

SECTION 1 - FRAME

FIGURE 1-9. HYDRAULIC BRAKE COUPLER WITH COMBINATION 2 INCH BALL ASSEMBLY (ANSI AND ANSI EXPORT SPEC MACHINES) (SN 0030002099 through 0030012032)



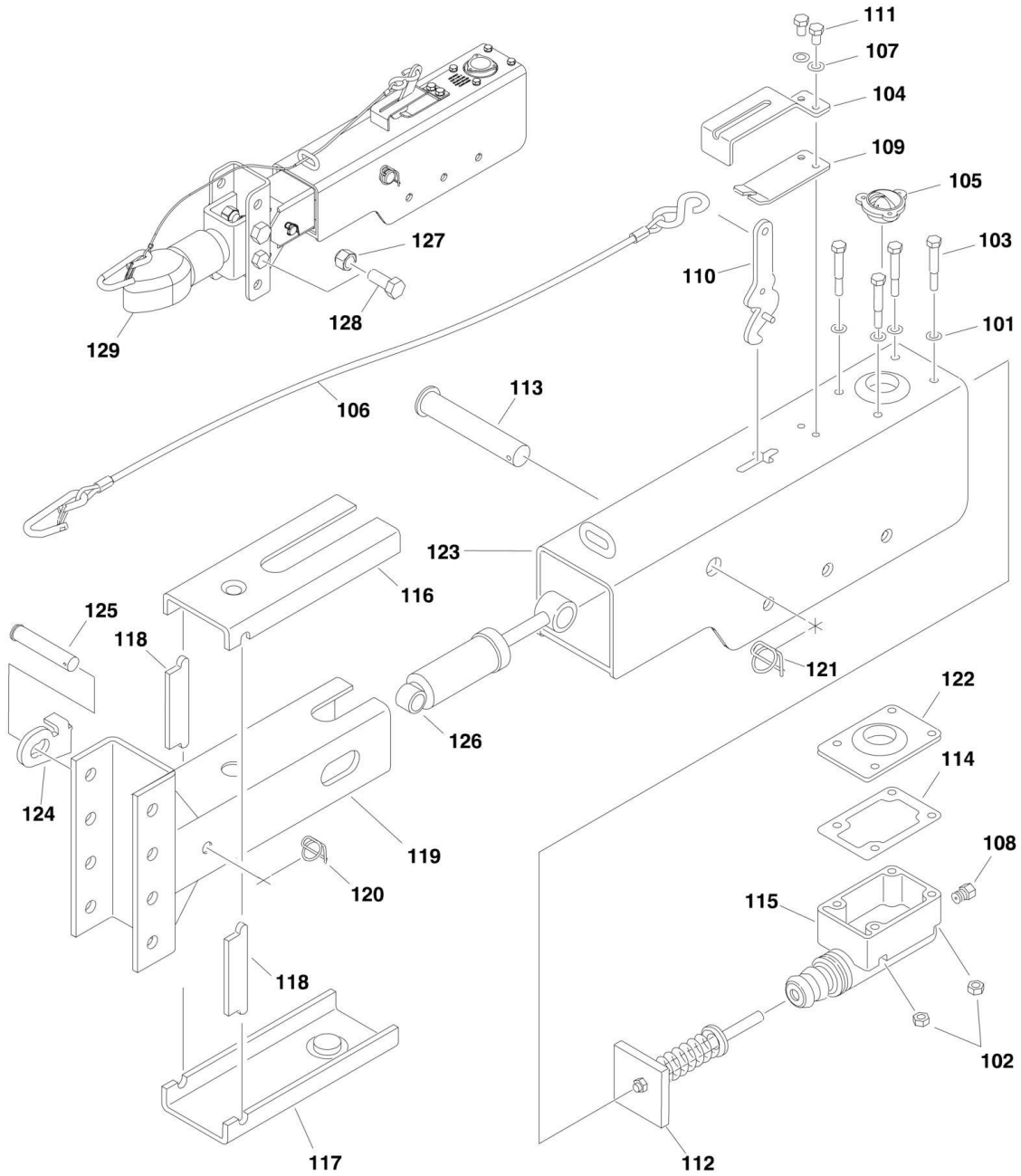
SECTION 1 - FRAME

FIGURE 1-9. HYDRAULIC BRAKE COUPLER WITH COMBINATION 2 INCH BALL ASSEMBLY (ANSI AND ANSI EXPORT SPEC MACHINES) (SN 0030002099 through 0030012032)

ITEM	PART NUMBER	QTY	DESCRIPTION	REV
		Ref	HYDRAULIC BRAKE COUPLER WITH COMBINATION 2 INCH BALL ASSEMBLIES	
1	1660307	Ref	Hydraulic Brake Coupler With Combination 2in (SN 0030002099 through 0030003343)	C
1	70001047	1	Rebuild Kit, Breakaway (Includes Roller, Push Rod and Top Slide)	
1	70001048	1	Cap, Master Cylinder	
	1001116350	Ref	Hydraulic Brake Coupler With Combination 2in (SN 0030003343 through 0030012032)	B
101	4761400	4	Lockwasher 1/4in	
102	3311401	4	Nut 1/4in-20NC	
103	0641416	4	Bolt 1/4in-20NCx 2in	
104	7026372	1	Guide, Emergency Lever	
105	19616	1	Cap, Master Cylinder (Includes Diaphragm and O-Ring)	
106	19613	1	Cable with Hooks	
107	70002632	2	Lockwasher 5/16in	
108	7026355	1	Fitting with Orifice	
109	70002633	1	Plate, Emergency Lever Spring	
110	70002634	1	Lever, Emergency	
111	0641505	2	Bolt 5/16in-18NC x 5/8in	
112	70002635	1	Push Rod (Master Cylinder)	
113	7026367	1	Pin	
114	7026370	1	Gasket (Master Cylinder)	
115	19611	1	Reservoir (Master Cylinder)	
116	7026358	1	Slider, Upper	
117	7026359	1	Slider, Lower	
118	7026360	2	Spacer, Side	
119	70002636	1	Slider, Channel Centered	
120	70002637	1	Ring Lock, Cotter	
121	70002638	1	Ring Lock, Cotter	
122	70002639	1	Cover (Master Cylinder)	
123	70002631	1	Case, Outer	
124	70002640	1	Lever, Lock Out	
125	70002641	1	Pin	
126	7026353	1	Shock, Damper	
127	70002628	4	Locknut 5/8in-11NC	
128	70002629	4	Bolt 5/8in-11NC x 1-1/2in	
129	70002630	1	2in Coupler	
201	70002722	1	Actuator Replacement Kit (Includes Items 116, 117 & 118)	

SECTION 1 - FRAME

FIGURE 1-10. HYDRAULIC BRAKE COUPLER WITH 2 INCH BALL AND COLLAR ASSEMBLY (ANSI AND ANSI EXPORT SPEC MACHINES) (T350,T500J) (SN 0030010384 through 0030012032)



ART_1001243182

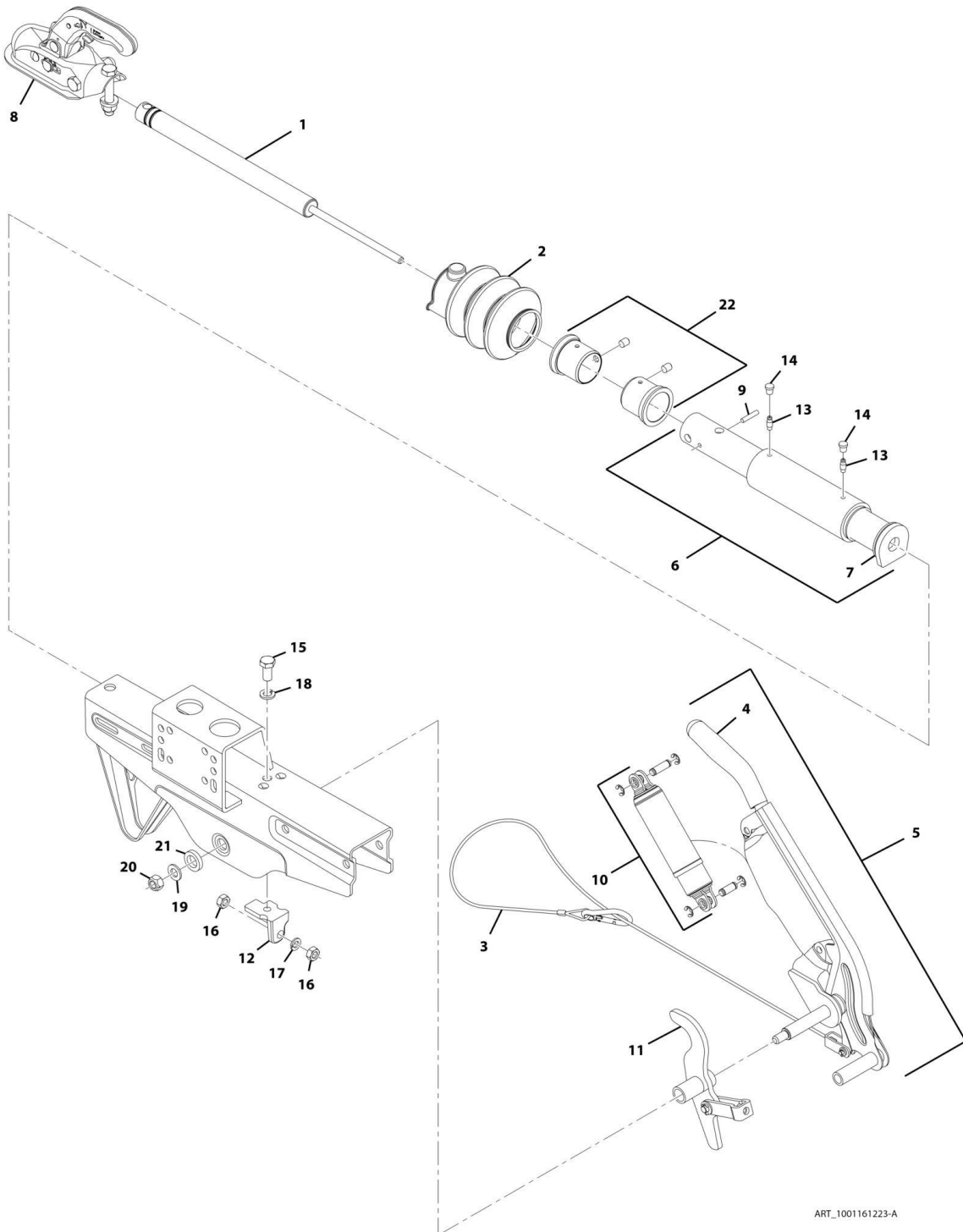
SECTION 1 - FRAME

FIGURE 1-10. HYDRAULIC BRAKE COUPLER WITH 2 INCH BALL AND COLLAR ASSEMBLY (ANSI AND ANSI EXPORT SPEC MACHINES) (T350,T500J) (SN 0030010384 through 0030012032)

ITEM	PART NUMBER	QTY	DESCRIPTION	REV
	1001243182	Ref	HYDRAULIC BRAKE COUPLER WITH 2 INCH BALL AND COLLAR ASSEMBLY	B
101	4761400	4	Washer 1/4	
102	3311401	4	Nut 1/4	
103	0641416	4	Bolt 1/4 x 2	
104	7026372	1	Guide, Emergency Lever	
105	19616	1	Cap, Master Cylinder (Includes Diaphragm and O-Ring)	
106	19613	1	Cable with Hooks	
107	70002632	2	Lockwasher 5/16in	
108	7026355	1	Fitting with Orifice	
109	70002633	1	Plate, Emergency Lever Spring	
110	70002634	1	Lever, Emergency	
111	0641505	2	Bolt 5/16 x 5/8	
112	70002635	1	Push Rod (Master Cylinder)	
113	7026367	1	Pin	
114	7026370	1	Gasket (Master Cylinder)	
115	19611	1	Reservoir (Master Cylinder)	
116	7026358	1	Slider, Upper	
117	7026359	1	Slider, Lower	
118	7026360	2	Spacer, Side	
119	70002636	1	Slider, Channel Centered	
120	70002637	1	Ring Lock, Cotter	
121	70002638	1	Ring Lock, Cotter	
122	70002639	1	Cover (Master Cylinder)	
123	70002631	1	Case, Outer	
124	70002640	1	Lever, Lock Out	
125	70002641	1	Pin	
126	7026353	1	Shock, Damper	
127	70002628	4	Nut 5/8	
128	70002629	4	Bolt 5/8 x 1-1/2	
129	70006984	1	2in Coupler	

SECTION 1 - FRAME

FIGURE 1-11. HYDRAULIC BRAKE COUPLER WITH 50MM BALL ASSEMBLY (CE SPEC MACHINES)



ART_1001161223-A

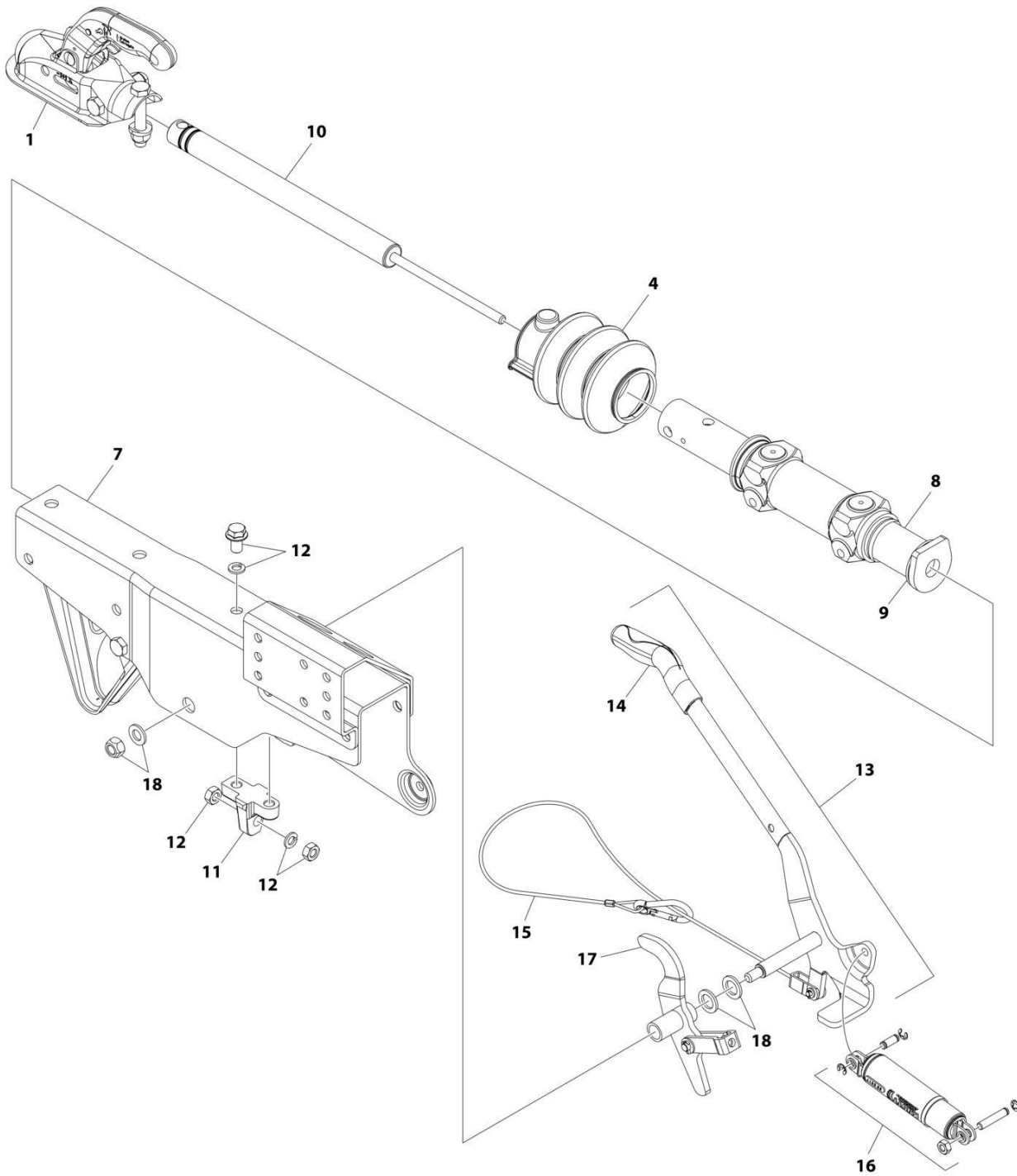
SECTION 1 - FRAME

FIGURE 1-11. HYDRAULIC BRAKE COUPLER WITH 50MM BALL ASSEMBLY (CE SPEC MACHINES)

ITEM	PART NUMBER	QTY	DESCRIPTION	REV
		Ref	COUPLER ASSEMBLY - HYDRAULIC BRAKE	
	1660282	Ref	Coupler Assembly (Use p/n 1001161223) (T350)	E
	1660283	Ref	Coupler Assembly (T500J)	B
1		Ref	Spring, Gas Options:	
1	70000029	1	Spring, Gas (T350)	
1	70000037	1	Spring, Gas (T500J)	
2	70000030	1	Boot	
3	70000031	1	Cable, Breakaway	
4	70000032	1	Brake Lever Assembly	
5		Ref	Brake Cylinder Assembly Options:	
5	70000033	1	Brake Cylinder Assembly (T350)	
5	70000038	1	Brake Cylinder Assembly (T500J)	
6		Ref	Tube, Draw Option (Includes Item 7):	
6	70000034	1	Tube, Draw (T350)	
6	70000039	1	Tube, Draw (T500J)	
7	70000035	1	Stop-Ring (Use p/n 70004697)	
8		Ref	Coupling Head Options:	
8	70000036	1	Coupling Head (T350)	
8	70000040	1	Coupling Head (T500J)	
9	70004698	1	Pin, Cylinder (T350)	
10	70004700	1	Kit, Spring Sleeve (T350)	
11	70004701	1	Transmission Lever (T350)	
12	70004705	1	Spring, Gas Mounting (T350)	
13	70004706	2	Grease Fitting (T350)	
14	70004707	2	Grease Fitting Cap (T350)	
15	70004708	1	Bolt (T350)	
16	70004709	2	Nut, M10-8 (T350)	
17	70004710	1	Spring Ring (T350)	
18	70004711	1	Spring Ring (T350)	
19	70004712	1	Flatwasher (T350)	
20	70004713	1	Nut, M12-8 (T350)	
21	70004714	1	Flatwasher (T350)	
22	70004696	1	Kit, Bearing (T350)	

SECTION 1 - FRAME

FIGURE 1-12. HYDRAULIC BRAKE COUPLER WITH 50MM BALL ASSEMBLY - T350 (CSA SPEC MACHINES)



ART_1001214168

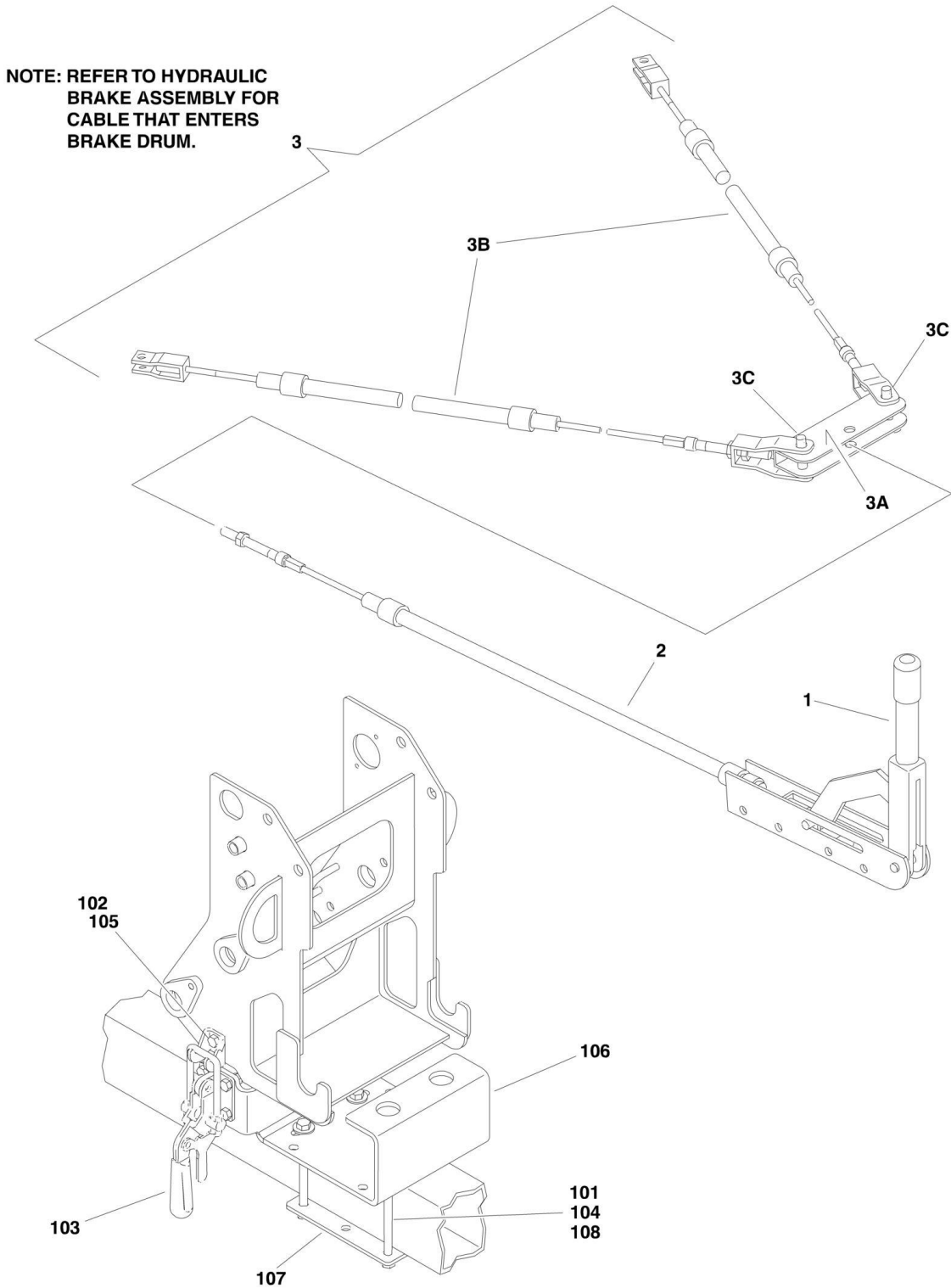
SECTION 1 - FRAME

FIGURE 1-12. HYDRAULIC BRAKE COUPLER WITH 50MM BALL ASSEMBLY - T350 (CSA SPEC MACHINES)

ITEM	PART NUMBER	QTY	DESCRIPTION	REV
	1001214168	Ref	HYDRAULIC BRAKE COUPLER WITH 50MM BALL ASSEMBLY	A
1	70005987	1	Coupling Head	
2	70005988	2	Bolt (Not Shown)	
2	70005989	1	Caliper (Not Shown)	
2	70004713	2	Locknut (Not Shown)	
2	70005990	1	Protective Cap (Not Shown)	
3	70005991	1	Support (Not Shown)	
4	70000030	1	Bellow	
5	See Note	NSS	Ribbon Cable (Not Shown) (Note: Not Available for Purchase)	
6	70005992	1	Guide Bearing (Not Shown)	
7	See Note	NSS	Housing (Note: Not Available for Purchase)	
8	70000034	1	Tube, Draw	
9	70000035	1	Stop-Ring	
10	70004703	1	Spring, Gas	
11	70004705	1	Spring, Gas Mounting	
12	70004708	1	Bolt	
12	70004711	1	Spring, Ring	
12	70004709	2	Nut	
12	70004710	1	Spring, Ring	
13	70005993	1	Lever, Handbrake	
14	70005994	1	Handle	
15	70000031	1	Cable	
16	70005995	1	Sleeve, Spring	
17	70004701	1	Lever, Transmission	
18	70005996	1	Washer	
18	70005997	1	Washer	
18	70005998	1	Washer	
18	70004713	1	Locknut	

SECTION 1 - FRAME

FIGURE 1-13. PARKING BRAKE CABLE (ANSI, ANSI EXPORT AND AUSTRALIAN SPEC MACHINES ONLY) AND TRANSPORT LOCK ASSEMBLIES



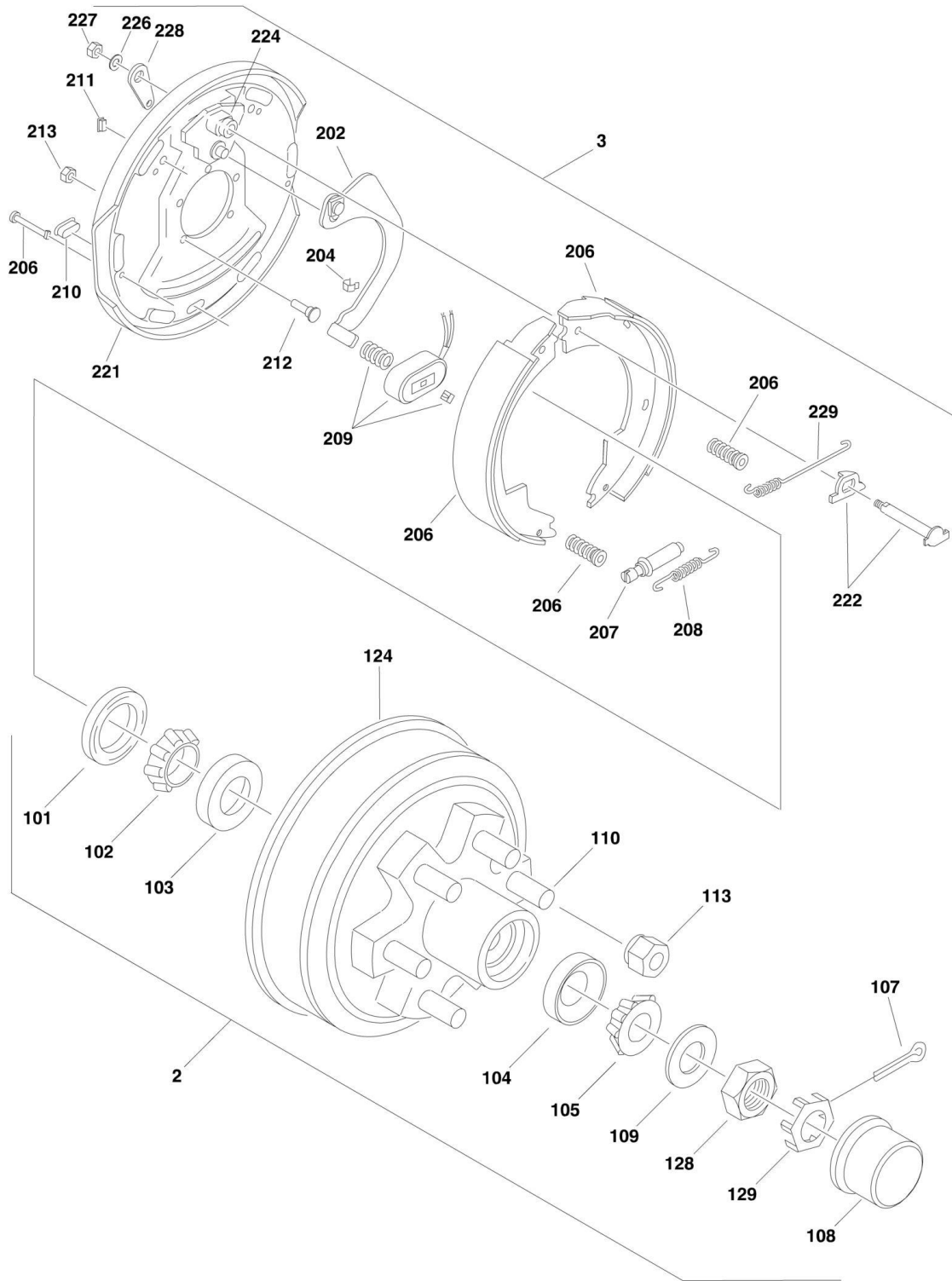
SECTION 1 - FRAME

FIGURE 1-13. PARKING BRAKE CABLE (ANSI, ANSI EXPORT AND AUSTRALIAN SPEC MACHINES ONLY) AND TRANSPORT LOCK ASSEMBLIES

ITEM	PART NUMBER	QTY	DESCRIPTION	REV
		Ref	PARKING BRAKE CABLE ASSEMBLIES	
		Ref	Note: For CE Spec Components, See Axle and Tongue Installation or Hydraulic Brake Assembly.	
	3890043	Ref	Parking Brake Cable Assemblies - with Electric Brakes (T350)	B
	3890041	Ref	Parking Brake Cable Assemblies - with Hydraulic Brakes (T350)	B
	3890044	Ref	Parking Brake Cable Assemblies - with Electric Brakes (T500J)	C
	3890042	Ref	Parking Brake Cable Assemblies - with Hydraulic Brakes (T500J)	C
1	2980123	1	Handle Assembly (No Serviceable Parts Available)	
2		Ref	Brake Cable Assembly - Tongue Options:	
2	3890045	1	Brake Cable Assembly (T350)	
2	3890046	1	Brake Cable Assembly (T500J)	
3		Ref	Brake Cable Assembly - Splitter to Wheels Options:	
3	3890049	1	Brake Cable Assembly - with Electric Brakes (T350)	B
3	3890047	1	Brake Cable Assembly - with Hydraulic Brakes (T350)	B
3	3890050	1	Brake Cable Assembly - with Electric Brakes (T500J)	B
3	3890048	1	Brake Cable Assembly - with Hydraulic Brakes (T500J)	B
3A	See Note	1	Splitter/ Equalizer (Note: Purchase Complete Brake Cable Assembly)	
3B	See Note	2	Cable, Brake (Note: Purchase Complete Brake Cable Assembly)	
3C	See Note	2	Pin (Note: Purchase Complete Brake Cable Assembly or Source Locally)	
		Ref	Note: See Axle and Tongue Installation for Additional Hardware.	
		Ref	TRANSPORT LOCK ASSEMBLY	
	0273627	Ref	Transport Lock Assembly (T350)	E
	0274395	Ref	Transport Lock Assembly (T500J)	B
101		Ref	Bolt Options:	
101	0641640	4	Bolt 3/8in-16NC x 5in (T350)	
101	0641646	4	Bolt 3/8in-16NC x 5-3/4in (T500J)	
102	0681506	6	Bolt 5/16in-18NC x 3/4in	
103	2940159	1	Latch, Manual Clamp	
104	3311605	4	Locknut 3/8in-16NC	
105	3271505	6	Locknut 5/16in-18NC	
106	3575420	1	Plate, Transport Lock	
107		Ref	Plate, Mounting Options:	
107	3575719	1	Plate, Mounting (T350)	
107	3575783	1	Plate, Mounting (T500J)	
108	4751600	8	Flatwasher 3/8in Wide	

SECTION 1 - FRAME

FIGURE 1-14. ELECTRIC BRAKE AND AXLE ASSEMBLY



SECTION 1 - FRAME

FIGURE 1-14. ELECTRIC BRAKE AND AXLE ASSEMBLY

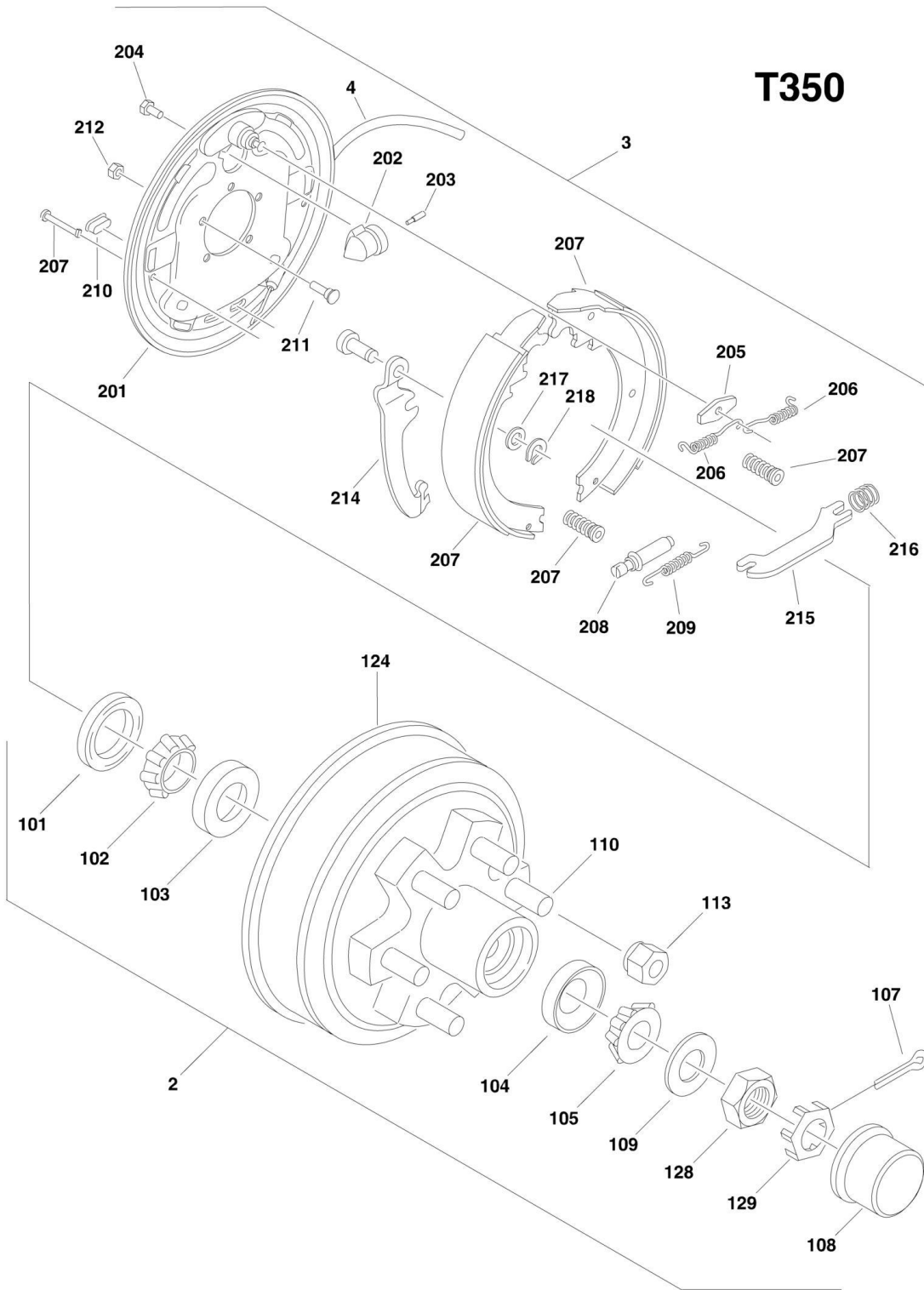
ITEM	PART NUMBER	QTY	DESCRIPTION	REV
		Ref	AXLE ASSEMBLY	
	0280158	Ref	Axle Assembly (T350)	C
	0280159	Ref	Axle Assembly (T500J)	B
		Ref	Note: Front/Rear and Left/Right are determined by facing the Tow Vehicle.	
1	See Note	1	Axle (Not Shown) (Note: Not Available - Purchase Complete Axle Assembly)	
2		Ref	Drum Assembly (Includes Item 101-129)	
2	70001003	2	Drum Assembly (T350)	
2	See Note	2	Drum Assembly (Note: Not Available - Purchase individual parts) (T500J)	
3		Ref	Electric Brake Assembly (Includes Item 201-229)	
3	7027665	1	Electric Brake Assembly - Left Side (T350)	
3	7027666	1	Electric Brake Assembly - Right Side (T350)	
3	7027675	1	Electric Brake Assembly - Left Side (T500J)	
3	7027676	1	Electric Brake Assembly - Right Side (T500J)	
		Ref	DRUM ASSEMBLY	
101		Ref	Seal Options (1 Per Assembly):	
101	7027647	1	Seal (T350)	
101	7027654	1	Seal (T500J)	
102		Ref	Cone, Inner Options (1 Per Assembly):	
102	7027648	1	Cone, Inner (T350)	
102	7026384	1	Cone, Inner (T500J)	
103		Ref	Cup, Inner Options (1 Per Assembly):	
103	7027649	1	Cup, Inner (T350)	
103	7026385	1	Cup, Inner (T500J)	
104		Ref	Cup, Outer Options (1 Per Assembly):	
104	7027650	1	Cup, Outer (T350)	
104	7027655	1	Cup, Outer (T500J)	
105		Ref	Cone, Outer Options (1 Per Assembly):	
105	7027651	1	Cone, Outer (T350)	
105	7027656	1	Cone, Outer (T500J)	
107	80317	2	Pin, Cotter (1 Per Assembly)	
108		Ref	Cap Options (1Per Assembly):	
108	7027652	1	Cap (T350)	
108	7027511	1	Cap (T500J)	
109	See Note	2	Washer, Spindle (1 Per Assembly) (Note: Not available for purchase)	
110		Ref	Stud, Wheel Options:	
		Ref	Note: Please verify the length of your original stud before ordering.	
110	7026390	AR	2in Stud	
110	70003756	Ref	2-58in Stud	
110	70003756	10	2-58in Stud (5 Per Assembly) (T350)	
110	70003756	12	2-58in Stud (6 Per Assembly) (T500J)	
113	7026313	Ref	Lugnut	
113	7026313	10	Lugnut (5 Per Assembly) (T350)	
113	7026313	12	Lugnut (6 Per Assembly) (T500J)	
		Ref	Note: See SPECIAL OPTIONS SECTION for Security Wheel Locks.	
124		Ref	Hub and Drum Options (1 Per Assembly):	

SECTION 1 - FRAME

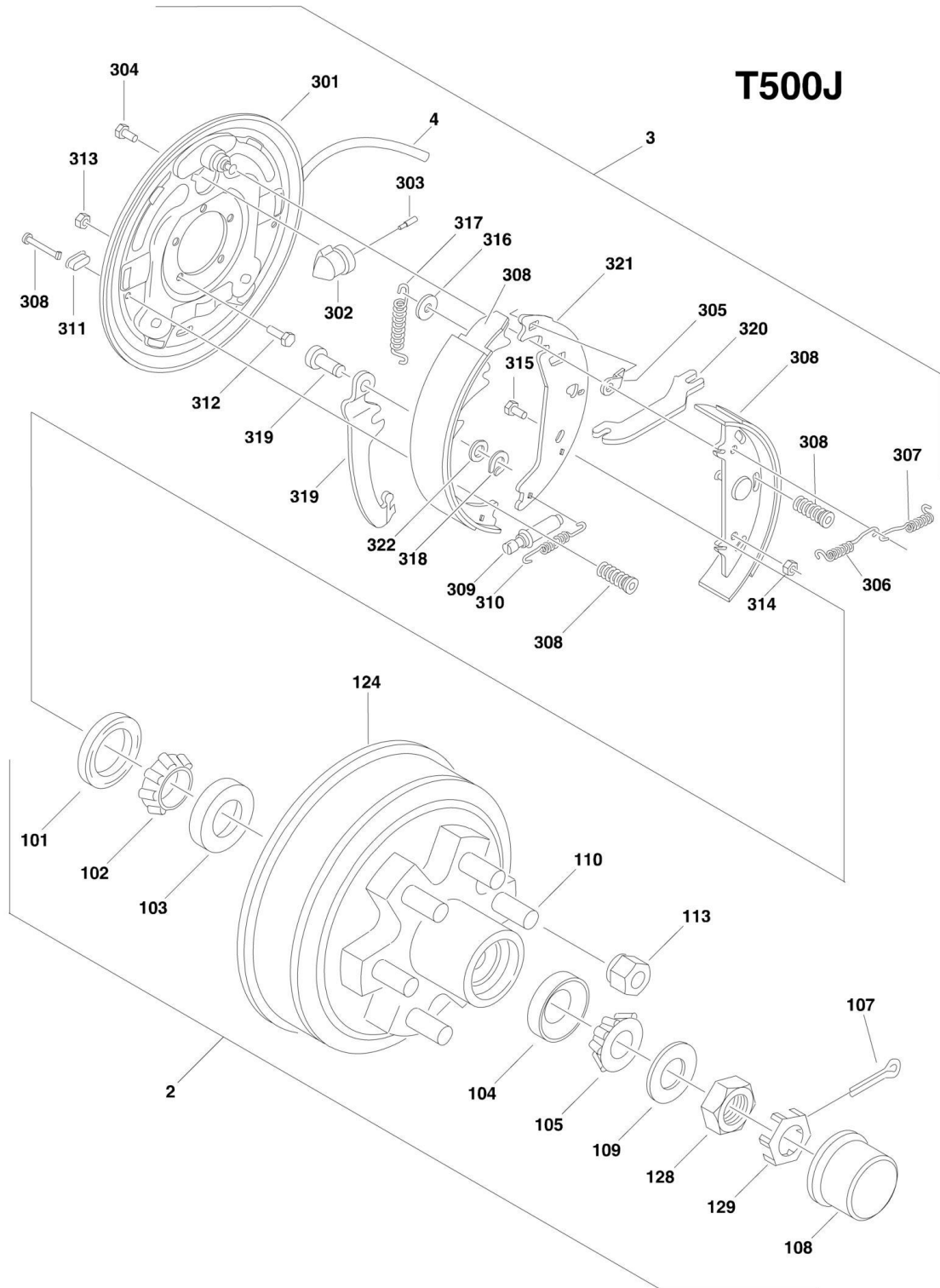
ITEM	PART NUMBER	QTY	DESCRIPTION	REV
124	7027653	1	Hub and Drum (T350)	
124	7027657	1	Hub and Drum (T500J)	
128	7027692	2	Nut, Spindle (1 Per Assembly)	
129	7027693	2	Retainer, Nut Spindle (1 Per Assembly)	
		Ref	ELECTRIC BRAKE ASSEMBLIES	
	7027665	1	Electric Brake Assemblies - Left Side (T350)	
	7027666	1	Electric Brake Assemblies - Right Side (T350)	
	7027675	1	Electric Brake Assemblies - Left Side (T500J)	
	7027676	1	Electric Brake Assemblies - Right Side (T500J)	
		Ref	Note: Front/Rear and Left/Right are determined by facing the Tow Vehicle.	
202		Ref	Lever, Actuating Options:	
202	7027667	1	Lever, Actuating - Left Side (T350)	
202	7027668	1	Lever, Actuating - Right Side (T350)	
202	7026391	1	Lever, Actuating - Left Side (T500J)	
202	7026392	1	Lever, Actuating - Right Side (T500J)	
204	7026393	2	Clip, Wire	
206		Ref	Brake Shoe Assembly Options (Includes 1 Primary & 1 Secondary Brake Shoe with Lining, 2 Pins, 2 Springs & 2 Cups):	
206	7027669	1	Brake Shoe Assembly (T350)	
206	70132	1	Brake Shoe Assembly (T500J)	
207	7026395	1	Adjuster Assembly	
208	7026396	1	Spring, Adjuster	
209		Ref	Magnet Assembly (Includes 1 each of Magnet, Spring and Clip)	
209	7027671	1	Magnet Assembly (T350)	
209	7027677	1	Magnet Assembly (T500J)	
210	See Note	1	Plug, Adjuster Slot (Note: Not Available - Purchase Locally)	
211	See Note	1	Grommet (Note: Not Available - Purchase Locally)	
212	See Note	4	Bolt, Mounting (Note: Not Available - Purchase Locally)	
213	See Note	4	Nut	
221	See Note	1	Plate, Backing (Note: Not Available - Purchase Complete Assy)	
222		Ref	Actuating Cam and Pin Options:	
222	7027672	1	Left Side	
222	7027673	1	Right Side	
224	See Note	1	Anchor Post and Nut (Note: Not Available - Purchase Complete Assy)	
226	See Note	1	Washer, Anchor (Note: Not Available - Purchase Locally)	
227	See Note	1	Locknut (Note: Not Available - Purchase Locally)	
228	7027678	1	Lever, Parking Brake	
229		Ref	Spring, Retractor Options:	
229	7027674	2	Spring, Retractor (T350)	
229	7027679	2	Spring, Retractor (T500J)	

SECTION 1 - FRAME

FIGURE 1-15. HYDRAULIC BRAKE ASSEMBLY (ANSI AND ANSI EXPORT SPEC MACHINES)



SECTION 1 - FRAME



SECTION 1 - FRAME

FIGURE 1-15. HYDRAULIC BRAKE ASSEMBLY (ANSI AND ANSI EXPORT SPEC MACHINES)

ITEM	PART NUMBER	QTY	DESCRIPTION	REV
		Ref	HYDRAULIC BRAKE ASSEMBLY	
	0280154	Ref	Hydraulic Brake Assembly (T350) (T350 Except SN 0030000121 through 0030000140; Excluding 0030000142, 0030000143 and 0030000153)	C
	9984240	Ref	Hydraulic Brake Assembly (T350) (T350 SN 0030000121 through 0030000140; Including 0030000142, 0030000143 and 0030000153)	A
	0280155	Ref	Hydraulic Brake Assembly (T500J)	C
		Ref	Note: Front/Rear and Left/Right are determined by facing the Tow Vehicle.	
1	See Note	1	Axle (Not Shown) (Note: Not Available - Purchase Complete Assembly)	
2	See Note	2	Drum Assembly (Includes Item 101-129) (Note: Not Available - Purchase individual parts)	
3		Ref	Hydraulic Brake Assembly	
3	7027640	1	Hydraulic Brake Assembly - Left Side (Includes Item 201-218) (T350)	
3	7027641	1	Hydraulic Brake Assembly - Right Side (Includes Item 201-218) (T350)	
3	70001005	1	Hydraulic Brake Assembly - Left Side (Includes Item 301-322) (T500J)	
3	70001006	1	Hydraulic Brake Assembly - Right Side (Includes Item 301-322) (T500J)	
4		Ref	Cable, Parking Brake Options:	
4	70000015	2	Cable, Parking (T350)	
4	70000016	2	Cable, Parking (T500J)	
		Ref	DRUM ASSEMBLY	
101		Ref	Seal Options (1 Per Assembly):	
101	7027647	1	Seal (T350)	
101	7027654	1	Seal (T500J)	
102		Ref	Cone, Inner Options (1 Per Assembly):	
102	7027648	1	Cone, Inner (T350)	
102	7026384	1	Cone, Inner (T500J)	
103		Ref	Cup, Inner Options (1 Per Assembly):	
103	7027649	1	Cup, Inner (T350)	
103	7026385	1	Cup, Inner (T500J)	
104		Ref	Cup, Outer Options (1 Per Assembly):	
104	7027650	1	Cup, Outer (T350)	
104	7027655	1	Cup, Outer (T500J)	
105		Ref	Cone, Outer Options (1 Per Assembly):	
105	7027651	1	Cone, Outer (T350)	
105	7027656	1	Cone, Outer (T500J)	
107	80317	2	Pin, Cotter (1 Per Assembly)	
108		Ref	Cap Options (1Per Assembly):	
108	7027652	1	Cap (T350)	
108	7027511	1	Cap (T500J)	
109	70000131	1	Washer, Spindle (1 Per Assembly)	
110		Ref	Stud, Wheel Options:	
		Ref	Note: Please verify the length of your original stud before ordering.	
110	7026390	AR	2in Stud	
110	70003756	AR	2-58in Stud	

SECTION 1 - FRAME

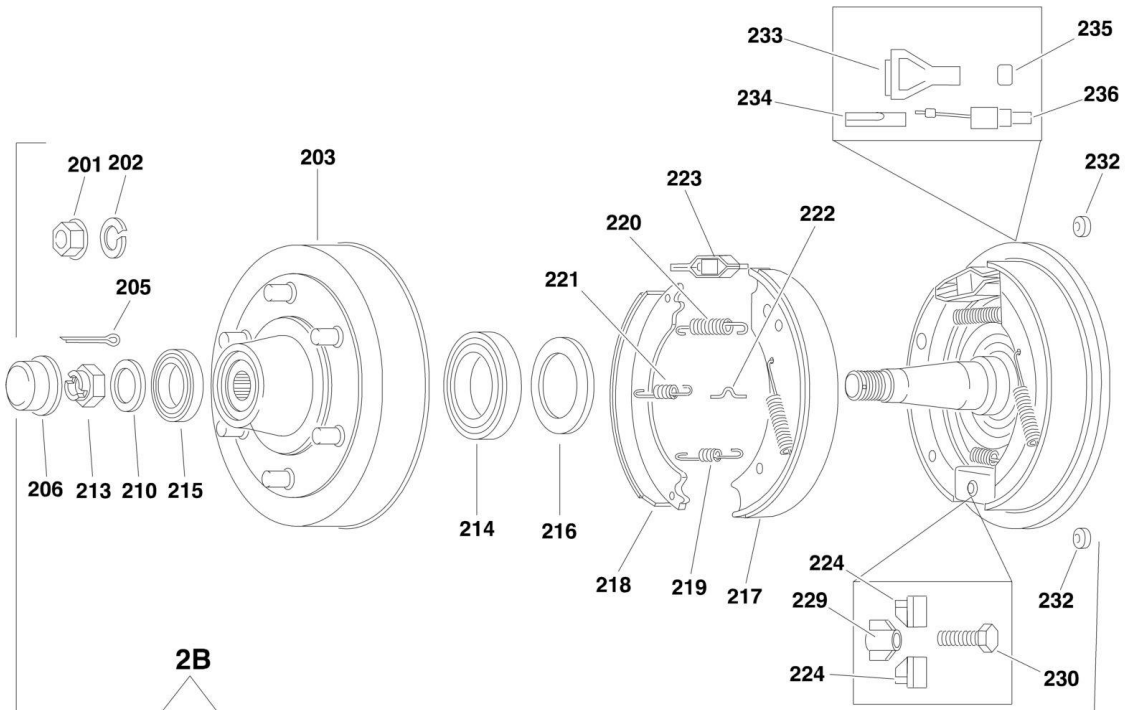
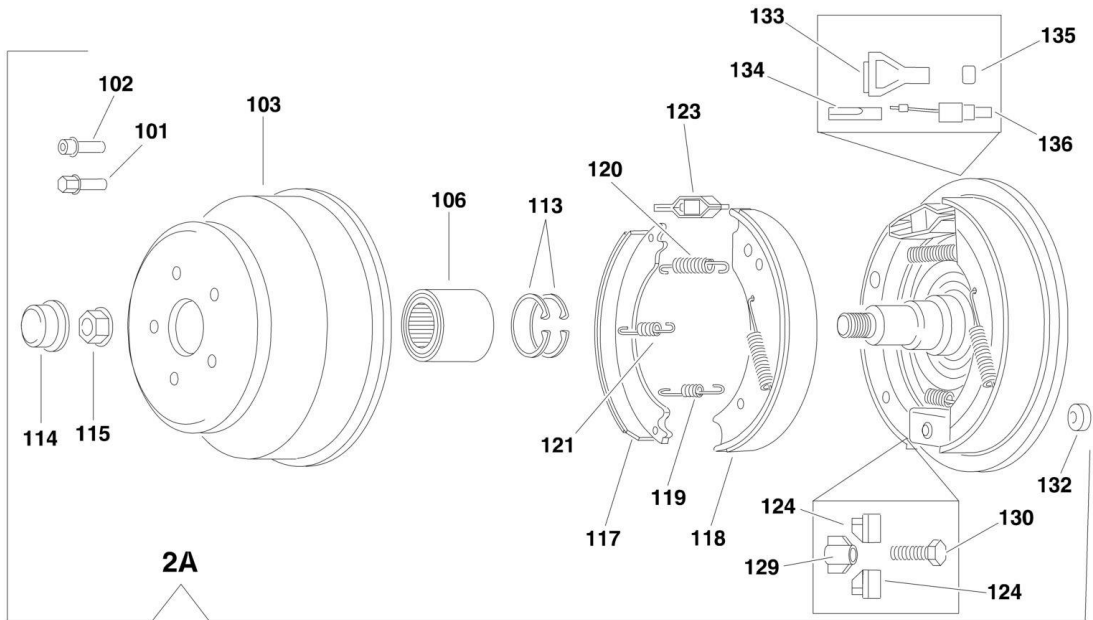
ITEM	PART NUMBER	QTY	DESCRIPTION	REV
110		Ref	Stud, Wheel (5 Per Assembly) (T350)	
110		Ref	Stud, Wheel (6 Per Assembly) (T500J)	
113	7026313	Ref	Lugnut	
113	7026313	10	Lugnut (5 Per Assembly) (T350)	
113	7026313	12	Lugnut (6 Per Assembly) (T500J)	
		Ref	Note: See DECAL SECTION for Security Wheel Locks.	
124		Ref	Hub and Drum Options (1 Per Assembly):	
124	7027653	1	Hub and Drum (T350)	
124	7027657	1	Hub and Drum (T500J)	
128	7027692	2	Nut, Spindle (1 Per Assembly)	
129	7027693	2	Retainer, Nut Spindle (1 Per Assembly)	
		Ref	HYDRAULIC BRAKE ASSEMBLIES	
	7027640	1	Hydraulic Brake Assemblies - Left Side (T350)	
	7027641	1	Hydraulic Brake Assemblies - Right Side (T350)	
		Ref	Note: Front/Rear and Left/Right are determined by facing the Tow Vehicle.	
201	See Note	1	Plate, Backing (Note: Not Available - Purchase Complete Assy)	
202		Ref	Cylinder, Uni-Servo Wheel Options:	
202	70145	1	Left Side	
202	70144	1	Right Side	
203	7026399	1	Pin, Push	
204	See Note	1	Screw and Washer (Note: Not Available - Purchase Locally)	
205	See Note	1	Washer, Anchor (Note: Not Available - Purchase Locally)	
206	7026394	2	Spring, Retractor	
207	7027642	1	Brake Shoe Assembly (Includes 1 Primary & 1 Secondary Brake Shoe with Lining, 2 Pins, 2 Springs & 2 Cups)	
208	7026395	1	Adjuster Assembly	
209	7026396	1	Spring, Adjuster	
210	See Note	1	Plug, Adjuster Slot (Note: Not Available - Purchase Locally)	
211	See Note	4	Bolt, Mounting (Note: Not Available - Purchase Locally)	
212	See Note	4	Nut (Note: Not Available - Purchase Locally)	
214		Ref	Lever, Parking Brake Actuating Options:	
214	7027643	1	Left Side	
214	7027644	1	Right Side	
215	7027645	1	Strut	
216	7027646	1	Spring, Strut	
217	70001658	1	Washer	
218	70001659	1	Retainer	
	70001005	1	Hydraulic Brake Assemblies - Left Side (T500J)	
	70001006	1	Hydraulic Brake Assemblies - Right Side (T500J)	
		Ref	Note: Front/Rear and Left/Right are determined by facing the Tow Vehicle.	
301	See Note	1	Plate, Backing (Note: Not Available - Purchase Complete Assy)	
302		Ref	Cylinder, Uni-Servo Wheel Options:	
302	70145	1	Left Side	
302	70144	1	Right Side	
303	7026399	1	Pin, Push	
304	See Note	1	Screw and Washer (Note: Not Available - Purchase Locally)	
305	7027500	1	Link, Travel	
306	7027501	1	Spring, Retractor	
307	7027502	1	Spring, Lever Return	

SECTION 1 - FRAME

ITEM	PART NUMBER	QTY	DESCRIPTION	REV
308		Ref	Brake Shoe Assembly Options (Includes 1 Primary & 1 Secondary Brake Shoe with Lining, 2 Pins, 2 Springs & 2 Cups):	
308	7027503	1	Left Side	
308	7027504	1	Right Side	
309	7027505	1	Adjuster Assembly	
310	7027506	1	Spring, Adjuster	
311	See Note	1	Plug, Adjuster Slot (Note: Not Available - Purchase Locally)	
312	See Note	4	Bolt, Mounting (Note: Not Available - Purchase Locally)	
313	See Note	4	Nut (Note: Not Available - Purchase Locally)	
314	See Note	1	Locknut (Note: Not Available - Purchase Locally)	
315	See Note	1	Bolt (Note: Not Available - Purchase Locally)	
316	See Note	1	Washer (Note: Not Available - Purchase Locally)	
317	7027508	1	Spring, Primary Shoe Return	
318	70001659	1	Retainer	
319		Ref	Lever, Parking Brake Actuating Options:	
319	7027662	1	Left Side	
319	7027663	1	Right Side	
320	70001007	1	Strut	
321	7027507	1	Lever, Shoe	
322	70001658	1	Washer	

SECTION 1 - FRAME

FIGURE 1-16. MECHANICAL BRAKE ASSEMBLY (CE SPEC MACHINES)



SECTION 1 - FRAME

FIGURE 1-16. MECHANICAL BRAKE ASSEMBLY (CE SPEC MACHINES)

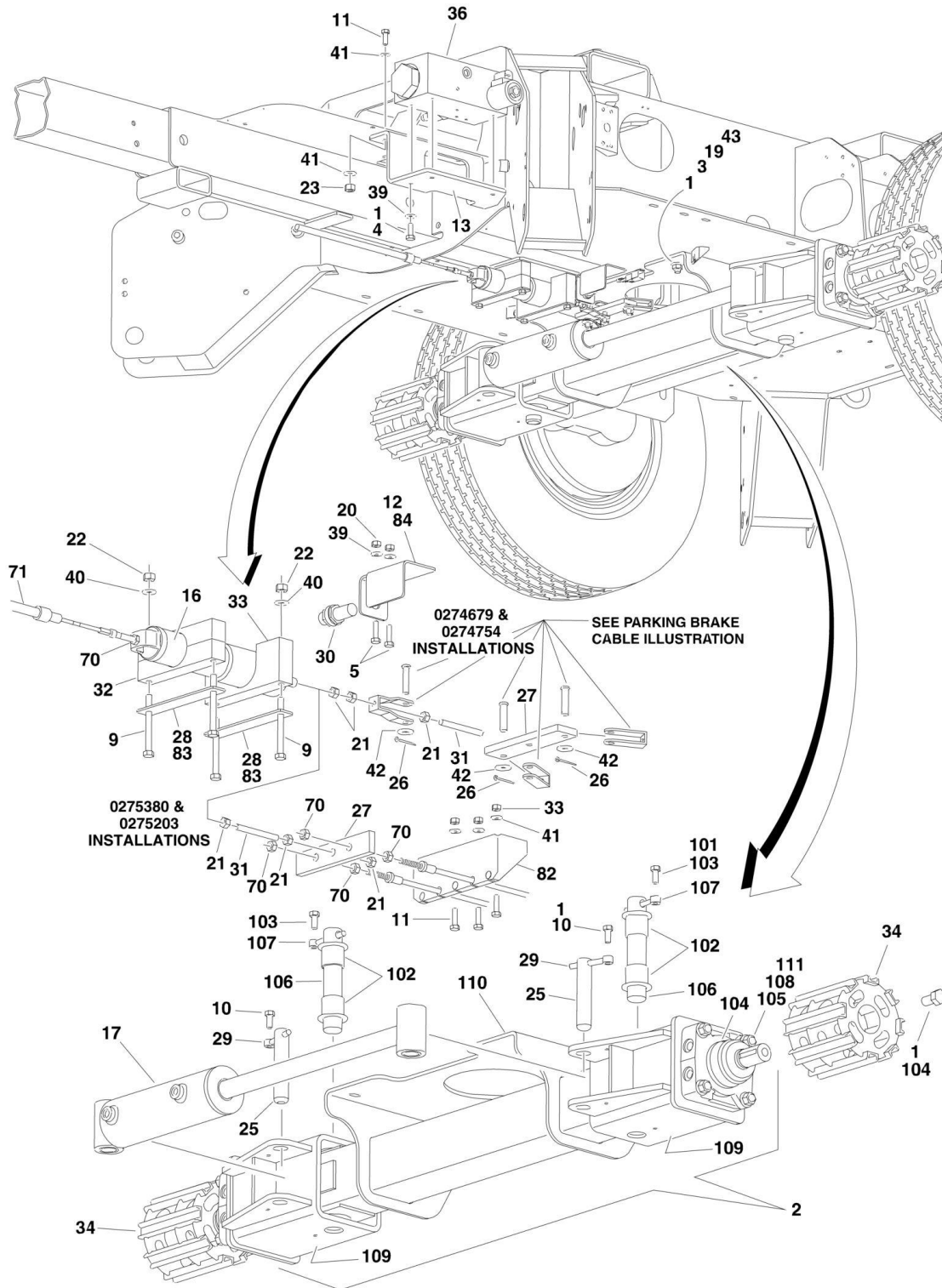
ITEM	PART NUMBER	QTY	DESCRIPTION	REV
		Ref	AXLE ASSEMBLY	
	0280186	Ref	Axle Assembly (T350)	D
	0280187	Ref	Axle Assembly (T500J)	C
		Ref	Note: Front/Rear and Left/Right are determined by facing the Tow Vehicle.	
1	See Note	1	Axle (Not Shown) (Note: Not Available - Purchase Complete Assembly)	
2		Ref	Mechanical Brake Assembly Options:	
2A	7027885	1	Mechanical Brake Assembly - Right Side (Includes Item 101-136) (T350)	
2A	0277886	1	Mechanical Brake Assembly - Left Side (Includes Item 101-136) (T350)	
2B	7027883	1	Mechanical Brake Assembly - Right Side (Includes Item 201-236) (T500J)	
2B	7027884	1	Mechanical Brake Assembly - Left Side (Includes Item 201-236) (T500J)	
		Ref	MECHANICAL BRAKE ASSEMBLY (T350)	
	7027885	1	Mechanical Brake Assembly - Right Side (T350)	
	7027886	1	Mechanical Brake Assembly T350 Left Side (T350)	
		Ref	Note: Front/Rear and Left/Right are determined by facing the Tow Vehicle. (T350)	
101	7027801	5	Screw, Spherical Flanged (T350)	
102	7027802	5	Screw, Conical Flanged (T350)	
103	7027821	1	Hub/Drum Assembly (T350)	
106	7027805	1	Bearing (T350)	
113	7027806	2	Circle Clip (T350)	
114	7027803	1	Cap, Dust (T350)	
115	70005478	1	Nut, Flanged (T350)	
117	7027807	1	Shoe, Brake (Smaller of the 2 Shoes) (T350)	
118	7027808	1	Shoe, Brake (Larger of the 2 Shoes) (T350)	
119	7027809	1	Spring, Tension (Top) (T350)	
120	7027810	1	Spring, Tension (Bottom) (T350)	
121	7027811	1	Spring, Compression (Center) (T350)	
123	7027812	1	Spreader, Compression Spring (T350)	
124	7027813	2	Key, Adjusting (T350)	
129	7027814	1	Bolt, Adjusting (T350)	
130	7027815	1	Bolt (T350)	
132	7027816	2	Plug, Adjustment Hole (T350)	
133	7027817	1	Shield, Protective (T350)	
134	7027818	1	Drawbar Eye (T350)	
135	7027819	1	Sleeve, Protective (T350)	
136	7027820	1	Cable, Brake (T350)	
		Ref	MECHANICAL BRAKE ASSEMBLY (T500J)	
	7027883	1	Mechanical Brake Assembly - Right Side (T500J)	
	7027884	1	Mechanical Brake Assembly - Left Side (T500J)	
		Ref	Note: Front/Rear and Left/Right are determined by facing the Tow Vehicle. (T500J)	
201	7027822	6	Nut, Flanged (T500J)	
202	7027823	6	Lockwasher (T500J)	
203	7027826	1	Hub/Drum Assembly (T500J)	
205	7027824	1	Pin, Cotter (T500J)	

SECTION 1 - FRAME

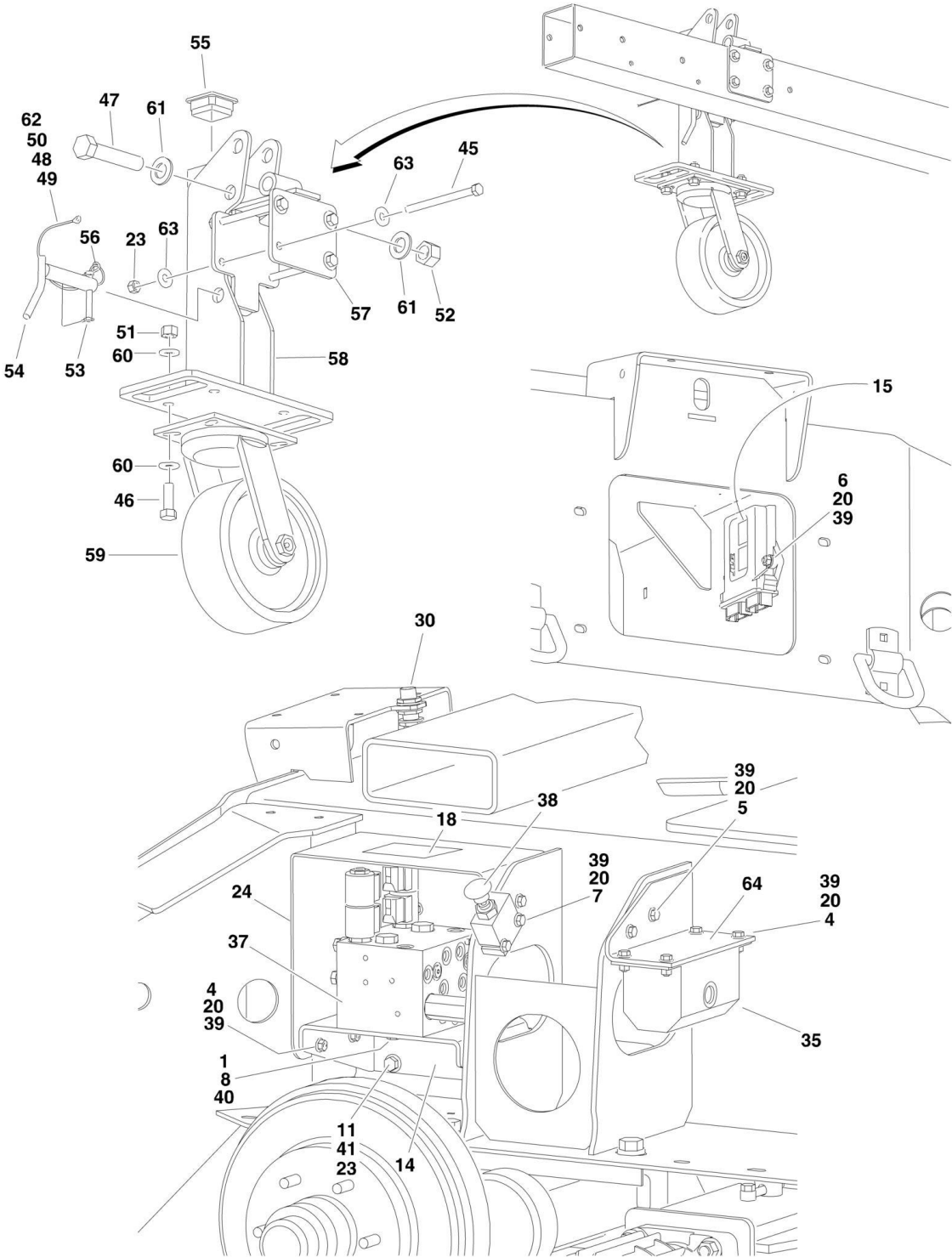
ITEM	PART NUMBER	QTY	DESCRIPTION	REV
206	7027825	1	Cap, Dust (T500J)	
210	7027827	1	Washer (T500J)	
213	7027828	1	Nut, Castle (T500J)	
214	7027829	1	Bearing (Inner) (T500J)	
215	7027830	1	Bearing (Outer) (T500J)	
216	7027831	1	Washer (T500J)	
217	70003038	1	Shoe, Brake (Larger of the 2 Shoes) (was p/n 7027832) (T500J)	
218	70003038	1	Shoe, Brake (Smaller of the 2 Shoes) (was p/n 7027833) (T500J)	
219	7027834	1	Spring, Tension (Bottom) (T500J)	
220	7027835	1	Spring, Tension (Top) (T500J)	
221	7027836	1	Spring, Compression (Center) (T500J)	
222	7027837	1	Clip, Spring (T500J)	
223	7027838	1	Spreader, Compression Spring (T500J)	
224	7027839	2	Key, Adjusting (T500J)	
229	7027840	1	Bolt, Adjusting (T500J)	
230	7027841	1	Bolt (T500J)	
232	7027842	2	Plug, Adjustment Hole (T500J)	
233	7027843	1	Shield, Protective (T500J)	
234	7027844	1	Drawbar Eye (T500J)	
235	7027845	1	Sleeve, Protective (T500J)	
236	7027846	1	Cable, Brake (T500J)	

SECTION 1 - FRAME

FIGURE 1-17. CHASSIS DRIVE INSTALLATION (OPTIONAL)



SECTION 1 - FRAME



SECTION 1 - FRAME

FIGURE 1-17. CHASSIS DRIVE INSTALLATION (OPTIONAL)

ITEM	PART NUMBER	QTY	DESCRIPTION	REV
		Ref	CHASSIS DRIVE INSTALLATION (OPTIONAL)	
	0274679	Ref	Chassis Drive Installation (ANSI, ANSI Export and Australian Specs) (T350)	H
	0274679	Ref	Chassis Drive Installation (South Africa Specs) (T350) (Prior to SN 0030007037)	H
	0275380	Ref	Chassis Drive Installation (South Africa Specs) (T350) (SN 0030007037 through 0030012032)	G
	0275380	Ref	Chassis Drive Installation (CE Specs) (T350)	G
	0274754	Ref	Chassis Drive Installation (ANSI, ANSI Export and Australian Specs) (T500J)	H
	0274754	Ref	Chassis Drive Installation (South Africa Specs) (T500J) (Prior to SN 0030007135)	H
	0275203	Ref	Chassis Drive Installation (South Africa Specs) (T500J) (SN 0030007135 through 0030012032)	E
	0275203	Ref	Chassis Drive Installation (CE Specs) (T500J)	E
1	0100011	AR	Compound, Locking	
2		Ref	Drive Assembly Options (See Items 101-111 for Breakdown):	
2	0274806	1	Drive Assembly (0274679 Installation) (T350)	
2	0275391	1	Drive Assembly (0275380 Installation) (T350)	
2	0274803	1	Drive Assembly (T500J)	
3	0630588	AR	Bolt, Carriage M10 x 25mm (Prior to SN 0030002018)	
3	0630613	AR	Bolt, Carriage M10 x 30mm (SN 0030002018 through 0030012032)	
4	0641406	AR	Bolt 1/4in-20NC x 3/4in	
5		Ref	Bolt 1/4in-20NC Options:	
5	0641408	4	1in Length	
5	0641412	4	1-1/2in Length	
5	0641420	4	2-1/2in Length	
6	0641410	2	Bolt 1/4in-20NC x 1-1/4in	
7	0641418	2	Bolt 1/4in-20NC x 2-1/4in	
8	0641506	3	Bolt 5/16in-18NC x 3/4in	
9		Ref	Bolt 5/16in-18NC Options:	
9	0641526	AR	3-1/4in Length	
9	0641536	AR	4-1/4in Length	
9	0641538	AR	4-3/4in Length	
9	0641540	AR	5in Length	
10	0641607	2	Bolt 3/8in-16NC x 7/8in	
11	0641608	6	Bolt 3/8in-16NC x 1in	
12	0903284	1	Bracket, Switch Mounting	
13	0903298	1	Bracket, Valve Mounting	
14	0903299	1	Bracket, Drive Valve Mounting	
15	1600392	1	Module, Drive Propulsion	
16		Ref	Brake Release Cylinder Assembly (See CYLINDER SECTION for Breakdown)	
16	1684466	NLA	Brake Release Cylinder Assembly (0274679 & 0274754 Installations) (Use p/n 1684507) (Prior to SN 0030001444)	
16	1684507	NLA	Brake Release Cylinder Assembly (0274679 & 0274754 Installations) (Use p/n 1001193948) (SN 0030001444 through 0030007740)	
16	1684507	NLA	Brake Release Cylinder Assembly (0275380 Installation) (Use p/n 1001193948) (Prior to SN 0030007741)	

SECTION 1 - FRAME

ITEM	PART NUMBER	QTY	DESCRIPTION	REV
16	1001193948	1	Brake Release Cylinder Assembly (0274679, 0274754 & 0275380 Installations) (SN 0030007741 through 0030012032)	
16	1684507	1	Brake Release Cylinder Assembly (0275203 Installation) (Prior to SN 0030007344)	
16	1001193948	1	Brake Release Cylinder Assembly (0275203 Installation) (SN 0030007344 through 0030012032)	
17		Ref	Drive Engage Cylinder Assembly Options (See CYLINDER SECTION for Breakdown):	
17	1684467	1	Drive Engage Cylinder Assembly (T350)	
17	1684468	1	Drive Engage Cylinder Assembly (T500J)	
18	1706701	1	Decal - Drive Set	
19		Ref	Locknut Options:	
19	3291007	AR	Locknut M10 (Prior to SN 0030002018)	
19	3291001	AR	Locknut M10 x 1.5 (SN 0030002018 through 0030012032)	
20	3311405	AR	Locknut 1/4in-20NC	
21	3311501	3	Nut 5/16in-18NC	
22	3311505	4	Locknut 5/16in-18NC	
23	3311605	10	Locknut 3/8in-16NC	
24	3380624	1	Cover	
25	3422351	2	Pin, Steer	
26	3450304	3	Pin, Cotter 3/32in x 1in (0274679 & 0274754 Installations)	
27		Ref	Plate, Equalizer	
27	3576092	1	All Specs Except CE Specs	
27	3575853	1	CE Specs	
28	3576136	2	Plate, Strap	
29	3841143	2	Keeper, Pin	
30	4000008	2	Sensor, Proximity	
31	4300115	1	Stud	
32	4341097	1	Support, Cylinder Slide	
33	4341116	1	Support, Cylinder Slide	
34	4520338	2	Disc, Friction Drive	
35	4641418	1	Valve Assembly - Flow Divider	
36	4641419	1	Valve Assembly - Drive Enable (See DRIVE ENABLE VALVE ASSEMBLY (USED WITH DRIVE OPTION ONLY) for Breakdown)	
37	4641420	1	Valve Assembly - Drive Directional (See DRIVE DIRECTIONAL VALVE ASSEMBLY (USED WITH DRIVE OPTION ONLY) for Breakdown)	
38	4640866	1	Valve Assembly - Manual Pull	
38	7017466	1	Cartridge	
38	2900708	1	Seal Kit - 7017466 Cartridge	
38	7012959	1	Knob	
39	4711400	AR	Flatwasher 1/4in Thin	
40	4711500	AR	Flatwasher 5/16in Thin	
41	4711600	12	Flatwasher 3/8in Thin	
42	4751500	3	Flatwasher 5/16in Regular (0274679 & 0274754 Installations)	
43		Ref	Flatwasher Options:	
43	4812000	AR	Flatwasher 10mm (Prior to SN 0030002018)	
43	4891700	AR	Flatwasher 7/16in Hardened (SN 0030002018 through 0030012032)	
44	4923340	1	Harness, Drive and Set (Not Shown - See ELECTRICAL SECTION for Breakdown)	
45		Ref	Bolt 3/8in-16NC	
45	0641634	4	Bolt (4-1/2in Length) (T350)	

SECTION 1 - FRAME

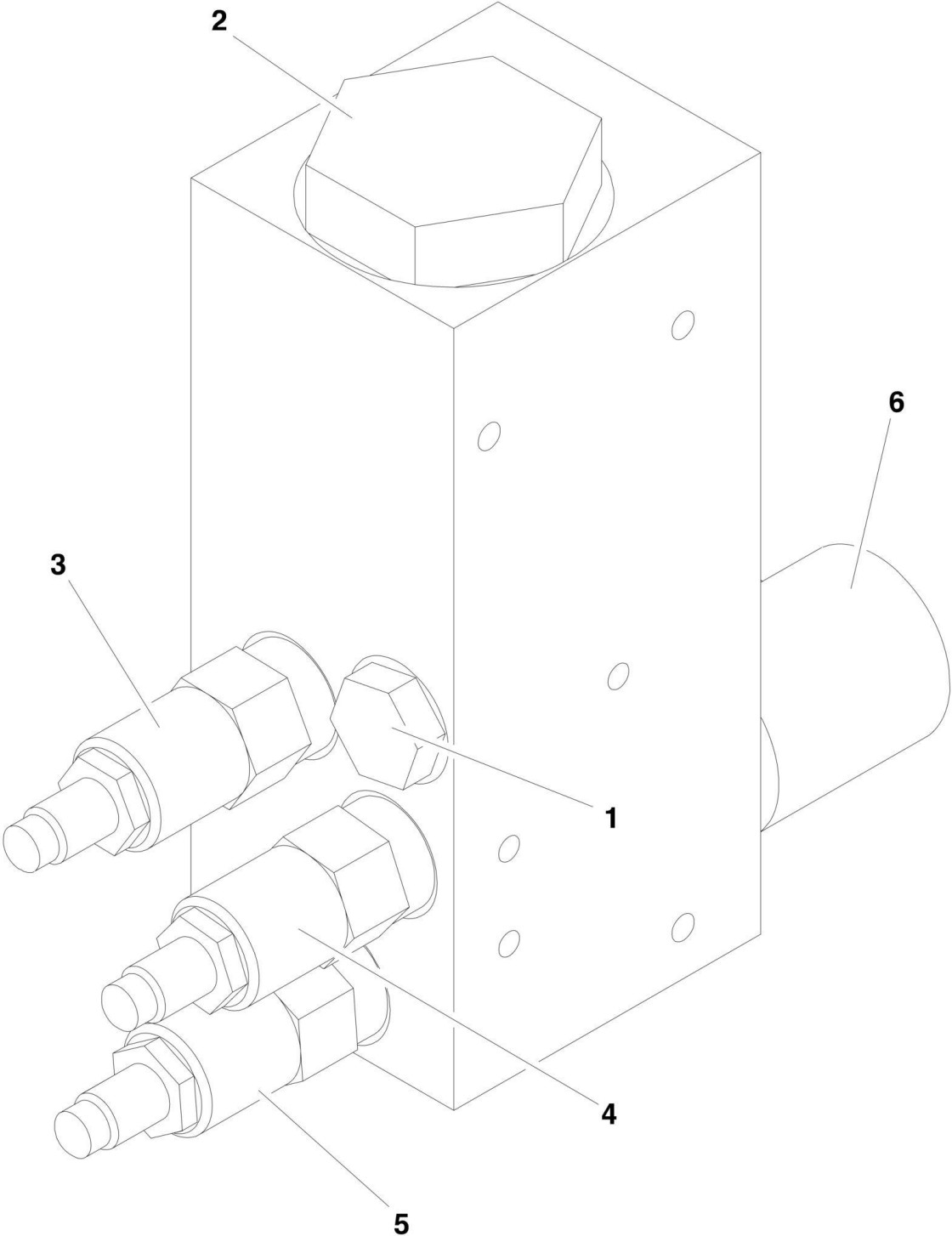
ITEM	PART NUMBER	QTY	DESCRIPTION	REV
45	0641640	4	Bolt (5in Length) (T500J)	
46	0641812	4	Bolt 1/2in-13NC x 1-1/2in	
47	0642230	1	Bolt 3/4in-10NC x 3-3/4in	
48	0721006	1	Screw #10-24NC x 3/4in	
49	1060584	1	Cable, Lanyard	
50	3311005	1	Locknut #10-24NC	
51	3311805	4	Locknut 1/2in-13NC	
52	3312205	1	Locknut 3/4in-10NC	
53	3421565	1	Snap-Pin	
54	3423249	1	Pin, Drive Motor Pivot	
55	3520071	1	Cap-Plug	
56	3760170	1	Ring, Split	
57		Ref	Mount, Wheel Drive Pivot Options:	
57	4341148	1	Mount, Wheel Drive Pivot (T350)	
57	4341150	1	Mount, Wheel Drive Pivot (T500J)	
58		Ref	Mount, Wheel Drive Options:	
58	4341149	1	Mount, Wheel Drive (T350)	
58	4341151	1	Mount, Wheel Drive (T500J)	
59	4520591	1	Wheel, Drive	
60	4711800	8	Flatwasher 1/2in Thin	
61	4712200	2	Flatwasher 3/4in Thin	
62	4751000	2	Flatwasher #10 Regular	
63	4751600	8	Flatwasher 3/8in Regular	
64	0903356	1	Bracket, Mounting	
70	3291001	7	Nut M10 (CE Specs Only)	
71		Ref	Brake Rod/Cable Options:	
71	See Note	1	Brake Rod/Cable (0274679 & 0274754 Installations) (Note: See Axle and Tongue Installation)	
71	3841740	1	Brake Rod/Cable (0275380 Installation) (T350)	
71	3841730	1	Brake Rod/Cable (0275203 Installation) (T500J)	
82	09033311	1	Bracket, Cable (0275203 Installation) (T500J)	
83		Ref	Spacer, Brake Cylinder Pad Options:	
83	Not Required	0	Spacer, Brake Cylinder Pad (0274679 & 0274754 Installations)	
83	4220304	2	Spacer, Brake Cylinder Pad (0275380 Installation) (T350)	
83	4220296	2	Spacer, Brake Cylinder Pad (0275203 Installation) (T500J)	
84		Ref	Spacer, Switch Mounting Options:	
84	Not Required	0	Spacer, Switch Mounting (0274679 & 0274754 Installations)	
84	4220305	1	Spacer, Switch Mounting (0275380 Installation) (T350)	
84	4220297	1	Spacer, Switch Mounting (0275203 Installation) (T500J)	
85	4240127	AR	Tie-Strap (Not Shown)	
86	4060804	AR	Flex-Trim (Not Shown - Located on Frame)	
		Ref	DRIVE ASSEMBLY	
	0274806	Ref	Drive Assembly (ANSI, ANSI Export and Australian Specs) (T350)	D
	0274806	Ref	Drive Assembly (South Africa Specs) (T350) (Prior to SN 0030007037)	D
	0275391	Ref	Drive Assembly (South Africa Specs) (T350) (SN 0030007037 through 0030012032)	C
	0275391	Ref	Drive Assembly (CE Specs) (T350)	C
	0274803	Ref	Drive Assembly (T500J)	D
101	0100011	AR	Compound, Locking	
102	0440321	4	Bearing, Flanged	

SECTION 1 - FRAME

ITEM	PART NUMBER	QTY	DESCRIPTION	REV
103	0641607	2	Bolt 3/8in-16NC x 7/8in	
104		Ref	Drive Motor Assembly Options (See DRIVE MOTOR ASSEMBLY (USED WITH DRIVE OPTION ONLY) for Breakdown):	
104	3160319	2	Drive Motor Assembly (Prior to SN 0030001055)	
104	3160327	2	Drive Motor Assembly (SN 0030001055 through 0030012032)	
105	3311805	8	Locknut 1/2in-13NC	
106	3422709	2	Pin, Slider	
107	3841143	2	Keeper, Pin	
108	3931840	8	Capscrew 1/2in-13NC x 2-1/2in	
109	4130417	2	Spindle, Drive/Set	
110		Ref	Mount, Motor	
110	4341092	1	Drive Motor Assembly (0274806 Drive Assembly) (T350)	
110	4341267	1	Drive Motor Assembly (0275391 Drive Assembly) (T350)	
110	4341113	1	Drive Motor Assembly (0274803 Drive Assembly) (T500J)	
111	4711800	8	Flatwasher 1/2in Thin	

SECTION 1 - FRAME

FIGURE 1-18. DRIVE ENABLE VALVE ASSEMBLY (USED WITH DRIVE OPTION ONLY)



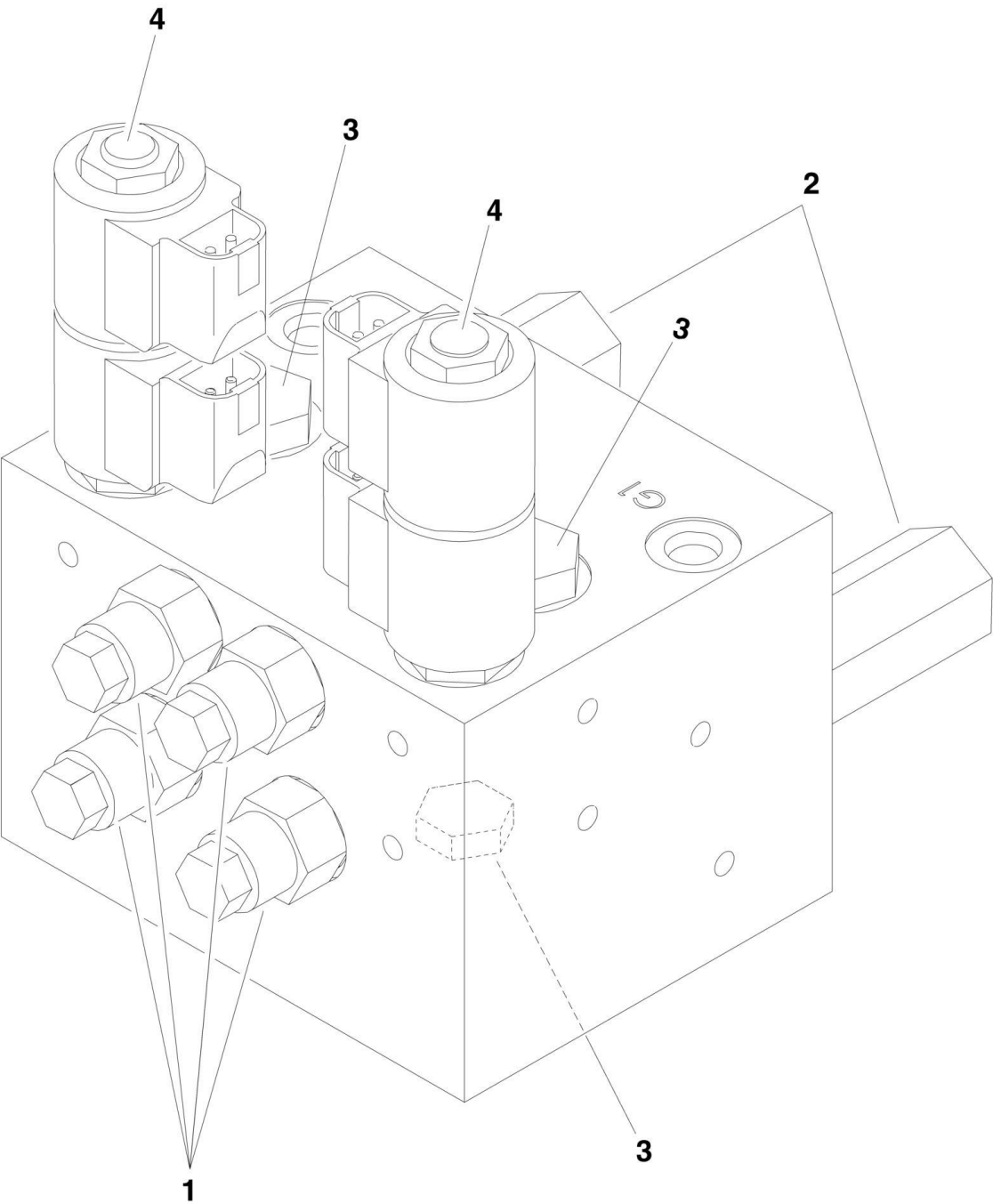
SECTION 1 - FRAME

FIGURE 1-18. DRIVE ENABLE VALVE ASSEMBLY (USED WITH DRIVE OPTION ONLY)

ITEM	PART NUMBER	QTY	DESCRIPTION	REV
	4641419	Ref	DRIVE ENABLE VALVE ASSEMBLY	B
1	4641129	1	Cartridge, Check Valve	
1	7012998	1	Seal Kit - 4641129 Cartridge	
2	2915194	1	Element, Filter (Includes p/n 70000065 O-Ring) (was p/n 7027634)	
2	See Note	1	Adapter (Note: Not Available - Purchase p/n 2915194)	
2	See Note	1	Retainer (Note: Not Available - Purchase p/n 2915194)	
2	See Note	1	Plug (Note: Not Available - Purchase p/n 2915194)	
3	7024893	1	Cartridge, Pressure Relief Valve	
3	7021653	1	Seal Kit - 7024893 Cartridge	
4	7024894	1	Cartridge, Relief Valve	
4	7012998	1	Seal Kit - 7024894 Cartridge	
5	7017418	1	Cartridge, Relief Valve	
5	7012998	1	Seal Kit - 7017418 Cartridge	
6	8036580	1	Cartridge, Solenoid Cartridge	
6	7012903	1	Seal Kit - 8036580 Cartridge	
6	7024883	1	Coil	

SECTION 1 - FRAME

FIGURE 1-19. DRIVE DIRECTIONAL VALVE ASSEMBLY (USED WITH DRIVE OPTION ONLY)



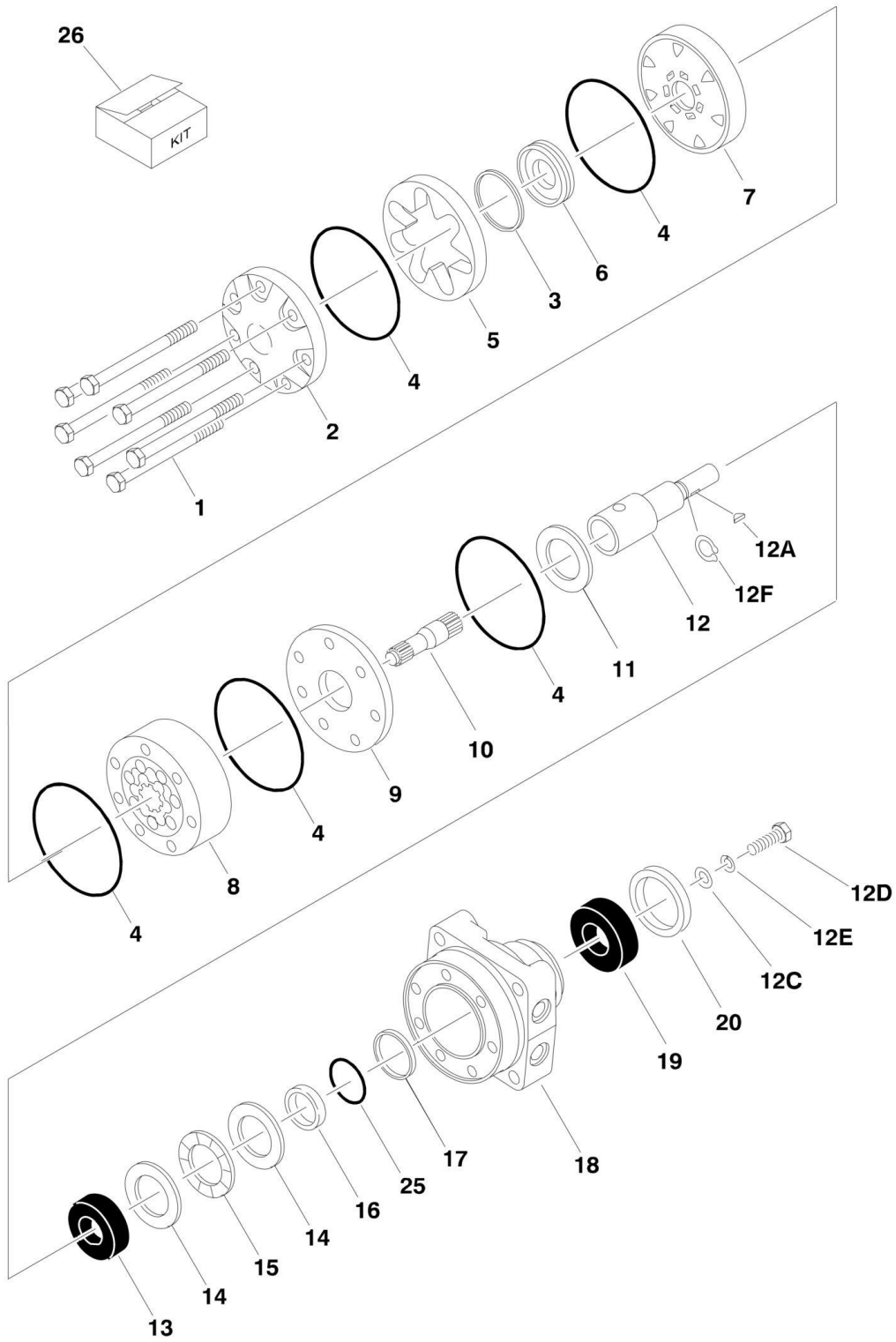
SECTION 1 - FRAME

FIGURE 1-19. DRIVE DIRECTIONAL VALVE ASSEMBLY (USED WITH DRIVE OPTION ONLY)

ITEM	PART NUMBER	QTY	DESCRIPTION	REV
	4641420	Ref	DRIVE DIRECTIONAL VALVE ASSEMBLY	B
1	70002815	4	Cartridge, Counterbalance Valve	
1	Not Required	0	Seal Kit - Cartridge	
2	7024898	2	Cartridge, Valve	
2	7012518	2	Seal Kit - 7024898 Cartridge	
3	7010542	3	Cartridge, Load Sensing Valve	
3	7010543	3	Seal Kit - 7010542 Cartridge	
4	7024899	2	Cartridge, Solenoid Cartridge	
4	7017402	2	Seal Kit - Cartridge	
4	7024885	4	Coil	
5	See Note	2	Orifice (.40) (Not Shown) (Note: Not available for purchase)	

SECTION 1 - FRAME

FIGURE 1-20. DRIVE MOTOR ASSEMBLY (USED WITH DRIVE OPTION ONLY)



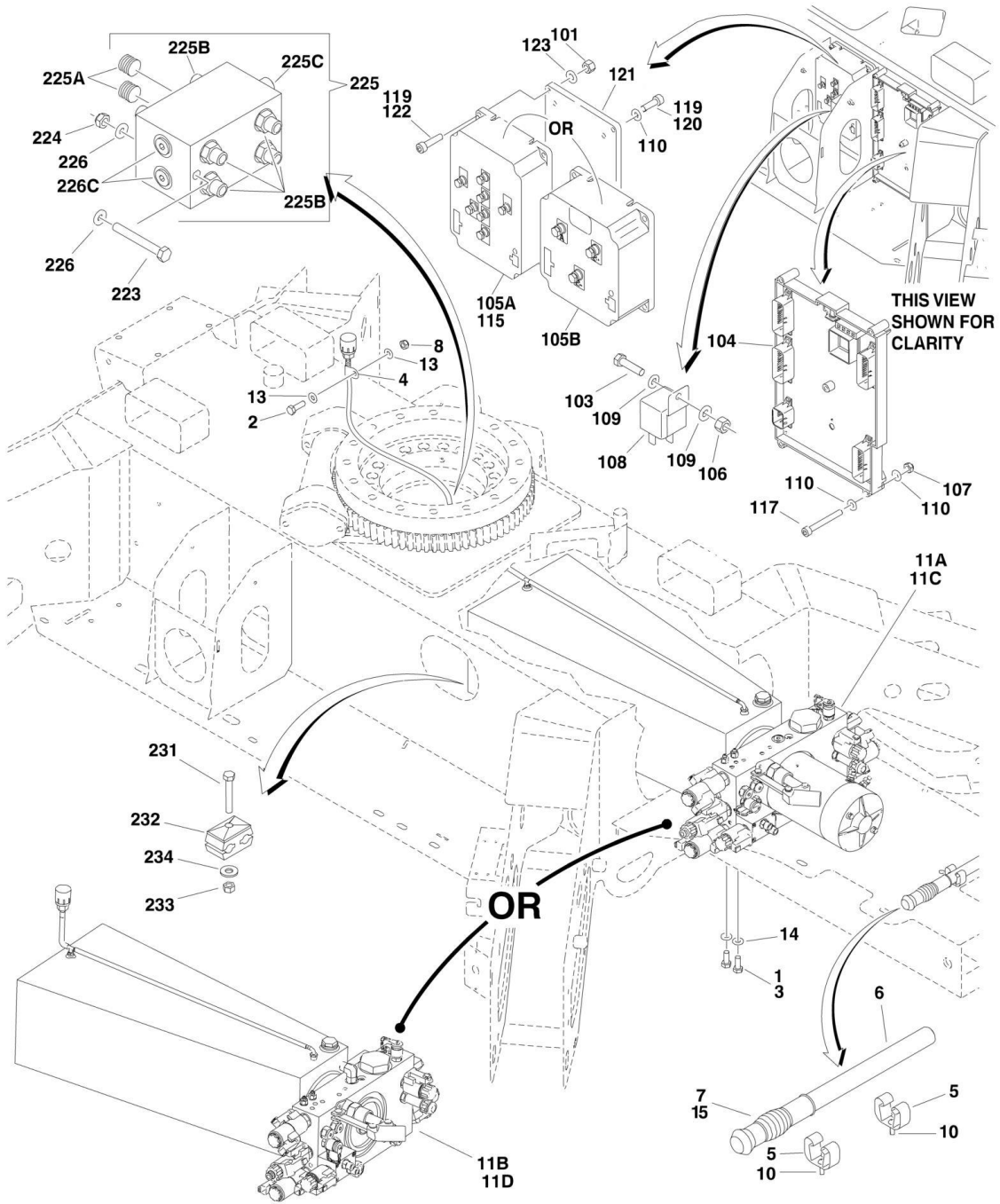
SECTION 1 - FRAME

FIGURE 1-20. DRIVE MOTOR ASSEMBLY (USED WITH DRIVE OPTION ONLY)

ITEM	PART NUMBER	QTY	DESCRIPTION	REV
		Ref	DRIVE MOTOR ASSEMBLY	
	3160319	Ref	Drive Motor Assembly (Prior to SN 0030001055)	
	3160327	Ref	Drive Motor Assembly (SN 0030001055 through 0030012032)	
1		Ref	Bolt Options:	
1	7023329	7	3160319 Motor (Prior to SN 0030001055)	
1	70000287	7	3160327 Motor (SN 0030001055 through 0030012032)	
2	7023328	1	Cover	
3	7023412	1	Seal, Commutator	
4	7023412	5	Ring, Seal	
5	7023315	1	Commutator (Includes Item 6)	
6	7023315	1	Ring, Commutator (Includes Item 5)	
7	70000277	1	Manifold	
8		Ref	Rotor Set Options:	
8	70000278	1	3160319 Motor (Prior to SN 0030001055)	
8	70000288	1	3160327 Motor (SN 0030001055 through 0030012032)	
9	7023311	1	Plate, Wear	
10		Ref	Link, Drive Options:	
10	70000279	1	3160319 Motor (Prior to SN 0030001055)	
10	See Note	1	3160327 Motor (Note: Not Available - Purchase Complete Drive Motor p/n 3160327) (SN 0030001055 through 0030012032)	
11	7023308	1	Bearing, Thrust	
12	70000281	1	Shaft	
12A	70000282	1	Key, Shaft	
12C	70000283	1	Washer, Shaft	
12D	70000284	1	Bolt, Shaft	
12E	70000285	1	Lockwasher, Shaft	
12F	70000286	1	Ring, Shaft Retaining	
13	7023405	1	Bearing, Inner	
14	7023406	2	Thrustwasher	
15	7023407	1	Bearing, Thrust	
16	7023412	1	Seal	
17	7023412	1	Washer, Backup	
18	70000280	1	Housing	
19	7023408	1	Bearing, Outer	
20	7023412		Seal, Dirt and Water	
25	7023412	1	Washer, Backup	
26	7023412	1	Seal Kit (Includes Items 3, 4 16, 17 & 25)	

SECTION 1 - FRAME

FIGURE 1-21. CONTROL MODULES AND VALVES INSTALLATION



SECTION 1 - FRAME

FIGURE 1-21. CONTROL MODULES AND VALVES INSTALLATION

ITEM	PART NUMBER	QTY	DESCRIPTION	REV
		Ref	CONTROL VALVE INSTALLATION	
	0273616	Ref	Control Valve Installation - Electric Powered (T350)	E
	0273618	Ref	Control Valve Installation - Gas Powered (T350)	E
	0273617	Ref	Control Valve Installation - Electric Powered (T500J)	E
	0273619	Ref	Control Valve Installation - Gas Powered (T500J)	E
1	0100011	AR	Compound, Locking	
2		Ref	Bolt Options:	
2	0700610	1	Bolt 6mm x 20mm (T350)	
2	0700812	1	Bolt 8mm x 25mm (T500J)	
3	0760810	3	Bolt 8mm x 20mm	
4	1320263	1	Clamp	
5	1380136	2	Clip, Gripper	
6	2560122	1	Handle	
7	2560123	1	Grip, Handle	
8		Ref	Locknut Options:	
8	3290605	1	Locknut 6mm x 20mm (T350)	
8	3290805	1	Locknut 8mm x 25mm (T500J)	
10	3820017	2	Rivet 5/32in	
11		Ref	Control Valve Assembly Options:	
11A	4641342	1	Control Valve Assembly - Electric Powered (See CONTROL VALVE ASSEMBLY (ELECTRICAL POWERED MACHINES) for Breakdown) (T350)	
11B	4641344	1	Control Valve Assembly - Gas Powered (See CONTROL VALVE ASSEMBLY (GAS POWERED MACHINES) for Breakdown) (T350)	
11C	4641343	1	Control Valve Assembly - Electric Powered (See CONTROL VALVE ASSEMBLY (ELECTRICAL POWERED MACHINES) for Breakdown) (T500J)	
11D	4641345	1	Control Valve Assembly - Gas Powered (See CONTROL VALVE ASSEMBLY (GAS POWERED MACHINES) for Breakdown) (T500J)	
13		Ref	Flatwasher Options:	
13	4811900	2	Flatwasher 8mm (T350)	
13	4711400	2	Flatwasher 1/4in Thin (T500J)	
14	4811900	3	Flatwasher 8mm	
15	0100081	AR	Loctite #454	
		Ref	CONTROL MODULE INSTALLATIONS	
	0273793	Ref	Electric Machines without Drive Option (Prior to SN 0030001804)	H
	0275776	Ref	Electric Machines without Drive Option (SN 0030001804 through 0030012032)	F
	9984274	Ref	Electric Machines with Drive Option	D
	0273794	Ref	Gas Machines	F
101	3311405	4	Locknut 1/4in-20NC (Prior to SN 0030001397)	
103	0700510	1	Bolt 5mm x 20mm	
104	1600370	1	Module, Ground Control (Note: Control System must be recalibrated when Module is replaced)	
105		Ref	Controller, Sevcon Options:	
105A	1600371	1	Electric Powered Machines without Drive (Prior to SN 0030001804)	
105A	1600412	1	Electric Powered Machines without Drive (SN 0030001804 through 0030012032)	

SECTION 1 - FRAME

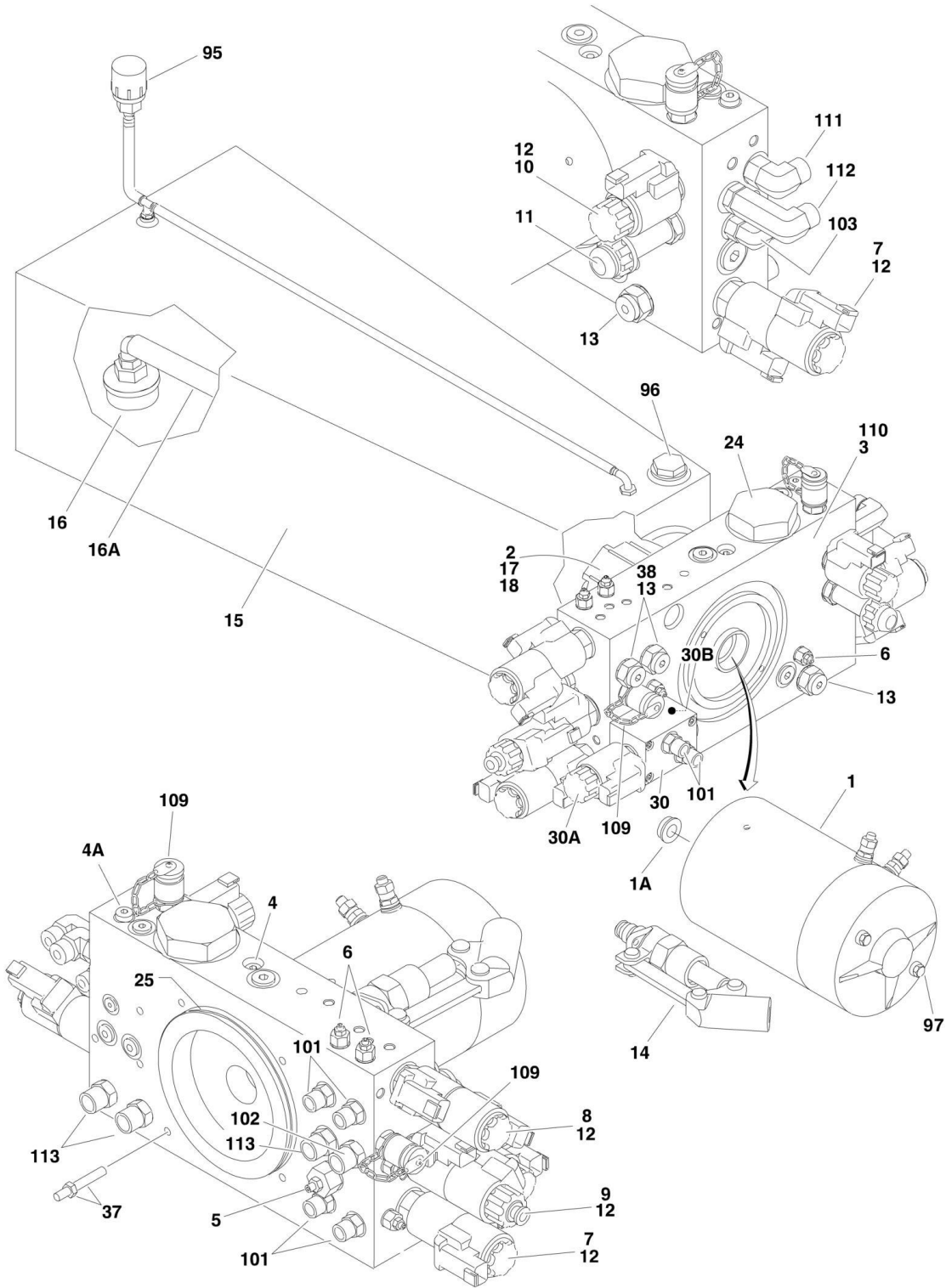
ITEM	PART NUMBER	QTY	DESCRIPTION	REV
105B	1600412	1	Electric Powered Machines with Drive	
105C	Not Required	0	Gas Powered Machines	
106	3290507	1	Locknut 5mm	
107	3290605	5	Locknut 6mm	
108	3740145	1	Relay	
109	4811600	2	Flatwasher 5mm	
110	4811700	10	Flatwasher 6mm	
111		Ref	Harness, Frame (Not Shown - See ELECTRICAL SECTION for Breakdown)	
111	4922975	1	Electric Powered Machines (Prior to SN 0030001804)	
111	4923427	1	Electric Powered Machines (SN 0030001804 through 0030012032)	
111	4923130	1	Gas Powered Machines	
112	4923041	1	Harness, Jack and Valve (Not Shown - See ELECTRICAL SECTION for Breakdown)	
113		Ref	Harness, Frame to Boom Options (Not Shown - See ELECTRICAL SECTION for Breakdown):	
113	4923103	1	Harness, Frame to Boom (Prior to SN 0030001804)	
113	4923427	1	Harness, Frame to Boom (SN 0030001804 through 0030012032)	
114	4923109	1	Harness, Main Valve (Not Shown - See ELECTRICAL SECTION for Breakdown)	
115	0100083	AR	Grease, Heat Transfer (Prior to SN 0030001397)	
117	4031714	5	Capscrew 6mm x 50mm	
118	4460905	5	Plug, Connector (Not Shown)	
119	0100011	AR	Compound, Locking	
120	0760608	4	Capscrew 6mm x 16mm (Electric Machines Only) (Prior to SN 0030001397)	
121	3575884	1	Plate, Mounting (Electric Machines Only) (Prior to SN 0030001397)	
122		Ref	Capscrew Options (Electric Machines Only):	
122	4031708	4	Capscrew 6mm x 20mm (Prior to SN 0030001397)	
122	3931416	4	Capscrew 1/4in-20NC x 1in (SN 0030001397 through 0030001804)	
122	4191709	4	Capscrew 6mm x 25mm (SN 0030001804 through 0030012032)	
123	4711400	4	Flatwasher 1/4in Thin	
		Ref	OUTRIGGER VALVE INSTALLATION	
	0273712	Ref	Outrigger Valve Installation (ANSI, ANSI Export and South Africa Specs) (T350)	G
	0274375	Ref	Outrigger Valve Installation (Australian and CE Specs) (T350)	B
	0273715	Ref	Outrigger Valve Installation (ANSI and ANSI Export and South Africa Specs) (T500J)	I
	0274321	Ref	Outrigger Valve Installation (Australian and CE Specs) (T500J)	D
223	0700827	2	Bolt 8mm x 100mm	
224	3290805	2	Locknut 8mm	
225	4641380	1	Outrigger Valve Assembly	B
225A	2220885	4	Plug	
225B	2110406	6	Fitting, Straight	
225C	2110606	2	Fitting, Straight	
226	4811900	4	Flatwasher 8mm	
231	0641516	4	Bolt 5/16in-18NC x 2in	
232	1320159	4	Clamp	
233	3311505	4	Locknut 5/16in-18NC	

SECTION 1 - FRAME

ITEM	PART NUMBER	QTY	DESCRIPTION	REV
234	4751500	4	Flatwasher 5/16in Regular	
		Ref	FRAME WELDMENT	
	2360718	Ref	Frame Weldment (T350)	
	2360717	Ref	Frame Weldment (All Specs Except CE Specs) (T500J)	
	2360716	Ref	Frame Weldment (CE Specs without Drive Option & South Africa Spec) (T500J) (SN 0030006102 through 0030012032)	
	2360773	Ref	Frame Weldment (CE Specs with Drive Option) (T500J)	

SECTION 1 - FRAME

FIGURE 1-22. CONTROL VALVE ASSEMBLY (ELECTRIC POWERED MACHINES)



SECTION 1 - FRAME

FIGURE 1-22. CONTROL VALVE ASSEMBLY (ELECTRIC POWERED MACHINES)

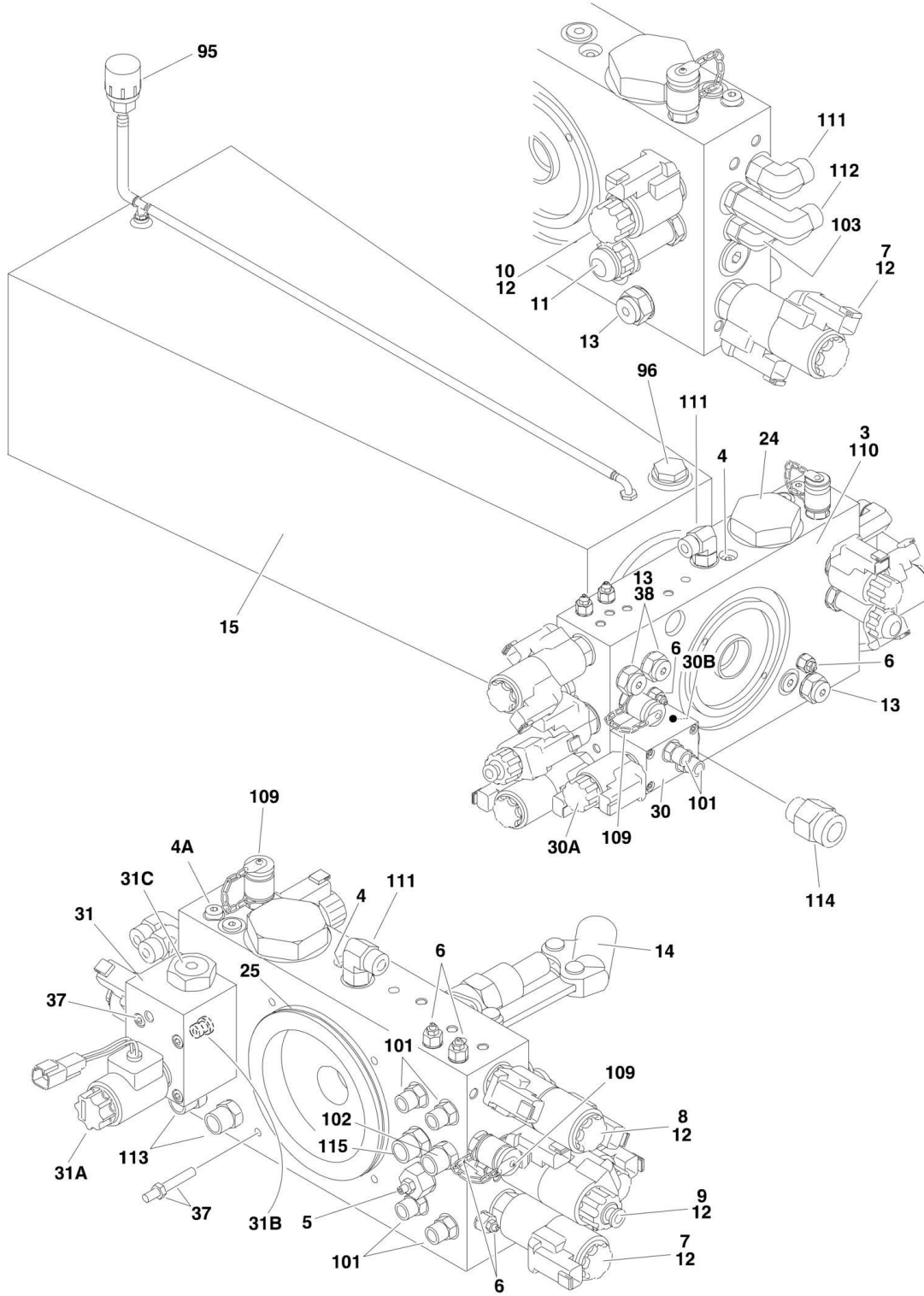
ITEM	PART NUMBER	QTY	DESCRIPTION	REV
		Ref	CONTROL VALVE ASSEMBLY	
	4641325 See Note	Ref	Control Valve Assembly - Electric Powered Machines Note: When replacing complete unit order p/n 4641342 instead of p/n 4641325. (T350)	D
	4641326 See Note	Ref	Control Valve Assembly - Electric Powered Machines Note: When replacing complete unit order p/n 4641343 instead of p/n 4641326. (T500J)	D
1	7027617	1	Motor Assembly	
1	See Note	1	Brush Kit (Note: Not Available - Purchase Complete Motor Assembly p/n 7027617)	
1A	7027618	1	Coupling	
2	7027619	1	Pump	
2	See Note	1	Seal Kit - Pump (Note: Not Available - Purchase Pump p/n 7027619)	
3	See Note	1	Block, Valve (Note: Not Available - Purchase Complete Valve Assembly)	
4	7027620	1	Cartridge, Relief Valve	
4	See Note	1	Seal Kit (Note: Not Available - Purchase Relief Valve Cartridge p/n 7027620)	
4A	7027621	1	Cartridge, Relief Valve	
4A	See Note	1	Seal Kit (Note: Not Available - Purchase Relief Valve Cartridge p/n 7027621)	
5	7027622	1	Cartridge, Valve	
5	See Note	1	Seal Kit (Note: Not Available - Purchase Cartridge Valve p/n 7027622)	
6	7027623	7	Cartridge, Valve	
6	See Note	7	Seal Kit (Note: Not Available - Purchase Cartridge Valve p/n 7027623)	
7	7027624	2	Cartridge, Solenoid Less Coil (Swing and Leveling Jacks)	
7	70002227	2	Nut, Coil	
7	70000100	2	Seal Kit	
8	7027625	1	Cartridge, Solenoid Less Coil (Level)	
8	70002227	1	Nut, Coil	
8	70000100	1	Seal Kit	
9	7027626	1	Cartridge, Solenoid Less Coil (Tele)	
9	70002228	1	Nut, Coil	
9	70000100	1	Seal Kit	
10	7024500	1	Cartridge, Solenoid Less Coil (Lift Up)	
10	70002230	1	Nut, Coil	
10	7024505	1	Seal Kit	
11	7027627	1	Cartridge (Manual Descent)	
11	70002229	1	Nut, Coil	
11	7024505	1	Seal Kit	
12	7027628	9	Coil	
13	7027629	3	Cartridge, Valve	
13	7024505	3	Seal Kit	
14	7027630	1	Cartridge, Manual Hand Pump Valve (Manual Descent)	
14	See Note	1	Seal Kit (Note: Not Available - Purchase Manual Pump Valve Cartridge p/n 7027630)	
15		Ref	Tank Options:	
15	7027631	1	Tank (T350)	
15	7027639	1	Tank (T500J)	

SECTION 1 - FRAME

ITEM	PART NUMBER	QTY	DESCRIPTION	REV
16	7027632	1	Filter, Hydraulic (Suction)	
16A	7027633	1	Tube, Suction	
17	See Note	2	Capscrew 8mm x 90mm (for Pump) (Note: Not available for purchase)	
18	See Note	1	Ring, Seal (Note: Not available for purchase)	
24	2915194	1	Element, Filter (Includes p/n 70000065 O-Ring) (Was p/n 7027634)	
24	See Note	1	Adapter (Note: Not Available - Purchase Filter Element p/n 2915194)	
24	70002282	1	Fitting, Plug	
24	70003615	1	Retainer, Filter Element Contamination	
25	7027635	1	O-Ring	
30	7027690	1	Valve Block Assembly (Jib) (T500J)	
30A	7024500	1	Cartridge, Solenoid Less Coil	
30A	70002230	1	Nut, Coil	
30A	7024505	1	Seal Kit	
30A	7027628	1	Coil	
30B	See Note	1	Cartridge, Valve (Note: Not Available - Purchase Complete Valve Block Assembly p/n 7027690)	
30B	See Note	1	Seal Kit (Note: Not Available - Purchase Complete Valve Block Assembly p/n 7027690)	
37	70000894	4	Nut	
37	70000895	4	Stud	
38	7027636	2	Orifice	
95	7027638	1	Breather	
96	70000378	1	Dipstick	
97	See Note	1	Bolt M6 x 200 (Note: Not available for purchase)	
		Ref	VALVE AND FITTINGS SUBASSEMBLY	
	4641342	Ref	Valve and Fittings Subassembly - Electric Powered Machines (T350)	E
	4641343	Ref	Valve and Fittings Subassembly - Electric Powered Machines (T500J)	E
101	2110404	Ref	Fitting, Straight	
101	2110404	4	Valve and Fittings Subassembly (T350)	
101	2110404	6	Valve and Fittings Subassembly (T500J)	
102	2110604	1	Fitting, Straight	
103	2130404	1	Fitting, Elbow	
109	2221086	3	Fitting, Test Port	
110		Ref	Valve Assembly Less Fittings (Includes Items 1-95)	
110	4641325	1	Valve and Fittings Subassembly (T350)	
110	4641326	1	Valve and Fittings Subassembly (T500J)	
111	2130606	1	Fitting, Elbow	
112	2170206	1	Fitting, Long Elbow	
113	2110606	3	Fitting, Straight	

SECTION 1 - FRAME

FIGURE 1-23. CONTROL VALVE ASSEMBLY (GAS POWERED MACHINES)



SECTION 1 - FRAME

FIGURE 1-23. CONTROL VALVE ASSEMBLY (GAS POWERED MACHINES)

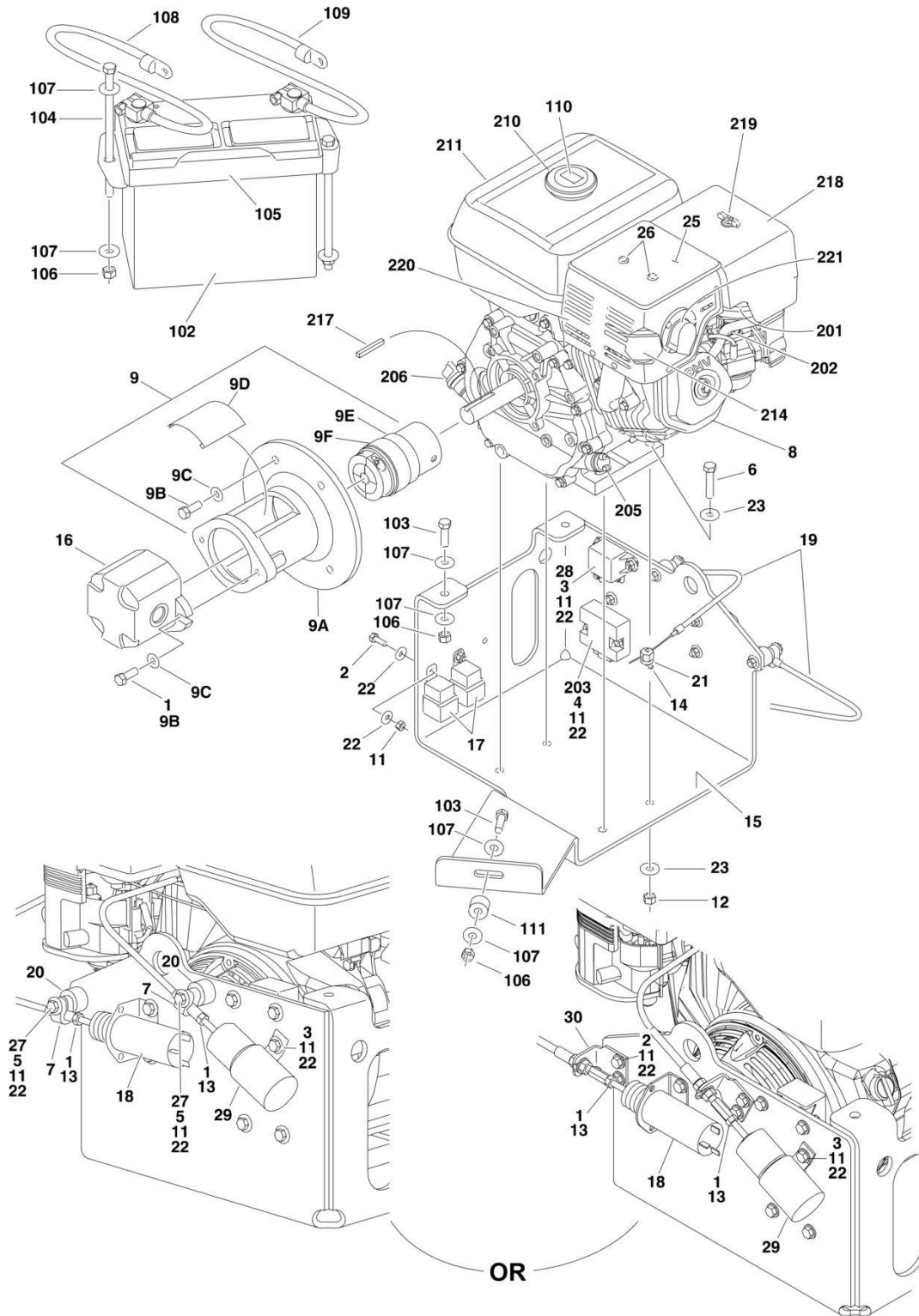
ITEM	PART NUMBER	QTY	DESCRIPTION	REV
		Ref	CONTROL VALVE ASSEMBLY	
	4641327 See Note	Ref	Control Valve Assembly - Gas Powered Machines (Note: When replacing complete unit order p/n 1001228194 instead of p/n 4641327) (T350)	E
	4641328 See Note	Ref	Control Valve Assembly - Gas Powered Machines (Note: When replacing complete unit order p/n 1001228195 instead of p/n 4641328) (T500J)	E
3	See Note	1	Block, Valve (Note: Not Available - Purchase Complete Valve Assembly)	
4	7027620	1	Cartridge, Relief Valve	
4	See Note	1	Seal Kit (Note: Not Available - Purchase Relief Valve Cartridge p/n 7027620)	
4A	7027621	1	Cartridge, Relief Valve	
4A	See Note	1	Seal Kit (Note: Not Available - Purchase Relief Valve Cartridge p/n 7027621)	
5	7027622	1	Cartridge, Valve	
5	See Note	1	Seal Kit (Note: Not Available - Purchase Cartridge Valve p/n 7027622)	
6	7027623	7	Cartridge, Valve	
6	See Note	7	Seal Kit (Note: Not Available - Purchase Cartridge Valve p/n 7027623)	
7	7027624	2	Cartridge, Solenoid Less Coil (Swing and Leveling Jacks)	
7	70002227	2	Nut, Coil	
7	70000100	2	Seal Kit	
8	7027625	1	Cartridge, Solenoid Less Coil (Level)	
8	70002227	1	Nut, Coil	
8	70000100	1	Seal Kit	
9	7027626	1	Cartridge, Solenoid Less Coil (Tele)	
9	70002228	1	Nut, Coil	
9	70000100	1	Seal Kit	
10	7024500	1	Cartridge, Solenoid Less Coil (Lift Up)	
10	70002230	1	Nut, Coil	
10	7024505	1	Seal Kit	
11	7027627	1	Cartridge (Manual Descent)	
11	70002229	1	Nut, Coil	
11	7024505	1	Seal Kit	
12	7027628	9	Coil	
13	7027629	3	Cartridge, Valve	
13	7024505	3	Seal Kit	
14	7027630	1	Cartridge, Manual Hand Pump Valve (Manual Descent)	
14	See Note	1	Seal Kit (Note: Not Available - Purchase Manual Pump Valve Cartridge p/n 7027630)	
15		Ref	Tank Options:	
15	7027631	1	Tank (T350)	
15	7027639	1	Tank (T500J)	
24	2915194	1	Element, Filter (Includes p/n 70000065 O-Ring) (Was p/n 7027634)	
24	See Note	1	Adapter (Note: Not Available - Purchase Filter Element p/n 2915194)	
24	70003615	1	Retainer, Filter Element Contamination	
25	7027635	1	O-Ring	
30	7027690	1	Valve Block Assembly (Jib) (T500J)	

SECTION 1 - FRAME

ITEM	PART NUMBER	QTY	DESCRIPTION	REV
30A	7024500	1	Cartridge, Solenoid Less Coil	
30A	70002230	1	Nut, Coil	
30A	7024505	1	Seal Kit	
30A	7027628	1	Coil	
30B	See Note	1	Cartridge, Valve (Note: Not Available - Purchase Complete Valve Block Assembly p/n 7027690)	
30B	See Note	1	Seal Kit (Note: Not Available - Purchase Complete Valve Block Assembly p/n 7027690)	
31	7027691	1	Valve Block Assembly (Proportional)	
31A	70000025	1	Cartridge, Solenoid Less Coil	
31A	7026623	1	Seal Kit	
31A	70000026	1	Coil	
31B	70000028	1	Cartridge, Valve (Check)	
31B	See Note	1	Seal Kit (Note: Not Available - Purchase Cartridge Valve p/n 70000028)	
31C	70000027	1	Compensator	
37	70000894	4	Nut	
37	70000895	4	Stud	
38	7027636	2	Orifice	
95	7027638	1	Breather	
96	70000378	1	Dipstick	
		Ref	VALVE AND FITTINGS SUBASSEMBLY	
	4641344	Ref	Valve and Fittings Subassembly - Gas Powered Machines (T350)	H
	4641345	Ref	Valve and Fittings Subassembly - Gas Powered Machines (T500J)	H
101	2110404	Ref	Fitting, Straight	
101	2110404	4	Fitting, Straight (T350)	
101	2110404	6	Fitting, Straight (T500J)	
102	2110604	1	Fitting, Straight	
103	2130404	1	Fitting, Elbow	
109	2221086	3	Fitting, Test Port	
110		Ref	Valve Assembly Less Fittings (Includes Items 1-95)	
110	4641327	NLA	Valve Assembly Less Fittings (Use p/n 1001228194) (T350) (Prior to SN 0030009078)	
110	1001228194	Ref	Valve Assembly Less Fittings (T350) (SN 0030009078 through 0030012032)	
110	4641328	NLA	Valve Assembly Less Fittings (Use p/n 1001228195) (T500J) (Prior to SN 0030009078)	
110	1001228195	Ref	Valve Assembly Less Fittings (T500J) (SN 0030009078 through 0030012032)	
111	2130606	2	Fitting, Elbow	
112	2170206	1	Fitting, Long Elbow	
113	2110606	3	Fitting, Straight (Prior to SN 0030009078)	
113	2110606	2	Fitting, Straight (SN 0030009078 through 0030012032)	
114	2111610	1	Fitting, Straight	
115	2110806	1	Fitting, Straight (SN 0030009078 through 0030012032)	

SECTION 1 - FRAME

FIGURE 1-24. HONDA ENGINE INSTALLATION (GAS POWERED MACHINES)



SECTION 1 - FRAME

FIGURE 1-24. HONDA ENGINE INSTALLATION (GAS POWERED MACHINES)

ITEM	PART NUMBER	QTY	DESCRIPTION	REV
	0273763	Ref	HONDA ENGINE ASSEMBLY	H
1	0100011	AR	Compound, Locking	
2	0641406	AR	Bolt 1/4in-20NC x 3/4in	
3	0641407	6	Bolt 1/4in-20NC x 7/8in	
4	0641410	2	Bolt 1/4in-20NC x 1-1/4in	
5	0641416	2	Bolt 1/4in-20NC x 2in, (Prior to SN 0030001968, SN 0030002002 through 0030002006, Including 0030001975)	
6	0641614	4	Bolt 3/8in-16NC x 1-3/4in	
7	1321130	2	Clamp, (Prior to SN 0030001968, SN 0030002002 through 0030002006, Including 0030001975)	
8		Ref	Engine, Honda GX270 Options:	
8	2000230	1	Engine (Use p/n 1001136471) (1001136471 Kit includes p/n 1001127719 Engine and 1001128929 Harness) (Prior to SN 0030004208)	
8	1001127719	1	Engine (SN 0030004208 through 0030012032)	
9	2902333	1	Pump Coupling Kit	
9A	7027326	1	Housing and Bolt Kit	
9B	0641608	6	Bolt 3/8in-16NC x 1in	
9C	4711600	6	Flatwasher 3/8in Regular	
9D	70001008	1	Cover	
9E	7027327	1	Coupling	
9F	7027328	1	Neoprene with Metal Ring	
10	3020015	1.16 qt	Oil, Motor (Not Shown)	
11	3311405	AR	Locknut 1/4in-20NC	
12	3311605	4	Locknut 3/8in-16NC	
13	3321401	2	Nut 1/4in-28NF	
14	3450202	1	Pin, Cotter	
15	3575070	1	Plate, Motor Mounting	
16	3600403	1	Gear Pump Assembly (No Serviceable Parts - Replace Complete Part)	
17	3740080	2	Relay	
18	3740144	1	Actuator, Solenoid (Choke)	
19		Ref	Cable, Throttle Options:	
19	3890051	2	Cable, Throttle (Use p/n 2915213) (Prior to SN 0030001968, SN 0030002002 through 0030002006, Including 0030001975)	
19	3890065	2	Cable, Throttle (SN 0030001969 through 0030001974, SN 0030001976 through 0030002001, SN 0030002007 through 0030012032)	
20	4100097	2	Spacer (Prior to SN 0030001968, SN 0030002002 through 0030002006, Including 0030001975)	
21	4751000	1	Flatwasher #10 Regular	
22		Ref	Flatwasher Options:	
22	4751400	22	Flatwasher 1/4in Regular (Prior to SN 0030001968, SN 0030002002 through 0030002006, Including 0030001975)	
22	4711400	26	Flatwasher 1/4in Thin (SN 0030001969 through 0030001974, SN 0030001976 through 0030002001, SN 0030002007 through 0030012032)	
23	4751600	8	Flatwasher 3/8in Regular	
25	2820179	1	Shield, Heat (Top)	
26	3900184	2	Screw #10-24NC x 5/8in	
27	4791400	4	Starwasher 1/4in (Prior to SN 0030001968, SN 0030002002 through 0030002006), Including 0030001975)	

SECTION 1 - FRAME

ITEM	PART NUMBER	QTY	DESCRIPTION	REV
28	3740112	1	Relay	
29	3740148	1	Actuator, Solenoid (Throttle)	
30	0903597	2	Bracket, Cable Mount (SN 0030001969 through 0030001974, SN 0030001976 through 0030002001, SN 0030002007 through 0030012032)	
		Ref	HONDA ENGINE INSTALLATION	
	0274336	Ref	Honda Engine Installation (T350)	F
	0273939	Ref	Honda Engine Installation (T500J)	I
102	0400201	1	Battery	
103	0641610	3	Bolt 3/8in-16NC x 1-1/4in	
104	0641660	2	Bolt 3/8in-16NC x 7-1/2in	
105	0902659	1	Bracket, Battery Hold-Down	
106	3311605	5	Locknut 3/8in-16NC	
107	4751600	10	Flatwasher 3/8in Regular	
108	4923153	1	Cable, Battery Ground	
109	4923154	1	Cable, Battery Power	
110	1706260	1	Decal - Fuel	
111	3575775	1	Spacer	
112		Ref	Harness, Engine Options (Not Shown - See ELECTRICAL SECTION for Breakdown):	
112	4923132	1	Harness (Original Equipment) (Note: If item 8 Kit has been installed use p/n 1001128929) (Prior to SN 0030004208)	
112	1001128929	1	Harness (SN 0030004208 through 0030012032)	
		Ref	HONDA ENGINE COMPONENTS	
		Ref	Note: Original Equipment engine p/n 200030 may have been replaced with Service Replacement engine p/n 1001136471. Identify engine before ordering parts.	
	2000230	Ref	Engine (Original Equipment) (Prior to SN 0030004208)	D
	1001136471	Ref	Engine (Service Replacement Kit) (Kit includes a 1001127719 Engine) (Prior to SN 0030004208)	D
	1001127719	Ref	Engine (SN 0030004208 through 0030012032)	A
201	70001453	1	Filter Assembly, Inner Air	
201	7027372	1	Filter Assembly, Outer Air	
202		Ref	Carburetor, Replacement Options (See Service and Maintenance Manual for Instructions when Replacing Complete Assembly):	
202	7027376	1	Carburetor (2000230 Engine)	
202	70003493	1	Carburetor (1001127719 Engine)	
202	7027373	1	Gasket Set - Carburetor	
202	7027374	1	Valve Set - Carburetor	
202		Ref	Float Set - Carburetor Options:	
202	7027375	1	Float (2000230 Engine)	
202	70003549	1	Float (1001127719 Engine)	
202		Ref	Gasket, Carburetor to Insulator Options:	
202	7027377	1	Gasket (2000230 Engine)	
202	70003495	1	Gasket (1001127719 Engine)	
202		Ref	Gasket, Insulator to Block Options:	
202	7027378	1	Gasket (2000230 Engine)	
202	70003496	1	Gasket (1001127719 Engine)	
202	70003494	1	Spacer, Carburetor (1001127719 Engine Only)	
202	7027379	1	Cup, Fuel Strainer	
202		Ref	Remote Choke Assembly Options:	
202	7027380	1	Choke (2000230 Engine)	

SECTION 1 - FRAME

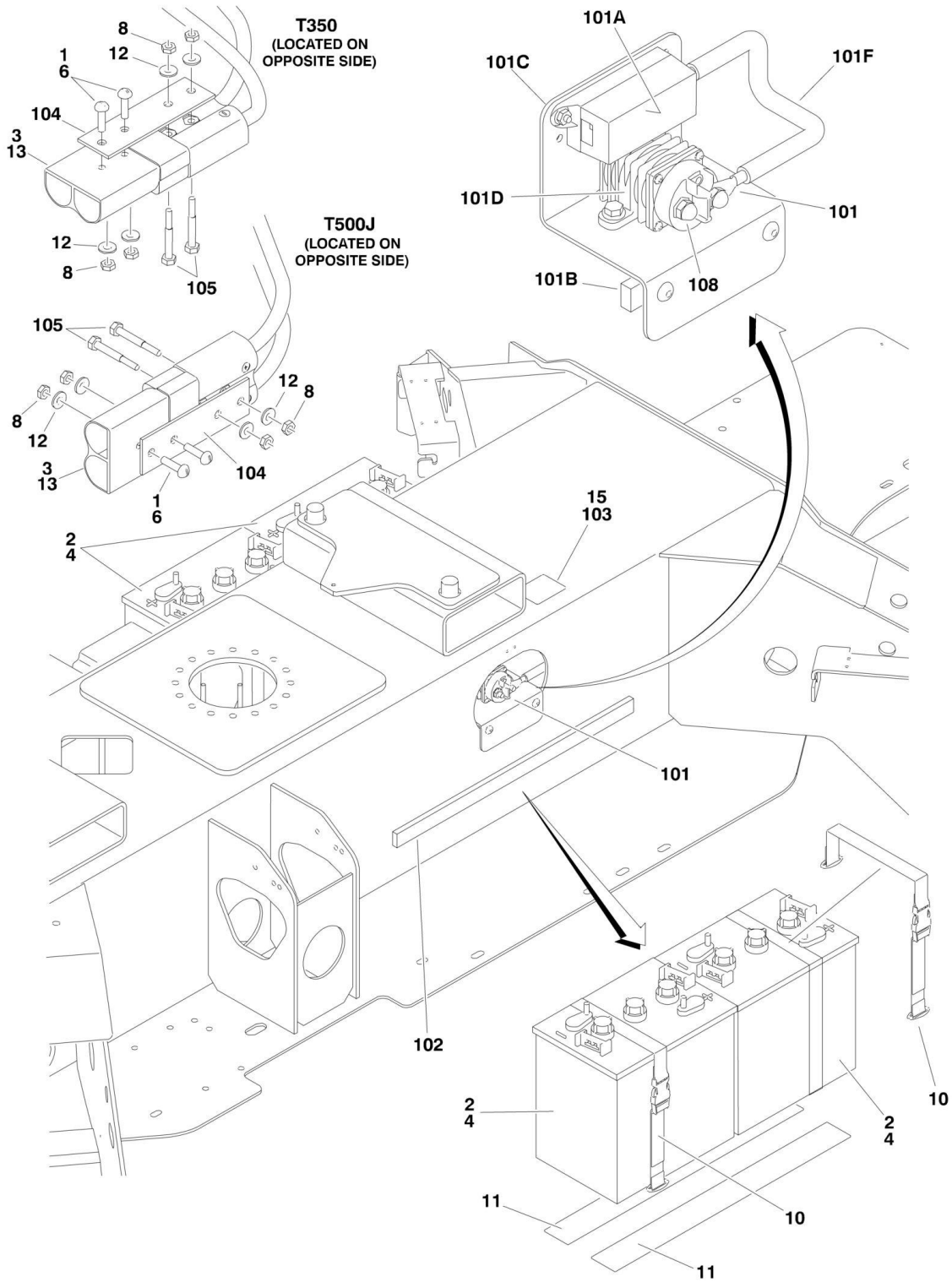
ITEM	PART NUMBER	QTY	DESCRIPTION	REV
202	See Note	1	Choke (1001127719 Engine) (Note: Not Available - Purchase Complete Carburetor p/n 70003493)	
202	7027381	1	Rod, Governor	
202	7027382	1	Spring, Governor	
202	7027383	1	Spring, Throttle Return (Long)	
202		Ref	Control, Throttle (Mechanical)	
202	7027384	1	Control (2000230 Engine)	
202	7023519	1	Control (1001127719 Engine)	
202	7027385	1	Spring, Return (Short) (Part of Throttle Control)	
203	7027386	1	Regulator, Voltage (2000230 Engine)	
204	7027387	1	Unit, Oil Alert (Not Shown) (2000230 Engine)	
205		Ref	Plug, Oil Fill Options:	
205	7027388	1	Plug (2000230 Engine)	
205	70003488	1	Plug (1001127719 Engine)	
206		Ref	Dipstick Options:	
206	7027389	1	Dipstick (2000230 Engine)	
206	70003489	1	Dipstick (1001127719 Engine)	
207		Ref	Switch, Oil Pressure Options (Not Shown):	
207	7027390	1	Switch, Oil Pressure (2000230 Engine)	
207	70003487	1	Switch, Oil Pressure (1001127719 Engine)	
208		Ref	Plug, Spark Options (Not Shown):	
208	7027391	1	Denso Brand	
208	70002770	1	NGK Brand	
209		Ref	Flywheel Options (Not Shown):	
209	7027393	1	Flywheel (2000230 Engine)	
209	70003512	1	Flywheel (1001127719 Engine)	
209	7027392	1	Key, Flywheel (Not Shown):	
209		Ref	Fan, Cooling Options (Not Shown):	
209	See Note	1	Fan (2000230 Engine) (Note: Not Available - Purchase Flywheel p/n 7027393)	
209	70003511	1	Fan (1001127719 Engine)	
210		Ref	Cap, Fuel Options:	
210	7027394	1	Cap (2000230 Engine)	
210	70003508	1	Cap (1001127719 Engine)	
210	70003506	1	Gasket, Fuel Cap (Part of 70003508 Cap)	
210		Ref	Strainer/Filter, Fuel Cap	
210	7027395	1	Strainer (2000230 Engine)	
210	70003509	1	Strainer (1001127719 Engine)	
211		Ref	Tank, Fuel Options:	
211	70000944	1	Tank (2000230 Engine)	
211	70003510	1	Tank (1001127719 Engine)	
211	70003505	1	Fitting, Fuel Tank Outlet (1001127719 Engine)	
211	70003507	1	O-Ring (Used at Fuel Tank Outlet) (1001127719 Engine)	
212		Ref	Coil, Charging Options (Not Shown):	
212	7027396	1	Coil (2000230 Engine)	
212	7027396	1	Coil (1001127719 Engine) (was p/n 70003515)	
212	7027397	1	Ignition Less Charging Coil (2000230 Engine) (Not Shown)	
212	70003516	1	Coil, Ignition (1001127719 Engine) (Not Shown)	
212		Ref	Suppressor, Noise Option (Not Shown):	
212	7027398	1	Suppressor (2000230 Engine)	
212	70003514	1	Suppressor (1001127719 Engine)	
212	70003517	1	Wiring Harness (1001127719 Engine) (Not Shown)	

SECTION 1 - FRAME

ITEM	PART NUMBER	QTY	DESCRIPTION	REV
213		Ref	Decal - Caution (Not Shown - Located Near Exhaust Outlet)	
213	7027399	1	Decal (2000230 Engine)	
213	70003531	1	Decal (1001127719 Engine)	
213	7027600	1	Decal - Oil Level Mark (2000230 Engine Only) (Not Shown)	
213	70003529	1	Decal - Choke (1001127719 Engine Only) (Not Shown)	
213	70003530	1	Decal - Throttle Indication (1001127719 Engine Only) (Not Shown)	
213	70003532	1	Decal - Operator Caution (1001127719 Engine Only) (Not Shown)	
214		Ref	Muffler Options:	
214	7027601	1	Muffler (2000230 Engine)	
214	70003500	1	Muffler (1001127719 Engine)	
214		Ref	Gasket, Exhaust Pipe to Block Options:	
214	7027602	1	Gasket (2000230 Engine)	
214	70003503	1	Gasket (1001127719 Engine)	
214	7027603	1	Gasket, Exhaust Pipe to Muffler	
214	70003504	1	Arrester, Spark (1001127719 Engine Only)	
215		Ref	Pull Start Assembly Options (Includes Case Cover, Pulley, Recoil, Pull Cord, Starter Ratchet, Ratchet Springs and Spring Retainer) (Not Shown):	
215	7027604	1	Pull Start (2000230 Engine)	
215	70003490	1	Pull Start (1001127719 Engine)	
215	70003492	1	Rope, Recoil (1001127719 Engine Only)	
216		Ref	Starter, Electrical Options (Not Shown):	
216	7027605	1	Starter (2000230 Engine)	
216	70003518	1	Starter (1001127719 Engine)	
216	7027606	1	Contact Assembly	
217	See Note	1	Key, Shaft (Note: Not available for purchase)	
218		Ref	Cover, Air Cleaner/Carburetor Options:	
218	70001964	1	Cover (2000230 Engine)	
218	See Note	1	Cover (1001127719 Engine) (Note: Not available for purchase)	
218		Ref	Element, Air Cleaner Options:	
218	70001453	1	Element (2000230 Engine)	
218	70001453	1	Element (1001127719 Engine) (Includes Element, Outside Band Filter and Grommet)	
218	7027372	1	Filter, Outer Band (1001127719 Engine Only) (Part of p/n 70001453)	
218		Ref	Gasket, Air Cleaner to Carburetor Options:	
218	See Note	1	Gasket (2000230 Engine) (Note: Not available for purchase)	
218	70003497	1	Gasket (1001127719 Engine)	
219		Ref	Nut, Air Cleaner Options:	
219	See Note	1	Nut (2000230 Engine) (Note: Not available for purchase)	
219	70003498	1	Nut, Housing/Cover (1001127719 Engine)	
219	70003499	1	Nut, Filter (1001127719 Engine)	
220		Ref	Shield, Muffler Cover Options:	
220	70002738	1	Shield (2000230 Engine)	
220	70003501	1	Shield (1001127719 Engine)	
221	70003502	1	Cap, Muffler Cover	
222	70003521	1	Key Switch (1001127719 Engine) (Not Shown)	
222	70003522	1	Fuse 5A (1001127719 Engine) (Not Shown)	
222	70003550	1	Key (1001127719 Engine) (Not Shown)	
222	70003520	1	Rectifier (1001127719 Engine) (Not Shown)	

SECTION 1 - FRAME

FIGURE 1-25. BATTERIES INSTALLATION (ELECTRIC POWERED MACHINES) (Prior to SN 0030001804)



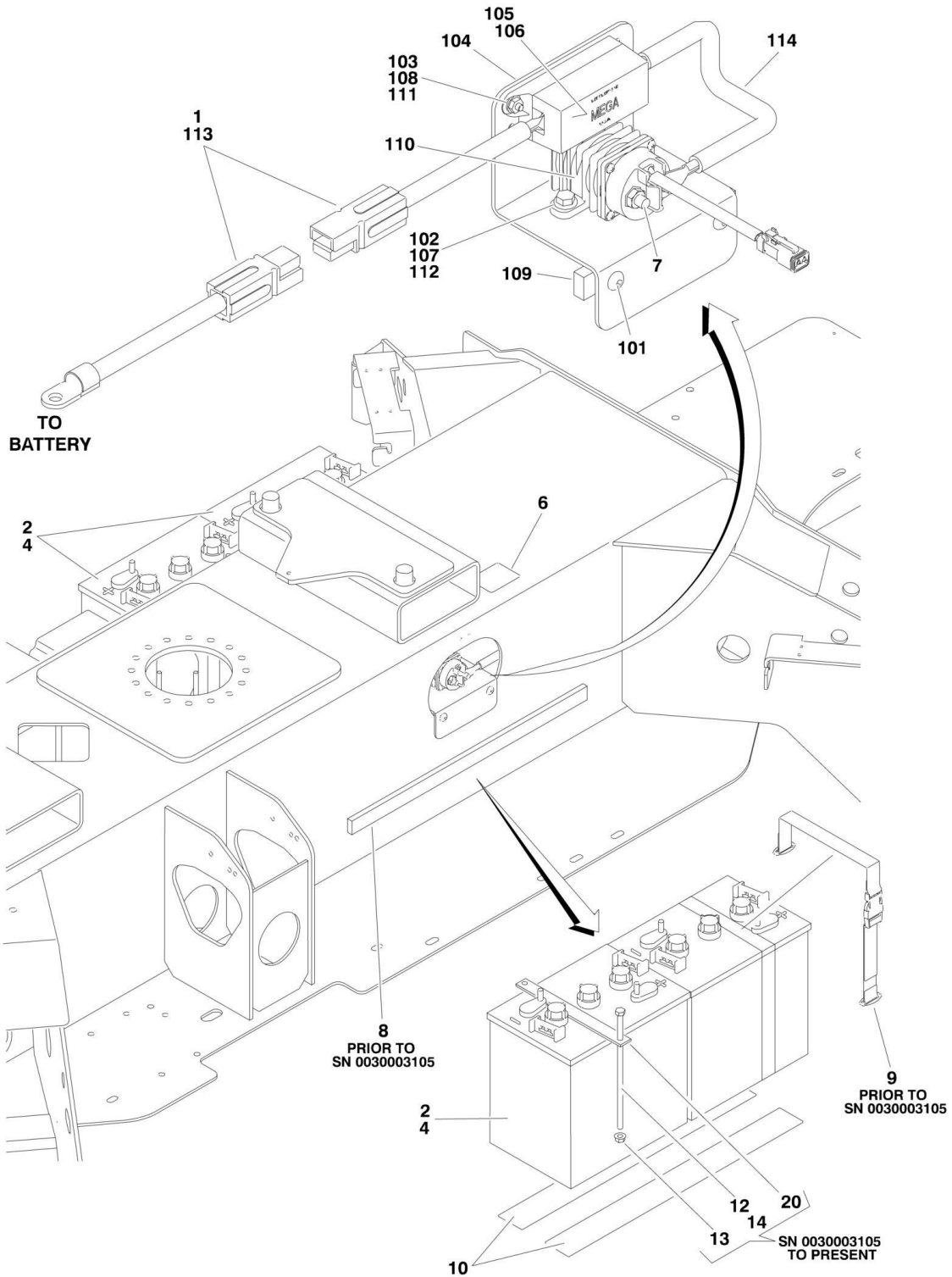
SECTION 1 - FRAME

FIGURE 1-25. BATTERIES INSTALLATION (ELECTRIC POWERED MACHINES) (Prior to SN 0030001804)

ITEM	PART NUMBER	QTY	DESCRIPTION	REV
		Ref	BATTERIES INSTALLATION	
	0273662	Ref	Batteries Installation - without Drive Option (T350)	J
	9984274	Ref	Batteries Installation - with Drive Option (T350)	E
	0273947	Ref	Batteries Installation - without Drive Option (T500J)	K
	9984274	Ref	Batteries Installation - with Drive Option (T500J)	E
1	0100011	AR	Compound, Locking	
2	0100048	AR	Grease, Dielectric	
3	0100051	AR	Grease, Battery Terminal	
4	0400215	4	Battery - 6V/220Amp	
6	0641412	2	Bolt 1/4in-20NC x 1-1/2in	
8	3311402	2	Nut, Jam 1/4in-20NC	
10	4240169	4	Strap, Tie-Down (Use p/n 4240177)	
10	4240174	4	Strap, Tie-Down (Use p/n 4240177)	
11	4420038	80 in in/2m	Tape, Rubber	
12	4711400	2	Flatwasher 1/4in Thin	
13		Ref	Battery Cables Kit (Not Shown - See ELECTRICAL SECTION for Breakdown)	
13	4923020	1	Without Drive Option	
13	4923428	1	With Drive Option	
14	1701644	1	Decal - Battery Charger (Not Shown - DECAL SECTION For Location)	
15	1702155	1	Decal - Battery Disconnect (Prior to SN 0030001498)	
		Ref	CONTACTOR INSTALLATION	
	0275442	Ref	Without Drive Option	B
	0275536	Ref	With Drive Option	B
101	0275439	1	Contactor Assembly	C
101A	2400087	1	Fuse - 300 Amp	
101A	2400088	1	Fuseholder	
101B	3576773	1	Bar, Clamping	
101C	0903560	1	Bracket, Contactor Mount	
101D	3740150	1	Relay	
101E	4923545	1	Cable, Electrical (Fuse to Battery B+) (Not Shown - See ELECTRICAL SECTION for Breakdown)	
101F	4923570	1	Cable, Electrical	
102	4220306	1	Pad, Battery	
103	1702155	1	Decal, Battery Disconnect	
104	3576777	1	Plate, Tie	
105	0641416	1	Bolt 1/4in-20NC x 2in	
106	4923544	1	Cable, Battery (Not Shown - See ELECTRICAL SECTION for Breakdown)	
107	0100048	AR	Grease, Dielectric (Not Shown)	
108	3300506	2	Nut, Acorn 5/16in-24	
109	2820247	AR	Heatshrink (Not Shown)	

SECTION 1 - FRAME

FIGURE 1-26. BATTERIES INSTALLATION (ELECTRIC POWERED MACHINES) (SN 0030001804 through 0030012032)



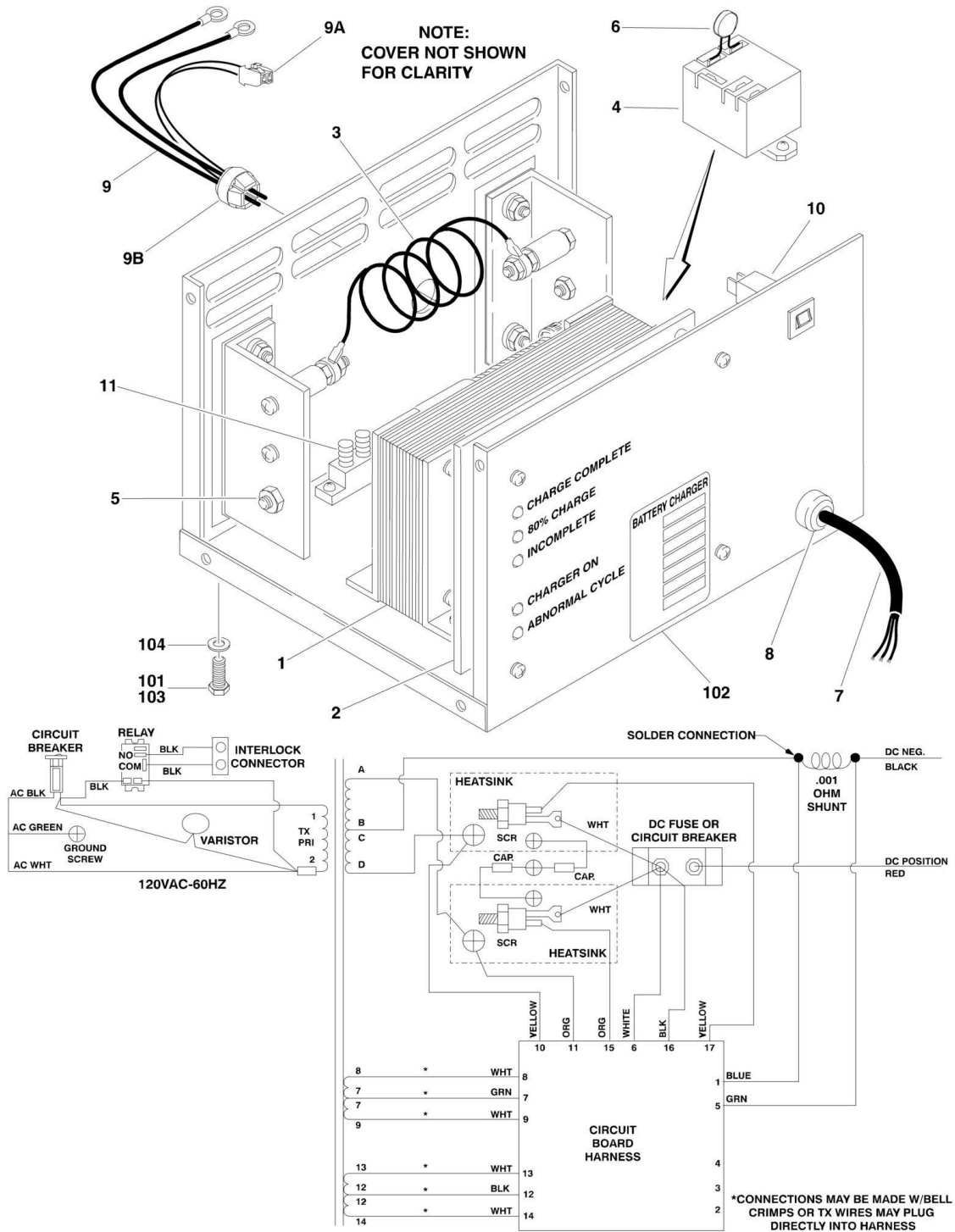
SECTION 1 - FRAME

FIGURE 1-26. BATTERIES INSTALLATION (ELECTRIC POWERED MACHINES) (SN 0030001804 through 0030012032)

ITEM	PART NUMBER	QTY	DESCRIPTION	REV
		Ref	BATTERIES INSTALLATION	
	0275709	Ref	Batteries Installation - without Drive Option (Prior to SN 0030001896)	B
	0275718	Ref	Batteries Installation - with Drive Option	E
	1001201419	Ref	Batteries Installation - AGM Batteries without Drive Option (SN 0030006791 through 0030012032)	A
1	0100048	AR	Grease, Dielectric	
2	0100051	AR	Grease, Battery Terminal	
4		Ref	Batteries Options:	
4	0400215	4	Battery - 6V/220Amp	
4	1001112112	4	AGM Battery - 6V/220Amp	
5	1701644	1	Decal - Battery Charger (Not Shown - DECAL SECTION For Location)	
6	1702155	1	Decal - Battery Disconnect	
7	3300506	2	Nut, Acorn 5/16in-24	
8	4220306	1	Pad, Battery (Prior to SN 0030003105)	
9	4240177	4	Strap, Tie-Down (Prior to SN 0030003105)	
10	4420038	80 in in/2m	Tape, Rubber	
11		Ref	Battery Cables Kit (Not Shown - See ELECTRICAL SECTION for Breakdown)	
11	4923020	1	Without Drive Option	
11	4923428	1	With Drive Option	
12	0630541	8	Bolt, Battery Hold-Down (SN 0030003105 through 0030012032)	
13	3311608	8	Nut, Serrated 3/8in-16NC (SN 0030003105 through 0030012032)	
14	0100011	AR	Compound, Locking	
20	1001104509	4	Plate, Hold-Down (SN 0030003105 through 0030012032)	
	0275439	Ref	CONTACTOR INSTALLATION	C
101	0630468	2	Screw 5/16in-18NC x 1in	
102	0641407	2	Bolt 1/4in-20NC x 7/8in	
103	0721004	2	Screw, Machine #10-24NC x 1/2in	
104	0903560	1	Bracket, Contactor Mount	
105	2400087	1	Fuse - 300 Amp	
106	2400088	1	Fuseholder	
107	3311405	2	Locknut 1/4in-20NC	
108	3311005	2	Locknut #10-24NC	
109	3576773	1	Bar, Clamping	
110	3740150	1	Relay	
111	4711000	2	Flatwasher #10 Thin	
112	4711400	2	Flatwasher 1/4in Thin	
113	4923545	1	Cable, Electrical (Fuse to Battery B+) (See ELECTRICAL SECTION for Breakdown)	
114	4923570	1	Cable, Electrical	

SECTION 1 - FRAME

FIGURE 1-27. MAC BATTERY CHARGER ASSEMBLY (ELECTRIC POWERED MACHINES)



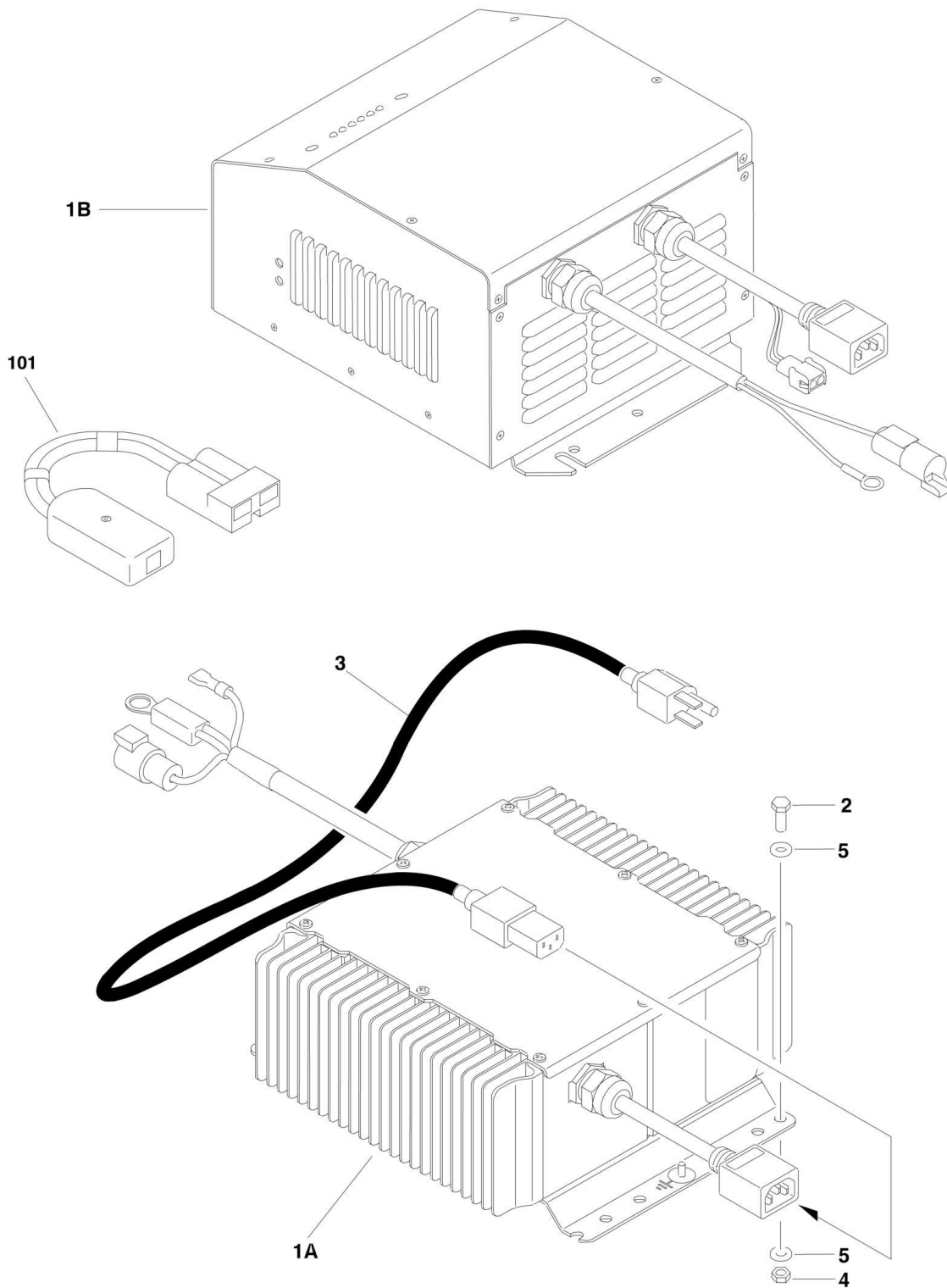
SECTION 1 - FRAME

FIGURE 1-27. MAC BATTERY CHARGER ASSEMBLY (ELECTRIC POWERED MACHINES)

ITEM	PART NUMBER	QTY	DESCRIPTION	REV
	0400164	Ref	MAC BATTERY ASSEMBLY	C
1	7020620	1	Transformer	
2	7018553	1	Card, Circuit	
3	7018554	1	Shunt Assembly	
4	7018505	1	Relay, Interlock	
5	7018555	2	SCR Rectifier	
6	7011596	1	Varistor	
7	7011638	1	AC Cord Assembly	
8	7018556	1	Connector, Strain Relief - Elbow	
9	7018567	1	DC Harness Assembly	
9A	4460424	1	Connector, Male - 2 Position	
9A	4460267	2	Pin, Male	
9B	7011528	1	Connector, Strain Relief	
10	7018514	1	Breaker, Circuit - AC	
11	7011509	1	Breaker, Circuit - DC	
	0274340	Ref	BATTERY CHARGER INSTALLATION	A
101	0100011	AR	Compound, Locking	
102	0400164	1	Battery Charger Assembly (Includes Items 1-11)	
103	0641406	4	Bolt 1/4in-20NC x 3/4in	
104	4751400	4	Flatwasher 1/4in Regular	

SECTION 1 - FRAME

FIGURE 1-28. DELTA-Q AND PRO CHARGING BATTERY CHARGER ASSEMBLIES (ELECTRIC POWERED MACHINES)



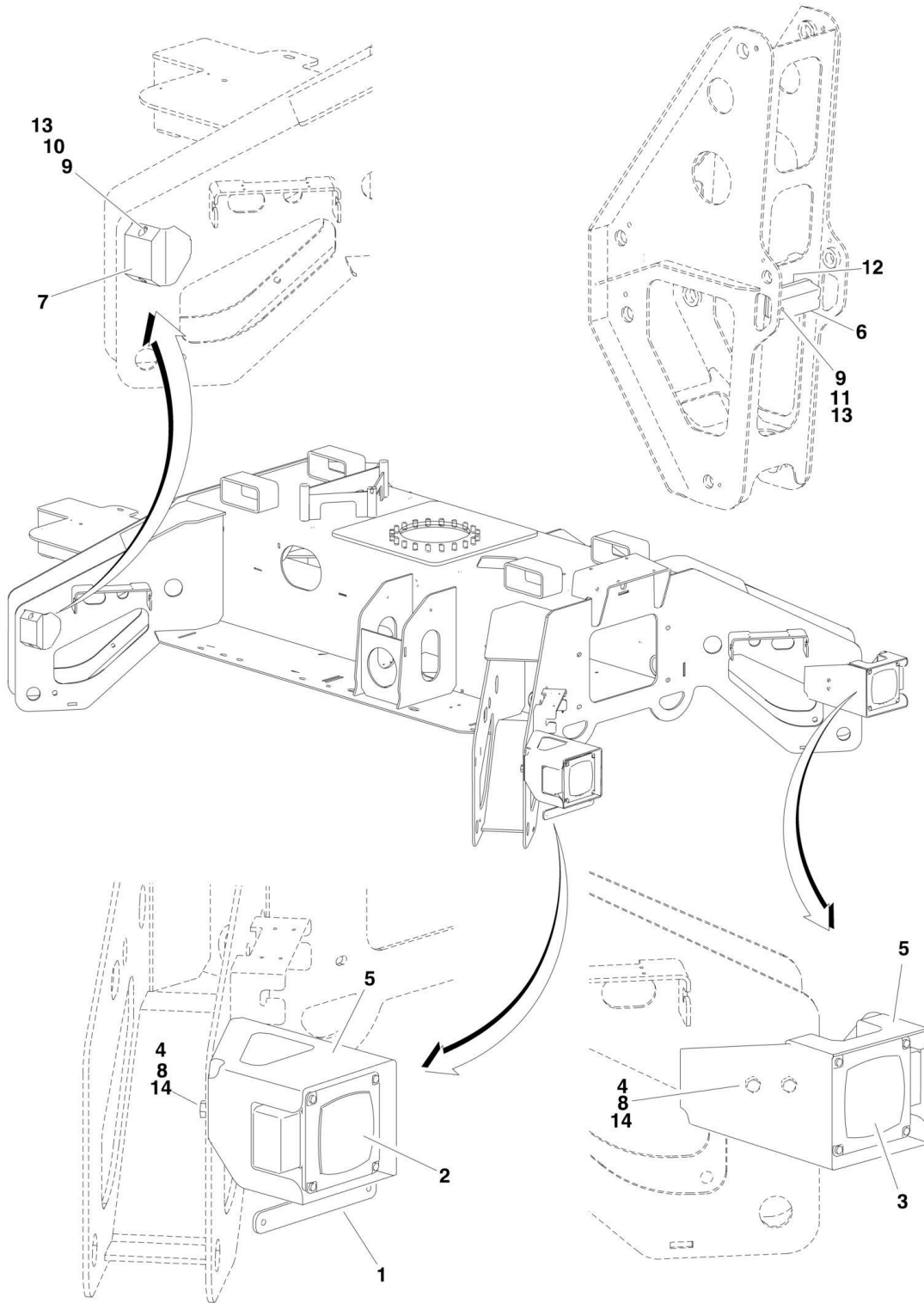
SECTION 1 - FRAME

FIGURE 1-28. DELTA-Q AND PRO CHARGING BATTERY CHARGER ASSEMBLIES (ELECTRIC POWERED MACHINES)

ITEM	PART NUMBER	QTY	DESCRIPTION	REV
		Ref	BATTERY CHARGER INSTALLATION	
	0274380	Ref	ANSI and CSA Specs without Optional Generator	B
	1001131393	Ref	ANSI, ANSI Export and CSA Specs with Optional Generator	A
	0274380	Ref	ANSI Export Specs	B
	0274731	Ref	CE, Australian and South Africa Specs	B
1		Ref	Battery Charger Assembly Options (No Serviceable Parts Available):	
1A	0400236	1	Charger - All Specs Except ANSI Spec (Delta-Q)	
1A	0400236	1	Charger - ANSI Spec without Optional Generator (Delta-Q)	
1B	1001133506	1	Charger - ANSI Spec with Optional Generator (Pro-Charging Systems) (Use p/n 1001134313)	
2	0641406	4	Bolt 1/4in-20NC x 3/4in	
3		Ref	AC Extension Cord	
3	1060688	1	ANSI and ANSI Export Specs (With Standard 110V ANSI Plug)	
3	1060689	1	CE, Australian and South Africa Specs (With Locally Supplied Plug)	
4	3311405	4	Locknut 1/4in-20NC	
5	4711400	8	Flatwasher 1/4in Thin	
101	1600466	1	BATTERY CHARGER REPROGRAM CONTROLLER (USE P/N 2915230)	

SECTION 1 - FRAME

FIGURE 1-29. TAILLIGHTS AND MARKERS INSTALLATION (ANSI AND ANSI EXPORT SPECS)



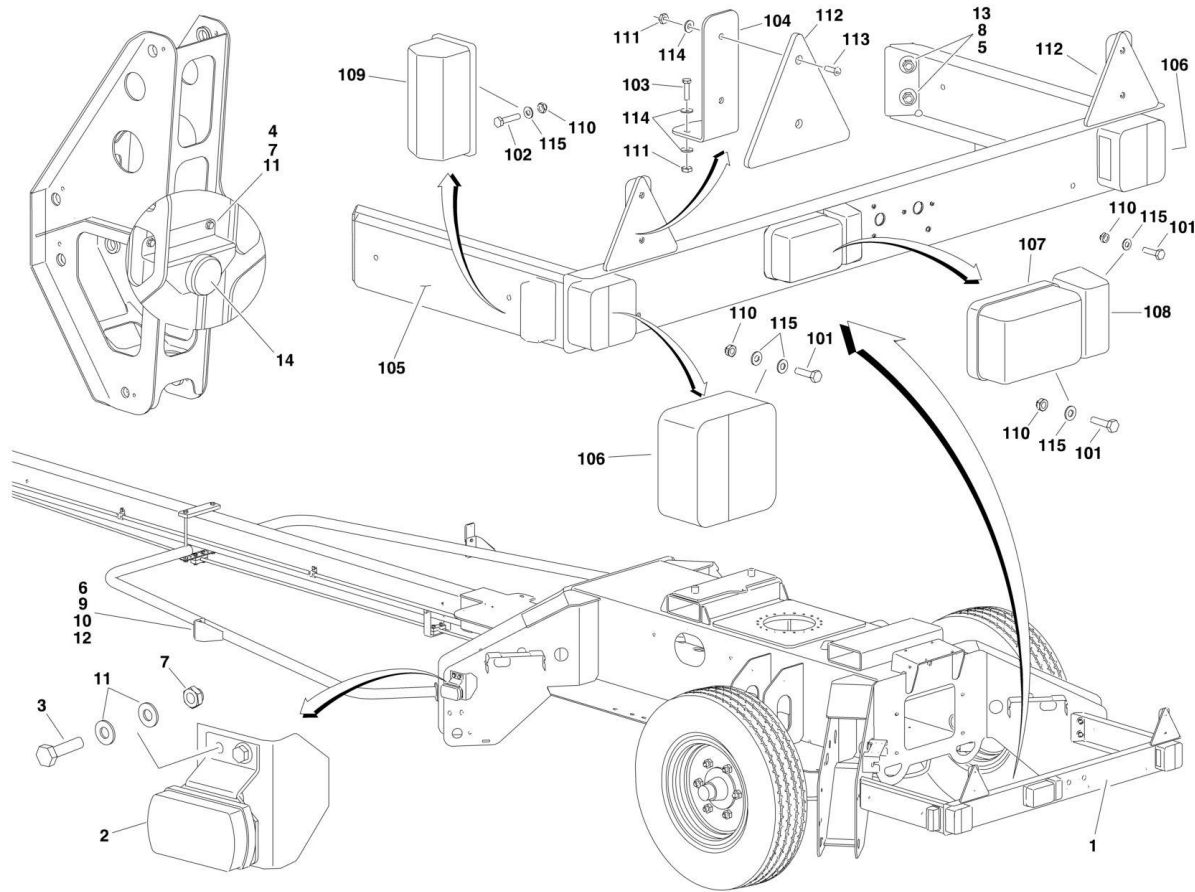
SECTION 1 - FRAME

FIGURE 1-29. TAILLIGHTS AND MARKERS INSTALLATION (ANSI AND ANSI EXPORT SPECS)

ITEM	PART NUMBER	QTY	DESCRIPTION	REV
		Ref	TAILLIGHTS AND MARKERS INSTALLATION	
	0273665	Ref	Taillights and Markers Installation (T350)	E
	0273934	Ref	Taillights and Markers Installation (T500J)	E
1	71101	1	Bracket, License Plate	
2	71906	1	Taillight Assembly with License Plate Light (Road Side)	
2	7026341	1	Bulb, Stop/Turn/Taillight	
2	7026342	1	Bulb, Side Marker Light	
2	7026343	1	Lens, Red Taillight	
2	7026340	1	Lens, Red Side Marker	
3	71907	1	Taillight Assembly without License Plate Light (Curb Side)	
3	7026341	1	Bulb, Stop/Turn/Taillight	
3	7026342	1	Bulb, Side Marker Light	
3	7026343	1	Lens, Red Taillight	
3	7026340	1	Lens, Red Side Marker	
4	0761012	4	Screw M10 x 25	
5	0903107	2	Bracket, Taillight	
6	2920113	1	Taillight, Boom	
7	2920179	2	Side Marker Light/Reflector Assembly	
7	7027717	2	Bulb (1 Per Assembly)	
8	3291005	4	Locknut 10mm	
9	3311005	6	Nut #10	
10	0721006	4	Screw #10 x 3/4	
11	3911040	2	Screw #10 x 2-1/2	
12	3960461	1	Seal, Gasket	
13	4751000	6	Flatwasher #10 Regular	
14	4812000	8	Flatwasher 10mm	
15		Ref	Harness, Lights (Not Shown - See ELECTRICAL SECTION for Breakdown):	
15	4923148	1	Harness Lights (T350)	E
15	4923149	1	Harness Lights (T500J)	E

SECTION 1 - FRAME

FIGURE 1-30. TAILLIGHTS AND MARKERS INSTALLATION (AUSTRALIAN, CE AND SOUTH AFRICA SPECS)



SECTION 1 - FRAME

FIGURE 1-30. TAILLIGHTS AND MARKERS INSTALLATION (AUSTRALIAN, CE AND SOUTH AFRICA SPECS)

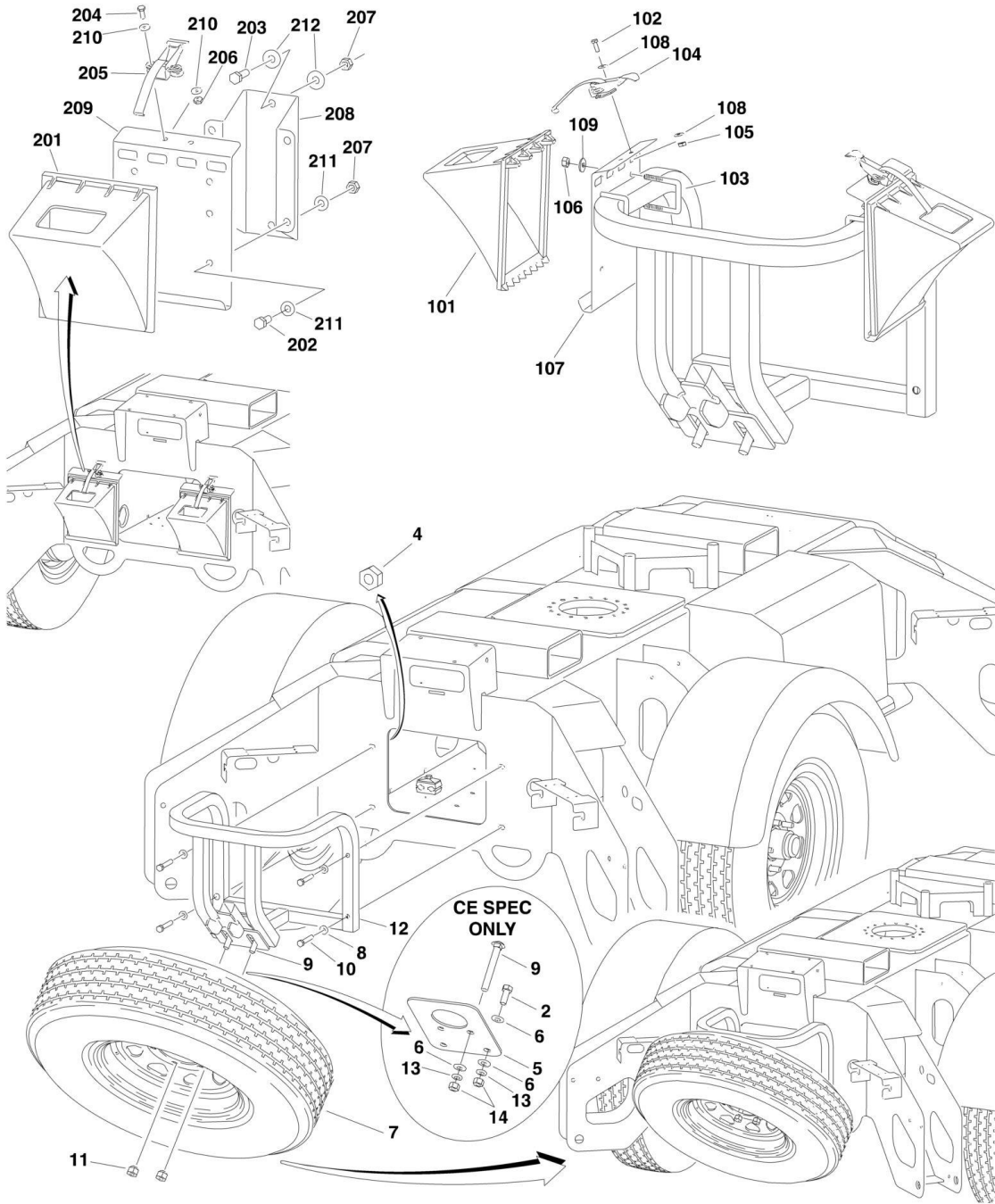
ITEM	PART NUMBER	QTY	DESCRIPTION	REV
		Ref	TAILLIGHTS AND MARKERS INSTALLATION	
	0274739	Ref	Taillights and Markers Installation (Australian and South Africa Spec) (T350)	B
	0273666	Ref	Taillights and Markers Installation (CE Spec) (T350)	A
	0274740	Ref	Taillights and Markers Installation (Australian and South Africa Spec) (T500J)	B
	0274430	Ref	Taillights and Markers Installation (CE Spec) (T500J)	A
1		Ref	Rear Light Bracket Assembly Options (See Items 101-115 for Breakdown):	
1	0274741	1	Australian and South Africa Spec	
1	0274538	1	CE Spec	
2	0274539	2	Side Marker Light Assembly	
2	2920182	2	Lamp Only (1 Per Assembly) (Prior to SN 0030009190)	
2	1001228138	2	Lamp Only (1 Per Assembly) (SN 0030009190 through 0030012032)	
2	70000095	2	Bulb (1 Per Assembly)	
3	0641406	4	Bolt 1/4in-20NC x 3/4in	
4	0641407	2	Bolt 1/4in-20NC x 7/8in	
5	0641608	4	Bolt 3/8in-16NC x 1in	
6	3311005	4	Locknut #10-24NC (T500J)	
7	3311405	6	Locknut 1/4in-20NC	
8	3311605	4	Locknut 3/8in-16NC	
9		Ref	Reflector (White) Options:	
9	Not Required	0	Reflector (White) (T350)	
9	3700014	2	Reflector (White) (T500J)	
10	3911010	2	Screw #10-24NC x 5/8in (T500J)	
11	4711400	8	Flatwasher 1/4in Narrow	
12	4751000	2	Flatwasher #10 Wide (T500J)	
13	4751600	6	Flatwasher 3/8in Wide	
14		Ref	Light Assembly, Rear Options:	
14	0274638	1	Light Assembly, Rear (Australian and South Africa Spec) (T350)	
14	Not Required	0	Light Assembly, Rear (CE Spec) (T350)	
14	0274638	1	Light Assembly, Rear (Australian and South Africa Spec) (T500J)	
14	0274638	1	Light Assembly, Rear (CE Spec) (T500J)	
14	2920189	1	Lamp Only (1 Per Assembly) (Prior to SN 0030009190)	
14	1001228139	1	Lamp Only (1 Per Assembly) (SN 0030009190 through 0030012032)	
14	70000098	1	Bulb (1 Per Assembly)	
		Ref	REAR LIGHT BRACKET ASSEMBLY	
	0274741	Ref	Australian and South Africa Spec	C
	0274538	Ref	CE Spec	A
101	0700408	8	Bolt 4mm x 16mm	
102	0700410	4	Bolt 4mm x 20mm	
103	0721006	4	Screw, Machine #10-24NC x 3/4in	
104	0903177	2	Plate, Reflector Mounting	
105	0940136	1	Bar, Light	
106	2920180	2	Taillight	
106	70000092	2	Bulb (Double Contact) (1 Per Assembly)	

SECTION 1 - FRAME

ITEM	PART NUMBER	QTY	DESCRIPTION	REV
106	7000093	2	Bulb (Single Contact) (1 Per Assembly)	
107		Ref	Foglight, Rear Options:	
107	Not Required	0	Australian and South Africa Spec	
107	2920181	1	CE Spec	
107	7000093	1	Bulb	
108	2920183	1	License Plate Light	
108	7000096	1	Bulb (1 Per Assembly)	
109	2920184	2	Side Marker Light	
109	7000097	2	Bulb (1 Per Assembly)	
110	3290405	12	Locknut 4mm	
111	3311005	8	Locknut #10-24NC	
112	3700012	2	Reflector, Red Triangle	
113	3911010	4	Screw #10-24NC x 5/8in	
114	4751000	12	Flatwasher #10 Wide	
115	4811400	16	Flatwasher 4mm	

SECTION 1 - FRAME

FIGURE 1-31. SPARE TIRE AND WHEEL CHOCKS INSTALLATIONS (OPTIONAL)



SECTION 1 - FRAME

FIGURE 1-31. SPARE TIRE AND WHEEL CHOCKS INSTALLATIONS (OPTIONAL)

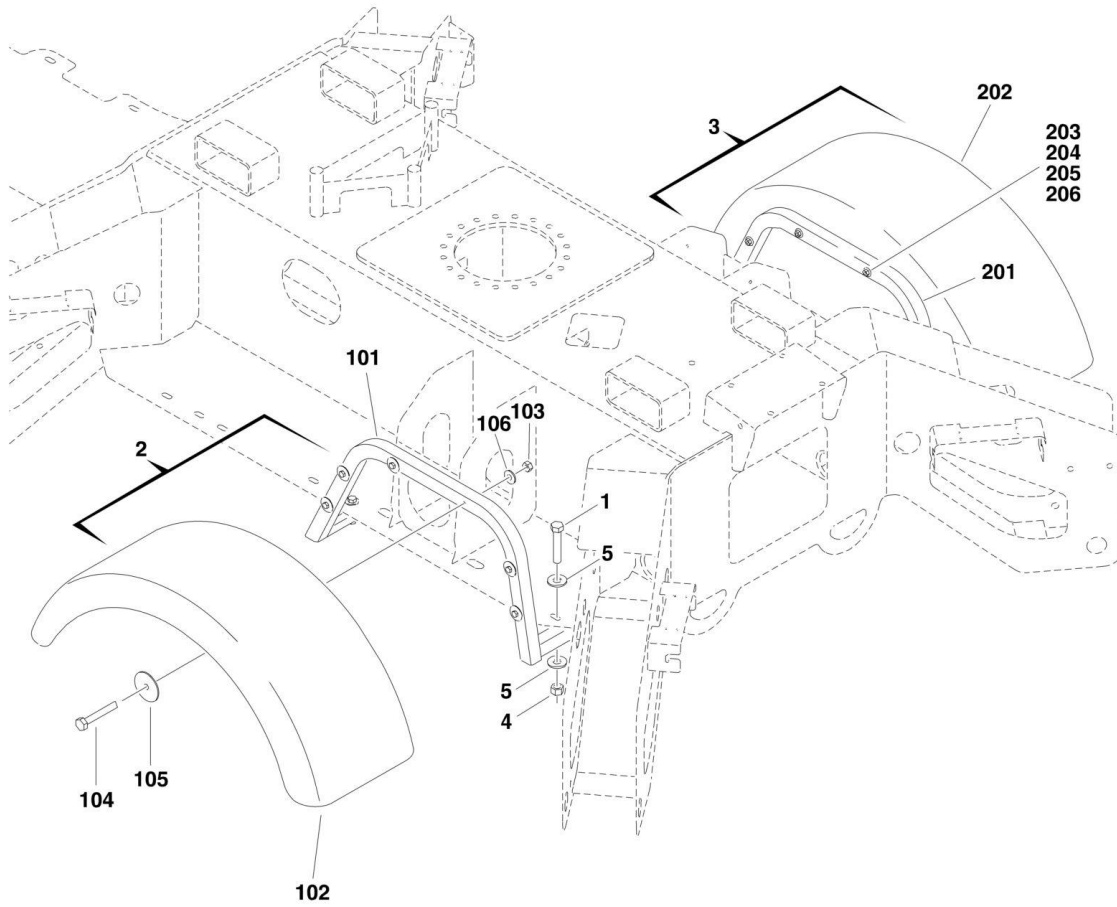
ITEM	PART NUMBER	QTY	DESCRIPTION	REV
		Ref	SPARE TIRE INSTALLATION (OPTIONAL)	
	0273679	Ref	Spare Tire Installation (Available on All Specs Except CE Spec) (T350)	C
	0274329	Ref	Spare Tire Installation (CE Spec) (T350)	C
	0275632	Ref	Spare Tire Installation (Australian and South Africa Spec) (T350)	B
	0275628	Ref	Spare Tire Installation (Mount Only) (Australian and South Africa Spec) (T350)	A
	0274048	Ref	Spare Tire Installation (Available on All Specs Except CE Spec) (T500J)	C
	0274330	Ref	Spare Tire Installation (CE Specs) (T500J)	D
	0275633	Ref	Spare Tire Installation (Australian and South Africa Spec) (T500J)	A
	0275627	Ref	Spare Tire Installation (Mount Only) (Australian and South Africa Spec) (T500J)	A
2	0651810	2	Bolt 1/2in-20NC x 1-1/4in (CE Spec) (T500J)	
2	0651812	2	Bolt 1/2in-20NC x 1-1/2in (CE Spec) (T500J)	
4	3311605	4	Locknut 3/8in-16NC	
5	3576437	1	Plate, Wheel Adapter (CE Spec) (T500J)	
6	4711800	AR	Flatwasher 1/2in Thin (CE Spec Only)	
7	See Note	1	Tire and Wheel Assembly (Note: See Axle and Tongue Installation for P/N)	
8	4711600	AR	Flatwasher 3/8in Thin	
9		Ref	Bolt, Carriage Options:	
9	0630598	2	Bolt, Carriage 1/2in-20NC x 2-1/2in	
9	0630607	2	Bolt, Carriage 1/2in-20NC x 4in	
10	0641617	4	Bolt 3/8in-16NC x 2-1/2in	
11	3300407	2	Lugnut	
12		Ref	Bracket, Spare Tire Mounting Options:	
12	4340985	1	Bracket, Spare Tire Mounting (Prior to SN 0030001538)	
12		Ref	Bracket, Spare Tire Mounting (SN 0030001542 through 0030001566)	
12		Ref	Bracket, Spare Tire Mounting (SN 0030001568 through 0030001576)	
12		Ref	Bracket, Spare Tire Mounting (SN 0030001578 through 0030001589)	
12		Ref	Bracket, Spare Tire Mounting (SN 0030001595 through 0030001597)	
12	4341181	1	Bracket, Spare Tire Mounting (SN 0030001538 through 0030001541)	
12		Ref	Bracket, Spare Tire Mounting (Including 0030001567)	
12		Ref	Bracket, Spare Tire Mounting (Including 0030001577)	
12		Ref	Bracket, Spare Tire Mounting (SN 0030001590 through 0030001594)	
12		Ref	Bracket, Spare Tire Mounting (SN 0030001598 through 0030012032)	
13	4761800	AR	Lockwasher 1/2in (CE Spec Only)	
14	3321801	AR	Nut 1/2in-13NC (CE Spec Only)	
	0274520	Ref	WHEEL CHOCK INSTALLATION WITH SPARE TIRE (OPTIONAL)	B
101	0240116	2	Chock, Wheel	
102	0721004	4	Screw, Machine #10-24NC x 1/2in	
103	1320302	4	U-Clamp	

SECTION 1 - FRAME

ITEM	PART NUMBER	QTY	DESCRIPTION	REV
104	2940177	2	Latch, Draw	
105	3311005	4	Locknut #10-24NC	
106	3311405	8	Locknut 1/4in-20NC	
107	4341054	2	Mount, Wheel Chock Stowage	
108	4711000	8	Flatwasher #10 Thin	
109	4711400	8	Flatwasher 1/4in Regular	
	0273624	Ref	WHEEL CHOCK INSTALLATION WITHOUT SPARE TIRE (OPTIONAL)	A
201	0240116	2	Chock, Wheel	
202	0641506	8	Bolt 5/16in-18NC x 3/4in	
203	0641508	4	Bolt 5/16in-18NC x 1in	
204	0721004	4	Screw, Machine #10-24NC x 1/2in	
205	2940177	2	Latch, Draw	
206	3311005	4	Locknut #10-24NC	
207	3311505	12	Locknut 5/16in-18NC	
208	4341053	2	Bracket, Mounting	
209	4341054	2	Mount, Wheel Chock Stowage	
210	4711000	8	Flatwasher #10 Thin	
211	4711500	16	Flatwasher 5/16in Thin	
212	4751500	8	Flatwasher 5/16in Regular	

SECTION 1 - FRAME

FIGURE 1-32. FENDERS INSTALLATION



SECTION 1 - FRAME

FIGURE 1-32. FENDERS INSTALLATION

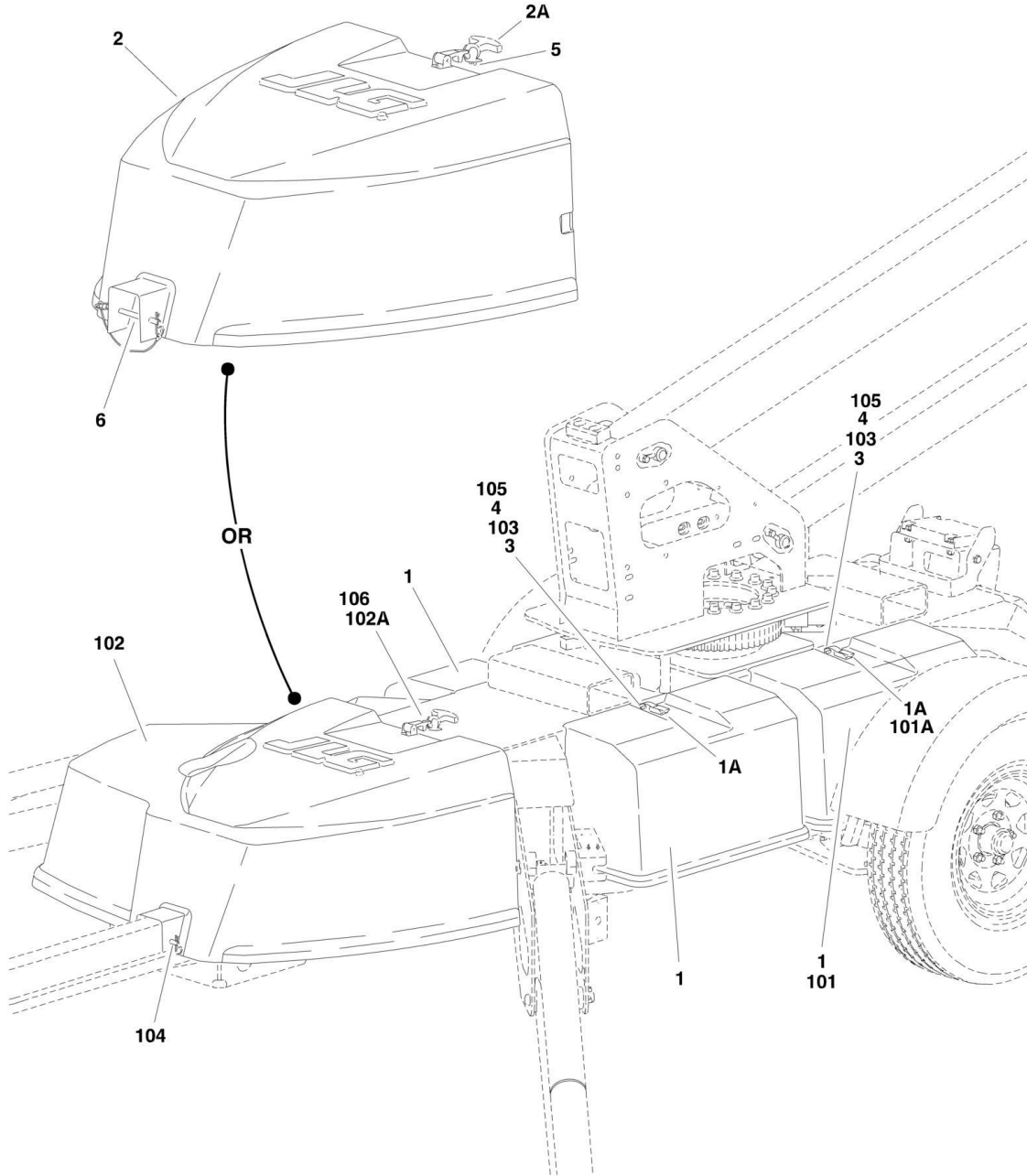
ITEM	PART NUMBER	QTY	DESCRIPTION	REV
		Ref	FENDERS INSTALLATION	
	0273625	Ref	Fenders Installation - without Mudflaps (T350)	E
	0274433	Ref	Fenders Installation - with Mudflaps (T350)	B
	0273946	Ref	Fenders Installation - without Mudflaps (T500J)	D
	0274434	Ref	Fenders Installation - with Mudflaps (T500J)	B
		Ref	Note: Front/Rear and Left/Right are determined by facing the Tow Vehicle.	
1	0641616	4	Bolt 3/8in-16NC x 2in	
2		Ref	Fender Assembly (Left Side) (See Items 101-106 for Breakdown)	
2	2090052	1	Fender Assembly - without Mudflap (T350)	
2	2090058	1	Fender Assembly - with Mudflap (Not Shown) (T350)	
2	2090050	1	Fender Assembly - without Mudflap (T500J)	
2	2090056	1	Fender Assembly - with Mudflap (Not Shown) (T500J)	
3		Ref	Fender Assembly (Right Side) (See Items 201-206 for Breakdown)	
3	2090053	1	Fender Assembly - without Mudflap (T350)	
3	2090059	1	Fender Assembly - with Mudflap (Not Shown) (T350)	
3	2090051	1	Fender Assembly - without Mudflap (T500J)	
3	2090057	1	Fender Assembly - with Mudflap (Not Shown) (T500J)	
4	3311605	4	Locknut 3/8in-16NC	
5	4751600	8	Flatwasher 3/8in Wide	
		Ref	FENDER ASSEMBLY (LEFT SIDE)	
	2090052	Ref	Fender Assembly - without Mudflap (T350)	C
	2090058	Ref	Fender Assembly - with Mudflap (T350)	C
	2090050	Ref	Fender Assembly - without Mudflap (T500J)	D
	2090056	Ref	Fender Assembly - with Mudflap (T500J)	B
		Ref	Note: Front/Rear and Left/Right are determined by facing the Tow Vehicle.	
		Ref	Note: All assembly components are identical between models. Bracket located inside fender on T350. Bracket located outside fender for T500J.	
101	0903111	1	Bracket, Fender	
102		Ref	Fender Options:	
102	2090043	1	Without Mudflap	
102	2090054	1	With Mudflap (Not Shown)	
103	3311405	6	Locknut 1/4in-20NC	
104	0641414	6	Bolt 1/4in-20NC x 1-3/4in	
105	4740362	6	Washer, Fender 1/4in	
106	4751400	6	Flatwasher 1/4in Wide	
		Ref	FENDER ASSEMBLY (RIGHT SIDE)	
	2090053	Ref	Fender Assembly - without Mudflap (T350)	C
	2090059	Ref	Fender Assembly - with Mudflap (T350)	C
	2090051	Ref	Fender Assembly - without Mudflap (T500J)	D
	2090057	Ref	Fender Assembly - with Mudflap (T500J)	B
		Ref	Note: Front/Rear and Left/Right are determined by facing the Tow Vehicle.	
		Ref	Note: All assembly components are identical between models. Bracket located inside fender on T350. Bracket located outside fender for T500J.	
201	0903112	1	Bracket, Fender	
202		Ref	Fender Options:	

SECTION 1 - FRAME

ITEM	PART NUMBER	QTY	DESCRIPTION	REV
202	2090043	1	Without Mudflap	
202	2090055	1	With Mudflap (Not Shown)	
203	3311405	6	Locknut 1/4in-20NC	
204	0641414	6	Bolt 1/4in-20NC x 1-3/4in	
205	4740362	6	Washer, Fender 1/4in	
206	4751400	6	Flatwasher 1/4in Wide	

SECTION 1 - FRAME

FIGURE 1-33. FRAME COVERS INSTALLATION



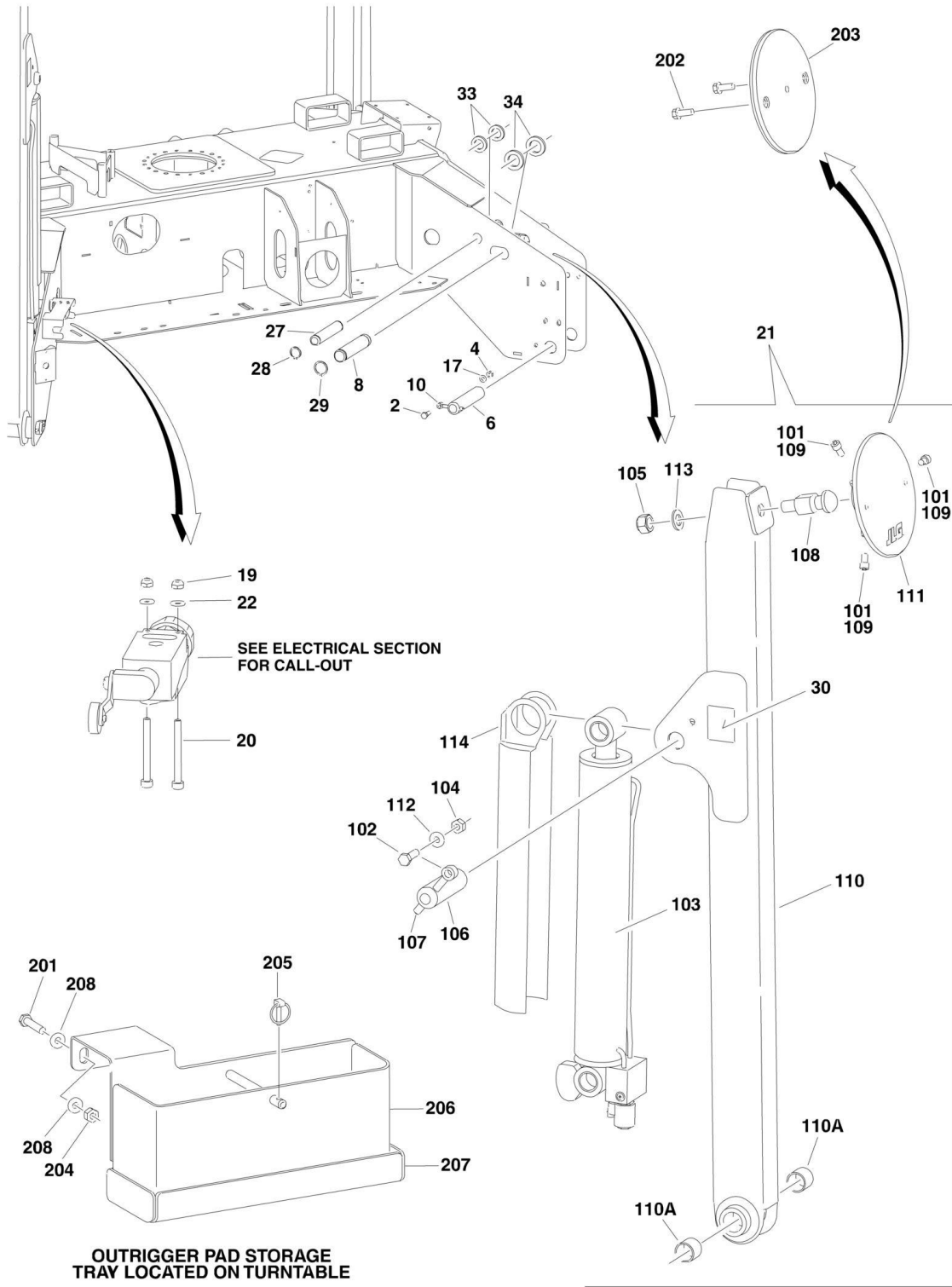
SECTION 1 - FRAME

FIGURE 1-33. FRAME COVERS INSTALLATION

ITEM	PART NUMBER	QTY	DESCRIPTION	REV
		Ref	FRAME COVERS INSTALLATION (ELECTRIC POWERED MACHINES)	
	0273606	Ref	Frame Covers Installation (T350)	D
	0274338	Ref	Frame Covers Installation (T500J)	B
1		Ref	Module/Battery Cover Assembly Options:	
1	1671147	3	Module/Battery Cover Assembly (Not Shown) (Prior to SN 0030000151)	C
1	1671211	3	Module/Battery Cover Assembly (SN 0030000151 through 0030012032)	A
1A	2940157	3	Latch (1 Per Assembly) (Fits All Machines)	
2		Ref	Pump Cover Assembly Options:	
2	1671148	1	Pump Cover Assembly (T350)	I
2	1671187	1	Pump Cover Assembly (T500J)	C
2A	2940095	1	Latch	
3		Ref	Latch, Keeper Options:	
3	2940158	3	Latch Keeper (Not Shown) (Prior to SN 0030000151)	
3	2940178	3	Latch Keeper (SN 0030000151 through 0030012032)	
4	3820017	6	Rivet	
5	3820020	2	Rivet	
6	3423159	1	Pin, Hitch (Includes Cotter Pin)	
		Ref	FRAME COVERS INSTALLATION (GAS POWERED MACHINES)	
	0273607	Ref	Frame Covers Installation (T350)	C
	0274339	Ref	Frame Covers Installation (T500J)	B
101		Ref	Module/Battery Cover Assembly Options:	
101	1671147	1	Module/Battery Cover Assembly (Not Shown) (Prior to SN 0030000151)	C
101	1671211	1	Module/Battery Cover Assembly (SN 0030000151 through 0030012032)	A
101A	2940157	1	Latch (1 Per Assembly) (Fits All Machines)	
102		Ref	Pump Cover Assembly	
102	1671160	1	Pump Cover Assembly (T350)	I
102	1671189	1	Pump Cover Assembly (T500J)	D
102A	2940095	1	Latch	
103		Ref	Latch, Keeper Options:	
103	2940158	1	Latch Keeper (Not Shown) (Prior to SN 0030000151)	
103	2940178	1	Latch Keeper (SN 0030000151 through 0030012032)	
104	3423159	1	Pin, Hitch (Includes Cotter Pin)	
105	3820017	2	Rivet	
106	3820020	2	Rivet	

SECTION 1 - FRAME

FIGURE 1-34. OUTRIGGERS INSTALLATION



SECTION 1 - FRAME

FIGURE 1-34. OUTRIGGERS INSTALLATION

ITEM	PART NUMBER	QTY	DESCRIPTION	REV
		Ref	OUTRIGGER INSTALLATION	
	0273712	Ref	Outrigger Installation (ANSI and ANSI Export Specs) (T350)	G
	0274375	Ref	Outrigger Installation (Australian and CE Specs) (T350)	B
	0273715	Ref	Outrigger Installation (ANSI and ANSI Export Specs) (T500J)	I
	0274321	Ref	Outrigger Installation (Australian and CE Specs) (T500J)	D
2	0701014	4	Bolt 10mm x 30mm	
4		Ref	Locknut 10mm	
6		Ref	Pin Options:	
6	3422426	4	Pin (T350)	
6	3421986	4	Pin (T500J)	
8		Ref	Pin Options:	
8	3423148	4	Pin (T350)	
8	3423147	4	Pin (T500J)	
10	3841143	4	Keeper, Pin	
17	4812000	4	Flatwasher 10mm	
19	3290405	8	Locknut 4mm	
20	4031512	8	Capscrew 4mm x 40mm	
21		Ref	Outrigger Sub-Assembly (See Items 101-114 for Breakdown)	
21	4210012	4	Outrigger Sub-Assembly (ANSI and ANSI Export Specs) (T350)	
21	4210019	4	Outrigger Sub-Assembly (Australian and CE Specs) (T350)	
21	4210013	4	Outrigger Sub-Assembly (ANSI and ANSI Export Specs) (T500J) (Prior to SN 0030000236)	
21	4210025	4	Outrigger Sub-Assembly (ANSI and ANSI Export Specs) (T500J) (SN 0030000236 through 0030012032)	
21	4210016	4	Outrigger Sub-Assembly (Australian and CE Specs) (T500J) (Prior to SN 0030000236)	
21	4210027	4	Outrigger Sub-Assembly (Australian and CE Specs) (T500J) (SN 0030000236 through 0030012032)	
22	4811400	8	Flatwasher 4mm	
27		Ref	Pin Options:	
27	3423185	4	Pin (T350)	
27	3423186	4	Pin (T500J)	
28		Ref	Ring, Retaining Options:	
28	3760115	8	Ring, Retaining (T350)	
28	3760133	8	Ring, Retaining (T500J)	
29		Ref	Ring, Retaining Options:	
29	3760115	8	Ring, Retaining (T350)	
29	3760237	8	Ring, Retaining (T500J)	
30		Ref	Decal - Pad Load Options:	
30	1706121	4	Decal - Pad Load (T350)	
30	1706264	4	Decal - Pad Load (T500J)	
33	4740446	8	Thrustwasher, Oilite	
34	4740333	8	Thrustwasher, Oilite	
		Ref	OUTRIGGER SUB-ASSEMBLY	
	4210012	Ref	Outrigger Sub-Assembly (ANSI and ANSI Export Specs) (T350)	G
	4210019	Ref	Outrigger Sub-Assembly (Australian and CE Specs) (T350)	E
	4210013	Ref	Outrigger Sub-Assembly (ANSI and ANSI Export Specs) (T500J) (Prior to SN 0030000236)	F
	4210025	Ref	Outrigger Sub-Assembly (ANSI and ANSI Export Specs) (T500J) (SN 0030000236 through 0030012032)	C

SECTION 1 - FRAME

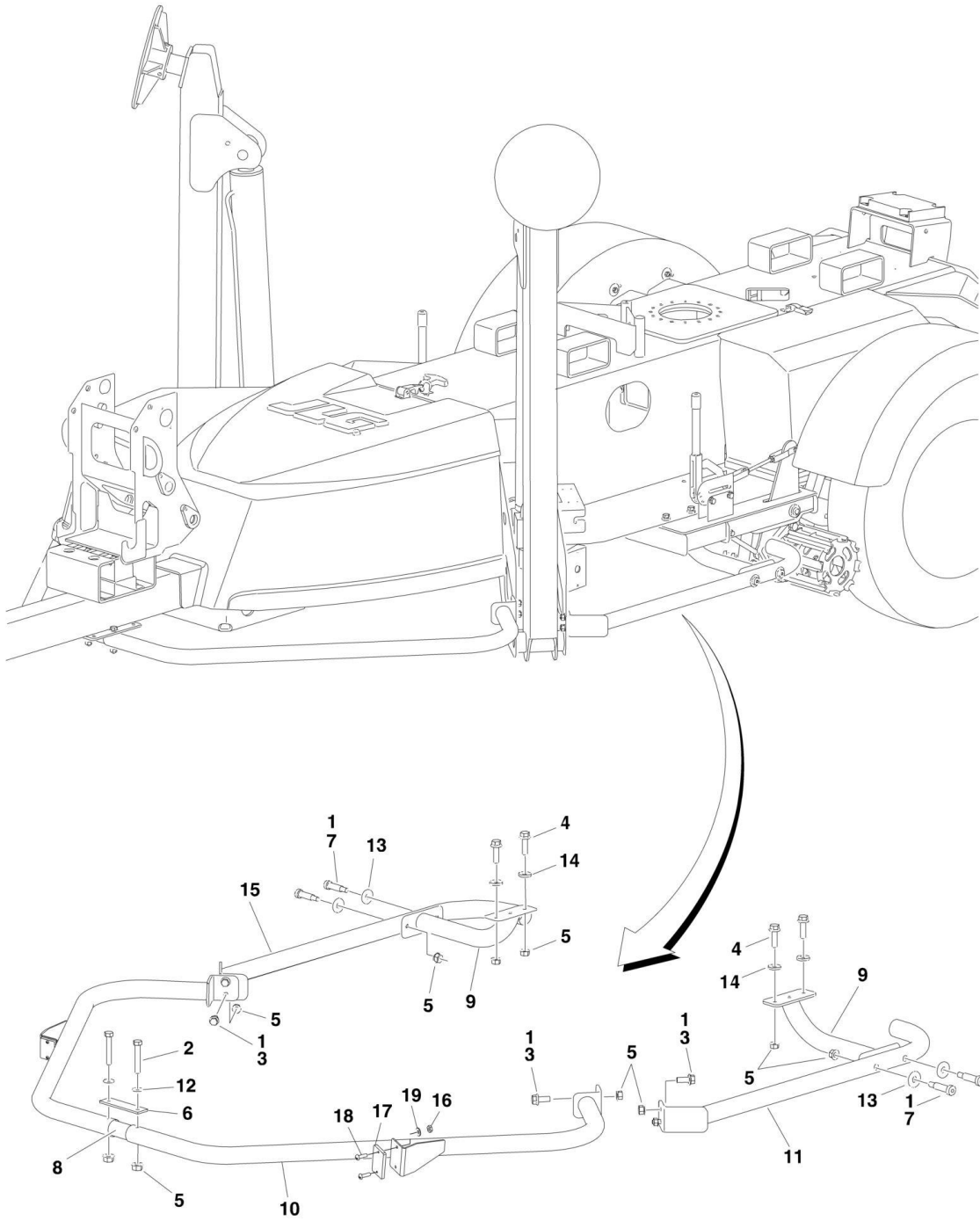
ITEM	PART NUMBER	QTY	DESCRIPTION	REV
	4210016	Ref	Outrigger Sub-Assembly (Australian and CE Specs) (T500J) (Prior to SN 0030000236)	C
	4210027	Ref	Outrigger Sub-Assembly (Australian and CE Specs) (T500J) (SN 0030000236 through 0030012032)	D
		Ref	Note: Qtys shown are for one sub-assembly. Four sub-assemblies required per machine.	
101	0100011	AR	Compound, Locking	
102		Ref	Bolt Options:	
102	0701014	1	Bolt 10mm x 30mm (T350)	
102	0701216	1	Bolt 12mm x 40mm (T500J)	
103		Ref	Cylinder Assembly Options (See CYLINDER SECTION for Breakdown):	
103	1684442	1	Cylinder Assembly (T350) (T350 SN 0030000100 through 0030012032)	
103	1684429	1	Cylinder Assembly (Use p/n 1684442) (T350 Prior to SN 0030000100)	
103	1684443	1	Cylinder Assembly (T500J) (T500J SN 0030000010 through 0030012032)	
103	1684431	1	Cylinder Assembly (Use p/n 1684443) (T500J Prior to SN 0030000010)	
104		Ref	Locknut Options:	
104	3291007	1	Locknut 10mm (T350)	
104	3291207	1	Locknut 12mm (T500J)	
105	3292405	1	Locknut 24mm	
106		Ref	Pin Options:	
106	3422429	1	Pin (T350)	
106	3423146	1	Pin (T500J)	
107		Ref	Keeper, Pin Options:	
107	3841143	1	Keeper, Pin (T350)	
107	3841203	1	Keeper, Pin (T500J)	
108	3841655	1	Rod, Pad Mounting	
109		Ref	Capscrew 1/2in-13NC x 1in	
109	3900321	3	Capscrew (Use p/n 3931816) (Prior to SN 0030000824)	
109	3931816	3	Capscrew (SN 0030000824 through 0030012032)	
110		Ref	Stabilizer Weldment Options:	
110	4210006	1	Stabilizer Weldment (ANSI and ANSI Export Specs) (T350)	
110	4210018	1	Stabilizer Weldment (Australian and CE Specs) (T350)	
110	4210005	1	Stabilizer Weldment (ANSI and ANSI Export Specs) (T500J) (Prior to SN 0030000236)	
110	4210024	1	Stabilizer Weldment (ANSI and ANSI Export Specs) (T500J) (SN 0030000236 through 0030012032)	
110	4210015	1	Stabilizer Weldment (Australian and CE Specs) (T500J) (Prior to SN 0030000236)	
110	4210026	1	Stabilizer Weldment (Australian and CE Specs) (T500J) (SN 0030000236 through 0030012032)	
110A		Ref	Bushing Options:	
110A	0962356	2	Bushing (T350)	
110A	0962272	2	Bushing (T500J)	
111	4220207	1	Pad, Outrigger	
112		Ref	Flatwasher Options:	
112	4812000	1	Flatwasher 10mm (T350)	
112	4812100	1	Flatwasher 12mm (T500J)	
113	4812700	1	Flatwasher 24mm	
114		Ref	Cover, Outrigger Options:	

SECTION 1 - FRAME

ITEM	PART NUMBER	QTY	DESCRIPTION	REV
114	1671172	1	Cover, Outrigger (T350)	C
114	1671171	1	Cover, Outrigger (T500J)	
	0274293	Ref	NON-MARKING OUTRIGGER PAD INSTALLATION (OPTIONAL)	
201	0641612	2	Bolt 3/8in-16NC x 1-1/2in	
202	0811606	8	Screw 3/8in-16NC x 3/4in	
203	1671185	4	Cover, Outrigger Pad	
204	3311605	2	Locknut 3/8in-16NC	
205	3421970	1	Snap-Pin	
206	3575790	1	Cover, Storage Box	
207		Ref	Tray, Storage Options:	
207	4341010	1	Tray, Storage (Use p/n 1001094614) (Prior to SN 0030002747)	
207	4341424	1	Tray, Storage (Use p/n 1001094614) (Prior to SN 0030002747)	
207	1001094614	1	Tray, Storage (SN 0030002747 through 0030012032)	
208	4711600	4	Flatwasher 3/8in Thin	

SECTION 1 - FRAME

FIGURE 1-35. SIDE GUARDS INSTALLATION



SECTION 1 - FRAME

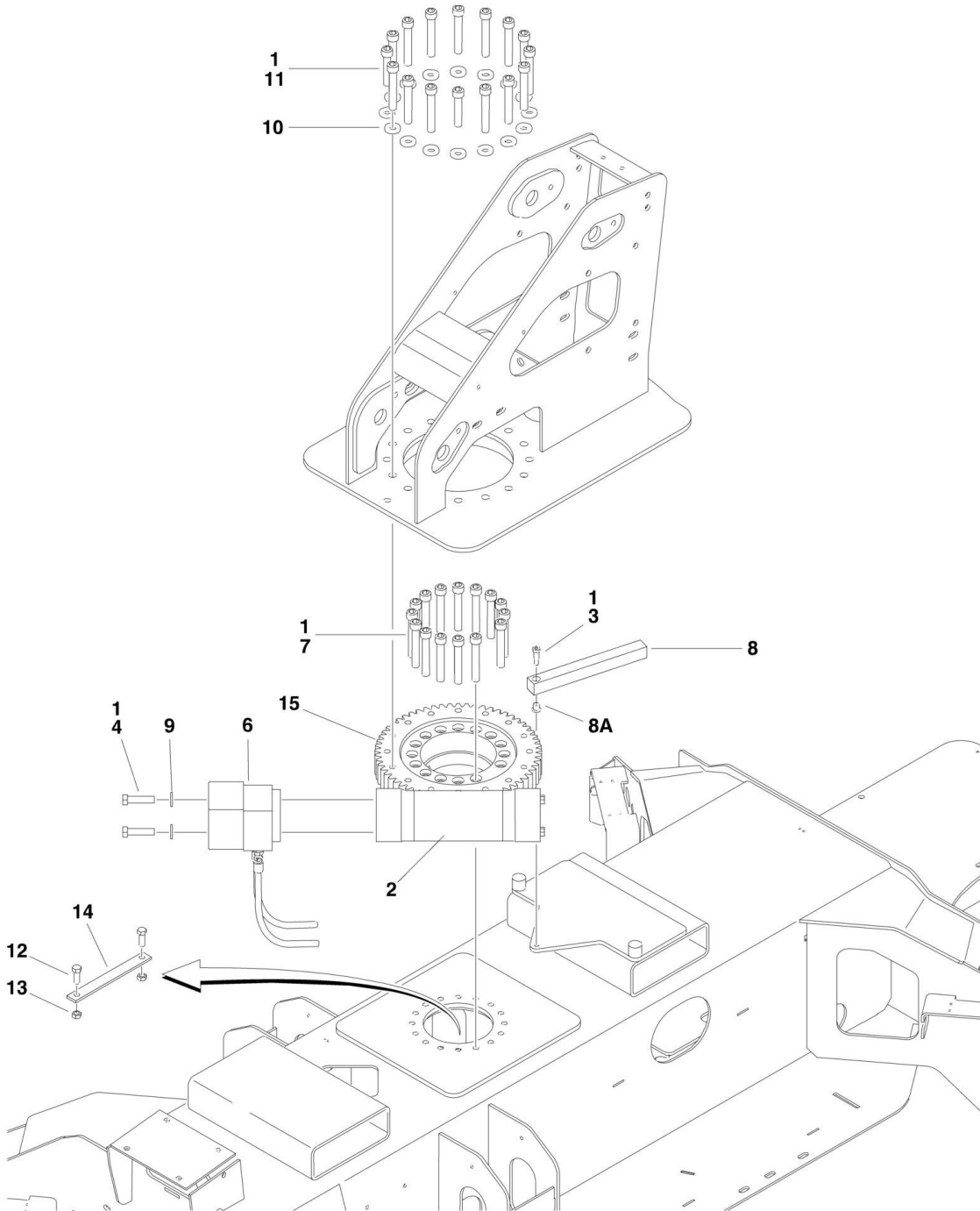
FIGURE 1-35. SIDE GUARDS INSTALLATION

ITEM	PART NUMBER	QTY	DESCRIPTION	REV
		Ref	SIDE GUARDS INSTALLATION (CE AND AUSTRALIAN SPECS)	
	0273680	Ref	Side Guards Installation (All Specs) (T350)	E
	0274773	Ref	Side Guards Installation (Australian Specs) (T500J)	C
	0274384	Ref	Side Guards Installation (CE Specs) (T500J)	B
1	0100011	AR	Compound, Locking	
2		Ref	Bolt 3/8in-16NC Options:	
2	0681624	2	Bolt 3/8in-16NC (3in Length) (T350) (Prior to SN 0030003085)	
2	0681622	2	Bolt 3/8in-16NC (2-3/4in Length) (T350) (SN 0030003085 through 0030012032)	
2	0681660	2	Bolt 3/8in-16NC (7 1/2 Length) (T500J)	
3	0811607	8	Screw 3/8in-16NC x 7/8in	
4	0811610	4	Screw 3/8in-16NC x 1-1/4in	
5	3311608	18	Nut, Flanged 3/8in-16NC	
6		Ref	Bar Options:	
6	Not Required	0	Bar (T350)	
6	3575786	1	Bar (T500J)	
7	3900270	4	Bolt, Shoulder 1/2in-13NC x 1-1/2in	
8	4341009	1	Mount, Tube	
9		Ref	Support, Guard Options:	
9	4569194	2	Support, Guard (T350)	
9	4569195	2	Support, Guard (T500J)	
10		Ref	Guard (Tongue to O/R) Options:	
10	4569188	2	Guard (T350)	
10	4569197	2	Guard (T500J)	
11		Ref	Guard (O/R to Fender)	
11	4569192	1	Guard (T350 Prior to SN 0030001529)	
11	4569400	1	Guard (T350 SN 0030001529 through 0030012032)	
11	4569405	1	Guard (Australian Spec) (T500J)	
11	4569199	1	Guard (CE Spec) (T500J) (Prior to SN 0030001444)	
11	4569392	1	Guard (CE Spec) (T500J) (SN 0030001444 through 0030012032)	
12	4711600	2	Flatwasher 3/8in Thin	
13	4751700	4	Flatwasher 7/16in Regular	
14	4891600	4	Flatwasher 3/8in Hardened	
15		Ref	Guard (O/R to Fender)	
15	4569192	1	Guard (T350 Prior to SN 0030001529)	
15	4569398	1	Guard (T350 SN 0030001529 through 0030012032)	
15	4569407	1	Guard (Australian Spec) (T500J)	
15	4569199	1	Guard (CE Spec) (T500J) (Prior to SN 0030001444)	
15	4569390	1	Guard (CE Spec) (T500J) (SN 0030001444 through 0030012032)	
16	3311005	4	Lock Nut, 10-24 (SN 0030009190 through 0030012032)	
17	3700014	2	Reflector (SN 0030009190 through 0030012032)	
18	3911010	4	Screw, 10-24 x 5/8in (SN 0030009190 through 0030012032)	
19	4751000	AR	Flatwasher #10 Wide (SN 0030009190 through 0030012032)	

SECTION 2 - TURNTABLE

SECTION 2 - TURNTABLE

FIGURE 2-1. SWING DRIVE AND TURNTABLE BEARING INSTALLATIONS



SECTION 2 - TURNTABLE

FIGURE 2-1. SWING DRIVE AND TURNTABLE BEARING INSTALLATIONS

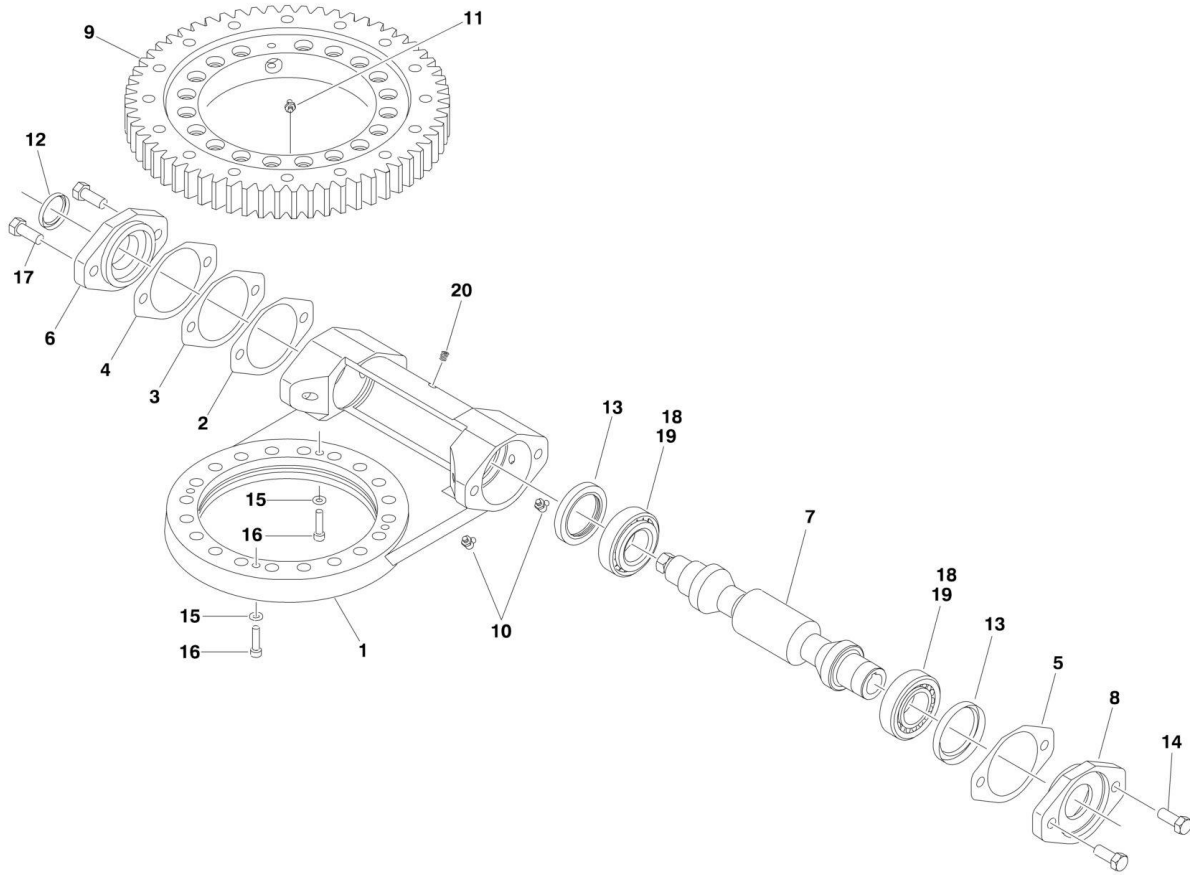
ITEM	PART NUMBER	QTY	DESCRIPTION	REV
		Ref	SWING DRIVE AND TURNTABLE BEARING INSTALLATION	
	0273612	Ref	Swing Drive and Turntable Bearing Installation (Perfection Gear Dohi Version) (T350)	H
	1001153360	Ref	Swing Drive and Turntable Bearing Installation (Perfection Gear Jing Wei Version) (T350)	B
	0273613	Ref	Swing Drive and Turntable Bearing Installation (Perfection Gear Dohi Version) (T500J)	H
	1001153363	Ref	Swing Drive and Turntable Bearing Installation (Perfection Gear Jing Wei Version) (T500J)	B
1	0100019	AR	Compound, Locking	
2		Ref	Turntable Bearing Assembly Options (See TURNTABLE BEARING ASSEMBLY for Breakdown):	
2		Ref	Turntable Bearing Assembly (T350)	
2	0440285	1	Perfection Gear Dohi Version (Original Equipment) (Use p/n 1001160525) (T350)	
		Ref	Note: Original Equipment bearing p/n 0400285 may have been replaced with Service Replacement Bearing Kit p/n 1001160525. Visually identify the p/n tag on bearing before ordering parts. (T350)	
2	1001160525	1	Perfection Gear Jing Wei Version (Service Replacement Kit Includes Items Bearing, 4, 7, 9, 10 & 11) (T350)	
2	1001153011	1	Perfection Gear Jing Wei Version (T350)	
2		Ref	Turntable Bearing Assembly (T500J)	
2	0440286	1	Perfection Gear Dohi Version (Use p/n 1001160526) (T500J)	
2	1001153014	1	Perfection Gear Jing Wei Version (T500J)	
3	0630183	1	Screw 3/8in-16NC x 1in	
4	0681816	2	Bolt 1/2in-13NC x 2in (Grade 8)	
6		Ref	Swing Motor Assembly Options:	
6	3160182	1	Swing Motor Assembly (Use p/n 3160331) (See SWING DRIVE MOTOR ASSEMBLY (WHITE) for Breakdown.) (Prior to SN 003000641)	
6	3160331	1	Swing Motor Assembly (Used either p/n 3160182 or p/n 3160331) (SN 003000642 through 0030001050)	
6	3160331	1	Swing Motor Assembly (See SWING DRIVE MOTOR ASSEMBLY (PARKER) for Breakdown.) (SN 0030001051 through 0030012032)	
		Ref	Note: Original Equipment motor p/n 3160182 may have been replaced with Service Replacement motor p/n 3160331. Visually identify the motor before ordering parts.	
7	3900360	Ref	Capscrew 14mm x 90mm	
7	3900360	15	Capscrew (T350)	
7	3900360	19	Capscrew (T500J)	
8		Ref	Arm, Swing Options:	
8	4220204	1	Arm, Swing (Use p/n 4220255) (Prior to SN 0030000151)	
8	4220255	1	Arm, Swing (SN 0030000151 through 0030012032)	
8A	0962447	1	Bushing, Flanged	
9	4740171	2	Flatwasher, Hardened	
10	4891900	16	Flatwasher 9/16in Hardened	
11		Ref	Capscrew Options:	
11	3900368	2	Capscrew (14mm x 70mm) (T350)	
11	3900360	14	Capscrew (14mm x 90mm) (T350)	
11	3900360	16	Capscrew (14mm x 90mm) (T500J)	
12	0641608	2	Bolt 3/8in-16NC x 1in	

SECTION 2 - TURNTABLE

ITEM	PART NUMBER	QTY	DESCRIPTION	REV
13	3311608	2	Nut, Flanged 3/8in-16NC	
14	4240173	1	Strap, Hose	
15	3020027	AR	Lube (5 gal bucket) (Prior to SN 0030006049)	
	70010724	AR	Lube (14 oz tube)	
		Ref	TURNTABLE WELDMENT	
	4620147	Ref	Turntable Weldment (T350)	
	4620148	Ref	Turntable Weldment (T500J)	

SECTION 2 - TURNTABLE

FIGURE 2-2. TURNTABLE BEARING ASSEMBLY



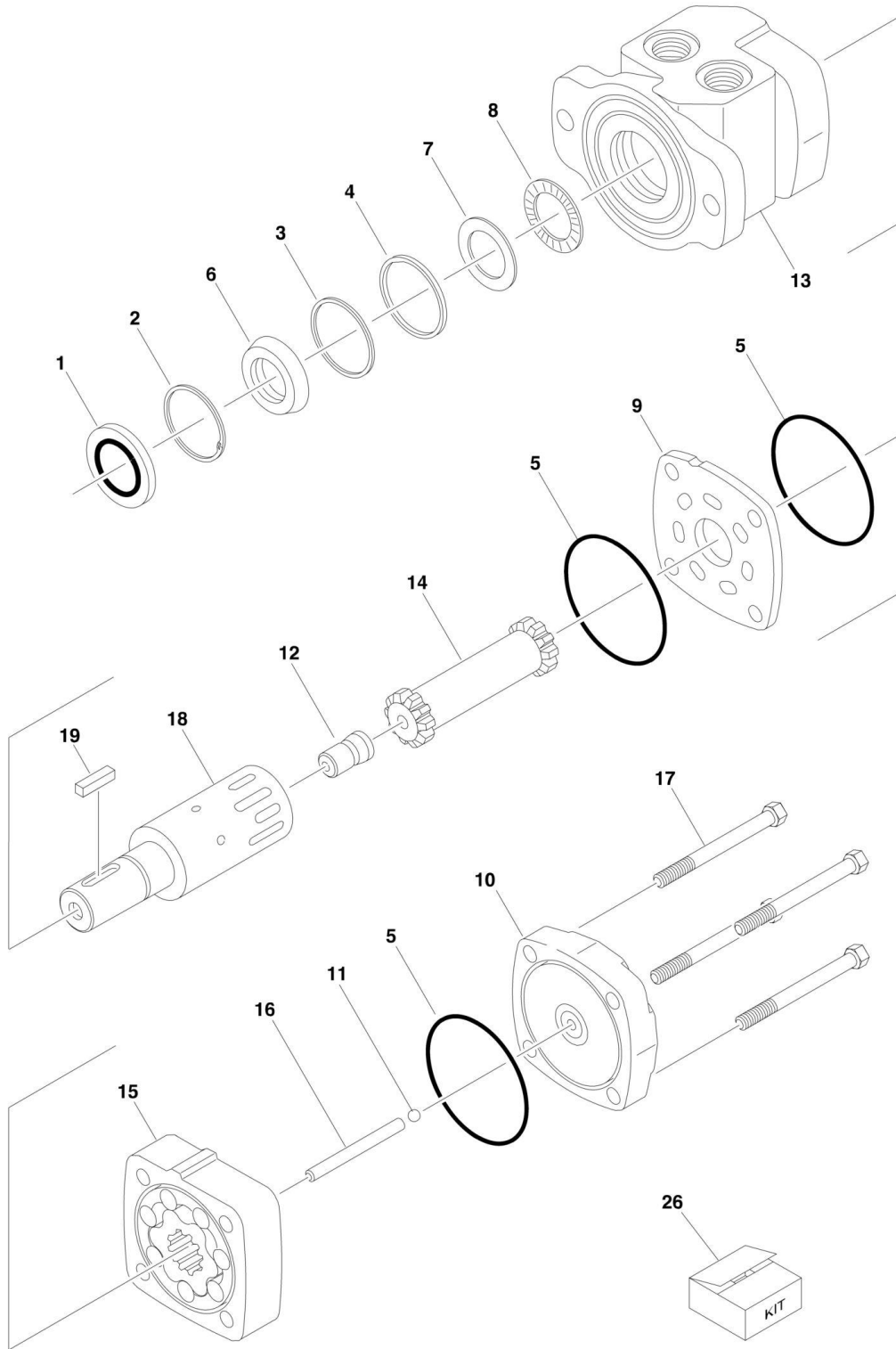
SECTION 2 - TURNTABLE

FIGURE 2-2. TURNTABLE BEARING ASSEMBLY

ITEM	PART NUMBER	QTY	DESCRIPTION	REV
		Ref	TURNTABLE BEARING ASSEMBLY	
	0440285	Ref	Turntable Bearing Assembly (Perfection Gear Dohi Version) (T350)	J
	1001153011	Ref	Turntable Bearing Assembly (Perfection Gear Jing Wei Version) (T350)	C
	0440286	Ref	Turntable Bearing Assembly (Perfection Gear Dohi Version) (T500J)	K
	1001153014	Ref	Turntable Bearing Assembly (Perfection Gear Jing Wei Version) (T500J)	B
1	See Note	1	Housing (Note: Not Available - Purchase Complete Bearing Assembly)	
2	7027350	AR	Gasket (Blue.005)	
3	7027351	AR	Gasket (Clear.0075)	
4	7027352	AR	Gasket (Brown.010)	
5	7027353	AR	Gasket (Yellow.020)	
6	7027354	1	Cap	
7		Ref	Shaft, Worm Drive Options:	
7	7027355	1	Shaft, Worm Drive (T350)	
7	7027363	1	Shaft, Worm Drive (T500J)	
8	7027356	1	Adapter, Motor	
9		Ref	Bearing, Slew	
9	7027357	1	Bearing, Slew (Perfection Gear Dohi Version) (T350)	
9	70004156	1	Bearing, Slew (Perfection Gear Jing Wei Version) (T350)	
9	7027364	1	Bearing, Slew (Perfection Gear Dohi Version) (T500J)	
9	70004157	1	Bearing, Slew (Perfection Gear Jing Wei Version) (T500J)	
10	7027358	3	Fitting, Grease - Elbow	
11	See Note	1	Fitting, Grease - Straight (was p/n 7027359 or 7027358) (Note: Not Available - Purchase Locally)	
12	7027360	1	Seal	
13	7027361	1	Seal	
14		Ref	Bolt 1/2in-13NC Options:	
14	0641808	2	Bolt 1/2in-13NC (1in Length) (T350)	
14	0641810	2	Bolt 1/2in-13NC (1-1/4in Length) (T500J)	
15	4751500	2	Flatwasher 5/16in Regular	
16		Ref	Capscrew Options:	
16	70000864	2	Capscrew (Capscrew 1/4in-20NC x 1-1/8in) (T350)	
16	88212228	2	Capscrew (Capscrew 5/16in-18NC x 1-1/4in) (T500J)	
17	0681812	2	Bolt 1/2in-13NC x 1-1/2in (Grade 8)	
18	7026042	2	Cup, Bearing	
19	7026043	2	Cone, Bearing	
20	See Note	1	Plug (Note: Not Available - Purchase Locally)	

SECTION 2 - TURNTABLE

FIGURE 2-3. SWING DRIVE MOTOR ASSEMBLY (WHITE)



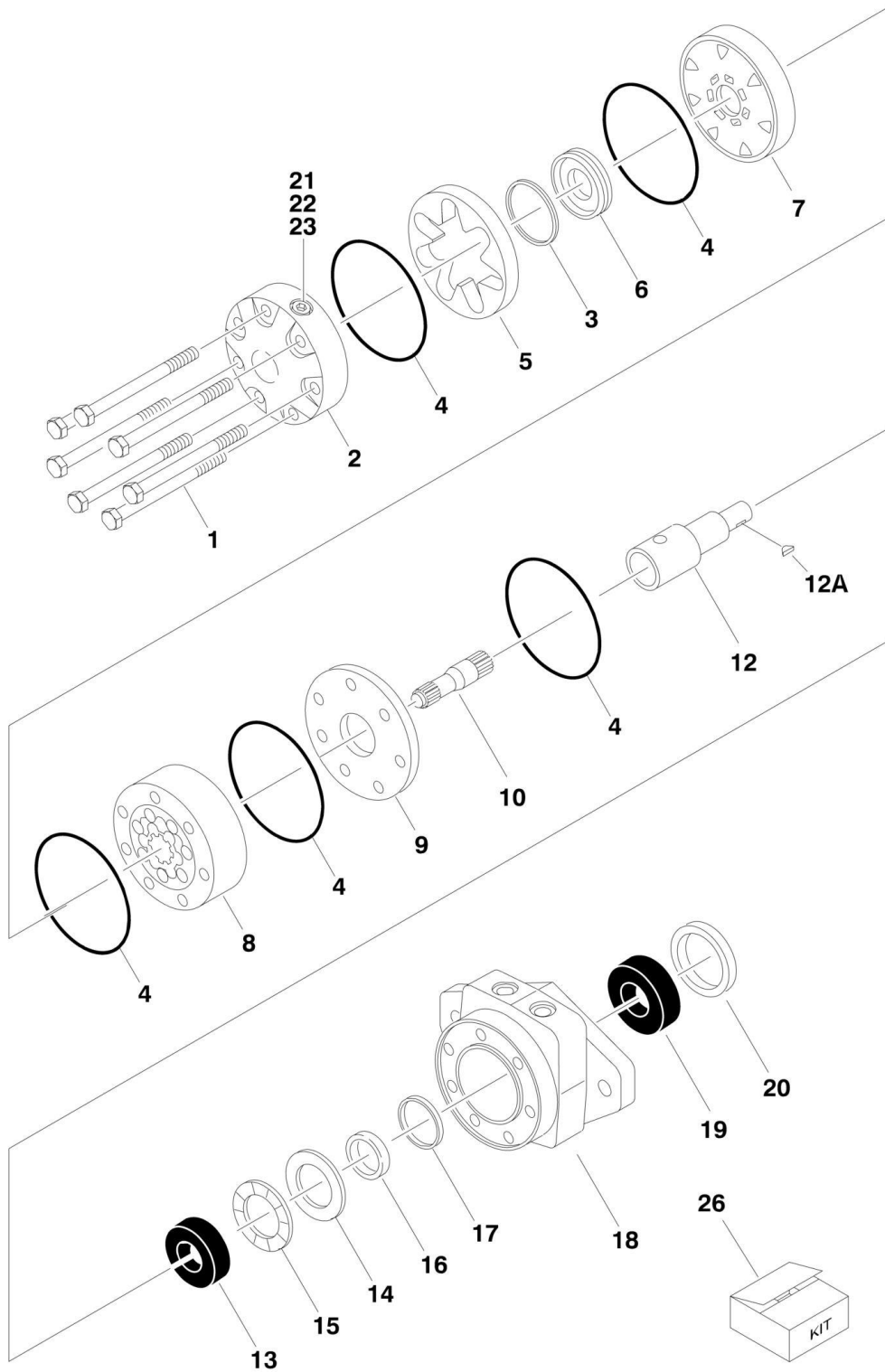
SECTION 2 - TURNTABLE

FIGURE 2-3. SWING DRIVE MOTOR ASSEMBLY (WHITE)

ITEM	PART NUMBER	QTY	DESCRIPTION	REV
	3160182	Ref	SWING MOTOR ASSEMBLY	C
		Ref	Swing Motor Usage Chart:	
		Ref	Swing Motor Usage Chart: used p/n 3160182 unless replaced. (Prior to SN 00300064)	
		Ref	Swing Motor Usage Chart: Used either p/n 3160182 or 3160331 (SN 003000642 through 0030001050)	
		Ref	Swing Motor Usage Chart: Used p/n 3160331 (SN 0030001051 through 0030012032)	
1	7005881	1	Seal, Dust	
2	7005881	1	Ring, Retainer	
3	7005881	1	Shim, Back-Up	
4	7005881	1	Seal, Housing	
5	7005881	3	Seal, Body	
6	7005881	1	Seal, Shaft	
6	7005881	1	Ring, Teflon Back-up	
6	7005881	1	Shim, Back-Up	
7	7016417	1	Thrustwasher	
8	7005809	1	Bearing, Thrust	
9	7005812	1	Plate, Wear	
10	7005874	1	Cover, End	
11	7005874	AR	Ball (Part of Item 10)	
12	7005876	1	Plug, Cooling	
13	7005804	1	Housing	
14	7005811	1	Link, Drive	
15	7005877	1	Rotor Set Assembly	
16	7005878	AR	Pin, Drive Link	
17	7005821	4	Bolt	
18	7005879	1	Shaft	
19	7005880	1	Key	
26	7005881	1	Seal Kit (Includes Items 1-6)	

SECTION 2 - TURNTABLE

FIGURE 2-4. SWING DRIVE MOTOR ASSEMBLY (PARKER)



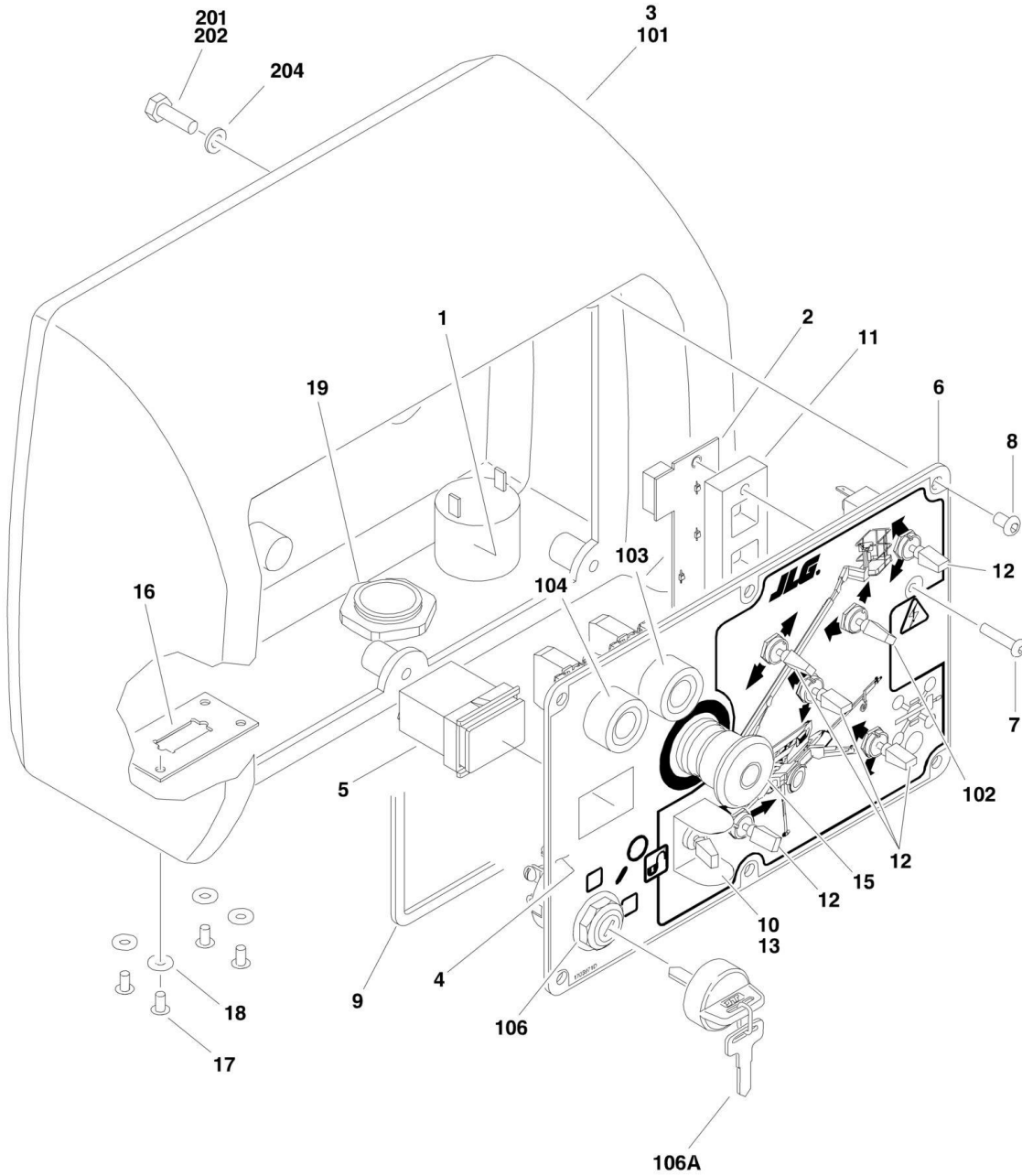
SECTION 2 - TURNTABLE

FIGURE 2-4. SWING DRIVE MOTOR ASSEMBLY (PARKER)

ITEM	PART NUMBER	QTY	DESCRIPTION	REV
	3160331	Ref	SWING DRIVE MOTOR ASSEMBLY	B
		Ref	Swing Motor Usage Chart:	
		Ref	Swing Motor Usage Chart: used p/n 3160182 unless replaced. (Prior to SN 00300064)	
		Ref	Swing Motor Usage Chart: Used either p/n 3160182 or 3160331 (SN 003000642 through 0030001050)	
		Ref	Swing Motor Usage Chart: Used p/n 3160331 (SN 0030001051 through 0030012032)	
1	7024382	7	Bolt	
2	7004035	1	Cover	
3	7024396	1	Seal, Commutator	
4	7024396	5	Ring, Seal	
5	7024453	1	Commutator (Includes Item 6)	
6	7024453	1	Ring, Commutator (Includes Item 5)	
7	7024379	1	Manifold	
8	7024383	1	Rotor Set	
9	7024380	1	Plate, Wear	
10	7024384	1	Link, Drive	
12	70000088	1	Shaft	
12A	70000089	1	Key, Shaft	
13	7024381	1	Bearing, Inner	
14	7004043	1	Thrustwasher	
15	7004044	1	Bearing, Thrust	
16	7024396	1	Seal, Inner	
17	7024396	1	Washer, Backup	
18	80234299	1	Housing	
19	7024390	1	Bearing, Outer	
20	7024396		Seal, Dirt and Water	
21	7010795	2	Plug (Includes O-Ring)	
22	7024387	2	O-Ring	
23	7024388	2	Spring	
26	7024396	1	Seal Kit (Includes Items 3, 4, 16, 17 & 20)	

SECTION 2 - TURNTABLE

FIGURE 2-5. GROUND CONTROL BOX ASSEMBLY AND INSTALLATION



SECTION 2 - TURNTABLE

FIGURE 2-5. GROUND CONTROL BOX ASSEMBLY AND INSTALLATION

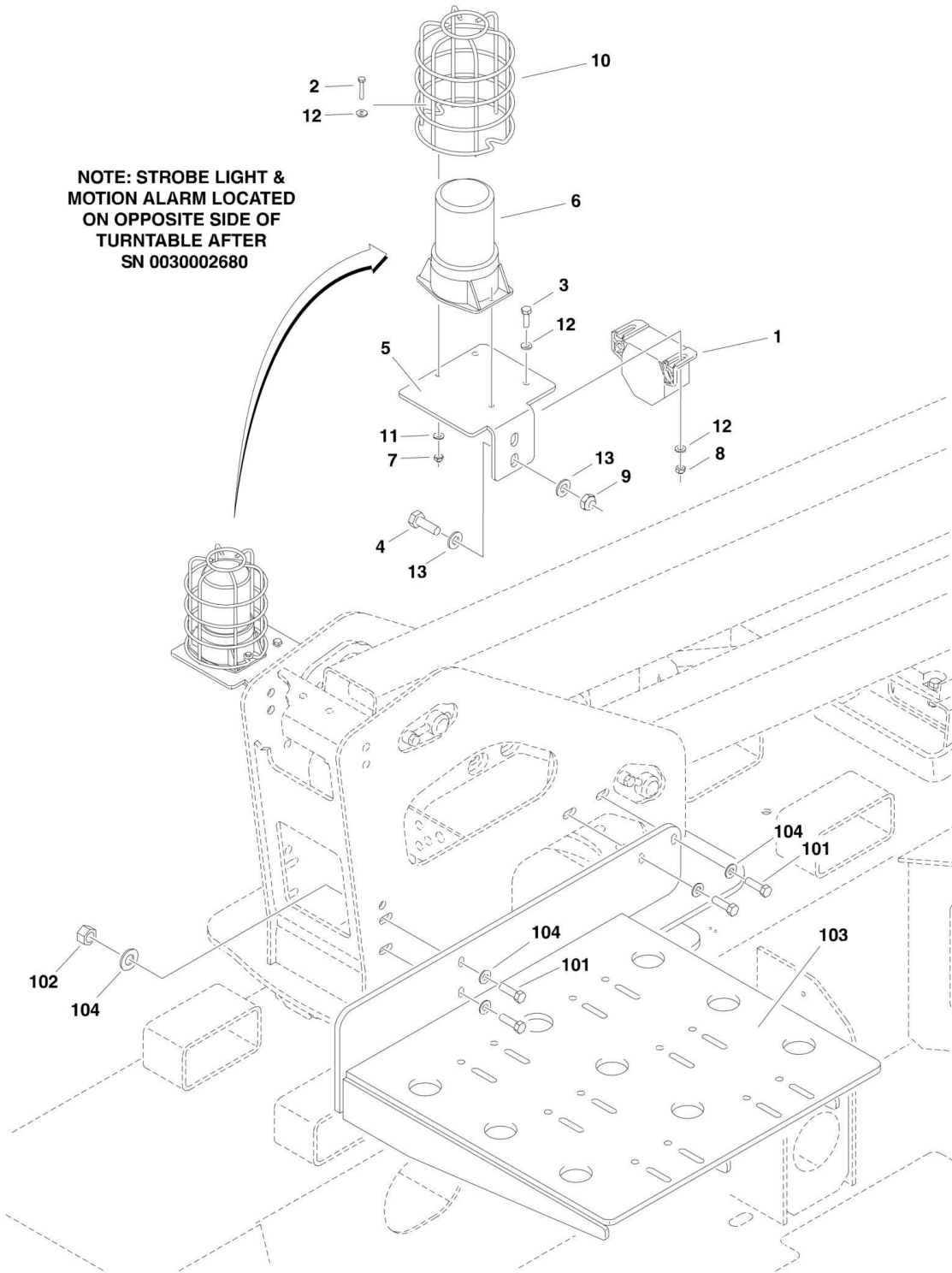
ITEM	PART NUMBER	QTY	DESCRIPTION	REV
	0861648	Ref	GROUND CONTROL BOX ASSEMBLY (COMMON PARTS)	L
1	0140011	1	Alarm	
2	0610170	1	PC Board	
3	0861647	1	Box	
4	1705971	1	Decal	
5	2420172	1	Hourmeter	
6	3575358	1	Plate, Switch Mounting	
7	3900352	2	Screw, Button Head 5mm x 25mm	
8	3900358	6	Screw, Button Head 6mm x 10mm	
9	3960587	1	Seal	
10	4060906	1	Guard, Switch	
11	4220210	1	Block, PC Board Mounting	
12	4360328	5	Switch, Toggle	
13	4360330	1	Switch, Toggle	
15		Ref	Switch, Emergency Stop	
15	4360475	1	Cap, Replacement	
15	7020175	1	Block, Replacement Contact	
15	7020176	1	Plate, Plug Mounting	
16	3575623	1	Rivet	
17	3820020	4	Flatwasher #10 Thin	
18	4711000	4	Connector, Strain Relief	
19	4460426	1	Connector, Strain Relief (Prior to SN 0030009593)	
19	4460386	1	Connector, Strain Relief (SN 0030009593 through 0030011022)	
		Ref	GROUND CONTROL BOX ASSEMBLY (OPTIONAL PARTS)	
		Ref	Ground Control Box Assembly (Optional Parts) (T350)	
	0861663	Ref	Electric Powered Machines (ANSI and ANSI Export Specs) (T350)	K
	0861671	Ref	Electric Powered Machines (CE and Australian Specs) (T350)	H
	0861661	Ref	Gas Powered Machines (ANSI and ANSI Export Specs) (T350)	K
	0861672	Ref	Gas Powered Machines (CE and Australian Specs) (T350)	H
		Ref	Ground Control Box Assembly (Optional Parts) (T500J)	
	0861662	Ref	Electric Powered Machines (ANSI and ANSI Export Specs) (T500J)	K
	0861673	Ref	Electric Powered Machines (CE and Australian Specs) (T500J)	H
	0861649	Ref	Gas Powered Machines (ANSI and ANSI Export Specs) (T500J) (Prior to SN 0030011022)	J
	0861674	Ref	Gas Powered Machines (CE and Australian Specs) (T500J)	H
101	0861648	1	Common Ground Control Box Assembly (See Items for 1-19 for Breakdown)	
102		Ref	Components Options:	
102	3520028	1	Plug, Hole (T350)	
102	4360328	1	Switch, Toggle (Jib) (T500J)	
103		Ref	Components Options:	
103	3520030	1	Plug, Hole (Electric Powered Machines)	
103	4360564	1	Switch, Push Button (Black) (Gas Powered Machines)	
104		Ref	Components Options:	
104	3520030	1	Plug, Hole (Electric Powered Machines)	
104	4360565	1	Switch, Push Button (Yellow) (Gas Powered Machines)	

SECTION 2 - TURNTABLE

ITEM	PART NUMBER	QTY	DESCRIPTION	REV
105		Ref	Harness Options (Not Shown - See ELECTRICAL SECTION for Breakdown):	
105	4923118	1	Electric Powered Machines	
105	4923125	1	Gas Powered Machines	
106		Ref	Keyswitch Options:	
106	4360469	1	ANSI and ANSI Export Specs	
106	4360470	1	CE and Australian Specs	
106A	2860030	1 Set	Key, Replacement	
		Ref	GROUND CONTROL BOX INSTALLATION	
		Ref	Ground Control Box Installation (T350)	
	0273615	Ref	Electric Powered Machines (ANSI, ANSI Export and South Africa Specs) (T350)	B
	0274111	Ref	Electric Powered Machines (CE and Australian Specs) (T350)	B
	0273960	Ref	Gas Powered Machines (ANSI, ANSI Export and South Africa (T350)	B
	0274112	Ref	Gas Powered Machines (CE and Australian Specs) (T350)	B
		Ref	Ground Control Box Installation (T500J)	
	0273961	Ref	Electric Powered Machines (ANSI, ANSI Export and South Africa Specs) (T500J)	B
	0274113	Ref	Electric Powered Machines (CE and Australian Specs) (T500J)	B
	0273962	Ref	Gas Powered Machines (ANSI, ANSI Export and South Africa (T500J)	B
	0274114	Ref	Gas Powered Machines (CE and Australian Specs) (T500J)	B
201	0100035	AR	Compound, Locking	
202	0761012	4	Bolt 10mm x 25mm	
204	4812000	4	Flatwasher 10mm	
205	4240175	1	Tie-Strap (Not Shown - Located Beneath Ground Control Box) (SN 0030000700 through Only)	

SECTION 2 - TURNTABLE

FIGURE 2-6. TURNTABLE MOUNTED COMPONENTS (STROBE LIGHT, ALARM AND ACCESSORY TRAY)



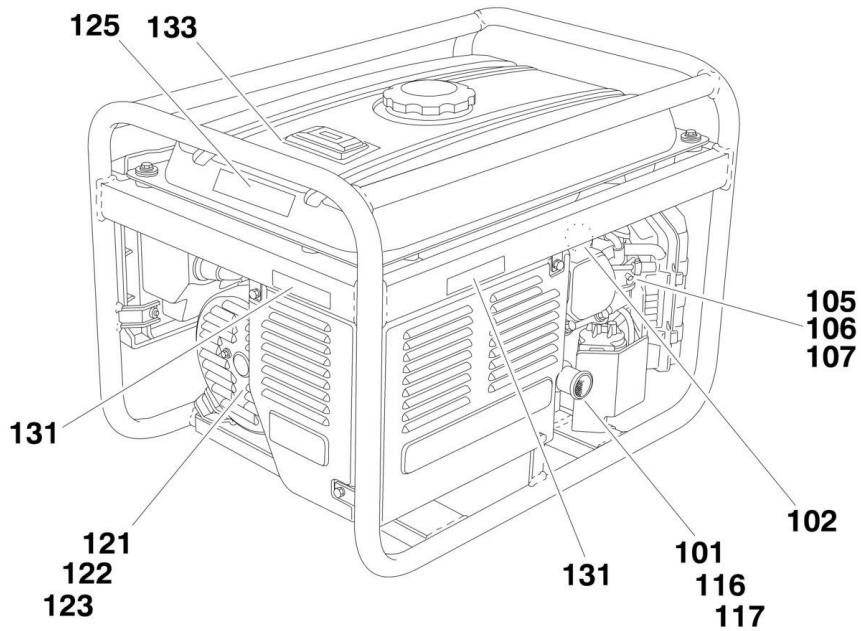
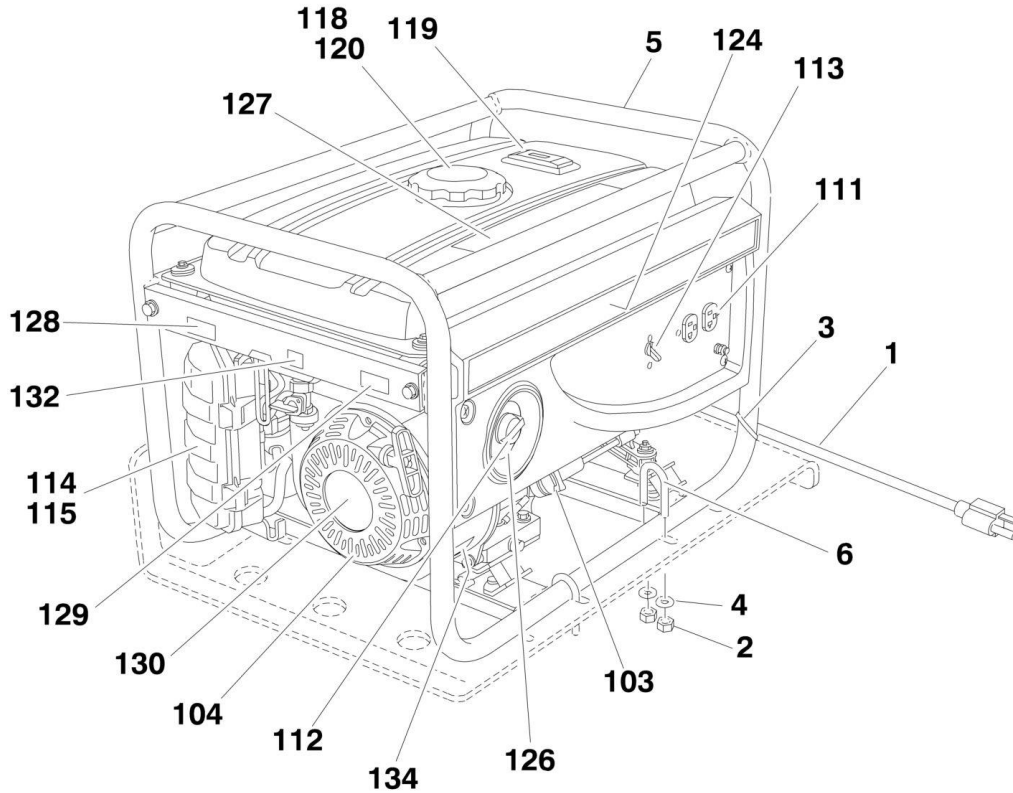
SECTION 2 - TURNTABLE

FIGURE 2-6. TURNTABLE MOUNTED COMPONENTS (STROBE LIGHT, ALARM AND ACCESSORY TRAY)

ITEM	PART NUMBER	QTY	DESCRIPTION	REV
		Ref	MOTION ALARM AND STROBE LIGHT INSTALLATION (OPTIONAL)	
		Ref	Motion Alarm and Strobe Options:	
	0273669	Ref	Motion Alarm and Strobe Light Option	F
	0275048	Ref	Motion Alarm Option (SN 0030000281 through 0030012032)	D
	0275030	Ref	Strobe Light Option (SN 0030000281 through 0030012032)	D
1	0140043	1	Alarm	
2	0700412	2	Bolt 4mm x 25mm	
3	0700610	2	Bolt 6mm x 20mm	
4	0701014	2	Bolt 10mm x 30mm	
5	0903087	1	Bracket, Mounting	
6	2920161	1	Strobe Light Assembly	
6	7016319	1	Bulb	
6	7016372	1	Lens	
7	3290405	2	Locknut 4mm	
8	3290605	2	Locknut 6mm	
9	3291005	2	Locknut 10mm	
10	4060865	1	Guard, Strobe	
11	4811400	2	Flatwasher 4mm	
12	4811700	6	Flatwasher 6mm	
13	4812000	4	Flatwasher 10mm	
14	4923128	1	Harness, Strobe/Alarm (Not Shown - See ELECTRICAL SECTION for Breakdown)	
	0274290	Ref	ACCESSORY TRAY INSTALLATION (OPTIONAL)	C
101	0641610	4	Bolt 3/8in-16NC x 1-1/2in (Use p/n 0641612)	
102	3311605	4	Locknut 3/8in-16NC	
103		Ref	Mount, Accessory Tray Options:	
103	4340929	1	Mount, Accessory Tray (Use p/n 1001092449) (Prior to SN 0030002110)	
103	4341400	1	Mount, Accessory Tray (SN 0030002110 through 0030012032)	
104	4711600	8	Flatwasher, 3/8in Hardened (Use p/n 4891600)	

SECTION 2 - TURNTABLE

FIGURE 2-7. 2500W GENERATOR INSTALLATION (OPTIONAL) (Prior to SN 0030004340)



SECTION 2 - TURNTABLE

FIGURE 2-7. 2500W GENERATOR INSTALLATION (OPTIONAL) (Prior to SN 0030004340)

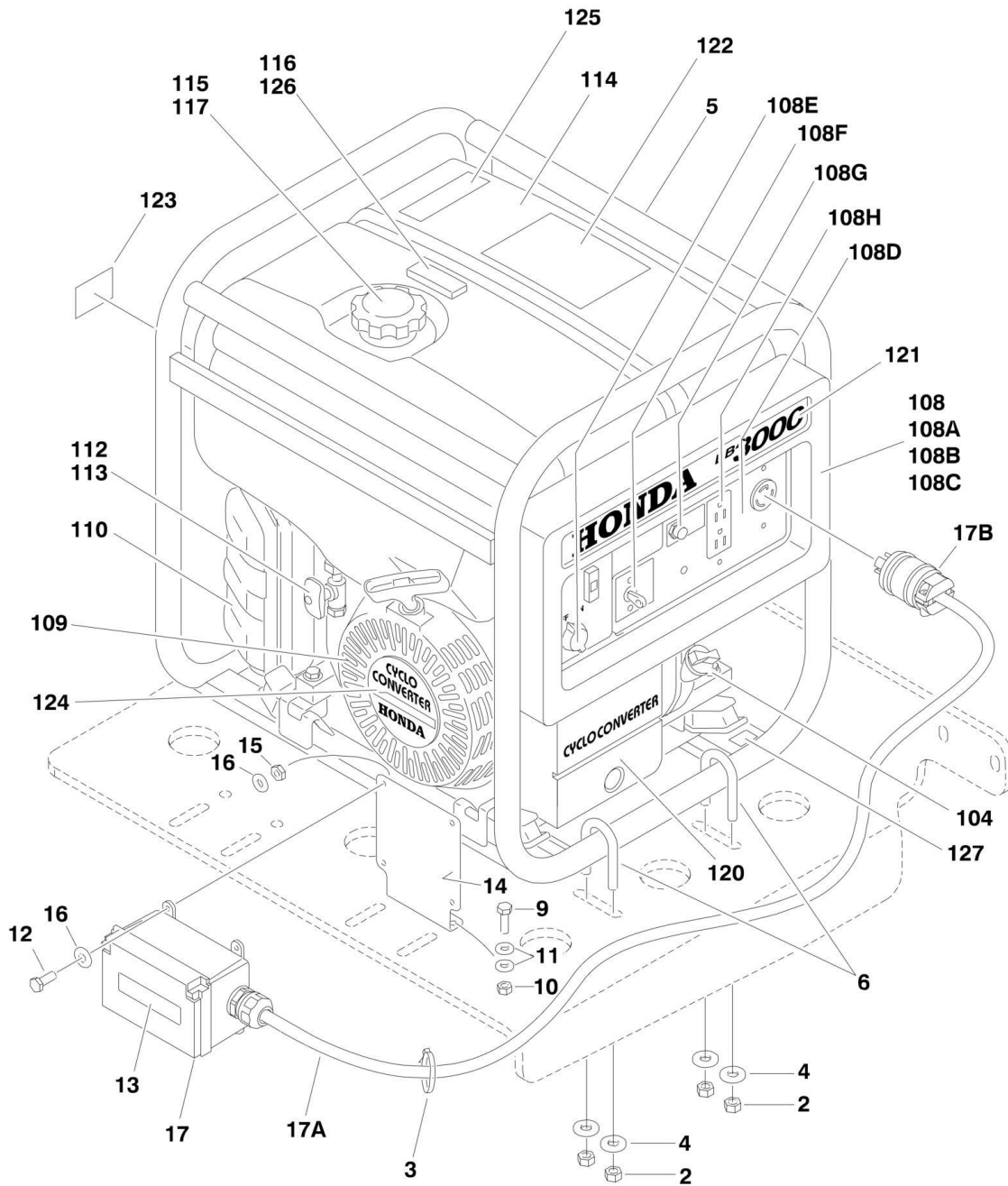
ITEM	PART NUMBER	QTY	DESCRIPTION	REV
	1001120260	Ref	GENERATOR INSTALLATION (ANSI SPEC ONLY - NOT AVAILABLE IN CALIFORNIA)	B
1	1060688	1	Cable, AC	
2	3311505	8	Locknut 5/16in-18NC	
3	4240033	AR	Tie, Wire	
4	4751500	8	Flatwasher 5/16in	
5	1001120261	1	Generator 2500W (See Items 101 - 150 for Breakdown)	
6	1001120264	4	Bolt U, 5/16in - 18NC X 1in	
8	3020015	0.33 qt	Motor Oil 10W 40	
	1001120261	Ref	2500W GENERATOR ASSEMBLY (Prior to SN 0030004340)	B
101	70002769	1	Gasket, Muffler	
102	70002770	1	Plug, Spark	
103	70002771	1	Cap, Oil Filler	
104	70002772	1	Starter Assy (Recoil)	
104	70002773	1	Grip	
104	70002774	1	Rope	
105	70002775	1	Carburetor Assy	
106	70002776	1	Gasket, Insulator	
107	70002777	1	Gasket, Carburetor	
108	70002778	1	Coil Assy (Not Shown)	
109	70002779	1	Harness, Stop Switch (Not Shown)	
110	70002781	1	Harness, Control (Not Shown)	
111	70002782	1	Receptacle	
112	70002783	1	Switch (Engine Stop)	
113	70002784	1	Breaker, Circuit	
114	70002785	1	Element, Air Cleaner	
115	70002786	1	Seal, Air Cleaner Cover	
116	70002787	1	Muffler	
117	70002788	1	Gasket, Exhaust Pipe	
118	70003055	1	Tank, Fuel	
118	70003059	4	Bolt, Flange M6 x 22mm	
118	4811700	4	Flatwasher M6	
118	70003055	4	Collar, Mounting Cushion	
118	70003056	4	Cushion, Mounting	
118	70003054	1	Tank Drain Assembly (Includes Petcock, Strainer Screen, O-Ring, Cup and Cup Filter)	
119	70002790	1	Gauge, Fuel	
119	70003058	2	Screw M5 x 10mm	
120	70002789	1	Cap, Fuel Filler	
120	70002791	1	Filter, Fuel	
121	70002792	1	Brush, Assy	
122	70002793	1	Regulator	
123	70002794	1	Bearing	
124	70002795	1	Decal - Emblem (EP2500CX)	
125	70002796	1	Decal - Spec (CX-A)	
126	70002797	1	Decal - Engine Switch	
127	70002798	1	Decal - Operator Warning	
128	70002799	1	Decal - Choke	
129	70002800	1	Decal - Oil Alert	
130	70002801	1	Decal - Honda	

SECTION 2 - TURNTABLE

ITEM	PART NUMBER	QTY	DESCRIPTION	REV
131	70002802	2	Decal - Caution	
132	70002803	1	Decal - Fuel	
133	70002804	1	Decal - Fuel Indication	
134	70002805	1	Decal - Oil Check	
150	70002780	1	Gasket Kit - Engine (Not Shown)	

SECTION 2 - TURNTABLE

FIGURE 2-8. 3000W GENERATOR INSTALLATION (OPTIONAL) (SN 0030004340 through 0030012032)



SECTION 2 - TURNTABLE

FIGURE 2-8. 3000W GENERATOR INSTALLATION (OPTIONAL) (SN 0030004340 through 0030012032)

ITEM	PART NUMBER	QTY	DESCRIPTION	REV
	1001120260	Ref	GENERATOR INSTALLATION (ANSI, ANSI EXPORT AND CSA SPECS ONLY - NOT AVAILABLE IN CALIFORNIA)	D
2	3311505	8	Nut 5/16	
3	4240033	AR	Tie-Strap	
4	4751500	8	Washer 5/16	
5	1001130309	1	Generator Assembly - 3000W (See Items 101-127 for Breakdown)	
6	1001120264	4	U-Bolt 5/16 X 1	
9	0641407	2	Bolt 1/4 x 7/8	
10	3311405	2	Nut 1/4	
11	4711400	4	Washer 1/4	
12	0721004	4	Screw #10 x 1/2	
13	3252761	1	Decal - 120V	
14	1001131326	1	Plate, Mounting	
15	3311005	4	Nut #10	
16	4711000	4	Washer M10	
17	1001131595	1	Electrical Assembly	
17	0861731	1	Box, Receptacle	
17	1671207	1	Cover, Receptacle Box	
17	4460346	1	Receptacle, GFI	
17	4460662	1	Connector, Strain Relief	
17A	1060908	44 in/1.1m	Cable, 12/3	
17B	1001131740	1	Plug	
	1001130309	Ref	3000W GENERATOR ASSEMBLY	B
101		Ref	Gasket Options (Not Shown):	
101	70003558	1	Gasket, Cylinder Head	
101	70003559	1	Gasket, Cylinder Head Cover	
101	70003560	1	Gasket, Exhaust (Exhaust Pipe to Cylinder Head)	
102		Ref	Plug, Spark (Not Shown)	
102	7027391	1	Denso Brand	
102	70002770	1	NGK Brand	
103	70003561	1	Switch Assembly, Oil Level (Not Shown)	
103	70003507	1	O-Ring	
104	70002771	1	Cap, Oil Filler	
105	7027388	1	Cap, Secondary Oil Filler (Not Shown)	
106	70003565	1	Carburetor Assembly (Not Shown)	
106	70003562	1	Gasket Set - Carburetor	
106	70003563	1	Float Set - Carburetor	
106	70003564	1	Screw Set - Drain	
106	70003566	1	Insulator, Carburetor (Not Shown)	
106	70002776	1	Gasket, Insulator to Block (Not Shown)	
106	70003567	1	Spacer, Carburetor (Not Shown)	
106	70002777	1	Gasket, Carburetor to Insulator (Not Shown)	
107	70003568	1	Coil, Charging (Not Shown)	
107	7027398	1	Suppressor, Noise (Not Shown)	
108	70003572	1	Control Box Assembly	
108A	70003569	1	Module, Ignition	
108B	70003570	1	Harness, Wiring	
108C	70003571	1	Harness, Secondary Wiring	
108D	70003573	1	Decal - Control Panel	
108E	70002783	1	Switch, Engine Stop	

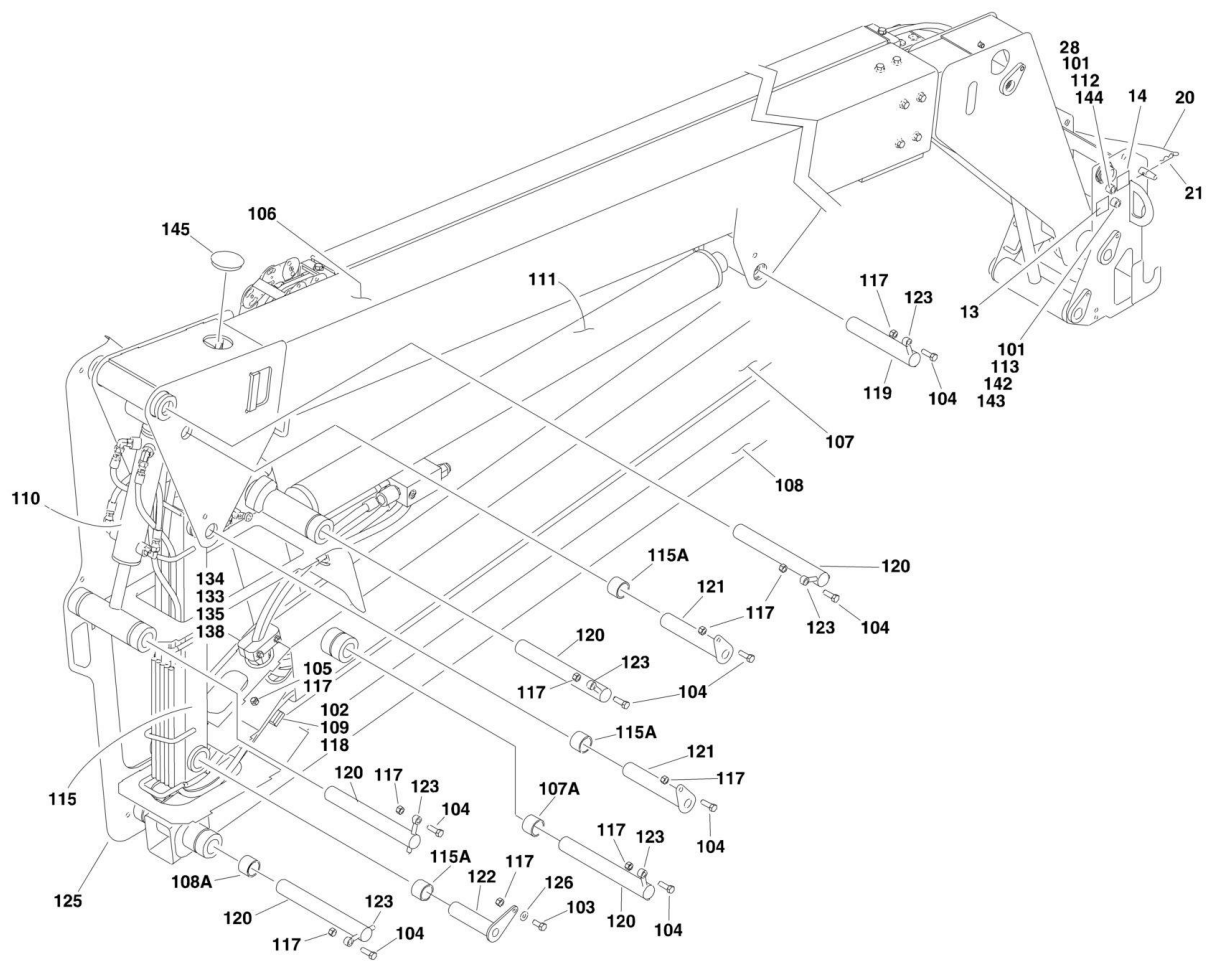
SECTION 2 - TURNTABLE

ITEM	PART NUMBER	QTY	DESCRIPTION	REV
108F	70003574	1	Breaker, Circuit (20A)	
108G	70003575	1	Protector, Circuit (20A)	
108H	70003576	1	Receptacle (20A-125V)	
109	70003577	1	Starter Assy (Recoil)	
109	70003578	1	Spring, Recoil Starter	
109	70003579	1	Handle, Recoil Starter Rope	
109	70002774	1	Rope, Recoil Starter	
110	70003582	1	Cover, Air Cleaner	
110	70003581	4	Spring, Air Cleaner Housing/Cover	
110	70003583	1	Seal, Air Cleaner Cover	
110	70003580	1	Element, Air Cleaner (Inner)	
110	70003584	1	Element, Air Cleaner (Outer)	
111	70003585	1	Muffler (Not Shown)	
111	70003588	1	Gasket, Exhaust Pipe to Block (Not Shown)	
111	70003589	1	Arrester, Spark (Not Shown)	
111	70003586		Shield, Muffler (Outer) (Not Shown)	
111	70003587		Shield, Muffler (Inner) (Not Shown)	
112	70003590	1	Assembly, Petcock	
113	70003591	1	Screen, Fuel Strainer	
114	70003592	1	Tank, Fuel	
115	70003593	1	Cap, Fuel Filler	
116	70003594	1	Gauge, Fuel	
117	7027395	1	Filter, Fuel Tank	
118	70003595	1	Cable, Ground (Frame) (Not Shown)	
119	70003596	1	Generator Assembly (Not Shown)	
119	70003597	1	Grommet, AC Cord (Not Shown)	
120	70003598	1	Cycloconverter, Unit	
121	70003599	1	Decal - Generator Model	
122	70003600	1	Decal - Operator Warning	
123	70003601	1	Decal - Choke	
124	70003602	1	Decal - Cycloconverter	
125	70003603	1	Decal - Exhaust Caution	
126	70003604	1	Decal - Fuel Indication	
127	70003605	1	Decal - Oil Caution	

SECTION 3 - BOOM

SECTION 3 - BOOM

FIGURE 3-1. BOOM ASSEMBLY AND INSTALLATION (T350)



SECTION 3 - BOOM

FIGURE 3-1. BOOM ASSEMBLY AND INSTALLATION (T350)

ITEM	PART NUMBER	QTY	DESCRIPTION	REV
		Ref	BOOM INSTALLATIONS	
	0274325	Ref	With Air and Water Lines to Platform	H
	0273604	Ref	Without Air and Water Lines to Platform (SN 003000006 through 0030000120, Excluding 0030000007 and 0030000011)	E
1		Ref	Boom Assembly Options (See Items 101-145 for Breakdown):	
1	0274327	1	Boom with Air and Water Lines to Platform	
1	0273865	1	Boom without Air and Water Lines to Platform	
2	0641610	8	Bolt 3/8in-16NC x 1-1/4in	
3	0641612	2	Bolt 3/8in-16NC x 1-1/2in	
4	3311605	10	Locknut 3/8in-16NC	
5	3340843	1	Pad, Wear	
6		Ref	Pin Options:	
6	3422799	2	Pin (Prior to SN 0030000732)	
6	3423201	2	Pin (SN 0030000732 through 0030012032)	
7	3841143	2	Keeper, Pin	
8	4071082	2	Shim	
9	4071083	2	Shim	
10	4220211	1	Pad, Boom Rest	
11	4711600	18	Flatwasher 3/8in Thin	
12	3423100	1	Pin, Gravity	
13		Ref	Nameplate - Pressure Washer Options:	
13	1706261	1	Boom with Air and Water Lines to Platform	
13	Not Required	0	Boom without Air and Water Lines to Platform	
14		Ref	Nameplate - Air Compressor Options:	
14	1706262	1	Boom with Air and Water Lines to Platform	
14	Not Required	0	Boom without Air and Water Lines to Platform	
15		Ref	Strap, Cinch Options:	
15	4240003	1	Boom with Air and Water Lines to Platform	
15	Not Required	0	Boom without Air and Water Lines to Platform	
17	3575803	2	Plate, Boom Stop	
19	1060329	1	Lanyard	
20	1060799	1	Lanyard (SN 0030000460 through 0030012032)	
21	8310264	1	Hairpin (SN 0030000460 through 0030012032)	
22	0100020	AR	Sealant, Pipe	
23	2221209	1	Fitting, Coupler (SN 0030000460 through 0030012032)	
24	2221212	1	Fitting, Nipple (SN 0030000460 through 0030012032)	
25	2221213	1	Fitting, Female Coupler (SN 0030000460 through 0030012032)	
26	1706625	1	Decal - Air (SN 0030000460 through 0030012032)	
27	1706626	1	Decal - Water (SN 0030000460 through 0030012032)	
28	2220003	1	Fitting, Swivel (SN 0030007362 through 0030012032)	
		Ref	BOOM ASSEMBLIES	
	0274327	Ref	With Air and Water Lines to Platform	S
	0273865	Ref	Without Air and Water Lines to Platform (SN 003000006 through 0030000120, Excluding 0030000007 and 0030000011)	J
101	0100020	AR	Sealant, Pipe	
102	0100081	AR	Adhesive #454	
103	0641607	1	Bolt 3/8in-16NC x 7/8in	
104	0641609	8	Bolt 3/8in-16NC x 1-1/8in	
105	0641620	1	Bolt 3/8in-16NC x 2-1/2in	

SECTION 3 - BOOM

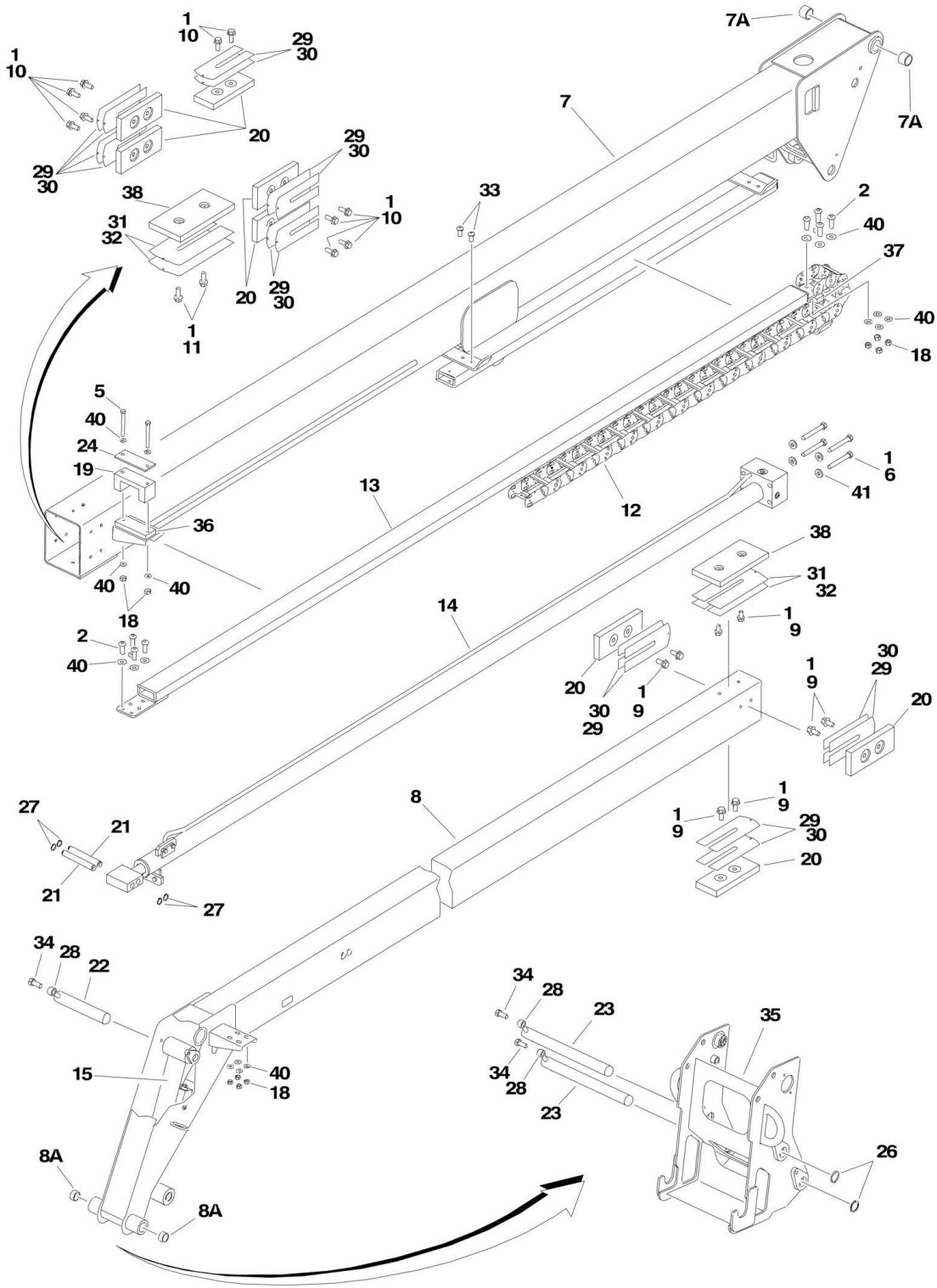
ITEM	PART NUMBER	QTY	DESCRIPTION	REV	
106	0801426	1	Main Boom Assembly (See MAIN BOOM ASSEMBLY for Breakdown) (T350)	D	
107	0801429	1	Tube, Tower (Top)		
107A	0961951	4	Bushing		
108		Ref	Tube, Tower (Bottom) Options:		
108	0801430	1	Tube, Tower (Prior to SN 0030000732)		
108	0801516	1	Tube, Tower (SN 0030000732 through 0030012032)		
108A	0961951	4	Bushing		
109	1320289	1	Clamp		
110	1684415	1	Master Cylinder Assembly (See CYLINDER SECTION for Breakdown)		
111	1684433	1	Lift Cylinder Assembly (See CYLINDER SECTION for Breakdown)		
112		Ref	Hose, Air Line Options:		
112	2754171	1	Boom with Air and Water Lines to Platform		
112	Not Required	0	Boom without Air and Water Lines to Platform		
113		Ref	Hose, Water Line Options:		
113	2754172	1	Boom with Air and Water Lines to Platform		
113	Not Required	0	Boom without Air and Water Lines to Platform		
115	3010127	1	Link, Timing		C
115A	0961951	4	Bushing		
116	3290405	4	Locknut 4mm		
117	3311605	13	Locknut 3/8in-16NC		
118	3340943	2	Pad, Rubber		
119	3422333	1	Pin		
120		Ref	Pin Options:		
120	3422792	5	Pin (Prior to SN 0030000732)		
120	3423200	5	Pin (SN 0030000732 through 0030012032)		
121	3423102	2	Pin		
122	3423103	1	Pin		
123	3841143	6	Keeper, Pin		
124	4031512	4	Capscrew 4mm x 40mm		
125	4630001	1	Upright		
126	4711600	7	Flatwasher 3/8in Thin		
127	4811400	6	Flatwasher 4mm		
128	4923100	1	Harness, Lift Down Prop Valve (Not Shown - See ELECTRICAL SECTION for Breakdown)		
129	4923185	1	Harness, Center Brake Light (Not Shown - See ELECTRICAL SECTION for Breakdown)		
130	4923192	1	Harness, Telescope Limit Switch (See ELECTRICAL SECTION for Breakdown)		
131	0641616	3	Bolt 3/8in-16NC x 2in		
133	0641424	2	Bolt 1/4in-20NC x 3in		
134	1321318	2	Clamp, Hose		
135	3311405	2	Locknut 1/4in-20NC		
136	3340941	6	Pad, Rubber		
137	3575021	3	Plate, Clamping		
138	4711400	4	Flatwasher 1/4in Thin		
139	4923040	1	Harness, Boom Cable (Not Shown - ELECTRICAL SECTION for Breakdown)		
140	4923104	1	Harness, AC Cable (Not Shown - ELECTRICAL SECTION for Breakdown)		

SECTION 3 - BOOM

ITEM	PART NUMBER	QTY	DESCRIPTION	REV
141	4923112	1	Harness, Transport Limit Switch (See ELECTRICAL SECTION for Breakdown)	
142	2220364	1	Fitting, Coupler (SN 0030000460 through 0030012032)	
143	2221210	1	Fitting, Nipple (SN 0030000460 through 0030012032)	
144	2221211	1	Fitting, Female Coupler (SN 0030000460 through 0030012032)	
145	1001092012	1	Plug, Hole (SN 0030002177 through 0030012032)	

SECTION 3 - BOOM

FIGURE 3-2. MAIN BOOM ASSEMBLY (T350)



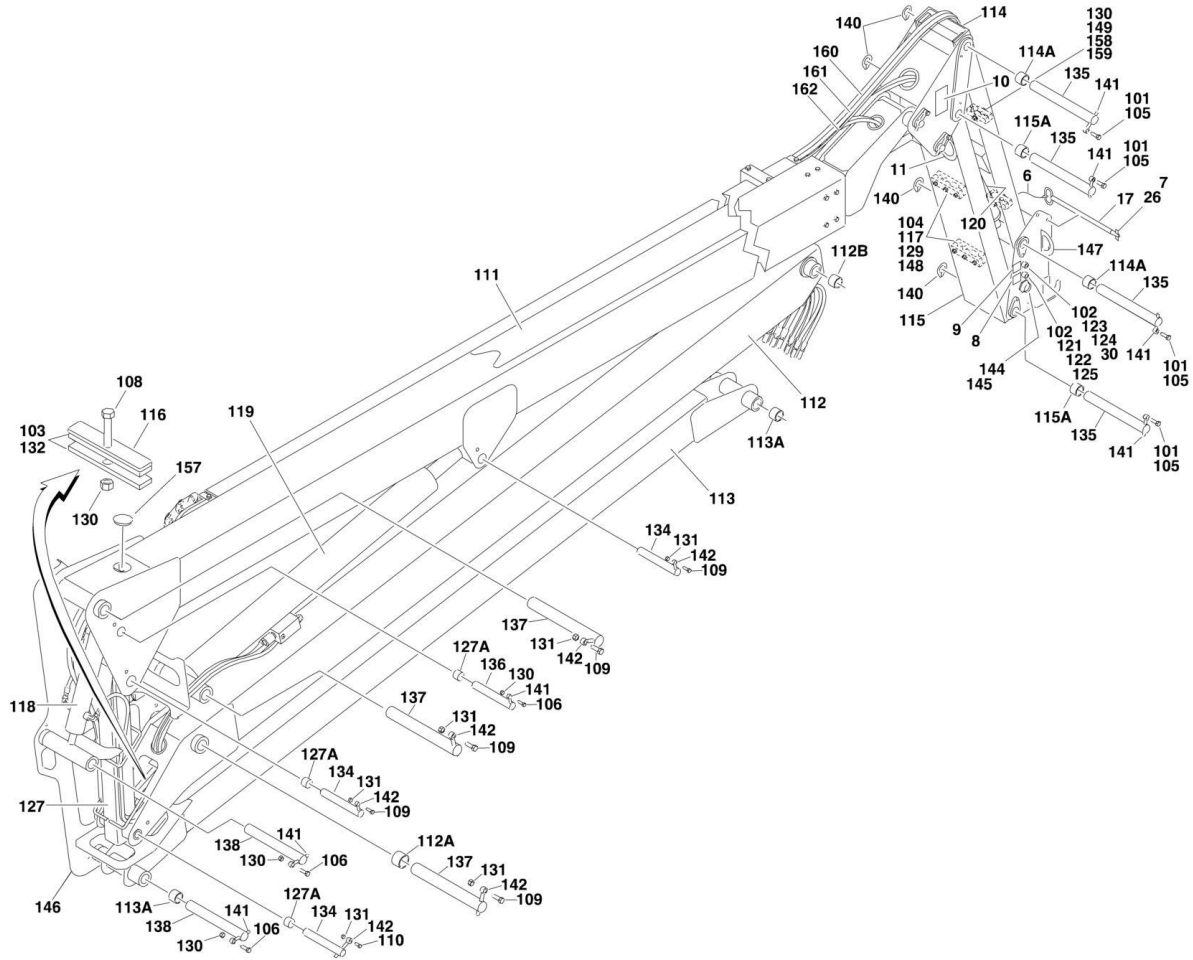
SECTION 3 - BOOM

FIGURE 3-2. MAIN BOOM ASSEMBLY (T350)

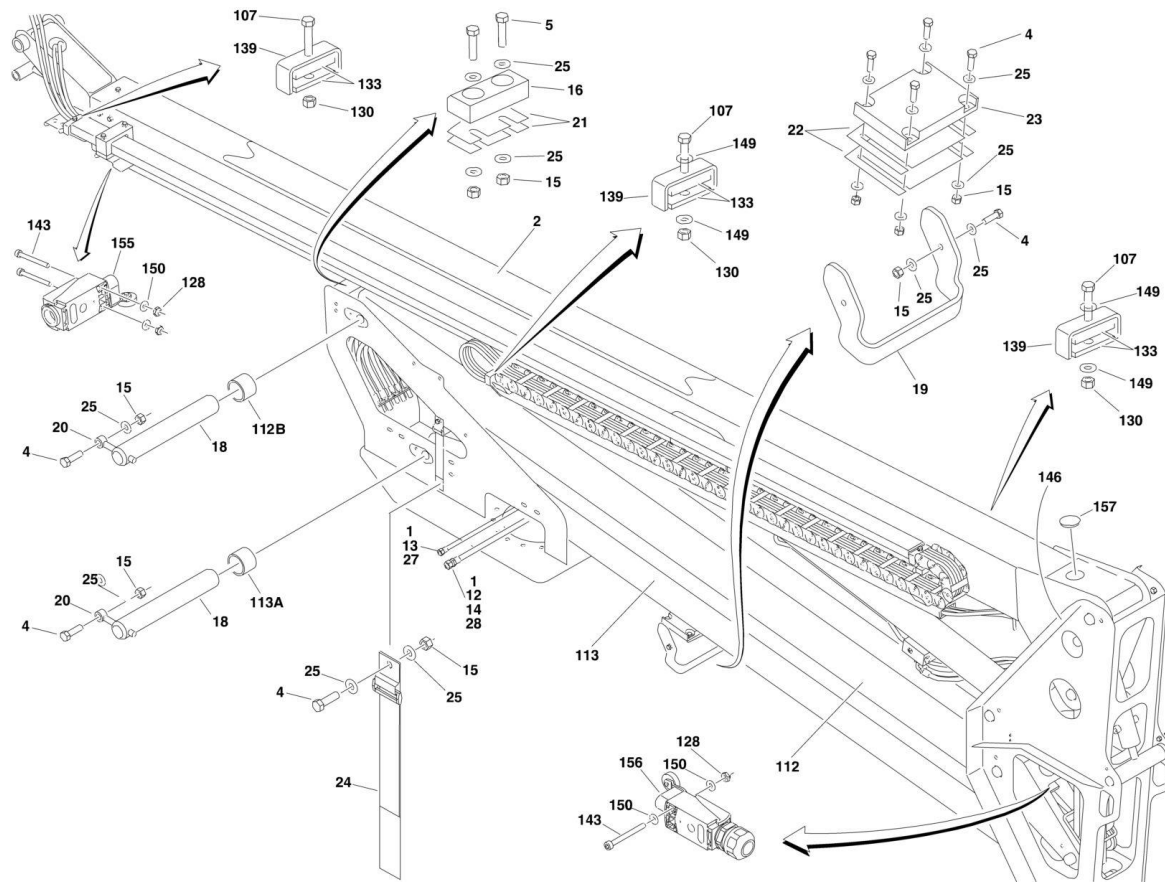
ITEM	PART NUMBER	QTY	DESCRIPTION	REV
	0801426	Ref	BOOM ASSEMBLY	S
1	0100011	AR	Compound, Locking	
2	3900316	8	Screw 3/8in-16NC x 1in	
5	0641628	2	Bolt 3/8in-16NC x 3-1/2in	
6	0641830	4	Bolt 1/2in-13NC x 3-3/4in	
7	0801427	1	Base, Boom	
7A	0961951	2	Bushing	
8	0801428	1	Fly, Boom	
8A	0961947	2	Bushing	
9	0811606	8	Screw 3/8in-16NC x3/4in	
10	0811607	10	Screw 3/8in-16NC x 7/8in	
11	0811608	2	Screw 3/8in-16NC x 1in	
12	1180391	1	Powertrack	
12	70002233	AR	Repair Section	
13	1180394	1	Tube, Push	
14	1684367	1	Telescope Cylinder Assembly (See CYLINDER SECTION for Breakdown)	
15	1684373	1	Platform Level Cylinder Assembly (See CYLINDER SECTION for Breakdown)	
18	3311605	10	Locknut 3/8in-16NC	
19	3340764	1	Pad	
20	3340881	8	Pad, Wear	
21	3423101	2	Pin	
22	3423104	1	Pin	
23	3423105	2	Pin	
24	3538758	1	Plate	
26	3760115	2	Ring, Retaining	
27	3760351	4	Ring, Retaining	
28	3841143	3	Keeper, Pin	
29	4070897	8	Shim 18 Gauge	
30	4070898	8	Shim #11 Gauge	
31	4071039	2	Shim 18 Gauge	
32	4071040	2	Shim #11 Gauge	
33	3900283	2	Screw 3/8in-16NC x 3/4in	
34	0641607	3	Bolt 3/8in-16NC x 7/8in	
35	4630002	1	Pivot	
36	4700017	1	Pad, Wear	
37	4700018	1	Pad, Wear	
38	4700019	2	Pad, Wear	
40	4711600	18	Flatwasher 3/8in Thin	
41	4891800	4	Flatwasher 1/2in Hardened	
44	4460497	1	Nut, Terminal (Not Shown - ELECTRICAL SECTION for Breakdown)	
45	4460496	1	Lockwasher, Terminal (Not Shown - ELECTRICAL SECTION for Breakdown)	

SECTION 3 - BOOM

FIGURE 3-3. BOOM ASSEMBLY AND INSTALLATION (T500J)



SECTION 3 - BOOM



SECTION 3 - BOOM

FIGURE 3-3. BOOM ASSEMBLY AND INSTALLATION (T500J)

ITEM	PART NUMBER	QTY	DESCRIPTION	REV
		Ref	BOOM INSTALLATIONS	
	0273605	Ref	Boom Installation (Without Air and Water Lines to Platform) (Including 0030000005 and 0030000118)	E
	0274326	Ref	Boom Installation (With Air and Water Lines to Platform) (Prior to SN 0030001101)	F
	See Note	Ref	Boom installations (With Air and Water Lines to Platform) (Note: These machines may have either 0274326 or 0275009 installation. Contact JLG Parts Dept. to identify configuration.) (SN 0030001102 through 0030001170)	
	0275009	Ref	Boom installations (With Air and Water Lines to Platform) (SN 0030001171 through 0030012032)	D
	1001114580	Ref	Boom installations (With Air and Dual Water Lines to Platform) (SN 0030003260 through 0030012032)	B
	1001229944	Ref	Boom Installations (With Air and Water Lines to Platform) (T350) (SN 0030009078 through 0030012032)	A
	1001229945	Ref	Boom Installations (With Air and Water Lines to Platform) (T500J) (SN 0030009078 through 0030012032)	A
1	0100020	AR	Sealant, Pipe	
2		Ref	Boom Assembly Options (See Items 101-158 for Breakdown):	
2	0273864	1	Boom Assembly (Without Air and Water Lines to Platform) (Including 0030000005 and 0030000118)	
2	0274328	1	Boom Assembly (With Air and Water Lines to Platform) (Prior to SN 0030001101)	
2	See Note	1	Boom Assembly (With Air and Water Lines to Platform) (Note: These machines may have either 0274326 or 0275009 installation. Contact JLG Parts Dept. to identify configuration.) (SN 0030001102 through 0030001170)	
2	0275008	1	Boom Assembly (With Air and Water Lines to Platform) (SN 0030001171 through 0030012032)	
2	1001114581	1	Boom Assembly (With Air and Dual Water Lines to Platform) (SN 0030003260 through 0030012032)	
3	0641607	1	Bolt 3/8in-16NC x 7/8in (Not Shown - Used to Attach Item 6)	
4	0641610	9	Bolt 3/8in-16NC x 1-1/4in	
5	0641612	2	Bolt 3/8in-16NC x 1-1/2in	
6	1060329	1	Lanyard	
7	1060799	1	Lanyard (SN 0030000460 through 0030012032)	
8		Ref	Nameplate - Pressure Washer Options:	
8	1706261	1	Boom with Air and Water Lines to Platform	
8	Not Required	0	Boom without Air and Water Lines to Platform	
8	Not Required	0	Boom without Air and Dual Water Lines to Platform	
9		Ref	Nameplate - Air Compressor Options:	
9	1706262	1	Boom with Air and Water Lines to Platform	
9	Not Required	0	Boom without Air and Water Lines to Platform	
10	1706337	1	Decal - Jib Manual Descent	
11	1706349	1	Decal - Manual Descent Arrows	
12		Ref	Fitting, Coupler Options: (SN 0030000460 through 0030012032)	
12	2221209	1	Boom with and without Air and Water Lines to Platform	
12	Not Required	0	Boom with Air and Dual Water Lines to Platform	
13	2221212	1	Fitting, Nipple (SN 0030000460 through 0030012032)	
14		Ref	Fitting, Female Coupler Options: (SN 0030000460 through 0030012032)	
14	2221213	1	Boom with and without Air and Water Lines to Platform	
14	Not Required	0	Boom with Air and Dual Water Lines to Platform	

SECTION 3 - BOOM

ITEM	PART NUMBER	QTY	DESCRIPTION	REV
15	3311605	11	Locknut 3/8in-16NC	
16	3340843	1	Pad, Wear	
17	3423100	1	Pin, Gravity	
18		Ref	Pin Options:	
18	3422790	2	Pin (Prior to SN 0030000732)	
18	3423203	2	Pin (SN 0030000732 through 0030012032)	
19	3575804	2	Plate, Boom Stop	
20	3841143	2	Keeper, Pin	
21	4071082	2	Shim	
22	4071083	2	Shim	
23	4220211	1	Pad, Boom Rest	
24		Ref	Strap, Cinch Options:	
24	4240003	1	Boom with Air and Water Lines to Platform	
24	Not Required	0	Boom without Air AND Water Lines to Platform	
25	4711600	20	Flatwasher 3/8in Thin	
26	8310264	1	Hairpin (SN 0030000460 through 0030012032)	
27	1706625	1	Decal - Air (SN 0030001338 through 0030012032)	
28		Ref	Decal - Water (SN 0030001338 through 0030012032)	
28	1706349	1	Boom with and without Air and Water Lines to Platform	
28	1706626	1	Boom with Air and Dual Water Lines to Platform	
29		Ref	Decal - Capacity Reduction Options: (SN 0030003260 through 0030012032)	
29	Not Required	0	Boom with and without Air and Water Lines to Platform	
29	See Note	2	Boom with Air and Dual Water Lines to Platform (Note: Refer to DECAL SECTION for decal p/n)	
30	2220003	1	Fitting, Swivel (SN 0030007362 through 0030012032)	
		Ref	BOOM ASSEMBLIES	
	0273864	Ref	Boom Assembly (Without Air and Water Lines to Platform) (Including 0030000005 and 0030000118)	I
	0274328	Ref	Boom Assembly (With Air and Water Lines to Platform) (Prior to SN 0030001101)	I
	See Note	Ref	Boom Assembly (With Air and Water Lines to Platform) (Note: These machines may have either 0274326 or 0275009 installation. Contact JLG Parts Dept. to identify configuration.) (SN 0030001102 through 0030001170)	
	0275008	Ref	Boom Assembly (With Air and Water Lines to Platform) (SN 0030001171 through 0030012032)	M
	1001114581	Ref	Boom Assembly (With Air and Dual Water Lines to Platform) (SN 0030003260 through 0030012032)	H
101	0100011	AR	Compound, Locking	
102	0100020	AR	Sealant, Pipe	
103	0100081	AR	Adhesive #454	
104	0641514	6	Bolt 5/16in-18NC x	
105	0641607	4	Bolt 3/8in-16NC x 7/8in	
106	0641610	3	Bolt 3/8in-16NC x 1-1/4in	
107	0641616	3	Bolt 3/8in-16NC x 2in	
108	0641620	1	Bolt 3/8in-16NC x 2-1/2in	
109	0641811	5	Bolt 1/2in-13NC x 1-3/8in	
110	0641812	1	Bolt 1/2in-13NC x 1-1/2in	
111		Ref	Main Boom Assembly (See MAIN BOOM ASSEMBLY for Breakdown) (T500J)	
111	0801423	1	Boom with and without Air and Water Lines to Platform	
111	1001114582	1	Boom with Air and Dual Water Lines to Platform	

SECTION 3 - BOOM

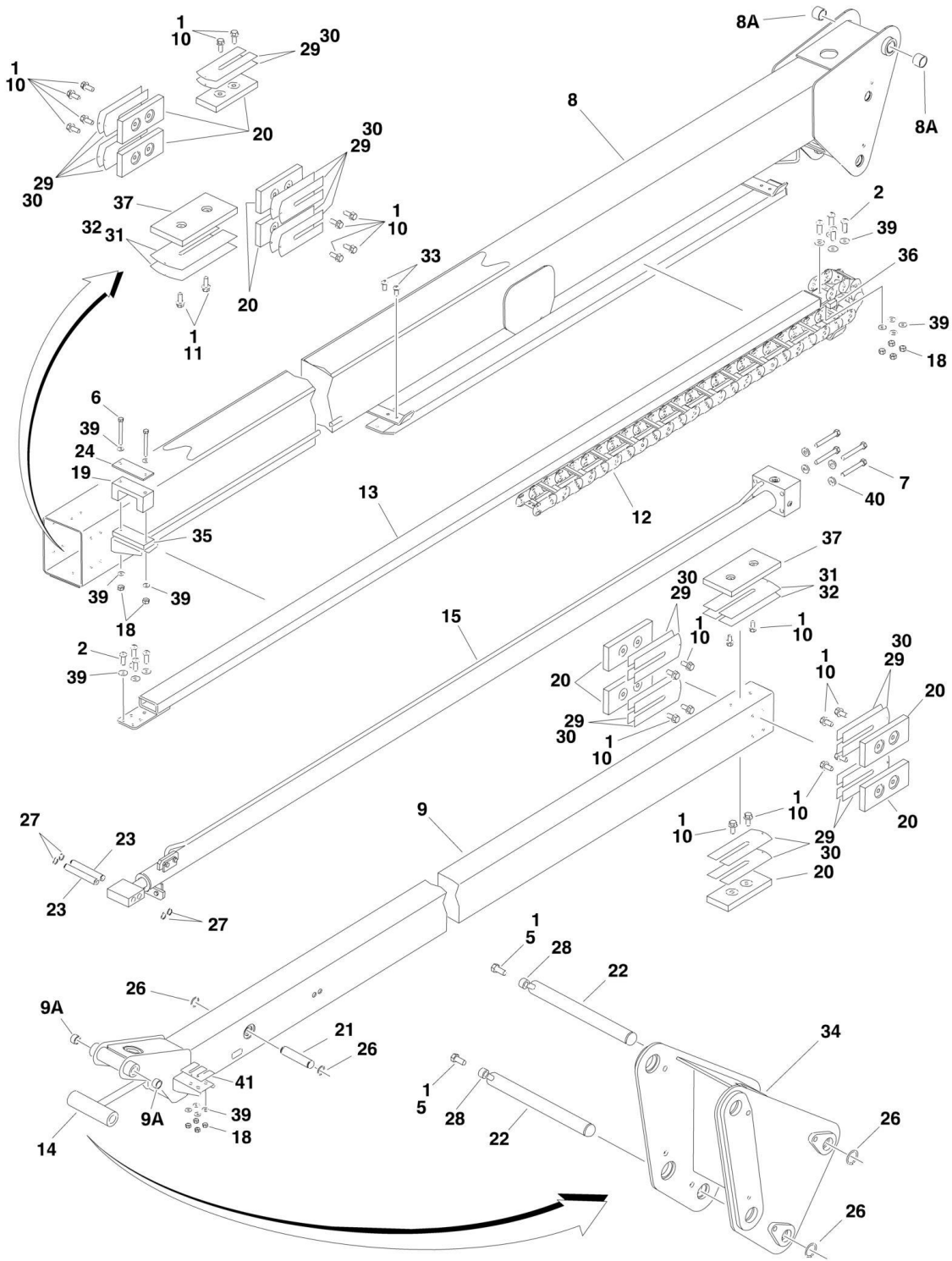
ITEM	PART NUMBER	QTY	DESCRIPTION	REV
112	0801450	NLA	Tube, Tower (Top) (Use p/n 1001229558) (Prior to SN 0030008734)	H
112	1001229558	1	Tube, Tower (Top) (SN 0030008734 through 0030012032)	A
112A	0961948	2	Bushing	
112B	0961951	2	Bushing	
113	0801451	1	Tube, Tower (Bottom)	E
113A	0961951	4	Bushing	
114	1271585		Channel, Jib (Top)	A
114A	0962257	4	Bushing	
115		Ref	Channel, Jib (Bottom) Options:	
115	1271584	1	Channel, Jib 0273864 & 0274328 Installations	A
115	1271633	1	Channel, Jib 0275008 & 1001114581 Installations	A
115A	0962257	4	Bushing	
116	1320294	1	Bar, Clamp	
117	1321137	2	Block, Clamp	
118	1684398	1	Master Cylinder Assembly (See CYLINDER SECTION for Breakdown)	
119	1684434	1	Lift Cylinder Assembly (See CYLINDER SECTION for Breakdown)	
120		Ref	Jib Cylinder Assembly Options (See CYLINDER SECTION for Breakdown):	
120	1684432	1	Jib Cylinder Assembly 0273864 and 0274328 Installations	
120	1684494	1	Jib Cylinder Assembly 0275008 & 1001114581 Installations	
121	2220364	1	Fitting, Coupler (SN 0030000460 through 0030012032)	
122	2221210	1	Fitting, Nipple (SN 0030000460 through 0030012032)	
123	2221211	1	Fitting, Female Coupler (SN 0030000460 through 0030012032)	
124		Ref	Hose, Air Line Options:	
124	Not Required	0	Standard Boom	
124	2754173	1	Boom with Optional Air and Water Lines to Platform	
125		Ref	Hose, Water Line Options:	
125	Not Required	0	Standard Boom	
125	2754174	1	Boom with Optional Air and Water Lines to Platform	
125	Not Required	0	Boom with Optional Air and Dual Water Lines to Platform	
127	3010130	1	Link, Timing	C
127A	0961948	4	Bushing	
128	3290405	4	Locknut 4mm	
129	3311505	6	Locknut 5/16in-18NC	
130	3311605	AR	Locknut 3/8in-16NC	
131	3311805	6	Locknut 1/2in-13NC	
132	3340942	1	Pad, Rubber	
133		Ref	Pad, Rubber Options:	
133	3340941	6	Boom with and without Air and Water Lines to Platform (Prior to SN 0030000460)	
133	3340943	6	Boom with and without Air and Water Lines to Platform (SN 0030000460 through 0030012032)	
133	1001114739	6	Boom with Air and Dual Water Lines to Platform (SN 0030003260 through 0030012032)	
134	3422796	3	Pin	
135	3423156	4	Pin	
136		Ref	Pin	
136	3422799	1	Pin (Prior to SN 0030000732)	
136	3423201	1	Pin (SN 0030000732 through 0030012032)	
137		Ref	Pin	

SECTION 3 - BOOM

ITEM	PART NUMBER	QTY	DESCRIPTION	REV
137	3422786	3	Pin (Prior to SN 0030000732)	
137	3423202	3	Pin (SN 0030000732 through 0030012032)	
138		Ref	Pin	
138	3422574	2	Pin (Prior to SN 0030000732)	
138	3423204	2	Pin (SN 0030000732 through 0030012032)	
139		Ref	Plate, Clamping Options:	
139	3575021	3	Boom with Aand without Air and Water Lines to Platform (Prior to SN 0030000460)	
139	3575887	3	Boom with and without Air and Water Lines to Platform (SN 0030000460 through 0030012032)	
139	1001114740	3	Boom with Air and Dual Water Lines to Platform (SN 0030003260 through 0030012032)	
140	3760133	4	Ring, Retaining	
141	3841143	7	Keeper, Pin	
142	3841203	6	Keeper, Pin	
143	4031512	4	Capscrew 4mm x 40mm	
144	4460496	1	Lockwasher, Terminal	
145	4460497	1	Nut, Terminal	
146	4630003	1	Upright	
147	4630005	1	Pivot	
148	4711500	AR	Flatwasher 5/16in Thin	
149	4711600	AR	Flatwasher 3/8in Thin	
150	4811400	6	Flatwasher 4mm	
151	4923101	1	Harness, Lift Down Prop Valve (Not Shown - See ELECTRICAL SECTION for Breakdown)	
152	4923102	1	Harness, Boom Cable (Not Shown - ELECTRICAL SECTION for Breakdown)	
153	4923111	1	Harness, AC Cable (Not Shown - ELECTRICAL SECTION for Breakdown)	
154	4923184	1	Harness, Center Brake Light (Not Shown - See ELECTRICAL SECTION for Breakdown)	
155	4923193	1	Harness, Telescope Limit Switch (See ELECTRICAL SECTION for Breakdown)	
156	4923217	1	Harness, Transport Limit Switch (See ELECTRICAL SECTION for Breakdown)	
157	1001092012	1	Plug, Hole (SN 0030002177 through 0030012032)	
158	1001115151	2	Block, Clamp (Boom with Air and Dual Water Lines to Platform) (SN 0030003260 through 0030012032)	
159	0641618	2	Bolt 3/8in-16NC x 2-1/4in (Boom with Air and Dual Water Lines to Platform) (SN 0030003260 through 0030012032)	
160	1001114583	1	Hose, Water Line 3/4in (Boom with Air and Dual Water Lines to Platform) (SN 0030003260 through 0030012032)	
161	1001114584	1	Hose, Water Line 3/8in (Boom with Air and Dual Water Lines to Platform) (SN 0030003260 through 0030012032)	
162	1001114585	1	Cable,Control (Boom with Air and Dual Water Lines to Platform) (SN 0030003260 through 0030012032)	

SECTION 3 - BOOM

FIGURE 3-4. MAIN BOOM ASSEMBLY (T500J)



SECTION 3 - BOOM

FIGURE 3-4. MAIN BOOM ASSEMBLY (T500J)

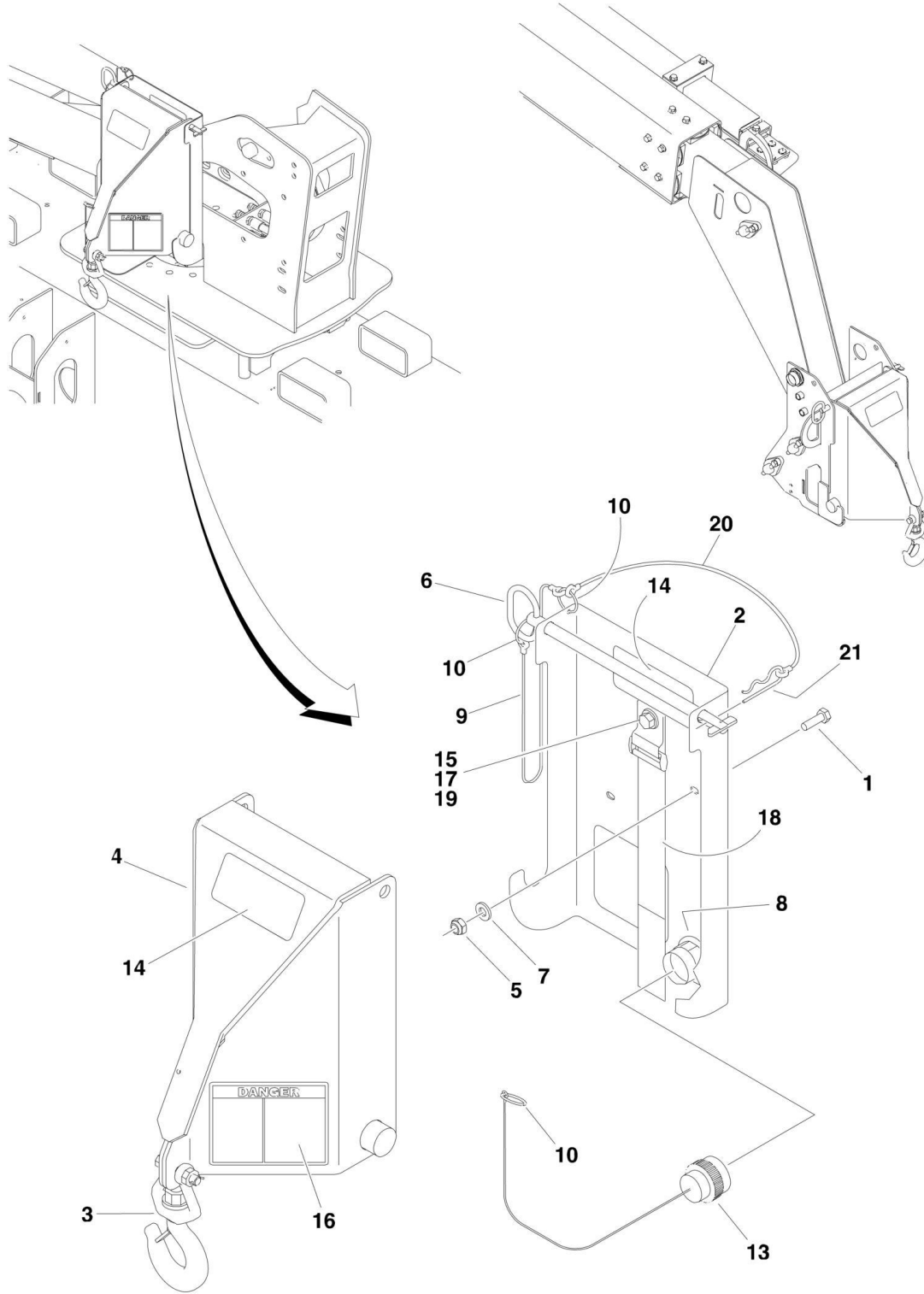
ITEM	PART NUMBER	QTY	DESCRIPTION	REV
		Ref	BOOM ASSEMBLIES	
	0801423	Ref	With and Without Air and Water Lines to Platform	O
	1001114582	Ref	With Air and Dual Water Lines to Platform	E
1	0100011	AR	Compound, Locking	
2	3900316	8	Screw 3/8in-16NC x 1in	
5	0641607	2	Bolt 3/8in-16NC x 7/8in	
6		Ref	Bolt Options:	
6	0641628	2	Bolt 3/8in-16NC x 3-1/2in	
6	0641634	2	Bolt 3/8in-16NC x 4-1/4in	
7	0641830	4	Bolt 1/2in-13NC x 3-3/4in	
8		Ref	Base, Boom Options:	
8	0801424	1	With and Without Air and Water Lines to Platform	
8	1001114587	1	With Air and Dual Water Lines to Platform	
8A	0961948	2	Bushing	
9		Ref	Fly, Boom Options:	
9	0801425	1	With and Without Air and Water Lines to Platform	
9	1001114588	1	With Air and Dual Water Lines to Platform	
9A	0962292	2	Bushing	
10	0811607	22	Screw 3/8in-16NC x 7/8in	
11	0811608	2	Screw 3/8in-16NC x 1in	
12		Ref	Powertrack Options:	
12	1180393	1	Powertrack - With and Without Air and Water Lines to Platform	
12	1001114586	1	Powertrack - With Air and Dual Water Lines to Platform (Prior to SN 0030008195)	
12	1001224893	1	Powertrack - With Air and Dual Water Lines to Platform (SN 0030008195 through 0030012032)	
12		Ref	Repair Section Options:	
12	70002233	1	With and Without Air and Water Lines to Platform	
12	70002532	1	With Air and Dual Water Lines to Platform	
13		Ref	Tube, Push Options:	
13		Ref	With and Without Air and Water Lines to Platform	
13	1180395	1	Tube, Push (Prior to SN 0030000460)	
13	1180398	1	Tube, Push (SN 0030000460 through 0030012032)	
13	1001114589	1	With Air and Dual Water Lines to Platform	
14	1684397	1	Platform Level Cylinder Assembly (See CYLINDER SECTION for Breakdown)	
15	1684402	1	Telescope Cylinder Assembly (See CYLINDER SECTION for Breakdown)	
18	3311605	10	Locknut 3/8in-16NC	
19		Ref	Pad Options:	
19		Ref	With and Without Air and Water Lines to Platform	
19	3340764	1	Pad (Prior to SN 0030000460)	
19	4220254	1	Pad (SN 0030000460 through 0030012032)	
19	1001114667	1	With Air and Dual Water Lines to Platform	
20	3340881	10	Pad, Wear	
21	3422745	1	Pin	
22	3423105	2	Pin	
23	3423161	2	Pin	
24		Ref	Plate Options:	
24		Ref	With and Without Air and Water Lines to Platform	

SECTION 3 - BOOM

ITEM	PART NUMBER	QTY	DESCRIPTION	REV
24	3538758	1	Plate (Prior to SN 0030000460)	
24	3575889	1	Plate (SN 0030000460 through 0030012032)	
24	1001114670	1	With Air and Dual Water Lines to Platform	
26	3760115	4	Ring, Retaining	
27	3760351	4	Ring, Retaining	
28	3841143	2	Keeper, Pin	
29	4070897	10	Shim 18 Gauge	
30	4070898	10	Shim #11 Gauge	
31	4071039	2	Shim 18 Gauge	
32	4071040	2	Shim #11 Gauge	
33	3900283	2	Screw 3/8in-16NC x 3/4in	
34	4630004	1	Pivot	
35		Ref	Pad, Wear Options:	
35	4700017	1	With and Without Air and Water Lines to Platform	
35	1001114756	1	With Air and Dual Water Lines to Platform	
36		Ref	Pad, Wear Options:	
36	4700018	1	With and Without Air and Water Lines to Platform	
36	1001114755	1	With Air and Dual Water Lines to Platform	
37	4700019	2	Pad, Wear	
39	4711600	18	Flatwasher 3/8in Thin	
40	4891800	4	Flatwasher 1/2in Hardened	
41	4071117	1	Shim (SN 0030001367 through 0030012032)	

SECTION 3 - BOOM

FIGURE 3-5. MATERIAL HOOK INSTALLATION (OPTIONAL)



SECTION 3 - BOOM

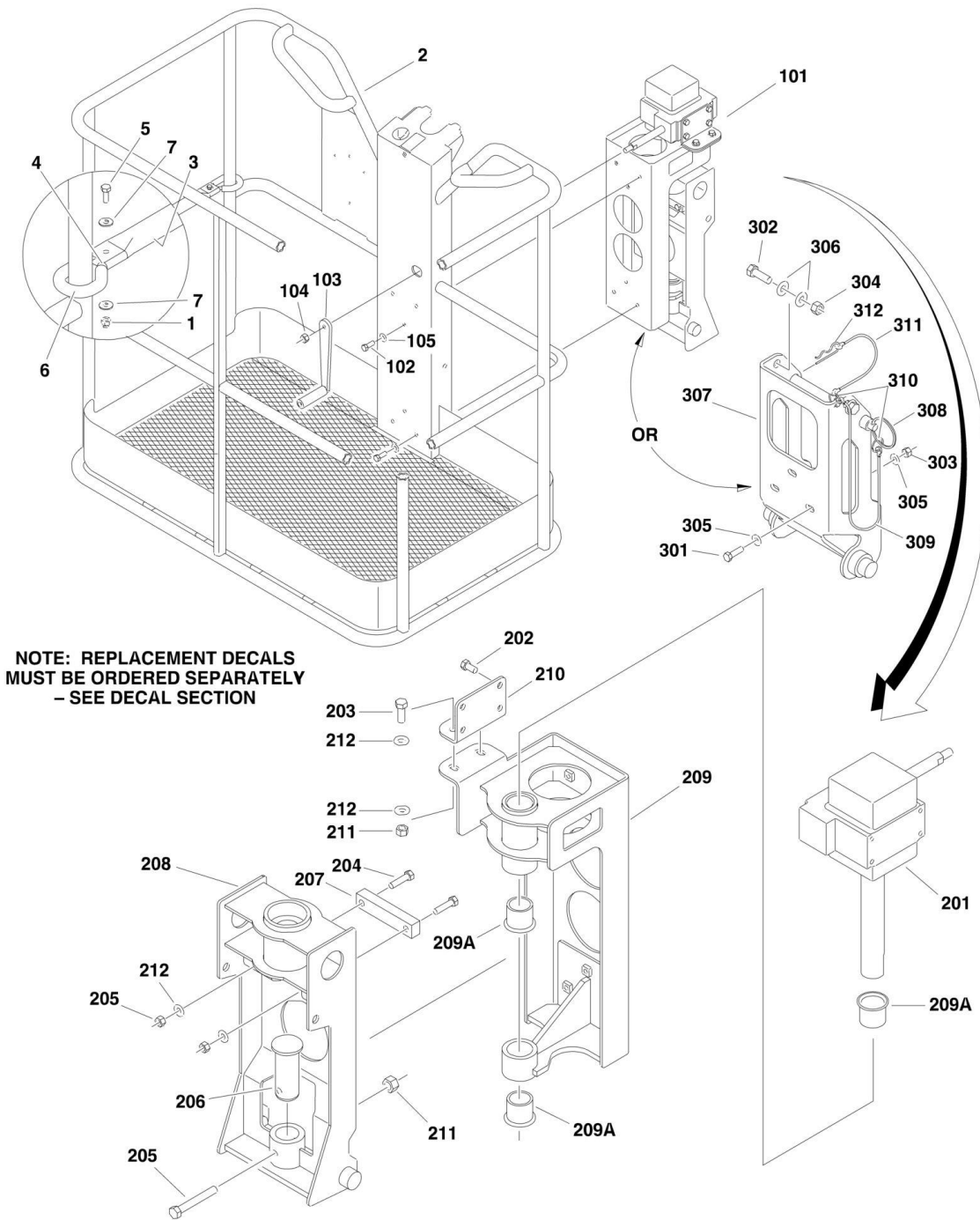
FIGURE 3-5. MATERIAL HOOK INSTALLATION (OPTIONAL)

ITEM	PART NUMBER	QTY	DESCRIPTION	REV
	0273678	Ref	MATERIAL HOOK INSTALLATION (OPTIONAL)	1
1	0700610	2	Bolt M6 x 20	
1	0641407	2	Bolt 1/4 x 7/8	
2	0903075	1	Bracket	
3	2700108	1	Hook, Swivel	
4	2700104	1	Attachment, Hook	
5	3290605	2	Nut M6	
5	3311405	2	Nut 1/4	
6	3423100	2	Pin, Gravity	
7	4811700	4	Washer M6	
7	4711400	4	Washer 1/4	
8	4923124	1	Harness, Hook Cable (See Separate Breakdown in ELECTRICAL Section)	
9	1060697	1	Lanyard	
10	3760170	3	Ring, Split	
13	4461065	1	Cap, Terminal Dust with Lanyard	
14	1706313	2	Decal - Hook Capacity	
15	0641606	1	Bolt 3/8 x 3/4	
16	1706128	1	Decal - Electrocution	
17	3311605	1	Nut 3/8	
18	4240003	1	Strap, Cinch	
19	4711600	2	Washer 3/8	
20	1060799	2	Lanyard	
21	8310264	2	Hairpin	

SECTION 4 - PLATFORM

SECTION 4 - PLATFORM

FIGURE 4-1. PLATFORM AND ROTATOR INSTALLATIONS



SECTION 4 - PLATFORM

FIGURE 4-1. PLATFORM AND ROTATOR INSTALLATIONS

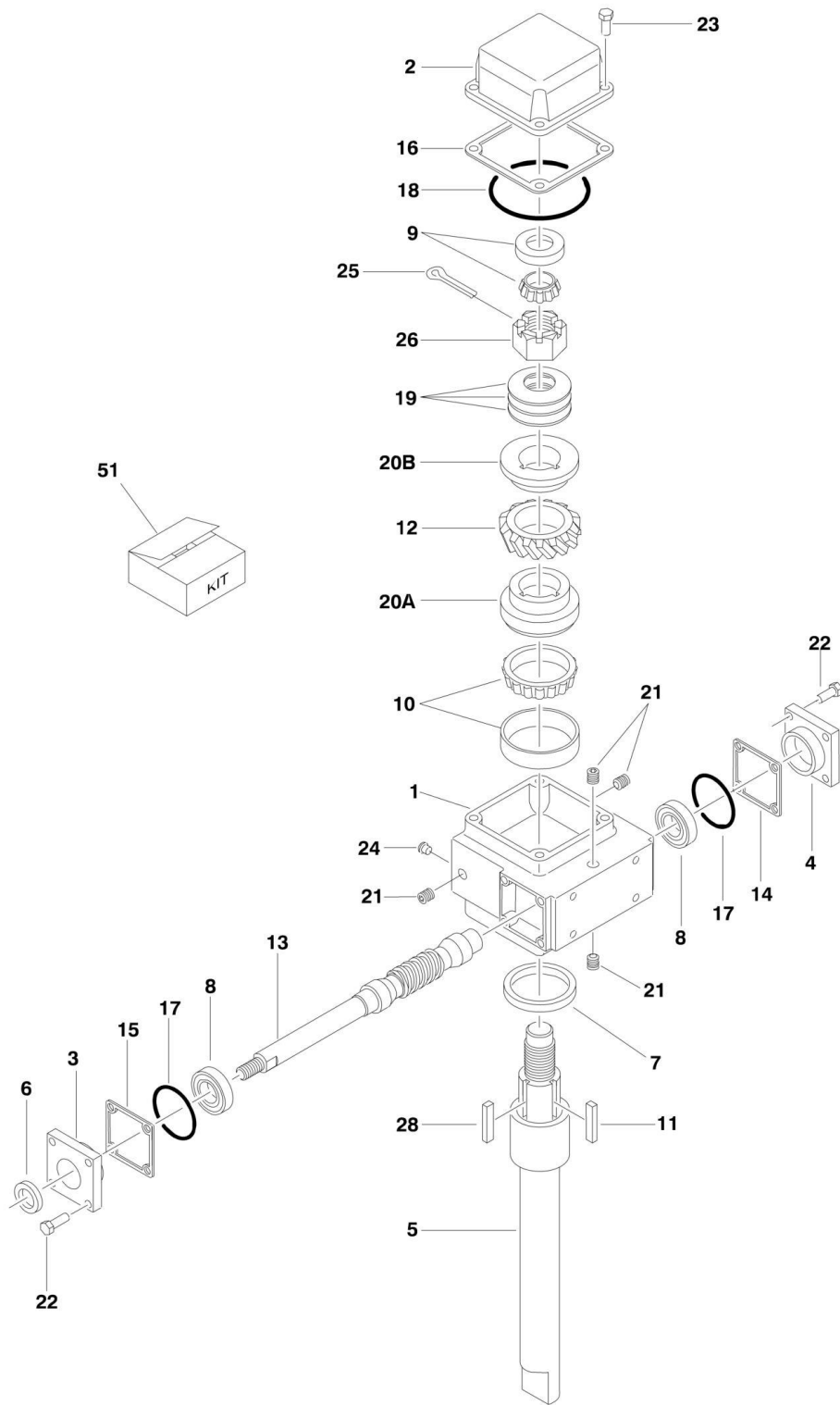
ITEM	PART NUMBER	QTY	DESCRIPTION	REV
		Ref	PLATFORM ASSEMBLIES	
	3510859	Ref	Platform Assembly - 30in x 48in (76cm x 122cm) (Prior to SN 0030007469)	I
	1001214179	Ref	Platform Assembly - 30in x 48in (76cm x 122cm) (SN 0030007469 through 0030012032)	D
1	2080063	2	Locknut 1/4in-20NC	
2	See Note	1	Platform (Note: Not Available - Purchase Complete Platform Assembly)	
3	3641585	1	Tube, Gate	
4	3841692	2	Rod, Gate	
5	0641406	2	Bolt 1/4in-20NC x 3/4in	
6	1560010	14	Conduit	
		in/36cm		
7	4751400	4	Flatwasher 1/4in Regular	
	0273676	Ref	PLATFORM ROTATOR INSTALLATION (OPTIONAL)	B
101	0060080 See Note	1	Rotator Sub-Assembly Note: P/N 0060080 is not available as an assembly. Purchase individual components.	
102	0641608	6	Bolt 3/8in-16NC x 1in	
103	2560184	1	Handle	
104	3271805	1	Locknut 1/2in-13NC (Grade 8)	
105	4711600	6	Flatwasher 3/8in Thin	
	0060080	Ref	ROTATOR SUB-ASSEMBLY (OPTIONAL)	B
		Ref	Note: P/N 0060080 is not available as an assembly. Purchase individual components.	
201	0060081	1	Rotator Assembly (See PLATFORM ROTATOR ASSEMBLY (OPTIONAL) for Breakdown)	
202	0641606	4	Bolt 3/8in-16NC x 3/4in	
203	0641608	2	Bolt 3/8in-16NC x 1in	
204	0641612	2	Bolt 3/8in-16NC x 1-1/2in	
205	0641622	1	Bolt 3/8in-16NC x 2-3/4in	
206	3423106	1	Pin	
207	3575058	1	Bar, Stop	
208	4340799	1	Pivot (Boom to Rotator Sub-Assembly)	
209	4340800	1	Pivot (Rotator Sub-Assembly to Platform)	
209A	0440319	3	Bushing, Flanged	
210	0903199	1	Bracket	
211	3311605	5	Locknut 3/8in-16NC	
212	4711600	6	Flatwasher 3/8in Thin	
	1001091364	Ref	PLATFORM ADAPTER INSTALLATION (OPTIONAL) (USE ON MACHINES WITHOUT ROTATOR)	B
301	0641608	3	Bolt 3/8in-16NC x 1in	
302	0641812	2	Bolt 1/2in-13NC x 1-1/2in	
303	3311605	3	Locknut 3/8in-16NC	
304	3311805	2	Locknut 1/2in-13NC	
305	4711600	6	Flatwasher 3/8in Thin	
306	4711800	6	Flatwasher 1/2in Thin	
307	1001091500	1	Adapter, Platform Support	
308	3423100	1	Pin, Gravity	
309	1060697	1	Lanyard	
310	3760170	2	Ring, Split	
311	1060799	1	Lanyard	

SECTION 4 - PLATFORM

ITEM	PART NUMBER	QTY	DESCRIPTION	REV
312	8310264	1	Hairpin	

SECTION 4 - PLATFORM

FIGURE 4-2. PLATFORM ROTATOR ASSEMBLY (OPTIONAL)



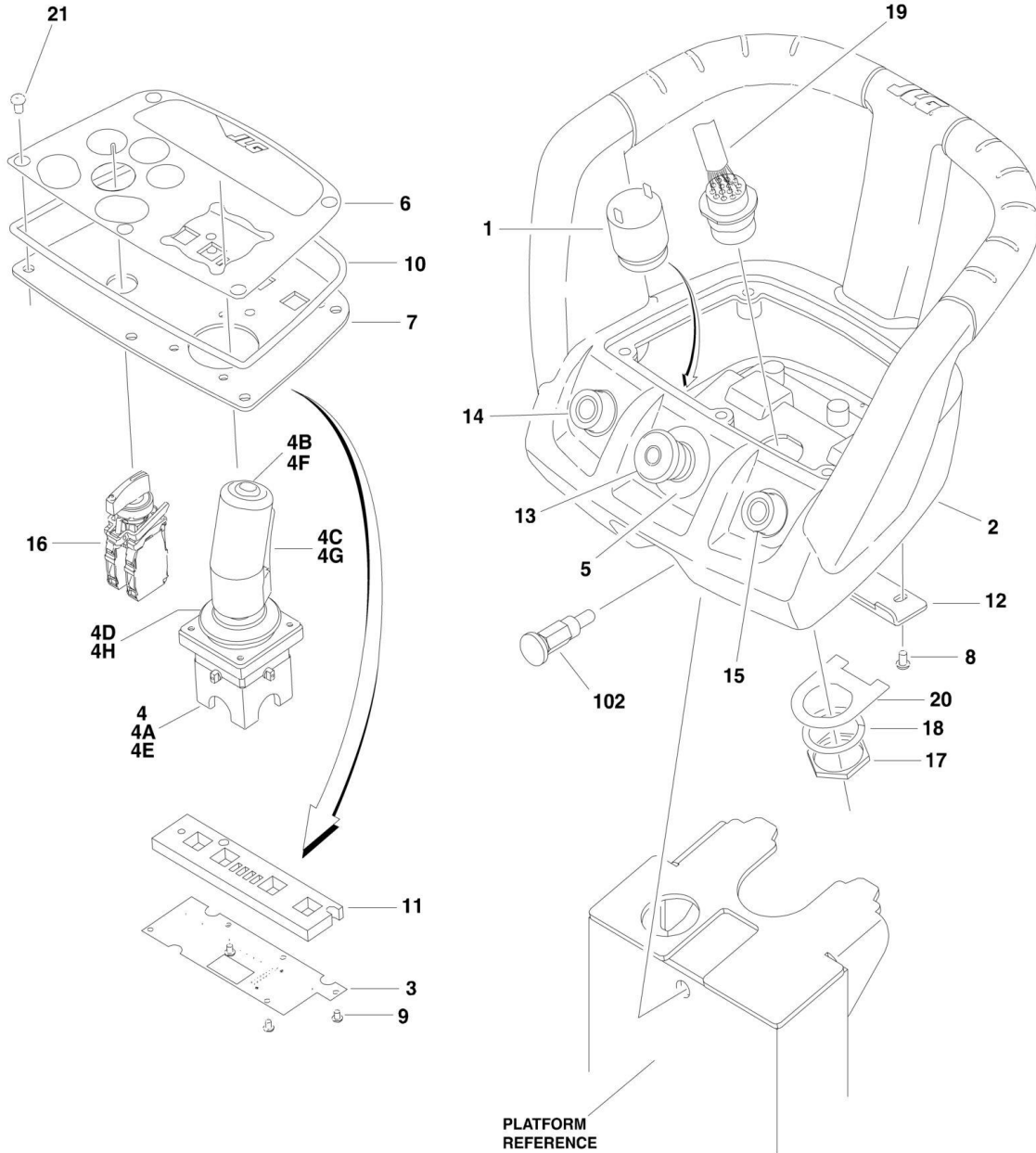
SECTION 4 - PLATFORM

FIGURE 4-2. PLATFORM ROTATOR ASSEMBLY (OPTIONAL)

ITEM	PART NUMBER	QTY	DESCRIPTION	REV
	0060081	Ref	PLATFORM ROTATOR ASSEMBLY	C
1	See Note	1	Housing (Note: Not Available - Purchase Complete Platform Rotator Assembly p/n 0060081)	
2	7027742	1	Cover (Slow Speed)	
3	7027743	1	Cap (High Speed Open)	
4	7027744	1	Cap (High Speed Closed)	
5	7027745	1	Shaft (Slow Speed)	
6	7027746	1	Seal (High Speed)	
7	7027747	1	Seal (Low Speed)	
8	7027748	2	Bearing (High Speed)	
9	7027749	1	Cup, Bearing (Slow Speed)	
9	7027750	1	Cone, Bearing (Slow Speed)	
10	7027751	1	Cup, Bearing (Slow Speed)	
10	7027752	1	Cone (Slow Speed)	
11	7027753	1	Key	
12	7027899	1	Worm Gear (Slow Speed)	
13	7027755	1	Shaft, Worm Gear (High Speed)	
14	7027756	1	Gasket (High Speed)	
15	7027756	1	Gasket (High Speed)	
16	7027757	2	Gasket (Slow Speed)	
17	7027758	2	O-Ring (High Speed)	
18	7027759	1	O-Ring (Slow Speed)	
19	7027760	3	Washer, Belleville	
20		Ref	Hub, Gear Options:	
20A	7027899	1	Exterior Side	
20B	7027899	1	Nut Side	
21	See Note	6	Plug (Note: Not Available - Purchase Locally)	
22	0641506	8	Bolt 5/16i x 3/4	
23	0941516	4	Bolt 5/16 x 2	
24	See Note	4	Plug, Button (Note: Not Available - Purchase Locally)	
25	See Note	1	Pin, Cotter (Note: Not Available - Purchase Locally)	
26	7027763	1	Nut 1 1/4	
27	7027897	AR	Grease, Mobile SHC007 with Borate (Not Shown)	
28	7027768	1	Key	
51	7027899	1	Gear and Hub Kit (Includes Items 11, 12, 20A, 20B & 28)	

SECTION 4 - PLATFORM

FIGURE 4-3. CONSOLE BOX ASSEMBLY



SECTION 4 - PLATFORM

FIGURE 4-3. CONSOLE BOX ASSEMBLY

ITEM	PART NUMBER	QTY	DESCRIPTION	REV
		Ref	CONSOLE BOX ASSEMBLY	
		Ref	Console Box Assembly (Prior to SN 0030001423)	
	0273614	Ref	Electric Powered Machines without Drive Option	K
	0274033	Ref	Electric Powered Machines with Drive Option	H
	0273978	Ref	Engine Powered Machines without Drive Option	J
	0274032	Ref	Engine Powered Machines with Drive Option	H
		Ref	Console Box Assembly (SN 0030001423 through 0030012032)	
	0275413	Ref	Electric Powered Machines without Drive Option	D
	0275417	Ref	Electric Powered Machines with Drive Option	D
	0275414	Ref	Engine Powered Machines without Drive Option	D
	0275416	Ref	Engine Powered Machines with Drive Option	D
1	0140011	1	Alarm	
2	0861655	1	Box	
3	1600369	1	Module, PC Board	
4		Ref	Controller Options:	
4A		Ref	Controller for Machines Without Drive Option	
4A	1600381	1	Controller (Prior to SN 0030001423)	D
4A	1600452	1	Controller (SN 0030001423 through 0030012032)	A
4B	7027371	1	Boot (Black)	
4B	7027766	1	Ring, Boot Retaining	
4C	7027367	1	Switch, Push Button (Enable)	
4C	7027765	1	Lever, Enable	
4D	70000682	1	Boot, Panel (Used with controller p/n 1600452) (SN 0030001423 through 0030012032)	
4E		Ref	Controller for Machines With Drive Option	
4E	1600390	1	Controller (Prior to SN 0030001423)	D
4E	1600453	1	Controller (SN 0030001423 through 0030012032)	A
4F	7027368	1	Boot (Green)	
4F	7027766	1	Ring, Boot Retaining	
4F	7027369	1	Switch, Push Button (Drive)	
4F	7027370	1	Actuator	
4G	7027765	1	Lever, Enable	
4G	7027367	1	Switch, Push Button (Enable)	
4H	70000682	1	Boot, Panel (Used with controller p/n 1600453) (SN 0030001423 through 0030012032)	
5		Ref	Decal - Emergency Stop Options:	
5	1704260	1	Decal - Emergency Stop (Prior to SN 0030001423)	
5	1706898	1	Decal - Emergency Stop (SN 0030001423 through 0030012032)	
6		Ref	Decal - Faceplate Options:	
6	1705950	1	Machines Without Drive Option	
6	1706002	1	Machines With Drive Option	
7	3575304	1	Faceplate	
8	3900358	3	Screw, Button Head 6mm x 10mm	
9	3900359	3	Screw, Button Head 4mm x 6mm	
10		Ref	Seal, Adhesive Backed Options:	
10	3960583	1	Seal, Adhesive Backed (Use p/n 3960604) (Prior to SN 0030000205)	
10	3960604	1	Seal, Adhesive Backed (SN 0030000205 through 0030012032)	
11	3960584	1	Seal, Foam Gasket	

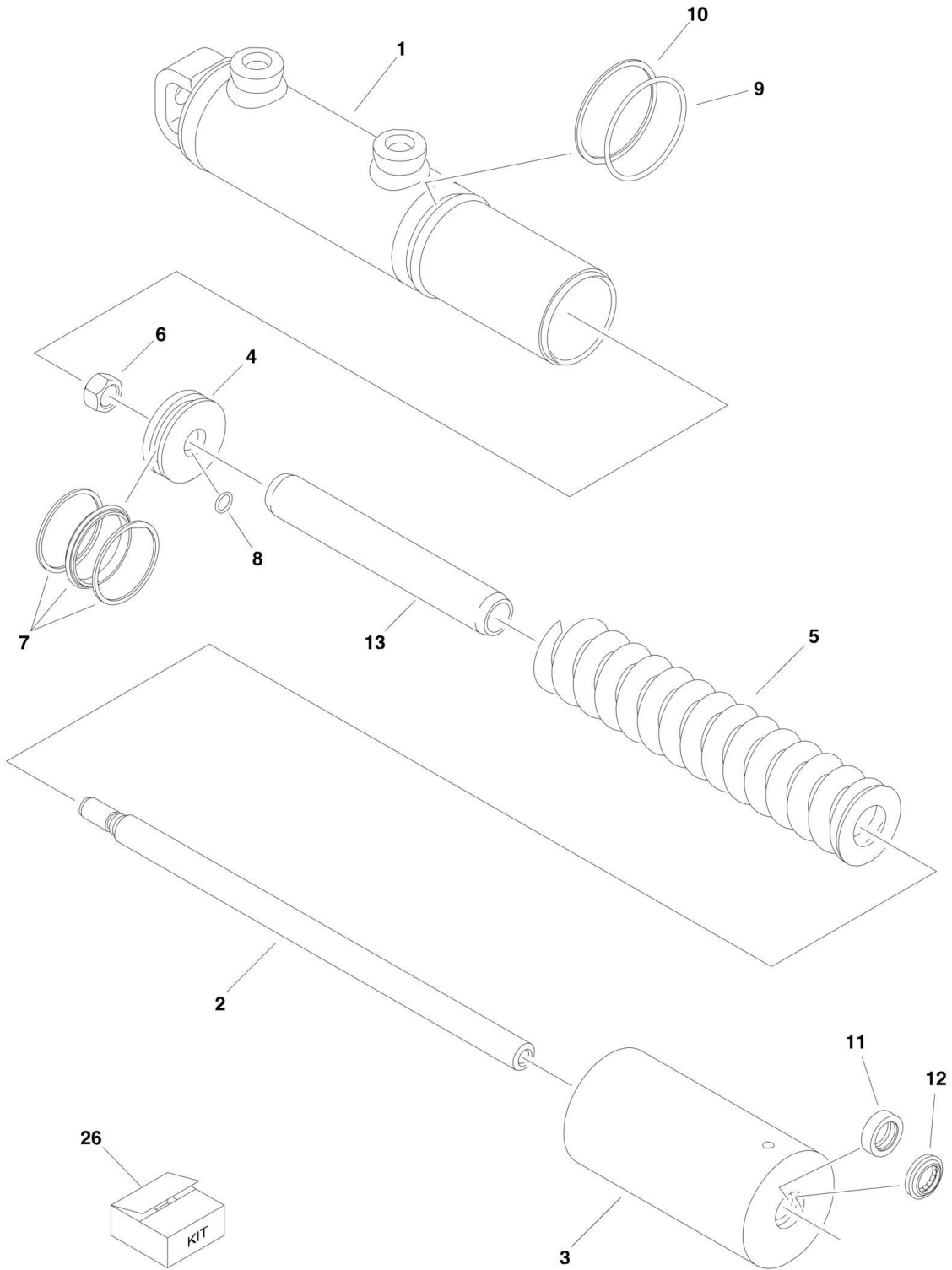
SECTION 4 - PLATFORM

ITEM	PART NUMBER	QTY	DESCRIPTION	REV
12	4340871	1	Mount	
13	4360562	1	Switch, Emergency Stop	
14		Ref	Switch, Push Button (Black) Options:	
14	Not Required	0	Electric Powered Machines	
14	4360564	1	Engine Powered Machines	
15		Ref	Switch, Push Button (Yellow) Options:	
15	Not Required	0	Electric Powered Machines	
15	4360565	1	Engine Powered Machines	
16		Ref	Switch, Rotary Options:	
16	4360575	1	Switch, Rotary (Use p/n 4360612) (Prior to SN 0030000205)	
16	4360612	1	Switch, Rotary (SN 0030000205 through 0030012032)	
16	4360620	1	Machines with Drive Option	
17	4460497	1	Nut, Terminal	
18	4460496	1	Lockwasher, Terminal	
19		Ref	Harness, Console Box Options: (See ELECTRICAL SECTION for Breakdown)	
19	4923116	1	Electric Powered Machines without Drive Option	
19	4923127	1	Electric Powered Machines with Drive Option	
19	4923117	1	Engine Powered Machines without Drive Option	
19	4923126	1	Engine Powered Machines with Drive Option	
20	3575796	1	Plate with D Shaped Slot	
21	3900357	5	Screw, Button Head 6mm x 16mm	
		Ref	CONSOLE BOX INSTALLATION	
	0273941	Ref	Electric Powered Machines without Drive Option	B
	0274026	Ref	Electric Powered Machines with Drive Option	B
	0274030	Ref	Engine Powered Machines without Drive Option	B
	0274028	Ref	Engine Powered Machines with Drive Option	B
102	2940160	1	Latch	

SECTION 5 - CYLINDER

SECTION 5 - CYLINDER

FIGURE 5-1. BRAKE RELEASE CYLINDER ASSEMBLY



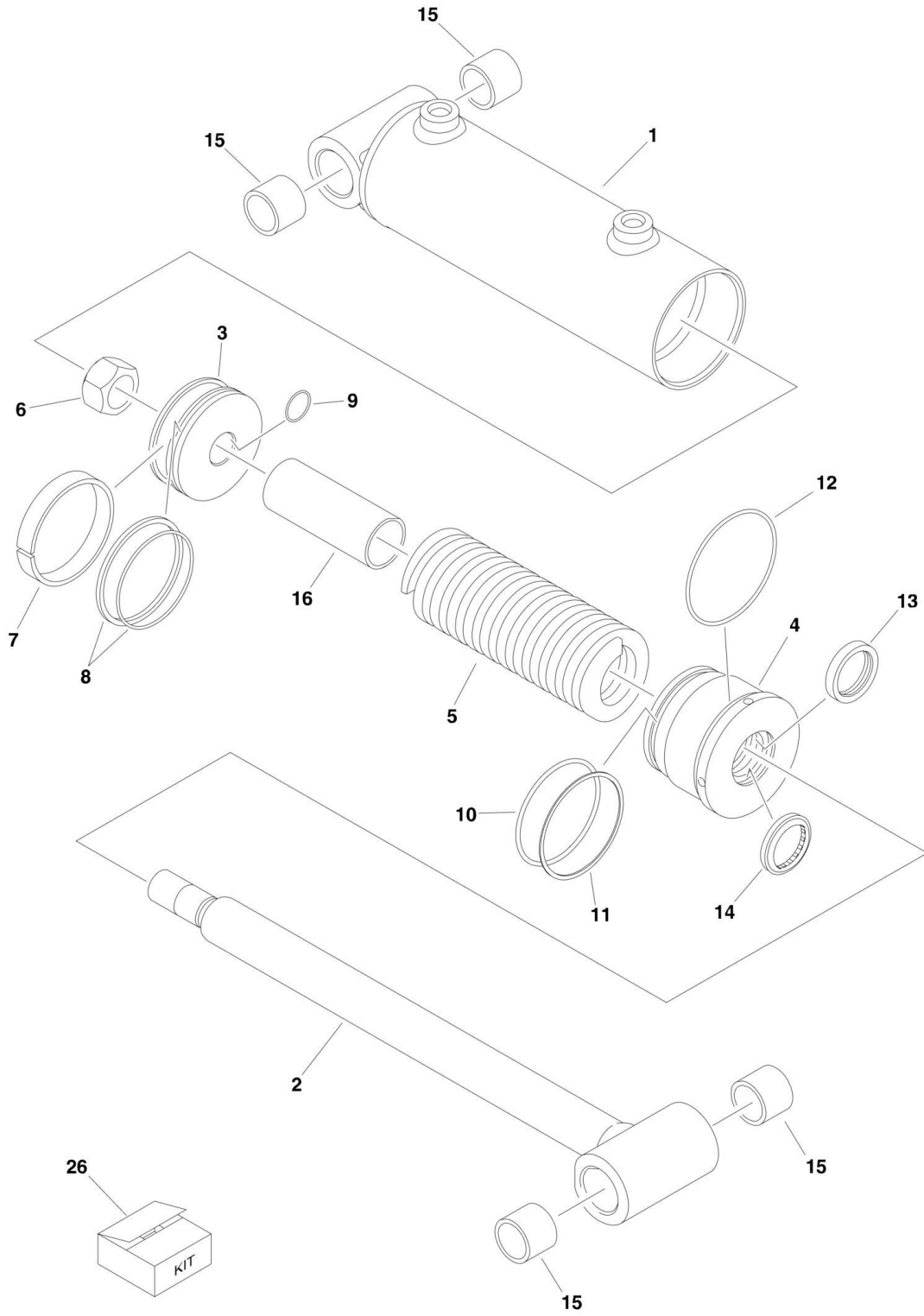
SECTION 5 - CYLINDER

FIGURE 5-1. BRAKE RELEASE CYLINDER ASSEMBLY

ITEM	PART NUMBER	QTY	DESCRIPTION	REV
		Ref	BRAKE RELEASE CYLINDER ASSEMBLIES:	
	1684466	Ref	ANSI and ANSI Export Specs (Prior to SN 0030001444)	B
	1684507	Ref	ANSI and ANSI Export Specs (SN 0030001444 through 0030007740)	A
	1001193948	Ref	ANSI and ANSI Export Specs (SN 0030007741 through 0030012032)	B
	1684507	Ref	CE Specs (Prior to SN 0030007344)	A
	1001193948	ref	CE Specs (SN 0030007344 through 0030012032)	B
1	70000112	1	Barrel	
2	70000115	1	Rod	
3	70000116	1	Head	
4	70000117	1	Piston	
5	70000114	1	Spring	
6	70000113	1	Nut	
7	70000111	1	O-Ring	
7	70000111	2	Ring, Back-up	
8	70000111	1	O-Ring	
9	70000111	1	O-Ring	
10	70000111	1	Ring, Back-up	
11	70000111	1	Seal, Rod	
12	70000111	1	Wiper	
13	70000118	1	Spacer	
26	70000111	1	Seal Kit - Cylinder (Includes Items 7-12)	

SECTION 5 - CYLINDER

FIGURE 5-2. DRIVE ENGAGE CYLINDER ASSEMBLY



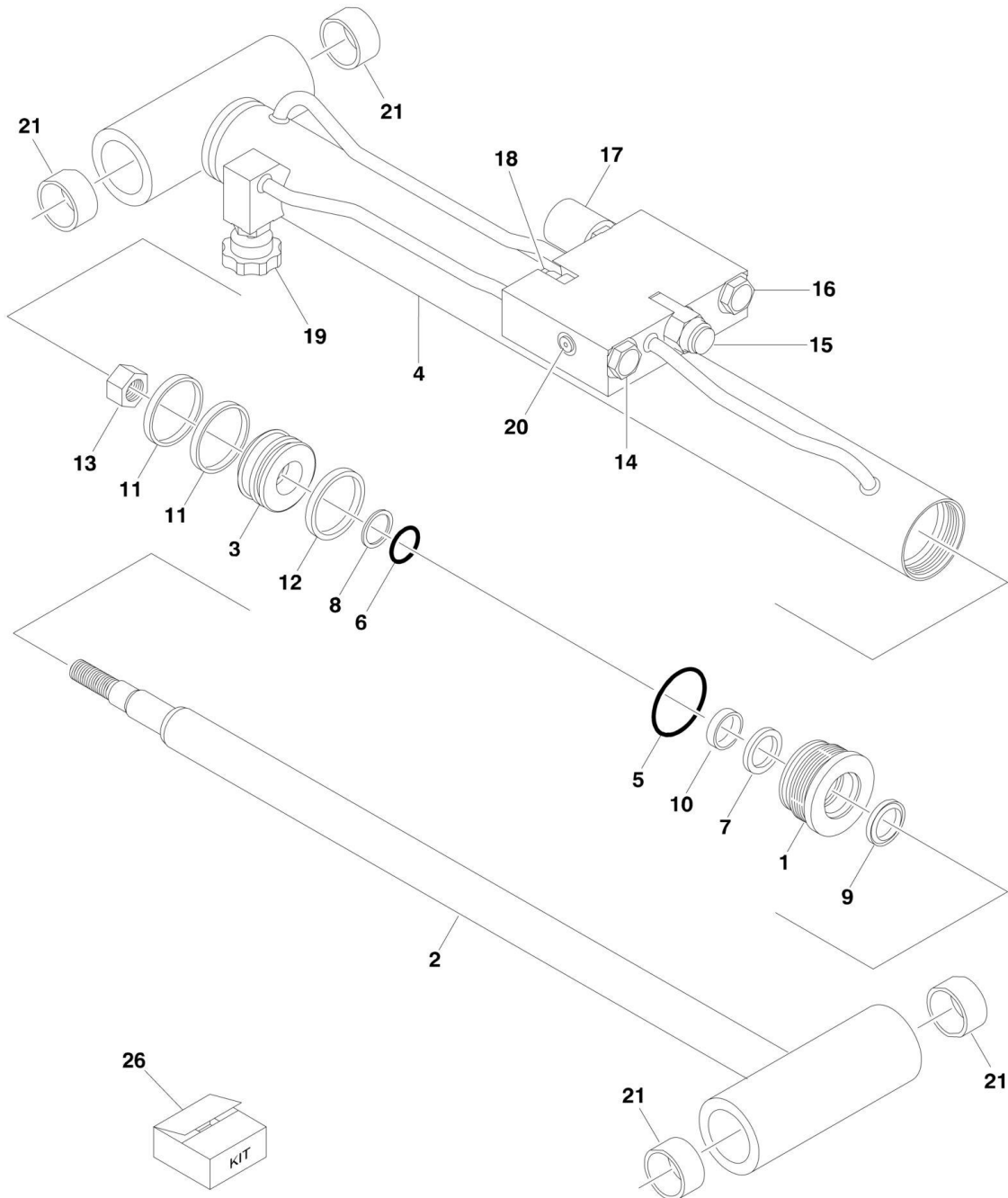
SECTION 5 - CYLINDER

FIGURE 5-2. DRIVE ENGAGE CYLINDER ASSEMBLY

ITEM	PART NUMBER	QTY	DESCRIPTION	REV
		Ref	DRIVE ENGAGE CYLINDER ASSEMBLY	
	1684467	Ref	Drive Engage Cylinder Assembly (T350)	A
	1684468	Ref	Drive Engage Cylinder Assembly (T500J)	A
1	70000984	1	Barrel	
2		Ref	Rod Options:	
2	70000983	1	Rod (T350)	
2	70000987	1	Rod (T500J)	
3	70000981	1	Piston	
4	70000982	1	Head	
5	70000985	1	Spring	
6	7017335	1	Locknut	
7	70000979	1	Ring, Wear	
8	70000979	1	Seal, Piston	
9	70000979	1	O-Ring	
10	70000979	1	O-Ring	
11	70000979	1	Seal	
12	70000979	1	O-Ring	
13	70000979	1	Seal, Rod	
14	70000979	1	Wiper	
15	70000986	4	Bushing	
16	70000980	1	Spacer	
26	70000979	1	Seal Kit (Includes Items 7-14)	

SECTION 5 - CYLINDER

FIGURE 5-3. JIB CYLINDER ASSEMBLY (T500J)



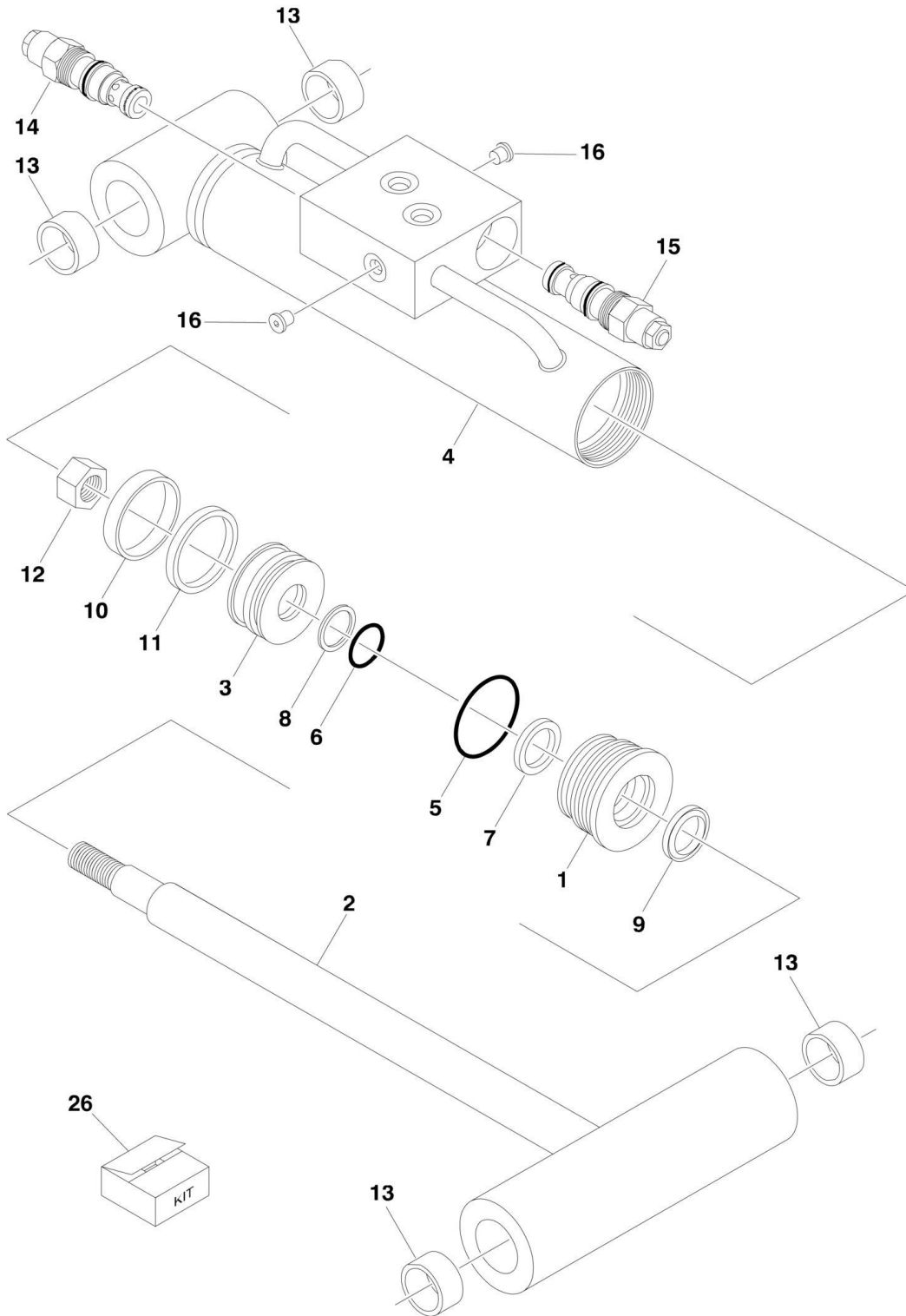
SECTION 5 - CYLINDER

FIGURE 5-3. JIB CYLINDER ASSEMBLY (T500J)

ITEM	PART NUMBER	QTY	DESCRIPTION	REV
		Ref	JIB CYLINDER ASSEMBLY	
	1684432	Ref	Jib Cylinder Assembly (Prior to SN 0030001101)	B
	See Note	Ref	Jib Cylinder Assembly (Note: These machines may have either 1684432 or 1684494 installation. Contact JLG Parts Dept. to identify configuration.) (SN 0030001102 through 0030001170)	
	1684494	Ref	Jib Cylinder Assembly (SN 0030001171 through 0030012032)	B
1	7027342	1	Head	
2	7027708	1	Rod	
3	7027338	1	Piston	
4		Ref	Barrel Options:	
4	7027709	1	1684432 - Jib Cylinder	
4	70000190	1	1684494 - Jib Cylinder	
5	7027711	1	O-Ring	
6	7027711	1	O-Ring	
7	7027711	1	Seal, Rod	
8	7027711	1	Ring, Back-up	
9	7027711	1	Wiper, Rod	
10	7027711	1	Ring, Wear	
11	7027711	2	Ring, Wear	
12	7027711	1	Seal, Piston	
13	7027710	1	Nut	
14	7012975	1	Cartridge, Check	
14	7012540	1	Seal Kit - 7012975 Cartridge	
15	7024888	1	Cartridge, Relief	
15	7012972	1	Seal Kit - 7024888 Cartridge	
16	7024887	1	Cartridge, Check	
16	7012998	1	Seal Kit - 7024887 Cartridge	
17	7024884	1	Cartridge, Solenoid Less Coil	
17	7012967	1	Seal Kit - 7024884 Cartridge	
17	7024885	1	Coil	
18	7011380	1	Cartridge, Counterbalance	
18	2900770	1	Seal Kit - 7011380 Cartridge	
19	4640902	1	Cartridge, Needle Valve	
19	7012953	1	Seal Kit - 4640902 Cartridge	
19	7012961	1	Knob	
20	2220881	4	Plug	
21	0962257	4	Bushing	
26	7027711	1	Seal Kit (Includes Items 5-12)	

SECTION 5 - CYLINDER

FIGURE 5-4. PLATFORM LEVEL (SLAVE) CYLINDER ASSEMBLY (T350)



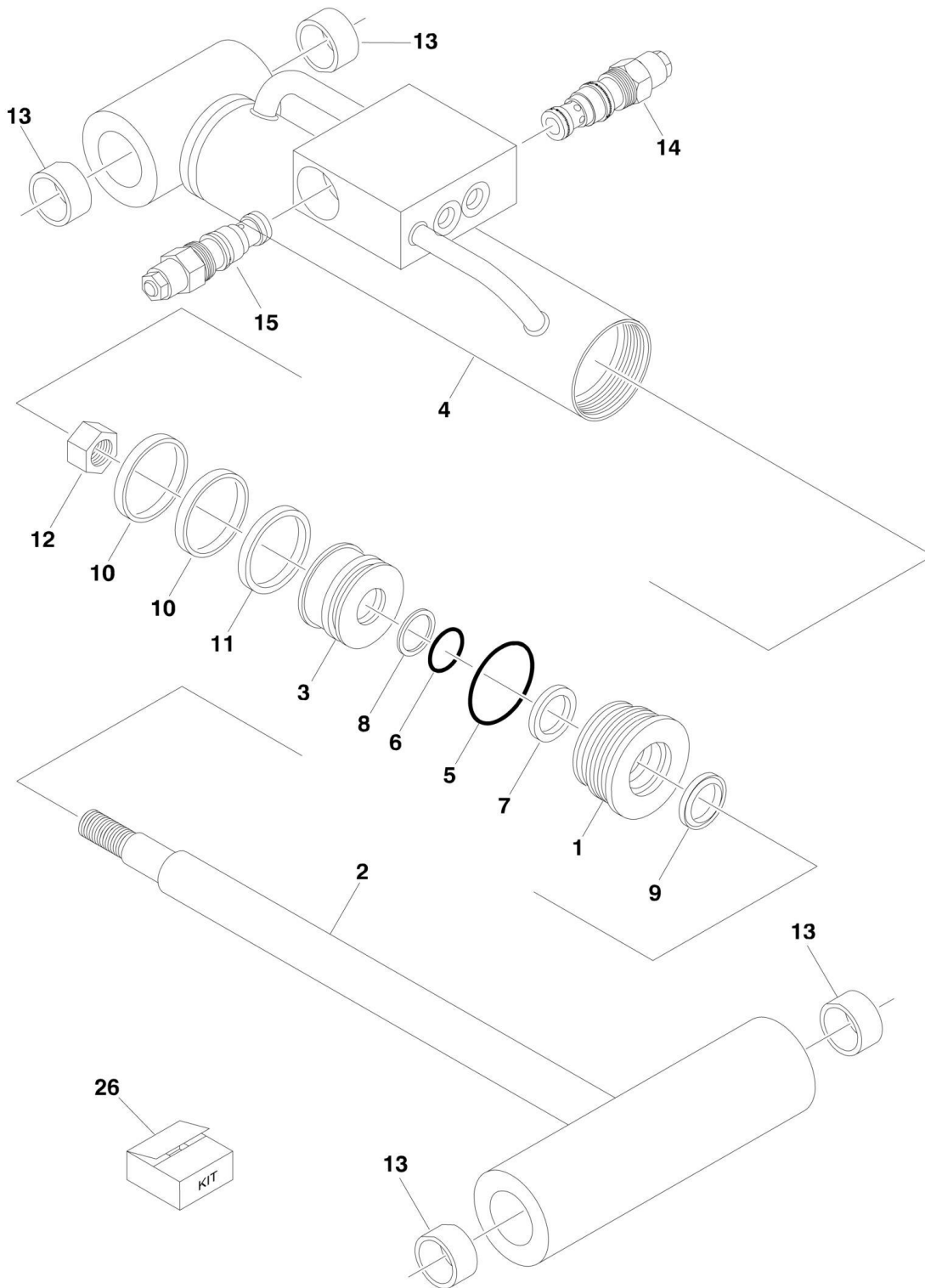
SECTION 5 - CYLINDER

FIGURE 5-4. PLATFORM LEVEL (SLAVE) CYLINDER ASSEMBLY (T350)

ITEM	PART NUMBER	QTY	DESCRIPTION	REV
	1684373	Ref	LEVEL (PLATFORM SLAVE) CYLINDER ASSEMBLY	D
		Ref	Note: Original Cylinder May Have Been Replaced with Service Replacement. Identify PN Stamped on Cylinder Before Ordering Parts.	
1	7027336	1	Head	
2	7027348	1	Rod	
3	7027338	1	Piston	
4	7027349	1	Barrel	
5	7027341	1	O-Ring	
6	7027341	1	O-Ring	
7	7027341	1	Seal, Rod	
8	7027341	1	Ring, Back-up	
9	7027341	1	Wiper	
10	7027341	1	Ring, Wear	
11	7027341	1	Seal, Piston	
12	7027340	1	Locknut	
13	0961947	4	Bushing	
14	7011377	1	Cartridge	
14	7011358	1	Seal Kit - 7011377 Cartridge	
15	7011378	1	Cartridge	
15	2900770	1	Seal Kit - 7011378 Cartridge	
16	2220881	2	Plug	
26	7027341	1	Seal Kit (Includes Items 5-11)	

SECTION 5 - CYLINDER

FIGURE 5-5. PLATFORM LEVEL (SLAVE) CYLINDER ASSEMBLY (T500J)



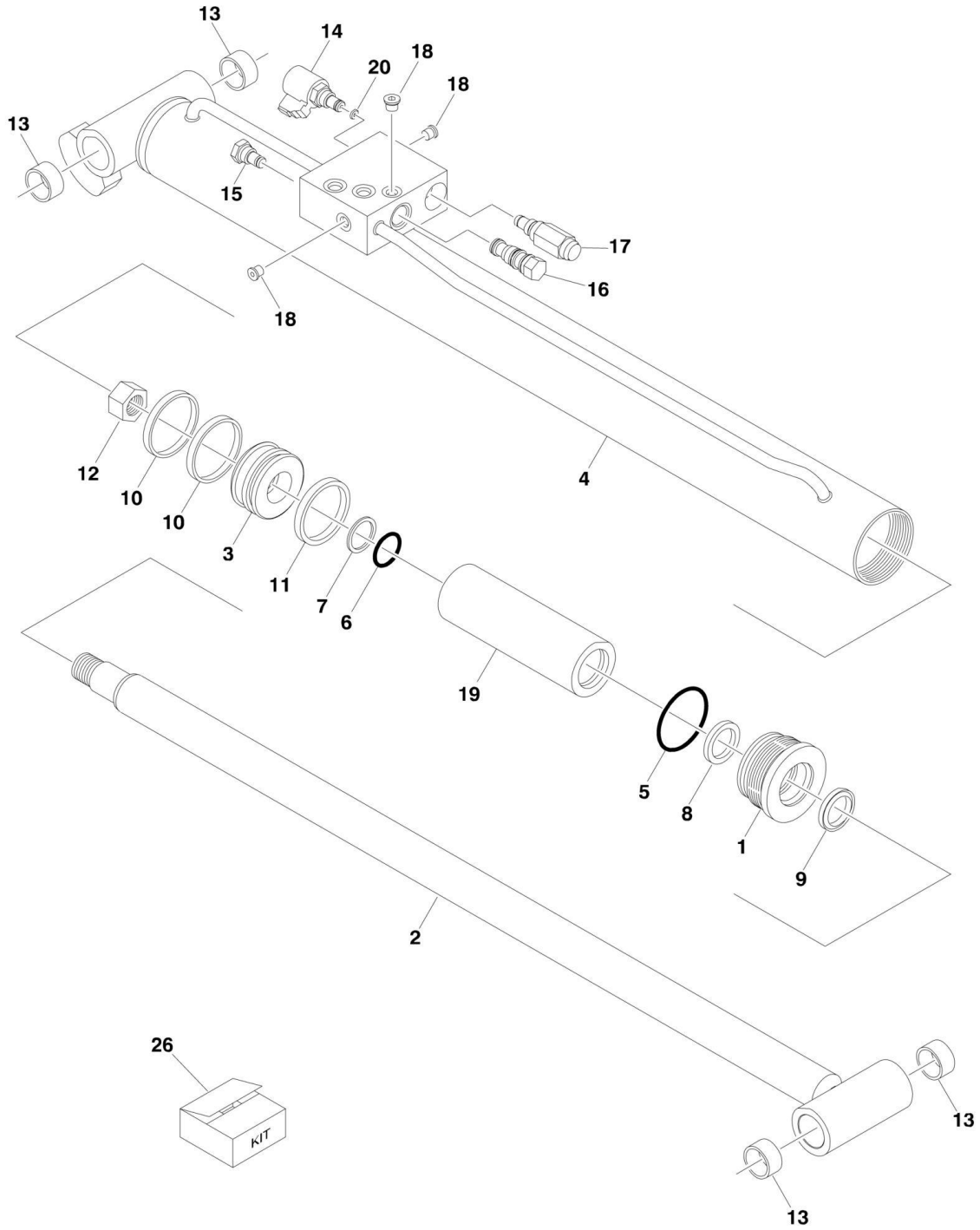
SECTION 5 - CYLINDER

FIGURE 5-5. PLATFORM LEVEL (SLAVE) CYLINDER ASSEMBLY (T500J)

ITEM	PART NUMBER	QTY	DESCRIPTION	REV
	1684397	Ref	LEVEL (PLATFORM SLAVE) CYLINDER ASSEMBLY	D
		Ref	Note: Original Cylinder May Have Been Replaced with Service Replacement. Identify PN Stamped on Cylinder Before Ordering Parts.	
1	7027694	1	Head	
2	7027695	1	Rod	
3	7027696	1	Piston	
4	7027697	1	Barrel	
5	7027698	1	O-Ring	
6	7027698	1	O-Ring	
7	7027698	1	Seal, Rod	
8	7027698	1	Ring, Back-up	
9	7027698	1	Wiper	
10	7027698	2	Ring, Wear	
11	7027698	1	Seal, Piston	
12	7027340	1	Locknut	
13	0961947	4	Bushing	
14	7011377	1	Cartridge	
14	7011358	1	Seal Kit - 7011377 Cartridge	
15	7011378	1	Cartridge	
15	2900770	1	Seal Kit - 7011378 Cartridge	
26	7027698	1	Seal Kit (Includes Items 5-11)	

SECTION 5 - CYLINDER

FIGURE 5-6. LIFT CYLINDER ASSEMBLY



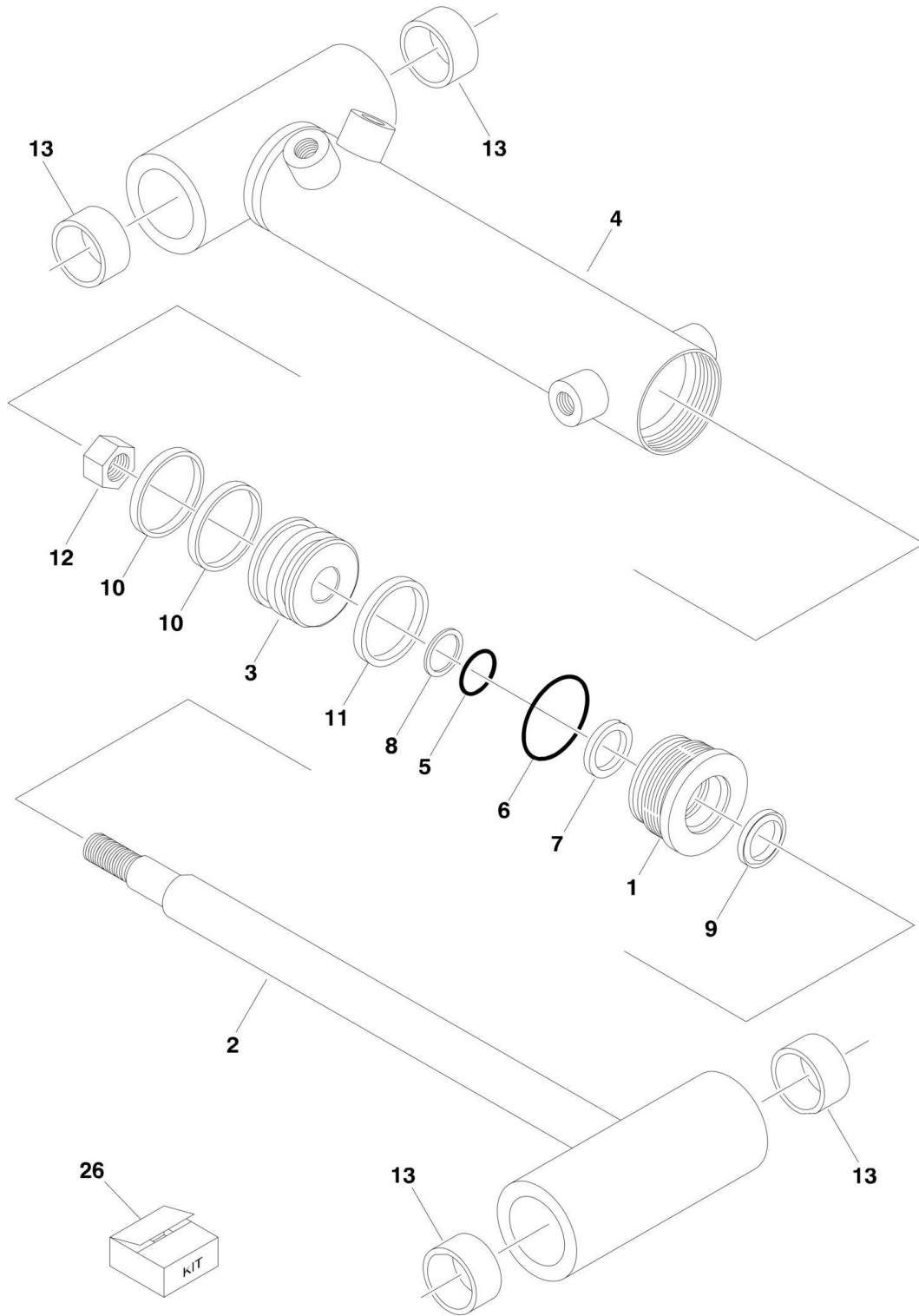
SECTION 5 - CYLINDER

FIGURE 5-6. LIFT CYLINDER ASSEMBLY

ITEM	PART NUMBER	QTY	DESCRIPTION	REV
		Ref	LIFT CYLINDER ASSEMBLY	
	1684433	Ref	Lift Cylinder Assembly (T350)	F
	1684434	Ref	Lift Cylinder Assembly (T500J)	F
1		Ref	Head Options:	
1	7027329	1	Head (T350)	
1	7027712	1	Head (T500J)	
2		Ref	Rod Options:	
2	7027330	1	Rod (T350)	
2	7027713	1	Rod (T500J)	
3		Ref	Piston Options:	
3	7027331	1	Piston (T350)	
3	7027714	1	Piston (T500J)	
4		Ref	Barrel Options:	
4	7027332	1	Barrel (T350)	
4	7027715	1	Barrel (T500J)	
5	See Note	1	O-Ring (Note: Use Item 26)	
6	See Note	1	O-Ring (Note: Use Item 26)	
7	See Note	1	Ring, Back-up (Note: Use Item 26)	
8	See Note	1	Seal, Rod (Note: Use Item 26)	
9	See Note	1	Wiper (Note: Use Item 26)	
10	See Note	2	Ring, Wear (Note: Use Item 26)	
11	See Note	1	Seal, Piston (Note: Use Item 26)	
12	7027334	1	Locknut	
13		Ref	Bushing Options:	
13	0962257	4	Bushing (T350)	
13	0961948	4	Bushing (T500J)	
14	7024884	1	Cartridge Less Coil	
14	7012967	1	Seal Kit - 7024884 Cartridge	
14	7024885	1	Coil	
15	7012955	1	Cartridge, Check	
15	7012967	1	Seal Kit - 7012955 Cartridge	
16	4640438	1	Cartridge, Pilot Check	
16	2900770	1	Seal Kit - 4640438 Cartridge	
17	7024886	1	Cartridge, Relief	
17	7012972	1	Seal Kit - 7024886 Cartridge	
18	2220883	3	Plug	
19	See Note	1	Spacer (Note: Not available for purchase)	
20	70004315	1	Orifice	
26		Ref	Seal Kit Options (Includes Items 5-11):	
26	7027335	1	Seal Kit (T350)	
26	7027716	1	Seal kit (T500J)	

SECTION 5 - CYLINDER

FIGURE 5-7. MASTER CYLINDER ASSEMBLY



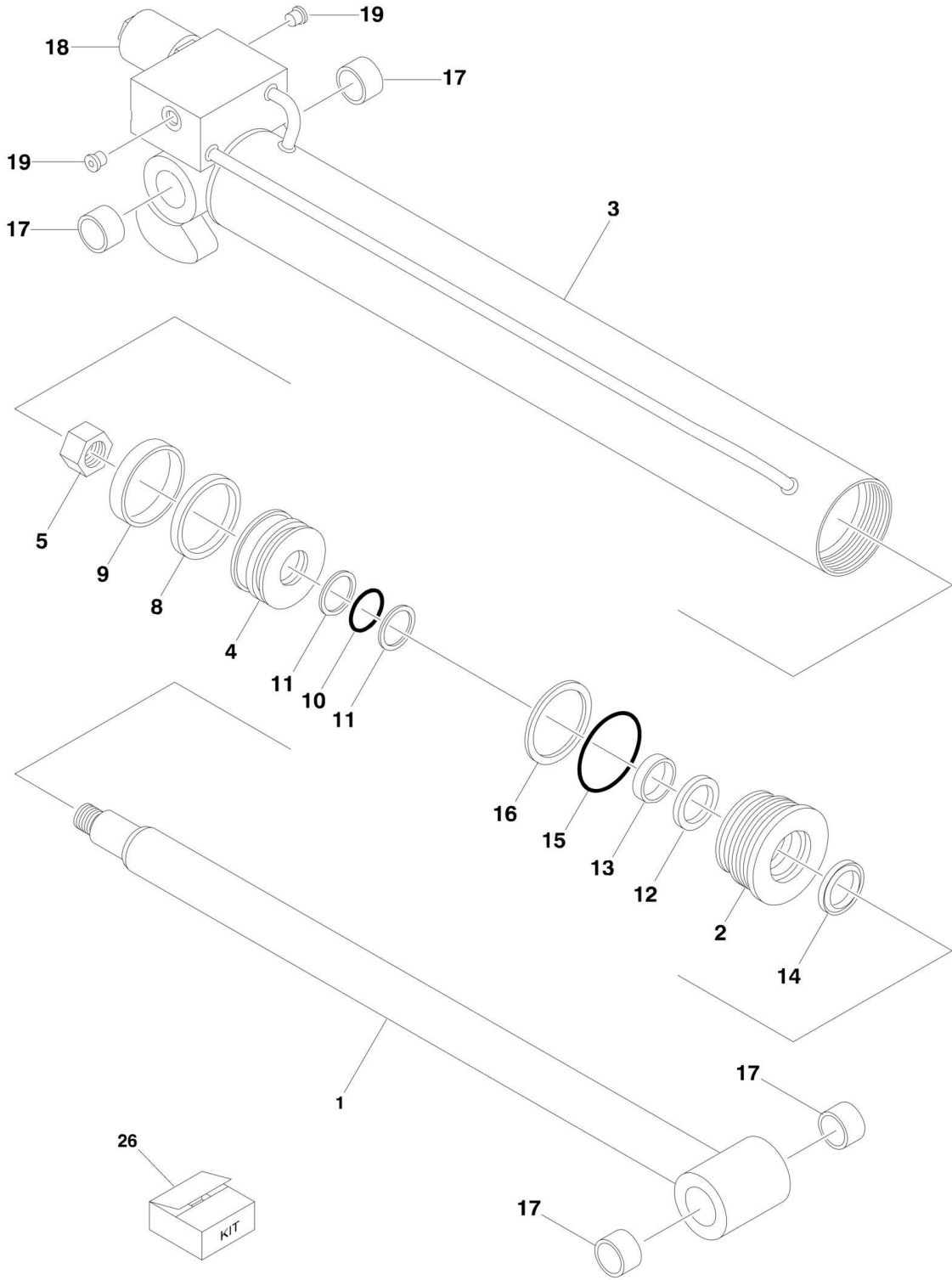
SECTION 5 - CYLINDER

FIGURE 5-7. MASTER CYLINDER ASSEMBLY

ITEM	PART NUMBER	QTY	DESCRIPTION	REV
		Ref	MASTER CYLINDER ASSEMBLY	
	1684415	Ref	Master Cylinder Assembly (T350)	C
	1684398	Ref	Master Cylinder Assembly (T500J)	C
1		Ref	Head Options:	
1	7027336	1	Head (T350)	
1	7027694	1	Head (T500J)	
2		Ref	Rod Options:	
2	7027337	1	Rod (T350)	
2	7027699	1	Rod (T500J)	
3		Ref	Piston Options:	
3	7027338	1	Piston (T350)	
3	7027696	1	Piston (T500J)	
4		Ref	Barrel Options:	
4	7027339	1	Barrel (T350)	
4	7027700		Barrel (T500J)	
5	See Note	1	O-Ring (Note: Use Item 26)	
6	See Note	1	O-Ring (Note: Use Item 26)	
7	See Note	1	Seal, Rod (Note: Use Item 26)	
8	See Note	1	Ring, Back-up (Note: Use Item 26)	
9	See Note	1	Wiper (Note: Use Item 26)	
10	See Note	AR	Ring, Wear Options: (Note: Use Item 26)	
10		Ref	Ring Wear (T350)	
10		Ref	Ring Wear (T500J)	
11	See Note	1	Seal, Piston (Note: Use Item 26)	
12	7027340	1	Locknut	
13	0962257	4	Bushing	
26		Ref	Seal Kit Options (Includes Items 5-11):	
26	7027341	1	Seal Kit (T350)	
26	7027698	1	Seal kit (T500J)	

SECTION 5 - CYLINDER

FIGURE 5-8. OUTRIGGER CYLINDER ASSEMBLY



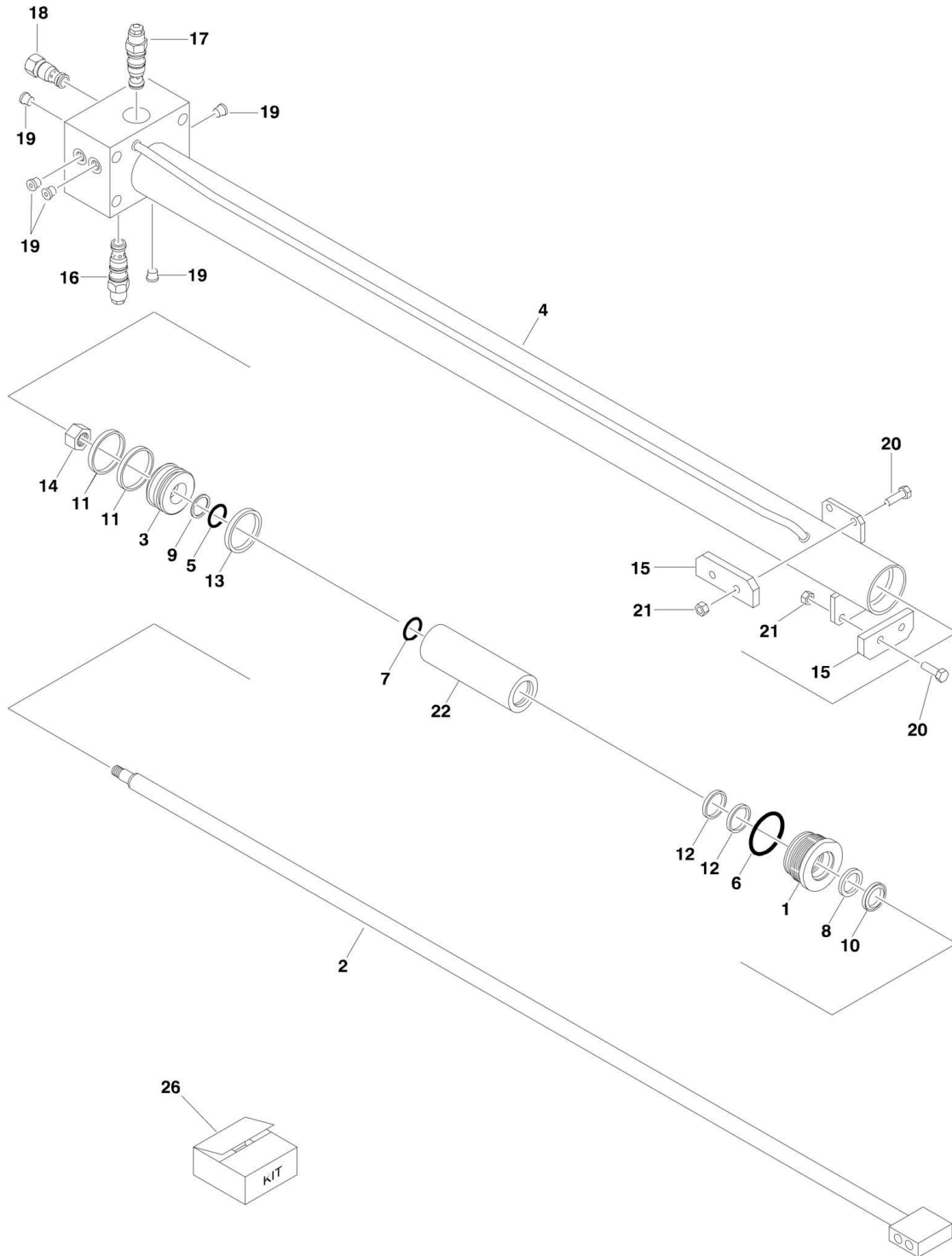
SECTION 5 - CYLINDER

FIGURE 5-8. OUTRIGGER CYLINDER ASSEMBLY

ITEM	PART NUMBER	QTY	DESCRIPTION	REV
		Ref	OUTRIGGER CYLINDER ASSEMBLY	
	1684429	Ref	Outrigger Cylinder Assembly (T350) (T350 Prior to SN 0030000100)	C
	1684442	Ref	Outrigger Cylinder Assembly (T350) (T350 SN 0030000100 through 0030012032)	E
	1684431	Ref	Outrigger Cylinder Assembly (T500J) (T500J Prior to SN 0030000010)	C
	1684443	Ref	Outrigger Cylinder Assembly (T500J) (T500J SN 0030000010 through 0030012032)	E
1		Ref	Rod Options:	
1	7027315	1	Rod (T350)	
1	7027320	1	Rod (T500J)	
2		Ref	Head Options:	
2	7027316	1	Head (T350)	
2	7027321	1	Head (T500J)	
3		Ref	Barrel Options:	
3	7027317	1	Barrel (T350)	
3	7027322	1	Barrel (T500J)	
4		Ref	Piston Options:	
4	7027318	1	Piston (T350)	
4	7027323	1	Piston (T500J)	
5		Ref	Locknut Options:	
5	7023391	1	Locknut (T350)	
5	7027324	1	Locknut (T500J)	
8	See Note	1	T-Seal (Note: Use Item 26)	
9	See Note	1	Ring, Wear (Note: Use Item 26)	
10	See Note	1	O-Ring (Note: Use Item 26)	
11	See Note	2	Ring, Back-up (Note: Use Item 26)	
12	See Note	1	Seal, Rod (Note: Use Item 26)	
13	See Note	1	Ring, Wear (Note: Use Item 26)	
14	See Note	1	Wiper (Note: Use Item 26)	
15	See Note	1	O-Ring (Note: Use Item 26)	
16	See Note	1	Ring, Back-up (Note: Use Item 26)	
17		Ref	Bushing Options:	
17	0962292	4	Bushing (T350)	
17	0961948	4	Bushing (T500J)	
18	7024882	1	Cartridge Less Coil	
18	7012953	1	Seal Kit - 7024882 Cartridge	
18	7024883	1	Coil (Note: Orient Electrical Connector Toward Center of Cams.)	
19	See Note	2	Plug (Note: Not available for purchase)	
26		Ref	Seal Kit Options (Includes Items 8-16):	
26	7027319	1	Seal Kit (T350)	
26	7027325	1	Seal Kit (T500J)	

SECTION 5 - CYLINDER

FIGURE 5-9. TELESCOPE CYLINDER ASSEMBLY



SECTION 5 - CYLINDER

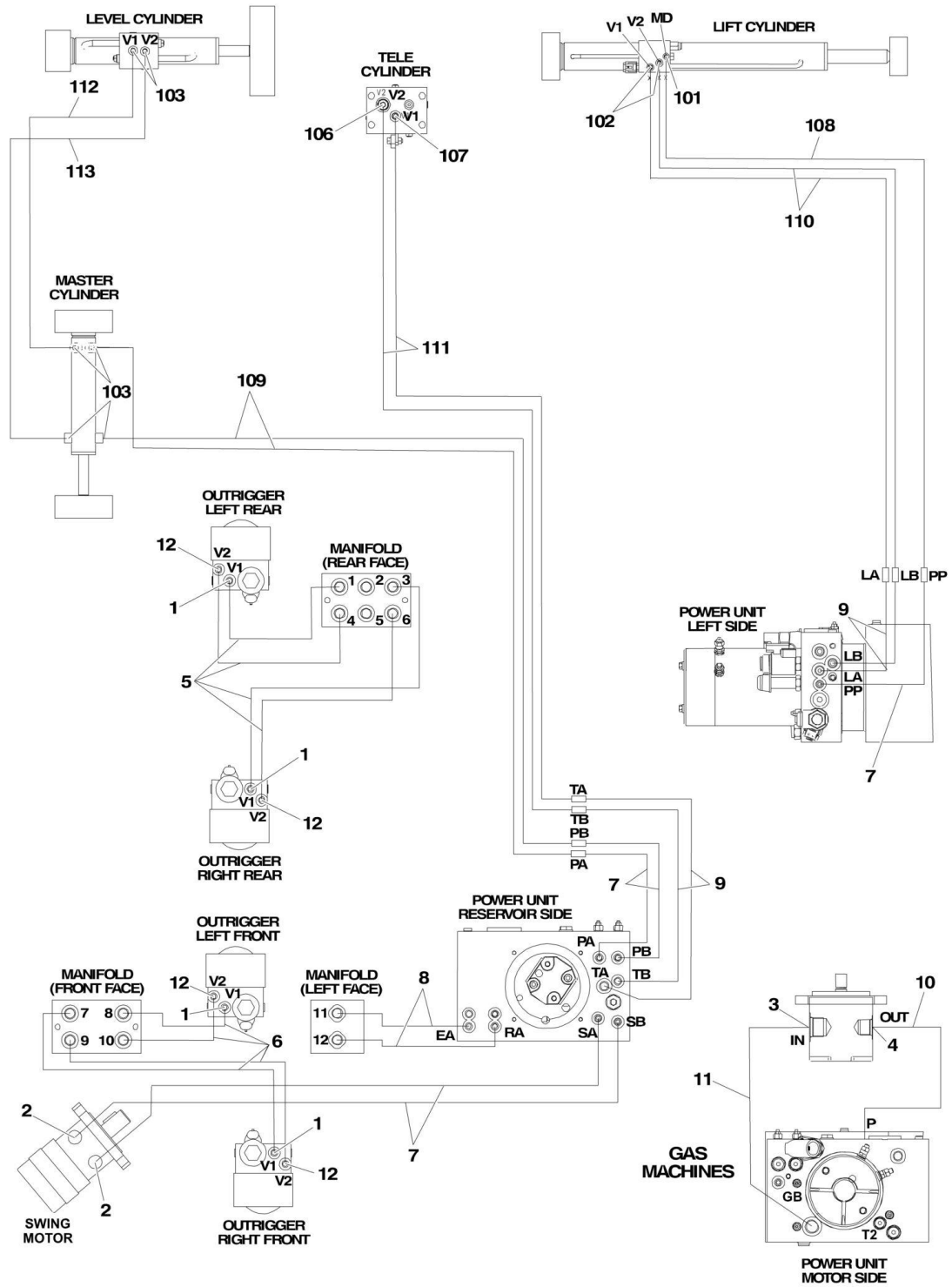
FIGURE 5-9. TELESCOPE CYLINDER ASSEMBLY

ITEM	PART NUMBER	QTY	DESCRIPTION	REV
		Ref	TELESCOPE CYLINDER ASSEMBLY	
	1684367	Ref	Telescope Cylinder Assembly (T350)	E
	1684402	Ref	Telescope Cylinder Assembly (T500J)	E
1		Ref	Head Options:	
1	7027342	1	Head (T350)	
1	7027701	1	Head (T500J)	
2		Ref	Rod Options:	
2	7027343	1	Rod (T350)	
2	7027702	1	Rod (T500J)	
3		Ref	Piston Options:	
3	7027344	1	Piston (T350)	
3	7027703	1	Piston (T500J)	
4		Ref	Barrel Options:	
4	7027345	1	Barrel (T350)	
4	7027704	1	Barrel (T500J)	
5	See Note	1	O-Ring (Note: Use Item 26)	
6	See Note	1	O-Ring (Note: Use Item 26)	
7	See Note	1	O-Ring (Note: Use Item 26)	
8	See Note	1	Seal, Rod (Note: Use Item 26)	
9	See Note	1	Ring, Back-up (Note: Use Item 26)	
10	See Note	1	Wiper (Note: Use Item 26)	
11	See Note	2	Ring, Wear (Note: Use Item 26)	
12	See Note	2	Ring, Wear (Note: Use Item 26)	
13	See Note	1	Seal, Piston (Note: Use Item 26)	
14		Ref	Locknut Options:	
14	7027340	1	Locknut (T350)	
14	7027705	1	Locknut (T500J)	
15		Ref	Pad, Wear Options:	
15	7027346	2	Pad, Wear (T350)	
15	7027706	2	Pad, Wear (T500J)	
16	7011377	2	Cartridge, Counterbalance	
16	7011358	2	Seal Kit - 7011377 Cartridge	
17	7011379	2	Cartridge, Counterbalance	
17	2900770	2	Seal Kit - 7011379 Cartridge	
18	4641285	1	Cartridge, Shuttle	
18	7011311	1	Seal Kit - 4641285 Cartridge	
19	2220883	5	Plug	
20	0641510	4	Bolt 5/16 x 1 1/4	
21	3311505	4	Nut 5/16	
22	See Note	1	Spacer (Note: Not available for purchase)	
26		Ref	Seal Kit Options (Includes Items 5-13):	
26	7027347	1	Seal Kit (T350)	
26	7027707	1	Seal Kit (T500J)	

SECTION 6 - HYDRAULIC

SECTION 6 - HYDRAULIC

FIGURE 6-1. HYDRAULIC DIAGRAM - BOOM AND CHASSIS (ALL SPECS) (T350)



1283400 D

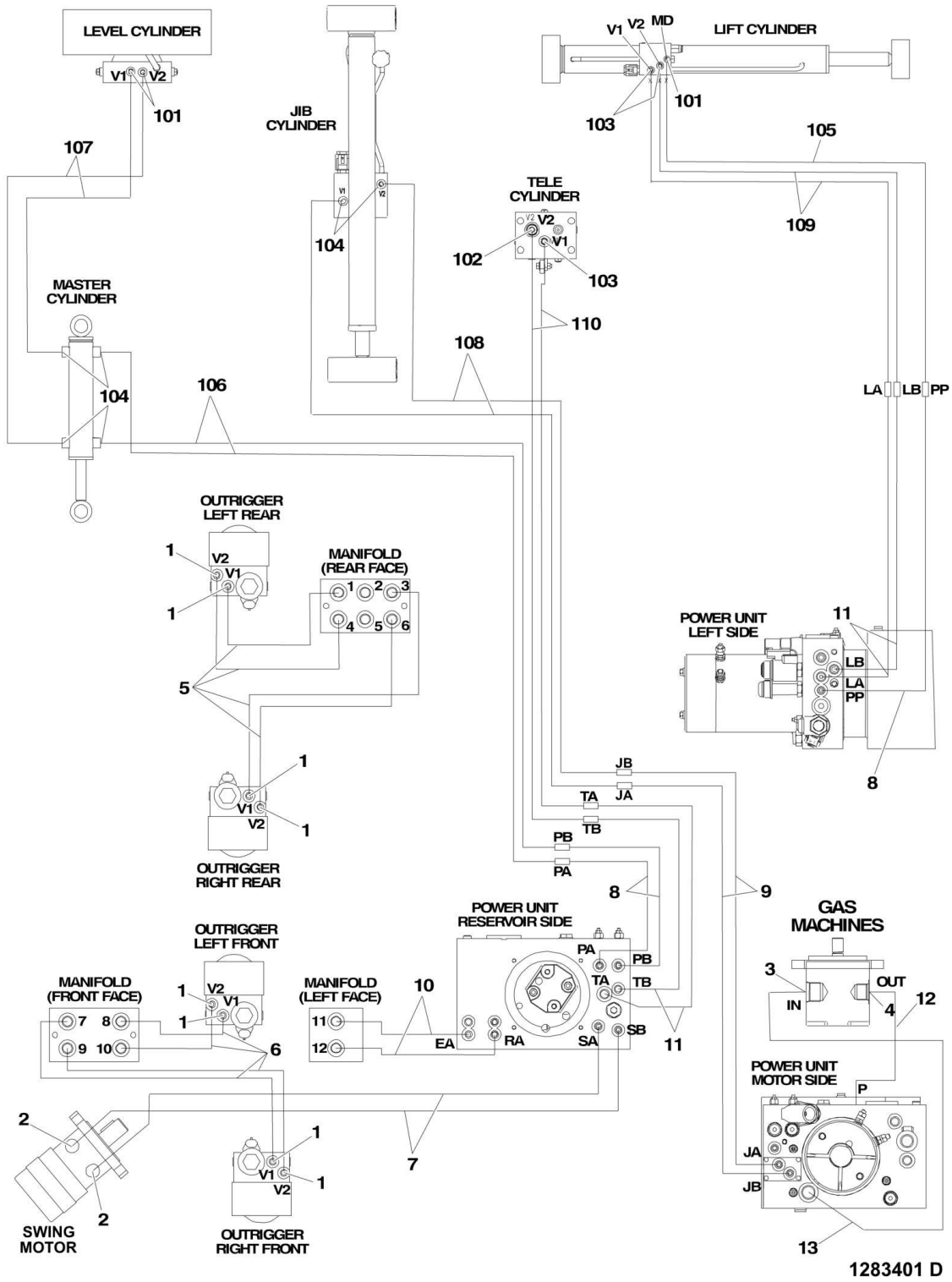
SECTION 6 - HYDRAULIC

FIGURE 6-1. HYDRAULIC DIAGRAM - BOOM AND CHASSIS (ALL SPECS) (T350)

ITEM	PART NUMBER	QTY	DESCRIPTION	REV
		Ref	HYDRAULIC DIAGRAM - CHASSIS	
	2792664	Ref	Hydraulic Diagram - Chassis - Electric Powered Machines (T350)	2
	2792665	Ref	Hydraulic Diagram - Chassis - Gas Powered Machines (T350)	4
1	2110404	4	Fitting, Straight	
2	2110410	2	Fitting, Straight	
3		Ref	Fitting, Options:	
3	Not Required	0	Fitting - Electric Powered Machines (T350)	
3	2151612	1	Fitting, 45 - Gas Powered Machines (T350)	
4		Ref	Fitting Options:	
4	Not Required	0	Fitting - Electric Powered Machines (T350)	
4	2130610	1	Fitting, 90 - Gas Powered Machines (T350)	
5	2753555	4	Hose	
6	2753545	4	Hose	
7	2753550	5	Hose	
8	2753851	2	Hose	
9	2753563	4	Hose	
10		Ref	Hose Options:	
10	Not Required	0	Hose - Electric Powered Machines (T350)	
10	2753626	1	Hose - Gas Powered Machines (T350)	
11		Ref	Hose, Suction Options:	
11	Not Required	0	Hose, Suction - Electric Powered Machines (T350)	
11		Ref	Hose, Suction - Gas Powered Machines Options: (T350)	
11	2754339	1	Hose, Suction (Use p/n 1001110688) (Prior to SN 0030003210)	
11	1001110688	AR	Hose, Suction (SN 0030003210 through 0030012032)	
12	2150404	4	Fitting, Elbow	
	2792640	Ref	HYDRAULIC DIAGRAM - BOOM	1
101	2110404	1	Fitting, Straight	
102	2110606	2	Fitting, Straight	
103	2130404	6	Fitting, Elbow	
106	2130604	1	Fitting, Elbow	
107	2130606	1	Fitting, Elbow	
108	2754209	1	Hose	
109	2754204	2	Hose	
110	2754213	2	Hose	
111	2754211	2	Hose	
112	2754205	1	Hose	
113	2754206	1	Hose	

SECTION 6 - HYDRAULIC

FIGURE 6-2. HYDRAULIC DIAGRAM - BOOM AND CHASSIS (T500J)



SECTION 6 - HYDRAULIC

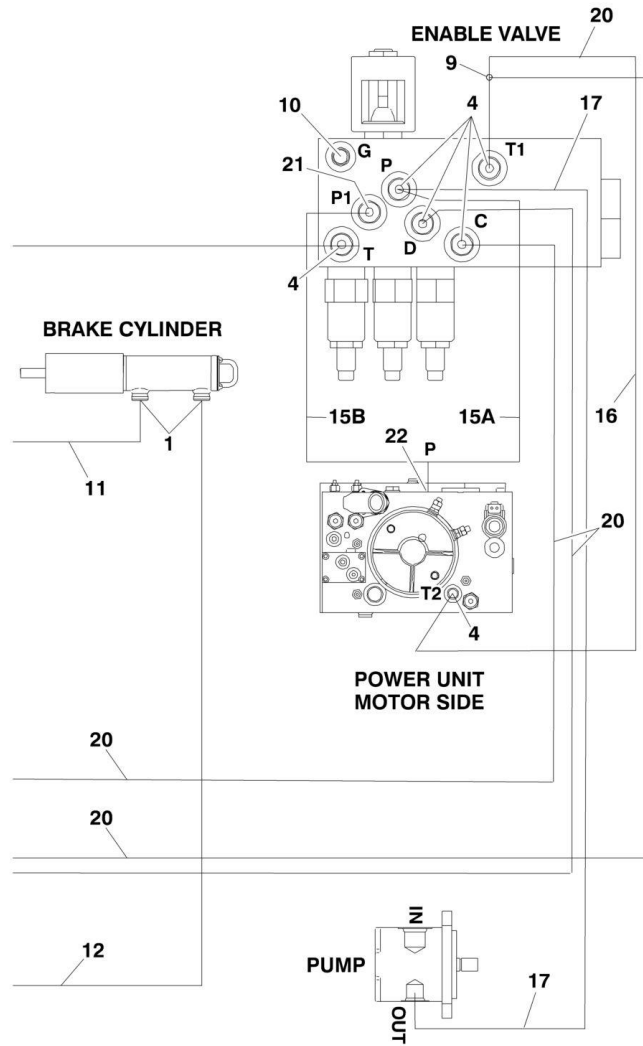
FIGURE 6-2. HYDRAULIC DIAGRAM - BOOM AND CHASSIS (T500J)

ITEM	PART NUMBER	QTY	DESCRIPTION	REV
		Ref	HYDRAULIC DIAGRAM - CHASSIS	
	2792668	Ref	Hydraulic Diagram (ANSI and ANSI Export Specs) Electric Powered Machines (T500J)	2
	2792672	Ref	Hydraulic Diagram (Australian, CE and South Africa Specs) Electric Powered Machines (T500J)	B
	2792669	Ref	Hydraulic Diagram (ANSI and ANSI Export Specs) Gas Powered Machines (T500J)	4
	2792673	Ref	Hydraulic Diagram (Australian, CE and South Africa Specs) Gas Powered Machines (T500J)	B
1	2110404	8	Fitting, Straight	
2	2110410	2	Fitting, Straight	
3		Ref	Fitting, Straight	
3	Not Required	0	Fitting, Straight - Electric Powered Machines (T500J)	
3	2151612	1	Fitting, Straight - Gas Powered Machines (T500J)	
4		Ref	Fitting, Straight	
4	Not Required	0	Fitting, Straight - Electric Powered Machines (T500J)	
4	2130610	1	Fitting, Straight - Gas Powered Machines (T500J)	
5	2753540	4	Hose	
6		Ref	Hose Options:	
6	2753541	4	ANSI and ANSI Export Specs	
6	2754469	4	Australian, CE and South Africa Specs	
7		Ref	Hose Options:	
7	2753622	2	ANSI and ANSI Export Specs	
7	2753550	2	Australian, CE and South Africa Specs	
8		Ref	Hose Options:	
8	2753784	3	ANSI and ANSI Export Specs	
8	2753785	3	Australian, CE and South Africa Specs	
9		Ref	Hose Options:	
9	2754263	2	ANSI and ANSI Export Specs	
9	2754470	2	Australian, CE and South Africa Specs	
10		Ref	Hose Options:	
10	2754265	2	ANSI and ANSI Export Specs	
10	2754471	2	Australian, CE and South Africa Specs	
11		Ref	Hose Options:	
11	2753727	4	ANSI and ANSI Export Specs	
11	2754472	4	Australian, CE and South Africa Specs	
12		Ref	Hose Options:	
12	Not Required	0	Hose - Electric Powered Machines (T500J)	
12	2753626	1	Hose - Gas Powered Machines (T500J)	
13		Ref	Hose, Suction Options:	
13	Not Required	0	Hose, Suction - Electric Powered Machines (T500J)	
13		Ref	Hose, Suction - Gas Powered Machines Options: (T500J)	
13	2754339	1	Hose, Suction (Use p/n 1001110688) (Prior to SN 0030003210)	
13	1001110688	1	Hose, Suction (SN 0030003210 through 0030012032)	
	2792641	Ref	HYDRAULIC DIAGRAM - BOOM	3
101	2110404	3	Fitting, Straight	
102	2110604	1	Fitting, Straight	
103	2110606	3	Fitting, Straight	
104	2130404	6	Fitting, Elbow	
105	2754210	1	Hose	

SECTION 6 - HYDRAULIC

ITEM	PART NUMBER	QTY	DESCRIPTION	REV
106	2754207	2	Hose	
107	2754264	2	Hose	
108	2754208	2	Hose	
109	2754214	2	Hose	
110	2754212	2	Hose	

SECTION 6 - HYDRAULIC



SHEET 2 OF 2

SECTION 6 - HYDRAULIC

FIGURE 6-3. HYDRAULIC DIAGRAM - DRIVE AND SET

ITEM	PART NUMBER	QTY	DESCRIPTION	REV
		Ref	HYDRAULIC DIAGRAM - CHASSIS	
	2792674	Ref	Hydraulic Diagram - Chassis (Electric Powered Machines) (T350)	2
	2792675	Ref	Hydraulic Diagram - Chassis (Gas Powered Machines) (T350)	2
	2792676	Ref	Hydraulic Diagram - Chassis (Electric Powered Machines) (All Specs Except CE Specs) (T500J)	1
	2792743	Ref	Hydraulic Diagram - Chassis (Electric Powered Machines) (CE Specs Only) (T500J)	1
	2792677	Ref	Hydraulic Diagram - Chassis (Gas Powered Machines) (All Specs Except CE Specs) (T500J)	1
	2792744	Ref	Hydraulic Diagram - Chassis (Gas Powered Machines) (CE Specs Only) (T500J)	1
1	2110404	7	Fitting, Straight	
2	2110406	1	Fitting, Straight	
3	2110410	4	Fitting, Straight	
4	2110606	Ref	Fitting, Straight	
4	2110606	8	Electric Powered Machines	
4	2110606	9	Gas Powered Machines	
5	2110608	2	Fitting, Straight	
6	2130606	2	Fitting, Elbow	
7	2130608	1	Fitting, Elbow	
8	2170306	2	Fitting, Tee	
9	2170706	2	Fitting, Tee	
10	2221086	4	Fitting, Adapter	
11		Ref	Hose Options:	
11	2754676	2	Hose (T350)	
11	2754643	2	Hose (All Specs Except CE Specs) (T500J)	
11	2754676	2	Hose (CE Specs) (T500J)	
12	2753545	1	Hose	
13	2753622	4	Hose	
14	2754644	2	Hose	
15	2753625	1	Hose	
15A		Ref	Electric Powered Machines	
15B		Ref	Gas Powered Machines	
16	2753673	1	Hose	
17		Ref	Hose Options:	
17	Not Required	0	Electric Powered Machines	
17	2753730	1	Gas Powered Machines	
18	2754265	1	Hose	
19	2753731	1	Hose	
20	2754645	3	Hose	
21		Ref	Fitting, Plug Adapter Options:	
21	2220237	1	Electric Powered Machines	
21	Not Required	0	Gas Powered Machines	
22		Ref	Fitting, Elbow Options:	
22	2130606	1	Electric Powered Machines	
22	Not Required	0	Gas Powered Machines	2

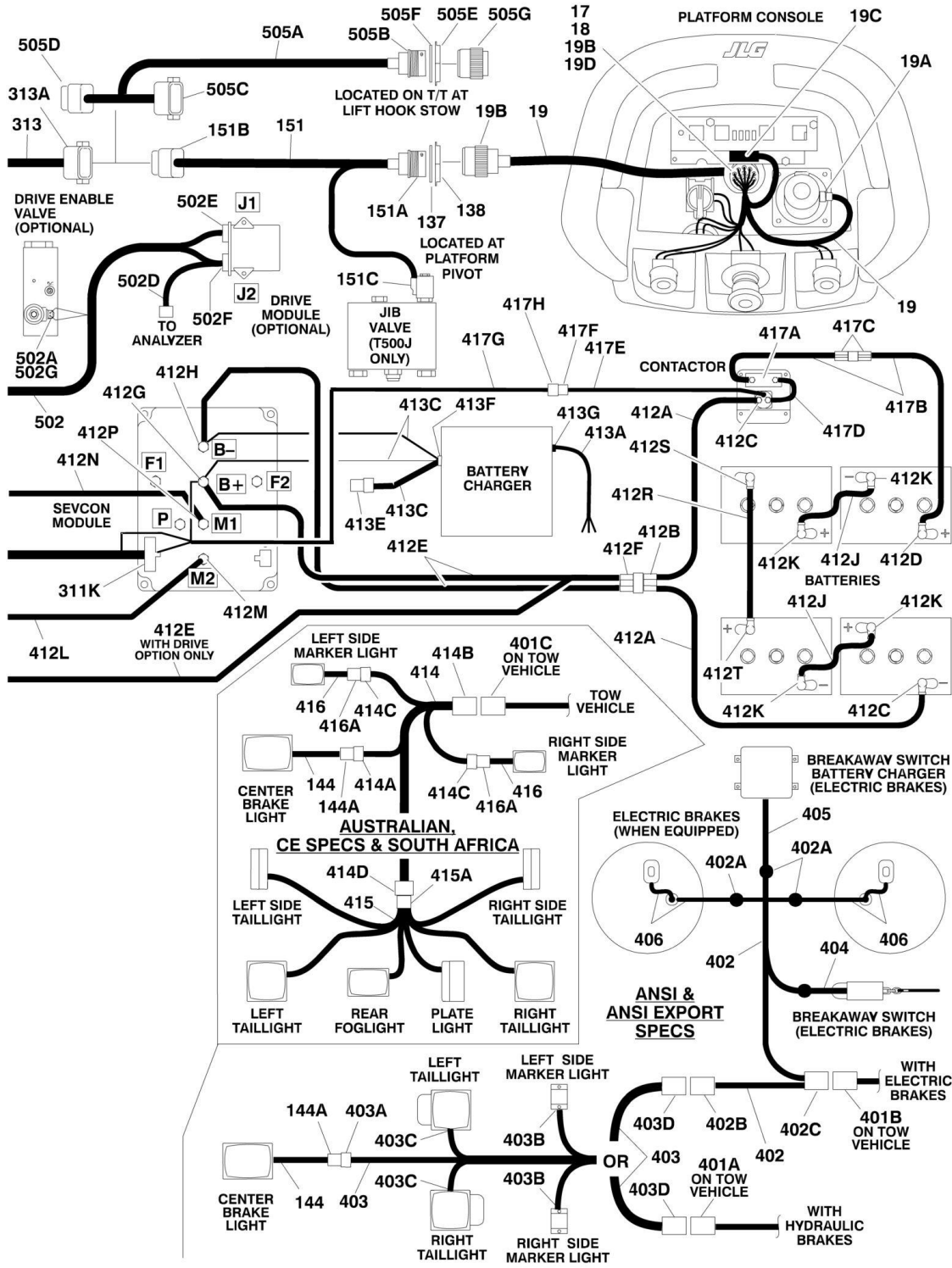
SECTION 6 - HYDRAULIC

FIGURE 6-4. HYDRAULIC DIAGRAM LIST

ITEM	PART NUMBER	QTY	DESCRIPTION	REV
		Ref	Note: Diagrams not shown are available from JLG Service/Parts Department.	
		Ref	BOOM HYDRAULIC DIAGRAM	
	2792640	Ref	Diagram, Hydraulic (T350)	
	2792641	Ref	Diagram, Hydraulic (T500J)	
		Ref	CHASSIS HYDRAULIC DIAGRAM	
	2792664	Ref	Electric Powered Machines (T350)	
	2792665	Ref	Gas Powered Machines (T350)	
	2792668	Ref	Electric Powered Machines (ANSI AND ANSI Export Spec) (T500J)	
	2792672	Ref	Electric Powered Machines (Australian AND CE Specs) (T500J)	
	2792669	Ref	Gas Powered Machines (ANSI AND ANSI Export Specs) (T500J)	
	2792673	Ref	Gas Powered Machines (Australian AND CE Specs) (T500J)	
		Ref	DRIVE AND SET HYDRAULIC DIAGRAM	
	2792674	Ref	Electric Powered Machines (T350)	
	2792675	Ref	Gas Powered Machines (T350)	
	2792676	Ref	Electric Powered Machines (All Specs Except CE Specs) (T500J)	
	2792743	Ref	Electric Powered Machines (CE Specs Only) (T500J)	
	2792677	Ref	Gas Powered Machines (All Specs Except CE Specs) (T500J)	
	2792744	Ref	Gas Powered Machines (CE Specs Only) (T500J)	
	2792642	Ref	HYDRAULIC SCHEMATIC	

SECTION 7 - ELECTRICAL

SECTION 7 - ELECTRICAL



SECTION 7 - ELECTRICAL

FIGURE 7-1. ELECTRICAL COMPONENTS INSTALLATION - ELECTRIC POWERED MACHINES (Prior to SN 00300001804)

ITEM	PART NUMBER	QTY	DESCRIPTION	REV
		Ref	CONSOLE BOX ELECTRICAL COMPONENTS	
17	4460497	1	Nut, Terminal	
18	4460496	1	Lockwasher, Terminal	
19		Ref	Harness, Console Box (Internal and Pig-Tail) Options:	
19	4923116	1	Without Drive Option	E
19	4923127	1	With Drive Option	E
19	4923039	5 ft/1.5m	Cable, Electrical - 18/9 & 18/1	
19A	4461024	1	Connector - 10 Position	
19A	4461025	Ref	Pin, Male Options:	
19A	4461025	6	Without Drive Option	
19A	4461025	8	With Drive Option	
19B	4461015	2	Connector - 14 Position	
19B	4460465	18	Socket, Female	
19B	4460944	6	Socket, Female (Gold)	
19B	2820026	AR	Loom	
19B	2820031	AR	Shrink, Heat	
19C	4461057	1	Connector - 16 Position	
19C	4461058	Ref	Socket, Female Options:	
19C	4461058	12	Without Drive Option	
19C	4461058	13	With Drive Option	
19D	4461016	1	Connector - 14 Position	
19D	4460464	6	Pin, Male	
19D	4460943	2	Pin, Gold Male	
		Ref	BOOM HARNESS AND COMPONENTS	
137	4460496	1	Lockwasher, Terminal	
138	4460497	1	Nut, Terminal	
143		Ref	Harness, Lift Down Prop Valve Options:	
143	4923100	1	Harness, Lift Down Prop Valve (T350)	C
143	4923101	1	Harness, Lift Down Prop Valve (T500J)	C
143A	4460891	2	Plug, Male - 2 Position	
143A	4460465	4	Socket, Female	
144		Ref	Harness, Center Brake Light Options:	
144	4923185	1	Harness, Center Brake Light (T350)	B
144	4923184	1	Harness, Center Brake Light (T500J)	B
144A	4460884	1	Plug, Male - 4 Position	
144A	4460465	4	Socket, Female	
145		Ref	Harness, Telescope Limit Switch Options:	
145	4923192	1	Harness, Telescope Limit Switch (T350)	A
145	4923193	1	Harness, Telescope Limit Switch (T500J)	A
145A	4360577	1	Switch, Limit	
145B	4460897	1	Receptacle, Female - 2 Position	
145B	4460464	2	Pin, Male	
151		Ref	Harness, Boom Cable Options:	
151	4923040	1	Harness, Boom Cable (Single Cable) (T350)	D
151	4923102	1	Harness, Boom Cable (Two Cables Tie-Strapped Together) (T500J)	F
151A	4461016	1	Connector - 14 Position	
151A	4460464	9	Pin, Male	
151A	4460941	3	Pin, Gold Male	

SECTION 7 - ELECTRICAL

ITEM	PART NUMBER	QTY	DESCRIPTION	REV
151A	3730119	1	Resistor	
151B	4460933	1	Connector - 12 Position	
151B	4460465	9	Socket, Female	
151B	4460942	3	Socket, Gold Female	
151C	4460891	1	Connector - 2 Position (T500J)	
151C	4460465	2	Socket, Female	
152		Ref	Harness, AC Cable Options:	
152	4923104	1	Harness, AC Cable (T350)	B
152	4923111	1	Harness, AC Cable (T500J)	B
153		Ref	Harness, Transport Limit Switch Options:	
153	4923112	1	Harness, Transport Limit Switch (T350)	E
153	4923217	1	Harness, Transport Limit Switch (T500J)	B
153A	4360577	1	Switch, Limit	
153B	4460891	1	Connector - 2 Position	
153B	4460465	2	Socket, Female	
		Ref	GROUND CONTROL BOX ASSEMBLY COMPONENTS	
205	4923118	1	Harness, Ground Control Box	C
205A	4461019	1	Connector - 31 Position	
205A	4460464	30	Pin, Male	
205B	4460418	6	Connector, Terminal	
205B	4460419	18	Terminal, Connector	
205C	2400066	1	Fuseholder with Cover	
205C	2400065	1	Fuse - 30 Amp	
205D	4460761	1	Receptacle, Female - 4 Position	
205D	4460227	4	Pin, Terminal	
205E	4461017	1	Connector -2 Position	
205E	4460508	2	Terminal	
205F	4461041	1	Connector - 8 Position	
205F	4461023	7	Socket, Female	
219	4460426	1	Connector, Strain Relief	
	0273793	Ref	CONTROLLER HARNESES COMPONENTS	H
311	4922975	1	Harness, Frame (Use p/n 4923427)	I
311	3990010	2	Diode 6 Amp	
311A	4460874	1	Connector - 35 Position (Natural)	
311A	4460871	AR	Socket, Female	
311B	4460873	1	Connector - 35 Position (Black)	
311B	4460871	AR	Socket, Female	
311C	4460876	1	Connector - 35 Position (Blue)	
311C	4460871	AR	Socket, Female	
311D	4460932	1	Connector - 4 Position	
311D	4460464	4	Pin, Male	
311E	4460970	2	Connector - 12 Position	
311E	4460464	22	Pin, Male	
311F	4460878	1	Plug, Male - 4 Position	
311F	4460887	AR	Clip, Terminal	
311F	4461271	2	Molex, Terminal (4923427 Harness)	
311F	3990112	1	Varistor	
311G	4460875	1	Connector - 35 Position (Gray)	
311G	4460871	21	Socket, Female	
311H	4461018	1	Connector - 2 Position	
311H	4460509	2	Socket, Female	

SECTION 7 - ELECTRICAL

ITEM	PART NUMBER	QTY	DESCRIPTION	REV
311J	4460872	1	Connector - 14 Position (Black)	
311J	4460871	AR	Socket, Female	
311K	4460870		Connector - 12 Position	
311K	4461023	3	Socket, Female	
311L	4460897	2	Connector - 2 Position	
311L	4460464	4	Pin, Male	
311M	4460933	1	Connector - 12 Position (Gray) (4922975 Harness)	
311M	4460465	8	Socket, Female (4922975 Harness)	
311M	4460942	3	Socket, Gold Female (4922975 Harness)	
311M	4460970	1	Connector - 12 Position (4923427 Harness)	
311M	4460464	8	Pin, Male (4923427 Harness)	
311M	4460943	3	Pin, Gold Male (4923427 Harness)	
311N	4461020	1	Connector - 31 Position	
311N	4460465	AR	Socket, Female	
311P	4460899	1	Connector - 6 Position	
311P	4460464	2	Pin, Male	
311P	4460841	3	Pin, Gold Male	
311S	4460891	1	Connector - 2 Position	
311S	4460465	2	Socket, Female	
311T	4460894	1	Connector - 6 Position (Used when not Equipped with Drive Option)	
311T	4460466	6	Seal, Plug	
312	4923041	1	Harness, Jack and Valve	C
312A	4360577	4	Switch, Limit	
312B	4460933	1	Connector - 12 Position (Gray)	
312B	4460465	10	Socket, Female	
312B	4460942	2	Socket, Gold Female	
312C	4460891	4	Plug, Male - 2 Position	
312C	4460465	8	Socket, Female	
313	4923103	1	Harness, Frame to Boom	C
313A	4460970	2	Connector - 12 Position	
313A	4460464	18	Pin, Male	
313A	4460943	6	Pin, Gold Male	
314	4923109	1	Harness, Main Valve	C
314A	4460933	1	Connector - 12 Position (Gray)	
314A	4460465	9	Socket, Female	
314B	4460891	11	Plug, Male - 2 Position	
314B	4460465	22	Socket, Female	
315	0100083	AR	Grease, Heat Transfer (Not Shown)	
318	4460905	5	Seal, Plug	
		Ref	STANDARD HARNESS COMPONENTS	
401		Ref	Receptacle, Tow Vehicle Options:	
401A	See Note	1	Receptacle, Flat 4 Way (Machines with Hydraulic Brakes) (ANSI and ANSI Export Specs) (Note: Not Available - Purchase Locally)	
401B	See Note	1	Receptacle, 7 Way (Machines with Electric Brakes) (ANSI and ANSI Export Specs) (Note: Not available for purchase)	
401C	See Note	1	Receptacle (Machines with Hydraulic Brakes) (Australian and CE Specs) (Note: Not available for purchase)	
402		Ref	Harness, Trailer To Tow Vehicle Options (Machines with Electric	
402	4923202	1	Harness, Trailer To Tow Vehicle (T350)	D
402	4923203	1	Harness, Trailer To Tow Vehicle (T500J)	D
402A	4460035	9	Connector, Butt Splice	

SECTION 7 - ELECTRICAL

ITEM	PART NUMBER	QTY	DESCRIPTION	REV
402B	72203	1	Plug, Male - Flat 4 Way	
402C	See Note	1	Plug, Male - 7 Way (Note: Not available for purchase)	
403		Ref	Harness, Lights Options (ANSI and ANSI Export Specs Only):	
		Ref	Note: Used on Machines with Hydraulic Brakes to Connect to Tow Vehicle. Used on Machines with Electric Brakes to Supply Power from 7 Way Plug to Lights	
403	4923148	1	Harness, Lights (T350)	E
403	4923149	1	Harness, Lights (T500J)	E
403A	4460932	1	Receptacle, Female - 4 Position	
403A	4460464	4	Pin, Male	
403B	4460248	2	Connector, Butt Splice	
403B	4460313	2	Ring, Terminal	
403C	4460256	2	Ring, Terminal	
403D	See Note	1	Receptacle, Female - Flat 4 Way (Note: Not available for purchase)	
404	See Note	1	Harness, Breakaway Switch (Machines with Electric Brakes) (ANSI and ANSI Export Specs Only) (Note: Not available for purchase)	
405	See Note	1	Harness, Breakaway Battery Charger (Machines with Electric Brakes) (ANSI and ANSI Export Specs Only) (Note: Not available for purchase)	
406	See Note	1	Harness, Brake Magnet (Machines with Electric Brakes) (ANSI and ANSI Export Specs Only) (Note: Not available for purchase)	
412		Ref	Battery Cable Kit Options:	
412	4923020	1	Without Drive Option	B
412	4923428	1	With Drive Option	A
412A	See Note	1	Battery Cable - To Right Side and Left Side Batteries (Note: Not available for purchase)	
412B	4460025	1	Connector, Anderson	
412C	70000235	2	Boot (Red)	
412E	See Note	1	Battery Cable - Batteries to Sevcon Controller (Note: Not available for purchase)	
412F	4460025	1	Connector, Anderson	
412G	70000235	Ref	Boot (Red) Options:	
412G	70000235	1	Without Drive Option	
412G	70000235	2	With Drive Option	
412H	70000236	1	Boot (Black)	
412J	See Note	2	Harness, Jumper (Note: Not available for purchase)	
412K	70000235	4	Boot (Red)	
412L	See Note	1	Cable, Electrical (Black) (Note: Not available for purchase)	
412M	70000236	2	Boot (Black)	
412N	See Note	1	Cable, Electrical (Red) (Note: Not available for purchase)	
412P	70000235	2	Boot (Red)	
412R	See Note	1	Cable, Battery (Note: Not available for purchase)	
412S	70000235	1	Boot (Red)	
412T	70000236	1	Boot (Black)	
413		Ref	Battery Charger Components	
413A	7011638	1	Cord, AC	
413C	7018567	1	DC Harness	
413E	4460424	1	Connector, Male - 2 Position	
413E	4460267	2	Pin, Male	
413F	7011528	1	Connector, Strain Relief	
413G	7018556	1	Connector, Strain Relief	
414		Ref	Harness, Trailer to Tow Vehicle Options (Australian, CE and South Africa Specs Only):	

SECTION 7 - ELECTRICAL

ITEM	PART NUMBER	QTY	DESCRIPTION	REV
414	4923268	1	Harness, Trailer to Tow Vehicle (CE Specs) (T350)	A
414	4923317	1	Harness, Trailer to Tow Vehicle (Australian and South Africa Specs) (T350)	A
414	4923269	1	Harness, Trailer to Tow Vehicle (CE Specs) (T500J)	A
414	4923318	1	Harness, Trailer to Tow Vehicle (Australian and South Africa Specs) (T500J)	A
414A	4460932	1	Receptacle, Female - 4 Position	
414A	4460464	4	Pin, Male	
414B		Ref	Receptacle to Tow Vehicle - 7 Position Options:	
414B	4461098	1	Receptacle to Tow Vehicle - 7 Position (CE Specs) (T350)	
414B	Not Required	0	Receptacle to Tow Vehicle - 7 Position (Australian and South Africa Specs) (T350)	
414B	4461098	1	Receptacle to Tow Vehicle - 7 Position (CE Specs) (T500J)	
414B	Not Required	0	Receptacle to Tow Vehicle - 7 Position (Australian and South Africa Specs) (T500J)	
414C	4460897	2	Receptacle, Female - 2 Position	
414C	4460464	4	Pin, Male	
414D		Ref	Hardware Options:	
414D		Ref	Hardware (CE Specs): (T350)	
414D	4460931	1	Receptacle, Female - 8 Position (T350)	
414D	4460464	7	Pin, Male (T350)	
414D		Ref	Hardware (Australian and South Africa Specs): (T350)	
414D	4460970	1	Receptacle, Female - 8 Position (T350)	
414D	4460464	12	Pin, Male (T350)	
414D		Ref	Hardware (CE Specs): (T500J)	
414D	4460931	1	Receptacle, Female - 8 Position (T500J)	
414D	4460464	7	Pin, Male (T500J)	
414D		Ref	Hardware (Australian and South Africa Specs): (T500J)	
414D	4460970	1	Receptacle, Female - 12 Position (T500J)	
414D	4460464	9	Pin, Male (T500J)	
415	See Note	1	Harness, Rear Lights (Australian and CE Specs Only) (Note: Not available for purchase)	
415A	4460930	1	Plug, Male - 8 Position	
415A	4460465	7	Socket, Female	
416	See Note	1	Harness, Side Marker Lights (Australian and CE Specs Only) (Note: Not available for purchase)	
416A	4460891	4	Plug, Male - 2 Position	
416A	4460465	8	Socket, Female	
417		Ref	Contactors Components Options:	
417	0275442	1	Without Drive Option	A
417	0275536	1	With Drive Option	A
417A	2400087	1	Fuse - 300 Amp	
417A	2400088	1	Fuseholder	
417B	4923545	1	Cable Kit, Electrical (Fuse to Batteries) (Includes 2 Cables)	
417C	See Note	2	Connector, Anderson (Note: Not available for purchase)	
417D	4923570	1	Cable, Electrical (Fuse to Contactor)	
417E	See Note	1	Harness, Relay (Part of Contactor) (Note: Not available for purchase)	
417F	4460891	1	Plug, Male - 2 Position	
417F	4460465	2	Socket, Female	
417G	4923544	1	Harness, Relay	C
417H	4460897	1	Receptacle, Female - 2 Position	
417H	4460464	2	Pin, Male	

SECTION 7 - ELECTRICAL

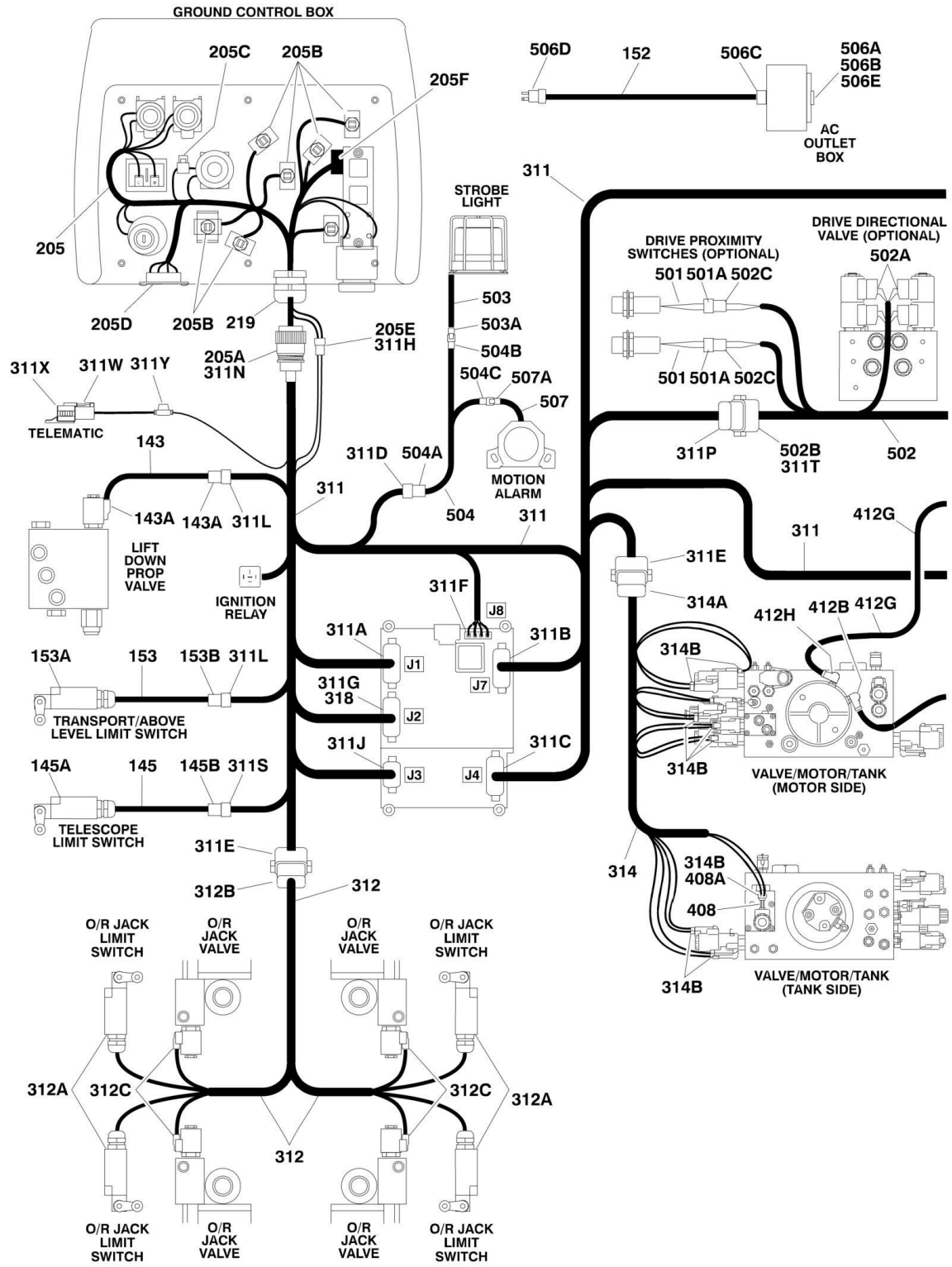
ITEM	PART NUMBER	QTY	DESCRIPTION	REV
		Ref	OPTIONAL HARNESS COMPONENTS	
501	4000008	2	Proximity Sensor Harness (Includes Sensor)	B
501A	4461076	2	Receptacle, Female - 4 Position (1 Per Harness)	
501A	4460917	8	Pin, Gold Male (2 Per Harness)	
502	4923340	1	Drive Option Harness	D
502A	4460891	5	Plug, Male - 2 Position	
502A	4460465	10	Socket, Female	
502B	4460894	1	Connector - 6 Position	
502B	4460465	2	Socket, Female	
502B	4460944	3	Socket, Gold Female	
502C	4461077	2	Plug, Male - 4 Position	
502C	4460918	8	Socket, Gold Female	
502D	4460761	1	Receptacle, Female - 4 Position	
502D	4460227	3	Pin, Male	
502E	4460909	1	Plug, Male - 12 Position (Black)	
502E	4460928	11	Socket, Female	
502F	4460908	1	Plug, Male - 12 Position (Gray)	
502F	4460918	6	Socket, Female	
502G	3990013	1	Diode 1 Amp	
503	2920161	1	Strobe Light Harness (Includes Strobe Light)	A
503A	4460891	1	Plug, Male - 2 Position	
503A	4460465	2	Socket, Female	
504	4923128	1	Strobe and Alarm Harness	B
504A	4460884	1	Plug, Male - 4 Position	
504A	4460465	4	Socket, Female	
504B	4460897	1	Receptacle, Female - 2 Position	
504B	4460464	4	Pin, Male	
504C	4460539	1	Plug, Male - 3 Position	
504C	4460465	3	Socket, Female	
505		Ref	Lifting Hook Components	
505A	4923124	1	Hook Harness	E
505B	4461016	1	Connector - 14 Position	
505B	4460464	9	Pin, Male	
505B	4460941	3	Pin, Gold Male	
505C	4460970	1	Connector - 12 Position	
505C	4460464	9	Pin, Male	
505C	4460943	3	Pin, Gold Male	
505D	4460933	1	Connector - 12 Position	
505D	4460465	9	Socket, Female	
505D	4460942	3	Socket, Gold Female	
505E	4460470	1	Nut, Terminal	
505F	4460471	1	Lockwasher, Terminal	
505G	4461065	1	Cap, Dust	
506		Ref	AC Outlet Components Options:	
506	0273663	Ref	With Factory Installed GFI Outlet	F
506	0273664	Ref	With Dealer Installed Local Supplied Outlet	E
506		Ref	Decal Options:	
506	3251243	1	120V-60Hz	
506	3252507	1	220V	
506A	0860038	1	Box, AC	
506B		Ref	Cover Options:	

SECTION 7 - ELECTRICAL

ITEM	PART NUMBER	QTY	DESCRIPTION	REV
506B	4060700	1	Cover with Factory Installed GFI Outlet (Side Hinged)	
506B	1001110873	1	Cover with Factory Installed GFI Outlet (Top Hinged)	
506B	See Note	1	Cover (Note: With Dealer Installed Local Supplied Outlet)	
506C	4460071	1	Connector, Strain Relief	
506D		Ref	Plug, Male Options:	
506D	4460138	1	Plug with Factory Installed GFI Outlet	
506D	See Note	1	Plug (Note: With Dealer Installed Local Supplied Outlet)	
506E		Ref	Receptacle Options:	
506E	4460346	1	Receptacle with Factory Installed GFI Outlet	
506E	See Note	1	Receptacle (Note: With Dealer Installed Local Supplied Outlet)	
507	See Note	1	Alarm Harness (Note: Not Available for Purchase)	
507A	4460536	1	Receptacle, Female - 3 Position	
507A	4460464	3	Pin, Male	

SECTION 7 - ELECTRICAL

FIGURE 7-2. ELECTRICAL COMPONENTS INSTALLATION - ELECTRIC POWERED MACHINES (SN 00300001804 through 0030012032)



SECTION 7 - ELECTRICAL

FIGURE 7-2. ELECTRICAL COMPONENTS INSTALLATION - ELECTRIC POWERED MACHINES (SN 00300001804 through 0030012032)

ITEM	PART NUMBER	QTY	DESCRIPTION	REV
		Ref	CONSOLE BOX ELECTRICAL COMPONENTS	
17	4460497	1	Nut, Terminal	
18	4460496	1	Lockwasher, Terminal	
19		Ref	Harness, Console Box (Internal and Pig-Tail) Options:	
19	4923116	1	Without Drive Option	E
19	4923127	1	With Drive Option	E
19	4923039	5 ft/1.5m	Cable, Electrical - 18/9 & 18/1	
19A	4461024	1	Connector - 10 Position	
19A	4461025	Ref	Pin, Male Options:	
19A	4461025	6	Without Drive Option	
19A	4461025	8	With Drive Option	
19B	4461015	2	Connector - 14 Position	
19B	4460465	18	Socket, Female	
19B	4460944	6	Socket, Female (Gold)	
19B	2820026	AR	Loom	
19B	2820031	AR	Shrink, Heat	
19C	4461057	1	Connector - 16 Position	
19C	4461058	Ref	Socket, Female Options:	
19C	4461058	12	Without Drive Option	
19C	4461058	13	With Drive Option	
19D	4461016	1	Connector - 14 Position	
19D	4460464	6	Pin, Male	
19D	4460943	2	Pin, Gold Male	
		Ref	BOOM HARNESS AND COMPONENTS	
137	4460496	1	Lockwasher, Terminal	
138	4460497	1	Nut, Terminal	
143		Ref	Harness, Lift Down Prop Valve Options:	
143	4923100	1	Harness, Lift Down Prop Valve (T350)	C
143	4923101	1	Harness, Lift Down Prop Valve (T500J)	C
143A	4460891	2	Plug, Male - 2 Position	
143A	4460465	4	Socket, Female	
144		Ref	Harness, Center Brake Light Options:	
144	4923185	1	Harness, Center Brake Light (T350)	B
144	4923184	1	Harness, Center Brake Light (T500J)	B
144A	4460884	1	Plug, Male - 4 Position	
144A	4460465	4	Socket, Female	
145		Ref	Harness, Telescope Limit Switch Options:	
145	4923192	1	Harness, Telescope Limit Switch (T350)	A
145	4923193	1	Harness, Telescope Limit Switch (T500J)	A
145A	4360577	1	Switch, Limit	
145B	4460897	1	Receptacle, Female - 2 Position	
145B	4460464	2	Pin, Male	
151		Ref	Harness, Boom Cable Options:	
151	4923040	1	Harness, Boom Cable (Single Cable) (T350)	D
151	4923102	1	Harness, Boom Cable (Two Cables Tie-Strapped Together) (T500J)	F
151A	4461016	1	Connector - 14 Position	
151A	4460464	9	Pin, Male	
151A	4460941	3	Pin, Gold Male	

SECTION 7 - ELECTRICAL

ITEM	PART NUMBER	QTY	DESCRIPTION	REV
151A	3730119	1	Resistor	
151B	4460933	1	Connector - 12 Position	
151B	4460465	9	Socket, Female	
151B	4460942	3	Socket, Gold Female	
151C	4460891	1	Connector - 2 Position (T500J)	
151C	4460465	2	Socket, Female	
152		Ref	Harness, AC Cable Options:	
152	4923104	1	Harness, AC Cable (T350)	B
152	4923111	1	Harness, AC Cable (T500J)	B
153		Ref	Harness, Transport Limit Switch Options:	
153	4923112	1	Harness, Transport Limit Switch (T350)	E
153	4923217	1	Harness, Transport Limit Switch (T500J)	B
153A	4360577	1	Switch, Limit	
153B	4460891	1	Connector - 2 Position	
	4460465	2	Socket, Female	
		Ref	GROUND CONTROL BOX ASSEMBLY COMPONENTS	
205	4923118	1	Harness, Ground Control Box	C
205A	4461019	1	Connector - 31 Position	
205A	4460464	30	Pin, Male	
205B	4460418	6	Connector, Terminal	
205B	4460419	18	Terminal, Connector	
205C	2400066	1	Fuseholder with Cover	
205C	2400065	1	Fuse - 30 Amp	
205D	4460761	1	Receptacle, Female - 4 Position	
205D	4460227	4	Pin, Terminal	
205E	4461017	1	Connector -2 Position	
205E	4460508	2	Terminal	
205F	4461041	1	Connector - 8 Position	
205F	4461023	7	Socket, Female	
219	4460426	1	Connector, Strain Relief	
	0275776	Ref	CONTROLLER HARNESES COMPONENTS	F
311	4923427	1	Harness, Frame	E
311	3990010	2	Diode 6 Amp	
311A	4460874	1	Connector - 35 Position (Natural)	
311A	4460871	AR	Socket, Female	
311B	4460873	1	Connector - 35 Position (Black)	
311B	4460871	AR	Socket, Female	
311C	4460876	1	Connector - 35 Position (Blue)	
311C	4460871	AR	Socket, Female	
311D	4460932	1	Connector - 4 Position	
311D	4460464	4	Pin, Male	
311E	4460970	2	Connector - 12 Position	
311E	4460464	22	Pin, Male	
311F	4460878	1	Plug, Male - 4 Position	
311F	4460887	AR	Clip, Terminal	
311F	4461271	2	Molex, Terminal	
311F	3990112	1	Varistor	
311G	4460875	1	Connector - 35 Position (Gray)	
311G	4460871	21	Socket, Female	
311H	4461018	1	Connector - 2 Position	
311H	4460509	2	Socket, Female	

SECTION 7 - ELECTRICAL

ITEM	PART NUMBER	QTY	DESCRIPTION	REV
311J	4460872	1	Connector - 14 Position (Black)	
311J	4460871	AR	Socket, Female	
311K	4461051	1	Connector - 12 Position	
311K	4461023	3	Socket, Female	
311L	4460897	2	Connector - 2 Position	
311L	4460464	4	Pin, Male	
311M	4460970	1	Connector - 12 Position	
311M	4460464	8	Pin, Male	
311M	4460943	3	Pin, Gold Male	
311N	4461020	1	Connector - 31 Position	
311N	4460465	AR	Socket, Female	
311P	4460899	1	Connector - 6 Position	
311P	4460464	2	Pin, Male	
311P	4460841	3	Pin, Gold Male	
311S	4460891	1	Connector - 2 Position	
311S	4460465	2	Socket, Female	
311T	4460894	1	Connector - 6 Position (Used when not Equipped with Drive Option)	
311T	4460466	6	Seal, Plug	
311U	4460897	1	Connector - 2 Position	
311U	4460464	2	Pin, Male	
311V	4461261	1	Connector, Male Deutsch	
311V	4460509	1	Socket, Female	
311W	4460884	1	Plug, Male - 4 Position (SN 0030007033 through 0030012032)	
311W	4460465	4	Socket, Female (SN 0030007033 through 0030012032)	
311X	1001192401	1	Connector, Dust Cap (SN 0030007033 through 0030012032)	
311Y	8229242	1	Fuse 5 Amp (SN 0030007033 through 0030012032)	
311Y	2400060	1	Fuseholder (SN 0030007033 through 0030012032)	
312	4923041	1	Harness, Jack and Valve	C
312A	4360577	4	Switch, Limit	
312B	4460933	1	Connector - 12 Position (Gray)	
312B	4460465	10	Socket, Female	
312B	4460942	2	Socket, Gold Female	
312C	4460891	4	Plug, Male - 2 Position	
312C	4460465	8	Socket, Female	
314	4923109	1	Harness, Main Valve	C
314A	4460933	1	Connector - 12 Position (Gray)	
314A	4460465	12	Socket, Female	
314B	4460891	11	Plug, Male - 2 Position	
314B	4460465	22	Socket, Female	
315	0100083	AR	Grease, Heat Transfer (Not Shown)	
318	4460905	5	Seal, Plug	
		Ref	STANDARD HARNESS COMPONENTS	
401		Ref	Receptacle, Tow Vehicle Options:	
401A	See Note	1	Receptacle, Flat 4 Way (Machines with Hydraulic Brakes) (ANSI and ANSI Export Specs) (Note: Not Available - Purchase Locally)	
401B	See Note	1	Receptacle, 7 Way (Machines with Electric Brakes) (ANSI and ANSI Export Specs) (Note: Not Available - Purchase Locally)	
401C	See Note	1	Receptacle (Machines with Hydraulic Brakes) (Australian and CE Specs) (Note: Not Available - Purchase Locally)	
402		Ref	Harness, Trailer To Tow Vehicle Options (Machines with Electric Brakes):	

SECTION 7 - ELECTRICAL

ITEM	PART NUMBER	QTY	DESCRIPTION	REV
402	4923202	1	Harness, Trailer To Tow Vehicle (T350)	D
402	4923203	1	Harness, Trailer To Tow Vehicle (T500J)	D
402A	4460035	9	Connector, Butt Splice	
402B	72203	1	Plug, Male - Flat 4 Way	
402C	See Note	1	Plug, Male - 7 Way (Note: Not Available for Purchase)	
403		Ref	Harness, Lights Options (ANSI and ANSI Export Specs Only):	
		Ref	Note: Used on Machines with Hydraulic Brakes to Connect to Tow Vehicle. Used on Machines with Electric Brakes to Supply Power from 7 Way Plug to Lights	
403	4923148	1	Harness, Lights Options (T350)	E
403	4923149	1	Harness, Lights Options (T500J)	E
403A	4460932	1	Receptacle, Female - 4 Position	
403A	4460464	4	Pin, Male	
403B	4460248	2	Connector, Butt Splice	
403B	4460313	2	Ring, Terminal	
403C	4460256	2	Ring, Terminal	
403D	See Note	1	Receptacle, Female - Flat 4 Way (Note: Not Available for Purchase)	
404	See Note	1	Harness, Breakaway Switch (Machines with Electric Brakes) (ANSI and ANSI Export Specs Only) (Note: Not Available for Purchase)	
405	See Note	1	Harness, Breakaway Battery Charger (Machines with Electric Brakes) (ANSI and ANSI Export Specs Only) (Note: Not Available for Purchase)	
406	See Note	1	Harness, Brake Magnet (Machines with Electric Brakes) (ANSI and ANSI Export Specs Only) (Note: Not Available for Purchase)	
412		Ref	Battery Cable Kit Options (Electric Powered Machines Only):	
412	4923020	1	Without Drive Option	D
412	4923428	1	With Drive Option	D
412A	See Note	1	Battery Cable - Contactor To Sevcon "B+" to Pump + (Note: Not Available for Purchase)	
412B	70000235	3	Boot (Red)	
412C	See Note	1	Battery Cable - Batteries to Sevcon Controller (Note: Not Available for Purchase)	
412D	70000236	2	Boot (Black)	
412E	See Note	2	Harness, Jumper (Note: Not Available for Purchase)	
412F	70000235	4	Boot (Red)	
412G	See Note	1	Cable, Electrical (Black) - Sevcon "A" to Pump - (Note: Not Available for Purchase)	
412H	70000236	2	Boot (Black)	
412J	See Note	1	Cable, Battery (Note: Not Available for Purchase)	
412K	70000236	1	Boot (Black)	
412L	70000235	1	Boot (Red)	
413		Ref	Battery Charger Components (Electric Powered Machines Only)	
413A		Ref	Cord, AC Options:	
413A	7011638	1	MAC Battery Charger (Includes Plug)	
413A	See Note	1	Delta-Q Battery Charger (Note: Not Available for Purchase)	
413B	See Note	1	Receptacle, Female (Delta-Q Battery Charger Only) (Note: Not Available for Purchase)	
413C		Ref	DC Harness Options:	
413C	See Note	1	Delta-Q Battery Charger (Note: Not Available for Purchase)	
413C	7018567	1	MAC Battery Charger	
413D	4461260	1	Connector, Female Deutsch (SN 0030002681 through 0030012032)	
413D	4460508	1	Socket, Female	

SECTION 7 - ELECTRICAL

ITEM	PART NUMBER	QTY	DESCRIPTION	REV
413E	4460424	1	Connector, Male - 2 Position	
413E	4460267	2	Pin, Male	
413F	See Note	1	Connector, Strain Relief (Note: Not Available for Purchase)	
413G	See Note	1	Connector, Strain Relief (Note: Not Available for Purchase)	
413H		Ref	Cord, Electrical Extension	
413H	1060688	1	ANSI and ANSI Export (With Standard 110V ANSI Plug)	
413H	1060689	1	Australian and CE Specs (With Locally Supplied Plug)	
414		Ref	Harness, Trailer to Tow Vehicle Options (Australian, CE and South Africa Specs Only):	
414		Ref	Harness, Trailer to Tow Vehicle (CE Specs) Options: (T350)	
414	4923268	1	Harness, Trailer to Tow Vehicle (T350) (Prior to SN 0030005642)	A
414	1001155254	1	Harness, Trailer to Tow Vehicle (T350) (SN 0030005642 through 0030012032)	A
414	4923317	1	Harness, Trailer to Tow Vehicle (Australian and South Africa Specs) (T350)	A
414	4923269	1	Harness, Trailer to Tow Vehicle (CE Specs) (T500J)	A
414	4923318	1	Harness, Trailer to Tow Vehicle (Australian and South Africa Specs) (T500J)	A
414A	4460932	1	Receptacle, Female - 4 Position	
414A	4460464	4	Pin, Male	
414B		Ref	Receptacle to Tow Vehicle - 7 Position Options:	
414B	4461098	1	Receptacle to Tow Vehicle - 7 Position (CE Specs) (T350)	
414B	Not Required	0	Receptacle to Tow Vehicle - 7 Position (Australian and South Africa Specs) (T350)	
414B	4461098	1	Receptacle to Tow Vehicle - 7 Position (CE Specs) (T500J)	
414B	Not Required	0	Receptacle to Tow Vehicle - 7 Position (Australian and South Africa Specs) (T500J)	
414C	4460897	2	Receptacle, Female - 2 Position	
414C	4460464	4	Pin, Male	
414D		Ref	Hardware Options:	
414D		Ref	Hardware (CE Specs): (T350)	
414D	4460931	1	Receptacle, Female - 8 Position (T350)	
414D	4460464	7	Pin, Male (T350)	
414D		Ref	Hardware (Australian and South Africa Specs): (T350)	
414D	4460970	1	Receptacle, Female - 8 Position (T350)	
414D	4460464	12	Pin, Male (T350)	
414D		Ref	Hardware (CE Specs): (T500J)	
414D	4460931	1	Receptacle, Female - 8 Position (T500J)	
414D	4460464	7	Pin, Male (T500J)	
414D		Ref	Hardware (Australian and South Africa Specs): (T500J)	
414D	4460970	1	Receptacle, Female - 12 Position (T500J)	
414D	4460464	9	Pin, Male (T500J)	
415	See Note	1	Harness, Rear Lights (Australian and CE Specs Only) (Note: Not Available for Purchase)	
415A	4460930	1	Plug, Male - 8 Position	
415A	4460465	7	Socket, Female	
416	See Note	1	Harness, Side Marker Lights (Australian and CE Specs Only) (Note: Not Available for Purchase)	
416A	4460891	4	Plug, Male - 2 Position	
416A	4460465	8	Socket, Female	
417	0275439	1	Contacting Components	C
417A	2400087	1	Fuse - 300 Amp	

SECTION 7 - ELECTRICAL

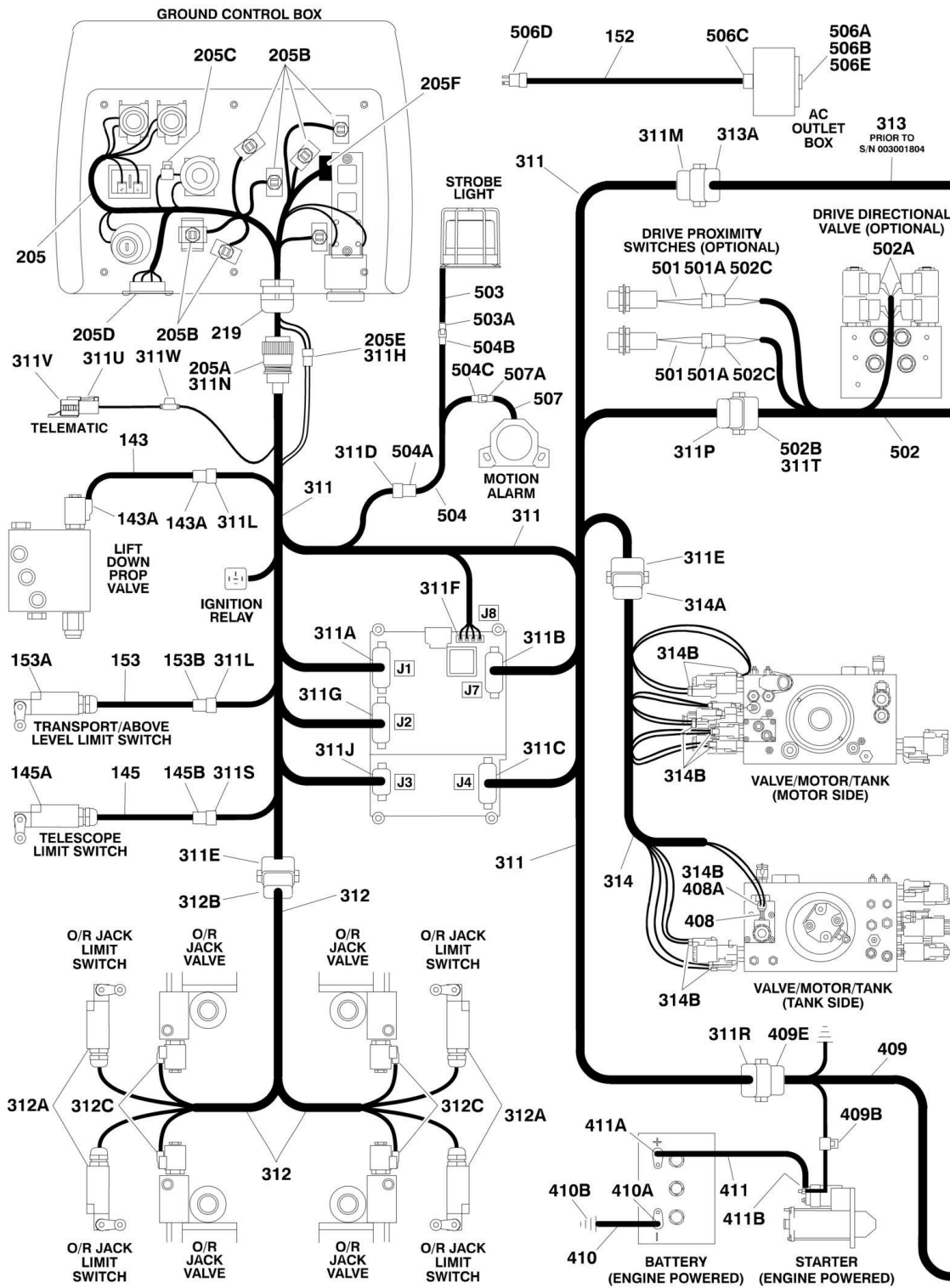
ITEM	PART NUMBER	QTY	DESCRIPTION	REV
417A	2400088	1	Fuseholder	
417B	4923545	1	Cable Kit, Electrical (Fuse to Batteries) (Includes 2 Cables)	
417C	See Note	2	Connector, Anderson (Note: Not Available for Purchase)	
417D	4923570	1	Cable, Electrical (Fuse to Contactor)	
417E	See Note	1	Harness, Relay (Part of Contactor) (Note: Not Available for Purchase)	
417F	4460891	1	Plug, Male - 2 Position	
417F	4460465	2	Socket, Female	
		Ref	OPTIONAL HARNESS COMPONENTS	
501	4000008	2	Proximity Sensor Harness (Includes Sensor)	B
501A	4461076	2	Receptacle, Female - 4 Position (1 Per Harness)	
501A	4460917	8	Pin, Gold Male (2 Per Harness)	
502	4923340	1	Drive Option Harness	D
502A	4460891	5	Plug, Male - 2 Position	
502A	4460465	10	Socket, Female	
502B	4460894	1	Connector - 6 Position	
502B	4460465	2	Socket, Female	
502B	4460944	3	Socket, Gold Female	
502C	4461077	2	Plug, Male - 4 Position	
502C	4460918	8	Socket, Gold Female	
502D	4460761	1	Receptacle, Female - 4 Position	
502D	4460227	3	Pin, Male	
502E	4460909	1	Plug, Male - 12 Position (Black)	
502E	4460928	11	Socket, Female	
502F	4460908	1	Plug, Male - 12 Position (Gray)	
502F	4460918	6	Socket, Female	
502G	3990013	1	Diode 1 Amp	
503	2920161	1	Strobe Light Harness (Includes Strobe Light)	A
503A	4460891	1	Plug, Male - 2 Position	
503A	4460465	2	Socket, Female	
504	4923128	1	Strobe and Alarm Harness	B
504A	4460884	1	Plug, Male - 4 Position	
504A	4460465	4	Socket, Female	
504B	4460897	1	Receptacle, Female - 2 Position	
504B	4460464	4	Pin, Male	
504C	4460539	1	Plug, Male - 3 Position	
504C	4460465	3	Socket, Female	
505		Ref	Lifting Hook Components	
505A	4923124	1	Hook Harness	E
505B	4461016	1	Connector - 14 Position	
505B	4460464	9	Pin, Male	
505B	4460941	3	Pin, Gold Male	
505C	4460970	1	Connector - 12 Position	
505C	4460464	9	Pin, Male	
505C	4460943	3	Pin, Gold Male	
505D	4460933	1	Connector - 12 Position	
505D	4460465	9	Socket, Female	
505D	4460942	3	Socket, Gold Female	
505E	4460470	1	Nut, Terminal	
505F	4460471	1	Lockwasher, Terminal	
505G	4461065	1	Cap, Dust	
506		Ref	AC Outlet Components Options:	

SECTION 7 - ELECTRICAL

ITEM	PART NUMBER	QTY	DESCRIPTION	REV
506	0273663	Ref	With Factory Installed GFI Outlet	F
506	0273664	Ref	With Dealer Installed Local Supplied Outlet	E
506		Ref	Decal Options:	
506	3251243	1	120V-60Hz	
506	3252507	1	220V	
506A	0860038	1	Box, AC	
506B		Ref	Cover Options:	
506B	4060700	1	Cover with Factory Installed GFI Outlet (Side Hinged)	
506B	1001110873	1	Cover with Factory Installed GFI Outlet (Top Hinged)	
506B	See Note	1	Cover (Note: With Dealer Installed Local Supplied Outlet)	
506C	4460071	1	Connector, Strain Relief	
506D		Ref	Plug, Male Options:	
506D	4460138	1	Plug with Factory Installed GFI Outlet	
506D	See Note	1	Plug (Note: With Dealer Installed Local Supplied Outlet)	
506E		Ref	Receptacle Options:	
506E	4460346	1	Receptacle with Factory Installed GFI Outlet	
506E	See Note	1	Receptacle (Note: With Dealer Installed Local Supplied Outlet)	
507	See Note	1	Alarm Harness (Note: Not Available - Purchase p/n 0140043)	
507A	4460536	1	Receptacle, Female - 3 Position	
507A	4460464	3	Pin, Male	

SECTION 7 - ELECTRICAL

FIGURE 7-3. ELECTRICAL COMPONENTS INSTALLATION - ENGINE POWERED MACHINES



SECTION 7 - ELECTRICAL

FIGURE 7-3. ELECTRICAL COMPONENTS INSTALLATION - ENGINE POWERED MACHINES

ITEM	PART NUMBER	QTY	DESCRIPTION	REV
		Ref	CONSOLE BOX ELECTRICAL COMPONENTS	
17	4460497	1	Nut, Terminal	
18	4460496	1	Lockwasher, Terminal	
19		Ref	Harness, Console Box (Internal and Pig-Tail) Options:	
19	4923117	1	Without Drive Option	E
19	4923126	1	With Drive Option	E
19	4923039	5 ft/1.5m	Cable, Electrical - 18/9 & 18/1	
19A	4461024	1	Connector - 10 Position	
19A	4461025	Ref	Pin, Male Options:	
19A	4461025	6	Without Drive Option	
19A	4461025	8	With Drive Option	
19B	4461015	2	Connector - 14 Position	
19B	4460465	18	Socket, Female	
19B	4460944	6	Socket, Female (Gold)	
19B	2820026	AR	Loom	
19B	2820031	AR	Shrink, Heat	
19C	4461057	1	Connector - 16 Position	
19C	4461058	Ref	Socket, Female Options:	
19C	4461058	14	Without Drive Option	
19C	4461058	15	With Drive Option	
19D	4461016	1	Connector - 14 Position	
19D	4460464	6	Pin, Male	
19D	4460943	2	Pin, Gold Male	
		Ref	BOOM HARNESS AND COMPONENTS	
137	4460496	1	Lockwasher, Terminal	
138	4460497	1	Nut, Terminal	
143		Ref	Harness, Lift Down Prop Valve Options:	
143	4923100	1	Harness, Lift Down Prop Valve (T350)	C
143	4923101	1	Harness, Lift Down Prop Valve (T500J)	C
143A	4460891	2	Plug, Male - 2 Position	
143A	4460465	4	Socket, Female	
144		Ref	Harness, Center Brake Light Options:	
144	4923185	1	Harness, Center Brake Light (T350)	B
144	4923184	1	Harness, Center Brake Light (T500J)	B
144A	4460884	1	Plug, Male - 4 Position	
144A	4460465	4	Socket, Female	
145		Ref	Harness, Telescope Limit Switch Options:	
145	4923192	1	Harness, Telescope Limit Switch (T350)	A
145	4923193	1	Harness, Telescope Limit Switch (T500J)	A
145A	4360577	1	Switch, Limit	
145B	4460897	1	Receptacle, Female - 2 Position	
145B	4460464	2	Pin, Male	
151		Ref	Harness, Boom Cable Options:	
151	4923040	1	Harness, Boom Cable (Single Cable) (T350)	D
151	4923102	1	Harness, Boom Cable (Two Cables Tie-Strapped Together) (T500J)	E
151A	4461016	1	Connector - 14 Position	
151A	4460464	9	Pin, Male	
151A	4460941	3	Pin, Gold Male	
151A	3730119	1	Resistor	

SECTION 7 - ELECTRICAL

ITEM	PART NUMBER	QTY	DESCRIPTION	REV
151B	4460933	1	Connector - 12 Position	
151B	4460465	9	Socket, Female	
151B	4460942	3	Socket, Gold Female	
151C	4460891	1	Connector - 2 Position (T500J)	
151C	4460465	2	Socket, Female	
152		Ref	Harness, AC Cable Options:	
152	4923104	1	Harness, AC Cable (T350)	B
152	4923111	1	Harness, AC Cable (T500J)	B
153		Ref	Harness, Transport Limit Switch Options:	
153	4923112	1	Harness, Transport Limit Switch (T350)	E
153	4923217	1	Harness, Transport Limit Switch (T500J)	B
153A	4360577	1	Switch, Limit	
153B	4460891	1	Connector - 2 Position	
153B	4460465	2	Socket, Female	
		Ref	GROUND CONTROL BOX ASSEMBLY COMPONENTS	
205	4923125	1	Harness, Ground Control Box	C
205A	4461019	1	Connector - 31 Position	
205A	4460464	30	Pin, Male	
205B	4460418	6	Connector, Terminal	
205B	4460419	18	Terminal, Connector	
205C	2400066	1	Fuseholder with Cover	
205C	2400065	1	Fuse - 30 Amp	
205D	4460761	1	Receptacle, Female - 4 Position	
205D	4460227	4	Pin, Terminal	
205E	4461017	1	Connector -2 Position	
205E	4460508	2	Terminal	
205F	4461041	1	Connector - 8 Position	
205F	4461023	7	Socket, Female	
219	4460426	1	Connector, Strain Relief	
	0273794	Ref	CONTROLLER HARNESSSES COMPONENTS	F
311	4923130	1	Harness, Frame	H
311	3990010	2	Diode 6 Amp	
311A	4460874	1	Connector - 35 Position (Natural)	
311A	4460871	AR	Socket, Female	
311B	4460873	1	Connector - 35 Position (Black)	
311B	4460871	AR	Socket, Female	
311C	4460876	1	Connector - 35 Position (Blue)	
311C	4460871	AR	Socket, Female	
311D	4460932	1	Connector - 4 Position	
311D	4460464	4	Pin, Male	
311E	4460970	2	Connector - 12 Position	
311E	4460464	22	Pin, Male	
311F	4460878	1	Plug, Male - 4 Position	
311F	4460887	AR	Clip, Terminal	
311F	4461271	2	Molex, Terminal	
311F	3990111	1	Varistor	
311G	4460875	1	Connector - 35 Position (Gray)	
311G	4460871	21	Socket, Female	
311H	4461018	1	Connector - 2 Position	
311H	4460509	2	Socket, Female	
311J	4460872	1	Connector - 14 Position (Black)	

SECTION 7 - ELECTRICAL

ITEM	PART NUMBER	QTY	DESCRIPTION	REV
311J	4460871	AR	Socket, Female	
311L	4460897	2	Connector - 2 Position	
311L	4460464	4	Pin, Male	
311M	4460970	1	Connector - 12 Position	
311M	4460464	8	Pin, Male	
311M	4460943	3	Pin, Gold Male	
311N	4461020	1	Connector - 31 Position	
311N	4460465	AR	Socket, Female	
311P	4460899	1	Connector - 6 Position	
311P	4460464	2	Pin, Male	
311P	4460841	3	Pin, Gold Male	
311R	4460931	1	Connector - 8 Position	
311R	4460464	7	Pin, Male	
311S	4460891	1	Connector - 2 Position	
311S	4460465	2	Socket, Female	
311T	4460894	1	Connector - 6 Position (Used when not Equipped with Drive Option)	
311T	4460466	6	Seal, Plug	
311U	4460884	1	Plug, Male - 4 Position (SN 0030007033 through 0030012032)	
311U	4460465	4	Socket, Female (SN 0030007033 through 0030012032)	
311V	1001192401	1	Connector, Dust Cap (SN 0030007033 through 0030012032)	
311W	8229242	1	Fuse 5 Amp (SN 0030007033 through 0030012032)	
311W	2400060	1	Fuseholder (SN 0030007033 through 0030012032)	
312	4923041	1	Harness, Jack and Valve	C
312A	4360577	4	Switch, Limit	
312B	4460933	1	Connector - 12 Position (Gray)	
312B	4460465	10	Socket, Female	
312B	4460942	2	Socket, Gold Female	
312C	4460891	4	Plug, Male - 2 Position	
312C	4460465	8	Socket, Female	
313	4923103	1	Harness, Frame to Boom (Prior to SN 0030001804)	C
313A	4460970	2	Connector - 12 Position (Prior to SN 0030001804)	
313A	4460464	18	Pin, Male (Prior to SN 0030001804)	
313A	4460943	6	Pin, Gold Male (Prior to SN 0030001804)	
314	4923109	1	Harness, Main Valve	C
314A	4460933	1	Connector - 12 Position (Gray)	
314A	4460465	9	Socket, Female	
314B	4460891	11	Plug, Male - 2 Position	
314B	4460465	22	Socket, Female	
315	0100083	AR	Grease, Heat Transfer (Not Shown)	
		Ref	STANDARD HARNESS COMPONENTS	
401		Ref	Receptacle, Tow Vehicle Options:	
401A	See Note	1	Receptacle, Flat 4 Way (Machines with Hydraulic Brakes) (ANSI and ANSI Export Specs) (Note: Not Available - Purchase Locally)	
401B	See Note	1	Receptacle, 7 Way (Machines with Electric Brakes) (ANSI and ANSI Export Specs) (Note: Not Available - Purchase Locally)	
401C	See Note	1	Receptacle (Machines with Hydraulic Brakes) (Australian and CE Specs) (Note: Not Available - Purchase Locally)	
402		Ref	Harness, Trailer To Tow Vehicle Options (Machines with Electric	
402	4923202	1	Harness, Trailer To Tow Vehicle (T350)	D
402	4923203	1	Harness, Trailer To Tow Vehicle (T500J)	D
402A	4460035	9	Connector, Butt Splice	

SECTION 7 - ELECTRICAL

ITEM	PART NUMBER	QTY	DESCRIPTION	REV
402B	See Note	1	Plug, Male - Flat 4 Way (Note: Not Available for Purchase)	
402C	See Note	1	Plug, Male - 7 Way (Note: Not Available for Purchase)	
403		Ref	Harness, Lights Options (ANSI and ANSI Export Specs Only):	
		Ref	Note: Used on Machines with Hydraulic Brakes to Connect to Tow Vehicle. Used on Machines with Electric Brakes to Supply Power from 7 Way Plug to Lights	
403	4923148	1	Harness, Lights (T350)	E
403	4923149	1	Harness, Lights (T500J)	E
403A	4460932	1	Receptacle, Female - 4 Position	
403A	4460464	4	Pin, Male	
403B	4460248	2	Connector, Butt Splice	
403B	4460313	2	Ring, Terminal	
403C	4460256	2	Ring, Terminal	
403D	See Note	1	Receptacle, Female - Flat 4 Way (Note: Not Available for Purchase)	
404	See Note	1	Harness, Breakaway Switch (Machines with Electric Brakes) (ANSI and ANSI Export Specs Only) (Note: Not Available for Purchase)	
405	See Note	1	Harness, Breakaway Battery Charger (Machines with Electric Brakes) (ANSI and ANSI Export Specs Only) (Note: Not Available for Purchase)	
406	See Note	1	Harness, Brake Magnet (Machines with Electric Brakes) (ANSI and ANSI Export Specs Only) (Note: Not Available for Purchase)	
408	See Note	1	Dump Valve Harness (Note: Not Available for Purchase)	
408A	4460897	1	Receptacle, Female - 2 Position	
408A	4460464	2	Pin, Male	
409		Ref	Harness, Engine Options:	
409	4923132	1	Harness (Prior to SN 0030004208)	F
		Ref	(Note: Some machines may have had Service Replacement Kit p/n 1001136471 installed. Machines with kit will have Harness p/n 1001128929.)	
409	1001128929	1	Harness (SN 0030004208 through 0030012032)	E
409	3990010	2	Diode 6 Amp	
409A	4460741	2	Connector, Relay (Prior to SN 030004381)	
409A	4460420	AR	Terminal (Prior to SN 030004381)	
409A	4460374	2	Connector, Relay (SN 030004381 through 0030012032)	
409A	1001116733	6	Socket, Female (SN 030004381 through 0030012032)	
409B	2400057	1	Fuse 15 Amp	
409B	2400060	1	Fuseholder	
409C	4461047	1	Plug, Male - 2 Position	
409C	4461046	2	Terminal, Spade	
409D	4461049	1	Receptacle, Female - 6 Position	
409D	4461048	5	Terminal, Slip-On	
409E	4460930	1	Connector - 8 Position	
409E	4460465	7	Socket, Female	
409F	4460459	1	Plug, Male - 3 Position	
409F	4460457	3	Socket, Female	
409F	4460458	3	Seal, Terminal	
409G	1001116734	2	Socket, Female (SN 030004381 through 0030012032)	
410	4923153	1	Cable, Battery - Ground	C
410A	0840047	1	Boot	
410B	0840041	1	Boot	
411	4923154	1	Cable, Battery - Power	B
411A	0840046	1	Boot	

SECTION 7 - ELECTRICAL

ITEM	PART NUMBER	QTY	DESCRIPTION	REV
411B	0840041	1	Boot	
414		Ref	Harness, Trailer to Tow Vehicle Options (Australian, CE and South Africa Specs Only):	
414		Ref	Harness, Trailer to Tow Vehicle (CE Specs) Options: (T350)	
414	4923268	1	Harness, Trailer to Tow Vehicle (T350) (Prior to SN 0030005642)	A
414	1001155254	1	Harness, Trailer to Tow Vehicle (T350) (SN 0030005642 through 0030012032)	A
414	4923317	1	Harness, Trailer to Tow Vehicle (Australian and South Africa Specs) (T350)	A
414	4923269	1	Harness, Trailer to Tow Vehicle (CE Specs) (T500J)	A
414	4923318	1	Harness, Trailer to Tow Vehicle (Australian and South Africa Specs) (T500J)	A
414A	4460932	1	Receptacle, Female - 4 Position	
414A	4460464	4	Pin, Male	
414B		Ref	Receptacle to Tow Vehicle - 7 Position Options:	
414B	4461098	1	Receptacle to Tow Vehicle - 7 Position (CE Specs) (T350)	
414B	Not Required	0	Receptacle to Tow Vehicle - 7 Position (Australian and South Africa Specs) (T350)	
414B	4461098	1	Receptacle to Tow Vehicle - 7 Position (CE Specs) (T500J)	
414B	Not Required	0	Receptacle to Tow Vehicle - 7 Position (Australian and South Africa Specs) (T500J)	
414C	4460897	2	Receptacle, Female - 2 Position	
414C	4460464	4	Pin, Male	
414D		Ref	Hardware Options:	
414D		Ref	Hardware (CE Specs): (T350)	
414D	4460931	1	Receptacle, Female - 8 Position (T350)	
414D	4460464	7	Pin, Male (T350)	
414D		Ref	Hardware (Australian and South Africa Specs): (T350)	
414D	4460970	1	Receptacle, Female - 8 Position (T350)	
414D	4460464	12	Pin, Male (T350)	
414D		Ref	Hardware (CE Specs): (T500J)	
414D	4460931	1	Receptacle, Female - 8 Position (T500J)	
414D	4460464	7	Pin, Male (T500J)	
414D		Ref	Hardware (Australian and South Africa Specs): (T500J)	
414D	4460970	1	Receptacle, Female - 12 Position (T500J)	
414D	4460464	9	Pin, Male (T500J)	
415	See Note	1	Harness, Rear Lights (Australian and CE Specs Only) (Note: Not Available for Purchase)	
415A	4460930	1	Plug, Male - 8 Position	
415A	4460465	7	Socket, Female	
416	See Note	1	Harness, Side Marker Lights (Australian and CE Specs Only) (Note: Not Available for Purchase)	
416A	4460891	4	Plug, Male - 2 Position	
416A	4460465	8	Socket, Female	
		Ref	OPTIONAL HARNESS COMPONENTS	
501	4000008	2	Proximity Sensor Harness (Includes Sensor)	B
501A	4461076	2	Receptacle, Female - 4 Position (1 Per Harness)	
501A	4460917	8	Pin, Gold Male (2 Per Harness)	
502	4923340	1	Drive Option Harness	D
502A	4460891	5	Plug, Male - 2 Position	
502A	4460465	10	Socket, Female	
502B	4460894	1	Connector - 6 Position	

SECTION 7 - ELECTRICAL

ITEM	PART NUMBER	QTY	DESCRIPTION	REV
502B	4460465	2	Socket, Female	
502B	4460944	3	Socket, Gold Female	
502C	4461077	2	Plug, Male - 4 Position	
502C	4460918	8	Socket, Gold Female	
502D	4460761	1	Receptacle, Female - 4 Position	
502D	4460227	3	Pin, Male	
502E	4460909	1	Plug, Male - 12 Position (Black)	
502E	4460928	11	Socket, Female	
502F	4460908	1	Plug, Male - 12 Position (Gray)	
502F	4460918	6	Socket, Female	
502G	3990013	1	Diode 1 Amp	
503	2920161	1	Strobe Light Harness (Includes Strobe Light)	A
503A	4460891	1	Plug, Male - 2 Position	
503A	4460465	2	Socket, Female	
504	4923128	1	Strobe and Alarm Harness	B
504A	4460884	1	Plug, Male - 4 Position	
504A	4460465	4	Socket, Female	
504B	4460897	1	Receptacle, Female - 2 Position	
504B	4460464	4	Pin, Male	
504C	4460539	1	Plug, Male - 3 Position	
504C	4460465	3	Socket, Female	
505		Ref	Lifting Hook Components	
505A	4923124	1	Hook Harness	E
505B	4461016	1	Connector - 14 Position	
505B	4460464	9	Pin, Male	
505B	4460941	3	Pin, Gold Male	
505C	4460970	1	Connector - 12 Position	
505C	4460464	9	Pin, Male	
505C	4460943	3	Pin, Gold Male	
505D	4460933	1	Connector - 12 Position	
505D	4460465	9	Socket, Female	
505D	4460942	3	Socket, Gold Female	
505E	4460470	1	Nut, Terminal	
505F	4460471	1	Lockwasher, Terminal	
505G	4461065	1	Cap, Dust	
506		Ref	AC Outlet Components Options:	
506	0273663	Ref	With Factory Installed GFI Outlet	F
506	0273664	Ref	With Dealer Installed Local Supplied Outlet	E
506		Ref	Decal Options:	
506	3251243	1	120V-60Hz	
506	3252507	1	220V	
506A	0860038	1	Box, AC	
506B		Ref	Cover Options:	
506B	4060700	1	Cover with Factory Installed GFI Outlet (Side Hinged)	
506B	1001110873	1	Cover with Factory Installed GFI Outlet (Top Hinged)	
506B	See Note	1	Cover (Note: With Dealer Installed Local Supplied Outlet)	
506C	4460071	1	Connector, Strain Relief	
506D		Ref	Plug, Male Options:	
506D	4460138	1	Plug with Factory Installed GFI Outlet	
506D	See Note	1	Plug (Note: With Dealer Installed Local Supplied Outlet)	
506E		Ref	Receptacle Options:	

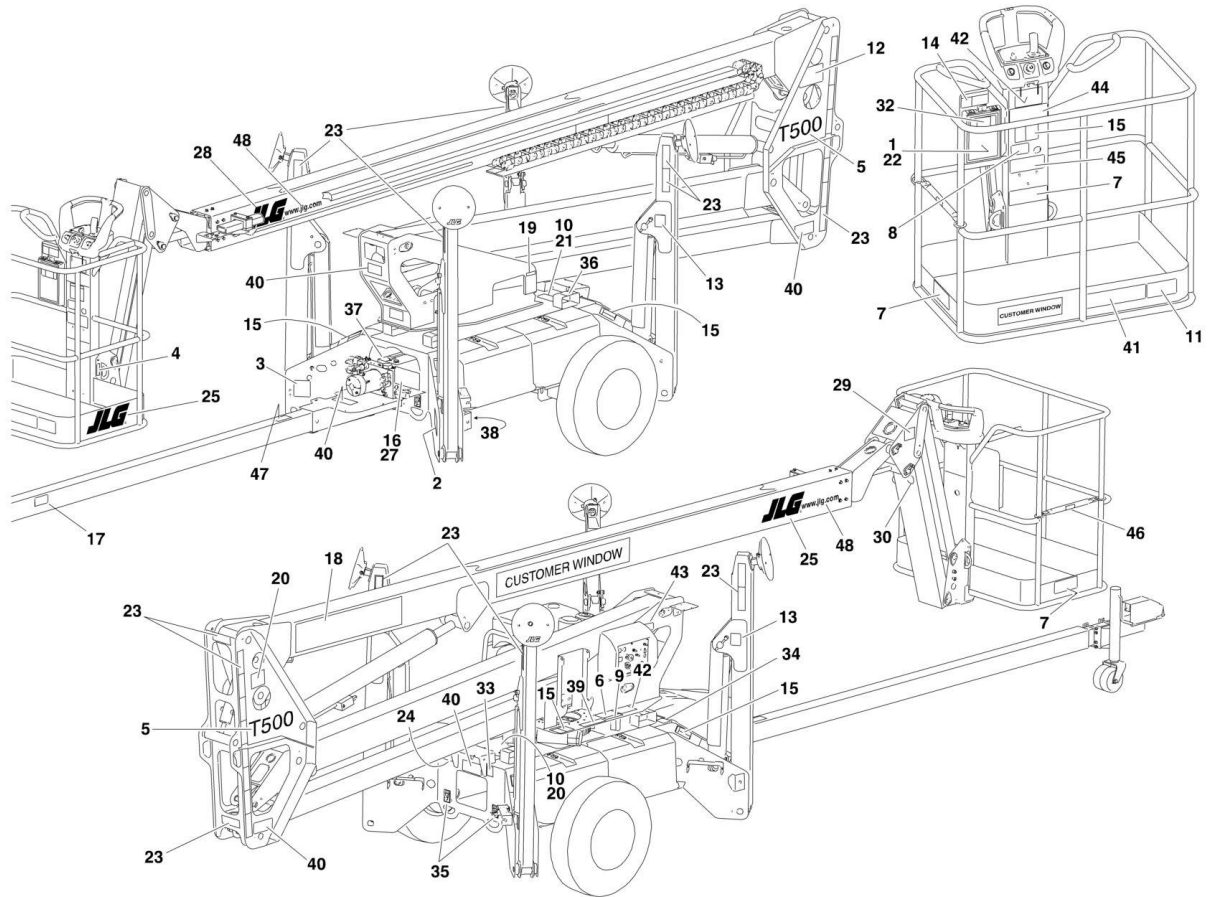
SECTION 7 - ELECTRICAL

ITEM	PART NUMBER	QTY	DESCRIPTION	REV
506E	4460346	1	Receptacle with Factory Installed GFI Outlet	
506E	See Note	1	Receptacle (Note: With Dealer Installed Local Supplied Outlet)	
507	See Note	1	Alarm Harness (Note: Not Available for Purchase)	
507A	4460536	1	Receptacle, Female - 3 Position	
507A	4460464	3	Pin, Male	

SECTION 8 - DECALS

SECTION 8 - DECALS

FIGURE 8-1. DECAL INSTALLATION (ANSI SPEC) (Prior to SN 0030000281)



SECTION 8 - DECALS

FIGURE 8-1. DECAL INSTALLATION (ANSI SPEC) (Prior to SN 0030000281)

ITEM	PART NUMBER	QTY	DESCRIPTION	REV
		Ref	DECAL INSTALLATIONS	
		Ref	Note: Machines with S/Ns 0030000224, 0030000257-261 & 0030000264-267 also use the DECAL INSTALLATION Style Decals.	
	0273670	Ref	JLG Decals	2
	0274253	Ref	Common ANSI Decals	F
	0273628	Ref	Model Designation Decals (T350)	2
	0273629	Ref	Model Designation Decals (T500J)	2
	0273662	Ref	Electric Machine Decals (T350)	E
	0273947	Ref	Electric Machine Decals (T500J)	E
	0274326	Ref	Jib Descent Decals (T500J)	E
1	3820032	4	Rivet	
2	1700584	1	Decal - Patent	
3	See Note	NSS	Decal - Barcode (Note: Not Available for Purchase)	
4	1704277	2	Decal - Lanyard Attach	
5		Ref	Decal - Model Designation Options:	
5	1706080	2	Decal - Model (T350)	
5	1706081	2	Decal - Model (T500J)	
6	1706106	1	Decal - Capacity (Ground Control Location)	
7	1706107	2	Decal - Capacity (Platform Location)	
8	1706108	1	Decal - Legend (Platform)	
9	1706109	1	Decal - Legend (Ground Control)	
10	See Note	NSS	Nameplate - Serial Number (Note: Not available for purchase)	
11	1706112	1	Decal - Speed Limit	
12	1706120	1	Decal - Lift Diagram	
13		Ref	Decal - Pad Load Options:	
13	1706121	4	Decal - Pad Load (T350)	
13	1706264	4	Decal - Pad Load (T500J)	
14		Ref	Decal - Tip Over Options:	
14	1706127	1	Without Drive option	
14	1706133	1	With Drive Option	
15	1706128	6	Decal - Electrocutation	
16	1706139	1	Decal - Manual Descent	
17	1706263	1	Decal - Parking Brake	
18	1706440	NLA	Decal - Tow-Pro (Use p/n 1702774)	
19		Ref	Decal Options:	
19	3251243	1	120V-60Hz	
19	3252507	1	220V	
20	3251813	1	Decal - USA	
21	3820001	6	Rivet	
22	8990147	1	Box, Manual Storage	
22	70003486	2	Clip, Manual Holder	
23	1705817	12 ft/3.7m	Tape, Reflective	
24	1703813	1	Decal - Battery Ventilation (Electric Machines Only)	
25	1702773	2	Decal - 5in JLG	
27	3760170	1	Ring, Split	
28	1705754	1	Decal - 3 1/2in JLG	
29	1706337	1	Decal - Jib Manual Descent (T500J)	
30	1706349	1	Decal - Manual Descent Arrows (T500J)	
32	1701640	1	Decal - Manual	

SECTION 8 - DECALS

ITEM	PART NUMBER	QTY	DESCRIPTION	REV
33	1701644	1	Decal - Battery Charger (Electric Machines Only)	
34	1702155	1	Decal - Battery Disconnect (Electric Machines Only)	
35	1702300	4	Decal - Tie-Down	
36	1703817	4	Decal - Forklift	
37	1704412	1	Decal - Hydraulic Oil	
38	See Note	NSS	Nametag - VIN (Note: Not Available for Purchase)	
39	1706372	1	Decal - Platform Entry Instructions	
40	1706099	5	Decal - Crushing	
41	1706111	1	Decal - Warning Machine Operation	
42	1706135	2	Decal - Warning Inspection	
43	1702961	1	Decal - Warning Prop (Gas Machines Only)	
44	1706386	1	Decal - Fall Hazard	
45	1706387	1	Decal - Crushing	
46	1706385	1	Decal - Drop Bar	
47	1702901	1	Decal - Manual Descent	
48	1704885	2	Decal - Website	
49	1706260	1	Decal - Fuel (Gas Machines Only) (Not Shown - Located on Fuel Cap)	
50	1706440	NLA	Decal - Platform Color (Not Shown) (Use p/n 1702774)	

SECTION 8 - DECALS

FIGURE 8-2. DECAL INSTALLATION (ANSI SPEC) (SN 0030000281 through 0030012032)

ITEM	PART NUMBER	QTY	DESCRIPTION	REV
		Ref	DECAL INSTALLATIONS	
		Ref	Note: Machines with S/Ns 0030000224, 0030000257-261 & 0030000264-267 also use the DECAL INSTALLATION Style Decals.	
	0273670	Ref	JLG Decals	4
	0274522	Ref	Common ANSI Decals	R
	0273662	Ref	Battery Charger Decals (T350) (Prior to SN 0030001804)	I
	0275709	Ref	Battery Charger Decals (T350) (SN 0030001804 through 0030001896)	B
	0273947	Ref	Battery Charger Decals (T500J) (Prior to SN 0030001804)	K
	0275718	Ref	Battery Charger Decals (T350,T500J) (SN 0030001804 through 0030012032)	E
	1001201419	Ref	Battery Charger Decals (AGM Batteries) (SN 0030006791 through 0030012032)	A
	0274326	Ref	Jib Descent Decals (T500J) (Prior to SN 0030001171)	F
	0275009	Ref	Jib Descent Decals (T500J) (SN 0030001171 through 0030012032)	B
2	1701640	1	Decal - Manual	
3	1703814	4	Decal - Tie-Down	
4	1706384	1	Decal - Manual Descent Inside	
5	1703817	4	Decal - Forklift	
6	1704277	2	Decal - Lanyard Attach	
7	1704412	1	Decal - Hydraulic Oil	
8		Ref	Decal - Lift Diagram Options:	
8	1706120	1	Decal - Lift Diagram (SN 0030000281 through 0030000863)	
8	1706629	1	Decal - Lift Diagram (SN 0030000864 through 0030012032)	
9	1706372	1	Decal - Platform Entry Instructions	
10	1706385	1	Decal - Drop Bar	
11		Ref	Decal - Patent Options:	
11	1700584	1	Decal - Patent (SN 0030000281 through 0030004446)	
11	1001131269	1	Decal - Patent (SN 0030004447 through 0030012032)	
12	1701644	1	Decal - Battery Charger (Electric Machines Only)	
13	1702155	1	Decal - Battery Disconnect (Electric Machines) (Prior to SN 0030001498)	
14	See Note	NSS	Decal - Barcode (Note: Not Available for Purchase)	
15	1702961	1	Decal - Warning Prop (Gas Machines Only)	
16	1704885	2	Decal - Website (SN 0030000281 through 0030000593)	
17	1705754	1	Decal - 3 1/2in JLG	
18		Ref	Decal - Model Designation Options:	
18	1706080	2	Decal - Model (T350)	
18	1706081	2	Decal - Model (T500J)	
19	1706106	1	Decal - Capacity (Ground Control Location)	
20	1706107	2	Decal - Capacity (Platform Location)	
21	See Note	NSS	Nameplate - Serial Number (Note: Not Available for Purchase)	
22		Ref	Decal - Pad Load Options:	
22	1706121	4	Decal - Pad Load (T350)	
22	1706264	4	Decal - Pad Load (T500J)	
23		Ref	Decal - Tip Over Options:	
23	1706127	1	Without Drive option	
23	1706133	1	With Drive Option	
24	1706139	1	Decal - Manual Descent	

SECTION 8 - DECALS

ITEM	PART NUMBER	QTY	DESCRIPTION	REV
25	1706263	1	Decal - Parking Brake	
27		Ref	Decal - Speed Limit Options:	
27	1706112	1	Standard Machines	
27	1706475	1	Home Depot Spec Only (Not Part of Decal Kit - Must Be Ordered Separately)	
28	1706128	6	Decal - Electrocutation	
29	1706099	5	Decal - Warning Crushing	
30	1706111	1	Decal - Warning Machine Operation	
31	1706135	2	Decal - Warning Inspection	
32	1706386	1	Decal - Fall Hazard	
33	1706387	1	Decal - Crushing	
34	1706108	1	Decal - Legend (Platform)	
35	1706109	1	Decal - Legend (Ground Control)	
36	1703813	1	Decal - Battery Ventilation (Electric Machines Only)	
39	See Note	1	Nametag - VIN (Note: Not Available for Purchase)	
40	1706337	1	Decal - Jib Manual Descent (T500J)	
41	1706349	1	Decal - Manual Descent Arrows (T500J)	
42	1706440	NLA	Decal - Tow Pro (Use p/n 1702774)	
43		Ref	Decal Options:	
43	3251243	1	120V-60Hz	
43	3252507	1	220V	
44	3251813	1	Decal - USA	
45	3760170	1	Ring, Split	
46	3820001	6	Rivet	
47	3820032	4	Rivet	
48	8990147	1	Box, Manual Storage	
48	70003486	2	Clip, Manual Holder	
49	1705817	17 ft/5.2m	Tape, Reflective	
50	1702773	1	Decal - 5in JLG	
51		Ref	Decal - Service (Optional)	
51	1705304	1	8 Hours	
51	1706922	1	24 Hours	
52		Ref	Decal - Vehicle Placard (SN 0030003249 through 0030012032)	
52	1001112470	1	Decal - Vehicle Placard (T350)	
52	1001112471	1	Decal - Vehicle Placard (T500J)	
53	1001214673	1	Decal - Temperature (SN 0030007492 through 0030012032)	
54	1706260	1	Decal - Fuel (Gas Machines Only) (Not Shown - Located on Fuel Cap)	
55	1001223055	1	Decal - Yearly Inspection (SN 0030008559 through 0030012032)	
56	1001228370	1	Decal - ICES -001(CSA Specs) (Not Shown - Located Beside Serial Number Plate) (SN 0030008559 through 0030012032)	
57	1001223453	1	Decal - ICES -002(CSA Specs) (Not Shown - Located Beside Serial Number Plate) (SN 0030008559 through 0030012032)	
58	1001236338	1	Decal - Prop 65 (SN 0030008559 through 0030012032)	
		Ref	DECAL TAGS INSTALLATIONS:	
	0275582	Ref	Decal Tags Installations (T350)	A
	0275642	Ref	Decal Tags Installations (T500J)	A
101	3576892	1	Plate, Cover	
102	1706926	1	Decal - Flash Codes	
103	1706890	1	Decal - Start Tag	
104	1706924	1	Decal - Finish Tag	

SECTION 8 - DECALS

ITEM	PART NUMBER	QTY	DESCRIPTION	REV
105	0641404	2	Bolt 1/4in-20NC x 1/2in	
106	1706897	1	Decal - Start Tag	
107	3311405	2	Locknut 1/4in-20NC	
108		Ref	Plate, Decal Mount Options:	
108	3577000	1	Plate, Decal Mount (T350)	
108	3576891	1	Plate, Decal Mount (T500J)	
109	3820038	2	Rivet, Snap	
110	3820039	2	Rivet, Snap	
111	91163087	2	Bracket, Load Chart	
	1001114580	Ref	BOOM INSTALLATIONS (WITH AIR AND DUAL WATER LINES)	A
201	1001115241	2	Decal - Capacity Reduction	

SECTION 8 - DECALS

FIGURE 8-3. DECAL INSTALLATION (COUNTRY SPEC)

ITEM	PART NUMBER	QTY	DESCRIPTION	REV
		Ref	DECAL INSTALLATIONS	
	0273670	Ref	JLG Decals	4
	0275836	Ref	Decal Plate Installation (with Dual Language Only) (T350)	A
	0273641	Ref	French/English Dual Language Decals (CSA Spec)	L
	0273644	Ref	Portuguese/English Dual Language Decals (Brazil Spec)	K
	0274942	Ref	South Africa/English Dual Language Decals (South Africa Spec)	G
	0273640	Ref	Spanish/English Dual Language Decals (Latin American Spec)	K
	0274482	Ref	Spanish Only Decals	H
	0273662	Ref	Battery Charger Decals (T350) (Prior to SN 0030001804)	I
	0275709	Ref	Battery Charger Decals (T350) (SN 0030001804 through 0030001896)	B
	0273947	Ref	Battery Charger Decals (T500J) (Prior to SN 0030001804)	K
	0275718	Ref	Battery Charger Decals (T350,T500J) (SN 0030001804 through 0030012032)	E
	1001201419	Ref	Battery Charger Decals (AGM Batteries) (SN 0030006791 through 0030012032)	A
	0274326	Ref	Jib Descent Decals (T500J) (Prior to SN 0030001171)	F
	0275009	Ref	Jib Descent Decals (T500J) (SN 0030001171 through 0030012032)	B
2	1701640	1	Decal - Manual	
3	1703814	4	Decal - Tie-Down	
4	1706384	1	Decal - Manual Descent Inside	
5	1703817	4	Decal - Forklift	
6	1704277	2	Decal - Lanyard Attach	
7	1704412	1	Decal - Hydraulic Oil	
8	1706120	NLA	Decal - Lift Diagram (Use p/n 1706629)	
9	1706372	1	Decal - Platform Entry Instructions	
10		Ref	Decal - Drop Bar Options:	
10	1706385	1	All Specs Except Spanish Only	
10	1706385	1	Spanish (Prior to SN 0030000460)	
10	1706494	1	Spanish (SN 0030000460 through 0030012032)	
11	0701014	3	Bolt 10mm x 30mm (with Dual Language Only) (T350)	
12		Ref	Decal - Patent Options:	
12	1700584	1	All Specs Except CSA Spec (Prior to SN 0030004447)	
12	1700584	1	CSA Spec (Prior to SN 0030004447)	
12	1001131269	1	CSA Spec (SN 0030004447 through 0030012032)	
13	1701644	1	Decal - Battery Charger (Electric Machines Only)	
14	1702155	1	Decal - Battery Disconnect (Electric Machines) (Prior to SN 0030001498)	
15	See Note	NSS	Decal - Barcode (Note: Not Available for Purchase)	
17		Ref	Decal - Service Options:	
17	Not Required	0	All Specs	
17	1705304	1	CSA Spec (Optional)	
18	1705754	1	Decal - 3 1/2in JLG	
19		Ref	Decal - Model Designation Options:	
19	1706080	2	Decal - Model Designation (T350)	
19	1706081	2	Decal - Model Designation (T500J)	
20	1706106	1	Decal - Capacity (Ground Control Location)	
21	1706107	2	Decal - Capacity (Platform Location)	
22	See Note	NSS	Nameplate - Serial Number (Note: Not Available for Purchase)	

SECTION 8 - DECALS

ITEM	PART NUMBER	QTY	DESCRIPTION	REV
23		Ref	Decal - Pad Load Options:	
23	1706121	4	Decal - Pad Load (T350)	
23	1706264	4	Decal - Pad Load (T500J)	
24		Ref	Decal - Tip Over Options:	
24		Ref	Without Drive Option:	
24	0274819	1	French/English Languages (CSA Spec) (Includes Qty 1 each of p/ns 1706127 & 1706514)	
24	0274830	1	Portuguese/English Languages (Brazil Spec) (Includes Qty 1 each of p/ns 1706127 & 1706525)	
24	1706127	1	South Africa/English Languages (South Africa Spec)	
24	0274832	1	Spanish/English Languages (Latin American Spec with Dual Language Decals) (Includes Qty 1 each of p/ns 1706127 & 1706428)	
24	1706428	1	Spanish Language (Latin American Spec with Spanish Only Decals)	
24		Ref	With Drive Option:	
24	0274828	1	French/English Languages (CSA Spec) (Includes Qty 1 each of p/ns 1706133 & 1706514)	
24	0274831	1	Portuguese/English Languages (Brazil Spec) (Includes Qty 1 each of p/ns 1706133 & 1706526)	
24	1706133	1	South Africa/English Languages (South Africa Spec)	
24	0274833	1	Spanish/English Languages (Latin American Spec with Dual Language Decals) (Includes Qty 1 each of p/ns 1706133 & 1706429)	
24	1706429	1	Spanish Language (Latin American Spec with Spanish Only Decals)	
25		Ref	Decal - Parking Brake Options:	
25	1706263	1	Decal - Parking Brake (All Specs Except South Africa Spec)	
25	1706263	1	Decal - Parking Brake (South Africa Spec) (Prior to SN 0030007123)	
25	1706316	1	Decal - Parking Brake (South Africa Spec) (SN 0030007123 through 0030012032)	
27		Ref	Decal - Speed Limit (English Language) Options:	
27	1706112	1	Standard Machines (English Language) (Use with Dual Language Decals)	
27	1706961	1	Standard Machines (English Language) (Use with South Africa Decals Only)	
27	1706427	1	Standard Machines (Spanish Language) (Use with Spanish Language Decals Only)	
27	1706475	1	Home Depot Spec Only (English Language) (Not Part of Decal Kit - Must Be Ordered Separately) (Use with Dual Language Decals Only)	
27	1706536	1	Home Depot Spec Only (Spanish Language) (Not Part of Decal Kit - Must Be Ordered Separately) (Use with Spanish Language Decals Only)	
28		Ref	Decal - Electrocutation Options:	
28	1706128	AR	Machines with Dual Language Decals (English Language)	
28	1706430	AR	Machines with Spanish Language Decals Only (Spanish Language)	
29		Ref	Decal - Warning Crushing Options:	
29	1706099	AR	Machines with Dual Language Decals (English Language)	
29	1706431	AR	Machines with Spanish Language Decals Only (Spanish Language)	
30		Ref	Decal - Warning Machine Operation Options:	
30	1706111	1	Machines with Dual Language Decals (English Language)	

SECTION 8 - DECALS

ITEM	PART NUMBER	QTY	DESCRIPTION	REV
30	1706432	1	Machines with Spanish Language Decals Only (Spanish Language)	
31		Ref	Decal - Warning Inspection Options:	
31	1706135	2	Machines with Dual Language Decals (English Language)	
31	1706433	2	Machines with Spanish Language Decals Only (Spanish Language)	
32		Ref	Decal - Fall Hazard Options:	
32	1706386	1	Machines with Dual Language Decals (English Language)	
32	1706434	1	Machines with Spanish Language Decals Only (Spanish Language)	
33		Ref	Decal - Crushing Options:	
33	1706387	1	Machines with Dual Language Decals (English Language)	
33	1706435	1	Machines with Spanish Language Decals Only (Spanish Language)	
34		Ref	Decal - Legend (Platform) Options:	
34	1706108	1	Machines with Dual Language Decals (English Language)	
34	1706436	1	Machines with Spanish Language Decals Only (Spanish Language)	
35		Ref	Decal - Legend (Ground Control) Options:	
35	1706109	1	Machines with Dual Language Decals (English Language)	
35	1706437	1	Machines with Spanish Language Decals Only (Spanish Language)	
36		Ref	Decal - Battery Ventilation Options (Electric Machines Only):	
36	1703813	1	Machines with Dual Language Decals (English Language)	
36	1703840	1	Machines with Spanish Language Decals Only (Spanish Language)	
37	1706139	1	Decal - Manual Descent	
38	See Note	NSS	Nametag - VIN (Note: Not Available for Purchase)	
39	1706337	1	Decal - Jib Manual Descent (T500J)	
40	1706349	1	Decal - Manual Descent Arrows (T500J)	
41	1706440	NLA	Decal - Tow Pro (Use p/n 1702774)	
42		Ref	Decal - Tip Over Options:	
42		Ref	Without Drive Option:	
42	0274819	1	French and English Languages (CSA Spec) (Includes Qty 1 each of p/ns 1706127 & 1706514)	
42	0274830	1	Portuguese and English Languages (Brazil Spec) (Includes Qty 1 each of p/ns 1706127 & 1706525)	
42	1706127	1	South Africa/English Languages (South Africa Spec)	
42	0274832	1	Spanish and English Languages (Latin American Spec) (Includes Qty 1 each of p/ns 1706127 & 1706428)	
42	Not Required	0	Spanish Language (Spanish Only Machines)	
42		Ref	With Drive Option:	
42	0274828	1	French and English Languages (CSA Spec) (Includes Qty 1 each of p/ns 1706133 & 1706514)	
42	0274831	1	Portuguese and English Languages (Brazil Spec) (Includes Qty 1 each of p/ns 1706133 & 1706526)	
42	1706133	1	South Africa/English Languages (South Africa Spec)	
42	0274833	1	Spanish and English Languages (Latin American Spec) (Includes Qty 1 each of p/ns 1706133 and 1706429)	
42	Not Required	0	Spanish Language (Spanish Only Machines)	
43		Ref	Decal Options:	
43	3251243	1	120V-60Hz	
43	3252507	1	220V	
45		Ref	Decal - Speed Limit Options:	

SECTION 8 - DECALS

ITEM	PART NUMBER	QTY	DESCRIPTION	REV
45	1706513	1	CSA Spec (French Language)	
45	1706524	1	Brazil Spec (Portuguese Language)	
45	1706427	1	Latin American Spec with Dual Language Decals (Spanish)	
45	Not Required	0	Latin American Spec Spanish Language Decals Only	
45	Not Required	0	South Africa Specs	
46		Ref	Decal - Electrocutation Options:	
46	1706516	3	CSA Spec (French Language)	
46	1706527	3	Brazil Spec (Portuguese Language)	
46	1706430	3	Latin American Spec with Dual Language Decals (Spanish)	
46	Not Required	0	Latin American Spec Spanish Language Decals Only	
46	Not Required	0	South Africa Specs	
47		Ref	Decal - Warning Crushing Options:	
47	1706517	3	CSA Spec (French Language)	
47	1706528	3	Brazil Spec (Portuguese Language)	
47	1706431	3	Latin American Spec with Dual Language Decals (Spanish)	
47	Not Required	0	Latin American Spec Spanish Language Decals Only	
47	Not Required	0	South Africa Specs	
48		Ref	Decal - Warning Machine Operation Options:	
48	1706518	1	CSA Spec (French Language)	
48	1706529	1	Brazil Spec (Portuguese Language)	
48	1706432	1	Latin American Spec with Dual Language Decals (Spanish)	
48	Not Required	0	Latin American Spec Spanish Language Decals Only	
48	Not Required	0	South Africa Specs	
49		Ref	Decal - Warning Inspection Options:	
49	1706519	2	CSA Spec (French Language)	
49	1706530	2	Brazil Spec (Portuguese Language)	
49	1706433	2	Latin American Spec with Dual Language Decals (Spanish)	
49	Not Required	0	Latin American Spec Spanish Language Decals Only	
49	Not Required	0	South Africa Specs	
50		Ref	Decal - Fall Hazard Options:	
50	1706520	1	CSA Spec (French Language)	
50	1706531	1	Brazil Spec (Portuguese Language)	
50	1706434	1	Latin American Spec with Dual Language Decals (Spanish)	
50	Not Required	0	Latin American Spec Spanish Language Decals Only	
50	Not Required	0	South Africa Specs	
51		Ref	Decal - Crushing Options:	
51	1706521	1	CSA Spec (French Language)	
51	1706532	1	Brazil Spec (Portuguese Language)	
51	1706435	1	Latin American Spec with Dual Language Decals (Spanish)	
51	Not Required	0	Latin American Spec Spanish Language Decals Only	
51	Not Required	0	South Africa Specs	
52		Ref	Decal - Legend (Platform) Options:	
52	1706522	1	CSA Spec (French Language)	
52	1706533	1	Brazil Spec (Portuguese Language)	
52	1706436	1	Latin American Spec with Dual Language Decals (Spanish)	
52	Not Required	0	Latin American Spec Spanish Language Decals Only	
52	Not Required	0	South Africa Specs	
53		Ref	Decal - Legend (Ground Control) Options:	
53	1706523	1	CSA Spec (French Language)	
53	1706534	1	Brazil Spec (Portuguese Language)	
53	1706437	1	Latin American Spec with Dual Language Decals (Spanish)	

SECTION 8 - DECALS

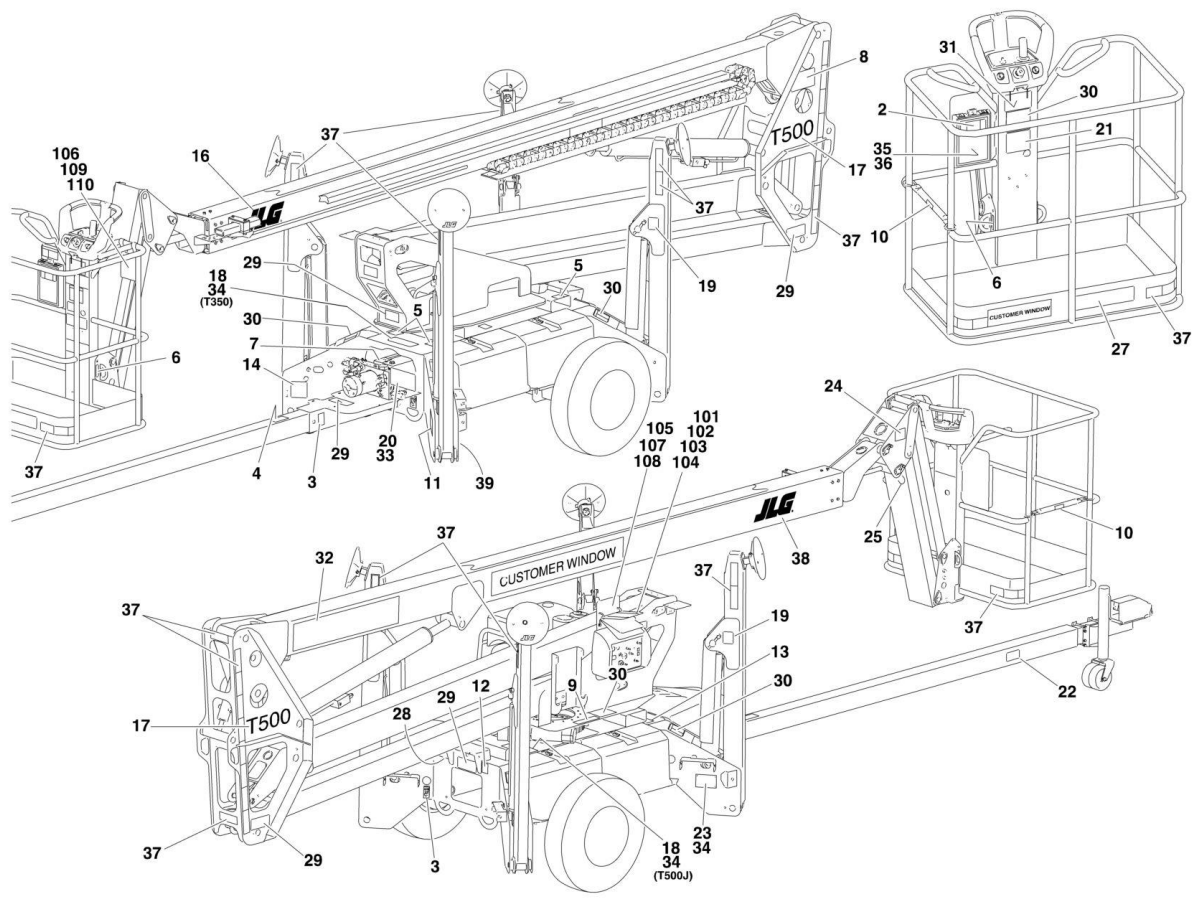
ITEM	PART NUMBER	QTY	DESCRIPTION	REV
53	Not Required	0	Latin American Spec Spanish Language Decals Only	
53	Not Required	0	South Africa Specs	
54		Ref	Decal - Electrocution Options:	
54	1706565	4	CSA Spec (French Language)	
54	1706657	4	Brazil Spec (Portuguese Language)	
54	1706664	4	Latin American Spec with Dual Language Decals (Spanish)	
54	1706430	4	Latin American Spec Spanish Language Decals Only	
54	Not Required	0	South Africa Specs	
55		Ref	Decal - Crushing Options:	
55	1706569	2	CSA Spec (French Language)	
55	1706658	2	Brazil Spec (Portuguese Language)	
55	1706665	2	Latin American Spec with Dual Language Decals (Spanish)	
55	1706431	2	Latin American Spec Spanish Language Decals Only	
55	Not Required	0	South Africa Specs	
56		Ref	Decal - Crushing Options:	
56	1703864	1	CSA Spec (French Language)	
56	1703832	1	Brazil Spec (Portuguese Language)	
56	1703840	1	Latin American Spec with Dual Language Decals (Spanish)	
56	Not Required	0	Latin American Spec Spanish Language Decals Only	
56	Not Required	0	South Africa Specs	
57	3251813	1	Decal - USA	
58	3291005	3	Locknut M10 (with Dual Language Only) (T350)	
59	3576102	1	Plate, Decal Mounting (Platform) (Dual Language Only)	
60	3576114	1	Plate, Decal Mounting (Turntable) (with Dual Language Only) (T350)	
61	3760170	1	Ring, Split	
62	3820001	6	Rivet	
63	3820021	2	Rivet	
64	3820032	4	Rivet	
65	4812000	6	Flatwasher 10mm (with Dual Language Only) (T350)	
66	1705817	17 ft/5.2m	Tape, Reflective	
67	8990147	1	Box, Manual Storage	
67	70003486	2	Clip, Manual Holder	
68	1702773	1	Decal - 5in JLG	
69		Ref	Decal - CSA	
69	Not Required	0	Decal (All Specs Except CSA Spec) (Prior to SN 0030007492)	
69	1706351	1	Decal - CSA (CSA Spec Only) (Prior to SN 0030007492)	
69	1001214673	1	Decal - Temperature (All Specs) (SN 0030007492 through 0030012032)	
70	1704885	2	Decal - Website (Prior to SN 0030000593)	
71	1706260	1	Decal - Fuel (Gas Machines) (Not Shown - Located on Fuel Cap)	
72		Ref	Decal - Tire Options (South Africa Spec Machines only):	
72	1706690	1	Decal (205-75-R14 Tires) (T350 Prior to SN 0030003163)	
72	1001112110	1	Decal (215-75-R14 Tires) (T350 SN 0030003163 through 0030012032)	
72	1706691	1	Decal (225-75-R15 Tires) (T500J)	
73		Ref	Decal - Drop Bar Options:	
73	1706495	1	CSA Spec (French Language)	
73	1706496	1	Brazil Spec (Portuguese Language)	
73	1706494	1	Latin American Spec with Dual Language Decals (Spanish)	
73	Not Required	0	Latin American Spec Spanish Language Decals Only	
73	Not Required	0	South Africa Specs	

SECTION 8 - DECALS

ITEM	PART NUMBER	QTY	DESCRIPTION	REV
74		Ref	Decal - Vehicle Placard (SN 0030003249 through 0030012032)	
74	1001112470	1	Decal - Vehicle Placard (T350)	
74	1001112471	1	Decal - Vehicle Placard (T500J)	
75		Ref	Decal – Yearly Inspection Options: (SN 0030008559 through 0030012032)	
75	1001224052	1	Brazil Spec (Portuguese Language)	
75	1001223971	1	French and English Languages (CSA Spec)	
75	1001224049	1	Latin American Spec with Dual Language Decals (Spanish)	
75	1001224049	1	Latin American Spec Spanish Language Decals Only	
76	1001228370	1	Decal – ICES -001(CSA Specs) (Not Shown - Located Beside Serial Number Plate) (SN 0030008559 through 0030012032)	
77	1001223453	1	Decal – ICES -002(CSA Specs) (Not Shown - Located Beside Serial Number Plate) (SN 0030008559 through 0030012032)	
		Ref	DECAL TAGS INSTALLATIONS: (SOUTH AFRICA SPEC ONLY)	
	0275582	Ref	Decal Tags Installations (T350)	A
	0275642	Ref	Decal Tags Installations (T500J)	A
101	3576892	1	Plate, Cover	
102	1706926	1	Decal - Flash Codes	
103	1706890	1	Decal - Start Tag	
104	1706924	1	Decal - Finish Tag	
105	0641404	2	Bolt 1/4in-20NC x 1/2in	
106	1706897	1	Decal - Start Tag	
107	3311405	2	Locknut 1/4in-20NC	
108		Ref	Plate, Decal Mount Options:	
108	3577000	1	Plate, Decal Mount (T350)	
108	3576891	1	Plate, Decal Mount (T500J)	
109	3820038	2	Rivet, Snap	
110	3820039	2	Rivet, Snap	
111	91163087	2	Bracket, Load Chart	

SECTION 8 - DECALS

FIGURE 8-4. DECAL INSTALLATION (AUSTRALIAN AND CE SPECS)



SECTION 8 - DECALS

FIGURE 8-4. DECAL INSTALLATION (AUSTRALIAN AND CE SPECS)

ITEM	PART NUMBER	QTY	DESCRIPTION	REV
		Ref	DECAL INSTALLATIONS	
	0273670	Ref	JLG Decals	4
	0273631	Ref	Australian and CE Decals	I
	0273662	Ref	Battery Charger Decals (T350) (Prior to SN 0030001804)	I
	0275709	Ref	Battery Charger Decals (T350) (SN 0030001804 through 0030001896)	B
	0273947	Ref	Battery Charger Decals (T500J) (Prior to SN 0030001804)	K
	0275718	Ref	Battery Charger Decals (T350,T500J) (SN 0030001804 through 0030012032)	E
	1001201419	Ref	Battery Charger Decals (AGM Batteries) (SN 0030006791 through 0030012032)	A
	0274326	Ref	Jib Descent Decals (T500J)	E
2	1701640	1	Decal - Manual	
3	1703814	4	Decal - Tie-Down	
4	1706384	1	Decal - Manual Descent Inside	
5	1703817	4	Decal - Forklift	
6	1704277	2	Decal - Lanyard Attach	
7	1704412	1	Decal - Hydraulic Oil	
8	1706120	NLA	Decal - Lift Diagram (Use p/n 1706629)	
9	1706372	1	Decal - Platform Entry Instructions	
10	1706393	1	Decal - Drop Bar	
11	1700584	1	Decal - Patent (Prior to SN 0030004447)	
12	1701644	1	Decal - Battery Charger (Electric Machines Only)	
13	1702155	1	Decal - Battery Disconnect (Electric Machines) (Prior to SN 0030001498)	
14	See Note	NSS	Decal - Barcode (Note: Not Available for Purchase)	
16	1705754	1	Decal - 3 1/2in JLG	
17		Ref	Decal - Model Designation Options:	
17	1706080	2	Decal - Model Designation (T350)	
17	1706081	2	Decal - Model Designation (T500J)	
18	See Note	NSS	Nameplate - Serial Number (Note: Not Available for Purchase)	
19		Ref	Decal - Pad Load Options:	
19	1706121	4	Decal - Pad Load (T350)	
19	1706264	4	Decal - Pad Load (T500J)	
20	1706139	1	Decal - Manual Descent	
21	1706314	2	Decal - Capacity (Platform Location)	
22		Ref	Decal - Parking Brake Options:	
22	1706316	NLA	Decal - Parking Brake (Use p/n 1706263) (Prior to SN 0030003456)	
22	1706263	1	Decal - Parking Brake (SN 0030003456 through 0030012032)	
23	See Note	NSS	Nameplate - VIN (Note: Not Available for Purchase)	
24	1706337	1	Decal - Jib Manual Descent (T500J)	
25	1706349	1	Decal - Manual Descent Arrows (T500J)	
27	1706320	1	Decal - Warning Machine Operation	
28	1705670	1	Decal - Fire Hazard (Electric Machines Only)	
29	1706315	5	Decal - Warning Crushing	
30	1706317	6	Decal - Electrocutation	
31	1706497	1	Decal - Warning Crushing	
32	1706440	NLA	Decal - Tow Pro (Use p/n 1702774)	
33	3760170	1	Ring, Split	
34	3820001	6	Rivet	

SECTION 8 - DECALS

ITEM	PART NUMBER	QTY	DESCRIPTION	REV
35	3820032	4	Rivet	
36	8990147	1	Box, Manual Storage	
36	70003486	2	Clip, Manual Holder	
37	4420051	12 ft/3.7m	Tape, Reflective	
38	1702773	1	Decal - 5in JLG	
39		Ref	Decal - Tire Options (Australian Spec Machines only):	
39	1706690	1	Decal - Tire (205-75-R14 Tires) (T350 Prior to SN 0030003163)	
39	1001112110	1	Decal - Tire (215-75-R14 Tires) (T350 SN 0030003163 through 0030012032)	
39	1706691	1	Decal - Tire (225-75-R15 Tires) (T500J)	
49	1706260	1	Decal - Fuel (Gas Machines Only) (Not Shown - Located on Fuel Cap)	
50	1705084	1	Decal - Sound Power Level (Gas Machines Only) (Not Shown)	
		Ref	DECAL TAGS INSTALLATIONS: (AUSTRALIAN SPEC ONLY)	
	0275582	Ref	Decal Tags Installations (T350)	A
	0275642	Ref	Decal Tags Installations (T500J)	A
101	3576892	1	Plate, Cover	
102	1706926	1	Decal - Flash Codes	
103	1706890	1	Decal - Start Tag	
104	1706924	1	Decal - Finish Tag	
105	0641404	2	Bolt 1/4in-20NC x 1/2in	
106	1706897	1	Decal - Start Tag	
107	3311405	2	Locknut 1/4in-20NC	
108		Ref	Plate, Decal Mount Options:	
108	3577000	1	Plate, Decal Mount (T350)	
108	3576891	1	Plate, Decal Mount (T500J)	
109	3820038	2	Rivet, Snap	
110	3820039	2	Rivet, Snap	
111	91163087	2	Bracket, Load Chart	

SECTION 9 - RECOMMENDED SERVICE PARTS STOCK

SECTION 9 - RECOMMENDED SERVICE PARTS STOCK

SECTION 9 - RECOMMENDED SERVICE PARTS STOCK

FIGURE 9-1. RECOMMENDED SERVICE PARTS STOCK

ITEM	PART NUMBER	QTY	DESCRIPTION	REV
		Ref	Note: The following list will service one machine (built to current production per date on the front cover) with emergency repair parts which can be installed in the field. Parts from the list should be replaced when inventory is depleted to keep service parts stock supplied. For further information, contact your JLG dealer or the JLG Industries Parts Department.	
		Ref	STANDARD PARTS	
	3740145	1	Relay	
	2915194	1	Element, Filter	
	7024883	1	Coil	
	7024885	1	Coil	
	7027628	1	Coil	
	7027638	1	Breather	
	70000026	1	Coil	
	4360328	1	Switch, Toggle	
	4360330	1	Switch, Toggle	
	4360475	1	Switch, Emergency Stop	
	2860030	1 Set	Key, Replacement	
	7027367	1	Switch, Push Button	
	4360562	1	Switch, Emergency Stop	
	2400065	1	Fuse 30 Amp	
	3990010	1	Diode 6 Amp	
	2400057	1	Fuse 15 Amp	
		Ref	VARIABLE PARTS	
	71820	1	Switch, Breakaway (With Electric Brakes)	
	1600392	1	Module, Drive Propulsion (With Drive Option)	
	4000008	1	Sensor, Proximity (With Drive Option)	
	1600370	1	Module, Ground Control	
	1600371	1	Controller Sevcon (Electric Machines without Drive Option)	
	1600412	1	Controller Sevcon (Electric Machines with Drive Option)	
	3740080	1	Relay (Gas Machines)	
	3740112	1	Relay (Gas Machines)	
	3740144	1	Actuator, Solenoid (Gas Machines)	
	3740148	1	Actuator, Solenoid (Gas Machines)	
	70001453	1	Filter Assembly, Air Cleaner (Gas Machines)	
	70003516	1	Coil, Ignition (Gas Machines)	
	70003521	1	Switch, Key (Gas Machines)	
	70003550	1	Key, Replacement (Gas Machines)	
	70003522	2	Fuse (Gas Machines)	
	2400087	2	Fuse (Electric Machines)	
	3740150	1	Relay (Electric Machines)	
	0610170	1	PC Board (Ground Control)	
	4360564	1	Switch, Push Button (Gas Machines)	
	4360565	1	Switch, Push Button (Gas Machines)	
	4360469	1	Keyswitch (ANSI and ANSI Export Specs)	
	4360470	1	Keyswitch (CE and Australian Specs)	
	1600369	1	PC Board (Platform)	
	1600452	1	Controller without Drive Function	
	1600453	1	Controller with Drive Function	

SECTION 9 - RECOMMENDED SERVICE PARTS STOCK

ITEM	PART NUMBER	QTY	DESCRIPTION	REV
	7027369	1	Switch, Push Button (With Drive Function)	
	4360612	1	Switch, Rotary (Without Drive Option)	
	4360620	1	Switch, Rotary (With Drive Option)	
	4360577	1	Switch, Limit	

SECTION 10 - SPECIAL OPTIONS

SECTION 10 - SPECIAL OPTIONS

FIGURE 10-1. SPECIAL OPTIONS

ITEM	PART NUMBER	QTY	DESCRIPTION	REV
		Ref	Note: This list is to accommodate machines ordered with special equipment. Options may not be applicable to all models. For more specific parts information contact JLG Parts Department	
		Ref	MISCELLANEOUS SPECIAL OPTIONS	
		Ref	ClearSky Telematics (Factory Installed)	
	1001229107	Ref	3-Wire Connection (ANSI and CSA Specs) (SN 0030008590 through 0030012032)	
	1001233237	Ref	3-Wire Connection (CE Specs) (SN 0030009445 through 0030012032)	
		Ref	Electrical Connector Kits	
	1001148902	Ref	Amp/Tyco Electrical Connector Kit	
	1001148903	Ref	Deutsch DT Electrical Connector Kit	
	1001148904	Ref	Deutsch HD Electrical Connector Kit	
	1001148905	Ref	Packard Electrical Connector Kit	
	1001148906	Ref	Various Electrical Connectors Kit	
		Ref	Decal Installations Options:	
	1001212213	Ref	Compact Power (T350) (Prior to SN 0030009445)	
	1001212214	Ref	Compact Power (T500J) (Prior to SN 0030009445)	
	1001229709	Ref	Decal - ClearSky (ANSI, ANSI Export, CSA and South Africa Specs)	
		Ref	Decal Kits	
	2902430	Ref	Decal Kit - Country Specs (English Language) (ANSI Specs)	
	2902411	Ref	Decal Kit - Country Spec (English Language) (Australian & CE Specs)	
	2902546	Ref	Decal Kit - Country Spec (English Language) (South African Specs)	
	2902442	Ref	Decal Kit - Country Spec (French Language) (CSA Specs)	
	2902447	Ref	Decal Kit - Country Spec (Portuguese Language) (Brazil Specs)	
	2902425	Ref	Decal Kit - Country Spec (Spanish Language)	
	2902454	Ref	Decal Kit - Country Spec (Spanish/English Dual Language) (Latin American Specs)	
	2902428	Ref	Decal Kit - Master	
		Ref	Filter Kits:	
		Ref	Combined Filter Kit (Hydraulic/Air and Fuel)	
	1001091767	1	Electric Engines	
	1001091766	1	Honda Engines	
	0274378	Ref	Home Depot Spec Installation	
	3128958	Ref	Inspection Packet	
	0274748	Ref	Lifting Lugs Installation	
	0274480	Ref	Panel Tray Installation	
		Ref	Customer Please Note: Make note of key # upon receipt of new locks. New keys can only be ordered if the customer has the actual key # printed on the key. Otherwise, the entire lock needs ordered. The only way to remove the locks without a key is have them serviced by a locksmith.	
	2902375	Ref	Security Kit	
	2940169	1	Lock, Hitch Ball	
	2940170	1	Lock, Wheel Bolt	
	1001213280	Ref	Security Kit (Compact Power/Home Depot)	
	1001213281	1	Latch, Trailer Coupler Lock	

SECTION 10 - SPECIAL OPTIONS

ITEM	PART NUMBER	QTY	DESCRIPTION	REV
	1001213282	1	Latch , Trailer Wheel Lock	
	0274573	Ref	Theft Recovery System (ANSI and CSA Specs Only)	
	0240121	1	Transmitter (Use p/n 1001101195) (Prior to SN 0030003105)	
	1001101195	1	Transmitter (SN 0030003105 through 0030012032)	
	1001137282	Ref	Theft Recovery System Mounting Bracket Kit (Use p/n 1001157081)	
		Ref	Tools for Service	
	2901443	1	Analyzer Kit	
	8896941	1	Wire Stripper	
	7002821	1	Wire Crimper (To install wire ends to wires)	
	7002823	1	Pin/Socket Extractor - Universal (To Remove Pins/Sockets from Connectors)	
	4460467	1	Extractor - 16-18 Gauge (For Removal of Pin/Sockets from Deutsch Connectors)	
	4460510	1	Extractor - 12-14 Gauge (For Removal of Pin/Sockets from Deutsch Connectors)	
	7002822	1	Screwdriver, Potentiometer (To Adjust Drive Controllers)	
	7016654	1	Screwdriver, Magnetic	
	7004275	1	Seal Installation Tool - 1in	
	7004276	1	Seal Installation Tool - 1-1/2in	
	7002826	1	Seal Installation Tool - 2in	
	2915205	1	Service Kit, Contactor	
	2915230	1	Delta-Q Charger Reprogram Controller Kit	
	4923341	1	Harness, Outrigger Manual Retract Service	
	1001137005	1	USB to RS232 Drive Installation (Service Kit)	
	31201317	Ref	Video	

PART NUMBER INDEX

SECTION 10 - SPECIAL OPTIONS

0060080.....	171	0273676.....	171	0274486.....	13, 15	0400201.....	88
0060081.....	171, 175	0273678.....	167	0274520.....	107	0400215.....	93, 95
0080265.....	18, 22	0273679.....	107	0274522.....	247	0400236.....	99
0080266.....	31	0273680.....	121	0274538.....	103	0440285.....	125, 129
0080282.....	27	0273699.....	18	0274539.....	103	0440286.....	125, 129
0080286.....	27	0273700.....	18	0274573.....	267	0440319.....	171
0080291.....	18	0273712.....	76, 117	0274638.....	103	0440321.....	66
0100011.....	32, 64, 66, 75, 76, 87, 93, 95, 97, 118, 121, 155, 159, 163	0273715.....	76, 117	0274679.....	64	0610170.....	135, 262
0100019.....	125	0273763.....	87	0274731.....	99	0630183.....	125
0100020.....	150, 158, 159	0273793.....	75, 215	0274739.....	103	0630468.....	95
0100035.....	136	0273794.....	75, 235	0274740.....	103	0630541.....	95
0100048.....	93, 95	0273864.....	158, 159	0274741.....	103	0630588.....	64
0100051.....	93, 95	0273865.....	150	0274748.....	266	0630598.....	107
0100081.....	75, 150, 159	0273934.....	101	0274754.....	64	0630607.....	107
0100083.....	76, 216, 226, 236	0273939.....	88	0274766.....	27	0630613.....	64
0140011.....	135, 177	0273941.....	178	0274767.....	17	0641404.....	249, 256, 260
0140043.....	139	0273946.....	111	0274773.....	121	0641406.....	21, 27, 64, 87, 97, 99, 103, 171
0240116.....	107, 108	0273947.....	93, 243, 247, 251, 259	0274803.....	64, 66	0641407.....	87, 95, 103, 145, 167
0240121.....	267	0273960.....	136	0274806.....	64, 66	0641408.....	64
0273604.....	150	0273961.....	136	0274819.....	252, 253	0641410.....	64, 87
0273605.....	158	0273962.....	136	0274828.....	252, 253	0641412.....	17, 21, 27, 31, 64, 93
0273606.....	115	0273978.....	177	0274830.....	252, 253	0641414.....	111, 112
0273607.....	115	0274026.....	178	0274831.....	252, 253	0641416.....	27, 37, 39, 41, 87, 93
0273608.....	23, 28	0274028.....	178	0274832.....	252, 253	0641418.....	64
0273609.....	23, 28	0274028.....	178	0274833.....	252, 253	0641420.....	64
0273610.....	19, 23, 28	0274030.....	178	0274833.....	252, 253	0641422.....	17
0273611.....	19, 23, 28	0274032.....	177	0274942.....	251	0641424.....	151
0273612.....	125	0274032.....	177	0275008.....	158, 159	0641430.....	17, 22, 27
0273613.....	125	0274033.....	177	0275009.....	158, 247, 251	0641438.....	17, 22
0273614.....	177	0274048.....	107	0275030.....	139	0641440.....	17, 22
0273615.....	136	0274111.....	136	0275048.....	139	0641505.....	37, 39, 41
0273616.....	75	0274112.....	136	0275203.....	64	0641506.....	64, 108, 175
0273617.....	75	0274113.....	136	0275210.....	19, 23, 28	0641508.....	108
0273618.....	75	0274114.....	136	0275211.....	19, 24, 28	0641510.....	197
0273619.....	75	0274253.....	243	0275379.....	31	0641514.....	18, 22, 27, 159
0273624.....	108	0274290.....	139	0275380.....	64	0641516.....	76
0273625.....	111	0274293.....	119	0275391.....	64, 66	0641526.....	64
0273627.....	47	0274305.....	15	0275413.....	177	0641536.....	64
0273628.....	243	0274306.....	13	0275414.....	177	0641538.....	32, 64
0273629.....	243	0274307.....	15	0275416.....	177	0641540.....	64
0273631.....	259	0274308.....	13	0275417.....	177	0641606.....	167, 171
0273640.....	251	0274321.....	76, 117	0275439.....	93, 95, 228	0641607.....	64, 67, 150, 155, 158, 159, 163
0273641.....	251	0274325.....	150	0275442.....	93, 218	0641608.....	31, 64, 87, 103, 125, 171
0273644.....	251	0274326.....	158, 243, 247, 251, 259	0275536.....	93, 218	0641609.....	150
0273647.....	21	0274327.....	150	0275582.....	248, 256, 260	0641610.....	88, 139, 150, 158, 159
0273648.....	17	0274328.....	158, 159	0275626.....	17	0641612.....	119, 150, 158, 171
0273649.....	21	0274329.....	107	0275627.....	107	0641614.....	87
0273651.....	31	0274330.....	107	0275628.....	107	0641616.....	111, 151, 159
0273652.....	32	0274336.....	88	0275629.....	27	0641617.....	107
0273653.....	21	0274338.....	115	0275632.....	107	0641618.....	161
0273654.....	17	0274339.....	115	0275633.....	107	0641620.....	150, 159
0273655.....	21	0274340.....	97	0275642.....	248, 256, 260	0641622.....	171
0273656.....	32	0274351.....	33	0275709.....	95, 247, 251, 259	0641628.....	155, 163
0273657.....	31	0274352.....	33	0275718.....	95, 247, 251, 259	0641630.....	13, 15
0273658.....	31	0274375.....	76, 117	0275776.....	75, 225	0641632.....	13, 15
0273662.....	93, 243, 247, 251, 259	0274378.....	266	0275836.....	251	0641634.....	65, 163
0273663.....	219, 230, 239	0274380.....	99	0275907.....	21	0641638.....	13, 15
0273664.....	219, 230, 239	0274384.....	121	0275908.....	21	0641640.....	47, 66
0273665.....	101	0274395.....	47	0277886.....	59	0641646.....	47
0273666.....	103	0274430.....	103	0280154.....	23, 28, 54		
0273669.....	139	0274433.....	111	0280155.....	23, 28, 54		
0273670.....	243, 247, 251, 259	0274434.....	111	0280158.....	19, 49		
		0274452.....	15	0280159.....	19, 49		
		0274453.....	13	0280186.....	33, 59		
		0274480.....	266	0280187.....	33, 59		
		0274482.....	251	0400164.....	97		
		0274485.....	15				

SECTION 10 - SPECIAL OPTIONS

0641660.....	88	0861647.....	135	1001114589.....	163	1001229709.....	266
0641668.....	32	0861648.....	135	1001114667.....	163	1001229944.....	158
0641808.....	129	0861649.....	135	1001114670.....	164	1001229945.....	158
0641810.....	129	0861655.....	177	1001114739.....	160	1001233237.....	266
0641811.....	159	0861661.....	135	1001114740.....	161	1001236338.....	248
0641812.....	66, 159, 171	0861662.....	135	1001114755.....	164	1001243180.....	21
0641826.....	15	0861663.....	135	1001114756.....	164	1001243181.....	21
0641830.....	155, 163	0861671.....	135	1001115151.....	161	1001243182.....	21, 41
0641832.....	17, 22	0861672.....	135	1001115241.....	249	1060329.....	150, 158
0641836.....	18, 22	0861673.....	135	1001116350.....	21, 39	1060380.....	23
0641838.....	18, 22	0861674.....	135	1001116733.....	237	1060584.....	66
0642012.....	19, 23, 28, 33	0861731.....	145	1001116734.....	237	1060688.....	99, 141, 228
0642034.....	22	0902659.....	88	1001120260.....	141, 145	1060689.....	99, 228
0642230.....	66	0903075.....	167	1001120261.....	141	1060697.....	167, 171
0642240.....	17, 21, 27, 31	0903087.....	139	1001120264.....	141, 145	1060799.....	23, 150, 158,
0642244.....	21, 31	0903107.....	101	1001127719.....	87, 88	167, 171	
0642246.....	17	0903108.....	18, 22, 27	1001128929.....	88, 237	1060908.....	145
0651810.....	107	0903111.....	111	1001130309.....	145	1180391.....	155
0651812.....	107	0903112.....	111	1001131269.....	247, 251	1180393.....	163
0681506.....	47	0903177.....	103	1001131326.....	145	1180394.....	155
0681622.....	121	0903199.....	171	1001131393.....	99	1180395.....	163
0681624.....	121	0903215.....	31	1001131595.....	145	1180398.....	163
0681660.....	121	0903216.....	32	1001131740.....	145	1271584.....	160
0681812.....	129	0903284.....	64	1001133506.....	99	1271585.....	160
0681816.....	125	0903298.....	64	1001136471.....	88	1271633.....	160
0700408.....	103	0903299.....	64	1001137005.....	267	1320060.....	18, 22, 27
0700410.....	103	09033311.....	66	1001137282.....	267	1320061.....	18, 22, 27, 31
0700412.....	139	0903356.....	66	1001148902.....	266	1320159.....	76
0700510.....	75	0903560.....	93, 95	1001148903.....	266	1320263.....	75
0700610.....	75, 139, 167	0903597.....	88	1001148904.....	266	1320289.....	151
0700812.....	75	0940136.....	103	1001148905.....	266	1320294.....	160
0700827.....	76	0941516.....	175	1001148906.....	266	1320302.....	107
0701014.....	117, 118, 139,	0961947.....	155, 187, 189	1001153011.....	125, 129	1321130.....	87
251		0961948.....	160, 163, 191,	1001153014.....	125, 129	1321137.....	160
0701216.....	118	195		1001153360.....	125	1321318.....	151
0711225.....	31	0961951.....	151, 155, 160	1001153363.....	125	1321676.....	27
0711227.....	27, 31	0962257.....	160, 185, 191,	1001155254.....	32, 228, 238	1380136.....	75
0711228.....	31	193		1001160525.....	125	1560010.....	171
0711229.....	27	0962272.....	118	1001161223.....	31	1560016.....	18, 22, 27, 31
0711234.....	17	0962292.....	163, 195	1001186711.....	32	1560017.....	18, 22, 27
0711631.....	31	0962356.....	118	1001192401.....	226, 236	1600369.....	177, 262
0721004.....	95, 107, 108,	0962447.....	125	1001193948.....	65, 181	1600370.....	75, 262
145		1001091364.....	171	100120141995.....	247, 251,	1600371.....	75, 262
0721005.....	23	1001091500.....	171	259		1600381.....	177
0721006.....	66, 101, 103	1001091766.....	266	1001212213.....	266	1600390.....	177
0760608.....	76	1001091767.....	266	1001212214.....	266	1600392.....	64, 262
0760810.....	75	1001092012.....	152, 161	1001213280.....	266	1600412.....	75, 76, 262
0761012.....	101, 136	1001094614.....	119	1001213281.....	266	1600452.....	177, 262
0801423.....	159, 163	1001101195.....	267	1001213282.....	267	1600453.....	177, 262
0801424.....	163	1001104509.....	95	1001214168.....	31, 45	1600466.....	99
0801425.....	163	1001109586.....	19, 24, 29	1001214169.....	32	1660265.....	21, 35
0801426.....	151, 155	1001110688.....	201, 203	1001214179.....	171	1660273.....	17
0801427.....	155	1001110873.....	220, 230,	1001214673.....	248, 255	1660278.....	21
0801428.....	155	239		1001223055.....	248	1660279.....	21, 37
0801429.....	151	1001112110.....	255, 260	1001223453.....	248, 256	1660282.....	31, 43
0801430.....	151	1001112112.....	95	1001223971.....	256	1660283.....	31, 43
0801450.....	160	1001112470.....	248, 256	1001224049.....	256	1660297.....	17
0801451.....	160	1001112471.....	248, 256	1001224052.....	256	1660298.....	27
0801516.....	151	1001114580.....	158, 249	1001224893.....	163	1660307.....	21, 39
0811606.....	119, 155	1001114581.....	158, 159	1001227795.....	31	1671147.....	115
0811607.....	121, 155, 163	1001114582.....	159, 163	1001228138.....	103	1671148.....	115
0811608.....	155, 163	1001114583.....	161	1001228139.....	103	1671160.....	115
0811610.....	121	1001114584.....	161	1001228194.....	84	1671171.....	119
0840041.....	237, 238	1001114585.....	161	1001228195.....	84	1671172.....	119
0840046.....	237	1001114586.....	163	1001228370.....	248, 256	1671185.....	119
0840047.....	237	1001114587.....	163	1001229107.....	266	1671187.....	115
0860038.....	219, 230, 239	1001114588.....	163	1001229558.....	160	1671189.....	115

SECTION 10 - SPECIAL OPTIONS

1671207.....145	1706120 ... 243, 247, 251, 259	1706527 254	2220003..... 150, 159
1671211115	1706121 ... 117, 243, 247, 252, 259	1706528 254	2220237 208
1684367 155, 197	1706127 ... 243, 247, 252, 253	1706529 254	2220364..... 152, 160
1684373..... 155, 187	1706128 ... 167, 243, 248, 252	1706530 254	2220881..... 185, 187
1684397 163, 189	1706133 ... 243, 247, 252, 253	1706531 254	2220883..... 191, 197
1684398..... 160, 193	1706135 244, 248, 253	1706532 254	2220885..... 76
1684402..... 163, 197	1706139 ... 243, 247, 253, 259	1706533 254	2221086..... 80, 84, 208
1684415..... 151, 193	1706260 88, 244, 248, 255, 260	1706534 254	2221209..... 150, 158
1684429..... 118, 195	1706261 150, 158	1706536 252	2221210..... 152, 160
1684431..... 118, 195	1706262 150, 158	1706565 255	2221211..... 152, 160
1684432..... 160, 185	1706263 ... 243, 248, 252, 259	1706569 255	2221212..... 150, 158
1684433..... 151, 191	1706264 ... 117, 243, 247, 252, 259	1706625 150, 159	2221213..... 150, 158
1684434..... 160, 191	1706313 167	1706626 150, 159	2221272..... 27
1684442..... 118, 195	1706314 259	1706629 247	2221273..... 27
1684443..... 118, 195	1706315 259	1706657 255	2300006..... 22, 27
1684466..... 64, 181	1706316 252, 259	1706658 255	2360716..... 77
1684467..... 65, 183	1706317 259	1706664 255	2360717..... 77
1684468..... 65, 183	1706320 259	1706665 255	2360718..... 77
1684494..... 160, 185	1706337 ... 158, 243, 248, 253, 259	1706690 255, 260	2360773..... 77
1684507..... 64, 65, 181	1706349 ... 158, 159, 243, 248, 253, 259	1706691 255, 260	2400057..... 237, 262
1684524..... 27	1706351 255	1706701 65	2400060..... 226, 236, 237
1700584.... 243, 247, 251, 259	1706372 ... 244, 247, 251, 259	1706705 33	2400065.... 215, 225, 235, 262
1701640.... 243, 247, 251, 259	1706384 247, 251, 259	1706706 33	2400066.... 215, 225, 235
1701644 93, 95, 244, 247, 251, 259	1706385 244, 247, 251	1706890 ... 248, 256, 260	2400087 93, 95, 218, 228, 262
1702155 93, 95, 244, 247, 251, 259	1706386 ... 244, 248, 253	1706897 ... 249, 256, 260	2400088. 93, 95, 218, 229
1702300..... 244	1706387 ... 244, 248, 253	1706898 177	2420172..... 135
1702773.... 243, 248, 255, 260	1706393 259	1706922 248	2560122..... 75
1702901..... 244	1706427 252, 254	1706924 248, 256, 260	2560123..... 75
1702961..... 244, 247	1706428 252	1706926 248, 256, 260	2560184..... 171
1703813 243, 248, 253	1706429 252	1706961 252	2700104..... 167
1703814 247, 251, 259	1706430 ... 252, 254, 255	19611 39, 41	2700108..... 167
1703817 244, 247, 251, 259	1706431 ... 252, 254, 255	19613 37, 39, 41	2753540..... 203
1703832..... 255	1706432 253, 254	19615 37	2753541..... 203
1703840..... 253, 255	1706433 253, 254	19616 37, 39, 41	2753545..... 201, 208
1703864..... 255	1706434 253, 254	2000230 87, 88	2753550..... 201, 203
1704260..... 177	1706435 253, 254	2080063 171	2753555..... 201
1704277.... 243, 247, 251, 259	1706436 253, 254	2090043 111, 112	2753563..... 201
1704412.... 244, 247, 251, 259	1706437 253, 254	2090050 111	2753622..... 203, 208
1704885.... 244, 247, 255	1706440 ... 243, 244, 248, 253, 259	2090051 111	2753625..... 208
1705084..... 260	1706475 248, 252	2090052 111	2753626..... 201, 203
1705304..... 248, 251	1706494 251, 255	2090053 111	2753673..... 208
1705670..... 259	1706495 255	2090054 111	2753677..... 203
1705754.... 243, 247, 251, 259	1706496 255	2090055 112	2753730..... 208
1705817.... 243, 248, 255	1706497 259	2090056 111	2753731..... 208
1705950..... 177	1706513 254	2090057 111	2753784..... 203
1705971..... 135	1706516 254	2090058 111	2753785..... 203
1706002..... 177	1706517 254	2090059 111	2753851..... 201
1706080.... 243, 247, 251, 259	1706518 254	2110404 80, 84, 201, 203, 208	2754171..... 151
1706081 243, 247, 251, 259	1706519 254	2110406 76, 208	2754172..... 151
1706099.... 244, 248, 252	1706520 254	2110410 201, 203, 208	2754173..... 160
1706106.... 243, 247, 251	1706521 254	2110604 80, 84, 203	2754174..... 160
1706107 243, 247, 251	1706522 254	2110606 .76, 80, 84, 201, 203, 208	2754204..... 201
1706108 243, 248, 253	1706523 254	2110608 208	2754205..... 201
1706109 243, 248, 253	1706524 254	2110806 84	2754206..... 201
1706111 244, 248, 252		2111610 84	2754207..... 204
1706112 243, 248, 252		2130404 80, 84, 201, 203	2754208..... 204
		2130604 201	2754209..... 201
		2130606 80, 84, 201, 208	2754210..... 203
		2130608 208	2754211..... 201
		2130610 201, 203	2754212..... 204
		2150404 201	2754213..... 201
		2151612 201, 203	2754214..... 204
		2170206 80, 84	2754263..... 203
		2170306 208	2754264..... 204
		2170706 208	2754265..... 203, 208

SECTION 10 - SPECIAL OPTIONS

2754339.....	201, 203	2980123.....	47	3371910.....	27	3575869.....	32
2754469.....	203	2980130.....	27	3380624.....	65	3575884.....	76
2754470.....	203	3010127.....	151	3420592.....	23	3575887.....	161
2754471.....	203	3010130.....	160	3421565.....	66	3575889.....	164
2754472.....	203	3020015.....	87, 141	3421970.....	119	3576092.....	65
2754643.....	208	3020027.....	126	3421986.....	117	3576102.....	255
2754644.....	208	31201317.....	267	3422333.....	151	3576114.....	255
2754645.....	208	3128958.....	266	3422351.....	65	3576136.....	65
2754676.....	208	3160182.....	125, 131	3422426.....	117	3576437.....	107
2792640.....	201, 210	3160319.....	67, 73	3422429.....	118	3576773.....	93, 95
2792641.....	203, 210	3160327.....	67, 73	3422574.....	161	3576777.....	93
2792642.....	210	3160331.....	125, 133	3422709.....	67	3576891....	249, 256, 260
2792664.....	201, 210	3251243 ...	219, 230, 239, 243, 248, 253	3422745.....	163	3576892....	248, 256, 260
2792665.....	201, 210	3251813....	243, 248, 255	3422786.....	161	3577000....	249, 256, 260
2792668.....	203, 210	3252507....	219, 230, 239, 243, 248, 253	3422790.....	159	3600403.....	87
2792669.....	203, 210	3252761.....	145	3422792.....	151	3641585.....	171
2792672.....	203, 210	3271505.....	47	3422796.....	160	3700012.....	104
2792673.....	203, 210	3271805.....	171	3422799.....	150, 160	3700014.....	103, 121
2792674.....	208, 210	3290405 ...	104, 117, 139, 151, 160	3423100....	150, 159, 167, 171	3730119....	215, 225, 234
2792675.....	208, 210	3290507.....	76	3423101.....	155	3740080.....	87, 262
2792676.....	208, 210	3290605 75, 76, 139, 167		3423102.....	151	3740112.....	88, 262
2792677.....	208, 210	3290801.....	31	3423103.....	151	3740144.....	87, 262
2792743.....	208, 210	3290805.....	75, 76	3423104.....	155	3740145.....	76, 262
2792744.....	208, 210	3291001.....	31, 65, 66	3423105.....	155, 163	3740148.....	88, 262
2820026....	214, 224, 234	3291005....	101, 139, 255	3423106.....	171	3740150.....	93, 95, 262
2820031....	214, 224, 234	3291007.....	65, 118	3423108.....	118	3760115....	117, 155, 164
2820179.....	87	3291207.....	118	3423146.....	118	3760133.....	117, 161
2820247.....	93	3291605.....	31	3423147.....	117	3760170 23, 66, 167, 171, 243, 248, 255, 259	
2840026.....	13, 15	3292405.....	118	3423148.....	117	3760237.....	117
2860030.....	136, 262	3300407.....	107	3423156.....	160	3760351.....	155, 164
2900708.....	65	3300506.....	93, 95	3423159.....	115	3820001 ...	243, 248, 255, 259
2900770 ...	185, 187, 189, 191, 197	3311005 .	23, 66, 95, 101, 103, 104, 108, 121, 145	3423161.....	163	3820017 ...	22, 27, 75, 115
2901443.....	267	3311401.....	37, 39, 41	3423185.....	117	3820020.....	115, 135
2902333.....	87	3311402.....	93	3423186.....	117	3820021.....	255
2902349.....	21, 27	3311405 ...	17, 21, 27, 31, 65, 75, 87, 95, 99, 103, 108, 111, 112, 145, 151, 167, 249, 256, 260	3423188.....	117	3820032 ...	243, 248, 255, 260
2902375.....	266	3311501.....	65	3423200.....	151	3820038....	249, 256, 260
2902411.....	266	3311505 ...	17, 21, 27, 32, 65, 76, 108, 141, 145, 160, 197	3423201.....	150, 160	3820039....	249, 256, 260
2902425.....	266	3311605 ...	13, 15, 31, 32, 47, 65, 87, 88, 103, 107, 111, 119, 139, 150, 151, 155, 159, 160, 163, 167, 171	3423202.....	161	3841143 65, 67, 117, 118, 150, 151, 155, 159, 161, 164	
2902428.....	266	3311608 32, 95, 121, 126		3423203.....	159	3841203.....	118, 161
2902430.....	266	3311805 ...	15, 18, 22, 66, 67, 160, 171	3423204.....	161	3841655.....	118
2902442.....	266	3312005....	19, 23, 28, 33	3423249.....	66	3841692.....	171
2902447.....	266	3312205 ...	17, 22, 27, 31, 66	3430506.....	18	3841696.....	32
2902454.....	266	3321401.....	87	3450202.....	87	3841697.....	32
2915194 ..	69, 80, 83, 262	3321801.....	107	3450302.....	18	3841730.....	66
2915205.....	267	3321805.....	171	3450304....	18, 22, 27, 65	3841740.....	66
2915230.....	267	3331205.....	31	3460557.....	27	3890041.....	22, 27, 47
2920113.....	101	3331211.....	18, 27	3510859.....	171	3890042.....	22, 27, 47
2920161 ...	139, 219, 229, 239	3331212.....	18, 27	3520028.....	135	3890043.....	17, 47
2920179.....	101	3340764.....	155, 163	3520030.....	135	3890044.....	17, 47
2920180.....	103	3340843.....	150, 159	3520071.....	66	3890045.....	47
2920181.....	104	3340881.....	155, 163	3538758.....	155, 164	3890046.....	47
2920182.....	103	3340941.....	151, 160	355021.....	151, 161	3890047.....	47
2920183.....	104	3340942.....	160	3575058.....	171	3890048.....	47
2920184.....	104	3340943.....	151, 160	3575070.....	87	3890049.....	47
2920189.....	103			3575304.....	177	3890050.....	47
2940095.....	115			3575358.....	135	3890051.....	87
2940157.....	115			3575420.....	47	3890065.....	87
2940158.....	115			3575623.....	135	3900184.....	87
2940159.....	47			3575719.....	47	3900270.....	121
2940160.....	178			3575757.....	13, 15	3900283.....	155, 164
2940169.....	266			3575775.....	88	3900316.....	155, 163
2940170.....	266			3575783.....	47	3900321.....	118
2940177.....	108			3575786.....	32, 121		
2940178.....	115			3575790.....	119		
				3575796.....	178		
				3575803.....	150		
				3575804.....	159		
				3575853.....	31, 65		

SECTION 10 - SPECIAL OPTIONS

3900352.....	135	4240003	150, 159, 167	4460418	215, 225, 235	4460928.....	219, 229, 239
3900357.....	178	4240032	18, 22, 27, 32	4460419	215, 225, 235	4460930.....	218, 228, 237, 238
3900358.....	135, 177	4240033 .	18, 22, 28, 141, 145	4460420	237	4460931.....	218, 228, 236, 238
3900359.....	177	4240127	66	4460424	97, 217, 228		
3900360.....	125	4240169	93	4460426 ...	135, 215, 225, 235	4460932....	215, 217, 218, 225, 227, 228, 235, 237, 238
3900368.....	125	4240173	126	4460457	237		
3911010.....	103, 104, 121	4240174	93	4460458	237	4460933....	215, 216, 219, 225, 226, 229, 235, 236, 239
3911040.....	101	4240175	136	4460459	237		
3931416.....	76	4240177	95	4460464 ...	214, 215, 216, 217, 218, 219, 220, 224, 225, 226, 227, 228, 229, 230, 234, 235, 236, 237, 238, 239, 240	4460941....	214, 219, 224, 229, 234, 239
3931816.....	118	4300115	65	4460465 ...	214, 215, 216, 218, 219, 224, 225, 226, 228, 229, 234, 235, 236, 237, 238, 239	4460942....	215, 216, 219, 225, 226, 229, 235, 236, 239
3931840.....	67	4340799	171	4460466	216, 226, 236	4460943....	214, 216, 219, 224, 226, 229, 234, 236, 239
3960461.....	101	4340800	171	4460467	267	4460944....	214, 219, 224, 229, 234, 239
3960583.....	177	4340871	178	4460470	219, 229, 239	4460970....	215, 216, 218, 219, 225, 226, 228, 229, 235, 236, 238, 239
3960584.....	177	4340929	139	4460471	219, 229, 239	4461015....	214, 224, 234
3960587.....	135	4340985	107	4460496 ...	155, 161, 178, 214, 224, 234	4461016....	214, 219, 224, 229, 234, 239
3960604.....	177	4340992	15	4460497 ...	155, 161, 178, 214, 224, 234	4461017....	215, 225, 235
3990010....	215, 225, 235, 237, 262	4341002	15	4460508 ...	215, 225, 227, 235	4461018....	215, 225, 235
3990013....	219, 229, 239	4341009	121	4460509 ...	215, 225, 226, 235	4461019....	215, 225, 235
3990111.....	235	4341010	119	4460510	267	4461020....	216, 226, 236
3990112.....	215, 225	4341010	32	4460536	220, 230, 240	4461023....	215, 216, 225, 226, 235
4000008....	65, 219, 229, 238, 262	4341040	108	4460539	219, 229, 239	4461024....	214, 224, 234
4031512....	117, 151, 161	4341053	108	4460662	145	4461025....	214, 224, 234
4031708.....	76	4341054	108	4460741	237	4461041....	215, 225, 235
4031714.....	76	4341092	67	4460761	215, 219, 225, 229, 235, 239	4461046.....	237
4060700....	220, 230, 239	4341097	65	4460841	216, 226, 236	4461047.....	237
4060804.....	66	4341113	67	4460870	216	4461048.....	237
4060865.....	139	4341116	65	4460871 ...	215, 216, 225, 226, 235, 236	4461049.....	237
4060906.....	135	4341148	66	4460872	216, 226, 235	4461051.....	226
4070897.....	155, 164	4341149	66	4460873	215, 225, 235	4461057....	214, 224, 234
4070898.....	155, 164	4341150	66	4460874	215, 225, 235	4461058....	214, 224, 234
4071039.....	155, 164	4341151	66	4460875	215, 225, 235	4461065....	167, 219, 229, 239
4071040.....	155, 164	4341181	107	4460876	215, 225, 235	4461076....	219, 229, 238
4071082.....	150, 159	4341267	67	4460877	215, 225, 235	4461077....	219, 229, 239
4071083.....	150, 159	4341400	139	4460878	215, 225, 235	4461098....	218, 228, 238
4071117.....	164	4341424	119	4460884 ...	214, 219, 224, 226, 229, 234, 236, 239	4461260.....	227
4071122.....	27	4360328	135, 262	4460887	215, 225, 235	4461261.....	226
4100097.....	87	4360330	135, 262	4460891 ...	214, 215, 216, 218, 219, 224, 225, 226, 228, 229, 234, 235, 236, 238, 239	4461271....	215, 225, 235
4130417.....	67	4360469	136, 262	4460894 ...	216, 219, 226, 229, 236, 238	4520322.....	19, 24, 29
4191706.....	17	4360470	136, 262	4460895	76, 216, 226	4520323.....	19, 24, 28
4191709.....	76	4360475	135, 262	4460876	215, 225, 235	4520338.....	65
4210005.....	118	4360562	178, 262	4460877	215, 225, 235	4520377.....	33
4210006.....	118	4360564	135, 178, 262	4460878	215, 225, 235	4520378.....	33
4210012.....	117	4360565	135, 178, 262	4460884 ...	214, 219, 224, 226, 229, 234, 236, 239	4520591.....	66
4210013.....	117	4360570	17	4460887	215, 225, 235	4520613.....	19, 24, 28
4210015.....	118	4360575	178	4460891 ...	214, 215, 216, 218, 219, 224, 225, 226, 228, 229, 234, 235, 236, 238, 239	4520614.....	19, 24, 29
4210016.....	117, 118	4360577 ...	214, 215, 216, 224, 225, 226, 234, 235, 236, 263	4460894 ...	216, 219, 226, 229, 236, 238	4568985.....	17, 22
4210018.....	118	4360612	178, 263	4460897 ...	214, 216, 218, 219, 224, 226, 228, 229, 234, 236, 237, 238, 239	4568986.....	17, 22
4210019.....	117	4360620	178, 263	4460899 ...	216, 226, 236	4569096.....	22, 28
4210024.....	118	4420038	93, 95	4460905	76, 216, 226	4569097.....	22
4210025.....	117	4420051	260	4460908	219, 229, 239	4569182.....	32
4210026.....	118	4460025	217	4460909	219, 229, 239	4569188.....	121
4210027.....	117, 118	4460035	216, 227, 236	4460917	219, 229, 238	4569192.....	121
4220204.....	125	4460071 ...	220, 230, 239	4460918	219, 229, 239	4569194.....	121
4220207.....	118	4460121	28				
4220210.....	135	4460138	220, 230, 239				
4220211.....	150, 159	4460227 ...	215, 219, 225, 229, 235, 239				
4220254.....	163	4460248	217, 227, 237				
4220255.....	125	4460256	217, 227, 237				
4220259.....	32	4460267	97, 217, 228				
4220260.....	32	4460313	217, 227, 237				
4220296.....	66	4460346 ...	145, 220, 230, 240				
4220297.....	66	4460374	237				
4220304.....	66	4460386	135				
4220305.....	66						
4220306.....	93, 95						

SECTION 10 - SPECIAL OPTIONS

4569195	121	4751500 ...	18, 22, 28, 32, 65, 77, 108, 129, 141, 145	4923184....	161, 214, 224, 234	70000235	217, 227
4569197	121	4751600 ...	13, 32, 47, 66, 87, 88, 103, 111	4923185....	151, 214, 224, 234	70000236	217, 227
4569199	121	4751700	121	4923192....	151, 214, 224, 234	70000277	73
4569220	32	4752200	18, 22, 28, 32	4923193....	161, 214, 224, 234	70000278	73
4569390	121	4761400	37, 39, 41	4923202....	216, 227, 236	70000279	73
4569392	121	4761500	37	4923203....	18, 216, 227, 236	70000280	73
4569398	121	4761800	107	4923217....	161, 215, 225, 235	70000281	73
4569400	121	4791400	87	4923268 28, 32, 218, 228, 238		70000282	73
4569405	121	4811400 ...	104, 117, 139, 151, 161	4923269.....	32, 218, 228, 238	70000283	73
4569407	121	4811600	76	4923317.....	28, 218, 228, 238	70000284	73
4569438	18	4811700	76, 139, 141, 167	4923318.....	18, 218, 228, 238	70000285	73
4569445	18	4811900	32, 75, 76	4923340.....	65, 219, 229, 238	70000286	73
4569447	28	4812000 32, 65, 101, 117, 118, 136, 139, 255		4923341.....	267	70000287	73
4569450	28	4812100	28, 32, 118	4923427.....	76, 225	70000288	73
4569470	18	4812300	32	4923428. 93, 95, 217, 227		70000378	80, 84
4569512	17	4812700	118	4923544.....	93, 218	70000682	177
4620147	126	4891600	121	4923545. 93, 95, 218, 229		70000864	129
4620148	126	4891700	65	4923570. 93, 95, 218, 229		70000894	80, 84
4630001	151	4891800	18, 155, 164	70000015.....	54	70000895	80, 84
4630002	155	4891900	125	70000016.....	54	70000944	89
4630003	161	4892000 ...	19, 23, 28, 33	70000025.....	84	70000979	183
4630004	164	4922975	76, 215	70000026.....	84, 262	70000980	183
4630005	161	4923020 93, 95, 217, 227		70000027.....	84	70000981	183
4640438	191	4923039 ...	214, 224, 234	70000028.....	84	70000982	183
4640866	65	4923040 ...	151, 214, 224, 234	70000029.....	43	70000983	183
4640902	185	4923041	76, 216, 226, 236	70000030.....	43, 45	70000984	183
4641129	69	4923100 ...	151, 214, 224, 234	70000031.....	43, 45	70000985	183
4641285	197	4923101 ...	161, 214, 224, 234	70000032.....	43	70000986	183
4641325	80	4923102 ...	161, 214, 224, 234	70000033.....	43	70000987	183
4641326	80	4923103	76, 216, 236	70000034.....	43, 45	70001003	49
4641327	84	4923104 ...	151, 215, 225, 235	70000035.....	43, 45	70001005	54, 55
4641328	84	4923109	76, 216, 226, 236	70000036.....	43	70001006	54, 55
4641342	75, 80	4923111 ...	161, 215, 225, 235	70000037.....	43	70001007	56
4641343	75, 80	4923112 ...	152, 215, 225, 235	70000038.....	43	70001008	87
4641344	75, 84	4923116	178, 214, 224	70000039.....	43	70001047	39
4641345	75, 84	4923117	178, 234	70000040.....	43	70001048	39
4641380	76	4923118	136, 215, 225	70000088.....	133	70001453	88, 90, 262
4641418	65	4923124 ...	167, 219, 229, 239	70000089.....	133	70001658	55, 56
4641419	65, 69	4923125	136, 235	70000092.....	103	70001659	55, 56
4641420	65, 71	4923126	178, 234	70000093.....	104	70001964	90
4641496	28	4923127	178, 214, 224	70000095.....	103	70002204	19, 24, 29
4700017	155, 164	4923128 ...	139, 219, 229, 239	70000096.....	104	70002205	19, 24, 29
4700018	155, 164	4923130	76, 235	70000097.....	104	70002227	79, 83
4700019	155, 164	4923132	88, 237	70000098.....	103	70002228	79, 83
4711000	95, 108, 135, 145	4923148 ...	101, 217, 227, 237	70000100.....	79, 83	70002229	79, 83
4711400 ...	18, 22, 28, 32, 65, 75, 76, 87, 93, 95, 99, 103, 108, 145, 151, 167	4923149 ...	101, 217, 227, 237	70000111.....	181	70002230 ..	79, 80, 83, 84
4711500 18, 65, 108, 161		4923153	88, 237	70000112.....	181	70002233	155, 163
4711600 ...	15, 32, 65, 87, 107, 119, 121, 139, 150, 151, 155, 159, 161, 164, 167, 171	4923154	88, 237	70000113.....	181	70002282	80
4711800 ...	18, 22, 66, 67, 107, 171			70000114.....	181	70002532	163
4712200	66			70000115.....	181	70002628	39, 41
4740171	125			70000116.....	181	70002629	39, 41
4740333	117			70000117.....	181	70002630	39
4740362	111, 112			70000118.....	181	70002631	39, 41
4740446	117			70000131.....	54	70002632	39, 41
4740571	28			70000190.....	185	70002633	39, 41
4751000 .	23, 66, 87, 101, 103, 104, 121			70000233.....	35	70002634	39, 41
4751400 ...	18, 22, 28, 32, 87, 97, 111, 112, 171					70002635	39, 41

SECTION 10 - SPECIAL OPTIONS

70002771.....	141, 145	70003511.....	89	70004315.....	191	7012903.....	69
70002772.....	141	70003512.....	89	70004696.....	43	7012953.....	185, 195
70002773.....	141	70003514.....	89	70004698.....	43	7012955.....	191
70002774.....	141, 146	70003516.....	89, 262	70004700.....	43	7012959.....	65
70002775.....	141	70003517.....	89	70004701.....	43, 45	7012961.....	185
70002776.....	141, 145	70003518.....	90	70004703.....	45	7012967.....	185, 191
70002777.....	141, 145	70003520.....	90	70004705.....	43, 45	7012972.....	185, 191
70002778.....	141	70003521.....	90, 262	70004706.....	43	7012975.....	185
70002779.....	141	70003522.....	90, 262	70004707.....	43	7012998.....	69, 185
70002780.....	142	70003529.....	90	70004708.....	43, 45	70132.....	50
70002781.....	141	70003530.....	90	70004709.....	43, 45	70144.....	55
70002782.....	141	70003531.....	90	70004710.....	43, 45	70145.....	55
70002783.....	141, 145	70003532.....	90	70004711.....	43, 45	7016319.....	139
70002784.....	141	70003549.....	88	70004712.....	43	7016372.....	139
70002785.....	141	70003550.....	90, 262	70004713.....	43, 45	7016417.....	131
70002786.....	141	70003558.....	145	70004714.....	43	7016654.....	267
70002787.....	141	70003559.....	145	70005478.....	59	7017335.....	183
70002788.....	141	70003560.....	145	70005987.....	45	7017402.....	71
70002789.....	141	70003561.....	145	70005988.....	45	7017418.....	69
70002790.....	141	70003562.....	145	70005989.....	45	7017466.....	65
70002791.....	141	70003563.....	145	70005990.....	45	7018505.....	97
70002792.....	141	70003564.....	145	70005991.....	45	7018514.....	97
70002793.....	141	70003565.....	145	70005992.....	45	7018553.....	97
70002794.....	141	70003566.....	145	70005993.....	45	7018554.....	97
70002795.....	141	70003567.....	145	70005994.....	45	7018555.....	97
70002796.....	141	70003568.....	145	70005995.....	45	7018556.....	97, 217
70002797.....	141	70003569.....	145	70005996.....	45	7018567.....	97, 217, 227
70002798.....	141	70003570.....	145	70005997.....	45	7020175.....	135
70002799.....	141	70003571.....	145	70005998.....	45	7020176.....	135
70002800.....	141	70003572.....	145	70006984.....	41	7020620.....	97
70002801.....	141	70003573.....	145	70010724.....	126	70212.....	17, 21
70002802.....	142	70003574.....	146	7002821.....	267	7021653.....	69
70002803.....	142	70003575.....	146	7002822.....	267	7023308.....	73
70002804.....	142	70003576.....	146	7002823.....	267	7023311.....	73
70002805.....	142	70003577.....	146	7002826.....	267	7023315.....	73
70002815.....	71	70003578.....	146	7004035.....	133	7023328.....	73
70003038.....	60	70003579.....	146	7004043.....	133	7023329.....	73
70003054.....	141	70003580.....	146	7004044.....	133	7023391.....	195
70003055.....	141	70003581.....	146	7004275.....	267	7023405.....	73
70003056.....	141	70003582.....	146	7004276.....	267	7023406.....	73
70003058.....	141	70003583.....	146	7005804.....	131	7023407.....	73
70003059.....	141	70003584.....	146	7005809.....	131	7023408.....	73
70003486.....	243, 248, 255, 260	70003585.....	146	7005811.....	131	7023412.....	73
70003487.....	89	70003586.....	146	7005812.....	131	7023519.....	89
70003488.....	89	70003587.....	146	7005821.....	131	7024379.....	133
70003489.....	89	70003588.....	146	7005874.....	131	7024380.....	133
70003490.....	90	70003589.....	146	7005876.....	131	7024381.....	133
70003492.....	90	70003590.....	146	7005877.....	131	7024382.....	133
70003493.....	88	70003591.....	146	7005878.....	131	7024383.....	133
70003494.....	88	70003592.....	146	7005879.....	131	7024384.....	133
70003495.....	88	70003593.....	146	7005880.....	131	7024387.....	133
70003496.....	88	70003594.....	146	7005881.....	131	7024388.....	133
70003497.....	90	70003595.....	146	7010542.....	71	7024390.....	133
70003498.....	90	70003596.....	146	7010543.....	71	7024396.....	133
70003499.....	90	70003597.....	146	7010795.....	133	7024453.....	133
70003500.....	90	70003598.....	146	7011311.....	197	7024500.....	79, 80, 83, 84
70003501.....	90	70003599.....	146	7011358.....	187, 189, 197	7024505.....	79, 80, 83, 84
70003502.....	90	70003600.....	146	7011377.....	187, 189, 197	7024882.....	195
70003503.....	90	70003601.....	146	7011378.....	187, 189	7024883.....	69, 195, 262
70003504.....	90	70003602.....	146	7011379.....	197	7024884.....	185, 191
70003505.....	89	70003603.....	146	7011380.....	185	7024885.....	71, 185, 191, 262
70003506.....	89	70003604.....	146	7011509.....	97	7024886.....	191
70003507.....	89, 145	70003605.....	146	7011528.....	97, 217	7024887.....	185
70003508.....	89	70003615.....	80, 83	7011596.....	97	7024888.....	185
70003509.....	89	70003756.....	49, 54	7011638.....	97, 217, 227	7024893.....	69
70003510.....	89	70004156.....	129	7012518.....	71	7024894.....	69
		70004157.....	129	7012540.....	185		

SECTION 10 - SPECIAL OPTIONS

7024898.....	71	7027346.....	197	7027617.....	79	7027692.....	50, 55
7024899.....	71	7027347.....	197	7027618.....	79	7027693.....	50, 55
7026042.....	129	7027348.....	187	7027619.....	79	7027694.....	189, 193
7026043.....	129	7027349.....	187	7027620.....	79, 83	7027695.....	189
7026313.....	49, 55	7027350.....	129	7027621.....	79, 83	7027696.....	189, 193
7026340.....	101	7027351.....	129	7027622.....	79, 83	7027697.....	189
7026341.....	101	7027352.....	129	7027623.....	79, 83	7027698.....	189, 193
7026342.....	101	7027353.....	129	7027624.....	79, 83	7027699.....	193
7026343.....	101	7027354.....	129	7027625.....	79, 83	7027700.....	193
7026352.....	37	7027355.....	129	7027626.....	79, 83	7027701.....	197
7026353.....	37, 39, 41	7027356.....	129	7027627.....	79, 83	7027702.....	197
7026354.....	37	7027357.....	129	7027628.....	79, 80, 83, 84, 262	7027703.....	197
7026355.....	37, 39, 41	7027358.....	129	7027629.....	79, 83	7027704.....	197
7026356.....	37	7027360.....	129	7027630.....	79, 83	7027705.....	197
7026357.....	37	7027361.....	129	7027631.....	79, 83	7027707.....	197
7026358.....	37, 39, 41	7027363.....	129	7027632.....	80	7027708.....	185
7026359.....	37, 39, 41	7027364.....	129	7027633.....	80	7027709.....	185
7026360.....	37, 39, 41	7027367.....	177, 262	7027635.....	80, 83	7027710.....	185
7026361.....	37	7027368.....	177	7027636.....	80, 84	7027711.....	185
7026362.....	37	7027369.....	177, 263	7027638.....	80, 84, 262	7027712.....	191
7026367.....	39, 41	7027370.....	177	7027639.....	79, 83	7027713.....	191
7026370.....	37, 39, 41	7027371.....	177	7027640.....	54, 55	7027714.....	191
7026372.....	39, 41	7027372.....	88, 90	7027641.....	54, 55	7027715.....	191
7026373.....	37	7027373.....	88	7027642.....	55	7027716.....	191
7026374.....	37	7027374.....	88	7027643.....	55	7027717.....	101
7026384.....	49, 54	7027375.....	88	7027644.....	55	7027718.....	37
7026385.....	49, 54	7027376.....	88	7027645.....	55	7027727.....	13, 15
7026390.....	49, 54	7027377.....	88	7027646.....	55	7027742.....	175
7026391.....	50	7027378.....	88	7027647.....	49, 54	7027743.....	175
7026392.....	50	7027379.....	88	7027648.....	49, 54	7027744.....	175
7026393.....	50	7027380.....	88	7027649.....	49, 54	7027745.....	175
7026394.....	55	7027381.....	89	7027650.....	49, 54	7027746.....	175
7026395.....	50, 55	7027382.....	89	7027651.....	49, 54	7027747.....	175
7026396.....	50, 55	7027383.....	89	7027652.....	49, 54	7027748.....	175
7026399.....	55	7027384.....	89	7027653.....	50, 55	7027749.....	175
7026623.....	84	7027385.....	89	7027654.....	49, 54	7027750.....	175
7027315.....	195	7027386.....	89	7027655.....	49, 54	7027751.....	175
7027316.....	195	7027387.....	89	7027656.....	49, 54	7027752.....	175
7027317.....	195	7027388.....	89, 145	7027657.....	50, 55	7027753.....	175
7027318.....	195	7027389.....	89	7027662.....	56	7027755.....	175
7027319.....	195	7027390.....	89	7027663.....	56	7027756.....	175
7027320.....	195	7027391.....	89, 145	7027665.....	49, 50	7027757.....	175
7027321.....	195	7027392.....	89	7027666.....	49, 50	7027758.....	175
7027322.....	195	7027393.....	89	7027667.....	50	7027759.....	175
7027323.....	195	7027394.....	89	7027668.....	50	7027760.....	175
7027324.....	195	7027395.....	89, 146	7027669.....	50	7027763.....	175
7027325.....	195	7027396.....	89	7027671.....	50	7027765.....	177
7027326.....	87	7027397.....	89	7027672.....	50	7027766.....	177
7027327.....	87	7027398.....	89, 145	7027673.....	50	7027768.....	175
7027328.....	87	7027399.....	90	7027674.....	50	7027801.....	59
7027329.....	191	7027500.....	55	7027675.....	49, 50	7027802.....	59
7027330.....	191	7027501.....	55	7027676.....	49, 50	7027803.....	59
7027331.....	191	7027502.....	55	7027677.....	50	7027805.....	59
7027332.....	191	7027503.....	56	7027678.....	50	7027806.....	59
7027334.....	191	7027504.....	56	7027679.....	50	7027807.....	59
7027335.....	191	7027505.....	56	7027680.....	35	7027808.....	59
7027336.....	187, 193	7027506.....	56	7027681.....	35	7027809.....	59
7027337.....	193	7027507.....	56	7027682.....	35	7027810.....	59
7027338.....	185, 187, 193	7027508.....	56	7027683.....	35	7027811.....	59
7027339.....	193	7027511.....	49, 54	7027684.....	35	7027812.....	59
7027340.....	187, 189, 193, 197	7027600.....	90	7027685.....	35	7027813.....	59
7027341.....	187, 193	7027601.....	90	7027686.....	35	7027814.....	59
7027342.....	185, 197	7027602.....	90	7027687.....	35	7027815.....	59
7027343.....	197	7027603.....	90	7027689.....	35	7027816.....	59
7027344.....	197	7027604.....	90	7027690.....	80, 83	7027817.....	59
7027345.....	197	7027605.....	90	7027691.....	84	7027818.....	59

SECTION 10 - SPECIAL OPTIONS

7027819.....	59	7027835.....	60	7027885.....	59	8229242.....	226, 236
7027820.....	59	7027836.....	60	7027886.....	59	8310264.....	150, 159, 167, 172
7027821.....	59	7027837.....	60	7027890.....	21, 27	8580420.....	18, 22, 28, 32
7027822.....	59	7027838.....	60	7027897.....	175	88212228.....	129
7027823.....	59	7027839.....	60	7027899.....	175	8896941.....	267
7027824.....	59	7027840.....	60	71101.....	101	8990147.....	243, 248, 255, 260
7027825.....	60	7027841.....	60	71820.....	17, 262	91163087...	249, 256, 260
7027826.....	59	7027842.....	60	71820-1.....	17	9984240.....	23, 54
7027827.....	60	7027843.....	60	71906.....	101	9984241.....	23
7027828.....	60	7027844.....	60	71907.....	101	9984242.....	23
7027829.....	60	7027845.....	60	72203.....	217, 227	9984274.....	75, 93
7027830.....	60	7027846.....	60	80234299.....	133		
7027831.....	60	7027883.....	59	80317.....	49, 54		
7027834.....	60	7027884.....	59	8036580.....	69		



3121199



An Oshkosh Corporation Company

Corporate Office
JLG Industries, Inc.
1 JLG Drive
McConnellsburg, PA 17233-9533 USA
☎ (717) 485-5161 (Corporate)
☎ (877) 554-5438 (Customer Support)
☎ (717) 485-6417

Visit our website for JLG Worldwide Locations.
www.jlg.com