



Illustrated Parts Manual

Models
X33JP
X1000AJ

P/N
3121785

January 15, 2024 - Rev I

ANSI

CE



**UK
CA**



An Oshkosh Corporation Company

REVISION LOG

January 15, 2019 - A - Original Issue Of Manual (Revision 1)
February 17, 2020 - B- Revised Manual
September 15, 2020 - C- Revised Manual
January 31, 2021 - D - Revised Manual
February 26, 2021 - E - Revised Manual
August 24, 2021 - F - Revised Manual
January 31, 2022 - G - Revised Manual
January 9, 2023 - H - Revised Manual
January 15, 2024 - I - Revised Manual

GENERAL INFORMATION

SECTION 6 CYLINDER

FIGURE 6-3. LIFT CYLINDER ASSEMBLY

PG# Model Designation Manual #

SECTION 6 CYLINDER

FIGURE 6-3. LIFT CYLINDER ASSEMBLY

ITEM #	PART NUMBER	QTY.	DESCRIPTION	REV.
	1001140104	Ref	LIFT CYLINDER ASSEMBLY	B
1	0100011	AR	Compound, Locking	
2	0630535	3	Capscrew 1/4-20 x 1-1/8	
3	0791003	1	Screw #10-24 x 3/8	
4	0961897	1	Bushing, Tapered	
5	1320136	1	Clamp, Cable	
6	1663063	1	Head	
7	2220893	1	Plug, O-Ring	
8	2220885	2	Plug, O-Ring	
9	2220886	1	Plug, O-Ring	
10	3020039	AR	Lubricant	
11	3480282	1	Piston	
12	3760371	1	Ring, Washer	
13	3931420	8	Capscrew 1/4-20 x 1-1/4	
14	3931824	8	Capscrew 1/2-13 x 1-1/2	
15	3951003	1	Set-screw #10-24 x 3/8	
16	4100099	1	Spacer	
17	4640999	1	Cartridge, Holding Valve (Non Vented)	
17	2900792		Kit, Seal - 4640999 Cartridge Valve	
18	4641248	1	Cartridge, Countersbalance Valve (Non Vented)	
18	70004186		Kit, Seal - 4641248 Cartridge Valve	
19	1001117991	1	Sensor, Cylinder Length	
20	1001118070	1	Cap, Retainer	
21	1001118084	1	Barrel	
21A	0961950	2	Bushing	
22	1001118086	1	Rod	
22A	0961950	2	Bushing	
100	1001139996	1	Kit, Seal (Includes Items 101-109)	
101	See Note	2	Ring, Wear (Note: Use p/n 1001139996)	
102	See Note	1	Ring, Back-Up (Note: Use p/n 1001139996)	
103	See Note	2	Ring, Lock (Note: Use p/n 1001139996)	
104	See Note	2	Ring, Back-Up (Note: Use p/n 1001139996)	
105	See Note	2	O-Ring (Note: Use p/n 1001139996)	
106	See Note	1	O-Ring (Note: Use p/n 1001139996)	
107	See Note	1	Seal (Note: Use p/n 1001139996)	
108	See Note	1	Wiper, Rod (Note: Use p/n 1001139996)	
109	See Note	2	Seal (Note: Use p/n 1001139996)	
200	1001119105	1	Kit, Sensor Magnet (Includes Items 201-203)	
201	See Note	NSS	Sleeve, Spacer (Note: Use p/n 1001119105)	
202	1001118066	1	Magnet, Sensor	
203	1001118069	1	Spring, Internal Retaining	

Manual # Model Designation PG#

1) MACHINE IDENTIFICATION

Machines are identified by model and in some cases a combination of models, serial number (SN) or regional standard (i.e. ANSI, CE, CSA). Components may also be identified by SN or manufacturer. Common components that may be identified by these characteristics are engines and hydraulic components.

2) PARTS MANUAL ORGANIZATION

Product information in this manual is organized under section titles. Frame, Cylinder, Hydraulic and Electrical are a few examples. Each section is organized by figure and page number. The information within the Figure is then organized by item number, part number, description and corresponding illustration (s).

3) TABLE OF CONTENTS

A table of contents is found toward the beginning of the manual. Figure number, description and page number are provided for quick reference to the page containing the related information.

4) RECOMMENDED SPARE PARTS

The Recommended Spare Parts, located near the end of the manual, reference most frequently used maintenance parts.

5) PART NUMBER INDEX

A numerical index listing all part numbers and the corresponding page number(s) appears at the back of the manual.

GENERAL INFORMATION

6) NON-SERVICED PARTS

In some instances, it is necessary to display non-serviced parts, assemblies or installations. In the case of assemblies and installations there will be a Ref in the Qty column. In case of parts that are not available for service within assemblies or components, there will be a NSS (Not Sold Separately) or NLA (No Longer Available) listed in the Qty. column of the manual.

7) PARTS LIST ITEM NUMBERS

Numbers shown in the item# column correspond to numbers used in the associated illustration (s). Item numbers which are missing from the sequence in the parts list are not used on that page

8) INDENTED PARTS DESCRIPTION

An indented part description is included in the item under which it is indented.

9) ABB REVIATION AND SYMBOLS

AC.....	.. Alternating Current	LCD Liquid Crystal Display
ADE.....	..Advanced Design Electronics	LED Light Emitting Diodes
ANSIAmerican National Standards Institute	LH.....	.. Left Hand
AR.....	..As Required	LSSLoad Sensing System
ASSY Assembly	M(m).....	.. Metric/Meter
AUX.....	..Auxiliary	MM (mm)Milimeter
AWG.....	..American WireGauge	mA.....	.. Miliamps
B/M.....	.. Bill of Material	NLA.....	..No Longer Available
CE.....	..European Conformity	NPT National Pipe Threads
CCWCounter Clockwise	NSSNot So Id Separately
cm.....	..Centimeter	OD.....	..Outside Diameter
CWClockwise	ORB.....	.. O-Ring Boss
CSA.....	..Canadian Standards Association	ORFS.....	.. O-Ring Face Seal
CYL.....	..Cylinder	OZ (oz)Ounces
DIA.....	..Diameter	PGPage
DC.....	..Direct Current	P/N.....	..Part Number
EMSEmergency Stop	qt.....	..Quarts
ENGEngine	QTY.....	..Quantity
FT (ft).....	..Feet	REFReference
GA (Ga).....	..Gauge	REVRevision Level
HYD.....	..Hydraulic	RH.....	.. Right Hand
Hz.....	..Hertz	SAE.....	.. Society of Automotive Engineers
ID.....	..Inside Diameter	SN.....	..Serial Number
in.....	..inches	SPEC(S).....	..Specifications
ISOInternational Organization for Standards	T/T.....	..Turntable
JIC.....	..Joint Industry Council	UGMUniversal Ground Module
KGKilogram	V.....	..Volts
L.....	..Liter	W.....	..Watts
LB.....	..Pounds	#.....	..Number

10) ILLUSTRATION REFERENCE LETTERS

When necessary, illustrations may contain reference letters that are intended to track information (i. e. hoses, harnesses) from one point to another or to track visual enlargement of components to show details that may be located in another area on the illustration.

Note: Due to continuous product improvements, JLG Industries, Inc. reserves the right to make specification changes without prior notification. Contact JLG Industries, Inc. for updated information.

TABLE OF CONTENTS

SECTION 1 - UNDERCARRIAGE.....	9
FIGURE 1-1. TRACK AND DRIVE INSTALLATION.....	10
FIGURE 1-2. TRACK FRAME INSTALLATION.....	12
SECTION 2 - BASE & TURNTABLE.....	15
FIGURE 2-1. TANKS AND SIDE COMPARTMENT INSTALLATIONS.....	16
FIGURE 2-2. FRONT AND REAR COMPARTMENTS INSTALLATION.....	18
FIGURE 2-3. TURNTABLE AND BEARING INSTALLATION.....	20
FIGURE 2-4. OUTRIGGER INSTALLATION.....	22
SECTION 3 - ENGINE.....	25
FIGURE 3-1. ENGINE INSTALLATION.....	26
FIGURE 3-2. ENGINE COMPONENTS - 1.....	28
FIGURE 3-3. ENGINE COMPONENTS - 2.....	30
FIGURE 3-4. ELECTRIC MOTOR ASSEMBLY - 380V 11KW 50/60HZ.....	32
FIGURE 3-5. ELECTRIC MOTOR ASSEMBLY - 3500W LITHIUM 72V (BI-ENERGY).....	34
FIGURE 3-6. ELECTRIC MOTOR ASSEMBLY - 6000W LITHIUM 76V.....	36
SECTION 4 - BOOM.....	39
FIGURE 4-1. TOWER BOOM ASSEMBLY.....	40
FIGURE 4-2. TOWER BOOM OUTER MID ASSEMBLY.....	42
FIGURE 4-3. TOWER BOOM INNER MID ASSEMBLY.....	44
FIGURE 4-4. TOWER BOOM FLY ASSEMBLY.....	46
FIGURE 4-5. TOWER BOOM TELESCOPE CYLINDER & CABLES INSTALLATION.....	48
FIGURE 4-6. MAIN BOOM ASSEMBLY.....	50
FIGURE 4-7. MAIN BOOM MID ASSEMBLY.....	52
FIGURE 4-8. MAIN BOOM FLY ASSEMBLY.....	54
FIGURE 4-9. MAIN BOOM TELESCOPE CYLINDER PULLEYS INSTALLATION.....	56
FIGURE 4-10. JIB ASSEMBLY.....	58
SECTION 5 - PLATFORM.....	61
FIGURE 5-1. PLATFORM SUPPORT INSTALLATION.....	62
FIGURE 5-2. PLATFORM INSTALLATION.....	64
SECTION 6 - CYLINDER.....	67
FIGURE 6-1. LEVEL CYLINDER ASSEMBLY - PLATFORM.....	68
FIGURE 6-2. LIFT CYLINDER ASSEMBLY - JIB.....	70
FIGURE 6-3. LIFT CYLINDER ASSEMBLY - MAIN BOOM.....	72
FIGURE 6-4. LIFT CYLINDER ASSEMBLY - TOWER BOOM.....	74
FIGURE 6-5. OUTRIGGER CYLINDER ASSEMBLY.....	76
FIGURE 6-6. TELESCOPE CYLINDER ASSEMBLY - MAIN BOOM.....	78
FIGURE 6-7. TELESCOPE CYLINDER ASSEMBLY - TOWER BOOM.....	80
FIGURE 6-8. UNDERCARRIAGE EXTEND / RETRACT CYLINDER ASSEMBLY.....	82
SECTION 7 - HYDRAULIC.....	85
FIGURE 7-1. BOOM TUBE HYDRAULIC DIAGRAM.....	86

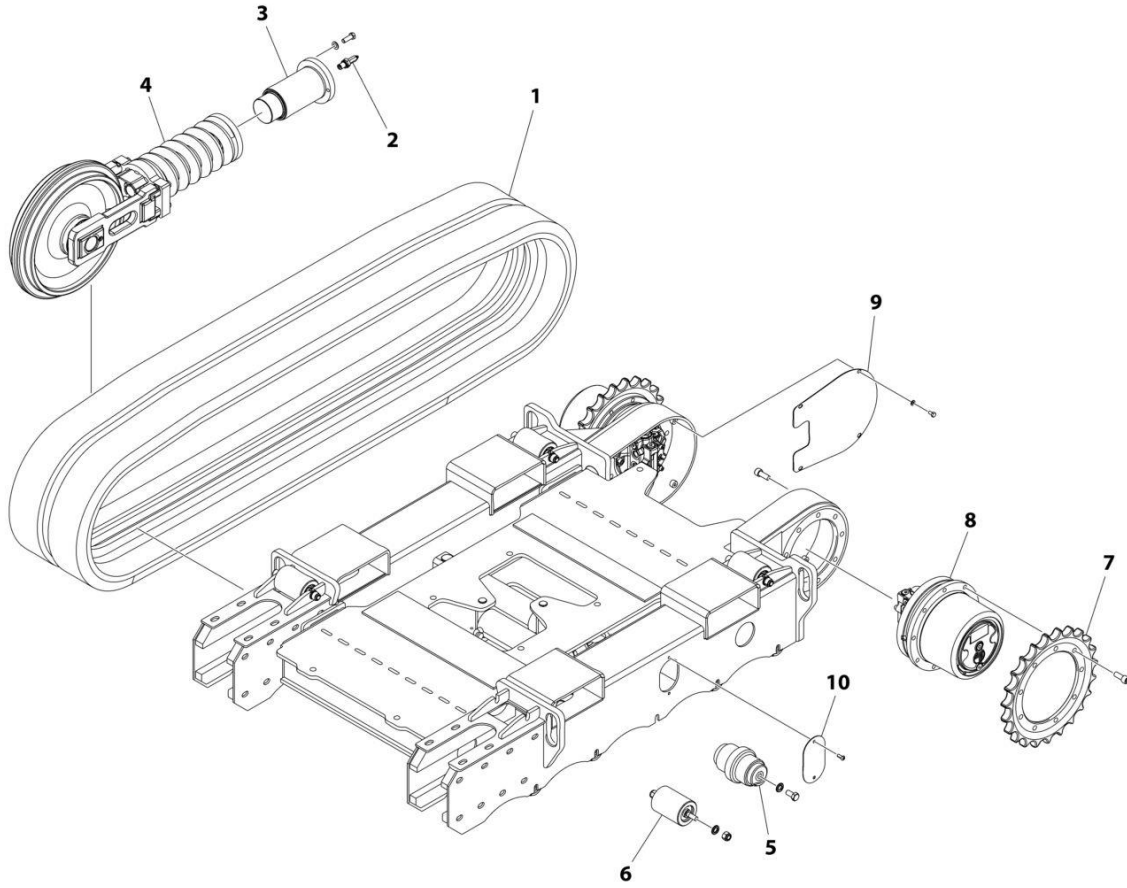
TABLE OF CONTENTS

FIGURE 7-2. DRIVE HYDRAULIC DIAGRAM	88
FIGURE 7-3. LEVEL (PLATFORM) AND JIB LIFT HYDRAULIC DIAGRAM	90
FIGURE 7-4. LIFT HYDRAULIC DIAGRAM - MAIN BOOM.....	92
FIGURE 7-5. LIFT HYDRAULIC DIAGRAM - TOWER BOOM	94
FIGURE 7-6. MAIN HYDRAULIC DIAGRAM	96
FIGURE 7-7. OUTRIGGER HYDRAULIC DIAGRAM.....	100
FIGURE 7-8. PLATFORM ROTATE HYDRAULIC DIAGRAM	102
FIGURE 7-9. SWING & BOOM HYDRAULIC DIAGRAM.....	104
FIGURE 7-10. TELESCOPE HYDRAULIC DIAGRAM - MAIN BOOM.....	106
FIGURE 7-11. TELESCOPE HYDRAULIC DIAGRAM - TOWER BOOM	108
FIGURE 7-12. TRACK EXTENSION HYDRAULIC DIAGRAM	110
FIGURE 7-13. BASE VALVE ASSEMBLY	112
FIGURE 7-14. PLATFORM VALVE ASSEMBLY	114
FIGURE 7-15. BOOM VALVE ASSEMBLY	116
FIGURE 7-16. VALVE ASSEMBLY.....	118
SECTION 8 - ELECTRICAL.....	121
FIGURE 8-1. PLATFORM ELECTRICAL COMPONENTS	122
FIGURE 8-2. BOOM ELECTRICAL COMPONENTS.....	124
FIGURE 8-3. BASE ELECTRICAL COMPONENTS	126
FIGURE 8-4. REMOTE CONTROL COMPONENTS	130
FIGURE 8-5. ELECTRICAL COMPONENTS.....	134
FIGURE 8-6. BREAKER BOXES	138
FIGURE 8-7. ENGINE HARNESS.....	140
FIGURE 8-8. ELECTRICAL CONNECTORS	142
SECTION 9 - DECALS	145
FIGURE 9-1. LANGUAGE DECALS INSTALLATION - X1000AJ	146
FIGURE 9-2. LANGUAGE DECALS INSTALLATION - X33JP	150
FIGURE 9-3. COMMON DECALS INSTALLATION - X1000AJ	154
FIGURE 9-4. COMMON DECALS INSTALLATION - X33JP	156
FIGURE 9-5. DECAL KIT - PLATFORM (ANSI SPECS).....	158
SECTION 10 - RECOMMENDED SERVICE PARTS STOCK	161
FIGURE 10-1. RECOMMENDED SERVICE PARTS STOCK.....	162
PART NUMBER INDEX.....	165

SECTION 1 - UNDERCARRIAGE

SECTION 1 - UNDERCARRIAGE

FIGURE 1-1. TRACK AND DRIVE INSTALLATION



ART_01-01-00

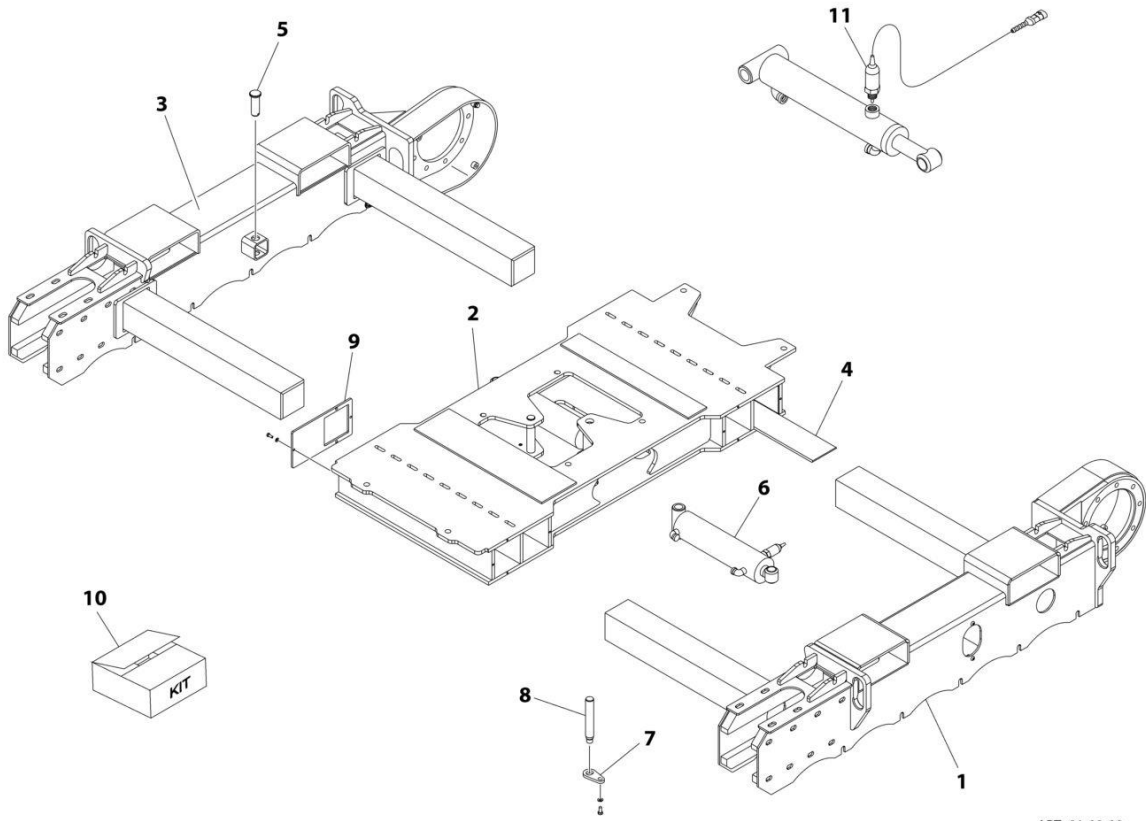
SECTION 1 - UNDERCARRIAGE

FIGURE 1-1. TRACK AND DRIVE INSTALLATION

ITEM	PART NUMBER	QTY	DESCRIPTION	REV
		Ref	TRACK AND DRIVE INSTALLATION	A
1	042694C0	2	Track (Black)	
1	042694CB	2	Track (Grey)	
2	17866900	1	Valve, Grease	
3	256263H3	2	Track Tension Cylinder Assembly	
4	178994H2	2	Idler Wheel Assembly	
5	256453H2	10	Roller	
6	176908H2	4	Roller	
7	057684H2	2	Sprocket	
8	278211H2	2	Drive Motor Assembly	
9	079723H2	2	Cover	
10	049219H2	2	Cover	

SECTION 1 - UNDERCARRIAGE

FIGURE 1-2. TRACK FRAME INSTALLATION



ART_01-02-00

SECTION 1 - UNDERCARRIAGE

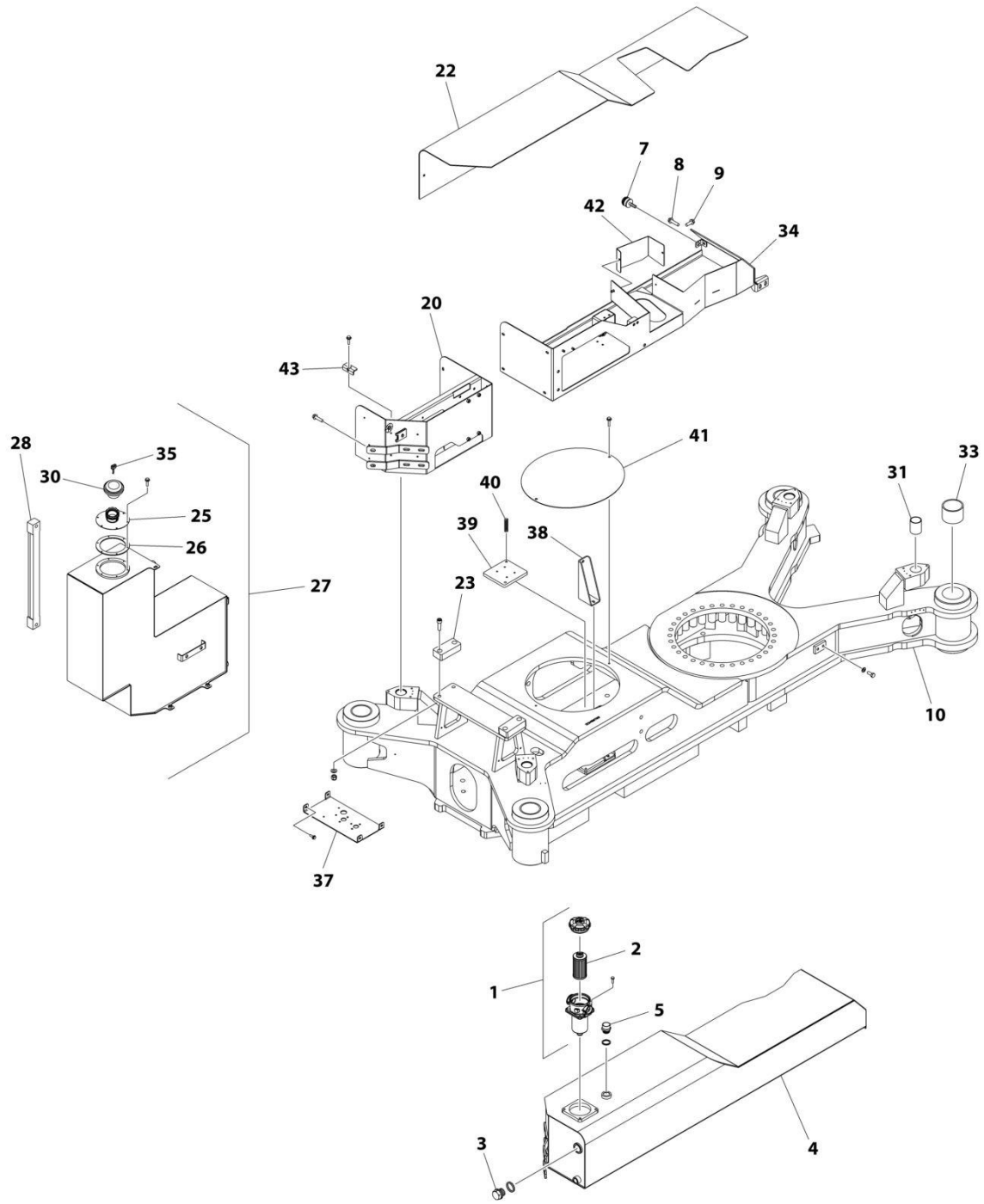
FIGURE 1-2. TRACK FRAME INSTALLATION

ITEM	PART NUMBER	QTY	DESCRIPTION	REV
		Ref	TRACK FRAME INSTALLATION	A
1	379684H2	1	Frame, Track (RH)	
2	378212H2	1	Undercarriage	
3	379683H2	1	Frame, Track (LH)	
4	07987700	16	Guide, Expansion	
5	04256300	2	Pin	
6	278219H2	2	Undercarriage Extend Cylinder Assembly (See Separate Breakdown in CYLINDER Section)	
7	064966Y1	2	Drop, Pin	
8	07965700	2	Pin	
9	379656H2	4	Cover	
10	2782190001	1	Seal Kit - Undercarriage Extend Cylinder Assembly	
11	17329500	2	Switch, N/O Contact (Includes Cable & Connector)	

SECTION 2 - BASE & TURNTABLE

SECTION 2 - BASE & TURNTABLE

FIGURE 2-1. TANKS AND SIDE COMPARTMENT INSTALLATIONS



ART_02-01-00

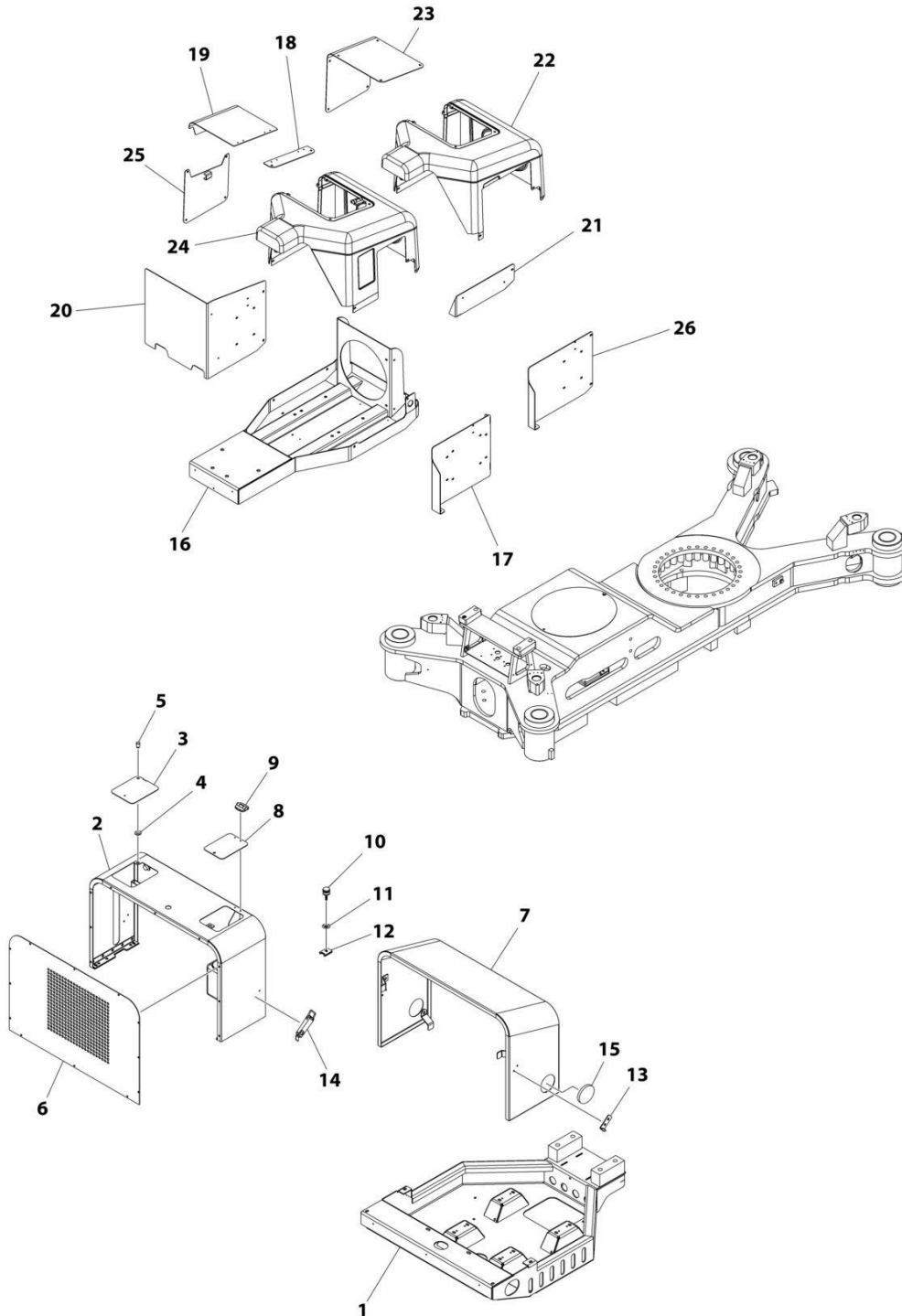
SECTION 2 - BASE & TURNTABLE

FIGURE 2-1. TANKS AND SIDE COMPARTMENT INSTALLATIONS

ITEM	PART NUMBER	QTY	DESCRIPTION	REV
		Ref	TANKS AND SIDE COMPARTMENT INSTALLATIONS	A
1	27433700	1	Hydraulic Oil Filter Assembly (Includes Cap, Filter Cartridge, Strainer, and Mounting Hardware)	
2	2743370001	1	Cartridge, Oil Filter	
3	05061800	1	Gauge, Oil Level Sight	
4	179813J2	1	Tank, Hydraulic Oil	
5	05611800	1	Plug	
7	07343200	3	Thumbscrew	
8	07343400	3	Retainer, Screw	
9	07343300	3	Clip, Screw	
10	179842H2	1	Frame, Outrigger	
20	379911J2	1	Tray	
22	379920J2	1	Cover	
23	07994100	2	Block	
25	379961H3	1	Neck, Filler	
26	08028800	1	Gasket	
27	179822H3	1	Tank Assembly - Fuel (Includes Items 25, 26, 28, 30 & 35)	
28	07982900	1	Sensor, Fuel Level	
30	25731300	1	Cap	
31	08007200	4	Bushing	
33	07980800	8	Bushing	
34	179908J2	1	Tray	
35	05656400	2	Key, Cap	
37	080301H2	1	Plate	
38	079942Y1	1	Bracket	
39	080087Y1	1	Plate	
40		Ref	Stud	
41	080122H2	1	Cover	
42	079956H2	1	Bracket	
43	051705Y1	1	Plate, Battery Block	

SECTION 2 - BASE & TURNTABLE

FIGURE 2-2. FRONT AND REAR COMPARTMENTS INSTALLATION



ART_02-02-00

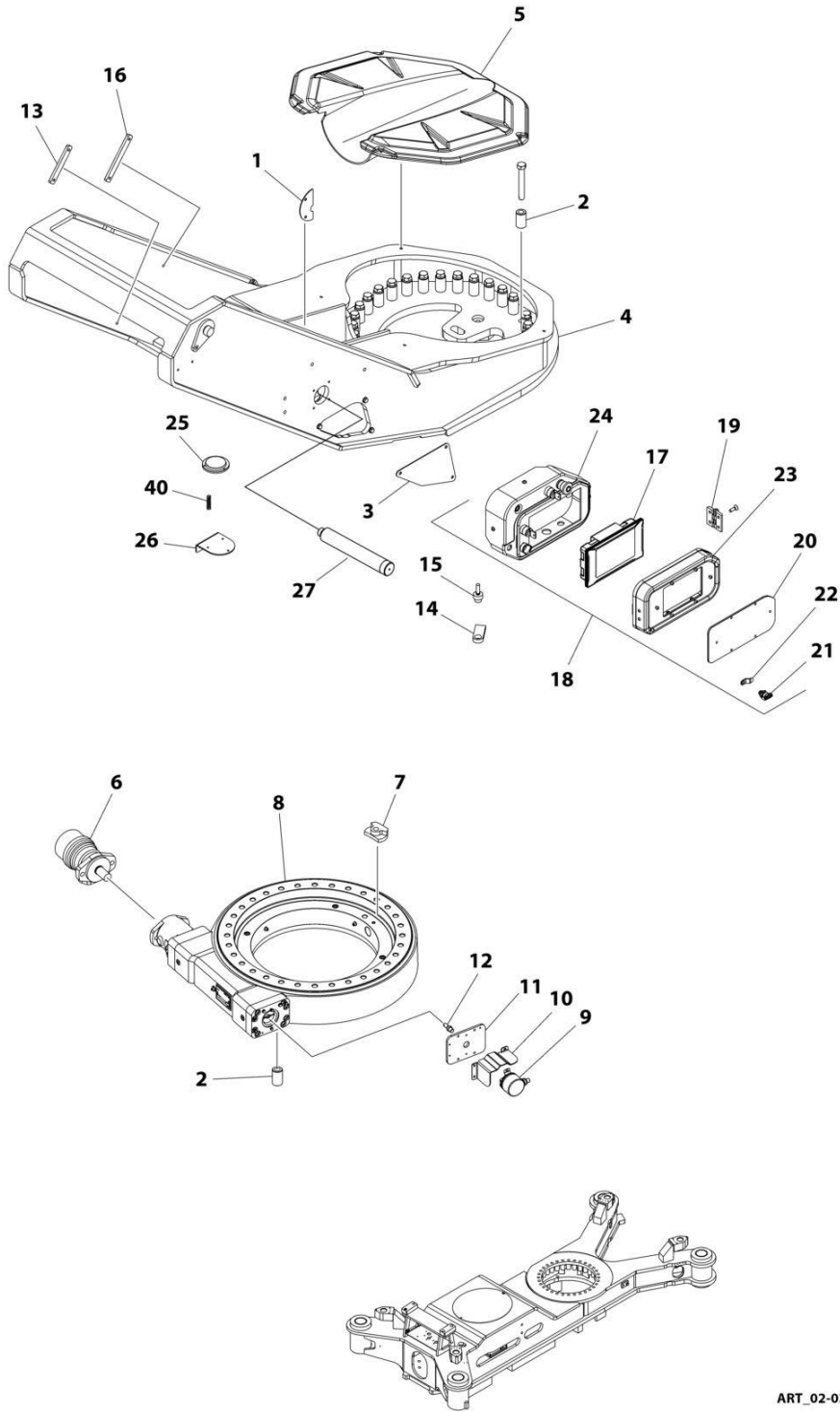
SECTION 2 - BASE & TURNTABLE

FIGURE 2-2. FRONT AND REAR COMPARTMENTS INSTALLATION

ITEM	PART NUMBER	QTY	DESCRIPTION	REV
		Ref	FRONT AND REAR COMPARTMENTS INSTALLATION	A
1	379868H2	1	Tray	
2	379936H2	1	Cover	
3	180268H2	1	Plate	
4	BR000600	4	Washer	
5	28041900	1	Handle	
5	06477600	1	Magnet	
6	379943H2	1	Cover, Front	
7	379861H2	1	Cover	
8	075705H2	1	Plate	
9	07189900	1	Hinge	
10	07343200	1	Thumbscrew	
11	07343400	1	Retainer	
12	07343300	1	Clip, Screw	
13	05442500	2	Bracket, Latch	
14	05442600	2	Latch	
15	07680400	2	Plug	
16	380042H2	1	Tray	
17	080396Y1	1	Plate	
18	080390H2	1	Plate	
19	080391H2	1	Cover	
20	080395Y1	1	Plate	
21	080397Y1	1	Plate	
22	080401H2	1	Cover	
23	077743H2	1	Cover	
24	080070H2	1	Cover	
25	380392H2	1	Cover	
26	080050Y1	1	Plate	

SECTION 2 - BASE & TURNTABLE

FIGURE 2-3. TURNTABLE AND BEARING INSTALLATION



ART_02-03-00

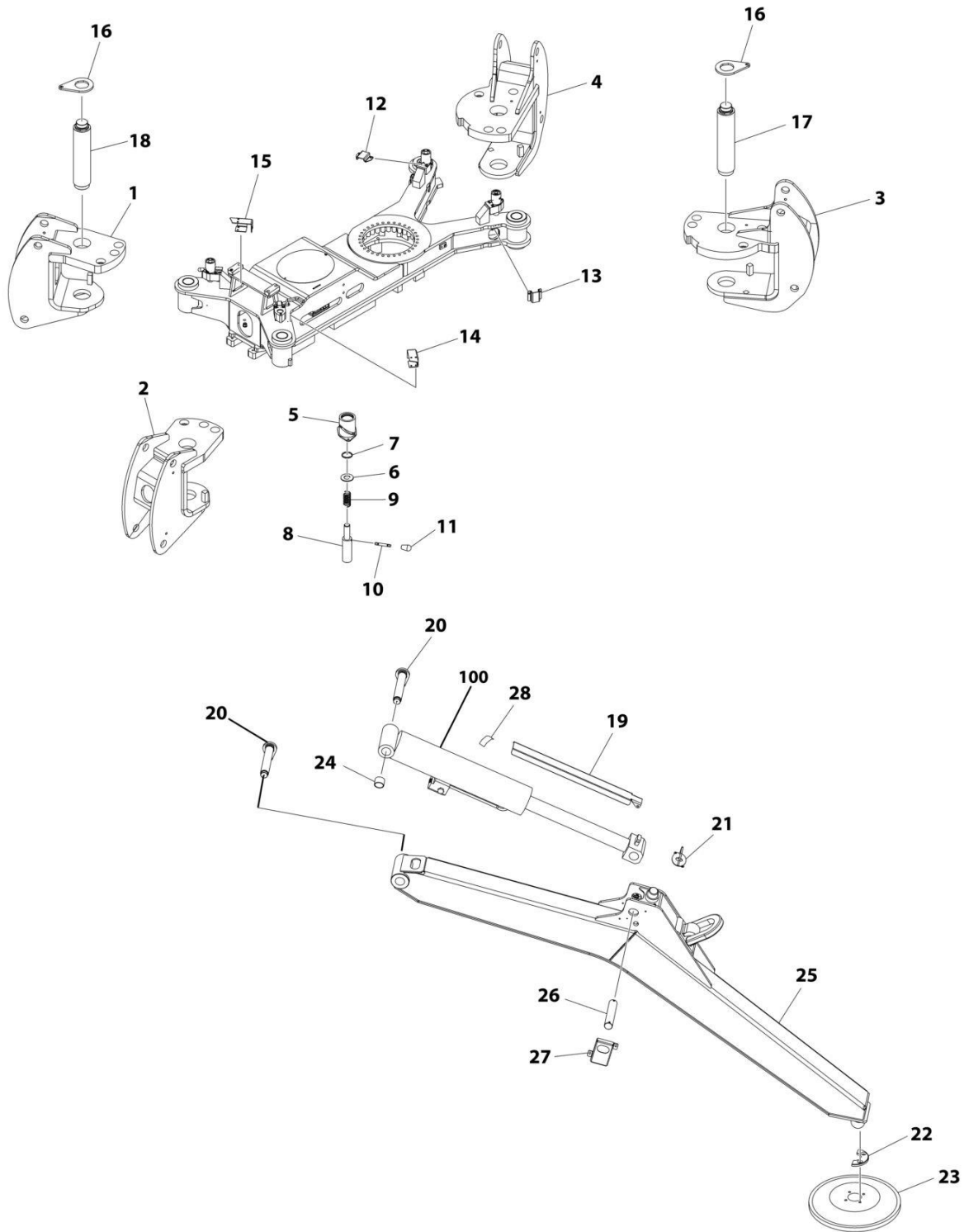
SECTION 2 - BASE & TURNTABLE

FIGURE 2-3. TURNTABLE AND BEARING INSTALLATION

ITEM	PART NUMBER	QTY	DESCRIPTION	REV
		Ref	TURNTABLE AND BEARING INSTALLATION	A
1	080073H2	2	Plate	
2	06551600	64	Spacer	
3	080235H2	2	Cover	
4	379781H2	1	Turntable	
5	08013100	1	Cover, Bearing	
6	280051H2	1	Swing Motor Assembly	
7	080010Y1	1	Stop, Bearing	
8	279508H2	1	Turntable Bearing Assembly	
9	27997100	1	Switch, Sensor	
10	079948H2	1	Cover	
11	079946H2	1	Plate	
12	079947Y1	1	Pin, Sensor	
13	080274Y1	1	Plate	
14	064422Y1	1	Retainer	
15	064423Y1	1	Pin	
16	080275Y1	1	Plate	
17	27967000	1	Module, Control	
18	18003300	NLA	Ground Control Box Assembly (Note: Used PN 18044800)	
18	18044800	1	Ground Control Box Assembly (Includes Items 17 & 19-24)	
19	07693700	1	Hinge	
20	08045100	1	Faceplate	
21	07867800	1	Fastener	
22	07190000	1	Cam-Lock	
23	08045000	1	Mount	
24	08044900	1	Box, Ground Control	
25	05427200	1	Level	
26	058832H3	1	Support	
27	07904000	1	Pin	
40		Ref	Stud	

SECTION 2 - BASE & TURNTABLE

FIGURE 2-4. OUTRIGGER INSTALLATION



ART_02-04-00

SECTION 2 - BASE & TURNTABLE

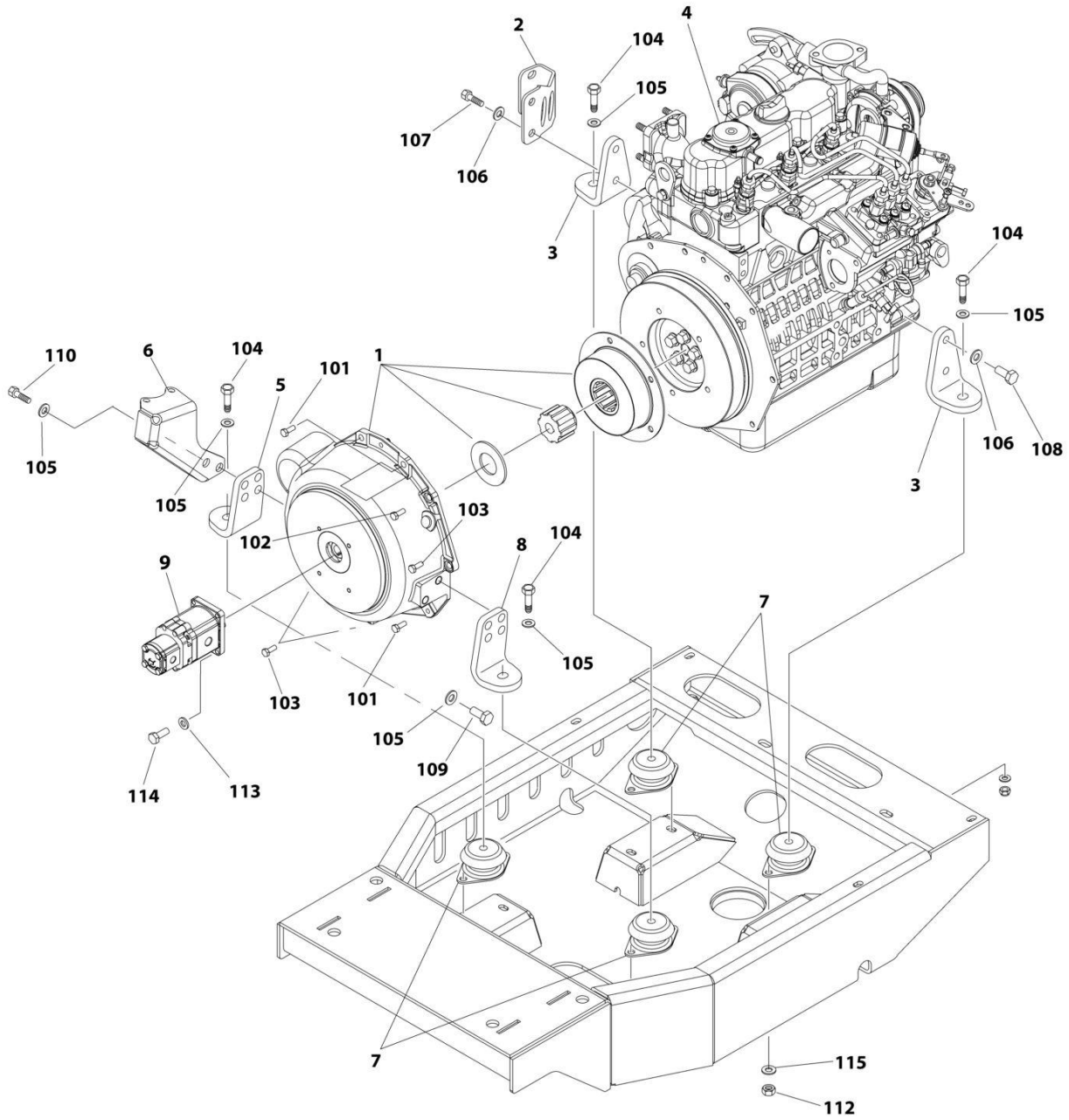
FIGURE 2-4. OUTRIGGER INSTALLATION

ITEM	PART NUMBER	QTY	DESCRIPTION	REV
		Ref	OUTRIGGER INSTALLATION	A
1	379885H2	1	Pivot, Outrigger	
2	379892H2	1	Pivot, Outrigger	
3	379893H2	1	Pivot, Outrigger	
4	379900H2	1	Pivot, Outrigger	
5	379923H2	4	Collar	
6	079924Y1	4	Washer	
7	BC002100	4	Ring, Retaining	
8	07904400	1	Pin	
9	07599800	4	Spring	
10	BS002200	4	Pin	
11	07639400	4	Handle	
12	079962H2	4	Cover	
13	079958H2	2	Cover	
14	080129H2	1	Bracket	
15	080130H2	1	Bracket	
16	079830Y1	4	Collar, Pin	
17	07904300	2	Pin	
18	07904600	2	Pin	
19	079970H2	4	Cover	
20	07904500	8	Pin	
21	376018H2	4	Support	
22	079821Y1	8	Plate	
23	07981100	4	Pad, Outrigger	
24	07980700	2	Bushing	
25	179793J2	4	Arm, Outrigger	
26	07904700	4	Pin	
27	079809H2	2	Cover	
27	079810H2	2	Cover	
28	07894900	4	Pad	
100	278210H2	4	Outrigger Cylinder Assembly (See Separate Breakdown in CYLINDER SECTION)	

SECTION 3 - ENGINE

SECTION 3 - ENGINE

FIGURE 3-1. ENGINE INSTALLATION



ART_03-01-00

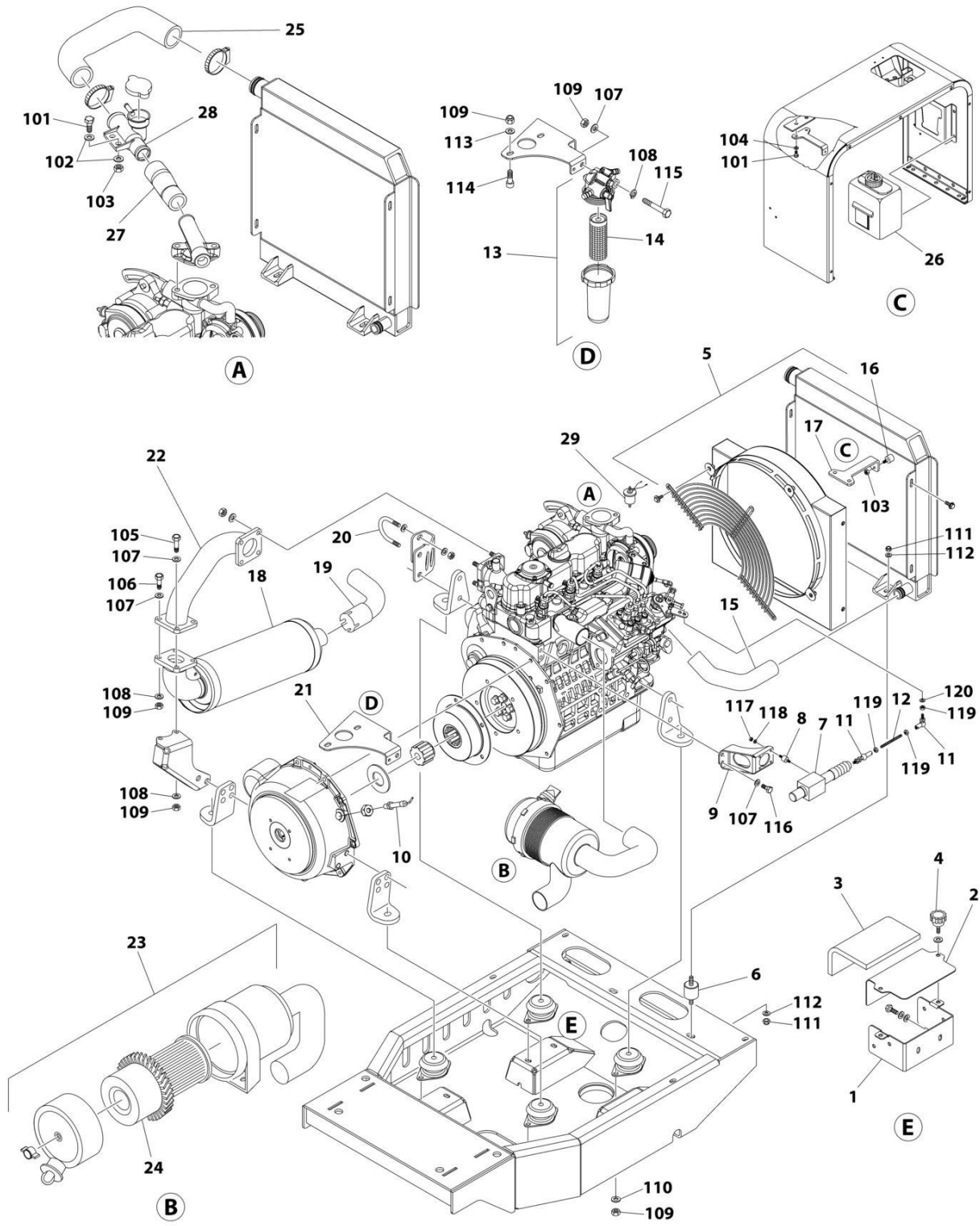
SECTION 3 - ENGINE

FIGURE 3-1. ENGINE INSTALLATION

ITEM	PART NUMBER	QTY	DESCRIPTION	REV
		Ref	ENGINE INSTALLATION	A
1	28012100	1	Coupling, Pump	
2	075720Y1	1	Bracket	
3	075718Y1	2	Support	
4	28055100	1	Kubota Engine Kit With Attachments	
5	075716Y1	1	Support	
6	075719Y1	1	Bracket	
7	27018000	4	Mount, Motor	
8	075717Y1	1	Support	
9	279101H3	1	Pump Assembly	
101		Ref	Bolt	
102	BV015400	AR	Bolt M8 x 35	
103	BV000100	AR	Bolt	
104	BV0014500	AR	Bolt	
105	BR000700	AR	Washer	
106	BR000600	AR	Washer	
107	BV016800	AR	Bolt	
108	BV014600	AR	Bolt	
109	BV017100	AR	Bolt	
110	BV016700	AR	Bolt	
111	BR000500	AR	Washer M8	
112	BD000500	AR	Nut M8	
113	BR000100	AR	Washer M6	
114	BV003300	AR	Bolt M6 x 20	
115	BR001600	AR	Washer	

SECTION 3 - ENGINE

FIGURE 3-2. ENGINE COMPONENTS - 1



ART_03-01-01

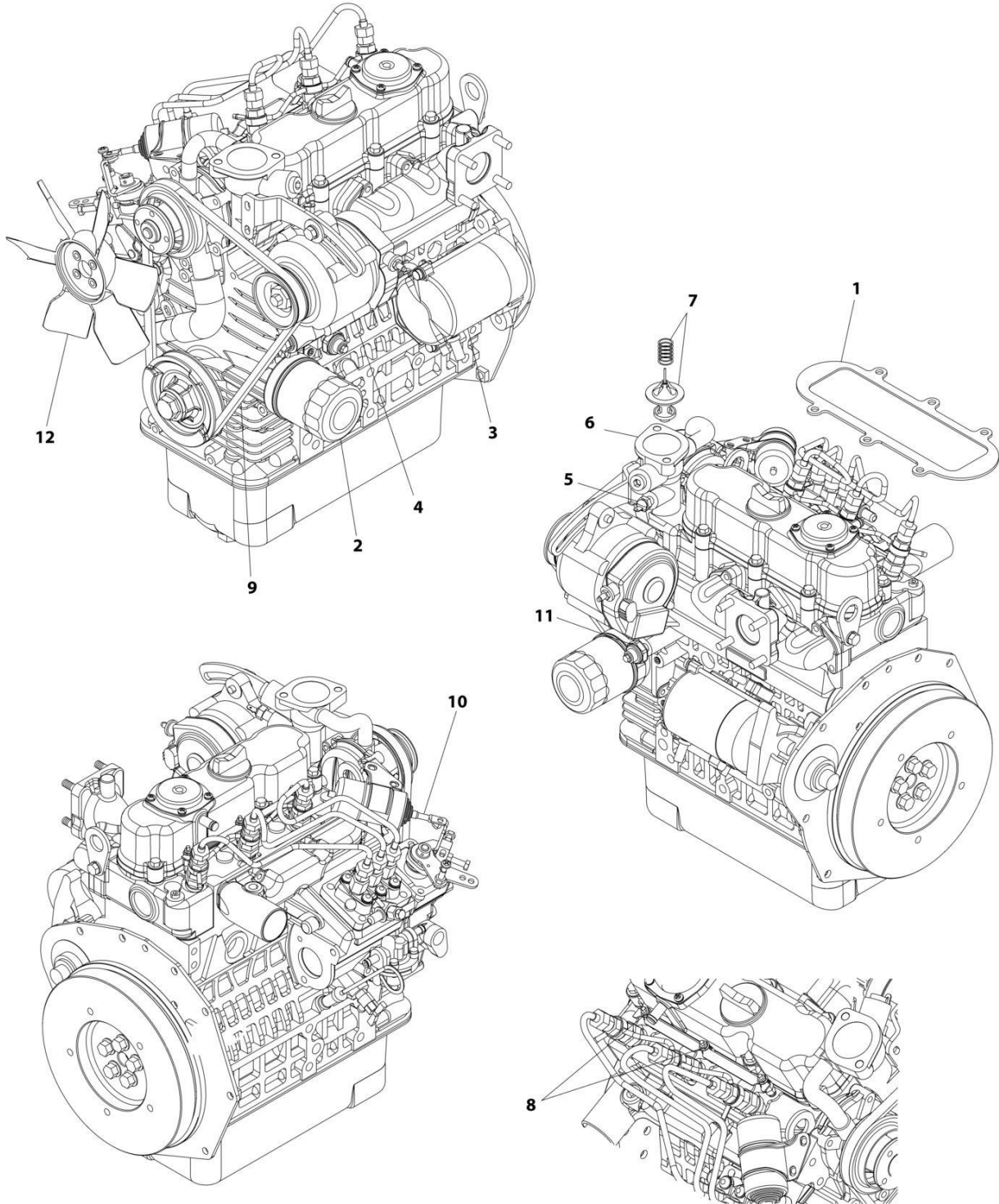
SECTION 3 - ENGINE

FIGURE 3-2. ENGINE COMPONENTS - 1

ITEM	PART NUMBER	QTY	DESCRIPTION	REV
		Ref	ENGINE COMPONENTS - 1	A
1	180270Y1	1	Bracket	
2	080271Y1	1	Cover	
3	07647100	1	Protection	
4	05903300	2	Knob	
5	27554600	1	Radiator (Includes Shroud and Fan Grille)	
6	06145700	2	Mount, Rubber	
7	26551500	1	Valve, Piston	
8	06551400	4	Mount, Rubber	
9	075985Y1	1	Bracket	
10	27602400	1	Sensor, Speed	
11	07598700	1	Joints, Angle	
12	07598600	1	Tie-Rod	
13	17404200	1	Fuel Filter Assembly	
14	1740420001	1	Element, Filter	
15	07598900	1	Hose, Radiator (Lower)	
16	05689400	1	Mount, Rubber	
17	064699Y1	1	Bracket	
18	27598400	1	Muffler	
19	07589400	1	Pipe, Exhaust (Outlet)	
20	07635600	1	Clamp	
21	075778Y1	1	Bracket	
22	07577900	1	Pipe, Exhaust (Manifold to Muffler)	
23	2749410002	1	Air Filter Assembly	
24	274941000201	1	Element, Air Filter	
25	07541500	1	Hose, Radiator (Upper)	
26	25779900	1	Reservoir, Coolant	
27	07541400	1	Hose	
28	27598800	1	Housing, Raditor Filler (Includes Cap)	
29	2749410001	1	Pump	
101	BV003200	AR	Bolt M6 x 20	
102	BR001500	AR	Washer M6	
103	BD000900	AR	NUT M6	
104	BR000100	AR	Washer M6	
105	BV000700	AR	Bolt M8 x 35	
106	BV000800	AR	Bolt M8 x 30	
107	BR000500	AR	Washer M8	
108	BR002200	AR	Washer	
109	BD000500	AR	Nut M8	
110	BR001600	AR	Washer	
111	BD001500	AR	NUT M10	
112	BR000600	AR	Washer	
113	BR001600	AR	Washer	
114	BV015400	AR	Bolt M8 x 35	
115	BV007000	AR	Bolt M8 x 70	
116	BV001200	AR	Bolt M8 x 16	
117	BD001100	AR	Nut M5	
118	BR001300	AR	Washer	
119	BD000700	AR	Nut M4	
120	BR000400	AR	Washer	

SECTION 3 - ENGINE

FIGURE 3-3. ENGINE COMPONENTS - 2



ART_03-01-02

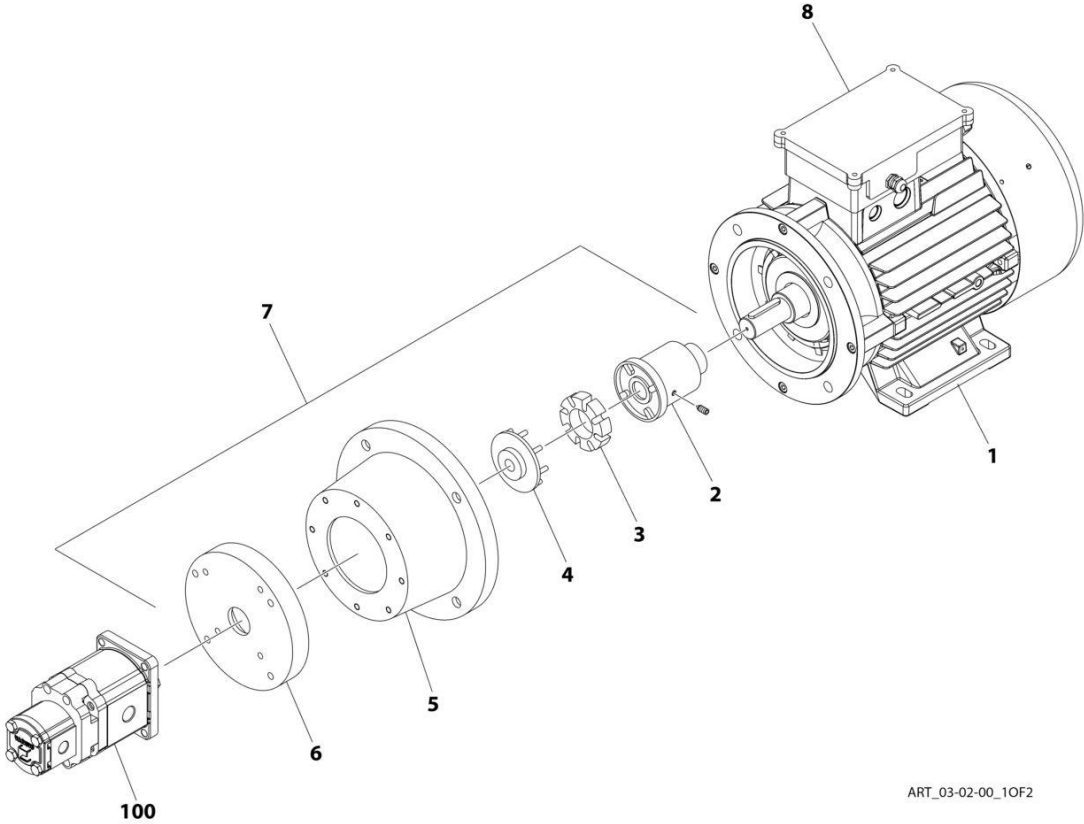
SECTION 3 - ENGINE

FIGURE 3-3. ENGINE COMPONENTS - 2

ITEM	PART NUMBER	QTY	DESCRIPTION	REV
	28055100	Ref	ENGINE COMPONENTS - 2	A
1	2749410003	1	Gasket, Valve Cover	
2	2734250002	1	Filter, Oil	
3	2749410005	1	Starter	
4	2734250013	1	Alternator	
5	2734250009	1	Sensor, Temperature	
6	2734250010	1	Pump, Water	
7	2734250008	1	Thermostat & Spring	
8	2749410004	1	Plug, Glow	
9	2734250011	1	Belt, Drive	
10	2734250004	1	Solenoid, Stop	
11	2734250007	1	Sensor, Oil Pressure	
12	2734250001	1	Fan	

SECTION 3 - ENGINE

FIGURE 3-4. ELECTRIC MOTOR ASSEMBLY - 380V 11KW 50/60HZ



ART_03-02-00_10F2

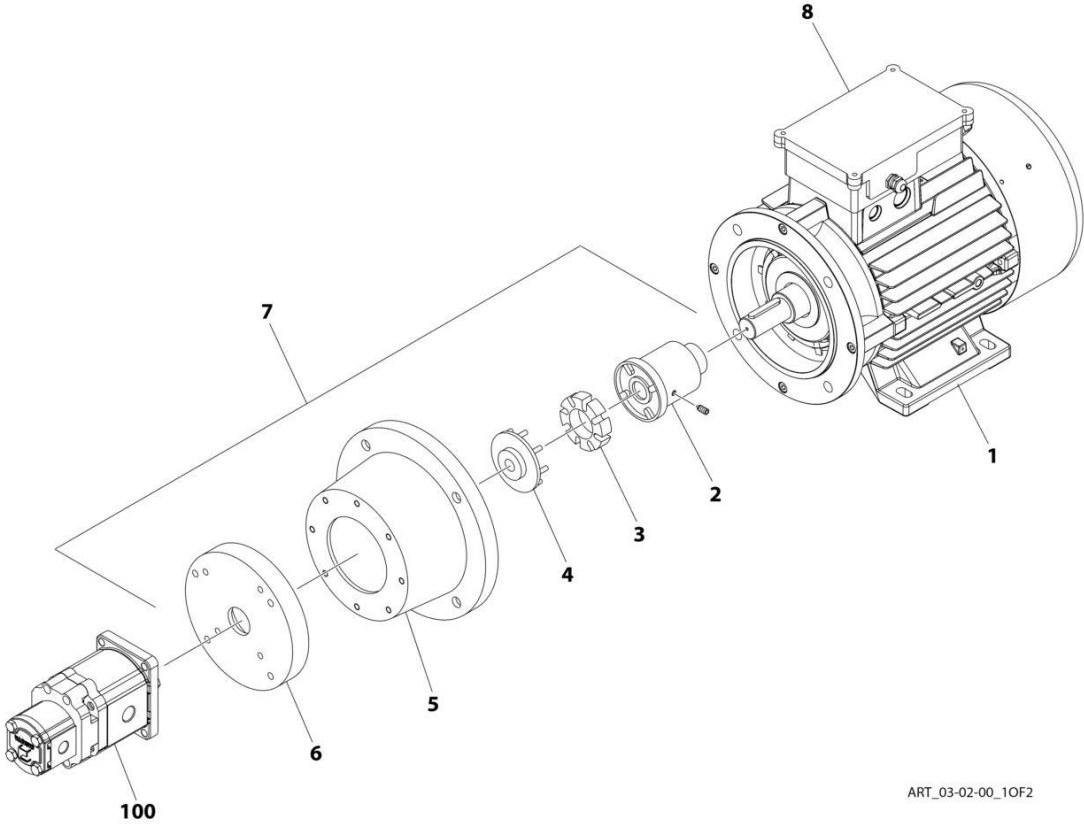
SECTION 3 - ENGINE

FIGURE 3-4. ELECTRIC MOTOR ASSEMBLY - 380V 11KW 50/60HZ

ITEM	PART NUMBER	QTY	DESCRIPTION	REV
		Ref	ELECTRIC MOTOR ASSEMBLY - 380V 11KW 50/60HZ	A
1	28008100	1	Motor, Electric 380V 11KW 50/60Hz	
2	2800860002	1	Coupling, Motor Side	
3	2800860004	1	Connection, Joint	
4	2800860003	1	Coupling, Pump Side	
5	280086Y101	1	Housing	
6	080066Y4	1	Plate, Adapter	
7	280086Y1	1	Pump-Motor Coupling Kit (Includes Items 2-6)	
8	2800810001	1	Condenser Box (Includes Gasket)	
100	279101H3	1	Pump Assembly	

SECTION 3 - ENGINE

FIGURE 3-5. ELECTRIC MOTOR ASSEMBLY - 3500W LITHIUM 72V (BI-ENERGY)



ART_03-02-00_10F2

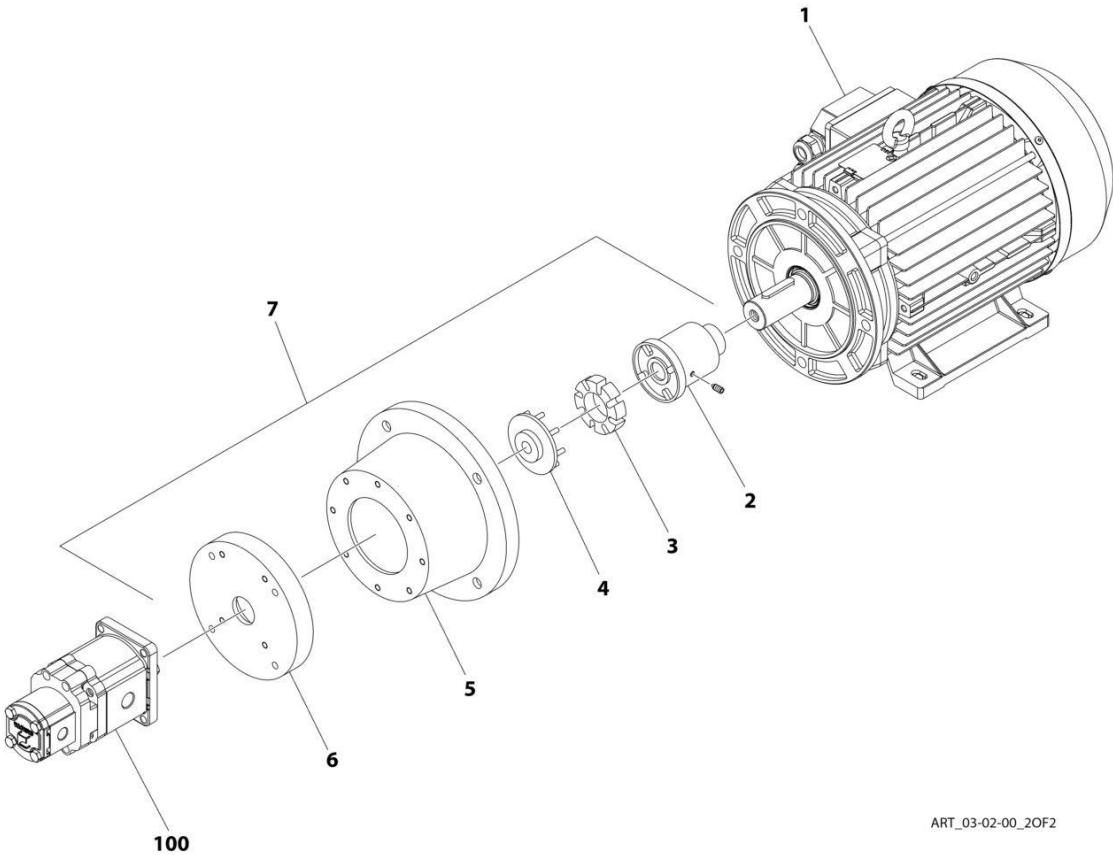
SECTION 3 - ENGINE

FIGURE 3-5. ELECTRIC MOTOR ASSEMBLY - 3500W LITHIUM 72V (BI-ENERGY)

ITEM	PART NUMBER	QTY	DESCRIPTION	REV
		Ref	ELECTRIC MOTOR ASSEMBLY - 3500W LITHIUM 72V (BI-ENERGY)	A
1	26948000	1	Motor, Electric 3500W Lithium 72V	
2	06997800	1	Coupling, Motor Side	
3	04310100	1	Connection, Joint	
4	05033600	1	Coupling, Pump Side	
5	280086Y101	1	Housing	
6	080066Y4	1	Plate, Adapter	
7	280086Y1	1	Pump-Motor Coupling Kit (Includes Items 2-6)	
8	2800810001	1	Condenser Box (Includes Gasket)	
100	279101H3	1	Pump Assembly	

SECTION 3 - ENGINE

FIGURE 3-6. ELECTRIC MOTOR ASSEMBLY - 6000W LITHIUM 76V



ART_03-02-00_20F2

SECTION 3 - ENGINE

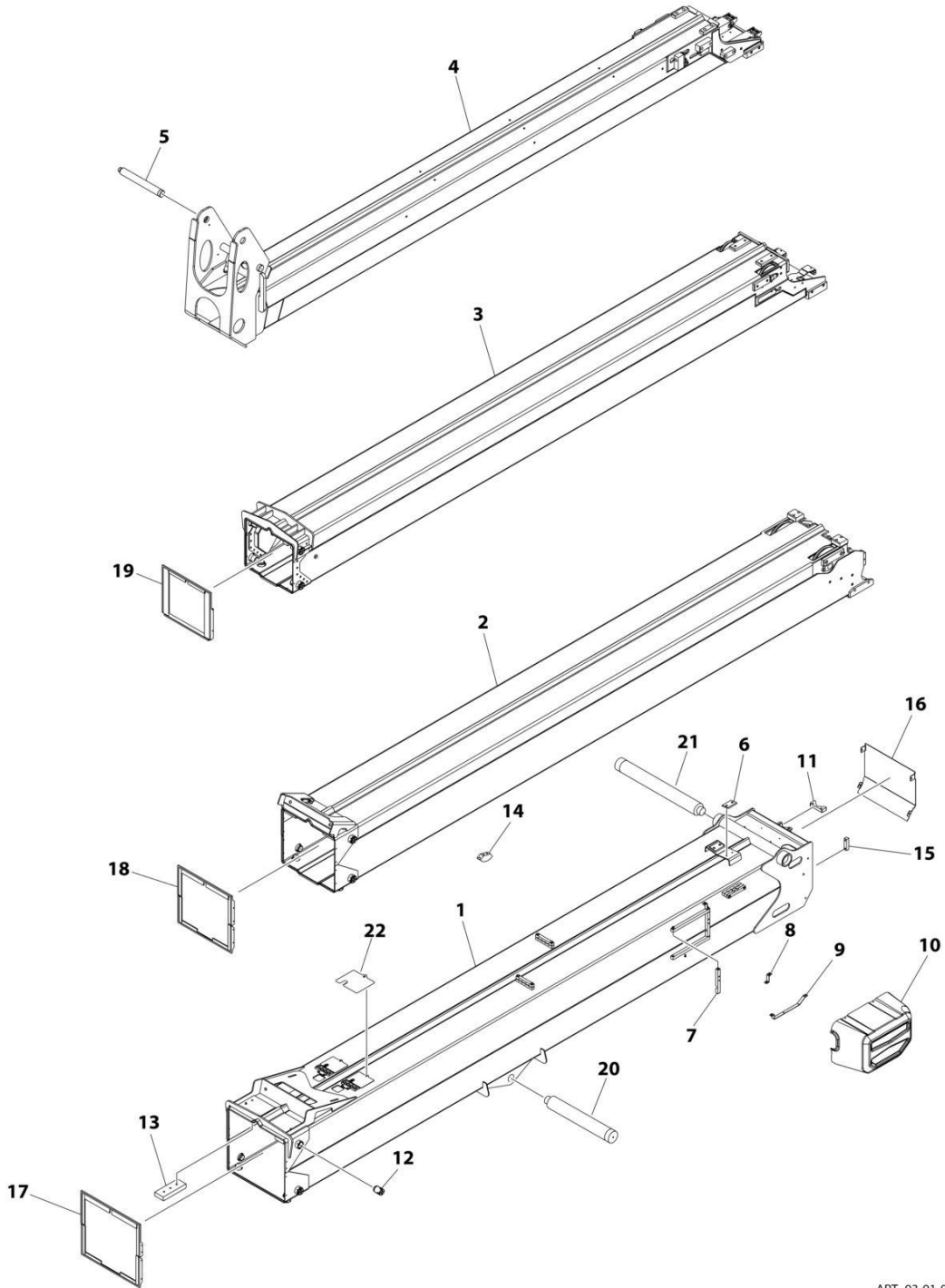
FIGURE 3-6. ELECTRIC MOTOR ASSEMBLY - 6000W LITHIUM 76V

ITEM	PART NUMBER	QTY	DESCRIPTION	REV
		Ref	ELECTRIC MOTOR ASSEMBLY - 6000W LITHIUM 76V	A
1	28010200	1	Motor, Electric 6000W Lithium 76V	
2	2804570001	1	Coupling, Motor Side	
3	2800860004	1	Connection, Joint	
4	2800860003	1	Coupling, Pump Side	
5	280086Y101	1	Housing	
6	080066Y4	1	Plate, Adapter	
7	280457Y1	1	Pump-Motor Coupling Kit (Includes Items 2-6)	
100	279101H3	1	Pump Assembly	

SECTION 4 - BOOM

SECTION 4 - BOOM

FIGURE 4-1. TOWER BOOM ASSEMBLY



ART_03-01-00

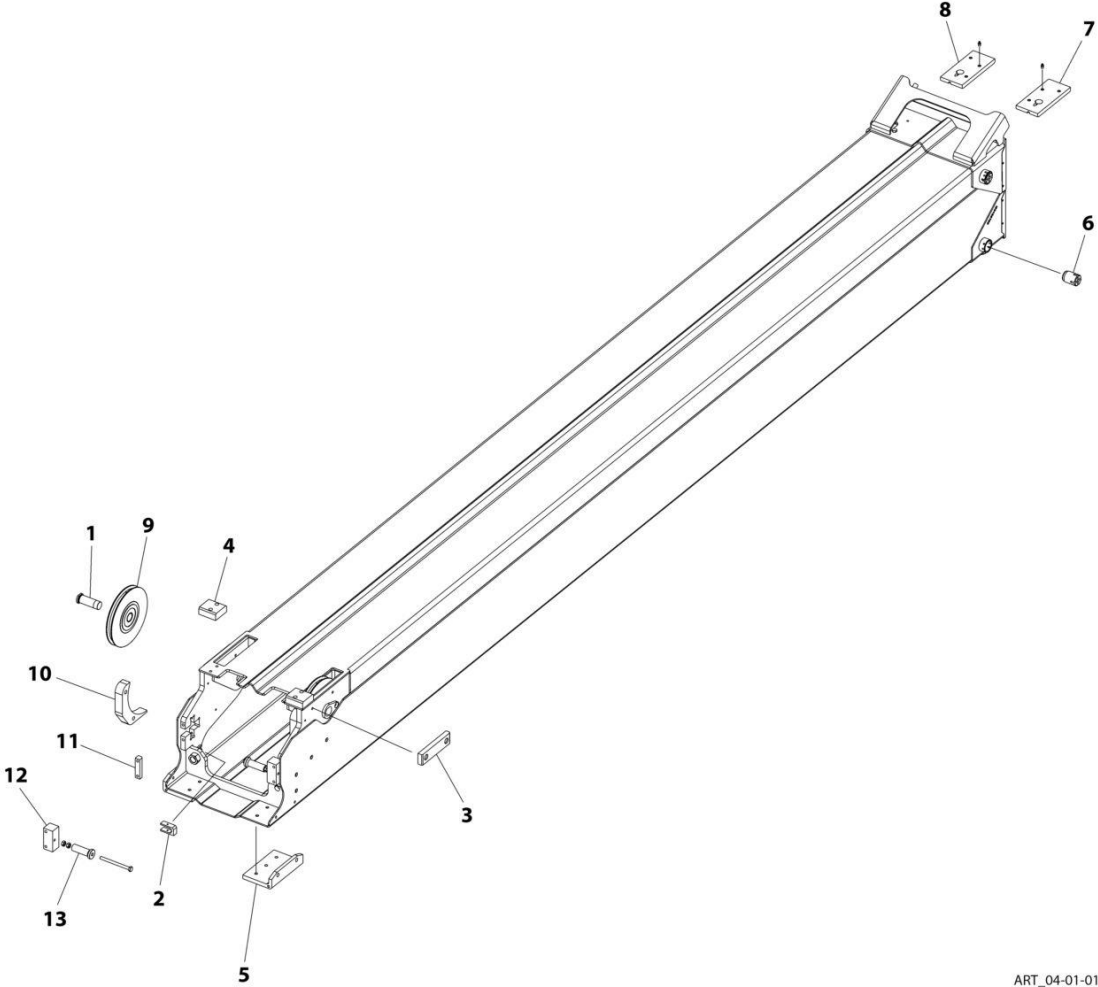
SECTION 4 - BOOM

FIGURE 4-1. TOWER BOOM ASSEMBLY

ITEM	PART NUMBER	QTY	DESCRIPTION	REV
		Ref	TOWER BOOM ASSEMBLY	A
1	179727J1	1	Tower Boom Base Assembly	
2	379706J1	1	Tower Boom Out Mid Assembly (See Separate Breakdown in this Section)	
3	379561J1	1	Tower Boom Inner Mid Assembly (See Separate Breakdown in this Section)	
4	379547J1	1	Tower Fly Base Assembly (See Separate Breakdown in this Section)	
5	07903700	1	Pin	
6	05849000	2	Block, Slide	
7	079748Y1	2	Clamp	
8	080479Y1	2	Bracket	
9	080480Y1	1	Bracket	
10	08044500	1	Cover	
11	079771H3	1	Clamp	
12	06301200	4	Block, Slide	
13	07978000	2	Block, Slide	
14	07976300	2	Block	
15	079726Y1	2	Clamp	
16	079777H3	1	Cover	
17	17999600	1	Brush Kit	
18	18000200	1	Brush Kit	
19	18000600	1	Brush Kit	
20	07903900	1	Pin	
21	07904100	1	Pin	
22	079770H3	1	Cover	

SECTION 4 - BOOM

FIGURE 4-2. TOWER BOOM OUTER MID ASSEMBLY



ART_04-01-01

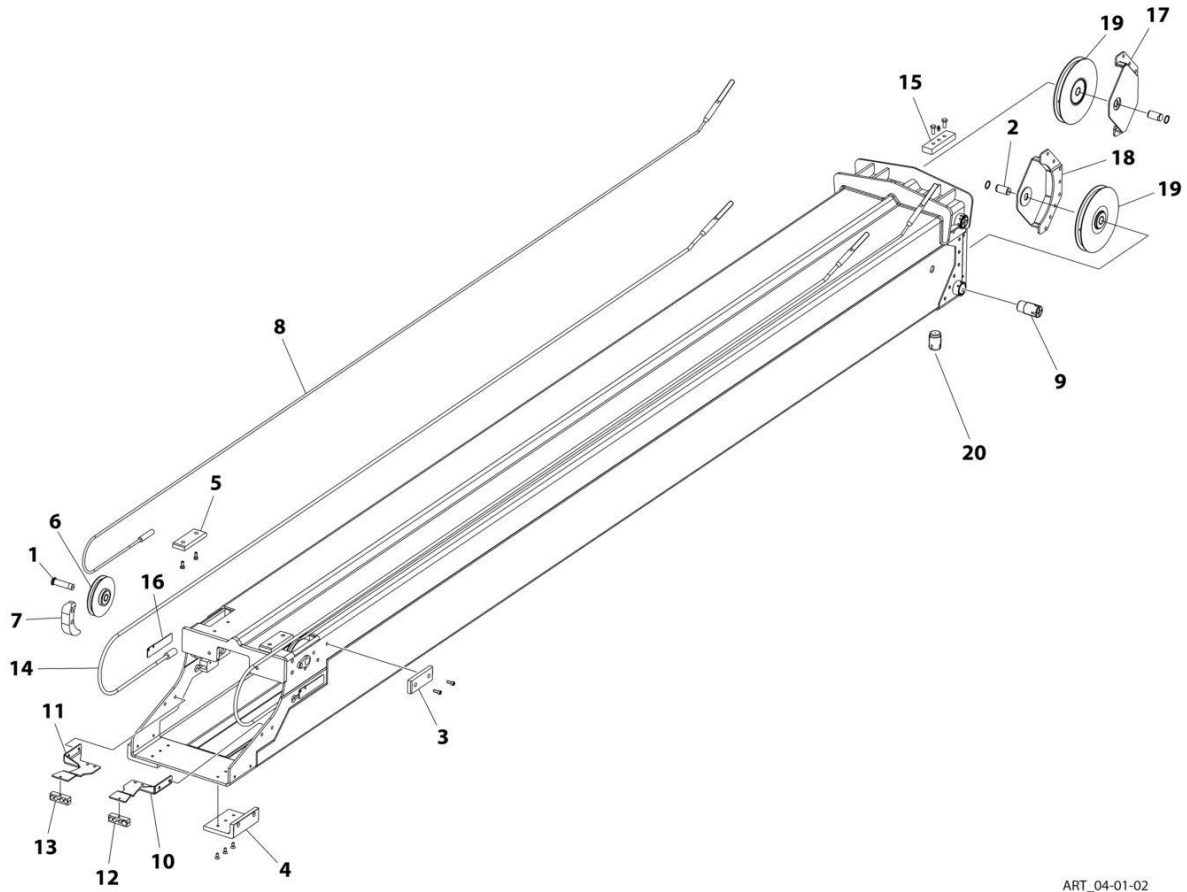
SECTION 4 - BOOM

FIGURE 4-2. TOWER BOOM OUTER MID ASSEMBLY

ITEM	PART NUMBER	QTY	DESCRIPTION	REV
	379706J1	Ref	TOWER BOOM OUTER MID ASSEMBLY	A
1	07972200	2	Pin	
2	080119Y1	2	Clamp	
3	07971700	2	Block, Slide	
4	08185200	2	Block, Slide (Was PN 07971600)	
5	07971800	2	Block, Slide	
6	06301200	14	Block, Slide	
7	07971500	1	Block, Slide	
8	07971400	1	Block, Slide	
9	17971900	2	Pulley	
10	07971300	2	Block, Slide	
11	079712Y1	2	Clamp	
12	080111Y1	2	Block	
13	07983800	2	Roller	

SECTION 4 - BOOM

FIGURE 4-3. TOWER BOOM INNER MID ASSEMBLY



ART_04-01-02

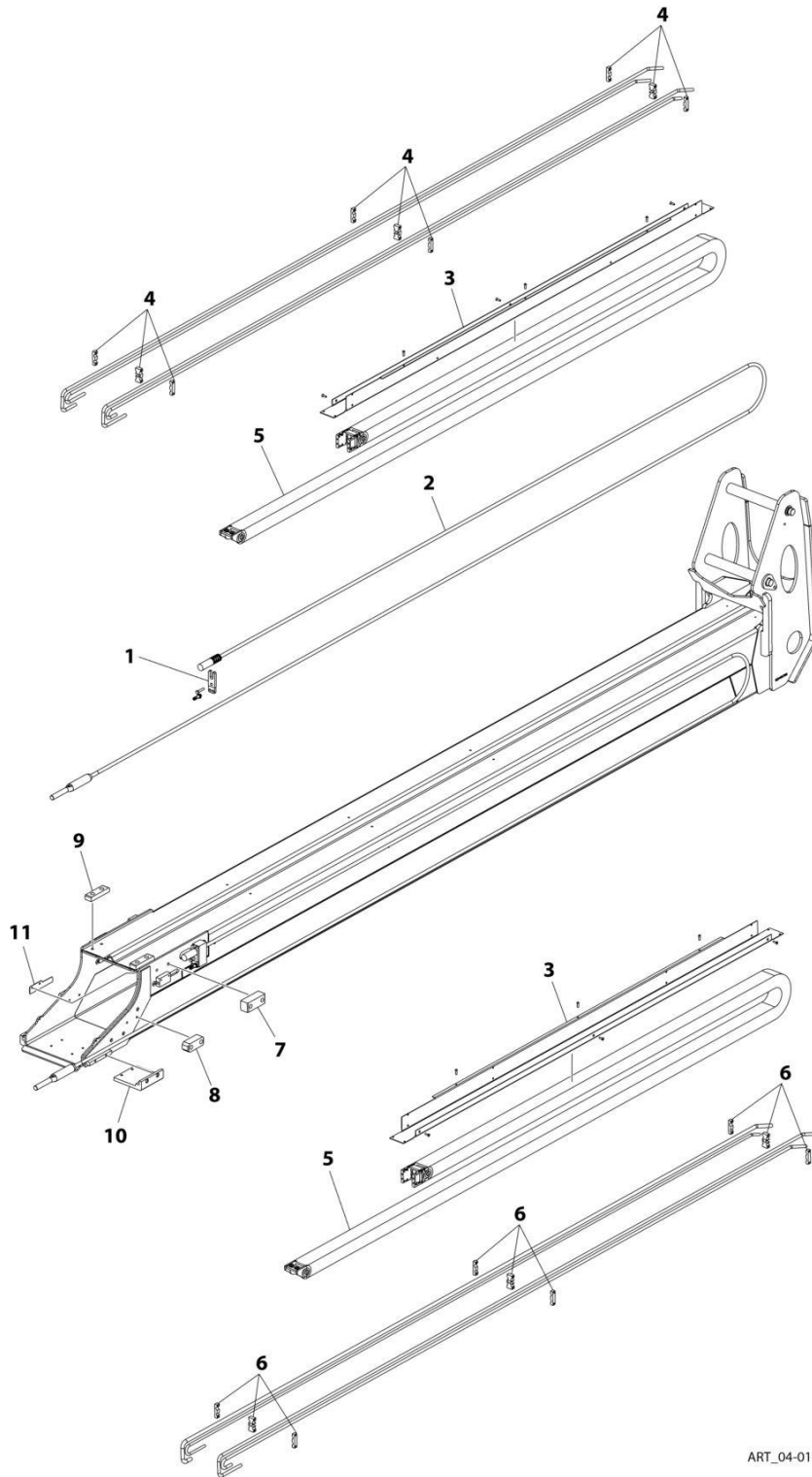
SECTION 4 - BOOM

FIGURE 4-3. TOWER BOOM INNER MID ASSEMBLY

ITEM	PART NUMBER	QTY	DESCRIPTION	REV
	379561J1	Ref	TOWER BOOM INNER MID ASSEMBLY	A
1	07969400	2	Pin	
2	07967500	2	Pin	
3	07962200	2	Block, Slide	
4	07962300	2	Block, Slide	
5	08010900	2	Block, Slide	
6	06321200	1	Bushing	
6	16710000	2	Pulley	
7	08010800	2	Guide	
8	07964100	2	Cable (Retract)	
9	07964500	4	Block, Slide	
10	079629Y1	1	Bracket	
11	079628Y1	1	Bracket	
12	079631Y2	1	Clamp (RH) (Was PN 079630Y1)	
13	079630Y1	NLA	Clamp (LH) (Was PN 079631Y1) (Use PN 083433Y2)	
13	083433Y2	1	Clamp (LH)	
14	07964400	2	Cable (Retract)	
15	07962400	2	Block, Slide	
16	079693Y1	2	Cover	
17	379632Y1	1	Support, Pulley	
18	379692Y1	1	Support, Pulley	
19	17963700	2	Pulley	
20	06301200	2	Block, Slide	

SECTION 4 - BOOM

FIGURE 4-4. TOWER BOOM FLY ASSEMBLY



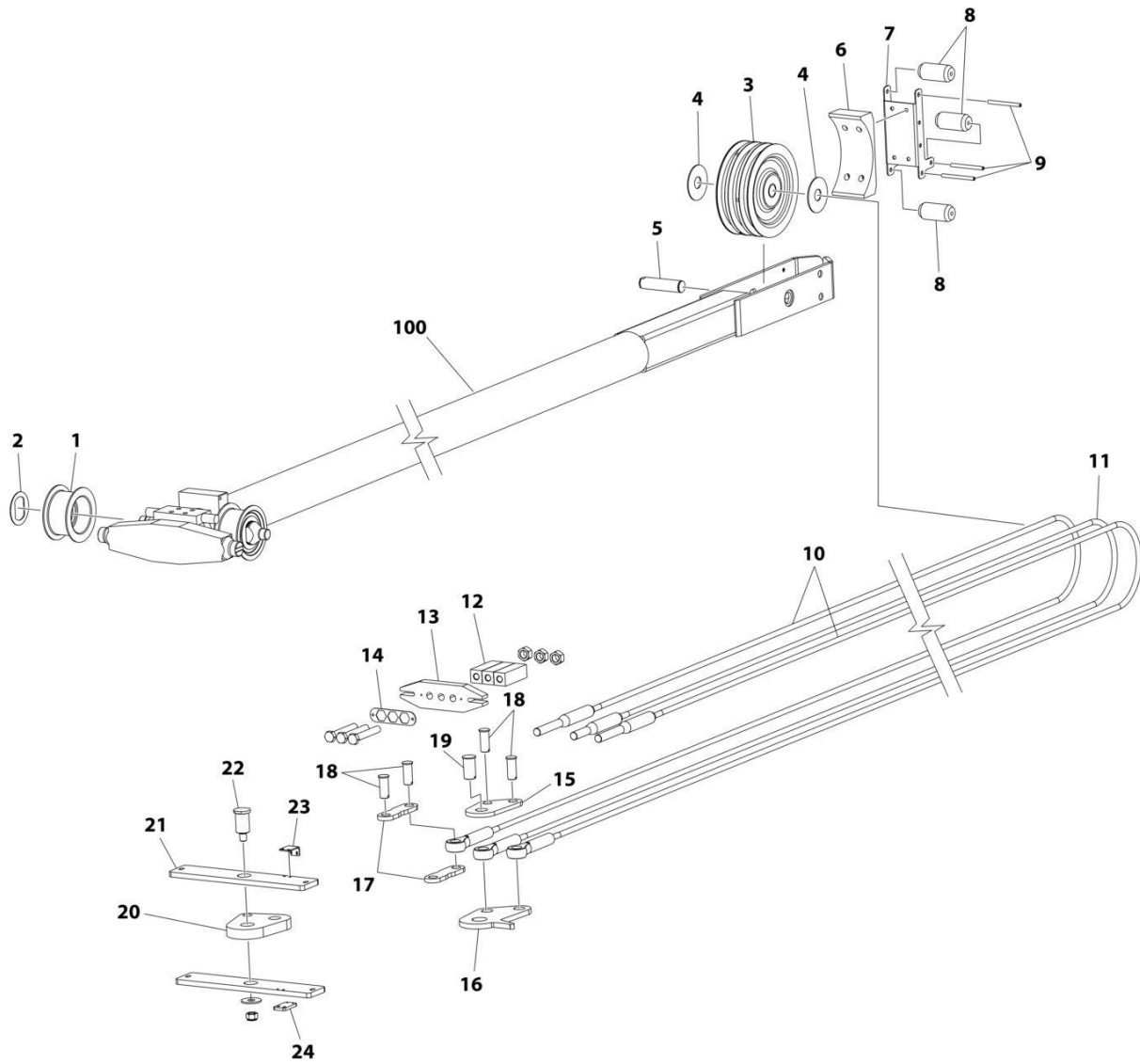
ART_04-01-03

FIGURE 4-4. TOWER BOOM FLY ASSEMBLY

ITEM	PART NUMBER	QTY	DESCRIPTION	REV
	379547J1	Ref	TOWER BOOM FLY ASSEMBLY	A
1	379562H3	2	Bracket	
2	17964000	2	Cable (Extend)	
3	179565Y1	2	Support	
4	079567Y1	3	Clamp	
5	27956800	2	Power Track Assembly	
6	079566Y1	3	Clamp	
7	07957000	2	Block, Slide	
8	07957100	2	Block, Slide	
9	07965800	2	Block, Slide	
10	07956900	2	Block, Slide	
11	062967Y1	2	Cover	

SECTION 4 - BOOM

FIGURE 4-5. TOWER BOOM TELESCOPE CYLINDER & CABLES INSTALLATION



ART_04-01-04

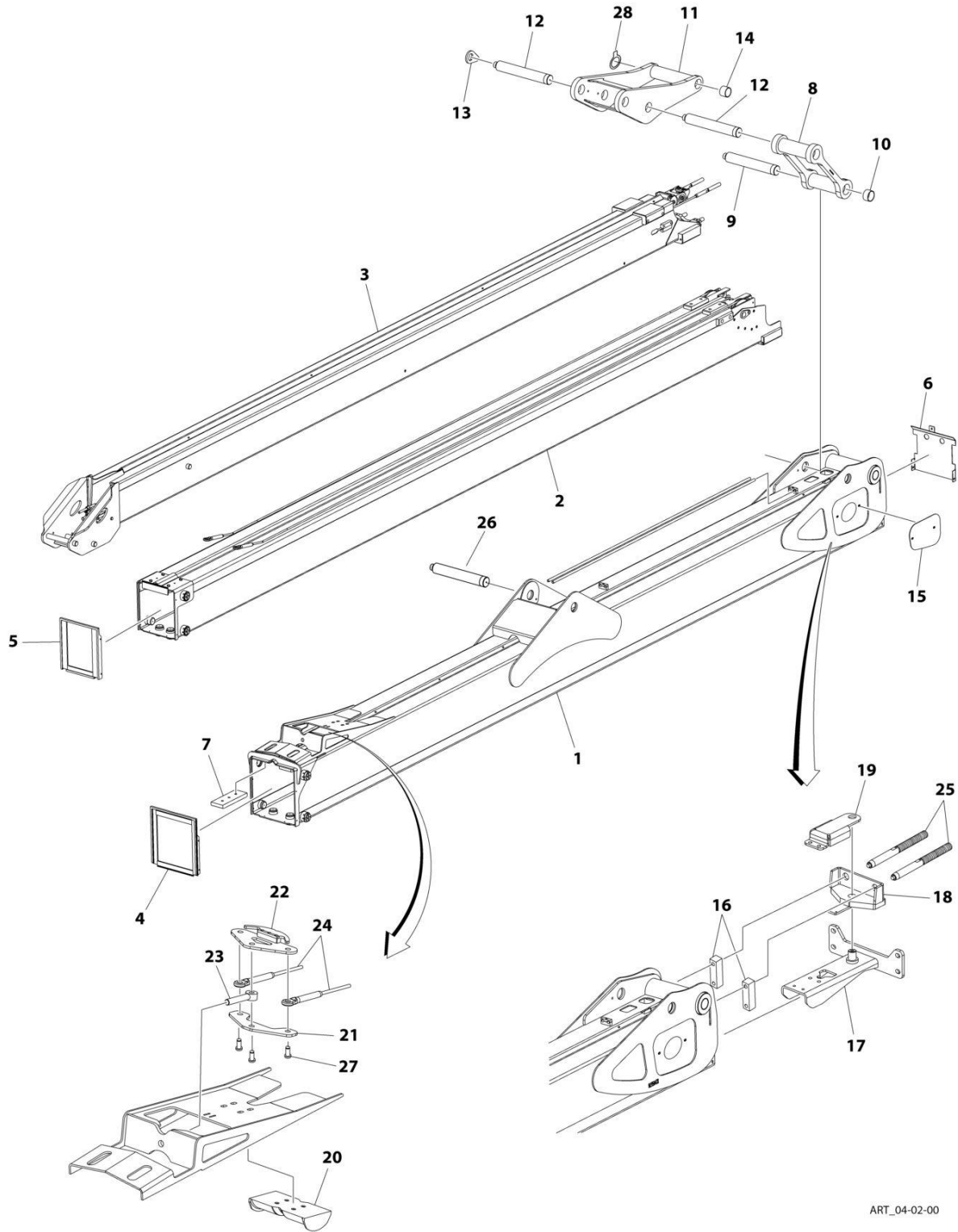
SECTION 4 - BOOM

FIGURE 4-5. TOWER BOOM TELESCOPE CYLINDER & CABLES INSTALLATION

ITEM	PART NUMBER	QTY	DESCRIPTION	REV
		Ref	TOWER BOOM TELESCOPE CYLINDER & CABLES INSTALLATION	A
1	07983300	2	Roller	
2	079834Y1	2	Guide	
3	17983500	1	Pulley	
4	08053900	2	Washer	
5	07904200	1	Pin	
6	07984000	1	Guide	
7	079839Y1	1	Bracket	
8	07984100	3	Roller	
9	07998000	3	Pin	
10	07964300	2	Cable (Extend)	
11	07964200	1	Cable (Extend)	
12	079627Y1	3	Block	
13	079625Y1	1	Clamp	
14	079626Y1	1	Retainer	
15	079756Y1	1	Plate	
16	079758Y1	1	Plate	
17	079760Y1	2	Plate	
18	07975700	4	Pin	
19	07975900	1	Pin	
20	079755Y1	1	Plate	
21	079778Y1	2	Plate	
22	07976200	1	Pin	
23	079761Y1	1	Bracket	
24	079957Y1	1	Plate	
100	278202H2	1	Telescope Cylinder Assembly - Tower (See Separate Breakdown in CYLINDER SECTION)	

SECTION 4 - BOOM

FIGURE 4-6. MAIN BOOM ASSEMBLY



ART_04-02-00

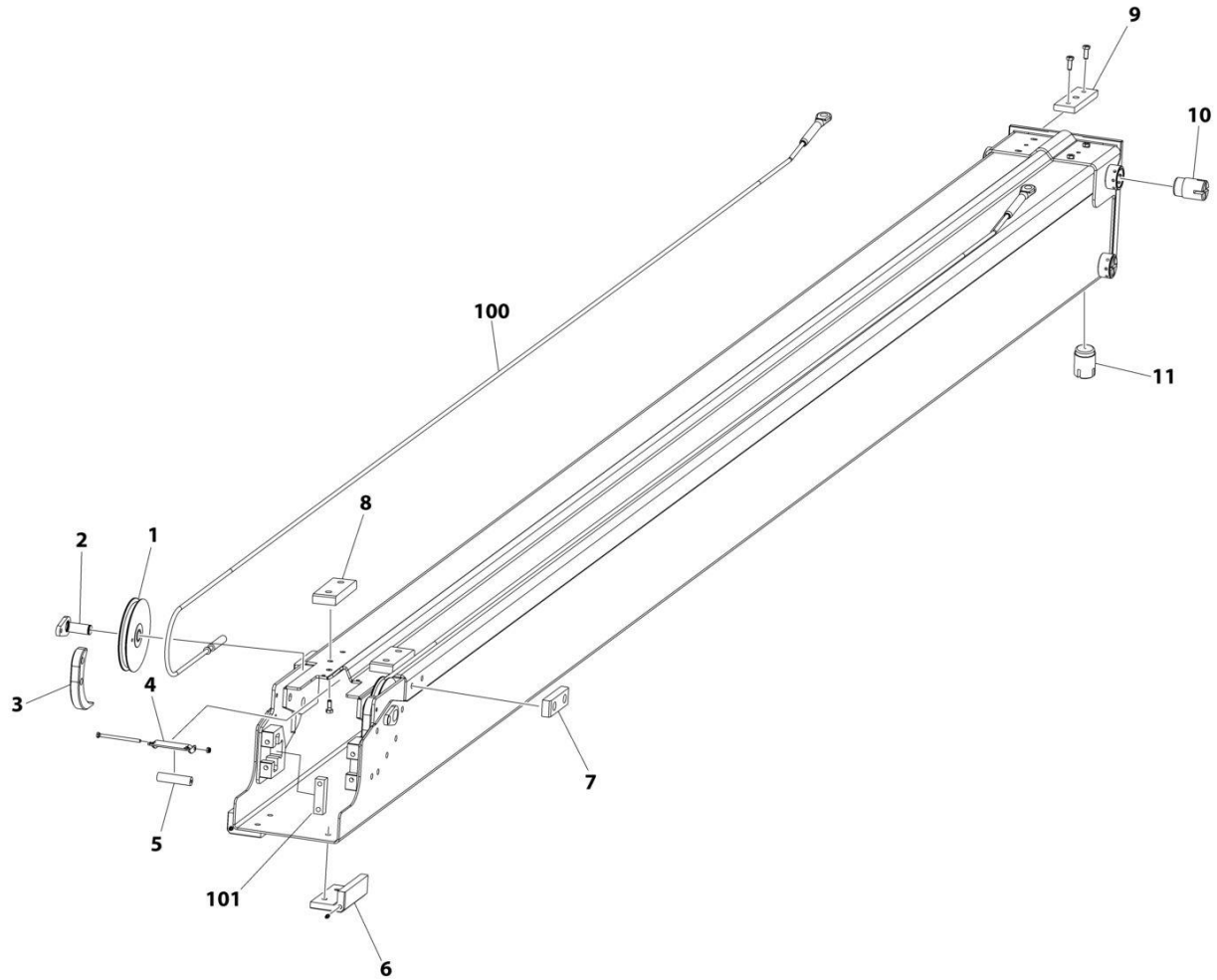
SECTION 4 - BOOM

FIGURE 4-6. MAIN BOOM ASSEMBLY

ITEM	PART NUMBER	QTY	DESCRIPTION	REV
		Ref	MAIN BOOM ASSEMBLY	A
1	179337J1	1	Main Boom Base Assembly	
2	379176J2	1	Main Boom Mid Assembly (See Separate Breakdown in this Section)	
3	379060J2	1	Main Boom Fly Assembly (See Separate Breakdown in this Section)	
4	17937100	1	Brush Kit	
5	17918700	1	Brush Kit	
6	079372H3	1	Cover	
7	07935800	2	Block, Slide	
8	379581H2	NLA	Link (Note: Use PN 179581H2)	
8	179581H2	1	Link	
9	07903600	1	Pin	
10	08047000	4	Bushing	
11	379572H2	NLA	Link (Note: Use PN 179572H2)	
11	179572H2	1	Link	
12	07903800	1	Pin	
13	064968Y1	7	Collar, Pin	
14	08053700	2	Bushing	
15	079373H3	2	Cover	
16	075287Y2	4	Clamp, Block	
17	379387Y1	1	Arm	
18	379392Y1	1	Rocker	
19	079388Y1	1	Shield	
20	07935900	1	Plate, Slide	
21	079360Y1	1	Plate	
22	380303Y1	1	Bracket	
23	07906300	1	Rod-End	
24	07915300	2	Cable, Extention	
25	07915200	2	Cable, Retract	
26	07903500	1	Pin	
27	07999000	3	Pin	
28	080128Y2	2	Spacer	

SECTION 4 - BOOM

FIGURE 4-7. MAIN BOOM MID ASSEMBLY



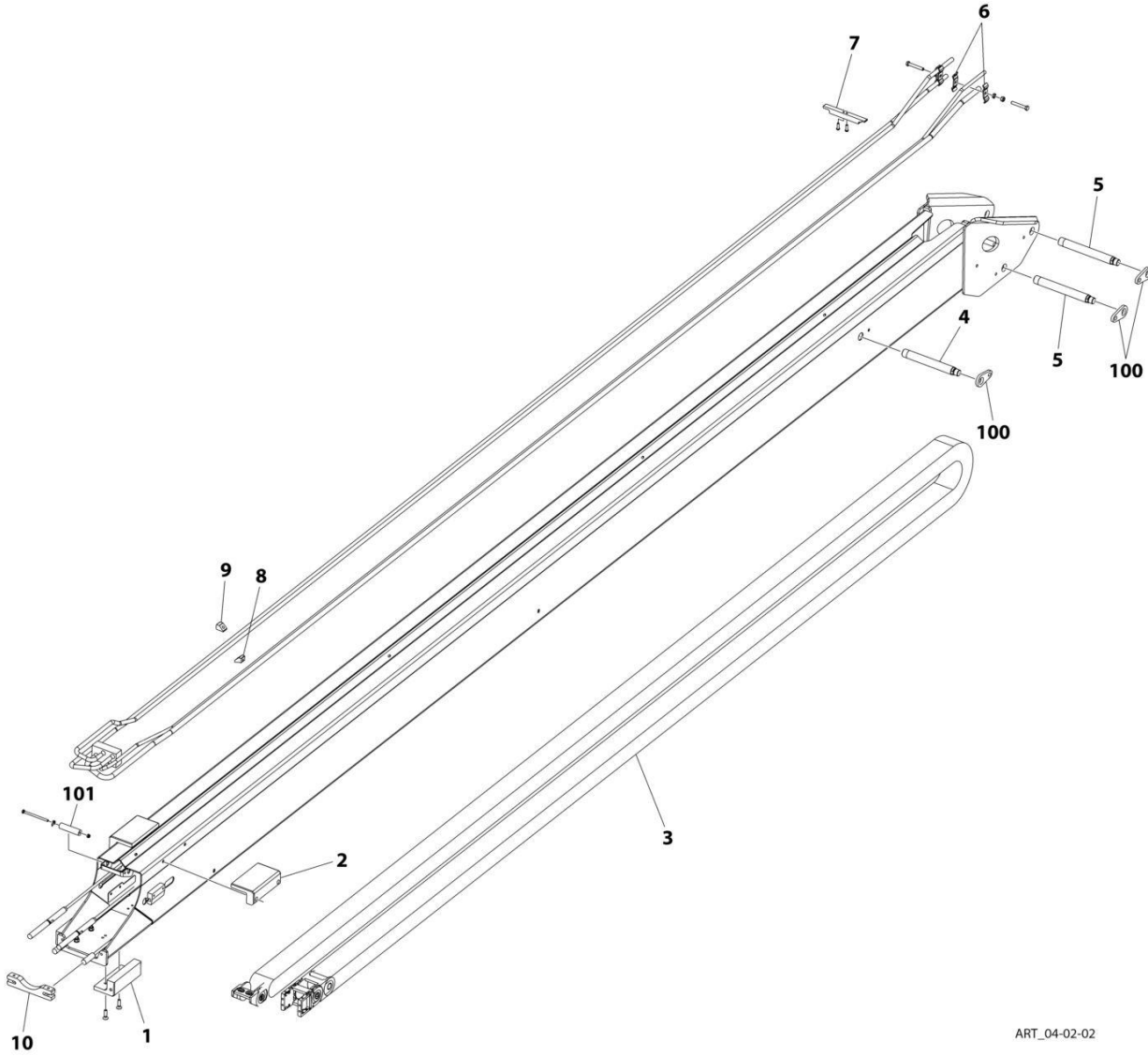
ART_04-02-01

FIGURE 4-7. MAIN BOOM MID ASSEMBLY

ITEM	PART NUMBER	QTY	DESCRIPTION	REV
	379176J2	Ref	MAIN BOOM MID ASSEMBLY	A
1	17917900	2	Pulley	
2	07903400	2	Pin	
3	07918100	2	Guide	
4	079182Y1	1	Shield	
5	07912800	4	Roller	
6	07915800	2	Block, Slide	
7	07915900	2	Block, Slide	
8	07916000	2	Block, Slide	
9	07916400	2	Block, Slide	
10	07918000	4	Block, Slide	
11	07246000	4	Block, Slide	
100	07915300	2	Cable, Extension	
101	075287Y2	2	Block	

SECTION 4 - BOOM

FIGURE 4-8. MAIN BOOM FLY ASSEMBLY



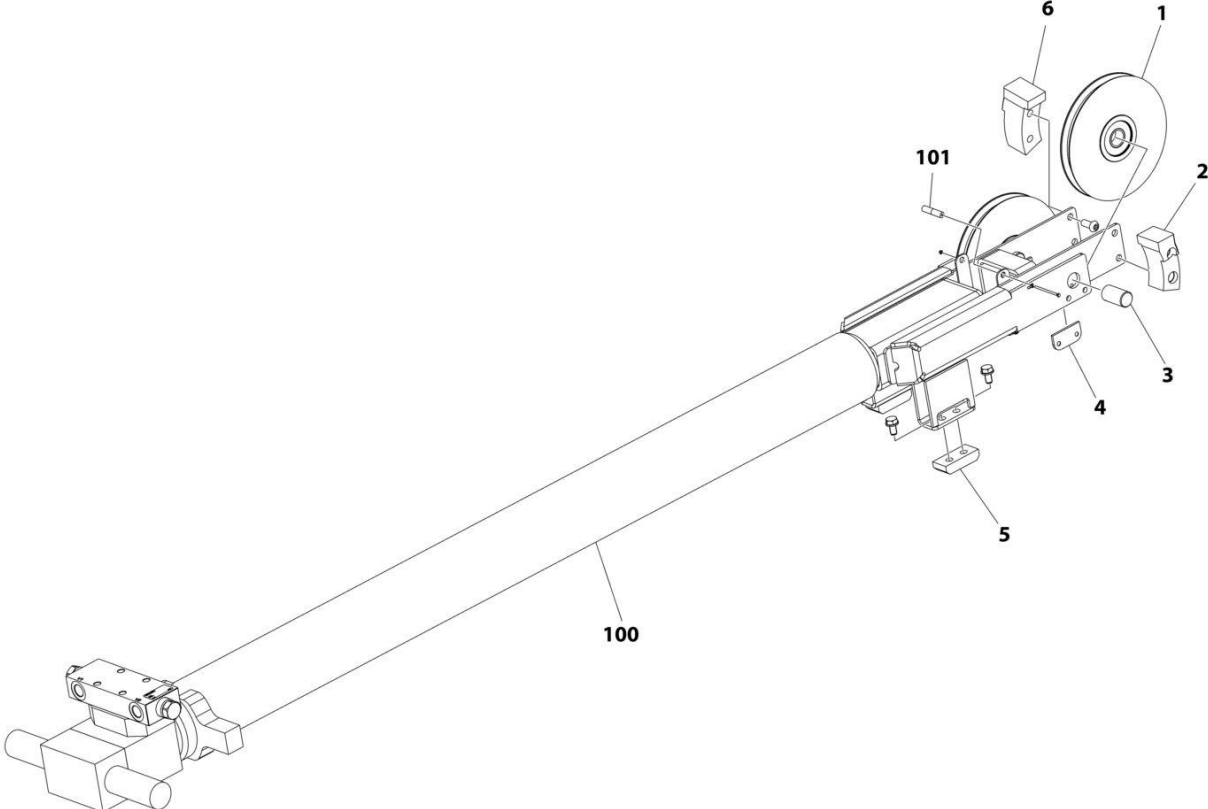
ART_04-02-02

FIGURE 4-8. MAIN BOOM FLY ASSEMBLY

ITEM	PART NUMBER	QTY	DESCRIPTION	REV
	379060J2	Ref	MAIN BOOM FLY ASSEMBLY	A
1	07915000	2	Block, Slide	
2	07914700	2	Block, Slide	
3	27949900	1	Power Track	
4	07903200	1	Pin	
5	07903000	2	Pin	
6	079096Y1	4	Collar	
7	079091Y1	1	Plate	
8	079093Y1	1	Lock (Front)	
8	079985Y1	1	Lock (Center)	
9	079092Y1	1	Lock (Front)	
9	079984Y1	1	Lock (Center)	
10	079146Y1	1	Retainer, Cable	
100	064966Y1	3	Collar, Pin	
101	07912800	1	Roller	

SECTION 4 - BOOM

FIGURE 4-9. MAIN BOOM TELESCOPE CYLINDER PULLEYS INSTALLATION



ART_04-02-03

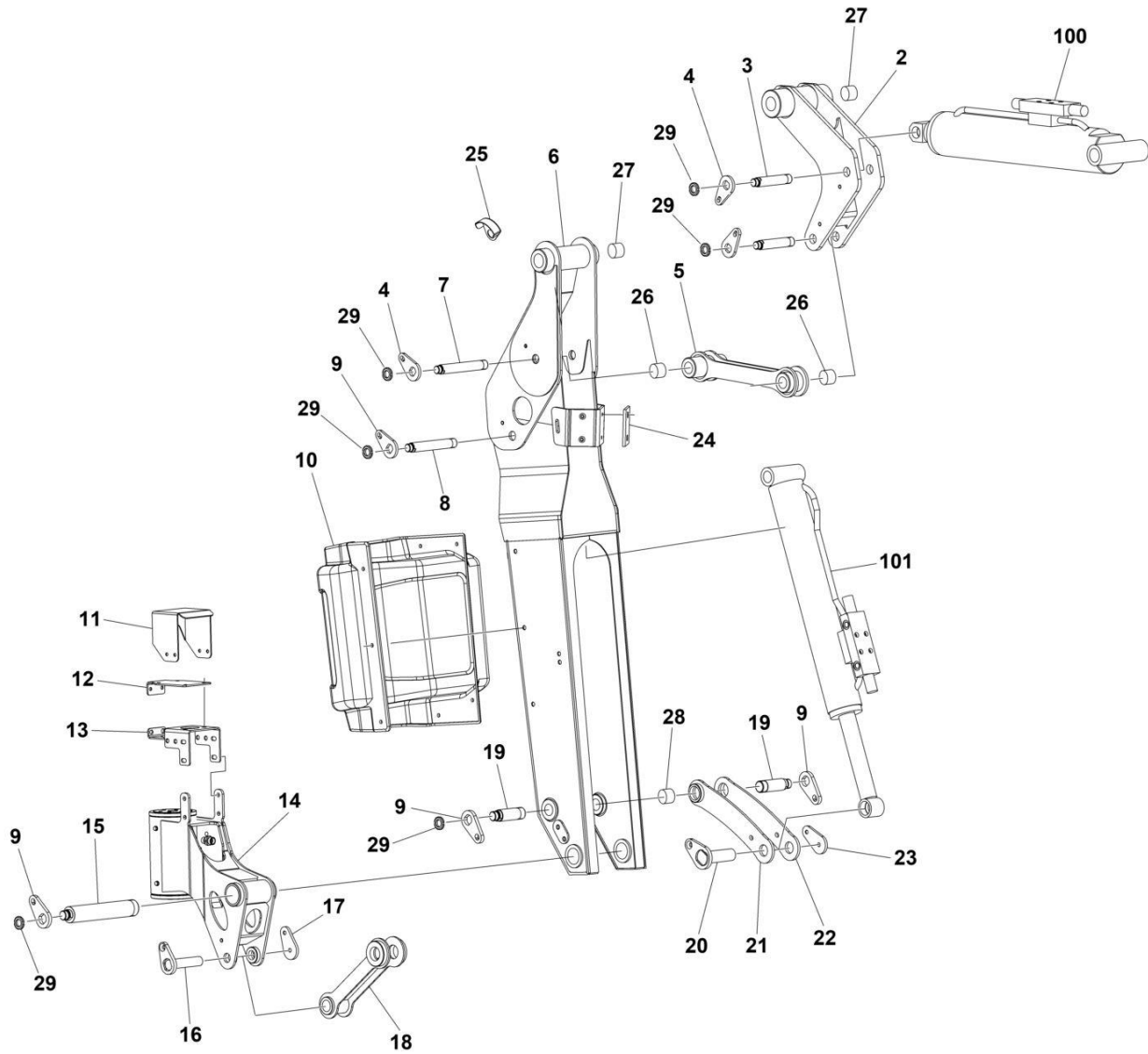
SECTION 4 - BOOM

FIGURE 4-9. MAIN BOOM TELESCOPE CYLINDER PULLEYS INSTALLATION

ITEM	PART NUMBER	QTY	DESCRIPTION	REV
		Ref	MAIN BOOM TELESCOPE CYLINDER PULLEYS INSTALLATION	A
1	17914400	2	Pulley	
2	07913000	1	Block, Slide	
3	07903300	1	Pin	
4	072787Y1	2	Plate	
5	07912900	2	Block, Slide	
6	07914800	1	Block, Slide	
100	278203H2	1	Telescope Cylinder Assembly - Main Boom (See Separate Breakdown in CYLINDER Section)	
101	07912800	1	Roller	

SECTION 4 - BOOM

FIGURE 4-10. JIB ASSEMBLY



ART_04-03-00

SECTION 4 - BOOM

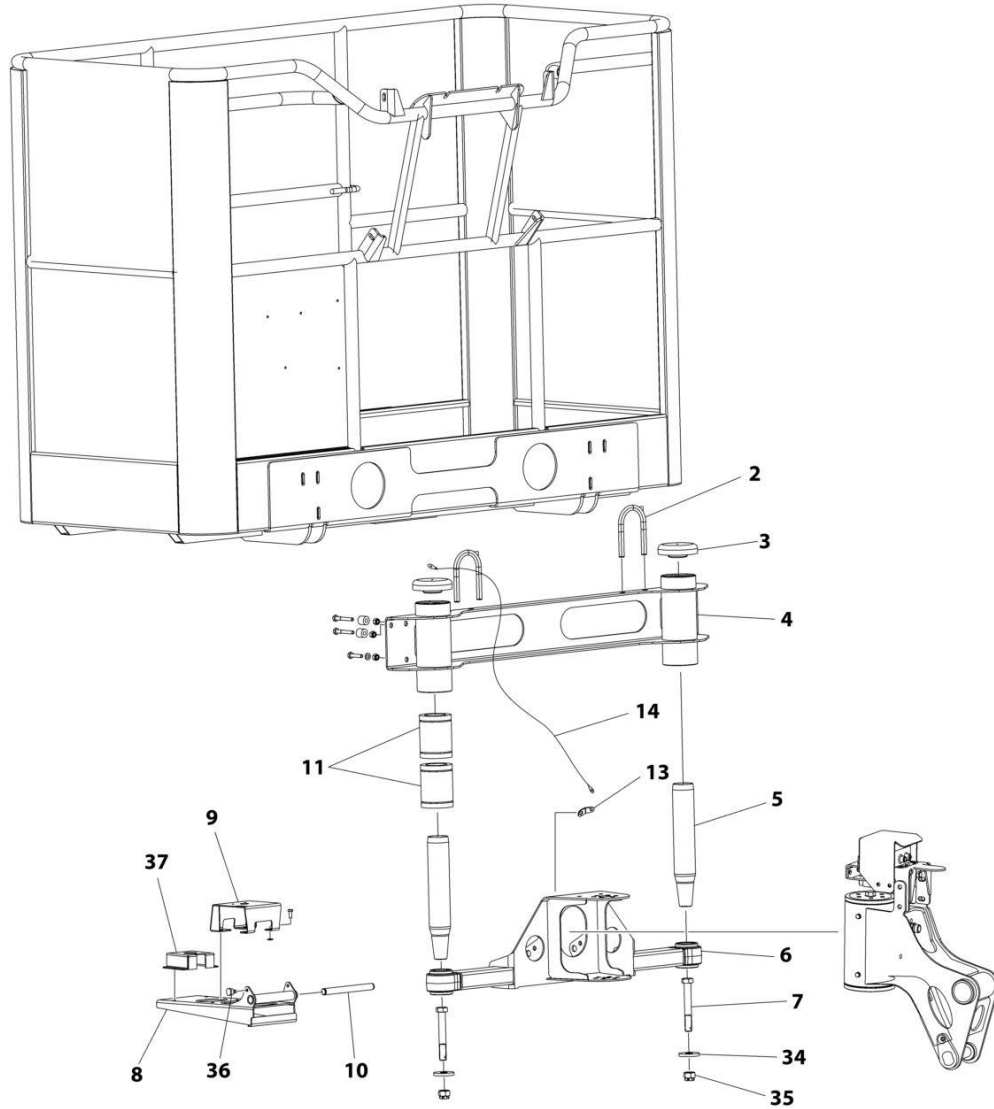
FIGURE 4-10. JIB ASSEMBLY

ITEM	PART NUMBER	QTY	DESCRIPTION	REV
		Ref	JIB ASSEMBLY	A
2	178796H2	1	Link	
3	07903100	2	Pin	
4	064965Y1	4	Collar, Pin	
5	178820H2	1	Arm	
6	178235J2	1	Jib	
7	07902900	1	Pin	
8	07902800	1	Pin	
9	064966Y1	6	Collar, Pin	
10	18044600	1	Cover	
11	080084H2	1	Bracket	
12	080083H2	1	Bracket	
13	079021H2	1	Support	
14	279020H2	1	Rotator Assembly	
15	07902600	1	Pin	
16	07902500	1	Pin	
17	079377Y1	1	Plate	
18	178800H2	1	Arm	
19	07902400	2	Pin	
20	07902700	1	Pin	
21	178805H2	1	Arm	
22	178806H2	1	Arm	
23	079376Y1	1	Plate	
24	05849000	2	Block, Slide	
25	380105H3	1	Bracket	
26	07765700	5	Bushing	
27	07901300	2	Bushing	
28	07901400	1	Bushing	
29	BG000600	8	Nut, Self-Locking	
100	278209H2	1	Level Cylinder Assembly - Jib (See Separate Breakdown in CYLINDER Section)	
101	278208H2	1	Lift Cylinder Assembly - Jib (See Separate Breakdown in CYLINDER Section)	

SECTION 5 - PLATFORM

SECTION 5 - PLATFORM

FIGURE 5-1. PLATFORM SUPPORT INSTALLATION



ART_05-01-00

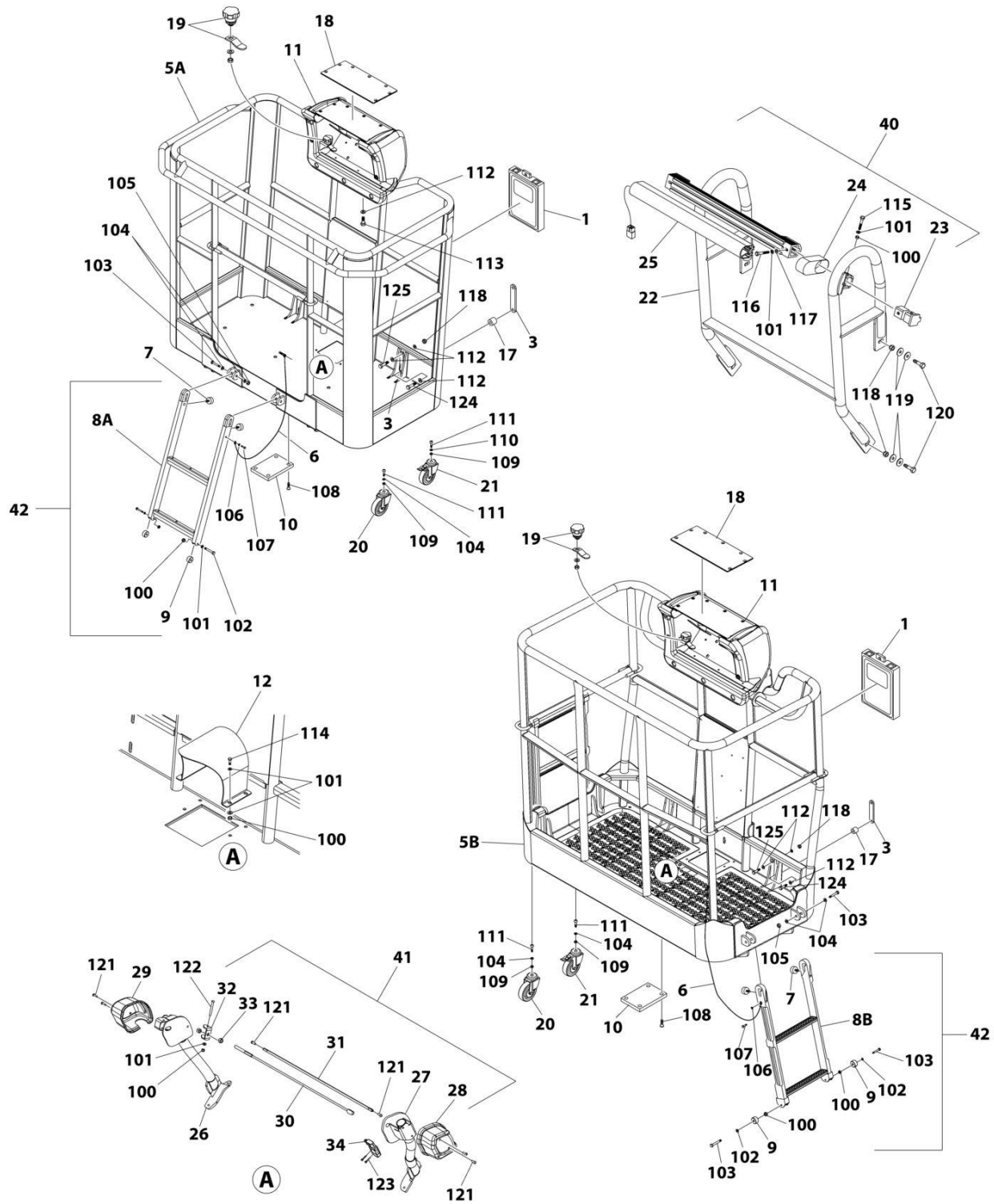
SECTION 5 - PLATFORM

FIGURE 5-1. PLATFORM SUPPORT INSTALLATION

ITEM	PART NUMBER	QTY	DESCRIPTION	REV
		Ref	PLATFORM SUPPORT INSTALLATION	A
2	07031800	2	U-Clamp	
3	07146400	2	Cap	
4	378814H2	1	Bracket, Platform Mounting	
5	07146500	2	Pin	
6	378809H2	1	Bracket, Jib Arm	
7	07190900	2	Bolt M16 x 115 Grade 8.8	
8	377661H2	1	Bracket, Load Cell	
9	080101H3	1	Support	
10	07766500	1	Pin	
11	27146200	4	Bearing	
13	07052900	1	Bracket	
14	06665000	2	Cable	
34	07192600	2	Washer	
35	07193000	2	Nut M16	
36	07771500	1	Handle	
37	056187H3	1	Box	

SECTION 5 - PLATFORM

FIGURE 5-2. PLATFORM INSTALLATION



ART_05-02-00

SECTION 5 - PLATFORM

FIGURE 5-2. PLATFORM INSTALLATION

ITEM	PART NUMBER	QTY	DESCRIPTION	REV
		Ref	PLATFORM INSTALLATION	A
1	05643600	1	Box, Manual Storage	
3	072398H3	2	Plate	
5A	27895200	1	Platform	
5B	28363000	1	Platform	
5B	28433000	1	Platform	
6	06598500	1	Cable	
7	05475900	2	Bumper	
8A	36585800	1	Ladder	
8B	18478900	1	Ladder	
8B	08558100	1	Cap	
9	06585900	2	Roller	
10	058600H3	1	Plate	
11	17569900	1	Shield	
12	06418600	1	Shield	
17	07239700	4	Spacer	
18	07690700	1	Cover	
19	07192700	1	Fastener and Lever Kit	
20	07687300	2	Wheel	
21	07751100	2	Wheel with Brake	
22	37609800	1	Bracket, SkyGuard	
23	07796900	2	Block	
24	07797000	1	Cover, Rubber	
25	27796800	1	Sensor/Switch, SkyGuard	
26	38302300	1	Support	
27	38302200	1	Support	
28	08310700	1	Cover, Skyline (RH)	
29	08310800	1	Cover, Skyline (LH)	
30	08132300	1	Wand, Glass Fiber	
31	08309700	1	Spacer	
32	NPN	1	Bracket	
33	3311601	1	Nut 3/8	
34	18310600	1	Wire, Micro	
40	17768100	1	SkyGuard Kit (Includes Items 22-25 and Attaching Hardware)	
41	18357200	1	Kit, Skyline (JLG) (Includes Items 26-34 and Attaching Hardware)	
41	18357300	1	Kit, Skyline (Hinowa) (Includes Items 26-34 and Attaching Hardware)	
42	18150000	NLA	Kit, Ladder (Includes PN 36585800 Ladder and attaching Hardware) (Use PN 1001309207)	
42	1001309207	1	Kit, Ladder (Includes PN 18478900 Ladder and attaching Hardware)	
100	BD000900	AR	Nut M6	
101	BR000400	AR	Washer	
102	BV009100	AR	Bolt	
103	BV009200	AR	Bolt	
104	BR000600	6	Washer	
105	BD001500	2	Nut M10	
106	BD001400	2	Washer	
107	BV004300	2	Bolt	
108	BV010000	4	Bolt	

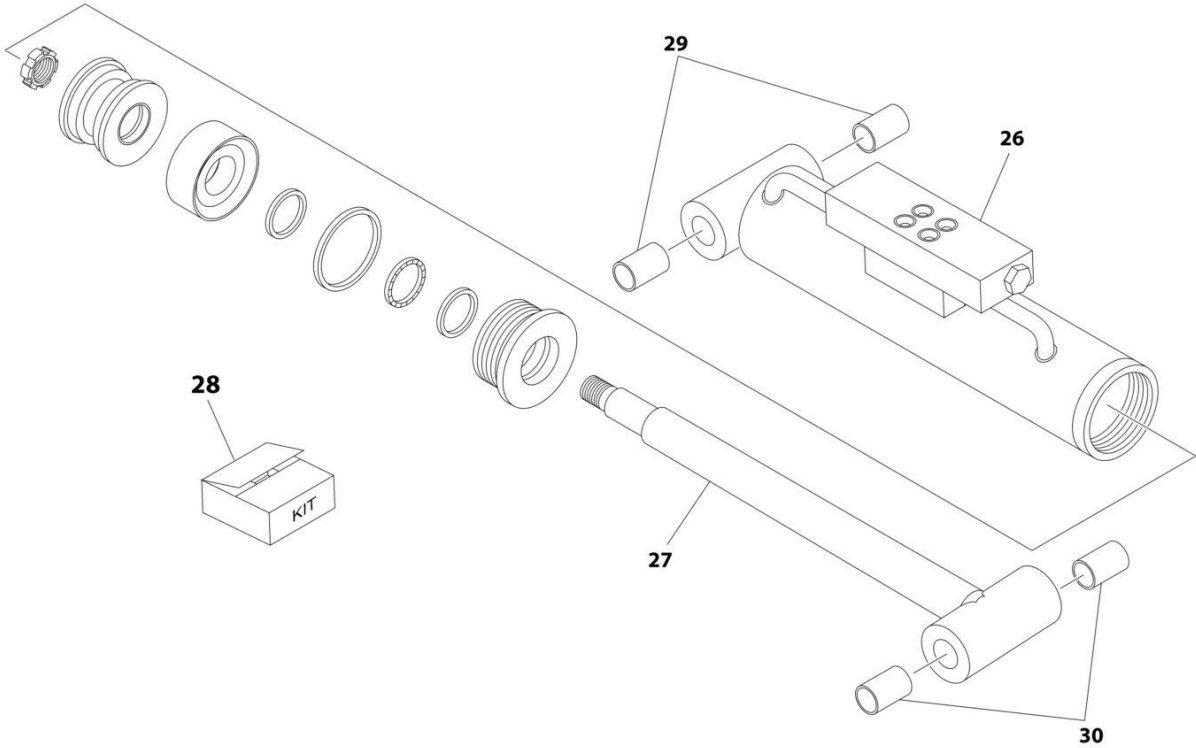
SECTION 5 - PLATFORM

ITEM	PART NUMBER	QTY	DESCRIPTION	REV
109	BD002300	4	Nut	
110	BR000800	2	Washer	
111	BV023400	4	Bolt	
112	BR000500	4	Washer M8	
113	BV021100	4	Bolt	
114	BV003000	4	Bolt	
115	BV001500	2	Bolt	
116	BV007200	2	Bolt	
117	BR000100	2	Washer M6	
118	BD000500	4	Nut M8	
119	BR001600	8	Washer	
120	BV000800	4	Bolt M8 x 30	
121	BV003500	4	Bolt	
122	BV025300	1	Bolt	
123	BV016600	2	Bolt	
124	BV000400	2	Bolt	
125	BV000700	2	Bolt	

SECTION 6 - CYLINDER

SECTION 6 - CYLINDER

FIGURE 6-1. LEVEL CYLINDER ASSEMBLY - PLATFORM



ART_06-14-00_278209H2

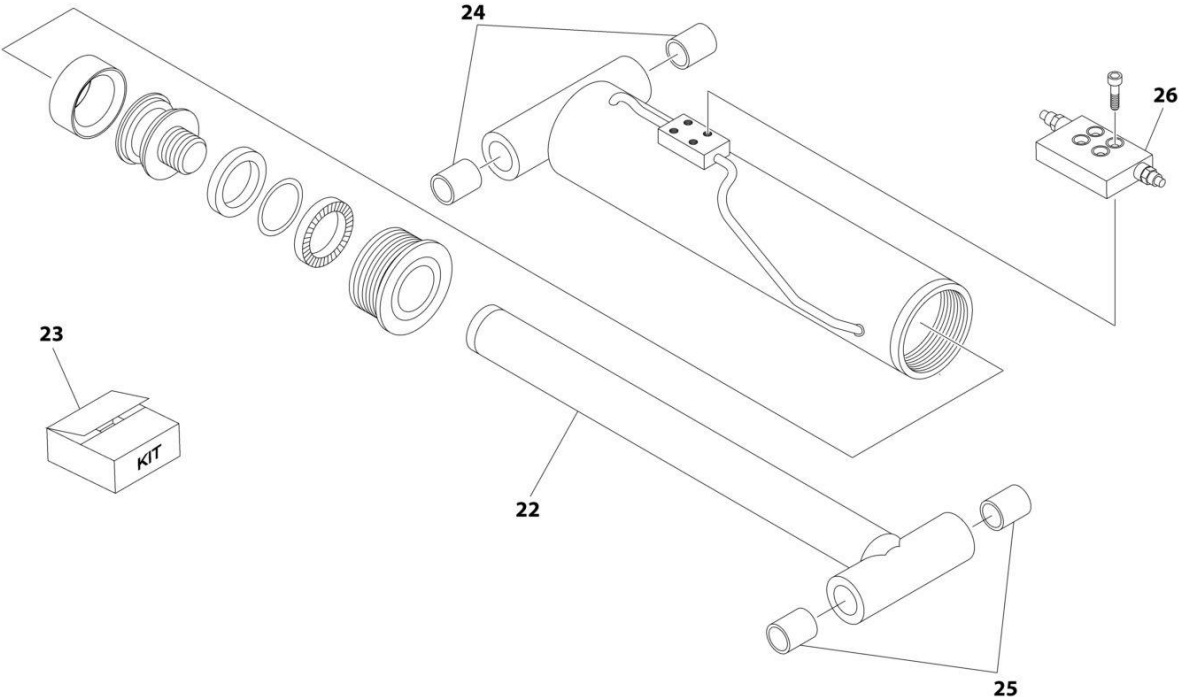
SECTION 6 - CYLINDER

FIGURE 6-1. LEVEL CYLINDER ASSEMBLY - PLATFORM

ITEM	PART NUMBER	QTY	DESCRIPTION	REV
	278209H2	Ref	LEVEL CYLINDER ASSEMBLY - PLATFORM	A
		Ref	Note: Original Cylinder May Have Been Replaced with Service Replacement. Identify PN Stamped on Cylinder Before Ordering Parts.	
26	2782080003	1	Valve Assembly	
27	278209H201	1	Rod	
28	2782090002	1	Seal Kit - 278209H2 Cylinder	
29	07765400	2	Bushing	
30	07901400	2	Bushing	

SECTION 6 - CYLINDER

FIGURE 6-2. LIFT CYLINDER ASSEMBLY - JIB



ART_06-14-00_278208H2

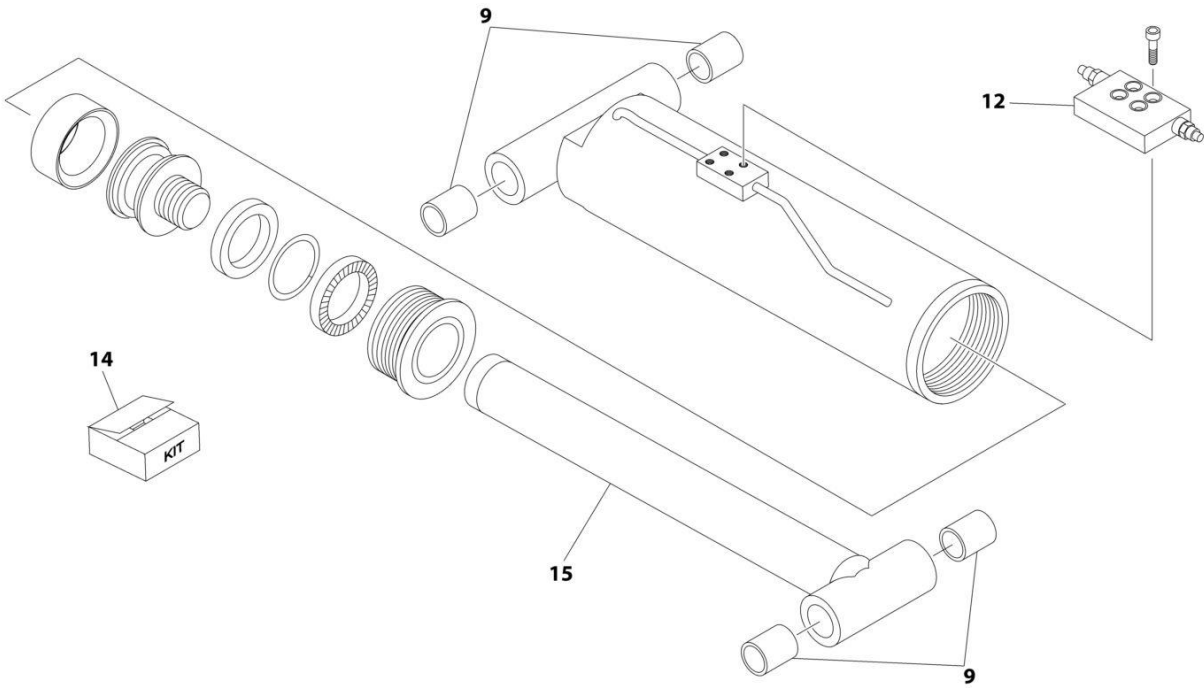
SECTION 6 - CYLINDER

FIGURE 6-2. LIFT CYLINDER ASSEMBLY - JIB

ITEM	PART NUMBER	QTY	DESCRIPTION	REV
	278208H2	Ref	LIFT CYLINDER ASSEMBLY - JIB	A
		Ref	Note: Original Cylinder May Have Been Replaced with Service Replacement. Identify PN Stamped on Cylinder Before Ordering Parts.	
22	278208H201	1	Rod	
22A	2782080005	1	Sensor, Linear (Not Shown)	
23	2782080002	1	Seal Kit - 278208H2 Cylinder	
24	07765300	1	Bushing	
25	2782080004	1	Bushing	
26	2782080003	1	Valve Assembly	

SECTION 6 - CYLINDER

FIGURE 6-3. LIFT CYLINDER ASSEMBLY - MAIN BOOM



ART_06-14-00_278207H2

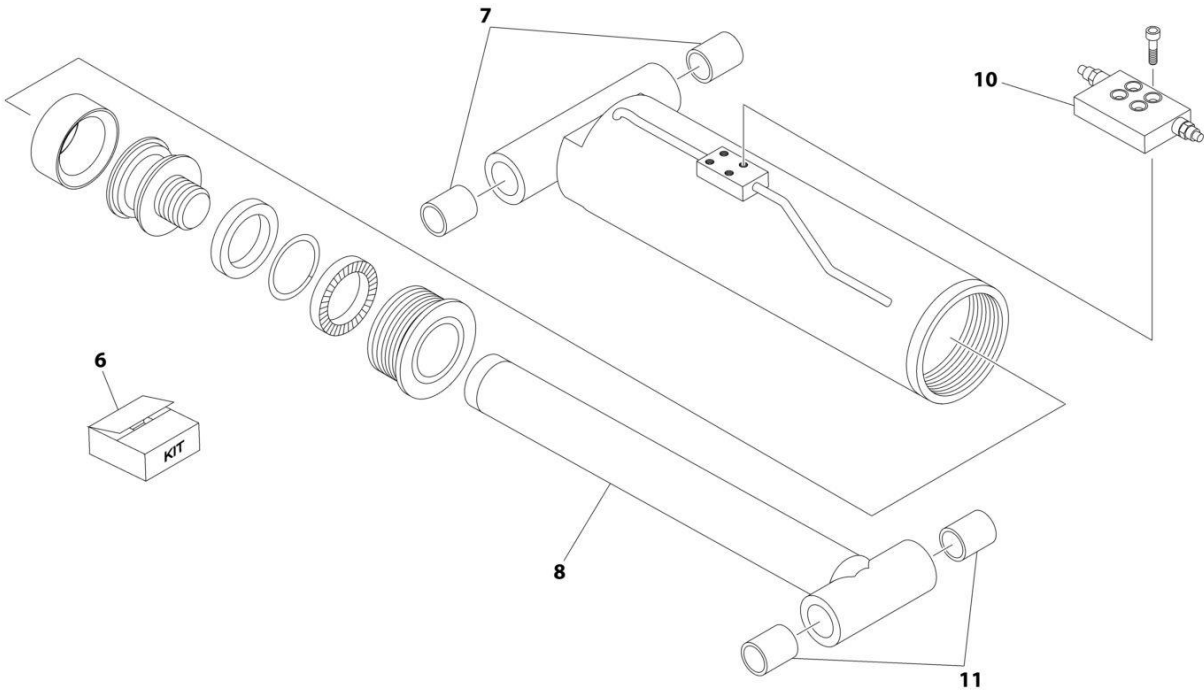
SECTION 6 - CYLINDER

FIGURE 6-3. LIFT CYLINDER ASSEMBLY - MAIN BOOM

ITEM	PART NUMBER	QTY	DESCRIPTION	REV
	278207H2	Ref	LIFT CYLINDER ASSEMBLY - MAIN BOOM	A
		Ref	Note: Original Cylinder May Have Been Replaced with Service Replacement. Identify PN Stamped on Cylinder Before Ordering Parts.	
9	07946100	1	Bushing	
12	2782070001	1	Valve Assembly	
14	2782070002	1	Seal Kit - 278207H2 Cylinder	
15	278207H201	1	Rod	
15A	2782070003	1	Sensor, Linear (Not Shown)	

SECTION 6 - CYLINDER

FIGURE 6-4. LIFT CYLINDER ASSEMBLY - TOWER BOOM



ART_05-14-00_278206H2

SECTION 6 - CYLINDER

FIGURE 6-4. LIFT CYLINDER ASSEMBLY - TOWER BOOM

ITEM	PART NUMBER	QTY	DESCRIPTION	REV
	278206H2	Ref	LIFT CYLINDER ASSEMBLY - TOWER BOOM	A
		Ref	Note: Original Cylinder May Have Been Replaced with Service Replacement. Identify PN Stamped on Cylinder Before Ordering Parts.	
6	2782060003	1	Seal Kit - 278206H2 Cylinder	
7	07946100	1	Bushing	
8	278206H201	1	Rod	
8A	2782060004	1	Sensor, Linear (Not Shown)	
10	2782060002	1	Valve Assembly	
11	07765100	1	Bushing	

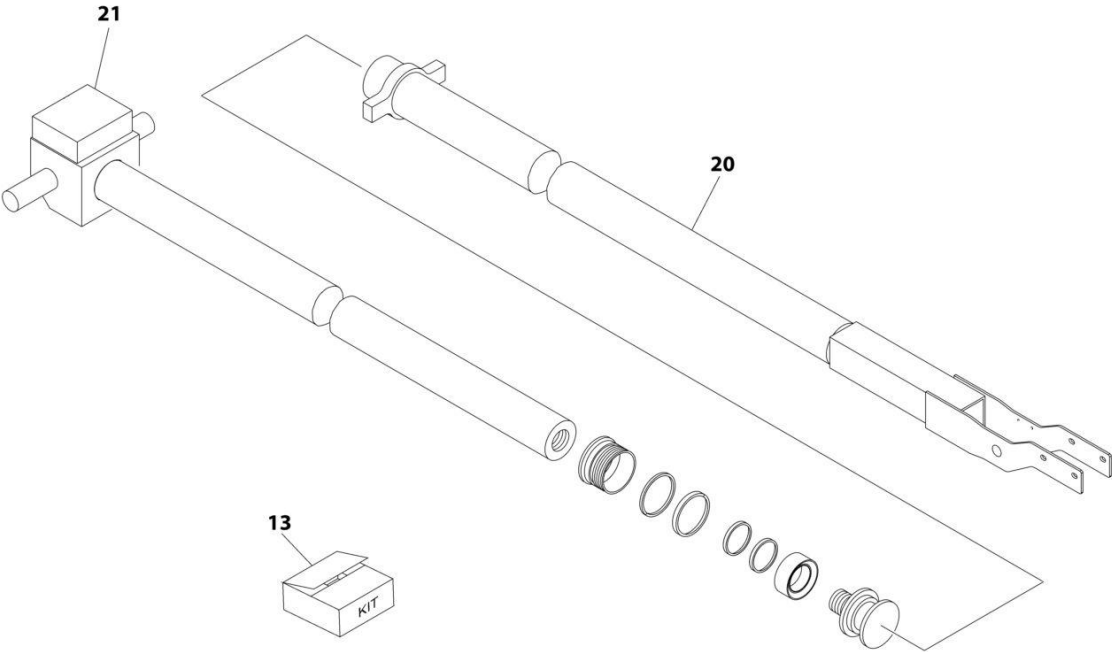
SECTION 6 - CYLINDER

FIGURE 6-5. OUTRIGGER CYLINDER ASSEMBLY

ITEM	PART NUMBER	QTY	DESCRIPTION	REV
	278210H2	Ref	OUTRIGGER CYLINDER ASSEMBLY	A
		Ref	Note: Original Cylinder May Have Been Replaced with Service Replacement. Identify PN Stamped on Cylinder Before Ordering Parts.	
1	2782100002	1	Seal Kit - 278210H2 Cylinder	
2	278210H201	1	Rod	
3	2705540002	1	Block	
4	07980700	4	Bushing	
5	1541150011	3	Cartridge, Valve	

SECTION 6 - CYLINDER

FIGURE 6-6. TELESCOPE CYLINDER ASSEMBLY - MAIN BOOM



ART_06-14-00_278203H2

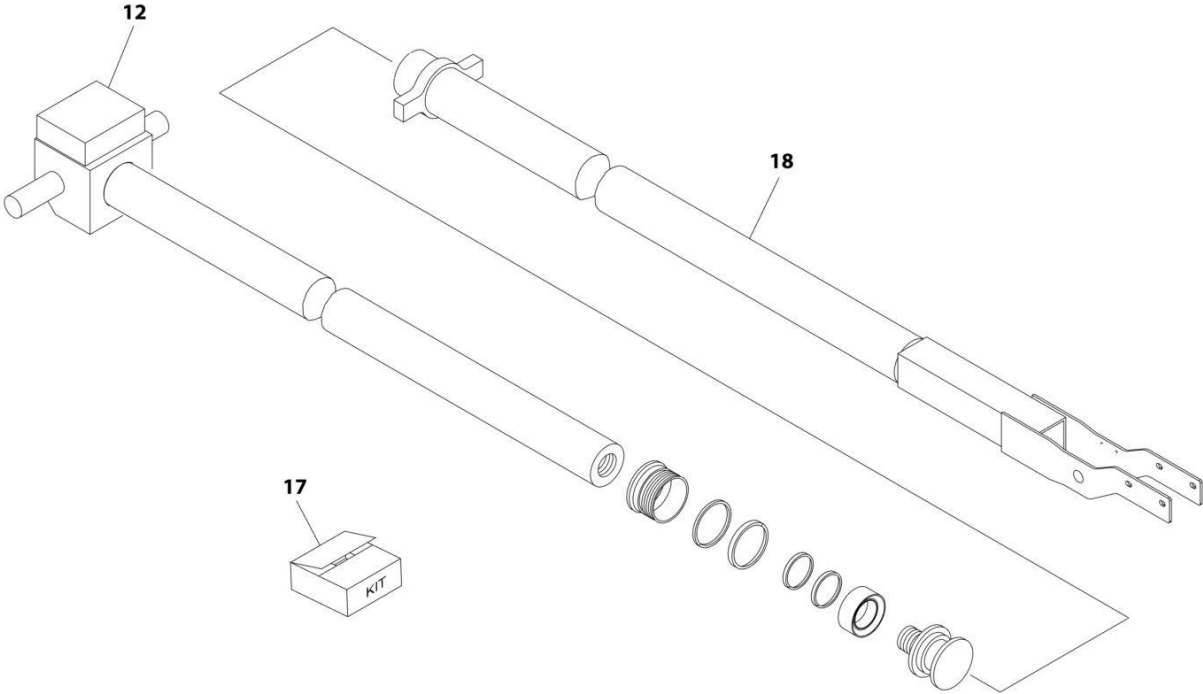
SECTION 6 - CYLINDER

FIGURE 6-6. TELESCOPE CYLINDER ASSEMBLY - MAIN BOOM

ITEM	PART NUMBER	QTY	DESCRIPTION	REV
	278203H2	Ref	TELESCOPE CYLINDER ASSEMBLY - MAIN BOOM	A
		Ref	Note: Original Cylinder May Have Been Replaced with Service Replacement. Identify PN Stamped on Cylinder Before Ordering Parts.	
13	2782030002	1	Seal Kit - 278203H2 Cylinder	
20	278203H201	1	Rod	
20A	2782030004	1	Sensor, Linear (Not Shown)	
21	2782030003	1	Valve Assembly	

SECTION 6 - CYLINDER

FIGURE 6-7. TELESCOPE CYLINDER ASSEMBLY - TOWER BOOM



ART_06-14-00_278202H2

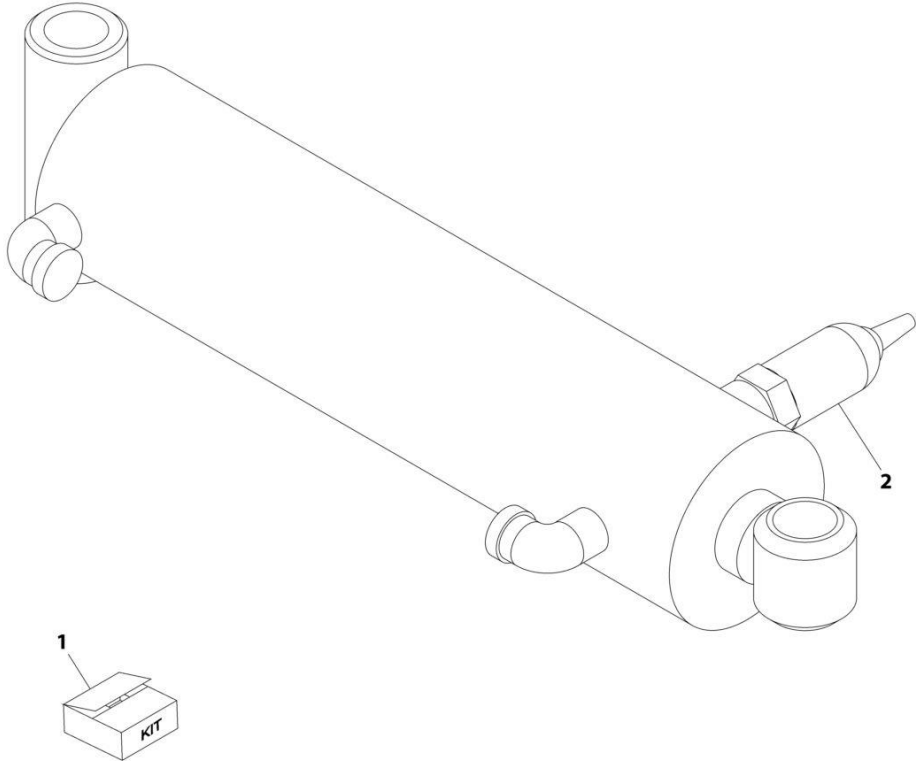
SECTION 6 - CYLINDER

FIGURE 6-7. TELESCOPE CYLINDER ASSEMBLY - TOWER BOOM

ITEM	PART NUMBER	QTY	DESCRIPTION	REV
	278202H2	Ref	TELESCOPE CYLINDER ASSEMBLY - TOWER BOOM	A
		Ref	Note: Original Cylinder May Have Been Replaced with Service Replacement. Identify PN Stamped on Cylinder Before Ordering Parts.	
12	2782070001	1	Valve Assembly	
17	2782020002	1	Seal Kit - 278202H2 Cylinder	
18	278202H201	1	Rod	
18A	2782020004	1	Sensor, Linear (Not Shown)	

SECTION 6 - CYLINDER

FIGURE 6-8. UNDERCARRIAGE EXTEND / RETRACT CYLINDER ASSEMBLY



ART_06-14-00_278219H2

SECTION 6 - CYLINDER

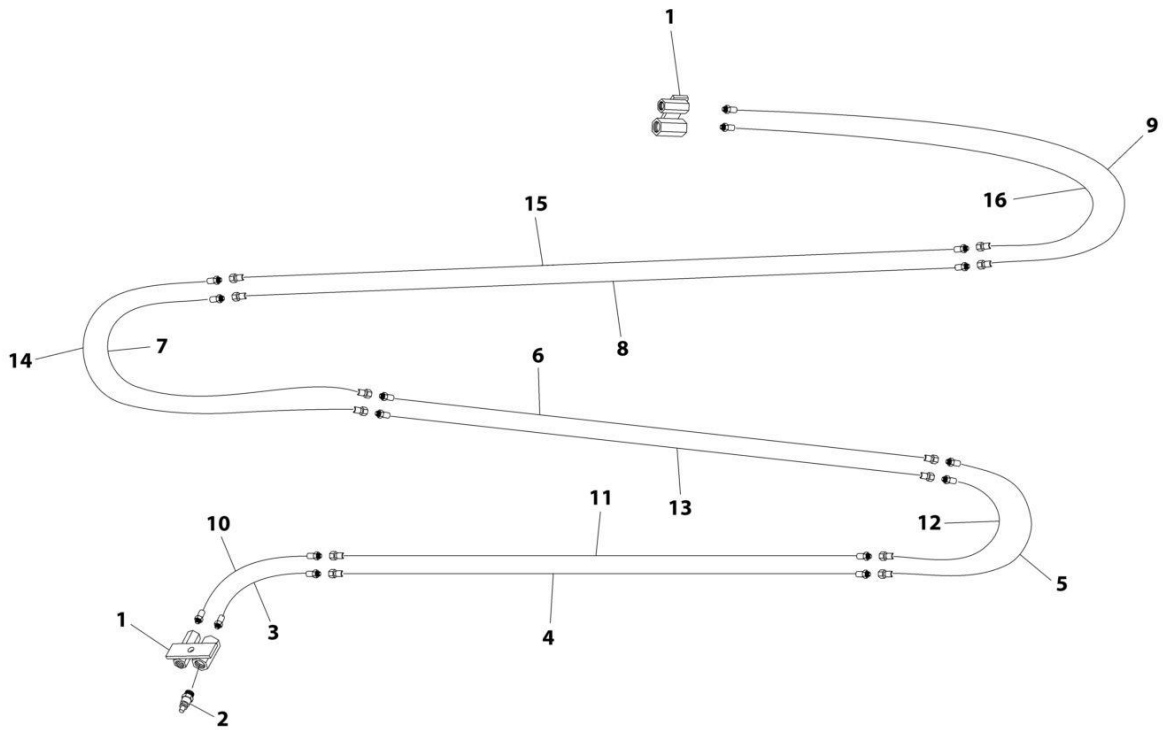
FIGURE 6-8. UNDERCARRIAGE EXTEND / RETRACT CYLINDER ASSEMBLY

ITEM	PART NUMBER	QTY	DESCRIPTION	REV
	278219H2	Ref Ref	UNDERCARRIAGE EXTEND / RETRACT CYLINDER ASSEMBLY Note: Original Cylinder May Have Been Replaced with Service Replacement. Identify PN Stamped on Cylinder Before Ordering Parts.	A
1	2782190001	1	Seal Kit (Note: Seal Kit is only serviceable part)	
2	17329500	1	Switch, N/O Contact (Includes Cable & Connector) (Note: Purchase separate when replacing cylinder)	

SECTION 7 - HYDRAULIC

SECTION 7 - HYDRAULIC

FIGURE 7-1. BOOM TUBE HYDRAULIC DIAGRAM



ART_07-13-00

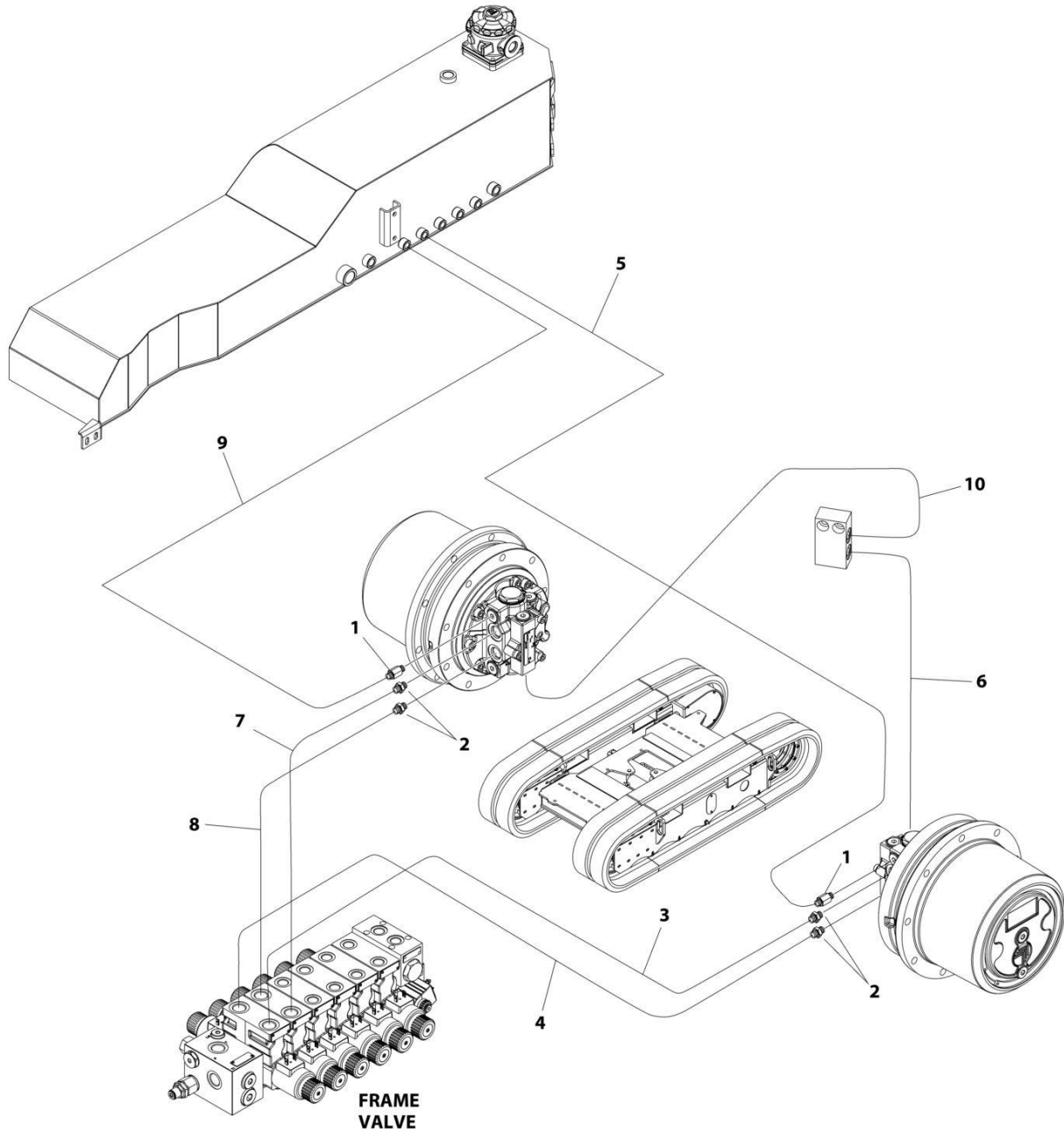
SECTION 7 - HYDRAULIC

FIGURE 7-1. BOOM TUBE HYDRAULIC DIAGRAM

ITEM	PART NUMBER	QTY	DESCRIPTION	REV
		Ref	BOOM TUBE HYDRAULIC DIAGRAM	A
1	07611000	2	Fitting	
2	05509900	1	Fitting, Quick Coupling	
3	08016200	1	Hose	
4	07976700	1	Tube	
5	08022500	1	Hose	
6	07960000	1	Tube (Lower Internal/Right Side on the Third Extendable Arm)	
7	08020800	1	Hose	
8	07909700	1	Tube (Air on the Second Extendable Arm)	
9	08006000	1	Hose	
10	08016300	1	Hose	
11	07976800	1	Tube	
12	08022600	1	Hose	
12	08333400	1	Hose	
13	07959800	1	Tube (Upper Internal/Right Side on the Third Extendable Arm)	
14	08020700	1	Hose	
15	07909800	1	Tube (Water on the Second Extendable Arm)	
16	08006100	1	Hose	

SECTION 7 - HYDRAULIC

FIGURE 7-2. DRIVE HYDRAULIC DIAGRAM



ART_07-04-00

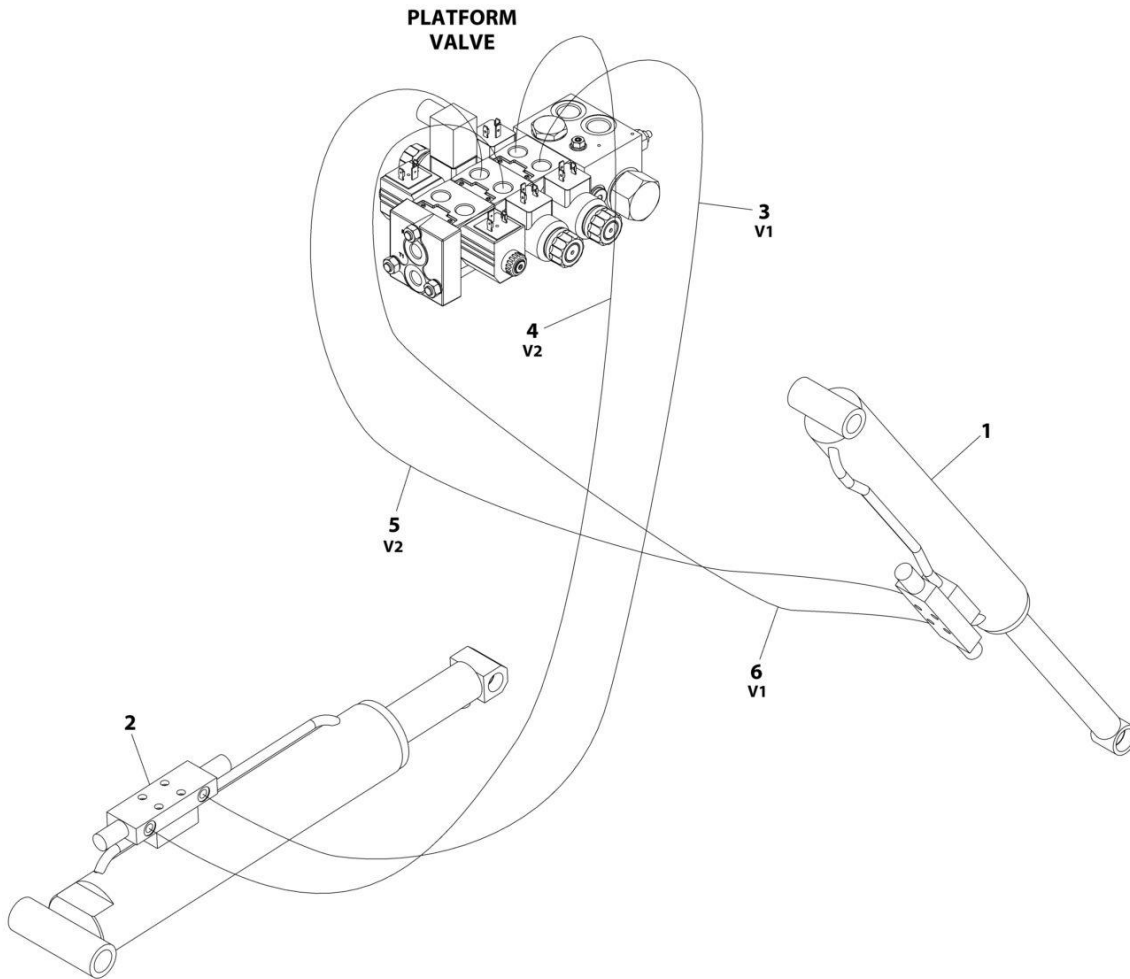
SECTION 7 - HYDRAULIC

FIGURE 7-2. DRIVE HYDRAULIC DIAGRAM

ITEM	PART NUMBER	QTY	DESCRIPTION	REV
		Ref	DRIVE HYDRAULIC DIAGRAM	A
1	05093900	2	Fitting	
2	05582600	4	Fitting	
3	08018300	1	Hose	
4	08018200	1	Hose	
5	08019000	1	Hose	
6	08018600	1	Hose	
7	08018500	1	Hose	
8	08018400	1	Hose	
9	08019100	1	Hose	
10	08020400	1	Hose	

SECTION 7 - HYDRAULIC

FIGURE 7-3. LEVEL (PLATFORM) AND JIB LIFT HYDRAULIC DIAGRAM



ART_07-11-00

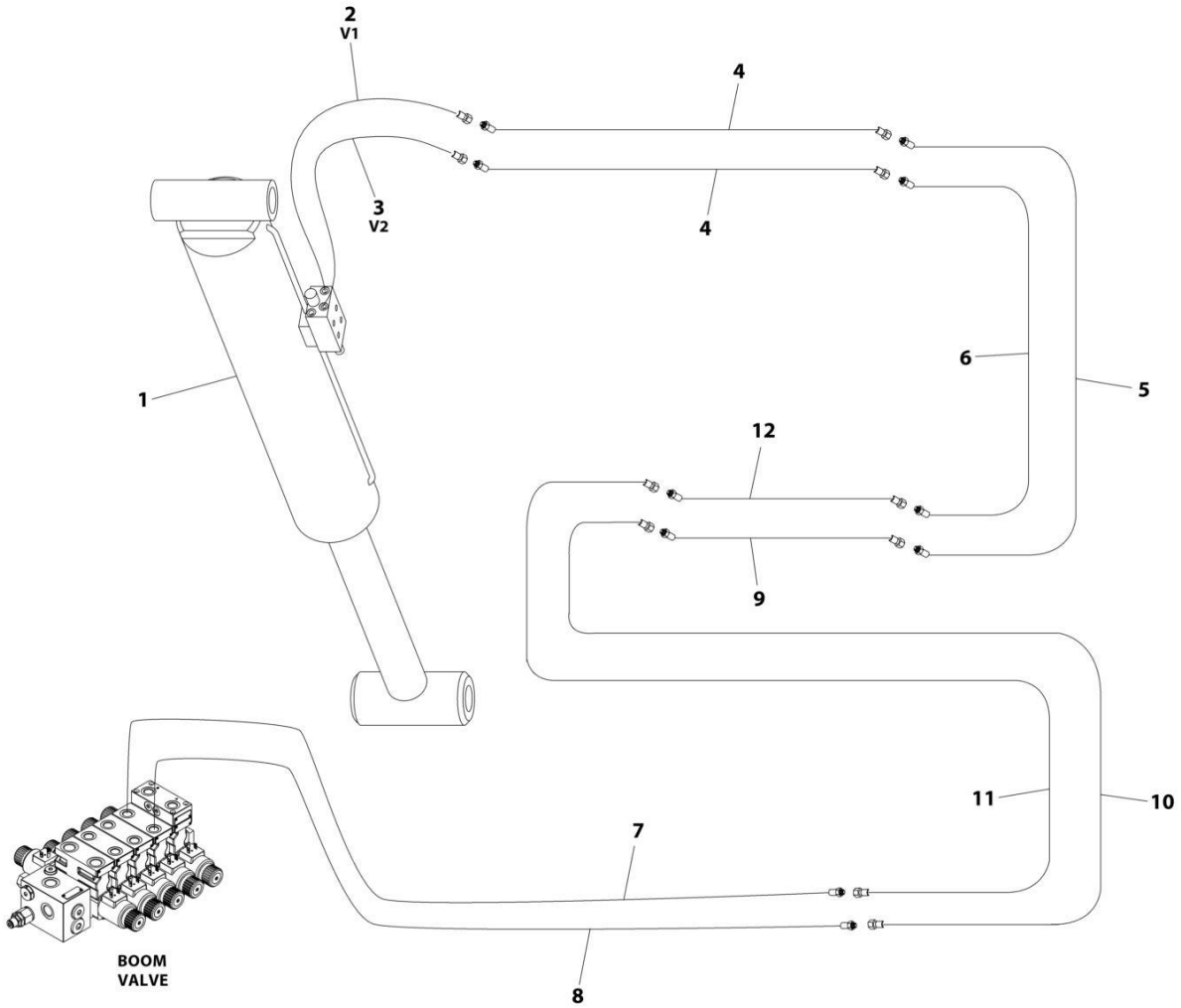
SECTION 7 - HYDRAULIC

FIGURE 7-3. LEVEL (PLATFORM) AND JIB LIFT HYDRAULIC DIAGRAM

ITEM	PART NUMBER	QTY	DESCRIPTION	REV
		Ref	LEVEL (PLATFORM) AND JIB LIFT HYDRAULIC DIAGRAM	A
1	278209H2	1	Cylinder Assembly - Platform Level (See Separate Breakdown in CYLINDER SECTION)	
2	278208H2	1	Cylinder Assembly - Jib Lift (See Separate Breakdown in CYLINDER SECTION)	
3	08005800	1	Hose	
4	08005900	1	Hose	
5	08005400	1	Hose	
6	08005500	1	Hose	

SECTION 7 - HYDRAULIC

FIGURE 7-4. LIFT HYDRAULIC DIAGRAM - MAIN BOOM



ART_07-09-00

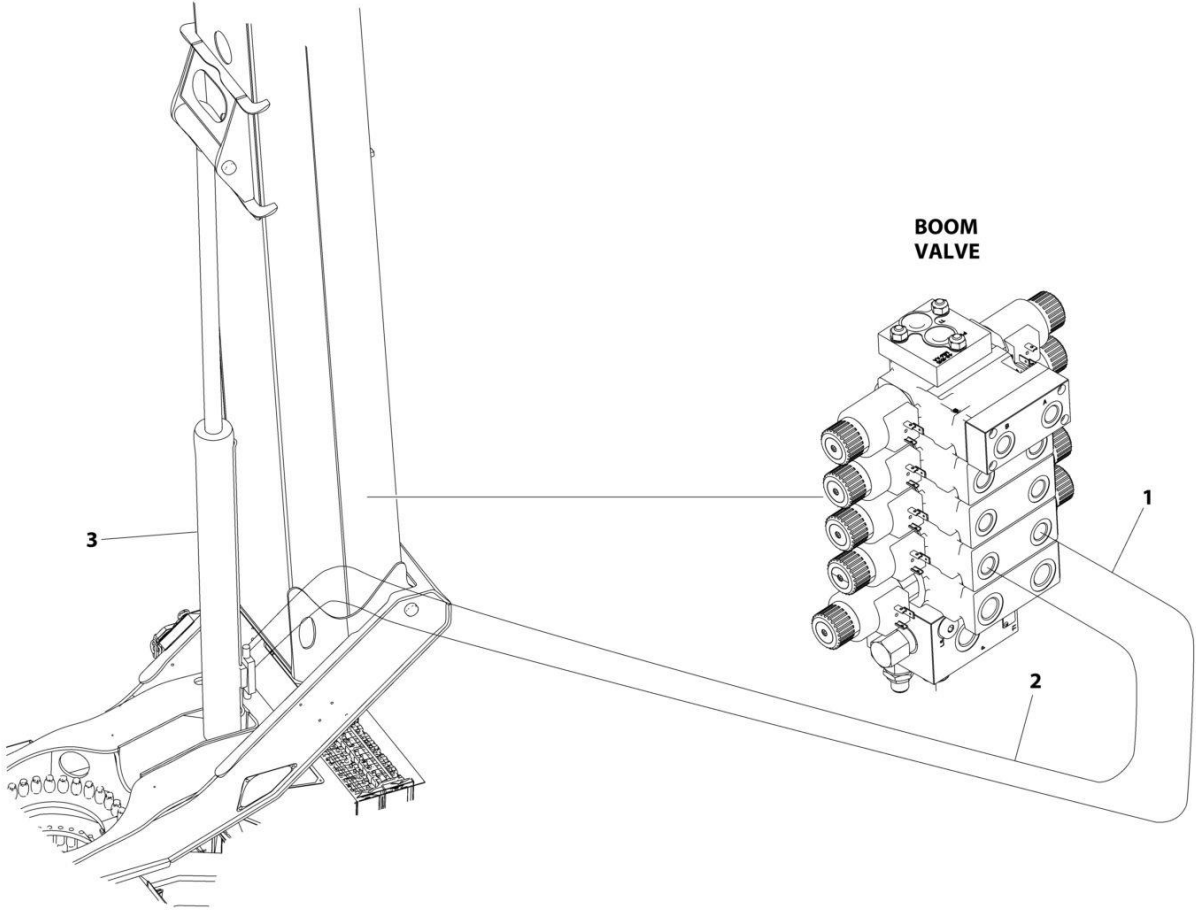
SECTION 7 - HYDRAULIC

FIGURE 7-4. LIFT HYDRAULIC DIAGRAM - MAIN BOOM

ITEM	PART NUMBER	QTY	DESCRIPTION	REV
		Ref	LIFT HYDRAULIC DIAGRAM - MAIN BOOM	A
1	278207H2	1	Cylinder Assembly (See Separate Breakdown in CYLINDER Section)	
2	08018000	1	Hose	
3	08018100	1	Hose	
4	08001500	2	Tube	
5	08017800	1	Hose	
6	08017900	1	Hose	
7	07976900	1	Tube	
8	07977200	1	Tube	
9	07959600	1	Tube (Lower Internal/Left Side on Third Extendable Arm)	
10	08021100	1	Hose	
11	08021000	1	Hose	
12	07959500	1	Tube (Upper External/Left Side on Third Extendable Arm)	

SECTION 7 - HYDRAULIC

FIGURE 7-5. LIFT HYDRAULIC DIAGRAM - TOWER BOOM



ART_07-07-00

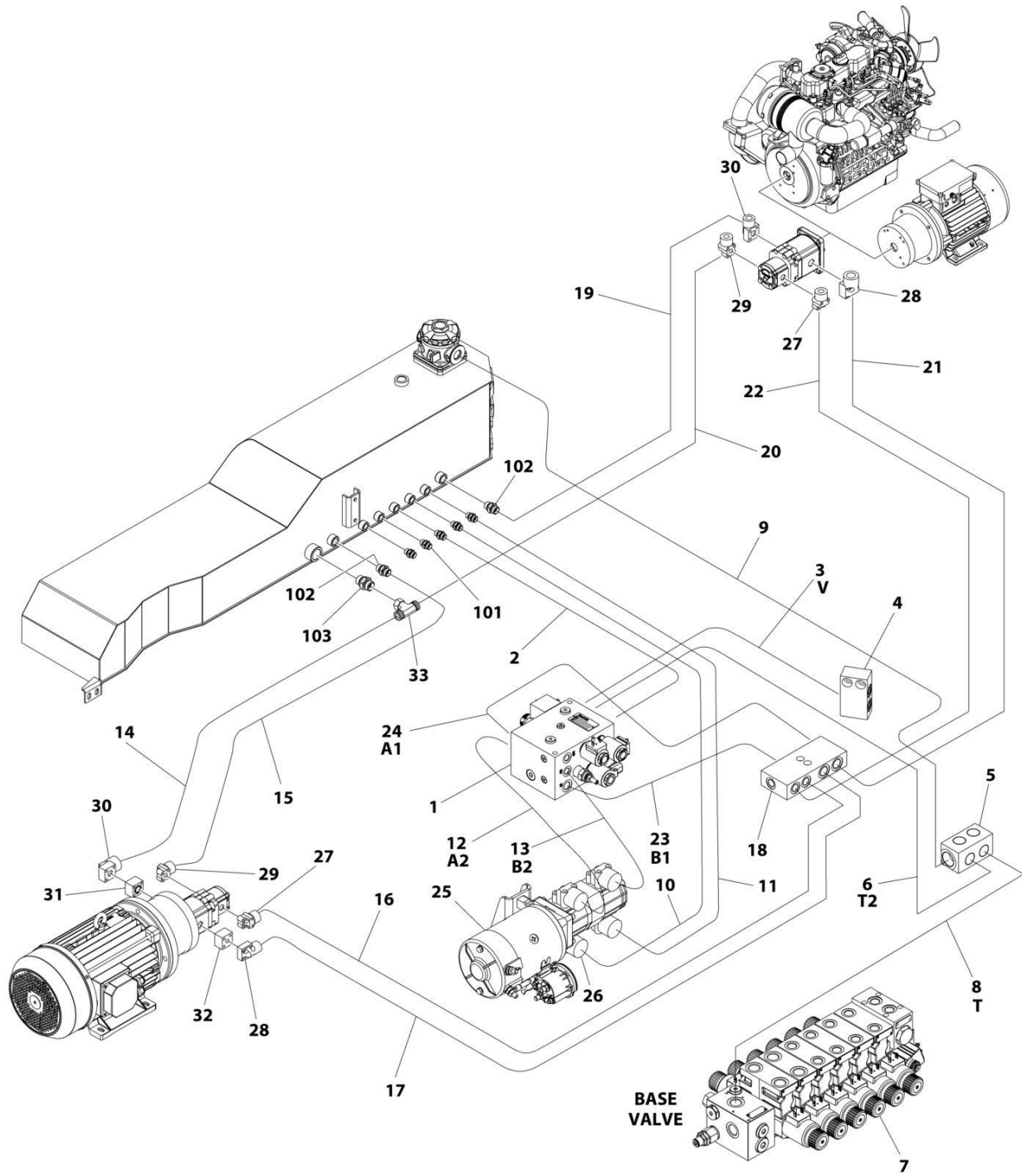
SECTION 7 - HYDRAULIC

FIGURE 7-5. LIFT HYDRAULIC DIAGRAM - TOWER BOOM

ITEM	PART NUMBER	QTY	DESCRIPTION	REV
		Ref	LIFT HYDRAULIC DIAGRAM - TOWER BOOM	A
1	08016700	1	Flexible Pipe	
2	08016800	1	Flexible Pipe	
3	278206H2	1	Lift Cylinder Assembly (See Separate Breakdown in CYLINDER SECTION)	

SECTION 7 - HYDRAULIC

FIGURE 7-6. MAIN HYDRAULIC DIAGRAM



ART_07-01-00

SECTION 7 - HYDRAULIC

FIGURE 7-6. MAIN HYDRAULIC DIAGRAM

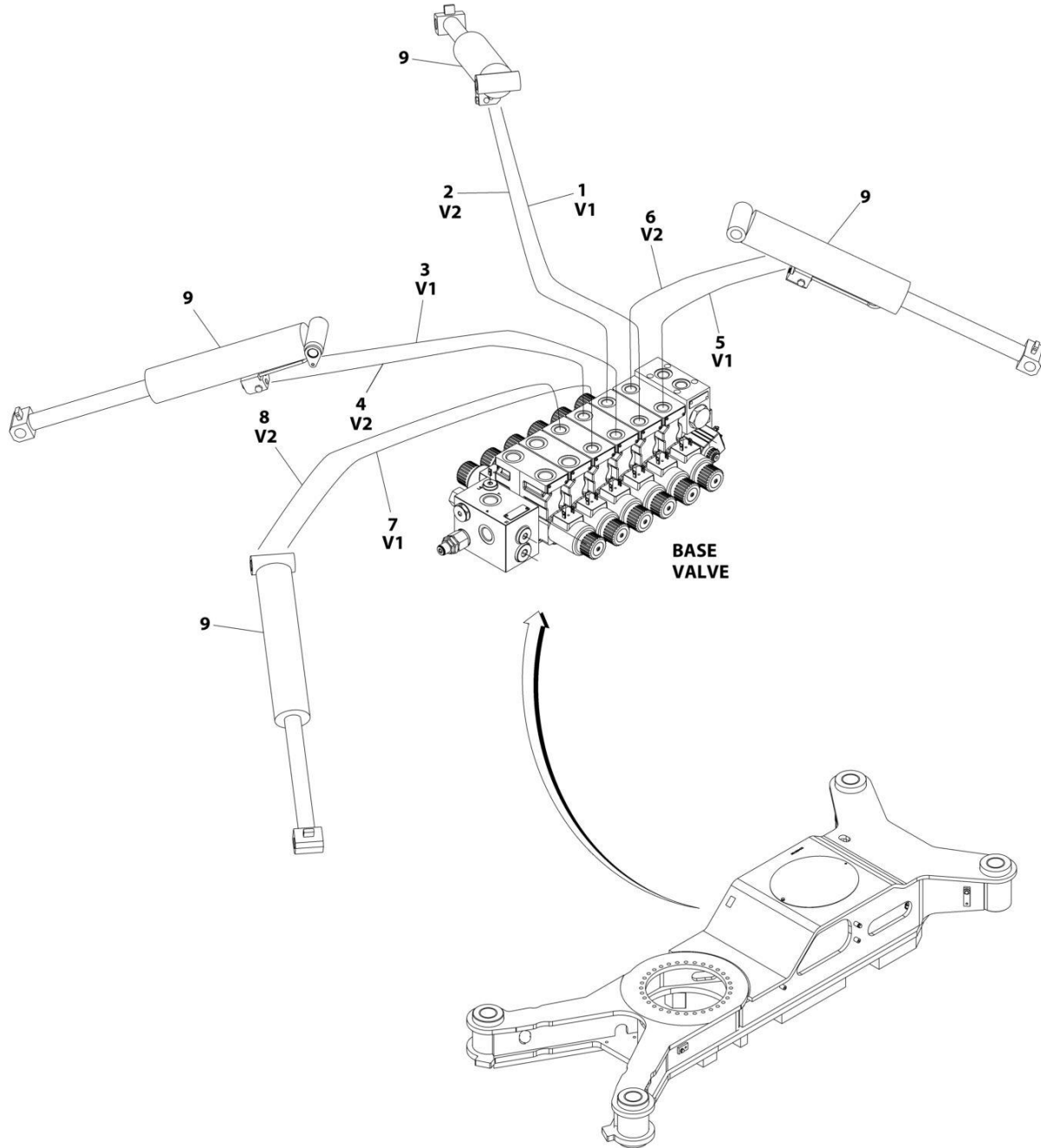
ITEM	PART NUMBER	QTY	DESCRIPTION	REV
		Ref	MAIN HYDRAULIC DIAGRAM	A
1	17822300	1	Valve Assembly (See Separate Breakdown for Additional Parts)	
1	RN000800	4	Fitting, Straight (Port ARD, TR, T2, A1)	
1	RN000400	1	Fitting, Straight (Port V)	
1	RN000200	4	Fitting, Straight (Port T1, ARU, B1, A2)	
1	RN000600	1	Fitting, Straight (Port B2)	
1	03014400	3	Fitting, Pressure Check (Port MB, MA, MR)	
1	RR000700	1	Valve, Cartridge (Port MP)	
1	26964400	1	Valve, Cartridge (Port MP)	
2	07993500	1	Tube	
3	07992900	1	Tube	
4	08008900	1	Valve Assembly	
5	07764900	1	Manifold	
6	07993200	1	Tube	
7	27822100	1	Main Valve Assembly (See Separate Breakdown in this Section)	
9	07992500	1	Tube	
10	08019300	1	Hose	
11	08023200	1	Hose	
12	08019400	1	Hose	
13	08019500	1	Hose	
14	08035800	1	Hose (From Electric Motor Large Pump)	
14	08082600	1	Hose (From Tee to Electric Motor Small Pump Tank)	
14	08082700	1	Hose (From Tank to Electric Motor Large Pump)	
15	08035700	1	Hose	
16	08035500	1	Hose (From Small Electric Motor LL33)	
16	08082900	1	Hose (From Small Electric Motor to Delivery Block B2) (Lithium Machines)	
17	08035600	1	Hose ((From Big Pump Electric Motor LL33)	
17	08082800	1	Hose (From Big Pump Electric Motor to Delivery Block A2) (Lithium Machines)	
18	18005200	1	Manifold	
18	08024100	2	Valve, Check 1/2	
18	08024200	2	Valve, Check 3/8	
19	08017100	1	Hose (From Suction Pump Side Thermo Engine)	
19	08082500	1	Hose (From Suction Pump Tee to Thermo Engine Small Pump)	
20	08017200	1	Hose (From Suction Pump Thermo Engine)	
21	08017000	1	Hose (From Thermo Engine Side Pump Delivery to Tank Side Port)	
21	08082400	1	Hose (From Thermo Motor Delivery to Delivery Block A1)	
22	08017500	1	Hose (From Thermo Engine - Opposite Side - Pump Delivery to Delivery Block Distributor Side Port)	
22	08082300	1	Hose (From Thermo Engine Delivery to Delivery Block B1)	
23	08017400	1	Hose	
24	08017300	1	Hose	
25	27900800	1	Fitting	
26	04048100	4	Fitting	
27	04048100	1	Fitting	
28	079954Y2	1	Fitting	
29	04845400	1	Fitting	
30	079952Y1	1	Fitting	

SECTION 7 - HYDRAULIC

ITEM	PART NUMBER	QTY	DESCRIPTION	REV
31	080067Y1	1	Adapter	
32	080068Y1	1	Adapter	
33	RD001700	1	Fitting, Tee	
101	RN000200	5	Fitting, Straight (Port T1, ARU, B1, A2)	
102	RN000800	2	Fitting, Straight	
103	RN003000	1	Fitting, Straight	

SECTION 7 - HYDRAULIC

FIGURE 7-7. OUTRIGGER HYDRAULIC DIAGRAM



ART_07-06-00

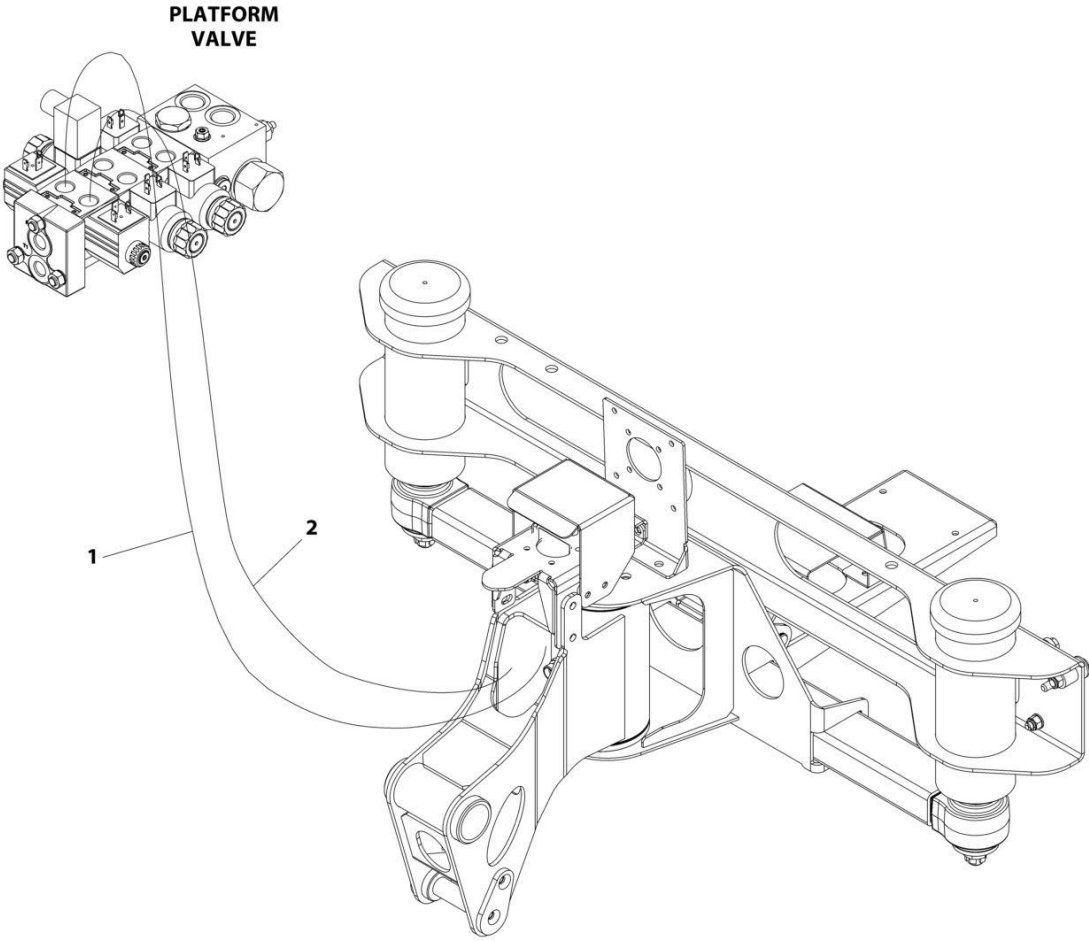
SECTION 7 - HYDRAULIC

FIGURE 7-7. OUTRIGGER HYDRAULIC DIAGRAM

ITEM	PART NUMBER	QTY	DESCRIPTION	REV
		Ref	OUTRIGGER HYDRAULIC DIAGRAM	A
1	08019800	1	Hose	
2	08019900	1	Hose	
3	08020000	1	Hose	
4	08020100	1	Hose	
5	08019600	1	Hose	
6	08019700	1	Hose	
7	08020200	1	Hose	
8	08020300	1	Hose	
9	278210H2	4	Cylinder Assembly (See Separate Breakdown in CYLINDER SECTION)	

SECTION 7 - HYDRAULIC

FIGURE 7-8. PLATFORM ROTATE HYDRAULIC DIAGRAM



ART_07-12-00

SECTION 7 - HYDRAULIC

FIGURE 7-8. PLATFORM ROTATE HYDRAULIC DIAGRAM

ITEM	PART NUMBER	QTY	DESCRIPTION	REV
		Ref	PLATFORM ROTATE HYDRAULIC DIAGRAM	A
1	08005600	1	Hose	
2	08005700	1	Hose	

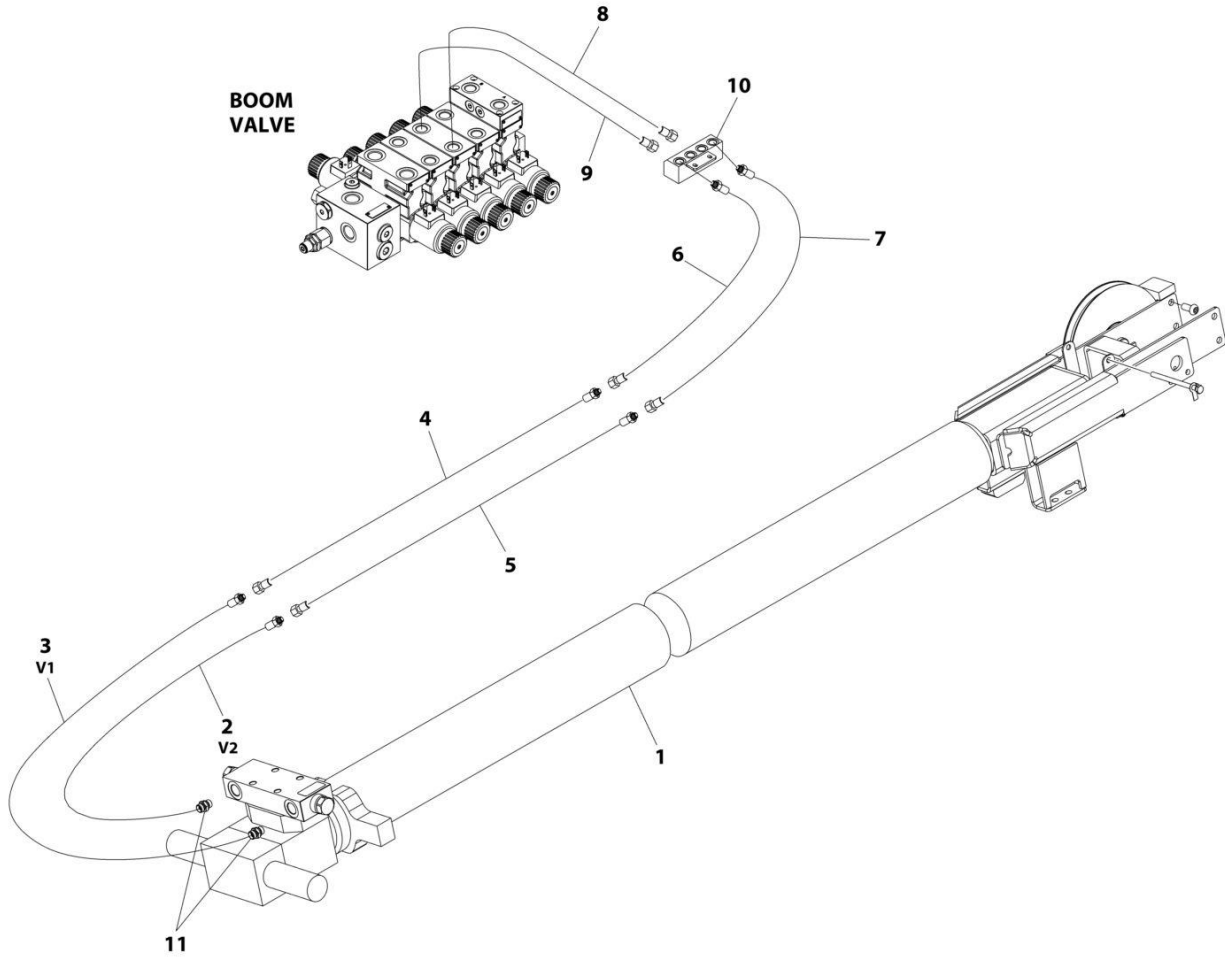
SECTION 7 - HYDRAULIC

FIGURE 7-9. SWING & BOOM HYDRAULIC DIAGRAM

ITEM	PART NUMBER	QTY	DESCRIPTION	REV
		Ref	SWING & BOOM HYDRAULIC DIAGRAM	A
1	27981200	1	Manifold	
2	07992700	1	Tube	
3	07992600	1	Tube	
4	07992800	1	Tube	
5	08019200	1	Tube	
6	08023100	1	Tube	
7	055629H3	1	Bracket	
8	07993300	1	Tube	
9	07993400	1	Tube	
10	08016600	1	Hose	
11	08016900	1	Hose	
12	08016400	1	Hose	
13	08016500	1	Hose	
14	08006200	1	Hose	
15	08006300	1	Hose	
16	07909900	1	Tube	
17	07910000	1	Tube	
18	07909400	1	Manifold	
19	08020500	1	Hose	
20	08020600	1	Hose	
21	07959900	1	Tube	
22	07960100	1	Tube	
23	08022300	1	Tube	
24	08022400	1	Tube	
25	37977500	1	Manifold	
26	07976600	1	Tube	
27	07976500	1	Tube	
28	08016000	1	Hose	
29	08016100	1	Hose	
30	27822000	1	Boom Valve Assembly (See Separate Breakdown in this Section)	
31	27822200	1	Platform Valve Assembly (See Separate Breakdown in this Section)	
100	17822300	1	Valve Assembly (See Separate Breakdown in this Section)	
101	18005200	1	Manifold	
101	08024100	1	Valve, Check 1/2	
101	08024200	1	Valve, Check 3/8	
102	RN000500	2	Fitting, Straight	
103	RN000400	3	Fitting, Straight	

SECTION 7 - HYDRAULIC

FIGURE 7-10. TELESCOPE HYDRAULIC DIAGRAM - MAIN BOOM



ART_07-10-00

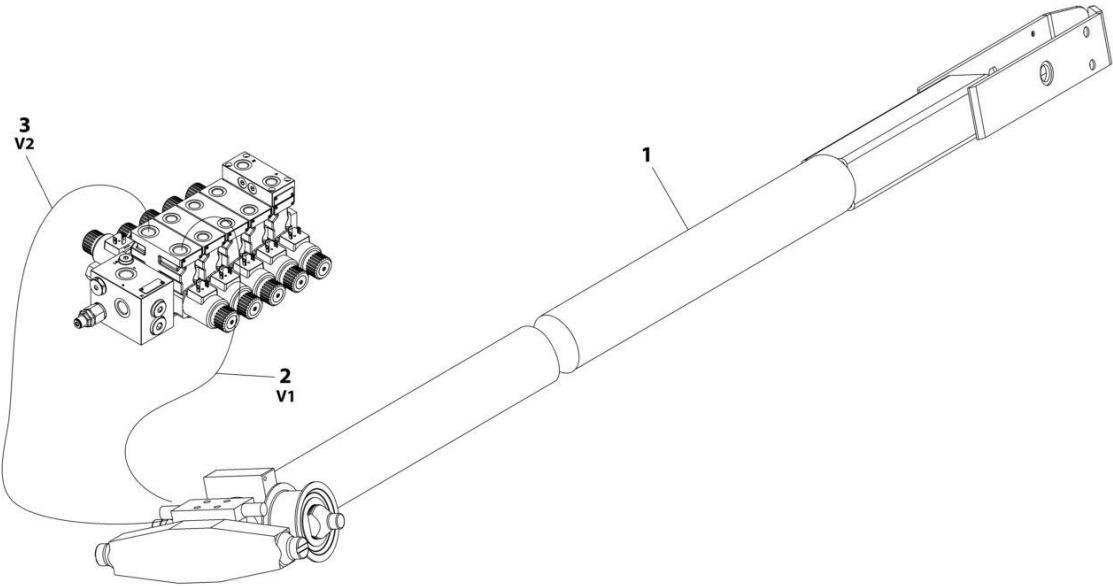
SECTION 7 - HYDRAULIC

FIGURE 7-10. TELESCOPE HYDRAULIC DIAGRAM - MAIN BOOM

ITEM	PART NUMBER	QTY	DESCRIPTION	REV
		Ref	TELESCOPE HYDRAULIC DIAGRAM - MAIN BOOM	A
1	278203H2	1	Cylinder Assembly (See Separate Breakdown in CYLINDER SECTION)	
2	08017600	1	Hose	
3	08017700	1	Hose	
4	07959700	1	Tube (Lower External/Left Side on the Third Extendable Arm)	
5	07959400	1	Tube (Upper Internal/Left Side on the Third Extendable Arm)	
6	08021200	1	Hose	
7	08020900	1	Hose	
8	07977300	1	Tube	
9	07977400	1	Tube	
10	37977600	1	Block, Tube	
11	RN000200	2	Fitting, Straight	

SECTION 7 - HYDRAULIC

FIGURE 7-11. TELESCOPE HYDRAULIC DIAGRAM - TOWER BOOM



ART_07-08-00

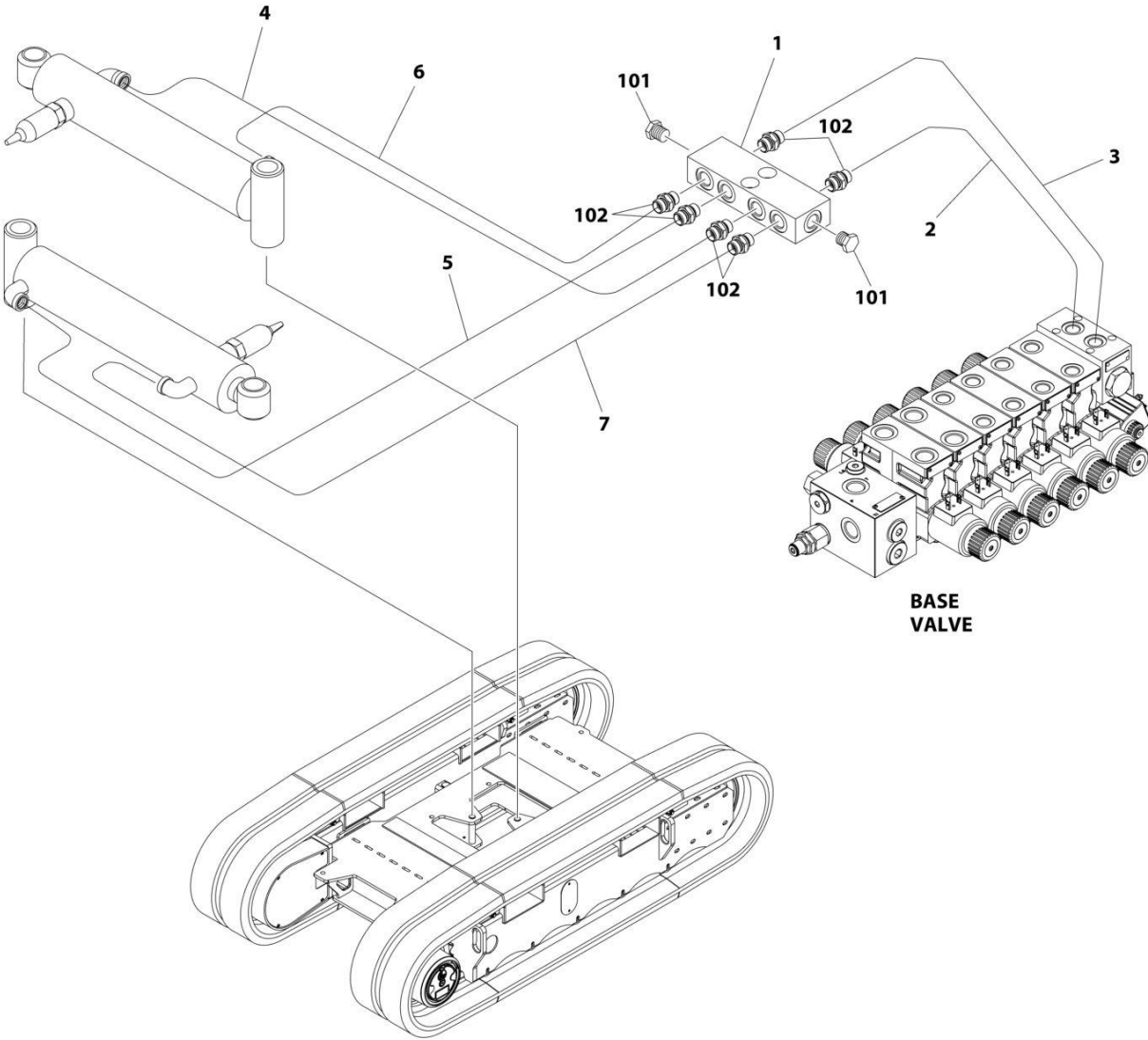
SECTION 7 - HYDRAULIC

FIGURE 7-11. TELESCOPE HYDRAULIC DIAGRAM - TOWER BOOM

ITEM	PART NUMBER	QTY	DESCRIPTION	REV
		Ref	TELESCOPE HYDRAULIC DIAGRAM - TOWER BOOM	A
1	278202H2	1	Cylinder Assembly (See Separate Breakdown in CYLINDER SECTION)	
2	08007600	1	Tube	
3	08007500	1	Tube	

SECTION 7 - HYDRAULIC

FIGURE 7-12. TRACK EXTENSION HYDRAULIC DIAGRAM



ART_07-05-00

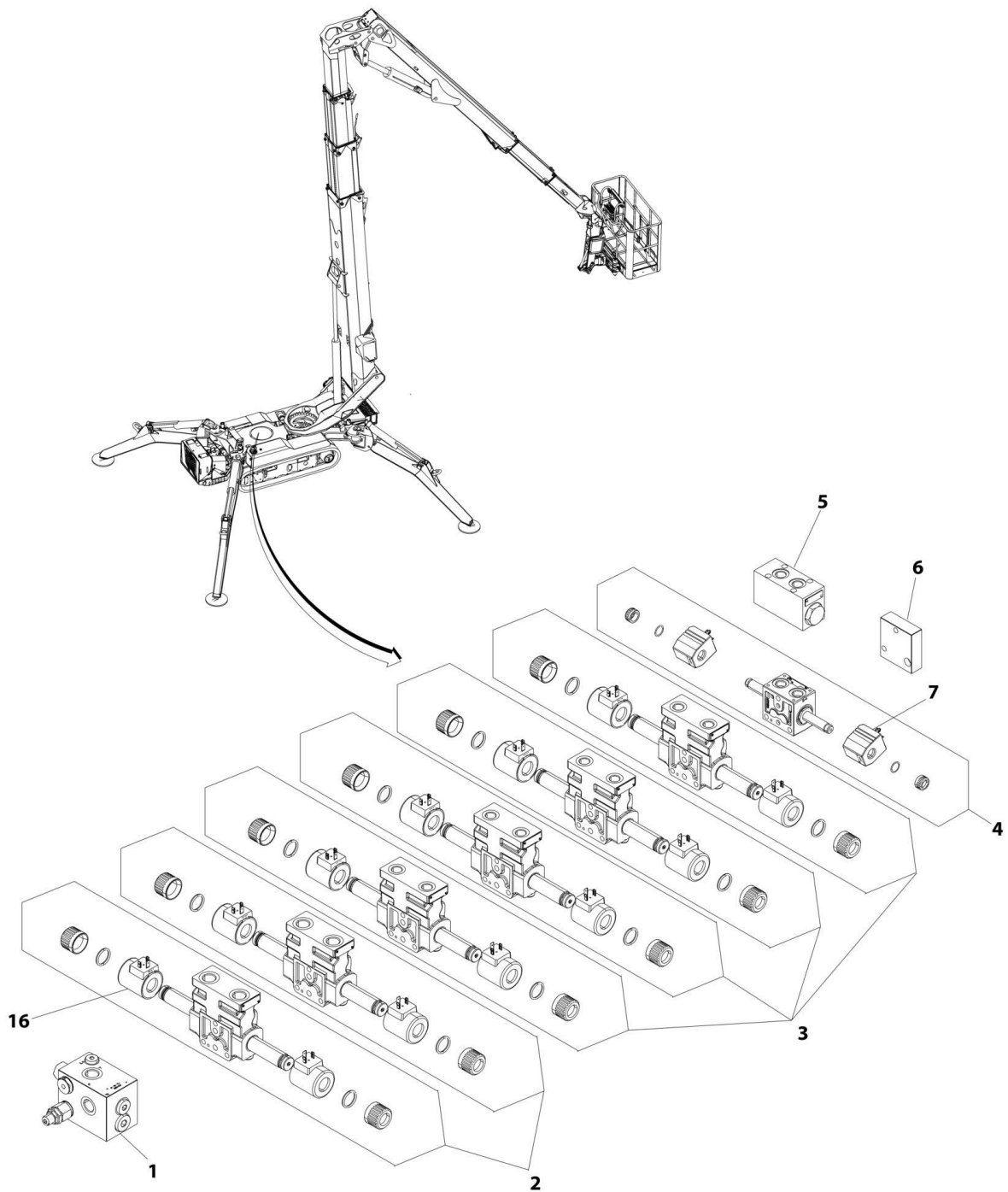
SECTION 7 - HYDRAULIC

FIGURE 7-12. TRACK EXTENSION HYDRAULIC DIAGRAM

ITEM	PART NUMBER	QTY	DESCRIPTION	REV
		Ref	TRACK EXTENSION HYDRAULIC DIAGRAM	A
1	04707700	1	Manifold	
2	07993100	1	Tube	
3	07993000	1	Tube	
4	08018700	1	Hose	
5	08018800	1	Hose	
6	08018900	1	Hose	
7	08023000	1	Hose	
101	RT000200	2	Plug	
102	RN000400	6	Fitting, Straight	

SECTION 7 - HYDRAULIC

FIGURE 7-13. BASE VALVE ASSEMBLY



ART_27822100

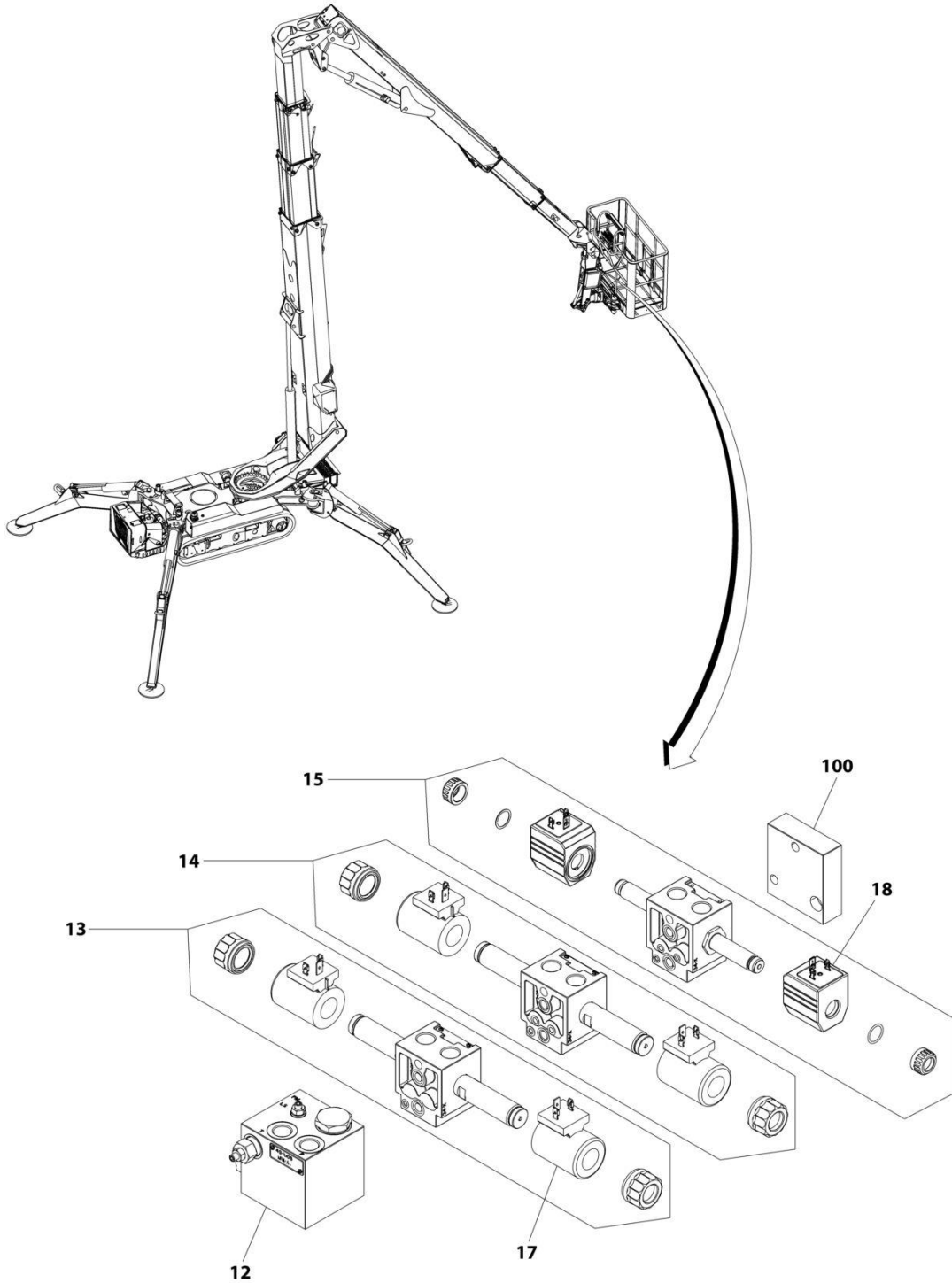
SECTION 7 - HYDRAULIC

FIGURE 7-13. BASE VALVE ASSEMBLY

ITEM	PART NUMBER	QTY	DESCRIPTION	REV
	27822100	Ref	BASE VALVE ASSEMBLY	A
1	2782210005	1	Inlet Section	
2	2782210002	2	Valve Section - Drive	
3	2782210003	4	Valve Section - Outriggers	
4	2782210004	1	Valve Section - Undercarriage Extend	
5	2782210001	1	Check Valve	
6		Ref	Valve End	
7	2782200006	2	Coil	
16	2782210006	12	Coil	

SECTION 7 - HYDRAULIC

FIGURE 7-14. PLATFORM VALVE ASSEMBLY



ART_27822000

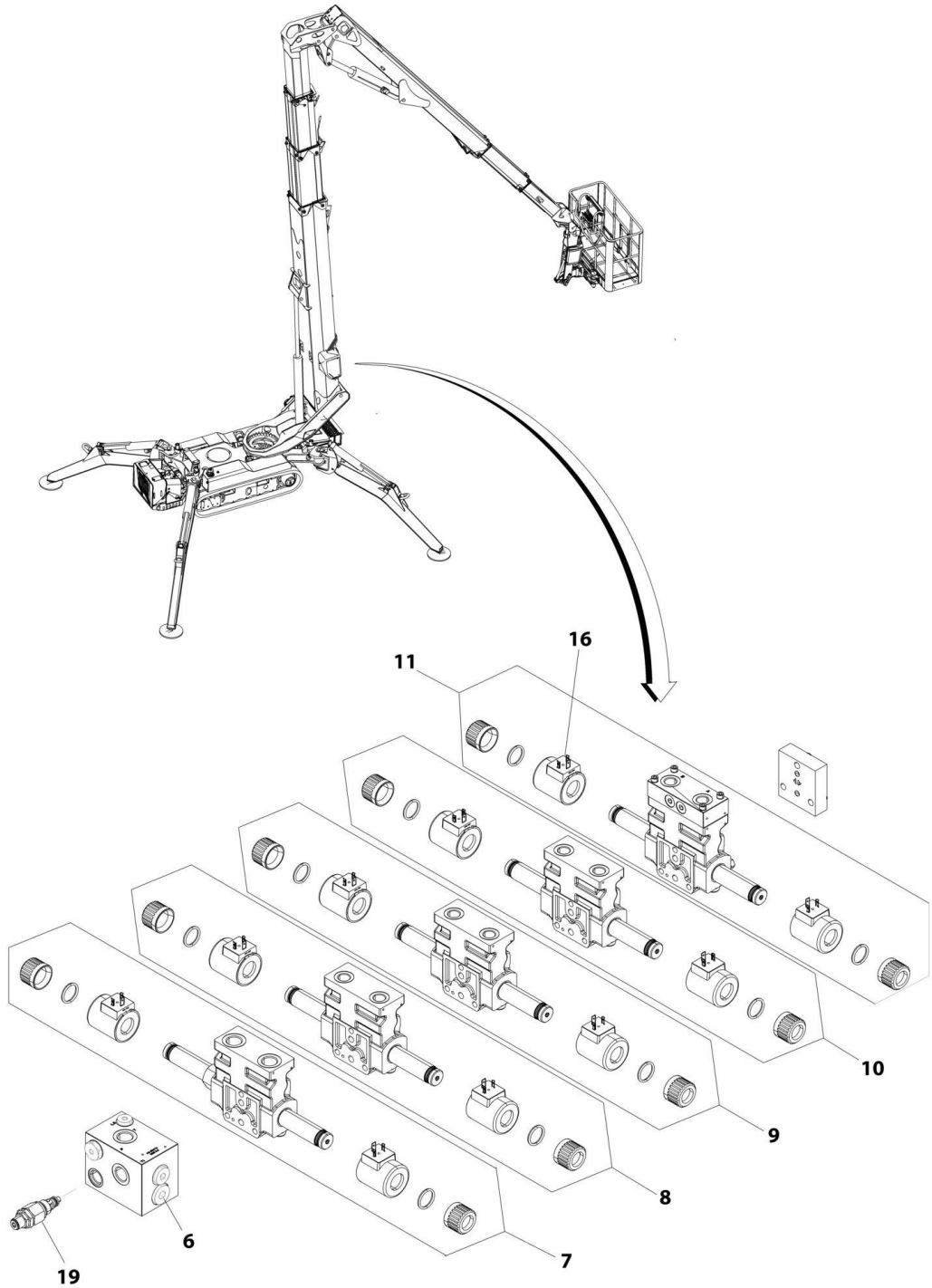
SECTION 7 - HYDRAULIC

FIGURE 7-14. PLATFORM VALVE ASSEMBLY

ITEM	PART NUMBER	QTY	DESCRIPTION	REV
	27822000	Ref	PLATFORM VALVE ASSEMBLY	
12	2782200001	1	Inlet Section	
13	2782200002	1	Valve Section - Jib Lift	
14	2782200003	1	Valve Section - Platform Level	
15	2782200004	1	Valve Section - Rotate	
17	2782200005	4	Coil	
18	2782200006	2	Coil	
100		Ref	End, Valve	

SECTION 7 - HYDRAULIC

FIGURE 7-15. BOOM VALVE ASSEMBLY



ART_2782200

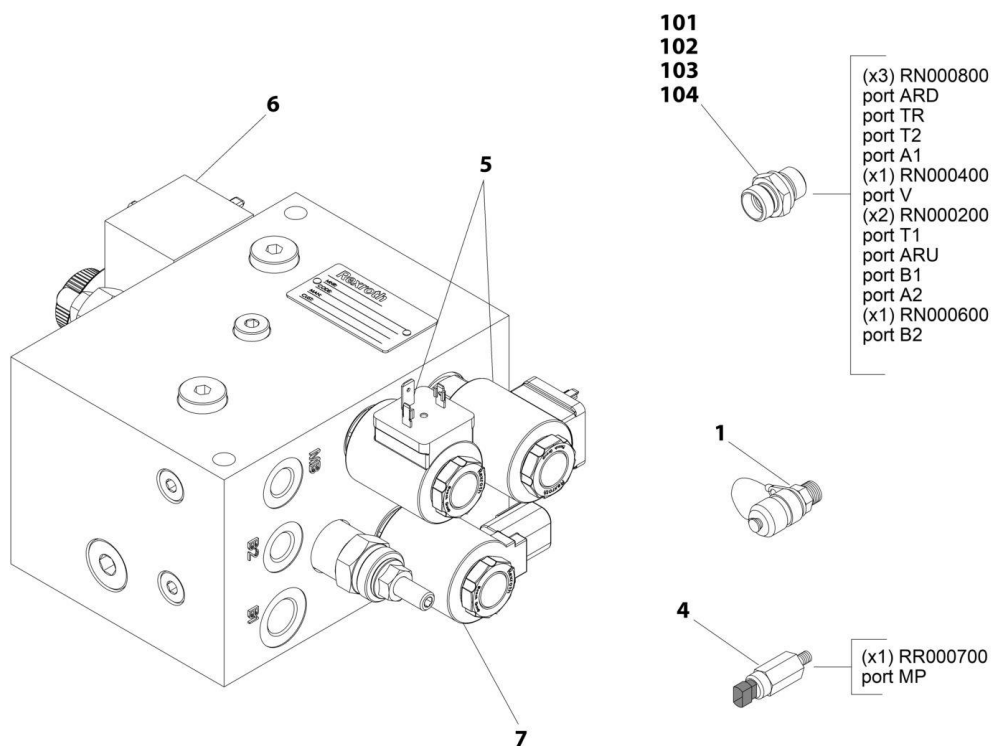
SECTION 7 - HYDRAULIC

FIGURE 7-15. BOOM VALVE ASSEMBLY

ITEM	PART NUMBER	QTY	DESCRIPTION	REV
	27822200	Ref	BOOM VALVE ASSEMBLY	
6	2782220001	1	Inlet Section	
7	2782220002	1	Valve Section - Extension Tower Boom	
8	2782220003	1	Valve Section - Lift Tower Boom	
9	2782220004	1	Valve Section - Extension Main Boom	
10	2782220005	1	Valve Section - Lift Main Boom	
11	2782220006	1	Valve Section - Swing T/T	
16	2782210006	10	Coil	
19	2782220007	1	Valve Cartridge	

SECTION 7 - HYDRAULIC

FIGURE 7-16. VALVE ASSEMBLY



ART_17822300

SECTION 7 - HYDRAULIC

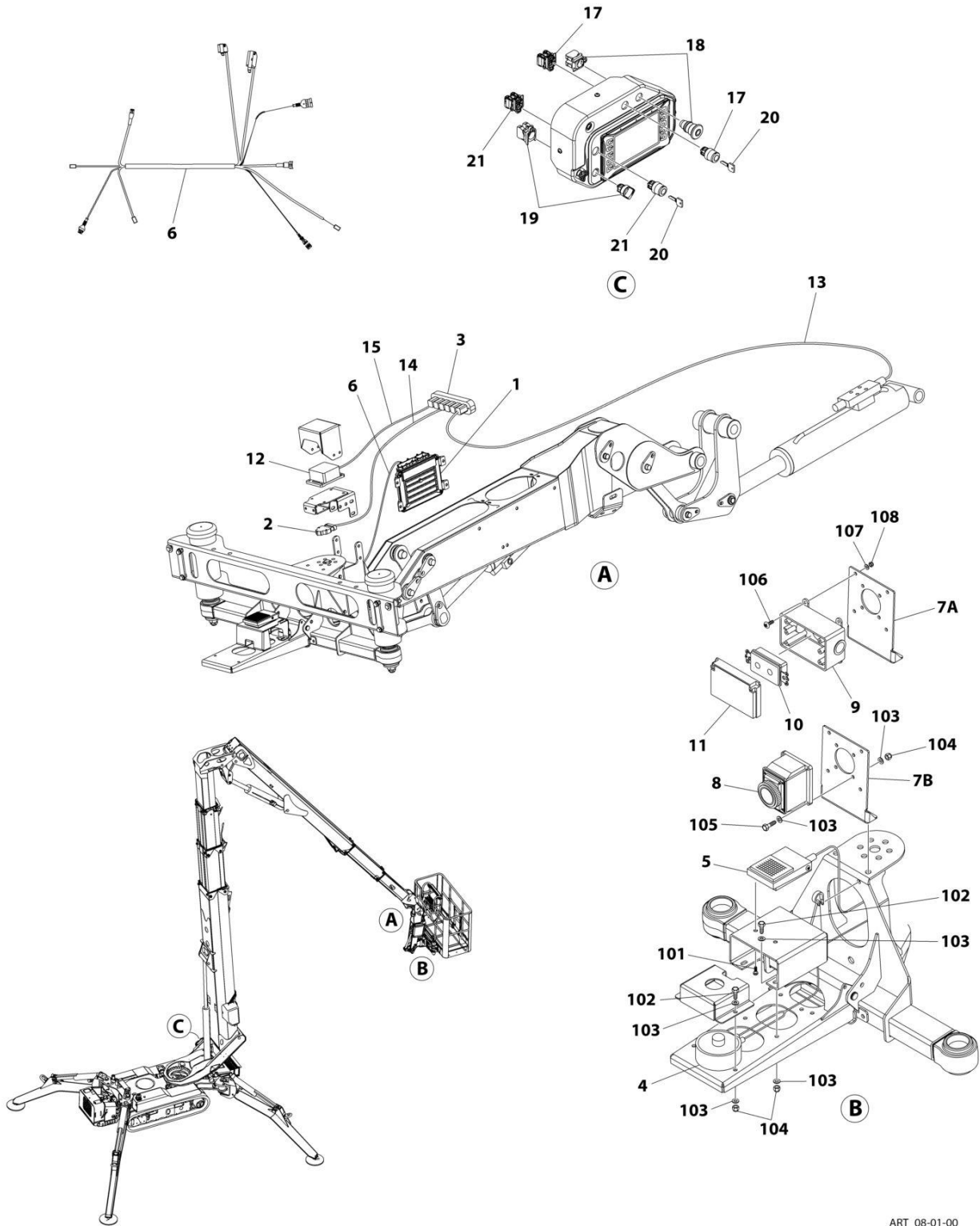
FIGURE 7-16. VALVE ASSEMBLY

ITEM	PART NUMBER	QTY	DESCRIPTION	REV
	17822300	Ref	VALVE ASSEMBLY	A
1	03014400	3	Valve, Pressure Test (Ports MB, MA, MR)	
4	26964400	1	Pressure Switch (Port MP)	
5	05913800	2	Coil	
6	07845200	1	Coil	
7	178223001	1	Coil	
101	RN000800	4	Fitting, Straight (Ports ARD, TR, T2, A1)	
102	RN000400	1	Fitting, Straight (Port V)	
103	RN000200	4	Fitting, Straight (Ports T1, ARU, B1, A2)	
104	RN000600	1	Fitting, Straight (Port B2)	

SECTION 8 - ELECTRICAL

SECTION 8 - ELECTRICAL

FIGURE 8-1. PLATFORM ELECTRICAL COMPONENTS



ART_08-01-00

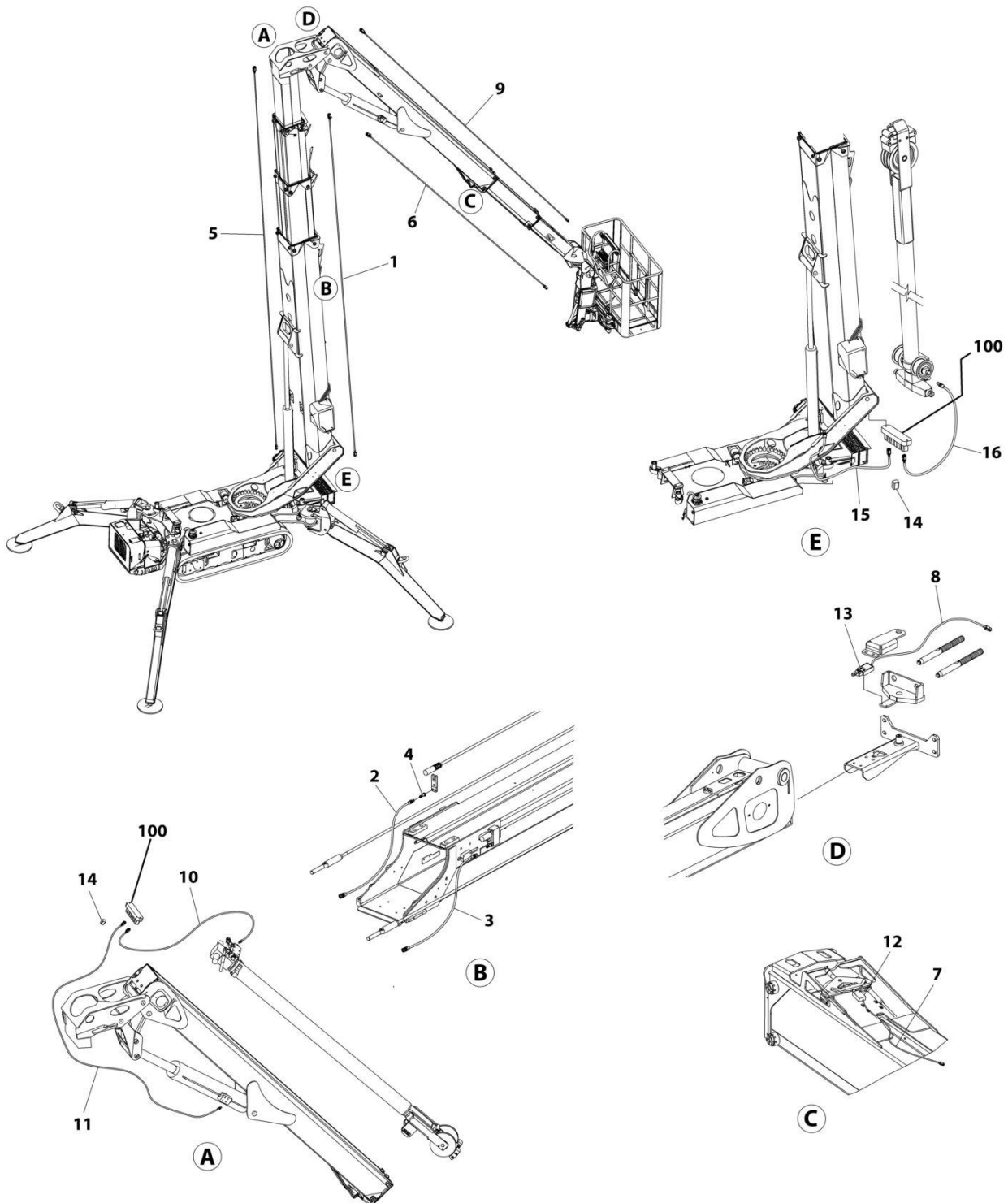
SECTION 8 - ELECTRICAL

FIGURE 8-1. PLATFORM ELECTRICAL COMPONENTS

ITEM	PART NUMBER	QTY	DESCRIPTION	REV
		Ref	PLATFORM ELECTRICAL COMPONENTS	A
1	1787280014	1	Module, Control (ECM3/Jib)	
2	27933000	1	Sensor, Load	
3	1730720087	1	Connector, Junction	
4	17669800	1	Sensor, Load	
5	1772950015	1	Footswitch	
6	1787310001	1	Jib Harness (For Connector Info, See Separate Breakdown in this Section)	
7A	080487H2	1	Bracket (ANSI Specs)	
7B	080488H2	1	Bracket (LL)	
8	1585570005	1	Receptacle, Electrical (230V)	
8	1591700002	1	Receptacle, Electrical (110V)	
8	05959400	1	Receptacle, Electrical (Shuko)	
8	17283800	1	Service Part (Required with 05959400)	
9	27073700	NLA	Box, Receptacle (ANSI Specs) (Use PN 0861731)	
10	27073900	NLA	Receptacle, GFI (ANSI Specs) (Use PN 4460346)	
11	27073800	NLA	Cover, Receptacle (ANSI Specs) (Use PN 1671207)	
12	28008200	1	Inclinometer	
13	1787310002	1	Jib Cylinder Harness	
14	1787310003	1	Platform Sensor Harness	
15	1787310004	1	Inclinometer Harness	
16	080532H2	1	Receptacle (To Platform) (Not Shown)	
17	1692150001	1	Block	
18	1773980004	1	Button	
19	2655800001	1	Selector	
20	1651290015	2	Key	
21	1585570006	1	Selector	
101	BV002400	2	Bolt M4 x 8	
102	BV003200	6	Bolt M6 x 20	
103	BR000400	20	Washer M6	
104	BD000900	10	Nut M6	
105	BV002900	4	Bolt M6 x 25	
106	BV004200	4	Screw M5 x 16	
107	BR000300	4	Washer M5	
108	BD001100	4	Nut M5	

SECTION 8 - ELECTRICAL

FIGURE 8-2. BOOM ELECTRICAL COMPONENTS



ART_08-02-00

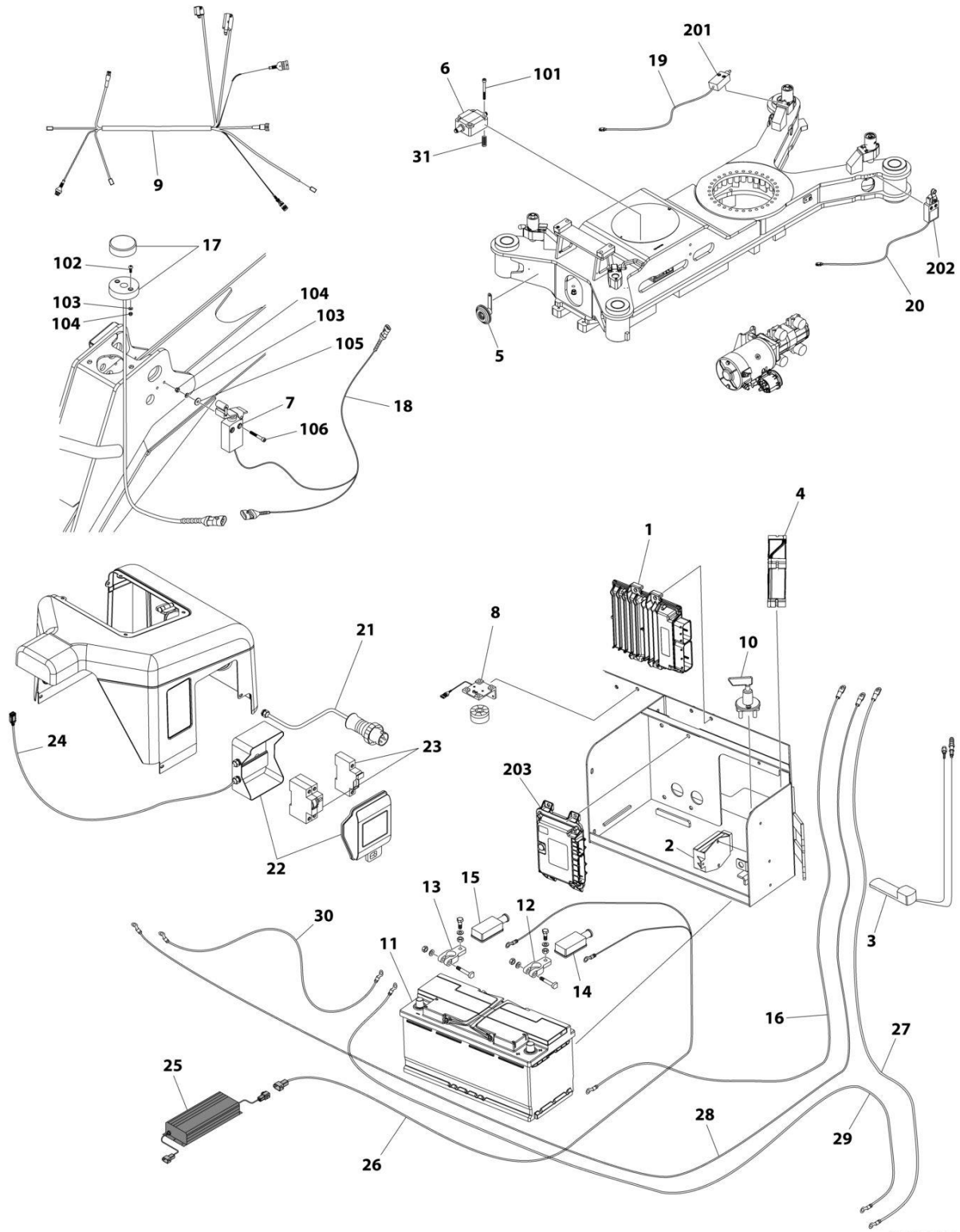
SECTION 8 - ELECTRICAL

FIGURE 8-2. BOOM ELECTRICAL COMPONENTS

ITEM	PART NUMBER	QTY	DESCRIPTION	REV
		Ref	BOOM ELECTRICAL COMPONENTS	A
1	1787310005	1	Harness, Extention, Upper Boom (For Connector Info, See separate Breakdown in this Section)	
2	1787310006	1	Harness, Extention, X1000 (For Connector Info, See separate Breakdown in this Section)	
3	1787310007	1	Harness, Extention - LH, Upper Boom (For Connector Info, See separate Breakdown in this Section)	
4	27920500	2	Sensor, Proximity	
5	1787310008	1	Harness, 220V, Upper Boom (For Connector Info, See separate Breakdown in this Section)	
6	1787310009	1	Main Boom Harness (For Connector Info, See separate Breakdown in this Section)	
7	1787310010	1	Harness, Extention, Main Boom (For Connector Info, See separate Breakdown in this Section)	
8	1787310011	1	Harness, Extention, Main Boom (For Connector Info, See separate Breakdown in this Section)	
9	1787310012	1	Harness, 220V, Main Boom (For Connector Info, See separate Breakdown in this Section)	
10	1787310013	1	Harness, Extention Sensor (For Connector Info, See separate Breakdown in this Section)	
11	1787310014	1	Harness, Extention Sensor (For Connector Info, See separate Breakdown in this Section)	
12	1679900012	1	Switch/Sensor	
13	1679900004	1	Switch/Sensor	
14	1730720098	1	Plug, Junction Connector	
15	1787280001	1	Harness, Extention Sensor (For Connector Info, See separate Breakdown in this Section)	
16	1787280002	1	Harness, Extention Sensor (For Connector Info, See separate Breakdown in this Section)	
100	1730720087	1	Connector, Junction	

SECTION 8 - ELECTRICAL

FIGURE 8-3. BASE ELECTRICAL COMPONENTS



ART_08-03-00

SECTION 8 - ELECTRICAL

FIGURE 8-3. BASE ELECTRICAL COMPONENTS

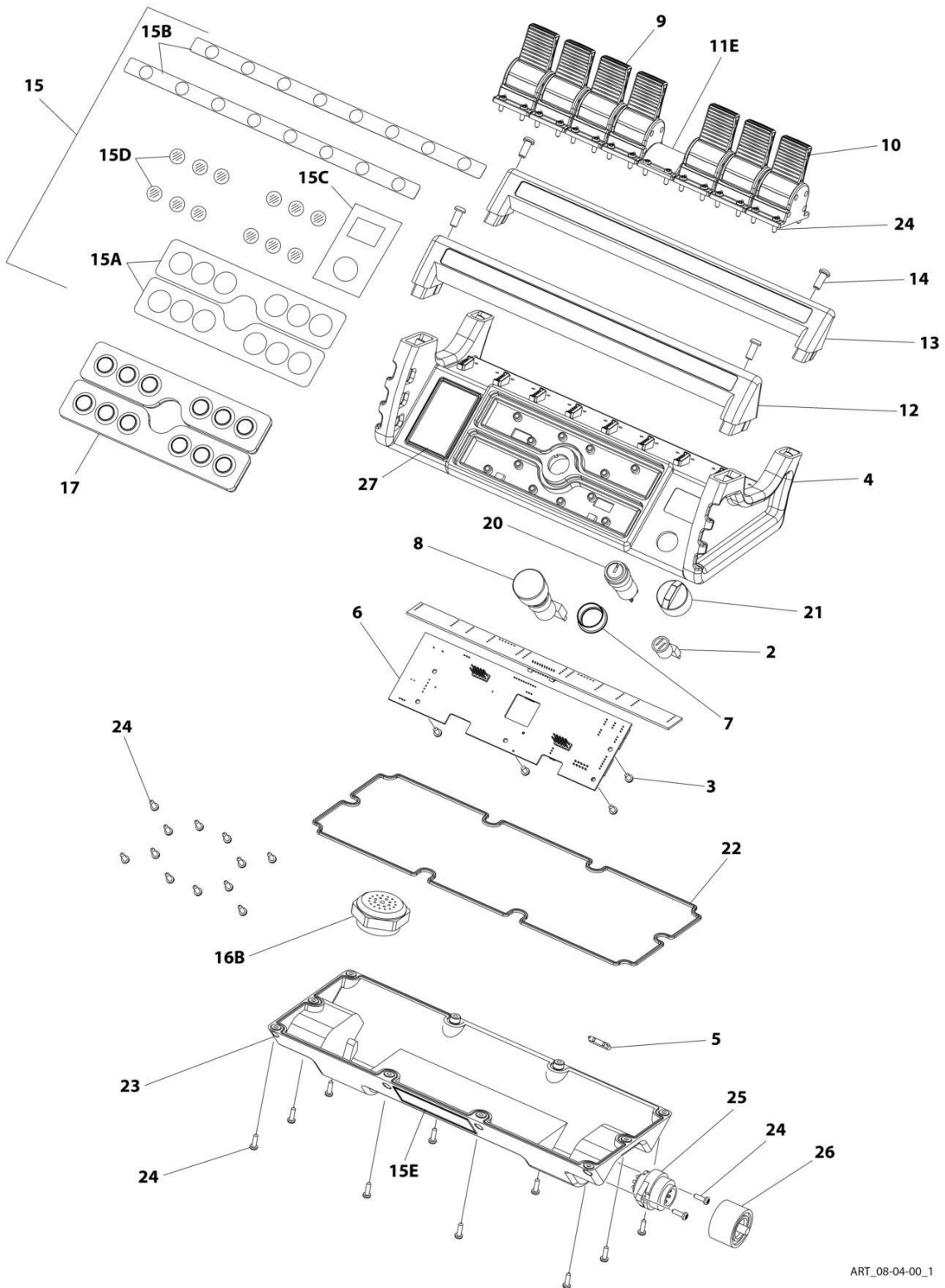
ITEM	PART NUMBER	QTY	DESCRIPTION	REV
		Ref	BASE ELECTRICAL COMPONENTS	
1	07844200	1	Resistor - 120 OHM	
1	17162400	1	Module, Control	
1	17162500	1	Harness	
1	1787280015	1	Replacement Control Module (ECM 1 & 2 / Master)	
1	26582800	1	Adapter	
2	1772950021	1	Module Control (Prior to SN C170003905)	
2	18448000	1	Module Control (SN C170003905 to Present)	
3	27396100	1	Antenna (Prior to SN C170003905)	
3	28448200	1	Antenna (SN C170003905 to Present)	
4	1772950017	1	Modem, GPS	
5	04834500	1	Horn	
5A	1001181405	1	Light, Beacon (Strobe) (Not Shown)	
5A	260329	1	Light, Beacon (Amber) (Not Shown)	
6	17708000	1	Inclinometer	
7	1770740001	1	Switch	
8	06639100	1	Alarm	
9	17872800	1	Harness (For Connector Info, See Separate Breakdown in this Section)	
9	1787280013	1	General Electric Kit	
10	04774900	1	Switch, Battery Cut-Out	
11	27920700	1	Battery, AGM S&S 12V 150Ah	
12	1739150023	1	Clamp, Battery Terminal Post (+)	
13	1739150025	1	Clamp, Battery Terminal Post (-)	
14	2632920007	1	Cover, Battery Terminal - Red	
15	2632920008	1	Cover, Battery Terminal - Black	
16	1787280003	1	Cable, Battery (Battery to Battery)	
17	1757250023	1	Lamp, LED	
18	1787280004	1	Switch & Light Harness (For Connector Info, See Separate Breakdown in this Section)	
19	1787280005	1	Harness, Extention (For Connector Info, See Separate Breakdown in this Section)	
20	1787280006	1	Harness, Extention (For Connector Info, See Separate Breakdown in this Section)	
21	1757250001	1	Plug, 230V (Power to Platform)	
21	1757250003	1	Plug, 110V (Power to Platform)	
21	1800940001	1	Plug, 380V (Power to Platform)	
21	27074000	NLA	Plug, Male - 120V (ANSI Specs) (Not Shown) (Use PN 4460138)	
22	18041700	1	Breaker Box Kit	
23	1556350063	1	Breaker, Circuit	
24	1787280007	1	Harness, 220V - Base	
25	1757250007	1	Electronic Power Supply - 285W	
26	1757260008	1	Harness (Battery To Charger Includes Connector & Diode)	
26	17572600081	1	Connector, Diode (Not Shown)	
26	1764260003	1	Diode 20A (Not Shown)	
27	1787280009	1	Cable, Battery (Battery +ve to Engine)	
28	1787280010	1	Cable, Battery (Battery +ve Cut-Out to Motor/Pump)	
29	1787280011	1	Cable, Battery (Battery -ve to Engine)	
30	1787280012	1	Cable, Battery (Battery -ve to Motor/Pump)	
31	05444800	1	Spring	

SECTION 8 - ELECTRICAL

ITEM	PART NUMBER	QTY	DESCRIPTION	REV
101	BV007600	4	Capscrew M5 x 55	
102	BV009400	2	Screw M4 x 12	
103	BR000200	4	Washer M4	
104	BD001200	4	Nut M4	
105	BR001700	2	Washer M4	
106	BV010200	2	Capscrew M4 x 30	
201	1679900012	1	Switch / Sensor	
202	1679900004	1	Switch / Sensor	
203	1787280014	1	Module, Control (ECM4 / Rotator)	

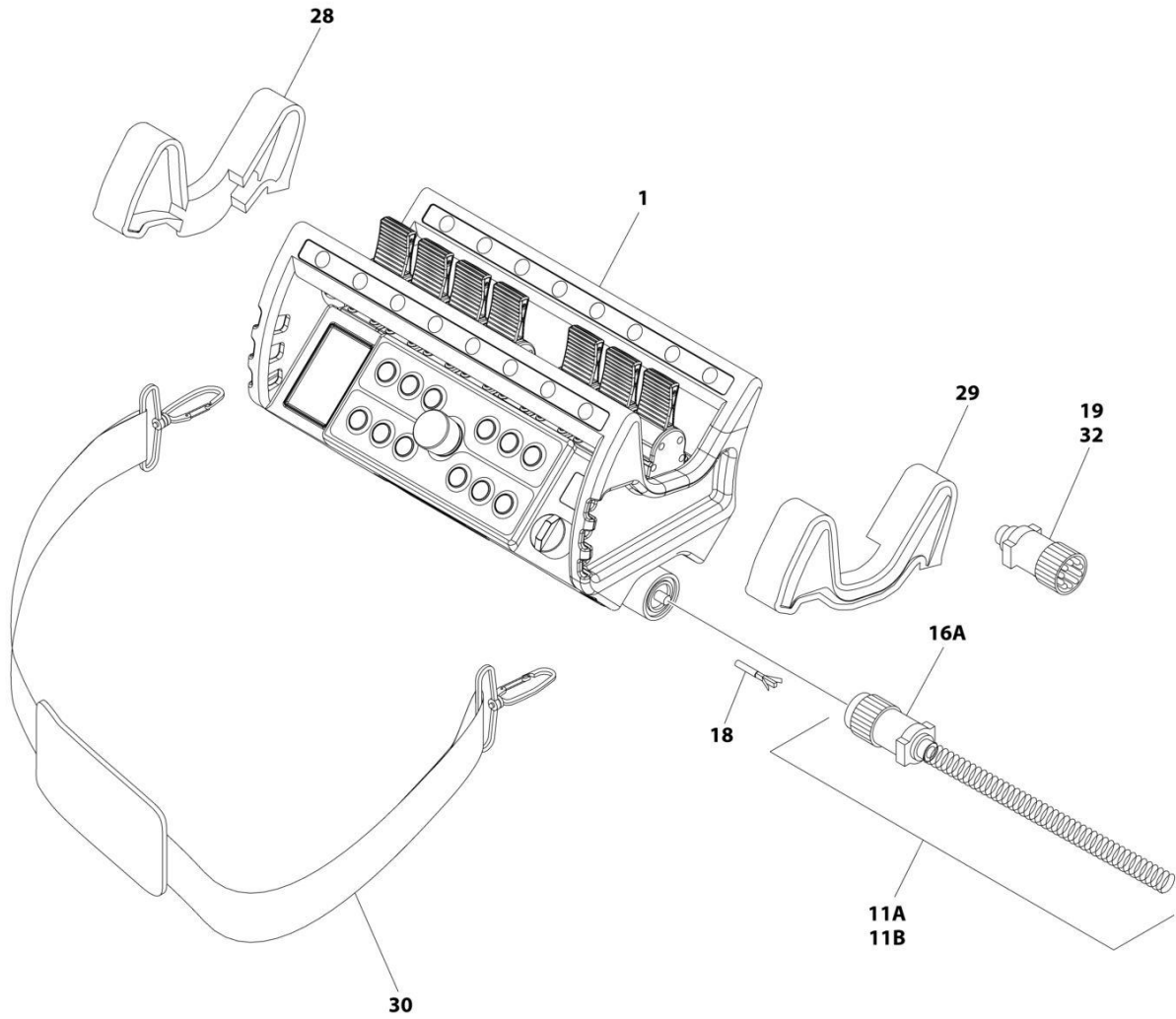
SECTION 8 - ELECTRICAL

FIGURE 8-4. REMOTE CONTROL COMPONENTS



ART_08-04-00_1

SECTION 8 - ELECTRICAL



ART_08-04-00_2

SECTION 8 - ELECTRICAL

FIGURE 8-4. REMOTE CONTROL COMPONENTS

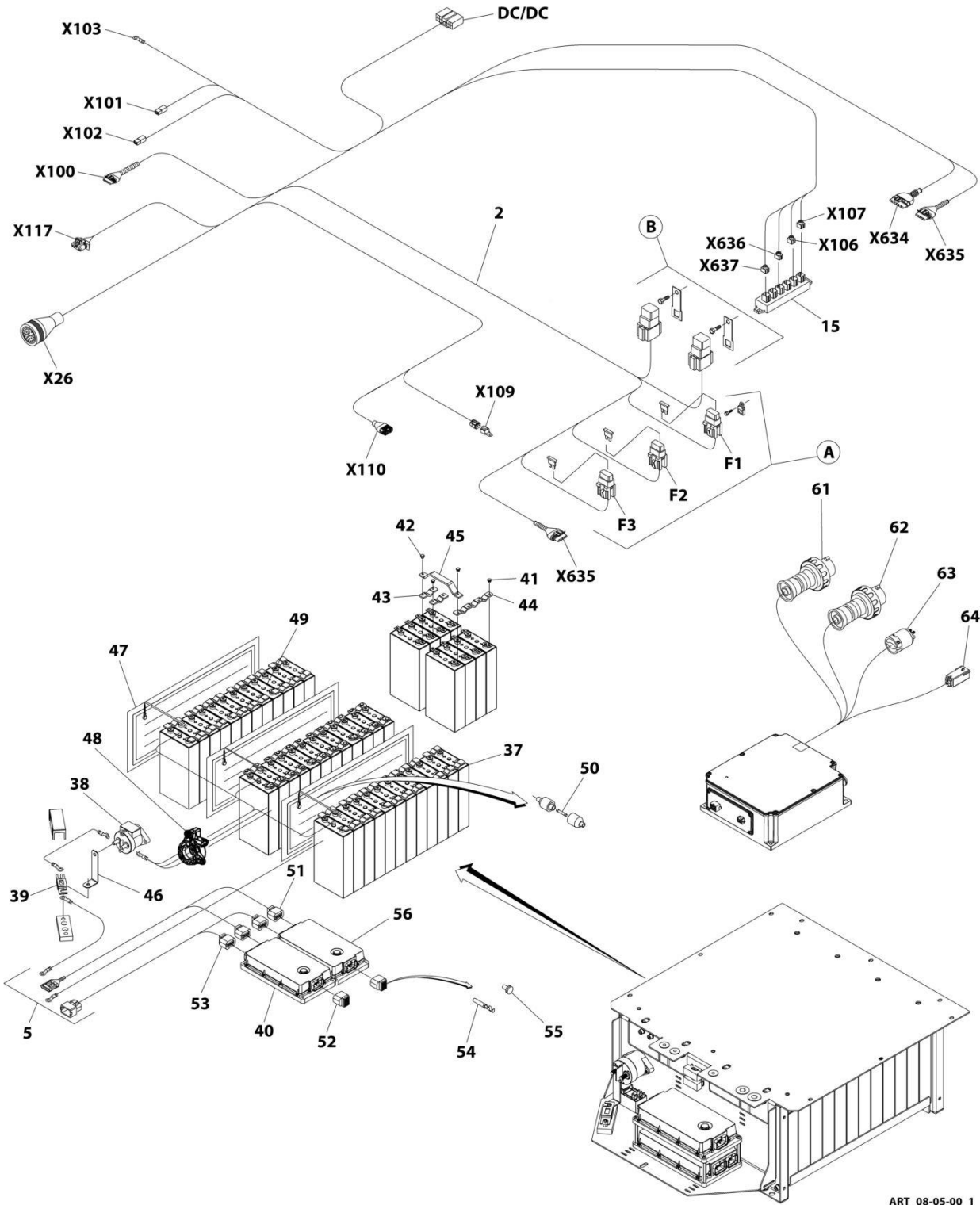
ITEM	PART NUMBER	QTY	DESCRIPTION	REV
		Ref	REMOTE CONTROL COMPONENTS	A
1	28012700	1	Control, Remote (Standard) (Prior to SN C170002440)	
1	28095300	1	Control, Remote (Bi-Energy Machines & Machines with ODU Connector) (SN C170002440 to Present)	
2	07359400	1	Switch, Remote Emergency	
3	2646170003	5	Screw	
4	2801270005	1	Cover, Control Box Top (Note: Includes Switches and Display)	
4	2801270001	1	Cover, Control Box Top (Note: Does not Include Switches, Display or Controls)	
5	07359500	1	Reed, Contact	
6	2801270003	1	PC Board	
7	2646170007	1	Ring	
8	2646170008	1	Switch, Emergency Stop	
9	17550700	1	Kit, Black Cover, Joystick	
9	2646170009	6	Lever, Black	
9	2646170011	6	Cover	
10	17550800	1	Kit, Red Cover, Joystick	
10	2646170010	2	Lever, Red	
11A	17235800	1	Cable, Spiral - Remote Controls (without ODU Connector) (Prior to SN C170002440)	
11B	18249000	1	Cable, Spiral - Remote Controls (with ODU Connector) (SN C170002440 to Present)	
11C	18282900	1	Cable, Extension - Remote Control (with ODU Connector) (Not Shown) (SN C170002440 to Present)	
11D	18218600	1	Tool, ODU Connector (Not Shown) (SN C170002440 to Present)	
11E		Ref	Cover	
12	2646170012	1	Shroud, Upper Grip	
13	2646170013	1	Shroud, Lower Grip	
14	2646170014	4	Screw	
15	27005200	1	Decal Kit	
15A	06840400	1	Decal - Panel	
15B	06840700	1	Decal - Push Button	
15C	07071000	1	Decal - Horn	
15D	07194400	12	Decal - Button	
15E	07499300	1	Decal - Do Not Open	
16A	2646170032	1	Connector, Remote Control (without ODU Connector) (Prior to SN C170002440)	
16A	See Note	NLA	Connector, Remote Control (Not Used with ODU Cable) (SN C170002440 to Present)	
16B	2646170027	1	Alarm, Remote Control	
17	2646170017	1	Pad, Button	
18	27283000	1	Connector (Prior to SN C170002440)	
18	2728300001	1	Terminal, Connector Male (Prior to SN C170002440)	
19	08027200	1	Switch, Emergency Ground Activation (without ODU Connector) (Prior to SN C170002440)	
20	2683930001	1	Switch, 3S Series	
21	2683930002	1	Key, Ignition	
22	2801270008	1	Gasket	
23	2801270006	1	Bottom, Box (Without ODU) (Prior to SN C170002440)	
23	2827500001	1	Bottom, Box (With ODU) (SN C170002440 to Present)	
24	2646170024	56	Screw	

SECTION 8 - ELECTRICAL

ITEM	PART NUMBER	QTY	DESCRIPTION	REV
25	2646170025	1	Connector (Without ODU) (Prior to SN C170002440)	
25	2827500002	1	Connector (With ODU) (SN C170002440 to Present)	
26	2646170026	1	Cover, connector (Without ODU) (Prior to SN C170002440)	
26	2827500003	1	Cover, connector (With ODU) (SN C170002440 to Present)	
27	2801270004	1	Display	
28	07027200	1	Protection (LH)	
29	07027100	1	Protection (RH)	
30	2646170030	1	Strap	
32	08295000	1	Switch, Emergency Ground Activation (Without ODU Connector) (SN C170002440 to Present)	

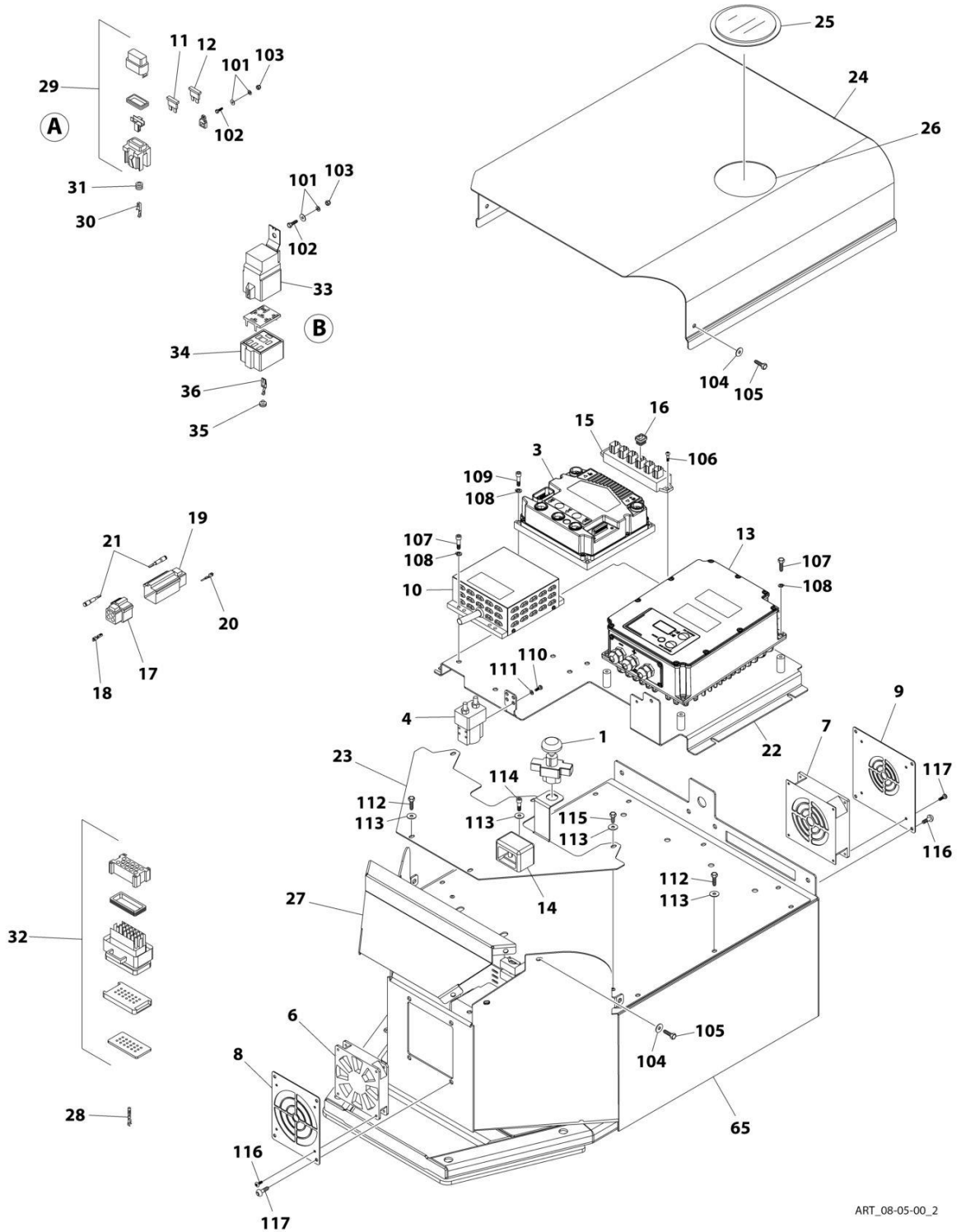
SECTION 8 - ELECTRICAL

FIGURE 8-5. ELECTRICAL COMPONENTS



ART_08-05-00_1

SECTION 8 - ELECTRICAL



ART_08-05-00_2

SECTION 8 - ELECTRICAL

FIGURE 8-5. ELECTRICAL COMPONENTS

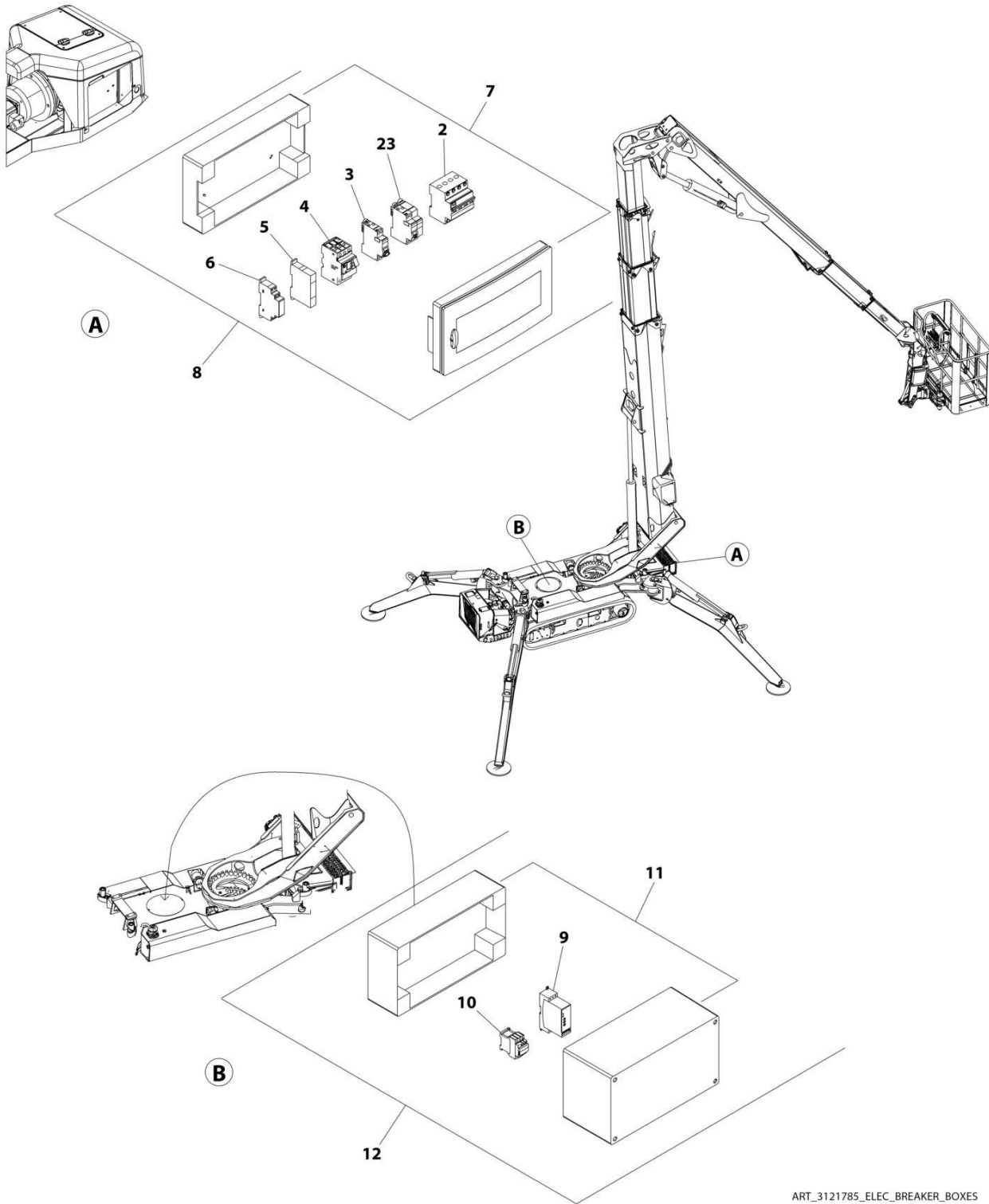
ITEM	PART NUMBER	QTY	DESCRIPTION	REV
		Ref	ELECTRICAL COMPONENTS	
1	07827000	1	Switch, Battery Disconnect	
2	17873000	1	Kit, Electric Harness (For Connector Info, See Separate Breakdown in this Section)	
2	18114300	1	Kit, Electric Harness (BiEnergy Machines) (For Connector Info, See Separate Breakdown in this Section)	
2	1803220004	1	Relay	
3	2694760001	1	Fuse, 250A	
3	28032600	1	Inverter (6000W Lithium 76V)	
3	28120400	1	Inverter (380V 11KW)	
3	28120400	1	Inverter (3500W 72V Bi-Energy)	
4	26429300	1	Switch, Remote Control	
5	18032200	1	Kit, Electric Harness (Prior to SN C170002555)	
5	18289000	1	Kit, Electric Harness (SN C170002555 to Present)	
6	1690690001	1	Fan (Front)	
7	1690690002	1	Fan (Rear)	
8	067808H2	1	Grille, Fan (Front)	
9	075692H2	1	Grille, Fan (Rear)	
10	26947900	1	Transformer	
11	05760900	1	Fuse 10A	
12	05760700	2	Fuse, 5A	
13	17604200	1	Charger, 72V Lithium Battery	
14	1730720088	1	Insulator	
15	1730720087	1	Connector, Junction	
16	1730720098	1	Cap	
17	1757250009	1	Plug, Female - Connector	
18	1757250011	1	Terminal, Female Connector	
19	1757250010	1	Plug, Male - Connector	
20	1757250013	1	Terminal, Male Connector	
21	1757250012	1	Plug, Connector	
22	180316D1	1	Plate (Lithium Batteries) (Prior to SN C170002555)	
22	182921D1	1	Plate (Lithium Batteries) (Not Shown) (SN C170002555 to Present)	
23	180323D1	1	Plate (Lithium Batteries) (Prior to SN C170002555)	
23	082920D1	1	Plate (Lithium Batteries) (Not Shown) (SN C170002555 to Present)	
24	180320D1	1	Cover Assembly (6000W Lithium 76V)	
24	181063D1	1	Cover Assembly (380V 11KW)	
24	181063D1	1	Cover Assembly (3500W 72V Bi-Energy)	
25	08031200	1	Lens, Site	
26	080321D1	1	Seal	
27	180324D1	1	Cover	
28	16774800	35	Terminal	
29	1757260001	3	Holder, Fuse	
30	1757260006	6	Terminal	
31	1757260007	6	Seal, Terminal	
32	16947700	1	Connector Assembly	
33	1776330003	2	Relay, 12V Tyco Connector	
34	1776330004	2	Connector	
35	1776330005	8	Seal, Terminal	

SECTION 8 - ELECTRICAL

ITEM	PART NUMBER	QTY	DESCRIPTION	REV
36	1776330007	8	Terminal	
37	1803220002	2 pk	Cell, Lithium (1 package = 12 cells)	
37	18208900	2	Cell, Lithium-Ion (1 package = 12 cells) (Not Shown)	
38	2781020012	1	Relay	
39	2781020014	1	Fuse 400A	
40	1803220001	1	Module, BMS Master Mid (Was PN 2781020017)	
41	2781020003	5	Rivet, Copper	
42	2781020004	5	Rivet, Copper	
43	2781020005	1	Bracket, Cell (2 Holes)	
44	2781020006	1	Bracket, Cell (4 Holes)	
45	2781020007	1	Plate, Connector	
46	2781020008	1	Plate, Connector	
47	2781020010	1	Heater, 76V 100W	
48	2781020011	1	Sensor, LEM	
49	2781020013	1	Sensor, Temperature	
50	2781020015	1	Fuse 1A	
51	2781020021	1	Connector - 26 Way	
52	2781020020	1	Connector - 34 Way	
53	2781020019	1	Connector - 34 Way	
54	2781020022	1	Pin, Male	
55	2781020023	1	Cap	
56	1803220003	1	Module, BMS Slave Mid	
61	1757250001	1	Plug, 230V 16A	
62		Ref	Connector (For Connector Info, See Separate Breakdown in this Section)	
63		Ref	Plug, Male (For Connector Info, See Separate Breakdown in this Section)	
64		Ref	Connector - 4 Position (For Connector Info, See Separate Breakdown in this Section)	
65	180291D1	1	Box	
101	BR000300	AR	Washer M5	
102	BV004100	AR	Bolt M5 x 16	
103	BD001100	AR	Nut M5	
104	BR001500	AR	Washer M6	
105	BV003200	AR	Screw M6 x 45	
106	BV009400	AR	Screw M4 x 12	
107	BV017600	AR	Bolt M6 x 25	
108	BR005300	AR	Washer M6	
109	BV016300	AR	Capscrew M6 x 35	
110	BV002400	AR	Screw M4 x 8	
111	BR001700	AR	Washer M4	
112	BV002900	AR	Bolt M6 x 25	
113	BR001500	AR	Washer M6	
114	BV003300	AR	Bolt M6 x 20	
115	BV003400	AR	Bolt M6 x 16	
116	BV009700	AR	Screw	
117	BV014900	AR	Capscrew M6 x 20	

SECTION 8 - ELECTRICAL

FIGURE 8-6. BREAKER BOXES



ART_3121785_ELEC_BREAKER_BOXES

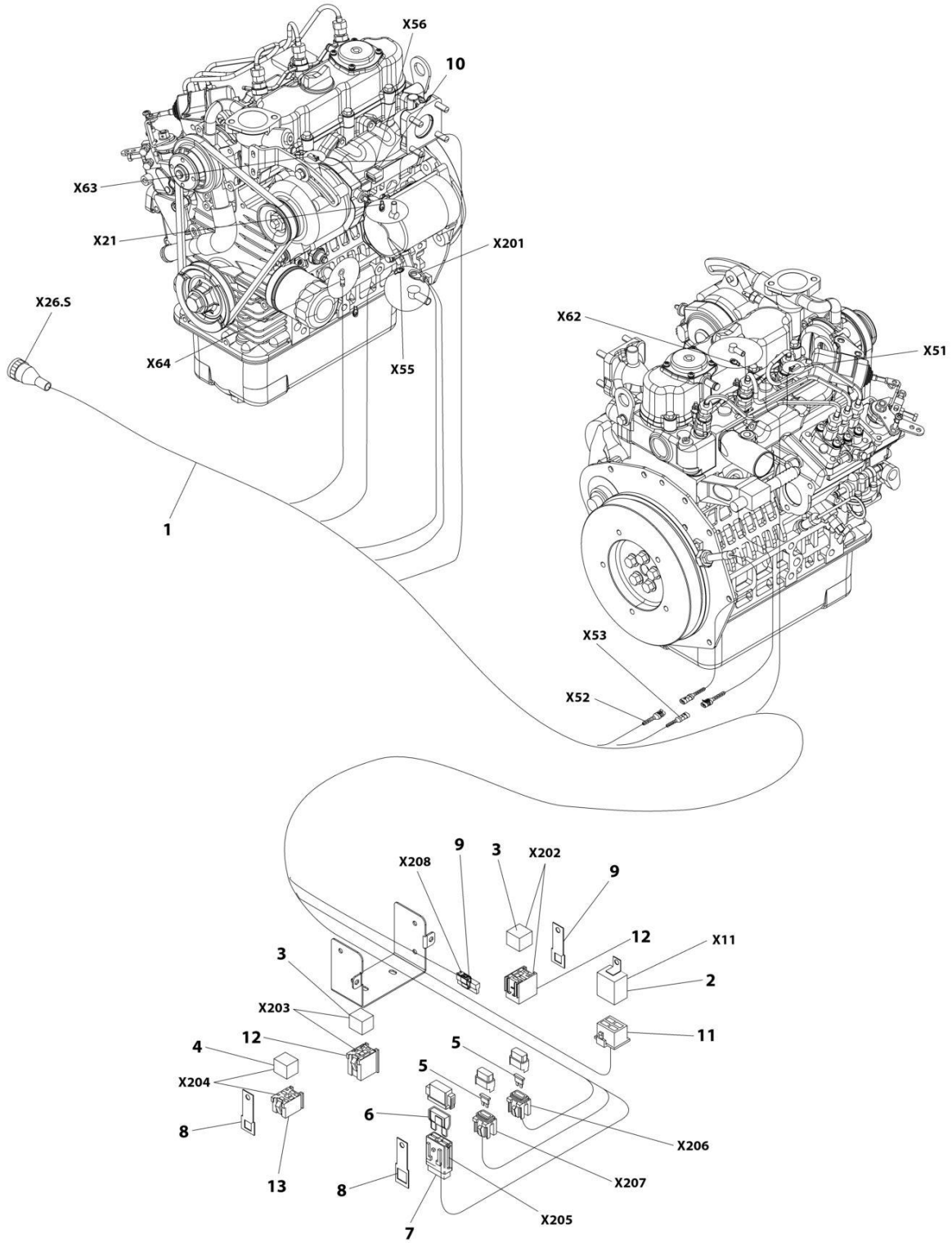
SECTION 8 - ELECTRICAL

FIGURE 8-6. BREAKER BOXES

ITEM	PART NUMBER	QTY	DESCRIPTION	REV
	18041800	Ref	ELECTRIC MOTOR BREAKER BOX KIT	A
2	1804180001	1	Breaker 380V - 30mA	
3	1804180002	1	Breaker 230V - 10A - 6kA - 50Hz	
4	1804180003	1	Breaker 25A 400Vac 50/60Hz	
5	1804180004	1	Module Auxiliary Contact	
6	1804180005	1	Module Relay	
7	1804180006	1	Box and Lid	
8	1804180007	1	380V Breaker Box Assembly (Include Items 2-7, 23 & Wiring)	
9	1804180008	1	Softstart Module 22A - 380/415V	
10	1804180009	1	Contactactor	
11	1804180010	1	Box and Lid	
12	1804180011	1	Soft Start Box Assembly (Include Items 9-11 & Wiring)	
23	1556350063	1	Breaker, Circuit	

SECTION 8 - ELECTRICAL

FIGURE 8-7. ENGINE HARNESS



ART_17872900

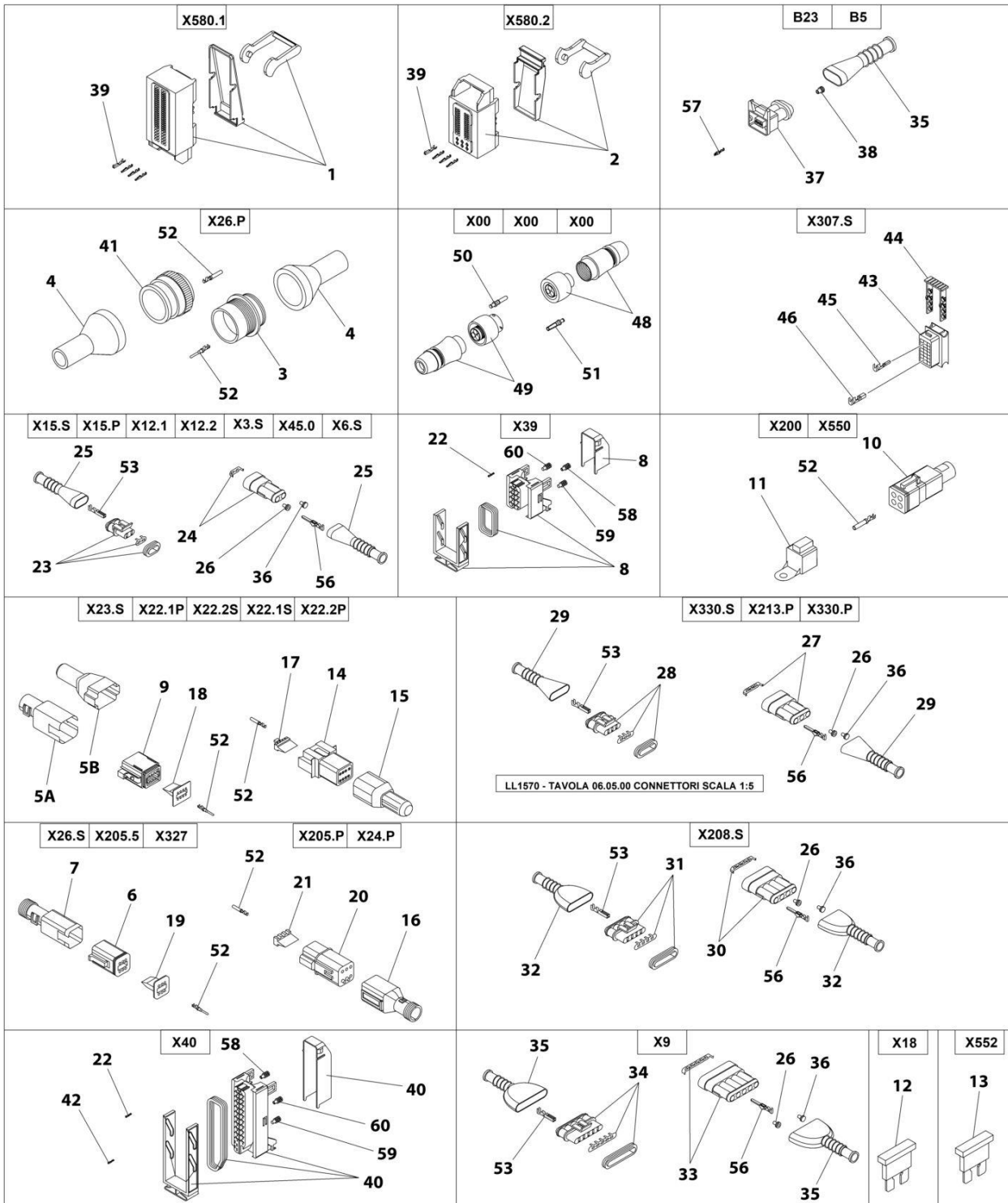
SECTION 8 - ELECTRICAL

FIGURE 8-7. ENGINE HARNESS

ITEM	PART NUMBER	QTY	DESCRIPTION	REV
1	17872900	1	DIESEL ENGINE HARNESS	
2	2734250015	1	Timer, Engine Stop	
3	1733730003	2	Relay, Glow Plug and Stop Engine	
4	1739150056	1	Relay, Starter Motor	
5	05761000	2	Fuse 15A	
6	1739150058	1	Fuse 50A	
7	1733730031	1	Fuse Holder	
8	05434500	2	Bracket, Support	
9	1757260002	2	Plug	
10	1733730010	1	Connector, 3-Way Female	
11	1733730008	1	Connector, Relay	
12	1757260003	2	Relay Holder	
13	1757260004	1	Relay Holder	

SECTION 8 - ELECTRICAL

FIGURE 8-8. ELECTRICAL CONNECTORS



ART_X1000AJ_CONNECTORS

SECTION 8 - ELECTRICAL

FIGURE 8-8. ELECTRICAL CONNECTORS

ITEM	PART NUMBER	QTY	DESCRIPTION	REV
		Ref	CONNECTOR COMPONENTS	
1	1772950005	1	Connector	
2	1772950006	1	Connector	
3	1730720051	1	Connector	
4	1730720054	1	Cap	
5A	1730720035	1	Cap	
5B	1757250025	1	Cap	
6	1730720037	1	Connector, Male - 6 Position	
7	1730720039	1	Cap	
8	1772950009	1	Connector	
9	1730720033	1	Connector, Male - 8 Position	
10	1763330001	1	Connector, 4-Way Male	
11	1763330002	1	Cap for 4-Way Male Connector	
12	07700700	1	Fuse 25A	
13	05760700	1	Fuse 5A	
14	1730720029	1	Connector, 8-Way Female	
15	1730720031	1	Protection	
16	1730720084	1	Protection	
16	1757250027	1	Cap	
17	1730720030	1	Plate	
18	1730720034	1	Plate	
19	1730720038	1	Plate	
20	1730720041	1	Connector, 6-Way Female	
21	1730720042	1	Connector	
22	1772950007	1	Ferrule Female	
23	1757250031	1	Connector	
24	1757250032	1	Connector	
25	1757250033	1	Cap	
26	1757250043	1	Rubber Seal	
27	1757250035	1	Connector	
28	1757250034	1	Connector	
29	1757250036	1	Cap	
30	1757250038	1	Connector	
31	1757250037	1	Connector	
32	1757250039	1	Cap	
33	1757250041	1	Connector	
34	1757250040	1	Connector, Female - 5 Position	
34	1757250056	1	Connector, Male - 5 Position	
35	1757250042	1	Connector, Female - 5 Position	
35	1757250057	1	Connector, Male - 5 Position	
36	1757250046	1	Seal	
37	1757250044	1	Connector	
38	1757250045	1	Seal	
39	1772950001	1	Ferrule Female	
39	1772950002	1	Ferrule Female	
39	1772950003	1	Ferrule Female	
39	1772950004	1	Ferrule Female	
40	1772950010	1	Connector	
41	1730720059	1	Connector	
42	1772950008	1	Ferrule Female	

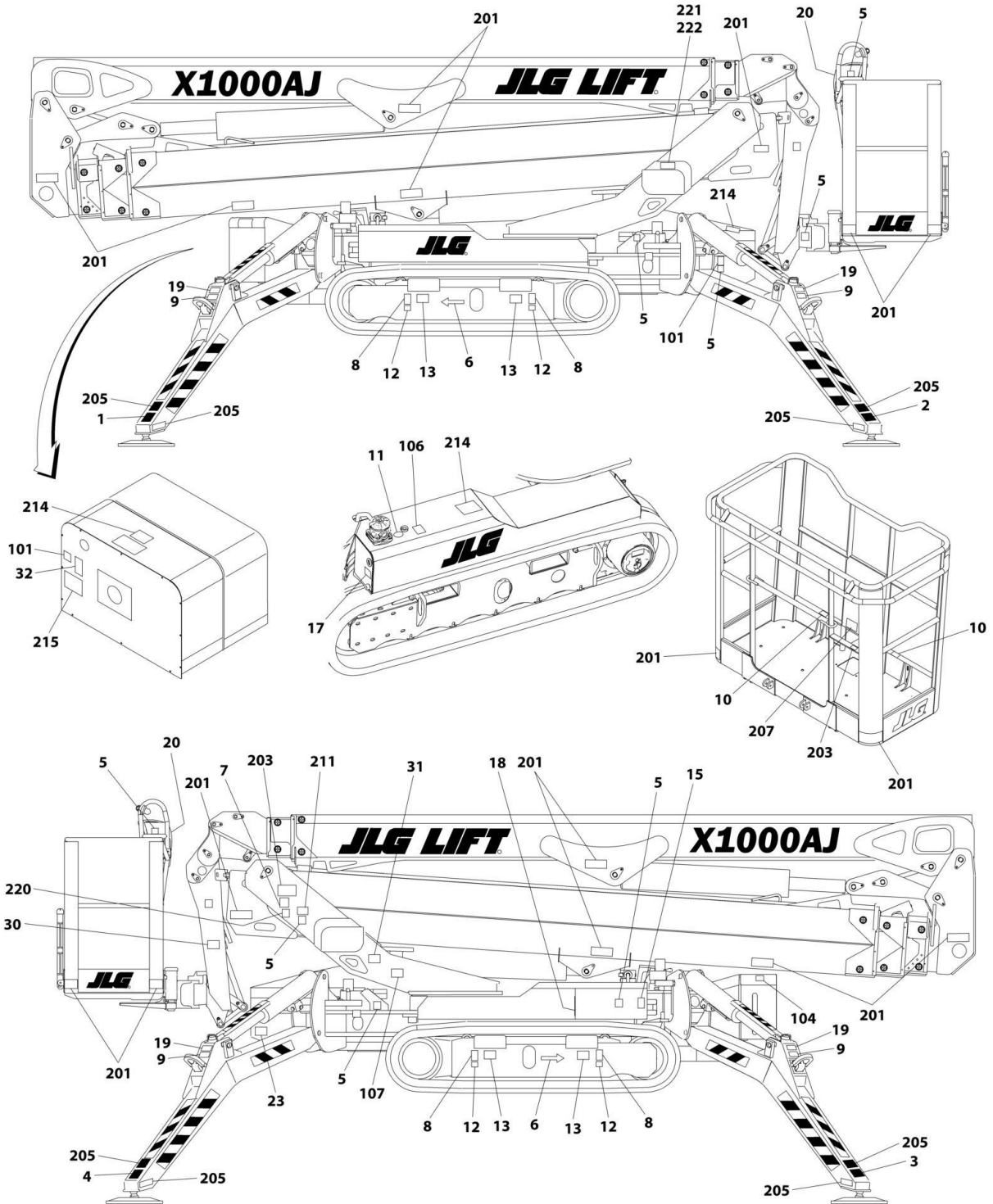
SECTION 8 - ELECTRICAL

ITEM	PART NUMBER	QTY	DESCRIPTION	REV
43	17473600	1	Connector, 24-Way	
44	17473700	1	Slide for 24-Way Connector	
45	17306300	1	Ferrule Female	
46	17473800	1	Ferrule Female	
48	07913200	1	Complete Connector PM 220V 3-Way	
49	07913100	1	Complete Connector PF 220V 3-Way	
50	07913600	1	Ferrule Female	
51	07913300	1	Ferrule Male	
51	07913400	1	Ferrule Male	
52	1730720032	1	Terminal Male 0.5-1	
52	1730720036	1	Terminal Female 0.5-1	
52	1730720040	1	Terminal Female	
52	1730720043	1	Terminal Male	
52	1730720055	1	Contact Male	
52	1730720056	1	Cap 12-16	
52	1730720057	1	Cap 16	
52	1730720058	1	Contact Pin	
52	1730720061	1	Contact Female	
52	1730720068	1	Cap	
52	1730720069	1	Contact Female	
53	1757250048	1	Ferrule Female	
56	1757250049	1	Ferrule Female	
57	1739150047	1	Contact Female	
58	1772950026	1	Seal	
59	1772950024	1	Seal	
60	1772950025	1	Seal	

SECTION 9 - DECALS

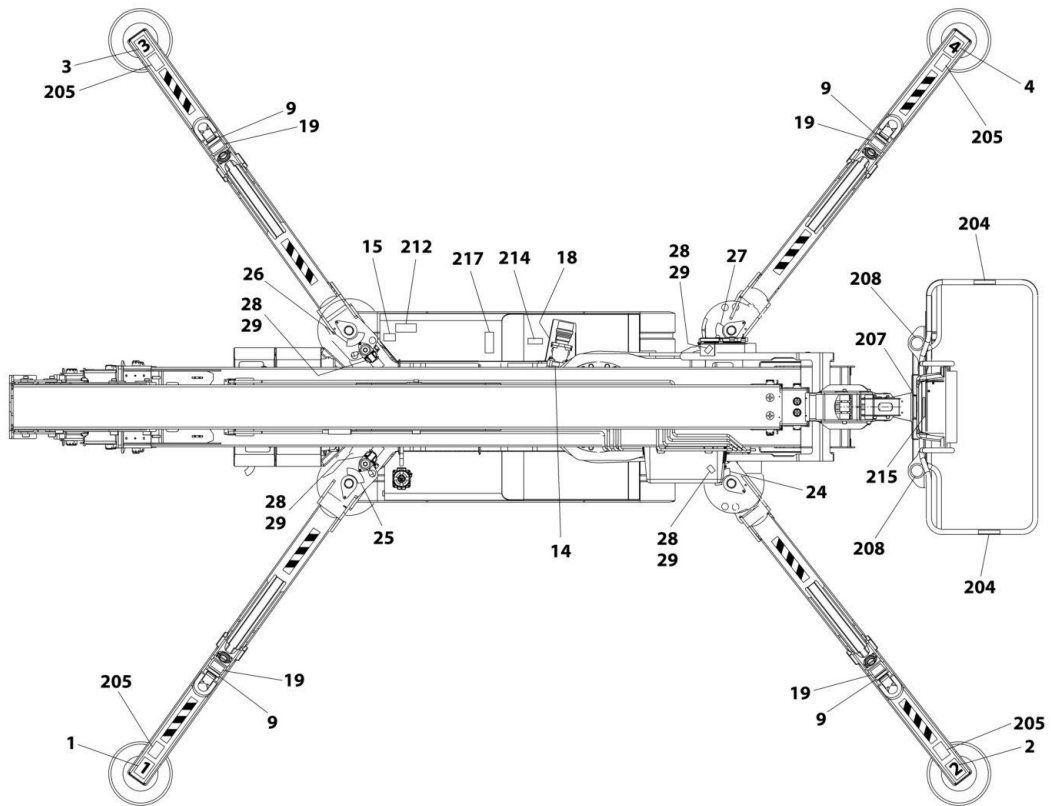
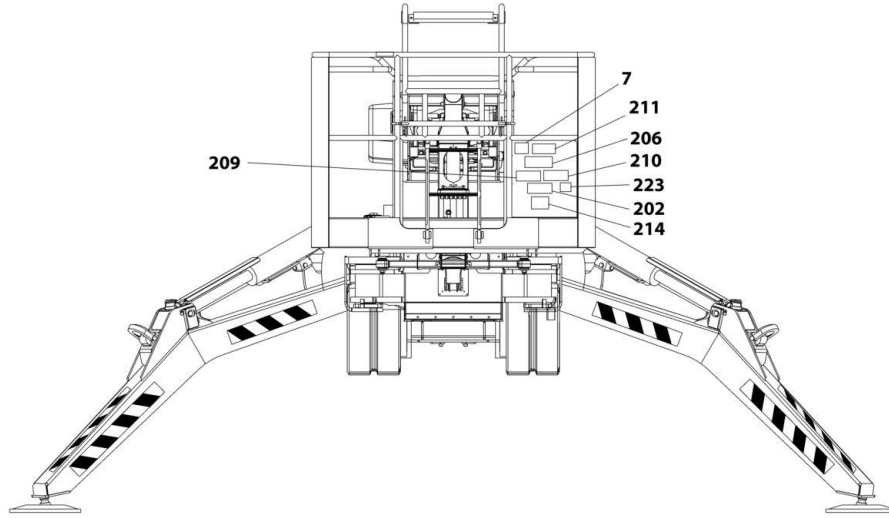
SECTION 9 - DECALS

FIGURE 9-1. LANGUAGE DECALS INSTALLATION - X1000AJ



ART_09-01-00_1

SECTION 9 - DECALS



ART_09-01-00_2

SECTION 9 - DECALS

FIGURE 9-1. LANGUAGE DECALS INSTALLATION - X1000AJ

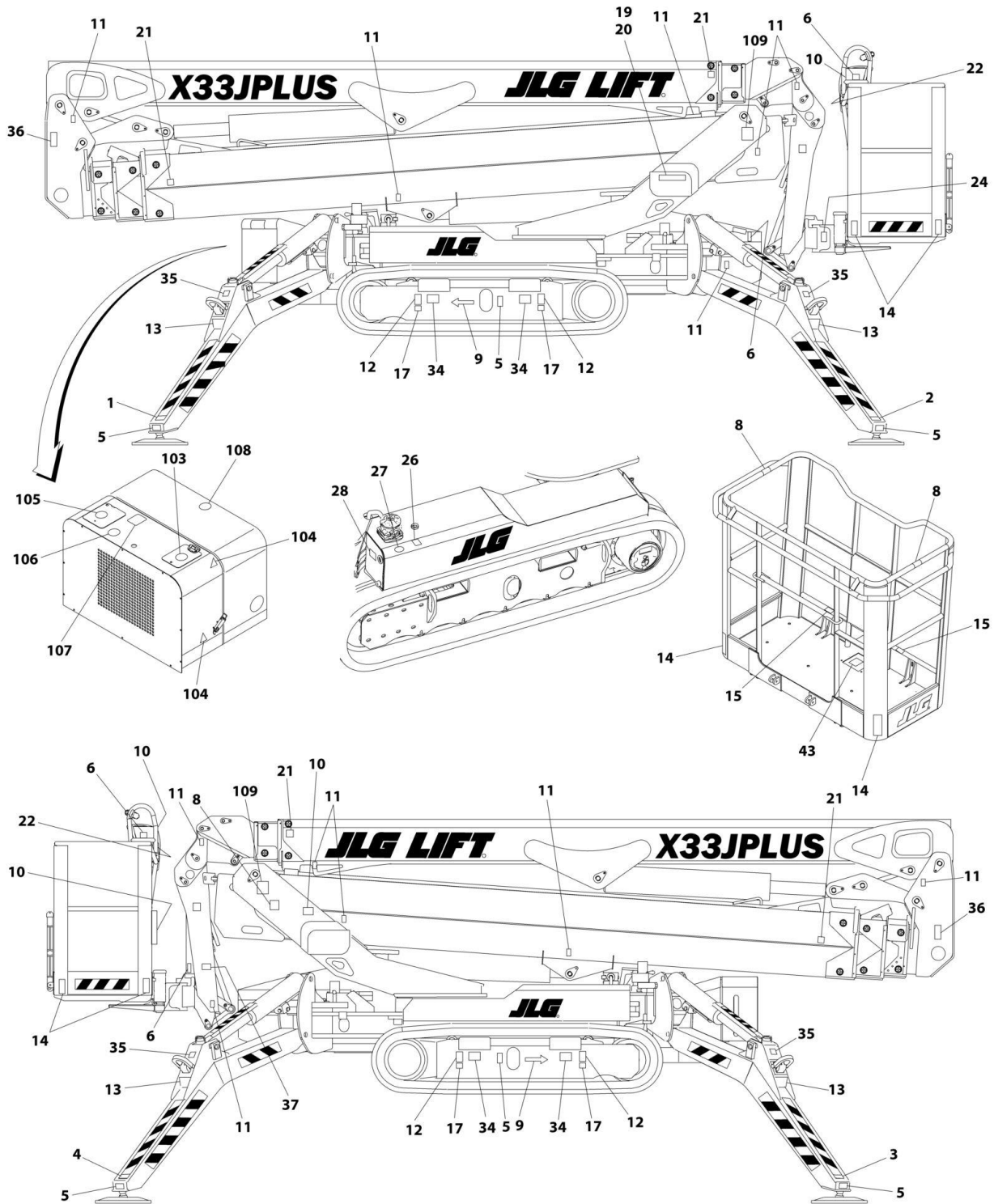
ITEM	PART NUMBER	QTY	DESCRIPTION	REV
	18014400	Ref	LANGUAGE DECALS INSTALLATION	A
1	06555500	1	Decal - Number 1	
2	06555600	1	Decal - Number 2	
3	06555700	1	Decal - Number 3	
4	06555800	1	Decal - Number 4	
5	1001125483	8	Decal - Pressure Wash	
6	06040500	2	Decal - Directional Arrow	
7	1701640	2	Decal - Manual	
8	1703814	4	Decal - Tie Down	
9	07071200	4	Decal - Lift	
10	1704277	2	Decal - Lanyard Attach	
11	06164700	1	Decal - Hydraulic Filter	
12	07056700	4	Decal - No Lift	
13	07350300	4	Decal - Forklift	
14	06706500	3	Decal - Platform Alignment	
15	1702155	2	Decal - Battery Disconnect	
17	06165000	1	Decal - Hydraulic Oil	
18	06136900	2	Decal - Grease Points	
19	08042100	4	Decal - Stabilizer / Ground Reaction	
20	07240300	1	Decal - Remote Control Distant	
23	1704125	1	Decal - Air Lead	
24	08056100	1	Decal - Position Check (Front Right Stabilizer)	
25	08056200	1	Decal - Position Check (Rear Right Stabilizer)	
26	08061400	1	Decal - Position Check (Rear Left Stabilizer)	
27	08061300	1	Decal - Position Check (Front Left Stabilizer)	
28	08042600	4	Decal - Position (Red)	
29	08042700	4	Decal - Position (Black)	
30	08061600	1	Decal - Air and Water Connection	
31	1001223055	1	Decal - Annual Inspection	
32	1701644	1	Decal - Battery Cable	
101	07056300	5	Decal - 220V - 50/60 Hz	
101	07056400	5	Decal - 120V - 60 Hz	
101	06042400	1	Decal - 110V	
102	06214200	1	Decal - Coolant	
103	06060000	1	Decal - Motor Oil N/S	
104	1701505	1	Decal - Diesel Fuel	
105	06056300	2	Decal - Warning	
106	1752770001	1	Decal - Biodegradable Oil	
107	1001228370	1	Decal - ICES-001	
107	1001223453	1	Decal - ICES-002	
201	07056100	13	Decal - Warning	
202	1706387	1	Decal - Warning	
203	1706099	1	Decal - Warning	
204	1702868	2	Decal - Caution	
205	07056200	8	Decal - Warning	
206	1706386	1	Decal - Warning	
207	07051100	1	Decal - Warning	
208	07051000	2	Decal - Warning	
209	1706133	1	Decal - Warning	
210	07058700	1	Decal - Warning	

SECTION 9 - DECALS

ITEM	PART NUMBER	QTY	DESCRIPTION	REV
211	072423GB	NLA	Decal - Capacity (Note: Use PN 081081GB)	
211	081081GB	2	Decal - Capacity	
212	1702901	1	Decal - Manual Descent Instruction Inside	
213	3252347	1	Decal - Warning	
214	1706128	5	Decal - Danger	
215	1703813	1	Decal - Warning N/S	
216	1704972	1	Decal - Warning N/S	
217	080422GB	1	Decal - Emergency Stop	
218	1706385	1	Decal - Warning	
220	1706135	1	Decal - Warning N/S	
221	080423GB	1	Decal - Upper Controls	
222	080424GB	1	Decal - Upper Controls	
223	08069800	1	Decal - Warning	

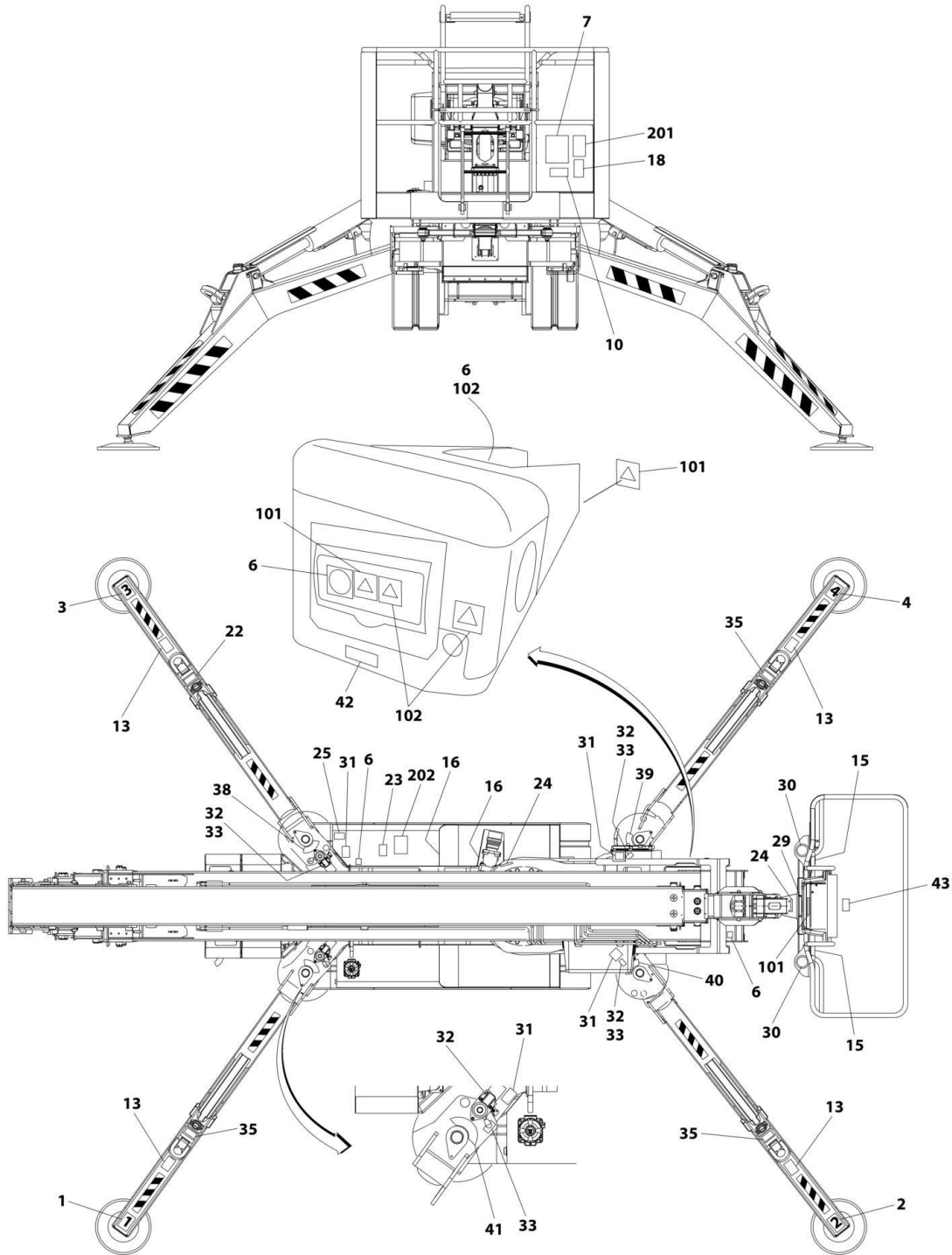
SECTION 9 - DECALS

FIGURE 9-2. LANGUAGE DECALS INSTALLATION - X33JP



ART_18038700_1

SECTION 9 - DECALS



ART_18038700_2

SECTION 9 - DECALS

FIGURE 9-2. LANGUAGE DECALS INSTALLATION - X33JP

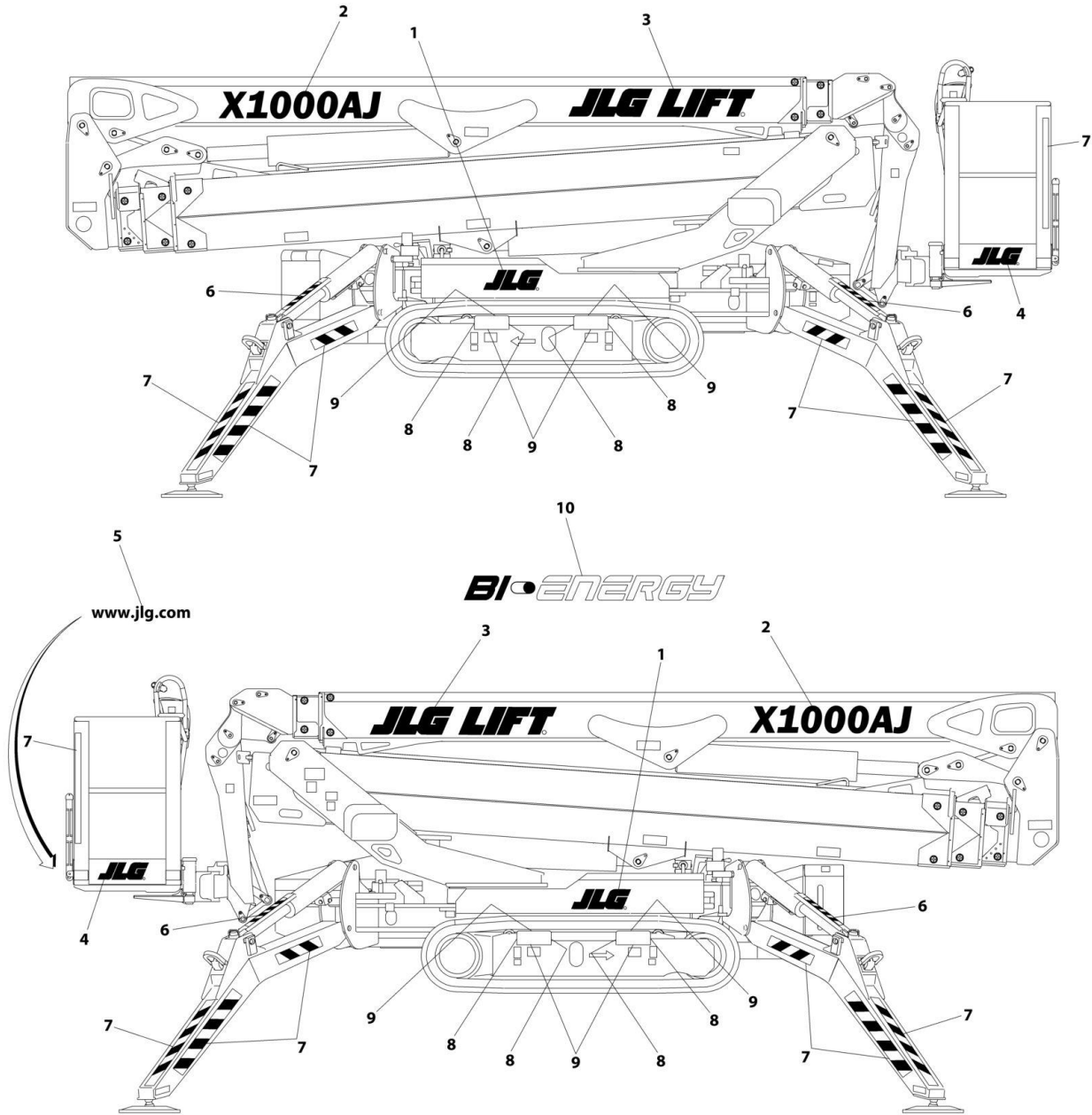
ITEM	PART NUMBER	QTY	DESCRIPTION	REV
	18038700	Ref	LANGUAGE DECALS INSTALLATION	A
1	06555500	1	Decal - Number 1	
2	06555600	1	Decal - Number 2	
3	06555700	1	Decal - Number 3	
4	06555800	1	Decal - Number 4	
5	06041200	6	Decal - Crushing	
6	1001125483	8	Decal - Pressure Wash	
7	06923400	1	Decal	
7	07878400	AR	Decal - Helmet Harness	
8	1706493	2	Drop Bar	
9	06040500	2	Decal - Directional Arrow	
10	06040900	5	Decal - Manual	
11	06041300	16	Decal - Warning	
12	1703814	4	Decal - Tie Down	
13	07071200	4	Decal - Lift	
14	06040300	4	Decal - Warning	
15	1704277	2	Decal - Lanyard Attach	
16	06136900	2	Decal - Grease Points	
17	06311200	4	Decal - No Lift	
18	08043400	AR	Decal - Platform Limit	
18	08043100	1	Decal - Platform Capacity	
19	08042800	1	Decal - Distributor Button (Upper) (Not Shown)	
20	08042900	1	Decal - Distributor Button (Lower) (Not Shown)	
21	06704400	4	Decal - Adjustment	
22	07240300	1	Decal - Remote Control Distant	
23	07056800	1	Decal - Emergency Descent	
24	06706500	3	Decal - Platform Alignment	
25	1702155	2	Decal - Battery Disconnect	
26	1701504	1	Decal - Hydraulic Oil	
27	06164700	1	Decal - Hydraulic Filter	
28	06165000	1	Decal - Hydraulic Oil	
29	06448100	2	Decal - Cap Replacement	
30	06448200	2	Decal - Cap Replacement	
31	08042500	4	Decal - Stabilizer Controls	
32	08042600	4	Decal - POS	
33	08042700	4	Decal - POSM	
34	07350300	4	Decal - Forklift	
35	08043000	4	Decal - Ground Reaction	
36	07058800	2	Decal - Danger	
37	1704125	1	Decal - Air Lead	
38	08056100	1	Decal - Stabilizer Control (Right Front)	
39	08056200	1	Decal - Stabilizer Control (Right Rear)	
40	08061400	1	Decal - Stabilizer Control (Left Rear)	
41	08061300	1	Decal - Stabilizer Control (Left Front)	
42	08061600	1	Decal - Air and Water	
43	1705828	1	Decal - Foot Switch	
101	07056300	1	Decal - 220V - 50/60 Hz	
101	07056400	1	Decal - 120V - 60 Hz	
101	06561200	1	Decal - 240V	
102	08061500	5	Decal - 400V	

SECTION 9 - DECALS

ITEM	PART NUMBER	QTY	DESCRIPTION	REV
103	06214200	1	Decal - Coolant	
104	06056300	2	Decal - Warning	
105	06043900	1	Decal - Carburante Diesel	
106	06060000	1	Decal - Motor Oil	
107	06227200	1	Decal - Motor Oil	
108	06164600	2	Decal - Filter	
109	07034200	2	Decal - Noise	
201		Ref	Decal - Warning Options:	
201	06562600	1	Decal - Warning (All Languages except Italian)	
201	06555300	1	Decal - Warning (Italian Language)	
202		Ref	Decal - Emergency Stop	
202	080432CE	1	Decal - Emergency Stop (Czech Language)	
202	080432DA	1	Decal - Emergency Stop (Danish Language)	
202	080432NL	1	Decal - Emergency Stop (Dutch Language)	
202	080432GB	1	Decal - Emergency Stop (English Language)	
202	080432FI	1	Decal - Emergency Stop (Finnish Language)	
202	080432FR	1	Decal - Emergency Stop (French Language)	
202	080432DE	1	Decal - Emergency Stop (German Language)	
202	080432IT	1	Decal - Emergency Stop (Italian Language)	
202	080432JA	1	Decal - Emergency Stop (Japanese Language)	
202	080432NO	1	Decal - Emergency Stop (Norwegian Language)	
202	080432PO	1	Decal - Emergency Stop (Polish Language)	
202	080432PT	1	Decal - Emergency Stop (Portuguese Language)	
202	080432RU	1	Decal - Emergency Stop (Russian Language)	
202	080432SL	1	Decal - Emergency Stop (Slovenian Language)	
202	080432ES	1	Decal - Emergency Stop (Spanish Language)	
202	080432SW	1	Decal - Emergency Stop (Swedish Language)	
301		Ref	Decal - Battery Charger LED Options (Not Shown)	
301	07264700	AR	Decal - Battery Charger LED (Not Shown)	
301	07264800	AR	Decal - Battery Charger LED (Not Shown)	
301	07394800	AR	Decal - Battery Charger LED (Not Shown)	

SECTION 9 - DECALS

FIGURE 9-3. COMMON DECALS INSTALLATION - X1000AJ



ART_09-02-00

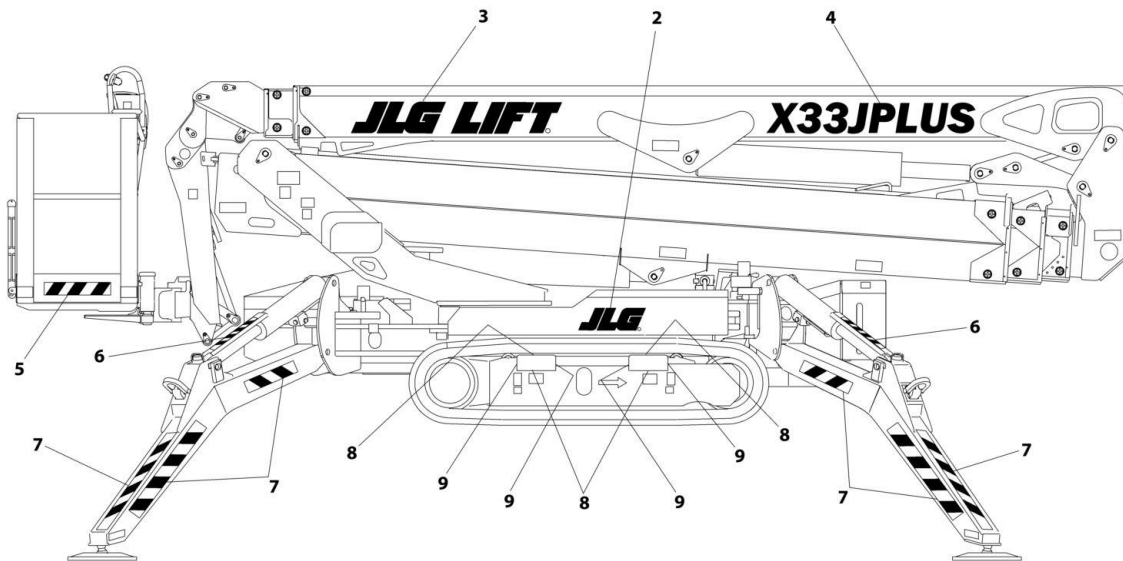
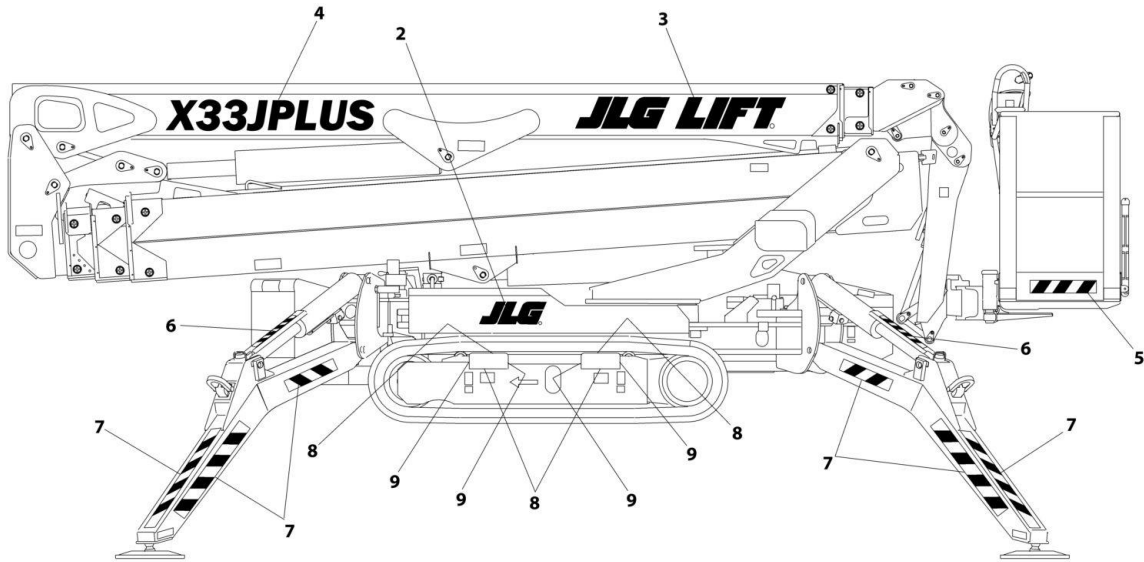
SECTION 9 - DECALS

FIGURE 9-3. COMMON DECALS INSTALLATION - X1000AJ

ITEM	PART NUMBER	QTY	DESCRIPTION	REV
	18014300	Ref	COMMON DECAL INSTALLATION	A
1	07060500	2	Decal - JLG	
2	08014500	2	Decal - Model X1000AJ	
3	08042000	2	Decal - JLG Lift	
4	07690100	2	Decal - JLG	
5	07691500	1	Decal - www.jlg.com	
6	06039900	4	Decal - Safety (Red/White)	
7	06039700	20	Decal - Safety (Red/White)	
8	07268300	8	Decal - Lifting Forks	
9	07268400	8	Decal - Lifting Forks	
10	08294800	2	Decal - BI-ENERGY	

SECTION 9 - DECALS

FIGURE 9-4. COMMON DECALS INSTALLATION - X33JP



ART_18038600

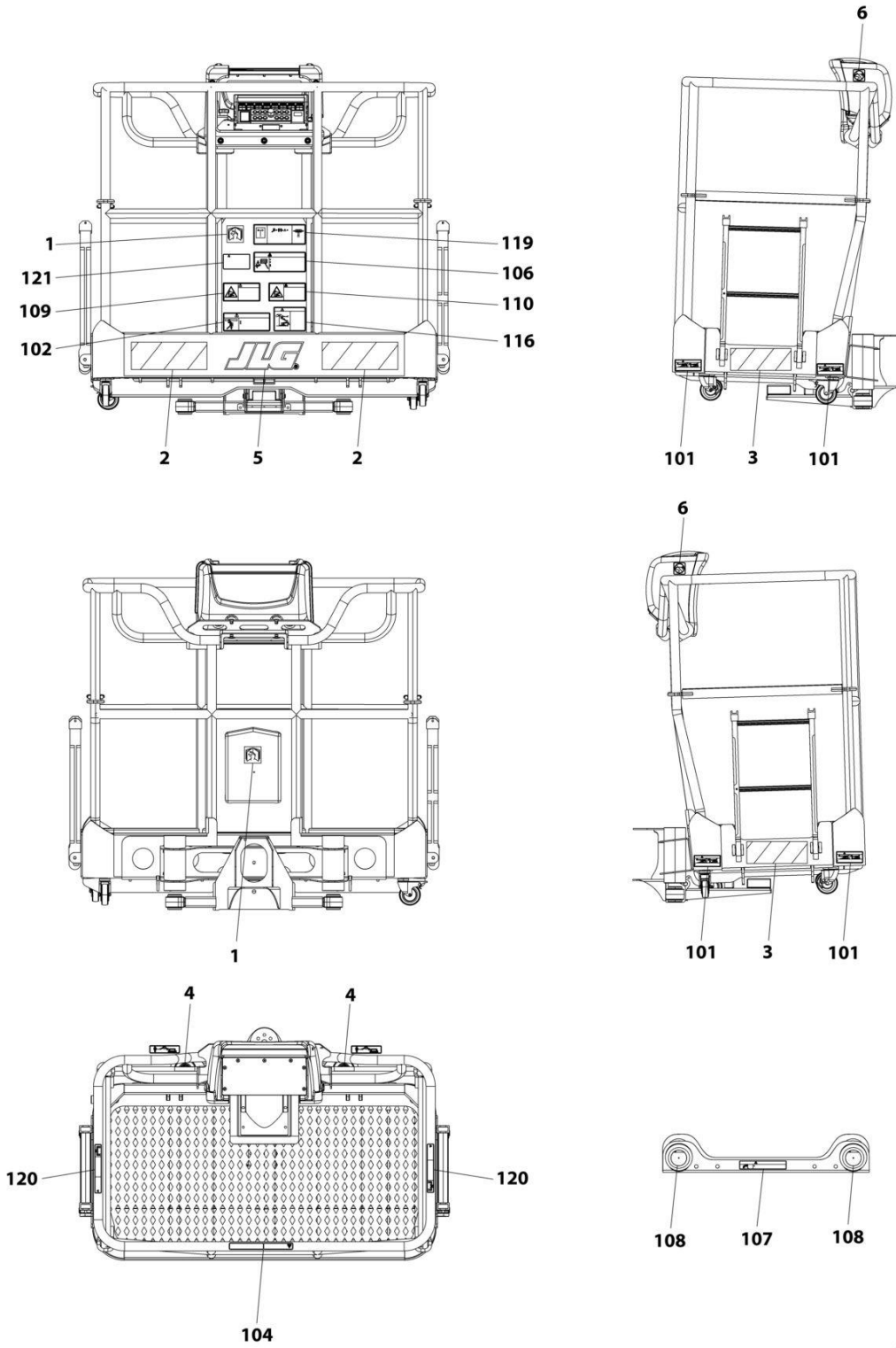
SECTION 9 - DECALS

FIGURE 9-4. COMMON DECALS INSTALLATION - X33JP

ITEM	PART NUMBER	QTY	DESCRIPTION	REV
	18038600	Ref	COMMON DECAL INSTALLATION	A
2	07060500	2	Decal - JLG	
3	08042000	1	Decal - JLG Lift	
4	08038500	2	Decal - Model X33JP	
5	06086700	2	Decal - Safety (Red/White)	
6	06039900	4	Decal - Safety (Red/White)	
7	06039700	20	Decal - Safety (Red/White)	
8	07268400	8	Decal - Attention	
9	07268300	8	Decal - Attention	

SECTION 9 - DECALS

FIGURE 9-5. DECAL KIT - PLATFORM (ANSI SPECS)



ART_18486500

SECTION 9 - DECALS

FIGURE 9-5. DECAL KIT - PLATFORM (ANSI SPECS)

ITEM	PART NUMBER	QTY	DESCRIPTION	REV
	18486500	Ref	DECAL KIT - PLATFORM (ANSI SPECS)	0
1	1701640	2	Decal - Manual	
2	08347500	2	Decal - Red/White	
3	08347400	2	Decal - Red/White	
4	1704277	2	Decal - Lanyard Attachment	
5	07690100	1	Decal - JLG	
6	1001125483	2	Decal - No Attachment	
101	07056100	4	Decal (English Language)	
101	07116800	4	Decal (French Language)	
101	07121400	4	Decal (Portuguese Language)	
102	1706387	1	Decal (English Language)	
102	07119100	1	Decal (French Language)	
102	07123700	1	Decal (Portuguese Language)	
104	1702868	1	Decal (English Language)	
104	07117800	1	Decal (French Language)	
104	07122400	1	Decal (Portuguese Language)	
106	1706386	1	Decal (English Language)	
106	07119000	1	Decal (French Language)	
106	07123600	1	Decal (Portuguese Language)	
107	07051100	1	Decal (English Language)	
107	07116700	1	Decal (French Language)	
107	07121300	1	Decal (Portuguese Language)	
108	07051000	2	Decal (English Language)	
108	07116600	2	Decal (French Language)	
108	07121200	2	Decal (Portuguese Language)	
109	1706133	1	Decal (English Language)	
109	07118700	1	Decal (French Language)	
109	07123300	1	Decal (Portuguese Language)	
110	07058600	1	Decal (English Language)	
110	07117200	1	Decal (French Language)	
110	07121800	1	Decal (Portuguese Language)	
116	1706128	1	Decal (English Language)	
116	07118600	1	Decal (French Language)	
116	07123200	1	Decal (Portuguese Language)	
119	081081GB	1	Decal (English Language)	
119	081081FR	1	Decal (French Language)	
119	081081PT	1	Decal (Portuguese Language)	
120	1706385	2	Decal (English Language)	
120	07118900	2	Decal (French Language)	
120	07123500	2	Decal (Portuguese Language)	
121	08069800	1	Decal - Prop 65 (English Language)	

SECTION 10 - RECOMMENDED SERVICE PARTS STOCK

SECTION 10 - RECOMMENDED SERVICE PARTS STOCK

SECTION 10 - RECOMMENDED SERVICE PARTS STOCK

FIGURE 10-1. RECOMMENDED SERVICE PARTS STOCK

ITEM	PART NUMBER	QTY	DESCRIPTION	REV
		Ref	Note: The following list will service one machine (built to current production per date on the front cover) with emergency repair parts which can be installed in the field. Parts from the list should be replaced when inventory is depleted to keep service parts stock supplied. For further information, contact your JLG dealer or the JLG Industries Parts Department.	
	1804180001	1	Breaker	
	1804180002	1	Breaker	
	1804180003	1	Breaker	
	1556350063	1	Breaker	
	1556350063	1	Breaker, Circuit	
	2743370001	1	Cartridge, Hydraulic Oil Filter	
	1803220002	1 pk	Cell, Lithium (1 package = 12 cells)	
	2782210006	1	Coil	
	2782200005	1	Coil	
	2782200006	1	Coil	
	05913800	1	Coil	
	07845200	1	Coil	
	178223001	1	Coil	
	1804180009	1	Contacto	
	2646170017	1	Control, Button Pad	
	1764260003_SCR AP	2	Diode 20A	
	1764260003	2	Diode 20A	
		Ref	Engine Components	
	274941000201	1	Element , Air Filter	
	2734250002	1	Element, Engine Oil	
	1740420001	1	Element, Fuel Filter	
	1772950015	1	Footswitch	
	2781020015	2	Fuse 1A	
	2781020014	2	Fuse 400A	
	05760900	2	Fuse, 10A	
	2694760001	2	Fuse, 250A	
	05760700	2	Fuse, 5A	
	05761000	1	Fuse-15AMP	
	17708000	1	Inclinometer	
	2683930002	1	Key, Ignition	
	1804180004	1	Module, Auxiliary Contact	
	1803220001	1	Module, Control (BMS Master Mid)	
	2781020018	1	Module, Control (BMS Slave Mid)	
	1787280015	1	Module, Control (ECM 1 & 2 /Master)	
	27967000	1	Module, Control (Ground Control)	
	1787280014	1	Module, Control (Jib and Base)	
	18448000	1	Module, Control	
	1772950017	1	Modem, GPS	
	1804180005	1	Module, Relay	
	1804180008	1	Module, Softstart	
	2781020012	1	Relay	
	1733730003	1	Relay	
	1739150056	1	Relay	

SECTION 10 - RECOMMENDED SERVICE PARTS STOCK

ITEM	PART NUMBER	QTY	DESCRIPTION	REV
	1776330003	1	Relay, 12v Tyco Connector	
	2781020011	1	Sensor, LEM	
	2781020013	1	Sensor, Temperature	
	1770740001	1	Switch	
	2683930001	1	Switch, 3s Series	
	04774900	1	Switch, Battery Cut-Out	
	07827000	1	Switch, Battery Disconnect	
	2646170008	1	Switch, Emergency Button	
	08027200	1	Switch, Emergency Ground Activation	
	17329500	1	Switch, N/O Contact	
	26429300	1	Switch, Remote Control	
	07359400	1	Switch, Remote Emergency Stop	
	27796800	1	Switch, SkyGuard	
	1679900012	1	Switch/Sensor	
	1679900004	1	Switch/Sensor	

SECTION 10 - RECOMMENDED SERVICE PARTS STOCK

PART NUMBER INDEX

SECTION 10 - RECOMMENDED SERVICE PARTS STOCK

03014400.....	97, 119	064699Y1.....	29	07190000.....	21	07867800.....	21
04048100.....	97	06477600.....	19	07190900.....	63	07878400.....	152
04256300.....	13	064965Y1.....	59	07192600.....	63	07894900.....	23
042694C0.....	11	064966Y1.....	13, 55, 59	07192700.....	65	07901300.....	59
042694CB.....	11	064968Y1.....	51	07193000.....	63	07901400.....	59, 69
04310100.....	35	06551400.....	29	07194400.....	132	079021H2.....	59
04707700.....	111	06551600.....	21	07239700.....	65	07902400.....	59
04774900.....	127, 163	06555300.....	153	072398H3.....	65	07902500.....	59
04834500.....	127	06555500.....	148, 152	07240300.....	148, 152	07902600.....	59
04845400.....	97	06555600.....	148, 152	072423GB.....	149	07902700.....	59
049219H2.....	11	06555700.....	148, 152	07246000.....	53	07902800.....	59
05033600.....	35	06555800.....	148, 152	07264700.....	153	07902900.....	59
05061800.....	17	06561200.....	152	07264800.....	153	07903000.....	55
05093900.....	89	06562600.....	153	07268300.....	155, 157	07903100.....	59
051705Y1.....	17	06585900.....	65	07268400.....	155, 157	07903200.....	55
05427200.....	21	06598500.....	65	072787Y1.....	57	07903300.....	57
05434500.....	141	06639100.....	127	07343200.....	17, 19	07903400.....	53
05442500.....	19	06665000.....	63	07343300.....	17, 19	07903500.....	51
05442600.....	19	06704400.....	152	07343400.....	17, 19	07903600.....	51
05444800.....	127	06706500.....	148, 152	07350300.....	148, 152	07903700.....	41
05475900.....	65	067808H2.....	136	07359400.....	132, 163	07903800.....	51
05509900.....	87	06840400.....	132	07359500.....	132	07903900.....	41
055629H3.....	105	06840700.....	132	07394800.....	153	07904000.....	21
05582600.....	89	06923400.....	152	07499300.....	132	07904100.....	41
05611800.....	17	06997800.....	35	075287Y2.....	51, 53	07904200.....	49
056187H3.....	63	07027100.....	133	07541400.....	29	07904300.....	23
05643600.....	65	07027200.....	133	07541500.....	29	07904400.....	23
05656400.....	17	07031800.....	63	075692H2.....	136	07904500.....	23
05689400.....	29	07034200.....	153	075705H2.....	19	07904600.....	23
05760700.....	136, 143, 162	07051000.....	148, 159	075716Y1.....	27	07904700.....	23
05760900.....	136, 162	07051100.....	148, 159	075717Y1.....	27	07906300.....	51
05761000.....	141, 162	07052900.....	63	075718Y1.....	27	079091Y1.....	55
057684H2.....	11	07056100.....	148, 159	075719Y1.....	27	079092Y1.....	55
05849000.....	41, 59	07056200.....	148	075720Y1.....	27	079093Y1.....	55
058600H3.....	65	07056300.....	148, 152	075778Y1.....	29	07909400.....	105
058832H3.....	21	07056400.....	148, 152	07577900.....	29	079096Y1.....	55
05903300.....	29	07056700.....	148	07589400.....	29	07909700.....	87
05913800.....	119, 162	07056800.....	152	075985Y1.....	29	07909800.....	87
05959400.....	123	07058600.....	159	07598600.....	29	07909900.....	105
06039700.....	155, 157	07058700.....	148	07598700.....	29	07910000.....	105
06039900.....	155, 157	07058800.....	152	07598900.....	29	07912800.....	53, 55, 57
06040300.....	152	07060500.....	155, 157	07599800.....	23	07912900.....	57
06040500.....	148, 152	07071000.....	132	07611000.....	87	07913000.....	57
06040900.....	152	07071200.....	148, 152	07635600.....	29	07913100.....	144
06041200.....	152	07116600.....	159	07639400.....	23	07913200.....	144
06041300.....	152	07116700.....	159	07647100.....	29	07913300.....	144
06042400.....	148	07116800.....	159	07680400.....	19	07913400.....	144
06043900.....	153	07117200.....	159	07687300.....	65	07913600.....	144
06056300.....	148, 153	07117800.....	159	07690100.....	155, 159	079146Y1.....	55
06060000.....	148, 153	07118600.....	159	07690700.....	65	07914700.....	55
06086700.....	157	07118700.....	159	07691500.....	155	07914800.....	57
06136900.....	148, 152	07118900.....	159	07693700.....	21	07915000.....	55
06145700.....	29	07119000.....	159	07700700.....	143	07915200.....	51
06164600.....	153	07119100.....	159	07751100.....	65	07915300.....	51, 53
06164700.....	148, 152	07121200.....	159	07764900.....	97	07915800.....	53
06165000.....	148, 152	07121300.....	159	07765100.....	75	07915900.....	53
06214200.....	148, 153	07121400.....	159	07765300.....	71	07916000.....	53
06227200.....	153	07121800.....	159	07765400.....	69	07916400.....	53
062967Y1.....	47	07122400.....	159	07765700.....	59	07918000.....	53
06301200.....	41, 43, 45	07123200.....	159	07766500.....	63	07918100.....	53
06311200.....	152	07123300.....	159	07771500.....	63	079182Y1.....	53
06321200.....	45	07123500.....	159	077743H2.....	19	07935800.....	51
06418600.....	65	07123600.....	159	07796900.....	65	07935900.....	51
064422Y1.....	21	07123700.....	159	07797000.....	65	079360Y1.....	51
064423Y1.....	21	07146400.....	63	07827000.....	136, 163	079372H3.....	51
06448100.....	152	07146500.....	63	07844200.....	127	079373H3.....	51
06448200.....	152	07189900.....	19	07845200.....	119, 162	079376Y1.....	59

SECTION 10 - RECOMMENDED SERVICE PARTS STOCK

079377Y1.....	59	07978000.....	41	080087Y1.....	17	08022400.....	105
079388Y1.....	51	07980700.....	23, 77	08008900.....	97	08022500.....	87
07946100.....	73, 75	07980800.....	17	080101H3.....	63	08022600.....	87
079566Y1.....	47	079809H2.....	23	08010800.....	45	08023000.....	111
079567Y1.....	47	079810H2.....	23	08010900.....	45	08023100.....	105
07956900.....	47	07981100.....	23	080111Y1.....	43	08023200.....	97
07957000.....	47	079821Y1.....	23	080119Y1.....	43	080235H2.....	21
07957100.....	47	07982900.....	17	080122H2.....	17	08024100.....	97, 105
07959400.....	107	079830Y1.....	23	080128Y2.....	51	08024200.....	97, 105
07959500.....	93	07983300.....	49	080129H2.....	23	080271Y1.....	29
07959600.....	93	079834Y1.....	49	080130H2.....	23	08027200.....	132, 163
07959700.....	107	07983800.....	43	08013100.....	21	080274Y1.....	21
07959800.....	87	079839Y1.....	49	08014500.....	155	080275Y1.....	21
07959900.....	105	07984000.....	49	08016000.....	105	08028800.....	17
07960000.....	87	07984100.....	49	08016100.....	105	080301H2.....	17
07960100.....	105	07987700.....	13	08016200.....	87	08031200.....	136
07962200.....	45	079924Y1.....	23	08016300.....	87	080321D1.....	136
07962300.....	45	07992500.....	97	08016400.....	105	08035500.....	97
07962400.....	45	07992600.....	105	08016500.....	105	08035600.....	97
079625Y1.....	49	07992700.....	105	08016600.....	105	08035700.....	97
079626Y1.....	49	07992800.....	105	08016700.....	95	08035800.....	97
079627Y1.....	49	07992900.....	97	08016800.....	95	08038500.....	157
079628Y1.....	45	07993000.....	111	08016900.....	105	080390H2.....	19
079629Y1.....	45	07993100.....	111	08017000.....	97	080391H2.....	19
079630Y1.....	45	07993200.....	97	08017100.....	97	080395Y1.....	19
079631Y2.....	45	07993300.....	105	08017200.....	97	080396Y1.....	19
07964100.....	45	07993400.....	105	08017300.....	97	080397Y1.....	19
07964200.....	49	07993500.....	97	08017400.....	97	080401H2.....	19
07964300.....	49	07994100.....	17	08017500.....	97	08042000.....	155, 157
07964400.....	45	079942Y1.....	17	08017600.....	107	08042100.....	148
07964500.....	45	079946H2.....	21	08017700.....	107	080422GB.....	149
07965700.....	13	079947Y1.....	21	08017800.....	93	080423GB.....	149
07965800.....	47	079948H2.....	21	08017900.....	93	080424GB.....	149
07967500.....	45	079952Y1.....	97	08018000.....	93	08042500.....	152
079693Y1.....	45	079954Y2.....	97	08018100.....	93	08042600.....	148, 152
07969400.....	45	079956H2.....	17	08018200.....	89	08042700.....	148, 152
079712Y1.....	43	079957Y1.....	49	08018300.....	89	08042800.....	152
07971300.....	43	079958H2.....	23	08018400.....	89	08042900.....	152
07971400.....	43	079962H2.....	23	08018500.....	89	08043000.....	152
07971500.....	43	079970H2.....	23	08018600.....	89	08043100.....	152
07971700.....	43	07998000.....	49	08018700.....	111	080432CE.....	153
07971800.....	43	079984Y1.....	55	08018800.....	111	080432DA.....	153
07972200.....	43	079985Y1.....	55	08018900.....	111	080432DE.....	153
079723H2.....	11	07999000.....	51	08019000.....	89	080432ES.....	153
079726Y1.....	41	080010Y1.....	21	08019100.....	89	080432FI.....	153
079748Y1.....	41	08001500.....	93	08019200.....	105	080432FR.....	153
079755Y1.....	49	080050Y1.....	19	08019300.....	97	080432GB.....	153
079756Y1.....	49	08005400.....	91	08019400.....	97	080432IT.....	153
07975700.....	49	08005500.....	91	08019500.....	97	080432JA.....	153
079758Y1.....	49	08005600.....	103	08019600.....	101	080432NL.....	153
07975900.....	49	08005700.....	103	08019700.....	101	080432NO.....	153
079760Y1.....	49	08005800.....	91	08019800.....	101	080432PO.....	153
079761Y1.....	49	08005900.....	91	08019900.....	101	080432PT.....	153
07976200.....	49	08006000.....	87	08020000.....	101	080432RU.....	153
07976300.....	41	08006100.....	87	08020100.....	101	080432SL.....	153
07976500.....	105	08006200.....	105	08020200.....	101	080432SW.....	153
07976600.....	105	08006300.....	105	08020300.....	101	08043400.....	152
07976700.....	87	080066Y4.....	33, 35, 37	08020400.....	89	08044500.....	41
07976800.....	87	080067Y1.....	98	08020500.....	105	08044900.....	21
07976900.....	93	080068Y1.....	98	08020600.....	105	08045000.....	21
079770H3.....	41	080070H2.....	19	08020700.....	87	08045100.....	21
079771H3.....	41	08007200.....	17	08020800.....	87	08047000.....	51
07977200.....	93	080073H2.....	21	08020900.....	107	080479Y1.....	41
07977300.....	107	08007500.....	109	08021000.....	93	080480Y1.....	41
07977400.....	107	08007600.....	109	08021100.....	93	080487H2.....	123
079777H3.....	41	080083H2.....	59	08021200.....	107	080488H2.....	123
079778Y1.....	49	080084H2.....	59	08022300.....	105	080532H2.....	123

SECTION 10 - RECOMMENDED SERVICE PARTS STOCK

08053700.....	51	1704972	149	1757250009	136	17822300.....	97, 105, 119
08053900.....	49	1705828	152	1757250010	136	178223001.....	119, 162
08056100.....	148, 152	1706099	148	1757250011	136	178235J2.....	59
08056200.....	148, 152	1706128	149, 159	1757250012	136	17866900.....	11
08061300.....	148, 152	1706133	148, 159	1757250013	136	17872800.....	127
08061400.....	148, 152	1706135	149	1757250023	127	1787280001.....	125
08061500.....	152	1706385	149, 159	1757250025	143	1787280002.....	125
08061600.....	148, 152	1706386	148, 159	1757250027	143	1787280003.....	127
08069800.....	149, 159	1706387	148, 159	1757250031	143	1787280004.....	127
08082300.....	97	1706493	152	1757250032	143	1787280005.....	127
08082400.....	97	17162400	127	1757250033	143	1787280006.....	127
08082500.....	97	17162500	127	1757250034	143	1787280007.....	127
08082600.....	97	17235800	132	1757250035	143	1787280009.....	127
08082700.....	97	17283800	123	1757250036	143	1787280010.....	127
08082800.....	97	17306300	144	1757250037	143	1787280011.....	127
08082900.....	97	1730720029	143	1757250038	143	1787280012.....	127
081081FR.....	159	1730720030	143	1757250039	143	1787280013.....	127
081081GB.....	149, 159	1730720031	143	1757250040	143	1787280014.....	123, 128, 162
081081PT.....	159	1730720032	144	1757250041	143	1787280015.....	127, 162
08132300.....	65	1730720033	143	1757250042	143	17872900.....	141
08185200.....	43	1730720034	143	1757250043	143	17873000.....	136
082920D1.....	136	1730720035	143	1757250044	143	1787310001.....	123
08294800.....	155	1730720036	144	1757250045	143	1787310002.....	123
08295000.....	133	1730720037	143	1757250046	143	1787310003.....	123
08309700.....	65	1730720038	143	1757250048	144	1787310004.....	123
08310700.....	65	1730720039	143	1757250049	144	1787310005.....	125
08310800.....	65	1730720040	144	1757250056	143	1787310006.....	125
08333400.....	87	1730720041	143	1757250057	143	1787310007.....	125
083433Y2.....	45	1730720042	143	1757260001	136	1787310008.....	125
08347400.....	159	1730720043	144	1757260002	141	1787310009.....	125
08347500.....	159	1730720051	143	1757260003	141	1787310010.....	125
08558100.....	65	1730720054	143	1757260004	141	1787310011.....	125
1001125483.....	148, 152, 159	1730720055	144	1757260006	136	1787310012.....	125
1001181405.....	127	1730720056	144	1757260007	136	1787310013.....	125
1001223055.....	148	1730720057	144	1757260008	127	1787310014.....	125
1001223453.....	148	1730720058	144	17572600081	127	178796H2.....	59
1001228370.....	148	1730720059	143	17604200	136	178800H2.....	59
1001309207.....	65	1730720061	144	1763330001	143	178805H2.....	59
1541150011.....	77	1730720068	144	1763330002	143	178806H2.....	59
1556350063.....	127, 139, 162	1730720069	144	1764260003	127, 162	178820H2.....	59
1585570005.....	123	1730720084	143	1764260003_SCRAP	162	178994H2.....	11
1585570006.....	123	1730720087	123, 125, 136	17669800	123	17914400.....	57
1591700002.....	123	1730720088	136	176908H2.....	11	17917900.....	53
1651290015.....	123	1730720098	125, 136	1770740001	127, 163	17918700.....	51
16710000.....	45	17329500	13, 83, 163	17708000	127, 162	179337J1.....	51
16774800.....	136	1733730003	141, 162	1772950001	143	17937100.....	51
1679900004.....	125, 128, 163	1733730008	141	1772950002	143	179565Y1.....	47
1679900012.....	125, 128, 163	1733730010	141	1772950003	143	179572H2.....	51
1690690001.....	136	1733730011	141	1772950004	143	179581H2.....	51
1690690002.....	136	1733730031	141	1772950005	143	17963700.....	45
1692150001.....	123	1739150023	127	1772950006	143	17964000.....	47
16947700.....	136	1739150025	127	1772950007	143	17971900.....	43
1701504.....	152	1739150047	144	1772950008	143	179727J1.....	41
1701505.....	148	1739150056	141, 162	1772950009	143	179793J2.....	23
1701640.....	148, 159	1739150058	141	1772950010	143	179813J2.....	17
1701644.....	148	17404200	29	1772950015	123, 162	179822H3.....	17
1702155.....	148, 152	1740420001	29, 162	1772950017	127, 162	17983500.....	49
1702868.....	148, 159	17473600	144	1772950021	127	179842H2.....	17
1702901.....	149	17473700	144	1772950024	144	179908J2.....	17
1703813.....	149	17473800	144	1772950025	144	17999600.....	41
1703814.....	148, 152	1752770001	148	1772950026	144	18000200.....	41
1704125.....	148, 152	17550700	132	1773980004	123	18000600.....	41
1704277.....	148, 152, 159	17550800	132	1776330003	136, 163	18003300.....	21
		17569900	65	1776330004	136	18005200.....	97, 105
		1757250001	127, 137	1776330005	136	1800940001.....	127
		1757250003	127	1776330007	137	18014300.....	155
		1757250007	127	17768100	65		

SECTION 10 - RECOMMENDED SERVICE PARTS STOCK

18014400	148	2646170030.....	133	2782030002.....	79	280051H2	21
180268H2.....	19	2646170032.....	132	2782030003.....	79	28008100	33
180270Y1.....	29	26551500	29	2782030004.....	79	2800810001	33, 35
180291D1.....	137	2655800001.....	123	278203H2	57, 79, 107	28008200	123
180316D1.....	136	26582800	127	278203H201	79	2800860002	33
180320D1.....	136	2683930001.....	132, 163	2782060002.....	75	2800860003	33, 37
18032200	136	2683930002.....	132, 162	2782060003.....	75	2800860004	33, 37
1803220001	137, 162	2694760001.....	136, 162	2782060004.....	75	280086Y1.....	33, 35
1803220002	137, 162	26947900	136	278206H2	75, 95	280086Y101....	33, 35, 37
1803220003	137	26948000	35	278206H201	75	28010200	37
1803220004	136	26964400	97, 119	2782070001.....	73, 81	28012100	27
180323D1.....	136	27005200	132	2782070002.....	73	28012700	132
180324D1.....	136	27018000	27	2782070003.....	73	2801270001	132
18038600	157	2705540002.....	77	278207H2	73, 93	2801270003	132
18038700	152	27073700	123	278207H201	73	2801270004	133
18041700	127	27073800	123	2782080002.....	71	2801270005	132
18041800	139	27073900	123	2782080003.....	69, 71	2801270006	132
1804180001	139, 162	27074000	127	2782080004.....	71	2801270008	132
1804180002	139, 162	27146200	63	2782080005.....	71	28032600	136
1804180003	139, 162	27283000	132	278208H2	59, 71, 91	28041900	19
1804180004	139, 162	2728300001.....	132	278208H201	71	2804570001	37
1804180005	139, 162	2734250001.....	31	2782090002.....	69	280457Y1.....	37
1804180006	139	2734250002.....	31, 162	278209H2	59, 69, 91	28055100	27, 31
1804180007	139	2734250004.....	31	278209H201	69	28095300	132
1804180008	139, 162	2734250007.....	31	2782100002.....	77	28120400	136
1804180009	139, 162	2734250008.....	31	278210H2	23, 77, 101	2827500001	132
1804180010	139	2734250009.....	31	278210H201	77	2827500002	133
1804180011	139	2734250010.....	31	278211H2	11	2827500003	133
18044600	59	2734250011.....	31	2782190001.....	13, 83	28363000	65
18044800	21	2734250013.....	31	278219H2	13, 83	28433000	65
181063D1.....	136	2734250015.....	141	27822000.....	105, 115	28448200	127
18114300	136	27396100	127	2782200001.....	115	3252347	149
18150000	65	27433700	17	2782200002.....	115	3311601	65
18208900	137	2743370001.....	17, 162	2782200003.....	115	36585800	65
18218600	132	2749410001.....	29	2782200004.....	115	376018H2	23
18249000	132	2749410002.....	29	2782200005.....	115, 162	37609800	65
18282900	132	274941000201....	29, 162	2782200006.....	113, 115, 162	377661H2	63
18289000	136	2749410003.....	31	27822100.....	97, 113	378212H2	13
182921D1.....	136	2749410004.....	31	2782210001.....	113	378809H2	63
18310600	65	2749410005.....	31	2782210002.....	113	378814H2	63
18357200	65	27554600	29	2782210003.....	113	379060J2	51, 55
18357300	65	27598400	29	2782210004.....	113	379176J2	51, 53
18448000	127, 162	27598800	29	2782210005.....	113	379387Y1.....	51
18478900	65	27602400	29	2782210006.....	113	379392Y1.....	51
18486500	159	27796800	65, 163	2782210006.....	113, 117, 162	379547J1	41, 47
256263H3.....	11	2781020003.....	137	27822200.....	105, 117	379561J1	41, 45
256453H2.....	11	2781020004.....	137	2782220001.....	117	379562H3	47
25731300	17	2781020005.....	137	2782220002.....	117	379572H2	51
25779900	29	2781020006.....	137	2782220003.....	117	379581H2	51
260329	127	2781020007.....	137	2782220004.....	117	379632Y1.....	45
2632920007	127	2781020008.....	137	2782220005.....	117	379656H2	13
2632920008	127	2781020010.....	137	2782220006.....	117	379683H2	13
26429300	136, 163	2781020011.....	137, 163	2782220007.....	117	379684H2	13
2646170003	132	2781020012.....	137, 162	27895200.....	65	379692Y1.....	45
2646170007	132	2781020013.....	137, 163	27900800.....	97	379706J1	41, 43
2646170008	132, 163	2781020014.....	137, 162	279020H2.....	59	37977500	105
2646170009	132	2781020015.....	137, 162	279101H3	27, 33, 35, 37	37977600	107
2646170010	132	2781020018.....	162	27920500.....	125	379781H2	21
2646170011	132	2781020019.....	137	27920700.....	127	379861H2	19
2646170012	132	2781020020.....	137	27933000.....	123	379868H2	19
2646170013	132	2781020021.....	137	27949900.....	55	379885H2	23
2646170014	132	2781020022.....	137	279508H2	21	379892H2	23
2646170017	132, 162	2781020023.....	137	27956800.....	47	379893H2	23
2646170024	132	2782020002.....	81	27967000.....	21, 162	379900H2	23
2646170025	133	2782020004.....	81	27981200.....	105	379911J2	17
2646170026	133	278202H2	49, 81, 109	27997100.....	21	379920J2	17
2646170027	132	278202H201	81			379923H2	23

SECTION 10 - RECOMMENDED SERVICE PARTS STOCK

379936H2.....19	BR000300..... 123, 137	BV002900..... 123, 137	BV016300.....137
379943H2.....19	BR000400..... 29, 65, 123	BV003000..... 66	BV016600.....66
379961H3.....17	BR000500..... 27, 29, 66	BV003200.... 29, 123, 137	BV016700.....27
380042H2.....19	BR000600. 19, 27, 29, 65	BV003300..... 27, 137	BV016800.....27
380105H3.....59	BR000700..... 27	BV003400..... 137	BV017100.....27
380303Y1.....51	BR000800..... 66	BV003500..... 66	BV017600..... 137
380392H2.....19	BR001300..... 29	BV004100..... 137	BV021100.....66
38302200.....65	BR001500..... 29, 137	BV004200..... 123	BV023400.....66
38302300.....65	BR001600..... 27, 29, 66	BV004300..... 65	BV025300.....66
BC002100.....23	BR001700..... 128, 137	BV007000..... 29	RD001700 98
BD000500.....27, 29, 66	BR002200..... 29	BV007200..... 66	RN000200 97, 98, 107, 119
BD000700.....29	BR005300..... 137	BV007600..... 128	RN000400 ..97, 105, 111, 119
BD000900.....29, 65, 123	BS002200..... 23	BV009100..... 65	RN000500105
BD001100....29, 123, 137	BV000100..... 27	BV009200..... 65	RN00060097, 119
BD001200.....128	BV000400..... 66	BV009400..... 128, 137	RN000800 97, 98, 119
BD001400.....65	BV000700..... 29, 66	BV009700..... 137	RN00300098
BD001500.....29, 65	BV000800..... 29, 66	BV010000..... 65	RR000700 97
BD002300.....66	BV001200..... 29	BV010200..... 128	RT000200.....111
BG000600.....59	BV0014500..... 27	BV014600..... 27	
BR000100.....27, 29, 66	BV001500..... 66	BV014900..... 137	
BR000200.....128	BV002400..... 123, 137	BV015400..... 27, 29	



**Corporate Office
JLG Industries, Inc.
1 JLG Drive
McConnellsburg, PA 17233-9533 USA**
☎ (717) 485-5161 (Corporate)
☎ (877) 554-5438 (Customer Support)
📠 (717) 485-6417

**Visit our website for JLG Worldwide Locations.
www.jlg.com**



OSHKOSH™