



Illustrated Parts Manual

Models
600SC
600SJC
660SJC

PRIOR TO
SN 0300128000

Caterpillar Chassis &
Prior to ADE System

3120795

September 30, 2018 - Rev AC

ANSI



An Oshkosh Corporation Company

REVISION LOG

Note: Machines with SNs 0300071456, 0300071859, 0300072679, 0300072703, 0300072794 & 0300072807 have the Gradall Chassis but are not equipped with ADE System. Use JLG Parts Manual p/n 3121158 for Gradall Chassis components.

January 15, 2000 - A - Original Issue Of Manual

July 15, 2000 - B - Revised (Edited to B/M 0010568 Revision 1)

October 15, 2000 - C - Revised (Edited to B/M 0010568 Revision 2)

May 31, 2001 - D - Revised (Edited to B/M 0010568 Revision 7)

January 3, 2002 - E - Revised (Edited to B/M 0010568 Revision 10)

January 8, 2003 - F - Revised (Edited to B/M 0010568 Revision 18)

April 21, 2003 - G - Revised (Edited to B/M 0010568 Revision 19)

July 15, 2003 - H - Revised

November 10, 2003 - I - Revised

March 9, 2004 - J - Revised

January 18, 2007 - K - Revised

June 1, 2007 - L - Revised

September 26, 2007 - M - Revised

January 15, 2008 - N - Revised

February 2, 2009 - O - Revised

November 20, 2009 - P - Revised

January 31, 2011 - Q - Revised

May 20, 2011 - R - Revised

August 5, 2011 - S - Revised

December 6, 2011 - T - Revised

May 4, 2012 - U - Revised

July 26, 2012 - V - Revised

November 19, 2012 - W - Revised

March 20, 2013 - X - Revised

June 30, 2013 - Y - Revised

September 10, 2013 - Z - Revised

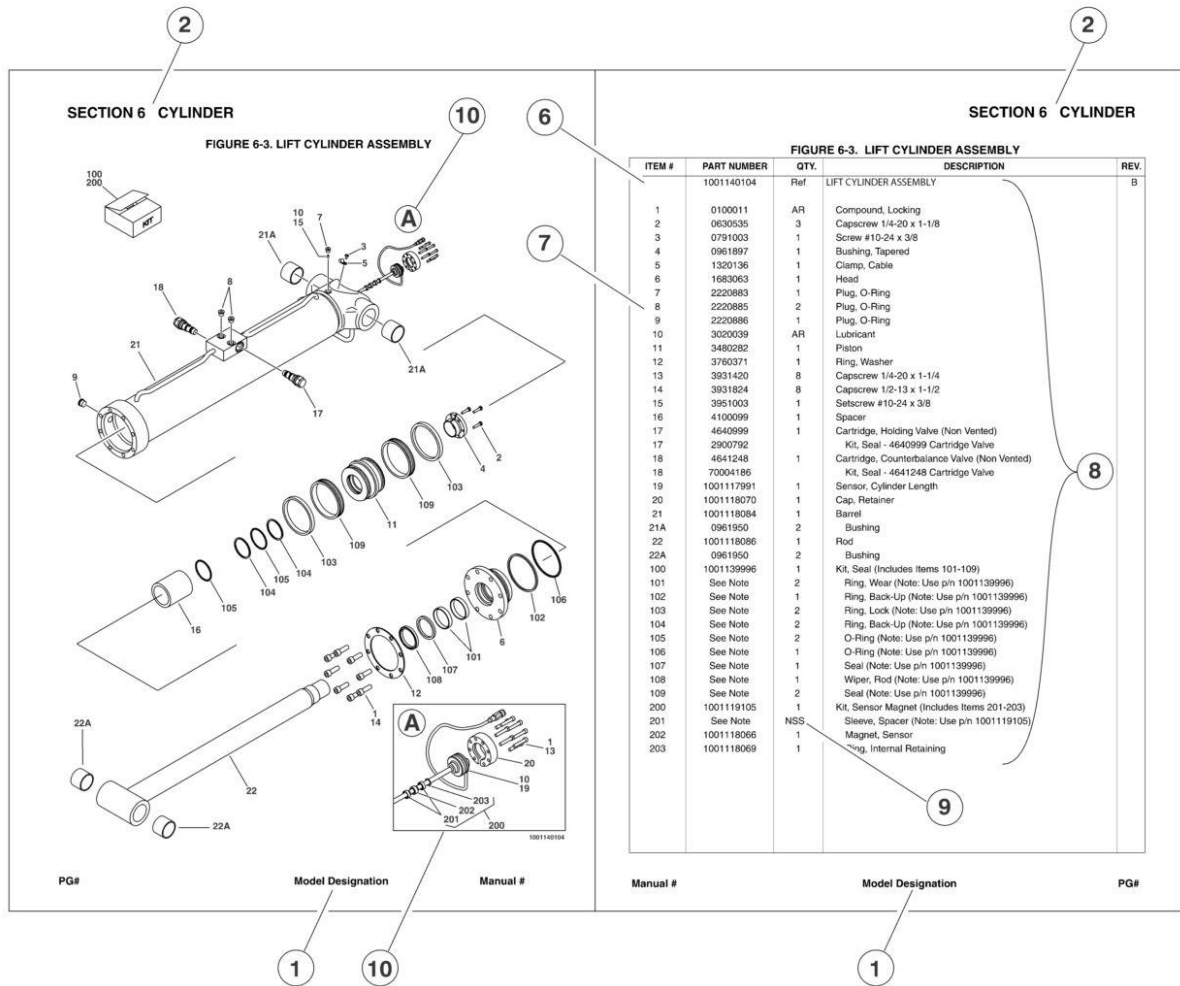
June 30, 2016 - AA - Revised (Revision 1)

REVISION LOG

March 30, 2018 - AB - Revised Manual

September 30, 2018 - AC - Revised Manual

GENERAL INFORMATION



1) MACHINE IDENTIFICATION

Machines are identified by model and in some cases a combination of models, serial number (SN) or regional standard (i.e ANSI, CE, CSA). Components may also be identified by SN or manufacturer. Common components that may be identified by these characteristics are engines and hydraulic components.

2) PARTS MANUAL ORGANIZATION

Product information in this manual is organized under section titles. Frame, Cylinder, Hydraulic and Electrical are a few examples. Each section is organized by figure and page number. The information within the Figure is then organized by item number, part number, description and corresponding illustration (s).

3) TABLE OF CONTENTS

A table of contents is found toward the beginning of the manual. Figure number, description and page number are provided for quick reference to the page containing the related information.

4) RECOMMENDED SPARE PARTS

The Recommended Spare Parts, located near the end of the manual, reference most frequently used maintenance parts.

5) PART NUMBER INDEX

A numerical index listing all part numbers and the corresponding page number(s) appears at the back of the manual.

GENERAL INFORMATION

6) NON-SERVICED PARTS

In some instances, it is necessary to display non-serviced parts, assemblies or installations. In the case of assemblies and installations there will be a Ref in the Qty column. In case of parts that are not available for service within assemblies or components, there will be a NSS (Not Sold Separately) or NLA (No Longer Available) listed in the Qty. column of the manual.

7) PARTS LIST ITEM NUMBERS

Numbers shown in the item# column correspond to numbers used in the associated illustration (s). Item numbers which are missing from the sequence in the parts list are not used on that page

8) INDENTED PARTS DESCRIPTION

An indented part description is included in the item under which it is indented.

9) ABBREVIATION AND SYMBOLS

AC.....	.. Alternating Current	LCD	Liquid Crystal Display
ADE.....	..Advanced Design Electronics	LED	Light Emitting Diodes
ANSIAmerican National Standards Institute	LH.....	.. Left Hand
AR.....	..As Required	LSSLoad Sensing System
ASSY Assembly	M(m).....	.. Metric/Meter
AUX.....	..Auxiliary	MM (mm)Milimeter
AWG.....	..American WireGauge	mA.....	.. Milliamps
B/M.....	.. Bill of Material	NLA.....	..No Longer Available
CE.....	..European Conformity	NPT National Pipe T threads
CCWCounter Clockwise	NSSNot Sold Separately
cm.....	.. Centimeter	OD.....	..Outside Diameter
CW.....	..Clockwise	OR B.....	.. O-Ring Bos s
CSA.....	..Canadian Standards Association	OR F S.....	.. O-Ring Face Seal
CYL.....	..Cylinder	OZ (oz).....	..Ounces
DIA.....	..Diameter	PGPage
DC.....	..Direct Current	P/N.....	..Part Number
EMS Emergency Stop	qt.....	..Quarts
ENGEngine	QTY.....	..Quantity
FT (ft).....	.. Feet	REFReference
GA (Ga).....	..Gauge	REVRevision Level
HYDHydraulic	RH.....	.. Right Hand
Hz.....	.. Hertz	SAE.....	.. Society of Automotive Engineers
ID.....	..Inside Diameter	SN.....	..Serial Number
in.....	.. inches	SPEC(S).....	..Specifications
ISOInternational Organization for Standards	T/T.....	..Turntable
JIC.....	..Joint Industry Council	UGMUniversal Ground Module
KGKilogram	V.....	.. Volts
L.....	..Liter	W.....	.. Watts
LB.....	..Pounds	#.....	.. Number

10) ILLUSTRATION REFERENCE LETTERS

When necessary, illustrations may contain reference letters that are intended to track information (i. e. hoses, harnesses) from one point to another or to track visual enlargement of components to show details that may be located in another area on the illustration.

Note: Due to continuous product improvements, JLG Industries, Inc. reserves the right to make specification changes without prior notification. Contact JLG Industries, Inc. for updated information.

TABLE OF CONTENTS

SECTION 1 - FRAME.....	9
FIGURE 1-1. FRAME ASSEMBLY	10
FIGURE 1-2. TRACK SHOE ASSEMBLY	12
FIGURE 1-3. DRIVE AND SPROCKET INSTALLATION	14
FIGURE 1-4. DRIVE MOTOR ASSEMBLY	16
FIGURE 1-5. DRIVE HUB ASSEMBLY	18
FIGURE 1-6. DRIVE VALVE ASSEMBLY	20
FIGURE 1-7. ROLLER ASSEMBLIES INSTALLATION.....	22
FIGURE 1-8. IDLER ASSEMBLY	24
FIGURE 1-9. TRACK ADJUSTER ASSEMBLY.....	26
SECTION 2 - TURNTABLE.....	29
FIGURE 2-1. CONTROL VALVES INSTALLATIONS.....	30
FIGURE 2-2. MAIN CONTROL VALVE ASSEMBLY.....	34
FIGURE 2-3. ARTICULATING JIB VALVE ASSEMBLY.....	38
FIGURE 2-4. SWING DRIVE, TURNTABLE BEARING AND LOCK INSTALLATIONS.....	40
FIGURE 2-5. SWING HUB ASSEMBLY.....	42
FIGURE 2-6. SWING BRAKE ASSEMBLY	44
FIGURE 2-7. SWING MOTOR ASSEMBLY (WHITE ROLLER STATOR).....	48
FIGURE 2-8. SWING MOTOR ASSEMBLY (PARKER)	52
FIGURE 2-9. DEUTZ ENGINE INSTALLATION.....	54
FIGURE 2-10. GENERATOR INSTALLATION - DEUTZ MACHINES (OPTIONAL).....	60
FIGURE 2-11. PISTON PUMP ASSEMBLY	64
FIGURE 2-12. GEAR PUMP ASSEMBLY	70
FIGURE 2-13. TANK INSTALLATIONS.....	72
FIGURE 2-14. ROTARY COUPLING INSTALLATION.....	74
FIGURE 2-15. GROUND CONTROL BOX ASSEMBLY.....	76
FIGURE 2-16. ELECTRICAL OPTIONS INSTALLATION (TURNTABLE MOUNTED).....	80
FIGURE 2-17. ENGINE TRAY JACK INSTALLATION (OPTIONAL).....	84
FIGURE 2-18. HOODS AND LIFTING PLATE INSTALLATIONS.....	86
SECTION 3 - BOOM.....	89
FIGURE 3-1. BOOM INSTALLATIONS - 600SC.....	90
FIGURE 3-2. BOOM INSTALLATIONS - 600SJC & 660SJC	94
FIGURE 3-3. MAIN BOOM ASSEMBLIES	98
FIGURE 3-4. ROTATOR ASSEMBLIES (FRONT ENTRY PLATFORM).....	102
FIGURE 3-5. ROTATOR ASSEMBLIES (SIDE ENTRY PLATFORM).....	106
FIGURE 3-6. POWER TRACK INSTALLATIONS - PLASTIC TRACK	108
FIGURE 3-7. POWER TRACK INSTALLATIONS - STEEL TRACK.....	112
FIGURE 3-8. BOOM WIPERS INSTALLATION (OPTIONAL).....	116
SECTION 4 - PLATFORM.....	119
FIGURE 4-1. PLATFORM COMPONENTS INSTALLATION (FRONT ENTRY).....	120
FIGURE 4-2. PLATFORM COMPONENTS INSTALLATION (SIDE ENTRY).....	124
FIGURE 4-3. PLATFORM CONSOLE ASSEMBLY.....	128
FIGURE 4-4. CONTROLLER ASSEMBLY (SWING AND LIFT).....	132
FIGURE 4-5. CONTROLLER ASSEMBLY (DRIVE AND STEER).....	134
SECTION 5 - CYLINDER.....	137
FIGURE 5-1. LEVEL CYLINDER ASSEMBLY - 600SC (ORIGINAL EQUIPMENT).....	138
FIGURE 5-2. LEVEL CYLINDER ASSEMBLY - 600SC (SERVICE REPLACEMENT).....	140
FIGURE 5-3. LEVEL CYLINDER ASSEMBLY - 600SC (SERVICE REPLACEMENT).....	142
FIGURE 5-4. LEVEL CYLINDER ASSEMBLIES - 600SJC & 660SJC (ORIGINAL EQUIPMENT)	144
FIGURE 5-5. LEVEL CYLINDER ASSEMBLIES - 600SJC & 660SJC (SERVICE REPLACEMENT)	146
FIGURE 5-6. LEVEL CYLINDER ASSEMBLY - 600SJC & 660SJC (SERVICE REPLACEMENT).....	148
FIGURE 5-7. LIFT CYLINDER ASSEMBLY	150
FIGURE 5-8. ARTICULATING JIB LIFT CYLINDER ASSEMBLY - 600SJC & 660SJC.....	154
FIGURE 5-9. ARTICULATING JIB LIFT CYLINDER ASSEMBLY - 600SJC & 660SJC (SERVICE REPLACEMENT)	156
FIGURE 5-10. ARTICULATING JIB LIFT CYLINDER ASSEMBLY - 600SJC & 660SJC (SERVICE REPLACEMENT)	158
FIGURE 5-11. MASTER CYLINDER ASSEMBLIES (ORIGINAL EQUIPMENT).....	160
FIGURE 5-12. MASTER CYLINDER ASSEMBLY - 600SC (SERVICE REPLACEMENT).....	164

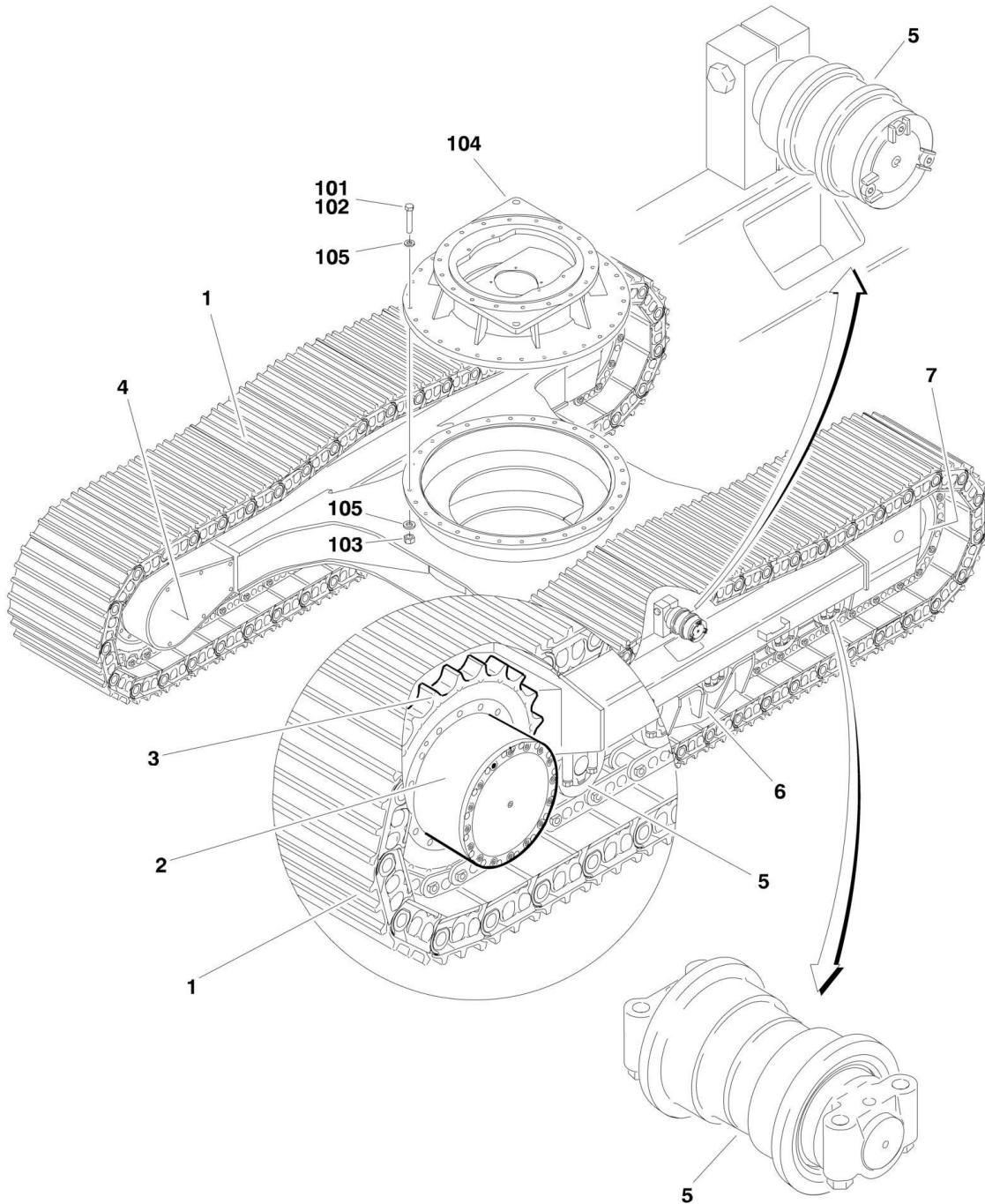
TABLE OF CONTENTS

FIGURE 5-13. MASTER CYLINDER ASSEMBLY - 600SJC & 660SJC (SERVICE REPAACEMENT).....	166
FIGURE 5-14. TELESCOPE CYLINDER ASSEMBLIES	168
FIGURE 5-15. CYLINDER BELLOWS INSTALLATIONS (OPTIONAL)	170
SECTION 6 - HYDRAULIC	173
FIGURE 6-1. HYDRAULIC DIAGRAM (Prior to SN 0300064782)	174
FIGURE 6-2. HYDRAULIC DIAGRAM (SN 0300064782 through 0300065089)	180
FIGURE 6-3. HYDRAULIC DIAGRAM (SN 0300065090 through 0300070772)	186
FIGURE 6-4. HYDRAULIC DIAGRAM - 600SC-660SJC (SN 0300070773 through 0300128000)	192
FIGURE 6-5. HYDRAULIC DIAGRAM LIST.....	198
SECTION 7 - ELECTRICAL.....	201
FIGURE 7-1. ELECTRICAL DIAGRAM LIST	202
FIGURE 7-2. ELECTRICAL SCHEMATIC - DEUTZ ENGINE (Prior to SN 0300064782).....	204
FIGURE 7-3. ELECTRICAL SCHEMATIC - DEUTZ ENGINE (SN 0300064782 through 0300128000)	206
FIGURE 7-4. HARNESS COMPONENTS INSTALLATION	208
SECTION 8 - DECALS	215
FIGURE 8-1. DECALS INSTALLATION (STANDARD).....	216
FIGURE 8-2. DECALS INSTALLATION (COUNTRY SPECS).....	220
SECTION 9 - RECOMMENDED SERVICE PARTS STOCK.....	223
FIGURE 9-1. MODELS 600SC/600SJC/660SJC STANDARD PARTS.....	224
FIGURE 9-2. MODELS 600SC/600SJC/660SJC VARIABLE PARTS.....	226
SECTION 10 - SPECIAL OPTIONS	227
FIGURE 10-1. SPECIAL OPTIONS	228
PART NUMBER INDEX.....	233

SECTION 1 - FRAME

SECTION 1 - FRAME

FIGURE 1-1. FRAME ASSEMBLY



SECTION 1 - FRAME

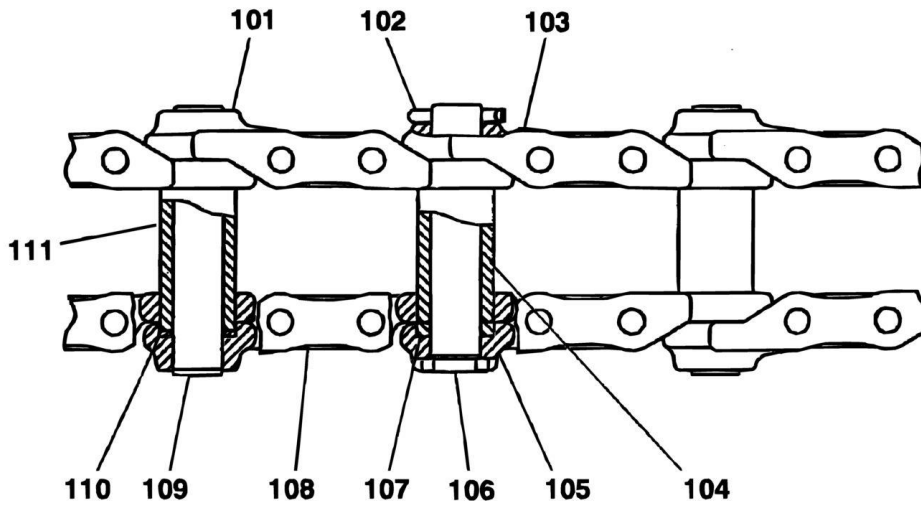
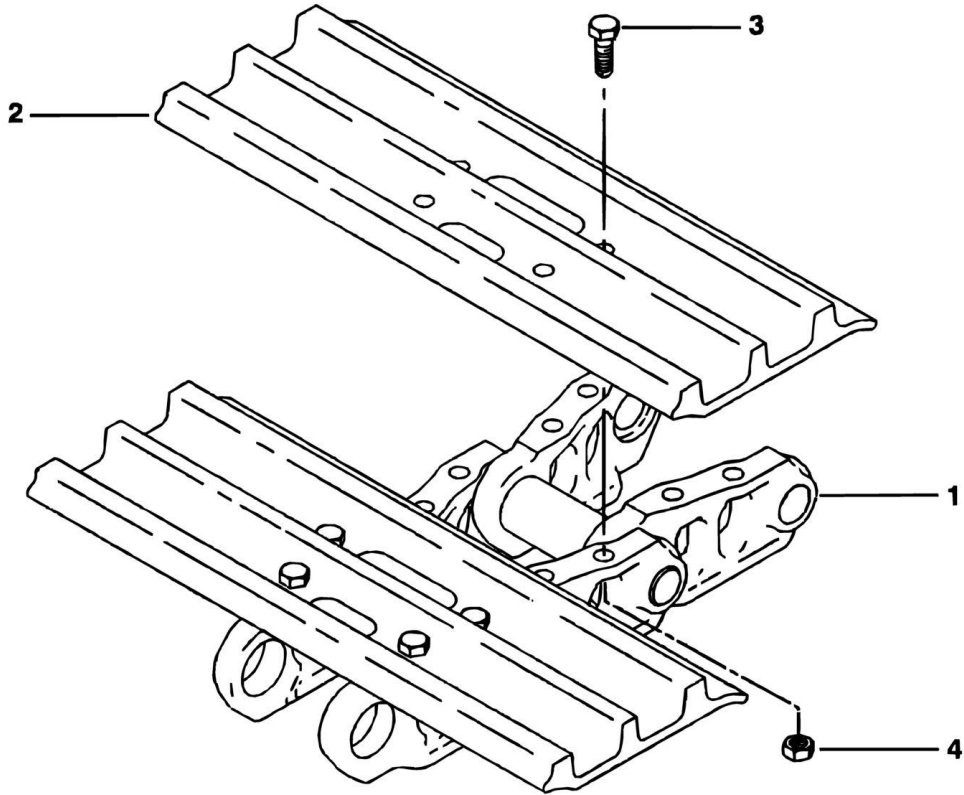
FIGURE 1-1. FRAME ASSEMBLY

ITEM	PART NUMBER	QTY	DESCRIPTION	REV
		Ref	FRAME OPTIONS:	
		Ref	Frame Weldment - with Steel Track Options:	
	2360529	Ref	Frame Weldment 600SC (Prior to SN 0300064782)	
	2360578	Ref	Frame Weldment 600SC (SN 0300064782 through 0300067080)	
	2360582	Ref	Frame Weldment 600SC (SN 0300067081 through 0300128000)	
	2360440	Ref	Frame Weldment 600SJC (Prior to SN 0300064782)	
	2360579	Ref	Frame Weldment 600SJC (SN 0300064782 through 0300067080)	
	2360583	Ref	Frame Weldment 600SJC (SN 0300067081 through 0300128000)	
	2360528	Ref	Frame Weldment 660SJC (Prior to SN 0300064782)	
	2360580	Ref	Frame Weldment 660SJC (SN 0300064782 through 0300067080)	
	2360584	Ref	Frame Weldment 660SJC (SN 0300067081 through 0300128000)	
	2360439	Ref	COMPLETE FRAME ASSEMBLY (STEEL TRACK)	
1	7022708	2	Track Shoe Assembly (See TRACK SHOE ASSEMBLY for Breakdown)	
2		Ref	Drive Assembly (See DRIVE AND SPROCKET INSTALLATION for Breakdown)	
2	7022677	2	Drive Assembly (Prior to SN 0300067081)	
2	NPN	2	Drive Assembly (SN 0300067081 through 0300128000)	
3	NPN	2	Sprocket Installation (See DRIVE AND SPROCKET INSTALLATION for Breakdown)	
4	NPN	2	Motor Guard Installation (See DRIVE AND SPROCKET INSTALLATION for Breakdown)	
5	NPN	2	Roller Assemblies Installation (See ROLLER ASSEMBLIES INSTALLATION for Breakdown)	
6		Ref	Track Guide Installation	
6	7022675	2	Guide (1 Per Side)	
6	7022644	8	Bolt M16 x 35mm (4 Per Side)	
6	7022647	8	Washer 3.50mm (4 Per Side)	
7	NPN	2	Idler Assembly (See IDLER ASSEMBLY for Breakdown)	
	0257440	Ref	BEARING ADAPTER PLATE INSTALLATION	B
101	0100019	AR	Compound, Locking	
102	0682028	30	Bolt 5/8in-11NC x 3-1/2in (Grade 8)	
103	3272001	30	Nut 5/8in-11NC	
104	4845456	1	Adapter Weldment	
105	4892000	60	Washer, Hardened 5/8in	

SECTION 1 - FRAME

FIGURE 1-2. TRACK SHOE ASSEMBLY

TRACK ASSEMBLY



LINK ASSEMBLY

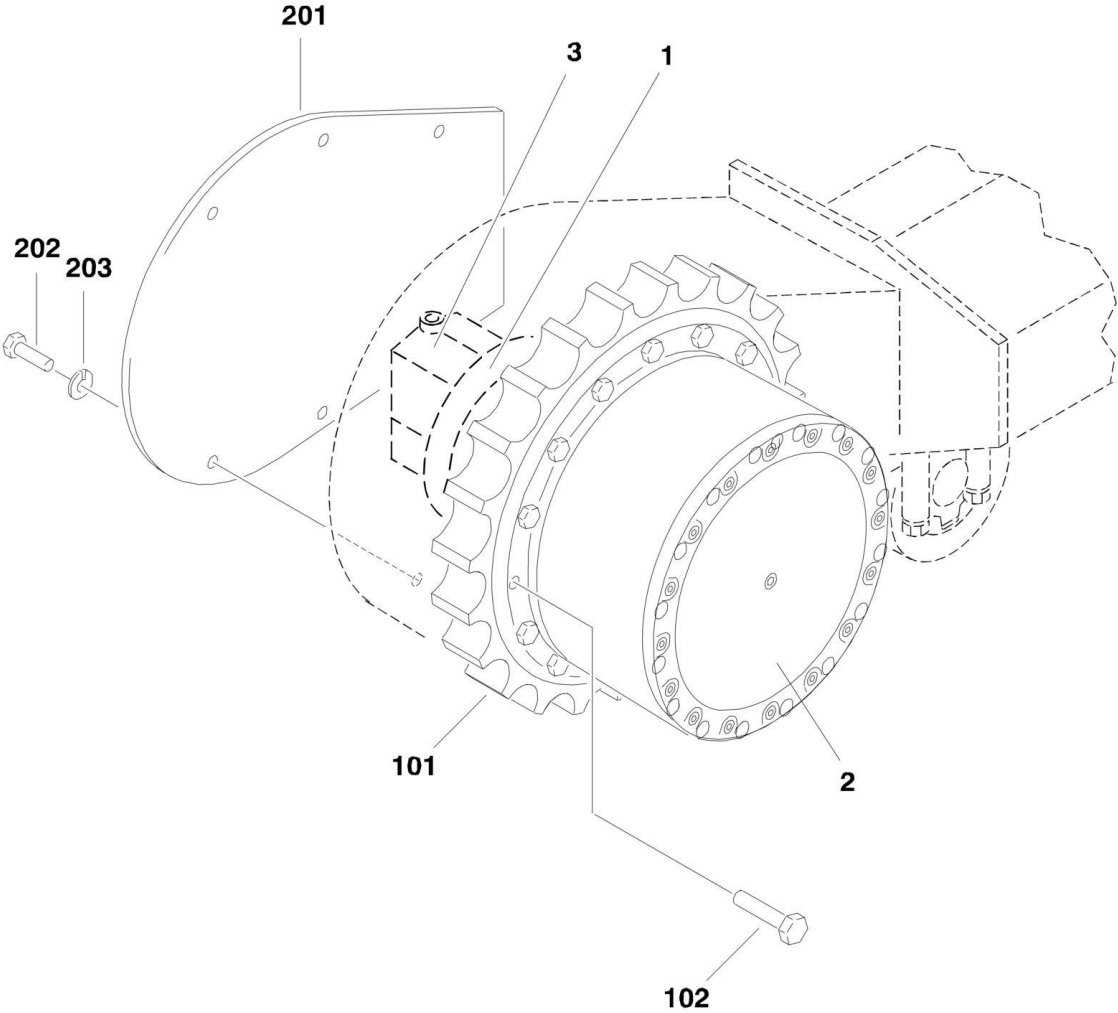
SECTION 1 - FRAME

FIGURE 1-2. TRACK SHOE ASSEMBLY

ITEM	PART NUMBER	QTY	DESCRIPTION	REV
	7022708	Ref	TRACK SHOE ASSEMBLY - STEEL	
1	7022680	1	Link Assembly (See Items 101-111 for Breakdown)	
2	7022602	43	Shoe, Track Options	
3	7022612	172	Bolt M16 x 46mm	
4	7022614	172	Nut M16 x 46mm	
	7022680	Ref	LINK ASSEMBLY	
101	7022606	42	Link, Track	
102	7022652	1	Pin, Cotter	
103	7022608	1	Link, Track (Master)	
104	7022651	1	Bushing	
105	7022609	1	Link, Track (Master)	
106	7022664	1	Pin (Master Link)	
107	7022683	2	Spacer	
108	7022607	42	Link, Track (Standard)	
109	7022615	42	Pin (Standard Link)	
110	7022616	172	Washer, Seal	
111	7022679	42	Bushing	
	0270107	Ref	RUBBER PAD INSTALLATION (OPTIONAL - NOT SHOWN)	A
		Ref	Note: Used as a cover over steel track shoes only.	
	3340887	Ref	Pad, Rubber Cover	

SECTION 1 - FRAME

FIGURE 1-3. DRIVE AND SPROCKET INSTALLATION



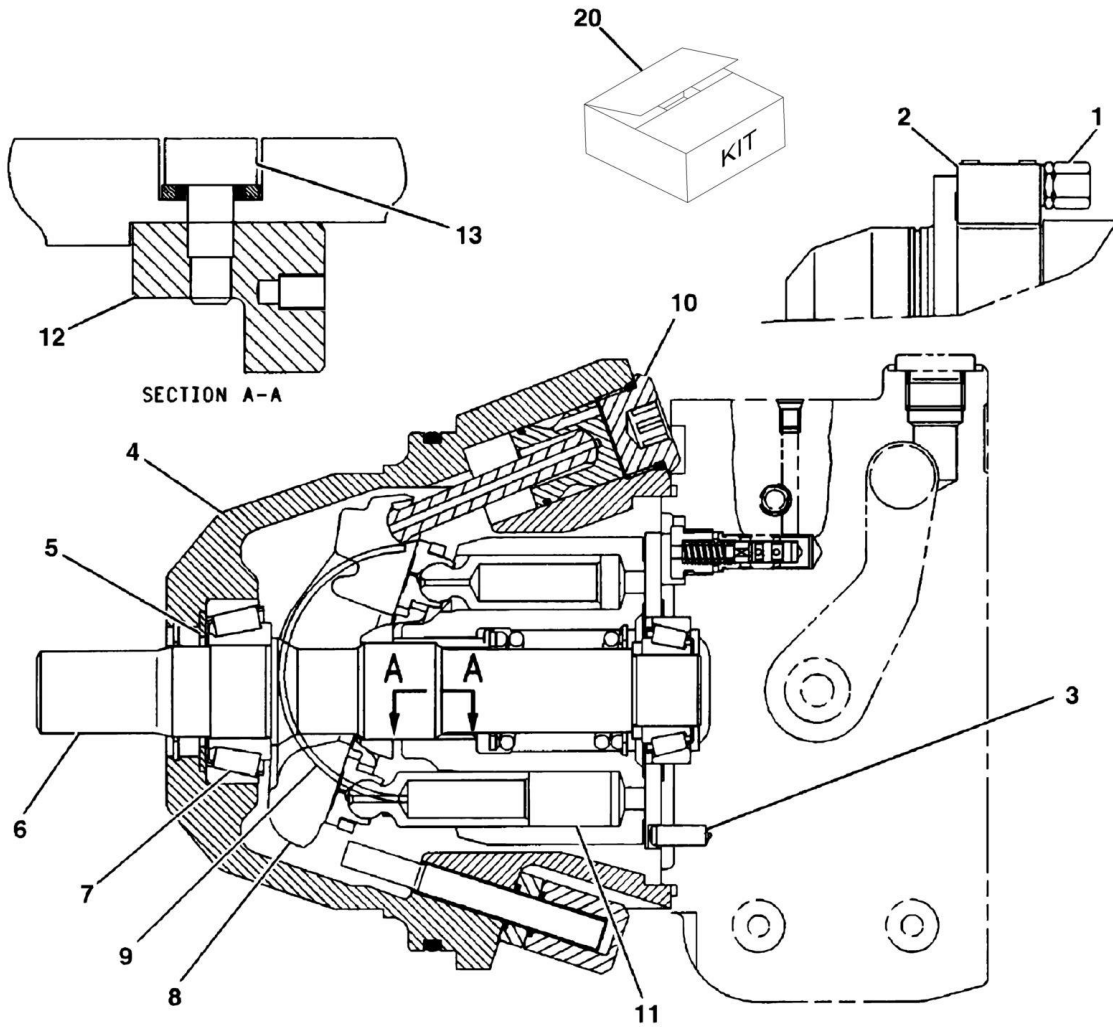
SECTION 1 - FRAME

FIGURE 1-3. DRIVE AND SPROCKET INSTALLATION

ITEM	PART NUMBER	QTY	DESCRIPTION	REV
		Ref	DRIVE ASSEMBLY	
	7022677	Ref	Drive Assembly (Prior to SN 0300067081)	
	NPN	Ref	Drive Assembly (SN 0300067081 through 0300128000)	
1		Ref	Drive Motor Assembly Options (See DRIVE MOTOR ASSEMBLY for Breakdown):	
1	7022718	1	Drive Motor Assembly (Prior to SN 0300067081)	
1	See Note	1	Drive Motor Assembly (Note: Not Available for Purchase.) (SN 0300067081 through 0300128000)	
2		Ref	Drive Hub Assembly Options (See DRIVE HUB ASSEMBLY for Breakdown):	
2	7022678	1	Drive Hub Assembly (Prior to SN 0300067081)	
2	7022737	1	Drive Hub Assembly (SN 0300067081 through 0300128000)	
3	7022715	1	Drive Valve Assembly (See DRIVE VALVE ASSEMBLY for Breakdown)	
		Ref	SPROCKET INSTALLATION	
101	7022605	1	Sprocket	
102	See Note	15	Bolt M16 x 40mm (Note: Not Available for Purchase.)	
		Ref	COVER INSTALLATION	
201	7022613	2	Plate, Cover	
202	See Note	12	Bolt M12 x 25mm (Note: Not Available for Purchase.)	
203	7022617	12	Washer, Hardened	

SECTION 1 - FRAME

FIGURE 1-4. DRIVE MOTOR ASSEMBLY



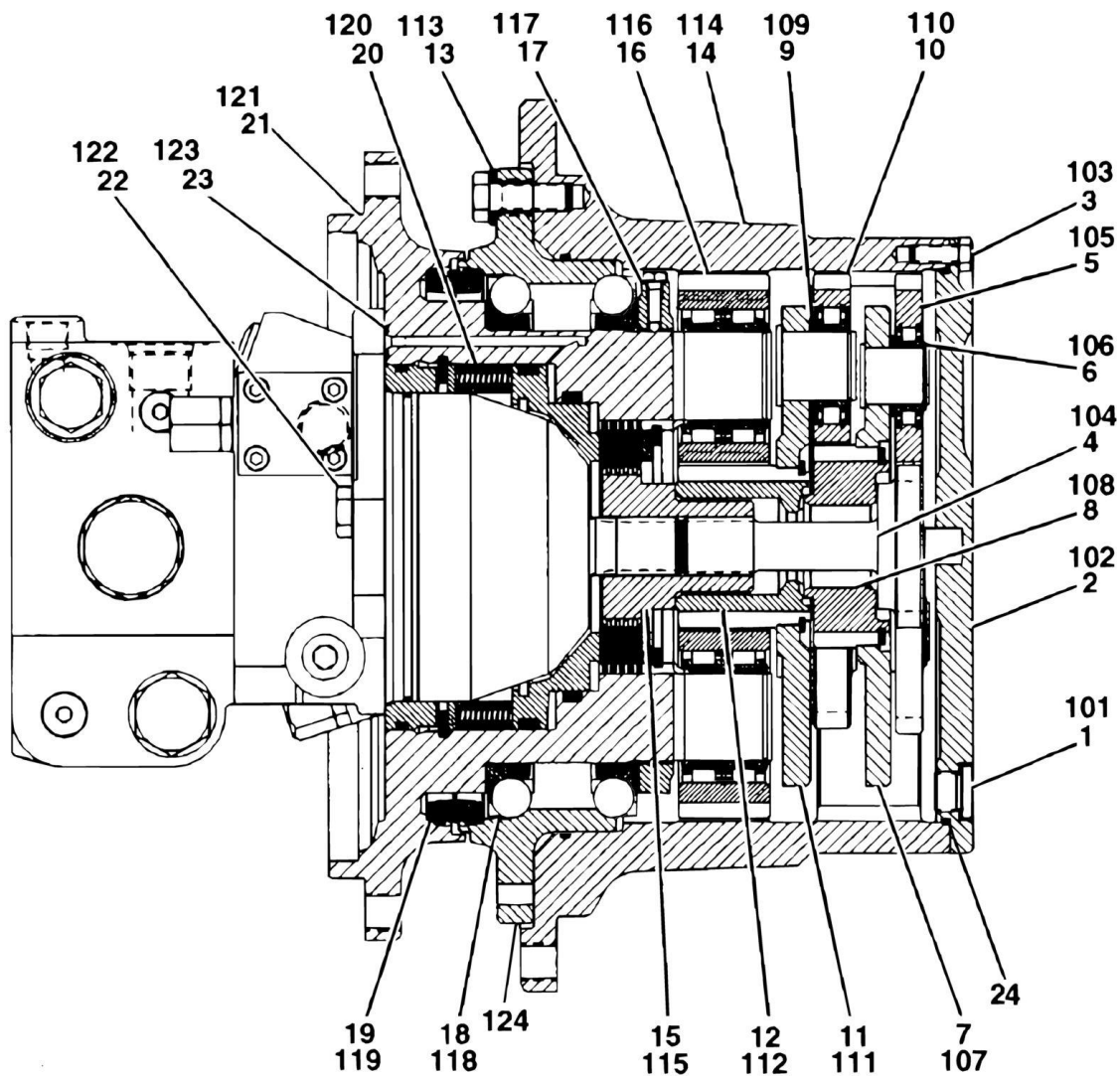
SECTION 1 - FRAME

FIGURE 1-4. DRIVE MOTOR ASSEMBLY

ITEM	PART NUMBER	QTY	DESCRIPTION	REV
	7022718	Ref	DRIVE MOTOR ASSEMBLY (Prior to SN 0300067081)	
1	7022674	1	Valve, Pilot	
2	7022681	1	Block, Valve	
2	See Note	NSS	Bolt, Socket Head M6 x 40mm (Note: Not Available for Purchase.)	
2	See Note	NSS	O-Ring (Note: Not Available for Purchase.)	
3	7022673	1	Pin, Dowel	
4	7022716	1	Housing, Motor	
5	7022717	1	Ring, Retraining	
6	7022712	1	Shaft	
7	7022676	1	Bearing Set	
8	7022672	1	Swashplate	
9	7022714	1	Shell, Cradle	
10	7022682	1	Control, Motor	
11	7022711	1	Rotating Assembly	
12	7022666	2	Clamp, Retaining	
13	7022667	2	Screw, Dowel	
20	7022713	1	Seal Kit	
	70003806	Ref	DRIVE MOTOR ASSEMBLY (SN 0300067081 through 0300128000)	
		Ref	Note: Must Purchase Complete Drive Motor Assembly.	

SECTION 1 - FRAME

FIGURE 1-5. DRIVE HUB ASSEMBLY



SECTION 1 - FRAME

FIGURE 1-5. DRIVE HUB ASSEMBLY

ITEM	PART NUMBER	QTY	DESCRIPTION	REV
	7022678	Ref	DRIVE HUB ASSEMBLY (Prior to SN 0300067081)	
1	7022692	2	Drain Plug Kit	
2	7022693	1	Cover Assembly	
3	7022694	1	Cover Fastener Kit	
4	7022703	1	Shaft, Sun Gear	
5	7022670	1	Planet Gear Kit	
6	7022671	3	Disc, Support	
7	7022704	1	Planet Carrier Kit	
8	7022705	1	Sun Gear Kit	
9	7022669	3	Disc, Support	
10	7022668	1	Planet Gear Kit	
11	7022706	1	Planet Carrier Kit	
12	7022707	1	Sun Gear Kit	
13	7022695	1	Gear Fastener Kit	
14	7022696	1	Gear, Ring	
15	7022697	1	Link, Shaft	
16	7022698	1	Gear Kit	
17	7022699	1	Shaft Nut Kit	
18	7022700	1	Bearing Kit	
19	7022701	1	Duo Cone Seal Kit	
20	7022719	1	Brake Kit	
21	7022702	1	Spindle	
22	7022640	2	Bolt M12 x 25mm	
23	7022646	1	O-Ring	
24	7024972	1	O-Ring	
	7022737	Ref	DRIVE HUB ASSEMBLY (SN 0300067081 through 0300128000)	
101	7022692	2	Drain Plug Kit	
102	7022738	1	Cover Assembly	
103	7022694	1	Cover Fastener Kit	
104	7022739	1	Shaft, Sun Gear	
105	7022740	1	Planet Gear Kit	
106	7022671	3	Disc, Support	
107	7022741	1	Planet Carrier Kit	
108	7022742	1	Sun Gear Kit	
109	7022671	3	Disc, Support	
110	7022743	1	Planet Gear Kit	
111	7022744	1	Planet Carrier Kit	
112	7022745	1	Sun Gear Kit	
113	7022695	1	Gear Fastener Kit	
114	7022746	1	Gear, Ring	
115	7022697	1	Link, Shaft	
116	7022747	1	Gear Kit	
117	70002816	1	Shaft Nut Kit	
118	7022748	1	Bearing Kit	
119	70002817	1	Duo Cone Seal Kit	
120	7022719	1	Brake Kit	
121	7022749	1	Spindle	
122	7022640	2	Bolt M12 x 25mm	
123	7022646	1	O-Ring	
124	7022750	1	Ring, Support	

SECTION 1 - FRAME

FIGURE 1-6. DRIVE VALVE ASSEMBLY

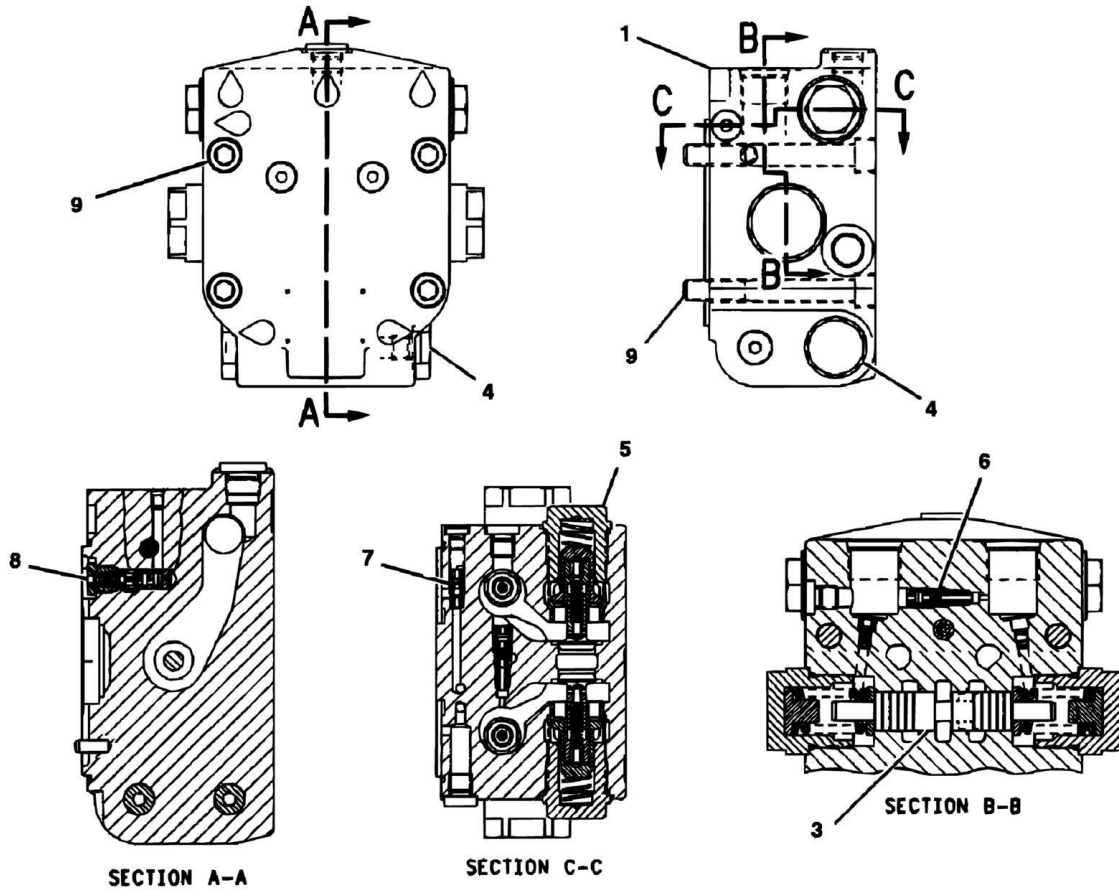
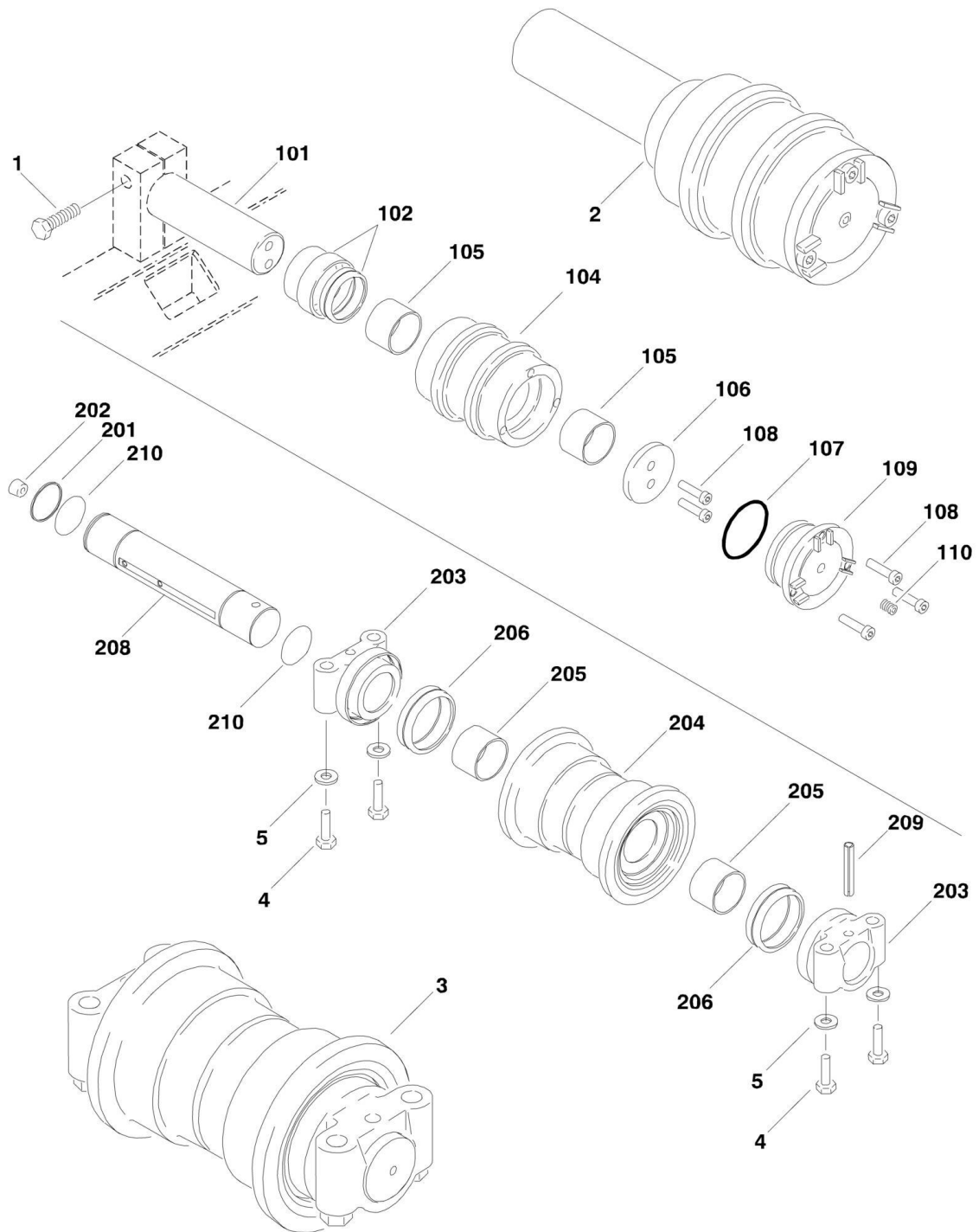


FIGURE 1-6. DRIVE VALVE ASSEMBLY

ITEM	PART NUMBER	QTY	DESCRIPTION	REV
	7022715	Ref	DRIVE VALVE ASSEMBLY	
1	7022685	1	Port Plate Assembly	
1	7022684	1	Seal Kit - 7022685 Port Plate	
3	7022686	1	Cartridge, Valve (Drive)	
4	7022687	2	Cartridge, Valve (Relief)	
5	7022688	2	Cartridge, Valve (Check)	
6	7022689	1	Cartridge, Valve (Selector)	
7	7022690	1	Cartridge, Valve (Adapter)	
8	7022691	1	Cartridge, Valve (Brake)	
9	7022628	4	Bolt M12 x 100mm	

SECTION 1 - FRAME

FIGURE 1-7. ROLLER ASSEMBLIES INSTALLATION



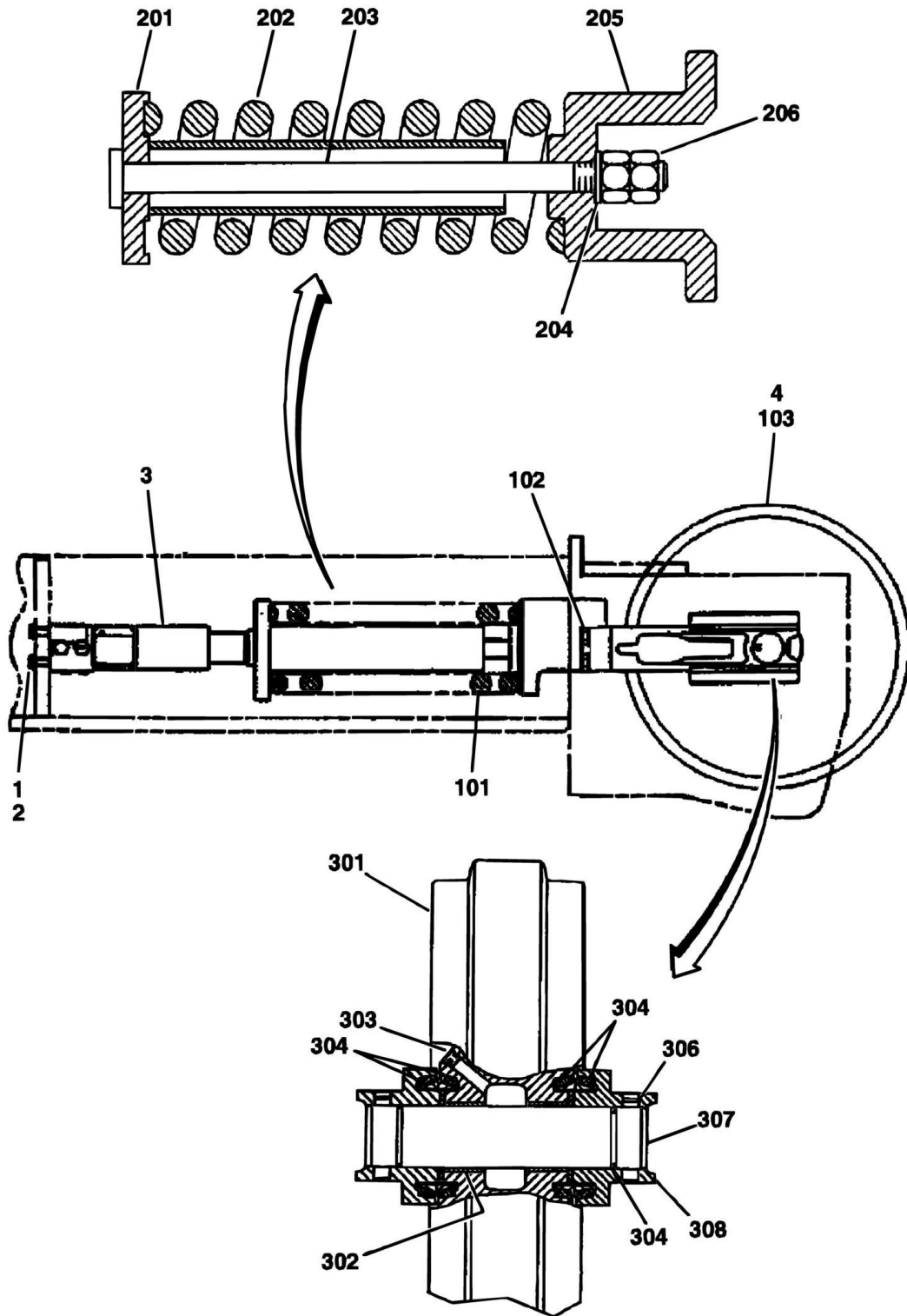
SECTION 1 - FRAME

FIGURE 1-7. ROLLER ASSEMBLIES INSTALLATION

ITEM	PART NUMBER	QTY	DESCRIPTION	REV
		Ref	ROLLER ASSEMBLIES INSTALLATION	
1	7022645	4	Bolt M24 x 80mm	
2	7022604	4	Roller Assembly - Upper (See Items 101-110 for Breakdown)	
3	7022709	14	Roller Assembly - Lower (See Items 201-210 for Breakdown)	
4	7022629	56	Bolt M16 x 80mm	
5	7022638	56	Washer	
	7022604	Ref	ROLLER ASSEMBLY - UPPER	
101	7022632	1	Shaft	
102	7022662	1	Seal Kit	
104	7022630	1	Roller and Bearing Assembly	
105	See Note	NSS	Bearing (Note: Use Item 104)	
106	7022633	1	Retainer	
107	7022625	1	O-Ring	
108	7022637	5	Bolt, Socket Head M10 x 25mm	
109	7022631	1	Cover, Carrier Roller	
110	7022627	1	Plug, Pipe	
	7022709	Ref	ROLLER ASSEMBLY - LOWER	
201	7022619	1	Retainer	
202	7022627	1	Plug, Pipe	
203	7022611	2	Collar	
204	7022618	1	Roller and Bearing Assembly	
205	See Note	NSS	Bearing (Note: Use Item 204)	
206	7022663	2	Seal Kit	
208	See Note	NSS	Shaft (Note: Use p/n 7022709)	
209	7022623	1	Dowel	
210	7022626	2	O-Ring	

SECTION 1 - FRAME

FIGURE 1-8. IDLER ASSEMBLY



SECTION 1 - FRAME

FIGURE 1-8. IDLER ASSEMBLY

ITEM	PART NUMBER	QTY	DESCRIPTION	REV
		Ref	IDLER ASSEMBLY	
1	7022639	4	Bolt M21 x 40mm	
2	See Note	4	Washer, Hardened (Note: Not Available - Purchase Locally.)	
3	NPN	2	Track Adjuster Assembly (See TRACK ADJUSTER ASSEMBLY for Breakdown)	
4	NPN	2	Idler Assembly (See Items 101-103 for Breakdown)	
		Ref	IDLER ASSEMBLY	
101	NPN	1	Recoil Spring Assembly (See Items 201-206 for Breakdown)	
102	7022639	4	Bolt M16 x 50mm	
103	NPN	1	Idler Wheel Assembly (See Items 301-308 for Breakdown)	
		Ref	RECOIL SPRING ASSEMBLY	
201	7022649	1	Support	
202	7022659	1	Spring	
203	7022621	1	Rod	
204	7022648	1	Washer	
205	7022620	1	Support	
206	7022635	2	Nut M30	
		Ref	IDLER WHEEL ASSEMBLY	
301	7022624	1	Idler Wheel and Bearing Assembly	
302	See Note	NSS	Bearing (Note: Use Item 301)	
303	7022627	1	Plug, Pipe	
304	7022657	2	Seal Kit (1 Kit Includes 2 Seals and 1 O-Ring)	
306	7022658	2	Pin	
307	7022622	1	Shaft, Idler Wheel	
308	7022610	2	Bearing	

SECTION 1 - FRAME

FIGURE 1-9. TRACK ADJUSTER ASSEMBLY

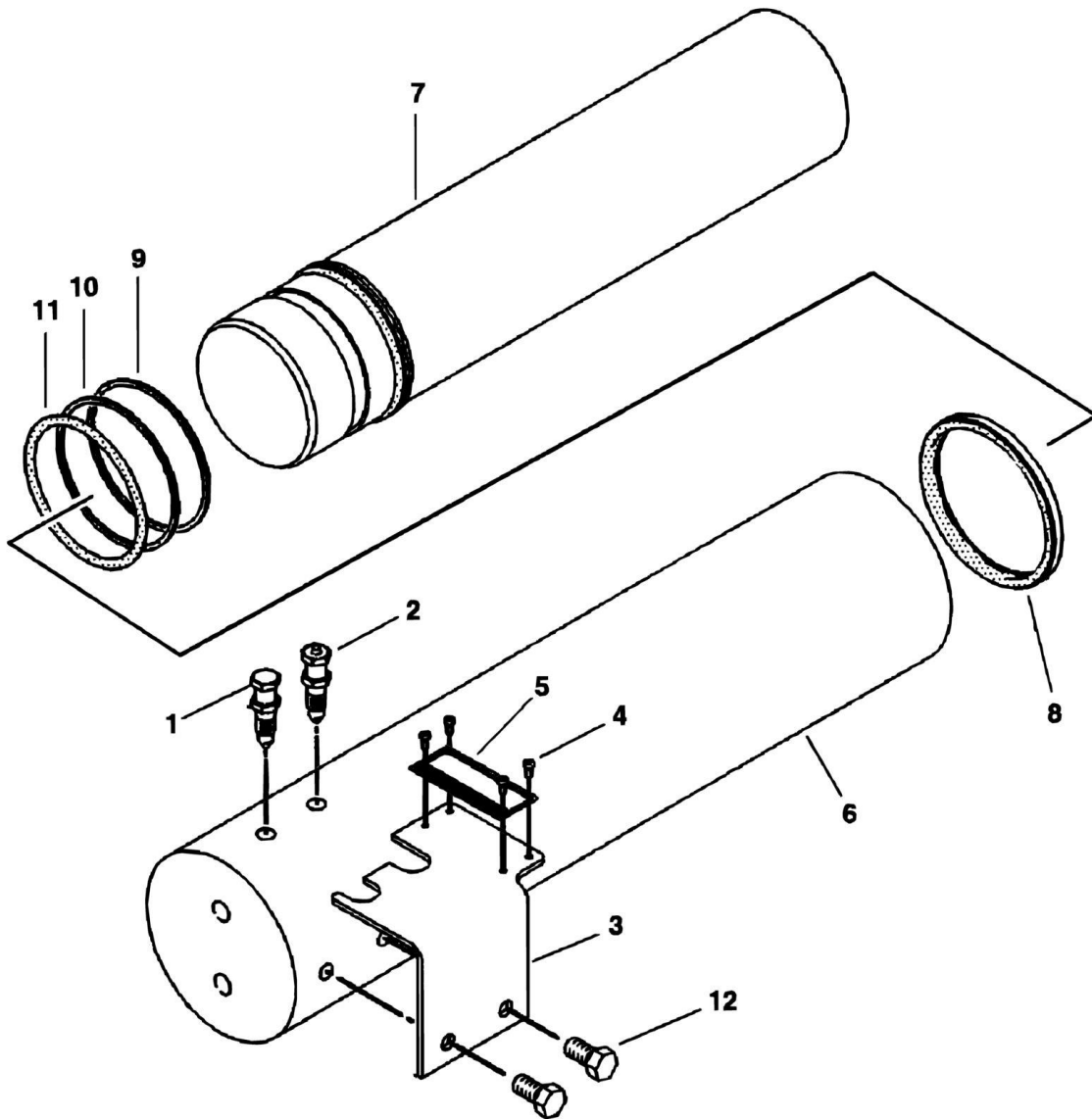


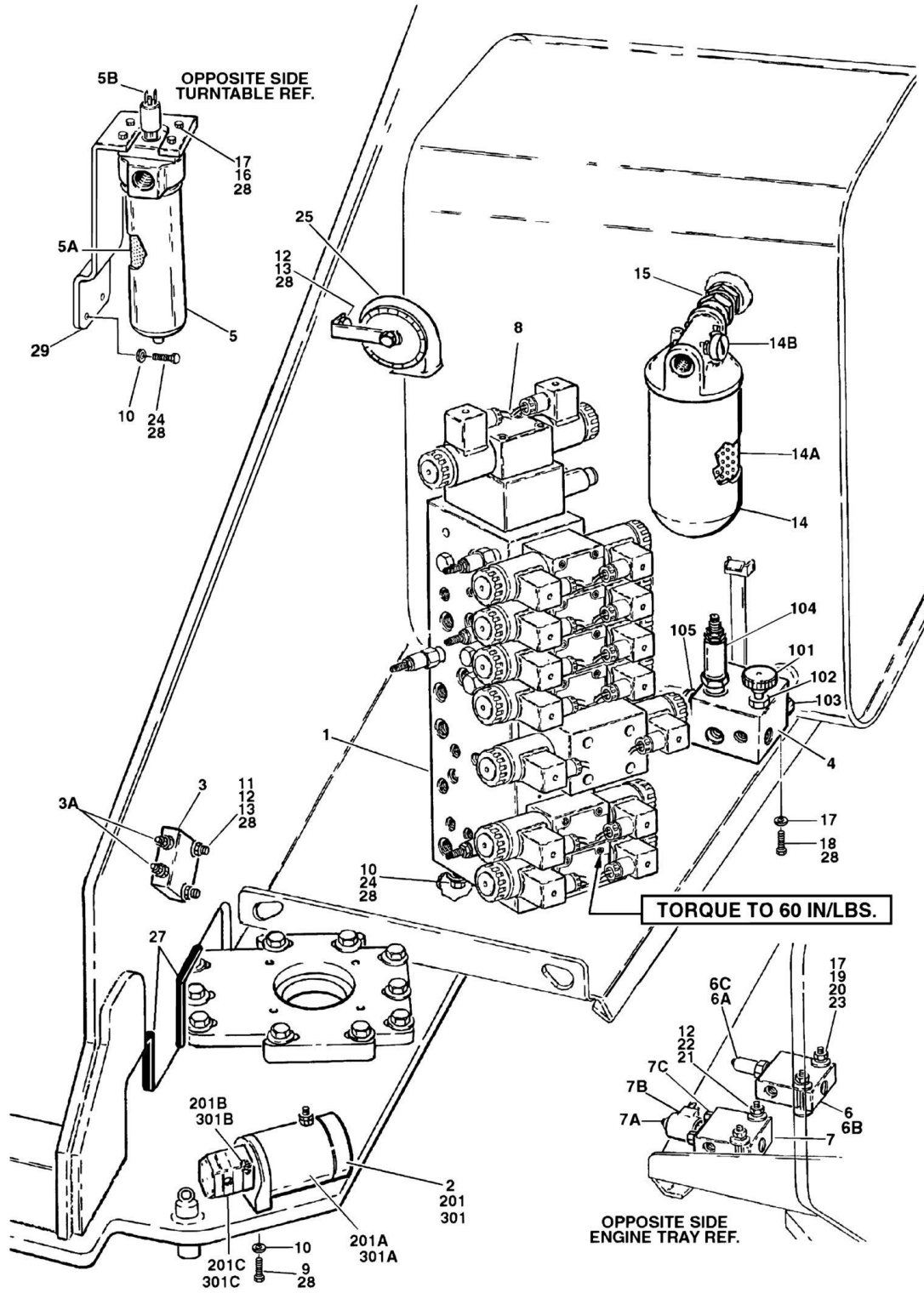
FIGURE 1-9. TRACK ADJUSTER ASSEMBLY

ITEM	PART NUMBER	QTY	DESCRIPTION	REV
		Ref	TRACK ADJUSTER ASSEMBLY	
1	7022601	1	Cartridge, Valve (Relief)	
2	7022655	1	Cartridge, Valve (Fill)	
3	7022665	1	Plate Assembly	
4	See Note	NSS	Screw, Drive (Note: Use Item 3)	
5	See Note	NSS	Plate, Warning (Note: Use Item 3)	
6	7022600	1	Barrel, Cylinder	
7	7022650	1	Piston	
8	7022656	1	Seal, Lip	
9	7022660	2	Ring, Back-up	
10	7022661	2	Ring, Back-up	
11	7022653	2	O-Ring	
12	7022642	2	Bolt M8 x 12mm	

SECTION 2 - TURNTABLE

SECTION 2 - TURNTABLE

FIGURE 2-1. CONTROL VALVES INSTALLATIONS



SECTION 2 - TURNTABLE

FIGURE 2-1. CONTROL VALVES INSTALLATIONS

ITEM	PART NUMBER	QTY	DESCRIPTION	REV
		Ref	VALVES INSTALLATIONS	
	0257488	Ref	Valves Installations 600SC (Prior to SN 0300064782)	5
	0271631	Ref	Valves Installations 600SC (SN 0300064782 through 0300128000)	3
	0257489	Ref	Valves Installations 600SJC & 660SJC (Prior to SN 0300064782)	5
	0271667	Ref	Valves Installations 600SJC & 660SJC (SN 0300064782 through 0300128000)	3
1	4641017	1	Main Control Valve Assembly (See MAIN CONTROL VALVE ASSEMBLY for Breakdown)	
2		Ref	Auxiliary Pump Assemblies Options:	
2	3600243	1	Auxiliary Pump Assembly (See Item 201 for Breakdown) (Prior to SN 0300070773)	
2	3600365	1	Auxiliary Pump Assembly (See Item 301 for Breakdown) (SN 0300070773 through 0300128000)	
3	4640908	1	Counterbalance Valve Assembly	
3A	7011328	2	Cartridge, Counterbalance	
3A	2900770	2	Seal, Kit - 7011328 Cartridge	
4	4640931	1	Manual Descent Valve Assembly (See Items 101-105 for Breakdown) (Prior to SN 0300071456)	
5	2120146	1	Hydraulic Pressure Filter Assembly	
5A	2120150	1	Element, Filter	
5B	7016312	1	Indicator, Clogged	
6	4640689	1	Valve Assembly (Pressure Reducing Only) (Prior to SN 0300061570)	
6A	7010530	1	Cartridge	
6A	7010531	1	Seal Kit - 7010530 Cartridge	
6B	4640907	1	Valve Assembly (Pressure Reducing) (SN 0300064782 through 0300128000)	
6C	7012941	1	Cartridge	
6C	7010543	1	Seal Kit - 7012941 Cartridge	
7	4640906	1	Valve Assembly (Two Speed)	
7A	7023981	1	Cartridge without Coil	
7A	7012905	1	Seal Kit - 7023981 Cartridge	
7B	7012944	1	Coil	
7C	7017481	2	Cartridge, Check	
7C	7012972	2	Seal Kit	
8		Ref	Valve Kit (Articulating Jib) Options:	
8	Not Required	0	Valve Kit (Articulating Jib) 600SC	
8	4640921	1	Valve Kit (Articulating Jib) 600SJC & 660SJC (See ARTICULATING JIB VALVE ASSEMBLY for Breakdown)	
9	0641613	2	Bolt 3/8in-16NC x 1-5/8in	
10	4711600	7	Flatwasher 3/8in Thin	
11	4891800	2	Flatwasher 1/2in Hardened	
12	4751500	5	Flatwasher 5/16in Regular	
13	3311501	3	Nut 5/16in-18NC	
14	2120145	1	Return Filter Assembly	
14A	2120149	1	Element, Filter	
14B	7016313	1	Indicator, Clogged	
15	2220893	1	Fitting, Adapter	
16	0651406	4	Bolt 1/4in-28NF x 3/4in	
17	4711400	AR	Flatwasher 1/4in Thin	

SECTION 2 - TURNTABLE

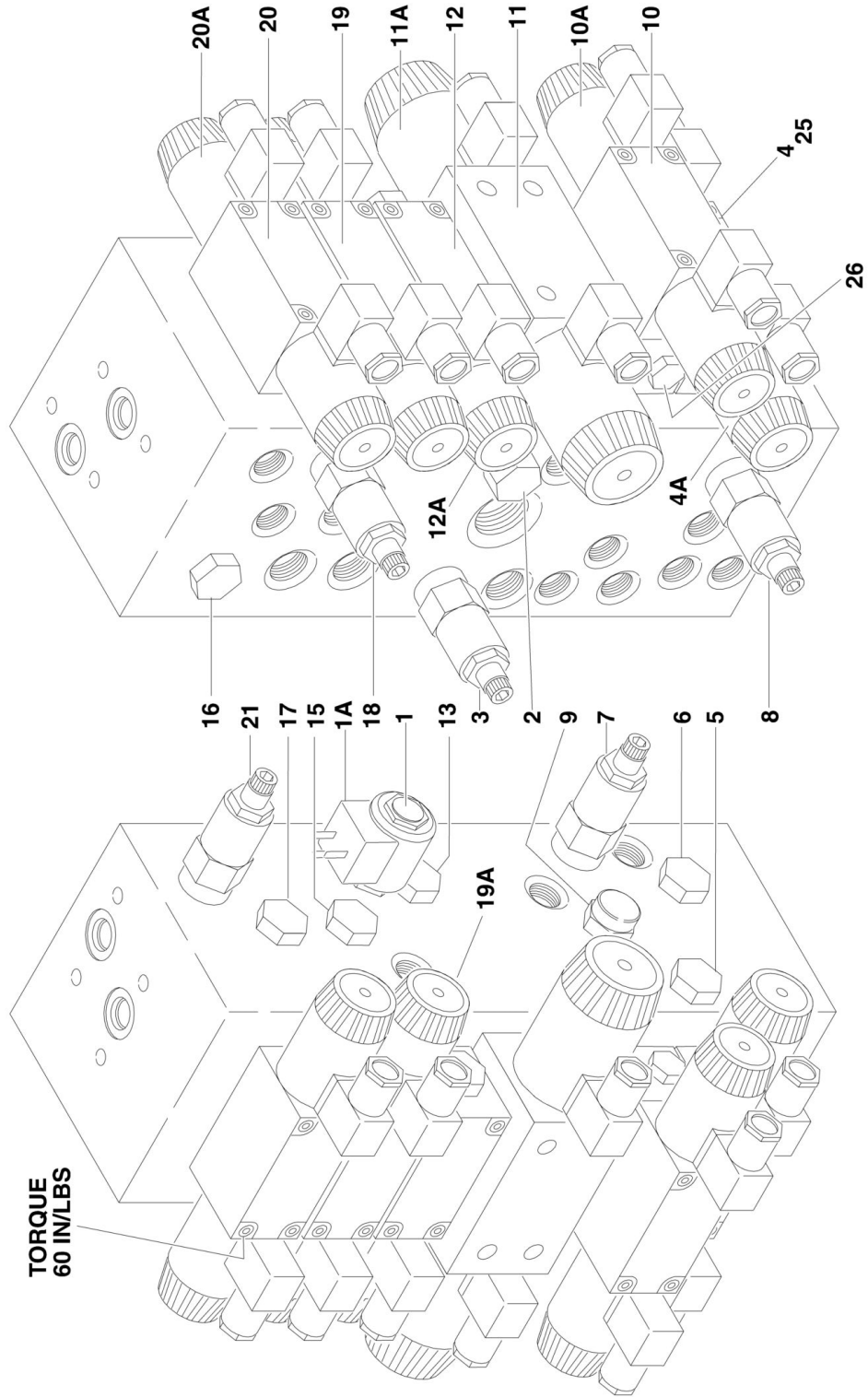
ITEM	PART NUMBER	QTY	DESCRIPTION	REV
18	0651406	3	Bolt 1/4in-28NF x 3/4in (Prior to SN 0300071456)	
19		Ref	Bolt Options:	
19	0641420	2	Bolt 1/4in-20NC x 2-1/2in Only (Prior to SN 0300061570)	
19	0641416	2	Bolt 1/4in-20NC x 2in (SN 0300064782 through 0300128000)	
20	4891400	AR	Flatwasher 1/4in Hardened Options:	
20		Ref	Flatwasher 1/4in Hardened (Prior to SN 0300061570)	
20		Ref	Flatwasher 1/4in Hardened (SN 0300064782 through 0300128000)	
21	0641508	2	Bolt 5/16in-18NC x 1in	
22	4891500	2	Flatwasher 5/16in Hardened	
23	3311405	2	Locknut 1/4in-20NC	
24	0641608	5	Bolt 3/8in-16NC x 1in	
25	0140001	1	Horn	
27	4060918	40 in/10m	Flex-Trim	
28	0100011	AR	Compound, Locking	
29	0902587	1	Bracket, Filter	
	4640931	Ref	MANUAL DESCENT VALVE ASSEMBLY (Prior to SN 0300071456)	
101	7012961	1	Knob	
102	7012954	1	Cartridge, Needle Valve	
102	7012953	1	Seal Kit - 7012954 Valve	
103	7012975	1	Cartridge, Check Valve	
103	7012540	1	Seal Kit - 7012975 Valve	
104	7012976	1	Cartridge, Relief Valve	
104	7012953	1	Seal Kit - 7012976 Valve	
105	7012977	1	Cartridge, Pilot Valve	
105	7012918	1	Seal Kit - 7012977 Valve	
	3600243	Ref	AUXILIARY PUMP ASSEMBLY (Prior to SN 0300070773)	B
201	3600243	1	Auxiliary Pump Assembly	
201A	7013755	1	Replacement Motor	
201A	7013799	1	Brush Kit - 7013755	
201A	7016744	2	Bolt (Mounts Motor to Mounting Bracket)	
201B	7013711	1	Coupling	
201C	7013796	1	Replacement Pump	
201C	See Note	1	Seal Kit (Note: Not Available - Purchase Individual Pieces.)	
201C	7016700	1	Seal, Oil	
201C	7016701	1	O-Ring	
201C	7016702	1	O-Ring	
201C	7022203	2	Bolt (Mounts Pump to Mounting Bracket)	
	3600365	Ref	AUXILIARY PUMP ASSEMBLY (SN 0300070773 through 0300128000)	B
301	3600365	1	Auxiliary Pump Assembly	
301A		Ref	Replacement Motor Options:	
301A	7004290	1	Replacement Motor with Endhead Item 105 (was p/n 7011067)	
301A	7004248	1	Replacement Motor without Endhead	
301A	7011065	1	Brush Kit - Motor	
301A	See Note	4	Bolt (Mounts Motor to Endhead) (Note: Not Available for Purchase.)	
301A	7011062	4	Endhead	
301B	7011063	1	Coupling and Hardware Kit (Includes Pump Gasket and Hardware)	
301C	7011064	1	Replacement Pump	

SECTION 2 - TURNTABLE

ITEM	PART NUMBER	QTY	DESCRIPTION	REV
301C	7011044	1	Gasket	
301C	7011066	1	Seal Kit	
301C	See Note	1	Relief Valve (Note: Not Available - Purchase Complete Pump.)	
301C	7011043	4	Bolt (Mounts Pump to Mounting Bracket)	
301C	7011048	4	Lockwasher	

SECTION 2 - TURNTABLE

FIGURE 2-2. MAIN CONTROL VALVE ASSEMBLY



SECTION 2 - TURNTABLE

FIGURE 2-2. MAIN CONTROL VALVE ASSEMBLY

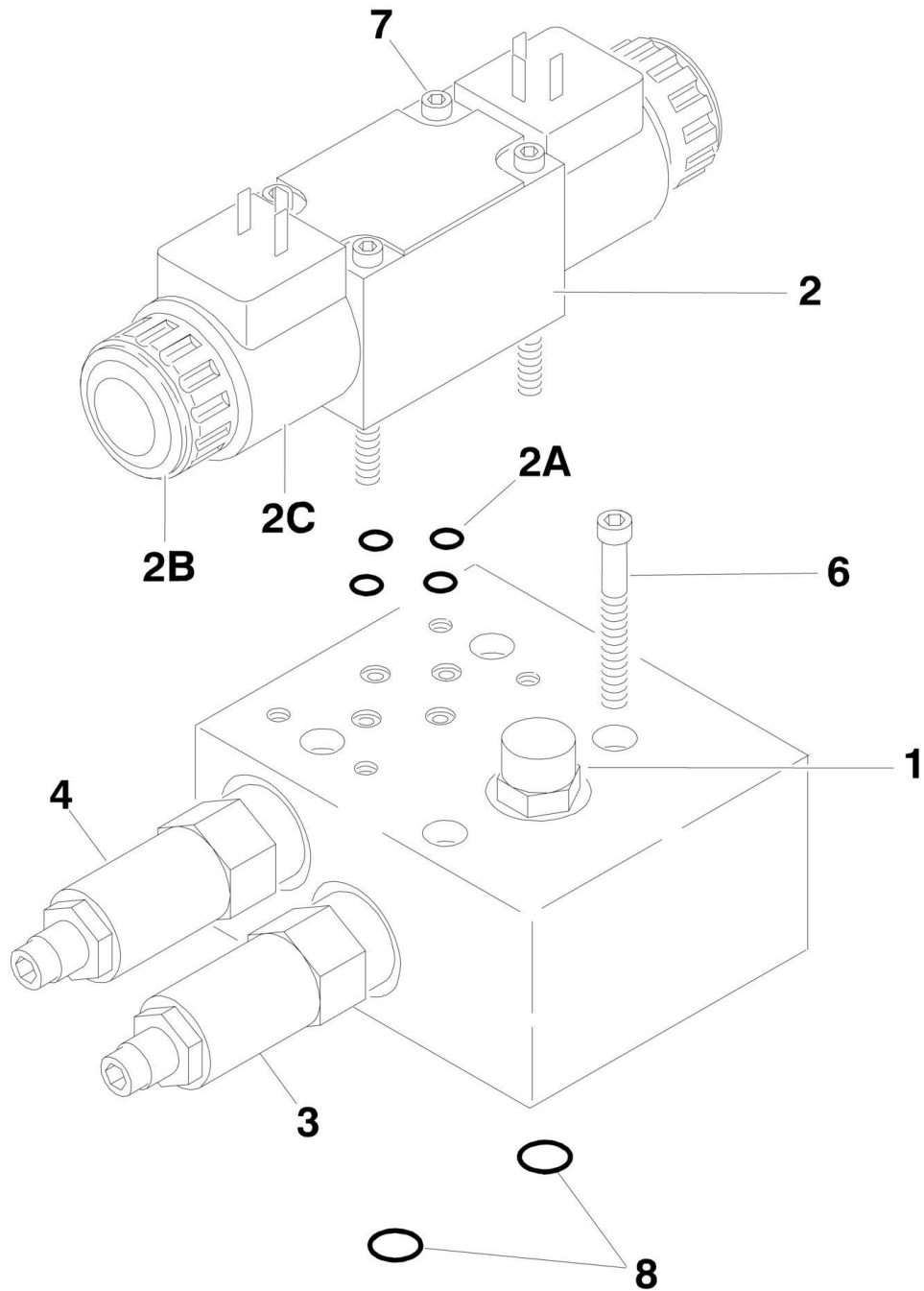
ITEM	PART NUMBER	QTY	DESCRIPTION	REV
	4641017	Ref	MAIN CONTROL VALVE ASSEMBLY	B
1	7017410	1	Cartridge, Without Coil	
1	7012967	1	Seal Kit - 7017410 Cartridge	
1A	7012944	1	Coil	
2	7017411	1	Cartridge, Pressure Sensing	
2	7012518	1	Seal Kit	
3	7012912	1	Cartridge (Main Relief)	
3	7012998	1	Seal Kit	
4	7021373	1	Control Valve Assembly (Platform Level)	
4	7012773	1	Seal Kit	
4	7012799	1	Lanyard Assembly	
4A	7021376	2	Coil	
5	7012914	1	Cartridge, Check Valve (Platform Level)	
5	7012918	1	Seal Kit - 7012914 Cartridge	
6	7012914	1	Cartridge, Check Valve (Platform Level)	
6	7012918	1	Seal Kit - 7012914 Cartridge	
7	7012912	1	Cartridge, Relief Valve (Platform Level)	
7	7012998	1	Seal Kit - 7012912 Cartridge	
8	7012912	1	Cartridge, Relief Valve	
8	7012998	1	Seal Kit - 7012912 Cartridge	
9	7012989	1	Cartridge, Flow Control	
9	7012953	1	Seal Kit - 7012989 Cartridge	
10	7021373	1	Control Valve Assembly (Platform Rotate)	
10	7012773	1	Seal Kit	
10	7012799	1	Lanyard Assembly	
10A	7021376	2	Coil	
11	70000579	1	Control Valve Assembly (Upper Tele) (was p/n 7012766)	
		Ref	Note: Refer to Vendor P/N on Valve Nameplate before ordering Parts. P/N 7012766 is RR00567495 or R900567495. P/N 70000579 is R900930080.	
11		Ref	Seal Kit Options:	
11	7012769	1	Seal Kit 7012766 Valve	
11	70000583	1	Seal Kit 70000579 Valve	
11A		Ref	Coil Options:	
11A	7012772	1	Coil 7012766 Valve (was p/n 7012768)	
11A	70000582	1	Coil 70000579 Valve	
11A		Ref	Nut, Coil Options:	
11A	7018912	1	Nut, Coil 7012766 Valve	
11A	70000580	1	Nut, Coil 70000579 Valve	
12	7022521	1	Control Valve Assembly (Flow Control)	
12	7012773	1	Seal Kit	
12A	7018991	1	Coil	
13	7010542	1	Cartridge, Shuttle	
13	7010543	1	Seal Kit - 7010542 Cartridge	
15	7010542	1	Cartridge, Shuttle	
15	7010543	1	Seal Kit - 7010542 Cartridge	
16	7010542	1	Cartridge, Shuttle	
16	7010543	1	Seal Kit - 7010542 Cartridge	
17	7010542	1	Cartridge, Shuttle	
17	7010543	1	Seal Kit - 7010542 Cartridge	

SECTION 2 - TURNTABLE

ITEM	PART NUMBER	QTY	DESCRIPTION	REV
18	7012912	1	Cartridge, Relief Valve	
18	7012998	1	Seal Kit - 7012912 Cartridge	
19	7012775	1	Control Valve Assembly (Upper Lift)	
19	7012773	1	Seal Kit	
19A	7012772	2	Coil	
20	7012775	1	Control Valve Assembly (Swing)	
20	7012773	1	Seal Kit	
20A	7012772	2	Coil	
21	7012912	1	Cartridge, Relief Valve	
21	7012998	1	Seal Kit - 7012912 Cartridge	
25	See Note	2	Orifice 1.2mm (Note: Not Available for Purchase.)	
26	7021310	1	Block, Valve	

SECTION 2 - TURNTABLE

FIGURE 2-3. ARTICULATING JIB VALVE ASSEMBLY



NOTE: TORQUE ITEMS 6 & 7 TO 60 IN/LBS.

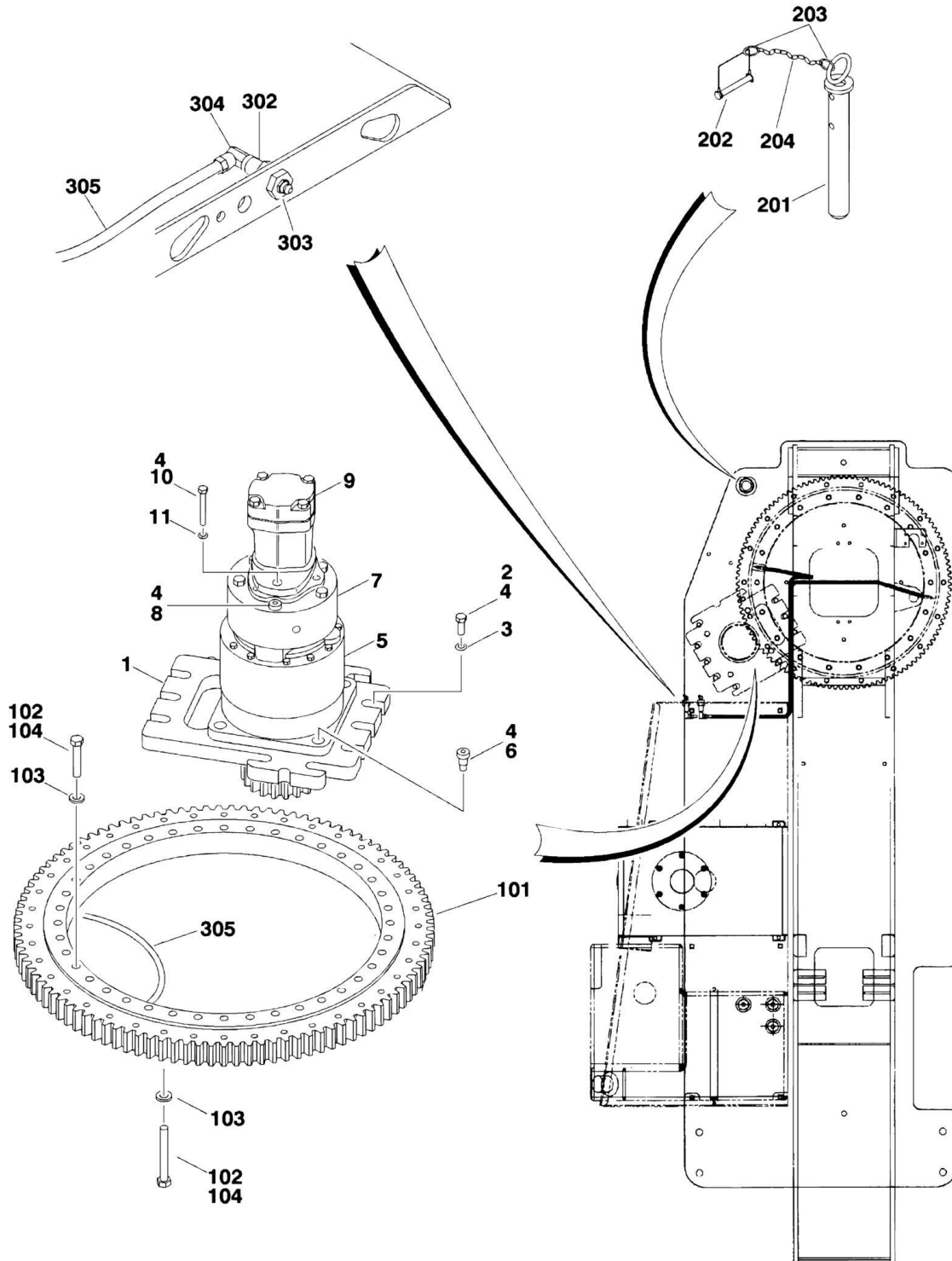
SECTION 2 - TURNTABLE

FIGURE 2-3. ARTICULATING JIB VALVE ASSEMBLY

ITEM	PART NUMBER	QTY	DESCRIPTION	REV
	4640921	Ref	ARTICULATING JIB VALVE ASSEMBLY	D
1	7012965	1	Cartridge, Flow Control	
1	7012953	1	Seal Kit - 7012965 Cartridge	
2	70001976	1	Directional Control Valve Assembly (was p/n 7012770)	
2	7012773	1	Seal Kit	
2A	7018945	2	O-Ring	
2B	7018912	2	Nut	
2C	7012772	2	Coil	
3	7017421	1	Cartridge, Relief	
3	7012998	1	Seal Kit - 7017421 Cartridge	
4	7017422	1	Cartridge, Relief	
4	7012998	1	Seal Kit - 7017422 Cartridge	
5	4460499	2	Connector, Din with Diode (Part of Valve Harness)	
6	7012777	4	Capscrew, Socket Head 5/16in-11NC x 2-1/4in (Used to Mount Valve Assembly)	
7	7018942	4	Capscrew, Socket Head #10-24NC x 2in	
8	7012776	2	O-Ring (Used to Mount to Main Valve)	

SECTION 2 - TURNTABLE

FIGURE 2-4. SWING DRIVE, TURNTABLE BEARING AND LOCK INSTALLATIONS



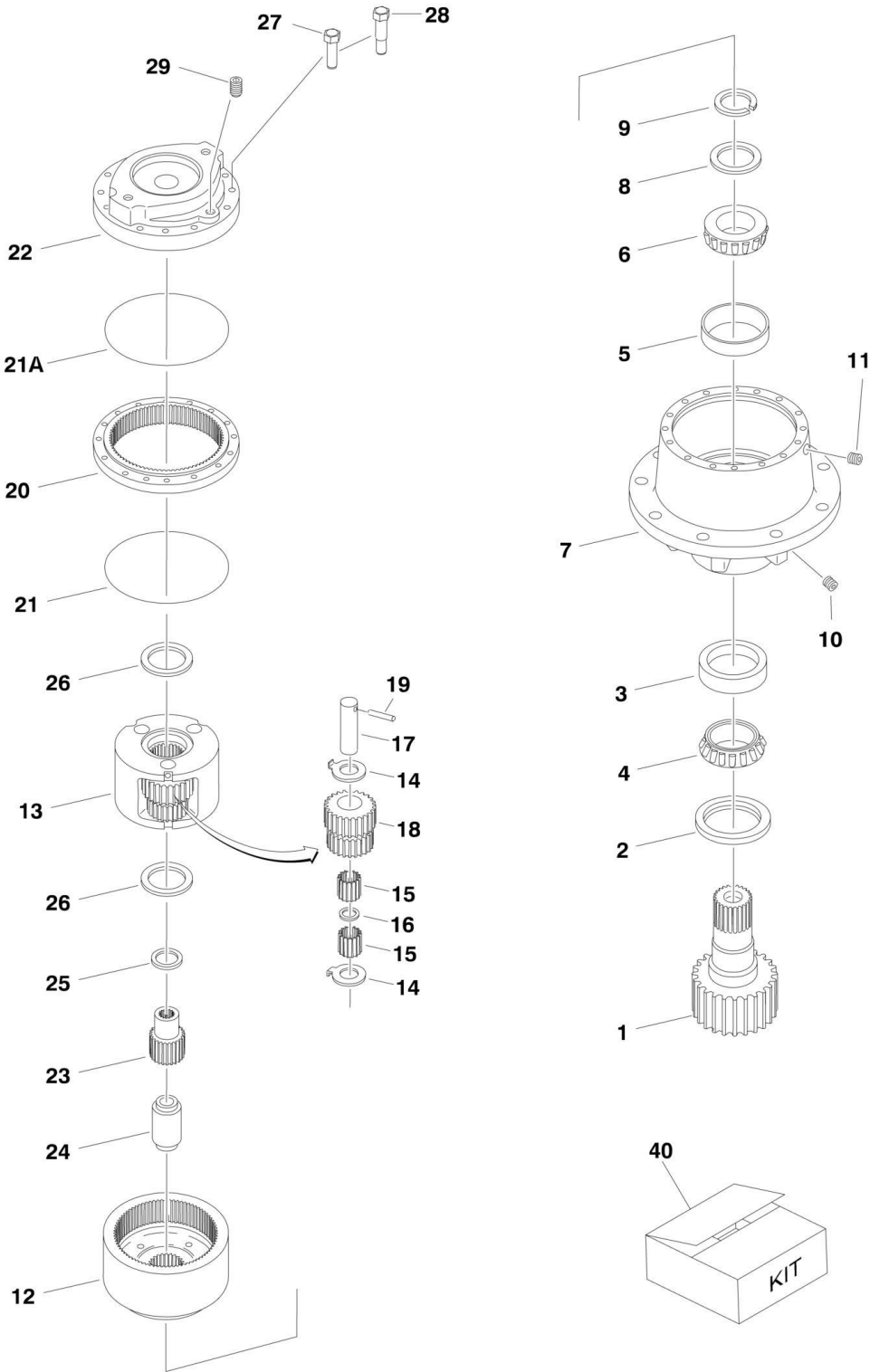
SECTION 2 - TURNTABLE

FIGURE 2-4. SWING DRIVE, TURNTABLE BEARING AND LOCK INSTALLATIONS

ITEM	PART NUMBER	QTY	DESCRIPTION	REV
	4620127	Ref	TURNTABLE WELDMENT	1
		Ref	SWING DRIVE INSTALLATION OPTIONS	
	0255025	Ref	Swing Drive Installation (Prior to SN 0300064566)	3/B
	0270329	Ref	Swing Drive Installation (SN 0300064566 through 0300128000)	A
1	3537318	1	Plate, Swing Drive Mounting	
2	0642018	10	Bolt 5/8in-11NC x 2-1/4in	
3	4892000	10	Flatwasher, Hardened 5/8in	
4	0100011	AR	Compound, Locking	
5	2780205	1	Swing Hub Assembly (See SWING HUB ASSEMBLY for Breakdown)	
6	3932224	4	Bolt 1/2in-13NC x 1-1/2in	
7		Ref	Swing Brake Assembly Options (See SWING BRAKE ASSEMBLY for Breakdown):	
7	0920083	NLA	Swing Brake Assembly (Use p/n 0920109) (Prior to SN 0300033476)	
7	0920109	1	Swing Brake Assembly (SN 0300033476 through 0300064565)	
7	0920119	1	Swing Brake Assembly (SN 0300064566 through 0300128000)	
8		Ref	Bolt Options:	
8	3931860	2	Bolt (Prior to SN 0300064566)	
8	Not Required	0	Bolt (SN 0300064566 through 0300128000)	
9		Ref	Swing Motor Assembly Options:	
9	3160200	1	White Roller Stator Motor (See SWING MOTOR ASSEMBLY (WHITE ROLLER STATOR) for Breakdown) (Prior to SN 0300064566)	
9	3160273	NLA	White Roller Stator Motor (Use p/n 1001110169) (See SWING MOTOR ASSEMBLY (WHITE ROLLER STATOR) for Breakdown) (SN 0300064566 through 0300128000)	
9	1001110169	1	Parker Motor use as Service Replacement (See SWING MOTOR ASSEMBLY (PARKER) for Breakdown)	
10		Ref	Bolt Options:	
10	0641810	2	Bolt 1/2in-13NC x 2-1/2in (Prior to SN 0300064566)	
10	0681836	2	Bolt 1/2in-13NC x 4-1/2in (Grade 8) (SN 0300064566 through 0300128000)	
11	4891800	2	Flatwasher 1/2in	
	0259055	Ref	TURNTABLE BEARING INSTALLATION	B
101	0440233	NLA	Bearing Kit (Use p/n 2915089) (Kit Includes Bearing and Mounting Hardware)	
102	0682023	36	Bolt 5/8in - 11NC X 2-7/8in (Grade 8)	
103	4892000	36	Flatwasher, Hardened	
104	0100019	AR	Compound, Locking	
	0239585	Ref	TURNTABLE LOCK INSTALLATION	B
201	3421627	1	Pin	
202	3421565	1	Pin, Snap	
203	3760170	2	Ring, Quick Release	
204	1260017	9 in/23cm	Chain	
	0255316	Ref	REMOTE BEARING LUBE INSTALLATION	3
301	2751095	1	Hose, Grease (Prior to SN 0300070975)	
302	2180344	AR	Fitting, Bulkhead	
303	2160003	AR	Fitting, Grease 45	
304	2220063	AR	Fitting, 90	
305	2751032	1	Hose, Grease	

SECTION 2 - TURNTABLE

FIGURE 2-5. SWING HUB ASSEMBLY



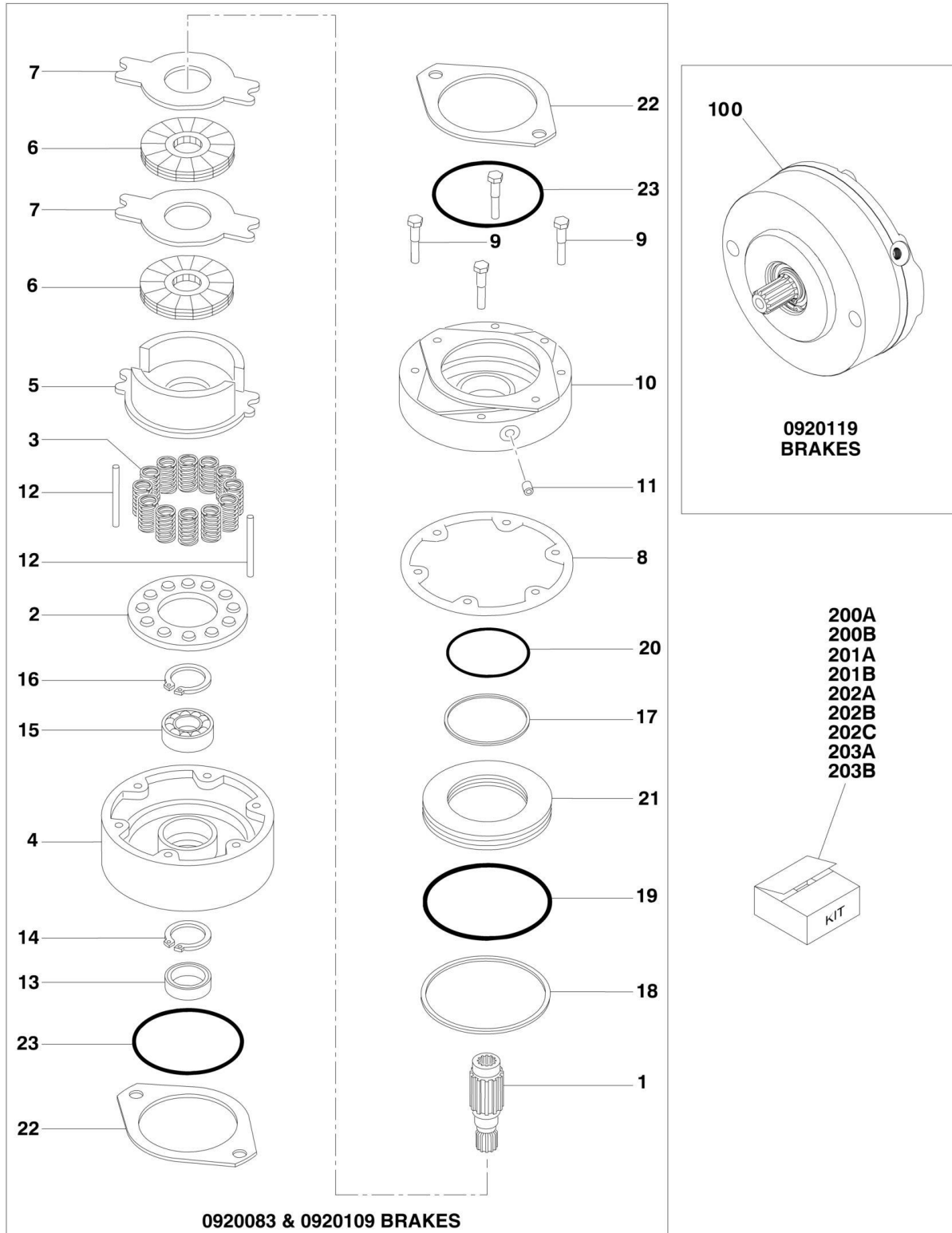
SECTION 2 - TURNTABLE

FIGURE 2-5. SWING HUB ASSEMBLY

ITEM	PART NUMBER	QTY	DESCRIPTION	REV
	2780205	Ref	SWING HUB ASSEMBLY	-
		Ref	Housing Assembly	
1	7010492	1	Shaft, Output	
2	7000228	1	Seal, Lip	
3	7000255	1	Cup, Bearing	
4	7000256	1	Cone, Bearing	
5	7000257	1	Cup, Bearing	
6	7000258	1	Cone, Bearing	
7	7010496	1	Housing	
8	7007633	1	Thrustwasher	
9	7000229	1	Ring, Retaining	
10	7010494	2	Pipe, Plug	
11	7001928	2	Pipe, Plug	
12	7000246	2	Gear, In O-Ring	
		Ref	Carrier Assembly	
13	7001931	1	Carrier	
14	7001985	6	Thrustwasher, Tanged	
15	7001909	96	Bearing, Needle	
16	7000263	3	Spacer, Thrust	
17	7001911	3	Shaft, Planet	
18	7001987	3	Gear, Cluster	
19	7010474	3	Rollpin	
20	7001988	1	Ring Gear	
21	7000230	1	O-Ring (Black)	
21A	7017070	1	O-Ring (White)	
22	7000209	1	Cover, Input	
23	7010488	1	Gear, Sun	
24	7000269	1	Spacer, Input	
25	7000270	1	Thrustwasher	
26	7000253	2	Thrustwasher	
27	7000217	8	Bolt	
28	7000214	4	Bolt, Shoulder	
29	2200222	1	Pipe, Plug	
40	7024100	1	Seal Kit (Includes Items 2, 9, 21, 21A & 26)	

SECTION 2 - TURNTABLE

FIGURE 2-6. SWING BRAKE ASSEMBLY



SECTION 2 - TURNTABLE

FIGURE 2-6. SWING BRAKE ASSEMBLY

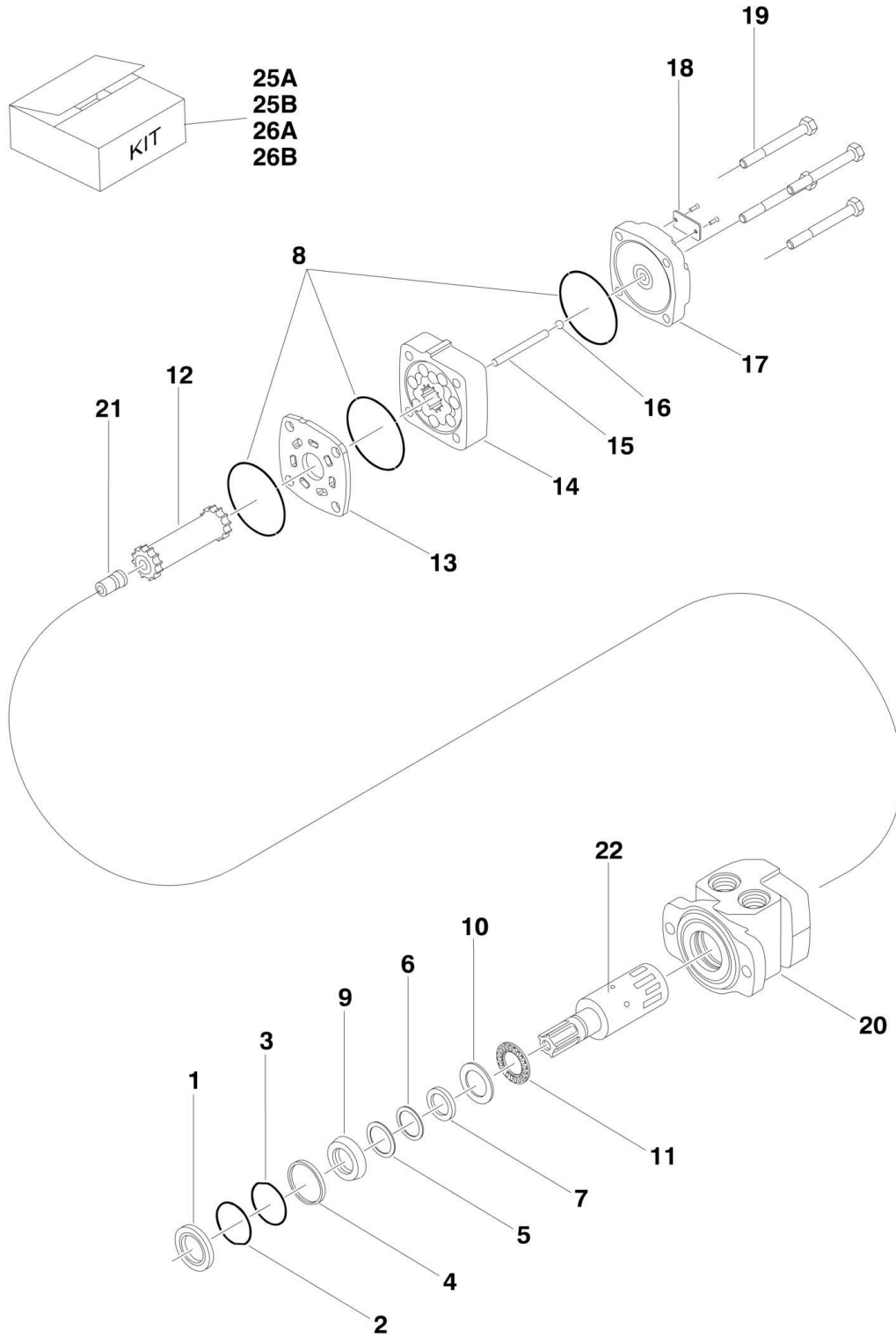
ITEM	PART NUMBER	QTY	DESCRIPTION	REV
		Ref	SWING BRAKE ASSEMBLY OPTIONS:	
	0920083	Ref	Swing Brake Assembly (Prior to SN 0300033476)	A
	0920109	Ref	Swing Brake Assembly (SN 0300033476 through 0300064566)	B
1	7011720	1	Shaft	
2		Ref	Guide, Spring Options:	
2	7011717	1	Guide, Spring 0920083 Brake (Prior to SN 0300033476)	
2	7018606	1	Guide, Spring 0920109 Brake (SN 0300033476 through 0300064566)	
3		Ref	Spring Options:	
3	7007979	6	Spring 0920083 Brake (Inner) (Prior to SN 0300033476)	
3	7007980	6	Spring 0920083 Brake (Outer) (Prior to SN 0300033476)	
3	7007970	6	Spring 0920109 Brake (Red) (SN 0300033476 through 0300064566)	
3	7018602	3	Spring 0920109 Brake (Blue) (SN 0300033476 through 0300064566)	
4		Ref	Housing Options:	
4	7011713	1	Housing 0920083 Brake (Prior to SN 0300033476)	
4	7018605	1	Housing 0920109 Brake (SN 0300033476 through 0300064566)	
5		Ref	Return Plate and Separator Assembly Options:	
5	2900767	1	Plate, Return - 0920083 Brake (Prior to SN 0300033476)	
5	7011715	2	Separator Assembly - 0920083 Brake (Prior to SN 0300033476)	
5	7011714	4	Pin	
5	7007983	2	Separator	
5	7018608	1	Plate, Return/Separator - 0920109 Brake (SN 0300033476 through 0300064566)	
6	See Note	NSS	Rotor (Note: Use Item 200A, 201A, 202A, 202B or 203B)	
7	See Note	NSS	Stator (Note: Use Item 200A, 201A, 202A, 202B or 203B)	
8	See Note	NSS	Seal, Oil (Note: Use Item 200A, 201A, 202A, 202B or 203B)	
9		Ref	Bolt, Washer Head Options:	
9	7007985	4	Bolt, Washer Head 0920083 Brake (Prior to SN 0300033476)	
9	7018607	4	Bolt, Washer Head 0920109 Brake (SN 0300033476 through 0300064566)	
10	7011719	1	Cover	
11		Ref	Hardware Options:	
11	7007914	1	Screw, Bleeder (Prior to SN 0300033906)	
11	7018609	1	Plug, Pipe (SN 0300033906 through 0300064566)	
12	7007987	2	Pin, Dowel	
13	See Note	NSS	Seal, Oil (Note: Use Item 200A, 201A or 203B)	
14	7011716	1	Ring, Retaining	
15	See Note	NSS	Bearing (Note: Use Item 201A or 203B)	
16	7007977	1	Ring, Retaining	
17	See Note	NSS	Ring, Back-up (Note: Use Item 200A or 203B)	
18	See Note	NSS	Ring, Back-up (Note: Use Item 200A or 203B)	
19	See Note	NSS	O-Ring (Note: Use Item 200A or 203B)	
20	See Note	NSS	O-Ring (Note: Use Item 200A or 203B)	
21		Ref	Piston Options:	
21	7007923	1	Piston 0920083 Brake (Prior to SN 0300033476)	
21	7018603	1	Piston 0920109 Brake (SN 0300033476 through 0300064566)	
22	7007934	2	Gasket	

SECTION 2 - TURNTABLE

ITEM	PART NUMBER	QTY	DESCRIPTION	REV
23	See Note	2	O-Ring (Note: Use Item 200A, 201A, 202A, 202B or 203B)	B
100	0920119	Ref	SWING BRAKE ASSEMBLY (NOT SHOWN) (SN 0300064566 through 0300128000)	
100	7007933	2	Gasket, Mounting Face	
100	7007990	2	O-Ring, Mounting Face	
		Ref	Note: Other than Gasket and O-Ring, Item 203B Repair Kit is only part available.	
		Ref	Kit Options	
200		Ref	Seal Kit Options:	
200A	2900766	1	Seal Kit - 0920083 & 0920109 Brakes (Includes Items 8, 13, 17, 18, 19, 20, 22 & 23) (Prior to SN 0300064566)	
200B	See Note	NSS	Seal Kit - 0920119 Brake (Use Item 203B) (SN 0300064566 through 0300128000)	
201		Ref	Bearing Kit Options:	
201A	2900768	1	Bearing Kit - 0920083 & 0920109 Brakes (Includes Items 8, 13, 14, 15, 16, 22 & 23) (Prior to SN 0300064566)	
201B	See Note	NSS	Bearing Kit - 0920119 Brake (Use Item 203B) (SN 0300064566 through 0300128000)	
202		Ref	Lining Kit Options:	
202A	2900767	1	Lining Kit - 0920083 Brake (Includes Items 5 Return Plate, 6, 7, 8, 22 & 23) (Prior to SN 0300033476)	
202B	7018608	1	Lining Kit - 0920109 Brake (Includes Items 5 Return/Separator Plate, 6, 7, 8, 22 & 23) (SN 0300033476 through 0300064565)	
202C	See Note	NSS	Lining Kit - 0920119 Brake (Use Item 203B) (SN 0300064566 through 0300128000)	
203		Ref	Repair Kit Options:	
203A	See Note	NLA	Repair Kit - 0920083 & 0920109 Brakes (Note: Not Available - Purchase Kits or Individual Items.) (Prior to SN 0300064566)	
203B	7018612	1	Repair Kit - 0920119 Brake (SN 0300064566 through 0300128000)	

SECTION 2 - TURNTABLE

FIGURE 2-7. SWING MOTOR ASSEMBLY (WHITE ROLLER STATOR)



SECTION 2 - TURNTABLE

FIGURE 2-7. SWING MOTOR ASSEMBLY (WHITE ROLLER STATOR)

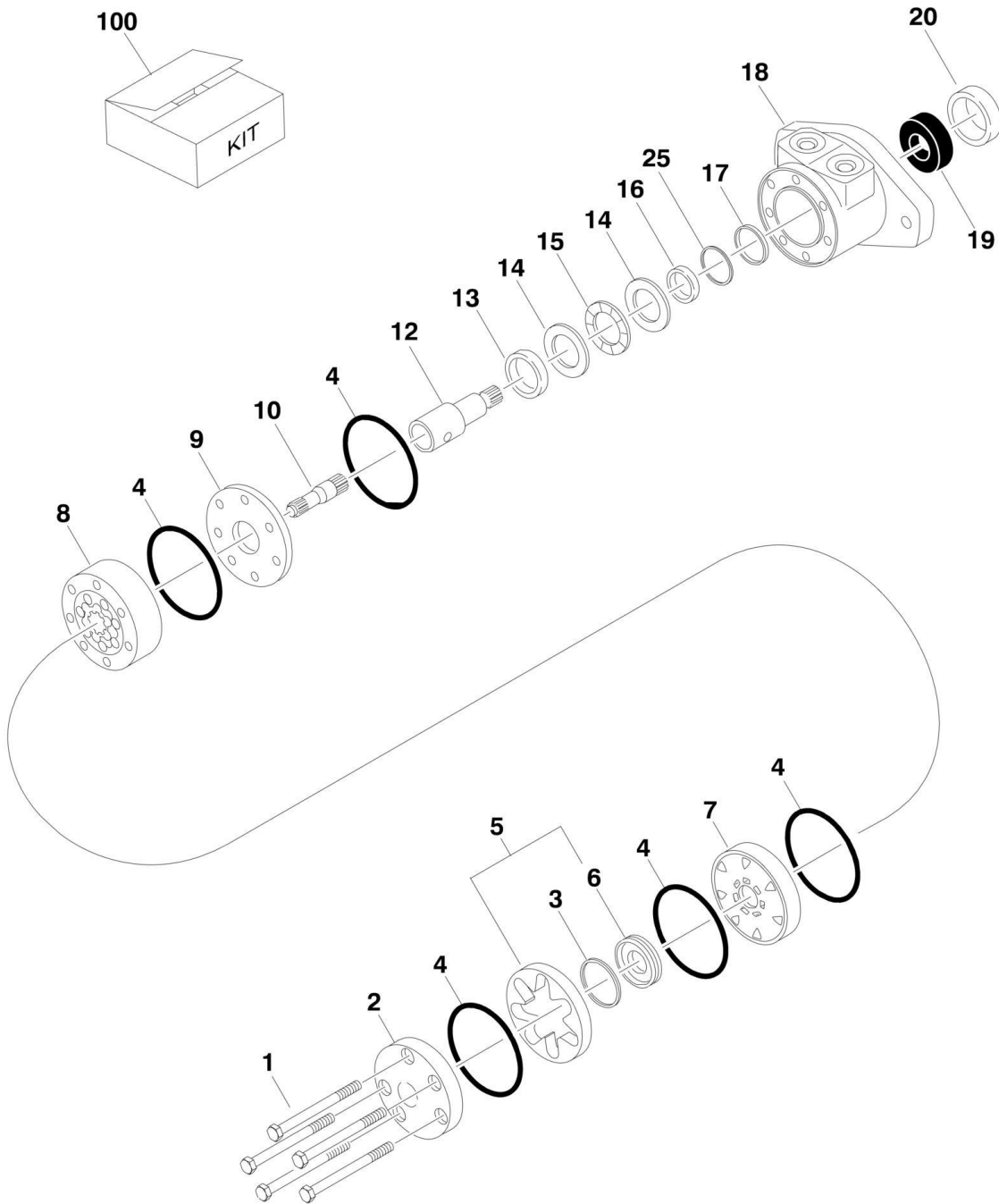
ITEM	PART NUMBER	QTY	DESCRIPTION	REV
		Ref	Swing Motor Assembly Options:	
	3160200	Ref	Swing Motor Assembly (Prior to SN 0300064566)	C
	3160273	Ref	Swing Motor Assembly (SN 0300064566 through 0300128000)	B
		Ref	Note: Service replacement motor for machines with SN 0300064566 to SN 0300128000 is p/n 1001110169. Make sure motor has not been replaced by identifying motor brand before ordering parts. See next figure for service replacement parts for p/n 1001110169 motor.	
1	See Note	NSS	Seal, Dust (Note: Use Item 25A)	
2	See Note	NSS	Ring, Split Wire (Note: Use Item 25A)	
3	See Note	NSS	Shim, Metal Back-up (Note: Use Item 25A)	
4	See Note	NSS	Seal, High Pressure (Note: Use Item 25A)	
5	See Note	NSS	Shim, Metal Back-up (Note: Use Item 25A)	
6	See Note	NSS	Seal, Teflon Back-up (Note: Use Item 25A)	
7	See Note	NSS	Seal, Shaft (Note: Use Item 25A)	
8	See Note	NSS	Seal, Body (Note: Use Item 25A)	
9	See Note	NSS	Carrier, Seal (Note: Use Item 25B)	
10	See Note	NSS	Washer, Thrust (Note: Use Item 25B)	
11		Ref	Bearing, Thrust Options:	
11	7005842	1	Bearing, Thrust (Prior to SN 0300064566)	
11	7016422	1	Bearing, Thrust (SN 0300064566 through 0300128000)	
12	7005889	1	Link, Drive	
13		Ref	Plate, Wear Options:	
13	7005845	1	Plate, Wear (Prior to SN 0300064566)	
13	7016423	1	Plate, Wear (SN 0300064566 through 0300128000)	
14	7005890	1	Rotor Assembly	
15	7005891	1	Pin, Drive Link	
16	See Note	NSS	Ball (Note: Use Item 26A.)	
17	See Note	NSS	Cover, End (Note: Use Item 26A.)	
18	See Note	NSS	Tag, I.D. (Note: Not Available for Purchase.)	
19	7005892	4	Bolt	
20		Ref	Housing Options:	
20	7005841	1	Housing (Prior to SN 0300064566)	
20	7016425	1	Housing (SN 0300064566 through 0300128000)	
21	7005893	1	Plug, Cooling	
22		Ref	Shaft Options:	
22	7005894	1	Shaft (Prior to SN 0300064566)	
22	7016426	1	Shaft (SN 0300064566 through 0300128000)	
25		Ref	Seal Kit Options:	
25A	7005881	1	Seal Kit (Includes Items 1-8)	
25B	7005882	1	Seal Carrier Kit (Includes Items 9 & 10)	
26		Ref	Repair Kit Options:	
26A		Ref	End Cover Kit (Includes Items 16 & 17) Options:	
26A	7005848	1	End Cover Kit (Includes Items 16 & 17) (Prior to SN 0300064566)	
26A	7016424	1	End Cover Kit (Includes Items 16 & 17) (SN 0300064566 through 0300128000)	
26B		Ref	Housing/Shaft Kit (Includes Items 20-22) Options:	
26B	7005895	1	Housing/Shaft Kit (Includes Items 20-22) (Prior to SN 0300064566)	
26B	7016427	1	Housing/Shaft Kit (Includes Items 20-22) (SN 0300064566)	

SECTION 2 - TURNTABLE

ITEM	PART NUMBER	QTY	DESCRIPTION	REV
			through 0300128000)	

SECTION 2 - TURNTABLE

FIGURE 2-8. SWING MOTOR ASSEMBLY (PARKER)



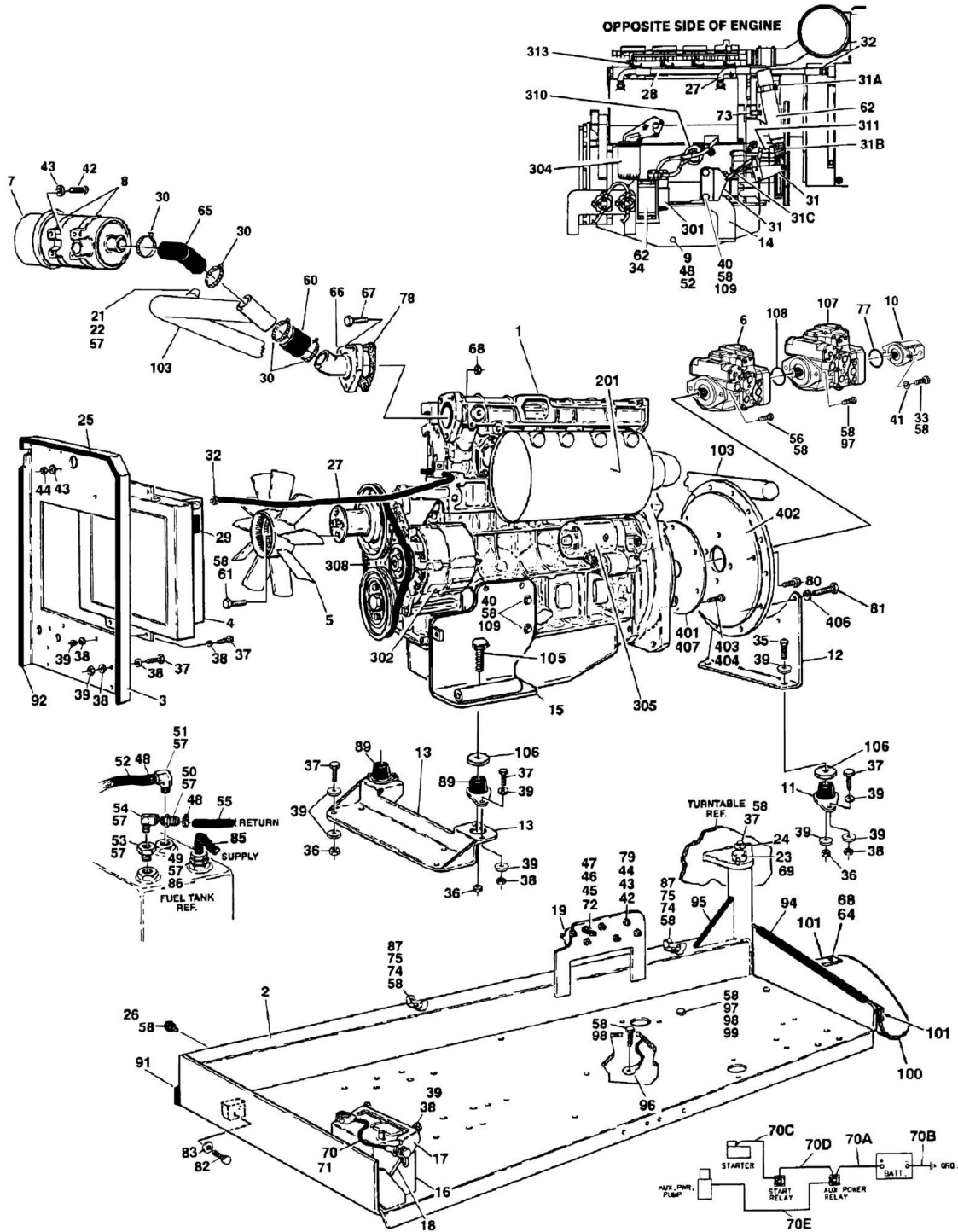
SECTION 2 - TURNTABLE

FIGURE 2-8. SWING MOTOR ASSEMBLY (PARKER)

ITEM	PART NUMBER	QTY	DESCRIPTION	REV
	1001110169	Ref	SWING MOTOR ASSEMBLY (PARKER)	A
1	70002243	5	Bolt	
2	7004035	1	Cover, End	
3	See Note	NSS	Seal, Commutator (Note: Use Item 100)	
4	See Note	NSS	Seal, Ring (Note: Use Item 100)	
5	7024453	1	Commutator and Ring Assembly	
6	7024453	1	Ring	
7	7024379	1	Manifold	
8	70002208	1	Rotor Set	
9	7024380	1	Plate, Wear	
10	83304150	1	Link, Drive	
12	7024395	1	Shaft, Coupling	
13	7024381	1	Bushing, Bronze	
14	7004043	2	Washer, Thrust	
15	7004044	1	Bearing, Thrust	
16	See Note	NSS	Seal, Inner (Note: Use Item 100)	
17	See Note	NSS	Washer, Back-up (Note: Use Item 100)	
18	See Note	NSS	Housing (Note: Not Available - Purchase Complete Swing Motor Assembly.)	
19	7024390	1	Bearing	
20	See Note	NSS	Seal (Note: Use Item 100)	
25	See Note	NSS	Washer, Back-up (Note: Use Item 100)	
100	7024389	1	Seal Kit (Includes Items 3, 4, 16, 17, 20 & 25)	

SECTION 2 - TURNTABLE

FIGURE 2-9. DEUTZ ENGINE INSTALLATION



SECTION 2 - TURNTABLE

FIGURE 2-9. DEUTZ ENGINE INSTALLATION

ITEM	PART NUMBER	QTY	DESCRIPTION	REV
	0259552	Ref	DEUTZ ENGINE INSTALLATIONS (Prior to SN 0300067081)	5/F
	0272292	Ref	DEUTZ ENGINE INSTALLATIONS (SN 0300067081 through 0300128000)	5/D
1	2000146	1	Engine - Deutz F4M1011F Diesel	
2	4845404	1	Tray Engine	
3	3539872	1	Plate, Radiator Mounting	
4	3620033	1	Cooler, Oil	
5	2060025	1	Fan	
6		Ref	Piston Pump Assembly Options (See PISTON PUMP ASSEMBLY for Breakdown):	
6	3600267	1	Piston Pump Assembly (Prior to SN 0300067081)	
6	3600358	1	Piston Pump Assembly (SN 0300067081 through 0300070516)	
6	3600267	1	Piston Pump Assembly (SN 0300070517 through 0300070642)	
6	3600363	1	Piston Pump Assembly (SN 0300070643 through 0300128000)	
7	1340060	1	Air Cleaner Assembly	
7	7012664	1	Element	
8	0340041	2	Band, Mounting	
9	4640751	1	Valve, Oil Drain	
10	3600242	1	Gear Pump Assembly (See GEAR PUMP ASSEMBLY for Breakdown)	
11	3200401	2	Mount, Rubber Engine (Rear)	
12	3537420	1	Bracket, Engine Mounting - Rear	
13	3539971	1	Bracket, Engine Mounting - Front	
14	3537416	1	Support, Engine - Right	
15		Ref	Support, Engine - Left Options:	
15	3537417	1	Support, Engine (Prior to SN 0300067975)	
15	4846479	1	Support, Engine (SN 0300067975 through 0300128000)	
16	0400075	1	Battery	
17	0181727	1	Hold-Down, Battery	
18	0630498	2	Rod, Hold-Down	
19	3740067	2	Relay	
21	4360392	1	Switch, Restrictor Indicator	
22	2180798	1	Fitting	
23	3422446	1	Pin, Pivot	
24	3841143	1	Keeper, Pin	
25	3960389	5 ft/1.5m	Seal	
26	0940070	1	Bumper, Rubber	
27	2720398	1	Hose, Oil Cooler - Left	
28	2720398	1	Hose, Oil Cooler - Right	
29	1703162	2	Nameplate - Fan Caution	
30	1320016	4	Clamp, Hose	
31	2901392	1	Throttle Mounting Kit	
31A	7008833	1	Bracket, Throttle	
31B	7008835	1	Coupling, Ball Joint	
31C	7008836	1	Spring	
32	2220451	2	Fitting, Straight	
33	3931620	2	Capscrew, Socket Head 3/8in-16NC x 1-1/4in	
34	0902511	1	Bracket, Control Module Mounting	
35	0641818	2	Bolt 1/2in-13NC x 2-1/4in	
36	3311805	4	Locknut 1/2in-13NC	

SECTION 2 - TURNTABLE

ITEM	PART NUMBER	QTY	DESCRIPTION	REV
37	0641610	21	Bolt 3/8in-16NC x 1-1/4in	
38	3311605	22	Locknut 3/8in-16NC	
39	4751600	44	Flatwasher 3/8in	
40	0701414	AR	Bolt 1/4in-20NC x 3/4in	
41	4891600	2	Washer, Hardened 3/8in	
42	0641407	12	Bolt 1/4in-20NC x 7/8in	
43	4751400	20	Flatwasher 1/4in	
44	3311405	12	Locknut 1/4in-20NC	
45	0721005	2	Bolt #10-24NC x 5/8in	
46	3311005	2	Locknut #10-24NC	
47	4751000	2	Flatwasher #10	
48	1320022	6	Clamp, Hose	
49	2220273	2	Fitting, Reducer	
50	2180536	1	Fitting, Straight	
51	2220313	1	Fitting, 90	
52	2750532	6 ft /1.8m	Hose 3/8in	
53	2220250	1	Fitting, Reducer	
54	2220459	1	Fitting, 90	
55	2720271	14 ft /4.2m	Hose 3/16in	
56	0641812	2	Bolt 1/2in-13NC x 1-1/2in	
57	0100020	AR	Sealant, Thread	
58	0100011	AR	Compound, Locking	
60		Ref	Coupling, Rubber Intake Options:	
60	2720351	3 in/8cm	Coupling, Rubber Intake (Prior to SN 0300067975)	
60	2720449	1	Coupling, Rubber Intake (SN 0300067975 through 0300128000)	
61	0700808	4	Bolt M8 x 16mm	
62	0060033	NLA	Actuator Assembly (Use p/n 2910000) (See ELECTRICAL SECTION for Breakdown)	
63	0641508	3	Bolt 5/16in-18NC x 1-1/4in	
64	0641514	3	Bolt 5/16in-18NC x 1-3/4in	
65	2720434	1	Elbow, Rubber	
66	4845395	1	Air Intake Adapter Weldment	
67	0641510	3	Bolt 5/16in-18NC x 1-1/4in	
68	3311505	10	Locknut 5/16in-18NC	
69	0961986	2	Bushing, Flanged	
70	2901358	1	Battery Cable Kit (Standard)	
70A	7016800	1	Cable, Battery (Red)	
70B	7016812	1	Cable, Battery (Black)	
70C	7016802	1	Cable (Red)	
70D	7016803	1	Cable (Red)	
70E	7016804	1	Cable (Red)	
71	4460611	1	Terminal, Battery Jumper Post	
72	4360294	1	Breaker, Circuit - 30 Amp	
73	1320222	1	J-Clip 3/8in	
74	1320223	4	J-Clip 1/2in	
75	0641606	3	Bolt 3/8in-16NC x 3/4in	
77	3790152	1	O-Ring	
78	3960407	1	Gasket	
79	4791400	4	Starwasher 1/4in	
80	0701012	4	Bolt M10 x 25mm	
81	0701015	4	Bolt M10 x 35mm	

SECTION 2 - TURNTABLE

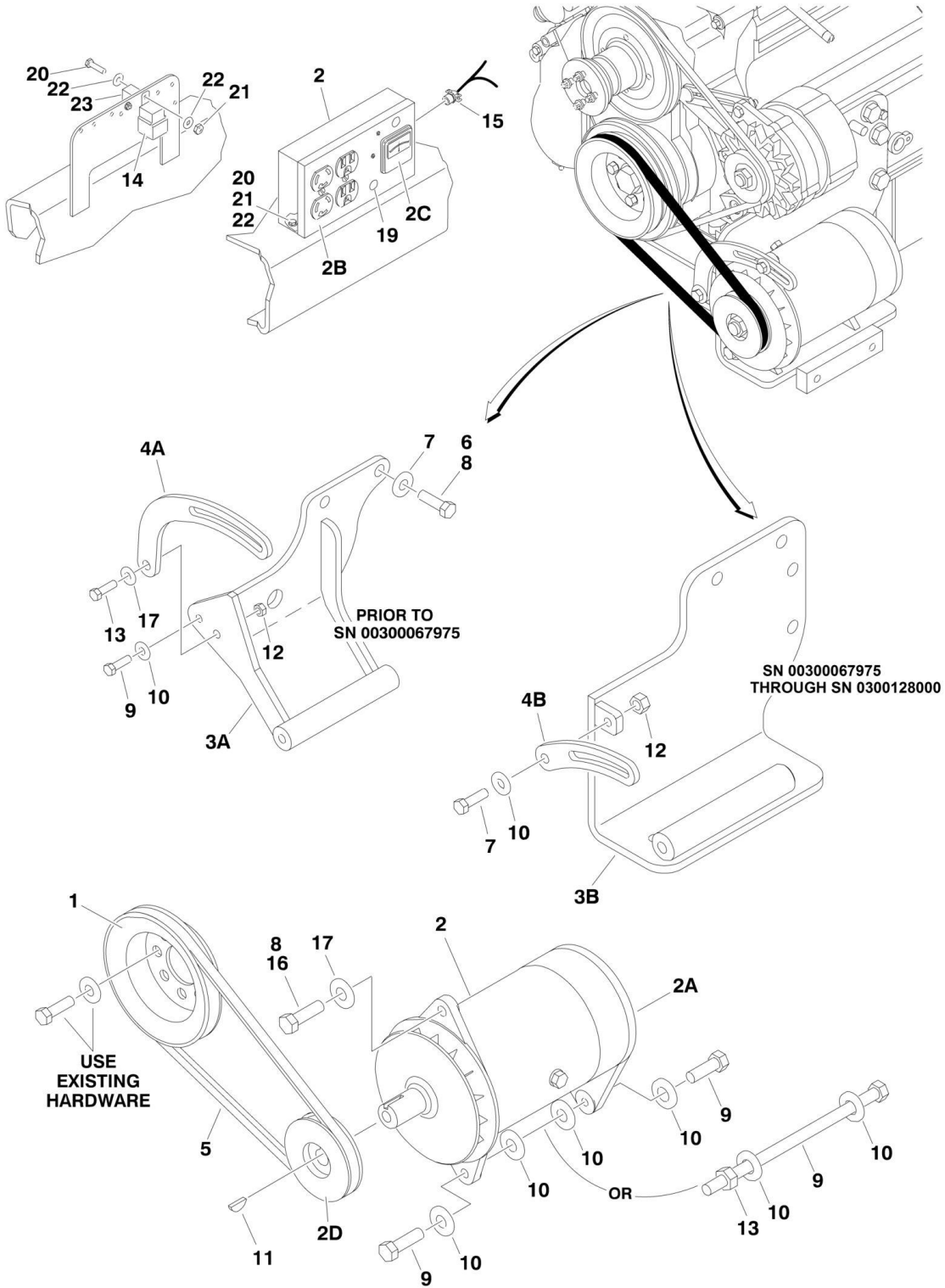
ITEM	PART NUMBER	QTY	DESCRIPTION	REV
82	0642010	1	Bolt 5/8in-11NC x 1-1/4in	
83	4752000	1	Flatwasher 5/8in	
84	1701505	1	Decal - Diesel (Not Shown - Located on Hood)	
85	2720058	16 ft/4.9m	Hose	
86	2220794	1	Fitting, Barbed	
87	4711600	3	Flatwasher 3/8in Narrow	
89	3200362	2	Mount, Rubber Engine (Front)	
91	3960468	1	Seal, Foam Gasket	
92	3960469	1	Seal, Foam Gasket	
94	4060805	7 in/18cm	Flex-Trim 1/4in	
95	4060804	16 in /40cm	Flex-Trim 3/16in	
96	1060637	1	Lanyard	
97	0641808	4	Bolt 1/2in-13NC x 1in	
98	3311801	1	Nut 1/2in-13NC	
99	4751800	2	Flatwasher 1/2in	
100	3380429	1	Panel, Rubber	
101	3539957	2	Plate, Hold Down	
103	4847815	1	Tuning Tube Weldment	
105	0641826	2	Bolt 1/2in-13NC x 3-1/4in	
106	4740274	4	Washer, Snubbing	
107		Ref	Piston Pump Assembly Options (See PISTON PUMP ASSEMBLY for Breakdown):	
107	3600268	1	Piston Pump Assembly (Prior to SN 0300067081)	
107	3600359	1	Piston Pump Assembly (SN 0300067081 through 0300128000)	
108	3790045	1	O-Ring	
109	4711900	6	Flatwasher 9/16in (SN 0300067975 through 0300128000)	
		Ref	MUFFLER INSTALLATION - STANDARD MACHINES	
	0256689	Ref	Standard Equipment (Spark Arresting)	
	0256690	Ref	Optional Equipment (Catalytic)	
201		Ref	Muffler Options:	
201	3220103	1	Standard Spark Arresting	
201	3220104	1	Optional Catalytic	
201	1320176	1	Clamp, Saddle (3220103 Muffler) (Not Shown)	
201	70001017	1	Clamp, Band (3220104 Muffler) (Not Shown)	
201	7024398	1	Pipe, Exhaust	
201	7024560	1	Plug, Brass (Not Shown)	
201	7020471	4	Gasket, Exhaust Manifold to Engine Block (Not Shown)	
201	70002200	8	Stud, Exhaust Manifold to Engine Block (Not Shown)	
201	70003476	8	Nut, Exhaust Manifold to Engine Block (Not Shown)	
201	7000699	1	Gasket, Doughnut (Not Shown)	
	2000146	Ref	ENGINE COMPONENTS	
301	7016639	1	Fuel Filter Assembly with Water Drain	
301	8320270	1	Filter, Fuel (was p/n 7016328)	
302	7000663	1	Alternator (was p/n 7016329, 7020436 & 7020410)	
302	70002234	1	Bar, Adjustment	
303	7016330	1	Switch, Oil Pressure (Not Shown)	
304	7016331	1	Filter, Oil (was p/n 7016641)	
304	70002813	1	Seal (Between Filter Head and Engine Block)	
305	7016332	1	Starter	
306	7026631	1	Dipstick Kit - Engine Oil (Includes Dipstick, Dipstick Tube and Clamp) (was p/n 7019664) (Not Shown)	

SECTION 2 - TURNTABLE

ITEM	PART NUMBER	QTY	DESCRIPTION	REV
306	70001002		Tube, Dipstick (Not Shown)	
307	7020025	1	Switch, Oil Temperature (Not Shown)	
308	7020414	1	V-Belt	
309		Ref	Gasket, Head Options (Not Shown):	
309	70001681	1	Gasket with 1 Notch	
309	70002411	1	Gasket with 2 Notches	
309	70002530	1	Gasket with 3 Notches	
310	7020463	1	Pump, Fuel Supply	
310	7020432	1	Repair Kit - Fuel Pump	
310	7020411	1	O-Ring	
311	7019607	1	Shutdown Device (was p/n 7016359)	
311	7027250	1	Spring, Tension	
312	70001687	1	Module, Glow Plug Timer Control (Not Shown)	
313	7026522	4	Injector, Fuel (Includes Nozzle)	
313	7020425	4	Nozzle, Injector	
313	7020424	4	Ring, Injector Sealing	
313	7012599	4	Pump, Injection	
314	7020465	1	Cap, Oil Fill (Not Shown)	
315	7020027	1	Flywheel/Ring Gear Assembly (Not Shown)	
315	7020477	1	Ring Gear (Not Shown)	
316	7020419	1	Hose, Fuel Return (Not Shown)	
317	7020431	1	Gasket, Valve Cover (Not Shown)	
	0256847	Ref	PUMP COUPLING INSTALLATION	
401	1660234	1	Coupling, Hayes	
402	0080163	1	Plate, Pump Adapter	
403	0700810	6	Bolt M8 x 20mm	
404	4831900	6	Lockwasher 8mm	
406	4832000	8	Lockwasher M10	
407	3020021	AR	Grease, Coupling	

SECTION 2 - TURNTABLE

FIGURE 2-10. GENERATOR INSTALLATION - DEUTZ MACHINES (OPTIONAL)



SECTION 2 - TURNTABLE

FIGURE 2-10. GENERATOR INSTALLATION - DEUTZ MACHINES (OPTIONAL)

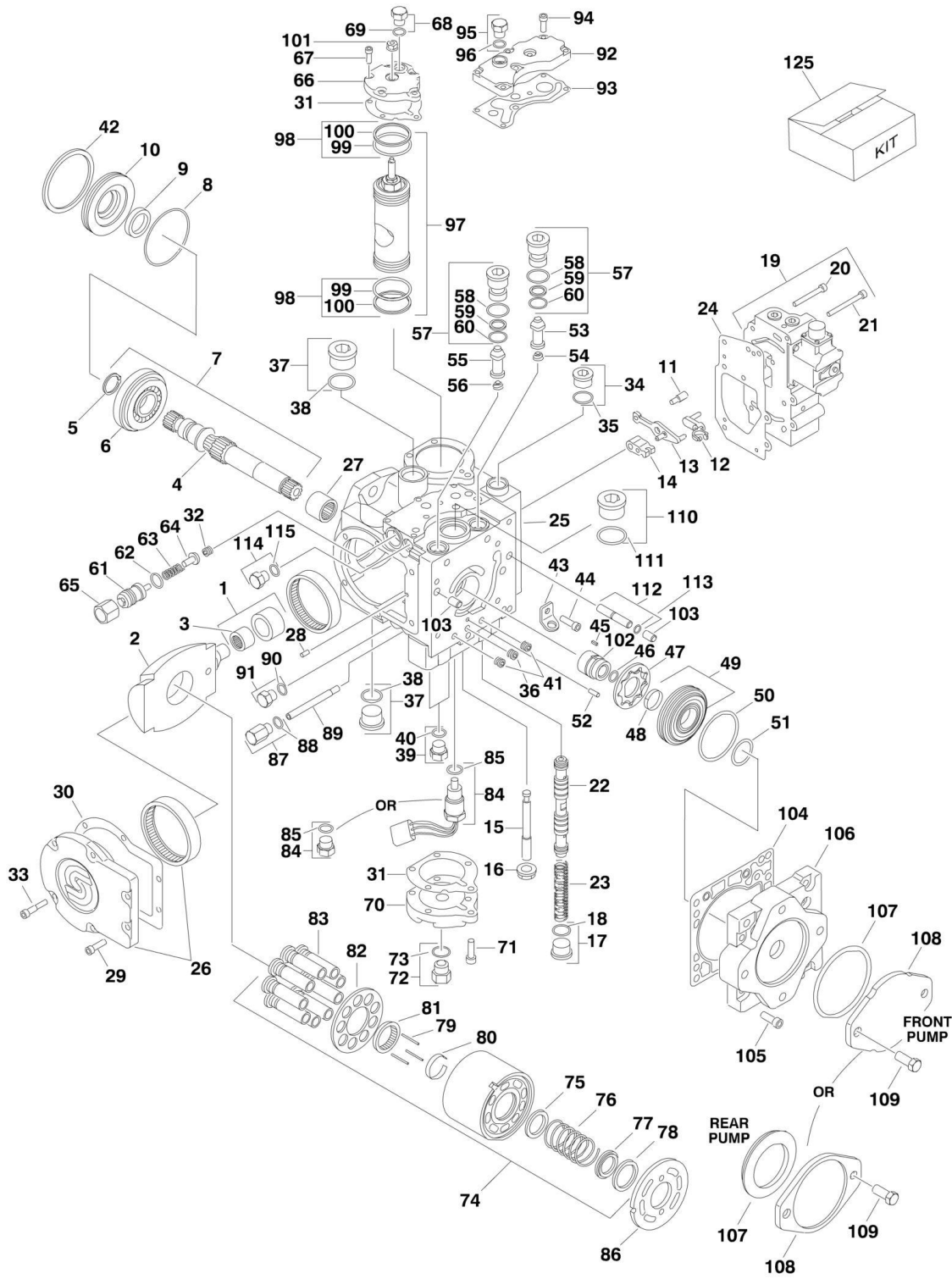
ITEM	PART NUMBER	QTY	DESCRIPTION	REV
		Ref	GENERATOR INSTALLATION OPTIONS:	
	0257853	Ref	110V Generator (Prior to SN 0300067975)	3
	0272417	Ref	110V Generator (SN 0300067975 through 0300128000)	1
	0257857	Ref	220V Generator (Prior to SN 0300067975)	4
1	3580158	1	Pulley	
2		Ref	Generator and Control Box Assembly Options:	
2	2460011	1	110V (Prior to SN 0300067975)	
2	2460032	1	110V (SN 0300067975 through 0300128000)	
2	2460013	1	220V	
2A		Ref	Generator Options:	
2A	7012558	1	110V	
2A	1001100321	1	220V	
		Ref	Note: Replacement Generators come standard with p/n 3580134 pulley. This pulley may not be correct for all applications. Refer to pulley options below.	
2A		Ref	Armature with Slip Rings Options:	
2A	7026199	1	110V	
2A	70000123	1	220V	
2A	7012513	4	Cap, Brush Holder	
2A	7020108	4	Brush	
2A	7020109	4	Holder, Brush	
2A	7012514	1	Fan	
2A	7020190	2	Bearing	
2A	7020110	1	End Bell, Front	
2A	7020111	1	End Bell, Rear	
2B		Ref	Control Box Options:	
2B	7003657	1	110V	
2B	70002235	1	220V	
2B		Ref	Breaker, Circuit Options:	
2B	4360542	1	110V	
2B	70000126	1	220V	
2B	4460190	2	Receptacle, Double (110V)	
2B	70000124	1	Receptacle, Double (220V)	
2B	70000125	1	Receptacle, Single Twist Lock (220V)	
2B	2920162	1	Lamp Assembly	
2B	7020191	1	Switch, Toggle	
2C		Ref	Voltmeter Options:	
2C	2420203	1	110V	
2C	7020192	1	220V	
2D		Ref	Pulley Options:	
2D	3580134	1	110V (Prior to SN 0300067975)	
2D	3580276	1	110V (SN 0300067975 through 0300128000)	
2D	3580134	1	220V	
2D	7027887	1	Key, Woodruff	
3		Ref	Bracket, Generator Mounting Options:	
3A	4845184	NLA	Bracket, Generator Mounting (Use p/n 4845531) (Prior to SN 0300034200)	
3A	4845531	1	Bracket, Generator Mounting (SN 0300034200 through 0300067974)	
3B	4846479	1	Bracket, Generator Mounting (Part of Engine Assembly) (SN 0300067975 through 0300128000)	

SECTION 2 - TURNTABLE

ITEM	PART NUMBER	QTY	DESCRIPTION	REV
4		Ref	Arm, Adjusting Options:	
4A	0200530	1	Arm, Adjusting (Prior to SN 0300067975)	
4B	0200741	1	Arm, Adjusting (SN 0300067975 through 0300128000)	
5		Ref	V-Belt Options:	
5	0480050	1	V-Belt (Prior to SN 0300067975)	
5	0480111	1	V-Belt (SN 0300067975 through 0300128000)	
6	0711414	AR	Bolt M14 x 30mm	
7		Ref	Hardware Options:	
7	4751900	2	Flatwasher 9/16in (Prior to SN 0300067975)	
7	0641610	1	Bolt 3/8in-16NC x 1-1/4in (SN 0300067975 through 0300128000)	
8	0100011	AR	Compound, Locking	
9		Ref	Bolt Options:	
9	0681612	3	Bolt 3/8in-16NC x 1-1/2in (Prior to SN 0300067975)	
9	0641772	1	Bolt 7/16in-14NC x 9in (SN 0300067975 through 0300128000)	
10	4751600	6	Flatwasher 3/8in	
11	2860012	1	Key, Woodruff	
12	3311605	1	Locknut 3/8in-16NC	
13		Ref	Hardware Options:	
13	0700819	1	Bolt M8 x 55mm (Prior to SN 0300064395)	
13	3311705	1	Locknut 7/16in-14NC (SN 0300064395 through 0300128000)	
14	3740080	1	Relay	
15	4460023	1	Connector, Strain Relief	
16	0641508	1	Bolt 5/16in-18NC x 1in	
17	4751500	2	Flatwasher 5/16in	
19	3520028	1	Plug, Hole	
20	0721006	4	Bolt #10-24NC x 3/4in	
21	3311005	4	Locknut #10-24NC	
22	4751000	9	Flatwasher #10	
23	4360294	1	Breaker, Circuit - 30 Amp	
25	4360336	1	Switch, Toggle (Not Shown - Located at Platform)	
26	4740397	1	Bushing (Not Shown - Located at Platform)	
27	4060802	1	Guard, Switch (Not Shown - Located at Platform)	
29	2820031	4 in/10cm	Heat Shrink (Not Shown - Located at Platform)	
30	3251102	1	Decal (Not Shown - Located at Platform)	

SECTION 2 - TURNTABLE

FIGURE 2-11. PISTON PUMP ASSEMBLY



SECTION 2 - TURNTABLE

FIGURE 2-11. PISTON PUMP ASSEMBLY

ITEM	PART NUMBER	QTY	DESCRIPTION	REV
		Ref	PISTON PUMP ASSEMBLIES	
	3600267	Ref	Front Pump (15 Tooth) (Prior to SN 0300067081)	D
	3600358	Ref	Front Pump (15 Tooth) (SN 0300067081 through 0300070516)	A
	3600267	Ref	Front Pump (15 Tooth) (SN 0300070517 through 0300070642)	D
	3600363	Ref	Front Pump (15 Tooth) (SN 0300070643 through 0300128000)	B
	3600268	Ref	Rear Pump (13 Tooth) (Prior to SN 0300067081)	D
	3600359	Ref	Rear Pump (13 Tooth) (SN 0300067081 through 0300128000)	A
1		Ref	Cam Follower Bearing Assembly Options (Includes Item 3):	
1	7021234	1	Used with p/n 3600267/3600268	
1	7024805	1	Used with p/n 3600358/3600359/3600363	
2	7022330	1	Swashplate	
3	7021236	1	Bearing, Needle	
4		Ref	Shaft Options:	
4	7021237	1	Shaft (Front Pump) (15 Tooth)	
4	7022354	1	Shaft (Rear Pump) (13 Tooth)	
5	7021238	1	Ring, Retaining	
6	7021239	1	Bearing, Roller	
7		Ref	Shaft Options (Includes Items 4, 5 & 6):	
7	7021240	1	Shaft (Front Pump) (15 Tooth)	
7	7022355	1	Shaft (Rear Pump) (13 Tooth)	
8	See Note	NSS	O-Ring (Note: Use Item 125)	
9	See Note	NSS	Seal, Lip (Note: Use Item 125)	
10	7021243	1	Carrier, Shaft Seal	
11	7023996	1	Screw	
12	7022331	1	Link, Control Summing	
13	7022332	1	Link, Control Feedback	
14	7022333	1	Link, Neutral Adjust	
15	7022334	1	Screw, Neutral Adjust	
16	7023997	1	Nut, Seal	
17	7022321	1	Plug (Includes Item 18)	
18	See Note	NSS	O-Ring (Note: Use Item 125)	
19	7022335	1	Control Kit (Includes Items 20 & 21)	
20	7023998	4	Screw	
21	7021267	3	Screw	
22	7022336	1	Spool Assembly	
23	7022337	1	Spring	
24	7022338	1	Gasket, Control	
25		Ref	Housing Assembly (Includes Items 27, 32, 36 & 41):	
25	7022339	1	Housing Assembly (Front Pump) (Used with p/n 3600267)	
25	7023999	1	Housing Assembly (Front Pump) (Used with p/n 3600358/3600363)	
25	7022356	1	Housing Assembly (Rear Pump) (Used with p/n 3600268)	
25	See Note	NSS	Housing Assembly (Rear Pump) (Used with p/n 3600359) (Note: Not Available - Purchase Complete Rear Pump.)	
26	7021248	1	Side Cover Assembly	
27	7021249	1	Bearing, Needle	
28	7021250	1	Pin	
29	7021251	2	Screw	
30	See Note	NSS	Gasket, Side Cover (Note: Use Item 125)	
31	7021253	2	Gasket, Servo Cover	

SECTION 2 - TURNTABLE

ITEM	PART NUMBER	QTY	DESCRIPTION	REV
32	7021254	1	Screen, Filter (Used with p/n 3600267/3600268)	
33	7021255	4	Screw	
34	7022321	1	Plug (Includes Item 35)	
35	See Note	NSS	O-Ring (Note: Use Item 34 or 125)	
36		Ref	Plug	
36	7001485	1	Plug (Front Pump)	
36	Not Required	0	Plug (Rear Pump)	
37	7007419	2	Plug (Includes Item 38)	
38	See Note	NSS	O-Ring (Note: Use Item 37 or 125)	
39	7007470	2	Plug (Includes Item 40)	
40	See Note	NSS	O-Ring (Note: Use Item 39 or 125)	
41	7001485	2	Plug, Pipe	
42	7021257	1	Ring, Retaining	
43	7022340	1	Bracket, Lifting	
44	7021251	1	Screw	
45	7022342	1	Key	
46	7022341	1	Ring, Retaining	
47		Ref	Component Options:	
47	7022343	1	Gerotor Assembly (Front Pump)	
47	7022357	1	Spacer (Rear Pump)	
48	7021259	1	Bearing, Journal	
49		Ref	Cover Assembly (Gerotor) Options (Includes Item 48):	
49	7022344	1	Cover Assembly (Front Pump)	
49	7022360	1	Cover Assembly (Rear Pump) (Used with p/n 3600268)	
49	7021260	1	Cover Assembly (Rear Pump) (Used with p/n 3600359)	
50	See Note	NLA	O-Ring (Note: No longer required per supplier. Pressure is the same on either side of o-ring.)	
51	See Note	NSS	O-Ring (Note: Use Item 125)	
52	See Note	1	Pin (Note: Not Available for Purchase.)	
53	7022345	1	Valve, SCR	
54		Ref	Spring Options:	
54	7021264	1	Spring (Used with p/n 3600267/3600268)	
54	7024800	1	Spring (Used with p/n 3600358/3600359/3600363)	
55	7022345	1	Valve, SCR	
56		Ref	Spring Options:	
56	7021264	1	Spring (Used with p/n 3600267/3600268)	
56	7024800	1	Spring (Used with p/n 3600358/3600359/3600363)	
57	7021265	2	Bypass Valve Assembly (Includes Items 58, 59 & 60)	
58	See Note	NSS	O-Ring (Note: Use Item 125)	
59	See Note	NSS	Ring, Back-up (Note: Use Item 125)	
60	See Note	NSS	O-Ring (Note: Use Item 125)	
61	7022346	1	Adjuster	
62	7021289	1	O-Ring	
63	7022347	1	Spring	
64		Ref	Poppet Options:	
64	See Note	NLA	Poppet (Used with p/n 3600267/3600268) (Note: Not Available for Purchase.)	
64	7024804	1	Poppet (Used with p/n 3600358/3600359/3600363)	
65	7022190	1	Nut	
66	7022348	1	Cover, Servo	
67	7021255	5	Screw, Torx	
68	7007470	1	Plug (Includes Item 69)	

SECTION 2 - TURNTABLE

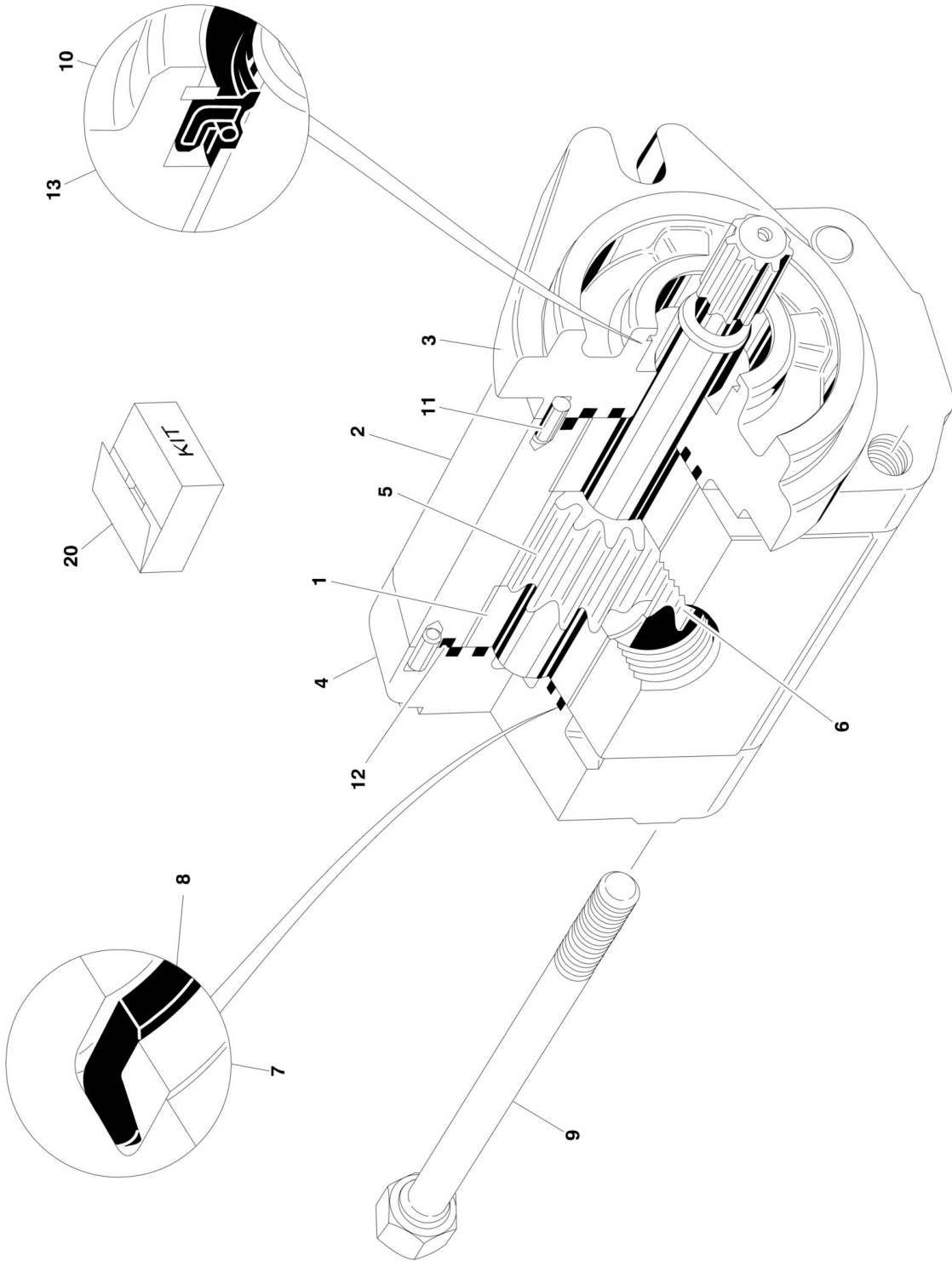
ITEM	PART NUMBER	QTY	DESCRIPTION	REV
69	See Note	NSS	O-Ring (Note: Use Item 68 or 125)	
70	7001268	1	Cover, Servo	
71	7021255	5	Screw, Torx	
72	7007470	1	Plug (Includes Item 73)	
73	See Note	NSS	O-Ring (Note: Use Item 72 or 125)	
74		Ref	Cylinder Block Kit Options (Includes Items 75-83):	
74	7022349	1	Cylinder Block Kit (Front Pump) (With Speed Ring)	
74	7021269	1	Cylinder Block Kit (Rear Pump) (Without Speed Ring)	
75	7021271	1	Washer, Special	
76	7021272	1	Spring, Cylinder Block	
77	7021273	1	Washer, Special	
78	7021274	1	Ring, Retaining	
79	7021275	3	Pin, Slipper Hold Down	
80	7021276	1	Retainer, Pin	
81	7021277	1	Guide, Retainer	
82	7021278	1	Retainer, Slipper	
83	7021279	9	Piston Assembly	
84		Ref	Component Options (Includes Item 85):	
84	7022350	1	Sensor, Speed (Front Pump)	
84	7007470	1	Plug (Rear Pump)	
85	See Note	NSS	O-Ring (Note: Use Item 84 or 125)	
86	7021281	1	Plate, Valve (Right Side)	
87	7007470	1	Plug (Includes Item 88) (Front Pump Only)	
88	See Note	NSS	O-Ring (Front Pump Only) (Note: Use Item 87 or 125)	
89		Ref	Spool, Loop Flushing Options:	
89	7021282	1	Spool (Used with p/n 3600267/3600363)	
89	7024801	1	Spool (Used with p/n 3600358/3600359)	
90	7021283	1	Plug (Includes Item 91) (Front Pump Only)	
91	See Note	NSS	O-Ring (Front Pump Only) (Note: Use Item 90 or 125)	
92	7021285	1	Adapter, Remote Filter (Front Pump Only)	
93	See Note	NSS	Gasket, Filter Adapter (Front Pump Only) (Note: Use Item 125)	
94	7021255	7	Screw (Front Pump Only)	
95	7007470	1	Plug (Includes Item 96)	
96	See Note	NSS	O-Ring (Note: Use Item 95 or 125)	
97	7022351	1	Servo Piston Kit (Includes Qty 2 of Item 98)	
98	7007412	2	Servo Piston Ring Kit (Includes Items 99 & 100)	
99	See Note	NSS	O-Ring (Note: Use Item 98 or 125)	
100	See Note	NSS	Ring, Piston (Note: Use Item 98 or 125)	
101	See Note	1	Nut, Seal (Note: Use Item 125)	
102		Ref	Coupling Options:	
102	7022352	1	Coupling (Front Pump)	
102	7022359	1	Coupling (Rear Pump)	
103	7001481	2	Pin	
104	See Note	NSS	Gasket, Charge Pump (Note: Use Item 125)	
105	7021296	6	Screw, Torx	
106		Ref	Cover, Charge Pump	
106	7022353	1	Cover (Front Pump)	
106	7021297	1	Cover (Rear Pump)	
107		Ref	Seal Options:	
107	See Note	NSS	O-Ring (Front Pump) (Note: Use Item 125)	
107	7021298	1	Seal (Rear Pump)	

SECTION 2 - TURNTABLE

ITEM	PART NUMBER	QTY	DESCRIPTION	REV
108		Ref	Cover, Flange Options:	
108	7021229	1	Cover (Front Pump)	
108	7021299	1	Cover (Rear Pump)	
109	7007289	2	Screw	
110	7007419	1	Plug (Rear Pump Only)	
111	See Note	NSS	O-Ring (Rear Pump Only) (Note: Use Item 125)	
112	7022358	1	Plug (Include Item 113) (Rear Pump Only)	
113	See Note	NSS	O-Ring (Rear Pump Only) (Note: Use Item 112 or 125)	
114		Ref	Plug Options (Include Item 115) (Rear Pump Only):	
114	7021283	1	Plug (Used with p/n 3600268)	
114	7021256	1	Plug (Used with p/n 3600359)	
115	See Note	NSS	O-Ring (Rear Pump Only) (Note: Use Item 114 or 125)	
116	7024802	1	Spring (Used with p/n 3600358/3600359 Only)	
117	7024803	1	Poppet (Used with p/n 3600358/3600359 Only)	
125	7021280	1	Seal Kit - Complete (Includes Items 8, 9, 16, 18, 30, 31, 35, 38, 40, 51, 58, 59, 60, 69, 73, 85, 88, 91, 93, 96, 99, 100, 101, 104, 107, 111, 113 & 115)	

SECTION 2 - TURNTABLE

FIGURE 2-12. GEAR PUMP ASSEMBLY



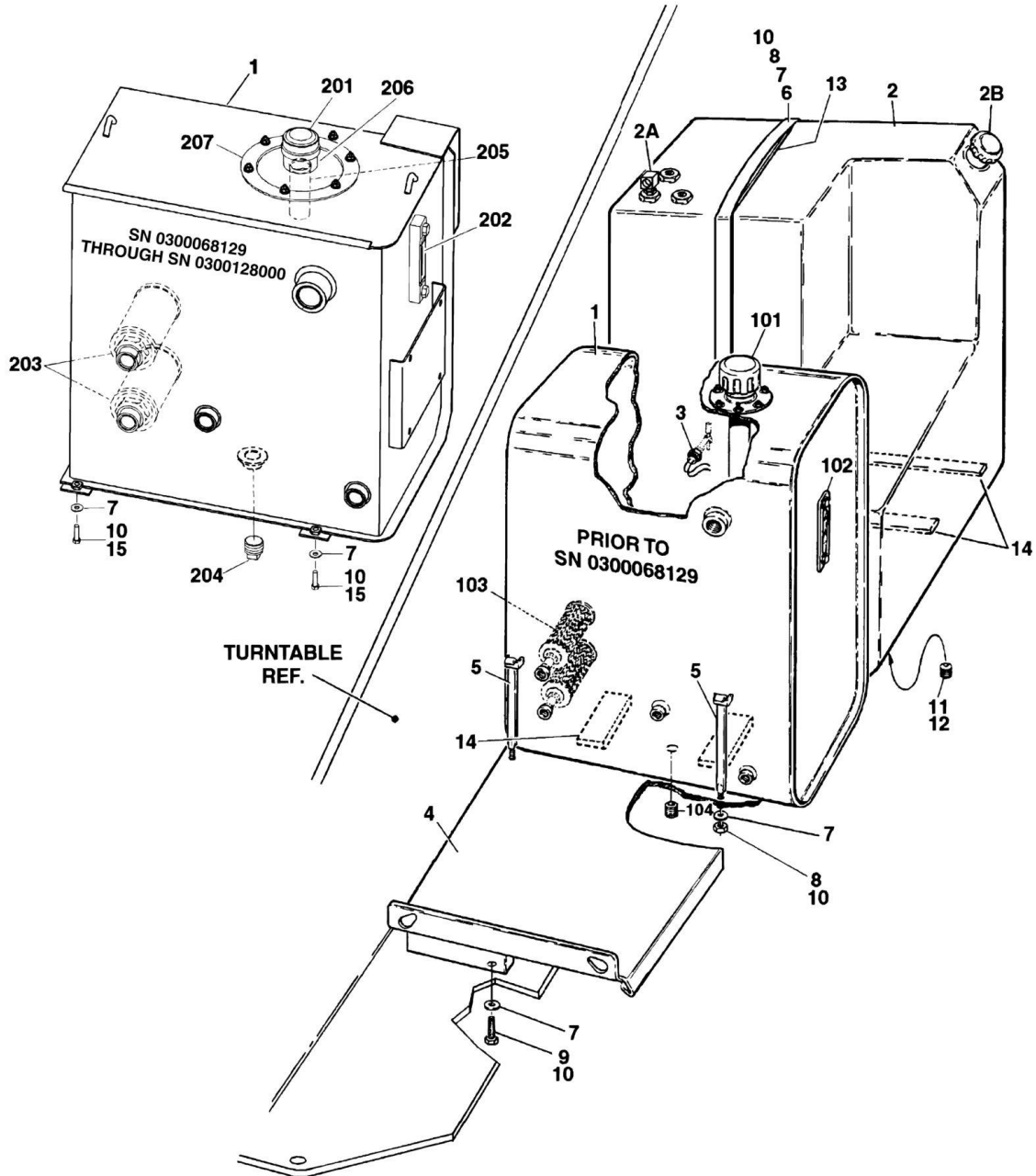
SECTION 2 - TURNTABLE

FIGURE 2-12. GEAR PUMP ASSEMBLY

ITEM	PART NUMBER	QTY	DESCRIPTION	REV
	3600242	Ref	GEAR PUMP ASSEMBLY	
1	7010105	2	Bearing/Bushing	
2	See Note	NSS	Housing (Note: Not Available - Purchase Complete Gear Pump Assembly.)	
3	See Note	NSS	Flange (Note: Not Available - Purchase Complete Gear Pump Assembly.)	
4	7010103	1	Cover	
5	7012987	1	Gear, Drive	
6	7012988	1	Gear, Idler	
7	See Note	NSS	Ring, Anti-Extrusion (Note: Use Item 20)	
8	See Note	NSS	Seal (Note: Use Item 20)	
9	See Note	NSS	Bolt (Note: Not Available - Purchase Complete Assembly)	
10	7010104	1	Ring, Retaining	
11	See Note	NSS	Pin, Dowel (Note: Not Available - Purchase Complete Assembly)	
12	See Note	NSS	Seal, O-Ring (Note: Use Item 20)	
13	See Note	NSS	Seal, Shaft (Note: Use Item 20)	
20	7007489	1	Seal Kit (Includes Items 7, 8, 12 & 13)	

SECTION 2 - TURNTABLE

FIGURE 2-13. TANK INSTALLATIONS



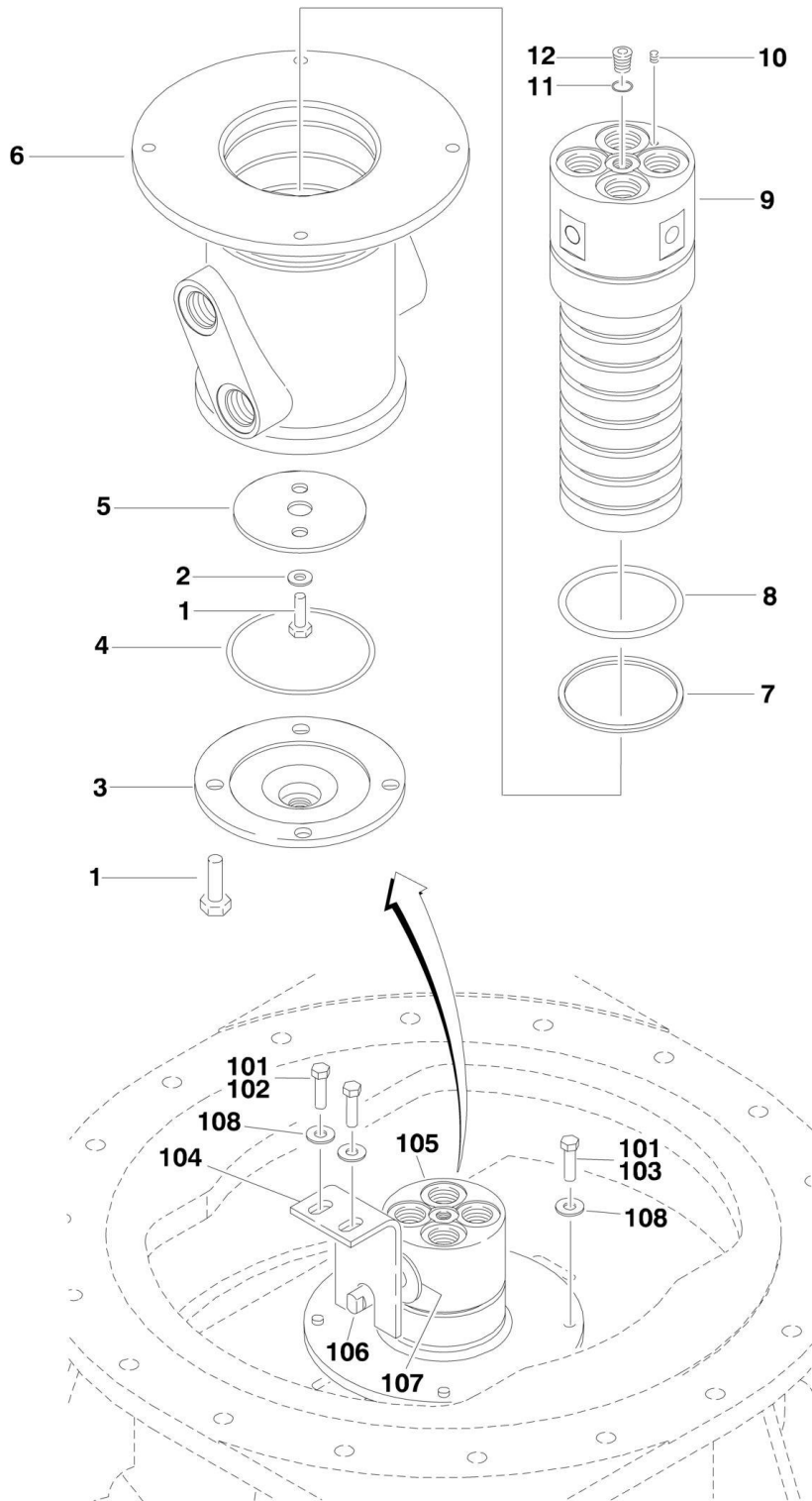
SECTION 2 - TURNTABLE

FIGURE 2-13. TANK INSTALLATIONS

ITEM	PART NUMBER	QTY	DESCRIPTION	REV
		Ref	TANKS INSTALLATION OPTIONS:	
	0254849	Ref	Standard without Locking Fuel Tank	9
	0257483	Ref	Optional with Locking Fuel Tank	2
1		Ref	Hydraulic Tank Assemblies Options:	
1	4400375	1	Hydraulic Tank Assembly (See Items 101-104 for Breakdown) (Prior to SN 0300068129)	
1	4400449	1	Hydraulic Tank Assembly (See Items 201-207 for Breakdown) (SN 0300068129 through 0300128000)	
2	4400400	1	Tank, Fuel	
2A	7019658	1	Tube, Fuel Pick-up	
2B		Ref	Cap Options:	
2B	7016314	1	Standard Cap - Non-Locking	
2B	1120487	1	Optional Locking Cap (Blue) (Not Included with Tank) (Note: Lock must be Purchased Locally)	
3	4360436	1	Switch, Fuel Level	
4	4845393	1	Hydraulic Tray Weldment	
5	4240112	4	Strap, Tank (Prior to SN 0300068129)	
6	4240113	1	Strap, Tank	
7	4751600	12	Flatwasher 3/8in Regular	
8	3311601	AR	Nut 3/8in-16NC	
9	0641614	6	Bolt 3/8in-16NC x 1-3/4in	
10	0100011	AR	Compound, Locking	
11	0100079	AR	Sealant, Pipe	
12	2200222	1	Fitting	
13	4280295	25 in /44cm	Strip, Protective	
14	4420038	70 in /1.8m	Tape, Rubber	
15	0641608	4	Bolt 3/6in-16NC x 1in (SN 0300068129 through 0300128000)	
	4400375	Ref	HYDRAULIC TANK ASSEMBLY (Prior to SN 0300068129)	F
101	7014810	1	Filler/Breather Assembly	
101	7014811	1	Cap, Breather	
102	7014802	1	Gauge, Sight	
103	7014801	1	Strainer 1-1/4inNPT	
104	7014800	1	Plug, Magnetic	
	4400449	Ref	HYDRAULIC TANK ASSEMBLY (SN 0300068129 through 0300128000)	B
201	7024444	1	Filler/Breather Assembly	
202	7024441	1	Gauge, Sight	
203	7024442	2	Strainer 1-1/4inNPT	
204	7024446	1	Plug, Magnetic	
205	7024445	1	Strainer	
206	7024443	1	Neck, Filler	
207	7024439	1	Cover	
207	7024440	1	Gasket	

SECTION 2 - TURNTABLE

FIGURE 2-14. ROTARY COUPLING INSTALLATION



SECTION 2 - TURNTABLE

FIGURE 2-14. ROTARY COUPLING INSTALLATION

ITEM	PART NUMBER	QTY	DESCRIPTION	REV
		Ref	ROTARY COUPLING ASSEMBLY	
	1660243	Ref	Rotary Coupling Assembly (Prior to SN 0300064782)	D
	1660245	Ref	Rotary Coupling Assembly (SN 0300064782 through 0300128000)	A
1	7022720	6	Bolt M10 x 25mm	
2	7022721	2	Washer	
3	7022722	1	Cover	
4	7022723	1	O-Ring	
5	7022724	1	Retainer	
6		Ref	Housing Options:	
6	7022725	1	Housing (Prior to SN 0300064782)	
6	7022735	1	Housing (SN 0300064782 through 0300128000)	
7	7022726	AR	Seal	
8	7022727	3	O-Ring	
9		Ref	Rotor Options:	
9	7022728	1	Rotor (Prior to SN 0300064782)	
9	7022736	1	Rotor (SN 0300064782 through 0300128000)	
10	7022729	1	Plug, Pipe	
11	7022730	1	O-Ring	
12	7022731	1	Plug, O-Ring	
		Ref	ROTARY COUPLING INSTALLATIONS	
	0259694	Ref	Rotary Coupling Installations (Prior to SN 0300064782)	E
	0271915	Ref	Rotary Coupling Installations (SN 0300064782 through 0300128000)	B
101	0100011	AR	Compound, Locking	
102	0641611	2	Bolt 3/8in-16NC x 1-3/8in	
103	0701012	4	Bolt, Metric M10 x 25mm	
104		Ref	Bracket Options:	
104	0902591	NLA	Bracket (Use p/n 0902814) (Prior to SN 0300062876)	
104	0902738	NLA	Bracket (Use p/n 0902814) (SN 0300062876 through 0300067080)	
104	0902814	1	Bracket (SN 0300067081 through 0300128000)	
105		Ref	Rotary Coupling Assembly Options (See Items 1-12 for Breakdown):	
105	1660243	1	Rotary Coupling Assembly (Prior to SN 0300064782)	
105	1660245	1	Rotary Coupling Assembly (SN 0300064782 through 0300128000)	
106	3841456	1	Rod, Coupling	
107	4740490	1	Washer, Special	
108	4751600	6	Flatwasher 3/8in	

SECTION 2 - TURNTABLE

FIGURE 2-15. GROUND CONTROL BOX ASSEMBLY

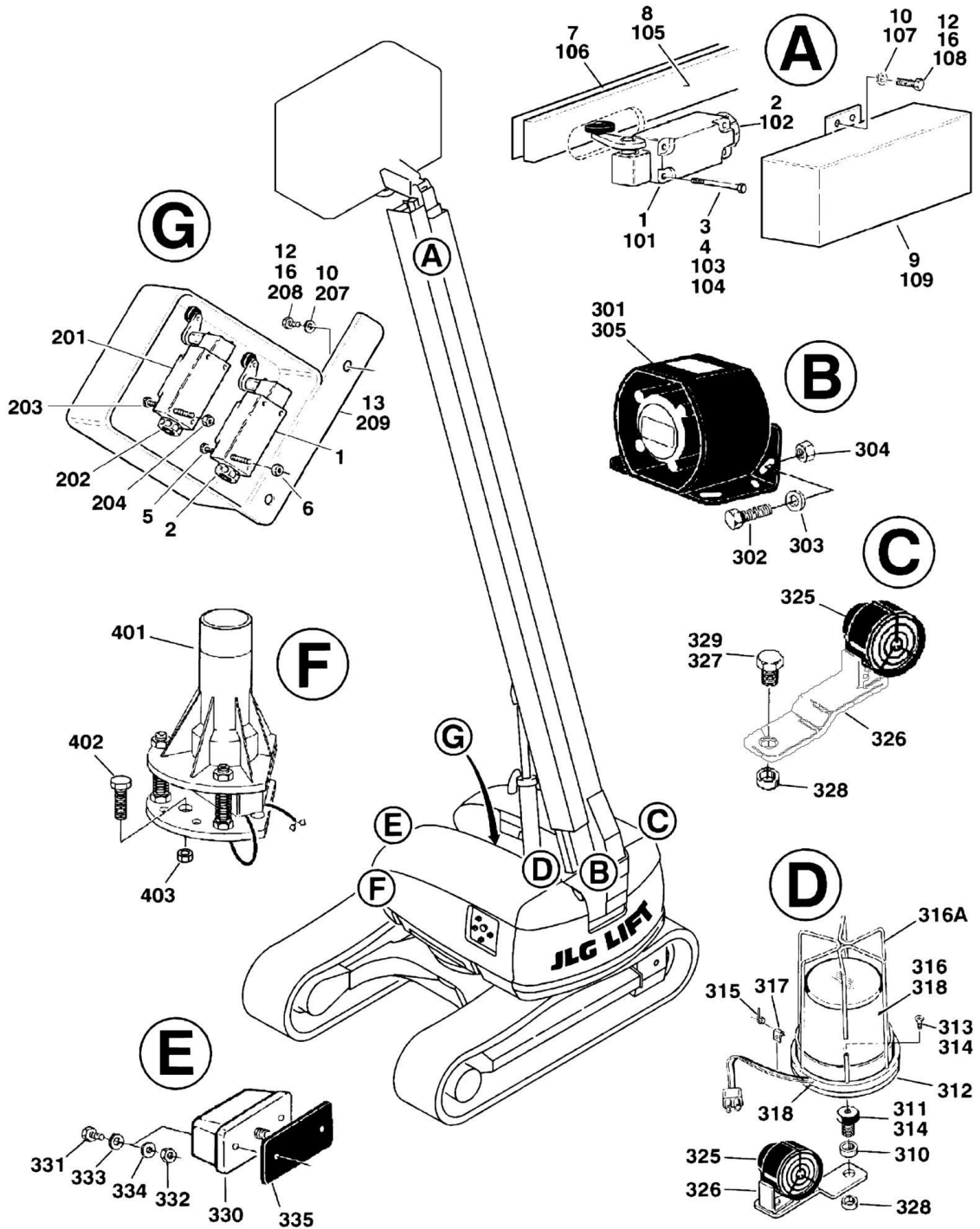
ITEM	PART NUMBER	QTY	DESCRIPTION	REV
		Ref	GROUND CONTROL BOX ASSEMBLIES	
	0861322	Ref	Ground Control Box Assemblies 600SC (Prior to SN 0300064782)	5
	0861513	Ref	Ground Control Box Assemblies 600SC (SN 0300064782 through 0300128000)	1
	0861108	Ref	Ground Control Box Assemblies 600SJC & 660SJC (Prior to SN 0300064782)	5
	0861514	Ref	Ground Control Box Assemblies 600SJC & 660SJC (SN 0300064782 through 0300128000)	2
1	0861112	1	Box, Fiberglass	
1A	7020246	2	Latch	
2	4360475	1	Switch, Emergency Stop	
2A	7020175	1	Cap, Red	
2B	7020176	1	Contact Block	
3	4360469	1	Switch, Key	
3A	2860030	1	Key Replacement	
4		Ref	Decal - Faceplate Options:	
4	1703521	1	Decal - Faceplate 600SC	
4	1704436	1	Decal - Faceplate 600SJC & 660SJC	
5		Ref	Engine Harness Assembly Options (Not Shown - See ELECTRICAL SECTION for Breakdown):	
5	4922330	1	Engine Harness Assembly (Prior to SN 0300064782)	
5	4922554	1	Engine Harness Assembly (SN 0300064782 through 0300128000)	
6	4921923	1	Valve Harness Assembly (Not Shown - See ELECTRICAL SECTION for Breakdown)	
8	0731005	4	Screw #10-32NF x 5/8in	
9	3321001	4	Nut #10-32NF	
10	4761000	4	Lockwasher #10	
11	4751400	8	Flatwasher 1/4in	
12	3910608	2	Screw #6-32NC x 1/2in	
13	3640970	1	Rail	
14	4460602	1	Barrier, Terminal	
15	4460601	10	Block, Terminal	
16	4460603	1	Bussbar - 10 Position (Requires being cut into (2) 5 position bussbars)	
17	4460631	1	Marker, Terminal (Negative)	
18	4460600	48	Block, Terminal	
19	4460628	2	Marker, Terminal (1-50)	
20	4460607	1	Stop, Terminal	
21	4750600	4	Flatwasher #6	
22	3740112	1	Relay, Bosch	
23	4360314	AR	Switch, Toggle	
24	4360476	1	Switch, Contact Block	
25	2760105	1	Housing, Display Light	
26	4420038	4 in/10cm	Insulation, Adhesive Foam	
27		Ref	Decal - Ground Control Display Options:	
27	1702610	1	Decal - Ground Control Display (Prior to SN 0300064782)	
27	1704704	1	Decal - Ground Control Display (SN 0300064782 through 0300128000)	
28	4460526	1	Connector, Strain Relief	
29	4460428	3	Connector, Strain Relief	

SECTION 2 - TURNTABLE

ITEM	PART NUMBER	QTY	DESCRIPTION	REV
30	4460426	1	Connector, Strain Relief	
31	4740444	AR	Washer, Special	
32	4060906	AR	Shield, Toggle Switch	
33	2420172	1	Gauge, Hourmeter	
34	0721005	2	Screw #10-24NC x 5/8in	
36	4751000	8	Flatwasher #10	
37	3900268	AR	Screw #10-24NC	
38	3300205	4	Nut, Retainer	
39	0641506	4	Bolt 5/16in-18NC x 3/4in	
40	0100011	AR	Compound, Locking	
41	3539219	1	Plate, Reinforcement	
42	3740049	AR	Relay - SPDT	
43	4460630	1	Marker, Terminal (Ignition)	
44	4760600	4	Lockwasher #6	
45	3310601	2	Nut #6-32NC	
46	4070987	1	Shim	
49	3300408	AR	Locknut, Plastic Insert	
51	0630464	2	Capscrew, Button Head	
52	4070991	1	Shim (.125)	
53	1670829	1	Bezel	
54	3910804	7	Screw #8-32NC x 1/4in	
55	4460234	6	Base, Tie-Strap	
56	1703622	1	Decal - Service Manual Reference	
57	4460711	1	Connector, Strain Relief	
58	1600262	1	Controller, OEM	
59	1704260	1	Decal - Emergency Stop (Prior to SN 0300064782)	
60	4300142	4	Stud, Stand-Off	
61	3520174	3	Plug	
62	0100009	AR	Adhesive	
		Ref	GENERATOR OPTION COMPONENTS	
110	3740118	1	Relay, Timer	
111	3911024	1	Screw #10-24NC x 1-1/2in	
112	4751000	2	Flatwasher #10	
113	4761000	1	Lockwasher #10	
114	3311001	1	Nut #10-24NC	

SECTION 2 - TURNTABLE

FIGURE 2-16. ELECTRICAL OPTIONS INSTALLATION (TURNTABLE MOUNTED)



SECTION 2 - TURNTABLE

FIGURE 2-16. ELECTRICAL OPTIONS INSTALLATION (TURNTABLE MOUNTED)

ITEM	PART NUMBER	QTY	DESCRIPTION	REV
		Ref	ELECTRICAL OPTIONS INSTALLATIONS (TURNTABLE MOUNTED)	
		Ref	LIMIT SWITCH INSTALLATION - DRIVE DISABLE	
	0270313	Ref	Limit Switch Installation 600SC & 600SJC	4
	0270381	Ref	Limit Switch Installation 660SJC	4
1	4360322	NLA	Switch, Limit (Use p/n 4360578) (Prior to SN 0300074441)	
1	4360549	NLA	Switch, Limit (Use p/n 4360578) (Prior to SN 0300074441)	
2		Ref	Connector, Strain Relief Options:	
2	4460428	2	Used on Limit Switch p/n 4360322	
2	4460968	2	Used on Limit Switch p/n 4360549 & p/n 4360578	
3	0100035	AR	Compound, Locking	
4	3930816	2	Capscrew, Socket Head #8-32NC x 1in	
5	3930828	2	Capscrew, Socket Head #8-32NC x 1-3/4in	
6	3310801	2	Locknut #8-32NC	
7	4420060	8.7 ft /2.7m	Tape, Double Sided	
8		Ref	Bar, Fiberglass Options:	
8	0362528	NLA	Bar, Fiberglass 600SC & 600SJC (Use p/n 1001106479)	
8	0362951	NLA	Bar, Fiberglass 660SJC (Use p/n 1001106484)	
9	1670824	1	Cover, Limit Switch	
10	4751400	4	Flatwasher 1/4in Regular	
12	0641408	4	Bolt 1/4in-20NC x 1in	
13	3572415	1	Cover	
16	0100011	AR	Compound, Locking	
		Ref	LIMIT SWITCHES INSTALLATION - TRANSPORT	
	0256305	Ref	Limit Switch Installation 600SC & 660SJC	2
	0256306	Ref	Limit Switch Installation 600SJC	2
101	4360322	NLA	Switch, Limit (Use p/n 4360578) (Prior to SN 0300074441)	
101	4360549	NLA	Switch, Limit (Use p/n 4360578) (Prior to SN 0300074441)	
102		Ref	Connector, Strain Relief Options:	
102	4460428	1	Used on Limit Switch p/n 4360322	
102	4460968	1	Used on Limit Switch p/n 4360549 & p/n 4360578	
103	0100035	AR	Compound, Locking	
104	3930816	2	Capscrew, Socket Head #8-32NC x 1in	
105		Ref	Bar, Fiberglass Options:	
105	0362609	NLA	Bar, Fiberglass 600SC/660SJC (Use p/n 1001106481)	
105	0362610	NLA	Bar, Fiberglass 600SJC (Use p/n 1001106482)	
106	4420054	Ref	Tape, Double Sided	
106	4420054	17.1 ft /5.2m	Tape, Double Sided (600SC & 660SJC)	
106	4420054	15 ft/4.6m	Tape, Double Sided (600SJC)	
107	4751400	4	Flatwasher 1/4in Regular	
108	3931403	4	Capscrew, Socket Head 1/4in-20NC x 3/8in	
109	1670824	1	Cover, Limit Switch	
	0257882	Ref	LIMIT SWITCHES INSTALLATION - 8METER (JAPANESE SPEC OPTION ONLY) (Prior to SN 0300064251)	1-A
201	4360322	NLA	Switch, Limit (Use p/n 4360578) (Prior to SN 0300074441)	
201	4360549	NLA	Switch, Limit (Use p/n 4360578) (Prior to SN 0300074441)	
202		Ref	Connector, Strain Relief Options:	
202	4460428	1	Used on Limit Switch p/n 4360322	

SECTION 2 - TURNTABLE

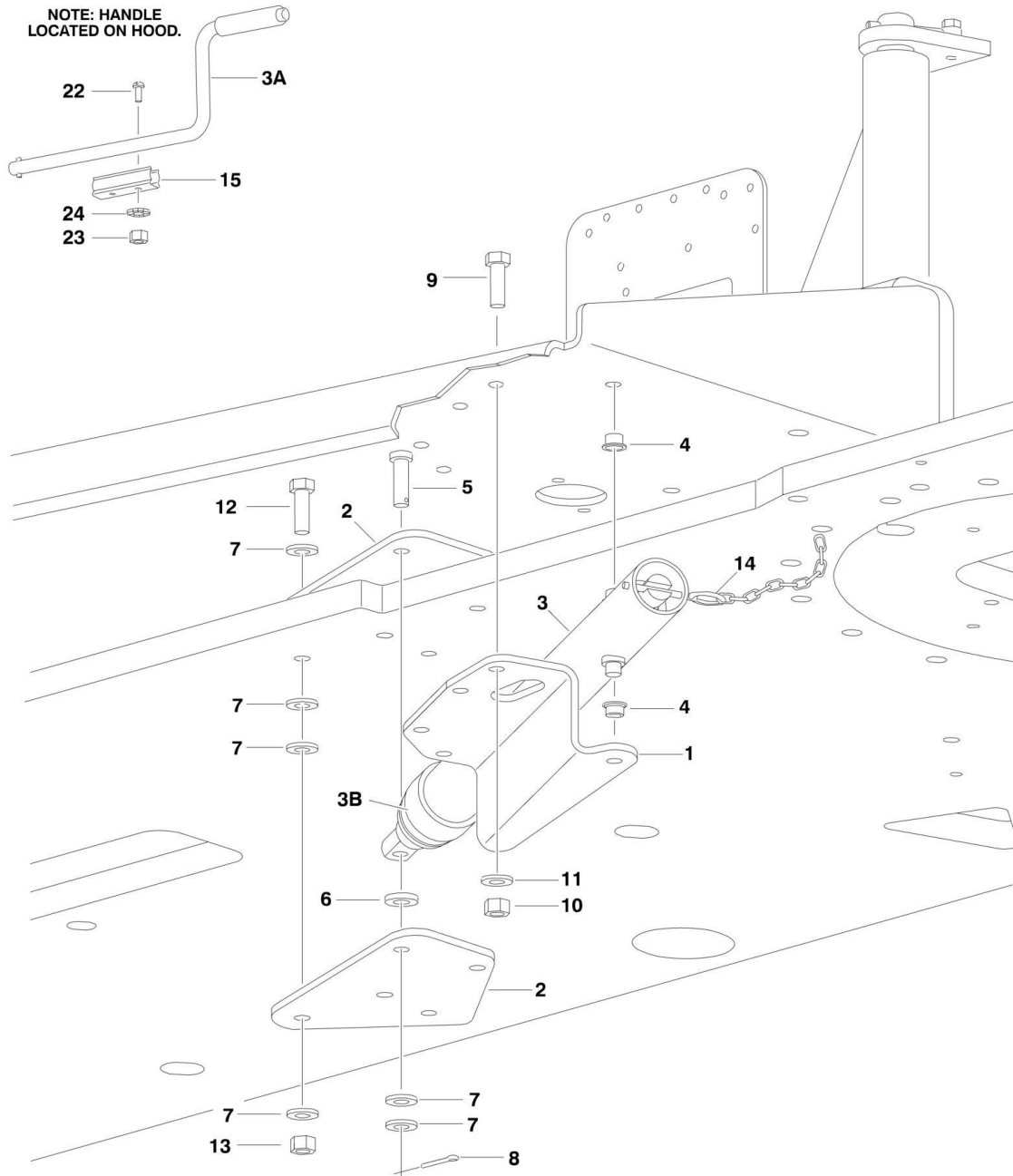
ITEM	PART NUMBER	QTY	DESCRIPTION	REV
202	4460968	1	Used on Limit Switch p/n 4360549 & p/n 4360578	
203	3930828	2	Capscrew, Socket Head #8-32NC x 1-3/4in	
204	3310805	2	Locknut #8-32NC	
205	1060016	15 ft/4.6m	Cable, Electrical - 16/3 (Not Shown)	
207	4751400	2	Flatwasher 1/4in Regular	
208	3931408	2	Bolt 1/4in-20NC x 1/2in	
209	1670821	1	Cover, Limit Switch	
	0257886	Ref	ALARMS INSTALLATIONS	1
301	0257887	1	Alarm/Harness Assembly	
302	0641406	2	Bolt 1/4in-20NC x 3/4in	
303	4711400	2	Flatwasher 1/4in Thin	
305	0100048	AR	Sealant, Silicone	
	0257885	Ref	STROBE LIGHT INSTALLATIONS (AMBER) (OPTIONAL)	3
310	4220162	1	Spacer, Stop (Used with ECCO Model 6640 Only)	
311		Ref	Adapter Options:	
311	0630491	1	Adapter for ECCO Model 6640	
311	0080241	1	Adapter for ECCO Model 6650	
312	3539281	1	Plate, Mounting (Used with ECCO Model 6640 Only)	
313	0741606	1	Screw, Flathead Countersunk 3/8in-16NC x 3/4in (Used with ECCO Model 6640 Only)	
314	0100011	AR	Compound, Locking	
315	4240032	1	Wire-Tile	
316		Ref	Strobe Light/Guard/Harness Assembly Options:	
316	0255917	NLA	Strobe Light/Guard/Harness Assembly (Use p/n 0272507) (Prior to SN 0300070400)	
316	0272507	1	Strobe Light/Guard/Harness Assembly (SN 0300070400 through 0300128000)	
316	7016380	1	Bulb, Replacement for ECCO Model 6640	
316	70001941	1	Bulb, Replacement for ECCO Model 6650	
316A		Ref	Guard Options:	
316A	4060907	1	Guard for ECCO Model 6640	
316A	2920215	1	Guard for ECCO Model 6650	
317	4460234	1	Clamp	
318	0100048	AR	Sealant, Silicone	
	0257884	Ref	LIGHTS INSTALLATIONS (OPTIONAL)	1
325	2920110	2	Headlight	
326	0902206	2	Bracket, Mounting	
327	0642612	1	Bolt 1in-8NC x 1-1/2in	
328	4220162	2	Spacer	
329	0100011	AR	Compound, Locking	
330	2920113	2	Taillight	
331	3911040	4	Screw, Machine #10-24NC x 2-1/2in	
332	3311005	4	Nut #10-24NC	
333	4751000	4	Flatwasher #10 Regular	
334	4740362	4	Washer, Fender	
335	3960461	2	Gasket	
337	4240032	12	Tie-Strap (Not Shown)	
338	4460234	12	Mount, Tie-Strap (Not Shown)	
339	4360336	1	Switch, Toggle (Not Shown - Located on Console)	
340	3790012	1	O-Ring (Not Shown - Located on Console)	
	0270366	Ref	TILT INDICATOR SWITCH INSTALLATION	2
401		Ref	Switch, Level Sensing	

SECTION 2 - TURNTABLE

ITEM	PART NUMBER	QTY	DESCRIPTION	REV
401	4360493	1	Switch 5 & 4 (Prior to SN 0300071456)	
401	4360492	1	Switch 1.8 & 5 (SN 0300071456 through 0300128000)	
402	0641406	2	Bolt 1/4in-20NC x 3/4in	
403	3311405	2	Locknut 1/4in-20NC	

SECTION 2 - TURNTABLE

FIGURE 2-17. ENGINE TRAY JACK INSTALLATION (OPTIONAL)



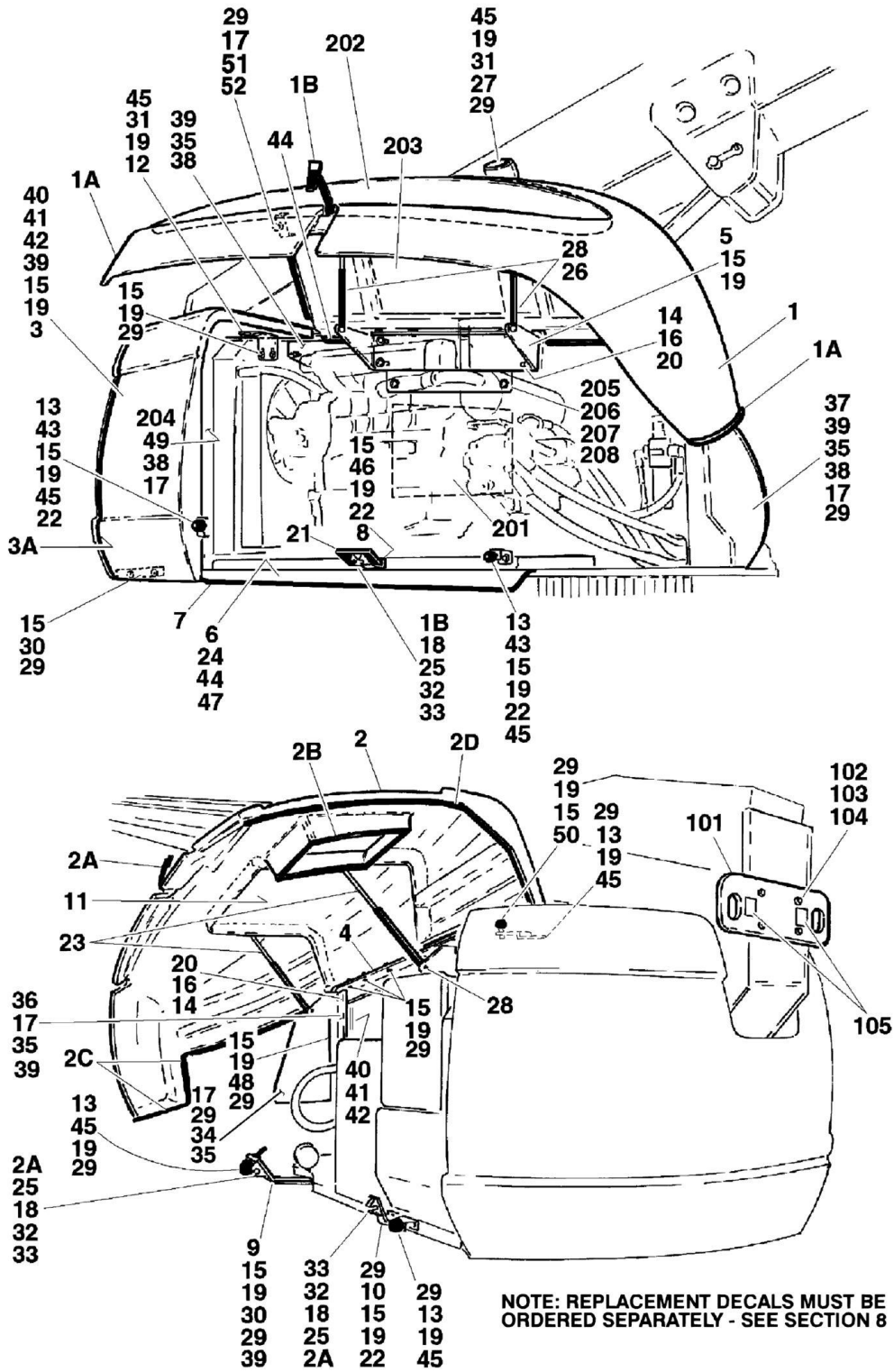
SECTION 2 - TURNTABLE

FIGURE 2-17. ENGINE TRAY JACK INSTALLATION (OPTIONAL)

ITEM	PART NUMBER	QTY	DESCRIPTION	REV
	0255881	Ref	ENGINE TRAY JACK INSTALLATION	3/G
1	3537445	1	Bracket	
2	3537446	2	Bracket	
3	2840016	1	Hydraulic Jack Assembly	F
3A		Ref	Handle Options:	
3A	7016374	1	Burr Manufacturing Brand	
3A	7024598	1	Hammerblow Crop Brand	
3B	7016322	1	Wiper	
4	0962051	2	Bushing, Flanged	
5	3430816	1	Pin, Clevis	
6	4891800	1	Washer, Hardened 1/2in	
7	4711800	6	Flatwasher 1/2in (Narrow)	
8	3450404	1	Pin, Cotter 1/8in x 1in	
9	0641609	4	Bolt 3/8in-16NC x 1-1/8in	
10	3311605	4	Locknut 3/8in-16NC	
11	4891600	4	Washer, Hardened 3/8in	
12	0641818	4	Bolt 1/2in-13NC x 2-1/4in	
13	3311805	4	Locknut 1/2in-13NC	
14	3422530	1	Pin, Hitch (Prior to SN 0300070643)	
15	1380147	1	Clip, Spring	
22	3910608	2	Screw #6-32NC x 1in	
23	3310601	2	Nut #6-32NC	
24	4770600	2	Starwasher #6	

SECTION 2 - TURNTABLE

FIGURE 2-18. HOODS AND LIFTING PLATE INSTALLATIONS



SECTION 2 - TURNTABLE

FIGURE 2-18. HOODS AND LIFTING PLATE INSTALLATIONS

ITEM	PART NUMBER	QTY	DESCRIPTION	REV
	0256830	Ref	HOODS INSTALLATIONS	9/1
1	2680449	1	Hood Assembly - Engine Side	
1	2600209	1	Hinge	
1A	3960464	65 in /1.7m	Seal	
1A	3960462	61 in /1.5m	Seal	
1B	2940088	1	Latch	
2	2680448	1	Hood Assembly - Tank Side	
2	2600233	1	Hinge	
2A	2940088	2	Latch	
2B	3960438	53 in /1.3m	Seal	
2C	3960464	83 in /2.1m	Seal	
2D	3960462	55 in/1.4m	Seal	
3	2680450	1	Hood Assembly - Engine Spacer	
3A	3960453	68 in /1.8m	Seal	
4	0902416	1	Bracket, Hood Mounting	
5	0902351	1	Bracket, Hood Mounting	
6	3539934	1	Plate, Seal	
7	3960389	3.5 ft/1m	Seal	
8	0902491	1	Bracket, Latch	
9	0902223	1	Bracket, Latch	
10	0902143	1	Bracket, Latch	
11	3520033	2	Plug, Hole	
12	0902161	1	Bracket, Hood Spacer Mounting	
13	0940071	5	Bumper	
14	0630507	6	Bolt, Carriage 1/2in-13NC x 1-1/4in	
15	0641608	AR	Bolt 3/8in-16NC x 1in	
16	4740171	6	Washer, Hardened	
17	4751500	15	Flatwasher 5/16in	
18	4751000	12	Flatwasher #10	
19	4751600	AR	Flatwasher 3/8in	
20	3311805	6	Locknut 1/2in-13NC	
21	3960470	1	Seal	
22	3311605	5	Locknut 3/8in-16NC	
23	4160139	2	Spring, Gas (Tank Side)	
24	0641406	4	Bolt 1/4in-20NC x 3/4in	
25	0721006	6	Screw #10-24NC x 3/4in	
26	4160143	2	Spring, Gas (Engine Side)	
27	4845411	1	Outlet, Exhaust	
28	3311505	4	Locknut 5/16in-18NC	
29	0100011	AR	Compound, Locking	
30	4740076	4	Washer, Fender	
31	3900232	5	Screw, Button Head 3/8in-16NC x 1-1/4in	
32	4761000	6	Lockwasher #10	
33	3311001	6	Nut #10-24NC	
34	1670771	1	Cover	
35	3311501	2	Nut 5/16in-18NC	

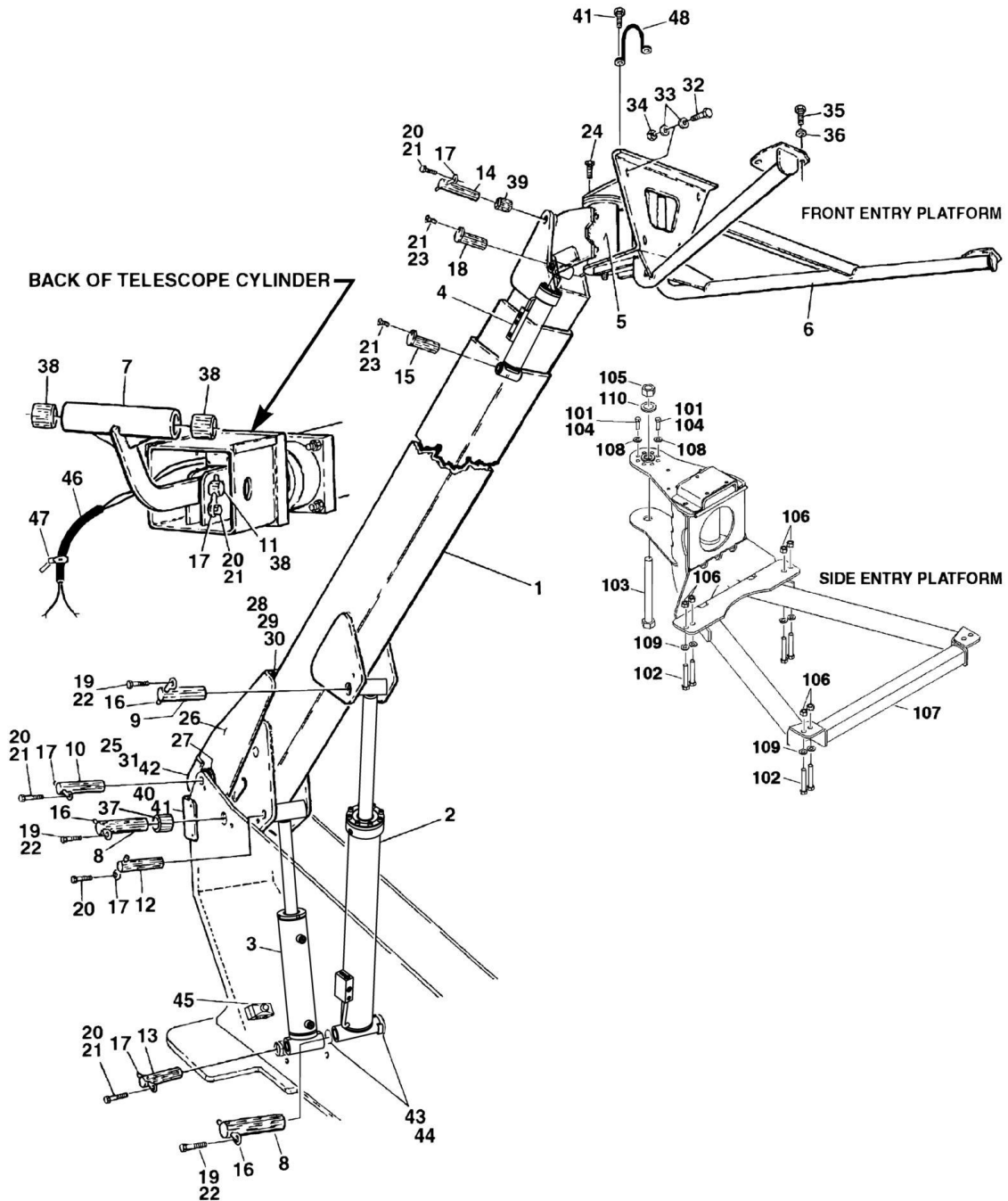
SECTION 2 - TURNTABLE

ITEM	PART NUMBER	QTY	DESCRIPTION	REV
36	0641512	2	Bolt 5/16in-18NC x 1-1/2in	
37	1670779	1	Cover, Side	
39	4740076	AR	Washer, Fender	
40	4070410	AR	Shim 1/16in	
41	4070411	AR	Shim 1/8in	
42	4070412	AR	Shim 3/16in	
43	0902219	2	Bracket, Bumper	
44	4751400	4	Flatwasher 1/4in	
45	3311601	AR	Nut 3/8in-16NC	
46	0641609	2	Bolt 3/8in-16NC x 1-1/8in	
47	3311405	4	Locknut 1/4in-20NC	
48	4845356	2	Hood Mount Weldment	
49	3539979	1	Plate, Inlet Baffle (Prior to SN 0300076518)	
50	0902384	1	Bracket, Hood Mount	
51	0940088	1	Hood, Bumper	
52	3321501	2	Nut 5/16in-24NF	
53	0641506	10	Bolt 5/16in-18NC x 3/4in	
	0256122	Ref	LIFTING PLATE INSTALLATION	1/B
101	3539590	1	Plate, Lifting	
102	0682014	4	Bolt 5/8in-11NC x 1-3/4in (Grade 8)	
103	4892000	4	Washer, Hardened 5/8in	
104	0100019	AR	Compound, Locking	
105	1701500	2	Decal - Tie Down/Lift	
	0256823	Ref	NOISE REDUCTION INSTALLATION	1
201	2820078	1	Foam, Acoustical	
202	2820079	1	Foam, Acoustical	
203	2820080	1	Foam, Acoustical	
204	2820081	1	Foam, Acoustical	
205	3539955	1	Plate, Baffle	
206	0641506	2	Bolt 5/16in-18NC x 3/4in	
207	4751500	2	Flatwasher 5/16in	
208	0100011	AR	Loctite #242	

SECTION 3 - BOOM

SECTION 3 - BOOM

FIGURE 3-1. BOOM INSTALLATIONS - 600SC



SECTION 3 - BOOM

FIGURE 3-1. BOOM INSTALLATIONS - 600SC

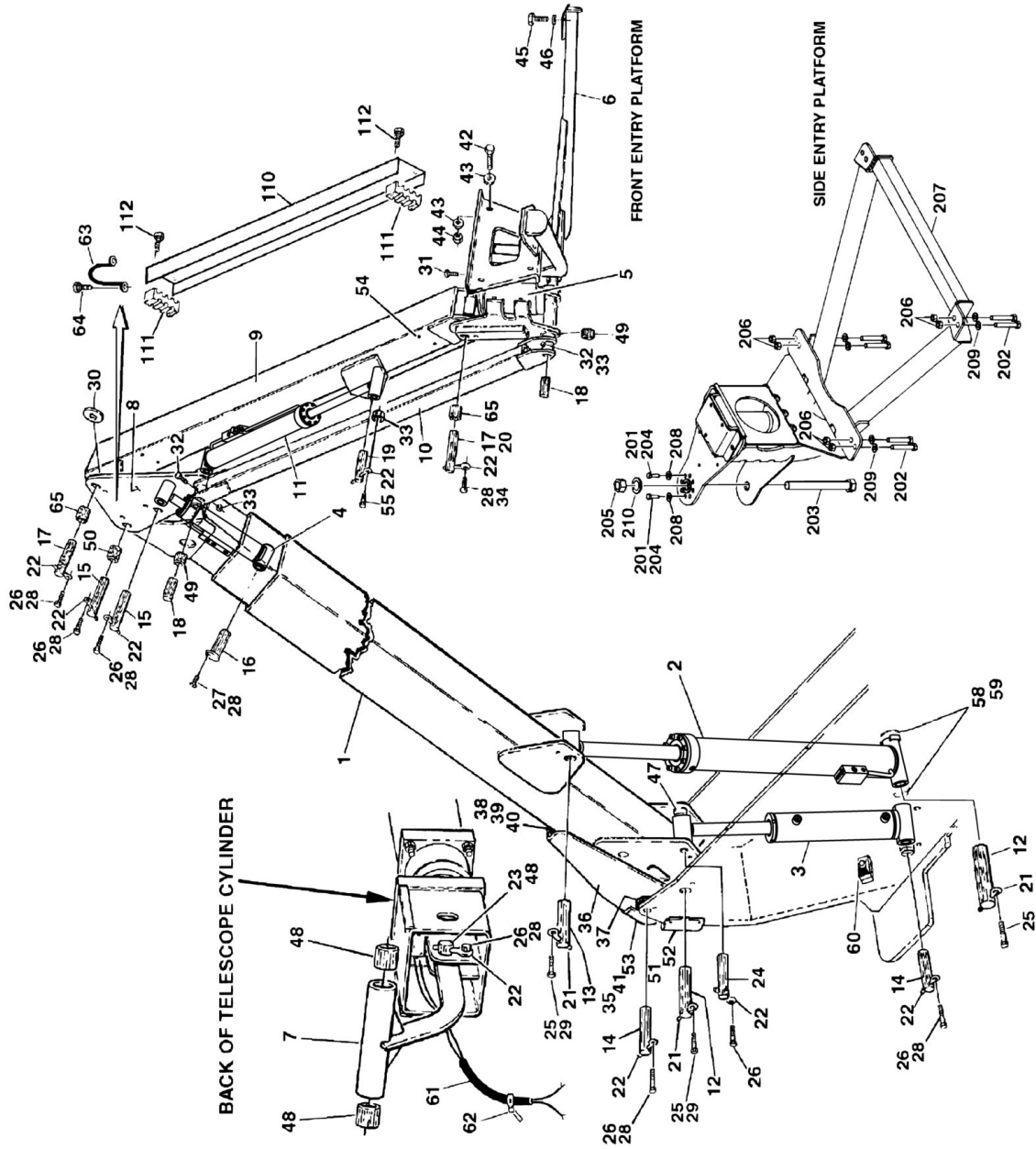
ITEM	PART NUMBER	QTY	DESCRIPTION	REV
		Ref	BOOM AND CYLINDERS INSTALLATIONS - 600SC	
	0270300	Ref	Front Entry Platform	2
	0272138	Ref	Side Entry Platform	2
1		Ref	Boom Assembly - 600SC Options (See MAIN BOOM ASSEMBLIES for Breakdown):	
1	0801247	1	Boom Assembly (Prior to SN 0300073986)	
1	0801385	1	Boom Assembly (SN 0300073986 through 0300128000)	
2		Ref	Boom Lift Cylinder Assembly Options (See CYLINDER SECTION for Breakdown):	
2	1683275	1	Boom Lift Cylinder Assembly (Prior to SN 0300070975)	
2	1683666	NLA	Boom Lift Cylinder Assembly (Use p/n 1001112468) (Original Equipment) (SN 0300070975 through 03001218000)	
2	1001112468	1	Boom Lift Cylinder Assembly (Service Replacement)	
3	1683266	NLA	Master Cylinder Assembly (Use p/n 1001228002) (See CYLINDER SECTION for Breakdown) (Original Equipment)	
3	1001228002	1	Master Cylinder Assembly (See CYLINDER SECTION for Breakdown) (Service Replacement)	
4	1683415	NLA	Platform Level Cylinder Assembly (Use p/n 1001228008) (See CYLINDER SECTION for Breakdown) (Original Equipment)	
4	1001223512	NLA	Platform Level Cylinder Assembly (Use p/n 1001228008) (See CYLINDER SECTION for Breakdown) (Service Replacement)	
4	1001228008	1	Platform Level Cylinder Assembly (See CYLINDER SECTION for Breakdown) (Service Replacement)	
5		Ref	Rotator Assembly Options: (Note: Torque Nut on Bottom of Rotator to 480 Ft Lbs when Reassembling.)	
5	0060034	1	Rotator (Front Entry Platform) (Use p/n 0060075) (See ROTATOR ASSEMBLIES (FRONT ENTRY PLATFORM) for Breakdown)	
5	0060067	1	Rotator (Side Entry Platform) (See ROTATOR ASSEMBLIES (SIDE ENTRY PLATFORM) for Breakdown)	
6		Ref	Support, Platform Options:	
6	4844790	1	Support, Platform (Front Entry Platform)	
6	See Note	1	Support, Platform (Side Entry Platform) (Note: See Items 101-110)	
7	4844944	1	Link, Push	
8	3422564	2	Pin (Cylinder Pivot - T/T End and Boom Pivot)	
9	3422568	1	Pin (Lift Cylinder Pivot - Boom End)	
10	3422566	1	Pin (Link - T/T End)	
11	3422557	1	Pin (Link - Boom End)	
12	3422567	1	Pin (Master Cylinder - Boom End)	
13	3422565	1	Pin (Master Cylinder - T/T End)	
14	3422562	1	Pin (Rotator)	
15	3422569	1	Pin (Level Cylinder - Boom End)	
16	3841258	3	Keeper, Pin	
17	3841143	5	Keeper, Pin	
18	3422580	1	Pin (Level Cylinder - Rotator End)	
19	0642012	3	Bolt 5/8in-11NC x 1-1/2in	
20	0641608	5	Bolt 3/8in-16NC x 1in	
21	0100011	AR	Compound, Locking	
22	0100019	AR	Compound, Locking	
23	0741607	2	Screw, Countersunk 3/8in-16NC x 7/8in	
24	0641810	6	Bolt 1/2in-13NC x 2-1/2in (Front Entry Platform)	

SECTION 3 - BOOM

ITEM	PART NUMBER	QTY	DESCRIPTION	REV
25	3539475	1	Cover, Boom End (Back) (Prior to SN 0300063957)	
26		Ref	Cover, Boom End (Top and Sides) Options:	
26	3539476	1	Cover, Boom End (Top and Sides) (Prior to SN 0300063957)	
26	1671055	NLA	Cover, Boom End (Use p/n 1001148925) (SN 0300063957 through 0300128000)	
27	0962057	2	Bushing (Prior to SN 0300063957)	
28		Ref	Hardware Options:	
28	3340800	1	Pad, Wear (Prior to SN 0300063957)	
28	4751400	4	Flatwasher 1/4in Regular (SN 0300063957 through 0300128000)	
29	0630458	1	U-Bolt	
30	3311402	4	Nut, Jam 1/4in-20NC	
31		Ref	Hardware Options:	
31	0641407	4	Bolt 1/4in-20NC x 7/8in (Prior to SN 0300063957)	
31	3311401	2	Locknut 1/4in-20NC (SN 0300063957 through 0300128000)	
32	0641820	4	Bolt 1/2in-13NC x 2-1/2in (Front Entry Platform)	
33	4711800	8	Flatwasher 1/2in Thin (Front Entry Platform)	
34	3311805	4	Locknut 1/2in-13NC (Front Entry Platform)	
35	0681610	4	Bolt 3/8in-16NC x 1-1/4in (Grade 8) (Front Entry Platform)	
36	4711600	4	Flatwasher 3/8in Thin (Front Entry Platform)	
37	0961950	2	Bushing	
38	0962006	3	Bushing	
39	0961951	2	Bushing	
40	3539563	1	Cover	
41	0641604	6	Bolt 3/8in-16NC x 1/2in	
42	2080043	4	Rivnut (Prior to SN 0300063957)	
43	4740314	AR	Thrustwasher	
44	4740158	AR	Thrustwasher	
45	1320235	1	Clamp, Staff	
46	4100033	2 ft/.3m	Sleeve	
47	4240033	2	Tie-Strap	
48	3841340	1	Loop, Hose	
	0272070	Ref	SUPPORT INSTALLATIONS (SIDE ENTRY PLATFORM)	C
101	0100011	AR	Compound, Locking	
102	0641812	8	Bolt 1/2in-13NC x 1-1/2in	
103	0642684	1	Bolt 1in-8NC x 10-1/2in	
104	0681608	8	Bolt 3/8in-16NC x 1in (Grade 8)	
105	3272605	1	Locknut 1in-8NC	
106	3311805	8	Locknut 1/2in-13NC	
107	4846573	1	Support, Platform	
108	4891600	8	Flatwasher 3/8in Hardened	
109	4891800	8	Flatwasher 1/2in Hardened	
110	4892600	1	Flatwasher 1in Hardened	

SECTION 3 - BOOM

FIGURE 3-2. BOOM INSTALLATIONS - 600SJC & 660SJC



SECTION 3 - BOOM

FIGURE 3-2. BOOM INSTALLATIONS - 600SJC & 660SJC

ITEM	PART NUMBER	QTY	DESCRIPTION	REV
		Ref	BOOM AND CYLINDERS INSTALLATIONS	
	0270358	Ref	ANSI Machines - 600SJC (Front Entry Platform)	2
	0272144	Ref	ANSI Machines - 600SJC (Side Entry Platform)	3
	0270360	Ref	ANSI Machines - 660SJC (Front Entry Platform)	2
	0272147	Ref	ANSI Machines - 660SJC (Side Entry Platform)	3
1		Ref	Boom Assembly Options (See MAIN BOOM ASSEMBLIES for Breakdown):	
1	0801250	1	Boom Assembly 600SJC (Prior to SN 0300073986)	
1	0801391	1	Boom Assembly 600SJC (SN 0300073986 through 0300128000)	
1	0801252	1	Boom Assembly 660SJC (Prior to SN 0300073986)	
1	0801393	1	Boom Assembly 660SJC (SN 0300073986 through 0300128000)	
2		Ref	Boom Lift Cylinder Assembly Options (See CYLINDER SECTION for Breakdown):	
2	1683275	1	Boom Lift Cylinder Assembly (Prior to SN 0300070975)	
2	1683666	NLA	Boom Lift Cylinder Assembly (Use p/n 1001112468) (Original Equipment) (SN 0300070975 through 0300128000)	
2	1001112468	1	Boom Lift Cylinder Assembly (Service Replacement)	
3	1683263	NLA	Master Cylinder Assembly (Use p/n 1001228052) (See CYLINDER SECTION for Breakdown) (Original Equipment)	
3	1001228052	1	Master Cylinder Assembly (See CYLINDER SECTION for Breakdown) (Service Replacement)	
4	1683418	NLA	Articulating Jib Level Cylinder Assembly (Use p/n 1001228051) (See CYLINDER SECTION for Breakdown) (Original Equipment)	
4	1001223331	NLA	Articulating Jib Level Cylinder Assembly (Use p/n 1001228051) (See CYLINDER SECTION for Breakdown) (Service Replacement)	
4	1001228051	1	Platform Level Cylinder Assembly (See CYLINDER SECTION for Breakdown) (Service Replacement)	
5		Ref	Rotator Assembly Options: (Note: Torque Nut on Bottom of Rotator to 480 Ft Lbs when Reassembling.)	
5	0060031	NLA	Rotator (Front Entry Platform) (Use p/n 0060074) (See ROTATOR ASSEMBLIES (FRONT ENTRY PLATFORM) for Breakdown)	
5	0060066	1	Rotator (Side Entry Platform) (See ROTATOR ASSEMBLIES (SIDE ENTRY PLATFORM) for Breakdown)	
6		Ref	Support, Platform Options:	
6	4844790	1	Support, Platform (Front Entry Platform)	
6	See Note	1	Support, Platform (Side Entry Platform) (Note: See Items 101-110 for Breakdown)	
7	4844944	1	Link, Push	
8	4844815	1	Pivot	
9	4844816	1	Tube (Top)	
10	4844817	2	Tube (Bottom)	
11		Ref	Articulating Jib Lift Cylinder Assembly Options (See CYLINDER SECTION for Breakdown):	
11	1683258	1	Articulating Jib Lift Cylinder Assembly (Prior to SN 0300070975)	
11	1683609	NLA	Articulating Jib Lift Cylinder Assembly (Use p/n 1001248012) (Original Equipment) (SN 0300070975 through 0300128000)	
11	1001228012	NLA	Jib Lift Cylinder Assembly (Use p/n 1001248012) (See CYLINDER SECTION for Breakdown) (Service Replacement)	
11	1001248012	1	Jib Lift Cylinder Assembly (See CYLINDER SECTION for	

SECTION 3 - BOOM

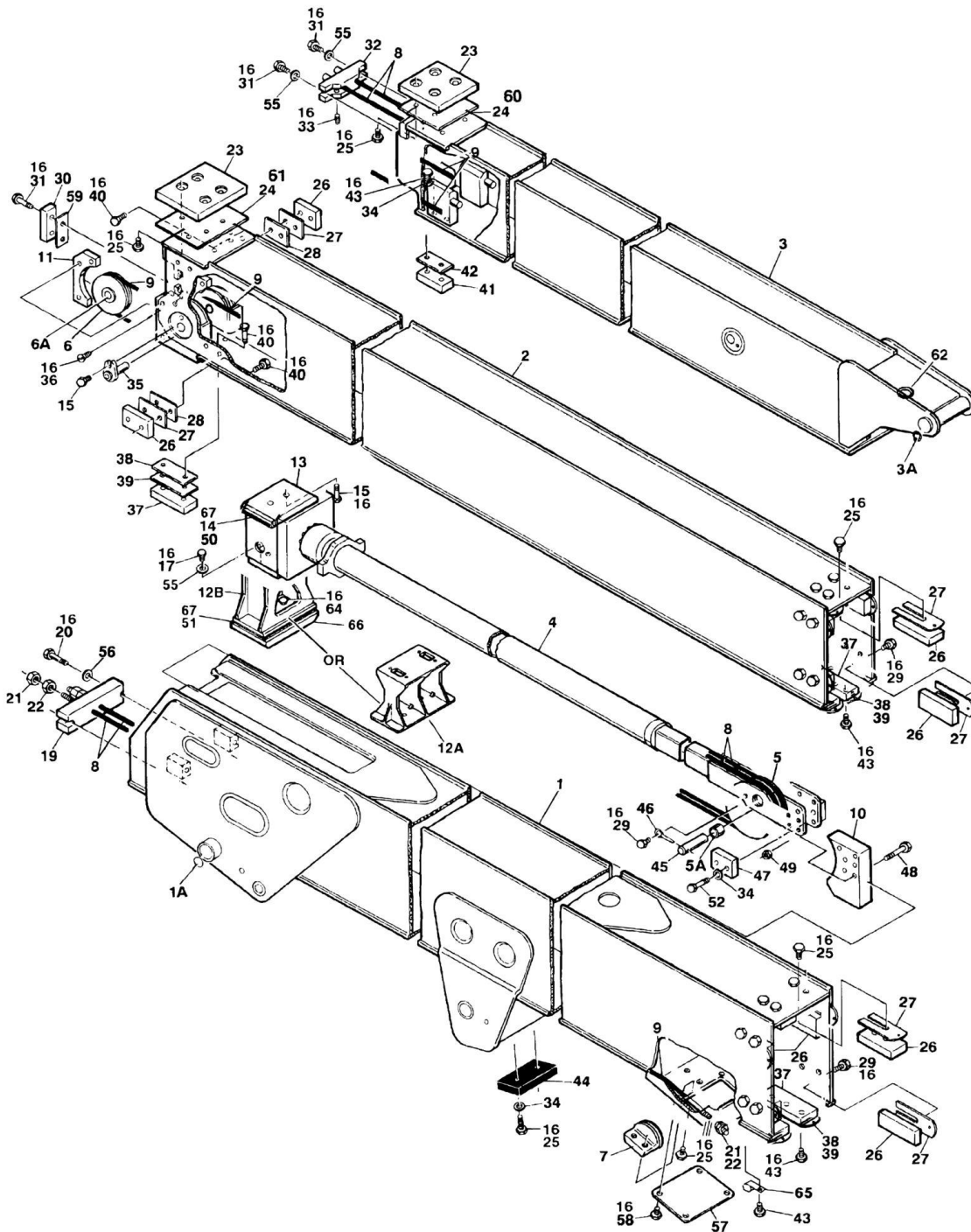
ITEM	PART NUMBER	QTY	DESCRIPTION	REV
			Breakdown) (Service Replacement)	
12	3422564	2	Pin (Boom Pivot and Lift Cylinder Pivot - T/T End)	
13	3422568	1	Pin (Boom Lift Cylinder - Boom End)	
14	3422566	2	Pin (Link - T/T End and Master Cylinder - T/T End)	
15	3422561	2	Pin (Articulating Jib Cylinder - Pivot End and Pivot - Boom End)	
16	3422583	1	Pin (Articulating Jib Level Cylinder - Boom End)	
17	3422860	AR	Pin (Top Tube - Pivot End)	
18	3422861	2	Pin (Bottom Tube - Both Ends)	
19		Ref	Pin Options (Articulating Jib Lift Cylinder - Top Tube End):	
19	3422560	1	Pin (Prior to SN 0300067888)	
19	3422867	1	Pin (SN 0300067888 through 0300128000)	
20	3422563	1	Pin (Top Tube - Rotator End) (Front Entry Platform)	
21	3841258	3	Keeper, Pin	
22	3841143	9	Keeper, Pin	
23	3422557	1	Pin (Link - Boom)	
24	3422574	1	Pin (Master Cylinder - Boom End)	
25	0642012	3	Bolt 5/8in-11NC x 1-1/2in	
26	0641608	7	Bolt 3/8in-16NC x 1in	
27	0741607	1	Screw, Countersunk 3/8in-16NC x 7/8in	
28	0100011	AR	Compound, Locking	
29	0100019	AR	Compound, Locking	
30	4740439	2	Thrustwasher	
31	0641808	6	Bolt 1/2in-13NC x 1in	
32	0641618	4	Bolt 3/8in-16NC x 2-1/4in	
33	3311605	5	Locknut 3/8in-16NC	
34	0641614	1	Bolt 3/8in-16NC x 1-3/4in	
35	3539475	1	Cover, Boom End (Back) (Prior to SN 0300063957)	
36		Ref	Cover, Boom End (Top and Sides) Options:	
36	3539476	1	Cover, Boom End (Prior to SN 0300063957)	
36	1671055	NLA	Cover, Boom End (Use p/n 1001148925) (SN 0300063957 through 0300128000)	
37	0962057	2	Bushing (Prior to SN 0300063957)	
38		Ref	Hardware Options:	
38	3340800	1	Pad, Wear (Prior to SN 0300063957)	
38	4751400	4	Flatwasher 1/4in Regular (SN 0300063957 through 0300128000)	
39	0630458	1	U-Bolt	
40	3311402	4	Nut, Jam 1/4in-20NC	
41		Ref	Hardware Options:	
41	0641407	4	Bolt 1/4in-20NC x 7/8in (Prior to SN 0300063957)	
41	3311401	2	Locknut 1/4in-20NC (SN 0300063957 through 0300128000)	
42	0641820	4	Bolt 1/2in-13NC x 2-1/2in (Front Entry Platform)	
43	4711800	8	Flatwasher 1/2in Thin (Front Entry Platform)	
44	3311805	4	Locknut 1/2in-13NC (Front Entry Platform)	
45	0681610	4	Bolt 3/8in-16NC x 1-1/4in (Grade 8) (Front Entry Platform)	
46	4711600	4	Flatwasher 3/8in Thin (Front Entry Platform)	
47	0961950	2	Bushing	
48	0962006	3	Bushing	
49	0961947	6	Bushing	
50	0961951	2	Bushing	
51	3539563	1	Cover	
52	0641604	4	Bolt 3/8in-16NC x 1/2in	

SECTION 3 - BOOM

ITEM	PART NUMBER	QTY	DESCRIPTION	REV
53	2080043	4	Rivnut (Prior to SN 0300063957)	
54	2080044	4	Rivnut	
55	0641611	1	Bolt 3/8in-16NC x 1-3/8in	
58	4740314	AR	Thrustwasher	
59	4740158	AR	Thrustwasher	
60	1320235	1	Clamp	
61	4100033	2 ft/.6m	Sleeve, Abrasion	
62	4240033	2	Tie-Strap	
63	3841340	1	Clamp, Loop	
64	0641606	2	Bolt 3/8in-16NC x 3/4in	
65	0962335	4	Bushing	
		Ref	CABLE COVER INSTALLATIONS	
	0270172	Ref	Cable Cover Installations 600SJC	4
	0270171	Ref	Cable Cover Installations 660SJC	3
110	1670769	1	Cover	
111	0561237	2	Block, Clamp	
112	0641416	4	Bolt 1/4in-20NC x 2in	
	0272070	Ref	SUPPORT INSTALLATIONS (SIDE ENTRY PLATFORM)	C
201	0100011	AR	Compound, Locking	
202	0641812	8	Bolt 1/2in-13NC x 1-1/2in	
203	0642684	1	Bolt 1in-8NC x 10-1/2in	
204	0681608	8	Bolt 3/8in-16NC x 1in (Grade 8)	
205	3272605	1	Locknut 1in-8NC	
206	3311805	8	Locknut 1/2in-13NC	
207	4846573	1	Support, Platform	
208	4891600	8	Flatwasher 3/8in Hardened	
209	4891800	8	Flatwasher 1/2in Hardened	
210	4892600	1	Flatwasher 1in Hardened	

SECTION 3 - BOOM

FIGURE 3-3. MAIN BOOM ASSEMBLIES



SECTION 3 - BOOM

FIGURE 3-3. MAIN BOOM ASSEMBLIES

ITEM	PART NUMBER	QTY	DESCRIPTION	REV
		Ref	MAIN BOOM ASSEMBLY OPTIONS:	
	0801247	Ref	Main Boom Assembly 600SC (Prior to SN 0300073986)	6/D
	0801385	Ref	Main Boom Assembly 600SC (SN 0300073986 through 0300128000)	1/A
	0801250	Ref	Main Boom Assembly 600SJC (Prior to SN 0300073986)	5/D
	0801391	Ref	Main Boom Assembly 600SJC (SN 0300073986 through 0300128000)	1/A
	0801252	Ref	Main Boom Assembly 660SJC (Prior to SN 0300073986)	5/D
	0801393	Ref	Main Boom Assembly 660SJC (SN 0300073986 through 0300128000)	1/A
1		Ref	Base Weldment Options:	
1	0801246	1	Base Weldment 600SC (Prior to SN 0300063255)	
1	0801254	1	Base Weldment 600SC (SN 0300063255 through 0300128000)	
1	0801253	1	Base Weldment 600SJC	
1	0801254	1	Base Weldment 660SJC	
1A	0961950	2	Bushing, Garmax	
2		Ref	Mid Weldment Options:	
2	0801012	1	Mid Weldment 600SC/660SJC (Prior to SN 0300073986)	
2	0801372	1	Mid Weldment 600SC/660SJC (SN 0300073986 through 0300128000)	
2	0801037	1	Mid Weldment 600SJC (Prior to SN 0300073986)	
2	0801373	1	Mid Weldment 600SJC (SN 0300073986 through 0300128000)	
3		Ref	Fly Weldment Options:	
3	0801065	1	Fly Weldment 600SC	
3	0801038	1	Fly Weldment 600SJC	
3	0801014	1	Fly Weldment 660SJC	
3A	0961951	2	Bushing, Garmax (600SJC & 660SJC Only)	
4		Ref	Telescope Cylinder Assembly Options (See CYLINDER SECTION for Breakdown):	
4	1683618	1	Telescope Cylinder Assembly 600SC & 660SJC	
4	1683620	1	Telescope Cylinder Assembly 600SJC	
5	3580241	1	Sheave Assembly (Extend)	2/B
5A	0961951	2	Bushing, Garmax	
6	3580243	1	Sheave Assembly (Extend)	1/A
6A	0961951	2	Bushing, Garmax (1 Per Sheave)	
7	1220078	2	Block, Sheave	
8		Ref	Cable (Extend) Options:	
8	3890005	2	Cable 600SC & 660SJC	
8	3890007	2	Cable 600SJC	
9		Ref	Cable (Retract) Options:	
9	3890006	2	Cable 600SC & 660SJC	
9	3890008	2	Cable 600SJC	
10	3580248	1	Guard, Sheave (Extend)	
11	3580249	2	Guard, Sheave (Retract)	
12		Ref	Support, Wear Pad Options:	
12A	1220042	NLA	Support, Wear Pad (Note: Use Kit p/n 2901986 which includes Support p/n 4846319, Wear Pad p/n 3340900, Shims and Mounting Hardware. If replacement is required after kit is installed, use p/n 4846319.) (Prior to SN 0300056429)	
12B	4846319	1	Support, Wear Pad (SN 0300056429 through 0300128000)	
13	3340844	1	Pad, Wear	

SECTION 3 - BOOM

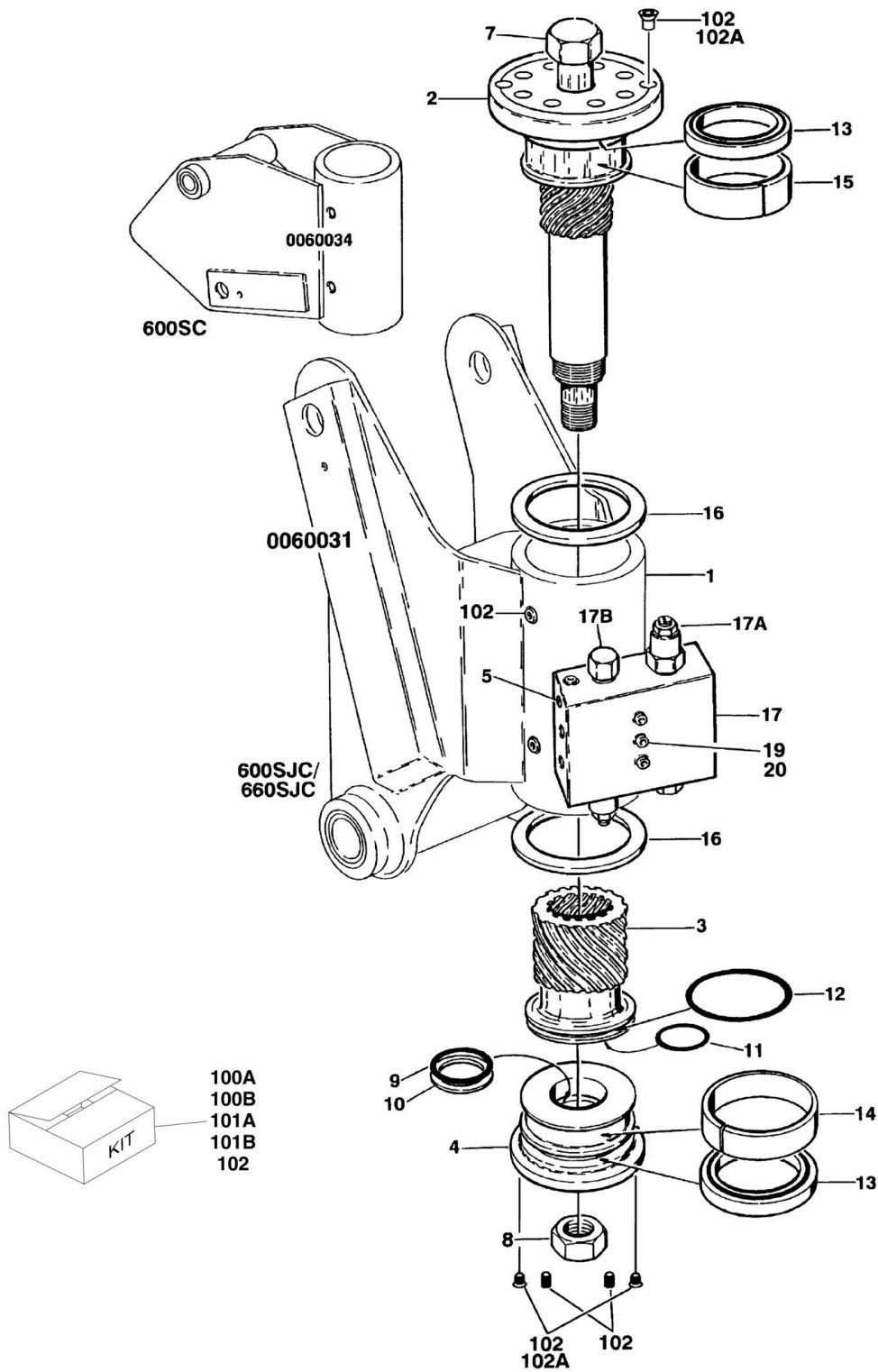
ITEM	PART NUMBER	QTY	DESCRIPTION	REV
14	4070975	4	Shim .05 (Prior to SN 0300072078)	
15	0641608	10	Bolt 3/8in-16NC x 1in	
16	0100011	AR	Compound, Locking	
17	0681612	4	Bolt 3/8in-16NC x 1-1/2in (Grade 8)	
19	0561184	1	Block, Cable	
20	0641824	2	Bolt 1/2in-13NC x 3in	
21	3312201	4	Nut 3/4in-10NC	
22	3300241	4	Locknut, Special 3/4in-10NC	
23	3340757	2	Pad, Wear	
24	4070896	4	Shim (.06) (Without Slide-In Slots)	
25	0641607	20	Bolt 3/8in-16NC x 7/8in	
26		Ref	Pad, Wear Options:	
26	3340756	20	Pad, Wear (Prior to SN 0300063255)	
26	3340881	20	Pad, Wear (SN 0300063255 through 0300128000)	
27	4070897	28	Shim (.05) (Without Slide-In Slots)	
28	4070898	24	Shim (.12) (Without Slide-In Slots)	
29	0641605	16	Bolt 3/8in-16NC x 5/8in	
30	0561185	2	Block	
31	0641618	6	Bolt 3/8in-16NC x 2-1/4in	
32	0561183	1	Block, Cable	
33	3951608	2	Setscrew 3/8in-16NC x 1in	
34	4711600	14	Flatwasher 3/8in	
35	3422424	2	Pin (Retract Sheave)	
36	0741612	6	Screw, Countersunk 3/8in-16NC x 1-1/2in	
37		Ref	Pad, Wear Options:	
37	3340705	5	Pad, Wear (Prior to SN 0300063255)	
37	3340871	5	Pad, Wear (SN 0300063255 through 0300128000)	
38	4070863	12	Shim (.12)	
39	4070864	12	Shim (.05)	
40	0641613	8	Bolt 3/8in-16NC x 1-5/8in	
41	3340758	2	Pad, Wear	
42	4070895	8	Shim (.06)	
43	0641610	14	Bolt 3/8in-16NC x 1-1/4in	
44	0561076	1	Block	
45	3422417	2	Pin (Extend Sheave)	
46	3841143	1	Keeper, Pin	
47	3340755	2	Pad, Wear	
48	0641634	4	Bolt 3/8in-16NC x 4-1/4in	
49	3311605	4	Locknut 3/8in-16NC	
50	4070976	1	Shim (.12)	
51		Ref	Shim (.25) Options (See Note at Item 12):	
51	4070977	1	Shim (Prior to SN 0300056429)	
51	4071004	1	Shim (SN 0300056429 through 0300128000)	
52	0641640	2	Bolt 3/8in-16NC x 5in	
55	4891600	6	Washer, Hardened 3/8in	
56	4891800	2	Washer, Hardened 1/2in	
57	3539622	1	Plate, Cover	
58	0641403	4	Bolt 1/4in-20NC x 3/8in	
59	4070929	AR	Shim	
60	4070939	AR	Shim (1/16in) (With Slide-In Slots)	
61	4070940	AR	Shim (1/16in) (With Slide-In Slots)	

SECTION 3 - BOOM

ITEM	PART NUMBER	QTY	DESCRIPTION	REV
62	4060805	6 in/16cm	Flex-Trim	
63	1670836	8	Cover, Boom (Not Shown)	
64	0681608	4	Bolt 3/8in-16NC x 1in (Grade 8)	
65	1320070	2	Clamp	
66		Ref	Pad, Wear Options (See Note at Item 12):	
66	3340844	1	Pad, Wear (Prior to SN 0300056429)	
66	3340900	1	Pad, Wear (SN 0300056429 through 0300128000)	
67		Ref	Shim (.05) Options (See Note at Item 12):	
67	4070975	2	Shim (Prior to SN 0300056429)	
67	4071005	AR	Shim (SN 0300056429 through 0300128000)	

SECTION 3 - BOOM

FIGURE 3-4. ROTATOR ASSEMBLIES (FRONT ENTRY PLATFORM)



SECTION 3 - BOOM

FIGURE 3-4. ROTATOR ASSEMBLIES (FRONT ENTRY PLATFORM)

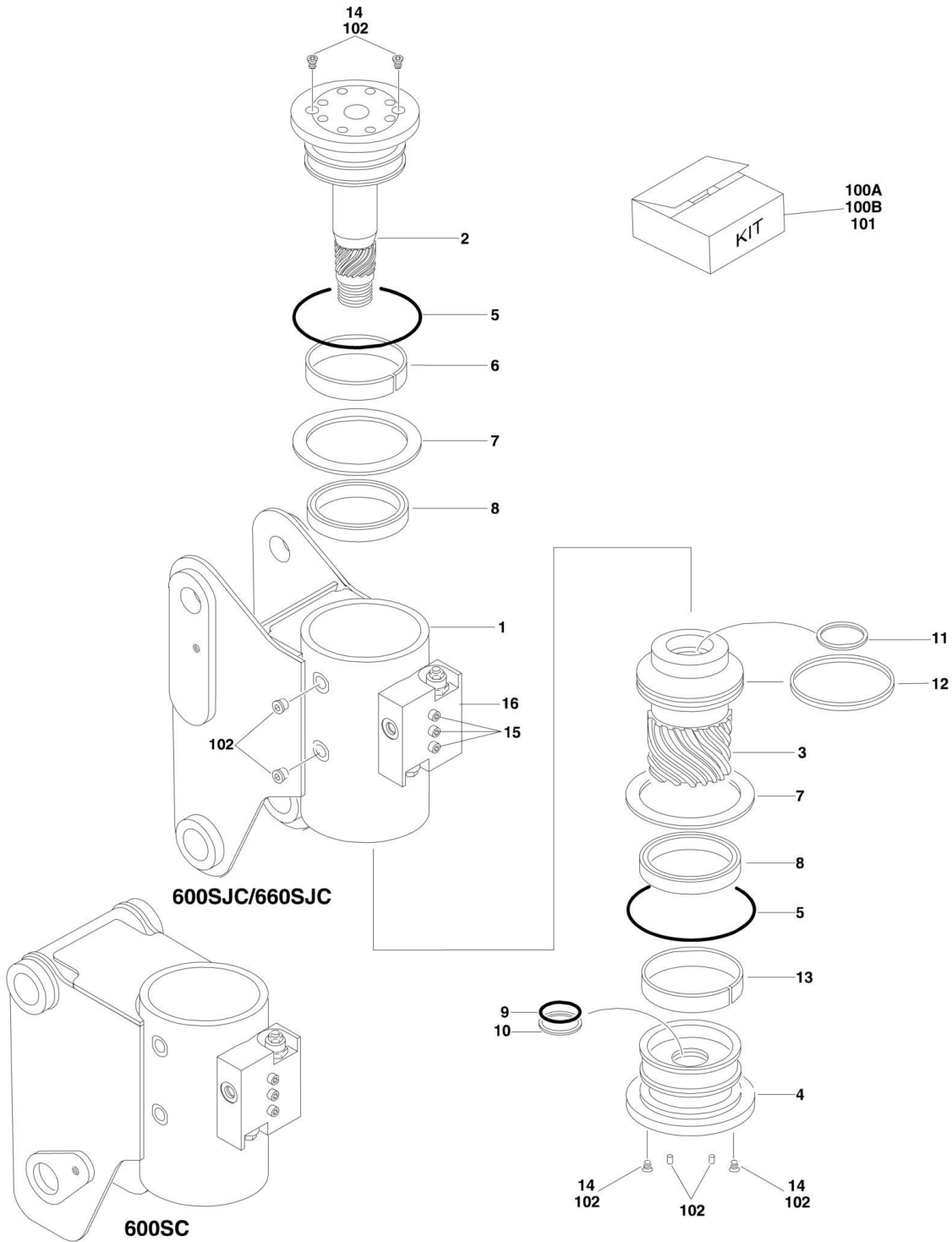
ITEM	PART NUMBER	QTY	DESCRIPTION	REV
		Ref	ROTATOR ASSEMBLIES	
		Ref	Note: Recommended replacement rotator uses spacer plate bolted on the top with 8 capscrews (Not shown - located at Item 2). Actual production rotator does not use spacer plate.	
	0060034	Ref	Rotator Assemblies 600SC (Actual Production)	G
	0060075	Ref	Rotator Assemblies 600SC (Recommended Replacement)	B
	0060031	Ref	Rotator Assemblies 600SJC & 660SJC (Actual Production)	H
	See Note	Ref	Rotator Assemblies 600SJC & 660SJC (Recommended Replacement)	
		Ref	Note: For 600SJC & 660SJC use recommended replacement rotator kit p/n 1001103095 (Includes 0060074 actuator assembly, attaching pin and hardware).	
1	See Note	NSS	Housing/Ring Gear Assembly (Note: Not Available - Purchase Complete Rotator Assembly.)	
2		Ref	Shaft Weldment Options:	
2	7017117	NLA	Shaft Weldment 0060034 & 0060031 Rotators (Use p/n 7017177)	
2	7017162	1	Shaft Weldment 0060075 & 0060074 Rotators	
2	See Note	NSS	Plate, Spacer (Not Shown) (0060075 & 0060074 Rotators Only) (Note: Not Available - Purchase Complete Rotator Assembly)	
3		Ref	Piston/Sleeve Options:	
3	7017115	1	Piston/Sleeve 0060034 & 0060031 Rotators	
3	7017163	1	Piston/Sleeve 0060075 & 0060074 Rotators	
4		Ref	Cap, End Options:	
4	7017174	1	Cap, End 0060034 Rotators	
4	7017174	1	Cap, End 0060031 Rotators (was p/n 7017116)	
4	7017164	1	Cap, End 0060075 & 0060074 Rotators	
5	See Note	6	Plug, Port (Note: Not Available - Purchase Locally.)	
7	7017102	1	Tie-Rod/Locknut Assembly (Prior to SN 0300039950)	
7	7017119	1	Bolt 1in-8NC x 11in (SN 0300039950 through 0300067538)	
8	3272605	AR	Locknut 1in-8NC (SN 0300039950 through 0300067538)	
9	See Note	NSS	Seal, Cap (Note: Use Item 100A or 100B)	
10	See Note	NSS	Ring, Back-up (Cap) (Note: Use Item 100A or 100B)	
11	See Note	NSS	Seal, Rod (Note: Use Item 100A or 100B)	
12	See Note	NSS	Seal, Piston (Note: Use Item 100A or 100B)	
13	See Note	NSS	Packing, Bearing (Note: Use Item 100A or 100B)	
14	See Note	NSS	Bearing, Cap (Note: Use Item 101A or 101B)	
15	See Note	NSS	Bearing, Shaft (Note: Use Item 101A or 101B)	
16	See Note	NSS	Washer, Thrust (Note: Use Item 101A or 101B)	
17		Ref	Valve Assembly Options:	
17	7017101	NLA	0060034 & 0060031 Rotators (Use p/n 7017183)	
17	7017183	1	0060075 & 0060074 Rotators	
17A		Ref	Cartridge, Valve Options:	
17A	7011331	2	Cartridge for Helac p/ns 24736 & 24754	
17A	7017193	2	Cartridge for Helac p/n 27600	
17A	2900770	2	Seal Kit - 7011331 Valve	
17A	See Note	NSS	Seal Kit - 7017193 Valve (Note: Use p/n 7017193)	
17B		Ref	Cartridge, Valve Options:	
17B	7011332	2	Cartridge for Helac p/ns 24736 & 24754	
17B	See Note	NSS	Cartridge for Helac p/n 27600 (Not Shown - Located on Side of Valve Block) (Note: Use p/n 7017183)	
17B	7011346	2	Seal Kit - 7011332 Valve	

SECTION 3 - BOOM

ITEM	PART NUMBER	QTY	DESCRIPTION	REV
17B	See Note	NSS	Seal Kit - Valve Located on Side of Block (Note: Use p/n 7017183)	
18	7017118	2	Setscrew (0060034 & 0060031 Rotators Only)	
19	See Note	NSS	Capscrew 1/4 x 1-1/2 (Grade 8) (Note: Purchase Locally)	
20	3790110	3	O-Ring (Located between Valve and Actuator Housing)	
		Ref	KIT OPTIONS	
100		Ref	Seal Kit Options (Includes Items 9-13):	
100A	7017157	1	Seal Kit for 0060034 & 0060031 Rotators	
100B	7017158	1	Seal Kit for 0060075 & 0060074 Rotators	
101		Ref	Bearing Kit Options (Includes Items 14-16):	
101A	7017156	1	Bearing Kit for 0060034 & 0060031 Rotators (Actual Production)	
101B	7017159	1	Bearing Kit for 0060075 & 0060074 Rotators (Recommended Replacement)	
102	7017142	1	Hardware Kit	
102A	70001697	6	Screw, Countersunk 1/4in-20NC x 3/8in Grade 8	

SECTION 3 - BOOM

FIGURE 3-5. ROTATOR ASSEMBLIES (SIDE ENTRY PLATFORM)



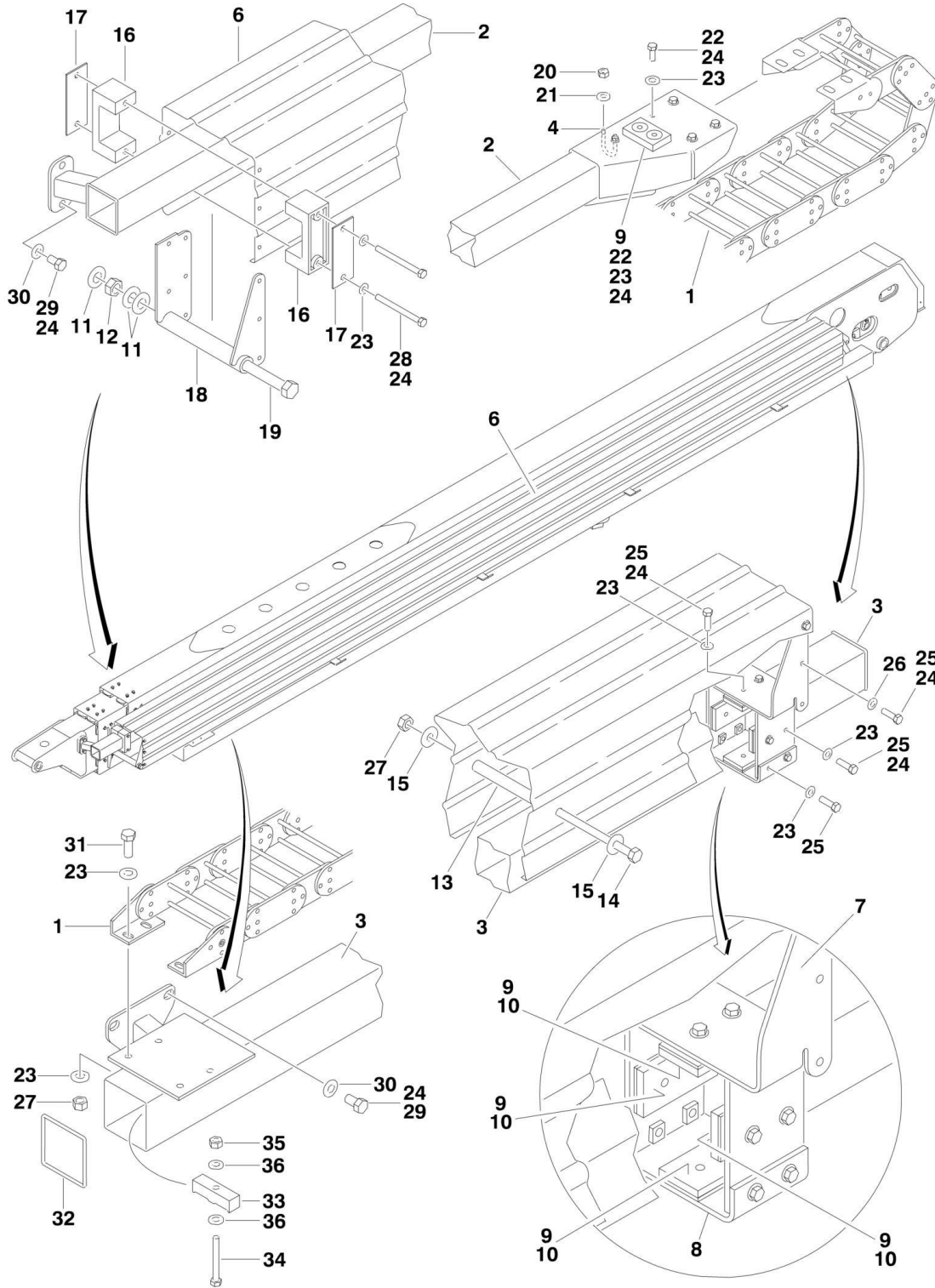
SECTION 3 - BOOM

FIGURE 3-5. ROTATOR ASSEMBLIES (SIDE ENTRY PLATFORM)

ITEM	PART NUMBER	QTY	DESCRIPTION	REV
		Ref	ROTATOR ASSEMBLIES	
	0060067	Ref	Rotator Assemblies 600SC	A
	0060066	Ref	Rotator Assemblies 600SJC/660SJC	C
1	See Note	NSS	Housing/Ring Gear Assembly (Note: Not Available - Purchase Complete Rotator Assembly.)	
2	7017162	1	Shaft	
2	7017195	2	Bushing	
3	7017163	1	Piston/Sleeve Assembly	
4	7017164	1	Cap, End	
5	See Note	NSS	O-Ring (Note: Use Item 100A or 100B)	
6	7017159	2	Bearing, Shaft	
7	7017159	1	Washer, Thrust	
8	See Note	NSS	Packing, Bearing (Note: Use Item 100A or 100B)	
9	See Note	NSS	Seal, Cap (Note: Use Item 100A or 100B)	
10	See Note	NSS	Ring, Back-up Cap (Note: Use Item 100A or 100B)	
11	See Note	NSS	Seal, Rod (Note: Use Item 100A or 100B)	
12	See Note	NSS	Seal, Piston (Note: Use Item 100A or 100B)	
13	7017159	1	Bearing, Cap	
14	70001697	4	Screw, Countersunk 1/4in-20NC x 3/8in (Grade 8)	
15	See Note	NSS	Capscrew 1/4 x 1-1/2 (Grade 8) (Note: Purchase Locally)	
16	7017183	3	Valve Assembly	
16	7017193	1	Cartridge, Valve	
16	See Note	NSS	Seal Kit - 7017193 Valve (Note: Use p/n 7017193)	
16	See Note	NSS	Cartridge, Valve (Not Shown - Located on Side of Block) (Note: Use p/n 7017183)	
16	See Note	1	Seal Kit - Valve Located on Side of Block (Note: Use p/n 7017183)	
		Ref	KIT OPTIONS	
100		Ref	Seal Kit Options (Includes Items 5, 8 - 12 & 102):	
100A	7017158	1	Seal Kit - Standard	
100B	70000342	1	Seal Kit - Low Temperature	
101	7017159	1	Bearing Kit (Includes Items 6, 7 & 13)	
102	See Note	NSS	Hardware Kit (Note: Part of Item 100 - Use Item 100A or 100B)	

SECTION 3 - BOOM

FIGURE 3-6. POWER TRACK INSTALLATIONS - PLASTIC TRACK



SECTION 3 - BOOM

FIGURE 3-6. POWER TRACK INSTALLATIONS - PLASTIC TRACK

ITEM	PART NUMBER	QTY	DESCRIPTION	REV
		Ref	POWER TRACK INSTALLATIONS	
	0255293	Ref	Power Track Installations 600SC & 660SJC (Optional on 600SC Only)	5
	0255303	Ref	Power Track Installations 600SJC	4
1		Ref	Carrier Options:	
1	1180340	1	Carrier 600SC & 660SJC	
1	1180341	1	Carrier 600SJC	
1	7019300	1	Link, Repair (All Models)	
1		Ref	End Bracket Options:	
1	7019301	1	End Bracket 600SC & 660SJC	
1	7019302	1	End Bracket 600SJC	
1	7019303	1	Separator, Link (All Models)	
2		Ref	Tube, Push Options:	
2	4844968	1	Tube, Push 600SC & 660SJC	
2	4844989	1	Tube, Push 600SJC	
3		Ref	Rail Options:	
3	4844963	1	Rail 600SC & 660SJC	
3	4844990	1	Rail 600SJC	
4	0630458	1	U-Bolt	
6		Ref	Cover Options:	
6	1670749	1	Cover 600SC & 660SJC	
6	1670750	1	Cover 600SJC	
7	4844966	1	Block, Slide	
8	3538749	1	Plate	
9	3340763	5	Pad, Wear	
10	4070904	6	Shim	
11	4712600	3	Flatwasher 1in Thin	
12	3312602	1	Nut, Jam 1in-8NC	
13	3841264	AR	Rod	
14	0641676	AR	Bolt 3/8in-16NC x 9-1/2in	
15	4740076	AR	Washer, Fender	
16	3340764	2	Pad, Wear	
17	3538758	2	Plate	
18	4844967	1	Support	
19	0630493	1	Bolt 1in-8NC x 12in	
20	3311405	2	Locknut 1/4in-20NC	
21	4711400	2	Flatwasher 1/4in Thin	
22	0641605	6	Bolt 3/8in-16NC x 5/8in	
23	4711600	22	Flatwasher 3/8in Thin	
24	0100011	AR	Compound, Locking	
25	0641606	16	Bolt 3/8in-16NC x 3/4in	
26	4751600	12	Flatwasher 3/8in	
27	3311605	AR	Locknut 3/8in-16NC	
28	0641644	2	Bolt 3/8in-16NC x 5-1/2in	
29	0641807	8	Bolt 1/2in-13NC x 7/8in	
30	4711800	8	Flatwasher 1/2in Thin	
31	0641608	4	Bolt 3/8in-16NC x 1in	
32	4060804	4 ft/1.2m	Shield, Trim	
33	1320247	1	Clamp, Nylon	
34	0641522	1	Bolt 5/16in-18NC x 2-3/4in	

SECTION 3 - BOOM

ITEM	PART NUMBER	QTY	DESCRIPTION	REV
35	3311505	1	Locknut 5/16in-18NC	
36	4711500	2	Flatwasher 5/16in Thin	

SECTION 3 - BOOM

FIGURE 3-7. POWER TRACK INSTALLATIONS - STEEL TRACK

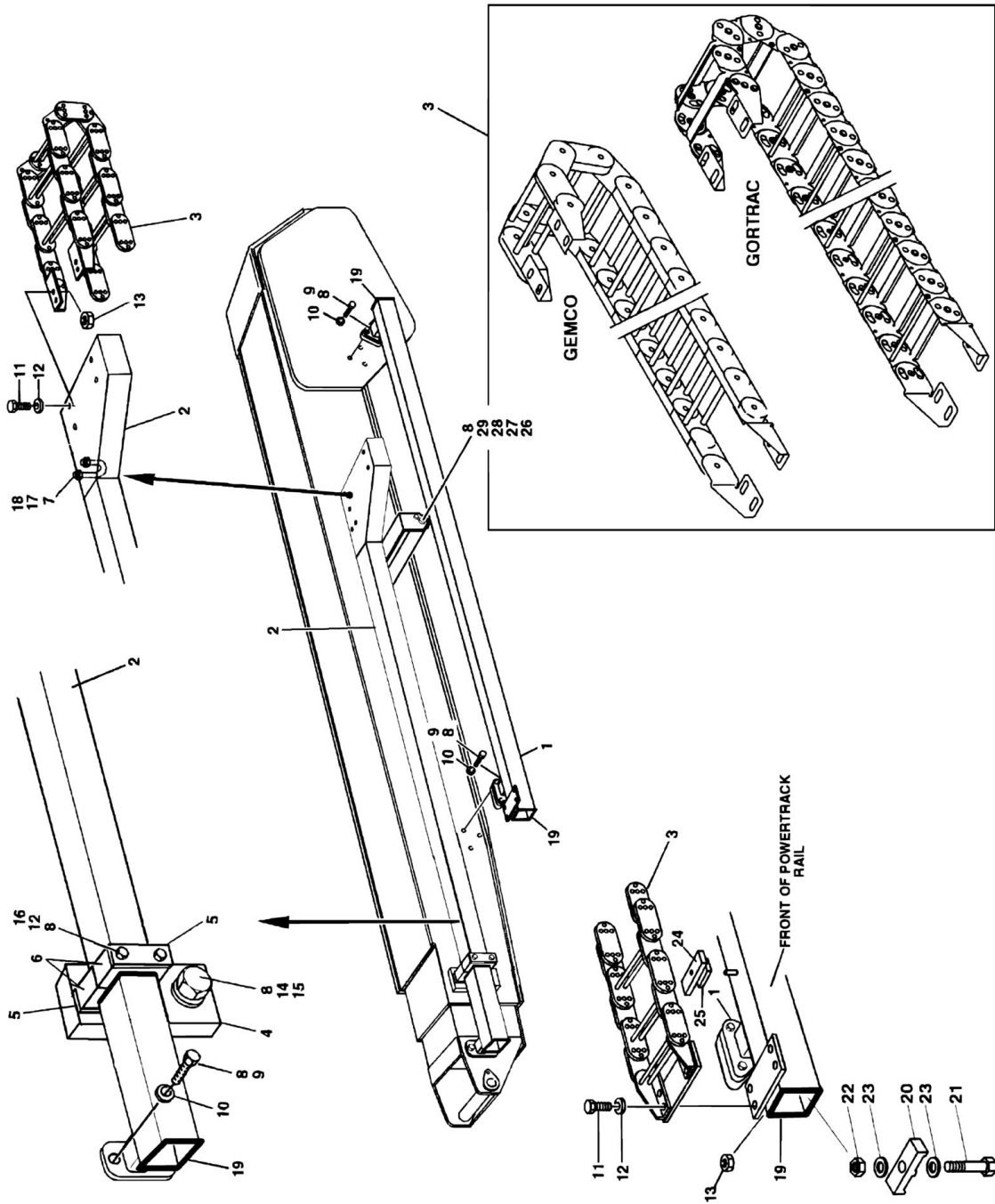


FIGURE 3-7. POWER TRACK INSTALLATIONS - STEEL TRACK

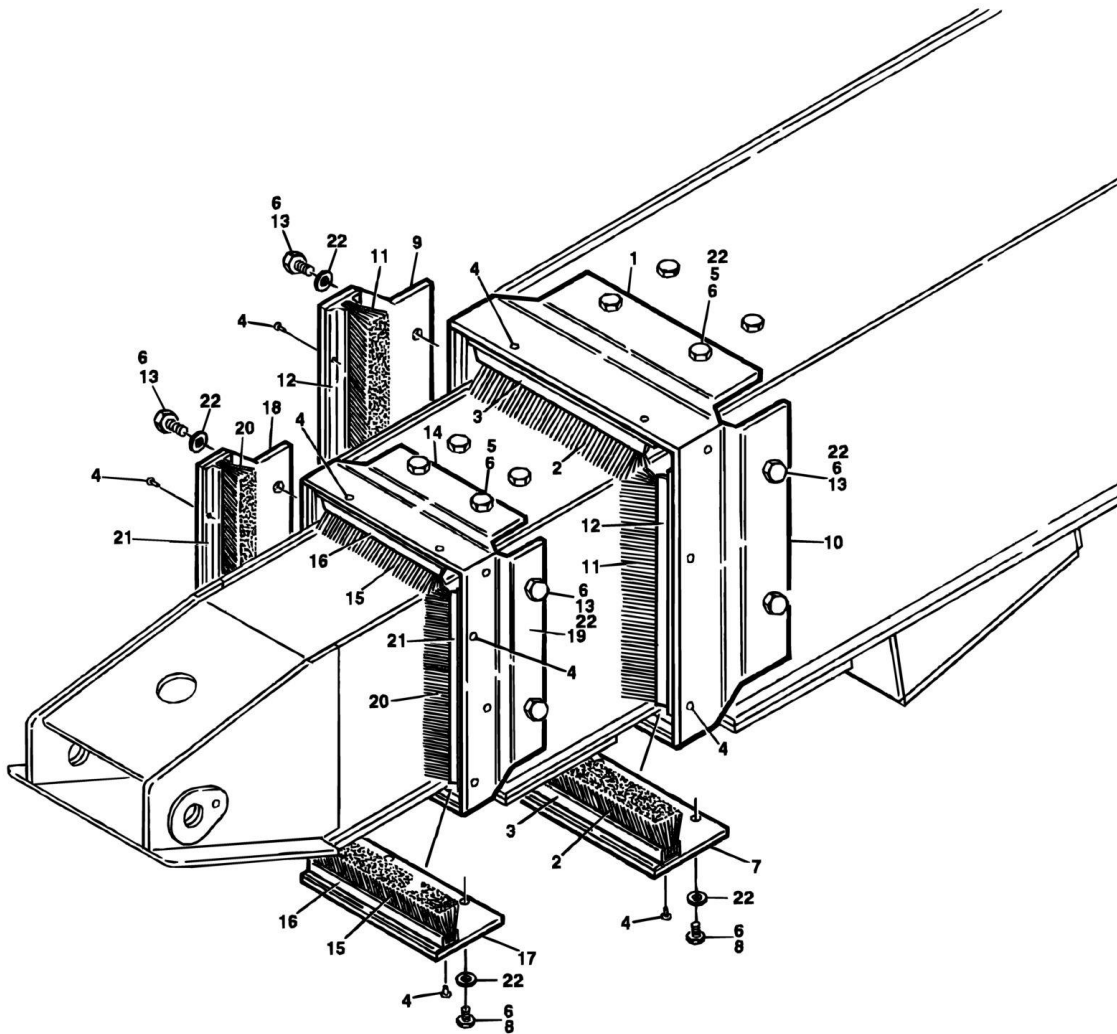
ITEM	PART NUMBER	QTY	DESCRIPTION	REV
		Ref	POWER TRACK INSTALLATION OPTIONS	
	0257988	Ref	Power Track Installation 600SC	6
	0271243	Ref	Power Track Installation 600SJC	2
	0271242	Ref	Power Track Installation 660SJC	2
1		Ref	Weldment, Rail Options:	
1	4845819	1	Weldment, Rail 600SC & 660SJC	
1	4846392	1	Weldment, Rail 600SJC	
2		Ref	Weldment, Tube Options:	
2	4845671	1	Weldment, Tube 600SC & 660SJC	
2	4846391	1	Weldment, Tube 600SJC	
3		Ref	Power Track Assembly Options:	
		Ref	Note: Various Power Tracks use on this model. Identify brand before ordering parts.	
3	1180345	NLA	Power Track Assembly 600SC/660SJC Gemco Brand Power Track (Use p/n 1001099832)	
3	7016530	AR	Repair Section (Gemco Brand - Includes 18 Link Pin, 4 Radius Links, 2 Carrier Links, 1 Rod Carrier, 1 Spring Loaded Rod, 1 Carrier Weldment & 12 Bearing Plates)	
3	7006138	AR	Pin Kit (Gemco Brand - Includes 1 pin, 1 Retaining Ring & 4 Washers)	
3	7006143	2	Mounting Feet Kit (Gemco Brand - Includes 1 Left Hand, 1 Right Hand & 2 Spacers)	
3	7016532	AR	Ring, Retaining (Gemco Brand)	
3	7016531	AR	Clamp Assembly (Gemco Brand - Includes 2 pins, 1 clamping carrier, 1 clamping stiffener, 1 bolt, 1 nut & 1 lockwasher)	
3	7006165	AR	Rod Kit (Gemco Brand - Includes 1 rod, 1 sleeve & 2 screws)	
3	1001099832	Ref	600SC/660SJC Gortrac Brand Power Track	
3	70002005	AR	Repair Section Kit (Gortrac Brand)	
3	70002006	1	Mounting Bracket Kit (Gortrac Brand)	
3	70004643	2	Clamp Kit (Gortrac Brand)	
3	1180359	NLA	600SJC Gemco Brand Power Track (Use p/n 1001099839)	
3	7006138	AR	Pin Kit (Gemco Brand - Includes 1 pin, 1 retaining ring & 4 washers of various thicknesses)	
3	7016530	AR	Repair Section (Gemco Brand)	
3	7006143	2	Mounting Bracket Kit (Gemco Brand - Includes 1 left, 1 right mounting brackets & 2 spacers)	
3	7016532	AR	Ring, Retaining (Gemco Brand)	
3	7016531	AR	Clamp Assembly (Gemco Brand - Includes 2 pins, 1 clamping carrier, 1 clamping stiffener, 1 bolt, 1 nut & 1 lockwasher)	
3	7006165	AR	Rod Kit (Gemco Brand - Includes 1 rod, 1 sleeve & 2 screws)	
3	1001099839	Ref	600SJC Gortrac Brand Power Track	
3	70002007	AR	Repair Section (Gortrac Brand)	
3	70002006	2	Mounting Bracket Kit (Gortrac Brand)	
3	70004643	2	Clamp Kit (Gortrac Brand)	
4	4845677	1	Bracket (Prior to SN 0300073986)	
5	3538758	AR	Plate	
6	3340764	2	Pad, Wear	
7	0630458	1	U-Bolt	
8	0100011	AR	Compound, Locking	

SECTION 3 - BOOM

ITEM	PART NUMBER	QTY	DESCRIPTION	REV
9	0641807	11	Bolt 1/2in-13NC x 7/8in	
10	4711800	11	Flatwasher 1/2in Thin	
11	0641608	8	Bolt 3/8in-16NC x 1in	
12	4711600	18	Flatwasher 3/8in Thin	
13	3311605	8	Locknut 3/8in-16NC	
14	0642612	1	Bolt 1in-8NC x 1-1/2in (Prior to SN 0300073986)	
15	4712600	1	Flatwasher 1in Thin (Prior to SN 0300073986)	
16		Ref	Bolt Options:	
16	0641648	2	Bolt 3/8in-16NC x 6in (Prior to SN 0300073986)	
16	0641644	2	Bolt 3/8in-16NC x 5-1/2in (SN 0300073986 through 0300128000)	
17	4711400	2	Flatwasher 1/4in Thin	
18	3311405	2	Locknut 1/4in-20NC	
19	4060803	3 ft/0.9m	Shield, Trim	
20	1320247	1	Clamp, Nylon	
21	0641522	1	Bolt 5/16in-18NC x 2-3/4in	
22	3311505	1	Locknut 5/16in-18NC	
23	4711500	2	Flatwasher 5/16in Thin	
24	4070994	2	Shim, Neoprene	
25	4070995	2	Shim, Neoprene	
26	3841013	1	Roller, Rod	
27	3450806	1	Pin, Cotter	
28	0641404	1	Screw	
29	3860050	1	Roller, Power Track	

SECTION 3 - BOOM

FIGURE 3-8. BOOM WIPERS INSTALLATION (OPTIONAL)



SECTION 3 - BOOM

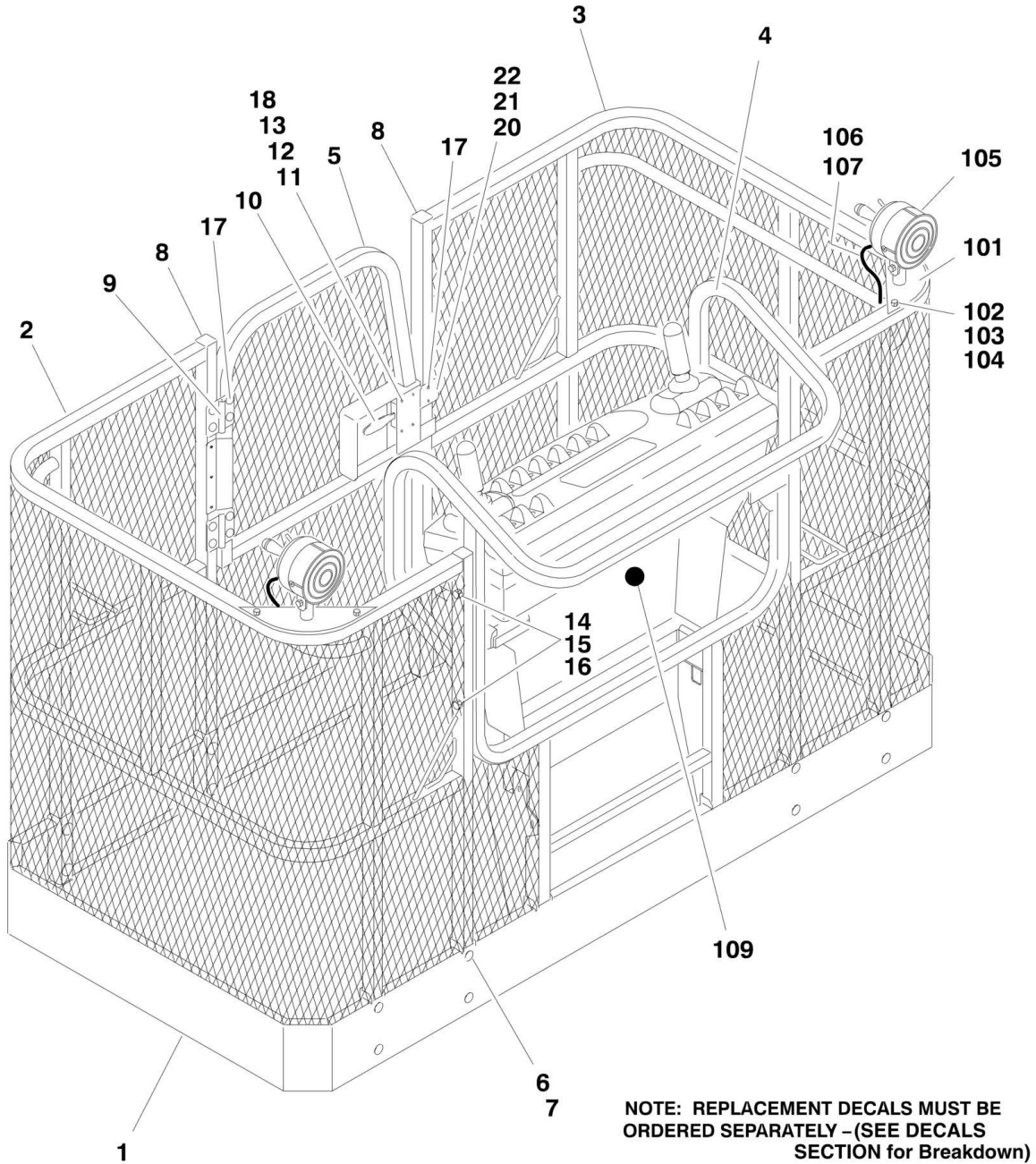
FIGURE 3-8. BOOM WIPERS INSTALLATION (OPTIONAL)

ITEM	PART NUMBER	QTY	DESCRIPTION	REV
	0256273	Ref	BOOM WIPERS INSTALLATION	3/B
1	3200382	1	Mount, Wiper (Base Top)	
2	0540102	2	Brush, Wiper (Base Top and Bottom)	
3	2660108	2	Holder, Brush (Base Top and Bottom)	
4	3820001	32	Rivet	
5	0641608	4	Bolt 3/8in-16NC x 1in	
6	0100011	AR	Compound, Locking	
7	3200383	1	Mount, Wiper (Base Bottom)	
8	0641611	4	Bolt 3/8in-16NC x 1-3/8in	
9		Ref	Mount, Wiper (Base Left Side) Options:	
9	3200384	1	Mount, Wiper (Prior to SN 0300071583)	
9	3200427	1	Mount, Wiper (SN 0300071583 through 0300128000)	
10		Ref	Mount, Wiper (Base Right Side) Options:	
10	3200385	1	Mount, Wiper (Prior to SN 0300071583)	
10	3200426	1	Mount, Wiper (SN 0300071583 through 0300128000)	
11	0540105	2	Brush, Wiper (Base Sides)	
12	2660106	2	Holder, Brush (Base Sides)	
13	0641606	8	Bolt 3/8in-16NC x 3/4in	
14	3200389	1	Mount, Wiper (Mid Top)	
15	0540083	2	Brush, Wiper (Mid Top and Bottom)	
16	2660082	2	Holder, Brush (Mid Top and Bottom)	
17	3200390	1	Mount, Wiper (Mid Bottom)	
18	3200391	1	Mount, Wiper (Mid Left Side)	
19	3200392	1	Mount, Wiper (Mid Right Side)	
20		Ref	Brush, Wiper (Mid Sides) Options:	
20	0540103	2	Brush, Wiper (Prior to SN 0300071583)	
20	0540112	2	Brush, Wiper (SN 0300071583 through 0300128000)	
21	2660107	2	Holder, Brush (Mid Sides)	
22	4751600	16	Flatwasher 3/8in (SN 0300035758 through 0300128000)	

SECTION 4 - PLATFORM

SECTION 4 - PLATFORM

FIGURE 4-1. PLATFORM COMPONENTS INSTALLATION (FRONT ENTRY)



SECTION 4 - PLATFORM

FIGURE 4-1. PLATFORM COMPONENTS INSTALLATION (FRONT ENTRY)

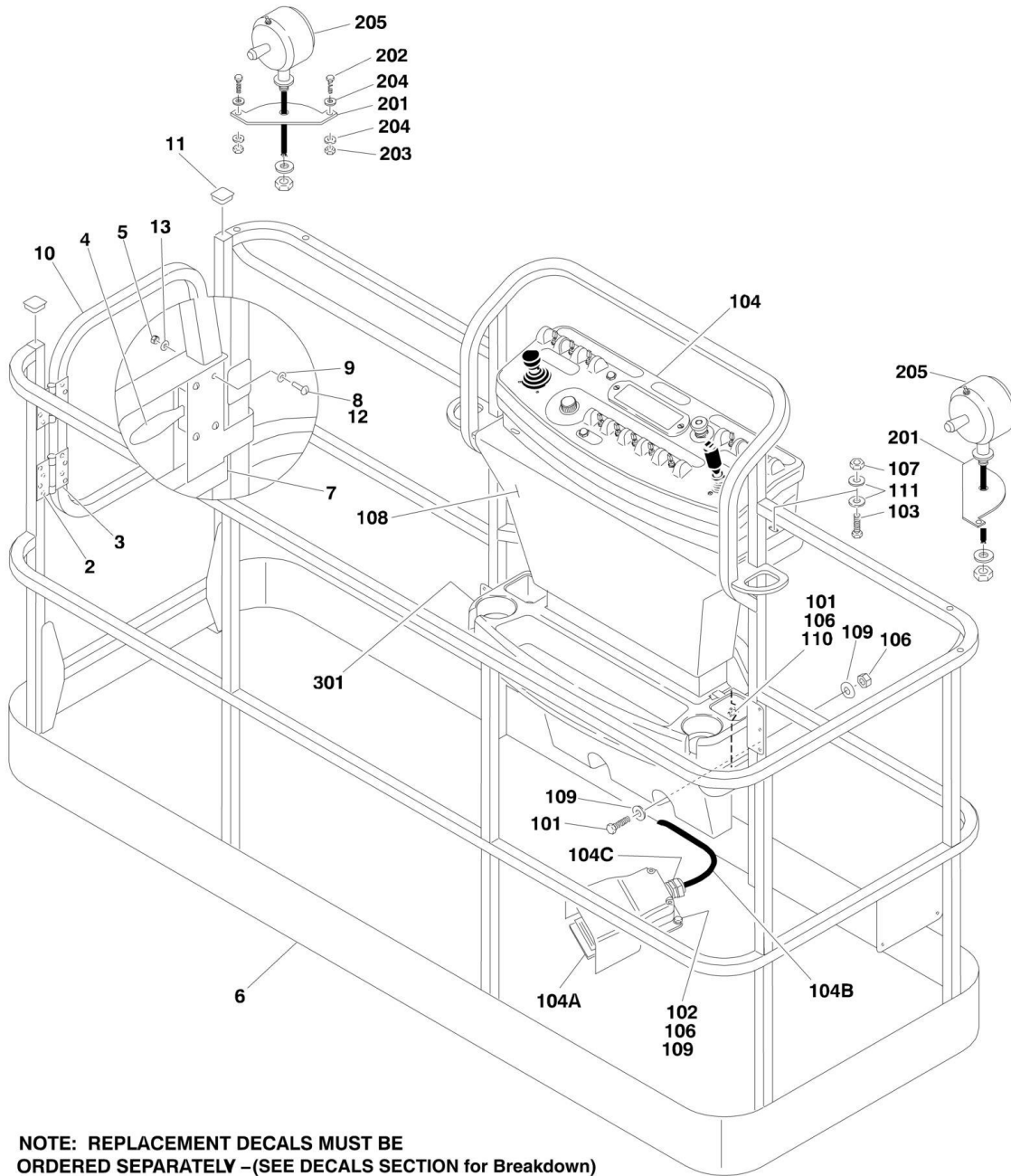
ITEM	PART NUMBER	QTY	DESCRIPTION	REV
		Ref	PLATFORM ASSEMBLIES:	
	3510545	Ref	6ft (1.83m) with Mesh to Top Rail and Standard Gate	-
	3510758	Ref	6ft (1.83m) with Mesh to Mid Rail and Standard Gate	1
	3510546	Ref	8ft (2.44m) with Mesh to Top Rail and Standard Gate	-
	3510759	Ref	8ft (2.44m) with Mesh to Mid Rail and Standard Gate	1
1		Ref	Floor Weldment Options:	
1	4844954	1	6ft Platform	
1	4844928	1	8ft Platform	
2		Ref	Rail Weldment - Right Side Options:	
2	4845408	1	6ft Platform with Mesh Top Rail	
2	4846228	1	6ft Platform with Mesh Mid Rail	
2	4845412	1	8ft Platform with Mesh Top Rail	
2	4846240	1	8ft Platform with Mesh Mid Rail	
3		Ref	Rail Weldment - Left Side Options:	
3	4845409	1	6ft Platform with Mesh Top Rail	
3	4846229	1	6ft Platform with Mesh Mid Rail	
3	4845413	1	8ft Platform with Mesh Top Rail	
3	4846241	1	8ft Platform with Mesh Mid Rail	
4	4845328	1	Rail Weldment - Back	
5		Ref	Gate Weldment Options:	
5	4845410	1	Standard Gate with Mesh Top Rail	
5	4846250	1	Standard Gate with Mesh Mid Rail	
6	3900207	16	Fastener	
		Ref	Note: P/N 3900207 Fastener may be replaced with P/N 0641416 Bolt, P/N 4751400 Flatwasher, P/N 3311405 Locknut and P/N 3300151 Acorn Type Nut. Acorn type nut is required to meet industry safety requirements.	
7	3300393	16	Collar	
8	3520072	4	Plug, Cap	
9	2600216	2	Hinge	
10	2940074	1	Latch	
11	3911008	4	Screw #10-24NC x 1/2in	
12	4751000	4	Flatwasher #10	
13	3311001	4	Nut #10-24NC	
14	0641524	4	Bolt 5/16in-18NC x 3in	
15	3311505	4	Locknut 5/16in-18NC	
16	4751500	4	Flatwasher 5/16in	
17	2080040	13	Fastener	
18	4761000	4	Lockwasher 3/8in	
20	3539685	1	Plate, Latch	
21	4220165	1	Stop, Gate	
22	4060803	6 ft/1.8m	Trim	
		Ref	WORKLIGHTS INSTALLATIONS (OPTIONAL)	
	0258048	Ref	Worklights Installations (Prior to SN 0300060481)	2/D
	0271503	Ref	Worklights Installations (SN 0300060481 through 0300128000)	1/A
101	3536089	2	Plate, Mounting	
102	0641414	4	Bolt 1/4in-20NC x 1-3/4in	
103	3311405	4	Locknut 1/4in-20NC	
104	4711400	8	Flatwasher 1/4in Narrow	
105	2920140	2	Worklight	

SECTION 4 - PLATFORM

ITEM	PART NUMBER	QTY	DESCRIPTION	REV
105	7016399	2	Bulb, Replacement (1 Per Worklight)	
106	4240099	10	Tie-Strap	
107	2820035	9	Loom, Vinyl	
109	4460598	1	Connector, Strain Relief (Not Shown - Located at Console Box)	
110	4920018	AR	Wire, Black 16 Gauge (Not Shown)	
111	4921774	AR	Wire, Black/Brown 16 Gauge (Not Shown Only) (SN 0300060481 through 0300128000)	

SECTION 4 - PLATFORM

FIGURE 4-2. PLATFORM COMPONENTS INSTALLATION (SIDE ENTRY)



NOTE: REPLACEMENT DECALS MUST BE ORDERED SEPARATELY –(SEE DECALS SECTION for Breakdown)

SECTION 4 - PLATFORM

FIGURE 4-2. PLATFORM COMPONENTS INSTALLATION (SIDE ENTRY)

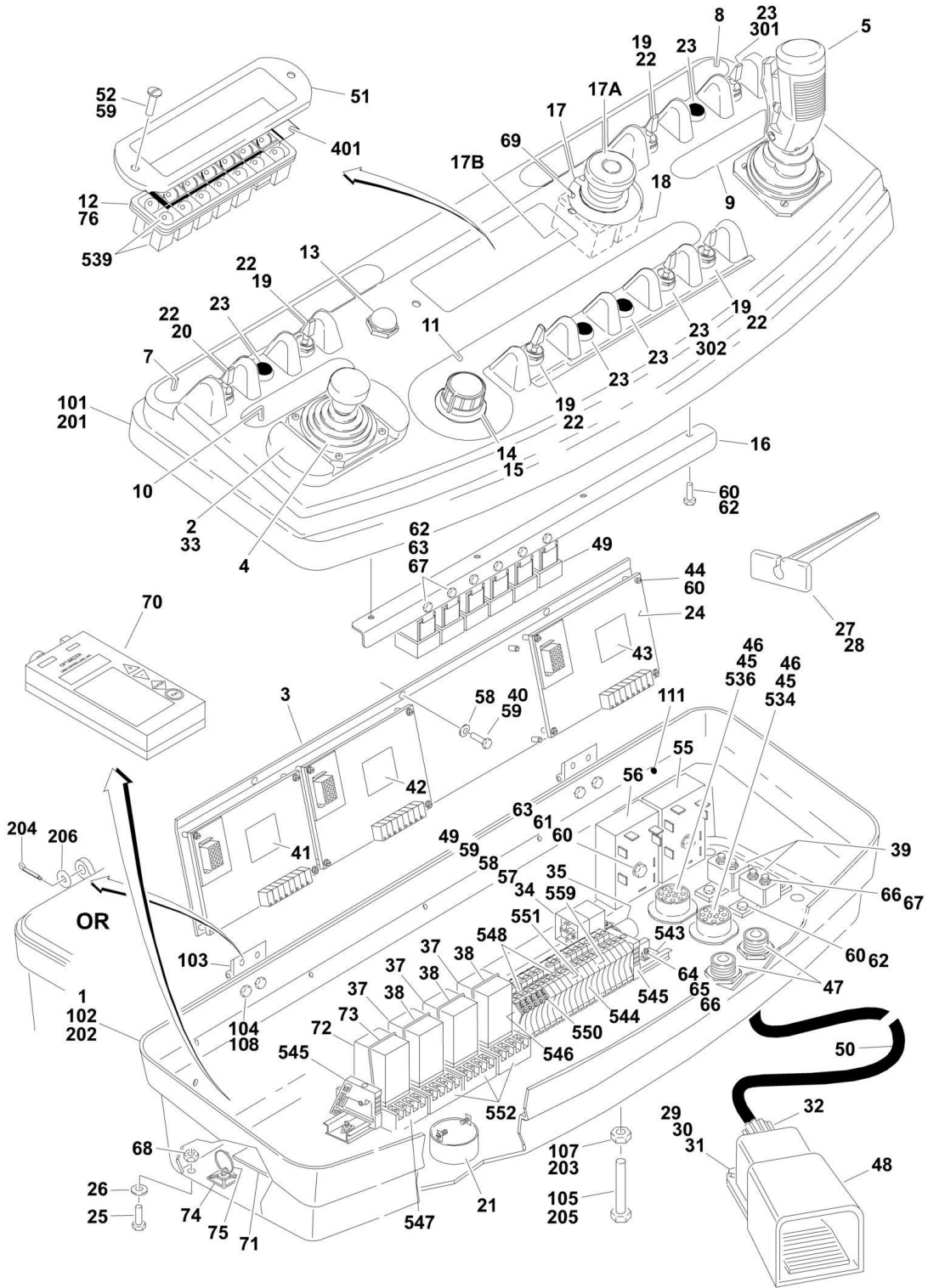
ITEM	PART NUMBER	QTY	DESCRIPTION	REV
		Ref	PLATFORM ASSEMBLIES:	
	3510822	Ref	8ft (2.44m) with No Mesh (Use p/n 1001144023)	D
	3510833	Ref	6ft (1.83m) with No Mesh (Use p/n 1001144024)	D
		Ref	Note: Original Equipment platform may have been replaced with Service Replacement platform. Identify platform before ordering parts.	
		Ref	Note: Platform and Mesh must be ordered separately for Platforms with Mesh. See SPECIAL OPTIONS SECTION for Mesh Installations.	
		Ref	Note: Replacement Decals Must Be Ordered Separately - See DECALS SECTION for Breakdown	
1	0100040	AR	Sealant, Adhesive (Not Shown) (Prior to SN 0300073488)	
2	2080040	16	Fastener, Huck	
3	2600281	2	Hinge, Self-Closing	
4	2940074	1	Latch	
5	3311001	4	Nut #10-24NC	
6	See Note	NSS	Platform (Note: Not Available - Purchase Complete Platform Assembly.)	
7	3520072	1	Cap-Plug	
8		Ref	Screw Options:	
8	3911008	4	Screw #10-24NC x 1in (Prior to SN 0300076659)	
8	3900205	4	Screw #10-24NC x 5/8in (SN 0300076659 through 0300128000)	
9	4751000	8	Flatwasher #10	
10		Ref	Gate Options:	
10	4846452	1	Gate for Platform p/ns 3510822 & 3510833	
10	1001144629	1	Gate for Platform p/ns 1001144023 & 1001144024	
11	3520198	2	Cap-Plug	
12	0100011	AR	Compound, Locking	
13	4761000	4	Lockwasher #10 (SN 0300073488 through 0300128000)	
	0861558	Ref	CONSOLE BOX INSTALLATIONS	A
101	0641414	2	Bolt 1/4in-20NC x 1-3/4in	
102	0641408	3	Bolt 1/4in-20NC x 1in	
103	0641610	4	Bolt 3/8in-16NC x 1-1/4in	
104		Ref	Platform Console Box Assembly (See PLATFORM CONSOLE ASSEMBLY for Breakdown)	
104A	0272970	1	Footswitch Assembly (Includes Footswitch and Items 104B & 104C)	
		Ref	Note: Assembly p/n 0272970 may use either p/n 4360031 or p/n 1001117320. If Original Equipment was replaced as an "assembly," p/n 1001117320 may have been used as part of the Service Replacement. Identify component before ordering parts.	
104A		Ref	Footswitch Less Cable Options:	
104A	4360031	1	Original Equipment	
104A	1001117320	1	Service Replacement	
104A		Ref	Block, Contact Options (see Note Above):	
104A	7000625	2	Contact Block for 4360031 Footswitch	
104A	70003483	1	Contact Block for 1001117320 Footswitch	
104B	1060918	7 ft/2.1m	Cable, Electrical - 18/3	
104C	4460071	1	Connector, Strain Relief	
106	3311405	7	Locknut 1/4in-20NC	

SECTION 4 - PLATFORM

ITEM	PART NUMBER	QTY	DESCRIPTION	REV
107	3311605	4	Locknut 3/8in-16NC	
108	3380434	1	Panel, Decal Mount	
109	4740362	3	Washer, Fender 1/4in	
110	4751400	4	Flatwasher 1/4in (Wide)	
111	4751600	4	Flatwasher 3/8in (Wide)	
	0271503	Ref	WORKLIGHTS INSTALLATIONS (OPTIONAL)	1/A
201	3536089	2	Plate, Mounting	
202	0641414	4	Bolt 1/4in-20NC x 1-3/4in	
203	3311405	4	Locknut 1/4in-20NC	
204	4711400	8	Flatwasher 1/4in Narrow	
205	2920140	2	Worklight	
205	7016399	2	Bulb, Replacement (1 Per Worklight)	
206	4240099	10	Tie-Strap (Not Shown)	
207	2820035	9	Loom, Vinyl (Not Shown)	
209	4460598	1	Connector, Strain Relief (Not Shown - Located at Console Box)	
		Ref	TRAY INSTALLATIONS (OPTIONAL)	
301	1580012	1	Tray, Storage (Center)	
302	1580013	1	Tray, Storage (Rail Mounted - Not Shown)	

SECTION 4 - PLATFORM

FIGURE 4-3. PLATFORM CONSOLE ASSEMBLY



SECTION 4 - PLATFORM

FIGURE 4-3. PLATFORM CONSOLE ASSEMBLY

ITEM	PART NUMBER	QTY	DESCRIPTION	REV
		Ref	CONSOLE BOX ASSEMBLY OPTIONS:	
	0861324	Ref	Console Box Assembly (Prior to SN 0300067888)	7/F
	0861558	Ref	Console Box Assembly (SN 0300067888 through 0300128000)	1/A
1		Ref	Box, Console Assembly Options:	
1	0861110	1	Console Box Assembly (See Items 101-111 for Breakdown) (Prior to SN 0300067888)	
1	0861556	1	Console Box Assembly (See Items 201-206 for Breakdown) (SN 0300067888 through 0300128000)	
2	4340678	1	Support, Hand (Prior to SN 0300067888)	
3	3538819	1	Plate, Mounting	
4	1600284	1	Controller Assembly (Lift and Swing) (See CONTROLLER ASSEMBLY (SWING AND LIFT) for Breakdown)	
5		Ref	Controller Assembly (Drive and Steer) Options (See CONTROLLER ASSEMBLY (DRIVE AND STEER) for Breakdown):	
5	1600263	NLA	Controller Assembly (Drive and Steer) (Use p/n 1600330) (Prior to SN 0300066057)	
5	1600330	1	Controller Assembly (Drive and Steer) (SN 0300066057 through 0300128000)	
7	1702676	1	Decal (Horn/Drive Speed/Level)	
8	1702564	1	Decal (Stop)	
9	1704460	1	Decal (Drive and Steer)	
10	1702566	1	Decal (Lift and Swing)	
11	1702567	1	Decal (Speed/Lower Lift/Tele/Rotate/Jib)	
12	2760105	1	Housing, Display Light	
13	4360387	1	Switch, Pushbutton	
14	2560136	1	Knob, Speed Control	
15	4360407	1	Controller, Speed	
15	See Note	NSS	Gasket "Top Hat" (Included with Switch) (Note: Not Available for Purchase)	
15	70003784	1	Seal	
16	3910610	12	Screw #6-32NC x 5/8in	
17	4360475	1	Switch, Emergency Stop	
17A	7020175	1	Cap	
17B	7020176	1	Contact Block	
18	4360476	1	Block, Contact	
19	4360314	4	Switch, Toggle	
20	4360331	1	Switch, Toggle	
21	0140026	1	Alarm	
22	3790012	5	O-Ring	
23	3520028	6	Plug, Hole (For switch call-outs at these locations, refer to options installation below)	
24	1600218	3	Card, Control	
24	7016346	3	Fuse - 5 Amp (1Per Card)	
25	0641610	4	Bolt 3/8in-16NC x 1-1/4in	
26	4751600	4	Flatwasher 3/8in	
27	4460467	1	Tool, Pin Extraction (Blue 16-18 Gauge) (Not Shown)	
28	4460510	1	Tool, Pin Extraction (Yellow 12-14 Gauge) (Not Shown)	
29	0641408	3	Bolt 1/4in-20NC x 1in	
30	3311405	3	Locknut 1/4in-20NC	
31	4740362	3	Washer, Fender 1/4in	
32	4460071	1	Connector, Strain Relief	

SECTION 4 - PLATFORM

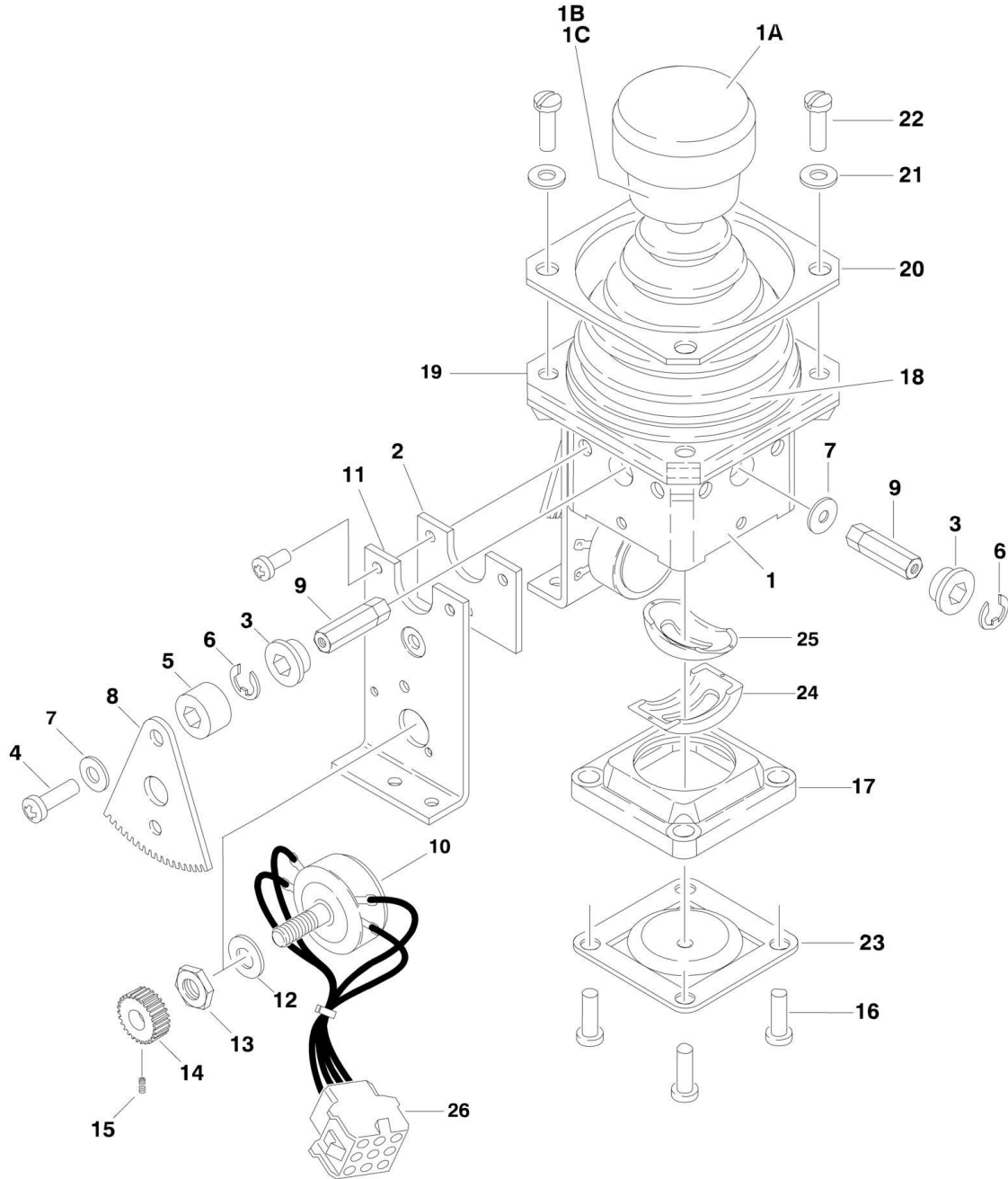
ITEM	PART NUMBER	QTY	DESCRIPTION	REV
33	0641404	4	Bolt 1/4in-20NC x 1/2in (Prior to SN 0300067888)	
34	3311401	1	Nut 1/4in-20NC	
35	1320060	1	Clamp	
37	3740058	3	Relay - 4PDT	
38	3740063	3	Spring, Relay	
39	4360232	2	Breaker, Circuit - 15 Amp	
40	0641406	3	Bolt 1/4in-20NC x 3/4in	
41	1703090	1	Decal - Control Card (Lift)	
42	1703091	1	Decal - Control Card (Swing)	
43	1703092	1	Decal - Control Card (Flow Control)	
44	3539275	1	Plate, Relay Mounting	
45	4460470	2	Nut, Conduit	
46	4460471	2	Washer	
47	4460428	2	Connector, Strain Relief	
48	See Note	1	Footswitch (Note: See PLATFORM COMPONENTS INSTALLATION (SIDE ENTRY) for Service Parts)	
49	3740049	6	Relay, Bosch	
50	4922338	1	Wiring Harness (See ELECTRICAL SECTION for Breakdown)	
51	1670829	1	Bezel	
52	0630464	2	Screw, Button Head #10-24NC x 1/2in	
55	3740113	1	Relay, Time Delay	
56	3740115	1	Relay, Time Delay	
57	0641406	1	Bolt 1/4in-20NC x 3/4in	
58	4751400	4	Flatwasher 1/4in	
59	0100011	AR	Compound, Locking	
60	0100035	AR	Compound, Locking	
61	0721010	2	Screw, Machine #10-24NC x 1-1/4in	
62	0721003	7	Screw, Machine #10-24NC x 3/8in	
63	4751000	7	Flatwasher #10	
64	0721004	2	Bolt #10-32NF x 1/2in	
65	4711000	2	Flatwasher #10 (Narrow)	
66	4761000	6	Lockwasher #10	
67	3311005	9	Nut #10-32NC	
68	3311605	4	Locknut 3/8in-16NC	
69	1704260	1	Decal - EMS	
70	1600303	1	Controller, OEM Optimizer (Prior to SN 0300066057)	
71	2080055	AR	Fastener	
72	3740133	1	Relay, Timer	
73	3740134	2	Clip, Retainer	
74	4240033	1	Tie-Strap (Prior to SN 0300066057)	
75	4460234	1	Mount, Tie-Strap (Prior to SN 0300066057)	
76	2920129	13	Lamp, Light Display (SN 0300066057 through 0300128000)	
	0861110	Ref	CONSOLE BOX ASSEMBLY (Prior to SN 0300067888)	1/A
101	See Note	NSS	Lid, Cast (Note: Not Available - Purchase Complete Console Box Assembly.)	
102	See Note	NSS	Bottom, Box (Note: Not Available - Purchase Complete Console Box Assembly.)	
103	2600211	2	Hinge	
104	3900224	8	Capscrew, Socket Head Countersunk 6mmx 16mm	
105	3931672	1	Capscrew, Socket Head 3/8in-16NC x 4-1/2in	
107	3311601	1	Nut 3/8in-16NC	
108	0100011	AR	Compound, Locking	

SECTION 4 - PLATFORM

ITEM	PART NUMBER	QTY	DESCRIPTION	REV
111	3520173	4	Plug	
	0861556	Ref	CONSOLE BOX ASSEMBLY (SN 0300067888 through 0300128000)	A
201	See Note	NSS	Lid, Cast (Note: Not Available - Purchase Complete Console Box Assembly.)	
202	See Note	NSS	Bottom, Box (Note: Not Available - Purchase Complete Console Box Assembly.)	
203	3311601	1	Nut 3/8in-16NC	
204	3450304	2	Pin, Cotter	
205	3931672	1	Capscrew, Socket Head 3/8in-16NC x 4-1/2in	
206	4711500	2	Flatwasher 5/16in (Narrow)	
		Ref	CONSOLE BOX OPTIONS	
301		Ref	Lights Switch Option Components	
301	4360336	1	Switch, Toggle	
301	3790012	1	O-Ring	
302		Ref	Articulating Jib Switch Components (600SJC & 660SJC Only)	
302	4360314	1	Switch, Toggle	
302	3790012	1	O-Ring	
		Ref	LIGHT PANEL DECAL INSTALLATIONS	
	0270386	Ref	ANSI Spec	1
	0270388	Ref	ANSI Export Spec	1
401		Ref	Decal - Light Panel Display Options:	
401	1704707	1	ANSI Spec	
401	1704710	1	ANSI Export Spec	
	4922338	Ref	ELECTRICAL COMPONENTS INSTALLATIONS	7/E
534	4460503	1	Connector - 31 Position	
536	4460613	1	Connector - 21 Position	
539	4120035	13	Base, Light	
539	2920129	13	Bulb, Light	
543	3641182	1	Track	
544	4460601	20	Block, Terminal	
545	4460607	2	Stop, End	
546	4460602	1	Barrier, Terminal	
547	4120013	1	Socket, Relay	
548	4460603	1	Bar, Buss - 10 Position (Cut into [2] 5 Position Bars)	
550	4460631	1	Marker, Terminal (Negative)	
551	4460847	1	Marker, Terminal (1-10)	
552	4120013	3	Socket, Relay	
559	446849	2	Marker, Terminal (11-20)	

SECTION 4 - PLATFORM

FIGURE 4-4. CONTROLLER ASSEMBLY (SWING AND LIFT)



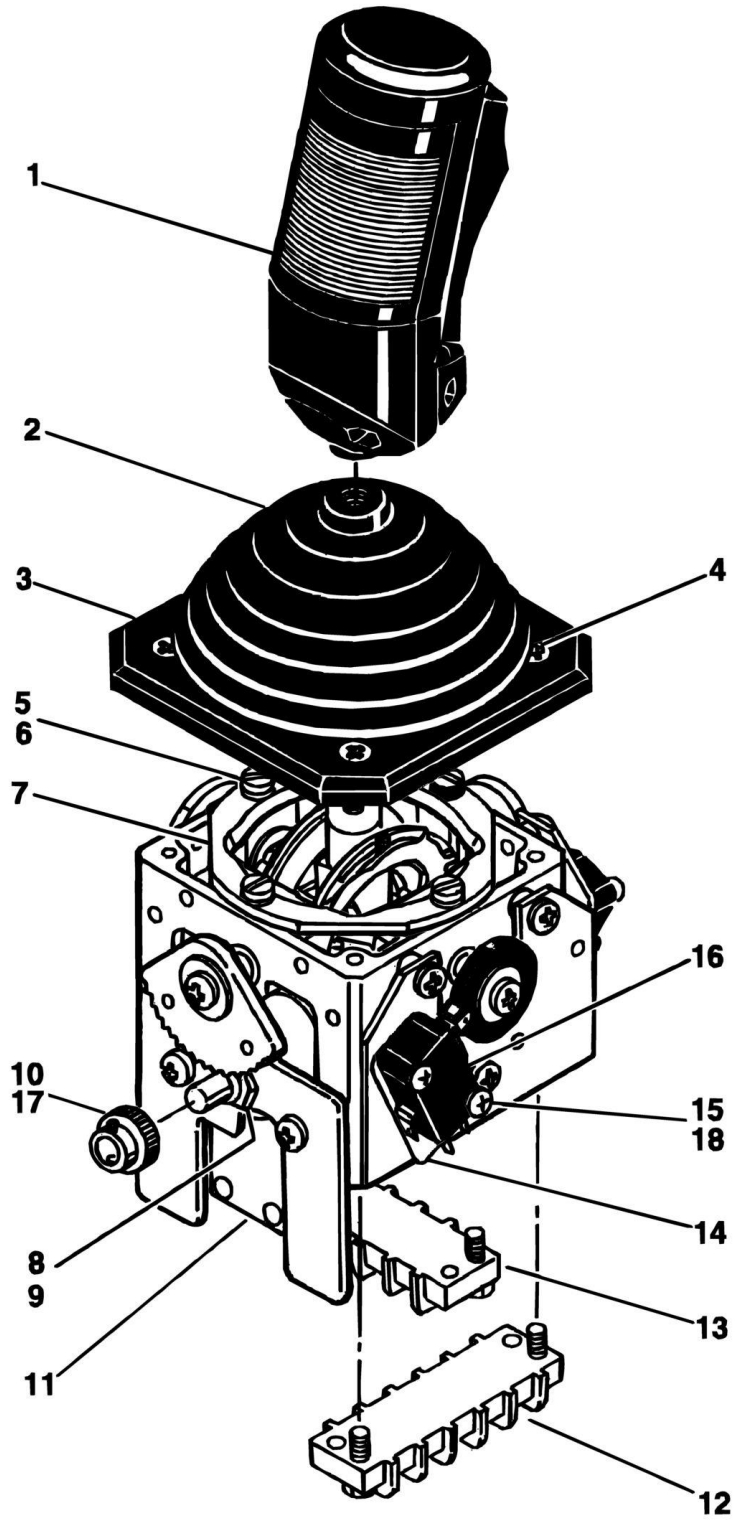
SECTION 4 - PLATFORM

FIGURE 4-4. CONTROLLER ASSEMBLY (SWING AND LIFT)

ITEM	PART NUMBER	QTY	DESCRIPTION	REV
	1600284	Ref	CONTROLLER ASSEMBLY	A
1	7019141	1	Mechanical Assembly (Includes Base, Handle Stem and Items 1A, 1B, 1C & 18)	
1A	7019197	1	Handle Cap and Rod	
1B	7003928	1	Spring	
1C	7022808	1	Cap, Lift	
2	7019171	2	Plate	
3	7019111	4	Bearing, Gear	
4	7019143	2	Screw	
5	7019144	2	Spacer, Cam	
6	7019145	4	E-Clip	
7	7019174	2	Spacer	
8	7003977	2	Gear, Drive	
9	7019147	4	Shaft	
10	7003974	2	Potentiometer	
11	7019142	2	Plate	
12	7003992	2	Washer	
13	7003993	2	Nut	
14	7003976	2	Gear, Slave	
15	7019149	2	Setscrew	
16	7003952	4	Screw	
17	7019150	1	Gate	
18	7022813	1	Boot (was p/n 7003955)	
19	7022813	1	Plate, Plastic (was p/n 7003954)	
20	7003956	1	O-Ring	
21	7003953	4	Washer	
22	7019137	4	Screw	
23	See Note	NSS	Center, Detent (Note: Not Available for Purchase.)	
24	7019122	1	Gimble, Outer	
25	7019123	1	Gimble, Inner	
26	4460266	1	Connector - 9 Pin	
26	4460268	8	Socket, Female	
26	4460265	1	Plug - 9 Pin (Part of Platform Wiring) (Not Shown)	
26	4460267	8	Pin, Male (Part of Platform Wiring) (Not Shown)	

SECTION 4 - PLATFORM

FIGURE 4-5. CONTROLLER ASSEMBLY (DRIVE AND STEER)



SECTION 4 - PLATFORM

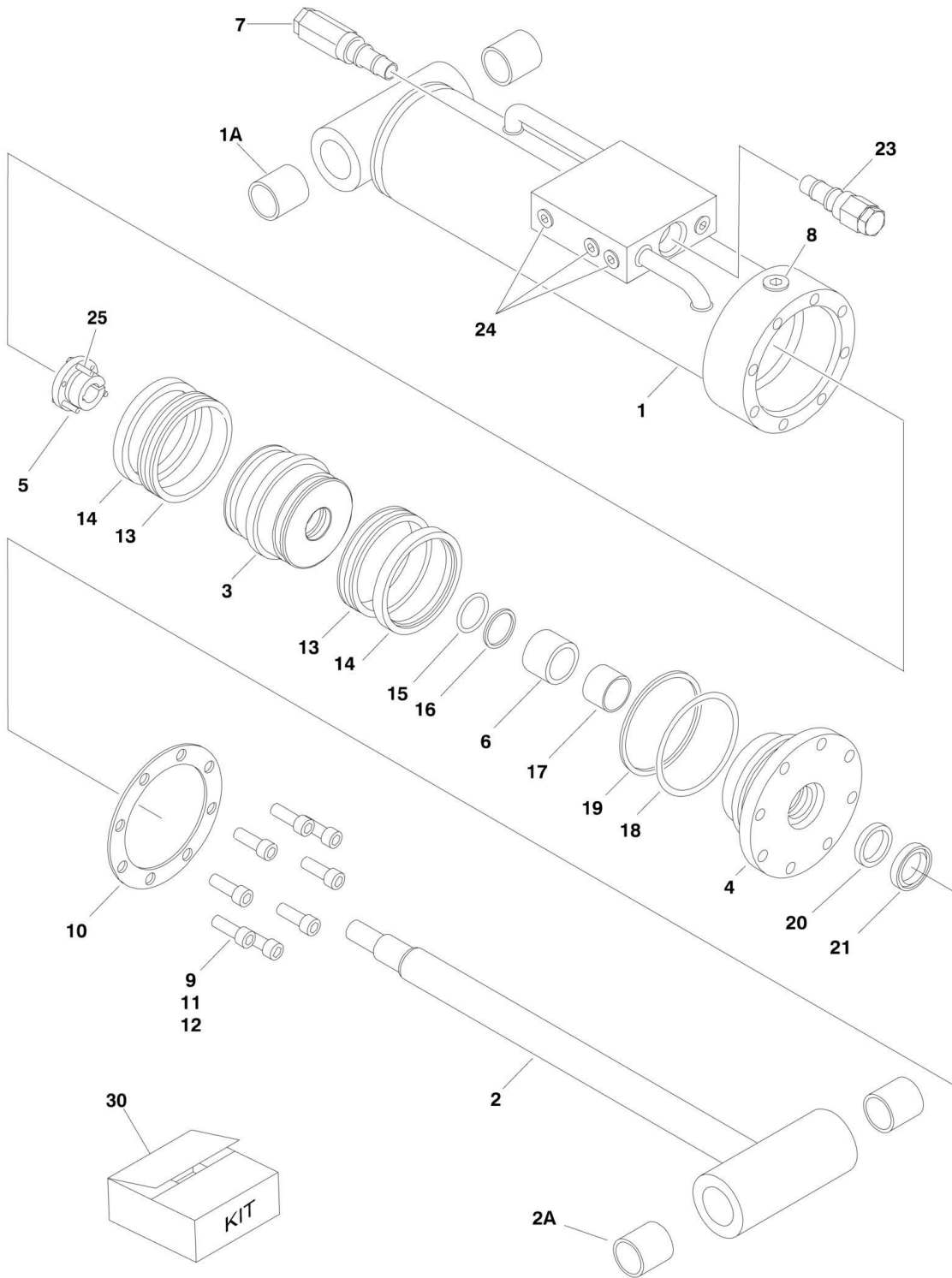
FIGURE 4-5. CONTROLLER ASSEMBLY (DRIVE AND STEER)

ITEM	PART NUMBER	QTY	DESCRIPTION	REV
		Ref	Note: Original Equipment controller may have been replaced with Service Replacement controller. Visually identify controller before ordering parts.	
		Ref	CONTROLLER ASSEMBLY OPTIONS:	
	1600263	Ref	Original Equipment (Prior to SN 0300066057)	B
	1600330	Ref	Service Replacement (Prior to SN 0300066057)	A
	1600330	Ref	Original Replacement (SN 0300066057 through 0300128000)	A
1		Ref	Handle Assembly Options:	
1	7019199	1	Handle Assembly (Controller p/n 1600263)	
1	7022829	1	Handle Assembly (Controller p/n 1600330 - Not Shown)	
2	7022800	1	Boot	
3	7022801	1	Flange	
4	7022802	4	Screw	
5	7022803	4	Washer	
6	7022804	4	Screw	
7	7022805	1	Gate	
8	7003993	2	Nut	
9	7003992	2	Flatwasher	
10	7022806	2	Gear, Slave	
11	7022826	2	Digisensor	
12	7019153	1	Strip, Terminal	
13	7003986	1	Strip, Terminal	
14	7019138	2	Insulator	
15	7019139	4	Screw	
16	7003961	2	Microswitch	
17	7019149	2	Setscrew	
18	7022807	4	Nut	

SECTION 5 - CYLINDER

SECTION 5 - CYLINDER

FIGURE 5-1. LEVEL CYLINDER ASSEMBLY - 600SC (ORIGINAL EQUIPMENT)



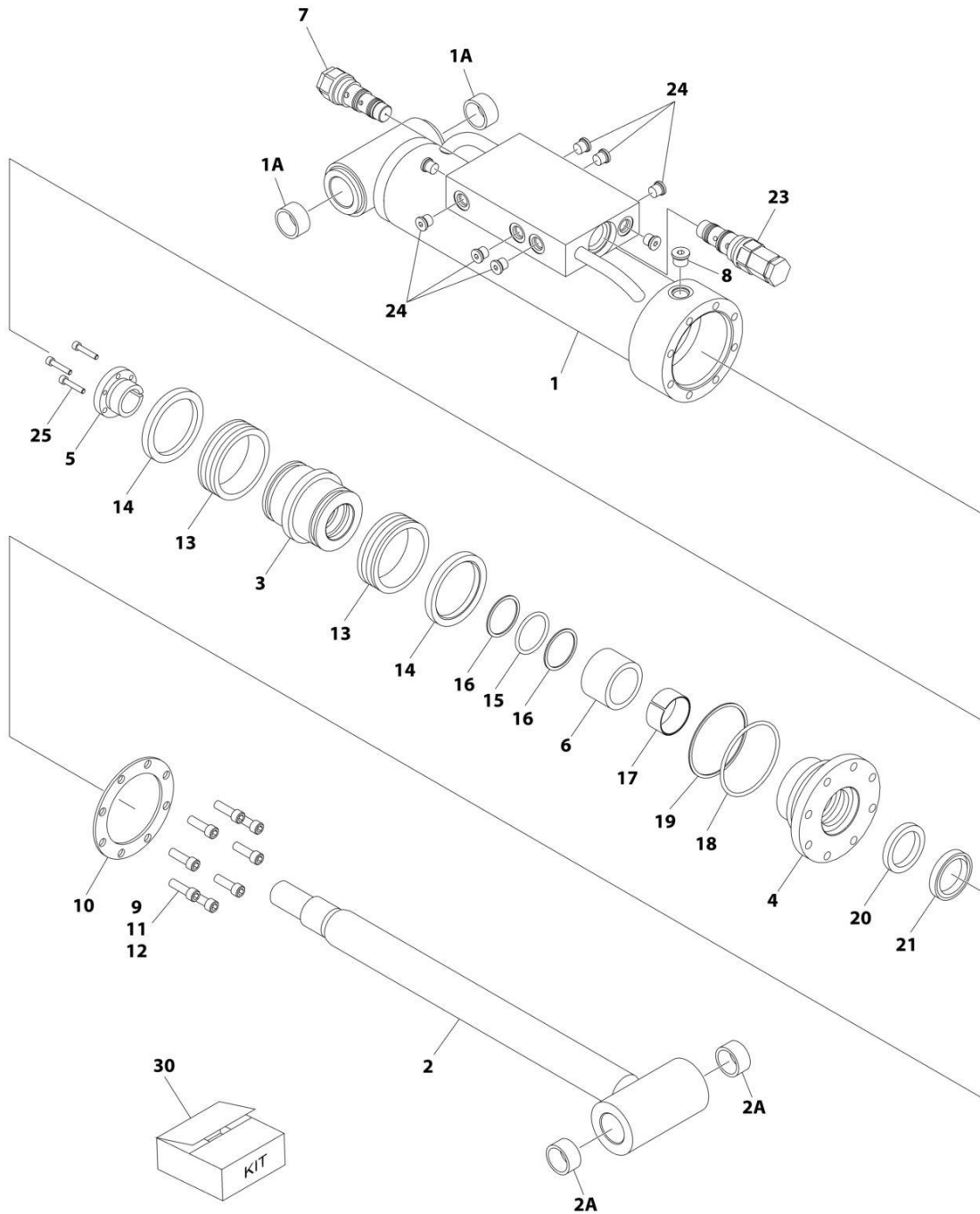
SECTION 5 - CYLINDER

FIGURE 5-1. LEVEL CYLINDER ASSEMBLY - 600SC (ORIGINAL EQUIPMENT)

ITEM	PART NUMBER	QTY	DESCRIPTION	REV
	1683415	Ref	LEVEL CYLINDER ASSEMBLY - 600SC (ORIGINAL EQUIPMENT)	C
		Ref	Note: Original Cylinder May Have Been Replaced with Service Replacement. Identify PN Stamped on Cylinder Before Ordering Parts.	
1		Ref	Barrel Options: (Note: Includes Item 1A)	
1	1683416	1	Barrel (Prior to SN 0300052687)	
1	1683977	1	Barrel (SN 0300052687 through 0300128000)	
1A	0961947	2	Bushing	
2		Ref	Rod (Note: Includes Item 2A)	
2	1683274	1	Rod (Prior to SN 0300052687)	
2	1683976	1	Rod (SN 0300052687 through 0300128000)	
2A	0961947	2	Bushing	
3	3480210	1	Piston	
4	1683053	1	Head	
5	0961893	1	Bushing, Tapered	
6	4566468	1	Spacer	
7	4640509	1	Cartridge, Valve	
7	2900792	1	Seal Kit - 4640509 Valve	
8	2220885	1	Plug, O-Ring	
9	3931516	8	Capscrew, Socket Head 5/16in-18NC x 1in	
10	3760368	1	Ring, Washer	
11	0100011	AR	Compound, Locking	
12	0100038	AR	Primer, Locking	
13	See Note	NSS	Seal (Note: Use Item 30)	
14	See Note	NSS	Ring, Lock (Note: Use Item 30)	
15	See Note	NSS	O-Ring (Note: Use Item 30)	
16	See Note	NSS	Ring, Back-up (Note: Use Item 30)	
17	See Note	NSS	Ring, Wear (Note: Use Item 30)	
18	See Note	NSS	O-Ring (Note: Use Item 30)	
19	See Note	NSS	Ring, Back-up (Note: Use Item 30)	
20	See Note	NSS	Seal, Rod (Note: Use Item 30)	
21	See Note	NSS	Wiper (Note: Use Item 30)	
23	4640932	1	Cartridge, Valve	
23	7011112	1	Seal Kit - Valve Cartridge	
24	2220883	AR	Plug, O-Ring	
25	0630534	3	Screw, Socket Head #10-24NC x 1in	
30	2901303	1	Seal Kit (Includes Items 13-21)	

SECTION 5 - CYLINDER

FIGURE 5-2. LEVEL CYLINDER ASSEMBLY - 600SC (SERVICE REPLACEMENT)



ART_1001223512

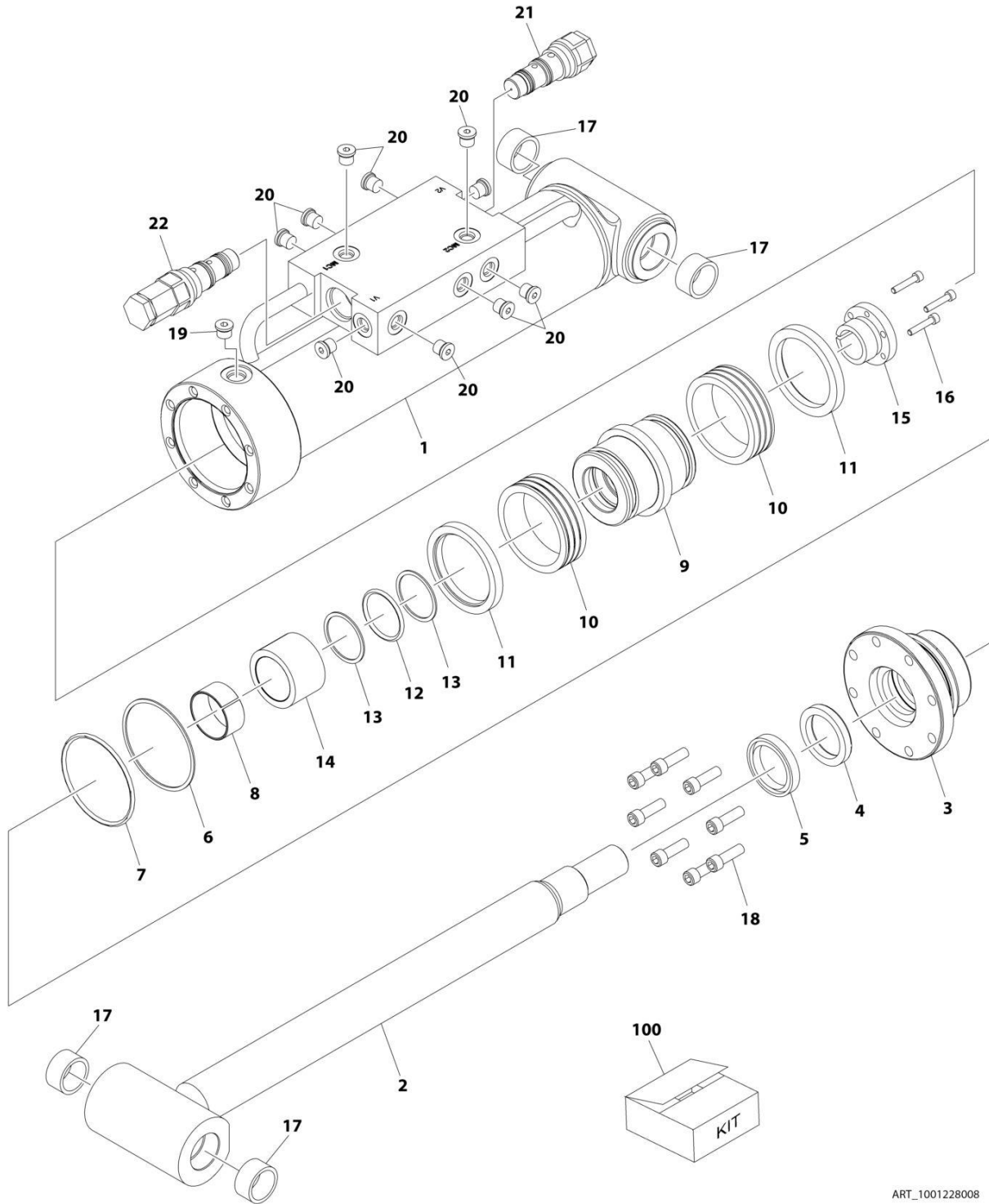
SECTION 5 - CYLINDER

FIGURE 5-2. LEVEL CYLINDER ASSEMBLY - 600SC (SERVICE REPLACEMENT)

ITEM	PART NUMBER	QTY	DESCRIPTION	REV
	1001223512	Ref	LEVEL CYLINDER ASSEMBLY - 600SC (SERVICE REPLACEMENT)	B
		Ref	Note: Original Cylinder May Have Been Replaced with Service Replacement. Identify PN Stamped on Cylinder Before Ordering Parts.	
1	1001223511	1	Barrel Weldment	
1A	0961947	2	Bushing	
2	1683976	1	Rod Weldment	
2A	0961947	2	Bushing	
3	3480210	1	Piston	
4	1683053	1	Head	
5	0961893	1	Bushing, Tapered	
6	4566468	1	Spacer	
7	4640509	1	Cartridge, Valve	
7	2900792	1	Seal Kit 4640509 Valve	
8	2220885	1	Plug, O-Ring	
9	3931516	8	Capscrew 5/16 x 1	
10	3760368	1	Ring, Washer	
11	0100011	AR	Compound, Locking	
12	0100038	AR	Primer, Locking	
13	See Note	NSS	Seal (Note: Use Item 30)	
14	See Note	NSS	Ring, Lock (Note: Use Item 30)	
15	See Note	NSS	O-Ring (Note: Use Item 30)	
16	See Note	NSS	Ring, Back-up (Note: Use Item 30)	
17	See Note	NSS	Ring, Wear (Note: Use Item 30)	
18	See Note	NSS	O-Ring (Note: Use Item 30)	
19	See Note	NSS	Ring, Back-up (Note: Use Item 30)	
20	See Note	NSS	Seal, Rod (Note: Use Item 30)	
21	See Note	NSS	Wiper (Note: Use Item 30)	
23	4640932	1	Cartridge, Valve	
23	7011112	1	Seal Kit 4640932 Valve	
24	2220883	AR	Plug, O-Ring	
25	0630534	3	Screw #10 x 1	
30	2901303	1	Seal Kit (Includes Items 13-21)	

SECTION 5 - CYLINDER

FIGURE 5-3. LEVEL CYLINDER ASSEMBLY - 600SC (SERVICE REPLACEMENT)



ART_1001228008

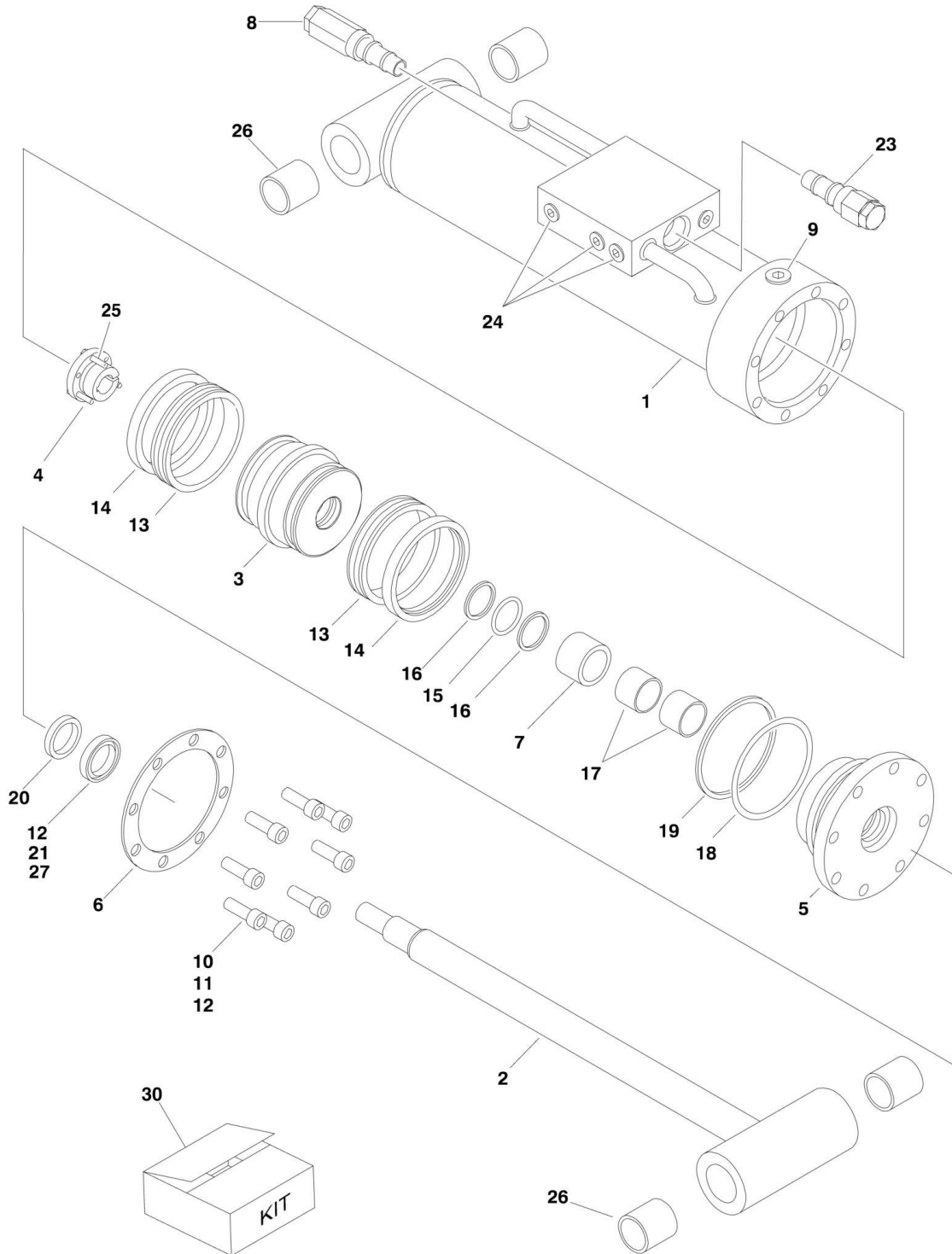
SECTION 5 - CYLINDER

FIGURE 5-3. LEVEL CYLINDER ASSEMBLY - 600SC (SERVICE REPLACEMENT)

ITEM	PART NUMBER	QTY	DESCRIPTION	REV
	1001228008	Ref	LEVEL CYLINDER ASSEMBLY - 600SC (SERVICE REPLACEMENT)	A
		Ref	Note: Original Cylinder May Have Been Replaced with Service Replacement. Identify PN Stamped on Cylinder Before Ordering Parts.	
1	See Note	NSS	Barrel (Note: Not Available for Purchase)	
2	70006648	1	Rod	
3	70006649	1	Head	
4	See Note	NSS	Wiper (Note: Use Item 100)	
5	See Note	NSS	Seal (Note: Use Item 100)	
6	See Note	NSS	O-Ring (Note: Use Item 100)	
7	See Note	NSS	Ring, Back-up (Note: Use Item 100)	
8	See Note	NSS	Ring, Wear (Note: Use Item 100)	
9	70006650	1	Piston	
10	See Note	NSS	Seal (Note: Use Item 100)	
11	See Note	NSS	Ring, Lock (Note: Use Item 100)	
12	See Note	NSS	O-Ring (Note: Use Item 100)	
13	See Note	NSS	Ring, Back-up (Note: Use Item 100)	
14	70006569	1	Spacer	
15	0961893	1	Bushing, Tapered	
16	0630534	3	Screw #10 x 1	
17	0961947	4	Bushing	
18	3931516	8	Capscrew 5/16 x 1	
19	2220885	1	Plug, O-Ring	
20	2220883	10	Plug, O-Ring	
21	4640932	1	Cartridge, Valve	
21	7011112	1	Seal Kit - 4640932 Valve	
22	4640509	1	Cartridge, Valve	
22	2900792	1	Seal Kit - 4640509 Valve	
100	2901303	1	Seal Kit (Includes Items 4-8 & 10-13)	

SECTION 5 - CYLINDER

FIGURE 5-4. LEVEL CYLINDER ASSEMBLIES - 600SJC & 660SJC (ORIGINAL EQUIPMENT)



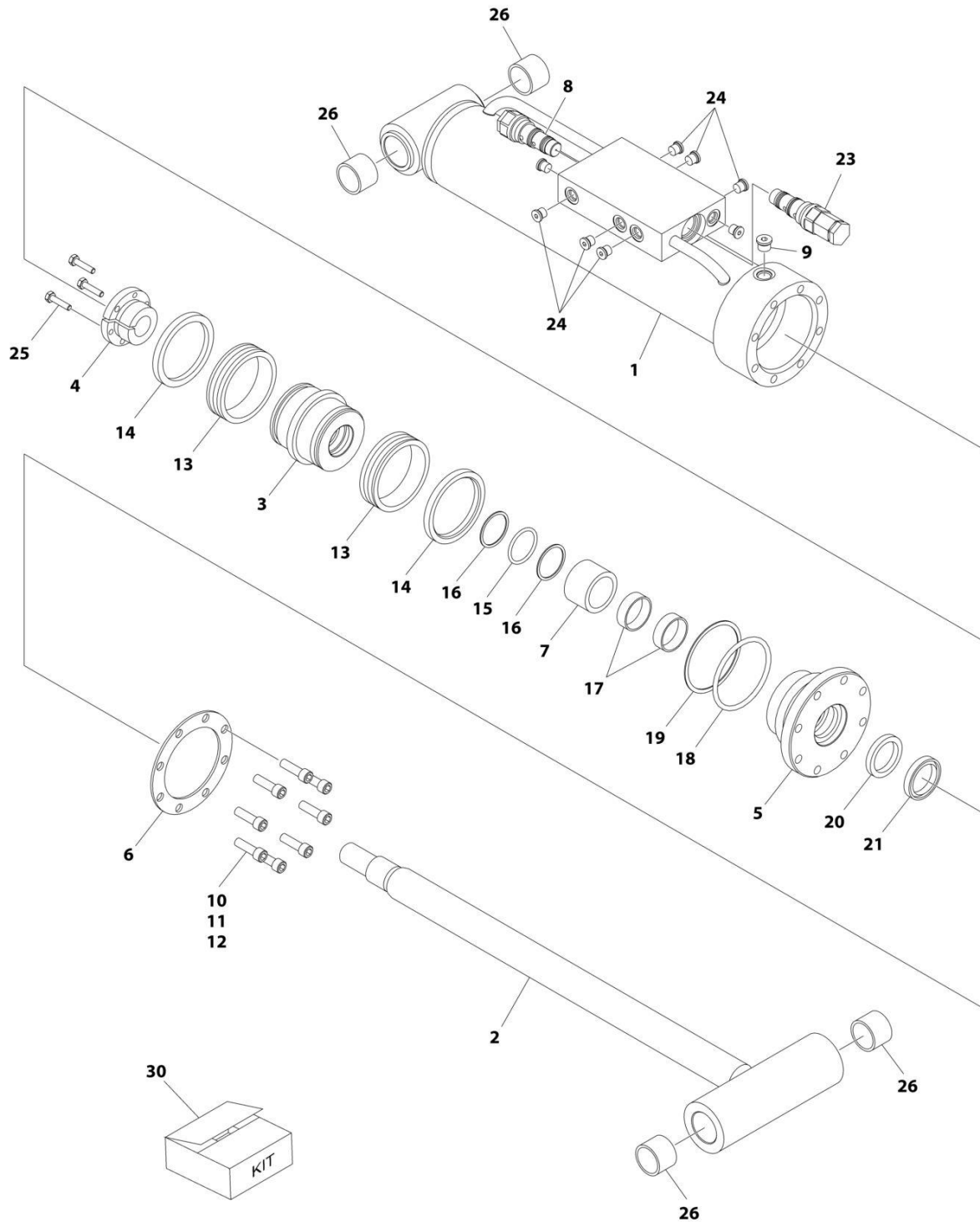
SECTION 5 - CYLINDER

FIGURE 5-4. LEVEL CYLINDER ASSEMBLIES - 600SJC & 660SJC (ORIGINAL EQUIPMENT)

ITEM	PART NUMBER	QTY	DESCRIPTION	REV
	1683418	Ref	LEVEL CYLINDER ASSEMBLIES - 600SJC & 660SJC (ORIGINAL EQUIPMENT)	D
		Ref	Note: Original Cylinder May Have Been Replaced with Service Replacement. Identify PN Stamped on Cylinder Before Ordering Parts.	
1		Ref	Barrel Options:	
1	1683419	1	Barrel (Note: Includes Item 26) (Prior to SN 0300052687)	
1	1683952	1	Barrel (Note: Item 26 not included - Purchase Separately) (SN 0300052687 through 0300128000)	
2		Ref	Rod Options:	
2	1683963	1	Rod (Note: Includes Item 370 Bushings)	
2	1683333	1	Rod (Note: Item 370 not included. Purchase PN 1683963)	
3	3480188	1	Piston	
4	0961894	1	Bushing, Tapered	
5	1683055	1	Head	
6	3760369	1	Ring, Washer	
7	4566468	1	Spacer	
8	4640509	1	Cartridge, Valve	
8	2900792	1	Seal Kit - 4640509 Valve	
9	2220885	1	Plug, O-Ring	
10	3931620	8	Capscrew, Socket Head 3/8in-16NC x 1-1/4in	
11	0100011	AR	Compound, Locking	
12	0100038	AR	Primer, Locking	
13	See Note	NSS	Seal (Note: Use Item 30)	
14	See Note	NSS	Ring, Lock (Note: Use Item 30)	
15	See Note	NSS	O-Ring (Note: Use Item 30)	
16	See Note	NSS	Ring, Back-up (Note: Use Item 30)	
17	See Note	NSS	Ring, Wear (Note: Use Item 30)	
18	See Note	NSS	O-Ring (Note: Use Item 30)	
19	See Note	NSS	Ring, Back-up (Note: Use Item 30)	
20	See Note	NSS	Seal, Rod (Note: Use Item 30)	
21	See Note	NSS	Wiper (Note: Use Item 30)	
23	4640932	1	Cartridge, Valve	
23	7011112	1	Seal Kit - Valve Cartridge	
24	2220883	8	Plug, O-Ring	
25	0630535	3	Screw, Socket Head 1/4in-20NC x 1-1/8in	
26	0961951	4	Bushing	
27	0100063	AR	Loctite #RC609	
30	2901301	1	Seal Kit (Includes Items 13-21)	

SECTION 5 - CYLINDER

FIGURE 5-5. LEVEL CYLINDER ASSEMBLIES - 600SJC & 660SJC (SERVICE REPLACEMENT)



ART_1001223331

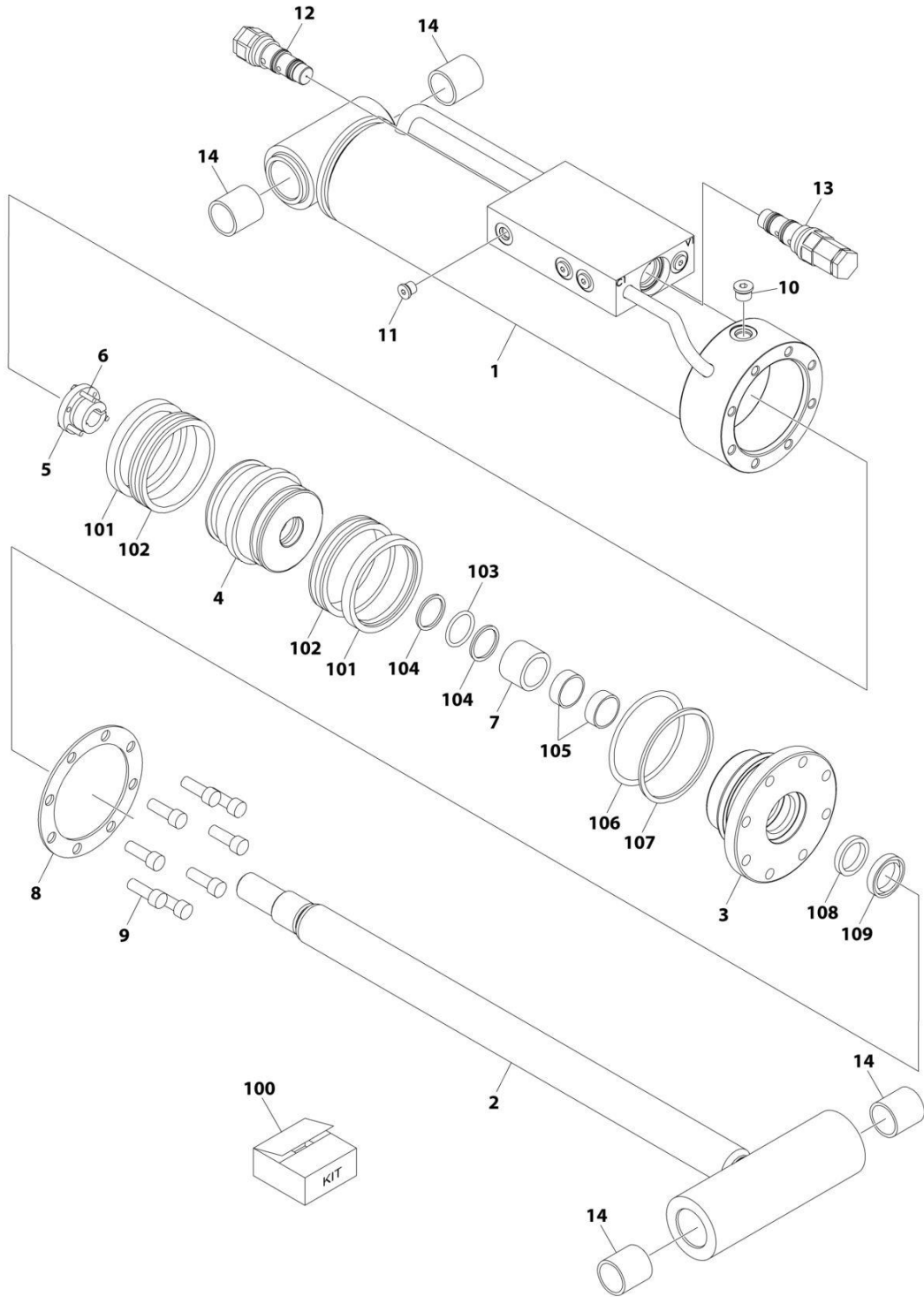
SECTION 5 - CYLINDER

FIGURE 5-5. LEVEL CYLINDER ASSEMBLIES - 600SJC & 660SJC (SERVICE REPLACEMENT)

ITEM	PART NUMBER	QTY	DESCRIPTION	REV
	1001223331	Ref	LEVEL CYLINDER ASSEMBLIES - 600SJC & 660SJC (SERVICE REPLACEMENT)	B
		Ref	Note: Original Cylinder May Have Been Replaced with Service Replacement. Identify PN Stamped on Cylinder Before Ordering Parts.	
1	1001223332	1	Barrel Weldment	
2	1683963	1	Rod Weldment	
3	3480188	1	Piston	
4	0961894	1	Bushing, Tapered	
5	1683055	1	Head	
6	3760369	1	Ring, Washer	
7	4566468	1	Spacer	
8	4640509	1	Cartridge, Valve	
8	2900792	1	Seal Kit - 4640509 Valve	
9	2220885	1	Plug, O-Ring	
10	3931620	8	Capscrew 3/8 x 1-1/4	
11	0100011	AR	Compound, Locking	
12	0100038	AR	Primer, Locking	
13	See Note	NSS	Seal (Note: Use Item 30)	
14	See Note	NSS	Ring, Lock (Note: Use Item 30)	
15	See Note	NSS	O-Ring (Note: Use Item 30)	
16	See Note	NSS	Ring, Back-up (Note: Use Item 30)	
17	See Note	NSS	Ring, Wear (Note: Use Item 30)	
18	See Note	NSS	O-Ring (Note: Use Item 30)	
19	See Note	NSS	Ring, Back-up (Note: Use Item 30)	
20	See Note	NSS	Seal, Rod (Note: Use Item 30)	
21	See Note	NSS	Wiper (Note: Use Item 30)	
23	4640932	1	Cartridge, Valve	
23	7011112	1	Seal Kit - 4640932 Valve	
24	2220883	8	Plug, O-Ring	
25	0630535	3	Screw #10 x 1	
26	0961951	4	Bushing	
30	2901301	1	Seal Kit (Includes Items 13-21)	

SECTION 5 - CYLINDER

FIGURE 5-6. LEVEL CYLINDER ASSEMBLY - 600SJC & 660SJC (SERVICE REPLACEMENT)



ART_1001228051

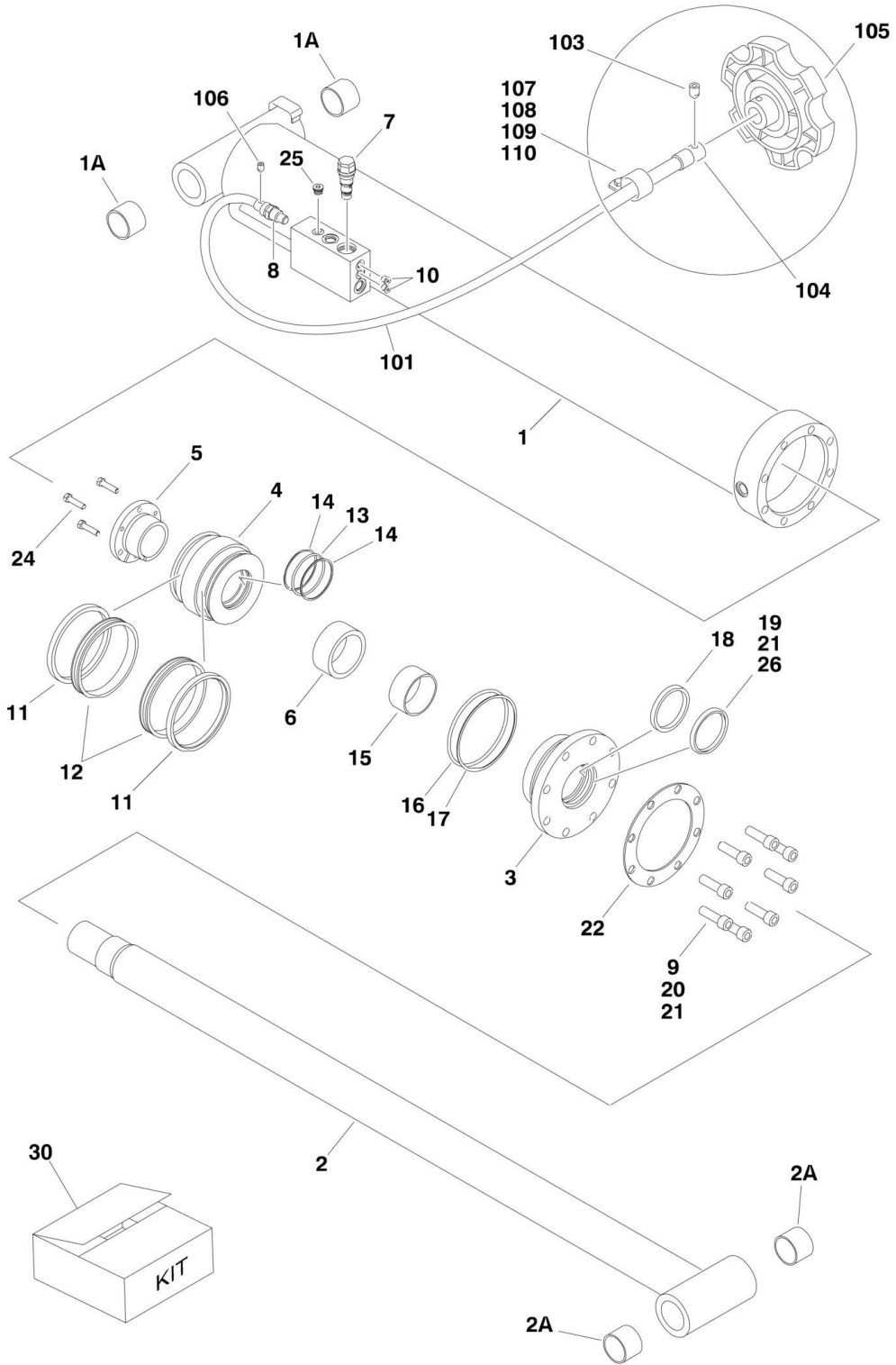
SECTION 5 - CYLINDER

FIGURE 5-6. LEVEL CYLINDER ASSEMBLY - 600SJC & 660SJC (SERVICE REPLACEMENT)

ITEM	PART NUMBER	QTY	DESCRIPTION	REV
	1001228051	Ref	LEVEL CYLINDER ASSEMBLY	A
		Ref	Note: Original Cylinder May Have Been Replaced with Service Replacement. Identify PN Stamped on Cylinder Before Ordering Parts.	
1	See Note	NSS	Barrel (Note: Use p/n 1001228051)	
2	70006823	1	Rod	
3	70006446	1	Head	
4	70006445	1	Piston	
5	70006444	1	Bushing, Tapered	
6	0630535	3	Bolt 1/4 x 1-1/8	
7	70006443	1	Spacer	
8	70006822	1	Ring, Washer	
9	3931620	8	Capscrew 3/8 x 1-1/4	
10	2220885	1	Plug, O-Ring	
11	2220883	8	Plug, O-Ring	
12	4640509	1	Cartridge, Valve	
12	2900792	1	Seal Kit - 4640509 Valve	
13	4640932	1	Cartridge, Valve	
13	7011112	1	Seal Kit - 4640932 Valve	
14	0961951	4	Bushing	
100	1001138796	1	Seal Kit - 1001228051 Cylinder (Includes Items 101-109)	
101	See Note	NSS	Ring, Lock (Note: Use Item 100)	
102	See Note	NSS	Seal (Note: Use Item 100)	
103	See Note	NSS	O-Ring (Note: Use Item 100)	
104	See Note	NSS	Ring, Back-up (Note: Use Item 100)	
105	See Note	NSS	Ring, Wear (Note: Use Item 100)	
106	See Note	NSS	O-Ring (Note: Use Item 100)	
107	See Note	NSS	Ring, Back-up (Note: Use Item 100)	
108	See Note	NSS	Seal, Rod (Note: Use Item 100)	
109	See Note	NSS	Wiper (Note: Use Item 100)	

SECTION 5 - CYLINDER

FIGURE 5-7. LIFT CYLINDER ASSEMBLY



SECTION 5 - CYLINDER

FIGURE 5-7. LIFT CYLINDER ASSEMBLY

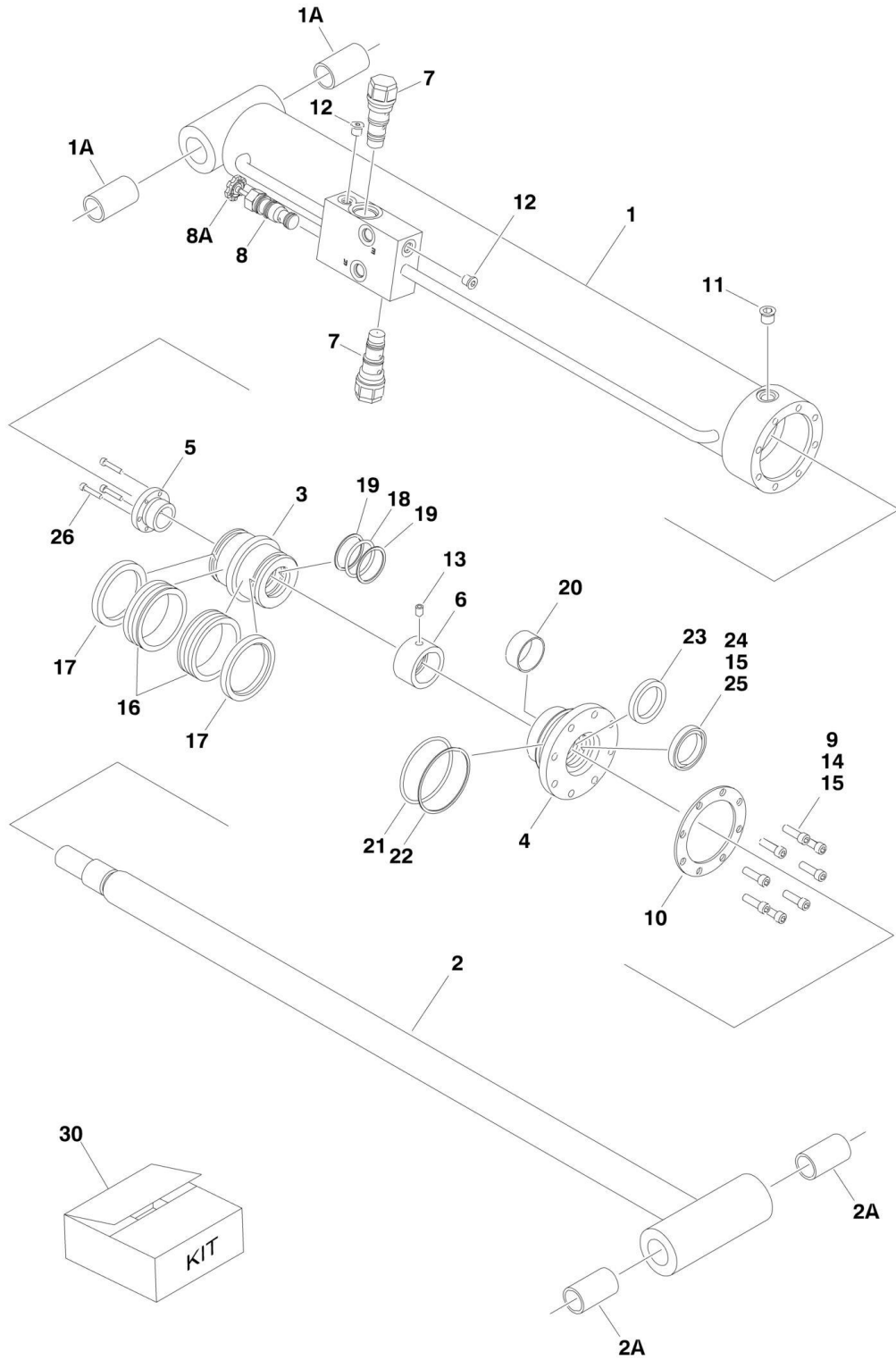
ITEM	PART NUMBER	QTY	DESCRIPTION	REV
		Ref	Note: Original Equipment components may have been replaced with Service Replacement part. Identify p/n stamped on cylinder before ordering parts.	
		Ref	LIFT CYLINDER ASSEMBLY OPTIONS:	
	1683275	Ref	Lift Cylinder Assembly 600SC	H
	1683275	Ref	Lift Cylinder Assembly 600SJC/660SJC (Prior to SN 0300070975)	H
	1683666	Ref	Lift Cylinder Assembly 600SJC/660SJC (Original Equipment) (SN 0300070975 through 0300128000)	D
	1001112468	Ref	Lift Cylinder Assembly 600SJC/660SJC (Service Replacement) (SN 0300070975 through 0300128000)	B
1		Ref	Barrel Options: (Note: Includes Item 1A)	
1	1683276	1	Barrel (Lift Cylinder p/n 1683275)	
1	1683955	1	Barrel (Lift Cylinder p/n 1683666)	
1	1001112467	1	Barrel (Lift Cylinder p/n 1001112468)	
1A	0961950	2	Bushing	
2		Ref	Rod Options: (Note: Includes Item 2A)	
2	1683278	1	Rod (Lift Cylinder p/n 1683275)	
2	1683954	1	Rod (Lift Cylinders p/n 1683666 & p/n 1001112468)	
2A	0961950	2	Bushing	
3	1683067	1	Head	
4	3480206	1	Piston	
5	0961898	1	Bushing, Tapered (Use item #24 in place of supplied bolts)	
6	4566501	1	Spacer, Tube	
7	4640509	1	Cartridge, Valve	
7	2900792	1	Seal Kit - 4640509 Valve	
8	4640799	1	Cartridge, Valve (Used on 1683275 Cylinder)	
8	7010545	1	Seal Kit - 4640799 Valve	
8	2220887	1	Plug, O-Ring (Used on 1683666 Cylinder)	
9	3932032	8	Bolt, Socket Head 5/16in-11NC x 2in	
10	2220883	2	Plug, O-Ring	
11	See Note	NSS	Ring, Lock (Note: Use Item 30)	
12	See Note	NSS	Seal, Hydrolock (Note: Use Item 30)	
13	See Note	NSS	O-Ring (Note: Use Item 30)	
14	See Note	NSS	Ring, Back-up (Note: Use Item 30)	
15	See Note	NSS	Ring, Wear (Note: Use Item 30)	
16	See Note	NSS	O-Ring (Note: Use Item 30)	
17	See Note	NSS	Ring, Back-up (Note: Use Item 30)	
18	See Note	NSS	Seal, Rod (Note: Use Item 30)	
19	See Note	NSS	Wiper (Note: Use Item 30)	
20	0100011	AR	Compound, Locking	
21	0100038	AR	Primer, Locking	
22	3760372	1	Washer, Ring	
24	0630536	3	Screw, Socket Head 3/8in-16NC x 1-1/2in	
25	2220235	1	Plug, O-Ring (SN 0300070975 through 0300128000)	
26	0100063	AR	Loctite #RC609 (SN 0300070975 through 0300128000)	
30	2901285	1	Seal Kit - 1683275 Cylinder (Includes Items 11-19)	
	0256212	Ref	MANUAL DESCENT INSTALLATION	3/B
101	1060617	1	Cable	
103	3900230	2	Setscrew #10-32NF x 3/8in	
104	0080220	1	Adapter	

SECTION 5 - CYLINDER

ITEM	PART NUMBER	QTY	DESCRIPTION	REV
105	2560144	1	Knob	
106	3950803	1	Setscrew #8-32NC x 3/8in	
107	1320070	1	Clamp	
108	0641408	1	Bolt 1/4in-20NC x 1in	
109	3311405	1	Locknut 1/4in-20NC	
110	4751400	2	Flatwasher 1/4in	

SECTION 5 - CYLINDER

FIGURE 5-8. ARTICULATING JIB LIFT CYLINDER ASSEMBLY - 600SJC & 660SJC



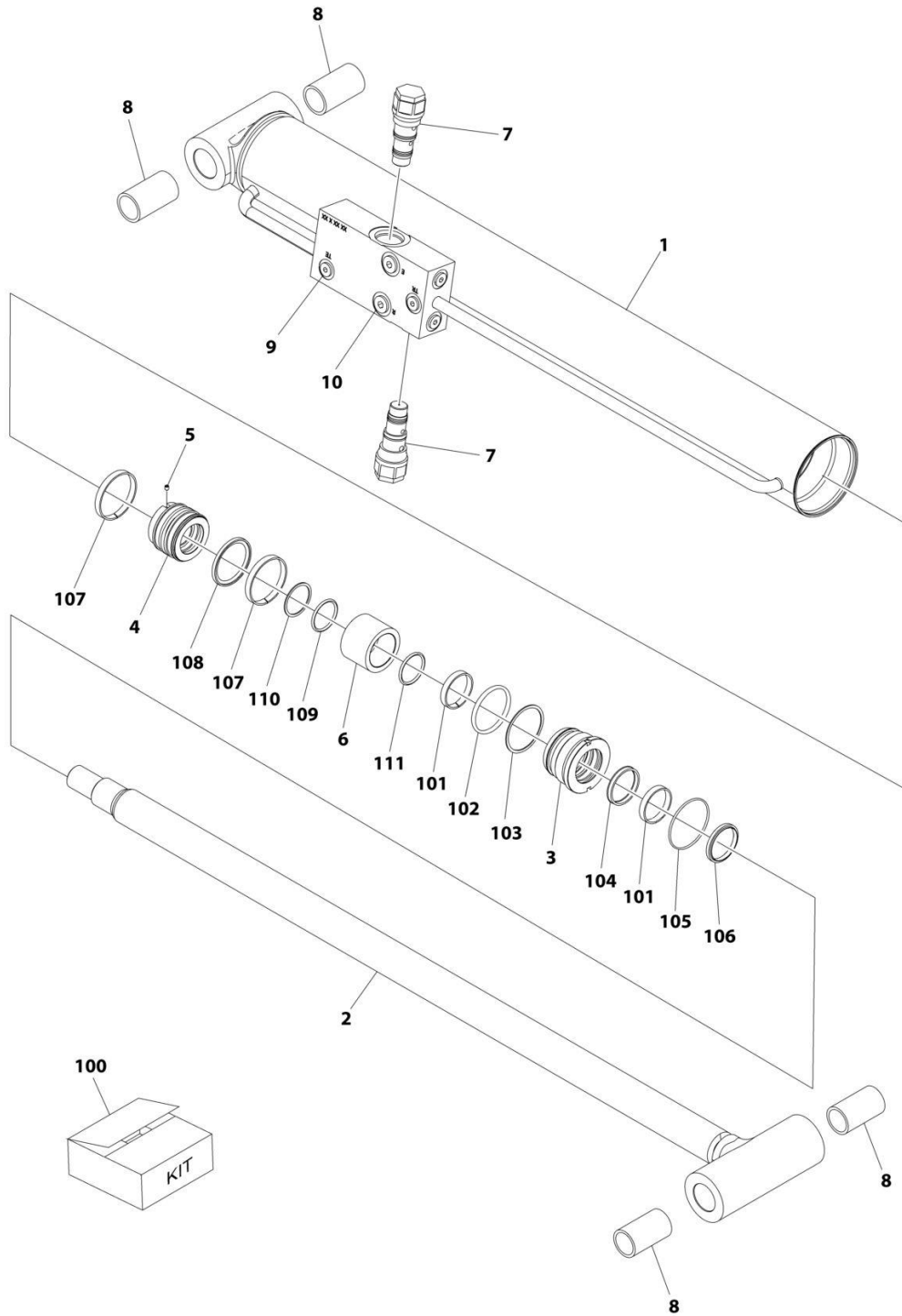
SECTION 5 - CYLINDER

FIGURE 5-8. ARTICULATING JIB LIFT CYLINDER ASSEMBLY - 600SJC & 660SJC

ITEM	PART NUMBER	QTY	DESCRIPTION	REV
		Ref	MAIN BOOM LIFT CYLINDER ASSEMBLY OPTIONS:	
	1683258	Ref	Main Boom Lift Cylinder Assembly (Original Equipment) (Prior to SN 0300070975)	E
	1683609	Ref	Main Boom Lift Cylinder Assembly (Original Equipment) (SN 0300070975 through 0300128000)	H
		Ref	Note: Original Cylinder May Have Been Replaced with Service Replacement. Identify PN Stamped on Cylinder Before Ordering Parts.	
1		Ref	Barrel Options: (Note: Includes Item 1A)	
1	1683259	1	Barrel (Prior to SN 0300062138)	
1	1684092	1	Barrel (SN 0300062138 through 0300070974)	
1	1684089	1	Barrel (SN 0300070975 through 0300128000)	
1A		Ref	Bushing Options:	
1A	0961947	2	Bushing (Prior to SN 0300062138)	
1A	0962336	2	Bushing (SN 0300062138 through 0300128000)	
2		Ref	Rod Options: (Note: Includes Item 2A)	
2	1683261	1	Rod (Prior to SN 0300062138)	
2	1684090	1	Rod (SN 0300062138 through 0300128000)	
2A		Ref	Bushing Options:	
2A	0961947	2	Bushing (Prior to SN 0300062138)	
2A	0962336	2	Bushing (SN 0300062138 through 0300128000)	
3	3480210	1	Piston	
4	1683053	1	Head	
5	0961893	1	Bushing, Tapered	
6	4566471	NLA	Spacer (Use p/n 4100100)	
7	4640509	2	Cartridge, Valve	
7	2900792	2	Seal Kit - 4640509 Valve	
8	4640902	1	Cartridge, Valve (Prior to SN 0300070975)	
8	7012953	1	Seal Kit - 4640902 Valve	
8A	7012961	1	Knob	
9	3931516	8	Capscrew, Socket Head 5/16in-18NC x 1in	
10	3760368	1	Ring, Washer	
11	2220885	1	Plug, O-Ring #6	
12	2220883	AR	Plug, O-Ring #4	
13	3900141	1	Setscrew 1/4in-20NC x 3/8in (Note: Setscrew not required on spacer p/n 4100100)	
14	0100011	AR	Compound, Locking	
15	0100038	AR	Primer, Locking	
16	See Note	NSS	Seal (Note: Use Item 30)	
17	See Note	NSS	Ring, Lock (Note: Use Item 30)	
18	See Note	NSS	O-Ring (Note: Use Item 30)	
19	See Note	NSS	Ring, Back-up (Note: Use Item 30)	
20	See Note	NSS	Ring, Wear (Note: Use Item 30)	
21	See Note	NSS	O-Ring (Note: Use Item 30)	
22	See Note	NSS	Ring, Back-up (Note: Use Item 30)	
23	See Note	NSS	Seal, Rod (Note: Use Item 30)	
24	See Note	NSS	Wiper (Note: Use Item 30)	
25	0100063	AR	Loctite #RC609 (SN 0300070975 through 0300128000)	
26	0630534	3	Screw, Socket Head #10-24NC x 1in	
30	2901303	1	Seal Kit (Includes Items 16-24)	

SECTION 5 - CYLINDER

FIGURE 5-9. ARTICULATING JIB LIFT CYLINDER ASSEMBLY - 600SJC & 660SJC (SERVICE REPLACEMENT)



ART_1001228012

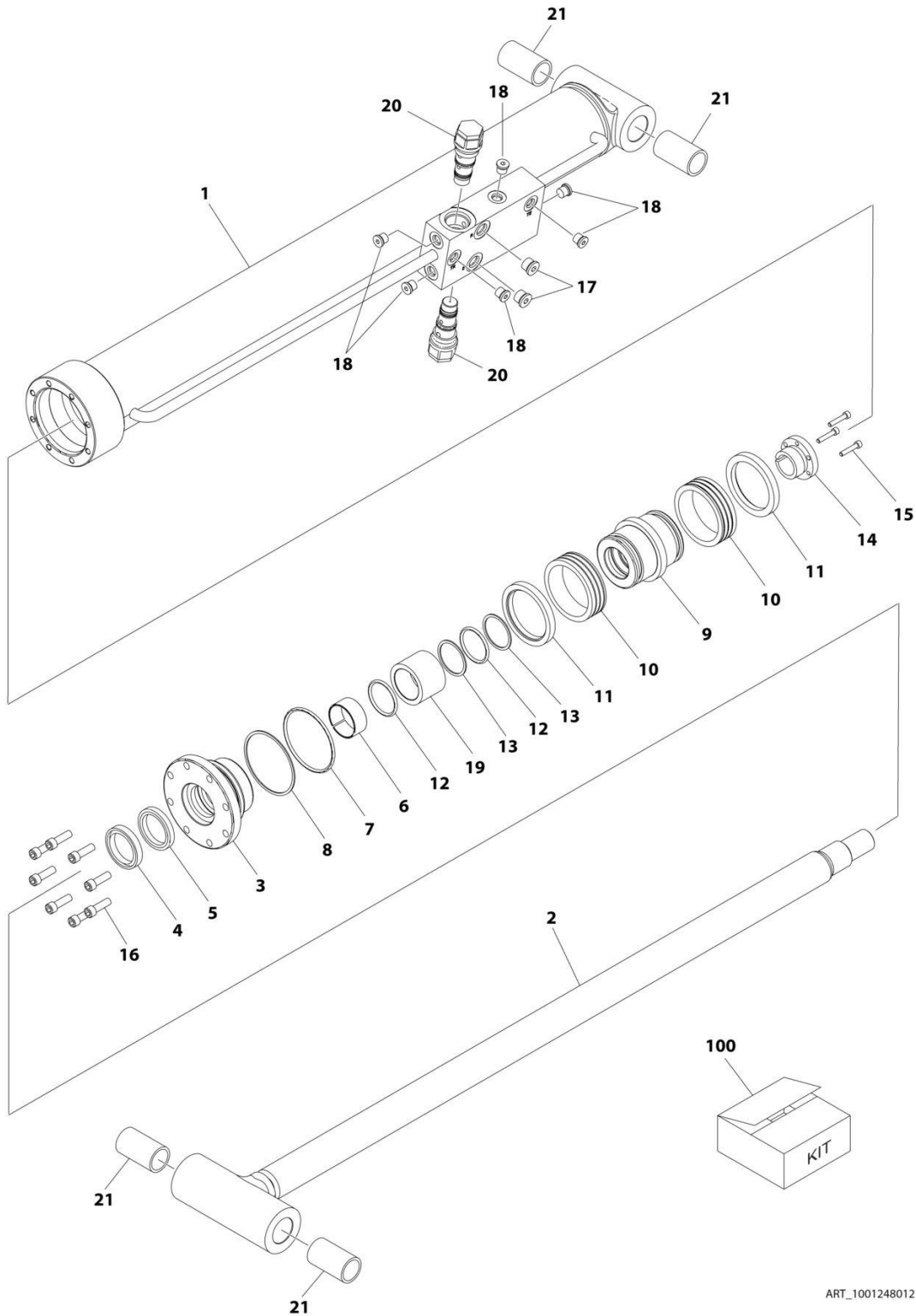
SECTION 5 - CYLINDER

FIGURE 5-9. ARTICULATING JIB LIFT CYLINDER ASSEMBLY - 600SJC & 660SJC (SERVICE REPLACEMENT)

ITEM	PART NUMBER	QTY	DESCRIPTION	REV
	1001228012	Ref	ARTICULATING JIB LIFT CYLINDER ASSEMBLY - 600SJC & 660SJC (SERVICE REPLACEMENT)	A
		Ref	Note: Original Cylinder May Have Been Replaced with Service Replacement. Identify PN Stamped on Cylinder Before Ordering Parts.	
1	See Note	NSS	Barrel (Note: Not Available for Purchase)	
2	70006572	1	Rod	
3	70006571	1	Head	
4	70006570	1	Piston	
5	70023915	1	Screw	
6	70006569	1	Spacer	
7	4640509	2	Cartridge, Valve	
7	2900792	2	Seal Kit - 4640509 Valve	
8	0962336	4	Bushing	
9	2220883	6	Plug, O-Ring	
10	2220885	2	Plug, O-Ring	
100	70006568	1	Seal Kit (Includes Items 101-111)	
101	See Note	NSS	Ring, Wear (Note: Use Item 100)	
102	See Note	NSS	O-Ring (Note: Use Item 100)	
103	See Note	NSS	Ring, Back-up (Note: Use Item 100)	
104	See Note	NSS	Seal, Rod (Note: Use Item 100)	
105	See Note	NSS	O-Ring (Note: Use Item 100)	
106	See Note	NSS	Wiper (Note: Use Item 100)	
107	See Note	NSS	Ring, Wear (Note: Use Item 100)	
108	See Note	NSS	Seal (Note: Use Item 100)	
109	See Note	NSS	O-Ring (Note: Use Item 100)	
110	See Note	NSS	Ring, Back-up (Note: Use Item 100)	
111	See Note	NSS	O-Ring (Note: Use Item 100)	

SECTION 5 - CYLINDER

FIGURE 5-10. ARTICULATING JIB LIFT CYLINDER ASSEMBLY - 600SJC & 660SJC (SERVICE REPLACEMENT)



ART_1001248012

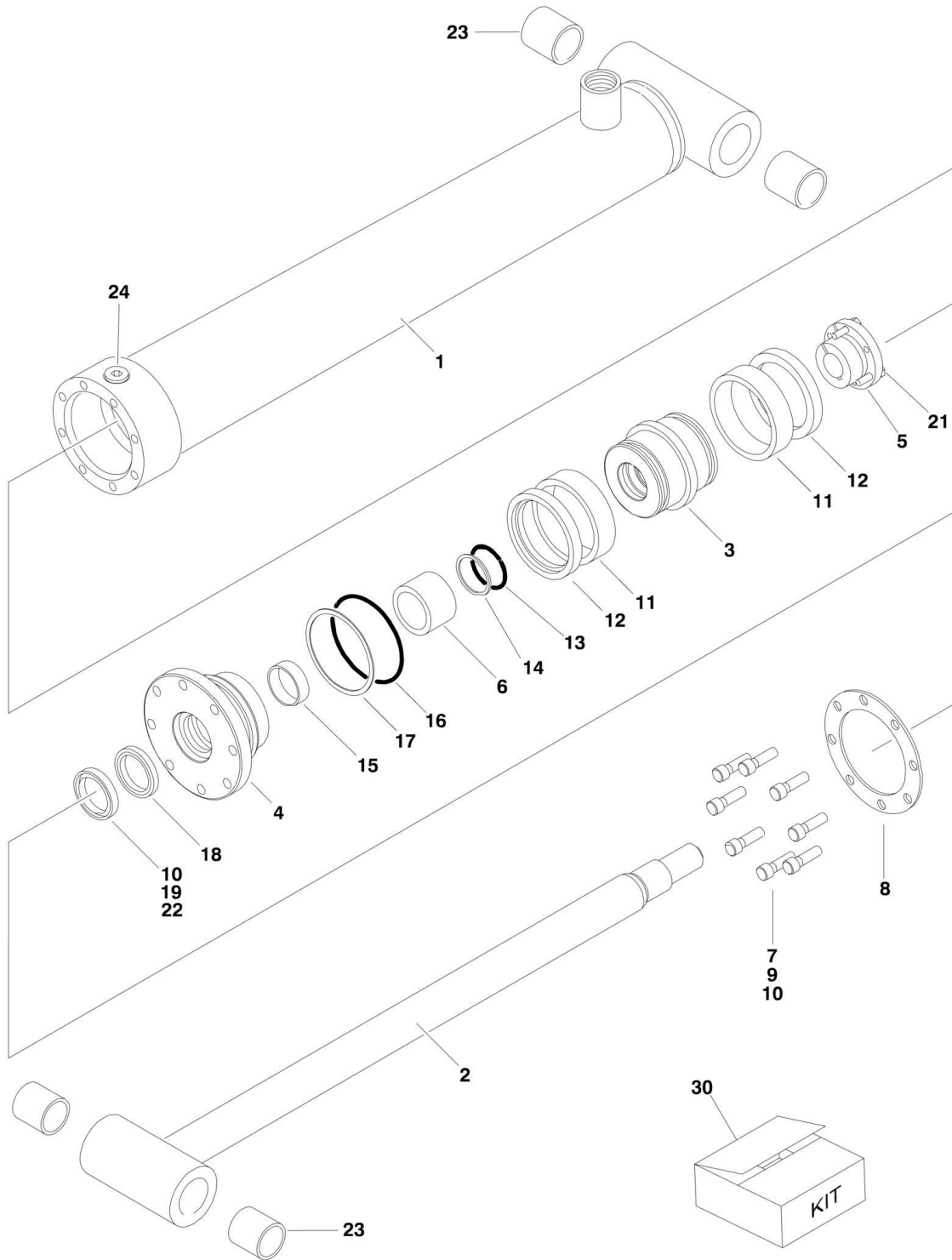
SECTION 5 - CYLINDER

FIGURE 5-10. ARTICULATING JIB LIFT CYLINDER ASSEMBLY - 600SJC & 660SJC (SERVICE REPLACEMENT)

ITEM	PART NUMBER	QTY	DESCRIPTION	REV
	1001248012	Ref	LIFT CYLINDER ASSEMBLY - JIB	C
		Ref	Note: Original Cylinder May Have Been Replaced with Service Replacement. Identify PN Stamped on Cylinder Before Ordering Parts.	
1	See Note	NSS	Barrel (Note: Not Available for Purchase)	
2	70006734	1	Rod	
3	70006649	1	Head	
4	See Note	NSS	Wiper (Note: Use Item 100)	
5	See Note	NSS	Seal, Rod (Note: Use Item 100)	
6	See Note	NSS	Ring, Wear (Note: Use Item 100)	
7	See Note	NSS	O-Ring (Note: Use Item 100)	
8	See Note	NSS	Ring, Back-up (Note: Use Item 100)	
9	70006650	1	Piston	
10	See Note	NSS	Seal (Note: Use Item 100)	
11	See Note	NSS	Ring, Lock (Note: Use Item 100)	
12	See Note	NSS	O-Ring (Note: Use Item 100)	
13	See Note	NSS	Ring, Back-up (Note: Use Item 100)	
14	0961893	1	Bushing, Tapered	
15	0630534	3	Capscrew, Socket Head #10 x 1	
16	70006735	8	Capscrew 5/16	
17	2220885	2	Plug, O-Ring	
18	2220883	6	Plug, O-Ring	
19	70006736	1	Spacer	
20	4640509	2	Cartridge, Valve	
20	2900792	2	Seal Kit - 4640509 Valve	
21	0962336	4	Bushing	
100	1001138795	1	Seal Kit (Includes Items 4-8 & 10-13)	

SECTION 5 - CYLINDER

FIGURE 5-11. MASTER CYLINDER ASSEMBLIES (ORIGINAL EQUIPMENT)



SECTION 5 - CYLINDER

FIGURE 5-11. MASTER CYLINDER ASSEMBLIES (ORIGINAL EQUIPMENT)

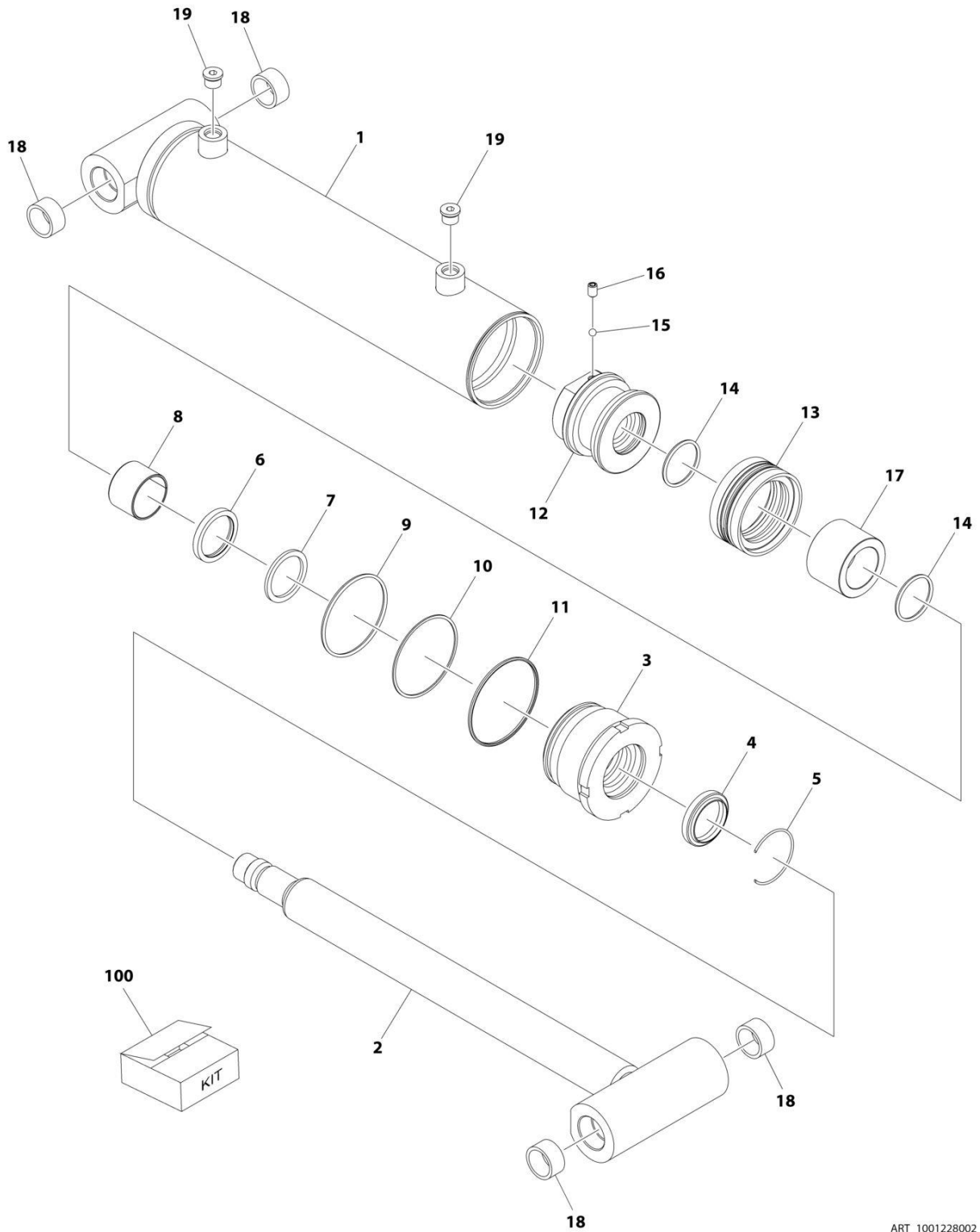
ITEM	PART NUMBER	QTY	DESCRIPTION	REV
		Ref	MASTER CYLINDER ASSEMBLIES (ORIGINAL EQUIPMENT)	
	1683266	Ref	Master Cylinder Assembly 600SC (Original Equipment)	C
	1683263	Ref	Master Cylinder Assembly 600SJC & 660SJC (Original Equipment)	E
		Ref	Note: Original Cylinder May Have Been Replaced with Service Replacement. Identify PN Stamped on Cylinder Before Ordering Parts.	
1		Ref	Barrel Options:	
1	1683267	1	Barrel 600SC (Note: Includes Item 23) (Prior to SN 0300052687)	
1	1683972	1	Barrel 600SC (Note: Includes Item 23) (SN 0300052687 through 0300128000)	
1	1683264	1	Barrel 600SJC & 660SJC (Note: Includes Item 23) (Prior to SN 0300052687)	
1	1683949	1	Barrel 600SJC & 660SJC (Note: Item 23 not included - Purchase Separately) (SN 0300052687 through 0300128000)	
2		Ref	Rod Options:	
2	1683269	1	Rod 600SC (Note: Includes Item 23) (Prior to SN 0300052687)	
2	1683973	1	Rod 600SC (Note: Includes Item 23) (SN 0300052687 through 0300128000)	
2	1683256	1	Rod 600SJC & 660SJC (Note: Includes Item 23) (Prior to SN 0300052687)	
2	1683962	1	Rod 600SJC & 660SJC (Note: Item 23 not included - Purchase Separately) (SN 0300052687 through 0300128000)	
3		Ref	Piston Options:	
3	3480210	1	Piston 600SC	
3	3480188	1	Piston 600SJC & 660SJC	
4		Ref	Head Options:	
4	1683053	1	Head 600SC	
4	1683055	1	Head 600SJC & 660SJC	
5		Ref	Bushing, Tapered Options:	
5	0961893	1	Bushing, Tapered 600SC	
5	0961894	1	Bushing, Tapered 600SJC & 660SJC	
6	4566468	1	Spacer, Tube	
7		Ref	Capscrew Options:	
7	3931516	8	Capscrew 600SC (5/16in-18NC x 1in)	
7	3931620	8	Capscrew 600SJC & 660SJC (3/8in-16NC x 1-1/4in)	
8		Ref	Ring, Washer Options:	
8	3760368	1	Ring, Washer 600SC	
8	3760369	1	Ring, Washer 600SJC & 660SJC	
9	0100011	AR	Compound, Locking	
10	0100038	AR	Primer, Locking	
11	See Note	NSS	Seal (Note: Use Item 30)	
12	See Note	NSS	Ring, Lock (Note: Use Item 30)	
13	See Note	NSS	O-Ring (Note: Use Item 30)	
14	See Note	NSS	Ring, Back-up (Note: Use Item 30)	
15	See Note	NSS	Ring, Wear (Note: Use Item 30)	
16	See Note	NSS	O-Ring (Note: Use Item 30)	
17	See Note	NSS	Ring, Back-up (Note: Use Item 30)	
18	See Note	NSS	Seal, Rod (Note: Use Item 30)	
19	See Note	NSS	Wiper (Note: Use Item 30)	
21		Ref	Screw, Socket Head	

SECTION 5 - CYLINDER

ITEM	PART NUMBER	QTY	DESCRIPTION	REV
21	0630534	3	Screw, Socket Head 600SC (#10-24NC x 1in)	
21	0630535	3	Screw, Socket Head 600SJC & 660SJC (1/4in-20NC x 1-1/8in)	
22	0100063	AR	Loctite #RC680	
23		Ref	Bushing Options:	
23	0961947	4	Bushing 600SC	
23	0961951	4	Bushing 600SJC & 660SJC	
24		Ref	Plug, O-Ring Options:	
24	Not Required	0	Plug, O-Ring 600SC	
24	2220885	1	Plug, O-Ring 600SJC & 660SJC	
30		Ref	Seal Kit Options (Includes Items 11-19):	
30	2901303	1	Seal Kit 600SC	
30	2901301	1	Seal Kit 600SJC & 660SJC	

SECTION 5 - CYLINDER

FIGURE 5-12. MASTER CYLINDER ASSEMBLY - 600SC (SERVICE REPLACEMENT)



ART_1001228002

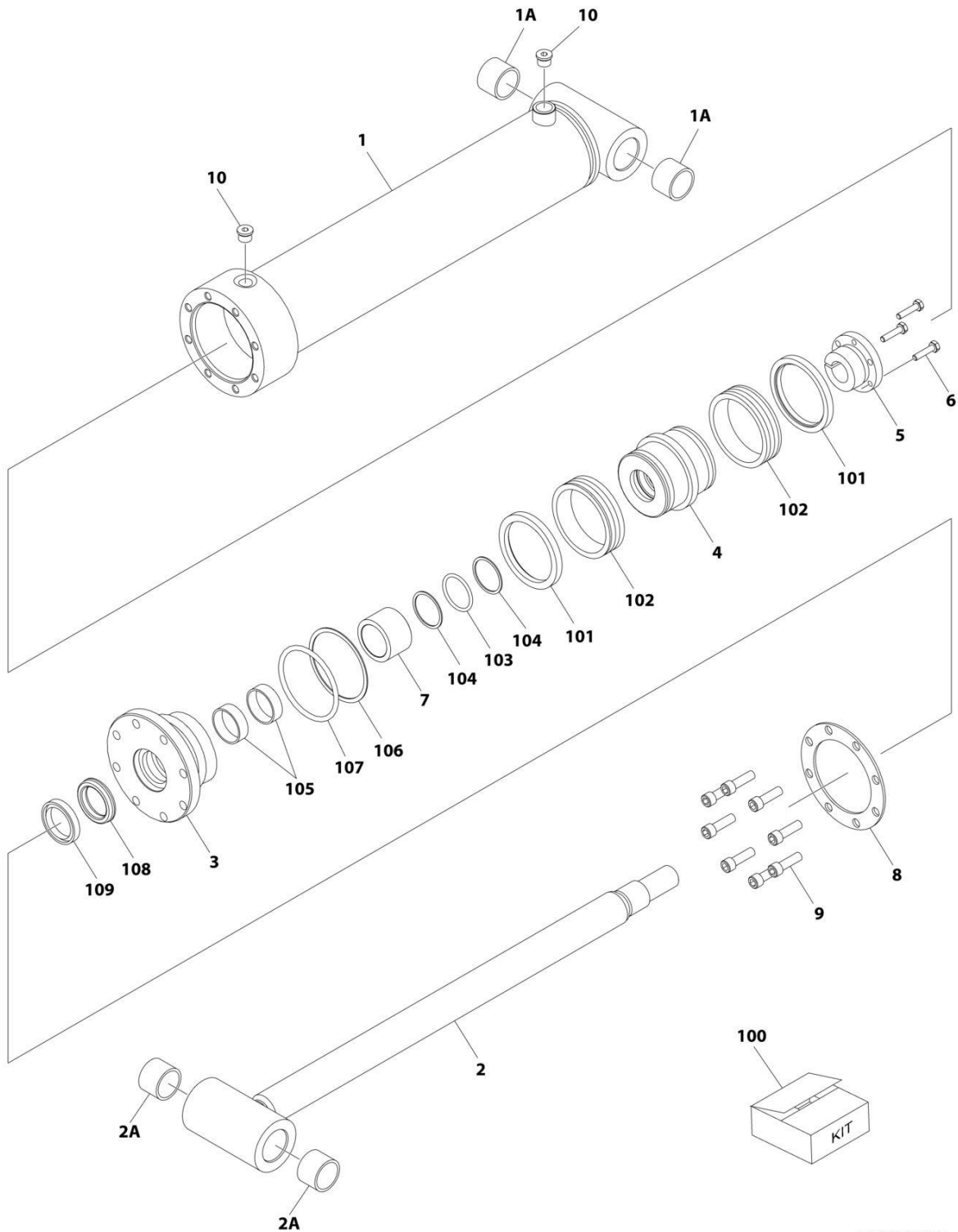
SECTION 5 - CYLINDER

FIGURE 5-12. MASTER CYLINDER ASSEMBLY - 600SC (SERVICE REPLACEMENT)

ITEM	PART NUMBER	QTY	DESCRIPTION	REV
	1001228002	Ref	MASTER CYLINDER ASSEMBLY	B
		Ref	Note: Original Cylinder May Have Been Replaced with Service Replacement. Identify PN Stamped on Cylinder Before Ordering Parts.	
1	See Note	NSS	Barrel (Note: Not Available for Purchase)	
2	70006774	1	Rod	
3	70006599	1	Head	
4	See Note	NSS	Wiper Rod (Note: Use Item 100)	
5	70002373	1	Ring, Retaining	
6	See Note	NSS	Seal, Rod (Note: Use Item 100)	
7	See Note	NSS	Ring, Back-up (Note: Use Item 100)	
8	See Note	NSS	Ring, Wear (Note: Use Item 100)	
9	See Note	NSS	O-Ring (Note: Use Item 100)	
10	See Note	NSS	Ring, Back-up (Note: Use Item 100)	
11	See Note	NSS	O-Ring (Note: Use Item 100)	
12	70006597	1	Piston	
13	See Note	NSS	Seal Piston (Note: Use Item 100)	
14	See Note	NSS	O-Ring (Note: Use Item 100)	
15	70022564	1	Ball	
16	70006601	1	Setscrew	
17	70006775	1	Spacer	
18	0961947	4	Bushing	
19	70023371	2	Plug, O-Ring	
100	70006776	1	Seal Kit (Includes Items 4, 6-11, 13 & 14)	

SECTION 5 - CYLINDER

FIGURE 5-13. MASTER CYLINDER ASSEMBLY - 600SJC & 660SJC (SERVICE REPAACEMENT)



ART_1001228052

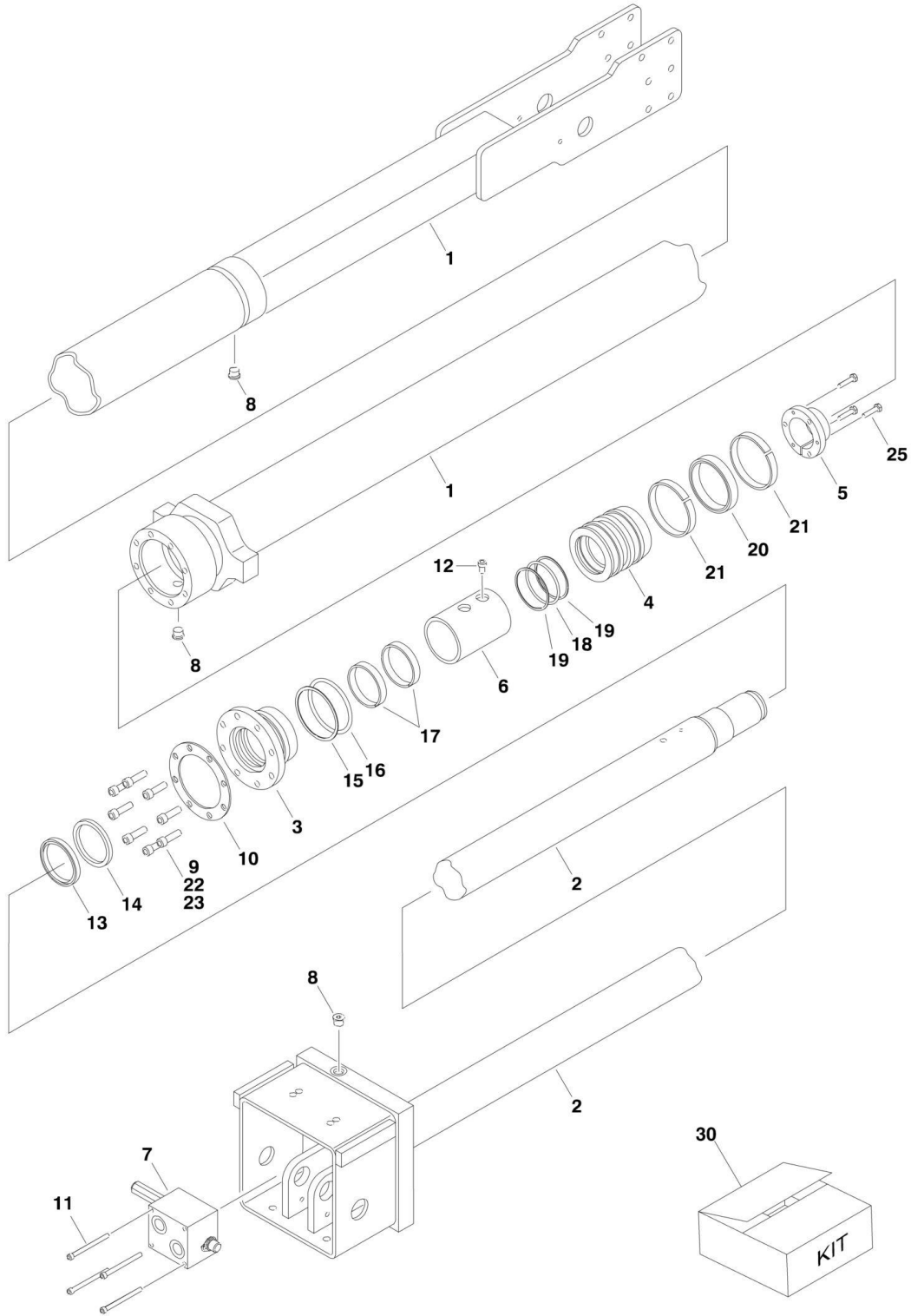
SECTION 5 - CYLINDER

FIGURE 5-13. MASTER CYLINDER ASSEMBLY - 600SJC & 660SJC (SERVICE REPAACEMENT)

ITEM	PART NUMBER	QTY	DESCRIPTION	REV
	1001228052	Ref	MASTER CYLINDER ASSEMBLY - 600SJC & 660SJC (SERVICE REPAACEMENT)	B
		Ref	Note: Original Cylinder May Have Been Replaced with Service Replacement. Identify PN Stamped on Cylinder Before Ordering Parts.	
1	See Note	NSS	Barrel Weldment (Note: Not Available for Purchase)	
1A	0961951	2	Bushing	
2	70006447	1	Rod Weldment	
2A	0961951	2	Bushing	
3	70006446	1	Head	
4	70006445	1	Piston	
5	70006444	1	Bushing, Tapered	
6	0630535	3	Capscrew 1/4 x 1-1/8	
7	70006443	1	Spacer	
8	70006442	1	Ring, Washer	
9	3931620	8	Capscrew 3/8 x 1-1/4	
10	2220885	2	Plug, O-Ring	
100	1001138796	1	Seal Kit (Includes Items 101-109)	
101	See Note	NSS	Ring, Wear (Note: Use Item 100)	
102	See Note	NSS	Seal, Piston (Note: Use Item 100)	
103	See Note	NSS	O-Ring (Note: Use Item 100)	
104	See Note	NSS	Ring, Back-up (Note: Use Item 100)	
105	See Note	NSS	Ring, Wear (Note: Use Item 100)	
106	See Note	NSS	O-Ring (Note: Use Item 100)	
107	See Note	NSS	Ring, Back-up (Note: Use Item 100)	
108	See Note	NSS	Seal, Rod (Note: Use Item 100)	
109	See Note	NSS	Wiper, Rod (Note: Use Item 100)	

SECTION 5 - CYLINDER

FIGURE 5-14. TELESCOPE CYLINDER ASSEMBLIES



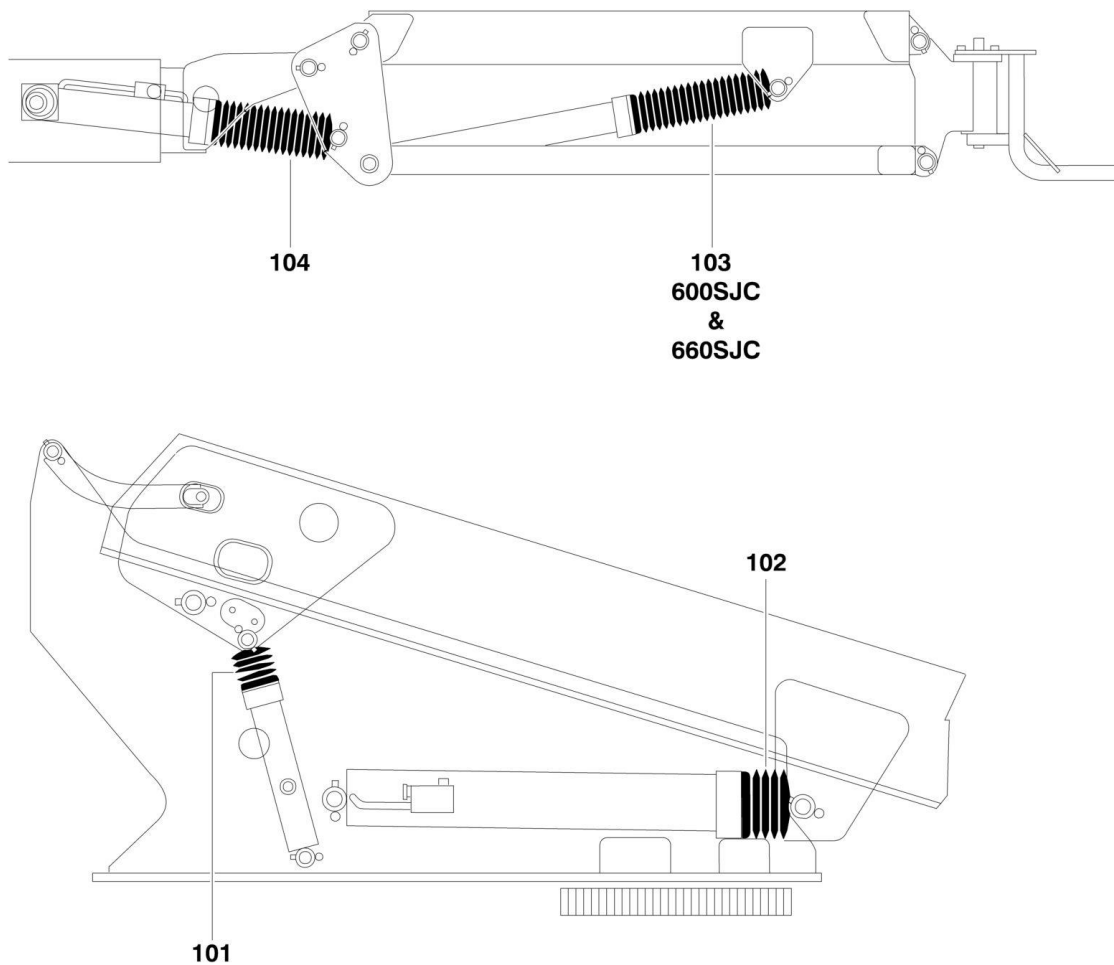
SECTION 5 - CYLINDER

FIGURE 5-14. TELESCOPE CYLINDER ASSEMBLIES

ITEM	PART NUMBER	QTY	DESCRIPTION	REV
		Ref	TELESCOPE CYLINDER ASSEMBLIES:	
	1683618	Ref	Telescope Cylinder Assemblies 600SC & 660SJC	2/C
	1683620	Ref	Telescope Cylinder Assemblies 600SJC	2/C
1		Ref	Barrel Options:	
1	1683619	1	Barrel 600SC & 660SJC	
1	1683621	1	Barrel 600SJC	
2		Ref	Rod Options:	
2	1683250	1	Rod 600SC & 660SJC	
2	1683359	1	Rod 600SJC	
3	1683057	1	Head	
4	3480205	1	Piston	
5	0961897	1	Bushing, Tapered	
6	4566644	1	Spacer, Tube	
7	4641028	1	Valve Assembly Options: (No serviceable parts - sold as assembly only)	
8	2220885	6	Plug, O-Ring	
9	3931620	8	Capscrew 3/8in-16NC x 1-1/4in	
10	3760369	1	Ring, Washer	
11	3931448	4	Capscrew 1/4in-20NC x 3in	
12	3931508	1	Capscrew 5/16in-18NC x 1/2in	
13	See Note	NSS	Wiper (Note: Use Item 30)	
14	See Note	NSS	Seal, Rod (Note: Use Item 30)	
15	See Note	NSS	O-Ring (Note: Use Item 30)	
16	See Note	NSS	Ring, Back-up (Note: Use Item 30)	
17	See Note	NSS	Ring, Wear (Note: Use Item 30)	
18	See Note	NSS	O-Ring (Note: Use Item 30)	
19	See Note	NSS	Ring, Back-up (Note: Use Item 30)	
20	See Note	NSS	T-Seal (Note: Use Item 30)	
21	See Note	NSS	Ring, Wear (Note: Use Item 30)	
22	0100011	AR	Compound, Locking	
23	0100038	AR	Primer, Locking	
25	0630535	3	Bolt, Socket Head 1/4in-20NC x 1-1/8in	
30	2901284	1	Seal Kit (Includes Items 13-21)	

SECTION 5 - CYLINDER

FIGURE 5-15. CYLINDER BELLOWS INSTALLATIONS (OPTIONAL)



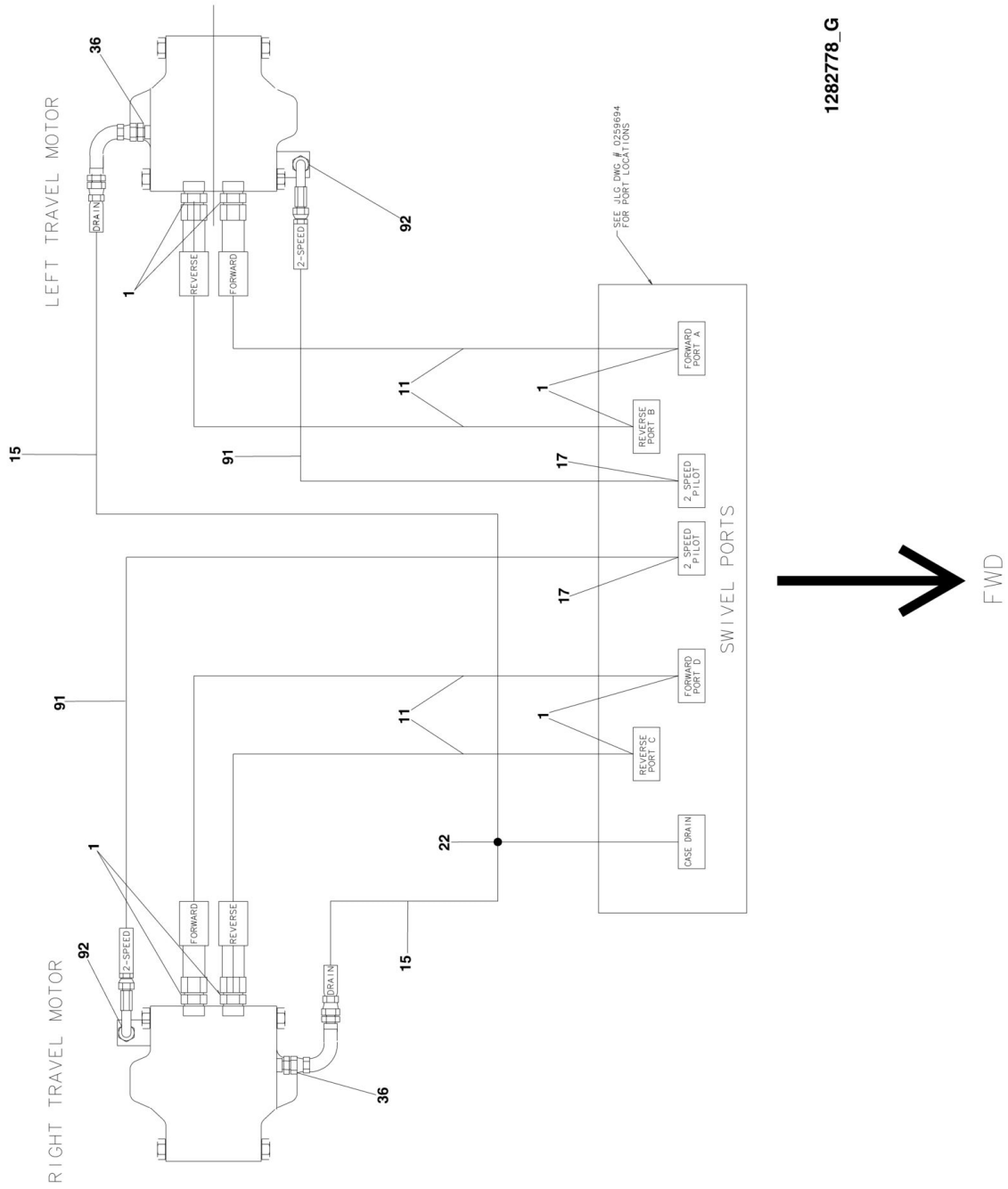
SECTION 5 - CYLINDER

FIGURE 5-15. CYLINDER BELLOWS INSTALLATIONS (OPTIONAL)

ITEM	PART NUMBER	QTY	DESCRIPTION	REV
	0255929	Ref	BELLOWS INSTALLATION - BOOM (600SC)	
101	0460152	1	Bellows, Cylinder (Master Cylinder)	
102	0460153	1	Bellows, Cylinder (Lift Cylinder)	
103	Not Required	0	Not Required	
104	0460152	1	Bellows, Cylinder (Platform Level Cylinder)	
	0255930	Ref	BELLOWS INSTALLATION - BOOM (600SJC & 660SJC)	
101	0460151	1	Bellows, Cylinder (Master Cylinder)	
102	0460153	1	Bellows, Cylinder (Lift Cylinder)	
103	0460161	1	Bellows, Cylinder (Articulating Jib Lift Cylinder)	
104	0460160	1	Bellows, Cylinder (Platform Level Cylinder)	

SECTION 6 - HYDRAULIC

SECTION 6 - HYDRAULIC



1282778_G

SECTION 6 - HYDRAULIC

FIGURE 6-1. HYDRAULIC DIAGRAM (Prior to SN 0300064782)

ITEM	PART NUMBER	QTY	DESCRIPTION	REV
		Ref	HYDRAULIC DIAGRAMS	
	2792331	Ref	Hydraulic Diagrams 600SC	7
	2792333	Ref	Hydraulic Diagrams 600SJC	8
	2792332	Ref	Hydraulic Diagrams 660SJC	7
1	2220451	12	Fitting, Straight	
2	2753318	1	Hose	
3	2220380	2	Fitting, Straight	
4	2220376	1	Fitting, Straight	
5	2220578	7	Fitting, 90	
6	2752653	1	Hose	
7	2220408	1	Fitting, Straight Only (Prior to SN 0300061570)	
8	2220628	5	Fitting, 90	
9	2753319	2	Hose	
10	2753320	2	Hose	
11	2753321	4	Hose	
12	2750902	4	Hose	
13	2220810	1	Fitting, Reducer	
14	4640744	1	Fitting, Check Valve	
15	2752504	2	Hose	
16	2752667	1	Hose	
17	2220582	AR	Fitting, Straight	
18	2751427	2	Hose Only (Prior to SN 0300061570)	
19	2220415	AR	Fitting, Straight	
20	2220605	1	Fitting, Tee Only (Prior to SN 0300061570)	
21	2752573	2	Hose Only (Prior to SN 0300061570)	
22	2220999	1	Fitting, Straight	
23	2220606	1	Fitting, Tee Only (Prior to SN 0300061570)	
24	2750900	2	Hose Only (Prior to SN 0300061570)	
25	2220235	AR	Fitting, Plug	
26	2220375	1	Fitting, Straight	
27	2220385	1	Fitting, Tee	
28	2752514	1	Hose	
30	2753192	1	Hose	
31	2220921	1	Fitting, Reducer	
32	2220498	1	Fitting, 45	
33	2220372	4	Fitting, Straight	
34	2752631	1	Hose	
35	2752632	1	Hose	
36	2220373	8	Fitting, Straight	
37	2752515	1	Hose	
38	2752587	1	Hose	
39	2220466	8	Fitting, 90	
40	2220596	2	Fitting, 90	
41	2752516	1	Hose	
42	2220947	3	Fitting, Straight	
43	2752762	1	Hose	
44	2220873	2	Fitting, Straight	
45	2220428	AR	Fitting, Quick Disconnect	
46	2220429	AR	Cover, Dust	
47	2220618	1	Fitting, Reducer	

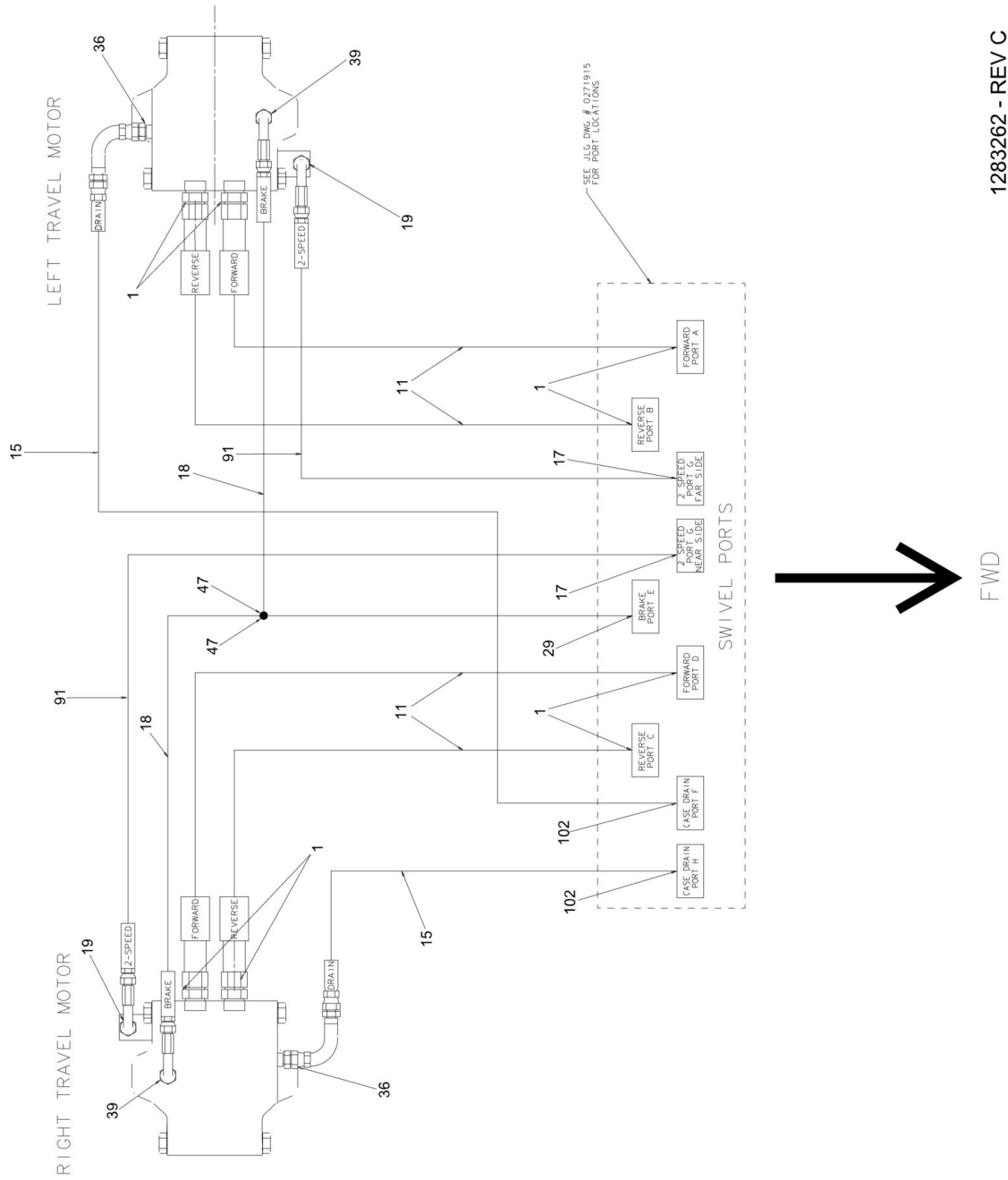
SECTION 6 - HYDRAULIC

ITEM	PART NUMBER	QTY	DESCRIPTION	REV
48	2752763	3	Hose	
49	2220906	4	Fitting, 90	
53	2752588	2	Hose	
54	2220609	AR	Fitting, Reducer	
55	2220468	2	Fitting, Straight	
56	2752981	AR	Hose	
57	2220497	2	Fitting, Straight	
58	2220502	1	Fitting, 45	
59	2751396	1	Hose	
60	2220414	AR	Fitting, Straight	
61	2752433	1	Hose	
62	2220462	1	Fitting, 90	
63	2220950	1	Fitting, 45	
64	2752517	1	Hose	
65	2220974	1	Fitting, Straight	
66		Ref	Hose Options:	
66	2752598	2	Hose 600SC & 600SJC	
66	2752596	2	Hose 660SJC	
67		Ref	Hose Options:	
67	2752599	1	Hose 600SC & 600SJC	
67	2752597	1	Hose 660SJC	
68	2753316	1	Hose	
71		Ref	Hose Options:	
71	2752633	2	Hose 660SC & 660SJC	
71	2751121	2	Hose 600SJC (Prior to SN 0300066745)	
71	2751868	2	Hose 600SJC (SN 0300066745 through 0300128000)	
72	2220472	AR	Fitting, 90	
73	2220738	1	Fitting, Tee	
74		Ref	Hose Options:	
74	Not Required	0	Hose 600SC	
74	2753048	2	Hose 600SJC	
74	2752633	2	Hose 660SJC	
75	2220473	1	Fitting, 90	
76	4640939	2	Valve, Shuttle Only (Prior to SN 0300061570)	
77	2753472	1	Hose	
78	2220909	1	Orifice (.015)	
79	2220603	4	Fitting, Straight	
81	2752583	2	Hose	
82	2752643	1	Hose	
83	2752981	1	Hose	
84	2220409	1	Fitting, 45	
85	2220574	1	Fitting, Straight	
86	0100011	AR	Compound, Locking	
87	0100038	AR	Primer, Locking	
88		Ref	Fitting, 90 Options:	
88	Not Required	0	Fitting 600SC	
88	2180724	1	Fitting 600SJC & 660SJC	
89		Ref	Orifice (.062) Options:	
89	Not Required	0	Orifice 600SC	
89	2180380	1	Orifice 600SJC & 660SJC	
90	2220237	2	Fitting, Plug	

SECTION 6 - HYDRAULIC

ITEM	PART NUMBER	QTY	DESCRIPTION	REV
91	2750895	2	Hose	
92	2220582	2	Fitting, Straight	
93	2220946	1	Fitting, Straight	
94	2220948	AR	Fitting, Tee	
95	2752783	1	Hose	
96	2220654	2	Fitting, 90 Only (Prior to SN 0300061570)	
97	2220852	1	Fitting, Straight	
98	2220873	1	Fitting, Nipple (SN 0300058641 through 0300128000)	
99	2220949	1	Fitting, Reducer Only (SN 0300061570 through 0300128000)	
100	2751412	1	Hose Only (SN 0300061570 through 0300128000)	

SECTION 6 - HYDRAULIC



1283262 - REV C

SECTION 6 - HYDRAULIC

FIGURE 6-2. HYDRAULIC DIAGRAM (SN 0300064782 through 0300065089)

ITEM	PART NUMBER	QTY	DESCRIPTION	REV
		Ref	HYDRAULIC DIAGRAMS	
	2792547	Ref	Hydraulic Diagrams 600SC	3
	2792548	Ref	Hydraulic Diagrams 600SJC	4
	2792549	Ref	Hydraulic Diagrams 660SJC	3
1	2220451	12	Fitting, Straight	
2	2753318	1	Hose	
3	2220380	2	Fitting, Straight	
4	2220376	1	Fitting, Straight	
5	2220578	7	Fitting, 90	
6	2752653	1	Hose	
7	2220408	1	Fitting, Straight	
8	2220628	5	Fitting, 90	
9	2753319	2	Hose	
10	2753320	2	Hose	
11	2753321	4	Hose	
12	2220899	1	Fitting, Tee	
13	2220810	1	Fitting, Reducer	
14	4640744	1	Fitting, Check Valve	
15	2752504	2	Hose	
16	2752667	1	Hose	
17	2220582	AR	Fitting, Straight	
18	2753457	2	Hose	
19	2220415	AR	Fitting, Straight	
20	2220605	1	Fitting, Tee	
21	2752573	1	Hose	
23	2752580	1	Hose	
24	2752594	1	Hose	
25	2220235	AR	Fitting, Plug	
26	2220375	1	Fitting, Straight	
27	2220385	1	Fitting, Tee	
28	2752514	1	Hose	
29		Ref	Fitting Options:	
29	2220591	1	Fitting, Reducer (Prior to SN 0300067081)	
29	2220999	1	Fitting, Tee (SN 0300067081 through 0300128000)	
30	2753192	1	Hose	
31	2220921	1	Fitting, Reducer	
32	2220498	1	Fitting, 45	
33	2220372	4	Fitting, Straight	
34	2752631	1	Hose	
35	2752632	1	Hose	
36	2220373	AR	Fitting, Straight	
37	2752515	1	Hose	
38	2752587	1	Hose	
39	2220466	AR	Fitting, 90	
40	2220596	2	Fitting, 90	
41	2752516	1	Hose	
42	2220947	3	Fitting, Straight	
43	2752762	1	Hose	
44	2220873	2	Fitting, Straight	
45	2220428	4	Fitting, Quick Disconnect	

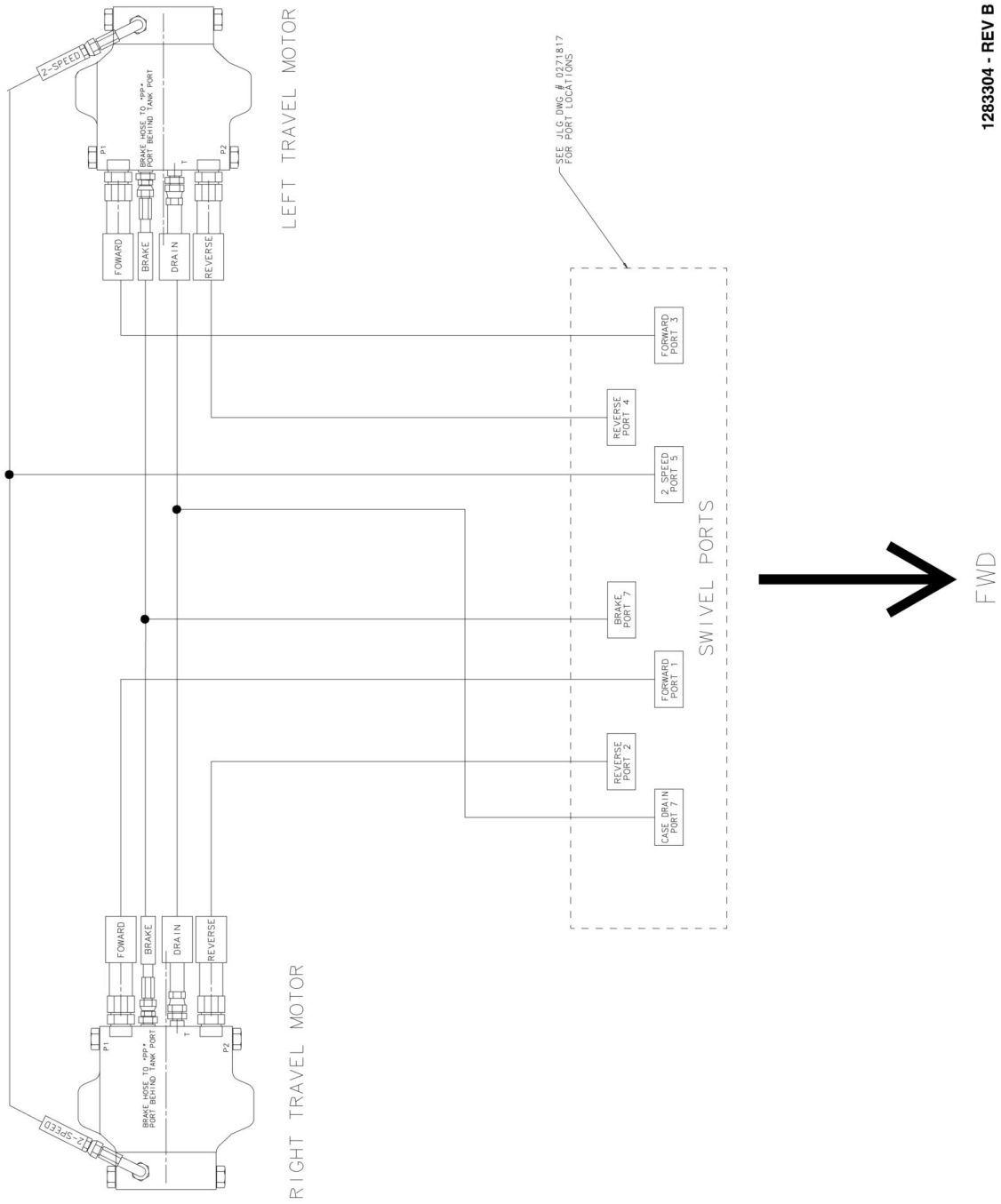
SECTION 6 - HYDRAULIC

ITEM	PART NUMBER	QTY	DESCRIPTION	REV
46	2220429	4	Cover, Dust	
47	2220618	AR	Fitting, Reducer	
48	2752763	3	Hose	
49	2220906	4	Fitting, 90	
53	2752588	2	Hose	
54	2220609	AR	Fitting, Reducer	
55	2220468	AR	Fitting, Straight	
56	2752981	3	Hose	
57	2220497	2	Fitting, Straight	
58	2220502	1	Fitting, 45	
59		Ref	Hose Options:	
59	2751396	1	Hose (Prior to SN 0300067081)	
59	2751026	1	Hose (SN 0300067081 through 0300128000)	
60	2220414	1	Fitting, Straight	
61	2752433	AR	Hose	
62	2220462	1	Fitting, 90	
63	2220950	1	Fitting, 45	
64	2752517	1	Hose	
65	2220974	1	Fitting, Straight	
66		Ref	Hose Options:	
66	2752598	2	Hose 600SC & 600SJC	
66	2752596	2	Hose 660SJC	
67		Ref	Hose Options:	
67	2752599	1	Hose 600SC & 600SJC	
67	2752597	1	Hose 660SJC	
68		Ref	Hose Options:	
68	2753316	1	Hose (Prior to SN 0300067081)	
68	2752669	1	Hose (SN 0300067081 through 0300128000)	
71		Ref	Hose Options:	
71	2752633	2	Hose 600SC & 660SJC	
71	2751121	2	Hose 600SJC (Prior to SN 0300066745)	
71	2751868	2	Hose 600SJC (SN 0300066745 through 0300128000)	
72	2220472	AR	Fitting, 90	
73	2220738	1	Fitting, Tee	
74		Ref	Hose Options:	
74	Not Required	0	Hose 600SC	
74	2753048	2	Hose 600SJC	
74	2752633	2	Hose 660SJC	
75	2220473	1	Fitting, 90	
76		Ref	Hose Options:	
76	2752931	1	Hose (Prior to SN 0300067975)	
76	2750788	1	Hose (SN 0300067975 through 0300128000)	
77	2753472	1	Hose	
78	2220909	1	Orifice (.015)	
79	2220603	4	Fitting, Straight	
81	2752591	2	Hose	
82	2752643	1	Hose	
83	2752981	1	Hose	
84	2220409	1	Fitting, 45	
85	2220574	1	Fitting, Straight	
86	0100011	AR	Compound, Locking	

SECTION 6 - HYDRAULIC

ITEM	PART NUMBER	QTY	DESCRIPTION	REV
87	0100038	AR	Primer, Locking	
88		Ref	Fitting, 90 Options:	
88	Not Required	0	Fitting 600SC	
88	2180724	1	Fitting 600SJC & 660SJC	
89		Ref	Orifice (.062) Options:	
89	Not Required	0	Orifice 600SC	
89	2180380	1	Orifice 600SJC & 660SJC	
90	2220237	2	Fitting, Plug	
91	2750895	2	Hose	
92	2220582	2	Fitting, Straight (Prior to SN 0300067975)	
93	2220946	1	Fitting, Straight	
94	2220948	3	Fitting, Tee	
95	2752783	1	Hose	
96	2220914	1	Fitting, Restrictor	
97	2220852	1	Fitting, Straight	
98	2220873	1	Fitting, Nipple	
99	2220949	2	Fitting, Reducer	
100	2751412	1	Hose	
101	2220605	1	Fitting, Tee (SN 0300067081 through 0300128000)	
102	2220366	2	Fitting, 90 (SN 0300067081 through 0300128000)	

SECTION 6 - HYDRAULIC



1283304 - REV B

SECTION 6 - HYDRAULIC

FIGURE 6-3. HYDRAULIC DIAGRAM (SN 0300065090 through 0300070772)

ITEM	PART NUMBER	QTY	DESCRIPTION	REV
		Ref	HYDRAULIC DIAGRAMS	
	2792551	Ref	Hydraulic Diagrams 600SC	1
	2792552	Ref	Hydraulic Diagrams 600SJC	2
	2792553	Ref	Hydraulic Diagrams 660SJC	1
1	2220451	5	Fitting, Straight	
2	2753318	1	Hose	
3	2220380	2	Fitting, Straight	
4	2220376	1	Fitting, Straight	
5	2220578	6	Fitting, 90	
6	2752653	1	Hose	
7	2220408	1	Fitting, Straight	
8	2220628	5	Fitting, 90	
9	2753706	2	Hose	
10	2753707	2	Hose	
12	2220899	1	Fitting, Tee	
13	2220810	1	Fitting, Reducer	
14	4640744	1	Fitting, Check Valve	
16	2752667	1	Hose	
17	2220582	3	Fitting, Straight	
19	2220415	9	Fitting, Straight	
20	2220605	1	Fitting, Tee	
21	2752573	1	Hose	
23	2752580	1	Hose	
24	2752594	1	Hose	
25	2220235	2	Fitting, Plug	
26	2220375	1	Fitting, Straight	
27	2220385	1	Fitting, Tee	
28	2752514	1	Hose	
30	2753192	1	Hose	
31	2220921	1	Fitting, Reducer	
32	2220498	1	Fitting, 45	
33	2220372	4	Fitting, Straight	
34	2752631	1	Hose	
35	2752632	1	Hose	
36	2220373	7	Fitting, Straight	
37	2752515	1	Hose	
38	2752587	1	Hose	
39	2220466	10	Fitting, 90	
40	2220596	2	Fitting, 90	
41	2752516	1	Hose	
42	2220947	3	Fitting, Straight	
43	2752762	1	Hose	
44	2220873	2	Fitting, Straight	
45	2220428	4	Fitting, Quick Disconnect	
46	2220429	4	Cover, Dust	
47	2220618	1	Fitting, Reducer	
48	2752763	3	Hose	
49	2220906	4	Fitting, 90	
53	2752588	2	Hose	
54	2220609	5	Fitting, Reducer	

SECTION 6 - HYDRAULIC

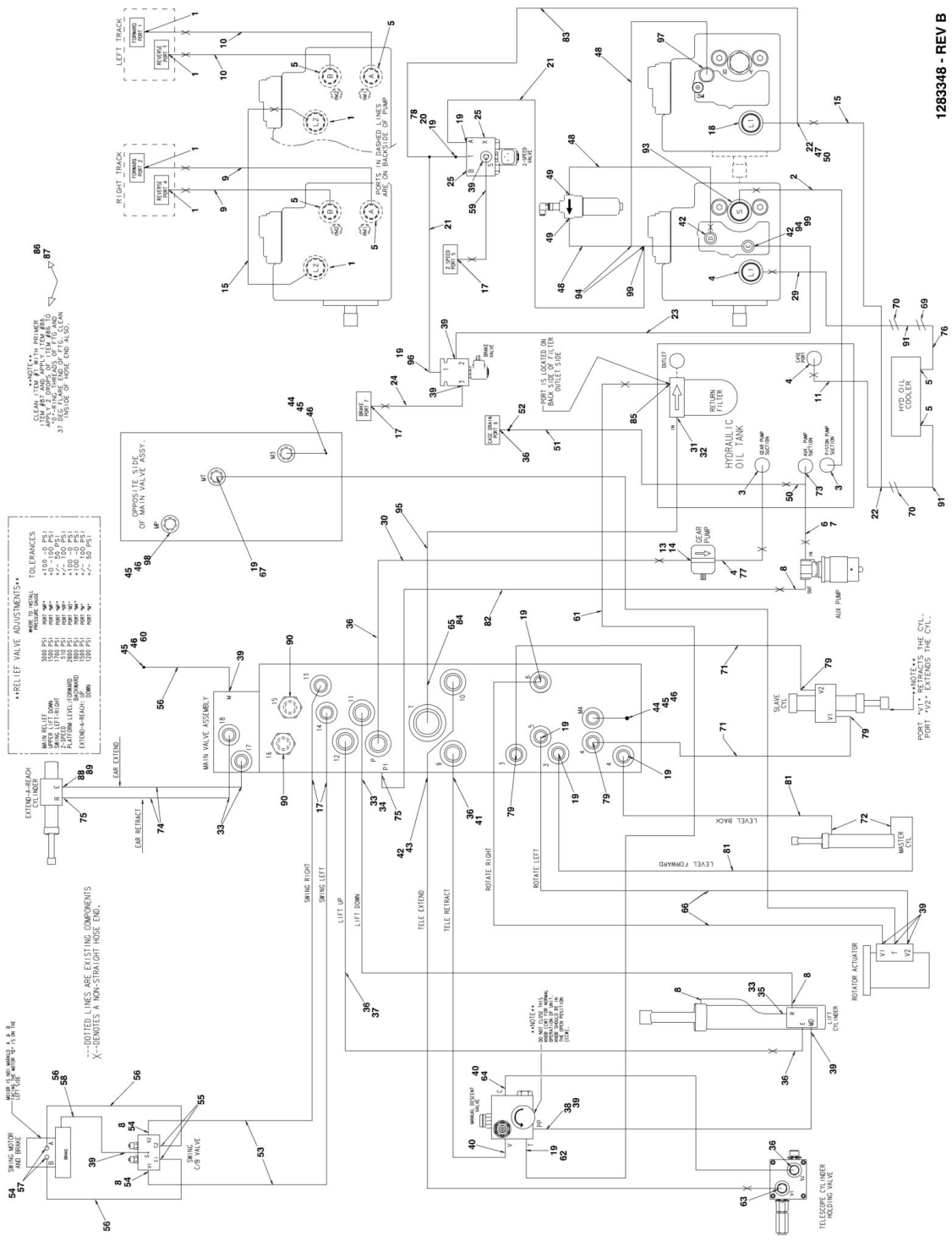
ITEM	PART NUMBER	QTY	DESCRIPTION	REV
55	2220468	2	Fitting, Straight	
56	2752981	3	Hose	
57	2220497	2	Fitting, Straight	
58	2220502	1	Fitting, 45	
59	2751396	1	Hose	
60	2220414	1	Fitting, Straight	
61	2752433	1	Hose	
62	2220462	1	Fitting, 90	
63	2220950	1	Fitting, 45	
64	2752517	1	Hose	
65	2220974	1	Fitting, Straight	
66		Ref	Hose Options:	
66	2752598	2	Hose 600SC & 600SJC	
66	2752596	2	Hose 660SJC	
67		Ref	Hose Options:	
67	2752599	1	Hose 600SC & 600SJC	
67	2752597	1	Hose 660SJC	
68	2753316	1	Hose	
71		Ref	Hose Options:	
71	2752633	2	Hose 600SC & 660SJC	
71	2751868	2	Hose 600SJC	
72	2220472	2	Fitting, 90	
73	2220738	1	Fitting, Tee	
74		Ref	Hose Options:	
74	Not Required	0	Hose 600SC	
74	2753048	2	Hose 600SJC	
74	2752633	2	Hose 660SJC	
75	2220473	1	Fitting, 90	
77	2753472	1	Hose	
78	2220909	1	Orifice (.015)	
79	2220603	4	Fitting, Straight	
81	2752591	2	Hose	
82	2752643	1	Hose	
83	2752981	1	Hose	
84	2220409	1	Fitting, 45	
85	2220574	1	Fitting, Straight	
86	0100011	AR	Compound, Locking	
87	0100038	AR	Primer, Locking	
88		Ref	Fitting, 90 Options:	
88	Not Required	0	Fitting 600SC	
88	2180724	1	Fitting 600SJC & 660SJC	
89		Ref	Orifice (.062) Options:	
89	Not Required	0	Orifice 600SC	
89	2180380	1	Orifice 600SJC & 660SJC	
90	2220237	2	Fitting, Plug	
93	2220946	1	Fitting, Straight	
94	2220948	3	Fitting, Tee	
95	2752783	1	Hose	
96	2220914	1	Fitting, Restrictor	
97	2220852	1	Fitting, Straight	
98	2220873	1	Fitting, Nipple	

SECTION 6 - HYDRAULIC

ITEM	PART NUMBER	QTY	DESCRIPTION	REV
99	2220949	2	Fitting, Reducer	

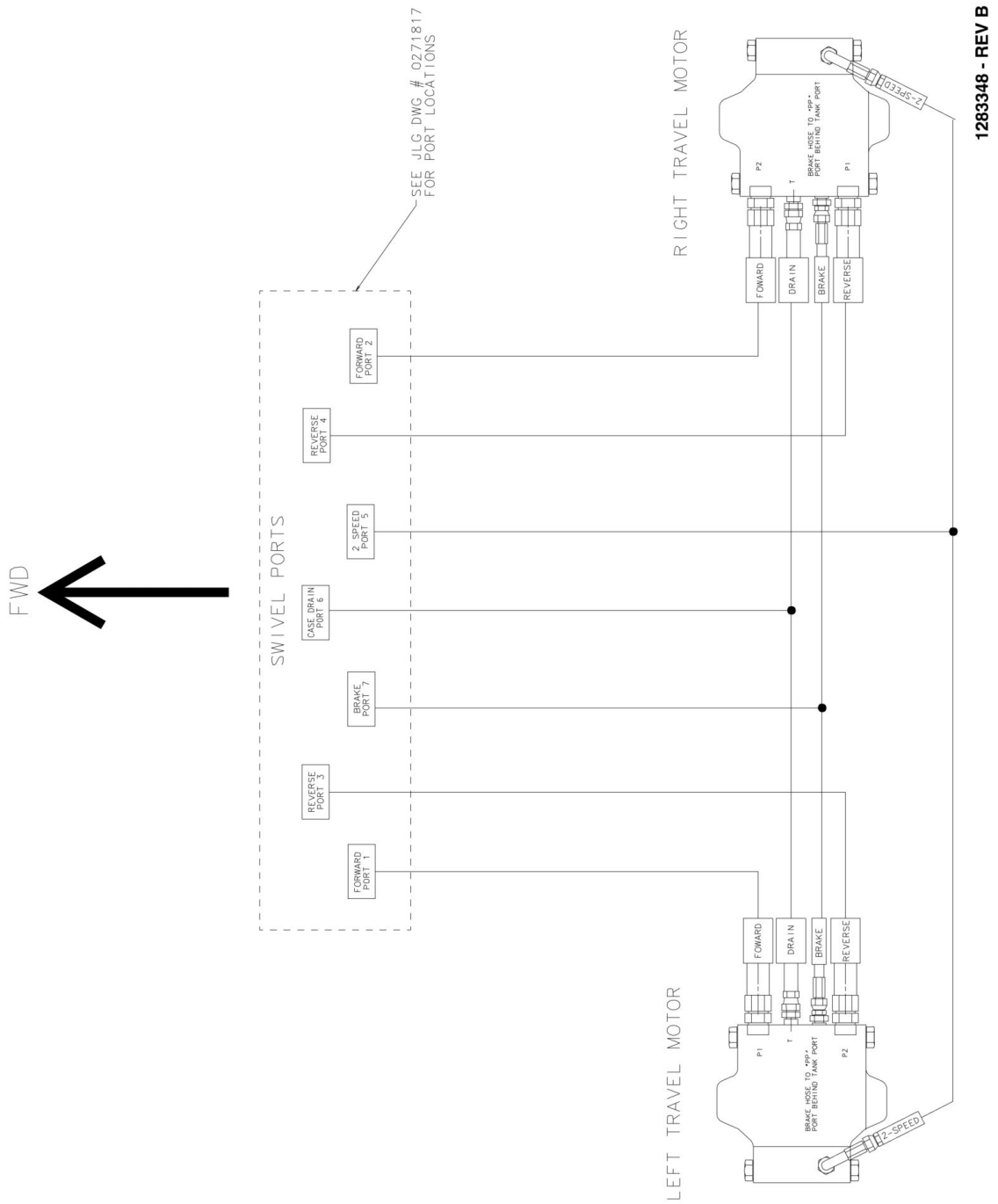
SECTION 6 - HYDRAULIC

FIGURE 6-4. HYDRAULIC DIAGRAM - 600SC-660SJC (SN 0300070773 through 0300128000)



1283348 - REV B

SECTION 6 - HYDRAULIC



SECTION 6 - HYDRAULIC

FIGURE 6-4. HYDRAULIC DIAGRAM - 600SC-660SJC (SN 0300070773 through 0300128000)

ITEM	PART NUMBER	QTY	DESCRIPTION	REV
		Ref	HYDRAULIC DIAGRAMS	
	2792596	Ref	Hydraulic Diagrams 600SC	3
	2792595	Ref	Hydraulic Diagrams 660SJC	2
1	2220451	4	Fitting, Straight	
2	2753318	1	Hose	
3	2220380	2	Fitting, Straight	
4	2220376	3	Fitting, Straight	
5	2220578	AR	Fitting, 90	
6	2752653	1	Hose	
7	2220408	1	Fitting, Straight	
8	2220628	5	Fitting, 90	
9	2753706	2	Hose	
10	2753707	2	Hose	
11	2753894	1	Hose	
13	2220810	1	Fitting, Reducer	
14	4640744	1	Fitting, Check Valve	
15	2753890	2	Hose	
17	2220582	4	Fitting, Straight	
18	4641264	1	Fitting, Check Valve	
19	2220415	AR	Fitting, Straight	
20	2220605	1	Fitting, Tee	
21	2752573	2	Hose	
22	2220700	2	Fitting, Tee	
23	2752580	1	Hose	
24	2752594	1	Hose	
25	2220235	2	Fitting, Plug	
29	2753893	1	Hose	
30	2753192	1	Hose	
31	2220921	1	Fitting, Reducer	
32	2220498	1	Fitting, 45	
33	2220372	4	Fitting, Straight	
34	2752631	1	Hose	
35	2752632	1	Hose	
36	2220373	6	Fitting, Straight	
37	2752515	1	Hose	
38	2752587	1	Hose (Prior to SN 0300073488)	
39	2220466	AR	Fitting, 90	
40	2220596	2	Fitting, 90 (Prior to SN 0300073488)	
41	2752516	1	Hose	
42	2220947	3	Fitting, Straight	
43	2752762	1	Hose	
44	2220873	2	Fitting, Straight	
45	2220428	4	Fitting, Quick Disconnect	
46	2220429	4	Cover, Dust	
47	2220618	1	Fitting, Reducer	
48	2752763	3	Hose	
49	2221042	2	Fitting, 90	
50	2220622	2	Fitting, Reducer	
51	2752928	1	Hose	
52	2220471	1	Fitting, 90	

SECTION 6 - HYDRAULIC

ITEM	PART NUMBER	QTY	DESCRIPTION	REV
53	2752588	2	Hose	
54	2220609	4	Fitting, Reducer	
55	2220468	2	Fitting, Straight	
56	2752981	AR	Hose	
57	2220497	2	Fitting, Straight	
58	2220502	1	Fitting, 45	
59	2751396	1	Hose	
60	2220414	1	Fitting, Straight	
61	2752433	1	Hose (Prior to SN 0300073488)	
62	2220462	1	Fitting, 90 (Prior to SN 0300073488)	
63	2220950	1	Fitting, 45	
64	2752517	1	Hose (Prior to SN 0300073488)	
65	2220974	1	Fitting, Straight	
66		Ref	Hose Options:	
66	2752598	2	Hose 600SC	
66	2752596	2	Hose 660SJC	
67		Ref	Hose Options:	
67	2752599	1	Hose 600SC	
67	2752597	1	Hose 660SJC	
69	2230046	1	Fitting, 90	
70	2230027	2	Fitting, Straight	
71	2752633	2	Hose	
72	2220472	2	Fitting, 90	
73	2220738	1	Fitting, Tee	
74		Ref	Hose Options:	
74	Not Required	0	Hose 600SC	
74	2752633	2	Hose 660SJC	
75	2220473	1	Fitting, 90	
76	2753891	1	Hose	
77	2753472	1	Hose	
78	2220909	1	Orifice (.015)	
79	2220603	4	Fitting, Straight	
81	2752591	2	Hose	
82	2752643	1	Hose	
83	2752438	1	Hose	
84	2220409	1	Fitting, 45	
85	2220574	1	Fitting, Straight (Prior to SN 0300073488)	
86	0100011	AR	Compound, Locking	
87	0100038	AR	Primer, Locking	
88		Ref	Fitting, 90 Options:	
88	Not Required	0	Fitting 600SC	
88	2180724	1	Fitting 660SJC	
89		Ref	Orifice (.062) Options:	
89	Not Required	0	Orifice 600SC	
89	2180380	1	Orifice 660SJC	
90	2220237	2	Fitting, Plug	
91	2753892	2	Hose	
93	2220946	1	Fitting, Straight	
94	2220948	3	Fitting, Tee	
95	2752783	1	Hose	
96	2220914	1	Fitting, Restrictor	

SECTION 6 - HYDRAULIC

ITEM	PART NUMBER	QTY	DESCRIPTION	REV
97	2220852	1	Fitting, Straight	
98	2220873	1	Fitting, Nipple	
99	2220949	2	Fitting, Reducer	

SECTION 6 - HYDRAULIC

FIGURE 6-5. HYDRAULIC DIAGRAM LIST

ITEM	PART NUMBER	QTY	DESCRIPTION	REV
		Ref	Note: Diagrams Not Shown is Available From JLG Service/Parts Department.	
		Ref	Oil Cooler Hydraulic Diagram Options:	
	0256762	Ref	Oil Cooler Hydraulic Diagram (Prior to SN 0300067081)	
	1282665	Ref	Oil Cooler Hydraulic Diagram (Prior to SN 0300067081)	
	0272364	Ref	Oil Cooler Hydraulic Diagram (SN 0300067081 through 0300128000)	
		Ref	Standard Hydraulic Diagrams:	
	2792331	Ref	Standard Hydraulic Diagrams 600SC (Prior to SN 0300064782)	
	1282778	Ref	Standard Hydraulic Diagrams 600SC (Prior to SN 0300064782)	
	2792547	Ref	Standard Hydraulic Diagrams 600SC (SN 0300064782 through 0300065089)	
	1283262	Ref	Standard Hydraulic Diagrams 600SC (SN 0300064782 through 0300065089)	
	2792551	Ref	Standard Hydraulic Diagrams 600SC (SN 0300065090 through 0300070772)	
	1283304	Ref	Standard Hydraulic Diagrams 600SC (SN 0300065090 through 0300070772)	
	2792596	Ref	Standard Hydraulic Diagrams 600SC (SN 0300070773 through 0300128000)	
	1283348	Ref	Standard Hydraulic Diagrams 600SC (SN 0300070773 through 0300128000)	
	2792333	Ref	Standard Hydraulic Diagrams 600SJC (Prior to SN 0300064782)	
	1282778	Ref	Standard Hydraulic Diagrams 600SJC (Prior to SN 0300064782)	
	2792548	Ref	Standard Hydraulic Diagrams 600SJC (SN 0300064782 through 0300065089)	
	1283262	Ref	Standard Hydraulic Diagrams 600SJC (SN 0300064782 through 0300065089)	
	2792552	Ref	Standard Hydraulic Diagrams 600SJC (SN 0300065090 through 0300128000)	
	1283304	Ref	Standard Hydraulic Diagrams 600SJC (SN 0300065090 through 0300128000)	
	2792332	Ref	Standard Hydraulic Diagrams 660SJC (Prior to SN 0300064782)	
	1282778	Ref	Standard Hydraulic Diagrams 660SJC (Prior to SN 0300064782)	
	2792549	Ref	Standard Hydraulic Diagrams 660SJC (SN 0300064782 through 0300065089)	
	1283262	Ref	Standard Hydraulic Diagrams 660SJC (SN 0300064782 through 0300065089)	
	2792553	Ref	Standard Hydraulic Diagrams 660SJC (SN 0300065090 through 0300070772)	
	1283304	Ref	Standard Hydraulic Diagrams 660SJC (SN 0300065090 through 0300070772)	
	2792595	Ref	Standard Hydraulic Diagrams 660SJC (SN 0300070773 through 0300128000)	
	1283348	Ref	Standard Hydraulic Diagrams 660SJC (SN 0300070773 through 0300128000)	
		Ref	Standard Hydraulic Schematic Options:	
	2792323	Ref	Standard Hydraulic Schematic (Prior to SN 0300064782)	
	2792550	Ref	Standard Hydraulic Schematic (SN 0300064782 through 0300065089)	
	2792554	Ref	Standard Hydraulic Schematic (SN 0300065090 through 0300070772)	
	2792593	Ref	Standard Hydraulic Schematic (SN 0300070773 through	

SECTION 6 - HYDRAULIC

ITEM	PART NUMBER	QTY	DESCRIPTION	REV
			0300128000)	
		Ref	Tool Hydraulic Diagrams:	
	2792325	Ref	Tool Hydraulic Diagrams 600SC	
	2792326	Ref	Tool Hydraulic Diagrams 600SJC	
	2792327	Ref	Tool Hydraulic Diagrams 660SJC	

SECTION 7 - ELECTRICAL

SECTION 7 - ELECTRICAL

FIGURE 7-1. ELECTRICAL DIAGRAM LIST

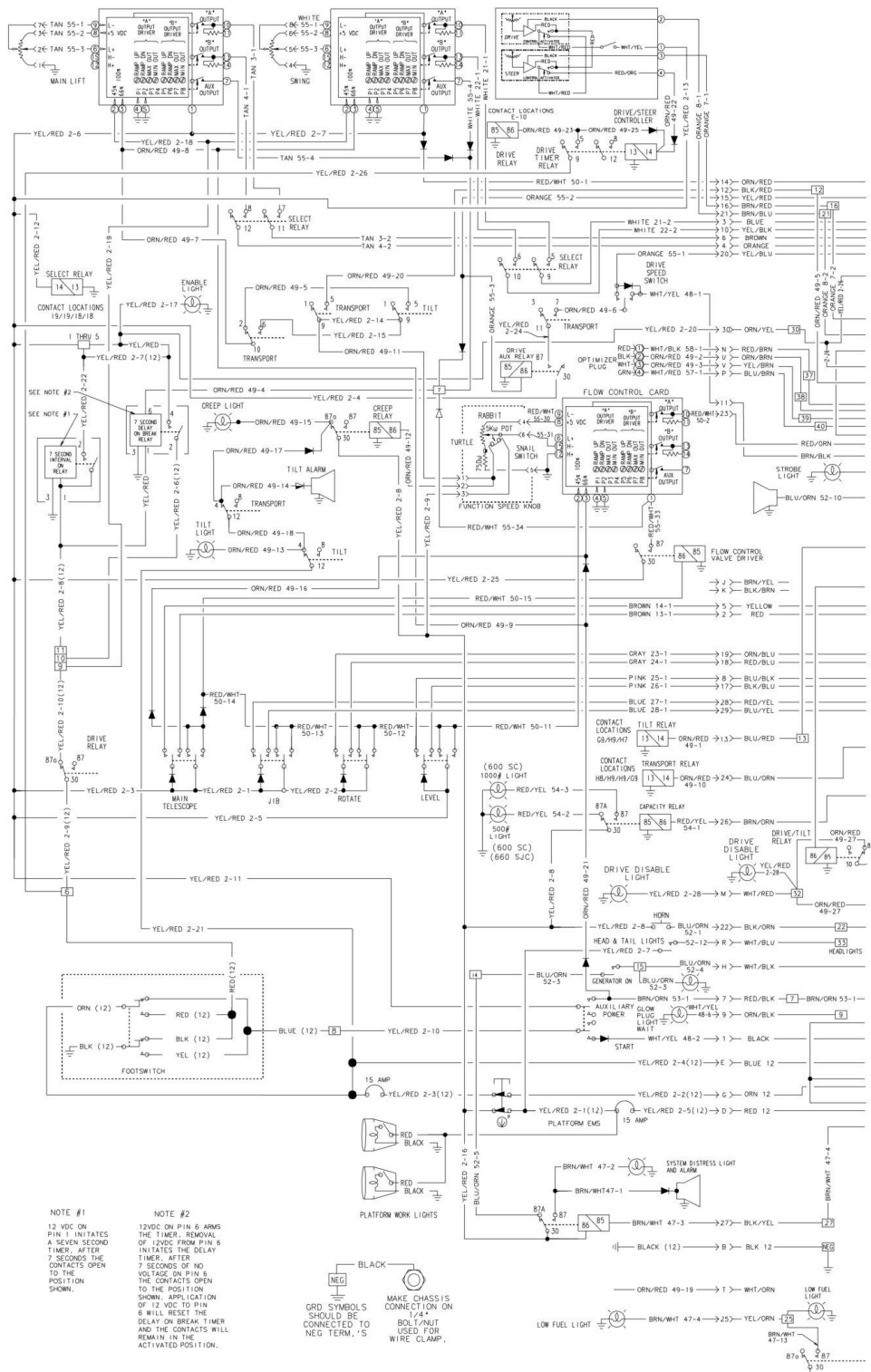
ITEM	PART NUMBER	QTY	DESCRIPTION	REV
		Ref	Note: Diagrams not shown are available from the JLG Service Department.	
		Ref	ALARM ELECTRICAL DIAGRAMS:	
	4933025	Ref	Motion Alarm	1/A
	1282937	Ref	Motion Alarm	1/A
	4933026	Ref	Travel Alarm	1/A
	1282937	Ref	Travel Alarm	1/A
		Ref	DRIVE CUT-OUT ELECTRICAL DIAGRAMS:	
	4932990	Ref	Above Elevation	2/B
	1282828	Ref	Above Elevation	2/B
	4932993	Ref	Above Elevation Tilt	2/B
	1282828	Ref	Above Elevation Tilt	2/B
	4932991	Ref	8 Meter (Optional on Japanese Spec)	2/B
	1282828	Ref	8Meter (Optional on Japanese Spec)	2/B
	3640493	1	Rail, Mounting	
	4460607	2	Stop, Terminal	
	4120013	1	Socket, Relay	
	3740058	1	Relay 4PDT	
	3740063	1	Spring, Relay	
	4932986	Ref	ENGINE LOW OIL SHUTDOWN ELECTRICAL DIAGRAM	2/B
		Ref	GENERATOR ELECTRICAL DIAGRAMS:	
	4932915	Ref	110V (Prior to SN 0300056088)	2/C
	4933150	Ref	110V (SN 0300056088 through 0300128000)	2/B
	4932989	Ref	220V (Prior to SN 0300056088)	1/A
	4933149	Ref	220V (SN 0300056088 through 0300128000)	2/B
		Ref	GLOW PLUGS ELECTRICAL DIAGRAM OPTIONS:	
	4933070	Ref	Glow Plugs Electrical Diagram (Prior to SN 0300059278)	1/B
	4933175	Ref	Glow Plugs Electrical Diagram (SN 0300059278 through 0300128000)	1/B
		Ref	Harness, Glow Plug Options:	
	4922206	1	Harness, Glow Plug (Prior to SN 0300059278)	
	4922542	1	Harness, Glow Plug (SN 0300059278 through 0300128000)	
		Ref	Battery Cable Glow Plugs Kit Options:	
	2901764	1	Battery Cable Glow Plugs Kit (Prior to SN 0300059278)	
	1060904	1	Battery Cable Glow Plugs Kit (SN 0300059278 through 0300128000)	
	4932917	Ref	HEADLIGHT/TAILLIGHT ELECTRICAL DIAGRAM	3/D
	4922095	1	Harness (Located in Platform Console Box)	
	3740049	1	Relay	
	0256762	Ref	OIL COOLER ELECTRICAL DIAGRAM	
	1282665	Ref	OIL COOLER ELECTRICAL DIAGRAM	
	4922338	Ref	PLATFORM ELECTRICAL DIAGRAM	7/E
		Ref	PLATFORM WORKLIGHTS ELECTRICAL DIAGRAM OPTIONS:	
	0258048	Ref	Platform Worklights Electrical Diagram (Prior to SN 0300060481)	2/C
	0271503	Ref	Platform Worklights Electrical Diagram (SN 0300060481 through 0300128000)	1/A
	4932971	Ref	POWER TOOL ELECTRICAL DIAGRAM	2/A
		Ref	STANDARD ELECTRICAL DIAGRAM	

SECTION 7 - ELECTRICAL

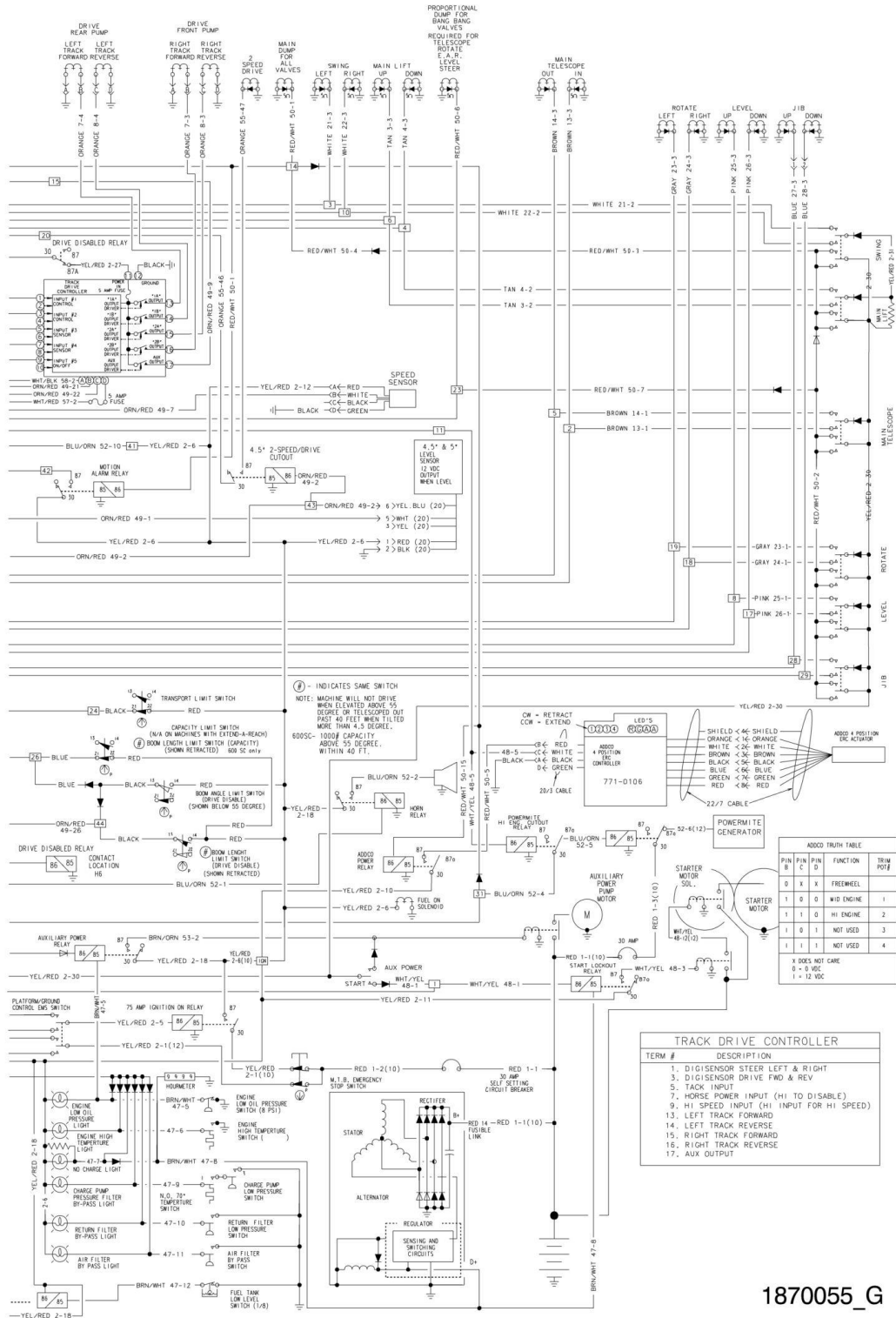
ITEM	PART NUMBER	QTY	DESCRIPTION	REV
	4933117	Ref	Deutz Engine (Prior to SN 0300064782)	3/G
	4933235	Ref	Deutz Engine (SN 0300064782 through 0300128000)	1/C
		Ref	STANDARD ELECTRICAL SCHEMATIC	
	1870055	Ref	Standard Electrical Schematic (Prior to SN 0300064782)	G
	1870150	Ref	Standard Electrical Schematic (SN 0300064782 through 0300128000)	B
	4933027	Ref	STROBE LIGHT ELECTRICAL DIAGRAM	2/A
	1282937	Ref	STROBE LIGHT ELECTRICAL DIAGRAM	2/A

SECTION 7 - ELECTRICAL

FIGURE 7-2. ELECTRICAL SCHEMATIC - DEUTZ ENGINE (Prior to SN 0300064782)



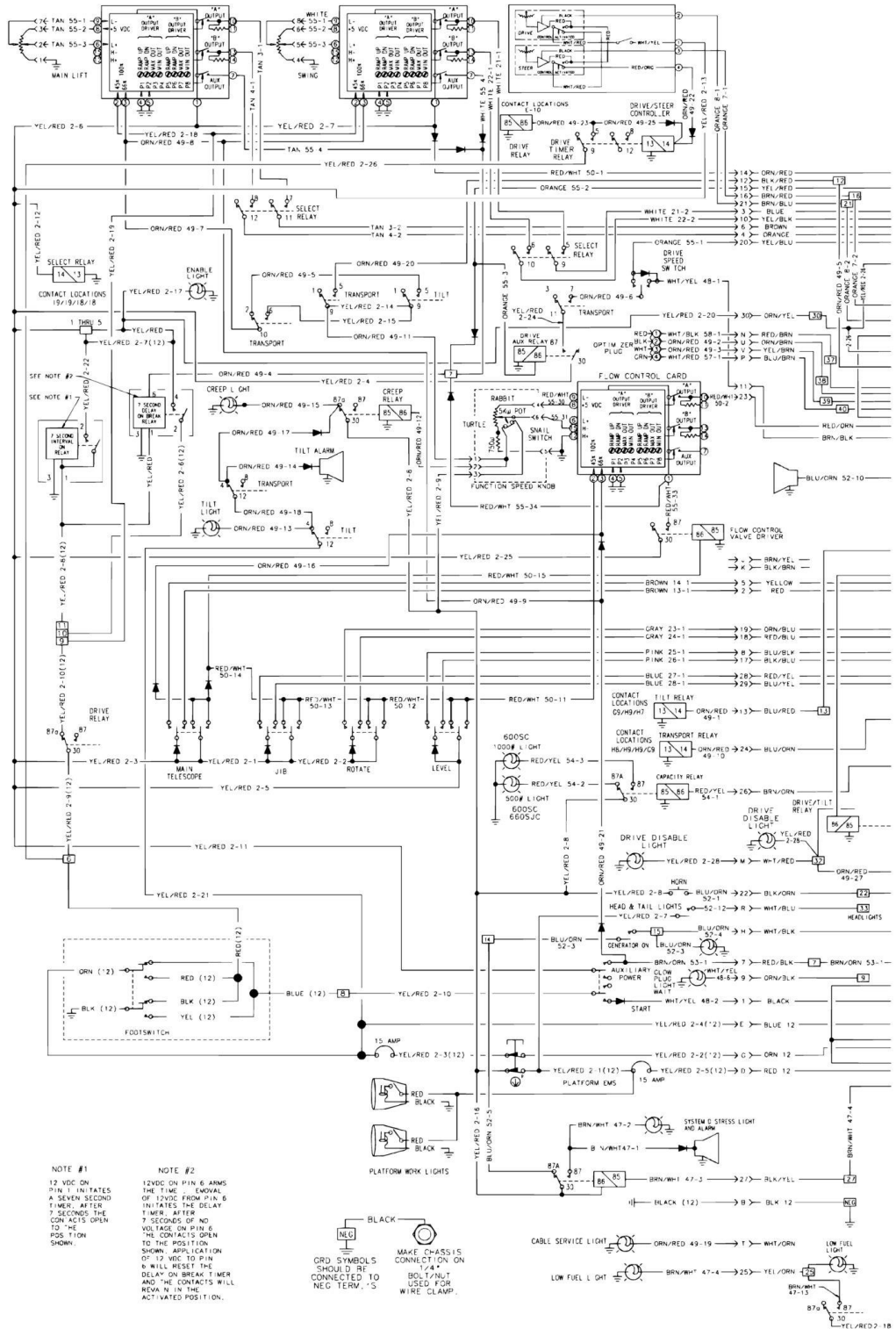
SECTION 7 - ELECTRICAL



1870055_G

SECTION 7 - ELECTRICAL

FIGURE 7-3. ELECTRICAL SCHEMATIC - DEUTZ ENGINE (SN 030064782 through 030012800)

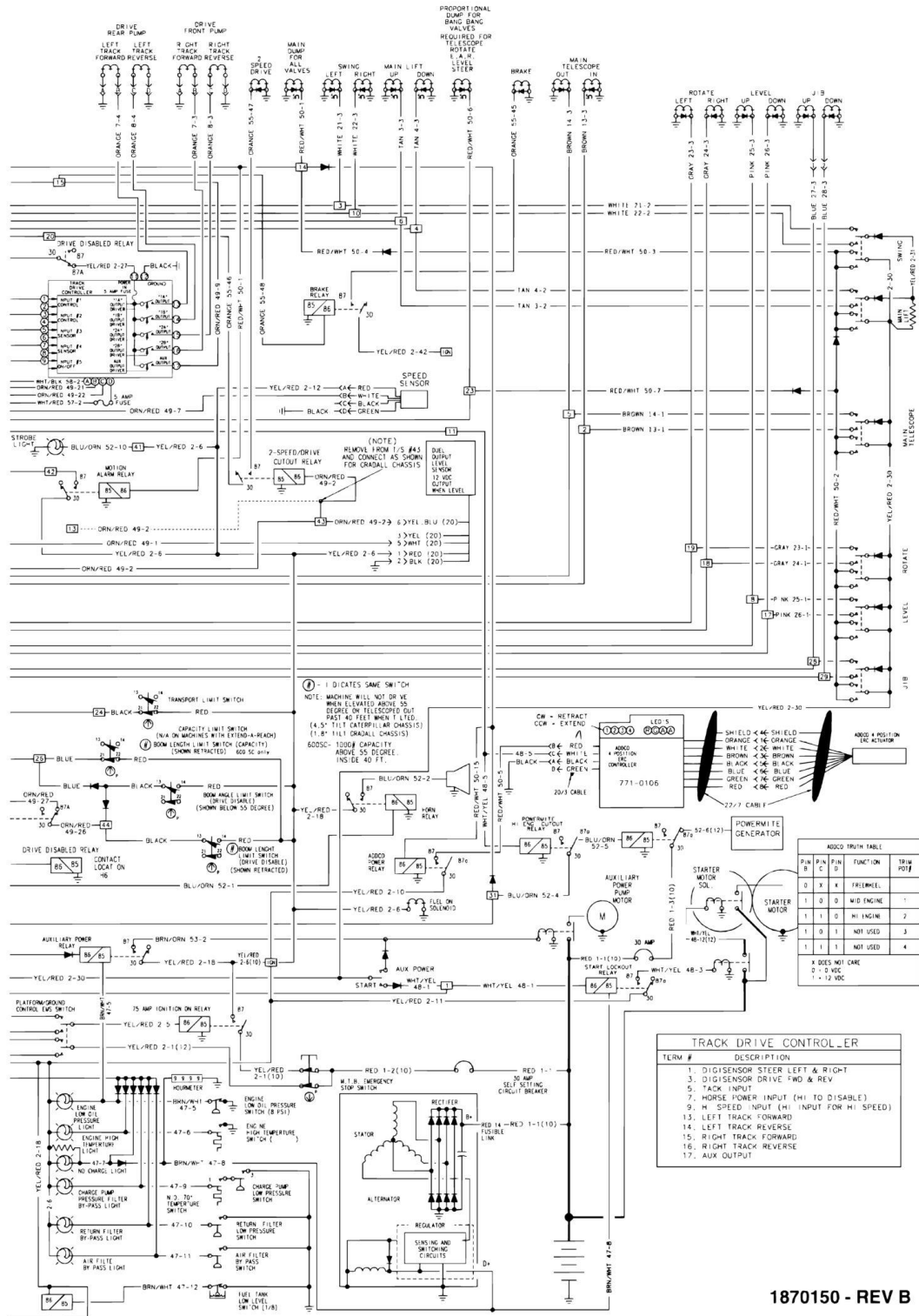


NOTE #1
 12 VDC ON PIN 6
 PIN 1 INITIATES
 A SEVEN SECOND
 TIMER. AFTER
 7 SECONDS THE
 CONTACTS OPEN
 TO THE
 POSITION
 SHOWN.

NOTE #2
 12VDC ON PIN 6 ARMS
 THE TIME. REMOVAL
 OF 12VDC FROM PIN 6
 INITIATES THE DELAY
 TIMER. AFTER
 7 SECONDS OF NO
 VOLTAGE ON PIN 6,
 THE CONTACTS OPEN
 TO THE POSITION
 SHOWN. APPLICATION
 OF 12 VDC TO PIN 6
 WILL RESET THE
 DELAY. ON BREAK TIMER
 AND THE CONTACTS WILL
 REMAIN IN THE
 ACTIVATED POSITION.

BLACK
 NEG
 MAKE CHASSIS
 CONNECTION ON
 1/4"
 BOLT/NUT
 USED FOR
 WIRE CLAMP.

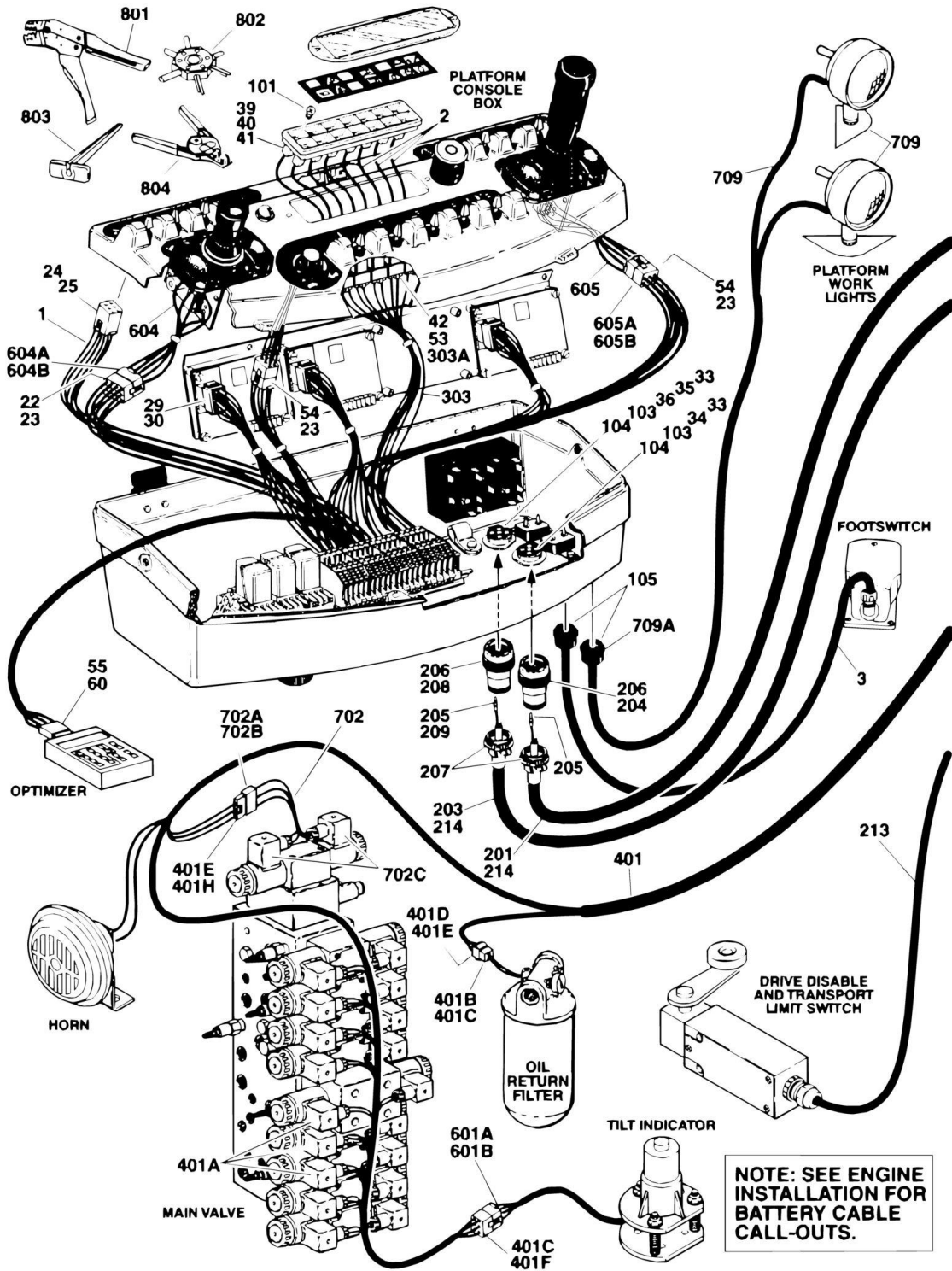
SECTION 7 - ELECTRICAL



1870150 - REV B

SECTION 7 - ELECTRICAL

FIGURE 7-4. HARNESS COMPONENTS INSTALLATION



SECTION 7 - ELECTRICAL

FIGURE 7-4. HARNESS COMPONENTS INSTALLATION

ITEM	PART NUMBER	QTY	DESCRIPTION	REV
		Ref	HARNESS COMPONENTS INSTALLATION	
	4922338	Ref	PLATFORM BOX HARNESS ASSEMBLY	7/E
1	See Note	AR	Harness, Switch (Note: Not Available - Made from Individual Wires.)	
2	See Note	AR	Harness, Light Panel (Note: Not Available - Made from Individual Wires.)	
3	1060012	7 ft/2.1m	Cable, Electrical - 12/4	
22	4460265	1	Plug, Male - 9 Position	
23	4460267	AR	Pin, Male	
24	4460418	6	Connector - 6 Position	
25	4460419	33	Terminal, Female	
29	4460720	3	Connector - 15 Position	
30	4460721	33	Socket, Female	
33	4460464	AR	Pin, Male (16 Gauge)	
34	4460503	1	Connector - 31 Position	
35	4460508	4	Pin, Male (12 Gauge)	
36	4460613	1	Connector - 21 Position	
37	3990010	AR	Diode - 6 Amp (Not Shown)	
39	4120035	13	Base, Light	
40	4460634	13	Insert, Terminal (Single Wire)	
41	4460635	11	Insert, Terminal (Double Wire)	
42	4460741	6	Plug, Relay	
53	4460420	AR	Receptacle, Relay	
54	4460225	2	Connector, Plug - 6 Position	
55	4460321	1	Receptacle, Female - 4 Position	
60	4460268	4	Socket, Female	
		Ref	PLATFORM BOX ASSEMBLY COMPONENTS	
101	2920129	AR	Bulb, Light	
103	4460470	2	Nut, Conduit	
104	4460471	2	Washer	
105	4460428	2	Connector, Strain Relief	
		Ref	BOOM CABLES INSTALLATION	
	0270170	Ref	Boom Cables Installation 600SC	3
	0270172	Ref	Boom Cables Installation 600SJC	4
	0270171	Ref	Boom Cables Installation 660SJC	3
201	1060516	Ref	Cable, Electrical - 16/30 Options: (Does not Include Terminals)	
201	1060516	68.5 ft /20.9m	Cable, Electrical - 16/30 (600SC)	
201	1060516	70 ft /21.4m	Cable, Electrical - 16/30 (600SJC)	
201	1060516	76 ft /23.2m	Cable, Electrical - 16/30 (660SJC)	
202	1060494	Ref	Cable, Electrical - 12/3 Options: (Does not Include Terminals)	
202	1060494	69.5 ft /21.2m	Cable, Electrical - 12/3 (600SC)	
202	1060494	71 ft /21.7m	Cable, Electrical - 12/3 (600SJC)	
202	1060494	77 ft /23.5m	Cable, Electrical - 12/3 (660SJC)	
203	1060603	Ref	Cable, Electrical - 12/4 & 16/10 Options: (Does not Include Terminals)	
203	1060603	69.5 ft	Cable, Electrical - 12/4 & 16/10 (600SC)	

SECTION 7 - ELECTRICAL

ITEM	PART NUMBER	QTY	DESCRIPTION	REV
203	1060603	/21.2m 71 ft	Cable, Electrical - 12/4 & 16/10 (600SJC)	
203	1060603	/21.7m 77 ft /23.5m	Cable, Electrical - 12/4 & 16/10 (660SJC)	
204	4460502	1	Connector - 31 Position	
205	4460465	AR	Socket, Female - #16	
206	4460466	14	Seal, Plug	
207	4460473	2	Clamp, Cable	
208	4460614	1	Connector - 21 Position	
209	4460509	4	Socket, Female - #12	
213	1060016	AR	Cable, Boom Length	
214	4100026	10 ft/3m	Sleeve, Nylon	
	Ref		GROUND CONTROL BOX DIAGRAMS	
	4933117	Ref	Deutz Engine (Prior to SN 0300064782)	3-G
	4933235	Ref	Deutz Engine (SN 0300064782 through 0300128000)	1-C
301	4921993	1	Harness, Switch	5-E
301	3730099	1	Resistor	
301A	4460418	AR	Connector - 6 Position	
301A	4460419	AR	Socket, Female	
302	4922002	1	Harness Assembly - Light Panel	
303		Ref	Sub-Harness, Relay Options:	
303	4922334	1	Sub-Harness, Relay (Prior to SN 0300064782)	5-E
303	4922677	1	Sub-Harness, Relay (SN 0300064782 through 0300128000)	2-B
303	3990010	3	Diode 6 Amp/600V	
303	2400060	1	Fuseholder	
303	2400064	1	Fuse 5 Amp	
303A	4460741	AR	Plug, Relay	
303A	4460420	16	Receptacle, Relay	
312	3990010	4	Diode 6 Amp (Not Shown)	
314	4120035	8	Base, Light	
315	2920129	8	Bulb, Light	
319	3730023	1	Resistor 510 Ohm (Not Shown - Located at Alternator Light)	
320	4460634	5	Insert, Terminal (Single Wire)	
321	4460635	11	Insert, Terminal (Double Wire)	
	Ref		GROUND CONTROL BOX ASSEMBLY COMPONENTS	
401	4921923	1	Valve Harness Assembly	3-E
401A	4460499	15	DIN Connector with Diode	
401B	4460320	1	Plug, Male - 2 Position	
401C	4460267	9	Pin, Male	
401D	4460424	1	Receptacle, Female - 2 Position	
401E	4460268	5	Socket, Female	
401F	4460225	1	Housing, Terminal - 6 Position	
401G	4460326	1	Plug, Male - 3 Position (Not Shown - No Connection Required on SC Models)	
401H	4460445	1	Receptacle, Female - 3 Position	
402		Ref	Engine Harness Assembly Options (See Items 501-548 for Breakdown):	
402	4922330	1	Engine Harness Assembly (Prior to SN 0300064782)	
402	4922554	1	Engine Harness Assembly (SN 0300064782 through 0300128000)	
	Ref		ENGINE HARNESS ASSEMBLY	

SECTION 7 - ELECTRICAL

ITEM	PART NUMBER	QTY	DESCRIPTION	REV
	4922330	Ref	Engine Harness Assembly (Prior to SN 0300064782)	2-B
	4922554	Ref	Engine Harness Assembly (SN 0300064782 through 0300128000)	1-A
516	4460749	1	Cap, Backshell Sealing	
517	4460750	1	Bussbar - 6 Position	
518	4460744	1	Connector - 6 Position	
519	4460745	1	Lock, Secondary	
520	4460746	6	Socket, Female	
521	4460449	1	DIN Connector without Diode	
526	4460777	1	Housing - 4 Position	
527	4460591	1	Terminal, Lock	
528	4460589	3	Socket	
529	4460608	3	Seal, Cable	
531	4460424	1	Receptacle, Female - 2 Position	
532	4460268	2	Socket, Female	
533	4460320	1	Connector, Female - 2 Position	
534	4460267	2	Pin, Male	
535	4460499	AR	DIN Connector with Diode	
544	4460460	2	Connector, Male - 4 Position	
545	4460457	8	Terminal, Female	
546	4460458	18	Seal, Terminal	
547	4460844	1	Receptacle, Female - 4 Position	
548	4460475	3	Pin, Male	
		Ref	STANDARD HARNESS COMPONENTS	
601	See Note	NSS	Tilt Indicator Harness (Note: Not Available - Purchase Complete Sensor)	
601A	4460268	6	Socket, Female	
601B	4460224	1	Connector, Female - 6 Position	
602	See Note	NSS	Throttle Actuator/Controller Harness (Note: Not Available for Purchase.)	
602	0060033	NLA	Throttle Actuator and Controller Assembly (Use p/n 2910000)	
602	7008833	1	Mounting Clamp Kit (Not Shown)	
602	7008836	1	Spring, Retract (Not Shown)	
602A	See Note	NLA	Throttle Actuator and Harness (Note: Use p/n 2910000)	
602A	7016336	1	Boot Kit	
602B	See Note	NLA	Pin, Male (Note: Use p/n 2910000)	
602C	See Note	NLA	Connector, Male (Note: Use p/n 2910000)	
602D	See Note	NLA	Controller and Harness (Note: Use p/n 2910000)	
602E	See Note	NLA	Socket, Female (Note: Use p/n 2910000)	
602F	See Note	NLA	Connector, Female (Note: Use p/n 2910000)	
602G	See Note	NLA	Plug, Male - 4 Position (Note: Use p/n 2910000)	
602G	4460693	4	Pin, Male	
602G	4460591	1	Clip	
602G	4460608	4	Seal, Terminal	
603	See Note	NSS	Sunstrand Pump Harness (Note: Not Available for Purchase.)	
603A	7007497	2	Plug (Pump End)	
603B	7007498	2	Plug (Engine Harness End)	
604	See Note	NSS	Controller Harness Assembly (Lift and Swing) (Note: Not Available - Purchase Complete Controller)	
604A	4460266	1	Connector, Female - 9 Position	
604B	4460268	7	Socket, Female	
605	See Note	NSS	Controller Harness/Circuit Board Assembly (Drive and Steer)	

SECTION 7 - ELECTRICAL

ITEM	PART NUMBER	QTY	DESCRIPTION	REV
			(Note: Not Available - Purchase Complete Controller)	
605A	4460266	1	Connector, Female - 9 Position	
605B	4460268	7	Socket, Female	
606	See Note	NSS	Sunstrand Pump Sensor Harness (Note: Not Available for Purchase.)	
606A	7007498	1	Plug (Pump End)	
		Ref	OPTIONAL HARNESS COMPONENTS	
702	4921927	1	Jib Valve Harness (600SJC & 660SJC Only)	
702A	4460326	1	Plug, Male - 3 Position	
702B	4460267	3	Pin, Male	
702C	4460499	2	Connector, DIN with Diode	
703	0257887	1	Alarm Harness Options: (Includes Alarm)	
703A	4460424	1	Plug, Male - 2 Position	
703B	4460268	2	Socket, Female	
704		Ref	Strobe Light Harness (Includes Strobe Light) Options:	
704	0255917	1	Strobe Light Harness (Prior to SN 0300069327)	
704	0272507	1	Strobe Light Harness (SN 0300069327 through 0300128000)	
704A	4460320	1	Connector, Female - 2 Position	
704B	4460267	2	Pin, Male	
705		Ref	AC to Platform Receptacle Components Options:	
705	0256113	Ref	110V GFI Receptacle	2
705	0257175	Ref	220V GFI Receptacle (ANSI Spec)	2
705	0256201	Ref	220V GFI Receptacle (ANSI Export Spec)	3
705A	0860038	1	Box, Switch	
705B		Ref	Receptacle Options:	
705B	4460346	1	110V GFI	
705B	4460125	1	220V GFI	
705B	See Note	NLA	ANSI Export Spec (Note: Not Available for Purchase.)	
705C		Ref	Shield, Cover Options:	
705C	4060700	1	110V GFI	
705C	4060092	1	220V GFI	
705C	See Note	NLA	ANSI Export Spec (Note: Not Available for Purchase.)	
705D		Ref	Plug, Male Options:	
705D	4460205	2	110V GFI	
705D	4460233	2	220V GFI	
705D	See Note	NLA	ANSI Export Spec (Note: Not Available for Purchase.)	
705E		Ref	Plug, Female Options:	
705E	4460134	2	110V GFI (Prior to SN 0300065834)	
705E	4460701	2	220V GFI (Prior to SN 0300065834)	
705E	See Note	NLA	ANSI Export Spec (Note: Not Available for Purchase.)	
705F		Ref	Harness-Receptacle Box to Boom Options:	
705F	4921801	1	ANSI Spec (Prior to SN 0300065834)	
705F	4921820	1	ANSI Export Spec (Prior to SN 0300065834)	
705F		Ref	Cable, Electrical - 12/3	
705F	1060494	18 in /47cm	ANSI Spec	
705F	1060461	18 in /47cm	ANSI Export Spec	
705G	4460205	1	Plug, Male (110V)	
705G	4460233	1	Plug, Male (220V - ANSI Spec)	
705G	4460709	1	Plug, Male (220V - ANSI Export Spec)	
705H	0961127	1	Bushing, Snap (Not Shown)	

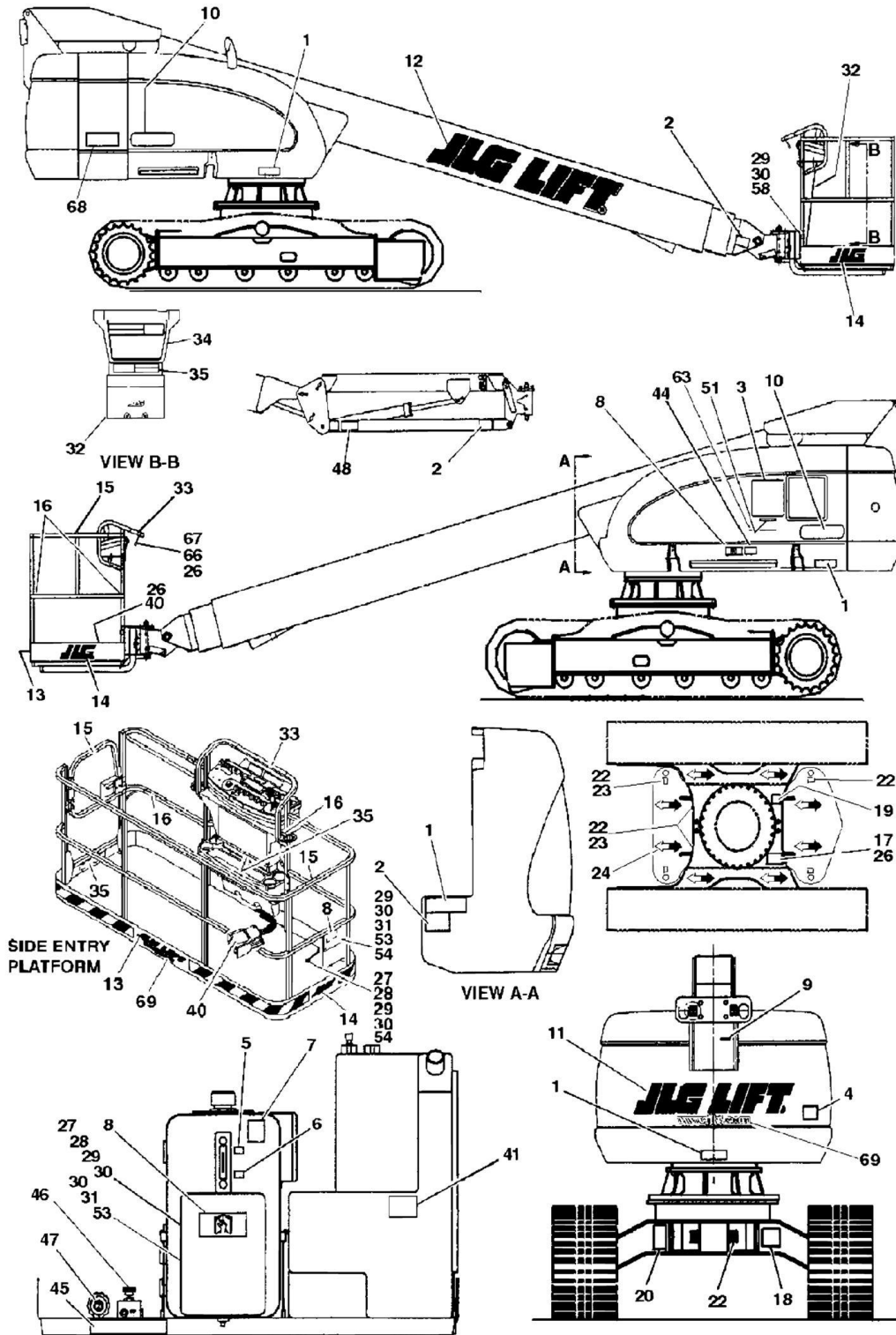
SECTION 7 - ELECTRICAL

ITEM	PART NUMBER	QTY	DESCRIPTION	REV
706		Ref	Generator Electrical Components	
706	4932915	Ref	110V (Prior to SN 0300056088)	2-C
706	4933150	Ref	110V (SN 0300056088 through 0300128000)	2-B
706	4932989	Ref	220V (Prior to SN 0300056088)	1-A
706	4933149	Ref	220V (SN 0300056088 through 0300128000)	2-B
706	3990010	1	Diode - 6 Amp (Not Shown)	
706	4922432	1	Harness, Timer Relay (Not Shown)	
706A	4921938	1	Harness - On/Off Switch (Powermite Control Box to Ground Control Box)	
706B	4460027	1	Receptacle, Electrical (Industrial) (110V)	
706B	4460125	1	Receptacle, Electrical (220V)	
706C	4460190	1	Receptacle, Electrical (Standard) (110V)	
706C	4460125	1	Receptacle, Electrical (220V)	
707	4921827	1	Generator to Rear of Boom Harness (110V)	
707	4921954	1	Generator to Rear of Boom Harness (220V)	
707	4921956	1	Generator to Rear of Boom Harness (220V - ANSI Export Spec)	
		Ref	Note: Harness used to connect AC at platform harness to generator receptacle to power platform receptacle.	
707	1060494	26 ft/8m	Cable, Electrical - 12/3	
707A	4460205	1	Plug, Male (110V)	
707A	4460233	1	Plug, Male (220V)	
707B	4460134	1	Receptacle, Female (110V)	
707B	4460701	1	Receptacle, Female (220V)	
708	See Note	NSS	Lights Harness (Note: Not Available for Purchase.)	
708	3740049	1	Relay (Not Shown)	
708	1060341	37 ft /11.3m	Cable, Electrical - 16/2	
709	2920140	2	Platform Worklights Harness (Includes Light and Wire Only)	
709	2820035	9 ft/2.8m	Loom, Vinyl	
709A	4460598	1	Connector, Strain Relief	
709A	4460042	2	Terminal (Not Shown-Located in Platform Console)	
		Ref	TOOLS	
	4921850	1	Service Harness (For Setting Deutz Throttle Actuator)	
	4922021	1	Service Harness (For Setting Circuit Cards)	
801	7002821	1	Crimper (For Wire to Pin/Socket Connections)	
802	7002823	1	Extractor (For Removal of Pin/Socket from Connectors)	
803	4460467	1	Extractor, Pin (Blue 16-18 Gauge) (For Removal of Pin/Socket from Connectors)	
803	4460510	1	Extractor, Pin (Yellow 12-14 Gauge) (For Removal of Pin/Socket from Connectors)	
804	7002828	1	Stripper, Wire	

SECTION 8 - DECALS

SECTION 8 - DECALS

FIGURE 8-1. DECALS INSTALLATION (STANDARD)



SECTION 8 - DECALS

FIGURE 8-1. DECALS INSTALLATION (STANDARD)

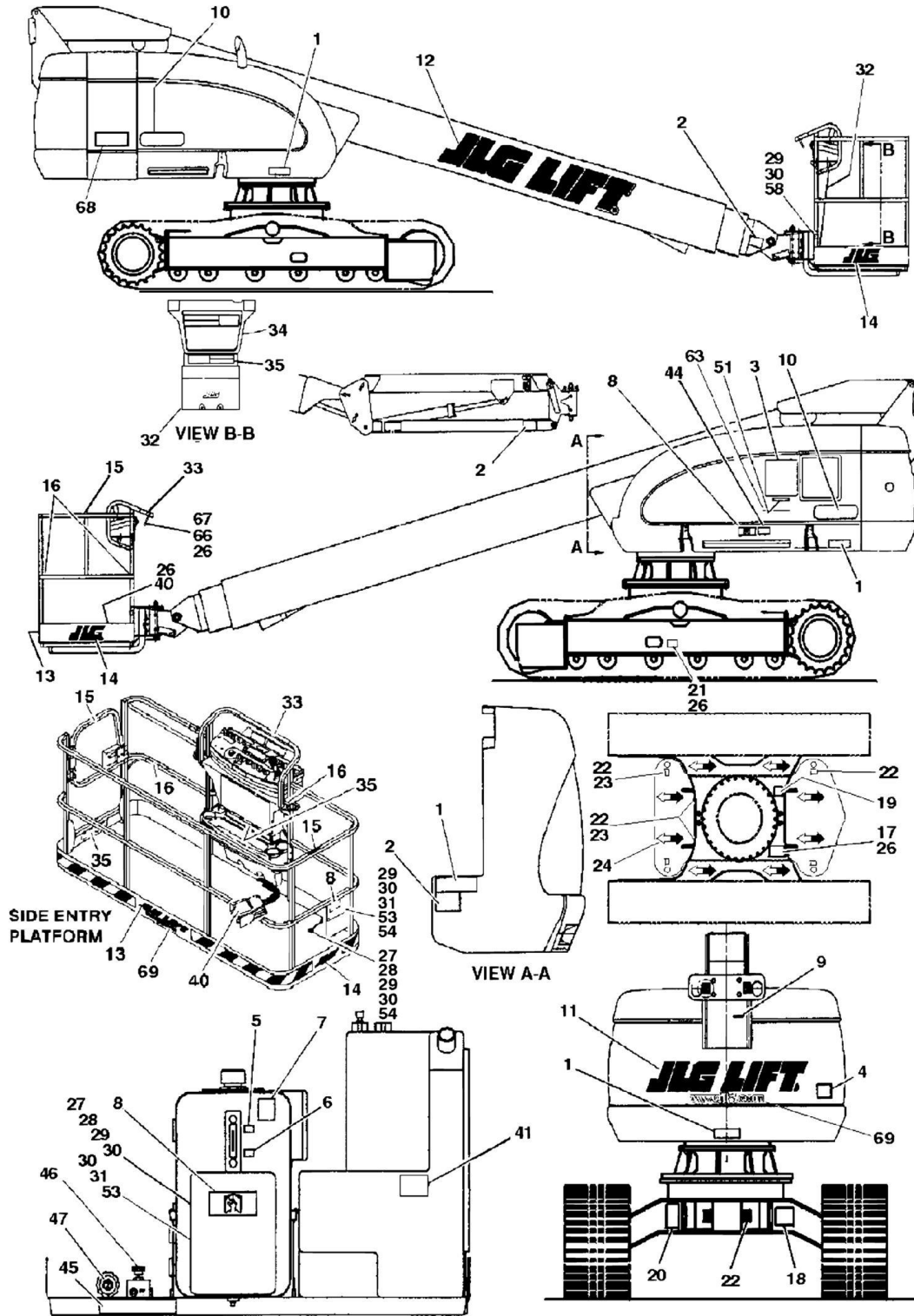
ITEM	PART NUMBER	QTY	DESCRIPTION	REV
		Ref	STANDARD DECAL INSTALLATIONS	
	0270994	Ref	JLG Logo Decals	1
	0259698	Ref	Standard Decal Installations 600SC (Prior to SN 0300069397)	5
	0272450	Ref	Standard Decal Installations 600SC (SN 0300069397 through 0300128000)	5
	0259699	Ref	Standard Decal Installations 600SJC (Prior to SN 0300069397)	5
	0272451	Ref	Standard Decal Installations 600SJC (SN 0300069397 through 0300128000)	5
	0259700	Ref	Standard Decal Installations 660SJC (Prior to SN 0300069397)	5
	0272452	Ref	Standard Decal Installations 660SJC (SN 0300069397 through 0300128000)	5
1	1703805	4	Decal - Danger/Electrocution	
2	1703804	3	Decal - Warning/Crushing	
3	1703798	1	Decal - Danger/Warning	
4	3251813	1	Decal - USA	
5	1701502	1	Decal - High Oil Level	
6	1701503	1	Decal - Low Oil Level	
7	1701504	1	Decal - Hydraulic Oil	
8	1701509	2	Decal - Manual	
9		Ref	Nameplate Options:	
9	3251243	1	120V-60Hz	
9	3252507	1	220V-50/60Hz	
10		Ref	Decal - Model Options:	
10	1704434	2	Decal - Model 600SC	
10	1704435	2	Decal - Model 600SJC	
10	1703165	2	Decal - Model 660SJC	
11	1702861	1	Decal - JLG Lift (8in)	
12	1702862	1	Decal - JLG Lift (12in)	
13	1702774	1	Decal - JLG Lift (3-1/2in)	
14	1702773	2	Decal - JLG (5in)	
15	1702868	2	Decal - No Hands	
16		Ref	Decal - Attach Lanyard Here Options:	
16	1702612	4	Decal - Attach Lanyard (Prior to SN 0300069397)	
16	1704277	4	Decal - Attach Lanyard (SN 0300069397 through 0300128000)	
17	See Note	NSS	Nameplate - Serial Number (Note: Not Available for Purchase.)	
18	1702153	1	Decal - Inspection	
19	See Note	NSS	Decal - Bar Code (Note: Not Available for Purchase.)	
20	1700584	1	Decal - Patent	
22	1702300	4	Decal - Tie Down /Lift	
23	1701500	2	Decal - Tie Down /Lift	
24	1701529	AR	Decal - Arrow	
26	3820001	7	Rivet	
27	0641408	4	Bolt 1/4in-20NC x 1in	
28	1060279	1	Cable, Lanyard	
29	3311405	AR	Locknut 1/4in-20NC	
30	4751400	AR	Flatwasher 1/4in	
31	0860520	1	Box, Manual Storage	
32	3380434	1	Panel, Pedestal (Prior to SN 0300075375)	
33	1704502	1	Decal - Legend	
34	1703797	1	Decal - Danger/Warning	

SECTION 8 - DECALS

ITEM	PART NUMBER	QTY	DESCRIPTION	REV
35		Ref	Decal - 500LBS Max Capacity Options:	
35	1704096	1	Decal - 500LBS Max Capacity 600SC	
35	1701645	1	Decal - 500LBS Max Capacity 600SJC & 660SJC	
40	3252347	1	Nameplate - Footswitch (Part of Footswitch Assembly)	
41	1701505	1	Decal - Fuel	
44	1702901	1	Decal - Manual Descent (Prior to SN 0300073693)	
45	1702902	1	Decal - Manual Descent (Prior to SN 0300073693)	
46	1702903	1	Decal - Manual Descent (Prior to SN 0300073693)	
47	1702904	1	Decal - Manual Descent (Prior to SN 0300073693)	
48		Ref	Decal - Manual Descent Options:	
48	Not Required	0	Decal - Manual Descent 600SC	
48	1702908	1	Decal - Manual Descent 600SJC & 660SJC (Prior to SN 0300073693)	
51		Ref	Decal - 500LBS Max Capacity Options:	
51	1704104	1	Decal - 500LBS Max Capacity 600SC	
51	1702688	1	Decal - 500LBS Max Capacity 600SJC & 660SJC	
53	0641406	4	Bolt 1/4in-20NC x 3/4in	
54	0100011	AR	Compound, Locking	
58	0641414	2	Bolt 1/4in-20NC x 1-3/4in (Prior to SN 0300075375)	
63	1704711	1	Decal - Legend	
66	1704468	1	Decal - Motion Hazard	
67	3572044	1	Plate, Decal Mounting	
68	1705177	1	Decal - Lifting Diagram (SN 0300069397 through 0300128000)	
69	1704885	2	Decal - Website (SN 0300069397 through 0300128000)	

SECTION 8 - DECALS

FIGURE 8-2. DECALS INSTALLATION (COUNTRY SPECS)



SECTION 8 - DECALS

FIGURE 8-2. DECALS INSTALLATION (COUNTRY SPECS)

ITEM	PART NUMBER	QTY	DESCRIPTION	REV
		Ref	DECAL INSTALLATIONS	
	0270994	Ref	JLG Logo Decals	1
		Ref	Decal Installations 600SC: Canadian Spec (English/French Languages)	
	0259731	Ref	Decal Installations (Prior to SN 0300069397)	2
	0272474	Ref	Decal Installations (SN 0300069397 through 0300128000)	4
		Ref	Decal Installations 600SJC: Canadian Spec (English/French Languages)	
	0259732	Ref	Decal Installations (Prior to SN 0300069397)	2
	0272475	Ref	Decal Installations (SN 0300069397 through 0300128000)	4
		Ref	Decal Installations 660SJC: Canadian Spec (English/French Languages)	
	0259733	Ref	Decal Installations (Prior to SN 0300069397)	2
	0272476	Ref	Decal Installations (SN 0300069397 through 0300128000)	4
1	1703936	4	Decal - Electrocution	
2	1703948	3	Decal - Warning/Crushing	
3	1703930	1	Decal - Danger/Warning	
4	3251813	1	Decal - USA	
5	1701502	1	Decal - High Oil Level	
6	1701503	1	Decal - Low Oil Level	
7	1701504	1	Decal - Hydraulic Oil	
8	1701509	2	Decal - Manual	
9	3251243	1	Nameplate - 120V-60Hz Options:	
10		Ref	Decal - Model Options:	
10	1704434	2	Decal - Model 600SC	
10	1704435	2	Decal - Model 600SJC	
10	1703165	2	Decal - Model 660SJC	
11	1702861	1	Decal - JLG Lift (8in)	
12	1702862	1	Decal - JLG Lift (12in)	
13	1702774	1	Decal - JLG Lift (3-1/2in)	
14	1702773	2	Decal - JLG (5in)	
15	1704000	2	Decal - No Hands	
16	1704277	4	Decal - Attach Lanyard Here	
17	See Note	NSS	Nameplate - Serial Number (Note: Not Available for Purchase.)	
18	1704006	1	Decal - Inspection	
19	See Note	NSS	Decal - Bar Code (Note: Not Available for Purchase.)	
20	1700584	1	Decal - Patent	
21	1705082	2	Decal - Crawler Caution (SN 0300069397 through 0300128000)	
22	1702300	4	Decal - Tie Down /Lift	
23	1701500	2	Decal - Tie Down /Lift	
24	1701529	AR	Decal - Arrow	
26	3820001	AR	Rivet	
27	0641408	1	Bolt 1/4in-20NC x 1in	
28	1060279	1	Cable, Lanyard	
29	3311405	AR	Locknut 1/4in-20NC	
30	4751400	10	Flatwasher 1/4in	
31	0860520	1	Box, Manual Storage	
32	3380434	1	Panel, Pedestal (Prior to SN 0300075375)	
33	1704502	1	Decal - Legend	

SECTION 8 - DECALS

ITEM	PART NUMBER	QTY	DESCRIPTION	REV
34	1703924	1	Decal - Danger/Warning	
35	1704099	2	Decal - Warning	
40	1703984	1	Decal - Caution	
41	1701505	1	Decal - Fuel	
44	1704116	1	Decal - Manual Descent (Prior to SN 0300073693)	
45	1704269	1	Decal - Manual Descent (Prior to SN 0300073693)	
46	1702903	1	Decal - Manual Descent (Prior to SN 0300073693)	
47	1702904	1	Decal - Manual Descent (Prior to SN 0300073693)	
51	1704107	1	Decal - 500Lbs Unrestricted Capacity	
53	0641406	4	Bolt 1/4in-20NC x 3/4in	
54	0100011	AR	Compound, Locking	
58	0641414	2	Bolt 1/4in-20NC x 1-3/4in (Prior to SN 0300075375)	
63	1704711	1	Decal - Legend	
66	1704567	1	Decal - Motion Hazard	
67	3572329	1	Plate, Decal Mounting	
68	1705177	1	Decal - Lifting Diagram (SN 0300069397 through 0300128000)	
69	1704885	2	Decal - Website (SN 0300069397 through 0300128000)	

SECTION 9 - RECOMMENDED SERVICE PARTS STOCK

SECTION 9 - RECOMMENDED SERVICE PARTS STOCK

SECTION 9 - RECOMMENDED SERVICE PARTS STOCK

FIGURE 9-1. MODELS 600SC/600SJC/660SJC STANDARD PARTS

ITEM	PART NUMBER	QTY	DESCRIPTION	REV
		Ref	Note: The following list will service machines (built to current production per date on the front cover) with emergency repair parts which can be installed in the field. Parts from the list should be replaced when inventory is depleted to keep service parts stock supplied. For further information, contact your JLG dealer or the JLG Industries Parts Department.	
		Ref	STANDARD PARTS	
	2120150	4	Element Filter	
	7012944	1	Coil	
	2120149	1	Element, Filter	
	7012772	1	Coil	
	7021376	1	Coil	
	7018991	1	Coil	
	7012664	4	Element, Air Cleaner	
	3740067	1	Relay	
	7016328	4	Filter, Fuel	
	7016331	1 doz	Filter, Oil	
	7016330	1	Switch, Pressure	
	4360294	1	Breaker, Circuit	
	7014811	1	Breather, Hydraulic Tank	
	7014801	1	Strainer, Hydraulic Tank	
	4360475	1	Switch, Mushroom	
	4360469	1	Switch, Key	
	2860030	1	Key, Replacement	
	3740112	1	Relay	
	4360314	1	Switch, Toggle	
	3740049	1	Relay	
	1600262	1	Controller	
	4360493	1	Switch, Tilt	
	2940074	1	Latch	
	1600284	1	Controller (Lift and Swing)	
	1600330	1	Controller (Drive and Steer)	
	4360387	1	Switch, Push Button	
	4360407	1	Controller, Speed	
	4360476	1	Block, Contact	
	4360331	1	Switch, Toggle	
	1600218	1	Card, Control	
	7016346	2	Fuse - 5 Amp	
	3740058	1	Relay	
	4360232	1	Breaker, Circuit	
	3740113	1	Relay, Time Delay	
	3740115	1	Relay, Time Delay	
	3740133	1	Relay, Timer	
	1600303	1	Controller, OEM Optimizer	
	7003974	1	Potentiometer	
	3990010	2	Diode	
	3990001	2	Diode	

SECTION 9 - RECOMMENDED SERVICE PARTS STOCK

FIGURE 9-2. MODELS 600SC/600SJC/660SJC VARIABLE PARTS

ITEM	PART NUMBER	QTY	DESCRIPTION	REV
		Ref	Note: The following list will service machines (built to current production per date on the front cover) with emergency repair parts which can be installed in the field. Parts from the list should be replaced when inventory is depleted to keep service parts stock supplied. For further information, contact your JLG dealer or the JLG Industries Parts Department.	
		Ref	VARIABLE PARTS	
	3740080	1	Relay (Machines with Generator Option)	
	4360336	1	Switch, Toggle (Machines with Generator Option)	
	3740118	1	Relay (Machines with Generator Option)	
	70002005	1	Power Track Repair Section (Gortrac) (600SC/660SJC)	
	70002007	1	Power Track Repair Section (Gortrac) (600SJC)	
	7016530	2	Power Track Repair Section (Gemco)	
	7016138	24	Power Track Pin Kit (Gemco)	
	4360578	1	Switch, Limit	

SECTION 10 - SPECIAL OPTIONS

SECTION 10 - SPECIAL OPTIONS

FIGURE 10-1. SPECIAL OPTIONS

ITEM	PART NUMBER	QTY	DESCRIPTION	REV
		Ref	MISCELLANEOUS SPECIAL OPTIONS	
	Note	Ref	Note: This list is to accommodate machines ordered with special equipment. Options may not be applicable to all models. For more specific parts information contact JLG Parts Department.	
		Ref	Airline to Platform Installation Options:	
	0255388	Ref	Airline to Platform Installation 1/2in 600SC & 600SJC	
	0255389	Ref	Airline to Platform Installation 1/2in 660SJC	
	0270723	Ref	Beacon Installation Mounted Under Platform	
	2920146	1	Beacon Light Assembly	
	7016319	1	Bulb, Replacement	
	7016372	1	Lens, Replacement	
	4060865	1	Guard	
	0256789	Ref	Camera Mount Assembly	
		Ref	ClearSky Telematics Kit (Dealer Installed)	
	1001102841	Ref	ANSI Spec	
	1001102842	Ref	ANSI Export/CE/Japanese Specs	
	1001139132	Ref	Australian Spec	
	1001104985	Ref	CSA Spec	
		Ref	Note: Refer to ClearSky (Telematics) Manual p/n 3128499 for Service Parts.	
	0258927	Ref	Cold Weather Package with Glow Plugs	
	0256060	Ref	Cold Weather Package with Ether Start	
		Ref	Container - Tray Storage Options:	
	1580012	1	Center	
	1580013	1	Rail	
		Ref	Decal Installations Options:	
	1702788	1	Decal - Biodegradable Hydraulic Fluid	
	1704174	1	Decal - Synthetic Biodegradable Hydraulic Fluid	
	0253550	Ref	Decal Installation - CSA	
	0256957	Ref	Decal Installation - Lanyard Attach (GM K-1 Spec)	
	0256487	Ref	Decal Installation - Prop 65 Warning (California Spec)	
	0257195	Ref	Government Warranty Decal Installation	
	0270851	Ref	Sunbelt Decals Installation	
	0271032	Ref	United Rental Decals Installation	
		Ref	Decal Kit Options:	
	1001238909	Ref	Decal Kit - Platform	
	2910868	Ref	Decal Kit - Platform Console (ANSI Spec)	
		Ref	Electrical Connector Kits	
	1001148902	Ref	Amp/Tyco Electrical Connector Kit	
	1001148903	Ref	Deutsch DT Electrical Connector Kit	
	1001148904	Ref	Deutsch HD Electrical Connector Kit	
	1001148905	Ref	Packard Electrical Connector Kit	
	1001148906	Ref	Various Electrical Connectors Kit	
	0257157	Ref	Ether Start Installation	
		Ref	Filter Kits	
		Ref	Combined Filter Kit (Hydraulic/Air and Fuel/Engine Oil) Options:	
	2915137	NLA	Caterpillar Engines Machines (Use p/n 1001110994) (Prior to SN 0300085110)	

SECTION 10 - SPECIAL OPTIONS

ITEM	PART NUMBER	QTY	DESCRIPTION	REV
	1001114031	NLA	Caterpillar Engines Machines (Use p/n 1001110994) (Prior to SN 0300085110)	
	1001114123	NLA	Caterpillar Engines Machines (Use p/n 1001110991) (SN 0300085110 through 0300128000)	
	1001114124	NLA	Caterpillar Engines Machines (Use p/n 1001110991) (SN 0300085110 through 0300128000)	
	1001114136	1	Deutz Engine Machines (Prior to SN 0300077723)	
	2910463	NLA	Deutz Engine Machines (Use p/n 1001110993) (SN 0300077723 through 0300085110)	
	1001114036	NLA	Deutz Engine Machines (Use p/n 1001110990) (SN 0300085110 through 0300092883)	
	1001110990	1	Deutz Engine Machines (SN 0300092883 through 0300128000, Excluding 0300174703)	
		Ref	Hydraulic/Air Filter Options:	
	2910924	NLA	Hydraulic/Air Filter (Use p/n 1001109692) (Prior to SN 0300085110)	
	1001114132	NLA	Hydraulic/Air Filter (Use p/n 1001109684) (SN 0300085110 through 0300128000)	
		Ref	Engine - Fuel/Engine Oil Filter Options:	
	See Note	Ref	Caterpillar Engines (Note: Not Available - Purchase Individual Components)	
	1001110133	Ref	Deutz Engines	
	4060959	Ref	Footswitch Shield (Note: Move Decal to Shield)	
	0258928	Ref	Glow Plugs Installation	
	1001126286	Ref	Hood (Steel) Replacement Kit (Deutz Engine Machines)	
		Ref	Hydraulic Fluids Options:	
	2300014	Ref	Mobil 424	
	2300027	Ref	Mobil 224H Bio	
	2300029	Ref	Mobil EAL ISO 46 Bio	
	2300016	Ref	Mobil DTE 10 EXCEL 32	
	2300019	Ref	Quaker State Quintolubric 888-46 Fire Res.	
	0255439	Ref	Intercom Communication System Installation	
	1001189615	Ref	Kingpin Removal Kit	
	1001148971	Ref	Lanyard (Bolt-On) Kit Installation	
	1001147699	Ref	Manual Storage Box Relocation Kit	
		Ref	Oil Cooler Installations	
	0256762	Ref	Oil Cooler Installations (Prior to SN 0300067081)	
	1282665	1	Oil Cooler Installations (Prior to SN 0300067081)	
	0272364	Ref	Oil Cooler Installations (SN 0300067081 through 0300128000)	
		Ref	Oxy-Acetylene Lines to Platform Installation Options:	
	0255390	Ref	Oxy-Acetylene Lines to Platform Installation 600SC & 600SJC	
	0255391	Ref	Oxy-Acetylene Lines to Platform Installation 660SJC	
	0255398	Ref	Platform Console Cover Installation	
		Ref	Platform Entry Kit	
	1001142504	Ref	Kit, Replace Swing Gate with Drop Bar	
	1001142505	Ref	Kit, Replace Drop Bar with Swing Gate	
	2910073	Ref	Power Track Hose and Clamp Kit	
	1320247	1	Clamp, Nylon	
	0641522	1	Bolt 5/16in-18NC x 2-3/4in	
	3311505	1	Locknut 5/16in-18NC	
	4711500	2	Flatwasher 5/16in	
	2753084	1	Hose	
		Ref	SkyGuard Component Options:	

SECTION 10 - SPECIAL OPTIONS

ITEM	PART NUMBER	QTY	DESCRIPTION	REV
	1001149560	Ref	SkyGuard Complete Add-On Kit (Non-UGM Machines)	
	1001137672	Ref	SkyGuard Platform Sensor Kit	
	1001137440	1	SkyGuard Sensor Harness	
	1001186431	2	Relay	
	1001143256	Ref	SkyGuard Blue Beacon Kit	
	0272029	Ref	Rubber Track Pad Installation	
		Ref	Rubber Track Components (Some Early Machines Had Rubber Tracks)	
	2360530	Ref	Frame Weldment - 600SC	
	2360441	Ref	Frame Weldment - 600SJC	
	2360438	Ref	Frame Weldment - 660SJC	
	7022734	Ref	Track Shoe Assembly (Includes Link and Shoe)	
	7022732	Ref	Shoe, Track	
		Ref	Side Entry Platform, Mesh to Top Rail	
	0273149	Ref	3ft x 6ft Platforms	
	0273145	Ref	3ft x 8ft Platforms	
	1702868	Ref	Decal - No Hands (ANSI Spec)	
	1704000	Ref	Decal - No Hands (CSA Spec)	
		Ref	Tools for Service	
	8896941	1	Wire Stripper	
	7002821	1	Wire Crimper (To install wire ends to wires)	
	7002823	1	Pin/Socket Extractor - Universal (To Remove Pins/Sockets from Connectors)	
	4460467	1	Extractor - 16-18 Gauge (For Removal of Pin/Sockets from Deutsch Connectors)	
	4460510	1	Extractor - 12-14 Gauge (For Removal of Pin/Sockets from Deutsch Connectors)	
	7002822	1	Screwdriver, Potentiometer (To Adjust Drive Controllers)	
	7016654	1	Screwdriver, Magnetic	
	7004275	1	Seal Installation Tool - 1in	
	7004276	1	Seal Installation Tool - 1-1/2in	
	7002826	1	Seal Installation Tool - 2in	
	7016655	1	Wire Rope Sheave Gauge	
	7016652	1	Huck Bolt FASTER (For Small Huck Bolts Only)	
	4921850	1	Throttle Service Harness	
	83813109	1	Track Adjustment Tool	
	4922012	1	Horsepower Card Service Harness	
	7014676	1	U.S. Standards Tool Kit	
	2900838	1	U.S. Standards Hardware Kit	
	1600303	1	Optimizer	
		Ref	Tool (Hydraulic) Installations Options:	
	0257415	Ref	Tool (Hydraulic) Installations 600SC	
	0257434	Ref	Tool (Hydraulic) Installations 600SJC	
	0257435	Ref	Tool (Hydraulic) Installations 660SJC	
	0272733	Ref	Top Rail Extension Installation (6ft/1.83m)	
	0272725	Ref	Top Rail Extension Installation (8ft/2.44m)	
	0257728	Ref	Tube Rack Installation	
	2915096	Ref	Turntable Bearing Kit	
	0258918	Ref	Utility Rack Installation	
		Ref	Weld Leads to Platform Installation Options:	
	0255399	Ref	Weld Leads to Platform Installation 600SC & 600SJC	
	0255895	Ref	Weld Leads to Platform Installation 660SJC	

SECTION 10 - SPECIAL OPTIONS

ITEM	PART NUMBER	QTY	DESCRIPTION	REV
	2910172	Ref	Wire Rope Kit	

PART NUMBER INDEX

SECTION 10 - SPECIAL OPTIONS

0060031.....95, 103	0256789.....228	0272364.....198, 229	0641524.....121
0060033.....56, 212	0256823.....88	0272417.....61	0641604.....92, 96
0060034.....91, 103	0256830.....87	0272450.....217	0641605.....100, 109
0060066.....95, 107	0256847.....58	0272451.....217	0641606.56, 97, 109, 117
0060067.....91, 107	0256957.....228	0272452.....217	0641607.....100
0060075.....103	0257157.....228	0272474.....221	0641608....32, 73, 87, 91, 96, 100, 109, 114, 117
0080163.....58	0257175.....213	0272475.....221	0641609.....85, 88
0080220.....151	0257195.....228	0272476.....221	0641610.56, 62, 100, 125, 129
0080241.....82	0257415.....230	0272507.....82, 213	0641611.....75, 97, 117
0100009.....78	0257434.....230	0272725.....230	0641613.....31, 100
0100011....32, 41, 56, 62, 73, 75, 78, 81, 82, 87, 88, 91, 92, 96, 97, 100, 109, 113, 117, 125, 130, 139, 141, 145, 147, 151, 155, 161, 169, 177, 183, 189, 195, 218, 222	0257435.....230	0272733.....230	0641614.....73, 96
0100019....11, 41, 88, 91, 96	0257440.....11	0272970.....125	0641618.....96, 100
0100020.....56	0257483.....73	0273145.....230	0641634.....100
0100035.....81, 130	0257488.....31	0273149.....230	0641640.....100
0100038....139, 141, 145, 147, 151, 155, 161, 169, 177, 184, 189, 195	0257489.....31	0340041.....55	0641644.....109, 114
0100040.....125	0257728.....230	0362528.....81	0641648.....114
0100048.....82	0257853.....61	0362609.....81	0641676.....109
0100063....145, 151, 155, 162	0257857.....61	0362610.....81	0641772.....62
0100079.....73	0257882.....81	0362951.....81	0641807.....109, 114
0140001.....32	0257884.....82	0400075.....55	0641808.....57, 96
0140026.....129	0257885.....82	0440233.....41	0641810.....41, 91
0181727.....55	0257886.....82	0460151.....171	0641812.....56, 92, 97
0200530.....62	0257887.....82, 213	0460152.....171	0641818.....55, 85
0200741.....62	0257988.....113	0460153.....171	0641820.....92, 96
0239585.....41	0258048.....121, 202	0460160.....171	0641824.....100
0253550.....228	0258918.....230	0460161.....171	0641826.....57
0254849.....73	0258927.....228	0480050.....62	0642010.....57
0255025.....41	0258928.....229	0480111.....62	0642012.....91, 96
0255293.....109	0259055.....41	0540083.....117	0642018.....41
0255303.....109	0259552.....55	0540102.....117	0642612.....82, 114
0255316.....41	0259694.....75	0540103.....117	0642684.....92, 97
0255388.....228	0259698.....217	0540105.....117	0651406.....31, 32
0255389.....228	0259699.....217	0540112.....117	0681608.....92, 97, 101
0255390.....229	0259700.....217	0561076.....100	0681610.....92, 96
0255391.....229	0259731.....221	0561183.....100	0681612.....62, 100
0255398.....229	0259732.....221	0561184.....100	0681836.....41
0255399.....230	0259733.....221	0561185.....100	0682014.....88
0255439.....229	0270107.....13	0561237.....97	0682023.....41
0255881.....85	0270170.....210	0630458.92, 96, 109, 113	0682028.....11
0255895.....230	0270171.....97, 210	0630464.....78, 130	0700808.....56
0255917.....82, 213	0270172.....97, 210	0630491.....82	0700810.....58
0255929.....171	0270300.....91	0630493.....109	0700819.....62
0255930.....171	0270313.....81	0630498.....55	0701012.....56, 75
0256060.....228	0270329.....41	0630507.....87	0701015.....56
0256113.....213	0270358.....95	0630534 ... 139, 141, 143, 155, 159, 162	0701414.....56
0256122.....88	0270360.....95	0630535 ... 145, 147, 149, 162, 167, 169	0711414.....62
0256201.....213	0270366.....82	0630536.....151	0721003.....130
0256212.....151	0270381.....81	0641403.....100	0721004.....130
0256273.....117	0270386.....131	0641404.....114, 130	0721005.....56, 78
0256305.....81	0270388.....131	0641406.82, 83, 87, 130, 218, 222	0721006.....62, 87
0256306.....81	0270723.....228	0641407.....56, 92, 96	0721010.....130
0256487.....228	0270851.....228	0641408....81, 125, 129, 152, 217, 221	0731005.....77
0256689.....57	0270994.....217, 221	0641414 ... 121, 125, 126, 218, 222	0741606.....82
0256690.....57	0271032.....228	0641416.....32, 97	0741607.....91, 96
0256762....198, 202, 229	0271032.....228	0641420.....32	0741612.....100
	0271242.....113	0641506.....78, 88	0801012.....99
	0271243.....113	0641508.....32, 56, 62	0801014.....99
	0271503....121, 126, 202	0641510.....56	0801037.....99
	0271631.....31	0641512.....88	0801038.....99
	0271667.....31	0641514.....56	0801065.....99
	0271915.....75	0641522....109, 114, 229	0801246.....99
	0272029.....230		0801247.....91, 99
	0272070.....92, 97		0801250.....95, 99
	0272138.....91		0801252.....95, 99
	0272144.....95		
	0272147.....95		
	0272292.....55		

SECTION 10 - SPECIAL OPTIONS

0801253.....	99	1001114036.....	229	1320070.....	101, 152	1683973.....	161
0801254.....	99	1001114123.....	229	1320176.....	57	1683976.....	139, 141
0801372.....	99	1001114124.....	229	1320222.....	56	1683977.....	139
0801373.....	99	1001114132.....	229	1320223.....	56	1684089.....	155
0801385.....	91, 99	1001114136.....	229	1320235.....	92, 97	1684090.....	155
0801391.....	95, 99	1001117320.....	125	1320247.....	109, 114, 229	1684092.....	155
0801393.....	95, 99	1001126286.....	229	1340060.....	55	1700584.....	217, 221
0860038.....	213	1001137440.....	230	1380147.....	85	1701500.....	88, 217, 221
0860520.....	217, 221	1001137672.....	230	1580012.....	126, 228	1701502.....	217, 221
0861108.....	77	1001138795.....	159	1580013.....	126, 228	1701503.....	217, 221
0861110.....	129, 130	1001138796.....	149, 167	1600218.....	129, 224	1701504.....	217, 221
0861112.....	77	1001139132.....	228	1600262.....	78, 224	1701505.....	57, 218, 222
0861322.....	77	1001142504.....	229	1600263.....	129, 135	1701509.....	217, 221
0861324.....	129	1001142505.....	229	1600284.....	129, 133, 224	1701529.....	217, 221
0861513.....	77	1001143256.....	230	1600303.....	130, 224, 230	1701645.....	218
0861514.....	77	1001144629.....	125	1600330.....	129, 135, 224	1702153.....	217
0861556.....	129, 131	1001147699.....	229	1660234.....	58	1702300.....	217, 221
0861558.....	125, 129	1001148902.....	228	1660243.....	75	1702564.....	129
0902143.....	87	1001148903.....	228	1660245.....	75	1702566.....	129
0902161.....	87	1001148904.....	228	1670749.....	109	1702567.....	129
0902206.....	82	1001148905.....	228	1670750.....	109	1702610.....	77
0902219.....	88	1001148906.....	228	1670769.....	97	1702612.....	217
0902223.....	87	1001148971.....	229	1670771.....	87	1702676.....	129
0902351.....	87	1001149560.....	230	1670779.....	88	1702688.....	218
0902384.....	88	1001186431.....	230	1670821.....	82	1702773.....	217, 221
0902416.....	87	1001189615.....	229	1670824.....	81	1702774.....	217, 221
0902491.....	87	1001223331.....	95, 147	1670829.....	78, 130	1702788.....	228
0902511.....	55	1001223332.....	147	1670836.....	101	1702861.....	217, 221
0902587.....	32	1001223511.....	141	1671055.....	92, 96	1702862.....	217, 221
0902591.....	75	1001223512.....	91, 141	1683053.....	139, 141, 155,	1702868.....	217, 230
0902738.....	75	1001228002.....	91, 165	161		1702901.....	218
0902814.....	75	1001228008.....	91, 143	1683055.....	145, 147, 161	1702902.....	218
0920083.....	41, 45	1001228012.....	95, 157	1683057.....	169	1702903.....	218, 222
0920109.....	41, 45	1001228051.....	95, 149	1683067.....	151	1702904.....	218, 222
0920119.....	41, 46	1001228052.....	95, 167	1683250.....	169	1702908.....	218
0940070.....	55	1001238909.....	228	1683256.....	161	1703090.....	130
0940071.....	87	1001248012.....	95, 159	1683258.....	95, 155	1703091.....	130
0940088.....	88	1060012.....	210	1683259.....	155	1703092.....	130
0961127.....	213	1060016.....	82, 211	1683261.....	155	1703162.....	55
0961893.....	139, 141, 143,	1060279.....	217, 221	1683263.....	95, 161	1703165.....	217, 221
155, 159, 161		1060341.....	214	1683264.....	161	1703521.....	77
0961894.....	145, 147, 161	1060461.....	213	1683266.....	91, 161	1703622.....	78
0961897.....	169	1060494.....	210, 213, 214	1683267.....	161	1703797.....	217
0961898.....	151	1060516.....	210	1683269.....	161	1703798.....	217
0961947.....	96, 139, 141,	1060603.....	210, 211	1683274.....	139	1703804.....	217
143, 155, 162, 165		1060617.....	151	1683275.....	91, 95, 151	1703805.....	217
0961950.....	92, 96, 99, 151	1060637.....	57	1683276.....	151	1703924.....	222
0961951.....	92, 96, 99, 145,	1060904.....	202	1683278.....	151	1703930.....	221
147, 149, 162, 167		1060918.....	125	1683278.....	151	1703936.....	221
0961986.....	56	1120487.....	73	1683333.....	145	1703948.....	221
0962006.....	92, 96	1180340.....	109	1683359.....	169	1703948.....	221
0962051.....	85	1180341.....	109	1683415.....	91, 139	1703984.....	222
0962057.....	92, 96	1180345.....	113	1683416.....	139	1704000.....	221, 230
0962335.....	97	1180345.....	113	1683418.....	95, 145	1704006.....	221
0962336.....	155, 157, 159	1180359.....	113	1683419.....	145	1704096.....	218
1001099832.....	113	1220042.....	99	1683609.....	95, 155	1704099.....	222
1001099839.....	113	1220078.....	99	1683618.....	99, 169	1704104.....	218
1001100321.....	61	1260017.....	41	1683619.....	169	1704107.....	222
1001102841.....	228	1282665.....	198, 202, 229	1683620.....	99, 169	1704116.....	222
1001102842.....	228	1282778.....	198	1683621.....	169	1704174.....	228
1001104985.....	228	1282828.....	202	1683666.....	91, 95, 151	1704260.....	78, 130
1001110133.....	229	1282937.....	202, 203	1683949.....	161	1704269.....	222
1001110169.....	41, 53	1283262.....	198	1683952.....	145	1704277.....	217, 221
1001110990.....	229	1283304.....	198	1683954.....	151	1704434.....	217, 221
1001112467.....	151	1283348.....	198	1683955.....	151	1704435.....	217, 221
1001112468.....	91, 95, 151	1320016.....	55	1683962.....	161	1704436.....	77
1001114031.....	229	1320022.....	56	1683963.....	145, 147	1704460.....	129
		1320060.....	130	1683972.....	161	1704468.....	218

SECTION 10 - SPECIAL OPTIONS

1704502.....217, 221	2220466 ... 176, 182, 188, 194	2220948 ... 178, 184, 189, 195	2751396.... 177, 183, 189, 195
1704567.....222	2220468 ... 177, 183, 189, 195	2220949 ... 178, 184, 190, 196	2751412..... 178, 184
1704704.....77	2220471 194	2220950 ... 177, 183, 189, 195	2751427.....176
1704707.....131	2220472 ... 177, 183, 189, 195	2220974 ... 177, 183, 189, 195	2751868.... 177, 183, 189
1704710.....131	2220473 ... 177, 183, 189, 195	2220999 176, 182	2752433.... 177, 183, 189, 195
1704711.....218, 222	2220497 ... 177, 183, 189, 195	2221042 194	2752438.....195
1704885.....218, 222	2220498 ... 176, 182, 188, 194	2230027 195	2752504..... 176, 182
1705082.....221	2220502 ... 177, 183, 189, 195	2230046 195	2752514.... 176, 182, 188
1705177.....218, 222	2220574 ... 177, 183, 189, 195	2300014 229	2752515.... 176, 182, 188, 194
1870055.....203	2220578 ... 176, 182, 188, 194	2300016 229	2752516.... 176, 182, 188, 194
1870150.....203	2220582 ... 176, 178, 182, 184, 188, 194	2300019 229	2752517.... 177, 183, 189, 195
2000146.....55, 57	2220591 182	2300027 229	2752573.... 176, 182, 188, 194
2060025.....55	2220596 ... 176, 182, 188, 194	2300029 229	2752580.... 182, 188, 194
2080040..... 121, 125	2220603 ... 177, 183, 189, 195	2360438 230	2752583.....177
2080043.....92, 97	2220605 ... 176, 182, 184, 188, 194	2360439 11	2752587.... 176, 182, 188, 194
2080044.....97	2220606 176	2360440 11	2752588.... 177, 183, 188, 195
2080055.....130	2220609 ... 177, 183, 188, 195	2360441 230	2752591..... 183, 189, 195
2120145.....31	2220618 ... 176, 183, 188, 194	2360528 11	2752594.... 182, 188, 194
2120146.....31	2220622 194	2360529 11	2752596.... 177, 183, 189, 195
2120149.....31, 224	2220628 ... 176, 182, 188, 194	2360530 230	2752597.... 177, 183, 189, 195
2120150.....31, 224	2220654 178	2360578 11	2752598.... 177, 183, 189, 195
2160003.....41	2220700 194	2360579 11	2752599.... 177, 183, 189, 195
2180344.....41	2220738 ... 177, 183, 189, 195	2360580 11	2752631.... 176, 182, 188, 194
2180380.... 177, 184, 189, 195	2220794 57	2360582 11	2752632.... 176, 182, 188, 194
2180536.....56	2220810 ... 176, 182, 188, 194	2360583 11	2752633.... 177, 183, 189, 195
2180724.... 177, 184, 189, 195	2220852 ... 178, 184, 189, 196	2360584 11	2752643.... 177, 183, 189, 195
2180798.....55	2220873 ... 176, 178, 182, 184, 188, 189, 194, 196	2400060 211	2752653.... 176, 182, 188, 194
2200222.....43, 73	2220883 ... 139, 141, 143, 145, 147, 149, 151, 155, 157, 159	2400064 211	2752667.... 176, 182, 188
2220063.....41	2220885 ... 139, 141, 143, 145, 147, 149, 155, 157, 159, 162, 167, 169	2420172 78	2752669..... 183
2220235.... 151, 176, 182, 188, 194	2220887 151	2420203 61	2752762.... 176, 182, 188, 194
2220237 177, 184, 189, 195	2220893 31	2460011 61	2752763.... 177, 183, 188, 194
2220250.....56	2220899 182, 188	2460013 61	2752783.... 178, 184, 189, 195
2220273.....56	2220906.... 177, 183, 188	2460032 61	2752928.....194
2220313.....56	2220909 ... 177, 183, 189, 195	2560136 129	2752931..... 183
2220366.....184	2220914 184, 189, 195	2560144 152	2752981.... 177, 183, 189, 195
2220372.... 176, 182, 188, 194	2220921 ... 176, 182, 188, 194	2600209 87	2753048.... 177, 183, 189
2220373.... 176, 182, 188, 194	2220946 ... 178, 184, 189, 195	2600211 130	2753084.....229
2220375.... 176, 182, 188	2220947 ... 176, 182, 188, 194	2600216 121	2753192.... 176, 182, 188, 194
2220376.... 176, 182, 188, 194	2220997 ... 177, 183, 189, 195	2600233 87	2753316.... 177, 183, 189
2220380.... 176, 182, 188, 194	2221000 194	2600281 125	2753318.... 176, 182, 188, 194
2220385.... 176, 182, 188	2221001 194	2660082 117	2753319..... 176, 182
2220408.... 176, 182, 188, 194	2221002 194	2660106 117	2753320..... 176, 182
2220409.... 177, 183, 189, 195	2221003 194	2660107 117	2753321..... 176, 182
2220414.... 177, 183, 189, 195	2221004 194	2660108 117	2753457..... 182
2220415.... 176, 182, 188, 194	2221005 194	2680448 87	
2220428.... 176, 182, 188, 194	2221006 194	2680449 87	
2220429.... 176, 183, 188, 194	2221007 194	2680450 87	
2220451.....55, 176, 182, 188, 194	2221008 194	2720058 57	
2220459.....56	2221009 194	2720271 56	
2220462.... 177, 183, 189, 195	2221010 194	2720351 56	
	2221011 194	2720398 55	
	2221012 194	2720434 56	
	2221013 194	2720449 56	
	2221014 194	2750532 56	
	2221015 194	2750788 183	
	2221016 194	2750895 178, 184	
	2221017 194	2750900 176	
	2221018 194	2750902 176	
	2221019 194	2751026 183	
	2221020 194	2751032 41	
	2221021 194	2751095 41	
	2221022 194	2751121 177, 183	

SECTION 10 - SPECIAL OPTIONS

2753472 ... 177, 183, 189, 195	2920162 61	3340881 100	3539685 121
2753706 188, 194	2920215 82	3340887 13	3539872 55
2753707 188, 194	2940074 121, 125, 224	3340900 101	3539934 87
2753890 194	2940088 87	3380429 57	3539955 88
2753891 195	3020021 58	3380434 126, 217, 221	3539957 57
2753892 195	3160200 41, 49	3421565 41	3539971 55
2753893 194	3160273 41, 49	3421627 41	3539979 88
2753894 194	3200362 57	3422417 100	3572044 218
2760105 77, 129	3200382 117	3422424 100	3572329 222
2780205 41, 43	3200383 117	3422446 55	3572415 81
2792323 198	3200384 117	3422530 85	3580134 61
2792325 199	3200385 117	3422557 91, 96	3580158 61
2792326 199	3200389 117	3422560 96	3580241 99
2792327 199	3200390 117	3422561 96	3580243 99
2792331 176, 198	3200391 117	3422562 91	3580248 99
2792332 176, 198	3200392 117	3422563 96	3580249 99
2792333 176, 198	3200401 55	3422564 91, 96	3580276 61
2792547 182, 198	3200426 117	3422565 91	3600242 55, 71
2792548 182, 198	3200427 117	3422566 91, 96	3600243 31, 32
2792549 182, 198	3220103 57	3422567 91	3600267 55, 65
2792550 198	3220104 57	3422568 91, 96	3600268 57, 65
2792551 188, 198	3251102 62	3422569 91	3600358 55, 65
2792552 188, 198	3251243 217, 221	3422574 96	3600359 57, 65
2792553 188, 198	3251813 217, 221	3422580 91	3600363 55, 65
2792554 198	3252347 218	3422583 96	3600365 31, 32
2792593 198	3252507 217	3422860 96	3620033 55
2792595 194, 198	3272001 11	3422861 96	3640493 202
2792596 194, 198	3272605 92, 97, 103	3422867 96	3640970 77
2820031 62	3300205 78	3430816 85	3641182 131
2820035 122, 126, 214	3300241 100	3450304 131	3730023 211
2820078 88	3300393 121	3450404 85	3730099 211
2820079 88	3300408 78	3450806 114	3740049 78, 130, 202, 214, 224
2820080 88	3310601 78, 85	3480188 145, 147, 161	3740058 130, 202, 224
2820081 88	3310801 81	3480205 169	3740063 130, 202
2840016 85	3310805 82	3480206 151	3740067 55, 224
2860012 62	3311001 78, 87, 121, 125	3480210 139, 141, 155, 161	3740080 62, 226
2860030 77, 224	3311005 .. 56, 62, 82, 130	3510545 121	3740112 77, 224
2900766 46	3311401 92, 96, 130	3510546 121	3740113 130, 224
2900767 45, 46	3311402 92, 96	3510758 121	3740115 130, 224
2900768 46	3311405 ... 32, 56, 83, 88, 109, 114, 121, 125, 126, 129, 152, 217, 221	3510759 121	3740118 78, 226
2900770 31, 103	3311501 31, 87	3510822 125	3740133 130, 224
2900792 ... 139, 141, 143, 145, 147, 149, 151, 155, 157, 159	3311505 56, 87, 110, 114, 121, 229	3510833 125	3740134 130
2900838 230	3311601 73, 88, 130, 131	3520028 62, 129	3760170 41
2901284 169	3311605 ... 56, 62, 85, 87, 96, 100, 109, 114, 126, 130	3520033 87	3760368 ... 139, 141, 155, 161
2901285 151	3311705 62	3520072 121, 125	3760369 ... 145, 147, 161, 169
2901301 145, 147, 162	3311801 57	3520173 131	3760372 151
2901303 ... 139, 141, 143, 155, 162	3311805 ... 55, 85, 87, 92, 96, 97	3520174 78	3790012 82, 129, 131
2901358 56	3312201 100	3520198 125	3790045 57
2901392 55	3312602 109	3536089 121, 126	3790110 104
2901764 202	3321001 77	3537318 41	3790152 56
2910073 229	3321501 88	3537416 55	3820001 ... 117, 217, 221
2910172 231	3340705 100	3537417 55	3841013 114
2910463 229	3340755 100	3537420 55	3841143 ... 55, 91, 96, 100
2910868 228	3340756 100	3537445 85	3841258 91, 96
2910924 229	3340757 100	3537446 85	3841264 109
2915096 230	3340758 100	3537449 109	3841340 92, 97
2915137 228	3340763 109	3538758 109, 113	3841456 75
2920110 82	3340764 109, 113	3538819 129	3860050 114
2920113 82	3340800 92, 96	3539219 78	3890005 99
2920129 ... 130, 131, 210, 211	3340844 99, 101	3539275 130	3890006 99
2920140 121, 126, 214	3340871 100	3539281 82	3890007 99
2920146 228		3539475 92, 96	3890008 99
		3539476 92, 96	3900141 155
		3539563 92, 96	3900205 125
		3539590 88	
		3539622 100	

SECTION 10 - SPECIAL OPTIONS

3900207.....	121	4070987.....	78	4460321.....	210	4566501.....	151
3900224.....	130	4070991.....	78	4460326.....	211, 213	4566644.....	169
3900230.....	151	4070994.....	114	4460346.....	213	4620127.....	41
3900232.....	87	4070995.....	114	4460418.....	210, 211	4640509....	139, 141, 143, 145, 147, 149, 151, 155, 157, 159
3900268.....	78	4071004.....	100	4460419.....	210, 211	4640689.....	31
3910608.....	77, 85	4071005.....	101	4460420.....	210, 211	4640744....	176, 182, 188, 194
3910610.....	129	4100026.....	211	4460424....	211, 212, 213	4640751.....	55
3910804.....	78	4100033.....	92, 97	4460426.....	78	4640799.....	151
3911008.....	121, 125	4120013.....	131, 202	4460428	77, 81, 130, 210	4640902.....	155
3911024.....	78	4120035....	131, 210, 211	4460445.....	211	4640906.....	31
3911040.....	82	4160139.....	87	4460449.....	212	4640907.....	31
3930816.....	81	4160143.....	87	4460457.....	212	4640908.....	31
3930828.....	81, 82	4220162.....	82	4460458.....	212	4640921.....	31, 39
3931403.....	81	4220165.....	121	4460460.....	212	4640931.....	31, 32
3931408.....	82	4240032.....	82	4460464.....	210	4640932....	139, 141, 143, 145, 147, 149
3931448.....	169	4240033.....	92, 97, 130	4460465.....	211	4640939.....	177
3931508.....	169	4240099.....	122, 126	4460466.....	211	4641017.....	31, 35
3931516....	139, 141, 143, 155, 161	4240112.....	73	4460467....	129, 214, 230	4641028.....	169
3931620....	55, 145, 147, 149, 161, 167, 169	4240113.....	73	4460470.....	130, 210	4641264.....	194
3931672.....	130, 131	4280295.....	73	4460471.....	130, 210	4711000.....	130
3931860.....	41	4300142.....	78	4460473.....	211	471140031,	82, 109, 114, 121, 126
3932032.....	151	4340678.....	129	4460475.....	212	4711500....	110, 114, 131, 229
3932224.....	41	4360031.....	125	4460499....	39, 211, 212, 213	4711600....	31, 57, 92, 96, 100, 109, 114
3950803.....	152	4360232.....	130, 224	4460502.....	211	4711800..	85, 92, 96, 109, 114
3951608.....	100	4360294.....	56, 62, 224	4460503.....	131, 210	4711900.....	57
3960389.....	55, 87	4360314....	77, 129, 131, 224	4460508.....	210	4712600.....	109, 114
3960407.....	56	4360322.....	81	4460509.....	211	4740076.....	87, 88, 109
3960438.....	87	4360331.....	129, 224	4460510....	129, 214, 230	4740158.....	92, 97
3960453.....	87	4360336..	62, 82, 131, 226	4460526.....	77	4740171.....	87
3960461.....	82	4360387.....	129, 224	4460589.....	212	4740274.....	57
3960462.....	87	4360392.....	55	4460591.....	212	4740314.....	92, 97
3960464.....	87	4360407.....	129, 224	4460598....	122, 126, 214	4740362.....	82, 126, 129
3960468.....	57	4360436.....	73	4460600.....	77	4740397.....	62
3960469.....	57	4360469.....	77, 224	4460601.....	77, 131	4740439.....	96
3960470.....	87	4360475....	77, 129, 224	4460602.....	77, 131	4740444.....	78
3990001.....	224	4360476....	77, 129, 224	4460603.....	77, 131	4740490.....	75
3990010....	210, 211, 214, 224	4360492.....	83	4460607....	77, 131, 202	4750600.....	77
4060092.....	213	4360493.....	83, 224	4460608.....	212	4751000....	56, 62, 78, 82, 87, 121, 125, 130
4060700.....	213	4360542.....	61	4460611.....	56	4751400....	56, 77, 81, 82, 88, 92, 96, 126, 130, 152, 217, 221
4060802.....	62	4360549.....	81	4460613.....	131, 210	4751500....	31, 62, 87, 88, 121
4060803.....	114, 121	4360578.....	226	4460614.....	211	4751600....	56, 62, 73, 75, 87, 109, 117, 126, 129
4060804.....	57, 109	4400375.....	73	4460628.....	77	4751800.....	57
4060805.....	57, 101	4400400.....	73	4460630.....	78	4751900.....	62
4060865.....	228	4400449.....	73	4460631.....	77, 131	4752000.....	57
4060906.....	78	4420038.....	73, 77	4460634.....	210, 211	4760600.....	78
4060907.....	82	4420054.....	81	4460635.....	210, 211	4761000..	77, 78, 87, 121, 125, 130
4060918.....	32	4420060.....	81	4460693.....	212	4770600.....	85
4060959.....	229	4460023.....	62	4460701.....	213, 214	4791400.....	56
4070410.....	88	4460027.....	214	4460709.....	213	4831900.....	58
4070411.....	88	4460042.....	214	4460711.....	78	4832000.....	58
4070412.....	88	4460071.....	125, 129	4460720.....	210	4844790.....	91, 95
4070863.....	100	4460125.....	213, 214	4460721.....	210	4844815.....	95
4070864.....	100	4460134.....	213, 214	4460741.....	210, 211	4844816.....	95
4070895.....	100	4460190.....	61, 214	4460744.....	212		
4070896.....	100	4460205.....	213, 214	4460745.....	212		
4070897.....	100	4460224.....	212	4460746.....	212		
4070898.....	100	4460225.....	210, 211	4460749.....	212		
4070904.....	109	4460233.....	213, 214	4460750.....	212		
4070929.....	100	4460234....	78, 82, 130	4460777.....	212		
4070939.....	100	4460265.....	133, 210	4460844.....	212		
4070940.....	100	4460266....	133, 212, 213	4460847.....	131		
4070975.....	100, 101	4460267...	133, 210, 211, 212, 213	4460968.....	81, 82		
4070976.....	100	4460268...	133, 210, 211, 212, 213	446849.....	131		
4070977.....	100	4460320....	211, 212, 213	4566468...	139, 141, 145, 147, 161		
				4566471.....	155		

SECTION 10 - SPECIAL OPTIONS

4844817	95	4922338 ...	130, 131, 202, 210	70002817	19	7004248	32
4844928	121	4922432	214	70003476	57	7004275	230
4844944	91, 95	4922542	202	70003483	125	7004276	230
4844954	121	4922554	77, 211, 212	70003784	129	7004290	32
4844963	109	4922677	211	70003806	17	7005841	49
4844966	109	4932915	202, 214	70004643	113	7005842	49
4844967	109	4932917	202	7000625	125	7005845	49
4844968	109	4932971	202	70006442	167	7005848	49
4844989	109	4932986	202	70006443	149, 167	7005881	49
4844990	109	4932989	202, 214	70006444	149, 167	7005882	49
4845184	61	4932990	202	70006445	149, 167	7005889	49
4845328	121	4932991	202	70006446	149, 167	7005890	49
4845356	88	4932993	202	70006447	167	7005891	49
4845393	73	4933025	202	70006568	157	7005892	49
4845395	56	4933026	202	70006569	143, 157	7005893	49
4845404	55	4933027	203	70006570	157	7005894	49
4845408	121	4933070	202	70006571	157	7005895	49
4845409	121	4933117	203, 211	70006572	157	7006138	113
4845410	121	4933149	202, 214	70006597	165	7006143	113
4845411	87	4933150	202, 214	70006599	165	7006165	113
4845412	121	4933175	202	70006601	165	7007289	68
4845413	121	4933235	203, 211	7000663	57	7007412	67
4845456	11	70000123	61	70006648	143	7007419	66, 68
4845531	61	70000124	61	70006649	143, 159	7007470	66, 67
4845671	113	70000125	61	70006650	143, 159	7007489	71
4845677	113	70000126	61	70006734	159	7007497	212
4845819	113	70000342	107	70006735	159	7007498	212, 213
4846228	121	70000579	35	70006736	159	7007633	43
4846229	121	70000580	35	70006774	165	7007914	45
4846240	121	70000582	35	70006775	165	7007923	45
4846241	121	70000583	35	70006776	165	7007933	46
4846250	121	70001002	58	70006822	149	7007934	45
4846319	99	70001017	57	70006823	149	7007970	45
4846391	113	70001681	58	7000699	57	7007977	45
4846392	113	70001687	58	7001268	67	7007979	45
4846452	125	70001697	104, 107	7001481	67	7007980	45
4846479	55, 61	70001941	82	7001485	66	7007983	45
4846573	92, 97	70001976	39	7001909	43	7007985	45
4847815	57	70002005	113, 226	7001911	43	7007987	45
4891400	32	70002006	113	7001928	43	7007990	46
4891500	32	70002007	113, 226	7001931	43	7008833	55, 212
4891600 ...	56, 85, 92, 97, 100	7000209	43	7001985	43	7008835	55
4891800 ...	31, 41, 85, 92, 97, 100	7000214	43	7001987	43	7008836	55, 212
4892000	11, 41, 88	7000217	43	7001988	43	7010103	71
4892600	92, 97	7000220	57	70022564	165	7010104	71
4920018	122	70002200	57	70023371	165	7010105	71
4921774	122	70002208	53	70023915	157	7010474	43
4921801	213	70002234	57	7002821	214, 230	7010488	43
4921820	213	70002235	61	7002822	230	7010492	43
4921827	214	70002243	53	7002823	214, 230	7010494	43
4921850	214, 230	7000228	43	7002826	230	7010496	43
4921923	77, 211	7000229	43	7002828	214	7010530	31
4921927	213	7000230	43	7003657	61	7010531	31
4921938	214	70002373	165	7003928	133	7010542	35
4921954	214	70002411	58	7003952	133	7010543	31, 35
4921956	214	7000246	43	7003953	133	7010545	151
4921993	211	7000253	43	7003956	133	7011043	33
4922002	211	70002530	58	7003961	135	7011044	33
4922012	230	7000255	43	7003974	133, 224	7011048	33
4922021	214	7000256	43	7003976	133	7011062	32
4922095	202	7000257	43	7003977	133	7011063	32
4922206	202	7000258	43	7003986	135	7011064	32
4922330	77, 211, 212	7000263	43	7003992	133, 135	7011065	32
4922334	211	7000269	43	7003993	133, 135	7011066	33
		7000270	43	7004035	53	7011112 ...	139, 141, 143, 145, 147, 149
		70002813	57	7004043	53	7011328	31
		70002816	19	7004044	53		

SECTION 10 - SPECIAL OPTIONS

7011331.....	103	7016380.....	82	7019142.....	133	7021274.....	67
7011332.....	103	7016399.....	122, 126	7019143.....	133	7021275.....	67
7011346.....	103	7016422.....	49	7019144.....	133	7021276.....	67
7011713.....	45	7016423.....	49	7019145.....	133	7021277.....	67
7011714.....	45	7016424.....	49	7019147.....	133	7021278.....	67
7011715.....	45	7016425.....	49	7019149.....	133, 135	7021279.....	67
7011716.....	45	7016426.....	49	7019150.....	133	7021280.....	68
7011717.....	45	7016427.....	49	7019153.....	135	7021281.....	67
7011719.....	45	7016530.....	113, 226	7019171.....	133	7021282.....	67
7011720.....	45	7016531.....	113	7019174.....	133	7021283.....	67, 68
7012513.....	61	7016532.....	113	7019197.....	133	7021285.....	67
7012514.....	61	7016639.....	57	7019199.....	135	7021289.....	66
7012518.....	35	7016652.....	230	7019300.....	109	7021296.....	67
7012540.....	32	7016654.....	230	7019301.....	109	7021297.....	67
7012558.....	61	7016655.....	230	7019302.....	109	7021298.....	67
7012599.....	58	7016700.....	32	7019303.....	109	7021299.....	68
7012664.....	55, 224	7016701.....	32	7019607.....	58	7021310.....	36
7012769.....	35	7016702.....	32	7019658.....	73	7021373.....	35
7012772... 35, 36, 39, 224		7016744.....	32	7020025.....	58	7021376.....	35, 224
7012773.....	35, 36, 39	7016800.....	56	7020027.....	58	7022190.....	66
7012775.....	36	7016802.....	56	7020108.....	61	7022203.....	32
7012776.....	39	7016803.....	56	7020109.....	61	7022321.....	65, 66
7012777.....	39	7016804.....	56	7020110.....	61	7022330.....	65
7012799.....	35	7016812.....	56	7020111.....	61	7022331.....	65
7012905.....	31	7017070.....	43	7020175.....	77, 129	7022332.....	65
7012912.....	35, 36	7017101.....	103	7020176.....	77, 129	7022333.....	65
7012914.....	35	7017102.....	103	7020190.....	61	7022334.....	65
7012918.....	32, 35	7017115.....	103	7020191.....	61	7022335.....	65
7012941.....	31	7017117.....	103	7020192.....	61	7022336.....	65
7012944.....	31, 35, 224	7017118.....	104	7020246.....	77	7022337.....	65
7012953... 32, 35, 39, 155		7017119.....	103	7020411.....	58	7022338.....	65
7012954.....	32	7017142.....	104	7020414.....	58	7022339.....	65
7012961.....	32, 155	7017156.....	104	7020419.....	58	7022340.....	66
7012965.....	39	7017157.....	104	7020424.....	58	7022341.....	66
7012967.....	35	7017158.....	104, 107	7020425.....	58	7022342.....	66
7012972.....	31	7017159.....	104, 107	7020431.....	58	7022343.....	66
7012975.....	32	7017162.....	103, 107	7020432.....	58	7022344.....	66
7012976.....	32	7017163.....	103, 107	7020463.....	58	7022345.....	66
7012977.....	32	7017164.....	103, 107	7020465.....	58	7022346.....	66
7012987.....	71	7017174.....	103	7020471.....	57	7022347.....	66
7012988.....	71	7017183.....	103, 107	7020477.....	58	7022348.....	66
7012989.....	35	7017193.....	103, 107	7021229.....	68	7022349.....	67
7012998.....	35, 36, 39	7017195.....	107	7021234.....	65	7022350.....	67
7013711.....	32	7017410.....	35	7021236.....	65	7022351.....	67
7013755.....	32	7017411.....	35	7021237.....	65	7022352.....	67
7013796.....	32	7017421.....	39	7021238.....	65	7022353.....	67
7013799.....	32	7017422.....	39	7021239.....	65	7022354.....	65
7014676.....	230	7017481.....	31	7021240.....	65	7022355.....	65
7014800.....	73	7018602.....	45	7021243.....	65	7022356.....	65
7014801.....	73, 224	7018603.....	45	7021248.....	65	7022357.....	66
7014802.....	73	7018605.....	45	7021249.....	65	7022358.....	68
7014810.....	73	7018606.....	45	7021250.....	65	7022359.....	67
7014811.....	73, 224	7018607.....	45	7021251.....	65, 66	7022360.....	66
7016138.....	226	7018608.....	45, 46	7021253.....	65	7022521.....	35
7016312.....	31	7018609.....	45	7021254.....	66	7022600.....	27
7016313.....	31	7018612.....	46	7021255.....	66, 67	7022601.....	27
7016314.....	73	7018912.....	35, 39	7021256.....	68	7022602.....	13
7016319.....	228	7018942.....	39	7021257.....	66	7022604.....	23
7016322.....	85	7018945.....	39	7021259.....	66	7022605.....	15
7016328.....	224	7018991.....	35, 224	7021260.....	66	7022606.....	13
7016330.....	57, 224	7019111.....	133	7021264.....	66	7022607.....	13
7016331.....	57, 224	7019122.....	133	7021265.....	66	7022608.....	13
7016332.....	57	7019123.....	133	7021267.....	65	7022609.....	13
7016336.....	212	7019137.....	133	7021269.....	67	7022610.....	25
7016346.....	129, 224	7019138.....	135	7021271.....	67	7022611.....	23
7016372.....	228	7019139.....	135	7021272.....	67	7022612.....	13
7016374.....	85	7019141.....	133	7021273.....	67	7022613.....	15

SECTION 10 - SPECIAL OPTIONS

7022614	13	7022665	27	7022712	17	7022808	133
7022615	13	7022666	17	7022713	17	7022813	133
7022616	13	7022667	17	7022714	17	7022826	135
7022617	15	7022668	19	7022715	15, 21	7022829	135
7022618	23	7022669	19	7022716	17	7023981	31
7022619	23	7022670	19	7022717	17	7023996	65
7022620	25	7022671	19	7022718	15, 17	7023997	65
7022621	25	7022672	17	7022719	19	7023998	65
7022622	25	7022673	17	7022720	75	7023999	65
7022623	23	7022674	17	7022721	75	7024100	43
7022624	25	7022675	11	7022722	75	7024379	53
7022625	23	7022676	17	7022723	75	7024380	53
7022626	23	7022677	11, 15	7022724	75	7024381	53
7022627	23, 25	7022678	15, 19	7022725	75	7024389	53
7022628	21	7022679	13	7022726	75	7024390	53
7022629	23	7022680	13	7022727	75	7024395	53
7022630	23	7022681	17	7022728	75	7024398	57
7022631	23	7022682	17	7022729	75	7024439	73
7022632	23	7022683	13	7022730	75	7024440	73
7022633	23	7022684	21	7022731	75	7024441	73
7022635	25	7022685	21	7022732	230	7024442	73
7022637	23	7022686	21	7022734	230	7024443	73
7022638	23	7022687	21	7022735	75	7024444	73
7022639	25	7022688	21	7022736	75	7024445	73
7022640	19	7022689	21	7022737	15, 19	7024446	73
7022642	27	7022690	21	7022738	19	7024453	53
7022644	11	7022691	21	7022739	19	7024560	57
7022645	23	7022692	19	7022740	19	7024598	85
7022646	19	7022693	19	7022741	19	7024800	66
7022647	11	7022694	19	7022742	19	7024801	67
7022648	25	7022695	19	7022743	19	7024802	68
7022649	25	7022696	19	7022744	19	7024803	68
7022650	27	7022697	19	7022745	19	7024804	66
7022651	13	7022698	19	7022746	19	7024805	65
7022652	13	7022699	19	7022747	19	7024972	19
7022653	27	7022700	19	7022748	19	7026199	61
7022655	27	7022701	19	7022749	19	7026522	58
7022656	27	7022702	19	7022750	19	7026631	57
7022657	25	7022703	19	7022800	135	7027250	58
7022658	25	7022704	19	7022801	135	7027887	61
7022659	25	7022705	19	7022802	135	8320270	57
7022660	27	7022706	19	7022803	135	83304150	53
7022661	27	7022707	19	7022804	135	83813109	230
7022662	23	7022708	11, 13	7022805	135	8896941	230
7022663	23	7022709	23	7022806	135		
7022664	13	7022711	17	7022807	135		



3120795



An Oshkosh Corporation Company

Corporate Office
JLG Industries, Inc.
1 JLG Drive
McConnellsburg, PA 17233-9533 USA
☎ (717) 485-5161 (Corporate)
☎ (877) 554-5438 (Customer Support)
☎ (717) 485-6417

Visit our website for JLG Worldwide Locations.
www.jlg.com