



Illustrated Parts Manual

Models
600SC
600SJC
660SJC

PRIOR TO
SN 0300128000

Caterpillar Chassis &
Prior to ADE System

3120899

September 30, 2018 - Rev AC



An Oshkosh Corporation Company

REVISION LOG

Note: Machines with SNs 0300071456, 0300071859, 0300072679, 0300072703, 0300072794 & 0300072807 have the Gradall Chassis but are not equipped with ADE System. Use JLG Parts Manual p/n 3121158 for Gradall Chassis components.

January 15, 2000 - A - Original Issue Of Manual

July 15, 2000 - B - Revised (Edited to B/M 0010568 Revision 1)

October 15, 2000 - C - Revised (Edited to B/M 0010568 Revision 2)

May 31, 2001 - D - Revised (Edited to B/M 0010568 Revision 7)

January 3, 2002 - E - Revised (Edited to B/M 0010568 Revision 10)

January 8, 2003 - F - Revised (Edited to B/M 0010568 Revision 18)

April 21, 2003 - G - Revised (Edited to B/M 0010568 Revision 19)

July 15, 2003 - H - Revised

November 10, 2003 - I - Revised

March 9, 2004 - J - Revised

January 24, 2005 - K - Revised

January 18, 2007 - L - Revised

June 1, 2007 - M - Revised

September 26, 2007 - N - Revised

February 2, 2009 - O - Revised

November 20, 2009 - P - Revised

January 31, 2011 - Q - Revised

May 20, 2011 - R - Revised

August 5, 2011 - S - Revised

December 6, 2011 - T - Revised

May 4, 2012 - U - Revised

July 26, 2012 - V - Revised

November 19, 2012 - W - Revised

March 20, 2013 - X - Revised

June 30, 2013 - Y - Revised

September 10, 2013 - Z - Revised

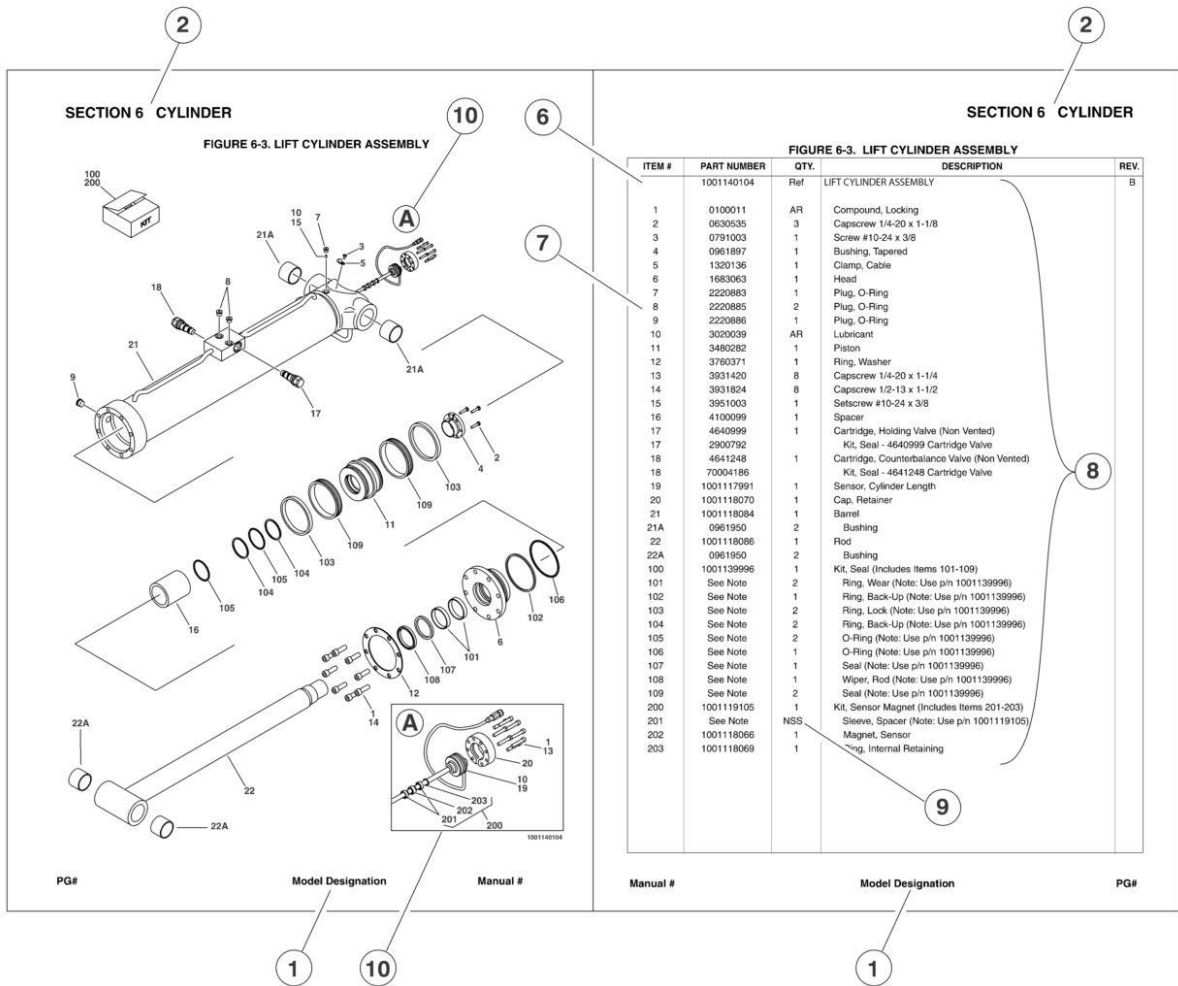
June 30, 2016 - AA - Revised (Revision 1)

REVISION LOG

March 30, 2018 - AB - Revised Manual

September 30, 2018 - AC - Revised Manual

GENERAL INFORMATION



1) MACHINE IDENTIFICATION

Machines are identified by model and in some cases a combination of models, serial number (SN) or regional standard (i.e ANSI, CE, CSA). Components may also be identified by SN or manufacturer. Common components that may be identified by these characteristics are engines and hydraulic components.

2) PARTS MANUAL ORGANIZATION

Product information in this manual is organized under section titles. Frame, Cylinder, Hydraulic and Electrical are a few examples. Each section is organized by figure and page number. The information within the Figure is then organized by item number, part number, description and corresponding illustration (s).

3) TABLE OF CONTENTS

A table of contents is found toward the beginning of the manual. Figure number, description and page number are provided for quick reference to the page containing the related information.

4) RECOMMENDED SPARE PARTS

The Recommended Spare Parts, located near the end of the manual, reference most frequently used maintenance parts.

5) PART NUMBER INDEX

A numerical index listing all part numbers and the corresponding page number(s) appears at the back of the manual.

GENERAL INFORMATION

6) NON-SERVICED PARTS

In some instances, it is necessary to display non-serviced parts, assemblies or installations. In the case of assemblies and installations there will be a Ref in the Qty column. In case of parts that are not available for service within assemblies or components, there will be a NSS (Not Sold Separately) or NLA (No Longer Available) listed in the Qty. column of the manual.

7) PARTS LIST ITEM NUMBERS

Numbers shown in the item# column correspond to numbers used in the associated illustration (s). Item numbers which are missing from the sequence in the parts list are not used on that page

8) INDENTED PARTS DESCRIPTION

An indented part description is included in the item under which it is indented.

9) ABBREVIATION AND SYMBOLS

AC.....	.. Alternating Current	LCD	Liquid Crystal Display
ADE.....	..Advanced Design Electronics	LED	Light Emitting Diodes
ANSIAmerican National Standards Institute	LH.....	.. Left Hand
AR.....	..As Required	LSSLoad Sensing System
ASSY Assembly	M(m).....	.. Metric/Meter
AUX.....	..Auxiliary	MM (mm)Milimeter
AWG.....	..American WireGauge	mA.....	.. Milliamps
B/M.....	.. Bill of Material	NLA.....	..No Longer Available
CE.....	..European Conformity	NPT National Pipe T threads
CCWCounter Clockwise	NSSNot Sold Separately
cm.....	..Centimeter	OD.....	..Outside Diameter
CW.....	..Clockwise	OR B.....	.. O-Ring Bos s
CSA.....	..Canadian Standards Association	OR F S.....	.. O-Ring Face Seal
CYL.....	..Cylinder	OZ (oz).....	..Ounces
DIA.....	..Diameter	PGPage
DC.....	..Direct Current	P/N.....	..Part Number
EMS Emergency Stop	qt.....	..Quarts
ENGEngine	QTY.....	..Quantity
FT (ft).....	..Feet	REFReference
GA(Ga).....	..Gauge	REVRevision Level
HYDHydraulic	RH.....	.. Right Hand
Hz.....	..Hertz	SAE.....	.. Society of Automotive Engineers
ID.....	..Inside Diameter	SN.....	..Serial Number
in.....	.. inches	SPEC(S).....	..Specifications
ISOInternational Organization for Standards	T/T.....	..Turntable
JIC.....	..Joint Industry Council	UGMUniversal Ground Module
KGKilogram	V.....	.. Volts
L.....	..Liter	W.....	.. Watts
LB.....	..Pounds	#.....	.. Number

10) ILLUSTRATION REFERENCE LETTERS

When necessary, illustrations may contain reference letters that are intended to track information (i. e. hoses, harnesses) from one point to another or to track visual enlargement of components to show details that may be located in another area on the illustration.

Note: Due to continuous product improvements, JLG Industries, Inc. reserves the right to make specification changes without prior notification. Contact JLG Industries, Inc. for updated information.

TABLE OF CONTENTS

SECTION 1 - FRAME.....	9
FIGURE 1-1. FRAME ASSEMBLY	10
FIGURE 1-2. TRACK SHOE ASSEMBLY	12
FIGURE 1-3. DRIVE AND SPROCKET INSTALLATION	14
FIGURE 1-4. DRIVE MOTOR ASSEMBLY	16
FIGURE 1-5. DRIVE HUB ASSEMBLY	18
FIGURE 1-6. DRIVE VALVE ASSEMBLY	20
FIGURE 1-7. ROLLER ASSEMBLIES INSTALLATION.....	22
FIGURE 1-8. IDLER ASSEMBLY	24
FIGURE 1-9. TRACK ADJUSTER ASSEMBLY	26
SECTION 2 - TURNTABLE	29
FIGURE 2-1. CONTROL VALVES INSTALLATIONS	30
FIGURE 2-2. MAIN CONTROL VALVE ASSEMBLY	34
FIGURE 2-3. ARTICULATING JIB VALVE ASSEMBLY	38
FIGURE 2-4. SWING DRIVE, TURNTABLE BEARING AND LOCK INSTALLATIONS.....	40
FIGURE 2-5. SWING HUB ASSEMBLY	42
FIGURE 2-6. SWING BRAKE ASSEMBLY	44
FIGURE 2-7. SWING MOTOR ASSEMBLY (WHITE ROLLER STATOR).....	48
FIGURE 2-8. SWING MOTOR ASSEMBLY (PARKER)	52
FIGURE 2-9. DEUTZ ENGINE INSTALLATION.....	54
FIGURE 2-10. GENERATOR INSTALLATION - DEUTZ MACHINES (OPTIONAL).....	60
FIGURE 2-11. PISTON PUMP ASSEMBLY	64
FIGURE 2-12. GEAR PUMP ASSEMBLY	70
FIGURE 2-13. TANK INSTALLATIONS.....	72
FIGURE 2-14. ROTARY COUPLING INSTALLATION.....	74
FIGURE 2-15. GROUND CONTROL BOX ASSEMBLY	76
FIGURE 2-16. ELECTRICAL OPTIONS INSTALLATION (TURNTABLE MOUNTED).....	80
FIGURE 2-17. ENGINE TRAY JACK INSTALLATION (OPTIONAL).....	84
FIGURE 2-18. HOODS AND LIFTING PLATE INSTALLATIONS.....	86
SECTION 3 - BOOM	89
FIGURE 3-1. BOOM INSTALLATIONS - 600SC	90
FIGURE 3-2. BOOM INSTALLATIONS - 600SJC & 660SJC	94
FIGURE 3-3. MAIN BOOM ASSEMBLIES	98
FIGURE 3-4. ROTATOR ASSEMBLIES (FRONT ENTRY PLATFORM).....	102
FIGURE 3-5. ROTATOR ASSEMBLIES (SIDE ENTRY PLATFORM).....	106
FIGURE 3-6. POWER TRACK INSTALLATIONS - PLASTIC TRACK	108
FIGURE 3-7. POWER TRACK INSTALLATIONS - STEEL TRACK	112
FIGURE 3-8. BOOM WIPERS INSTALLATION (OPTIONAL).....	116
SECTION 4 - PLATFORM.....	119
FIGURE 4-1. PLATFORM COMPONENTS INSTALLATION (FRONT ENTRY).....	120
FIGURE 4-2. PLATFORM COMPONENTS INSTALLATION (SIDE ENTRY).....	124
FIGURE 4-3. PLATFORM CONSOLE ASSEMBLY.....	128
FIGURE 4-4. CONTROLLER ASSEMBLY (SWING AND LIFT).....	134
FIGURE 4-5. CONTROLLER ASSEMBLY (DRIVE AND STEER).....	136
SECTION 5 - CYLINDER	139
FIGURE 5-1. LEVEL CYLINDER ASSEMBLY - 600SC (ORIGINAL EQUIPMENT).....	140
FIGURE 5-2. LEVEL CYLINDER ASSEMBLY - 600SC (SERVICE REPLACEMENT).....	142
FIGURE 5-3. LEVEL CYLINDER ASSEMBLY - 600SC (SERVICE REPLACEMENT).....	144
FIGURE 5-4. LEVEL CYLINDER ASSEMBLIES - 600SJC & 660SJC (ORIGINAL EQUIPMENT)	146
FIGURE 5-5. LEVEL CYLINDER ASSEMBLIES - 600SJC & 660SJC (SERVICE REPLACEMENT)	148
FIGURE 5-6. LEVEL CYLINDER ASSEMBLY - 600SJC & 660SJC (SERVICE REPLACEMENT).....	150
FIGURE 5-7. LIFT CYLINDER ASSEMBLY	152
FIGURE 5-8. ARTICULATING JIB LIFT CYLINDER ASSEMBLY - 600SJC & 660SJC.....	156
FIGURE 5-9. ARTICULATING JIB LIFT CYLINDER ASSEMBLY - 600SJC & 660SJC (SERVICE REPLACEMENT)	158
FIGURE 5-10. ARTICULATING JIB LIFT CYLINDER ASSEMBLY - 600SJC & 660SJC (SERVICE REPLACEMENT)	160
FIGURE 5-11. MASTER CYLINDER ASSEMBLIES (ORIGINAL EQUIPMENT).....	162
FIGURE 5-12. MASTER CYLINDER ASSEMBLY - 600SC (SERVICE REPLACEMENT).....	166

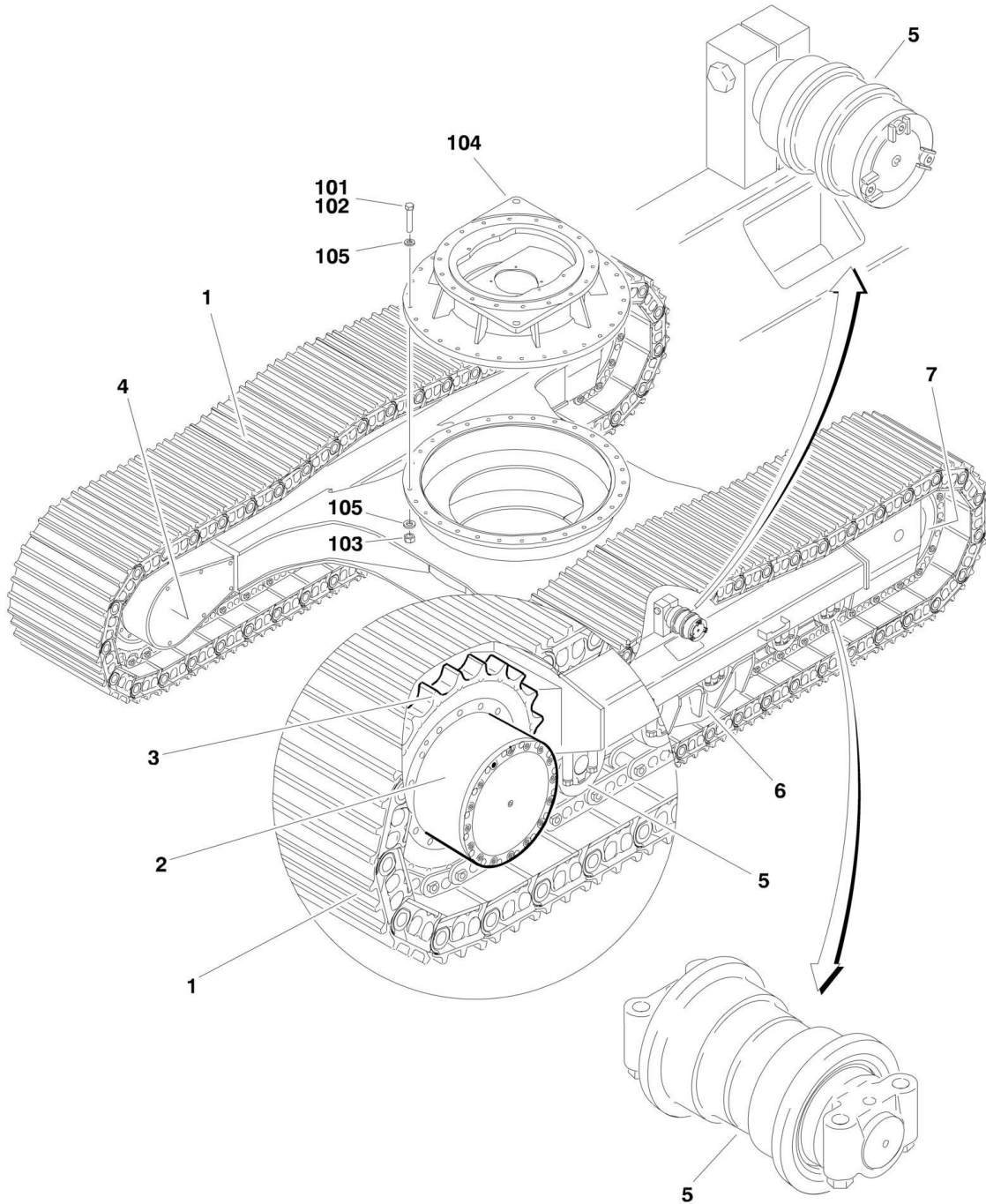
TABLE OF CONTENTS

FIGURE 5-13. MASTER CYLINDER ASSEMBLY - 600SJC & 660SJC (SERVICE REPAACEMENT).....	168
FIGURE 5-14. TELESCOPE CYLINDER ASSEMBLIES	170
FIGURE 5-15. CYLINDER BELLOWS INSTALLATIONS (OPTIONAL)	172
SECTION 6 - HYDRAULIC	175
FIGURE 6-1. HYDRAULIC DIAGRAM (Prior to SN 0300064782)	176
FIGURE 6-2. HYDRAULIC DIAGRAM (SN 0300064782 through 0300065090)	182
FIGURE 6-3. HYDRAULIC DIAGRAM (SN 0300065090 through 0300070773)	188
FIGURE 6-4. HYDRAULIC DIAGRAM (SN 0300070773 through 0300128000)	194
FIGURE 6-5. HYDRAULIC DIAGRAM LIST.....	200
SECTION 7 - ELECTRICAL.....	203
FIGURE 7-1. ELECTRICAL DIAGRAM LIST	204
FIGURE 7-2. ELECTRICAL SCHEMATIC (AUSTRALIAN SPEC)	206
FIGURE 7-3. ELECTRICAL SCHEMATIC (CE SPEC) (Prior to SN 0300064782).....	208
FIGURE 7-4. ELECTRICAL SCHEMATIC (CE SPEC) (SN 0300064782 through 0300128000)	210
FIGURE 7-5. HARNESS COMPONENTS INSTALLATION	212
SECTION 8 - DECALS	219
FIGURE 8-1. DECALS INSTALLATION - STANDARD	220
SECTION 9 - RECOMMENDED SERVICE PARTS STOCK.....	225
FIGURE 9-1. MODELS 600SC/600SJC/660SJC STANDARD PARTS.....	226
FIGURE 9-2. MODELS 600SC/600SJC/660SJC VARIABLE PARTS.....	228
SECTION 10 - SPECIAL OPTIONS	229
FIGURE 10-1. SPECIAL OPTIONS	230
PART NUMBER INDEX.....	233

SECTION 1 - FRAME

SECTION 1 - FRAME

FIGURE 1-1. FRAME ASSEMBLY



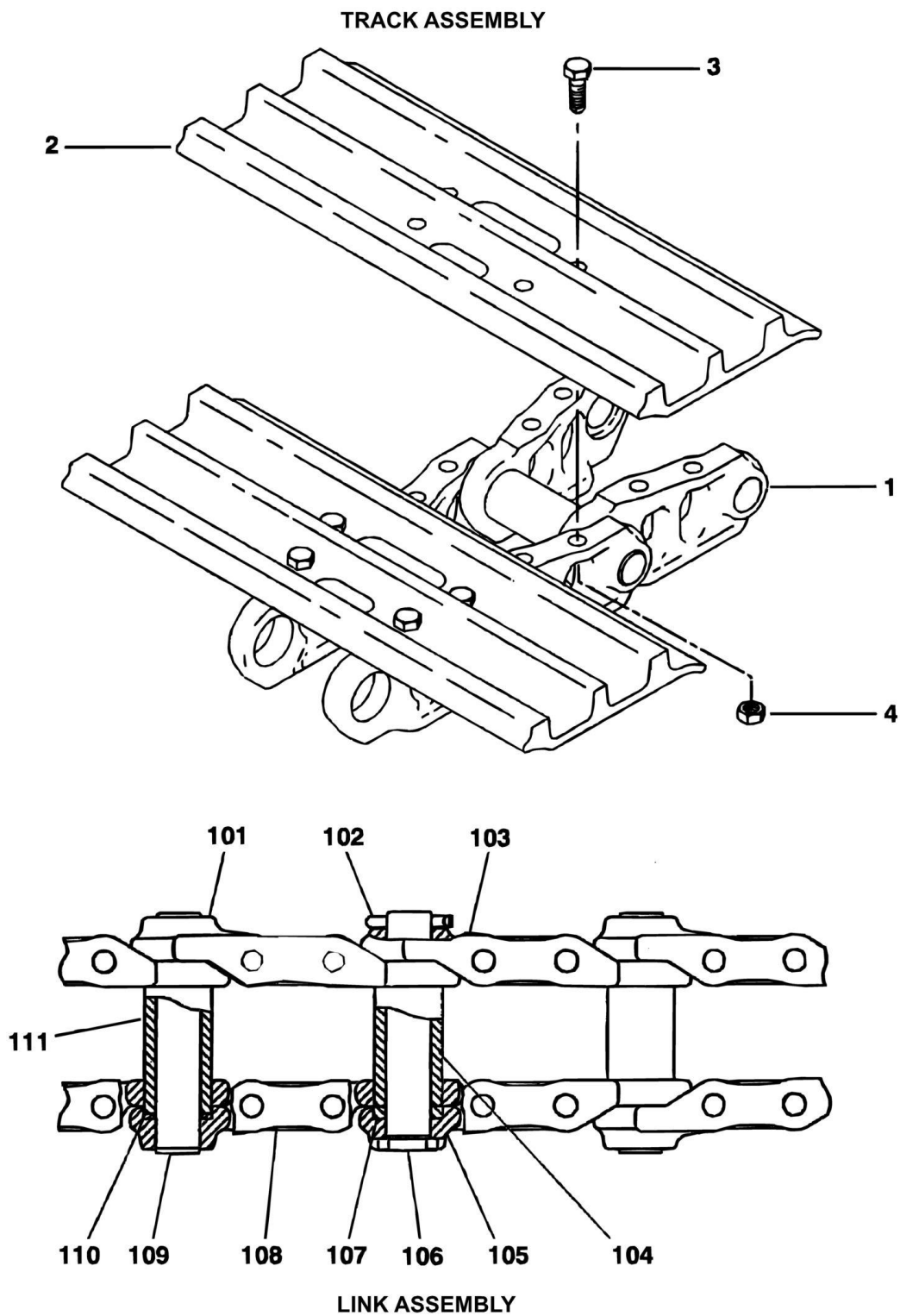
SECTION 1 - FRAME

FIGURE 1-1. FRAME ASSEMBLY

ITEM	PART NUMBER	QTY	DESCRIPTION	REV
		Ref	FRAME OPTIONS:	
		Ref	Frame Weldment - with Steel Track Options:	
	2360529	Ref	Frame Weldment - with Steel Track 600SC (Prior to SN 0300064782)	
	2360578	Ref	Frame Weldment - with Steel Track 600SC (SN 0300064782 through 0300067080)	
	2360582	Ref	Frame Weldment - with Steel Track 600SC (SN 0300067081 through 0300128000)	
	2360440	Ref	Frame Weldment - with Steel Track 600SJC (Prior to SN 0300064782)	
	2360579	Ref	Frame Weldment - with Steel Track 600SJC (SN 0300064782 through 0300067080)	
	2360583	Ref	Frame Weldment - with Steel Track 600SJC (SN 0300067081 through 0300128000)	
	2360528	Ref	Frame Weldment - with Steel Track 660SJC (Prior to SN 0300064782)	
	2360580	Ref	Frame Weldment - with Steel Track 660SJC (SN 0300064782 through 0300067080)	
	2360584	Ref	Frame Weldment - with Steel Track 660SJC (SN 0300067081 through 0300128000)	
	2360439	Ref	COMPLETE FRAME ASSEMBLY (STEEL TRACK)	
1	7022708	2	Track Shoe Assembly (See TRACK SHOE ASSEMBLY for Breakdown)	
2		Ref	Drive Assembly (See DRIVE AND SPROCKET INSTALLATION for Breakdown)	
2	7022677	2	Drive Assembly (Prior to SN 0300067081)	
2	NPN	2	Drive Assembly (SN 0300067081 through 0300128000)	
3	NPN	2	Sprocket Installation (See DRIVE AND SPROCKET INSTALLATION for Breakdown)	
4	NPN	2	Motor Guard Installation (See DRIVE AND SPROCKET INSTALLATION for Breakdown)	
5	NPN	2	Roller Assemblies Installation (See ROLLER ASSEMBLIES INSTALLATION for Breakdown)	
6		Ref	Track Guide Installation	
6	7022675	2	Guide (1 Per Side)	
6	7022644	8	Bolt M16 x 35mm (4 Per Side)	
6	7022647	8	Washer 3.50mm (4 Per Side)	
7	NPN	2	Idler Assembly (See IDLER ASSEMBLY for Breakdown)	
	0257440	Ref	BEARING ADAPTER PLATE INSTALLATION	B
101	0100019	AR	Compound, Locking	
102	0682028	30	Bolt 5/8in-11NC x 3-1/2in (Grade 8)	
103	3272001	30	Nut 5/8in-11NC	
104	4845456	1	Adapter Weldment	
105	4892000	60	Washer, Hardened 5/8in	

SECTION 1 - FRAME

FIGURE 1-2. TRACK SHOE ASSEMBLY



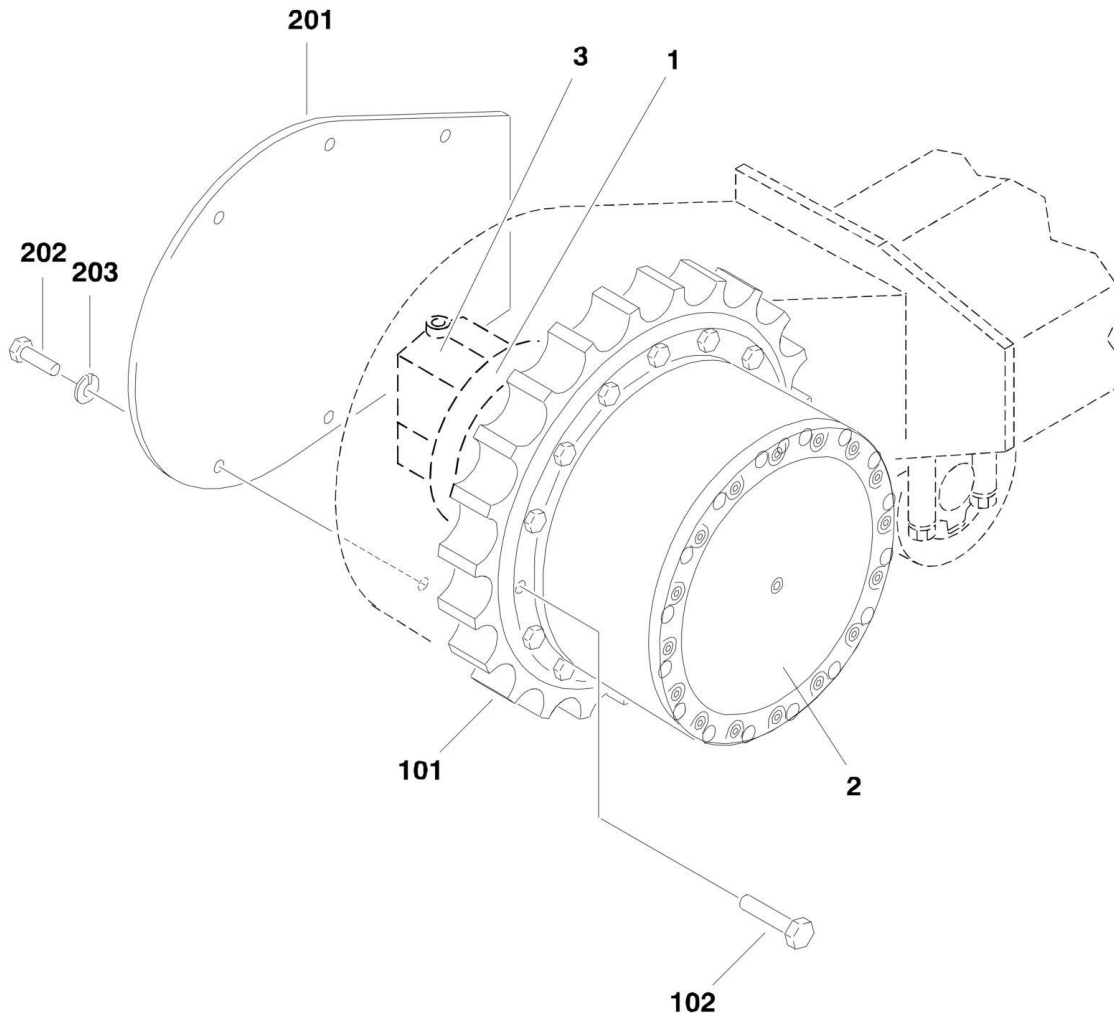
SECTION 1 - FRAME

FIGURE 1-2. TRACK SHOE ASSEMBLY

ITEM	PART NUMBER	QTY	DESCRIPTION	REV
	7022708	Ref	TRACK SHOE ASSEMBLY - STEEL	
1	7022680	1	Link Assembly (See Items 101-111 for Breakdown)	
2	7022602	43	Shoe, Track Options	
3	7022612	172	Bolt M16 x 46mm	
4	7022614	172	Nut M16 x 46mm	
	7022680	Ref	LINK ASSEMBLY	
101	7022606	42	Link, Track	
102	7022652	1	Pin, Cotter	
103	7022608	1	Link, Track (Master)	
104	7022651	1	Bushing	
105	7022609	1	Link, Track (Master)	
106	7022664	1	Pin (Master Link)	
107	7022683	2	Spacer	
108	7022607	42	Link, Track (Standard)	
109	7022615	42	Pin (Standard Link)	
110	7022616	172	Washer, Seal	
111	7022679	42	Bushing	
	0270107	Ref	RUBBER PAD INSTALLATION (OPTIONAL - NOT SHOWN)	A
		Ref	Note: Used as a cover over steel track shoes only.	
	3340887	Ref	Pad, Rubber Cover	

SECTION 1 - FRAME

FIGURE 1-3. DRIVE AND SPROCKET INSTALLATION



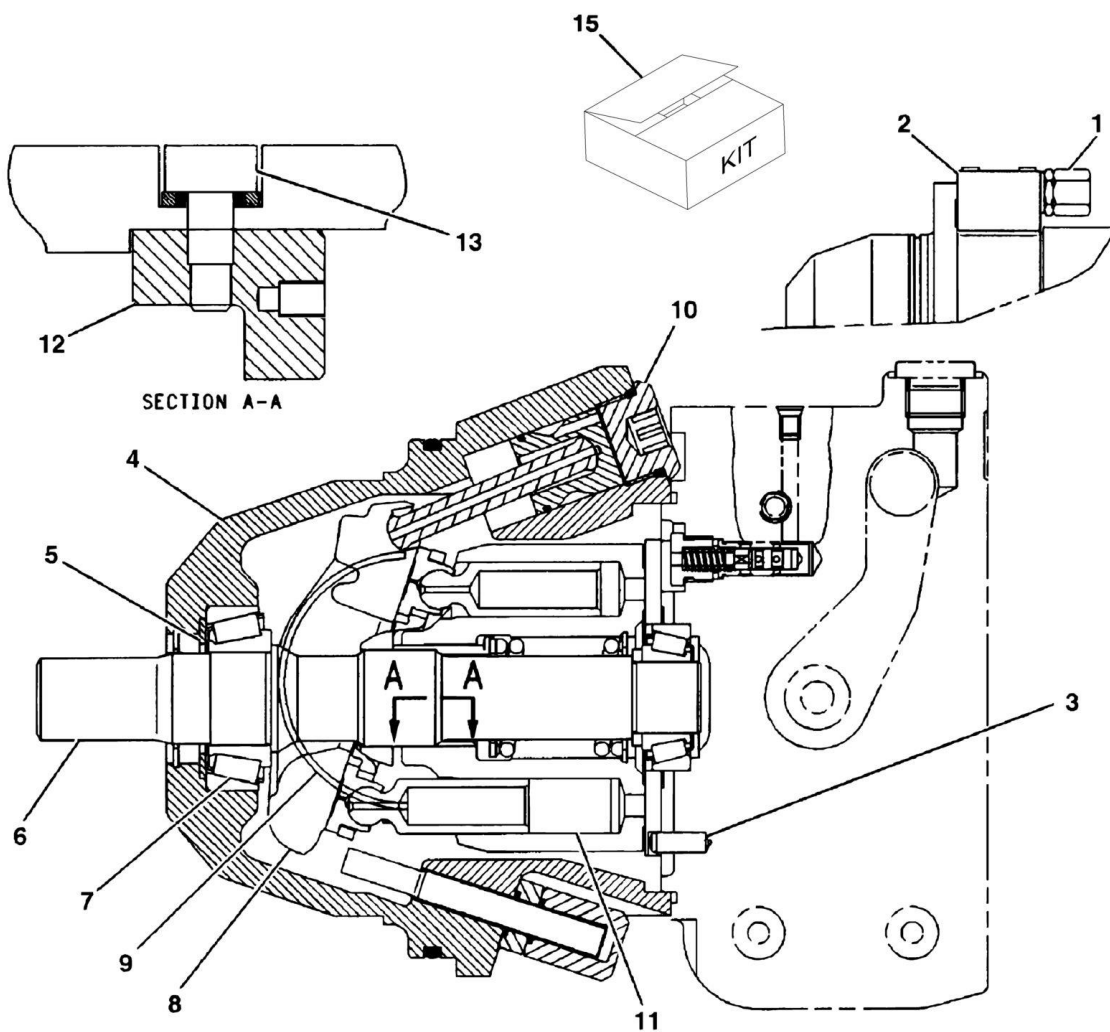
SECTION 1 - FRAME

FIGURE 1-3. DRIVE AND SPROCKET INSTALLATION

ITEM	PART NUMBER	QTY	DESCRIPTION	REV
		Ref	DRIVE ASSEMBLY	
	7022677	Ref	Drive Assembly (Prior to SN 0300067081)	
	NPN	Ref	Drive Assembly (SN 0300067081 through 0300128000)	
1		Ref	Drive Motor Assembly Options (See DRIVE MOTOR ASSEMBLY for Breakdown):	
1	7022718	1	Drive Motor Assembly (Prior to SN 0300067081)	
1	See Note	1	Drive Motor Assembly (Note: Not Available for Purchase.) (SN 0300067081 through 0300128000)	
2		Ref	Drive Hub Assembly Options (See DRIVE HUB ASSEMBLY for Breakdown):	
2	7022678	1	Drive Hub Assembly (Prior to SN 0300067081)	
2	7022737	1	Drive Hub Assembly (SN 0300067081 through 0300128000)	
3	7022715	1	Drive Valve Assembly (See DRIVE VALVE ASSEMBLY for Breakdown):	
		Ref	SPROCKET INSTALLATION	
101	7022605	1	Sprocket	
102	See Note	15	Bolt M16 x 40mm (Note: Not Available for Purchase.)	
		Ref	COVER INSTALLATION	
201	7022613	2	Plate, Cover	
202	See Note	12	Bolt M12 x 25mm (Note: Not Available for Purchase.)	
203	7022617	12	Washer, Hardened	

SECTION 1 - FRAME

FIGURE 1-4. DRIVE MOTOR ASSEMBLY



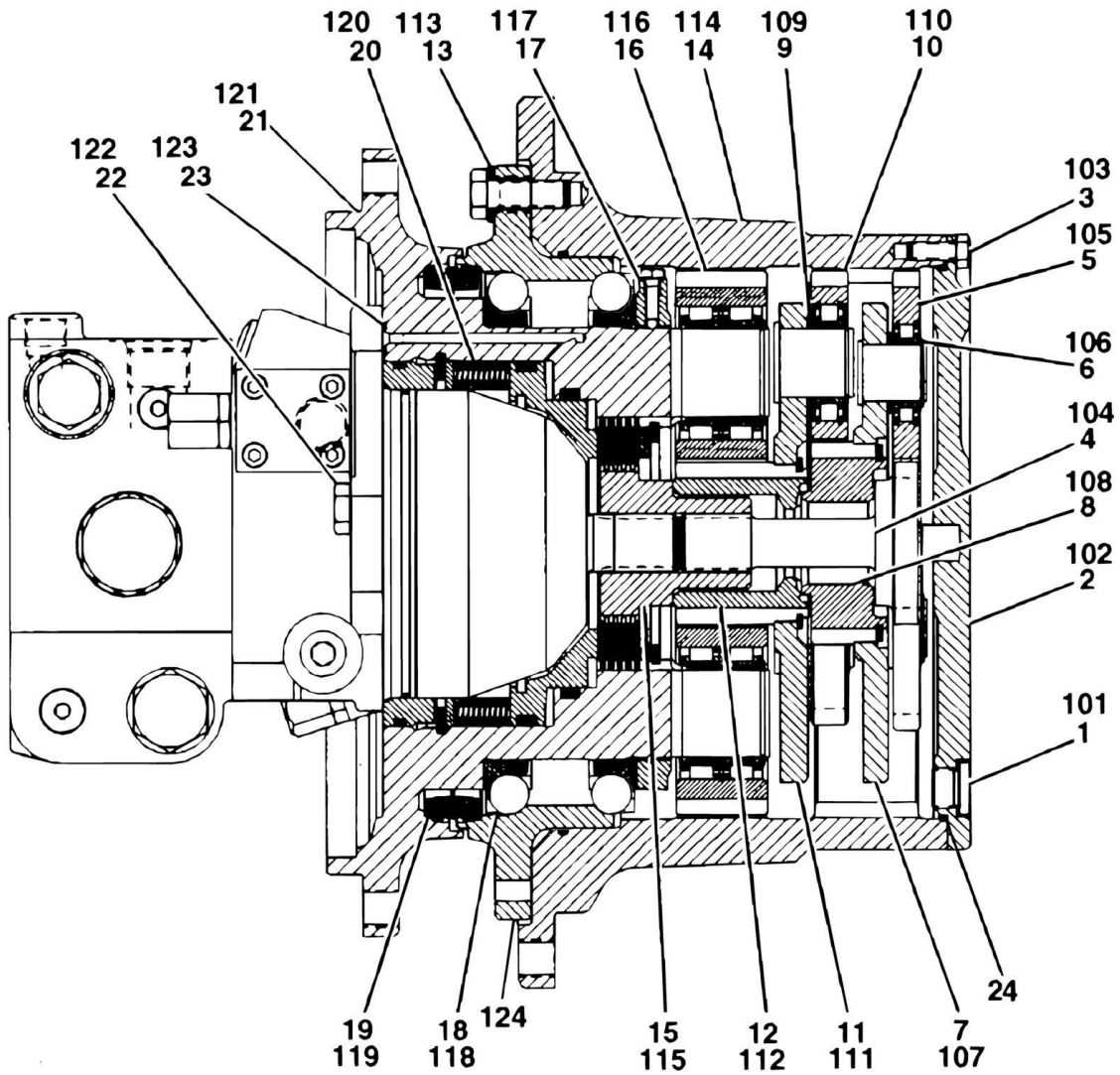
SECTION 1 - FRAME

FIGURE 1-4. DRIVE MOTOR ASSEMBLY

ITEM	PART NUMBER	QTY	DESCRIPTION	REV
	7022718	Ref	DRIVE MOTOR ASSEMBLY (Prior to SN 0300067081)	
1	7022674	1	Valve, Pilot	
2	7022681	1	Block, Valve	
2	See Note	NSS	Bolt, Socket Head M6 x 40mm (Note: Not Available for Purchase.)	
2	See Note	NSS	O-Ring (Note: Not Available for Purchase.)	
3	7022673	1	Pin, Dowel	
4	7022716	1	Housing, Motor	
5	7022717	1	Ring, Retraining	
6	7022712	1	Shaft	
7	7022676	1	Bearing Set	
8	7022672	1	Swashplate	
9	7022714	1	Shell, Cradle	
10	7022682	1	Control, Motor	
11	7022711	1	Rotating Assembly	
12	7022666	2	Clamp, Retaining	
13	7022667	2	Screw, Dowel	
15	7022713	1	Seal Kit	
	70003806	Ref	DRIVE MOTOR ASSEMBLY (SN 0300067081 through 0300128000)	
		Ref	Note: Must Purchase Complete Drive Motor Assembly.	

SECTION 1 - FRAME

FIGURE 1-5. DRIVE HUB ASSEMBLY



SECTION 1 - FRAME

FIGURE 1-5. DRIVE HUB ASSEMBLY

ITEM	PART NUMBER	QTY	DESCRIPTION	REV
	7022678	Ref	DRIVE HUB ASSEMBLY (Prior to SN 0300067081)	
1	7022692	2	Drain Plug Kit	
2	7022693	1	Cover Assembly	
3	7022694	1	Cover Fastener Kit	
4	7022703	1	Shaft, Sun Gear	
5	7022670	1	Planet Gear Kit	
6	7022671	3	Disc, Support	
7	7022704	1	Planet Carrier Kit	
8	7022705	1	Sun Gear Kit	
9	7022669	3	Disc, Support	
10	7022668	1	Planet Gear Kit	
11	7022706	1	Planet Carrier Kit	
12	7022707	1	Sun Gear Kit	
13	7022695	1	Gear Fastener Kit	
14	7022696	1	Gear, Ring	
15	7022697	1	Link, Shaft	
16	7022698	1	Gear Kit	
17	7022699	1	Shaft Nut Kit	
18	7022700	1	Bearing Kit	
19	7022701	1	Duo Cone Seal Kit	
20	7022719	1	Brake Kit	
21	7022702	1	Spindle	
22	7022640	2	Bolt M12 x 25mm	
23	7022646	1	O-Ring	
24	7024972	1	O-Ring	
	7022737	Ref	DRIVE HUB ASSEMBLY (SN 0300067081 through 0300128000)	
101	7022692	2	Drain Plug Kit	
102	7022738	1	Cover Assembly	
103	7022694	1	Cover Fastener Kit	
104	7022739	1	Shaft, Sun Gear	
105	7022740	1	Planet Gear Kit	
106	7022671	3	Disc, Support	
107	7022741	1	Planet Carrier Kit	
108	7022742	1	Sun Gear Kit	
109	7022671	3	Disc, Support	
110	7022743	1	Planet Gear Kit	
111	7022744	1	Planet Carrier Kit	
112	7022745	1	Sun Gear Kit	
113	7022695	1	Gear Fastener Kit	
114	7022746	1	Gear, Ring	
115	7022697	1	Link, Shaft	
116	7022747	1	Gear Kit	
117	70002816	1	Shaft Nut Kit	
118	7022748	1	Bearing Kit	
119	70002817	1	Duo Cone Seal Kit	
120	7022719	1	Brake Kit	
121	7022749	1	Spindle	
122	7022640	2	Bolt M12 x 25mm	
123	7022646	1	O-Ring	
124	7022750	1	Ring, Support	

SECTION 1 - FRAME

FIGURE 1-6. DRIVE VALVE ASSEMBLY

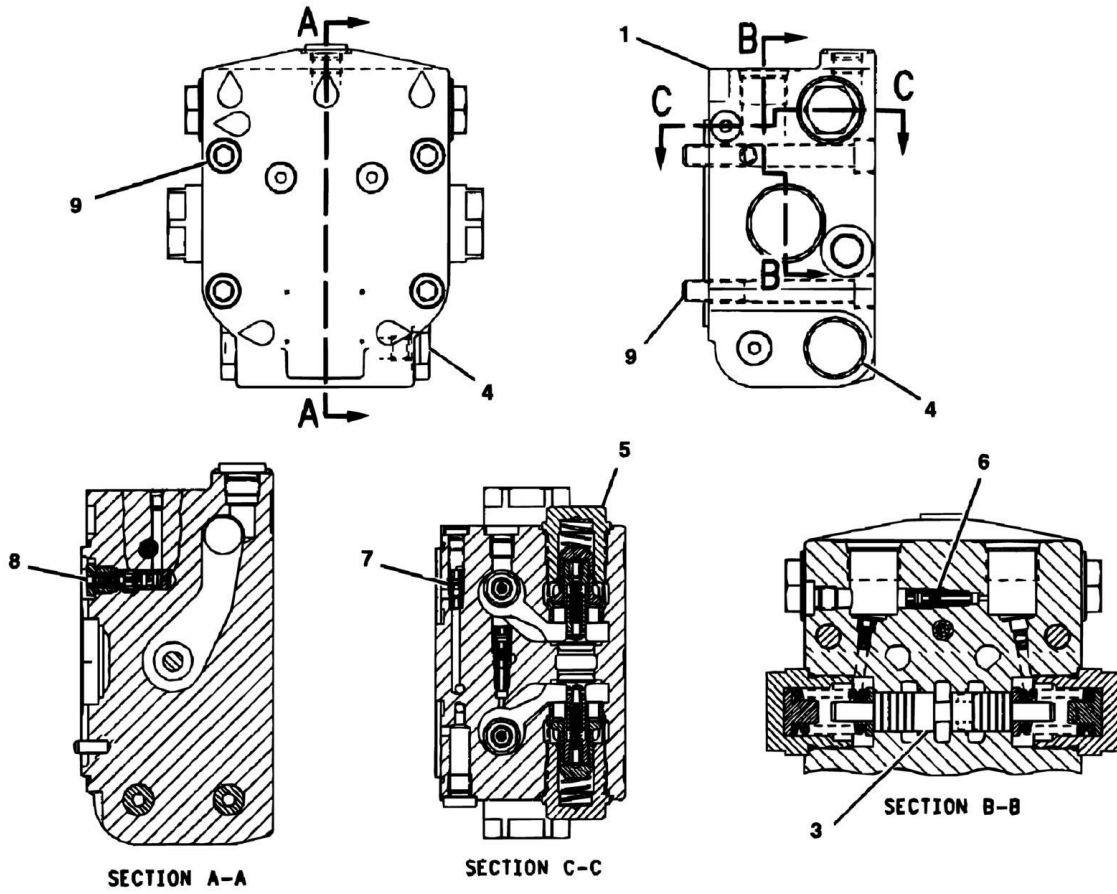
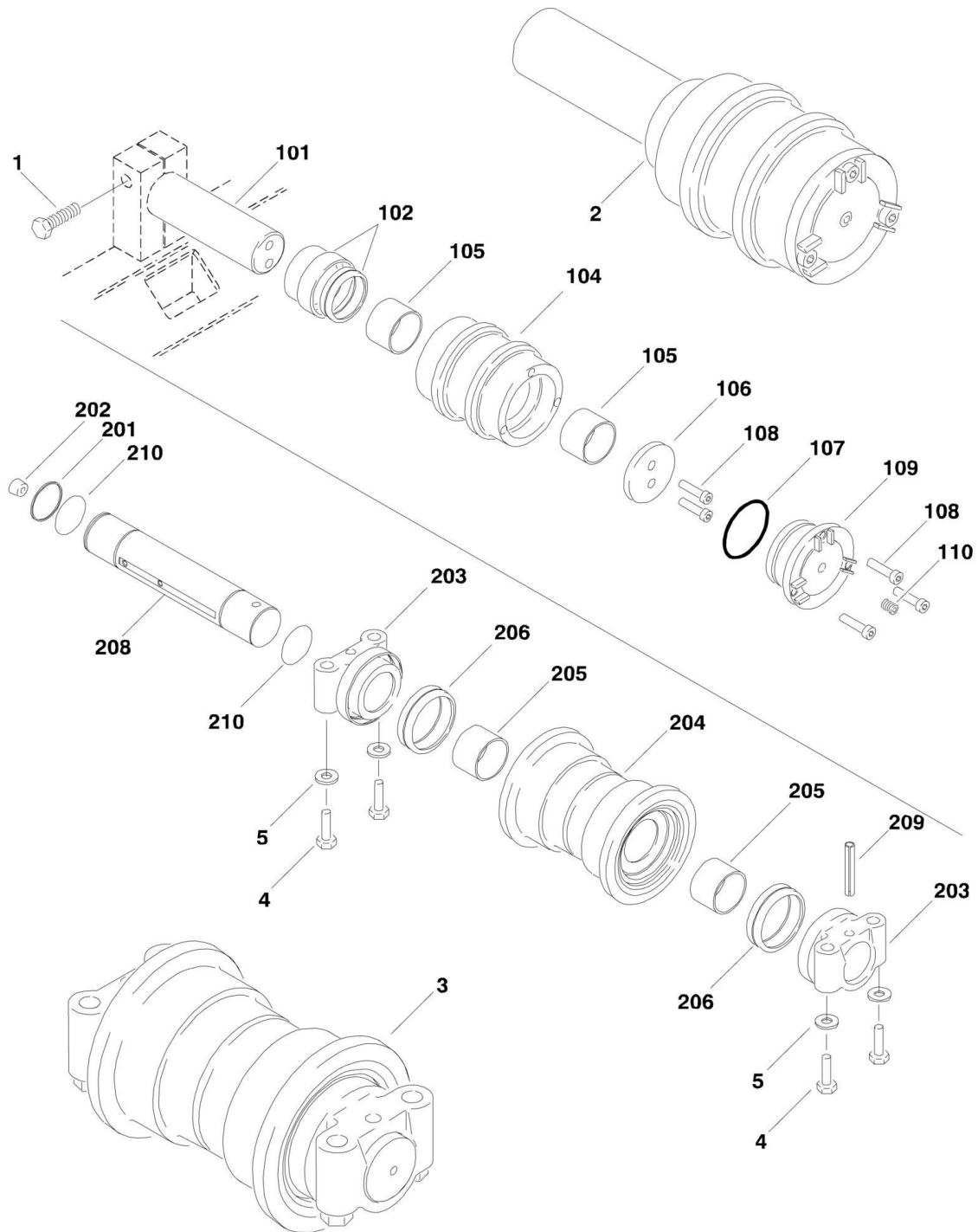


FIGURE 1-6. DRIVE VALVE ASSEMBLY

ITEM	PART NUMBER	QTY	DESCRIPTION	REV
	7022715	Ref	DRIVE VALVE ASSEMBLY	
1	7022685	1	Port Plate Assembly	
1	7022684	1	Seal Kit - 7022685 Port Plate	
3	7022686	1	Cartridge, Valve (Drive)	
4	7022687	2	Cartridge, Valve (Relief)	
5	7022688	2	Cartridge, Valve (Check)	
6	7022689	1	Cartridge, Valve (Selector)	
7	7022690	1	Cartridge, Valve (Adapter)	
8	7022691	1	Cartridge, Valve (Brake)	
9	7022628	4	Bolt M12 x 100mm	

SECTION 1 - FRAME

FIGURE 1-7. ROLLER ASSEMBLIES INSTALLATION



SECTION 1 - FRAME

FIGURE 1-7. ROLLER ASSEMBLIES INSTALLATION

ITEM	PART NUMBER	QTY	DESCRIPTION	REV
		Ref	ROLLER ASSEMBLIES INSTALLATION	
1	7022645	4	Bolt M24 x 80mm	
2	7022604	4	Roller Assembly - Upper (See Items 101-110 for Breakdown)	
3	7022709	14	Roller Assembly - Lower (See Items 201-210 for Breakdown)	
4	7022629	56	Bolt M16 x 80mm	
5	7022638	56	Washer	
	7022604	Ref	ROLLER ASSEMBLY - UPPER	
101	7022632	1	Shaft	
102	7022662	1	Seal Kit	
104	7022630	1	Roller and Bearing Assembly	
105	See Note	NSS	Bearing (Note: Use Item 104)	
106	7022633	1	Retainer	
107	7022625	1	O-Ring	
108	7022637	5	Bolt, Socket Head M10 x 25mm	
109	7022631	1	Cover, Carrier Roller	
110	7022627	1	Plug, Pipe	
	7022609	Ref	ROLLER ASSEMBLY - LOWER	
201	7022619	1	Retainer	
202	7022627	1	Plug, Pipe	
203	7022611	2	Collar	
204	7022618	1	Roller and Bearing Assembly	
205	See Note	NSS	Bearing (Note: Use Item 204)	
206	7022663	2	Seal Kit	
208	See Note	NSS	Shaft (Note: Use p/n 7022609)	
209	7022623	1	Dowel	
210	7022626	2	O-Ring	

SECTION 1 - FRAME

FIGURE 1-8. IDLER ASSEMBLY

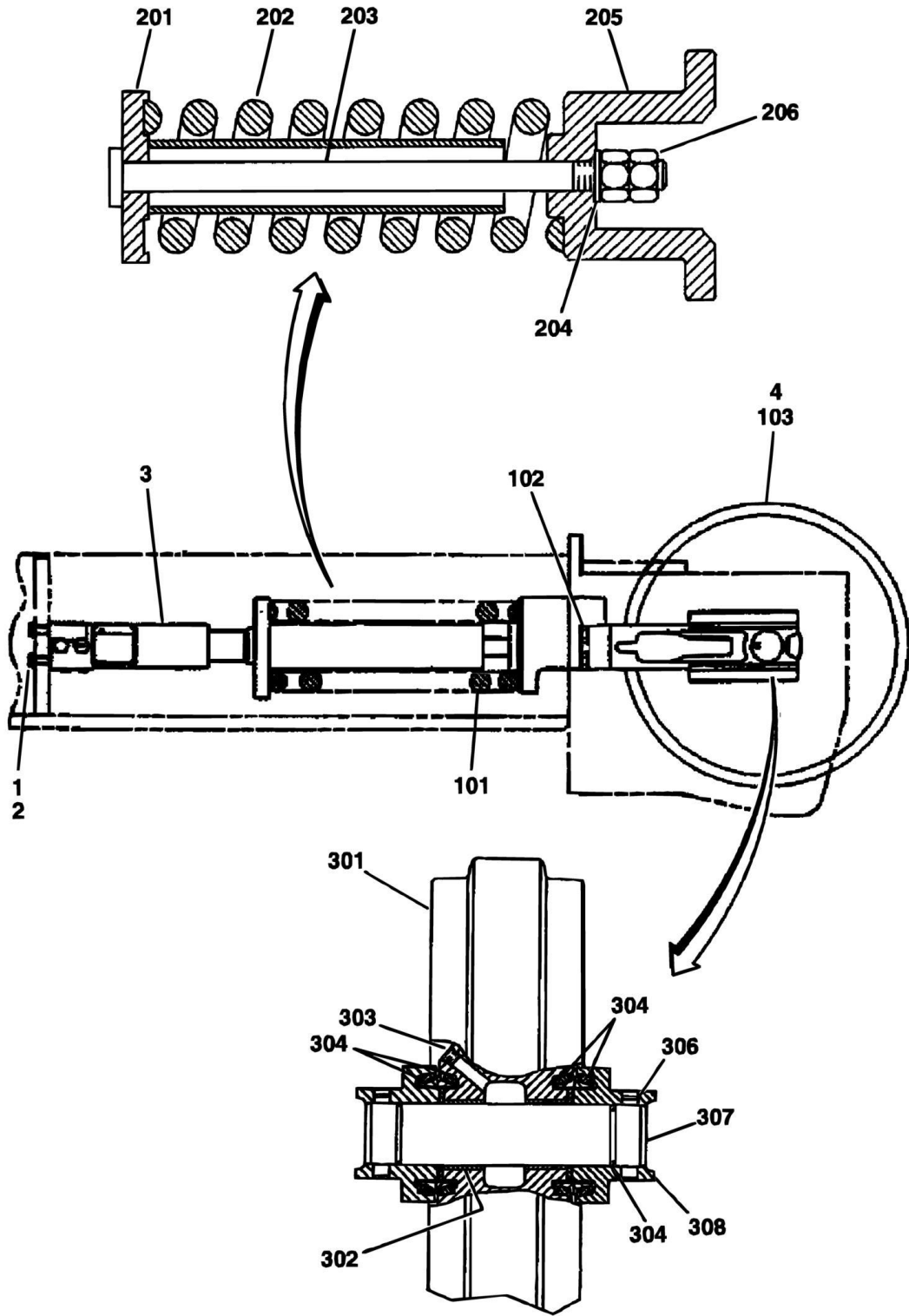


FIGURE 1-8. IDLER ASSEMBLY

ITEM	PART NUMBER	QTY	DESCRIPTION	REV
		Ref	IDLER ASSEMBLY	
1	7022639	4	Bolt M21 x 40mm	
2	See Note	4	Washer, Hardened (Note: Not Available - Purchase Locally.)	
3	NPN	2	Track Adjuster Assembly (See TRACK ADJUSTER ASSEMBLY for Breakdown)	
4	NPN	2	Idler Assembly (See Items 101-103 for Breakdown)	
		Ref	IDLER ASSEMBLY	
101	NPN	1	Recoil Spring Assembly (See Items 201-206 for Breakdown)	
102	7022639	4	Bolt M16 x 50mm	
103	NPN	1	Idler Wheel Assembly (See Items 301-308 for Breakdown)	
		Ref	RECOIL SPRING ASSEMBLY	
201	7022649	1	Support	
202	7022659	1	Spring	
203	7022621	1	Rod	
204	7022648	1	Washer	
205	7022620	1	Support	
206	7022635	2	Nut M30	
		Ref	IDLER WHEEL ASSEMBLY	
301	7022624	1	Idler Wheel and Bearing Assembly	
302	See Note	NSS	Bearing (Note: Use Item 301)	
303	7022627	1	Plug, Pipe	
304	7022657	2	Seal Kit (1 Kit Includes 2 Seals and 1 O-Ring)	
306	7022658	2	Pin	
307	7022622	1	Shaft, Idler Wheel	
308	7022610	2	Bearing	

SECTION 1 - FRAME

FIGURE 1-9. TRACK ADJUSTER ASSEMBLY

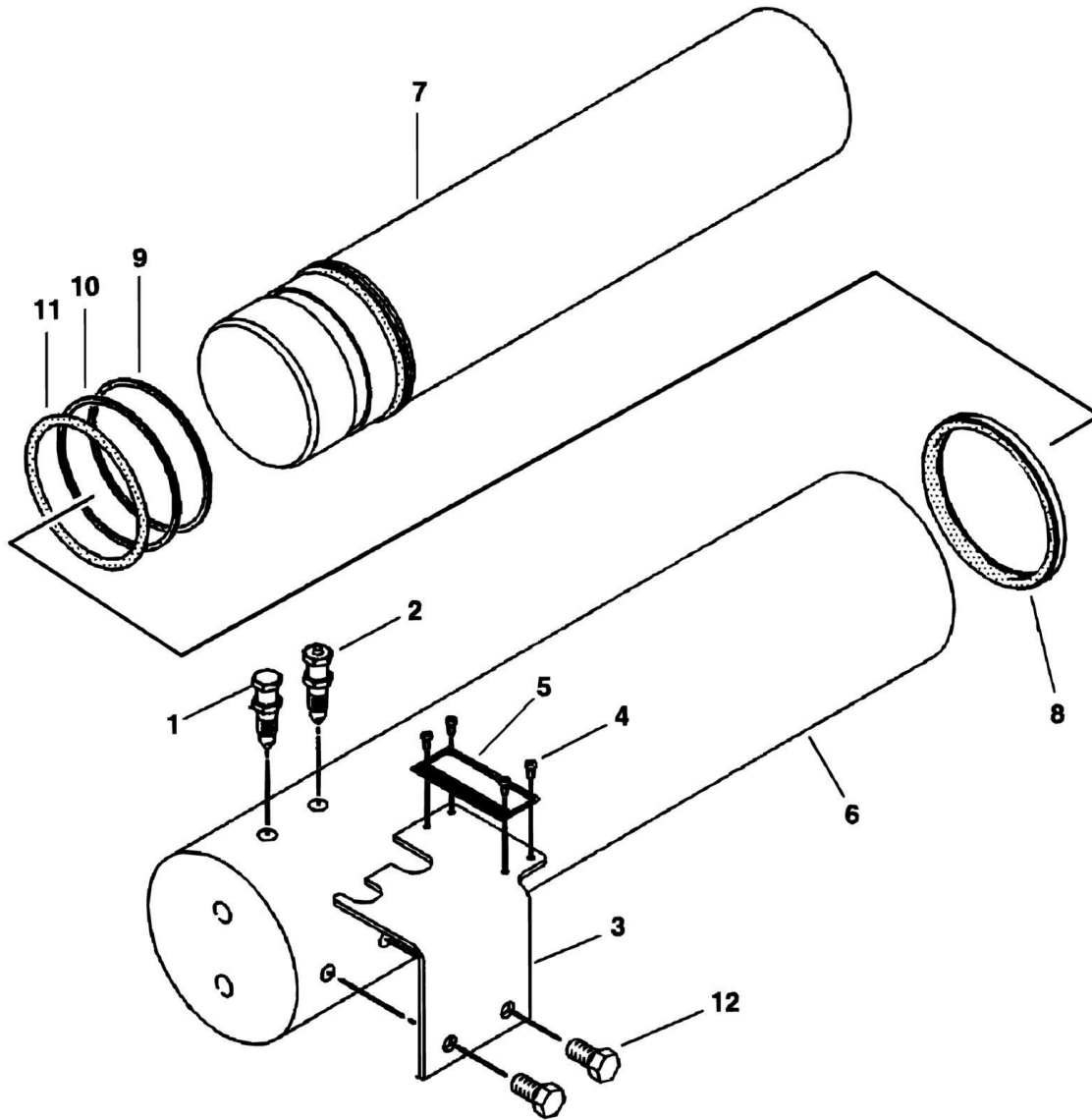


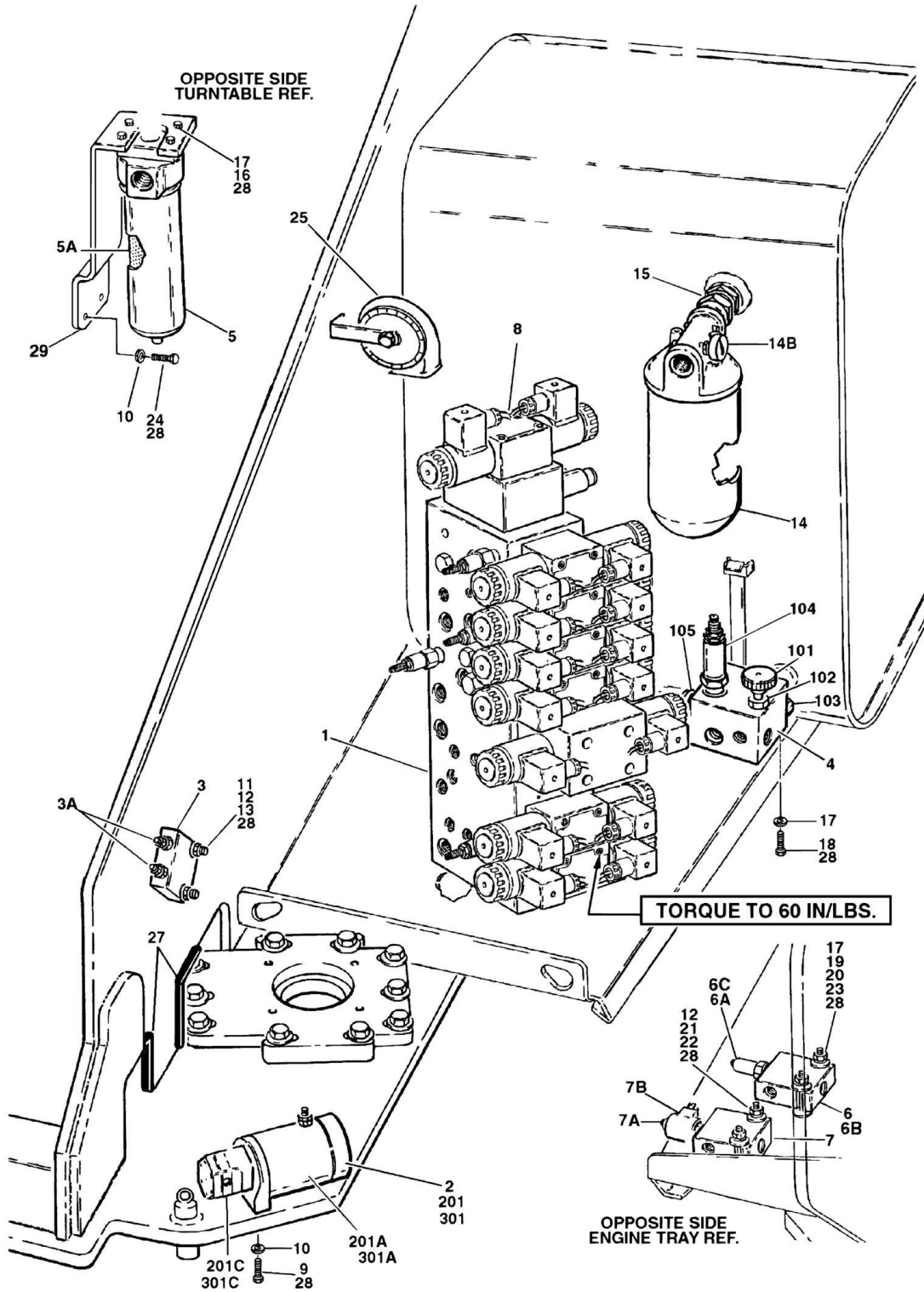
FIGURE 1-9. TRACK ADJUSTER ASSEMBLY

ITEM	PART NUMBER	QTY	DESCRIPTION	REV
		Ref	TRACK ADJUSTER ASSEMBLY	
1	7022601	1	Cartridge, Valve (Relief)	
2	7022655	1	Cartridge, Valve (Fill)	
3	7022665	1	Plate Assembly	
4	See Note	NSS	Screw, Drive (Note: Use Item 3)	
5	See Note	NSS	Plate, Warning (Note: Use Item 3)	
6	7022600	1	Barrel, Cylinder	
7	7022650	1	Piston	
8	7022656	1	Seal, Lip	
9	7022660	2	Ring, Back-up	
10	7022661	2	Ring, Back-up	
11	7022653	2	O-Ring	
12	7022642	2	Bolt M8 x 12mm	

SECTION 2 - TURNTABLE

SECTION 2 - TURNTABLE

FIGURE 2-1. CONTROL VALVES INSTALLATIONS



SECTION 2 - TURNTABLE

FIGURE 2-1. CONTROL VALVES INSTALLATIONS

ITEM	PART NUMBER	QTY	DESCRIPTION	REV
		Ref	VALVES INSTALLATIONS	
	0257488	Ref	Valves Installations 600SC (Prior to SN 0300064782)	5
	0271631	Ref	Valves Installations 600SC (SN 0300064782 through 0300128000)	3
	0257489	Ref	Valves Installations 600SJC & 660SJC (Prior to SN 0300064782)	5
	0271667	Ref	Valves Installations 600SJC & 660SJC (SN 0300064782 through 0300128000)	3
1	4641017	1	Main Control Valve Assembly (See MAIN CONTROL VALVE ASSEMBLY for Breakdown)	
2		Ref	Auxiliary Pump Assemblies Options:	
2	3600243	1	Auxiliary Pump Assembly (See Item 201 for Breakdown) (Prior to SN 0300070773)	
2	3600365	1	Auxiliary Pump Assembly (See Item 301 for Breakdown) (SN 0300070773 through 0300128000)	
3	4640908	1	Counterbalance Valve Assembly	
3A	7011328	2	Cartridge, Counterbalance	
3A	2900770	2	Seal, Kit - 7011328 Cartridge	
4	4640931	1	Manual Descent Valve Assembly (See Items 101-105 for Breakdown) (Prior to SN 0300071456)	
5	2120146	1	Hydraulic Pressure Filter Assembly	
5A	2120150	1	Element, Filter	
5B	7016312	1	Indicator, Clogged	
6	4640689	1	Valve Assembly (Pressure Reducing) (Prior to SN 0300061570)	
6A	7010530	1	Cartridge	
6A	7010531	1	Seal Kit - 7010530 Cartridge	
6B	4640907	1	Valve Assembly (Pressure Reducing) (SN 0300064782 through 0300128000)	
6C	7012941	1	Cartridge	
6C	7010543	1	Seal Kit - 7012941 Cartridge	
7	4640906	1	Valve Assembly (Two Speed)	
7A	7023981	1	Cartridge without Coil	
7A	7012905	1	Seal Kit - 7023981 Cartridge	
7B	7012944	1	Coil	
7C	7017481	2	Cartridge, Check	
7C	7012972	2	Seal Kit	
8		Ref	Valve Kit (Articulating Jib) Options:	
8	Not Required	0	Valve Kit (Articulating Jib) 600SC	
8	4640921	1	Valve Kit (Articulating Jib) 600SJC & 660SJC (See ARTICULATING JIB VALVE ASSEMBLY for Breakdown)	
9	0641613	2	Bolt 3/8in-16NC x 1-5/8in	
10	4711600	7	Flatwasher 3/8in Thin	
11	4891800	2	Flatwasher 1/2in Hardened	
12	4751500	5	Flatwasher 5/16in Regular	
13	3311501	3	Nut 5/16in-18NC	
14	2120145	1	Return Filter Assembly	
14A	2120149	1	Element, Filter	
14B	7016313	1	Indicator, Clogged	
15	2220893	1	Fitting, Adapter	
16	0651406	4	Bolt 1/4in-28NF x 3/4in	
17	4711400	AR	Flatwasher 1/4in Thin	
18	0651406	3	Bolt 1/4in-28NF x 3/4in (Prior to SN 0300071456)	

SECTION 2 - TURNTABLE

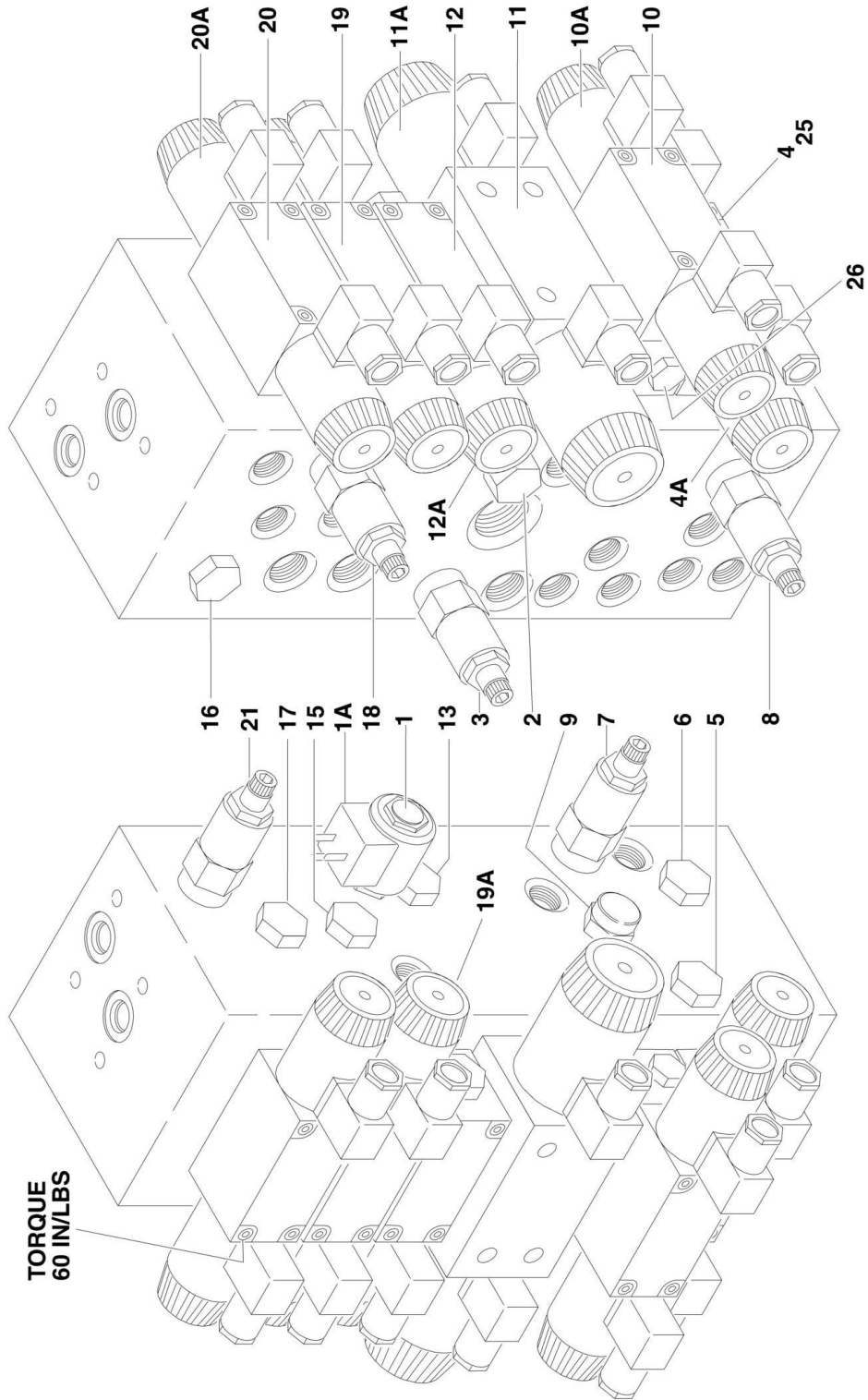
ITEM	PART NUMBER	QTY	DESCRIPTION	REV
19		Ref	Bolt Options:	
19	0641420	2	Bolt 1/4in-20NC x 2-1/2in Only (Prior to SN 0300061570)	
19	0641416	2	Bolt 1/4in-20NC x 2in (SN 0300064782 through 0300128000)	
20	4891400	AR	Flatwasher 1/4in Hardened Options:	
20		Ref	Flatwasher 1/4in Hardened Only (Prior to SN 0300061570)	
20		Ref	Flatwasher 1/4in Hardened (SN 0300064782 through 0300128000)	
21	0641508	2	Bolt 5/16in-18NC x 1in	
22	4891500	2	Flatwasher 5/16in Hardened	
23	3311405	2	Locknut 1/4in-20NC	
24	0641608	5	Bolt 3/8in-16NC x 1in	
25	0140001	1	Horn	
27	4060918	40 in/10m	Flex-Trim	
28	0100011	AR	Compound, Locking	
29	0902587	1	Bracket, Filter	
	4640931	Ref	MANUAL DESCENT VALVE ASSEMBLY (Prior to SN 0300071456)	
101	7012961	1	Knob	
102	7012954	1	Cartridge, Needle Valve	
102	7012953	1	Seal Kit - 7012954 Valve	
103	7012975	1	Cartridge, Check Valve	
103	7012540	1	Seal Kit - 7012975 Valve	
104	7012976	1	Cartridge, Relief Valve	
104	7012953	1	Seal Kit - 7012976 Valve	
105	7012977	1	Cartridge, Pilot Valve	
105	7012918	1	Seal Kit - 7012977 Valve	
	3600243	Ref	AUXILIARY PUMP ASSEMBLY (Prior to SN 0300070773)	B
201	3600243	1	Auxiliary Pump Assembly	
201A	7013755	1	Replacement Motor	
201A	7013799	1	Brush Kit - 7013755	
201A	7016744	2	Bolt (Mounts Motor to Mounting Bracket)	
201B	7013711	1	Coupling	
201C	7013796	1	Replacement Pump	
201C	See Note	1	Seal Kit (Note: Not Available - Purchase Individual Pieces.)	
201C	7016700	1	Seal, Oil	
201C	7016701	1	O-Ring	
201C	7016702	1	O-Ring	
201C	7022203	2	Bolt (Mounts Pump to Mounting Bracket)	
	3600365	Ref	AUXILIARY PUMP ASSEMBLY (SN 0300070773 through 0300128000)	B
301	3600365	1	Auxiliary Pump Assembly	
301A		Ref	Replacement Motor Options:	
301A	7004290	1	Replacement Motor with Endhead Item 105 (was p/n 7011067)	
301A	7004248	1	Replacement Motor without Endhead	
301A	7011065	1	Brush Kit - Motor	
301A	See Note	4	Bolt (Mounts Motor to Endhead) (Note: Not Available for Purchase.)	
301A	7011062	4	Endhead	
301B	7011063	1	Coupling and Hardware Kit (Includes Pump Gasket and Hardware)	
301C	7011064	1	Replacement Pump	
301C	7011044	1	Gasket	

SECTION 2 - TURNTABLE

ITEM	PART NUMBER	QTY	DESCRIPTION	REV
301C	7011066	1	Seal Kit	
301C	See Note	1	Relief Valve (Note: Not Available - Purchase Complete Pump.)	
301C	7011043	4	Bolt (Mounts Pump to Mounting Bracket)	
301C	7011048	4	Lockwasher	

SECTION 2 - TURNTABLE

FIGURE 2-2. MAIN CONTROL VALVE ASSEMBLY



SECTION 2 - TURNTABLE

FIGURE 2-2. MAIN CONTROL VALVE ASSEMBLY

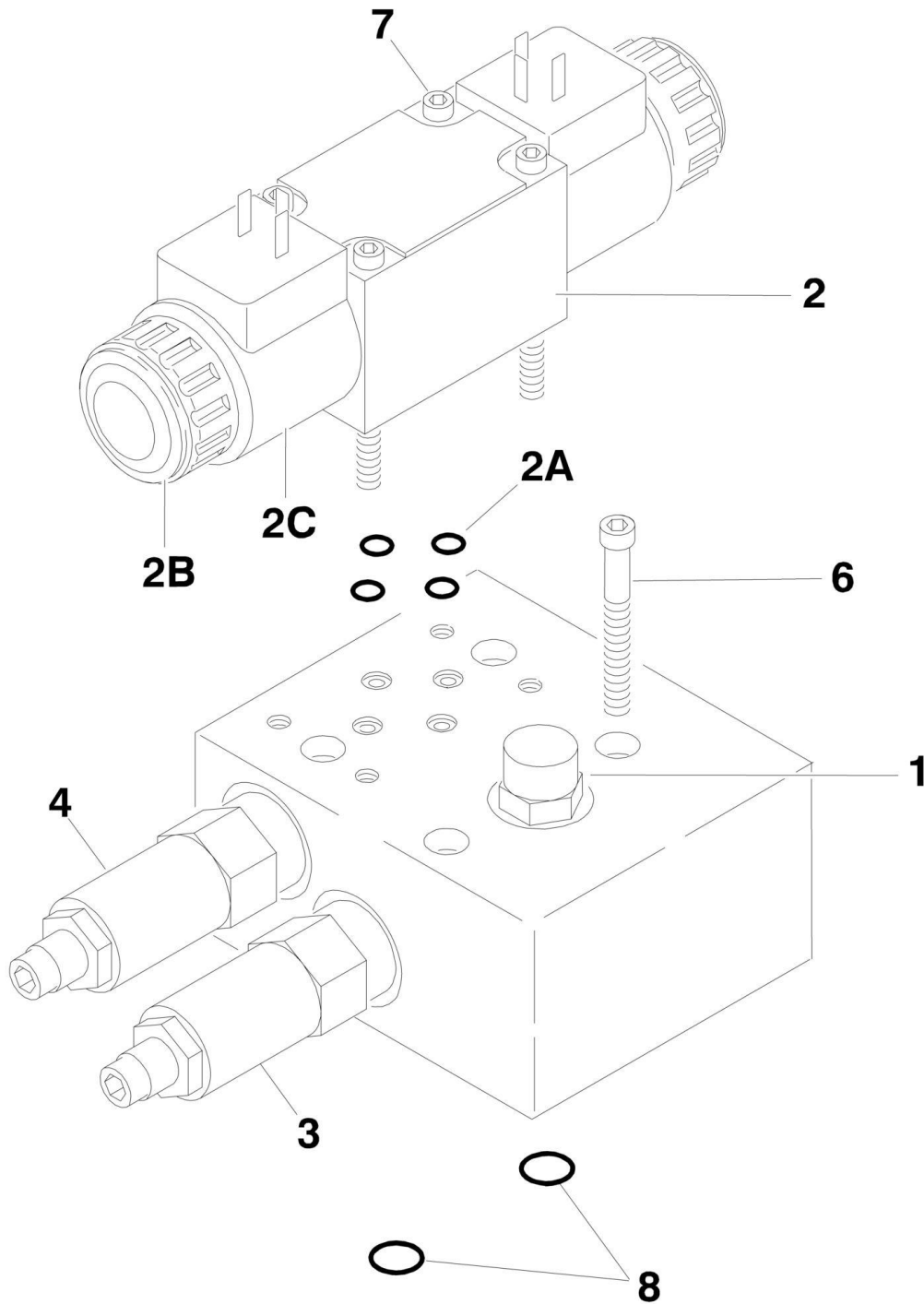
ITEM	PART NUMBER	QTY	DESCRIPTION	REV
	4641017	Ref	MAIN CONTROL VALVE ASSEMBLY	B
1	7017410	1	Cartridge, Without Coil	
1	7012967	1	Seal Kit - 7017410 Cartridge	
1A	7012944	1	Coil	
2	7017411	1	Cartridge, Pressure Sensing	
2	7012518	1	Seal Kit	
3	7012912	1	Cartridge (Main Relief)	
3	7012998	1	Seal Kit	
4	7021373	1	Control Valve Assembly (Platform Level)	
4	7012773	1	Seal Kit	
4	7012799	1	Lanyard Assembly	
4A	7021376	2	Coil	
5	7012914	1	Cartridge, Check Valve (Platform Level)	
5	7012918	1	Seal Kit - 7012914 Cartridge	
6	7012914	1	Cartridge, Check Valve (Platform Level)	
6	7012918	1	Seal Kit - 7012914 Cartridge	
7	7012912	1	Cartridge, Relief Valve (Platform Level)	
7	7012998	1	Seal Kit - 7012912 Cartridge	
8	7012912	1	Cartridge, Relief Valve	
8	7012998	1	Seal Kit - 7012912 Cartridge	
9	7012989	1	Cartridge, Flow Control	
9	7012953	1	Seal Kit - 7012989 Cartridge	
10	7021373	1	Control Valve Assembly (Platform Rotate)	
10	7012773	1	Seal Kit	
10	7012799	1	Lanyard Assembly	
10A	7021376	2	Coil	
11	70000579	1	Control Valve Assembly (Upper Tele) (was p/n 7012766)	
		Ref	Note: Refer to Vendor P/N on Valve Nameplate before ordering Parts. P/N 7012766 is RR00567495 or R900567495. P/N 70000579 is R900930080.	
11		Ref	Seal Kit Options:	
11	7012769	1	7012766 Valve	
11	70000583	1	70000579 Valve	
11A		Ref	Coil Options:	
11A	7012772	1	7012766 Valve (Was p/n 7012768)	
11A	70000582	1	70000579 Valve	
11A		Ref	Nut, Coil Options:	
11A	7018912	1	7012766 Valve	
11A	70000580	1	70000579 Valve	
12	7022521	1	Control Valve Assembly (Flow Control)	
12	7012773	1	Seal Kit	
12A	7018991	1	Coil	
13	7010542	1	Cartridge, Shuttle	
13	7010543	1	Seal Kit - 7010542 Cartridge	
15	7010542	1	Cartridge, Shuttle	
15	7010543	1	Seal Kit - 7010542 Cartridge	
16	7010542	1	Cartridge, Shuttle	
16	7010543	1	Seal Kit - 7010542 Cartridge	
17	7010542	1	Cartridge, Shuttle	
17	7010543	1	Seal Kit - 7010542 Cartridge	

SECTION 2 - TURNTABLE

ITEM	PART NUMBER	QTY	DESCRIPTION	REV
18	7012912	1	Cartridge, Relief Valve	
18	7012998	1	Seal Kit - 7012912 Cartridge	
19	7012775	1	Control Valve Assembly (Upper Lift)	
19	7012773	1	Seal Kit	
19A	7012772	2	Coil	
20	7012775	1	Control Valve Assembly (Swing)	
20	7012773	1	Seal Kit	
20A	7012772	2	Coil	
21	7012912	1	Cartridge, Relief Valve	
21	7012998	1	Seal Kit - 7012912 Cartridge	
25	See Note	2	Orifice 1.2mm (Note: Not Available for Purchase.)	
26	7021310	1	Block, Valve	

SECTION 2 - TURNTABLE

FIGURE 2-3. ARTICULATING JIB VALVE ASSEMBLY



NOTE: TORQUE ITEMS 6 & 7 TO 60 IN/LBS.

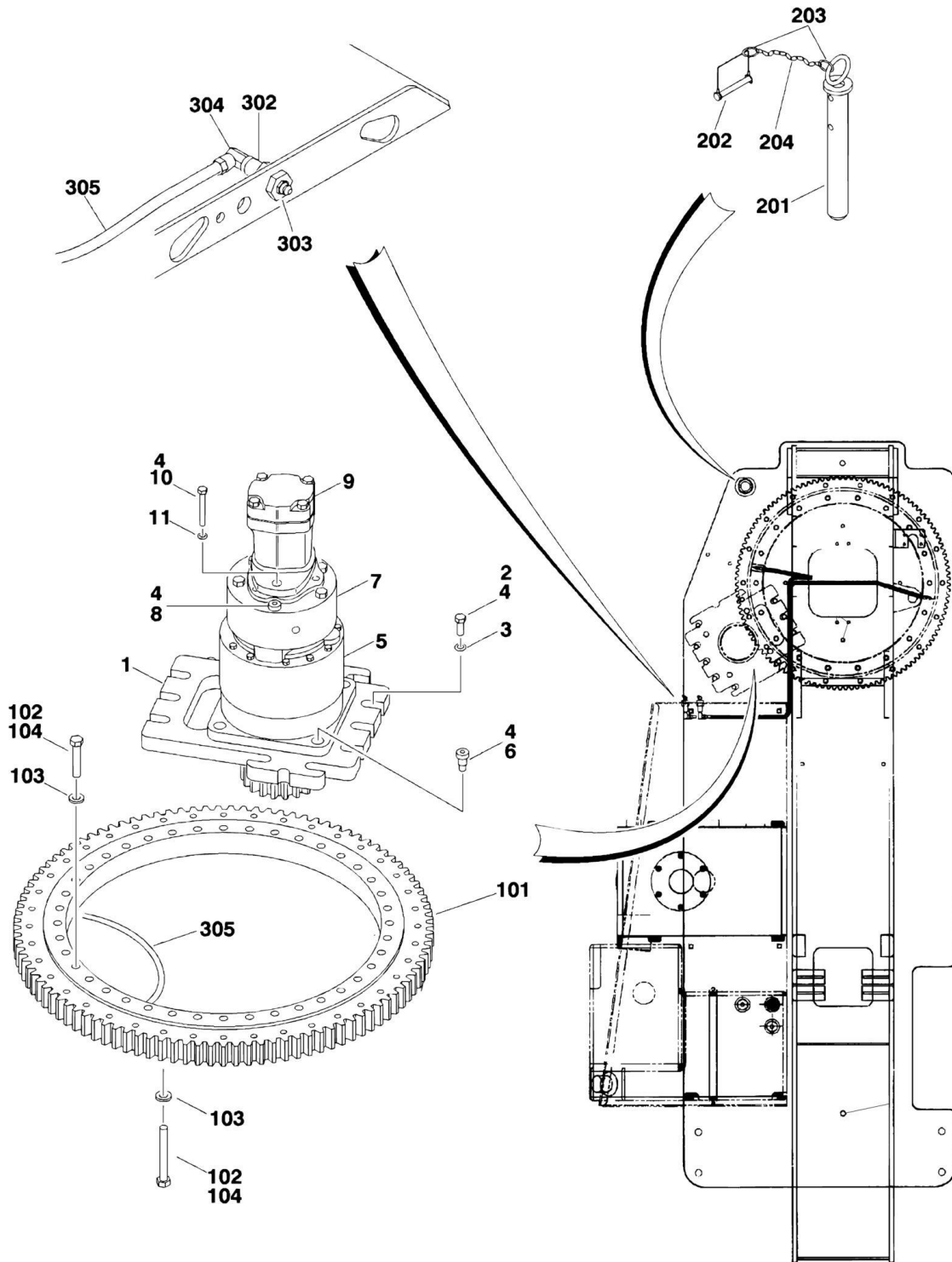
SECTION 2 - TURNTABLE

FIGURE 2-3. ARTICULATING JIB VALVE ASSEMBLY

ITEM	PART NUMBER	QTY	DESCRIPTION	REV
	4640921	Ref	ARTICULATING JIB VALVE ASSEMBLY	D
1	7012965	1	Cartridge, Flow Control	
1	7012953	1	Seal Kit - 7012965 Cartridge	
2	70001976	1	Directional Control Valve Assembly (was p/n 7012770)	
2	7012773	1	Seal Kit	
2A	7018945	2	O-Ring	
2B	7018912	2	Nut	
2C	7012772	2	Coil	
3	7017421	1	Cartridge, Relief	
3	7012998	1	Seal Kit - 7017421 Cartridge	
4	7017422	1	Cartridge, Relief	
4	7012998	1	Seal Kit - 7017422 Cartridge	
5	4460499	2	Connector, DIN with Diode (Part of Valve Harness)	
6	7012777	4	Capscrew, Socket Head 5/16in-11NC x 2-1/4in (Used to Mount Valve Assembly)	
7	7018942	4	Capscrew, Socket Head #10-24NC x 2in	
8	7012776	2	O-Ring (Used to Mount to Main Valve)	

SECTION 2 - TURNTABLE

FIGURE 2-4. SWING DRIVE, TURNTABLE BEARING AND LOCK INSTALLATIONS



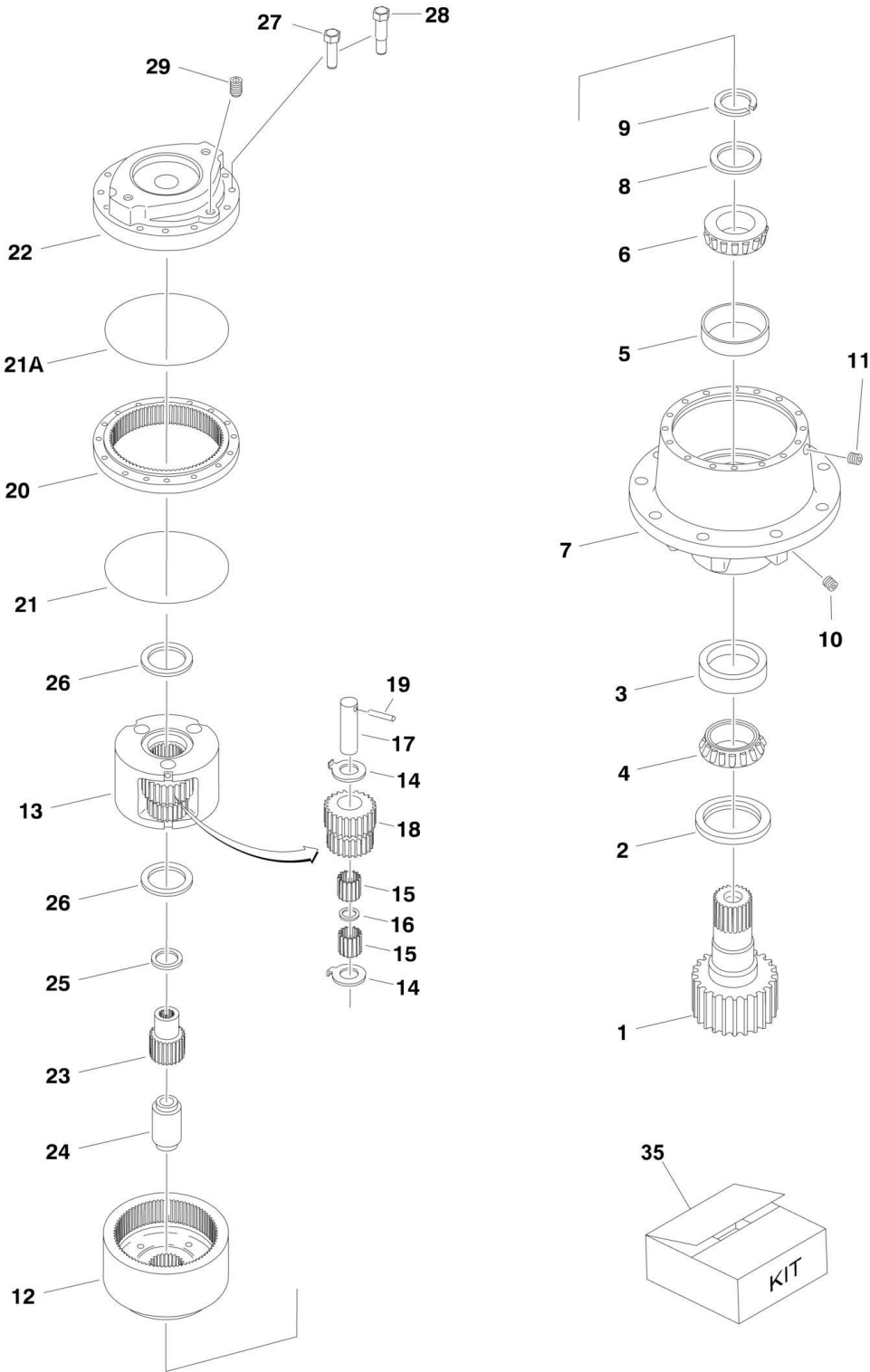
SECTION 2 - TURNTABLE

FIGURE 2-4. SWING DRIVE, TURNTABLE BEARING AND LOCK INSTALLATIONS

ITEM	PART NUMBER	QTY	DESCRIPTION	REV
	4620127	Ref	TURNTABLE WELDMENT	
		Ref	SWING DRIVE INSTALLATION OPTIONS	
	0255025	Ref	Swing Drive Installation (Prior to SN 0300064566)	3-B
	0270329	Ref	Swing Drive Installation (SN 0300064566 through 0300128000)	A
1	3537318	1	Plate, Swing Drive Mounting	
2	0642018	10	Bolt 5/8in -11NC x 2-1/4in	
3	4892000	10	Flatwasher, Hardened 5/8in	
4	0100011	AR	Compound, Locking	
5	2780205	1	Swing Hub Assembly (See SWING HUB ASSEMBLY for Breakdown)	
6	3932224	4	Bolt 1/2in-13NC x 1-1/2in	
7		Ref	Swing Brake Assembly Options: (See SWING BRAKE ASSEMBLY for Breakdown)	
7	0920083	NLA	Swing Brake Assembly (Use p/n 0920109) (Prior to SN 0300033476)	
7	0920109	1	Swing Brake Assembly (SN 0300033476 through 0300064565)	
7	0920119	1	Swing Brake Assembly (SN 0300064566 through 0300128000)	
8		Ref	Bolt Options:	
8	3931860	2	Bolt (Prior to SN 0300064566)	
8	Not Required	0	Not Required (SN 0300064566 through 0300128000)	
9		Ref	Swing Motor Assembly Options:	
9	3160200	1	White Roller Stator Motor (See SWING MOTOR ASSEMBLY (WHITE ROLLER STATOR) for Breakdown) (Prior to SN 0300064566)	
9	3160273	NLA	White Roller Stator Motor (Use p/n 1001110169) (See SWING MOTOR ASSEMBLY (WHITE ROLLER STATOR) for Breakdown) (SN 0300064566 through 0300128000)	
9	1001110169	1	Parker Motor use as Service Replacement (See SWING MOTOR ASSEMBLY (PARKER) for Breakdown)	
9	3160200	1	Parker Motor (Prior to SN 0300064566)	
9	3160273	1	Parker Motor (SN 0300064566 through 0300128000)	
10		Ref	Bolt Options:	
10	0641810	2	Bolt (Prior to SN 0300064566)	
10	0681836	2	Bolt (SN 0300064566 through 0300128000)	
11	4891800	2	Flatwasher 1/2in	
	0259055	Ref	TURNTABLE BEARING INSTALLATION	B
101	0440233	NLA	Bearing Kit (Use p/n 2915089) (Kit Includes Bearing and Mounting Hardware)	
102	0682023	36	Bolt 5/8in -11NC X 2-7/8in (Grade 8)	
103	4892000	36	Flatwasher, Hardened	
104	0100019	AR	Compound, Locking	
	0239585	Ref	TURNTABLE LOCK INSTALLATION	B
201	3421627	1	Pin	
202	3421565	1	Pin, Snap	
203	3760170	2	Ring, Quick Release	
204	1260017	9 in/23cm	Chain	
	0255316	Ref	REMOTE BEARING LUBE INSTALLATION	3
301	2751095	1	Hose, Grease (Prior to SN 0300070975)	
302	2180344	AR	Fitting, Bulkhead	
303	2160003	AR	Fitting, Grease 45	
304	2220063	AR	Fitting, 90	
305	2751032	1	Hose, Grease	

SECTION 2 - TURNTABLE

FIGURE 2-5. SWING HUB ASSEMBLY



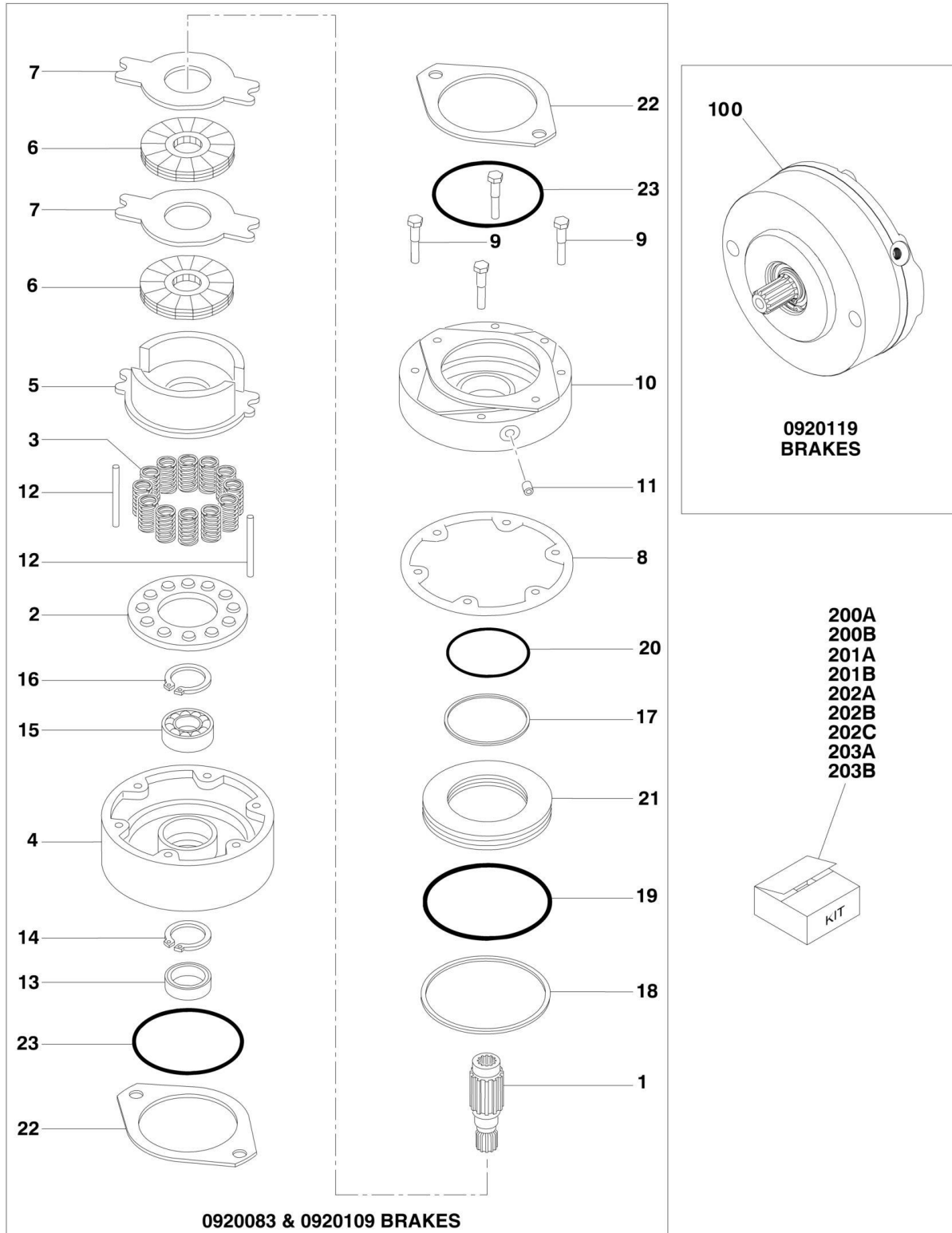
SECTION 2 - TURNTABLE

FIGURE 2-5. SWING HUB ASSEMBLY

ITEM	PART NUMBER	QTY	DESCRIPTION	REV
	2780205	Ref	SWING HUB ASSEMBLY	-
		Ref	Housing Assembly	
1	7010492	1	Shaft, Output	
2	7000228	1	Seal, Lip	
3	7000255	1	Cup, Bearing	
4	7000256	1	Cone, Bearing	
5	7000257	1	Cup, Bearing	
6	7000258	1	Cone, Bearing	
7	7010496	1	Housing	
8	7007633	1	Thrustwasher	
9	7000229	1	Ring, Retaining	
10	7010494	2	Pipe, Plug	
11	7001928	2	Pipe, Plug	
12	7000246	2	Gear, In O-Ring	
		Ref	Carrier Assembly	
13	7001931	1	Carrier	
14	7001985	6	Thrustwasher, Tanged	
15	7001909	96	Bearing, Needle	
16	7000263	3	Spacer, Thrust	
17	7001911	3	Shaft, Planet	
18	7001987	3	Gear, Cluster	
19	7010474	3	Rollpin	
20	7001988	1	Ring Gear	
21	7000230	1	O-Ring (Black)	
21A	7017070	1	O-Ring (White)	
22	7000209	1	Cover, Input	
23	7010488	1	Gear, Sun	
24	7000269	1	Spacer, Input	
25	7000270	1	Thrustwasher	
26	7000253	2	Thrustwasher	
27	7000217	8	Bolt	
28	7000214	4	Bolt, Shoulder	
29	2200222	1	Pipe, Plug	
35	7024100	1	Seal Kit (Includes Items 2, 9, 21, 21A & 26)	

SECTION 2 - TURNTABLE

FIGURE 2-6. SWING BRAKE ASSEMBLY



SECTION 2 - TURNTABLE

FIGURE 2-6. SWING BRAKE ASSEMBLY

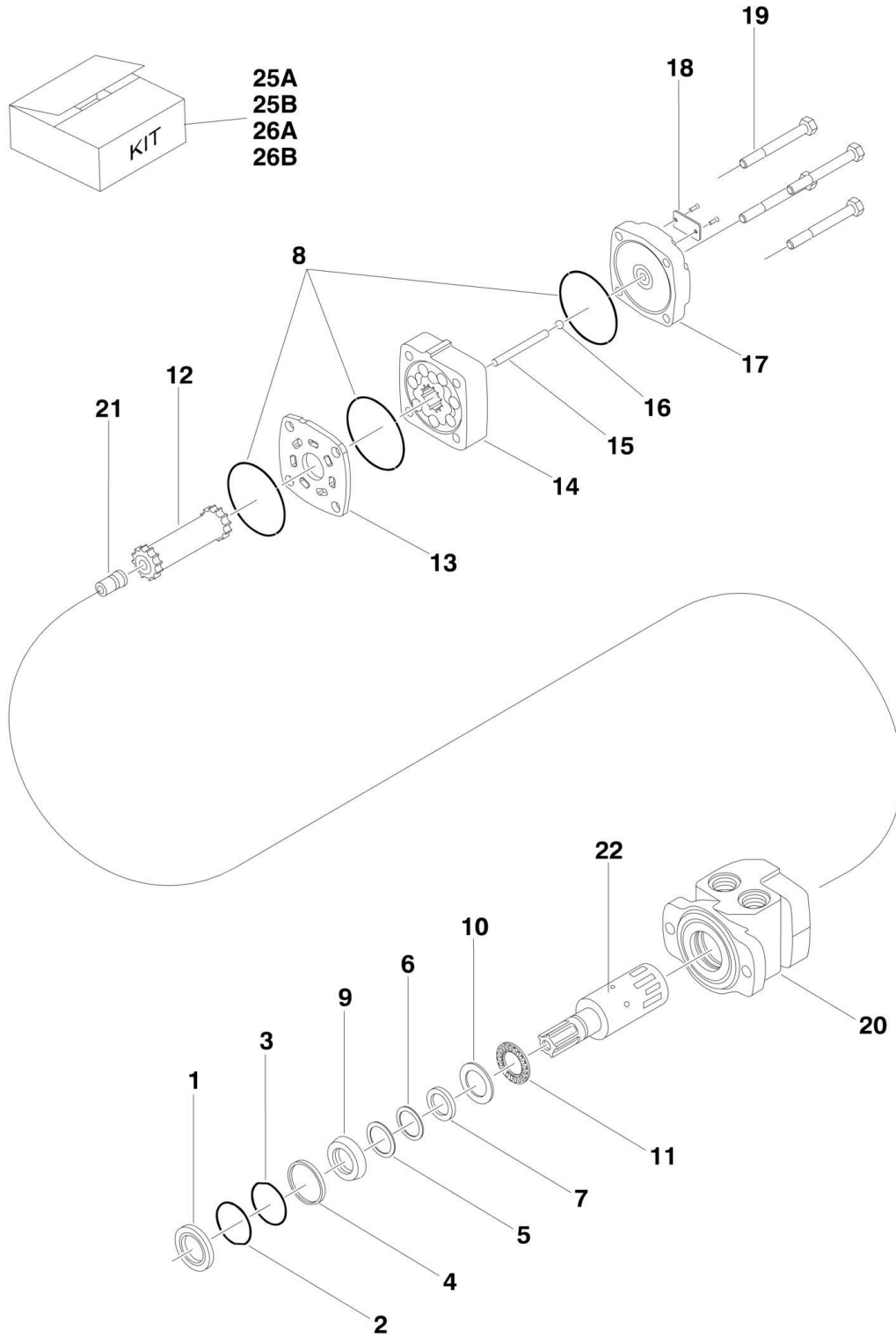
ITEM	PART NUMBER	QTY	DESCRIPTION	REV
		Ref	SWING BRAKE ASSEMBLY OPTIONS:	
	0920083	Ref	Swing Brake Assembly (Prior to SN 0300033476)	A
	0920109	Ref	Swing Brake Assembly (SN 0300033476 through 0300064566)	B
1	7011720	1	Shaft	
2		Ref	Guide, Spring Options:	
2	7011717	1	0920083 Brake (Prior to SN 0300033476)	
2	7018606	1	0920109 Brake (SN 0300033476 through 0300064566)	
3		Ref	Spring Options:	
3	7007979	6	0920083 Brake (Inner) (Prior to SN 0300033476)	
3	7007980	6	0920083 Brake (Outer) (Prior to SN 0300033476)	
3	7007970	6	0920109 Brake (Red) (SN 0300033476 through 0300064566)	
3	7018602	3	0920109 Brake (Blue) (SN 0300033476 through 0300064566)	
4		Ref	Housing Options:	
4	7011713	1	0920083 Brake (Prior to SN 0300033476)	
4	7018605	1	0920109 Brake (SN 0300033476 through 0300064566)	
5		Ref	Return Plate and Separator Assembly Options:	
5	2900767	1	Plate, Return - 0920083 Brake (Prior to SN 0300033476)	
5	7011715	2	Separator Assembly - 0920083 Brake (Prior to SN 0300033476)	
5	7011714	4	Pin	
5	7007983	2	Separator	
5	7018608	1	Plate, Return/Separator - 0920109 Brake (SN 0300033476 through 0300064566)	
6	See Note	NSS	Rotor (Note: Use Item 200A, 201A, 202A, 202B or 203B)	
7	See Note	NSS	Stator (Note: Use Item 200A, 201A, 202A, 202B or 203B)	
8	See Note	NSS	Seal, Oil (Note: Use Item 200A, 201A, 202A, 202B or 203B)	
9		Ref	Bolt, Washer Head Options:	
9	7007985	4	0920083 Brake (Prior to SN 0300033476)	
9	7018607	4	0920109 Brake (SN 0300033476 through 0300064566)	
10	7011719	1	Cover	
11		Ref	Hardware Options:	
11	7007914	1	Screw, Bleeder (Prior to SN 0300033906)	
11	7018609	1	Plug, Pipe (SN 0300033906 through 0300064566)	
12	7007987	2	Pin, Dowel	
13	See Note	NSS	Seal, Oil (Note: Use Item 200A, 201A or 203B)	
14	7011716	1	Ring, Retaining	
15	See Note	NSS	Bearing (Note: Use Item 201A or 203B)	
16	7007977	1	Ring, Retaining	
17	See Note	NSS	Ring, Back-up (Note: Use Item 200A or 203B)	
18	See Note	NSS	Ring, Back-up (Note: Use Item 200A or 203B)	
19	See Note	NSS	O-Ring (Note: Use Item 200A or 203B)	
20	See Note	NSS	O-Ring (Note: Use Item 200A or 203B)	
21		Ref	Piston Options:	
21	7007923	1	0920083 Brake (Prior to SN 0300033476)	
21	7018603	1	0920109 Brake (SN 0300033476 through 0300064566)	
22	7007934	2	Gasket	
23	See Note	2	O-Ring (Note: Use Item 200A, 201A, 202A, 202B or 203B)	
100	0920119	Ref	SWING BRAKE ASSEMBLY (NOT SHOWN) (SN 0300064566 through 0300128000)	B
100	7007933	2	Gasket, Mounting Face	

SECTION 2 - TURNTABLE

ITEM	PART NUMBER	QTY	DESCRIPTION	REV
100	7007990	2	O-Ring, Mounting Face	
		Ref	Note: Other than Gasket and O-Ring, Item 203B Repair Kit is only part available.	
		Ref	Kit Options	
200		Ref	Seal Kit Options:	
200A	2900766	1	Seal Kit - 0920083 & 0920109 Brakes (Includes Items 8, 13, 17, 18, 19, 20, 22 & 23) (Prior to SN 0300064566)	
200B	See Note	NSS	Seal Kit - 0920119 Brake (Use Item 203B) (SN 0300064566 through 0300128000)	
201		Ref	Bearing Kit Options:	
201A	2900768	1	Bearing Kit - 0920083 & 0920109 Brakes (Includes Items 8, 13, 14, 15, 16, 22 & 23) (Prior to SN 0300064566)	
201B	See Note	NSS	Bearing Kit - 0920119 Brake (Use Item 203B) (SN 0300064566 through 0300128000)	
202		Ref	Lining Kit Options:	
202A	2900767	1	Lining Kit - 0920083 Brake (Includes Items 5 Return Plate, 6, 7, 8, 22 & 23) (Prior to SN 0300033476)	
202B	7018608	1	Lining Kit - 0920109 Brake (Includes Items 5 Return/Separator Plate, 6, 7, 8, 22 & 23) (SN 0300033476 through 0300064565)	
202C	See Note	NSS	Lining Kit - 0920119 Brake (Use Item 203B) (SN 0300064566 through 0300128000)	
203		Ref	Repair Kit Options:	
203A	See Note	NLA	Repair Kit - 0920083 & 0920109 Brakes (Note: Not Available - Purchase Kits or Individual Items.) (Prior to SN 0300064566)	
203B	7018612	1	Repair Kit - 0920119 Brake (SN 0300064566 through 0300128000)	

SECTION 2 - TURNTABLE

FIGURE 2-7. SWING MOTOR ASSEMBLY (WHITE ROLLER STATOR)



SECTION 2 - TURNTABLE

FIGURE 2-7. SWING MOTOR ASSEMBLY (WHITE ROLLER STATOR)

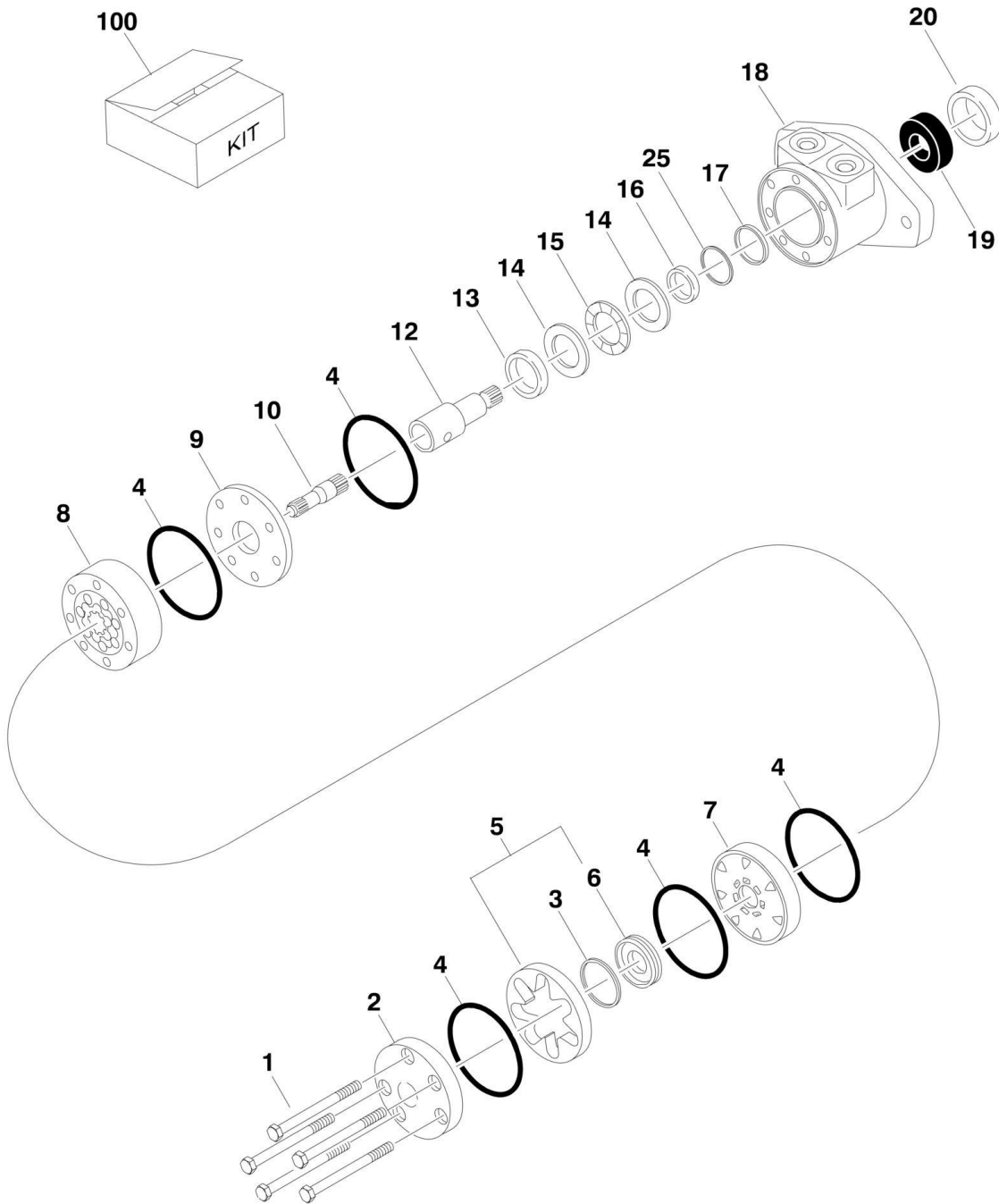
ITEM	PART NUMBER	QTY	DESCRIPTION	REV
		Ref	SWING MOTOR ASSEMBLY	
	3160200	Ref	Swing Motor Assembly (Prior to SN 0300064566)	C
	3160273	Ref	Swing Motor Assembly (SN 0300064566 through 0300128000)	A
		Ref	Note: Service replacement motor for machines with SN 0300064566 through 0300128000 is p/n 1001110169. Make sure motor has not been replaced by identifying motor brand before ordering parts. See next figure for service replacement parts for p/n 1001110169 motor.	
1	See Note	NSS	Seal, Dust (Note: Use Item 25A)	
2	See Note	NSS	Ring, Split Wire (Note: Use Item 25A)	
3	See Note	NSS	Shim, Metal Back-up (Note: Use Item 25A)	
4	See Note	NSS	Seal, High Pressure (Note: Use Item 25A)	
5	See Note	NSS	Shim, Metal Back-up (Note: Use Item 25A)	
6	See Note	NSS	Seal, Teflon Back-up (Note: Use Item 25A)	
7	See Note	NSS	Seal, Shaft (Note: Use Item 25A)	
8	See Note	NSS	Seal, Body (Note: Use Item 25A)	
9	See Note	NSS	Carrier, Seal (Note: Use Item 25B)	
10	See Note	NSS	Washer, Thrust (Note: Use Item 25B)	
11		Ref	Bearing, Thrust Options:	
11	7005842	1	Bearing, Thrust (Prior to SN 0300064566)	
11	7016422	1	Bearing, Thrust (SN 0300064566 through 0300128000)	
12	7005889	1	Link, Drive	
13		Ref	Plate, Wear Options:	
13	7005845	1	Plate, Wear (Prior to SN 0300064566)	
13	7016423	1	Plate, Wear (SN 0300064566 through 0300128000)	
14	7005890	1	Rotor Assembly	
15	7005891	1	Pin, Drive Link	
16	See Note	NSS	Ball (Note: Use Item 26A.)	
17	See Note	NSS	Cover, End (Note: Use Item 26A.)	
18	See Note	NSS	Tag, I.D. (Note: Not Available for Purchase.)	
19	7005892	4	Bolt	
20		Ref	Housing Options:	
20	7005841	1	Housing (Prior to SN 0300064566)	
20	7016425	1	Housing (SN 0300064566 through 0300128000)	
21	7005893	1	Plug, Cooling	
22		Ref	Shaft Options:	
22	7005894	1	Shaft (Prior to SN 0300064566)	
22	7016426	1	Shaft (SN 0300064566 through 0300128000)	
25		Ref	Seal Kit Options:	
25A	7005881	1	Seal Kit (Includes Items 1-8)	
25B	7005882	1	Seal Carrier Kit (Includes Items 9 & 10)	
26		Ref	Repair Kit Options:	
26A		Ref	End Cover Kit (Includes Items 16 & 17) Options:	
26A	7005848	1	End Cover Kit (Includes Items 16 & 17) (Prior to SN 0300064566)	
26A	7016424	1	End Cover Kit (Includes Items 16 & 17) (SN 0300064566 through 0300128000)	
26B		Ref	Housing/Shaft Kit (Includes Items 20-22) Options:	
26B	7005895	1	Housing/Shaft Kit (Includes Items 20-22) (Prior to SN 0300064566)	
26B	7016427	1	Housing/Shaft Kit (Includes Items 20-22) (SN 0300064566)	

SECTION 2 - TURNTABLE

ITEM	PART NUMBER	QTY	DESCRIPTION	REV
			through 0300128000)	

SECTION 2 - TURNTABLE

FIGURE 2-8. SWING MOTOR ASSEMBLY (PARKER)



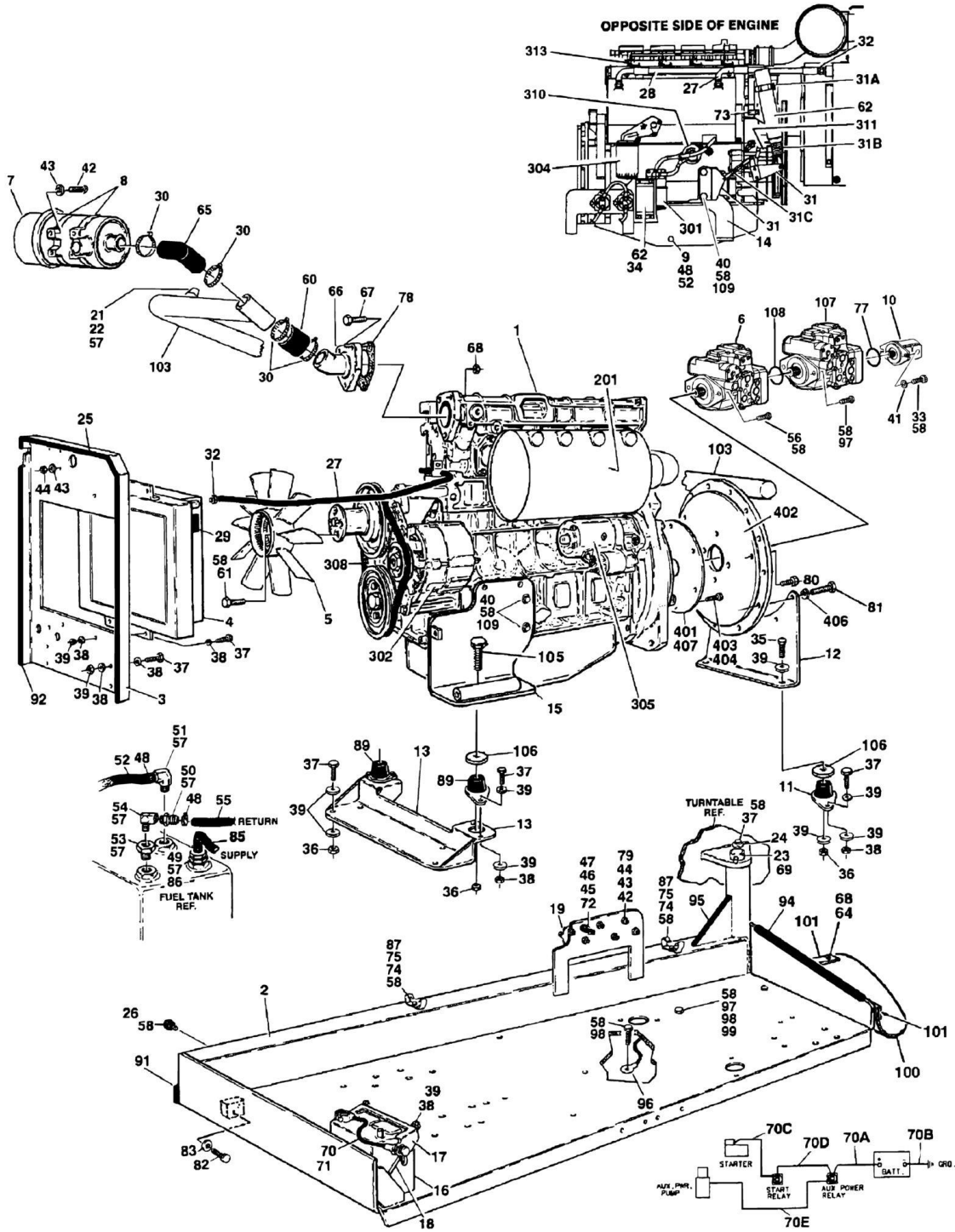
SECTION 2 - TURNTABLE

FIGURE 2-8. SWING MOTOR ASSEMBLY (PARKER)

ITEM	PART NUMBER	QTY	DESCRIPTION	REV
	1001110169	Ref	SWING MOTOR ASSEMBLY (PARKER)	A
1	70002243	5	Bolt	
2	7004035	1	Cover, End	
3	See Note	NSS	Seal, Commutator (Note: Use Item 100)	
4	See Note	NSS	Seal, Ring (Note: Use Item 100)	
5	7024453	1	Commutator and Ring Assembly	
6	7024453	1	Ring	
7	7024379	1	Manifold	
8	70002208	1	Rotor Set	
9	7024380	1	Plate, Wear	
10	83304150	1	Link, Drive	
12	7024395	1	Shaft, Coupling	
13	7024381	1	Bushing, Bronze	
14	7004043	2	Washer, Thrust	
15	7004044	1	Bearing, Thrust	
16	See Note	NSS	Seal, Inner (Note: Use Item 100)	
17	See Note	NSS	Washer, Back-up (Note: Use Item 100)	
18	See Note	NSS	Housing (Note: Not Available - Purchase Complete Swing Motor Assembly.)	
19	7024390	1	Bearing	
20	See Note	NSS	Seal (Note: Use Item 100)	
25	See Note	NSS	Washer, Back-up (Note: Use Item 100)	
100	7024389	1	Seal Kit (Includes Items 3, 4, 16, 17, 20 & 25)	

SECTION 2 - TURNTABLE

FIGURE 2-9. DEUTZ ENGINE INSTALLATION



SECTION 2 - TURNTABLE

FIGURE 2-9. DEUTZ ENGINE INSTALLATION

ITEM	PART NUMBER	QTY	DESCRIPTION	REV
	0259552	Ref	DEUTZ ENGINE INSTALLATIONS (Prior to SN 0300067081)	5-F
	0272292	Ref	DEUTZ ENGINE INSTALLATIONS (SN 0300067081 through 0300128000)	5-D
1	2000146	1	Engine - Deutz F4M1011F Diesel	
2	4845404	1	Tray Engine	
3	3539872	1	Plate, Radiator Mounting	
4	3620033	1	Cooler, Oil	
5	2060025	1	Fan	
6		Ref	Piston Pump Assembly Options (See PISTON PUMP ASSEMBLY for Breakdown):	
6	3600267	1	Piston Pump Assembly (Prior to SN 0300067081)	
6	3600358	1	Piston Pump Assembly (SN 0300067081 through 0300070516)	
6	3600267	1	Piston Pump Assembly (SN 0300070517 through 0300070642)	
6	3600363	1	Piston Pump Assembly (SN 0300070643 through 0300128000)	
7	1340060	1	Air Cleaner Assembly	
7	7012664	1	Element	
8	0340041	2	Band, Mounting	
9	4640751	1	Valve, Oil Drain	
10	3600242	1	Gear Pump Assembly (See GEAR PUMP ASSEMBLY for Breakdown)	
11	3200401	2	Mount, Rubber Engine (Rear)	
12	3537420	1	Bracket, Engine Mounting - Rear	
13	3539971	1	Bracket, Engine Mounting - Front	
14	3537416	1	Support, Engine - Right	
15		Ref	Support, Engine - Left Options:	
15	3537417	1	Support, Engine - Left (Prior to SN 0300067975)	
15	4846479	1	Support, Engine - Left (SN 0300067975 through 0300128000)	
16	0400075	1	Battery	
17	0181727	1	Hold-Down, Battery	
18	0630498	2	Rod, Hold-Down	
19	3740067	2	Relay	
21	4360392	1	Switch, Restrictor Indicator	
22	2180798	1	Fitting	
23	3422446	1	Pin, Pivot	
24	3841143	1	Keeper, Pin	
25	3960389	5 ft/1.5m	Seal	
26	0940070	1	Bumper, Rubber	
27	2720398	1	Hose, Oil Cooler - Left	
28	2720398	1	Hose, Oil Cooler - Right	
29	1703162	2	Nameplate - Fan Caution	
30	1320016	4	Clamp, Hose	
31	2901392	1	Throttle Mounting Kit	
31A	7008833	1	Bracket, Throttle	
31B	7008835	1	Coupling, Ball Joint	
31C	7008836	1	Spring	
32	2220451	2	Fitting, Straight	
33	3931620	2	Capscrew, Socket Head 3/8in-16NC x 1-1/4in	
34	0902511	1	Bracket, Control Module Mounting	
35	0641818	2	Bolt 1/2in-13NC x 2-1/4in	
36	3311805	4	Locknut 1/2in-13NC	

SECTION 2 - TURNTABLE

ITEM	PART NUMBER	QTY	DESCRIPTION	REV
37	0641610	21	Bolt 3/8in-16NC x 1-1/4in	
38	3311605	22	Locknut 3/8in-16NC	
39	4751600	44	Flatwasher 3/8in	
40	0701414	4	Bolt 1/4in-20NC x 3/4in	
41	4891600	2	Washer, Hardened 3/8in	
42	0641407	12	Bolt 1/4in-20NC x 7/8in	
43	4751400	20	Flatwasher 1/4in	
44	3311405	12	Locknut 1/4in-20NC	
45	0721005	2	Bolt #10-24NC x 5/8in	
46	3311005	2	Locknut #10-24NC	
47	4751000	2	Flatwasher #10	
48	1320022	6	Clamp, Hose	
49	2220273	2	Fitting, Reducer	
50	2180536	1	Fitting, Straight	
51	2220313	1	Fitting, 90	
52	2750532	6 ft/1.8m	Hose 3/8in	
53	2220250	1	Fitting, Reducer	
54	2220459	1	Fitting, 90	
55	2720271	14 ft/4.2m	Hose 3/16in	
56	0641812	2	Bolt 1/2in-13NC x 1-1/2in	
57	0100020	AR	Sealant, Thread	
58	0100011	AR	Compound, Locking	
60		Ref	Coupling, Rubber Intake Options:	
60	2720351	3 in/8cm	Coupling, Rubber Intake (Prior to SN 0300067975)	
60	2720449	1	Coupling, Rubber Intake (SN 0300067975 through 0300128000)	
61	0700808	4	Bolt, Metric M8 x 16mm	
62	0060033	NLA	Actuator Assembly (Use p/n 2910000) (See ELECTRICAL SECTION for Breakdown)	
63	0641508	3	Bolt 5/16in-18NC x 1-1/4in	
64	0641514	3	Bolt 5/16in-18NC x 1-3/4in	
65	2720434	1	Elbow, Rubber	
66	4845395	1	Air Intake Adapter Weldment	
67	0641510	3	Bolt 5/16in-18NC x 1-1/4in	
68	3311505	10	Locknut 5/16in-18NC	
69	0961986	2	Bushing, Flanged	
70	2901358	1	Battery Cable Kit (Standard)	
70A	7016800	1	Cable, Battery (Red)	
70B	7016812	1	Cable, Battery (Black)	
70C	7016802	1	Cable (Red)	
70D	7016803	1	Cable (Red)	
70E	7016804	1	Cable (Red)	
71	4460611	1	Terminal, Battery Jumper Post	
72	4360294	1	Breaker, Circuit - 30 Amp	
73	1320222	1	J-Clip 3/8in	
74	1320223	4	J-Clip 1/2in	
75	0641606	3	Bolt 3/8in-16NC x 3/4in	
77	3790152	1	O-Ring	
78	3960407	1	Gasket	
79	4791400	4	Starwasher 1/4in	
80	0701012	4	Bolt, Metric M10 x 25mm	
81	0701015	4	Bolt, Metric M10 x 35mm	
82	0642010	1	Bolt 5/8in-11NC x 1-1/4in	

SECTION 2 - TURNTABLE

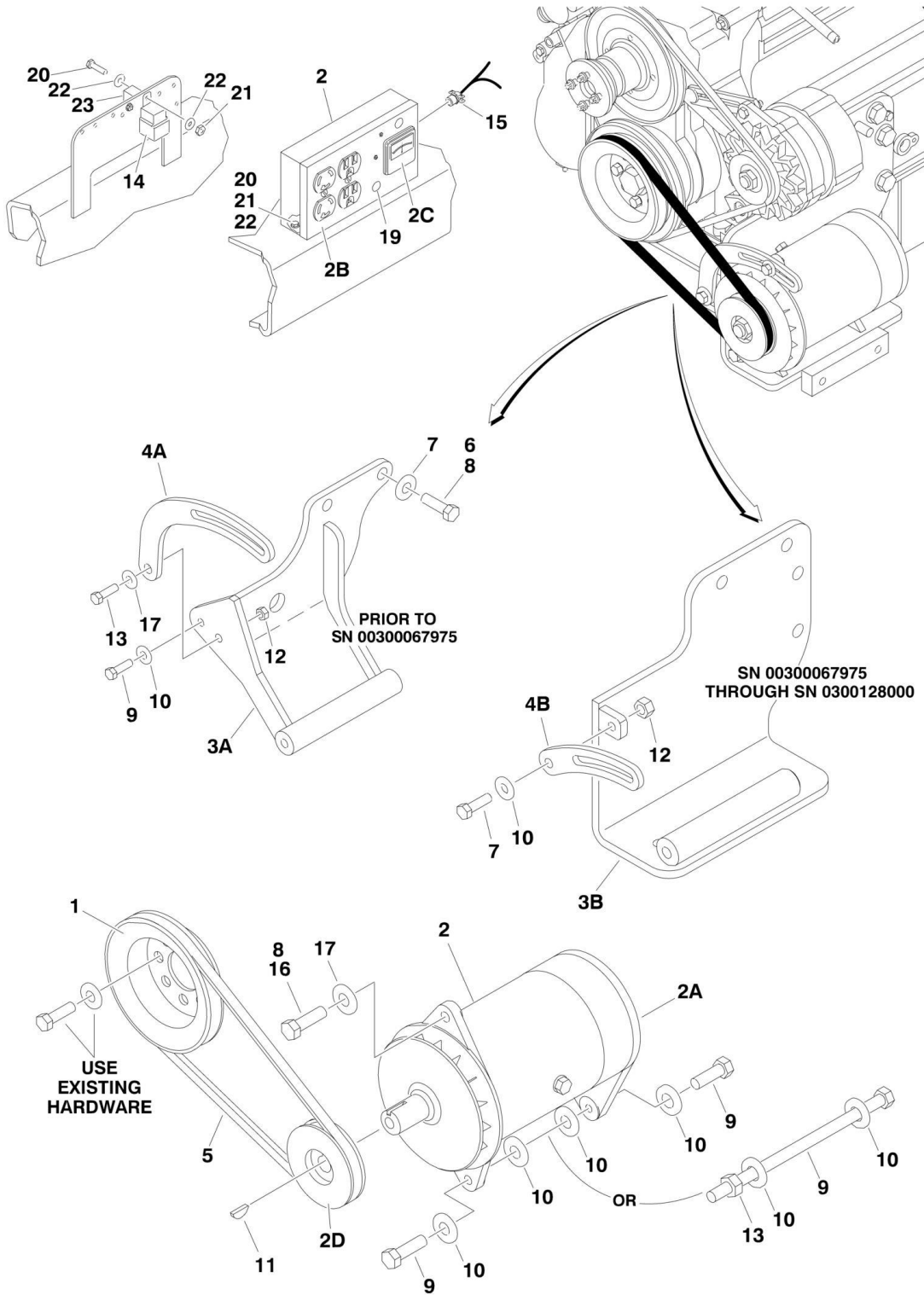
ITEM	PART NUMBER	QTY	DESCRIPTION	REV
83	4752000	1	Flatwasher 5/8in	
84	1701505	1	Decal - Diesel (Not Shown - Located on Hood)	
85	2720058	16 ft/4.9m	Hose	
86	2220794	1	Fitting, Barbed	
87	4711600	3	Flatwasher 3/8in Narrow	
89	3200362	2	Mount, Rubber Engine (Front)	
91	3960468	1	Seal, Foam Gasket	
92	3960469	1	Seal, Foam Gasket	
94	4060805	7 in/18cm	Flex-Trim 1/4in	
95	4060804	16 in /40cm	Flex-Trim 3/16in	
96	1060637	1	Lanyard	
97	0641808	4	Bolt 1/2in-13NC x 1in	
98	3311801	1	Nut 1/2in-13NC	
99	4751800	2	Flatwasher 1/2in	
100	3380429	1	Panel, Rubber	
101	3539957	2	Plate, Hold Down	
103	4847815	1	Tuning Tube Weldment	
105	0641826	2	Bolt 1/2in-13NC x 3-1/4in	
106	4740274	4	Washer, Snubbing	
107		Ref	Piston Pump Assembly Options (See PISTON PUMP ASSEMBLY for Breakdown):	
107	3600268	1	Piston Pump Assembly (Prior to SN 0300067081)	
107	3600359	1	Piston Pump Assembly (SN 0300067081 through 0300128000)	
108	3790045	1	O-Ring	
109	4711900	6	Flatwasher 9/16in (SN 0300067975 through 0300128000)	
		Ref	MUFFLER INSTALLATION - STANDARD MACHINES	
	0256689	Ref	Standard Equipment (Spark Arresting)	
	0256690	Ref	Optional Equipment (Catalytic)	
201		Ref	Muffler Options:	
201	3220103	1	Standard Spark Arresting	
201	3220104	1	Optional Catalytic	
201	1320176	1	Clamp, Saddle (3220103 Muffler) (Not Shown)	
201	70001017	1	Clamp, Band (3220104 Muffler) (Not Shown)	
201	7024398	1	Pipe, Exhaust	
201	7024560	1	Plug, Brass (Not Shown)	
201	7020471	4	Gasket, Exhaust Manifold to Engine Block (Not Shown)	
201	70002200	8	Stud, Exhaust Manifold to Engine Block (Not Shown)	
201	70003476	8	Nut, Exhaust Manifold to Engine Block (Not Shown)	
201	7000699	1	Gasket, Doughnut (Not Shown)	
	2000146	Ref	ENGINE COMPONENTS	
301	7016639	1	Fuel Filter Assembly with Water Drain	
301	8320270	1	Filter, Fuel (was p/n 7016328)	
302	7000663	1	Alternator (was p/n 7016329, 7020436 & 7020410)	
302	70002234	1	Bar, Adjustment	
303	7016330	1	Switch, Oil Pressure (Not Shown)	
304	7016331	1	Filter, Oil (was p/n 7016641)	
304	70002813	1	Seal (Between Filter Head and Engine Block)	
305	7016332	1	Starter	
306	7026631	1	Dipstick Kit - Engine Oil (Includes Dipstick, Dipstick Tube and Clamp) (was p/n 7019664) (Not Shown)	
306	70001002	1	Tube, Dipstick (Not Shown)	

SECTION 2 - TURNTABLE

ITEM	PART NUMBER	QTY	DESCRIPTION	REV
307	7020025	1	Switch, Oil Temperature (Not Shown)	
308	7020414	1	V-Belt	
309		Ref	Gasket, Head Options (Not Shown):	
309	70001681	1	Gasket with 1 Notch	
309	70002411	1	Gasket with 2 Notches	
309	70002530	1	Gasket with 3 Notches	
310	7020463	1	Pump, Fuel Supply	
310	7020432	1	Repair Kit - Fuel Pump	
310	7020411	1	O-Ring	
311	7019607	1	Shutdown Device (was p/n 7016359)	
311	7027250	1	Spring, Tension	
312	70001687	1	Module, Glow Plug Timer Control (Not Shown)	
313	7026522	4	Injector, Fuel (Includes Nozzle)	
313	7020425	4	Nozzle, Injector	
313	7020424	4	Ring, Injector Sealing	
313	7012599	4	Pump, Injection	
314	7020465	1	Cap, Oil Fill (Not Shown)	
315	7020027	1	Flywheel/Ring Gear Assembly (Not Shown)	
315	7020477	1	Ring Gear (Not Shown)	
316	7020419	1	Hose, Fuel Return (Not Shown)	
317	7020431	1	Gasket, Valve Cover (Not Shown)	
	0256847	Ref	PUMP COUPLING INSTALLATION	
401	1660234	1	Coupling, Hayes	
402	0080163	1	Plate, Pump Adapter	
403	0700810	6	Bolt Metric 8mm x 20mm	
404	4831900	6	Lockwasher 8mm	
406	4832000	8	Lockwasher 10mm	
407	3020021	AR	Grease, Coupling	

SECTION 2 - TURNTABLE

FIGURE 2-10. GENERATOR INSTALLATION - DEUTZ MACHINES (OPTIONAL)



SECTION 2 - TURNTABLE

FIGURE 2-10. GENERATOR INSTALLATION - DEUTZ MACHINES (OPTIONAL)

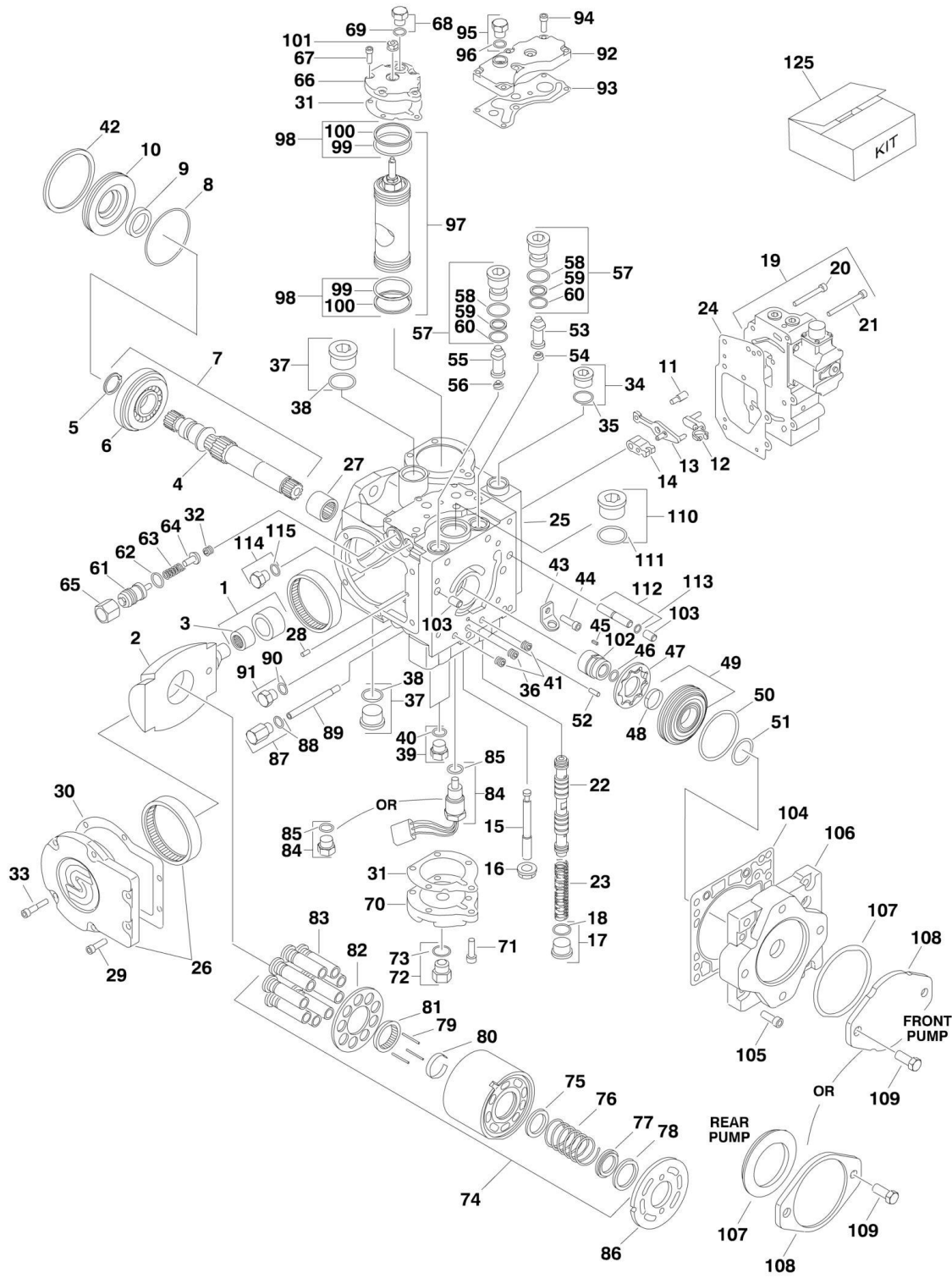
ITEM	PART NUMBER	QTY	DESCRIPTION	REV
		Ref	GENERATOR INSTALLATION OPTIONS:	
	0257853	Ref	110V Generator (Prior to SN 0300067975)	3
	0272417	Ref	110V Generator (SN 0300067975 through 0300128000)	1
	0257857	Ref	220V Generator (Prior to SN 0300067975)	4
1	3580158	1	Pulley	
2		Ref	Generator and Control Box Assembly Options:	
2	2460011	1	110V (Prior to SN 0300067975)	
2	2460032	1	110V (SN 0300067975 through 0300128000)	
2	2460013	1	220V	
2A		Ref	Generator Options:	
2A	7012558	1	110V	
2A	1001100321	1	220V	
		Ref	Note: Replacement Generators come standard with p/n 3580134 pulley. This pulley may not be correct for all applications. Refer to pulley options below.	
2A		Ref	Armature with Slip Rings Options:	
2A	7026199	1	110V	
2A	70000123	1	220V	
2A	7012513	4	Cap, Brush Holder	
2A	7020108	4	Brush	
2A	7020109	4	Holder, Brush	
2A	7012514	1	Fan	
2A	7020190	2	Bearing	
2A	7020110	1	End Bell, Front	
2A	7020111	1	End Bell, Rear	
2B		Ref	Control Box Options:	
2B	7003657	1	110V	
2B	70002235	1	220V	
2B		Ref	Breaker, Circuit Options:	
2B	4360542	1	110V	
2B	70000126	1	220V	
2B	4460190	2	Receptacle, Double (110V)	
2B	70000124	1	Receptacle, Double (220V)	
2B	70000125	1	Receptacle, Single Twist Lock (220V)	
2B	2920162	1	Lamp Assembly	
2B	7020191	1	Switch, Toggle	
2C		Ref	Voltmeter Options:	
2C	2420203	1	110V	
2C	7020192	1	220V	
2D		Ref	Pulley Options:	
2D	3580134	1	110V (Prior to SN 0300067975)	
2D	3580276	1	110V (SN 0300067975 through 0300128000)	
2D	3580134	1	220V	
2D	7027887	1	Key, Woodruff	
3		Ref	Bracket, Generator Mounting Options:	
3A	4845184	NLA	Bracket, Generator Mounting (Use p/n 4845531) (Prior to SN 0300034200)	
3A	4845531	1	Bracket, Generator Mounting (SN 0300034200 through 0300067974)	
3B	4846479	1	Bracket, Generator Mounting (Part of Engine Assembly) (SN 0300067975 through 0300128000)	

SECTION 2 - TURNTABLE

ITEM	PART NUMBER	QTY	DESCRIPTION	REV
4		Ref	Arm, Adjusting Options:	
4A	0200530	1	Arm, Adjusting (Prior to SN 0300067975)	
4B	0200741	1	Arm, Adjusting (SN 0300067975 through 0300128000)	
5		Ref	V-Belt Options:	
5	0480050	1	V-Belt (Prior to SN 0300067975)	
5	0480111	1	V-Belt (SN 0300067975 through 0300128000)	
6	0711414	AR	Bolt M14 x 30mm	
7		Ref	Hardware Options:	
7	4751900	2	Flatwasher 9/16in (Prior to SN 0300067975)	
7	0641610	1	Bolt 3/8in-16NC x 1-1/4in (SN 0300067975 through 0300128000)	
8	0100011	AR	Compound, Locking	
9		Ref	Bolt Options:	
9	0681612	3	Bolt 3/8in-16NC x 1-1/2in (Prior to SN 0300067975)	
9	0641772	1	Bolt 7/16in-14NC x 9in (SN 0300067975 through 0300128000)	
10	4751600	6	Flatwasher 3/8in	
11	2860012	1	Key, Woodruff	
12	3311605	1	Locknut 3/8in-16NC	
13		Ref	Hardware Options:	
13	0700819	1	Bolt M8 x 55mm (Prior to SN 0300064395)	
13	3311705	1	Locknut 7/16in-14NC (SN 0300064395 through 0300128000)	
14	3740080	1	Relay	
15	4460023	1	Connector, Strain Relief	
16	0641508	1	Bolt 5/16in-18NC x 1in	
17	4751500	2	Flatwasher 5/16in	
19	3520028	1	Plug, Hole	
20	0721006	4	Bolt #10-24NC x 3/4in	
21	3311005	4	Locknut #10-24NC	
22	4751000	9	Flatwasher #10	
23	4360294	1	Breaker, Circuit - 30 Amp	
25	4360336	1	Switch, Toggle (Not Shown - Located at Platform)	
26	4740397	1	Bushing (Not Shown - Located at Platform)	
27	4060802	1	Guard, Switch (Not Shown - Located at Platform)	
29	2820031	4 in/10cm	Heat Shrink (Not Shown - Located at Platform)	
30	3251102	1	Decal (Not Shown - Located at Platform)	

SECTION 2 - TURNTABLE

FIGURE 2-11. PISTON PUMP ASSEMBLY



SECTION 2 - TURNTABLE

FIGURE 2-11. PISTON PUMP ASSEMBLY

ITEM	PART NUMBER	QTY	DESCRIPTION	REV
		Ref	PISTON PUMP ASSEMBLIES	
	3600267	Ref	Front Pump (15 Tooth) (Prior to SN 0300067081)	D
	3600358	Ref	Front Pump (15 Tooth) (SN 0300067081 through 0300070516)	A
	3600267	Ref	Front Pump (15 Tooth) (SN 0300070517 through 0300070642)	D
	3600363	Ref	Front Pump (15 Tooth) (SN 0300070643 through 0300128000)	B
	3600268	Ref	Rear Pump (13 Tooth) (Prior to SN 0300067081)	D
	3600359	Ref	Rear Pump (13 Tooth) (SN 0300067081 through 0300128000)	A
1		Ref	Cam Follower Bearing Assembly Options (Includes Item 3):	
1	7021234	1	Used with p/n 3600267/3600268	
1	7024805	1	Used with p/n 3600358/3600359/3600363	
2	7022330	1	Swashplate	
3	7021236	1	Bearing, Needle	
4		Ref	Shaft Options:	
4	7021237	1	Shaft (Front Pump) (15 Tooth)	
4	7022354	1	Shaft (Rear Pump) (13 Tooth)	
5	7021238	1	Ring, Retaining	
6	7021239	1	Bearing, Roller	
7		Ref	Shaft Options (Includes Items 4, 5 & 6):	
7	7021240	1	Shaft (Front Pump) (15 Tooth)	
7	7022355	1	Shaft (Rear Pump) (13 Tooth)	
8	See Note	NSS	O-Ring (Note: Use Item 125)	
9	See Note	NSS	Seal, Lip (Note: Use Item 125)	
10	7021243	1	Carrier, Shaft Seal	
11	7023996	1	Screw	
12	7022331	1	Link, Control Summing	
13	7022332	1	Link, Control Feedback	
14	7022333	1	Link, Neutral Adjust	
15	7022334	1	Screw, Neutral Adjust	
16	7023997	1	Nut, Seal	
17	7022321	1	Plug (Includes Item 18)	
18	See Note	NSS	O-Ring (Note: Use Item 125)	
19	7022335	1	Control Kit (Includes Items 20 & 21)	
20	7023998	4	Screw	
21	7021267	3	Screw	
22	7022336	1	Spool Assembly	
23	7022337	1	Spring	
24	7022338	1	Gasket, Control	
25		Ref	Housing Assembly (Includes Items 27, 32, 36 & 41):	
25	7022339	1	Housing Assembly (Front Pump) (Used with p/n 3600267)	
25	7023999	1	Housing Assembly (Front Pump) (Used with p/n 3600358/3600363)	
25	7022356	1	Housing Assembly (Rear Pump) (Used with p/n 3600268)	
25	See Note	NSS	Housing Assembly (Rear Pump) (Used with p/n 3600359) (Note: Not Available - Purchase Complete Rear Pump.)	
26	7021248	1	Side Cover Assembly	
27	7021249	1	Bearing, Needle	
28	7021250	1	Pin	
29	7021251	2	Screw	
30	See Note	NSS	Gasket, Side Cover (Note: Use Item 125)	
31	7021253	2	Gasket, Servo Cover	

SECTION 2 - TURNTABLE

ITEM	PART NUMBER	QTY	DESCRIPTION	REV
32	7021254	1	Screen, Filter (Used with p/n 3600267/3600268)	
33	7021255	4	Screw	
34	7022321	1	Plug (Includes Item 35)	
35	See Note	NSS	O-Ring (Note: Use Item 34 or 125)	
36		Ref	Plug	
36	7001485	1	Plug (Front Pump)	
36	Not Required	0	Plug (Rear Pump)	
37	7007419	2	Plug (Includes Item 38)	
38	See Note	NSS	O-Ring (Note: Use Item 37 or 125)	
39	7007470	2	Plug (Includes Item 40)	
40	See Note	NSS	O-Ring (Note: Use Item 39 or 125)	
41	7001485	2	Plug, Pipe	
42	7021257	1	Ring, Retaining	
43	7022340	1	Bracket, Lifting	
44	7021251	1	Screw	
45	7022342	1	Key	
46	7022341	1	Ring, Retaining	
47		Ref	Component Options:	
47	7022343	1	Gerotor Assembly (Front Pump)	
47	7022357	1	Spacer (Rear Pump)	
48	7021259	1	Bearing, Journal	
49		Ref	Cover Assembly (Gerotor) Options (Includes Item 48):	
49	7022344	1	Cover Assembly (Front Pump)	
49	7022360	1	Cover Assembly (Rear Pump) (Used with p/n 3600268)	
49	7021260	1	Cover Assembly (Rear Pump) (Used with p/n 3600359)	
50	See Note	NLA	O-Ring (Note: No longer required per supplier. Pressure is the same on either side of o-ring.)	
51	See Note	NSS	O-Ring (Note: Use Item 125)	
52	See Note	1	Pin (Note: Not Available for Purchase.)	
53	7022345	1	Valve, SCR	
54		Ref	Spring Options:	
54	7021264	1	Spring (Used with p/n 3600267/3600268)	
54	7024800	1	Spring (Used with p/n 3600358/3600359/3600363)	
55	7022345	1	Valve, SCR	
56		Ref	Spring Options:	
56	7021264	1	Spring (Used with p/n 3600267/3600268)	
56	7024800	1	Spring (Used with p/n 3600358/3600359/3600363)	
57	7021265	2	Bypass Valve Assembly (Includes Items 58, 59 & 60)	
58	See Note	NSS	O-Ring (Note: Use Item 125)	
59	See Note	NSS	Ring, Back-up (Note: Use Item 125)	
60	See Note	NSS	O-Ring (Note: Use Item 125)	
61	7022346	1	Adjuster	
62	7021289	1	O-Ring	
63	7022347	1	Spring	
64		Ref	Poppet Options:	
64	See Note	NLA	Poppet (Used with p/n 3600267/3600268) (Note: Not Available for Purchase.)	
64	7024804	1	Poppet (Used with p/n 3600358/3600359/3600363)	
65	7022190	1	Nut	
66	7022348	1	Cover, Servo	
67	7021255	5	Screw, Torx	
68	7007470	1	Plug (Includes Item 69)	

SECTION 2 - TURNTABLE

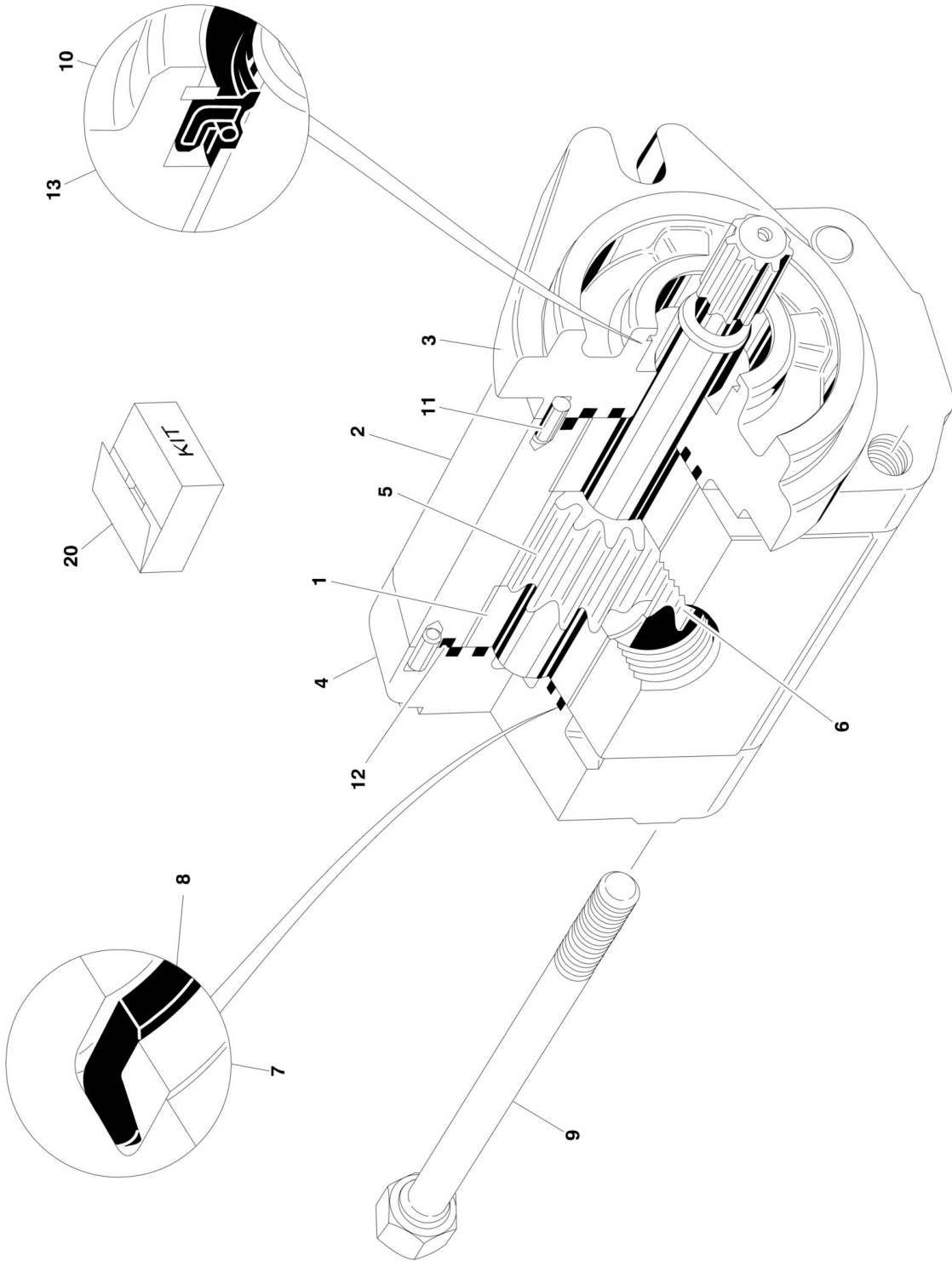
ITEM	PART NUMBER	QTY	DESCRIPTION	REV
69	See Note	NSS	O-Ring (Note: Use Item 68 or 125)	
70	7001268	1	Cover, Servo	
71	7021255	5	Screw, Torx	
72	7007470	1	Plug (Includes Item 73)	
73	See Note	NSS	O-Ring (Note: Use Item 72 or 125)	
74		Ref	Cylinder Block Kit Options (Includes Items 75-83):	
74	7022349	1	Cylinder Block Kit (Front Pump) (With Speed Ring)	
74	7021269	1	Cylinder Block Kit (Rear Pump) (Without Speed Ring)	
75	7021271	1	Washer, Special	
76	7021272	1	Spring, Cylinder Block	
77	7021273	1	Washer, Special	
78	7021274	1	Ring, Retaining	
79	7021275	3	Pin, Slipper Hold Down	
80	7021276	1	Retainer, Pin	
81	7021277	1	Guide, Retainer	
82	7021278	1	Retainer, Slipper	
83	7021279	9	Piston Assembly	
84		Ref	Component Options (Includes Item 85):	
84	7022350	1	Sensor, Speed (Front Pump)	
84	7007470	1	Plug (Rear Pump)	
85	See Note	NSS	O-Ring (Note: Use Item 84 or 125)	
86	7021281	1	Plate, Valve (Right Side)	
87	7007470	1	Plug (Includes Item 88) (Front Pump Only)	
88	See Note	NSS	O-Ring (Front Pump Only) (Note: Use Item 87 or 125)	
89		Ref	Spool, Loop Flushing Options:	
89	7021282	1	Spool (Used with p/n 3600267/3600363)	
89	7024801	1	Spool (Used with p/n 3600358/3600359)	
90	7021283	1	Plug (Includes Item 91) (Front Pump Only)	
91	See Note	NSS	O-Ring (Front Pump Only) (Note: Use Item 90 or 125)	
92	7021285	1	Adapter, Remote Filter (Front Pump Only)	
93	See Note	NSS	Gasket, Filter Adapter (Front Pump Only) (Note: Use Item 125)	
94	7021255	7	Screw (Front Pump Only)	
95	7007470	1	Plug (Includes Item 96)	
96	See Note	NSS	O-Ring (Note: Use Item 95 or 125)	
97	7022351	1	Servo Piston Kit (Includes Qty 2 of Item 98)	
98	7007412	2	Servo Piston Ring Kit (Includes Items 99 & 100)	
99	See Note	NSS	O-Ring (Note: Use Item 98 or 125)	
100	See Note	NSS	Ring, Piston (Note: Use Item 98 or 125)	
101	See Note	NSS	Nut, Seal (Note: Use Item 125)	
102		Ref	Coupling Options:	
102	7022352	1	Coupling (Front Pump)	
102	7022359	1	Coupling (Rear Pump)	
103	7001481	2	Pin	
104	See Note	NSS	Gasket, Charge Pump (Note: Use Item 125)	
105	7021296	6	Screw, Torx	
106		Ref	Cover, Charge Pump	
106	7022353	1	Cover (Front Pump)	
106	7021297	1	Cover (Rear Pump)	
107		Ref	Seal Options:	
107	See Note	NSS	O-Ring (Front Pump) (Note: Use Item 125)	
107	7021298	1	Seal (Rear Pump)	

SECTION 2 - TURNTABLE

ITEM	PART NUMBER	QTY	DESCRIPTION	REV
108		Ref	Cover, Flange Options:	
108	7021229	1	Cover (Front Pump)	
108	7021299	1	Cover (Rear Pump)	
109	7007289	2	Screw	
110	7007419	1	Plug (Rear Pump Only)	
111	See Note	NSS	O-Ring (Rear Pump Only) (Note: Use Item 125)	
112	7022358	1	Plug (Include Item 113) (Rear Pump Only)	
113	See Note	NSS	O-Ring (Rear Pump Only) (Note: Use Item 112 or 125)	
114		Ref	Plug Options (Include Item 115) (Rear Pump Only):	
114	7021283	1	Plug (Used with p/n 3600268)	
114	7021256	1	Plug (Used with p/n 3600359)	
115	See Note	NSS	O-Ring (Rear Pump Only) (Note: Use Item 114 or 125)	
116	7024802	1	Spring (Used with p/n 3600358/3600359 Only) (Not Shown)	
117	7024803	1	Poppet (Used with p/n 3600358/3600359 Only) (Not Shown)	
125	7021280	1	Seal Kit - Complete (Includes Items 8, 9, 16, 18, 30, 31, 35, 38, 40, 51, 58, 59, 60, 69, 73, 85, 88, 91, 93, 96, 99, 100, 101, 104, 107, 111, 113 & 115)	

SECTION 2 - TURNTABLE

FIGURE 2-12. GEAR PUMP ASSEMBLY



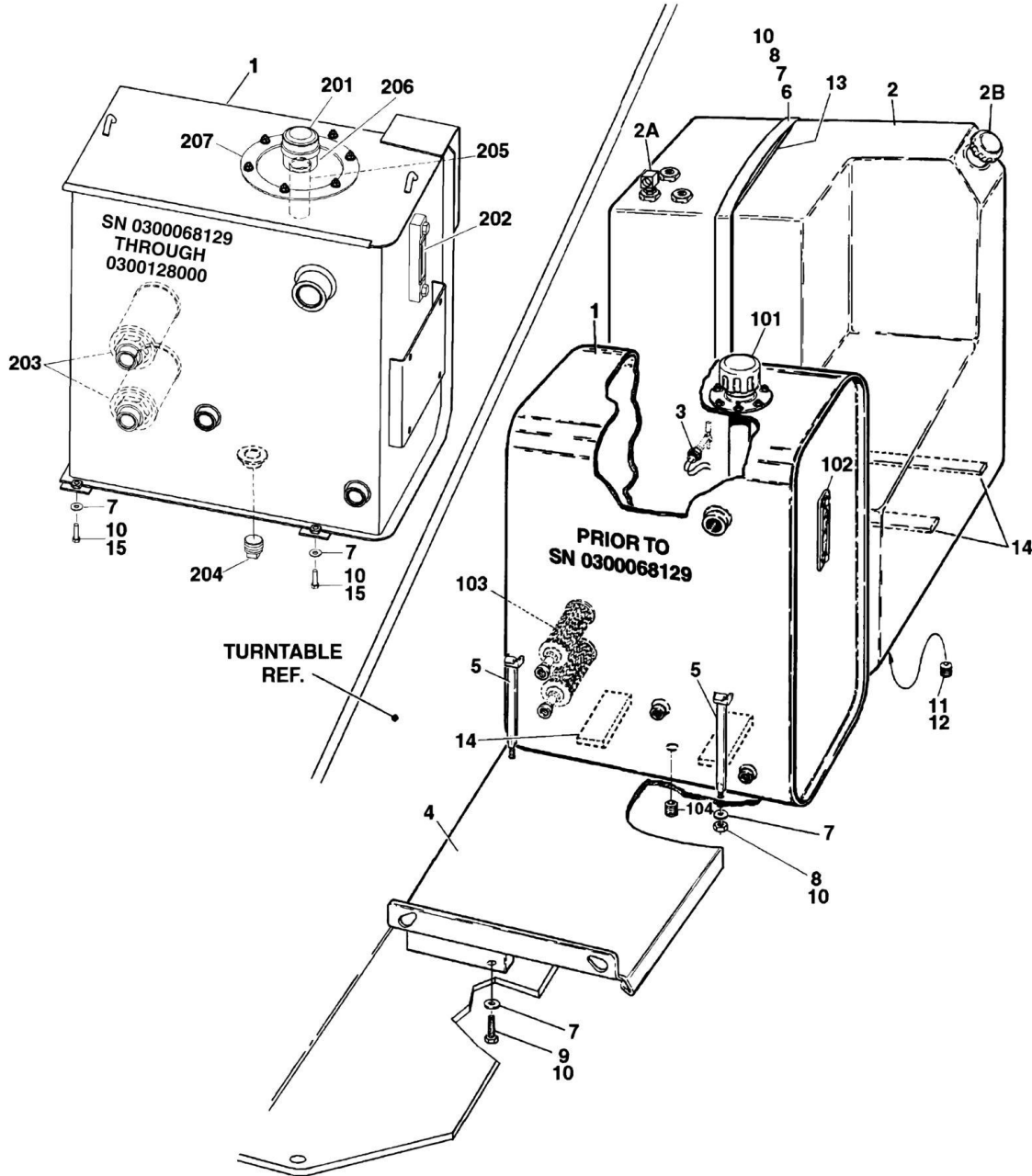
SECTION 2 - TURNTABLE

FIGURE 2-12. GEAR PUMP ASSEMBLY

ITEM	PART NUMBER	QTY	DESCRIPTION	REV
	3600242	Ref	GEAR PUMP ASSEMBLY	
1	7010105	2	Bearing/Bushing	
2	See Note	NSS	Housing (Note: Not Available - Purchase Complete Gear Pump Assembly.)	
3	See Note	NSS	Flange (Note: Not Available - Purchase Complete Gear Pump Assembly.)	
4	7010103	1	Cover	
5	7012987	1	Gear, Drive	
6	7012988	1	Gear, Idler	
7	See Note	NSS	Ring, Anti-Extrusion (Note: Use Item 20)	
8	See Note	NSS	Seal (Note: Use Item 20)	
9	See Note	NSS	Bolt (Note: Not Available - Purchase Complete Assembly)	
10	7010104	1	Ring, Retaining	
11	See Note	NSS	Pin, Dowel (Note: Not Available - Purchase Complete Assembly)	
12	See Note	NSS	Seal, O-Ring (Note: Use Item 20)	
13	See Note	NSS	Seal, Shaft (Note: Use Item 20)	
20	7007489	1	Seal Kit (Includes Items 7, 8, 12 & 13)	

SECTION 2 - TURNTABLE

FIGURE 2-13. TANK INSTALLATIONS



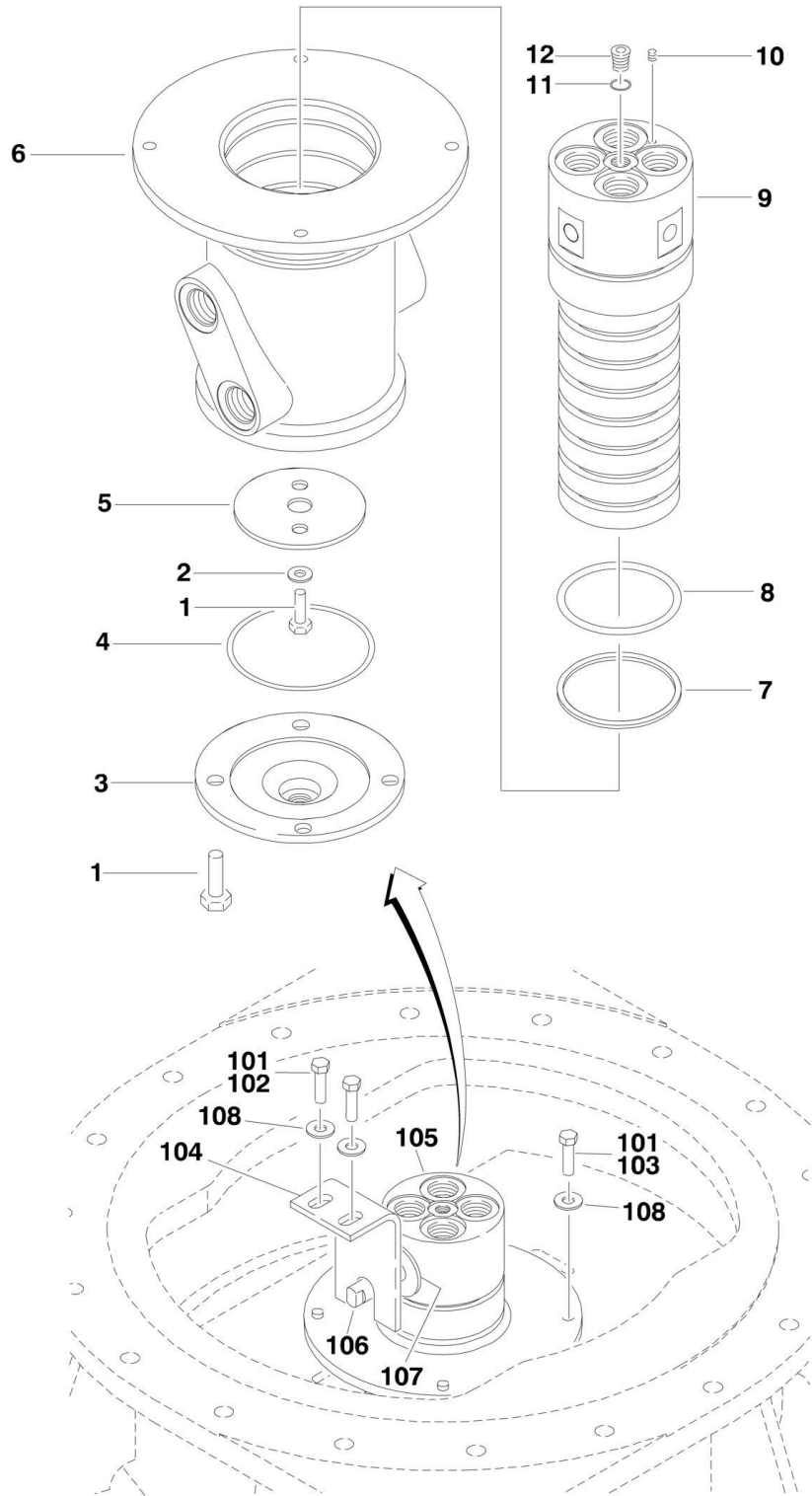
SECTION 2 - TURNTABLE

FIGURE 2-13. TANK INSTALLATIONS

ITEM	PART NUMBER	QTY	DESCRIPTION	REV
		Ref	TANKS INSTALLATION OPTIONS:	
	0254849	Ref	Standard without Locking Fuel Tank	9
	0257483	Ref	Optional with Locking Fuel Tank	2
1		Ref	Hydraulic Tank Assemblies Options:	
1	4400375	1	Hydraulic Tank Assembly (See Items 101-104 for Breakdown) (Prior to SN 0300068129)	
1	4400449	1	Hydraulic Tank Assembly (See Items 201-207 for Breakdown) (SN 0300068129 through 0300128000)	
2	4400400	1	Tank, Fuel	
2A	7019658	1	Tube, Fuel Pick-up	
2B		Ref	Cap Options:	
2B	7016314	1	Standard Cap - Non-Locking	
2B	1120487	1	Optional Locking Cap (Blue) (Not Included with Tank) (Note: Lock must be Purchased Locally)	
3	4360436	1	Switch, Fuel Level	
4	4845393	1	Hydraulic Tray Weldment	
5	4240112	4	Strap, Tank (Prior to SN 0300068129)	
6	4240113	1	Strap, Tank	
7	4751600	12	Flatwasher 3/8in Regular	
8	3311601	AR	Nut 3/8in-16NC	
9	0641614	6	Bolt 3/8in-16NC x 1-3/4in	
10	0100011	AR	Compound, Locking	
11	0100079	AR	Sealant, Pipe	
12	2200222	1	Fitting	
13	4280295	25 in /44cm	Strip, Protective	
14	4420038	70 in /1.7m	Tape, Rubber	
15	0641608	4	Bolt 3/6in-16NC x 1in (SN 0300068129 through 0300128000)	
	4400375	Ref	HYDRAULIC TANK ASSEMBLY (Prior to SN 0300068129)	F
101	7014810	1	Filler/Breather Assembly	
101	7014811	1	Cap, Breather	
102	7014802	1	Gauge, Sight	
103	7014801	1	Strainer 1-1/4inNPT	
104	7014800	1	Plug, Magnetic	
	4400449	Ref	HYDRAULIC TANK ASSEMBLY (SN 0300068129 through 0300128000)	B
201	7024444	1	Filler/Breather Assembly	
202	7024441	1	Gauge, Sight	
203	7024442	2	Strainer 1-1/4inNPT	
204	7024446	1	Plug, Magnetic	
205	7024445	1	Strainer	
206	7024443	1	Neck, Filler	
207	7024439	1	Cover	
207	7024440	1	Gasket	

SECTION 2 - TURNTABLE

FIGURE 2-14. ROTARY COUPLING INSTALLATION



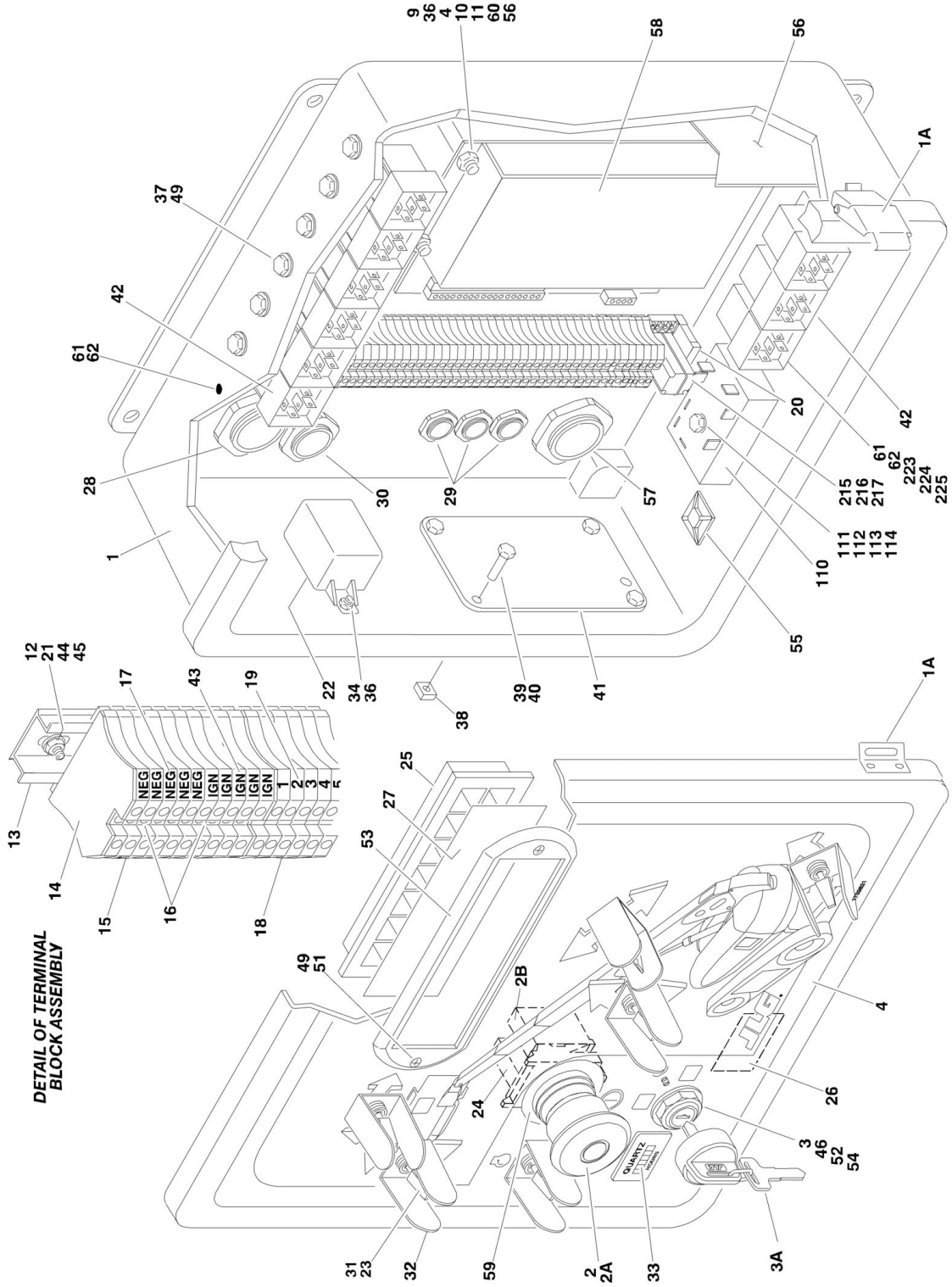
SECTION 2 - TURNTABLE

FIGURE 2-14. ROTARY COUPLING INSTALLATION

ITEM	PART NUMBER	QTY	DESCRIPTION	REV
		Ref	ROTARY COUPLING ASSEMBLY	
	1660243	Ref	Rotary Coupling Assembly (Prior to SN 0300064782)	D
	1660245	Ref	Rotary Coupling Assembly (SN 0300064782 through 0300128000)	A
1	7022720	6	Bolt M10 x 25mm	
2	7022721	2	Washer	
3	7022722	1	Cover	
4	7022723	1	O-Ring	
5	7022724	1	Retainer	
6		Ref	Housing Options:	
6	7022725	1	Housing (Prior to SN 0300064782)	
6	7022735	1	Housing (SN 0300064782 through 0300128000)	
7	7022726	AR	Seal	
8	7022727	3	O-Ring	
9		Ref	Rotor Options:	
9	7022728	1	Rotor (Prior to SN 0300064782)	
9	7022736	1	Rotor (SN 0300064782 through 0300128000)	
10	7022729	1	Plug, Pipe	
11	7022730	1	O-Ring	
12	7022731	1	Plug, O-Ring	
		Ref	ROTARY COUPLING INSTALLATIONS	
	0259694	Ref	Rotary Coupling Installations (Prior to SN 0300064782)	E
	0271915	Ref	Rotary Coupling Installations (SN 0300064782 through 0300128000)	B
101	0100011	AR	Compound, Locking	
102	0641611	2	Bolt 3/8in-16NC x 1-3/8in	
103	0701012	4	Bolt M10 x 25mm	
104		Ref	Bracket Options:	
104	0902591	NLA	Bracket (Use p/n 0902814) (Prior to SN 0300062876)	
104	0902738	NLA	Bracket (Use p/n 0902814) (SN 0300062876 through 0300067081)	
104	0902814	1	Bracket (SN 0300067081 through 0300128000)	
105		Ref	Rotary Coupling Assembly Options (See Items 1-12 for Breakdown):	
105	1660243	1	Rotary Coupling Assembly (Prior to SN 0300064782)	
105	1660245	1	Rotary Coupling Assembly (SN 0300064782 through 0300128000)	
106	3841456	1	Rod, Coupling	
107	4740490	1	Washer, Special	
108	4751600	6	Flatwasher 3/8in Regular	

SECTION 2 - TURNTABLE

FIGURE 2-15. GROUND CONTROL BOX ASSEMBLY



SECTION 2 - TURNTABLE

FIGURE 2-15. GROUND CONTROL BOX ASSEMBLY

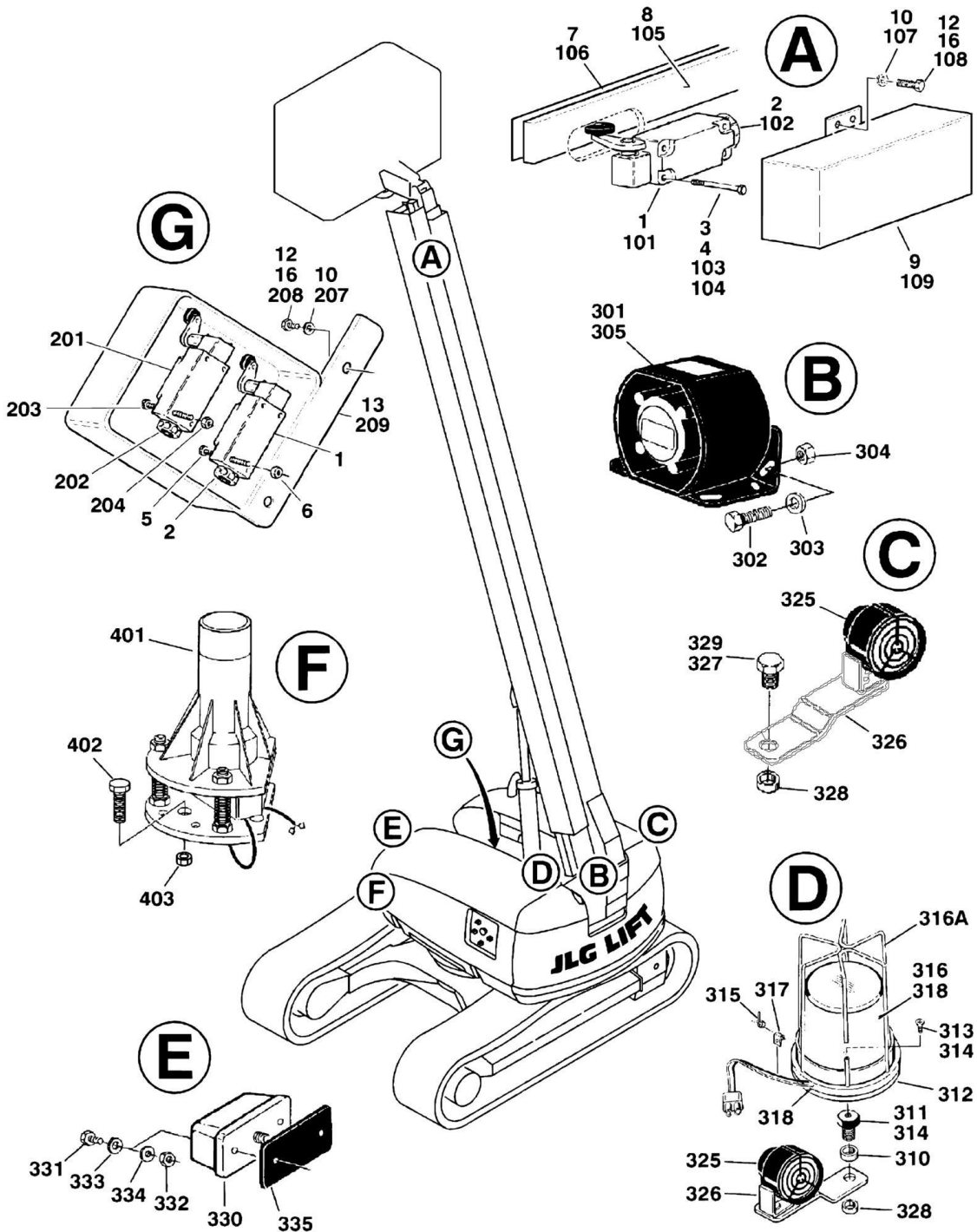
ITEM	PART NUMBER	QTY	DESCRIPTION	REV
		Ref	GROUND CONTROL BOX ASSEMBLIES	
	0861378	Ref	Ground Control Box Assemblies 600SC with Australian Spec	2
	0861323	Ref	Ground Control Box Assemblies 600SC with CE Spec (Prior to SN 0300064782)	6
	0861515	Ref	Ground Control Box Assemblies 600SC with CE Spec (SN 0300064782 through 0300128000)	1
	0861379	Ref	Ground Control Box Assemblies 600SJC & 660SJC with Australian Spec	2
	0861321	Ref	Ground Control Box Assemblies 600SJC & 660SJC with CE Spec (Prior to SN 0300064782)	6
	0861516	Ref	Ground Control Box Assemblies 600SJC & 660SJC with CE Spec (SN 0300064782 through 0300128000)	1
1	0861112	1	Box, Fiberglass	
1A	7020246	2	Latch	
2	4360475	1	Switch, Emergency Stop	
2A	7020175	1	Cap, Red	
2B	7020176	1	Contact Block	
3	4360470	1	Switch, Key	
3A	2860030	1	Key Replacement	
4		Ref	Decal - Faceplate Options:	
4	1703521	1	Decal - Faceplate 600SC	
4	1704436	1	Decal - Faceplate 600SJC & 660SJC	
5		Ref	Engine Harness Assembly Options (Not Shown - See ELECTRICAL SECTION for Breakdown):	
5	4922330	1	Engine Harness Assembly (Prior to SN 0300064782)	
5	4922554	1	Engine Harness Assembly (SN 0300064782 through 0300128000)	
6	4921923	1	Valve Harness Assembly (Not Shown - See ELECTRICAL SECTION for Breakdown)	
8	0731005	4	Screw #10-32NF x 5/8in	
9	3321001	4	Nut #10-32NF	
10	4761000	4	Lockwasher #10	
11	4751400	8	Flatwasher 1/4in Regular	
12	3910608	2	Screw #6-32NC x 1/2in	
13	3640970	1	Rail	
14	4460602	1	Barrier, Terminal	
15	4460601	10	Block, Terminal	
16	4460603	1	Bussbar - 10 Position (Requires being cut into (2) 5 position bussbars)	
17	4460631	1	Marker, Terminal (Negative)	
18	4460600	48	Block, Terminal	
19	4460628	2	Marker, Terminal (1-50)	
20	4460607	1	Stop, Terminal	
21	4750600	4	Flatwasher #6 Regular	
22	3740112	1	Relay, Bosch	
23	4360314	AR	Switch, Toggle	
24	4360476	1	Switch, Contact Block	
25	2760105	1	Housing, Display Light	
26	4420038	4 in/10cm	Insulation, Adhesive Foam	
27	1704704	1	Decal - Ground Control Display	
28	4460526	1	Connector, Strain Relief	
29	4460428	3	Connector, Strain Relief	

SECTION 2 - TURNTABLE

ITEM	PART NUMBER	QTY	DESCRIPTION	REV
30	4460426	1	Connector, Strain Relief	
31	4740444	AR	Washer, Special	
32	4060906	AR	Shield, Toggle Switch	
33	2420172	1	Gauge, Hourmeter	
34	0721005	2	Screw #10-24NC x 5/8in	
36	4751000	8	Flatwasher #10 Regular	
37	3900268	9	Screw #10-24NC	
38	3300205	4	Nut, Retainer	
39	0641506	4	Bolt 5/16in-18NC x 3/4in	
40	0100011	AR	Compound, Locking	
41	3539219	1	Plate, Reinforcement	
42	3740049	AR	Relay - SPDT	
43	4460630	1	Marker, Terminal (Ignition)	
44	4760600	4	Lockwasher #6	
45	3310601	2	Nut #6-32NC	
46	4070987	1	Shim	
49	3300408	AR	Locknut, Plastic Insert	
51	0630464	2	Capscrew, Button Head	
52	4070991	1	Shim (.125)	
53	1670829	1	Bezel	
54	3910804	7	Screw #8-32NC x 1/4in	
55	4460234	6	Base, Tie-Strap	
56	1703622	1	Decal - Service Manual Reference	
57	4460711	1	Connector, Strain Relief	
58	1600262	1	Controller, OEM	
59	1704260	1	Decal - Emergency Stop (Prior to SN 0300064782)	
60	4300142	4	Stud, Stand-Off	
61	3520174	3	Plug	
62	0100009	AR	Adhesive	
		Ref	GENERATOR OPTION COMPONENTS	
110	3740118	1	Relay, Timer	
111	3911024	1	Screw #10-24NC x 1-1/2in	
112	4751000	2	Flatwasher #10 Regular	
113	4761000	1	Lockwasher #10	
114	3311001	1	Nut #10-24NC	
	0271474	Ref	BPE LOAD SENSING DEVICE INSTALLATION - LIFT DOWN (FRENCH SPEC)	1-B
215	3740057	1	Relay	
216	4120012	1	Base, Relay	
217	3740066	1	Spring, Relay	
223	3740049	1	Relay	
224	3300408	1	Locknut Plastic Inserted #10-24NC	
225	0721006	1	Screw #10-24NC x 3/4in	

SECTION 2 - TURNTABLE

FIGURE 2-16. ELECTRICAL OPTIONS INSTALLATION (TURNTABLE MOUNTED)



SECTION 2 - TURNTABLE

FIGURE 2-16. ELECTRICAL OPTIONS INSTALLATION (TURNTABLE MOUNTED)

ITEM	PART NUMBER	QTY	DESCRIPTION	REV
		Ref	ELECTRICAL OPTIONS INSTALLATIONS (TURNTABLE MOUNTED)	
		Ref	LIMIT SWITCH INSTALLATION - DRIVE DISABLE	
	0270313	Ref	Limit Switch Installation - Drive Disable 600SC & 600SJC	4
	0270381	Ref	Limit Switch Installation - Drive Disable 660SJC	4
1	4360322	NLA	Switch, Limit (Use p/n 4360578) (Prior to SN 0300074441)	
1	4360549	NLA	Switch, Limit (Use p/n 4360578) (Prior to SN 0300074441)	
2		Ref	Connector, Strain Relief Options:	
2	4460428	2	Used on Limit Switch p/n 4360322	
2	4460968	2	Used on Limit Switch p/n 4360549 & p/n 4360578	
3	0100035	AR	Compound, Locking	
4	3930816	2	Capscrew, Socket Head #8-32NC x 1in	
5	3930828	2	Capscrew, Socket Head #8-32NC x 1-3/4in	
6	3310801	2	Locknut #8-32NC	
7	4420060	8.7 ft /2.7m	Tape, Double Sided	
8		Ref	Bar, Fiberglass Options:	
8	0362528	NLA	Bar, Fiberglass 600SC & 600SJC (Use p/n 1001106479)	
8	0362951	NLA	Bar, Fiberglass 660SJC (Use p/n 1001106484)	
9	1670824	1	Cover, Limit Switch	
10	4751400	4	Flatwasher 1/4in Regular	
12	0641408	4	Bolt 1/4in-20NC x 1in	
13	3572415	1	Cover	
16	0100011	AR	Compound, Locking	
		Ref	LIMIT SWITCHES INSTALLATION - TRANSPORT	
	0256305	Ref	Limit Switches Installation - Transport 600SC & 660SJC	2
	0256306	Ref	Limit Switches Installation - Transport 600SJC	2
101	4360322	NLA	Switch, Limit (Use p/n 4360578) (Prior to SN 0300074441)	
101	4360549	NLA	Switch, Limit (Use p/n 4360578) (Prior to SN 0300074441)	
102		Ref	Connector, Strain Relief Options:	
102	4460428	1	Used on Limit Switch p/n 4360322	
102	4460968	1	Used on Limit Switch p/n 4360549 & p/n 4360578	
103	0100035	AR	Compound, Locking	
104	3930816	2	Capscrew, Socket Head #8-32NC x 1in	
105		Ref	Bar, Fiberglass Options:	
105	0362609	NLA	Bar, Fiberglass 600SC/660SJC (Use p/n 1001106481)	
105	0362610	NLA	Bar, Fiberglass 600SJC (Use p/n 1001106482)	
106	4420054	Ref	Tape, Double Sided	
106	4420054	17.1 ft /5.2m	Tape, Double Sided 600SC & 660SJC	
106	4420054	15 ft/4.6m	Tape, Double Sided 600SJC	
107	4751400	4	Flatwasher 1/4in Regular	
108	3931403	4	Capscrew, Socket Head 1/4in-20NC x 3/8in	
109	1670824	1	Cover, Limit Switch	
	0257882	Ref	LIMIT SWITCHES INSTALLATION - 8METER (OPTIONAL)	1-A
201	4360322	NLA	Switch, Limit (Use p/n 4360578) (Prior to SN 0300074441)	
201	4360549	NLA	Switch, Limit (Use p/n 4360578) (Prior to SN 0300074441)	
202		Ref	Connector, Strain Relief Options:	
202	4460428	1	Used on Limit Switch p/n 4360322	
202	4460968	1	Used on Limit Switch p/n 4360549 & p/n 4360578	

SECTION 2 - TURNTABLE

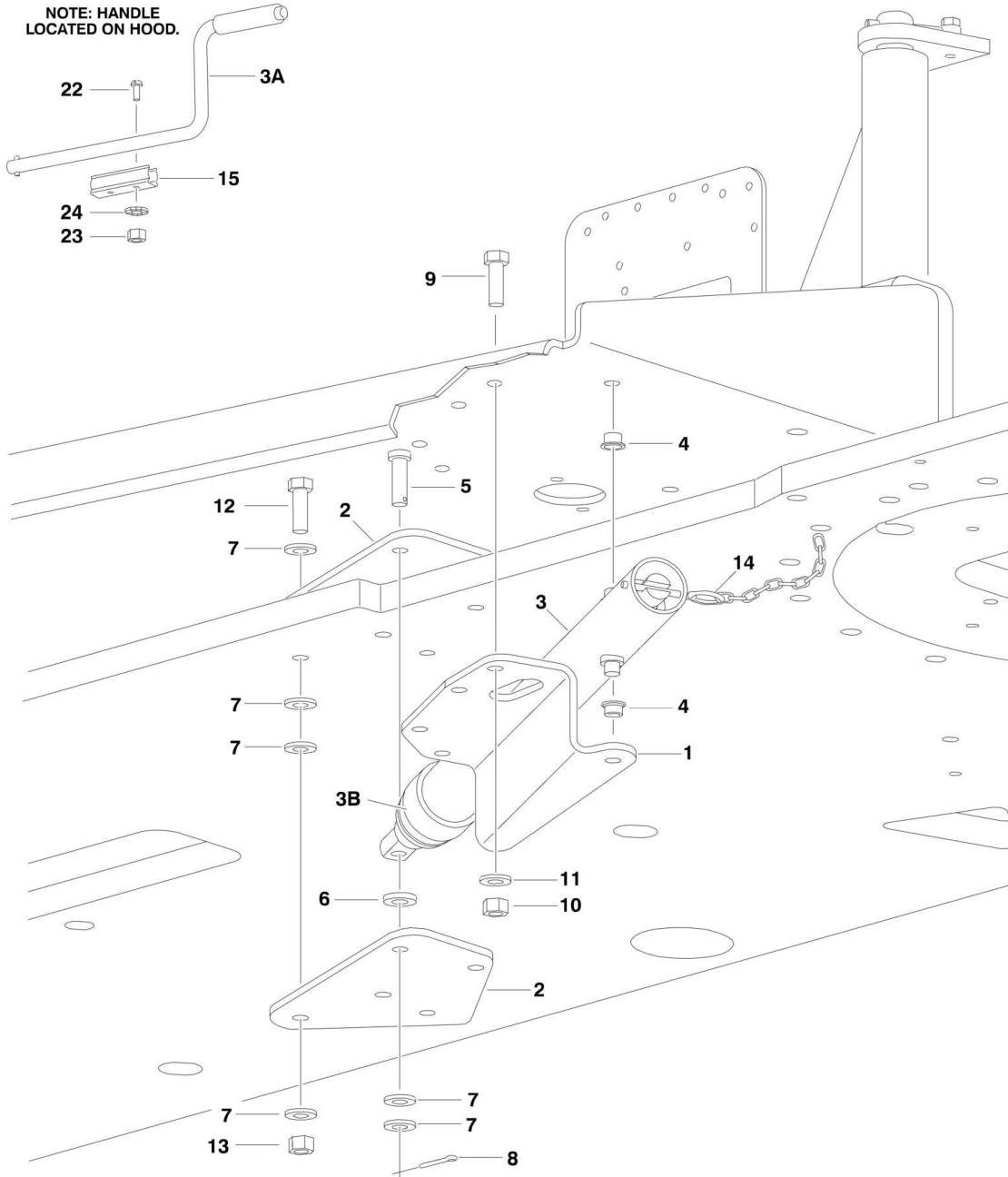
ITEM	PART NUMBER	QTY	DESCRIPTION	REV
203	3930828	2	Capscrew, Socket Head #8-32NC x 1-3/4in	
204	3310805	2	Locknut #8-32NC	
205	1060016	15 ft/4.6m	Cable, Electrical - 16/3 (Not Shown)	
207	4751400	2	Flatwasher 1/4in Regular	
208	3931408	2	Bolt 1/4in-20NC x 1/2in	
209	1670821	1	Cover, Limit Switch	
	0257886	Ref	ALARMS INSTALLATIONS (OPTIONAL)	1
301	0257887	1	Alarm/Harness Assembly	
302	0641406	2	Bolt 1/4in-20NC x 3/4in	
303	4711400	2	Flatwasher 1/4in Thin	
305	0100048	AR	Sealant, Silicone	
	0257885	Ref	STROBE LIGHT INSTALLATIONS (AMBER) (OPTIONAL)	3
310	4220162	1	Spacer, Stop (Used with ECCO Model 6640 Only)	
311		Ref	Adapter Options:	
311	0630491	1	Adapter for ECCO Model 6640	
311	0080241	1	Adapter for ECCO Model 6650	
312	3539281	1	Plate, Mounting (Used with ECCO Model 6640 Only)	
313	0741606	1	Screw, Flathead Countersunk 3/8in-16NC x 3/4in (Used with ECCO Model 6640 Only)	
314	0100011	AR	Compound, Locking	
315	4240032	1	Wire-Tile	
316		Ref	Strobe Light/Guard/Harness Assembly Options:	
316	0255917	NLA	Strobe Light/Guard/Harness Assembly (Use p/n 0272507) (Prior to SN 0300070400)	
316	0272507	1	Strobe Light/Guard/Harness Assembly (SN 0300070400 through 0300128000)	
316	7016380	1	Bulb, Replacement for ECCO Model 6640	
316	70001941	1	Bulb, Replacement for ECCO Model 6650	
316A		Ref	Guard Options:	
316A	4060907	1	Guard for ECCO Model 6640	
316A	2920215	1	Guard for ECCO Model 6650	
317	4460234	1	Clamp	
318	0100048	AR	Sealant, Silicone	
	0257884	Ref	LIGHTS INSTALLATIONS (OPTIONAL)	1
325	2920110	2	Headlight	
326	0902206	2	Bracket, Mounting	
327	0642612	1	Bolt 1in-8NC x 1-1/2in	
328	4220162	2	Spacer	
329	0100011	AR	Compound, Locking	
330	2920113	2	Taillight	
331	3911040	4	Screw, Machine #10-24NC x 2-1/2in	
332	3311005	4	Nut #10-24NC	
333	4751000	4	Flatwasher #10 Regular	
334	4740362	4	Washer, Fender	
335	3960461	2	Gasket	
337	4240032	12	Tie-Strap (Not Shown)	
338	4460234	12	Mount, Tie-Strap (Not Shown)	
339	4360336	1	Switch, Toggle (Not Shown - Located on Console)	
340	3790012	1	O-Ring (Not Shown - Located on Console)	
	0270366	Ref	TILT INDICATOR SWITCH INSTALLATION	2
401		Ref	Switch, Level Sensing	
401	4360493	1	Switch 5 & 4, (Prior to SN 0300071456)	

SECTION 2 - TURNTABLE

ITEM	PART NUMBER	QTY	DESCRIPTION	REV
401	4360492	1	Switch 1.8 & 5, (SN 0300071456 through 0300128000)	
402	0641406	2	Bolt 1/4in-20NC x 3/4in	
403	3311405	2	Locknut 1/4in-20NC	

SECTION 2 - TURNTABLE

FIGURE 2-17. ENGINE TRAY JACK INSTALLATION (OPTIONAL)



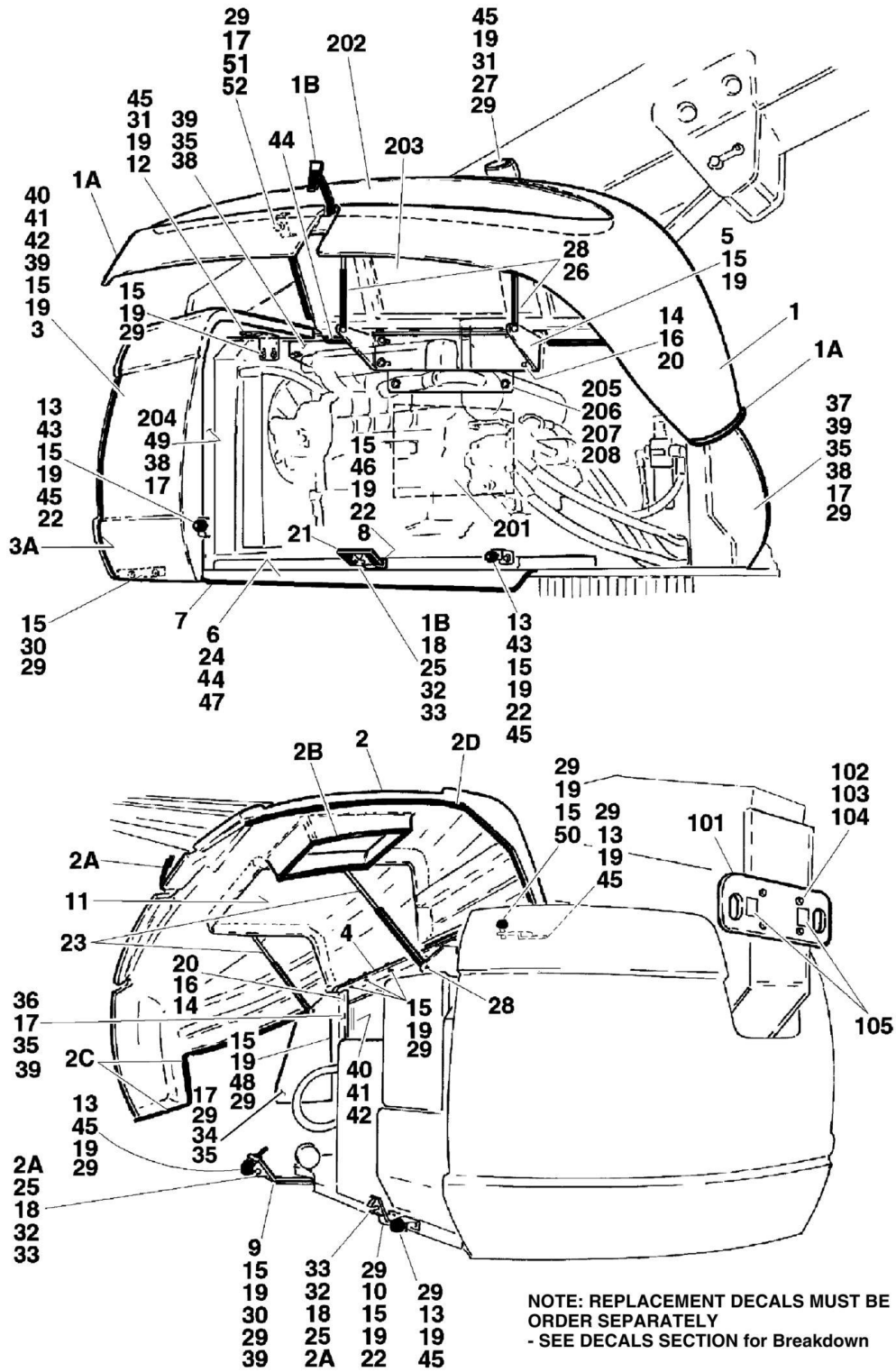
SECTION 2 - TURNTABLE

FIGURE 2-17. ENGINE TRAY JACK INSTALLATION (OPTIONAL)

ITEM	PART NUMBER	QTY	DESCRIPTION	REV
	0255881	Ref	ENGINE TRAY JACK INSTALLATION	3-G
1	3537445	1	Bracket	
2	3537446	2	Bracket	
3	2840016	1	Hydraulic Jack Assembly	F
3A		Ref	Handle Options:	
3A	7016374	1	Burr Manufacturing Brand	
3A	7024598	1	Hammerblow Crop Brand	
3B	7016322	1	Wiper	
4	0962051	2	Bushing, Flanged	
5	3430816	1	Pin, Clevis	
6	4891800	1	Washer, Hardened 1/2in	
7	4711800	6	Flatwasher 1/2in Thin	
8	3450404	1	Pin, Cotter 1/8in x 1in	
9	0641609	4	Bolt 3/8in-16NC x 1-1/8in	
10	3311605	4	Locknut 3/8in-16NC	
11	4891600	4	Flatwasher 3/8in Hardened	
12	0641818	4	Bolt 1/2in-13NC x 2-1/4in	
13	3311805	4	Locknut 1/2in-13NC	
14	3422530	1	Pin, Hitch (Prior to SN 0300070643)	
15	1380147	1	Clip, Spring	
22	3910608	2	Screw #6-32NC x 1in	
23	3310601	2	Nut #6-32NC	
24	4770600	2	Starwasher #6	

SECTION 2 - TURNTABLE

FIGURE 2-18. HOODS AND LIFTING PLATE INSTALLATIONS



SECTION 2 - TURNTABLE

FIGURE 2-18. HOODS AND LIFTING PLATE INSTALLATIONS

ITEM	PART NUMBER	QTY	DESCRIPTION	REV
	0256830	Ref	HOODS INSTALLATIONS	9-I
1	2680449	1	Hood Assembly - Engine Side	
1	2600209	1	Hinge	
1A	3960464	65 in /1.7m	Seal	
1A	3960462	61 in /1.5m	Seal	
1B	2940088	1	Latch	
2	2680448	1	Hood Assembly - Tank Side	
2	2600233	1	Hinge	
2A	2940088	2	Latch	
2B	3960438	53 in /1.3m	Seal	
2C	3960464	83 in /2.1m	Seal	
2D	3960462	55 in/1.4m	Seal	
3	2680450	1	Hood Assembly - Engine Spacer	
3A	3960453	68 in /1.7m	Seal	
4	0902416	1	Bracket, Hood Mounting	
5	0902351	1	Bracket, Hood Mounting	
6	3539934	1	Plate, Seal	
7	3960389	3.5 ft/1m	Seal	
8	0902491	1	Bracket, Latch	
9	0902223	1	Bracket, Latch	
10	0902143	1	Bracket, Latch	
11	3520033	2	Plug, Hole	
12	0902161	1	Bracket, Hood Spacer Mounting	
13	0940071	5	Bumper	
14	0630507	6	Bolt, Carriage 1/2in-13NC x 1-1/4in	
15	0641608	AR	Bolt 3/8in-16NC x 1in	
16	4740171	6	Flatwasher Hardened	
17	4751500	15	Flatwasher 5/16in Regular	
18	4751000	12	Flatwasher #10 Regular	
19	4751600	AR	Flatwasher 3/8in Regular	
20	3311805	6	Locknut 1/2in-13NC	
21	3960470	1	Seal	
22	3311605	5	Locknut 3/8in-16NC	
23	4160139	2	Spring, Gas (Tank Side)	
24	0641406	4	Bolt 1/4in-20NC x 3/4in	
25	0721006	6	Screw #10-24NC x 3/4in	
26	4160143	2	Spring, Gas (Engine Side)	
27	4845411	1	Outlet, Exhaust	
28	3311505	4	Locknut 5/16in-18NC	
29	0100011	AR	Compound, Locking	
30	4740076	4	Washer, Fender	
31	3900232	5	Screw, Button Head 3/8in-16NC x 1-1/4in	
32	4761000	6	Lockwasher #10	
33	3311001	6	Nut #10-24NC	
34	1670771	1	Cover	
35	3311501	2	Nut 5/16in-18NC	

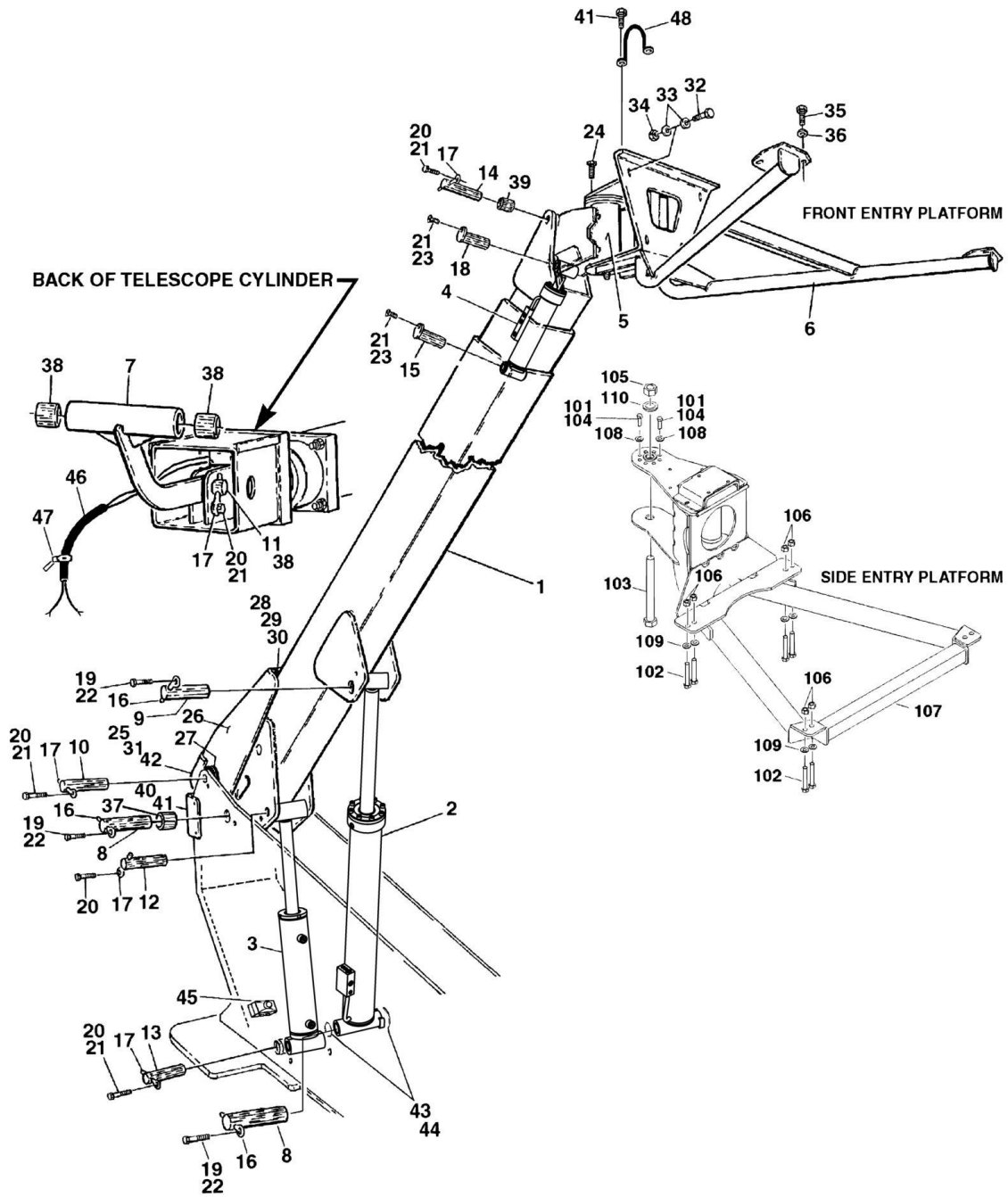
SECTION 2 - TURNTABLE

ITEM	PART NUMBER	QTY	DESCRIPTION	REV
36	0641512	2	Bolt 5/16in-18NC x 1-1/2in	
37	1670779	1	Cover, Side	
39	4740076	AR	Washer, Fender	
40	4070410	AR	Shim 1/16in	
41	4070411	AR	Shim 1/8in	
42	4070412	AR	Shim 3/16in	
43	0902219	2	Bracket, Bumper	
44	4751400	4	Flatwasher 1/4in Regular	
45	3311601	AR	Nut 3/8in-16NC	
46	0641609	2	Bolt 3/8in-16NC x 1-1/8in	
47	3311405	4	Locknut 1/4in-20NC	
48	4845356	2	Hood Mount Weldment	
49	3539979	1	Plate, Inlet Baffle (Prior to SN 0300076518)	
50	0902384	1	Bracket, Hood Mount	
51	0940088	1	Hood, Bumper	
52	3321501	2	Nut 5/16in-24NF	
53	0641506	10	Bolt 5/16in-18NC x 3/4in	
	0256122	Ref	LIFTING PLATE INSTALLATION	1-B
101	3539590	1	Plate, Lifting	
102	0682014	4	Bolt 5/8in-11NC x 1-3/4in (Grade 8)	
103	4892000	4	Washer, Hardened 5/8in	
104	0100019	AR	Compound, Locking	
105	1701500	2	Decal - Tie Down/Lift	
	0256823	Ref	NOISE REDUCTION INSTALLATION	1
201	2820078	1	Foam, Acoustical	
202	2820079	1	Foam, Acoustical	
203	2820080	1	Foam, Acoustical	
204	2820081	1	Foam, Acoustical	
205	3539955	1	Plate, Baffle	
206	0641506	2	Bolt 5/16in-18NC x 3/4in	
207	4751500	2	Flatwasher 5/16in Regular	
208	0100011	AR	Compound, Locking	

SECTION 3 - BOOM

SECTION 3 - BOOM

FIGURE 3-1. BOOM INSTALLATIONS - 600SC



SECTION 3 - BOOM

FIGURE 3-1. BOOM INSTALLATIONS - 600SC

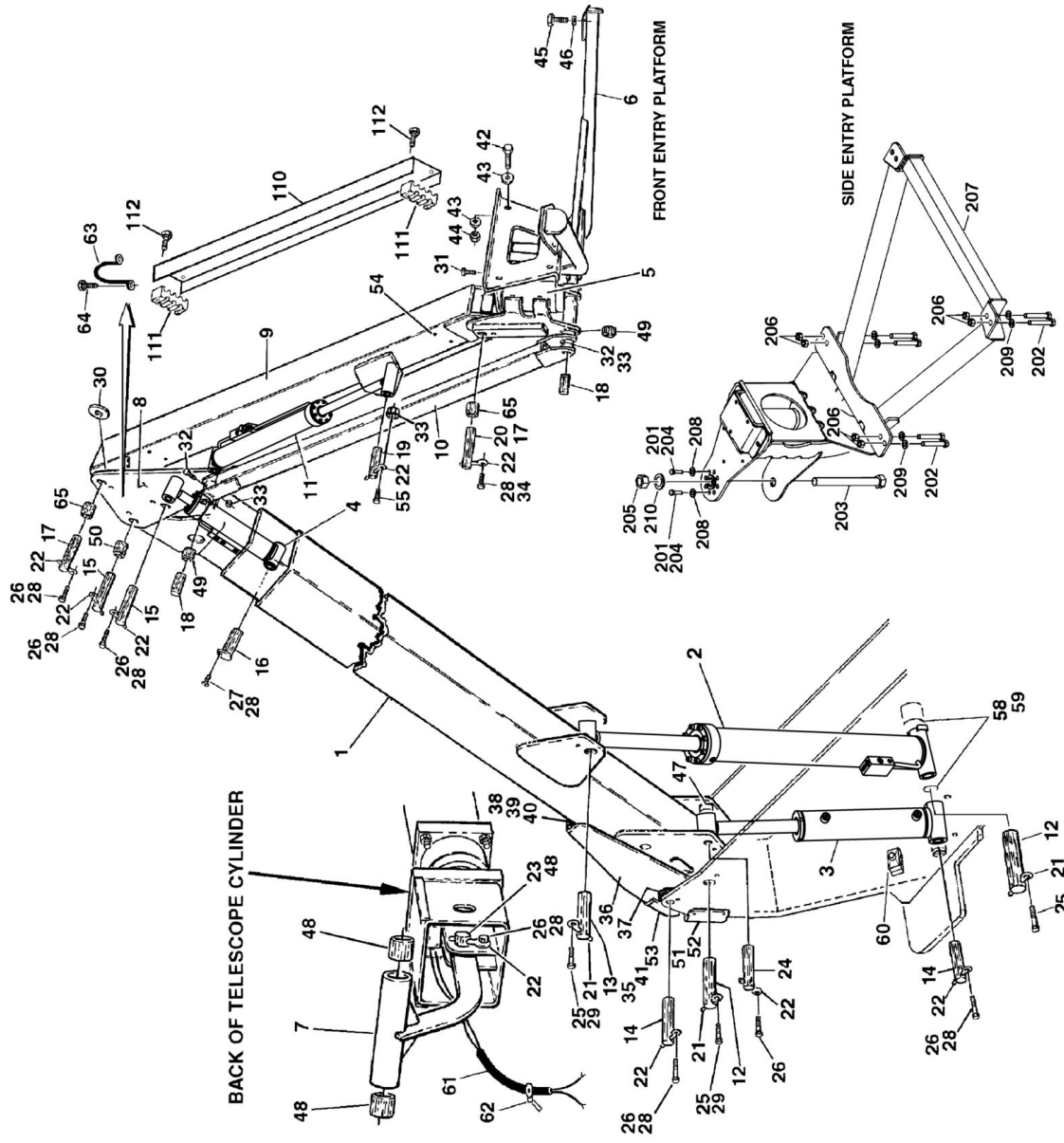
ITEM	PART NUMBER	QTY	DESCRIPTION	REV
		Ref	BOOM AND CYLINDERS INSTALLATIONS - 600SC	
	0270356	Ref	Front Entry Platform	2
	0272136	Ref	Side Entry Platform	4
1		Ref	Boom Assembly - 600SC Options (See MAIN BOOM ASSEMBLIES for Breakdown):	
1	0801248	1	Boom Assembly - 600SC (Prior to SN 0300068289)	
1	0801346	1	Boom Assembly - 600SC (SN 0300068289 through 0300073985)	
1	0801384	1	Boom Assembly - 600SC (SN 0300073986 through 0300128000)	
2		Ref	Boom Lift Cylinder Assembly Options (See CYLINDER SECTION for Breakdown):	
2	1683275	1	Boom Lift Cylinder Assembly (Prior to SN 0300070975)	
2	1683666	1	Boom Lift Cylinder Assembly (Original Equipment) (SN 0300070975 through 03001218000)	
2	1001112468	NLA	Boom Lift Cylinder Assembly (Service Replacement)	
3	1683266	NLA	Master Cylinder Assembly (Use p/n 1001228002) (See CYLINDER SECTION for Breakdown) (Original Equipment)	
3	1001228002	1	Master Cylinder Assembly (See CYLINDER SECTION for Breakdown) (Service Replacement)	
4	1683415	NLA	Platform Level Cylinder Assembly (Use p/n 1001228008) (See CYLINDER SECTION for Breakdown) (Original Equipment)	
4	1001223512	NLA	Platform Level Cylinder Assembly (Use p/n 1001228008) (See CYLINDER SECTION for Breakdown) (Service Replacement)	
4	1001228008	1	Platform Level Cylinder Assembly (See CYLINDER SECTION for Breakdown) (Service Replacement)	
5		Ref	Rotator Assembly Options: (Note: Torque Nut on Bottom of Rotator to 480 ft. Lbs when Reassembling.)	
5	0060034	NLA	Rotator (Front Entry Platform) (Use p/n 0060075) (See ROTATOR ASSEMBLIES (FRONT ENTRY PLATFORM) for Breakdown)	
5	0060067	1	Rotator (Side Entry Platform) (See ROTATOR ASSEMBLIES (SIDE ENTRY PLATFORM) for Breakdown)	
6		Ref	Support, Platform Options:	
6	4846081	1	Support, Platform (Front Entry Platform)	
6	See Note	1	Support, Platform (Side Entry Platform) (Note: See Items 101-110 for Breakdown)	
7	4844944	1	Link, Push	
8	3422564	2	Pin (Cylinder Pivot - T/T End and Boom Pivot)	
9	3422568	1	Pin (Lift Cylinder Pivot - Boom End)	
10	3422566	1	Pin (Link - T/T End)	
11	3422557	1	Pin (Link - Boom End)	
12	3422567	1	Pin (Master Cylinder - Boom End)	
13	3422565	1	Pin (Master Cylinder - T/T End)	
14	3422562	1	Pin (Rotator)	
15	3422569	1	Pin (Level Cylinder - Boom End)	
16	3841258	3	Keeper, Pin	
17	3841143	5	Keeper, Pin	
18	3422580	1	Pin (Level Cylinder - Rotator End)	
19	0642012	3	Bolt 5/8in-11NC x 1-1/2in	
20	0641608	5	Bolt 3/8in-16NC x 1in	
21	0100011	AR	Compound, Locking	
22	0100019	AR	Compound, Locking	

SECTION 3 - BOOM

ITEM	PART NUMBER	QTY	DESCRIPTION	REV
23	0741607	2	Screw, Countersunk 3/8in-16NC x 7/8in	
24	0641810	6	Bolt 1/2in-13NC x 2-1/2in (Front Entry Platform)	
25	3539475	1	Cover, Boom End (Back) (Prior to SN 0300063957)	
26		Ref	Cover, Boom End (Top and Sides) Options:	
26	3539476	1	Cover, Boom End (Top and Sides) (Prior to SN 0300063957)	
26	1671055	NLA	Cover, Boom End (Top and Sides) (Use p/n 1001148925) (SN 0300063957 through 0300128000)	
27	0962057	2	Bushing (Prior to SN 0300063957)	
28		Ref	Hardware Options:	
28	3340800	1	Pad, Wear (Prior to SN 0300063957)	
28	4751400	4	Flatwasher 1/4in Regular (SN 0300063957 through 0300128000)	
29	0630458	1	U-Bolt	
30	3311402	4	Nut, Jam 1/4in-20NC	
31		Ref	Hardware Options:	
31	0641407	4	Bolt 1/4in-20NC x 7/8in (Prior to SN 0300063957)	
31	3311401	2	Locknut 1/4in-20NC (SN 0300063957 through 0300128000)	
32	0641820	4	Bolt 1/2in-13NC x 2-1/2in (Front Entry Platform)	
33	4711800	8	Flatwasher 1/2in Thin (Front Entry Platform)	
34	3311805	4	Locknut 1/2in-13NC (Front Entry Platform)	
35	0681610	4	Bolt 3/8in-16NC x 1-1/4in (Grade 8) (Front Entry Platform)	
36	4711600	4	Flatwasher 3/8in Thin (Front Entry Platform)	
37	0961950	2	Bushing	
38	0962006	3	Bushing	
39	0961951	2	Bushing	
40	3539563	1	Cover	
41	0641604	6	Bolt 3/8in-16NC x 1/2in	
42	2080043	4	Rivnut (Prior to SN 0300063957)	
43	4740314	AR	Thrustwasher	
44	4740158	AR	Thrustwasher	
45	1320235	1	Clamp, Staff	
46	4100033	2 ft/.3m	Sleeve	
47	4240033	2	Tie-Strap	
48	3841340	1	Loop, Hose	
		Ref	SUPPORT INSTALLATIONS (SIDE ENTRY PLATFORM)	
	0272070	Ref	Australian Spec	B
	See Note	Ref	CE Spec (Note: For Replacement Parts, Contact JLG Customer Service and Request Manual p/n 3124287.)	
101	0100011	AR	Compound, Locking	
102	0641812	8	Bolt 1/2in-13NC x 1-1/2in	
103	0642682	1	Bolt 1in-8NC x 10-1/4in	
104	0681608	8	Bolt 3/8in-16NC x 1in (Grade 8)	
105	3272605	1	Locknut 1in-8NC	
106	3311805	8	Locknut 1/2in-13NC	
107	4846573	1	Support, Platform	
108	4891600	8	Flatwasher 3/8in Hardened	
109	4891800	8	Flatwasher 1/2in Hardened	
110	4892600	1	Flatwasher 1in Hardened	

SECTION 3 - BOOM

FIGURE 3-2. BOOM INSTALLATIONS - 600SJC & 660SJC



SECTION 3 - BOOM

FIGURE 3-2. BOOM INSTALLATIONS - 600SJC & 660SJC

ITEM	PART NUMBER	QTY	DESCRIPTION	REV
		Ref	BOOM AND CYLINDERS INSTALLATIONS - 600SJC & 660SJC	
	0270357	Ref	Boom and Cylinders Installations 600SJC (Front Entry Platform)	2
	0272142	Ref	Boom and Cylinders Installations 600SJC (Side Entry Platform)	4
	0270359	Ref	Boom and Cylinders Installations 660SJC (Front Entry Platform)	2
	0272146	Ref	Boom and Cylinders Installations 660SJC (Side Entry Platform)	4
1		Ref	Boom Assembly Options: (See MAIN BOOM ASSEMBLIES for Breakdown)	
1	0801249	1	Boom Assembly 600SJC (Prior to SN 0300068289)	
1	0801347	1	Boom Assembly 600SJC (SN 0300068289 through 0300073986)	
1	0801390	1	Boom Assembly 600SJC (SN 0300073986 through 0300128000)	
1	0801251	1	Boom Assembly 660SJC (Prior to SN 0300068289)	
1	0801348	1	Boom Assembly 660SJC (SN 0300068289 through 0300073986)	
1	0801392	1	Boom Assembly 660SJC (SN 0300073986 through 0300128000)	
2		Ref	Boom Lift Cylinder Assembly Options (See CYLINDER SECTION for Breakdown):	
2	1683275	1	Boom Lift Cylinder Assembly (Prior to SN 0300070975)	
2	1683666	NLA	Boom Lift Cylinder Assembly (Use p/n 1001112468) (Original Equipment) (SN 0300070975 through 0300128000)	
2	1001112468	1	Boom Lift Cylinder Assembly (Service Replacement)	
3	1683263	NLA	Master Cylinder Assembly (Use p/n 1001228052) (See CYLINDER SECTION for Breakdown) (Original Equipment)	
3	1001228052	1	Master Cylinder Assembly (See CYLINDER SECTION for Breakdown) (Service Replacement)	
4	1683418	NLA	Articulating Jib Level Cylinder Assembly (Use p/n 1001228051) (See CYLINDER SECTION for Breakdown) (Original Equipment)	
4	1001223331	NLA	Articulating Jib Level Cylinder Assembly (Use p/n 1001228051) (See CYLINDER SECTION for Breakdown) (Service Replacement)	
4	1001228051	1	Platform Level Cylinder Assembly (See CYLINDER SECTION for Breakdown) (Service Replacement)	
5		Ref	Rotator Assembly Options: (Note: Torque Nut on Bottom of Rotator to 480 Ft Lbs when Reassembling.)	
5	0060031	NLA	Rotator (Front Entry Platform) (Use p/n 0060074) (See ROTATOR ASSEMBLIES (FRONT ENTRY PLATFORM) for Breakdown)	
5	0060066	1	Rotator (Side Entry Platform) (See ROTATOR ASSEMBLIES (SIDE ENTRY PLATFORM) for Breakdown)	
6		Ref	Support, Platform Options:	
6	4846081	1	Support, Platform (Front Entry Platform)	
6	See Note	1	Support, Platform (Side Entry Platform) (Note: See Items 201-210 for Breakdown)	
7	4844944	1	Link, Push	
8	4844815	1	Pivot	
9	4844816	1	Tube (Top)	
10	4844817	2	Tube (Bottom)	
11		Ref	Articulating Jib Lift Cylinder Assembly Options (See CYLINDER SECTION for Breakdown):	

SECTION 3 - BOOM

ITEM	PART NUMBER	QTY	DESCRIPTION	REV
11	1683258	1	Articulating Jib Lift Cylinder Assembly (Prior to SN 0300070975)	
11	1683609	NLA	Articulating Jib Lift Cylinder Assembly (Use p/n 1001248012) (Original Equipment) (SN 0300070975 through 0300128000)	
11	1001228012	NLA	Jib Lift Cylinder Assembly (Use p/n 1001248012) (See CYLINDER SECTION for Breakdown) (Service Replacement)	
11	1001248012	1	Jib Lift Cylinder Assembly (See CYLINDER SECTION for Breakdown) (Service Replacement)	
12	3422564	2	Pin (Boom Pivot and Lift Cylinder Pivot - T/T End)	
13	3422568	1	Pin (Boom Lift Cylinder - Boom End)	
14	3422566	2	Pin (Link - T/T End and Master Cylinder - T/T End)	
15	3422561	2	Pin (Articulating Jib Cylinder - Pivot End and Pivot - Boom End)	
16	3422583	1	Pin (Articulating Jib Level Cylinder - Boom End)	
17	3422860	1	Pin (Top Tube - Pivot End)	
18	3422861	2	Pin (Bottom Tube - Both Ends)	
19	3422867	1	Pin (Articulating Jib Lift Cylinder - Top Tube End)	
20	3422563	1	Pin (Top Tube - Rotator End)	
21	3841258	3	Keeper, Pin	
22	3841143	9	Keeper, Pin	
23	3422557	1	Pin (Link - Boom)	
24	3422574	1	Pin (Master Cylinder - Boom End)	
25	0642012	3	Bolt 5/8in-11NC x 1-1/2in	
26	0641608	7	Bolt 3/8in-16NC x 1in	
27	0741607	1	Screw, Countersunk 3/8in-16NC x 7/8in	
28	0100011	AR	Compound, Locking	
29	0100019	AR	Compound, Locking	
30	4740439	2	Thrustwasher	
31	0641808	6	Bolt 1/2in-13NC x 1in (Front Entry Platform)	
32	0641618	4	Bolt 3/8in-16NC x 2-1/4in	
33	3311605	5	Locknut 3/8in-16NC	
34	0641614	1	Bolt 3/8in-16NC x 1-3/4in	
35	3539475	1	Cover, Boom End (Back) (Prior to SN 0300063957)	
36		Ref	Cover, Boom End (Top and Sides) Options:	
36	3539476	1	Cover, Boom End (Top and Sides) (Prior to SN 0300063957)	
36	1671055	NLA	Cover, Boom End (Top and Sides) (Use p/n 1001148925) (SN 0300063957 through 0300128000)	
37	0962057	2	Bushing (Prior to SN 0300063957)	
38		Ref	Hardware Options:	
38	3340800	1	Pad, Wear (Prior to SN 0300063957)	
38	4751400	4	Flatwasher 1/4in Regular (SN 0300063957 through 0300128000)	
39	0630458	1	U-Bolt	
40	3311402	4	Nut, Jam 1/4in-20NC	
41		Ref	Hardware Options:	
41	0641407	4	Bolt 1/4in-20NC x 7/8in (Prior to SN 0300063957)	
41	3311401	2	Locknut 1/4in-20NC (SN 0300063957 through 0300128000)	
42	0641820	4	Bolt 1/2in-13NC x 2-1/2in (Front Entry Platform)	
43	4711800	8	Flatwasher 1/2in Thin (Front Entry Platform)	
44	3311805	4	Locknut 1/2in-13NC (Front Entry Platform)	
45	0681610	4	Bolt 3/8in-16NC x 1-1/4in (Grade 8) (Front Entry Platform)	
46	4711600	4	Flatwasher 3/8in Thin (Front Entry Platform)	
47	0961950	2	Bushing	
48	0962006	3	Bushing	

SECTION 3 - BOOM

ITEM	PART NUMBER	QTY	DESCRIPTION	REV
49	0961947	10	Bushing	
50	0961951	2	Bushing	
51	3539563	1	Cover	
52	0641604	4	Bolt 3/8in-16NC x 1/2in	
53	2080043	4	Rivnut (Prior to SN 0300063957)	
54	2080044	4	Rivnut	
55	0641611	1	Bolt 3/8in-16NC x 1-3/8in	
58	4740314	AR	Thrustwasher	
59	4740158	AR	Thrustwasher	
60	1320235	1	Clamp	
61	4100033	2 ft/.6m	Sleeve, Abrasion	
62	4240033	2	Tie-Strap	
63	3841340	1	Clamp, Loop	
64	0641606	2	Bolt 3/8in-16NC x 3/4in	
65	0962335	4	Bushing	
		Ref	CABLE COVER INSTALLATIONS	
	0270175	Ref	Cable Cover Installations 600SJC	4
	0270174	Ref	Cable Cover Installations 660SJC	4
110	1670769	1	Cover	
111	0561237	2	Block, Clamp	
112	0641416		Bolt 1/4in-20NC x 2in	
		Ref	SUPPORT INSTALLATIONS (SIDE ENTRY PLATFORM)	
	0272070	Ref	Australian Spec	B
	See Note	Ref	CE Spec (Note: For CE Spec Machines Refer to JLG Supplement p/n 3124287 for Components.)	
201	0100011	AR	Compound, Locking	
202	0641812	8	Bolt 1/2in-13NC x 1-1/2in	
203	0642682	1	Bolt 1in-8NC x 10-1/4in	
204	0681608	8	Bolt 3/8in-16NC x 1in (Grade 8)	
205	3272605	1	Locknut 1in-8NC	
206	3311805	8	Locknut 1/2in-13NC	
207	4846573	1	Support, Platform	
208	4891600	8	Flatwasher 3/8in Hardened	
209	4891800	8	Flatwasher 1/2in Hardened	
210	4892600	1	Flatwasher 1in Hardened	

SECTION 3 - BOOM

FIGURE 3-3. MAIN BOOM ASSEMBLIES

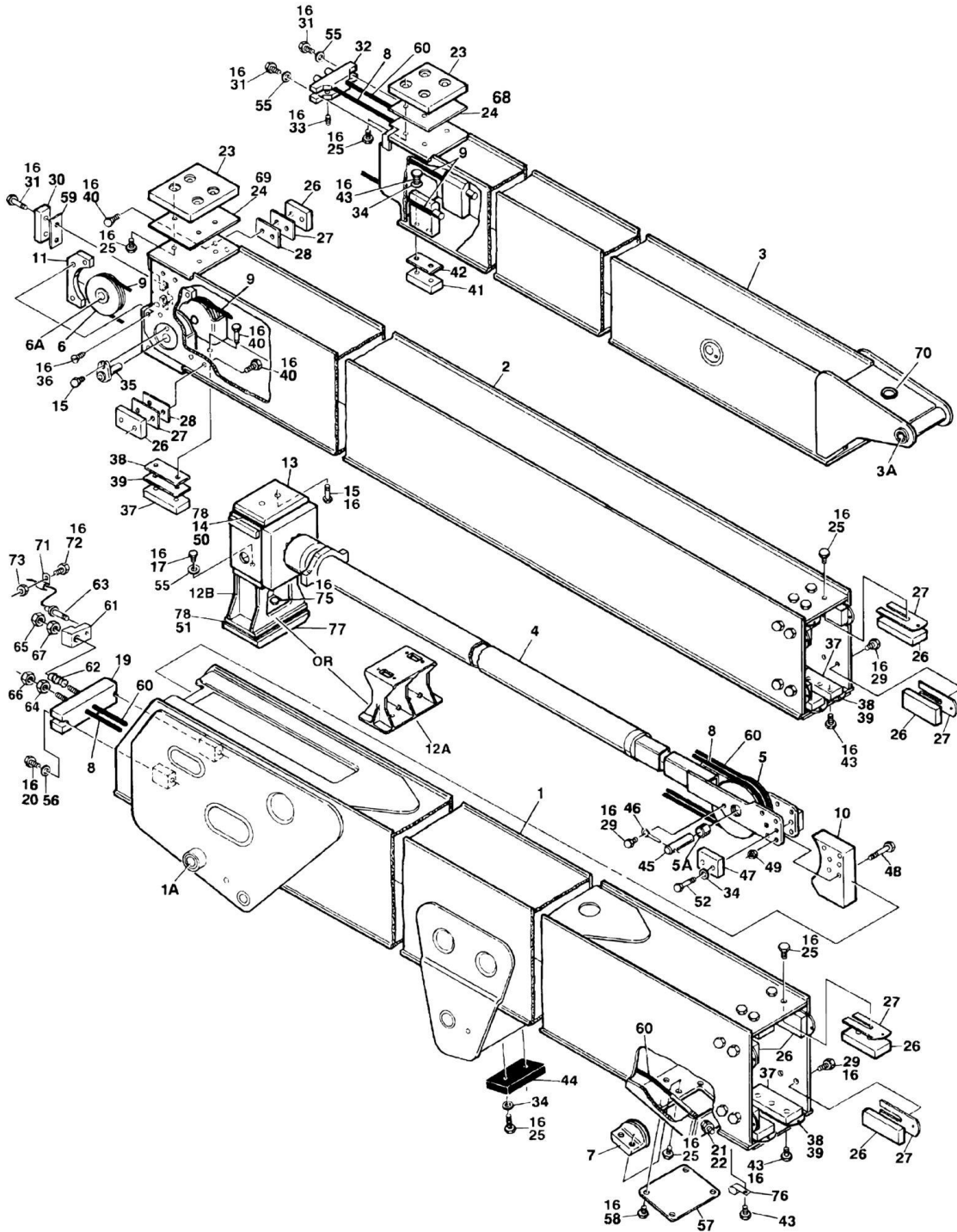


FIGURE 3-3. MAIN BOOM ASSEMBLIES

ITEM	PART NUMBER	QTY	DESCRIPTION	REV
		Ref	MAIN BOOM ASSEMBLY OPTIONS:	
	0801248	Ref	Main Boom Assembly 600SC (Prior to SN 0300068289)	5-C
	0801346	Ref	Main Boom Assembly 600SC (SN 0300068289 through 0300073985)	3-C
	0801384	Ref	Main Boom Assembly 600SC (SN 0300073986 through 0300128000)	1-A
	0801249	Ref	Main Boom Assembly 600SJC (Prior to SN 0300068289)	4-C
	0801347	Ref	Main Boom Assembly 600SJC (SN 0300068289 through 0300073985)	3-C
	0801390	Ref	Main Boom Assembly 600SJC (SN 0300073986 through 0300128000)	1-A
	0801251	Ref	Main Boom Assembly 660SJC (Prior to SN 0300068289)	4-C
	0801348	Ref	Main Boom Assembly 660SJC (SN 0300068289 through 0300073985)	3-C
	0801392	Ref	Main Boom Assembly 660SJC (SN 0300073986 through 0300128000)	1-A
1		Ref	Base Weldment Options:	
1	0801246	1	Base Weldment 600SC (Prior to SN 0300063255)	
1	0801254	1	Base Weldment 600SC (SN 0300063255 through 0300128000)	
1	0801253	1	Base Weldment 600SJC	
1	0801254	1	Base Weldment 660SJC	
1A	0961950	2	Bushing, Garmax	
2		Ref	Mid Weldment Options:	
2	0801012	1	Mid Weldment 600SC/660SJC (Prior to SN 0300073986)	
2	0801372	1	Mid Weldment 600SC/660SJC (SN 0300073986 through 0300128000)	
2	0801037	1	Mid Weldment 600SJC (Prior to SN 0300073986)	
2	0801373	1	Mid Weldment 660SJC (SN 0300073986 through 0300128000)	
3		Ref	Fly Weldment Options:	
3	0801065	1	Fly Weldment 600SC	
3	0801038	1	Fly Weldment 600SJC	
3	0801014	1	Fly Weldment 660SJC	
4		Ref	Telescope Cylinder Assembly Options (See CYLINDER SECTION for Breakdown):	
4	1683618	1	Telescope Cylinder Assembly 600SC & 660SJC	
4	1683620	1	Telescope Cylinder Assembly 600SJC	
5	3580241	1	Sheave Assembly (Extend)	2-B
5A	0961951	2	Bushing, Garmax	
6	3580243	1	Sheave Assembly (Extend)	1-A
6A	0961951	2	Bushing, Garmax (1 Per Sheave)	
7	1220078	2	Block, Sheave	
8		Ref	Cable (Extend) Options:	
8	3890010	1	Cable (Extend) 600SC & 660SJC	
8	3890011	1	Cable (Extend) 600SJC	
9		Ref	Cable (Retract) Options:	
9	3890006	2	Cable (Retract) 600SC & 660SJC	
9	3890008	2	Cable (Retract) 600SJC	
10	3580248	1	Guard, Sheave (Extend)	
11	3580249	2	Guard, Sheave (Retract)	
12		Ref	Support, Wear Pad Options:	
12A	1220042	NLA	Support, Wear Pad (Note: Use Kit p/n 2901986 which includes	

SECTION 3 - BOOM

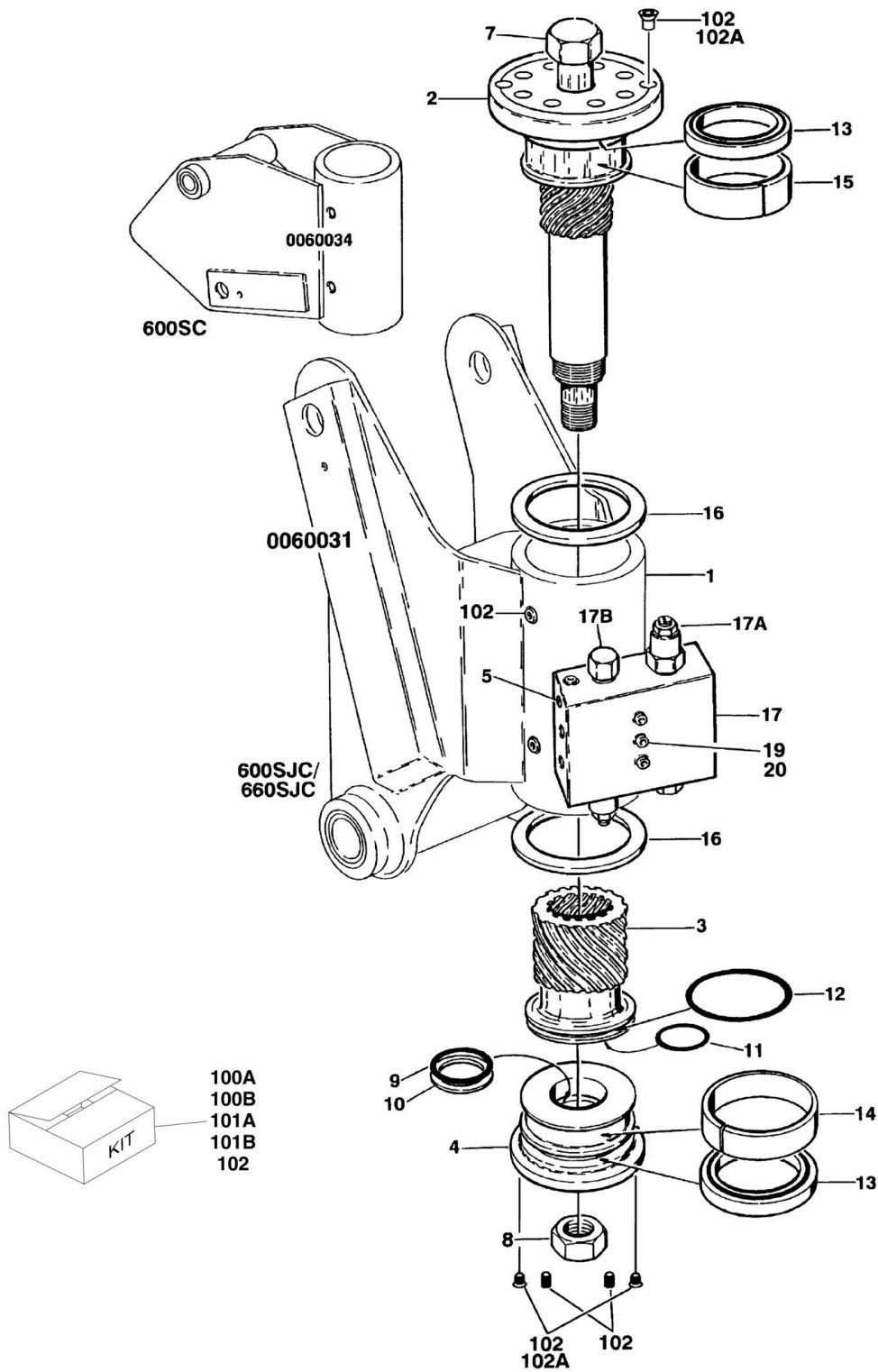
ITEM	PART NUMBER	QTY	DESCRIPTION	REV
			Support p/n 4846319, Wear Pad p/n 3340900, Shims and Mounting Hardware. If replacement is required after kit is installed, use p/n 4846319.) (Prior to SN 0300056429)	
12B	4846319	1	Support, Wear Pad (SN 0300056429 through 0300128000)	
13	3340844	1	Pad, Wear	
14	4070975	4	Shim .05 (Prior to SN 0300072078)	
15	0641608	10	Bolt 3/8in-16NC x 1in	
16	0100011	AR	Compound, Locking	
17	0681612	4	Bolt 3/8in-16NC x 1-1/2in (Grade 8)	
19	0561245	1	Block, Cable	
20	0641824	2	Bolt 1/2in-13NC x 3in	
21	3312201	4	Nut 3/4in-10NC	
22	3300241	4	Locknut, Special 3/4in-10NC	
23	3340757	2	Pad, Wear	
24	4070896	4	Shim (.06) (Without Slide-In Slots)	
25	0641607	20	Bolt 3/8in-16NC x 7/8in	
26	3340756	NLA	Pad, Wear (Use p/n 3340881)	
27	4070897	28	Shim (.05) (Without Slide-In Slots)	
28	4070898	24	Shim (.12) (Without Slide-In Slots)	
29	0641605	16	Bolt 3/8in-16NC x 5/8in	
30	0561185	2	Block	
31	0641618	6	Bolt 3/8in-16NC x 2-1/4in	
32	0561183	1	Block, Cable	
33	3951608	2	Setscrew 3/8in-16NC x 1in	
34	4711600	14	Flatwasher 3/8in	
35	3422424	2	Pin (Retract Sheave)	
36	0741612	6	Screw, Countersunk 3/8in-16NC x 1-1/2in	
37		Ref	Pad, Wear Options:	
37	3340705	NLA	Pad, Wear (Use p/n 3340871) (Prior to SN 0300068289)	
37	3340871	5	Pad, Wear (SN 0300068289 through 0300128000)	
38	4070863	12	Shim (.12)	
39	4070864	12	Shim (.05)	
40	0641613	8	Bolt 3/8in-16NC x 1-5/8in	
41	3340758	2	Pad, Wear	
42	4070895	8	Shim (.06)	
43	0641610	14	Bolt 3/8in-16NC x 1-1/4in	
44	0561076	1	Block	
45	3422417	2	Pin (Extend Sheave)	
46	3841143	1	Keeper, Pin	
47	3340755	2	Pad, Wear	
48	0641634	4	Bolt 3/8in-16NC x 4-1/4in	
49	3311605	4	Locknut 3/8in-16NC	
50	4070976	1	Shim (.12)	
51		Ref	Shim (.25) Options (See Note at Item 12):	
51	4070977	1	Shim (.25) (Prior to SN 0300056429)	
51	4071004	1	Shim (.25) (SN 0300056429 through 0300128000)	
52	0641640	2	Bolt 3/8in-16NC x 5in	
55	4891600	6	Washer, Hardened 3/8in	
56	4891800	2	Washer, Hardened 1/2in	
57	3539622	1	Plate, Cover	
58	0641403	4	Bolt 1/4in-20NC x 3/8in	
59	4070929	AR	Shim	

SECTION 3 - BOOM

ITEM	PART NUMBER	QTY	DESCRIPTION	REV
60		Ref	Cable (Extend) Options:	
60	3890009	1	Cable (Extend) 600SC & 660SJC	
60	3890012	1	Cable (Extend) 600SJC	
61		Ref	Plate, Spring Mounting Options:	
61	3539680	1	Plate, Spring Mounting (Prior to SN 0300068289)	
61	0561508	1	Plate, Spring Mounting (SN 0300068289 through 0300128000)	
62	4160149	1	Spring	
63		Ref	Switch, Proximity Options:	
63	4360429	1	Switch, Proximity (Prior to SN 0300068289)	
63	4360506	1	Switch, Proximity (SN 0300068289 through 0300128000)	
64	3300399	1	Nut, Jam 7/8in-9NC	
65	3300400	1	Nut, Jam 5/8in-11NC	
66	3300242	1	Locknut 7/8in-9NC	
67	3300240	1	Locknut 5/8in-11NC	
68	4070939	AR	Shim (1/16in) (With Slide-In Slots)	
69	4070940	AR	Shim (1/16in) (With Slide-In Slots)	
70	4060805	6 in/16cm	Flex-Trim	
71		Ref	Clamp Options:	
71	1320041	1	Clamp (Prior to SN 0300068289)	
71	1320244	1	Clamp (SN 0300068289 through 0300128000)	
72	0641406	1	Bolt 1/4in-20NC x 3/4in	
73	3311401	1	Nut 1/4in-20NC	
74	1670836	8	Cover, Boom (Not Shown)	
75	0681608	4	Bolt 3/8in-16NC x 1in (Grade 8)	
76	1320070	2	Clamp	
77		Ref	Pad, Wear Options (See Note at Item 12):	
77	3340844	1	Pad, Wear (Prior to SN 0300056429)	
77	3340900	1	Pad, Wear (SN 0300056429 through 0300128000)	
78		Ref	Shim (.05) Options (See Note at Item 12):	
78	4070975	AR	Shim (.05) (Prior to SN 0300056429)	
78	4071005	AR	Shim (.05) (SN 0300056429 through 0300128000)	

SECTION 3 - BOOM

FIGURE 3-4. ROTATOR ASSEMBLIES (FRONT ENTRY PLATFORM)



SECTION 3 - BOOM

FIGURE 3-4. ROTATOR ASSEMBLIES (FRONT ENTRY PLATFORM)

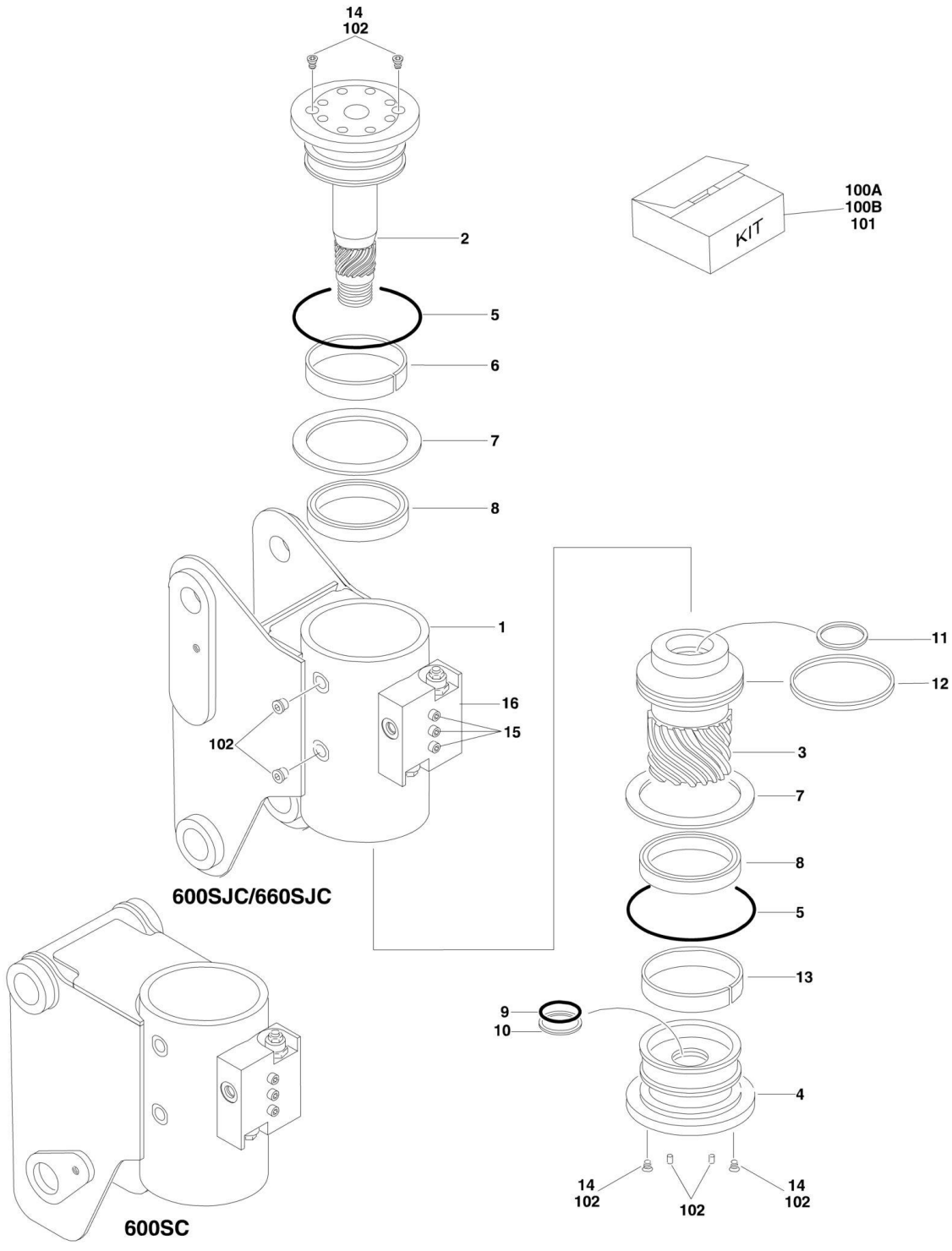
ITEM	PART NUMBER	QTY	DESCRIPTION	REV
		Ref	ROTATOR ASSEMBLIES	
		Ref	Note: Recommended replacement rotator uses spacer plate bolted on the top with 8 capscrews (Not shown - located at item 2). Actual production rotator does not use spacer plate.	
	0060034	Ref	Rotator Assemblies 600SC (Actual Production)	G
	0060075	Ref	Rotator Assemblies 600SC (Recommended Replacement)	B
	0060031	Ref	Rotator Assemblies 600SJC & 660SJC (Actual Production)	H
	See Note	Ref	Rotator Assemblies 600SJC & 660SJC (Recommended Replacement) Note: For 600SJC & 660SJC use recommended replacement	
1	See Note	NSS	Housing/Ring Gear Assembly (Note: Not Available - Purchase Complete Rotator Assembly.)	
2		Ref	Shaft Weldment Options:	
2	7017117	NLA	Shaft Weldment 0060034 & 0060031 Rotators (Use p/n 7017177)	
2	7017162	1	Shaft Weldment 0060075 & 0060074 Rotators	
2	See Note	NSS	Plate, Spacer (Not Shown) (0060075 & 0060074 Rotators Only) (Note: Not Available - Purchase Complete Rotator Assembly)	
3		Ref	Piston/Sleeve Options:	
3	7017115	1	Piston/Sleeve 0060034 & 0060031 Rotators	
3	7017163	1	Piston/Sleeve 0060075 & 0060074 Rotators	
4		Ref	Cap, End Options:	
4	7017174	1	Cap, End 0060034 Rotators	
4	7017174	1	Cap, End 0060031 Rotators (was p/n 7017116)	
4	7017164	1	Cap, End 0060075 & 0060074 Rotators	
5	See Note	6	Plug, Port (Note: Not Available - Purchase Locally.)	
7	7017102	1	Tie-Rod/Locknut Assembly (Prior to SN 0300039950)	
7	7017119	1	Bolt 1in-8NC x 11in (SN 0300039950 through 0300067538)	
8	3272605	AR	Locknut 1in-8NC (SN 0300039950 through 0300067538)	
9	See Note	NSS	Seal, Cap (Note: Use Item 100A or 100B)	
10	See Note	NSS	Ring, Back-up (Cap) (Note: Use Item 100A or 100B)	
11	See Note	NSS	Seal, Rod (Note: Use Item 100A or 100B)	
12	See Note	NSS	Seal, Piston (Note: Use Item 100A or 100B)	
13	See Note	NSS	Packing, Bearing (Note: Use Item 100A or 100B)	
14	See Note	NSS	Bearing, Cap (Note: Use Item 101A or 101B)	
15	See Note	NSS	Bearing, Shaft (Note: Use Item 101A or 101B)	
16	See Note	NSS	Thrustwasher (Note: Use Item 101A or 101B)	
17		Ref	VALVE ASSEMBLY OPTIONS:	
17	7017101	NLA	Valve Assembly 0060034 & 0060031 Rotators (Use p/n 7017183)	
17	7017183	1	Valve Assembly 0060075 & 0060074 Rotators	
17A		Ref	Cartridge, Valve Options:	
17A	7011331	2	Cartridge for Helac p/ns 24736 & 24754	
17A	7017193	2	Cartridge for Helac p/n 27600	
17A	2900770	2	Seal Kit - 7011331 Valve	
17A	See Note	NSS	Seal Kit - 7017193 Valve (Note: Use p/n 7017193)	
17B		Ref	Cartridge, Valve Options:	
17B	7011332	2	Cartridge for Helac p/ns 24736 & 24754	
17B	See Note	NSS	Cartridge for Helac p/n 27600 (Not Shown - Located on Side of Valve Block) (Note: Use p/n 7017183)	
17B	7011346	2	Seal Kit - 7011332 Valve	
17B	See Note	NSS	Seal Kit - Valve Located on Side of Block (Note: Use p/n	

SECTION 3 - BOOM

ITEM	PART NUMBER	QTY	DESCRIPTION	REV
			7017183)	
18	7017118	2	Setscrew (0060034 & 0060031 Rotators Only) (Not Shown)	
19	See Note	NSS	Capscrew 1/4 x 1-1/2 (Grade 8) (Note: Purchase Locally)	
20	3790110	3	O-Ring (Located between Valve and Actuator Housing)	
		Ref	KIT OPTIONS	
100		Ref	Seal Kit Options (Includes Items 9-13):	
100A	7017157	1	Seal Kit for 0060034 & 0060031 Rotators	
100B	7017158	1	Seal Kit for 0060075 & 0060074 Rotators	
101		Ref	Bearing Kit Options (Includes Items 14-16):	
101A	7017156	1	Bearing Kit for 0060034 & 0060031 Rotators (Actual Production)	
101B	7017159	1	Bearing Kit for 0060075 & 0060074 Rotators (Recommended Replacement)	
102	7017142	1	Hardware Kit	
102A	70001697	6	Screw, Countersunk 1/4in-20NC x 3/8in Grade 8	

SECTION 3 - BOOM

FIGURE 3-5. ROTATOR ASSEMBLIES (SIDE ENTRY PLATFORM)



SECTION 3 - BOOM

FIGURE 3-5. ROTATOR ASSEMBLIES (SIDE ENTRY PLATFORM)

ITEM	PART NUMBER	QTY	DESCRIPTION	REV
		Ref	ROTATOR ASSEMBLIES	
	0060067	Ref	Rotator Assemblies 600SC	A
	0060066	Ref	Rotator Assemblies 600SJC & 660SJC	C
1	See Note	NSS	Housing/Ring Gear Assembly (Note: Not Available - Purchase Complete Rotator Assembly)	
2	7017162	1	Shaft	
2	7017195	2	Bushing	
3	7017163	1	Piston/Sleeve Assembly	
4	7017164	1	Cap, End	
5	See Note	NSS	O-Ring (Note: Use Item 100A or 100B)	
6	7017159	2	Bearing, Shaft	
7	7017159	1	Thrustwasher	
8	See Note	NSS	Packing, Bearing (Note: Use Item 100A or 100B)	
9	See Note	NSS	Seal, Cap (Note: Use Item 100A or 100B)	
10	See Note	NSS	Ring, Back-up Cap (Note: Use Item 100A or 100B)	
11	See Note	NSS	Seal, Rod (Note: Use Item 100A or 100B)	
12	See Note	NSS	Seal, Piston (Note: Use Item 100A or 100B)	
13	7017159	1	Bearing, Cap	
14	70001697	4	Screw, Countersunk 1/4in-20NC x 3/8in (Grade 8)	
15	See Note	NSS	Capscrew 1/4 x 1-1/2 (Grade 8) (Note: Purchase Locally)	
16	7017183	3	Valve Assembly	
16	7017193	1	Cartridge, Valve	
16	See Note	NSS	Seal Kit - 7017193 Valve (Note: Use p/n 7017193)	
16	See Note	NSS	Cartridge, Valve (Not Shown - Located on Side of Block) (Note: Use p/n 7017183)	
16	See Note	1	Seal Kit - Valve Located on Side of Block (Note: Use p/n 7017183)	
		Ref	KIT OPTIONS	
100		Ref	Seal Kit Options (Includes Items 5, 8-12 & 102):	
100A	7017158	1	Seal Kit - Standard	
100B	70000342	1	Seal Kit - Low Temperature	
101	7017159	1	Bearing Kit (Includes Items 6, 7 & 13)	
102	See Note	NSS	Hardware Kit (Note: Part of Item 100 - Use Item 100A or 100B)	

SECTION 3 - BOOM

FIGURE 3-6. POWER TRACK INSTALLATIONS - PLASTIC TRACK

ITEM	PART NUMBER	QTY	DESCRIPTION	REV
		Ref	POWER TRACK INSTALLATIONS	
	0255293	Ref	Power Track Installations 600SC & 660SJC (Optional on 600SC Only)	5
	0255303	Ref	Power Track Installations 600SJC	4
1		Ref	Carrier Options:	
1	1180340	1	Carrier 600SC & 660SJC	
1	1180341	1	Carrier 600SJC	
1	7019300	1	Link, Repair (All Models)	
1		Ref	End Bracket Options:	
1	7019301	1	End Bracket 600SC & 660SJC	
1	7019302	1	End Bracket 600SJC	
1	7019303	1	Separator, Link (All Models)	
2		Ref	Tube, Push Options:	
2	4844968	1	Tube, Push 600SC & 660SJC	
2	4844989	1	Tube, Push 600SJC	
3		Ref	Rail Options:	
3	4844963	1	Rail 600SC & 660SJC	
3	4844990	1	Rail 600SJC	
4	0630458	1	U-Bolt	
6		Ref	Cover Options:	
6	1670749	1	Cover 600SC & 660SJC	
6	1670750	1	Cover 600SJC	
7	4844966	1	Block, Slide	
8	3538749	1	Plate	
9	3340763	5	Pad, Wear	
10	4070904	6	Shim	
11	4712600	3	Flatwasher 1in (Narrow)	
12	3312602	1	Nut, Jam 1in-8NC	
13	3841264	AR	Rod	
14	0641676	AR	Bolt 3/8in-16NC x 9-1/2in	
15	4740076	AR	Washer, Fender	
16	3340764	2	Pad, Wear	
17	3538758	2	Plate	
18	4844967	1	Support	
19	0630493	1	Bolt 1in-8NC x 12in	
20	3311405	2	Locknut 1/4in-20NC	
21	4711400	2	Flatwasher 1/4in (Narrow)	
22	0641605	6	Bolt 3/8in-16NC x 5/8in	
23	4711600	22	Flatwasher 3/8in (Narrow)	
24	0100011	AR	Compound, Locking	
25	0641606	16	Bolt 3/8in-16NC x 3/4in	
26	4751600	12	Flatwasher 3/8in Regular	
27	3311605	AR	Locknut 3/8in-16NC	
28	0641644	2	Bolt 3/8in-16NC x 5-1/2in	
29	0641807	8	Bolt 1/2in-13NC x 7/8in	
30	4711800	8	Flatwasher 1/2in Thin	
31	0641608	4	Bolt 3/8in-16NC x 1in	
32	4060804	4 ft/1.2m	Shield, Trim	
33	1320247	1	Clamp, Nylon	
34	0641522	1	Bolt 5/16in-18NC x 2-3/4in	

SECTION 3 - BOOM

ITEM	PART NUMBER	QTY	DESCRIPTION	REV
35	3311505	1	Locknut 5/16in-18NC	
36	4711500	2	Flatwasher 5/16in	

SECTION 3 - BOOM

FIGURE 3-7. POWER TRACK INSTALLATIONS - STEEL TRACK

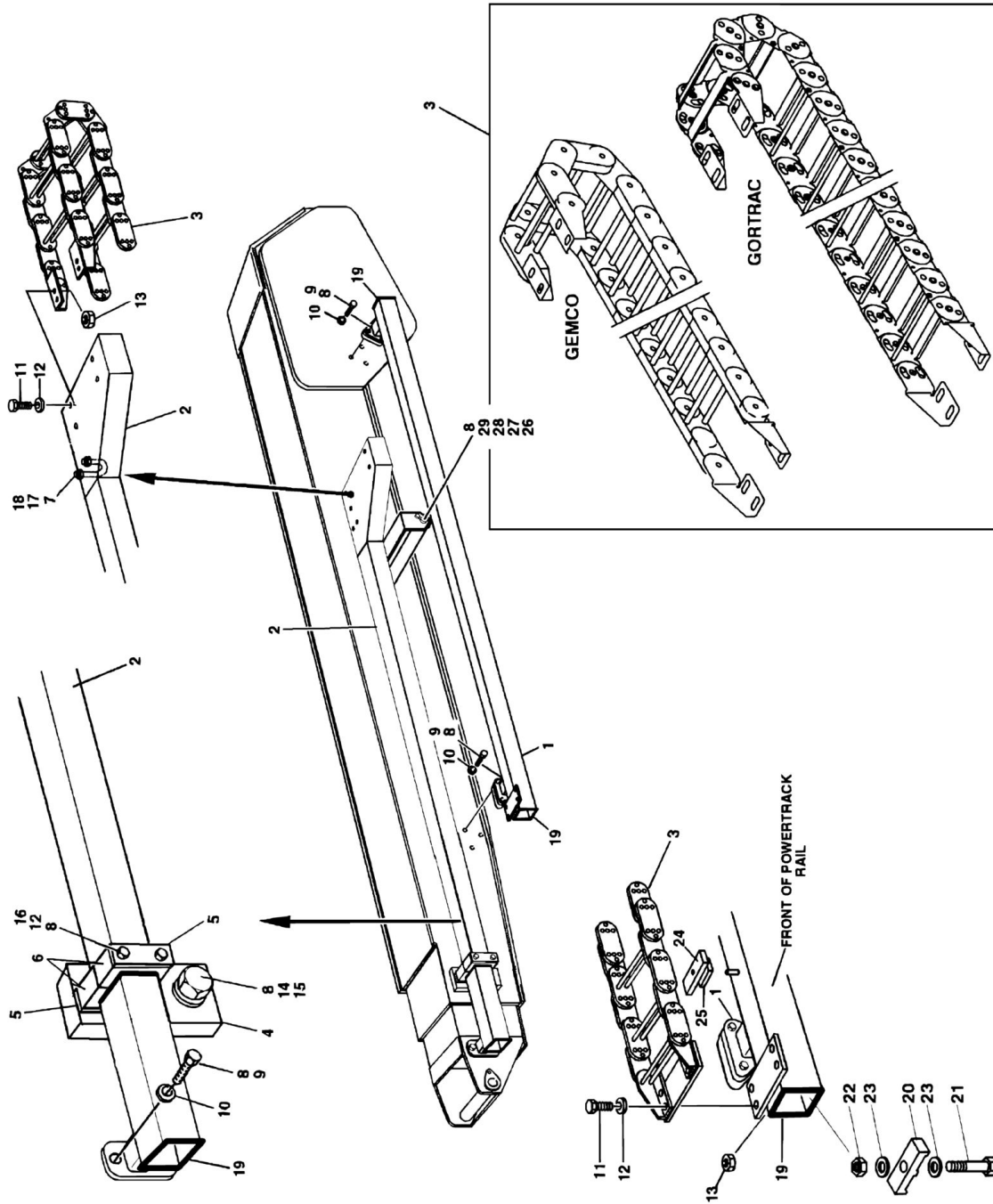


FIGURE 3-7. POWER TRACK INSTALLATIONS - STEEL TRACK

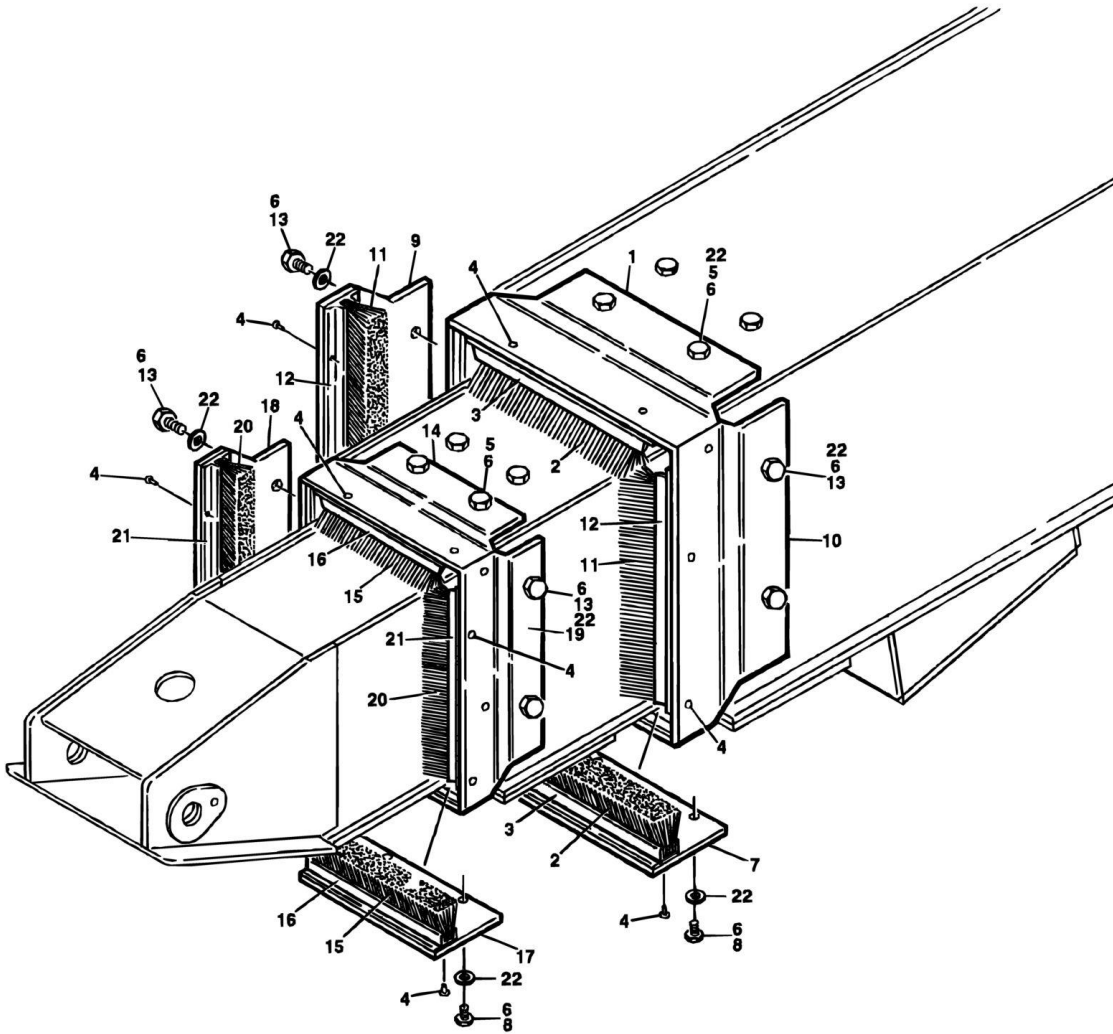
ITEM	PART NUMBER	QTY	DESCRIPTION	REV
		Ref	POWER TRACK INSTALLATION OPTIONS	
	0257988	Ref	Power Track Installation 600SC	5
	0271243	Ref	Power Track Installation 600SJC	1
	0271242	Ref	Power Track Installation 660SJC	1
1		Ref	Weldment, Rail Options:	
1	4845819	1	Weldment, Rail 600SC & 660SJC	
1	4846392	1	Weldment, Rail 600SJC	
2		Ref	Weldment, Tube Options:	
2	4845671	1	Weldment, Tube 600SC & 660SJC	
2	4846391	1	Weldment, Tube 600SJC	
3		Ref	Power Track Assembly Options:	
		Ref	Note: Various Power Tracks use on this model. Identify brand before ordering parts.	
3	1180345	NLA	Power Track Assembly 600SC/660SJC Gemco Brand Power Track (Use p/n 1001099832)	
3	7016530	AR	Repair Section (Gemco Brand - Includes 18 Link Pin, 4 Radius Links, 2 Carrier Links, 1 Rod Carrier, 1 Spring Loaded Rod, 1 Carrier Weldment and 12 Bearing Plates)	
3	7006138	AR	Pin Kit (Gemco Brand - Includes 1 pin, 1 Retaining Ring and 4 Washers)	
3	7006143	2	Mounting Feet Kit (Gemco Brand - Includes 1 Left Hand, 1 Right Hand and 2 Spacers)	
3	7016532	AR	Ring, Retaining (Gemco Brand)	
3	7016531	AR	Clamp Assembly (Gemco Brand - Includes 2 pins, 1 clamping carrier, 1 clamping stiffener, 1 bolt, 1 nut and 1 lockwasher)	
3	7006165	AR	Rod Kit (Gemco Brand - Includes 1 rod, 1 sleeve and 2 screws)	
3	1001099832	1	Power Track Assembly 600SC/660SJC Gortrac Brand Power Track	
3	70002005	AR	Repair Section Kit (Gortrac Brand)	
3	70002006	1	Mounting Bracket Kit (Gortrac Brand)	
3	70004643	2	Clamp Kit (Gortrac Brand)	
3	1180359	NLA	Power Track Assembly 600SJC Gemco Brand Power Track (Use p/n 1001099839)	
3	7006138	AR	Pin Kit (Gemco Brand - Includes 1 pin, 1 retaining ring and 4 washers of various thicknesses)	
3	7016530	AR	Repair Section (Gemco Brand)	
3	7006143	2	Mounting Bracket Kit (Gemco Brand - Includes 1 left, 1 right mounting brackets and 2 spacers)	
3	7016532	AR	Ring, Retaining (Gemco Brand)	
3	7016531	AR	Clamp Assembly (Gemco Brand - Includes 2 pins, 1 clamping carrier, 1 clamping stiffener, 1 bolt, 1 nut and 1 lockwasher)	
3	7006165	AR	Rod Kit (Gemco Brand - Includes 1 rod, 1 sleeve and 2 screws)	
3	1001099839	1	Power Track Assembly 600SJC Gortrac Brand Power Track	
3	70002007	AR	Repair Section (Gortrac Brand)	
3	70002006	2	Mounting Bracket Kit (Gortrac Brand)	
3	70004643	2	Clamp Kit (Gortrac Brand)	
4	4845677	1	Bracket	
5	3538758	AR	Plate	

SECTION 3 - BOOM

ITEM	PART NUMBER	QTY	DESCRIPTION	REV
6	3340764	2	Pad, Wear	
7	0630458	1	U-Bolt	
8	0100011	AR	Compound, Locking	
9	0641807	11	Bolt 1/2in-13NC x 7/8in	
10	4711800	11	Flatwasher 1/2in Thin	
11	0641608	8	Bolt 3/8in-16NC x 1in	
12	4711600	18	Flatwasher 3/8in Thin	
13	3311605	8	Locknut 3/8in-16NC	
14	0642612	1	Bolt 1in-8NC x 1-1/2in	
15	4712600	1	Flatwasher 1in Thin	
16	0641648	2	Bolt 3/8in-16NC x 6in	
17	4711400	2	Flatwasher 1/4in Thin	
18	3311405	2	Locknut 1/4in-20NC	
19	4060803	3 ft/0.9m	Shield, Trim	
20	1320247	1	Clamp, Nylon	
21	0641522	1	Bolt 5/16in-18NC x 2-3/4in	
22	3311505	1	Locknut 5/16in-18NC	
23	4711500	2	Flatwasher 5/16in Thin	
24	4070994	2	Shim, Neoprene	
25	4070995	2	Shim, Neoprene	
26	3841013	1	Roller, Rod	
27	3450806	1	Pin, Cotter	
28	0641404	1	Screw	
29	3860050	1	Roller, Power Track	

SECTION 3 - BOOM

FIGURE 3-8. BOOM WIPERS INSTALLATION (OPTIONAL)



SECTION 3 - BOOM

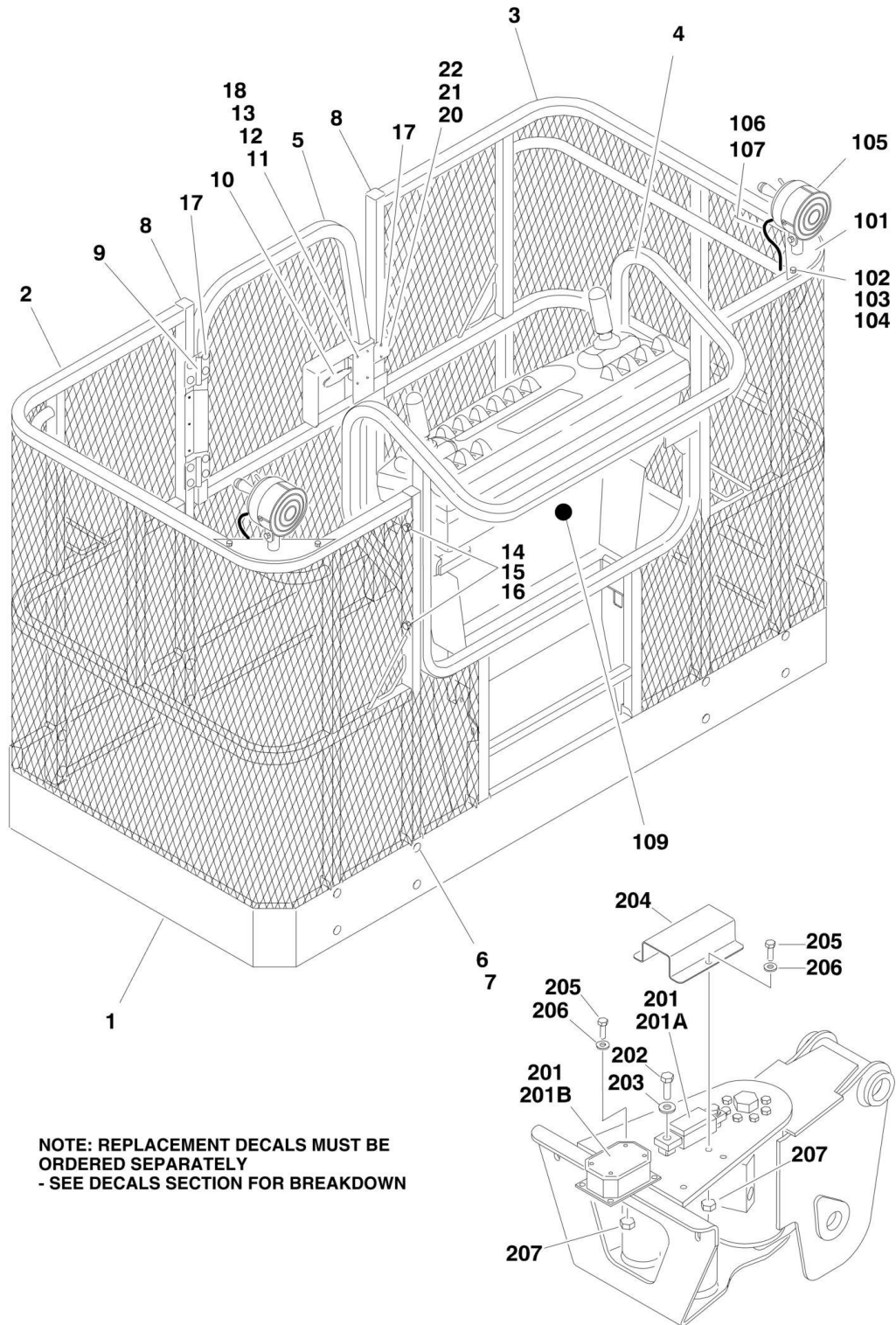
FIGURE 3-8. BOOM WIPERS INSTALLATION (OPTIONAL)

ITEM	PART NUMBER	QTY	DESCRIPTION	REV
	0256273	Ref	BOOM WIPERS INSTALLATION	3-B
1	3200382	1	Mount, Wiper (Base Top)	
2	0540102	2	Brush, Wiper (Base Top and Bottom)	
3	2660108	2	Holder, Brush (Base Top and Bottom)	
4	3820001	32	Rivet	
5	0641608	4	Bolt 3/8in-16NC x 1in	
6	0100011	AR	Compound, Locking	
7	3200383	1	Mount, Wiper (Base Bottom)	
8	0641611	4	Bolt 3/8in-16NC x 1-3/8in	
9		Ref	Mount, Wiper (Base Left Side) Options:	
9	3200384	1	Mount, Wiper (Base Left Side) (Prior to SN 0300071583)	
9	3200427	1	Mount, Wiper (Base Left Side) (SN 0300071583 through 0300128000)	
10		Ref	Mount, Wiper (Base Right Side) Options:	
10	3200385	1	Mount, Wiper (Base Right Side) (Prior to SN 0300071583)	
10	3200426	1	Mount, Wiper (Base Right Side) (SN 0300071583 through 0300128000)	
11	0540105	2	Brush, Wiper (Base Sides)	
12	2660106	2	Holder, Brush (Base Sides)	
13	0641606	8	Bolt 3/8in-16NC x 3/4in	
14	3200389	1	Mount, Wiper (Mid Top)	
15	0540083	2	Brush, Wiper (Mid Top and Bottom)	
16	2660082	2	Holder, Brush (Mid Top and Bottom)	
17	3200390	1	Mount, Wiper (Mid Bottom)	
18	3200391	1	Mount, Wiper (Mid Left Side)	
19	3200392	1	Mount, Wiper (Mid Right Side)	
20		Ref	Brush, Wiper (Mid Sides) Options:	
20	0540103	2	Brush, Wiper (Mid Sides) (Prior to SN 0300071583)	
20	0540112	2	Brush, Wiper (Mid Sides) (SN 0300071583 through 0300128000)	
21	2660107	2	Holder, Brush (Mid Sides)	
22	4751600	16	Flatwasher 3/8in Regular (SN 0300035758 through 0300128000)	

SECTION 4 - PLATFORM

SECTION 4 - PLATFORM

FIGURE 4-1. PLATFORM COMPONENTS INSTALLATION (FRONT ENTRY)



SECTION 4 - PLATFORM

FIGURE 4-1. PLATFORM COMPONENTS INSTALLATION (FRONT ENTRY)

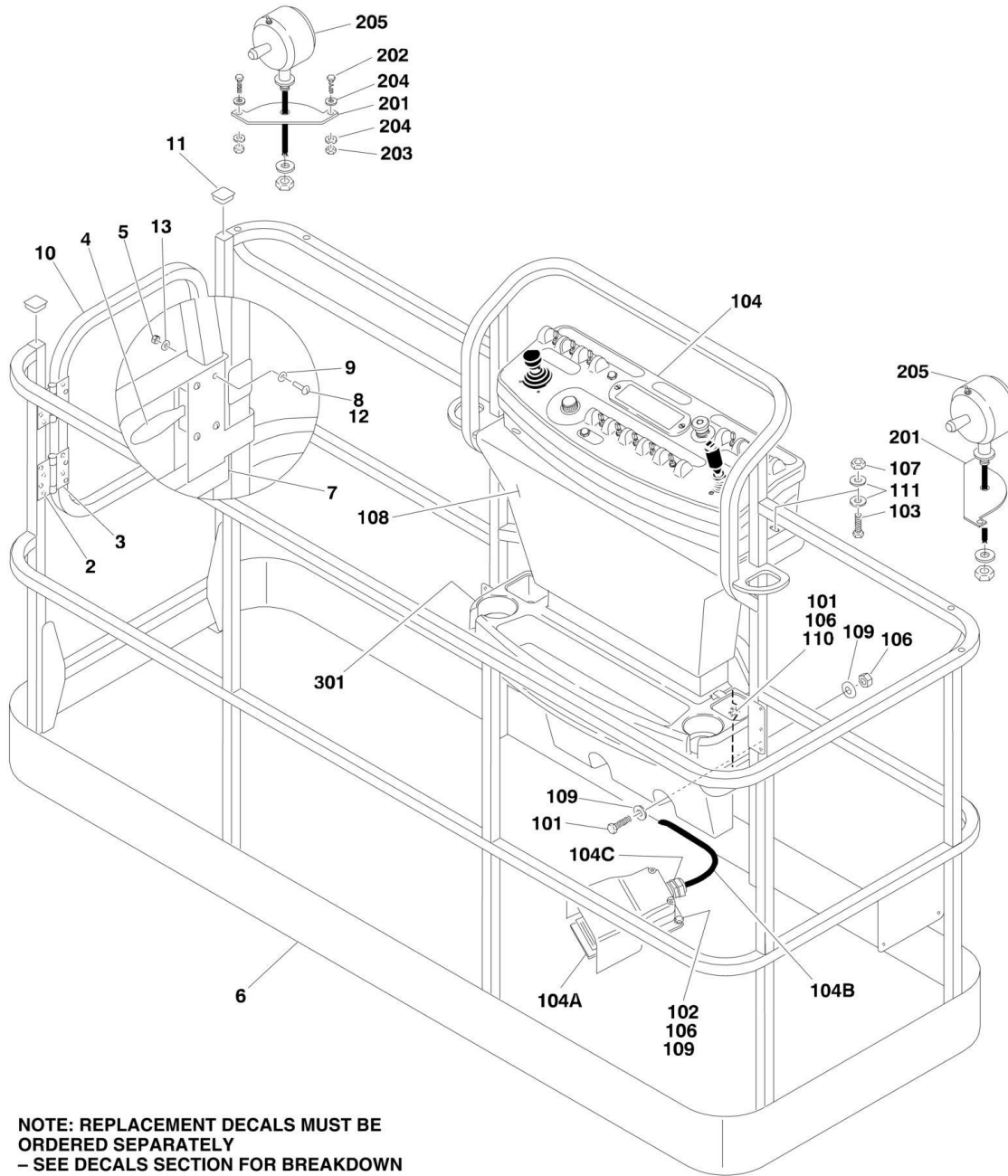
ITEM	PART NUMBER	QTY	DESCRIPTION	REV
		Ref	PLATFORM ASSEMBLIES:	
	3510756	Ref	6ft (1.83m) with Mesh to Mid Rail and Self-Closing Gate	2
	3510757	Ref	8ft (2.44m) with Mesh to Mid Rail and Self-Closing Gate	4
1		Ref	Floor Weldment Options:	
1	4845290	1	6ft/1.83m Platform	
1	4845289	1	8ft/2.44m Platform	
2		Ref	Rail Weldment - Right Side Options:	
2	4846228	1	6ft/1.83m Platform with Mesh Mid Rail	
2	4846240	1	8ft/2.44m Platform with Mesh Mid Rail	
3		Ref	Rail Weldment - Left Side Options:	
3	4846229	1	6ft/1.83m Platform with Mesh Mid Rail	
3	4846241	1	8ft/2.44m Platform with Mesh Mid Rail	
4	4845328	1	Rail Weldment - Back	
5	4846238	1	Gate Weldment	
6	3900207	16	Fastener	
		Ref	(Note: P/N 3900207 Fastener may be replaced with P/N 0641416 Bolt, P/N 4751400 Flatwasher, P/N 3311405 Locknut and P/N3300151 Acorn Type Nut. Acorn type nut is required to meet industry safety requirements.)	
7	3300393	16	Collar	
8	3520072	4	Plug, Cap	
9		Ref	Hinge Options:	
9	2600219	2	Hinge (Prior to SN 0300068643)	
9	2600287	2	Hinge (SN 0300068643 through 0300128000)	
10	2940074	1	Latch	
11	3911008	4	Screw #10-24NC x 1/2in	
12	4751000	4	Flatwasher #10 Regular	
13	3311001	4	Nut #10-24NC (Prior to SN 0300068643)	
14	0641524	4	Bolt 5/16in-18NC x 3in	
15	3311505	4	Locknut 5/16in-18NC	
16	4751500	4	Flatwasher 5/16in Regular	
17	2080040	13	Fastener	
18	4761000	4	Lockwasher 3/8in (Prior to SN 0300068643)	
20	3539685	1	Plate, Latch	
21	4220165	1	Stop, Gate	
22	4060803	6 ft/1.8m	Trim	
		Ref	WORKLIGHTS INSTALLATIONS (OPTIONAL)	
	0258048	Ref	Worklights Installations (Prior to SN 0300060481)	2-D
	0271503	Ref	Worklights Installations (SN 0300060481 through 0300128000)	1-A
101	3536089	2	Plate, Mounting	
102	0641414	4	Bolt 1/4in-20NC x 1-3/4in	
103	3311405	4	Locknut 1/4in-20NC	
104	4711400	8	Flatwasher 1/4in Thin	
105	2920140	2	Worklight	
105	7016399	2	Bulb, Replacement (1 Per Worklight)	
106	4240099	10	Tie-Strap	
107	2820035	9	Loom, Vinyl	
109	4460598	1	Connector, Strain Relief (Not Shown - Located at Console Box)	
110	4920018	AR	Wire, Black 16 Gauge (Not Shown)	
111	4921774	AR	Wire, Black/Brown 16 Gauge (Not Shown Only) (SN 0300060481)	

SECTION 4 - PLATFORM

ITEM	PART NUMBER	QTY	DESCRIPTION	REV
		Ref	through 0300128000) PLATFORM LOAD SENSING DEVICE INSTALLATION (FRENCH SPEC)	
	0259233	Ref	PLATFORM LOAD SENSING DEVICE	4-C
	0271474	Ref	PLATFORM LOAD SENSING DEVICE - LIFT DOWN	1-B
201	2901811	1	Load Sensing Assembly	
201A	3990109	1	Transducer, Pressure	
201B	7023332	1	Card, Control	
201B	7023331	1	Fuse	
201B	7023333	1	Holder, Fuse	
202	0701010	2	Bolt 10mm x 20mm	
203	4812000	2	Flatwasher M10	
204	1670900	1	Cover, Load Cell	
205	0641407	4	Bolt 1/4in-20NC x 7/8in	
206	4761400	4	Lockwasher 1/4in	
207	3311401	4	Nut 1/4in-20NC	

SECTION 4 - PLATFORM

FIGURE 4-2. PLATFORM COMPONENTS INSTALLATION (SIDE ENTRY)



NOTE: REPLACEMENT DECALS MUST BE ORDERED SEPARATELY
- SEE DECALS SECTION FOR BREAKDOWN

SECTION 4 - PLATFORM

FIGURE 4-2. PLATFORM COMPONENTS INSTALLATION (SIDE ENTRY)

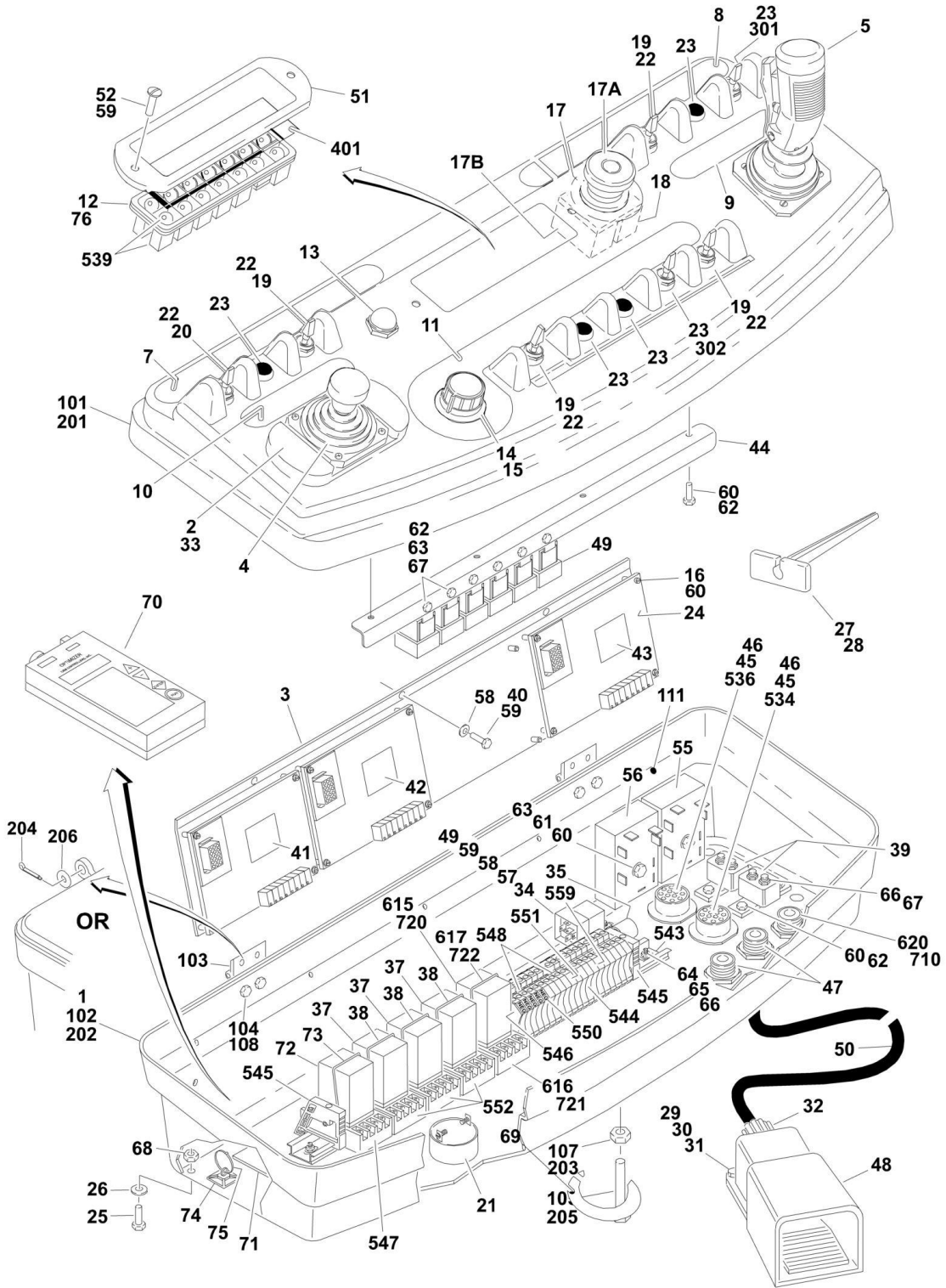
ITEM	PART NUMBER	QTY	DESCRIPTION	REV
		Ref	PLATFORM ASSEMBLIES:	
	3510822	Ref	8ft (2.44m) with No Mesh (Use p/n 1001144023)	D
	3510833	Ref	6ft (1.83m) with No Mesh (Use p/n 1001144024)	D
		Ref	Note: Original Equipment platform may have been replaced with Service Replacement platform. Identify platform before ordering parts.	
		Ref	Note: Platform and Mesh must be ordered separately for Platforms with Mesh. See SPECIAL OPTIONS SECTION for Mesh Installations.	
		Ref	Note: Replacement Decals Must Be Ordered Separately - See DECALS SECTION.	
1	0100040	AR	Sealant, Adhesive (Not Shown) (Prior to SN 0300073488)	
2	2080040	16	Fastener, Huck	
3	2600281	2	Hinge, Self-Closing	
4	2940074	1	Latch	
5	3311001	4	Nut #10-24NC	
6	See Note	NSS	Platform (Note: Not Available - Purchase Complete Platform Assembly.)	
7	3520072	1	Cap-Plug	
8		Ref	Screw Options:	
8	3911008	4	Screw #10-24NC x 1in (Prior to SN 0300076659)	
8	3900205	4	Screw #10-24NC x 5/8in (SN 0300076659 through 0300128000)	
9	4751000	8	Flatwasher #10 Regular	
10		Ref	Gate Options:	
10	4846452	1	Gate for Platform p/ns 3510822 & 3510833	
10	1001144629	1	Gate for Platform p/ns 1001144023 & 1001144024	
11	3520198	2	Cap-Plug	
12	0100011	AR	Compound, Locking	
13	4761000	4	Lockwasher #10 (SN 0300073488 through 0300128000)	
	0861559	Ref	CONSOLE BOX INSTALLATIONS	A
101	0641414	2	Bolt 1/4in-20NC x 1-3/4in	
102	0641408	3	Bolt 1/4in-20NC x 1in	
103	0641610	4	Bolt 3/8in-16NC x 1-1/4in	
104		Ref	Platform Console Box Assembly (See PLATFORM CONSOLE ASSEMBLY for Breakdown)	
104A	0272970	1	Footswitch Assembly (Includes Footswitch and Items 104B & 104C)	
		Ref	Note: Assembly p/n 0272970 may use either p/n 4360031 or p/n 1001117320. If Original Equipment was replaced as an "assembly," p/n 1001117320 may have been used as part of the Service Replacement. Identify component before ordering parts.	
104A		Ref	Footswitch Less Cable Options:	
104A	4360031	1	Original Equipment	
104A	1001117320	1	Service Replacement	
104A		Ref	Block, Contact Options (See Note Above):	
104A	7000625	2	Contact Block for 4360031 Footswitch	
104A	70003483	1	Contact Block for 1001117320 Footswitch	
104B	1060918	7 ft/2.1m	Cable, Electrical - 18/3	
104C	4460071	1	Connector, Strain Relief	
106	3311405	7	Locknut 1/4in-20NC	

SECTION 4 - PLATFORM

ITEM	PART NUMBER	QTY	DESCRIPTION	REV
107	3311605	4	Locknut 3/8in-16NC	
108	3380434	1	Panel, Decal Mount	
109	4740362	3	Washer, Fender 1/4in	
110	4751400	4	Flatwasher 1/4in Regular	
111	4751600	4	Flatwasher 3/8in Regular	
	0271503	Ref	WORKLIGHTS INSTALLATIONS (OPTIONAL)	1-A
201	3536089	2	Plate, Mounting	
202	0641414	4	Bolt 1/4in-20NC x 1-3/4in	
203	3311405	4	Locknut 1/4in-20NC	
204	4711400	8	Flatwasher 1/4in Narrow	
205	2920140	2	Worklight	
205	7016399	2	Bulb, Replacement (1 Per Worklight)	
206	4240099	10	Tie-Strap (Not Shown)	
207	2820035	9	Loom, Vinyl (Not Shown)	
209	4460598	1	Connector, Strain Relief (Not Shown - Located at Console Box)	
		Ref	TRAY INSTALLATIONS (OPTIONAL)	
301	1580012	1	Tray, Storage (Center)	
302	1580013	1	Tray, Storage (Rail Mounted - Not Shown)	

SECTION 4 - PLATFORM

FIGURE 4-3. PLATFORM CONSOLE ASSEMBLY



SECTION 4 - PLATFORM

FIGURE 4-3. PLATFORM CONSOLE ASSEMBLY

ITEM	PART NUMBER	QTY	DESCRIPTION	REV
		Ref	CONSOLE BOX ASSEMBLY	
	0861324	Ref	Australian Spec (Prior to SN 0300067888)	7-F
	0861558	Ref	Australian Spec (SN 0300067888 through 0300128000)	1-A
	0861325	Ref	CE Spec (Prior to SN 0300067888)	4-D
	0861559	Ref	CE Spec (SN 0300067888 through 0300128000)	1-A
1		Ref	Box, Console Assembly Options:	
1	0861110	1	Box, Console Assembly (See Items 101-111 for Breakdown) (Prior to SN 0300067888)	
1	0861556	1	Box, Console Assembly (See Items 201-206 for Breakdown) (SN 0300067888 through 0300128000)	
2	4340678	1	Support, Hand (Prior to SN 0300067888)	
3	3538819	1	Plate, Mounting	
4	1600284	1	Controller Assembly (Lift and Swing) (See CONTROLLER ASSEMBLY (SWING AND LIFT) for Breakdown)	
5		Ref	Controller Assembly (Drive and Steer) Options (See CONTROLLER ASSEMBLY (DRIVE AND STEER) for Breakdown):	
5	1600263	NLA	Controller Assembly (Use p/n 1600330) (Prior to SN 0300066057)	
5	1600330	1	Controller Assembly (SN 0300066057 through 0300128000)	
7	1702676	1	Decal (Horn/Drive Speed/Level)	
8	1702564	1	Decal (Stop)	
9	1704460	1	Decal (Drive and Steer)	
10	1702566	1	Decal (Lift and Swing)	
11	1702567	1	Decal (Speed/Lower Lift/Tele/Rotate/Jib)	
12	2760105	1	Housing, Display Light	
13	4360387	1	Switch, Pushbutton	
14	2560136	1	Knob, Speed Control	
15	4360407	1	Controller, Speed	
15	See Note	NSS	Gasket "Top Hat" (Included with Switch) (Note: Not Available for Purchase)	
15	70003784	1	Seal	
16	3910610	12	Screw #6-32NC x 5/8in	
17	4360475	1	Switch, Emergency Stop	
17A	7020175	1	Cap	
17B	7020176	1	Contact Block	
18	4360476	1	Block, Contact	
19	4360314	4	Switch, Toggle	
20	4360331	1	Switch, Toggle	
21	0140026	1	Alarm	
22	3790012	5	O-Ring	
23	3520028	6	Plug, Hole (For switch call-outs at these locations, refer to options installation below)	
24	1600218	3	Card, Control	
24	7016346	3	Fuse - 5 Amp (1Per Card)	
25	0641610	4	Bolt 3/8in-16NC x 1-1/4in	
26	4751600	4	Flatwasher 3/8in Regular	
27	4460467	1	Tool, Pin Extraction (Blue 16-18 Gauge) (Not Shown)	
28	4460510	1	Tool, Pin Extraction (Yellow 12-14 Gauge) (Not Shown)	
29	0641408	3	Bolt 1/4in-20NC x 1in	
30	3311405	3	Locknut 1/4in-20NC	

SECTION 4 - PLATFORM

ITEM	PART NUMBER	QTY	DESCRIPTION	REV
31	4740362	3	Washer, Fender 1/4in	
32	4460071	1	Connector, Strain Relief	
33	0641404	4	Bolt 1/4in-20NC x 1/2in (Prior to SN 0300067888)	
34	3311401	1	Nut 1/4in-20NC	
35	1320060	1	Clamp	
37	3740058	AR	Relay - 4PDT	
38	3740063	AR	Spring, Relay	
39	4360232	2	Breaker, Circuit - 15 Amp	
40	0641406	3	Bolt 1/4in-20NC x 3/4in	
41	1703090	1	Decal - Control Card (Lift)	
42	1703091	1	Decal - Control Card (Swing)	
43	1703092	1	Decal - Control Card (Flow Control)	
44	3539275	1	Plate, Relay Mounting	
45	4460470	2	Nut, Terminal	
46	4460471	2	Washer, Terminal	
47	4460428	2	Connector, Strain Relief	
48	See Note	1	Footswitch (Note: See PLATFORM COMPONENTS INSTALLATION (SIDE ENTRY) for Service Parts)	
49	3740049	AR	Relay, Bosch	
50		Ref	Harness Options (See ELECTRICAL SECTION for Breakdown):	
50	4922338	1	Australian Spec	
50	4922411	1	CE Spec	
51	1670829	1	Bezel	
52	0630464	2	Screw, Button Head #10-24NC x 1/2in	
55	3740113	1	Relay, Time Delay	
56	3740115	1	Relay, Time Delay	
57	0641406	1	Bolt 1/4in-20NC x 3/4in	
58	4751400	4	Flatwasher 1/4in Regular	
59	0100011	AR	Compound, Locking	
60	0100035	AR	Compound, Locking	
61	0721010	2	Screw, Machine #10-24NC x 1-1/4in	
62	0721003	2	Screw, Machine #10-24NC x 3/8in	
63	4751000	2	Flatwasher #10 Regular	
64	0721004	2	Bolt #10-32NF x 1/2in	
65	4711000	2	Flatwasher #10 Thin	
66	4761000	6	Lockwasher #10	
67	3311005	9	Nut #10-32NC	
68	3311605	4	Locknut 3/8in-16NC	
69	1704260	1	Decal - EMS	
70	1600303	1	Controller, OEM Optimizer (Prior to SN 0300066057)	
71	2080055	AR	Fastener	
72	3740133	1	Relay, Timer	
73	3740134	2	Clip, Retainer	
74	4240033	1	Tie-Strap (Prior to SN 0300066057)	
75	4460234	1	Mount, Tie-Strap (Prior to SN 0300066057)	
76	2920129	13	Lamp, Light Display (SN 0300066057 through 0300128000)	
	0861110	Ref	CONSOLE BOX ASSEMBLY (Prior to SN 0300067888)	1-A
101	See Note	NSS	Lid, Cast (Note: Not Available - Purchase Complete Console Box Assembly.)	
102	See Note	NSS	Bottom, Box (Note: Not Available - Purchase Complete Console Box Assembly.)	
103	2600211	2	Hinge	

SECTION 4 - PLATFORM

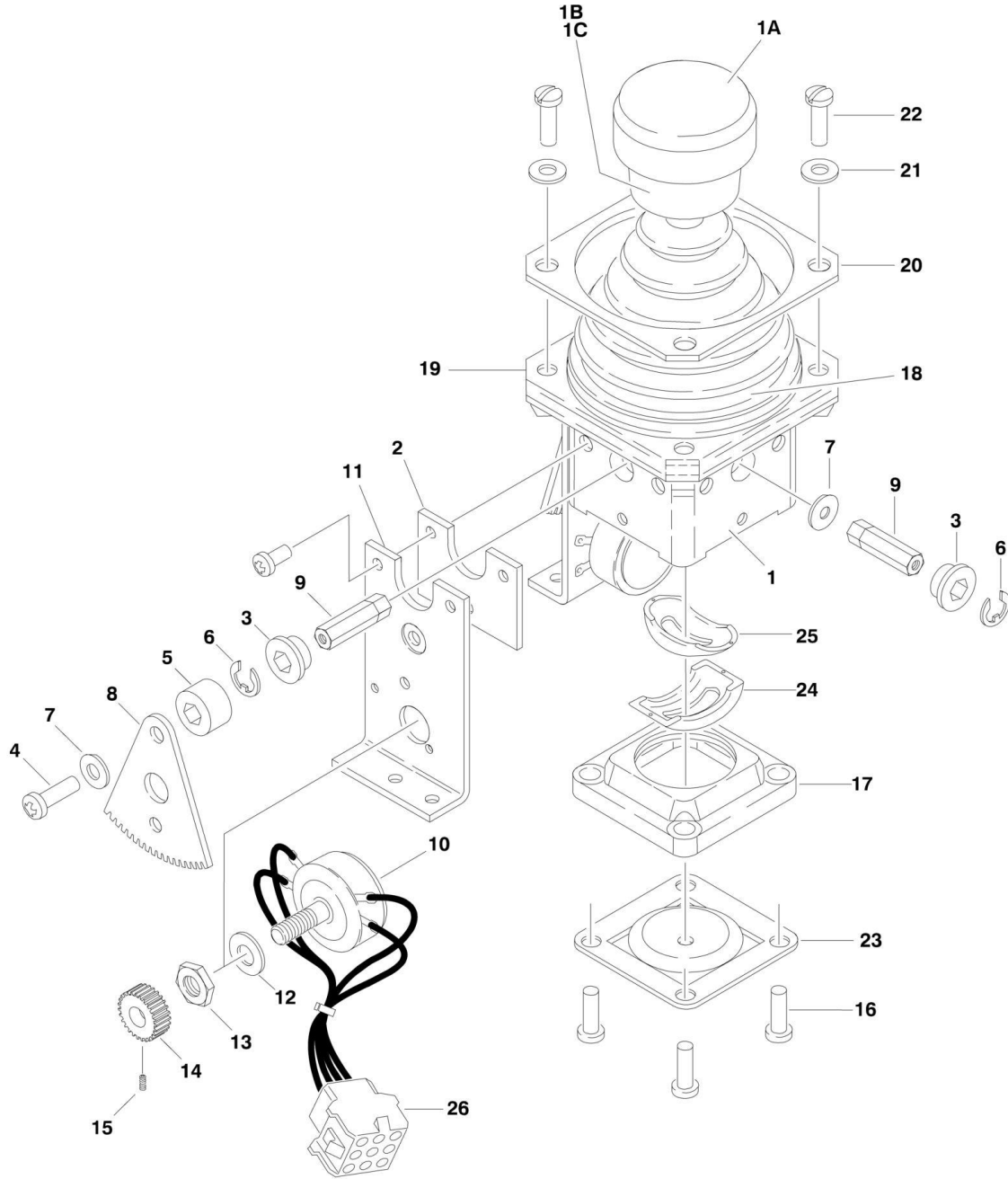
ITEM	PART NUMBER	QTY	DESCRIPTION	REV
104	3900224	8	Capscrew, Socket Head Countersunk 6mm x 16mm	
105	3931672	1	Capscrew, Socket Head 3/8in-16NC x 4-1/2in	
107	3311601	1	Nut 3/8in-16NC	
108	0100011	AR	Compound, Locking	
111	3520173	4	Plug	
	0861556	Ref	CONSOLE BOX ASSEMBLY (SN 0300067888 through 0300128000)	A
201	See Note	NSS	Lid, Cast (Note: Not Available - Purchase Complete Console Box Assembly.)	
202	See Note	NSS	Bottom, Box (Note: Not Available - Purchase Complete Console Box Assembly.)	
203	3311601	1	Nut 3/8in-16NC	
204	3450304	2	Pin, Cotter	
205	3931672	1	Capscrew, Socket Head 3/8in-16NC x 4-1/2in	
206	4711500	2	Flatwasher 5/16in Thin	
		Ref	CONSOLE BOX OPTIONS	
301		Ref	Lights Switch Option Components	
301	4360336	1	Switch, Toggle	
301	3790012	1	O-Ring	
302		Ref	Articulating Jib Switch Components (600SJC & 660SJC Only)	
302	4360314	1	Switch, Toggle	
302	3790012	1	O-Ring	
		Ref	LIGHT PANEL DECAL INSTALLATIONS	
	0270388	Ref	Australian Spec	1
	0270387	Ref	CE Spec	1
401		Ref	Decal - Light Panel Display Options:	
401	1704710	1	Australian Spec	
401	1704709	1	CE Spec	
		Ref	ELECTRICAL COMPONENTS INSTALLATIONS	
	4922338	Ref	Australian Spec	7-E
	4922411	Ref	CE Spec	4-C
534	4460503	1	Connector - 31 Position	
536	4460613	1	Connector - 21 Position	
539	4120035	13	Base, Light	
	2920129	13	Bulb, Light	
543	3641182	1	Track	
544	4460601	20	Block, Terminal	
545	4460607	2	Stop, End	
546	4460602	1	Barrier, Terminal	
547	4120013	1	Socket, Relay	
548	4460603	1	Bar, Buss - 10 Position (Cut into [2] 5 Position Bars)	
550	4460631	1	Marker, Terminal (Negative)	
551	4460847	1	Marker, Terminal (1-10)	
552	4120013	AR	Socket, Relay	
559	446849	2	Marker, Terminal (11-20)	
	0259233	Ref	BPE LOAD SENSING DEVICE INSTALLATION (FRENCH SPEC)	4-C
615	3740057	1	Relay	
616	4120012	1	Base, Relay	
617	3740066	1	Spring, Relay	
620	4460428	1	Relief, Strain	
	0271474	Ref	BPE LOAD SENSING DEVICE INSTALLATION - LIFT DOWN	1-B

SECTION 4 - PLATFORM

ITEM	PART NUMBER	QTY	DESCRIPTION	REV
			(FRENCH SPEC)	
710	4460428	1	Relief, Strain	
720	3740058	1	Relay	
721	4120013	1	Base, Relay	
722	3740063	1	Spring, Relay	

SECTION 4 - PLATFORM

FIGURE 4-4. CONTROLLER ASSEMBLY (SWING AND LIFT)



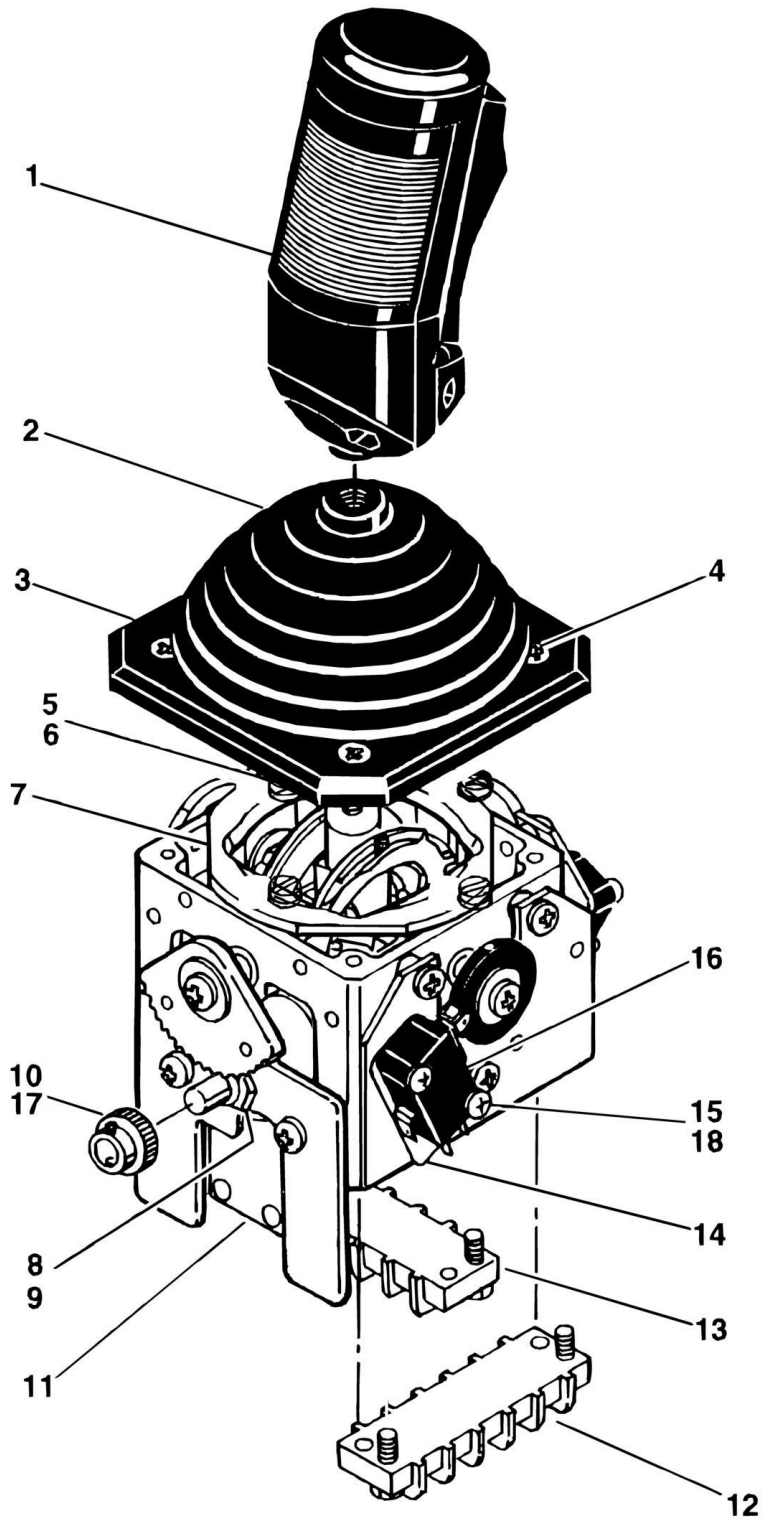
SECTION 4 - PLATFORM

FIGURE 4-4. CONTROLLER ASSEMBLY (SWING AND LIFT)

ITEM	PART NUMBER	QTY	DESCRIPTION	REV
	1600284	Ref	CONTROLLER ASSEMBLY	
1	7019141	1	Mechanical Assembly (Includes Base, Handle Stem and Items 1A, 1B, 1C & 18)	
1A	7019197	1	Handle Cap and Rod	
1B	7003928	1	Spring	
1C	7022808	1	Cap, Lift	
2	7019171	2	Plate	
3	7019111	4	Bearing, Gear	
4	7019143	2	Screw	
5	7019144	2	Spacer, Cam	
6	7019145	4	E-Clip	
7	7019174	2	Spacer	
8	7003977	2	Gear, Drive	
9	7019147	4	Shaft	
10	7003974	2	Potentiometer	
11	7019142	2	Plate	
12	7003992	2	Washer	
13	7003993	2	Nut	
14	7003976	2	Gear, Slave	
15	7019149	2	Setscrew	
16	7003952	4	Screw	
17	7019150	1	Gate	
18	7022813	1	Boot (was p/n 7003955)	
19	7022813	1	Plate, Plastic (was p/n 7003954)	
20	7003956	1	O-Ring	
21	7003953	4	Washer	
22	7019137	4	Screw	
23	See Note	NSS	Center, Detent (Note: Not Available for Purchase.)	
24	7019122	1	Gimble, Outer	
25	7019123	1	Gimble, Inner	
26	4460266	1	Connector - 9 Pin	
26	4460268	8	Socket, Female	
26	4460265	1	Plug - 9 Pin (Part of Platform Wiring) (Not Shown)	
26	4460267	8	Pin, Male (Part of Platform Wiring) (Not Shown)	

SECTION 4 - PLATFORM

FIGURE 4-5. CONTROLLER ASSEMBLY (DRIVE AND STEER)



SECTION 4 - PLATFORM

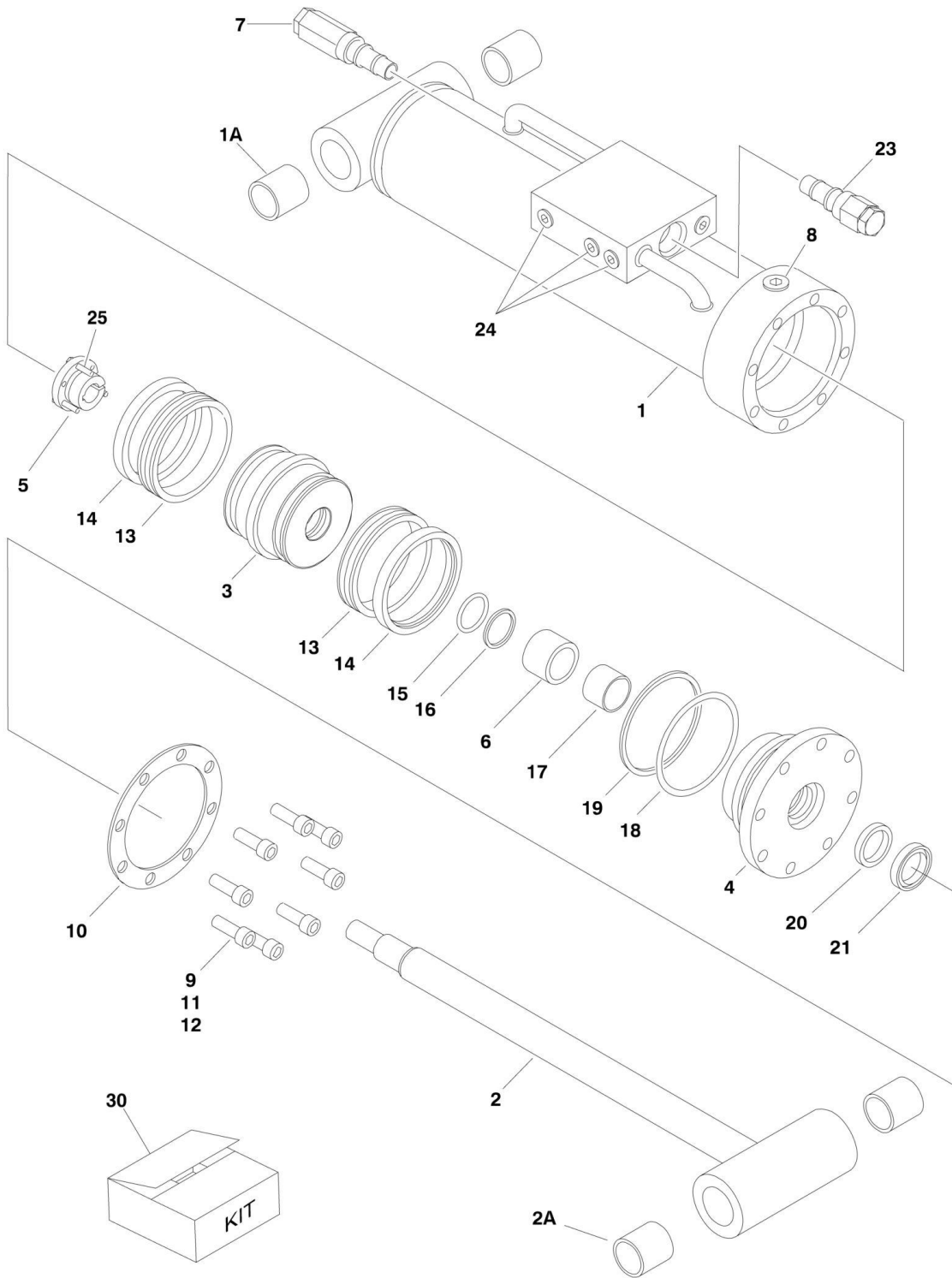
FIGURE 4-5. CONTROLLER ASSEMBLY (DRIVE AND STEER)

ITEM	PART NUMBER	QTY	DESCRIPTION	REV
		Ref	Note: Original Equipment controller may have been replaced with Service Replacement controller. Visually identify controller before ordering parts.	
		Ref	CONTROLLER ASSEMBLY OPTIONS:	
	1600263	Ref	Original Equipment (Prior to SN 0300066057)	B
	1600330	Ref	Service Replacement (Prior to SN 0300066057)	A
	1600330	Ref	Original Replacement (SN 0300066057 through 0300128000)	A
1		Ref	Handle Assembly Options:	
1	7019199	1	Handle Assembly (Controller p/n 1600263)	
1	7022829	1	Handle Assembly (Controller p/n 1600330 - Not Shown)	
2	7022800	1	Boot	
3	7022801	1	Flange	
4	7022802	4	Screw	
5	7022803	4	Washer	
6	7022804	4	Screw	
7	7022805	1	Gate	
8	7003993	2	Nut	
9	7003992	2	Flatwasher	
10	7022806	2	Gear, Slave	
11	7022826	2	Digisensor	
12	7019153	1	Strip, Terminal	
13	7003986	1	Strip, Terminal	
14	7019138	2	Insulator	
15	7019139	4	Screw	
16	7003961	2	Microswitch	
17	7019149	2	Setscrew	
18	7022807	4	Nut	

SECTION 5 - CYLINDER

SECTION 5 - CYLINDER

FIGURE 5-1. LEVEL CYLINDER ASSEMBLY - 600SC (ORIGINAL EQUIPMENT)



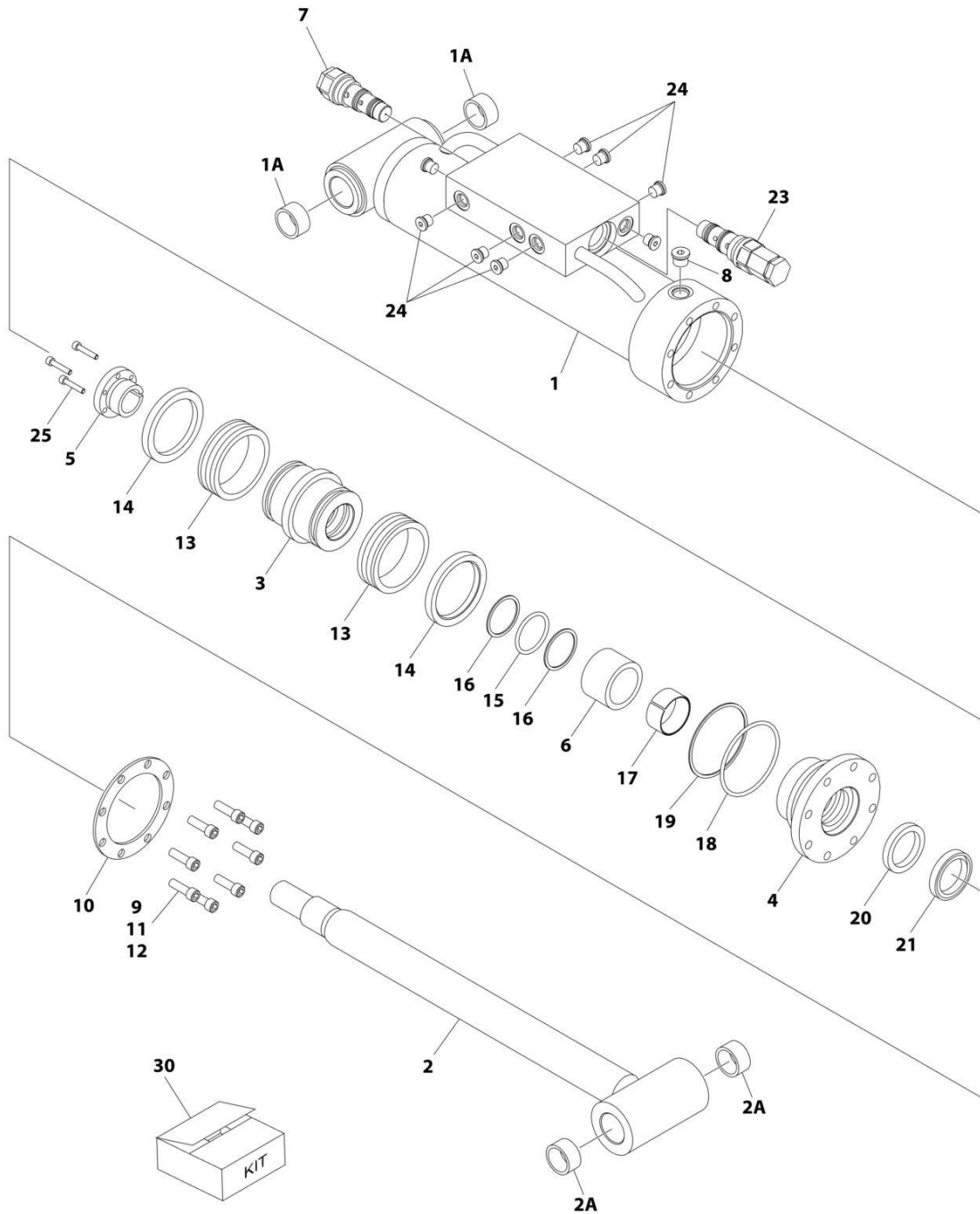
SECTION 5 - CYLINDER

FIGURE 5-1. LEVEL CYLINDER ASSEMBLY - 600SC (ORIGINAL EQUIPMENT)

ITEM	PART NUMBER	QTY	DESCRIPTION	REV
	1683415	Ref	LEVEL CYLINDER ASSEMBLY - 600SC (ORIGINAL EQUIPMENT)	C
		Ref	Note: Original Cylinder May Have Been Replaced with Service Replacement. Identify PN Stamped on Cylinder Before Ordering Parts.	
1		Ref	Barrel Options: (Note: Includes Item 1A)	
1	1683416	1	Barrel (Prior to SN 0300052687)	
1	1683977	1	Barrel (SN 0300052687 through 0300128000)	
1A	0961947	2	Bushing	
2		Ref	Rod (Note: Includes Item 2A)	
2	1683274	1	Rod (Prior to SN 0300052687)	
2	1683976	1	Rod (SN 0300052687 through 0300128000)	
2A	0961947	2	Bushing	
3	3480210	1	Piston	
4	1683053	1	Head	
5	0961893	1	Bushing, Tapered	
6	4566468	1	Spacer	
7	4640509	1	Cartridge, Valve	
7	2900792	1	Seal Kit - 4640509 Valve	
8	2220885	1	Plug, O-Ring	
9	3931516	8	Capscrew, Socket Head 5/16in-18NC x 1in	
10	3760368	1	Ring, Washer	
11	0100011	AR	Compound, Locking	
12	0100038	AR	Primer, Locking	
13	See Note	NSS	Seal (Note: Use Item 30)	
14	See Note	NSS	Ring, Lock (Note: Use Item 30)	
15	See Note	NSS	O-Ring (Note: Use Item 30)	
16	See Note	NSS	Ring, Back-up (Note: Use Item 30)	
17	See Note	NSS	Ring, Wear (Note: Use Item 30)	
18	See Note	NSS	O-Ring (Note: Use Item 30)	
19	See Note	NSS	Ring, Back-up (Note: Use Item 30)	
20	See Note	NSS	Seal, Rod (Note: Use Item 30)	
21	See Note	NSS	Wiper (Note: Use Item 30)	
23	4640932	1	Cartridge, Valve	
23	7011112	1	Seal Kit - Valve Cartridge	
24	2220883	AR	Plug, O-Ring	
25	0630534	3	Screw, Socket Head #10-24NC x 1in	
30	2901303	1	Seal Kit (Includes Items 13-21)	

SECTION 5 - CYLINDER

FIGURE 5-2. LEVEL CYLINDER ASSEMBLY - 600SC (SERVICE REPLACEMENT)



ART_1001223512

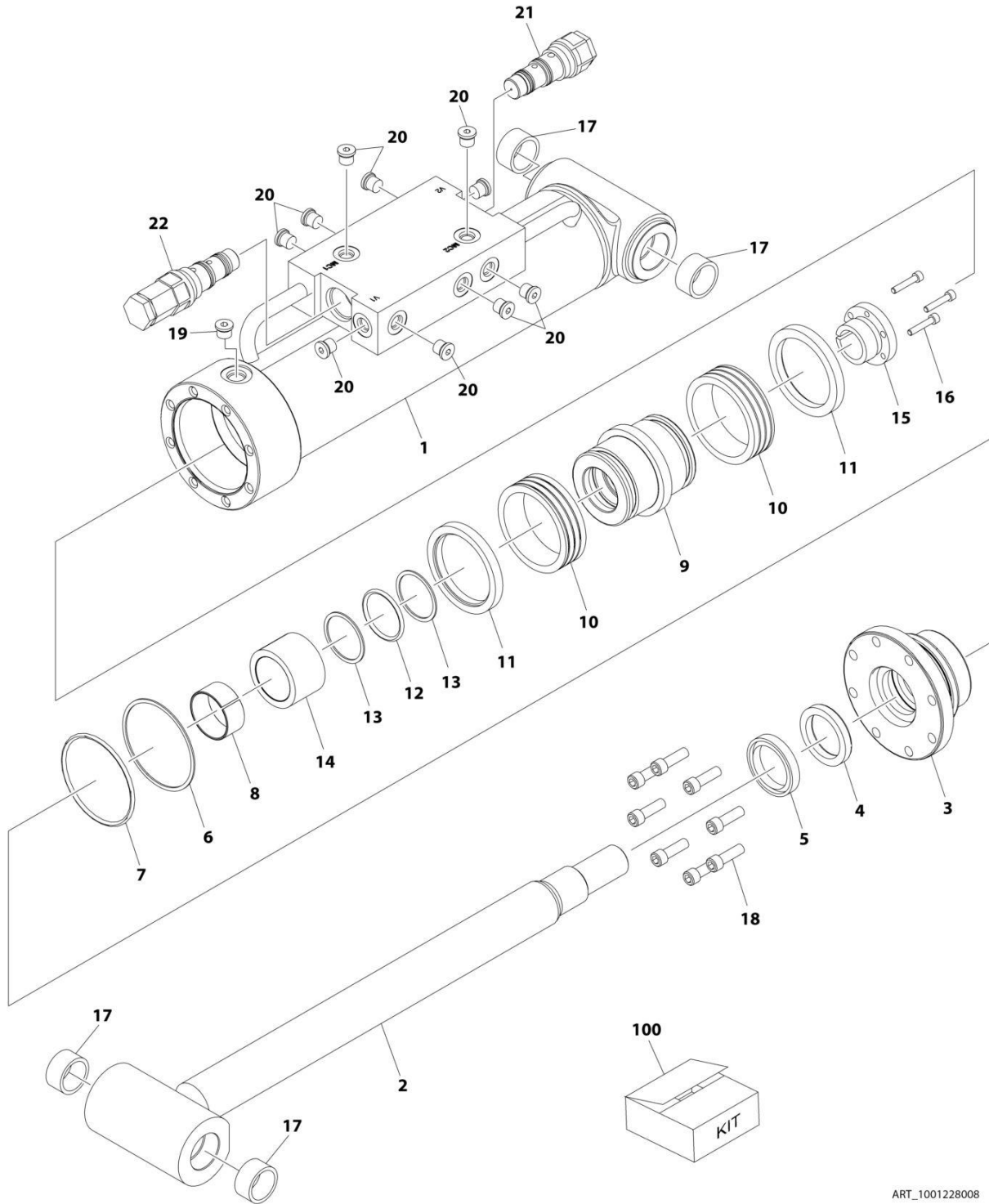
SECTION 5 - CYLINDER

FIGURE 5-2. LEVEL CYLINDER ASSEMBLY - 600SC (SERVICE REPLACEMENT)

ITEM	PART NUMBER	QTY	DESCRIPTION	REV
	1001223512	Ref	LEVEL CYLINDER ASSEMBLY - 600SC (SERVICE REPLACEMENT)	B
		Ref	Note: Original Cylinder May Have Been Replaced with Service Replacement. Identify PN Stamped on Cylinder Before Ordering Parts.	
1	1001223511	1	Barrel Weldment	
1A	0961947	2	Bushing	
2	1683976	1	Rod Weldment	
2A	0961947	2	Bushing	
3	3480210	1	Piston	
4	1683053	1	Head	
5	0961893	1	Bushing, Tapered	
6	4566468	1	Spacer	
7	4640509	1	Cartridge, Valve	
7	2900792	1	Seal Kit - 4640509 Valve	
8	2220885	1	Plug, O-Ring	
9	3931516	8	Capscrew 5/16 x 1	
10	3760368	1	Ring, Washer	
11	0100011	AR	Compound, Locking	
12	0100038	AR	Primer, Locking	
13	See Note	NSS	Seal (Note: Use Item 30)	
14	See Note	NSS	Ring, Lock (Note: Use Item 30)	
15	See Note	NSS	O-Ring (Note: Use Item 30)	
16	See Note	NSS	Ring, Back-up (Note: Use Item 30)	
17	See Note	NSS	Ring, Wear (Note: Use Item 30)	
18	See Note	NSS	O-Ring (Note: Use Item 30)	
19	See Note	NSS	Ring, Back-up (Note: Use Item 30)	
20	See Note	NSS	Seal, Rod (Note: Use Item 30)	
21	See Note	NSS	Wiper (Note: Use Item 30)	
23	4640932	1	Cartridge, Valve	
23	7011112	1	Seal Kit - 4640932 Valve	
24	2220883	AR	Plug, O-Ring	
25	0630534	3	Screw #10 x 1	
30	2901303	1	Seal Kit (Includes Items 13-21)	

SECTION 5 - CYLINDER

FIGURE 5-3. LEVEL CYLINDER ASSEMBLY - 600SC (SERVICE REPLACEMENT)



ART_1001228008

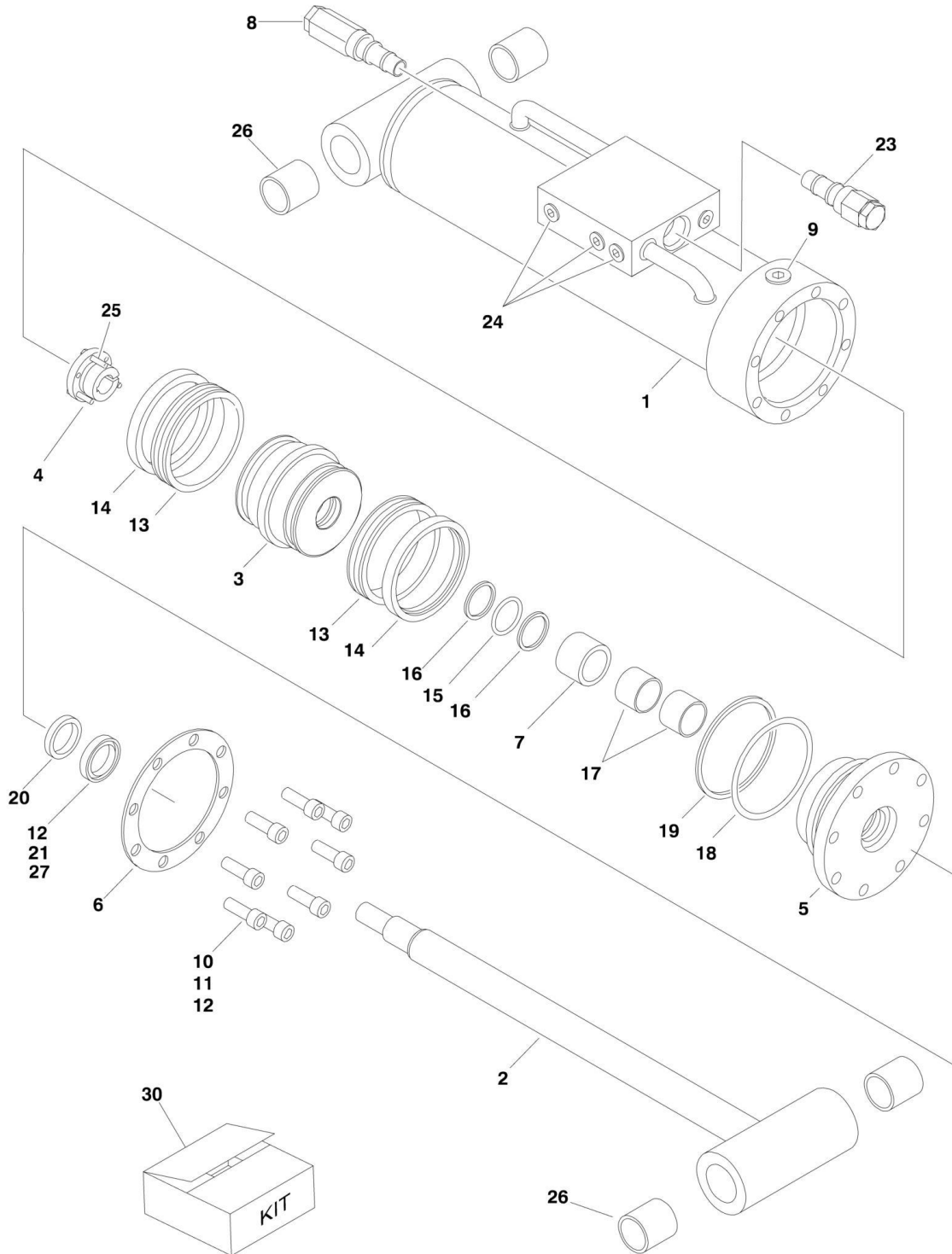
SECTION 5 - CYLINDER

FIGURE 5-3. LEVEL CYLINDER ASSEMBLY - 600SC (SERVICE REPLACEMENT)

ITEM	PART NUMBER	QTY	DESCRIPTION	REV
	1001228008	Ref	LEVEL CYLINDER ASSEMBLY - 600SC (SERVICE REPLACEMENT)	A
		Ref	Note: Original Cylinder May Have Been Replaced with Service Replacement. Identify PN Stamped on Cylinder Before Ordering Parts.	
1	See Note	NSS	Barrel (Note: Not Available for Purchase)	
2	70006648	1	Rod	
3	70006649	1	Head	
4	See Note	NSS	Wiper (Note: Use Item 100)	
5	See Note	NSS	Seal (Note: Use Item 100)	
6	See Note	NSS	O-Ring (Note: Use Item 100)	
7	See Note	NSS	Ring, Back-up (Note: Use Item 100)	
8	See Note	NSS	Ring, Wear (Note: Use Item 100)	
9	70006650	1	Piston	
10	See Note	NSS	Seal (Note: Use Item 100)	
11	See Note	NSS	Ring, Lock (Note: Use Item 100)	
12	See Note	NSS	O-Ring (Note: Use Item 100)	
13	See Note	NSS	Ring, Back-up (Note: Use Item 100)	
14	70006569	1	Spacer	
15	0961893	1	Bushing, Tapered	
16	0630534	3	Screw #10 x 1	
17	0961947	4	Bushing	
18	3931516	8	Capscrew 5/16 x 1	
19	2220885	1	Plug, O-Ring	
20	2220883	10	Plug, O-Ring	
21	4640932	1	Cartridge, Valve	
21	7011112	1	Seal Kit - 4640932 Valve	
22	4640509	1	Cartridge, Valve	
22	2900792	1	Seal Kit - 4640509 Valve	
100	2901303	1	Seal Kit (Includes Items 4-8 & 10-13)	

SECTION 5 - CYLINDER

FIGURE 5-4. LEVEL CYLINDER ASSEMBLIES - 600SJC & 660SJC (ORIGINAL EQUIPMENT)



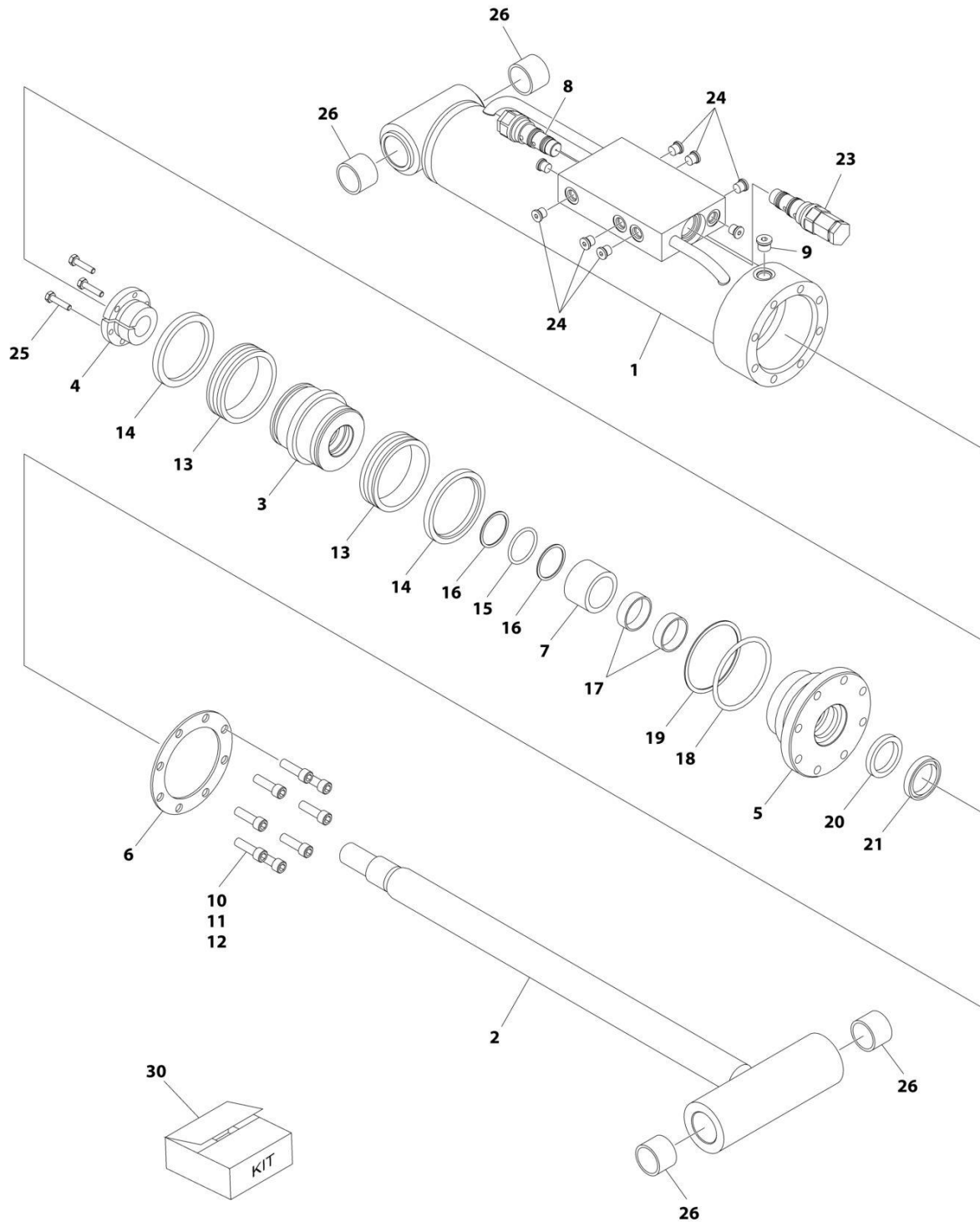
SECTION 5 - CYLINDER

FIGURE 5-4. LEVEL CYLINDER ASSEMBLIES - 600SJC & 660SJC (ORIGINAL EQUIPMENT)

ITEM	PART NUMBER	QTY	DESCRIPTION	REV
	1683418	Ref	LEVEL CYLINDER ASSEMBLIES - 600SJC & 660SJC (ORIGINAL EQUIPMENT)	D
		Ref	Note: Original Cylinder May Have Been Replaced with Service Replacement. Identify PN Stamped on Cylinder Before Ordering Parts.	
1		Ref	Barrel Options:	
1	1683419	1	Barrel (Note: Includes Item 26) (Prior to SN 0300052687)	
1	1683952	1	Barrel (Note: Item 26 not included - Purchase Separately) (SN 0300052687 through 0300128000)	
2		Ref	Rod Options:	
2	1683963	1	Rod (Note: Includes Item 26)	
2	1683333	1	Rod (Note: Item 26 not included. Purchase PN 1683963)	
3	3480188	1	Piston	
4	0961894	1	Bushing, Tapered	
5	1683055	1	Head	
6	3760369	1	Ring, Washer	
7	4566468	1	Spacer	
8	4640509	1	Cartridge, Valve	
8	2900792	1	Seal Kit - 4640509 Valve	
9	2220885	1	Plug, O-Ring	
10	3931620	8	Capscrew, Socket Head 3/8in-16NC x 1-1/4in	
11	0100011	AR	Compound, Locking	
12	0100038	AR	Primer, Locking	
13	See Note	NSS	Seal (Note: Use Item 30)	
14	See Note	NSS	Ring, Lock (Note: Use Item 30)	
15	See Note	NSS	O-Ring (Note: Use Item 30)	
16	See Note	NSS	Ring, Back-up (Note: Use Item 30)	
17	See Note	NSS	Ring, Wear (Note: Use Item 30)	
18	See Note	NSS	O-Ring (Note: Use Item 30)	
19	See Note	NSS	Ring, Back-up (Note: Use Item 30)	
20	See Note	NSS	Seal, Rod (Note: Use Item 30)	
21	See Note	NSS	Wiper (Note: Use Item 30)	
23	4640932	1	Cartridge, Valve	
23	7011112	1	Seal Kit - Valve Cartridge	
24	2220883	8	Plug, O-Ring	
25	0630535	3	Screw, Socket Head 1/4in-20NC x 1-1/8in	
26	0961951	4	Bushing	
27	0100063	AR	Loctite #RC609	
30	2901301	1	Seal Kit (Includes Items 13-21)	

SECTION 5 - CYLINDER

FIGURE 5-5. LEVEL CYLINDER ASSEMBLIES - 600SJC & 660SJC (SERVICE REPLACEMENT)



ART_1001223331

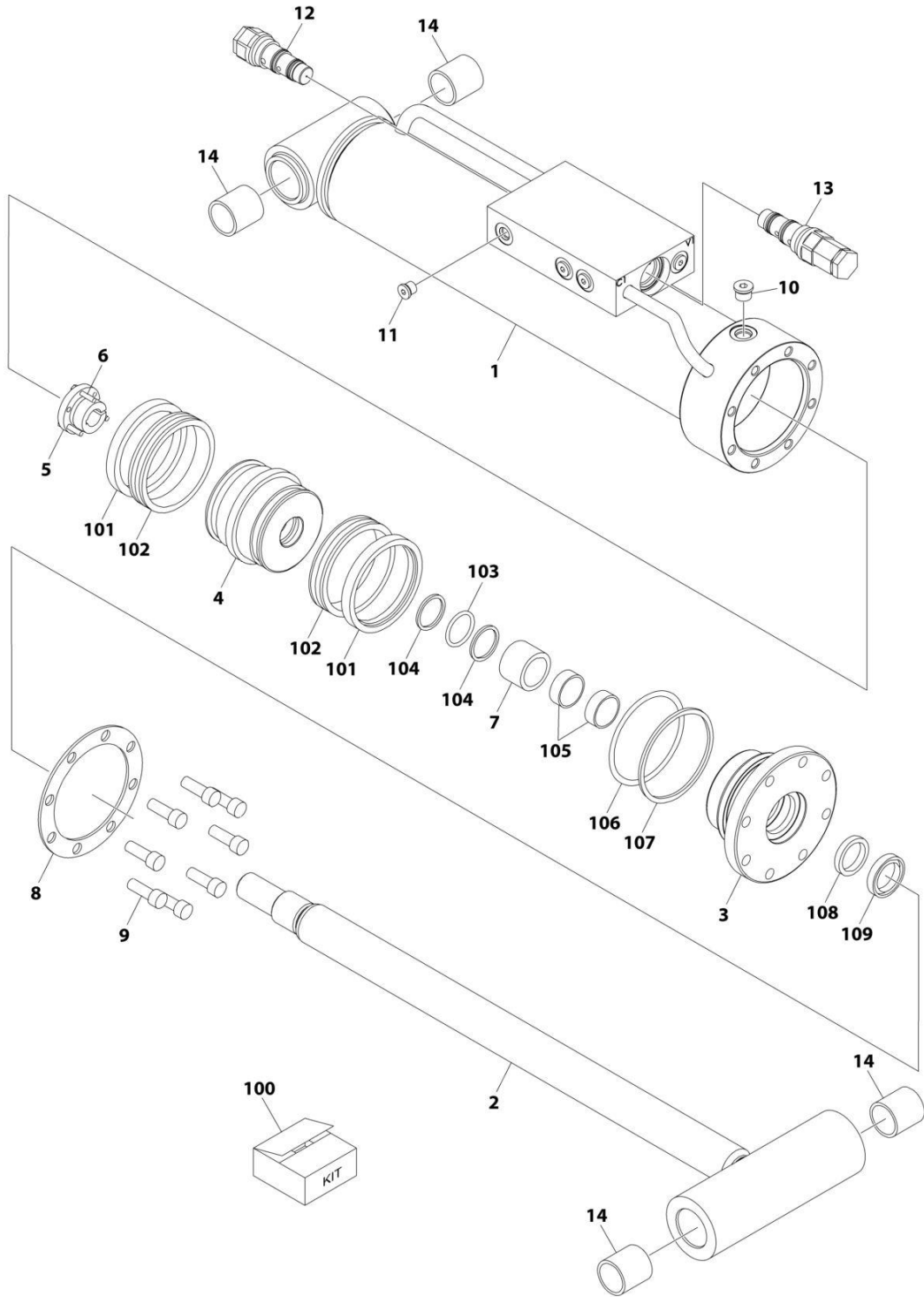
SECTION 5 - CYLINDER

FIGURE 5-5. LEVEL CYLINDER ASSEMBLIES - 600SJC & 660SJC (SERVICE REPLACEMENT)

ITEM	PART NUMBER	QTY	DESCRIPTION	REV
	1001223331	Ref	LEVEL CYLINDER ASSEMBLIES - 600SJC & 660SJC (SERVICE REPLACEMENT)	B
		Ref	Note: Original Cylinder May Have Been Replaced with Service Replacement. Identify PN Stamped on Cylinder Before Ordering Parts.	
1	1001223332	1	Barrel (Note: Item 26 not included - Purchase Separately)	
2	1683963	1	Rod (Note: Item 26 not included - Purchase Separately)	
3	3480188	1	Piston	
4	0961894	1	Bushing, Tapered	
5	1683055	1	Head	
6	3760369	1	Ring, Washer	
7	4566468	1	Spacer	
8	4640509	1	Cartridge, Valve	
8	2900792	1	Seal Kit - 4640509 Valve	
9	2220885	1	Plug, O-Ring	
10	3931620	8	Capscrew 3/8 x 1-1/4	
11	0100011	AR	Compound, Locking	
12	0100038	AR	Primer, Locking	
13	See Note	NSS	Seal (Note: Use Item 30)	
14	See Note	NSS	Ring, Lock (Note: Use Item 30)	
15	See Note	NSS	O-Ring (Note: Use Item 30)	
16	See Note	NSS	Ring, Back-up (Note: Use Item 30)	
17	See Note	NSS	Ring, Wear (Note: Use Item 30)	
18	See Note	NSS	O-Ring (Note: Use Item 30)	
19	See Note	NSS	Ring, Back-up (Note: Use Item 30)	
20	See Note	NSS	Seal, Rod (Note: Use Item 30)	
21	See Note	NSS	Wiper (Note: Use Item 30)	
23	4640932	1	Cartridge, Valve	
23	7011112	1	Seal Kit 4640932 Valve	
24	2220883	8	Plug, O-Ring	
25	0630535	3	Screw #10 x 1	
26	0961951	4	Bushing	
30	2901301	1	Seal Kit (Includes Items 13-21)	

SECTION 5 - CYLINDER

FIGURE 5-6. LEVEL CYLINDER ASSEMBLY - 600SJC & 660SJC (SERVICE REPLACEMENT)



ART_1001228051

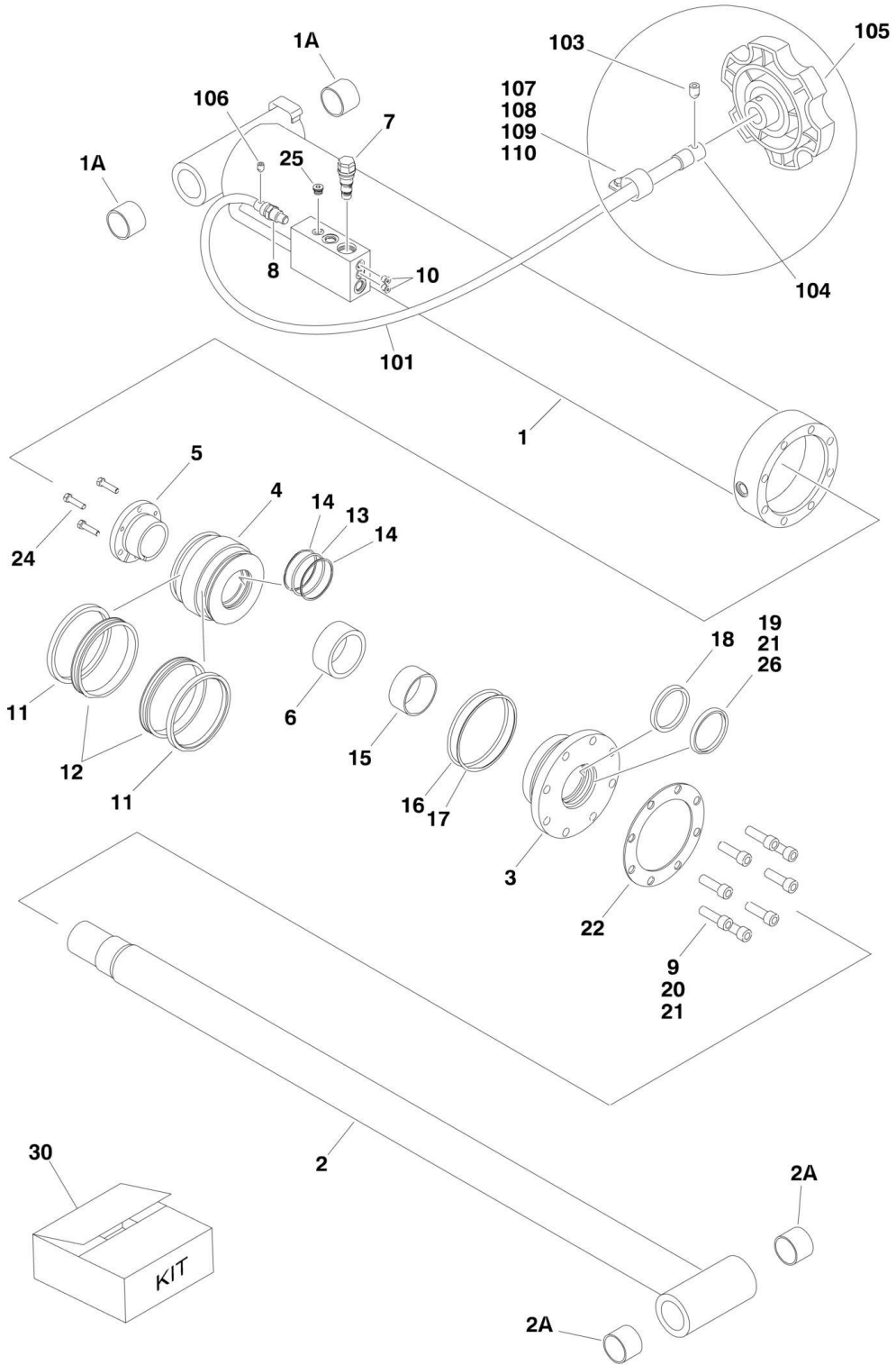
SECTION 5 - CYLINDER

FIGURE 5-6. LEVEL CYLINDER ASSEMBLY - 600SJC & 660SJC (SERVICE REPLACEMENT)

ITEM	PART NUMBER	QTY	DESCRIPTION	REV
	1001228051	Ref	LEVEL CYLINDER ASSEMBLY	A
		Ref	Note: Original Cylinder May Have Been Replaced with Service Replacement. Identify PN Stamped on Cylinder Before Ordering Parts.	
1	See Note	NSS	Barrel (Note: Use p/n 1001228051)	
2	70006823	1	Rod	
3	70006446	1	Head	
4	70006445	1	Piston	
5	70006444	1	Bushing, Tapered	
6	0630535	3	Bolt 1/4 x 1-1/8	
7	70006443	1	Spacer	
8	70006822	1	Ring, Washer	
9	3931620	8	Capscrew 3/8 x 1-1/4	
10	2220885	1	Plug, O-Ring	
11	2220883	8	Plug, O-Ring	
12	4640509	1	Cartridge, Valve	
12	2900792	1	Seal Kit - 4640509 Valve	
13	4640932	1	Cartridge, Valve	
13	7011112	1	Seal Kit - 4640932 Valve	
14	0961951	4	Bushing	
100	1001138796	1	Seal Kit - 1001228051 Cylinder (Includes Items 101-109)	
101	See Note	NSS	Ring, Lock (Note: Use Item 100)	
102	See Note	NSS	Seal (Note: Use Item 100)	
103	See Note	NSS	O-Ring (Note: Use Item 100)	
104	See Note	NSS	Ring, Back-up (Note: Use Item 100)	
105	See Note	NSS	Ring, Wear (Note: Use Item 100)	
106	See Note	NSS	O-Ring (Note: Use Item 100)	
107	See Note	NSS	Ring, Back-up (Note: Use Item 100)	
108	See Note	NSS	Seal, Rod (Note: Use Item 100)	
109	See Note	NSS	Wiper (Note: Use Item 100)	

SECTION 5 - CYLINDER

FIGURE 5-7. LIFT CYLINDER ASSEMBLY



SECTION 5 - CYLINDER

FIGURE 5-7. LIFT CYLINDER ASSEMBLY

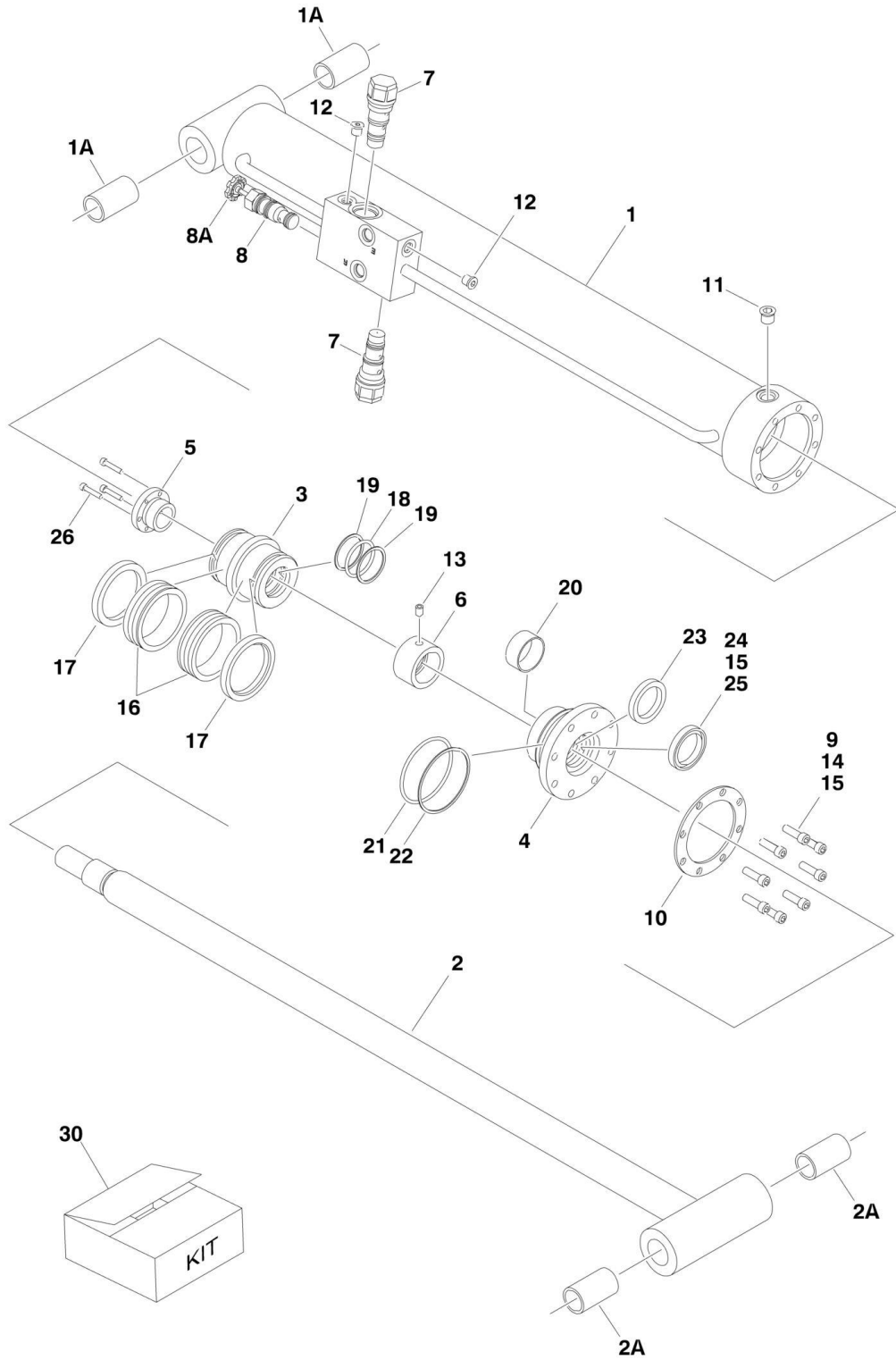
ITEM	PART NUMBER	QTY	DESCRIPTION	REV
		Ref	Note: Original Equipment components may have been replaced with Service Replacement part. Identify p/n stamped on cylinder before ordering parts.	
		Ref	LIFT CYLINDER ASSEMBLY OPTIONS:	
	1683275	Ref	Lift Cylinder (Prior to SN 0300070975)	H
	1683666	Ref	Original Equipment (SN 0300070975 through 0300128000)	D
	1001112468	Ref	Service Replacement (SN 0300070975 through 0300128000)	B
1		Ref	Barrel Options: (Note: Includes Item 1A)	
1	1683276	1	Barrel (Lift Cylinder p/n 1683275)	
1	1683955	1	Barrel (Lift Cylinder p/n 1683666)	
1	1001112467	1	Barrel (Lift Cylinder p/n 1001112468)	
1A	0961950	2	Bushing	
2		Ref	Rod Options: (Note: Includes Item 2A)	
2	1683278	1	Rod (Lift Cylinder p/n 1683275)	
2	1683954	1	Rod (Lift Cylinders p/n 1683666 & p/n 1001112468)	
2A	0961950	2	Bushing	
3	1683067	1	Head	
4	3480206	1	Piston	
5	0961898	1	Bushing, Tapered (Use item #24 in place of supplied bolts)	
6	4566501	1	Spacer, Tube	
7	4640509	1	Cartridge, Valve	
7	2900792	1	Seal Kit - 4640509 Valve	
8	4640799	1	Cartridge, Valve (Used on 1683275 Cylinder)	
8	7010545	1	Seal Kit - 4640799 Valve	
8	2220887	1	Plug, O-Ring (Used on 1683666 Cylinder)	
9	3932032	8	Bolt, Socket Head 5/16in-11NC x 2in	
10	2220883	2	Plug, O-Ring	
11	See Note	NSS	Ring, Lock (Note: Use Item 30)	
12	See Note	NSS	Seal, Hydrolock (Note: Use Item 30)	
13	See Note	NSS	O-Ring (Note: Use Item 30)	
14	See Note	NSS	Ring, Back-up (Note: Use Item 30)	
15	See Note	NSS	Ring, Wear (Note: Use Item 30)	
16	See Note	NSS	O-Ring (Note: Use Item 30)	
17	See Note	NSS	Ring, Back-up (Note: Use Item 30)	
18	See Note	NSS	Seal, Rod (Note: Use Item 30)	
19	See Note	NSS	Wiper (Note: Use Item 30)	
20	0100011	AR	Compound, Locking	
21	0100038	AR	Primer, Locking	
22	3760372	1	Washer, Ring	
24	0630536	3	Screw, Socket Head 3/8in-16NC x 1-1/2in	
25	2220235	1	Plug, O-Ring (SN 0300070975 through 0300128000)	
26	0100063	AR	Loctite #RC609 (SN 0300070975 through 0300128000)	
30	2901285	1	Seal Kit - 1683275 Cylinder (Includes Items 11-19)	
	0256212	Ref	MANUAL DESCENT INSTALLATION	3-B
101	1060617	1	Cable	
103	3900230	2	Setscrew #10-32NF x 3/8in	
104	0080220	1	Adapter	
105	2560144	1	Knob	
106	3950803	1	Setscrew #8-32NC x 3/8in	
107	1320070	1	Clamp	

SECTION 5 - CYLINDER

ITEM	PART NUMBER	QTY	DESCRIPTION	REV
108	0641408	1	Bolt 1/4in-20NC x 1in	
109	3311405	1	Locknut 1/4in-20NC	
110	4751400	2	Flatwasher 1/4in	

SECTION 5 - CYLINDER

FIGURE 5-8. ARTICULATING JIB LIFT CYLINDER ASSEMBLY - 600SJC & 660SJC



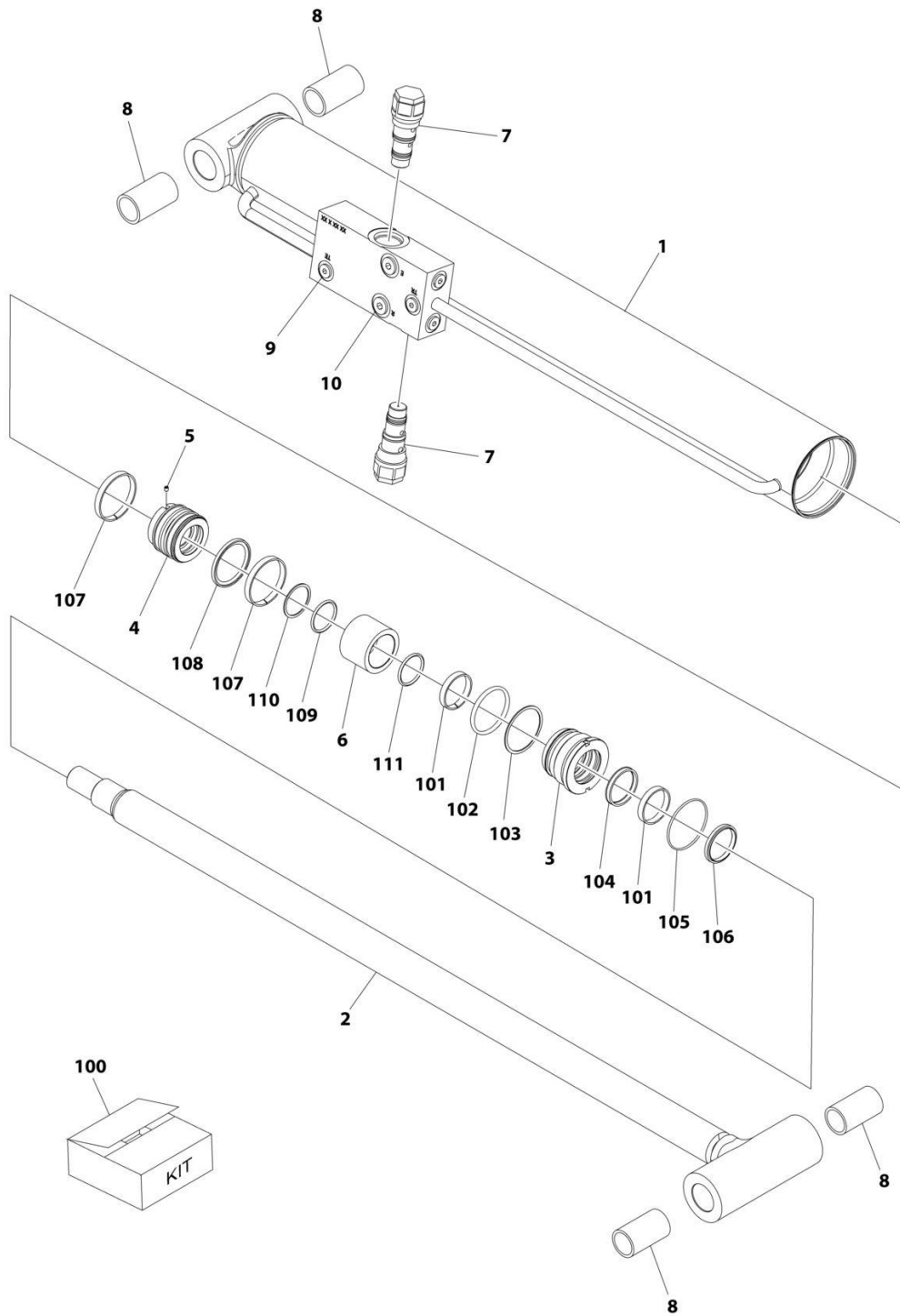
SECTION 5 - CYLINDER

FIGURE 5-8. ARTICULATING JIB LIFT CYLINDER ASSEMBLY - 600SJC & 660SJC

ITEM	PART NUMBER	QTY	DESCRIPTION	REV
		Ref	MAIN BOOM LIFT CYLINDER ASSEMBLY OPTIONS - 600SJC & 660SJC:	
	1683258	Ref	Main Boom Lift Cylinder Assembly (Prior to SN 0300070975)	E
	1683609	Ref	Main Boom Lift Cylinder Assembly (Original Equipment) (SN 0300070975 through 0300128000)	H
		Ref	Note: Original Cylinder May Have Been Replaced with Service Replacement. Identify PN Stamped on Cylinder Before Ordering Parts.	
1		Ref	Barrel Options: (Note: Includes Item 1A)	
1	1683259	1	Barrel (Prior to SN 0300062138)	
1	1684092	1	Barrel (SN 0300062138 through 0300070974)	
1	1684089	1	Barrel (SN 0300070975 through 0300128000)	
1A		Ref	Bushing Options:	
1A	0961947	2	Bushing (Prior to SN 0300062138)	
1A	0962336	2	Bushing (SN 0300062138 through 0300128000)	
2		Ref	Rod Options: (Note: Includes Item 2A)	
2	1683261	1	Rod (Prior to SN 0300062138)	
2	1684090	1	Rod (SN 0300062138 through 0300128000)	
2A		Ref	Bushing Options:	
2A	0961947	2	Bushing (Prior to SN 0300062138)	
2A	0962336	2	Bushing (SN 0300062138 through 0300128000)	
3	3480210	1	Piston	
4	1683053	1	Head	
5	0961893	1	Bushing, Tapered	
6	4566471	NLA	Spacer (Use p/n 4100100)	
7	4640509	2	Cartridge, Valve	
7	2900792	2	Seal Kit - 4640509 Valve	
8	4640902	1	Cartridge, Valve (Prior to SN 0300070975)	
8	7012953	1	Seal Kit - 4640902 Valve	
8A	7012961	1	Knob	
9	3931516	8	Capscrew, Socket Head 5/16in-18NC x 1in	
10	3760368	1	Ring, Washer	
11	2220885	1	Plug, O-Ring #6	
12	2220883	AR	Plug, O-Ring #4	
13	3900141	1	Setscrew 1/4in-20NC x 3/8in(Note: Setscrew not required on spacer p/n 4100100)	
14	0100011	AR	Compound, Locking	
15	0100038	AR	Primer, Locking	
16	See Note	NSS	Seal (Note: Use Item 30)	
17	See Note	NSS	Ring, Lock (Note: Use Item 30)	
18	See Note	NSS	O-Ring (Note: Use Item 30)	
19	See Note	NSS	Ring, Back-up (Note: Use Item 30)	
20	See Note	NSS	Ring, Wear (Note: Use Item 30)	
21	See Note	NSS	O-Ring (Note: Use Item 30)	
22	See Note	NSS	Ring, Back-up (Note: Use Item 30)	
23	See Note	NSS	Seal, Rod (Note: Use Item 30)	
24	See Note	NSS	Wiper (Note: Use Item 30)	
25	0100063	AR	Loctite #RC609 (SN 0300070975 through 0300128000)	
26	0630534	3	Screw, Socket Head #10-24NC x 1in	
30	2901303	1	Seal Kit (Includes Items 16-24)	

SECTION 5 - CYLINDER

FIGURE 5-9. ARTICULATING JIB LIFT CYLINDER ASSEMBLY - 600SJC & 660SJC (SERVICE REPLACEMENT)



ART_1001228012

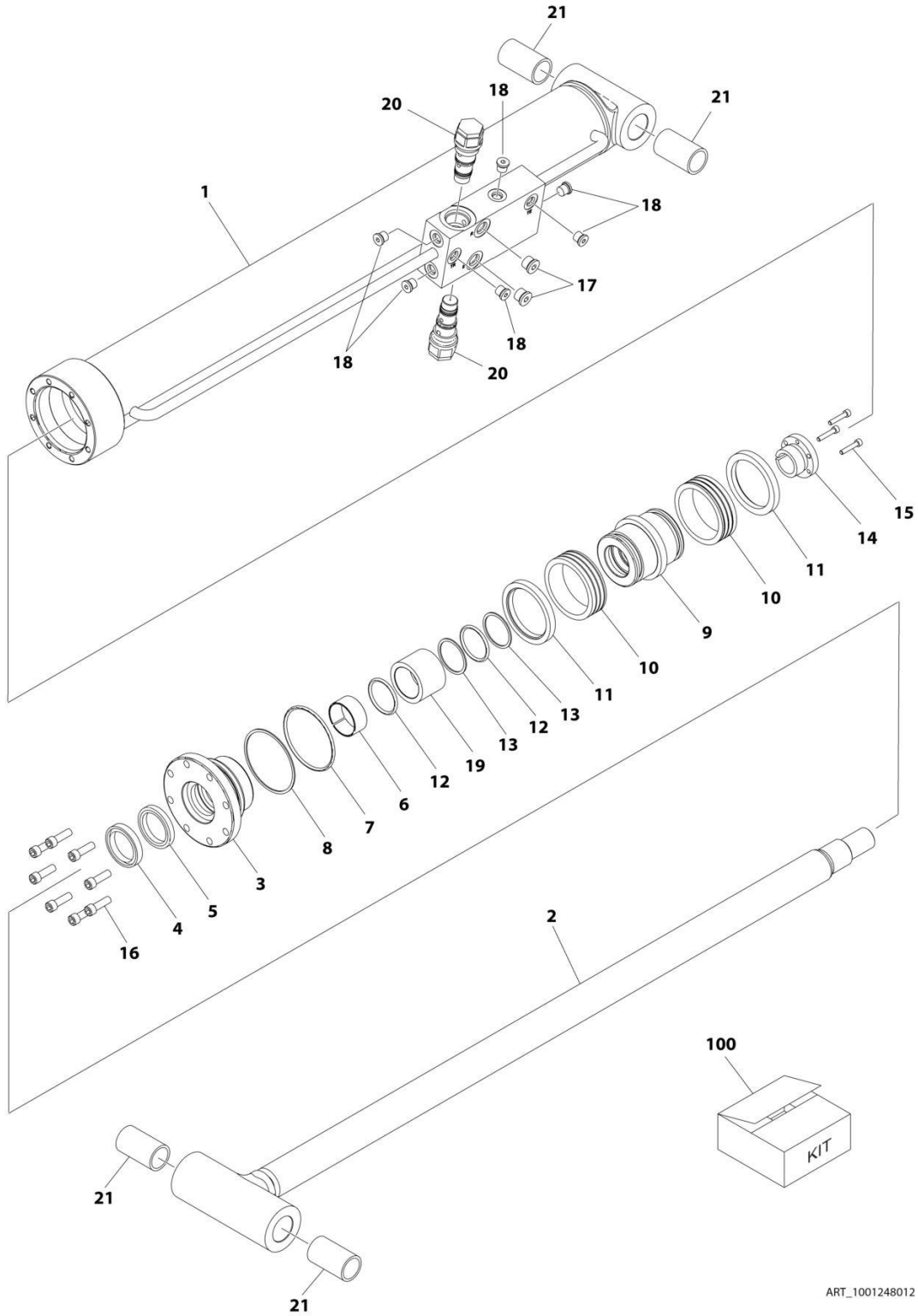
SECTION 5 - CYLINDER

FIGURE 5-9. ARTICULATING JIB LIFT CYLINDER ASSEMBLY - 600SJC & 660SJC (SERVICE REPLACEMENT)

ITEM	PART NUMBER	QTY	DESCRIPTION	REV
	1001228012	Ref	ARTICULATING JIB LIFT CYLINDER ASSEMBLY - 600SJC & 660SJC (SERVICE REPLACEMENT)	A
		Ref	Note: Original Cylinder May Have Been Replaced with Service Replacement. Identify PN Stamped on Cylinder Before Ordering Parts.	
1	See Note	NSS	Barrel (Note: Not Available for Purchase)	
2	70006572	1	Rod	
3	70006571	1	Head	
4	70006570	1	Piston	
5	70023915	1	Screw	
6	70006569	1	Spacer	
7	4640509	2	Cartridge, Valve	
7	2900792	2	Seal Kit - 4640509 Valve	
8	0962336	4	Bushing	
9	2220883	6	Plug, O-Ring	
10	2220885	2	Plug, O-Ring	
100	70006568	1	Seal Kit (Includes Items 101-111)	
101	See Note	NSS	Ring, Wear (Note: Use Item 100)	
102	See Note	NSS	O-Ring (Note: Use Item 100)	
103	See Note	NSS	Ring, Back-up (Note: Use Item 100)	
104	See Note	NSS	Seal, Rod (Note: Use Item 100)	
105	See Note	NSS	O-Ring (Note: Use Item 100)	
106	See Note	NSS	Wiper (Note: Use Item 100)	
107	See Note	NSS	Ring, Wear (Note: Use Item 100)	
108	See Note	NSS	Seal (Note: Use Item 100)	
109	See Note	NSS	O-Ring (Note: Use Item 100)	
110	See Note	NSS	Ring, Back-up (Note: Use Item 100)	
111	See Note	NSS	O-Ring (Note: Use Item 100)	

SECTION 5 - CYLINDER

FIGURE 5-10. ARTICULATING JIB LIFT CYLINDER ASSEMBLY - 600SJC & 660SJC (SERVICE REPLACEMENT)



ART_1001248012

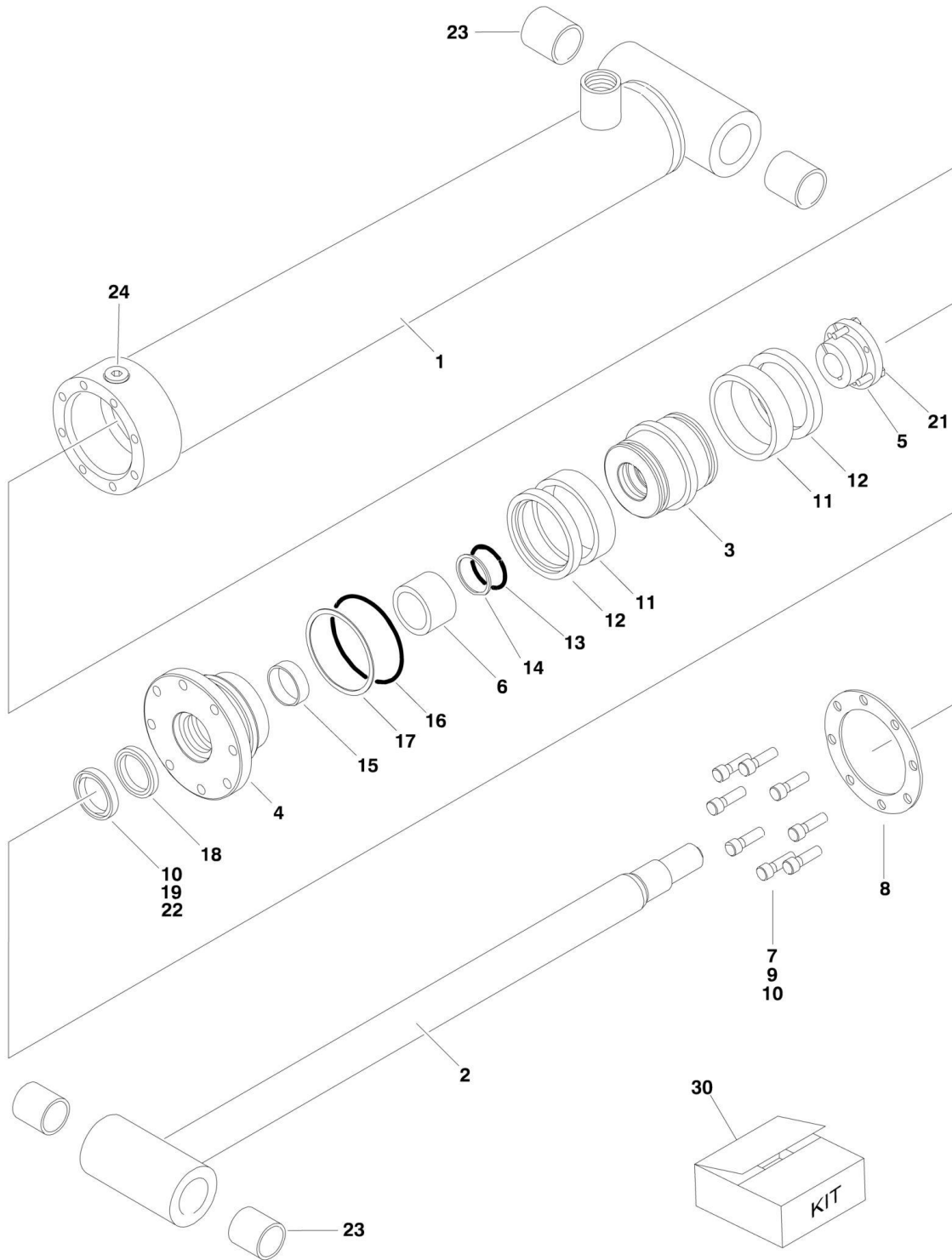
SECTION 5 - CYLINDER

FIGURE 5-10. ARTICULATING JIB LIFT CYLINDER ASSEMBLY - 600SJC & 660SJC (SERVICE REPLACEMENT)

ITEM	PART NUMBER	QTY	DESCRIPTION	REV
	1001248012	Ref	LIFT CYLINDER ASSEMBLY - JIB	C
		Ref	Note: Original Cylinder May Have Been Replaced with Service Replacement. Identify PN Stamped on Cylinder Before Ordering Parts.	
1	See Note	NSS	Barrel (Note: Not Available for Purchase)	
2	70006734	1	Rod	
3	70006649	1	Head	
4	See Note	NSS	Wiper (Note: Use Item 100)	
5	See Note	NSS	Seal, Rod (Note: Use Item 100)	
6	See Note	NSS	Ring, Wear (Note: Use Item 100)	
7	See Note	NSS	O-Ring (Note: Use Item 100)	
8	See Note	NSS	Ring, Back-up (Note: Use Item 100)	
9	70006650	1	Piston	
10	See Note	NSS	Seal (Note: Use Item 100)	
11	See Note	NSS	Ring, Lock (Note: Use Item 100)	
12	See Note	NSS	O-Ring (Note: Use Item 100)	
13	See Note	NSS	Ring, Back-up (Note: Use Item 100)	
14	0961893	1	Bushing, Tapered	
15	0630534	3	Capscrew, Socket Head #10 x 1	
16	70006735	8	Capscrew 5/16	
17	2220885	2	Plug, O-Ring	
18	2220883	6	Plug, O-Ring	
19	70006736	1	Spacer	
20	4640509	2	Cartridge, Valve	
20	2900792	2	Seal Kit - 4640509 Valve	
21	0962336	4	Bushing	
100	1001138795	1	Seal Kit (Includes Items 4-8 & 10-13)	

SECTION 5 - CYLINDER

FIGURE 5-11. MASTER CYLINDER ASSEMBLIES (ORIGINAL EQUIPMENT)



SECTION 5 - CYLINDER

FIGURE 5-11. MASTER CYLINDER ASSEMBLIES (ORIGINAL EQUIPMENT)

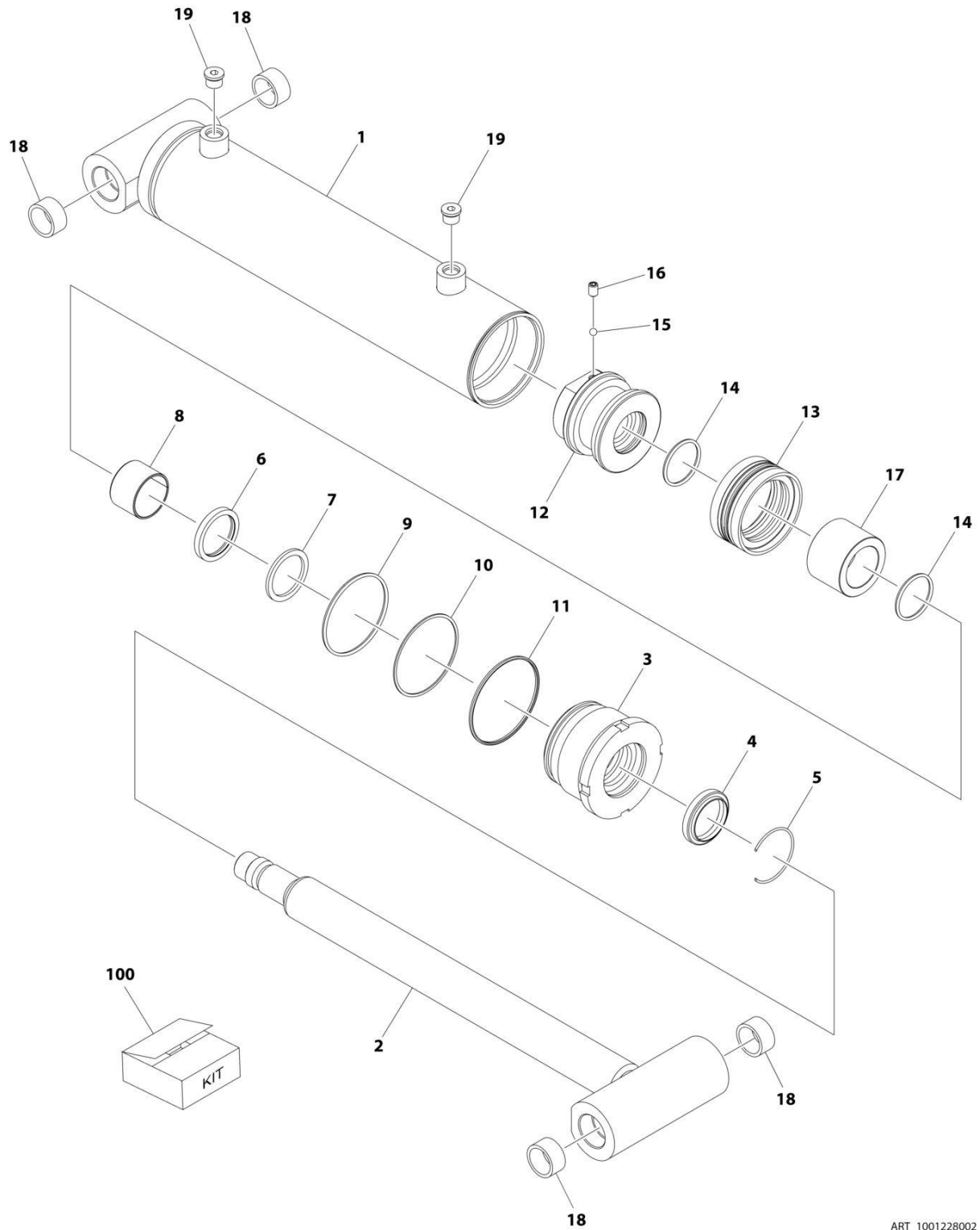
ITEM	PART NUMBER	QTY	DESCRIPTION	REV
		Ref	MASTER CYLINDER ASSEMBLIES (ORIGINAL EQUIPMENT)	
	1683266	Ref	Master Cylinder Assembly 600SC (Original Equipment)	C
	1683263	Ref	Master Cylinder Assembly 600SJC & 660SJC (Original Equipment)	E
		Ref	Note: Original Cylinder May Have Been Replaced with Service Replacement. Identify PN Stamped on Cylinder Before Ordering Parts.	
1		Ref	Barrel Options:	
1	1683267	1	Barrel 600SC (Note: Includes Item 23) (Prior to SN 0300052687)	
1	1683972	1	Barrel 600SC (Note: Includes Item 23) (SN 0300052687 through 0300128000)	
1	1683264	1	Barrel 600SJC & 660SJC (Note: Includes Item 23) (Prior to SN 0300052687)	
1	1683949	1	Barrel 660SJC & 660SJC (Note: Includes Item 23) (SN 0300052687 through 0300128000)	
2		Ref	Rod Options:	
2	1683269	1	Rod 600SC (Note: Includes Item 23) (Prior to SN 0300052687)	
2	1683973	1	Rod 600SC (Note: Includes Item 23) (SN 0300052687 through 0300128000)	
2	1683256	1	Rod 600SJC & 660SJC (Note: Includes Item 23) (Prior to SN 0300052687)	
2	1683962	1	600SJC & 660SJC (Note: Item 23 not included -Purchase Separately) (SN 0300052687 through 0300128000)	
3		Ref	Piston Options:	
3	3480210	1	Piston 600SC	
3	3480188	1	Piston 600SJC & 660SJC	
4		Ref	Head Options:	
4	1683053	1	Head 600SC	
4	1683055	1	Head 600SJC & 660SJC	
5		Ref	Bushing, Tapered Options:	
5	0961893	1	Bushing, Tapered 600SC	
5	0961894	1	Bushing, Tapered 600SJC & 660SJC	
6	4566468	1	Spacer, Tube	
7		Ref	Capscrew Options:	
7	3931516	1	Capscrew 600SC (5/16in-18NC x 1in)	
7	3931620	1	Capscrew 600SJC & 660SJC (3/8in-16NC x 1-1/4in)	
8		Ref	Ring, Washer Options:	
8	3760368	1	Ring, Washer 600SC	
8	3760369	1	Ring, Washer 600SJC & 660SJC	
9	0100011	AR	Compound, Locking	
10	0100038	AR	Primer, Locking	
11	See Note	NSS	Seal (Note: Use Item 30)	
12	See Note	NSS	Ring, Lock (Note: Use Item 30)	
13	See Note	NSS	O-Ring (Note: Use Item 30)	
14	See Note	NSS	Ring, Back-up (Note: Use Item 30)	
15	See Note	NSS	Ring, Wear (Note: Use Item 30)	
16	See Note	NSS	O-Ring (Note: Use Item 30)	
17	See Note	NSS	Ring, Back-up (Note: Use Item 30)	
18	See Note	NSS	Seal, Rod (Note: Use Item 30)	
19	See Note	NSS	Wiper (Note: Use Item 30)	
21		Ref	Screw, Socket Head	

SECTION 5 - CYLINDER

ITEM	PART NUMBER	QTY	DESCRIPTION	REV
21	0630534	3	Screw, Socket Head 600SC (#10-24NC x 1in)	
21	0630535	3	Screw, Socket Head 600SJC & 660SJC (1/4in-20NC x 1-1/8in)	
22	0100063	AR	Loctite #RC680	
23		Ref	Bushing Options:	
23	0961947	4	Bushing 600SC	
23	0961951	4	Bushing 600SJC & 660SJC	
24		Ref	Plug, O-Ring Options:	
24	Not Required	0	Plug, O-Ring 600SC	
24	2220885	1	Plug, O-Ring 600SJC & 660SJC	
30		Ref	Seal Kit Options (Includes Items 11-19):	
30	2901303	1	Seal Kit 600SC	
30	2901301	1	Seal Kit 600SJC & 660SJC	

SECTION 5 - CYLINDER

FIGURE 5-12. MASTER CYLINDER ASSEMBLY - 600SC (SERVICE REPLACEMENT)



ART_1001228002

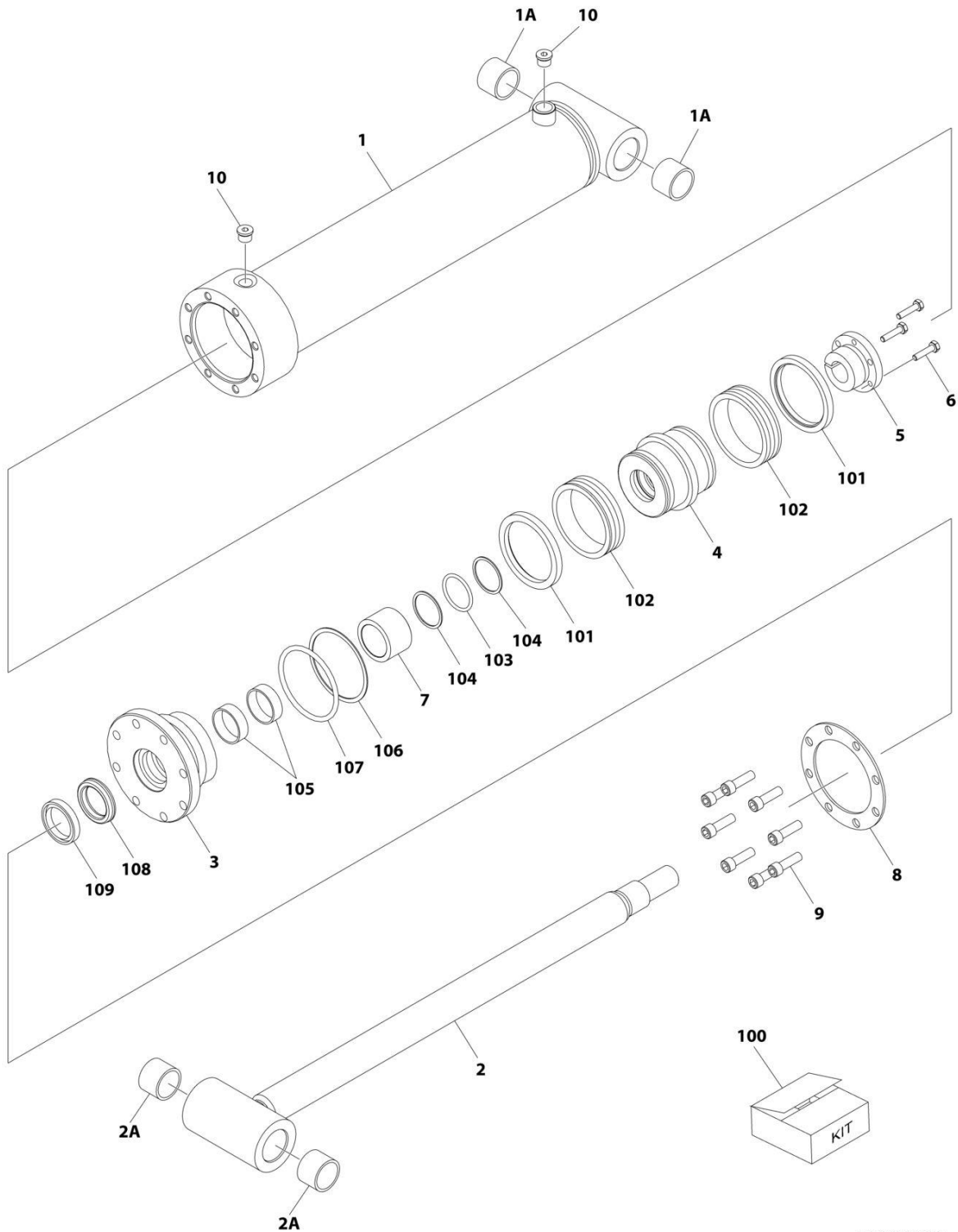
SECTION 5 - CYLINDER

FIGURE 5-12. MASTER CYLINDER ASSEMBLY - 600SC (SERVICE REPLACEMENT)

ITEM	PART NUMBER	QTY	DESCRIPTION	REV
	1001228002	Ref	MASTER CYLINDER ASSEMBLY	B
		Ref	Note: Original Cylinder May Have Been Replaced with Service Replacement. Identify PN Stamped on Cylinder Before Ordering Parts.	
1	See Note	NSS	Barrel (Note: Not Available for Purchase)	
2	70006774	1	Rod	
3	70006599	1	Head	
4	See Note	NSS	Wiper Rod (Note: Use Item 100)	
5	70002373	1	Ring, Retaining	
6	See Note	NSS	Seal, Rod (Note: Use Item 100)	
7	See Note	NSS	Ring, Back-up (Note: Use Item 100)	
8	See Note	NSS	Ring, Wear (Note: Use Item 100)	
9	See Note	NSS	O-Ring (Note: Use Item 100)	
10	See Note	NSS	Ring, Back-up (Note: Use Item 100)	
11	See Note	NSS	O-Ring (Note: Use Item 100)	
12	70006597	1	Piston	
13	See Note	NSS	Seal Piston (Note: Use Item 100)	
14	See Note	NSS	O-Ring (Note: Use Item 100)	
15	70022564	1	Ball	
16	70006601	1	Setscrew	
17	70006775	1	Spacer	
18	0961947	4	Bushing	
19	70023371	2	Plug, O-Ring	
100	70006776	1	Seal Kit (Includes Items 4, 6-11, 13 & 14)	

SECTION 5 - CYLINDER

FIGURE 5-13. MASTER CYLINDER ASSEMBLY - 600SJC & 660SJC (SERVICE REPLACEMENT)



ART_1001228052

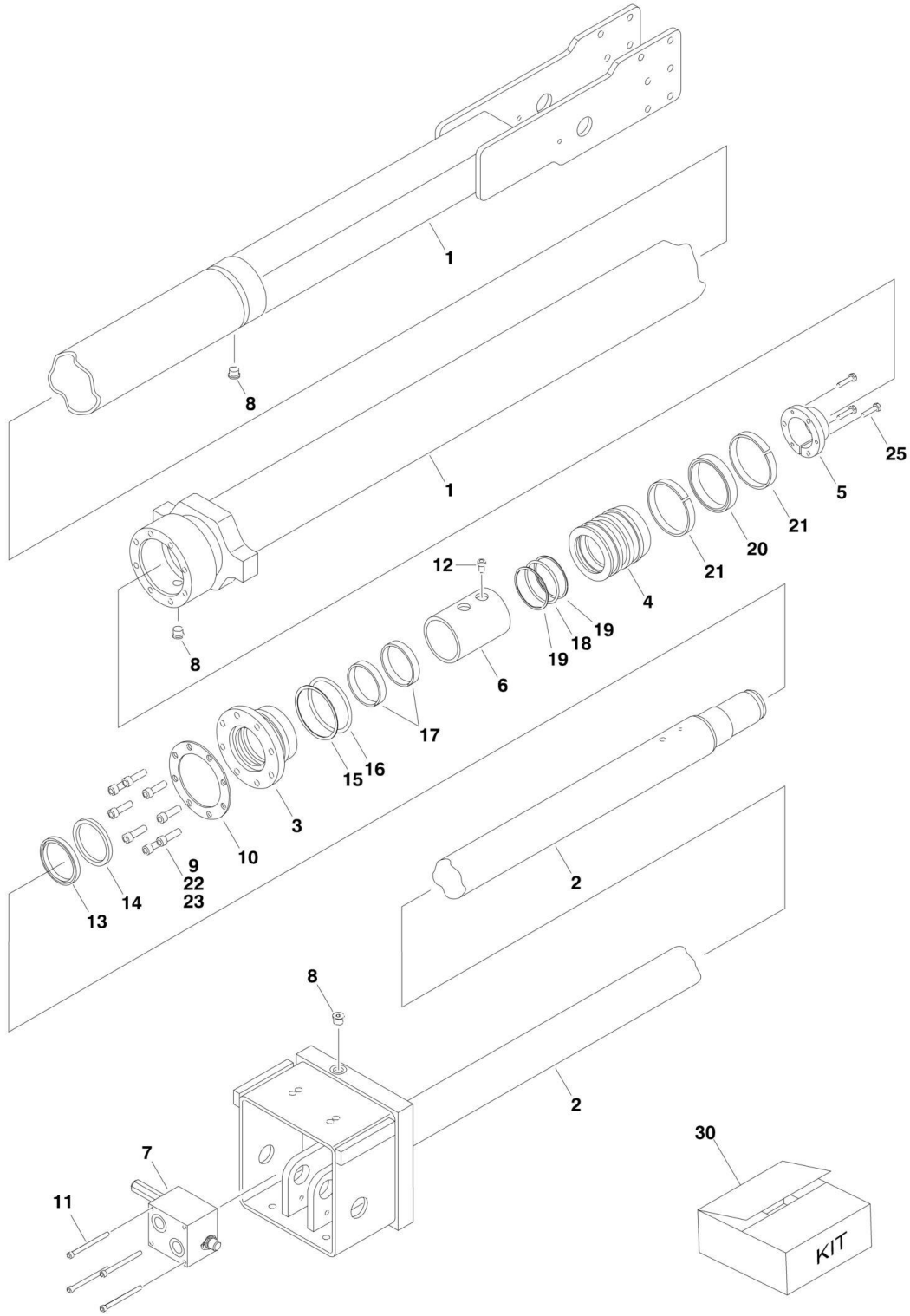
SECTION 5 - CYLINDER

FIGURE 5-13. MASTER CYLINDER ASSEMBLY - 600SJC & 660SJC (SERVICE REPAACEMENT)

ITEM	PART NUMBER	QTY	DESCRIPTION	REV
	1001228052	Ref	MASTER CYLINDER ASSEMBLY - 600SJC & 660SJC (SERVICE REPAACEMENT)	A
		Ref	Note: Original Cylinder May Have Been Replaced with Service Replacement. Identify PN Stamped on Cylinder Before Ordering Parts.	
1	See Note	NSS	Barrel Weldment (Note: Not Available for Purchase)	
1A	0961951	2	Bushing	
2	70006447	1	Rod Weldment	
2A	0961951	2	Bushing	
3	70006446	1	Head	
4	70006445	1	Piston	
5	70006444	1	Bushing, Tapered	
6	0630535	3	Capscrew 1/4 x 1-1/8	
7	70006443	1	Spacer	
8	70006442	1	Ring, Washer	
9	3931620	8	Capscrew 3/8 x 1-1/4	
10	2220885	2	Plug, O-Ring	
100	1001138796	1	Seal Kit (Includes Items 101-109)	
101	See Note	NSS	Ring, Wear (Note: Use Item 100)	
102	See Note	NSS	Seal, Piston (Note: Use Item 100)	
103	See Note	NSS	O-Ring (Note: Use Item 100)	
104	See Note	NSS	Ring, Back-up (Note: Use Item 100)	
105	See Note	NSS	Ring, Wear (Note: Use Item 100)	
106	See Note	NSS	O-Ring (Note: Use Item 100)	
107	See Note	NSS	Ring, Back-up (Note: Use Item 100)	
108	See Note	NSS	Seal, Rod (Note: Use Item 100)	
109	See Note	NSS	Wiper, Rod (Note: Use Item 100)	

SECTION 5 - CYLINDER

FIGURE 5-14. TELESCOPE CYLINDER ASSEMBLIES



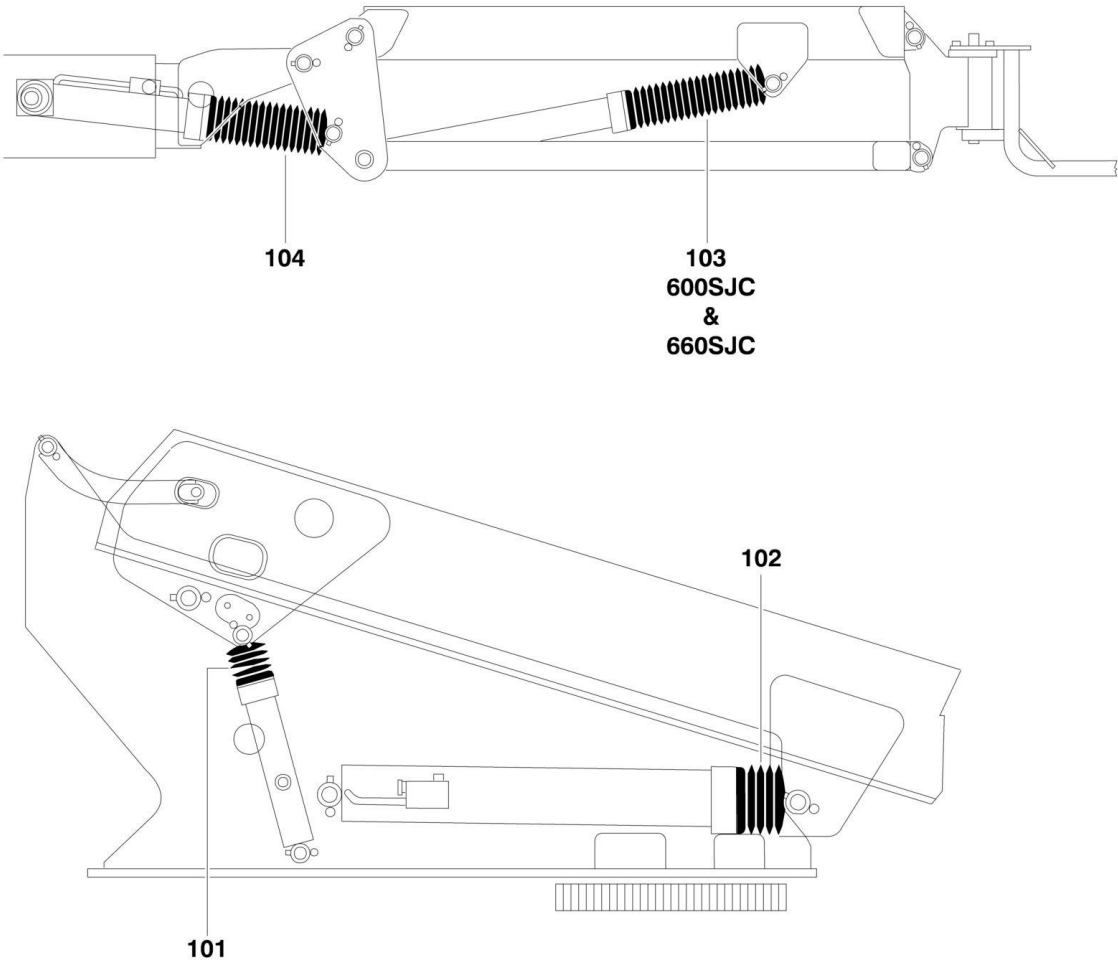
SECTION 5 - CYLINDER

FIGURE 5-14. TELESCOPE CYLINDER ASSEMBLIES

ITEM	PART NUMBER	QTY	DESCRIPTION	REV
		Ref	TELESCOPE CYLINDER ASSEMBLIES	
	1683618	Ref	Telescope Cylinder Assemblies 600SC & 660SJC	2-C
	1683620	Ref	Telescope Cylinder Assemblies 600SJC	2-C
1		Ref	Barrel Options:	
1	1683619	1	Barrel 600SC & 660SJC	
1	1683621	1	Barrel 600SJC	
2		Ref	Rod Options:	
2	1683250	1	Rod 600SC & 660SJC	
2	1683359	1	Rod 600SJC	
3	1683057	1	Head	
4	3480205	1	Piston	
5	0961897	1	Bushing, Tapered	
6	4566644	1	Spacer, Tube	
7	4641028	1	Valve Assembly Options: (No serviceable parts - sold as assembly only)	
8	2220885	6	Plug, O-Ring	
9	3931620	8	Capscrew 3/8in-16NC x 1-1/4in	
10	3760369	1	Ring, Washer	
11	3931448	4	Capscrew 1/4in-20NC x 3in	
12	3931508	1	Capscrew 5/16in-18NC x 1/2in	
13	See Note	NSS	Wiper (Note: Use Item 30)	
14	See Note	NSS	Seal, Rod (Note: Use Item 30)	
15	See Note	NSS	O-Ring (Note: Use Item 30)	
16	See Note	NSS	Ring, Back-up (Note: Use Item 30)	
17	See Note	NSS	Ring, Wear (Note: Use Item 30)	
18	See Note	NSS	O-Ring (Note: Use Item 30)	
19	See Note	NSS	Ring, Back-up (Note: Use Item 30)	
20	See Note	NSS	T-Seal (Note: Use Item 30)	
21	See Note	NSS	Ring, Wear (Note: Use Item 30)	
22	0100011	AR	Compound, Locking	
23	0100038	AR	Primer, Locking	
25	0630535	3	Bolt, Socket Head 1/4in-20NC x 1-1/8in	
30	2901284	1	Seal Kit (Includes Items 13-21)	

SECTION 5 - CYLINDER

FIGURE 5-15. CYLINDER BELLOWS INSTALLATIONS (OPTIONAL)



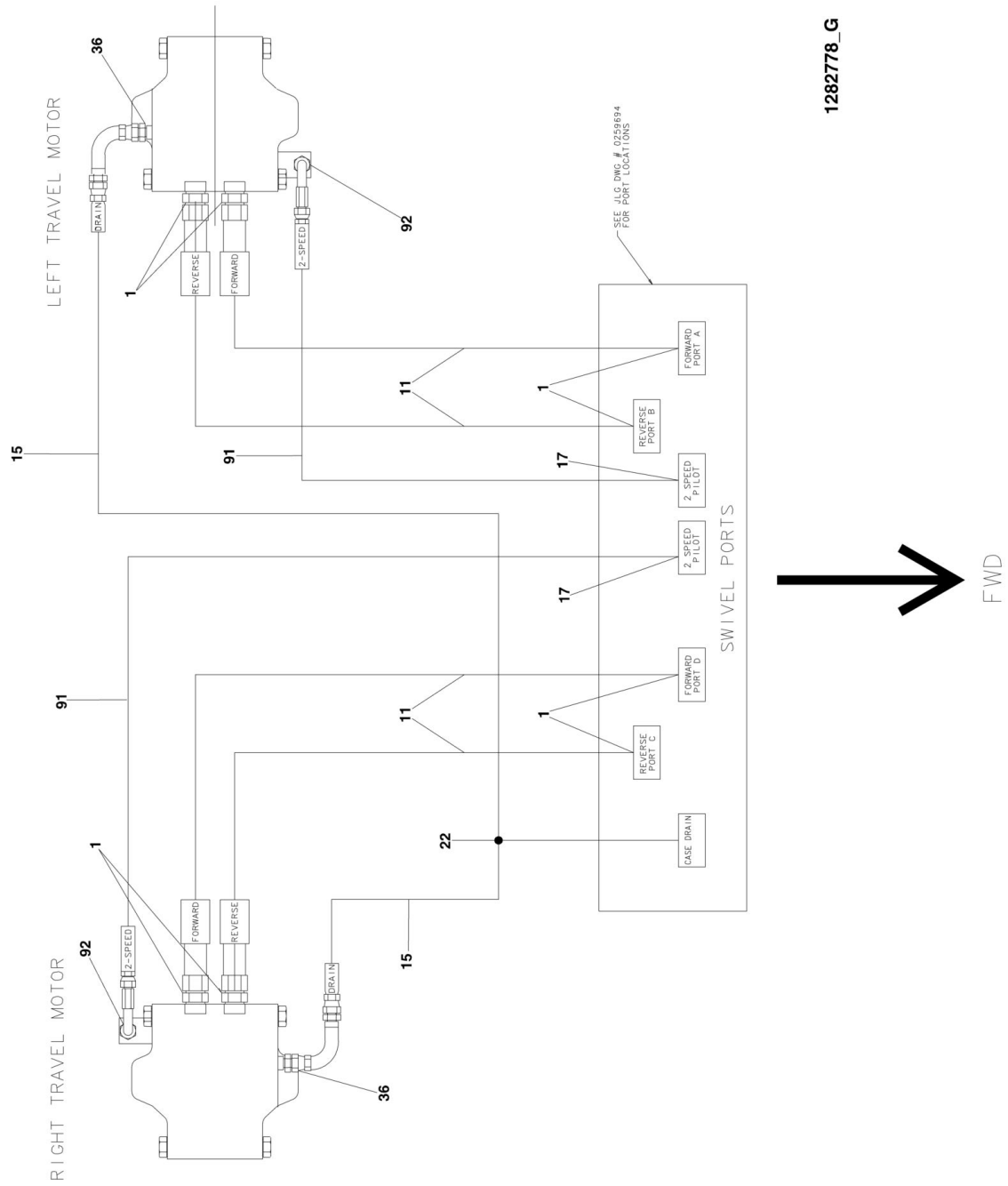
SECTION 5 - CYLINDER

FIGURE 5-15. CYLINDER BELLOWS INSTALLATIONS (OPTIONAL)

ITEM	PART NUMBER	QTY	DESCRIPTION	REV
	0255929	Ref	BELLOWS INSTALLATION - BOOM (600SC)	
101	0460152	1	Bellows, Cylinder (Master Cylinder)	
102	0460153	1	Bellows, Cylinder (Lift Cylinder)	
103	Not Required	0	Not Required	
104	0460152	1	Bellows, Cylinder (Platform Level Cylinder)	
	0255930	Ref	BELLOWS INSTALLATION - BOOM (600SJC & 660SJC)	
101	0460151	1	Bellows, Cylinder (Master Cylinder)	
102	0460153	1	Bellows, Cylinder (Lift Cylinder)	
103	0460161		Bellows, Cylinder (Articulating Jib Lift Cylinder)	
104	0460160	1	Bellows, Cylinder (Platform Level Cylinder)	

SECTION 6 - HYDRAULIC

SECTION 6 - HYDRAULIC



1282778_G

SECTION 6 - HYDRAULIC

FIGURE 6-1. HYDRAULIC DIAGRAM (Prior to SN 0300064782)

ITEM	PART NUMBER	QTY	DESCRIPTION	REV
		Ref	HYDRAULIC DIAGRAMS	
	2792331	Ref	Hydraulic Diagrams 600SC	7
	2792333	Ref	Hydraulic Diagrams 600SJC	8
	2792332	Ref	Hydraulic Diagrams 660SJC	7
1	2220451	12	Fitting, Straight	
2	2753318	1	Hose	
3	2220380	2	Fitting, Straight	
4	2220376	1	Fitting, Straight	
5	2220578	7	Fitting, 90	
6	2752653	1	Hose	
7	2220408	1	Fitting, Straight Only (Prior to SN 0300061570)	
8	2220628	5	Fitting, 90	
9	2753319	2	Hose	
10	2753320	2	Hose	
11	2753321	4	Hose	
12	2750902	4	Hose	
13	2220810	1	Fitting, Reducer	
14	4640744	1	Fitting, Check Valve	
15	2752504	2	Hose	
16	2752667	1	Hose	
17	2220582	AR	Fitting, Straight	
18	2751427	2	Hose Only (Prior to SN 0300061570)	
19	2220415	AR	Fitting, Straight	
20	2220605	1	Fitting, Tee Only (Prior to SN 0300061570)	
21	2752573	2	Hose Only (Prior to SN 0300061570)	
22	2220999	1	Fitting, Straight	
23	2220606	1	Fitting, Tee Only (Prior to SN 0300061570)	
24	2750900	2	Hose Only (Prior to SN 0300061570)	
25	2220235	AR	Fitting, Plug	
26	2220375	1	Fitting, Straight	
27	2220385	1	Fitting, Tee	
28	2752514	1	Hose	
30	2753192	1	Hose	
31	2220921	1	Fitting, Reducer	
32	2220498	1	Fitting, 45	
33	2220372	4	Fitting, Straight	
34	2752631	1	Hose	
35	2752632	1	Hose	
36	2220373	8	Fitting, Straight	
37	2752515	1	Hose	
38	2752587	1	Hose	
39	2220466	8	Fitting, 90	
40	2220596	2	Fitting, 90	
41	2752516	1	Hose	
42	2220947	3	Fitting, Straight	
43	2752762	1	Hose	
44	2220873	2	Fitting, Straight	
45	2220428	AR	Fitting, Quick Disconnect	
46	2220429	AR	Cover, Dust	
47	2220618	1	Fitting, Reducer	

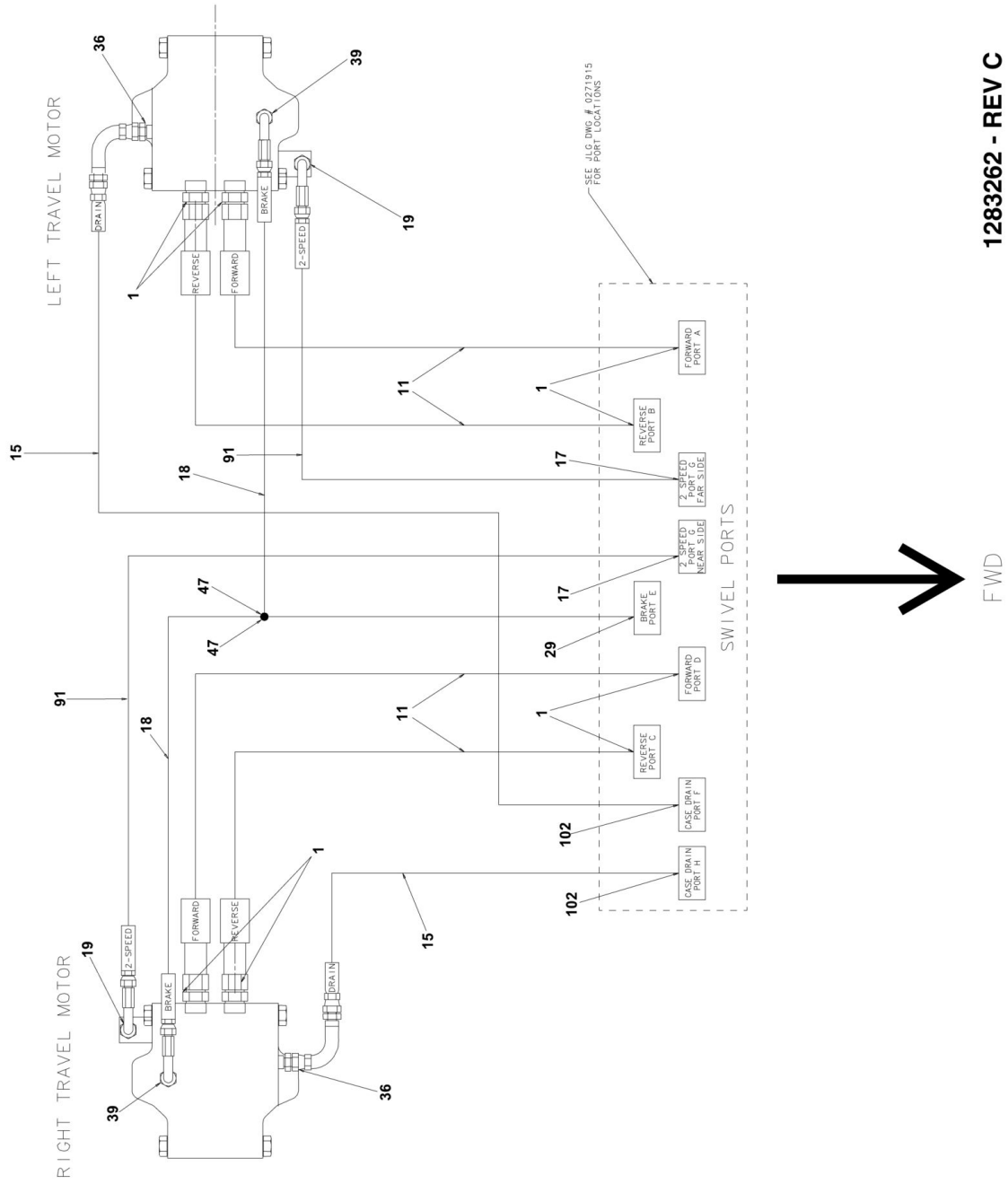
SECTION 6 - HYDRAULIC

ITEM	PART NUMBER	QTY	DESCRIPTION	REV
48	2752763	3	Hose	
49	2220906	4	Fitting, 90	
53	2752588	2	Hose	
54	2220609	AR	Fitting, Reducer	
55	2220468	2	Fitting, Straight	
56	2752981	AR	Hose	
57	2220497	2	Fitting, Straight	
58	2220502	1	Fitting, 45	
59	2751396	1	Hose	
60	2220414	AR	Fitting, Straight	
61	2752433	1	Hose	
62	2220462	1	Fitting, 90	
63	2220950	1	Fitting, 45	
64	2752517	1	Hose	
65	2220974	1	Fitting, Straight	
66		Ref	Hose Options:	
66	2752598	2	Hose 600SC & 600SJC	
66	2752596	2	Hose 660SJC	
67		Ref	Hose Options:	
67	2752599	1	Hose 600SC & 600SJC	
67	2752597	1	Hose 660SJC	
68	2753316	1	Hose	
71		Ref	Hose Options:	
71	2752633	2	Hose 660SC & 660SJC	
71	2751121	2	Hose 600SJC (Prior to SN 0300066745)	
71	2751868	2	Hose 600SJC (SN 0300066745 through 0300128000)	
72	2220472	AR	Fitting, 90	
73	2220738	1	Fitting, Tee	
74		Ref	Hose Options:	
74	Not Required	0	Hose 600SC	
74	2753048	2	Hose 600SJC	
74	2752633	2	Hose 660SJC	
75	2220473	1	Fitting, 90	
76	4640939	2	Valve, Shuttle Only (Prior to SN 0300061570)	
77	2753472	1	Hose	
78	2220909	1	Orifice (.015)	
79	2220603	4	Fitting, Straight	
81	2752583	2	Hose	
82	2752643	1	Hose	
83	2752981	1	Hose	
84	2220409	1	Fitting, 45	
85	2220574	1	Fitting, Straight	
86	0100011	AR	Compound, Locking	
87	0100038	AR	Primer, Locking	
88		Ref	Fitting, 90, Options:	
88	Not Required	0	Fitting, 90, (600SC)	
88	2180724	1	Fitting, 90, (600SJC & 660SJC)	
89		Ref	Orifice (.062) Options:	
89	Not Required	0	Orifice (.062) 600SC	
89	2180380	1	Orifice (.062) 600SJC & 660SJC	
90	2220237	2	Fitting, Plug	

SECTION 6 - HYDRAULIC

ITEM	PART NUMBER	QTY	DESCRIPTION	REV
91	2750895	2	Hose	
92	2220582	2	Fitting, Straight	
93	2220946	1	Fitting, Straight	
94	2220948	AR	Fitting, Tee	
95	2752783	1	Hose	
96	2220654	2	Fitting, 90 Only (Prior to SN 0300061570)	
97	2220852	1	Fitting, Straight	
98	2220873	1	Fitting, Nipple (SN 0300058641 through 0300128000)	
99	2220949	1	Fitting, Reducer Only (SN 0300061570 through 0300128000)	
100	2751412	1	Hose Only (SN 0300061570 through 0300128000)	

SECTION 6 - HYDRAULIC



1283262 - REV C

SECTION 6 - HYDRAULIC

FIGURE 6-2. HYDRAULIC DIAGRAM (SN 0300064782 through 0300065090)

ITEM	PART NUMBER	QTY	DESCRIPTION	REV
		Ref	HYDRAULIC DIAGRAMS	
	2792547	Ref	Hydraulic Diagrams 600SC	3
	2792548	Ref	Hydraulic Diagrams 600SJC	4
	2792549	Ref	Hydraulic Diagrams 660SJC	3
1	2220451	12	Fitting, Straight	
2	2753318	1	Hose	
3	2220380	2	Fitting, Straight	
4	2220376	1	Fitting, Straight	
5	2220578	7	Fitting, 90	
6	2752653	1	Hose	
7	2220408	1	Fitting, Straight	
8	2220628	5	Fitting, 90	
9	2753319	2	Hose	
10	2753320	2	Hose	
11	2753321	4	Hose	
12	2750899	1	Hose	
13	2220810	1	Fitting, Reducer	
14	4640744	1	Fitting, Check Valve	
15	2752504	2	Hose	
16	2752667	1	Hose	
17	2220582	AR	Fitting, Straight	
18	2753457	2	Hose	
19	2220415	AR	Fitting, Straight	
20	2220605	1	Fitting, Tee	
21	2752573	1	Hose	
23	2752580	1	Hose	
24	2752594	1	Hose	
25	2220235	AR	Fitting, Plug	
26	2220375	1	Fitting, Straight	
27	2220385	1	Fitting, Tee	
28	2752514	1	Hose	
29		Ref	Fitting Options:	
29	2220591	1	Fitting, Reducer (Prior to SN 0300067081)	
29	2220999	1	Fitting, Tee (SN 0300067081 through 0300128000)	
30	2753192	1	Hose	
31	2220921	1	Fitting, Reducer	
32	2220498	1	Fitting, 45	
33	2220372	4	Fitting, Straight	
34	2752631	1	Hose	
35	2752632	1	Hose	
36	2220373	AR	Fitting, Straight	
37	2752515	1	Hose	
38	2752587	1	Hose	
39	2220466	AR	Fitting, 90	
40	2220596	2	Fitting, 90	
41	2752516	1	Hose	
42	2220947	3	Fitting, Straight	
43	2752762	1	Hose	
44	2220873	2	Fitting, Straight	
45	2220428	4	Fitting, Quick Disconnect	

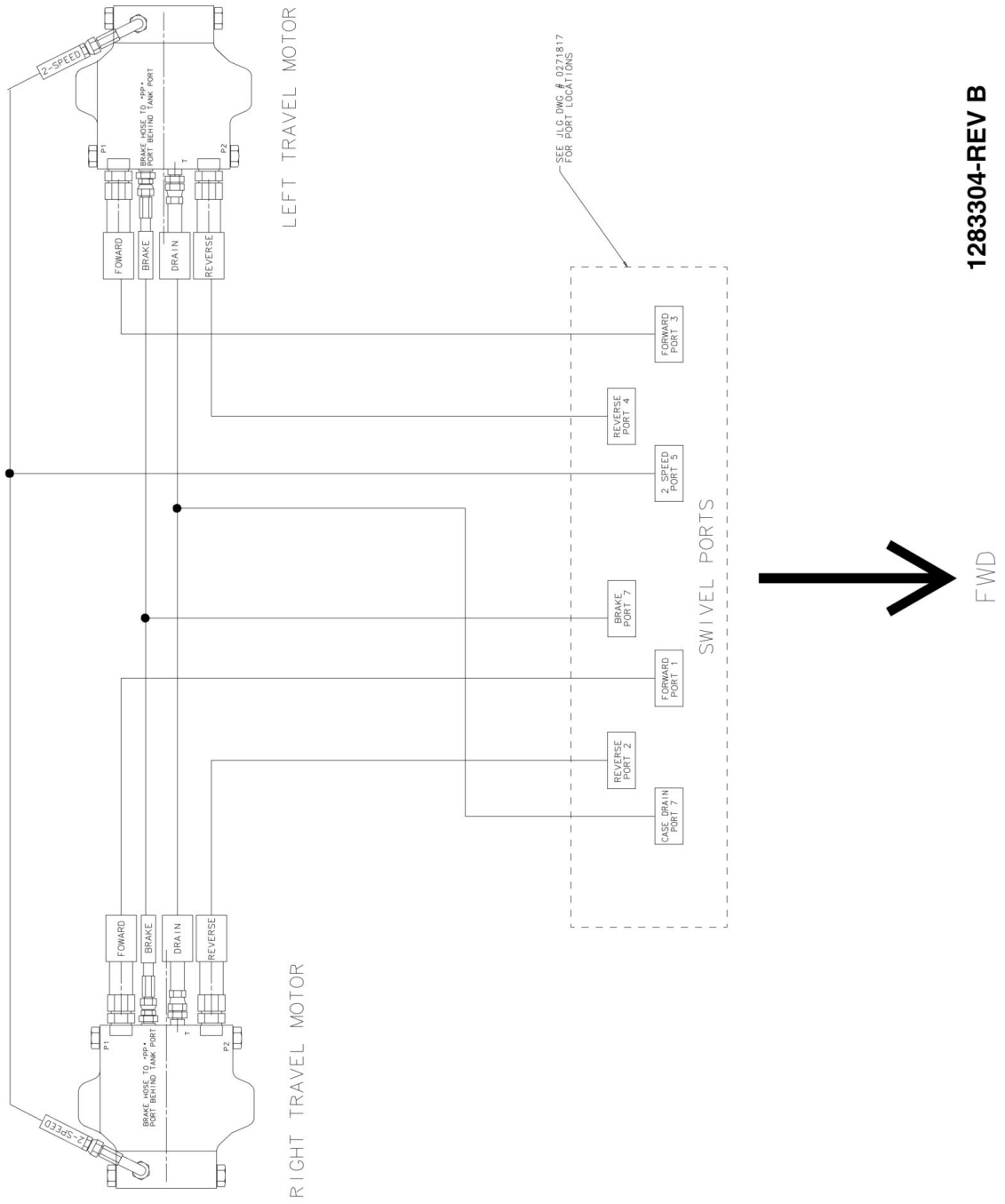
SECTION 6 - HYDRAULIC

ITEM	PART NUMBER	QTY	DESCRIPTION	REV
46	2220429	4	Cover, Dust	
47	2220618	AR	Fitting, Reducer	
48	2752763	3	Hose	
49	2220906	4	Fitting, 90	
53	2752588	2	Hose	
54	2220609	AR	Fitting, Reducer	
55	2220468	AR	Fitting, Straight	
56	2752981	3	Hose	
57	2220497	2	Fitting, Straight	
58	2220502	1	Fitting, 45	
59		Ref	Hose Options:	
59	2751396	1	Hose (Prior to SN 0300067081)	
59	2751026	1	Hose (SN 0300067081 through 0300128000)	
60	2220414	1	Fitting, Straight	
61	2752433	AR	Hose	
62	2220462	1	Fitting, 90	
63	2220950	1	Fitting, 45	
64	2752517	1	Hose	
65	2220974	1	Fitting, Straight	
66		Ref	Hose Options:	
66	2752598	2	Hose 600SC & 600SJC	
66	2752596	2	Hose 660SJC	
67		Ref	Hose Options:	
67	2752599	1	Hose 600SC & 600SJC	
67	2752597	1	Hose 660SJC	
68		Ref	Hose Options:	
68	2753316	1	Hose (Prior to SN 0300067081)	
68	2752669	1	Hose (SN 0300067081 through 0300128000)	
71		Ref	Hose Options:	
71	2752633	2	Hose 600SC & 660SJC	
71	2751121	2	Hose 600SJC (Prior to SN 0300066745)	
71	2751868	2	Hose 600SJC (SN 0300066745 through 0300128000)	
72	2220472	AR	Fitting, 90	
73	2220738	1	Fitting, Tee	
74		Ref	Hose Options:	
74	Not Required	0	Hose 600SC	
74	2753048	2	Hose 600SJC	
74	2752633	2	Hose 660SJC	
75	2220473	1	Fitting, 90	
76		Ref	Hose Options:	
76	2752931	1	Hose (Prior to SN 0300067975)	
76	2750788	1	Hose (SN 0300067975 through 0300128000)	
77	2753472	1	Hose	
78	2220909	1	Orifice (.015)	
79	2220603	4	Fitting, Straight	
81	2752591	2	Hose	
82	2752643	1	Hose	
83	2752981	1	Hose	
84	2220409	1	Fitting, 45	
85	2220574	1	Fitting, Straight	
86	0100011	AR	Compound, Locking	

SECTION 6 - HYDRAULIC

ITEM	PART NUMBER	QTY	DESCRIPTION	REV
87	0100038	AR	Primer, Locking	
88		Ref	Fitting, 90 Options:	
88	Not Required	0	Fitting, 90 600SC	
88	2180724	1	Fitting, 90 600SJC & 660SJC	
89		Ref	Orifice (.062) Options:	
89	Not Required	0	Orifice (.062) 600SC	
89	2180380	1	Orifice (.062) 600SJC & 660SJC	
90	2220237	2	Fitting, Plug	
91	2750895	2	Hose	
92	2220582	2	Fitting, Straight (Prior to SN 0300067975)	
93	2220946	1	Fitting, Straight	
94	2220948	3	Fitting, Tee	
95	2752783	1	Hose	
96	2220914	1	Fitting, Restrictor	
97	2220852	1	Fitting, Straight	
98	2220873	1	Fitting, Nipple	
99	2220949	2	Fitting, Reducer	
100	2751412	1	Hose	
101	2220605	1	Fitting, Tee (SN 0300067081 through 0300128000)	
102	2220366	2	Fitting, 90 (SN 0300067081 through 0300128000)	

SECTION 6 - HYDRAULIC



1283304-REV B

SECTION 6 - HYDRAULIC

FIGURE 6-3. HYDRAULIC DIAGRAM (SN 0300065090 through 0300070773)

ITEM	PART NUMBER	QTY	DESCRIPTION	REV
		Ref	HYDRAULIC DIAGRAMS	
	2792551	Ref	Hydraulic Diagrams 600SC	1
	2792552	Ref	Hydraulic Diagrams 600SJC	2
	2792553	Ref	Hydraulic Diagrams 660SJC	1
1	2220451	5	Fitting, Straight	
2	2753318	1	Hose	
3	2220380	2	Fitting, Straight	
4	2220376	1	Fitting, Straight	
5	2220578	6	Fitting, 90	
6	2752653	1	Hose	
7	2220408	1	Fitting, Straight	
8	2220628	5	Fitting, 90	
9	2753706	2	Hose	
10	2753707	2	Hose	
12	2220899	1	Fitting, Tee	
13	2220810	1	Fitting, Reducer	
14	4640744	1	Fitting, Check Valve	
16	2752667	1	Hose	
17	2220582	3	Fitting, Straight	
19	2220415	9	Fitting, Straight	
20	2220605	1	Fitting, Tee	
21	2752573	1	Hose	
23	2752580	1	Hose	
24	2752594	1	Hose	
25	2220235	2	Fitting, Plug	
26	2220375	1	Fitting, Straight	
27	2220385	1	Fitting, Tee	
28	2752514	1	Hose	
30	2753192	1	Hose	
31	2220921	1	Fitting, Reducer	
32	2220498	1	Fitting, 45	
33	2220372	4	Fitting, Straight	
34	2752631	1	Hose	
35	2752632	1	Hose	
36	2220373	7	Fitting, Straight	
37	2752515	1	Hose	
38	2752587	1	Hose	
39	2220466	10	Fitting, 90	
40	2220596	2	Fitting, 90	
41	2752516	1	Hose	
42	2220947	3	Fitting, Straight	
43	2752762	1	Hose	
44	2220873	2	Fitting, Straight	
45	2220428	4	Fitting, Quick Disconnect	
46	2220429	4	Cover, Dust	
47	2220618	1	Fitting, Reducer	
48	2752763	3	Hose	
49	2220906	4	Fitting, 90	
53	2752588	2	Hose	
54	2220609	5	Fitting, Reducer	

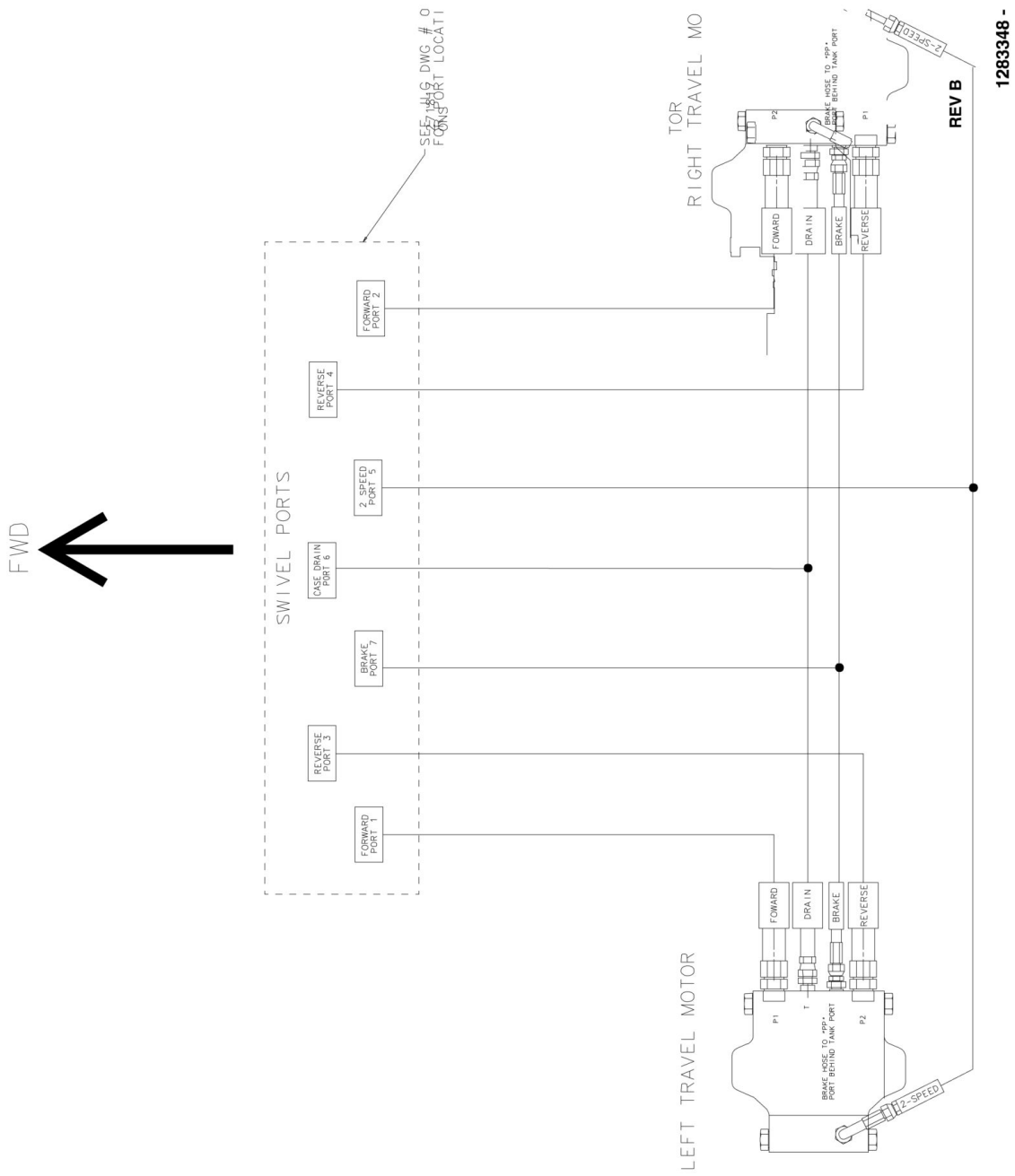
SECTION 6 - HYDRAULIC

ITEM	PART NUMBER	QTY	DESCRIPTION	REV
55	2220468	2	Fitting, Straight	
56	2752981	3	Hose	
57	2220497	2	Fitting, Straight	
58	2220502	1	Fitting, 45	
59	2751396	1	Hose	
60	2220414	1	Fitting, Straight	
61	2752433	1	Hose	
62	2220462	1	Fitting, 90	
63	2220950	1	Fitting, 45	
64	2752517	1	Hose	
65	2220974	1	Fitting, Straight	
66		Ref	Hose Options:	
66	2752598	2	Hose 600SC & 600SJC	
66	2752596	2	Hose 660SJC	
67		Ref	Hose Options:	
67	2752599	1	Hose 600SC & 600SJC	
67	2752597	1	Hose 660SJC	
68	2753316	1	Hose	
71		Ref	Hose Options:	
71	2752633	2	Hose 600SC & 660SJC	
71	2751868	2	Hose 600SJC	
72	2220472	2	Fitting, 90	
73	2220738	1	Fitting, Tee	
74		Ref	Hose Options:	
74	Not Required	0	Hose 600SC	
74	2753048	2	Hose 600SJC	
74	2752633	2	Hose 660SJC	
75	2220473	1	Fitting, 90	
77	2753472	1	Hose	
78	2220909	1	Orifice (.015)	
79	2220603	4	Fitting, Straight	
81	2752591	2	Hose	
82	2752643	1	Hose	
83	2752981	1	Hose	
84	2220409	1	Fitting, 45	
85	2220574	1	Fitting, Straight	
86	0100011	AR	Compound, Locking	
87	0100038	AR	Primer, Locking	
88		Ref	Fitting, 90 Options:	
88	Not Required	0	Fitting 600SC	
88	2180724	1	Fitting 600SJC & 660SJC	
89		Ref	Orifice (.062) Options:	
89	Not Required	0	Orifice (.062) 600SC	
89	2180380	1	Orifice (.062) 600SJC & 660SJC	
90	2220237	2	Fitting, Plug	
93	2220946	1	Fitting, Straight	
94	2220948	3	Fitting, Tee	
95	2752783	1	Hose	
96	2220914	1	Fitting, Restrictor	
97	2220852	1	Fitting, Straight	
98	2220873	1	Fitting, Nipple	

SECTION 6 - HYDRAULIC

ITEM	PART NUMBER	QTY	DESCRIPTION	REV
99	2220949	2	Fitting, Reducer	

SECTION 6 - HYDRAULIC



1283348 -

SECTION 6 - HYDRAULIC

FIGURE 6-4. HYDRAULIC DIAGRAM (SN 0300070773 through 0300128000)

ITEM	PART NUMBER	QTY	DESCRIPTION	REV
		Ref	HYDRAULIC DIAGRAMS	
	2792596	Ref	Hydraulic Diagrams 600SC	3
	2792595	Ref	Hydraulic Diagrams 660SJC	2
1	2220451	4	Fitting, Straight	
2	2753318	1	Hose	
3	2220380	2	Fitting, Straight	
4	2220376	3	Fitting, Straight	
5	2220578	AR	Fitting, 90	
6	2752653	1	Hose	
7	2220408	1	Fitting, Straight	
8	2220628	5	Fitting, 90	
9	2753706	2	Hose	
10	2753707	2	Hose	
11	2753894	1	Hose	
13	2220810	1	Fitting, Reducer	
14	4640744	1	Fitting, Check Valve	
15	2753890	2	Hose	
17	2220582	4	Fitting, Straight	
18	4641264	1	Fitting, Check Valve	
19	2220415	AR	Fitting, Straight	
20	2220605	1	Fitting, Tee	
21	2752573	2	Hose	
22	2220700	2	Fitting, Tee	
23	2752580	1	Hose	
24	2752594	1	Hose	
25	2220235	2	Fitting, Plug	
29	2753893	1	Hose	
30	2753192	1	Hose	
31	2220921	1	Fitting, Reducer	
32	2220498	1	Fitting, 45	
33	2220372	4	Fitting, Straight	
34	2752631	1	Hose	
35	2752632	1	Hose	
36	2220373	6	Fitting, Straight	
37	2752515	1	Hose	
38	2752587	1	Hose (Prior to SN 0300073488)	
39	2220466	AR	Fitting, 90	
40	2220596	2	Fitting, 90 (Prior to SN 0300073488)	
41	2752516	1	Hose	
42	2220947	3	Fitting, Straight	
43	2752762	1	Hose	
44	2220873	2	Fitting, Straight	
45	2220428	4	Fitting, Quick Disconnect	
46	2220429	4	Cover, Dust	
47	2220618	1	Fitting, Reducer	
48	2752763	3	Hose	
49	2221042	2	Fitting, 90	
50	2220622	2	Fitting, Reducer	
51	2752928	1	Hose	
52	2220471	1	Fitting, 90	

SECTION 6 - HYDRAULIC

ITEM	PART NUMBER	QTY	DESCRIPTION	REV
53	2752588	2	Hose	
54	2220609	4	Fitting, Reducer	
55	2220468	2	Fitting, Straight	
56	2752981	AR	Hose	
57	2220497	2	Fitting, Straight	
58	2220502	1	Fitting, 45	
59	2751396	1	Hose	
60	2220414	1	Fitting, Straight	
61	2752433	1	Hose (Prior to SN 0300073488)	
62	2220462	1	Fitting, 90 (Prior to SN 0300073488)	
63	2220950	1	Fitting, 45	
64	2752517	1	Hose (Prior to SN 0300073488)	
65	2220974	1	Fitting, Straight	
66		Ref	Hose Options:	
66	2752598	2	Hose 600SC	
66	2752596	2	Hose 660SJC	
67		Ref	Hose Options:	
67	2752599	1	Hose 600SC	
67	2752597	1	Hose 660SJC	
69	2230046	1	Fitting, 90	
70	2230027	2	Fitting, Straight	
71	2752633	2	Hose	
72	2220472	2	Fitting, 90	
73	2220738	1	Fitting, Tee	
74		Ref	Hose Options:	
74	Not Required	0	Hose 600SC	
74	2752633	2	Hose 660SJC	
75	2220473	1	Fitting, 90	
76	2753891	1	Hose	
77	2753472	1	Hose	
78	2220909	1	Orifice (.015)	
79	2220603	4	Fitting, Straight	
81	2752591	2	Hose	
82	2752643	1	Hose	
83	2752438	1	Hose	
84	2220409	1	Fitting, 45	
85	2220574	1	Fitting, Straight (Prior to SN 0300073488)	
86	0100011	AR	Compound, Locking	
87	0100038	AR	Primer, Locking	
88		Ref	Fitting, 90 Options:	
88	Not Required	0	Fitting, 90 600SC	
88	2180724	1	Fitting, 90 660SJC	
89		Ref	Orifice (.062) Options:	
89	Not Required	0	Orifice (.062) 600SC	
89	2180380	1	Orifice (.062) 660SJC	
90	2220237	2	Fitting, Plug	
91	2753892	2	Hose	
93	2220946	1	Fitting, Straight	
94	2220948	3	Fitting, Tee	
95	2752783	1	Hose	
96	2220914	1	Fitting, Restrictor	

SECTION 6 - HYDRAULIC

ITEM	PART NUMBER	QTY	DESCRIPTION	REV
97	2220852	1	Fitting, Straight	
98	2220873	1	Fitting, Nipple	
99	2220949	2	Fitting, Reducer	

SECTION 6 - HYDRAULIC

FIGURE 6-5. HYDRAULIC DIAGRAM LIST

ITEM	PART NUMBER	QTY	DESCRIPTION	REV
		Ref	Note: Information on Diagrams Not Shown is Available From JLG Service/Parts Department.	
		Ref	Oil Cooler Hydraulic Diagram Options:	
	0256762	Ref	Oil Cooler Hydraulic Diagram (Prior to SN 0300067081)	
	1282665	Ref	Oil Cooler Hydraulic Diagram (Prior to SN 0300067081)	
	0272364	Ref	Oil Cooler Hydraulic Diagram (SN 0300067081 through 0300128000)	
		Ref	Standard Hydraulic Diagrams:	
	2792331	Ref	Standard Hydraulic Diagrams 600SC (Prior to SN 0300064782)	
	1282778	Ref	Standard Hydraulic Diagrams 600SC (Prior to SN 0300064782)	
	2792547	Ref	Standard Hydraulic Diagrams 600SC (SN 0300064782 through 0300065089)	
	1283262	Ref	Standard Hydraulic Diagrams 600SC (SN 0300064782 through 0300065089)	
	2792551	Ref	Standard Hydraulic Diagrams 600SC (SN 0300065090 through 0300070772)	
	1283304	Ref	Standard Hydraulic Diagrams 600SC (SN 0300065090 through 0300070772)	
	2792596	Ref	Standard Hydraulic Diagrams 600SC (SN 0300070773 through 0300128000)	
	1283348	Ref	Standard Hydraulic Diagrams 600SC (SN 0300070773 through 0300128000)	
	2792333	Ref	Standard Hydraulic Diagrams 600SJC (Prior to SN 0300064782)	
	1282778	Ref	Standard Hydraulic Diagrams 600SJC (Prior to SN 0300064782)	
	2792548	Ref	Standard Hydraulic Diagrams 600SJC (SN 0300064782 through 0300065089)	
	1283262	Ref	Standard Hydraulic Diagrams 600SJC (SN 0300064782 through 0300065089)	
	2792552	Ref	Standard Hydraulic Diagrams 600SJC (SN 0300065090 through 0300128000)	
	1283304	Ref	Standard Hydraulic Diagrams 600SJC (SN 0300065090 through 0300128000)	
	2792332	Ref	Standard Hydraulic Diagrams 660SJC (Prior to SN 0300064782)	
	1282778	Ref	Standard Hydraulic Diagrams 660SJC (Prior to SN 0300064782)	
	2792549	Ref	Standard Hydraulic Diagrams 660SJC (SN 0300064782 through 0300065089)	
	1283262	Ref	Standard Hydraulic Diagrams 660SJC (SN 0300064782 through 0300065089)	
	2792553	Ref	Standard Hydraulic Diagrams 660SJC (SN 0300065090 through 0300070772)	
	1283304	Ref	Standard Hydraulic Diagrams 660SJC (SN 0300065090 through 0300070772)	
	2792595	Ref	Standard Hydraulic Diagrams 660SJC (SN 0300070773 through 0300128000)	
	1283348	Ref	Standard Hydraulic Diagrams 660SJC (SN 0300070773 through 0300128000)	
		Ref	Standard Hydraulic Schematic Options:	
	2792323	Ref	Standard Hydraulic Schematic (Prior to SN 0300064782)	
	2792550	Ref	Standard Hydraulic Schematic (SN 0300064782 through 0300065089)	
	2792554	Ref	Standard Hydraulic Schematic (SN 0300065090 through 0300070772)	
	2792593	Ref	Standard Hydraulic Schematic (SN 0300070773 through	

SECTION 6 - HYDRAULIC

ITEM	PART NUMBER	QTY	DESCRIPTION	REV
			0300128000)	
		Ref	Tool Hydraulic Diagrams:	
	2792325	Ref	Tool Hydraulic 600SC	
	2792326	Ref	Tool Hydraulic 600SJC	
	2792327	Ref	Tool Hydraulic 660SJC	

SECTION 7 - ELECTRICAL

SECTION 7 - ELECTRICAL

FIGURE 7-1. ELECTRICAL DIAGRAM LIST

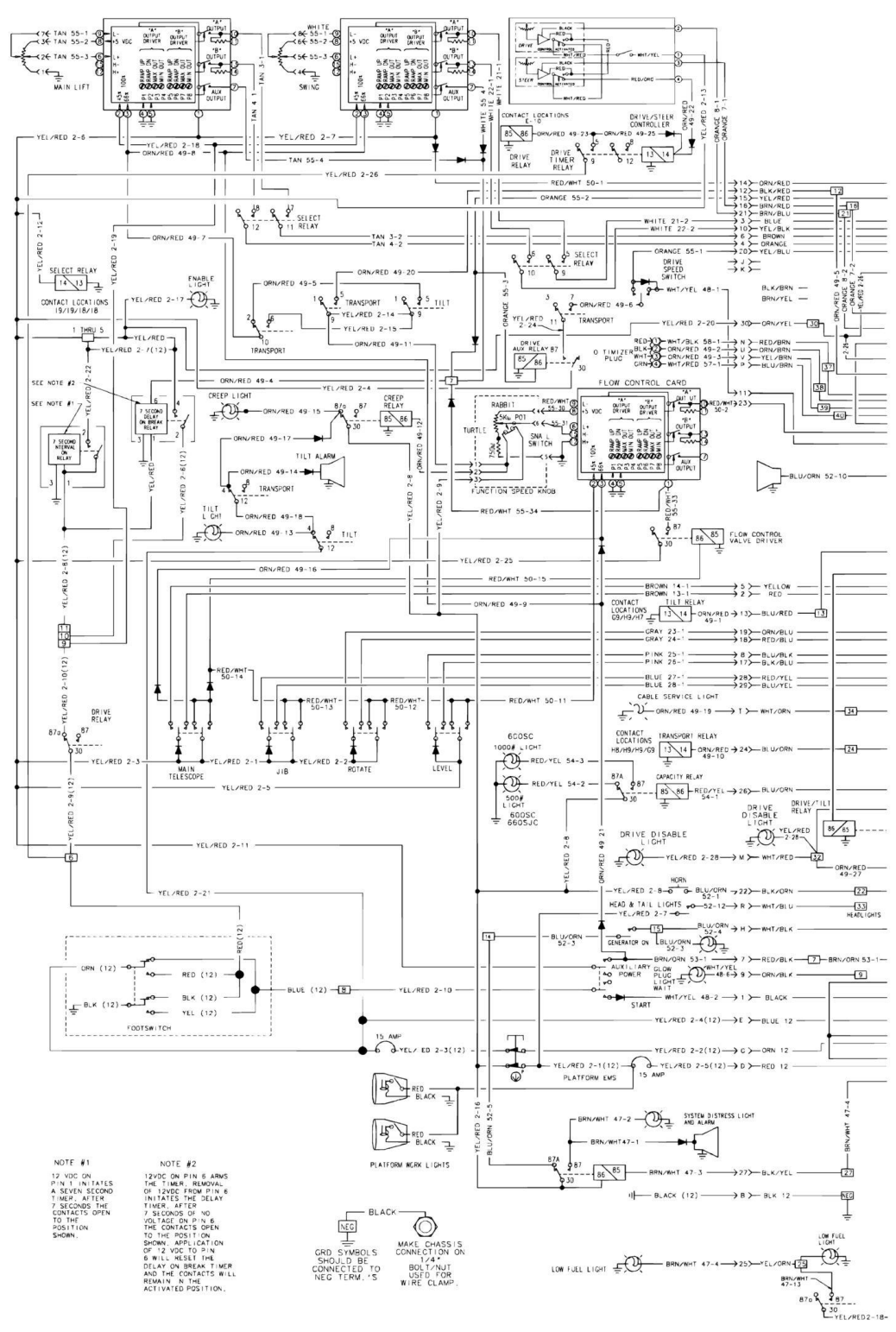
ITEM	PART NUMBER	QTY	DESCRIPTION	REV
		Ref	Note: Diagrams not shown are available from the JLG Service Department.	
		Ref	ALARM ELECTRICAL DIAGRAMS:	
	4933025	Ref	Motion Alarm	1
	1282937	Ref	Motion Alarm	A
	4633026	Ref	Travel Alarm	1
	1282937	Ref	Travel Alarm	A
		Ref	DRIVE CUT-OUT ELECTRICAL DIAGRAMS:	
	4932990	Ref	Above Elevation (Australian Spec)	2
	1282828	Ref	Above Elevation (Australian Spec)	B
	4632993	Ref	Above Elevation Tilt (Australian Spec)	2
	1282828	Ref	Above Elevation Tilt (Australian Spec)	B
	4632991	Ref	8Meter (Australian and CE Specs)	2
	1282828	Ref	8Meter (Australian and CE Specs)	B
	3640493	1	Rail, Mounting	
	4460607	2	Stop, Terminal	
	4120013	1	Socket, Relay	
	3740058	1	Relay 4PDT	
	3740063	1	Spring, Relay	
	4932986	Ref	ENGINE LOW OIL SHUTDOWN ELECTRICAL DIAGRAM	2-B
		Ref	GENERATOR ELECTRICAL DIAGRAMS:	
	4932915	Ref	110V (Prior to SN 0300056088)	2-C
	4933150	Ref	110V (SN 0300056088 through 0300128000)	2-B
	4932989	Ref	220V (Prior to SN 0300056088)	1-A
	4933149	Ref	220V (SN 0300056088 through 0300128000)	2-B
		Ref	GLOW PLUGS ELECTRICAL DIAGRAM OPTIONS:	
	4933070	Ref	Glow Plugs Electrical Diagram (Prior to SN 0300059278)	1-B
	4933175	Ref	Glow Plugs Electrical Diagram (SN 0300059278 through 0300128000)	1/B
		Ref	Harness, Glow Plug Options:	
	4922206	1	Harness, Glow Plug (Prior to SN 0300059278)	
	4922542	1	Harness, Glow Plug (SN 0300059278 through 0300128000)	
		Ref	Battery Cable Glow Plugs Kit Options:	
	2901764	1	Battery Cable Glow Plugs (Prior to SN 0300059278)	
	1060904	1	Battery Cable Glow Plugs (SN 0300059278 through 0300128000)	
	4932917	Ref	HEADLIGHT/TAILLIGHT ELECTRICAL DIAGRAM	3-D
	4922095	1	Harness (Located in Platform Console Box)	
	3740049	1	Relay	
	0259233	Ref	Load Sensing System Installation (French Spec)	4-C
	0271474	Ref	Load Sensing System Installation - Lift Down (French Spec) (Prior to SN 0300067888)	1-B
	4933272	Ref	Load Sensing System Installation (SN 0300067888 through 0300128000)	B
	0256762	Ref	OIL COOLER ELECTRICAL DIAGRAM	
	1282665	Ref	OIL COOLER ELECTRICAL DIAGRAM	
		Ref	PLATFORM ELECTRICAL DIAGRAM OPTIONS:	
	4922411	Ref	CE Spec	4-C
	4922338	Ref	Australian Spec	7-E

SECTION 7 - ELECTRICAL

ITEM	PART NUMBER	QTY	DESCRIPTION	REV
		Ref	PLATFORM WORKLIGHTS ELECTRICAL DIAGRAM OPTIONS:	
	0258048	Ref	Platform Worklights Electrical Diagram (Prior to SN 0300060481)	2-C
	0271503	Ref	Platform Worklights Electrical Diagram (SN 0300060481 through 0300128000)	1-A
	4932971	Ref	POWER TOOL ELECTRICAL DIAGRAM	2-A
	4933146	Ref	SERVICE CABLE LIGHT ELECTRICAL DIAGRAM (AUSTRALIAN SPEC)	1-A
		Ref	STANDARD ELECTRICAL DIAGRAM	
	4933147	Ref	Australian Spec	1-A
	4933143	Ref	CE Spec (Prior to SN 0300064782)	2-A
	4933234	Ref	CE Spec (SN 0300064782 through 0300128000)	1-B
		Ref	STANDARD ELECTRICAL SCHEMATIC	
	1870128	Ref	Australian Spec (Prior to SN 0300064782)	C
	1870152	Ref	Australian Spec (SN 0300064782 through 0300128000)	B
	1870111	Ref	CE Spec (Prior to SN 0300064782)	C
	1870151	Ref	CE Spec (SN 0300064782 through 0300128000)	B
	4933027	Ref	STROBE LIGHT ELECTRICAL DIAGRAMS	2
	1282937	Ref	STROBE LIGHT ELECTRICAL DIAGRAMS	A

SECTION 7 - ELECTRICAL

FIGURE 7-2. ELECTRICAL SCHEMATIC (AUSTRALIAN SPEC)



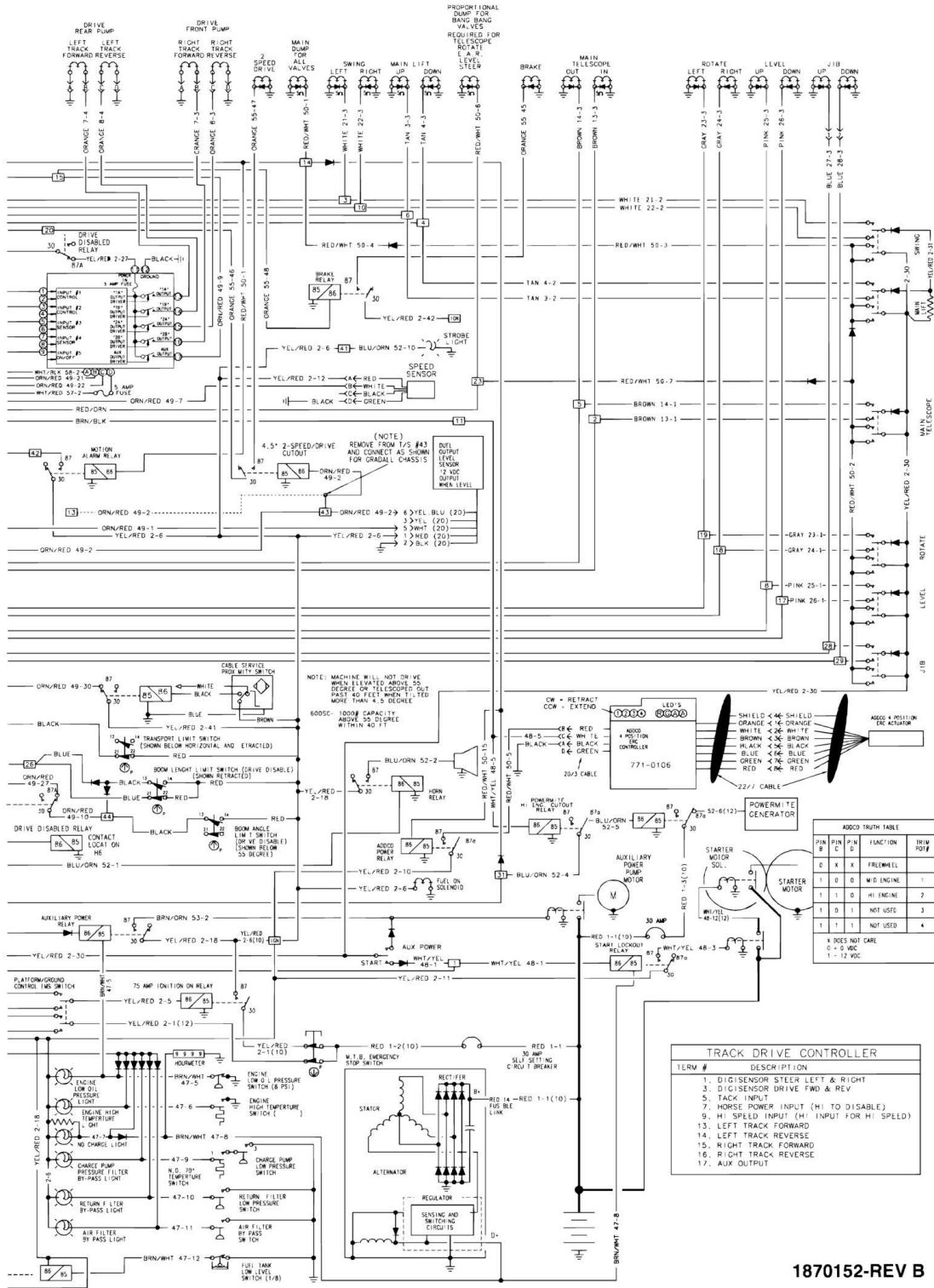
NOTE #1
 12 VDC ON PIN 6 ARMS PIN 1 IN STATES A SEVEN SECOND TIMER. AFTER 7 SECONDS THE CONTACTS OPEN TO THE POSITION SHOWN.

NOTE #2
 12VDC ON PIN 6 ARMS THE TIMER. REMOVE OR 12VDC FROM PIN 6 INITIATES THE RELAY TIMER. AFTER 7 SECONDS OF NO VOLTAGE ON PIN 6 THE CONTACTS OPEN TO THE POSITION SHOWN. CAUTION OF 2 VDC TO PIN 6 WILL RESET THE DELAY ON BREAK TIMER AND THE CONTACTS WILL REMAIN IN THE ACTIVATED POSITION.

GRD SYMBOLS SHOULD BE CONNECTED TO NEG. TERM. 'S

MAKE CHASSIS CONNECTION ON /4/4 BOLT/NUT USED FOR WIRE CLAMP.

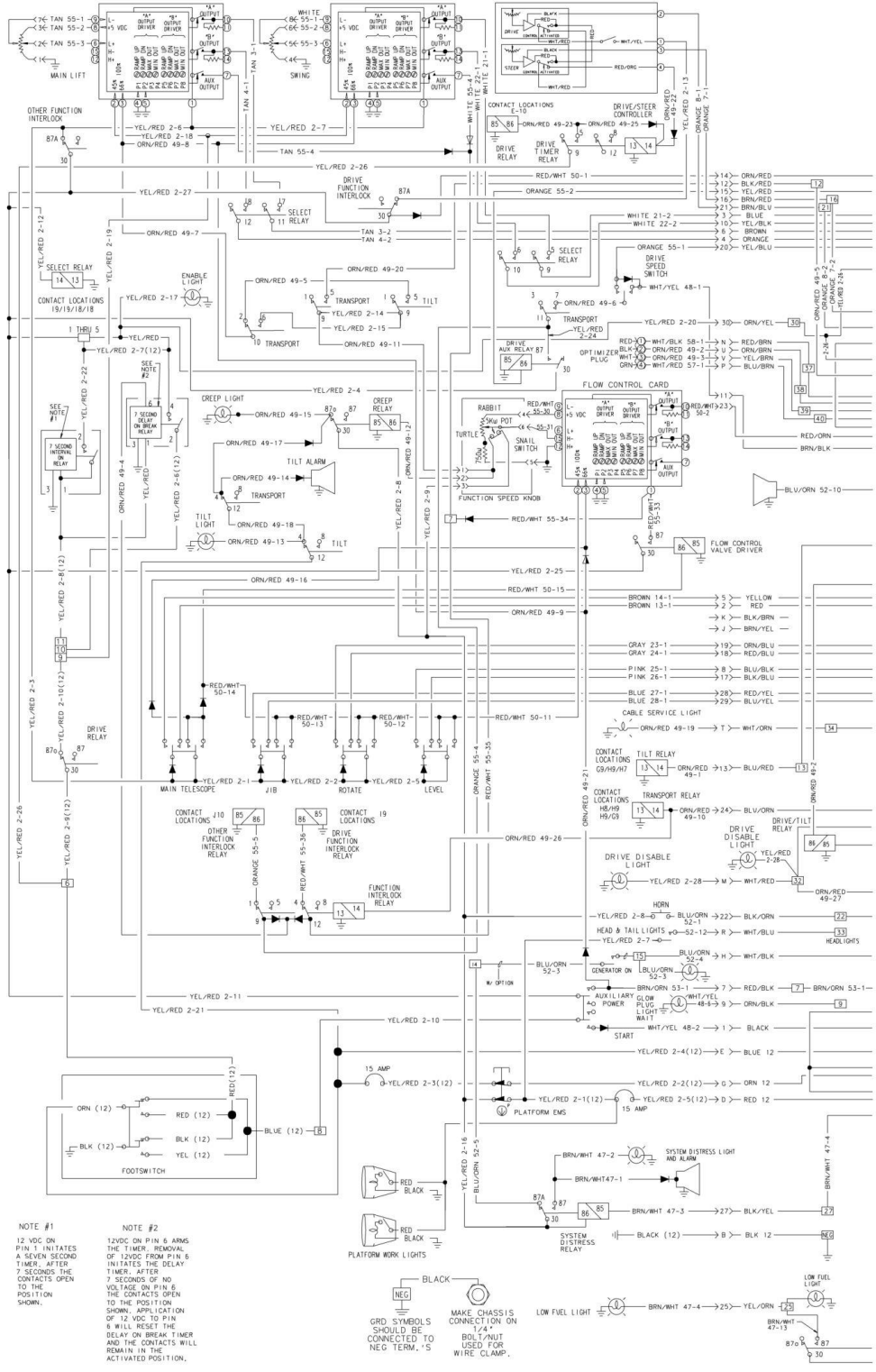
SECTION 7 - ELECTRICAL



1870152-REV B

SECTION 7 - ELECTRICAL

FIGURE 7-3. ELECTRICAL SCHEMATIC (CE SPEC) (Prior to SN 030064782)



NOTE #1
 12 VDC ON PIN 1 INITIATES A SEVEN SECOND DELAY. AFTER 7 SECONDS THE CONTACTS OPEN TO THE POSITION SHOWN.

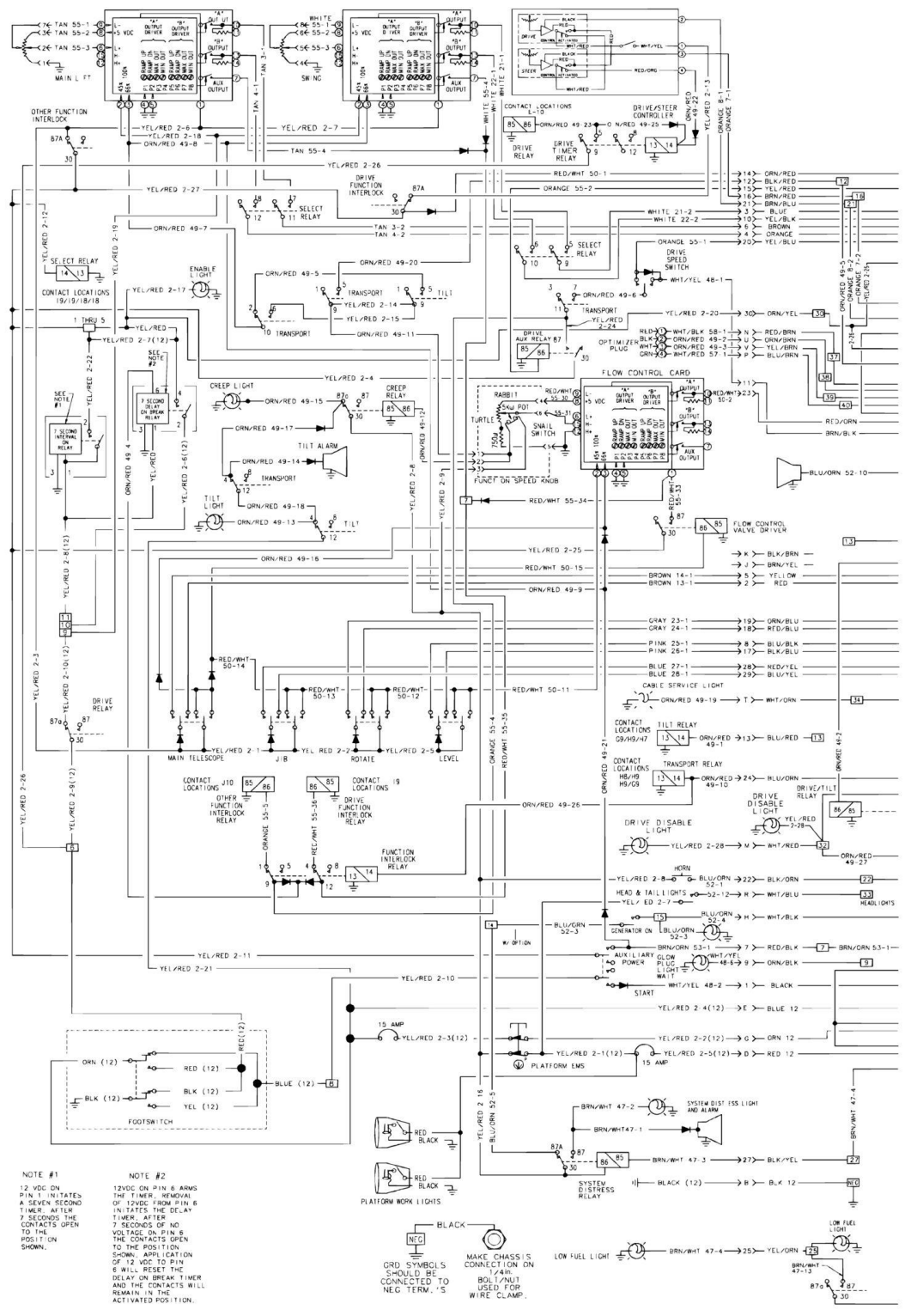
NOTE #2
 12VDC ON PIN 6 ARMS THE TIMER. REMOVAL OF 12VDC FROM PIN 6 INITIATES THE DELAY. AFTER 7 SECONDS OF NO VOLTAGE ON PIN 6 THE CONTACTS OPEN TO THE POSITION SHOWN. APPLICATION OF 12 VDC TO PIN 6 WILL RESET THE DELAY ON BREAK TIMER AND THE CONTACTS WILL REMAIN IN THE ACTIVATED POSITION.

GRD SYMBOLS SHOULD BE CONNECTED TO NEG. TERM. -5

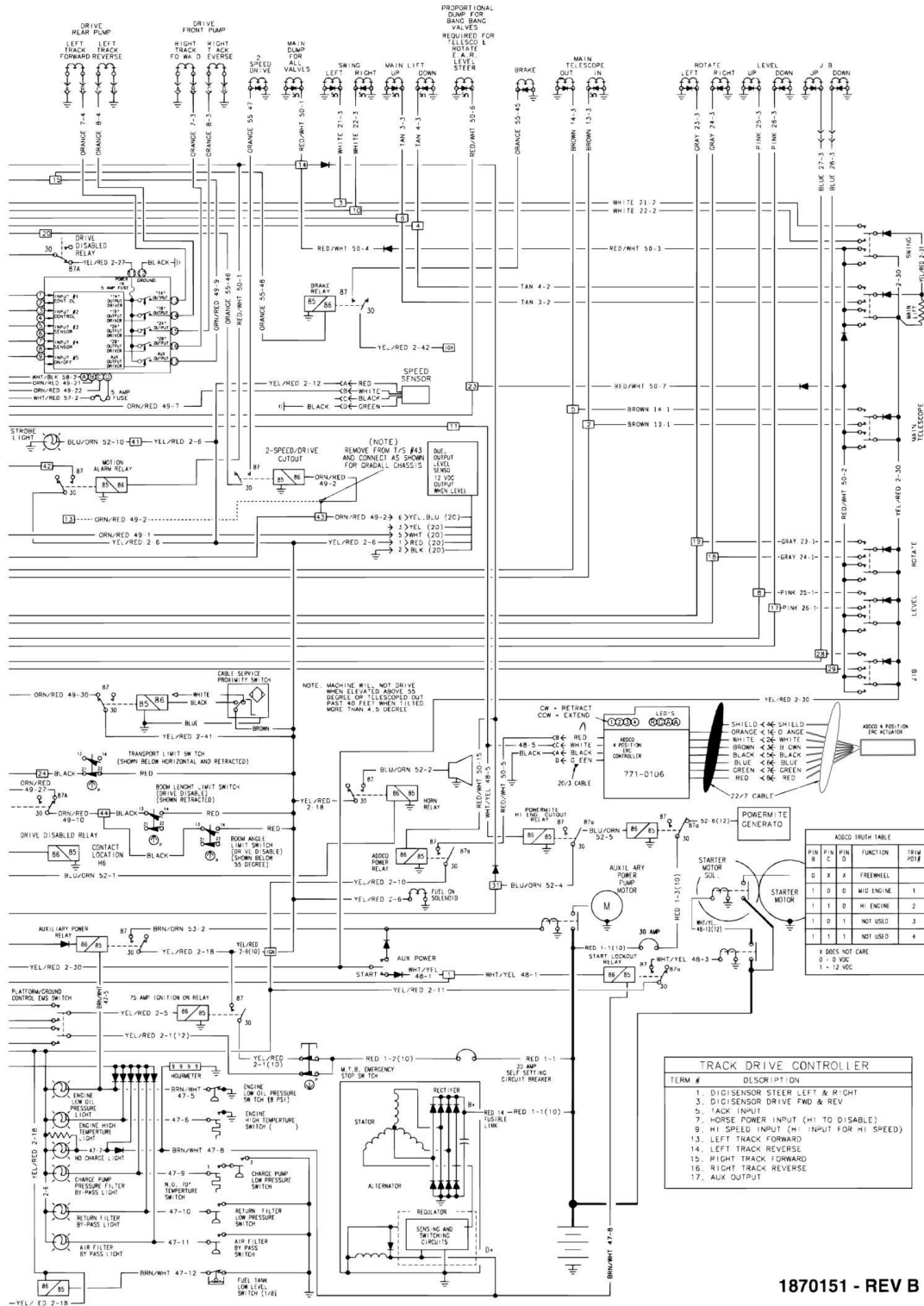
MAKE CHASSIS CONNECTION ON 1/4" BRN/WHIT USED FOR WIRE CLAMP.

SECTION 7 - ELECTRICAL

FIGURE 7-4. ELECTRICAL SCHEMATIC (CE SPEC) (SN 0300064782 through 0300128000)



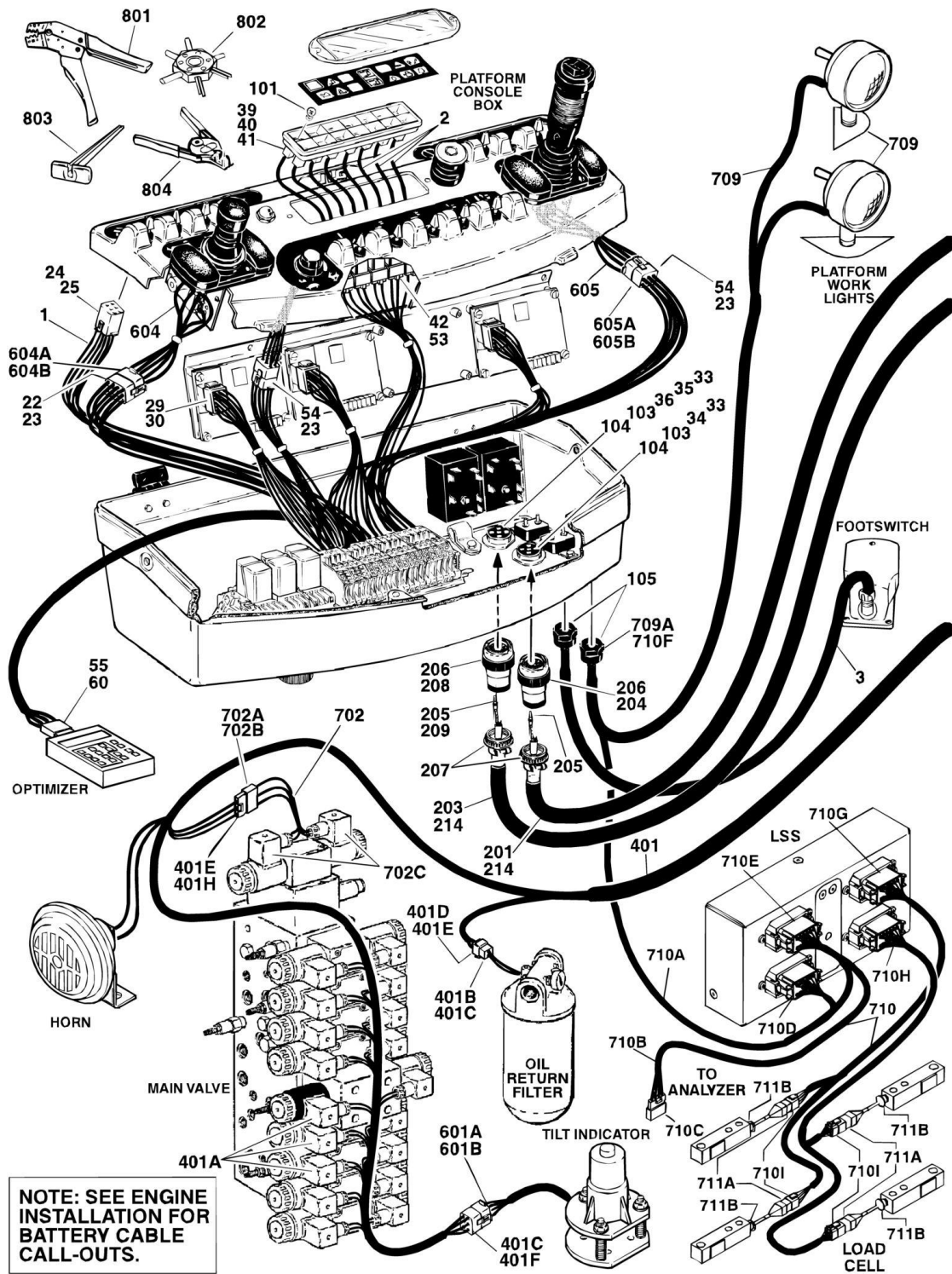
SECTION 7 - ELECTRICAL



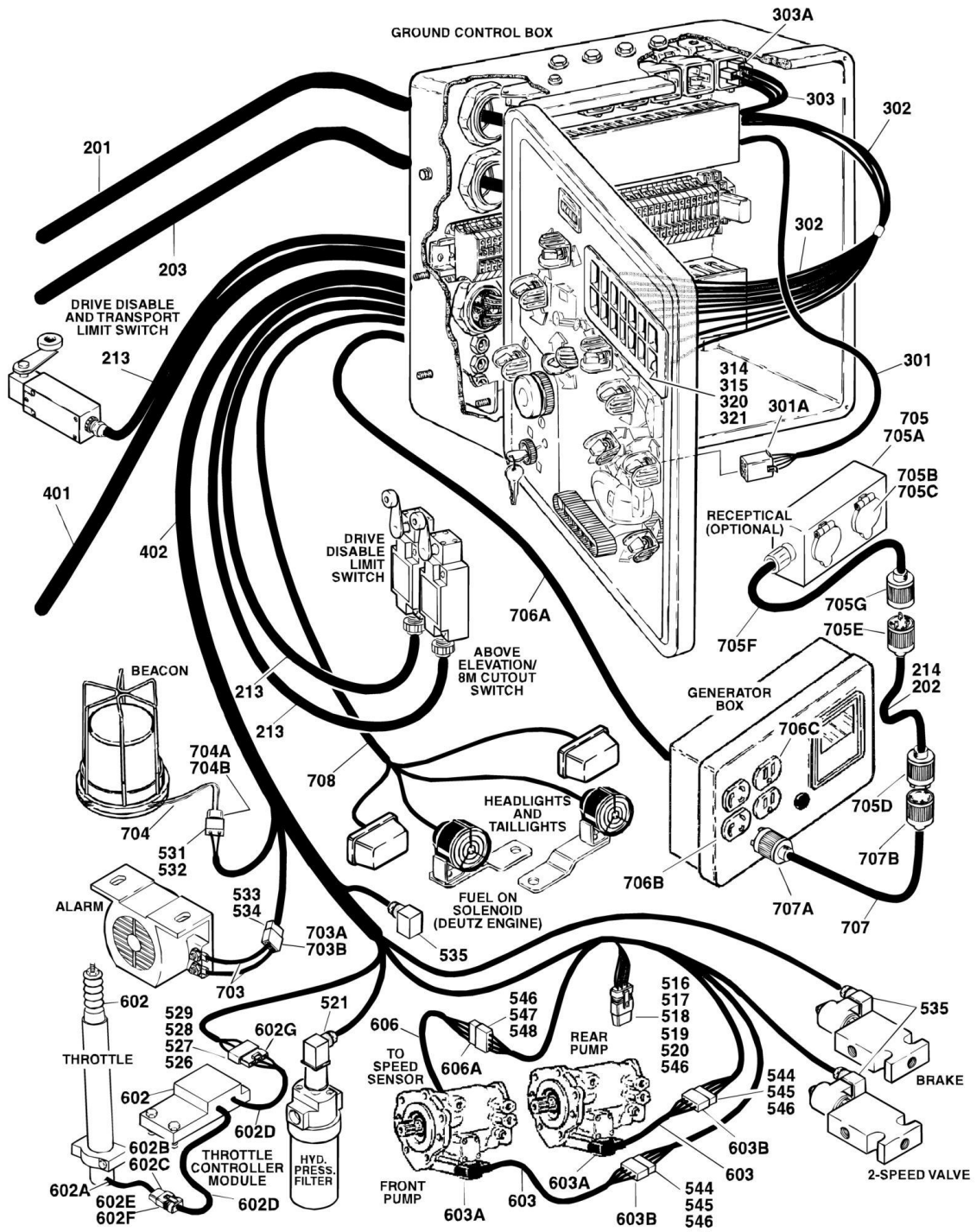
1870151 - REV B

SECTION 7 - ELECTRICAL

FIGURE 7-5. HARNESS COMPONENTS INSTALLATION



SECTION 7 - ELECTRICAL



SECTION 7 - ELECTRICAL

FIGURE 7-5. HARNESS COMPONENTS INSTALLATION

ITEM	PART NUMBER	QTY	DESCRIPTION	REV
		Ref	HARNESS COMPONENTS INSTALLATION	
		Ref	PLATFORM BOX HARNESS ASSEMBLY	
	4922338	Ref	Australian Spec	7-E
	4922411	Ref	CE Spec	4-C
1	See Note	AR	Harness, Switch (Note: Not Available - Made from Individual Wires.)	
2	See Note	AR	Harness, Light Panel (Note: Not Available - Made from Individual Wires.)	
3	1060012	7 ft/2.1m	Cable, Electrical - 12/4	
22	4460265	1	Plug, Male - 9 Position	
23	4460267	AR	Pin, Male	
24	4460418	6	Connector - 6 Position	
25	4460419	33	Terminal, Female	
29	4460720	3	Connector - 15 Position	
30	4460721	33	Socket, Female	
33	4460464	AR	Pin, Male (16 Gauge)	
34	4460503	1	Connector - 31 Position	
35	4460508	4	Pin, Male (12 Gauge)	
36	4460613	1	Connector - 21 Position	
37	3990010	AR	Diode - 6 Amp (Not Shown)	
39	4120035	AR	Base, Light	
40	4460634	AR	Insert, Terminal (Single Wire)	
41	4460635	AR	Insert, Terminal (Double Wire)	
42	4460741	AR	Plug, Relay	
53	4460420	AR	Receptacle, Relay	
54	4460225	2	Connector, Plug - 6 Position	
55	4460321	1	Receptacle, Female - 4 Position	
60	4460268	4	Socket, Female	
		Ref	PLATFORM BOX ASSEMBLY COMPONENTS	
101	2920129	AR	Bulb, Light	
103	4460470	2	Nut, Conduit	
104	4460471	2	Washer, Conduit	
105	4460428	2	Connector, Strain Relief	
		Ref	BOOM CABLES INSTALLATION	
	0270173	Ref	Boom Cables Installation 600SC	4
	0270175	Ref	Boom Cables Installation 600SJC	4
	0270174	Ref	Boom Cables Installation 660SJC	4
201	1060516	Ref	Cable, Electrical - 16/30 Options: (Does not Include Terminals)	
201	1060516	68.5 ft /20.9m	Cable, Electrical - 16/30 (600SC)	
201	1060516	70 ft /21.4m	Cable, Electrical - 16/30 (600SJC)	
201	1060516	76 ft /23.2m	Cable, Electrical - 16/30 (660SJC)	
202	1060461	Ref	Cable, Electrical - 12/3 Options: (Does not Include Terminals)	
202	1060461	69.5 ft /21.2m	Cable, Electrical - 12/3 (600SC)	
202	1060461	71 ft /21.7m	Cable, Electrical - 12/3 (600SJC)	
202	1060461	77 ft /23.5m	Cable, Electrical - 12/3 (660SJC)	

SECTION 7 - ELECTRICAL

ITEM	PART NUMBER	QTY	DESCRIPTION	REV
203	1060603	Ref	Cable, Electrical - 12/4 & 16/10 Options: (Does not Include Terminals)	
203	1060603	69.5 ft /21.2m	Cable, Electrical - 12/4 & 16/10 (600SC)	
203	1060603	71 ft /21.7m	Cable, Electrical - 12/4 & 16/10 (600SJC)	
203	1060603	77 ft /23.5m	Cable, Electrical - 12/4 & 16/10 (660SJC)	
204	4460502	1	Connector - 31 Position	
205	4460465	AR	Socket, Female - #16	
206	4460466	14	Seal, Plug	
207	4460473	2	Clamp, Cable	
208	4460614	1	Connector - 21 Position	
209	4460509	4	Socket, Female - #12	
213	1060016	AR	Cable, Boom Length	
214	4100026	10 ft/3m	Sleeve, Nylon	
		Ref	GROUND CONTROL BOX DIAGRAMS	
	4933147	Ref	Australian Spec	1-A
	4933143	Ref	CE Spec (Prior to SN 0300064782)	2-A
	4933234	Ref	CE Spec (SN 0300064782 through 0300128000)	1-B
301	4921993	1	Harness, Switch	5-E
301	3730099	1	Resistor 750 Ohm (Not Shown)	
301A	4460418	AR	Connector - 6 Position	
301A	4460419	AR	Socket, Female	
302	4922002	1	Harness Assembly - Light Panel	
303		Ref	Sub-Harness, Relay Options:	
303	4922427	1	Australian Spec	1-A
303	4922424	1	CE Spec (Prior to SN 0300064782)	3-C
303	4922676	1	CE Spec (SN 0300064782 through 0300128000)	1-A
303	3990010	3	Diode 6 Amp/600V	
303	2400060	1	Fuseholder	
303	2400064	1	Fuse 5 Amp	
303A	4460741	AR	Plug, Relay	
303A	4460420	18	Receptacle, Relay	
312	3990010	2	Diode 6 Amp (Not Shown)	
314	4120035	8	Base, Light	
315	2920129	8	Bulb, Light	
319	3730023	1	Resistor 510 Ohm (Not Shown - Located at Alternator Light)	
320	4460634	5	Insert, Terminal (Single Wire)	
321	4460635	11	Insert, Terminal (Double Wire)	
		Ref	GROUND CONTROL BOX ASSEMBLY COMPONENTS	
401	4921923	1	Valve Harness Assembly	3-E
401A	4460499	15	DIN Connector with Diode	
401B	4460320	1	Plug, Male - 2 Position	
401C	4460267	9	Pin, Male	
401D	4460424	1	Receptacle, Female - 2 Position	
401E	4460268	5	Socket, Female	
401F	4460225	1	Housing, Terminal - 6 Position	
401G	4460326	1	Plug, Male - 3 Position (Not Shown - No Connection Required on SC Models)	
401H	4460445	1	Receptacle, Female - 3 Position	
402		Ref	Engine Harness Assemblies (See Items 501-548 for Breakdown)	

SECTION 7 - ELECTRICAL

ITEM	PART NUMBER	QTY	DESCRIPTION	REV
402	4922330	1	Engine Harness Assemblies (Prior to SN 0300064782)	
402	4922554	1	Engine Harness Assemblies (SN 0300064782 through 0300128000)	
		Ref	ENGINE HARNESS ASSEMBLY	
	4922330	Ref	Engine Harness Assembly (Prior to SN 0300064782)	2-B
	4922554	Ref	Engine Harness Assembly (SN 0300064782 through 0300128000)	1-A
516	4460749	1	Cap, Backshell Sealing	
517	4460750	1	Bussbar - 6 Position	
518	4460744	1	Connector - 6 Position	
519	4460745	1	Lock, Secondary	
520	4460746	6	Socket, Female	
521	4460449	1	DIN Connector without Diode	
526	4460777	1	Housing - 4 Position	
527	4460591	1	Terminal, Lock	
528	4460589	3	Socket	
529	4460608	3	Seal, Cable	
531	4460424	1	Receptacle, Female - 2 Position	
532	4460268	2	Socket, Female	
533	4460320	1	Connector, Female - 2 Position	
534	4460267	2	Pin, Male	
535	4460499	AR	DIN Connector with Diode	
544	4460460	2	Connector, Male - 4 Position	
545	4460457	8	Terminal, Female	
546	4460458	18	Seal, Terminal	
547	4460844	1	Receptacle, Female - 4 Position	
548	4460475	3	Pin, Male	
		Ref	STANDARD HARNESS COMPONENTS	
601	See Note	NSS	Tilt Indicator Harness (Note: Purchase Complete Sensor)	
601A	4460268	6	Socket, Female	
601B	4460224	1	Connector, Female - 6 Position	
602	See Note	NSS	Throttle Actuator/Controller Harness (Note: Not Available for Purchase.)	
602	0060033	NLA	Throttle Actuator and Controller Assembly (Use p/n 2910000)	
602	7008833	1	Mounting Clamp Kit (Not Shown)	
602	7008836	1	Spring, Retract (Not Shown)	
602A	See Note	NLA	Throttle Actuator and Harness (Note: Use p/n 2910000.)	
602A	7016336	1	Boot Kit	
602B	See Note	NLA	Pin, Male (Note: Use p/n 2910000)	
602C	See Note	NLA	Connector, Male (Note: Use p/n 2910000)	
602D	See Note	NLA	Controller and Harness (Note: Use p/n 2910000)	
602E	See Note	NLA	Socket, Female (Note: Use p/n 2910000)	
602F	See Note	NLA	Connector, Female (Note: Use p/n 2910000)	
602G	See Note	NLA	Plug, Male - 4 Position (Note: Use p/n 2910000)	
602G	4460693	4	Pin, Male	
602G	4460591	1	Clip	
602G	4460608	4	Seal, Terminal	
603	See Note	NSS	Sunstrand Pump Harness (Note: Not Available for Purchase.)	
603A	7007497	2	Plug (Pump End)	
603B	7007498	2	Plug (Engine Harness End)	
604	See Note	NSS	Controller Harness Assembly (Lift and Swing) (Note: Not Available - Purchase Complete Controller)	

SECTION 7 - ELECTRICAL

ITEM	PART NUMBER	QTY	DESCRIPTION	REV
604A	4460266	1	Connector, Female - 9 Position	
604B	4460268	7	Socket, Female	
605	See Note	NSS	Controller Harness/Circuit Board Assembly (Drive and Steer) (Note: Not Available - Purchase Complete Controller)	
605A	4460266	1	Connector, Female - 9 Position	
605B	4460268	7	Socket, Female	
606	See Note	NSS	Sunstrand Pump Sensor Harness (Note: Not Available for Purchase.)	
606A	7007498	1	Plug (Pump End)	
607	4922314	1	Service Cable Light Harness (Australian Spec Only) (Not Shown - Located in Ground Control Box)	
607	4120035	1	Socket, Light	
607	4460464	1	Pin, Male	
607	2920129	1	Bulb, Light	
		Ref	OPTIONAL HARNESS COMPONENTS	
702	4921927	1	Jib Valve Harness (600SJC & 660SJC Only)	
702A	4460326	1	Plug, Male - 3 Position	
702B	4460267	3	Pin, Male	
702C	4460499	2	Connector, DIN with Diode	
703	0257887	1	Alarm Harness Options: (Includes Alarm)	
703A	4460424	1	Plug, Male - 2 Position	
703B	4460268	2	Socket, Female	
704	0255917	1	Strobe Light Harness (Includes Strobe Light)	
704A	4460320	1	Connector, Female - 2 Position	
704B	4460267	2	Pin, Male	
705	0256201	Ref	AC to Platform Receptacle Components	3
705A	See Note	1	Box, Switch (Note: Not Available - Purchase Locally.)	
705B	See Note	1	Receptacle (Note: Not Available - Purchase Locally.)	
705C	See Note	1	Shield, Cover (Note: Not Available - Purchase Locally.)	
705D	See Note	2	Plug, Male (Note: Not Available - Purchase Locally.)	
705E	See Note	2	Connector, Female (Note: Not Available - Purchase Locally.)	
705F	4921820	1	Harness-Receptacle Box to Boom	
705F	1060461	18 in /47cm	Cable, Electrical - 12/3	
705G	4460709	1	Plug, Male	
705H	0961127	1	Bushing, Snap (Not Shown)	
706		Ref	Generator Electrical Components:	
706	4932915	Ref	110V (Prior to SN 0300056088)	2-C
706	4933150	Ref	110V (SN 0300056088 through 0300128000)	2-B
706	4932989	Ref	220V (Prior to SN 0300056088)	1-A
706	4933149	Ref	220V (SN 0300056088 through 0300128000)	2-B
706	3990010	1	Diode - 6 Amp (Not Shown)	
706	4922432	1	Harness, Timer Relay (Not Shown)	
706A	4921938	1	Harness - On/Off Switch (Powermite Control Box to Ground Control Box)	
706B	4460027	1	Receptacle, Electrical (Industrial) (110V)	
706B	4460125	1	Receptacle, Electrical (220V)	
706C	4460190	1	Receptacle, Electrical (Standard) (110V)	
706C	4460125	1	Receptacle, Electrical (220V)	
707	4921956	1	Generator to Rear of Boom Harness	
		Ref	Note: Harness used to connect AC at platform harness to generator receptacle to power platform receptacle.	
707	1060494	26 ft/8m	Cable, Electrical - 12/3	

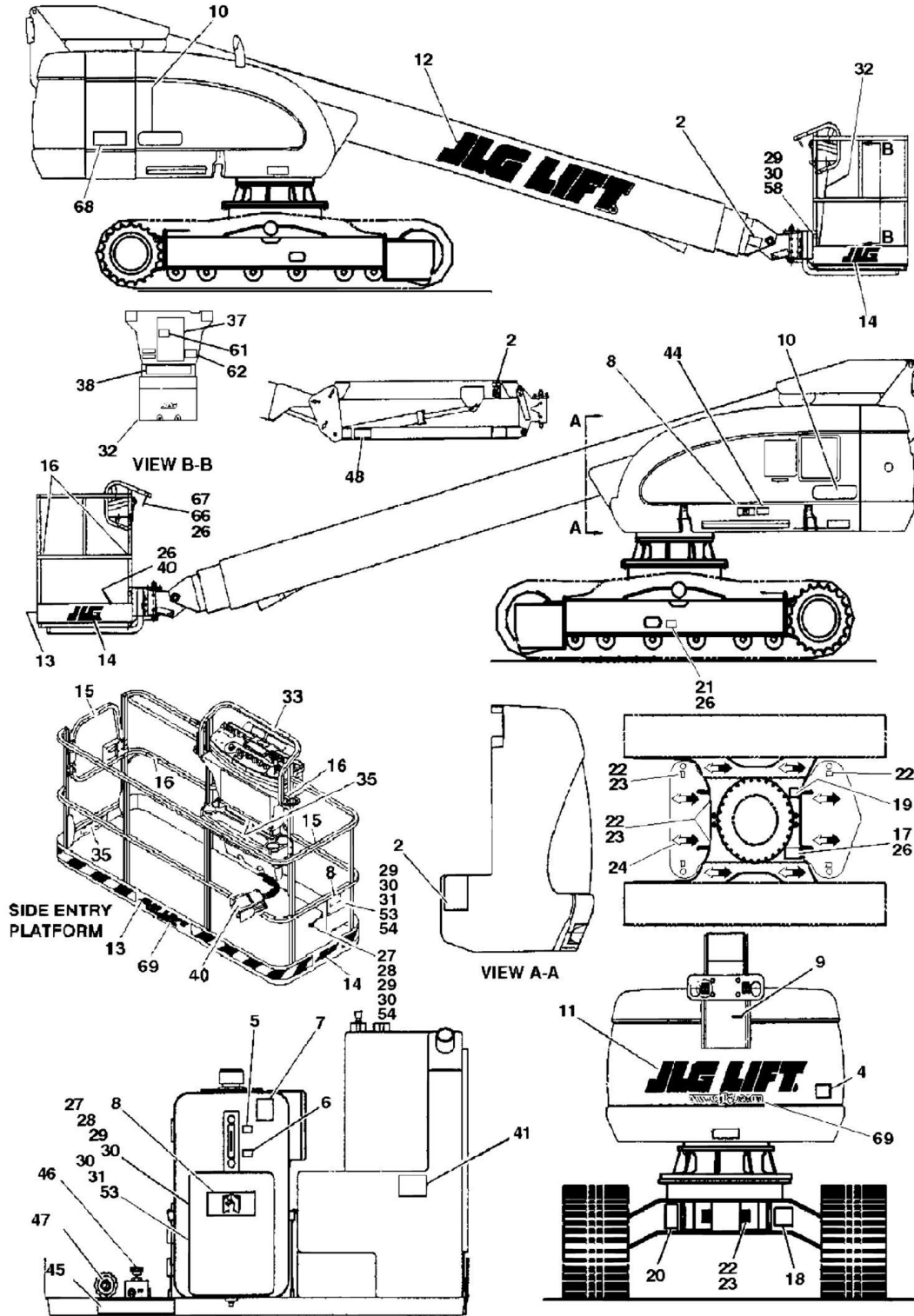
SECTION 7 - ELECTRICAL

ITEM	PART NUMBER	QTY	DESCRIPTION	REV
707A	4460205	1	Plug, Male (110V)	
707A	4460233	1	Plug, Male (220V)	
707B	4460134	1	Receptacle, Female (110V)	
707B	4460701	1	Receptacle, Female (220V)	
708	See Note	NSS	Lights Harness (Note: Not Available for Purchase.)	
708	3740049	1	Relay (Not Shown)	
708	1060341	37 ft /11.3m	Cable, Electrical - 16/2	
709	2920140	2	Platform Worklights Harness (Includes Light and Wire Only)	
709	2820035	9 ft/2.8m	Loom, Vinyl	
709A	4460598	1	Connector, Strain Relief	
709A	4460442	2	Terminal (Not Shown-Located in Platform Console)	
710	4933272	1	Platform Load Cell Wiring Diagram (CE Spec Only) (SN 0300069278 through 0300128000)	B
710A	4922844	1	Load Cell Harness	2-B
710B	4922705	1	Analyzer Harness	1-A
710C	4460761	1	Connector, Female - 4 Position	
710C	4460227	4	Pin, Male	
710D	4460935	1	Plug, Male - 12 Position (Brown)	
710D	4460465	4	Socket, Female	
710D	4460466	6	Connector, Hole Plug	
710D	0840055	1	Boot	
710E	4460934	1	Plug, Male - 12 Position (Green)	
710E	4460465	4	Socket, Female	
710E	4460466	10	Connector, Hole Plug	
710E	0840055	1	Boot	
710F	4460226	2	Socket, Female	
710G	4460836	1	Connector, Black - 12 Position	
710G	4460465	8	Socket, Female	
710G	4460466	4	Connector, Hole Plug	
710G	0840055	1	Boot	
710H	4460933	1	Connector, Grey - 12 Position	
710H	4460465	8	Socket, Female	
710H	4460466	4	Connector, Hole Plug	
710H	0840055	1	Boot	
710I	4460894	4	Plug, Male - 6 Position	
710I	4460465	16	Socket, Female	
711	See Note	NSS	Load Cell Harness (Note: Not Available - Purchase Complete Load Cell)	
711A	4460899	4	Connector, Female - 6 Position	
711A	4460464	16	Pin, Male	
711B	See Note	4	Connector, Strain Relief (Note: Not Available for Purchase.)	
		Ref	TOOLS	
	4921850	1	Service Harness (For Setting Deutz Throttle Actuator)	
	4922021	1	Service Harness (For Setting Circuit Cards)	
801	7002821	1	Crimper (For Wire to Pin/Socket Connections)	
802	7002823	1	Extractor (For Removal of Pin/Socket from Connectors)	
803	4460467	1	Extractor, Pin (Blue 16-18 Gauge) (For Removal of Pin/Socket from Connectors)	
803	4460510	1	Extractor, Pin (Yellow 12-14 Gauge) (For Removal of Pin/Socket from Connectors)	
804	7002828	1	Stripper, Wire	

SECTION 8 - DECALS

SECTION 8 - DECALS

FIGURE 8-1. DECALS INSTALLATION - STANDARD



SECTION 8 - DECALS

FIGURE 8-1. DECALS INSTALLATION - STANDARD

ITEM	PART NUMBER	QTY	DESCRIPTION	REV
		Ref	STANDARD DECAL INSTALLATIONS	
	0270994	Ref	JLG Logo Decals	1
		Ref	JLG Logo : (Prior to SN 0300069397)	
	0259701	Ref	JLG Logo 600SC - Australian Spec	2
	0259702	Ref	JLG Logo 600SJC - Australian Spec	2
	0259703	Ref	JLG Logo 660SJC - Australian Spec	2
	0259710	Ref	JLG Logo 600SC - Dutch Spec	2
	0259711	Ref	JLG Logo 600SJC - Dutch Spec	1
	0259712	Ref	JLG Logo 660SJC - Dutch Spec	1
	0259716	Ref	JLG Logo 600SC - French Spec	2
	0259717	Ref	JLG Logo 600SJC - French Spec	2
	0259718	Ref	JLG Logo 660SJC - French Spec	3
	0259707	Ref	JLG Logo 600SC - German Spec	2
	0259708	Ref	JLG Logo 600SJC - German Spec	2
	0259709	Ref	JLG Logo 660SJC - German Spec	2
	0259713	Ref	JLG Logo 600SC - Italian Spec	2
	0259714	Ref	JLG Logo 600SJC - Italian Spec	2
	0259715	Ref	JLG Logo 660SJC - Italian Spec	2
	0273199	Ref	JLG Logo 600SC - Norwegian Spec	3
	0273200	Ref	JLG Logo 600SJC - Norwegian Spec	3
	0273201	Ref	JLG Logo 660SJC - Norwegian Spec	3
	0259719	Ref	JLG Logo 600SC - Spanish Spec	2
	0259720	Ref	JLG Logo 600SJC - Spanish Spec	2
	0259721	Ref	JLG Logo 660SJC - Spanish Spec	2
	0259704	Ref	JLG Logo 600SC - UK English Spec	2
	0259705	Ref	JLG Logo 600SJC - UK English Spec	2
	0259706	Ref	JLG Logo 660SJC - UK English Spec	2
		Ref	JLG Logo : (SN 0300069397 through 0300128000)	
	0272453	Ref	JLG Logo 600SC - Australian Spec	5
	0272454	Ref	JLG Logo 600SJC - Australian Spec	5
	0272455	Ref	JLG Logo 660SJC - Australian Spec	5
	0272462	Ref	JLG Logo 600SC - Dutch Spec	5
	0272463	Ref	JLG Logo 600SJC - Dutch Spec	5
	0272464	Ref	JLG Logo 660SJC - Dutch Spec	5
	0272468	Ref	JLG Logo 600SC - French Spec	5
	0272469	Ref	JLG Logo 600SJC - French Spec	5
	0272470	Ref	JLG Logo 660SJC - French Spec	5
	0272459	Ref	JLG Logo 600SC - German Spec	5
	0272460	Ref	JLG Logo 600SJC - German Spec	5
	0272461	Ref	JLG Logo 660SJC - German Spec	5
	0272465	Ref	JLG Logo 600SC - Italian Spec	5
	0272466	Ref	JLG Logo 600SJC - Italian Spec	5
	0272467	Ref	JLG Logo 660SJC - Italian Spec	5
	0273199	Ref	JLG Logo 600SC - Norwegian Spec	3
	0273200	Ref	JLG Logo 600SJC - Norwegian Spec	3
	0273201	Ref	JLG Logo 660SJC - Norwegian Spec	3
	0272471	Ref	JLG Logo 600SC - Spanish Spec	5
	0272472	Ref	JLG Logo 600SJC - Spanish Spec	5
	0272473	Ref	JLG Logo 660SJC - Spanish Spec	5
	0272456	Ref	JLG Logo 600SC - UK English Spec	5

SECTION 8 - DECALS

ITEM	PART NUMBER	QTY	DESCRIPTION	REV
	0272457	Ref	JLG Logo 600SJC - UK English Spec	5
	0272458	Ref	JLG Logo 660SJC - UK English Spec	5
2	1701518	3	Decal - Warning/Crushing	
4		Ref	Decal Options:	
4		Ref	Decal - CE (Prior to SN 0300069397)	
4	Not Required	0	Australian Spec	
4	1702928	1	Dutch, French, German, Italian, Spanish and UK Spec	
4		Ref	Sound Power Level (SN 0300069397 through 0300128000)	
4	Not Required	0	Australian Spec	
4	1705084	1	Dutch, French, German, Italian, Spanish and UK Spec	
5	1701502	1	Decal - High Oil Level	
6	1701503	1	Decal - Low Oil Level	
7	1701504	1	Decal - Hydraulic Oil	
8	1701509	AR	Decal - Manual	
9		Ref	Nameplate - 240V-50Hz Options:	
9	3251242	1	Australian Spec	
9	Not Required	0	Dutch, French, German, Italian, Norwegian, Spanish and UK Spec	
10		Ref	Decal - Model Options:	
10	1704434	2	Decal 600SC	
10	1704435	2	Decal 600SJC	
10	1703165	2	Decal 660SJC	
11	1702861	1	Decal - JLG Lift (8in)	
12	1702862	1	Decal - JLG Lift (12in)	
13	1702774	1	Decal - JLG Lift (3-1/2in)	
14	1702773	2	Decal - JLG (5in)	
16	1704277	4	Decal - Attach Lanyard Here	
17	See Note	NSS	Nameplate - Serial Number (Note: Not Available for Purchase.)	
19	See Note	NSS	Decal - Bar Code (Note: Not Available for Purchase.)	
20	1700584	1	Decal - Patent	
21		Ref	Decal - Crawler Caution (SN 0300069397 through 0300128000)	
21	Not Required	0	Australian, Norwegian and UK Spec	
21	1705080	2	Dutch Spec	
21	1705077	2	French Spec	
21	1705078	2	German Spec	
21	1705081	2	Italian Spec	
21	1705079	2	Spanish Spec	
22	1702300	4	Decal - Tie Down /Lift	
23	1701500	2	Decal - Tie Down /Lift	
24	1701529	AR	Decal - Arrow	
26	3820001	AR	Rivet	
27	0641408	1	Bolt 1/4in-20NC x 1in	
28	1060279	1	Cable, Lanyard	
29	3311405	AR	Locknut 1/4in-20NC	
30	4751400	AR	Flatwasher 1/4in Regular	
31	0860520	1	Box, Manual Storage	
32	3380434	1	Panel, Pedestal (Prior to SN 0300075375)	
34		Ref	Decal - Danger/Warning Options:	
34	1703992	1	Australian Spec	
34	Not Required	0	Dutch, French, German, Italian, Norwegian, Spanish and UK Spec	

SECTION 8 - DECALS

ITEM	PART NUMBER	QTY	DESCRIPTION	REV
37		Ref	Decal - Capacity Options:	
37	Not Required	0	Australian Spec	
37	1701596	1	Dutch Spec	
37	1690697	1	French, German, Italian, Norwegian, Spanish and UK Spec	
38		Ref	Decal - Caution Options:	
38	Not Required	0	Australian Spec	
38	1703186	1	Dutch Spec	
38	1703511	1	French Spec	
38	1703508	1	German Spec	
38	1703514	1	Italian Spec	
38	1703509	1	Spanish Spec	
38	1705251	1	Norwegian Spec	
38	1703513	1	UK Spec	
39		Ref	Decal - Caution Options:	
39	1703516	1	Australian Spec	
39	1701596	1	Dutch Spec	
39	1703510	1	French Spec	
39	1703507	1	German Spec	
39	1703515	1	Italian Spec	
39	1705252	1	Norwegian Spec	
39	1703512	1	Spanish Spec	
39	1703516	1	UK Spec	
40		Ref	Decal - Caution Options:	
40	Not Required	0	Australian Spec	
40	1703518	1	Dutch Spec	
40	1693292	1	French Spec	
40	1693294	1	German Spec	
40	1701600	1	Italian Spec	
40	1705275	1	Norwegian Spec	
40	1701791	1	Spanish Spec	
40	3252347	1	UK Spec	
41	1701505	1	Decal - Fuel	
44		Ref	Decal - Manual Descent Options: (Prior to SN 0300073693)	
44	1702901	1	Australian Spec	
44	1702996	1	Dutch Spec	
44	1702984	1	French Spec	
44	1702988	1	German Spec	
44	1702992	1	Italian Spec	
44	1705246	1	Norwegian Spec	
44	1703000	1	Spanish Spec	
44	1702901	1	UK Spec	
45		Ref	Decal - Manual Descent Options: (Prior to SN 0300073693)	
45	1702902	1	Australian Spec	
45	1702997	1	Dutch Spec	
45	1702985	1	French Spec	
45	1702989	1	German Spec	
45	1702993	1	Italian Spec	
45	1705247	1	Norwegian Spec	
45	1703001	1	Spanish Spec	
45	1702902	1	UK Spec	
46	1702903	1	Decal - Manual Descent (Prior to SN 0300073693)	

SECTION 8 - DECALS

ITEM	PART NUMBER	QTY	DESCRIPTION	REV
47	1702904	1	Decal - Manual Descent (Prior to SN 0300073693)	
48		Ref	Decal - Manual Descent - 600SJC & 660SJC Only Options: (Prior to SN 0300073693)	
48	1702908	2	Australian Spec	
48	1702998	2	Dutch Spec	
48	1702986	2	French Spec	
48	1702990	2	German Spec	
48	1705248	2	Norwegian Spec	
48	1702994	2	Italian Spec	
48	1703002	2	Spanish Spec	
48	1702908	2	UK Spec	
53	0641406	4	Bolt 1/4in-20NC x 3/4in	
54	0100011	AR	Compound, Locking	
58	0641414	2	Bolt 1/4in-20NC x 1-3/4in (Prior to SN 0300075375)	
61		Ref	Decal - Platform Capacity	
61	1703675	1	Decal - Platform Capacity 600SC Australian Spec	
61	Not Required	0	Decal - Platform Capacity 600SJC & 660SJC Australian Spec	
61	Not Required	0	Dutch, French, German, Italian, Norwegian, Spanish and UK Spec	
62		Ref	Decal - Danger Options:	
62	1703665	1	Decal - Danger 660SJC Australian Spec	
62	Not Required	0	Decal - Danger 600SC & 600SJC Australian Spec	
62	Not Required	0	Dutch, French, German, Italian, Norwegian, Spanish and UK Spec	
66		Ref	Decal - Motion Hazard Options:	
66	1704468	1	Australian Spec	
66	1704565	1	Dutch Spec	
66	1704562	1	French Spec	
66	1704563	1	German Spec	
66	1704566	1	Italian Spec	
66	1705262	1	Norwegian Spec	
66	1704564	1	Spanish Spec	
66	1704468	1	UK Spec	
67	3572044	1	Plate, Decal Mounting	
68	1705177	1	Decal - Lifting Diagram (SN 0300069397 through 0300128000)	
69	1704885	2	Decal - Website (SN 0300069397 through 0300128000)	

SECTION 9 - RECOMMENDED SERVICE PARTS STOCK

SECTION 9 - RECOMMENDED SERVICE PARTS STOCK

SECTION 9 - RECOMMENDED SERVICE PARTS STOCK

FIGURE 9-1. MODELS 600SC/600SJC/660SJC STANDARD PARTS

ITEM	PART NUMBER	QTY	DESCRIPTION	REV
		Ref	Note: The following list will service machines (built to current production per date on the front cover) with emergency repair parts which can be installed in the field. Parts from the list should be replaced when inventory is depleted to keep service parts stock supplied. For further information, contact your JLG dealer or the JLG Industries Parts Department.	
		Ref	STANDARD PARTS	
	2120150	4	Element Filter	
	7012944	1	Coil	
	2120149	1	Element, Filter	
	7012772	1	Coil	
	7012768	1	Coil	
	7012664	4	Element, Air Cleaner	
	3740067	1	Relay	
	7016328	4	Filter, Fuel	
	7016331	1 doz	Filter, Oil	
	4360294	1	Breaker, Circuit	
	7014811	1	Breather, Hydraulic Tank	
	7014801	1	Strainer, Hydraulic Tank	
	4360475	1	Switch, Mushroom	
	4360470	1	Switch, Key	
	2860030	1	Key, Replacement	
	3740112	1	Relay	
	4360314	1	Switch, Toggle	
	3740049	1	Relay	
	1600262	1	Controller	
	2940074	1	Latch	
	1600284	1	Controller (Lift and Swing)	
	1600330	1	Controller (Drive and Steer)	
	4360387	1	Switch, Push Button	
	4360407	1	Controller, Speed	
	4360331	1	Switch, Toggle	
	7016346	2	Fuse - 5 Amp	
	3740058	1	Relay	
	4360232	1	Breaker, Circuit	
	3740113	1	Relay, Time Delay	
	3740115	1	Relay, Time Delay	
	3740133	1	Relay, Timer	
	1600303	1	Controller, OEM Optimizer	
	7003974	1	Potentiometer	
	3990010	2	Diode	
	3990001	2	Diode	

SECTION 9 - RECOMMENDED SERVICE PARTS STOCK

FIGURE 9-2. MODELS 600SC/600SJC/660SJC VARIABLE PARTS

ITEM	PART NUMBER	QTY	DESCRIPTION	REV
		Ref	Note: The following list will service machines (built to current production per date on the front cover) with emergency repair parts which can be installed in the field. Parts from the list should be replaced when inventory is depleted to keep service parts stock supplied. For further information, contact your JLG dealer or the JLG Industries Parts Department.	
		Ref	VARIABLE PARTS	
	3740080	1	Relay (Machines with Generator Option)	
	4360336	1	Switch, Toggle (Machines with Generator Option)	
	70002005	1	Power Track Repair Section (Gortrac) (600SC/660SJC)	
	70002007	1	Power Track Repair Section (Gortrac) (600SJC)	
	7016530	2	Power Track Repair Section (Gemco)	
	7006138	24	Power Track Pin Kit (Gemco)	

SECTION 10 - SPECIAL OPTIONS

SECTION 10 - SPECIAL OPTIONS

FIGURE 10-1. SPECIAL OPTIONS

ITEM	PART NUMBER	QTY	DESCRIPTION	REV
		Ref	MISCELLANEOUS SPECIAL OPTIONS	
	Note	Ref	Note: This list is to accommodate machines ordered with special equipment. Options may not be applicable to all models. For more specific parts information contact JLG Parts Department.	
		Ref	Airline to Platform Installation Options:	
	0255388	Ref	1/2in 600SC & 600SJC	
	0255389	Ref	1/2in 660SJC	
	0270723	Ref	Beacon Installation Mounted Under Platform	
	2920146	1	Beacon Light Assembly	
	7016319	1	Bulb, Replacement	
	7016372	1	Lens, Replacement	
	4060865	1	Guard	
	0256789	Ref	Camera Mount Assembly	
		Ref	ClearSky Telematics Kit (Dealer Installed)	
	1001102841	Ref	ANSI Spec	
	1001102842	Ref	ANSI Export/CE/Japanese Specs	
	1001139132	Ref	Australian Spec	
	1001104985	Ref	CSA Spec	
		Ref	Note: Refer to ClearSky (Telematics) Manual p/n 3128499 for Service Parts.	
	0258927	Ref	Cold Weather Package with Glow Plugs	
	0256060	Ref	Cold Weather Package with Ether Start	
		Ref	Container - Tray Storage Options:	
	1580012	1	Center	
	1580013	1	Rail	
		Ref	Decal Installations Options:	
	1702788	1	Decal - Biodegradable Hydraulic Fluid (English Language)	
	1703479	1	Decal - Biodegradable Hydraulic Fluid (German Language)	
	1704174	1	Decal - Syn Biodegradable Hydraulic Fluid (English Language)	
	1704175	1	Decal - Syn Biodegradable Hydraulic Fluid (German Language)	
	0257733	Ref	Decal Installation - Warning Stripes	
	0257157	Ref	Ether Start Installation	
		Ref	Filter Kits	
		Ref	Combined Filter Kit (Hydraulic/Air and Fuel/Engine Oil) Options:	
	2915137	NLA	Caterpillar Engines Machines (Use p/n 1001110994) (Prior to SN 0300085110)	
	1001114031	NLA	Caterpillar Engines Machines (Use p/n 1001110994) (Prior to SN 0300085110)	
	1001114123	NLA	Caterpillar Engines Machines (Use p/n 1001110991) (SN 0300085110 through 0300128000)	
	1001114124	NLA	Caterpillar Engines Machines (Use p/n 1001110991) (SN 0300085110 through 0300128000)	
	1001114136	1	Deutz Engine Machines (Prior to SN 0300077723)	
	2910463	NLA	Deutz Engine Machines (Use p/n 1001110993) (SN 0300077723 through 0300085109)	
	1001114036	1	Deutz Engine Machines (Use p/n 1001110990) (SN 0300085110 through 0300092882)	
	1001110990	1	Deutz Engine Machines (SN 0300092883 through 0300128000, Excluding 0300174703)	

SECTION 10 - SPECIAL OPTIONS

ITEM	PART NUMBER	QTY	DESCRIPTION	REV
		Ref	Hydraulic/Air Filter Options:	
	2910924	NLA	Hydraulic/Air Filter (Use p/n 1001109692) (Prior to SN 0300085110)	
	1001114132	Ref	Hydraulic/Air Filter (Use p/n 1001109684) (SN 0300085110 through 0300128000)	
		Ref	Engine - Fuel/Engine Oil Filter Options:	
	See Note	Ref	Caterpillar Engines (Note: Not Available - Purchase Individual Components)	
	1001110133	Ref	Deutz Engines	
	4060959	Ref	Footswitch Shield (Note: Move Decal to Shield)	
	0258928	Ref	Glow Plugs Installation	
		Ref	Hydraulic Fluids Options:	
	2300014	Ref	Mobil 424	
	2300027	Ref	Mobil 224H Bio	
	2300029	Ref	Mobil EAL ISO 46 Bio	
	2300016	Ref	Mobil DTE 10 Excel 32	
	2300019	Ref	Quaker State Quintolubric 888-46 Fire Res.	
	0255439	Ref	Intercom Communication System Installation	
	1001189615	Ref	Kingpin Removal Kit	
	1001148971	Ref	Lanyard (Bolt-On) Kit Installation	
	1001147699	Ref	Manual Storage Box Relocation Kit	
		Ref	Oil Cooler Installations	
	0256762	Ref	Oil Cooler Installations (Prior to SN 0300067081)	
	1282665	Ref	Oil Cooler Installations (Prior to SN 0300067081)	
	0272364	Ref	Oil Cooler Installations (SN 0300067081 through 0300128000)	
		Ref	Oxy-Acetylene Lines to Platform Installation Options:	
	0255390	Ref	Oxy-Acetylene Lines to Platform Installation 600SC & 600SJC	
	0255391	Ref	Oxy-Acetylene Lines to Platform Installation 660SJC	
	0255398	Ref	Platform Console Cover Installation	
		Ref	Platform Entry Kit	
	1001142504	Ref	Kit, Replace Swing Gate with Drop Bar	
	1001142505	Ref	Kit, Replace Drop Bar with Swing Gate	
	2910073	Ref	Power Track Hose and Clamp Kit	
	1320247	1	Clamp, Nylon	
	0641522	1	Bolt 5/16in-18NC x 2-3/4in	
	3311505	1	Locknut 5/16in-18NC	
	4711500	2	Flatwasher 5/16in	
	2753084	1	Hose	
		Ref	SkyGuard Component Options:	
	1001149560	Ref	SkyGuard Complete Add-On Kit (Non-UGM Machines)	
	1001137672	Ref	SkyGuard Platform Sensor Kit	
	1001137440	1	SkyGuard Sensor Harness	
	1001186431	2	Relay	
	1001143256	Ref	SkyGuard Blue Beacon Kit	
	0272029	Ref	Rubber Track Pad Installation	
		Ref	Rubber Track Components (Some Early Machines Had Rubber Tracks)	
	2360530	Ref	Frame Weldment - 600SC	
	2360441	Ref	Frame Weldment - 600SJC	
	2360438	Ref	Frame Weldment - 660SJC	
	7022734	Ref	Track Shoe Assembly (Includes Link and Shoe)	

SECTION 10 - SPECIAL OPTIONS

ITEM	PART NUMBER	QTY	DESCRIPTION	REV
	7022732	Ref	Shoe, Track	
		Ref	Side Entry Platform, Mesh to Top Rail	
	0273149	Ref	3ft x 6ft Platforms	
	0273145	Ref	3ft x 8ft Platforms	
	1702868	Ref	Decal - No Hands (ANSI Spec)	
		Ref	Tools for Service	
	8896941	1	Wire Stripper	
	7002821	1	Wire Crimper (To install wire ends to wires)	
	7002823	1	Pin/Socket Extractor - Universal (To Remove Pins/Sockets from Connectors)	
	4460467	1	Extractor - 16-18 Gauge (For Removal of Pin/Sockets from Deutsch Connectors)	
	4460510	1	Extractor - 12-14 Gauge (For Removal of Pin/Sockets from Deutsch Connectors)	
	7002822	1	Screwdriver, Potentiometer (To Adjust Drive Controllers)	
	7016654	1	Screwdriver, Magnetic	
	7004275	1	Seal Installation Tool - 1in	
	7004276	1	Seal Installation Tool - 1-1/2in	
	7002826	1	Seal Installation Tool - 2in	
	83813109	1	Track Adjustment Tool	
	7016655	1	Wire Rope Sheave Gauge	
	7016652	1	Huck Bolt FASTER (For Small Huck Bolts Only)	
	4921850	1	Throttle Service Harness	
	4922012	1	Horsepower Card Service Harness	
	1600303	1	Optimizer	
		Ref	Tool (Hydraulic) Installations Options:	
	0257415	Ref	Tool (Hydraulic) Installations 600SC	
	0257434	Ref	Tool (Hydraulic) Installations 600SJC	
	0257435	Ref	Tool (Hydraulic) Installations 660SJC	
	0272733	Ref	Top Rail Extension Installation (6ft/1.83m)	
	0272725	Ref	Top Rail Extension Installation (8ft/2.44m)	
	0257728	Ref	Tube Rack Installation	
	0258918	Ref	Utility Rack Installation	
		Ref	Weld Leads to Platform Installation Options:	
	0255399	Ref	Weld Leads to Platform Installation 600SC & 600SJC	
	0255895	Ref	Weld Leads to Platform Installation 660SJC	

PART NUMBER INDEX

SECTION 10 - SPECIAL OPTIONS

0060031.....95, 103	0256847..... 58	0271474 78, 122, 131, 204	0561237.....97
0060033.....56, 216	0257157..... 230	0271503 121, 126, 205	0561245.....100
0060034.....91, 103	0257415..... 232	0271631..... 31	0561508.....101
0060066.....95, 107	0257434..... 232	0271667..... 31	0630458.92, 96, 109, 114
0060067.....91, 107	0257435..... 232	0271915..... 75	0630464..... 78, 130
0060075.....103	0257440..... 11	0272029..... 231	0630491.....82
0080163.....58	0257483..... 73	0272070..... 92, 97	0630498.....109
0080220.....153	0257488..... 31	0272136..... 91	0630507.....55
0080241.....82	0257489..... 31	0272142..... 95	0630534.... 141, 143, 145, 157, 161, 164
0100009.....78	0257728..... 232	0272146..... 95	0630535.... 147, 149, 151, 164, 169, 171
0100011.... 32, 41, 56, 62, 73, 75, 78, 81, 82, 87, 88, 91, 92, 96, 97, 100, 109, 114, 117, 125, 130, 131, 141, 143, 147, 149, 153, 157, 163, 171, 179, 185, 191, 197, 224	0257733..... 230	0272292..... 55	0630536.....153
0100019.... 11, 41, 88, 91, 96	0257853..... 61	0272364..... 200, 231	0641403.....100
0100020.....56	0257857..... 61	0272417..... 61	0641404..... 114, 130
0100035.....81, 130	0257882..... 81	0272453..... 221	0641406..82, 83, 87, 101, 130, 224
0100038.... 141, 143, 147, 149, 153, 157, 163, 171, 179, 186, 191, 197	0257884..... 82	0272454..... 221	0641407...56, 92, 96, 122
0100040.....125	0257885..... 82	0272455..... 221	0641408.....81, 125, 129, 154, 222
0100048.....82	0257886..... 82	0272456..... 221	0641414.... 121, 125, 126, 224
0100063.... 147, 153, 157, 164	0257887..... 82, 217	0272457..... 222	0641416.....32, 97
0100079.....73	0257988..... 113	0272458..... 222	0641420.....32
0140001.....32	0258048..... 121, 205	0272459..... 221	0641506.....78, 88
0140026.....129	0258918..... 232	0272460..... 221	0641508.....32, 56, 62
0181727.....55	0258927..... 230	0272461..... 221	0641510.....56
0200530.....62	0258928..... 231	0272462..... 221	0641512.....88
0200741.....62	0259055..... 41	0272463..... 221	0641514.....56
0239585.....41	0259233 122, 131, 204	0272464..... 221	0641522.... 109, 114, 231
0254849.....73	0259552..... 55	0272465..... 221	0641524.....121
0255025.....41	0259694..... 75	0272466..... 221	0641604.....92, 97
0255293.....109	0259701..... 221	0272467..... 221	0641605.....100, 109
0255303.....109	0259702..... 221	0272468..... 221	0641606.56, 97, 109, 117
0255316....41	0259703..... 221	0272469..... 221	0641607.....100
0255388.....230	0259704..... 221	0272470..... 221	0641608.... 32, 73, 87, 91, 96, 100, 109, 114, 117
0255389.....230	0259705..... 221	0272471..... 221	0641609.....85, 88
0255390.....231	0259706..... 221	0272472..... 221	0641610.56, 62, 100, 125, 129
0255391.....231	0259707..... 221	0272473..... 221	0641611.....75, 97, 117
0255398.....231	0259708..... 221	0272474..... 221	0641613.....31, 100
0255399.....232	0259709..... 221	0272507..... 82	0641614.....73, 96
0255439.....231	0259710..... 221	0272725..... 232	0641618.....96, 100
0255881.....85	0259711..... 221	0272733..... 232	0641634.....100
0255895.....232	0259712..... 221	0272970..... 125	0641640.....100
0255917.....82, 217	0259713..... 221	0273145..... 232	0641644.....109
0255929.....173	0259714..... 221	0273149..... 232	0641648.....114
0255930.....173	0259715..... 221	0273199..... 221	0641676.....109
0256060.....230	0259716..... 221	0273200..... 221	0641772.....62
0256122.....88	0259717..... 221	0273201..... 221	0641807.....109, 114
0256201.....217	0259718..... 221	0340041..... 55	0641808.....57, 96
0256212.....153	0259719..... 221	0362528..... 81	0641810.....41, 92
0256273.....117	0259720..... 221	0362609..... 81	0641812.....56, 92, 97
0256305.....81	0259721..... 221	0362610..... 81	0641818.....55, 85
0256306.....81	0270107..... 13	0362951..... 81	0641820.....92, 96
0256689.....57	0270173..... 214	0400075..... 55	0641824.....100
0256690.....57	0270174..... 97, 214	0440233..... 41	0641826.....57
0256762.... 200, 204, 231	0270175..... 97, 214	0460151..... 173	0642010.....56
0256789.....230	0270313..... 81	0460152..... 173	0642012.....91, 96
0256823.....88	0270329..... 41	0460153..... 173	0642018.....41
0256830.....87	0270356..... 91	0460160..... 173	0642612.....82, 114
	0270357..... 95	0460161..... 173	0642682.....92, 97
	0270359..... 95	0480050..... 62	0651406.....31
	0270366..... 82	0480111..... 62	0681608.....92, 97, 101
	0270381..... 81	0540083..... 117	
	0270387..... 131	0540102..... 117	
	0270388..... 131	0540103..... 117	
	0270723..... 230	0540105..... 117	
	0270994..... 221	0540112..... 117	
	0271242..... 113	0561076..... 100	
	0271243..... 113	0561183..... 100	
		0561185..... 100	

SECTION 10 - SPECIAL OPTIONS

0681610.....	92, 96	0902587.....	32	1001228052.....	95, 169	1683057.....	171
0681612.....	62, 100	0902591.....	75	1001248012.....	96, 161	1683067.....	153
0681836.....	41	0902738.....	75	1060012.....	214	1683250.....	171
0682014.....	88	0902814.....	75	1060016.....	82, 215	1683256.....	163
0682023.....	41	0920083.....	41, 45	1060279.....	222	1683258.....	96, 157
0682028.....	11	0920109.....	41, 45	1060341.....	218	1683259.....	157
0700808.....	56	0920119.....	41, 45	1060461.....	214, 217	1683261.....	157
0700810.....	58	0940070.....	55	1060494.....	217	1683263.....	95, 163
0700819.....	62	0940071.....	87	1060516.....	214	1683264.....	163
0701010.....	122	0940088.....	88	1060603.....	215	1683266.....	91, 163
0701012.....	56, 75	0961127.....	217	1060617.....	153	1683267.....	163
0701015.....	56	0961893	141, 143, 145, 157, 161, 163	1060637.....	57	1683269.....	163
0701414.....	56	0961894	147, 149, 163	1060904.....	204	1683274.....	141
0711414.....	62	0961897.....	171	1060918.....	125	1683275.....	91, 95, 153
0721003.....	130	0961898.....	153	1120487.....	73	1683276.....	153
0721004.....	130	0961898.....	153	1180340.....	109	1683278.....	153
0721005.....	56, 78	0961947	97, 141, 143, 145, 157, 164, 167	1180341.....	109	1683333.....	147
0721006.....	62, 78, 87	0961950	92, 96, 99, 153	1180345.....	113	1683359.....	171
0721010.....	130	0961951	92, 97, 99, 147, 149, 151, 164, 169	1180359.....	113	1683415.....	91, 141
0731005.....	77	0961986.....	56	1220042.....	99	1683416.....	141
0741606.....	82	0962006.....	92, 96	1220078.....	99	1683418.....	95, 147
0741607.....	92, 96	0962051.....	85	1260017.....	41	1683419.....	147
0741612.....	100	0962057.....	92, 96	1282665.....	200, 204, 231	1683609.....	96, 157
0801012.....	99	0962335.....	97	1282778.....	200	1683618.....	99, 171
0801014.....	99	0962336	157, 159, 161	1282828.....	204	1683619.....	171
0801037.....	99	1001099832.....	113	1282937.....	204, 205	1683620.....	99, 171
0801038.....	99	1001099839.....	113	1283262.....	200	1683621.....	171
0801065.....	99	1001100321.....	61	1283304.....	200	1683666.....	91, 95, 153
0801246.....	99	1001102841.....	230	1283348.....	200	1683949.....	163
0801248.....	91, 99	1001102842.....	230	1320016.....	55	1683952.....	147
0801249.....	95, 99	1001104985.....	230	1320022.....	56	1683954.....	153
0801251.....	95, 99	1001110133.....	231	1320041.....	101	1683955.....	153
0801253.....	99	1001110169.....	41, 53	1320060.....	130	1683962.....	163
0801254.....	99	1001110990.....	230	1320070.....	101, 153	1683963.....	147, 149
0801346.....	91, 99	1001112467.....	153	1320176.....	57	1683972.....	163
0801347.....	95, 99	1001112468.....	91, 95, 153	1320222.....	56	1683973.....	163
0801348.....	95, 99	1001114031.....	230	1320223.....	56	1683976.....	141, 143
0801372.....	99	1001114036.....	230	1320235.....	92, 97	1683977.....	141
0801373.....	99	1001114123.....	230	1320244.....	101	1684089.....	157
0801384.....	91, 99	1001114124.....	230	1320247.....	109, 114, 231	1684090.....	157
0801390.....	95, 99	1001114132.....	231	1340060.....	55	1684092.....	157
0801392.....	95, 99	1001114136.....	230	1380147.....	85	1690697.....	223
0840055.....	218	1001114132.....	231	1580012.....	126, 230	1693292.....	223
0860520.....	222	1001117320.....	125	1580013.....	126, 230	1693294.....	223
0861110.....	129, 130	1001137440.....	231	1600218.....	129	1700584.....	222
0861112.....	77	1001137672.....	231	1600262.....	78, 226	1701500.....	88, 222
0861321.....	77	1001138795.....	161	1600263.....	129, 137	1701502.....	222
0861323.....	77	1001138796.....	151, 169	1600284.....	129, 135, 226	1701503.....	222
0861324.....	129	1001139132.....	230	1600303.....	130, 226, 232	1701504.....	222
0861325.....	129	1001142504.....	231	1600330.....	129, 137, 226	1701505.....	57, 223
0861378.....	77	1001142505.....	231	1660234.....	58	1701509.....	222
0861379.....	77	1001143256.....	231	1660243.....	75	1701518.....	222
0861515.....	77	1001144629.....	125	1660245.....	75	1701529.....	222
0861516.....	77	1001147699.....	231	1670749.....	109	1701596.....	223
0861556.....	129, 131	1001148971.....	231	1670750.....	109	1701600.....	223
0861558.....	129	1001149560.....	231	1670769.....	97	1701791.....	223
0861559.....	125, 129	1001186431.....	231	1670771.....	87	1702300.....	222
0902143.....	87	1001189615.....	231	1670779.....	88	1702564.....	129
0902161.....	87	1001223331.....	95, 149	1670821.....	82	1702566.....	129
0902206.....	82	1001223332.....	149	1670824.....	81	1702567.....	129
0902219.....	88	1001223511.....	143	1670829.....	78, 130	1702676.....	129
0902223.....	87	1001223512.....	91, 143	1670836.....	101	1702773.....	222
0902351.....	87	1001228002.....	91, 167	1670900.....	122	1702774.....	222
0902384.....	88	1001228008.....	91, 145	1671055.....	92, 96	1702788.....	230
0902416.....	87	1001228012.....	96, 159	1683053.....	141, 143, 157, 163	1702861.....	222
0902491.....	87	1001228051.....	95, 151	1683055.....	147, 149, 163	1702862.....	222
0902511.....	55					1702868.....	232

SECTION 10 - SPECIAL OPTIONS

1702901.....	223	1705084.....	222	2220462 ...	179, 185, 191, 197	2220947....	178, 184, 190, 196
1702902.....	223	1705177.....	224	2220466 ...	178, 184, 190, 196	2220948....	180, 186, 191, 197
1702903.....	223	1705246.....	223	2220468 ...	179, 185, 191, 197	2220949....	180, 186, 192, 198
1702904.....	224	1705247.....	223	2220471	196	2220950....	179, 185, 191, 197
1702908.....	224	1705248.....	224	2220472 ...	179, 185, 191, 197	2220974....	179, 185, 191, 197
1702928.....	222	1705251.....	223	2220473 ...	179, 185, 191, 197	2220999.....	178, 184
1702984.....	223	1705252.....	223	2220497 ...	179, 185, 191, 197	2221042.....	196
1702985.....	223	1705252.....	224	2220498 ...	178, 184, 190, 196	2230027.....	197
1702986.....	224	1705262.....	224	2220502 ...	179, 185, 191, 197	2230046.....	197
1702988.....	223	1705275.....	223	2220502 ...	179, 185, 191, 197	2300014.....	231
1702989.....	223	1870111.....	205	2220574 ...	179, 185, 191, 197	2300016.....	231
1702990.....	224	1870128.....	205	2220578 ...	178, 184, 190, 196	2300019.....	231
1702992.....	223	1870151.....	205	2220582 ...	178, 180, 184, 186, 190, 196	2300027.....	231
1702993.....	223	1870152.....	205	2220591	184	2300029.....	231
1702994.....	224	2000146.....	55, 57	2220596 ...	178, 184, 190, 196	2360438.....	231
1702996.....	223	2060025.....	55	2220603 ...	179, 185, 191, 197	2360439.....	11
1702997.....	223	2080040.....	121, 125	2220605 ...	178, 184, 186, 190, 196	2360440.....	11
1702998.....	224	2080043.....	92, 97	2220606	178	2360441.....	231
1703000.....	223	2080044.....	97	2220609 ...	179, 185, 190, 197	2360528.....	11
1703001.....	223	2080055.....	130	2220618 ...	178, 185, 190, 196	2360529.....	11
1703002.....	224	2120145.....	31	2220622	196	2360530.....	231
1703090.....	130	2120146.....	31	2220628 ...	178, 184, 190, 196	2360578.....	11
1703091.....	130	2120149.....	31, 226	2220654	180	2360579.....	11
1703092.....	130	2120150.....	31, 226	2220700	196	2360580.....	11
1703162.....	55	2160003.....	41	2220738 ...	179, 185, 191, 197	2360582.....	11
1703165.....	222	2180344.....	41	2220794	57	2360583.....	11
1703186.....	223	2180380 ...	179, 186, 191, 197	2220810 ...	178, 184, 190, 196	2360584.....	11
1703479.....	230	2180536.....	56	2220852 ...	180, 186, 191, 198	2400060.....	215
1703507.....	223	2180724 ...	179, 186, 191, 197	2220873 ...	178, 180, 184, 186, 190, 191, 196, 198	2400064.....	215
1703509.....	223	2180798	55	2220883 ...	141, 143, 145, 147, 149, 151, 153, 157, 159, 161	2420172.....	78
1703510.....	223	2200222	43, 73	2220885 ...	141, 143, 145, 147, 149, 151, 157, 159, 161, 164, 169, 171	2420203.....	61
1703511.....	223	2220063	41	2220887	153	2460011.....	61
1703512.....	223	2220235 ...	153, 178, 184, 190, 196	2220893	31	2460013.....	61
1703513.....	223	2220237 ...	179, 186, 191, 197	2220899	190	2460032.....	61
1703514.....	223	2220250	56	2220906	179, 185, 190	2560136.....	129
1703515.....	223	2220273	56	2220909 ...	179, 185, 191, 197	2560144.....	153
1703516.....	223	2220313	56	2220914	186, 191, 197	2600209.....	87
1703518.....	223	2220366	186	2220921 ...	178, 184, 190, 196	2600211.....	130
1703521.....	77	2220372 ...	178, 184, 190, 196	2220946 ...	180, 186, 191, 197	2600219.....	121
1703622.....	78	2220373 ...	178, 184, 190, 196	2220947 ...	178, 184, 190, 196	2600233.....	87
1703665.....	224	2220375	178, 184, 190	2220948 ...	180, 186, 191, 198	2600281.....	125
1703675.....	224	2220376 ...	178, 184, 190, 196	2220949 ...	179, 185, 191, 197	2600287.....	121
1703992.....	222	2220380 ...	178, 184, 190, 196	2220994	186, 191, 197	2660082.....	117
1704174.....	230	2220385	178, 184, 190	2220997 ...	179, 185, 191, 197	2660106.....	117
1704175.....	230	2220408 ...	178, 184, 190, 196	2221042	196	2660107.....	117
1704260.....	78, 130	2220409 ...	179, 185, 191, 197	2221042	196	2660108.....	117
1704277.....	222	2220429 ...	178, 185, 190, 196	2221042	196	2680448.....	87
1704434.....	222	2220429 ...	178, 185, 190, 196	2220914	186, 191, 197	2680449.....	87
1704435.....	222	2220429 ...	178, 185, 190, 196	2220921 ...	178, 184, 190, 196	2680450.....	87
1704436.....	77	2220429 ...	178, 185, 190, 196	2220946 ...	180, 186, 191, 197	2720058.....	57
1704460.....	129	2220429 ...	178, 185, 190, 196	2220947 ...	178, 184, 190, 196	2720271.....	56
1704468.....	224	2220429 ...	178, 185, 190, 196	2220948 ...	180, 186, 191, 198	2720351.....	56
1704562.....	224	2220429 ...	178, 185, 190, 196	2220949 ...	179, 185, 191, 197	2720398.....	55
1704563.....	224	2220429 ...	178, 185, 190, 196	2220994	186, 191, 197	2720434.....	56
1704564.....	224	2220429 ...	178, 185, 190, 196	2220997 ...	179, 185, 191, 197	2720449.....	56
1704565.....	224	2220429 ...	178, 185, 190, 196	2220999 ...	179, 185, 191, 197	2750532.....	56
1704566.....	224	2220429 ...	178, 185, 190, 196	2220999 ...	179, 185, 191, 197	2750788.....	185
1704704.....	77	2220429 ...	178, 185, 190, 196	2220999 ...	179, 185, 191, 197	2750895.....	180, 186
1704709.....	131	2220429 ...	178, 185, 190, 196	2220999 ...	179, 185, 191, 197	2750899.....	184
1704710.....	131	2220429 ...	178, 185, 190, 196	2220999 ...	179, 185, 191, 197	2750900.....	178
1704885.....	224	2220429 ...	178, 185, 190, 196	2220999 ...	179, 185, 191, 197	2750902.....	178
1705077.....	222	2220429 ...	178, 185, 190, 196	2220999 ...	179, 185, 191, 197	2751026.....	185
1705078.....	222	2220429 ...	178, 185, 190, 196	2220999 ...	179, 185, 191, 197		
1705079.....	222	2220429 ...	178, 185, 190, 196	2220999 ...	179, 185, 191, 197		
1705080.....	222	2220429 ...	178, 185, 190, 196	2220999 ...	179, 185, 191, 197		
1705081.....	222	2220429 ...	178, 185, 190, 196	2220999 ...	179, 185, 191, 197		

SECTION 10 - SPECIAL OPTIONS

2751032..... 41	2753320 178, 184	2920162.....61	3340800..... 92, 96
2751095..... 41	2753321 178, 184	2920215.....82	3340844..... 100, 101
2751121 179, 185	2753457 184	2940074..... 121, 125, 226	3340871 100
2751396 ... 179, 185, 191, 197	2753472 ... 179, 185, 191, 197	2940088.....87	3340887..... 13
2751412 180, 186	2753706 190, 196	3020021.....58	3340900..... 101
2751427 178	2753707 190, 196	3160200.....41, 49	3380429..... 57
2751868 179, 185, 191	2753890 196	3160273.....41, 49	3380434..... 126, 222
2752433 ... 179, 185, 191, 197	2753891 197	3200362.....57	3421565..... 41
2752438 197	2753892 197	3200382.....117	3421627..... 41
2752504 178, 184	2753893 196	3200383.....117	3422417..... 100
2752514 178, 184, 190	2753894 196	3200384.....117	3422424..... 100
2752515 ... 178, 184, 190, 196	2760105 77, 129	3200385.....117	3422446..... 55
2752516 ... 178, 184, 190, 196	2780205 41, 43	3200389.....117	3422530..... 85
2752517 ... 179, 185, 191, 197	2792323 200	3200390.....117	3422557..... 91, 96
2752573 ... 178, 184, 190, 196	2792325 201	3200391.....117	3422561..... 96
2752580 184, 190, 196	2792326 201	3200401.....55	3422562..... 91
2752583 179	2792327 201	3200426.....117	3422563..... 96
2752587 ... 178, 184, 190, 196	2792331 178, 200	3200427.....117	3422564..... 91, 96
2752588 ... 179, 185, 190, 197	2792332 178, 200	3220103.....57	3422565..... 91
2752591 185, 191, 197	2792333 178, 200	3220104.....57	3422566..... 91, 96
2752594 184, 190, 196	2792547 184, 200	3251102.....62	3422567..... 91
2752596 ... 179, 185, 191, 197	2792548 184, 200	3251242.....222	3422568..... 91, 96
2752597 ... 179, 185, 191, 197	2792549 184, 200	3252347.....223	3422569..... 91
2752598 ... 179, 185, 191, 197	2792550 200	3272001..... 11	3422574..... 96
2752599 ... 179, 185, 191, 197	2792551 190, 200	3272605..... 92, 97, 103	3422580..... 91
2752631 ... 178, 184, 190, 196	2792552 190, 200	3300205.....78	3422583..... 96
2752632 ... 178, 184, 190, 196	2792553 190, 200	3300240.....101	3422860..... 96
2752633 ... 179, 185, 191, 197	2792554 200	3300241.....100	3422861..... 96
2752643 ... 179, 185, 191, 197	2792593 200	3300242.....101	3422867..... 96
2752653 ... 178, 184, 190, 196	2792595 196, 200	3300393.....121	3430816..... 85
2752667 178, 184, 190	2792596 196, 200	3300399.....101	3450304..... 131
2752669 185	2820031 62	3300400.....101	3450404..... 85
2752762 ... 178, 184, 190, 196	2820035 121, 126, 218	3300408.....78	3450806..... 114
2752763 ... 179, 185, 190, 196	2820078 88	3310601.....78, 85	3480188 147, 149, 163
2752783 ... 180, 186, 191, 197	2820079 88	3310801.....81	3480205 171
2752928 196	2820080 88	3310805.....82	3480206 153
2752931 185	2820081 88	3311001.78, 87, 121, 125	3480210 ... 141, 143, 157, 163
2752981 ... 179, 185, 191, 197	2840016 85	3311005...56, 62, 82, 130	3510756..... 121
2753048 179, 185, 191	2860012 62	3311401.92, 96, 101, 122, 130	3510757..... 121
2753084 231	2860030 77, 226	3311402.....92, 96	3510822..... 125
2753192 ... 178, 184, 190, 196	2900766 46	3311405....32, 56, 83, 88, 109, 114, 121, 125, 126, 129, 154, 222	3510833..... 125
2753316 179, 185, 191	2900767 45, 46	3311501.....31, 87	3520028..... 62, 129
2753318 ... 178, 184, 190, 196	2900768 46	3311505.56, 87, 110, 114, 121, 231	3520033..... 87
2753319 178, 184	2900770 31, 103	3311601.....73, 88, 131	3520072..... 121, 125
	2900792 ... 141, 143, 145, 147, 149, 151, 153, 157, 159, 161	3311605....56, 62, 85, 87, 96, 100, 109, 114, 126, 130	3520173..... 131
	2901284 171	3311705.....62	3520174..... 78
	2901285 153	3311801.....57	3520198..... 125
	2901301 147, 149, 164	3311805....55, 85, 87, 92, 96, 97	3520199..... 121, 126
	2901303 ... 141, 143, 145, 157, 164	3312201.....100	3537318..... 41
	2901358 56	3312602.....109	3537416..... 55
	2901392 55	3321001.....77	3537417..... 55
	2901764 204	3321501.....88	3537420..... 55
	2901811 122	3340705.....100	3537445..... 85
	2910073 231	3340755.....100	3537446..... 85
	2910463 230	3340756.....100	3538749..... 109
	2910924 231	3340757.....100	3538758..... 109, 113
	2915137 230	3340758.....100	3538819..... 129
	2920110 82	3340763.....109	3539219..... 78
	2920113 82	3340764.....109, 114	3539219..... 78
	2920129 ... 130, 131, 214, 215, 217		3539275..... 130
	2920140 121, 126, 218		3539281..... 82
	2920146 230		3539475..... 92, 96
			3539476..... 92, 96
			3539563..... 92, 97
			3539590..... 88
			3539622..... 100
			3539680..... 101

SECTION 10 - SPECIAL OPTIONS

3539685.....	121	3890011.....	99	4070975.....	100, 101	4460234.....	78, 82, 130
3539872.....	55	3890012.....	101	4070976.....	100	4460265.....	135, 214
3539934.....	87	3900141.....	157	4070977.....	100	4460266.....	135, 217
3539955.....	88	3900205.....	125	4070987.....	78	4460267....	135, 214, 215,
3539957.....	57	3900207.....	121	4070991.....	78	216, 217	
3539971.....	55	3900224.....	131	4070994.....	114	4460268....	135, 214, 215,
3539979.....	88	3900230.....	153	4070995.....	114	216, 217	
3572044.....	224	3900232.....	87	4071004.....	100	4460320....	215, 216, 217
3572415.....	81	3900268.....	78	4071005.....	101	4460321.....	214
3580134.....	61	3910608.....	77, 85	4100026.....	215	4460326.....	215, 217
3580158.....	61	3910610.....	129	4100033.....	92, 97	4460418.....	214, 215
3580241.....	99	3910804.....	78	4120012.....	78, 131	4460419.....	214, 215
3580243.....	99	3911008.....	121, 125	4120013 ...	131, 132, 204	4460420.....	214, 215
3580248.....	99	3911024.....	78	4120035 ...	131, 214, 215,	4460424....	215, 216, 217
3580249.....	99	3911040.....	82	217		4460426.....	78
3580276.....	61	3930816.....	81	4160139.....	87	4460428 77, 81, 130, 131,	
3600242.....	55, 71	3930828.....	81, 82	4160143.....	87	132, 214	
3600243.....	31, 32	3931403.....	81	4160149.....	101	4460442.....	218
3600267.....	55, 65	3931408.....	82	4220162.....	82	4460445.....	215
3600268.....	57, 65	3931448.....	171	4220165.....	121	4460449.....	216
3600358.....	55, 65	3931508.....	171	4240032.....	82	4460457.....	216
3600359.....	57, 65	3931516 ...	141, 143, 145,	4240033.....	92, 97, 130	4460458.....	216
3600363.....	55, 65	157, 163		4240099.....	121, 126	4460460.....	216
3600365.....	31, 32	3931620.....	55, 147, 149,	4240112.....	73	4460464....	214, 217, 218
3620033.....	55	151, 163, 169, 171		4240113.....	73	4460465.....	215, 218
3640493.....	204	3931672.....	131	4280295.....	73	4460466.....	215, 218
3640970.....	77	3931860.....	41	4300142.....	78	4460467....	129, 218, 232
3641182.....	131	3932032.....	153	4340678.....	129	4460470.....	130, 214
3730023.....	215	3932224.....	41	4360031.....	125	4460471.....	130, 214
3730099.....	215	3950803.....	153	4360232.....	130, 226	4460473.....	215
3740049.....	78, 130, 204,	3951608.....	100	4360294.....	56, 62, 226	4460475.....	216
218, 226		3960389.....	55, 87	4360314.....	77, 129, 131,	4460499.....	39, 215, 216,
3740057.....	78, 131	3960407.....	56	226		217	
3740058....	130, 132, 204,	3960438.....	87	4360322.....	81	4460502.....	215
226		3960453.....	87	4360331.....	129, 226	4460503.....	131, 214
3740063....	130, 132, 204	3960461.....	82	4360336 62, 82, 131, 228		4460508.....	214
3740066.....	78, 131	3960462.....	87	4360387.....	129, 226	4460509.....	215
3740067.....	55, 226	3960464.....	87	4360392.....	55	4460510....	129, 218, 232
3740080.....	62, 228	3960468.....	57	4360407.....	129, 226	4460526.....	77
3740112.....	77, 226	3960469.....	57	4360429.....	101	4460589.....	216
3740113.....	130, 226	3960470.....	87	4360436.....	73	4460591.....	216
3740115.....	130, 226	3990001.....	226	4360470.....	77, 226	4460598....	121, 126, 218
3740118.....	78	3990010 ...	214, 215, 217,	4360475.....	77, 129, 226	4460600.....	77
3740133.....	130, 226	226		4360476.....	77, 129	4460601.....	77, 131
3740134.....	130	3990109.....	122	4360492.....	83	4460602.....	77, 131
3760170.....	41	4060802.....	62	4360493.....	82	4460603.....	77, 131
3760368....	141, 143, 157,	4060803.....	114, 121	4360506.....	101	4460607.....	77, 131, 204
163		4060804.....	57, 109	4360542.....	61	4460608.....	216
3760369....	147, 149, 163,	4060805.....	57, 101	4360549.....	81	4460611.....	56
171		4060865.....	230	4400375.....	73	4460613.....	131, 214
3760372.....	153	4060906.....	78	4400400.....	73	4460614.....	215
3790012.....	82, 129, 131	4060907.....	82	4400449.....	73	4460628.....	77
3790045.....	57	4060918.....	32	4420038.....	73, 77	4460630.....	78
3790110.....	104	4060959.....	231	4420054.....	81	4460631.....	77, 131
3790152.....	56	4070410.....	88	4420060.....	81	4460634.....	214, 215
3820001.....	117, 222	4070411.....	88	4460023.....	62	4460635.....	214, 215
3841013.....	114	4070412.....	88	4460027.....	217	4460693.....	216
3841143...55, 91, 96, 100		4070863.....	100	4460071.....	125, 130	4460701.....	218
3841258.....	91, 96	4070864.....	100	4460125.....	217	4460709.....	217
3841264.....	109	4070895.....	100	4460134.....	218	4460711.....	78
3841340.....	92, 97	4070896.....	100	4460190.....	61, 217	4460720.....	214
3841456.....	75	4070897.....	100	4460205.....	218	4460721.....	214
3860050.....	114	4070898.....	100	4460224.....	216	4460741.....	214, 215
3890006.....	99	4070904.....	109	4460225.....	214, 215	4460744.....	216
3890008.....	99	4070929.....	100	4460226.....	218	4460745.....	216
3890009.....	101	4070939.....	101	4460227.....	218	4460746.....	216
3890010.....	99	4070940.....	101	4460233.....	218	4460749.....	216

SECTION 10 - SPECIAL OPTIONS

4460750	216	4751400 ...	56, 77, 81, 82,	4921850.....	218, 232	70002235.....	61
4460761	218	88, 92, 96, 126, 130,		4921923.....	77, 215	70002243.....	53
4460777	216	154, 222		4921927.....	217	7000228	43
4460836	218	4751500 ...	31, 62, 87, 88,	4921938.....	217	7000229.....	43
4460844	216	121		4921956.....	217	7000230.....	43
4460847	131	4751600 ...	56, 62, 73, 75,	4921993.....	215	70002373.....	167
4460894	218	87, 109, 117, 126, 129		4922002.....	215	70002411.....	58
4460899	218	4751800	57	4922012.....	232	7000246.....	43
4460933	218	4751900	62	4922021.....	218	7000253.....	43
4460934	218	4752000	57	4922095.....	204	70002530.....	58
4460935	218	4760600	78	4922206.....	204	7000255.....	43
4460968	81	4761000 .	77, 78, 87, 121,	4922314.....	217	7000256.....	43
446849	131	125, 130		4922330.....	77, 216	7000257.....	43
4566468 ...	141, 143, 147,	4761400	122	4922338....	130, 131, 204,	7000258.....	43
149, 163		4770600	85	214		7000263.....	43
4566471	157	4791400	56	4922411....	130, 131, 204,	7000269.....	43
4566501	153	4812000	122	214		7000270.....	43
4566644	171	4831900	58	4922424.....	215	70002813.....	57
4620127	41	4832000	58	4922427.....	215	70002816.....	19
4632991	204	4844815	95	4922432.....	217	70002817.....	19
4632993	204	4844816	95	4922542.....	204	70003476.....	57
4633026	204	4844817	95	4922554.....	77, 216	70003483.....	125
4640509 ...	141, 143, 145,	4844944	91, 95	4922676.....	215	70003784.....	129
147, 149, 151, 153,		4844963	109	4922705.....	218	70003806.....	17
157, 159, 161		4844966	109	4922844.....	218	70004643.....	113
4640689	31	4844967	109	4932915.....	204, 217	7000625.....	125
4640744 ...	178, 184, 190,	4844968	109	4932917.....	204	70006442.....	169
196		4844989	109	4932971.....	205	70006443.....	151, 169
4640751	55	4844990	109	4932986.....	204	70006444.....	151, 169
4640799	153	4845184	61	4932989.....	204, 217	70006445.....	151, 169
4640902	157	4845289	121	4932990.....	204	70006446.....	151, 169
4640906	31	4845290	121	4933025.....	204	70006447.....	169
4640907	31	4845328	121	4933027.....	205	70006568.....	159
4640908	31	4845356	88	4933070.....	204	70006569.....	145, 159
4640921	31, 39	4845393	73	4933143.....	205, 215	70006570.....	159
4640931	31, 32	4845395	56	4933146.....	205	70006571.....	159
4640932 ...	141, 143, 145,	4845404	55	4933147.....	205, 215	70006572.....	159
147, 149, 151		4845411	87	4933149.....	204, 217	70006597.....	167
4640939	179	4845456	11	4933150.....	204, 217	70006599.....	167
4641017	31, 35	4845531	61	4933175.....	204	70006601.....	167
4641028	171	4845671	113	4933234.....	205, 215	7000663.....	57
4641264	196	4845677	113	4933272.....	204, 218	70006648.....	145
4711000	130	4845819	113	70000123.....	61	70006649.....	145, 161
471140031, 82, 109, 114,		4846081	91, 95	70000124.....	61	70006650.....	145, 161
121, 126		4846228	121	70000125.....	61	70006734.....	161
4711500 ...	110, 114, 131,	4846229	121	70000126.....	61	70006735.....	161
231		4846238	121	70000342.....	107	70006736.....	161
4711600 ...	31, 57, 92, 96,	4846240	121	70000579.....	35	70006774.....	167
100, 109, 114		4846241	121	70000580.....	35	70006775.....	167
4711800 .	85, 92, 96, 109,	4846319	100	70000582.....	35	70006776.....	167
114		4846391	113	70000583.....	35	70006822.....	151
4711900	57	4846392	113	70001002.....	57	70006823.....	151
4712600	109, 114	4846452	125	70001017.....	57	7000699.....	57
4740076	87, 88, 109	4846479	55, 61	70001681.....	58	7001268	67
4740158	92, 97	4846573	92, 97	70001687.....	58	7001481	67
4740171	87	4847815	57	70001697.....	104, 107	7001485.....	66
4740274	57	4891400	32	70001941.....	82	7001909.....	43
4740314	92, 97	4891500	32	70001976.....	39	7001911.....	43
4740362	82, 126, 130	4891600 ...	56, 85, 92, 97,	70002005.....	113, 228	7001928.....	43
4740397	62	100		70002006.....	113	7001931.....	43
4740439	96	4891800 ...	31, 41, 85, 92,	70002007.....	113, 228	7001985.....	43
4740444	78	97, 100		7000209.....	43	7001987.....	43
4740490	75	4892000	11, 41, 88	7000214.....	43	7001988.....	43
4750600	77	4892600	92, 97	7000217.....	43	70022564.....	167
4751000 ...	56, 62, 78, 82,	4920018	121	70002200.....	57	70023371.....	167
87, 121, 125, 130		4921774	121	70002208.....	53	70023915.....	159
		4921820	217	70002234.....	57	7002821	218, 232

SECTION 10 - SPECIAL OPTIONS

7002822.....	232	7010492.....	43	7014800.....	73	7018603.....	45
7002823.....	218, 232	7010494.....	43	7014801.....	73, 226	7018605.....	45
7002826.....	232	7010496.....	43	7014802.....	73	7018606.....	45
7002828.....	218	7010530.....	31	7014810.....	73	7018607.....	45
7003657.....	61	7010531.....	31	7014811.....	73, 226	7018608.....	45, 46
7003928.....	135	7010542.....	35	7016312.....	31	7018609.....	45
7003952.....	135	7010543.....	31, 35	7016313.....	31	7018612.....	46
7003953.....	135	7010545.....	153	7016314.....	73	7018912.....	35, 39
7003956.....	135	7011043.....	33	7016319.....	230	7018942.....	39
7003961.....	137	7011044.....	32	7016322.....	85	7018945.....	39
7003974.....	135, 226	7011048.....	33	7016328.....	226	7018991.....	35
7003976.....	135	7011062.....	32	7016330.....	57	7019111.....	135
7003977.....	135	7011063.....	32	7016331.....	57, 226	7019122.....	135
7003986.....	137	7011064.....	32	7016332.....	57	7019123.....	135
7003992.....	135, 137	7011065.....	32	7016336.....	216	7019137.....	135
7003993.....	135, 137	7011066.....	33	7016346.....	129, 226	7019138.....	137
7004035.....	53	7011112.....	141, 143, 145, 147, 149, 151	7016372.....	230	7019139.....	137
7004043.....	53	7011328.....	31	7016374.....	85	7019141.....	135
7004044.....	53	7011328.....	31	7016380.....	82	7019142.....	135
7004248.....	32	7011331.....	103	7016399.....	121, 126	7019143.....	135
7004275.....	232	7011332.....	103	7016422.....	49	7019144.....	135
7004276.....	232	7011346.....	103	7016423.....	49	7019145.....	135
7004290.....	32	7011713.....	45	7016424.....	49	7019147.....	135
7005841.....	49	7011714.....	45	7016425.....	49	7019149.....	135, 137
7005842.....	49	7011715.....	45	7016426.....	49	7019150.....	135
7005845.....	49	7011716.....	45	7016427.....	49	7019153.....	137
7005848.....	49	7011717.....	45	7016530.....	113, 228	7019171.....	135
7005881.....	49	7011719.....	45	7016531.....	113	7019174.....	135
7005882.....	49	7011720.....	45	7016532.....	113	7019197.....	135
7005889.....	49	7012513.....	61	7016639.....	57	7019199.....	137
7005890.....	49	7012514.....	61	7016652.....	232	7019300.....	109
7005891.....	49	7012518.....	35	7016654.....	232	7019301.....	109
7005892.....	49	7012540.....	32	7016655.....	232	7019302.....	109
7005893.....	49	7012558.....	61	7016700.....	32	7019303.....	109
7005894.....	49	7012599.....	58	7016701.....	32	7019607.....	58
7005895.....	49	7012664.....	55, 226	7016702.....	32	7019658.....	73
7006138.....	113, 228	7012768.....	226	7016744.....	32	7020025.....	58
7006143.....	113	7012769.....	35	7016800.....	56	7020027.....	58
7006165.....	113	7012772.....	35, 36, 39, 226	7016802.....	56	7020108.....	61
7007289.....	68	7012773.....	35, 36, 39	7016803.....	56	7020109.....	61
7007412.....	67	7012775.....	36	7016804.....	56	7020110.....	61
7007419.....	66, 68	7012776.....	39	7016812.....	56	7020111.....	61
7007470.....	66, 67	7012777.....	39	7017070.....	43	7020175.....	77, 129
7007489.....	71	7012799.....	35	7017101.....	103	7020176.....	77, 129
7007497.....	216	7012905.....	31	7017102.....	103	7020190.....	61
7007498.....	216, 217	7012912.....	35, 36	7017115.....	103	7020191.....	61
7007633.....	43	7012914.....	35	7017117.....	103	7020192.....	61
7007914.....	45	7012918.....	32, 35	7017118.....	104	7020246.....	77
7007923.....	45	7012941.....	31	7017119.....	103	7020411.....	58
7007933.....	45	7012944.....	31, 35, 226	7017142.....	104	7020414.....	58
7007934.....	45	7012953.....	32, 35, 39, 157	7017156.....	104	7020419.....	58
7007970.....	45	7012954.....	32	7017157.....	104	7020424.....	58
7007977.....	45	7012961.....	32, 157	7017158.....	104, 107	7020425.....	58
7007979.....	45	7012965.....	39	7017159.....	104, 107	7020431.....	58
7007980.....	45	7012967.....	35	7017162.....	103, 107	7020432.....	58
7007983.....	45	7012972.....	31	7017163.....	103, 107	7020463.....	58
7007985.....	45	7012975.....	32	7017164.....	103, 107	7020465.....	58
7007987.....	45	7012976.....	32	7017174.....	103	7020471.....	57
7007990.....	46	7012977.....	32	7017183.....	103, 107	7020477.....	58
7008833.....	55, 216	7012987.....	71	7017193.....	103, 107	7021229.....	68
7008835.....	55	7012988.....	71	7017195.....	107	7021234.....	65
7008836.....	55, 216	7012989.....	35	7017410.....	35	7021236.....	65
7010103.....	71	7012998.....	35, 36, 39	7017411.....	35	7021237.....	65
7010104.....	71	7013711.....	32	7017421.....	39	7021238.....	65
7010105.....	71	7013755.....	32	7017422.....	39	7021239.....	65
7010474.....	43	7013796.....	32	7017481.....	31	7021240.....	65
7010488.....	43	7013799.....	32	7018602.....	45	7021243.....	65

SECTION 10 - SPECIAL OPTIONS

7021248	65	7022357	66	7022668	19	7022737	15, 19
7021249	65	7022358	68	7022669	19	7022738	19
7021250	65	7022359	67	7022670	19	7022739	19
7021251	65, 66	7022360	66	7022671	19	7022740	19
7021253	65	7022521	35	7022672	17	7022741	19
7021254	66	7022600	27	7022673	17	7022742	19
7021255	66, 67	7022601	27	7022674	17	7022743	19
7021256	68	7022602	13	7022675	11	7022744	19
7021257	66	7022604	23	7022676	17	7022745	19
7021259	66	7022605	15	7022677	11, 15	7022746	19
7021260	66	7022606	13	7022678	15, 19	7022747	19
7021264	66	7022607	13	7022679	13	7022748	19
7021265	66	7022608	13	7022680	13	7022749	19
7021267	65	7022609	13, 23	7022681	17	7022750	19
7021269	67	7022610	25	7022682	17	7022800	137
7021271	67	7022611	23	7022683	13	7022801	137
7021272	67	7022612	13	7022684	21	7022802	137
7021273	67	7022613	15	7022685	21	7022803	137
7021274	67	7022614	13	7022686	21	7022804	137
7021275	67	7022615	13	7022687	21	7022805	137
7021276	67	7022616	13	7022688	21	7022806	137
7021277	67	7022617	15	7022689	21	7022807	137
7021278	67	7022618	23	7022690	21	7022808	135
7021279	67	7022619	23	7022691	21	7022813	135
7021280	68	7022620	25	7022692	19	7022826	137
7021281	67	7022621	25	7022693	19	7022829	137
7021282	67	7022622	25	7022694	19	7023331	122
7021283	67, 68	7022623	23	7022695	19	7023332	122
7021285	67	7022624	25	7022696	19	7023333	122
7021289	66	7022625	23	7022697	19	7023981	31
7021296	67	7022626	23	7022698	19	7023996	65
7021297	67	7022627	23, 25	7022699	19	7023997	65
7021298	67	7022628	21	7022700	19	7023998	65
7021299	68	7022629	23	7022701	19	7023999	65
7021310	36	7022630	23	7022702	19	7024100	43
7021373	35	7022631	23	7022703	19	7024379	53
7021376	35	7022632	23	7022704	19	7024380	53
7022190	66	7022633	23	7022705	19	7024381	53
7022203	32	7022635	25	7022706	19	7024389	53
7022321	65, 66	7022637	23	7022707	19	7024390	53
7022330	65	7022638	23	7022708	11, 13	7024395	53
7022331	65	7022639	25	7022709	23	7024398	57
7022332	65	7022640	19	7022711	17	7024439	73
7022333	65	7022642	27	7022712	17	7024440	73
7022334	65	7022644	11	7022713	17	7024441	73
7022335	65	7022645	23	7022714	17	7024442	73
7022336	65	7022646	19	7022715	15, 21	7024443	73
7022337	65	7022647	11	7022716	17	7024444	73
7022338	65	7022648	25	7022717	17	7024445	73
7022339	65	7022649	25	7022718	15, 17	7024446	73
7022340	66	7022650	27	7022719	19	7024453	53
7022341	66	7022651	13	7022720	75	7024560	57
7022342	66	7022652	13	7022721	75	7024598	85
7022343	66	7022653	27	7022722	75	7024800	66
7022344	66	7022655	27	7022723	75	7024801	67
7022345	66	7022656	27	7022724	75	7024802	68
7022346	66	7022657	25	7022725	75	7024803	68
7022347	66	7022658	25	7022726	75	7024804	66
7022348	66	7022659	25	7022727	75	7024805	65
7022349	67	7022660	27	7022728	75	7024972	19
7022350	67	7022661	27	7022729	75	7026199	61
7022351	67	7022662	23	7022730	75	7026522	58
7022352	67	7022663	23	7022731	75	7026631	57
7022353	67	7022664	13	7022732	232	7027250	58
7022354	65	7022665	27	7022734	231	7027887	61
7022355	65	7022666	17	7022735	75	8320270	57
7022356	65	7022667	17	7022736	75	83304150	53

SECTION 10 - SPECIAL OPTIONS

83813109.....232

8896941 232



3120899



An Oshkosh Corporation Company

Corporate Office
JLG Industries, Inc.
1 JLG Drive
McConnellsburg, PA 17233-9533 USA
☎ (717) 485-5161 (Corporate)
☎ (877) 554-5438 (Customer Support)
☎ (717) 485-6417

Visit our website for JLG Worldwide Locations.
www.jlg.com