



Illustrated Parts Manual

Models
600SC
660SJC

PRIOR TO
SN 0300128000

Gradall Chassis &
ADE System

3121158

September 30, 2018 - Rev Z

ANSI

CE

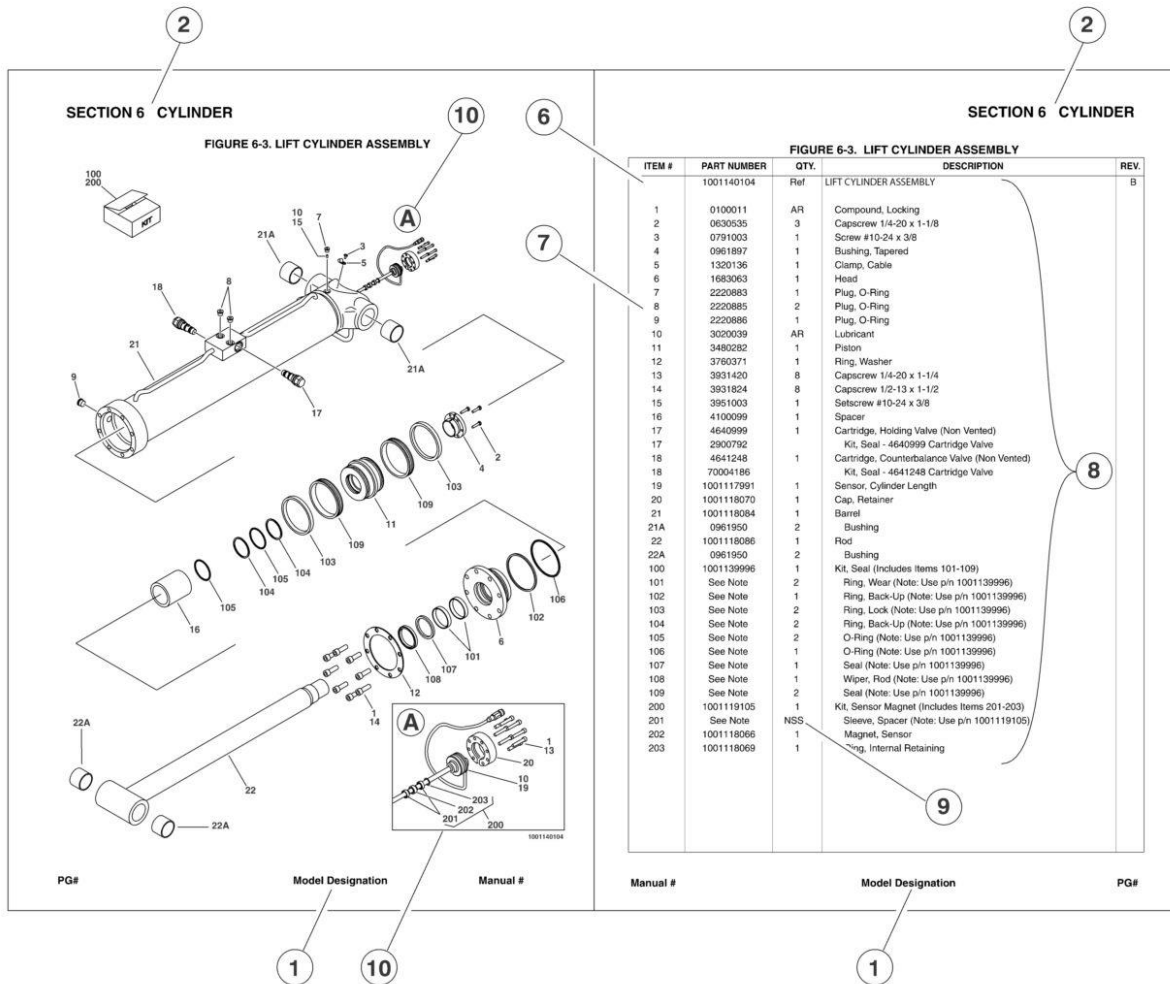


An Oshkosh Corporation Company

REVISION LOG

November 1, 2003 - A - Original Issue Of Manual (Edited to B/M 0010568 Revision 26)
December 1, 2003 - B - Revised Manual (Edited to B/M 0010568 Revision 26)
March 9, 2004 - C - Revised Manual (Edited to B/M 0010568 Revision 27)
August 12, 2004 - D - Revised Manual (Edited to B/M 0010568 Revision 28)
January 24, 2005 - E - Revised Manual (Edited to B/M 0010568 Revision 30)
August 2, 2005 - F - Revised Manual (Edited to B/M 0010568 Revision 38)
August 2, 2006 - G - Revised Manual (Edited to B/M 0010568 Revision 44)
January 18, 2007 - H - Revised Manual (Edited to B/M 0010568 Revision 45)
June 1, 2007 - I - Revised Manual (Edited to B/M 0010568 Revision 45)
September 26, 2007 - J - Revised Manual (Edited to B/M 0010568 Revision 46)
January 15, 2008 - K - Revised Manual (Edited to B/M 0010568 Revision 51)
February 2, 2009 - L - Revised Manual (Edited to B/M 0010568 Revision 55)
November 20, 2009 - M - Revised Manual
January 31, 2011 - N - Revised Manual
May 20, 2011 - O - Revised Manual
August 5, 2011 - P - Revised Manual
December 6, 2011 - Q - Revised Manual
May 4, 2012 - R - Revised Manual
July 26, 2012 - S - Revised Manual
November 19, 2012 - T - Revised Manual
March 20, 2013 - U - Revised Manual
June 30, 2013 - V - Revised Manual
September 10, 2013 - W - Revised Manual
June 30, 2016 - X - Revised Manual (Revision 3)
March 30, 2018 - Y - Revised Manual
September 30, 2018 - Z - Revised Manual

GENERAL INFORMATION



1) MACHINE IDENTIFICATION

Machines are identified by model and in some cases a combination of models, serial number (SN) or regional standard (i.e. ANSI, CE, CSA). Components may also be identified by SN or manufacturer. Common components that may be identified by these characteristics are engines and hydraulic components.

2) PARTS MANUAL ORGANIZATION

Product information in this manual is organized under section titles. Frame, Cylinder, Hydraulic and Electrical are a few examples. Each section is organized by figure and page number. The information within the Figure is then organized by item number, part number, description and corresponding illustration(s).

3) TABLE OF CONTENTS

A table of contents is found toward the beginning of the manual. Figure number, description and page number are provided for quick reference to the page containing the related information.

4) RECOMMENDED SPARE PARTS

The Recommended Spare Parts, located near the end of the manual, reference most frequently used maintenance parts.

5) PART NUMBER INDEX

A numerical index listing all part numbers and the corresponding page number(s) appears at the back of the manual.

GENERAL INFORMATION

6) NON-SERVICED PARTS

In some instances, it is necessary to display non-serviced parts, assemblies or installations. In the case of assemblies and installations there will be a Ref in the Qty column. In case of parts that are not available for service within assemblies or components, there will be a NSS (Not Sold Separately) or NLA (No Longer Available) listed in the Qty. column of the manual.

7) PARTS LIST ITEM NUMBERS

Numbers shown in the item# column correspond to numbers used in the associated illustration (s). Item numbers which are missing from the sequence in the parts list are not used on that page

8) INDENTED PARTS DESCRIPTION

An indented part description is included in the item under which it is indented.

9) ABBREVIATION AND SYMBOLS

AC.....	.. Alternating Current	LCD.....	.. Liquid Crystal Display
ADE.....	..Advanced Design Electronics	LED.....	.. Light Emitting Diodes
ANSI.....	..American National Standards Institute	LH.....	.. Left Hand
AR.....	..As Required	LSS.....	..Load Sensing System
ASSY.....	.. Assembly	M(m).....	.. Metric/Meter
AUX.....	..Auxiliary	MM (mm).....	..Milimeter
AWG.....	..American WireGauge	mA.....	.. Milliamps
B/M.....	.. Bill of Material	NLA.....	..No Longer Available
CE.....	..European Conformity	NPT.....	.. National Pipe Threads
CCW.....	..Counter Clockwise	NSS.....	..Not So Id Separately
cm.....	..Centimeter	OD.....	..Outside Diameter
CW.....	..Clockwise	ORB.....	.. O-Ring Boss
CSA.....	..Canadian Standards Association	ORFS.....	.. O-Ring Face Seal
CYL.....	..Cylinder	OZ (oz).....	..Ounces
DIA.....	..Diameter	PG.....	..Page
DC.....	..Direct Current	P/N.....	..Part Number
EMS.....	.. Emergency Stop	qt.....	..Quarts
ENG.....	..Engine	QTY.....	..Quantity
FT (ft).....	..Feet	REF.....	..Reference
GA (Ga).....	..Gauge	REV.....	..Revision Level
HYD.....	..Hydraulic	RH.....	.. Right Hand
Hz.....	..Hertz	SAE.....	.. Society of Automotive Engineers
ID.....	..Inside Diameter	SN.....	..Serial Number
in.....	..inches	SPEC(S).....	..Specifications
ISO.....	..International Organization for Standards	T/T.....	..Turntable
JIC.....	..Joint Industry Council	UGM.....	..Universal Ground Module
KG.....	..Kilogram	V.....	..Volts
L.....	..Liter	W.....	..Watts
LB.....	..Pounds	#.....	..Number

10) ILLUSTRATION REFERENCE LETTERS

When necessary, illustrations may contain reference letters that are intended to track information (i. e. hoses, harnesses) from one point to another or to track visual enlargement of components to show details that may be located in another area on the illustration.

Note: Due to continuous product improvements, JLG Industries, Inc. reserves the right to make specification changes without prior notification. Contact JLG Industries, Inc. for updated information.

TABLE OF CONTENTS

SECTION 1 - FRAME.....	9
FIGURE 1-1. GRADALL FRAME ASSEMBLY	10
FIGURE 1-2. DRIVE ASSEMBLY.....	12
FIGURE 1-3. TRACK ROLLER ASSEMBLY (BOTTOM).....	16
FIGURE 1-4. TRACK ROLLER ASSEMBLY (CARRIER).....	18
FIGURE 1-5. TRACK CHAIN ASSEMBLY	20
FIGURE 1-6. IDLER ASSEMBLY	22
FIGURE 1-7. SPRING AND SHOCK ASSEMBLIES	24
FIGURE 1-8. ROTARY COUPLING ASSEMBLY	26
SECTION 2 - TURNTABLE	29
FIGURE 2-1. CONTROL VALVES INSTALLATIONS.....	30
FIGURE 2-2. MAIN CONTROL VALVE ASSEMBLY.....	34
FIGURE 2-3. ARTICULATING JIB VALVE ASSEMBLY (660SJC ONLY)	38
FIGURE 2-4. SWING DRIVE, TURNTABLE BEARING AND LOCK INSTALLATIONS.....	40
FIGURE 2-5. SWING HUB ASSEMBLY	42
FIGURE 2-6. SWING MOTOR ASSEMBLY (WHITE ROLLER STATOR) (ORIGINAL EQUIPMENT).....	44
FIGURE 2-7. SWING MOTOR ASSEMBLY (PARKER) (SERVICE REPLACEMENT)	46
FIGURE 2-8. CATERPILLAR ENGINE INSTALLATION	48
FIGURE 2-9. DEUTZ ENGINE INSTALLATION (Prior to SN 0300077723)	56
FIGURE 2-10. DEUTZ ENGINE INSTALLATION (SN 0300077723 through 0300128000).....	62
FIGURE 2-11. PISTON PUMP ASSEMBLY	70
FIGURE 2-12. GEAR PUMP ASSEMBLY	76
FIGURE 2-13. TANK INSTALLATIONS.....	78
FIGURE 2-14. GROUND CONTROL ASSEMBLY	80
FIGURE 2-15. ELECTRICAL OPTIONS INSTALLATION (TURNTABLE MOUNTED).....	84
FIGURE 2-16. HOOD AND LIFTING PLATE INSTALLATIONS (Prior to SN 0300089990)	88
FIGURE 2-17. HOOD AND LIFTING PLATE INSTALLATIONS (SN 0300089990 through 0300128000).....	92
FIGURE 2-18. ENGINE TRAY JACK INSTALLATION (OPTIONAL).....	98
FIGURE 2-19. 2500W GENERATOR INSTALLATION - CATERPILLAR MACHINES (OPTIONAL).....	100
FIGURE 2-20. 2500W GENERATOR INSTALLATION - DEUTZ MACHINES (OPTIONAL)	104
FIGURE 2-21. 7500W SKYPOWER GENERATOR INSTALLATION.....	108
FIGURE 2-22. SKYAIR AIR COMPRESSOR INSTALLATION.....	114
FIGURE 2-23. AIR COMPRESSOR ASSEMBLY	116
SECTION 3 - BOOM.....	119
FIGURE 3-1. BOOM INSTALLATION - 600SC	120
FIGURE 3-2. BOOM INSTALLATION - 660SJC.....	124
FIGURE 3-3. MAIN BOOM ASSEMBLIES - ANSI AND ANSI EXPORT SPECS	128
FIGURE 3-4. MAIN BOOM ASSEMBLIES - AUSTRALIAN AND CE SPECS	132
FIGURE 3-5. ROTATOR ASSEMBLIES.....	136
FIGURE 3-6. PLATFORM SUPPORT INSTALLATION.....	138
FIGURE 3-7. POWER TRACK INSTALLATION.....	140
SECTION 4 - PLATFORM.....	143
FIGURE 4-1. PLATFORM COMPONENTS INSTALLATION	144
FIGURE 4-2. PLATFORM CONSOLE ASSEMBLY.....	148
FIGURE 4-3. CONTROLLER ASSEMBLY (LIFT AND SWING) (ORIGINAL EQUIPMENT)	152
FIGURE 4-4. CONTROLLER ASSEMBLY (LIFT AND SWING) (SERVICE REPLACEMENT)	154
FIGURE 4-5. CONTROLLER ASSEMBLY (LIFT AND SWING) (SERVICE REPLACEMENT)	156
FIGURE 4-6. CONTROLLER ASSEMBLY (DRIVE AND STEER).....	160
FIGURE 4-7. SKYGLAZIER INSTALLATION	162
FIGURE 4-8. SKYCUTTER INSTALLATION.....	164
FIGURE 4-9. SKYCUTTER INSTALLATION (50HZ/60HZ POWER SUPPLY) (SN 1001145405 through 0300128000)	166
FIGURE 4-10. PLASMA CUTTER ASSEMBLY.....	170
FIGURE 4-11. PLASMA CUTTER ASSEMBLY (50HZ/60HZ POWER SUPPLY)	172
FIGURE 4-12. PIPE RACKS INSTALLATION	174
FIGURE 4-13. SKYWELDER INSTALLATION (60HZ)	176
FIGURE 4-14. SKYWELDER INSTALLATION (50HZ).....	178
FIGURE 4-15. WELDER ASSEMBLY	180
SECTION 5 - CYLINDER.....	183

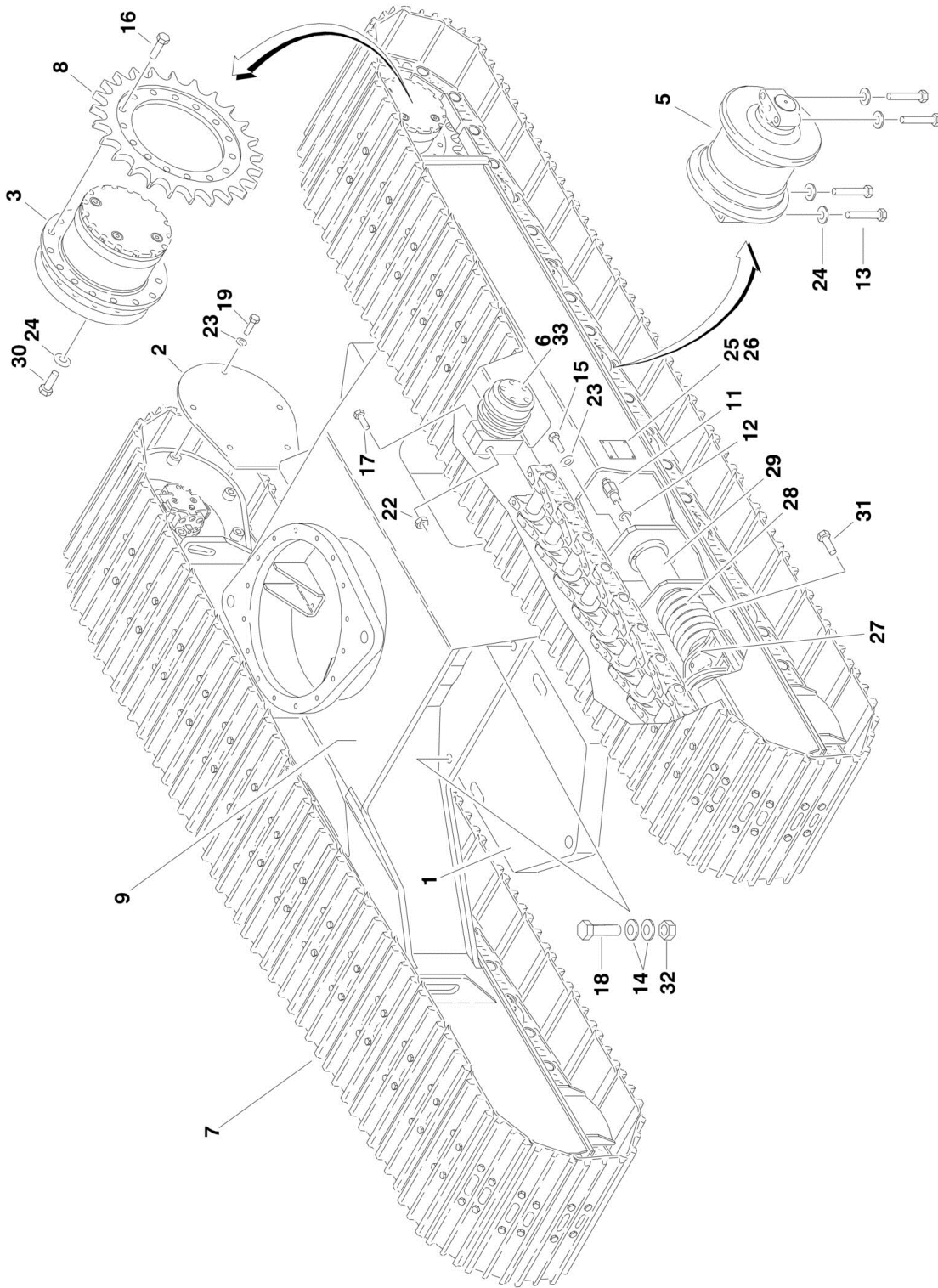
TABLE OF CONTENTS

FIGURE 5-1. JIB CYLINDER ASSEMBLY (ORIGINAL EQUIPMENT)	184
FIGURE 5-2. JIB CYLINDER ASSEMBLY (SERVICE REPLACEMENT)	186
FIGURE 5-3. ARTICULATING JIB LIFT CYLINDER ASSEMBLY - 600SJC & 660SJC (SERVICE REPLACEMENT).....	188
FIGURE 5-4. LEVEL CYLINDER ASSEMBLY - 600SC (ORIGINAL EQUIPMENT)	190
FIGURE 5-5. LEVEL CYLINDER ASSEMBLY - 600SC (SERVICE REPLACEMENT)	192
FIGURE 5-6. LEVEL CYLINDER ASSEMBLY - 600SC (SERVICE REPLACEMENT)	194
FIGURE 5-7. LEVEL CYLINDER ASSEMBLY - 660SJC (ORIGINAL EQUIPMENT)	196
FIGURE 5-8. LEVEL CYLINDER ASSEMBLY - 660SJC (SERVICE REPLACEMENT)	198
FIGURE 5-9. LEVEL CYLINDER ASSEMBLY - 660SJC (SERVICE REPLACEMENT)	200
FIGURE 5-10. LIFT CYLINDER ASSEMBLY	202
FIGURE 5-11. MASTER CYLINDER ASSEMBLY	204
FIGURE 5-12. MASTER CYLINDER ASSEMBLY - 600SC (SERVICE REPLACEMENT)	208
FIGURE 5-13. MASTER CYLINDER ASSEMBLY - 660SJC (SERVICE REPAACEMENT).....	210
FIGURE 5-14. TELESCOPE CYLINDER ASSEMBLY	212
SECTION 6 - HYDRAULIC	215
FIGURE 6-1. FRAME HYDRAULIC DIAGRAM.....	216
FIGURE 6-2. STANDARD HYDRAULIC DIAGRAM - CATERPILLAR ENGINE	218
FIGURE 6-3. STANDARD HYDRAULIC DIAGRAM - DEUTZ ENGINE	222
FIGURE 6-4. HYDRAULIC DIAGRAM LIST.....	226
SECTION 7 - ELECTRICAL.....	227
FIGURE 7-1. ELECTRICAL DIAGRAM LIST	228
FIGURE 7-2. ELECTRICAL SCHEMATIC (DEUTZ ENGINE AND ALL CATERPILLAR ENGINE) (Prior to SN 0300085110, Prior to SN 0300099063)	230
FIGURE 7-3. ELECTRICAL SCHEMATIC (DEUTZ ENGINE) (SN 0300085110 through 0300099063)	234
FIGURE 7-4. ELECTRICAL SCHEMATIC (CATERPILLAR AND DEUTZ ENGINE) (SN 0300099063 through 0300128000)	238
FIGURE 7-5. HARNESS COMPONENTS INSTALLATION	242
FIGURE 7-6. HARNESS COMPONENTS INSTALLATION	254
SECTION 8 - DECALS	267
FIGURE 8-1. DECAL INSTALLATION (ANSI SPECS) (Prior to SN 0300088143).....	268
FIGURE 8-2. DECAL INSTALLATION (ANSI SPECS) (SN 0300088143 through 0300128000)	272
FIGURE 8-3. DECAL INSTALLATION (ANSI EXPORT SPECS) (Prior to SN 0300088143)	276
FIGURE 8-4. DECAL INSTALLATION (ANSI EXPORT SPECS) (SN 0300088143 through 0300128000).....	280
FIGURE 8-5. DECAL INSTALLATION (AUSTRALIAN AND CE SPECS) (Prior to SN 0300088143)	284
FIGURE 8-6. DECAL INSTALLATION (AUSTRALIAN AND CE SPECS) (SN 0300088143 through 0300128000).....	288
SECTION 9 - RECOMMENDED SERVICE PARTS STOCK	291
FIGURE 9-1. MODELS 600SC/660SJC STANDARD PARTS	292
FIGURE 9-2. MODELS 600SC/660SJC VARIABLE PARTS	294
SECTION 10 - SPECIAL OPTIONS	295
FIGURE 10-1. SPECIAL OPTIONS LIST.....	296
PART NUMBER INDEX.....	301

SECTION 1 - FRAME

SECTION 1 - FRAME

FIGURE 1-1. GRADALL FRAME ASSEMBLY



SECTION 1 - FRAME

FIGURE 1-1. GRADALL FRAME ASSEMBLY

ITEM	PART NUMBER	QTY	DESCRIPTION	REV
		Ref	GRADALL FRAME ASSEMBLY	
	80215014	Ref	Gradall Frame Assembly 600SC	C
	80215016	Ref	Gradall Frame Assembly 660SJC	C
1	80211154	1	Counterweight (660SJC Only)	
2	80211039	2	Plate, Cover	
3	8021-D121	NLA	Drive Assembly (See DRIVE ASSEMBLY for Breakdown) (Use p/n 80213121)	
5	80213004	12	Track Roller Assembly - Bottom (See TRACK ROLLER ASSEMBLY (BOTTOM) for Breakdown)	
6	80213005	2	Track Roller Assembly - Carrier (See TRACK ROLLER ASSEMBLY (CARRIER) for Breakdown)	
7	80213117	2	Track Chain Assembly (See TRACK CHAIN ASSEMBLY for Breakdown)	
8	80213044	2	Sprocket, Drive	
9	80216028	1	Undercarriage	
11	80613008	2	Fitting, Grease	
12	80613009	2	Seal, Grease Fitting	
13	80683015	48	Bolt 5/8in-11NC x 3in	
14	90027475	8	Flatwasher 1in	
15	83191002	4	Bolt M12 x 45mm	
16	80213011	30	Bolt, Flanged M16 x 50mm	
17	83201001	2	Bolt 3/4in-10NC x 4-1/4in	
18	83201047	4	Capscrew 1in-8NC x 8-1/2in (Grade 8)	
19	88201065	10	Bolt 1/2in-13NC x 1in	
22	88521212	2	Locknut 3/4in-10NC	
23	88551013	14	Lockwasher 1/2in	
24	90027472	80	Flatwasher 5/8in Hardened	
25	80213060	2	Nameplate - Caution	
26	88341012	8	Screw #4 x 5/16	
27	80213040	2	Idler Assembly (See IDLER ASSEMBLY for Breakdown)	
28	80213041	2	Spring Assembly (See SPRING AND SHOCK ASSEMBLIES for Breakdown)	
29	80213042	2	Shock Assembly (See SPRING AND SHOCK ASSEMBLIES for Breakdown)	
30	83191056	32	Bolt M16 x 50mm	
31	83191058	4	Capscrew M16 x 45mm	
32	88501016	4	Nut 1in-8NC	
33	14403323	AR	Never-Seize	

SECTION 1 - FRAME

FIGURE 1-2. DRIVE ASSEMBLY

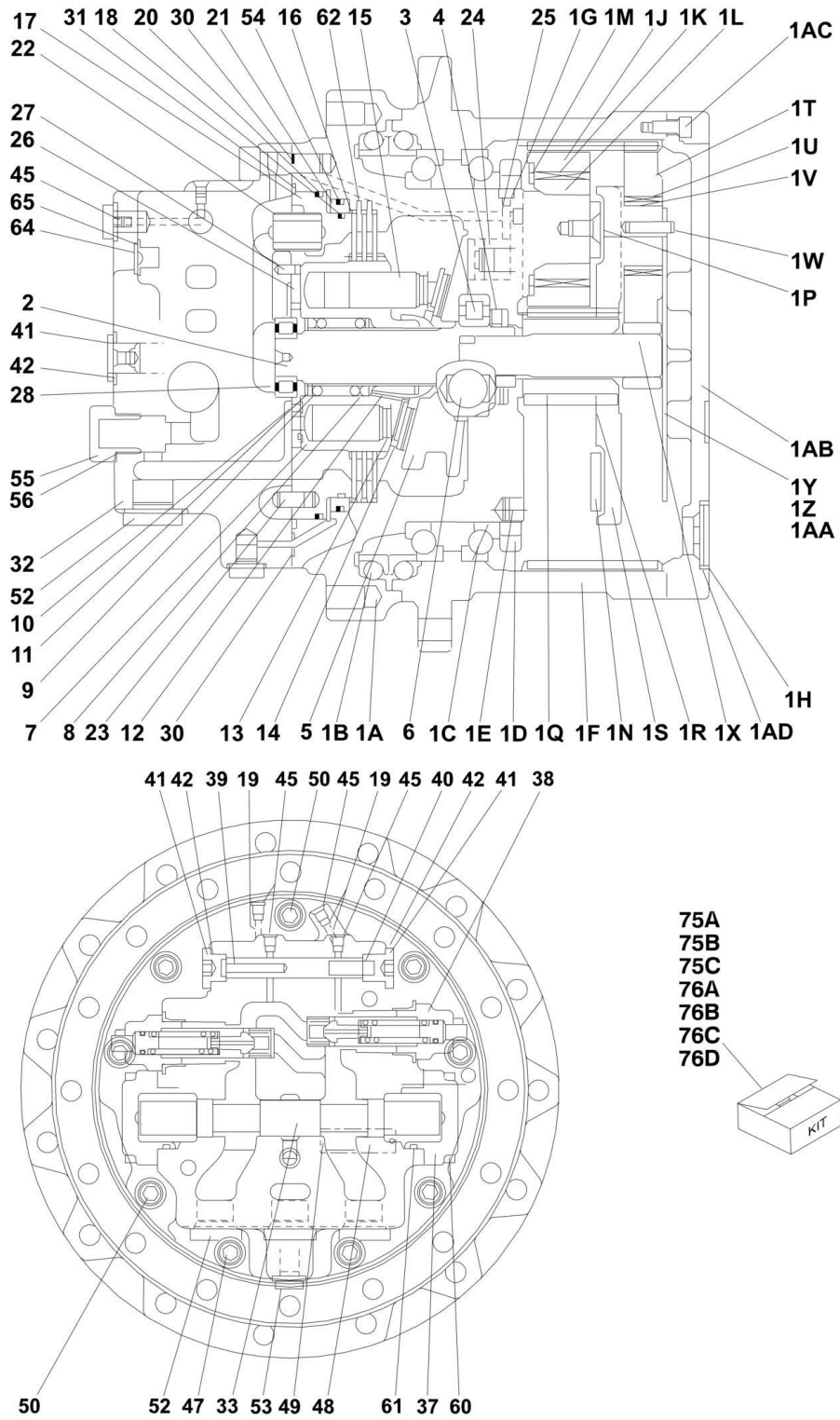


FIGURE 1-2. DRIVE ASSEMBLY

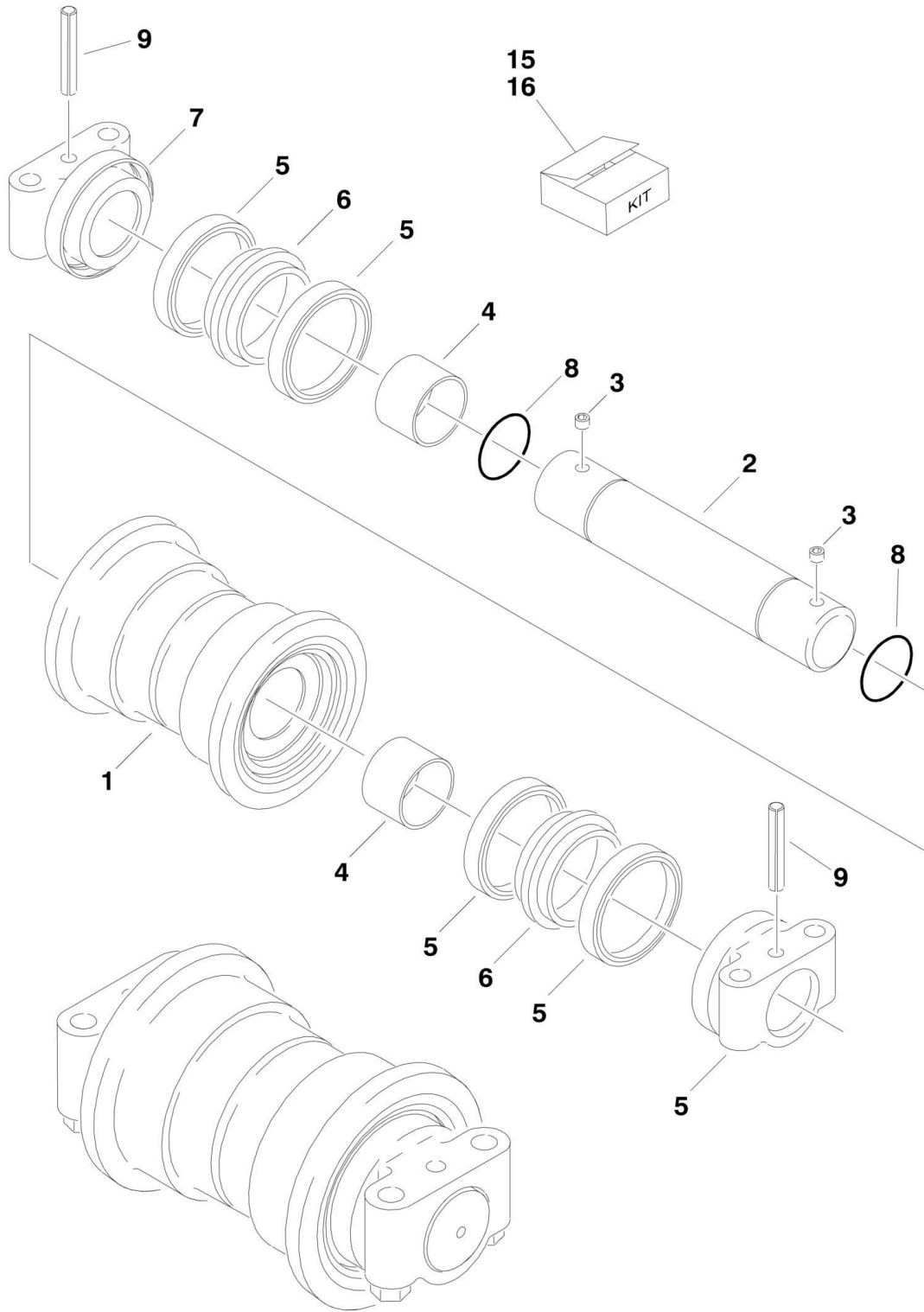
ITEM	PART NUMBER	QTY	DESCRIPTION	REV
	80213121	Ref	DRIVE ASSEMBLY	
1	80214375	1	Gear Box Assembly	
1A	See Note	NSS	Flange (Note: Use p/n 80214375)	
1B	See Note	NSS	Seal, Floating (Note: Use Item 75A)	
1C	80214337	2	Bearing, Angular	
1D	See Note	NSS	Nut, Ring (Note: Use p/n 80214375)	
1E	See Note	NSS	Plug (Note: Not Available - Purchase Locally.)	
1F	See Note	NSS	Housing (Note: Use p/n 80214375)	
1G	See Note	NSS	Plug (Note: Not Available - Purchase Locally.)	
1H	See Note	NSS	Plug (Note: Not Available - Purchase Locally.)	
1J	80214332	4	Gear, Planetary (B)	
1K	80214334	4	Bearing, Needle	
1L	80214333	4	Bushing, Floating	
1M	See Note	NSS	Thrustwasher (Note: Not Available for Purchase.)	
1N	See Note	NSS	Plate, Thrust (Note: Not Available for Purchase.)	
1P	See Note	NSS	Screw (Note: Not Available - Purchase Locally)	
1Q	80214329	1	Gear, Sun	
1R	See Note	NSS	Ring, Retaining (Note: Not Available for Purchase.)	
1S	See Note	NSS	Holder (Note: Use p/n 80214375)	
1T	80214376	3	Gear, Planetary	
1U	80214326	3	Bearing, Needle	
1V	80214325	3	Race, Inner Bearing	
1W	See Note	NSS	Pin, Spring (Note: Not Available for Purchase.)	
1X	80214377	1	Driveshaft	
1Y	See Note	NSS	Plate, Thrust (Note: Use Item 76A)	
1Z	See Note	NSS	Plate, Thrust (Note: Use Item 76A)	
1AA	See Note	NSS	Plate, Thrust (Note: Use Item 76A)	
1AB	7022693	1	Cover	
1AC	See Note	NSS	Bolt (Note: Not Available - Purchase Locally)	
1AD	See Note	NSS	O-Ring (Note: Use Item 75A)	
2	80214308	1	Shaft	
3	80914076	1	Bearing	
4	See Note	NSS	Seal, Oil (Note: Use Item 75B)	
5	See Note	1	Plate, Swash (Note: Not Available for Purchase.)	
6	See Note	2	Ball (Note: Not Available for Purchase.)	
7	See Note	NSS	Block, Cylinder (Note: Use Item 76B)	
8	See Note	1	Collar (Note: Not Available for Purchase.)	
9	See Note	1	Spring (Note: Not Available for Purchase.)	
10	See Note	1	Collar (Note: Not Available for Purchase.)	
11	See Note	1	Ring, Retaining (Note: Not Available for Purchase.)	
12	80214312	3	Pin	
13	See Note	1	Retainer, Holder (Note: Not Available for Purchase.)	
14	See Note	1	Plate, Retainer (Note: Not Available for Purchase.)	
15	See Note	NSS	Piston Assembly (Note: Use Item 76B)	
16	See Note	NSS	Plate, Brake Disc (Note: Use Item 76C)	
17	See Note	NSS	Piston, Brake (Note: Use Item 76C)	
18	See Note	NSS	O-Ring (Note: Use Item 75B or 76C.)	
19	See Note	4	Orifice (Note: Not Available for Purchase.)	
20	See Note	NSS	O-Ring (Note: Use Item 75B or 76C.)	
21	See Note	NSS	Collar (Note: Use Item 76C)	

SECTION 1 - FRAME

ITEM	PART NUMBER	QTY	DESCRIPTION	REV
22	See Note	NSS	Spring (Note: Not Available for Purchase.)	
23	See Note	NSS	Pin (Note: Not Available for Purchase.)	
24	See Note	NSS	Piston Assembly (Note: Not Available for Purchase.)	
25	See Note	NSS	Spring (Note: Not Available for Purchase.)	
26	See Note	NSS	Plate, Valve (Note: Not Available for Purchase.)	
27	See Note	NSS	Pin (Note: Not Available for Purchase.)	
28	80214378	1	Bearing	
30	See Note	NSS	O-Ring (Note: Use Item 75B)	
31	See Note	NSS	O-Ring (Note: Use Item 75B)	
32	See Note	NSS	Plate, Base (Note: Use Item 76D)	
33	See Note	NSS	Spool (Note: Use Item 76D)	
37	See Note	NSS	Flange (Note: Not Available for Purchase.)	
38	80214379	2	Relief Valve Assembly (Note: See Includes Note at Item 75C)	
39	See Note	NSS	Spool (Note: Not Available for Purchase.)	
40	See Note	NSS	Spring (Note: Not Available for Purchase.)	
41	See Note	NSS	Plug (Note: Not Available - Purchase Locally.)	
42	See Note	NSS	O-Ring (Note: Use Item 75B)	
45	See Note	NSS	Plug (Note: Not Available - Purchase Locally.)	
47	See Note	NSS	Bolt (Note: Not Available for Purchase.)	
48	See Note	NSS	Nameplate (Note: Not Available for Purchase.)	
49	See Note	NSS	Drivescrew (Note: Not Available for Purchase.)	
50	See Note	NSS	Bolt (Note: Not Available for Purchase.)	
52	See Note	NSS	Plug, Shipping (Note: Not Available for Purchase.)	
53	See Note	NSS	Plug, Shipping (Note: Not Available for Purchase.)	
54	See Note	NSS	O-Ring (Note: Use Item 75B)	
55	See Note	1	Plug (Note: Not Available - Purchase Locally.)	
56	See Note	NSS	O-Ring (Note: Use Item 75B)	
60	See Note	NSS	Bolt (Note: Not Available for Purchase.)	
61	See Note	NSS	O-Ring (Note: Use Item 75B)	
62	See Note	NSS	Plate, Friction (Note: Use Item 76C)	
64	See Note	NSS	Plug (Note: Not Available - Purchase Locally.)	
65	See Note	NSS	O-Ring (Note: Use Item 75B)	
75		Ref	Seal Kit Options:	
75A	80214371	1	Hub Seal Kit (Includes Items 1B & 1AD)	
75B	80214372	1	Motor/Brake/Valve Seal Kit (Includes Items 4, 18, 20, 30, 31, 42, 54, 56, 61, 65 & Item 75C)	
75C	See Note	NLA	Relief Valve Seal Kit (Includes 3 O-Rings and 2 Back-up Rings for Item 38) (Note: Use Item 75B)	
76		Ref	Repair Kit Options:	
76A	80214172	1	Hub Thrust Plate Kit (Includes Items 1Y, 1Z & 1AA)	
76B	80214171	1	Cylinder Block Kit (Includes Items 1, 7 & 15)	
76C	80214373	1	Brake Kit (Includes Items 16, 17, 18, 20, 21 & 62)	
76D	80214374	1	Base Plate Kit (Includes Items 32 & 33)	

SECTION 1 - FRAME

FIGURE 1-3. TRACK ROLLER ASSEMBLY (BOTTOM)



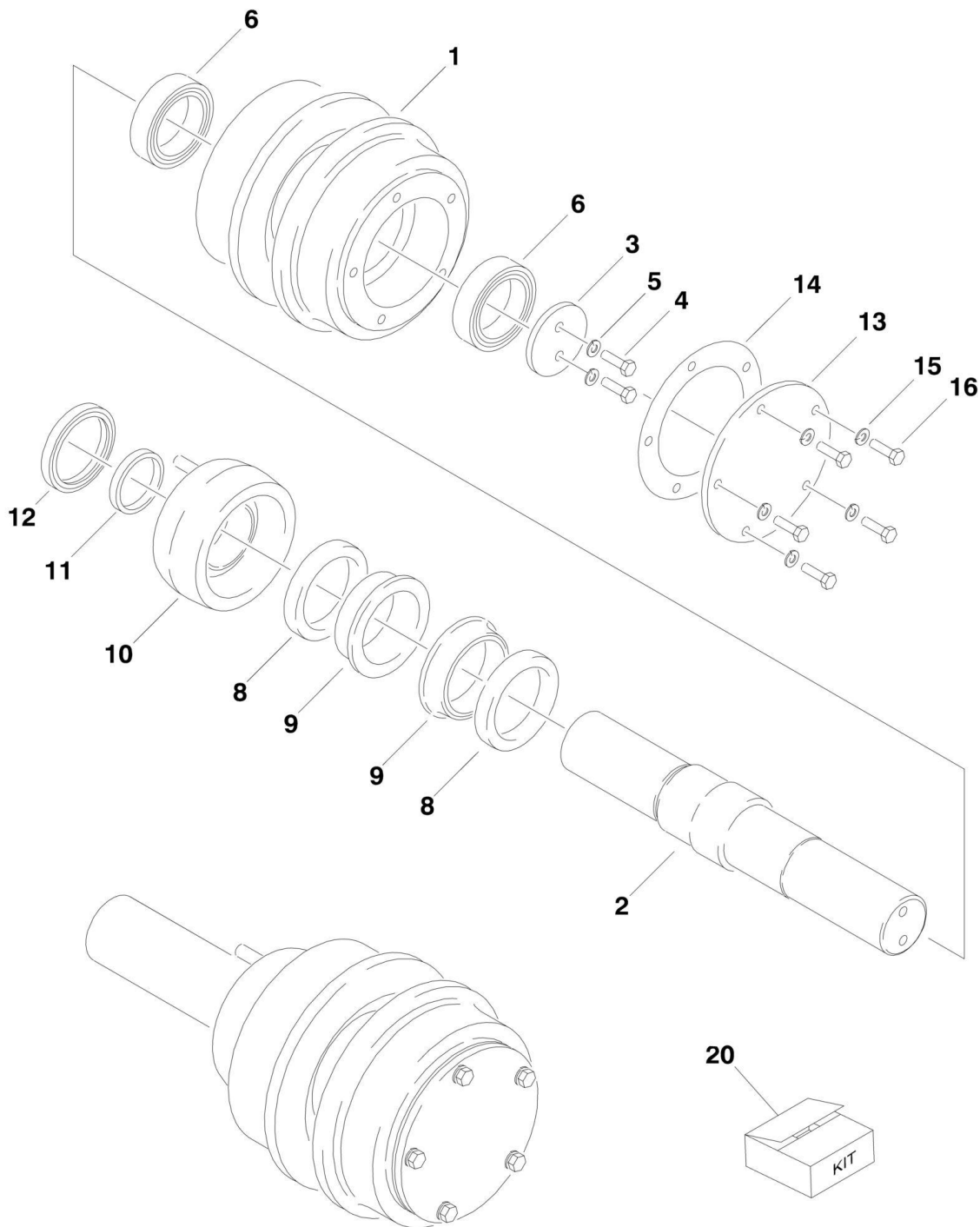
SECTION 1 - FRAME

FIGURE 1-3. TRACK ROLLER ASSEMBLY (BOTTOM)

ITEM	PART NUMBER	QTY	DESCRIPTION	REV
	80213004	Ref	ROLLER ASSEMBLY (BOTTOM)	F
1	See Note	NSS	Roller, Guide (Note: Use Item 16)	
2	80214008	1	Shaft	
3	See Note	NSS	Plug (Note: Not Available - Purchase Locally.)	
4	80214006	2	Bearing	
5	80214003	4	Ring	
6	80214003	2	Seal	
7	80214002	2	Support, Mounting Bracket	
8	80214007	2	O-Ring	
9	80214001	2	Rollpin	
15	80214003	2	Seal Kit (Includes Items 5 & 6)	
16	80214005	1	Roller Guide Bearing Kit (Includes Item 1 & 4)	

SECTION 1 - FRAME

FIGURE 1-4. TRACK ROLLER ASSEMBLY (CARRIER)



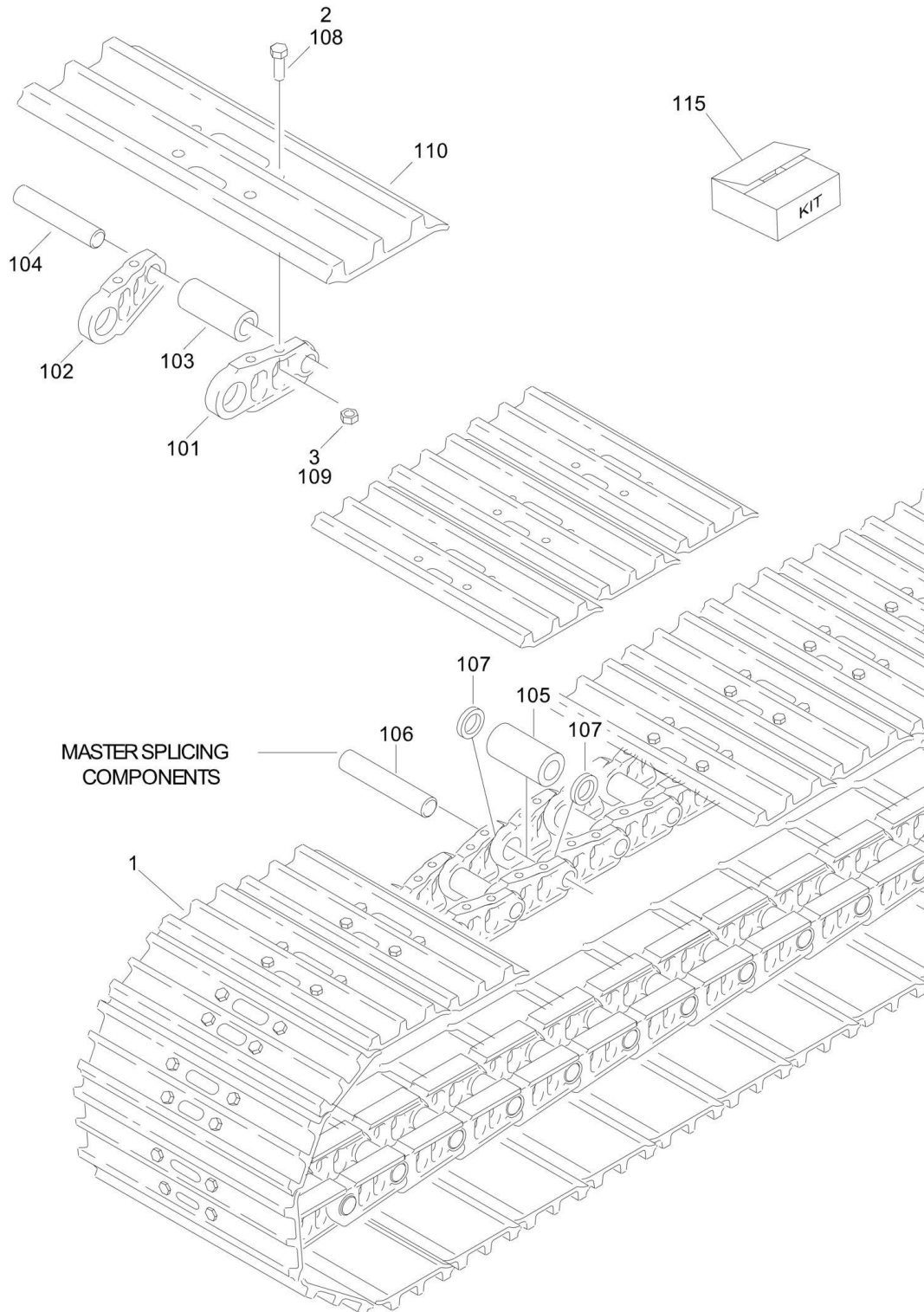
SECTION 1 - FRAME

FIGURE 1-4. TRACK ROLLER ASSEMBLY (CARRIER)

ITEM	PART NUMBER	QTY	DESCRIPTION	REV
	80213005	Ref	ROLLER ASSEMBLY (BOTTOM)	D
1	80214017	NLA	Roller, Guide (Use p/n 80213005)	
2	80214022	1	Shaft	
3	See Note	NSS	Cover, Internal (Note: Not Available for Purchase.)	
4	80214014	2	Bolt	
5	80214015	2	Washer	
6	80214013	2	Bearing, Roller	
8	See Note	NSS	Ring, Seal (Note: Use Item 20)	
9	See Note	NSS	Ring, Tension (Note: Use Item 20)	
10	80214019	1	Collar	
11	80214020	1	Ring, Packing	
12	80214021	1	Ring, Seal	
13	80214011	1	Cover	
14	80214012	1	Seal, Cover	
15	80214010	5	Lockwasher	
16	80214009	5	Bolt	
20	80214018	1	Seal Kit (Includes Items 8 & 9)	

SECTION 1 - FRAME

FIGURE 1-5. TRACK CHAIN ASSEMBLY



SECTION 1 - FRAME

FIGURE 1-5. TRACK CHAIN ASSEMBLY

ITEM	PART NUMBER	QTY	DESCRIPTION	REV
	80213117	Ref	TRACK CHAIN ASSEMBLY	-
		Ref	Note: Qty shown is for one track - 2 tracks per machine.	
1	See Note	NLA	Shoe Assembly (Note: Not Available - Purchase Individual Parts.)	
2	80213016	188	Bolt	
3	80214368	188	Nut	
		Ref	SHOE ASSEMBLY	
		Ref	Note: Qty shown is for one side - 47 shoes per track and 2 tracks per machine.	
101	80214361	47	Link, Right	
102	80214362	47	Link, Left	
103	80214363	47	Bearing	
104	80214364	46	Pin, Hinge	
105	80214365	1	Bearing, Splice	
106	80214366	1	Pin, Splice Hinge	
107	80214367	2	Spacer	
108	80213016	188	Screw	
109	80214368	188	Nut	
110	80214369	47	Cleat, Track	
115	80214370	1	Pin and Bearing Kit (Includes Items 103-107)	
	0272029	Ref	RUBBER TRACK PAD INSTALLATION (NOT SHOWN)	1-B
	3340938	94	Pad, Rubber	
	0100011	AR	Compound, Locking	

SECTION 1 - FRAME

FIGURE 1-6. IDLER ASSEMBLY

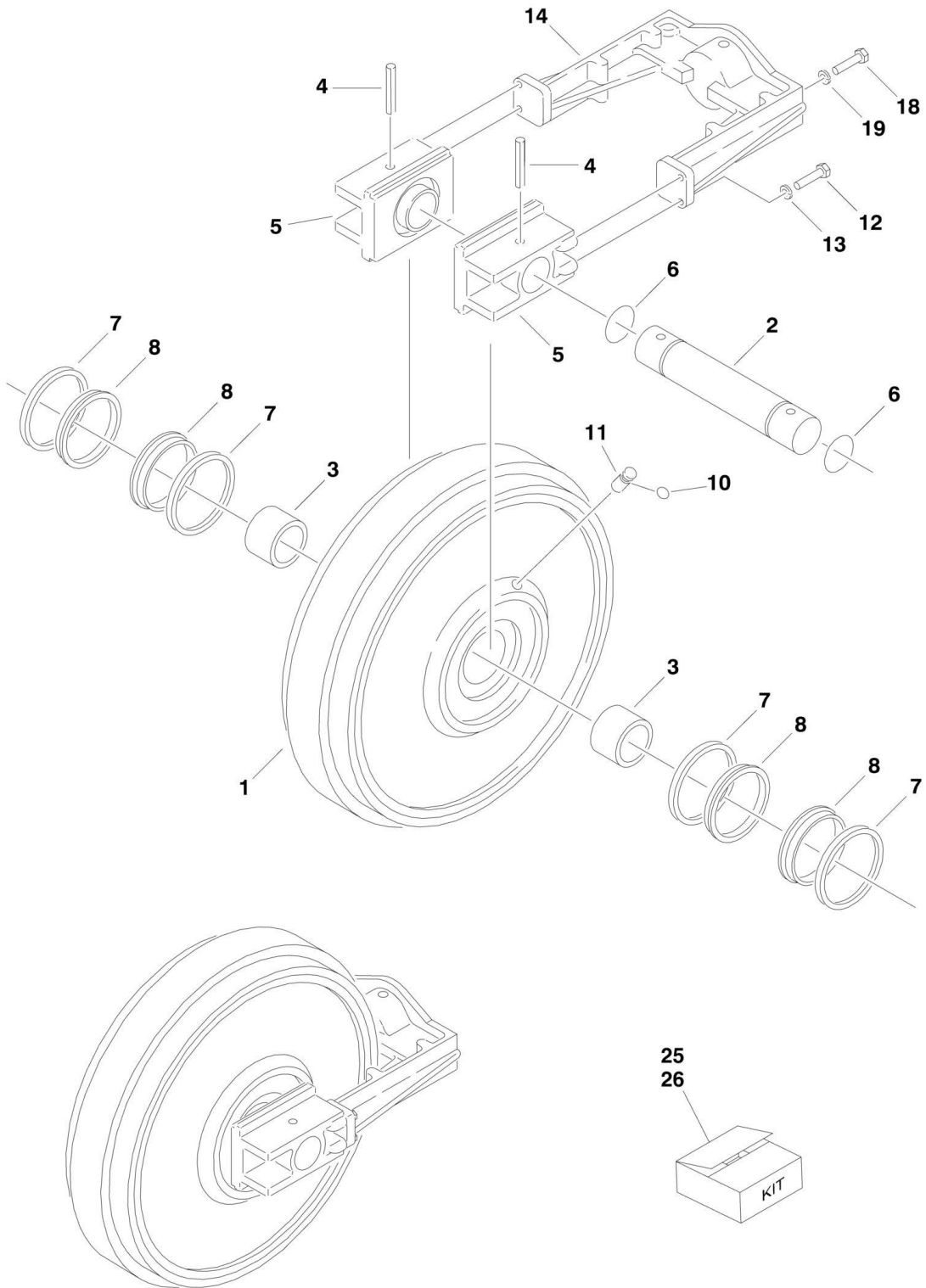
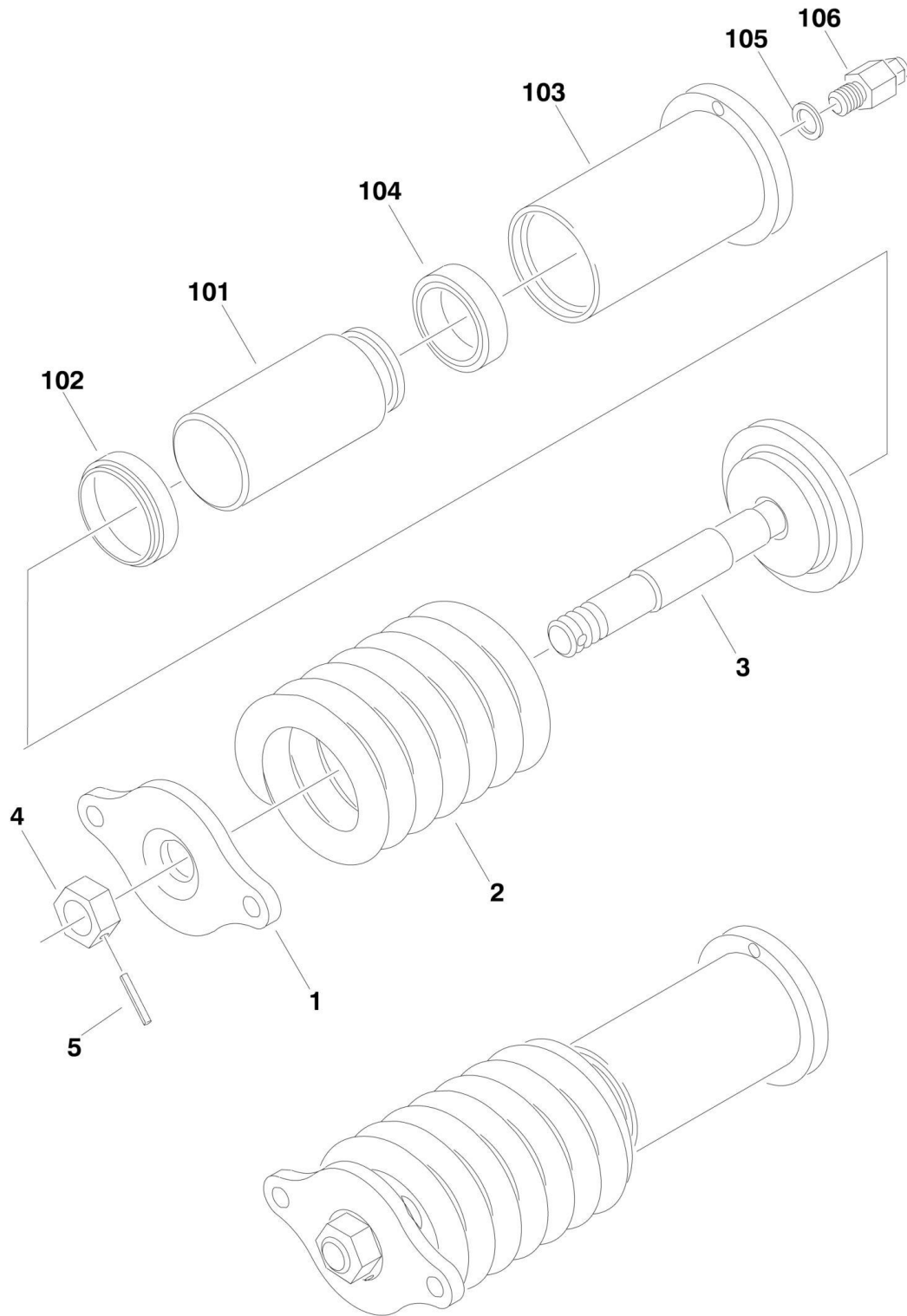


FIGURE 1-6. IDLER ASSEMBLY

ITEM	PART NUMBER	QTY	DESCRIPTION	REV
	80213040	Ref	IDLER ASSEMBLY	B
1	80214023	1	Idler without Bearing	
2	80214027	1	Shaft	
3	80214024	2	Bearing	
4	80214004	2	Rollpin	
5	80214026	2	Bracket, Mounting	
6	80214028	2	Seal	
7	See Note	NSS	Seal (Note: Use Item 26)	
8	See Note	NSS	Holder, Seal (Note: Use Item 26)	
10	83604107	1	O-Ring	
11	83694108	1	Plug	
12	80214030	4	Bolt	
13	83694007	4	Lockwasher	
14	80214029	1	Bracket	
18	83694009	2	Bolt	
19	83694010	2	Lockwasher	
25	80214023	1	Idler Kit (Includes Items 1 & 3)	
26	83694040	2	Seal and Holder Kit (Includes Items 7 & 8)	

SECTION 1 - FRAME

FIGURE 1-7. SPRING AND SHOCK ASSEMBLIES



SECTION 1 - FRAME

FIGURE 1-7. SPRING AND SHOCK ASSEMBLIES

ITEM	PART NUMBER	QTY	DESCRIPTION	REV
	80213041	Ref	SPRING ASSEMBLY	C
1	80214031	1	Flange, Mounting	
2	80214033	1	Spring	
3	80214034	1	Plate, Base	
4	80214010	1	Locknut	
5	80214011	1	Rollpin	
	80213042	Ref	SHOCK ASSEMBLY	A
101	83694046	1	Piston/Rod	
102	83694045	1	Wiper	
103	80614008	1	Barrel	
104	83694047	1	Seal	
105	80613009	1	Seal	
106	80613008	1	Fitting	

SECTION 1 - FRAME

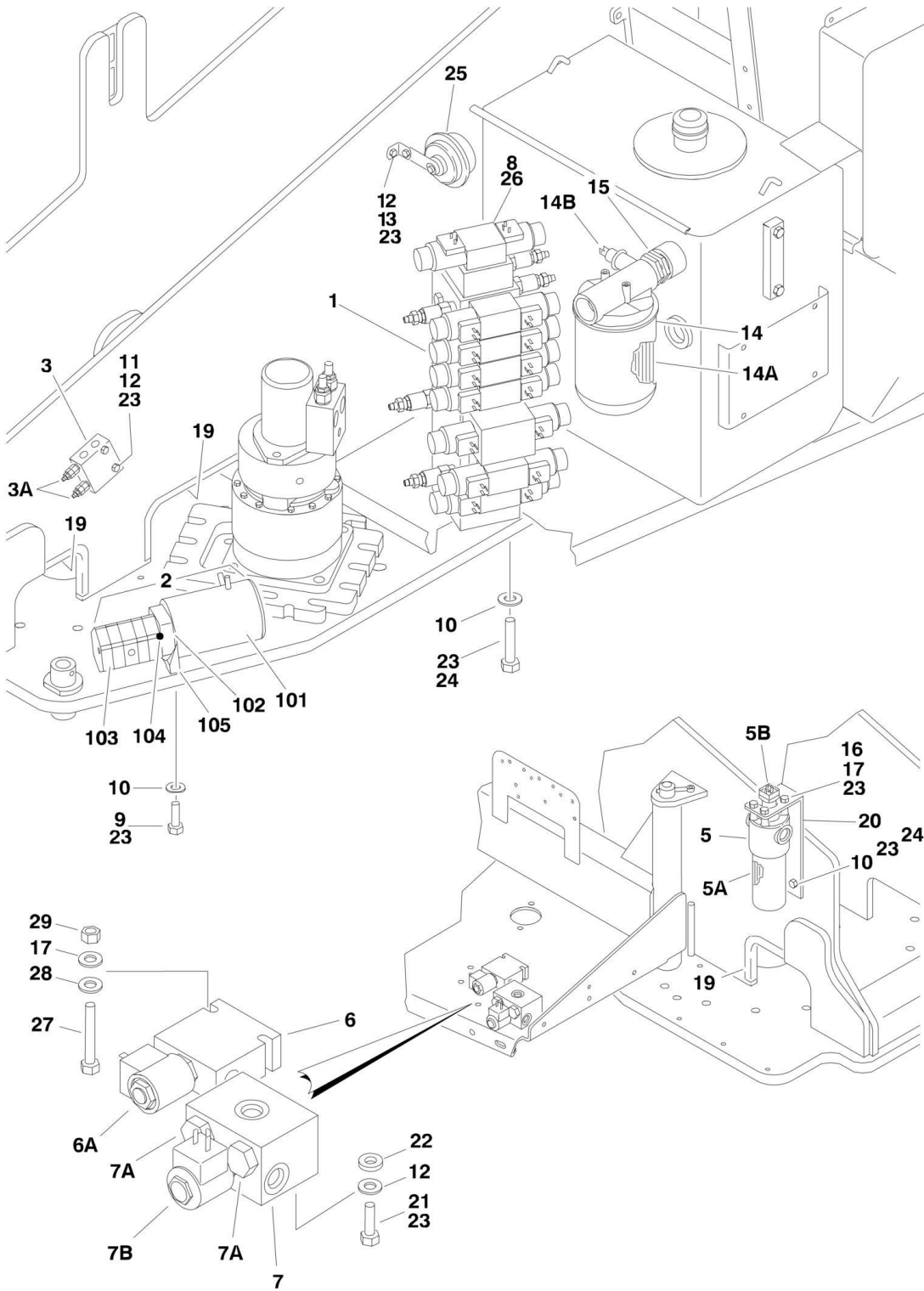
FIGURE 1-8. ROTARY COUPLING ASSEMBLY

ITEM	PART NUMBER	QTY	DESCRIPTION	REV
		Ref	ROTARY COUPLING INSTALLATION	
	80215014	Ref	Rotary Coupling Installation 600SC	C
	80215016	Ref	Rotary Coupling Installation 660SJC	C
12	80213115	1	Rotary Coupling Assembly	
12	80213116	1	Seal Kit - 80213115 Coupling (Includes Qty 9 Seals and Qty 2 Wiper Rings)	
13	80216035	1	Stabilizer	
14	80211144	1	Support	
15	88201069	4	Bolt 1/2in-13NC x 2in	
16	88501008	4	Nut 1/2in-13NC	
17	88551013	4	Lockwasher 1/2in	
18	83191021	8	Bolt M10 x 30mm	
19	83191013	8	Lockwasher M10	
20	83191004	4	Bolt M12 x 30mm	
21	83191010	4	Lockwasher M10	
22	80211147	4	Spacer	
23	80211148	2	Keeper	
25	14403364	AR	Compound, Locking	
	0271817	Ref	ROTARY COUPLING INSTALLATION	1-A
101	0641616	4	Bolt 3/8in-16NC x 2in	
102	4751600	4	Flatwasher 3/8in	
103	0100011	AR	Compound, Locking	

SECTION 2 - TURNTABLE

SECTION 2 - TURNTABLE

FIGURE 2-1. CONTROL VALVES INSTALLATIONS



SECTION 2 - TURNTABLE

FIGURE 2-1. CONTROL VALVES INSTALLATIONS

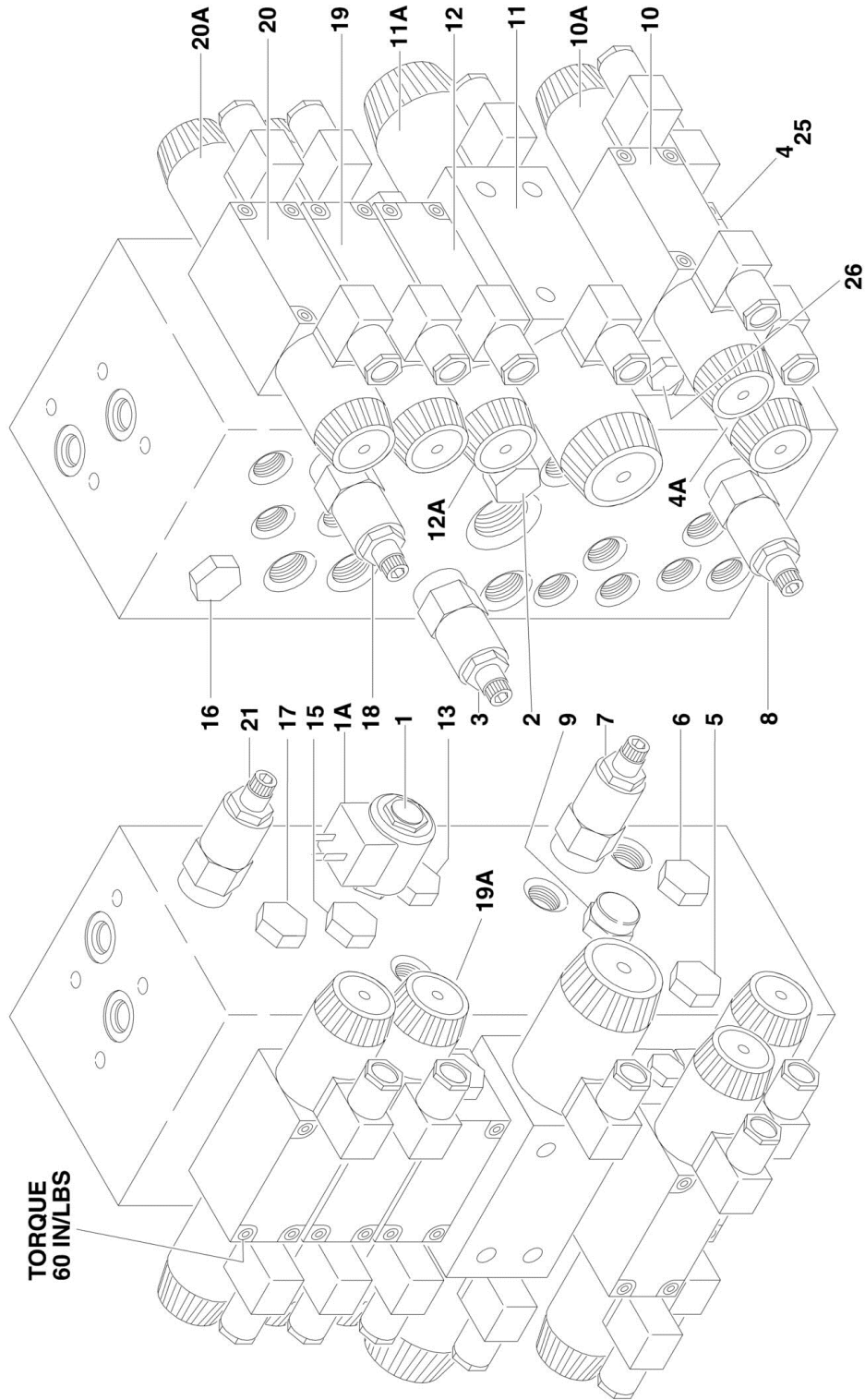
ITEM	PART NUMBER	QTY	DESCRIPTION	REV
		Ref	VALVES INSTALLATIONS	
	0271631	Ref	Valves Installations 600SC (Prior to SN 0300085110)	5
	0274313	Ref	Valves Installations 600SC (SN 0300085110 through 0300128000)	2
	0271667	Ref	Valves Installations 660SJC (Prior to SN 0300085110)	5
	0274314	Ref	Valves Installations 660SJC (SN 0300085110 through 0300128000)	2
1		Ref	Main Control Valve Assembly Options (See MAIN CONTROL VALVE ASSEMBLY for Breakdown):	
1	4641017	NLA	Main Control Valve Assembly (Use p/n 4641489) (Prior to SN 0300098602)	
1	4641489	1	Main Control Valve Assembly (SN 0300098602 through 0300128000)	
2	3600365	1	Auxiliary Pump Assembly (See Item 101-105 for Breakdown)	
3	4640908	1	Counterbalance Valve Assembly	
3A	7011328	2	Cartridge, Counterbalance	
3A	2900770	2	Seal, Kit - 7011328 Cartridge	
5		Ref	Hydraulic Pressure Filter Assembly Options:	
5	2120146	1	Hydraulic Pressure Filter Assembly (Prior to SN 0300085110)	
5	2120209	1	Hydraulic Pressure Filter Assembly (SN 0300085110 through 0300128000)	
5A	2120150	1	Element, Filter (Used with p/n 2120146)	
5A	2120210	1	Element, Filter (Used with p/n 2120209)	
5B	7016312	1	Indicator, Clogged (Used with p/n 2120146)	
5B	7020020	1	Indicator, Clogged (Used with p/n 2120209)	
5C	70000934	1	O-Ring, Filter Bowl (Not Shown - Used with p/n 2120209)	
6	4640907	1	Valve Assembly (Brake)	
6A	7012941	1	Cartridge	
6A	7010543	1	Seal Kit - 7012941 Cartridge	
7	4640906	1	Valve Assembly (Two Speed)	
7A	7023981	1	Cartridge without Coil	
7A	7012905	1	Seal Kit - 7023981 Cartridge	
7B	7012944	1	Coil	
7C	7017481	2	Cartridge, Check	
7C	7012972	2	Seal Kit	
8		Ref	Valve Kit (Articulating Jib) Options:	
8	Not Required	0	Valve Kit (Articulating Jib) 600SC	
8	4640921	1	Valve Kit (Articulating Jib) 660SJC (See ARTICULATING JIB VALVE ASSEMBLY (660SJC ONLY) for Breakdown)	
9	0641613	2	Bolt 3/8in-16NC x 1-5/8in	
10	4711600	7	Flatwasher 3/8in Thin	
11	0641514	2	Bolt 5/16in-18NC x 1-3/4in	
12	4751500	5	Flatwasher 5/16in Regular	
13	0641506	1	Bolt 5/16in-18NC x 3/4in	
14		Ref	Return Filter Assembly Options:	
14	2120145	1	Return Filter Assembly (Prior to SN 0300085110)	
14	2120164	1	Return Filter Assembly (SN 0300085110 through 0300128000)	
14A	2120149	1	Element, Filter (Used with p/n 2120145/2120164)	
14B	7016313	1	Indicator, Clogged (Used with p/n 2120145)	
14B	7020021	1	Indicator, Clogged (Used with p/n 2120164)	
15	2220893	1	Fitting, Adapter	

SECTION 2 - TURNTABLE

ITEM	PART NUMBER	QTY	DESCRIPTION	REV
16	0651406	AR	Bolt 1/4in-28NF x 3/4in	
17	4711400	AR	Flatwasher 1/4in Thin	
19	4060918	46 in/1.2m	Flex-Trim	
20	0902587	1	Bracket, Filter	
21	0641508	2	Bolt 5/16in-18NC x 1in	
22		Ref	Flatwasher, Hardened Options:	
22	4891800	2	Flatwasher 1/2in Hardened (Prior to SN 0300085110)	
22	4891500	2	Flatwasher 5/16in Hardened (SN 0300085110 through 0300128000)	
23	0100011	AR	Compound, Locking	
24	0641608	5	Bolt 3/8in-16NC x 1in	
25	0140001	1	Horn	
26		Ref	Harness, Articulating Jib Options:	
26	Not Required	0	Harness, Articulating Jib 600SC	
26	4921927	1	Harness, Articulating Jib 660SJC (See ELECTRICAL SECTION for Breakdown)	
27	0641416	2	Bolt 1/4in-20NC x 2in	
28	4891400	4	Flatwasher 1/4in Hardened	
29	3311405	2	Locknut 1/4in-20NC	
	3600365	Ref	AUXILIARY PUMP ASSEMBLY	B
101		Ref	Replacement Motor Options:	
101	7004290	1	Replacement Motor with Endhead Item 105 (was p/n 7011067)	
101	7004248	1	Replacement Motor without Endhead	
101	7011065	1	Brush Kit	
101	See Note	4	Bolt (Mounts Motor to Endhead) (Note: Not Available for Purchase.)	
102	7011063	1	Coupling and Hardware Kit (Includes Pump Gasket and Item 104)	
103	7011064	1	Replacement Pump	
103	7011044	1	Gasket	
103	7011066	1	Seal Kit	
103	See Note	1	Relief Valve (Note: Not Available - Purchase Complete Pump.)	
104	7011043	4	Bolt (Mounts Pump to Mounting Bracket)	
104	7011048	4	Lockwasher	
105	7011062	1	Endhead	

SECTION 2 - TURNTABLE

FIGURE 2-2. MAIN CONTROL VALVE ASSEMBLY



SECTION 2 - TURNTABLE

FIGURE 2-2. MAIN CONTROL VALVE ASSEMBLY

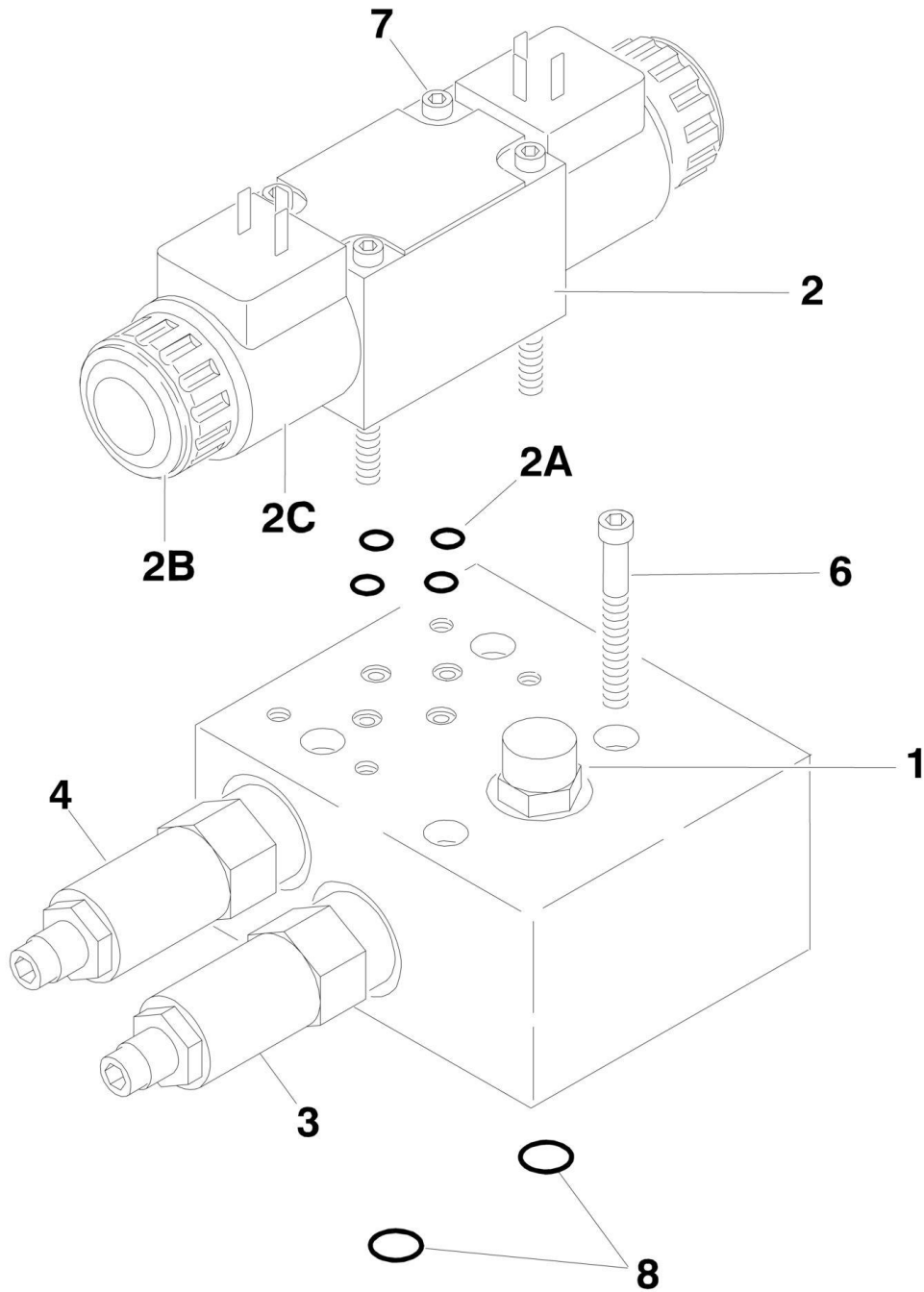
ITEM	PART NUMBER	QTY	DESCRIPTION	REV
		Ref	MAIN CONTROL VALVE ASSEMBLY	
	4641017	Ref	Main Control Valve Assembly (Prior to SN 0300098602)	C
	4641489	Ref	Main Control Valve Assembly (SN 0300098602 through 0300128000)	A
1	7017410	1	Cartridge, Without Coil	
1	7012967	1	Seal Kit - 7017410 Cartridge	
1A	7012944	1	Coil	
2		Ref	Cartridge, Pressure Sensing Options:	
2	7017411	1	Use with p/n 4641017	
2	7017464	1	Use with p/n 4641489	
2	7012518	1	Seal Kit	
3	7012912	1	Cartridge (Main Relief)	
3	7012998	1	Seal Kit	
4	7021373	1	Control Valve Assembly (Platform Level)	
4	7012773	1	Seal Kit	
4	7012799	1	Lanyard Assembly	
4A	7021376	2	Coil	
4A	7021375	2	Nut, Coil	
5	7012914	1	Cartridge, Check Valve (Platform Level)	
5	7012918	1	Seal Kit - 7012914 Cartridge	
6	7012914	1	Cartridge, Check Valve (Platform Level)	
6	7012918	1	Seal Kit - 7012914 Cartridge	
7	7012912	1	Cartridge, Relief Valve (Platform Level)	
7	7012998	1	Seal Kit - 7012912 Cartridge	
8	7012912	1	Cartridge, Relief Valve	
8	7012998	1	Seal Kit - 7012912 Cartridge	
9	7012989	1	Cartridge, Flow Control	
9	7012953	1	Seal Kit - 7012989 Cartridge	
10	7021373	1	Control Valve Assembly (Platform Rotate)	
10	7012773	1	Seal Kit	
10	7012799	1	Lanyard Assembly	
10A	7021376	2	Coil	
10A	7021375	2	Nut, Coil	
11		Ref	Control Valve Assembly Options (Upper Tele):	
11	70000579	1	Control Valve Assembly (was p/n 7012766) (Prior to SN 0300098602)	
11	70000579	1	Control Valve Assembly (SN 0300098602 through 0300128000)	
		Ref	Note: Refer to Vendor P/N on Valve Nameplate before ordering Parts. P/N 7012766 is RR00567495 or R900567495. P/N 70000579 is R900930080.	
11		Ref	Seal Kit Options:	
11	7012769	1	7012766 Valve	
11	70000583	1	70000579 Valve	
11A		Ref	Coil Options:	
11A	7012772	1	7012766 Valve (Was p/n 7012768)	
11A	70000582	1	70000579 Valve	
11A		Ref	Nut, Coil Options:	
11A	7018912	1	7012766 Valve	
11A	70000580	1	70000579 Valve	
12	7022521	1	Control Valve Assembly (Flow Control)	

SECTION 2 - TURNTABLE

ITEM	PART NUMBER	QTY	DESCRIPTION	REV
12	7012773	1	Seal Kit - 7012521 Valve	
12A	7018991	2	Coil	
12A	7021375	2	Nut, Coil	
13	7010542	1	Cartridge, Shuttle	
13	7010543	1	Seal Kit - 7010542 Cartridge	
15	7010542	1	Cartridge, Shuttle	
15	7010543	1	Seal Kit - 7010542 Cartridge	
16	7010542	1	Cartridge, Shuttle	
16	7010543	1	Seal Kit - 7010542 Cartridge	
17	7010542	1	Cartridge, Shuttle	
17	7010543	1	Seal Kit - 7010542 Cartridge	
18	7012912	1	Cartridge, Relief Valve	
18	7012998	1	Seal Kit - 7012912 Cartridge	
19	7012775	1	Control Valve Assembly (Upper Lift)	
19	7012773	1	Seal Kit	
19A	7012772	2	Coil	
20	7012775	1	Control Valve Assembly (Swing)	
20	7012773	1	Seal Kit - 7012775 Valve	
20A	7012772	2	Coil	
20A	7018912	2	Nut, Coil	
21	7012912	1	Cartridge, Relief Valve	
21	7012998	1	Seal Kit - 7012912 Cartridge	
26	7021310	1	Valve, Sandwich	

SECTION 2 - TURNTABLE

FIGURE 2-3. ARTICULATING JIB VALVE ASSEMBLY (660SJC ONLY)



NOTE: TORQUE ITEMS 6 & 7 TO 60 IN/LBS.

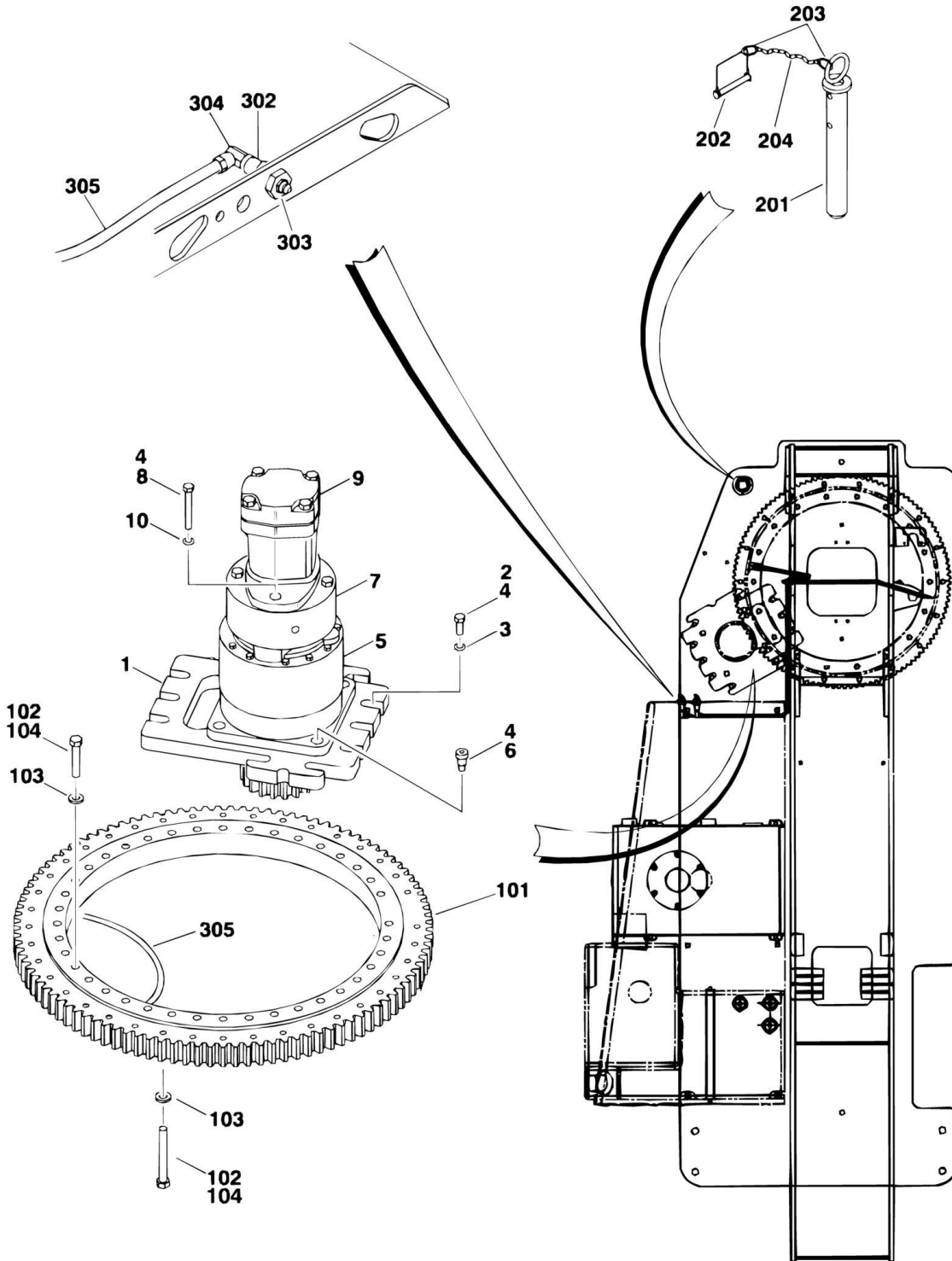
SECTION 2 - TURNTABLE

FIGURE 2-3. ARTICULATING JIB VALVE ASSEMBLY (660SJC ONLY)

ITEM	PART NUMBER	QTY	DESCRIPTION	REV
	4640921	Ref	ARTICULATING JIB VALVE ASSEMBLY (660SJC ONLY)	D
1	7012965	1	Cartridge, Flow Control	
1	7012953	1	Seal Kit - 7012965 Cartridge	
2	70001976	1	Directional Control Valve Assembly (was p/n 7012770)	
2	7012773	1	Seal Kit	
2A	7018945	2	O-Ring	
2B	7018912	2	Nut	
2C	7012772	2	Coil	
3	7017421	1	Cartridge, Relief	
3	7012998	1	Seal Kit - 7017421 Cartridge	
4	7017422	1	Cartridge, Relief	
4	7012998	1	Seal Kit - 7017422 Cartridge	
5	4460499	2	Connector, Din with Diode (Part of Valve Harness)	
6	7012777	4	Capscrew, Socket Head 5/16in-11NC x 2-1/4in (Used to Mount Valve Assembly)	
7	7018942	4	Capscrew, Socket Head #10-24NC x 2in	
8	7012776	2	O-Ring (Used to Mount to Main Valve)	

SECTION 2 - TURNTABLE

FIGURE 2-4. SWING DRIVE, TURNTABLE BEARING AND LOCK INSTALLATIONS



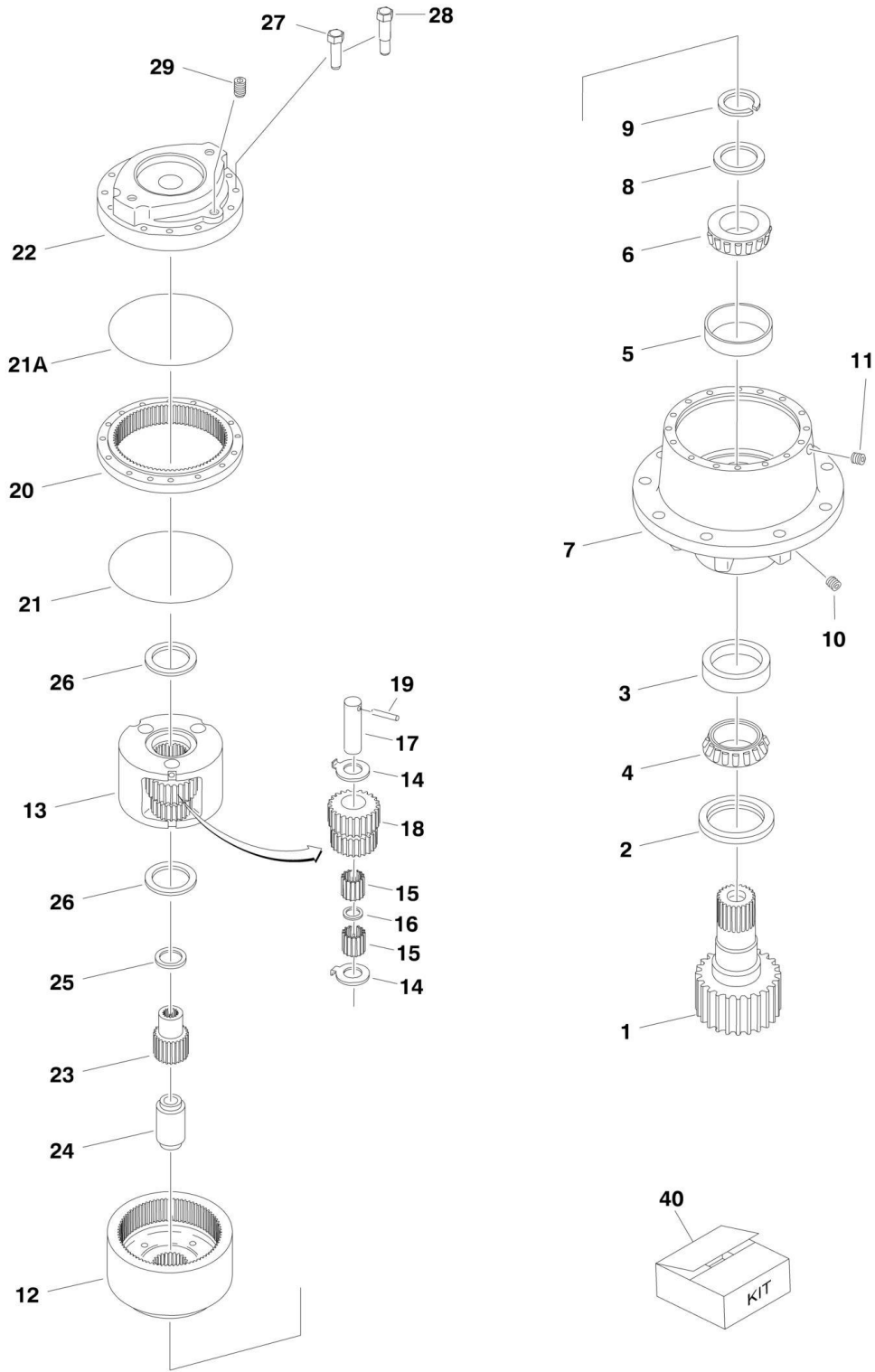
SECTION 2 - TURNTABLE

FIGURE 2-4. SWING DRIVE, TURNTABLE BEARING AND LOCK INSTALLATIONS

ITEM	PART NUMBER	QTY	DESCRIPTION	REV
	0270329	Ref	SWING DRIVE INSTALLATION	A
1	3537318	1	Plate, Swing Drive Mounting	
2	0642018	10	Bolt 5/8in-11NC x 2-1/4in	
3	4892000	10	Flatwasher, Hardened 5/8in	
4	0100011	AR	Compound, Locking	
5	2780205	1	Swing Hub Assembly (See SWING HUB ASSEMBLY for Breakdown)	
6	3932224	4	Capscrew 1/2in - 13NC x 1-1/2in	
7	0920119	1	Swing Brake Assembly	
7	7018612	1	Repair Kit (Note: No Other Service Parts Available)	
8	0681836	2	Bolt 1/2in-13NC x 4-1/2in (Grade 8)	
9		Ref	Swing Motor Assembly Options:	
9	3160273	NLA	White Roller Stator Motor (Original Equipment) (Use p/n 1001110169) (See SWING MOTOR ASSEMBLY (WHITE ROLLER STATOR) (ORIGINAL EQUIPMENT) for Breakdown)	
9	1001110169	1	Parker Motor (Service Replacement) (See SWING MOTOR ASSEMBLY (WHITE ROLLER STATOR) (ORIGINAL EQUIPMENT) for Breakdown)	
10	4891800	2	Flatwasher 1/2in Hardened	
	0259055	Ref	TURNTABLE BEARING INSTALLATION	B
101	0440233	NLA	Bearing Kit (Use p/n 2915089) (Kit Includes Bearing and Mounting Hardware)	
102	0682023	36	Bolt 5/8in-11NC X 2-7/8in (Grade 8)	
103	4892000	36	Flatwasher, Hardened	
104	0100019	AR	Compound, Locking	
	0239585	Ref	TURNTABLE LOCK INSTALLATION	B
201	3421627	1	Pin	
202	3421565	1	Pin, Snap	
203	3760170	2	Ring, Quick Release	
204	1260017	9 in/23cm	Chain	
	0255316	Ref	REMOTE BEARING LUBE INSTALLATION	3
302	2180344	1	Fitting, Bulkhead	
303	2160003	1	Fitting, Grease 45	
304	2220063	1	Fitting, 90	
305	2751032	1	Hose, Grease	

SECTION 2 - TURNTABLE

FIGURE 2-5. SWING HUB ASSEMBLY



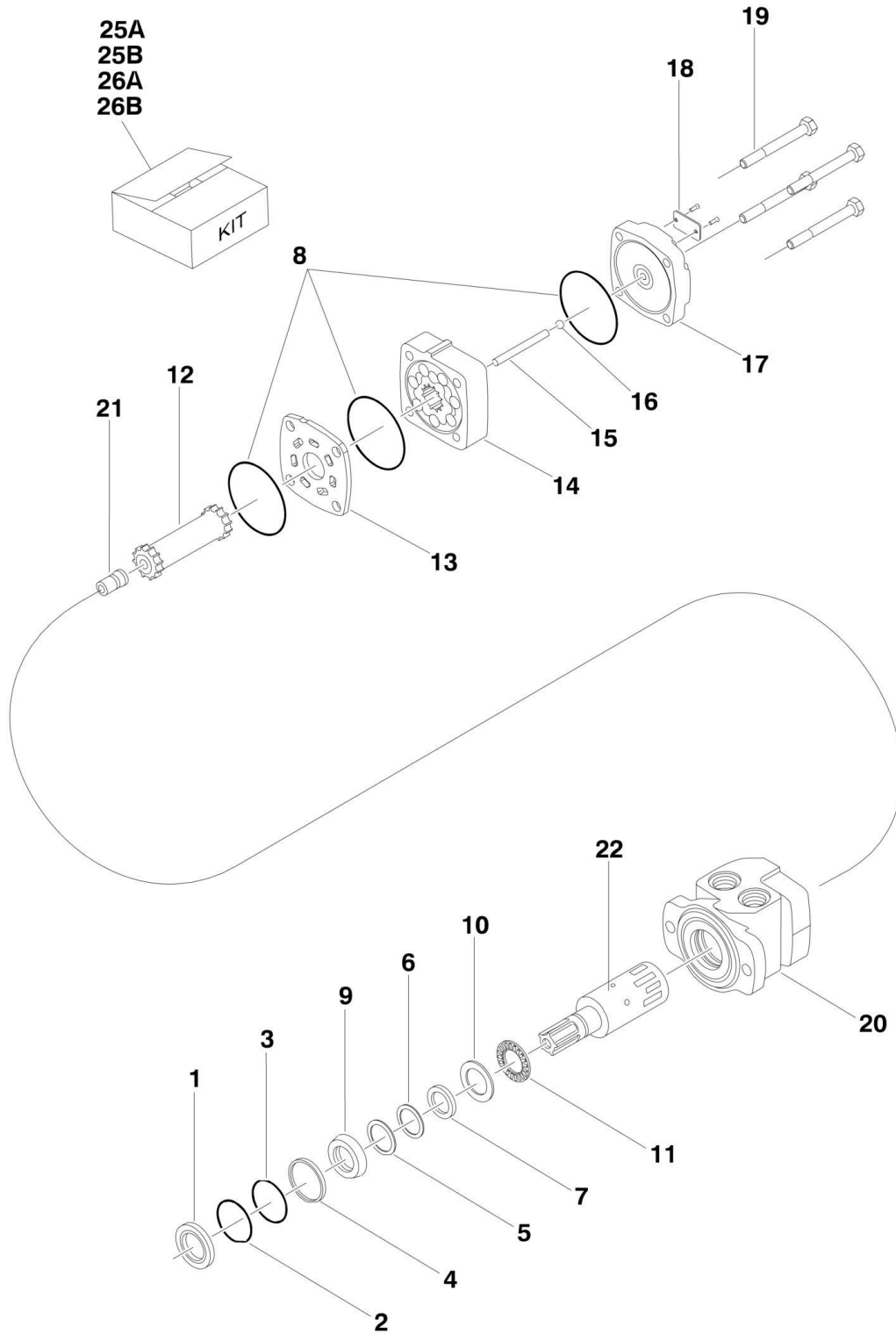
SECTION 2 - TURNTABLE

FIGURE 2-5. SWING HUB ASSEMBLY

ITEM	PART NUMBER	QTY	DESCRIPTION	REV
	2780205	Ref	SWING HUB ASSEMBLY	-
		Ref	Housing Assembly	
1	7010492	1	Shaft, Output	
2	7000228	1	Seal, Lip	
3	7000255	1	Cup, Bearing	
4	7000256	1	Cone, Bearing	
5	7000257	1	Cup, Bearing	
6	7000258	1	Cone, Bearing	
7	7010496	1	Housing	
8	7007633	1	Thrustwasher	
9	7000229	1	Ring, Retaining	
10	7010494	2	Pipe, Plug	
11	7001928	2	Pipe, Plug	
12	7000246	2	Gear, In O-Ring	
		Ref	Carrier Assembly	
13	7001931	1	Carrier	
14	7001985	6	Thrustwasher, Tanged	
15	7001909	96	Bearing, Needle	
16	7000263	3	Spacer, Thrust	
17	7001911	3	Shaft, Planet	
18	7001987	3	Gear, Cluster	
19	7010474	3	Rollpin	
20	7001988	1	Ring Gear	
21	7000230	1	O-Ring (Black)	
21A	7017070	1	O-Ring (White)	
22	7000209	1	Cover, Input	
23	7010488	1	Gear, Sun	
24	7000269	1	Spacer, Input	
25	7000270	1	Thrustwasher	
26	7000253	2	Thrustwasher	
27	7000217	8	Bolt	
28	7000214	4	Bolt, Shoulder	
29	2200222	1	Pipe, Plug	
40	7024100	1	Seal Kit (Includes Items 2, 9, 21, 21A & 26)	

SECTION 2 - TURNTABLE

FIGURE 2-6. SWING MOTOR ASSEMBLY (WHITE ROLLER STATOR) (ORIGINAL EQUIPMENT)



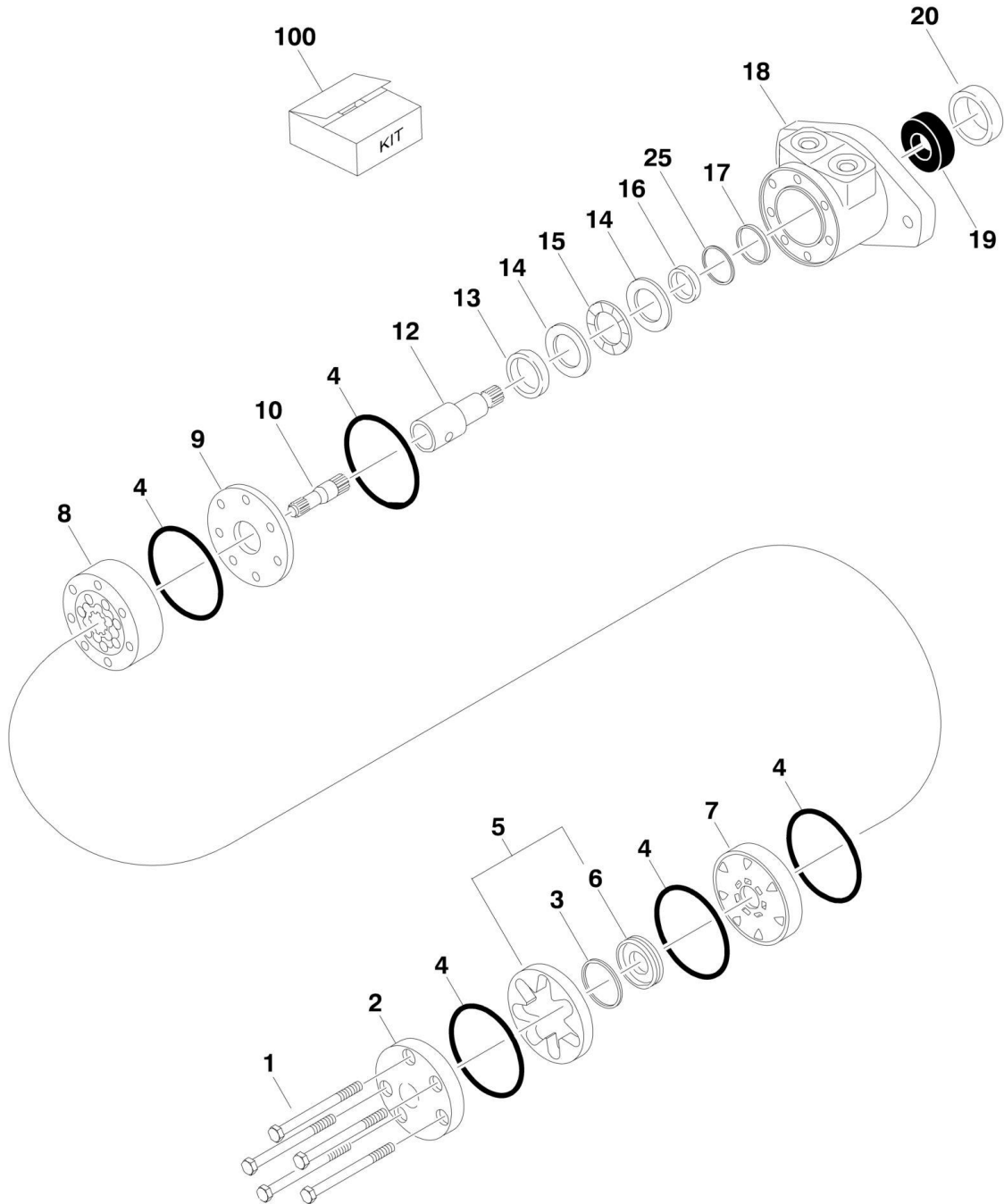
SECTION 2 - TURNTABLE

FIGURE 2-6. SWING MOTOR ASSEMBLY (WHITE ROLLER STATOR) (ORIGINAL EQUIPMENT)

ITEM	PART NUMBER	QTY	DESCRIPTION	REV
	3160273	Ref	SWING MOTOR ASSEMBLY	B
		Ref		
			Note: Service replacement motor for machines Prior to SN 0300128000 is p/n 1001110169. Make sure motor has not been replaced by Identifying motor brand before ordering parts. See SWING MOTOR ASSEMBLY (PARKER) (SERVICE REPLACEMENT) for service replacement parts for p/n 1001110169 motor.	
1	See Note	NSS	Seal, Dust (Note: Use Item 25A)	
2	See Note	NSS	Ring, Split Wire (Note: Use Item 25A)	
3	See Note	NSS	Shim, Metal Back-up (Note: Use Item 25A)	
4	See Note	NSS	Seal, High Pressure (Note: Use Item 25A)	
5	See Note	NSS	Shim, Metal Back-up (Note: Use Item 25A)	
6	See Note	NSS	Seal, Teflon Back-up (Note: Use Item 25A)	
7	See Note	NSS	Seal, Shaft (Note: Use Item 25A)	
8	See Note	NSS	Seal, Body (Note: Use Item 25A)	
9	See Note	NSS	Carrier, Seal (Note: Use Item 25B)	
10	See Note	NSS	Thrustwasher (Note: Use Item 25B)	
11	7016422	1	Bearing, Thrust	
12	7005889	1	Link, Drive	
13	7016423	1	Plate, Wear	
14	7005890	1	Rotor Assembly	
15	7005891	1	Pin, Drive Link	
16	See Note	NSS	Ball (Note: Use Item 26A)	
17	See Note	NSS	Cover, End (Note: Use Item 26A)	
18	See Note	NSS	Tag, I.D. (Note: Not Available for Purchase.)	
19	7005892	4	Bolt	
20	7016425	1	Housing	
21	7005893	1	Plug, Cooling	
22	7016426	1	Shaft	
25		Ref	Seal Kit Options:	
25A	7005881	1	Main Seal Kit (Includes Items 1-8)	
25B	7005882	1	Carrier Seal Kit (Includes Items 9 & 10)	
26		Ref	Repair Kit Options:	
26A	7016424	1	End Cover Kit (Includes Items 16 & 17)	
26B	7016427	1	Housing/Shaft Kit (Includes Items 20-22)	

SECTION 2 - TURNTABLE

FIGURE 2-7. SWING MOTOR ASSEMBLY (PARKER) (SERVICE REPLACEMENT)



SECTION 2 - TURNTABLE

FIGURE 2-7. SWING MOTOR ASSEMBLY (PARKER) (SERVICE REPLACEMENT)

ITEM	PART NUMBER	QTY	DESCRIPTION	REV
	1001110169	Ref	SWING MOTOR ASSEMBLY (PARKER)	A
1	70002243	5	Bolt	
2	7004035	1	Cover, End	
3	See Note	NSS	Seal, Commutator (Note: Use Item 100)	
4	See Note	NSS	Seal, Ring (Note: Use Item 100)	
5	7024453	1	Commutator and Ring Assembly	
6	7024453	1	Ring	
7	7024379	1	Manifold	
8	70002208	1	Rotor Set	
9	7024380	1	Plate, Wear	
10	83304150	1	Link, Drive	
12	7024395	1	Shaft, Coupling	
13	7024381	1	Bushing, Bronze	
14	7004043	2	Thrustwasher	
15	7004044	1	Bearing, Thrust	
16	See Note	NSS	Seal, Inner (Note: Use Item 100)	
17	See Note	NSS	Washer, Back-up (Note: Use Item 100)	
18	See Note	NSS	Housing (Note: Not Available - Purchase Complete Swing Motor Assembly.)	
19	7024390	1	Bearing	
20	See Note	NSS	Seal (Note: Use Item 100)	
25	See Note	NSS	Washer, Back-up (Note: Use Item 100)	
100	7024389	1	Seal Kit (Includes Items 3, 4, 16, 17, 20 & 25)	

SECTION 2 - TURNTABLE

FIGURE 2-8. CATERPILLAR ENGINE INSTALLATION

ITEM	PART NUMBER	QTY	DESCRIPTION	REV
		Ref	CATERPILLAR ENGINE ASSEMBLIES:	
	0272796	Ref	Caterpillar Engine Assemblies (Prior to SN 0300087294)	F
	0274491	Ref	Caterpillar Engine Assemblies (SN 0300087294 through 0300128000)	I
1	0080181	1	Adapter, Pump Mounting Plate	
2	0080243	1	Adapter, Fan Spacer	
3	0100011	AR	Compound, Locking	
4	0100020	AR	Sealant, Thread	
5		Ref	Hold-Down, Battery Options:	
5A	0181727	1	Hold-down, Battery (Prior to SN 0300110252)	
5B	91401281	1	Hold-down, Battery (SN 0300110252 through 0300128000)	
6	0340041	2	Band, Mounting	
7	0340046	2	Band, Muffler	
8	0400075	1	Battery	
9		Ref	Bolt, Battery Hold-down Options:	
9A	0630498	2	Bolt, Battery Hold-down (Prior to SN 0300110252)	
9B	1001093382	2	Bolt, Battery Hold-down (SN 0300110252 through 0300128000)	
10	0641406	4	Bolt 1/4in-20NC x 3/4in	
11	0641407	6	Bolt 1/4in-20NC x 7/8in	
12	0701414	4	Bolt 1/4in-20NC x 3/4in	
13	0641507	4	Bolt 5/16in-18NC x 7/8in	
14	0641608	8	Bolt 3/8in-16NC x 1in	
15	0641609	4	Bolt 3/8in-16NC x 1-1/8in	
16	0641610	4	Bolt 3/8in-16NC x 1-1/4in	
17	0641808	1	Bolt 1/2in-13NC x 1in	
18	0641828	4	Bolt 1/2in-13NC x 2-1/2in	
19	0700808	AR	Bolt, Metric M8 x 16mm	
20	0701010	8	Bolt, Metric M10 x 20mm	
21	0701012	4	Bolt, Metric M10 x 25mm	
22	0701015	8	Bolt, Metric M10 x 35mm	
23		Ref	Bolt Options:	
23	0701214	8	Bolt M12 x 30mm (Prior to SN 0300098804)	
23	0711214	8	Bolt M12 x 30mm (SN 0300098804 through 0300111361)	
23		Ref	Bolt (SN 0300111362 through 0300128000)	
23	0711214	4	LH (Bolt M12 x 30mm)	
23	0771212	4	RH (Bolt M12 x 25mm)	
24	0940070	1	Bumper, Rubber	
25	0961986	2	Bearing, Flange	
26	1060637	1	Lanyard	
27		Ref	Clamp, Hose Options:	
27	1320012	4	Clamp, Hose (Prior to SN 0300087294)	
27	8405104	4	Clamp, Hose (SN 0300087294 through 0300128000)	
28	1320016	2	Clamp, Hose	
29		Ref	Clamp, Hose Options:	
29	1320022	3	Clamp, Hose (Prior to SN 0300087294)	
29	8405009	2	Clamp, Hose (SN 0300087294 through 0300128000)	
30	1340060	1	Air Cleaner Assembly	
30	7012664	1	Element, Air Cleaner	
31	1580011	1	Container, Coolant Overflow	

SECTION 2 - TURNTABLE

ITEM	PART NUMBER	QTY	DESCRIPTION	REV
32	1660239	1	Coupling, Pump	
33	1703162	2	Decal - Fan Blade	
34		Ref	Caterpillar Engine Assembly Options:	
34	2000194	NLA	Caterpillar Engine Assembly (Use p/n 2000386) (Prior to SN 0300104956)	
34	2000386	1	Caterpillar Engine Assembly (SN 0300104956 through 0300128000)	
35	2060025	1	Fan	
36	2180798	1	Fitting (Prior to SN 0300087294)	
37	2720058	0.33 ft /0.1m	Hose	
38	2720434	1	Elbow, Rubber	
39	2720509	1	Hose, Radiator (Bottom)	
40	2720510	1	Hose, Radiator (Top)	
41	3200406	4	Mount, Engine	
42	3220113	1	Muffler, Spark Arresting	
43	3290801	4	Nut m8 x 1.25	
44	3311405	14	Locknut 1/4in-20NC	
45		Ref	Locknut 5/16in-18NC Options:	
45	3311505	AR	Standard Locknut	
45	88521205	AR	Nylon Collared Locknut	
46	3311605	AR	Locknut 3/8in-16NC	
47	3311801	1	Nut 1/2in-13NC	
48	3311805	4	Locknut 1/2in-13NC	
49	3539872	1	Plate, Radiator Mounting	
50	3574206	1	Plate, Motor Mount	
51	3574207	1	Plate, Engine Mount (Rear)	
52	3574208	1	Bracket, Muffler	
53	3620047	1	Radiator	
53	70004182	1	Shroud	
53A	7027412	1	Cap	
54	3740067	3	Relay, Solenoid Assembly	
55	3960468	1	Seal, Foam Gasket	
56	3960469	1	Seal, Foam Gasket	
57	4031911	4	Bolt Metric M8 x 35mm	
58	4220191	2	Block, Spacer	
59	4360392	1	Switch, Restrictor Indicator (Prior to SN 0300087294)	
61	4567073	1	Tube, Exhaust	
62	4568721	1	Exhaust Tube Weldment	
63		Ref	Tube, Air Intake Weldment Options:	
63	4568788	1	Tube, Air Intake Weldment (Prior to SN 0300087294)	
63	4569177	1	Tube, Air Intake Weldment (SN 0300087294 through 0300104955)	
63	4569371	1	Tube, Air Intake Weldment (SN 0300104956 through 0300128000)	
64	4640750	1	Valve, Oil Drain	
65	4711500	8	Flatwasher 5/16in Thin	
66	4740274	4	Washer, Snubbing	
67	4751400	28	Flatwasher 1/4in Regular	
68	4751600	AR	Flatwasher 3/8in Regular	
69	4751800	8	Flatwasher 1/2in Regular	
70	4811900	AR	Flatwasher M8	

SECTION 2 - TURNTABLE

ITEM	PART NUMBER	QTY	DESCRIPTION	REV
71	4832000	8	Lockwasher M10	
72	4846790	1	Tray Engine	
73	4846805	1	Mount, Engine/Generator - Left	
74	4922737	1	Harness, Relay Ground	
75	0721006	1	Bolt #10-24NC x 3/4in	
76	2720515	1	Seal, Air Cleaner	
77	2220767	1	Fitting Only (SN 0300075603 through 0300104956)	
78	2300004	2.6 gal /10L	Fluid, Arctic Antifreeze (Not Shown)	
79	3020016	2.5gal /9.5L	Oil, Motor 15W-40 (Not Shown)	
80		Ref	Flatwasher Options:	
80	4751800	8	Flatwasher 1/2in Regular (Prior to SN 0300098807)	
80	4812100	8	Flatwasher M12 (SN 0300098807 through 0300128000)	
81	0100019	AR	Compound, Locking	
82	4751500	2	Flatwasher 5/16in Regular	
	0273524	Ref	CATERPILLAR ENGINE INSTALLATION	6-D
102	3600363	1	Piston Pump Assembly (Pump #3) (See PISTON PUMP ASSEMBLY for Breakdown)	
103	3600242	1	Gear Pump Assembly (Pump #1) (See GEAR PUMP ASSEMBLY for Breakdown)	
104	3422446	1	Pin	
105	3841143	1	Keeper, Pin	
107	2902296	1	Battery Cable Kit	C
		Ref	Note: 2902296 Revs A and B are no longer available. Verify whether machine is equipped with 2 or 3 relays on the engine tray. If there are 3 relays, purchase latest revision of the 2902296 kit. If there are 2 relays, purchase individual items as replacement.	
107A		Ref	Cable - Battery to Starter Relay and Starter (Red) (was p/n 7027000)	
107A	1001116241	1	Cable - Battery (Machines with 2 Relays on Engine Tray)	
107A	1001116240	1	Cable - Battery (Machines with 3 Relays on Engine Tray)	
107B	7027004	1	Cable - Battery to Ground (Black)	
107C	7027001	1	Cable - Starter Relay to Auxiliary Relay (Red)	
		Ref	(Note: On latest design of Cable Kit item 107C is incorporated into Item 107A.)	
107D	7027003	1	Cable - Auxiliary Pump to Ground (Black)	
107E	7027002	1	Cable - Auxiliary Relay to Auxiliary Pump (Red)	
108	1060904	1	Cable, Battery (Power to Glow Plug)	
109	4922737	1	Harness, Grounding	
110	0642010	1	Bolt 5/8in-11NC x 1-1/4in	
111	4752000	1	Flatwasher 5/8in Regular	
112	1320223	2	J-Clip	
113	0641606	2	Bolt 3/8in-16NC x 3/4in	
114	4711600	2	Flatwasher 3/8in Thin	
115	4060805	23 in /58cm	Flex-Trim	
116	3931620	2	Capscrew 3/8in-16NC x 1-1/4in	
117	3790045	1	O-Ring	
118	4891600	2	Flatwasher 3/8in Hardened	
119	3380429	1	Panel, Rubber	
120	3539957	2	Support	
121	0100011	AR	Compound, Locking	

SECTION 2 - TURNTABLE

ITEM	PART NUMBER	QTY	DESCRIPTION	REV
122	0100020	AR	Sealant	
123	2220273	1	Fitting, Reducer	
125	2220313	1	Fitting, 90 Barbed	
126	2750532	6 ft/1.8m	Hose	
127	2220250	1	Fitting, Reducer	
128	2220459	1	Fitting, 90	
130	2220794	2	Fitting, Straight Barbed	
131	2720058	30 ft/9m	Hose	
133	0641608	2	Bolt 3/8in-16NC x 1in	
135	0641510	5	Bolt 5/16in-18NC x 1-1/4in	
136	3311505	8	Locknut 5/16in-18NC	
138	0641808	1	Bolt 1/2in-13NC x 1in	
139	1320022	7	Clamp	
140	1701505	1	Decal - Diesel Fuel (Not Shown - See DECALS SECTION for Breakdown)	
141	0641610	1	Bolt 3/8in-16NC x 1-1/4in	
142	0641514	3	Bolt 5/16in-18NC x 1-3/4in	
143	4751500	4	Flatwasher 5/16in Regular	
144	3960389	5 ft/1.5m	Seal	
145	0641812	4	Bolt 1/2in-13NC x 1-3/4in	
146	3600359	1	Piston Pump Assembly (Pump #2) (See PISTON PUMP ASSEMBLY for Breakdown)	
147	1320176	1	Clamp (SN 0300093961 through 0300128000)	
148	3460544	1	Pipe, Exhaust (SN 0300093961 through 0300128000)	
156		Ref	Decal - Warning Explosion/Fire Options:	
156	1704972	1	ANSI Spec	
156	1706098	1	Australian and CE Spec	
156	1706059	1	Brazilian Spec	
156	1706060	1	Chinese Spec	
156	1706064	1	CSA Spec	
156	1706062	1	Japanese Spec	
156	1706061	1	Korean Spec	
156	1706063	1	Spanish Language	
		Ref	ENGINE COMPONENTS	
	2000194	Ref	Engine Components (Prior to SN 0300104956)	E
	2000386	Ref	Engine Components (SN 0300104956 through 0300128000)	A
201	7026800	1	Cap, Oil Filler	
202	7026801	1	Gasket, Valve Cover (Not Shown)	
202	7026804	1	Gasket, Rear (Between Block and Flywheel Housing (Not Shown)	
202	7026805	1	Seal, Rear Main (Not Shown)	
202	7026807	1	Seal, Front Main (Not Shown)	
202	7026826	1	Gasket, Exhaust Manifold to Cylinder Head (Not Shown)	
202	7026827	1	Gasket, Exhaust Manifold to Exhaust Pipe (Not Shown)	
202	7026828	1	Gasket, Intake Manifold to Intake Tube (Not Shown)	
202	7026829	1	Gasket, Intake Manifold to Cylinder Head (Not Shown)	
202	70002763	1	Gasket, Fuel Line (Not Shown)	
203	7026802	1	Flywheel with Gear	
203	7026803	1	Ring Gear	
204	7026806	1	Cap, Oil Filler	
205	7026810	1	V-Belt	
206	7026811	1	Filter, Oil	

SECTION 2 - TURNTABLE

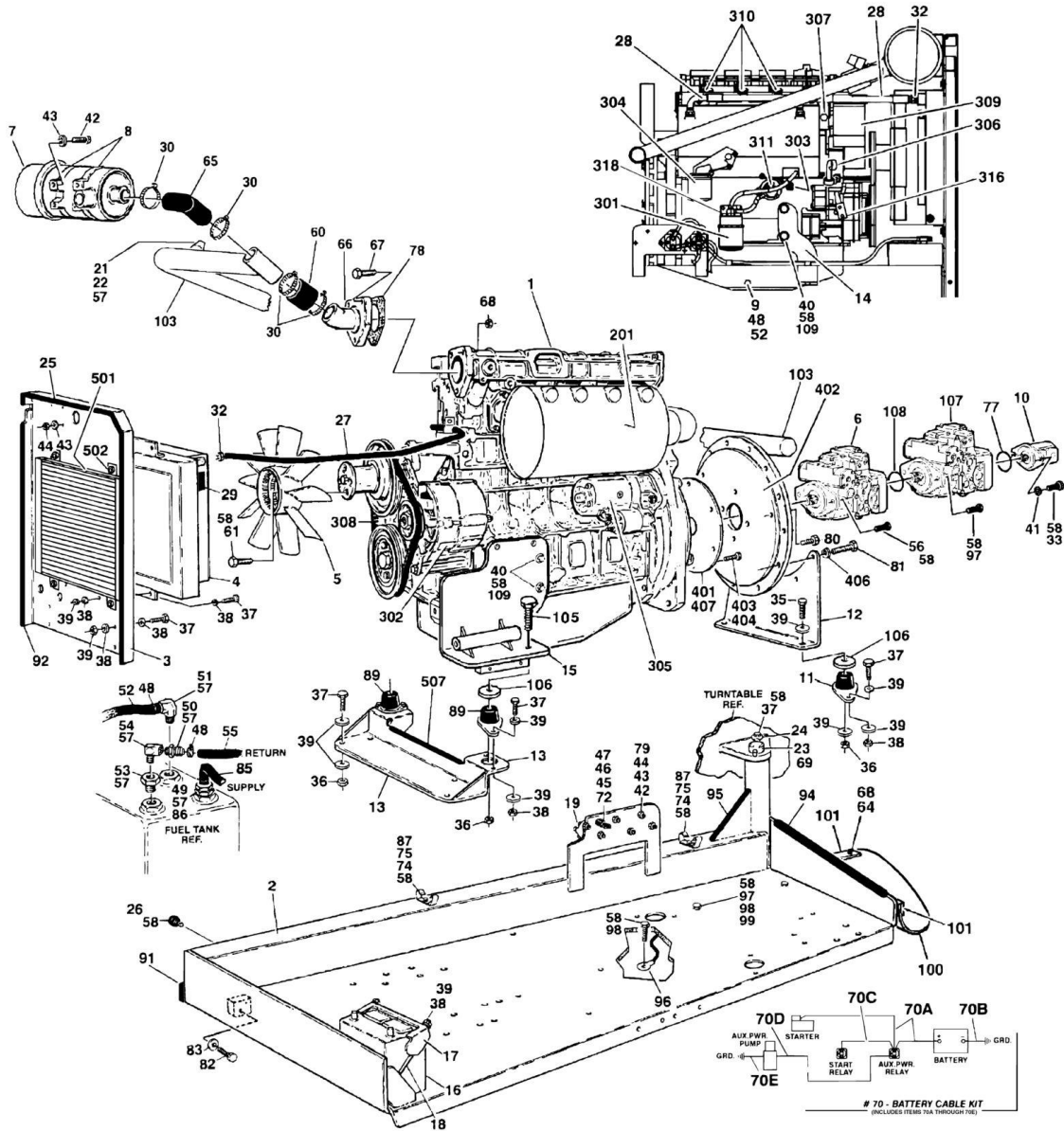
ITEM	PART NUMBER	QTY	DESCRIPTION	REV
		Ref	Note: Machines with SkyPower built Prior to SN 0300079799 use Remote Mounted Oil Filter - See SPECIAL OPTIONS SECTION. The same filter is used for all applications but the mounting is different.	
206	7026812	1	Seal, Oil Head	
206	7026813	1	Seal, Oil Head	
206	7026814	1	Valve Oil Pressure	
206	7026815	1	Gasket	
207	7026819	1	Cooler, Oil (Not Shown)	
207	7026816	2	O-Ring (Cooler to Cover) (Not Shown)	
207	7026817	4	O-Ring (Cooler to Cover) (Not Shown)	
207	7026818	1	Gasket	
208	7026822	1	Thermostat	
208	7026820	1	Gasket (Regulator to Thermostat Housing)	
208	7026821	1	Gasket (Regulator to Engine Head)	
209		Ref	Pump, Water Options:	
		Ref	Note: Customer must verify ENGINE SERIAL NUMBER before ordering replacement water pump.	
209	7026823	1	Pump (Engine SN Prior to 31400833)	
209	70001120	1	Pump (Engine SN 31400833 to Present)	
209	7026824	1	Gasket (Between Pump and Pump Cover)	
209	7026825	1	Gasket (Between Pump Cover and Engine Block)	
209	70001742	1	Pulley (Not Shown)	
210	7026839	1	Pump, Fuel Supply	
210	7026830	1	Element, Fuel Filter	
210	70002834	1	Bowl, Water Collection	
210	70002835	1	Seal Kit - Water Separator	
210	70002833	1	Ring, Fuel Pump Retaining	
211	7026831	1	Alternator	
212	7026832	4	Plug, Glow (Not Shown)	
213	7026833	1	Starter	
214		Ref	Dipstick Oil Level Options:	
214	7026834	1	Dipstick Oil Level (Prior to SN 0300104956)	
214	7026888	1	Dipstick Oil Level (SN 0300104956 through 0300128000)	
215	1600361	1	Actuator/Linkage Assembly - Throttle	
215	1600361	1	Actuator and Electrical Connector Kit (was p/n 7026842)	
215	7026835	1	Connector, Actuator	
215	7026837	AR	Contact, Connector	
216	7026843		Linkage Kit	
217	0902910	1	Mounting Bracket, Actuator	
218	7026887	1	Bracket, Throttle Actuator (was p/n 0903220)	
219	7026839	1	Pump, Fuel Supply	
220	7026840	1	Sensor, Engine Temperature	
220	7026882	1	Seal, Temperature Sensor	
221	7026841	1	Sensor, Tach	
221	7026836	1	Connector, Speed Sensor	
221	7026837	AR	Contact, Connector	
222	1001097559	1	Switch, Oil Pressure (was p/n 7026844)	
223	7026845	1	Engine Block Heater Kit (Not Shown)	
223	7026838	1	Gasket, Engine Block Heater (Not Shown)	
223	70002841	1	Cord, Engine Block Heater (Not Shown)	
224	70001051	1	Valve, Air Intake Check (SN 0300104956 through 0300128000)	

SECTION 2 - TURNTABLE

ITEM	PART NUMBER	QTY	DESCRIPTION	REV
225	70002766	1	Head, Cylinder	2
225	70002761	AR	Bolt, Head (Not Shown)	
225	70002762	8	Seal, Cylinder Head Valve (Not Shown)	
225	70002767	1	Gasket, Cylinder Head (Not Shown)	
225	70002764	1	Gasket, Rear Cylinder Head (Not Shown)	
226	70002765	1	Hose, Bypass (Not Shown)	
227	70002852	AR	Stud, Exhaust Manifold (Not Shown)	
228	70002845	1	Pump, Oil (Not Shown)	
228	70002846	1	Gasket, Oil Pump (Not Shown)	
	0272364	Ref	OIL COOLER INSTALLATION	
301	3620034	1	Cooler, Oil	
302	0641608	4	Bolt 3/8in-16NC x 1in	
303	3311605	4	Locknut 3/8in-16NC	
304	4711600	4	Flatwasher 3/8in Thin	
305	4240099	1	Tie-strap (Not Shown - Ties Hoses Together)	

SECTION 2 - TURNTABLE

FIGURE 2-9. DEUTZ ENGINE INSTALLATION (Prior to SN 030007723)



SECTION 2 - TURNTABLE

FIGURE 2-9. DEUTZ ENGINE INSTALLATION (Prior to SN 0300077723)

ITEM	PART NUMBER	QTY	DESCRIPTION	REV
	0272292	Ref	DEUTZ ENGINE INSTALLATIONS	9-H
1	2000189	1	Engine - Deutz F4M1011F Diesel	
2	4845404	1	Tray Engine	
3	3539872	1	Plate, Radiator Mounting	
4	3620033	1	Cooler, Oil	
5	2060025	1	Fan	
6	3600363	1	Piston Pump Assembly (See PISTON PUMP ASSEMBLY for Breakdown)	
7	1340060	1	Air Cleaner Assembly	
7	7012664	1	Element	
8	0340041	2	Band, Mounting	
9	4640751	1	Valve, Oil Drain	
10	3600242	1	Gear Pump Assembly (See GEAR PUMP ASSEMBLY for Breakdown)	
11	3200401	2	Mount, Rubber Engine (Rear)	
12	3537420	1	Bracket, Engine Mounting - Rear	
13	3539971	1	Bracket, Engine Mounting - Front	
14	3537416	1	Support, Engine - Right	
15	4846566	1	Support, Engine - Left	
16	0400075	1	Battery	
17	0181727	1	Hold-Down, Battery	
18	0630498	2	Rod, Hold-Down	
19	3740067	2	Relay	
21	4360392	1	Switch, Restrictor Indicator	
22	2180798	1	Fitting	
23	3422446	1	Pin, Pivot	
24	3841143	1	Keeper, Pin	
25	3960389	5 ft/1.5m	Seal	
26	0940070	1	Bumper, Rubber	
27	2720398	1	Hose, Oil Cooler - Left	
28	2720398	1	Hose, Oil Cooler - Right	
29	1703162	2	Nameplate - Fan Caution	
30	1320016	4	Clamp, Hose	
32	2220451	2	Fitting, Straight	
33	3931620	2	Capscrew, Socket Head 3/8in-16NC x 1-1/4in	
35	0641818	2	Bolt 1/2in-13NC x 2-1/4in	
36	3311805	4	Locknut 1/2in-13NC	
37	0641610	21	Bolt 3/8-16NC x 1-1/4in	
38	3311605	22	Locknut 3/8in-16NC	
39	4751600	44	Flatwasher 3/8in	
40	0701414	AR	Bolt 1/4in-20NC x 3/4in	
41	4891600	2	Washer, Hardened 3/8in	
42	0641407	9	Bolt 1/4in-20NC x 7/8in	
43	4751400	17	Flatwasher 1/4in	
44	3311405	9	Locknut 1/4in-20NC	
48	1320022	6	Clamp, Hose	
49	2220273	2	Fitting, Reducer	
50	2180536	1	Fitting, Straight	
51	2220313	1	Fitting, 90	
52	2750532	6 ft /1.9m	Hose 3/8in	

SECTION 2 - TURNTABLE

ITEM	PART NUMBER	QTY	DESCRIPTION	REV
53	2220250	1	Fitting, Reducer	
54	2220459	1	Fitting, 90	
55	2720271	14 ft/4.2m	Hose 3/16in	
56	0641812	2	Bolt 1/2in-13NC x 1-1/2in	
57	0100020	AR	Sealant, Thread	
58	0100011	AR	Compound, Locking	
60	2720449	AR	Coupling, Rubber Intake Options	
61	0700808	4	Bolt M8 x 16mm	
63	0641508	3	Bolt 5/16in-18NC x 1-1/4in	
64	0641514	3	Bolt 5/16in-18NC x 1-3/4in	
65	2720434	1	Elbow, Rubber	
66	4845395	1	Air Intake Adapter Weldment	
67	0641510	3	Bolt 5/16in-18NC x 1-1/4in	
68	3311505	10	Locknut 5/16in-18NC	
69	0961986	2	Bushing, Flanged	
70	2902296	1	Battery Cable Kit	C
		Ref	Note: 2902296 Revs A and B are no longer available. Verify whether machine is equipped with 2 or 3 relays on the engine tray.	
		Ref	If there are 3 relays, purchase latest revision of the 2902296 kit. If there are 2 relays, purchase individual items as replacement.	
70A		Ref	Cable - Battery to Starter Relay and Starter (Red) (was p/n 7027000)	
70A	1001116241	1	Cable - Battery (Machines with 2 Relays on Engine Tray)	
70A	1001116240	1	Cable - Battery (Machines with 3 Relays on Engine Tray)	
70B	7027004	1	Cable - Battery to Ground (Black)	
70C	7027001	1	Cable - Starter Relay to Auxiliary Relay (Red)	
		Ref	(Note: On latest design of Cable Kit item 70C is incorporated into Item 70A.)	
70D	7027002	1	Cable - Auxiliary Relay to Auxiliary Pump (Red)	
70E	7027003	1	Cable - Auxiliary Pump to Ground (Black)	
74	1320223	3	J-Clip 1/2in	
75	0641606	3	Bolt 3/8in-16NC x 3/4in	
77	3790152	1	O-Ring	
78	3960407	1	Gasket	
79	4791400	4	Starwasher 1/4in	
80	0701012	4	Bolt M10 x 25mm	
81	0701015	4	Bolt M10 x 35mm	
82	0642010	1	Bolt 5/8in-11NC x 1-1/4in	
83	4752000	1	Flatwasher 5/8in	
84	1701505	1	Decal - Diesel (Not Shown - Located on Hood)	
85	2720058	16 ft/4.9m	Hose	
86	2220794	1	Fitting, Barbed	
87	4711600	3	Flatwasher 3/8in Narrow	
89	3200362	2	Mount, Rubber Engine (Front)	
91	3960468	1	Seal, Foam Gasket	
92	3960469	1	Seal, Foam Gasket	
94	4060805	35 in /88cm	Flex-Trim 1/4in	
96	1060637	1	Lanyard	
97	0641808	4	Bolt 1/2in-13NC x 1in	
98	3311801	1	Nut 1/2in-13NC	

SECTION 2 - TURNTABLE

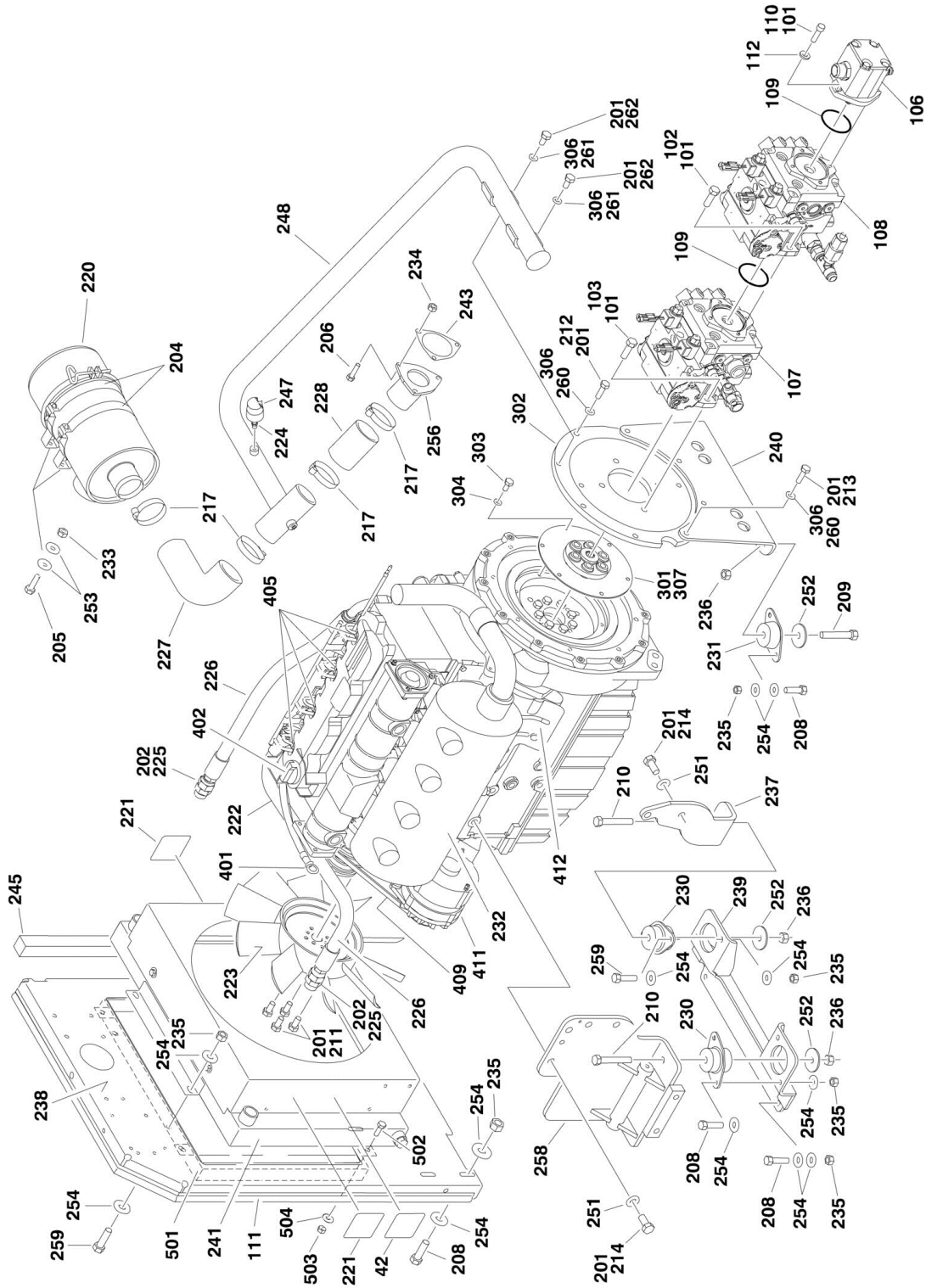
ITEM	PART NUMBER	QTY	DESCRIPTION	REV
99	4751800	2	Flatwasher 1/2in	
100	3380429	1	Panel, Rubber	
101	3539957	2	Plate, Hold Down	
103	4567815	1	Tuning Tube Weldment	
105	0641826	2	Bolt 1/2in-13NC x 3-1/4in	
106	4740274	4	Washer, Snubbing	
107	3600359	1	Piston Pump Assembly (See PISTON PUMP ASSEMBLY for Breakdown):	
108	3790045	1	O-Ring	
109	4711900	6	Flatwasher 9/16in	
		Ref	MUFFLER INSTALLATION - STANDARD MACHINES	
	0256689	Ref	Standard Equipment (Spark Arresting)	
	0256690	Ref	Optional Equipment (Catalytic)	
201		Ref	Muffler Options:	
201	3220103	1	Standard Spark Arresting	
201	3220104	1	Optional Catalytic	
201	1320176	1	Clamp, Saddle (3220103 Muffler) (Not Shown)	
201	70001017	1	Clamp, Band (3220104 Muffler) (Not Shown)	
201	7024398	1	Tube, Exhaust	
201	7024560	1	Plug, Brass (Not Shown)	
201	7020471	4	Gasket, Exhaust Manifold to Engine Block (Not Shown)	
201	70002200	8	Stud, Exhaust Manifold to Engine Block (Not Shown)	
201	70003476	8	Nut, Exhaust Manifold to Engine Block (Not Shown)	
	2000189	Ref	ENGINE COMPONENTS	B
301	8320270	1	Filter, Fuel (was p/n 7016328)	
302	7000663	1	Alternator (was p/n 7020410)	
302	7020464	1	Regulator, Voltage	
302	70002234	1	Bar, Adjustment Arm	
302	70003556	1	Pulley, V-Grooved	
303	7020461	1	Switch, Oil Pressure	
304	7016331	1	Filter, Oil	
305	7020479	1	Starter	
305	7026608	1	Relay, Starter	
305	70001498	1	Shield, Starter Heat	
306	7026631	1	Dipstick Oil Level	
306	70001002	1	Tube, Dipstick	
306	7020487	1	Seal, Dipstick (Not Shown)	
307	7020168	1	Switch, Engine Temperature	
307	7020480	1	Seal, Temp Switch	
308	7020408	1	V-Belt	
309	7020458	1	Fuel, Solenoid	
310	7024318	4	Pump, Fuel Injection (was p/n 7020462)	
310	7026522	4	Fuel Injector	
311	7024413	1	Pump, Fuel Supply (was p/n 7020463)	
311	7020411	1	Seal, Pump to Block (Not Shown)	
312	7020465	2	Cap, Oil Fill (Not Shown - Located on Top and Left Sides)	
313	7020474	1	Pump, Oil Lube (Not Shown - Located on Left Side)	
313	7020468	1	Ring, Oil Pump Sealing (Not Shown - Located on Left Side)	
315	7024565	1	Sensor, Tach (Not Shown - Located on Flywheel Housing) (was p/n 7020481)	
316	7020458	1	Actuator, Throttle	
316	7027276	1	Spring, Throttle (was p/n 7026607) (Not Shown)	

SECTION 2 - TURNTABLE

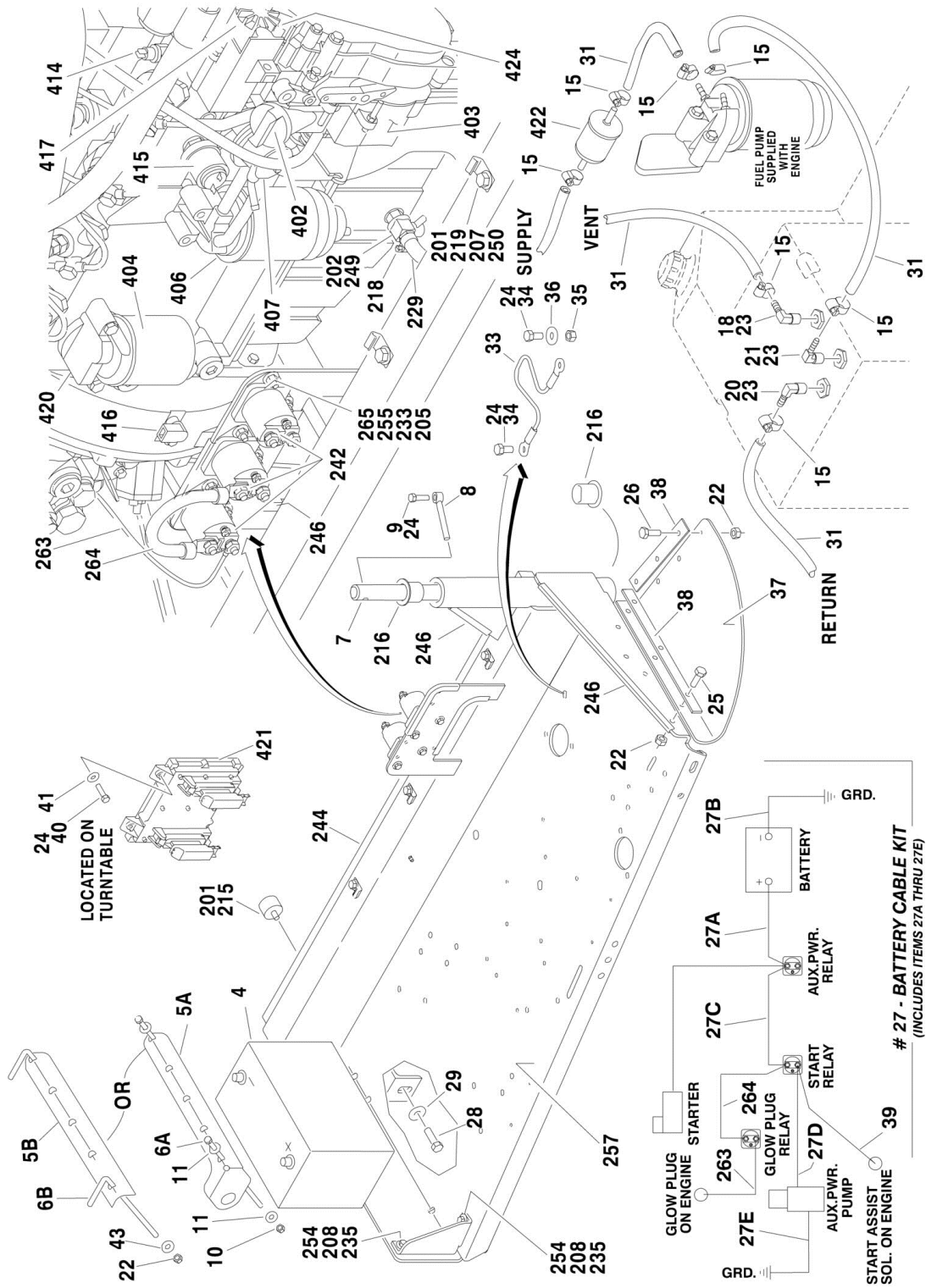
ITEM	PART NUMBER	QTY	DESCRIPTION	REV
318	70001423	1	Head, Fuel Filter	
319		Ref	Gasket Options (Not Shown):	
319	70001681	1	Gasket, Head (1Notch)	
319	70002411	1	Gasket, Head (2 Notches)	
319	70002530	1	Gasket, Head (3 Notches)	
319	7020431	1	Gasket, Valve Cover	
319	7020449	4	Gasket, Air Intake Manifold to Engine Block	
319	7020482	1	Gasket Kit	
319	7020403	1	Washer, Fuel Line Seal	
320	7020459	1	Thermostat (Not Shown)	
320	7020460	1	Spring, Thermostat Compression (Not Shown)	
321	See Note	1	Flywheel/Ring Gear Assembly (Not Shown) (Note: Not Available for Purchase.)	
321	7024579	1	Ring Gear (Not Shown)	
322	7020488	1	Connector, Plug-in (Not Shown)	
	0256847	Ref	PUMP COUPLING INSTALLATION	2
401	1660234	1	Coupling, Hayes	
402	0080163	1	Plate, Pump Adapter	
403	0700810	6	Bolt Metric 8mm x 20mm	
404	4831900	6	Lockwasher 8mm	
406	4832000	8	Lockwasher 10mm (Prior to SN 030084709)	
407	3020021	AR	Grease, Coupling	
	0272364	Ref	OIL COOLER INSTALLATION	2
501	3620034	1	Cooler, Oil	
502	0641608	4	Bolt 3/8in-16NC x 1in	
502	3311605	4	Locknut 3/8in-16NC	
502	4711600	4	Flatwasher 3/8in Narrow	
502	4240099	1	Tie strap (Not Shown - Ties Hoses Together)	
507	4060805	9 in/23cm	Flex-Trim	

SECTION 2 - TURNTABLE

FIGURE 2-10. DEUTZ ENGINE INSTALLATION (SN 0300077723 through 0300128000)



SECTION 2 - TURNTABLE



SECTION 2 - TURNTABLE

FIGURE 2-10. DEUTZ ENGINE INSTALLATION (SN 0300077723 through 0300128000)

ITEM	PART NUMBER	QTY	DESCRIPTION	REV
		Ref	DEUTZ ENGINE INSTALLATIONS:	
	0273936	Ref	Deutz Engine Installations: (SN 0300077723 through 0300085109)	2-B
	0274300	Ref	Deutz Engine Installations: (SN 0300085110 through 0300128000)	E
4	0400075	1	Battery	
5		Ref	Hold-Down, Battery Options:	
5A	0181727	1	Hold-down, Battery (SN 0300077723 through 0300110251)	
5B	91401281	1	Hold-down, Battery (SN 0300110252 through 0300128000)	
6		Ref	Bolt, Battery Hold-down Options:	
6A	0630498	2	Bolt, Battery Hold-down (SN 0300077723 through 0300110251)	
6B	1001093382	2	Bolt, Battery Hold-down (SN 0300110252 through 0300128000)	
7	3422446	1	Pin, Pivot	
8	3841143	1	Pin, Keeper	
9	0641610	1	Bolt 3/8in-16NC x 1-1/4in	
10	3311605	2	Locknut 3/8in-16NC (SN 0300077723 through 0300110252)	
11	4751600	4	Flatwasher 3/8in Regular (SN 0300077723 through 0300110252)	
15	1320022	5	Clamp, Hose	
18	2220313	1	Fitting, 90	
19	2750532	6 ft/1.8m	Hose	
20	2221176	1	Fitting, 90 Barbed	
21	2180348	1	Fitting, Spec Barbed	
22		Ref	Locknut 5/16in-18NC Options:	
22	3311505	AR	Standard Locknut	
22	88521205	AR	Nylon Collared Locknut	
23	0100020	AR	Sealant, Pipe	
24	0100011	AR	Compound, Locking	
25	0641508	3	Bolt 5/16in-18NC x 1in	
26	0641514	3	Bolt 5/16in-18NC x 1-3/4in	
27	2902296	1	Battery Cable Kit	C
		Ref	Note: 2902296 Revs A and B are no longer available. Verify whether machine is equipped with 2 or 3 relays on the engine tray.	
		Ref	If there are 3 relays, purchase latest revision of the 2902296 kit. If there are 2 relays, purchase individual items as replacement.	
27A		Ref	Cable - Battery to Starter Relay and Starter (Red) (was p/n 7027000)	
27A	1001116241	1	Cable - Battery (Machines with 2 Relays on Engine Tray)	
27A	1001116240	1	Cable - Battery (Machines with 3 Relays on Engine Tray)	
27B	7027004	1	Cable - Battery to Ground (Black)	
27C	7027001	1	Cable - Starter Relay to Auxiliary Relay (Red)	
		Ref	(Note: On latest design of Cable Kit item 27C is incorporated into Item 27A.)	
27D	7027002	1	Cable - Auxiliary Relay to Auxiliary Pump (Red)	
27E	7027003	1	Cable - Auxiliary Pump to Ground (Black)	
28	0642010	1	Bolt 5/8in-11NC x 1-1/4in	
29	4752000	1	Flatwasher 5/8in Regular	
30	1701505	1	Decal - Diesel (Not Shown - Located on Hood)	

SECTION 2 - TURNTABLE

ITEM	PART NUMBER	QTY	DESCRIPTION	REV
31	2720058	30 ft/9.2m	Hose	
33	1060637	1	Cable, Lanyard	
34	0641808	2	Bolt 1/2in-13NC x 1in	
35	3311801	1	Nut 1/2in-13NC	
36	4751800	1	Flatwasher 1/2in Regular	
37	3380429	1	Panel, Rubber	
38	3539957	2	Plate	
39	4922978	1	Harness, Start Assist Solenoid (SN 0300077723 through 0300085109)	
40	0641410	4	Bolt 1/4in-20NC x 1-1/4in (SN 0300085110 through 0300128000)	
41	4711400	4	Flatwasher 1/4in Thin (SN 0300085110 through 0300128000)	
42		Ref	Decal - Warning Explosion/Fire Options:	
42	1704972	1	ANSI Spec	
42	1706098	1	Australian and CE Spec	
42	1706059	1	Brazilian Spec	
42	1706060	1	Chinese Spec	
42	1706064	1	CSA Spec	
42	1706062	1	Japanese Spec	
42	1706061	1	Korean Spec	
42	1706063	1	Spanish Language	
43	4751500	2	Flatwasher 5/16in Regular (SN 0300110252 through 0300128000)	
		Ref	ENGINE AND PUMP ASSEMBLIES:	
	2000246	Ref	Engine and Pump Assemblies: (SN 0300077723 through 0300085109)	B
	2000283	Ref	Engine and Pump Assemblies: (SN 0300085110 through 0300128000)	B
101	0100011	AR	Compound, Locking	
102	0641808	2	Bolt 1/2in-13NC x 1in	
103	0641812	2	Bolt 1/2in-13NC x 1-1/2in	
105	3020016	3.8gal /14.2L	Oil, Motor (Not Shown)	
106	3600395	1	Pump Assembly with Fittings (See GEAR PUMP ASSEMBLY for Breakdown)	
107	3600412	1	Pump Assembly with Fittings (See PISTON PUMP ASSEMBLY for Breakdown)	
108	3600413	1	Pump Assembly with Fittings (See PISTON PUMP ASSEMBLY for Breakdown)	
109	3790152	2	O-Ring	
110	3931620	2	Bolt 3/8in-16NC x 1-1/4in	
111	3960389	5 ft/1.5m	Seal	
112	4891600	2	Flatwasher, Hardened	
		Ref	ENGINE ASSEMBLIES	
	2000219	Ref	Engine Assemblies (SN 0300077723 through 0300085109)	F
	2000279	Ref	Engine Assemblies (SN 0300085110 through 0300092882)	E
	2000342	Ref	Engine Assemblies (SN 0300092883 through 0300128000)	A
	0256690	Ref	OPTIONAL MUFFLER INSTALLATION	-
201	0100011	AR	Compound, Locking	
202	0100020	AR	Sealant, Pipe	
204	0340041	2	Band, Air Cleaner	
205	0641407	AR	Bolt 1/4in-20NC x 7/8in	
206	0641510	3	Bolt 5/16in-18NC x 1-1/4in	

SECTION 2 - TURNTABLE

ITEM	PART NUMBER	QTY	DESCRIPTION	REV
207	0641606	3	Bolt 3/8in-16NC x 3/4in	
208	0641610	AR	Bolt 3/8in-16NC x 1-1/4in	
209	0641818	2	Bolt 1/2in-13NC x 2-1/4in	
210	0641826	2	Bolt 1/2in-13NC x 3-1/4in	
211	0700808	4	Bolt 8mm x 16mm	
212	0701012	AR	Bolt 10mm x 25mm	
213	0701014	AR	Bolt 10mm x 30mm	
214		Ref	Bolt Options:	
214	0701414	6	Bolt 14mm x 130mm (SN 0300077723 through 0300084708)	
214	0711414	6	Bolt 14mm x 30mm (SN 0300084709 through 0300128000)	
215	0940070	1	Bumper	
216	0961986	2	Bushing, Flanged	
217	1320016	4	Clamp	
218	1320022	1	Clamp, Hose	
219	1320223	AR	J-Clip	
220	1340060	1	Air Cleaner Assembly Filter Element	
220	7012664	1	Element, Filter (Not Shown)	
221	1703162	2	Decal - Caution Fan Blade	
222		Ref	Engine, Deutz - F4M2011 Tier II Options:	
222	2000216	1	Engine, Deutz - F4M2011 Tier II (SN 0300077723 through 0300085109)	
222	2000274	1	Engine, Deutz - F4M2011 Tier II (SN 0300085110 through 0300092882)	
222	2000339	1	Engine, Deutz - F4M2011 Tier II (SN 0300092883 through 0300128000)	
223	2060025	1	Fan	
224	2180798	1	Fitting (SN 0300077723 through 0300085110)	
225	2220451	2	Fitting, Straight	
226	2720398	2	Hose, Oil Cooler	
227	2720434	1	Elbow, Rubber	
228	2720449	1	Hose, Air Cleaner	
229	2750532	1 ft/30cm	Hose, Oil Drain	
230	3200362	2	Mount, Motor	
231	3200406	2	Mount, Motor	
232	3220103	1	Muffler Options:	
232	3220103	1	Spark Arresting	
232	3220104	1	Catalytic	
232	1320176	1	Clamp, Saddle (3220103 Muffler) (Not Shown)	
232	70001017	1	Clamp, Band (3220104 Muffler) (Not Shown)	
232	7024398	1	Tube, Exhaust	
232	7024560	1	Plug, Brass (Not Shown)	
232	7020471	4	Gasket, Exhaust Manifold to Engine Block (Not Shown)	
232	70002200	8	Stud, Exhaust Manifold to Engine Block (Not Shown)	
232	70003476	8	Nut, Exhaust Manifold to Engine Block (Not Shown)	
233	3311405	AR	Locknut 1/4in-20NC	
234	3311505	3	Locknut 5/16in-18NC	
235	3311605	AR	Locknut 3/8in-16NC	
236	3311805	4	Locknut 1/2in-13NC	
237	3537416	1	Plate, Engine Mounting (Front Right Side)	
238	3539872	1	Plate, Radiator Mounting	
239	3539971	1	Plate, Engine Mounting (Front Bottom)	
240	3574978	1	Plate, Engine Mounting (Rear)	

SECTION 2 - TURNTABLE

ITEM	PART NUMBER	QTY	DESCRIPTION	REV
241	3620033	1	Radiator	
242	3740067	Ref	Relay Options:	
242	3740067	2	Relay (SN 0300077723 through 0300092882)	
242	3740067	3	Relay (SN 0300092883 through 0300128000)	
243	3960407	1	Gasket, Air Intake	
244	3960468	1	Seal	
245	3960469	1	Seal	
246	4060805	37 in/1m	Flex-Trim	
247	4360392	1	Indicator, Restriction (SN 0300077723 through 0300085110)	
248		Ref	Tube, Tuning	
248	4567815	1	Tube, Tuning (SN 0300077723 through 0300085109)	
248	4569171	1	Tube, Tuning (SN 0300085110 through 0300128000)	
249	4640751	1	Valve, Oil Drain	
250	4711600	3	Flatwasher 3/8in Thin	
251		Ref	Flatwasher Options:	
251	4711900	6	Flatwasher 9/16in Thin (SN 0300077723 through 0300092882)	
251	4812200	6	Flatwasher 14mm (SN 0300092883 through 0300128000)	
252	4740274	4	Washer, Snubbing	
253	4751400	AR	Flatwasher 1/4in Regular	
254	4751600	AR	Flatwasher 3/8in Regular	
255	4791400	AR	Starwasher 1/4in	
256	4845395	1	Adapter, Air Intake	
257	4845404	1	Tray, Engine	
258	4846566	1	Plate, Engine Mounting (Front Left Side)	
259		Ref	Bolt Options:	
259	0641610	6	Bolt 3/8in-16NC x 1-1/4in (SN 0300077723 through 0300092882)	
259	0641609	6	Bolt 3/8in-16NC x 1-1/8in (SN 0300092883 through 0300128000)	
260	4711700	6	Flatwasher 7/16in (SN 0300084709 through 0300128000)	
261	4751700	2	Flatwasher 7/16in Regular (SN 0300084709 through 0300128000)	
262		Ref	Bolt Options:	
262	0701014	2	Bolt 10mm x 30mm (SN 0300077723 through 0300085109)	
262	0701015	2	Bolt 10mm x 35mm (SN 0300085110 through 0300092882)	
262	0701014	2	Bolt 10mm x 30mm (SN 0300092883 through 0300128000)	
263	4923379	1	Harness, Glow Plug (SN 0300092883 through 0300128000)	
264	1060904	1	Cable, Jumper (SN 0300092883 through 0300128000)	
265		Ref	Flatwasher Options:	
265	4751400	6	Flatwasher 1/4in Regular (SN 0300077723 through 0300092882)	
265	4711400	6	Flatwasher 1/4in Thin (SN 0300092883 through 0300128000)	
	0256847	Ref	PUMP COUPLING INSTALLATION	2
301	1660234	1	Coupling, Hayes	
302	0080163	1	Plate, Pump Adapter	
303	0700810	63	Bolt Metric 8mm x 20mm	
304	4831900	6	Lockwasher 8mm	
306	4832000	8	Lockwasher 10mm (SN 0300077723 through 0300084709)	
307	3020021	AR	Grease, Coupling	
		Ref	ENGINE COMPONENTS:	
	2000216	Ref	Engine Components: (SN 0300077723 through 0300085109)	C
	2000274	Ref	Engine Components: (SN 0300085110 through 0300092882)	B

SECTION 2 - TURNTABLE

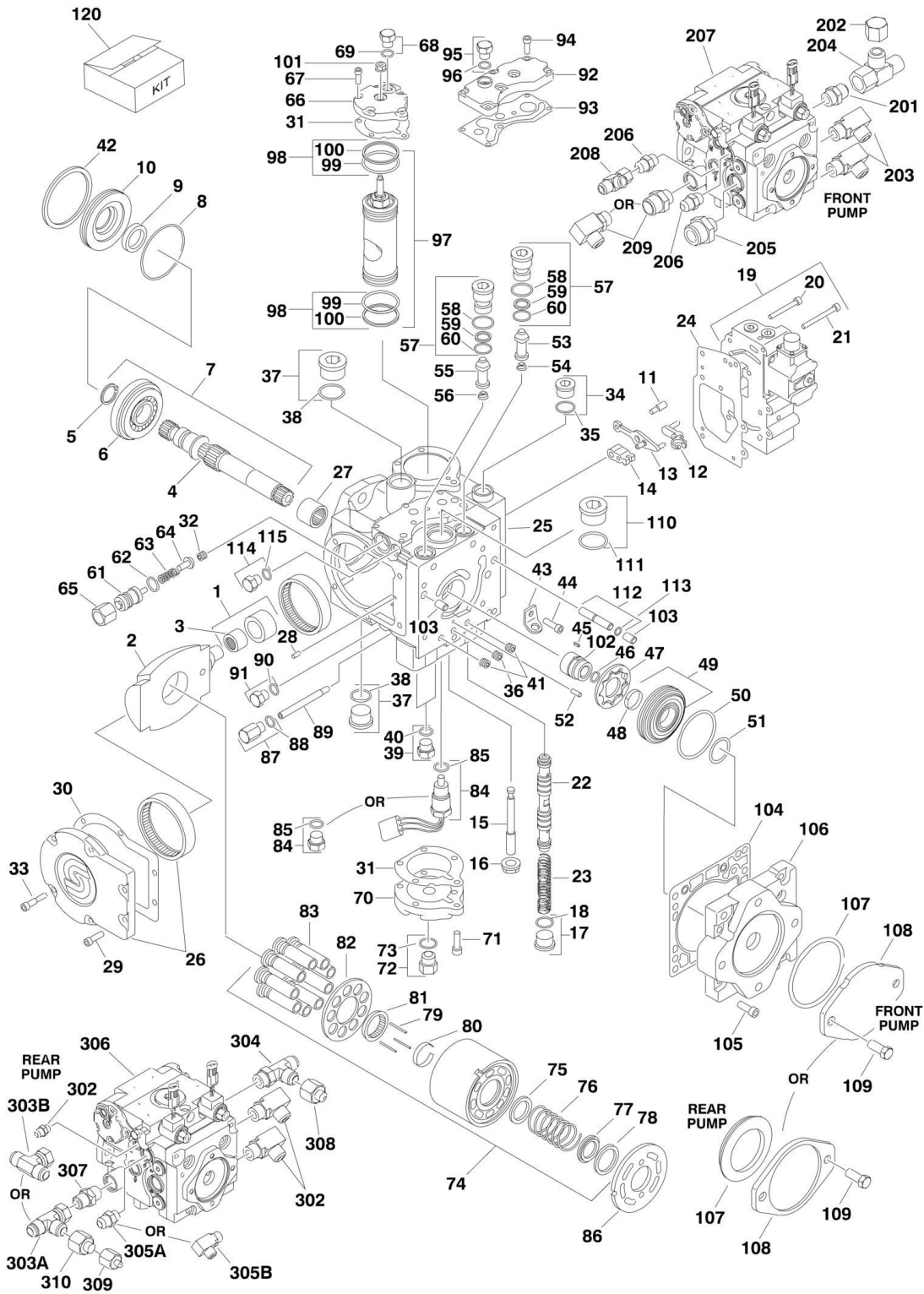
ITEM	PART NUMBER	QTY	DESCRIPTION	REV
	2000339	Ref	Engine Components: (SN 0300092883 through 0300128000)	A
401	7026631	1	Dipstick	
401	7020487	1	O-RING, DIPSTICK	
402	7020465	1	Cap, Filler	
403	7000045	1	Pump, Oil Lube (was p/n 7020484)	
403	7020468	1	Seal Between Oil Pump and Engine Block (Not Shown)	
404	7016331	1	Filter, Oil	
405		Ref	Pump, Injector Options:	
405	7027246	1	Series A Injector (was p/n 7027242)	
405	7027608	1	Series B Injector (was p/n 7027611)	
405	7027609	1	Series C Injector (was p/n 7027612)	
405	7027610	1	Series D Injector (was p/n 7027613)	
405	7020447	4	Gasket (1 per Injector)	
406	8320270	1	Filter, Fuel (was p/n 7016328)	
406	70001423	1	Head, Fuel Filter	
407	70000916	1	Pump Fuel Supply (was p/n 7027238)	
407	7020411	1	O-Seal Between Fuel Pump and Engine Block (Not Shown)	
408	7020449	4	Gasket, Intake Manifold (Not Shown)	
409	7020408	1	V-Belt	
410	7020471	4	Gasket, Exhaust Manifold to Engine Block (Not Shown)	
410	See Note	1	Gasket, Exhaust Manifold to Exhaust Pipe (Not Shown) (Note: Not Available for Purchase.)	
411	7000663	1	Alternator (was p/n 7020410)	
411	7020464		Regulator, Voltage (Not Shown)	
411	70002234	1	Bar, Alternator Adjustment	
412	7020479	1	Starter	
412	7026608	1	Relay	
412	70001498	1	Shield, Starter	
413	7020488	2	Plug- In Connector (Not Shown)	
414	7027241	1	Transmitter, Temperature (Engine p/n 2000216)	
414	7027791	1	Transmitter, Temperature (Engine p/n 2000274 & p/n 2000339)	
414	See Note	1	Ring, Sealing (Note: Not Available for Purchase.)	
415	7020461	1	Sensor, Oil Pressure (Engine p/n 2000216)	
415	7027790	1	Sensor, Oil Pressure (Engine p/n 2000274 & p/n 2000339)	
416	7024565	1	Sensor, Speed	
417	7020458	1	Throttle Actuator (Engine p/n 2000216)	
417	7027792	1	Throttle Actuator (Engine p/n 2000274 & p/n 2000339)	
417	7027276	2	Springs	
418	7020459	1	Thermostat (Located at rear of engine block - Not Shown)	
418	7020460	1	Spring, Compression	
419	7024579	1	Gear, Ring 110 Tooth (Located on Flywheel - Not Shown)	
420	7027236	1	Sender, Temperature	
421	7027795	1	Module, Control (SN 0300085110 through 0300128000)	
421	7027796	1	Harness, Engine (Connects to Module - Connector on Left)	
421	7027793	1	Connector at Module	
421	70001872	1	Harness, Engine (Connects to p/n 7027793 (was p/n 7027794)	
422	7027245	1	Filter, Fuel In-line (Engine p/n 2000216)	
423	70000345	4	Plug, Glow (Not Shown - Engine p/n 2000339 only)	
424	7027239	1	Start Solenoid	
425	70000800	1	Timing Belt/Idler Kit (2000216 Engine)	
426		Ref	Gasket, Head Options (Not Shown):	
426	70003001	1	Gasket with 1 Notch	

SECTION 2 - TURNTABLE

ITEM	PART NUMBER	QTY	DESCRIPTION	REV
426	70003002	1	Gasket with 2 Notches	
426	70003003	1	Gasket with 3 Notches	
	0272364	Ref	OIL COOLER INSTALLATION	2-E
501	3620034	1	Cooler, Oil	
502	0641608	4	Bolt 3/8in-16NC x 1in	
503	3311605	4	Locknut 3/8in-16NC	
504	4711600	4	Flatwasher 3/8in Thin	
505	4240099	1	Tie strap (Not Shown - Ties Hoses Together)	

SECTION 2 - TURNTABLE

FIGURE 2-11. PISTON PUMP ASSEMBLY



SECTION 2 - TURNTABLE

FIGURE 2-11. PISTON PUMP ASSEMBLY

ITEM	PART NUMBER	QTY	DESCRIPTION	REV
		Ref	PISTON PUMP ASSEMBLIES	
	3600363	Ref	Front Pump (15 Tooth)	B
	3600359	Ref	Rear Pump (13 Tooth)	A
1	7024805	1	Cam Follower Bearing Assembly (Includes Item 3)	
2	7022330	1	Swashplate	
3	7021236	1	Bearing, Needle	
4		Ref	Shaft Options:	
4	7021237	1	Front Pump (15 Tooth)	
4	7022354	1	Rear Pump (13 Tooth)	
5	7021238	1	Ring, Retaining	
6	7021239	1	Bearing, Roller	
7		Ref	Shaft Options (Includes Items 4, 5 & 6):	
7	7021240	1	Front Pump (15 Tooth)	
7	7022355	1	Rear Pump (13 Tooth)	
8	See Note	NSS	O-Ring (Note: Use Item 120)	
9	See Note	NSS	Seal, Lip (Note: Use Item 120)	
10	7021243	1	Carrier, Shaft Seal	
11	7023996	1	Screw	
12	7022331	1	Link, Control Summing	
13	7022332	1	Link, Control Feedback	
14	7022333	1	Link, Neutral Adjust	
15	7022334	1	Screw, Neutral Adjust	
16	7023997	1	Nut, Seal	
17	7022321	1	Plug (Includes Item 18)	
18	See Note	NSS	O-Ring (Note: Use Item 17 or 120)	
19	7022335	1	Control Kit (Includes Items 20 & 21)	
20	7023998	4	Screw	
21	7021267	3	Screw	
22	7022336	1	Spool Assembly	
23	7022337	1	Spring	
24	7022338	1	Gasket, Control	
25		Ref	Housing Assembly (Includes Items 27, 32, 36 & 41):	
25	7023999	1	Front Pump	
25	3600359	1	Rear Pump (Note: Not Available - Purchase Complete Rear Pump.)	
26	7021248	1	Side Cover Assembly	
27	7021249	1	Bearing, Needle	
28	7021250	1	Pin	
29	7021251	2	Screw	
30	See Note	NSS	Gasket, Side Cover (Note: Use Item 120)	
31	7021253	2	Gasket, Servo Cover	
32	Not Required	0	Screen, Filter	
33	7021255	4	Screw	
34	7022321	1	Plug (Includes Item 35)	
35	See Note	NSS	O-Ring (Note: Use Item 34 or 120)	
36		Ref	Plug	
36	7001485	1	Front Pump	
36	Not Required	0	Rear Pump	
37	7007419	2	Plug (Includes Item 38)	
38	See Note	NSS	O-Ring (Note: Use Item 37 or 120)	

SECTION 2 - TURNTABLE

ITEM	PART NUMBER	QTY	DESCRIPTION	REV
39	7007470	2	Plug (Includes Item 40)	
40	See Note	NSS	O-Ring (Note: Use Item 39 or 120)	
41	7001485	2	Plug, Pipe	
42	7021257	1	Ring, Retaining	
43	7022340	1	Bracket, Lifting	
44	7021251	1	Screw	
45	7022342	1	Key	
46	7022341	1	Ring, Retaining	
47		Ref	Component Options:	
47	7022343	1	Gerotor Assembly (Front Pump)	
47	7022357	1	Spacer (Rear Pump)	
48	7021259	1	Bearing, Journal	
49		Ref	Cover Assembly (Gerotor) Options (Includes Item 48):	
49	7022344	1	Front Pump	
49	7021260	1	Rear Pump	
50	See Note	1	O-Ring (Note: No longer required per supplier. Pressure is the same on either side of o-ring.)	
51	See Note	NSS	O-Ring (Note: Use Item 120)	
52	See Note	1	Pin (Note: Not Available for Purchase.)	
53	7022345	1	Valve, SCR	
54	7024800	1	Spring	
55	7022345	1	Valve, SCR	
56	7024800	1	Spring	
57	7021265	2	Bypass Valve Assembly (Includes Items 58, 59 & 60)	
58	See Note	NSS	O-Ring (Note: Use Item 57 or 120)	
59	See Note	NSS	Ring, Back-up (Note: Use Item 57 or 120)	
60	See Note	NSS	O-Ring (Note: Use Item 57 or 120)	
61	7022346	1	Adjuster	
62	7021289	1	O-Ring	
63	7022347	1	Spring	
64	7024804	1	Poppet	
65	7022190	1	Nut	
66	7022348	1	Cover, Servo	
67	7021255	5	Screw, Torx	
68	7007470	1	Plug (Includes Item 69)	
69	See Note	NSS	O-Ring (Note: Use Item 68 or 120)	
70	7001268	1	Cover, Servo	
71	7021255	5	Screw, Torx	
72	7007470	1	Plug (Includes Item 73)	
73	See Note	NSS	O-Ring (Note: Use Item 72 or 120)	
74		Ref	Cylinder Block Kit Options (Includes Items 75-83):	
74	7022349	1	Front Pump (With Speed Ring)	
74	7021269	1	Rear Pump (Without Speed Ring)	
75	7021271	1	Washer, Special	
76	7021272	1	Spring, Cylinder Block	
77	7021273	1	Washer, Special	
78	7021274	1	Ring, Retaining	
79	7021275	3	Pin, Slipper Hold Down	
80	7021276	1	Retainer, Pin	
81	7021277	1	Guide, Retainer	
82	7021278	1	Retainer, Slipper	
83	7021279	9	Piston Assembly	

SECTION 2 - TURNTABLE

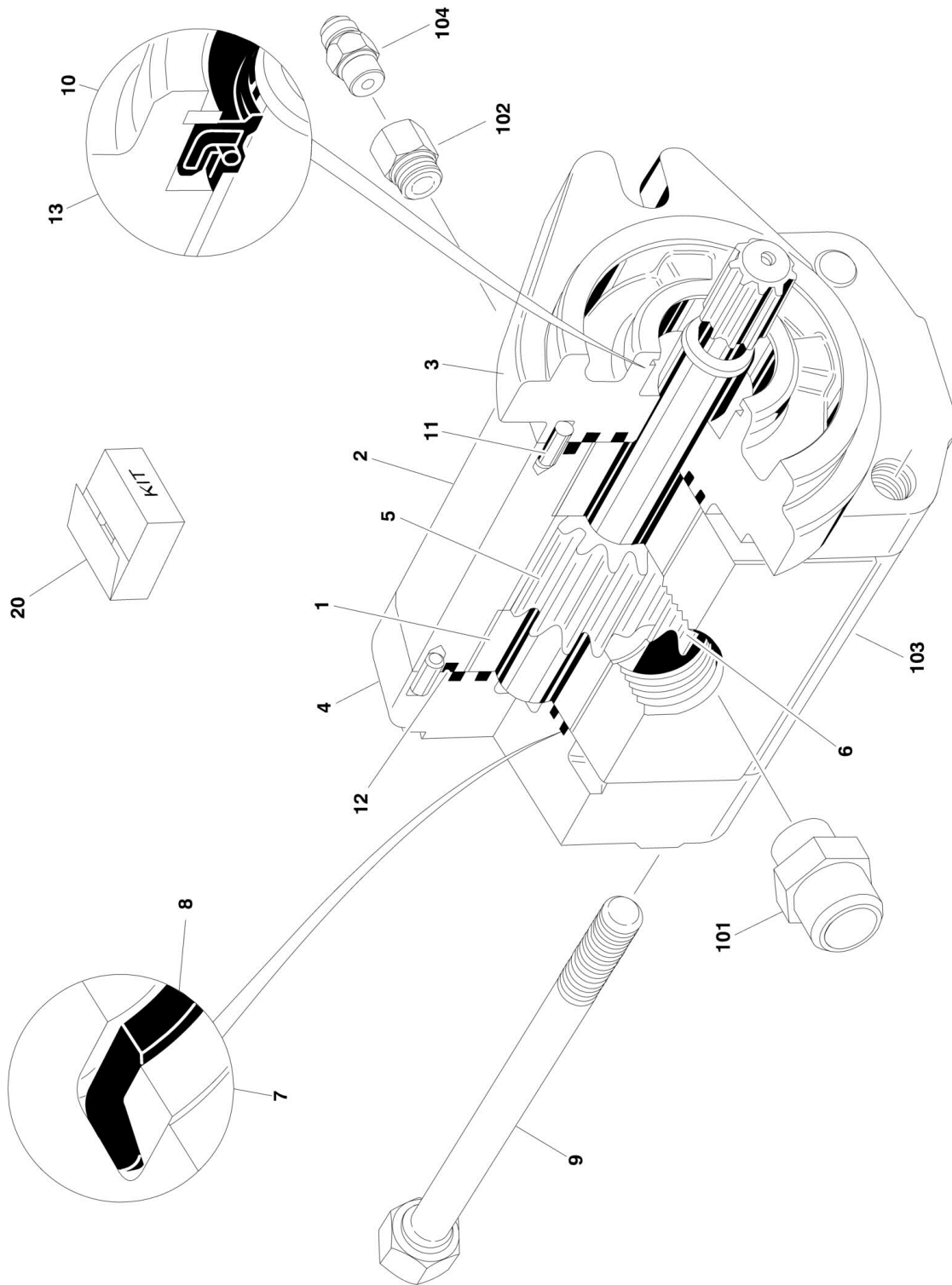
ITEM	PART NUMBER	QTY	DESCRIPTION	REV
84		Ref	Component Options (Includes Item 85):	
84	7022350	1	Sensor, Speed (Front Pump)	
84	7007470	1	Plug (Rear Pump)	
85	See Note	NSS	O-Ring (Note: Use Item 84 or 120)	
86	7021281	1	Plate, Valve (Right Side)	
87	7007470	1	Plug (Includes Item 88) (Front Pump Only)	
88	See Note	NSS	O-Ring (Front Pump Only) (Note: Use Item 87 or 120)	
89	7024801	1	Spool, Loop Flushing	
90	7021283	1	Plug (Includes Item 91) (Front Pump Only)	
91	See Note	NSS	O-Ring (Front Pump Only) (Note: Use Item 90 or 120)	
92	7021285	1	Adapter, Remote Filter (Front Pump Only)	
93	See Note	NSS	Gasket, Filter Adapter (Front Pump Only) (Note: Use Item 120)	
94	7021255	7	Screw (Front Pump Only)	
95	7007470	1	Plug (Includes Item 96)	
96	See Note	NSS	O-Ring (Note: Use Item 95 or 120)	
97	7022351	1	Servo Piston Kit (Includes Qty 2 of Item 98)	
98	7007412	2	Servo Piston Ring Kit (Includes Items 99 & 100)	
99	See Note	NSS	O-Ring (Note: Use Item 97, 98 or 120)	
100	See Note	NSS	Ring, Piston (Note: Use Item 97, 98 or 120)	
101	See Note	NSS	Nut, Seal (Note: Use Item 120)	
102		Ref	Coupling Options:	
102	7022352	1	Front Pump	
102	7022359	1	Rear Pump	
103	7001481	2	Pin	
104	See Note	NSS	Gasket, Charge Pump (Note: Use Item 120)	
105	7021296	6	Screw, Torx	
106		Ref	Cover, Charge Pump	
106	7022353	1	Front Pump	
106	7021297	1	Rear Pump	
107		Ref	Seal Options:	
107	See Note	NSS	O-Ring (Front Pump) (Note: Use Item 120)	
107	7021298	1	Seal (Rear Pump)	
108		Ref	Cover, Flange Options:	
108	7021229	1	Front Pump	
108	7021299	1	Rear Pump	
109	7007289	2	Screw	
110	7007419	1	Plug (Rear Pump Only)	
111	See Note	NSS	O-Ring (Rear Pump Only) (Note: Use Item 110 or 120)	
112	7022358	1	Plug (Include Item 113) (Rear Pump Only)	
113	See Note	NSS	O-Ring (Rear Pump Only) (Note: Use Item 112 or 120)	
114	7021256	1	Plug (Include Item 115) (Rear Pump Only):	
115	See Note	NSS	O-Ring (Rear Pump Only) (Note: Use Item 114 or 120)	
116	7024802	1	Spring (Rear Pump Only)	
117	7024803	1	Poppet (Rear Pump Only)	
120	7021280	1	Seal Kit - Complete (Includes Items 8, 9, 16, 18, 30, 31, 35, 38, 40, 51, 58, 59, 60, 69, 73, 85, 88, 91, 93, 96, 99, 100, 101, 104, 107, 111, 113 & 115)	
	3600412	Ref	PISTON PUMP AND FITTING ASSEMBLIES	B
201	2220376	1	Fitting, Straight	
202		Ref	Fitting Options:	
202	2220451	1	Fitting, Straight (Prior to SN 0300104249)	
202	2220578	1	Fitting, 90 (SN 0300104249 through 0300128000)	

SECTION 2 - TURNTABLE

ITEM	PART NUMBER	QTY	DESCRIPTION	REV
203	2220578	2	Fitting, 90	A
204	2220946	1	Fitting, Straight	
205	2220947	2	Fitting, Straight	
206	2220948	1	Fitting, Straight	
207	3600363	1	Pump Options (Includes Items 1-117)	
	3600413	Ref	PISTON PUMP AND FITTING ASSEMBLIES	
301	2220451	1	Fitting, Straight	
302	2220578	2	Fitting, 90	
303	2220618	1	Fitting, Straight	
304	2220622	1	Fitting, Straight	
305	2220700	1	Fitting, Tee	
306	2220852	1	Fitting, Straight	
307	3600296	1	Pump Options (Includes Items 1-117)	
308	4641264	1	Fitting, Straight (Check Valve)	

SECTION 2 - TURNTABLE

FIGURE 2-12. GEAR PUMP ASSEMBLY



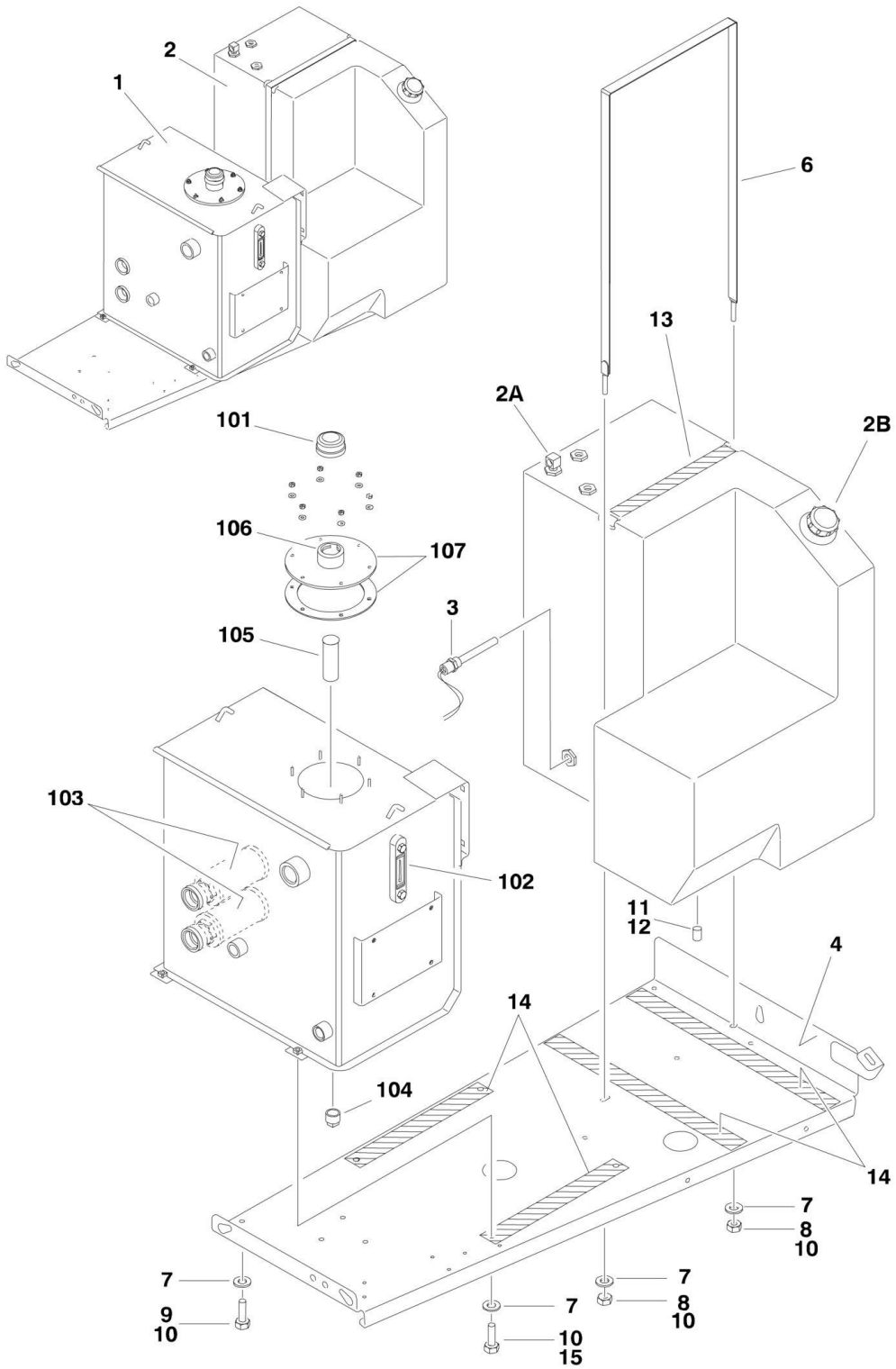
SECTION 2 - TURNTABLE

FIGURE 2-12. GEAR PUMP ASSEMBLY

ITEM	PART NUMBER	QTY	DESCRIPTION	REV
	3600242	Ref	GEAR PUMP ASSEMBLY	
1	7010105	2	Bearing/Bushing	
2	See Note	NSS	Housing (Note: Not Available - Purchase Complete Gear Pump Assembly.)	
3	See Note	NSS	Flange (Note: Not Available - Purchase Complete Gear Pump Assembly.)	
4	7010103	1	Cover	
5	7012987	1	Gear, Drive	
6	7012988	1	Gear, Idler	
7	See Note	NSS	Ring, Anti-Extrusion (Note: Use Item 20)	
8	See Note	NSS	Seal (Note: Use Item 20)	
9	See Note	NSS	Bolt (Note: Not Available for Purchase.)	
10	7010104	1	Ring, Retaining	
11	See Note	NSS	Pin, Dowel (Note: Not Available for Purchase.)	
12	See Note	NSS	Seal, O-Ring (Note: Use Item 20)	
13	See Note	NSS	Seal, Shaft (Note: Use Item 20)	
20	7007489	1	Seal Kit (Includes Items 7, 8, 12 & 13)	
	3600395	Ref	GEAR PUMP AND FITTING ASSEMBLY	A
101	2220376	1	Fitting, Straight	
102	2220810	1	Fitting, Reducer	
103	3600242	1	Pump (Includes Items 1-13)	
104	4640744	1	Fitting, Check Valve	

SECTION 2 - TURNTABLE

FIGURE 2-13. TANK INSTALLATIONS



SECTION 2 - TURNTABLE

FIGURE 2-13. TANK INSTALLATIONS

ITEM	PART NUMBER	QTY	DESCRIPTION	REV
		Ref	TANKS INSTALLATION OPTIONS:	
	0254849	Ref	Standard without Locking Fuel Tank	10-E
	0257483	Ref	Optional with Locking Fuel Tank	3
1	4400449	1	Hydraulic Tank Assemblies (See Items 101-107 for Breakdown)	
2	4400400	1	Tank, Fuel	
2A	7019658	1	Tube, Fuel Pick up	
2B		Ref	Cap Options:	
2B	7016314	1	Standard - Non-Locking	
2B	1120487	1	Optional Locking (Blue - Diesel Machines) (Not Included with Tank)	
3	4360436	1	Switch, Fuel Level	
4		Ref	Tray, Hydraulic Options:	
4	4845393	1	Tray (Prior to SN 0300117086)	
4	1001091911	1	Tray (SN 0300117086 through 0300128000)	
6	4240113	1	Strap, Tank	
7	4751600	12	Flatwasher 3/8in Regular	
8	3311601	2	Nut 3/8in-16NC	
9	0641614	6	Bolt 3/8in-16NC x 1-3/4in	
10	0100011	AR	Compound, Locking	
11	0100079	AR	Sealant, Pipe	
12	2200222	1	Fitting	
13	4280295	25 in /44cm	Strip, Protective	
14	4420038	70 in /1.8m	Tape, Rubber	
15	0641608	4	Bolt 3/6in-16NC x 1in	
	4400449	Ref	HYDRAULIC TANK ASSEMBLY	F
101	7024444	1	Filler/Breather Assembly	
102	7024441	1	Gauge, Sight	
103	7024442	2	Strainer 1-1/4inNPT	
104	7024446	1	Plug, Magnetic	
105	7024445	1	Strainer	
106	7024443	1	Neck, Filler	
107	7024439	1	Cover	
107	7024440	1	Gasket	

SECTION 2 - TURNTABLE

FIGURE 2-14. GROUND CONTROL ASSEMBLY

ITEM	PART NUMBER	QTY	DESCRIPTION	REV
		Ref	GROUND CONTROL BOX ASSEMBLIES	
		Ref	GROUND CONTROL BOX ASSEMBLIES 600SC	
		Ref	Ground Control Box Assemblies (Prior to SN 0300099063)	
	0861643	Ref	All Specs with Caterpillar Engine Except CE Spec	F
	0861645	Ref	CE Specs with Caterpillar Engine	F
	0861636	Ref	All Specs with Deutz Engine Except CE Spec (Prior to SN 0300085110)	D
	0861722	Ref	All Specs with Deutz Engine Except CE Spec (SN 0300085110 through 0300099063)	D
	0861638	Ref	CE Specs with Deutz Engine (Prior to SN 0300085110)	D
	0861724	Ref	CE Specs with Deutz Engine (SN 0300085110 through 0300099062)	D
		Ref	Ground Control Box Assemblies (SN 0300099063 through 0300128000)	
	1810081	Ref	All Specs with Caterpillar Engine Except CE and Australian Specs	A
	1810080	Ref	CE and Australian Specs with Caterpillar Engine	A
	1810078	Ref	All Specs with Deutz Engine Except CE and Australian Specs	A
	1810079	Ref	CE and Australian Specs with Deutz Engine	A
		Ref	GROUND CONTROL BOX ASSEMBLIES 660SJC	
		Ref	Ground Control Box Assemblies (Prior to SN 0300099063)	
	0861644	Ref	All Specs with Caterpillar Engine Except CE Spec	F
	0861646	Ref	CE Specs with Caterpillar Engine	F
	0861637	Ref	All Specs with Deutz Engine Except CE Spec (Prior to SN 0300085110)	D
	0861723	Ref	All Specs with Deutz Engine Except CE Spec (SN 0300085110 through 0300099063)	D
	0861639	Ref	CE Specs with Deutz Engine (Prior to SN 0300085110)	D
	0861725	Ref	CE Specs with Deutz Engine (SN 0300085110 through 0300099062)	D
		Ref	Ground Control Box Assemblies (SN 0300099063 through 0300128000)	
	1810085	Ref	All Specs with Caterpillar Engine Except CE and Australian Specs	A
	1810084	Ref	CE and Australian Specs with Caterpillar Engine	A
	1810082	Ref	All Specs with Deutz Engine Except CE and Australian Specs	A
	1810083	Ref	CE and Australian Specs with Deutz Engine	A
1	0100011	AR	Compound, Locking	
2	0100048	AR	Grease, Dielectric	
3	0630518	2	Capscrew, Button Head	
4	0630548	5	Screw, Self-Tapping	
5	0641506	4	Bolt 5/16in-18NC x 3/4in	
6		Ref	Box, Fiberglass	
6	0861389	1	Box, Fiberglass (Prior to SN 0300096319)	
6	0861872	1	Box, Fiberglass (SN 0300096319 through 0300128000)	
6A	7020246	2	Latch	
7	0641410	2	Bolt 1/4in-20NC x 1-1/4in	
8	1670829	1	Bezel	
9		Ref	Decal - Ground Control Display	
9		Ref	Decal (Prior to SN 0300099063)	

SECTION 2 - TURNTABLE

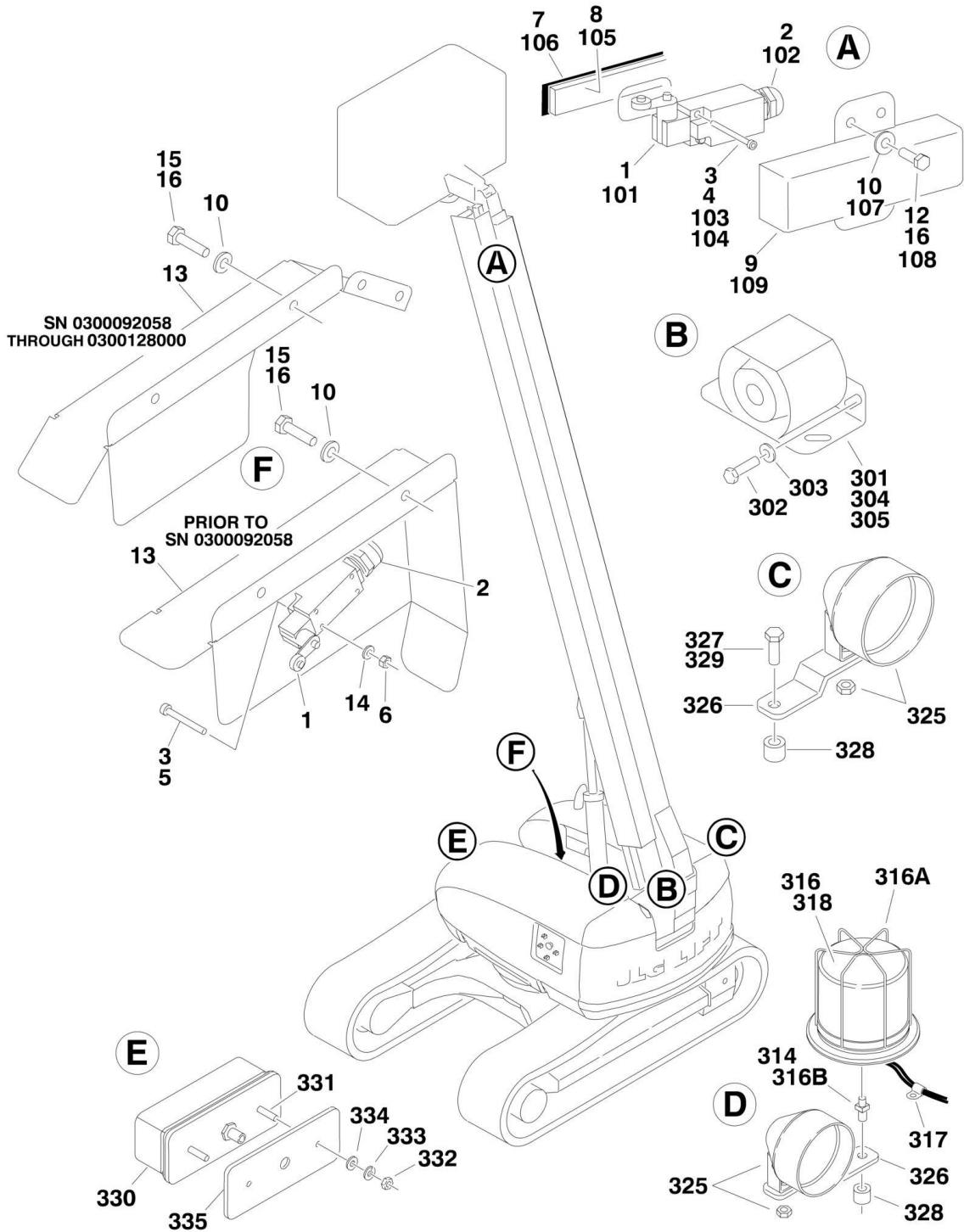
ITEM	PART NUMBER	QTY	DESCRIPTION	REV
9	1702610	1	Caterpillar Engine (All Specs Except CE and Australian Specs)	
9	1702610	1	Deutz Engine (All Specs Except CE Spec) (Prior to SN 0300085110)	
9	1705753	1	Deutz Engine (All Specs Except CE and Australian Specs) (SN 0300085110 through 0300099062)	
9	1705752	1	CE and Australian Specs Only	
9		Ref	CE and Australian Specs Only (SN 0300099063 through 0300128000)	
9	1706712	1	Caterpillar and Deutz Engine (All Specs)	
10		Ref	Decal - Faceplate Options:	
10	1703521	1	Decal - Faceplate 600SC (Prior to SN 0300099063)	
10	1706916	1	Decal - Faceplate 600SC (SN 0300099063 through 0300128000)	
10	1704436	1	Decal - Faceplate 660SJC (Prior to SN 0300099063)	
10	1706917	1	Decal - Faceplate 660SJC (SN 0300099063 through 0300128000)	
11	2420172	1	Gauge, Hourmeter	
12	2760105	1	Housing, Display Light	
13	3300205	4	Nut, Retainer	
14	3300408	AR	Locknut, Plastic Insert	
15	3311401	10	Nut 1/4in-20NC	
16	3539219	1	Plate, Reinforcement	
17	3740049	Ref	Relay Options:	
17	3740049	2	Caterpillar Engine (Prior to SN 0300099063)	
17	3740049	3	Caterpillar Engine (SN 0300099063 through 0300128000)	
17		Ref	Deutz Engine	
18	3900268	AR	Screw, Flange #10 x 1/2in	
19	3910804	6	Screw #8-32NC x 1/4in	
20	4060906	AR	Shield, Toggle Switch	
21	4070987	1	Shim (.015in)	
22	4360328	AR	Switch, Toggle	
23		Ref	Switch, Key	
23	4360469	1	All Specs Except CE and Australian Specs	
23	4360470	1	CE and Australian Specs Only	
23A	2860030	1	Key Replacement	
24	4360475	1	Switch, Emergency Stop	
24A	7020175	1	Cap, Mushroom Head	
24B	7020176	1	Block, Contact	
25	4360476	1	Switch, Contact Block	
26	4460426	1	Connector, Strain Relief	
27	4460470	1	Nut, Terminal	
28	4460471	1	Lockwasher, Terminal	
29	4460488	AR	Mounting Base, Terminal	
30	4460526	1	Connector, Strain Relief	
31	4460874	1	Connector, Natural	
32	4460875	1	Connector, Gray	
33	4460905	AR	Plug, Terminal	
34	4740444	AR	Washer, Special	
35	4751400	20	Flatwasher 1/4in	
36	4761400	15	Lockwasher 1/4in	
37	4922513	1	Harness, Valve (Not Shown - See ELECTRICAL SECTION for Breakdown)	

SECTION 2 - TURNTABLE

ITEM	PART NUMBER	QTY	DESCRIPTION	REV
38		Ref	Module, Ground Control (Re-calibration Required when Replaced) Options:	
38	1600364	1	Caterpillar Engine (Prior to SN 0300099063)	
38	1600411	NLA	Caterpillar Engine (Use p/n 1001149676) (SN 0300099063 through 0300128000)	
38	1600364	1	Deutz Engine (Prior to SN 0300085110)	
38	1600411	NLA	Deutz Engine (Use p/n 1001149676) (SN 0300085110 through 0300128000)	
39		Ref	Module, Propulsion (Re-calibration Required when Replaced) Options:	
39	1600368	1	Module, Propulsion (Prior to SN 0300085110)	
39	1600422	1	Module, Propulsion (SN 0300085110 through 0300128000)	
40		Ref	Harness, Analyzer Cable Options (Not Shown - See ELECTRICAL SECTION for Breakdown):	
40	4922666	1	Caterpillar Engine (Prior to SN 0300099063)	
40	Not Required	0	Caterpillar Engine (SN 0300099063 through 0300128000)	
40	4922666	1	Deutz Engine (Prior to SN 0300085110)	
40	Not Required	0	Deutz Engine (SN 0300085110 through 0300128000)	
41	3311405	2	Locknut 1/4in-20NC	
42	1705132	1	Decal - ADE (Prior to SN 0300099063)	
43	3520035	1	Plug, Cap	
44	4460466	6	Seal, Plug	
45	4460909	1	Connector 12 Position Mini	
46	4711400	4	Flatwasher 1/4in Narrow	
47		Ref	Harness, Ground Control Box (Not Shown - See ELECTRICAL SECTION for Breakdown)	
47		Ref	Harness, Ground Control Box (Prior to SN 0300099063)	
47	4922967	1	Caterpillar Engine	
47	4922967	1	Deutz Engine (Prior to SN 0300085110)	
47	4923213	1	Deutz Engine (SN 0300085110 through 0300099062)	
47		Ref	Deutz Engine (SN 0300099063 through 0300128000)	
47	4923577	1	Caterpillar and Deutz Engine	
48		Ref	Harness, Engine (Not Shown - See ELECTRICAL SECTION for Breakdown)	
48	4922974	1	Caterpillar Engine (Prior to SN 0300099063)	
48	4923582	1	Caterpillar Engine (SN 0300099063 through 0300128000)	
48	4922961	1	Deutz Engine (Prior to SN 0300085110)	
48	4923257	1	Deutz Engine (SN 0300085110 through 0300128000)	
49	4460915	1	Lock, Wedge (SN 0300079799 through 0300128000)	

SECTION 2 - TURNTABLE

FIGURE 2-15. ELECTRICAL OPTIONS INSTALLATION (TURNTABLE MOUNTED)



SECTION 2 - TURNTABLE

FIGURE 2-15. ELECTRICAL OPTIONS INSTALLATION (TURNTABLE MOUNTED)

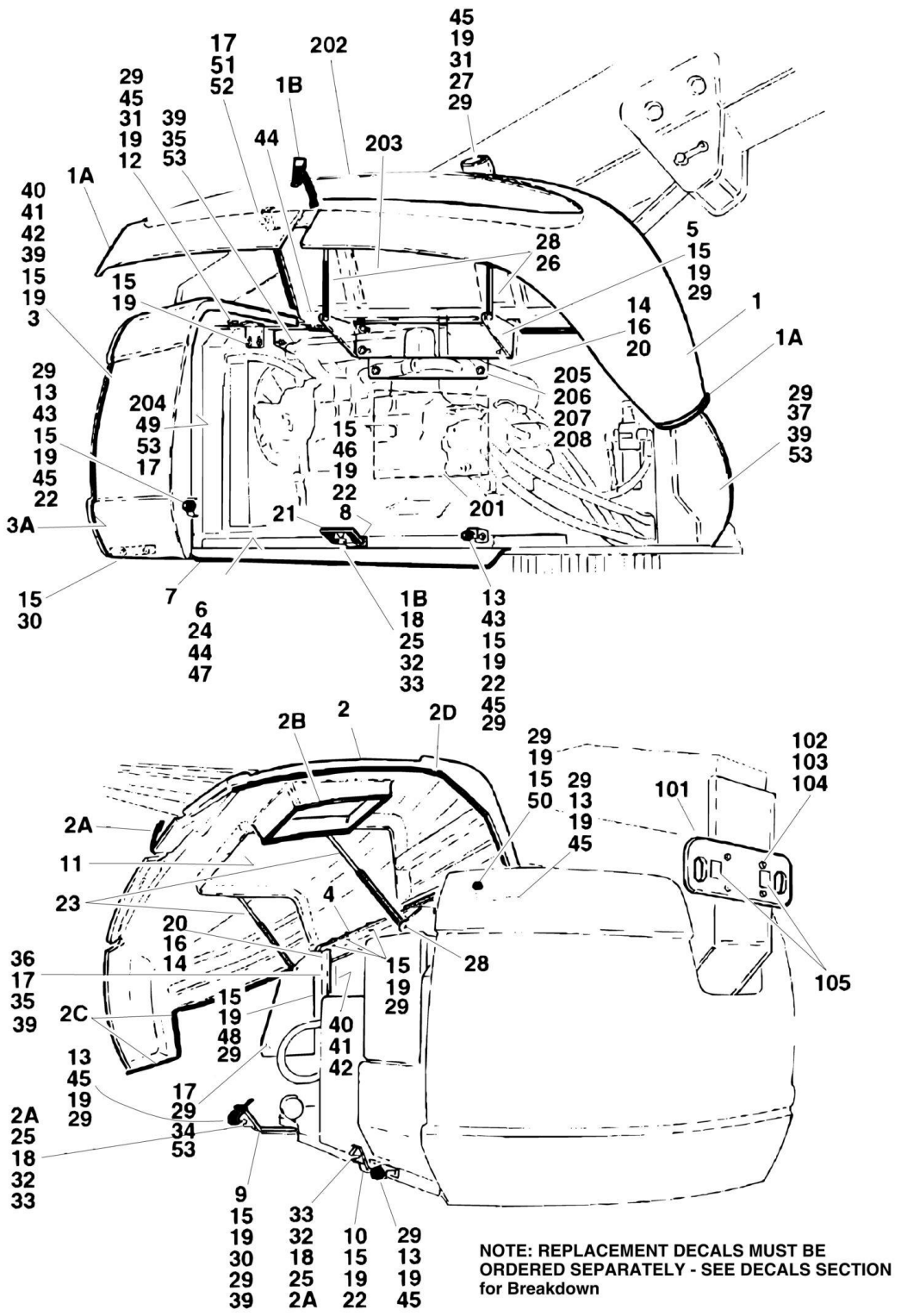
ITEM	PART NUMBER	QTY	DESCRIPTION	REV
		Ref	ELECTRICAL OPTIONS INSTALLATIONS (TURNTABLE MOUNTED)	
		Ref	LIMIT SWITCH INSTALLATION - DRIVE DISABLE	
	0270313	Ref	Limit Switch Installation - Drive Disable 600SC	8
	0270381	Ref	Limit Switch Installation - Drive Disable 660SJC	7
1		Ref	Switch, Limit Options:	
1	4360549	NLA	Switch, Limit (Use p/n 4360578) (Prior to SN 0300081018)	
1	4360578	2	Switch, Limit (SN 0300081018 through 0300128000)	
2	4460968	2	Connector, Strain Relief	
3	0100035	AR	Compound, Locking	
4	3930816	2	Capscrew, Socket Head #8-32NC x 1in	
5	3930828	2	Capscrew, Socket Head #8-32NC x 1-3/4in	
6	3310801	2	Locknut #8-32NC	
7	4420060	8.7 ft /2.7m	Tape, Double Sided	
8		Ref	Bar, Fiberglass Options:	
8	0362528	NLA	Bar, Fiberglass 600SC (Use p/n 1001106479)	
8	0362951	NLA	Bar, Fiberglass 660SJC (Use p/n 1001106484)	
9		Ref	Cover, Limit Switch Options:	
9	1670824	1	Cover, Limit Switch (Prior to SN 0300078809)	
9	3380535	1	Cover, Limit Switch (SN 0300078809 through 0300128000)	
10	4751400	AR	Flatwasher 1/4in Regular	
12	0641403	4	Bolt 1/4in-20NC x 3/8in	
13		Ref	Cover Options:	
13	3572415	1	Cover (Prior to SN 0300092058)	
13	1670818	1	Cover (SN 0300092058 through 0300128000)	
14	4831900	2	Flatwasher #8 (Prior to SN 0300092058)	
15		Ref	Hardware Options:	
15	0641408	2	Bolt 1/4in-20NC x 1in (Prior to SN 0300092058)	
15	3931408	4	Capscrew, Socket Head 1/4in-20NC x 1/2in (SN 0300092058 through 0300128000)	
16	0100011	AR	Compound, Locking (SN 0300092058 through 0300128000)	
		Ref	LIMIT SWITCHES INSTALLATION - TRANSPORT	
	0256305	Ref	Limit Switches Installation - Transport 600SC/660SJC	5
101		Ref	Switch, Limit Options:	
101	4360549	NLA	Switch, Limit (Use p/n 4360578) (Prior to SN 0300081018)	
101	4360578	1	Switch, Limit (SN 0300081018 through 0300128000)	
102	4460968	1	Connector, Strain Relief	
103	0100035	AR	Compound, Locking	
104	3930816	2	Capscrew, Socket Head #8-32NC x 1in	
105		Ref	Bar, Fiberglass Options:	
105	0362609	NLA	Bar, Fiberglass 600SC/660SJC (Use p/n 1001106481)	
106	4420054	Ref	Tape, Double Sided	
106	4420054	17.1 ft /5.2m	Tape, Double Sided 600SC/660SJC	
107	4751400	4	Flatwasher 1/4in Regular	
108	0641403	4	Bolt 1/4in-20NC x 3/8in	
109		Ref	Cover, Limit Switch Options:	
109	1670824	1	Cover, Limit Switch (Prior to SN 0300078809)	
109	3380535	1	Cover, Limit Switch (SN 0300078809 through 0300128000)	

SECTION 2 - TURNTABLE

ITEM	PART NUMBER	QTY	DESCRIPTION	REV
	0270833	Ref	ALARMS INSTALLATIONS	B
301	0257887	1	Alarm/Harness Assembly	
302	0641406	2	Bolt 1/4in-20NC x 3/4in	
303	4711400	2	Flatwasher 1/4in Thin	
304	0100048	AR	Grease, Dielectric	
305	0100011	AR	Compound, Locking	
	0257885	Ref	STROBE LIGHT INSTALLATIONS (AMBER) (OPTIONAL)	3
314	0100011	AR	Compound, Locking	
315	4240032	1	Tie Strap	
316	0272507	1	Strobe Light/Guard/Harness Assembly	B
316		Ref	Bulb, Replacement Options:	
316	7016380	1	Bulb for ECCO Model 6640	
316	70001941	1	Bulb for ECCO Model 6650	
316A		Ref	Guard Options:	
316A	4060907	1	Guard for ECCO Model 6640	
316A	2920215	1	Guard for ECCO Model 6650	
316B		Ref	Adapter Options:	
316B	0630491	1	Adapter for ECCO Model 6640	
316B	0080241	1	Adapter for ECCO Model 6650	
317	4460234	1	Clamp	
318	0100048	AR	Sealant, Silicone	
	0271552	Ref	LIGHTS INSTALLATIONS (OPTIONAL)	C
325	2920110	2	Headlight	
326	0902206	2	Bracket, Mounting	
327	0642612	1	Bolt 1in-8NC x 1-1/2in	
328	4220162	2	Spacer	
329	0100011	AR	Compound, Locking	
330	2920113	2	Taillight	
331	3911040	4	Screw, Machine #10-24NC x 2-1/2in	
332	3311005	4	Nut #10-24NC	
333	4751000	4	Flatwasher #10	
334	4740362	4	Washer, Fender	
335	3960461	2	Gasket	
337	4240032	12	Tie-Strap (Not Shown)	
338	4460234	12	Mount, Tie-Strap (Not Shown)	
339	4360336	1	Switch, Toggle (Not Shown - Located on Console)	
340	3790012	1	O-Ring (Not Shown - Located on Console)	
341	3820001	11	Rivet (Not Shown - Use to Mount Item 338)	

SECTION 2 - TURNTABLE

FIGURE 2-16. HOOD AND LIFTING PLATE INSTALLATIONS (Prior to SN 0300089990)



SECTION 2 - TURNTABLE

FIGURE 2-16. HOOD AND LIFTING PLATE INSTALLATIONS (Prior to SN 0300089990)

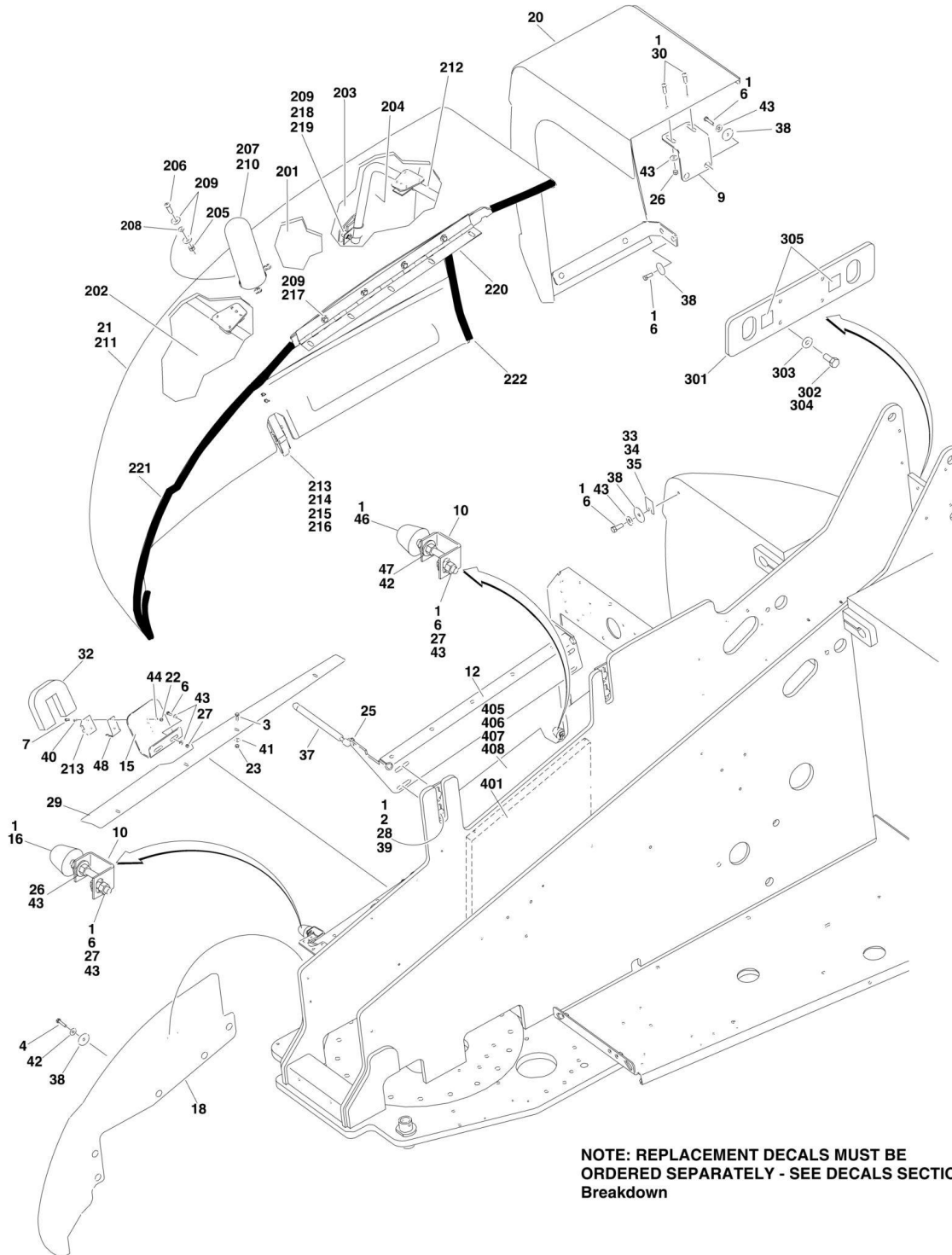
ITEM	PART NUMBER	QTY	DESCRIPTION	REV
	0256830	Ref	HOODS INSTALLATIONS	11-J
1	2680449	1	Hood Assembly - Engine Side	
1	2600209	1	Hinge	
1A	3960464	65 in /1.7m	Seal	
1A	3960462	61 in /1.5m	Seal	
1B	2940088	1	Latch	
2	2680448	1	Hood Assembly - Tank Side	
2	2600233	1	Hinge	
2A	2940088	2	Latch	
2B	3960438	53 in /1.3m	Seal	
2C	3960464	83 in /2.1m	Seal	
2D	3960462	55 in/1.4m	Seal	
3	2680450	1	Hood Assembly - Engine Spacer	
3A	3960453	68 in /1.7m	Seal	
4	0902416	1	Bracket, Hood Mounting	
5	0902351	1	Bracket, Hood Mounting	
6	3539934	1	Plate, Seal	
7	3960389	3.5 ft/1m	Seal	
8	0902491	1	Bracket, Latch	
9	0902223	1	Bracket, Latch	
10	0902143	1	Bracket, Latch	
11	3520033	2	Plug, Hole	
12	0902161	1	Bracket, Hood Spacer Mounting	
13	0940071	5	Bumper	
14	0630507	6	Bolt, Carriage 1/2in-13NC x 1-1/4in	
15	0641608	AR	Bolt 3/8in-16NC x 1in	
16	4740171	6	Washer, Hardened	
17	4751500	AR	Flatwasher 5/16in Regular	
18	4751000	12	Flatwasher #10 Regular	
19	4751600	AR	Flatwasher 3/8in Regular	
20	3311805	6	Locknut 1/2in-13NC	
21	3960470	1	Seal	
22	3311605	5	Locknut 3/8in-16NC	
23	4160139	2	Spring, Gas (Tank Side)	
24	0641406	4	Bolt 1/4in-20NC x 3/4in	
25	0721006	6	Screw #10-24NC x 3/4in	
26	4160143	2	Spring, Gas (Engine Side)	
27	4845411	1	Outlet, Exhaust	
28	3311505	4	Locknut 5/16in-18NC	
29	0100011	AR	Compound, Locking	
30	4740076	4	Washer, Fender	
31	3900232	5	Screw, Button Head 3/8in-16NC x 1-1/4in	
32	4761000	6	Lockwasher #10	
33	3311001	6	Nut #10-24NC	
34	1670771	1	Cover	
35	3311501	2	Nut 5/16in-18NC	

SECTION 2 - TURNTABLE

ITEM	PART NUMBER	QTY	DESCRIPTION	REV
36	0641512	2	Bolt 5/16in-18NC x 1-1/2in	
37	1670779	1	Cover, Side	
39	4740076	AR	Washer, Fender	
40	4070410	AR	Shim 1/16in	
41	4070411	AR	Shim 1/8in	
42	4070412	AR	Shim 3/16in	
43	0902219	2	Bracket, Bumper	
44	4751400	4	Flatwasher 1/4in	
45	3311601	AR	Nut 3/8in-16NC	
46	0641609	2	Bolt 3/8in-16NC x 1-1/8in	
47	3311405	4	Locknut 1/4in-20NC	
48	4845356	2	Hood Mount Weldment	
49	3539979	1	Plate, Inlet Baffle (Prior to SN 0300076518)	
50	0902384	1	Bracket, Hood Mount	
51	0940088	1	Hood, Bumper	
52	3321501	2	Nut 5/16in-24NF	
53	0641506	10	Bolt 5/16in-18NC x 3/4in	
	0256122	Ref	LIFTING PLATE INSTALLATION	1-B
101	3539590	1	Plate, Lifting	
102	0682014	4	Bolt 5/8in-11NC x 1-3/4in (Grade 8)	
103	4892000	4	Flatwasher 5/8in Hardened	
104	0100019	AR	Compound, Locking	
105	1701500	2	Decal - Tie Down/Lift	
	0256823	Ref	NOISE REDUCTION INSTALLATION	2
201	2820078	1	Foam, Acoustical	
202	2820079	1	Foam, Acoustical	
203	2820080	1	Foam, Acoustical	
204	2820081	1	Foam, Acoustical (Prior to SN 0300076518)	
205	3539955	1	Plate, Baffle	
206	0641506	2	Bolt 5/16in-18NC x 3/4in	
207	4751500	2	Flatwasher 5/16in	
208	0100011	AR	Compound, Locking	

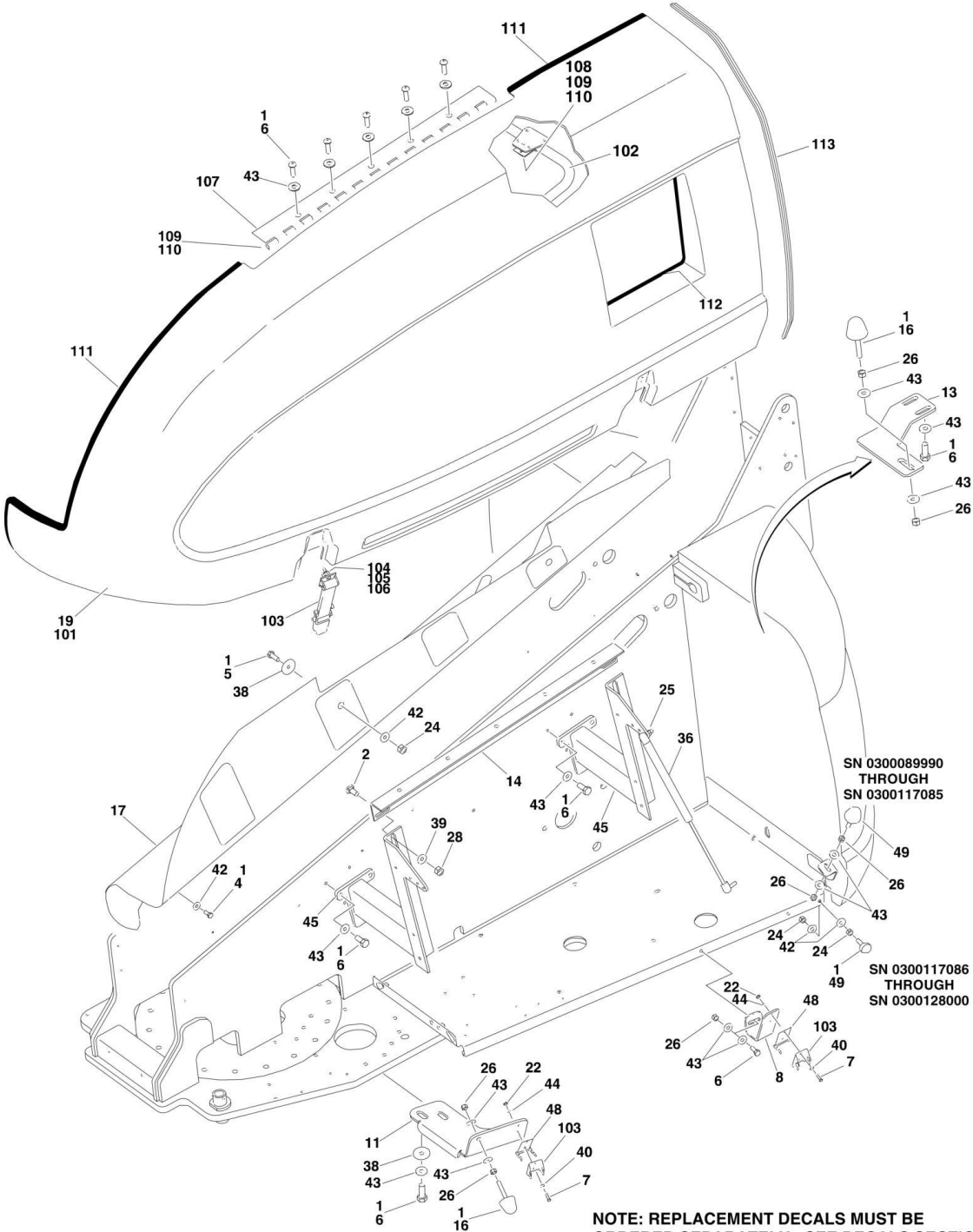
SECTION 2 - TURNTABLE

FIGURE 2-17. HOOD AND LIFTING PLATE INSTALLATIONS (SN 0300089990 through 0300128000)



NOTE: REPLACEMENT DECALS MUST BE ORDERED SEPARATELY - SEE DECALS SECTION for Breakdown

SECTION 2 - TURNTABLE



NOTE: REPLACEMENT DECALS MUST BE ORDERED SEPARATELY - SEE DECALS SECTION for Breakdown

SECTION 2 - TURNTABLE

FIGURE 2-17. HOOD AND LIFTING PLATE INSTALLATIONS (SN 0300089990 through 0300128000)

ITEM	PART NUMBER	QTY	DESCRIPTION	REV
	0274751	Ref	HOODS INSTALLATION	G
1	0100011	AR	Compound, Locking	
2	0630507	6	Bolt, Carriage 1/2in-13NC x 1-1/4in	
3	0641406	4	Bolt 1/4in-20NC x 3/4in	
4	0641506	AR	Bolt 5/16in-18NC x 3/4in	
5	0641512	2	Bolt 5/16in-18NC x 1-1/2in (Prior to SN 0300107827)	
6	0641608	30	Bolt 3/8in-16NC x 1in	
7	0721006	6	Bolt #10-24NC x 3/4in	
8	0902143	1	Bracket	
9	0902161	1	Bracket, Hood Spacer	
10	0902219	2	Bracket, Bumper	
11	0902223	1	Bracket, Latch	
12	0902351	1	Bracket, Hood Mount	
13	0902384	1	Bracket, Hood Mount	
14	0902416	1	Bracket, Hood Mount	
15	0902491	1	Bracket, Hood Latch	
16	0940071	3	Bumper	
17	1670771	1	Cover	
18	1670779	1	Cover, Engine/Turntable	
19	1671228	1	Hood, Tank Side	
20	1671233	1	Hood, Engine Spacer	
21	1671247	1	Hood, Engine Side	
22	3311001	6	Nut #10-24NC	
23	3311405	4	Locknut 1/4in-20NC	
24	3311501	AR	Nut 5/16in-18NC	
25	3311505	3	Locknut 5/16in-18NC	
26	3311601	AR	Nut 3/8in-16NC	
27	3311605	5	Locknut 3/8in-16NC	
28	3311805	6	Locknut 1/2in-13NC	
29	3571712	1	Plate, Seal	
30	3900232	2	Screw, Button Head 3/8in-16NC x 1-1/4in	
31	3960389	3.5 ft /1.1m	Seal	
32	3960470	1	Seal	
33	4070410	AR	Shim 1/16in	
34	4070411	AR	Shim 1/8in	
35	4070412	AR	Shim 3/16in	
36	4160139	2	Spring, Gas (Tank Side)	
37	4160143	1	Spring, Gas (Tank Side)	
38	4740076	AR	Washer, Fender	
39	4740171	6	Washer, Hardened	
40	4751000	6	Flatwasher #10 Regular	
41	4751400	4	Flatwasher 1/4in Regular	
42	4751500	AR	Flatwasher 5/16in Regular	
43	4751600	AR	Flatwasher 3/8in Regular	
44	4761000	6	Lockwasher #10	
45	4845356	2	Hood Mount Weldment	
46	0940088	1	Bumper	
47	3321501	2	Nut 5/16in-24NF	
48	2940188	2	Latch, Spring Clip (SN 0300099063 through 0300128000)	

SECTION 2 - TURNTABLE

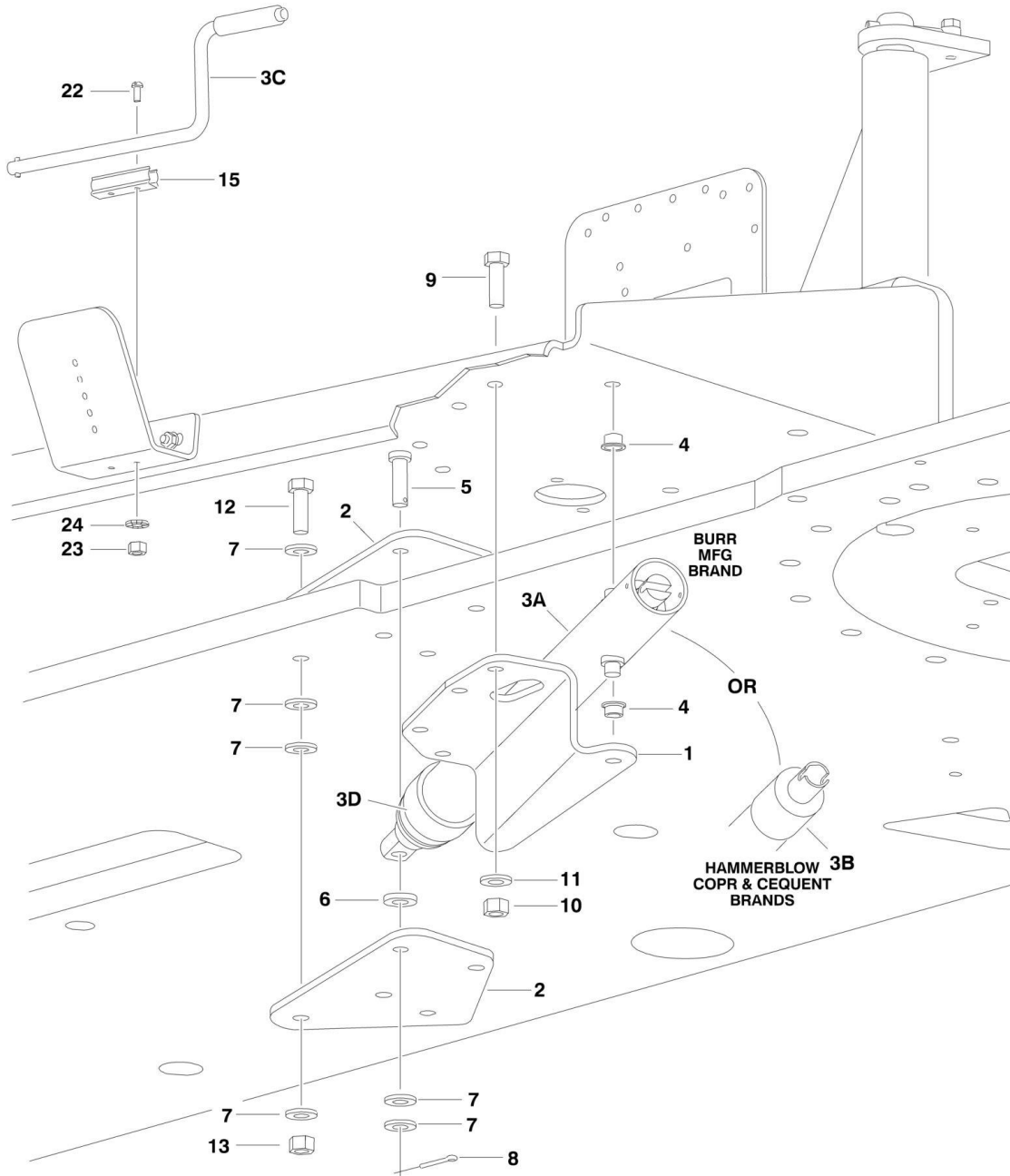
ITEM	PART NUMBER	QTY	DESCRIPTION	REV
49		Ref	Hardware Options:	
49	0940071	1	Bumper (Prior to SN 0300117086)	
49	0940049	1	Stopper, Hood (SN 0300117086 through 0300128000)	
	1671228	Ref	HOOD TANK SIDE	A
101	1671231	1	Shell, Tank Side	
102	1671232	1	Frame, Tank Side	
103	2940088	2	Latch	
104	0721008	4	Bolt #10-24NC x 1in	
105	4751000	4	Flatwasher #10 Regular	
106	3311001	4	Nut #10-24NC	
107	2600233	1	Hinge	
108	1321384	4	Hold Down	
109	0641606	9	Bolt 3/8in-16NC x 3/4in	
110	4751600	9	Flatwasher 3/8in Regular	
111	3960464	7 ft/2.1m	Seal	
112	3960438	5 ft/1.5m	Seal	
113	3960462	4.5 ft /1.4m	Seal	
	1671247	Ref	HOOD ENGINE SIDE	C
201		Ref	Foam, Acoustical Options:	
201	2820080	1	Foam, Acoustical (SN 0300089990 through 0300124422)	
201	1001101391	1	Foam, Acoustical (SN 0300124423 through 0300128000)	
202	2820233	1	Insulation, Rear	
203	2820234	1	Insulation, Center	
204	2820235	1	Insulation, Rear	
205	3311605	3	Locknut 3/8in-16NC	
206	3900232	3	Screw, Button Head 3/8in-16NC x 1-1/4in	
207		Ref	Gasket, Heat Options:	
207	4061010	1	Gasket, Heat (SN 0300089990 through 0300124422)	
207	1001101392	1	Gasket, Heat (SN 0300124423 through 0300128000)	
208	4740500	3	Washer - Special	
209	4751600	14	Flatwasher 3/8in Regular	
210	4845411	1	Tube Weldment, Exhaust	
211	1001097961	1	Hood Kit, Engine Side (Includes Items 201 - 204, 207 & 208)	
212	1671230	1	Frame, Engine Side	
213	2940088	1	Latch	
214	0721008	2	Bolt #10-24NC x 1in	
215	4751000	2	Flatwasher #10 Regular	
216	3311001	2	Nut #10-24NC	
217	0641608	4	Bolt 3/8in-16NC x 1in	
218	1321384	4	Hold Down	
219	0641606	4	Bolt 3/8in-16NC x 3/4in	
220	2600209	1	Hinge	
221	3960464	5.5 ft /1.7m	Seal	
222	3960462	5.1 ft /1.6m	Seal	
	0256122	Ref	LIFTING PLATE INSTALLATION	1/B
301	3539590	1	Plate, Lifting	
302	0682014	4	Bolt 5/8in-11NC x 1-3/4in (Grade 8)	
303	4892000	4	Flatwasher 5/8in Hardened	
304	0100019	AR	Compound, Locking	

SECTION 2 - TURNTABLE

ITEM	PART NUMBER	QTY	DESCRIPTION	REV
305	1701500	2	Decal - Tie Down/Lift	3
	0256823	Ref	NOISE REDUCTION INSTALLATION	
401	2820078	1	Foam, Acoustical	
405	3539955	1	Plate, Baffle	
406	0641506	2	Bolt 5/16in-18NC x 3/4in	
407	4751500	2	Flatwasher 5/16in Regular	
408	0100011	AR	Compound, Locking	

SECTION 2 - TURNTABLE

FIGURE 2-18. ENGINE TRAY JACK INSTALLATION (OPTIONAL)



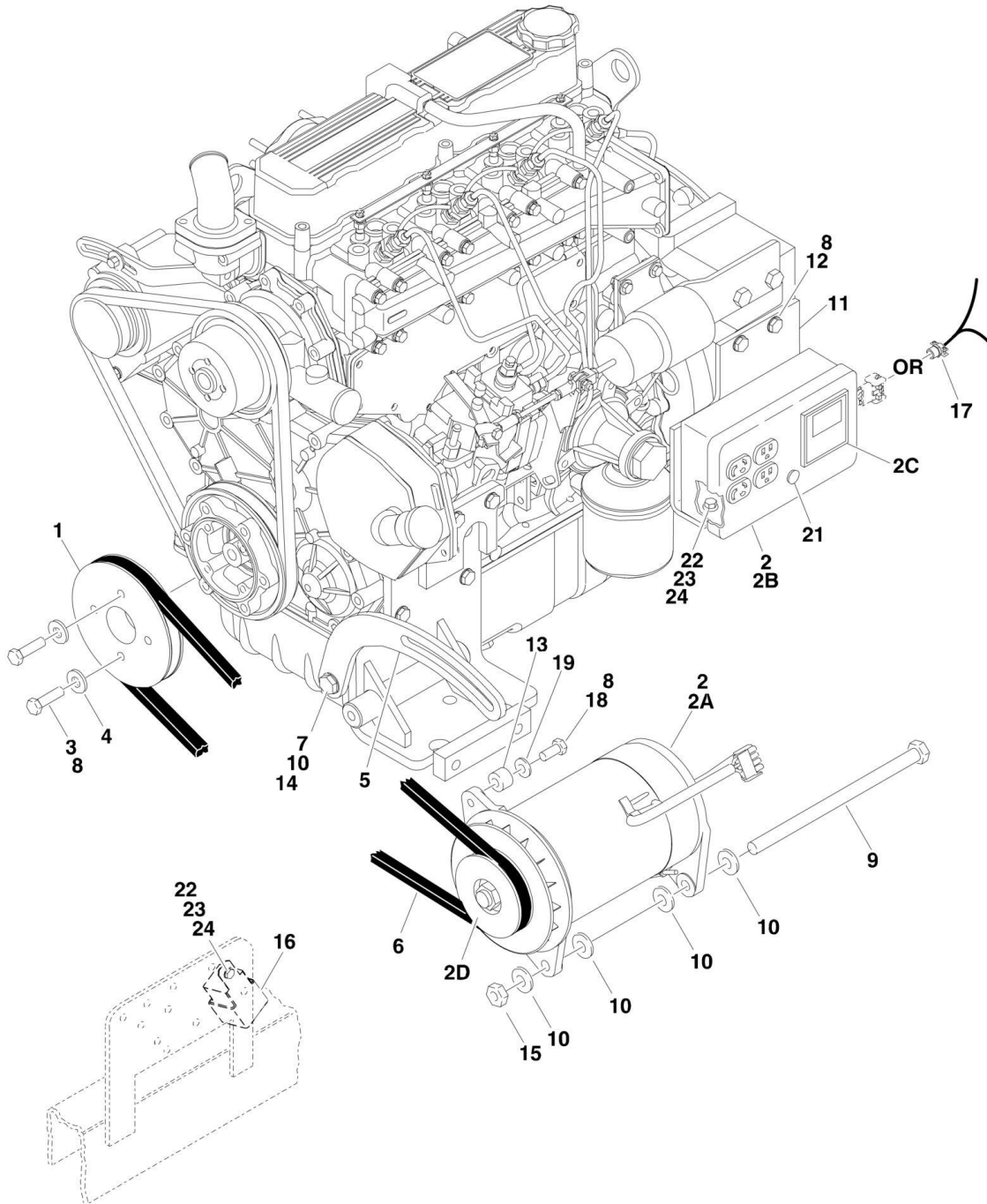
SECTION 2 - TURNTABLE

FIGURE 2-18. ENGINE TRAY JACK INSTALLATION (OPTIONAL)

ITEM	PART NUMBER	QTY	DESCRIPTION	REV
	0255881	Ref	ENGINE TRAY JACK INSTALLATION	3-G
1	3537445	1	Bracket	
2	3537446	2	Bracket	
3	2840016	1	Hydraulic Jack Assembly Options:	F
3A		Ref	Burr Manufacturing Brand	
3B		Ref	Hammerblow Corp and Cequent Brands	
3C		Ref	Handle Options:	
3C	7016374	1	Burr Manufacturing Brand	
3C	7024598	1	Hammerblow Corp and Cequent Brands	
3D	7016322	1	Wiper (Burr Manufacturing Brand Only)	
4	0962051	2	Bushing, Flanged	
5	3430816	1	Pin, Clevis	
6	4891800	1	Flatwasher 1/2in Hardened	
7	4711800	6	Flatwasher 1/2in Thin	
8	3450404	1	Pin, Cotter 1/8in x 1in	
9	0641609	4	Bolt 3/8in-16NC x 1-1/8in	
10	3311605	4	Locknut 3/8in-16NC	
11	4891600	4	Flatwasher 3/8in Hardened	
12	0641818	4	Bolt 1/2in-13NC x 2-1/4in	
13	3311805	4	Locknut 1/2in-13NC	
15	1380147	1	Clip, Spring	
22	3910608	2	Screw #6-32NC x 1in	
23	3310601	2	Nut #6-32NC	
24	4770600	2	Starwasher #6	

SECTION 2 - TURNTABLE

FIGURE 2-19. 2500W GENERATOR INSTALLATION - CATERPILLAR MACHINES (OPTIONAL)



SECTION 2 - TURNTABLE

FIGURE 2-19. 2500W GENERATOR INSTALLATION - CATERPILLAR MACHINES (OPTIONAL)

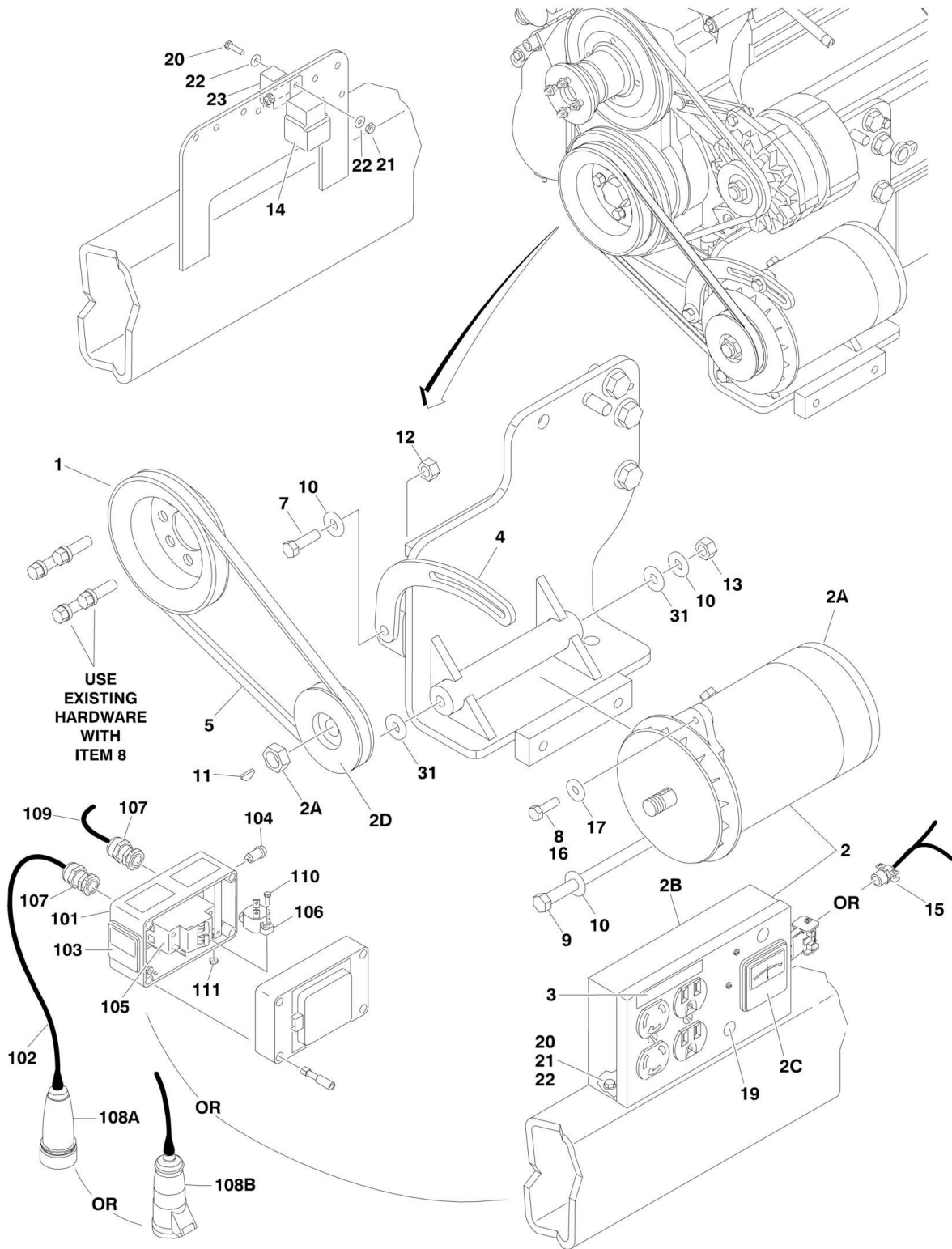
ITEM	PART NUMBER	QTY	DESCRIPTION	REV
		Ref	GENERATOR INSTALLATION OPTIONS:	
	0273518	Ref	110V/60Hz (Prior to SN 0300077490)	3-C
	0274081	Ref	110V/60Hz (SN 0300077490 through 0300128000)	1-A
	0273538	Ref	110V/50Hz (Prior to SN 0300077490)	3-C
	0274091	Ref	110V/50Hz (SN 0300077490 through 0300128000)	1-A
	0273539	Ref	220V/50Hz (Prior to SN 0300077490)	3-C
	0274087	Ref	220V/50Hz (SN 0300077490 through 0300128000)	1-A
1	3580322	1	Pulley	
2		Ref	Generator and Control Box Assembly Options:	
2	2460032	1	110V/60Hz (Prior to SN 0300077490)	
2	2460055	1	110V/60Hz (SN 0300077490 through 0300128000)	
2	2460039	1	110V/50Hz (Prior to SN 0300077490)	
2	2460057	1	110V/50Hz (SN 0300077490 through 0300128000)	
2	2460013	1	220V/50Hz (Prior to SN 0300077490)	
2	2460056	1	220V/50Hz (SN 0300077490 through 0300128000)	
2A	7012558	1	Generator - 110V/60Hz	
2A	2460049	1	Generator - 110V/50Hz	
2A	1001100321	1	Generator - 220V/50Hz	
		Ref	Note: Replacement Generators come standard with p/n 3580134 pulley. This pulley may not be correct for all applications. Refer to pulley options below.	
2A		Ref	Armature with Slip Rings Options:	
2A	7026199	1	Armature with Slip Rings for 110V/60Hz	
2A	70000122	1	Armature with Slip Rings for 110V/50Hz	
2A	70000123	1	Armature with Slip Rings for 220V/50Hz	
2A	7012513	4	Cap, Brush Holder	
2A	7020108	4	Brush	
2A	7020109	4	Holder, Brush	
2A	7012514	1	Fan	
2A	7020190	2	Bearing	
2A	7020110	1	End Bell, Front	
2A	7020111	1	End Bell, Rear	
2B	7003657	1	Box, Control - 110V/60Hz (Prior to SN 0300077490)	
2B	7019680	1	Box, Control - 110V/60Hz (SN 0300077490 through 0300128000)	
2B	70002239	1	Box, Control - 110V/50Hz (Prior to SN 0300077490)	
2B	7019680	1	Box, Control - 110V/50Hz (SN 0300077490 through 0300128000)	
2B	70000123	1	Box, Control - 220V/50Hz	
2B		Ref	Breaker, Circuit Options:	
2B	4360542	1	110V/60Hz (Prior to SN 0300077490)	
2B	4360542	1	110V/60Hz (SN 0300077490 through 0300128000)	
2B	70002240	1	110V/50Hz (Prior to SN 0300077490)	
2B	4360542	1	110V/50Hz (SN 0300077490 through 0300128000)	
2B	70000126	1	220V/50Hz	
2B	4460190	AR	Receptacle, Double (110V Box)	
2B	4460027	AR	Receptacle, Double Twist Lock (110V Box)	
2B	70000124	1	Receptacle, Double (220V Box)	
2B	70000125	1	Receptacle, Single Twist Lock (220V Box)	
2B	2920162	1	Lamp Assembly (Prior to SN 0300077490)	

SECTION 2 - TURNTABLE

ITEM	PART NUMBER	QTY	DESCRIPTION	REV
2B	7020191	1	Switch, Toggle (Prior to SN 0300077490)	
2C		Ref	Voltmeter Options:	
2C	2420203	1	110V	
2C	7020192	1	220V	
2D		Ref	Pulley Options:	
2D	3580276	1	110V/60Hz	
2D	3580134	1	110V/50Hz	
2D	3580134	1	220V/50Hz	
2D	7027887	1	Key, Woodruff	
3	0700816	4	Bolt M8 x 40mm	
4	4751900	4	Flatwasher 9/16in Regular	
5		Ref	Arm, Adjusting Options:	
5	0200742	1	Arm, Adjusting (SN 0300068000 through 0300074860)	
5	0200819	1	Arm, Adjusting (SN 0300074861 through 0300128000)	
6		Ref	V-Belt Options:	
6	0480121	1	110V/60Hz	
6	0480120	1	110V/50Hz	
6	0480120	1	220V/50Hz	
7	0641610	1	Bolt 3/8in-16NC x 1-1/4in	
8	0100011	AR	Compound, Locking	
9	0641772	1	Bolt 7/16in-14NC x 9in	
10	4751600	6	Flatwasher 3/8in Regular	
11	3574684	1	Plate, Box Mounting	
12	0701210	2	Bolt M12 x 20mm	
13		Ref	Bushing, Spacer Options:	
13	0962653	1	Bushing, Spacer (SN 0300068000 through 0300074860)	
13	0962563	1	Bushing, Spacer (SN 0300074861 through 0300128000)	
14	3311605	1	Locknut 3/8in-16NC	
15	3311705	1	Locknut 7/16in-14NC	
16	3740080	1	Relay	
17	4460023	1	Connector, Strain Relief	
18	0641508	1	Bolt 5/16in-18NC x 1in	
19	4751500	1	Flatwasher 5/16in Regular	
21	3520028	1	Plug, Hole	
22	0721006	3	Bolt #10-24NC x 3/4in	
23	3311005	3	Locknut #10-24NC	
24	4751000	6	Flatwasher #10 Regular	
25	4360336	1	Switch, Toggle (Not Shown - Located at Platform)	
26	4740397	1	Bushing (Not Shown - Located at Platform) (Prior to SN 0300074861)	
27	4060802	1	Guard, Switch (Not Shown - Located at Platform)	
28		Ref	Decal - Voltage Options (Not Shown - Located at Platform):	
28	See Note	1	110V/60Hz (Note: Not Available for Purchase.)	
28	0480120	1	110V/50Hz	
28	0480120	1	220V/50Hz	
29	2820031	4 in/10cm	Heat Shrink (Not Shown - Located at Platform)	
30	3251102	1	Decal (Not Shown - Located at Platform)	

SECTION 2 - TURNTABLE

FIGURE 2-20. 2500W GENERATOR INSTALLATION - DEUTZ MACHINES (OPTIONAL)



SECTION 2 - TURNTABLE

FIGURE 2-20. 2500W GENERATOR INSTALLATION - DEUTZ MACHINES (OPTIONAL)

ITEM	PART NUMBER	QTY	DESCRIPTION	REV
		Ref	GENERATOR INSTALLATION OPTIONS:	
	0272480	Ref	110V/60Hz Generator (ANSI, ANSI Export, CSA and Japanese Specs) (Prior to SN 0300082632)	3
	0274082	Ref	110V/60Hz Generator (ANSI, ANSI Export, CSA and Japanese Specs) (SN 0300082632 through 0300128000)	3
	0272482	Ref	110V/50Hz Generator (CE Specs) (Prior to SN 0300082632)	3
	0274090	Ref	110V/50Hz Generator (CE Specs) (SN 0300082632 through 0300128000)	1
	0273045	Ref	110V/50Hz Only (CE Spec - UK Specs Only)	1-A
	0273085	Ref	110V/50Hz Only (CE Spec - Germany Specs Only)	1-A
	0272481	Ref	220V/50Hz Generator (ANSI Export, Australian and CE Specs) (Prior to SN 0300082632)	3
	0274086	Ref	220V/50Hz Generator (ANSI Export, Australian and CE Specs) (SN 0300082632 through 0300128000)	1
1	3580158	1	Pulley	
2		Ref	Generator and Control Box Assembly Options:	
2	2460032	1	110V/60Hz (0272480 Installation) (Prior to SN 0300082632)	
2	2460055	1	110V/60Hz (0274082 Installation) (SN 0300082632 through 0300128000)	
2	2460039	1	110V/50Hz (0272482 Installation) (Prior to SN 0300082632)	
2	2460057	1	110V/50Hz (0274090 Installation) (SN 0300082632 through 0300128000)	
2	2460049	1	110V/50Hz Generator Only (0273045 & 0273085 Installations)	
2	2460013	1	220V/50Hz (0272481 Installation) (Prior to SN 0300082632)	
2	2460056	1	220V/50Hz (0274086 Installation) (SN 0300082632 through 0300128000)	
2A		Ref	Generator Options:	
2A	7012558	1	110V/60Hz	
2A	2460049	1	110V/50Hz	
2A	1001100321	1	220V/50Hz	
		Ref	Note: Replacement Generators come standard with p/n 3580134 pulley. This pulley may not be correct for all applications. Refer to pulley options below.	
2A		Ref	Armature with Slip Rings Options:	
2A	7026199	1	Armature with Slip Rings for 110V/60Hz	
2A	70000122	1	Armature with Slip Rings for 110V/50Hz	
2A	70000123	1	Armature with Slip Rings for 220V/50Hz	
2A	7020109	4	Brush Holder	
2A	7020108	4	Brush	
2A	7012513	4	Cap, Brush Holder	
2A	7012514	1	Fan	
2A	7020190	2	Bearing	
2A	7020110	1	End Bell, Front	
2A	7020111	1	End Bell, Rear	
2B		Ref	Box, Control Options:	
2B	7003657	1	110V/60Hz - 2460032 Generator	
2B	7019680	1	110V/60Hz - 2460055 Generator	
2B	70002239	1	110V/50Hz - 2460039 Generator	
2B	7019680	1	110V/50Hz - 2460057 Generator	
2B	70002235	1	220V/50Hz - 2460013 Generator	
2B	70000127	1	220V/50Hz - 2460056 Generator	
2B		Ref	Breaker, Circuit Options:	

SECTION 2 - TURNTABLE

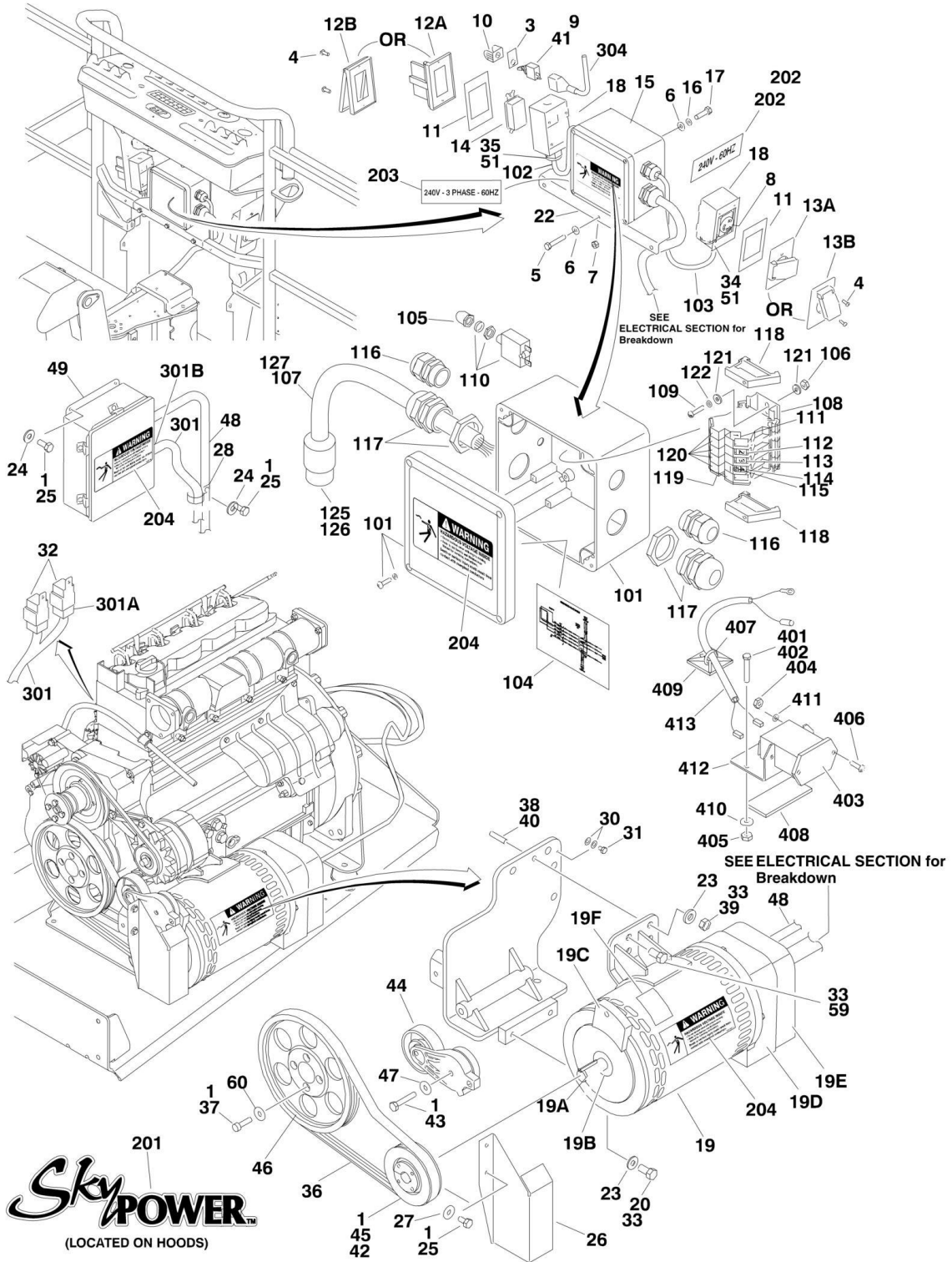
ITEM	PART NUMBER	QTY	DESCRIPTION	REV
2B	4360542	1	110V/60Hz - 2460032 & 2460055 Generators	
2B	70002240	1	110V/50Hz - 2460039 Generator	
2B	4360542	1	110V/50Hz - 2460057 Generator	
2B	70000126	1	220V/50Hz - 2460013 & 2460056 Generators	
2B	4460190	AR	Receptacle, Double (110V Box)	
2B	4460027	AR	Receptacle, Double Twist Lock (110V Box)	
2B	70000124	1	Receptacle, Double (220V Box)	
2B	70000125	1	Receptacle, Single Twist Lock (220V Box)	
2B	2920162	1	Lamp Assembly (Prior to SN 0300082632)	
2B	7020191	1	Switch, Toggle (Prior to SN 0300082632)	
2C		Ref	Voltmeter Options:	
2C	2420203	1	110V	
2C	7020192	1	220V	
2D		Ref	Pulley Options:	
2D	3580276	1	110V/60Hz	
2D	3580134	1	110V/50Hz	
2D	3580134	1	220V/50Hz	
2D	7027887	1	Key, Woodruff	
3	3251243	1	Decal - 120V/60Hz (0274082 Installation) (ANSI Spec Only) (SN 0300094421 through 0300128000)	
4		Ref	Arm, Adjusting Options:	
4	0200742	1	0272480, 0274082, 0272482, 0274090, 0272481 & 0274086 Installations	
4	0200741	1	0273045 & 0273085 Installations	
5		Ref	V-Belt Options:	
5	0480121	1	0272480, 0274082, 0272482, 0274090, 0272481 & 0274086 Installations	
5	0480120	1	0273045 & 0273085 Installations	
7	0641610	1	Bolt 3/8in-16NC x 1-1/4in	
8	0100011	AR	Compound, Locking	
9	0641772	1	Bolt 7/16in-14NC x 9in	
10	4751600	6	Flatwasher 3/8in Regular	
11	2860012	1	Key, Woodruff	
12	3311605	1	Locknut 3/8in-16NC	
13	3311705	1	Locknut 7/16in-14NC	
14	3740080	1	Relay	
15	4460023	1	Connector, Strain Relief (Prior to SN 0300094421)	
16	0641508	1	Bolt 5/16in-18NC x 1in	
17	4751500	AR	Flatwasher 5/16in Regular	
19	3520028	1	Plug, Hole	
20	0721006	4	Bolt #10-24NC x 3/4in	
21	3311005	4	Locknut #10-24NC	
22	4751000	9	Flatwasher #10 Regular	
23	4360294	1	Breaker, Circuit - 30 Amp	
25	4360336	1	Switch, Toggle (Not Shown - Located at Platform)	
26	4740397	1	Bushing (Not Shown - Located at Platform)	
27	4060802	1	Guard, Switch (Not Shown - Located at Platform)	
28		Ref	Decal Options (Not Shown - Located on Turntable):	
28	1705715	1	Decal - 115VAC - 50Hz (0273085 Installation)	
28	1705714	1	Decal - Danger (0273045 & 0273085 Installations)	
28	1705325	1	Decal - 120V - 50Hz (0272482, 0274090 & 0273085 Installations)	

SECTION 2 - TURNTABLE

ITEM	PART NUMBER	QTY	DESCRIPTION	REV
28	3252507	1	Decal - 220V - 50/60Hz (0272481 & 0274086 Installation)	
29	2820031	4 in/ 10cm	Heat Shrink (Not Shown - Located at Platform)	
30		Ref	Decal, Generator ON/OFF Options (Not Shown - Located at Platform):	
30	3251102	1	Decal - 0272480, 0274082, 0272482, 0274090, 0272481 & 0274086 Installations	
30	1705728	1	Decal - 0273045 & 0273085 Installations	
31	4070585	AR	Shim (SN 0300094421 through 0300128000)	
		Ref	GENERATOR CONTROL BOX ASSEMBLY (0273045 & 0273085 INSTALLATIONS ONLY)	
	0861599	Ref	UK Spec	A
	0861607	Ref	German Spec	A
101	0861602	1	Box, Control	
102	1060461	20 ft/ 6m	Cable Electrical 12/3	
103	2420203	1	Voltmeter	
104	2920162	1	Lamp	
105		Ref	Breaker Circuit Options:	
105	4360541	1	Breaker Circuit (UK Spec)	
105	4360540	1	Residual Current Device (German Spec)	
106	4360542	1	Breaker Circuit 20 Amp	
107	4460968	2	Connector, Strain Relief	
108		Ref	Plug Options:	
108A	4460991	1	Plug, Female (UK Spec)	
108B	4460999	1	Plug, Terminal (German Spec)	
109	4922912	1	Harness	
110	0721005	2	Screw #10 x 5/8	
111	3311001	2	Nut #10	

SECTION 2 - TURNTABLE

FIGURE 2-21. 7500W SKYPOWER GENERATOR INSTALLATION



SECTION 2 - TURNTABLE

FIGURE 2-21. 7500W SKYPOWER GENERATOR INSTALLATION

ITEM	PART NUMBER	QTY	DESCRIPTION	REV
		Ref	7500W SKYPOWER GENERATOR INSTALLATION	
	0273540	Ref	60Hz and Caterpillar Engine	H
	0272255	Ref	60Hz and Deutz Engine	J
	0273541	Ref	50Hz Spec and Caterpillar Engine	H
	0272492	Ref	50Hz Spec and Deutz Engine	I
		Ref	Note: SkyPower Generator is Standard On ANSI and CSA Specs. Optional on All Other Specs.	
		Ref	Note: See ELECTRICAL SECTION for Boom Cable Installation.	
1	0100011	AR	Compound, Locking	
3	3252764	1	Nameplate	
4	3910606	8	Screw #6-32NC x 3/8in (60Hz Spec Only)	
5	0641516	3	Bolt 5/16in-18NC x 2in	
6		Ref	Flatwasher Options:	
6	4711500	10	Caterpillar Engine (Flatwasher 5/16in Thin)	
6		Ref	Deutz Engine:	
6	4711500	10	Flatwasher 5/16in Thin (Prior to SN 0300108558)	
6	4751500	7	Flatwasher 5/16in Regular (SN 0300108558 through 0300128000)	
7		Ref	Hardware Options:	
7	3311505	3	Caterpillar Engine (Locknut 5/16in-18NC)	
7		Ref	Deutz Engine:	
7	3311505	3	Locknut 5/16in-18NC (Prior to SN 0300108558)	
7	3311508	3	Nut 5/16in-18NC (SN 0300108558 through 0300128000)	
8		Ref	Receptacle, Female Twist-Lock Options:	
8	4460958	1	60Hz Spec	
8	See Note	NLA	50Hz Spec (Note: Not Available - Purchase Locally.)	
9	4360336	1	Switch, Toggle	
10	4060802	1	Guard, Switch	
11		Ref	Gasket Options:	
11	3960422	2	60Hz Spec	
11	See Note	NLA	50Hz Spec (Note: Not Available - Purchase Locally.)	
12		Ref	Cover, Receptacle Options:	
12A	4060700	1	60Hz Spec Side Hinged	
12B	1001110873	1	60Hz Spec Top Hinged	
12C	See Note	NLA	50Hz Spec (Note: Not Available - Purchase Locally.) (Not Shown)	
13		Ref	Cover, Receptacle Options:	
13A	4061043	1	60Hz Spec Side Hinged	
13B	1001110872	1	60Hz Spec Top Hinged	
13C	See Note	NLA	50Hz Spec (Note: Not Available - Purchase Locally.)	
14		Ref	Receptacle Options:	
14	4460346	1	60Hz Spec	
14	See Note	NLA	50Hz Spec (Note: Not Available - Purchase Locally.)	
15		Ref	Junction Box Assembly Options (See Items 201-222 for Breakdown):	
15	0861542	1	60Hz Spec	
15	0861567	1	50Hz Spec	
16	4761500	AR	Lockwasher 5/16	
17		Ref	Bolt Options:	
17	0641505	4	Caterpillar Engine (Bolt 5/16in-18NC x 5/8in)	

SECTION 2 - TURNTABLE

ITEM	PART NUMBER	QTY	DESCRIPTION	REV
17		Ref	Deutz Engine:	
17	0641505	4	Bolt 5/16in-18NC x 5/8in (Prior to SN 0300108558)	
17	0641508	4	Bolt 5/16in-18NC x 1in (SN 0300108558 through 0300128000)	
18		Ref	Box, Switch Options:	
18	0860038	2	60Hz Spec	
18	See Note	NLA	50Hz Spec (Note: Not Available - Purchase Locally.)	
19		Ref	Generator Assembly Options:	
19	2460050	1	Caterpillar Engine	
19	2460048	1	Deutz Engine	
19	70001100	1	Rotor (Includes p/n 70001384 & 70000863) (Not Shown)	
19	70001384	1	Bearing, Ball Radial (Not Shown)	
19	70000863	1	Fan (Not Shown)	
19		Ref	Stator Options (Not Shown):	
19	70001969	1	2460050 Generator	
19	70002088	1	2460048 Generator	
19	70002297	1	Stud	
19	70003631	1	Brushholder Assembly (Not Shown) (was p/n 7024484)	
19A	70004171	1	Key (was p/n 7024561)	
19B	70001966	1	Bearing, Ball Radial (Located in Belt Tensioner Endbell)	
19C	70001953	1	Endbell, Belt Tensioner	
19D		Ref	Endbell, Brush Block Options (was p/n 70001385):	
19D	70004170	1	Caterpillar Engine Machines	
19D	70004169	1	Deutz Engine Machines	
19E		Ref	Shroud Options:	
19E	70004170	1	Caterpillar Engine (was p/ns 70001970 & 70001971)	
19E	70004169	1	Deutz Engine (was p/n 70002290)	
19E	7027799	1	Block, Connector 6 Position (Not Shown)	
19E	70002460	1	Nut, Brass (Attaches p/n 7027799 to Cover) (Not Shown)	
19E	7024485	1	Breaker, Circuit 30Amp (Not Shown)	
19E	70001696	1	Boot, Breaker (was p/n 7024486 - Not Shown)	
19E	7026597	1	Connector, With Leads (Not Shown)	
19E	7026188	1	Clamp, Cable (Not Shown)	
19E	70003708	1	Retaining Ring Internal (Not Shown)	
19E	70003709	1	Retaining Ring External (Not Shown)	
19E		Ref	Plate, End Panel Options:	
19E	70004170	1	Caterpillar Engine (was p/n 70001972)	
19E	70004169	1	Deutz Engine (was p/n 70002255)	
19E	70001974	1	Decal - Terminal Connections	
19F	70001973	1	Decal - Warning Moving Parts	
20	0641808	2	Bolt 1/2in-13NC x 1in	
22	0902888	1	Bracket, Box Mounting	
23	4711800	3	Flatwasher 1/2in Thin	
24	4711400	5	Flatwasher 1/4in Thin	
25	0641404	7	Bolt 1/4in-20NC x 1/2in	
26	4061049	1	Shield	
27	4751400	2	Flatwasher 1/4in Regular	
28	1320224	AR	Clamp	
29	4240018	AR	Tie-Strap (Not Shown)	
30	4791400	2	Starwasher 1/4in	
31		Ref	Bolt Options (Deutz Engine Only):	
31	0641403	1	Bolt 1/4in-20NC x 3/8in (Prior to SN 0300108558)	

SECTION 2 - TURNTABLE

ITEM	PART NUMBER	QTY	DESCRIPTION	REV
31	0641404	1	Bolt 1/4in-20NC x 1/2in (SN 0300108558 through 0300128000)	
32	3740080	2	Relay	
33	0100019	AR	Compound, Locking	
34	4460051	1	Connector, Strain Relief	
35	4460071	1	Connector, Strain Relief	
36		Ref	Belt, Drive Options:	
36	0480129	1	Caterpillar Engine with 60Hz Generator	
36	0480125	1	Caterpillar Engine with 50Hz Generator	
36	0480129	1	Deutz Engine with 60Hz Generator	
36	0480126	1	Deutz Engine with 50Hz Generator	
37		Ref	Bolt, Metric Options:	
37	0700815	4	Caterpillar Engine (Bolt M8 x 35mm)	
37	4032015	4	Deutz Engine (Capscrew M10 x 55mm)	
38	4300157	1	Stud	
39	3311801	1	Nut 1/2in-13NC	
40	0100062	1	Loctite #RC680	
41	2820031	1	Insulator	
42	0962520	1	Bushing, Split Taper	
43		Ref	Bolt 3/8in-16NC x 2-1/4in Options:	
43		Ref	Caterpillar Engine:	
43	3931632	1	Socket Head Capscrew (Prior to SN 0300097054)	
43	0641618	1	Hex Head Bolt (SN 0300097054 through 0300128000)	
43	0641618	1	Deutz Engine (Hex Head Bolt)	
44	3580317	1	Tensioner, Belt	
45		Ref	Pulley Options:	
45	3580318	1	60Hz Generator	
45	3580319	1	50Hz Generator	
46		Ref	Pulley Options:	
46	3580321	1	Caterpillar Engine	
46	3580320	1	Deutz Engine	
47	4711600	1	Flatwasher 3/8in Thin	
48	4922925	1	Harness, Generator	
49		Ref	Control Box Assembly Options: (was p/n 7024487):	
49	0861538	1	60Hz Control Box Assembly	
49	0861572	1	50Hz Control Box Assembly	
49	7024488	1	Card, Circuit - Generator Power	
49	See Note	1	Fuse (Note: Not Available - Purchase Locally.)	
49	7024489	1	Card, Circuit - Control	
		Ref	Note: Same Circuit Card is used for both 60Hz & 50Hz. When replacing card, rocker switch on card must be set for required application.	
49	70000619	1	Harness, Circuit Card	
51	0100020	AR	Loctite #567 (Deutz Engine Only)	
59	0771415	1	Bolt M14 x 35mm - Deutz Engine Only (SN 0300095355 through 0300128000)	
60	4811900	4	Flatwasher M8 (Caterpillar Engine Only)	
		Ref	JUNCTION BOX ASSEMBLY	
	0861542	Ref	60Hz Spec	C
	0861567	Ref	50Hz Specs	B
101	0861541	1	Box, Junction	
102		Ref	Cable, Electrical 12/3	

SECTION 2 - TURNTABLE

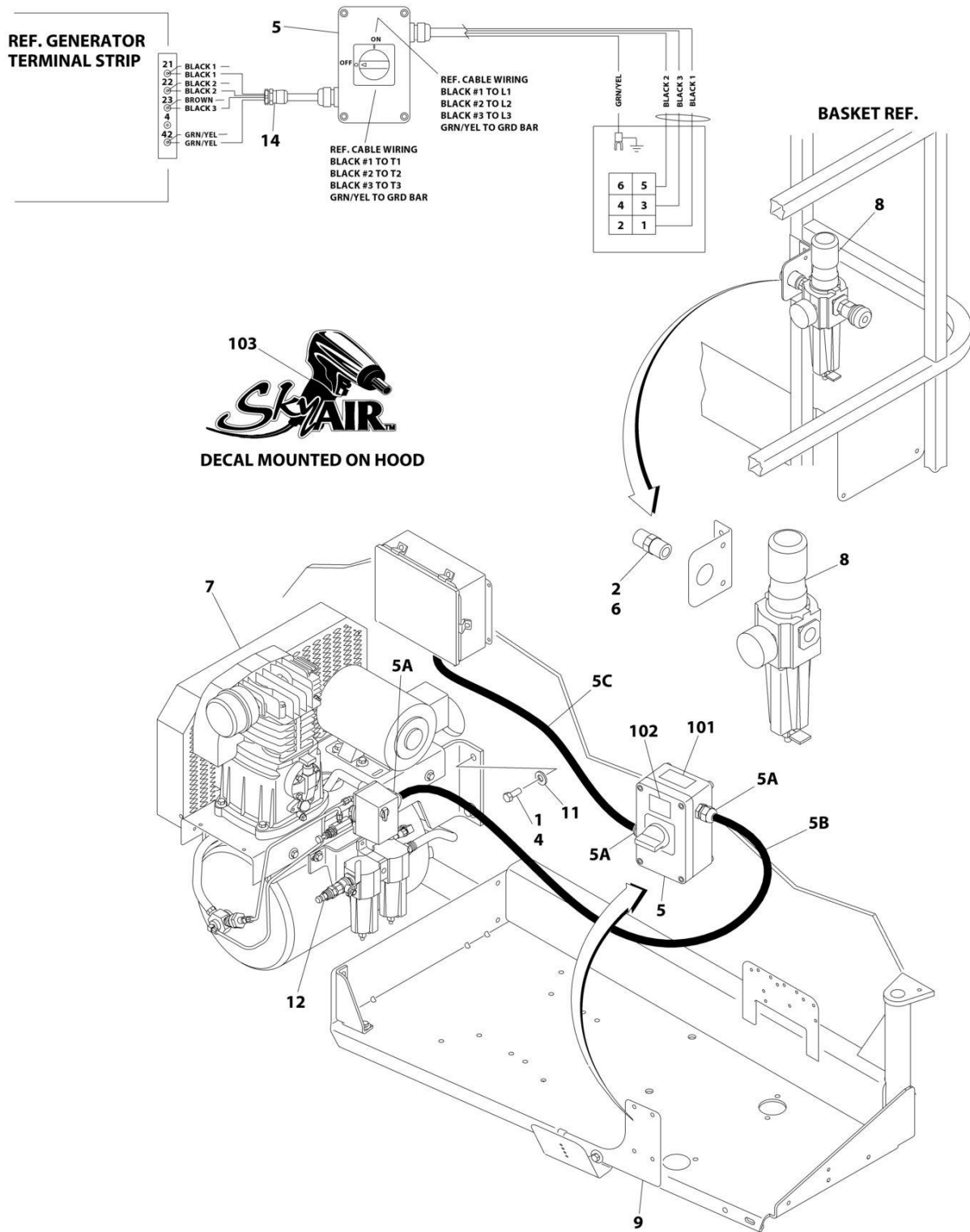
ITEM	PART NUMBER	QTY	DESCRIPTION	REV
102	1060494	2 ft/.6m	60Hz Spec	
102	See Note	2 ft/.6m	50Hz Spec (Note: Not Available - Purchase Locally.)	
103		Ref	Cable, Electrical 10/3	
103	1060708	2.5 ft/.8m	60Hz Spec	
103	See Note	2.5 ft/.8m	50Hz Spec (Note: Not Available - Purchase Locally.)	
104	1705376	1	Decal - Wiring Schematic	
105	3300396	1	Cover, Fuse	
106	3310601	2	Nut 6-32NC	
107		Ref	Cable, Electrical 10/4 Options:	
107	1060343	1.5 ft/.5m	60Hz Spec	
107	Not Required	0	50Hz Spec	
108	3641533	1	Rail, Relay	
109	3910610	2	Bolt 6-32NC x 5/8in	
110	4360070	1	Circuit Breaker - 15 Amp	
111	4460411	2	Marker Strip #1	
112	4460412	4	Marker Strip #2	
113	4460413	2	Marker Strip #3	
114	4460414	2	Marker Strip #4	
115	4460415	4	Marker Strip #5	
116	4460425	2	Strain Relief, Terminal	
117	4460426	2	Connector, Strain Relief	
118	4460607	2	Terminal, End Stop	
119	4460956	1	Terminal, Block End	
120	4460957	7	Terminal, Block	
121	4750600	4	Flatwasher, #6 Regular	
122	4760600	2	Lockwasher #6	
123	4461001	2	Connector, Terminal (Not Shown - Located on Terminal Block)	
125	1671092	AR	Cover Options:	
125	1671092	1	60Hz Spec	
125	Not Required	0	50Hz Spec	
126		Ref	Connector Options:	
126	4460963	1	60Hz Spec	
126	Not Required	0	50Hz Spec	
127	3520189	1	Plug (50Hz Spec Only)	
		Ref	DECAL INSTALLATION	
	0272435	Ref	60Hz Spec	B
	0272589	Ref	50Hz Specs	A
201	1705460	2	Decal - SkyPower	
202	1705374	1	Decal - 240V - 60Hz (60Hz Spec Only)	
203		Ref	Decal - 240V - 3 Phase Options	
203	1705375	1	60Hz Spec	
203	1705461	1	50Hz Spec	
204		Ref	Decal, Hazardous Voltage Option	
204	1705387	3	60Hz Spec	
204	1705489	3	50Hz Spec	
	4933264	Ref	ELECTRICAL DIAGRAM COMPONENTS	C
301	4922757	1	Generator Harness	2-B
301A	4460374	2	Plug, Sealed Relay	
301A	4460375	7	Terminal	
301B	4460967	1	Plug, Male - 3 Position	
301B	4460465	3	Socket, Female	

SECTION 2 - TURNTABLE

ITEM	PART NUMBER	QTY	DESCRIPTION	REV
301C	2400060	1	Fuseholder (Not Shown)	A
301C	2400064	1	Fuse - 5 Amp (Not Shown)	
304	4922641	1	Switch Harness	
	1001094475	Ref	HOURMETER INSTALLATION (OPTIONAL)	
401	0100011	AR	Compound, Locking	
402	0720808	1	Screw #8-32 x 1in	
403	2420165	1	Hourmeter	
404	3310604	2	Nut #6-32	
405	3310805	1	Locknut #8-32	
406	3910608	2	Screw #6-32 x 1/2in	
407	4240032	4	Strap, Tie	
408	4420060	3 in/7cm	Tape, Double-Sided	
409	4460234	3	Mount, Tie Strap	
410	4750800	1	Flatwasher #8 Regular	
411	4760600	2	Lockwasher #6	
412	1001094375	1	Bracket, Hourmeter	
413	1001094509	1	Harness, Hourmeter	

SECTION 2 - TURNTABLE

FIGURE 2-22. SKYAIR AIR COMPRESSOR INSTALLATION



ART_0273450

SECTION 2 - TURNTABLE

FIGURE 2-22. SKYAIR AIR COMPRESSOR INSTALLATION

ITEM	PART NUMBER	QTY	DESCRIPTION	REV
	0273450	Ref	SKYAIR AIR COMPRESSOR INSTALLATION	D
		Ref	Note: ANSI, ANSI Export, China and CSA Specs Only.	
		Ref	Note: Only Available on 60Hz Machines.	
1	0100019	AR	Compound, Locking	
2	0100020	AR	Sealant	
4	0641810	4	Bolt 1/2 x 1-1/4	
5	0861642	1	Control Box Assembly	
5A	4460633	3	Connector, Strain Relief	
5B	70002948	AR	Cable, Electrical - 12/4 (13ft/4m)	
5C	70002948	AR	Cable, Electrical - 12/4 (30in/76cm)	
6	2220252	1	Fitting, Adapter	
7	3600386	1	Compressor Assembly (See AIR COMPRESSOR ASSEMBLY for Breakdown)	
8	3720021	1	Filter/Regulator Assembly	
8	7027781	1	Service Kit (Includes Gaskets and Seals)	
8	7027782	1	Filter	
8	7027784	1	Gauge	
8	7027783	1	Valve, Drain	
9	4340747	1	Bracket, Control Box	
11	4751800	4	Washer 1/2	
12	2220750	1	Fitting	
14	4460428	1	Connector, Strain Relief	
	0273687	Ref	DECAL INSTALLATION	A
101	1705836	1	Decal - Hazard Voltage	
102	1705837	1	Decal - Air Compressor	
103	1705886	2	Decal - SkyAir	

SECTION 2 - TURNTABLE

FIGURE 2-23. AIR COMPRESSOR ASSEMBLY

ITEM	PART NUMBER	QTY	DESCRIPTION	REV
	3600386	Ref	AIR COMPRESSOR ASSEMBLY	B
1	7026632	1	Tank	
2	See Note	1	Bracket, Mounting (Note: Not Available for Purchase)	
3	See Note	1	Bracket, Mounting (Note: Not Available for Purchase)	
4	See Note	1	Bracket, Regulator Mounting (Note: Not Available for Purchase)	
5	See Note	1	Deck (Note: Not Available for Purchase)	
6	See Note	2	Plug (Note: Not Available for Purchase)	
7	7026633	1	Valve, Drain	
8	7026634	1	Valve, Check	
9	7026635	1	Valve, Safety	
10	7026636	1	Pump Assembly	
10	7026659	1	Gasket and Seal Kit	
10A	7026651	1	Plug, Oil Drain	
10B	7026652	1	Gauge, Oil Sight	
10C	7026653	1	Bearing	
10D	7026654	1	Cap, Oil Fill	
10E	7026655	1	Bearing	
10F	7026656	1	Seal	
11	7026637	1	Motor Assembly	
11	See Note	1	Brush Kit (Note: Not Available for Purchase)	
12	See Note	1	Screen, Inner (Note: Not Available for Purchase)	
13	See Note	1	Guard, Belt (Note: Not Available for Purchase)	
14	See Note	2	Support (Note: Not Available for Purchase)	
15	See Note	1	Bushing (Note: Not Available for Purchase)	
16	4751600	18	Washer 3/8	
17	4761600	10	Washer 3/8	
18	0641506	4	Bolt 5/16 x 3/4	
19	0641406	8	Bolt 1/4 x 3/4	
20	See Note	1	Bushing (Note: Not Available for Purchase)	
21	0641610	10	Bolt 3/8 x 1-1/4	
22	0641616	4	Bolt 3/8 x 2	
23	See Note	10	Bolt 1/4 x 1/2 (Note: Not Available for Purchase)	
24	See Note	4	Fitting (Note: Not Available for Purchase)	
25	See Note	1	Fitting, Barbed (Note: Not Available for Purchase)	
26	3311605	4	Nut 3/8	
27	See Note	1	Fitting, Compression (Note: Not Available for Purchase)	
28	See Note	1	Bracket, Mounting (Note: Not Available for Purchase)	
29	7026660	1	Filter, Oil Removal	
30	7026661	1	Filter, Water Removal	
31	70001663	1	Valve, Ball Shut-Off	
32	See Note	1	Bushing (Note: Not Available for Purchase)	
33	See Note	1	Fitting, Barbed (Note: Not Available for Purchase)	
34	See Note	2	Screw 1/4 x 1 (Note: Not Available for Purchase)	
35	3311405	2	Nut 1/4	
36	See Note	1	Unloader (Note: Not Available for Purchase)	
37	See Note	1	Fitting (Note: Not Available for Purchase)	
38	See Note	1	Pulley (Note: Not Available for Purchase)	
39	7026638	1	Switch, Pressure	
40	7026639	1	Valve, Pilot	
41	7026640	1	Gauge	

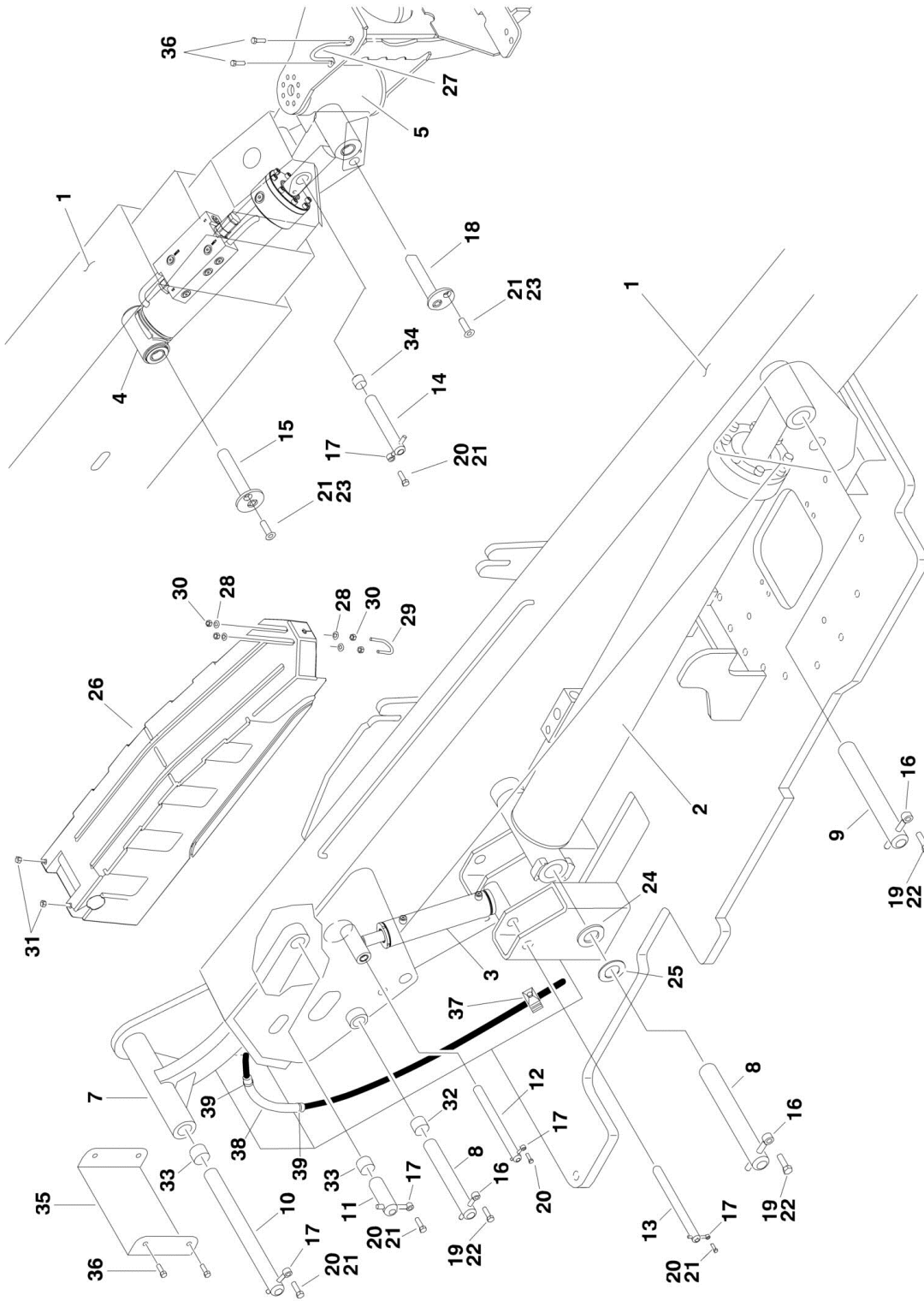
SECTION 2 - TURNTABLE

ITEM	PART NUMBER	QTY	DESCRIPTION	REV
42	See Note	1	Hose (Note: Not Available for Purchase)	
43	See Note	1	Tube, Feed (Note: Not Available for Purchase)	
44	See Note	1	Tube (Note: Not Available for Purchase)	
45	See Note	1	Tube (Note: Not Available for Purchase)	
46	See Note	1	Aftercooler (Note: Not Available for Purchase)	
47	See Note	2	Clamp (Note: Not Available for Purchase)	
48	See Note	2	Clamp (Note: Not Available for Purchase)	
49	See Note	1	Harness, Wiring (Note: Not Available for Purchase)	
50	7026658	1	Filter Assembly	
50	7026641	1	Element, Filter	
51	See Note	23 oz	Oil, Compressor (Note: Not Available for Purchase) (Not Shown)	
52	0100020	AR	Sealant (Not Shown)	
53	See Note	1	Key (Note: Not Available for Purchase)	
54	See Note	2	Setscrew (Note: Not Available for Purchase)	
55	See Note	2	Cover, Clamp End (Note: Not Available for Purchase)	
56	7026642	1	Belt	
57	7026643	1	Decal - Unit Warning	
58	7026644	1	Decal - Pressure Switch Warning	
59	7026645	1	Decal - Drain Tank Warning	
60	7026646	1	Decal - Compressor Maintenance	
61	7026647	1	Decal - Initial Oil Fill	
62	7026648	1	Decal - Hot Surfaces Warning	
63	7026649	1	Decal - Paper Element Cleaning	
64	7026650	1	Decal - Dual Control	

SECTION 3 - BOOM

SECTION 3 - BOOM

FIGURE 3-1. BOOM INSTALLATION - 600SC



SECTION 3 - BOOM

FIGURE 3-1. BOOM INSTALLATION - 600SC

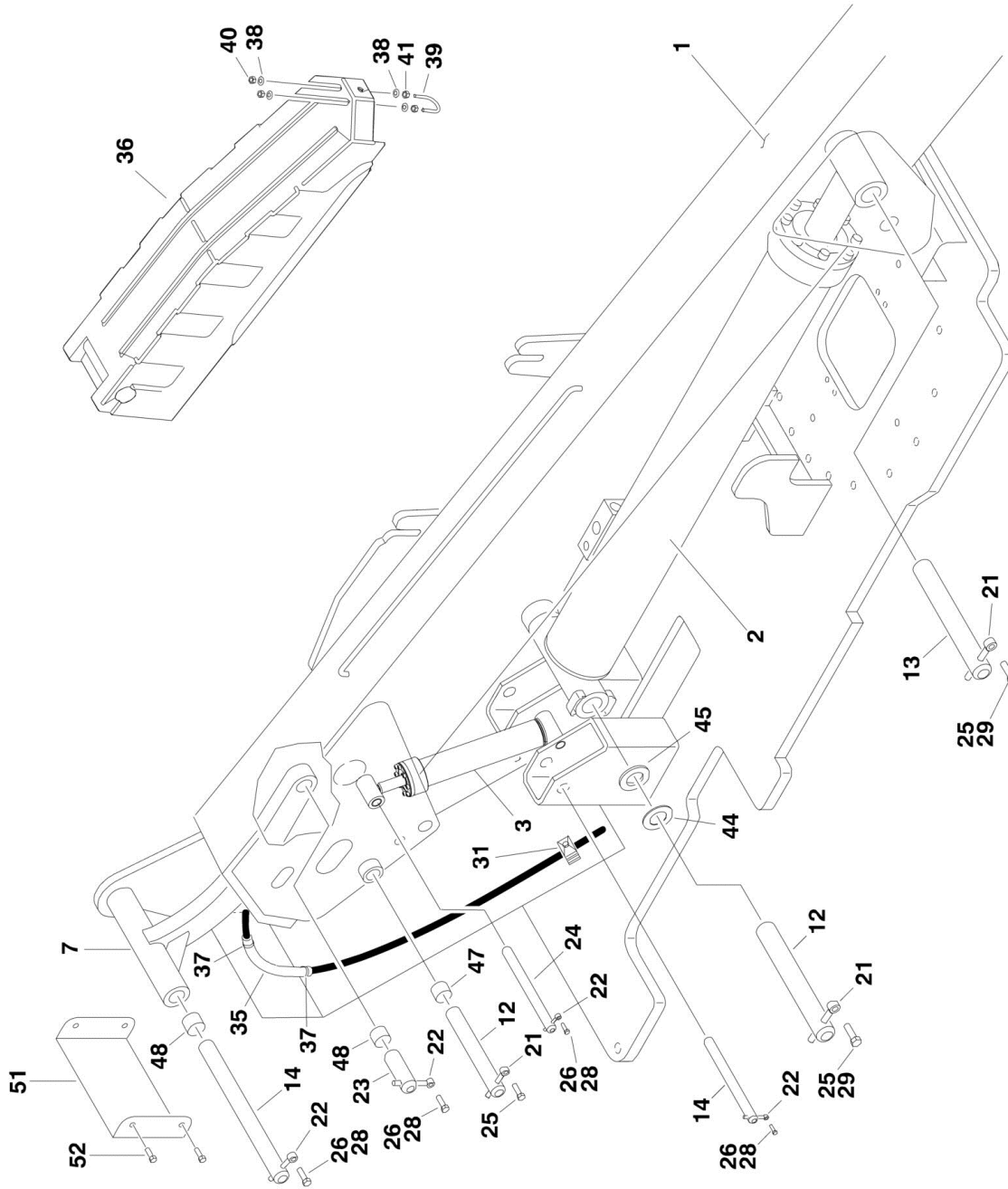
ITEM	PART NUMBER	QTY	DESCRIPTION	REV
		Ref	BOOM AND CYLINDERS INSTALLATIONS - 600SC	
	0272138	Ref	ANSI and ANSI Export Specs	4
	0272136	Ref	Australian and CE Specs	5
1		Ref	Boom Assembly - 600SC Options:	
1		Ref	ANSI and ANSI Export Specs Options (See MAIN BOOM ASSEMBLIES - ANSI AND ANSI EXPORT SPECS for Breakdown):	
1	0801385	1	Boom Assembly (Prior to SN 0300097054)	
1	0801483	1	Boom Assembly (SN 0300097054 through 0300128000)	
1		Ref	Australian and CE Specs Options (See MAIN BOOM ASSEMBLIES - AUSTRALIAN AND CE SPECS for Breakdown):	
1	0801384	1	Boom Assembly (Prior to SN 0300097054)	
1	0801479	1	Boom Assembly (SN 0300097054 through 0300128000)	
2	1683666	NLA	Lift Cylinder Assembly (Use p/n 1001112468) (See CYLINDER SECTION for Breakdown):	
3		Ref	Master Cylinder Assembly Options (See CYLINDER SECTION for Breakdown):	
3	1683266	NLA	Master Cylinder Assembly (Use p/n 1001228002) (Original Equipment) (Prior to SN 0300097054)	
3	1001228002	1	Master Cylinder Assembly (Service Replacement)	
3	1684414	1	Master Cylinder Assembly (SN 0300097054 through 0300128000)	
4	1683415	NLA	Platform Level Cylinder Assembly (Use p/n 1001228008) (See CYLINDER SECTION for Breakdown) (Original Equipment)	
4	1001223512	NLA	Platform Level Cylinder Assembly (Use p/n 1001228008) (See CYLINDER SECTION for Breakdown) (Service Replacement)	
4	1001228008	1	Platform Level Cylinder Assembly (See CYLINDER SECTION for Breakdown) (Service Replacement)	
5	0060067	1	Rotator Assembly (See ROTATOR ASSEMBLIES for Breakdown)	
		Ref	Note: Torque Nut on Bottom of Rotator to 480 Ft Lbs when Reassembling.	
7	4844944	1	Weldment, Push Link	
8	3422564	2	Pin	
9		Ref	Pin Options:	
9	3422568	1	Pin (Prior to SN 0300097054)	
9	3423184	1	Pin (SN 0300097054 through 0300128000)	
10	3422566	1	Pin	
11	3422557	1	Pin	
12		Ref	Pin Options:	
12	3422567	1	Pin (Prior to SN 0300097054)	
12	3422563	1	Pin (SN 0300097054 through 0300128000)	
13	3422565	1	Pin	
14	3422562	1	Pin	
15	3422569	1	Pin	
16	3841258	3	Keeper, Pin	
17	3841143	5	Keeper, Pin	
18	3422580	1	Pin	
19	0642012	3	Bolt 5/8in-11NC x 1-1/2in	
20	0641608	5	Bolt 3/8in-16NC x 1in	
21	0100011	AR	Compound, Locking	

SECTION 3 - BOOM

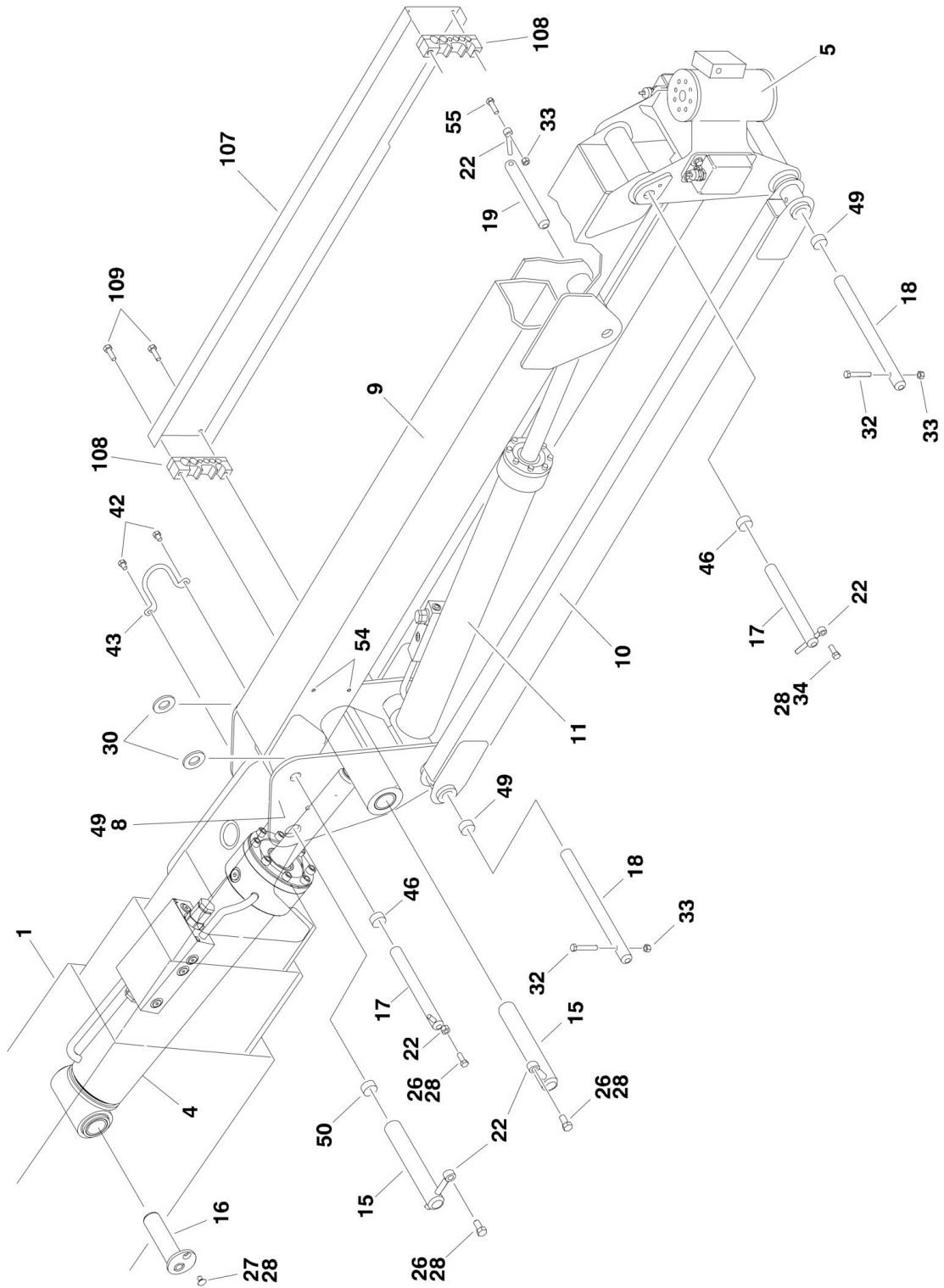
ITEM	PART NUMBER	QTY	DESCRIPTION	REV
22	0100019	AR	Compound, Locking	
23	0741607	2	Screw, Countersunk 3/8in-16NC x 7/8in	
24	4740314	AR	Thrustwasher	
25	4740158	AR	Thrustwasher	
26	1671055	NLA	Cover, Boom End (Use p/n 1001148925)	
27	3841340	1	Clamp, Loop	
28	4751400	4	Flatwasher 1/4in Regular	
29	0630458	1	U-Bolt	
30	3311402	4	Nut, Jam 1/4in-20NC	
31	3311401	2	Locknut 1/4in-20NC	
32	0961950	2	Bushing	
33	0962006	3	Bushing	
33	0961951	2	Bushing	
35	3539563	1	Cover	
36	0641604	6	Bolt 3/8in-16NC x 1/2in	
37	1320235	1	Clamp, Staff	
38	4100033	2 ft/.3m	Sleeve	
39	4240033	AR	Tie-Strap	

SECTION 3 - BOOM

FIGURE 3-2. BOOM INSTALLATION - 660SJC



SECTION 3 - BOOM



SECTION 3 - BOOM

FIGURE 3-2. BOOM INSTALLATION - 660SJC

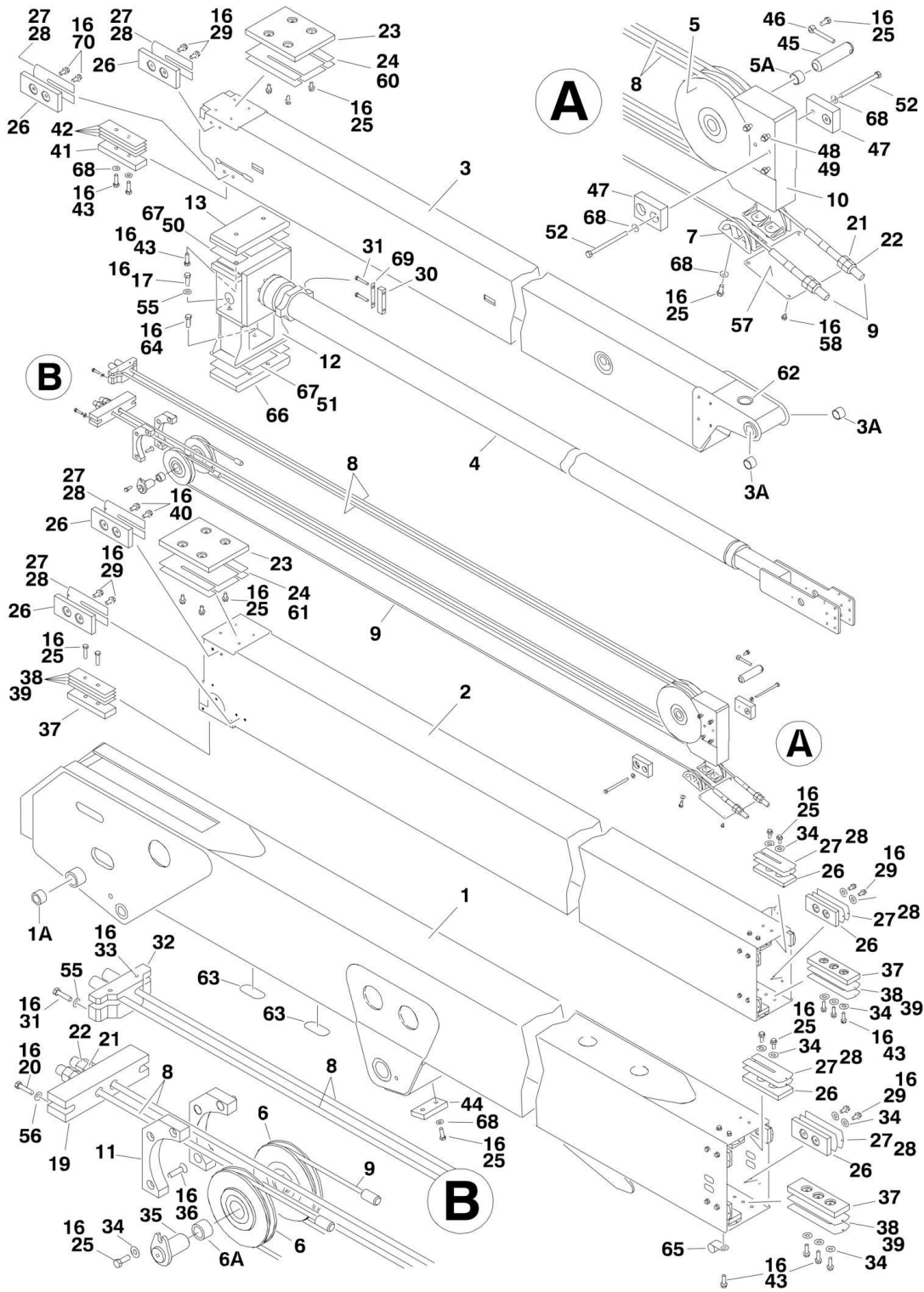
ITEM	PART NUMBER	QTY	DESCRIPTION	REV
		Ref	BOOM AND CYLINDERS INSTALLATIONS - 660SJC	
	0272147	Ref	ANSI and ANSI Export Specs	5
	0272146	Ref	Australian and CE Specs	6
1		Ref	Boom Assembly Options:	
1		Ref	ANSI and ANSI Export Specs Options (See MAIN BOOM ASSEMBLIES - ANSI AND ANSI EXPORT SPECS for Breakdown):	
1	0801393	1	Boom Assembly (Prior to SN 0300097054)	
1	0801484	1	Boom Assembly (SN 0300097054 through 0300128000)	
1		Ref	Australian and CE Specs Options (See MAIN BOOM ASSEMBLIES - AUSTRALIAN AND CE SPECS for Breakdown):	
1	0801392	1	Boom Assembly (Prior to SN 0300097054)	
1	0801481	1	Boom Assembly (SN 0300097054 through 0300128000)	
2	1683666	NLA	Lift Cylinder Assembly (Use p/n 1001112468) (See CYLINDER SECTION for Breakdown):	
3		Ref	Master Cylinder Assembly Options (See CYLINDER SECTION for Breakdown):	
3	1683263	NLA	Master Cylinder Assembly (Use p/n 1001228052) (Original Equipment) (Prior to SN 0300097054)	
3	1684413	NLA	Master Cylinder Assembly (Use p/n 1001228052) (Original Equipment) (SN 0300097054 through 0300128000)	
3	1001228052	1	Master Cylinder Assembly (Service Replacement)	
4	1683418	NLA	Platform Level Cylinder Assembly (Use p/n 1001228051) (See CYLINDER SECTION for Breakdown) (Original Equipment)	
4	1001223331	NLA	Platform Level Cylinder Assembly (Use p/n 1001228051) (See CYLINDER SECTION for Breakdown) (Service Equipment)	
4	1001228051	1	Platform Level Cylinder Assembly (See CYLINDER SECTION for Breakdown) (Service Replacement)	
5	0060066	1	Rotator Assembly (See ROTATOR ASSEMBLIES for Breakdown)	
		Ref	Note: Torque Nut on Bottom of Rotator to 480 Ft Lbs when Reassembling.	
7	4844944	1	Weldment, Push Link	
8	4844815	1	Pivot	
9	4844816	1	Tube, Jib (Top)	
9	0962335	4	Bushing	
10	4844817	2	Tube, Jib (Bottom)	
11	1683609	NLA	Jib Lift Cylinder Assembly (Use p/n 1001248012) (See CYLINDER SECTION for Breakdown) (Original Equipment)	
11	1001228012	NLA	Jib Lift Cylinder Assembly (Use p/n 1001248012) (See CYLINDER SECTION for Breakdown) (Service Replacement)	
11	1001248012	1	Jib Lift Cylinder Assembly (See CYLINDER SECTION for Breakdown) (Service Replacement)	
12	3422564	2	Pin	
13		Ref	Pin Options:	
13	3422568	1	Pin (Prior to SN 0300097054)	
13	3423184	1	Pin (SN 0300097054 through 0300128000)	
14	3422566	2	Pin	
15	3422561	2	Pin	
16	3422583	1	Pin	
17	3422860	2	Pin	
18	3422861	2	Pin	

SECTION 3 - BOOM

ITEM	PART NUMBER	QTY	DESCRIPTION	REV
19	3422867	1	Pin	
21	3841258	3	Keeper, Pin	
22	3841143	9	Keeper, Pin	
23	3422557	1	Pin	
24		Ref	Pin Options:	
24	3422574	1	Pin (Prior to SN 0300097054)	
24	3422790	1	Pin (SN 0300097054 through 0300128000)	
25	0642012	3	Bolt 5/8in-11NC x 1-1/2in	
26	0641608	7	Bolt 3/8in-16NC x 1in	
27	0741607	1	Screw, Countersunk 3/8in-16NC x 7/8in	
28	0100011	AR	Compound, Locking	
29	0100019	AR	Compound, Locking	
30	4740439	2	Thrustwasher	
31	1320235	1	Clamp, Staff	
32	0641618	4	Bolt 3/8in-16NC x 2-1/4in	
33	3311605	5	Locknut 3/8in-16NC	
34	0641614	1	Bolt 3/8in-16NC x 1-3/4in	
35	4100033	2 ft/.3m	Sleeve	
36	1671055	NLA	Cover, Boom End (Use p/n 1001148925)	
37	4240033	2	Tie-Strap	
38	4751400	4	Flatwasher 1/4in Regular	
39	0630458	1	U-Bolt	
40	3311402	4	Nut, Jam 1/4in-20NC	
41	3311401	2	Locknut 1/4in-20NC	
42	0641606	2	Bolt 3/8in-16NC x 3/4in	
43	3841340	1	Clamp, Loop	
44	4740314	AR	Thrustwasher	
45	4740158	AR	Thrustwasher	
46	0962335	4	Bushing (Prior to SN 0300097054)	
47	0961950	2	Bushing	
48	0962006	3	Bushing	
49	0961947	6	Bushing	
50	0961951	2	Bushing	
51	3539563	1	Cover	
52	0641604	4	Bolt 3/8in-16NC x 1/2in	
54	2080044	4	Rivnut	
55	0641611	1	Bolt 3/8in-16NC x 1-3/8in	
		Ref	CABLE COVER INSTALLATIONS	
	0272047	Ref	ANSI, ANSI Export, CSA and Japanese Specs	2
	0272485	Ref	ANSI, ANSI Export, CSA and Japanese Specs (Prior to SN 0300085110)	2
	0274594	Ref	ANSI, ANSI Export, CSA and Japanese Specs (SN 0300085110 through 0300128000)	1
	0272046	Ref	Australian and CE Specs	2
	0272486	Ref	Australian and CE Specs (Prior to SN 0300085110)	2
	0274595	Ref	Australian and CE Specs (SN 0300085110 through 0300128000)	1
107	1670769	1	Cover	
108	0561237	2	Block, Clamp	
109	0641416	4	Bolt 1/4in-20NC x 2in	

SECTION 3 - BOOM

FIGURE 3-3. MAIN BOOM ASSEMBLIES - ANSI AND ANSI EXPORT SPECS



SECTION 3 - BOOM

FIGURE 3-3. MAIN BOOM ASSEMBLIES - ANSI AND ANSI EXPORT SPECS

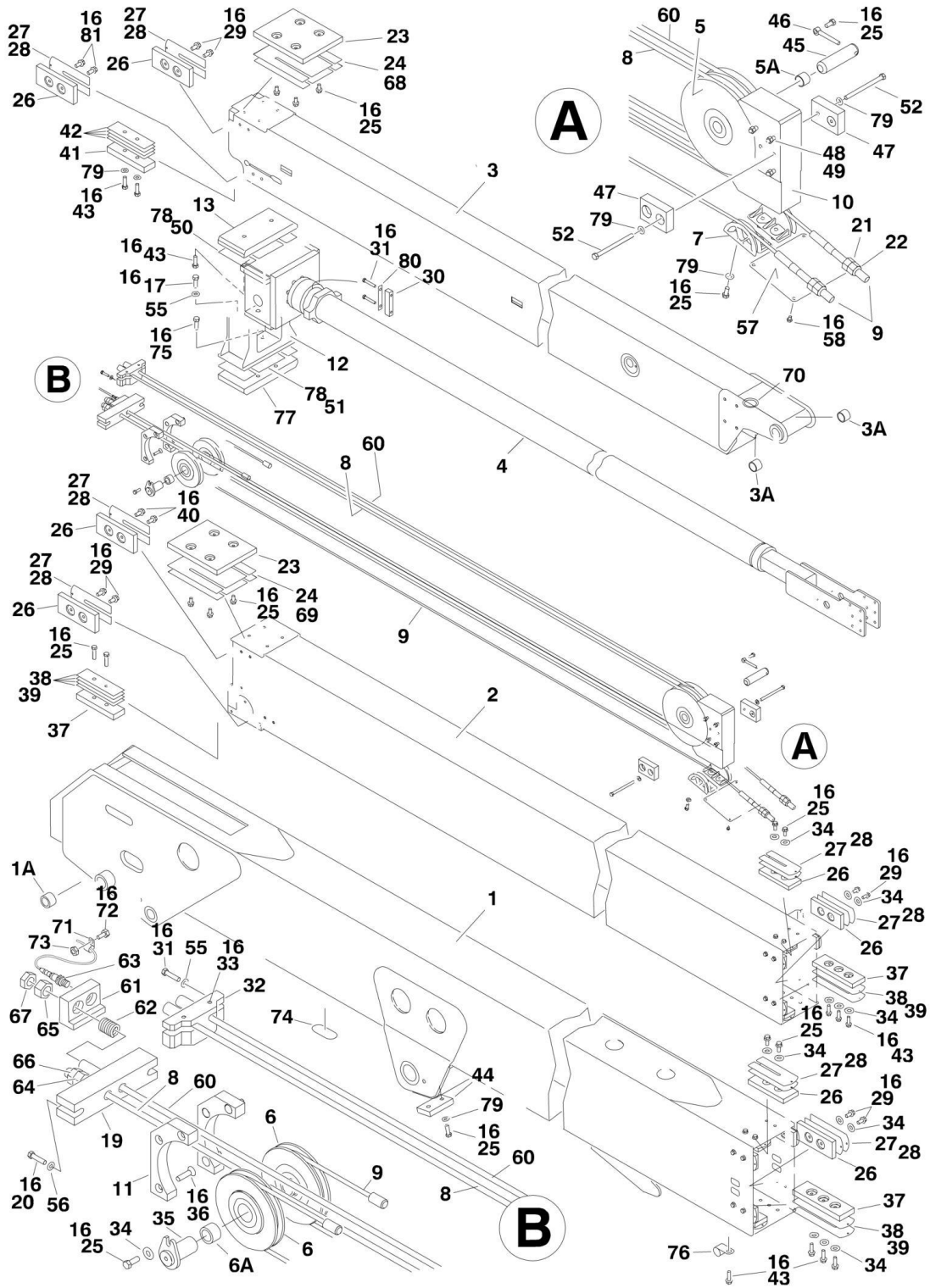
ITEM	PART NUMBER	QTY	DESCRIPTION	REV
		Ref	MAIN BOOM ASSEMBLY OPTIONS:	
	0801385	Ref	Main Boom Assembly 600SC ANSI and ANSI Export Specs (Prior to SN 0300097054)	4-D
	0801483	Ref	Main Boom Assembly 600SC ANSI and ANSI Export Specs (SN 0300097054 through 0300128000)	3-A
	0801393	Ref	Main Boom Assembly 660SJC ANSI and ANSI Export Specs (Prior to SN 0300097054)	4-D
	0801484	Ref	660SJC ANSI and ANSI Export Specs (SN 0300097054 through 0300128000)	3-A
1		Ref	Base Boom Options:	
1	0801254	1	Base Boom (Prior to SN 0300097054)	
1	0801469	1	Base Boom (SN 0300097054 through 0300128000)	
1A	0961950	2	Bushing	
2		Ref	Mid Boom Options:	
2	0801372	1	Mid Boom (Prior to SN 0300100985)	
2	0801524	1	Mid Boom (SN 0300100985 through 0300128000)	
3		Ref	Fly Boom Options:	
3	0801065	1	Fly Boom 600SC (Prior to SN 0300097054)	
3	0801498	1	Fly Boom 600SC (SN 0300097054 through 0300128000)	
3	0801014	1	Fly Boom 660SJC (Prior to SN 0300097054)	
3	0801504	1	Fly Boom 660SJC (SN 0300097054 through 0300128000)	
3A	0961951	2	Bushing (660SJC Only)	
4	1683618	1	Telescope Cylinder Assembly (See CYLINDER SECTION for Breakdown)	
5	3580241	1	Sheave Assembly (Extend)	2-B
5A	0961951	2	Bushing	
6	3580243	1	Sheave Assembly (Extend)	1-A
6A	0961951	2	Bushing (1 Per Sheave)	
7	1220078	2	Block, Sheave	
8	3890005	2	Cable (Extend)	
9	3890006	2	Cable (Retract)	
10	3580248	1	Guard, Sheave (Extend)	
11	3580249	2	Guard, Sheave (Retract)	
12	4846319	1	Support, Wear Pad	
13	3340844	1	Pad, Wear	
15	0641608	10	Bolt 3/8in-16NC x 1in (Prior to SN 0300083014)	
16	0100011	AR	Compound, Locking	
17		Ref	Bolt Options:	
17	0681612	4	Bolt 3/8in-16NC x 1-1/2in (Grade 8) (Prior to SN 0300083014)	
17	0681610	4	Bolt 3/8in-16NC x 1-1/4in (Grade 8) (SN 0300083014 through 0300128000)	
19	0561184	1	Block, Cable	
20	0641824	2	Bolt 1/2in-13NC x 3in	
21	3312201	4	Nut 3/4in-10NC	
22	3300241	4	Locknut, Special 3/4in-10NC	
23	3340757	2	Pad, Wear	
24	4070896	4	Shim (.06) (Without Slide-In Slots)	
25	0641607	AR	Bolt 3/8in-16NC x 7/8in	
26	3340881	20	Pad, Wear	
27	4070897	28	Shim (.05) (Without Slide-In Slots)	
28	4070898	24	Shim (.12) (Without Slide-In Slots)	

SECTION 3 - BOOM

ITEM	PART NUMBER	QTY	DESCRIPTION	REV
29		Ref	Bolt Options:	
29	0641605	16	Bolt 3/8in-16NC x 5/8in (Prior to SN 0300083014)	
29	0641606	24	Bolt 3/8in-16NC x 3/4in (SN 0300083014 through 0300128000)	
30	0561185	2	Block	
31	0641616	16	Bolt 3/8in-16NC x 2in	
32	0561183	1	Block, Cable	
33	3951608	2	Setscrew 3/8in-16NC x 1in	
34	4711600	AR	Flatwasher 3/8in Thin	
35	3422424	2	Pin (Retract Sheave)	
36	0741612	6	Screw, Countersunk 3/8in-16NC x 1-1/2in	
37	3340871	5	Pad, Wear	
38	4070863	12	Shim (.12)	
39	4070864	12	Shim (.05)	
40	0641613	AR	Bolt 3/8in-16NC x 1-5/8in	
41	3340758	2	Pad, Wear	
42	4070895	8	Shim (.06)	
43		Ref	Bolt Options:	
43	0641610	14	Bolt 3/8in-16NC x 1-1/4in (Prior to SN 0300083014)	
43	0641608	22	Bolt 3/8in-16NC x 1in (SN 0300083014 through 0300128000)	
44	0561076	1	Block	
45	3422417	2	Pin (Extend Sheave)	
46	3841143	1	Keeper, Pin	
47	3340755	2	Pad, Wear	
48	0641634	4	Bolt 3/8in-16NC x 4-1/4in	
49	3311605	4	Locknut 3/8in-16NC	
50	4070976	1	Shim (.12)	
51	4071004	1	Shim (.25)	
52		Ref	Bolt Options:	
52	0641640	2	Bolt 3/8in-16NC x 5in (Prior to SN 0300083014)	
52	0641638	2	Bolt 3/8in-16NC x 4-3/4in (SN 0300083014 through 0300128000)	
55	4891600	6	Flatwasher 3/8in Hardened	
56	4891800	2	Flatwasher 1/2in Hardened	
57	3539622	1	Plate, Cover	
58	0641403	4	Bolt 1/4in-20NC x 3/8in	
59	4070929	AR	Shim	
60	4070939	AR	Shim (1/16in) (With Slide-In Slots)	
61	4070940	AR	Shim (1/16in) (With Slide-In Slots)	
62	4060805	6 in/16cm	Flex-Trim	
63	1670836	8	Cover, Boom (Prior to SN 0300100985)	
64	0681608	4	Bolt 3/8in-16NC x 1in (Grade 8)	
65	1320070	2	Clamp	
66	3340900	1	Pad, Wear	
67	4071005	AR	Shim (.05)	
68	4751600	12	Flatwasher 3/8in Regular (SN 0300083014 through 0300128000)	
69	4071007	AR	Shim (SN 0300083014 through 0300128000)	
70	0641614	4	Bolt 3/8in-16NC x 1-3/4in (SN 0300083014 through 0300128000)	

SECTION 3 - BOOM

FIGURE 3-4. MAIN BOOM ASSEMBLIES - AUSTRALIAN AND CE SPECS



SECTION 3 - BOOM

FIGURE 3-4. MAIN BOOM ASSEMBLIES - AUSTRALIAN AND CE SPECS

ITEM	PART NUMBER	QTY	DESCRIPTION	REV
		Ref	MAIN BOOM ASSEMBLY OPTIONS:	
	0801384	Ref	Main Boom Assembly Options 600SC Australian and CE Specs (Prior to SN 0300097054)	4-D
	0801479	Ref	Main Boom Assembly Options 600SC Australian and CE Specs (SN 0300097054 through 0300128000)	3-A
	0801481	Ref	Main Boom Assembly Options 660SJC Australian and CE Specs (SN 0300097054 through 0300128000)	3-A
1		Ref	Base Boom	
1	0801254	1	Base Boom (Prior to SN 0300097054)	
1	0801469	1	Base Boom (SN 0300097054 through 0300128000)	
1A	0961950	2	Bushing	
2		Ref	Mid Boom Options:	
2	0801372	1	Mid Boom (Prior to SN 0300100985)	
2	0801524	1	Mid Boom (SN 0300100985 through 0300128000)	
3		Ref	Fly Boom Options:	
3	0801065	1	Fly Boom 600SC (Prior to SN 0300097054)	
3	0801498	1	Fly Boom 600SC (SN 0300097054 through 0300128000)	
3	0801014	1	Fly Boom 660SJC (Prior to SN 0300097054)	
3	0801504	1	Fly Boom 660SJC (SN 0300097054 through 0300128000)	
3A	0961951	2	Bushing (660SJC Only)	
4	1683618	1	Telescope Cylinder Assembly (See CYLINDER SECTION for Breakdown)	
5	3580241	1	Sheave Assembly (Extend)	2-B
5A	0961951	2	Bushing	
6	3580243	1	Sheave Assembly (Extend)	1-A
6A	0961951	2	Bushing (1 Per Sheave)	
7	1220078	2	Block, Sheave	
8	3890010	1	Cable (Extend)	
9	3890006	2	Cable (Retract)	
10	3580248	1	Guard, Sheave (Extend)	
11	3580249	2	Guard, Sheave (Retract)	
12	4846319	1	Support, Wear Pad	
13	3340844	1	Pad, Wear	
15	0641608	10	Bolt 3/8in-16NC x 1in (Prior to SN 0300083014)	
16	0100011	AR	Compound, Locking	
17		Ref	Bolt Options:	
17	0681612	4	Bolt 3/8in-16NC x 1-1/2in (Grade 8) (Prior to SN 0300083014)	
17	0681610	4	Bolt 3/8in-16NC x 1-1/4in (Grade 8) (SN 0300083014 through 0300128000)	
19	0561245	1	Block, Cable	
20	0641824	2	Bolt 1/2in-13NC x 3in	
21	3312201	2	Nut 3/4in-10NC	
22	3300241	2	Locknut, Special 3/4in-10NC	
23	3340757	2	Pad, Wear	
24	4070896	4	Shim (.06) (Without Slide-In Slots)	
25	0641607	AR	Bolt 3/8in-16NC x 7/8in	
26	3340881	20	Pad, Wear	
27	4070897	28	Shim (.05) (Without Slide-In Slots)	
28	4070898	24	Shim (.12) (Without Slide-In Slots)	
29		Ref	Bolt Options:	
29	0641605	16	Bolt 3/8in-16NC x 5/8in (Prior to SN 0300083014)	

SECTION 3 - BOOM

ITEM	PART NUMBER	QTY	DESCRIPTION	REV
29	0641606	24	Bolt 3/8in-16NC x 3/4in (SN 0300083014 through 0300128000)	
30	0561185	2	Block	
31	0641616	6	Bolt 3/8in-16NC x 2in	
32	0561183	1	Block, Cable	
33	3951608	2	Setscrew 3/8in-16NC x 1in	
34	4711600	AR	Flatwasher 3/8in Thin	
35	3422424	2	Pin (Retract Sheave)	
36	0741612	6	Screw, Countersunk 3/8in-16NC x 1-1/2in	
37	3340871	5	Pad, Wear	
38	4070863	12	Shim (.12)	
39	4070864	12	Shim (.05)	
40	0641613	AR	Bolt 3/8in-16NC x 1-5/8in	
41	3340758	2	Pad, Wear	
42	4070895	8	Shim (.06)	
43		Ref	Bolt Options:	
43	0641610	14	Bolt 3/8in-16NC x 1-1/4in (Prior to SN 0300083014)	
43	0641608	22	Bolt 3/8in-16NC x 1in (SN 0300083014 through 0300128000)	
44	0561076	1	Block	
45	3422417	2	Pin (Extend Sheave)	
46	3841143	1	Keeper, Pin	
47	3340755	2	Pad, Wear	
48	0641634	4	Bolt 3/8in-16NC x 4-1/4in	
49	3311605	4	Locknut 3/8in-16NC	
50	4070976	1	Shim (.12)	
51	4071004	1	Shim (.25)	
52		Ref	Bolt Options:	
52	0641640	2	Bolt 3/8in-16NC x 5in (Prior to SN 0300083014)	
52	0641638	2	Bolt 3/8in-16NC x 4-3/4in (SN 0300083014 through 0300128000)	
55	4891600	6	Flatwasher 3/8in Hardened	
56	4891800	2	Flatwasher 1/2in Hardened	
57	3539622	1	Plate, Cover	
58	0641403	4	Bolt 1/4in-20NC x 3/8in	
59	4070929	AR	Shim	
60	3890009	1	Cable (Extend)	
61	0561508	1	Plate, Spring Mounting	
62	4160149	1	Spring	
63	4360506	1	Switch, Proximity	
64		Ref	Nut Options:	
64	3300399	1	Nut, Jam 7/8in-9NC (Prior to SN 0300097054)	
64	3272401	1	Nut 7/8in-9NC (SN 0300097054 through 0300128000)	
65		Ref	Nut Options:	
65	3300400	1	Nut, Jam 5/8in-11NC (Prior to SN 0300097054)	
65	3272001	1	Nut 5/8in-11NC (SN 0300097054 through 0300128000)	
66	3300242	1	Locknut 7/8in-9NC	
67	3300240	1	Locknut 5/8in-11NC	
68	4070939	AR	Shim (1/16in) (With Slide-In Slots)	
69	4070940	AR	Shim (1/16in) (With Slide-In Slots)	
70	4060805	6 in/16cm	Flex-Trim	
71	1320244	1	Clamp	
72	0641406	1	Bolt 1/4in-20NC x 3/4in	

SECTION 3 - BOOM

ITEM	PART NUMBER	QTY	DESCRIPTION	REV
73	3311401	1	Nut 1/4in-20NC	
74	1670836	8	Cover, Boom (Prior to SN 0300100985)	
75	0681608	4	Bolt 3/8in-16NC x 1in (Grade 8)	
76	1320070	2	Clamp	
77	3340900	1	Pad, Wear	
78	4071005	6	Shim (.05)	
79	4751600	12	Flatwasher 3/8in Regular (SN 0300083014 through 0300128000)	
80	4071007	AR	Shim (SN 0300083014 through 0300128000)	
81	0641614	4	Bolt 3/8in-16NC x 1-3/4in (SN 0300083014 through 0300128000)	

SECTION 3 - BOOM

FIGURE 3-5. ROTATOR ASSEMBLIES

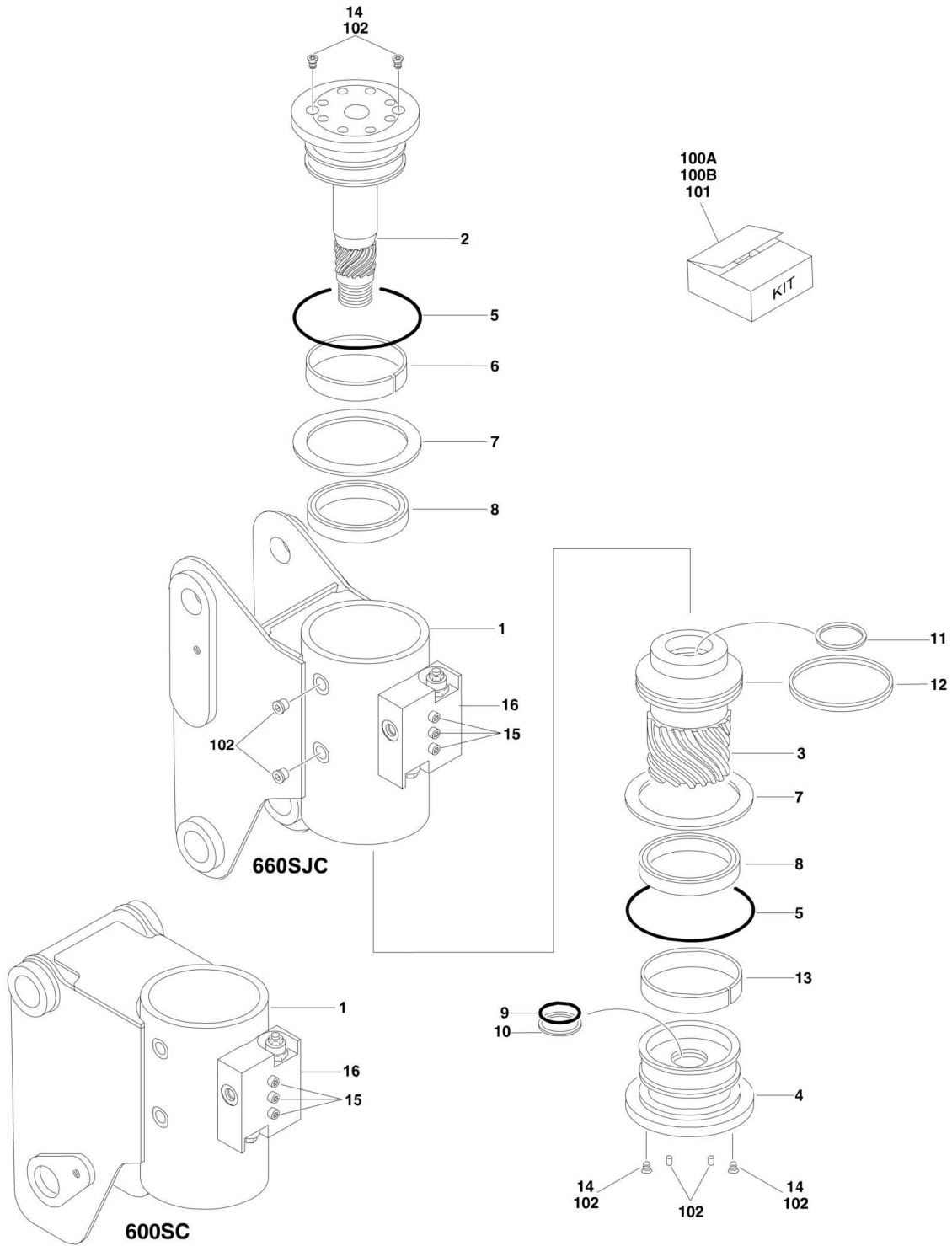


FIGURE 3-5. ROTATOR ASSEMBLIES

ITEM	PART NUMBER	QTY	DESCRIPTION	REV
		Ref	ROTATOR ASSEMBLIES	
	0060067	Ref	Rotator Assemblies 600SC	A
	0060066	Ref	Rotator Assemblies 660SJC	C
1	See Note	1	Housing/Ring Gear Assembly (Note: Not Available - Purchase Complete Rotator Assembly.)	
2	7017162	1	Weldment, Shaft	
2	7017195	2	Bushing	
3	7017163	1	Piston/Sleeve Assembly	
4	7017164	1	Cap, End	
5	See Note	NSS	O-Ring (Note: Use Item 100A or 100B)	
6	See Note	NSS	Bearing, Shaft (Note: Use Item 101)	
7	See Note	NSS	Thrustwasher (Note: Use Item 101)	
8	See Note	NSS	Packing, Bearing (Note: Use Item 100A or 100B)	
9	See Note	NSS	Seal, Cap (Note: Use Item 100A or 100B)	
10	See Note	NSS	Ring, Back-up Cap (Note: Use Item 100A or 100B)	
11	See Note	NSS	Seal, Rod (Note: Use Item 100A or 100B)	
12	See Note	NSS	Seal, Piston (Note: Use Item 100A or 100B)	
13	See Note	NSS	Bearing, Cap (Note: Use Item 101)	
14	70001697	4	Screw, Countersunk 1/4in-20NC x 3/8in (Grade 8)	
15	See Note	3	Capscrew 1/4 x 1-1/2 (Grade 8) (Note: Not Available for Purchase.)	
16	7017183	3	Valve Assembly	
16	7017193	1	Cartridge, Valve	
16	See Note	NSS	Seal Kit - 7017193 Valve (Note: Use p/n 7017193)	
16	See Note	NSS	Cartridge, Valve (Not Shown - Located on Side of Block) (Note: Use p/n 7017183)	
16	See Note	NSS	Seal Kit - Valve Located on Side of Block (Note: Use p/n 7017183)	
		Ref	KIT OPTIONS	
100		Ref	Seal Kit Options (Includes Items 5, 8-12 & 102):	
100A	7017158	1	Seal Kit - Standard	
100B	70000342	1	Seal Kit - Low Temperature	
101	7017159	1	Bearing Kit (Includes Items 6, 7 & 13)	
102	See Note	NSS	Hardware Kit (Note: Part of Item 100 - Use Item 100A or 100B)	

SECTION 3 - BOOM

FIGURE 3-6. PLATFORM SUPPORT INSTALLATION

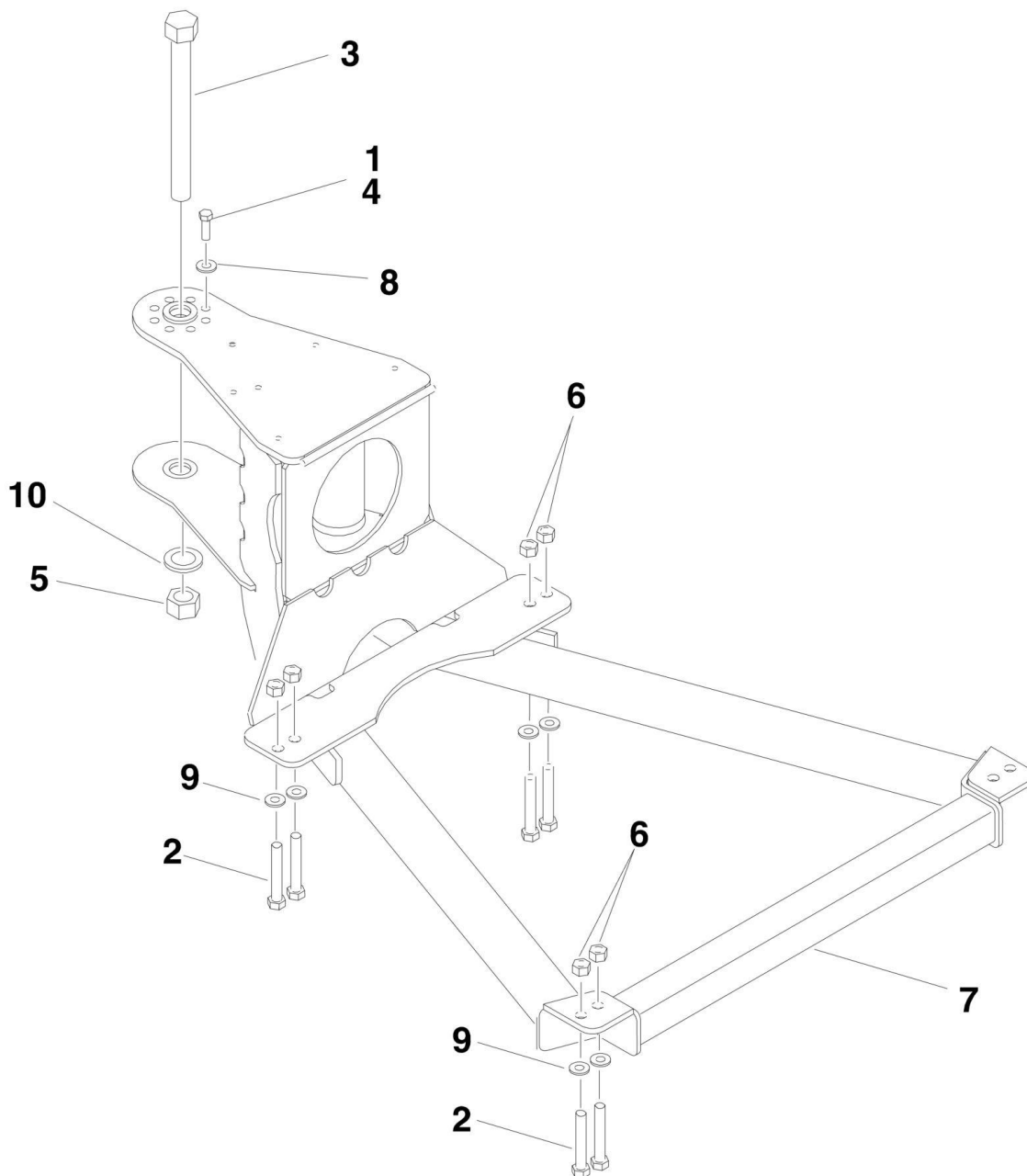


FIGURE 3-6. PLATFORM SUPPORT INSTALLATION

ITEM	PART NUMBER	QTY	DESCRIPTION	REV
		Ref	PLATFORM SUPPORT INSTALLATIONS (SIDE ENTRY PLATFORM)	
	0272070	Ref	All Specs except CE Spec	D
	See Note	Ref	CE Spec (Note: For Replacement Parts, Contact JLG Customer Service and Request Manual p/n 3124287.)	
	See Note	Ref	Machines with SkyGlazier (Note: For Replacement Parts, Contact JLG Customer Service and Request Manual p/n 3124242.)	
1	0100011	AR	Compound, Locking	
2	0641812	8	Bolt 1/2in-13NC x 1-1/2in	
3	0642684	1	Bolt 1in-8NC x 10-1/4in	
4	0681608	8	Bolt 3/8in-16NC x 1in	
5	3272605	1	Locknut 1in-8NC	
6	3311805	8	Locknut 1/2in-13NC	
7		Ref	Support Weldment Options:	
7	4846573	1	All Specs except CE Spec	
7	See Note Above	1	CE Spec	
8	4891600	8	Flatwasher 3/8in Hardened	
9	4891800	8	Flatwasher 1/2in Hardened	
10	4892600	1	Flatwasher 1in Hardened	

SECTION 3 - BOOM

FIGURE 3-7. POWER TRACK INSTALLATION

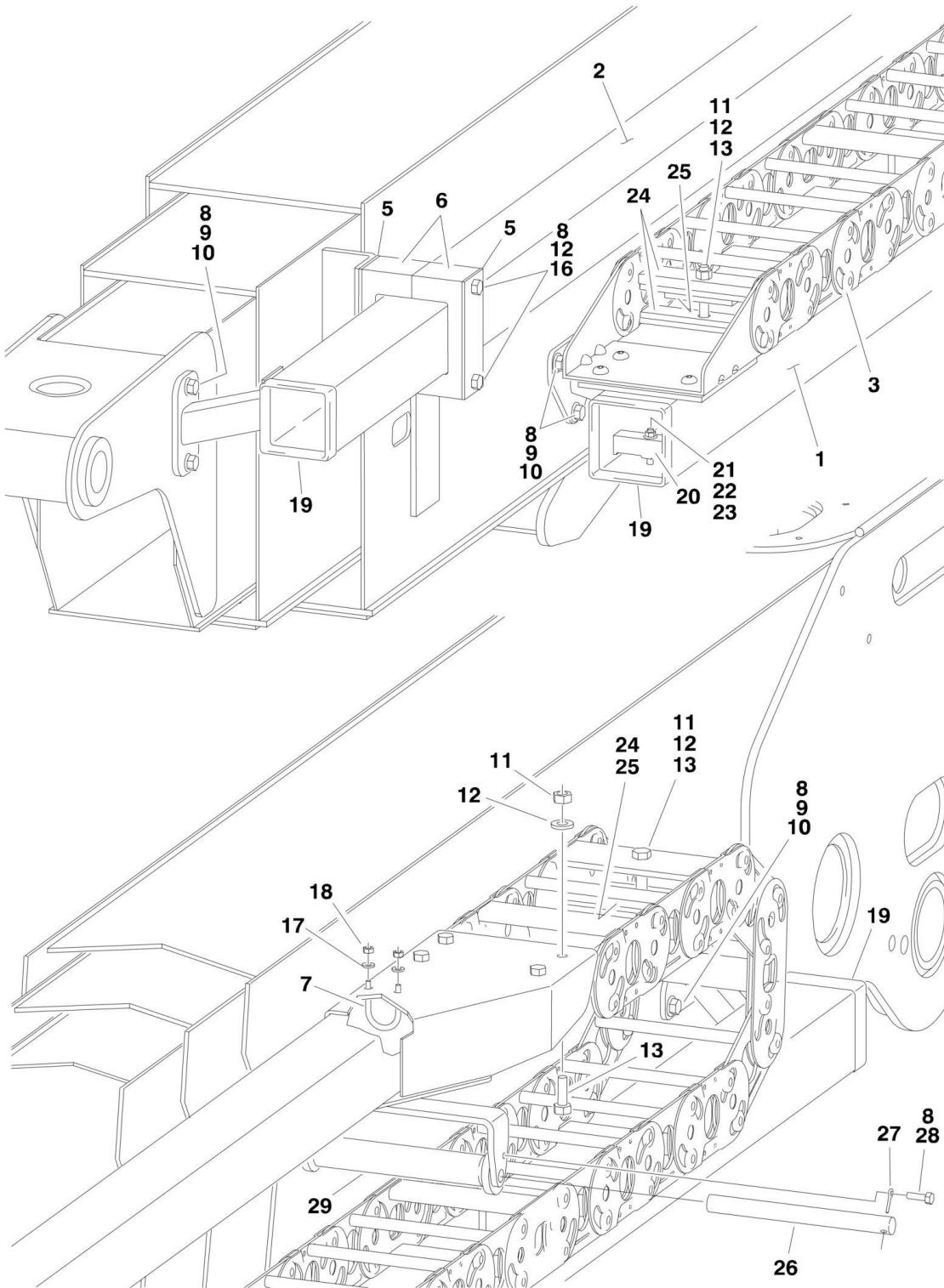


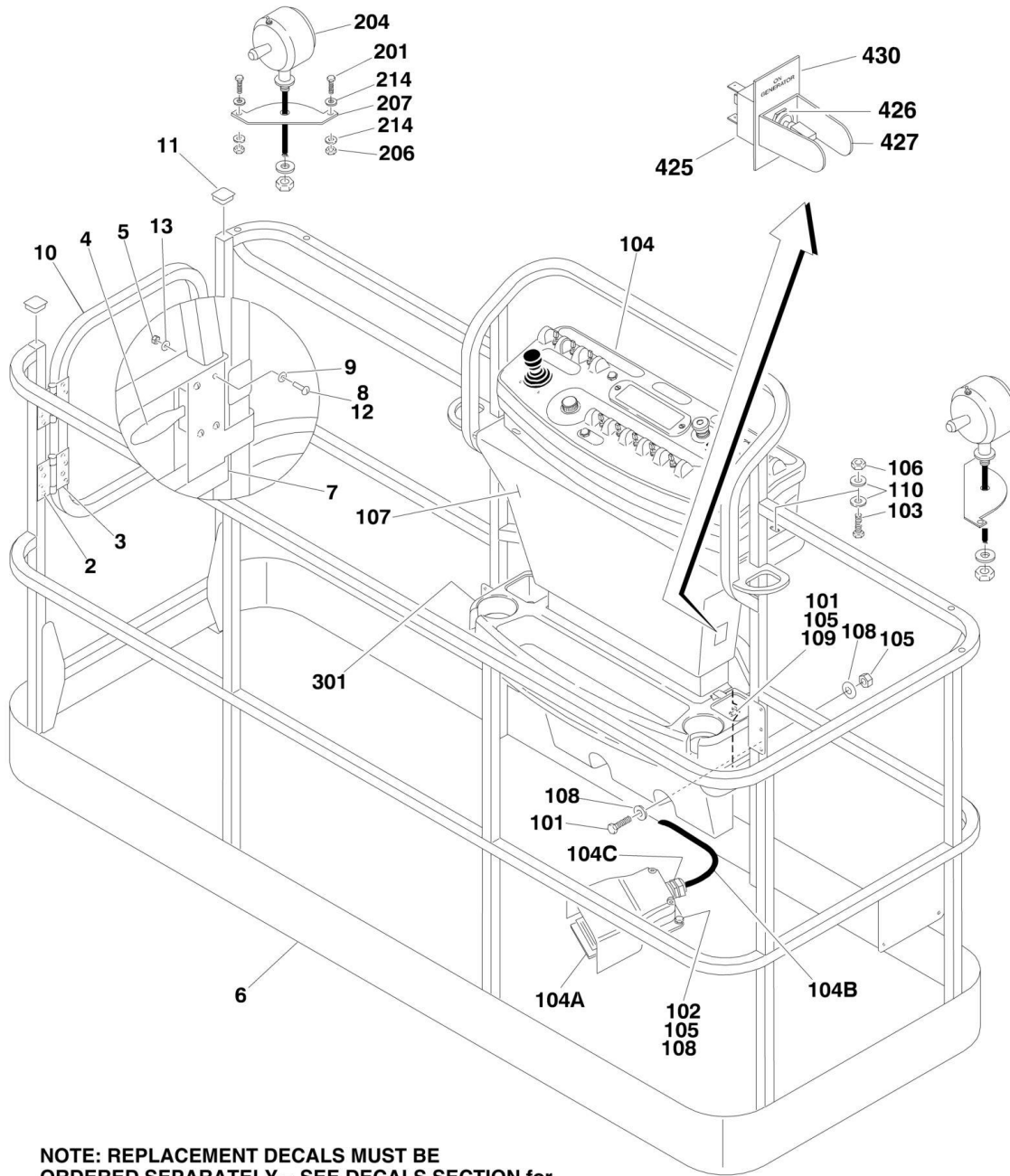
FIGURE 3-7. POWER TRACK INSTALLATION

ITEM	PART NUMBER	QTY	DESCRIPTION	REV
		Ref	POWER TRACK INSTALLATION OPTIONS	
	0257988	Ref	Power Track Installation 600SC	6
	0271242	Ref	Power Track Installation 660SJC	2
1	4845819	1	Rail	
2	4845671	1	Tube, Push	
3		Ref	Power Track Assembly Options:	
		Ref	Note: Various Power Tracks use on this model. Identify brand before ordering parts.	
3	1180345	NLA	Gemco Brand Power Track (Not Shown) (Use p/n 1001099832)	
3	7016530	AR	Repair Section (Gemco Brand) (Includes 18 Link Pin, 4 Radius Links, 2 Carrier Links, 1 Rod Carrier, 1 Spring Loaded Rod, 1 Carrier Weldment and 12 Bearing Plates)	
3	7006138	AR	Pin Kit (Gemco Brand) (Includes 1 pin, 1 Retaining Ring and 4 Washers)	
3	7006143	2	Mounting Feet Kit (Gemco Brand) (Includes 1 Left Hand, 1 Right Hand and 2 Spacers)	
3	7016532	AR	Ring, Retaining (Gemco Brand)	
3	7016531	AR	Clamp Assembly (Gemco Brand) (Includes 2 pins, 1 clamping carrier, 1 clamping stiffener, 1 bolt, 1 nut and 1 lockwasher)	
3	7006165	AR	Rod Kit (Gemco Brand - Includes 1 rod, 1 sleeve and 2 screws)	
3	1001099832	1	Gortrac Brand Power Track (Shown)	
3	70002005	AR	Repair Section (Gortrac Brand)	
3	70002006	1	Mounting Bracket Kit (Gortrac Brand)	
3	70004643	2	Clamp Kit (Gortrac Brand)	
5	3538758	AR	Plate	
6	3340764	2	Pad, Wear	
7	0630458	1	U-Bolt	
8	0100011	AR	Compound, Locking	
9	0641807	11	Bolt 1/2in-13NC x 7/8in	
10	4711800	11	Flatwasher 1/2in Thin	
11	0641608	8	Bolt 3/8in-16NC x 1in	
12	4711600	18	Flatwasher 3/8in Thin	
13	3311605	8	Locknut 3/8in-16NC	
16	0641644	2	Bolt 3/8in-16NC x 5-1/2in	
17	4711400	2	Flatwasher 1/4in Thin	
18	3311405	2	Locknut 1/4in-20NC	
19	4060803	3 ft/0.9m	Shield, Trim	
20	1320247	1	Clamp, Nylon	
21	0641522	1	Bolt 5/16in-18NC x 2-3/4in	
22	3311505	1	Locknut 5/16in-18NC	
23	4711500	2	Flatwasher 5/16in Thin	
24	4070994	2	Shim, Neoprene	
25	4070995	2	Shim, Neoprene	
26	3841013	1	Roller, Rod	
27	3450806	1	Pin, Cotter	
28	0641404	1	Screw	
29	3860050	1	Roller, Power Track	

SECTION 4 - PLATFORM

SECTION 4 - PLATFORM

FIGURE 4-1. PLATFORM COMPONENTS INSTALLATION



NOTE: REPLACEMENT DECALS MUST BE ORDERED SEPARATELY - SEE DECALS SECTION for Breakdown

SECTION 4 - PLATFORM

FIGURE 4-1. PLATFORM COMPONENTS INSTALLATION

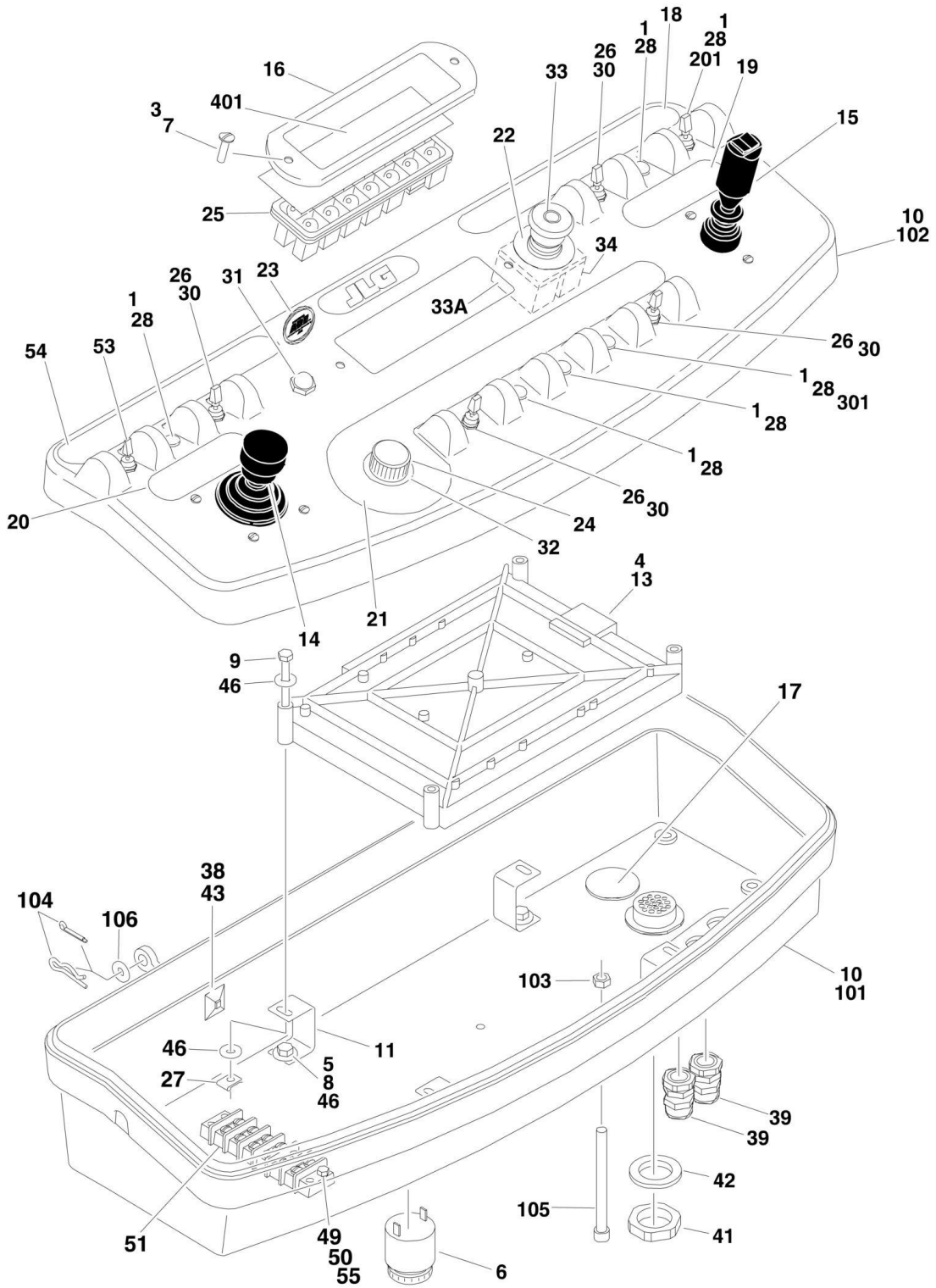
ITEM	PART NUMBER	QTY	DESCRIPTION	REV
		Ref	PLATFORM ASSEMBLIES	
	1001144023	Ref	8ft (2.44m) with No Mesh (was p/n 3510822)	B-E
	1001144024	Ref	6ft (1.83m) with No Mesh (was p/n 3510833)	B-E
		Ref	Note: Original Equipment platform may have been replaced with Service Replacement platform. Identify platform before ordering parts.	
		Ref	Note: Platform and Mesh must be ordered separately for Platforms with Mesh. See SPECIAL OPTIONS SECTION for Mesh Installations.	
		Ref	Note: Replacement Decals Must Be Ordered Separately - See DECALS SECTION.	
		Ref	Note: When replacing platform on machines with SkyCutter option, new bracket p/n 1001145405 must be purchased to accommodate SkyCutter components.	
2	2080040	16	Fastener, Huck	
3	2600281	2	Hinge, Self-Closing	
4	2940074	1	Latch	
5	3311001	4	Nut #10-24NC (Prior to SN 0300077333)	
6	See Note	1	Platform (Note: Not Available - Purchase Complete Platform Assembly.)	
7	3520072	1	Cap-Plug	
8		Ref	Screw Options:	
8	3911008	4	Screw #10-24NC x 1in (Prior to SN 0300076659)	
8	3900205	4	Screw #10-24NC x 5/8in (SN 0300076659 through 0300077332)	
8	3820020	4	Rivet, Pop (SN 0300077333 through 0300128000)	
9	4751000	8	Flatwasher #10 Regular (Prior to SN 0300077333)	
10		Ref	Gate Weldment Options:	
10	4846452	1	Gate for Platform p/ns 3510822 & 3510833	
10	1001144629	1	Gate for Platform p/ns 1001144023 & 1001144024	
11	3520198	2	Cap-Plug	
12	0100011	AR	Compound, Locking (Prior to SN 0300077333)	
13	4761000	4	Lockwasher #10 (Prior to SN 0300077333)	
	0272399	Ref	CONSOLE BOX INSTALLATIONS	A
101	0641406	4	Bolt 1/4in-20NC x 3/4in	
102	0641408	3	Bolt 1/4in-20NC x 1in	
103	0641610	4	Bolt 3/8in-16NC x 1-1/4in	
104	0861634	1	Platform Console Box Assembly (See PLATFORM CONSOLE ASSEMBLY for Breakdown)	
		Ref	Note: Assembly p/n 0272970 may use either p/n 4360031 or p/n 1001117320. If Original Equipment was replaced as an "assembly," p/n 1001117320 may have been used as part of the Service Replacement. Identify component before ordering parts.	
104A	0272970	1	Footswitch Assembly (Includes Footswitch and Items 104B & 104C)	
104A		Ref	Footswitch Less Cable Options:	
104A	4360031	1	Original Equipment	
104A	1001117320	1	Service Replacement	
104A		Ref	Block, Contact Options (see Note Above):	
104A	7000625	2	Contact Block for 4360031 Footswitch	
104A	70003483	1	Contact Block for 1001117320 Footswitch	
104B	1060918	7 ft/2.14m	Cable, Electrical - 18/3	

SECTION 4 - PLATFORM

ITEM	PART NUMBER	QTY	DESCRIPTION	REV
104C	4460071	1	Connector, Strain Relief	
105	3311405	7	Locknut 1/4in-20NC	
106	3311605	4	Locknut 3/8in-16NC	
107	3380434	1	Panel, Decal Mount	
108	4740362	7	Washer, Fender 1/4in	
109	4751400	4	Flatwasher 1/4in Regular	
110	4751600	8	Flatwasher 3/8in Regular	
		Ref	WORKLIGHTS INSTALLATIONS (OPTIONAL)	
	0273486	Ref	Worklights Installations 600SC	D
	0273490	Ref	Worklights Installations 660SJC	D
201		Ref	Hardware Options:	
201	0641414	4	Bolt 1/4in-20NC x 1-3/4in (Prior to SN 0300112347)	
201	2080040	4	Huck Fastener (SN 0300112347 through 0300128000)	
203	4922888	1	Harness, Power to Console Box (Not Shown - See ELECTRICAL SECTION for Breakdown)	
204	2920140	2	Worklight	
204	7016399	2	Bulb, Replacement (1 Per Worklight)	
206	3311405	4	Locknut 1/4in-20NC	
207	3536089	2	Plate, Mounting	
213	4460426	1	Connector, Strain Relief (Not Shown - Located at Console Box)	
214	4711400	8	Flatwasher 1/4in Thin (Prior to SN 0300112347)	
217	2820035	9 ft/2.7m	Loom, Vinyl (Not Shown)	
218	4240099	10	Tie-Strap (Not Shown)	
		Ref	TRAY INSTALLATIONS (OPTIONAL)	
301	1580012	1	Tray, Storage (Center)	
302	1580013	1	Tray, Storage (Rail Mounted - Not Shown)	
		Ref	GENERATOR SWITCH INSTALLATION (OPTIONAL)	
425	4360336	1	Switch, Toggle	
426	4740397	1	Bushing	
427	4060802	1	Guard, Switch	
429	2820031	4 in/10cm	Heat Shrink (Not Shown - Located at Platform)	
430	3251102	1	Decal	

SECTION 4 - PLATFORM

FIGURE 4-2. PLATFORM CONSOLE ASSEMBLY



SECTION 4 - PLATFORM

FIGURE 4-2. PLATFORM CONSOLE ASSEMBLY

ITEM	PART NUMBER	QTY	DESCRIPTION	REV
	0861634	Ref	CONSOLE BOX ASSEMBLY	E
1	0100009	AR	Sealant	
3	0100035	AR	Compound, Locking	
4	0100048	AR	Grease, Dielectric	
5	0100081	AR	Adhesive	
6	0140011	1	Alarm	
7	0630464	2	Screw, Button Head #10-24NC x 1/2in	
8	0641404	4	Bolt 1/4in-20NC x 1/2in	
9	0641416	4	Bolt 1/4in-20NC x 2in	
10	0861633	1	Box, Console (See Items 101-106 for Breakdown)	
11	0902751	4	Bracket, Card Support	
13		Ref	Controller, Module Options (Re-calibration Required when Replaced):	
13	1600313	1	Controller, Module (Prior to SN 0300076913)	
13	1600375	1	Controller, Module (SN 0300076913 through 0300128000)	
14	1600317	NLA	Controller Assembly (Lift and Swing) (See CONTROLLER ASSEMBLY (LIFT AND SWING) for Breakdown) (Use p/n 1001129555)	
15	1600359	1	Controller Assembly (Drive and Steer) (See CONTROLLER ASSEMBLY (DRIVE AND STEER) for Breakdown)	
16	1670829	1	Bezel	
17	1671037	1	Cover	
18	1704997	1	Decal - Stop	
19	1704460	1	Decal - Drive and Steer	
20	1702566	1	Decal - Lift and Swing	
21	1702567	1	Decal - Function Speed	
22	1704260	1	Decal - EMS	
23	1705132	1	Decal - ADE	
24	2560136	1	Handle, Knob	
25	2760105	1	Housing, Display Light	
26	3790012	5	O-Ring	
27	3300353	4	Nut, Tinnerman	
28	3520028	6	Plug, Hole	
30	4360328	4	Switch, Toggle	
31	4360387	1	Switch, Pushbutton	
32	4360407	1	Controller, Speed	
32	See Note	NSS	Gasket "Top Hat" (Included with Switch) (Note: Not Available for Purchase)	
32	70003784	1	Seal	
33	4360475	1	Switch, Emergency Stop	
33	7020175	1	Cap, Red	
33A	7020176	1	Contact Block	
34	4360476	1	Block, Contact	
38	4460234	AR	Tie-Strap	
39	4460428	2	Connector, Strain Relief	
41	4460470	1	Nut, Terminal	
42	4460471	1	Lockwasher, Terminal	
43	4460488	1	Base, Mounting	
44	4460708	2	Terminal, 15 Pin (Not Shown - See ELECTRICAL SECTION for Location)	
45	4460905	5	Plug, Seal (Not Shown - See ELECTRICAL SECTION for	

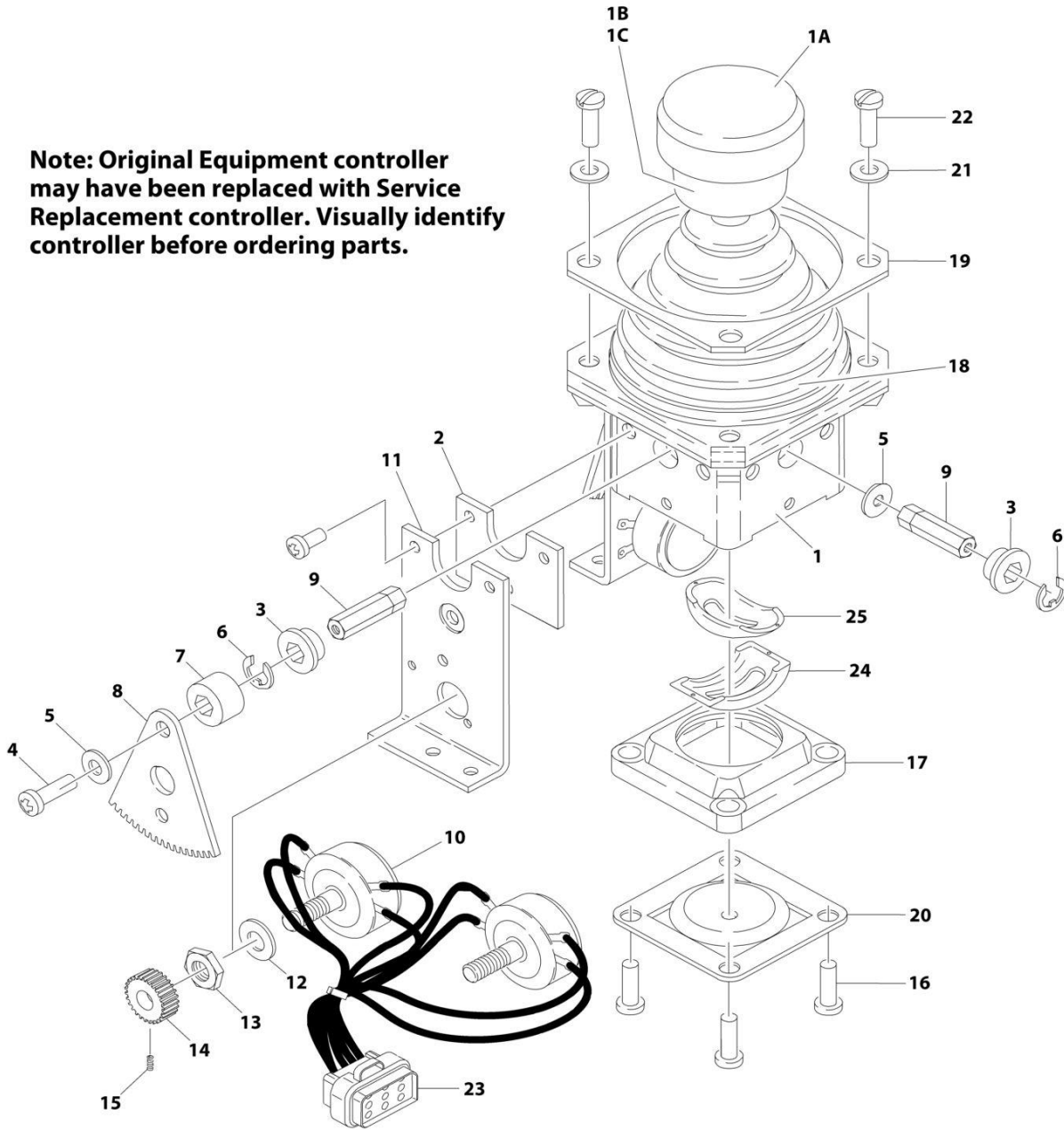
SECTION 4 - PLATFORM

ITEM	PART NUMBER	QTY	DESCRIPTION	REV
			Location)	
46	4751400	8	Flatwasher 1/4in Regular	
47	4922639	1	Harness, Platform Box (Not Shown - See ELECTRICAL SECTION for Location)	
48	4922666	1	Harness, Analyzer Cable (Not Shown - See ELECTRICAL SECTION for Location)	
49	0721006	AR	Bolt #10-24NC x 3/4in	
50	3311005	AR	Locknut #10-24NC	
51	4460007	1	Bar, Buss	
53	4360331	1	Switch, Toggle	
54	1702676	1	Decal - Horn	
55	4751000	2	Flatwasher #10 Regular (SN 0300112347 through 0300128000)	
	0861633	Ref	CONSOLE BOX ASSEMBLY	C
101	See Note	NSS	Console Bottom (Note: Use p/n 0861633)	
102	See Note	NSS	Console Top (Note: Use p/n 0861633)	
103	3311601	1	Nut 3/8in-16NC	
104		Ref	Pin Options:	
104	3420156	2	Pin, Cotter (Prior to SN 0300088143)	
104	3470003	2	Pin, Hair (SN 0300088143 through 0300128000)	
105	0630568	1	Screw 3/8in-16NC x 4-1/2in	
106	4711500	2	Flatwasher 5/16in Thin	
	0271552	Ref	HEAD AND TAIL LIGHTS INSTALLATION (OPTIONAL)	2
201	4360336	1	Switch, Toggle	
201	3790012	1	O-Ring	
		Ref	JIB SWITCH INSTALLATION (660SJC ONLY)	
	0272147	Ref	ANSI and ANSI Export Specs	5
	0272146	Ref	Australian and CE Specs	6
301		Ref	Switch, Toggle Options:	
301	4360314	1	Switch, Toggle (Prior to SN 0300097054)	
301	4360328	1	Switch, Toggle (SN 0300097054 through 0300128000)	
301	3790012	1	O-Ring	
		Ref	LIGHT PANEL DECAL INSTALLATION OPTIONS:	
	0270386	Ref	ANSI and CSA Specs	
	0270388	Ref	ANSI Export, Australian and Japanese Specs	
	0270387	Ref	CE Spec	
401		Ref	Decal Options:	
401	1704707	1	ANSI and CSA Specs	
401	1704710	1	ANSI Export, Australian and Japanese Specs	
401	1704709	1	CE Spec	

SECTION 4 - PLATFORM

FIGURE 4-3. CONTROLLER ASSEMBLY (LIFT AND SWING) (ORIGINAL EQUIPMENT)

Note: Original Equipment controller may have been replaced with Service Replacement controller. Visually identify controller before ordering parts.



ART_1600317

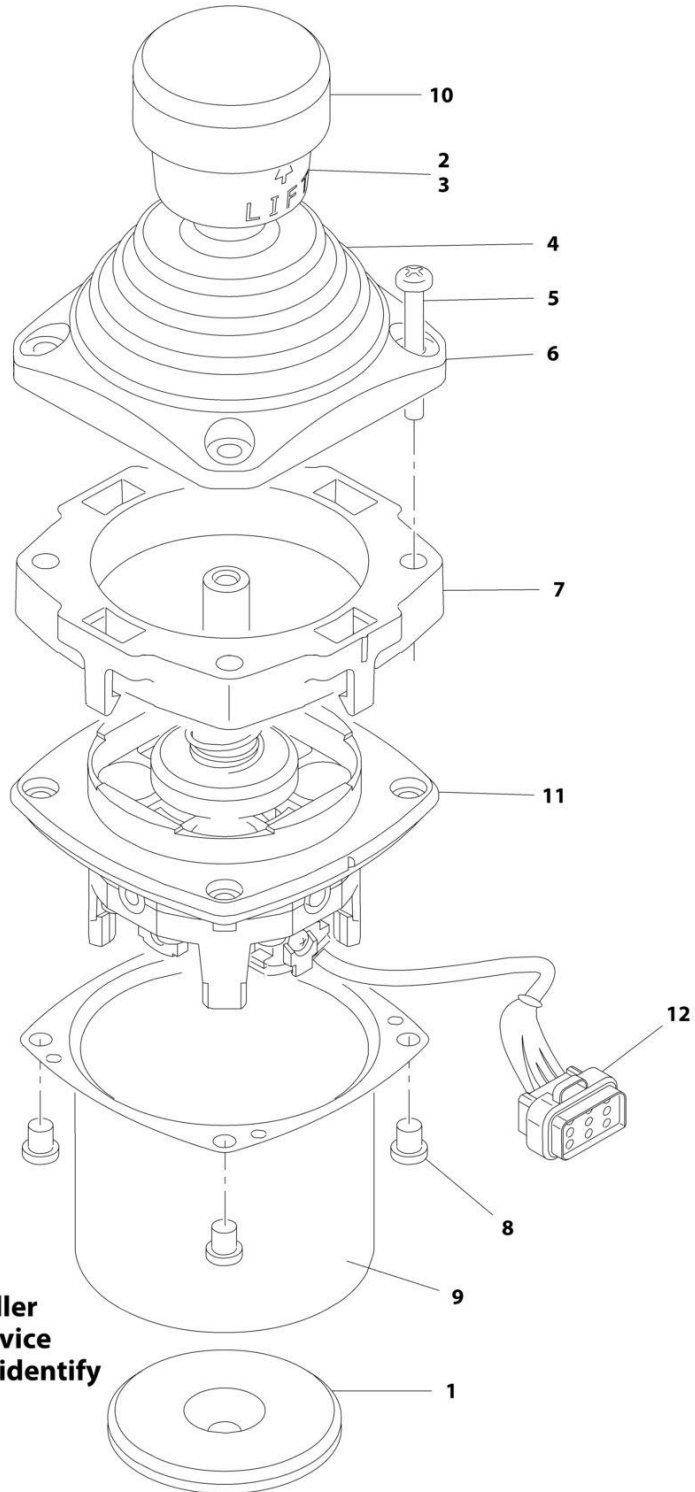
SECTION 4 - PLATFORM

FIGURE 4-3. CONTROLLER ASSEMBLY (LIFT AND SWING) (ORIGINAL EQUIPMENT)

ITEM	PART NUMBER	QTY	DESCRIPTION	REV
		Ref	Note: Original Equipment controller may have been replaced with Service Replacement controller. Visually identify controller before ordering parts.	
	1600317	Ref	CONTROLLER ASSEMBLY (ORIGINAL EQUIPMENT)	B
		Ref	Note: Use p/n 1001129555 Kit as replacement.	
1	7019141	1	Mechanical Assembly (Includes Base, Handle Stem and Items 1A, 1B, 1C & 18)	
1A	7019197	1	Handle Cap and Rod	
1B	7003928	1	Spring	
1C	7022808	1	Cap, Lift	
2	7019171	2	Plate	
3	7019111	4	Bearing, Gear	
4	7019143	2	Screw	
5	7019144	2	Spacer, Cam	
6	7019145	4	E-Clip	
7	7019174	2	Spacer	
8	7003977	2	Gear, Drive	
9		Ref	Shaft Options:	
9	7019147	2	Shaft, Short	
9	7019177	2	Shaft, Long	
10	7022818	2	Potentiometer	
11	7019142	2	Plate	
12	7003992	2	Washer	
13	7003993	2	Nut	
14	7003976	2	Gear, Slave	
15	7019149	2	Setscrew	
16	7022816	4	Screw	
17	7019150	1	Gate	
18	7022814	1	Boot	
19	7022815	1	Bezel	
20	See Note	NSS	Center, Detent (Note: Use p/n 1001129555)	
21	7003953	4	Washer	
22	7022817	4	Screw	
23	7022819	1	Plug, Male 8 Position (Natural)	
23	4460871	8	Socket, Female	
24	7019122	1	Gimble, Outer	
25	7019123	1	Gimble, Inner	

SECTION 4 - PLATFORM

FIGURE 4-4. CONTROLLER ASSEMBLY (LIFT AND SWING) (SERVICE REPLACEMENT)



Note: Original Equipment controller may have been replaced with Service Replacement controller. Visually identify controller before ordering parts.

ART_1001118417

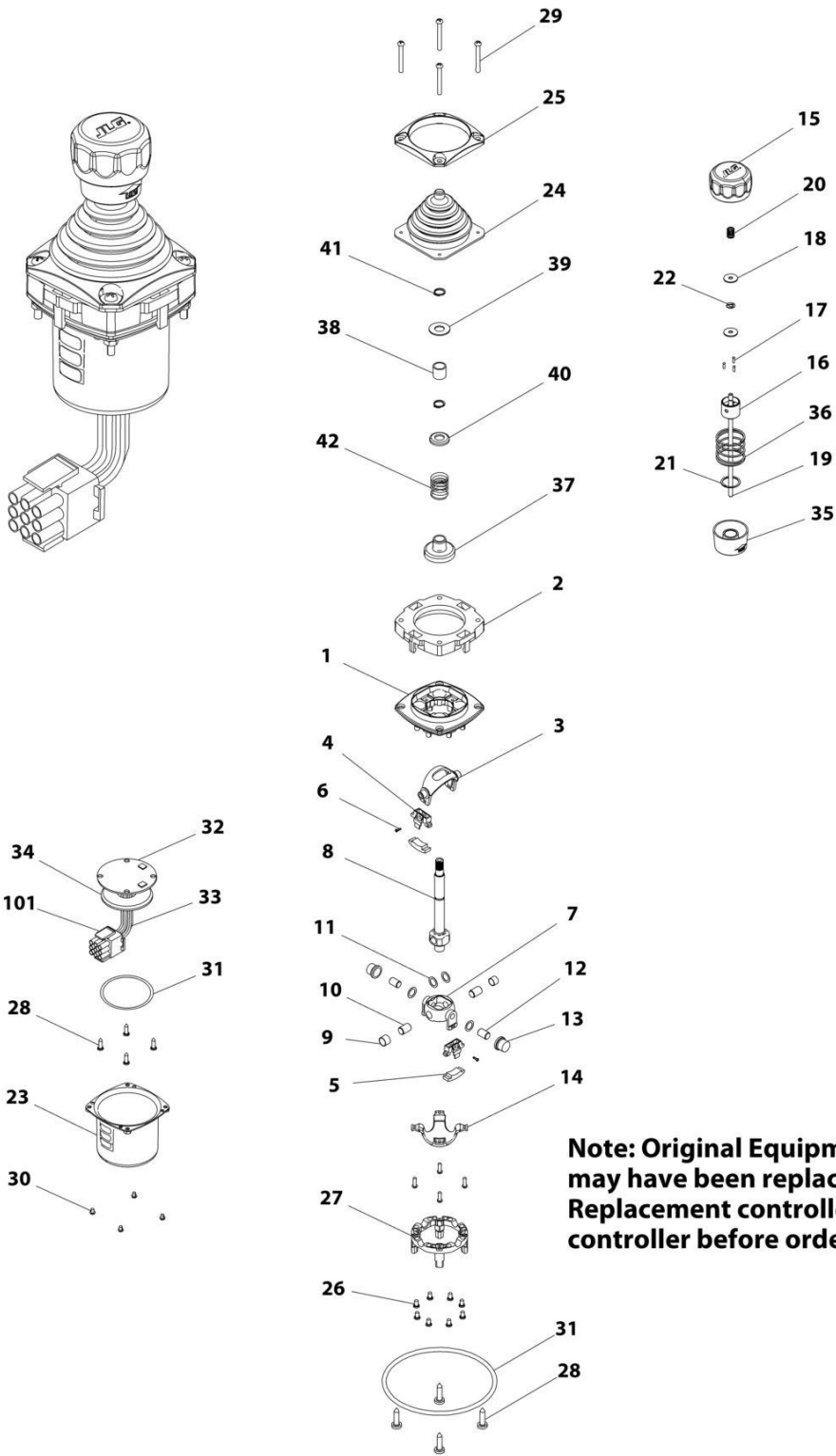
SECTION 4 - PLATFORM

FIGURE 4-4. CONTROLLER ASSEMBLY (LIFT AND SWING) (SERVICE REPLACEMENT)

ITEM	PART NUMBER	QTY	DESCRIPTION	REV
		Ref	Note: Original Equipment controller may have been replaced with Service Replacement controller. Visually identify controller before ordering parts.	
	1001118417	Ref	CONTROLLER ASSEMBLY (LIFT AND SWING) (SERVICE REPLACEMENT)	A
		Ref	Note: Use p/n 1001129555 as Replacement.	
1	70002730	1	Gasket	
2	7003928	1	Spring	
3	7022808	1	Cap, Lift	
4	70002731	1	Boot	
5	70002732	4	Screw	
6	7022815	1	Bezel	
7	70002733	1	Adapter	
8	70002734	4	Screw	
9	70002735	1	Can, Enclosure	
10	70002906	1	Cap	
11	See Note	NSS	Mechanical Assembly (Note: Purchase Kit p/n 1001129555)	
12	7022819	1	Connector - 8 Position	
12	4460871	6	Socket, Female	

SECTION 4 - PLATFORM

FIGURE 4-5. CONTROLLER ASSEMBLY (LIFT AND SWING) (SERVICE REPLACEMENT)



Note: Original Equipment controller may have been replaced with Service Replacement controller. Visually identify controller before ordering parts.

ART_1001166539

SECTION 4 - PLATFORM

FIGURE 4-5. CONTROLLER ASSEMBLY (LIFT AND SWING) (SERVICE REPLACEMENT)

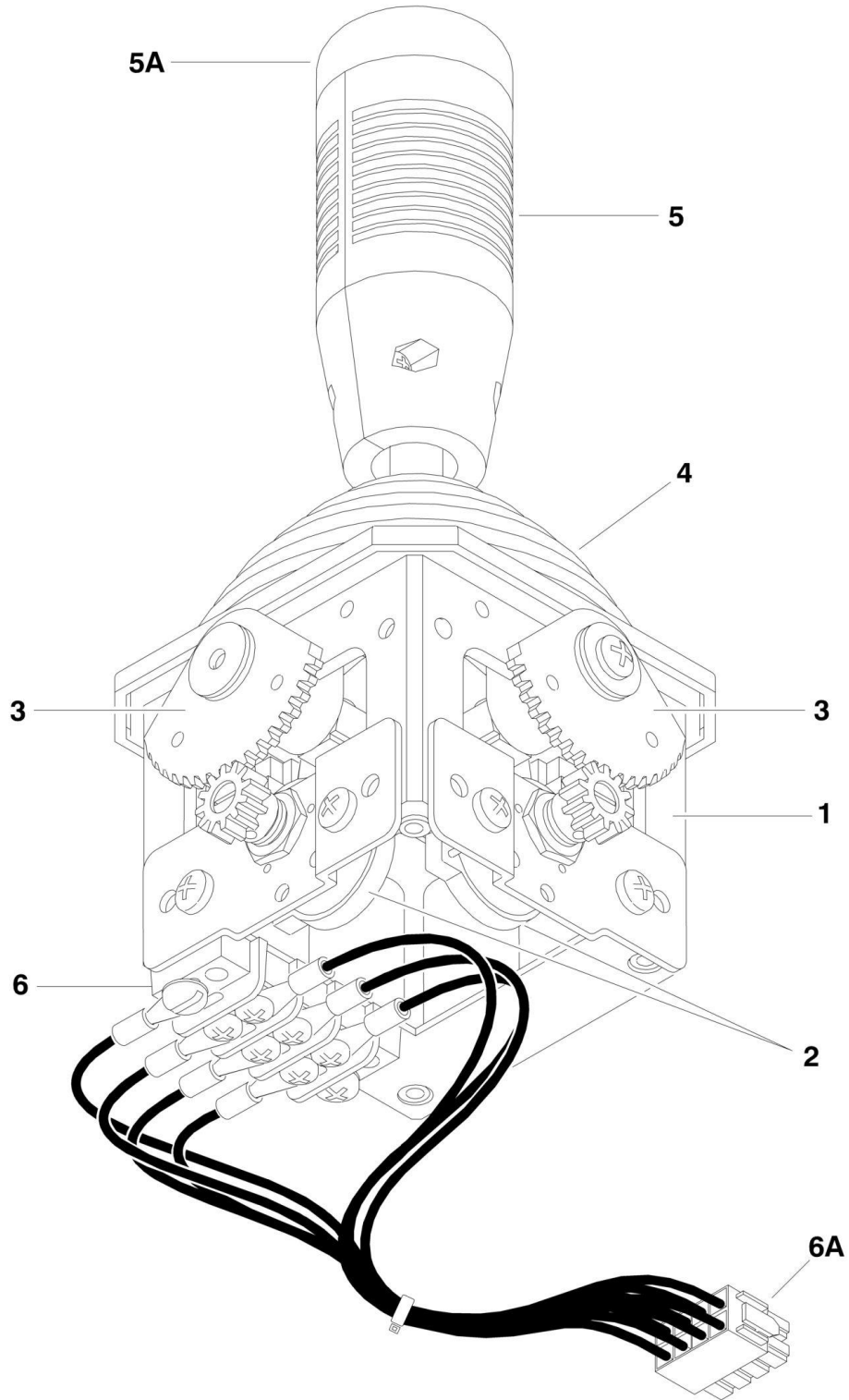
ITEM	PART NUMBER	QTY	DESCRIPTION	REV
		Ref	Note: Original Equipment controller may have been replaced with Service Replacement controller. Visually identify controller before ordering parts.	
	1001166539	Ref	CONTROLLER ASSEMBLY (LIFT AND SWING) (SERVICE REPLACEMENT)	A
		Ref	Note: Use p/n 1001129555 as Replacement.	
1	See Note	NSS	Main Cast Body (Note: Not Available - Purchase Complete Assembly)	
2	70004752	1	Adapter	
3	See Note	NSS	Pivot Arm, Plastic (Note: Not Available - Purchase Complete Assembly)	
4	See Note	NSS	Holder, Magnet (Note: Not Available - Purchase Complete Assembly)	
5	See Note	NSS	Arc, Magnet (Note: Not Available - Purchase Complete Assembly)	
6	See Note	NSS	Screw (Note: Not Available for Purchase)	
7	See Note	NSS	Pivot Arm, Cast (Note: Not Available - Purchase Complete Assembly)	
8	See Note	NSS	Shaft, Main (Note: Not Available - Purchase Complete Assembly)	
9	See Note	NSS	Bearing (Note: Not Available - Purchase Complete Assembly)	
10	See Note	NSS	Pin (Note: Not Available - Purchase Complete Assembly)	
11	See Note	NSS	Shim (Note: Not Available - Purchase Complete Assembly)	
12	See Note	NSS	Pin (Note: Not Available - Purchase Complete Assembly)	
13	See Note	NSS	Bearing (Note: Not Available - Purchase Complete Assembly)	
14	See Note	NSS	Dome, Centering (Note: Not Available - Purchase Complete Assembly)	
15	70004753	1	Cap	
16	70004754	1	Insert, Cap	
17	70004755	3	Pin	
18	70004756	2	Washer	
19	70004757	1	Pin, Centering	
20	70004758	1	Spring	
21	70004759	1	Ring, Retaining	
22	70004760	1	E-Ring	
23	70004761	1	Can, Enclosure	
24	70004762	1	Boot	
25	70004763	1	Bezel	
26	See Note	NSS	Screw (Note: Not Available for Purchase)	
27	See Note	NSS	Base Mounting (Note: Not Available - Purchase Complete Assembly)	
28	See Note	NSS	Screw (Note: Not Available for Purchase)	
29	70004764	4	Screw	
30	70004765	4	Screw	
31	70004766	1	O-Ring	
32	See Note	NSS	Plate (Note: Not Available - Purchase Complete Assembly)	
33	See Note	NSS	Harness (Note: Not Available - Purchase Complete Assembly)	
34	70004767	1	Grommet, Rubber	
35	70004768	1	Housing	
36	70004769	1	Spring	
37	70004770	1	Stopper	
38	70004771	1	Spacer	
39	70004772	1	Washer	

SECTION 4 - PLATFORM

ITEM	PART NUMBER	QTY	DESCRIPTION	REV
40	70004773	1	Disc	
41	70004774	2	Ring, Retaining	
42	70004775	1	Spring	
101	4460265	1	Connector - 9 Position	
101	4460226	6	Socket, Female	

SECTION 4 - PLATFORM

FIGURE 4-6. CONTROLLER ASSEMBLY (DRIVE AND STEER)



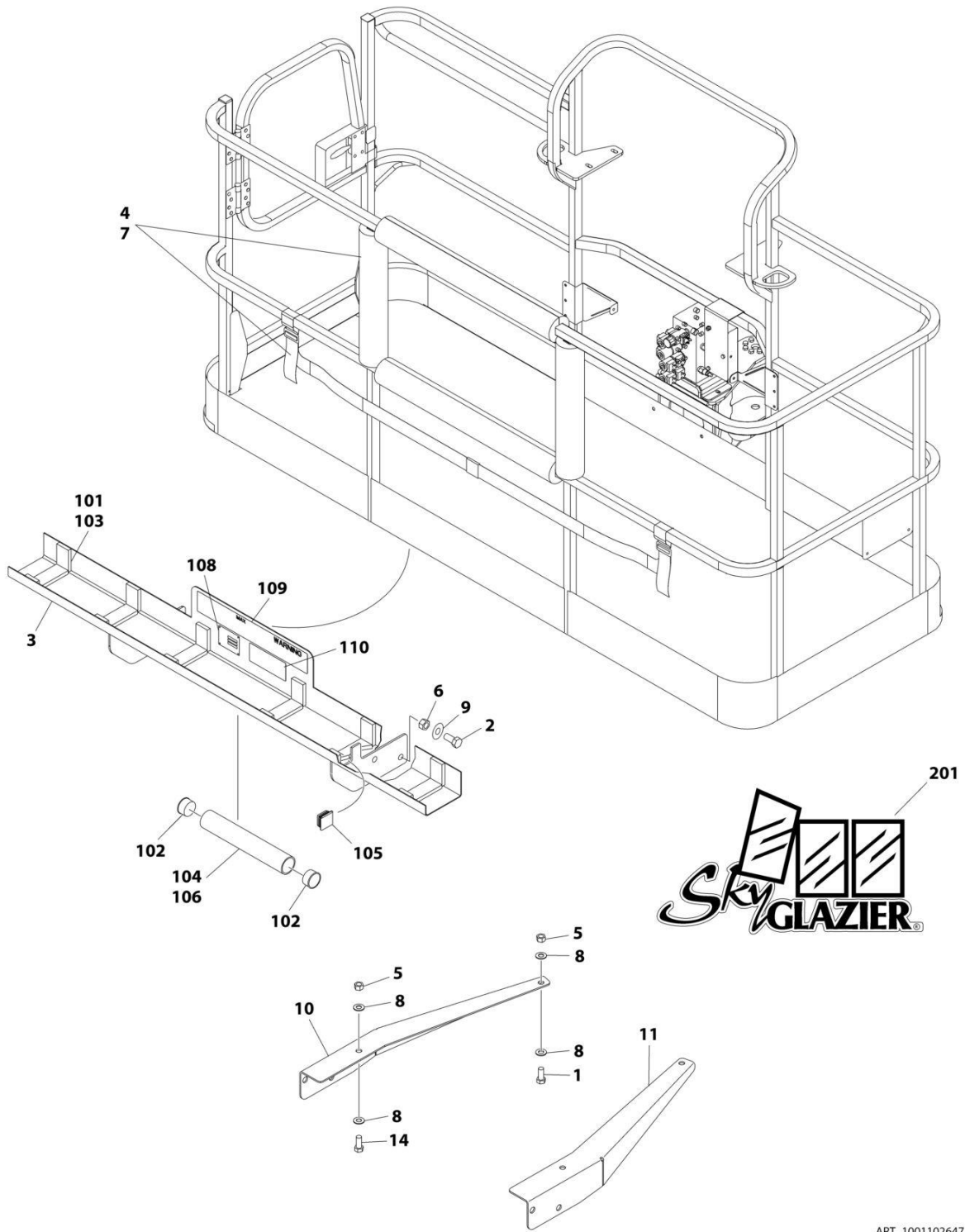
SECTION 4 - PLATFORM

FIGURE 4-6. CONTROLLER ASSEMBLY (DRIVE AND STEER)

ITEM	PART NUMBER	QTY	DESCRIPTION	REV
	1600359	Ref	CONTROLLER ASSEMBLY	A
1	7022832	1	Housing Assembly (Includes Casting, Gimbles, etc)	
2	7022833	2	Potentiometer Plate	
2	7003974	2	Potentiometer	
3	7022834	2	Drive Gear Assembly	
4	7022835	1	Boot Assembly	
5	7022836	1	Handle Assembly	
5A	7022839	1	Cap, Rubber	
5A	7022838	1	Switch, Push Button	
6	7022837	1	Terminal Block/PC Board Assembly	
6A	See Note	NSS	Plug, Male 8 Position (Note: Not Available for Purchase)	
6A	4460871	6	Socket, Female	

SECTION 4 - PLATFORM

FIGURE 4-7. SKYGLAZIER INSTALLATION



ART_1001102647

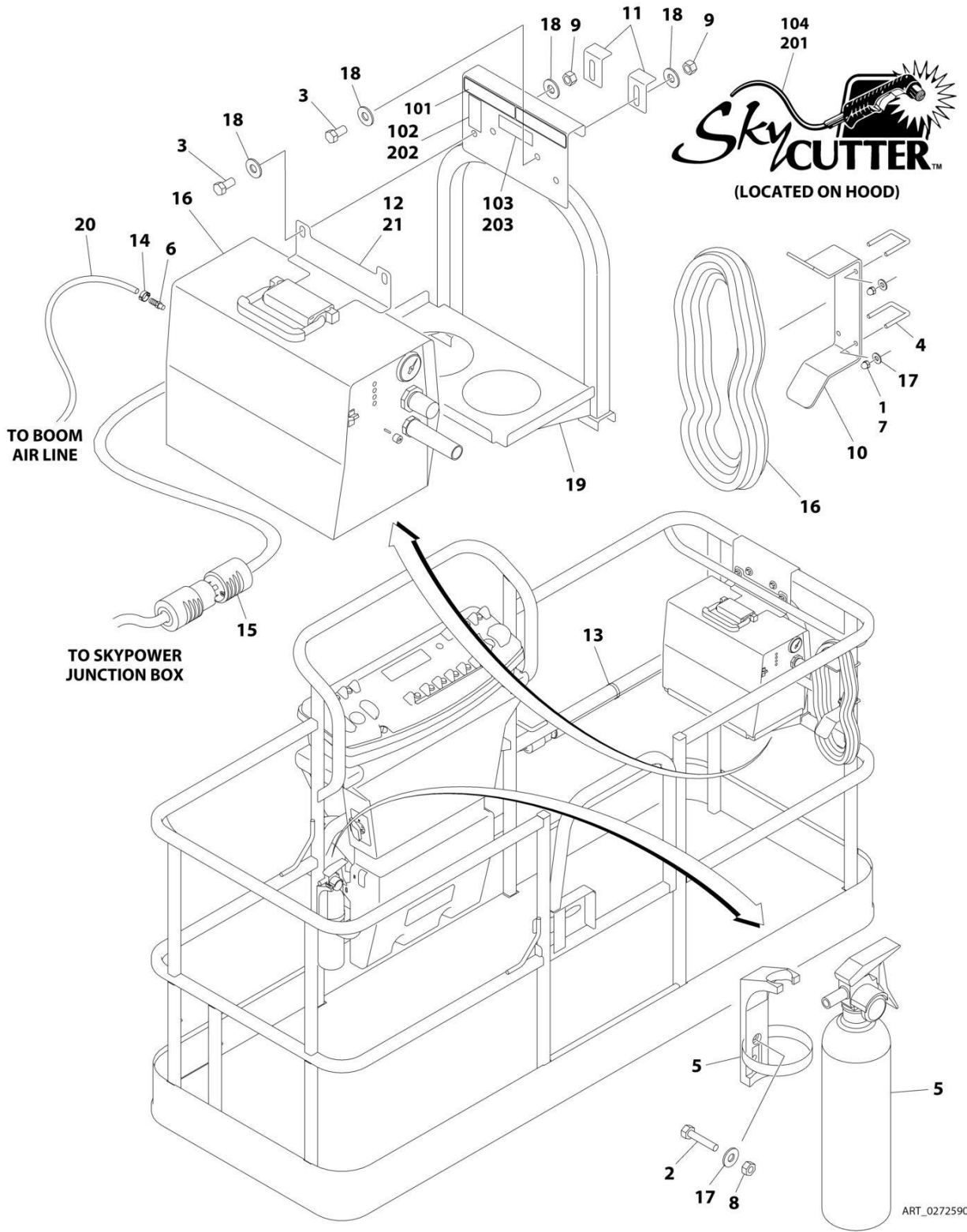
SECTION 4 - PLATFORM

FIGURE 4-7. SKYGLAZIER INSTALLATION

ITEM	PART NUMBER	QTY	DESCRIPTION	REV
	0272395	Ref	SKYGLAZIER INSTALLATION - WITHOUT LSS (ANSI AND CSA SPECS) (Prior to SN 0300124134)	3
	1001099376	Ref	SKYGLAZIER INSTALLATION - WITHOUT LSS (ANSI AND CSA SPECS) (SN 0300124134 through 0300127747)	B
	1001101422	Ref	SKYGLAZIER INSTALLATION - WITHOUT LSS (ANSI AUSTRALIAN AND CSA SPECS) (SN 0300127748 through 030012800)	C
	1001102647	Ref	SKYGLAZIER INSTALLATION - WITH LSS (AUSTRALIAN SPECS)	C
		Ref	Note: Only Available on 600SC & 660SJC for ANSI, Australian and CSA Specs.	
1	0642012	2	Bolt 5/8 x 1-1/2	
1	0642026	2	Bolt 5/8 x 3-1/4	
2	0642214	4	Bolt 3/4 x 1-3/4	
2	0642212	4	Bolt 3/4 x 1-1/2	
3	0272391	NLA	Tray Assembly (Use p/n 1001101421) (See Items 101-110 for Breakdown) (Prior to SN 0300127748)	
3	1001101421	1	Tray Assembly (See Items 101-110 for Breakdown) (SN 0300127748 through 0300128000)	
4	2902212	1	Bumpers and Strap Kit	
4	0940102	1	Bumper Only	
4	4240149	1	Strap Only	
5	3312005	4	Nut 5/8	
6	3312201	4	Nut 3/4	
6	3312205	4	Nut 3/4	
7	4420014	AR	Tape	
8	4712000	AR	Washer 5/8	
9	4892200	4	Washer 3/4	
9	4712200	8	Washer 3/4	
10	1001099366	1	Support (1001099376, 1001101422 & 1001102647 Installation)	
11	1001099367	1	Support (1001099376, 1001101422 & 1001102647 Installation)	
14	8310129	2	Bolt 5/8 x 2-1/2	
14	8310230	2	Bolt 5/8 x 4	
	0272391	Ref	TRAY ASSEMBLY (ANSI AND CSA SPECS) (Prior to SN 0300127748)	3
	1001101421	Ref	TRAY ASSEMBLY (ANSI, AUSTRALIAN AND CSA SPECS) (SN 0300127748 through 0300128000)	E
101	0100081	AR	Adhesive	
102	1120555	2	Cap, Tube	
103	3340956	1	Pad Kit	
104	3460334	1	Tube	
105	3520071	2	Plug	
106	4420066	AR	Tape, Double Sided	
108	See Note	NSS	Nameplate - Serial Number (Note: Not Available for Purchase)	
109	1705312	1	Decal - Glazier Capacity (0272391 Installation)	
109	1001163131	1	Decal - Glazier Capacity (1001163131 Installation)	
110	1701509	2	Decal - Manual	
	0272418	Ref	SKYGLAZIER DECAL INSTALLATION	
201	1705358	2	Decal - SkyGlazier	

SECTION 4 - PLATFORM

FIGURE 4-8. SKYCUTTER INSTALLATION

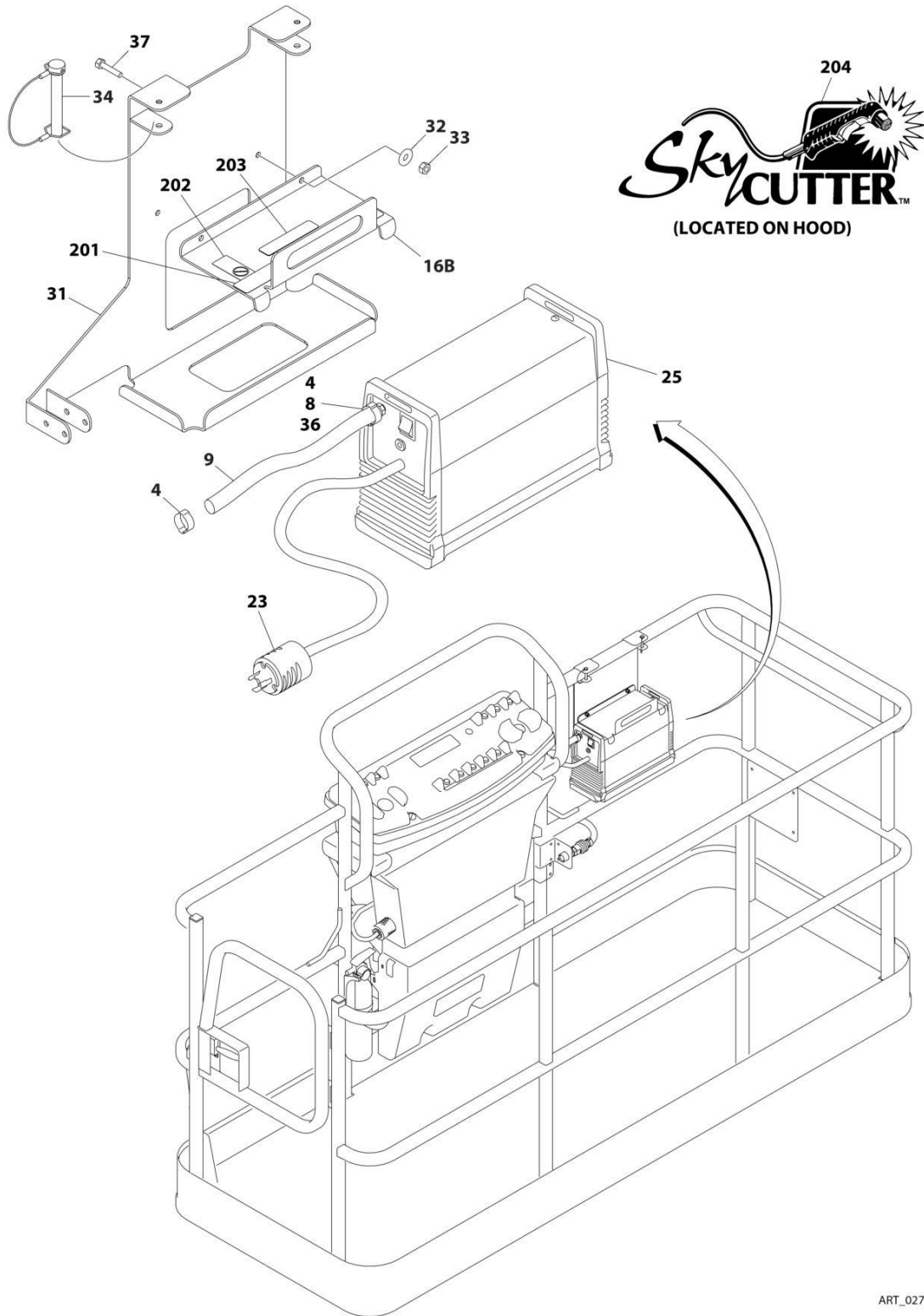


SECTION 4 - PLATFORM

FIGURE 4-8. SKYCUTTER INSTALLATION

ITEM	PART NUMBER	QTY	DESCRIPTION	REV
		Ref	SKYCUTTER INSTALLATION	
	0272590	Ref	SkyCutter Installation - 60Hz Power Supply	D
	0272606	Ref	SkyCutter Installation - 50Hz Power Supply (Prior to SN 0300119174)	D
		Ref	Note: When replacing platform on machines with SkyCutter option, new bracket p/n 1001145405 must be purchased to accommodate SkyCutter components.	
1	0100011	AR	Compound, Locking	
2	0641406	2	Bolt 1/4 x 3/4	
3	0641606	4	Bolt 3/8 x 3/4	
4	1320302	2	Clamp	
5	2030010	1	Extinguisher, Fire	
6	2180832	1	Fitting, NPT/Barbed	
7	3300151	4	Nut 1/4	
8	3311405	2	Nut 1/4	
9	3311605	4	Nut 3/8	
10	3573400	1	Bracket, Cable	
11	3573641	2	Plate, Clamp (Use p/n 3577121)	
12	3573643	1	Plate, Top Support	
13	4240099	AR	Tie, Wire	
14	1320177	2	Clamp, Hose	
15	4460971	1	Plug, Twistlock	
16	4530024	1	Plasma Cutter Assembly - 60Hz Power Supply (See PLASMA CUTTER ASSEMBLY for Breakdown)	
16	4530025	1	Plasma Cutter Assembly - 50Hz Power Supply (See PLASMA CUTTER ASSEMBLY for Breakdown)	
17	4751400	6	Washer 1/4	
18	4751600	8	Washer 3/8	
19	4846571	1	Support	
20	2720160	4 ft/ 1.2m	Hose	
	0272599	Ref	SKYCUTTER DECAL INSTALLATION (60HZ) (ANSI, ANSI Export and CSA Specs)	A
101	1702868	1	Decal - No Hands (60Hz Power Supply Only)	
102	1705305	1	Decal - Weld Lead	
103	1705466	1	Decal - Weight	
104	1705490	2	Decal - SkyCutter	
	0272607	Ref	SKYCUTTER DECAL INSTALLATION (50HZ) (AUSTRALIAN, CE, CSA & JAPANESE SPECS)	A
201	1705490	2	Decal - SkyCutter	
202	1705305	1	Decal - Weld Lead	
203	1705466	1	Decal - Weight	

SECTION 4 - PLATFORM



ART_0273353_20F2

SECTION 4 - PLATFORM

FIGURE 4-9. SKYCUTTER INSTALLATION (50HZ/60HZ POWER SUPPLY) (SN 1001145405 through 0300128000)

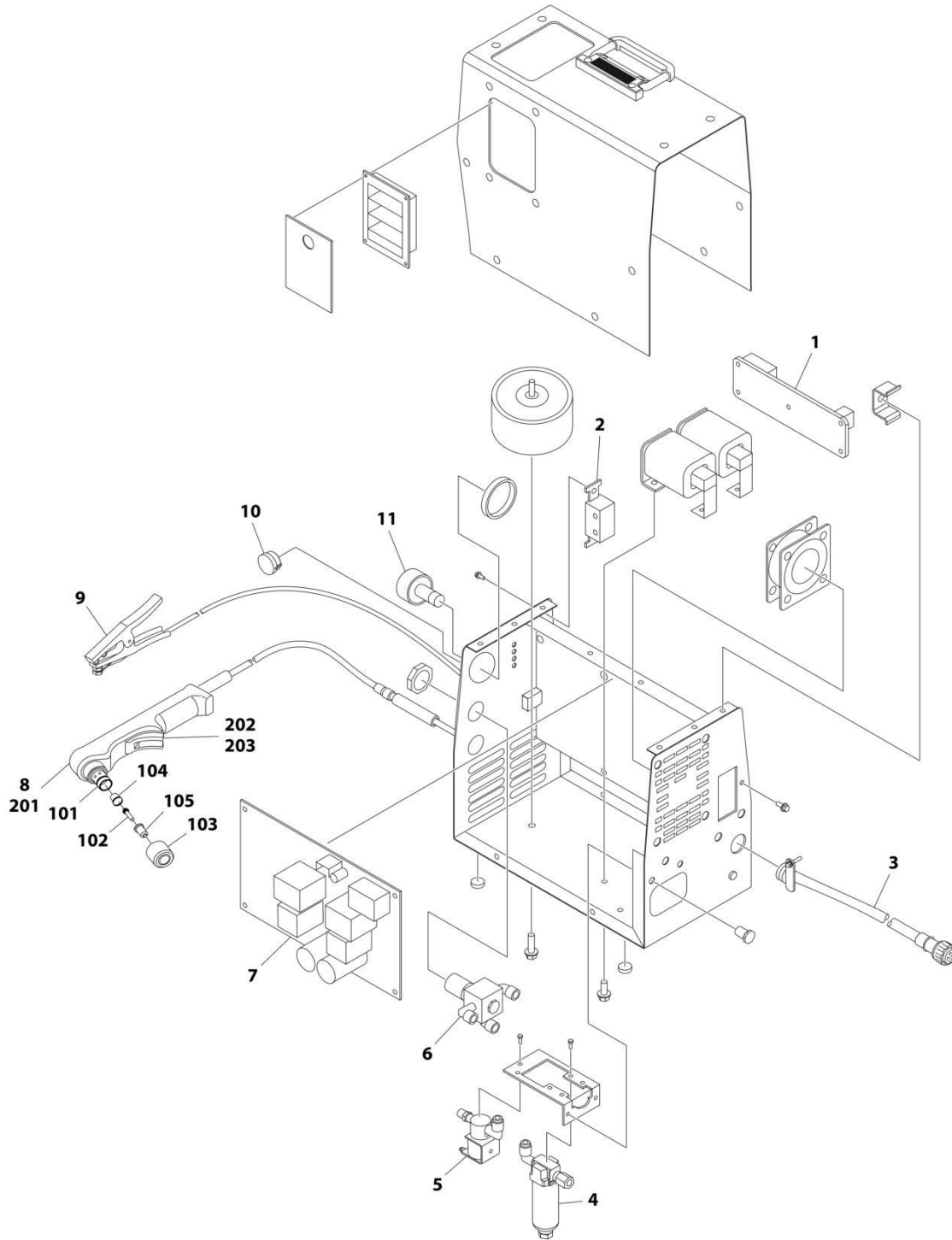
ITEM	PART NUMBER	QTY	DESCRIPTION	REV
	1001098149	Ref	SKYCUTTER INSTALLATION (50HZ/60HZ POWER SUPPLY)	A
	0273353	Ref	SKYCUTTER/SKYWELDER COMBO INSTALLATION (60HZ POWER SUPPLY)	
		Ref	Note: When replacing platform on machines with SkyCutter option, new bracket p/n 1001145405 must be purchased to accommodate SkyCutter components.	
1	0100011	AR	Compound, Locking	
2	0641406	2	Bolt 1/4 x 3/4	
2	0630518	2	Screw #10 x 3/4	
3	0641606	4	Bolt 3/8 x 3/4	
4	1320177	2	Clamp, Hose	
5	1320302	2	Clamp	
6	1671093	1	Cover, Plug (SkyWelder/SkyCutter Combo Only)	
7	2030010	1	Extinguisher, Fire	
8	2180832	1	Fitting, NPT/Barbed	
9	2720160	4.5 ft/ 1.8m	Hose (0273353 Installation)	
9	2720160	3 ft/ 0.9m	Hose (1001098149 Installation)	
10	2902217	1	Weld Leads Kit	
11	3300151	4	Nut 1/4	
12	3311405	2	Nut 1/4	
12	3311005	2	Nut #10	
13	3311605	4	Nut 3/8	
14	3573400	1	Bracket	
15	3577121	2	Angle	
16A	3573642	1	Plate, Hold-Down (0273353 Installation)	
16B	3576799	1	Plate, Hold-Down (0273353 & 1001098149 Installation)	
20	4240099	AR	Tie-Strap (Not Shown)	
21	4420037	AR	Tape	
22	4460962	1	Plug, Twistlock (0273353 Installation)	
22	4460971	1	Plug, Twistlock (1001098149 Installation)	
23	4460971	1	Plug, Twistlock	
24	4530028	1	Welder Assembly (See WELDER ASSEMBLY for Breakdown)	
25	1001098012	1	Plasma Cutter Assembly (See PLASMA CUTTER ASSEMBLY (50Hz/60Hz Power Supply) for Breakdown)	
26	4751400	4	Washer 1/4	
27	4751600	8	Washer 3/8	
29	4846627	1	Support	
31	4341301	NLA	Support (Use p/n 1001145405)	
32	4811700	2	Washer M6	
33	3290605	2	Nut M6	
34	3421453	3	Pin	
36	0100020	AR	Sealant	
37	4010608	2	Screw M6 x 16	
38	4751400	2	Washer 1/4	
38	4751000	2	Washer #10	
	0272448	Ref	SKYWELDER DECAL INSTALLATION	
101	1705355	2	Decal - SkyWelder	
102	1702868	1	Decal - No Hands	
103	1705305	1	Decal - Weld Lead	

SECTION 4 - PLATFORM

ITEM	PART NUMBER	QTY	DESCRIPTION	REV
104	1705375	1	Decal - 240V - 3 Phase - 60Hz	
105	1705466	NLA	Decal - Weight (Use p/n 1001228988)	
	0272599	Ref	SKYCUTTER DECAL INSTALLATION	
201	1702868	1	Decal - No Hands	
202	1705305	1	Decal - Weld Lead	
203	1705466	NLA	Decal - Weight (Use p/n 1001228988)	
204	1705490	2	Decal - SkyCutter	

SECTION 4 - PLATFORM

FIGURE 4-10. PLASMA CUTTER ASSEMBLY



ART_4530024

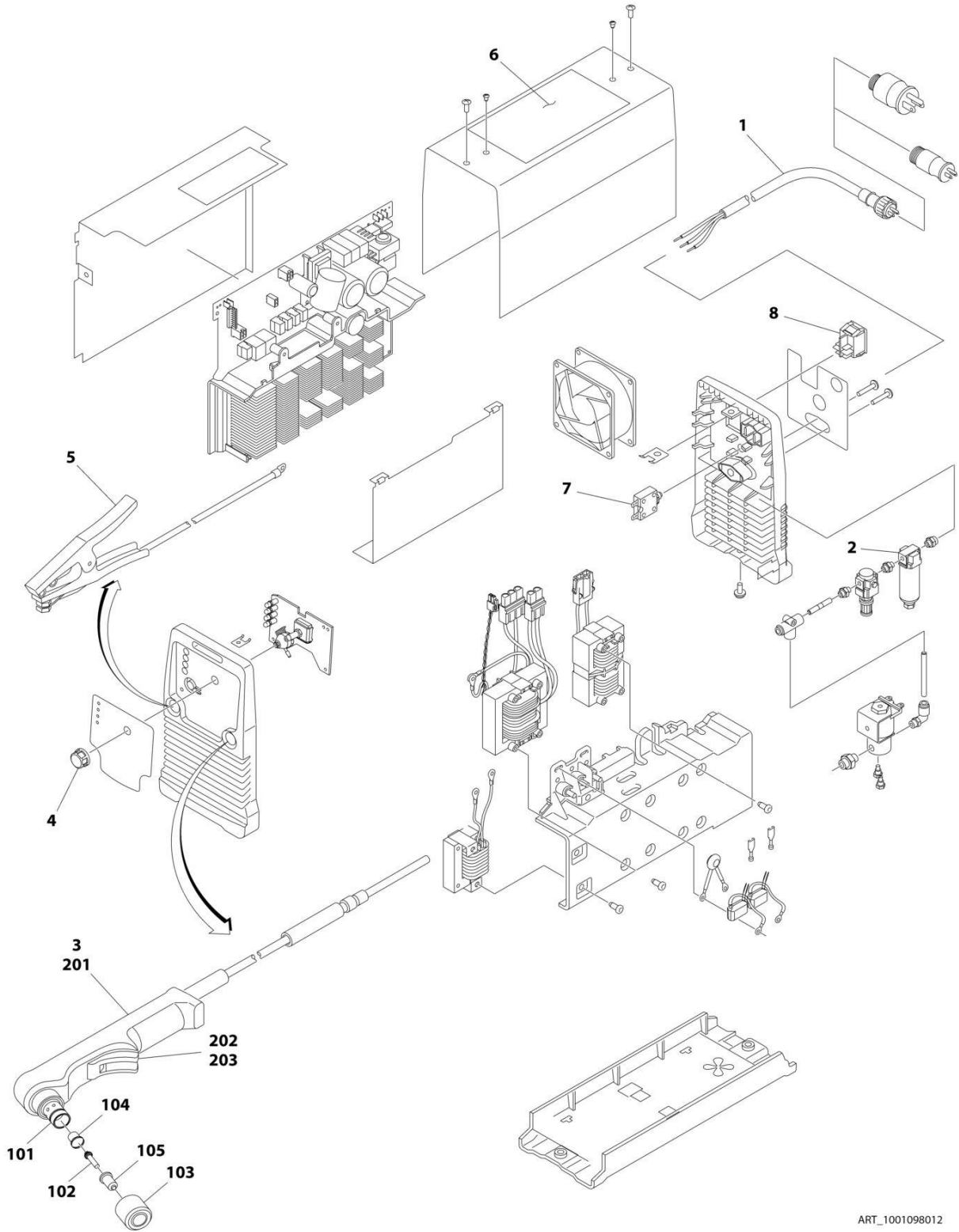
SECTION 4 - PLATFORM

FIGURE 4-10. PLASMA CUTTER ASSEMBLY

ITEM	PART NUMBER	QTY	DESCRIPTION	REV
		Ref	PLASMA CUTTER ASSEMBLY	
	4530024	Ref	Plasma Cutter Assembly - 60Hz Power Supply	D
	4530025	Ref	Plasma Cutter Assembly - 50Hz Power Supply	D
		Ref	Note: For other components see your Miller Dealer.	
1	7024519	1	Circuit Card - 60Hz Power Supply	
1	7024538	1	Circuit Card - 50Hz Power Supply	
2	7024520	1	Switch	
3	7024521	10 ft/ 3m	Cable, Power - 60Hz Power Supply	
3	7024539	10 ft/ 3m	Cable, Power - 50Hz Power Supply	
4	7024522	1	Filter, Air	
5	7024523	1	Valve, Air - 60Hz Power Supply	
5	7024540	1	Valve, Air - 50Hz Power Supply	
6	7024524	1	Regulator, Air	
7	7024525	1	Circuit Card - 60Hz Power Supply	
7	7024541	1	Circuit Card - 50Hz Power Supply	
8	7024526	1	Torch Assembly (See Items 101-203 for Breakdown)	
9	7024527	1	Clamp	
10	7024528	1	Knob	
11	7024529	1	Gauge, Air	
	7024526	Ref	TORCH ASSEMBLY	
101	7024530	1	O-Ring	
102	7024531	1	Electrode	
103	7024532	1	Cup, Retaining	
104	7024533	1	Swirl Ring	
105	7024534	1	Tip	
201	7024535	1	Handle, Torch	
202	7024536	1	Switch	
203	7024537	1	Trigger	

SECTION 4 - PLATFORM

FIGURE 4-11. PLASMA CUTTER ASSEMBLY (50HZ/60HZ POWER SUPPLY)



ART_1001098012

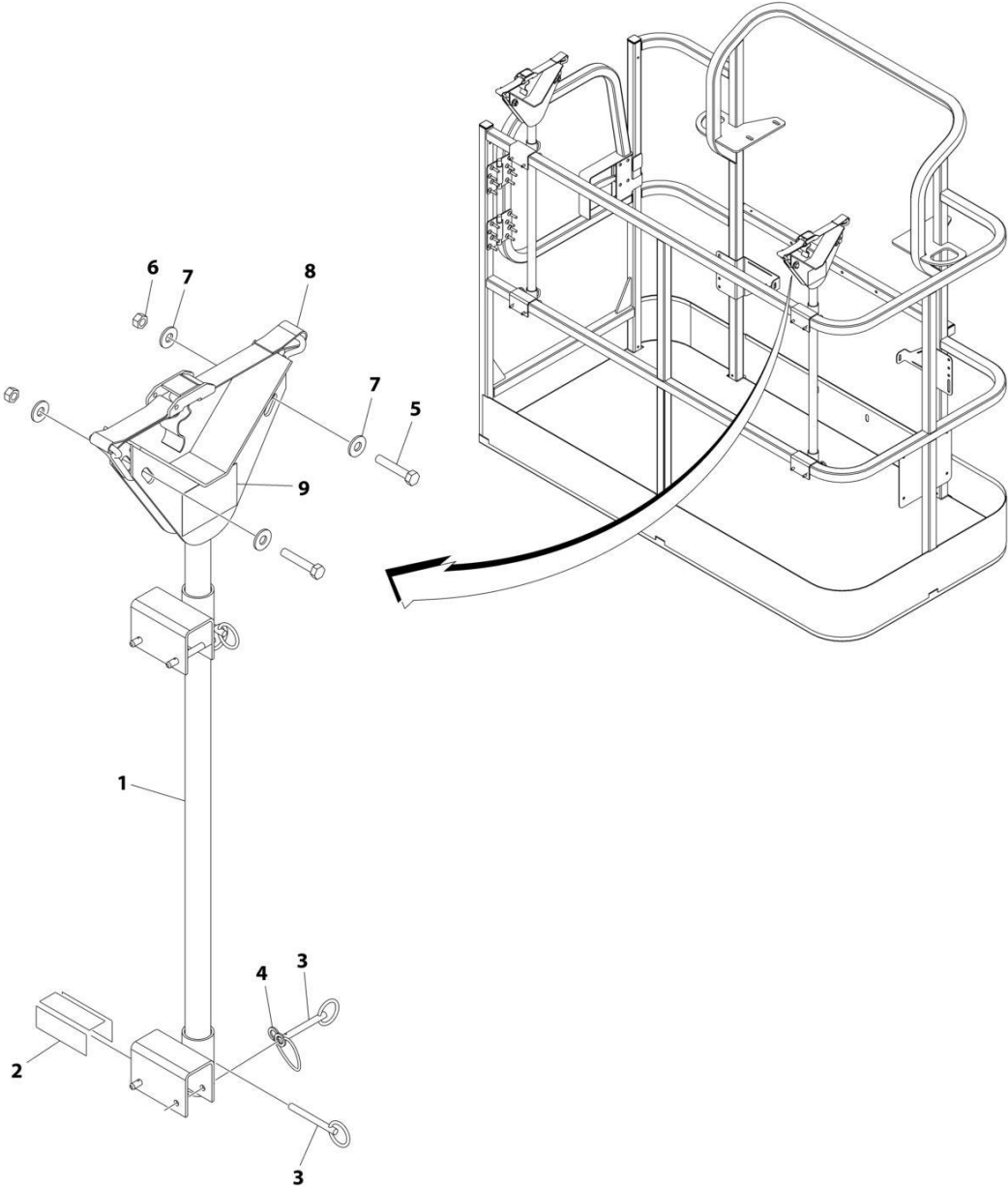
SECTION 4 - PLATFORM

FIGURE 4-11. PLASMA CUTTER ASSEMBLY (50HZ/60HZ POWER SUPPLY)

ITEM	PART NUMBER	QTY	DESCRIPTION	REV
	1001098012	Ref	PLASMA CUTTER ASSEMBLY	A
		Ref	Note: For Other Components, contact your Miller Welder Dealer.	
1	70001424	1	Cable, Power	
1	70001425	1	Decal - Voltage Warning	
2	70001427	1	Filter, Regulator	
3	70001428	1	Torch Assembly (See Items 101-203 for Breakdown)	
4	7024471	1	Knob	
5	70001429	1	Clamp with Cable	
6	70001430	1	Decal - Caution	
7	70001431	1	Breaker, Circuit	
8	70001432	1	Switch, Rocker	
	70001428	Ref	TORCH ASSEMBLY	
101	7024530	1	O-Ring	
102	7024531	1	Electrode	
103	7024532	1	Cup, Retaining	
104	7024533	1	Swirl Ring	
105	7024534	1	Tip	
201	7024535	1	Handle, Torch	
202	7024536	1	Switch	
203	7024537	1	Trigger	

SECTION 4 - PLATFORM

FIGURE 4-12. PIPE RACKS INSTALLATION



ART_0257728

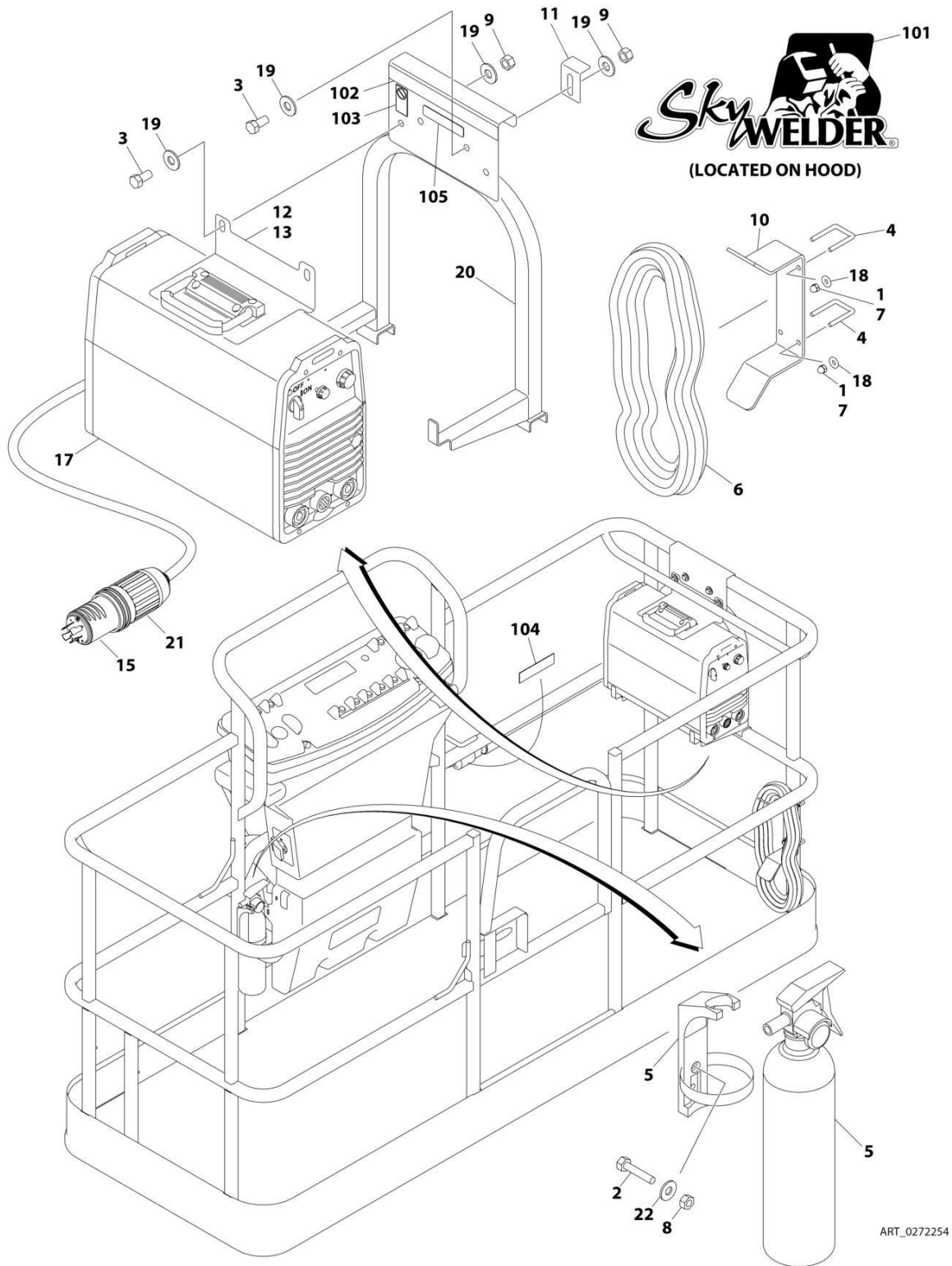
SECTION 4 - PLATFORM

FIGURE 4-12. PIPE RACKS INSTALLATION

ITEM	PART NUMBER	QTY	DESCRIPTION	REV
	0257728	Ref	PIPE RACKS INSTALLATION (ANSI & CSA SPECS)	2/C
1	4845582	2	Rack, Pipe	
2	4420062	AR	Tape	
3	3422661	10	Pin	
4	1060379	4	Lanyard	
5	0641514	4	Bolt 5/16 x 1-3/4	
6	3311505	4	Nut 5/16	
7	4751500	8	Washer 5/16	
8	0480100	2	Tie-Down	
9	1703683	2	Decal - Capacity	

SECTION 4 - PLATFORM

FIGURE 4-13. SKYWELDER INSTALLATION (60HZ)



ART_0272254

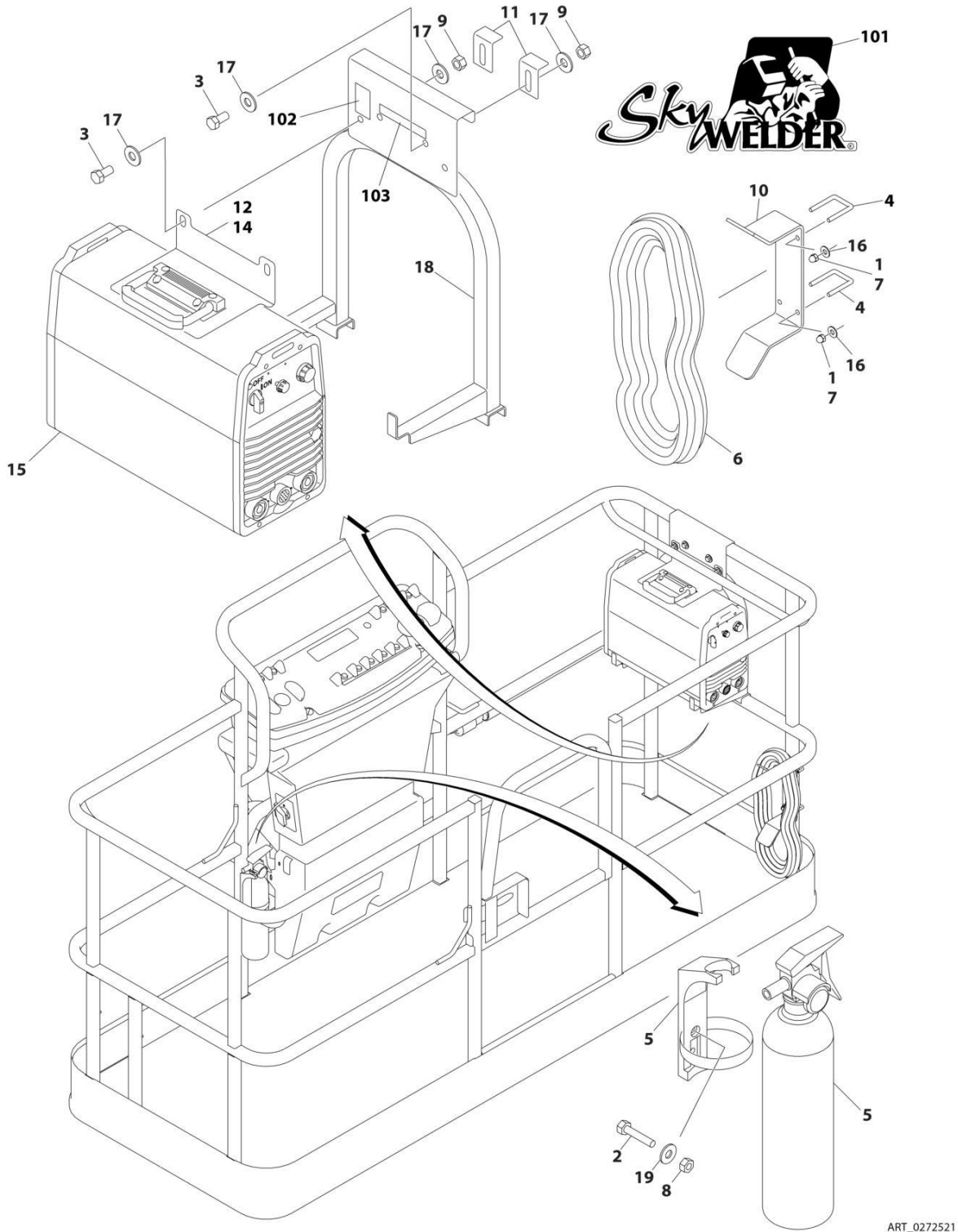
SECTION 4 - PLATFORM

FIGURE 4-13. SKYWELDER INSTALLATION (60HZ)

ITEM	PART NUMBER	QTY	DESCRIPTION	REV
	0272254	Ref	SKYWELDER INSTALLATION (60HZ)	I
		Ref	Note: ANSI, ANSI Export and CSA Specs Only.	
1	0100011	AR	Compound, Locking	
2	0630518	2	Screw #10 x 3/4	
3	0641606	4	Bolt 3/8 x 3/4	
4	1320302	2	U-Clamp	
5	2030010	1	Extinguisher, Fire	
6	2902217	1	Weld Leads Kit	
7	3300151	4	Nut 1/4	
8	3311005	2	Nut #10	
9	3311605	4	Nut 3/8	
10	3573400	1	Bracket	
11	3577121	2	Angle	
12	3573642	1	Plate	
13	4420037	AR	Tape	
14	4240099	AR	Tie-Strap (Not Shown)	
15	4460962	1	Plug, Male Twistlock	
17	4530028	1	Welder Assembly (See WELDER ASSEMBLY for Breakdown)	
18	4751400	4	Washer 1/4	
19	4751600	8	Washer 3/8	
20	4846627	1	Support	
21	1671093	1	Cover, Plug	
22	4751000	2	Washer #10	
	0272448	Ref	SKYWELDER DECAL INSTALLATION	B
101	1705355	2	Decal - SkyWelder	
102	1702868	1	Decal - No Hands	
103	1705305	1	Decal - Weld Lead	
104	1705375	1	Decal - 240V - 3 Phase - 60Hz	
105	1705466	NLA	Decal - Weight (Use p/n 1001228988)	
105	1001228988	1	Decal - Weight	

SECTION 4 - PLATFORM

FIGURE 4-14. SKYWELDER INSTALLATION (50HZ)



ART_0272521

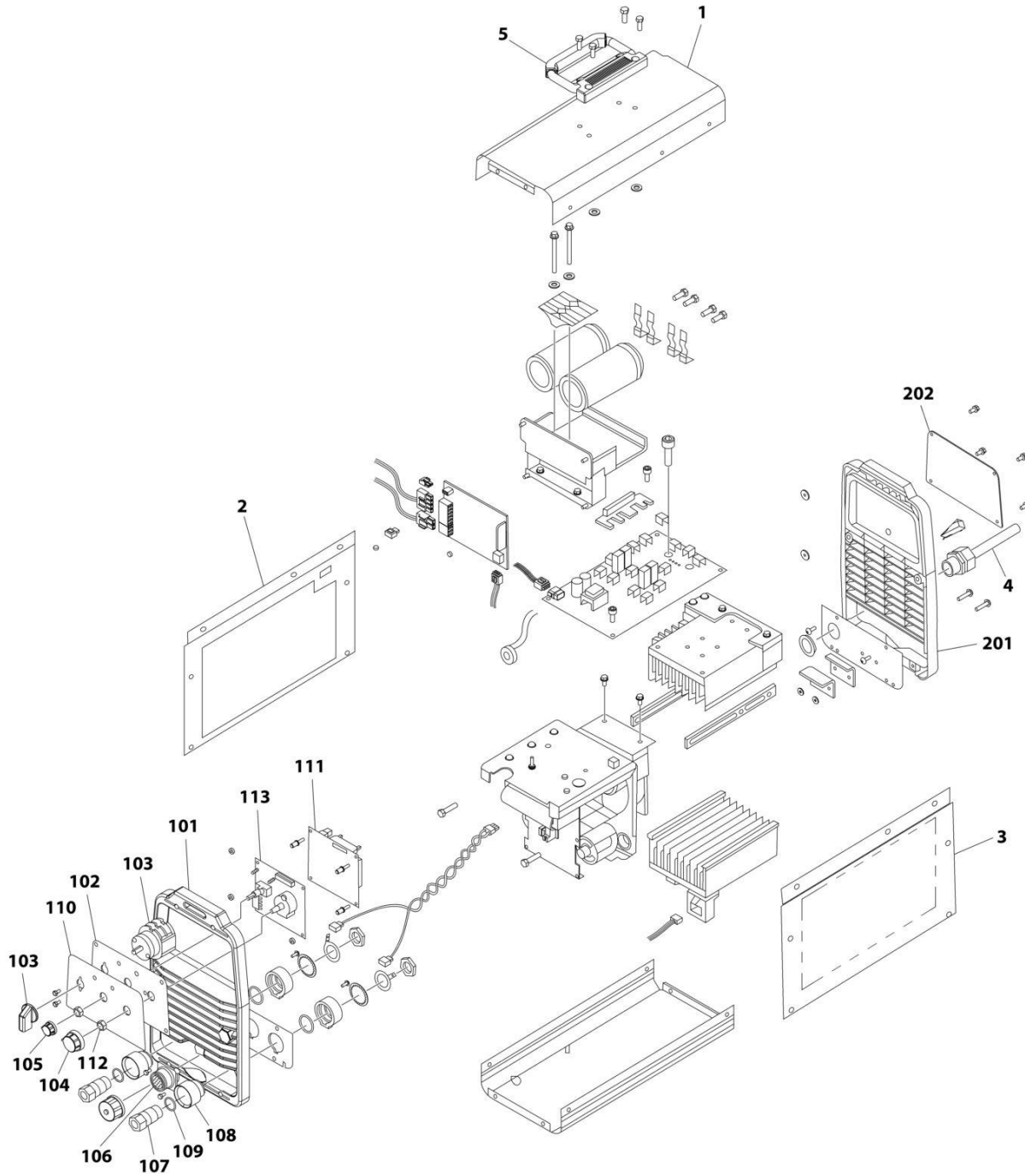
SECTION 4 - PLATFORM

FIGURE 4-14. SKYWELDER INSTALLATION (50HZ)

ITEM	PART NUMBER	QTY	DESCRIPTION	REV
	0272521	Ref	SKYWELDER INSTALLATION (50HZ)	F
1	0100011	AR	Compound, Locking	
2	0630518	2	Screw #10 x 3/4	
3	0641606	4	Bolt 3/8 x 3/4	
4	1320302	2	U-Clamp	
5	2030010	1	Extinguisher, Fire	
6	2902217	1	Weld Leads Kit	
7	3300151	4	Nut 1/4	
8	3311005	2	Nut #10	
9	3311605	4	Nut 3/8	
10	3573400	1	Bracket	
11	3577121	2	Angle	
12	3573642	1	Plate	
13	4240099	AR	Tie-Strap (Not Shown)	
14	4420037	AR	Tape	
15		Ref	Welder Assembly Options (See WELDER ASSEMBLY for Breakdown):	
15	4530022	1	Miller Model CST250 (Prior to SN 0300083533)	
15	4530028	1	Miller Model CST280 (SN 0300083533 through 0300096000)	
16	4751400	4	Washer 1/4	
17	4751600	8	Washer 3/8	
18	4846627	1	Support	
19	4751000	2	Washer #10	
	0272588	Ref	SKYWELDER DECAL INSTALLATION	A
101	1705355	2	Decal - SkyWelder	
102	1705305	1	Decal - Weld Lead	
103	1705466	1	Decal - Weight	

SECTION 4 - PLATFORM

FIGURE 4-15. WELDER ASSEMBLY



ART_4530028

SECTION 4 - PLATFORM

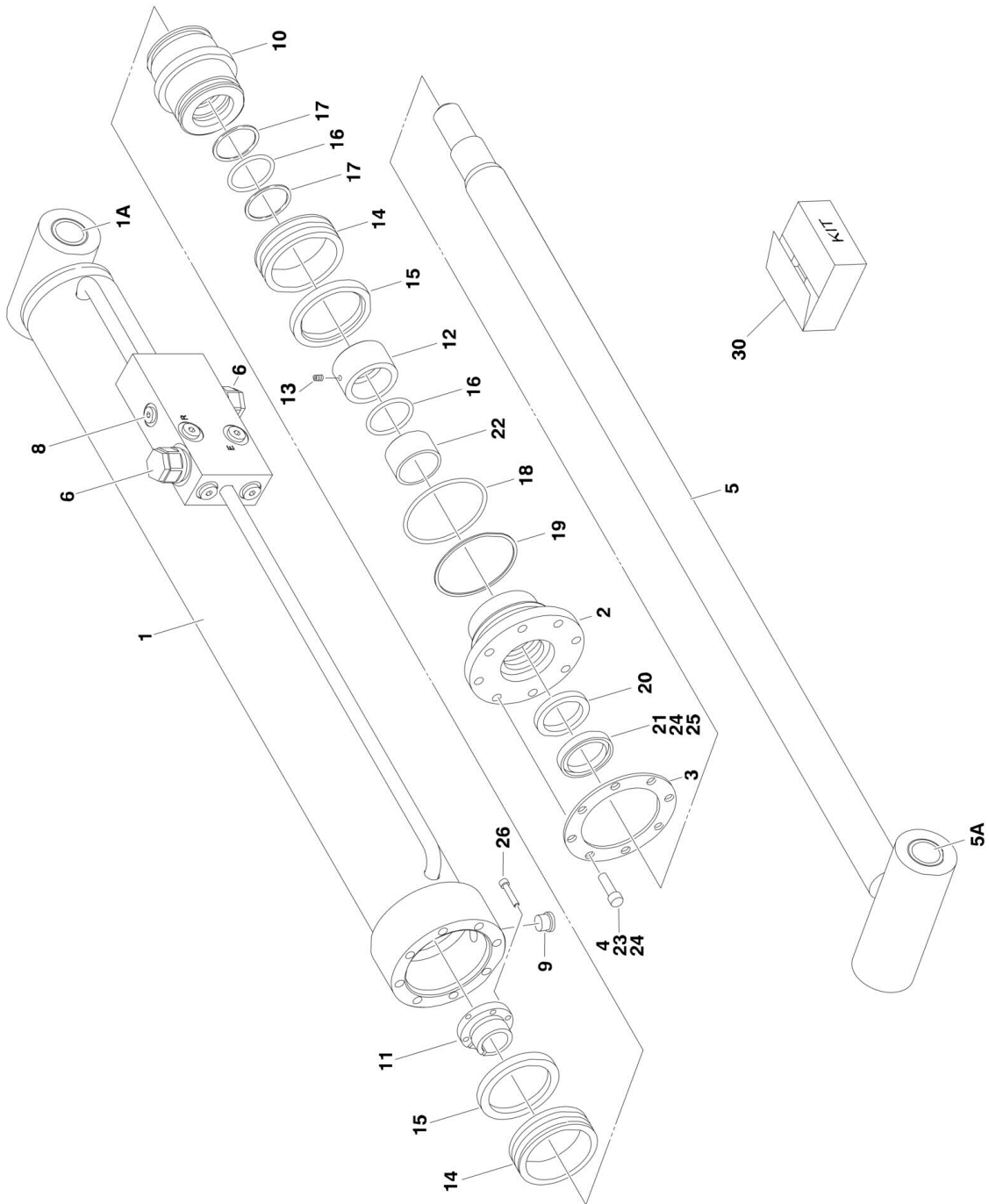
FIGURE 4-15. WELDER ASSEMBLY

ITEM	PART NUMBER	QTY	DESCRIPTION	REV
		Ref	WELDER ASSEMBLY	
	4530022	Ref	Miller Model CST250 (Prior to SN 0300083533)	C
	4530028	Ref	Miller Model CST280 (SN 0300083533 through 0300096000)	B
		Ref	Note: For Other Components, contact your Miller Welder Dealer.	
1		Ref	Cover, Top Options:	
1	7024464	1	Miller Model CST250 (Prior to SN 0300083533)	
1	7027773	1	Miller Model CST280 (SN 0300083533 through 0300096000)	
1	7027774	1	Decal - Static Precautionary Warning (SN 0300083533 through 0300096000)	
2		Ref	Panel, LH Side Options:	
2	7024465	1	Miller Model CST250 (Prior to SN 0300083533)	
2	See Note	NSS	Miller Model CST280 (Note: Part of Item 1. Purchase Item 1) (SN 0300083533 through 0300096000)	
3		Ref	Panel, RH Side Options:	
3	7024466	1	Miller Model CST250 (Prior to SN 0300083533)	
3	See Note	NSS	Miller Model CST280 (Note: Part of Item 1. Purchase Item 1) (SN 0300083533 through 0300096000)	
4	7024467	1	Cable, Power	
4	7027775	1	Decal - Electrical Shock Warning (Not Shown) (SN 0300083533 through 0300096000)	
5		Ref	Handle, Carrying Options:	
5	7024468	1	Miller Model CST250 (Prior to SN 0300083533)	
5	7027776	1	Miller Model CST280 (SN 0300083533 through 0300096000)	
101	7024462	1	Panel, Front	
102	7024463	1	Panel, Console	
103	7024469	1	Switch with Lead	
104	7024470	1	Knob	
105	7024471	1	Knob	
106	7024472	1	Receptacle with Leads and Plugs	
107	7024473	2	Receptacle, Twistlock Female	
108	7024474	2	Insulator	
109	7024475	2	O-Ring	
110		Ref	Nameplate Options:	
110	7024476	1	Miller Model CST250 (Note: Not Available for Purchase) (Prior to SN 0300083533)	
110	7027777	1	Miller Model CST280 (SN 0300083533 through 0300096000)	
111		Ref	Circuit Card Assembly (Process Control) Options:	
111	7024477	1	Miller Model CST250 (Note: Not Available for Purchase) (Prior to SN 0300083533)	
111	7027779	1	Miller Model CST280 (SN 0300083533 through 0300096000)	
112	7024478	2	Nut	
113		Ref	Circuit Card Assembly (Operator Interface) Options:	
113	See Note	1	Miller Model CST250 (Note: Not Available for Purchase) (Prior to SN 0300083533)	
113	7027778	1	Miller Model CST280 (SN 0300083533 through 0300096000)	
201	7024462	1	Panel, Rear	
202		Ref	Panel, Cover Options:	
202	7024479	1	Miller Model CST250 (Prior to SN 0300083533)	
202	7027780	1	Miller Model CST280 (SN 0300083533 through 0300096000)	

SECTION 5 - CYLINDER

SECTION 5 - CYLINDER

FIGURE 5-1. JIB CYLINDER ASSEMBLY (ORIGINAL EQUIPMENT)



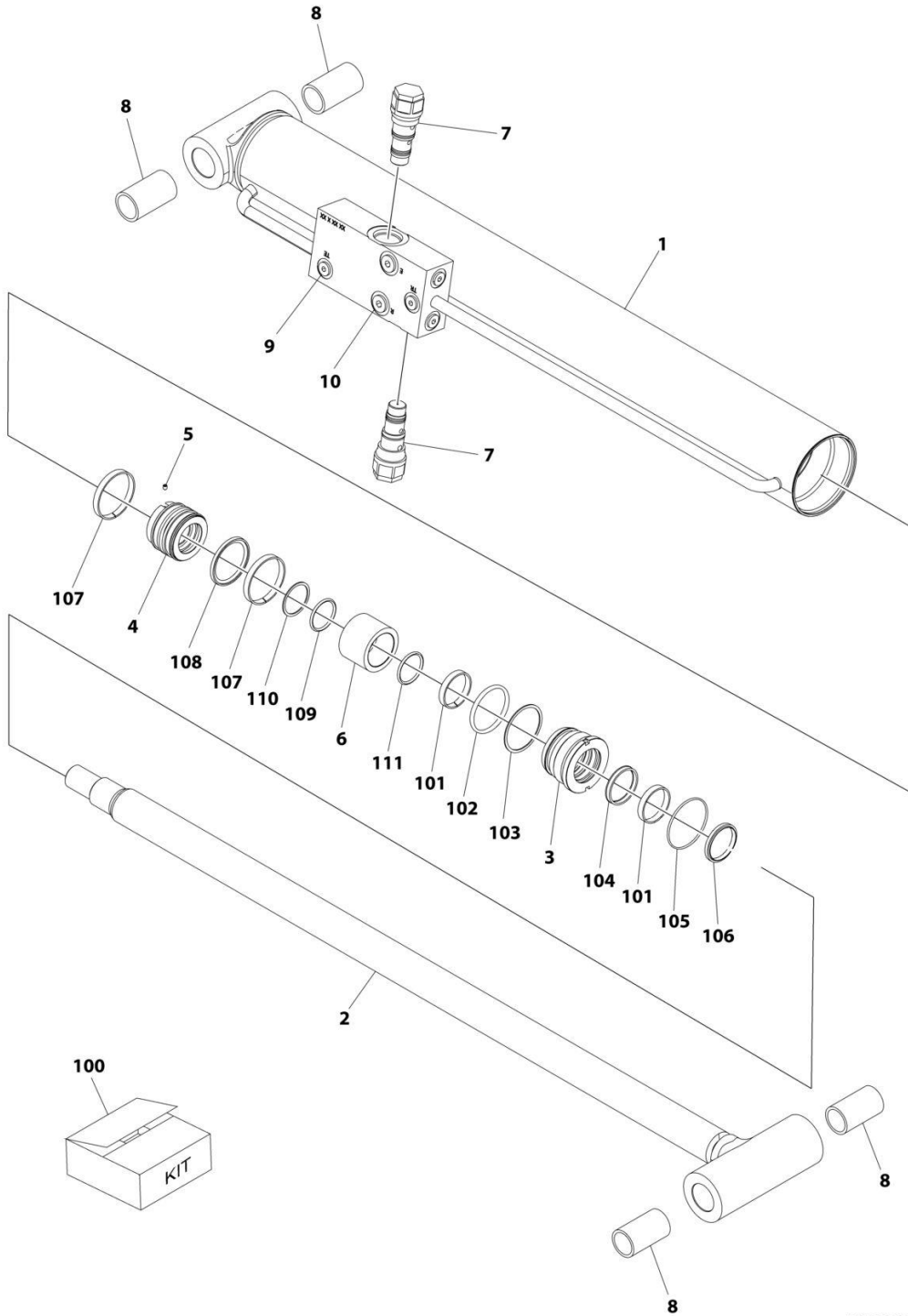
SECTION 5 - CYLINDER

FIGURE 5-1. JIB CYLINDER ASSEMBLY (ORIGINAL EQUIPMENT)

ITEM	PART NUMBER	QTY	DESCRIPTION	REV
	1683609	Ref	JIB CYLINDER ASSEMBLY (ORIGINAL EQUIPMENT) Note: Original Cylinder May Have Been Replaced with Service Replacement. Identify PN Stamped on Cylinder Before Ordering Parts.	H
		Ref		
1	1684089	1	Barrel (Note: Includes Item 1A)	
1A	0962336	2	Bushing	
2	1683053	1	Head	
3	3760368	1	Ring, Washer	
4	3931516	8	Capscrew, Socket Head 5/16in-18NC x 1in	
5	1684090	1	Rod (Note: Includes Item 5A)	
5A	0962336	2	Bushing	
6	4640509	2	Cartridge, Valve	
6	2900792	2	Seal Kit - 4640509 Valve	
8	2220883	AR	Plug, O-Ring #4	
9	2220885	1	Plug, O-Ring #6	
10	3480210	1	Piston	
11	0961893	1	Bushing, Tapered	
12		Ref	Spacer Options:	
12	4566471	1	Spacer (Prior to SN 0300079599)	
12	4100100	1	Spacer (SN 0300079599 through 0300128000)	
13	3900141	1	Setscrew 1/4in-20NC x 3/8in (Prior to SN 0300079599)	
14	See Note	NSS	Seal (Note: Use Item 30)	
15	See Note	NSS	Ring, Lock (Note: Use Item 30)	
16	See Note	NSS	O-Ring (Note: Use Item 30)	
17	See Note	NSS	Ring, Back-up (Note: Use Item 30)	
18	See Note	NSS	O-Ring (Note: Use Item 30)	
19	See Note	NSS	Ring, Back-up (Note: Use Item 30)	
20	See Note	NSS	Seal, Rod (Note: Use Item 30)	
21	See Note	NSS	Wiper (Note: Use Item 30)	
22	See Note	NSS	Ring, Wear (Note: Use Item 30)	
23	0100011	AR	Compound, Locking	
24	0100038	AR	Primer, Locking	
25	0100063	AR	Loctite #609 (Prior to SN 0300079599)	
26	0630534	3	Screw, Socket Head #10-24NC x 1in	
30	2901303	1	Seal Kit (Includes Items 14-22)	

SECTION 5 - CYLINDER

FIGURE 5-2. JIB CYLINDER ASSEMBLY (SERVICE REPLACEMENT)



ART_1001228012

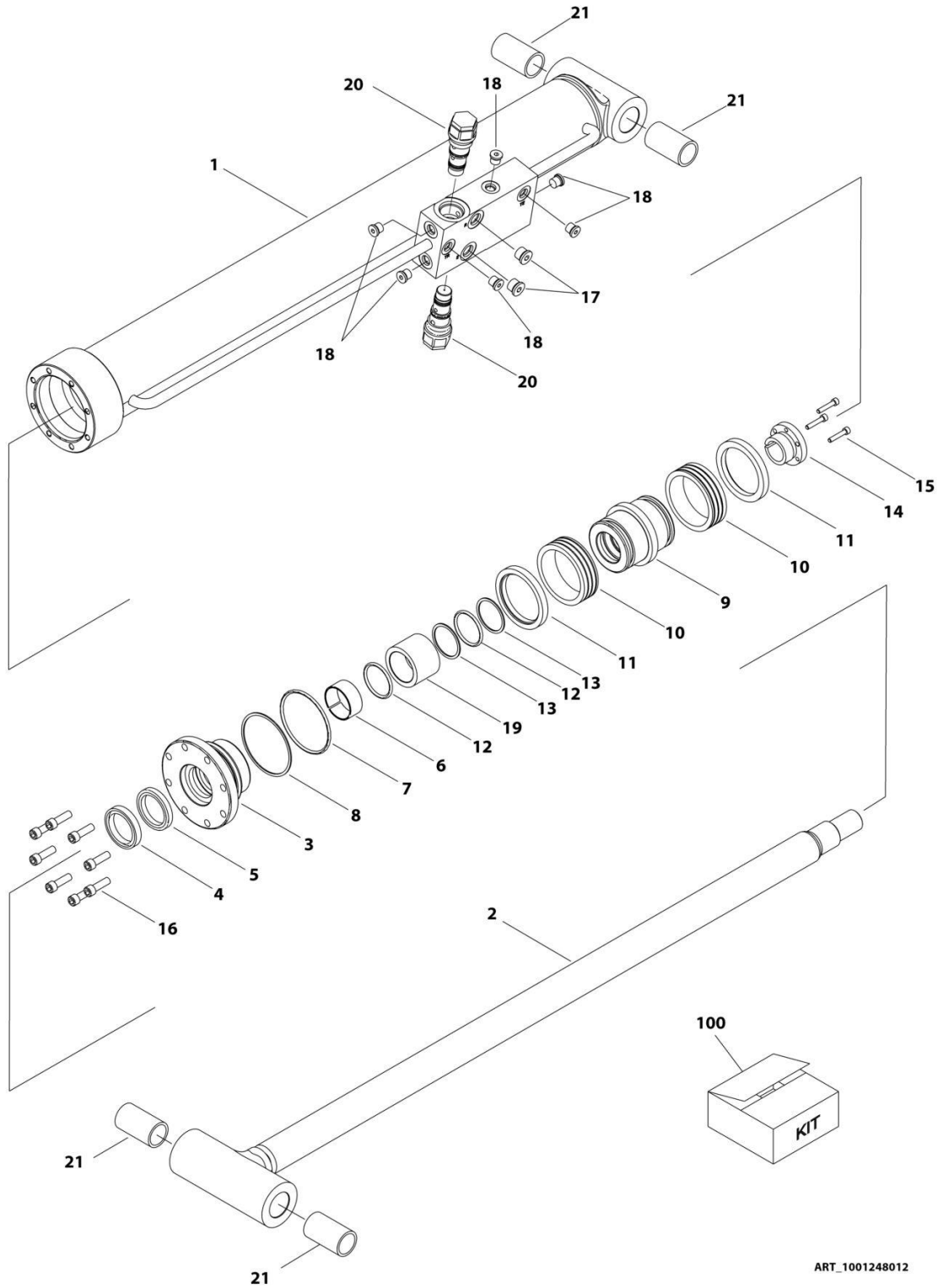
SECTION 5 - CYLINDER

FIGURE 5-2. JIB CYLINDER ASSEMBLY (SERVICE REPLACEMENT)

ITEM	PART NUMBER	QTY	DESCRIPTION	REV
	1001228012	Ref	JIB CYLINDER ASSEMBLY (SERVICE REPLACEMENT)	A
		Ref	Note: Original Cylinder May Have Been Replaced with Service Replacement. Identify PN Stamped on Cylinder Before Ordering Parts.	
1	See Note	NSS	Barrel (Note: Not Available for Purchase)	
2	70006572	1	Rod	
3	70006571	1	Head	
4	70006570	1	Piston	
5	70023915	1	Screw	
6	70006569	1	Spacer	
7	4640509	2	Cartridge, Valve	
7	2900792	2	Seal Kit - 4640509 Valve	
8	0962336	4	Bushing	
9	2220883	6	Plug, O-Ring	
10	2220885	2	Plug, O-Ring	
100	70006568	1	Seal Kit (Includes Items 101-111)	
101	See Note	NSS	Ring, Wear (Note: Use Item 100)	
102	See Note	NSS	O-Ring (Note: Use Item 100)	
103	See Note	NSS	Ring, Back-up (Note: Use Item 100)	
104	See Note	NSS	Seal, Rod (Note: Use Item 100)	
105	See Note	NSS	O-Ring (Note: Use Item 100)	
106	See Note	NSS	Wiper (Note: Use Item 100)	
107	See Note	NSS	Ring, Wear (Note: Use Item 100)	
108	See Note	NSS	Seal (Note: Use Item 100)	
109	See Note	NSS	O-Ring (Note: Use Item 100)	
110	See Note	NSS	Ring, Back-up (Note: Use Item 100)	
111	See Note	NSS	O-Ring (Note: Use Item 100)	

SECTION 5 - CYLINDER

FIGURE 5-3. ARTICULATING JIB LIFT CYLINDER ASSEMBLY - 600SJC & 660SJC (SERVICE REPLACEMENT)



ART_1001248012

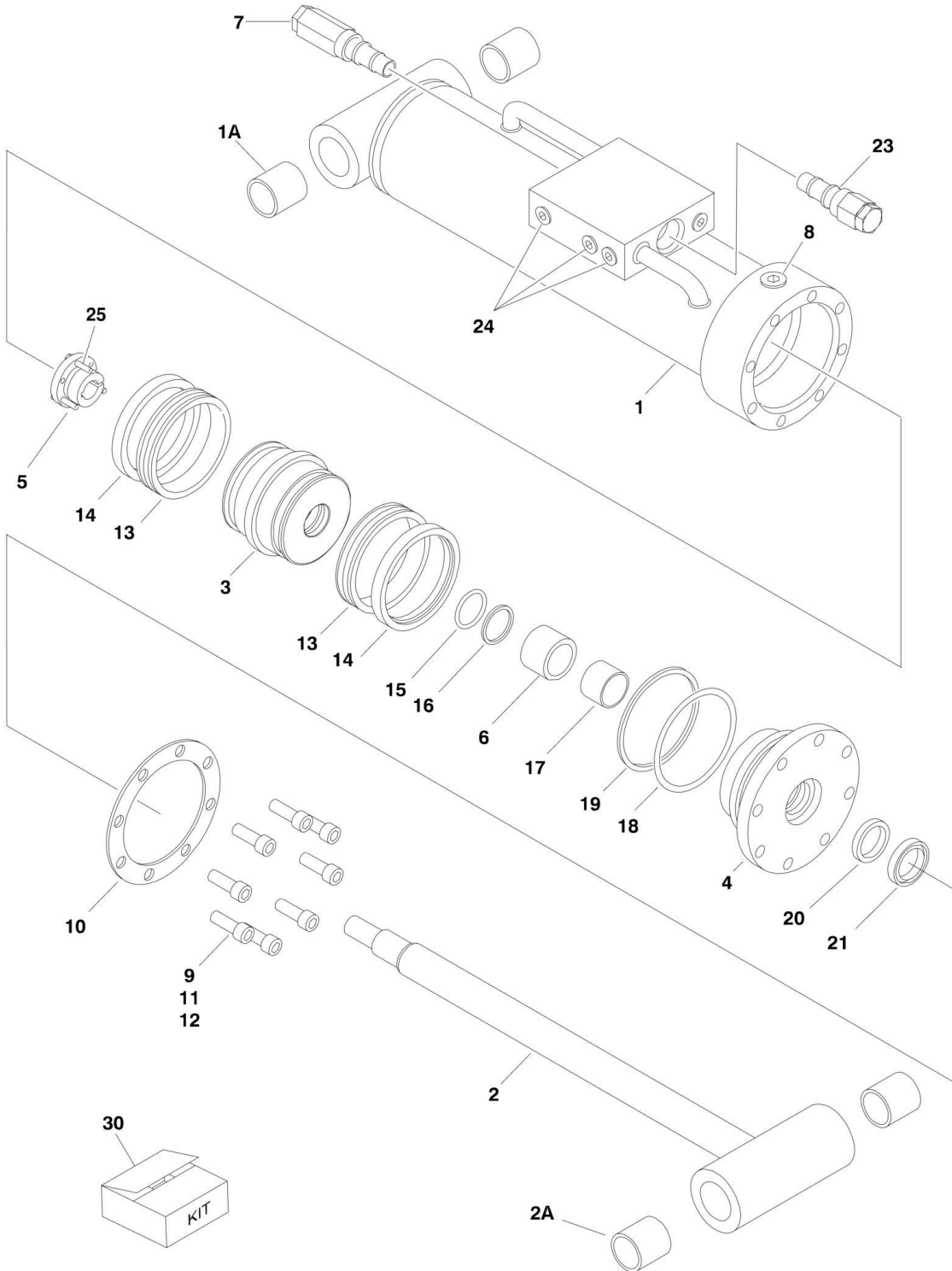
SECTION 5 - CYLINDER

FIGURE 5-3. ARTICULATING JIB LIFT CYLINDER ASSEMBLY - 600SJC & 660SJC (SERVICE REPLACEMENT)

ITEM	PART NUMBER	QTY	DESCRIPTION	REV
	1001248012	Ref	LIFT CYLINDER ASSEMBLY - JIB	A
		Ref	Note: Original Cylinder May Have Been Replaced with Service Replacement. Identify PN Stamped on Cylinder Before Ordering Parts.	
1	See Note	NSS	Barrel (Note: Not Available for Purchase)	
2	70006734	1	Rod	
3	70006649	1	Head	
4	See Note	NSS	Wiper (Note: Use Item 100)	
5	See Note	NSS	Seal, Rod (Note: Use Item 100)	
6	See Note	NSS	Ring, Wear (Note: Use Item 100)	
7	See Note	NSS	O-Ring (Note: Use Item 100)	
8	See Note	NSS	Ring, Back-up (Note: Use Item 100)	
9	70006650	1	Piston	
10	See Note	NSS	Seal (Note: Use Item 100)	
11	See Note	NSS	Ring, Lock (Note: Use Item 100)	
12	See Note	NSS	O-Ring (Note: Use Item 100)	
13	See Note	NSS	Ring, Back-up (Note: Use Item 100)	
14	0961893	1	Bushing, Tapered	
15	0630534	3	Capscrew, Socket Head #10 x 1	
16	70006735	8	Capscrew 5/16	
17	2220885	2	Plug, O-Ring	
18	2220883	6	Plug, O-Ring	
19	70006736	1	Spacer	
20	4640509	2	Cartridge, Valve	
20	2900792	2	Seal Kit - 4640509 Valve	
21	0962336	4	Bushing	
100	1001138795	1	Seal Kit (Includes Items 4-8 & 10-13)	

SECTION 5 - CYLINDER

FIGURE 5-4. LEVEL CYLINDER ASSEMBLY - 600SC (ORIGINAL EQUIPMENT)



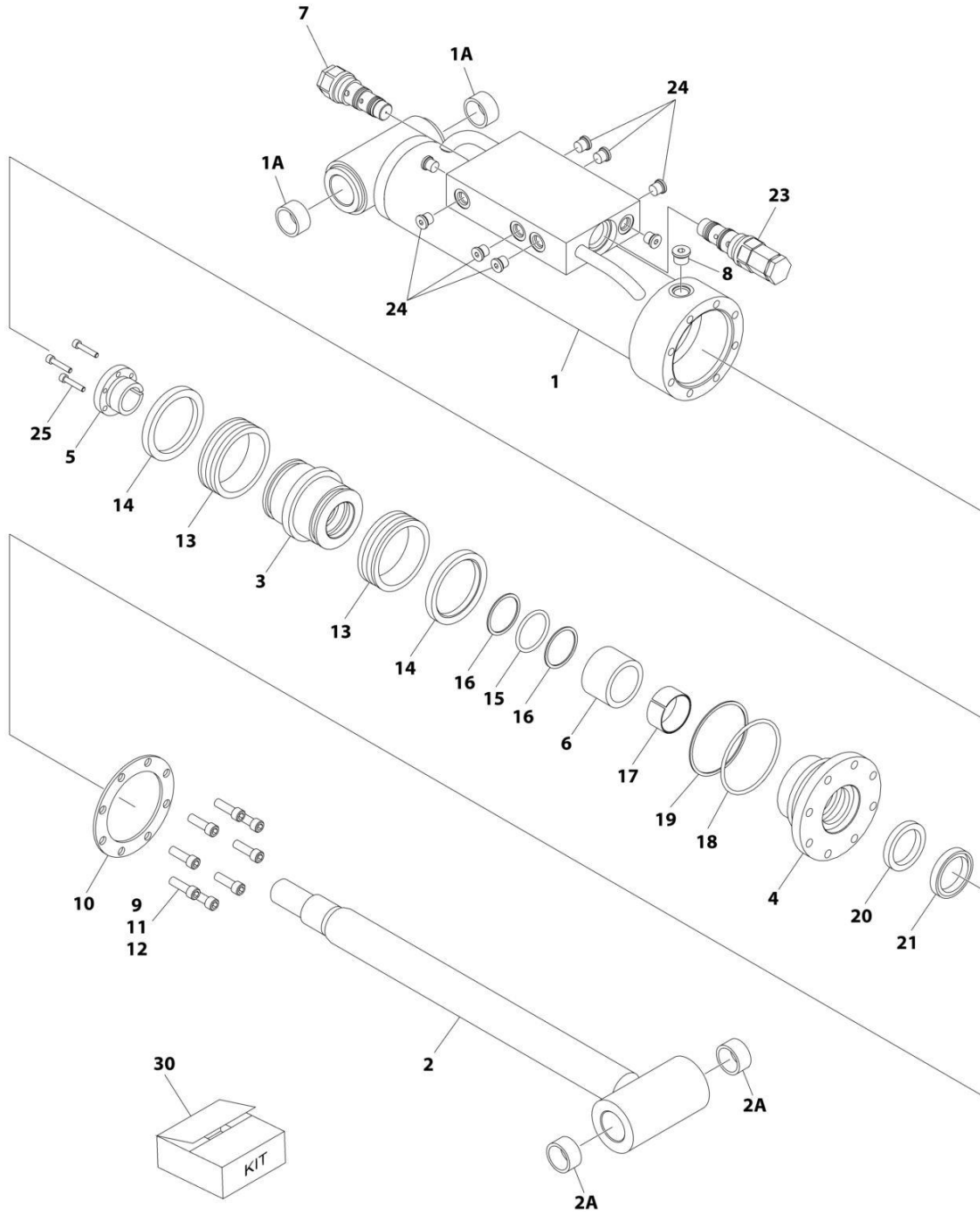
SECTION 5 - CYLINDER

FIGURE 5-4. LEVEL CYLINDER ASSEMBLY - 600SC (ORIGINAL EQUIPMENT)

ITEM	PART NUMBER	QTY	DESCRIPTION	REV
	1683415	Ref	LEVEL CYLINDER ASSEMBLY - 600SC (ORIGINAL EQUIPMENT)	D
		Ref	Note: Original Cylinder May Have Been Replaced with Service Replacement. Identify PN Stamped on Cylinder Before Ordering Parts.	
1	1683977	1	Barrel (Note: Includes Item 1A)	
1A	0961947	2	Bushing	
2	1683976	1	Rod (Note: Includes Item 2A)	
2A	0961947	2	Bushing	
3	3480210	1	Piston	
4	1683053	1	Head	
5	0961893	1	Bushing, Tapered	
6	4566468	1	Spacer	
7	4640509	1	Cartridge, Valve	
7	2900792	1	Seal Kit - 4640509 Valve	
8	2220885	1	Plug, O-Ring	
9	3931516	8	Capscrew, Socket Head 5/16in-18NC x 1in	
10	3760368	1	Ring, Washer	
11	0100011	AR	Compound, Locking	
12	0100038	AR	Primer, Locking	
13	See Note	NSS	Seal (Note: Use Item 30)	
14	See Note	NSS	Ring, Lock (Note: Use Item 30)	
15	See Note	NSS	O-Ring (Note: Use Item 30)	
16	See Note	NSS	Ring, Back-up (Note: Use Item 30)	
17	See Note	NSS	Ring, Wear (Note: Use Item 30)	
18	See Note	NSS	O-Ring (Note: Use Item 30)	
19	See Note	NSS	Ring, Back-up (Note: Use Item 30)	
20	See Note	NSs	Seal, Rod (Note: Use Item 30)	
21	See Note	NSS	Wiper (Note: Use Item 30)	
23	4640932	1	Cartridge, Valve	
23	7011112	1	Seal Kit - Valve Cartridge	
24	2220883	AR	Plug, O-Ring	
25	0630534	3	Screw, Socket Head #10-24NC x 1in	
30	2901303	1	Seal Kit (Includes Items 13-21)	

SECTION 5 - CYLINDER

FIGURE 5-5. LEVEL CYLINDER ASSEMBLY - 600SC (SERVICE REPLACEMENT)



ART_1001223512

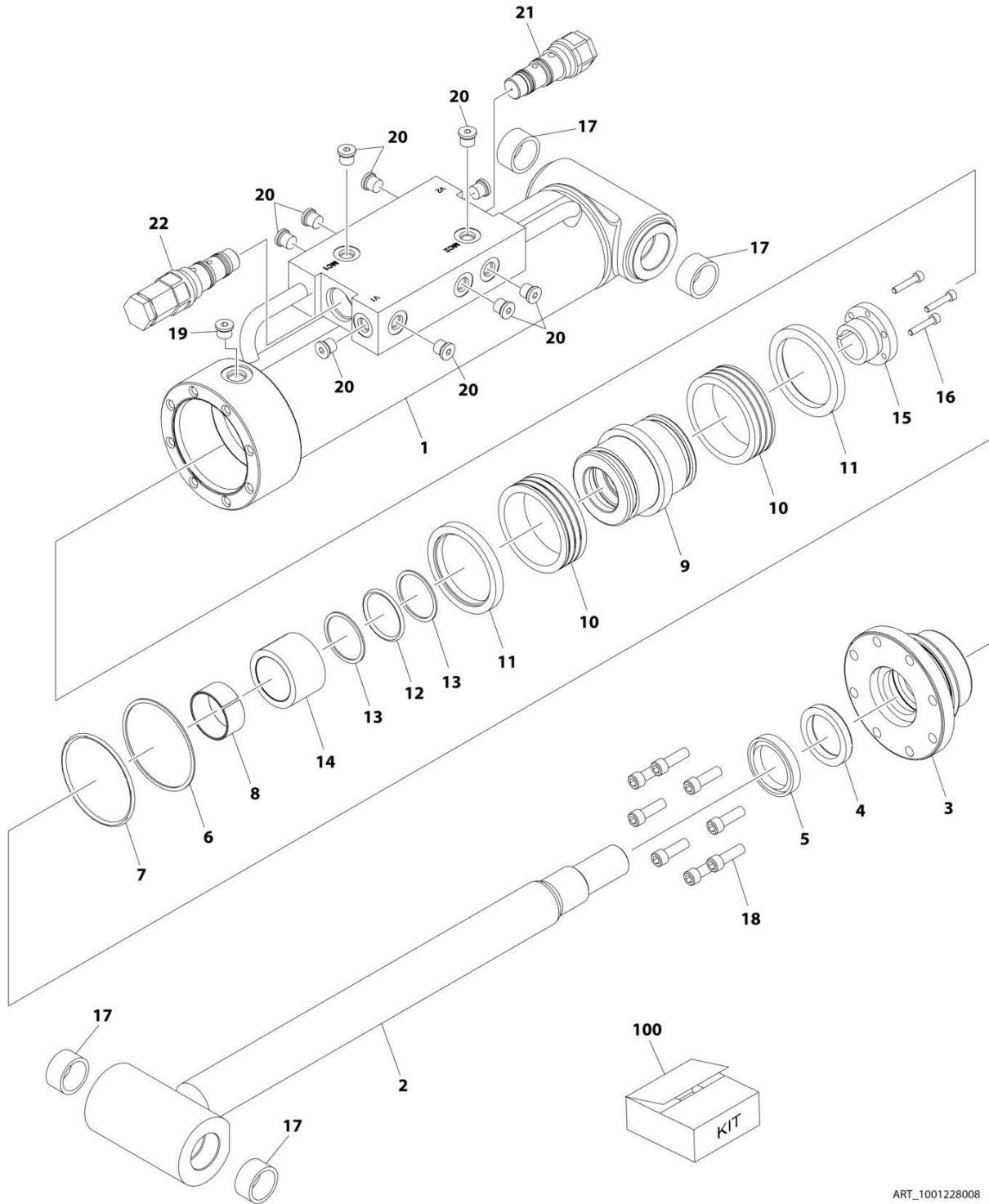
SECTION 5 - CYLINDER

FIGURE 5-5. LEVEL CYLINDER ASSEMBLY - 600SC (SERVICE REPLACEMENT)

ITEM	PART NUMBER	QTY	DESCRIPTION	REV
	1001223512	Ref	LEVEL CYLINDER ASSEMBLY - 600SC (SERVICE REPLACEMENT)	B
		Ref	Note: Original Cylinder May Have Been Replaced with Service Replacement. Identify PN Stamped on Cylinder Before Ordering Parts.	
1	1001223511	1	Barrel Weldment	
1A	0961947	2	Bushing	
2	1683976	1	Rod Weldment	
2A	0961947	2	Bushing	
3	3480210	1	Piston	
4	1683053	1	Head	
5	0961893	1	Bushing, Tapered	
6	4566468	1	Spacer	
7	4640509	1	Cartridge, Valve	
7	2900792	1	Seal Kit 4640509 Valve	
8	2220885	1	Plug, O-Ring	
9	3931516	8	Capscrew 5/16 x 1	
10	3760368	1	Ring, Washer	
11	0100011	AR	Compound, Locking	
12	0100038	AR	Primer, Locking	
13	See Note	NSS	Seal (Note: Use Item 30)	
14	See Note	NSS	Ring, Lock (Note: Use Item 30)	
15	See Note	NSS	O-Ring (Note: Use Item 30)	
16	See Note	NSS	Ring, Back-up (Note: Use Item 30)	
17	See Note	NSS	Ring, Wear (Note: Use Item 30)	
18	See Note	NSS	O-Ring (Note: Use Item 30)	
19	See Note	NSS	Ring, Back-up (Note: Use Item 30)	
20	See Note	NSS	Seal, Rod (Note: Use Item 30)	
21	See Note	NSS	Wiper (Note: Use Item 30)	
23	4640932	1	Cartridge, Valve	
23	7011112	1	Seal Kit 4640932 Valve	
24	2220883	AR	Plug, O-Ring	
25	0630534	3	Screw #10 x 1	
30	2901303	1	Seal Kit (Includes Items 13-21)	

SECTION 5 - CYLINDER

FIGURE 5-6. LEVEL CYLINDER ASSEMBLY - 600SC (SERVICE REPLACEMENT)



ART_1001228008

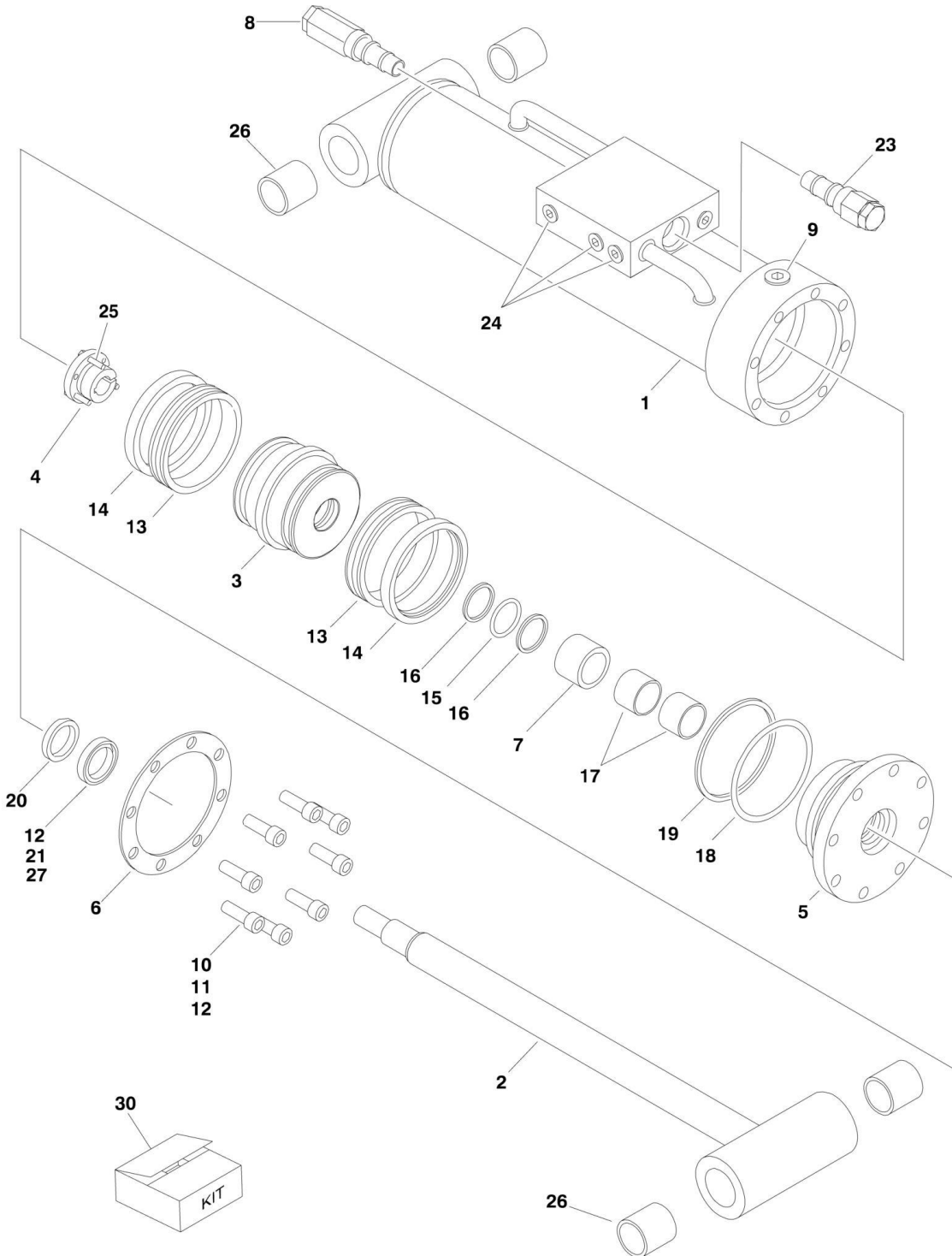
SECTION 5 - CYLINDER

FIGURE 5-6. LEVEL CYLINDER ASSEMBLY - 600SC (SERVICE REPLACEMENT)

ITEM	PART NUMBER	QTY	DESCRIPTION	REV
	1001228008	Ref	LEVEL CYLINDER ASSEMBLY - 600SC (SERVICE REPLACEMENT)	A
		Ref	Note: Original Cylinder May Have Been Replaced with Service Replacement. Identify PN Stamped on Cylinder Before Ordering Parts.	
1	See Note	NSS	Barrel (Note: Not Available for Purchase)	
2	70006648	1	Rod	
3	70006649	1	Head	
4	See Note	NSS	Wiper (Note: Use Item 100)	
5	See Note	NSS	Seal (Note: Use Item 100)	
6	See Note	NSS	O-Ring (Note: Use Item 100)	
7	See Note	NSS	Ring, Back-up (Note: Use Item 100)	
8	See Note	NSS	Ring, Wear (Note: Use Item 100)	
9	70006650	1	Piston	
10	See Note	NSS	Seal (Note: Use Item 100)	
11	See Note	NSS	Ring, Lock (Note: Use Item 100)	
12	See Note	NSS	O-Ring (Note: Use Item 100)	
13	See Note	NSS	Ring, Back-up (Note: Use Item 100)	
14	70006569	1	Spacer	
15	0961893	1	Bushing, Tapered	
16	0630534	3	Screw #10 x 1	
17	0961947	4	Bushing	
18	3931516	8	Capscrew 5/16 x 1	
19	2220885	1	Plug, O-Ring	
20	2220883	10	Plug, O-Ring	
21	4640932	1	Cartridge, Valve	
21	7011112	1	Seal Kit - 4640932 Valve	
22	4640509	1	Cartridge, Valve	
22	2900792	1	Seal Kit - 4640509 Valve	
100	2901303	1	Seal Kit (Includes Items 4-8 & 10-13)	

SECTION 5 - CYLINDER

FIGURE 5-7. LEVEL CYLINDER ASSEMBLY - 660SJC (ORIGINAL EQUIPMENT)



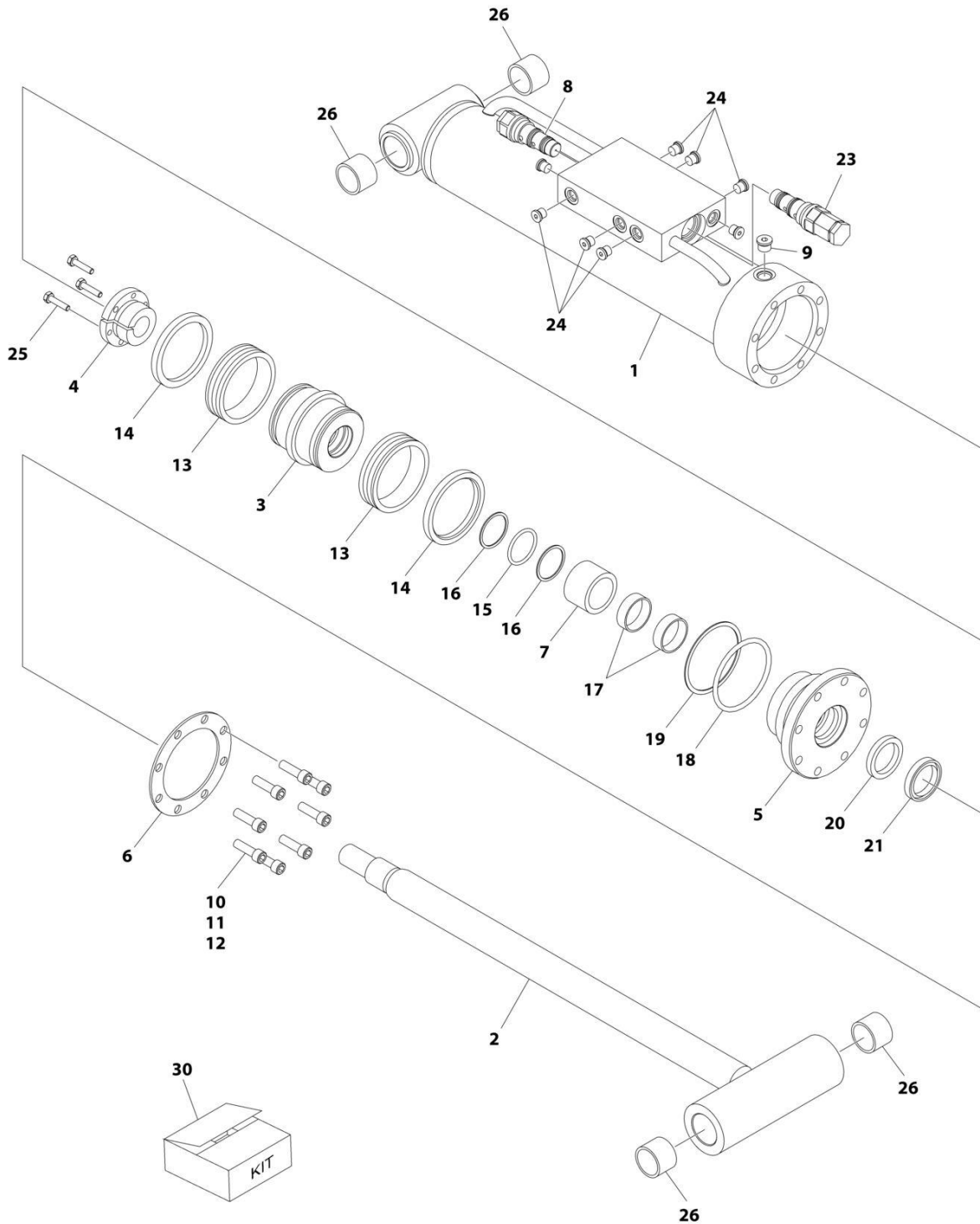
SECTION 5 - CYLINDER

FIGURE 5-7. LEVEL CYLINDER ASSEMBLY - 660SJC (ORIGINAL EQUIPMENT)

ITEM	PART NUMBER	QTY	DESCRIPTION	REV
	1683418	Ref	LEVEL CYLINDER ASSEMBLY - 660SJC (ORIGINAL EQUIPMENT)	F
		Ref		Note: Original Cylinder May Have Been Replaced with Service Replacement. Identify PN Stamped on Cylinder Before Ordering Parts.
1	1683952	1	Barrel	
2	1683963	1	Rod	
3	3480188	1	Piston	
4	0961894	1	Bushing, Tapered	
5	1683055	1	Head	
6	3760369	1	Ring, Washer	
7	4566468	1	Spacer	
8	4640509	1	Cartridge, Valve	
8	2900792	1	Seal Kit - 4640509 Valve	
9	2220885	1	Plug, O-Ring	
10	3931620	8	Capscrew, Socket Head 3/8in-16NC x 1-1/4in	
11	0100011	AR	Compound, Locking	
12	0100038	AR	Primer, Locking	
13	See Note	NSS	Seal (Note: Use Item 30)	
14	See Note	NSS	Ring, Lock (Note: Use Item 30)	
15	See Note	NSS	O-Ring (Note: Use Item 30)	
16	See Note	NSS	Ring, Back-up (Note: Use Item 30)	
17	See Note	NSS	Ring, Wear (Note: Use Item 30)	
18	See Note	NSS	O-Ring (Note: Use Item 30)	
19	See Note	NSS	Ring, Back-up (Note: Use Item 30)	
20	See Note	NSS	Seal, Rod (Note: Use Item 30)	
21	See Note	NSS	Wiper (Note: Use Item 30)	
23	4640932	1	Cartridge, Valve	
23	7011112	1	Seal Kit - Valve Cartridge	
24	2220883	8	Plug, O-Ring	
25	0630535	3	Screw, Socket Head 1/4in-20NC x 1-1/8in	
26	0961951	4	Bushing	
27	0100063	AR	Loctite #RC609	
30	2901301	1	Seal Kit (Includes Items 13-21)	

SECTION 5 - CYLINDER

FIGURE 5-8. LEVEL CYLINDER ASSEMBLY - 660SJC (SERVICE REPLACEMENT)



ART_1001223331

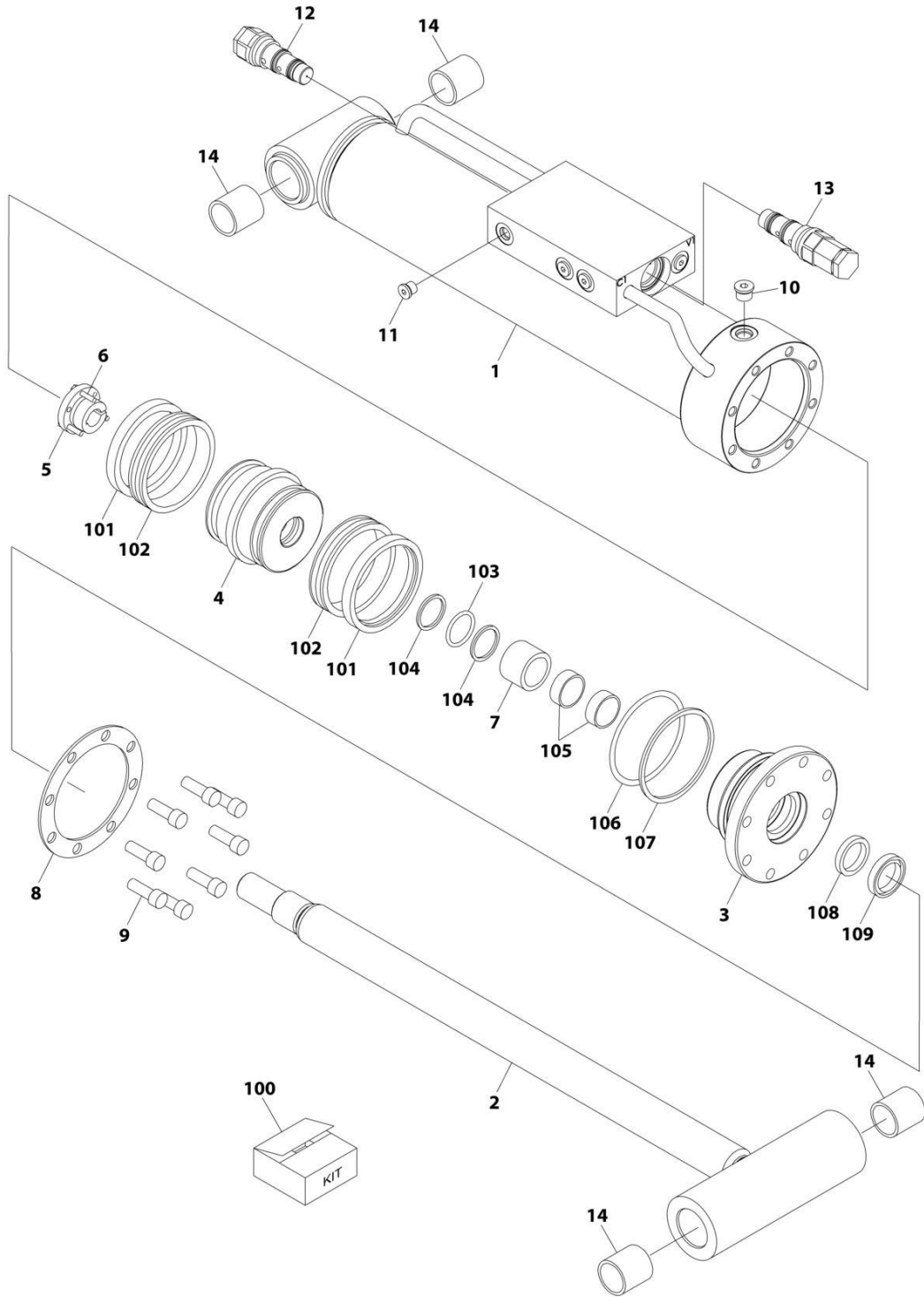
SECTION 5 - CYLINDER

FIGURE 5-8. LEVEL CYLINDER ASSEMBLY - 660SJC (SERVICE REPLACEMENT)

ITEM	PART NUMBER	QTY	DESCRIPTION	REV
	1001223331	Ref	LEVEL CYLINDER ASSEMBLY - 660SJC (SERVICE REPLACEMENT)	B
		Ref	Note: Original Cylinder May Have Been Replaced with Service Replacement. Identify PN Stamped on Cylinder Before Ordering Parts.	
1	1001223332	1	Barrel (Note: Item 26 not included - Purchase Separately)	
2	1683963	1	Rod (Note: Item 26 not included - Purchase Separately)	
3	3480188	1	Piston	
4	0961894	1	Bushing, Tapered	
5	1683055	1	Head	
6	3760369	1	Ring, Washer	
7	4566468	1	Spacer	
8	4640509	1	Cartridge, Valve	
8	2900792	1	Seal Kit - 4640509 Valve	
9	2220885	1	Plug, O-Ring	
10	3931620	8	Capscrew 3/8 x 1-1/4	
11	0100011	AR	Compound, Locking	
12	0100038	AR	Primer, Locking	
13	See Note	NSS	Seal (Note: Use Item 30)	
14	See Note	NSS	Ring, Lock (Note: Use Item 30)	
15	See Note	NSS	O-Ring (Note: Use Item 30)	
16	See Note	NSS	Ring, Back-up (Note: Use Item 30)	
17	See Note	NSS	Ring, Wear (Note: Use Item 30)	
18	See Note	NSS	O-Ring (Note: Use Item 30)	
19	See Note	NSS	Ring, Back-up (Note: Use Item 30)	
20	See Note	NSS	Seal, Rod (Note: Use Item 30)	
21	See Note	NSS	Wiper (Note: Use Item 30)	
23	4640932	1	Cartridge, Valve	
23	7011112	1	Seal Kit - 4640932 Valve	
24	2220883	8	Plug, O-Ring	
25	0630535	3	Screw #10 x 1	
26	0961951	4	Bushing	
30	2901301	1	Seal Kit (Includes Items 13-21)	

SECTION 5 - CYLINDER

FIGURE 5-9. LEVEL CYLINDER ASSEMBLY - 660SJC (SERVICE REPLACEMENT)



ART_1001228051

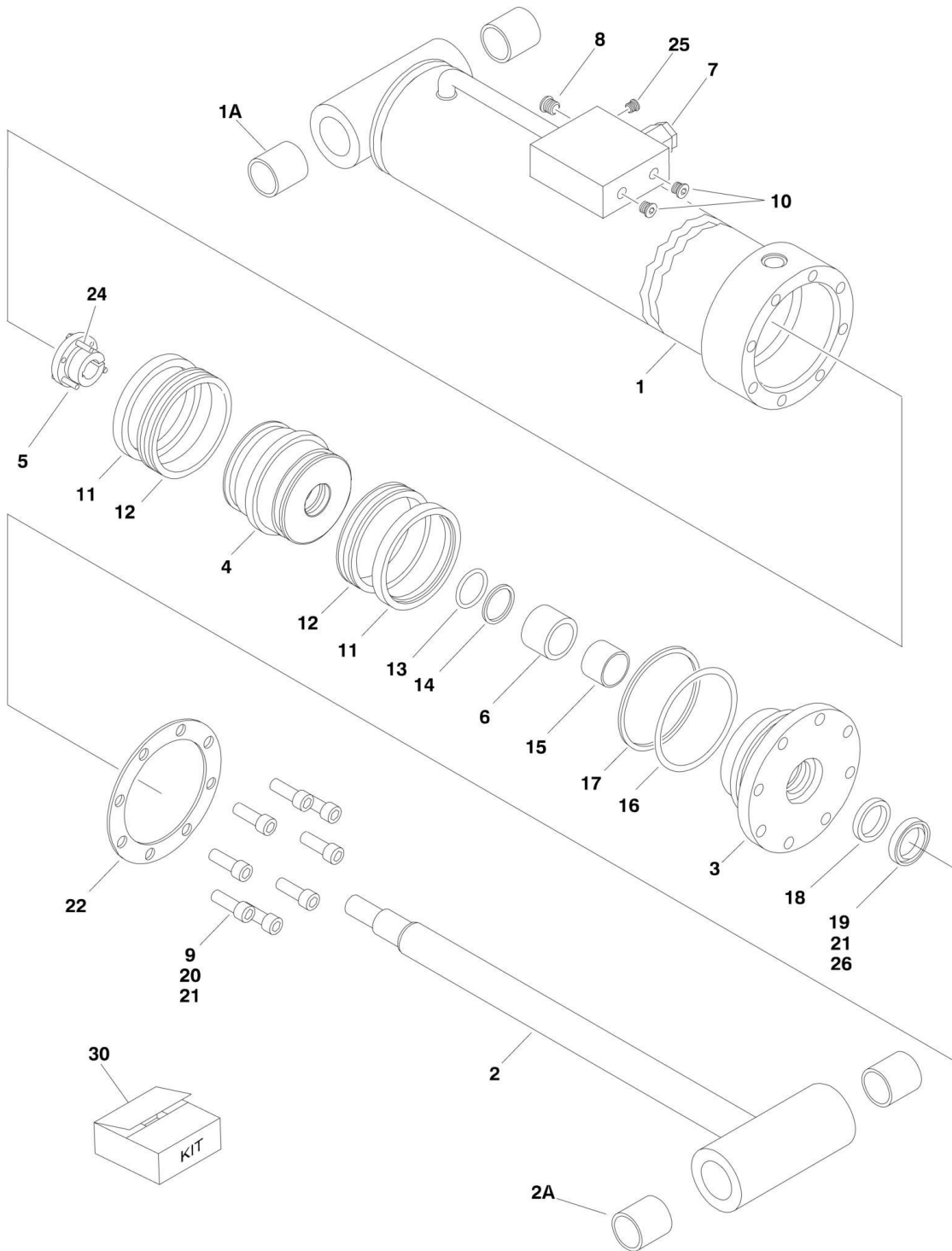
SECTION 5 - CYLINDER

FIGURE 5-9. LEVEL CYLINDER ASSEMBLY - 660SJC (SERVICE REPLACEMENT)

ITEM	PART NUMBER	QTY	DESCRIPTION	REV
	1001228051	Ref	LEVEL CYLINDER ASSEMBLY	A
		Ref	Note: Original Cylinder May Have Been Replaced with Service Replacement. Identify PN Stamped on Cylinder Before Ordering Parts.	
1	See Note	NSS	Barrel (Note: Use p/n 1001228051)	
2	70006823	1	Rod	
3	70006446	1	Head	
4	70006445	1	Piston	
5	70006444	1	Bushing, Tapered	
6	0630535	3	Bolt 1/4 x 1-1/8	
7	70006443	1	Spacer	
8	70006822	1	Ring, Washer	
9	3931620	8	Capscrew 3/8 x 1-1/4	
10	2220885	1	Plug, O-Ring	
11	2220883	8	Plug, O-Ring	
12	4640509	1	Cartridge, Valve	
12	2900792	1	Seal Kit - 4640509 Valve	
13	4640932	1	Cartridge, Valve	
13	7011112	1	Seal Kit - 4640932 Valve	
14	0961951	4	Bushing	
100	1001138796	1	Seal Kit - 1001228051 Cylinder (Includes Items 101-109)	
101	See Note	NSS	Ring, Lock (Note: Use Item 100)	
102	See Note	NSS	Seal (Note: Use Item 100)	
103	See Note	NSS	O-Ring (Note: Use Item 100)	
104	See Note	NSS	Ring, Back-up (Note: Use Item 100)	
105	See Note	NSS	Ring, Wear (Note: Use Item 100)	
106	See Note	NSS	O-Ring (Note: Use Item 100)	
107	See Note	NSS	Ring, Back-up (Note: Use Item 100)	
108	See Note	NSS	Seal, Rod (Note: Use Item 100)	
109	See Note	NSS	Wiper (Note: Use Item 100)	

SECTION 5 - CYLINDER

FIGURE 5-10. LIFT CYLINDER ASSEMBLY



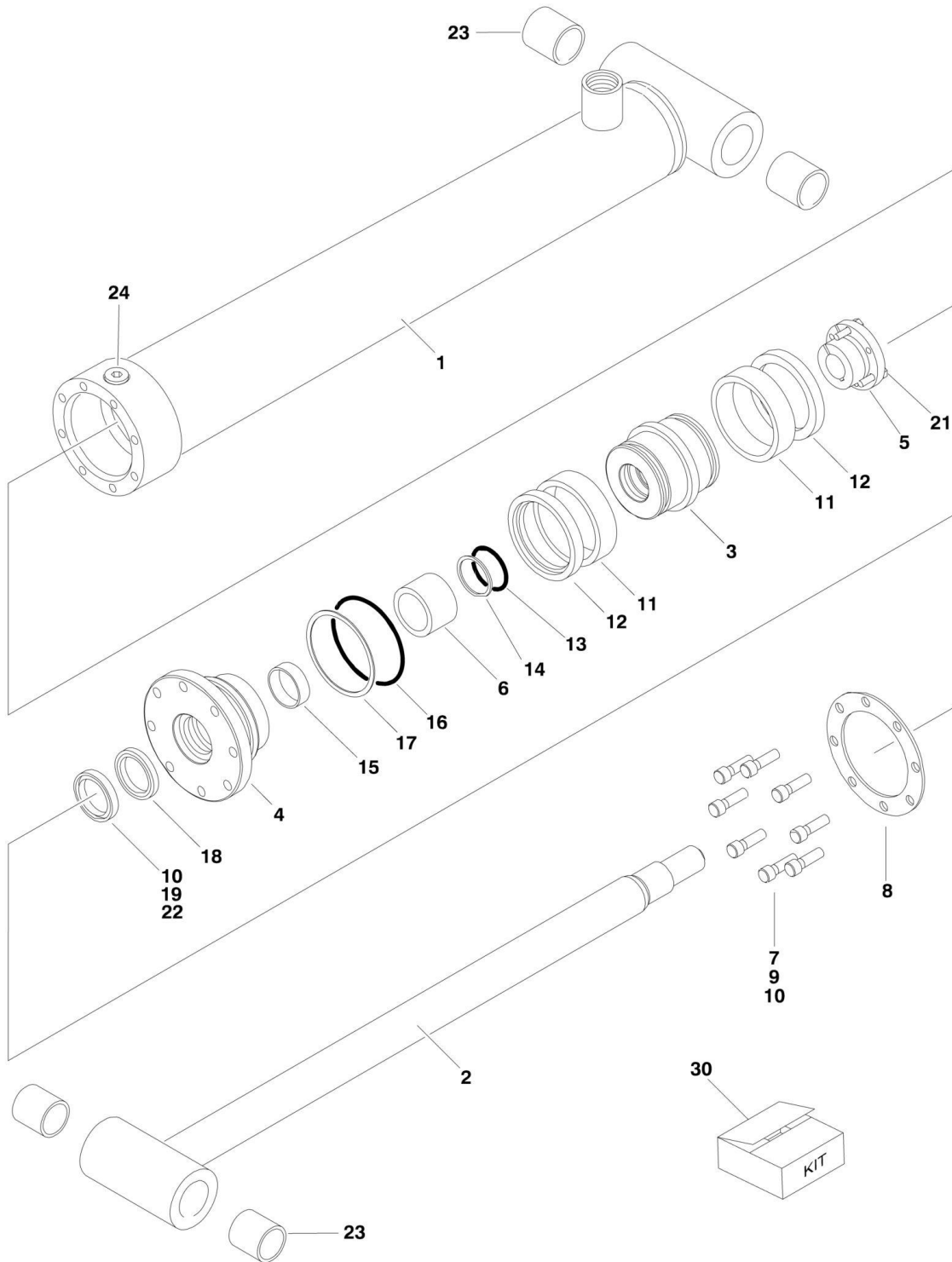
SECTION 5 - CYLINDER

FIGURE 5-10. LIFT CYLINDER ASSEMBLY

ITEM	PART NUMBER	QTY	DESCRIPTION	REV
		Ref	LIFT CYLINDER ASSEMBLIES	
	1683666	Ref	Original Equipment	G
	1001112468	Ref	Service Replacement	B
		Ref	Note: Original Cylinder May Have Been Replaced with Service Replacement. Identify PN Stamped on Cylinder Before Ordering Parts.	
1		Ref	Barrel Options (Note: Includes Item 1A):	
1	1683955	1	Original Equipment	
1	1001112467	1	Service Replacement	
1A	0961950	2	Bushing	
2	1683954	1	Rod (Note: Includes Item 2A)	
2A	0961950	2	Bushing	
3	1683067	1	Head	
4	3480206	1	Piston	
5	0961898	1	Bushing, Tapered (Use item #24 in place of supplied bolts)	
6	4566501	1	Spacer, Tube	
7	4640509	1	Cartridge, Valve	
7	2900792	1	Seal Kit - 4640509 Valve	
8	2220887	1	Plug, O-Ring	
9	3932032	8	Bolt, Socket Head 5/16in-11NC x 2in	
10	2220883	2	Plug, O-Ring	
11	See Note	NSS	Ring, Lock (Note: Use Item 30)	
12	See Note	NSS	Seal, Hydrolock (Note: Use Item 30)	
13	See Note	NSS	O-Ring (Note: Use Item 30)	
14	See Note	NSS	Ring, Back-up (Note: Use Item 30)	
15	See Note	NSS	Ring, Wear (Note: Use Item 30)	
16	See Note	NSS	O-Ring (Note: Use Item 30)	
17	See Note	NSS	Ring, Back-up (Note: Use Item 30)	
18	See Note	NSS	Seal, Rod (Note: Use Item 30)	
19	See Note	NSS	Wiper (Note: Use Item 30)	
20	0100011	AR	Compound, Locking	
21	0100038	AR	Primer, Locking	
22	3760372	1	Washer, Ring	
24	0630536	3	Screw, Socket Head 3/8in-16NC x 1-1/2in	
25	2220235	1	Plug, O-Ring	
26	0100063	AR	Loctite #RC609	
30	2901285	1	Seal Kit (Includes Items 11-19)	

SECTION 5 - CYLINDER

FIGURE 5-11. MASTER CYLINDER ASSEMBLY



SECTION 5 - CYLINDER

FIGURE 5-11. MASTER CYLINDER ASSEMBLY

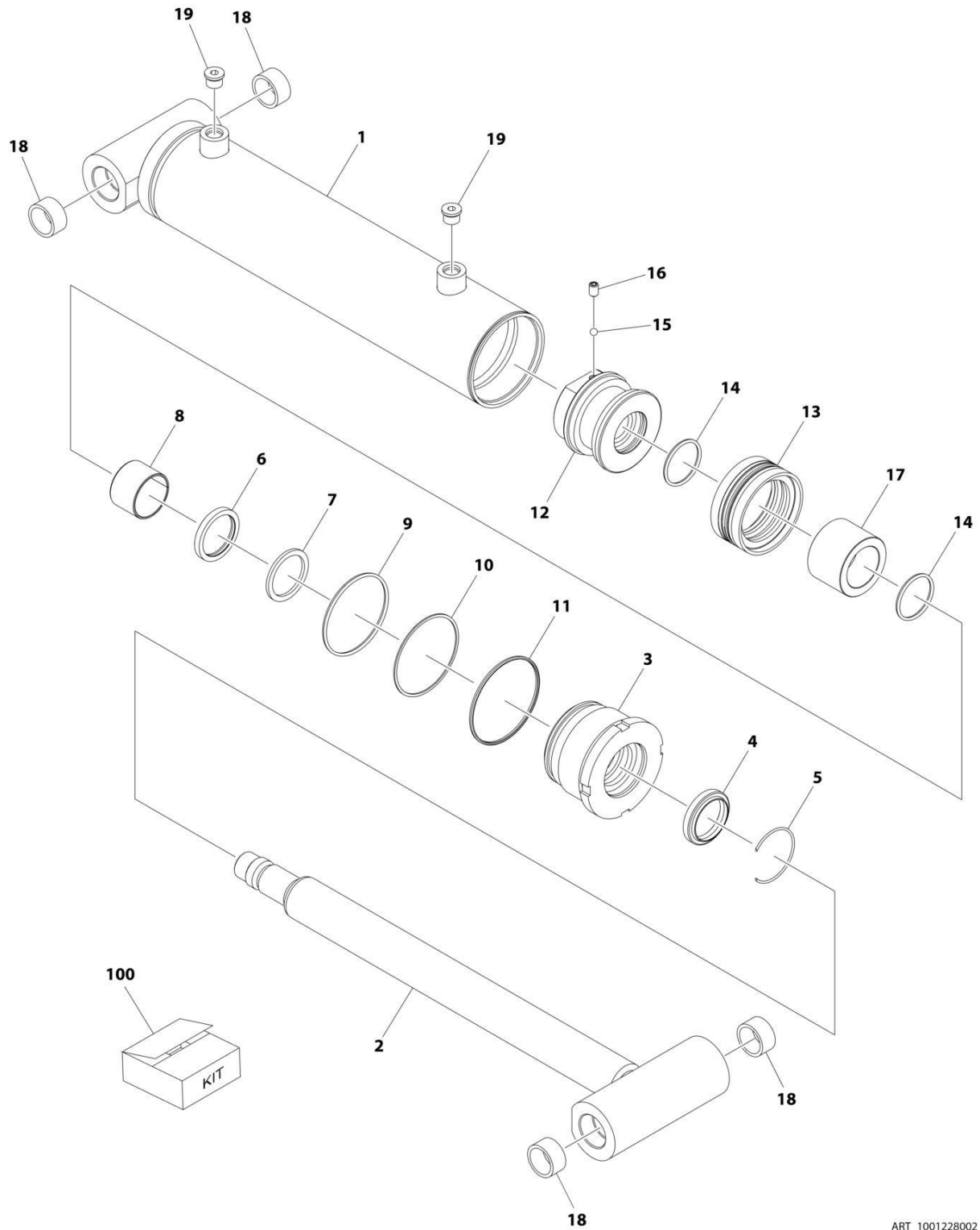
ITEM	PART NUMBER	QTY	DESCRIPTION	REV
		Ref	MASTER CYLINDER ASSEMBLY	
	1683266	Ref	Master Cylinder Assembly 600SC (Original Equipment) (Prior to SN 0300097054)	D
	1684414	Ref	Master Cylinder Assembly 600SC (SN 0300097054 through 0300128000)	C
	1683263	Ref	Master Cylinder Assembly 660SJC (Original Equipment) (Prior to SN 0300097054)	H
	1684413	Ref	Master Cylinder Assembly 660SJC (Original Equipment) (SN 0300097054 through 0300128000)	E
		Ref	Note: Original Cylinder May Have Been Replaced with Service Replacement. Identify PN Stamped on Cylinder Before Ordering Parts.	
1		Ref	Barrel Options:	
1	1683972	1	Barrel (600SC) (Note: Includes Qty 2 of Item 23)	
1	1683949	1	Barrel (660SJC) (Note: Item 23 not included - Purchase Separately)	
2		Ref	Rod Options:	
2		Ref	Rod (600SC) (Note: Includes Qty 2 of Item 23)	
2	1683973	1	Rod (Prior to SN 0300097054)	
2	3850020	1	Rod (SN 0300097054 through 0300128000)	
2		Ref	Rod (660SJC) (Note: Item 23 not included - Purchase Separately)	
2	1683962	1	Rod (Prior to SN 0300097054)	
2	3850019	NLA	Rod (Use p/n 1683963) (SN 0300097054 through 0300128000)	
3		Ref	Piston Options:	
3	3480210	1	Piston (600SC)	
3	3480188	1	Piston (660SJC)	
4		Ref	Head Options:	
4	1683053	1	Head (600SC)	
4	1683055	1	Head (660SJC)	
5		Ref	Bushing, Tapered Options:	
5	0961893	1	Bushing, Tapered (600SC)	
5	0961894	1	Bushing, Tapered (660SJC)	
6	4566468	1	Spacer, Tube	
7		Ref	Capscrew Options:	
7	3931516	8	Capscrew (600SC) (5/16in-18NC x 1in)	
7	3931620	8	Capscrew (660SJC) (3/8in-16NC x 1-1/4in)	
8		Ref	Ring, Washer Options:	
8	3760368	1	Ring, Washer (600SC)	
8	3760369	1	Ring, Washer (660SJC)	
9	0100011	AR	Compound, Locking	
10	0100038	AR	Primer, Locking	
11	See Note	NSS	Seal (Note: Use Item 30)	
12	See Note	NSS	Ring, Lock (Note: Use Item 30)	
13	See Note	NSS	O-Ring (Note: Use Item 30)	
14	See Note	NSS	Ring, Back-up (Note: Use Item 30)	
15	See Note	NSS	Ring, Wear (Note: Use Item 30)	
16	See Note	NSS	O-Ring (Note: Use Item 30)	
17	See Note	NSS	Ring, Back-up (Note: Use Item 30)	
18	See Note	NSS	Seal, Rod (Note: Use Item 30)	
19	See Note	NSS	Wiper (Note: Use Item 30)	

SECTION 5 - CYLINDER

ITEM	PART NUMBER	QTY	DESCRIPTION	REV
21		Ref	Screw, Socket Head	
21	0630534	3	Screw, Socket Head (600SC) (#10-24NC x 1in)	
21	0630535	3	Screw, Socket Head (660SJC) (1/4in-20NC x 1-1/8in)	
22	0100063	AR	Loctite #RC680	
23		Ref	Bushing Options:	
23	0961947	4	Bushing (600SC)	
23	0961951	4	Bushing (660SJC)	
24		Ref	Plug, O-Ring Options:	
24	Not Required	0	Plug, O-Ring (600SC)	
24	2220885	1	Plug, O-Ring (660SJC)	
30		Ref	Seal Kit Options (Includes Items 11-19):	
30	2901303	1	Seal Kit (600SC) (1683266 & 1684414 Cylinder)	
30	2901301	1	Seal Kit (660SJC) (1683263 & 1684413 Cylinder)	

SECTION 5 - CYLINDER

FIGURE 5-12. MASTER CYLINDER ASSEMBLY - 600SC (SERVICE REPLACEMENT)



ART_1001228002

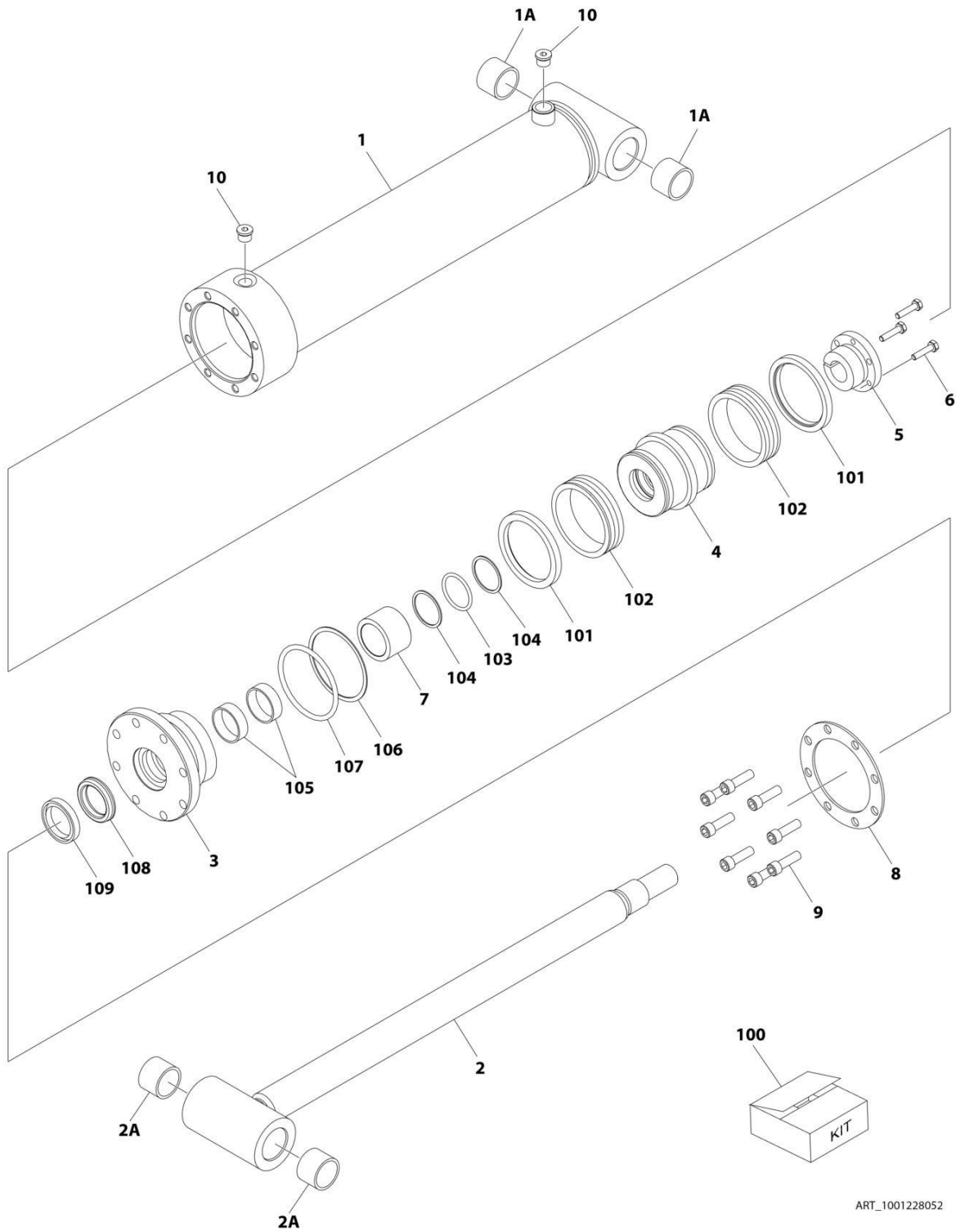
SECTION 5 - CYLINDER

FIGURE 5-12. MASTER CYLINDER ASSEMBLY - 600SC (SERVICE REPLACEMENT)

ITEM	PART NUMBER	QTY	DESCRIPTION	REV
	1001228002	Ref	MASTER CYLINDER ASSEMBLY	B
		Ref	Note: Original Cylinder May Have Been Replaced with Service Replacement. Identify PN Stamped on Cylinder Before Ordering Parts.	
1	See Note	NSS	Barrel (Note: Not Available for Purchase)	
2	70006774	1	Rod	
3	70006599	1	Head	
4	See Note	NSS	Wiper Rod (Note: Use Item 100)	
5	70002373	1	Ring, Retaining	
6	See Note	NSS	Seal, Rod (Note: Use Item 100)	
7	See Note	NSS	Ring, Back-up (Note: Use Item 100)	
8	See Note	NSS	Ring, Wear (Note: Use Item 100)	
9	See Note	NSS	O-Ring (Note: Use Item 100)	
10	See Note	NSS	Ring, Back-up (Note: Use Item 100)	
11	See Note	NSS	O-Ring (Note: Use Item 100)	
12	70006597	1	Piston	
13	See Note	NSS	Seal Piston (Note: Use Item 100)	
14	See Note	NSS	O-Ring (Note: Use Item 100)	
15	70022564	1	Ball	
16	70006601	1	Setscrew	
17	70006775	1	Spacer	
18	0961947	4	Bushing	
19	70023371	2	Plug, O-Ring	
100	70006776	1	Seal Kit (Includes Items 4, 6-11, 13 & 14)	

SECTION 5 - CYLINDER

FIGURE 5-13. MASTER CYLINDER ASSEMBLY - 660SJC (SERVICE REPAACEMENT)



ART_1001228052

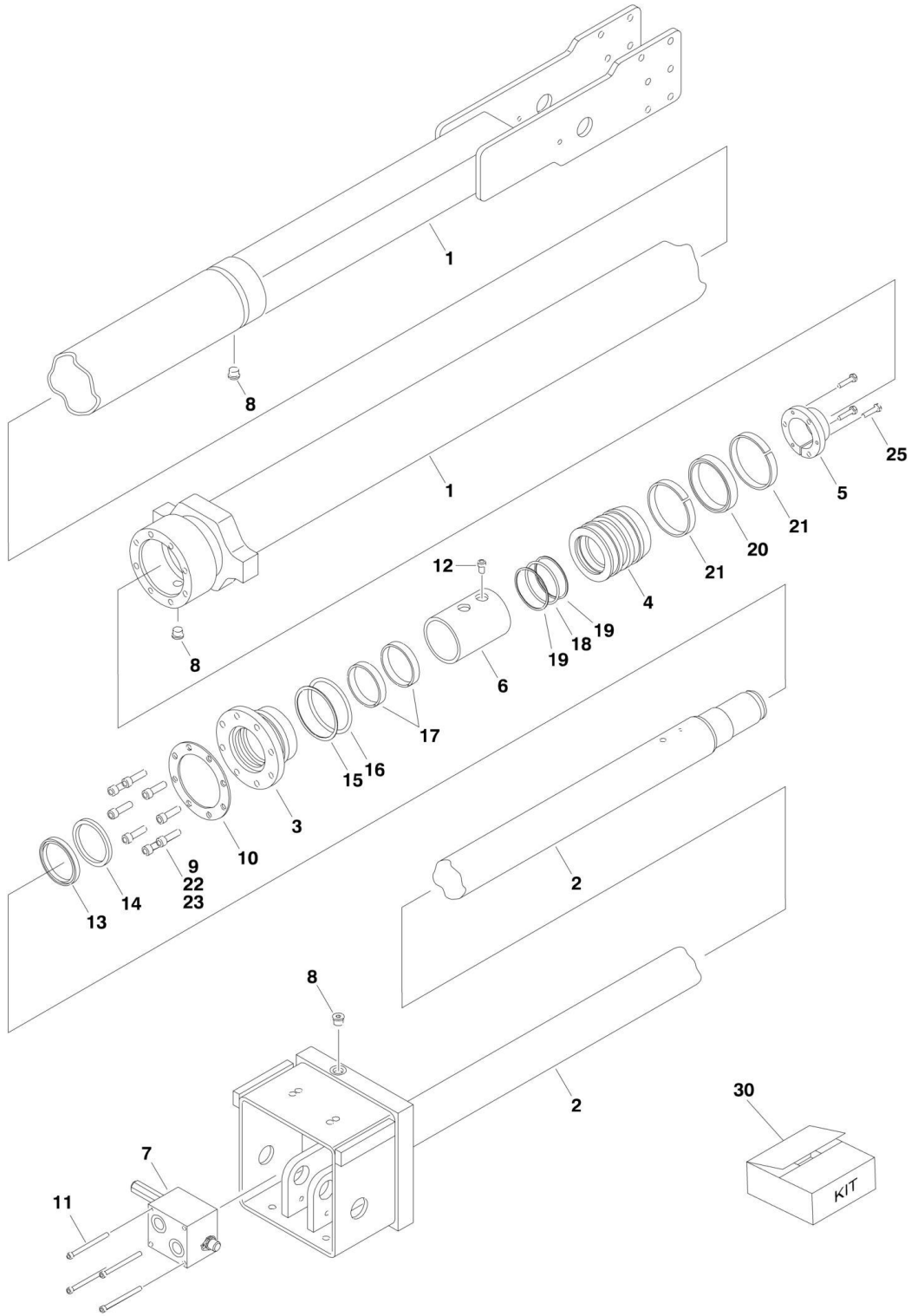
SECTION 5 - CYLINDER

FIGURE 5-13. MASTER CYLINDER ASSEMBLY - 660SJC (SERVICE REPAACEMENT)

ITEM	PART NUMBER	QTY	DESCRIPTION	REV
	1001228052	Ref	MASTER CYLINDER ASSEMBLY - 660SJC (SERVICE REPAACEMENT)	A
		Ref	Note: Original Cylinder May Have Been Replaced with Service Replacement. Identify PN Stamped on Cylinder Before Ordering Parts.	
1	See Note	NSS	Barrel Weldment (Note: Not Available for Purchase)	
1A	0961951	2	Bushing	
2	70006447	1	Rod Weldment	
2A	0961951	2	Bushing	
3	70006446	1	Head	
4	70006445	1	Piston	
5	70006444	1	Bushing, Tapered	
6	0630535	3	Capscrew 1/4 x 1-1/8	
7	70006443	1	Spacer	
8	70006442	1	Ring, Washer	
9	3931620	8	Capscrew 3/8 x 1-1/4	
10	2220885	2	Plug, O-Ring	
100	1001138796	1	Seal Kit (Includes Items 101-109)	
101	See Note	NSS	Ring, Wear (Note: Use Item 100)	
102	See Note	NSS	Seal, Piston (Note: Use Item 100)	
103	See Note	NSS	O-Ring (Note: Use Item 100)	
104	See Note	NSS	Ring, Back-up (Note: Use Item 100)	
105	See Note	NSS	Ring, Wear (Note: Use Item 100)	
106	See Note	NSS	O-Ring (Note: Use Item 100)	
107	See Note	NSS	Ring, Back-up (Note: Use Item 100)	
108	See Note	NSS	Seal, Rod (Note: Use Item 100)	
109	See Note	NSS	Wiper, Rod (Note: Use Item 100)	

SECTION 5 - CYLINDER

FIGURE 5-14. TELESCOPE CYLINDER ASSEMBLY



SECTION 5 - CYLINDER

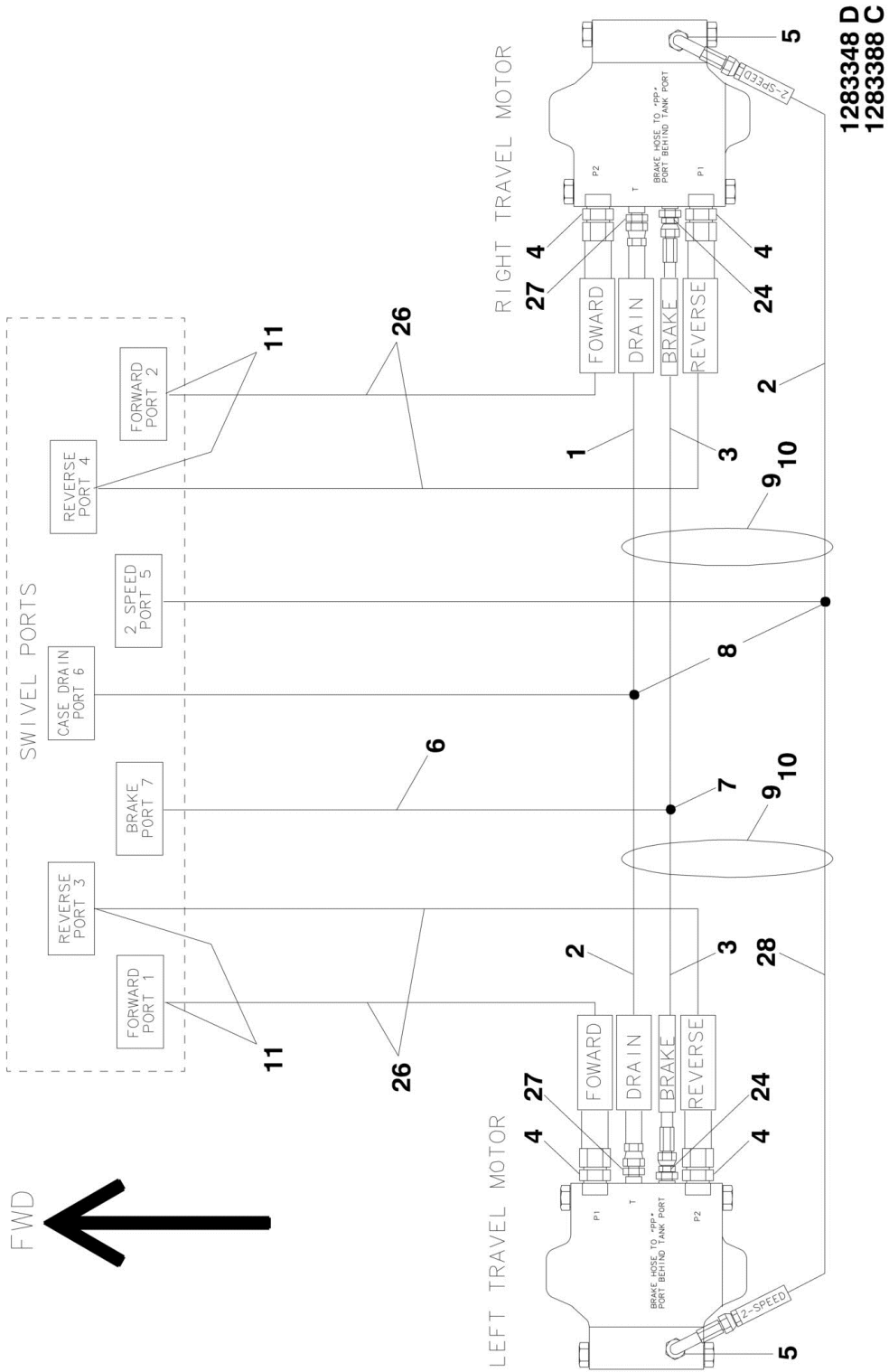
FIGURE 5-14. TELESCOPE CYLINDER ASSEMBLY

ITEM	PART NUMBER	QTY	DESCRIPTION	REV
	1683618	Ref	TELESCOPE CYLINDER ASSEMBLY	3-E
1	1683619	1	Barrel	
2	1683250	1	Rod	
3	1683057	1	Head	
4	3480205	1	Piston	
5	0961897	1	Bushing, Tapered	
6	4566644	1	Spacer, Tube	
7	4641028	1	Valve Assembly Options: (No serviceable parts - sold as assembly only)	
7	7024397	2	O-Ring (Not Shown - Located between valve and cylinder block)	
8	2220885	6	Plug, O-Ring	
9	3931620	8	Capscrew 3/8in-16NC x 1-1/4in	
10	3760369	1	Ring, Washer	
11	3931448	4	Capscrew 1/4in-20NC x 3in	
12	3931508	1	Capscrew 5/16in-18NC x 1/2in	
13	See Note	NSS	Wiper (Note: Use Item 30)	
14	See Note	NSS	Seal, Rod (Note: Use Item 30)	
15	See Note	NSS	O-Ring (Note: Use Item 30)	
16	See Note	NSS	Ring, Back-up (Note: Use Item 30)	
17	See Note	NSS	Ring, Wear (Note: Use Item 30)	
18	See Note	NSS	O-Ring (Note: Use Item 30)	
19	See Note	NSS	Ring, Back-up (Note: Use Item 30)	
20	See Note	NSS	T-Seal (Note: Use Item 30)	
21	See Note	NSS	Ring, Wear (Note: Use Item 30)	
22	0100011	AR	Compound, Locking	
23	0100038	AR	Primer, Locking	
25	0630535	3	Bolt, Socket Head 1/4in-20NC x 1-1/8in	
30	2901284	1	Seal Kit (Includes Items 13-21)	

SECTION 6 - HYDRAULIC

SECTION 6 - HYDRAULIC

FIGURE 6-1. FRAME HYDRAULIC DIAGRAM



SECTION 6 - HYDRAULIC

FIGURE 6-1. FRAME HYDRAULIC DIAGRAM

ITEM	PART NUMBER	QTY	DESCRIPTION	REV
		Ref	FRAME HYDRAULIC DIAGRAMS	
	80215014	Ref	Frame Hydraulic Diagram 600SC	C
	80215016	Ref	Frame Hydraulic Diagram 660SJC	C
1	84718604	1	Hose	
2	84719728	2	Hose	
3	84719727	2	Hose	
4	88662421	NLA	Fitting, 45 (Use p/n 2151212)	
5	88662329	NLA	Fitting, 90 (Use p/n 2130606)	
6	80213119	1	Fitting, 90	
7	88662354	1	Fitting, Tee	
7	88662354	NLA	Fitting, Tee (Use p/n 2170806)	
8		Ref	Fitting, Tee Options:	
8	88662346	NLA	Tee with 3 male ends (Use p/n 2170306)	
8	88662446	NLA	Tee with 2 male/1 female ends (Use p/n 2170706)	
9	83953053	2	Sleeve	
10	90027187	5	Tie Strap	
11	88662332	NLA	Fitting, 90 (Use p/n 2131212)	
24	88662301	NLA	Fitting, Straight (Use p/n 2110606)	
26	84718465	4	Hose	
27	88662448	NLA	Fitting, Straight (Use p/n 2110612)	
28	84719026	1	Hose	

SECTION 6 - HYDRAULIC

FIGURE 6-2. STANDARD HYDRAULIC DIAGRAM - CATERPILLAR ENGINE

ITEM	PART NUMBER	QTY	DESCRIPTION	REV
		Ref	HYDRAULIC DIAGRAMS	
	2792655	Ref	Hydraulic Diagrams 600SC Caterpillar Engine	5
	1283388	Ref	Hydraulic Diagrams 600SC Caterpillar Engine	C
	2792656	Ref	Hydraulic Diagrams 660SJC Caterpillar Engine	5
	1283388	Ref	Hydraulic Diagrams 660SJC Caterpillar Engine	C
1	2220451	4	Fitting, Straight	
2	2753318	1	Hose	
3	2220380	2	Fitting, Straight	
4	2220376	3	Fitting, Straight	
5	2220578	6	Fitting, 90	
6	2752653	1	Hose	
7	2220408	1	Fitting, Straight	
8	2220628	5	Fitting, 90	
9	2753706	2	Hose	
10	2753707	2	Hose	
11	2753321	1	Hose	
13	2220810	1	Fitting, Reducer	
14	4640744	1	Fitting, Check Valve	
15	2753809	2	Hose	
17	2220582	AR	Fitting, Straight	
18	4641264	1	Valve, Check	
19	2220415	AR	Fitting, Straight	
20	2220605	1	Fitting, Tee	
21	2752573	2	Hose	
22	2220700	1	Fitting, Tee	
23	2752580	1	Hose	
24	2752594	1	Hose	
25	2220235	2	Fitting, Plug	
29	2753893	1	Hose	
30	2753192	1	Hose	
31	2220921	1	Fitting, Reducer	
32	2220498	1	Fitting, 45	
33	2220372	4	Fitting, Straight	
34	2752631	1	Hose	
35	2752632	1	Hose	
36	2220373	6	Fitting, Straight	
37	2752515	1	Hose	
39	2220466	AR	Fitting, 90	
41	2751474	1	Hose	
42	2220947	3	Fitting, Straight	
43	2752762	1	Hose	
44	2220873	2	Fitting, Straight	
45	2220428	4	Fitting, Quick Disconnect	
46	2220429	4	Cover, Dust	
47	2220618	1	Fitting, Reducer	
48	2752763	2	Hose	
49	2221042	2	Fitting, 90	
50	2220622	2	Fitting, Reducer	
51	2752928	1	Hose	
52	2220471	1	Fitting, 90	

SECTION 6 - HYDRAULIC

ITEM	PART NUMBER	QTY	DESCRIPTION	REV
53	2752588	2	Hose	
54	2220609	4	Fitting, Reducer	
55	2220468	2	Fitting, Straight	
56	2752981	Ref	Hose Options:	
56	2752981	3	Hose 600SC	
56	2752981	4	Hose 660SJC	
57	2220497	2	Fitting, Straight	
58	2220502	1	Fitting, 45	
59	2751396	1	Hose	
60	2220414	1	Fitting, Straight	
63	2220950	1	Fitting, 45	
65	2220974	1	Fitting, Straight	
66		Ref	Hose Options:	
66	2752598	2	Hose 600SC	
66	2752596	2	Hose 660SJC	
67		Ref	Hose Options:	
67	2752599	1	Hose 600SC & 660SJC	
67	2752597	1	Hose 660SJC	
69	2230046	1	Fitting, 90 Bulkhead	
71	2752633	2	Hose	
72	2220472	AR	Fitting, 90	
73	2220738	1	Fitting, Tee	
74		Ref	Hose Options:	
74	Not Required	0	Hose 600SC	
74	2752633	2	Hose 660SJC	
75	2220473	Ref	Fitting, 90, Options:	
75	2220473	1	Fitting, 90, (600SC)	
75	2220473	2	Fitting, 90, (660SJC)	
76		Ref	Hose Options:	
76	2753891	1	Hose (Prior to SN 0300082190)	
76	2754311	1	Hose (SN 0300082190 through 0300128000)	
77	2753472	1	Hose	
78	2220909	1	Orifice (.015)	
79	2220603	4	Fitting, Straight	
80	2220682		Fitting, Tee	
81	2752591	2	Hose	
82	2752643	1	Hose	
83	2752453	1	Hose	
84	2220409	1	Fitting, 45	
85	2754024	1	Hose	
86	0100011	AR	Compound, Locking	
87	0100038	AR	Primer, Locking	
88		Ref	Fitting, 90, Options:	
88	Not Required	0	Fitting, 90, (600SC)	
88	2180724	1	Fitting, 90, (660SJC)	
89		Ref	Orifice (.062) Options:	
89	Not Required	0	Orifice (.062) 600SC	
89	2180380	1	Orifice (.062) 660SJC	
90	2220237	2	Fitting, Plug	
91	2754023	1	Hose	
92	2754022	1	Hose	

SECTION 6 - HYDRAULIC

ITEM	PART NUMBER	QTY	DESCRIPTION	REV
93	2220946	1	Fitting, Straight	
94	2220948	3	Fitting, Tee	
95	2752783	1	Hose	
96	2220914	1	Fitting, Restrictor	
97	2220852	1	Fitting, Straight	
98	2220873	1	Fitting, Nipple	
99	2220949	2	Fitting, Reducer	

SECTION 6 - HYDRAULIC

FIGURE 6-3. STANDARD HYDRAULIC DIAGRAM - DEUTZ ENGINE

ITEM	PART NUMBER	QTY	DESCRIPTION	REV
		Ref	HYDRAULIC DIAGRAMS	
	2792596	Ref	Hydraulic Diagrams 600SC Deutz Engine	7
	1283348	Ref	Hydraulic Diagrams 600SC Deutz Engine	D
	2792595	Ref	Hydraulic Diagrams 660SJC Deutz Engine	6
	1283348	Ref	Hydraulic Diagrams 660SJC Deutz Engine	D
1	2220451	4	Fitting, Straight	
2	2753318	1	Hose	
3	2220380	2	Fitting, Straight	
4	2220376	AR	Fitting, Straight	
5	2220578	AR	Fitting, 90	
6	2752653	1	Hose	
7	2220408	1	Fitting, Straight	
8	2220628	5	Fitting, 90	
9	2753706	2	Hose	
10	2753707	2	Hose	
11	2753321	1	Hose	
13	2220810	1	Fitting, Reducer	
14	4640744	1	Fitting, Check Valve	
15	2753809	2	Hose	
17	2220582	AR	Fitting, Straight	
18	4641264	1	Valve, Check (Prior to SN 0300104249)	
19	2220415	AR	Fitting, Straight	
20	2220605	1	Fitting, Tee	
21	2752573	2	Hose	
22	2220700	AR	Fitting, Tee	
23	2752580	1	Hose	
24	2752594	1	Hose	
25	2220235	2	Fitting, Plug	
29	2753893	1	Hose	
30	2753192	1	Hose	
31	2220921	1	Fitting, Reducer	
32	2220498	1	Fitting, 45	
33	2220372	4	Fitting, Straight	
34	2752631	1	Hose	
35	2752632	1	Hose	
36	2220373	6	Fitting, Straight	
37	2752515	1	Hose	
39	2220466	AR	Fitting, 90	
41	2751474	1	Hose	
42	2220947	AR	Fitting, Straight	
43	2752762	1	Hose	
44	2220873	2	Fitting, Straight	
45	2220428	4	Fitting, Quick Disconnect	
46	2220429	4	Cover, Dust	
47	2220618	1	Fitting, Reducer (Prior to SN 0300104249)	
48	2752763	3	Hose	
49	2221042	2	Fitting, 90	
50	2220622	AR	Fitting, Reducer	
51	2752928	1	Hose	
52	2220471	1	Fitting, 90	

SECTION 6 - HYDRAULIC

ITEM	PART NUMBER	QTY	DESCRIPTION	REV
53	2752588	2	Hose	
54	2220609	4	Fitting, Reducer	
55	2220468	2	Fitting, Straight	
56	2752981	Ref	Hose Options:	
56	2752981	3	Hose 600SC	
56	2752981	4	Hose 660SJC	
57	2220497	2	Fitting, Straight	
58	2220502	1	Fitting, 45	
59	2751396	1	Hose	
60	2220414	1	Fitting, Straight	
63	2220950	1	Fitting, 45	
65	2220974	1	Fitting, Straight	
66		Ref	Hose Options:	
66	2752598	2	Hose 600SC	
66	2752596	2	Hose 660SJC	
67		Ref	Hose Options:	
67	2752599	1	Hose 600SC & 660SJC	
67	2752597	1	Hose 660SJC	
69	2230046	1	Fitting, 90 Bulkhead	
70	2230027	2	Fitting, Straight Bulkhead	
71	2752633	2	Hose	
72	2220472	AR	Fitting, 90	
73	2220738	1	Fitting, Tee	
74		Ref	Hose Options:	
74	Not Required	0	Hose 600SC	
74	2752633	2	Hose 660SJC	
75	2220473	Ref	Fitting, 90, Options:	
75	2220473	1	Fitting, 90, (600SC)	
75	2220473	2	Fitting, 90, (660SJC)	
76		Ref	Hose Options:	
76	2753891	1	Hose (Prior to SN 0300082190)	
76	2754311	1	Hose (SN 0300082190 through 0300128000)	
77	2753472	1	Hose	
78	2220909	1	Orifice (.015)	
79	2220603	4	Fitting, Straight	
81	2752591	2	Hose	
82	2752643	1	Hose	
83	2752438	1	Hose	
84	2220409	1	Fitting, 45	
86	0100011	AR	Compound, Locking	
87	0100038	AR	Primer, Locking	
88		Ref	Fitting, 90 Options:	
88	Not Required	0	Fitting, 90 (600SC)	
88	2180724	1	Fitting, 90 (660SJC)	
89		Ref	Orifice (.062) Options:	
89	Not Required	0	Orifice (.062) 600SC	
89	2180380	1	Orifice (.062) 660SJC	
90	2220237	2	Fitting, Plug	
91	2753892	2	Hose	
93	2220946	1	Fitting, Straight (Prior to SN 0300104249)	
94	2220948	AR	Fitting, Tee	

SECTION 6 - HYDRAULIC

ITEM	PART NUMBER	QTY	DESCRIPTION	REV
95	2752783	1	Hose	
96	2220914	1	Fitting, Restrictor	
97	2220852	1	Fitting, Straight (Prior to SN 0300104249)	
98	2220873	1	Fitting, Nipple	
99	2220949	2	Fitting, Reducer	

SECTION 6 - HYDRAULIC

FIGURE 6-4. HYDRAULIC DIAGRAM LIST

ITEM	PART NUMBER	QTY	DESCRIPTION	REV
		Ref	Note: Information on Diagrams Not Shown is Available From JLG Service/Parts Department.	
		Ref	Frame Hydraulic Diagram Options:	
	8021-5014	Ref	Frame Hydraulic Diagram Options 600SC	
	8021-5016	Ref	Frame Hydraulic Diagram Options 660SJC	
		Ref	Standard Hydraulic Diagrams:	
	2792655	Ref	Standard Hydraulic Diagrams: 600SC Caterpillar Engine	
	1283388	Ref	Standard Hydraulic Diagrams: 600SC Caterpillar Engine	
	2792596	Ref	Standard Hydraulic Diagrams: 600SC Deutz Engine	
	1283348	Ref	Standard Hydraulic Diagrams 600SC Deutz Engine	
	2792656	Ref	Standard Hydraulic Diagrams: 660SJC Caterpillar Engine	
	1283388	Ref	Standard Hydraulic Diagrams 660SJC Caterpillar Engine	
	2792595	Ref	Standard Hydraulic Diagrams: 660SJC Deutz Engine	
	1283348	Ref	Standard Hydraulic Diagrams 600SJC Deutz Engine	
	2792593	Ref	Standard Hydraulic Schematic	

SECTION 7 - ELECTRICAL

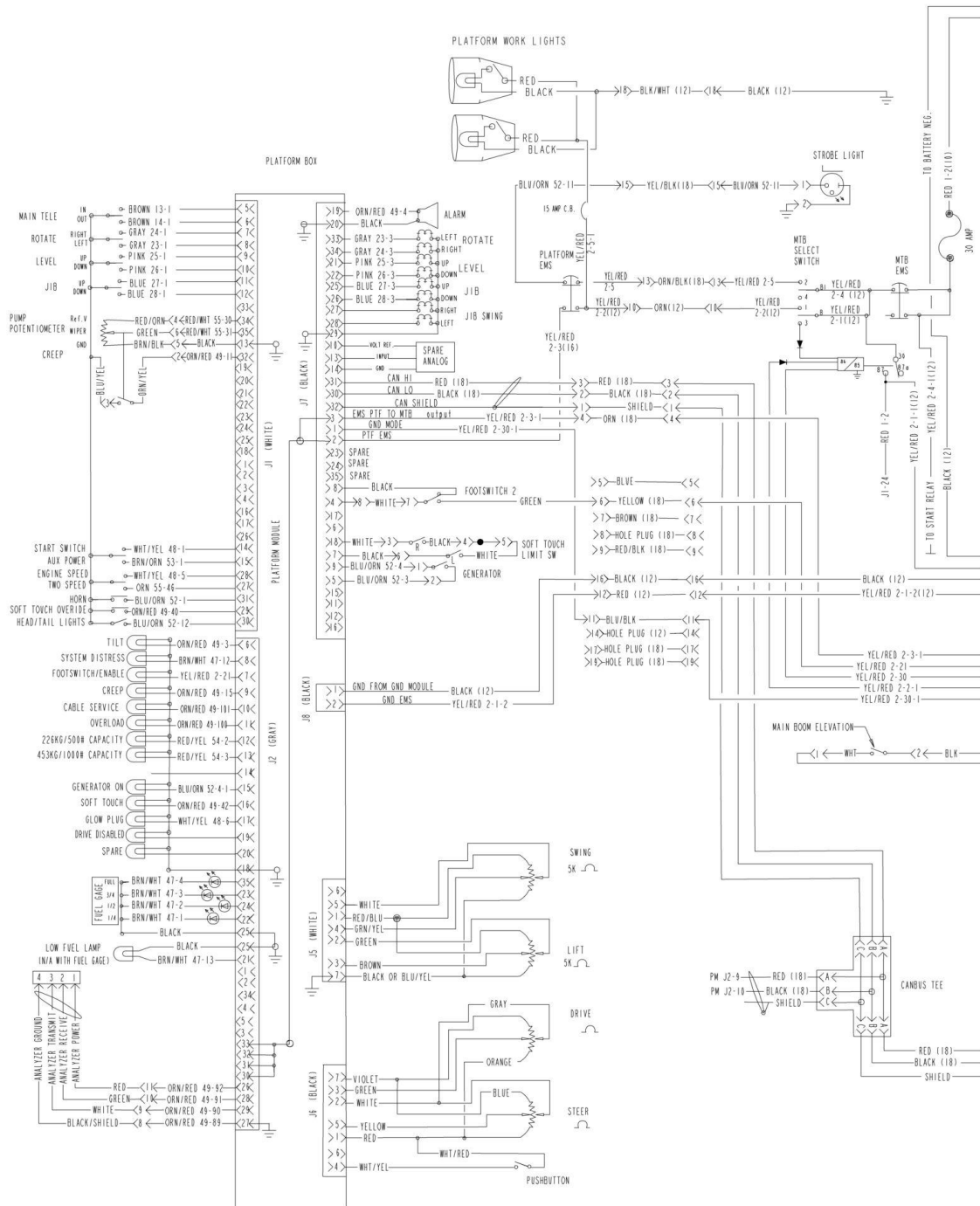
SECTION 7 - ELECTRICAL

FIGURE 7-1. ELECTRICAL DIAGRAM LIST

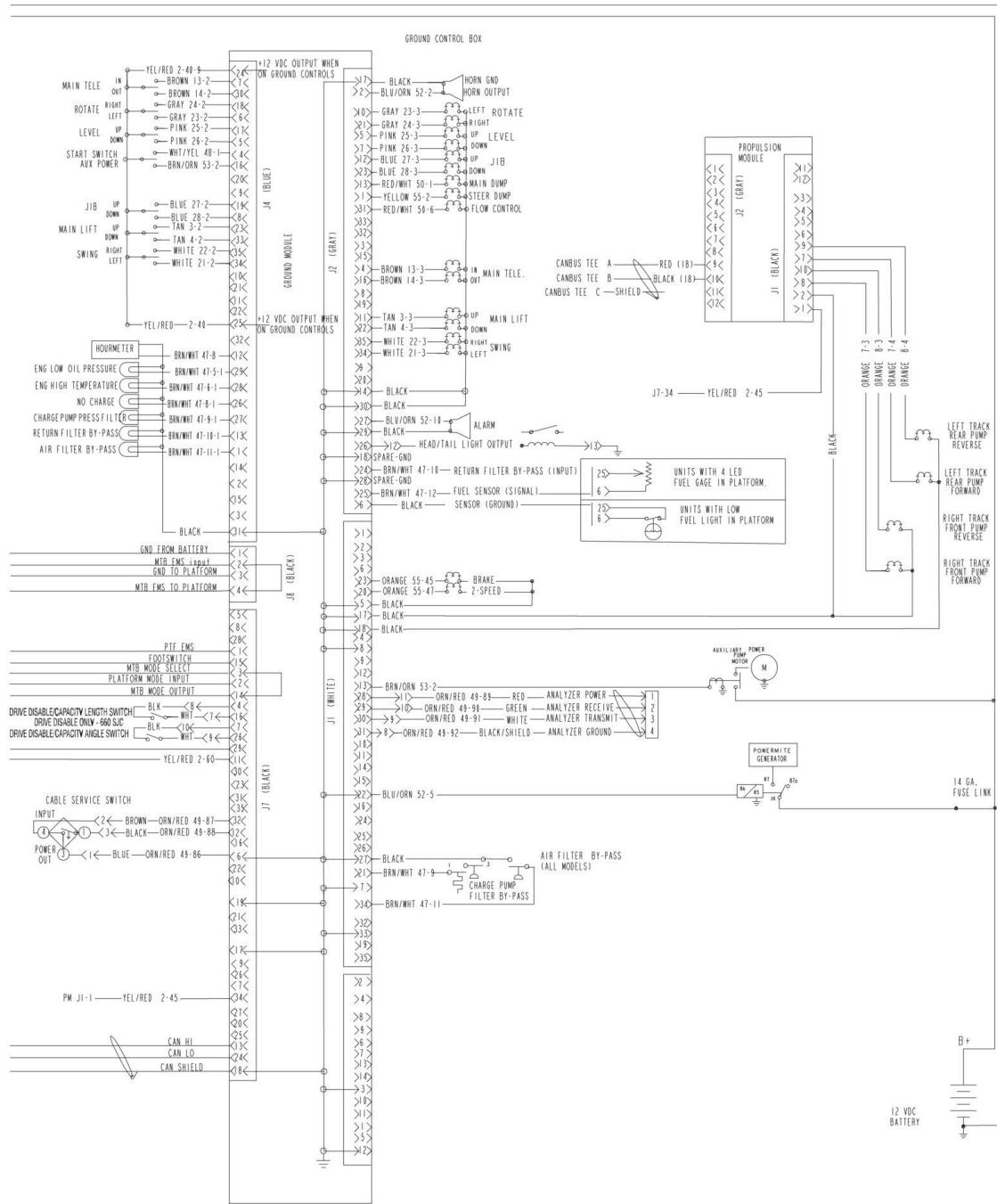
ITEM	PART NUMBER	QTY	DESCRIPTION	REV
		Ref	Note: Diagrams not shown are available from the JLG Service Department.	
		Ref	COLD WEATHER ELECTRICAL DIAGRAMS	
	0273575	Ref	Cold Weather Package (Caterpillar Engine)	
	1282571	Ref	Cold Weather Package (Caterpillar Engine)	
	0256060	Ref	Cold Weather Package (Deutz Engine)	
	1282571	Ref	Cold Weather Package (Deutz Engine)	
	0257157	Ref	Cold Weather Package with Ether Start (Deutz Engines)	
	1282571	Ref	Cold Weather Package with Ether Start (Deutz Engines)	
	4932986	Ref	ENGINE SHUTDOWN ELECTRICAL DIAGRAM (DEUTZ ENGINES)	
		Ref	2500W GENERATOR ELECTRICAL DIAGRAM	
	4933215	Ref	110Volt All Except CE UK and CE German Specs	
	4933287	Ref	110Volt CE UK Spec	
	4933284	Ref	110Volt CE German Spec	
	4933216	Ref	220Volt	
	4933264	Ref	7500W SKYPOWER GENERATOR ELECTRICAL DIAGRAM	
		Ref	GROUND CONTROL BOX ELECTRICAL DIAGRAM	
	4933301	Ref	Caterpillar Engine (Prior to SN 0300099063)	
	4933369	Ref	Caterpillar Engine (SN 0300099063 through 0300128000)	
	4933298	Ref	Deutz Engine (Prior to SN 0300085110)	
	4933324	Ref	Deutz Engine (SN 0300085110 through 0300099062)	
	4933368	Ref	Deutz Engine (SN 0300099063 through 0300128000)	
	4933219	Ref	HEADLIGHT AND TAILLIGHTS ELECTRICAL DIAGRAM	
	4922639	Ref	PLATFORM ELECTRICAL DIAGRAM	
		Ref	PLATFORM WORKLIGHTS ELECTRICAL DIAGRAM	
	0273486	Ref	Platform Worklights Electrical Diagram 600SC	
	0273490	Ref	Platform Worklights Electrical Diagram 660SJC	
	4933146	Ref	SERVICE LIGHT CABLE ELECTRICAL DIAGRAM (AUSTRALIAN SPEC)	
		Ref	STANDARD ELECTRICAL SCHEMATIC	
	1870174	Ref	Caterpillar Engines (Prior to SN 0300099063)	
	1870218	Ref	Caterpillar Engines (SN 0300099063 through 0300128000)	
	1870174	Ref	Deutz Engines (Prior to SN 0300085110)	
	1870194	Ref	Deutz Engines (SN 0300085110 through 0300099062)	
	1870218	Ref	Deutz Engines (SN 0300099063 through 0300128000)	

SECTION 7 - ELECTRICAL

FIGURE 7-2. ELECTRICAL SCHEMATIC (DEUTZ ENGINE AND ALL CATERPILLAR ENGINE) (Prior to SN 0300085110, Prior to SN 0300099063)



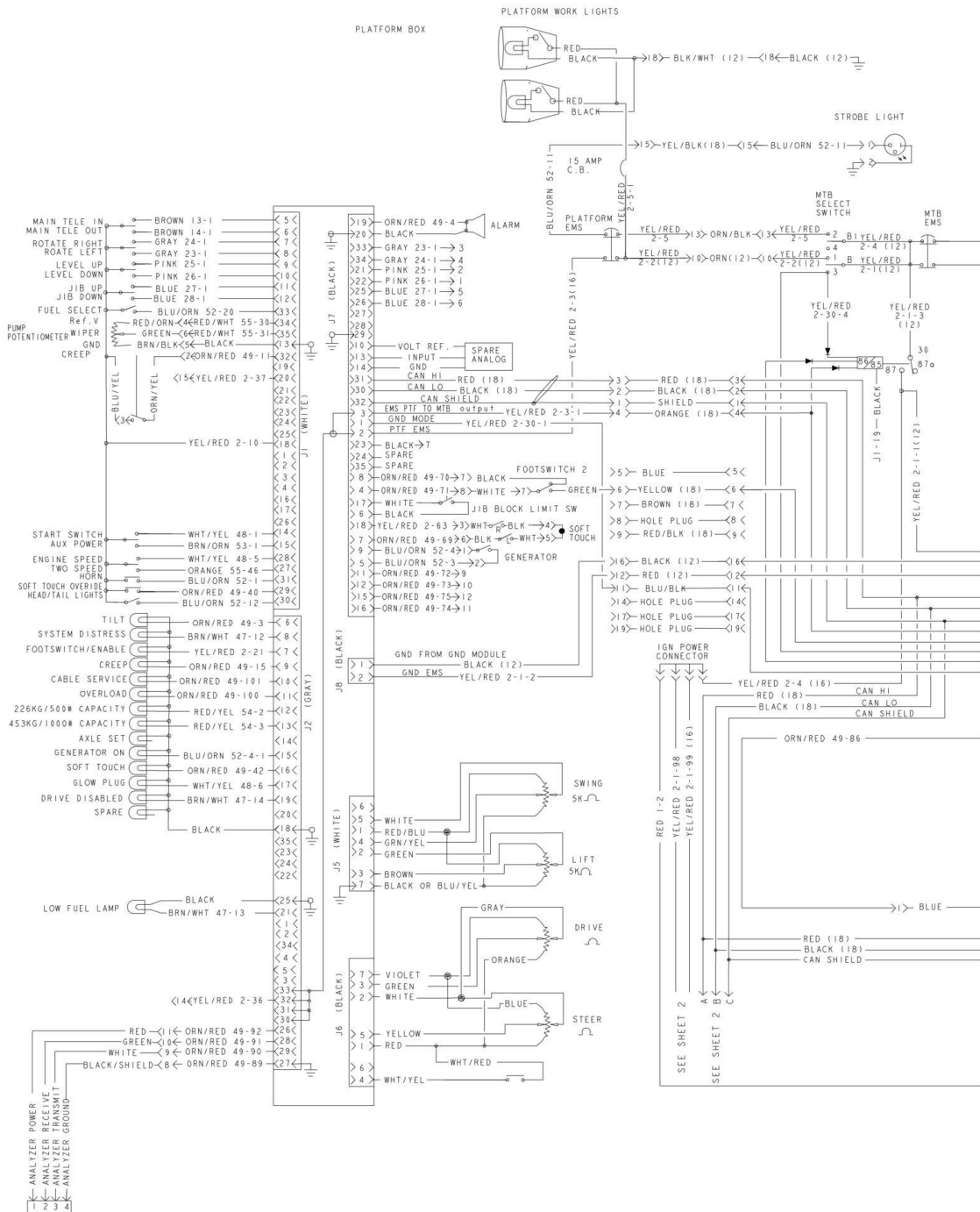
SECTION 7 - ELECTRICAL



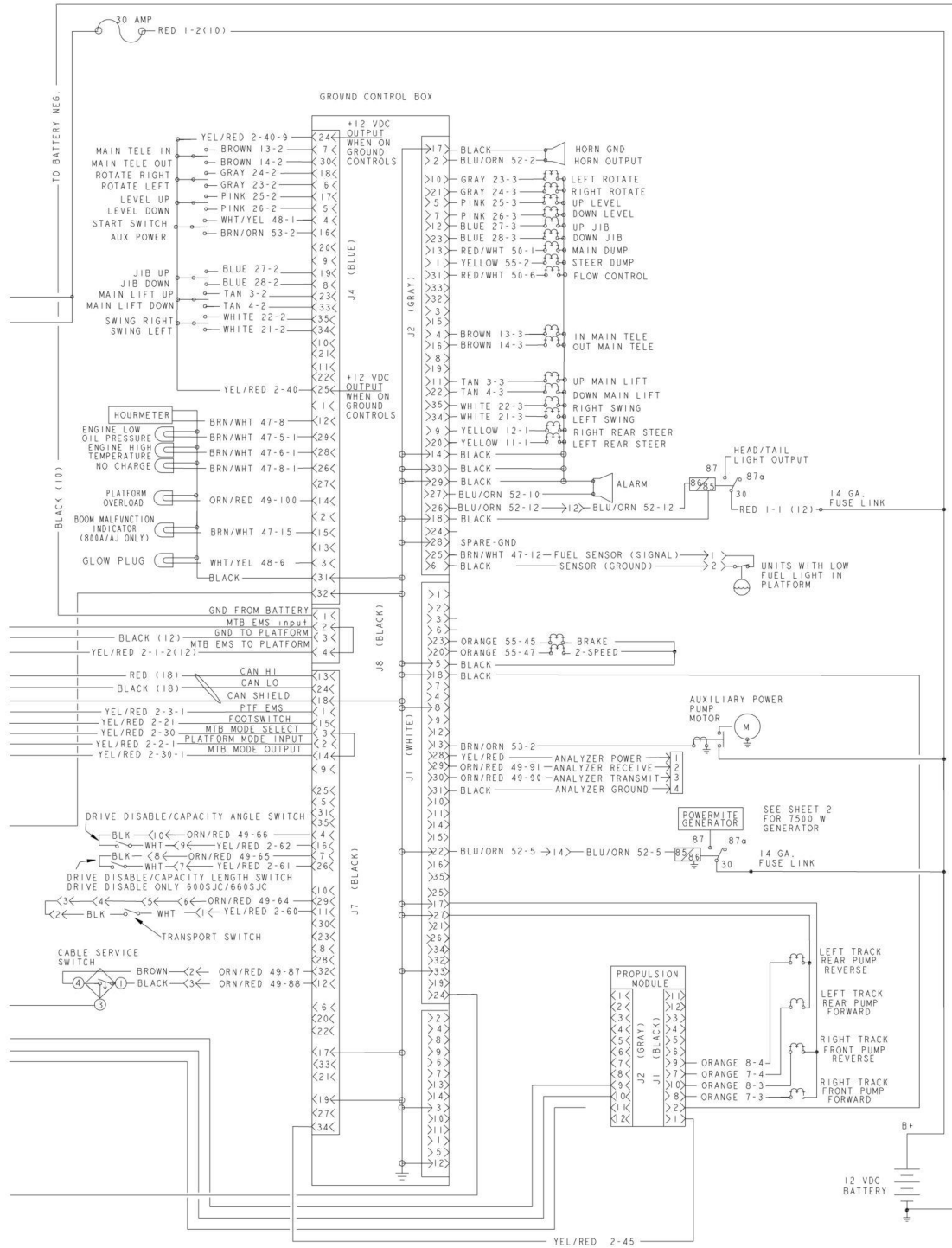
1870174 - E

SECTION 7 - ELECTRICAL

FIGURE 7-3. ELECTRICAL SCHEMATIC (DEUTZ ENGINE) (SN 0300085110 through 0300099063)

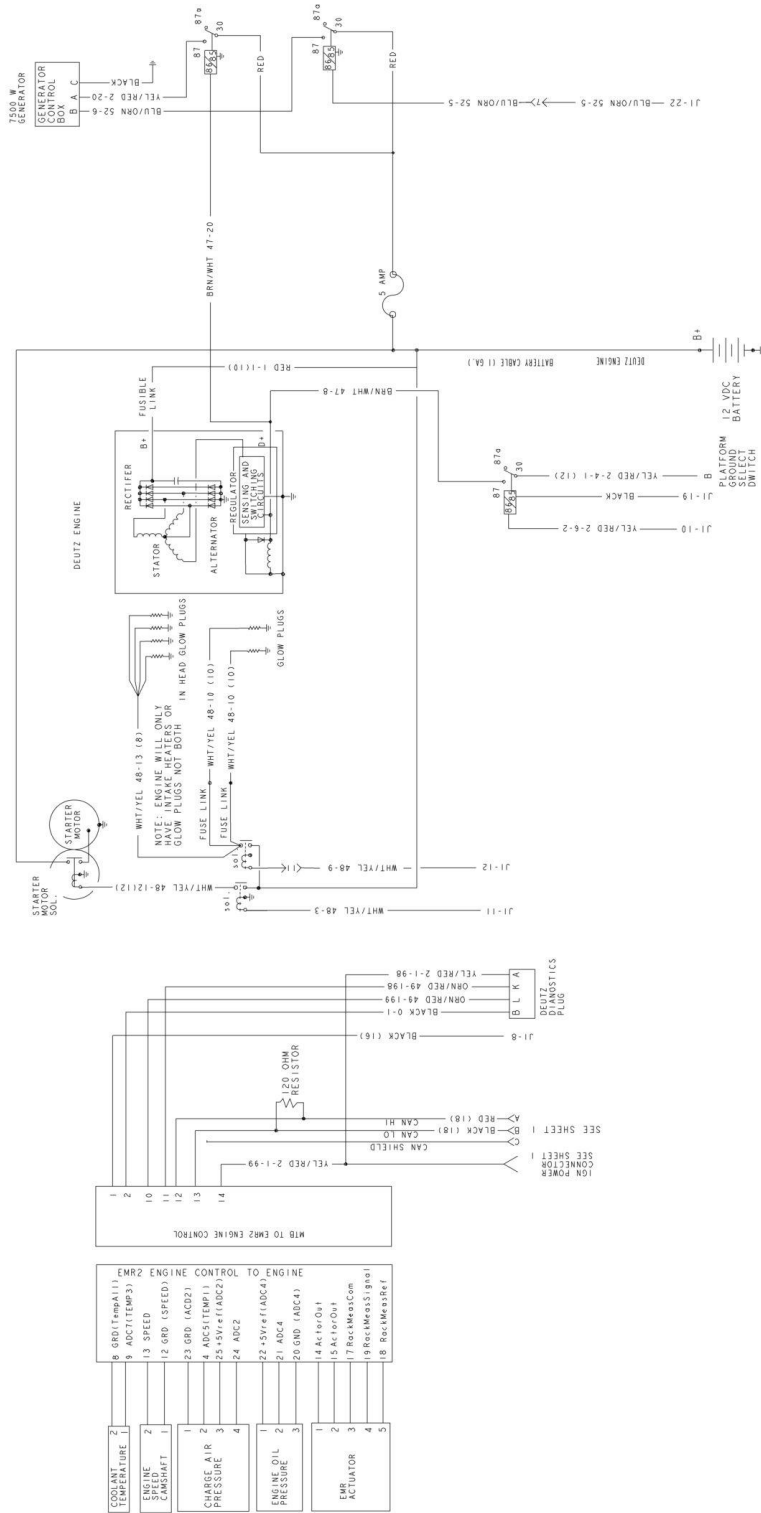


SECTION 7 - ELECTRICAL



1870194 - C

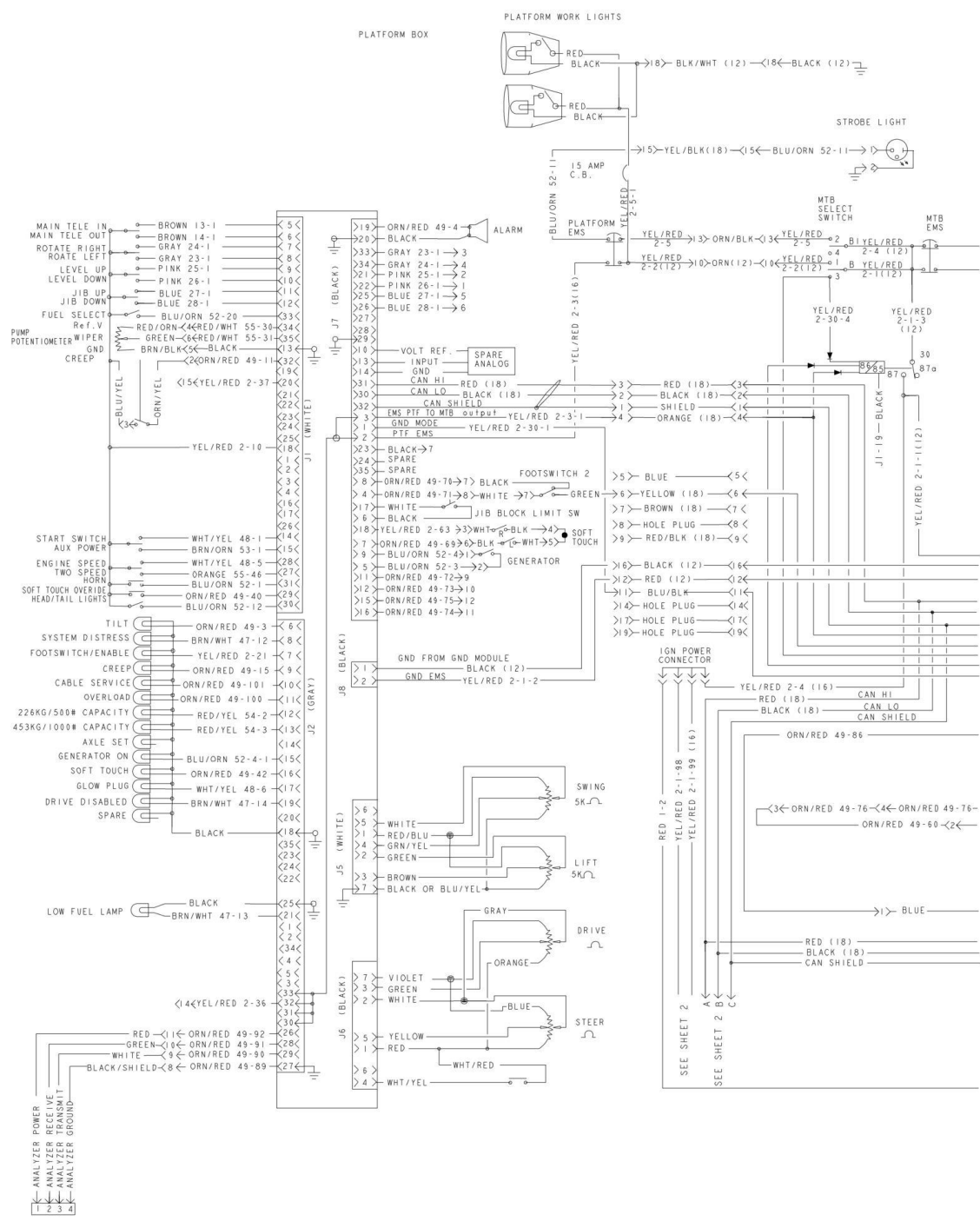
SECTION 7 - ELECTRICAL



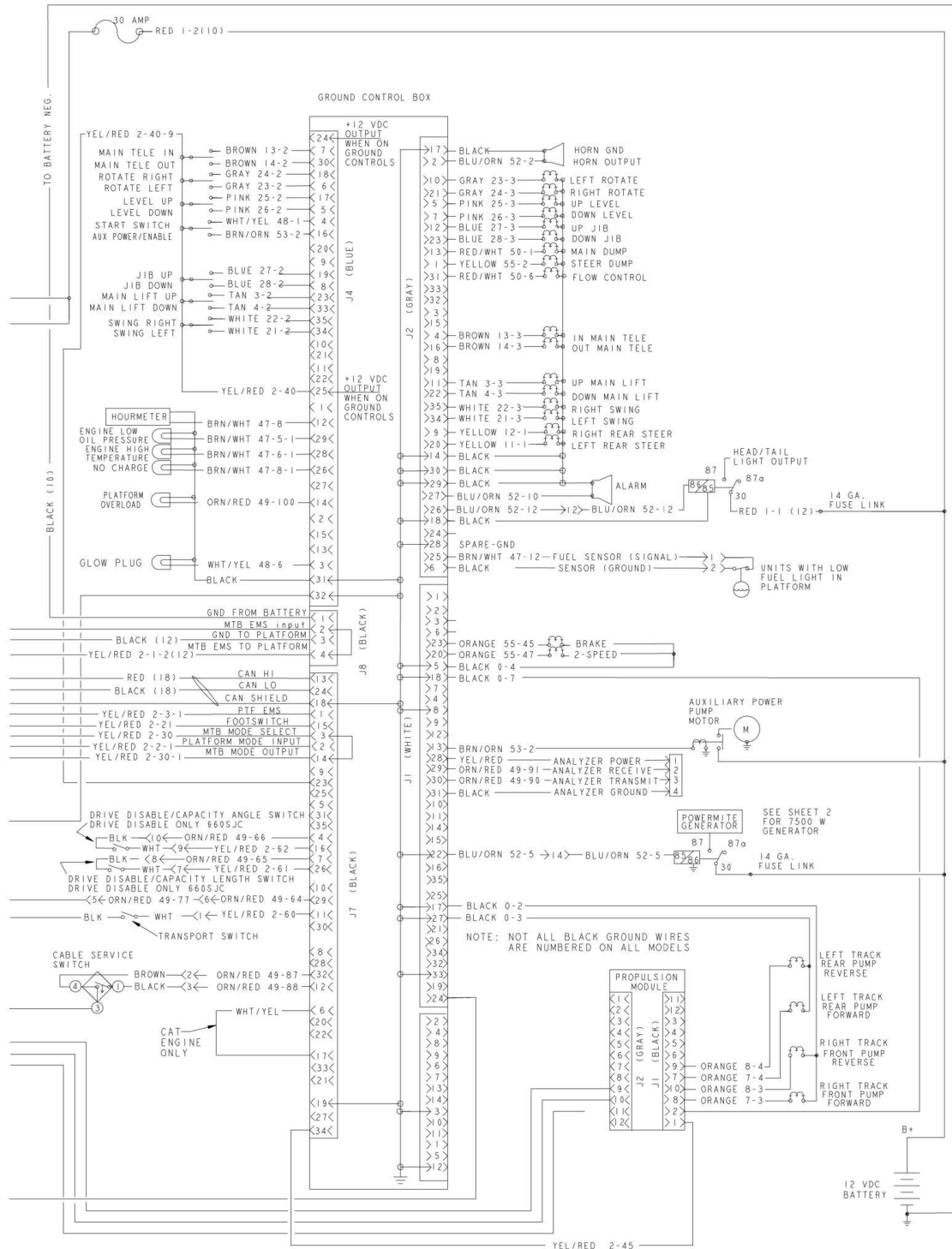
1870194 - C

SECTION 7 - ELECTRICAL

FIGURE 7-4. ELECTRICAL SCHEMATIC (CATERPILLAR AND DEUTZ ENGINE) (SN 0300099063 through 0300128000)

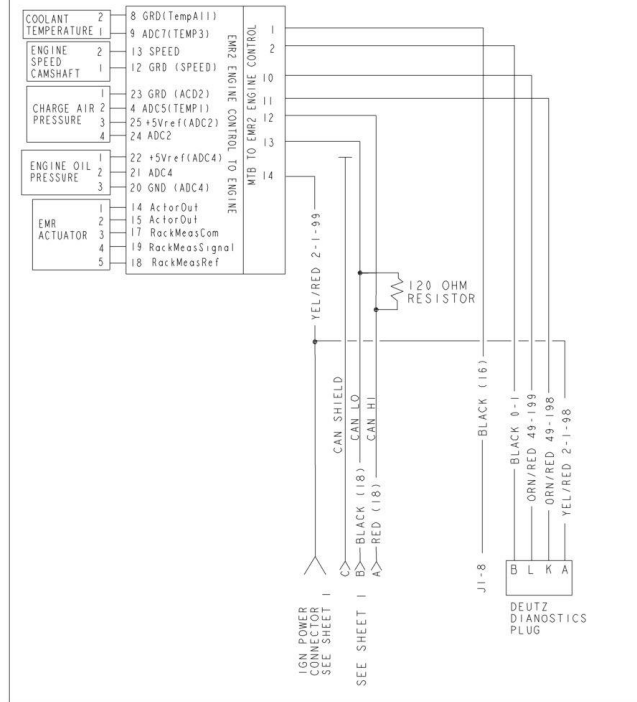
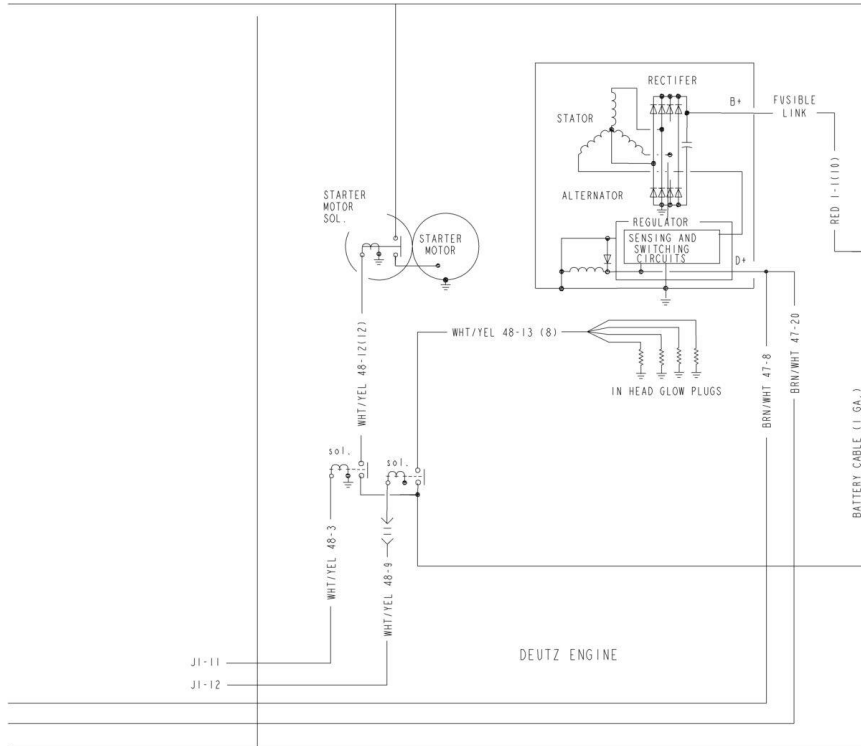


SECTION 7 - ELECTRICAL



1870218 - A

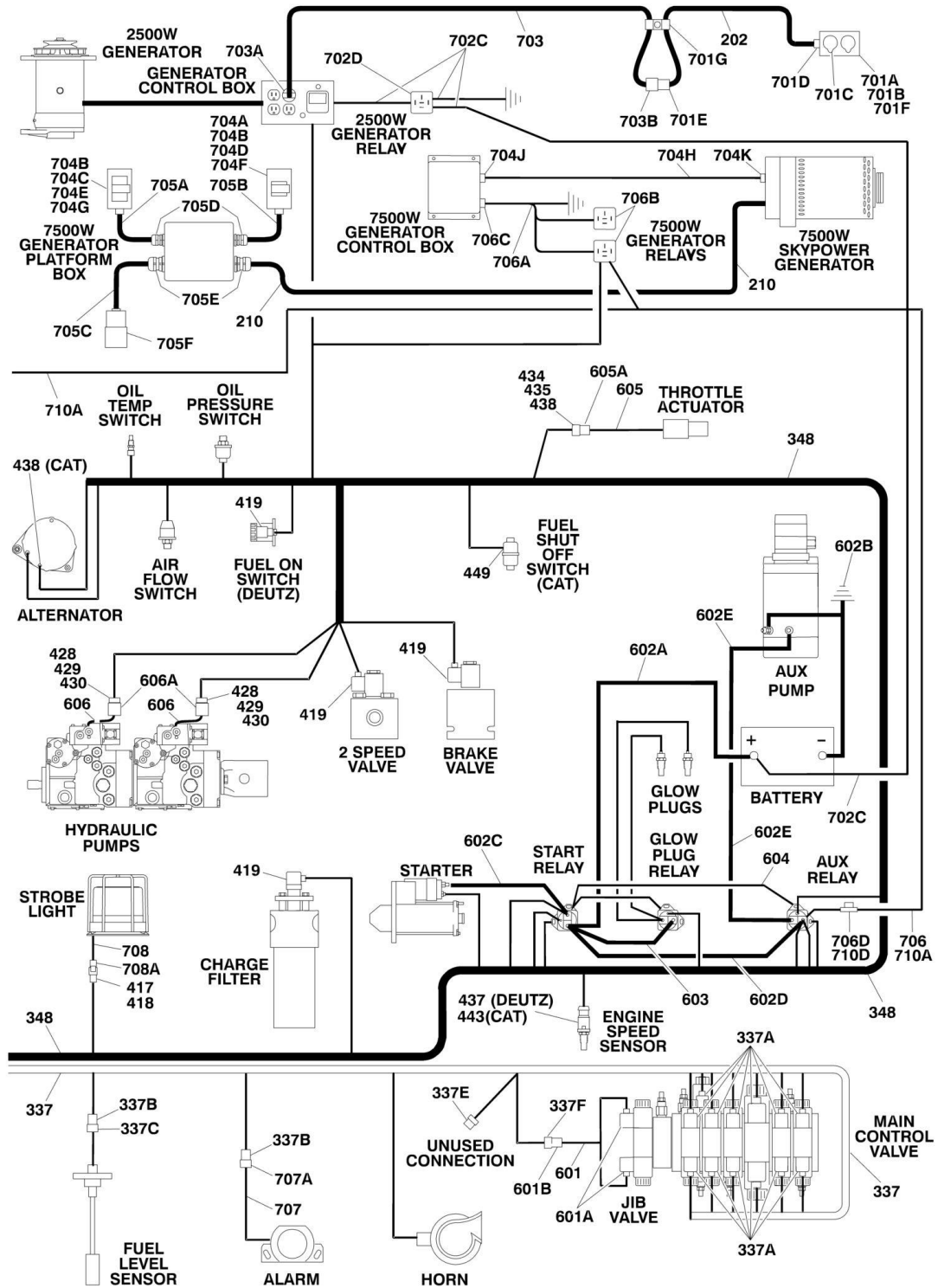
SECTION 7 - ELECTRICAL



1870218 - A

SECTION 7 - ELECTRICAL

USAGE CHART:
 DEUTZ ENGINE MACHINES PRIOR TO SN 0300085110
 CATERPILLAR ENGINE MACHINES PRIOR TO SN 0300099063



SECTION 7 - ELECTRICAL

FIGURE 7-5. HARNESS COMPONENTS INSTALLATION

ITEM	PART NUMBER	QTY	DESCRIPTION	REV
		Ref	USAGE CHART:	
		Ref	Deutz Engine Machines (Prior to SN 0300085110)	
		Ref	Caterpillar Engine Machines (Prior to SN 0300099063)	
		Ref	HARNESS COMPONENTS INSTALLATION	
	0861634	Ref	PLATFORM CONSOLE BOX COMPONENTS	A
39	4460428	2	Connector, Strain Relief	
41	4460470	1	Nut, Terminal	
42	4460471	1	Lockwasher, Terminal	
44	4460708	2	Receptacle, Female - 15 Position	
45	4460905	5	Seal, Plug	
47	4922839	1	Harness, Platform Box (See Items 101-109 for Breakdown)	
48	4922666	1	Harness, Analyzer Cable	2-B
48	4460226	4	Socket, Female (Not Shown - Located at J2)	
48A	4460761	1	Connector, Female - 4 Position	
48A	4460227	4	Pin, Male	
49	0272970	1	Harness, Footswitch (Includes Footswitch)	A
49	1060918	7 ft/2.14m	Cable, Electrical - 18/3	
49A	4460071	1	Connector, Strain Relief	
49B	4460226	2	Socket, Female	
49C	4460464	1	Pin, Male	
	4922639	Ref	PLATFORM BOX HARNESS ASSEMBLY	5-F
101	4460866	1	Connector - 19 Position	
101	4460464	7	Pin, Male 16 Ga	
101	4460508	3	Pin, Male 12 Ga	
102	4460874	1	Connector - 35 Position (Natural)	
102	4460871	23	Socket, Female	
103	4460875	1	Connector - 35 Position (Gray)	
103	4460871	19	Socket, Female	
104	4460873	1	Connector - 35 Position (Black)	
104	4460871	25	Socket, Female	
105	4460879	1	Connector, Male - 2 Position	
105	4460887	2	Terminal (12 Gauge)	
106	4460418	8	Connector, Female - 6 Position	
106	4460419	24	Socket, Female	
107	4120035	12	Base, Light	
107	4460634	12	Terminal	
107	4460635	12	Terminal	
107	2920129	12	Bulb, Light	
108	4460225	1	Plug, Male - 6 Position	
108	4460227	5	Pin, Male	
109	4460434	2	Plug, Male - 15 Position	
109	4460227	28	Pin, Male	
		Ref	BOOM CABLES INSTALLATION	
		Ref	Boom Cable Installation 600SC:	
	0272042	Ref	ANSI and ANSI Export Specs without SkyPower	2
	0272483	Ref	ANSI and ANSI Export Specs with SkyPower	2
	0272045	Ref	CE and Australian Specs without SkyPower	2
	0272484	Ref	CE and Australian Specs with SkyPower	2
		Ref	Boom Cable Installation 660SJC:	
	0272043	Ref	ANSI and ANSI Export Specs without SkyPower	2

SECTION 7 - ELECTRICAL

ITEM	PART NUMBER	QTY	DESCRIPTION	REV
	0272485	Ref	ANSI and ANSI Export Specs with SkyPower	2
	0272046	Ref	CE and Australian Specs without SkyPower	2
	0272486	Ref	CE and Australian Specs with SkyPower	2
201		Ref	Harness, Boom (12/4 - 18/8) Options:	
201	4922467	1	Harness, Boom (12/4 -18/8), 600SC without SkyPower	2-B
201	4922468	1	Harness, Boom (12/4 -18/8) 600SC with SkyPower	2
201	4922467	1	Harness, Boom (12/4 -18/8) 660SJC	2-B
201	1060896	Ref	Cable, Electrical - 12/4 & 18/8	
201	1060896	75 ft /22.9m	Cable, Electrical - 12/4 & 18/8, 4922467 Harness	
201	1060896	67 ft /20.4m	Cable, Electrical - 12/4 & 18/8, 4922468 Harness	
201	2820118	8 in/18cm	Heat Shrink	
201A	4460465	11	Socket, Female 18 Gauge	
201A	4460865	1	Connector - 19 Position	
201A	4460509	4	Socket, Female 12 Gauge	
201A	4460466	4	Seal, Plug	
201B	4460473	1	Clamp, Cable	
201C	4460465	11	Socket, Female 18 Gauge	
201C	4460509	4	Socket, Female 12 Gauge	
202		Ref	Cable, Electrical (To Receptacle Box) Options:	
202	4922889	1	Cable, Electrical 600SC ANSI and ANSI Export Specs without SkyPower (12/3 Cable 70ft/21.2m Length)	
202	4922884	1	Cable, Electrical 600SC CE and Australian Specs without SkyPower (12/3 Cable 70ft/21.2m Length)	
202	4922792	1	Cable, Electrical 600SC All Specs with SkyPower (8/5 Cable 83ft/25.3m)	
202	4922888	1	Cable, Electrical 660SJC ANSI and ANSI Export Specs without SkyPower (12/3 Cable 77ft/23.5m Length)	
202	4922886	1	Cable, Electrical 660SJC CE and Australian Specs without SkyPower (12/3 Cable 77ft/23.5m Length)	
202	4922791	1	Cable, Electrical 660SJC All Specs with SkyPower (8/5 Cable 90.5ft/27.6m)	
203		Ref	Cable, Electrical - 18/2 (To Boom Angle Switch) Options:	
203	1061045	1	Cable, Electrical 600SC without SkyPower (15ft/4.6m Length)	
203	1061027	1	Cable, Electrical 600SC ANSI and ANSI Export Specs with SkyPower (13.5ft/4.1m)	
203	Not Required	0	Cable, Electrical 600SC with CE and Australian with SkyPower	
203	1061045	1	Cable, Electrical 660SJC without SkyPower (15ft/4.6m Length)	
203	1061027	1	Cable, Electrical 660SJC ANSI and ANSI Export Specs with SkyPower (13.5ft/4.1m)	
203	1061026	1	Cable, Electrical 660SJC CE and Australian with SkyPower (25.5ft/7.8m)	
204		Ref	Sleeve, Nylon Options (Not Shown - Used with Items 201 & 202):	
204	4100026	10 ft/3m	Sleeve, Nylon 600SC	
204	Not Required	0	Sleeve, Nylon 660SJC	
205	4460865	1	Connector - 19 Position	
206	4460466	AR	Seal, Plug	
207	4460473	2	Clamp, Cable	
208		Ref	Cable, Electrical - 18/3 (To Transport Switch) Options:	
208	1061046	1	Without SkyPower (33ft/10m Length)	

SECTION 7 - ELECTRICAL

ITEM	PART NUMBER	QTY	DESCRIPTION	REV
208	Not Required	0	With SkyPower	
209		Ref	Cable, Electrical (To Boom Length Switch) Options:	
209	1061047	1	Without SkyPower (18/3 Cable 25.5ft/7.8m Length)	
209	1061026	1	Cable, Electrical 600SC with SkyPower (18/2 Cable 25.5ft/7.8m)	
209	1061027	1	Cable, Electrical 660SJC ANSI and ANSI Export Specs with SkyPower (13.5ft/4.1m)	
209	1061026	1	Cable, Electrical 660SJC CE and Australian with SkyPower (25.5ft/7.8m)	
210		Ref	7500W Generator to Platform Harness Options:	
210	Not Required	0	Cable, Electrical 600SC without SkyPower	
210	4922792	1	Cable, Electrical 600SC with SkyPower	
210	Not Required	0	Cable, Electrical 660SJC without SkyPower	
210	4922791	1	Cable, Electrical 660SJC with SkyPower	
		Ref	GROUND CONTROL BOX COMPONENTS	
302	0100048	AR	Grease, Dielectric	
326	4460426	2	Connector, Strain Relief	
327	4460470	1	Nut, Terminal	
328	4460471	1	Washer, Terminal	
330	4460526	1	Connector, Strain Relief	
331	4460874	1	Connector, White - 35 Position	
332	4460875	1	Connector, Gray - 35 Position	
333	4460905	AR	Plug, Connector	
337	4922513	1	Valve Harness Assembly	3-D
337A	4460880	11	DIN Connector	
337B	4460320	2	Plug, Male - 2 Position	
337B	4460267	4	Pin, Male	
337C	4460424	1	Connector, Female - 2 Position	
337C	4460268	2	Socket, Female	
337D	4460871	28	Socket, Female	
337E	4460326	1	Plug, Male - 3 Position	
337E	4460267	1	Pin, Male	
337F	4460445	1	Connector, Female - 3 Position	
337F	4460268	3	Socket, Female	
340	4922666	1	Harness, Analyzer Cable (Prior to SN 0300088110)	1-A
340A	4460226	4	Socket, Female	
340B	4460761	1	Connector, Female - 4 Position	
340B	4460227	4	Pin, Male	
344	4460466	6	Seal, Plug	
345	4460909	1	Plug, Male -12 Position Mini (Black)	
347	4922967	1	Ground Control Box Harness Assembly	C-3
347	3990001	2	Diode - 3 Amp (Not Shown - Located at Power Down Relay)	
347A	4460418	7	Connector, Female - 6 Position	
347A	4460419	21	Socket, Female	
347B	4460871	11	Socket, Female	
347C	4460876	1	Connector, Blue - 35 Position	
347C	4460871	25	Socket, Female	
347C	4460905	1	Seal, Plug	
347D	4460866	1	Connector - 19 Position	
347D	4460464	7	Pin, Male Deutsch 16 Ga	
347E	4460878	1	Plug, Male - 4 Position	
347E	4460887	3	Terminal (12 Gauge)	

SECTION 7 - ELECTRICAL

ITEM	PART NUMBER	QTY	DESCRIPTION	REV
347F	4120035	7	Base, Light	
347F	4460634	8	Terminal (16 Gauge)	
347F	4460635	6	Terminal (12 Gauge)	
347G	4460873	1	Connector, Black - 35 Position	
347G	4460871	15	Socket, Female	
347G	4460905	1	Seal, Plug	
347H	4460434	2	Plug, Male - 15 Position	
347H	4460227	22	Pin, Male	
348		Ref	Harness, Engine Options (See Items 401-450 for Breakdown):	
348	4922974	1	Caterpillar Engine	
348	4922961	1	Deutz Engine	
349		Ref	Ground Control Wiring Diagram (See Items 501-513 for Breakdown)	
349	4933301	1	Caterpillar Engine	
349	4933298	1	Deutz Engine	
		Ref	ENGINE HARNESS ASSEMBLY	
	4922974	Ref	Caterpillar Engine	4-D
	4922961	Ref	Deutz Engine	3-C
414	4460928	6	Socket, Female	
417	4460424	1	Receptacle, Female - 2 Position	
418	4460268	2	Socket, Female	
419	4460880	AR	DIN Connector without Diode	
419		Ref	Caterpillar Engine	
419		Ref	Deutz Engine	
428	4460460	2	Plug, Male - 4 Position	
429	4460457	8	Socket, Female	
430	4460458	8	Seal, Terminal	
434	4460844	1	Receptacle, Female - 4 Position (Deutz Only) (Prior to SN 0300077193)	
435	4460475	3	Pin, Male (Deutz Only) (Prior to SN 0300077193)	
436	4460750	1	Bussbar, Terminal - 6 Position (Deutz Only) (Prior to SN 0300077193)	
437	4460890	1	Receptacle, Female - 2 Position (Deutz Only)	
437	4460889	2	Terminal (Deutz Only)	
438	4460891	2	Plug, Male - 2 Position (Cat Only)	
438	4460465	4	Socket, Female (Cat Only)	
439	4460871	AR	Socket, Female	
443	4460539	1	Plug, Male - 3 Position (Cat Only)	
443	4460465	3	Socket, Female (Cat Only)	
446	4460745	1	Lock, Terminal (Deutz Only) (Prior to SN 0300077193)	
447	4460746	6	Socket, Female (Deutz Only) (Prior to SN 0300077193)	
448	4460744	1	Plug, Male (Deutz Only) (Prior to SN 0300077193)	
449	4460792	1	Housing, Terminal (Cat Only)	
449	4460339	1	Terminal (Cat Only)	
450	3990001	1	Diode - 3 Amp (Not Shown - Cat Only)	
		Ref	GROUND CONTROL BOX WIRING DIAGRAM	
	4933301	Ref	Caterpillar Engine	3-C
	4933298	Ref	Deutz Engine	2-B
501	2920129	7	Bulb, Light	
502	4922636	1	Jumper Harness (Required without Tower Elevation Switch)	
507	2400065	1	Fuse - 30 Amp	
508	2400066	1	Fuseholder	

SECTION 7 - ELECTRICAL

ITEM	PART NUMBER	QTY	DESCRIPTION	REV
509	4460708	2	Connector, Female - 15 Position	
510	4460226	13	Socket, Female	
511	4922637	1	Jumper Harness (Required without Boom Length Switch)	
513	4460945	1	Connector, Female - 3 Way	1-A
513	4922099	AR	Cable	
513A	4460945	1	Connector, 3 Way	
513B	4460965	2	Plug, Male - 3 Position	
513B	4460944	6	Socket, Female	
513C	4460966	1	Plug, Male - 3 Position	
513C	4460944	3	Socket, Female	
513D		Ref	Pin, Male Options:	
513D	4460508	3	Pin, Male (Prior to SN 0300077193)	
513D	4460464	3	Pin, Male (SN 0300077193 through 0300085110)	
513E	4460871	3	Socket, Female	
513F	4460908	1	Plug, Male -12 Position Mini (Gray)	
513F	4460928	2	Socket, Female	
513F	4460466	1	Seal, Plug	
		Ref	STANDARD HARNESS COMPONENTS	
601	4921927	1	Jib Harness 660SJC	3-E
601A	4460499	2	DIN Connector	
601B	4460326	1	Plug, Male - 3 Position	
601B	4460267	3	Pin, Male	
602	2902296	1	Battery Cable Kit	A
602A	7027000	1	Cable, Battery (Battery + to Starter Relay)	
602B	7027004	1	Cable, Battery (Battery and Aux Pump to Ground)	
602C	7027002	1	Cable, Battery (Starter Relay to Starter)	
602D	7027001	1	Cable, Battery (Starter Relay to Aux Pump)	
602E	7027003	1	Cable, Battery (Aux Relay to Aux Pump)	
603	1060904	1	Cable, Battery (Power to Glow Plug)	
604	4922737	1	Relay Grounding Harness	
605	See Note	1	Throttle Harness (Note: Not Available for Purchase.)	
605A	4460897	1	Receptacle, Female - 2 Position (Cat Engine)	
605A	4460464	2	Pin, Male (Cat Engine)	
605A	4460460	1	Plug, Male - 4 Position (Deutz Engine)	
605A	4460790	4	Socket, Female (Deutz Engine)	
606	7022350	2	Pump Sensor Harness (Includes Sensor)	
606A	7007498	2	Receptacle, Female - 4 Position	
606A	4460475	4	Pin, Male	
606A	4460458	4	Seal, Terminal	
607	4360506	1	Broken Cable Proximity Switch Harness (Includes Switch) (Australian and CE Specs Only)	
608	4933146	Ref	Service Cable Light Electrical Diagram (Australian Spec Only)	1-A
608	4922314	1	Service Cable Light Harness (Australian Spec Only)	1-A
608	4120035	1	Socket, Light	
608	4460634	2	Terminal	
608	4460464	1	Socket, Female	
608	2920129	1	Bulb, Light	
609	See Note	NSS	Controller Harness Assembly (Lift and Swing) (Note: Not Available - Purchase Complete Controller)	
609A	7022819	1	Plug, Male - 8 Position (Natural)	
609A	4460871	8	Socket, Female	
610	See Note	NSS	Controller Harness Assembly (Drive and Steer) (Note: Not	

SECTION 7 - ELECTRICAL

ITEM	PART NUMBER	QTY	DESCRIPTION	REV
610A	See Note	NSS	Available - Purchase Complete Controller)	
610A	4460871	6	Connector, Female - 8 Position (Note: Not Available for Purchase.)	
611	See Note	NSS	Socket, Female	
611A	4460224	1	Speed Control Harness (Note: Not Available - Purchase Complete Controller)	
611A	4460226	5	Connector, Female - 6 Position	
		Ref	Socket, Female	
701		Ref	OPTIONAL HARNESS COMPONENTS	
		Ref	AC to Platform Receptacle Components Options (Note: For use with 2500W Generator Only.):	
		Ref	Note: For use with 2500W Generator Only.	
701	0256113	Ref	110V GFI Receptacle (ANSI, ANSI Export and CSA Specs)	2
701	0257175	Ref	220V GFI Receptacle (ANSI, ANSI Export and CSA Specs)	2
701	0256201	Ref	220V GFI Receptacle (ANSI Export, Australian and CE Specs)	3
701A		Ref	Box, Switch Options:	
701A	0860038	1	ANSI and CSA Specs	
701A	See Note	NLA	ANSI Export, Australian and CE Specs (Note: Not Available - Purchase Locally.)	
701B		Ref	Receptacle Options:	
701B	4460346	1	110V GFI (ANSI and CSA Specs)	
701B	4460125	1	220V GFI (ANSI and CSA Specs)	
701B	See Note	NLA	220V GFI (ANSI Export, Australian and CE Specs) (Note: Not Available - Purchase Locally.)	
701C		Ref	Shield, Cover Options:	
701C	4060700	1	110V GFI (ANSI and CSA Specs)	
701C	4060092	1	220V GFI (ANSI and CSA Specs)	
701C	See Note	NLA	220V GFI (ANSI Export, Australian and CE Specs) (Note: Not Available - Purchase Locally.)	
701D		Ref	Connector, Strain Relief Options:	
701D	4460071	1	ANSI and CSA Specs	
701D	See Note	NLA	ANSI Export, Australian and CE Specs (Note: Not Available - Purchase Locally.)	
701E		Ref	Plug, Male Options:	
701E	4460205	1	110V GFI (ANSI Spec)	
701E	4460233	1	220V GFI (ANSI Spec)	
701E	See Note	NLA	220V GFI (ANSI Export, Australian and CE Specs) (Note: Not Available - Purchase Locally.)	
701F		Ref	Gasket, Cover Options:	
701F	3960422	1	ANSI and CSA Specs	
701F	See Note	NLA	ANSI Export, Australian and CE Specs (Note: Not Available - Purchase Locally.)	
701G	1320149	1	Clamp, Hose	
702		Ref	2500W Generator Electrical Components	
702	4933215	AR	110V (All Specs Except German and UK Specs)	1-B
702	4933284	AR	110V (German Spec)	1-A
702	4933287	AR	110V (UK Spec)	1-A
702	4933216	AR	220V	1-B
702	3990010	1	Diode - 6 Amp (Not Shown)	
702A	4922641	1	Harness - On/Off Switch	1-A
702B	4460226	2	Socket, Female	
702C		Ref	Powermite Control Box to Relay Harness Options:	
702C	4922482	1	All Specs Except German and UK Specs	2-B

SECTION 7 - ELECTRICAL

ITEM	PART NUMBER	QTY	DESCRIPTION	REV
702C	4922913	1	German and UK Specs	
702D	4460374	1	Plug, Sealed	
702D	4460375	4	Terminal	
703		Ref	2500W Generator to Rear of Boom Harness Options:	
		Ref	Note: Harness used to connect AC at platform harness to 2500W generator receptacle to power platform receptacle.	
703	4921827	1	ANSI and ANSI Export Specs	1
703	4921956	1	Australian and CE Spec	1
703		Ref	Cable, Electrical - 12/3 Options:	
703	1060494	1	ANSI and ANSI Export Specs	
703	1060461	1	Australian and CE Spec	
703A		Ref	Plug, Male Options:	
703A	4460205	1	ANSI and ANSI Export Specs	
703A	See Note	NLA	Australian and CE Spec (Note: Not Available - Purchase Locally.)	
703B	4460134	1	ANSI and ANSI Export Specs	
703B	See Note	NLA	Australian and CE Spec (Note: Not Available - Purchase Locally.)	
704		Ref	7500W SKYPOWER GENERATOR INSTALLATION	
704	0273540	Ref	60Hz and Caterpillar Engine	E
704	0272255	Ref	60Hz and Deutz Engine	F
704	0273541	Ref	50Hz Spec and Caterpillar Engine	E
704	0272492	Ref	50Hz Spec and Deutz Engine	E
		Ref	Note: SkyPower Generator is Standard On ANSI and CSA Specs. Optional on All Other Specs.	
704A		Ref	Receptacle, Female Twist-Lock Options:	
704A	4460958	1	60Hz Spec	
704A	See Note	NLA	50Hz Spec (Note: Not Available - Purchase Locally.)	
704B		Ref	Gasket Options:	
704B	3960422	2	60Hz Spec	
704B	See Note	NLA	50Hz Spec (Note: Not Available - Purchase Locally.)	
704C		Ref	Cover, Receptacle Options:	
704C	4060700	1	60Hz Spec	
704C	See Note	NLA	50Hz Spec (Note: Not Available - Purchase Locally.)	
704D		Ref	Cover, Receptacle Options:	
704D	4061043	1	60Hz Spec	
704D	See Note	NLA	50Hz Spec (Note: Not Available - Purchase Locally.)	
704E		Ref	Receptacle Options:	
704E	4460346	1	60Hz Spec	
704E	See Note	NLA	50Hz Spec (Note: Not Available - Purchase Locally.)	
704F	4460051	1	Connector, Strain Relief	
704G	4460071	1	Connector, Strain Relief	
704H	4922925	1	Harness, Generator	
704J	See Note	NSS	Plug, Male - 6 Position (Note: Use p/n 4922925)	
704J	See Note	NSS	Socket, Female (Note: Use p/n 4922925)	
704K	4460225	1	Plug, Male - 6 Position	
704K	4460226	6	Socket, Female	
705		Ref	7500W SkyPower Generator Junction Box Components	
705	0861542	Ref	60Hz Spec	B
705	0861567	Ref	50Hz Specs	A
705A		Ref	Cable, Electrical 12/3	
705A	1060494	2 ft/.6m	60Hz Spec	

SECTION 7 - ELECTRICAL

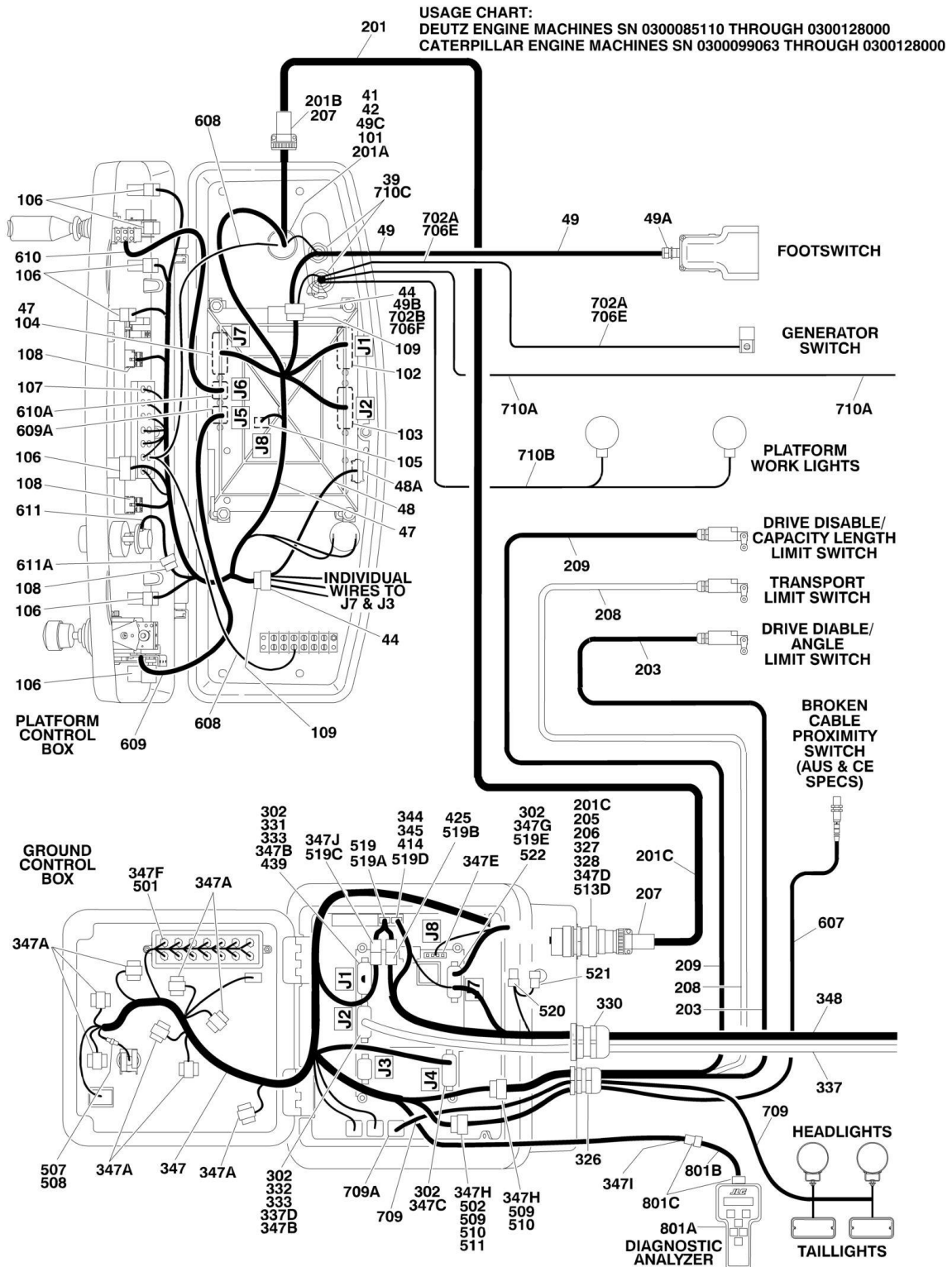
ITEM	PART NUMBER	QTY	DESCRIPTION	REV
705A	See Note	NLA	50Hz Spec (Note: Not Available - Purchase Locally.)	
705B		Ref	Cable, Electrical 10/3	
705B	1060708	2.5 ft /.8m	60Hz Spec	
705B	See Note	NLA	50Hz Spec (Note: Not Available - Purchase Locally.)	
705C	1060343	1.5 ft /.5m	Cable, Electrical 10/4 (60Hz Spec Only)	
705D	4460425	2	Connector, Strain Relief	
705E	4460426	2	Connector, Strain Relief	
705F	1671092	1	Cover (60Hz Spec Only)	
705F	4460963	1	Connector (60Hz Spec Only)	
706	4933264	Ref	7500W Generator Electrical Diagram Components	C
706A	4922757	1	Generator Harness	2-B
706B	4460374	2	Plug, Sealed Relay	
706B	4460375	7	Terminal	
706C	4460967	1	Plug, Male - 3 Position	
706C	4460465	3	Socket, Female	
706D	2400060	1	Fuseholder (Not Shown)	
706D	2400064	1	Fuse - 5 Amp (Not Shown)	
706E	4922641	1	Switch Harness	
706F	4460226	2	Socket, Female	
707	0257887	1	Alarm Harness (Includes Alarm)	
707A	4460424	1	Connector, Female - 2 Position	
707A	4460268	2	Socket, Female	
708	0272507	1	Strobe Light Harness (Includes Strobe Light)	A
708A	4460320	1	Plug, Male - 2 Position	
708A	4460267	2	Pin, Male	
709	See Note	NSS	Headlight and Taillight Harness (Note: Not Available for Purchase.)	
709	1060341	37 ft /11.3m	Cable, Electrical 16/2	
709A	3740049	1	Relay	
709A	4460259	3	Terminal	
709A	4460260	4	Housing, Terminal	
709A	4460297	1	Terminal	
709A	4922643	1	Lights Harness for Ground Control Box	1-A
709A	4460226	2	Socket, Female	
710	See Note	NSS	Work Lights Harness Components (Note: Not Available for Purchase.)	
710A	4922888	1	Harness, Electric 12/3 (Aux Relay to Console Box)	
710B	See Note	NSS	Work Light Harness (Supplied with Work Light) (Note: Not Available for Purchase.)	
710C	4460426	1	Connector, Strain Relief	
710D	2400066	1	Fuseholder	
710D	2400070	1	Fuse 20 Amp	
		Ref	TOOLS	
	7002821	1	Crimper (For Wire to Pin/Socket Connections) (Not Shown)	
	7002823	1	Extractor (For Removal of Pin/Socket from Connectors) (Not Shown)	
	4460467	1	Extractor, Pin (Blue 16-18 Gauge) (For Removal of Pin/Socket from Connectors) (Not Shown)	
	4460510	1	Extractor, Pin (Yellow 12-14 Gauge) (For Removal of Pin/Socket from Connectors) (Not Shown)	
	7002828	1	Stripper, Wire (Not Shown)	
801	2901443	1	Analyzer/Cable Kit	

SECTION 7 - ELECTRICAL

ITEM	PART NUMBER	QTY	DESCRIPTION	REV
801A	1600244	1	Analyzer	
801B	1060633	1	Cable, Analyzer	
801C	4460321	2	Plug, Male - 4 Position	
801C	4460226	8	Socket, Female	

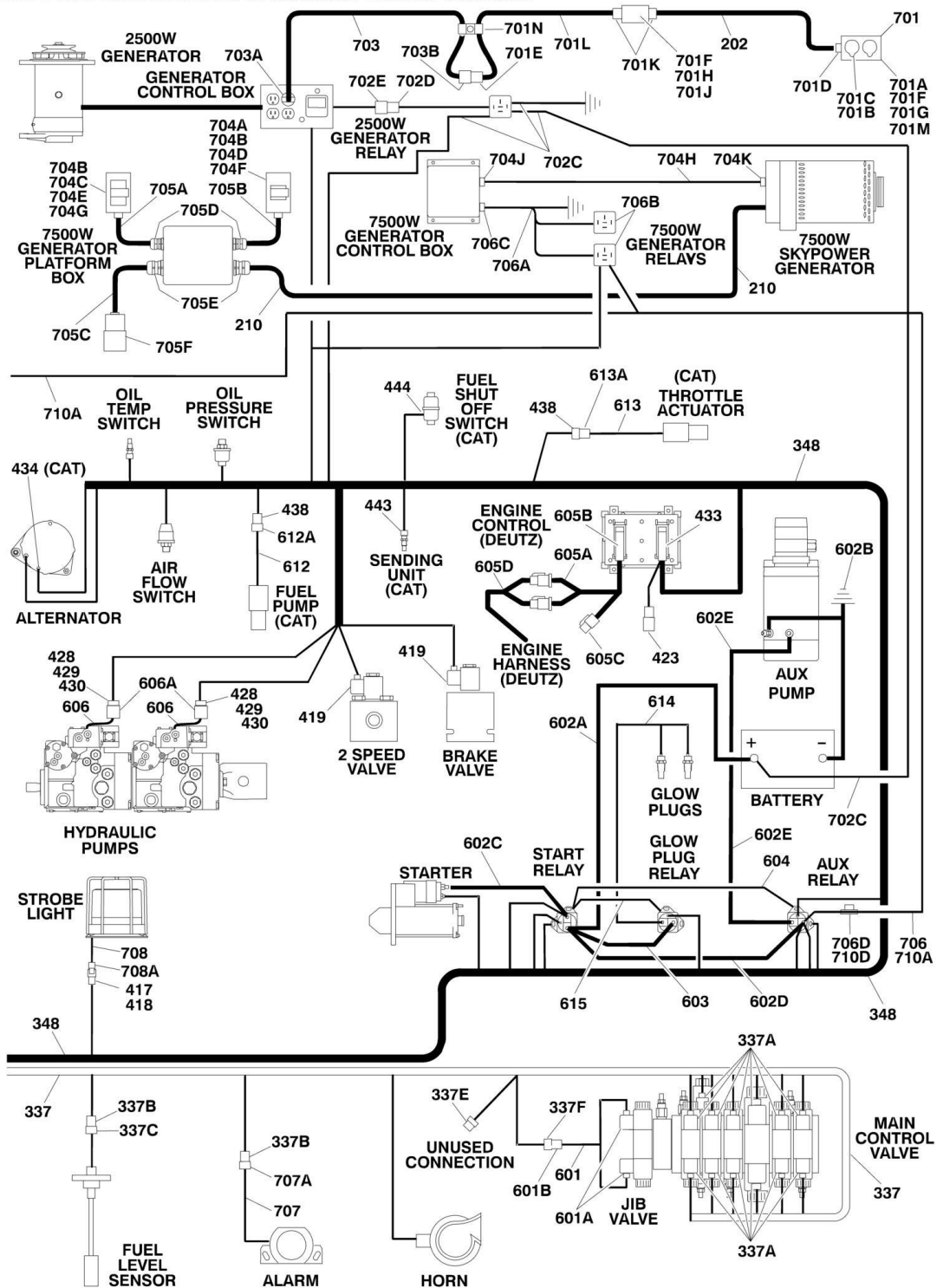
SECTION 7 - ELECTRICAL

FIGURE 7-6. HARNESS COMPONENTS INSTALLATION



SECTION 7 - ELECTRICAL

USAGE CHART:
 DEUTZ ENGINE MACHINES SN 0300085110 THROUGH 0300128000
 CATERPILLAR ENGINE MACHINES SN 0300099063 THROUGH 0300128000



SECTION 7 - ELECTRICAL

FIGURE 7-6. HARNESS COMPONENTS INSTALLATION

ITEM	PART NUMBER	QTY	DESCRIPTION	REV
		Ref	USAGE CHART:	
		Ref	Deutz Engine Machines (SN 0300085110 through 0300128000)	
		Ref	Caterpillar Engine Machines (SN 0300099063 through 0300128000)	
		Ref	HARNESS COMPONENTS INSTALLATION	
	0861634	Ref	PLATFORM CONSOLE BOX COMPONENTS	E
39	4460428	2	Connector, Strain Relief	
41	4460470	1	Nut, Terminal	
42	4460471	1	Lockwasher, Terminal	
44	4460708	2	Receptacle, Female - 15 Position	
45	4460905	5	Seal, Plug	
47	4922839	1	Harness, Platform Box (See Items 101-109 for Breakdown)	
48	4922666	1	Harness, Analyzer Cable	1-A
48	4460226	4	Socket, Female (Not Shown - Located at J2)	
48A	4460761	1	Connector, Female - 4 Position	
48A	4460227	4	Pin, Male	
49	0272970	1	Harness, Footswitch (Includes Footswitch)	A
49	1060918	7 ft/2.14m	Cable, Electrical - 18/3	
49A	4460071	1	Connector, Strain Relief	
49B	4460226	2	Socket, Female	
49C	4460464	1	Pin, Male Deutsch	
	4922639	Ref	PLATFORM BOX HARNESS ASSEMBLY	7-H
101	4460866	1	Connector - 19 Pin	
101	4460464	7	Pin, Male 16 Ga	
101	4460508	3	Pin, Male 12 Ga	
102	4460874	1	Connector - 35 Position (Natural)	
102	4460871	23	Socket, Female	
103	4460875	1	Connector - 35 Position (Gray)	
103	4460871	19	Socket, Female	
104	4460873	1	Connector - 35 Position (Black)	
104	4460871	25	Socket, Female	
105	4460879	1	Connector, Male - 2 Position	
105	4460887	2	Terminal (12 Gauge)	
106	4460418	9	Connector, Female - 6 Position	
106	4460419	27	Socket, Female	
107	4120035	13	Base, Light	
107	4460634	13	Terminal	
107	4460635	13	Terminal	
107	2920129	13	Bulb, Light	
108	4460225	1	Plug, Male - 6 Position	
108	4460227	5	Pin, Male	
109	4460434	2	Plug, Male - 15 Position	
109	4460227	28	Pin, Male	
		Ref	BOOM CABLES INSTALLATION	
		Ref	Boom Cables Installation 600SC:	
	0272042	Ref	ANSI and ANSI Export Specs without SkyPower	3
	0274592	Ref	ANSI and ANSI Export Specs with SkyPower	1
	0272045	Ref	CE and Australian Specs without SkyPower	3
	0274593	Ref	CE and Australian Specs with SkyPower	1

SECTION 7 - ELECTRICAL

ITEM	PART NUMBER	QTY	DESCRIPTION	REV
		Ref	Boom Cable Installation 660SJC:	
	0272043	Ref	ANSI and ANSI Export Specs without SkyPower	2
	0274594	Ref	ANSI and ANSI Export Specs with SkyPower	1
	0272046	Ref	CE and Australian Specs without SkyPower	2
	0274595	Ref	CE and Australian Specs with SkyPower	1
201		Ref	Harness, Boom (12/4 - 18/8) Options:	
201	4922467	1	Harness, Boom (12/4 - 18/8) 600SC without SkyPower (SN 0300085110 through 0300104248)	2-B
201	4922468	1	Harness, Boom (12/4 - 18/8) 600SC without SkyPower (SN 0300104249 through 0300128000)	2-B
201	4922468	1	Harness, Boom (12/4 - 18/8) 600SC with SkyPower	2
201	4922467	1	Harness, Boom (12/4 - 18/8) 660SJC	2-B
201	1060896	Ref	Cable, Electrical - 12/4 & 18/8	
201	1060896	75 ft /22.9m	Cable, Electrical - 12/4 & 18/8, 4922467 Harness	
201	1060896	67 ft /20.4m	Cable, Electrical - 12/4 & 18/8, 4922468 Harness	
201	2820118	8 in/18cm	Heat Shrink	
201A	4460465	11	Socket, Female 18 Gauge	
201A	4460865	1	Connector - 19 Position	
201A	4460509	4	Socket, Female 12 Gauge	
201A	4460466	4	Seal, Plug	
201B	4460473	1	Clamp, Cable	
201C	4460465	11	Socket, Female 18 Gauge	
201C	4460509	4	Socket, Female 12 Gauge	
202		Ref	Cable, Electrical (To Receptacle Box) Options:	
202	4922889	1	Cable, Electrical 600SC ANSI and ANSI Export Specs without SkyPower (12/3 Cable 70ft/21.2m Length)	
202	4922884	1	Cable, Electrical 600SC CE and Australian Specs without SkyPower (12/3 Cable 70ft/21.2m Length)	
202	4922792	1	Cable, Electrical 600SC All Specs with SkyPower (8/5 Cable 83ft/25.3m)	
202	4922888	1	Cable, Electrical 660SJC ANSI and ANSI Export Specs without SkyPower (12/3 Cable 77ft/23.5m Length)	
202	4922886	1	Cable, Electrical 660SJC CE and Australian Specs without SkyPower (12/3 Cable 77ft/23.5m Length)	
202	4922791	1	Cable, Electrical 660SJC All Specs with SkyPower (8/5 Cable 90.5ft/27.6m)	
203	1061045	1	Cable, Electrical - 18/2 (To Drive Disable/Angle Switch) (15ft/4.6m Length)	
204		Ref	Sleeve, Nylon Options (Not Shown - Used with Items 201 & 202):	
204	4100026	10 ft/3m	Sleeve, Nylon 600SC	
204	Not Required	0	Sleeve, Nylon 660SJC	
205	4460865	1	Connector - 19 Position	
206	4460466	AR	Seal, Plug	
207	4460473	2	Clamp, Cable	
208		Ref	Cable, Electrical - 18/3 (To Transport Switch) Options:	
208	1061046	1	Without SkyPower (33ft/10m Length)	
208	Not Required	0	With SkyPower	
209		Ref	Cable, Electrical (To Drive Disable/ Capacity Length Switch) Options:	
209	1061047	1	Cable, Electrical without SkyPower (18/3 Cable 25.5ft/7.8m Length)	

SECTION 7 - ELECTRICAL

ITEM	PART NUMBER	QTY	DESCRIPTION	REV
209	1061026	1	Cable, Electrical with SkyPower (18/2 Cable 25.5ft/7.8m) 600SC	
209	1061027	1	Cable, Electrical ANSI and ANSI Export Specs with SkyPower (13.5ft/4.1m) 660SJC	
209	1061026	1	Cable, Electrical CE and Australian with SkyPower (25.5ft/7.8m) 660SJC	
210		Ref	7500W Generator to Platform Harness Options:	
210	Not Required	0	7500W Generator to Platform Harness without SkyPower 600SC	
210	4922792	1	7500W Generator to Platform Harness with SkyPower 600SC	
210	Not Required	0	7500W Generator to Platform Harness without SkyPower 660SJC	
210	4922791	1	7500W Generator to Platform Harness with SkyPower 660SJC	
		Ref	GROUND CONTROL BOX COMPONENTS	
302	0100048	AR	Grease, Dielectric	
326	4460426	1	Connector, Strain Relief	
327	4460470	1	Nut, Terminal	
328	4460471	1	Washer, Terminal	
330	4460526	1	Connector, Strain Relief	
331	4460874	1	Connector, White - 35 Position	
332	4460875	1	Connector, Gray - 35 Position	
333	4460905	AR	Plug, Connector	
337	4922513	1	Valve Harness Assembly	3-D
337A	4460880	11	DIN Connector	
337B	4460320	2	Plug, Male - 2 Position	
337B	4460267	4	Pin, Male	
337C	4460424	1	Connector, Female - 2 Position	
337C	4460268	2	Socket, Female	
337D	4460871	28	Socket, Female	
337E	4460326	1	Plug, Male - 3 Position	
337E	4460267	1	Pin, Male	
337F	4460445	1	Connector, Female - 3 Position	
337F	4460268	3	Socket, Female	
344	4460466	6	Seal, Plug	
345	4460909	1	Plug, Male -12 Position Mini (Black)	
347		Ref	Ground Control Box Harness Assembly Options:	
347	4923213	1	Ground Control Box Harness Assembly (SN 0300085110 through 0300099062)	E
347	4923577	1	Ground Control Box Harness Assembly (SN 0300099063 through 0300128000)	A
347	3990001	2	Diode - 3 Amp (Not Shown - Located at Power Down Relay)	
347A	4460418	7	Connector, Female - 6 Position	
347A	4460419	21	Socket, Female	
347B	4460871	11	Socket, Female	
347C	4460876	1	Connector, Blue - 35 Position	
347C	4460871	AR	Socket, Female	
347C	4460905	1	Seal, Plug	
347D	4460866	1	Connector - 19 Position	
347D	4460464	AR	Pin, Male Deutsch 16 Ga	
347D	4460508	3	Pin, Male Deutsch 12 Ga	
347E	4460878	1	Plug, Male - 4 Position	

SECTION 7 - ELECTRICAL

ITEM	PART NUMBER	QTY	DESCRIPTION	REV
347E	4460887	3	Terminal (12 Gauge)	
347F	4120035	AR	Base, Light	
347F	4460634	AR	Terminal (16 Gauge)	
347F	4460635	AR	Terminal (12 Gauge)	
347G	4460873	1	Connector, Black - 35 Position	
347G	4460871	AR	Socket, Female	
347G	4460905	1	Seal, Plug	
347H	4460434	2	Plug, Male - 15 Position	
347H	4460227	AR	Pin, Male	
347I	4460761	1	Connector, Female - 4 Position	
347I	4460227	4	Pin, Male	
347J	4460536	1	Connector, Female 3- Position	
347J	4460943	3	Pin, Male	
348		Ref	Harness, Engine Options (See Items 401-444 for Breakdown):	
348	4923582	1	Caterpillar Engine	
348	4923257	1	Deutz Engine	
349		Ref	Ground Control Wiring Diagram Options (See Items 501-522 for Breakdown):	
349	4933369	1	Caterpillar Engine	
349	4933324	1	Deutz Engine (SN 0300085110 through 0300099062)	
349	4933368	1	Deutz Engine (SN 0300099063 through 0300128000)	
		Ref	ENGINE HARNESS ASSEMBLY	
	4923582	Ref	Caterpillar Engine	B
	4923257	Ref	Deutz Engine	F
414	4460928	5	Socket, Female	
417	4460424	1	Receptacle, Female - 2 Position	
418	4460268	2	Socket, Female	
419	4460880	2	DIN Connector without Diode	
423	4461070	1	Receptacle, Female with Resistor (3 Position) (Deutz Engine Only)	
423	4461095	1	Plug, Male - 3 Position	
423	4460944	3	Socket, Female	
424	3990001	1	Diode - 3 Amp (Not Shown - Caterpillar Engine Only)	
425	4460539	1	Connector, Male - 3 Position (Deutz Engine Only)	
425	4460944	3	Socket, Female	
428	4460460	2	Plug, Male - 4 Position	
429	4460457	8	Socket, Female	
430	4460458	8	Seal, Terminal	
433	4461052	1	Connector, Receptacle - 25 Position (Deutz Engine Only)	
433	4461005	5	Terminal (Gold)	
433	4461006	5	Seal, Terminal	
433	4461060	2	Terminal (Tin)	
433	4461054	2	Seal, Terminal	
433	4461053	1	Cover, Plug	
434	4460996	1	Connector, Female - 3 Position (Caterpillar Engines Only)	
434	4460995	2	Terminal, Spade (Caterpillar Engines Only)	
438	4460891	2	Plug, Male - 2 Position (Caterpillar Engine Only)	
438	4460465	4	Socket, Female (Caterpillar Engine Only)	
439	4460871	9	Socket, Female	
443	4460539	1	Plug, Male - 3 Position (Caterpillar Engine Only)	
443	4460465	3	Socket, Female (Caterpillar Engine Only)	
444	4460792	1	Housing, Terminal (Caterpillar Engine Only)	

SECTION 7 - ELECTRICAL

ITEM	PART NUMBER	QTY	DESCRIPTION	REV
444	4460339	1	Terminal (Caterpillar Engine Only)	
		Ref	GROUND CONTROL BOX WIRING DIAGRAM	
	4933369	Ref	Caterpillar Engine	B
	4933324	Ref	Deutz Engine (SN 0300085110 through 0300099062)	F
	4933368	Ref	Deutz Engine (SN 0300099063 through 0300128000)	B
501	2920129	AR	Bulb, Light	
502	4922636	1	Jumper Harness (Required without Tower Elevation Switch) (Deutz Engine Only)	
507	2400065	1	Fuse - 30 Amp	
508	2400066	1	Fuseholder	
509	4460708	2	Connector, Female - 15 Position	
510	4460226	13	Socket, Female	
511	4922637	1	Jumper Harness (Required without Boom Length Switch)	
519		Ref	Harness, Can-Buss Options:	
519	4923259	1	Deutz Engine	C
519	4923584	1	Caterpillar Engine (SN 0300099063 through 0300128000)	B
519A	4460908	1	Plug, Male -12 Position Mini (Gray)	
519A	4460928	2	Socket, Female	
519A	4460466	10	Seal, Plug	
519B	4460536	1	Connector, Female 3- Position (SN 0300085110 through 0300099062)	
519B	4460943	3	Pin, Male (SN 0300085110 through 0300099062)	
519C	4460539	1	Connector, Male - 3 Position	
519C	4460944	3	Socket, Female	
519D	4460928	1	Socket, Female	
519E	4460871	1	Socket, Female	
520	4460894	1	Plug, Male - 6 Position	
520	4460892	1	Receptacle, Female - 6 Position	
521	2902443	1	Receptacle Kit (Deutz Engine Only)	
521	4461071	8	Socket, Female	
521	4461072	1	Receptacle	
521	4461073	1	Cap, Dust	
521	4461074	1	Shell, Black	
522	4923591	1	Jumper Harness (Caterpillar Engine Only)	
		Ref	STANDARD HARNESS COMPONENTS	
601	4921927	1	Jib Harness (660SJC Only)	3-E
601A	4460499	2	DIN Connector	
601B	4460326	1	Plug, Male - 3 Position	
601B	4460267	3	Pin, Male	
602	2902296	1	Battery Cable Kit	B
602A	7027000	1	Cable, Battery (Battery + to Starter Relay)	
602B	7027004	1	Cable, Battery (Battery and Aux Pump to Ground)	
602C	7027002	1	Cable, Battery (Starter Relay to Starter)	
602D	7027001	1	Cable, Battery (Starter Relay to Aux Pump)	
602E	7027003	1	Cable, Battery (Aux Relay to Aux Pump)	
603	1060904	1	Cable, Battery (Power to Glow Plug)	
604	4922737	1	Relay Grounding Harness	
605		Ref	Deutz Engine Harness Components (Deutz Engine Machines Only) (Note: Not Available for Purchase.)	
605A	7027796	1	Deutz Engine Harness	
605B	4461052	1	Receptacle, Female - 25 Position	
605B	4461053	1	Cover, Receptacle	

SECTION 7 - ELECTRICAL

ITEM	PART NUMBER	QTY	DESCRIPTION	REV
605B	4461005	5	Terminal	
605B	4461006	5	Seal (Used with p/n 4461005)	
605B	4461060	2	Terminal	
605B	4461054	2	Seal (Used with p/n 4461060)	
605B	4461008	18	Plug, Hole	
605C	7027793	1	Plug-In, Connector	
605D	7027794	1	Deutz Engine Harness (For other replacement parts refer to Deutz engine dealer)	
606	7022350	2	Pump Sensor Harness (Includes Sensor)	
606A	7007498	2	Receptacle, Female - 4 Position	
606A	4460475	4	Pin, Male	
606A	4460458	4	Seal, Terminal	
607	4360506	1	Broken Cable Proximity Switch Harness (Includes Switch) (Australian and CE Specs Only)	
608	4933146	Ref	Service Cable Light Electrical Diagram (Australian Spec Only)	1-A
608	4922314	1	Service Cable Light Harness (Australian Spec Only)	1-A
608	4120035	1	Socket, Light	
608	4460634	2	Terminal	
608	4460464	1	Socket, Female	
608	2920129	1	Bulb, Light	
609	See Note	NSS	Controller Harness Assembly (Lift and Swing) (Note: Not Available - Purchase Complete Controller)	
609A	7022819	1	Plug, Male - 8 Position (Natural)	
609A	4460871	8	Socket, Female	
610	See Note	NSS	Controller Harness Assembly (Drive and Steer) (Note: Not Available - Purchase Complete Controller)	
610A	See Note	NSS	Connector, Female - 8 Position (Note: Not Available for Purchase.)	
610A	4460871	6	Socket, Female	
611	See Note	NSS	Speed Control Harness (Note: Not Available - Purchase Complete Controller)	
611A	4460224	1	Connector, Female - 6 Position	
611A	4460226	5	Socket, Female	
612	See Note	NSS	Fuel Pump Harness (Caterpillar Engines Only) (Note: Not Available for Purchase.)	
612A	4460897	1	Receptacle, Female -2 Position (Caterpillar Engines Only)	
612A	4460464	2	Pin, Male (Caterpillar Engines Only)	
613	See Note	NSS	Throttle Actuator Harness (Caterpillar Engines Only) (Note: Not Available for Purchase.)	
613A	4460897	1	Receptacle, Female -2 Position (Caterpillar Engines Only)	
613A	4460464	2	Pin, Male (Caterpillar Engines Only)	
614	4923379	1	Harness, Glow Plug (Deutz Engine Machines Only) (SN 0300092883 through 0300128000)	
615	1060904	1	Cable, Jumper (Deutz Engine Machines Only) (SN 0300092883 through 0300128000)	
		Ref	OPTIONAL HARNESS COMPONENTS	
701		Ref	AC to Platform Receptacle Components Options:	
		Ref	Note: For use with 2500W Generator Only.	
701		Ref	ANSI, ANSI Export and Japanese Specs Options:	
701	0256113	Ref	110V/60Hz GFI Receptacle	3
701	0257175	Ref	220V Receptacle	4
701	0256201	Ref	Australian, Brazilian and Latin America Specs (110V/50Hz)	3
701		Ref	CE Spec Options Only:	
701	0256201	Ref	110V/50Hz Receptacle (No Plug)	3

SECTION 7 - ELECTRICAL

ITEM	PART NUMBER	QTY	DESCRIPTION	REV
701	0273076	Ref	110V/50Hz Receptacle (See TURNTABLE SECTION for Components)	
701	0273078	Ref	CE Germany Specs (See TURNTABLE SECTION for Components)	
701	0275455	Ref	220V with CEE 7 Post Ground Receptacle, Plug and Circuit Breaker (2x4 Box)	D
701	0275456	Ref	220V with CEE 7 Side Ground Receptacle, Plug and Circuit Breaker (2x4 Box)	D
701	0275659	Ref	220V with AFSINT 107 Keyed Ground Receptacle, Plug and Circuit Breaker (2x4 Box)	D
701	0275235	Ref	110V with IEC Yellow Receptacle, Plug and Circuit Breaker	D
701	0275254	Ref	220V with IEC Blue Receptacle, Plug and Circuit Breaker	D
701	0275237	Ref	220V with CEE 7 Post Ground Receptacle, Plug and Circuit Breaker (70mm x 70mm Box)	D
701	0275253	Ref	220V with CEE 7 Side Ground Receptacle, Plug and Circuit Breaker (70mm x 70mm Box)	D
701		Ref	Box, Switch Options:	
701A	0860038	1	0256113 & 0257175 Installations	
701A	See Note	NLA	0256201 Installation (Note: Not Available - Purchase Locally.)	
701A	0861731	1	0275455, 0275456 & 0275659 Installation	
701A	0861781	1	0275235 & 0275254 Installations	
701A	0861782	NLA	0275237 & 0275253 Installations (Note: Use p/n 1001100344 CEE 7 Side Ground Service Kit or p/n 1001100343 CEE 7 Post Ground Service Kit. Kit include Box p/n 1001141967 & items 701B, 701C & 701E.)	
701B		Ref	Receptacle Options:	
701B	4460346	1	0256113 Installation	
701B	4460125	1	0257175 Installation	
701B	See Note	NLA	0256201 Installation (Note: Not Available - Purchase Locally.)	
701B	4461244	1	0275455 Installation	
701B	4461245	1	0275456 Installation	
701B	4461246	1	0275659 Installation	
701B	4461198	1	0275235 Installation	
701B	4461201	1	0275254 Installation	
701B	4461204	NLA	0275237 & 1001100395 Installations (Use p/n 1001100343)	
701B	4461207	NLA	0275253 & 1001100396 Installations (Use p/n 1001100344)	
701B	1001141968	1	1001100343 & 1001141971 Kits	
701B	1001141969	1	1001100344 & 1001141970 Kits	
701C		Ref	Shield, Cover Options:	
701C	4060700	1	0256113 Installation	
701C	4060092	1	0257175 Installation	
701C	See Note	NLA	0256201 Installation (Note: Not Available - Purchase Locally.)	
701C	4461244	1	0275253 Installation	
701C	4461245	1	0275456 Installation	
701C	4461246	1	0275659 Installation	
701C	4461198	1	0275235 Installation	
701C	4461201	1	0275254 Installation	
701C	4461204	NLA	0275237 & 1001100395 Installations (Use p/n 1001100343)	
701C	4461207	NLA	0275253 & 1001100396 Installations (Use p/n	

SECTION 7 - ELECTRICAL

ITEM	PART NUMBER	QTY	DESCRIPTION	REV
			1001100344)	
701C	1001141968	1	1001100343 & 1001141971 Kits	
701C	1001141969	1	1001100344 & 1001141970 Kits	
701D		Ref	Connector, Strain Relief Options:	
701D	4460071	1	0256113 & 0257175 Installations	
701D	See Note	NLA	0256201 Installations (Note: Not Available - Purchase Locally.)	
701D	4460968	1	0275455, 0275456, 0275659, 0275235, 0275254, 0275237 & 0275253 Installations	
701E		Ref	Plug, Male Options:	
701E	4460205	1	0256113 Installation	
701E	4460233	1	0257175 Installation	
701E	See Note	NLA	0256201 Installation (Note: Not Available - Purchase Locally.)	
701E	4461202	1	0275455, 0275237 Installations, 1001100343 & 1001141971 Kits	
701E	4461205	1	0275456, 0275253 Installation, 1001100344 & 1001141970 Kits	
701E	4461249	1	0275659 Installation	
701E	4461196	1	0275235 Installation	
701E	4461199	1	0275254 Installation	
701F		Ref	Hardware Options:	
701F	0641405	AR	Bolt 1/4in - 20NC x 5/8in	
701F	0641407	AR	Bolt 1/4in - 20NC x 7/8in	
701F	0641416	AR	Bolt 1/4in - 20NC x 2in	
701F	0700408	AR	Screw M4 x 16mm	
701F	3290405	AR	Locknut M4	
701F	3311405	AR	Locknut 1/4in - 20NC	
701F	4711400	AR	Flatwasher 1/4in (Narrow)	
701F	4811400	AR	Flatwasher M4	
701G		Ref	Bracket, Receptacle Box Mounting Options:	
701G	Not Required	0	0256113, 0257175 & 0256201 Installations	
701G	0903484	1	0275455, 0275456, 0275659, 0275235, 0275254, 0275237 & 0275253 Installations	
701H		Ref	Bracket, Circuit Breaker Mounting Options:	
701H	Not Required	0	0256113, 0257175 & 0256201 Installations	
701H	0903611	1	0275455, 0275456, 0275659, 0275235, 0275254, 0275237 & 0275253 Installations	
701J		Ref	Kit, Box and Breaker (Required Only on CE Spec Installations Except 0256201 Installation):	
701J	2902549	AR	Kit, Box and Breaker (SN 0300085110 through 0300127176)	C
701J	1001096070	AR	Kit, Box and Breaker (SN 0300127177 through 0300128000)	C
701J	2400093	NLA	Circuit Breaker (Note: Use both p/ns 1001109475 & 1001109482 as replacement.)	
701J	0861880	1	Breaker Box	
701J	4460956	1	Terminal Block	
701J	4460957	1	Terminal Block	
701K		Ref	Connector, Strain Relief Options (Required Only on CE Spec Installations Except 0256201 Installation):	
701K	4460633	2	Connector, Strain Relief (SN 0300085110 through 0300117513)	
701K	1001097150	2	Connector, Strain Relief (SN 0300117514 through	

SECTION 7 - ELECTRICAL

ITEM	PART NUMBER	QTY	DESCRIPTION	REV
			0300128000	
701L	1060908	12 ft/3.6m	Cable, Extension (Required Only on CE Spec Installations Except 0256201 Installation):	
701M		Ref	Gasket, Cover Options:	
701M	3960422	1	0256113 & 0257175 Installations	
701M	Not Required	0	0256113, 0257175, 0256201, 0275455, 0275456, 0275659, 0275235, 0275254, 0275237 & 0275253 Installations	
701N	1320149	1	Clamp, Hose	
701P	0275452	1	Receptacle Box Kit (220V CEE 7 Post Ground) (Includes Items 701A, 701B, 701C & 701E) (Not Shown) (0275455 Installation)	1
701P	0275453	1	Receptacle Box Kit (220V CEE 7 Side Ground) (Includes Items 701A, 701B, 701C & 701E) (Not Shown) (0275456 Installation)	1
701P	0275454	1	Receptacle Box Kit (220V AFSINT 107 Keyed Ground) (Includes Items 701A, 701B, 701C & 701E) (Not Shown) (0275659 Installation)	1
701P	0275216	1	Receptacle Box Kit (110V IEC Yellow) (Includes Items 701A, 701B, 701C & 701E) (Not Shown) (0275235 Installation)	1
701P	0275217	1	Receptacle Box Kit (220V IEC Blue) (Includes Items 701A, 701B, 701C & 701E) (Not Shown) (0275254 Installation)	1
701P	0275218	NLA	Receptacle Box Kit (220V CEE 7 Post Ground) (Includes Items 701A, 701B, 701C & 701E) (Not Shown) (0275237 Installation) (Use p/n 1001100343)	B
701P	0275219	NLA	Receptacle Box Kit (220V CEE 7 Side Ground) (Includes Items 701A, 701B, 701C & 701E) (Not Shown) (0275253 Installation) (Use p/n 1001100344)	B
702		Ref	2500W Generator Electrical Components	
702	4933215	AR	2500W Generator Electrical Components 110V (All Specs Except German and UK Specs)	1-B
702	4933284	AR	2500W Generator Electrical Components 110V (German Spec)	1-A
702	4933287	AR	2500W Generator Electrical Components 110V (UK Spec)	1-A
702	4933216	AR	2500W Generator Electrical Components 220V	1-B
702	4933300	AR	2500W Generator Electrical Components 110V/220V (All Specs)	2-A
702	3990010	1	Diode - 6 Amp (Not Shown)	
702A	4922641	1	Harness - On/Off Switch	1-A
702B	4460226	2	Socket, Female	
702C		Ref	Powermite Control Box to Relay Harness Options:	
702C	4922970	1	All Specs Except German and UK Specs	1-A
702C	4922913	1	German and UK Specs	
702C	4460375	1	Connector, Relay	
702C	4460374	4	Terminal, Relay	
702D	4460321	1	Connector, Male - 4 Position	
702D	4460906	4	Socket, Female	
702E	4460961	1	Connector, Female - 4 Position	
702E	4460705	4	Pin, Male	
703		Ref	2500W Generator to Rear of Boom Harness Options:	
		Ref	Note: Harness used to connect AC at platform harness to 2500W generator receptacle to power platform receptacle.	
703	4921827	1	ANSI and ANSI Export Specs	1
703	4921956	1	Australian and CE Spec	1
703		Ref	Cable, Electrical - 12/3 Options:	
703	1060494	20 ft/6.1m	ANSI and ANSI Export Specs	

SECTION 7 - ELECTRICAL

ITEM	PART NUMBER	QTY	DESCRIPTION	REV
703	1060461	20 ft/6.1m	Australian and CE Spec	
703A		Ref	Plug, Male Options:	
703A	4460205	1	ANSI and ANSI Export Specs	
703A	See Note	NLA	Australian and CE Spec (Note: Not Available - Purchase Locally.)	
703B		Ref	Receptacle, Female Options:	
703B	4460134	1	ANSI and ANSI Export Specs	
703B	See Note	NLA	Australian and CE Spec (Note: Not Available - Purchase Locally.)	
704		Ref	7500W SKYPOWER GENERATOR INSTALLATION	
704	0273540	Ref	60Hz and Caterpillar Engine	H
704	0272255	Ref	60Hz and Deutz Engine	H
704	0273541	Ref	50Hz Spec and Caterpillar Engine	H
704	0272492	Ref	50Hz Spec and Deutz Engine	H
		Ref	Note: SkyPower Generator is Standard On ANSI and CSA Specs. Optional on All Other Specs.	
704A		Ref	Receptacle, Female Twist-Lock Options:	
704A	4460958	1	60Hz Spec	
704A	See Note	1	50Hz Spec (Note: Not Available - Purchase Locally.)	
704B		Ref	Gasket Options:	
704B	3960422	2	60Hz Spec	
704B	See Note	2	50Hz Spec (Note: Not Available - Purchase Locally.)	
704C		Ref	Cover, Receptacle Options:	
704C	4060700	1	60Hz Spec	
704C	See Note	1	50Hz Spec (Note: Not Available - Purchase Locally.)	
704D		Ref	Cover, Receptacle Options:	
704D	4061043	1	60Hz Spec	
704D	See Note	1	50Hz Spec (Note: Not Available - Purchase Locally.)	
704E		Ref	Receptacle Options:	
704E	4460346	1	60Hz Spec	
704E	See Note	1	50Hz Spec (Note: Not Available - Purchase Locally.)	
704F	4460051	1	Connector, Strain Relief	
704G	4460071	1	Connector, Strain Relief	
704H	4922925	1	Harness, Generator	
704J	See Note	1	Plug, Male - 6 Position (Note: Not Available for Purchase.)	
704J	See Note	6	Socket, Female (Note: Not Available for Purchase.)	
704K	4460225	1	Plug, Male - 6 Position	
704K	4460226	6	Socket, Female	
705		Ref	7500W SkyPower Generator Junction Box Components	
705	0861542	Ref	60Hz Spec	C
705	0861567	Ref	50Hz Specs	B
705A		Ref	Cable, Electrical 12/3	
705A	1060494	2 ft/.6m	60Hz Spec	
705A	See Note	2 ft/.6m	50Hz Spec (Note: Not Available - Purchase Locally.)	
705B		Ref	Cable, Electrical 10/3	
705B	1060708	2.5 ft /.8m	60Hz Spec	
705B	See Note	2.5 ft /.8m	50Hz Spec (Note: Not Available - Purchase Locally.)	
705C	1060343	1.5 ft /.5m	Cable, Electrical 10/4 (60Hz Spec Only)	
705D	4460425	2	Connector, Strain Relief	
705E	4460426	2	Connector, Strain Relief	
705F	1671092	1	Cover (60Hz Spec Only)	
705F	4460963	1	Connector (60Hz Spec Only)	

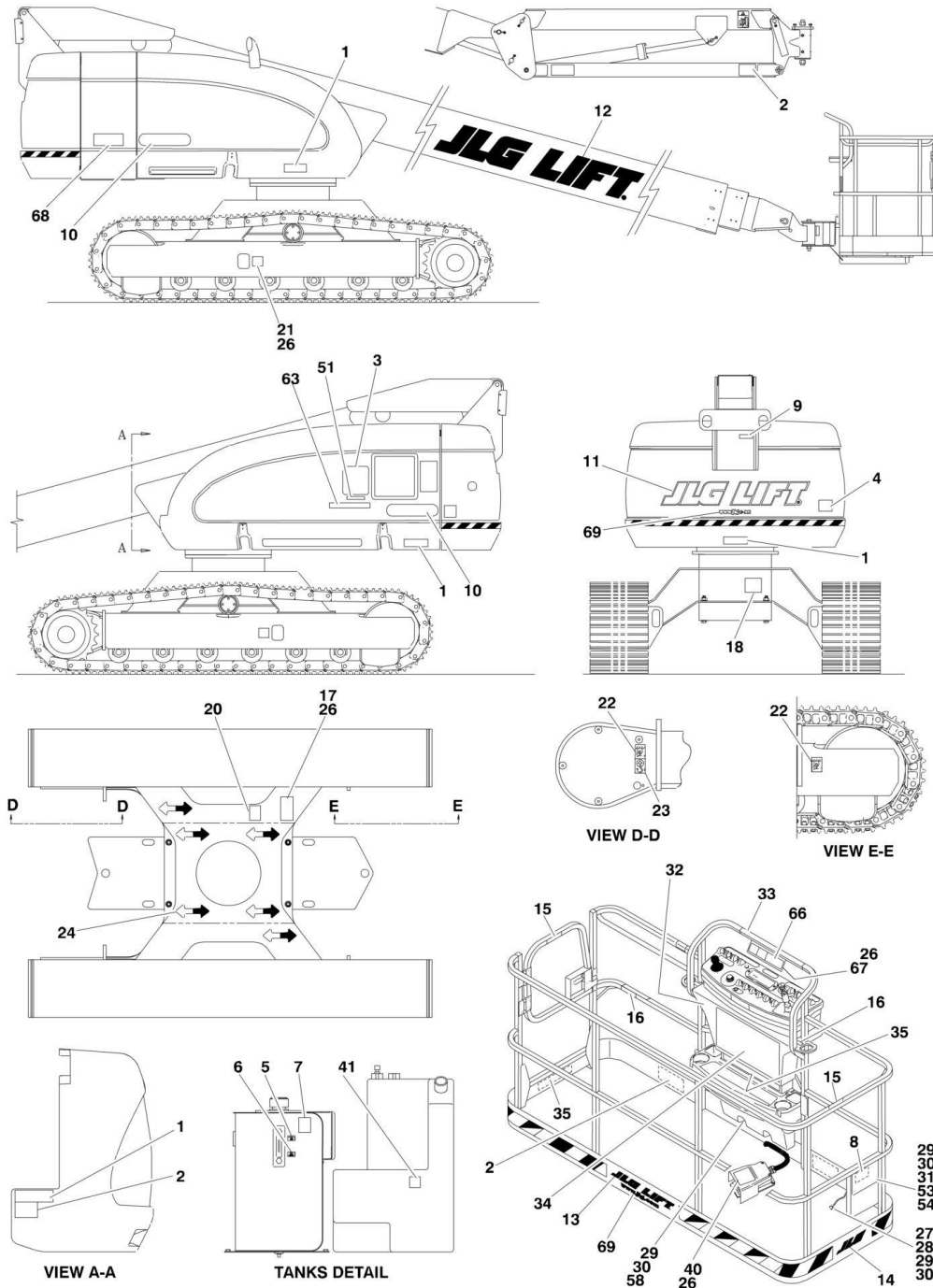
SECTION 7 - ELECTRICAL

ITEM	PART NUMBER	QTY	DESCRIPTION	REV
706	4933264	Ref	7500W Generator Electrical Diagram Components	C
706A	4922757	1	Generator Harness	3-C
706B	4460374	2	Plug, Sealed Relay	
706B	4460375	7	Terminal	
706C	4460967	1	Plug, Male - 3 Position	
706C	4460465	3	Socket, Female	
706D	2400060	1	Fuseholder (Not Shown)	
706D	2400064	1	Fuse - 5 Amp (Not Shown)	
706E	4922641	1	Switch Harness	
706F	4460226	2	Socket, Female	
707	0257887	1	Alarm Harness (Includes Alarm)	
707A	4460424	1	Connector, Female - 2 Position	
707A	4460268	2	Socket, Female	
708	0272507	1	Strobe Light Harness (Includes Strobe Light)	B
708A	4460320	1	Plug, Male - 2 Position	
708A	4460267	2	Pin, Male	
709	See Note	1	Headlight and Taillight Harness (Note: Not Available for Purchase.)	
709	1060341	37 ft /11.3m	Cable, Electrical 16/2	
709A	3740049	1	Relay	
709A	4460259	3	Terminal	
709A	4460260	4	Housing, Terminal	
709A	4460297	1	Terminal	
709A	4922643	1	Lights Harness for Ground Control Box	1-A
709A	4460226	2	Socket, Female	
710	See Note	1	Work Lights Harness Components (Note: Not Available for Purchase.)	
710A	4922888	1	Harness, Electric 12/3 (Aux Relay to Console Box)	
710B	See Note	2	Work Light Harness (Supplied with Work Light) (Note: Not Available for Purchase.)	
710C	4460426	1	Connector, Strain Relief	
710D	2400066	1	Fuseholder	
710D	2400070	1	Fuse 20 Amp	
		Ref	TOOLS	
	7002821	1	Crimper (For Wire to Pin/Socket Connections) (Not Shown)	
	7002823	1	Extractor (For Removal of Pin/Socket from Connectors) (Not Shown)	
	4460467	1	Extractor, Pin (Blue 16-18 Gauge) (For Removal of Pin/Socket from Connectors) (Not Shown)	
	4460510	1	Extractor, Pin (Yellow 12-14 Gauge) (For Removal of Pin/Socket from Connectors) (Not Shown)	
	7002828	1	Stripper, Wire (Not Shown)	
801	2901443	1	Analyzer/Cable Kit	
801A	1600244	1	Analyzer	
801B	1060633	1	Cable, Analyzer	
801C	4460321	2	Plug, Male - 4 Position	
801C	4460226	8	Socket, Female	

SECTION 8 - DECALS

SECTION 8 - DECALS

FIGURE 8-1. DECAL INSTALLATION (ANSI SPECS) (Prior to SN 0300088143)



SECTION 8 - DECALS

FIGURE 8-1. DECAL INSTALLATION (ANSI SPECS) (Prior to SN 0300088143)

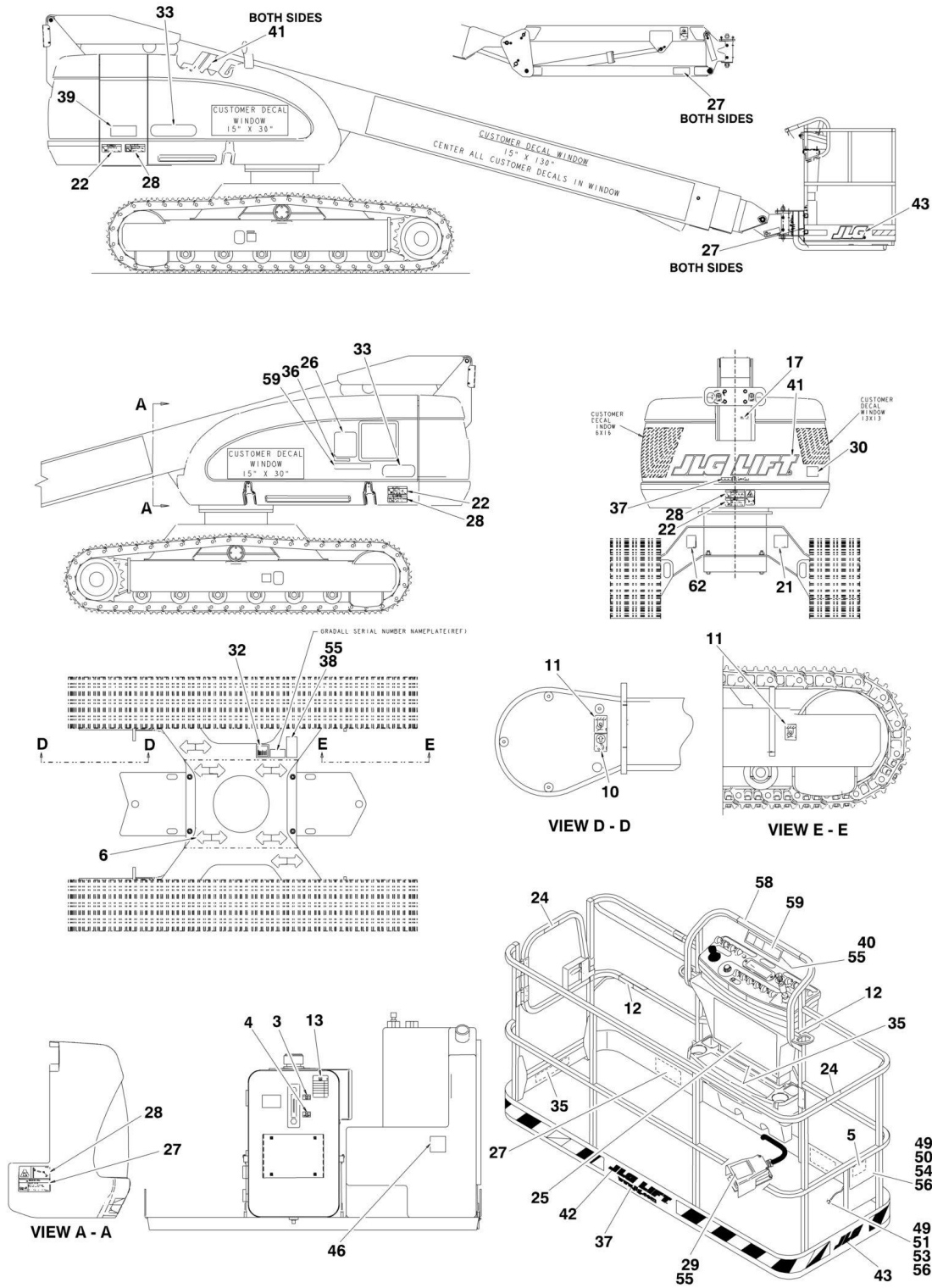
ITEM	PART NUMBER	QTY	DESCRIPTION	REV
		Ref	STANDARD DECAL INSTALLATIONS	
	0270994	Ref	JLG Logo Decals	2
	0272450	Ref	JLG Logo Decals 600SC	6
	0272452	Ref	JLG Logo Decals 660SJC	6
1	1703805	4	Decal - Danger/Electrocution	
2	1703804	3	Decal - Warning/Crushing	
3	1703798	1	Decal - Danger/Warning	
4	3251813	1	Decal - USA	
5	1701502	1	Decal - High Oil Level	
6	1701503	1	Decal - Low Oil Level	
7	1701504	1	Decal - Hydraulic Oil	
8	1701509	1	Decal - Manual	
9		Ref	Nameplate Options:	
9	3251243	1	120V-60Hz	
9	3252507	1	220V-50/60Hz	
10		Ref	Decal - Model Options:	
10	1704434	2	Decal - Model 600SC	
10	1703165	2	Decal - Model 660SJC	
11	1702861	1	Decal - JLG Lift (8in)	
12	1702862	1	Decal - JLG Lift (12in)	
13	1702774	1	Decal - JLG Lift (3-1/2in)	
14	1702773	2	Decal - JLG (5in)	
15	1702868	2	Decal - No Hands	
16	1704277	4	Decal - Attach Lanyard Here	
17	See Note	NSS	Nameplate - Serial Number (Note: Not Available for Purchase.)	
18	1702153	1	Decal - Inspection	
19	See Note	NSS	Decal - Bar Code (Not Shown) (Note: Not Available for Purchase.)	
20	1700584	1	Decal - Patent	
22	1702300	4	Decal - Tie Down	
23	1701500	2	Decal - Lift Up	
24	1701529	6	Decal - Arrow	
26	3820001	7	Rivet	
27	0641408	4	Bolt 1/4in-20NC x 1in	
28	1060279	1	Cable, Lanyard	
29	3311405	AR	Locknut 1/4in-20NC	
30	4751400	AR	Flatwasher 1/4in	
31	0860520	1	Box, Manual Storage	
32	3380434	1	Panel, Pedestal (Prior to SN 0300075375)	
33	1704502	1	Decal - Legend	
34	1703797	1	Decal - Danger/Warning	
35		Ref	Decal - 500LBS Max Capacity Options:	
35	1704096	1	Decal - 500LBS Max Capacity 600SC	
35	1701645	1	Decal - 500LBS Max Capacity 660SJC	
40	3252347	1	Nameplate - Footswitch (Part of Footswitch Assembly)	
41	1701505	1	Decal - Fuel	
51		Ref	Decal - 500LBS Max Capacity Options:	
51	1704104	1	Decal - 500LBS Max Capacity 600SC	
51	1702688	1	Decal - 500LBS Max Capacity 660SJC	
53	0641406	4	Bolt 1/4in-20NC x 3/4in	

SECTION 8 - DECALS

ITEM	PART NUMBER	QTY	DESCRIPTION	REV
54	0100011	AR	Compound, Locking	
58	0641414	2	Bolt 1/4in-20NC x 1-3/4in (Prior to SN 0300075375)	
63	1704711	1	Decal - Legend	
66	1704468	1	Decal - Motion Hazard	
67	3572044	1	Plate, Decal Mounting	
68	1705177	1	Decal - Lifting Diagram	
69	1704885	2	Decal - Website	

SECTION 8 - DECALS

FIGURE 8-2. DECAL INSTALLATION (ANSI SPECS) (SN 0300088143 through 0300128000)



SECTION 8 - DECALS

FIGURE 8-2. DECAL INSTALLATION (ANSI SPECS) (SN 0300088143 through 0300128000)

ITEM	PART NUMBER	QTY	DESCRIPTION	REV
		Ref	STANDARD DECAL INSTALLATIONS	
	0274093	Ref	JLG Logo Decals	2
	0273906	Ref	JLG Logo Decals 600SC	3
	0273908	Ref	JLG Logo Decals 660SJC	4
3	1701502	1	Decal - High Oil Level	
4	1701503	1	Decal - Low Oil Level	
5	1701509	1	Decal - Manual	
6	1701529	6	Decal - Arrow	
10	1703811	2	Decal - Tie Down /Lift	
11	1703814	4	Decal - Danger/Electrocution	
12	1704277	3	Decal - Attach Lanyard Here	
13	1704412	1	Decal - Hydraulic Oil	
17		Ref	Nameplate Options:	
17	3251243	1	120V-60Hz	
17	3252507	1	220V-50/60Hz	
21	1702153	1	Decal - Inspection	
22	1703953	4	Decal - Warning/Crushing	
24	1702868	2	Decal - No Hands	
25	1703797	1	Decal - Danger/Warning	
26	1705336	1	Decal - Warning Inspection	
27	1703804	6	Decal - Warning Crushing	
28	1703805	4	Decal - Danger Electrocution	
29	3252347	1	Nameplate - Footswitch	
30	3251813	1	Decal - USA	
32	See Note	NSS	Decal - Bar Code (Note: Not Available for Purchase.)	
33		Ref	Decal - Model Options:	
33	1704434	2	Decal - Model 600SC	
33	1703165	2	Decal - Model 660SJC	
35		Ref	Decal - 500LBS Max Capacity Options:	
35	1704096	2	Decal - 500LBS Max Capacity 600SC	
36		Ref	Decal - 500LBS Max Capacity Options:	
36	1704104	1	Decal - 500LBS Max Capacity 600SC (SN 0300088143 through 0300100291)	
36	1707014	1	Decal - 500LBS Max Capacity 600SC (SN 0300100292 through 0300128000)	
37	1704885	2	Decal - Website	
38	See Note	NSS	Nameplate - Serial Number (Note: Not Available for Purchase.)	
39	1705177	1	Decal - Lifting Diagram	
40	3572044	1	Plate, Decal Mounting	
41	1702861	3	Decal - JLG Lift (8in)	
42	1702774	1	Decal - JLG Lift (3-1/2in)	
43	1702773	2	Decal - JLG (5in)	
46	1701505	1	Decal - Fuel	
49	0100011	AR	Compound, Locking	
50	0641406	4	Bolt 1/4in-20NC x 3/4in	
51	0641408	1	Bolt 1/4in-20NC x 1in	
52	0860520	1	Box, Manual Storage	
53	1060279	1	Cable, Lanyard	
54	3311405	5	Locknut 1/4in-20NC	
55	3820001	AR	Rivet	

SECTION 8 - DECALS

ITEM	PART NUMBER	QTY	DESCRIPTION	REV
56	4751400	10	Flatwasher 1/4in Regular	
57	1704468	1	Decal - Motion Hazard	
58	1704502	1	Decal - Legend	
59		Ref	Decal - Legend Options:	
59	1704711	1	Decal - Legend (SN 0300088143 through 0300099062)	
59	1706943	1	Decal - Legend (SN 0300099063 through 0300128000)	
62	1700584	1	Decal - Patent	

SECTION 8 - DECALS

FIGURE 8-3. DECAL INSTALLATION (ANSI EXPORT SPECS) (Prior to SN 0300088143)

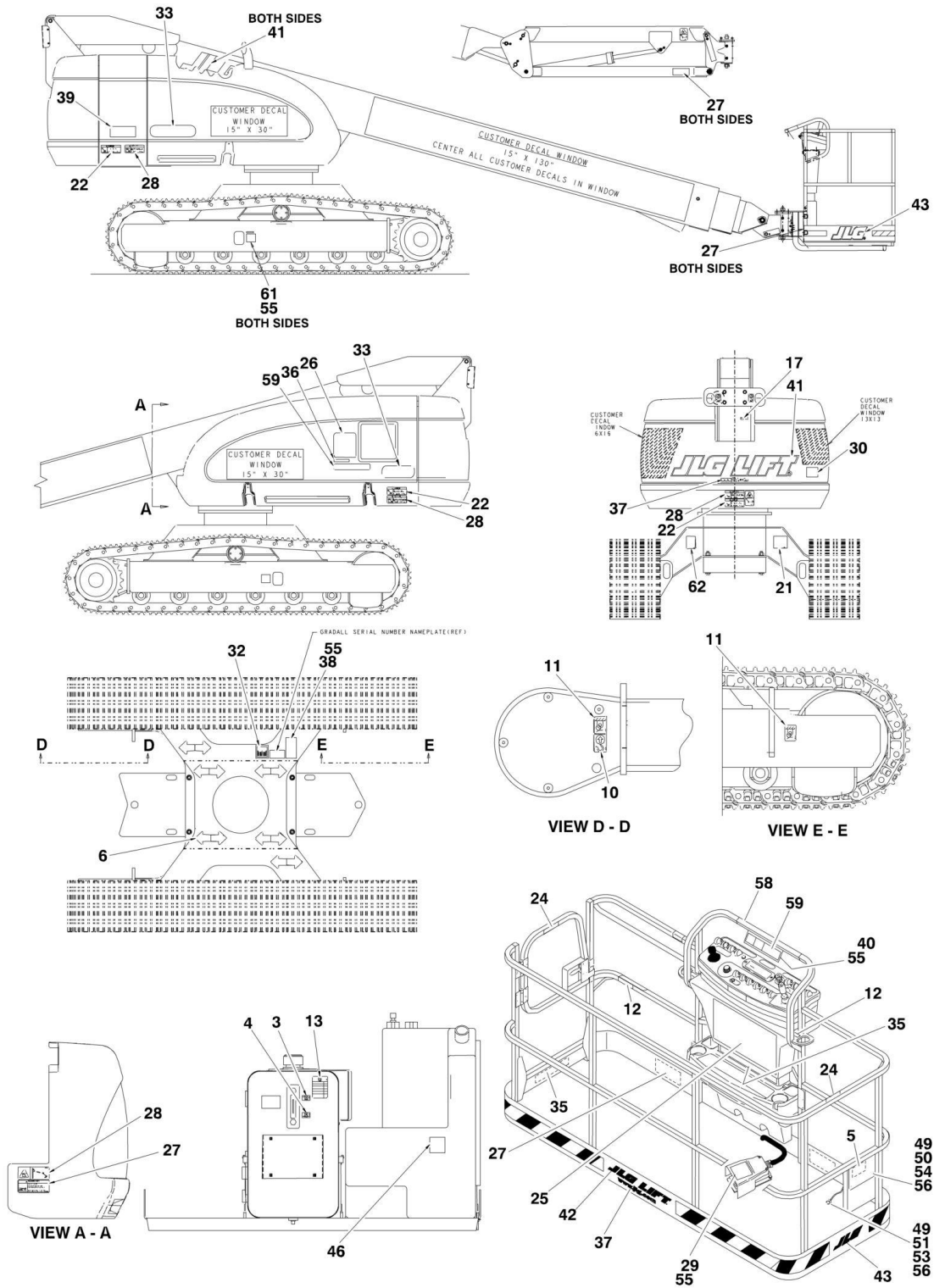
ITEM	PART NUMBER	QTY	DESCRIPTION	REV
		Ref	DECAL INSTALLATIONS	
	0270994	Ref	JLG Logo Decals	2
	0272474	Ref	JLG Logo Decals 600SC CSA (English/French Languages)	5
	0272476	Ref	JLG Logo Decals 660SJC CSA (English/French Languages)	5
1	1703936	4	Decal - Electrocution	
2	1703948	3	Decal - Warning/Crushing	
3	1703930	1	Decal - Danger/Warning	
4	3251813	1	Decal - USA	
5	1701502	1	Decal - High Oil Level	
6	1701503	1	Decal - Low Oil Level	
7	1701504	1	Decal - Hydraulic Oil	
8	1701509	2	Decal - Manual	
9	3251243	1	Nameplate - 120V-60Hz Options:	
10		Ref	Decal - Model Options:	
10	1704434	2	Decal - Model 600SC	
10	1703165	2	Decal - Model 660SJC	
11	1702861	1	Decal - JLG Lift (8in)	
12	1702862	1	Decal - JLG Lift (12in)	
13	1702774	1	Decal - JLG Lift (3-1/2in)	
14	1702773	2	Decal - JLG (5in)	
15	1704000	2	Decal - No Hands	
16	1704277	4	Decal - Attach Lanyard Here	
17	See Note	NSS	Nameplate - Serial Number (Note: Not Available for Purchase.)	
18	1704006	1	Decal - Inspection	
19	See Note	NSS	Decal - Bar Code (Not Shown) (Note: Not Available for Purchase.)	
20	1700584	1	Decal - Patent	
21	1705082	2	Decal - Crawler Caution	
22	1702300	4	Decal - Tie Down	
23	1701500	2	Decal - Lift Up	
24	1701529	6	Decal - Arrow	
26	3820001	AR	Rivet	
27	0641408	1	Bolt 1/4in-20NC x 1in	
28	1060279	1	Cable, Lanyard	
29	3311405	AR	Locknut 1/4in-20NC	
30	4751400	10	Flatwasher 1/4in Regular	
31	0860520	1	Box, Manual Storage	
32	3380434	1	Panel, Pedestal (Prior to SN 0300075375)	
33	1704502	1	Decal - Legend	
34	1703924	1	Decal - Danger/Warning	
35	1704099	2	Decal - Warning	
40	1703984	1	Decal - Caution	
41	1701505	1	Decal - Fuel	
51	1704107	1	Decal - 500Lbs Unrestricted Capacity	
53	0641406	4	Bolt 1/4in-20NC x 3/4in	
54	0100011	AR	Compound, Locking	
58	0641414	2	Bolt 1/4in-20NC x 1-3/4in (Prior to SN 0300075375)	
63	1704711	1	Decal - Legend	
66	1704567	1	Decal - Motion Hazard	
67	3572329	1	Plate, Decal Mounting	

SECTION 8 - DECALS

ITEM	PART NUMBER	QTY	DESCRIPTION	REV
68	1705177	1	Decal - Lifting Diagram	
69	1704885	2	Decal - Website	

SECTION 8 - DECALS

FIGURE 8-4. DECAL INSTALLATION (ANSI EXPORT SPECS) (SN 0300088143 through 0300128000)



SECTION 8 - DECALS

FIGURE 8-4. DECAL INSTALLATION (ANSI EXPORT SPECS) (SN 0300088143 through 0300128000)

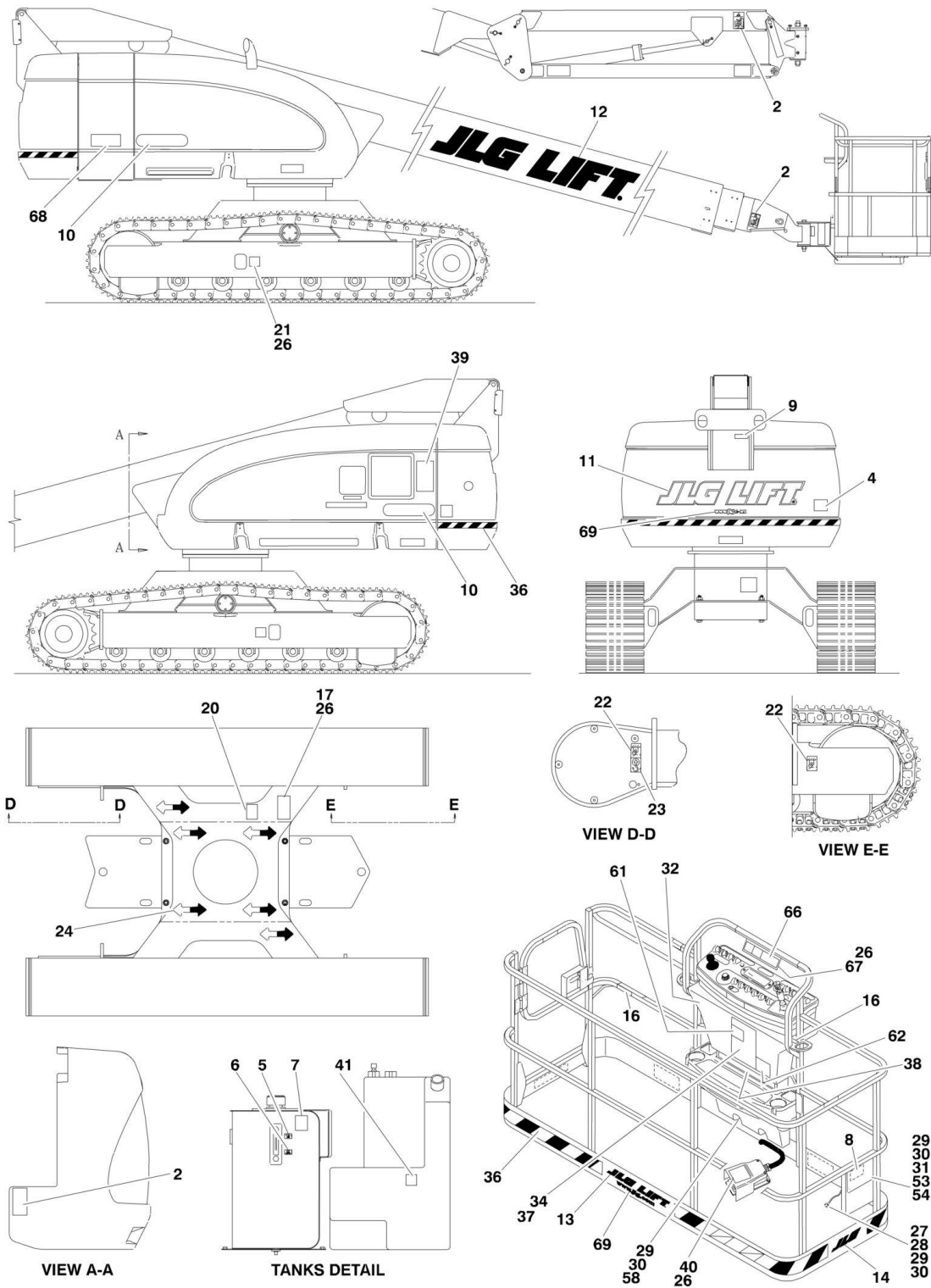
ITEM	PART NUMBER	QTY	DESCRIPTION	REV
		Ref	DECAL INSTALLATIONS	
	0274093	Ref	JLG Logo Decals	2
	1001093424	Ref	JLG Logo Decals 600SC - Brazil Spec Decals (Portuguese/English)	1
	0273982	Ref	JLG Logo Decals 600SC - CSA Spec Decals (English/French)	4
	1001103292	Ref	JLG Logo Decals 660SJC - Brazil Spec Decals (Portuguese/English)	1
	0273984	Ref	JLG Logo Decals 660SJC - CSA Spec Decals (English/French)	4
	1001093554	Ref	Decal - High Pressure Cylinder 600SC - Brazil Spec Decals (Portuguese/English)	1
	1001094012	Ref	Decal - High Pressure Cylinder 600SC/660SJC - CSA Spec Decals (English/French)	1
3	1701502	1	Decal - High Oil Level	
4	1701503	1	Decal - Low Oil Level	
5	1701509	1	Decal - Manual	
6	1701529	6	Decal - Arrow	
10	1703811	2	Decal - Tie Down /Lift	
11	1703814	4	Decal - Danger/Electrocution	
12	1704277	4	Decal - Attach Lanyard Here	
13	1704412	1	Decal - Hydraulic Oil	
17	3251243	1	Nameplate - 120V-60Hz	
21		Ref	Decal - Inspection Options:	
21	1705901	1	Brazil Spec Decals (Portuguese/English)	
21	1704006	1	CSA Spec Decals (English/French)	
22		Ref	Decal - Warning/Crushing Options:	
22	1705903	4	Brazil Spec Decals (Portuguese/English)	
22	1703942	4	CSA Spec Decals (English/French)	
24		Ref	Decal - No Hands Options:	
24	1705967	2	Brazil Spec Decals (Portuguese/English)	
24	1704000	2	CSA Spec Decals (English/French)	
25		Ref	Decal - Danger/Warning	
25	1705895	1	Brazil Spec Decals (Portuguese/English)	
25	1703924	1	CSA Spec Decals (English/French)	
26		Ref	Decal - Warning Inspection Options:	
26	1705896	1	Brazil Spec Decals (Portuguese/English)	
26	1705347	1	CSA Spec Decals (English/French)	
27		Ref	Decal - Warning/Crushing Options:	
27	1705898	6	Brazil Spec Decals (Portuguese/English)	
27	1703948	6	CSA Spec Decals (English/French)	
28		Ref	Decal - Electrocution Options:	
28	1705897	5	Brazil Spec Decals (Portuguese/English)	
28	1703936	5	CSA Spec Decals (English/French)	
29		Ref	Decal - Caution Options:	
29	1705902	1	Brazil Spec Decals (Portuguese/English)	
29	1703984	1	CSA Spec Decals (English/French)	
30	3251813	1	Decal - USA	
32	Not Available	NSS	Decal - Bar Code (Note: Not Available for Purchase.)	
33		Ref	Decal - Model Options:	
33	1704434	2	Decal - Model 600SC	
33	1703165	2	Decal - Model 660SJC	

SECTION 8 - DECALS

ITEM	PART NUMBER	QTY	DESCRIPTION	REV
35		Ref	Decal - Warning Options:	
35	1706380	2	Decal - Warning 600SC (Portuguese/English)	
35	1704099	2	Decal - Warning 600SC (English/French)	
35	1701645	2	Decal - Warning 660SJC (Portuguese/English)	
35	1707055	2	Decal - Warning 660SJC (English/French) (SN 0300100292 through 0300128000)	
36		Ref	Decal - 500Lbs Unrestricted Capacity	
36	1707051	1	Decal - 500Lbs Unrestricted Capacity 600SC (Portuguese/English)	
36	1704107	1	Decal - 500Lbs Unrestricted Capacity 600SC (English/French) (SN 0300088143 through 0300100291)	
36	1707046	1	Decal - 500Lbs Unrestricted Capacity 600SC (English/French) (SN 0300100292 through 0300128000)	
36	1707052	1	Decal - 500Lbs Unrestricted Capacity 660SJC (Portuguese/English)	
36	1704112	1	Decal - 500Lbs Unrestricted Capacity 660SJC (English/French) (SN 0300088143 through 0300100291)	
36	1707047	1	Decal - 500Lbs Unrestricted Capacity 660SJC (English/French) (SN 0300100292 through 0300128000)	
37	1704885	2	Decal - Website	
38	See Note	NSS	Nameplate - Serial Number (Note: Not Available for Purchase.)	
39	1705177	1	Decal - Lifting Diagram	
40		Ref	Plate, Decal Mounting Options:	
40	3572044	1	Plate, Decal Mounting (SN 0300088143 through 0300112738)	
40	1001093553	1	Plate, Decal Mounting (SN 0300112739 through 0300128000)	
41	1702861	1	Decal - JLG Lift (8in)	
42	1702774	1	Decal - JLG Lift (3-1/2in)	
43	1702773	2	Decal - JLG (5in)	
49	0100011	AR	Compound, Locking	
50	0641406	4	Bolt 1/4in-20NC x 3/4in	
51	0641408	1	Bolt 1/4in-20NC x 1in	
52	0860520	1	Box, Manual Storage	
53	1060279	1	Cable, Lanyard	
54	3311405	5	Locknut 1/4in-20NC	
55	3820001	AR	Rivet	
56	4751400	10	Flatwasher 1/4in Regular	
57		Ref	Decal - Motion Hazard Options:	
57	1001093439	1	Brazil Spec Decals (Portuguese/English)	
57	1704468	1	CSA Spec Decals (English/French) (SN 0300088143 through 0300112738)	
57	1001093684	1	CSA Spec Decals (English/French) (SN 0300112739 through 0300128000)	
58	1704502	1	Decal - Legend	
59		Ref	Decal - Legend Options:	
59	1704711	1	Decal - Legend (SN 0300088143 through 0300099062)	
59	1706943	1	Decal - Legend (SN 0300099063 through 0300128000)	
61		Ref	Decal - Crawler Caution Options:	
61	1001093555	2	Brazil Spec Decals (Portuguese/English)	
61	1001094013	2	CSA Spec Decals (English/French)	
62	1700584	1	Decal - Patent	

SECTION 8 - DECALS

FIGURE 8-5. DECAL INSTALLATION (AUSTRALIAN AND CE SPECS) (Prior to SN 0300088143)



SECTION 8 - DECALS

FIGURE 8-5. DECAL INSTALLATION (AUSTRALIAN AND CE SPECS) (Prior to SN 0300088143)

ITEM	PART NUMBER	QTY	DESCRIPTION	REV
		Ref	DECAL INSTALLATIONS	
	0270994	Ref	JLG Logo Decals	2
	0272453	Ref	Australian Spec 600SC	6
	0272455	Ref	Australian Spec 660SJC	6
	0272462	Ref	Dutch Spec 600SC	6
	0272464	Ref	Dutch Spec 660SJC	6
	0272468	Ref	French Spec 600SC	6
	0272470	Ref	French Spec 660SJC	6
	0272459	Ref	German Spec 600SC	6
	0272461	Ref	German Spec 660SJC	6
	0272465	Ref	Italian Spec 600SC	6
	0272467	Ref	Italian Spec 660SJC	6
	0273199	Ref	Norwegian Spec 600SC	4
	0273201	Ref	Norwegian Spec 660SJC	4
	0272471	Ref	Spanish Spec 600SC	6
	0272473	Ref	Spanish Spec 660SJC	6
	0272456	Ref	UK English Spec 600SC	6
	0272458	Ref	UK English Spec 660SJC	6
2	1701518	3	Decal - Warning/Crushing	
4		Ref	Decal - Sound Power Level Options:	
4	Not Required	0	Australian Spec	
4	1705084	1	Dutch, French, German, Italian, Spanish and UK Spec	
5	1701502	1	Decal - High Oil Level	
6	1701503	1	Decal - Low Oil Level	
7	1701504	1	Decal - Hydraulic Oil	
8	1701509	1	Decal - Manual	
9		Ref	Nameplate - 240V-50Hz Options:	
9	3251242	1	Australian Spec	
9	Not Required	0	Dutch, French, German, Italian, Norwegian, Spanish and UK Spec	
10		Ref	Decal - Model Options:	
10	1704434	2	Decal - Model 600SC	
10	1703165	2	Decal - Model 660SJC	
11	1702861	1	Decal - JLG Lift (8in)	
12	1702862	1	Decal - JLG Lift (12in)	
13	1702774	1	Decal - JLG Lift (3-1/2in)	
14	1702773	2	Decal - JLG (5in)	
16	1704277	4	Decal - Attach Lanyard Here	
17	See Note	NSS	Nameplate - Serial Number (Note: Not Available for Purchase.)	
19	See Note	NSS	Decal - Bar Code (Not Shown) (Note: Not Available for Purchase.)	
20	1700584	1	Decal - Patent	
21		Ref	Decal - Crawler Caution Options:	
21	Not Required	0	Australian, Norwegian and UK Spec	
21	1705080	2	Dutch Spec	
21	1705077	2	French Spec	
21	1705078	2	German Spec	
21	1705081	2	Italian Spec	
21	1705079	2	Spanish Spec	
22	1702300	4	Decal - Tie Down	

SECTION 8 - DECALS

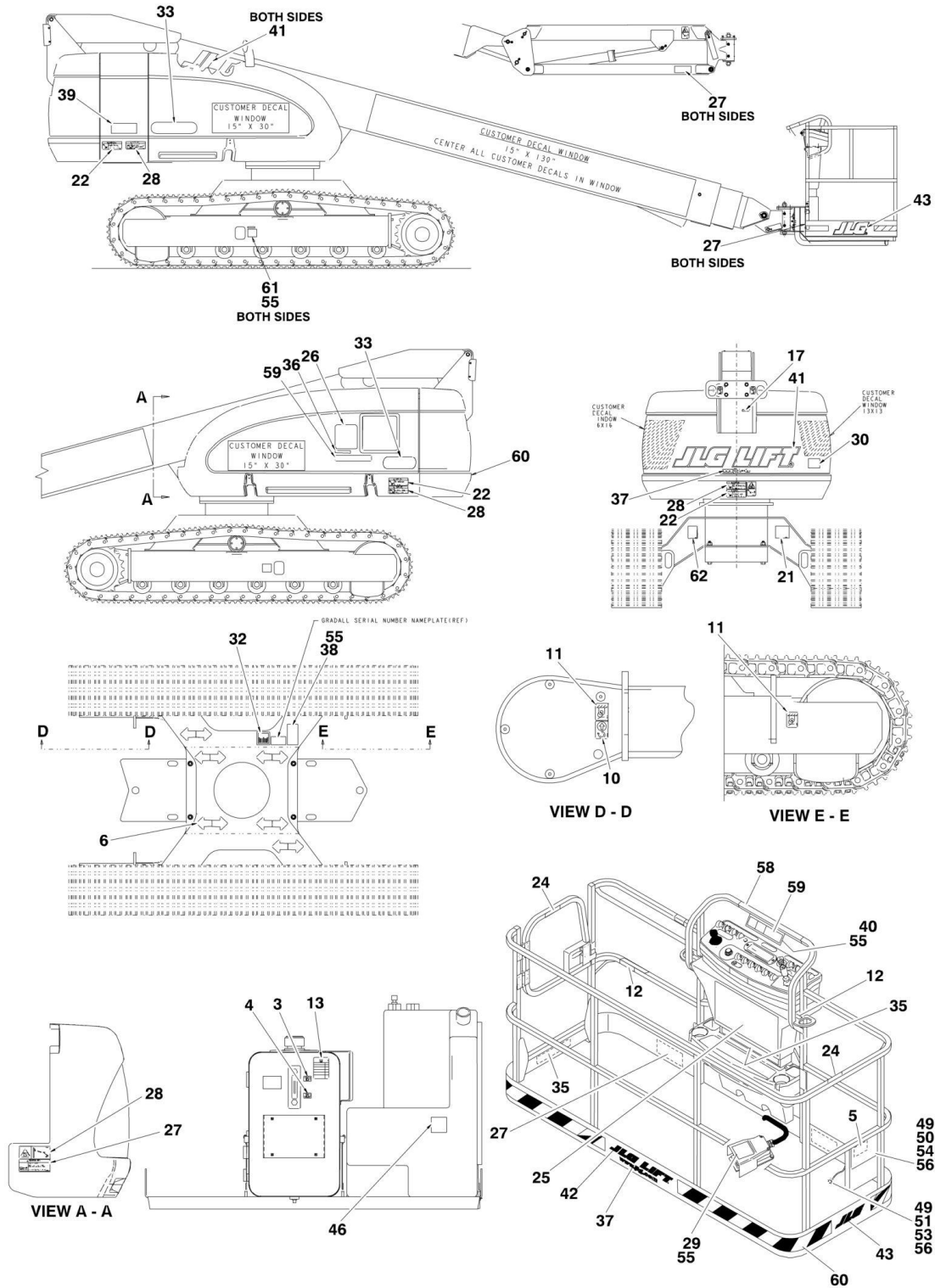
ITEM	PART NUMBER	QTY	DESCRIPTION	REV
23	1701500	2	Decal - Lift Up	
24	1701529	6	Decal - Arrow	
26	3820001	AR	Rivet	
27	0641408	1	Bolt 1/4in-20NC x 1in	
28	1060279	1	Cable, Lanyard	
29	3311405	AR	Locknut 1/4in-20NC	
30	4751400	AR	Flatwasher 1/4in	
31	0860520	1	Box, Manual Storage	
32	3380434	1	Panel, Pedestal (Prior to SN 0300075375)	
34		Ref	Decal - Danger/Warning Options:	
34	1703992	1	Australian Spec	
34	Not Required	0	Dutch, French, German, Italian, Norwegian, Spanish and UK Spec	
36	4420051	17.4 ft /5.3m	Stripes, Safety	
37		Ref	Decal - Capacity Options:	
37	Not Required	0	Australian Spec	
37	1701596	1	Dutch Spec	
37	1690697	1	French, German, Italian, Norwegian, Spanish and UK Spec	
38		Ref	Decal - Caution Options:	
38	Not Required	0	Australian Spec	
38	1703186	1	Dutch Spec	
38	1703511	1	French Spec	
38	1703508	1	German Spec	
38	1703514	1	Italian Spec	
38	1703509	1	Spanish Spec	
38	1705251	1	Norwegian Spec	
38	1703513	1	UK Spec	
39		Ref	Decal - Caution Options:	
39	1703516	1	Australian Spec	
39	1701596	1	Dutch Spec	
39	1703510	1	French Spec	
39	1703507	1	German Spec	
39	1703515	1	Italian Spec	
39	1705252	1	Norwegian Spec	
39	1703512	1	Spanish Spec	
39	1703516	1	UK Spec	
40		Ref	Decal - Caution Options:	
40	Not Required	0	Australian Spec	
40	1703518	1	Dutch Spec	
40	1693292	1	French Spec	
40	1693294	1	German Spec	
40	1701600	1	Italian Spec	
40	1705275	1	Norwegian Spec	
40	1701791	1	Spanish Spec	
40	3252347	1	UK Spec	
41	1701505	1	Decal - Fuel	
53	0641406	4	Bolt 1/4in-20NC x 3/4in	
54	0100011	AR	Compound, Locking	
58	0641414	2	Bolt 1/4in-20NC x 1-3/4in (Prior to SN 0300075375)	
61		Ref	Decal - Platform Capacity	
61	1703675	1	Decal - Platform Capacity 600SC Australian Spec	

SECTION 8 - DECALS

ITEM	PART NUMBER	QTY	DESCRIPTION	REV
61	Not Required	0	Decal - Platform Capacity 660SCJ Australian Spec	
61	Not Required	0	Dutch, French, German, Italian, Norwegian, Spanish and UK Spec	
62		Ref	Decal - Danger Options:	
62	Not Required	0	Decal - Danger 600SC Australian Spec	
62	1703665	1	Decal - Danger 660SCJ Australian Spec	
62	Not Required	0	Dutch, French, German, Italian, Norwegian, Spanish and UK Spec	
66		Ref	Decal - Motion Hazard Options:	
66	1704468	1	Australian Spec	
66	1704565	1	Dutch Spec	
66	1704562	1	French Spec	
66	1704563	1	German Spec	
66	1704566	1	Italian Spec	
66	1705262	1	Norwegian Spec	
66	1704564	1	Spanish Spec	
66	1704468	1	UK Spec	
67	3572044	1	Plate, Decal Mounting	
68	1705177	1	Decal - Lifting Diagram	
69	1704885	2	Decal - Website	

SECTION 8 - DECALS

FIGURE 8-6. DECAL INSTALLATION (AUSTRALIAN AND CE SPECS) (SN 0300088143 through 0300128000)



SECTION 8 - DECALS

FIGURE 8-6. DECAL INSTALLATION (AUSTRALIAN AND CE SPECS) (SN 0300088143 through 0300128000)

ITEM	PART NUMBER	QTY	DESCRIPTION	REV
		Ref	DECAL INSTALLATIONS	
	0274093	Ref	JLG Logo Decals	2
	0273985	Ref	Australian/CE Spec 600SC	3
	0273987	Ref	Australian/CE Spec 660SJC	4
	0274006	Ref	Dutch Spec 600SC/600SJC/660SJC	1
	0274008	Ref	French Spec 600SC/600SJC/660SJC	1
	0274005	Ref	German Spec 600SC/600SJC/660SJC	1
	0274007	Ref	Italian Spec 600SC/600SJC/660SJC	1
	0274009	Ref	Spanish Spec 600SC/600SJC/660SJC	1
3	1701502	1	Decal - High Oil Level	
4	1701503	1	Decal - Low Oil Level	
5	1701509	1	Decal - Manual	
6	1701529	6	Decal - Arrow	
10	1703811	2	Decal - Tie Down /Lift	
11	1703814	4	Decal - Danger/Electrocution	
12	1704277	4	Decal - Attach Lanyard Here	
13	1704412	1	Decal - Hydraulic Oil	
17	3251243	1	Nameplate - 120V-60Hz	
25	1705921	1	Decal - Tipping/Electrical	
26	1705822	1	Decal - Electrical/Safety Manual	
27	1701518	10	Decal - Warning/Crushing	
28	1705961	5	Decal - Electrocution	
29	1705828	1	Decal - Footswitch	
32	See Note	NSS	Decal - Bar Code (Note: Not Available for Purchase.)	
33		Ref	Decal - Model Options:	
33	1704434	2	Decal - Model 600SC	
33	1704435	2	Decal - Model 600SJC	
33	1703165	2	Decal - Model 660SJC	
35	1705978	1	Decal - 230kg Capacity	
36	1705978	1	Decal - 230kg Capacity	
37	1704885	2	Decal - Website	
38	See Note	NSS	Nameplate - Serial Number (Note: Not Available for Purchase.)	
39	1705177	1	Decal - Lifting Diagram	
40	3572044	1	Plate, Decal Mounting	
41	1702861	3	Decal - JLG Lift (8in)	
42	1702774	1	Decal - JLG Lift (3-1/2in)	
43	1702773	2	Decal - JLG (5in)	
49	0100011	AR	Compound, Locking	
50	0641406	4	Bolt 1/4in-20NC x 3/4in	
51	0641408	1	Bolt 1/4in-20NC x 1in	
52	0860520	1	Box, Manual Storage	
53	1060279	1	Cable, Lanyard	
54	3311405	5	Locknut 1/4in-20NC	
55	3820001	9	Rivet	
56	4751400	10	Flatwasher 1/4in Regular	
57	1704468	1	Decal - Motion Hazard	
60	4420051	17.4 ft /5.3m	Stripes, Safety	
61		Ref	Decal - Crawler Caution	

SECTION 8 - DECALS

ITEM	PART NUMBER	QTY	DESCRIPTION	REV
61	Not Required	0	Australian Spec	
61	1705080	2	Dutch Spec	
61	1705077	2	French Spec	
61	1705078	2	German Spec	
61	1705081	2	Italian Spec	
61	1705079	2	Spanish Spec	
62	1700584	1	Decal - Patent	

SECTION 9 - RECOMMENDED SERVICE PARTS STOCK

SECTION 9 - RECOMMENDED SERVICE PARTS STOCK

SECTION 9 - RECOMMENDED SERVICE PARTS STOCK

FIGURE 9-1. MODELS 600SC/660SJC STANDARD PARTS

ITEM	PART NUMBER	QTY	DESCRIPTION	REV
		Ref	Note: The following list will service one machine (built to current production per date on the front cover) with emergency repair parts which can be installed in the field. Parts from the list should be replaced when inventory is depleted to keep service parts stock supplied. For further information, contact your JLG dealer or the JLG Industries Parts Department.	
		Ref	STANDARD PARTS	
	2120210	12	Element Filter	
	7012944	1	Coil	
	2120149	1	Element, Filter	
	7012772	1	Coil	
	7021376	1	Coil	
	70000582	1	Coil	
	7012664	12	Element, Air Cleaner	
	3740067	1	Relay	
	7024444	1	Breather, Hydraulic Tank	
	7024442	1	Strainer, Hydraulic Tank	
	3740049	1	Relay	
	4360328	1	Switch, Toggle	
	2860030	1	Key, Replacement	
	4360475	1	Switch, Mushroom	
	4360476	1	Switch, Contact Block	
	2940074	1	Latch	
	1001129555	1	Controller (Lift and Swing)	
	1600359	1	Controller (Drive and Steer)	
	4360387	1	Switch, Push Button	
	4360407	1	Controller, Speed	
	4360331	1	Switch, Toggle	
	7022818	1	Potentiometer	
	7022838	1	Switch, Push Button	
	3990001	2	Diode	
	2400065	2	Fuse - 30 Amp	

SECTION 9 - RECOMMENDED SERVICE PARTS STOCK

FIGURE 9-2. MODELS 600SC/660SJC VARIABLE PARTS

ITEM	PART NUMBER	QTY	DESCRIPTION	REV
		Ref	Note: The following list will service one machine (built to current production per date on the front cover) with emergency repair parts which can be installed in the field. Parts from the list should be replaced when inventory is depleted to keep service parts stock supplied. For further information, contact your JLG dealer or the JLG Industries Parts Department.	
		Ref	VARIABLE PARTS	
	7026830	12	Filter, Fuel (Caterpillar Engine)	
	7026811	1 doz	Filter, Oil (Caterpillar Engine)	
	7016328	12	Filter, Fuel (Deutz Engine)	
	7016331	1 doz	Filter, Oil (Deutz Engine)	
	4360469	1	Switch, Key (ANSI and ANSI Export Specs)	
	4360470	1	Switch, Key (Australian and CE Specs)	
	1001149676	1	Module, Ground Control ADE	
	1600422	1	Module, Propulsion	
	4360578	1	Switch, Limit	
	4360294	1	Breaker, Circuit (Deutz Engine)	
	4360336	1	Switch, Toggle (Machines with Generator Option)	
	3740080	1	Relay (Machines with Generator Option)	
	4360070	1	Breaker, Circuit (SkyPower Generator Option)	
	2400064	2	Fuse - 15 Amp (SkyPower Generator Option)	
	4360506	1	Switch, Proximity (Australian and CE Specs)	
	4360314	1	Switch, Toggle (660SJC Only)	
	1600375	1	Module, Platform ADE	
	2400070	2	Fuse - 20 Amp (Worklights Option)	
	70002005	1	Repair Section (Gortrac Brand)	
	7016530	2	Repair Section (Gemco Brand)	
	7016138	24	Pin Kit (Gemco Brand)	

SECTION 10 - SPECIAL OPTIONS

SECTION 10 - SPECIAL OPTIONS

FIGURE 10-1. SPECIAL OPTIONS LIST

ITEM	PART NUMBER	QTY	DESCRIPTION	REV
		Ref	MISCELLANEOUS SPECIAL OPTIONS	
	Note	Ref	Note: This list is to accommodate machines ordered with special equipment. Options may not be applicable to all models. For more specific parts information contact JLG Parts Department.	
		Ref	AC Cable Installation Options:	
	0273076	Ref	UK English Spec	
	0273078	Ref	German Spec	
		Ref	Airline to Platform Installation Options:	
	0255388	Ref	Airline to Platform Installation 1/2in 600SC & 660SJC	
	0255389	Ref	Airline to Platform Installation 1/2in 660SJC	
		Ref	Boom Bellows Installation Options:	
	0255929	Ref	Boom Bellows Installation 600SC	
	0255930	Ref	Boom Bellows Installation 660SJC	
	0256273	Ref	Boom Wipers Installation	
	0256789	Ref	Camera Mount Assembly	
		Ref	ClearSky Telematics Kit (Dealer Installed)	
	1001102841	Ref	ANSI Spec	
	1001102842	Ref	ANSI Export/CE/Japanese Specs	
	1001139132	Ref	Australian Spec	
	1001104985	Ref	CSA Spec	
		Ref	Note: Refer to ClearSky (Telematics) Manual p/n 3128499 for Service Parts.	
		Ref	Cold Weather Package	
	0273575	Ref	Caterpillar Engines	
	0256060	Ref	Deutz Engines (With Ether Start)	
		Ref	Cold Weather Package with Glow Plugs	
	Not Available	Ref	Caterpillar Engines	
	0271333	Ref	Deutz Engines (Prior to SN 0300082044)	
	0271912	Ref	Deutz Engines (SN 0300082045 through 0300128000)	
		Ref	Decal Installations Options:	
	1702788	1	Decal - Biodegradable Hydraulic Fluid (English)	
	1703479	1	Decal - Biodegradable Hydraulic Fluid (German)	
	1704174	1	Decal - Synthetic Biodegradable Hydraulic Fluid (English)	
	1704175	1	Decal - Synthetic Biodegradable Hydraulic Fluid (German)	
	0253550	Ref	Decal Installation - CSA	
	0256957	Ref	Decal Installation - Lanyard Attach (GM K-1 Spec)	
	0256487	Ref	Decal Installation - Prop 65 Warning (California Spec)	
	0257195	Ref	Government Warranty Decal Installation	
	0270851	Ref	Sunbelt Decals Installation	
	0271032	Ref	United Rental Decals Installation	
		Ref	Decal Kit Options:	
	2902307	Ref	Decal Kit - Country Spec (ANSI Specs) (SN 0300088143 through 0300128000)	
	2902329	Ref	Decal Kit - Country Spec (Australian/CE) (SN 0300088143 through 0300128000)	
	2902312	Ref	Decal Kit - Country Spec (Brazil Specs) (SN 0300088143 through 0300128000)	
	2902322	Ref	Decal Kit - Country Spec (CSA Specs) (SN 0300088143 through 0300128000)	

SECTION 10 - SPECIAL OPTIONS

ITEM	PART NUMBER	QTY	DESCRIPTION	REV
	2902303	Ref	Decal Kit - Master (SN 0300088143 through 0300128000)	
	1001238909	Ref	Decal Kit - Platform	
	2910868	Ref	Decal Kit - Platform Console Box (ANSI Spec)	
		Ref	Electrical Connector Kits	
	1001148902	Ref	Amp/Tyco Electrical Connector Kit	
	1001148903	Ref	Deutsch DT Electrical Connector Kit	
	1001148904	Ref	Deutsch HD Electrical Connector Kit	
	1001148905	Ref	Packard Electrical Connector Kit	
	1001148906	Ref	Various Electrical Connectors Kit	
	0257157	Ref	Ether Start Installation (Deutz Engines)	
	4932986	Ref	Engine Shutdown Installation (Deutz Engines)	
		Ref	Filter Kits	
		Ref	Combined Filter Kit (Hydraulic/Air and Fuel/Engine Oil)	
			Options:	
	2915137	NLA	Caterpillar Engines Machines (Use p/n 1001110994) (Prior to SN 0300085110)	
	1001114031	NLA	Caterpillar Engines Machines (Use p/n 1001110994) (Prior to SN 0300085110)	
	1001114123	NLA	Caterpillar Engines Machines (Use p/n 1001110991) (SN 0300085110 through 0300128000)	
	1001114124	NLA	Caterpillar Engines Machines (Use p/n 1001110991) (SN 0300085110 through 0300128000)	
	1001114136	Ref	Deutz Engine Machines (Prior to SN 0300077723)	
	2910463	NLA	Deutz Engine Machines (Use p/n 1001110993) (SN 0300077723 through 0300085109)	
	1001114036	NLA	Deutz Engine Machines (Use p/n 1001110990) (SN 0300085110 through 0300092882)	
	1001110990	Ref	Deutz Engine Machines (SN 0300092883 through 0300128000, Excluding 0300174703)	
		Ref	Hydraulic/Air Filter Options:	
	2910924	NLA	Hydraulic/Air Filter (Use p/n 1001109692) (Prior to SN 0300085110)	
	1001114132	NLA	Hydraulic/Air Filter (Use p/n 1001109684) (SN 0300085110 through 0300128000)	
		Ref	Engine - Fuel/Engine Oil Filter Options:	
	See Note	Ref	Caterpillar Engines (Note: Not Available - Purchase Individual Components)	
	1001110133	Ref	Deutz Engines	
	4060959	Ref	Footswitch Shield (Note: Move Decal to Shield)	
	0271548	Ref	Glow Plugs Installation (Prior to SN 0300092883)	
	1001126287	Ref	Hood (Steel) Replacement Kit (Caterpillar Engine Machines)	
	1001126286	Ref	Hood (Steel) Replacement Kit (Deutz Engine Machines)	
		Ref	Hose Kit Options:	
	2902468	Ref	Hose Kit - Boom (600SC) (SN 0300088696 through 0300128000)	
	2902473	Ref	Hose Kit - Boom (660SJC) (SN 0300088021 through 0300128000)	
	2902467	Ref	Hose Kit - Standard (600SC) (SN 0300088696 through 0300128000)	
	2902467	Ref	Hose Kit - Standard (660SJC) (SN 0300088021 through 0300128000)	
		Ref	Hydraulic Fluids Options:	
	2300014	Ref	Mobil 424	
	2300027	Ref	Mobil 224H Bio	
	2300029	Ref	Mobil EAL ISO 46 Bio	

SECTION 10 - SPECIAL OPTIONS

ITEM	PART NUMBER	QTY	DESCRIPTION	REV
	2300016	Ref	Mobil DTE 10 EXCEL 32	
	2300019	Ref	Quaker State Quintolubric 888-46 Fire Res.	
	1001189615	Ref	Kingpin Removal Kit	
	1001148971	Ref	Lanyard (Bolt-On) Kit Installation	
	1001147699	Ref	Manual Storage Box Relocation Kit	
	2902300	Ref	Oil Filter (Remote) Installation Kit (Used on Machines with SkyPower Built) (Prior to SN 0300079799)	
		Ref	Oxy-Acetylene Lines to Platform Installation Options:	
	0255390	Ref	Oxy-Acetylene Lines to Platform Installation 600SC	
	0255391	Ref	Oxy-Acetylene Lines to Platform Installation 660SJC	
	0258703	Ref	Platform Console Cover Installation	
		Ref	Platform Entry Kit	
	1001142504	Ref	Kit, Replace Swing Gate with Drop Bar	
	1001142505	Ref	Kit, Replace Drop Bar with Swing Gate	
		Ref	Platform Mesh to Top Rail	
	0273149	Ref	3ft x 6ft Platforms	
	0273145	Ref	3ft x 8ft Platforms	
	1702838	Ref	Decal - No Hands (ANSI Spec)	
	1704000	Ref	Decal - No Hands (CSA Spec)	
	1001149730	Ref	Platform Mid Rail Repair Kit	
		Ref	Platform Top Rail Extension Installation Options:	
	0272733	Ref	6ft/1.83m Platform	
	0272725	Ref	8ft/2.44m Platform	
		Ref	SkyGuard Component Options:	
	1001149560	Ref	SkyGuard Complete Add-on Kit (Non-UGM Machines)	
	1001137672	Ref	SkyGuard Platform Sensor Kit	
	1001137440	1	SkyGuard Sensor Harness	
	1001186431	2	Relay	
	1001143256	Ref	SkyGuard Blue Beacon Kit	
		Ref	Tools for Service	
	2901443	1	Analyzer Kit	
	8896941	1	Wire Stripper	
	7002821	1	Wire Crimper (To install wire ends to wires)	
	7002823	1	Pin/Socket Extractor - Universal (To Remove Pins/Sockets from Connectors)	
	4460467	1	Extractor - 16-18 Gauge (For Removal of Pin/Sockets from Deutsch Connectors)	
	4460510	1	Extractor - 12-14 Gauge (For Removal of Pin/Sockets from Deutsch Connectors)	
	7002822	1	Screwdriver, Potentiometer (To Adjust Drive Controllers)	
	7016654	1	Screwdriver, Magnetic	
	7004275	1	Seal Installation Tool - 1in	
	7004276	1	Seal Installation Tool - 1-1/2in	
	7002826	1	Seal Installation Tool - 2in	
	83813109	1	Track Adjustment Tool	
	7016655	1	Wire Rope Sheave Gauge	
	7014676	1	U.S. Standards Tool Kit	
	2900838	1	U.S. Standards Hardware Kit	
	2910968	Ref	Track Tensioning Kit	
	2915096	Ref	Turntable Bearing Kit	
	0258918	Ref	Utility Rack Installation	
		Ref	Weld Leads to Platform Installation Options:	

SECTION 10 - SPECIAL OPTIONS

ITEM	PART NUMBER	QTY	DESCRIPTION	REV
	0255399	Ref	Weld Leads to Platform Installation 600SC	
	0255895	Ref	Weld Leads to Platform Installation 660SJC	

PART NUMBER INDEX

PART NUMBER INDEX

0060066.....	126, 137	0257157.....	228, 297	0272474.....	277	0274593.....	256
0060067.....	121, 137	0257175.....	249, 261	0272476.....	277	0274594.....	127, 257
0080163.....	60, 67	0257195.....	296	0272480.....	105	0274595.....	127, 257
0080181.....	50	0257483.....	79	0272481.....	105	0274751.....	94
0080241.....	86	0257728.....	175	0272482.....	105	0275216.....	264
0080243.....	50	0257885.....	86	0272483.....	244	0275217.....	264
0100009.....	149	0257887.....	86, 251, 266	0272484.....	244	0275218.....	264
0100011....	21, 27, 32, 41, 50, 52, 58, 64, 65, 79, 81, 85, 86, 89, 90, 94, 96, 102, 106, 109, 113, 121, 127, 129, 133, 139, 141, 145, 165, 168, 177, 179, 185, 191, 193, 197, 199, 203, 205, 213, 220, 224, 270, 273, 277, 282, 286, 289	0257988.....	141	0272485.....	127, 245	0275219.....	264
0100019....	41, 52, 90, 95, 111, 115, 122, 127	0258703.....	298	0272486.....	127, 245	0275235.....	262
0100020....	50, 53, 58, 64, 65, 111, 115, 118, 168	0258918.....	298	0272492....	109, 250, 265	0275237.....	262
0100035.....	85, 149	0259055.....	41	0272507.....	86, 251, 266	0275253.....	262
0100038....	185, 191, 193, 197, 199, 203, 205, 213, 220, 224	0270313.....	85	0272521.....	179	0275254.....	262
010004881, 86, 149, 246, 258		0270329.....	41	0272588.....	179	0275452.....	264
0100062.....	111	0270381.....	85	0272589.....	112	0275453.....	264
0100063....	185, 197, 203, 206	0270386.....	150	0272590.....	165	0275454.....	264
0100079.....	79	0270387.....	150	0272599.....	165, 169	0275455.....	262
0100081.....	149, 163	0270388.....	150	0272606.....	165	0275456.....	262
0140001.....	32	0270833.....	86	0272607.....	165	0275659.....	262
0140011.....	149	0270851.....	296	0272725.....	298	0340041.....	50, 57, 65
0181727.....	50, 57, 64	0270994....	269, 277, 285	0272733.....	298	0340046.....	50
0200741.....	106	0271032.....	296	0272796.....	50	0362528.....	85
0200742.....	102, 106	0271242.....	141	0272970....	145, 244, 256	0362609.....	85
0200819.....	102	0271333.....	296	0273045.....	105	0362951.....	85
0239585.....	41	0271548.....	297	0273076.....	262, 296	0400075.....	50, 57, 64
0253550.....	296	0271552.....	86, 150	0273078.....	262, 296	0440233.....	41
0254849.....	79	0271631.....	31	0273085.....	105	0480100.....	175
0255316.....	41	0271667.....	31	0273145.....	298	0480120.....	102, 106
0255388.....	296	0271817.....	27	0273149.....	298	0480121.....	102, 106
0255389.....	296	0271912.....	296	0273199.....	285	0480125.....	111
0255390.....	298	0272029.....	21	0273201.....	285	0480126.....	111
0255391.....	298	0272042.....	244, 256	0273353.....	168	0480129.....	111
0255399.....	299	0272043.....	244, 257	0273450.....	115	0561076.....	130, 134
0255881.....	99	0272045.....	244, 256	0273486.....	146, 228	0561183.....	130, 134
0255895.....	299	0272046....	127, 245, 257	0273490.....	146, 228	0561184.....	129
0255929.....	296	0272047.....	127	0273518.....	101	0561185.....	130, 134
0255930.....	296	0272070.....	139	0273524.....	52	0561237.....	127
0256060.....	228, 296	0272136.....	121	0273538.....	101	0561245.....	133
0256113.....	249, 261	0272138.....	121	0273539.....	101	0561508.....	134
0256122.....	90, 95	0272146.....	126, 150	0273540....	109, 250, 265	0630458....	122, 127, 141
0256201.....	249, 261	0272147.....	126, 150	0273541....	109, 250, 265	0630464.....	149
0256273.....	296	0272254.....	177	0273575.....	228, 296	0630491.....	86
0256305.....	85	0272255....	109, 250, 265	0273687.....	115	0630498.....	50, 57, 64
0256487.....	296	0272292.....	57	0273906.....	273	0630507.....	89, 94
0256689.....	59	0272364.....	55, 60, 69	0273908.....	273	0630518....	81, 168, 177, 179
0256690.....	59, 65	0272391.....	163	0273936.....	64	0630534....	185, 189, 191, 193, 195, 206
0256789.....	296	0272395.....	163	0273982.....	281	0630535....	197, 199, 201, 206, 211, 213
0256823.....	90, 96	0272399.....	145	0273984.....	281	0630536.....	203
0256830.....	89	0272418.....	163	0273985.....	289	0630548.....	81
0256847.....	60, 67	0272435.....	112	0273987.....	289	0630568.....	150
0256957.....	296	0272448.....	168, 177	0274005.....	289	0641403....	85, 110, 130, 134
		0272450.....	269	0274006.....	289	0641404....	110, 111, 141, 149
		0272452.....	269	0274007.....	289	0641405.....	263
		0272453.....	285	0274008.....	289	0641406....	50, 86, 89, 94, 117, 134, 145, 165, 168, 269, 273, 277, 282, 286, 289
		0272455.....	285	0274009.....	289	0641407...50, 57, 65, 263	
		0272456.....	285	0274081.....	101	0641408....	85, 145, 269, 273, 277, 282, 286, 289
		0272458.....	285	0274082.....	105	0641410.....	65, 81
		0272459.....	285	0274086.....	105		
		0272461.....	285	0274087.....	101		
		0272462.....	285	0274090.....	105		
		0272464.....	285	0274091.....	101		
		0272465.....	285	0274093....	273, 281, 289		
		0272467.....	285	0274300.....	64		
		0272468.....	285	0274313.....	31		
		0272470.....	285	0274314.....	31		
		0272471.....	285	0274491.....	50		
		0272473.....	285	0274592.....	256		

PART NUMBER INDEX

0641414 ... 146, 270, 277, 286	0700808 50, 58, 66	0861725.....81	1001099367 163
0641416 32, 127, 149, 263	0700810 60, 67	0861731.....262	1001099376 163
0641505 109, 110	0700815 111	0861781.....262	1001099832 141
0641506 ... 31, 81, 90, 94, 96, 117	0700816 102	0861782.....262	1001100321 101, 105
0641507 50	0701010 50	0861872.....81	1001101391 95
0641508 ... 32, 58, 64, 102, 106, 110	0701012 50, 58, 66	0861880.....263	1001101392 95
0641510 53, 58, 65	0701014 66, 67	0902143.....89, 94	1001101421 163
0641512 90, 94	0701015 50, 58, 67	0902161.....89, 94	1001101422 163
0641514 ... 31, 53, 58, 64, 175	0701210 102	0902206.....86	1001102647 163
0641516 109	0701214 50	0902219.....90, 94	1001102841 296
0641522 141	0701414 50, 57, 66	0902223.....89, 94	1001102842 296
0641604 122, 127	0711214 50	0902351.....89, 94	1001103292 281
0641605 130, 133	0711414 66	0902384.....90, 94	1001104985 296
0641606 ... 52, 58, 66, 95, 127, 130, 134, 165, 168, 177, 179	0720808 113	0902416.....89, 94	1001110133 297
0641607 129, 133	0721005 107	0902491.....89, 94	1001110169 41, 47
0641608 ... 32, 50, 53, 55, 60, 69, 79, 89, 94, 95, 121, 127, 129, 130, 133, 134, 141	0721006 . 52, 89, 94, 102, 106, 150	0902587.....32	1001110872 109
0641609 ... 50, 67, 90, 99	0721008 95	0902751.....149	1001110873 109
0641610 ... 50, 53, 57, 64, 66, 67, 102, 106, 117, 130, 134, 145	0741607 122, 127	0902888.....110	1001110990 297
0641611 127	0741612 130, 134	0902910.....54	1001112467 203
0641613 31, 130, 134	0771212 50	0903484.....263	1001112468 203
0641614 79, 127, 130, 135	0771415 111	0903611.....263	1001114031 297
0641616 27, 117, 130, 134	0801014 129, 133	0920119.....41	1001114036 297
0641618 111, 127	0801065 129, 133	0940049.....95	1001114123 297
0641634 130, 134	0801254 129, 133	0940070.....50, 57, 66	1001114124 297
0641638 130, 134	0801372 129, 133	0940071.....89, 94, 95	1001114132 297
0641640 130, 134	0801384 121, 133	0940088.....90, 94	1001114136 297
0641644 141	0801385 121, 129	0940102.....163	1001116240 ... 52, 58, 64
0641772 102, 106	0801392 126	0961893.... 185, 189, 191, 193, 195, 205	1001116241 ... 52, 58, 64
0641807 141	0801393 126, 129	0961894.... 197, 199, 205	1001117320 145
0641808 ... 50, 53, 58, 65, 110	0801469 129, 133	0961897.....213	1001118417 155
0641810 115	0801479 121, 133	0961898.....203	1001126286 297
0641812 .. 53, 58, 65, 139	0801481 126, 133	0961947 ... 127, 191, 193, 195, 206, 209	1001126287 297
0641818 57, 66, 99	0801483 121, 129	0961950.... 122, 127, 129, 133, 203	1001129555 292
0641824 129, 133	0801484 126, 129	0961951.... 122, 127, 129, 133, 197, 199, 201, 206, 211	1001137440 298
0641826 59, 66	0801498 129, 133	0961986.....50, 58, 66	1001137672 298
0641828 50	0801504 129, 133	0962006..... 122, 127	1001138795 189
0642010 52, 58, 64	0801524 129, 133	0962051.....99	1001138796 201, 211
0642012 ... 121, 127, 163	0860038 ... 110, 249, 262	0962335..... 126, 127	1001139132 296
0642018 41	0860520 ... 269, 273, 277, 282, 286, 289	0962336.... 185, 187, 189	1001141968 262, 263
0642026 163	0861389 81	0962520.....111	1001141969 262, 263
0642212 163	0861538 111	0962563.....102	1001142504 298
0642214 163	0861541 111	0962653.....102	1001142505 298
0642612 86	0861542 ... 109, 111, 250, 265	1001091911.....79	1001143256 298
0642684 139	0861567 ... 109, 111, 250, 265	1001093382.....50, 64	1001144023 145
0651406 32	0861572 111	1001093424.....281	1001144024 145
0681608 ... 130, 135, 139	0861599 107	1001093439.....282	1001144629 145
0681610 129, 133	0861602 107	1001093553.....282	1001147699 298
0681612 129, 133	0861607 107	1001093554.....281	1001148902 297
0681836 41	0861633 149, 150	1001093555.....282	1001148903 297
0682014 90, 95	0861634 ... 145, 149, 244, 256	1001093684.....282	1001148904 297
0682023 41	0861636 81	1001094012.....281	1001148905 297
0700408 263	0861637 81	1001094013.....282	1001148906 297
	0861638 81	1001094375.....113	1001148971 298
	0861639 81	1001094475.....113	1001149560 298
	0861642 115	1001094509.....113	1001149676 294
	0861643 81	1001096070.....263	1001149730 298
	0861644 81	1001097150.....263	1001163131 163
	0861645 81	1001097559.....54	1001166539 157
	0861646 81	1001097961.....95	1001186431 298
	0861722 81	1001098012..... 168, 173	1001189615 298
	0861723 81	1001098149.....168	1001223331 126, 199
	0861724 81	1001099366.....163	1001223332 199
			1001223511 193
			1001223512 121, 193
			1001228002 121, 209
			1001228008 121, 195
			1001228012 126, 187

PART NUMBER INDEX

1001228051.....126, 201	1660234.....60, 67	1701600.....286	1704412.....273, 281, 289
1001228052.....126, 211	1660239.....51	1701645.....269, 282	1704434....269, 273, 277, 281, 285, 289
1001228988.....177	1670769.....127	1701791.....286	1704435.....289
1001238909.....297	1670771.....89, 94	1702153.....269, 273	1704436.....82
1001248012.....126, 189	1670779.....90, 94	1702300....269, 277, 285	1704460.....149
1060279....269, 273, 277, 282, 286, 289	1670818.....85	1702566.....149	1704468....270, 274, 282, 287, 289
1060341.....251, 266	1670824.....85	1702567.....149	1704502....269, 274, 277, 282
1060343.....112, 251, 265	1670829.....81, 149	1702610.....82	1704562.....287
1060379.....175	1670836.....130, 135	1702676.....150	1704563.....287
1060461.....107, 250, 265	1671037.....149	1702688.....269	1704564.....287
1060494....112, 250, 264, 265	1671055.....122, 127	1702773 ... 269, 273, 277, 282, 285, 289	1704565.....287
1060633.....252, 266	1671092 ... 112, 251, 265	1702774 ... 269, 273, 277, 282, 285, 289	1704566.....287
1060637.....50, 58, 65	1671093.....168, 177	1702788.....296	1704567.....277
1060708.....112, 251, 265	1671228.....94, 95	1702838.....298	1704707.....150
1060896.....245, 257	1671230.....95	1702861 ... 269, 273, 277, 282, 285, 289	1704709.....150
106090452, 67, 248, 260, 261	1671233.....94	1702862 269, 277, 285	1704710.....150
1060908.....264	1671247.....94, 95	1702868 ... 165, 168, 169, 177, 269, 273	1704711....270, 274, 277, 282
1060918.....145, 244, 256	1683053 ... 185, 191, 193, 205	1703162 51, 57, 66	1704885....270, 273, 278, 282, 287, 289
1061026....245, 246, 258	1683055 197, 199, 205	1703165 ... 269, 273, 277, 281, 285, 289	1704972.....53, 65
1061027....245, 246, 258	1683057 213	1703186.....286	1704997.....149
1061045.....245, 257	1683067 203	1703479 296	1705077.....285, 290
1061046.....245, 257	1683250 213	1703507 286	1705078.....285, 290
1061047.....246, 257	1683263 126, 205	1703508 286	1705079.....285, 290
1120487.....79	1683266 121, 205	1703509 286	1705080.....285, 290
1120555.....163	1683415 121, 191	1703510 286	1705081.....285, 290
1180345.....141	1683418 126, 197	1703511 286	1705082.....277
1220078.....129, 133	1683609 126, 185	1703512 286	1705084.....285
1260017.....41	1683618 ... 129, 133, 213	1703513 286	1705132.....83, 149
1282571.....228	1683619 213	1703514 286	1705177....270, 273, 278, 282, 287, 289
1283348.....223, 226	1683666 ... 121, 126, 203	1703515 286	1705251.....286
1283388.....219, 226	1683949 205	1703516 286	1705252.....286
1320012.....50	1683952 197	1703518 286	1705262.....287
1320016.....50, 57, 66	1683954 203	1703521 82	1705275.....286
1320022....50, 53, 57, 64, 66	1683955 203	1703665 287	1705305....165, 168, 169, 177, 179
1320070.....130, 135	1683962 205	1703675 286	1705312.....163
1320149.....249, 264	1683963 197, 199	1703683 175	1705325.....106
1320176.....53, 59, 66	1683972 205	1703797 269, 273	1705336.....273
1320177.....165, 168	1683973 205	1703798 269	1705347.....281
1320223.....52, 58, 66	1683976 191, 193	1703804 269, 273	1705355....168, 177, 179
1320224.....110	1683977 191	1703805 269, 273	1705358.....163
1320235.....122, 127	1684089 185	1703811 273, 281, 289	1705374.....112
1320244.....134	1684090 185	1703814 273, 281, 289	1705375....112, 169, 177
1320247.....141	1684413 126, 205	1703924 277, 281	1705376.....112
1320302....165, 168, 177, 179	1684414 121, 205	1703930 277	1705387.....112
1321384.....95	1690697 286	1703936 277, 281	1705460.....112
1340060.....50, 57, 66	1693292 286	1703942 281	1705461.....112
1380147.....99	1693294 286	1703948 277, 281	1705466....165, 169, 177, 179
14403323.....11	1700584 ... 269, 274, 277, 282, 285, 290	1703953 273	1705489.....112
14403364.....27	170150090, 96, 269, 277, 286	1703984 277, 281	1705490.....165, 169
1580011.....50	1701502 ... 269, 273, 277, 281, 285, 289	1703992 286	1705714.....106
1580012.....146	1701503 ... 269, 273, 277, 281, 285, 289	1704000 277, 281, 298	1705715.....106
1580013.....146	1701504 ... 269, 277, 285	1704006 277, 281	1705728.....107
1600244.....252, 266	1701505 ... 269, 277, 285 273, 277, 286	1704096 269, 273	1705752.....82
1600313.....149	1701509 ... 163, 269, 273, 277, 281, 285, 289	1704099 277, 282	1705753.....82
1600317.....149, 153	1701518 285, 289	1704104 269, 273	1705822.....289
1600359....149, 161, 292	1701529 ... 269, 273, 277, 281, 286, 289	1704107 277, 282	1705828.....289
1600361.....54	1701596 286	1704112 282	1705836.....115
1600364.....83		1704174 296	1705837.....115
1600368.....83		1704175 296	1705886.....115
1600375.....149, 294		1704260 149	
1600411.....83		1704277 ... 269, 273, 277, 281, 285, 289	
1600422.....83, 294			

PART NUMBER INDEX

1705895	281	2180536	57	2220974	220, 224	2752653	219, 223
1705896	281	2180724	220, 224	2221042	219, 223	2752762	219, 223
1705897	281	2180798	51, 57, 66	2221176	64	2752763	219, 223
1705898	281	2180832	165, 168	2230027	224	2752783	221, 225
1705901	281	2200222	43, 79	2230046	220, 224	2752928	219, 223
1705902	281	2220063	41	2300004	52	2752981	220, 224
1705903	281	2220235	203, 219, 223	2300014	297	2753192	219, 223
1705921	289	2220237	220, 224	2300016	298	2753318	219, 223
1705961	289	2220250	53, 58	2300019	298	2753321	219, 223
1705967	281	2220252	115	2300027	297	2753472	220, 224
1705978	289	2220273	53, 57	2300029	297	2753706	219, 223
1706059	53, 65	2220313	53, 57, 64	2400060	113, 251, 266	2753707	219, 223
1706060	53, 65	2220372	219, 223	2400064	113, 251, 266, 294	2753809	219, 223
1706061	53, 65	2220373	219, 223	2400065	247, 260, 292	2753891	220, 224
1706062	53, 65	2220376	73, 77, 219, 223	2400066	247, 251, 260, 266	2753892	224
1706063	53, 65	2220380	219, 223	2400070	251, 266, 294	2753893	219, 223
1706064	53, 65	2220408	219, 223	2400093	263	2754022	220
1706098	53, 65	2220409	220, 224	2420165	113	2754023	220
1706380	282	2220414	220, 224	2420172	82	2754024	220
1706712	82	2220415	219, 223	2420203	102, 106, 107	2754311	220, 224
1706916	82	2220428	219, 223	2460013	101, 105	2760105	82, 149
1706917	82	2220429	219, 223	2460032	101, 105	2780205	41, 43
1706943	274, 282	2220451	57, 66, 73, 74, 219, 223	2460039	101, 105	2792593	226
1707014	273	2220459	53, 58	2460048	110	2792595	223, 226
1707046	282	2220466	219, 223	2460049	101, 105	2792596	223, 226
1707047	282	2220468	220, 224	2460050	110	2792655	219, 226
1707051	282	2220471	219, 223	2460055	101, 105	2792656	219, 226
1707052	282	2220472	220, 224	2460056	101, 105	2820031	102, 107, 111, 146
1707055	282	2220473	220, 224	2460057	101, 105	2820035	146
1810078	81	2220497	220, 224	2560136	149	2820078	90, 96
1810079	81	2220498	219, 223	2600209	89, 95	2820079	90
1810080	81	2220502	220, 224	2600233	89, 95	2820080	90, 95
1810081	81	2220578	73, 74, 219, 223	2600281	145	2820081	90
1810082	81	2220582	219, 223	2680448	89	2820118	245, 257
1810083	81	2220603	220, 224	2680449	89	2820233	95
1810084	81	2220605	219, 223	2680450	89	2820234	95
1810085	81	2220609	220, 224	2720058	51, 53, 58, 65	2820235	95
1870174	228	2220618	74, 219, 223	2720160	165, 168	2840016	99
1870194	228	2220622	74, 219, 223	2720271	58	2860012	106
1870218	228	2220628	219, 223	2720398	57, 66	2860030	82, 292
2000189	57, 59	2220682	220	2720434	51, 58, 66	2900770	31
2000194	51, 53	2220700	74, 219, 223	2720449	58, 66	2900792	185, 187, 189, 191, 193, 195, 197, 199, 201, 203
2000216	66, 67	2220738	220, 224	2720509	51	2900838	298
2000246	65	2220750	115	2720510	51	2901284	213
2000274	66, 67	2220767	52	2720515	52	2901285	203
2000279	65	2220794	53, 58	2750532	53, 57, 64, 66	2901301	197, 199, 206
2000283	65	2220810	77, 219, 223	2751032	41	2901303	185, 191, 193, 195, 206
2000339	66, 68	2220852	74, 221, 225	2751396	220, 224	2901443	251, 266, 298
2000342	65	2220873	219, 221, 223, 225	2751474	219, 223	2902212	163
2000386	51, 53	2220883	185, 187, 189, 191, 193, 195, 197, 199, 201, 203	2752438	224	2902217	168, 177, 179
2030010	165, 168, 177, 179	2220885	185, 187, 189, 191, 193, 195, 197, 199, 201, 206, 211, 213	2752453	220	2902296	52, 58, 64, 248, 260
2060025	51, 57, 66	2220887	203	2752515	219, 223	2902300	298
2080040	145, 146	2220893	31	2752573	219, 223	2902303	297
2080044	127	2220909	220, 224	2752580	219, 223	2902307	296
2120145	31	2220914	221, 225	2752588	220, 224	2902312	296
2120146	31	2220921	219, 223	2752591	220, 224	2902322	296
2120149	31, 292	2220946	74, 221, 224	2752596	219, 223	2902329	296
2120150	31	2220947	74, 219, 223	2752597	220, 224	2902443	260
2120164	31	2220948	74, 221, 224	2752598	220, 224	2902467	297
2120209	31	2220949	221, 225	2752599	220, 224	2902468	297
2120210	31, 292	2220950	220, 224	2752631	219, 223	2902473	297
2160003	41			2752632	219, 223	2902549	263
2180344	41			2752633	220, 224		
2180348	64			2752643	220, 224		
2180380	220, 224						

PART NUMBER INDEX

2910463.....297	3311501 89, 94	3480206 203	3620034..... 55, 60, 69
2910868.....297	3311505 ... 51, 53, 58, 64,	3480210 ... 185, 191, 193,	3620047.....51
2910924.....297	66, 89, 94, 109, 141,	205	3641533..... 112
2910968.....298	175	3520028 102, 106, 149	3720021..... 115
2915096.....298	3311508 109	3520033 89	3740049..... 82, 251, 266,
2915137.....297	3311601 ...79, 90, 94, 150	3520035 83	292
2920110.....86	3311605 ... 51, 55, 57, 60,	3520071 163	3740067... 51, 57, 67, 292
2920113.....86	64, 66, 69, 89, 94, 95,	3520072 145	3740080.... 102, 106, 111,
2920129.... 244, 247, 248,	99, 102, 106, 117, 127,	3520189 112	294
256, 260, 261	130, 134, 141, 146,	3520198 145	3760170..... 41
2920140..... 146	165, 168, 177, 179	3536089 146	3760368.... 185, 191, 193,
2920162.... 101, 106, 107	3311705 102, 106	3537318 41	205
2920215.....86	3311801 ...51, 58, 65, 111	3537416 57, 66	3760369.... 197, 199, 205,
2940074..... 145, 292	3311805 ... 51, 57, 66, 89,	3537420 57	213
2940088..... 89, 95	94, 99, 139	3537445 99	3760372..... 203
2940188..... 94	3312005 163	3537446 99	3790012..... 86, 149, 150
3020016.....52, 65	3312201 129, 133, 163	3538758 141	3790045.....52, 59
302002160, 67	3312205 163	3539219 82	3790152.....58, 65
3160273..... 41, 45	3321501 90, 94	3539563 122, 127	3820001..... 86, 269, 273,
3200362..... 58, 66	3340755 130, 134	3539590 90, 95	277, 282, 286, 289
320040157	3340757 129, 133	3539622 130, 134	3820020..... 145
3200406..... 51, 66	3340758 130, 134	3539872 51, 57, 66	3841013..... 141
3220103..... 59, 66	3340764 141	3539934 89	3841143.. 52, 57, 64, 121,
3220104..... 59, 66	3340844 129, 133	3539955 90, 96	127, 130, 134
3220113..... 51	3340871 130, 134	3539957 52, 59, 65	3841258..... 121, 127
3251102.... 102, 107, 146	3340881 129, 133	3539971 57, 66	3841340..... 122, 127
3251242.....285	3340900 130, 135	3539979 90	3850019..... 205
3251243.... 106, 269, 273,	3340938 21	3571712 94	3850020..... 205
277, 281, 289	3340956 163	3572044 ... 270, 273, 282,	3860050..... 141
3251813.... 269, 273, 277,	3380429 52, 59, 65	287, 289	3890005..... 129
281	3380434 ... 146, 269, 277,	3572329 277	3890006..... 129, 133
3252347.... 269, 273, 286	286	3572415 85	3890009..... 134
3252507.... 107, 269, 273	3380535 85	3573400 ... 165, 168, 177,	3890010..... 133
3252764..... 109	3420156 150	179	3900141..... 185
3272001 134	3421453 168	3573641 165	3900205..... 145
3272401 134	3421565 41	3573642 ... 168, 177, 179	3900232..... 89, 94, 95
3272605 139	3421627 41	3573643 165	3900268..... 82
3290405 263	3422417 130, 134	3574206 51	3910606..... 109
3290605 168	3422424 130, 134	3574207 51	3910608..... 99, 113
3290801 51	3422446 52, 57, 64	3574208 51	3910610..... 112
3300151 ... 165, 168, 177,	3422557 121, 127	3574684 102	3910804..... 82
179	3422561 126	3574978 66	3911008..... 145
3300205..... 82	3422562 121	3576799 168	3911040..... 86
3300240 134	3422563 121	3577121 ... 168, 177, 179	3930816..... 85
3300241 129, 133	3422564 121, 126	3580134 102, 106	3930828..... 85
3300242 134	3422565 121	3580158 105	3931408..... 85
3300353 149	3422566 121, 126	3580241 129, 133	3931448..... 213
3300396 112	3422567 121	3580243 129, 133	3931508..... 213
3300399 134	3422568 121, 126	3580248 129, 133	3931516.... 185, 191, 193,
3300400 134	3422569 121	3580249 129, 133	195, 205
3300408 82	3422574 127	3580276 102, 106	3931620.. 52, 57, 65, 197,
3310601 99, 112	3422580 121	3580317 111	199, 201, 205, 211, 213
3310604 113	3422583 126	3580318 111	3931632..... 111
3310801 85	3422661 175	3580319 111	3932032..... 203
3310805 113	3422790 127	3580320 111	3932224..... 41
3311001.. 89, 94, 95, 107,	3422860 126	3580321 111	3951608..... 130, 134
145	3422861 126	3580322 101	3960389.... 53, 57, 65, 89,
3311005.... 86, 102, 106,	3422867 127	3600242 52, 57, 77	94
150, 168, 177, 179	3423184 121, 126	3600296 74	3960407..... 58, 67
3311401.... 82, 122, 127,	3430816 99	3600359 53, 59, 71	3960422.... 109, 249, 250,
135	3450404 99	3600363 52, 57, 71, 74	264, 265
3311402..... 122, 127	3450806 141	3600365 31, 32	3960438..... 89, 95
3311405.... 32, 51, 57, 66,	3460334 163	3600386 115, 117	3960453..... 89
83, 90, 94, 117, 141,	3460544 53	3600395 65, 77	3960461..... 86
146, 165, 168, 263,	3470003 150	3600412 65, 73	3960462..... 89, 95
269, 273, 277, 282,	3480188 197, 199, 205	3600413 65, 74	3960464..... 89, 95
286, 289	3480205 213	3620033 57, 67	3960468..... 51, 58, 67

PART NUMBER INDEX

3960469 51, 58, 67	4360314 150, 294	4460346..... 109, 249, 250,	4460792 247, 259
3960470 89, 94	4360328 82, 149, 150,	262, 265	4460844 247
3990001 ... 246, 247, 258,	292	4460374.... 112, 250, 251,	4460865 245, 257
259, 292	4360331 150, 292	264, 266	4460866 ... 244, 246, 256,
3990010 249, 264	4360336 86, 102, 106,	4460375.... 112, 250, 251,	258
4010608 168	109, 146, 150, 294	264, 266	4460871 ... 153, 155, 161,
4031911 51	4360387 149, 292	4460411 112	244, 246, 247, 248,
4032015 111	4360392 51, 57, 67	4460412 112	249, 256, 258, 259,
4060092 249, 262	4360407 149, 292	4460413 112	260, 261
4060700 ... 109, 249, 250,	4360436 79	4460414 112	4460873 ... 244, 247, 256,
262, 265	4360469 82, 294	4460415 112	259
4060802 ... 102, 106, 109,	4360470 82, 294	4460418.... 244, 246, 256,	4460874 82, 244, 246,
146	4360475 82, 149, 292	258	256, 258
4060803 141	4360476 82, 149, 292	4460419.... 244, 246, 256,	4460875 82, 244, 246,
4060805 ... 52, 58, 60, 67,	4360506 ... 134, 248, 261,	258	256, 258
130, 134	294	4460424.... 246, 247, 251,	4460876 246, 258
4060906 82	4360540 107	258, 259, 266	4460878 246, 258
4060907 86	4360541 107	4460425.... 112, 251, 265	4460879 244, 256
4060918 32	4360542 ... 101, 106, 107	4460426..... 82, 112, 146,	4460880 ... 246, 247, 258,
4060959 297	4360549 85	246, 251, 258, 265, 266	259
4061010 95	4360578 85, 294	4460428 115, 149, 244,	4460887 ... 244, 246, 256,
4061043 ... 109, 250, 265	4400400 79	256	259
4061049 110	4400449 79	4460434.... 244, 247, 256,	4460889 247
4070410 90, 94	4420014 163	259	4460890 247
4070411 90, 94	4420037 ... 168, 177, 179	4460445 246, 258	4460891 247, 259
4070412 90, 94	4420038 79	4460457 247, 259	4460892 260
4070585 107	4420051 286, 289	4460458.... 247, 248, 259,	4460894 260
4070863 130, 134	4420054 85	261	4460897 248, 261
4070864 130, 134	4420060 85, 113	4460460.... 247, 248, 259	4460905 82, 149, 244,
4070895 130, 134	4420062 175	4460464.... 244, 246, 248,	246, 247, 256, 258, 259
4070896 129, 133	4420066 163	256, 258, 261	4460906 264
4070897 129, 133	4460007 150	4460465.... 112, 245, 247,	4460908 248, 260
4070898 129, 133	4460023 102, 106	251, 257, 259, 266	4460909 83, 246, 258
4070929 130, 134	4460027 101, 106	4460466..... 83, 245, 246,	4460915 83
4070939 130, 134	4460051 ... 111, 250, 265	248, 257, 258, 260	4460928 ... 247, 248, 259,
4070940 130, 134	4460071 ... 111, 146, 244,	4460467.... 251, 266, 298	260
4070976 130, 134	249, 250, 256, 263, 265	4460470.... 82, 149, 244,	4460943 259, 260
4070987 82	4460125 249, 262	246, 256, 258	4460944 ... 248, 259, 260
4070994 141	4460134 250, 265	4460471.... 82, 149, 244,	4460945 248
4070995 141	4460190 101, 106	246, 256, 258	4460956 112, 263
4071004 130, 134	4460205 ... 249, 250, 263,	4460473 245, 257	4460957 112, 263
4071005 130, 135	265	4460475.... 247, 248, 261	4460958 ... 109, 250, 265
4071007 130, 135	4460224 249, 261	4460488 82, 149	4460961 264
4100026 245, 257	4460225 ... 244, 250, 256,	4460499..... 39, 248, 260	4460962 168, 177
4100033 122, 127	265	4460508.... 244, 248, 256,	4460963 112, 251, 265
4100100 185	4460226 ... 158, 244, 246,	258	4460965 248
4120035 ... 244, 247, 248,	248, 249, 250, 251,	4460509 245, 257	4460966 248
256, 259, 261	252, 256, 260, 261,	4460510.... 251, 266, 298	4460967 ... 112, 251, 266
4160139 89, 94	264, 265, 266	4460526..... 82, 246, 258	4460968 85, 107, 263
4160143 89, 94	4460227 ... 244, 246, 247,	4460536 259, 260	4460971 165, 168
4160149 134	256, 259	4460539.... 247, 259, 260	4460991 107
4220162 86	4460233 249, 263	4460607 112	4460995 259
4220191 51	4460234 86, 113, 149	4460633 115, 263	4460996 259
4240018 110	4460259 251, 266	4460634 ... 244, 247, 248,	4460999 107
4240032 86, 113	4460260 251, 266	256, 259, 261	4461001 112
4240033 122, 127	4460265 158	4460635.... 244, 247, 256,	4461005 259, 261
4240099. 55, 60, 69, 146,	4460267 ... 246, 248, 251,	259	4461006 259, 261
165, 168, 177, 179	258, 260, 266	4460705 264	4461008 261
4240113 79	4460268 ... 246, 247, 251,	4460708.... 149, 244, 248,	4461052 259, 260
4240149 163	258, 259, 266	256, 260	4461053 259, 260
4280295 79	4460297 251, 266	4460744 247	4461054 259, 261
4300157 111	4460320 ... 246, 251, 258,	4460745 247	4461060 259, 261
4340747 115	266	4460746 247	4461070 259
4341301 168	4460321 ... 252, 264, 266	4460750 247	4461071 260
4360031 145	4460326 ... 246, 248, 258,	4460761.... 244, 246, 256,	4461072 260
4360070 112, 294	260	259	4461073 260
4360294 106, 294	4460339 247, 260	4460790 248	4461074 260

PART NUMBER INDEX

4461095.....259	4740500..... 95	4921927 32, 248, 260	70000345.....68
4461196.....263	4750600..... 112	4921956 250, 264	7000045.....68
4461198.....262	4750800..... 113	4922099 248	70000579.....35
4461199.....263	4751000 ... 86, 89, 94, 95,	4922314 248, 261	70000580.....35
4461201.....262	102, 106, 145, 150,	4922467 245, 257	70000582.....35, 292
4461202.....263	168, 177, 179	4922468 245, 257	70000583.....35
4461204.....262	4751400 ... 51, 57, 67, 82,	4922482 249	70000619.....111
4461205.....263	85, 90, 94, 110, 122,	4922513 82, 246, 258	70000800.....68
4461207.....262	127, 146, 150, 165,	4922636 247, 260	70000863.....110
4461244.....262	168, 177, 179, 269,	4922637 248, 260	70000916.....68
4461245.....262	274, 277, 282, 286, 289	4922639 ... 150, 228, 244,	70000934.....31
4461246.....262	4751500 ... 31, 52, 53, 65,	256	70001002.....59
4461249.....263	89, 90, 94, 96, 102,	4922641 ... 113, 249, 251,	70001017.....59, 66
4530022.....179, 181	106, 109, 175	264, 266	70001051.....54
4530024.....165, 171	4751600 ... 27, 51, 57, 64,	4922643 251, 266	70001100.....110
4530025.....165, 171	67, 79, 89, 94, 95, 102,	4922666 83, 150, 244,	70001120.....54
4530028....168, 177, 179,	106, 117, 130, 135,	246, 256	70001384.....110
181	146, 165, 168, 177, 179	4922737 52, 248, 260	70001423.....60, 68
4566468....191, 193, 197,	4751700 67	4922757 112, 251, 266	70001424.....173
199, 205	4751800 ... 51, 52, 59, 65,	4922791 ... 245, 246, 257,	70001425.....173
4566471.....185	115	258	70001427.....173
4566501.....203	4751900 102	4922792 ... 245, 246, 257,	70001428.....173
4566644.....213	4752000 52, 58, 64	258	70001429.....173
4567073.....51	4760600 112, 113	4922839 244, 256	70001430.....173
4567815.....59, 67	4761000 89, 94, 145	4922884 245, 257	70001431.....173
4568721.....51	4761400 82	4922886 245, 257	70001432.....173
4568788.....51	4761500 109	4922888 ... 146, 245, 251,	70001498.....59, 68
4569171.....67	4761600 117	257, 266	70001663.....117
4569177.....51	4770600 99	4922889 245, 257	70001681.....60
4569371.....51	4791400 58, 67, 110	4922912 107	70001696.....110
4640509....185, 187, 189,	4811400 263	4922913 250, 264	70001697.....137
191, 193, 195, 197,	4811700 168	4922925 111, 250, 265	70001742.....54
199, 201, 203	4811900 51, 111	4922961 83, 247	70001872.....68
4640744.....77, 219, 223	4812100 52	4922967 83, 246	70001941.....86
4640750.....51	4812200 67	4922970 264	70001953.....110
4640751.....57, 67	4831900 60, 67, 85	4922974 83, 247	70001966.....110
4640906.....31	4832000 52, 60, 67	4922978 65	70001969.....110
4640907.....31	4844815 126	4923213 83, 258	70001973.....110
4640908.....31	4844816 126	4923257 83, 259	70001974.....110
4640921.....31, 39	4844817 126	4923259 260	70001976.....39
4640932....191, 193, 195,	4844944 121, 126	4923379 67, 261	70002005.....141, 294
197, 199, 201	4845356 90, 94	4923577 83, 258	70002006.....141
4641017.....31, 35	4845393 79	4923582 83, 259	70002088.....110
4641028.....213	4845395 58, 67	4923584 260	7000209.....43
4641264.....74, 219, 223	4845404 57, 67	4923591 260	7000214.....43
4641489.....31, 35	4845411 89, 95	4932986 228, 297	7000217.....43
4711400....32, 65, 67, 83,	4845582 175	4933146 228, 248, 261	70002200.....59, 66
86, 110, 141, 146, 263	4845671 141	4933215 228, 249, 264	70002208.....47
4711500.....51, 109, 141,	4845819 141	4933216 ... 228, 249, 264	70002234.....59, 68
150	4846319 129, 133	4933219 228	70002235.....105
4711600....31, 52, 55, 58,	4846452 145	4933264 ... 112, 228, 251,	70002239.....101, 105
60, 67, 69, 111, 130,	4846566 57, 67	266	70002240.....101, 106
134, 141	4846571 165	4933284 228, 249, 264	70002243.....47
4711700.....67	4846573 139	4933287 228, 249, 264	7000228.....43
4711800.....99, 110, 141	4846627 ... 168, 177, 179	4933298 228, 247	7000229.....43
4711900.....59, 67	4846790 52	4933300 264	70002297.....110
4712000.....163	4846805 52	4933301 228, 247	7000230.....43
4712200.....163	4891400 32	4933324 228, 259, 260	70002373.....209
4740076.....89, 90, 94	4891500 32	4933368 228, 259, 260	70002411.....60
4740158.....122, 127	4891600 ... 52, 57, 65, 99,	4933369 228, 259, 260	7000246.....43
4740171.....89, 94	130, 134, 139	70000122 101, 105	70002460.....110
4740274.....51, 59, 67	4891800 . 32, 41, 99, 130,	70000123 101, 105	7000253.....43
4740314.....122, 127	134, 139	70000124 101, 106	70002530.....60
4740362.....86, 146	4892000 41, 90, 95	70000125 101, 106	7000255.....43
4740397....102, 106, 146	4892200 163	70000126 101, 106	7000256.....43
4740439.....127	4892600 139	70000127 105	7000257.....43
4740444.....82	4921827 250, 264	70000342 137	7000258.....43

PART NUMBER INDEX

7000263	43	70006444	201, 211	7007289	73	7016424	45
7000269	43	70006445	201, 211	7007412	73	7016425	45
7000270	43	70006446	201, 211	7007419	71, 73	7016426	45
70002730	155	70006447	211	7007470	72, 73	7016427	45
70002731	155	70006568	187	7007489	77	7016530	141, 294
70002732	155	70006569	187, 195	7007498	248, 261	7016531	141
70002733	155	70006570	187	7007633	43	7016532	141
70002734	155	70006571	187	7010103	77	7016654	298
70002735	155	70006572	187	7010104	77	7016655	298
70002761	55	70006597	209	7010105	77	7017070	43
70002762	55	70006599	209	7010474	43	7017158	137
70002763	53	70006601	209	7010488	43	7017159	137
70002764	55	7000663	59, 68	7010492	43	7017162	137
70002765	55	70006648	195	7010494	43	7017163	137
70002766	55	70006649	189, 195	7010496	43	7017164	137
70002767	55	70006650	189, 195	7010542	36	7017183	137
70002833	54	70006734	189	7010543	31, 36	7017193	137
70002834	54	70006735	189	7011043	32	7017195	137
70002835	54	70006736	189	7011044	32	7017410	35
70002841	54	70006774	209	7011048	32	7017411	35
70002845	55	70006775	209	7011062	32	7017421	39
70002846	55	70006776	209	7011063	32	7017422	39
70002852	55	70006822	201	7011064	32	7017464	35
70002906	155	70006823	201	7011065	32	7017481	31
70002948	115	7001268	72	7011066	32	7018612	41
70003001	68	7001481	73	7011112	191, 193, 195, 197, 199, 201	7018912	35, 36, 39
70003002	69	7001485	71, 72	7011328	31	7018942	39
70003003	69	7001909	43	7012513	101, 105	7018945	39
70003476	59, 66	7001911	43	7012514	101, 105	7018991	36
70003483	145	7001928	43	7012518	35	7019111	153
70003556	59	7001931	43	7012558	101, 105	7019122	153
70003631	110	7001985	43	7012664	50, 57, 66, 292	7019123	153
70003708	110	7001987	43	7012769	35	7019141	153
70003709	110	7001988	43	7012772	35, 36, 39, 292	7019142	153
70003784	149	70022564	209	7012773	35, 36, 39	7019143	153
70004169	110	70023371	209	7012775	36	7019144	153
70004170	110	70023915	187	7012776	39	7019145	153
70004171	110	7002821	251, 266, 298	7012777	39	7019147	153
70004182	51	7002822	298	7012779	35	7019149	153
70004643	141	7002823	251, 266, 298	7012799	35	7019150	153
70004752	157	7002826	298	7012905	31	7019171	153
70004753	157	7002828	251, 266	7012912	35, 36	7019174	153
70004754	157	7003657	101, 105	7012914	35	7019177	153
70004755	157	7003928	153, 155	7012918	35	7019197	153
70004756	157	7003953	153	7012941	31	7019658	79
70004757	157	7003974	161	7012944	31, 35, 292	7019680	101, 105
70004758	157	7003976	153	7012953	35, 39	7020020	31
70004759	157	7003977	153	7012965	39	7020021	31
70004760	157	7003992	153	7012967	35	7020108	101, 105
70004761	157	7003993	153	7012972	31	7020109	101, 105
70004762	157	7004035	47	7012973	35, 36, 39	7020110	101, 105
70004763	157	7004043	47	7012987	77	7020111	101, 105
70004764	157	7004044	47	7012988	77	7020168	59
70004765	157	7004248	32	7012989	35	7020175	82, 149
70004766	157	7004275	298	7012998	35, 36, 39	7020176	82, 149
70004767	157	7004276	298	7014676	298	7020190	101, 105
70004768	157	7004290	32	7016138	294	7020191	102, 106
70004769	157	7005881	45	7016312	31	7020192	102, 106
70004770	157	7005882	45	7016313	31	7020246	81
70004771	157	7005889	45	7016314	79	7020403	60
70004772	157	7005890	45	7016322	99	7020408	59, 68
70004773	158	7005891	45	7016328	294	7020411	59, 68
70004774	158	7005892	45	7016331	59, 68, 294	7020431	60
70004775	158	7005893	45	7016374	99	7020447	68
7000625	145	7006138	141	7016380	86	7020449	60, 68
70006442	211	7006143	141	7016399	146	7020458	59, 68
70006443	201, 211	7006165	141	7016422	45	7020459	60, 68
				7016423	45		

PART NUMBER INDEX

7020460.....	60, 68	7022342.....	72	7024469.....	181	7026646.....	118
7020461.....	59, 68	7022343.....	72	7024470.....	181	7026647.....	118
7020464.....	59, 68	7022344.....	72	7024471.....	173, 181	7026648.....	118
7020465.....	59, 68	7022345.....	72	7024472.....	181	7026649.....	118
7020468.....	59, 68	7022346.....	72	7024473.....	181	7026650.....	118
7020471.....	59, 66, 68	7022347.....	72	7024474.....	181	7026651.....	117
7020474.....	59	7022348.....	72	7024475.....	181	7026652.....	117
7020479.....	59, 68	7022349.....	72	7024476.....	181	7026653.....	117
7020480.....	59	7022350.....	73, 248, 261	7024477.....	181	7026654.....	117
7020482.....	60	7022351.....	73	7024478.....	181	7026655.....	117
7020487.....	59, 68	7022352.....	73	7024479.....	181	7026656.....	117
7020488.....	60, 68	7022353.....	73	7024485.....	110	7026658.....	118
7021229.....	73	7022354.....	71	7024488.....	111	7026659.....	117
7021236.....	71	7022355.....	71	7024489.....	111	7026660.....	117
7021237.....	71	7022357.....	72	7024519.....	171	7026661.....	117
7021238.....	71	7022358.....	73	7024520.....	171	7026800.....	53
7021239.....	71	7022359.....	73	7024521.....	171	7026801.....	53
7021240.....	71	7022521.....	35	7024522.....	171	7026802.....	53
7021243.....	71	7022693.....	13	7024523.....	171	7026803.....	53
7021248.....	71	7022808.....	153, 155	7024524.....	171	7026804.....	53
7021249.....	71	7022814.....	153	7024525.....	171	7026805.....	53
7021250.....	71	7022815.....	153, 155	7024526.....	171	7026806.....	53
7021251.....	71, 72	7022816.....	153	7024527.....	171	7026807.....	53
7021253.....	71	7022817.....	153	7024528.....	171	7026810.....	53
7021255.....	71, 72, 73	7022818.....	153, 292	7024529.....	171	7026811.....	53, 294
7021256.....	73	7022819.....	153, 155, 248, 261	7024530.....	171, 173	7026812.....	54
7021257.....	72	7022832.....	161	7024531.....	171, 173	7026813.....	54
7021259.....	72	7022833.....	161	7024532.....	171, 173	7026814.....	54
7021260.....	72	7022834.....	161	7024533.....	171, 173	7026815.....	54
7021265.....	72	7022834.....	161	7024534.....	171, 173	7026816.....	54
7021267.....	71	7022835.....	161	7024535.....	171, 173	7026817.....	54
7021269.....	72	7022836.....	161	7024536.....	171, 173	7026818.....	54
7021271.....	72	7022837.....	161	7024537.....	171, 173	7026819.....	54
7021272.....	72	7022838.....	161, 292	7024538.....	171	7026820.....	54
7021273.....	72	7022839.....	161	7024539.....	171	7026821.....	54
7021274.....	72	7023981.....	31	7024540.....	171	7026822.....	54
7021275.....	72	7023996.....	71	7024541.....	171	7026823.....	54
7021276.....	72	7023997.....	71	7024560.....	59, 66	7026824.....	54
7021277.....	72	7023998.....	71	7024565.....	59, 68	7026825.....	54
7021278.....	72	7023999.....	71	7024579.....	60, 68	7026826.....	53
7021279.....	72	7024100.....	43	7024598.....	99	7026827.....	53
7021280.....	73	7024318.....	59	7024800.....	72	7026828.....	53
7021281.....	73	7024379.....	47	7024801.....	73	7026829.....	53
7021283.....	73	7024380.....	47	7024802.....	73	7026830.....	54, 294
7021285.....	73	7024381.....	47	7024803.....	73	7026831.....	54
7021289.....	72	7024389.....	47	7024804.....	72	7026832.....	54
7021296.....	73	7024390.....	47	7024805.....	71	7026833.....	54
7021297.....	73	7024395.....	47	7026188.....	110	7026834.....	54
7021298.....	73	7024397.....	213	7026199.....	101, 105	7026835.....	54
7021299.....	73	7024398.....	59, 66	7026522.....	59	7026836.....	54
7021310.....	36	7024413.....	59	7026597.....	110	7026837.....	54
7021373.....	35	7024439.....	79	7026608.....	59, 68	7026838.....	54
7021375.....	35, 36	7024440.....	79	7026631.....	59, 68	7026839.....	54
7021376.....	35, 292	7024441.....	79	7026632.....	117	7026840.....	54
7022190.....	72	7024442.....	79, 292	7026633.....	117	7026841.....	54
7022321.....	71	7024443.....	79	7026634.....	117	7026843.....	54
7022330.....	71	7024444.....	79, 292	7026635.....	117	7026845.....	54
7022331.....	71	7024445.....	79	7026636.....	117	7026882.....	54
7022332.....	71	7024446.....	79	7026637.....	117	7026887.....	54
7022333.....	71	7024453.....	47	7026638.....	117	7026888.....	54
7022334.....	71	7024462.....	181	7026639.....	117	7027000.....	248, 260
7022335.....	71	7024463.....	181	7026640.....	117	7027001.....	52, 58, 64, 248, 260
7022336.....	71	7024464.....	181	7026641.....	118	7027002.....	52, 58, 64, 248, 260
7022337.....	71	7024465.....	181	7026642.....	118	7027003.....	52, 58, 64, 248, 260
7022338.....	71	7024466.....	181	7026643.....	118		
7022340.....	72	7024467.....	181	7026644.....	118		
7022341.....	72	7024468.....	181	7026645.....	118		

PART NUMBER INDEX

7027004 . 52, 58, 64, 248, 260	80213044 11	80214332.....13	83201047..... 11
7027236 68	80213060 11	80214333.....13	8320270 59, 68
7027239 68	80213115 27	80214334.....13	83304150 47
7027241 68	80213116 27	80214337.....13	83604107 23
7027245 68	80213117 11, 21	80214361.....21	83694007 23
7027246 68	80213119 217	80214362.....21	83694009 23
7027276 59, 68	80213121 13	80214363.....21	83694010 23
7027412 51	80214001 17	80214364.....21	83694040 23
7027608 68	80214002 17	80214365.....21	83694045 25
7027609 68	80214003 17	80214366.....21	83694046 25
7027610 68	80214004 23	80214367.....21	83694047 25
7027773 181	80214005 17	80214368.....21	83694108 23
7027774 181	80214006 17	80214369.....21	83813109 298
7027775 181	80214007 17	80214370.....21	83953053 217
7027776 181	80214008 17	80214371.....14	8405009 50
7027777 181	80214009 19	80214372.....14	8405104 50
7027778 181	80214010 19, 25	80214373.....14	84718465 217
7027779 181	80214011 19, 25	80214374.....14	84718604 217
7027780 181	80214012 19	80214375.....13	84719026 217
7027781 115	80214013 19	80214376.....13	84719727 217
7027782 115	80214014 19	80214377.....13	84719728 217
7027783 115	80214015 19	80214378.....14	88201065 11
7027784 115	80214017 19	80214379.....14	88201069 27
7027790 68	80214018 19	80215014..... 11, 27, 217	88341012 11
7027791 68	80214019 19	8021-5014.....226	88501008 27
7027792 68	80214020 19	80215016..... 11, 27, 217	88501016 11
7027793 68, 261	80214021 19	8021-5016.....226	88521205 51, 64
7027794 261	80214022 19	80216028.....11	88521212 11
7027795 68	80214023 23	80216035.....27	88551013 11, 27
7027796 68, 260	80214024 23	8021-D121 11	88662301 217
7027799 110	80214026 23	80613008 11, 25	88662329 217
7027887 102, 106	80214027 23	80613009 11, 25	88662332 217
80211039 11	80214028 23	80614008 25	88662346 217
80211144 27	80214029 23	80683015 11	88662354 217
80211147 27	80214030 23	80914076 13	88662421 217
80211148 27	80214031 25	8310129 163	88662446 217
80211154 11	80214033 25	8310230 163	88662448 217
80213004 11, 17	80214034 25	83191002 11	8896941 298
80213005 11, 19	80214171 14	83191004 27	90027187 217
80213011 11	80214172 14	83191010 27	90027472 11
80213016 21	80214308 13	83191013 27	90027475 11
80213040 11, 23	80214312 13	83191021 27	91401281 50, 64
80213041 11, 25	80214325 13	83191056 11	
80213042 11, 25	80214326 13	83191058 11	
	80214329 13	83201001 11	



3121158



An Oshkosh Corporation Company

Corporate Office
JLG Industries, Inc.
1 JLG Drive
McConnellsburg, PA 17233-9533 USA
☎ (717) 485-5161 (Corporate)
☎ (877) 554-5438 (Customer Support)
📠 (717) 485-6417

Visit our website for JLG Worldwide Locations.
www.jlg.com