



# Illustrated Parts Manual

**Models**  
**600SC**  
**660SJC**

**SN 0300128000**  
**THROUGH**  
**0300174703**

**3121251**

September 30, 2018 - Rev O

**ANSI**

**CE**



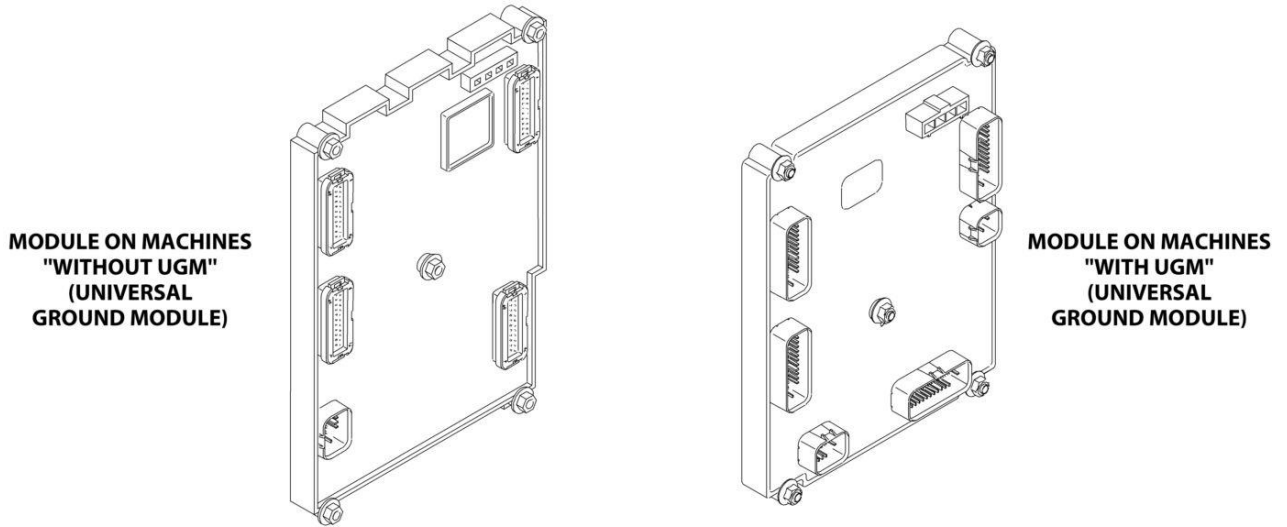
An Oshkosh Corporation Company



# REVISION LOG

NOTES:

## GROUND MODULE IDENTIFICATION



### MANUAL REVISION LOG:

February 2, 2009 - A - Original Issue Of Manual (Edited to B/M 0010568 Revision 67)

November 20, 2009 - B - Revised Manual (Edited to B/M 0010568 Revision 67)

January 31, 2011 - C - Revised Manual (Edited to B/M 0010568 Revision 67)

May 20, 2011 - D - Revised Manual (Edited to B/M 0010568 Revision 67)

August 5, 2011 - E - Revised Manual (Edited to B/M 0010568 Revision 67)

December 6, 2011 - F - Revised Manual (Edited to B/M 0010568 Revision 79)

May 4, 2012 - G - Revised Manual (Edited to B/M 0010568 Revision B)

July 26, 2012 - H - Revised Manual (Edited to B/M 0010568 Revision B)

November 19, 2012 - I - Revised Manual (Edited to B/M 0010568 Revision B)

March 20, 2013 - J - Revised Manual (Edited to B/M 0010568 Revision B)

June 30, 2013 - K - Revised Manual (Edited to B/M 0010568 Revision R)

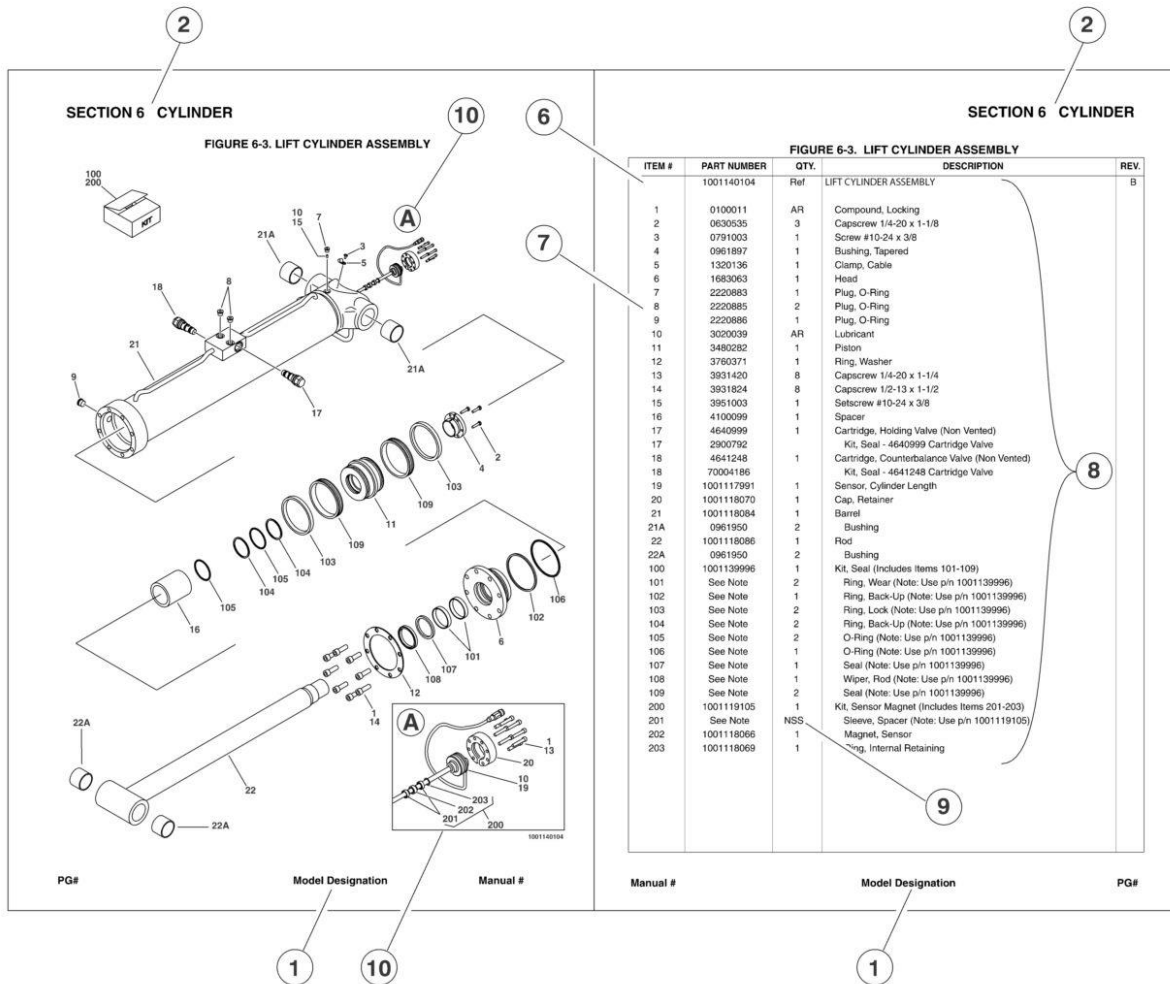
September 10, 2013 - L - Revised Manual

June 30, 2016 - M - Revised Manual (Revision 4)

March 30, 2018 - N - Revised Manual

September 30, 2018 - O - Revised Manual

# GENERAL INFORMATION



## 1) MACHINE IDENTIFICATION

Machines are identified by model and in some cases a combination of models, serial number (SN) or regional standard (i.e. ANSI, CE, CSA). Components may also be identified by SN or manufacturer. Common components that may be identified by these characteristics are engines and hydraulic components.

## 2) PARTS MANUAL ORGANIZATION

Product information in this manual is organized under section titles. Frame, Cylinder, Hydraulic and Electrical are a few examples. Each section is organized by figure and page number. The information within the Figure is then organized by item number, part number, description and corresponding illustration (s).

## 3) TABLE OF CONTENTS

A table of contents is found toward the beginning of the manual. Figure number, description and page number are provided for quick reference to the page containing the related information.

## 4) RECOMMENDED SPARE PARTS

The Recommended Spare Parts, located near the end of the manual, reference most frequently used maintenance parts.

## 5) PART NUMBER INDEX

A numerical index listing all part numbers and the corresponding page number(s) appears at the back of the manual.

## GENERAL INFORMATION

### 6) NON-SERVICED PARTS

In some instances, it is necessary to display non-serviced parts, assemblies or installations. In the case of assemblies and installations there will be a Ref in the Qty column. In case of parts that are not available for service within assemblies or components, there will be a NSS (Not Sold Separately) or NLA (No Longer Available) listed in the Qty. column of the manual.

### 7) PARTS LIST ITEM NUMBERS

Numbers shown in the item# column correspond to numbers used in the associated illustration (s). Item numbers which are missing from the sequence in the parts list are not used on that page

### 8) INDENTED PARTS DESCRIPTION

An indented part description is included in the item under which it is indented.

### 9) ABBREVIATION AND SYMBOLS

AC.....	.. Alternating Current	LCD.....	.. Liquid Crystal Display
ADE.....	..Advanced Design Electronics	LED.....	.. Light Emitting Diodes
ANSI.....	..American National Standards Institute	LH.....	.. Left Hand
AR.....	..As Required	LSS.....	..Load Sensing System
ASSY.....	.. Assembly	M(m).....	.. Metric/Meter
AUX.....	..Auxiliary	MM (mm).....	..Milimeter
AWG.....	..American WireGauge	mA.....	.. Milliamps
B/M.....	.. Bill of Material	NLA.....	..No Longer Available
CE.....	..European Conformity	NPT.....	.. National Pipe Threads
CCW.....	..Counter Clockwise	NSS.....	..Not So Id Separately
cm.....	..Centimeter	OD.....	..Outside Diameter
CW.....	..Clockwise	ORB.....	.. O-Ring Boss
CSA.....	..Canadian Standards Association	ORFS.....	.. O-Ring Face Seal
CYL.....	..Cylinder	OZ (oz).....	..Ounces
DIA.....	..Diameter	PG.....	..Page
DC.....	..Direct Current	P/N.....	..Part Number
EMS.....	.. Emergency Stop	qt.....	..Quarts
ENG.....	..Engine	QTY.....	..Quantity
FT (ft).....	..Feet	REF.....	..Reference
GA (Ga).....	..Gauge	REV.....	..Revision Level
HYD.....	..Hydraulic	RH.....	.. Right Hand
Hz.....	..Hertz	SAE.....	.. Society of Automotive Engineers
ID.....	..Inside Diameter	SN.....	..Serial Number
in.....	..inches	SPEC(S).....	..Specifications
ISO.....	..International Organization for Standards	T/T.....	..Turntable
JIC.....	..Joint Industry Council	UGM.....	..Universal Ground Module
KG.....	..Kilogram	V.....	..Volts
L.....	..Liter	W.....	..Watts
LB.....	..Pounds	#.....	.. Number

### 10) ILLUSTRATION REFERENCE LETTERS

When necessary, illustrations may contain reference letters that are intended to track information (i. e. hoses, harnesses) from one point to another or to track visual enlargement of components to show details that may be located in another area on the illustration.

*Note: Due to continuous product improvements, JLG Industries, Inc. reserves the right to make specification changes without prior notification. Contact JLG Industries, Inc. for updated information.*



# TABLE OF CONTENTS

SECTION 1 - FRAME.....	9
FIGURE 1-1. GRADALL FRAME ASSEMBLY .....	10
FIGURE 1-2. GRADALL FRAME DRIVE ASSEMBLY.....	12
FIGURE 1-3. GRADALL DRIVE TRACK ROLLER ASSEMBLY (BOTTOM).....	16
FIGURE 1-4. GRADALL FRAME TRACK ROLLER ASSEMBLY (CARRIER).....	18
FIGURE 1-5. GRADALL FRAME TRACK CHAIN ASSEMBLY .....	20
FIGURE 1-6. GRADALL FRAME IDLER ASSEMBLY .....	22
FIGURE 1-7. GRADALL FRAME SPRING AND SHOCK ASSEMBLIES .....	24
FIGURE 1-8. GRADALL FRAME ROTARY COUPLING ASSEMBLY .....	26
FIGURE 1-9. CATERPILLAR FRAME ASSEMBLY.....	28
FIGURE 1-10. CATERPILLAR FRAME IDLER ASSEMBLY .....	30
FIGURE 1-11. CATERPILLAR FRAME TRACK ROLLER INSTALLATION .....	32
FIGURE 1-12. CATERPILLAR FRAME TRACK SHOE INSTALLATION .....	34
FIGURE 1-13. CATERPILLAR FRAME DRIVE MOTOR ASSEMBLY.....	36
FIGURE 1-14. CATERPILLAR FRAME DRIVE VALVE ASSEMBLY .....	38
FIGURE 1-15. CATERPILLAR FRAME DRIVE HUB ASSEMBLY .....	40
FIGURE 1-16. CATERPILLAR FRAME ROTARY COUPLING ASSEMBLY .....	42
SECTION 2 - TURNTABLE.....	45
FIGURE 2-1. CONTROL VALVES INSTALLATIONS.....	46
FIGURE 2-2. MAIN CONTROL VALVE ASSEMBLY.....	50
FIGURE 2-3. ARTICULATING JIB VALVE ASSEMBLY (660SJC ONLY).....	54
FIGURE 2-4. SWING DRIVE, TURNTABLE BEARING AND LOCK INSTALLATIONS.....	56
FIGURE 2-5. SWING HUB ASSEMBLY (SN 0300128000 through 0300137440).....	60
FIGURE 2-6. SWING MOTOR ASSEMBLY (WHITE ROLLER STATOR) (ORIGINAL EQUIPMENT) (SN 0300128000 through 0300137440) .....	62
FIGURE 2-7. SWING MOTOR ASSEMBLY (PARKER) (SERVICE REPLACEMENT) (SN 0300128000 through 0300137440) ...	64
FIGURE 2-8. SWING MOTOR/BRAKE/HUB ASSEMBLY (PARKER/FAIRFIELD) (SN 0300137441 through 0300174703) .....	66
FIGURE 2-9. CATERPILLAR ENGINE INSTALLATION (SN 0300128000 through 0300149851) .....	70
FIGURE 2-10. CATERPILLAR ENGINE INSTALLATION (SN 0300149852 through 0300174703) .....	78
FIGURE 2-11. DEUTZ ENGINE INSTALLATION (WITHOUT UGM).....	86
FIGURE 2-12. DEUTZ ENGINE INSTALLATION (WITH UGM) .....	96
FIGURE 2-13. PISTON PUMP ASSEMBLY .....	104
FIGURE 2-14. GEAR PUMP ASSEMBLY .....	110
FIGURE 2-15. TANK INSTALLATIONS.....	112
FIGURE 2-16. GROUND CONTROL ASSEMBLY (WITHOUT UGM) .....	114
FIGURE 2-17. GROUND CONTROL ASSEMBLY (WITH UGM).....	118
FIGURE 2-18. ELECTRICAL OPTIONS INSTALLATION (TURNTABLE MOUNTED).....	122
FIGURE 2-19. HOODS (ABS) AND LIFTING PLATE INSTALLATIONS .....	126
FIGURE 2-20. HOODS (STEEL) AND LIFTING PLATE INSTALLATIONS .....	132
FIGURE 2-21. ENGINE TRAY JACK INSTALLATION .....	138
FIGURE 2-22. 2500W GENERATOR INSTALLATION - CATERPILLAR MACHINES (OPTIONAL).....	140
FIGURE 2-23. 2500W GENERATOR INSTALLATION - DEUTZ MACHINES (OPTIONAL) .....	144
FIGURE 2-24. 7500W SKYPOWER GENERATOR INSTALLATION .....	148
FIGURE 2-25. SKYAIR AIR COMPRESSOR INSTALLATION.....	154
FIGURE 2-26. AIR COMPRESSOR ASSEMBLY .....	156
SECTION 3 - BOOM.....	159
FIGURE 3-1. BOOM INSTALLATION - 600SC .....	160
FIGURE 3-2. BOOM INSTALLATION - 660SJC.....	164
FIGURE 3-3. MAIN BOOM ASSEMBLIES - ANSI AND ANSI EXPORT SPECS .....	168
FIGURE 3-4. MAIN BOOM ASSEMBLIES - AUSTRALIAN AND CE SPECS .....	172
FIGURE 3-5. ROTATOR ASSEMBLIES.....	176
FIGURE 3-6. PLATFORM SUPPORT INSTALLATION.....	178
FIGURE 3-7. POWER TRACK INSTALLATION.....	180
SECTION 4 - PLATFORM.....	183
FIGURE 4-1. PLATFORM COMPONENTS INSTALLATION .....	184
FIGURE 4-2. PLATFORM CONSOLE ASSEMBLY.....	188
FIGURE 4-3. CONTROLLER ASSEMBLY (LIFT AND SWING) (ORIGINAL EQUIPMENT) .....	192
FIGURE 4-4. CONTROLLER ASSEMBLY (LIFT AND SWING) (SERVICE REPLACEMENT) .....	194
FIGURE 4-5. CONTROLLER ASSEMBLY (LIFT AND SWING) (SERVICE REPLACEMENT) .....	196

# TABLE OF CONTENTS

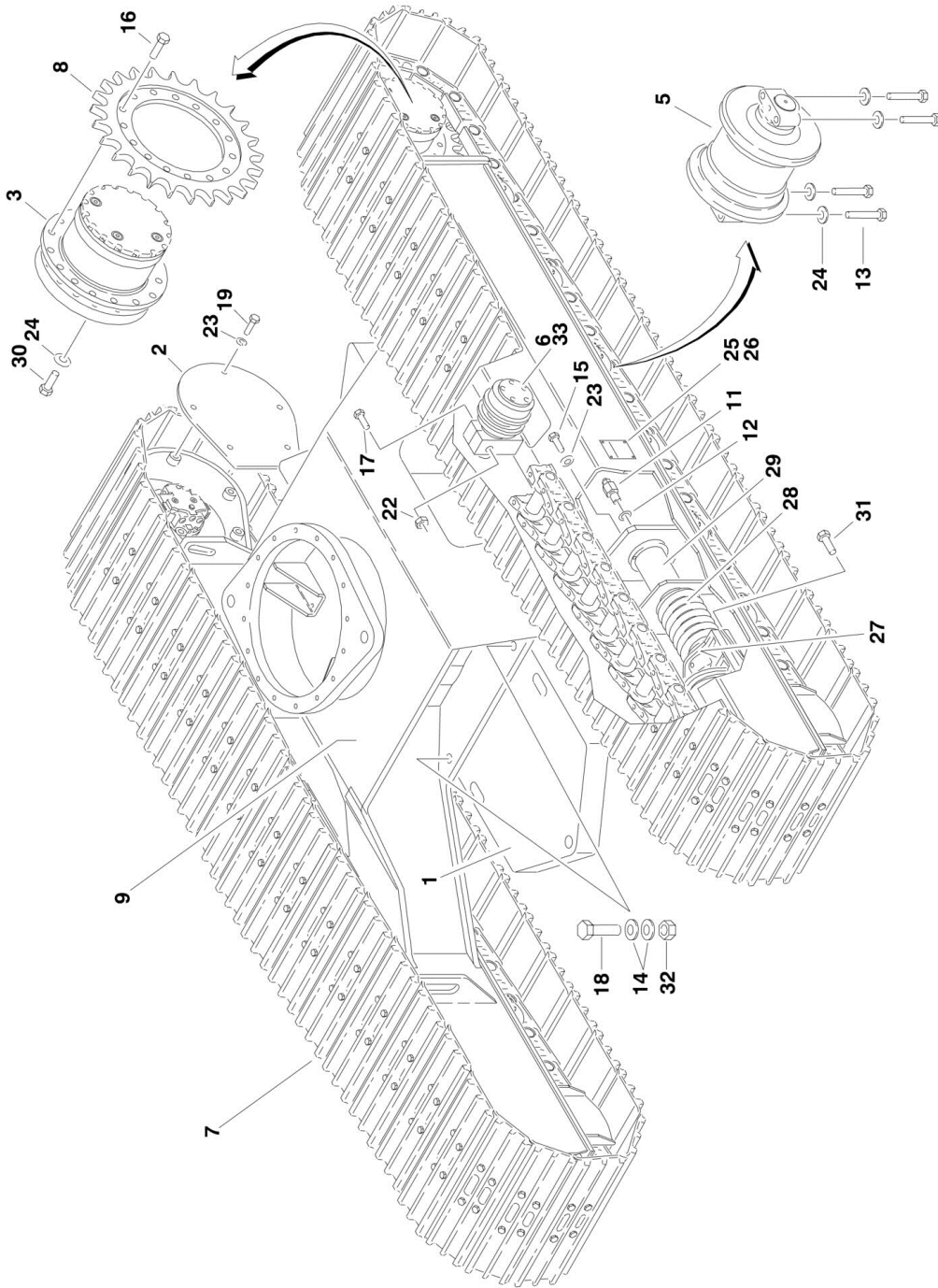
FIGURE 4-6. CONTROLLER ASSEMBLY (DRIVE AND STEER) .....	200
FIGURE 4-7. SKYGLAZIER INSTALLATION.....	202
FIGURE 4-8. SKYCUTTER INSTALLATION - 60HZ POWER SUPPLY .....	204
FIGURE 4-9. SKYWELDER/SKYCUTTER COMBO INSTALLATION (60HZ) .....	206
FIGURE 4-10. SKYWELDER INSTALLATION (60HZ).....	210
FIGURE 4-11. SKYWELDER INSTALLATION (50HZ).....	212
FIGURE 4-12. WELDER ASSEMBLY .....	214
FIGURE 4-13. PLASMA CUTTER ASSEMBLY - 60HZ POWER SUPPLY .....	216
FIGURE 4-14. PLASMA CUTTER ASSEMBLY .....	218
SECTION 5 - CYLINDER.....	221
FIGURE 5-1. JIB CYLINDER ASSEMBLY (ORIGINAL EQUIPMENT) .....	222
FIGURE 5-2. JIB CYLINDER ASSEMBLY (SERVICE REPLACEMENT) .....	224
FIGURE 5-3. JIB CYLINDER ASSEMBLY (SERVICE REPLACEMENT) .....	226
FIGURE 5-4. LEVEL CYLINDER ASSEMBLY - 600SC (ORIGINAL EQUIPMENT) .....	228
FIGURE 5-5. LEVEL CYLINDER ASSEMBLY - 600SC (SERVICE REPLACEMENT) .....	230
FIGURE 5-6. LEVEL CYLINDER ASSEMBLY - 600SC (SERVICE REPLACEMENT) .....	232
FIGURE 5-7. LEVEL CYLINDER ASSEMBLY - 660SJC (ORIGINAL EQUIPMENT) .....	234
FIGURE 5-8. LEVEL CYLINDER ASSEMBLIES - 660SJC (SERVICE REPLACEMENT) .....	236
FIGURE 5-9. LEVEL CYLINDER ASSEMBLY - 660SJC (SERVICE REPLACEMENT) .....	238
FIGURE 5-10. LIFT CYLINDER ASSEMBLY .....	240
FIGURE 5-11. MASTER CYLINDER ASSEMBLY .....	242
FIGURE 5-12. MASTER CYLINDER ASSEMBLY - 660SJC (SERVICE REPAACEMENT).....	246
FIGURE 5-13. TELESCOPE CYLINDER ASSEMBLY .....	248
SECTION 6 - HYDRAULIC .....	251
FIGURE 6-1. FRAME HYDRAULIC DIAGRAM (CATERPILLAR CHASSIS) .....	252
FIGURE 6-2. FRAME HYDRAULIC DIAGRAM (GRADALL CHASSIS) .....	254
FIGURE 6-3. STANDARD HYDRAULIC DIAGRAM - CATERPILLAR ENGINE (SN 0300128000 through 0300149851) .....	256
FIGURE 6-4. STANDARD HYDRAULIC DIAGRAM - CATERPILLAR ENGINE (SN 0300149852 through 0300174703) .....	260
FIGURE 6-5. STANDARD HYDRAULIC DIAGRAM - DEUTZ ENGINE (SN 0300128000 through 0300169157).....	264
FIGURE 6-6. STANDARD HYDRAULIC DIAGRAM - DEUTZ ENGINE (SN 0300169158 through 0300174703).....	268
FIGURE 6-7. HYDRAULIC DIAGRAM LIST.....	272
SECTION 7 - ELECTRICAL.....	273
FIGURE 7-1. ELECTRICAL DIAGRAM LIST .....	274
FIGURE 7-2. ELECTRICAL SCHEMATIC (WITHOUT UGM) .....	276
FIGURE 7-3. ELECTRICAL SCHEMATIC (WITH UGM).....	280
FIGURE 7-4. HARNESS COMPONENTS INSTALLATION (WITHOUT UGM) .....	288
FIGURE 7-5. HARNESS COMPONENTS INSTALLATION (WITH UGM) .....	304
SECTION 8 - DECALS .....	319
FIGURE 8-1. DECAL INSTALLATION (ANSI SPECS) .....	320
FIGURE 8-2. DECAL INSTALLATION (ANSI EXPORT SPECS).....	324
FIGURE 8-3. DECAL INSTALLATION (AUSTRALIAN AND CE SPECS).....	328
SECTION 9 - RECOMMENDED SERVICE PARTS STOCK .....	331
FIGURE 9-1. MODELS 600SC/660SJC STANDARD PARTS .....	332
FIGURE 9-2. MODELS 600SC/660SJC VARIABLE PARTS .....	334
SECTION 10 - SPECIAL OPTIONS .....	335
FIGURE 10-1. SPECIAL OPTIONS LIST.....	336
PART NUMBER INDEX.....	341



**SECTION 1 - FRAME**

# SECTION 1 - FRAME

## FIGURE 1-1. GRADALL FRAME ASSEMBLY



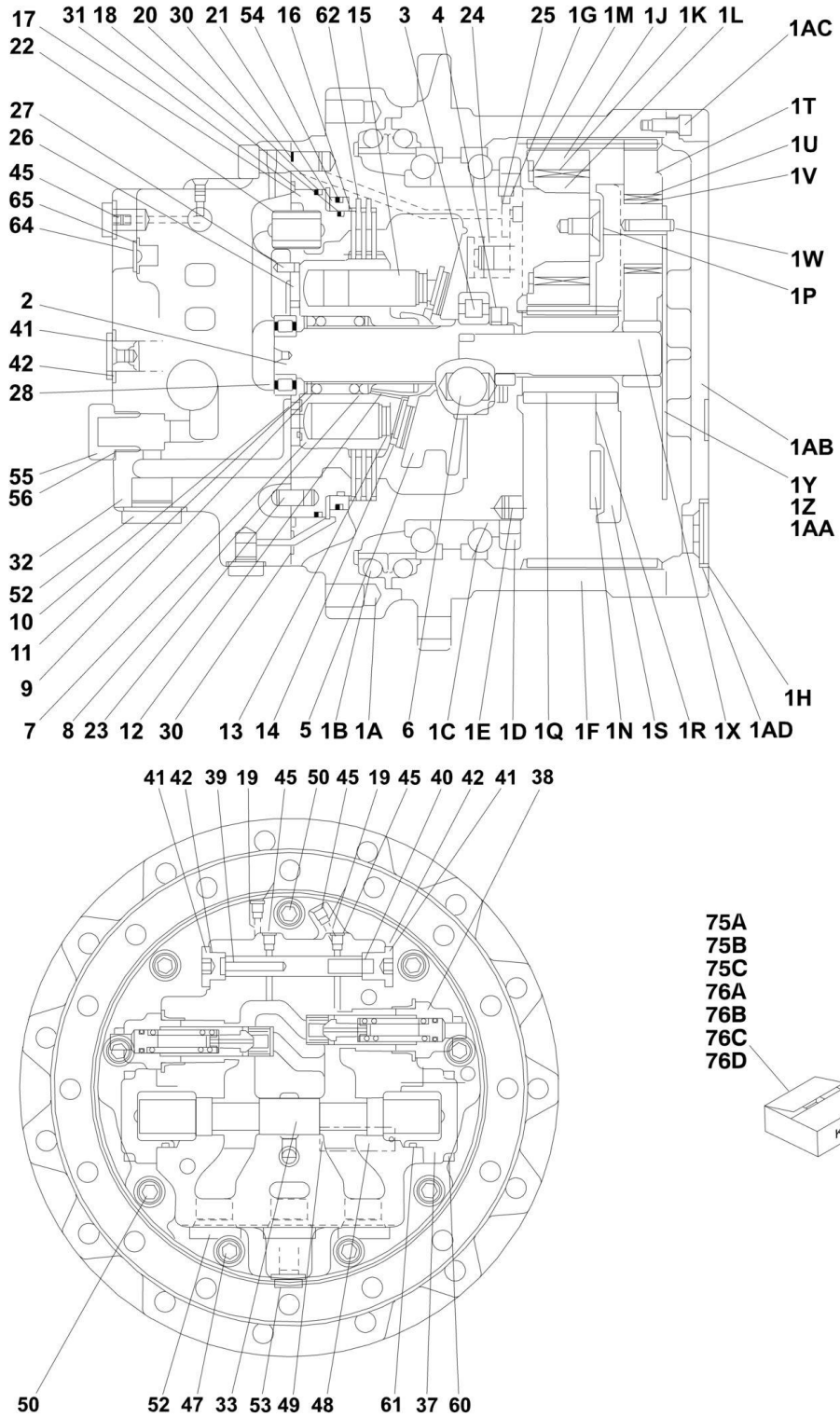
# SECTION 1 - FRAME

## FIGURE 1-1. GRADALL FRAME ASSEMBLY

ITEM	PART NUMBER	QTY	DESCRIPTION	REV
		Ref	<b>GRADALL FRAME ASSEMBLY</b>	
	80215014	Ref	<b>Gradall Frame Assembly 600SC (SN 030012800 through 0300169157)</b>	C
	2360574	Ref	<b>Gradall Frame Assembly 600SC (SN 0300169158 through 0300174703)</b>	B
	80215016	Ref	<b>Gradall Frame Assembly 660SJC (SN 030012800 through 0300169157)</b>	C
	2360576	Ref	<b>Gradall Frame Assembly 660SJC (SN 0300169158 through 0300174703)</b>	B
1	80211154	1	Counterweight (660SJC Only)	
2	80211039	2	Plate, Cover	
3		Ref	Drive Assembly (See GRADALL FRAME DRIVE ASSEMBLY for Breakdown)	
3	8021-D121	NLA	Drive Assembly (Use p/n 80213121) <b>(SN 0300128000 through 0300169157)</b>	
3	80213118	NLA	Drive Assembly (Use p/n 80213121) <b>(SN 0300169158 through 0300174703)</b>	
5	80213004	12	Track Roller Assembly - Bottom (See GRADALL DRIVE TRACK ROLLER ASSEMBLY (BOTTOM) for Breakdown)	
6	80213005	2	Track Roller Assembly - Carrier (See GRADALL FRAME TRACK ROLLER ASSEMBLY (CARRIER) for Breakdown)	
7	80213117	2	Track Chain Assembly (See GRADALL FRAME TRACK CHAIN ASSEMBLY for Breakdown)	
8	80213044	2	Sprocket, Drive	
9	80216028	1	Undercarriage	
11	80613008	2	Fitting, Grease	
12	80613009	2	Seal, Grease Fitting	
13	80683015	48	Bolt 5/8in-11NC x 3in	
14	90027475	8	Flatwasher 1in	
15	83191002	4	Bolt M12 x 45mm	
16	80213011	30	Bolt, Flanged M16 x 50mm	
17	83201001	2	Bolt 3/4in-10NC x 4-1/4in	
18	83201047	4	Capscrew 1in-8NC x 8-1/2in (Grade 8)	
19	88201065	10	Bolt 1/2in-13NC x 1in	
22	88521212	2	Locknut 3/4in-10NC	
23	88551013	14	Lockwasher 1/2in	
24	90027472	80	Flatwasher 5/8in Hardened	
25	80213060	2	Nameplate - Caution	
26	88341012	8	Screw #4 x 5/16in	
27	80213040	2	Idler Assembly (See GRADALL FRAME IDLER ASSEMBLY for Breakdown)	
28	80213041	2	Spring Assembly (See GRADALL FRAME SPRING AND SHOCK ASSEMBLIES for Breakdown)	
29	80213042	2	Shock Assembly (See GRADALL FRAME SPRING AND SHOCK ASSEMBLIES for Breakdown)	
30	83191056	32	Bolt M16 x 50mm	
31	83191058	4	Capscrew M16 x 45mm	
32	88501016	4	Nut 1in-8NC	
33	14403323	AR	Never-Seize	

# SECTION 1 - FRAME

## FIGURE 1-2. GRADALL FRAME DRIVE ASSEMBLY



# SECTION 1 - FRAME

## FIGURE 1-2. GRADALL FRAME DRIVE ASSEMBLY

ITEM	PART NUMBER	QTY	DESCRIPTION	REV
	80213121	Ref	<b>DRIVE ASSEMBLY</b>	
1	80214375	1	Gear Box Assembly	
1A	See Note	NSS	Flange (Note: Use Item 76B)	
1B	See Note	NSS	Seal, Floating (Note: Use Item 75A)	
1C	80214337	2	Bearing, Angular	
1D	See Note	NSS	Nut, Ring (Note: Use Item 1)	
1E	See Note	NSS	Plug (Note: Use Item 1)	
1F	See Note	NSS	Housing (Note: Use Item 1)	
1G	See Note	NSS	Plug (Note: Not Available - Purchase Locally.)	
1H	See Note	NSS	Plug (Note: Not Available - Purchase Locally.)	
1J	80214332	4	Gear, Planetary (B)	
1K	80214334	4	Bearing, Needle	
1L	80214333	4	Bushing, Floating	
1M	See Note	NSS	Thrustwasher (Note: Use Item 1)	
1N	See Note	NSS	Plate, Thrust (Note: Use Item 1)	
1P	See Note	NSS	Screw (Note: Use Item 1)	
1Q	80214329	1	Gear, Sun	
1R	See Note	NSS	Ring, Retaining (Note: Not Available - Purchase Locally)	
1S	See Note	NSS	Holder (Note: Use Item 1)	
1T	80214376	3	Gear, Planetary (A)	
1U	80214326	3	Bearing, Needle	
1V	80214325	3	Race, Inner Bearing	
1W	See Note	NSS	Pin, Spring (Note: Use Item 1)	
1X	80214377	1	Driveshaft	
1Y	See Note	NSS	Plate, Thrust (Note: Use Item 76A)	
1Z	See Note	NSS	Plate, Thrust (Note: Use Item 76A)	
1AA	See Note	NSS	Plate, Thrust (Note: Use Item 76A)	
1AB	7022693	1	Cover	
1AC	See Note	16	Bolt (Note: Not Available - Purchase Locally)	
1AD	See Note	NSS	O-Ring (Note: Use Item 75A)	
2	80214308	1	Shaft	
3	80914076	1	Bearing	
4	See Note	NSS	Seal, Oil (Note: Use Item 75B)	
5	See Note	NSS	Plate, Swash (Note: Purchase Complete Assembly)	
6	See Note	NSS	Ball (Note: Purchase Complete Assembly)	
7	See Note	NSS	Block, Cylinder (Note: Use Item 76B)	
8	See Note	NSS	Collar (Note: Purchase Complete Assembly)	
9	See Note	NSS	Spring (Note: Purchase Complete Assembly)	
10	See Note	NSS	Collar (Note: Purchase Complete Assembly)	
11	See Note	NSS	Ring, Retaining (Note: Not Available - Purchase Locally)	
12	80214312	3	Pin	
13	See Note	NSS	Retainer, Holder (Note: Not Available - Purchase Complete Assembly)	
14	See Note	NSS	Plate, Retainer (Note: Not Available - Purchase Complete Assembly)	
15	See Note	NSS	Piston Assembly (Note: Use Item 76B)	
16	See Note	NSS	Plate, Brake Disc (Note: Use Item 76C)	
17	See Note	NSS	Piston, Brake (Note: Use Item 76C)	
18	See Note	NSS	O-Ring (Note: Use Item 75B or 76C.)	
19	See Note	NSS	Orifice (Note: Not Available for Purchase.)	

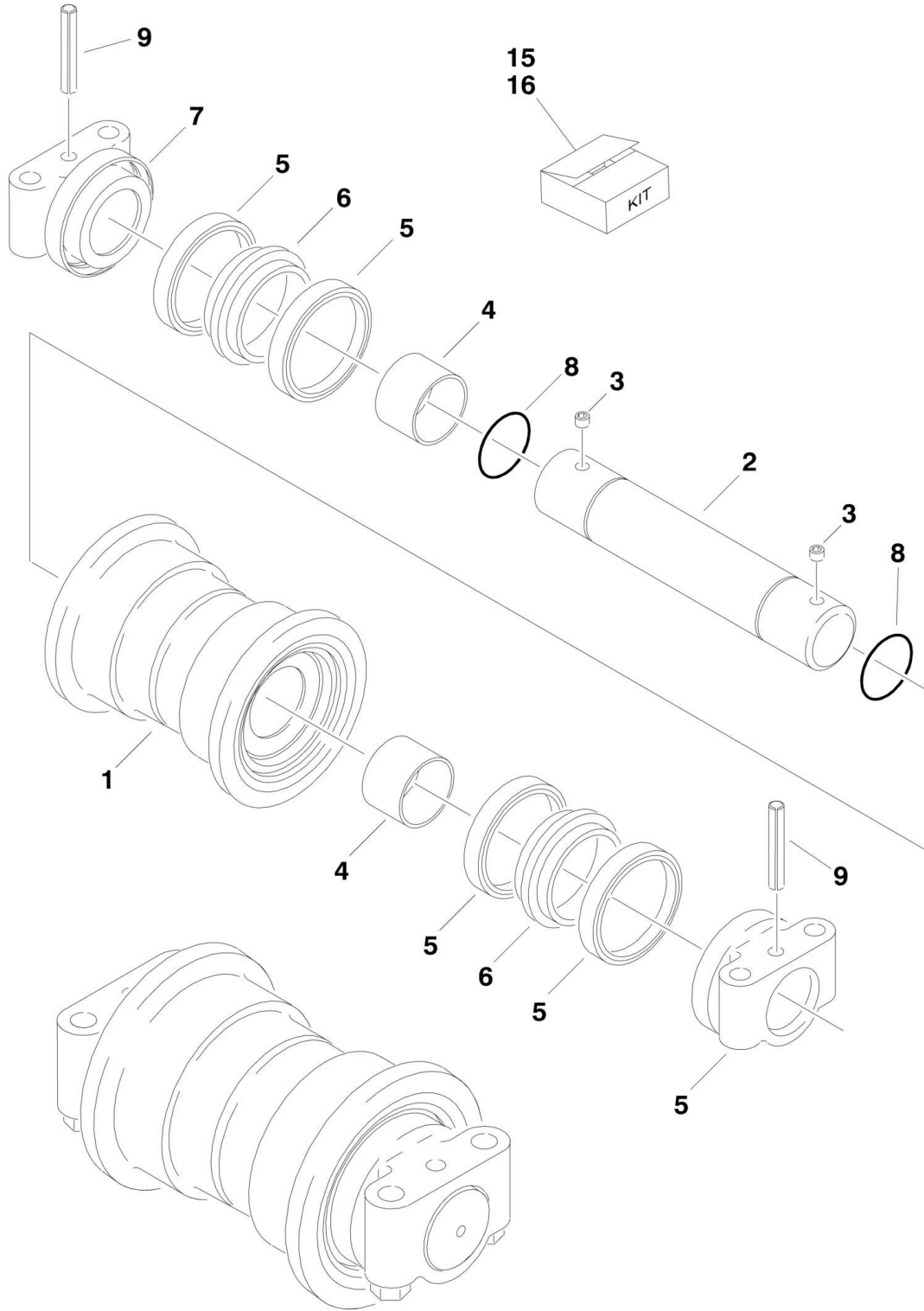
## SECTION 1 - FRAME

ITEM	PART NUMBER	QTY	DESCRIPTION	REV
20	See Note	NSS	O-Ring (Note: Use Item 75B or 76C.)	
21	See Note	NSS	Collar (Note: Use Item 76C)	
22	See Note	NSS	Spring (Note: Not Available - Purchase Complete Assembly)	
23	See Note	NSS	Pin (Note: Not Available - Purchase Complete Assembly)	
24	See Note	NSS	Piston Assembly (Note: Not Available - Purchase Complete Assembly)	
25	See Note	NSS	Spring (Note: Not Available - Purchase Complete Assembly)	
26	See Note	NSS	Plate, Valve (Note: Not Available - Purchase Complete Assembly)	
27	See Note	NSS	Pin (Note: Not Available - Purchase Complete Assembly)	
28	80214378	1	Bearing	
30	See Note	NSS	O-Ring (Note: Use Item 75B)	
31	See Note	NSS	O-Ring (Note: Use Item 75B)	
32	See Note	NSS	Plate, Base (Note: Use Item 76C)	
33	See Note	NSS	Spool (Note: Use Item 76C)	
37	See Note	NSS	Flange (Note: Not Available - Purchase Complete Assembly)	
38	80214379	2	Relief Valve Assembly (See Below for Seal Kit)	
39	See Note	NSS	Spool (Note: Not Available - Purchase Complete Assembly)	
40	See Note	NSS	Spring (Note: Not Available - Purchase Complete Assembly)	
41	See Note	NSS	Plug (Note: Not Available - Purchase Locally.)	
42	See Note	NSS	O-Ring (Note: Use Item 75B)	
45	See Note	NSS	Plug (Note: Not Available - Purchase Locally.)	
47	See Note	NSS	Bolt (Note: Not Available - Purchase Locally)	
48	See Note	NSS	Nameplate (Note: Not Available for Purchase.)	
49	See Note	NSS	Drivescrew (Note: Not Available for Purchase.)	
50	See Note	NSS	Bolt (Note: Not Available for Purchase.)	
52	See Note	NSS	Plug, Shipping (Note: Not Available for Purchase.)	
53	See Note	NSS	Plug, Shipping (Note: Not Available for Purchase.)	
54	See Note	NSS	O-Ring (Note: Use Item 75B)	
55	See Note	NSS	Plug (Note: Not Available - Purchase Locally.)	
56	See Note	NSS	O-Ring (Note: Use Item 75B)	
60	See Note	NSS	Bolt (Note: Not Available - Purchase Locally)	
61	See Note	NSS	O-Ring (Note: Use Item 75B)	
62	See Note	NSS	Plate, Friction (Note: Use Item 76C)	
64	See Note	NSS	Plug (Note: Not Available - Purchase Locally.)	
65	See Note	NSS	O-Ring (Note: Use Item 75B)	
75		Ref	Seal Kit Options:	
75A	80214371	1	Hub Seal Kit (Includes Items 1B & 1AD)	
75B	80214372	1	Motor/Brake/Valve Seal Kit (Includes Items 4, 18, 20, 30, 31, 42, 54, 56, 61, 65 & 75C)	
75C	See Note	NSS	Relief Valve Seal Kit (Includes 3 O-Rings and 2 Back-up Rings for Item 38) (Note: Use Item 75B)	
76		Ref	Repair Kit Options:	
76A	80214172	1	Hub Thrust Plate Kit (Includes Items 1Y, 1Z & 1AA)	
76B	80214171	1	Cylinder Block Kit (Includes Items 1, 7 & 15)	
76C	80214373	1	Brake Kit (Includes Items 16, 17, 18, 20, 21 & 62)	
76D	80214374	1	Base Plate Kit (Includes Items 32 & 33)	



# SECTION 1 - FRAME

FIGURE 1-3. GRADALL DRIVE TRACK ROLLER ASSEMBLY (BOTTOM)





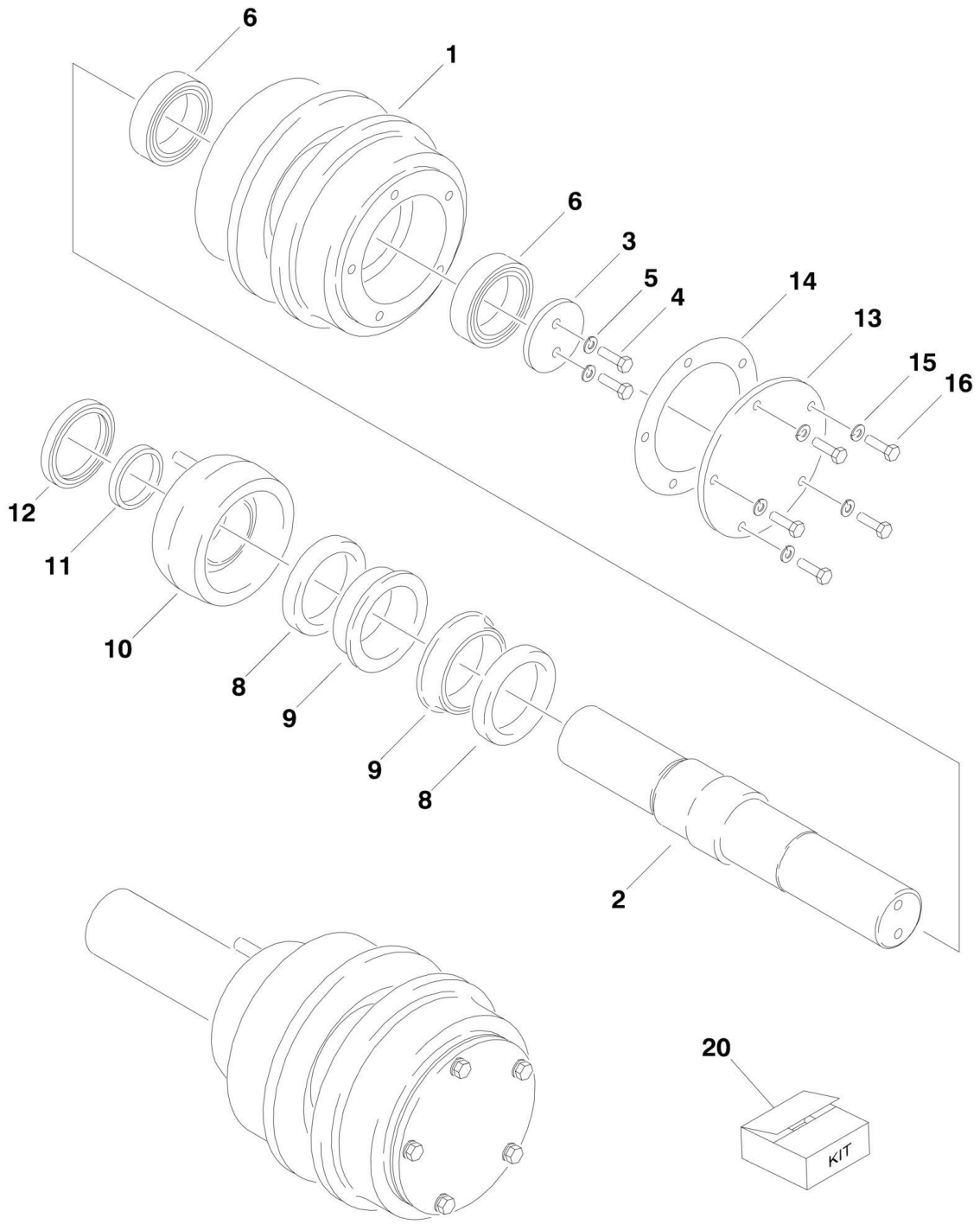
## SECTION 1 - FRAME

### FIGURE 1-3. GRADALL DRIVE TRACK ROLLER ASSEMBLY (BOTTOM)

ITEM	PART NUMBER	QTY	DESCRIPTION	REV
	80213004	Ref	<b>ROLLER ASSEMBLY (BOTTOM)</b>	F
1	See Note	NSS	Roller, Guide (Note: Use Item 16)	
2	80214008	1	Shaft	
3	See Note	1	Plug (Note: Not Available - Purchase Locally.)	
4	80214006	2	Bearing	
5	80214003	4	Ring	
6	80214003	2	Seal	
7	80214002	2	Support, Mounting Bracket	
8	80214007	2	O-Ring	
9	80214001	2	Rollpin	
15	80214003	2	Seal Kit (Includes Items 5 & 6)	
16	80214005	1	Roller Guide Bearing Kit (Includes Items 1 & 4)	

# SECTION 1 - FRAME

FIGURE 1-4. GRADALL FRAME TRACK ROLLER ASSEMBLY (CARRIER)



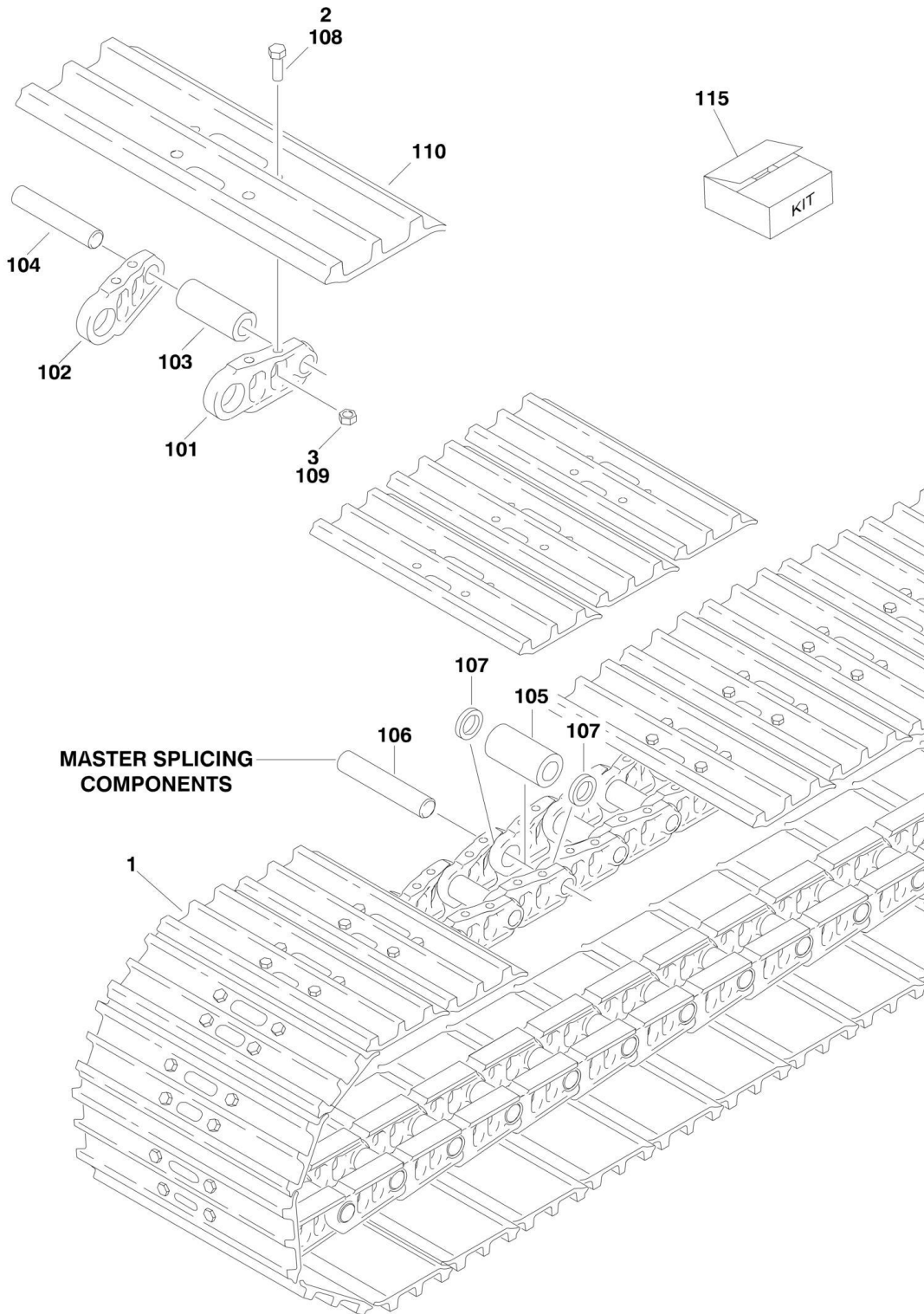
## SECTION 1 - FRAME

**FIGURE 1-4. GRADALL FRAME TRACK ROLLER ASSEMBLY (CARRIER)**

ITEM	PART NUMBER	QTY	DESCRIPTION	REV
	80213005	Ref	<b>ROLLER ASSEMBLY (BOTTOM)</b>	D
1	80214017	NLA	Roller, Guide (Use p/n 80213005)	
2	80214022	1	Shaft	
3	See Note	NSS	Cover, Internal (Note: Not Available - Purchase Complete Assembly)	
4	80214014	2	Bolt	
5	80214015	2	Washer	
6	80214013	2	Bearing, Roller	
8	See Note	NSS	Ring, Seal (Note: Use Item 20)	
9	See Note	NSS	Ring, Tension (Note: Use Item 20)	
10	80214019	1	Collar	
11	80214020	1	Ring, Packing	
12	80214021	1	Ring, Seal	
13	80214011	1	Cover	
14	80214012	1	Seal, Cover	
15	80214010	5	Lockwasher	
16	80214009	5	Bolt	
20	80214018	1	Seal Kit (Includes Items 8 & 9)	

# SECTION 1 - FRAME

## FIGURE 1-5. GRADALL FRAME TRACK CHAIN ASSEMBLY



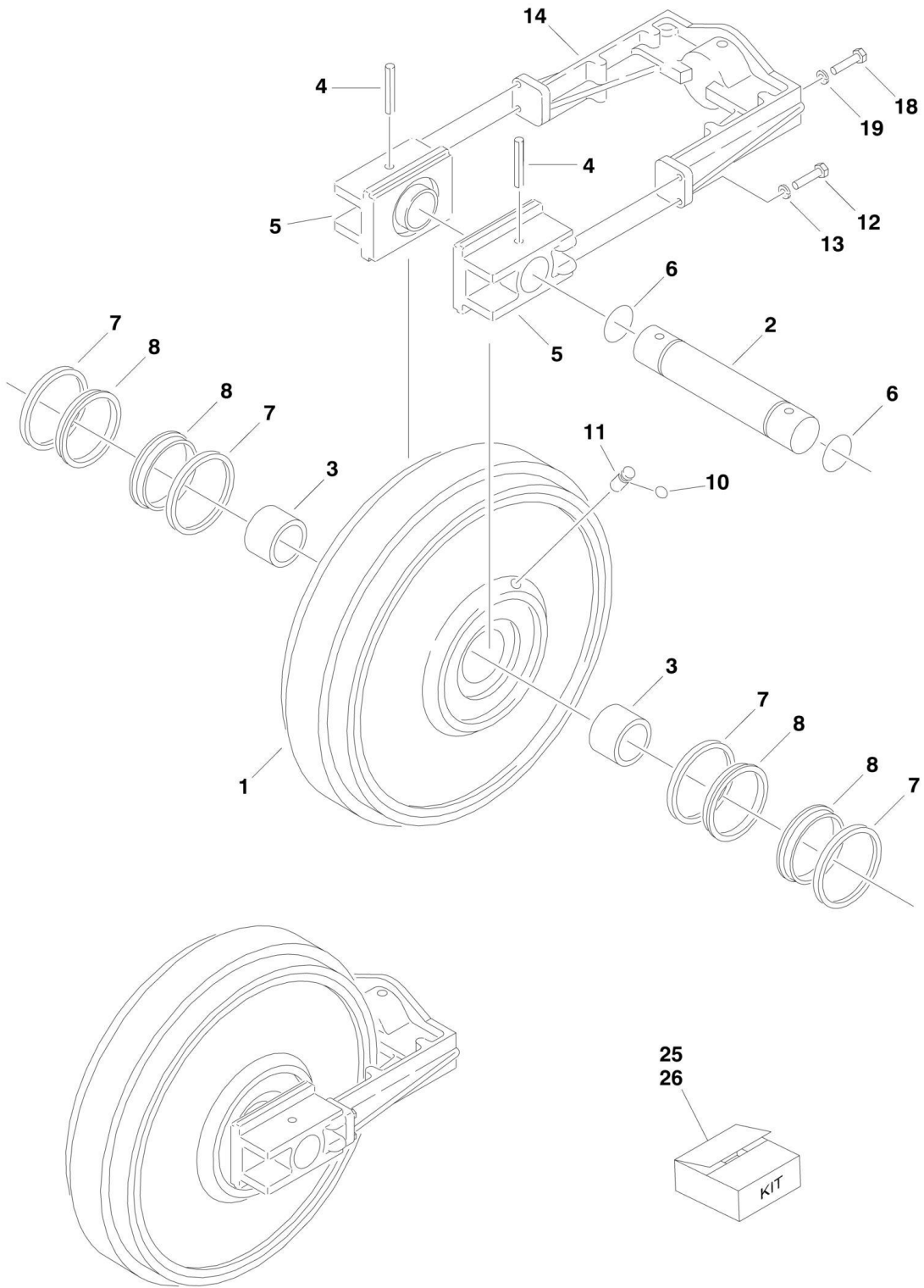
## SECTION 1 - FRAME

**FIGURE 1-5. GRADALL FRAME TRACK CHAIN ASSEMBLY**

ITEM	PART NUMBER	QTY	DESCRIPTION	REV
	80213117	Ref	<b>TRACK CHAIN ASSEMBLY</b>	-
		Ref	<b>Note: Qty shown is for one track - 2 tracks per machine.</b>	
1	See Note	47	Shoe Assembly (Note: Not Available - Purchase Individual Parts. See Items 101-115 for Breakdown)	
2	80213016	188	Bolt	
3	80214368	188	Nut	
		Ref	<b>SHOE ASSEMBLY</b>	
		Ref	<b>Note: Qty shown is for one side - 47 shoes per track and 2 tracks per machine.</b>	
101	80214361	47	Link, Right	
102	80214362	47	Link, Left	
103	80214363	47	Bearing	
104	80214364	46	Pin, Hinge	
105	80214365	1	Bearing, Splice	
106	80214366	1	Pin, Splice Hinge	
107	80214367	2	Spacer	
108	80213016	188	Screw	
109	80214368	188	Nut	
110	80214369	47	Cleat, Track	
115	80214370	1	Pin and Bearing Kit (Includes Items 103-107)	
	1001113466	Ref	<b>RUBBER TRACK PAD INSTALLATION (NOT SHOWN)</b>	1
	1001104328	94	Pad, Rubber	
	0100011	AR	Compound, Locking	

# SECTION 1 - FRAME

## FIGURE 1-6. GRADALL FRAME IDLER ASSEMBLY



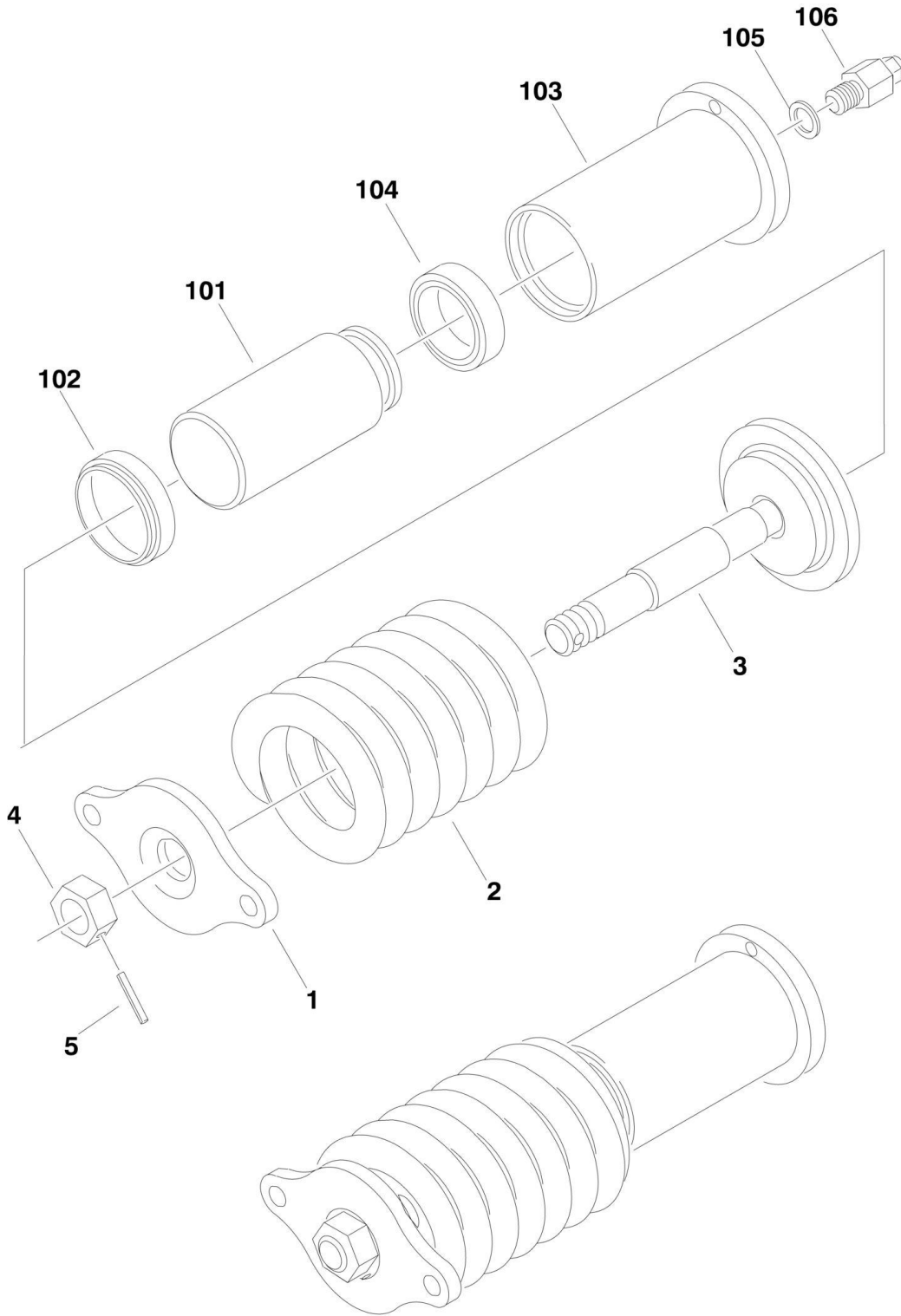
## SECTION 1 - FRAME

**FIGURE 1-6. GRADALL FRAME IDLER ASSEMBLY**

ITEM	PART NUMBER	QTY	DESCRIPTION	REV
	80213040	Ref	<b>IDLER ASSEMBLY</b>	B
1	See Note	NSS	Idler without Bearing (Note: Use Item 25)	
2	80214027	1	Shaft	
3	80214024	2	Bearing	
4	80214004	2	Rollpin	
5	80214026	2	Bracket, Mounting	
6	80214028	2	Seal	
7	See Note	NSS	Seal (Note: Use Item 26)	
8	See Note	NSS	Holder, Seal (Note: Use Item 26)	
10	83604107	1	O-Ring	
11	83694108	1	Plug	
12	80214030	4	Bolt	
13	83694007	4	Lockwasher	
14	80214029	1	Bracket	
18	83694009	2	Bolt	
19	83694010	2	Lockwasher	
25	80214023	1	Idler Kit (Includes Items 1 & 3)	
26	83694040	2	Seal and Holder Kit (Includes Items 7 & 8)	

# SECTION 1 - FRAME

FIGURE 1-7. GRADALL FRAME SPRING AND SHOCK ASSEMBLIES





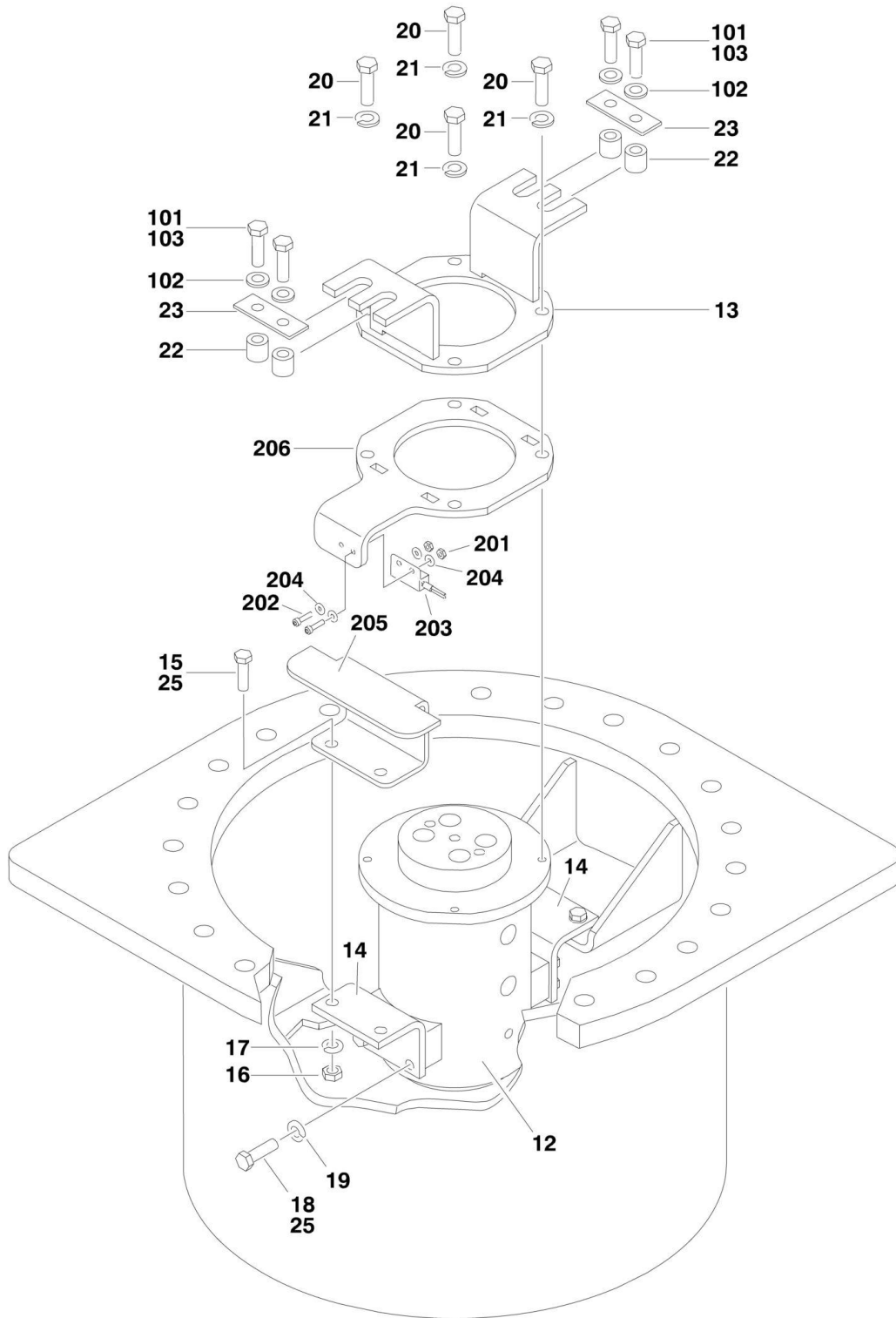
## SECTION 1 - FRAME

**FIGURE 1-7. GRADALL FRAME SPRING AND SHOCK ASSEMBLIES**

ITEM	PART NUMBER	QTY	DESCRIPTION	REV
	80213041	Ref	<b>SPRING ASSEMBLY</b>	C
1	80214031	1	Flange, Mounting	
2	80214033	1	Spring	
3	80214034	1	Plate, Base	
4	80214010	1	Locknut	
5	80214011	1	Rollpin	
	80213042	Ref	<b>SHOCK ASSEMBLY</b>	A
101	83694046	1	Piston/Rod	
102	83694045	1	Wiper	
103	80614008	1	Barrel	
104	83694047	1	Seal	
105	80613009	1	Seal	
106	80613008	1	Fitting	

# SECTION 1 - FRAME

## FIGURE 1-8. GRADALL FRAME ROTARY COUPLING ASSEMBLY



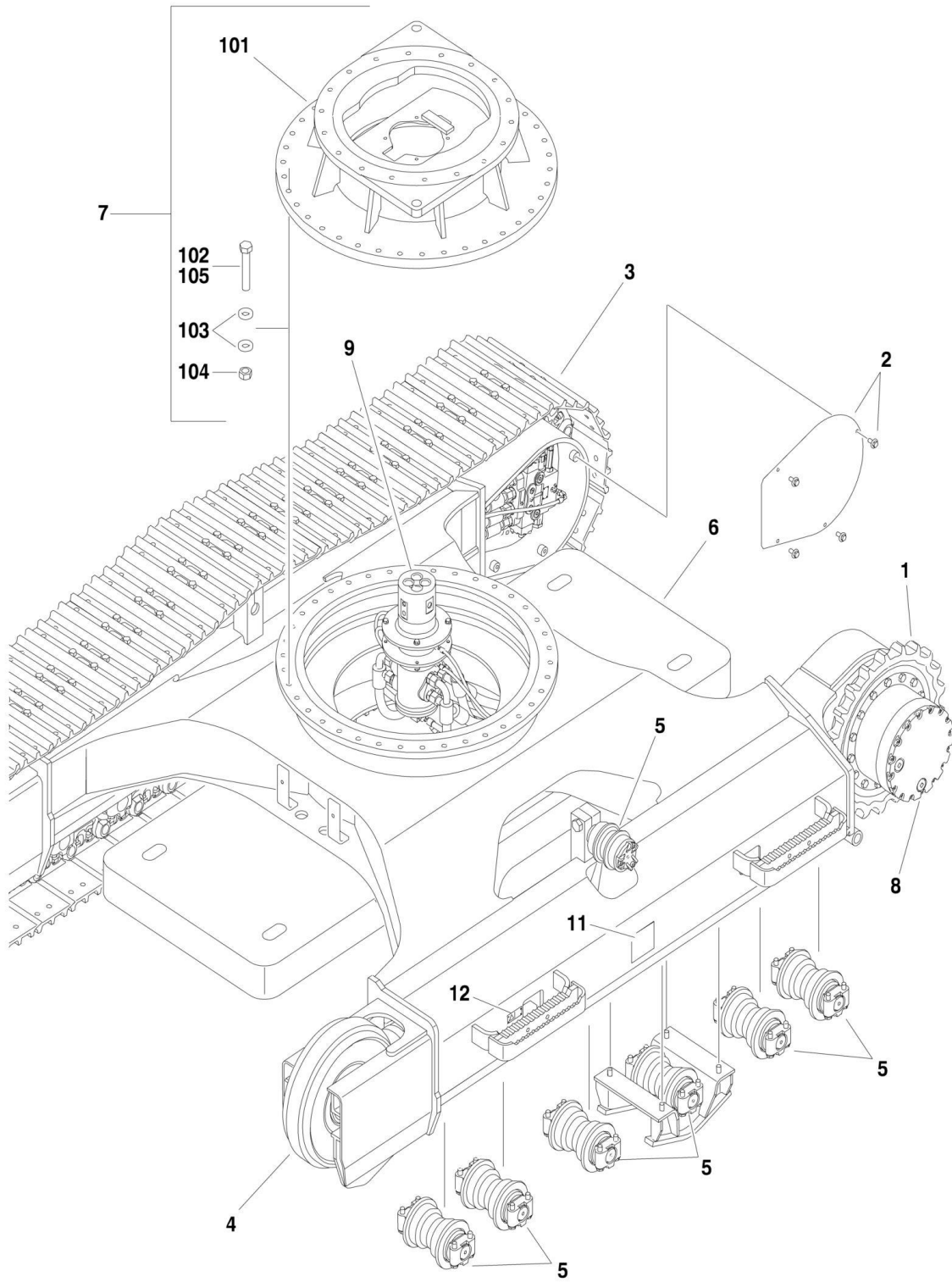
## SECTION 1 - FRAME

**FIGURE 1-8. GRADALL FRAME ROTARY COUPLING ASSEMBLY**

ITEM	PART NUMBER	QTY	DESCRIPTION	REV
		Ref	<b>ROTARY COUPLING INSTALLATION</b>	
	80215014	Ref	<b>Rotary Coupling Installation 600SC</b>	C
	80215016	Ref	<b>Rotary Coupling Installation 660SJC</b>	C
12	80213115	1	Rotary Coupling Assembly	
12	80213116	1	Seal Kit - 80213115 Coupling (Includes Qty 9 Seals and Qty 2 Wiper Rings)	
13	80216035	1	Stabilizer	
14	80211144	1	Support	
15	88201069	4	Bolt 1/2in-13NC x 2in	
16	88501008	4	Nut 1/2in-13NC	
17	88551013	4	Lockwasher 1/2in	
18	83191021	8	Bolt M10 x 30mm	
19	83191013	8	Lockwasher M10	
20	83191004	4	Bolt M12 x 30mm	
21	83191010	4	Lockwasher M10	
22	80211147	4	Spacer	
23	80211148	2	Keeper	
25	14403364	AR	Compound, Locking	
	0271817	Ref	<b>ROTARY COUPLING INSTALLATION</b>	1-A
101	0641616	4	Bolt 3/8in-16NC x 2in	
102	4751600	4	Flatwasher 3/8in	
103	0100011	AR	Compound, Locking	
	1001145988	Ref	<b>DRIVE ORIENTATION INSTALLATION (SN 0300169158 through 0300174703)</b>	A
201	3311005	2	Locknut #10-24NC	
202	3931012	2	Capscrew #10-24NC x 3/4in	
203	4360517	1	Switch, Proximity	
204	4711000	4	Flatwasher #10	
205	1001149587	1	Cam (Part of Chassis Assembly)	
206	80211160	1	Bracket (Part of Chassis Assembly)	

# SECTION 1 - FRAME

## FIGURE 1-9. CATERPILLAR FRAME ASSEMBLY



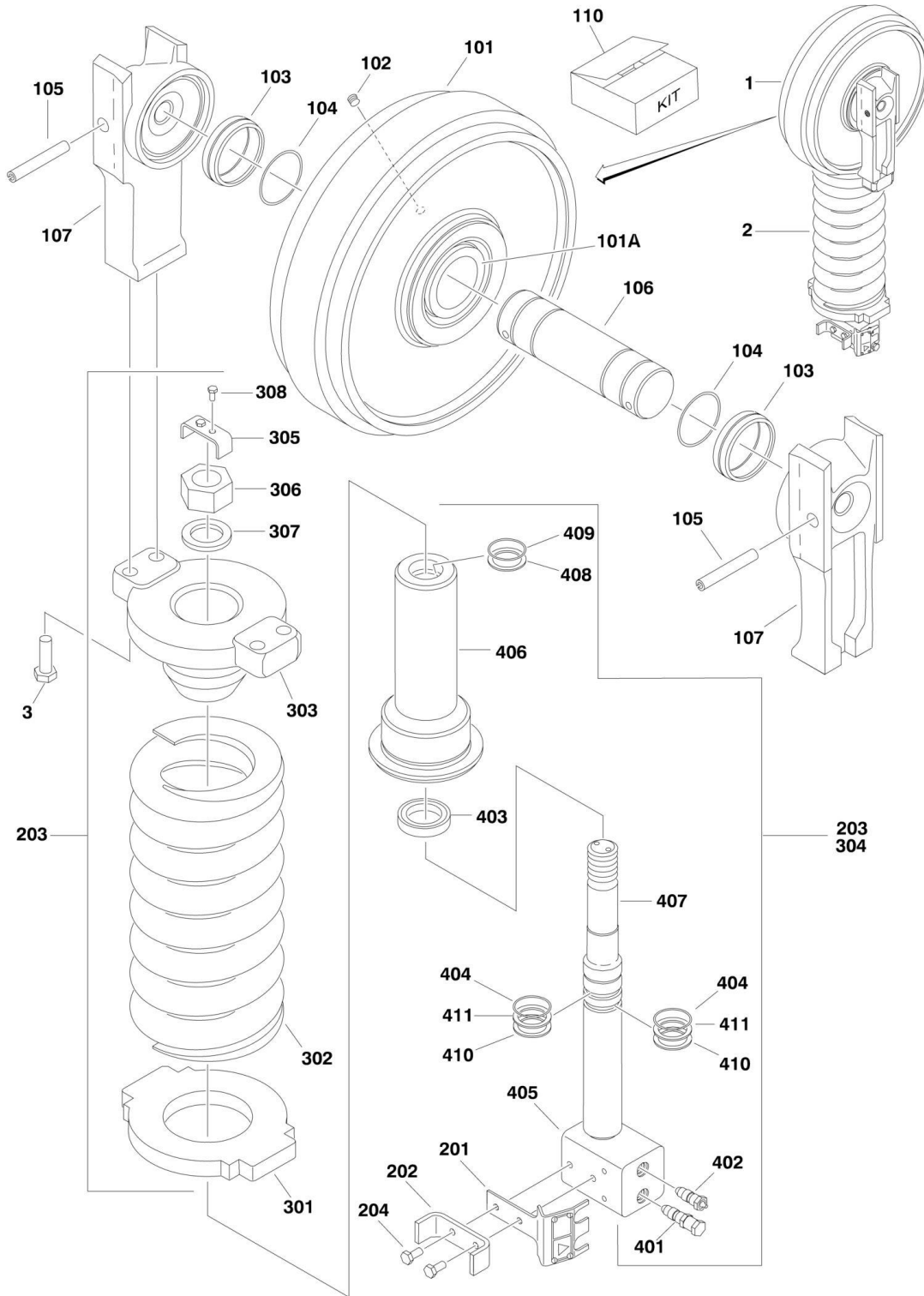
# SECTION 1 - FRAME

## FIGURE 1-9. CATERPILLAR FRAME ASSEMBLY

ITEM	PART NUMBER	QTY	DESCRIPTION	REV
		Ref	<b>FRAME ASSEMBLY LESS TRACK</b>	
	1001102504	Ref	<b>Frame Assembly Less Track 600SC (ANSI, ANSI Export, CSA and Japanese Specs)</b>	D
	1001109075	Ref	<b>Frame Assembly Less Track 600SC (Australian and CE Specs)</b>	D
	1001103563	Ref	<b>Frame Assembly Less Track 660SJC</b>	E
1		Ref	Sprocket Components	
1	7022605	2	Sprocket (15 Teeth) (1 Per Side)	
1	7022732	30	Bolt M16 x 35mm (15 Per Side)	
2		Ref	Motor Guard Components	
2	70002464	2	Guard, Motor Cover	
2	7022636	8	Bolt M12 x 30mm (4 Per Cover)	
2	7022617	8	Washer M12 (4 Per Cover)	
3	70002465	2	Track Shoe Installation (See CATERPILLAR FRAME TRACK SHOE INSTALLATION for Breakdown)	
4	NPN	Ref	Front Idler Assemblies (See CATERPILLAR FRAME IDLER ASSEMBLY for Breakdown)	
5	NPN	Ref	Track Roller Installation (See CATERPILLAR FRAME TRACK ROLLER INSTALLATION for Breakdown)	
6	See Note	NSS	Frame Weldment (Note: Not Available for Purchase.)	
7	NPN	Ref	Adapter Components (See Items 101-105 for Breakdown)	
8	NPN	Ref	Drive Assembly	
8	NPN	Ref	Drive Motor Assembly (See CATERPILLAR FRAME DRIVE MOTOR ASSEMBLY for Breakdown)	
8	NPN	Ref	Drive Hub Assembly (See CATERPILLAR FRAME DRIVE HUB ASSEMBLY for Breakdown)	
9	NPN	Ref	Swivel (Rotary Coupling) Installation (See CATERPILLAR FRAME ROTARY COUPLING ASSEMBLY for Breakdown)	
11	See Note	NSS	Nameplate - Caterpillar Chassis SN (Note: Not Available for Purchase.)	
12	See Note	NSS	Decal - Warning (Note: Not Available for Purchase.)	
		Ref	<b>ADAPTER COMPONENTS</b>	
101	1001102159	1	Adapter Weldment	
102	0771626	38	Bolt M16 x 90mm Grade 10.9	
103	4892000	76	Washer, Hardened 5/8in	
104	3291601	38	Nut M16	
105	0100019	AR	Compound, Locking	

# SECTION 1 - FRAME

## FIGURE 1-10. CATERPILLAR FRAME IDLER ASSEMBLY



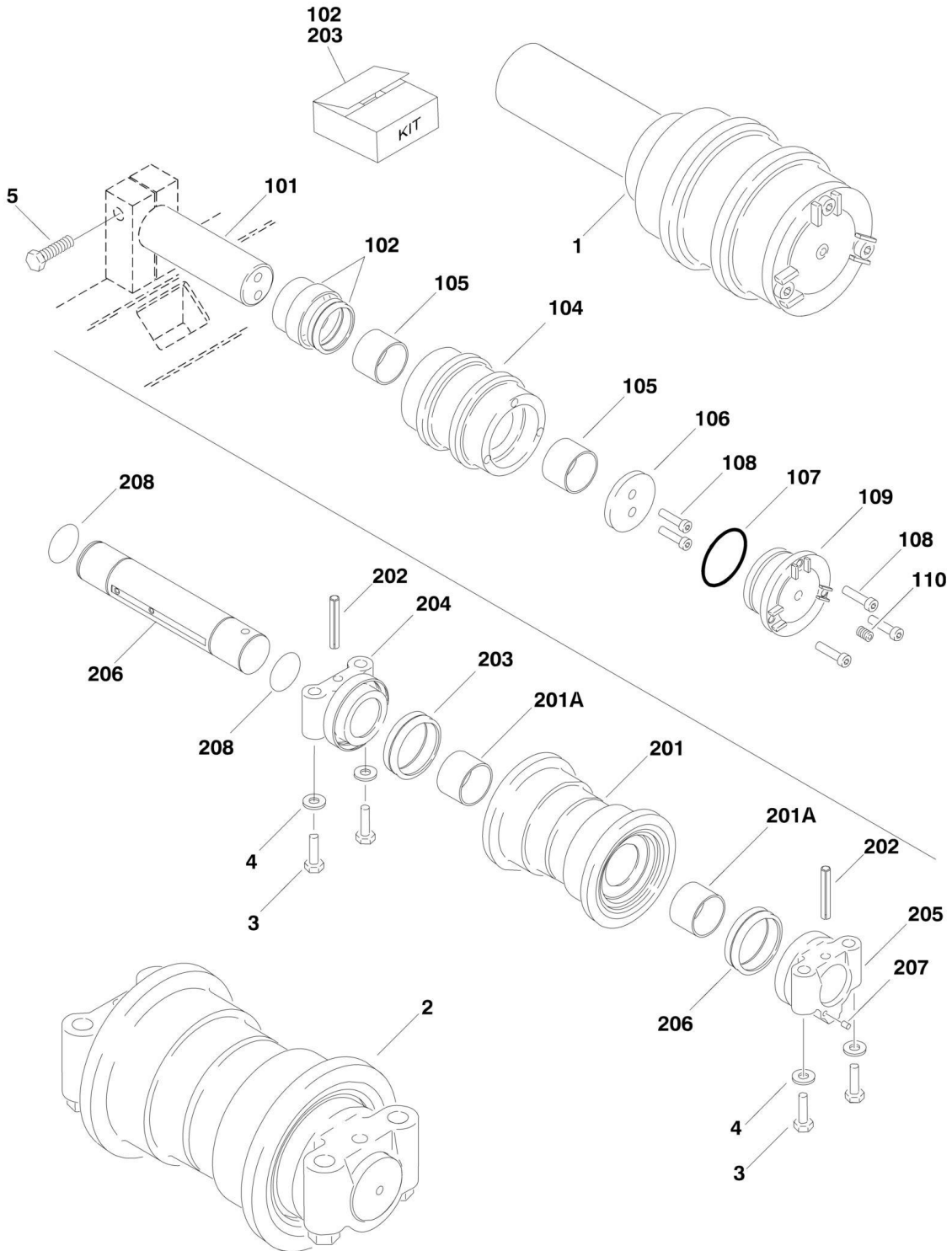
# SECTION 1 - FRAME

## FIGURE 1-10. CATERPILLAR FRAME IDLER ASSEMBLY

ITEM	PART NUMBER	QTY	DESCRIPTION	REV
		Ref	<b>IDLER ASSEMBLIES</b>	B
	NPN	Ref	<b>Idler Assembly - Right Side (Note: Not Available as Complete Assembly. Purchase Individual Parts.)</b>	
	NPN	Ref	<b>Idler Assembly - Left Side (Note: Not Available as Complete Assembly. Purchase Individual Parts.)</b>	
1	7022603	2	Idler Assembly (1 Per Side) (See Items 101-110 for Breakdown)	
2	NPN	2	Track Adjuster Assembly (1 Per Side) (See Items 201-204 for Breakdown) (Note: Not Available as Complete Assembly. Purchase Individual Parts.)	
3	70002475	8	Bolt M16 x 60mm (4 Per Side)	
	7022603	Ref	<b>IDLER WHEEL ASSEMBLY</b>	
101	7022624	1	Idler Wheel and Bearing Assembly	
101A	See Note	NSS	Bearing (Note: Use Item 1)	
102	7022627	1	Plug, Pipe	
103	7022657	2	Seal	
104	7022654	2	O-Ring	
105	7022658	2	Pin	
106	7022622	1	Shaft, Idler Wheel	
107	7022610	2	Bearing	
110	7022657	2	Seal Kit (Each Kit Includes 2 Seals)	
		Ref	<b>TRACK ADJUSTER ASSEMBLY</b>	
	NPN	Ref	<b>Right Side (Shown)</b>	
	NPN	Ref	<b>Left Side (Not Shown)</b>	
201	70002476	1	Plate, Decal	
201	See Note	NSS	Drivescrew (Note: Not Available - Purchase p/n 70002476)	
201	See Note	NSS	Nameplate - Warning (Note: Not Available - Purchase p/n 70002476)	
202	70002477	1	Plate	
203	70002478	1	Recoil Spring Assembly (See Items 301-308 for Breakdown)	
204	70002479	1	Bolt M10 x 20mm	
	70002478	Ref	<b>RECOIL SPRING ASSEMBLY</b>	
301	70002480	1	Plate	
302	70002481	1	Spring	
303	70002482	1	Support	
304	70002483	1	Cylinder Assembly (See Items 401-411 for Breakdown)	
305	70002484	1	Plate	
306	70002485	1	Nut M36	
307	70002486	1	Washer	
308	70002487	2	Bolt M6	
	70002483	Ref	<b>TRACK ADJUSTER CYLINDER ASSEMBLY</b>	
401	7022601	1	Valve, Relief	
402	7022655	1	Valve, Fill	
403	7022656	2	Seal, Lip	
404	70002488	1	Seal, O-Ring	
405	70002489	1	Piston	
406	70002490	1	Barrel	
407	70002491	1	Rod	
408	70002492	1	Seal, O-Ring	
409	70002493	1	Ring	
410	7022660	2	Ring, Back-up	
411	7022661	2	Ring, Back-up	

# SECTION 1 - FRAME

## FIGURE 1-11. CATERPILLAR FRAME TRACK ROLLER INSTALLATION





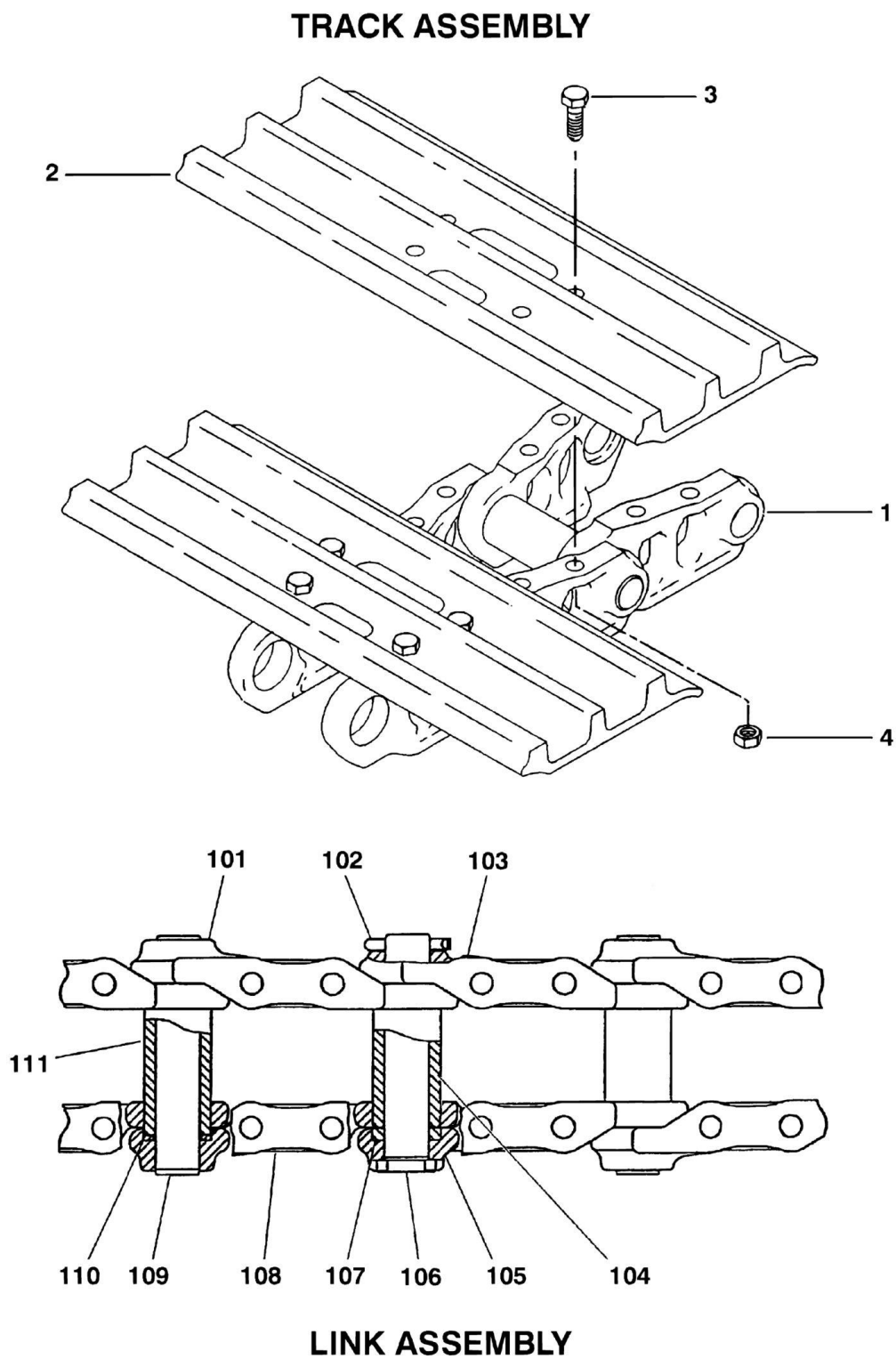
## SECTION 1 - FRAME

**FIGURE 1-11. CATERPILLAR FRAME TRACK ROLLER INSTALLATION**

ITEM	PART NUMBER	QTY	DESCRIPTION	REV
		Ref	<b>TRACK ROLLER INSTALLATION</b>	
1	7022604	2	Roller Assembly - Upper (See Items 101-110 for Breakdown)	
2	70002495	12	Roller Assembly - Lower (See Items 201-208 for Breakdown)	
3	7022629	48	Bolt M16 x 80mm	
4	7022638	48	Washer	
5	7022645	2	Bolt M24 x 80mm	
	7022604	Ref	<b>ROLLER ASSEMBLY - UPPER</b>	
101	7022632	1	Shaft	
102	7022662	1	Seal Kit (includes 2 Seals)	
104	7022630	1	Roller and Bearing Assembly	
105	See Note	NSS	Bearing (Note: Use Item 104)	
106	7022633	1	Retainer	
107	7022625	1	O-Ring	
108	7022637	5	Bolt, Socket Head M10 x 25mm	
109	7022631	1	Cover, Carrier Roller	
110	7022627	1	Plug, Pipe	
	70002495	Ref	<b>ROLLER ASSEMBLY - LOWER</b>	
201	7022618	1	Roller and Bearing Assembly	
201A	See Note	NSS	Bearing (Note: Use Item 201)	
202	7022623	2	Dowel	
203	7022663	2	Seal Kit (Includes 2 Seals and 2 Rings)	
204	70002496	1	Collar	
205	70002497	1	Collar	
206	70002498	1	Shaft	
207	70002499	1	Plug, Pipe	
208	7022626	2	O-Ring	

# SECTION 1 - FRAME

FIGURE 1-12. CATERPILLAR FRAME TRACK SHOE INSTALLATION



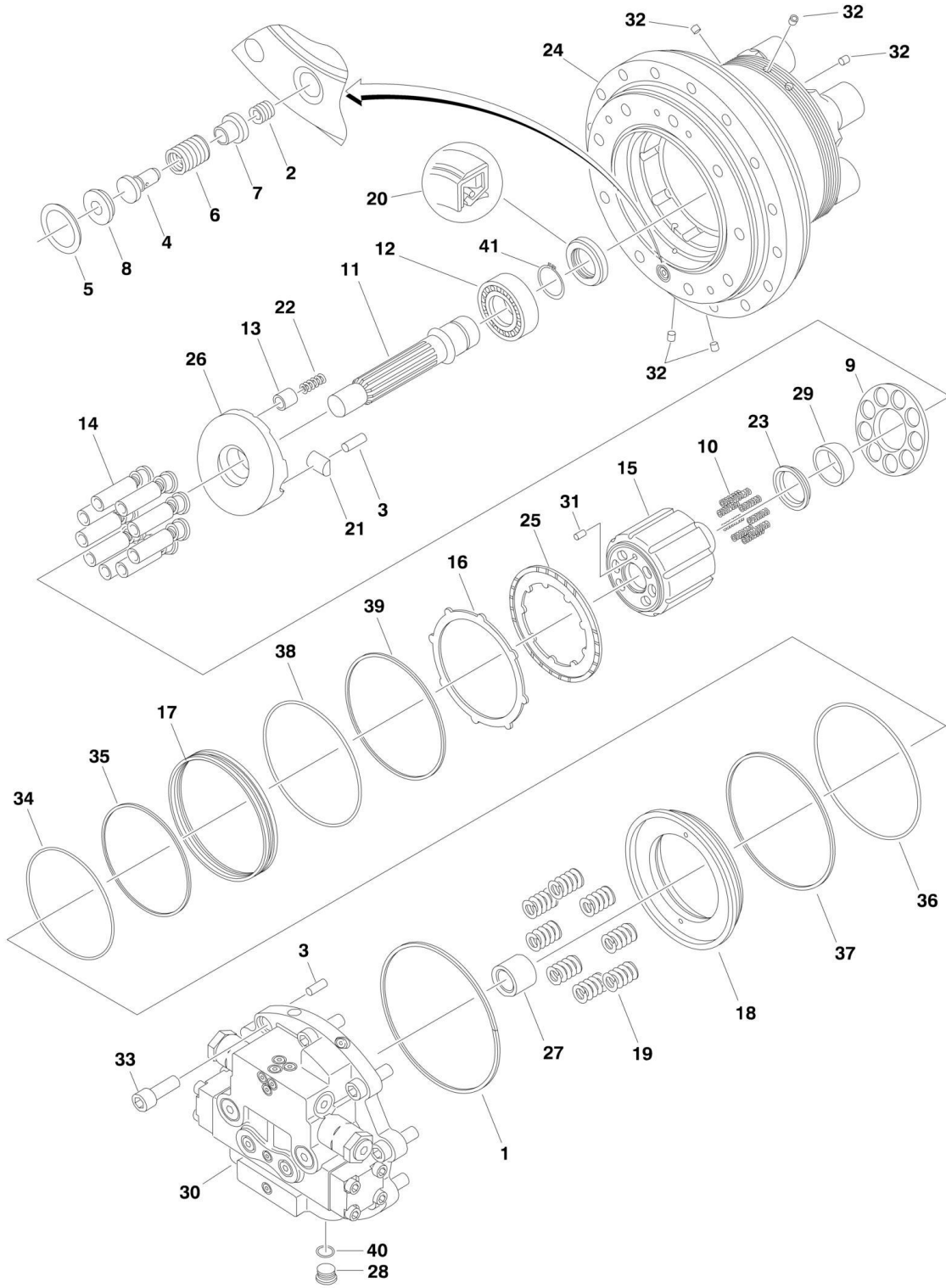
## SECTION 1 - FRAME

**FIGURE 1-12. CATERPILLAR FRAME TRACK SHOE INSTALLATION**

ITEM	PART NUMBER	QTY	DESCRIPTION	REV
	70002465	Ref	<b>TRACK SHOE ASSEMBLY - STEEL</b>	-
1	7022751	1	Link Assembly (See Items 101-111 for Breakdown)	
2	70002466	43	Shoe, Track	
3	7022612	172	Bolt M16 x 46mm	
4	7022614	172	Nut M16 x 46mm	
	7022751	Ref	<b>LINK ASSEMBLY</b>	
101	7022606	42	Link, Track	
102	7022652	1	Pin, Cotter	
103	7022608	1	Link, Track (Master)	
104	70002467	1	Bushing	
105	7022609	1	Link, Track (Master)	
106	7022664	1	Pin (Master Link)	
107	70002468	2	Washer, Seal	
108	7022607	42	Link, Track (Standard)	
109	70002469	42	Pin (Standard Link)	
110	70002470	84	Washer, Seal	
111	70002471	42	Bushing	
	1001104328	Ref	<b>RUBBER PAD INSTALLATION (OPTIONAL - NOT SHOWN)</b>	A
		Ref	<b>Note: Used as a cover over steel track shoes only.</b>	

# SECTION 1 - FRAME

## FIGURE 1-13. CATERPILLAR FRAME DRIVE MOTOR ASSEMBLY



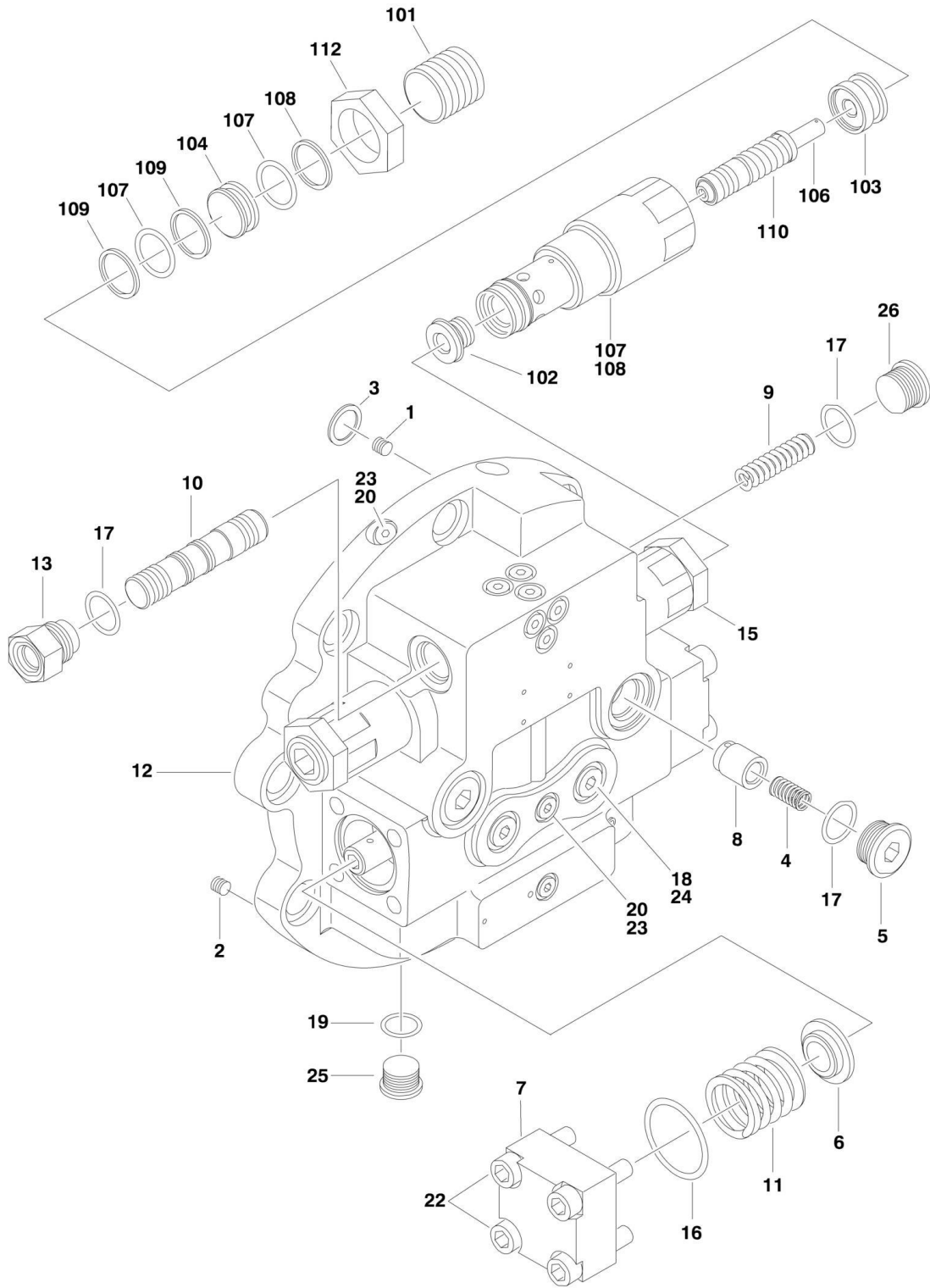
# SECTION 1 - FRAME

**FIGURE 1-13. CATERPILLAR FRAME DRIVE MOTOR ASSEMBLY**

ITEM	PART NUMBER	QTY	DESCRIPTION	REV
		Ref	<b>NOTE: INFORMATION NOT AVAILABLE AT TIME OF PRINTING. DRIVE MOTOR ASSEMBLY</b>	1-A
	NPN	Ref		
1	See Note	1	Seal, O-Ring	
2	See Note	1	Orifice	
3	See Note	4	Pin	
4	See Note	1	Valve	
5	See Note	1	Seal, O-Ring	
6	See Note	1	Spring	
7	See Note	1	Retainer	
8	See Note	1	Seat	
9	See Note	1	Retainer	
10	See Note	9	Spring	
11	See Note	1	Shaft	
12	See Note	1	Bearing, Roller	
13	See Note	2	Piston	
14	See Note	9	Piston Assembly	
15	See Note	1	Barrel Assembly	
16	See Note	4	Plate, Separator	
17	See Note	1	Guide, Piston	
18	See Note	1	Piston, Brake	
19	See Note	8	Spring	
20	See Note	1	Lip-Seal	
21	See Note	2	Key	
22	See Note	2	Spring	
23	See Note	1	Spacer	
24	See Note	1	Body	
25	See Note	4	Plate, Friction	
26	See Note	1	Plate, Cam	
27	See Note	1	Bearing, Needle	
28	See Note	1	Plug, O-Ring	
29	See Note	1	Retainer, Ball	
30	See Note	1	Valve Assembly (See CATERPILLAR FRAME DRIVE VALVE ASSEMBLY for Breakdown)	
31	See Note	1	Dowel	
32	See Note	7	Plug	
33	See Note	9	Capscrew M16 x 40mm	
34	See Note	1	Seal, O-Ring	
35	See Note	1	Ring, Back-up	
36	See Note	1	Seal, O-Ring	
37	See Note	1	Ring, Back-up	
38	See Note	1	Seal, O-Ring	
39	See Note	1	Ring, Back-up	
40	See Note	1	Seal, O-Ring	
41	See Note	1	Ring, Retaining	

# SECTION 1 - FRAME

## FIGURE 1-14. CATERPILLAR FRAME DRIVE VALVE ASSEMBLY



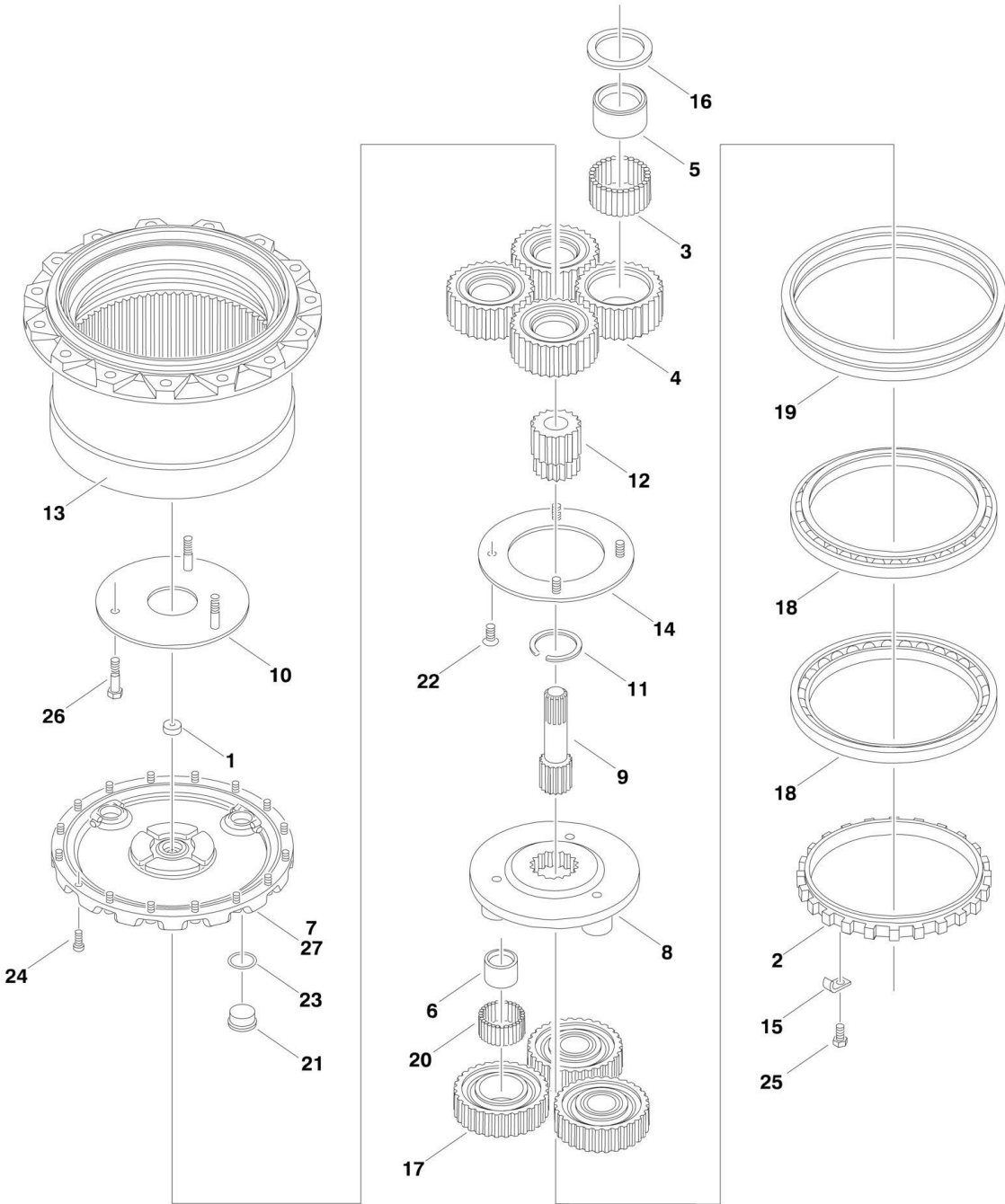
# SECTION 1 - FRAME

## FIGURE 1-14. CATERPILLAR FRAME DRIVE VALVE ASSEMBLY

ITEM	PART NUMBER	QTY	DESCRIPTION	REV
		Ref	<b>NOTE: INFORMATION NOT AVAILABLE AT TIME OF PRINTING.</b>	
	NPN	Ref	<b>DRIVE VALVE ASSEMBLY</b>	
1	See Note	2	Orifice	1-A
2	See Note	1	Orifice	
3	See Note	2	Seal, O-Ring	
4	See Note	2	Spring	
5	See Note	2	Plug	
6	See Note	2	Guide	
7	See Note	2	Cover	
8	See Note	2	Valve	
9	See Note	1	Spring	
10	See Note	1	Spool	
11	See Note	2	Spring	
12	See Note	1	Valve, Counterbalance	
12	See Note	1	Spool Assembly	
12	See Note	2	Ball	
13	See Note	1	Adapter	
15	See Note	1	Relief Valve Assembly (See Items 101-112 for Breakdown)	
16	See Note	2	Seal, O-Ring	
17	See Note	4	Seal, O-Ring	
18	See Note	2	Seal, O-Ring	
19	See Note	1	Seal, O-Ring	
20	See Note	12	Seal, O-Ring	
22	See Note	8	Capscrew M10 x 40mm	
23	See Note	12	Plug O-Ring	
24	See Note	2	Plug O-Ring	
25	See Note	1	Plug O-Ring	
26	See Note	1	Plug O-Ring	
		Ref	<b>RELIEF VALVE ASSEMBLY</b>	
101	See Note	1	Setscrew M27 x 27mm	
102	See Note	1	Seat	
103	See Note	1	Piston	
104	See Note	1	Stop	
106	See Note	1	Valve, Relief	
107	See Note	3	Seal, O-Ring	
108	See Note	3	Ring, Back-up	
109	See Note	2	Ring, Back-up	
110	See Note	1	Spring	
111	See Note	1	Seal, O-Ring	
112	See Note	1	Nut M27	

# SECTION 1 - FRAME

## FIGURE 1-15. CATERPILLAR FRAME DRIVE HUB ASSEMBLY





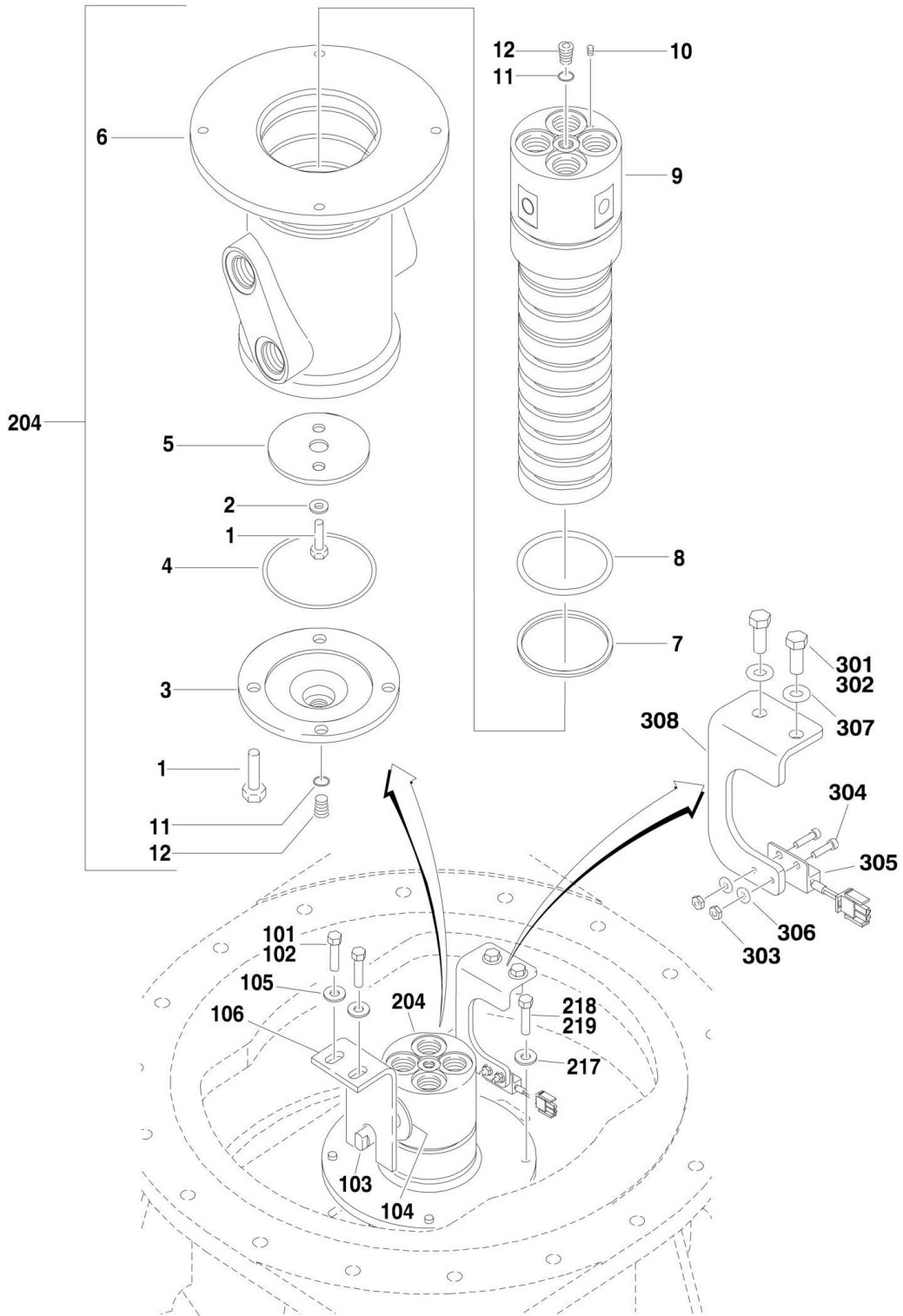
## SECTION 1 - FRAME

**FIGURE 1-15. CATERPILLAR FRAME DRIVE HUB ASSEMBLY**

ITEM	PART NUMBER	QTY	DESCRIPTION	REV
		Ref	<b>NOTE: INFORMATION NOT AVAILABLE AT TIME OF PRINTING.</b>	
	NPN	Ref	<b>DRIVE HUB ASSEMBLY</b>	
1	See Note	1	Plate	
2	See Note	1	Ring, Locking	
3	See Note	4	Bearing	
4	See Note	4	Gear (37 Teeth)	1-A
5	See Note	4	Race	
6	See Note	3	Race	
7	See Note	1	Cover	
8	See Note	1	Carrier	
9	See Note	1	Gear, Sun (17 Teeth)	
10	See Note	1	Plate	
11	See Note	1	Ring	
12	See Note	1	Gear (19 Teeth)	
13	See Note	1	Housing	
14	See Note	1	Plate	
15	See Note	1	Plate, Lock	
16	See Note	4	Plate	
17	See Note	3	Gear, Planet (40 Teeth)	
18	See Note	2	Bearing	
19	See Note	1	Seal, Cone	
20	See Note	3	Bearing Assembly	
21	See Note	2	Plug, Pipe	
22	See Note	4	Capscrew M10 x 25mm	
23	See Note	2	Seal, O-Ring	
24	See Note	16	Capscrew M8 x 20mm	
25	See Note	1	Bolt M10 x 20mm	
26	See Note	3	Bolt M10 x 50mm	
27	See Note	AR	Sealant, Gasket	

# SECTION 1 - FRAME

## FIGURE 1-16. CATERPILLAR FRAME ROTARY COUPLING ASSEMBLY



## SECTION 1 - FRAME

**FIGURE 1-16. CATERPILLAR FRAME ROTARY COUPLING ASSEMBLY**

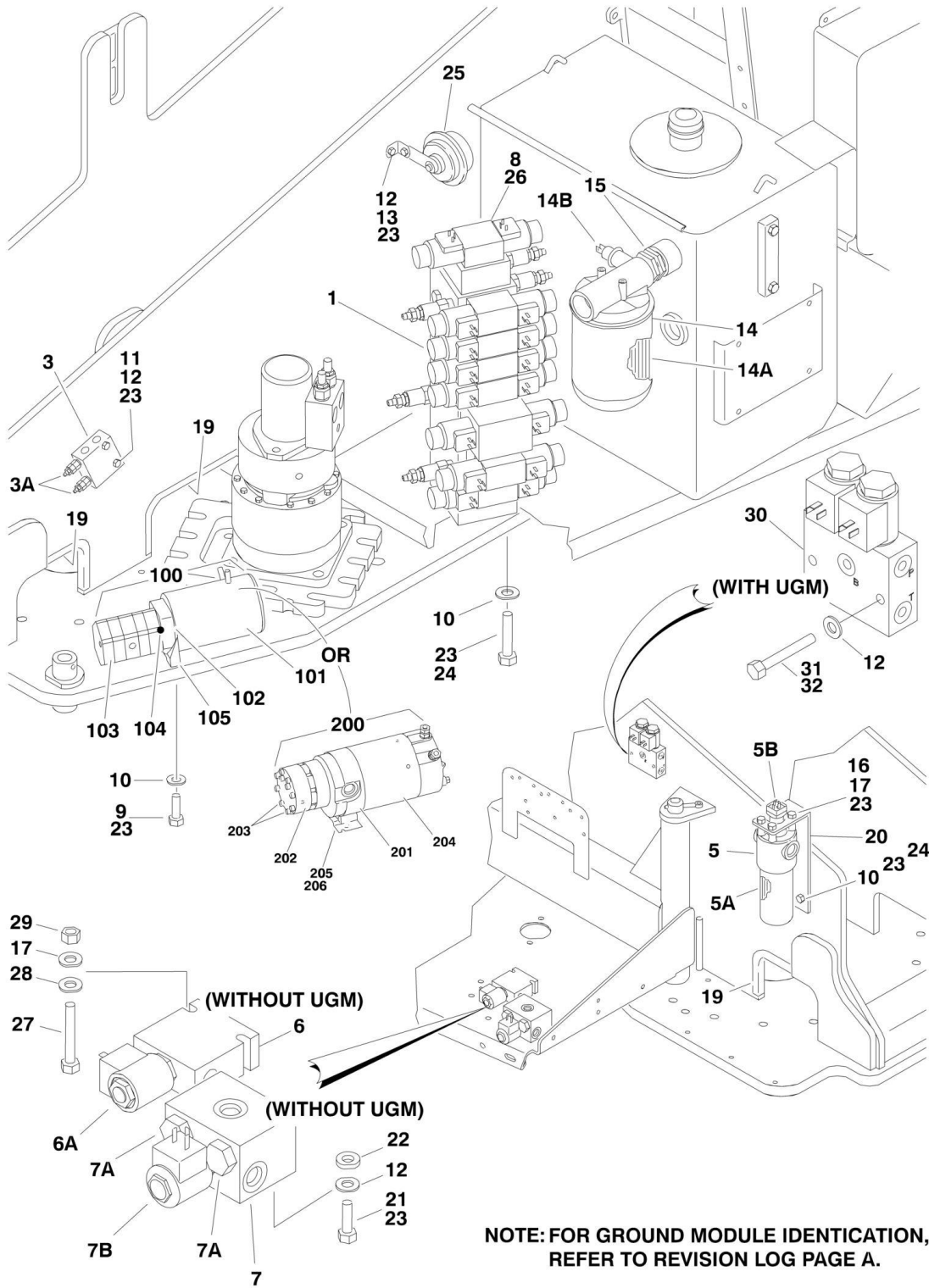
ITEM	PART NUMBER	QTY	DESCRIPTION	REV
	1660245	Ref	<b>ROTARY COUPLING ASSEMBLY</b>	
1	7022720	6	Bolt M10 x 25mm	
2	7022721	2	Washer	
3	7022722	1	Cover	
4	7022723	1	O-Ring	
5	7022724	1	Retainer	
6	7022735	1	Housing	
7	7022726	7	Seal	
8	7022727	3	O-Ring	
9	7022736	1	Rotor	
10	7022729	1	Plug, Pipe	
11	70002500	2	O-Ring	
12	70002501	2	Plug, O-Ring	
	1001103980	Ref	<b>ROTARY COUPLING INSTALLATION</b>	A
101	0100011	AR	Compound, Locking	
102	0641612	2	Bolt 3/8in-16NC x 1-1/2in	
103	3841456	1	Rod, Coupling	
104	4740490	1	Washer, Special	
105	4751600	6	Flatwasher 3/8in	
106	1001103952	1	Bracket	
	1001103980	Ref	<b>ROTARY COUPLING MOUNTING COMPONENTS</b>	A
201	70002502	2	Grommet (Not Shown - Located in Frame Near Swivel Adapter)	
202	70002503	2	Grommet (Not Shown - Located in Frame Where Hose Exit Near Drive Assembly)	
204	1660245	1	Rotary Coupling Assembly (See Items 1-12 for Breakdown)	
217	7022821	4	Flatwasher M10 Hardened	
218	0701012	4	Bolt, Metric M10 x 25mm	
219	70002516	1	Gasket Maker (1.7 oz Tube)	
	1001107769	Ref	<b>DRIVE ORIENTATION INSTALLATION (WITH UGM)</b>	A
		Ref	<b>Note: For Ground Module Identification, refer to Revision Log page A.</b>	
301	0100011	AR	Compound, Locking	
302	0641608	2	Bolt 3/8in-16NC x 1in	
303	3311005	2	Locknut 10-24NC	
304	3931012	2	Screw 10-24NC x 3/4in	
305	4360517	1	Switch, Proximity	
306	4711000	2	Flatwasher #10	
307	4711600	2	Flatwasher 3/8in	
308	1001107767	1	Bracket, Switch Mount	



**SECTION 2 - TURNTABLE**

# SECTION 2 - TURNTABLE

## FIGURE 2-1. CONTROL VALVES INSTALLATIONS



**SECTION 2 - TURNTABLE**

**FIGURE 2-1. CONTROL VALVES INSTALLATIONS**

ITEM	PART NUMBER	QTY	DESCRIPTION	REV
		Ref	<b>VALVES INSTALLATIONS</b>	
		Ref	<b>Note: For Ground Module Identification, refer to Revision Log page A.</b>	
		Ref	<b>Without UGM</b>	
	0274313	Ref	<b>Without UGM 600SC</b>	4
	0274314	Ref	<b>Without UGM 660SJC</b>	4
		Ref	<b>With UGM</b>	
	1001106695	Ref	<b>With UGM 600SC (SN 0300128000 through 0300166807)</b>	B
	1001145283	Ref	<b>With UGM 600SC (SN 0300166808 through 0300174703)</b>	A
	1001106401	Ref	<b>With UGM 660SJC (SN 0300128000 through 0300166807)</b>	B
	1001145284	Ref	<b>With UGM 660SJC (SN 0300166808 through 0300174703)</b>	A
	1001143365	Ref	<b>AUXILIARY PUMP INSTALLATION (SN 0300166808 through 0300174703)</b>	A
1	4641489	1	Main Control Valve Assembly (See MAIN CONTROL VALVE ASSEMBLY for Breakdown)	
3	4640908	1	Counterbalance Valve Assembly ( <b>SN 0300128000 through 0300138211</b> )	
3A	7011328	2	Cartridge, Counterbalance	
3A	2900770	2	Seal, Kit - 7011328 Cartridge	
5	2120209	1	Hydraulic Pressure Filter Assembly	
5A	2120210	1	Element, Filter	
5B	7020020	1	Indicator, Clogged	
5C	70000934	1	O-Ring, Filter Bowl (Not Shown)	
6	4640907	1	Valve Assembly (Brake) (Without UGM)	
6A	7012941	1	Cartridge	
6A	7010543	1	Seal Kit - 7012941 Cartridge	
7	4640906	1	Valve Assembly (Two Speed) (Without UGM)	
7A	7023981	1	Cartridge without Coil	
7A	7012905	1	Seal Kit - 7023981 Cartridge	
7B	7012944	1	Coil	
7C	7017481	2	Cartridge, Check	
7C	7012972	2	Seal Kit	
8		Ref	Valve Kit (Articulating Jib) Options:	
8	Not Required	0	Valve Kit (Articulating Jib) 600SC	
8	4640921	1	Valve Kit (Articulating Jib) 660SJC (See ARTICULATING JIB VALVE ASSEMBLY for Breakdown)	
9	0641613	2	Bolt 3/8in-16NC x 1-5/8in	
10	4711600	7	Flatwasher 3/8in Thin	
11	0641514	2	Bolt 5/16in-18NC x 1-3/4in ( <b>SN 0300128000 through 0300138211</b> )	
12	4751500	AR	Flatwasher 5/16in Regular	
13	0641506	1	Bolt 5/16in-18NC x 3/4in	
14	2120164	1	Return Filter Assembly	
14A	2120149	1	Element, Filter	
14B	7020021	1	Indicator, Clogged	
15	2220893	1	Fitting, Adapter	
16	0651406	AR	Bolt 1/4in-28NF x 3/4in	
17	4711400	AR	Flatwasher 1/4in Thin	
19	4060918	46 in/1.2m	Flex-Trim	
20	0902587	1	Bracket, Filter	
21	0641508	2	Bolt 5/16in-18NC x 1in	

## SECTION 2 - TURNTABLE

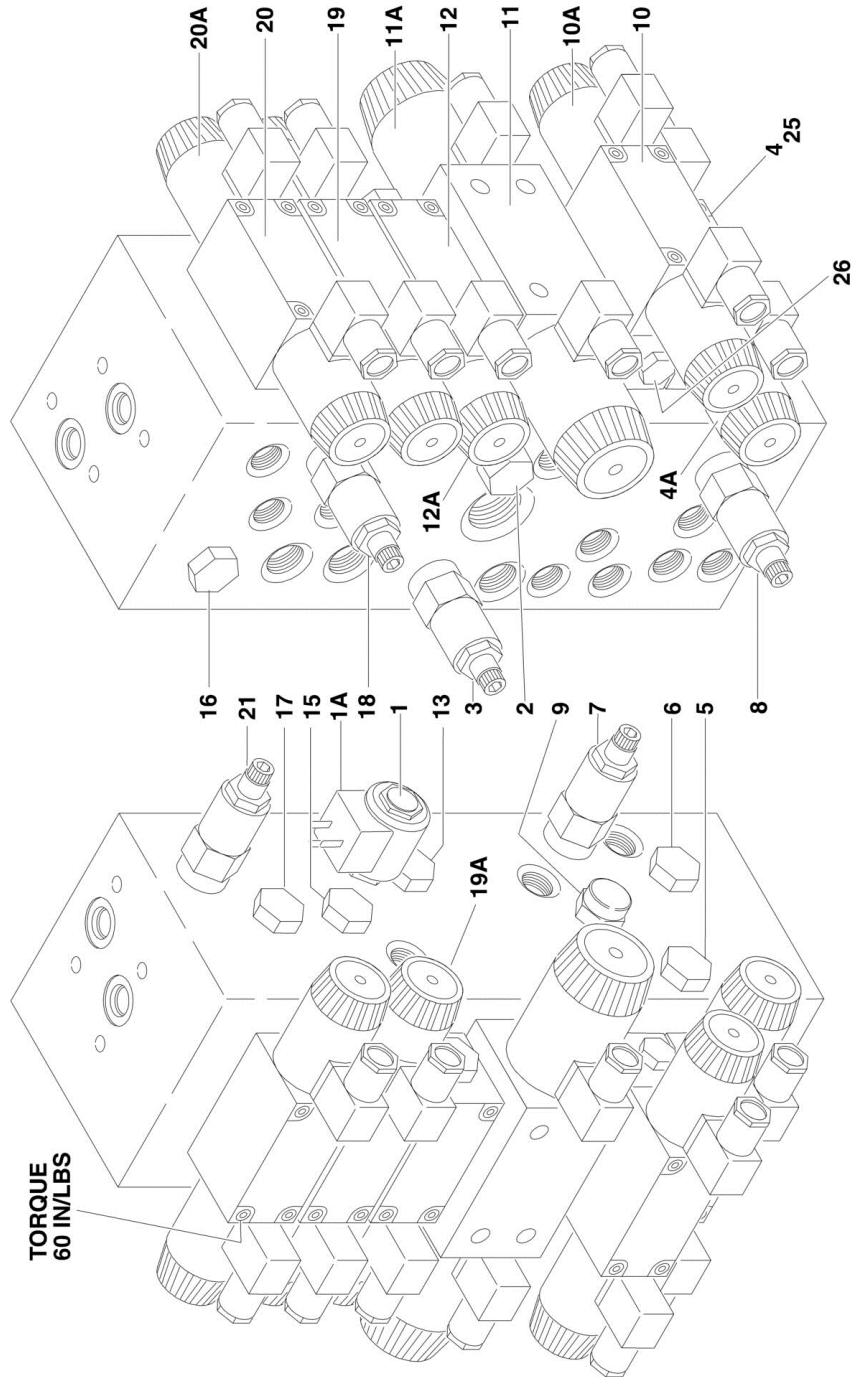
ITEM	PART NUMBER	QTY	DESCRIPTION	REV
22	4891500	2	Flatwasher 5/16in Hardened	
23	0100011	AR	Compound, Locking	
24	0641608	5	Bolt 3/8in-16NC x 1in	
25	0140001	1	Horn	
26		Ref	Harness, Articulating Jib Options:	
26	Not Required	0	Harness, Articulating Jib 600SC	
26	4921927	1	Harness, Articulating Jib 660SJC (See ELECTRICAL SECTION for Breakdown)	
27	0641416	2	Bolt 1/4in-20NC x 2in	
28	4891400	4	Flatwasher 1/4in Hardened	
29	3311405	2	Locknut 1/4in-20NC	
30		Ref	Combination Valve Assembly (Brake and 2 Speed) (With UGM)	
30	4641317	1	Valve Assembly	
30	7012944	2	Coil	
30	7012941	2	Cartridge without Coil	
30	7010543	2	Seal Kit - 7012941 Cartridge (1 Per Cartridge)	
31	0641512	2	Bolt 5/16in-18NC x 1-1/2in (With UGM)	
32	0100019	AR	Compound, Locking (With UGM)	
100	3600365	Ref	<b>AUXILIARY PUMP ASSEMBLY (SN 0300128000 through 0300166807)</b>	B
101		Ref	Replacement Motor Options:	
101	7004290	1	Replacement Motor with Endhead Item 105 (was p/n 7011067)	
101	7004248	1	Replacement Motor without Endhead	
101	7011065	1	Brush Kit	
101	See Note	NSS	Bolt (Mounts Motor to Endhead) (Note: Not Available - Purchase Locally)	
102	7011063	1	Coupling and Hardware Kit (Includes Pump Gasket and Item 104)	
103	7011064	1	Replacement Pump	
103	7011044	1	Gasket	
103	7011066	1	Seal Kit	
103	See Note	NSS	Relief Valve (Note: Not Available - Purchase Complete Pump.)	
104	7011043	4	Bolt (Mounts Pump to Mounting Bracket)	
104	7011048	4	Lockwasher	
105	7011062	1	Endhead	
200	1001137458	Ref	<b>AUXILIARY PUMP ASSEMBLY (SN 0300166808 through 0300174703)</b>	A
201	70003995	1	Base	
202	70003996	1	Pump Assembly	
202	7026330	1	Seal, Shaft	
203	70003997	4	Capscrew 1/4in-20NC x 3in	
204	70003998	1	Motor	
204	See Note	NSS	Brush Kit (Note: Not Available for Purchase)	
205	70003999	1	Bracket	
206	70004000	2	Capscrew 3/8in-16NC x 1in	





# SECTION 2 - TURNTABLE

## FIGURE 2-2. MAIN CONTROL VALVE ASSEMBLY



**SECTION 2 - TURNTABLE**

**FIGURE 2-2. MAIN CONTROL VALVE ASSEMBLY**

ITEM	PART NUMBER	QTY	DESCRIPTION	REV
	4641489	Ref	<b>MAIN CONTROL VALVE ASSEMBLY</b>	A
1	7017410	1	Cartridge, Without Coil	
1	7012967	1	Seal Kit - 7017410 Cartridge	
1A	7012944	1	Coil	
2	7017464	1	Cartridge, Pressure Sensing	
2	7012518	1	Seal Kit - 7017464 Cartridge	
3	7012912	1	Cartridge (Main Relief)	
3	7012998	1	Seal Kit - 7012912 Cartridge	
4	7021373	1	Control Valve Assembly (Platform Level)	
4	7012773	1	Seal Kit	
4	7012799	1	Lanyard Assembly	
4A	7021376	2	Coil	
4A	7021375	2	Nut, Coil	
5	7012914	1	Cartridge, Check Valve (Platform Level)	
5	7012918	1	Seal Kit - 7012914 Cartridge	
6	7012914	1	Cartridge, Check Valve (Platform Level)	
6	7012918	1	Seal Kit - 7012914 Cartridge	
7	7012912	1	Cartridge, Relief Valve (Platform Level)	
7	7012998	1	Seal Kit - 7012912 Cartridge	
8	7012912	1	Cartridge, Relief Valve	
8	7012998	1	Seal Kit - 7012912 Cartridge	
9	7012989	1	Cartridge, Flow Control	
9	7012953	1	Seal Kit - 7012989 Cartridge	
10	7021373	1	Control Valve Assembly (Platform Rotate)	
10	7012773	1	Seal Kit	
10	7012799	1	Lanyard Assembly	
10A	7021376	2	Coil	
10A	7021375	2	Nut, Coil	
11	70000579	1	Control Valve Assembly (Upper Tele):	
11	70000583	1	Seal Kit - 70000579 Valve	
11A	70000582	1	Coil	
11A	70000580	1	Nut, Coil	
12	7022521	1	Control Valve Assembly (Flow Control)	
12	7012773	1	Seal Kit - 7012521 Valve	
12A	7018991	1	Coil	
12A	7021375	1	Nut, Coil	
13	7010542	1	Cartridge, Shuttle	
13	7010543	1	Seal Kit - 7010542 Cartridge	
15	7010542	1	Cartridge, Shuttle	
15	7010543	1	Seal Kit - 7010542 Cartridge	
16	7010542	1	Cartridge, Shuttle	
16	7010543	1	Seal Kit - 7010542 Cartridge	
17	7010542	1	Cartridge, Shuttle	
17	7010543	1	Seal Kit - 7010542 Cartridge	
18	7012912	1	Cartridge, Relief Valve	
18	7012998	1	Seal Kit - 7012912 Cartridge	
19	7012775	1	Control Valve Assembly (Upper Lift)	
19	7012773	1	Seal Kit	
19A	7012772	2	Coil	
20	7012775	1	Control Valve Assembly (Swing)	

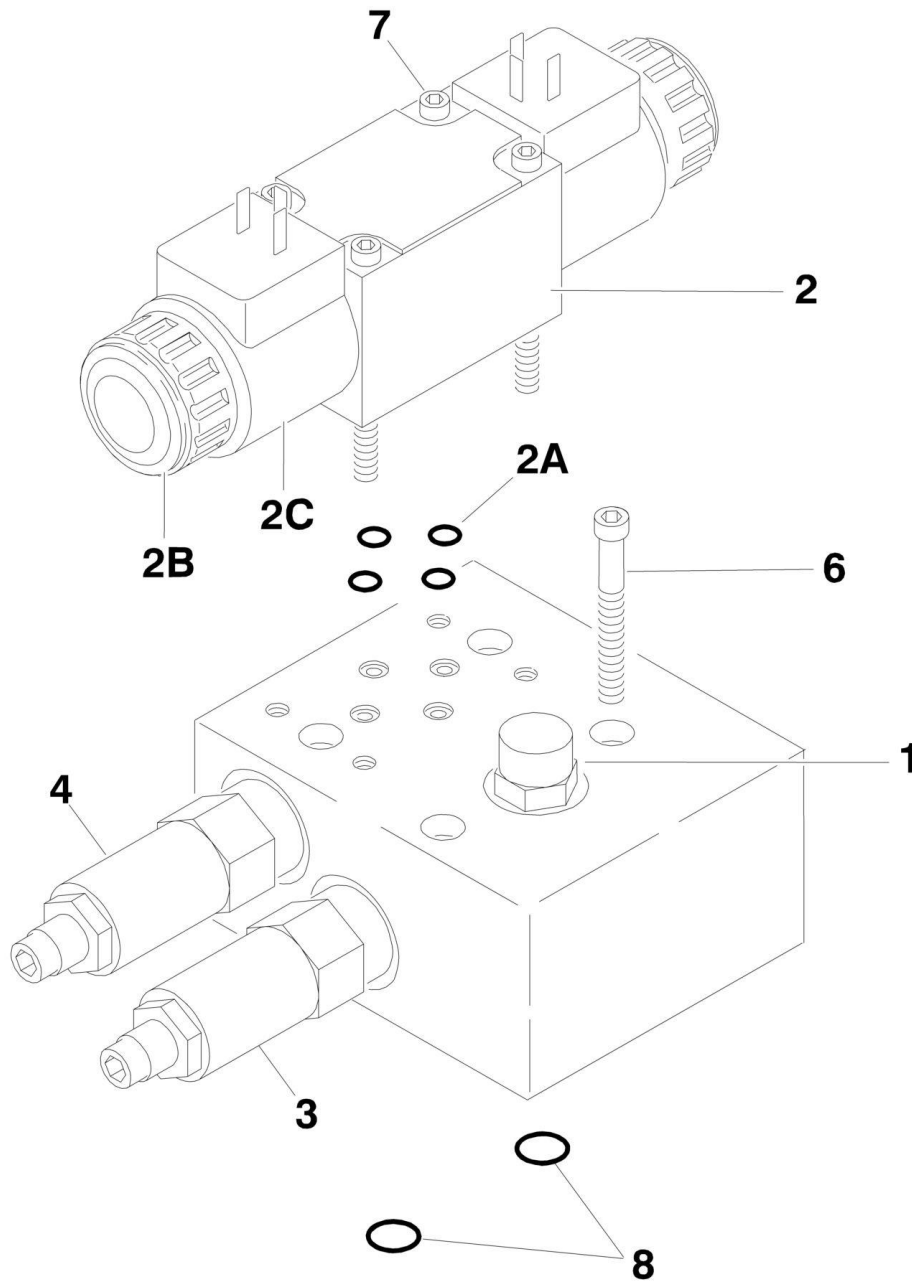
## SECTION 2 - TURNTABLE

ITEM	PART NUMBER	QTY	DESCRIPTION	REV
20	7012773	1	Seal Kit - 7012775 Valve	
20A	7012772	2	Coil	
20A	7018912	2	Nut, Coil	
21	7012912	1	Cartridge, Relief Valve	
21	7012998	1	Seal Kit - 7012912 Cartridge	
26	7021310	1	Valve, Sandwich	



## SECTION 2 - TURNTABLE

FIGURE 2-3. ARTICULATING JIB VALVE ASSEMBLY (660SJC ONLY)



**NOTE: TORQUE ITEMS 6 & 7 TO 60 IN/LBS.**

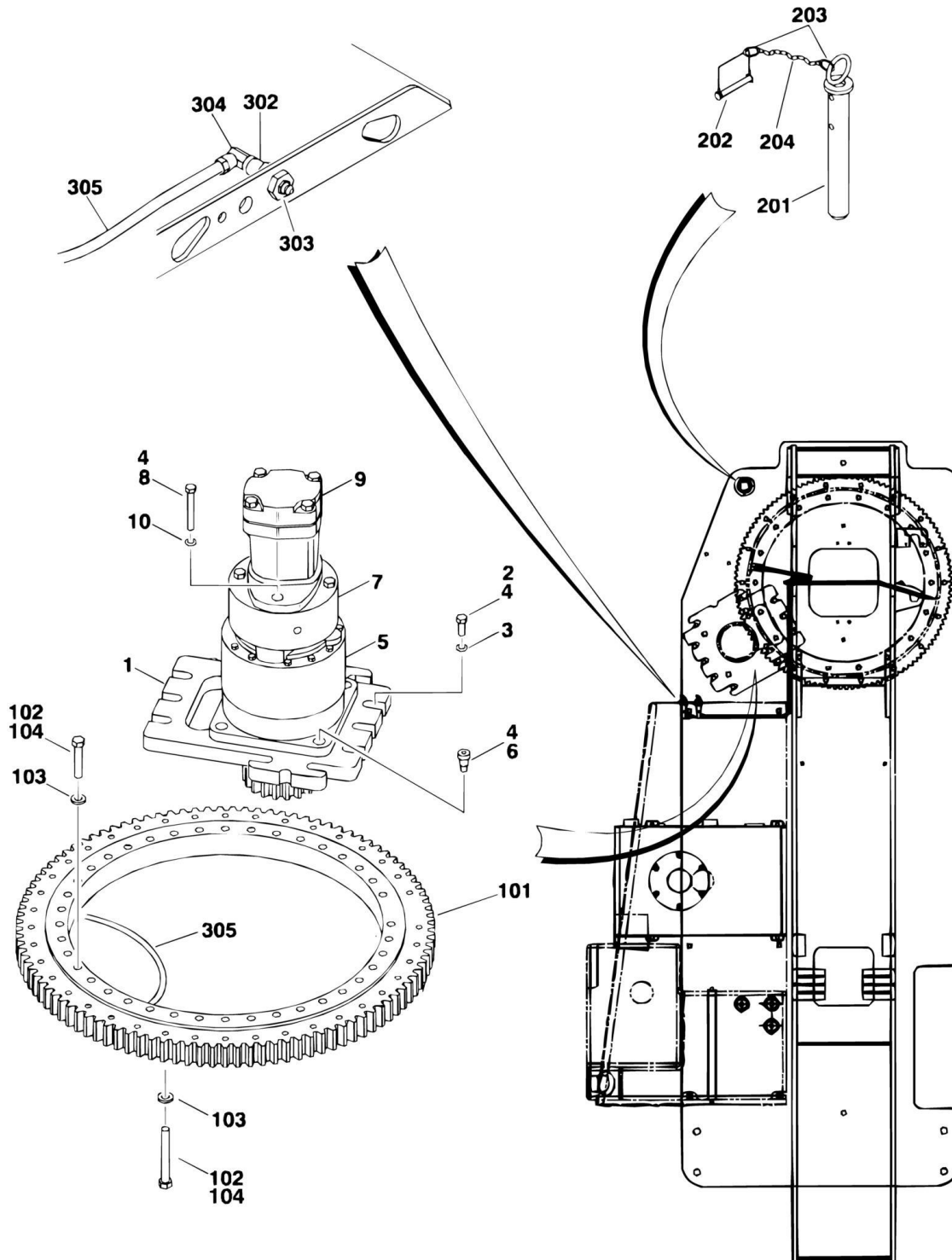
**SECTION 2 - TURNTABLE**

**FIGURE 2-3. ARTICULATING JIB VALVE ASSEMBLY (660SJC ONLY)**

ITEM	PART NUMBER	QTY	DESCRIPTION	REV
	4640921	Ref	<b>ARTICULATING JIB VALVE ASSEMBLY (660SJC)</b>	D
1	7012965	1	Cartridge, Flow Control	
1	7012953	1	Seal Kit - 7012965 Cartridge	
2	70001976	1	Directional Control Valve Assembly (was p/n 7012770)	
2	7012773	1	Seal Kit	
2A	7018945	2	O-Ring	
2B	7018912	2	Nut	
2C	7012772	2	Coil	
3	7017421	1	Cartridge, Relief	
3	7012998	1	Seal Kit - 7017421 Cartridge	
4	7017422	1	Cartridge, Relief	
4	7012998	1	Seal Kit - 7017422 Cartridge	
5	4460499	2	Connector, Din with Diode (Part of Valve Harness)	
6	7012777	4	Capscrew, Socket Head 5/16in-11NC x 2-1/4in (Used to Mount Valve Assembly)	
7	7018942	4	Capscrew, Socket Head #10-24NC x 2in	
8	7012776	2	O-Ring (Used to Mount to Main Valve)	

# SECTION 2 - TURNTABLE

## FIGURE 2-4. SWING DRIVE, TURNTABLE BEARING AND LOCK INSTALLATIONS





## SECTION 2 - TURNTABLE

**FIGURE 2-4. SWING DRIVE, TURNTABLE BEARING AND LOCK INSTALLATIONS**

ITEM	PART NUMBER	QTY	DESCRIPTION	REV
	4620127	Ref	<b>TURNTABLE WELDMENT</b>	
		Ref	<b>SWING DRIVE INSTALLATION</b>	
	0270329	Ref	<b>Swing Drive Installation (SN 0300128000 through 0300137440)</b>	D
	1001094828	Ref	<b>Swing Drive Installation (SN 0300137441 through 0300174703)</b>	C
1	3537318	1	Plate, Swing Drive Mounting	
2	0642018	10	Bolt 5/8in-11NC x 2-1/4in	
3	4892000	10	Flatwasher 5/8in Hardened	
4	0100011	AR	Compound, Locking	
5		Ref	Swing Hub Assembly Options:	
5	2780205	1	Hub (See SWING HUB ASSEMBLY for Breakdown) <b>(SN 0300128000 through 0300137440)</b>	
5	1001101061	1	Hub (See SWING MOTOR/BRAKE/HUB ASSEMBLY for Breakdown) <b>(SN 0300137441 through 0300174703)</b>	
6	3932224	4	Capscrew 1/2in-13NC x 1-1/2in	
7		Ref	Swing Brake Assembly Options:	
7	0920119	1	Brake <b>(SN 0300128000 through 0300137440)</b>	
7	7018612	1	Repair Kit for 0920119 Brake (Note: No Other Service Parts Available)	
7	1001101061	1	Brake (See SWING MOTOR/BRAKE/HUB ASSEMBLY for Breakdown) <b>(SN 0300137441 through 0300174703)</b>	
8		Ref	Bolt Options:	
8	0681836	AR	Bolt 1/2in-13NC x 4-1/2in (Grade 8) <b>(SN 0300128000 through 0300137440)</b>	
8		Ref	Bolt (See SWING MOTOR/BRAKE/HUB ASSEMBLY) <b>(SN 0300137441 through 0300174703)</b>	
9		Ref	Swing Motor Assembly Options:	
9		Ref	Motor for Options: (Note: Either p/n may be used for replacement) <b>(SN 0300135930 through 0300137440)</b>	
9	3160273	NLA	White Roller Stator Motor (Use p/n 1001110169) (See SWING MOTOR ASSEMBLY (WHITE ROLLER STATOR) (ORIGINAL EQUIPMENT) for Breakdown)	
9	1001110169	1	Parker Motor (See SWING MOTOR ASSEMBLY (PARKER) (SERVICE REPLACEMENT) for Breakdown)	
9	1001101061	1	Motor (See SWING MOTOR/BRAKE/HUB ASSEMBLY (PARKER/FAIRFIELD) for Breakdown) <b>(SN 0300137441 through 0300174703)</b>	
10		Ref	Flatwasher 1/2in Hardened Options:	
10	4891800	2	Flatwasher 1/2in Hardened <b>(SN 0300128000 through 0300137440)</b>	
10	See Note	2	Flatwasher 1/2in Hardened (Note: See SWING MOTOR/BRAKE/HUB ASSEMBLY (PARKER/FAIRFIELD) <b>(SN 0300137441 through 0300174703)</b>	
	0259055	Ref	<b>TURNTABLE BEARING INSTALLATION</b>	B
101	0440233	NLA	Bearing Kit (Use p/n 2915089) (Kit Includes Bearing and Mounting Hardware)	
102	0682023	36	Bolt 5/8in - 11NC X 2-7/8in (Grade 8)	
103	4892000	36	Flatwasher 5/8in Hardened	
104	0100019	AR	Compound, Locking	
	0239585	Ref	<b>TURNTABLE LOCK INSTALLATION</b>	B
201	3421627	1	Pin	
202	3421565	1	Pin, Snap	
203	3760170	2	Ring, Quick Release	
204	1260017	9 in/23cm	Chain	

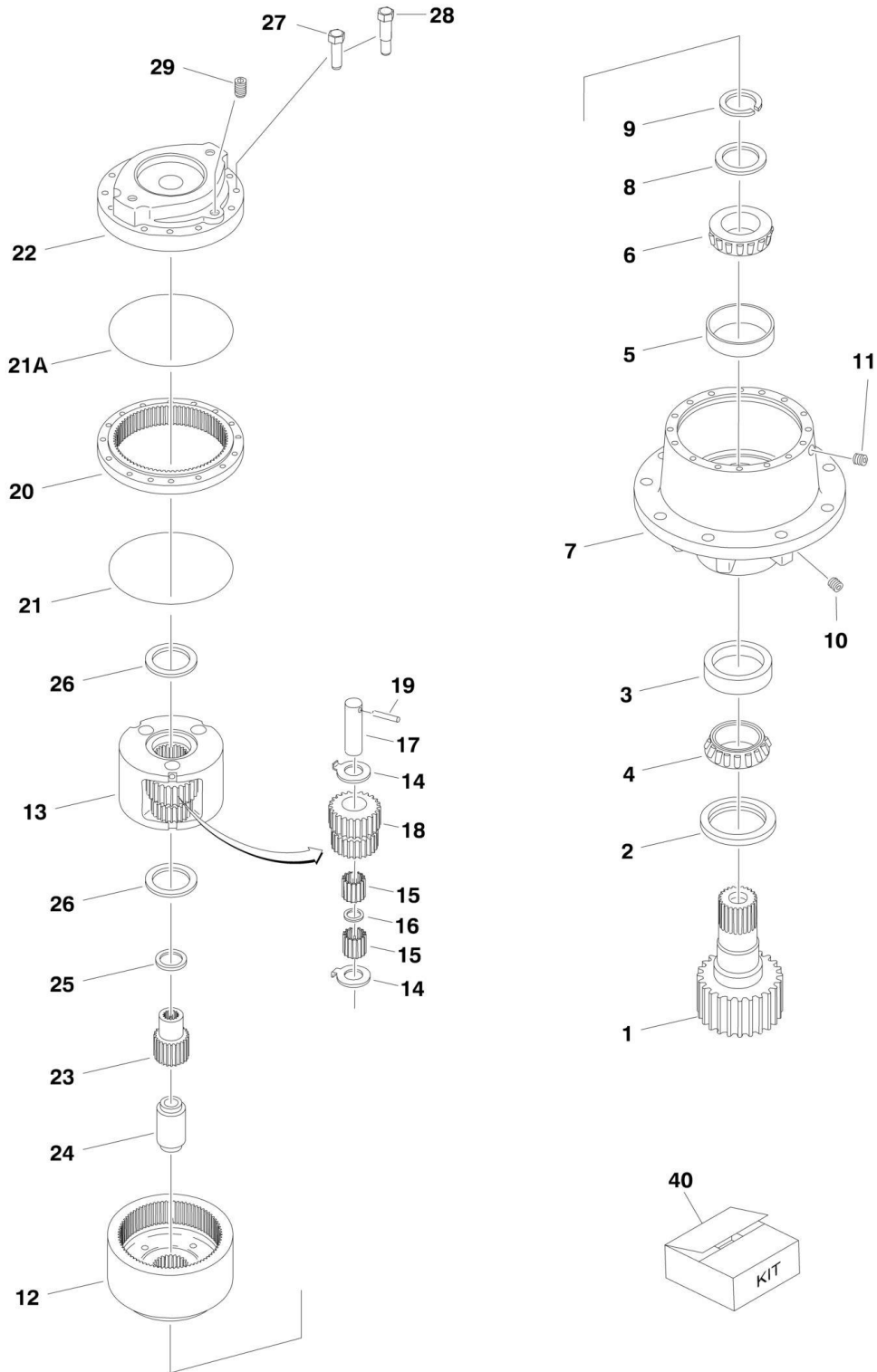
## SECTION 2 - TURNTABLE

ITEM	PART NUMBER	QTY	DESCRIPTION	REV
	0255316	Ref	<b>REMOTE BEARING LUBE INSTALLATION</b>	3
302	2180344	1	Fitting, Bulkhead	
303	2160003	1	Fitting, Grease 45	
304	2220063	1	Fitting, 90	
305	2751032	1	Hose, Grease	



# SECTION 2 - TURNTABLE

## FIGURE 2-5. SWING HUB ASSEMBLY (SN 0300128000 through 0300137440)



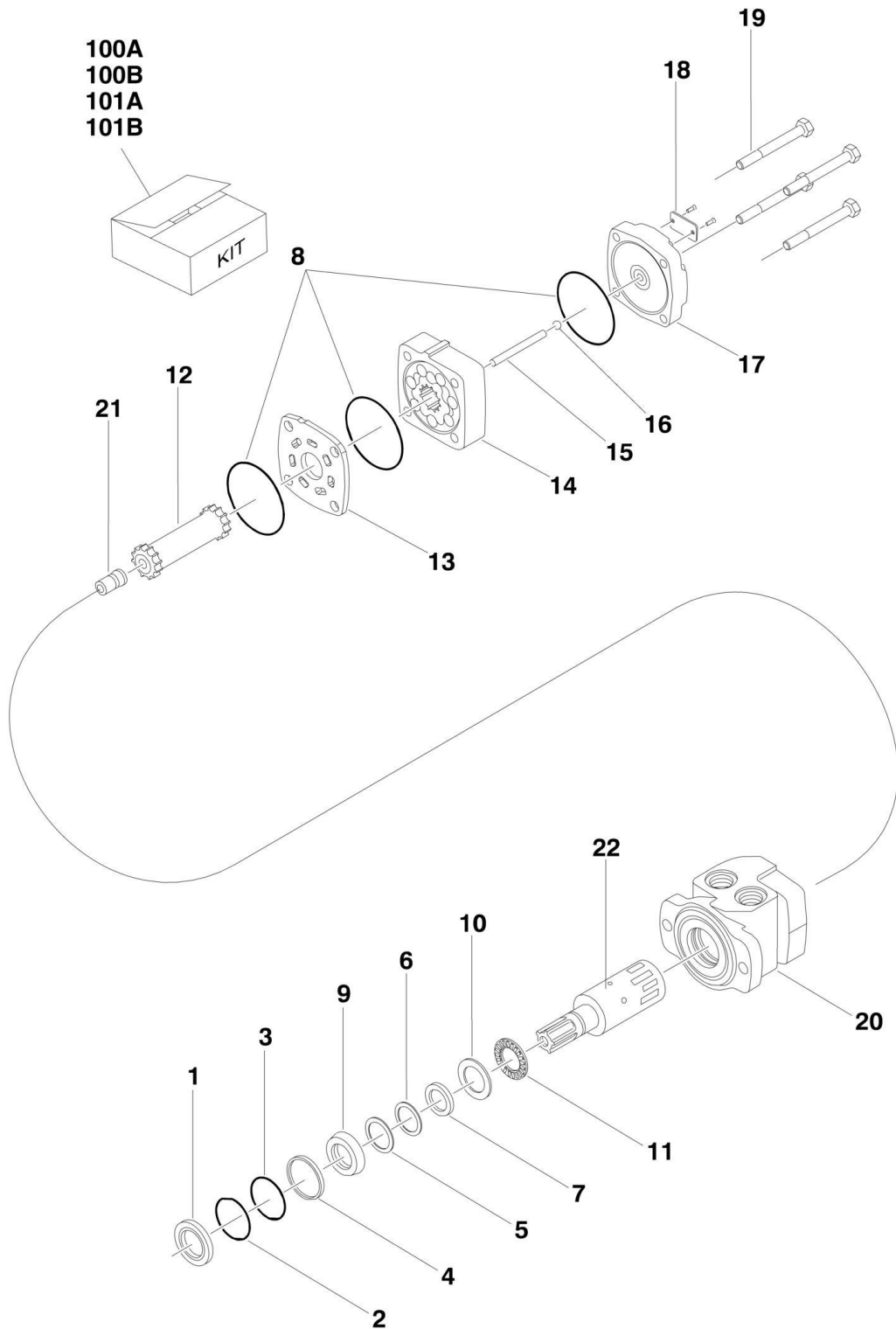
**SECTION 2 - TURNTABLE**

**FIGURE 2-5. SWING HUB ASSEMBLY (SN 0300128000 through 0300137440)**

ITEM	PART NUMBER	QTY	DESCRIPTION	REV
	2780205	Ref	<b>SWING HUB ASSEMBLY</b>	B
		Ref	<b>Housing Assembly</b>	
1	7010492	1	Shaft, Output	
2	7000228	1	Seal, Lip	
3	7000255	1	Cup, Bearing	
4	7000256	1	Cone, Bearing	
5	7000257	1	Cup, Bearing	
6	7000258	1	Cone, Bearing	
7	7010496	1	Housing	
8	7007633	1	Thrustwasher	
9	7000229	1	Ring, Retaining	
10	7010494	2	Pipe, Plug	
11	7001928	2	Pipe, Plug	
12	7000246	2	Gear, In O-Ring	
		Ref	<b>Carrier Assembly</b>	
13	7001931	1	Carrier	
14	7001985	6	Thrustwasher, Tanged	
15	7001909	96	Bearing, Needle	
16	7000263	3	Spacer, Thrust	
17	7001911	3	Shaft, Planet	
18	7001987	3	Gear, Cluster	
19	7010474	3	Rollpin	
20	7001988	1	Ring Gear	
21	7000230	1	O-Ring (Black)	
21A	7017070	1	O-Ring (White)	
22	7000209	1	Cover, Input	
23	7010488	1	Gear, Sun	
24	7000269	1	Spacer, Input	
25	7000270	1	Thrustwasher	
26	7000253	2	Thrustwasher	
27	7000217	8	Bolt	
28	7000214	4	Bolt, Shoulder	
29	2200222	1	Pipe, Plug	
40	7024100	1	Seal Kit (Includes Items 2, 9, 21, 21A & 26)	

## SECTION 2 - TURNTABLE

FIGURE 2-6. SWING MOTOR ASSEMBLY (WHITE ROLLER STATOR) (ORIGINAL EQUIPMENT) (SN 0300128000 through 0300137440)



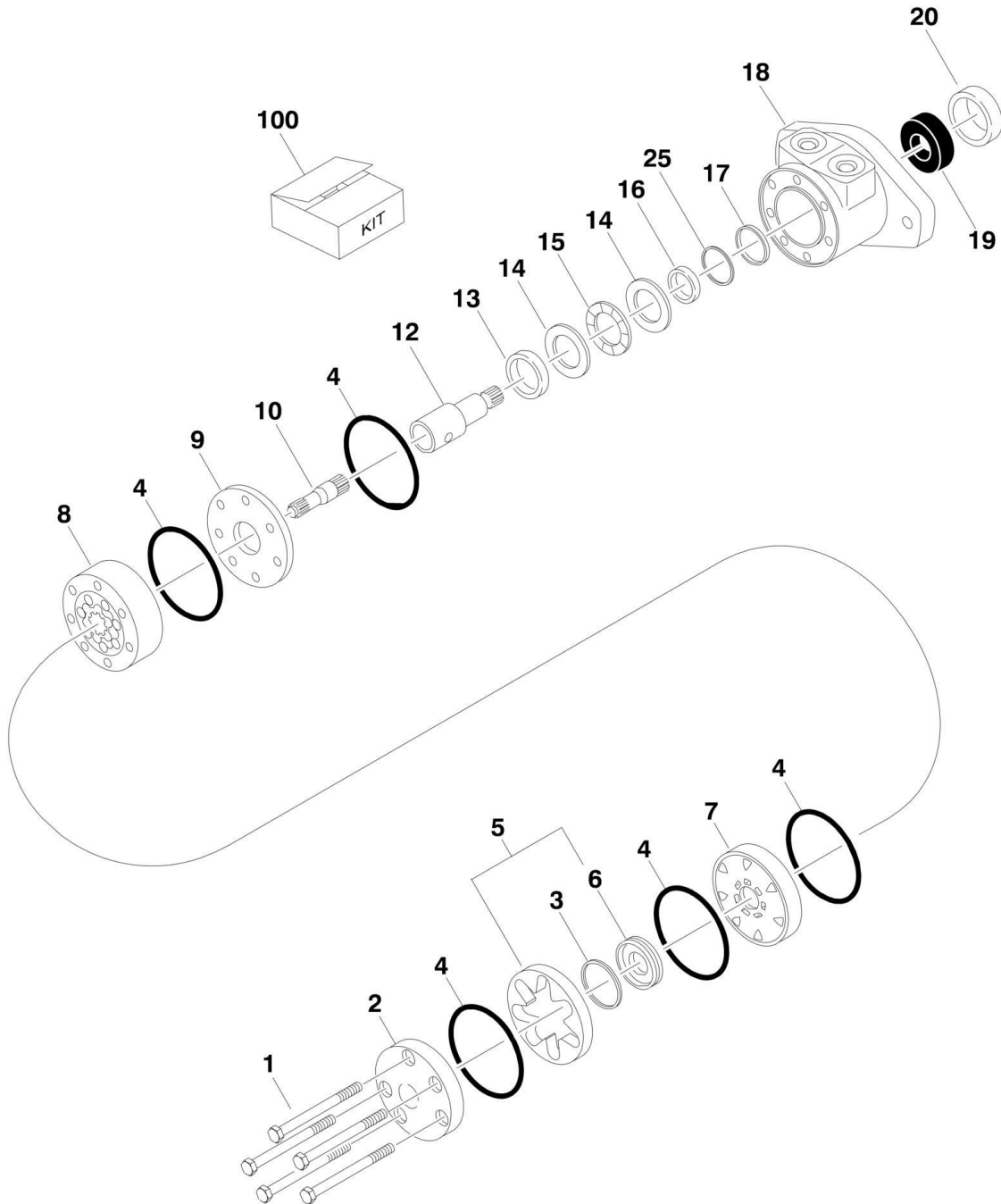
## SECTION 2 - TURNTABLE

**FIGURE 2-6. SWING MOTOR ASSEMBLY (WHITE ROLLER STATOR) (ORIGINAL EQUIPMENT) (SN 0300128000 through 0300137440)**

ITEM	PART NUMBER	QTY	DESCRIPTION	REV
	3160273	Ref	<b>SWING MOTOR ASSEMBLY (WHITE ROLLER STATOR)</b>	C
		Ref		
1	See Note	NSS	Seal, Dust (Note: Use Item 100A)	
2	See Note	NSS	Ring, Split Wire (Note: Use Item 100A)	
3	See Note	NSS	Shim, Metal Back-up (Note: Use Item 100A)	
4	See Note	NSS	Seal, High Pressure (Note: Use Item 100A)	
5	See Note	NSS	Shim, Metal Back-up (Note: Use Item 100A)	
6	See Note	NSS	Seal, Teflon Back-up (Note: Use Item 100A)	
7	See Note	NSS	Seal, Shaft (Note: Use Item 100A)	
8	See Note	NSS	Seal, Body (Note: Use Item 100A)	
9	See Note	NSS	Carrier, Seal (Note: Use Item 100B)	
10	See Note	NSS	Thrustwasher (Note: Use Item 100B)	
11	7016422	1	Bearing, Thrust	
12	7005889	1	Link, Drive	
13	7016423	1	Plate, Wear	
14	7005890	1	Rotor Assembly	
15	7005891	1	Pin, Drive Link	
16	See Note	NSS	Ball (Note: Use Item 101A)	
17	See Note	NSS	Cover, End (Note: Use Item 101A)	
18	See Note	1	Tag, I.D. (Note: Not Available for Purchase.)	
19	7005892	4	Bolt	
20	7016425	1	Housing	
21	7005893	1	Plug, Cooling	
22	7016426	1	Shaft	
100		Ref	Seal Kit Options:	
100A	7005881	1	Seal Kit (Includes Items 1-8)	
100B	7005882	1	Seal Carrier Kit (Includes Items 9 & 10)	
101		Ref	Repair Kit Options:	
101A	7016424	1	End Cover Kit (Includes Items 16 & 17)	
101B	7016427	1	Housing/Shaft Kit (Includes Items 20-22)	

## SECTION 2 - TURNTABLE

FIGURE 2-7. SWING MOTOR ASSEMBLY (PARKER) (SERVICE REPLACEMENT) (SN 0300128000 through 0300137440)





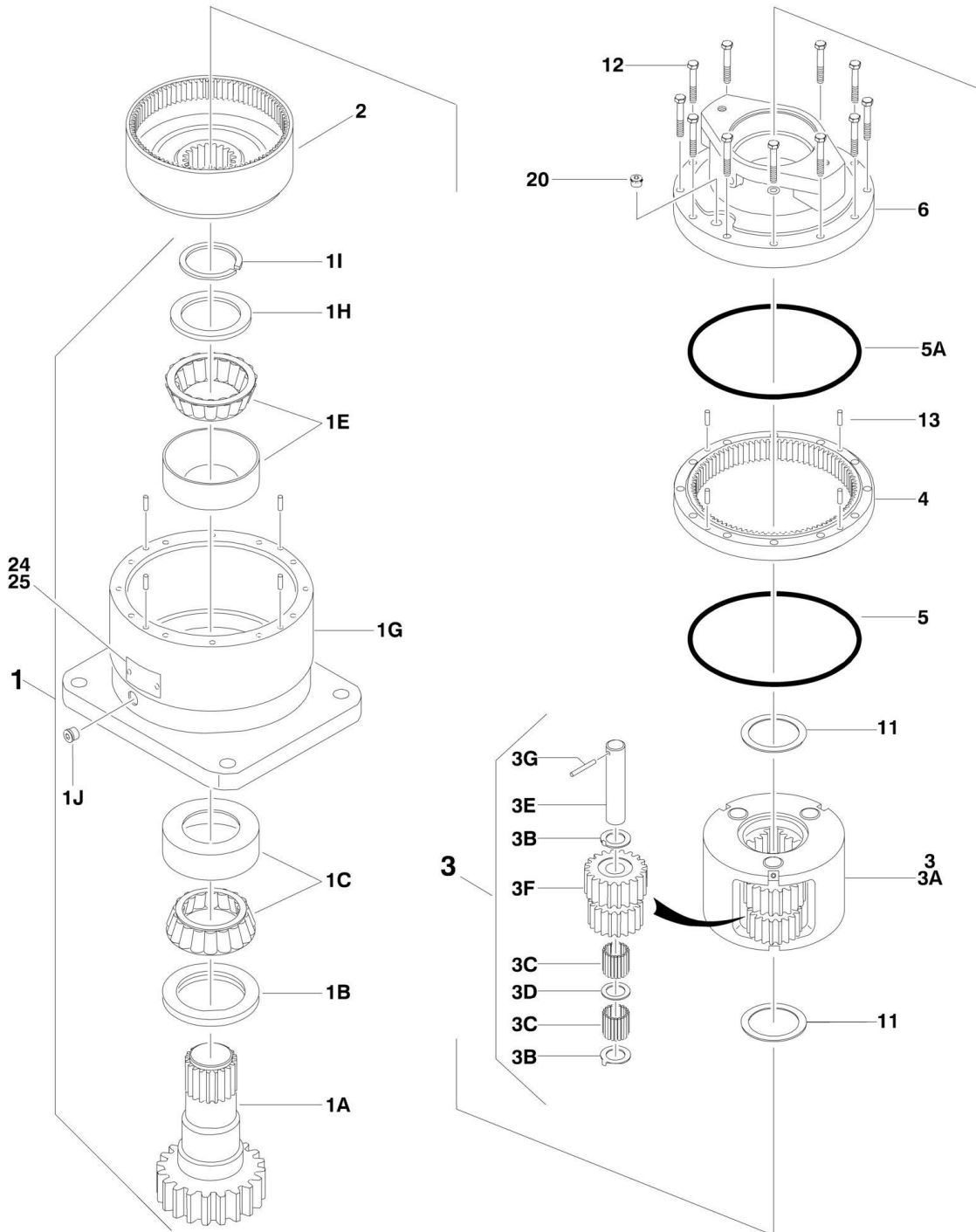
**SECTION 2 - TURNTABLE**

**FIGURE 2-7. SWING MOTOR ASSEMBLY (PARKER) (SERVICE REPLACEMENT) (SN 0300128000 through 0300137440)**

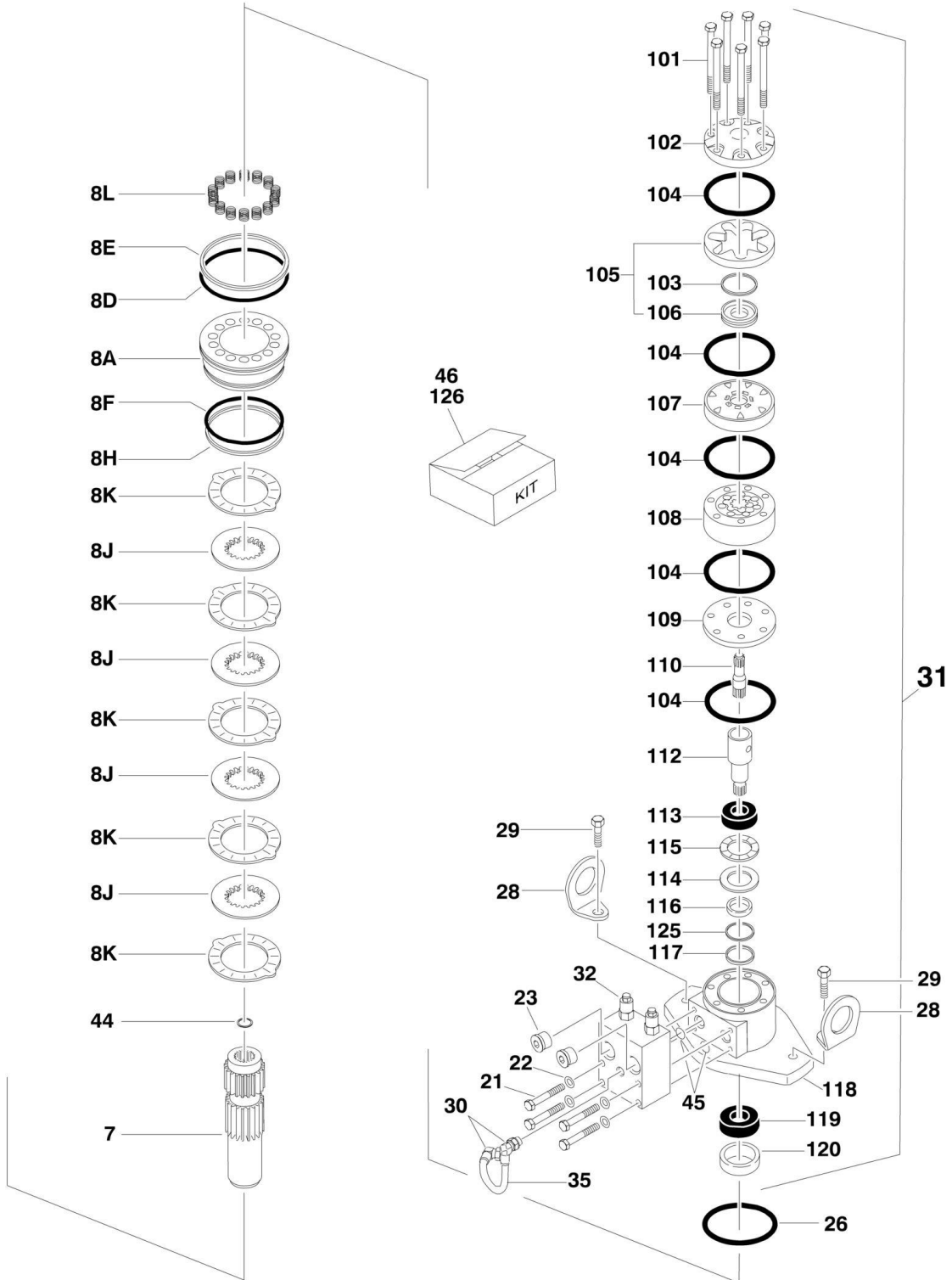
ITEM	PART NUMBER	QTY	DESCRIPTION	REV
	1001110169	Ref	<b>SWING MOTOR ASSEMBLY (PARKER)</b>	A
1	70002243	5	Bolt	
2	7004035	1	Cover, End	
3	See Note	NSS	Seal, Commutator (Note: Use Item 100)	
4	See Note	NSS	Seal, Ring (Note: Use Item 100)	
5	7024453	1	Commutator and Ring Assembly	
6	7024453	1	Ring	
7	7024379	1	Manifold	
8	70002208	1	Rotor Set	
9	7024380	1	Plate, Wear	
10	83304150	1	Link, Drive	
12	7024395	1	Shaft, Coupling	
13	7024381	1	Bushing, Bronze	
14	7004043	2	Thrustwasher	
15	7004044	1	Bearing, Thrust	
16	See Note	NSS	Seal, Inner (Note: Use Item 100)	
17	See Note	NSS	Washer, Back-up (Note: Use Item 100)	
18	See Note	NSS	Housing (Note: Not Available - Purchase Complete Swing Motor Assembly.)	
19	7024390	1	Bearing	
20	See Note	NSS	Seal (Note: Use Item 100)	
25	See Note	NSS	Washer, Back-up (Note: Use Item 100)	
100	7024389	1	Seal Kit (Includes Items 3, 4, 16, 17, 20 & 25)	

# SECTION 2 - TURNTABLE

FIGURE 2-8. SWING MOTOR/BRAKE/HUB ASSEMBLY (PARKER/FAIRFIELD) (SN 0300137441 through 0300174703)



# SECTION 2 - TURNTABLE



## SECTION 2 - TURNTABLE

**FIGURE 2-8. SWING MOTOR/BRAKE/HUB ASSEMBLY (PARKER/FAIRFIELD) (SN 0300137441 through 0300174703)**

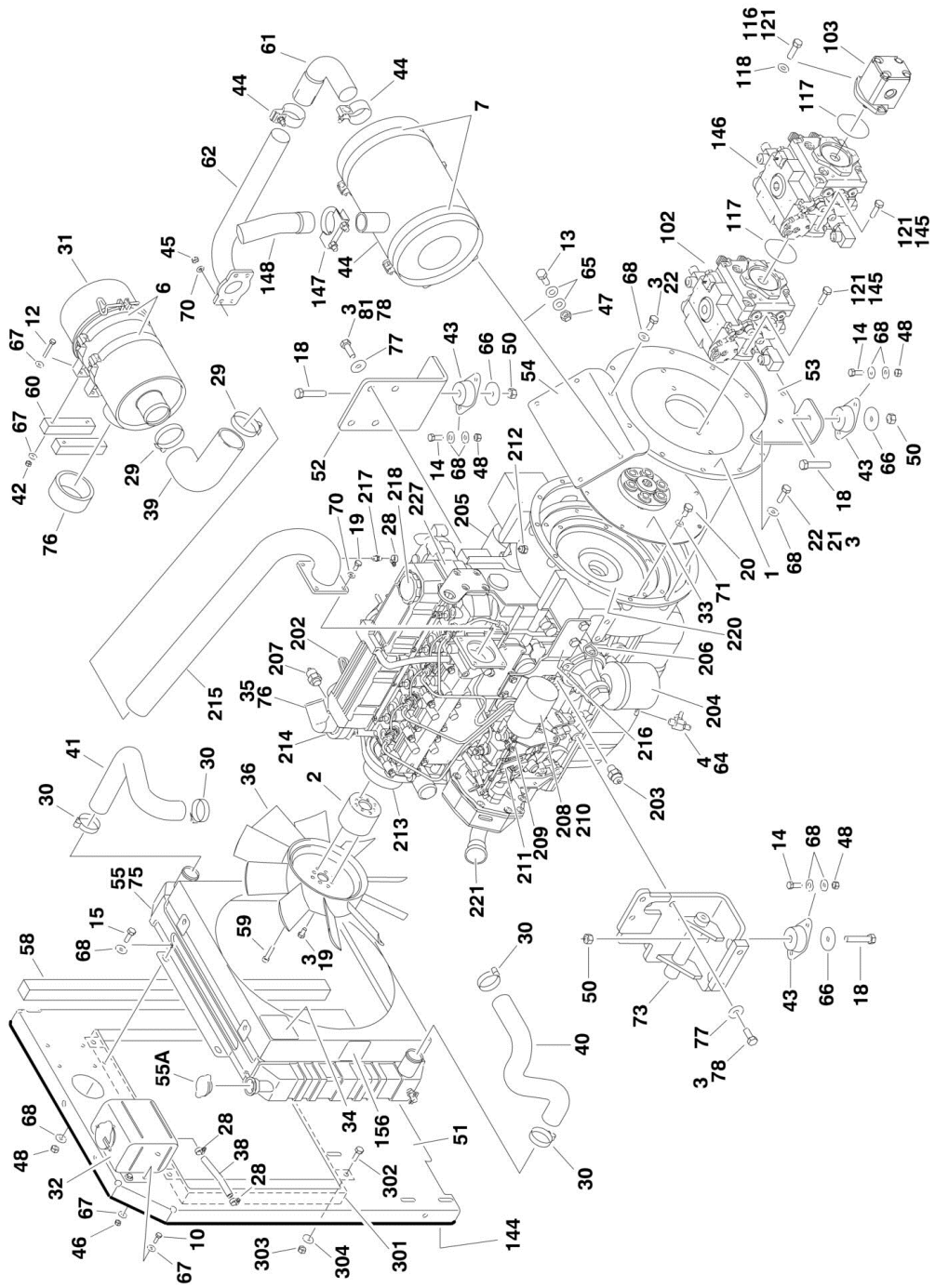
ITEM	PART NUMBER	QTY	DESCRIPTION	REV
	1001101061	Ref	<b>SWING MOTOR/HUB ASSEMBLIES</b>	A
1	1001101061	1	Housing/Shaft Assembly (Note: Not Available - Purchase Complete Swing Motor/Brake/Hub Assembly.)	
1A	7010492	1	Shaft, Output	
1B	7000228	1	Seal, Lip	
1C	7000255	1	Bearing Kit (Includes Cup and Cone)	
1E	7000257	1	Bearing Kit (Includes Cup and Cone)	
1G	See Note	NSS	Housing (Note: Not Available - Purchase Complete Swing Motor/Brake/Hub Assembly.)	
1H	7007633	1	Thrustwasher	
1I	7000229	1	Ring, Retaining	
1J	7017072	1	Plug, Pipe	
2	7000246	1	Gear, Internal	
3	80424002	1	Carrier Assembly	
3A	7001931	1	Carrier	
3B	7001985	6	Washer, Tanged	
3C	7001909	96	Bearing, Needle	
3D	7000263	3	Thrustwasher	
3E	7001911	3	Shaft, Planet	
3F	7001912	3	Gear, Cluster	
3G	7010474	3	Rollpin	
4	7000248	1	Gear, Ring	
5	7000230	1	O-Ring (Black)	
5A	7017070	1	O-Ring (White)	
6	See Note	NSS	Housing, Brake (Note: Not Available - Purchase Complete Swing Motor/Brake/Hub Assembly.)	
7	70002065	1	Gear, Sun	
8	See Note	Ref	Brake Components (Note: Not Available - Purchase Individual Items.)	
8A	70000782	1	Piston, Brake	
8D	70002070	1	O-Ring	
8E	70002071	1	Ring, Back-up	
8F	70002073	1	O-Ring	
8H	70002072	1	Ring, Back-up	
8J	70002067	4	Rotor, Brake	
8K	70002068	5	Stator, Brake	
8L	70002066	14	Spring, Brake	
11	7000253	2	Thrustwasher	
12	7000217	12	Bolt 5/16in-18NC x 2-1/4in (Grade 8)	
13	7017080	4	Pin, Dowel	
20	7017072	1	Plug, Pipe	
21	7024704	4	Bolt 5/16in-18NC x 2in (Grade 8)	
22	See Note	NSS	Lockwasher (Note: Not Available - Purchase Locally.)	
23	7017023	2	Plug, Pipe	
24	See Note	NSS	Plate, ID (Note: Not Available for Purchase.)	
25	7000281	2	Screw, Drive	
26	7024763	1	O-Ring	
28	See Note	NSS	Lug, Lifting (Note: Not Available for Purchase.)	
29	70002069	2	Bolt 1/2in-13NC x 2in (Grade 8)	
30	7017085	2	Elbow	

## SECTION 2 - TURNTABLE

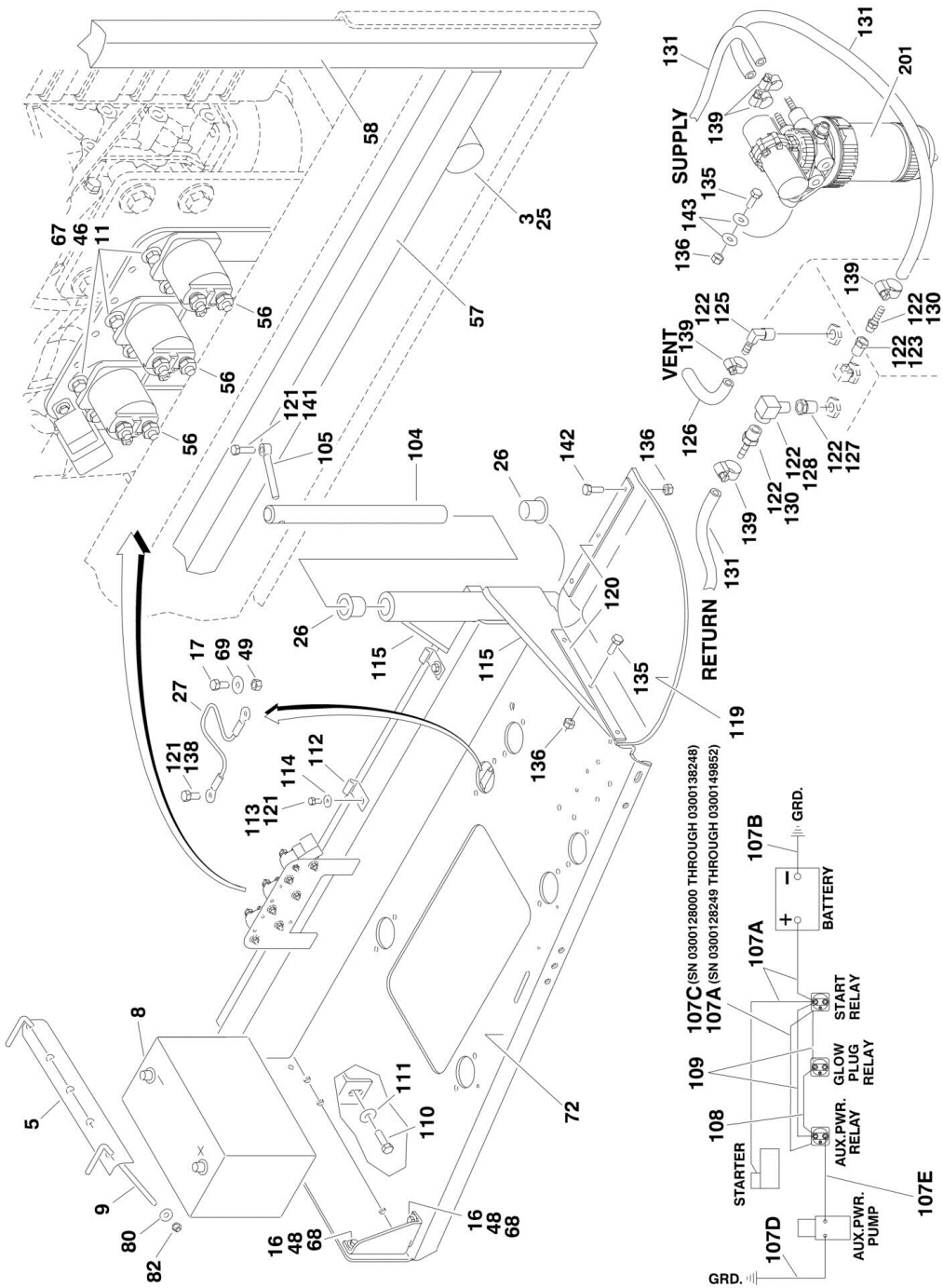
ITEM	PART NUMBER	QTY	DESCRIPTION	REV
31	70002075	1	Motor Assembly (See Items 101-121 for Breakdown)	
32	7024784	1	Valve (No Serviceable Parts)	
33	7017082	1	Plug, Pipe (Not Shown)	
35	70002074	1	Tube	
44	7017028	1	Ring, Retaining	
45	7000213	2	O-Ring	
46	7024100	1	Seal Kit - Swing Hub (Includes Items 1B, 5, 5A & 11)	
	70002075	Ref	<b>MOTOR ASSEMBLY</b>	
101	7024454	6	Bolt	
102	7004035	1	Cover, End	
103	See Note	NSS	Seal, Commutator (Note: Use Item 126)	
104	See Note	NSS	Seal, Ring (Note: Use Item 126)	
105	7024453	1	Commutator and Ring Assembly	
106	7024453	1	Ring	
107	7024379	1	Manifold	
108	7024455	1	Rotor Set	
109	7024380	1	Plate, Wear	
110	7024456	1	Link, Drive	
112	7024458	1	Shaft, Coupling	
113	7024381	1	Bushing, Bronze	
114	7004043	1	Thrustwasher	
115	7004044	1	Bearing, Thrust	
116	See Note	NSS	Seal, Inner (Note: Use Item 126)	
117	See Note	NSS	Washer, Back-up (Note: Use Item 126)	
118	70002075	1	Housing (Note: Not Available - Purchase Complete Motor Assembly.)	
119	7024390	1	Bearing	
120	See Note	NSS	Seal (Note: Use Item 126)	
125	See Note	NSS	Washer, Back-up (Note: Use Item 126)	
126	7024396	1	Seal Kit, Motor (Includes Items 103, 104, 116, 117, 120 & 125)	

# SECTION 2 - TURNTABLE

FIGURE 2-9. CATERPILLAR ENGINE INSTALLATION (SN 0300128000 through 0300149851)



# SECTION 2 - TURNTABLE



## SECTION 2 - TURNTABLE

FIGURE 2-9. CATERPILLAR ENGINE INSTALLATION (SN 0300128000 through 0300149851)

ITEM	PART NUMBER	QTY	DESCRIPTION	REV
		Ref	<b>CATERPILLAR ENGINE ASSEMBLIES:</b>	
	0274491	Ref	<b>Tier II Engine Machines without Arctic Package (SN 0300128000 through 0300138353)</b>	L
	1001105993	Ref	<b>Tier III/IVi Engine Machines without Arctic Package (SN 0300138354 through 0300149851)</b>	D
	0275256	Ref	<b>Tier II Engine Machines with Arctic Package (SN 0300128000 through 0300138353)</b>	I
	1001106338	Ref	<b>Tier III/IVi Machines with Arctic Package (SN 0300138354 through 0300149851)</b>	D
1	0080181	1	Adapter, Pump Mounting Plate	
2	0080243	1	Adapter, Fan Spacer	
3	0100011	AR	Compound, Locking	
4	0100020	AR	Sealant, Thread	
5	91401281	1	Hold-down, Battery	
6	0340041	2	Band, Mounting	
7	0340046	2	Band, Muffler	
8	0400075	1	Battery	
9	1001093382	2	Bolt, Battery Hold-down	
10	0641406	4	Bolt 1/4in-20NC x 3/4in	
11	0641407	6	Bolt 1/4in-20NC x 7/8in	
12	0701414	4	Bolt 1/4in-20NC x 3/4in	
13	0641507	4	Bolt 5/16in-18NC x 7/8in	
14	0641608	8	Bolt 3/8in-16NC x 1in	
15	0641609	4	Bolt 3/8in-16NC x 1-1/8in	
16	0641610	4	Bolt 3/8in-16NC x 1-1/4in	
17	0641808	1	Bolt 1/2in-13NC x 1in	
18	0641820	4	Bolt 1/2in-13NC x 2-1/2in	
19	0700808	4	Bolt, Metric M8 x 16mm	
20	0701010	8	Bolt, Metric M10 x 20mm	
21	0701012	4	Bolt, Metric M10 x 25mm	
22	0701015	8	Bolt, Metric M10 x 35mm	
25	0940070	1	Bumper, Rubber	
26	0961986	2	Bearing, Flange	
27	1060637	1	Lanyard	
28	8405009	2	Clamp, Hose	
29	1320016	2	Clamp, Hose	
30	8405104	4	Clamp, Hose	
31	1340060	1	Air Cleaner Assembly	
31	7012664	1	Element, Air Cleaner	
32	1580011	1	Container, Coolant Overflow	
33	1660239	1	Coupling, Pump	
34	1703162	2	Decal - Fan Blade	
35		Ref	Caterpillar Engine Assembly	
35	2000386	1	Caterpillar Engine Assembly (SN 0300128000 through 0300138254)	
35	1001100313	1	Caterpillar Engine Assembly (SN 0300138255 through 0300149851)	
36	2060025	1	Fan	
38	2720058	4 in /0.1m	Hose	
39	2720434	1	Elbow, Rubber	
40	2720509	1	Hose, Radiator (Bottom)	



## SECTION 2 - TURNTABLE

ITEM	PART NUMBER	QTY	DESCRIPTION	REV
41		Ref	Hose, Radiator (Top)	
41	2720510	1	Hose, Radiator (Top) (SN 0300128000 through 0300138254)	
41	1001107705	1	Hose, Radiator (Top) (SN 0300138255 through 0300149851)	
42	2720515	1	Seal, Air Cleaner	
43	3200406	4	Mount, Engine	
44	3220113	1	Muffler, Spark Arresting	
45	3290801	4	Nut M8 x 1.25	
46	3311405	14	Locknut 1/4in-20NC	
47	3311505	4	Locknut 5/16in-18NC	
48	3311605	16	Locknut 3/8in-16NC	
49	3311801	1	Nut 1/2in-13NC	
50	3311805	4	Locknut 1/2in-13NC	
51	3539872	1	Plate, Radiator Mounting	
52	3574206	1	Plate, Motor Mount	
53	3574207	1	Plate, Engine Mount (Rear)	
54	3574208	1	Bracket, Muffler	
55	3620047	1	Radiator	
55	70004182	1	Shroud	
55A	7027412	1	Cap	
56	3740067	3	Relay, Solenoid Assembly	
57	3960468	1	Seal, Foam Gasket	
58	3960469	1	Seal, Foam Gasket	
59	4031911	4	Bolt Metric M8 x 35mm	
60	4220191	2	Block, Spacer	
61	4567073	1	Tube, Exhaust	
62	4568721	1	Exhaust Tube Weldment	
64		Ref	Valve, Oil Drain Options:	
64	1001105833	NLA	Valve, Oil Drain (Use p/n 4640750) (SN 0300128000 through 0300134291)	
64	4640750	1	Valve, Oil Drain (SN 0300134292 through 0300149851)	
65	4711500	8	Flatwasher 5/16in Thin	
66	4740274	4	Washer, Snubbing	
67	4751400	28	Flatwasher 1/4in Regular	
68	4751600	44	Flatwasher 3/8in Regular	
69	4751800	8	Flatwasher 1/2in Regular	
70	4811900	4	Flatwasher M8	
71	4832000	8	Lockwasher M10	
72	4846790	1	Tray Engine	
73	4846805	1	Mount, Engine/Generator - Left	
74		Ref	Harness, Relay Ground	
74	4922737	1	Harness, Relay Ground (SN 0300128000 through 0300138254)	
74	Not Required	0	Harness, Relay Ground (SN 0300138255 through 0300149851)	
75		Ref	Coolant Options:	
75	2300004	AR	Machines without Arctic Package	
75	2300041	AR	Machines with Arctic Package	
76		Ref	Oil, Motor Options:	
76	3020016	AR	Machines without Arctic Package	
76	3020044	AR	Machines with Arctic Package	
77	4812100	8	Flatwasher M12	
78	0711214	5	Bolt M12 x 30mm	

## SECTION 2 - TURNTABLE

ITEM	PART NUMBER	QTY	DESCRIPTION	REV
80	4751500	2	Flatwasher 5/16in Regular	
81	0771212	3	Bolt M12 x 25mm	
82	88521205	2	Locknut 5/16in-18NC	
		Ref	<b>Note: Arctic Package Items 83-86 Not Shown - Used on Arctic Machines Only</b>	
83	1060626	1	Cord, 3 Way Extension	
84	2580024	1	Heater, Battery	
85	2580055	1	Heater, Block	
86	3980007	1	Seat, Battery	
		Ref	<b>CATERPILLAR ENGINE INSTALLATION</b>	
	0273524	Ref	<b>Machines without Arctic Package</b>	8-F
	1001104426	Ref	<b>Machines with Arctic Package</b>	3-C
102	3600363	1	Piston Pump Assembly (Pump #3) (See PISTON PUMP ASSEMBLY for Breakdown)	
103	3600242	1	Gear Pump Assembly (Pump #1) (See GEAR PUMP ASSEMBLY for Breakdown)	
104	3422446	1	Pin	
105	3841143	1	Keeper, Pin	
107	2902296	1	Battery Cable Kit	C
		Ref	<b>Note: 2902296 Rev A and B are no longer available. Verify whether machine is equipped with 2 or 3 relays on the engine tray. If there are 3 relays, purchase latest revision of the 2902296 kit. If there are 2 relays, purchase individual items as replacement.</b>	
107A		Ref	Cable - Battery to Starter Relay and Starter (Red) (was p/n 7027000)	
107A	1001116241	1	Cable - Battery (Machines with 2 Relays on Engine Tray)	
107A	1001116240	1	Cable - Battery (Machines with 3 Relays on Engine Tray)	
107B	7027004	1	Cable - Battery to Ground (Black)	
107C	7027001	1	Cable - Starter Relay to Auxiliary Relay (Red Only) ( <b>SN 0300128000 through 0300138248</b> )	
		Ref	<b>Note: Part of Item 107A on Machines SN 0300138249 through 0300149851.</b>	
107D	7027003	1	Cable - Auxiliary Pump to Ground (Black)	
107E	7027002	1	Cable - Auxiliary Relay to Auxiliary Pump (Red)	
108	1060904	1	Cable, Battery (Power to Glow Plug)	
109	4922737	1	Harness, Grounding	
110	0642010	1	Bolt 5/8in-11NC x 1-1/4in	
111	4752000	1	Flatwasher 5/8in Regular	
112	1320223	2	J-Clip	
113	0641606	2	Bolt 3/8in-16NC x 3/4in	
114	4711600	2	Flatwasher 3/8in Thin	
115	4060805	23 in /58cm	Flex-Trim	
116	3931620	2	Capscrew 3/8in-16NC x 1-1/4in	
117	3790045	1	O-Ring	
118	4891600	2	Flatwasher 3/8in Hardened	
119	3380429	1	Panel, Rubber	
120	3539957	2	Support	
121	0100011	AR	Compound, Locking	
122	0100020	AR	Sealant	
123	2220273		Fitting, Reducer	
125	2220313	1	Fitting, 90 Barbed	
126	2750532	6 ft/1.8m	Hose	

**SECTION 2 - TURNTABLE**

ITEM	PART NUMBER	QTY	DESCRIPTION	REV
127	2220250	1	Fitting, Reducer	
128	2220459	1	Fitting, 90	
130	2220794	2	Fitting, Straight Barbed	
131	2720058	30 ft/9m	Hose	
133	0641608	2	Bolt 3/8in-16NC x 1in	
135	0641510	5	Bolt 5/16in-18NC x 1-1/4in	
136	3311505	8	Locknut 5/16in-18NC	
138	0641808	1	Bolt 1/2in-13NC x 1in	
139	1320022	7	Clamp	
140	1701505	1	Decal - Diesel Fuel (Not Shown - See DECALS SECTION)	
141	0641610	1	Bolt 3/8in-16NC x 1-1/4in	
142	0641514	3	Bolt 5/16in-18NC x 1-3/4in	
143	4751500	4	Flatwasher 5/16in Regular	
144	3960389	5 ft/1.5m	Seal	
145	0641812	4	Bolt 1/2in-13NC x 1-3/4in	
146	3600359	1	Piston Pump Assembly (Pump #2) (See PISTON PUMP ASSEMBLY for Breakdown)	
147	1320176	1	Clamp	
148	3460544	1	Pipe, Exhaust	
		Ref	<b>Note: Arctic Package Items 149 - 154 Not Shown - Used on Arctic Machines Only</b>	
149	1702943	1	Decal - Hydraulic Tank Heater	
150	2580050	1	Heater, Hydraulic Tank	
151	1702941	1	Decal - Battery Heater	
152	1702944	1	Decal - Heater Cord	
153	1702942	1	Decal - Engine Block Heater	
154	1060625	1	Cable, Immersion Heater	
156		Ref	Decal - Warning Explosion/Fire Options:	
156	1704972	1	ANSI Spec	
156	1706098	1	Australian and CE Spec	
156	1706059	1	Brazilian Spec	
156	1706060	1	Chinese Spec	
156	1706064	1	CSA Spec	
156	1706062	1	Japanese Spec	
156	1706061	1	Korean Spec	
156	1706063	1	Spanish Language	
		Ref	<b>ENGINE COMPONENTS</b>	
	2000386	Ref	<b>Tier II (SN 0300128000 through 0300138254)</b>	
	1001100313	Ref	<b>Tier II (SN 0300138255 through 0300149851)</b>	
201	7026839	1	Fuel Filter Assembly	
201	7026830	1	Filter, Fuel	
201	70002833	1	Ring, Retaining	
201	70002834	1	Bowl, Water Separator	
201	70002835	1	Seal Kit, Water Separator	
202	7026831	1	Alternator	
203	1001097554	1	Switch, Oil Pressure (was p/n 7026844)	
204	7026811	1	Filter, Oil	
204	7026812	1	Seal - O-Ring (Oil Filter Head)	
204	7026813	1	Seal - O-Ring (Oil Filter Head)	
205	7026833	1	Starter	
206		Ref	Dipstick Oil Level Options:	
206	7026888	1	2000386 Engines	

C

## SECTION 2 - TURNTABLE

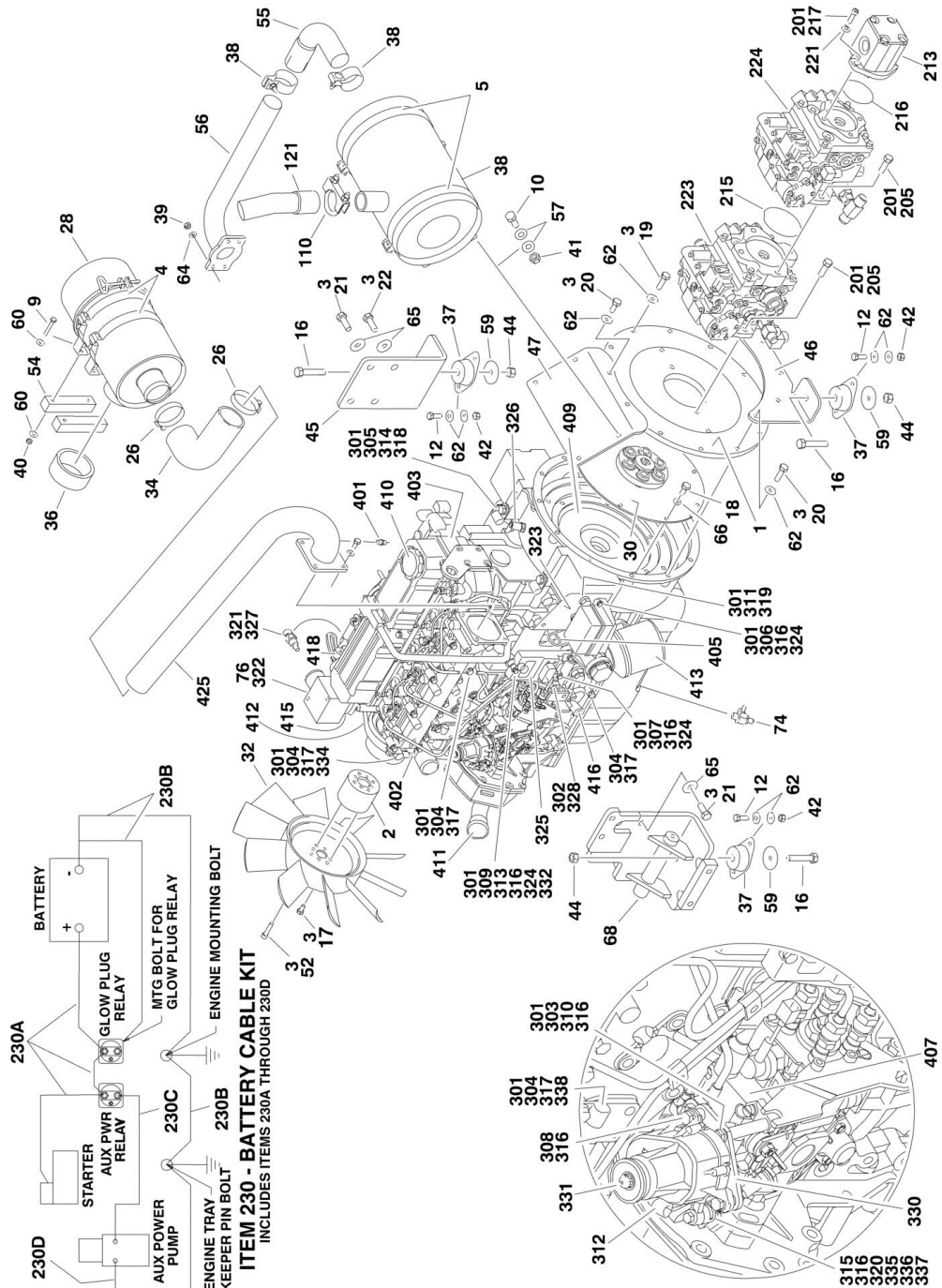
ITEM	PART NUMBER	QTY	DESCRIPTION	REV
206	70002844	1	1001100313 Engines	
206	70002843	1	Switch, Engine Temperature	
207	7026840	1	Switch, Engine Temperature	
207	7026882	1	Washer, Seal for Engine Temperature Switch	
208	1600361	1	Actuator/Linkage Assembly - Throttle	
208	1600361	1	Actuator and Electrical Connector Kit (was p/n 7026842)	
208	7026835	1	Connector, Actuator	
208	7026837	AR	Contact, Crimp	
209	7026843	1	Actuator, Linkage Kit	
210	0902910	1	Mounting Bracket, Actuator	
211		Ref	Pump, Fuel Supply Options:	
211	7026839	1	2000386 Engines	
211	70002849	1	1001100313 Engines	
211	70002850	1	Coil (1001100313 Engines)	
211	70002848	1	Gasket	
211	70002847	1	Seal, O-Ring (Gear Cover to Fuel Supply Pump)	
212	7026841	1	Sensor, Tach	
212	7026836	1	Connector, Speed Sensor (Not Shown)	
212	7026837	AR	Contact, Crimp for Speed Sensor (Not Shown)	
213	70001120	1	Pump, Water	
213	7026824	1	Gasket (Between Pump and Pump Cover)	
213	7026825	1	Gasket (Between Pump Cover and Engine Block)	
213	70001742	1	Pulley	
214	7026822	1	Thermostat	
214	7026820	1	Gasket, Thermostat Housing	
214	7026821	1	Gasket, Coolant (Not Shown)	
215	4569371	1	Tube, Air Intake Weldment (was p/n 70001050)	
216	7026887	1	Bracket, Throttle Actuator (was p/n 0903220)	
217	70001051	1	Valve, Air Intake Check	
218	7026800	1	Cap, Oil Fill (Valve Cover)	
219	70002851	1	Gasket Kit (Not Shown)	
219	7026801	1	Gasket, Valve Cover (Not Shown)	
219	7026804	1	Gasket, Rear (Not Shown)	
219	7026805	1	Seal, Rear Main (Not Shown)	
219	7026807	1	Seal, Front Main (Not Shown)	
219	7026809	1	Gasket, Oil Pan (Not Shown)	
219	7026826	1	Gasket, Exhaust Manifold (Not Shown)	
219	7026827	1	Gasket, Exhaust (Not Shown)	
219	7026829	1	Gasket, Inlet Manifold (Not Shown)	
219	7026828	1	Gasket, Inlet (Not Shown)	
219	70002763	1	Gasket, Fuel Line (Not Shown)	
219	70002863	4	Seal, Fuel Injector Bolt (Not Shown)	
220	7026802	1	Flywheel with Ring Gear	
220	7026803	1	Gear, Ring	
221	7026806	1	Cap, Oil Fill (Lower Front)	
222	7026810	1	V-Belt (Not Shown)	
223	7026814	1	Valve, Relief (Engine Oil Pressure) (Not Shown)	
223	7026815	1	Gasket, Relief Valve (Not Shown)	
224	7026819	1	Cooler, Oil (Not Shown)	
224	7026816	1	O-Ring, Oil Cooler (Not Shown)	
224	7026817	1	O-Ring, Oil Cooler (Not Shown)	

## SECTION 2 - TURNTABLE

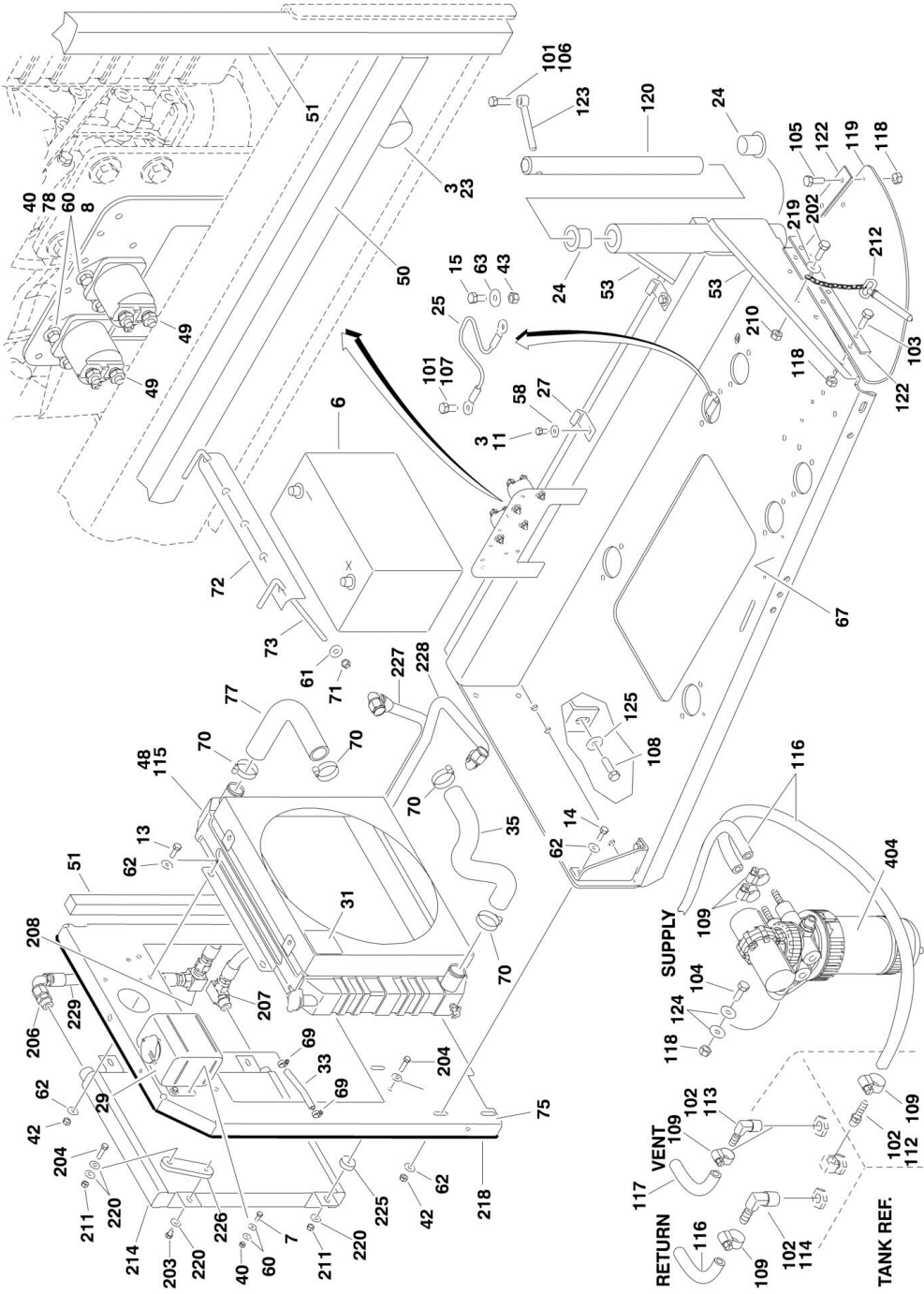
ITEM	PART NUMBER	QTY	DESCRIPTION	REV
224	7026818	1	Gasket, Oil Cooler (Not Shown)	
225	7026832	4	Plug, Glow (Not Shown)	
226	2580055	1	Heater Kit, Engine Block (Optional) (Not Shown) (was p/n 7026845)	
226	7026838	1	Gasket, Engine Block Heater (Not Shown)	
226	70002841	1	Cord, Engine Block Heater (Not Shown)	
227	70002766	1	Head, Cylinder	
227	70002761	AR	Bolt, Head (Not Shown)	
227	70002762	8	Seal, Cylinder Head Valve (Not Shown)	
227	70002767	1	Gasket, Cylinder Head (Not Shown)	
227	70002764	1	Gasket, Rear Cylinder Head (Not Shown)	
228	70002765	1	Hose, Bypass (Not Shown)	
229	70002852	AR	Stud, Exhaust Manifold (Not Shown)	
230	70002845	1	Pump, Oil (Not Shown)	
230	70002846	1	Gasket, Oil Pump (Not Shown)	
	0272364	Ref	<b>OIL COOLER INSTALLATION</b>	2-E
301	3620034	1	Cooler, Oil	
302	0641608	4	Bolt 3/8in-16NC x 1in	
303	3311605	4	Locknut 3/8in-16NC	
304	4711600	4	Flatwasher 3/8in Thin	
305	4240099	1	Tie-strap (Not Shown - Ties Hoses Together)	

# SECTION 2 - TURNTABLE

FIGURE 2-10. CATERPILLAR ENGINE INSTALLATION (SN 0300149852 through 0300174703)



# SECTION 2 - TURNTABLE



## SECTION 2 - TURNTABLE

FIGURE 2-10. CATERPILLAR ENGINE INSTALLATION (SN 0300149852 through 0300174703)

ITEM	PART NUMBER	QTY	DESCRIPTION	REV
	1001109065	Ref	<b>CATERPILLAR TIER IVi ENGINE ASSEMBLY</b>	D
1	0080181	1	Adapter, Pump Mounting Plate	
2	0080243	1	Adapter, Fan Spacer	
3	0100011	AR	Compound, Locking	
4	0340041	2	Band, Mounting	
5	0340046	2	Band, Muffler	
6	0400075	1	Battery	
7	0641406	4	Bolt 1/4in-20NC x 3/4in	
8	0641407	4	Bolt 1/4in-20NC x 7/8in	
9	0701414	4	Bolt 1/4in-20NC x 3/4in	
10	0641507	4	Bolt 5/16in-18NC x 7/8in	
11	0641606	2	Bolt 3/8in-16NC x 3/4in	
12	0641608	8	Bolt 3/8in-16NC x 1in	
13	0641609	4	Bolt 3/8in-16NC x 1-1/8in	
14	0641610	4	Bolt 3/8in-16NC x 1-1/4in	
15	0641808	1	Bolt 1/2in-13NC x 1in	
16	0641820	4	Bolt 1/2in-13NC x 2-1/2in	
17	0700808	4	Bolt M8 x 16mm	
18	0701010	8	Bolt M10 x 20mm	
19	0701012	4	Bolt M10 x 25mm	
20	0701015	8	Bolt M10 x 35mm	
21	0711214	5	Bolt M12 x 30mm	
22	0771212	3	Bolt M12 x 25mm	
23	0940070	1	Bumper, Rubber	
24	0961986	2	Bearing, Flange	
25	1060637	1	Lanyard	
26	1320016	2	Clamp, Hose	
27	1320223	4	Clamp	
28	1340060	1	Air Cleaner Assembly	
28	7012664	1	Element, Air Cleaner	
29	1580011	1	Container, Coolant Overflow	
30	1660239	1	Coupling, Pump	
31	1703162	2	Decal - Fan Blade	
32	2060025	1	Fan	
33	2720058	4 in /0.1m	Hose	
34	2720434	1	Elbow, Rubber	
35	2720509	1	Hose, Radiator (Bottom)	
36	2720515	1	Seal, Air Cleaner	
37	3200406	4	Mount, Engine	
38		Ref	Muffler Options:	
38	3220113	1	Muffler, Spark Arresting (Standard)	
38	70001017	1	Clamp (Used on p/n 3220113)	
38	1001107116	1	Muffler, Catalytic (Optional)	
38	70002705	1	Clamp	
38	70002706	1	Plug	
39	3290801	4	Nut M8	
40	3311405	12	Locknut 1/4in-20NC	
41	3311505	4	Locknut 5/16in-18NC	
42	3311605	16	Locknut 3/8in-16NC	
43	3311801	1	Nut 1/2in-13NC	



**SECTION 2 - TURNTABLE**

ITEM	PART NUMBER	QTY	DESCRIPTION	REV
44	3311805	4	Locknut 1/2in-13NC	
45	3574206	1	Plate, Motor Mount	
46	3574207	1	Plate, Engine Mount (Rear)	
47	3574208	1	Bracket, Muffler	
48	3620047	1	Radiator	
48	70004182	1	Shroud	
48	7027412	1	Cap	
49	3740067	2	Relay, Solenoid Assembly	
50	3960468	1	Seal, Foam Gasket	
51	3960469	1	Seal, Foam Gasket	
52	4031911	4	Bolt M8 x 35mm	
53	4060805	2 ft /0.7mm	Flex-Trim 1/4in	
54	4220191	2	Block, Spacer	
55	4567073	1	Tube, Exhaust	
56	4568721	1	Exhaust Tube Weldment	
57	4711500	8	Flatwasher 5/16in Thin	
58	4711600	2	Flatwasher 3/8in Thin	
59	4740274	4	Washer, Snubbing	
60	4751400	24	Flatwasher 1/4in Regular	
61	4751500	2	Flatwasher 5/16in Regular	
62	4751600	44	Flatwasher 3/8in Regular	
63	4751800	1	Flatwasher 1/2in Regular	
64	4811900	4	Flatwasher M8	
65	4812100	8	Flatwasher M12	
66	4832000	8	Lockwasher M10	
67	4846790	1	Tray Engine	
68	4846805	1	Mount, Engine/Generator - Left	
69	8405009	2	Clamp, Hose	
70	8405104	4	Clamp, Hose	
71	88521205	2	Locknut 5/16in-18NC	
72	91401281	1	Hold-down, Battery	
73	1001093382	2	Rod, Hold-Down	
74	1001105833	NLA	Valve, Oil Drain (Use p/n 4640750)	
74	0100020	AR	Sealant, Pipe	
75	1001109595	1	Plate, Radiator Mounting	
76	1001112077	1	Caterpillar Tier IVi Engine Assembly	
77	1001107705	1	Hose, Radiator (Top)	
78	4791400	4	Starwasher 1/4in	
		Ref	<b>CATERPILLAR TIER IVi ENGINE INSTALLATIONS</b>	
	1001111834	Ref	<b>Without Arctic Package</b>	C
	1001111835	Ref	<b>With Arctic Package</b>	C
101	0100011	AR	Compound, Locking	
102	0100020	AR	Sealant, Thread	
103	0641507	3	Bolt 5/16in-18NC x 7/8in	
104	0641510	2	Bolt 5/16in-18NC x 1-1/8in	
105	0641514	3	Bolt 5/16in-18NC x 1-3/4in	
106	0641610	1	Bolt 3/8in-16NC x 1-1/4in	
107	0641808	1	Bolt 1/2in-13NC x 1in	
108	0642010	1	Bolt 5/8in-11NC x 1-1/4in	
109	1320022	7	Clamp, Hose	
110	1320176	7	Clamp, U-Bolt	

## SECTION 2 - TURNTABLE

ITEM	PART NUMBER	QTY	DESCRIPTION	REV
111	1701505	1	Decal - Diesel (Not Shown - Located on Hood)	
112	2180348	1	Fitting	
113	2220313	1	Fitting, 90	
114	2221176	1	Fitting	
115		Ref	Coolant Options:	
115	2300004	AR	Machines without Arctic Package	
115	2300041	AR	Machines with Arctic Package	
116	2720058	30 ft/9.1m	Hose	
117	2750532	6 ft/1.8m	Hose 3/8in	
118	3311505	3	Locknut 5/16in-18NC	
119	3380429	1	Panel, Rubber	
120	3422446	1	Pin, Pivot	
121	3460544	1	Pipe, Exhaust	
122	3539957	2	Plate, Hold Down	
123	3841143	1	Keeper, Pin	
124	4751500	4	Flatwasher 5/16in Regular	
125	4752000	1	Flatwasher 5/8in Regular	
		Ref	<b>Note: Arctic Package Items 127-130 Not Shown - Used on Arctic Machines Only</b>	
127	1060625	1	Cable, Immersion Heater	
128	1320223	1	J-Clip 1/2in	
129	1702943	1	Decal - Hydraulic Tank Heater (Located on bottom of Hydraulic Oil Tank)	
130	2580050	1	Heater, Hydraulic Tank	
		Ref	<b>CATERPILLAR TIER IVi ENGINE WITH PUMPS ASSEMBLIES</b>	
	1001111832	Ref	<b>Without Arctic Package</b>	B
	1001111833	Ref	<b>With Arctic Package</b>	B
201	0100011	AR	Compound, Locking	
202	0641407	1	Bolt 1/4in-20NC x 7/8in	
203	0641605	2	Bolt 3/8in-16NC x 5/8in	
204	0641611	4	Bolt 3/8in-16NC x 1-3/8in	
205	0641812	4	Bolt 1/2in-18NC x 1-3/4in	
206	2220451	1	Fitting, Straight	
207	2220578	1	Fitting, 90	
208	2230046	1	Fitting, 90	
209		Ref	Oil, Motor Options (Not Shown):	
209	3020016	AR	Oil, Motor (Without Arctic Package)	
209	3020044	AR	Oil, Motor (With Arctic Package)	
210	3311405	1	Locknut 1/4in-20NC	
211	3311605	4	Locknut 3/8in-16NC	
212	3422532	1	Pin, Hitch	
213	3600242	1	Gear Pump Assembly (See GEAR PUMP ASSEMBLY for Breakdown)	
214	3620034	1	Cooler, Hydraulic Oil	
215	3790045	1	O-Ring	
216	3790152	1	O-Ring	
217	3931620	2	Bolt 3/8in-16NC x 1-1/4in	
218	3960389	5 ft/1.5m	Seal, Hood	
219	4751400	1	Flatwasher 1/4in Regular	
220	4751600	1	Flatwasher 3/8in Regular	
221	4891600	2	Flatwasher 3/8in Hardened	
223	1001109188	1	Front Piston Pump Assembly (See PISTON PUMP ASSEMBLY	

## SECTION 2 - TURNTABLE

ITEM	PART NUMBER	QTY	DESCRIPTION	REV
224	1001109189	1	for Breakdown) Rear Piston Pump Assembly (See PISTON PUMP ASSEMBLY for Breakdown)	
225	1001109599	2	Spacer	
226	1001109601	2	Bracket	
227	1001109660	1	Hose	
228	1001109661	1	Hose	
229	1001110469	1	Hose	
230	1001112763	1	Battery Cable Kit	B
230A	7027028	1	Cable, Battery (Red)	
230B	7027029	1	Cable, Battery (Black)	
230C	7027002	1	Cable (Red)	
230D	7027033	1	Cable (Black)	
		Ref	<b>Note: Arctic Package Items 231-239 Not Shown - Used on Arctic Machines Only</b>	
231	0641608	2	Bolt 3/8in-16NC x 1in	
232	1060626	1	Cord, 3-Way Extension (Located on Left Front of Engine)	
233	1320223	2	Clamp	
234	1702941	1	Decal - Battery Heater (Located on Battery Heater)	
235	1702942	1	Decal - Engine Block Heater (Located on Right Side of Engine)	
236	1702944	1	Decal - Heater Cord (Located on Left Front of Engine)	
237	2580024	1	Heater, Battery (Located on Battery)	
238	2580055	1	Heater, Block (Located on Left Side of Engine)	
239	3980007	1	Seat, Battery (Located Under Battery)	
	1001112077	Ref	<b>CATERPILLAR TIER IVi ENGINE WITH ECM ASSEMBLY</b>	E
301	0100011	AR	Compound, Locking	
302	0100020	AR	Sealant, Thread	
303	0700620	1	Bolt M6 x 60mm	
304	0700808	5	Bolt M8 x 16mm	
305	0701010	2	Bolt M10 x 20mm	
306	0760606	2	Bolt M6 x 12mm	
307	0760610	2	Bolt M6 x 20mm	
308	4031709	3	Bolt M6 x 25mm (was p/n 0760612)	
309	8303541	1	Screw M6 x 35mm	
310	0700616	2	Bolt M6 x 40mm	
311	0761210	2	Bolt M12 x 20mm	
313	1320224	1	Clamp, Cable	
314	8406105	2	Clip, Tube	
315	3290507	1	Locknut M5	
316	4811700	12	Flatwasher M6	
317	4811900	5	Flatwasher M8	
318	4812000	2	Flatwasher M10	
319	4812100	2	Flatwasher M12	
320	4811600	1	Flatwasher M5	
321	1001097553	1	Washer, Coolant Sensor	
322	1001109064	1	Caterpillar Tier IVi Engine Assembly	
323	1001112057	1	Bracket	
324	1001112059	5	Bumper	
325	1001112067	1	ECM	
326	1001112068	1	Sensor, Speed	
327	1001112069	1	Sensor, Temperature	
328	1001112070	1	Switch, Oil Pressure	

## SECTION 2 - TURNTABLE

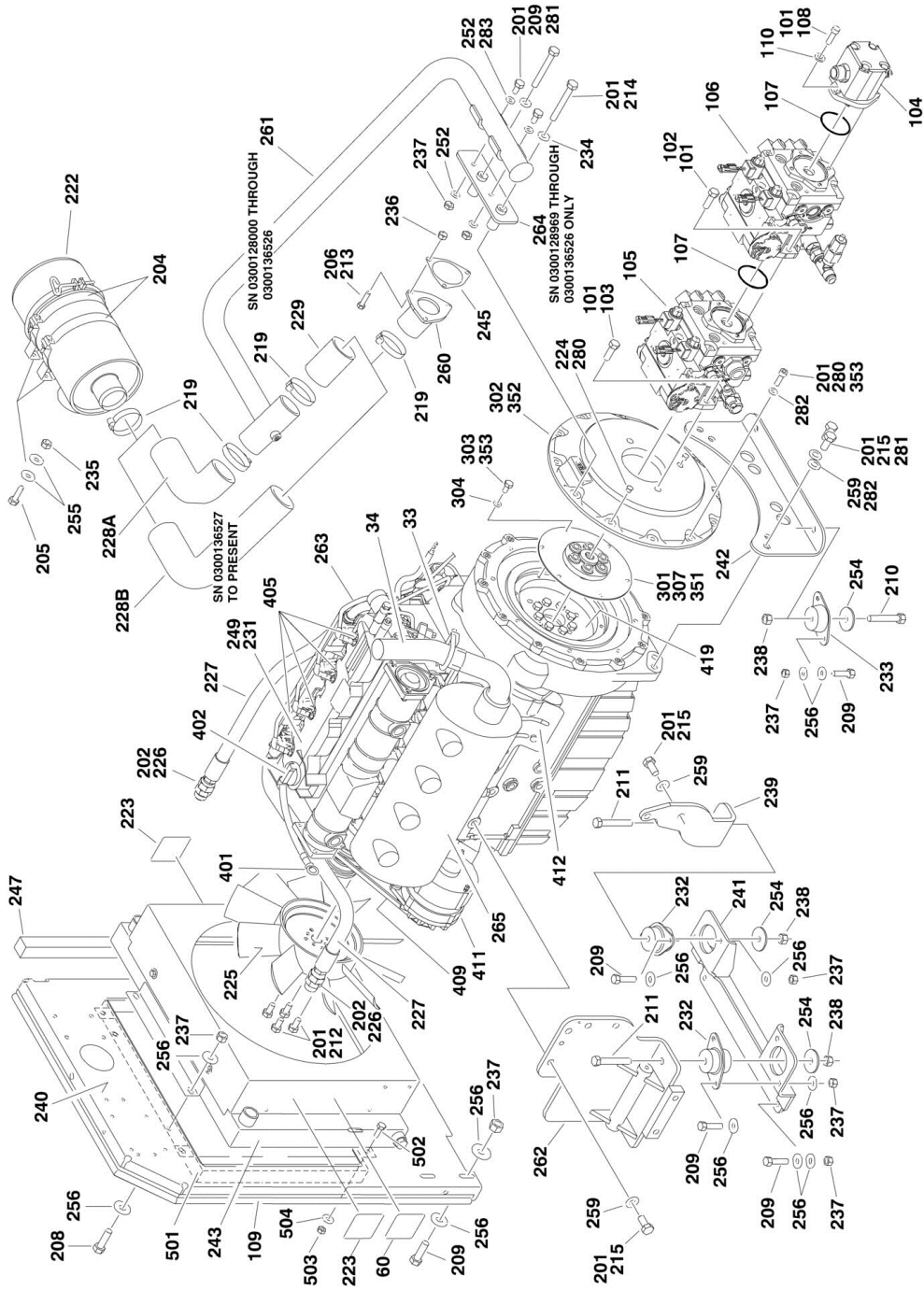
ITEM	PART NUMBER	QTY	DESCRIPTION	REV
329	1001112071	1	Harness, Engine (Not Shown - See ELECTRICAL SECTION for Breakdown)	
330	1001112072	1	Bracket	
331	1001112073	1	Actuator	
331	1001112849	1	Linkage Assembly	
332	1001112570	1	Spacer	
334	1320263	1	Clamp, Cable	
335	1001112075	1	Bolt	
336	1001112592	1	Bearing	
337	1001116595	1	Spacer	
338	8406109	1	Clip, Tube	
	1001109064	Ref	<b>ENGINE COMPONENTS</b>	B
401	70001051	1	Valve, Crankcase Actuator Shut-Off	
402	70001120	1	Pump, Water	
402	70001742	1	Pulley, Water Pump	
402	70002765	1	Hose, By-Pass (Not Shown)	
403	See Note		Head, Cylinder (Note: Not Available for Purchase.)	
403	7026801	1	Gasket, Valve Cover	
403	70002764	1	Gasket, Rear Head	
403	70002762	15	Seat, Valve	
403	70002761	17	Bolt, Head	
404	7026839	1	Pump, Fuel Supply	
404	7026830	1	Element, Fuel Filter	
404	70002834	1	Bowl, Water Collection	
404	70002835	1	Seal Kit - Water Separator	
404	70002833	1	Ring, Fuel Pump Retaining	
405	70002844	1	Dipstick Oil Level	
405	70002843	1	Seal, Dipstick Tube	
406	70002845	1	Pump, Oil (Not Shown)	
406	70002846	1	O-Ring, Oil Pump (Not Shown)	
407	70002849	1	Pump, Fuel Injection	
407	70002847	1	O-Ring, Fuel Injection Pump Flange	
407	70002848	1	Gasket, Fuel Injection Pump	
407	70002850	1	Solenoid, Fuel Shut-Off	
409	7026802	1	Flywheel	
409	7026803	1	Gear, Flywheel	
409	7026804	1	Gasket (Not Shown - Between Flywheel Housing and Engine Block)	
409	7026805	1	Seal, Rear Main (Not Shown - Rear of Flywheel Housing)	
409	7026807	1	Seal, Front Main (Located in Front Housing)	
410	7026800	1	Cap Oil Filler (Top of Valve Cover)	
411	7026806	1	Cap, Filler (Front Side of Engine)	
412	7026810	1	V-Belt	
413	7026811	1	Filter, Oil	
		Ref	<b>Note: Machines with SkyPower use Remote Mounted Oil Filter - See SPECIAL OPTIONS SECTION. The same oil filter is used for all applications.</b>	
413	7026812	1	O-Ring (Between Bolt and Oil Filter Bracket)	
413	7026813	1	O-Ring (Between Oil Filter Bracket and Engine Block)	
414	7026819	1	Engine Cooler Assembly (Not Shown)	
414	7026816	2	O-Ring (Between Cover and Cooler)	
414	7026817	4	O-Ring (Between Cover and Cooler)	

## SECTION 2 - TURNTABLE

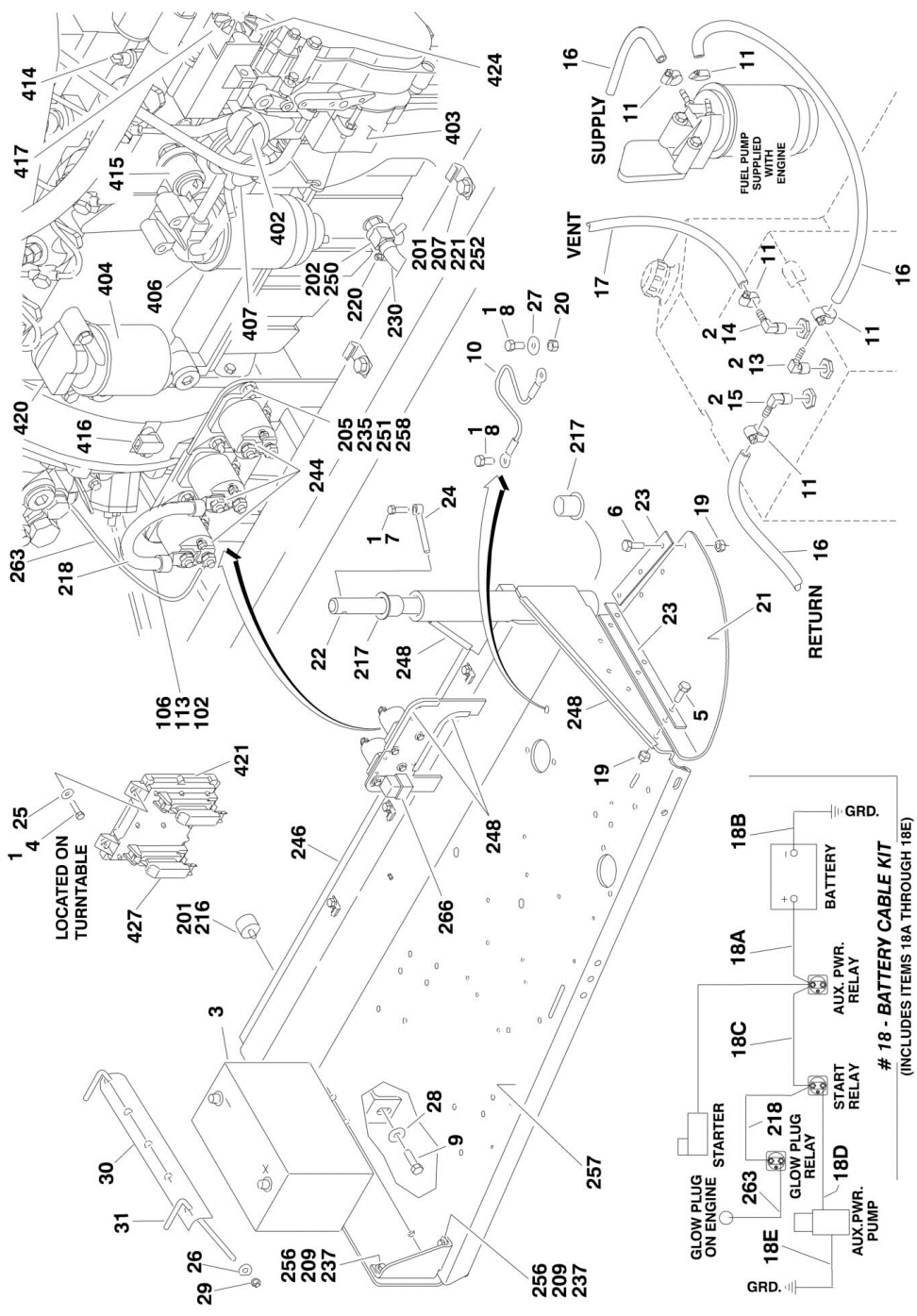
ITEM	PART NUMBER	QTY	DESCRIPTION	REV
415	7026822	1	Thermostat	
415	7026821	1	Gasket (Between Regulator and Thermostat Housing)	
415	7026820	1	Gasket (Between Regulator and Engine Head)	
416	7026814	1	Relief Valve, Oil Pressure	
416	7026815		Gasket, Relief Valve	
417	See Note	4	Injector, Fuel (Not Shown) (Note: Not Available for Purchase.)	
417	70002763	4	Gasket, Fuel Line (Not Shown)	
418	7026831	1	Alternator	
419	7026832	1	Plug, Glow (Not Shown)	
420	7026833	1	Starter (Not Shown - Located on other side of engine)	
421	7026826	1	Gasket, Exhaust Manifold to Cylinder Head (Not Shown)	
421	7026827	1	Gasket, Exhaust Manifold to Exhaust Pipe (Not Shown)	
421	70002852	4	Stud, Exhaust Manifold (Not Shown)	
422	7026829	1	Gasket, Intake Manifold to Cylinder Head (Not Shown)	
422	7026828	1	Gasket, Intake Manifold to Intake Tube (Not Shown)	
423	7026808	1	Plug, Oil Pan (Not Shown)	
423	7026809	1	Gasket, Oil Plug	
424	70002851	1	Gasket Kit (Not Shown)	
425	4569371	1	Tube, Intake	

# SECTION 2 - TURNTABLE

## FIGURE 2-11. DEUTZ ENGINE INSTALLATION (WITHOUT UGM)



# SECTION 2 - TURNTABLE



## SECTION 2 - TURNTABLE

FIGURE 2-11. DEUTZ ENGINE INSTALLATION (WITHOUT UGM)

ITEM	PART NUMBER	QTY	DESCRIPTION	REV
		Ref	<b>Note: For Ground Module Identification, refer to Revision Log page A.</b>	
		Ref	<b>DEUTZ ENGINE INSTALLATIONS:</b>	
		Ref	<b>Tier II Engines (SN 0300128000 through 0300128968)</b>	
	0274300	Ref	<b>Without Arctic Package</b>	F
	See Note	Ref	<b>With Arctic Package (Note: Not Available for Purchase.)</b>	
		Ref	<b>Tier III/Tier IVi Engines (SN 0300128969 through 0300174703)</b>	
	1001099722	Ref	<b>Without Arctic Package</b>	A
	1001104425	Ref	<b>With Arctic Package</b>	A
1	0100011	AR	Compound, Locking	
2	0100020	AR	Sealant, Pipe	
3	0400075	1	Battery	
4	0641410	4	Bolt 1/4in-20NC x 1-1/4in	
5	0641508	3	Bolt 5/16in-18NC x 1in	
6	0641514	3	Bolt 5/16in-18NC x 1-3/4in	
7	0641610	1	Bolt 3/8in-16NC x 1-1/4in	
8	0641808	2	Bolt 1/2in-13NC x 1in	
9	0642010	1	Bolt 5/8in-11NC x 1-1/4in	
10	1060637	1	Cable, Lanyard	
11	1320022	5	Clamp, Hose	
12	1701505	1	Decal - Diesel (Not Shown - Located on Hood)	
13	2180348	1	Fitting, Spec Barbed	
14	2220313	1	Fitting, 90	
15	2221176	1	Fitting, 90 Barbed	
16	2720058	30 ft/9.2m	Hose	
17	2750532	6 ft/1.8m	Hose	
18	2902296	1	Battery Cable Kit	D
		Ref	<b>Note: 2902296 Rev A-C are no longer available. Verify whether machine is equipped with 2 or 3 relays on the engine tray. If there are 3 relays, purchase latest revision of the 2902296 kit. If there are 2 relays, purchase individual items as replacement.</b>	
18A		Ref	Cable - Battery to Starter Relay and Starter (Red) (was p/n 7027000)	
18A	1001116241	1	Cable - Battery (Machines with 2 Relays on Engine Tray)	
18A	1001116240	1	Cable - Battery (Machines with 3 Relays on Engine Tray)	
18B	7027004	1	Cable - Battery to Ground (Black)	
18C	7027001	1	Cable - Starter Relay to Auxiliary Relay (Red Only) <b>(SN 0300128000 through 0300138248)</b>	
		Ref	<b>Note: Part of Item 18A on Machines SN 0300138249 through 0300174703.</b>	
18D	7027002	1	Cable - Auxiliary Relay to Auxiliary Pump (Red)	
18E	7027003	1	Cable - Auxiliary Pump to Ground (Black)	
19	3311505	7	Locknut 5/16in-18NC	
20	3311801	1	Nut 1/2in-13NC	
21	3380429	1	Panel, Rubber	
22	3422446	1	Pin, Pivot	
23	3539957	2	Plate	
24	3841143	1	Pin, Keeper	
25	4711400	4	Flatwasher 1/4in Thin	
26	4751500	3	Flatwasher 5/16in Regular	



**SECTION 2 - TURNTABLE**

ITEM	PART NUMBER	QTY	DESCRIPTION	REV
27	4751800	1	Flatwasher 1/2in Regular	
28	4752000	1	Flatwasher 5/8in Regular	
29	88521205	AR	Locknut 5/16in-18NC	
30	91401281	1	Hold-down, Battery	
31	1001093382	2	Bolt, Battery Hold-down	
33	1320176	1	Clamp, Muffler Only (SN 0300128969 through 0300174703)	
34	1001101600	1	Tube, Exhaust Only (SN 0300128969 through 0300174703)	
		Ref	<b>Note: Arctic Package Items 50-58 Used on Arctic Machines Only (Not Shown)</b>	
50	1060625	1	Cable, Immersion Heater	
51	1060626	1	Cord, 3 Way Extension	
52	1702941	1	Decal - Battery Heater	
53	1702942	1	Decal - Engine Block Heater	
54	1702943	1	Decal - Hydraulic Tank Heater	
55	1702944	1	Decal - Heater Cord	
56	2580050	1	Heater, Hydraulic Tank	
57	3980007	1	Seat, Battery	
58	2580024	1	Heater, Battery	
60		Ref	Decal - Warning Explosion/Fire Options:	
60	1704972	1	ANSI Spec	
60	1706098	1	Australian and CE Spec	
60	1706059	1	Brazilian Spec	
60	1706060	1	Chinese Spec	
60	1706064	1	CSA Spec	
60	1706062	1	Japanese Spec	
60	1706061	1	Korean Spec	
60	1706063	1	Spanish Language	
		Ref	<b>ENGINE AND PUMP ASSEMBLIES</b>	
		Ref	<b>Tier II Engines (SN 0300128000 through 0300128968)</b>	
	2000283	Ref	<b>Without Arctic Package</b>	C
	See Note	Ref	<b>With Arctic Package (Note: Not Available for Purchase.)</b>	
		Ref	<b>Tier III/Tier IVi Engines (SN 0300128969 through 0300174703)</b>	
	1001099721	Ref	<b>Without Arctic Package</b>	A
	1001104433	Ref	<b>With Arctic Package</b>	A
101	0100011	AR	Compound, Locking	
102	0641808	2	Bolt 1/2in-13NC x 1in	
103	0641812	2	Bolt 1/2in-13NC x 1-1/2in	
104	3600395	1	Gear Pump Assembly with Fittings (See GEAR PUMP ASSEMBLY for Breakdown)	
105	3600412	1	Pump Assembly with Fittings (See PISTON PUMP ASSEMBLY for Breakdown)	
106	3600413	1	Pump Assembly with Fittings (See PISTON PUMP ASSEMBLY for Breakdown)	
107	3790152	2	O-Ring	
108	3931620	2	Bolt 3/8in-16NC x 1-1/4in	
109	3960389	5 ft/1.5m	Seal	
110	4891600	2	Flatwasher 3/8in Hardened	
		Ref	<b>ENGINE ASSEMBLIES</b>	
		Ref	<b>Tier II Engines (SN 0300128000 through 0300128968)</b>	
	2000342	Ref	<b>Without Arctic Package</b>	B
	See Note	Ref	<b>With Arctic Package (Note: Not Available for Purchase.)</b>	
		Ref	<b>Tier III/Tier IVi Engines (SN 0300128969 through 0300174703)</b>	

## SECTION 2 - TURNTABLE

ITEM	PART NUMBER	QTY	DESCRIPTION	REV
	1001099640	Ref	<b>Without Arctic Package</b>	G
	1001098508	Ref	<b>With Arctic Package</b>	G
		Ref	<b>OPTIONAL MUFFLER INSTALLATIONS</b>	
	0256690	Ref	<b>Tier II Engines (SN 0300128000 through 0300128968)</b>	A
	1001101241	Ref	<b>Tier III/Tier IVi Engines (SN 0300128969 through 0300174703)</b>	B
201	0100011	AR	Compound, Locking	
202	0100020	AR	Sealant, Pipe Only (SN 0300128000 through 0300136527)	
203	2580062	1	Heater, Engine Block (Not Shown - Arctic Package Machines Only)	
204	0340041	2	Band, Air Cleaner	
205	0641407	10	Bolt 1/4in-20NC x 7/8in	
206	0641510	3	Bolt 5/16in-18NC x 1-1/4in	
207	0641606	3	Bolt 3/8in-16NC x 3/4in	
208	0641609	6	Bolt 3/8in-16NC x 1-1/8in	
209	0641610	16	Bolt 3/8in-16NC x 1-1/4in	
210	0641818	2	Bolt 1/2in-13NC x 2-1/4in	
211	0641826	2	Bolt 1/2in-13NC x 3-1/4in	
212	0700808	4	Bolt 8mm x 16mm	
213	0641512	1	Bolt 5/16in-18NC x 1-1/2in	
214	0711125	2	Bolt 10mm x 85mm (Tier III/IVi Engines Only) (SN 0300128969 through 0300136527)	
215	0711414	10	Bolt 14mm x 30mm	
216	0940070	1	Bumper	
217	0961986	2	Bushing, Flanged	
218	1060904	1	Cable, Jumper Only (SN 0300128000 through 0300144061)	
219	1320016	AR	Clamp Options:	
219		Ref	Clamp (SN 0300128000 through 0300136527)	
219		Ref	Clamp (SN 0300136528 through 0300174703)	
220		Ref	Clamp, Hose Options:	
220	1320022	1	Tier II Engine (SN 0300128000 through 0300128968)	
220	8410013	1	Tier III/IVi Engine (SN 0300128969 through 0300136526)	
220	8410013	1	Tier III/IVi Engine (SN 0300136527 through 0300144060)	
220	8410013	1	Tier III/IVi Engine (SN 0300144061 through 0300174703)	
221	1320223	AR	J-Clip	
222	1340060	1	Air Cleaner Assembly Filter Element	
222	7012664	1	Element, Filter (Not Shown)	
223	1703162	2	Decal - Caution Fan Blade	
224	3520054	2	Plug (Tier III/IVi Engines Only) (SN 0300128969 through 0300174703)	
225	2060025	1	Fan	
226	2220451	2	Fitting, Straight	
227	2720398	2	Hose, Oil Cooler	
228		Ref	Elbow, Rubber Options:	
228A	2720434	1	Elbow, Rubber (SN 0300128000 through 0300136526)	
228B	1001091179	1	Elbow, Rubber (SN 0300136527 through 0300174703)	
229	2720449	1	Hose, Air Cleaner Only (SN 0300128000 through 0300136527)	
230		Ref	Hose, Oil Drain Options:	
230	1001091892	1 ft/30cm	Hose, Oil Drain (Use p/n 2750532) (SN 0300128000 through 0300136526)	
230	See Note	AR	Hose, Oil Drain (Note: See Note at Item 250) (SN 0300136527 through 0300144060)	
230	1001091892	1 ft/30cm	Hose, Oil Drain (Use p/n 2750532) (SN 0300144601 through 0300174703)	

## SECTION 2 - TURNTABLE

ITEM	PART NUMBER	QTY	DESCRIPTION	REV
231		Ref	Oil, Motor Options:	
231	3020016	AR	Without Arctic Package	
231	3020044	AR	With Arctic Package	
232	3200362	2	Mount, Motor	
233	3200406	2	Mount, Motor	
234	4891600	2	Flatwasher 3/8in Hardened Only <b>(SN 0300128969 through 0300136527)</b>	
235	3311405	10	Locknut 1/4in-20NC	
236	3311505	3	Locknut 5/16in-18NC	
237	3311605	22	Locknut 3/8in-16NC	
238	3311805	4	Locknut 1/2in-13NC	
239	3537416	1	Plate, Engine Mounting (Front Right Side)	
240	3539872	1	Plate, Radiator Mounting	
241	3539971	1	Plate, Engine Mounting (Front Bottom)	
242		Ref	Plate, Engine Mounting (Rear) Options:	
242	3574978	1	Tier II Engine (Not Shown) <b>(SN 0300128000 through 0300128968)</b>	
242	1001093943	1	Tier III/IVi Engine <b>(SN 0300128969 through 0300174703)</b>	
243	3620033	1	Radiator	
244	3740067	3	Relay	
245	3960407	1	Gasket, Air Intake	
246	3960468	1	Seal	
247	3960469	1	Seal	
248	4060805	37 in/1m	Flex-Trim	
249		Ref	Engine, Deutz Options:	
249	2000339	1	Tier II Engine <b>(SN 0300128000 through 0300128968)</b>	
249	1001094101	1	Tier III/IVi Engine <b>(SN 0300128969 through 0300174703)</b>	
250	1001104308	NLA	Valve, Oil Drain (Use p/n 4640751)	
		Ref	<b>Note: For Machines SN 0300136527 through 0300144061, Item 220 p/n 8410013 Clamp and Item 230 p/n 2750532 Hose (1ft) must be purchased also.</b>	
251	4711400	6	Flatwasher 1/4in Thin	
252	4711600	3	Flatwasher 3/8in Thin	
254	4740274	4	Washer, Snubbing	
255	4751400	8	Flatwasher 1/4in Regular	
256	4751600	44	Flatwasher 3/8in Regular	
257		Ref	Tray, Engine	
257	4845404	1	Tier II Engine <b>(SN 0300128000 through 0300128968)</b>	
257	1001094321	1	Tier III/IVi Engine <b>(SN 0300128969 through 0300174703)</b>	
258	4791400	6	Starwasher 1/4in	
259	4812200	10	Flatwasher M14	
260	4845395	1	Adapter, Air Intake	
261		Ref	Tube, Tuning Options:	
261	4569171	1	Tier II Engine <b>(SN 0300128000 through 0300128968)</b>	
261	1001099686	1	Tier III/IVi Engine <b>(SN 0300128969 through 0300136526)</b>	
261	Not Required	0	Tier III/IVi Engine <b>(SN 0300136527 through 0300174703)</b>	
262	4846566	1	Plate, Engine Mounting (Front Left Side)	
263	4923379	1	Harness, Glow Plug	
264	1001098916	1	Support (Tier III/IVi Engines Only) <b>(SN 0300128969 through 0300136527)</b>	
265		Ref	Muffler Options:	
265	3220103	1	Tier II Engine Spark Arresting <b>(SN 0300128000 through 0300128968)</b>	

## SECTION 2 - TURNTABLE

ITEM	PART NUMBER	QTY	DESCRIPTION	REV
265	3220104	1	Tier II Engine Catalytic (SN 0300128000 through 0300128968)	
265	1001099051	1	Tier III/IVi Engine Spark Arresting (SN 0300128969 through 0300174703)	
265	1001101241	1	Tier III/IVi Engine Catalytic (SN 0300128969 through 0300174703)	
265	1320176	1	Clamp, Saddle (Not Shown) (220103 Muffler Only)	
265	70001017	1	Clamp, Band (Not Shown) (3220104 Muffler Only)	
265	7024398	1	Tube, Exhaust (322103 & 3220104 Mufflers Only)	
265	70002200	8	Stud, Exhaust Manifold to Engine Block (Not Shown)	
265	70003476	8	Nut, Exhaust Manifold to Engine Block (Not Shown)	
265	7024560	1	Plug, Brass (Not Shown)	
266	3740080	1	Relay (Tier III/IVi Engines Only) (SN 0300128969 through 0300174703)	
280	0701012	2	Bolt 10mm x 25mm (Tier II Engines Only) (SN 0300128000 through 0300128969)	
281	0701015	6	Bolt 10mm x 35mm (Tier II Engines Only) (SN 0300128000 through 0300128969)	
282	4711700	6	Flatwasher 7/16in Thin (Tier II Engines Only) (SN 0300128000 through 0300128969)	
283	4751700	2	Flatwasher 7/16in Regular (Tier II Engines Only) (SN 0300128000 through 0300128969)	
	0256847	Ref	<b>PUMP COUPLING INSTALLATION - TIER III ENGINES (SN 0300128000 through 0300128968)</b>	2
301	1660234	1	Coupling, Hayes	
302	0080163	1	Plate, Pump Adapter	
303	0700810	63	Bolt M8 x 20mm	
304	4831900	6	Lockwasher M8	
307	3020021	AR	Grease, Coupling	
	2902065	Ref	<b>PUMP COUPLING INSTALLATION - TIER III ENGINES (SN 0300128969 through 0300174703)</b>	B
351	70000793	1	Coupling	
352	See Note	NSS	Plate, Pump Adapter (Not Shown) (Note: Not Available - Purchase p/n 2902065)	
353	See Note	NSS	Capscrew 10mm (Grade 10.9) (Note: Not Available - Purchase Locally)	
		Ref	<b>ENGINE COMPONENTS:</b>	
	2000339	Ref	<b>Tier II Engine (SN 0300128000 through 0300128968)</b>	B
	1001094101	Ref	<b>Tier III/IVi Engine (SN 0300128969 through 0300174703)</b>	A
401	7026631	1	Dipstick	
401	7020487	1	Seal, Dipstick	
401	70001002	1	Tube, Dipstick (Tier II Engine Only) (SN 0300128000 through 0300128969)	
402	7020465	2	Cap, Filler	
403		Ref	Pump, Oil Lube Options:	
403	70000045	1	Tier II Engine (was p/n 7020484) (SN 0300128000 through 0300128968)	
403	70001850	1	Tier III/IVi Engine (SN 0300128969 through 0300174703)	
403	7020468	1	Seal Between Oil Pump and Engine Block (Not Shown)	
404	7016331	1	Filter, Oil (was p/n 7016641)	
405		Ref	Pump, Injector Options:	
405		Ref	<b>Injectors for Tier II Engine (SN 0300128000 through 0300128968)</b>	
405	7027246	4	Series A Injector (was p/n 7027242)	
405	7027608	4	Series B Injector (was p/n 7027611)	

## SECTION 2 - TURNTABLE

ITEM	PART NUMBER	QTY	DESCRIPTION	REV
405	7027609	4	Series C Injector (was p/n 7027612)	
405	7027610	4	Series D Injector (was p/n 7027613)	
405		Ref	Injectors for Tier III/IVi Engine <b>(SN 0300128969 through 0300174703)</b>	
405	70000912	4	Series A Injector	
405	70000913	4	Series B Injector	
405	70000914	4	Series C Injector	
405	70000915	4	Series D Injector	
405		Ref	Gasket Options (1 Per Injector):	
405	7020447	4	Tier II Engine (was p/n 7020410) <b>(SN 0300128000 through 0300128968)</b>	
405	See Note	NSS	Tier III/IVi Engine (Note: Not Available for Purchase.) <b>(SN 0300128969 through 0300174703)</b>	
406	8320270	1	Filter, Fuel (was p/n 7016328)	
406	70001423	1	Head, Fuel Filter	
406	70001848	1	Sensor Only <b>(SN 0300128969 through 0300174703)</b>	
406	70001132	2	Seal, Sensor Only <b>(SN 0300128969 through 0300174703)</b>	
407		Ref	Pump Fuel Supply Options:	
407	70000916	1	Pump for Tier II Engine (was p/n 7027238) <b>(SN 0300128000 through 0300128968)</b>	
407	70000916	1	Pump for Tier III/IVi Engine <b>(SN 0300128969 through 0300174703)</b>	
407		Ref	Repair Kit for Fuel Supply Pump Options:	
407	See Note	NSS	Kit for 7027238 Pump (Note: Not Available for Purchase.)	
407	70001435	1	Kit for 700001916 Pump	
407		Ref	Hand Pump for Fuel Supply Pump Options:	
407	See Note	NSS	Hand Pump for Tier II Engine 7027238 Pump (Note: Not Available for Purchase.)	
407	70000919	1	Hand Pump for Tier II Engine 700001916 Pump	
407		Ref	O-Seal Between Fuel Pump and Engine Block Options:	
407	7020411	1	Seal for 7027238 Pump	
407	70000917	1	Seal for 700001916 Pump	
407		Ref	O-Seal Between Fuel Pump and Hand Pump Options:	
407	See Note	NSS	Seal for 7027238 Pump (Note: Not Available for Purchase.)	
407	70000918	1	Seal for 700001916 Pump	
408	7020449	4	Gasket, Intake Manifold (Not Shown)	
409	7020408	1	V-Belt	
410		Ref	Exhaust Manifold Components (Not Shown) <b>(SN 0300128000 through 0300128968)</b>	
410	7020471	4	Gasket, Exhaust Manifold to Engine Block	
410	See Note	NSS	Gasket, Exhaust Manifold to Exhaust Pipe (Note: Not Available for Purchase.)	
410	70002200	AR	Stud, Exhaust Manifold	
410	70003476	AR	Nut, Exhaust Manifold	
410		Ref	Exhaust Manifold Components (Not Shown) <b>(SN 0300128969 through 0300174703)</b>	
410	70001835	1	Gasket, Exhaust Adapter to Exhaust Rail	
410	70001841	1	Valve, Exhaust (Fits into Exhaust Adapter)	
410	70001836	1	Gasket, Exhaust Rail to Cylinder Head	
410	70001837	1	Gasket, Exhaust Manifold to Muffler	
410	70001838	2	Gasket, Exhaust Manifold to Engine Block	
410	7020471	4	Gasket, Exhaust Manifold to Engine Block	
410	70001874	1	Restrictor, Choke (Fits between qty2 of p/n 70001838)	

## SECTION 2 - TURNTABLE

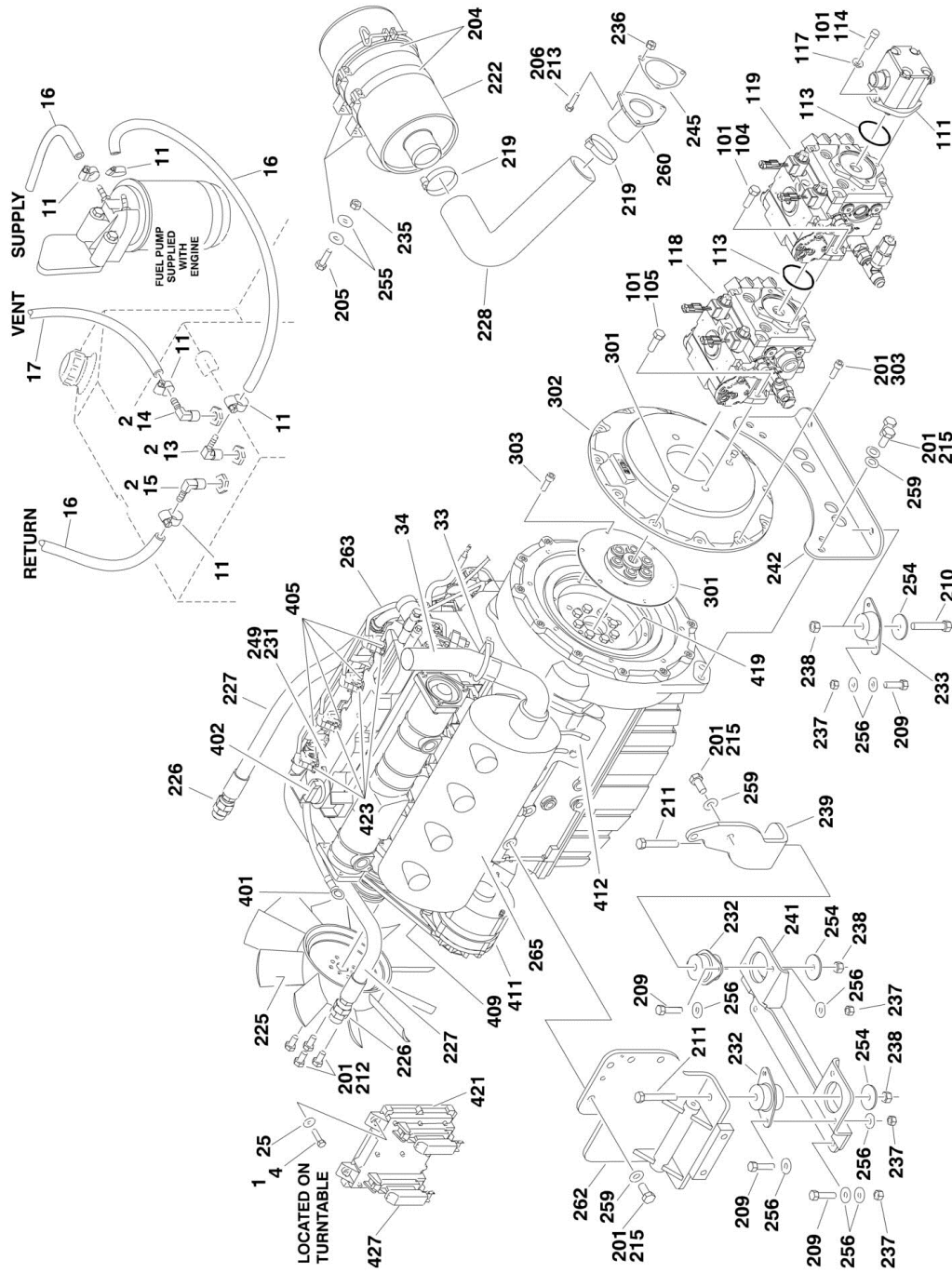
ITEM	PART NUMBER	QTY	DESCRIPTION	REV
410	70001839	2	Flange, Sealing	
410	70002200	AR	Stud, Exhaust Manifold	
410	70003476	AR	Nut, Exhaust Manifold	
411		Ref	Alternator Options:	
411	7000663	1	Tier II Engine (was p/n 7020410) <b>(SN 0300128000 through 0300128968)</b>	
411	7000663	1	Tier III/IVi Engine <b>(SN 0300128969 through 0300174703)</b>	
411		Ref	Regulator, Voltage Options (Not Shown):	
411	7020464	1	Tier II Engine <b>(SN 0300128000 through 0300128968)</b>	
411	70001868	1	Tier III/IVi Engine <b>(SN 0300128969 through 0300174703)</b>	
411		Ref	Seal, Voltage Regulator Options (Not Shown):	
411	See Note	NSS	Tier II Engine (Note: Not Available for Purchase.) <b>(SN 0300128000 through 0300128968)</b>	
411	70001866	1	Tier III/IVi Engine <b>(SN 0300128969 through 0300174703)</b>	
411	70002234	1	Bar, Alternator Adjustment	
412	7020479	1	Starter	
412	7026608	1	Relay	
412	70001498	1	Shield, Starter	
413	See Note	NSS	Plug- In Connector (Not Shown) (Note: Not Available for Purchase.)	
414	7027791	1	Transmitter, Temperature	
414	See Note	1	Ring, Sealing (Note: Not Available for Purchase.)	
415	7027790	1	Sensor, Oil Pressure	
416	7024565	1	Sensor, Speed	
417	7027792	1	Throttle Actuator	
417	7027276	2	Springs	
418	7020459	1	Thermostat (Located at rear of engine block - Not Shown)	
418	7020460	1	Spring, Compression	
419		Ref	Flywheel with Ring Gear Options:	
419	70000264	1	Tier II Engine <b>(SN 0300128000 through 0300128968)</b>	
419	70001870	1	Tier III/IVi Engine <b>(SN 0300128969 through 0300174703)</b>	
419	7024579	1	Gear, Ring 110 Tooth	
420	7027236	1	Sender, Temperature (Tier II Engine Only) <b>(SN 0300128000 through 0300128969)</b>	
421	7027795	1	Module, Control	
423	70000345	4	Plug, Glow	
424	7027239	1	Solenoid, Throttle (Tier II Engine Only) <b>(SN 0300128000 through 0300128968)</b>	
425	70001847	1	Breather, Front Cover (Not Shown) (Tier III/IVi Engine Only) <b>(SN 0300128969 through 0300174703)</b>	
425	70001126	1	Seal, Front Cover Breather (Not Shown) (Tier III/IVi Engine Only) <b>(SN 0300128969 through 0300174703)</b>	
426		Ref	Gasket, Head Options (Not Shown):	
426	70003001	1	2000339 Engine Gasket with 1 Notch	
426	70003002	1	2000339 Engine Gasket with 2 Notches	
426	70003003	1	2000339 Engine Gasket with 3 Notches	
426	70002415	1	1001094101 Engine Gasket with 1 Notch	
426	70002416	1	1001094101 Engine Gasket with 2 Notches	
426	70002417	1	1001094101 Engine Gasket with 3 Notches	
427	7027796	1	Harness, Engine (Connects to Item 421)	
427	7027793	1	Connector at Module	
427	70001872	1	Harness, Engine (Connects to p/n 7027793 (was p/n 7027794)	
	0272364	Ref	<b>OIL COOLER INSTALLATION</b>	2-E

**SECTION 2 - TURNTABLE**

<b>ITEM</b>	<b>PART NUMBER</b>	<b>QTY</b>	<b>DESCRIPTION</b>	<b>REV</b>
501	3620034	1	Cooler, Oil	
502	0641608	4	Bolt 3/8in-16NC x 1in	
503	3311605	4	Locknut 3/8in-16NC	
504	4711600	4	Flatwasher 3/8in Thin	
505	4240099	1	Tie strap (Not Shown - Ties Hoses Together)	

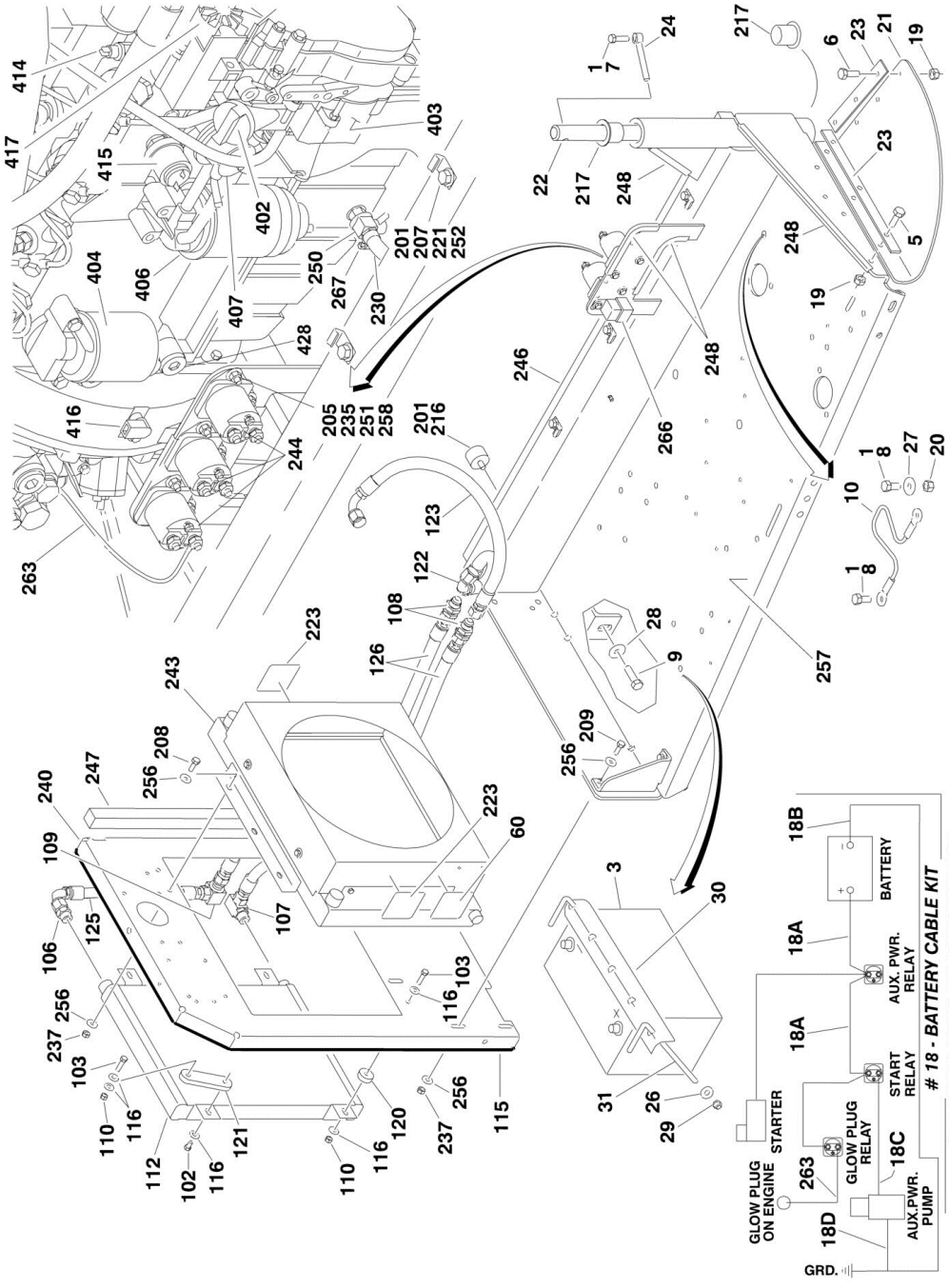
# SECTION 2 - TURNTABLE

## FIGURE 2-12. DEUTZ ENGINE INSTALLATION (WITH UGM)





# SECTION 2 - TURNTABLE



## SECTION 2 - TURNTABLE

FIGURE 2-12. DEUTZ ENGINE INSTALLATION (WITH UGM)

ITEM	PART NUMBER	QTY	DESCRIPTION	REV
		Ref	<b>Note: For Ground Module Identification, refer to Revision Log page A.</b>	
		Ref	<b>DEUTZ ENGINE INSTALLATIONS:</b>	
		Ref	<b>Tier IVi Engines</b>	
	1001109437	Ref	<b>Without Arctic Package (All Specs) (SN 0300128000 through 0300168631)</b>	B
	1001109437	Ref	<b>Without Arctic Package (All Specs Except ANSI, CE and CSA Specs) (SN 0300168632 through 0300174703)</b>	B
	1001110795	Ref	<b>With Arctic Package (ANSI, ANSI Export and CSA Specs) (SN 0300128000 through 0300168631)</b>	B
	1001110795	Ref	<b>With Arctic Package (ANSI Export Spec) (SN 0300168632 through 0300174703)</b>	B
		Ref	<b>Tier IVi-Flex Engines</b>	
	1001137757	Ref	<b>Without Arctic Package (ANSI, CE and CSA Specs) (SN 0300168632 through 0300174703)</b>	B
	1001137760	Ref	<b>With Arctic Package (ANSI and CSA Specs) (SN 0300168632 through 0300174703)</b>	B
	1001144357	Ref	<b>Tier IVi-PRE Engines (CE Spec Only) (SN 0300168632 through 0300174703)</b>	B
1	0100011	AR	Compound, Locking	
2	0100020	AR	Sealant, Pipe	
3	0400075	1	Battery	
4	0641410	4	Bolt 1/4in-20NC x 1-1/4in	
5	0641508	3	Bolt 5/16in-18NC x 1in	
6	0641514	3	Bolt 5/16in-18NC x 1-3/4in	
7	0641610	1	Bolt 3/8in-16NC x 1-1/4in	
8	0641808	2	Bolt 1/2in-13NC x 1in	
9	0642010	1	Bolt 5/8in-11NC x 1-1/4in	
10	1060637	1	Cable, Lanyard	
11	1320022	5	Clamp, Hose	
12	1701505	1	Decal - Diesel (Not Shown - Located on Hood)	
13	2180348	1	Fitting, Spec Barbed	
14	2220313	1	Fitting, 90	
15	2221176	1	Fitting, 90 Barbed	
16	2720058	30 ft/9.2m	Hose	
17	2750532	6 ft/1.8m	Hose	
18	2902296	1	Battery Cable Kit	D
18A	1001116240	1	Cable - Battery to Starter Relay and Starter (Red)	
18B	7027004	1	Cable - Battery to Ground (Black)	
18C	7027002	1	Cable - Auxiliary Relay to Auxiliary Pump (Red)	
18D	7027003	1	Cable - Auxiliary Pump to Ground (Black)	
19	3311505	6	Locknut 5/16in-18NC	
20	3311801	1	Nut 1/2in-13NC	
21	3380429	1	Panel, Rubber	
22	3422446	1	Pin, Pivot	
23	3539957	2	Plate	
24	3841143	1	Pin, Keeper	
25	4711400	4	Flatwasher 1/4in Thin	
26	4751500	AR	Flatwasher 5/16in Regular	
27	4751800	1	Flatwasher 1/2in Regular	
28	4752000	1	Flatwasher 5/8in Regular	

## SECTION 2 - TURNTABLE

ITEM	PART NUMBER	QTY	DESCRIPTION	REV
29	88521205	2	Locknut 5/16in-18NC	
30	91401281	1	Hold-down, Battery	
31	1001093382	2	Bolt, Battery Hold-down	
33	1320176	1	Clamp, Muffler	
34	1001101600	1	Tube, Exhaust	
		Ref	<b>Note: Arctic Package Items 50-58 Used on Arctic Machines Only (Not Shown)</b>	
50	1060625	1	Cable, Immersion Heater	
51	1060626	1	Cord, 3 Way Extension	
52	1702941	1	Decal - Battery Heater	
53	1702942	1	Decal - Engine Block Heater	
54	1702943	1	Decal - Hydraulic Tank Heater	
55	1702944	1	Decal - Heater Cord	
56	2580050	1	Heater, Hydraulic Tank	
57	3980007	1	Seat, Battery	
58	2580024	1	Heater, Battery	
60		Ref	Decal - Warning Explosion/Fire Options:	
60	1704972	1	ANSI Spec	
60	1706098	1	Australian and CE Spec	
60	1706059	1	Brazilian Spec	
60	1706060	1	Chinese Spec	
60	1706064	1	CSA Spec	
60	1706062	1	Japanese Spec	
60	1706061	1	Korean Spec	
60	1706063	1	Spanish Language	
		Ref	<b>ENGINE AND PUMP ASSEMBLIES</b>	
		Ref	<b>Tier IVi Engines</b>	
	1001109436	Ref	<b>Without Arctic Package (All Specs) (SN 0300128000 through 0300168631)</b>	C
	1001109436	Ref	<b>Without Arctic Package (All Specs Except ANSI, CE and CSA Specs) (SN 0300168632 through 0300174703)</b>	C
	1001110796	Ref	<b>With Arctic Package (ANSI, ANSI Export and CSA Specs) (SN 0300128000 through 0300168631)</b>	C
	1001110796	Ref	<b>With Arctic Package (ANSI Export Spec) (SN 0300168632 through 0300174703)</b>	C
		Ref	<b>Tier IVi-Flex Engines</b>	
	1001137756	Ref	<b>Without Arctic Package (ANSI, CE and CSA Specs) (SN 0300168632 through 0300174703)</b>	B
	1001137759	Ref	<b>With Arctic Package (ANSI and CSA Specs) (SN 0300168632 through 0300174703)</b>	B
	1001144356	Ref	<b>Tier IVi-PRE Engines (CE Spec Only) (SN 0300168632 through 0300174703)</b>	B
101	0100011	AR	Compound, Locking	
102	0641605	2	Bolt 3/8in-16NC x 5/8in	
103	0641611	4	Bolt 3/8in-16NC x 1-3/8in	
104	0641808	2	Bolt 1/2in-13NC x 1in	
105	0641812	2	Bolt 1/2in-13NC x 1-1/2in	
106	2220451	1	Fitting, Straight	
107	2220578	1	Fitting, 90	
108	2230027	2	Fitting, Straight Bulkhead	
109	2230046	1	Fitting, 90 Bulkhead	
110	3311605	4	Locknut 3/8in-16NC	
111	3600395	1	Gear Pump Assembly with Fittings (See GEAR PUMP	

## SECTION 2 - TURNTABLE

ITEM	PART NUMBER	QTY	DESCRIPTION	REV
			ASSEMBLY for Breakdown)	
112	3620034	1	Cooler, Oil	
113	3790152	2	O-Ring	
114	3931620	2	Bolt 3/8in-16NC x 1-1/4in	
115	3960389	5 ft/1.5m	Seal	
116	4751600	10	Flatwasher 3/8in Regular	
117	4891600	2	Flatwasher 3/8in Hardened	
118	1101109188	1	Pump Assembly with Fittings (See PISTON PUMP ASSEMBLY for Breakdown)	
119	1001109189	1	Pump Assembly with Fittings (See PISTON PUMP ASSEMBLY for Breakdown)	
120	1001109599	2	Spacer	
121	1001109601	2	Bracket	
122	1001110092	1	Hose	
123	1001110094	1	Hose	
125	1001110469	1	Hose	
126	1001110665	2	Hose	
		Ref	<b>ENGINE ASSEMBLIES</b>	
		Ref	<b>Tier IVi Engines</b>	
	1001110185	Ref	<b>Without Arctic Package (All Specs) (SN 0300128000 through 0300168631)</b>	E
	1001110185	Ref	<b>Without Arctic Package (All Specs Except ANSI, CE and CSA Specs) (SN 0300168632 through 0300174703)</b>	E
	1001110797	Ref	<b>With Arctic Package (ANSI, ANSI Export and CSA Specs) (SN 0300128000 through 0300168631)</b>	E
	1001110797	Ref	<b>With Arctic Package (ANSI Export Spec) (SN 0300168632 through 0300174703)</b>	E
		Ref	<b>Tier IVi-Flex Engines</b>	
	1001137755	Ref	<b>Without Arctic Package (ANSI, CE and CSA Specs) (SN 0300168632 through 0300174703)</b>	B
	1001137758	Ref	<b>With Arctic Package (ANSI and CSA Specs) (SN 0300168632 through 0300174703)</b>	B
	1001144355	Ref	<b>Tier IVi-PRE Engines (CE Spec Only) (SN 0300168632 through 0300174703)</b>	B
	1001101241	Ref	<b>OPTIONAL MUFFLER INSTALLATION</b>	B
201	0100011	AR	Compound, Locking	
203	2580062	1	Heater, Engine Block (Not Shown - Arctic Package Machines Only)	
204	0340041	2	Band, Air Cleaner	
205	0641407	10	Bolt 1/4in-20NC x 7/8in	
206	0641510	2	Bolt 5/16in-18NC x 1-1/4in	
207	0641606	3	Bolt 3/8in-16NC x 3/4in	
208	0641609	6	Bolt 3/8in-16NC x 1-1/8in	
209	0641610	16	Bolt 3/8in-16NC x 1-1/4in	
210	0641818	2	Bolt 1/2in-13NC x 2-1/4in	
211	0641826	2	Bolt 1/2in-13NC x 3-1/4in	
212	0700808	4	Bolt 8mm x 16mm	
213	0641512	1	Bolt 5/16in-18NC x 1-1/2in	
215	0711414	10	Bolt 14mm x 30mm	
216	0940070	1	Bumper	
217	0961986	2	Bushing, Flanged	
219	1320016	2	Clamp	
221	1320223	4	J-Clip	
222	1340060	1	Air Cleaner Assembly	

## SECTION 2 - TURNTABLE

ITEM	PART NUMBER	QTY	DESCRIPTION	REV
222	7012664	1	Element, Filter (Not Shown)	
223	1703162	2	Decal - Caution Fan Blade	
224	3520054	2	Plug	
225	2060025	1	Fan	
226	2220451	2	Fitting, Straight	
227	2720398	2	Hose, Oil Cooler	
228	1001091179	1	Elbow, Rubber	
230	2750532	1 ft/30cm	Hose, Oil Drain	
231		Ref	Oil, Motor Options:	
231	3020016	AR	Without Arctic Package	
231	3020044	AR	With Arctic Package	
232	3200362	2	Mount, Motor	
233	3200406	2	Mount, Motor	
235	3311405	10	Locknut 1/4in-20NC	
236	3311505	3	Locknut 5/16in-18NC	
237	3311605	22	Locknut 3/8in-16NC	
238	3311805	4	Locknut 1/2in-13NC	
239	3537416	1	Plate, Engine Mounting (Front Right Side)	
240	1001109595	1	Plate, Radiator Mounting	
241	3539971	1	Plate, Engine Mounting (Front Bottom)	
242	1001093943	1	Plate, Engine Mounting (Rear)	
243		Ref	Radiator Options:	
243	3620033	1	Radiator <b>(SN 0300128000 through 0300171409)</b>	
243	1001150998	1	Radiator <b>(SN 0300171410 through 0300174703)</b>	
244	3740067	3	Relay	
245	3960407	1	Gasket, Air Intake	
246	3960468	1	Seal	
247	3960469	1	Seal	
248	4060805	37 in/1m	Flex-Trim	
249		Ref	Engine, Deutz Options:	
249	1001094101	1	Tier IVi Engines (All Specs) <b>(SN 0300128000 through 0300168631)</b>	
249	1001094101	1	Tier IVi Engines (All Specs Except ANSI, CE and CSA Specs) <b>(SN 0300168632 through 0300174703)</b>	
249	1001137737	1	Tier IVi-Flex Engines (ANSI, CE and CSA Specs) <b>(SN 0300168632 through 0300174703)</b>	
249	1001144319	Ref	Tier IVi-PRE Engines (CE Spec Only) <b>(SN 0300168632 through 0300174703)</b>	
250	4640751	1	Valve, Oil Drain	
251	4711400	6	Flatwasher 1/4in Thin	
252	4711600	3	Flatwasher 3/8in Thin	
254	4740274	4	Washer, Snubbing	
255	4751400	8	Flatwasher 1/4in Regular	
256	4751600	44	Flatwasher 3/8in Regular	
257	1001094321	1	Tray, Engine	
258	4791400	6	Starwasher 1/4in	
259	4812200	10	Flatwasher M14	
260	4845395	1	Adapter, Air Intake	
262	4846566	1	Plate, Engine Mounting (Front Left Side)	
263	4923379	1	Harness, Glow Plug	
265		Ref	Muffler Options:	
265	1001099051	1	Spark Arresting	

## SECTION 2 - TURNTABLE

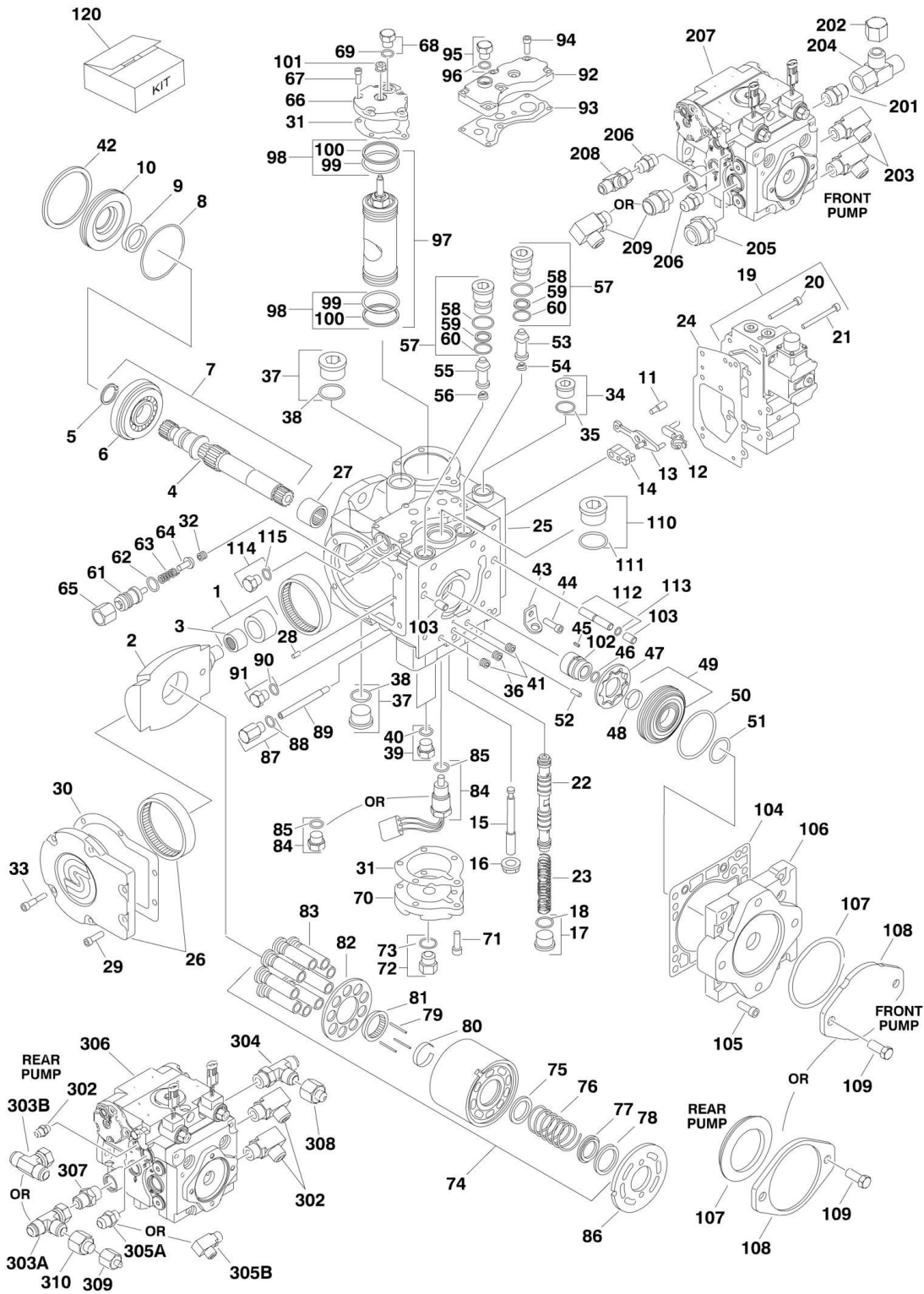
ITEM	PART NUMBER	QTY	DESCRIPTION	REV
265	1001101241	1	Catalytic	
265	7024560	1	Plug, Brass (Not Shown)	
266	3740080	1	Relay	
267	1320022	1	Clamp, Hose	
	2902065	Ref	<b>PUMP COUPLING INSTALLATION</b>	D
301	70000793	1	Coupling	
302	See Note	NSS	Plate, Pump Adapter (Not Shown) (Note: Not Available - Purchase p/n 2902065)	
303	See Note	NSS	Capscrew 10mm (Grade 10.9) (Note: Not Available - Purchase Locally)	
		Ref	<b>ENGINE COMPONENTS</b>	
		Ref	<b>Tier IVi Engines</b>	
	1001094101	Ref	<b>All Specs (SN 0300128000 through 0300168631)</b>	A
	1001094101	Ref	<b>All Specs Except ANSI, CE and CSA Specs (SN 0300168632 through 0300174703)</b>	A
		Ref	<b>Tier IVi-Flex Engines</b>	
	1001137737	Ref	<b>ANSI, CE and CSA Specs (SN 0300168632 through 0300174703)</b>	A
	1001144319	Ref	<b>Tier IVi-PRE Engines (CE Spec Only) (SN 0300168632 through 0300174703)</b>	A
401	7026631	1	Dipstick	
401	7020487	1	Seal, Dipstick	
402	7020465	2	Cap, Filler	
403	70001850	1	Pump, Oil Lube	
403	7020468	1	Seal Between Oil Pump and Engine Block (Not Shown)	
404	7016331	1	Filter, Oil	
405		Ref	Pump, Injector Options:	
405	70000912	4	Series A Injector	
405	70000913	4	Series B Injector	
405	70000914	4	Series C Injector	
405	70000915	4	Series D Injector	
405	See Note	NSS	Gasket (1 per Injector) (Note: Not Available for Purchase.)	
406	8320270	1	Filter, Fuel	
406	70001848	1	Sensor	
406	70001132	2	Seal, Sensor	
407	70000916	1	Pump Fuel Supply	
407	70001435	1	Repair Kit for Fuel Supply Pump	
407	70000919	1	Hand Pump for Fuel Supply Pump	
407	70000917	1	O-Seal Between Fuel Pump and Engine Block	
407	70000918	1	O-Seal Between Fuel Pump and Hand Pump	
408	7020449	4	Gasket, Intake Manifold (Not Shown)	
409	7020408	1	V-Belt	
410		Ref	Exhaust Manifold Components (Not Shown)	
410	70001835	1	Gasket, Exhaust Adapter to Exhaust Rail	
410	70001841	1	Valve, Exhaust (Fits into Exhaust Adapter)	
410	70001836	1	Gasket, Exhaust Rail to Cylinder Head	
410	70001837	1	Gasket, Exhaust Manifold to Muffler	
410	70001838	2	Gasket, Exhaust Manifold to Engine Block	
410	7020471	4	Gasket, Exhaust Manifold to Engine Block	
410	70001874	1	Restrictor, Choke (Fits between qty2 of p/n 70001838)	
410	70001839	2	Flange, Sealing	
410	70002200	AR	Stud, Exhaust Manifold	

## SECTION 2 - TURNTABLE

ITEM	PART NUMBER	QTY	DESCRIPTION	REV
410	70003476	AR	Nut, Exhaust Manifold	
411	7000663	1	Alternator	
411	70001868	1	Regulator, Voltage (Not Shown)	
411	70001866	1	Seal, Voltage Regulator (Not Shown)	
411	70002234	1	Bar, Alternator Adjustment	
412	7020479	1	Starter	
412	7026608	1	Relay	
413	See Note	NSS	Plug- In Connector (Not Shown) (Note: Not Available for Purchase.)	
414	7027791	1	Transmitter, Temperature	
414	See Note	NSS	Ring, Sealing (Note: Not Available for Purchase.)	
415	7027790	1	Sensor, Oil Pressure	
416	7024565	1	Sensor, Speed	
417	7027792	1	Throttle Actuator	
417	7027276	2	Springs	
418	7020459	1	Thermostat (Located at rear of engine block - Not Shown)	
419	70001870	1	Flywheel with Ring Gear	
419	7024579	1	Gear, Ring 110 Tooth	
421	7027795	1	Module, Control	
423	70000345	4	Plug, Glow	
425	70001847	1	Breather, Front Cover (Not Shown)	
425	70001126	1	Seal, Front Cover Breather (Not Shown)	
426		Ref	Gasket, Head Options (Not Shown):	
426	70002415	1	Gasket with 1 Notch	
426	70002416	1	Gasket with 2 Notches	
426	70002417	1	Gasket with 3 Notches	
427	7027796	1	Harness, Engine (Connects to Item 421)	
427	7027793	1	Connector at Module	
427	70001872	1	Harness, Engine (Connects to p/n 7027793)	
428	70001181	1	Valve, Pressure Control	
428	70124410	1	Spring	
428	70025082	1	Seal	
428	70124440	1	Screw	
429	70025752	1	Valve, Pressure Relief (Not Shown - Located on Front Left of Engine Block)	
429	70025753	1	Spring	
429	70005916	1	Seal	
429	70005917	1	Screw	

# SECTION 2 - TURNTABLE

## FIGURE 2-13. PISTON PUMP ASSEMBLY





## SECTION 2 - TURNTABLE

### FIGURE 2-13. PISTON PUMP ASSEMBLY

ITEM	PART NUMBER	QTY	DESCRIPTION	REV
		Ref	<b>PISTON PUMP ASSEMBLIES</b>	
	3600363	Ref	<b>Front Pump (15 Tooth)</b>	B
	3600359	Ref	<b>Rear Pump (13 Tooth)</b>	A
1	7024805	1	Cam Follower Bearing Assembly (Includes Item 3)	
2	7022330	1	Swashplate	
3	7021236	1	Bearing, Needle	
4		Ref	Shaft Options:	
4	7021237	1	Front Pump (15 Tooth)	
4	7022354	1	Rear Pump (13 Tooth)	
5	7021238	1	Ring, Retaining	
6	7021239	1	Bearing, Roller	
7		Ref	Shaft Options (Includes Items 4, 5 & 6):	
7	7021240	1	Front Pump (15 Tooth)	
7	7022355	1	Rear Pump (13 Tooth)	
8	See Note	NSS	O-Ring (Note: Use Item 120)	
9	See Note	NSS	Seal, Lip (Note: Use Item 120)	
10	7021243	1	Carrier, Shaft Seal	
11	7023996	1	Screw	
12	7022331	1	Link, Control Summing	
13	7022332	1	Link, Control Feedback	
14	7022333	1	Link, Neutral Adjust	
15	7022334	1	Screw, Neutral Adjust	
16	7023997	1	Nut, Seal	
17	7022321	1	Plug (Includes Item 18)	
18	See Note	NSS	O-Ring (Note: Use Item 17 or 120)	
19	7022335	1	Control Kit (Includes Items 20 & 21)	
20	7023998	4	Screw	
21	7021267	3	Screw	
22	7022336	1	Spool Assembly	
23	7022337	1	Spring	
24	7022338	1	Gasket, Control	
25		Ref	Housing Assembly (Includes Items 27, 32, 36 & 41):	
25	7023999	1	Front Pump	
25	3600359	1	Rear Pump (Note: Not Available - Purchase Complete Rear Pump.)	
26	7021248	1	Side Cover Assembly	
27	7021249	1	Bearing, Needle	
28	7021250	1	Pin	
29	7021251	2	Screw	
30	See Note	NSS	Gasket, Side Cover (Note: Use Item 120)	
31	7021253	2	Gasket, Servo Cover	
32	Not Required	0	Screen, Filter	
33	7021255	4	Screw	
34	7022321	1	Plug (Includes Item 35)	
35	See Note	NSS	O-Ring (Note: Use Item 34 or 120)	
36		Ref	Plug	
36	7001485	1	Front Pump	
36	Not Required	0	Rear Pump	
37	7007419	2	Plug (Includes Item 38)	
38	See Note	NSS	O-Ring (Note: Use Item 37 or 120)	

## SECTION 2 - TURNTABLE

ITEM	PART NUMBER	QTY	DESCRIPTION	REV
39	7007470	2	Plug (Includes Item 40)	
40	See Note	NSS	O-Ring (Note: Use Item 39 or 120)	
41	7001485	2	Plug, Pipe	
42	7021257	1	Ring, Retaining	
43	7022340	1	Bracket, Lifting	
44	7021251	1	Screw	
45	7022342	1	Key	
46	7022341	1	Ring, Retaining	
47		Ref	Component Options:	
47	7022343	1	Gerotor Assembly (Front Pump)	
47	7022357	1	Spacer (Rear Pump)	
48	7021259	1	Bearing, Journal	
49		Ref	Cover Assembly (Gerotor) Options (Includes Item 48):	
49	7022344	1	Front Pump	
49	7021260	1	Rear Pump	
50	See Note	NSS	O-Ring (Note: No longer required per supplier. Pressure is the same on either side of o-ring.)	
51	See Note	NSS	O-Ring (Note: Use Item 120)	
52	See Note	NSS	Pin (Note: Not Available for Purchase.)	
53	7022345	1	Valve, SCR	
54	7024800	1	Spring	
55	7022345	1	Valve, SCR	
56	7024800	1	Spring	
57	7021265	2	Bypass Valve Assembly (Includes Items 58, 59 & 60)	
58	See Note	NSS	O-Ring (Note: Use Item 120)	
59	See Note	NSS	Ring, Back-up (Note: Use Item 120)	
60	See Note	NSS	O-Ring (Note: Use Item 120)	
61	7022346	1	Adjuster	
62	7021289	1	O-Ring	
63	7022347	1	Spring	
64	7024804	1	Poppet	
65	7022190	1	Nut	
66	7022348	1	Cover, Servo	
67	7021255	5	Screw, Torx	
68	7007470	1	Plug (Includes Item 69)	
69	See Note	NSS	O-Ring (Note: Use Item 68 or 120)	
70	7001268	1	Cover, Servo	
71	7021255	5	Screw, Torx	
72	7007470	1	Plug (Includes Item 73)	
73	See Note	NSS	O-Ring (Note: Use Item 72 or 120)	
74		Ref	Cylinder Block Kit Options (Includes Items 75-83):	
74	7022349	1	Front Pump (With Speed Ring)	
74	7021269	1	Rear Pump (Without Speed Ring)	
75	7021271	1	Washer, Special	
76	7021272	1	Spring, Cylinder Block	
77	7021273	1	Washer, Special	
78	7021274	1	Ring, Retaining	
79	7021275	3	Pin, Slipper Hold Down	
80	7021276	1	Retainer, Pin	
81	7021277	1	Guide, Retainer	
82	7021278	1	Retainer, Slipper	
83	7021279	9	Piston Assembly	

## SECTION 2 - TURNTABLE

ITEM	PART NUMBER	QTY	DESCRIPTION	REV
84		Ref	Component Options (Includes Item 85):	
84	7022350	1	Sensor, Speed (Front Pump)	
84	7007470	1	Plug (Rear Pump)	
85	See Note	NSS	O-Ring (Note: Use Item 120)	
86	7021281	1	Plate, Valve (Right Side)	
87	7007470	1	Plug (Includes Item 88) (Front Pump Only)	
88	See Note	NSS	O-Ring (Front Pump Only) (Note: Use Item 120)	
89	7024801	1	Spool, Loop Flushing	
90	7021283	1	Plug (Includes Item 91) (Front Pump Only)	
91	See Note	NSS	O-Ring (Front Pump Only) (Note: Use Item 90 or 120)	
92	7021285	1	Adapter, Remote Filter (Front Pump Only)	
93	See Note	NSS	Gasket, Filter Adapter (Front Pump Only) (Note: Use Item 120)	
94	7021255	7	Screw (Front Pump Only)	
95	7007470	1	Plug (Includes Item 96)	
96	See Note	NSS	O-Ring (Note: Use Item 95 or 120)	
97	7022351	1	Servo Piston Kit (Includes Qty 2 of Item 98)	
98	7007412	2	Servo Piston Ring Kit (Includes Items 99 & 100)	
99	See Note	NSS	O-Ring (Note: Use Item 98 or 120)	
100	See Note	NSS	Ring, Piston (Note: Use Item 98 or 120)	
101	See Note	NSS	Nut, Seal (Note: Use Item 120)	
102		Ref	Coupling Options:	
102	7022352	1	Front Pump	
102	7022359	1	Rear Pump	
103	7001481	2	Pin	
104	See Note	NSS	Gasket, Charge Pump (Note: Use Item 120)	
105	7021296	6	Screw, Torx	
106		Ref	Cover, Charge Pump	
106	7022353	1	Front Pump	
106	7021297	1	Rear Pump	
107		Ref	Seal Options:	
107	See Note	NSS	O-Ring (Front Pump) (Note: Use Item 120)	
107	7021298	1	Seal (Rear Pump)	
108		Ref	Cover, Flange Options:	
108	7021229	1	Front Pump	
108	7021299	1	Rear Pump	
109	7007289	2	Screw	
110	7007419	1	Plug (Rear Pump Only)	
111	See Note	NSS	O-Ring (Rear Pump Only) (Note: Use Item 120)	
112	7022358	1	Plug (Include Item 113) (Rear Pump Only)	
113	See Note	NSS	O-Ring (Rear Pump Only) (Note: Use Item 112 or 120)	
114	7021256	1	Plug (Include Item 115) (Rear Pump Only)	
115	See Note	NSS	O-Ring (Rear Pump Only) (Note: Use Item 114 or 120)	
116	7024802	1	Spring (Rear Pump Only)	
117	7024803	1	Poppet (Rear Pump Only)	
120	7021280	1	Seal Kit - Complete (Includes Items 8, 9, 16, 18, 30, 31, 35, 38, 40, 51, 58, 59, 60, 69, 73, 85, 88, 91, 93, 96, 99, 100, 101, 104, 107, 111, 113 & 115)	
		Ref	<b>PISTON PUMP AND FITTING ASSEMBLY (FRONT PUMP)</b>	
	3600412	Ref	<b>Piston Pump and Fitting Assembly (Front Pump) (SN 0300128000 through 0300159999)</b>	B
	1001109188	Ref	<b>Piston Pump and Fitting Assembly (Front Pump) (SN 0300160000 through 0300174703)</b>	A

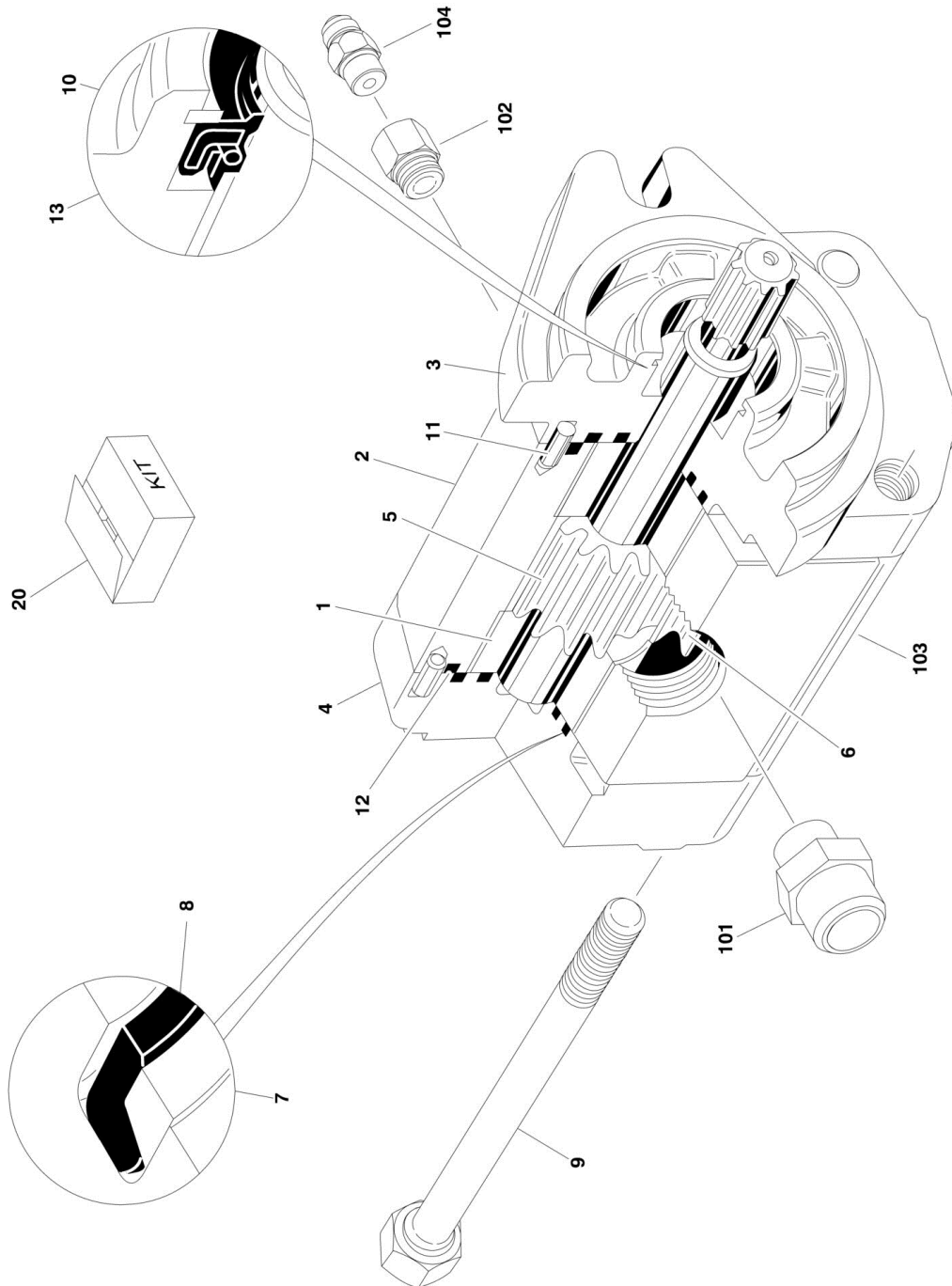
## SECTION 2 - TURNTABLE

ITEM	PART NUMBER	QTY	DESCRIPTION	REV
201	2220451	1	Fitting, Straight	
202	2220518	1	Cap (100110109188 Pump Only)	
203	2220578	2	Fitting, 90	
204	2220700	2	Fitting, Tee (100110109188 Pump Only)	
205	2220946	1	Fitting, Straight	
206	2220947	2	Fitting, Straight	
207	2220948	1	Fitting, Straight	
208	3600363	1	Pump Assembly (Includes Items 1-120)	
209		Ref	Fitting Options:	
209	2220376	1	Fitting, Straight (3600412 Pump)	
209	2220578	1	Fitting, 90 (100110109188 Pump)	
		Ref	<b>PISTON PUMP AND FITTING ASSEMBLY (REAR PUMP)</b>	
	3600413	Ref	<b>Piston Pump and Fitting Assembly (Rear Pump) (SN 0300128000 through 0300159999)</b>	A
	1001109189	Ref	<b>Piston Pump and Fitting Assembly (Front Pump) (SN 0300160000 through 0300174703)</b>	A
301	2220578	2	Fitting, 90	
302	2220582	1	Fitting, Straight (1001109189 Pump Only)	
303		Ref	Fitting, Tee Options:	
303A	2220700	1	3600412 Pump	
303B	2220682	1	100110109188 Pump	
304		Ref	Fitting Options:	
304	2220451	1	3600412 Pump (Straight Fitting)	
304	2220738	1	100110109188 Pump (Tee Fitting)	
305		Ref	Fitting Options:	
305A	2220852	1	3600412 Pump (Straight Fitting)	
305B	2221042		100110109188 Pump (90 Fitting)	
306	3600359	1	Pump Assembly (Includes Items 1-120)	
307	4641264	1	Fitting, Straight (Check Valve)	
308	1001094694	1	Fitting, Straight (100110109189 Pump Only)	
309	2220618	1	Fitting, Straight (3600412 Pump Only)	
310	2220622	1	Fitting, Straight (3600412 Pump Only)	



# SECTION 2 - TURNTABLE

## FIGURE 2-14. GEAR PUMP ASSEMBLY



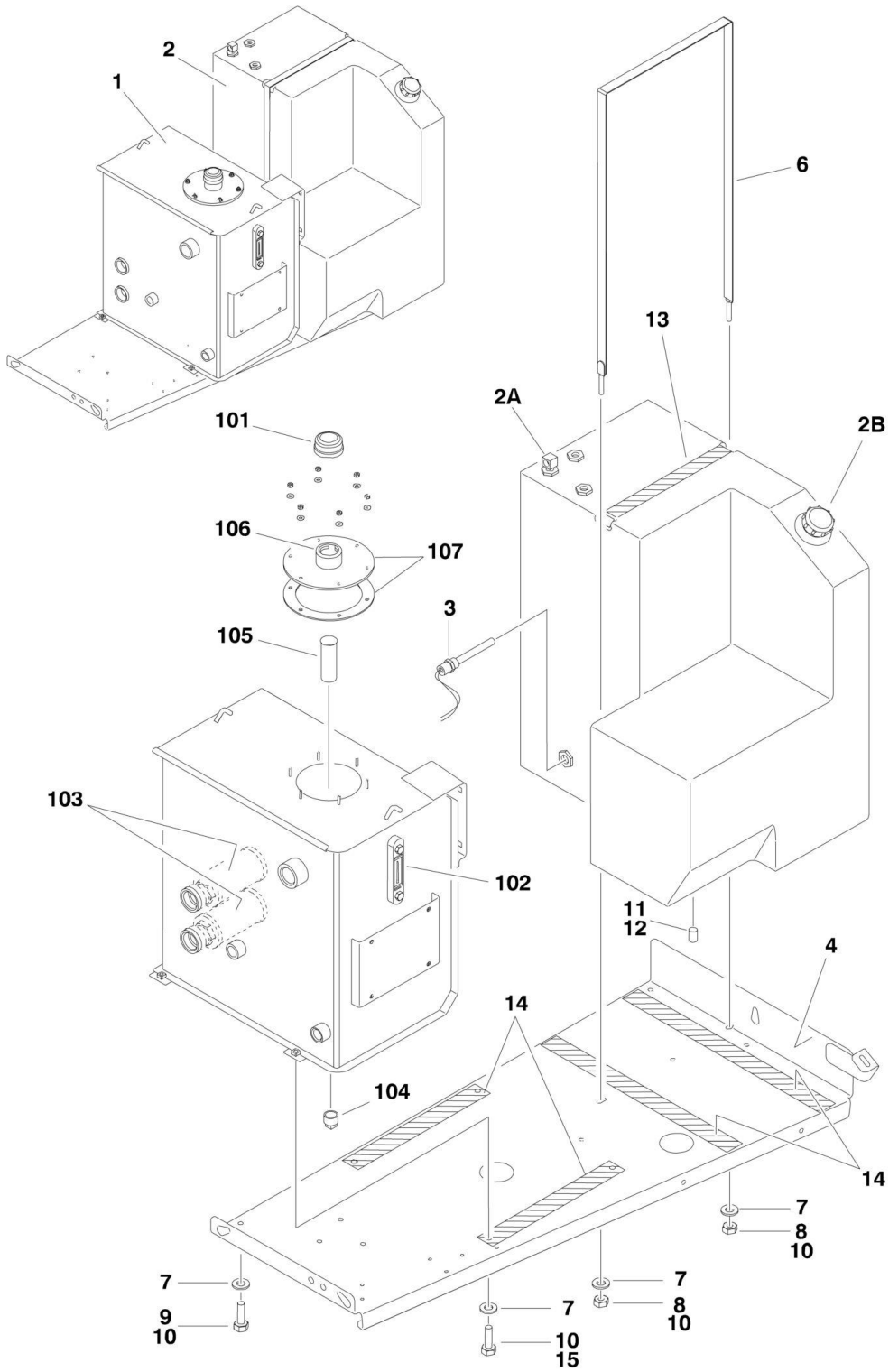
**SECTION 2 - TURNTABLE**

**FIGURE 2-14. GEAR PUMP ASSEMBLY**

ITEM	PART NUMBER	QTY	DESCRIPTION	REV
	3600242	Ref	<b>GEAR PUMP ASSEMBLY</b>	
1	7010105	2	Bearing/Bushing	
2	See Note	NSS	Housing (Note: Not Available - Purchase Complete Gear Pump Assembly.)	
3	See Note	NSS	Flange (Note: Not Available - Purchase Complete Gear Pump Assembly.)	
4	7010103	1	Cover	
5	7012987	1	Gear, Drive	
6	7012988	1	Gear, Idler	
7	See Note	NSS	Ring, Anti-Extrusion (Note: Use Item 20)	
8	See Note	NSS	Seal (Note: Use Item 20)	
9	See Note	NSS	Bolt (Note: Not Available - Purchase Locally)	
10	7010104	1	Ring, Retaining	
11	See Note	NSS	Pin, Dowel (Note: Not Available for Purchase.)	
12	See Note	NSS	Seal, O-Ring (Note: Use Item 20)	
13	See Note	NSS	Seal, Shaft (Note: Use Item 20)	
20	7007489	1	Seal Kit (Includes Items 7, 8, 12 & 13)	
	3600395	Ref	<b>GEAR PUMP AND FITTING ASSEMBLY (SN 0300160000 through 0300174703)</b>	A
101	2220376	1	Fitting, Straight	
102	2220810	1	Fitting, Reducer	
103	3600242	1	Pump Assembly (Includes Items 1-13)	
104	4640744	1	Fitting, Check Valve	

# SECTION 2 - TURNTABLE

## FIGURE 2-15. TANK INSTALLATIONS





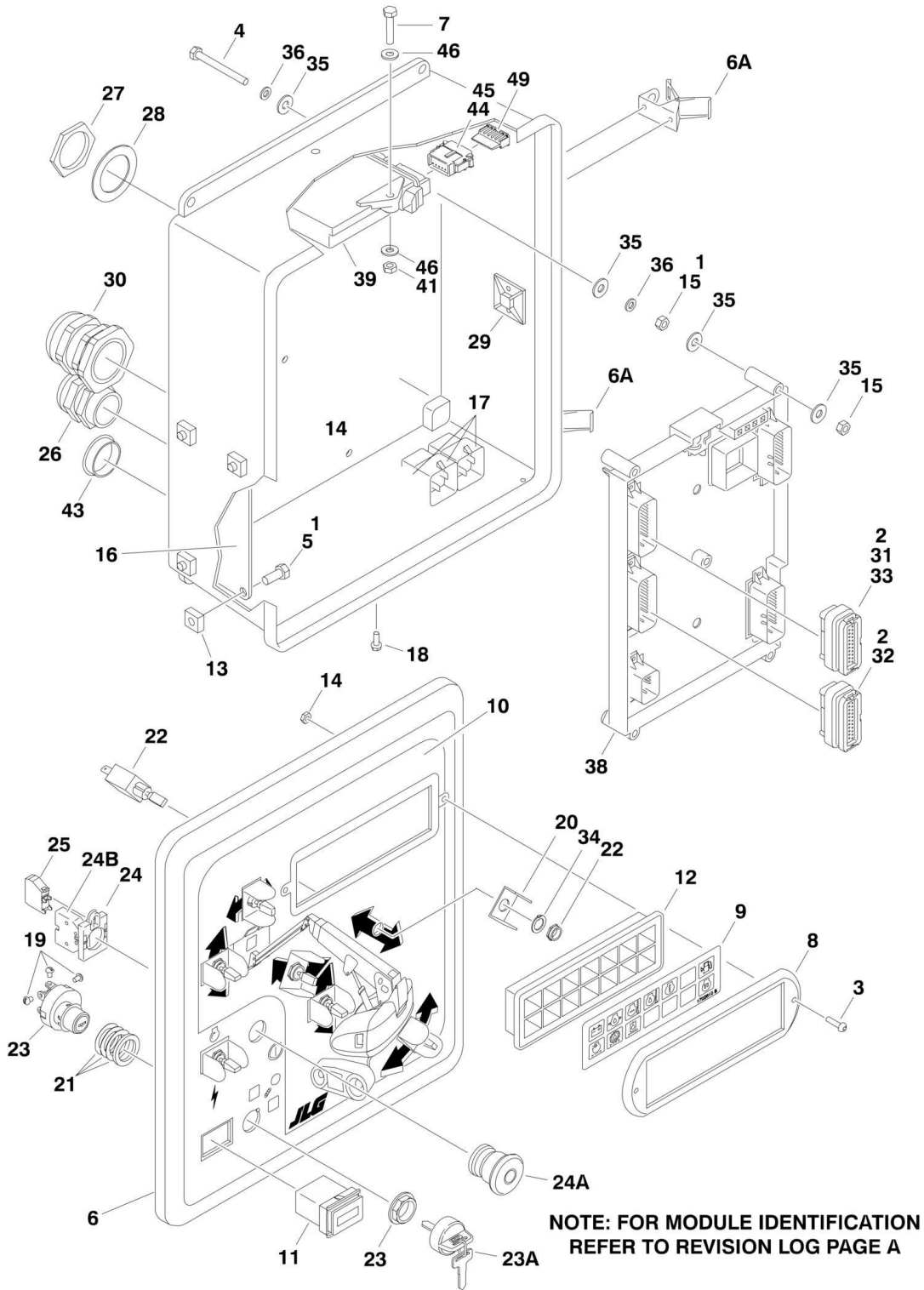
## SECTION 2 - TURNTABLE

### FIGURE 2-15. TANK INSTALLATIONS

ITEM	PART NUMBER	QTY	DESCRIPTION	REV
		Ref	<b>TANKS INSTALLATION OPTIONS:</b>	
	0254849	Ref	<b>Standard Without Locking Fuel Tank</b>	12-G
	0257483	Ref	<b>Optional With Locking Fuel Tank</b>	3
1	4400449	1	Hydraulic Tank Assembly (See Items 101-107 for Breakdown)	
2	4400400	1	Tank, Fuel	
2A	7019658	1	Tube, Fuel Pick up	
2B		Ref	Cap Options:	
2B	7016314	1	Standard - Non-Locking	
2B	1120487	1	Optional Locking (Blue - Diesel Machines) (Not Included with Tank) (Note: Lock must be Purchased Locally)	
3	4360436	1	Switch, Fuel Level	
4	1001091911	1	Tray	
6	4240113	1	Strap, Tank	
7	4751600	12	Flatwasher 3/8in Regular	
8	3311601	2	Nut 3/8in-16NC	
9	0641614	6	Bolt 3/8in-16NC x 1-3/4in	
10	0100011	AR	Compound, Locking	
11	0100079	AR	Sealant, Pipe	
12	2200222	1	Fitting	
13	4280295	25 in /44cm	Strip, Protective	
14	4420038	70 in /1.8m	Tape, Rubber	
15	0641608	4	Bolt 3/6in-16NC x 1in	
	4400449	Ref	<b>HYDRAULIC TANK ASSEMBLY</b>	F
101	7024444	1	Filler/Breather Assembly	
102	7024441	1	Gauge, Sight	
103	7024442	2	Strainer 1-1/4inNPT	
104	7024446	1	Plug, Magnetic	
105	7024445	1	Strainer	
106	7024443	1	Neck, Filler	
107	7024439	1	Cover	
107	7024440	1	Gasket	

# SECTION 2 - TURNTABLE

## FIGURE 2-16. GROUND CONTROL ASSEMBLY (WITHOUT UGM)



## SECTION 2 - TURNTABLE

**FIGURE 2-16. GROUND CONTROL ASSEMBLY (WITHOUT UGM)**

ITEM	PART NUMBER	QTY	DESCRIPTION	REV
		Ref	<b>Note: For Module Identification (Non-UGM/UGM), refer to Revision Log page A.</b>	
		Ref	<b>GROUND CONTROL BOX ASSEMBLIES</b>	
		Ref	<b>Ground Control Box Assemblies 600SC:</b>	
	1810081	Ref	<b>All Specs with Caterpillar Engine Except CE and Australian Specs</b>	C
	1810080	Ref	<b>CE and Australian Specs with Caterpillar Engine</b>	C
	1810078	Ref	<b>All Specs with Deutz Engine Except CE and Australian Specs (SN 0300128000 through 0300128968)</b>	A
	1001102244	Ref	<b>All Specs with Deutz Engine Except CE and Australian Specs (SN 0300128969 through 0300174703)</b>	C
	1810079	Ref	<b>CE and Australian Specs with Deutz Engine (SN 0300128000 through 0300128968)</b>	A
	1001102246	Ref	<b>CE and Australian Specs with Deutz Engine (SN 0300128969 through 0300174703)</b>	C
		Ref	<b>Ground Control Box Assemblies 660SJC:</b>	
	1810085	Ref	<b>All Specs with Caterpillar Engine Except CE and Australian Specs</b>	C
	1810084	Ref	<b>CE and Australian Specs with Caterpillar Engine</b>	C
	1810082	Ref	<b>All Specs with Deutz Engine Except CE and Australian Specs (SN 0300128000 through 0300128968)</b>	A
	1001102245	Ref	<b>All Specs with Deutz Engine Except CE and Australian Specs (SN 0300128969 through 0300174703)</b>	C
	1810083	Ref	<b>CE and Australian Specs with Deutz Engine (SN 0300128000 through 0300128968)</b>	A
	1001102247	Ref	<b>CE and Australian Specs with Deutz Engine (SN 0300128969 through 0300174703)</b>	C
1	0100011	AR	Compound, Locking	
2	0100048	AR	Grease, Dielectric	
3	0630518	2	Capscrew, Button Head	
4	0630548	5	Screw, Self-Tapping	
5	0641506	4	Bolt 5/16in-18NC x 3/4in	
6	0861872	1	Box, Fiberglass	
6A	7020246	2	Latch	
7	0641410	2	Bolt 1/4in-20NC x 1-1/4in	
8	1670829	1	Bezel	
9	1706712	1	Decal - Ground Control Display	
10		Ref	Decal - Faceplate Options:	
10	1706916	1	Decal - Faceplate 600SC (SN 0300128000 through 0300135535)	
10	1001102603	1	Decal - Faceplate 600SC (SN 0300135536 through 0300174703)	
10	1706917	1	Decal - Faceplate 660SJC (SN 0300128000 through 0300135535)	
10	1001102604	1	Decal - Faceplat 660SJC (SN 0300135536 through 0300174703)	
11	2420172	1	Gauge, Hourmeter	
12	2760105	1	Housing, Display Light	
13	3300205	4	Nut, Retainer	
14	3300408	4	Locknut, Plastic Insert	
15	3311401	10	Nut 1/4in-20NC	
16	3539219	1	Plate, Reinforcement	
17	3740049	Ref	Relay Options:	

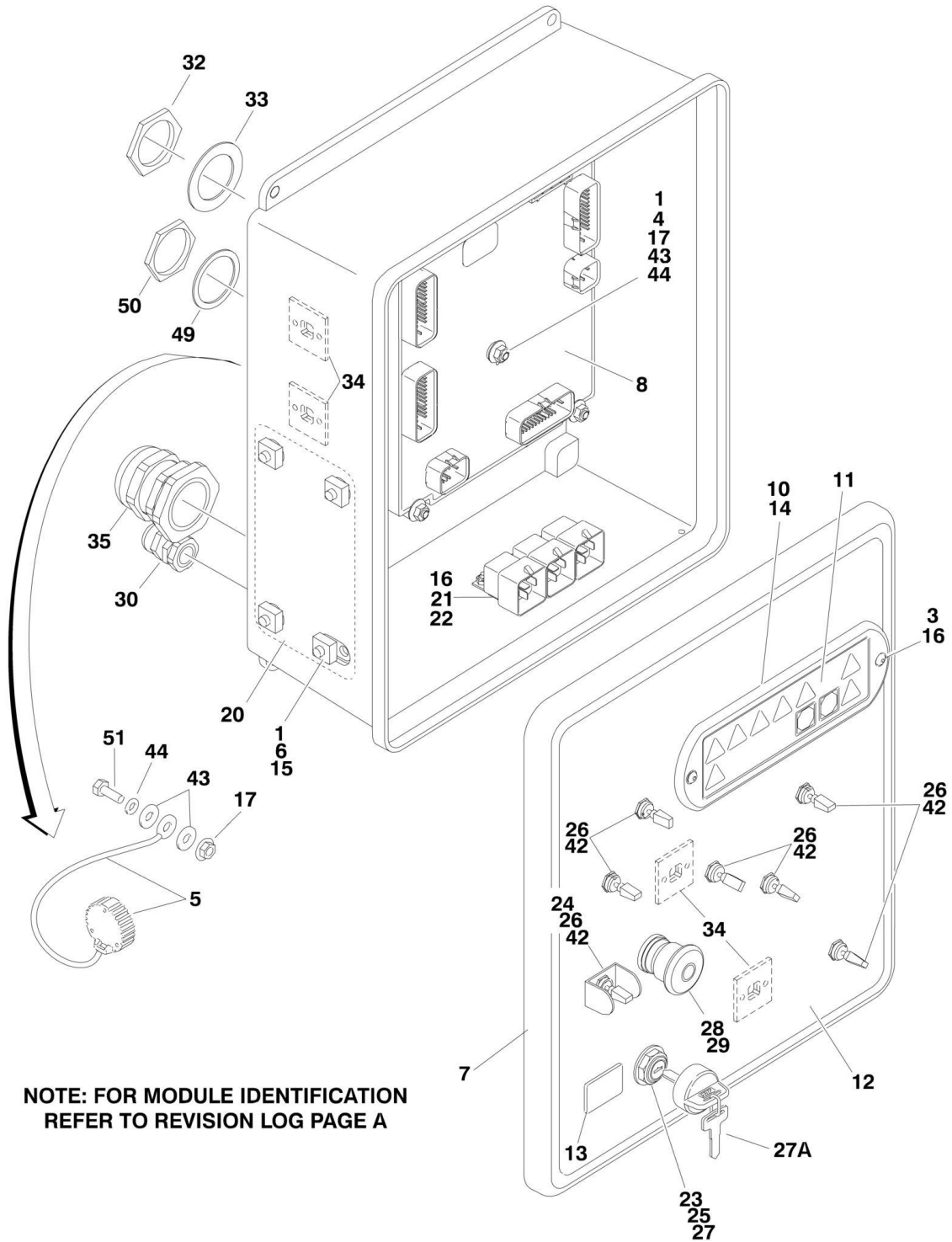
## SECTION 2 - TURNTABLE

ITEM	PART NUMBER	QTY	DESCRIPTION	REV
17	3740049	3	Caterpillar Engine	
17	3740049	2	Deutz Engine	
18	3900268	AR	Screw, Flange #10 x 1/2in	
19	3910804	6	Screw #8-32NC x 1/4in	
20	4060906	Ref	Shield, Toggle Switch	
20	4060906	7	Shield, Toggle Switch (SN 0300128000 through 0300135535)	
20	4060906	1	Shield, Toggle Switch (SN 0300135536 through 0300174703)	
21	4070987	1	Shim (.015in)	
22	4360328	AR	Switch, Toggle	
23		Ref	Switch, Key Options:	
23	4360469	1	All Specs Except CE and Australian Specs	
23	4360470	1	CE and Australian Specs Only	
23A	2860030	1	Key Replacement	
24	4360475	1	Switch, Emergency Stop	
24A	7020175	1	Cap, Mushroom Head	
24B	7020176	1	Block, Contact	
25	4360476	1	Switch, Contact Block	
26	4460426	1	Connector, Strain Relief	
27	4460470	1	Nut, Terminal	
28	4460471	1	Lockwasher, Terminal	
29	4460488	AR	Mounting Base, Terminal	
30	4460526	1	Connector, Strain Relief	
31	4460874	1	Connector, Natural	
32	4460875	1	Connector, Gray	
33	4460905	AR	Plug, Terminal	
34	4740444	AR	Washer, Special	
35	4751400	20	Flatwasher 1/4in Regular	
36	4761400	15	Lockwasher 1/4in	
37	4922513	1	Harness, Valve (Not Shown - See ELECTRICAL SECTION for Breakdown)	
38	1600411	NLA	Module, Ground Control (Note: Re-calibration Required when Replaced) (Use p/n 1001149676)	
39	1600422	1	Module, Propulsion (Note: Re-calibration Required when Replaced)	
41	3311405	2	Locknut 1/4in-20NC	
43	3520035	1	Plug, Cap	
44	4460466	6	Seal, Plug	
45	4460909	1	Connector 12 Position Mini	
46	4711400	4	Flatwasher 1/4in Thin	
47		Ref	Harness, Ground Control Box (Not Shown - See ELECTRICAL SECTION for Breakdown)	
47	4923577	1	Harness, Ground Control Box (SN 0300128000 through 0300144060)	
47	1001108126	1	Harness, Ground Control Box (SN 0300144061 through 0300174703)	
48		Ref	Harness, Engine (Not Shown - See ELECTRICAL SECTION for Breakdown)	
48	4923582	1	Caterpillar Engine	
48	4923257	1	Deutz Engine (SN 0300128000 through 0300128968)	
48	1001102161	1	Deutz Engine (SN 0300128969 through 0300174703)	
49	4460915	1	Lock, Wedge	



# SECTION 2 - TURNTABLE

## FIGURE 2-17. GROUND CONTROL ASSEMBLY (WITH UGM)



**SECTION 2 - TURNTABLE**

**FIGURE 2-17. GROUND CONTROL ASSEMBLY (WITH UGM)**

ITEM	PART NUMBER	QTY	DESCRIPTION	REV
		Ref	<b>Note: For Module Identification (Non-UGM/UGM), refer to Revision Log page A.</b>	
		Ref	<b>GROUND CONTROL BOX ASSEMBLIES</b>	
		Ref	<b>Ground Control Box Assemblies 600SC:</b>	
	1001108488	Ref	<b>All Specs with Caterpillar Engine Except CE Specs</b>	B
	1001108487	Ref	<b>CE Spec with Caterpillar Engine</b>	C
	1001108459	Ref	<b>All Specs with Deutz Engine Except CE and Specs</b>	B
	1001108485	Ref	<b>CE Spec with Deutz Engine</b>	B
		Ref	<b>Ground Control Box Assemblies 660SJC:</b>	
	1001108490	Ref	<b>All Specs with Caterpillar Engine Except CE Spec</b>	B
	1001108489	Ref	<b>CE Spec with Caterpillar Engine</b>	C
	1001108484	Ref	<b>All Specs with Deutz Engine Except CE Spec</b>	B
	1001108486	Ref	<b>CE Spec with Deutz Engine</b>	B
1	0100011	AR	Compound, Locking	
2	0100048	AR	Grease, Dielectric	
3	0630518	2	Capscrew, Button Head	
4	0630548	5	Screw, Self-Tapping	
5	1001106736	1	Cap, Dust	
6	0641506	4	Bolt 5/16in-18NC x 3/4in	
7	1001111017	1	Box, Fiberglass	
7A	7020246	2	Latch	
8	1001103667	1	Module, Ground Control (Note: Re-calibration Required when Replaced)	
10	1670829	1	Bezel	
11	1706712	1	Decal - Ground Control Display	
12		Ref	Decal - Faceplate Options:	
12	1001102603	1	Decal - Faceplate 600SC	
12	1001102604	1	Decal - Faceplate 660SJC	
13	2420172	1	Gauge, Hourmeter	
14	2760105	1	Housing, Display Light	
15	3300205	4	Nut, Retainer	
16	3300408	4	Locknut, Plastic Insert	
17	77143013	11	Nut 1/4in-20NC, Whiz Lock	
20	3539219	1	Plate, Reinforcement	
21	3740049	AR	Relay Options:	
21		Ref	Caterpillar Engine	
21		Ref	Deutz Engine	
22	3900268	AR	Screw, Flange #10 x 1/2in	
23	3910804	6	Screw #8-32NC x 1/4in	
24	4060906	1	Shield, Toggle Switch	
25	4070987	1	Shim (.125in)	
26	4360328	AR	Switch, Toggle	
27		Ref	Switch, Key Options:	
27	4360469	1	All Specs Except CE Spec	
27	4360470	1	CE Specs Only	
27A	2860030	1	Key Replacement	
28	4360475	1	Switch, Emergency Stop	
28A	7020175	1	Cap, Mushroom Head	
28B	7020176	1	Block, Contact	
29	4360476	1	Switch, Contact Block	

## SECTION 2 - TURNTABLE

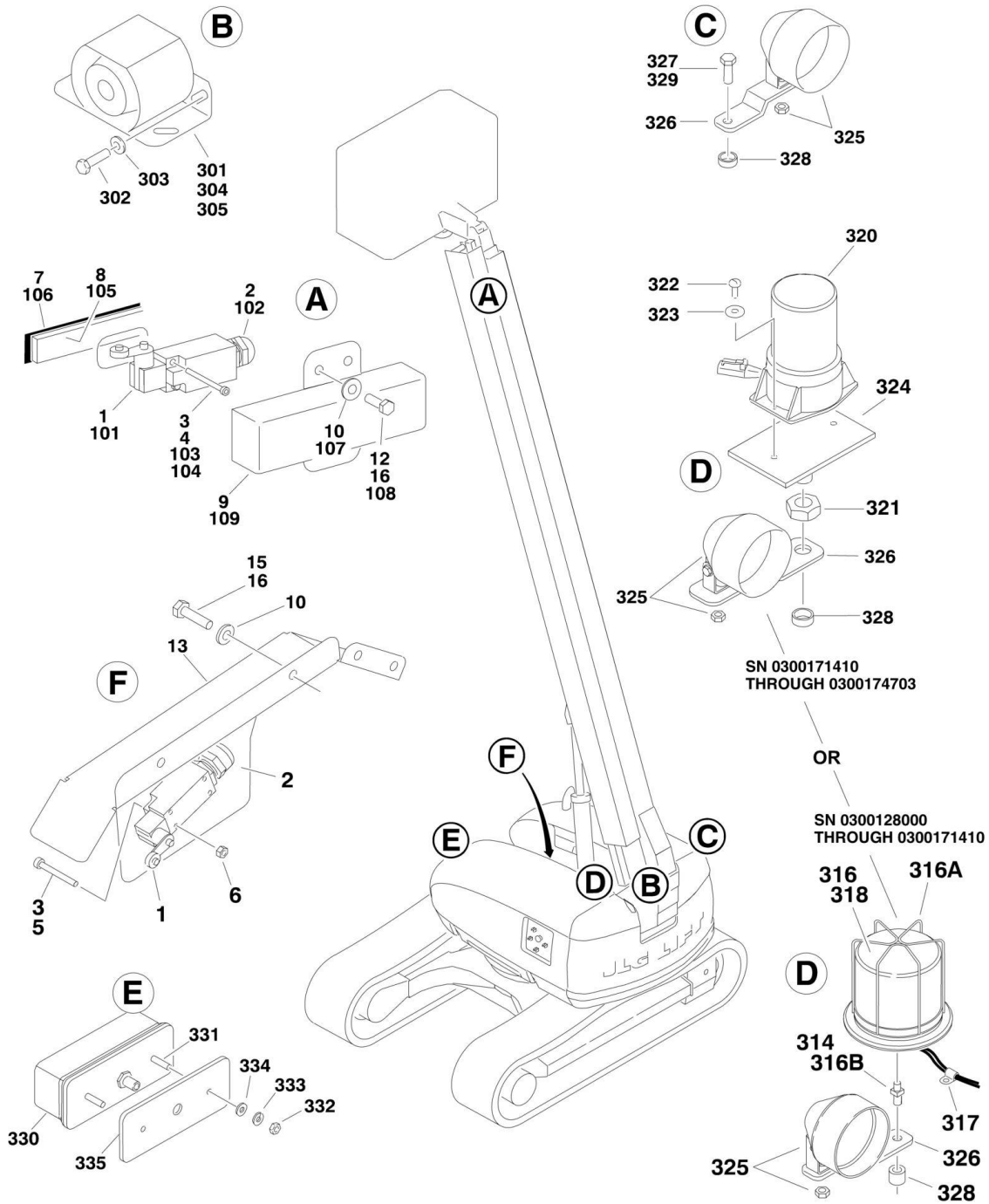
ITEM	PART NUMBER	QTY	DESCRIPTION	REV
30	4460426	1	Connector, Strain Relief	
32	4460470	1	Nut, Terminal	
33	4460471	1	Lockwasher, Terminal	
34	4460488	AR	Mounting Base, Terminal	
35	4460526	1	Connector, Strain Relief	
42	4740444	6	Washer, Special	
43	4751400	12	Flatwasher 1/4in Regular	
44	4761400	6	Lockwasher 1/4in	
45	4922513	1	Harness, Valve (See ELECTRICAL SECTION for Breakdown) (Not Shown)	
46		Ref	Harness, Engine (See ELECTRICAL SECTION for Breakdown) (Not Shown)	
46	1001108597	1	Caterpillar Engine	
46	1001108598	1	Deutz Engine	
47	1001108602	1	Harness, Ground Control Box (See ELECTRICAL SECTION for Breakdown) (Not Shown)	
49	4460496	1	Lockwasher, Terminal	
50	4460497	1	Nut, Terminal	
51	0641407	1	Bolt 1/4in-20NC x 7/8in	





# SECTION 2 - TURNTABLE

## FIGURE 2-18. ELECTRICAL OPTIONS INSTALLATION (TURNTABLE MOUNTED)



**SECTION 2 - TURNTABLE**

**FIGURE 2-18. ELECTRICAL OPTIONS INSTALLATION (TURNTABLE MOUNTED)**

ITEM	PART NUMBER	QTY	DESCRIPTION	REV
		Ref	<b>ELECTRICAL OPTIONS INSTALLATIONS (TURNTABLE MOUNTED)</b>	
		Ref	<b>LIMIT SWITCH INSTALLATION - DRIVE DISABLE</b>	
	0270313	Ref	<b>Limit Switch Installation - Drive Disable 600SC</b>	8
	0270381	Ref	<b>Limit Switch Installation - Drive Disable 660SJC</b>	7
1	4360578	2	Switch, Limit	
2	4460968	2	Connector, Strain Relief	
3	0100035	AR	Compound, Locking	
4	3930816	2	Capscrew, Socket Head #8-32NC x 1in	
5	3930828	2	Capscrew, Socket Head #8-32NC x 1-3/4in	
6	3310801	2	Locknut #8-32NC	
7	4420060	8.7 ft /2.7m	Tape, Double Sided	
8		Ref	Bar, Fiberglass Options:	
8	0362528	NLA	Bar, Fiberglass 600SC (Use p/n 1001106479)	
8	0362951	NLA	Bar, Fiberglass 660SJC (Use p/n 1001106484)	
9	3380535	1	Cover, Limit Switch	
10	4751400	AR	Flatwasher 1/4in Regular	
12	0641403	4	Bolt 1/4in-20NC x 3/8in	
13	1670818	1	Cover	
15	3931408	4	Capscrew, Socket Head 1/4in-20NC x 1/2in	
16	0100011	AR	Compound, Locking	
	0256305	Ref	<b>LIMIT SWITCHES INSTALLATION - TRANSPORT</b>	5
101	4360578	1	Switch, Limit	
102	4460968	1	Connector, Strain Relief	
103	0100035	AR	Compound, Locking	
104	3930816	2	Capscrew, Socket Head #8-32NC x 1in	
105	0362609	NLA	Bar, Fiberglass (Use p/n 1001106481)	
106	4420054	17.1 ft /5.2m	Tape, Double Sided	
107	4751400	4	Flatwasher 1/4in Regular	
108	0641403	4	Bolt 1/4in-20NC x 3/8in	
109	3380535	1	Cover, Limit Switch	
	0270833	Ref	<b>ALARMS INSTALLATIONS</b>	C
301	0257887	1	Alarm/Harness Assembly	
302	0641406	2	Bolt 1/4in-20NC x 3/4in	
303	4711400	2	Flatwasher 1/4in Thin	
304	0100048	AR	Grease, Dielectric	
305	0100011	AR	Compound, Locking	
	0270805	Ref	<b>STROBE LIGHT INSTALLATIONS (AMBER) (OPTIONAL) (SN 0300128000 through 0300171410)</b>	C
314	0100011	AR	Compound, Locking	
315	4240032	1	Tie Strap	
316	0272507	1	Strobe Light/Guard/Harness Assembly	B
316		Ref	Bulb, Replacement Options:	
316	7016380	1	Bulb for ECCO Model 6640	
316	70001941	1	Bulb for ECCO Model 6650	
316A		Ref	Guard Options:	
316A	4060907	1	Guard for ECCO Model 6640	
316A	2920215	1	Guard for ECCO Model 6650	

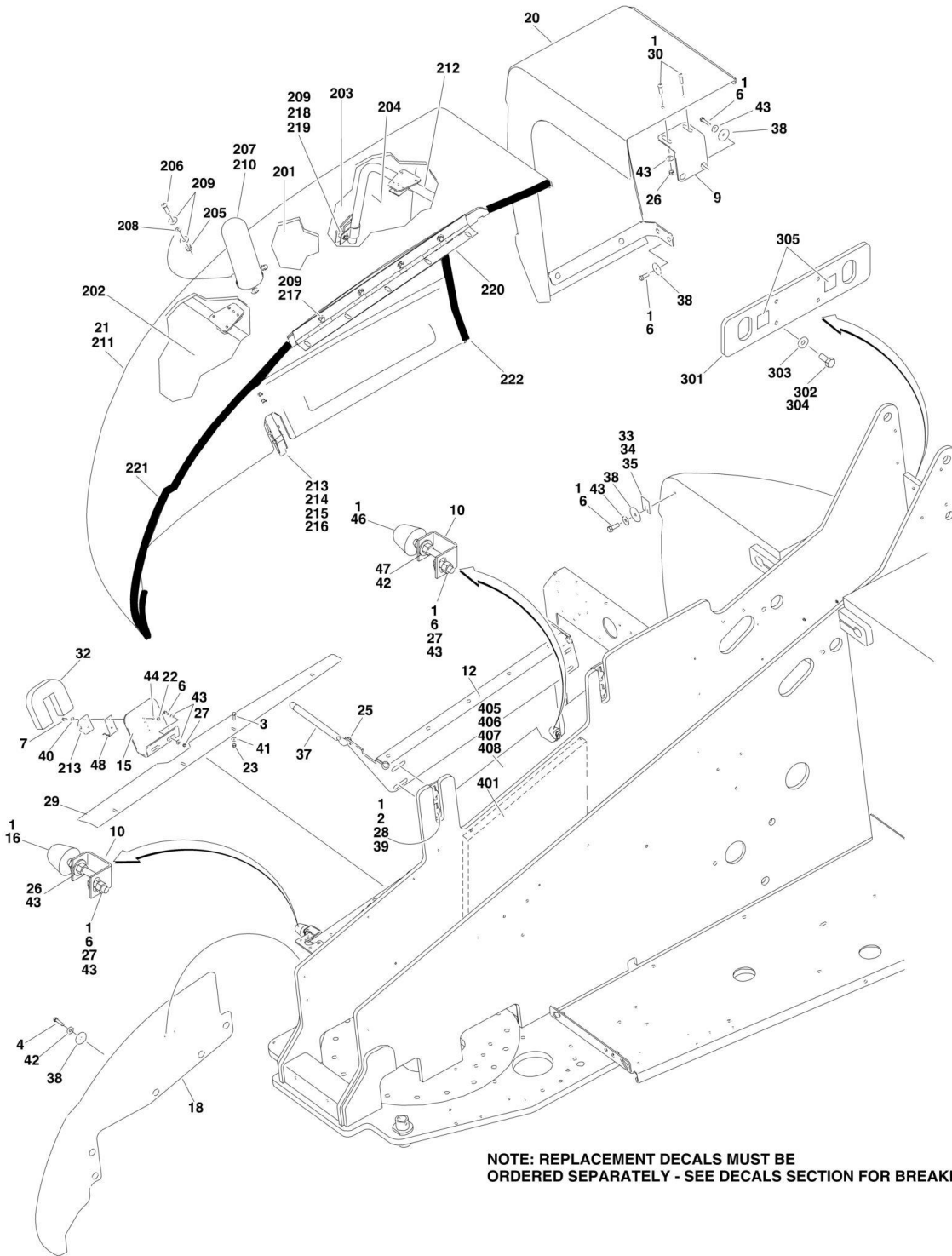
## SECTION 2 - TURNTABLE

ITEM	PART NUMBER	QTY	DESCRIPTION	REV
316B		Ref	Adapter Options:	
316B	0630491	1	Adapter for ECCO Model 6640	
316B	0080241	1	Adapter for ECCO Model 6650	
317	4460234	1	Clamp	
318	0100048	AR	Sealant, Silicone	
	1001149955	Ref	<b>STROBE LIGHT INSTALLATIONS (AMBER) (OPTIONAL) (SN 0300171410 through 0300174703)</b>	C
	1001150406	Ref	<b>STROBE LIGHT ASSEMBLY (AMBER)</b>	A
320	2920161	1	Strobe Light/Harness Assembly	
320	7016319	1	Bulb	
320	7016372	1	Lens	
321	3312602	1	Nut, Jam 1in-8NC	
321	0100035	AR	Compound, Locking	
322	3900085	2	Screw #10-32 x 1/2in	
323	4751000	2	Flatwasher 1/4in Thin	
324	1001149994	1	Mount Strobe	
	0271552	Ref	<b>LIGHTS INSTALLATIONS (OPTIONAL)</b>	C
325	2920110	2	Headlight	
326	0902206	2	Bracket, Mounting	
327	0642612	1	Bolt 1in-8NC x 1-1/2in	
328	4220162	2	Spacer	
329	0100011	AR	Compound, Locking	
330	2920113	2	Taillight	
331	3911040	4	Screw, Machine #10-24NC x 2-1/2in	
332	3311005	4	Nut #10-24NC	
333	4751000	4	Flatwasher #10 Regular	
334	4740362	4	Washer, Fender	
335	3960461	2	Gasket	
337	4240032	12	Tie-Strap (Not Shown)	
338	4460234	12	Mount, Tie-Strap (Not Shown)	
339	4360336	1	Switch, Toggle (Not Shown - Located on Console)	
340	3790012	1	O-Ring (Not Shown - Located on Console)	
341	3820001	11	Rivet (Not Shown - Use to Mount Item 338)	



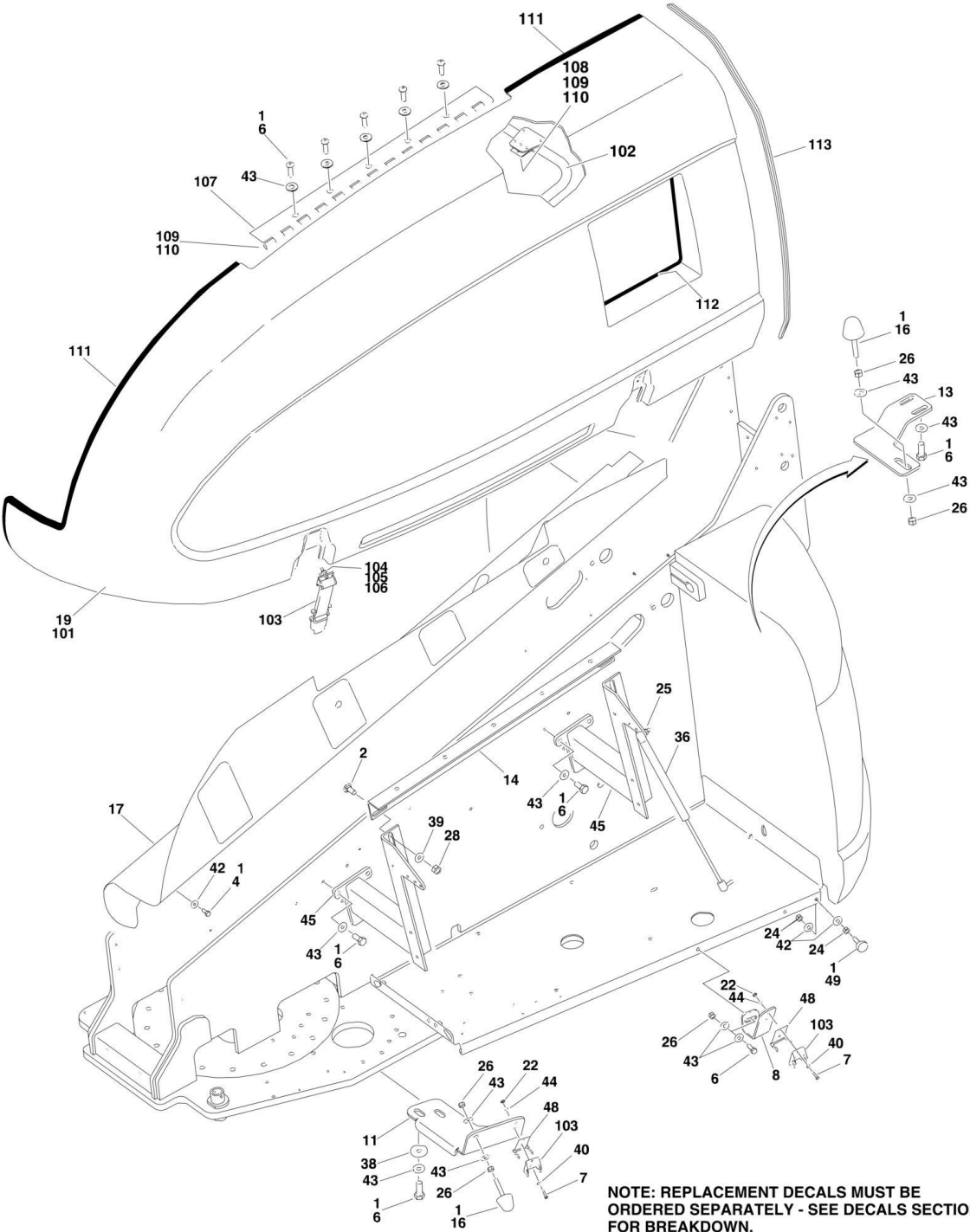
# SECTION 2 - TURNTABLE

## FIGURE 2-19. HOODS (ABS) AND LIFTING PLATE INSTALLATIONS



NOTE: REPLACEMENT DECALS MUST BE ORDERED SEPARATELY - SEE DECALS SECTION FOR BREAKDOWN.

# SECTION 2 - TURNTABLE



## SECTION 2 - TURNTABLE

FIGURE 2-19. HOODS (ABS) AND LIFTING PLATE INSTALLATIONS

ITEM	PART NUMBER	QTY	DESCRIPTION	REV
		Ref	<b>HOODS INSTALLATION</b>	
	0274751	Ref	<b>Caterpillar Engine Machines</b>	G
	0274751	Ref	<b>Deutz Tier II Engine Machines (SN 0300128000 through 0300128968)</b>	G
	1001100954	Ref	<b>Deutz Tier III/IVi Engine Machines (SN 0300128969 through 0300174703)</b>	A
1	0100011	AR	Compound, Locking	
2	0630507	6	Bolt, Carriage 1/2in-13NC x 1-1/4in	
3	0641406	4	Bolt 1/4in-20NC x 3/4in	
4	0641506	AR	Bolt 5/16in-18NC x 3/4in	
6	0641608	30	Bolt 3/8in-16NC x 1in	
7	0721006	6	Bolt #10-24NC x 3/4in	
8	0902143	1	Bracket	
9	0902161	1	Bracket, Hood Spacer	
10	0902219	2	Bracket, Bumper	
11	0902223	1	Bracket, Latch	
12	0902351	1	Bracket, Hood Mount	
13	0902384	1	Bracket, Hood Mount	
14	0902416	1	Bracket, Hood Mount	
15	0902491	1	Bracket, Hood Latch	
16	0940071	3	Bumper	
17	1670771	1	Cover	
18	1670779	1	Cover, Engine/Turntable	
19	1671228	1	Hood Assembly - Tank Side (See Items 101-113 for Breakdown)	
20	1671233	1	Hood, Engine Spacer	
21		Ref	Hood Assembly - Engine Side Options (See Items 201-222 for Breakdown):	
21	1671247	1	Caterpillar Engine Machines	
21	1671247	1	Deutz Tier II Engine Machines ( <b>SN 0300128000 through 0300128968</b> )	
21	1001100955	1	Deutz Tier III/IVi Engine Machines ( <b>SN 0300128969 through 0300174703</b> )	
22	3311001	6	Nut #10-24NC	
23	3311405	4	Locknut 1/4in-20NC	
24	3311501	AR	Nut 5/16in-18NC	
25	3311505	3	Locknut 5/16in-18NC	
26	3311601	AR	Nut 3/8in-16NC	
27	3311605	5	Locknut 3/8in-16NC	
28	3311805	6	Locknut 1/2in-13NC	
29	3571712	1	Plate, Seal	
30	3900232	2	Screw, Button Head 3/8in-16NC x 1-1/4in	
31	3960389	3.5 ft /1.1m	Seal	
32	3960470	1	Seal	
33	4070410	AR	Shim 1/16in	
34	4070411	AR	Shim 1/8in	
35	4070412	AR	Shim 3/16in	
36	4160139	2	Spring, Gas (Tank Side)	
37	4160143	1	Spring, Gas (Tank Side)	
38	4740076	AR	Washer, Fender	
39	4740171	6	Washer, Hardened	



**SECTION 2 - TURNTABLE**

ITEM	PART NUMBER	QTY	DESCRIPTION	REV
40	4751000	6	Flatwasher #10 Regular	
41	4751400	4	Flatwasher 1/4in Regular	
42	4751500	AR	Flatwasher 5/16in Regular	
43	4751600	AR	Flatwasher 3/8in Regular	
44	4761000	6	Lockwasher #10	
45	4845356	2	Hood Mount Weldment	
46	0940088	1	Bumper	
47	3321501	2	Nut 5/16in-24NF	
48	2940188	2	Latch, Spring Clip	
49	0940049	1	Stopper, Hood	
	1671228	Ref	<b>HOOD TANK SIDE</b>	A
101	1671231	1	Shell, Tank Side	
102	1671232	1	Frame, Tank Side	
103	2940088	2	Latch	
104	0721008	4	Bolt #10-24NC x 1in	
105	4751000	4	Flatwasher #10 Regular	
106	3311001	4	Nut #10-24NC	
107	2600233	1	Hinge	
108	1321384	4	Hold Down	
109	0641606	9	Bolt 3/8in-16NC x 3/4in	
110	4751600	9	Flatwasher 3/8in Regular	
111	3960464	7 ft/2.1m	Seal	
112	3960438	5 ft/1.5m	Seal	
113	3960462	4.5 ft /1.4m	Seal	
		Ref	<b>HOOD ENGINE SIDE</b>	
	1671247	Ref	<b>Caterpillar Engine Machines</b>	C
	1671247	Ref	<b>Deutz Tier II Engine Machines (SN 0300128000 through 0300128968)</b>	C
	1001100955	Ref	<b>Deutz Tier III/IVi Engine Machines (SN 0300128969 through 0300174703)</b>	D
201		Ref	Foam, Acoustical Options:	
201	1001101391	1	Caterpillar Engine Machines	
201	1001101391	1	Deutz Tier II Engine Machines ( <b>SN 0300128000 through 0300128968</b> )	
201	1001101673	1	Deutz Tier III/IVi Engine Machines ( <b>SN 0300128969 through 0300174703</b> )	
202	2820233	1	Insulation, Rear	
203	2820234	1	Insulation, Center	
204	2820235	1	Insulation, Rear	
205	3311605	3	Locknut 3/8in-16NC	
206	3900232	3	Screw, Button Head 3/8in-16NC x 1-1/4in	
207		Ref	Gasket, Heat Options:	
207	1001101392	1	Caterpillar Engine Machines	
207	1001101392	1	Deutz Tier II Engine Machines ( <b>SN 0300128000 through 0300128968</b> )	
207	1001101623	1	Deutz Tier III/IVi Engine Machines ( <b>SN 0300128969 through 0300174703</b> )	
208	4740500	3	Washer - Special	
209	4751600	14	Flatwasher 3/8in Regular	
210		Ref	Tube Weldment, Exhaust Options	
210	4845411	1	Caterpillar Engine Machines	
210	4845411	1	Deutz Tier II Engine Machines ( <b>SN 0300128000 through</b>	

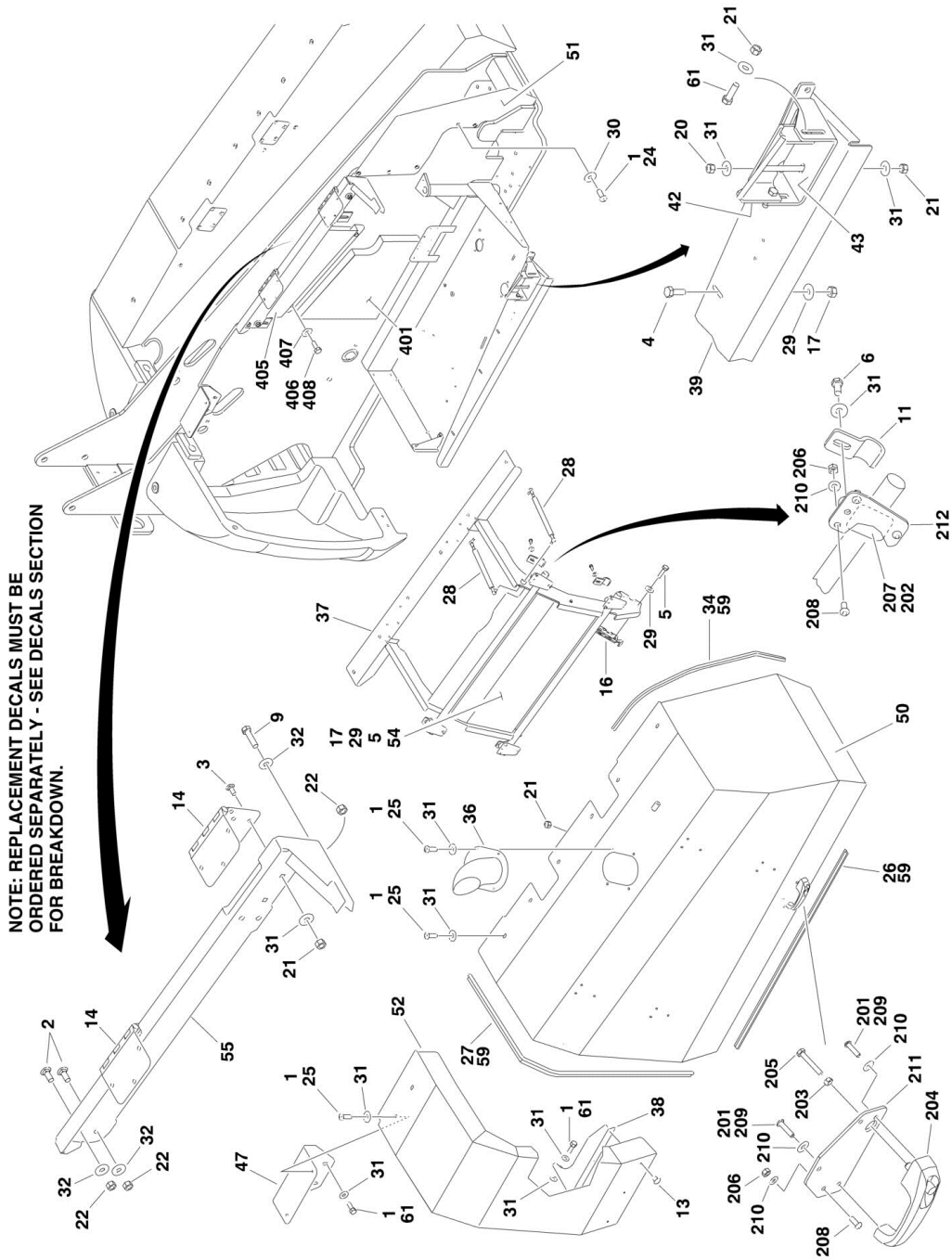
## SECTION 2 - TURNTABLE

ITEM	PART NUMBER	QTY	DESCRIPTION	REV
210	1001099121	1	<b>0300128969)</b> Deutz Tier III/IVi Engine Machines ( <b>SN 0300128969 through 0300174703</b> )	
211		Ref	Hood Kit, Engine Side (Includes Items 201-204, 207 & 208)	
211	1001097961	1	Caterpillar Engine Machines	
211	1001097961	1	Deutz Tier II Engine Machines ( <b>SN 0300128000 through 0300128968</b> )	
211	See Note	1	Deutz Tier III/IVi Engine Machines (Note: Not Available - Purchase Individual Items.) ( <b>SN 0300128969 through 0300174703</b> )	
212	1671230	1	Frame, Engine Side	
213	2940088	1	Latch	
214	0721008	2	Bolt #10-24NC x 1in	
215	4751000	2	Flatwasher #10 Regular	
216	3311001	2	Nut #10-24NC	
217	0641608	4	Bolt 3/8in-16NC x 1in	
218	1321384	4	Hold Down	
219	0641606	4	Bolt 3/8in-16NC x 3/4in	
220	2600209	1	Hinge	
221	3960464	5.5 ft /1.7m	Seal	
222	3960462	5.1 ft /1.6m	Seal	
	0256122	Ref	<b>LIFTING PLATE INSTALLATION</b>	1-B
301	3539590	1	Plate, Lifting	
302	0682014	4	Bolt 5/8in-11NC x 1-3/4in (Grade 8)	
303	4892000	4	Flatwasher 5/8in Hardened	
304	0100019	AR	Compound, Locking	
305	1701500	2	Decal - Tie Down/Lift	
	0256823	Ref	<b>NOISE REDUCTION INSTALLATION</b>	3
401	2820078	1	Foam, Acoustical	
405	3539955	1	Plate, Baffle	
406	0641506	2	Bolt 5/16in-18NC x 3/4in	
407	4751500	2	Flatwasher 5/16in Regular	
408	0100011	AR	Compound, Locking	

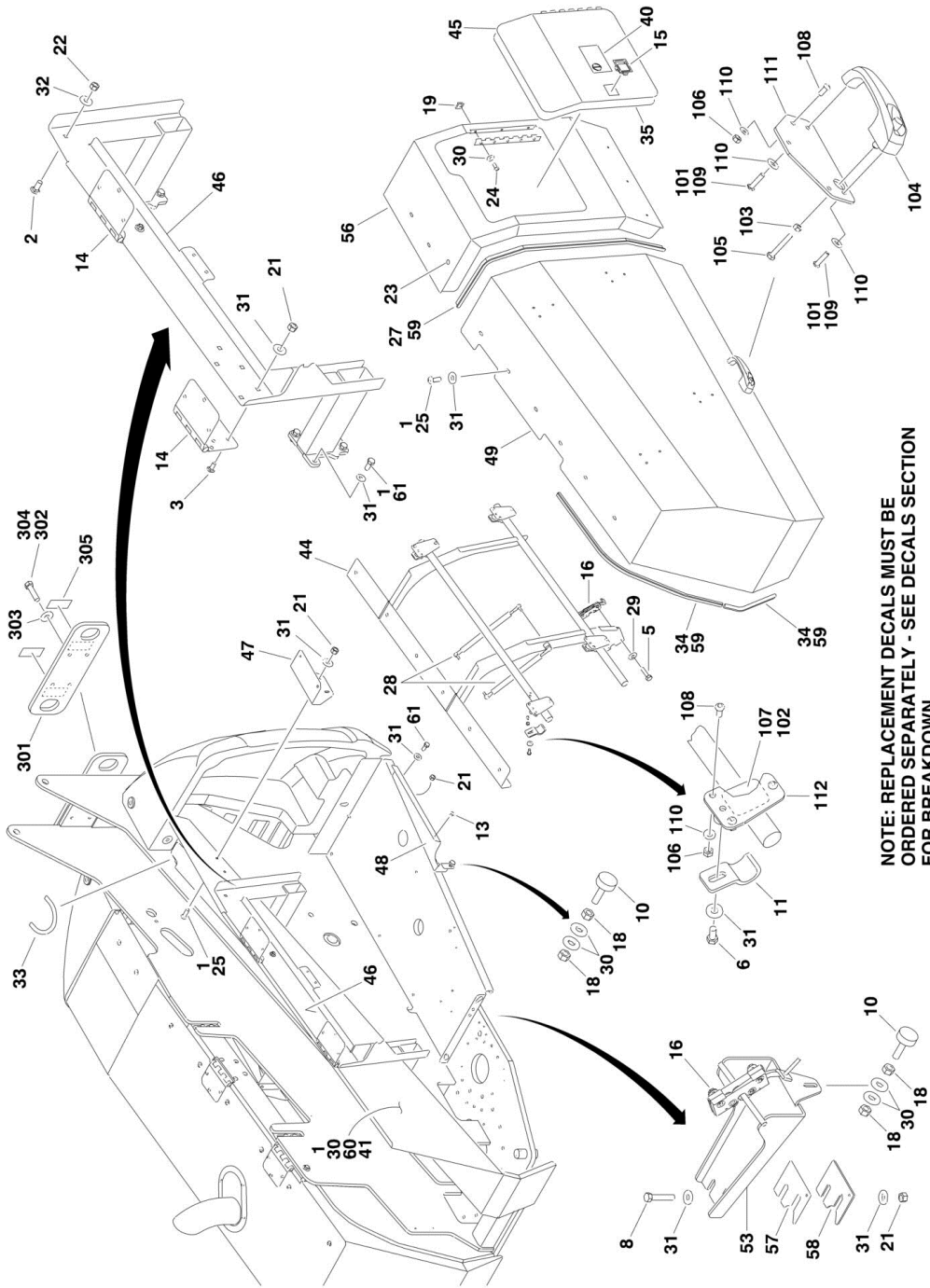


# SECTION 2 - TURNTABLE

## FIGURE 2-20. HOODS (STEEL) AND LIFTING PLATE INSTALLATIONS



SECTION 2 - TURNTABLE



## SECTION 2 - TURNTABLE

FIGURE 2-20. HOODS (STEEL) AND LIFTING PLATE INSTALLATIONS

ITEM	PART NUMBER	QTY	DESCRIPTION	REV
		Ref	<b>HOODS INSTALLATIONS</b>	
	1001118718	Ref	<b>Caterpillar Engines</b>	D
		Ref	<b>Deutz Engines Options:</b>	
	1001117429	Ref	<b>Deutz Engines (SN 0300128000 through 0300167720)</b>	D
	1001147830	Ref	<b>Deutz Engines (SN 0300167721 through 0300174703)</b>	A
1	0100011	AR	Compound, Locking	
2	0630507	4	Bolt, Carriage 1/2in-13NC x 1-1/4in	
3	0630485	19	Bolt, Carriage 1/2in-13NC x 1in	
4	0641406	4	Bolt 1/4in-20NC x 3/4in	
5	0641408	AR	Bolt 1/4in-20NC x 1in	
6	0641607	8	Bolt 3/8in-16NC x 7/8in	
7	0641611	2	Bolt 3/8in-16NC x 1-3/8in	
8	0641616	2	Bolt 3/8in-16NC x 2in	
9	0641818	1	Bolt 1/2in-13NC x 2-1/4in	
10	0940049	2	Stopper, Hood	
11	1321384	8	Clamp, Hood	
13	2080040	6	Fastener, Huck	
14	2600280	4	Hinge, Offset	
15	2940045	1	Latch, Paddle	
16	2940173	2	Latch, Rotary	
17	3311405	AR	Locknut 1/4in-20NC	
18	3311501	4	Nut 5/16in-18NC	
19	3300364	3	Nut, Tinnerman 5/16in-18NC	
20	3311601	1	Nut 3/8in-16NC	
21	3311605	46	Locknut 3/8in-16NC	
22	3311805	5	Locknut 1/2in-13NC	
23	3520030	1	Plug, Hole	
24	3900210	8	Screw, Button Head 5/16in-18 x 3/4in	
25	3900316	34	Screw, Button Head 3/8in-16NC x 1in	
26	3960389	50 in/1.3m	Seal	
27	3960462	9.5 ft /2.9m	Seal	
28	4160194	4	Spring, Gas	
29	4751400	AR	Flatwasher 1/4in Regular	
30	4751500	17	Flatwasher 5/16in Regular	
31	4751600	89	Flatwasher 3/8in Regular	
32	4740171	6	Flatwasher 1/2in Hardened	
33	90206194	10 in /24cm	Flex-Trim	
34	1001110166	8 ft/2.5m	Seal	
35	1001113047	77 in/2m	Seal	
36		Ref	Pipe, Exhaust Options:	
36	1001116457	1	Caterpillar Engines	
36	1001116457	1	Deutz Engines (SN 0300128000 through 0300167720)	
36	1001116456	1	Deutz Engines (SN 0300167721 through 0300174703)	
37	1001116562	1	Support	
38	1001117234	1	Bracket, Hood	
39	1001117249	1	Plate, Seal	
40	1001117307	1	Decal - Emergency Stop	
41	1001117430	1	Trough, Powertrack	

**SECTION 2 - TURNTABLE**

ITEM	PART NUMBER	QTY	DESCRIPTION	REV
42	1001117523	1	Bracket, Striker Plate	
43	1001117525	1	Bracket, Striker Plate	
44	1001117543	1	Support	
45	1001117598	1	Door	
46	1001117612	1	Mount, Hood	
47	1001118264	2	Bracket, Hood Mounting	
48	1001118550	1	Bracket, Hood Support	
49	1001118715	1	Hood Assembly - Tank Side (See Items 101-112 for Breakdown)	
		Ref	<b>Note: Replacement Decals must be Purchased Separately - See DECALS SECTION.</b>	
50	1001118716	1	Hood Assembly - Engine Side (See Items 201-212 for Breakdown)	
		Ref	<b>Note: Replacement Decals must be Purchased Separately - See DECALS SECTION.</b>	
51	1001118735	1	Plate, Filler	
52	1001119283	1	Hood, Fixed Engine Side	
		Ref	<b>Note: Replacement Decals must be Purchased Separately - See DECALS SECTION.</b>	
53	1001125097	1	Bracket, Striker	
54		Ref	Shield, Heat	
54	Not Required	0	Caterpillar Engines	
54	1001120508	1	Deutz Engines	
55	1001121059	1	Bracket, Hinge Support	
56	1001121061	1	Hood, Fixed Tank Side	
		Ref	<b>Note: Replacement Decals must be Purchased Separately - See DECALS SECTION.</b>	
57	1001121118	AR	Shim 3mm	
58	1001121119	AR	Shim 1.5mm	
59	0100081	AR	Adhesive	
60	0641506	5	Bolt 5/16in-18NC x 3/4in	
61	0641608	14	Bolt 3/8in-16NC x 1in	
	1001118715	Ref	<b>HOOD TANK SIDE</b>	E
101	0100011	AR	Compound, Locking	
102	0100081	AR	Adhesive	
103	0700616	1	Bolt M6 x 40mm	
104	2560187	1	Handle, Push Button	
105	3290601	1	Nut M6	
106	3311505	15	Locknut 5/16in-18NC	
107	3340877	4	Pad	
108	3900210	15	Screw, Button Head 5/16in-18NC x 3/4in	
109	3900363	2	Screw, Button Head M6 x 25mm	
110	4711500	17	Flatwasher 5/16in Thin	
111	1001116290	1	Plate, Latch Mounting	
112	1001116292	4	Mount, Clamp	
	1001118716	Ref	<b>HOOD ENGINE SIDE</b>	D
201	0100011	AR	Compound, Locking	
202	0100081	AR	Adhesive	
203	0700616	1	Bolt M6 x 40mm	
204	2560187	1	Handle, Push Button	
205	3290601	1	Nut M6	
206	3311505	15	Locknut 5/16in-18NC	
207	3340877	4	Pad	

## SECTION 2 - TURNTABLE

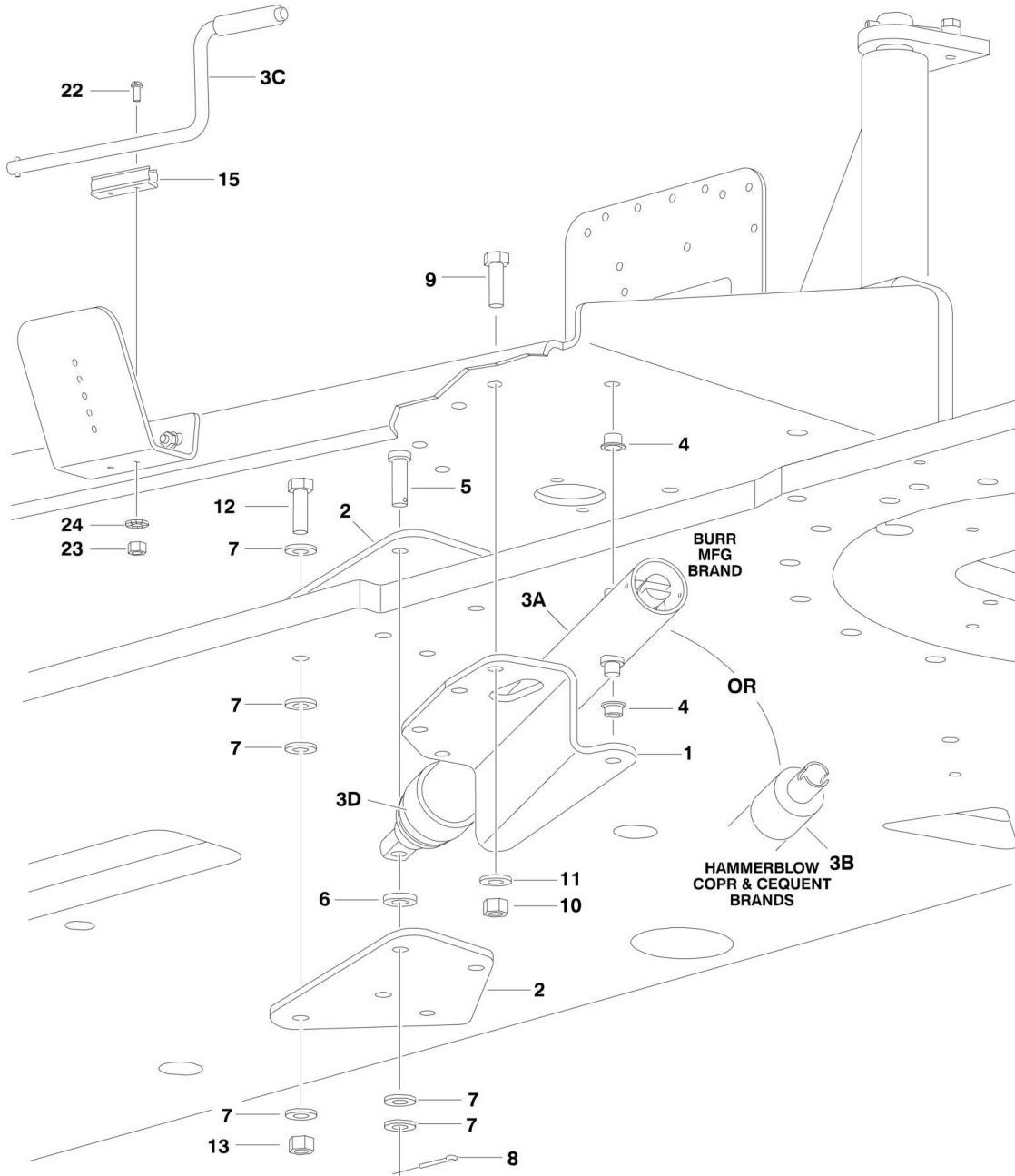
ITEM	PART NUMBER	QTY	DESCRIPTION	REV
208	3900210	15	Screw, Button Head 5/16in-18NC x 3/4in	
209	3900363	2	Screw, Button Head M6 x 25mm	
210	4711500	17	Flatwasher 5/16in Thin	
211	1001116290	1	Plate, Latch Mounting	
212	1001116292	4	Mount, Clamp	
	0256122	Ref	<b>LIFTING PLATE INSTALLATION</b>	1-B
301	3539590	1	Plate, Lifting	
302	0682014	4	Bolt 5/8in-11NC x 1-3/4in (Grade 8)	
303	4892000	4	Flatwasher 5/8in Hardened	
304	0100019	AR	Compound, Locking	
305	1701500	2	Decal - Tie Down/Lift	
	0256823	Ref	<b>NOISE REDUCTION INSTALLATION (DIESEL MACHINES)</b>	3
401	2820078	1	Foam, Acoustical	
405	3539955	1	Plate, Baffle	
406	0641506	2	Bolt 5/16in-18NC x 3/4in	
407	4751500	2	Flatwasher 5/16in Regular	
408	0100011	AR	Compound, Locking	





# SECTION 2 - TURNTABLE

## FIGURE 2-21. ENGINE TRAY JACK INSTALLATION



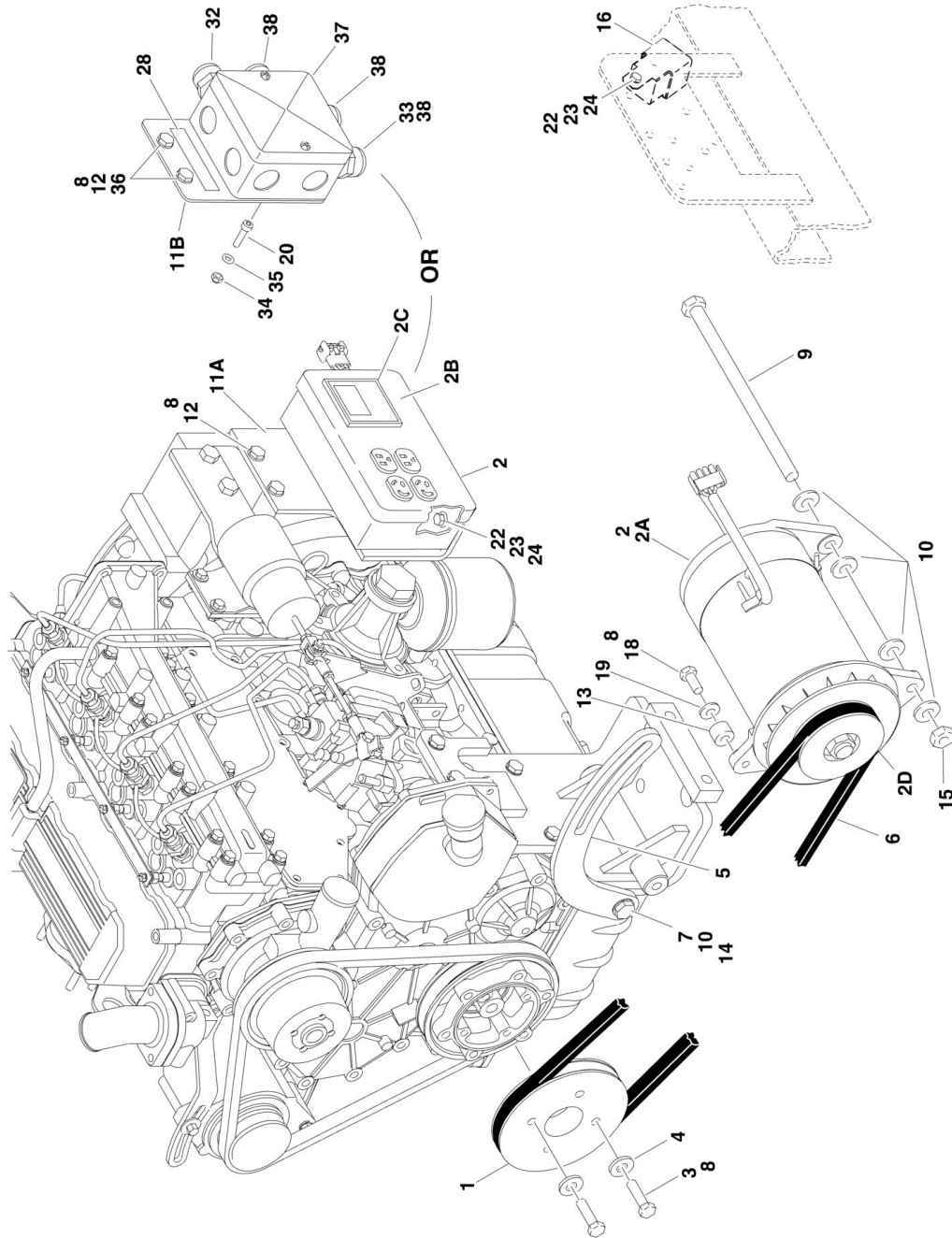
**SECTION 2 - TURNTABLE**

**FIGURE 2-21. ENGINE TRAY JACK INSTALLATION**

ITEM	PART NUMBER	QTY	DESCRIPTION	REV
	0255881	Ref	<b>ENGINE TRAY JACK INSTALLATION</b>	3-G
1	3537445	1	Bracket	
2	3537446	2	Bracket	
3	2840016	1	Hydraulic Jack Assembly Options:	F
3A		Ref	Burr Manufacturing Brand	
3B		Ref	Hammerblow Corp and Cequent Brands	
3C		Ref	Handle Options:	
3C	7016374	1	Burr Manufacturing Brand	
3C	7024598	1	Hammerblow Corp and Cequent Brands	
3D	7016322	1	Wiper (Burr Manufacturing Brand Only)	
4	0962051	2	Bushing, Flanged	
5	3430816	1	Pin, Clevis	
6	4891800	1	Washer, Hardened 1/2in	
7	4711800	6	Flatwasher 1/2in (Narrow)	
8	3450404	1	Pin, Cotter 1/8in x 1in	
9	0641609	4	Bolt 3/8in-16NC x 1-1/8in	
10	3311605	4	Locknut 3/8in-16NC	
11	4891600	4	Washer, Hardened 3/8in	
12	0641818	4	Bolt 1/2in-13NC x 2-1/4in	
13	3311805	4	Locknut 1/2in-13NC	
15	1380147	1	Clip, Spring	
22	3910608	2	Screw #6-32NC x 1in	
23	3310601	2	Nut #6-32NC	
24	4770600	2	Starwasher #6	

# SECTION 2 - TURNTABLE

## FIGURE 2-22. 2500W GENERATOR INSTALLATION - CATERPILLAR MACHINES (OPTIONAL)



**SECTION 2 - TURNTABLE**

**FIGURE 2-22. 2500W GENERATOR INSTALLATION - CATERPILLAR MACHINES (OPTIONAL)**

ITEM	PART NUMBER	QTY	DESCRIPTION	REV
		Ref	<b>Note: For Module Identification (Non-UGM/UGM), refer to Revision Log page A.</b>	
		Ref	<b>GENERATOR INSTALLATION OPTIONS:</b>	
		Ref	<b>Without UGM</b>	
	0274081	Ref	<b>110V/60Hz</b>	1/A
	0274091	Ref	<b>110V/50Hz (SN 0300128000 through 0300132849)</b>	1/A
	1001102547	Ref	<b>110V/50Hz (SN 0300132803 through 0300174703)</b>	A
	0274087	Ref	<b>220V/50Hz (SN 0300128000 through 0300132849)</b>	1-A
	1001102548	Ref	<b>220V/50Hz (SN 0300132803 through 0300174703)</b>	A
		Ref	<b>With UGM</b>	
	1001115404	Ref	<b>110V/60Hz</b>	A
	1001115413	Ref	<b>110V/50Hz (SN 0300128000 through 0300166807)</b>	A
	1001115414	Ref	<b>220V/50Hz</b>	A
1	3580322	1	Pulley	
2		Ref	Generator and Control Box Assembly Options:	
2	2460055	1	110V/60Hz	
2	2460057	1	110V/50Hz ( <b>SN 0300128000 through 0300132848</b> )	
2	See Note	NLA	110V/50Hz (Note: Not Available for Purchase.) ( <b>SN 0300132849 through 0300174703</b> )	
2	2460056	1	220V/50Hz ( <b>SN 0300128000 through 0300132848</b> )	
2	See Note	NLA	220V/50Hz (Note: Not Available for Purchase.) ( <b>SN 0300132849 through 0300174703</b> )	
2A	7012558	1	Generator Only - 110V/60Hz	
2A	2460049	1	Generator Only - 110V/50Hz (was p/n 7019679 & 70000129)	
2A	1001100321	1	Generator Only - 220V/50Hz (was p/n 7019679 & 70000128)	
		Ref	<b>Note: Replacement Generator come standard with p/n 3580134 pulley. This pulley may not be correct for all applications. Refer to pulley options below.</b>	
2A		Ref	Armature with Slip Rings Options:	
2A	7026199	1	Armature with Slip Rings - 110V/60Hz	
2A	70000122	1	Armature with Slip Rings - 110V/50Hz	
2A	70000123	1	Armature with Slip Rings - 220V/50Hz	
2A	7012513	4	Cap, Brush Holder	
2A	7020108	4	Brush	
2A	7020109	4	Holder, Brush	
2A	7012514	1	Fan	
2A	7020110	1	Bell, Front	
2A	7020111	1	Bell, Rear	
2A	7020190	2	Bearing	
2B	7019680	1	Box, Control - 110V/60Hz (was p/n 7003657)	
2B	7019680	1	Box, Control - 110V/50Hz Only (was p/n 7003657) ( <b>SN 0300128000 through 0300132849</b> )	
2B	70000127	1	Box, Control - 220V/50Hz (was p/n 7019680 Only) ( <b>SN 0300128000 through 0300132849</b> )	
2B		Ref	Receptacle Options:	
2B	4460190	1	Receptacle, Standard (110V Only)	
2B	4460027	1	Receptacle, Twistlock (110V Only)	
2B	70000124	1	Receptacle, Double (220V/50Hz Only)	
2B	70000125	1	Receptacle, Single (220V/50Hz Only)	
2B		Ref	Breaker, Circuit Options:	
2B	7020194	AR	110V Breaker, Circuit	

## SECTION 2 - TURNTABLE

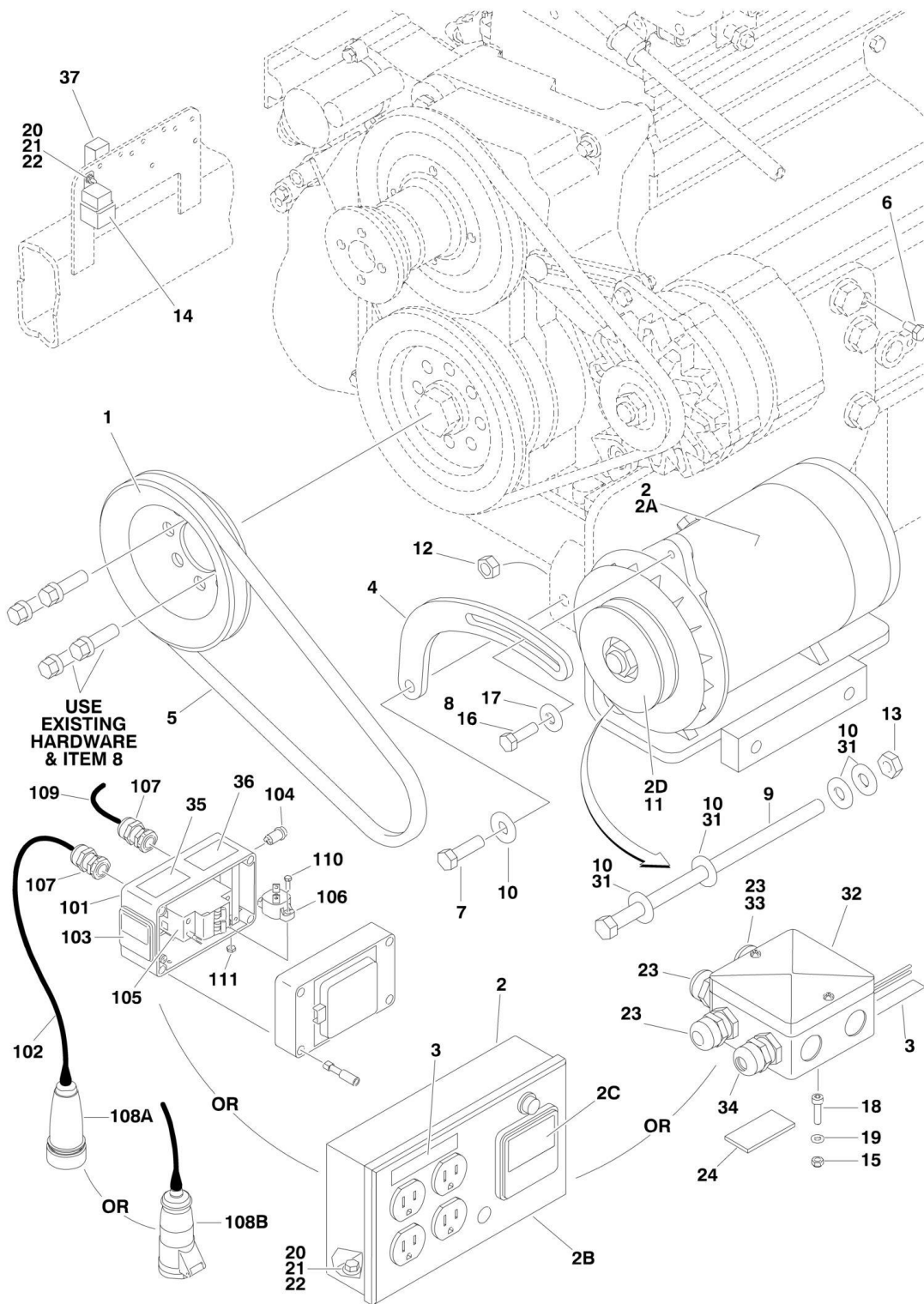
ITEM	PART NUMBER	QTY	DESCRIPTION	REV
2B	70000126	AR	220V Breaker, Circuit	
2B	3520028	1	Plug, Hole	
2C		Ref	Voltmeter Options:	
2C	2420203	1	Voltmeter - 110V (was p/n 7010699)	
2C	7020192	1	Voltmeter - 220V	
2D		Ref	Pulley Options:	
2D	3580276	1	Pulley - 60Hz	
2D	3580134	1	Pulley - 50Hz	
2D	7027887	1	Key, Woodruff	
3	0700816	4	Bolt 8mm x 40mm	
4	4751900	4	Flatwasher 9/16in Regular	
5	0200819	1	Arm, Adjusting	
6		Ref	V-Belt Options:	
6	0480121	1	60Hz	
6	0480120	1	50Hz	
7	0641610	1	Bolt 3/8in-16NC x 1-1/4in	
8	0100011	AR	Compound, Locking	
9	0641772	1	Bolt 7/16in-14NC x 9in	
10	4751600	6	Flatwasher 3/8in Regular	
11		Ref	Plate, Box Mounting Options:	
11A	3574684	1	Plate with Control Box	
11B	1001102644	1	Plate with Junction Box	
12	0761210	2	Bolt, Metric 12mm x 20mm	
13	0962563	1	Bushing, Spacer	
14	3311605	1	Locknut 3/8in-16NC	
15	3311705	1	Locknut 7/16in-14NC	
16	3740080	1	Relay	
18	0641508	1	Bolt 5/16in-18NC x 1in	
19	4751500	1	Flatwasher 5/16in Regular	
20	4031608	2	Capscrew M5 x 20mm	
21	4240018	AR	Tie-Strap (Not Shown)	
22	0721006	3	Bolt #10-24NC x 3/4in	
23	3311005	3	Locknut #10-24NC	
24	4751000	6	Flatwasher #10 Regular	
25	4360336	1	Switch, Toggle (Not Shown - Located at Platform)	
26	4740397	1	Washer, Spacer (Not Shown - Located at Platform)	
27	4060802	1	Guard, Switch (Not Shown - Located at Platform)	
28		Ref	Decal - Voltage Options (Not Shown - Located at Platform):	
28	See Note	NSS	110V/60Hz (Note: Not Available for Purchase.)	
28	1705325	1	110V/50Hz	
28	3252507	1	220V/50Hz	
29	2820031	4 in/10cm	Heatshrink (Not Shown - Located at Platform)	
30	3251102	1	Decal (Not Shown - Located at Platform)	
32		Ref	Light, Red Options:	
32	1001100233	1	110V/50Hz	
32	1001100234	1	220V/50Hz	
33	0962449	1	Bushing	
34	3290505	2	Locknut M5	
35	4811600	2	Flatwasher M5	
36	4812100	2	Flatwasher M12	
37	1001099869	1	Junction Box Assembly	

**SECTION 2 - TURNTABLE**

ITEM	PART NUMBER	QTY	DESCRIPTION	REV
38	4460968	3	Connector, Strain Relief	

# SECTION 2 - TURNTABLE

## FIGURE 2-23. 2500W GENERATOR INSTALLATION - DEUTZ MACHINES (OPTIONAL)





# SECTION 2 - TURNTABLE

**FIGURE 2-23. 2500W GENERATOR INSTALLATION - DEUTZ MACHINES (OPTIONAL)**

ITEM	PART NUMBER	QTY	DESCRIPTION	REV
		Ref	<b>Note: For Module Identification (Non-UGM/UGM), refer to Revision Log page A.</b>	
		Ref	<b>GENERATOR INSTALLATIONS</b>	
		Ref	<b>Without UGM</b>	
	0274082	Ref	<b>110V/60Hz (Available on all Specs Except CE Spec)</b>	3-C
	0274090	Ref	<b>110V/50Hz (Available on ANSI Export, Australian and CE Specs) (SN 0300128000 through 0300132848)</b>	1-A
	1001099868	Ref	<b>110V/50Hz (Available on ANSI Export, Australian and CE Specs) (SN 0300132849 through 0300174703)</b>	D
	0273045	Ref	<b>110V/50Hz Only (Available on CE Spec - UK Only) (SN 0300128000 through 0300132848)</b>	1-A
	0273085	Ref	<b>110V/50Hz Only (Available on CE Spec - Germany Only) (SN 0300128000 through 0300132848)</b>	1-A
	0274086	Ref	<b>220V/50Hz (Available on ANSI Export, Australian and CE Specs) (SN 0300128000 through 0300132848)</b>	1-A
	1001100308	Ref	<b>220V/50Hz (Available on ANSI Export, Australian and CE Specs) (SN 0300132849 through 0300174703)</b>	D
		Ref	<b>With UGM</b>	
	1001115405	Ref	<b>110V/60Hz (Available on all Specs Except CE and Australian Specs)</b>	A
	1001115410	Ref	<b>110V/50Hz (Available on CE Spec) (SN 0300128000 through 0300166807)</b>	A
	1001115409	Ref	<b>220V/50Hz (Available on CE Spec)</b>	A
1	3580158	1	Pulley	
2		Ref	Generator Component Options:	
2	2460055	1	110V/60Hz Generator and Control Box Assembly (0274082 & 1001115405 Installation)	
2	2460057	1	110V/50Hz Generator and Control Box Assembly (0274090 Installation)	
2	2460049	1	110V/50Hz Generator Only (1001099868, 0273045, 0273085 & 1001115410 Installations which Uses Junction Box or Switch Box)	
2	2460056	1	220V/50Hz Generator and Control Box Assembly (0274086 Installation)	
2	1001100321	1	220V/50Hz Generator Only (1001100308 Installation which Uses Junction Box and 1001115409)	
2A	7012558	1	Generator Only - 110V/60Hz	
2A	2460049	1	Generator Only - 110V/50Hz (was p/n 7019679 & 70000129)	
2A	1001100321	1	Generator Only - 220V/50Hz (was p/n 7019679 & 70000128)	
		Ref	<b>Note: Replacement Generator come standard with p/n 3580134 pulley. This pulley may not be correct for all applications. Refer to pulley options below.</b>	
2A		Ref	Armature with Slip Rings Options:	
2A	7026199	1	Armature with Slip Rings - 110V/60Hz	
2A	70000122	1	Armature with Slip Rings - 110V/50Hz	
2A	70000123	1	Armature with Slip Rings - 220V/50Hz	
2A	7012513	4	Cap, Brush Holder	
2A	7020108	4	Brush	
2A	7020109	4	Holder, Brush	
2A	7012514	1	Fan	
2A	7020110	1	Bell, Front	
2A	7020111	1	Bell, Rear	
2A	7020190	2	Bearing	

## SECTION 2 - TURNTABLE

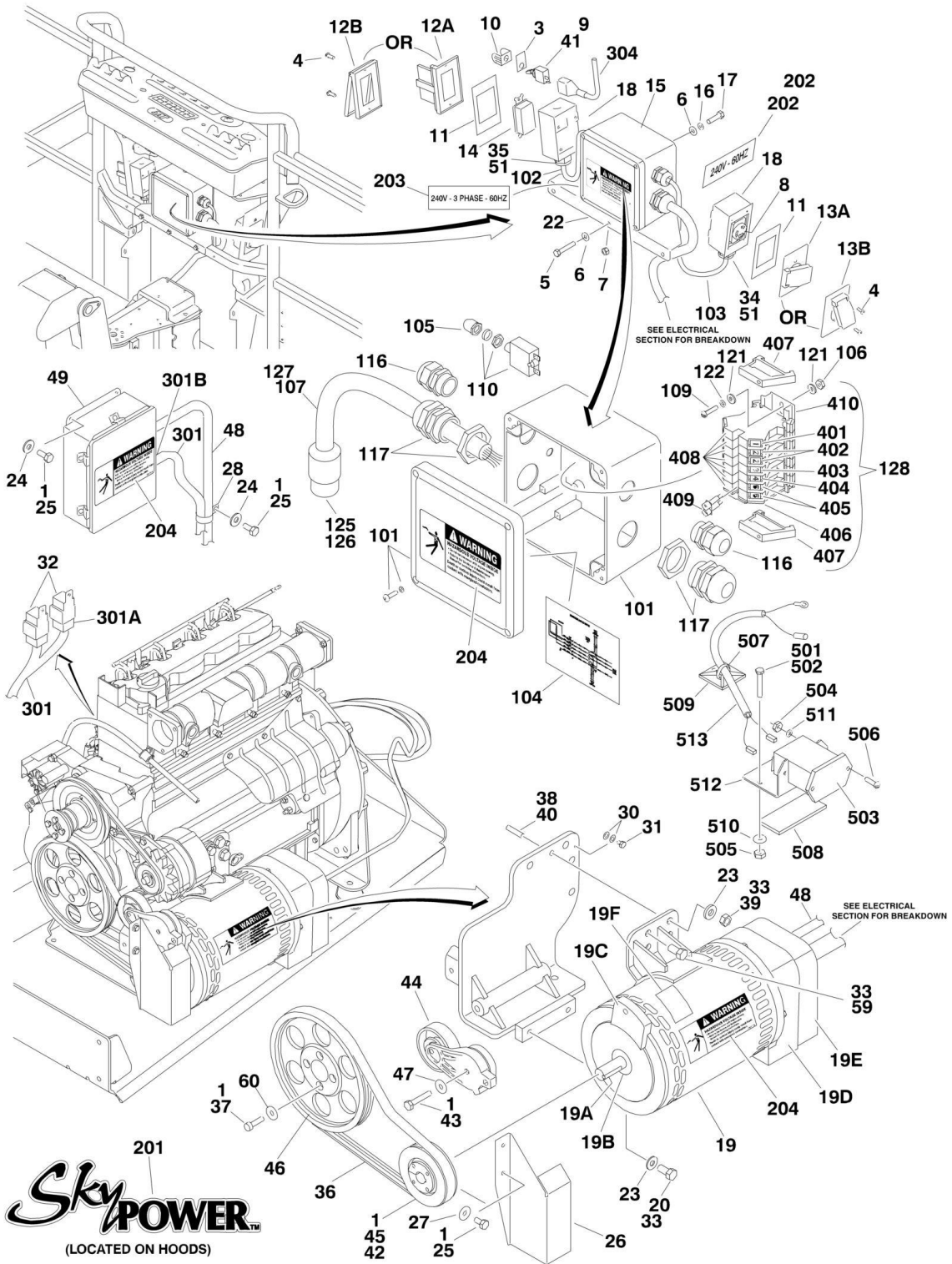
ITEM	PART NUMBER	QTY	DESCRIPTION	REV
2B	7019680	1	Box, Control - 110V/60Hz & 110V/50Hz (0274082 & 0274090 Installations Only) (was p/n 7003657)	
2B	70000127	1	Box, Control - 220V/50Hz (0274086 Installation Only) (was p/n 7019680)	
2B		Ref	Receptacle Options:	
2B	4460190	1	Receptacle, Standard (110V Only)	
2B	4460027	1	Receptacle, Twistlock (110V Only)	
2B	70000124	1	Receptacle, Double (220V/50Hz Only)	
2B	70000125	1	Receptacle, Single (220V/50Hz Only)	
2B		Ref	Breaker, Circuit Options:	
2B	7020194	1	110V Breaker, Circuit	
2B	70000126	1	220V Breaker, Circuit	
2B	3520028	1	Plug, Hole	
2C		Ref	Voltmeter Options:	
2C	2420203	1	Voltmeter - 110V (was p/n 7010699)	
2C	7020192	1	Voltmeter - 220V	
2D		Ref	Pulley Options:	
2D	3580276	1	Pulley - 60Hz	
2D	3580134	1	Pulley - 50Hz	
2D	7027887	1	Key, Woodruff	
3		Ref	Decal Options:	
3	3251243	1	120V 60Hz	
3	1705325	1	120V 50Hz	
3	Not Required	0	220V/50Hz	
4		Ref	Arm, Adjusting Options:	
4	0200742	1	All Installations Except 0273045 & 0273085	
4	0200741	1	0273045 & 0273085 Installations Only	
5		Ref	V-Belt Options:	
5	0480121	1	All Installations Except 0273045 & 0273085	
5	0480120	1	0273045 & 0273085 Installations Only	
6	0641404	1	Bolt 1/4in-20NC x 1/2in	
7	0641610	1	Bolt 3/8in-16NC x 1-1/4in	
8	0100011	AR	Compound, Locking	
9	0641772	1	Bolt 7/16in-14NC x 9in	
10	4751600	6	Flatwasher 3/8in Regular	
11	2860012	1	Key, Woodruff	
12	3311605	1	Locknut 3/8in-16NC	
13	3311705	1	Locknut 7/16in-14NC	
14	3740080	1	Relay	
15	3290505	1	Locknut M5	
16	0641508	1	Bolt 5/16in-18NC x 1in	
17	4751500	AR	Flatwasher 5/16in Regular	
18	4031608	1	Capscrew M5 x 20mm	
19	4811600	1	Flatwasher M5	
20	0721006	AR	Bolt #10-24NC x 3/4in	
21	3311005	AR	Locknut #10-24NC	
22	4751000	AR	Flatwasher #10 Regular	
23	4460968	3	Bushing, Strain Relief (10011099868, 1001100308, 1001115409 & 1001115410 Installations Only)	
24	4420060	AR	Tape, Double Sided	
25	4360336	1	Switch, Toggle (Not Shown - Located at Platform)	
26	4740397	1	Bushing (Not Shown - Located at Platform)	

## SECTION 2 - TURNTABLE

ITEM	PART NUMBER	QTY	DESCRIPTION	REV
27	4060802	1	Guard, Switch (Not Shown - Located at Platform)	
28		Ref	Decal - Voltage Options (Not Shown - Located at Platform):	
28	See Note	1	110V/60Hz (Note: Not Available for Purchase.)	
28	1705325	1	110V/50Hz	
28	3252507	1	220V/50Hz	
29	2820031	4 in/10cm	Heatshrink (Not Shown - Located at Platform)	
30		Ref	Decal, Generator ON/OFF Options (Not Shown - Located at Platform):	
30	3251102	1	All Installations Except 0273045 & 0273085	
30	1705728	1	0273045 & 0273085 Installations Only	
31	4070585	AR	Shim .010in	
32	1001099869	1	Box, Junction (10011099868, 1001100308, 1001115409 & 1001115410 Installations Only)	
33	0962449	1	Bushing, Silicone (10011099868, 1001100308, 1001115409 & 1001115410 Installations Only)	
34	1001100234	1	Light, Red (10011099868, 1001100308, 1001115409 & 1001115410 Installations Only)	
35	1705715	1	Decal - 115VAC (0273045 & 0273085 Installations Only)	
36	1705714	1	Decal - Danger (0273045 & 0273085 Installations Only)	
37	4360294	1	Breaker, Circuit - 30 Amp (0273045 & 0273085 Installations Only)	
	2902085	1	Installation Kit - Powermite Generator (Includes Generator Mounting Bracket, P/N 0480121 Belt and Mounting Hardware)	
		Ref	<b>GENERATOR CONTROL BOX ASSEMBLY (0273045 &amp; 0273085 INSTALLATIONS ONLY)</b>	
	0861599	Ref	<b>UK Spec</b>	A
	0861607	Ref	<b>German Spec</b>	A
101	0861602	1	Box, Control	
102	1060461	20 ft/6m	Cable Electrical 12/3	
103	2420203	1	Voltmeter	
104	2920162	1	Lamp	
105		Ref	Breaker Circuit Options:	
105	4360541	1	Breaker Circuit (UK Spec)	
105	4360540	1	Residual Current Device (German Spec)	
106	4360542	1	Breaker Circuit 20 Amp	
107	4460968	2	Connector, Strain Relief	
108		Ref	Plug Options:	
108A	4460991	1	Plug, Female (UK Spec)	
108B	4460999	1	Plug, Terminal (German Spec)	
109	4922912	1	Harness	
110	0721005	2	Screw #10-24NC x 5/8in	
111	3311001	2	Nut #10-24NC	

# SECTION 2 - TURNTABLE

## FIGURE 2-24. 7500W SKYPOWER GENERATOR INSTALLATION



**SECTION 2 - TURNTABLE**

**FIGURE 2-24. 7500W SKYPOWER GENERATOR INSTALLATION**

ITEM	PART NUMBER	QTY	DESCRIPTION	REV
		Ref	<b>Note: For Module Identification (Non-UGM/UGM), refer to Revision Log page A.</b>	
		Ref	<b>7500W SKYPOWER GENERATOR INSTALLATION</b>	
		Ref	<b>Without UGM</b>	
	0273540	Ref	<b>60Hz and Caterpillar Engine</b>	I
	0272255	Ref	<b>60Hz and Deutz Engine</b>	K
	0273541	Ref	<b>50Hz Spec and Caterpillar Engine</b>	I
	0272492	Ref	<b>50Hz Spec and Deutz Engine</b>	J
		Ref	<b>With UGM</b>	
	1001115398	Ref	<b>60Hz and Caterpillar Engine</b>	C
	1001115400	Ref	<b>50Hz and Caterpillar Engine</b>	C
	1001115387	Ref	<b>60Hz and Deutz Engine</b>	B
	1001115389	Ref	<b>50Hz and Deutz Engine</b>	B
		Ref	<b>Note: SkyPower Generator is Standard On ANSI and CSA Specs. Optional on All Other Specs.</b>	
		Ref	<b>Note: See ELECTRICAL SECTION for Boom Cable Installation.</b>	
1	0100011	AR	Compound, Locking	
3	3252764	1	Nameplate	
4	3910606	8	Screw #6-32NC x 3/8in (60Hz Spec Only)	
5	0641516	3	Bolt 5/16in-18NC x 2in	
6	4711500	Ref	Flatwasher 5/16in Regular Options:	
6	4711500	10	Flatwasher 5/16in Regular Caterpillar Engine (Flatwasher 5/16in Thin)	
6	4711500	7	Flatwasher 5/16in Regular Deutz Engine:	
7		Ref	Hardware Options:	
7	3311505	3	Caterpillar Engine (Locknut 5/16in-18NC)	
7	3311508	3	Deutz Engine (Nut 5/16in-18NC)	
8		Ref	Receptacle, Female Twist-Lock Options:	
8	4460958	1	60Hz Spec	
8	See Note	NLA	50Hz Spec (Note: Not Available - Purchase Locally.)	
9	4360336	1	Switch, Toggle	
10	4060802	1	Guard, Switch	
11		Ref	Gasket Options:	
11	3960422	2	60Hz Spec	
11	See Note	NLA	50Hz Spec (Note: Not Available - Purchase Locally.)	
12		Ref	Cover, Receptacle Options:	
12A	4060700	1	60Hz Spec Side Hinged	
12B	1001110873	1	60Hz Spec Top Hinged	
12C	See Note	NLA	50Hz Spec (Note: Not Available - Purchase Locally.) (Not Shown)	
13		Ref	Cover, Receptacle Options:	
13A	4061043	1	60Hz Spec Side Hinged	
13B	1001110872	1	60Hz Spec Top Hinged	
13C	See Note	NLA	50Hz Spec (Note: Not Available - Purchase Locally.)	
14		Ref	Receptacle Options:	
14	4460346	1	60Hz Spec	
14	See Note	NLA	50Hz Spec (Note: Not Available - Purchase Locally.)	
15		Ref	Junction Box Assembly Options (See Items 201-222 for Breakdown):	
15	0861542	1	60Hz Spec	

## SECTION 2 - TURNTABLE

ITEM	PART NUMBER	QTY	DESCRIPTION	REV
15	0861567	1	50Hz Spec	
16	4761500	Ref	Lockwasher 5/16inOptions:	
16	4761500	4	Caterpillar Engine	
16	4761500	1	Deutz Engine	
17		Ref	Bolt Options:	
17	0641505	4	Caterpillar Engine (Bolt 5/16in-18NC x 5/8in)	
17	0641508	4	Deutz Engine (Bolt 5/16in-18NC x 1in)	
18		Ref	Box, Switch Options:	
18	0860038	2	60Hz Spec	
18	See Note	NLA	50Hz Spec (Note: Not Available - Purchase Locally.)	
19		Ref	Generator Assembly Options:	
19	2460050	1	Caterpillar Engine	
19	2460048	1	Deutz Engine	
19	70001100	1	Rotor (Includes p/n 70001384 & 70000863) (Not Shown)	
19	70001384	1	Bearing, Ball Radial (Not Shown)	
19	70000863	1	Fan (Not Shown)	
19		Ref	Stator Options (Not Shown):	
19	70001969	1	2460050 Generator	
19	70002088	1	2460048 Generator	
19	70002297	1	Stud	
19	70003631	1	Brushholder Assembly (Not Shown) (was p/n 7024484)	
19A	70004171	1	Key (was p/n 7024561)	
19B	70001966	1	Bearing, Ball Radial (Located in Belt Tensioner Endbell)	
19C	70001953	1	Endbell, Belt Tensioner	
19D		Ref	Endbell, Brush Block Options (was p/n 70001385):	
19D	70004170	1	Caterpillar Engine Machines	
19D	70004169	1	Deutz Engine Machines	
19E		Ref	Shroud Options:	
19E	70004170	1	Caterpillar Engine (was p/ns 70001970 & 70001971)	
19E	70004169	1	Deutz Engine (was p/n 70002290)	
19E	7027799	1	Block, Connector 6 Position (Not Shown)	
19E	70002460	1	Nut, Brass (Attaches p/n 7027799 to Cover) (Not Shown)	
19E	7024485	1	Breaker, Circuit 30Amp (Not Shown)	
19E	70001696	1	Boot, Breaker (was p/n 7024486 - Not Shown)	
19E	7026597	1	Connector, With Leads (Not Shown)	
19E	7026188	1	Clamp, Cable (Not Shown)	
19E	70003708	1	Retaining Ring Internal (Not Shown)	
19E	70003709	1	Retaining Ring External (Not Shown)	
19E		Ref	Plate, End Panel Options:	
19E	70004170	1	Caterpillar Engine	
19E	70004169	1	Deutz Engine (was p/n 70002255)	
19E	70001974	1	Decal - Terminal Connections	
19F	70001973	1	Decal - Warning Moving Parts	
20	0641808	2	Bolt 1/2in-13NC x 1in	
22	0902888	1	Bracket, Box Mounting	
23	4711800	3	Flatwasher 1/2in Thin	
24	4711400	5	Flatwasher 1/4in Thin	
25		Ref	Bolt Options:	
25	0641404	AR	Bolt 1/4in-20NC x 1/2in	
25	0641405	AR	Bolt 1/4in-20NC x 5/8in	
25	0641408	AR	Bolt 1/4in-20NC x 1in	

## SECTION 2 - TURNTABLE

ITEM	PART NUMBER	QTY	DESCRIPTION	REV
26		Ref	Shield Options:	
26		Ref	Without UGM	
26	Not Required	1	Caterpillar Engine	
26	4061049	1	Deutz Engine	
26		Ref	With UGM	
26	1001118599	1	Caterpillar Engine (Not Shown Only) (SN 0300128000 through 0300172625)	
26	4061049	1	Deutz Engine Only (SN 0300128000 through 0300172625)	
27		Ref	Washer 1/4in Options:	
27	4711400	AR	Flatwasher 1/4in Thin	
27	4751400	AR	Flatwasher 1/4in Regular	
27	4761400	AR	Lockwasher 1/4in	
28	1320224	NLA	Clamp (Use p/n 1320318)	
29	4240018	AR	Tie-Strap (Not Shown)	
30	4791400	AR	Starwasher 1/4in	
31	0641404	1	Bolt 1/4in-20NC x 1/2in (Deutz Engine Only):	
32	3740080	2	Relay	
33	0100019	AR	Compound, Locking	
34	4460051	1	Connector, Strain Relief	
35	4460071	1	Connector, Strain Relief	
36		Ref	Belt, Drive Options:	
36	0480129	1	Caterpillar Engine with 60Hz Generator	
36	0480125	1	Caterpillar Engine with 50Hz Generator	
36	0480129	1	Deutz Engine with 60Hz Generator	
36	0480126	1	Deutz Engine with 50Hz Generator	
37		Ref	Bolt, Metric Options:	
37	0700815	4	Caterpillar Engine (Bolt M8 x 35mm)	
37	4032015	4	Deutz Engine (Capscrew M10 x 55mm)	
38	4300157	1	Stud	
39	3311801	1	Nut 1/2in-13NC	
40	0100062	1	Loctite #RC680	
41	2820031	1	Insulator	
42	0962520	1	Bushing, Split Taper	
43	0641618	1	Bolt 3/8in-16NC x 2-1/4in	
44	3580317	1	Tensioner, Belt	
45		Ref	Pulley Options:	
45	3580318	1	60Hz Generator	
45	3580319	1	50Hz Generator	
46		Ref	Pulley Options:	
46	3580321	1	Caterpillar Engine	
46	3580320	1	Deutz Engine	
47	4711600	1	Flatwasher 3/8in Thin	
48	4922925	1	Harness, Generator	
49		Ref	Control Box Assembly Options: (Was p/n 7024487):	
49	0861538	1	60Hz Control Box Assembly	
49	0861572	1	50Hz Control Box Assembly	
49	7024488	1	Card, Circuit - Generator Power	
49	See Note	1	Fuse (Note: Not Available - Purchase Locally.)	
49	7024489	1	Card, Circuit - Control	
		Ref	<b>Note: Same Circuit Card is used for both 60Hz &amp; 50Hz. When replacing card, rocker switch on card must be</b>	

## SECTION 2 - TURNTABLE

ITEM	PART NUMBER	QTY	DESCRIPTION	REV
			<b>set for required application.</b>	
49	70000619	1	Harness, Circuit Card	
51	0100020	AR	Sealant (Deutz Engine Only)	
59	0771415	1	Bolt M14 x 35mm - Deutz Engine Only	
60	4811900	4	Flatwasher M8 (Caterpillar Engine Only)	
		Ref	<b>JUNCTION BOX ASSEMBLY</b>	
	0861542	Ref	<b>60Hz Specs</b>	D
	0861567	Ref	<b>50Hz Specs</b>	B
101	0861541	1	Box, Junction	
102		Ref	Cable, Electrical 12/3	
102	1060494	2 ft/.6m	60Hz Spec	
102	See Note	2 ft/.6m	50Hz Spec (Note: Not Available - Purchase Locally.)	
103		Ref	Cable, Electrical 10/3	
103	1060708	2.5 ft /.76m	60Hz Spec	
103	See Note	NLA	50Hz Spec (Note: Not Available - Purchase Locally.)	
104	1705376	1	Decal - Wiring Schematic	
105	3300396	1	Cover, Fuse	
106	3310601	2	Nut #6-32NC	
107	1060343	1.5 ft /.46m	Cable, Electrical 10/4 (60Hz Spec Only)	
108	3641533	1	Rail, Relay	
109	3910610	2	Bolt #6-32NC x 5/8in	
110	4360070	1	Circuit Breaker - 15 Amp	
116	4460425	2	Strain Relief, Terminal	
117	4460426	2	Connector, Strain Relief	
121	4750600	4	Flatwasher, #6 Regular	
122	4760600	2	Lockwasher #6	
125	1671092	1	Cover (60Hz Spec Only)	
126	4460963	1	Connector (60Hz Spec Only)	
127	3520189	1	Plug (50Hz Spec Only)	
128		Ref	Terminal Block Assembly Options (See Items 401-410 for Breakdown):	
128	NPN	1	Gray Terminal Block Assembly	
128	1001121340	1	Tan Terminal Block Assembly	
		Ref	<b>DECAL INSTALLATION</b>	
	0272435	Ref	<b>60Hz Spec</b>	B
	0272589	Ref	<b>50Hz Specs</b>	A
201	1705460	2	Decal - SkyPower	
202	1705374	1	Decal - 240V - 60Hz (60Hz Spec Only)	
203		Ref	Decal - 240V - 3 Phase Options	
203	1705375	1	60Hz Spec	
203	1705461	1	50Hz Spec	
204		Ref	Decal, Hazardous Voltage Option	
204	1705387	3	60Hz Spec	
204	1705489	3	50Hz Spec	
	4933264	Ref	<b>ELECTRICAL DIAGRAM COMPONENTS</b>	C
301	4922757	1	Generator Harness	2-B
301A	4460374	2	Plug, Sealed Relay	
301A	4460375	7	Terminal	
301B	4460967	1	Plug, Male - 3 Position	
301B	4460465	3	Socket, Female	

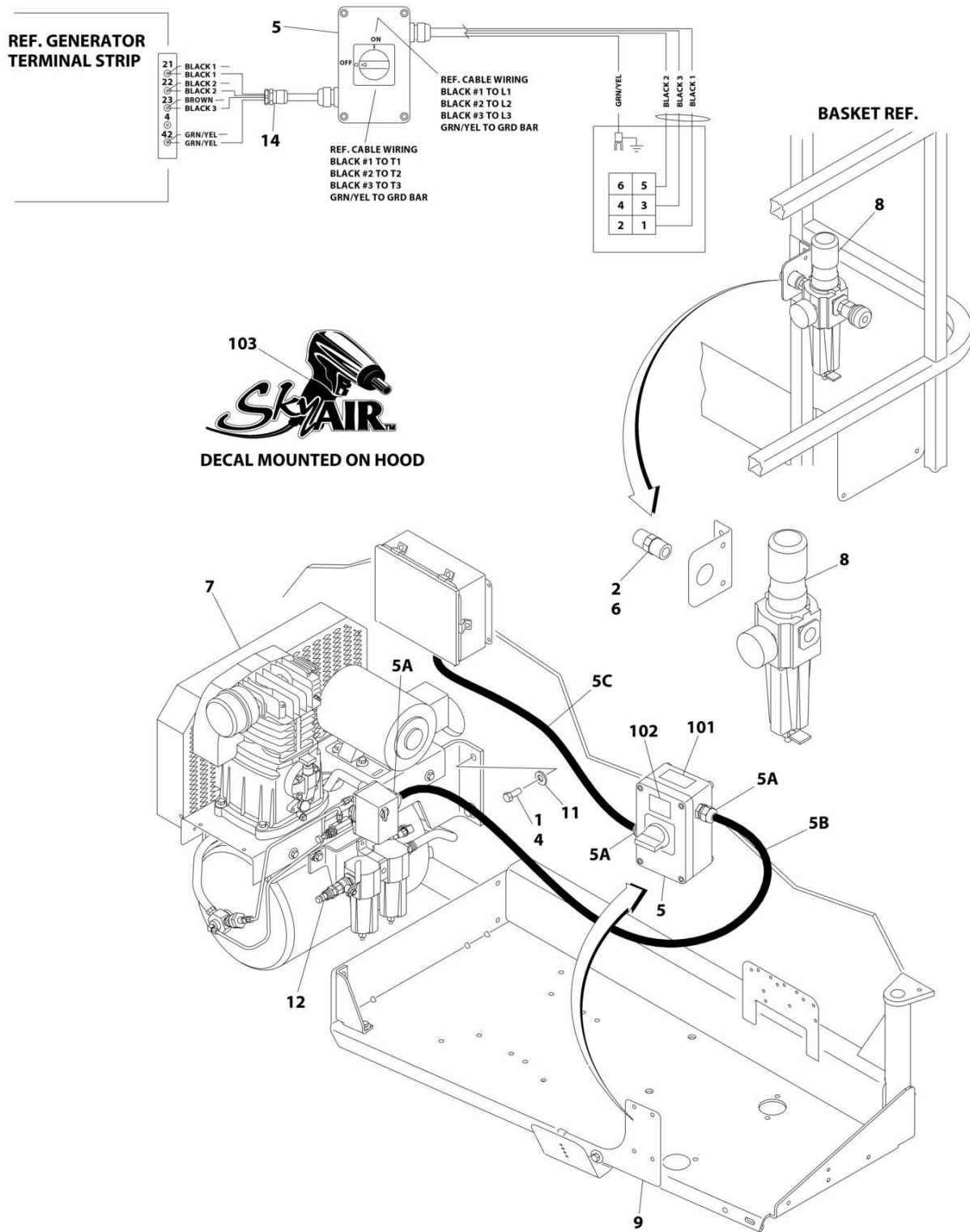


## SECTION 2 - TURNTABLE

ITEM	PART NUMBER	QTY	DESCRIPTION	REV
301C	2400060	1	Fuseholder (Not Shown)	
301C	2400064	1	Fuse - 5 Amp (Not Shown)	
304	4922641	1	Switch Harness	
		Ref	<b>TERMINAL BLOCK ASSEMBLY</b>	
	NPN	Ref	<b>Gray Terminal Block Assembly (Complete Assembly Not Available - Purchase Individual Components)</b>	
	1001121340	Ref	<b>Tan Terminal Block Assembly</b>	A
401		Ref	Marker Strip #1 Options:	
401	4460411	2	Gray Terminal Block Assembly	
401	70002818	2	Tan Terminal Block Assembly	
402		Ref	Marker Strip #2 Options:	
402	4460412	4	Gray Terminal Block Assembly	
402	70002819	4	Tan Terminal Block Assembly	
403		Ref	Marker Strip #3 Options:	
403	4460413	2	Gray Terminal Block Assembly	
403	70002820	2	Tan Terminal Block Assembly	
404		Ref	Marker Strip #4 Options:	
404	4460414	2	Gray Terminal Block Assembly	
404	70002821	2	Tan Terminal Block Assembly	
405		Ref	Marker Strip #5 Options:	
405	4460415	4	Gray Terminal Block Assembly	
405	70002822	4	Tan Terminal Block Assembly	
406		Ref	Terminal, End Barrier Options:	
406	4460956	1	Gray Terminal Block Assembly	
406	70002823	1	Tan Terminal Block Assembly	
407		Ref	Terminal, End Block Options:	
407	4460607	2	Gray Terminal Block Assembly	
407	70002824	2	Tan Terminal Block Assembly	
408		Ref	Terminal, Block Options:	
408	4460957	7	Gray Terminal Block Assembly	
408	70002825	7	Tan Terminal Block Assembly	
409		Ref	Terminal, Cross Connector Jumper Options:	
409	4461001	2	Gray Terminal Block Assembly	
409	70002826	2	Tan Terminal Block Assembly	
410	3641533	1	Rail, Relay	
	1001094475	Ref	<b>HOURMETER INSTALLATION (OPTIONAL)</b>	B
501	0100011	AR	Compound, Locking	
502	0720808	1	Screw #8-32 x 1in	
503	2420165	1	Hourmeter	
504	3310604	2	Nut #6-32	
505	3310805	1	Locknut #8-32	
506	3910608	2	Screw #6-32 x 1/2in	
507	4240032	4	Strap, Tie	
508	4420060	3 in/7cm	Tape, Double-Sided	
509	4460234	3	Mount, Tie Strap	
510	4750800	1	Flatwasher #8 Regular	
511	4760600	2	Lockwasher #6	
512	1001094375	1	Bracket, Hourmeter	
513	1001094509	1	Harness, Hourmeter	
514	4460018	1	Connector, Splice (Not Shown)	

# SECTION 2 - TURNTABLE

## FIGURE 2-25. SKYAIR AIR COMPRESSOR INSTALLATION



ART\_0273450

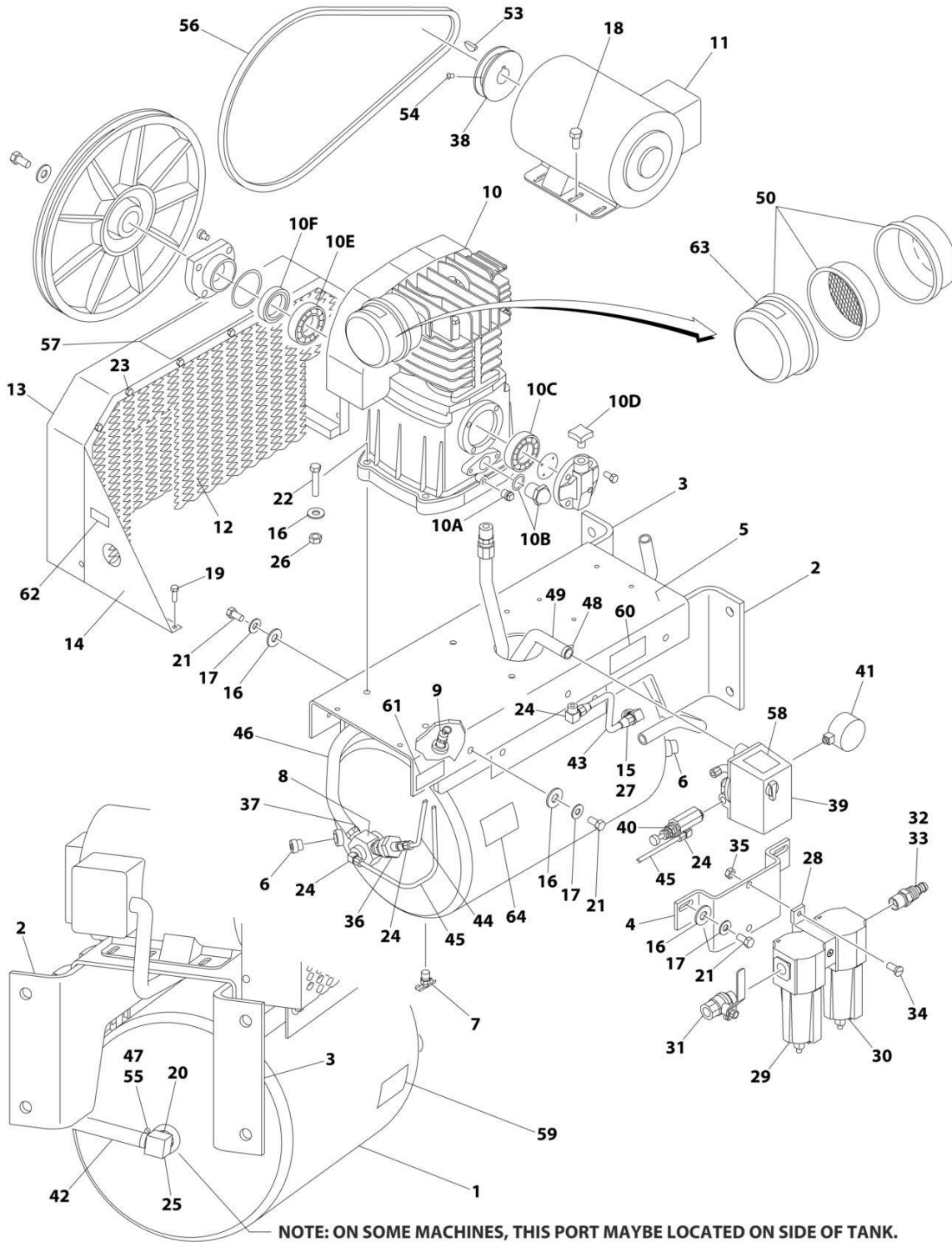
# SECTION 2 - TURNTABLE

**FIGURE 2-25. SKYAIR AIR COMPRESSOR INSTALLATION**

ITEM	PART NUMBER	QTY	DESCRIPTION	REV
	0273450	Ref	SKYAIR AIR COMPRESSOR INSTALLATION	D
		Ref	Note: ANSI, ANSI Export and CSA Specs Only.	
		Ref	Note: Only Available on 60Hz Machines.	
1	0100019	AR	Compound, Locking	
2	0100020	AR	Sealant	
4	0641810	4	Bolt 1/2 x 1-1/4	
5	0861642	1	Control Box Assembly	
5A	4460633	3	Connector, Strain Relief	
5B	70002948	AR	Cable, Electrical - 12/4 (13ft/4m)	
5C	70002948	AR	Cable, Electrical - 12/4 (30in/76cm)	
6	2220252	1	Fitting, Adapter	
7	3600386	1	Compressor Assembly (See AIR COMPRESSOR ASSEMBLY for Breakdown)	
8	3720021	1	Filter/Regulator Assembly	
8	7027781	1	Service Kit (Includes Gaskets and Seals)	
8	7027782	1	Filter	
8	7027784	1	Gauge	
8	7027783	1	Valve, Drain	
9	4340747	1	Bracket, Control Box	
11	4751800	4	Washer 1/2	
12	2220750	1	Fitting	
14	4460428	1	Connector, Strain Relief	
	0273687	Ref	DECAL INSTALLATION	A
101	1705836	1	Decal - Hazard Voltage	
102	1705837	1	Decal - Air Compressor	
103	1705886	2	Decal - SkyAir	

# SECTION 2 - TURNTABLE

## FIGURE 2-26. AIR COMPRESSOR ASSEMBLY



NOTE: ON SOME MACHINES, THIS PORT MAYBE LOCATED ON SIDE OF TANK.

ART\_3600386

## SECTION 2 - TURNTABLE

### FIGURE 2-26. AIR COMPRESSOR ASSEMBLY

ITEM	PART NUMBER	QTY	DESCRIPTION	REV
	3600386	Ref	AIR COMPRESSOR ASSEMBLY	B
1	7026632	1	Tank	
2	See Note	1	Bracket, Mounting (Note: Not Available for Purchase)	
3	See Note	1	Bracket, Mounting (Note: Not Available for Purchase)	
4	See Note	1	Bracket, Regulator Mounting (Note: Not Available for Purchase)	
5	See Note	1	Deck (Note: Not Available for Purchase)	
6	See Note	2	Plug (Note: Not Available for Purchase)	
7	7026633	1	Valve, Drain	
8	7026634	1	Valve, Check	
9	7026635	1	Valve, Safety	
10	7026636	1	Pump Assembly	
10	7026659	1	Gasket and Seal Kit	
10A	7026651	1	Plug, Oil Drain	
10B	7026652	1	Gauge, Oil Sight	
10C	7026653	1	Bearing	
10D	7026654	1	Cap, Oil Fill	
10E	7026655	1	Bearing	
10F	7026656	1	Seal	
11	7026637	1	Motor Assembly	
11	See Note	1	Brush Kit (Note: Not Available for Purchase)	
12	See Note	1	Screen, Inner (Note: Not Available for Purchase)	
13	See Note	1	Guard, Belt (Note: Not Available for Purchase)	
14	See Note	2	Support (Note: Not Available for Purchase)	
15	See Note	1	Bushing (Note: Not Available for Purchase)	
16	4751600	18	Washer 3/8	
17	4761600	10	Washer 3/8	
18	0641506	4	Bolt 5/16 x 3/4	
19	0641406	8	Bolt 1/4 x 3/4	
20	See Note	1	Bushing (Note: Not Available for Purchase)	
21	0641610	10	Bolt 3/8 x 1-1/4	
22	0641616	4	Bolt 3/8 x 2	
23	See Note	10	Bolt 1/4 x 1/2 (Note: Not Available for Purchase)	
24	See Note	4	Fitting (Note: Not Available for Purchase)	
25	See Note	1	Fitting, Barbed (Note: Not Available for Purchase)	
26	3311605	4	Nut 3/8	
27	See Note	1	Fitting, Compression (Note: Not Available for Purchase)	
28	See Note	1	Bracket, Mounting (Note: Not Available for Purchase)	
29	7026660	1	Filter, Oil Removal	
30	7026661	1	Filter, Water Removal	
31	70001663	1	Valve, Ball Shut-Off	
32	See Note	1	Bushing (Note: Not Available for Purchase)	
33	See Note	1	Fitting, Barbed (Note: Not Available for Purchase)	
34	See Note	2	Screw 1/4 x 1 (Note: Not Available for Purchase)	
35	3311405	2	Nut 1/4	
36	See Note	1	Unloader (Note: Not Available for Purchase)	
37	See Note	1	Fitting (Note: Not Available for Purchase)	
38	See Note	1	Pulley (Note: Not Available for Purchase)	
39	7026638	1	Switch, Pressure	
40	7026639	1	Valve, Pilot	
41	7026640	1	Gauge	

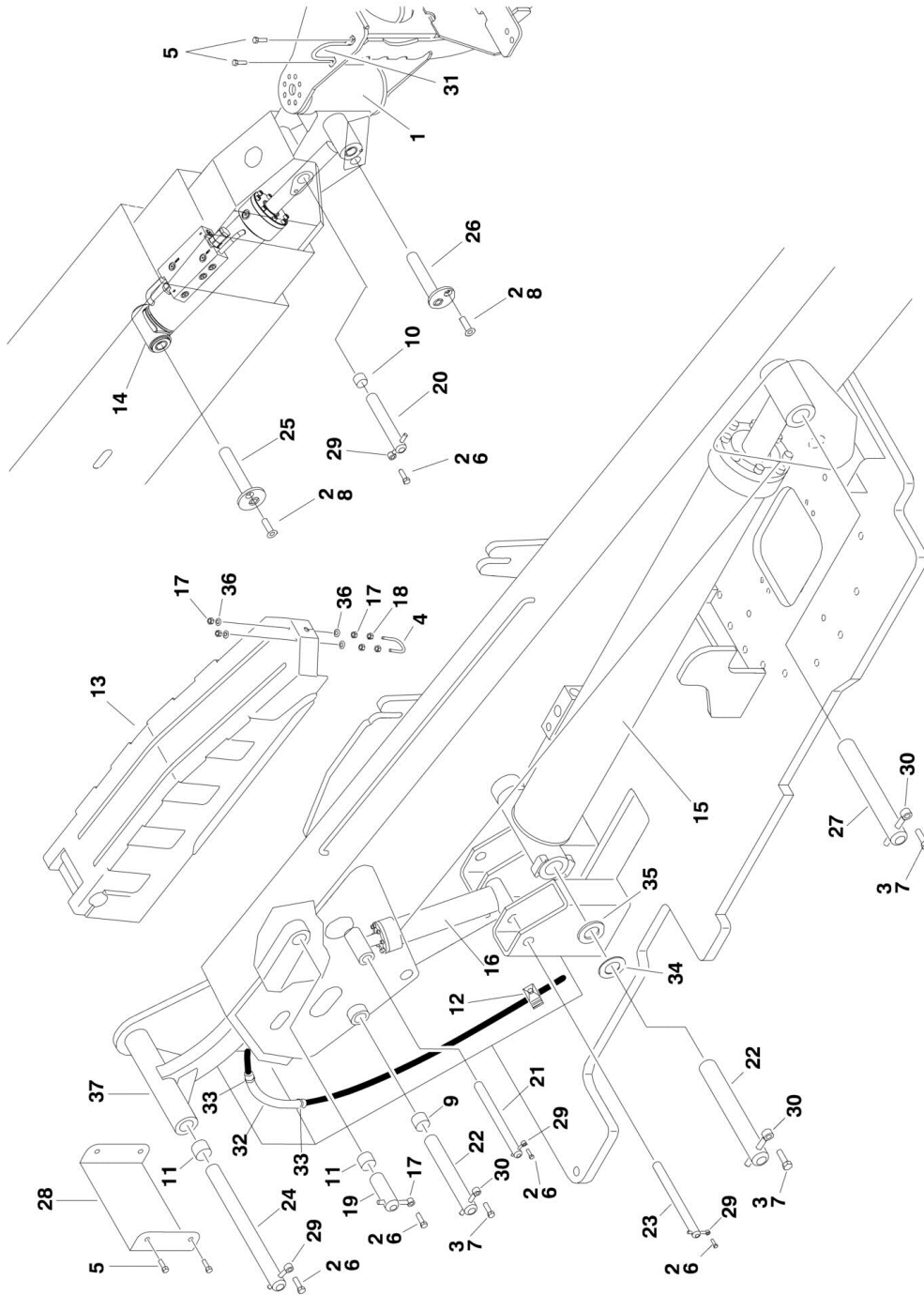
## SECTION 2 - TURNTABLE

ITEM	PART NUMBER	QTY	DESCRIPTION	REV
42	See Note	1	Hose (Note: Not Available for Purchase)	
43	See Note	1	Tube, Feed (Note: Not Available for Purchase)	
44	See Note	1	Tube (Note: Not Available for Purchase)	
45	See Note	1	Tube (Note: Not Available for Purchase)	
46	See Note	1	Aftercooler (Note: Not Available for Purchase)	
47	See Note	2	Clamp (Note: Not Available for Purchase)	
48	See Note	2	Clamp (Note: Not Available for Purchase)	
49	See Note	1	Harness, Wiring (Note: Not Available for Purchase)	
50	7026658	1	Filter Assembly	
50	7026641	1	Element, Filter	
51	See Note	23 oz	Oil, Compressor (Note: Not Available for Purchase) (Not Shown)	
52	0100020	AR	Sealant (Not Shown)	
53	See Note	1	Key (Note: Not Available for Purchase)	
54	See Note	2	Setscrew (Note: Not Available for Purchase)	
55	See Note	2	Cover, Clamp End (Note: Not Available for Purchase)	
56	7026642	1	Belt	
57	7026643	1	Decal - Unit Warning	
58	7026644	1	Decal - Pressure Switch Warning	
59	7026645	1	Decal - Drain Tank Warning	
60	7026646	1	Decal - Compressor Maintenance	
61	7026647	1	Decal - Initial Oil Fill	
62	7026648	1	Decal - Hot Surfaces Warning	
63	7026649	1	Decal - Paper Element Cleaning	
64	7026650	1	Decal - Dual Control	

**SECTION 3 - BOOM**

# SECTION 3 - BOOM

## FIGURE 3-1. BOOM INSTALLATION - 600SC





## SECTION 3 - BOOM

**FIGURE 3-1. BOOM INSTALLATION - 600SC**

ITEM	PART NUMBER	QTY	DESCRIPTION	REV
		Ref	<b>BOOM AND CYLINDERS INSTALLATIONS - 600SC</b>	
	0272138	Ref	<b>ANSI and ANSI Export Specs (SN 0300128000 through 0300137550)</b>	5
	0272136	Ref	<b>Australian and CE Specs (SN 0300128000 through 0300137550)</b>	6
	1001108341	Ref	<b>All Specs (SN 0300137551 through 0300174703)</b>	F
1	0060067	1	Rotator Assembly (See ROTATOR ASSEMBLIES for Breakdown)	
		Ref	<b>Note: Torque Nut on Bottom of Rotator to 480 ft Lbs when Reassembling.</b>	
2	0100011	AR	Compound, Locking	
3	0100019	AR	Compound, Locking	
4	0630458	AR	U-Bolt	
5	0641604	AR	Bolt 3/8in-16NC x 1/2in	
6	0641608	5	Bolt 3/8in-16NC x 1in	
7	0642012	3	Bolt 5/8in-11NC x 1-1/2in	
8	0741607	2	Screw, Countersunk 3/8in-16NC x 7/8in	
9	0961950	2	Bushing	
10	0961951	2	Bushing	
11	0962006	3	Bushing	
12	1320235	1	Clamp, Staff	
13		Ref	Cover, Boom Options:	
13	1671055	NLA	Cover, Boom (Use p/n 1001148925) <b>(SN 0300128000 through 0300172250)</b>	
13	1001148925	1	Cover, Boom <b>(SN 0300172251 through 0300174703)</b>	
14	1683415	NLA	Platform Level Cylinder Assembly (Use p/n 1001228008) (See CYLINDER SECTION for Breakdown) (Original Equipment)	
14	1001223512	NLA	Platform Level Cylinder Assembly (Use p/n 1001228008) (See CYLINDER SECTION for Breakdown) (Service Replacement)	
14	1001228008	1	Platform Level Cylinder Assembly (See CYLINDER SECTION for Breakdown) (Service Replacement)	
15		Ref	Lift Cylinder Assembly Options (See CYLINDER SECTION for Breakdown):	
15	1683666	NLA	Lift Cylinder Assembly (Use p/n 100112468) <b>(SN 0300128000 through 0300138353)</b>	
15	100112468	1	Lift Cylinder Assembly <b>(SN 0300138354 through 0300174703)</b>	
16	1684414	1	Master Cylinder Assembly (See CYLINDER SECTION for Breakdown)	
17	3311402	AR	Nut, Jam 1/4in-20NC	
18	3311405	AR	Locknut 1/4in-20NC	
19	3422557	1	Pin	
20	3422562	1	Pin	
21	3422563	1	Pin	
22	3422564	2	Pin	
23	3422565	1	Pin	
24	3422566	1	Pin	
25	3422569	1	Pin	
26	3422580	1	Pin	
27	3423184	1	Pin	
28	3539563	1	Cover <b>(SN 0300128000 through 0300172251)</b>	
29	3841143	5	Keeper, Pin	
30	3841258	3	Keeper, Pin	

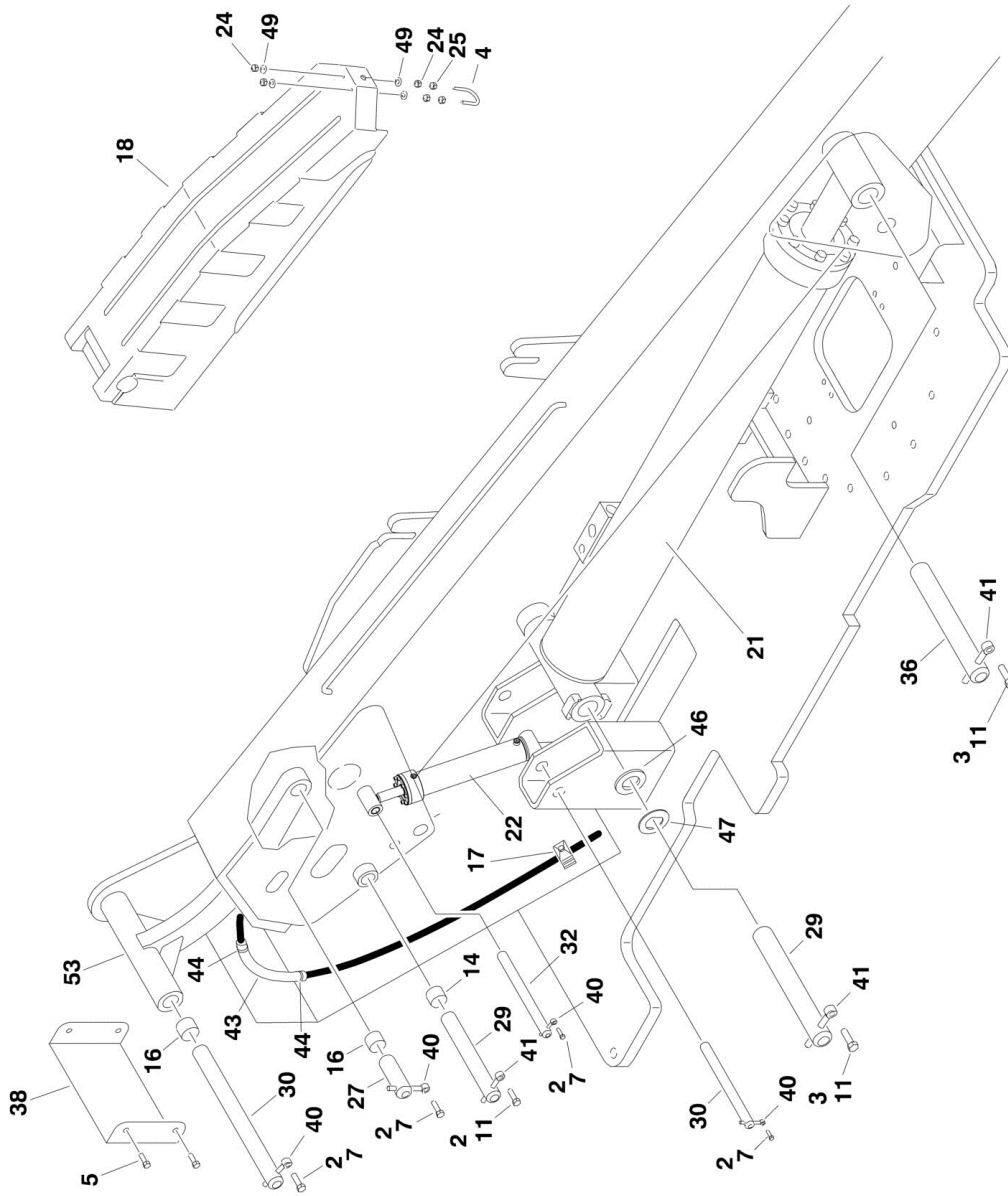
## SECTION 3 - BOOM

ITEM	PART NUMBER	QTY	DESCRIPTION	REV
31	3841340	1	Clamp, Loop	
32	4100033	2 ft/.3m	Sleeve	
33	4240033	AR	Tie-Strap	
34	4740158	2	Thrustwasher	
35	4740314	AR	Thrustwasher	
36	4751400	AR	Flatwasher 1/4in Regular	
37		Ref	Link, Push Options:	
37	4844944	1	Link, Push <b>(SN 0300128000 through 0300137537)</b>	
37	1001094043	1	Link, Push <b>(SN 0300137538 through 0300174703)</b>	

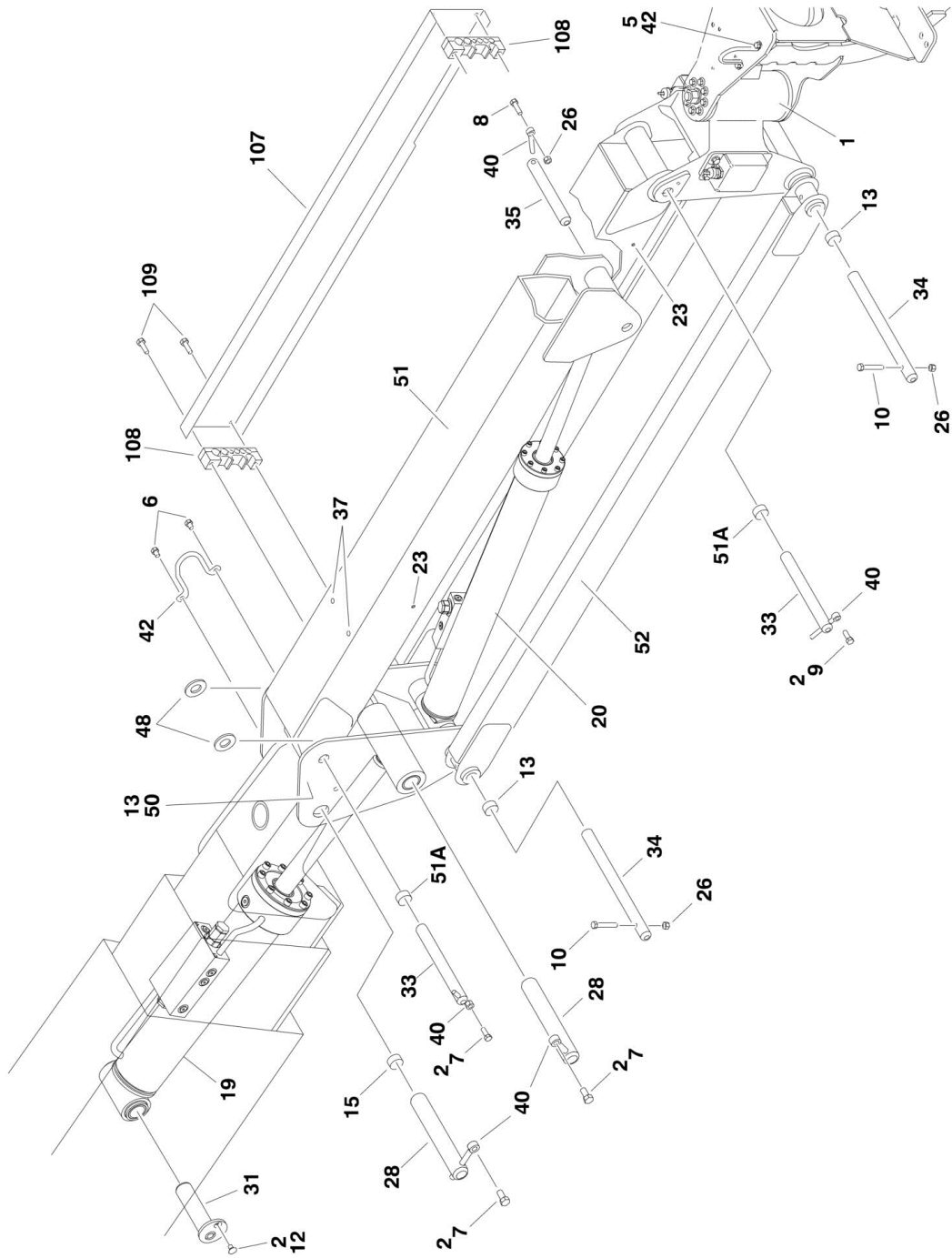


# SECTION 3 - BOOM

## FIGURE 3-2. BOOM INSTALLATION - 660SJC



SECTION 3 - BOOM



# SECTION 3 - BOOM

## FIGURE 3-2. BOOM INSTALLATION - 660SJC

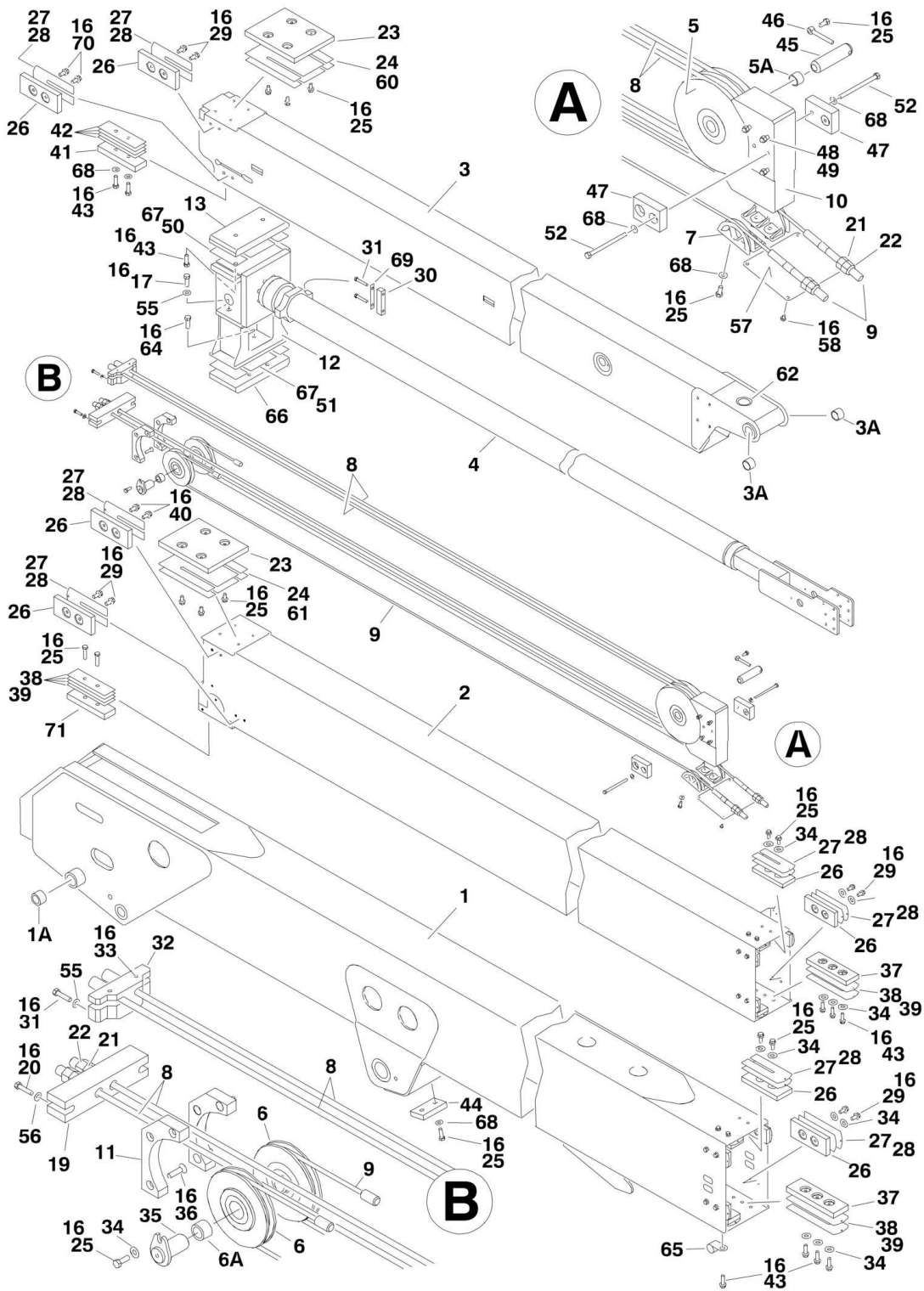
ITEM	PART NUMBER	QTY	DESCRIPTION	REV
		Ref	<b>BOOM AND CYLINDERS INSTALLATIONS - 660SJC</b>	
	0272147	Ref	<b>ANSI and ANSI Export Specs (SN 0300128000 through 0300137550)</b>	6
	0272146	Ref	<b>Australian and CE Specs (SN 0300128000 through 0300137550)</b>	7
	1001108342	Ref	<b>All Specs (SN 0300137551 through 0300174703)</b>	F
1	0060066	1	Rotator Assembly (See ROTATOR ASSEMBLIES for Breakdown)	
		Ref	<b>Note: Torque Nut on Bottom of Rotator to 480 ft Lbs when Reassembling.</b>	
2	0100011	AR	Compound, Locking	
3	0100019	AR	Compound, Locking	
4	0630458	AR	U-Bolt	
5	0641604	AR	Bolt 3/8in-16NC x 1/2in	
6	0641606	2	Bolt 3/8in-16NC x 3/4in	
7	0641608	7	Bolt 3/8in-16NC x 1in	
8	0641611	1	Bolt 3/8in-16NC x 1-3/8in	
9	0641614	1	Bolt 3/8in-16NC x 1-3/4in	
10	0641618	4	Bolt 3/8in-16NC x 2-1/4in	
11	0642012	3	Bolt 5/8in-11NC x 1-1/2in	
12	0741607	1	Screw, Countersunk 3/8in-16NC x 7/8in	
13	0961947	6	Bushing	
14	0961950	2	Bushing	
15	0961951	2	Bushing	
16	0962006	3	Bushing	
17	1320235	1	Clamp, Staff	
18		Ref	Cover, Boom Options:	
18	1671055	NLA	Cover, Boom (Use p/n 1001148925) <b>(SN 0300128000 through 0300172250)</b>	
18	1001148925	1	Cover, Boom <b>(SN 0300172251 through 0300174703)</b>	
19	1683418	NLA	Platform Level Cylinder Assembly (Use p/n 1001228051) (See CYLINDER SECTION for Breakdown) (Original Equipment)	
19	1001223331	NLA	Platform Level Cylinder Assembly (Use p/n 1001228051) (See CYLINDER SECTION for Breakdown) (Service Replacement)	
19	1001228051	1	Platform Level Cylinder Assembly (See CYLINDER SECTION for Breakdown) (Service Replacement)	
20	1683609	NLA	Jib Lift Cylinder Assembly (Use p/n 1001248012) (See CYLINDER SECTION for Breakdown) (Original Equipment)	
20	1001228012	NLA	Jib Lift Cylinder Assembly (Use p/n 1001248012) (See CYLINDER SECTION for Breakdown) (Service Replacement)	
20	1001248012	1	Jib Lift Cylinder Assembly (See CYLINDER SECTION for Breakdown) (Service Replacement)	
21		Ref	Lift Cylinder Assembly Options (See CYLINDER SECTION for Breakdown):	
21	1683666	NLA	Lift Cylinder Assembly (Use p/n 1001112468) <b>(SN 0300128000 through 0300138353)</b>	
21	1001112468	1	Lift Cylinder Assembly <b>(SN 0300138354 through 0300174703)</b>	
22	1684413	NLA	Master Cylinder Assembly (Use p/n 1001228052) (Original Equipment) <b>(SN 0300097054 through 0300128000)</b>	
22	1001228052	1	Master Cylinder Assembly (Service Replacement)	
23	2080044	4	Rivnut	
24	3311402	AR	Nut, Jam 1/4in-20NC	
25	3311405	AR	Locknut 1/4in-20NC	

## SECTION 3 - BOOM

ITEM	PART NUMBER	QTY	DESCRIPTION	REV
26	3311605	5	Locknut 3/8in-16NC	
27	3422557	1	Pin	
28	3422561	2	Pin	
29	3422564	2	Pin	
30	3422566	2	Pin	
31	3422583	1	Pin	
32	3422790	1	Pin	
33	3422860	2	Pin	
34	3422861	2	Pin	
35	3422867	1	Pin	
36	3423184	1	Pin	
37	3520034	4	Plug	
38	3539563	1	Cover Only (SN 0300128000 through 0300172251)	
39	3790012	1	O-Ring (Not Shown - Located on Console Box)	
40	3841143	9	Keeper, Pin	
41	3841258	3	Keeper, Pin	
42	3841340	AR	Clamp, Loop Options:	
42	3841340	1	Clamp, Loop (SN 0300128000 through 0300155488)	
42	3841340	2	Clamp, Loop (SN 0300155489 through 0300174703)	
43	4100033	2 ft/.3m	Sleeve	
44	4240033	2	Tie-Strap	
45	4360328	1	Switch, Toggle (Not Shown - Located on Console Box)	
46	4740158	AR	Thrustwasher	
47	4740314	AR	Thrustwasher	
48	4740439	2	Thrustwasher	
49	4751400	AR	Flatwasher 1/4in Regular	
50	4844815	1	Pivot	
51	4844816	1	Tube, Jib (Top)	
51A	0962335	4	Bushing	
52	4844817	2	Tube, Jib (Bottom)	
53		Ref	Link, Push Options:	
53	4844944	1	Link, Push (SN 0300128000 through 0300137537)	
53	1001094043	1	Link, Push (SN 0300137538 through 0300174703)	
		Ref	<b>CABLE COVER INSTALLATIONS</b>	
	0272043	Ref	<b>ANSI and ANSI Export Specs without SkyPower and without Arctic Package</b>	2
	0274594	Ref	<b>ANSI and ANSI Export Specs with SkyPower and without Arctic Package</b>	1
	1001104428	Ref	<b>ANSI and ANSI Export Specs without SkyPower and with Arctic Package</b>	1
	1001104430	Ref	<b>ANSI and ANSI Export Specs with SkyPower and with Arctic Package</b>	1
	0272046	Ref	<b>CE and Australian Specs without SkyPower</b>	2
	0274595	Ref	<b>CE and Australian Specs with SkyPower</b>	1
107	1670769	1	Cover	
108	0561237	2	Block, Clamp	
109	0641416	4	Bolt 1/4in-20NC x 2in	

# SECTION 3 - BOOM

## FIGURE 3-3. MAIN BOOM ASSEMBLIES - ANSI AND ANSI EXPORT SPECS





## SECTION 3 - BOOM

**FIGURE 3-3. MAIN BOOM ASSEMBLIES - ANSI AND ANSI EXPORT SPECS**

ITEM	PART NUMBER	QTY	DESCRIPTION	REV
		Ref	<b>MAIN BOOM ASSEMBLY OPTIONS:</b>	
	0801483	Ref	<b>Main Boom Assembly 600SC ANSI and ANSI Export Specs</b>	F
	0801484	Ref	<b>Main Boom Assembly 660SJC ANSI and ANSI Export Specs</b>	F
1	0801469	1	Base Weldment	
1A	0961950	2	Bushing, Garmax	
2	0801524	1	Mid Weldment	
3		Ref	Fly Weldment Options:	
3	0801498	1	Fly Weldment 600SC	
3	0801504	1	Fly Weldment 660SJC	
3A	0961951	2	Bushing (660SJC Only)	
4	1683618	1	Telescope Cylinder Assembly (See CYLINDER SECTION for Breakdown)	
5	3580241	1	Sheave Assembly (Extend)	2-B
5A	0961951	2	Bushing, Garmax	
6	3580243	1	Sheave Assembly (Extend)	1-A
6A	0961951	2	Bushing (1 Per Sheave)	
7	1220078	2	Block, Sheave	
8	3890005	2	Cable (Extend)	
9	3890006	2	Cable (Retract)	
10	3580248	1	Guard, Sheave (Extend)	
11	3580249	2	Guard, Sheave (Retract)	
12	4846319	1	Support, Wear Pad	
13	3340844	1	Pad, Wear	
16	0100011	AR	Compound, Locking	
17	0681610	4	Bolt 3/8in-16NC x 1-1/4in (Grade 8)	
19	0561184	1	Block, Cable	
20	0641824	2	Bolt 1/2in-13NC x 3in	
21	3312201	4	Nut 3/4in-10NC	
22	3300241	4	Locknut, Special 3/4in-10NC	
23	3340757	2	Pad, Wear	
24	4070896	4	Shim (.06) (Without Slide-In Slots)	
25	0641607	AR	Bolt 3/8in-16NC x 7/8in	
26		Ref	Pad, Wear Options:	
26	3340881	20	Pad, Wear (SN 0300128000 through 0300168631)	
26	1001148652	20	Pad, Wear (SN 0300168632 through 0300174703)	
27	4070897	28	Shim (.05) (Without Slide-In Slots)	
28	4070898	24	Shim (.12) (Without Slide-In Slots)	
29	0641606	24	Bolt 3/8in-16NC x 3/4in	
30	0561185	2	Block	
31	0641616	16	Bolt 3/8in-16NC x 2in	
32	0561183	1	Block, Cable	
33	3951608	2	Setscrew 3/8in-16NC x 1in	
34	4711600	38	Flatwasher 3/8in Thin	
35	3422424	2	Pin (Retract Sheave)	
36	0741612	6	Screw, Countersunk 3/8in-16NC x 1-1/2in	
37	3340871	4	Pad, Wear	
38	4070863	4	Shim (.12)	
39	4070864	3	Shim (.05)	
40	0641613	AR	Bolt 3/8in-16NC x 1-5/8in	
41		Ref	Pad, Wear Options:	

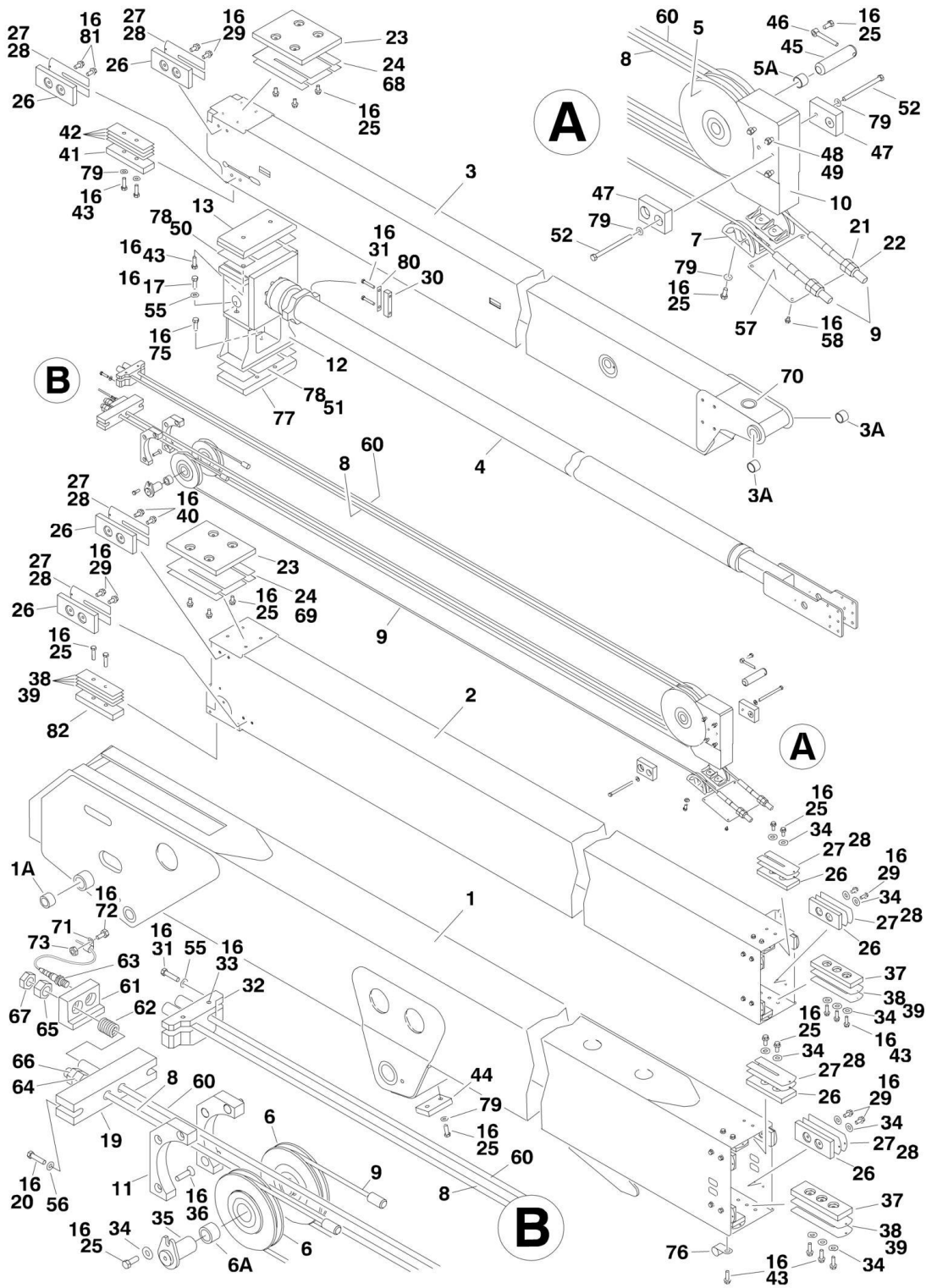
## SECTION 3 - BOOM

ITEM	PART NUMBER	QTY	DESCRIPTION	REV
41	3340758	2	Pad, Wear (SN 0300128000 through 0300168631)	
41	1001148650	2	Pad, Wear (SN 0300168632 through 0300174703)	
42	4070895	8	Shim (.06)	
43	0641608	22	Bolt 3/8in-16NC x 1in	
44	0561076	1	Block	
45	3422417	2	Pin (Extend Sheave)	
46	3841143	1	Keeper, Pin	
47		Ref	Pad, Wear Options:	
47	3340755	2	Pad, Wear (SN 0300128000 through 0300168631)	
47	1001148651	2	Pad, Wear (SN 0300168632 through 0300174703)	
48	0641634	4	Bolt 3/8in-16NC x 4-1/4in	
49	3311605	4	Locknut 3/8in-16NC	
50	4070976	1	Shim (.12)	
51	4071004	1	Shim (.25)	
52	0641638	2	Bolt 3/8in-16NC x 4-3/4in	
55	4891600	6	Flatwasher 3/8in Hardened	
56	4891800	2	Flatwasher 1/2in Hardened	
57	3539622	1	Plate, Cover	
58	0641403	4	Bolt 1/4in-20NC x 3/8in	
59	4070929	AR	Shim	
60	4070939	AR	Shim (1/16in) (With Slide-In Slots)	
61	4070940	AR	Shim (1/16in) (With Slide-In Slots)	
62	4060805	6 in/16cm	Flex-Trim	
64	0681608	4	Bolt 3/8in-16NC x 1in (Grade 8)	
65	1320070	2	Clamp	
66	3340900	1	Pad, Wear	
67	4071005	AR	Shim (.05)	
68	4751600	12	Flatwasher 3/8in Regular	
69	4071007	AR	Shim	
70	0641614	4	Bolt 3/8in-16NC x 1-3/4in	
71		Ref	Pad, Wear Options:	
71	3340871	1	Pad, Wear (SN 0300128000 through 0300168631)	
71	1001148653	1	Pad, Wear (SN 0300168632 through 0300174703)	



# SECTION 3 - BOOM

## FIGURE 3-4. MAIN BOOM ASSEMBLIES - AUSTRALIAN AND CE SPECS



**SECTION 3 - BOOM**

**FIGURE 3-4. MAIN BOOM ASSEMBLIES - AUSTRALIAN AND CE SPECS**

ITEM	PART NUMBER	QTY	DESCRIPTION	REV
		Ref	<b>MAIN BOOM ASSEMBLY OPTIONS:</b>	
	0801479	Ref	<b>Main Boom Assembly 600SC Australian and CE Specs</b>	F
	0801481	Ref	<b>Main Boom Assembly 660SJC Australian and CE Specs</b>	F
1	0801469	1	Base Weldment	
1A	0961950	2	Bushing	
2	0801524	1	Mid Weldment	
3		Ref	Fly Weldment Options:	
3	0801498	1	Fly Weldment 600SC	
3	0801504	1	Fly Weldment 660SJC	
4	1683618	1	Telescope Cylinder Assembly (See CYLINDER SECTION for Breakdown)	
5	3580241	1	Sheave Assembly (Extend)	2-B
5A	0961951	2	Bushing, Garmax	
6	3580243	1	Sheave Assembly (Extend)	1-A
6A	0961951	2	Bushing (1 Per Sheave)	
7	1220078	2	Block, Sheave	
8	3890010	1	Cable (Extend)	
9	3890006	2	Cable (Retract)	
10	3580248	1	Guard, Sheave (Extend)	
11	3580249	2	Guard, Sheave (Retract)	
12	4846319	1	Support, Wear Pad	
13	3340844	1	Pad, Wear	
16	0100011	AR	Compound, Locking	
17	0681610	4	Bolt 3/8in-16NC x 1-1/4in (Grade 8)	
19	0561245	1	Block, Cable	
20	0641824	2	Bolt 1/2in-13NC x 3in	
21	3312201	2	Nut 3/4in-10NC	
22	3300241	2	Locknut, Special 3/4in-10NC	
23	3340757	2	Pad, Wear	
24	4070896	4	Shim (.06) (Without Slide-In Slots)	
25	0641607	AR	Bolt 3/8in-16NC x 7/8in	
26		Ref	Pad, Wear Options:	
26	3340881	20	Pad, Wear (SN 0300128000 through 0300168631)	
26	1001148652	20	Pad, Wear (SN 0300168632 through 0300174703)	
27	4070897	28	Shim (.05) (Without Slide-In Slots)	
28	4070898	24	Shim (.12) (Without Slide-In Slots)	
29	0641606	24	Bolt 3/8in-16NC x 3/4in	
30	0561185	2	Block	
31	0641616	6	Bolt 3/8in-16NC x 2in	
32	0561183	1	Block, Cable	
33	3951608	2	Setscrew 3/8in-16NC x 1in	
34	4711600	38	Flatwasher 3/8in Thin	
35	3422424	2	Pin (Retract Sheave)	
36	0741612	6	Screw, Countersunk 3/8in-16NC x 1-1/2in	
37	3340871	4	Pad, Wear	
38	4070863	4	Shim (.12)	
39	4070864	3	Shim (.05)	
40	0641613	AR	Bolt 3/8in-16NC x 1-5/8in	
41		Ref	Pad, Wear Options:	
41	3340758	2	Pad, Wear (SN 0300128000 through 0300168631)	

## SECTION 3 - BOOM

ITEM	PART NUMBER	QTY	DESCRIPTION	REV
41	1001148650	2	Pad, Wear (SN 0300168632 through 0300174703)	
42	4070895	8	Shim (.06)	
43	0641608	22	Bolt 3/8in-16NC x 1in	
44	0561076	1	Block	
45	3422417	2	Pin (Extend Sheave)	
46	3841143	1	Keeper, Pin	
47		Ref	Pad, Wear Options:	
47	3340755	2	Pad, Wear (SN 0300128000 through 0300168631)	
47	1001148651	2	Pad, Wear (SN 0300168632 through 0300174703)	
48	0641634	4	Bolt 3/8in-16NC x 4-1/4in	
49	3311605	4	Locknut 3/8in-16NC	
50	4070976	1	Shim (.12)	
51	4071004	1	Shim (.25)	
52	0641638	2	Bolt 3/8in-16NC x 4-3/4in	
55	4891600	6	Flatwasher 3/8in Hardened	
56	4891800	2	Flatwasher 1/2in Hardened	
57	3539622	1	Plate, Cover	
58	0641403	4	Bolt 1/4in-20NC x 3/8in	
59	4070929	AR	Shim	
60	3890009	1	Cable (Extend)	
61	0561508	1	Plate, Spring Mounting	
62	4160149	1	Spring	
63	4360506	1	Switch, Proximity	
64	3272401	1	Nut 7/8in-9NC	
65	3272001	1	Nut 5/8in-11NC	
66	3300242	1	Locknut 7/8in-9NC	
67	3300240	1	Locknut 5/8in-11NC	
68	4070939	AR	Shim (1/16in) (With Slide-In Slots)	
69	4070940	AR	Shim (1/16in) (With Slide-In Slots)	
70	4060805	6 in/16cm	Flex-Trim	
71	1320244	1	Clamp	
72	0641406	1	Bolt 1/4in-20NC x 3/4in	
73	3311401	1	Nut 1/4in-20NC	
75	0681608	4	Bolt 3/8in-16NC x 1in (Grade 8)	
76	1320070	2	Clamp	
77	3340900	1	Pad, Wear	
78	4071005	6	Shim (.05)	
79	4751600	12	Flatwasher 3/8in Regular	
80	4071007	AR	Shim	
81	0641614	4	Bolt 3/8in-16NC x 1-3/4in	
82		Ref	Pad, Wear Options:	
82	3340871	1	Pad, Wear (SN 0300128000 through 0300168631)	
82	1001148653	1	Pad, Wear (SN 0300168632 through 0300174703)	



# SECTION 3 - BOOM

## FIGURE 3-5. ROTATOR ASSEMBLIES

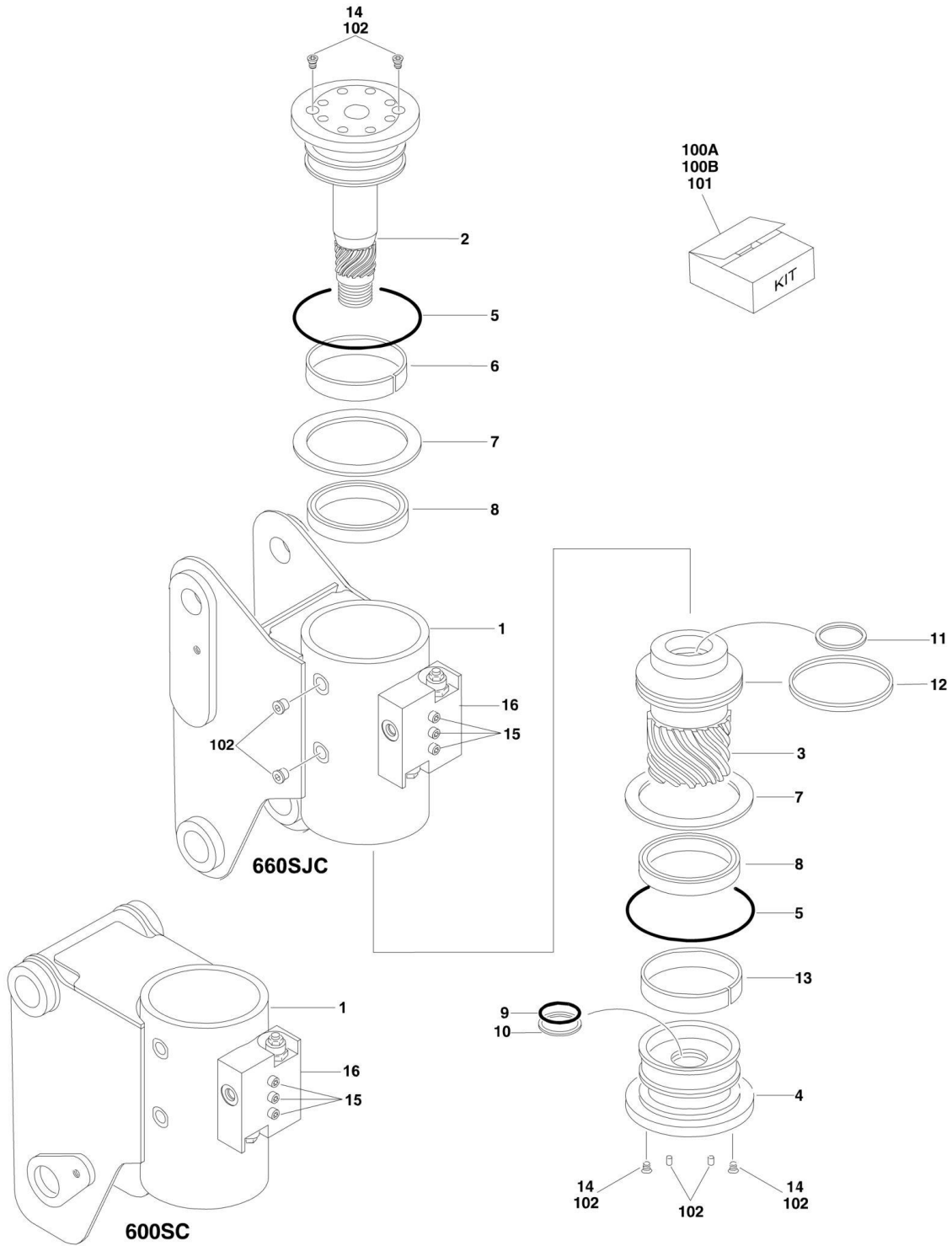




FIGURE 3-5. ROTATOR ASSEMBLIES

ITEM	PART NUMBER	QTY	DESCRIPTION	REV
		Ref	<b>ROTATOR ASSEMBLIES</b>	
	0060067	Ref	<b>Rotator Assembly 600SC</b>	A
	0060066	Ref	<b>Rotator Assembly 660SJC</b>	C
1	See Note	NSS	Housing/Ring Gear Assembly (Note: Not Available - Purchase Complete Rotator Assembly.)	
2	7017162	1	Shaft	
2	7017195	2	Bushing, Shaft	
3	7017163	1	Piston/Sleeve Assembly	
4	7017164	1	Cap, End	
5	See Note	NSS	O-Ring (Note: Use Item 100A or 100B)	
6	See Note	NSS	Bearing, Shaft (Note: Use Item 101)	
7	See Note	NSS	Thrustwasher (Note: Use Item 101)	
8	See Note	NSS	Packing, Bearing (Note: Use Item 100A or 100B)	
9	See Note	NSS	Seal, Cap (Note: Use Item 100A or 100B)	
10	See Note	NSS	Ring, Back-up Cap (Note: Use Item 100A or 100B)	
11	See Note	NSS	Seal, Rod (Note: Use Item 100A or 100B)	
12	See Note	NSS	Seal, Piston (Note: Use Item 100A or 100B)	
13	See Note	NSS	Bearing, Cap (Note: Use Item 101)	
14	70001697	4	Screw, Countersunk 1/4in-20NC x 3/8in (Grade 8)	
15	See Note	3	Capscrew 1/4 x 1-1/2 (Grade 8) (Note: Not Available for Purchase.)	
16	7017183	3	Valve Assembly	
16	7017193	1	Cartridge, Valve	
16	See Note	NSS	Seal Kit - 7017193 Valve (Note: Use p/n 7017193)	
16	See Note	NSS	Cartridge, Valve (Not Shown - Located on Side of Block) (Note: Use p/n 7017183)	
16	See Note	NSS	Seal Kit - Valve Located on Side of Block (Note: Use p/n 7017183)	
		Ref	<b>Kit Options</b>	
100		Ref	Seal Kit Options (Includes Items 5, 8-12 & 102):	
100A	7017158	1	Seal Kit - Standard	
100B	70000342	1	Seal Kit - Low Temperature	
101	7017159		Bearing Kit (Includes Items 6, 7 & 13)	
102	See Note	NSS	Hardware Kit (Note: Part of Item 100 - Use Item 100A or 100B)	

# SECTION 3 - BOOM

## FIGURE 3-6. PLATFORM SUPPORT INSTALLATION

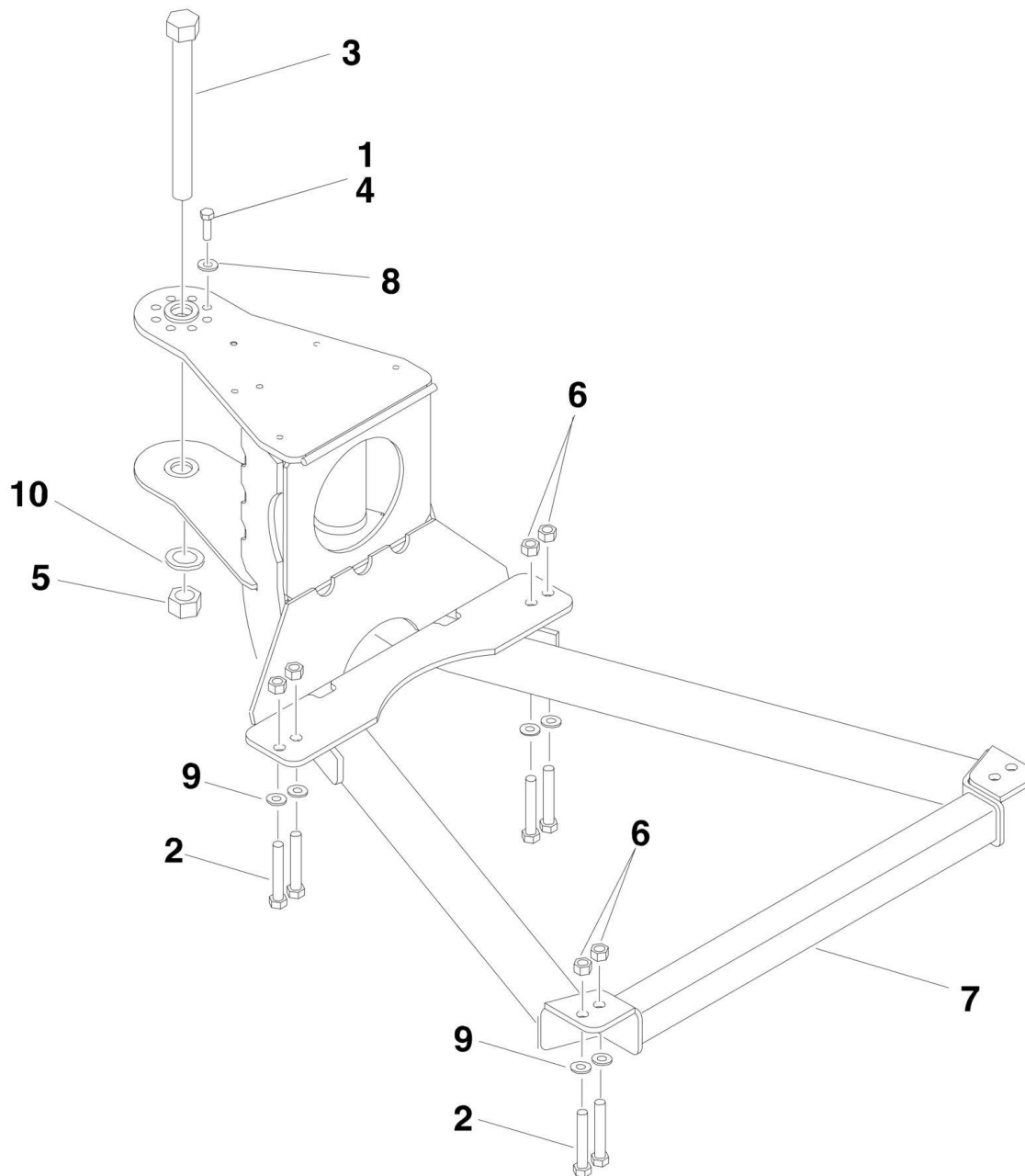


FIGURE 3-6. PLATFORM SUPPORT INSTALLATION

ITEM	PART NUMBER	QTY	DESCRIPTION	REV
		Ref	<b>PLATFORM SUPPORT INSTALLATIONS (SIDE ENTRY PLATFORM)</b>	
	0272070	Ref	<b>Machines without Load Sensing and without SkyGlazier</b>	C
	See Note	Ref	<b>Machines without Load Sensing and with SkyGlazier (Note: For Replacement Parts, Contact JLG Customer Service and Request Manual p/n 3124242.)</b>	
	See Note	Ref	<b>Machines with Load Sensing and without SkyGlazier (Note: For Replacement Parts, Contact JLG Customer Service and Request Manual p/n 3124287.)</b>	
	See Note	Ref	<b>Machines with Load Sensing and with SkyGlazier (Note: For Replacement Parts, Contact JLG Customer Service and Request Manual p/n 3124287.)</b>	
1	0100011	AR	Compound, Locking	
2	0641812	8	Bolt 1/2in-13NC x 1-1/2in	
3	0642684	1	Bolt 1in-8NC x 10-1/4in	
4	0681608	8	Bolt 3/8in-16NC x 1in	
5	3272605	1	Locknut 1in-8NC	
6	3311805	8	Locknut 1/2in-13NC	
7		Ref	Support Options:	
7	4846573	1	Support (Machines without Load Sensing and without SkyGlazier)	
7	See Note	1	Support (All Other Machines)	
8	4891600	8	Flatwasher 3/8in Hardened	
9	4891800	8	Flatwasher 1/2in Hardened	
10	4892600	1	Flatwasher 1in Hardened	

# SECTION 3 - BOOM

## FIGURE 3-7. POWER TRACK INSTALLATION

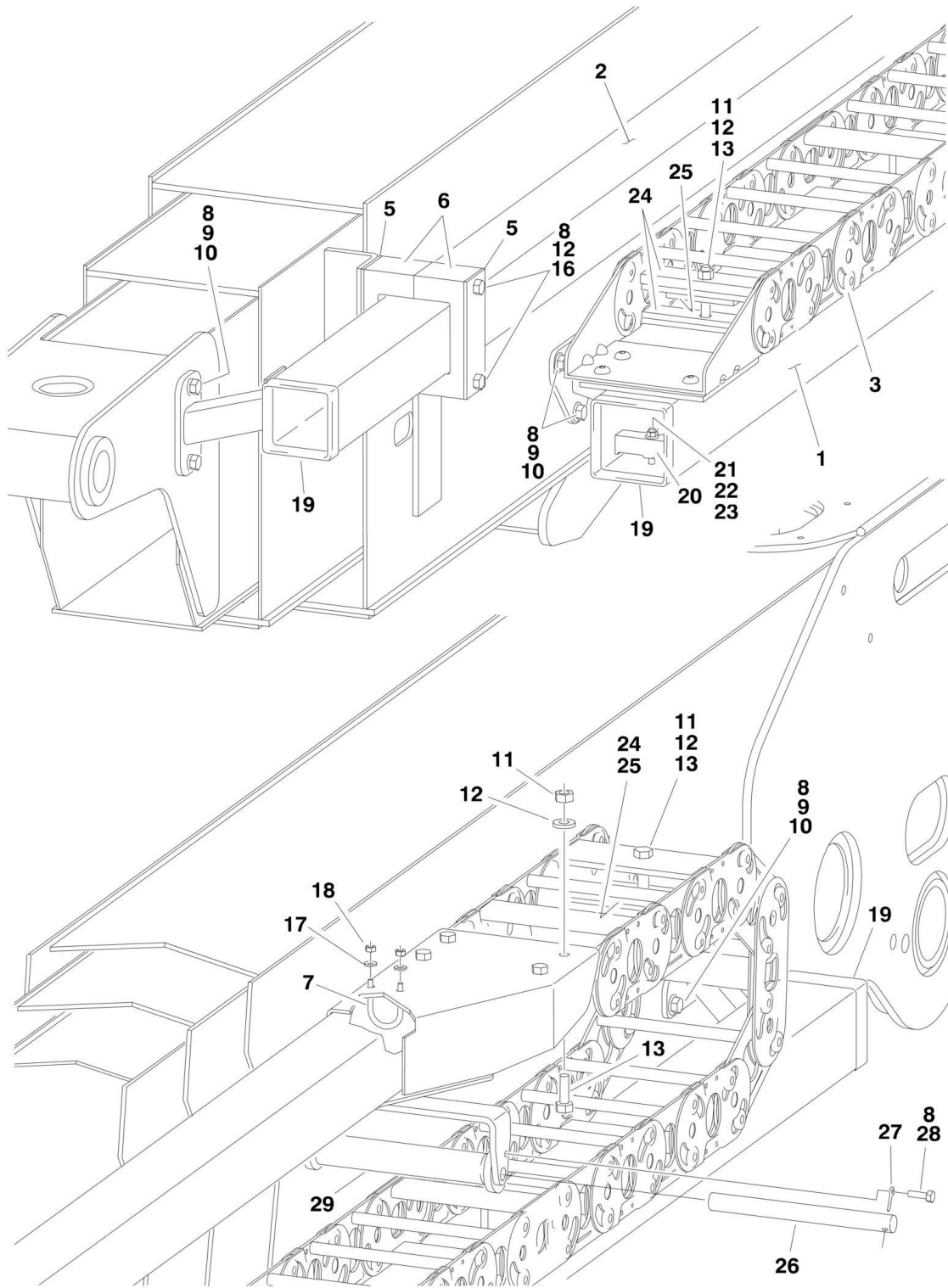


FIGURE 3-7. POWER TRACK INSTALLATION

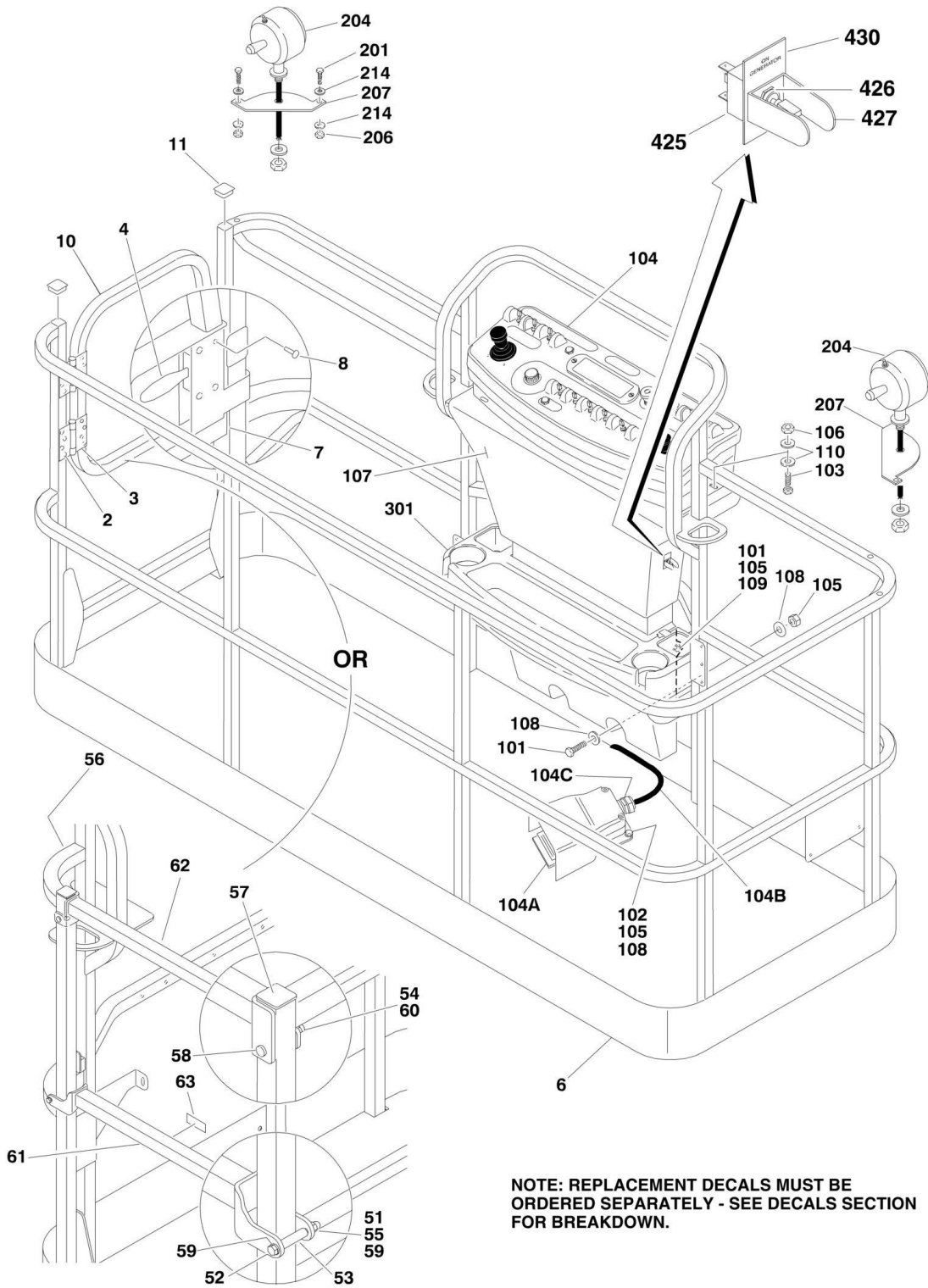
ITEM	PART NUMBER	QTY	DESCRIPTION	REV
		Ref	<b>POWER TRACK INSTALLATION OPTIONS</b>	
	0257988	Ref	<b>Power Track Installation 600SC</b>	7
	0271242	Ref	<b>Power Track Installation 660SJC</b>	3
1	4845819	1	Rail	
2	4845671	1	Tube, Push	
3		Ref	Power Track Assembly Options:	
		Ref	<b>Note: Various Power Tracks use on this model. Identify brand before ordering parts.</b>	
3	1180345	NLA	<b>Gemco Brand Power Track (Not Shown) (Use p/n 1001099832)</b>	
3	7016530	AR	Repair Section (Gemco Brand) (Includes 18 Link Pin, 4 Radius Links, 2 Carrier Links, 1 Rod Carrier, 1 Spring Loaded Rod, 1 Carrier Weldment and 12 Bearing Plates)	
3	7006138	1	Pin Kit (Gemco Brand) (Includes 1 pin, 1 Retaining Ring and 4 Washers)	
3	7006143	1	Mounting Feet Kit (Gemco Brand) (Includes 1 Left Hand, 1 Right Hand and 2 Spacers)	
3	1001099832	1	<b>Gortrac Brand Power Track (Shown)</b>	
3	70002005	AR	Repair Section (Gortrac Brand)	
3	70002006	1	Mounting Bracket Kit (Gortrac Brand)	
3	70004643	2	Clamp Kit (Gortrac Brand)	
5	3538758	AR	Plate	
6	3340764	2	Pad, Wear	
7	0630458	1	U-Bolt	
8	0100011	AR	Compound, Locking	
9	0641807	11	Bolt 1/2in-13NC x 7/8in	
10	4711800	11	Flatwasher 1/2in Narrow	
11	0641608	8	Bolt 3/8in-16NC x 1in	
12	4711600	18	Flatwasher 3/8in Narrow	
13	3311605	8	Locknut 3/8in-16NC	
16	0641644	2	Bolt 3/8in-16NC x 5-1/2in	
17	4711400	2	Flatwasher 1/4in Narrow	
18	3311405	2	Locknut 1/4in-20NC	
19	4060803	3 ft/0.9m	Shield, Trim	
20	1320247	1	Clamp, Nylon	
21	0641522	1	Bolt 5/16in-18NC x 2-3/4in	
22	3311505	1	Locknut 5/16in-18NC	
23	4711500	2	Flatwasher 5/16in Narrow	
24	4070994	2	Shim, Neoprene	
25	4070995	2	Shim, Neoprene	
26	3841013	1	Roller, Rod	
27	3450806	1	Pin, Cotter	
28	0641404	1	Screw	
29	3860050	1	Roller, Power Track	



**SECTION 4 - PLATFORM**

# SECTION 4 - PLATFORM

## FIGURE 4-1. PLATFORM COMPONENTS INSTALLATION





## SECTION 4 - PLATFORM

**FIGURE 4-1. PLATFORM COMPONENTS INSTALLATION**

ITEM	PART NUMBER	QTY	DESCRIPTION	REV
		Ref	<b>PLATFORM ASSEMBLIES</b>	
	3510822	Ref	<b>Platform 36in x 8ft (91.5cm x 2.44m) with No Mesh (Use p/n 1001144023) (SN 0300128000 through 0300168255)</b>	J
	1001144023	Ref	<b>Platform 36in x 8ft (91.5cm x 2.44m) with No Mesh (SN 0300168256 through 0300174703)</b>	B
	3510833	Ref	<b>Platform 36in x 6ft (91.5cm x 1.83m) with No Mesh (Use p/n 1001144024) (SN 0300128000 through 0300168255)</b>	I
	1001144024	Ref	<b>Platform 36in x 6ft (91.5cm x 1.83m) with No Mesh (SN 0300168256 through 0300174703)</b>	B
		Ref	<b>Note: Replacement Decals must be ordered separately - See DECALS SECTION.</b>	
		Ref	<b>Note: Original Equipment platform may have been replaced with Service Replacement platform. Identify platform before ordering parts.</b>	
		Ref	<b>Note: When replacing platform on machines with SkyCutter option, new bracket p/n 1001145405 must be purchased to accommodate SkyCutter components.</b>	
2	2080040	16	Fastener, Huck	
3	2600281	2	Hinge, Self-Closing	
4	2940074	1	Latch	
6	See Note	1	Platform (Note: Not Available - Purchase Complete Platform Assembly.)	
7	3520072	1	Cap-Plug	
8	3820020	4	Rivet, Pop	
10		Ref	Gate Options:	
10	4846452	1	Gate for Platform p/ns 3510822 & 3510833	
10	1001144629	1	Gate for Platform p/ns 1001144023 & 1001144024	
11	3520198	2	Cap-Plug	
		Ref	<b>PLATFORM ASSEMBLY WITH DROP-BAR</b>	
	1001138434	Ref	<b>Platform 36in x 6ft (91.5cm x 1.83m) with No Mesh (Use p/n 1001144021) (SN 0300128000 through 0300168255)</b>	B
	1001144021	Ref	<b>Platform 36in x 6ft (91.5cm x 1.83m) with No Mesh (SN 0300168256 through 0300174703)</b>	B
	1001138430	Ref	<b>Platform 36in x 8ft (91.5cm x 2.44m) with No Mesh (Use p/n 1001144022) (SN 0300128000 through 0300168255)</b>	B
	1001144022	Ref	<b>Platform 36in x 8ft (91.5cm x 2.44m) with No Mesh (SN 0300168256 through 0300174703)</b>	B
		Ref	<b>Note: Replacement Decals must be ordered separately - See DECALS SECTION.</b>	
		Ref	<b>Note: Original Equipment platform may have been replaced with Service Replacement platform. Identify platform before ordering parts.</b>	
51	0100011	AR	Compound, Locking	
52	0641418	2	Bolt 1/4in-20NC x 2-1/4in	
53	0961845	2	Bushing	
54	3290606	2	Nut M6	
55	3300151	2	Nut, Acorn	
56	See Note	1	Platform (Note: Not Available - Purchase Complete Platform Assembly.)	
57	3520198	2	Cap-Plug	
58	4010618	2	Screw M6 x 50mm	
59	4711400	4	Flatwasher 1/4in Thin	
60	4811700	2	Flatwasher M6	

## SECTION 4 - PLATFORM

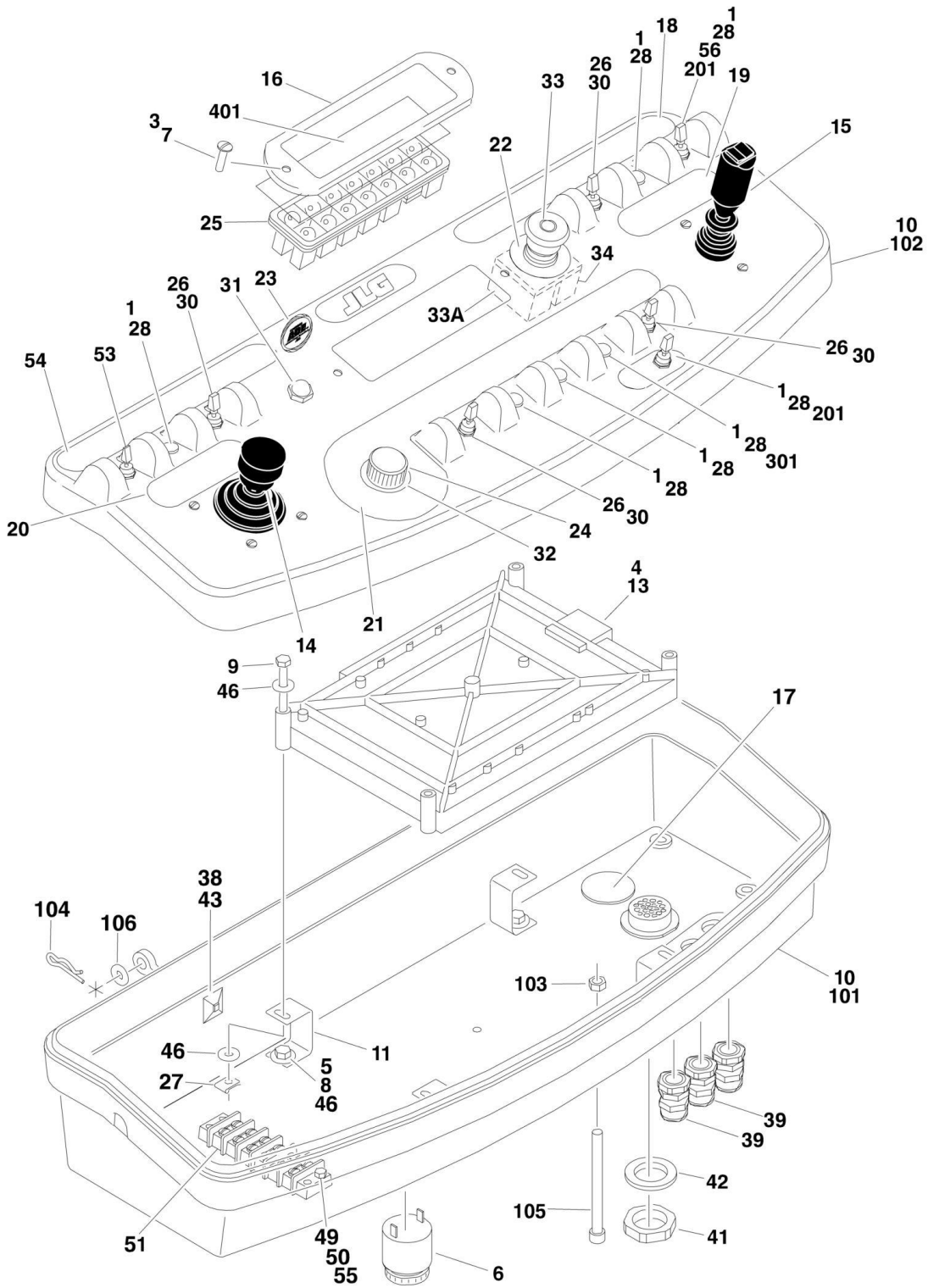
ITEM	PART NUMBER	QTY	DESCRIPTION	REV
61	1001138494	1	Bar, Drop	
62	1001138514	1	Rail (Top)	
63	1001140429	1	Decal - Drop-Bar	
		Ref	<b>CONSOLE BOX INSTALLATIONS</b>	
		Ref	<b>Note: For Ground Module Identification, Refer to Revision Log Page A.</b>	
	0272399	Ref	<b>Without UGM</b>	B
	1001108822	Ref	<b>With UGM (Use p/n 1001145886)</b>	B
101	0641406	4	Bolt 1/4in-20NC x 3/4in	
102	0641408	3	Bolt 1/4in-20NC x 1in	
103	0641610	4	Bolt 3/8in-16NC x 1-1/4in	
104		Ref	Platform Console Box Assembly (See PLATFORM CONSOLE ASSEMBLY for Breakdown)	
104	0861634	1	Without UGM	
104	1001108821	NLA	With UGM (Use p/n 1001145885)	
104A		Ref	Footswitch Assembly Options (Includes Footswitch and Items 104B & 104C):	
104A	0272970	1	Footswitch Assembly ( <b>SN 0300128000 through 0300167720</b> )	
104A	1001117174	1	Footswitch Assembly ( <b>SN 0300167721 through 0300174703</b> )	
104A		Ref	Footswitch Options:	
104A	4360031	1	Without UGM	
104A	7000625	2	Block, Contact (Used on p/n 4360031)	
104A	1001117320	1	With UGM ( <b>SN 0300128000 through 0300167720</b> )	
104A	70003483	1	Block, Contact (Used on p/n 1001117320)	
104A	1001117172	1	With UGM ( <b>SN 0300167721 through 0300174703</b> )	
104A	70002902	1	Block, Contact for 1001117172 Footswitch	
104A	70002903	1	Gasket for 1001117172 Footswitch	
104A	70002905	1	Cover for 1001117172 Footswitch	
104A	70002904	1	Bolt Replacement Kit for 1001117172 Footswitch	
104B	1060918	7 ft/2.14m	Cable, Electrical - 18/3	
104C	4460071	1	Connector, Strain Relief	
105	3311405	7	Locknut 1/4in-20NC	
106	3311605	4	Locknut 3/8in-16NC	
107	3380434	1	Panel, Decal Mount	
108	4740362	7	Washer, Fender 1/4in	
109	4751400	4	Flatwasher 1/4in Regular	
110	4751600	8	Flatwasher 3/8in Regular	
		Ref	<b>WORKLIGHTS INSTALLATIONS (OPTIONAL)</b>	
	0273486	Ref	<b>Worklights Installations 600SC</b>	D
	0273490	Ref	<b>Worklights Installations 660SJC</b>	D
201	2080040	4	Huck Fastener	
203	4922888	1	Harness, Power to Console Box (Not Shown - See ELECTRICAL SECTION for Breakdown)	
204	2920140	2	Worklight	
204	7016399	2	Bulb, Replacement (1 Per Worklight)	
206	3311405	4	Locknut 1/4in-20NC	
207	3536089	2	Plate, Mounting	
213	4460426	1	Connector, Strain Relief (Not Shown - Located at Console Box)	
217	2820035	9 ft/2.7m	Loom, Vinyl (Not Shown)	
218	4240099	10	Tie-Strap (Not Shown)	
		Ref	<b>TRAY INSTALLATIONS (OPTIONAL)</b>	

## SECTION 4 - PLATFORM

ITEM	PART NUMBER	QTY	DESCRIPTION	REV
301	1580012	1	Tray, Storage (Center)	
302	1580013	1	Tray, Storage (Rail Mounted - Not Shown)	
		Ref	<b>GENERATOR SWITCH INSTALLATION (OPTIONAL)</b>	
425	4360336	1	Switch, Toggle	
426	4740397	1	Bushing	
427	4060802	1	Guard, Switch	
429	2820031	4 in/10cm	Heatshrink (Not Shown - Located at Platform)	
430	3251102	1	Decal	

# SECTION 4 - PLATFORM

## FIGURE 4-2. PLATFORM CONSOLE ASSEMBLY



## SECTION 4 - PLATFORM

### FIGURE 4-2. PLATFORM CONSOLE ASSEMBLY

ITEM	PART NUMBER	QTY	DESCRIPTION	REV
		Ref	<b>Note: Platform Console Module is different based on the Ground Control Module (i.e. with UGM or without UGM). For Ground Module identification, see Revision Log Page A.</b>	
		Ref	<b>CONSOLE BOX ASSEMBLY</b>	
	0861634	Ref	<b>Without UGM</b>	J
	1001108821	Ref	<b>With UGM (Original Equipment)</b>	E
	1001145885	Ref	<b>With UGM (Service Replacement)</b>	A
1	0100009	AR	Sealant	
3	0100035	AR	Compound, Locking	
4	0100048	AR	Grease, Dielectric	
5	0100081	AR	Adhesive	
6	0140011	1	Alarm	
7	0630464	2	Screw, Button Head #10-24NC x 1/2in	
8	0641404	4	Bolt 1/4in-20NC x 1/2in	
9	0641416	4	Bolt 1/4in-20NC x 2in	
10	0861633	1	Box, Console (See Items 101-106 for Breakdown)	
11	0902751	4	Bracket, Card Support	
13		Ref	Controller, Module	
13		Ref	<b>Note: Re-calibration Required when Replaced.</b>	
13	1600375	1	Without UGM	
13	1001106355	1	With UGM	
14	1600317	NLA	Controller Assembly (Lift and Swing) (Use p/n 1001129555) (See CONTROLLER ASSEMBLY (SWING AND LIFT) for Breakdown)	
14	1001118417	NLA	Controller Assembly (Lift and Swing) (Use p/n 1001129555) (See CONTROLLER ASSEMBLY (SWING AND LIFT) for Breakdown)	
15	1600359	1	Controller Assembly (Drive and Steer) (See CONTROLLER ASSEMBLY (DRIVE AND STEER) for Breakdown)	
16	1670829	1	Bezel	
17		Ref	Cover Options:	
17	1671037	1	Cover (Wingnut Attached Round Cover) <b>(SN 0300128000 through 0300140371)</b>	
17	1001110434	1	Cover (Press-in D-Shaped Cover) <b>(SN 0300140372 through 0300174703)</b>	
18		Ref	Decal - Stop Options:	
18		Ref	Without UGM	
18	1704997	1	Without UGM <b>(SN 0300128000 through 0300136518)</b>	
18	1001107527	1	Without UGM <b>(SN 0300136519 through 0300174703)</b>	
18	1001107677	NLA	With UGM (Use p/n 1001131168)	
19	1704460	1	Decal - Drive and Steer	
20	1702566	1	Decal - Lift and Swing	
21	1702567	1	Decal - Function Speed	
22	1704260	1	Decal - EMS	
23	1705132	1	Decal - ADE	
24	2560136	1	Handle, Knob	
25	2760105	1	Housing, Display Light	
26	3790012	5	O-Ring	
27	3300353	4	Nut, Tinnerman	
28		Ref	Plug, Hole Options:	
28	3520028	6	Without UGM	
28	3520054	6	With UGM	
30	4360328	4	Switch, Toggle	

## SECTION 4 - PLATFORM

ITEM	PART NUMBER	QTY	DESCRIPTION	REV
31	4360387	1	Switch, Pushbutton	
32	4360407	1	Controller, Speed	
32	See Note	1	Gasket "Top Hat" (Included with Switch) (Note: Not Available for Purchase)	
32	70003784	1	Seal	
33	4360475	1	Switch, Emergency Stop	
33	7020175	1	Cap, Red	
33A	7020176	1	Contact Block	
34	4360476	1	Block, Contact	
38	4460234	AR	Tie-Strap	
39	4460428	2	Connector, Strain Relief	
41	4460470	1	Nut, Terminal	
42	4460471	1	Lockwasher, Terminal	
43	4460488	1	Base, Mounting Only <b>(SN 0300128000 through 0300134963)</b>	
44	4460708	2	Terminal, 15 Pin (Not Shown - See ELECTRICAL SECTION for Location)	
45	4460905	5	Plug, Seal (Not Shown - See ELECTRICAL SECTION for Location)	
46	4751400	8	Flatwasher 1/4in Regular	
47		Ref	Harness, Platform Box Options (Not Shown - See ELECTRICAL SECTION for Location):	
47	4922639	1	Harness, Platform Box <b>(SN 0300128000 through 0300136518)</b>	
47	1001107753	1	Harness, Platform Box <b>(SN 0300136519 through 0300174703)</b>	
48	4922666	1	Harness, Analyzer Cable (Not Shown - See ELECTRICAL SECTION for Location)	
49	0721006	AR	Bolt #10-24NC x 3/4in	
50	3311005	AR	Locknut #10-24NC	
51	4460007	1	Bar, Buss	
53	4360331	1	Switch, Toggle	
54	1702676	1	Decal - Horn	
55	4751000	2	Flatwasher #10 Regular	
56	4360330	1	Switch, Toggle (UGM Machines Only)	
	0861633	Ref	<b>CONSOLE BOX ASSEMBLY</b>	C
101	See Note	NSS	Console Bottom (Note: Not Available - Purchase Complete Console Box Assembly.)	
102	See Note	NSS	Console Top (Note: Not Available - Purchase Complete Console Box Assembly.)	
103	3311601	1	Nut 3/8in-16NC	
104	3470003	2	Hairpin	
105	0630568	1	Screw 3/8in-16NC x 4-1/2in	
106	4711500	2	Flatwasher 5/16in Thin	
	0271552	Ref	<b>HEAD AND TAIL LIGHTS INSTALLATION (OPTIONAL)</b>	C
201		Ref	Switch, Toggle Options:	
201	4360336	1	Switch, Toggle <b>(SN 0300128000 through 0300136518)</b>	
201	4360522	1	Switch, Toggle <b>(SN 0300136519 through 0300174703)</b>	
201	3790012	1	O-Ring Only <b>(SN 0300128000 through 0300136518)</b>	
201	1705170	1	Decal - Lights Only <b>(SN 0300136519 through 0300174703)</b>	
		Ref	<b>JIB SWITCH INSTALLATION (660SCJ ONLY)</b>	
	0272147	Ref	<b>ANSI and ANSI Export Specs (SN 0300128000 through 0300137550)</b>	5
	0272146	Ref	<b>Australian and CE Specs (SN 0300128000 through 0300137550)</b>	6
	1001108342	Ref	<b>All Specs (SN 0300137551 through 0300174703)</b>	A

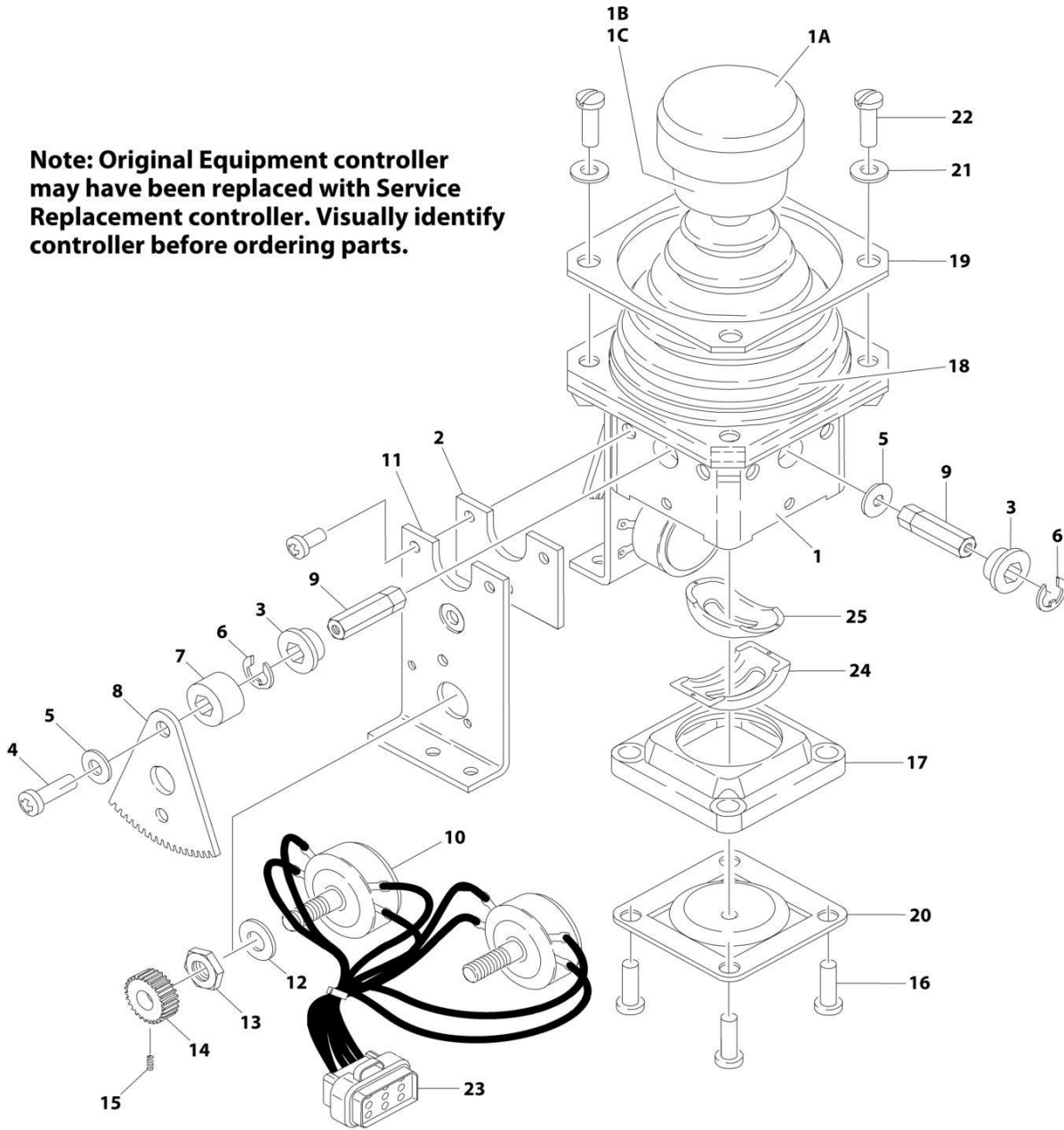
## SECTION 4 - PLATFORM

ITEM	PART NUMBER	QTY	DESCRIPTION	REV
301	4360328	1	Switch, Toggle	
301	3790012	1	O-Ring	
		Ref	<b>LIGHT PANEL DECAL INSTALLATION</b>	
	0270386	Ref	<b>ANSI and CSA Specs</b>	1-C
	0270388	Ref	<b>ANSI Export, Australian and Japanese Specs</b>	1-C
	0270387	Ref	<b>CE Spec</b>	1-C
401		Ref	Decal Options:	
401	1704707	1	ANSI and CSA Specs	
401	1704710	1	ANSI Export, Australian and Japanese Specs	
401	1704709	1	CE Spec	

# SECTION 4 - PLATFORM

## FIGURE 4-3. CONTROLLER ASSEMBLY (LIFT AND SWING) (ORIGINAL EQUIPMENT)

**Note: Original Equipment controller may have been replaced with Service Replacement controller. Visually identify controller before ordering parts.**



ART\_1600317



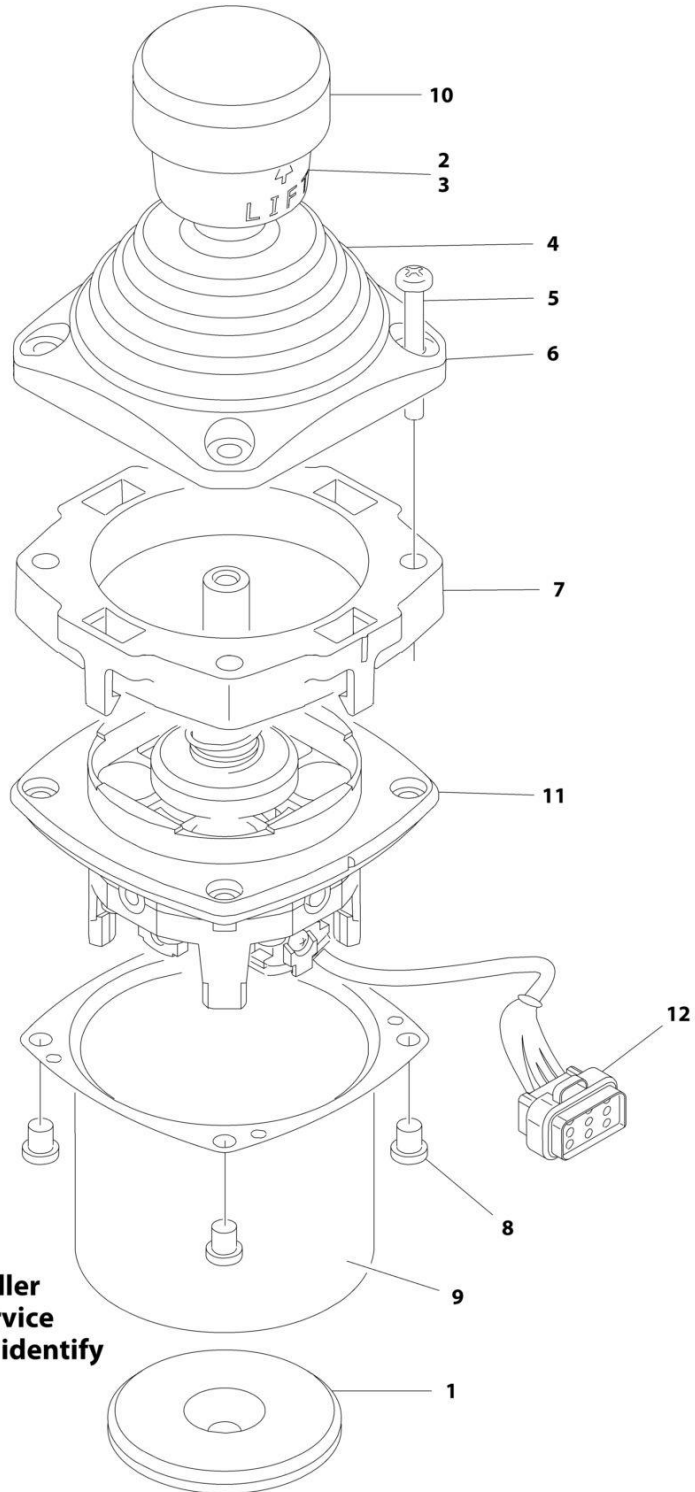
## SECTION 4 - PLATFORM

**FIGURE 4-3. CONTROLLER ASSEMBLY (LIFT AND SWING) (ORIGINAL EQUIPMENT)**

ITEM	PART NUMBER	QTY	DESCRIPTION	REV
		Ref	<b>Note: Original Equipment controller may have been replaced with Service Replacement controller. Visually identify controller before ordering parts.</b>	
	1600317	Ref	<b>CONTROLLER ASSEMBLY (ORIGINAL EQUIPMENT)</b>	B
		Ref	<b>Note: Use p/n 1001129555 Kit as replacement.</b>	
1	7019141	1	Mechanical Assembly (Includes Base, Handle Stem and Items 1A, 1B, 1C & 18)	
1A	7019197	1	Handle Cap and Rod	
1B	7003928	1	Spring	
1C	7022808	1	Cap, Lift	
2	7019171	1	Plate	
3	7019111	4	Bearing, Gear	
4	7019143	2	Screw	
5	7019144	2	Spacer, Cam	
6	7019145	4	E-Clip	
7	7019174	2	Spacer	
8	7003977	2	Gear, Drive	
9		Ref	Shaft Options:	
9	7019147	2	Shaft, Short	
9	7019177	2	Shaft, Long	
10	7022818	2	Potentiometer	
11	7019142	2	Plate	
12	7003992	2	Washer	
13	7003993	2	Nut	
14	7003976	2	Gear, Slave	
15	7019149	2	Setscrew	
16	7022816	4	Screw	
17	7019150	1	Gate	
18	7022814	1	Boot	
19	7022815	1	Bezel	
20	See Note	NSS	Detent, Center (Note: Use p/n 1001129555)	
21	7003953	4	Washer	
22	7022817	4	Screw	
23	7022819	1	Plug, Male 8 Position (Natural)	
23	4460871	8	Socket, Female	
24	7019122	1	Gimble, Outer	
25	7019123	1	Gimble, Inner	

## SECTION 4 - PLATFORM

FIGURE 4-4. CONTROLLER ASSEMBLY (LIFT AND SWING) (SERVICE REPLACEMENT)



**Note: Original Equipment controller may have been replaced with Service Replacement controller. Visually identify controller before ordering parts.**

ART\_1001118417

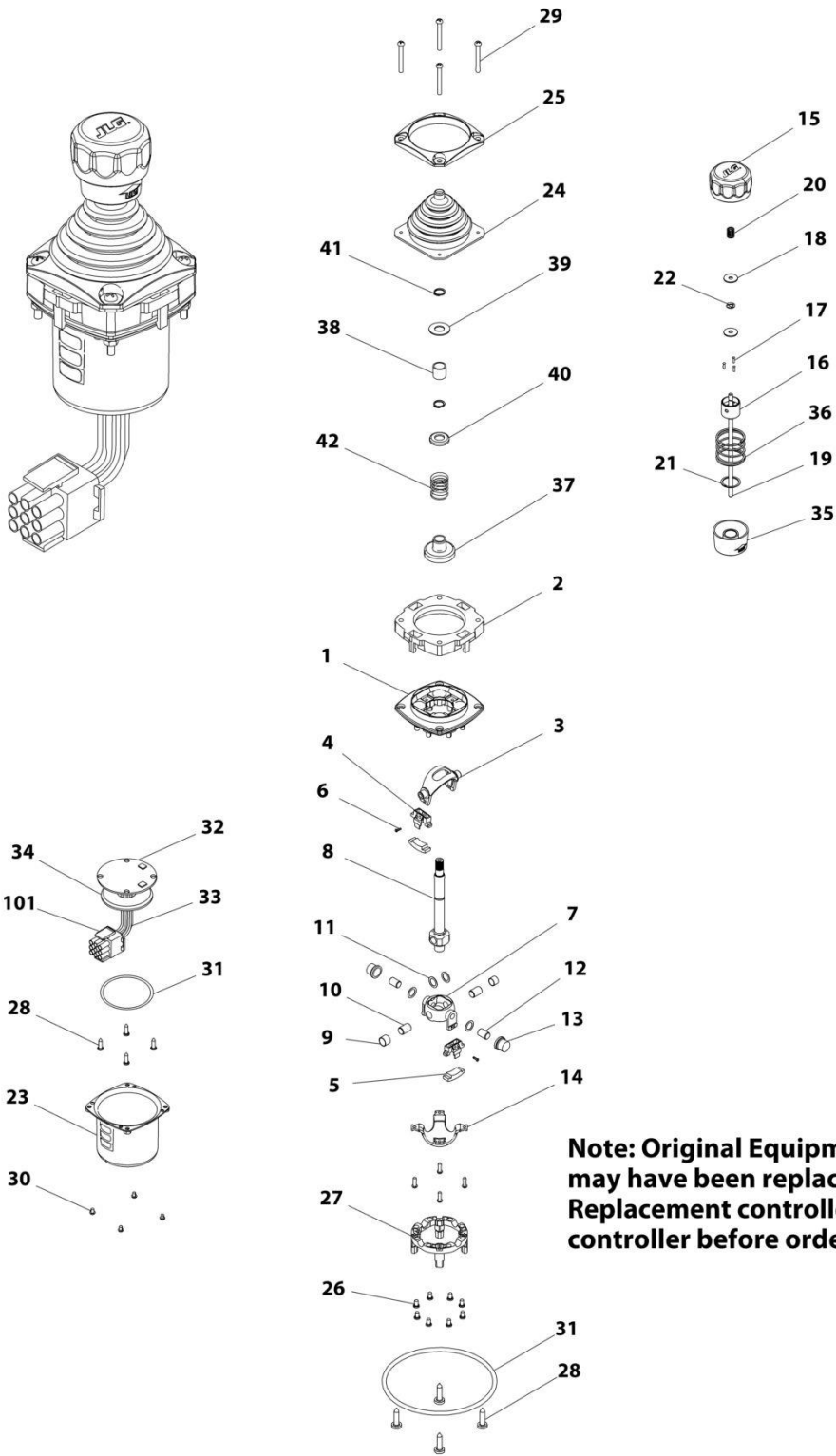
## SECTION 4 - PLATFORM

**FIGURE 4-4. CONTROLLER ASSEMBLY (LIFT AND SWING) (SERVICE REPLACEMENT)**

ITEM	PART NUMBER	QTY	DESCRIPTION	REV
		Ref	<b>Note: Original Equipment controller may have been replaced with Service Replacement controller, Visually identify controller before ordering parts.</b>	
	1001118417	Ref	<b>CONTROLLER ASSEMBLY (LIFT AND SWING) (SERVICE REPLACEMENT)</b>	A
		Ref	<b>Note: Use p/n 1001129555 as Replacement.</b>	
1	70002730	1	Gasket	
2	7003928	1	Spring	
3	7022808	1	Cap, Lift	
4	70002731	1	Boot	
5	70002732	4	Screw	
6	7022815	1	Bezel	
7	70002733	1	Adapter	
8	70002734	4	Screw	
9	70002735	1	Can, Enclosure	
10	70002906	1	Cap	
11	See Note	NSS	Mechanical Assembly (Note: Purchase Kit p/n 1001129555)	
12	7022819	1	Connector - 8 Position	
12	4460871	6	Socket, Female	

# SECTION 4 - PLATFORM

## FIGURE 4-5. CONTROLLER ASSEMBLY (LIFT AND SWING) (SERVICE REPLACEMENT)



**Note: Original Equipment controller may have been replaced with Service Replacement controller. Visually identify controller before ordering parts.**

ART\_1001166539

## SECTION 4 - PLATFORM

**FIGURE 4-5. CONTROLLER ASSEMBLY (LIFT AND SWING) (SERVICE REPLACEMENT)**

ITEM	PART NUMBER	QTY	DESCRIPTION	REV
		Ref	<b>Note: Original Equipment controller may have been replaced with Service Replacement controller. Visually identify controller before ordering parts.</b>	
	1001166539	Ref	<b>CONTROLLER ASSEMBLY (LIFT AND SWING) (SERVICE REPLACEMENT)</b>	A
		Ref	<b>Note: Use p/n 1001129555 as Replacement.</b>	
1	See Note	NSS	Main Cast Body (Note: Not Available - Purchase Complete Assembly)	
2	70004752	1	Adapter	
3	See Note	NSS	Pivot Arm, Plastic (Note: Not Available - Purchase Complete Assembly)	
4	See Note	NSS	Holder, Magnet (Note: Not Available - Purchase Complete Assembly)	
5	See Note	NSS	Arc, Magnet (Note: Not Available - Purchase Complete Assembly)	
6	See Note	NSS	Screw (Note: Not Available for Purchase)	
7	See Note	NSS	Pivot Arm, Cast (Note: Not Available - Purchase Complete Assembly)	
8	See Note	NSS	Shaft, Main (Note: Not Available - Purchase Complete Assembly)	
9	See Note	NSS	Bearing (Note: Not Available - Purchase Complete Assembly)	
10	See Note	NSS	Pin (Note: Not Available - Purchase Complete Assembly)	
11	See Note	NSS	Shim (Note: Not Available - Purchase Complete Assembly)	
12	See Note	NSS	Pin (Note: Not Available - Purchase Complete Assembly)	
13	See Note	NSS	Bearing (Note: Not Available - Purchase Complete Assembly)	
14	See Note	NSS	Dome, Centering (Note: Not Available - Purchase Complete Assembly)	
15	70004753	1	Cap	
16	70004754	1	Insert, Cap	
17	70004755	3	Pin	
18	70004756	2	Washer	
19	70004757	1	Pin, Centering	
20	70004758	1	Spring	
21	70004759	1	Ring, Retaining	
22	70004760	1	E-Ring	
23	70004761	1	Can, Enclosure	
24	70004762	1	Boot	
25	70004763	1	Bezel	
26	See Note	NSS	Screw (Note: Not Available for Purchase)	
27	See Note	NSS	Base Mounting (Note: Not Available - Purchase Complete Assembly)	
28	See Note	NSS	Screw (Note: Available for Purchase)	
29	70004764	4	Screw	
30	70004765	4	Screw	
31	70004766	1	O-Ring	
32	See Note	NSS	Plate (Note: Not Available - Purchase Complete Assembly)	
33	See Note	NSS	Harness (Note: Not Available - Purchase Complete Assembly)	
34	70004767	1	Grommet, Rubber	
35	70004768	1	Housing	
36	70004769	1	Spring	
37	70004770	1	Stopper	
38	70004771	1	Spacer	
39	70004772	1	Washer	

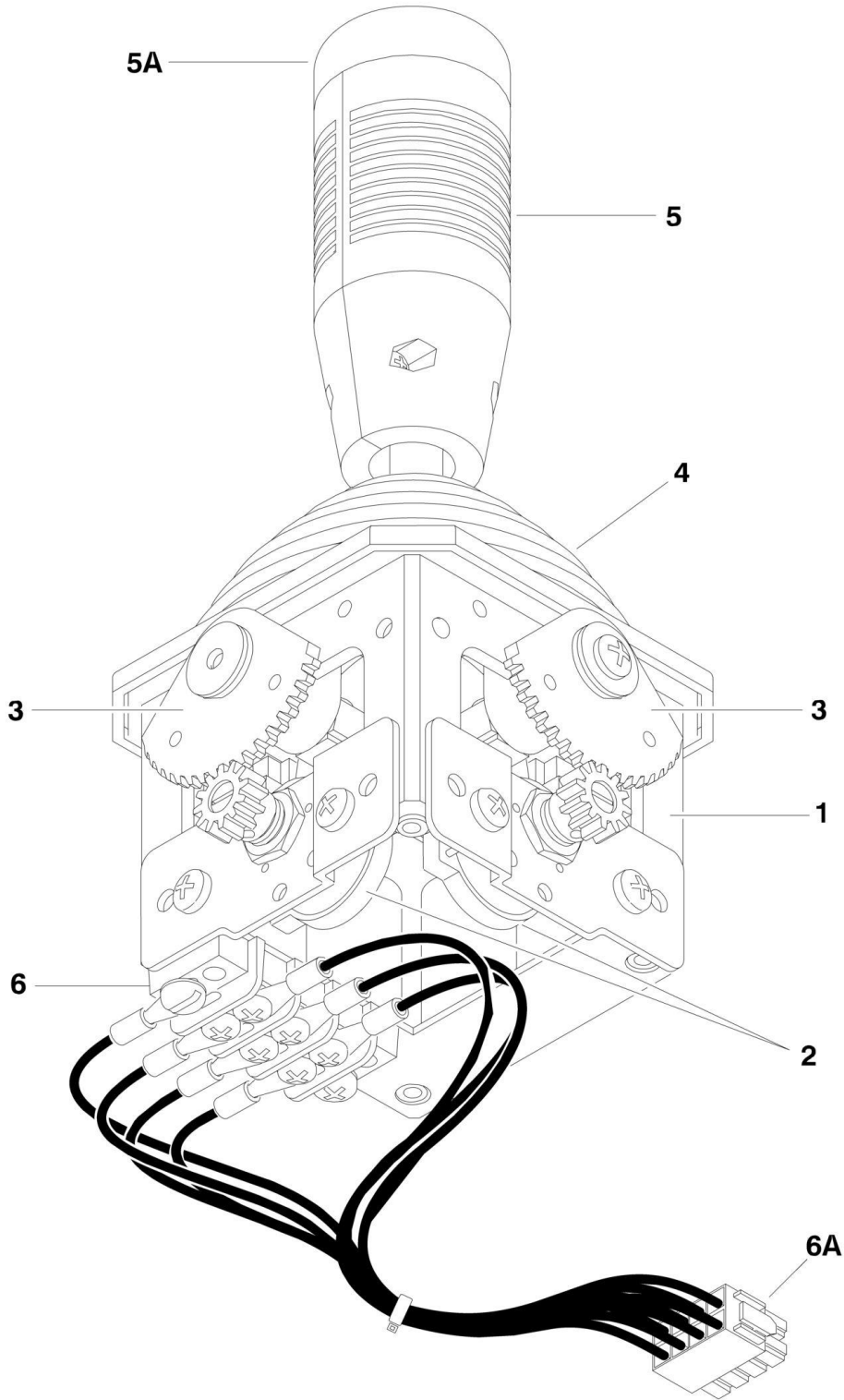
## SECTION 4 - PLATFORM

ITEM	PART NUMBER	QTY	DESCRIPTION	REV
40	70004773	1	Disc	
41	70004774	2	Ring, Retaining	
42	70004775	1	Spring	
101	4460265	1	Connector - 9 Position	
101	4460226	6	Socket, Female	



# SECTION 4 - PLATFORM

FIGURE 4-6. CONTROLLER ASSEMBLY (DRIVE AND STEER)





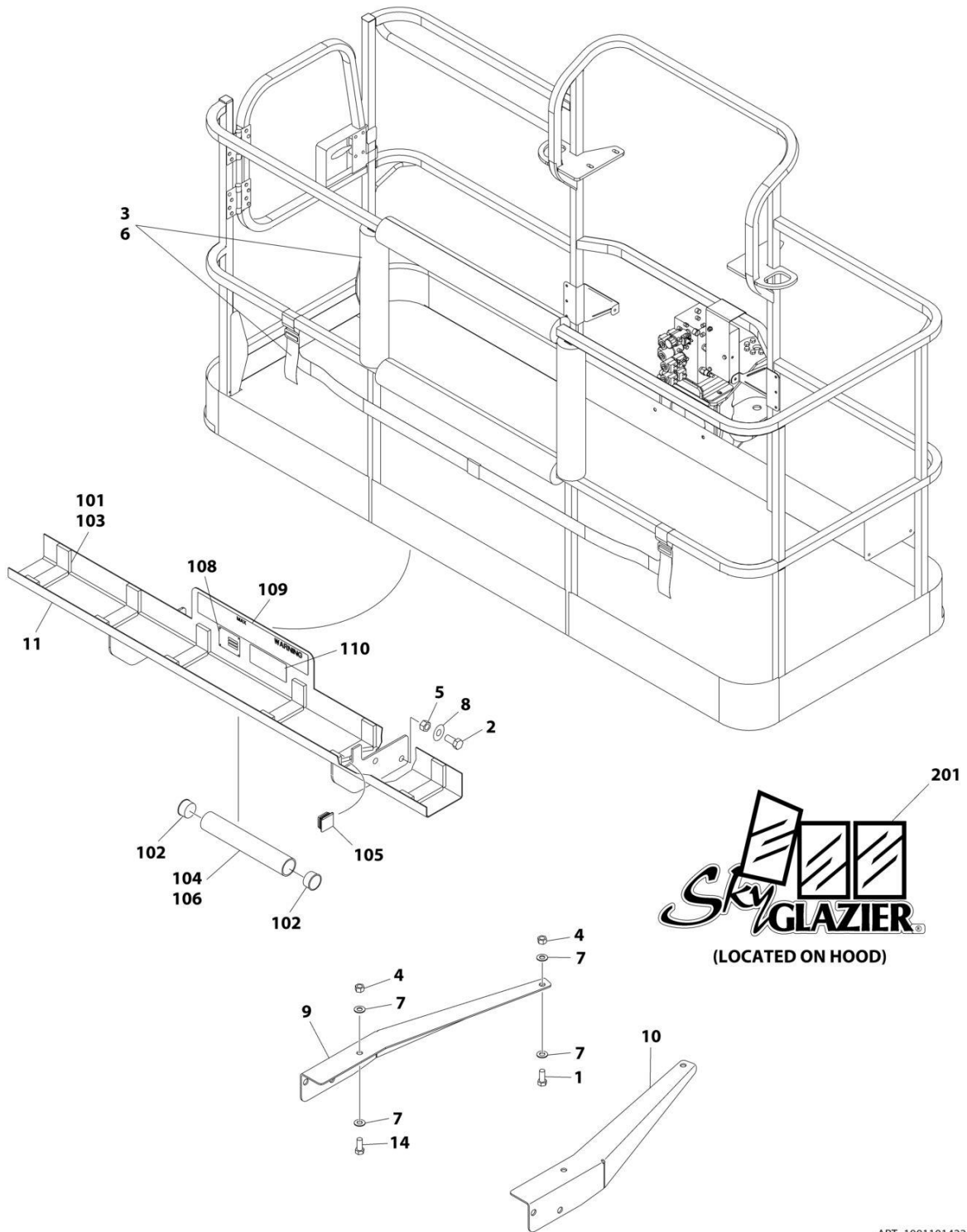
## SECTION 4 - PLATFORM

### FIGURE 4-6. CONTROLLER ASSEMBLY (DRIVE AND STEER)

ITEM	PART NUMBER	QTY	DESCRIPTION	REV
	1600359	Ref	<b>CONTROLLER ASSEMBLY</b>	A
1	7022832	1	Housing Assembly (Includes Casting, Gimbles, etc)	
2	7022833	2	Potentiometer Plate	
2	7003974	2	Potentiometer	
3	7022834	2	Drive Gear Assembly	
4	7022835	1	Boot Assembly	
5	7022836	1	Handle Assembly	
5A	7022839	1	Cap, Rubber	
5A	7022838	1	Switch, Push Button	
6	7022837	1	Terminal Block/PC Board Assembly	
6A	See Note	NSS	Plug, Male 8 Position (Note: Not Available for Purchase.)	
6A	4460871	6	Socket, Female	

# SECTION 4 - PLATFORM

## FIGURE 4-7. SKYGLAZIER INSTALLATION



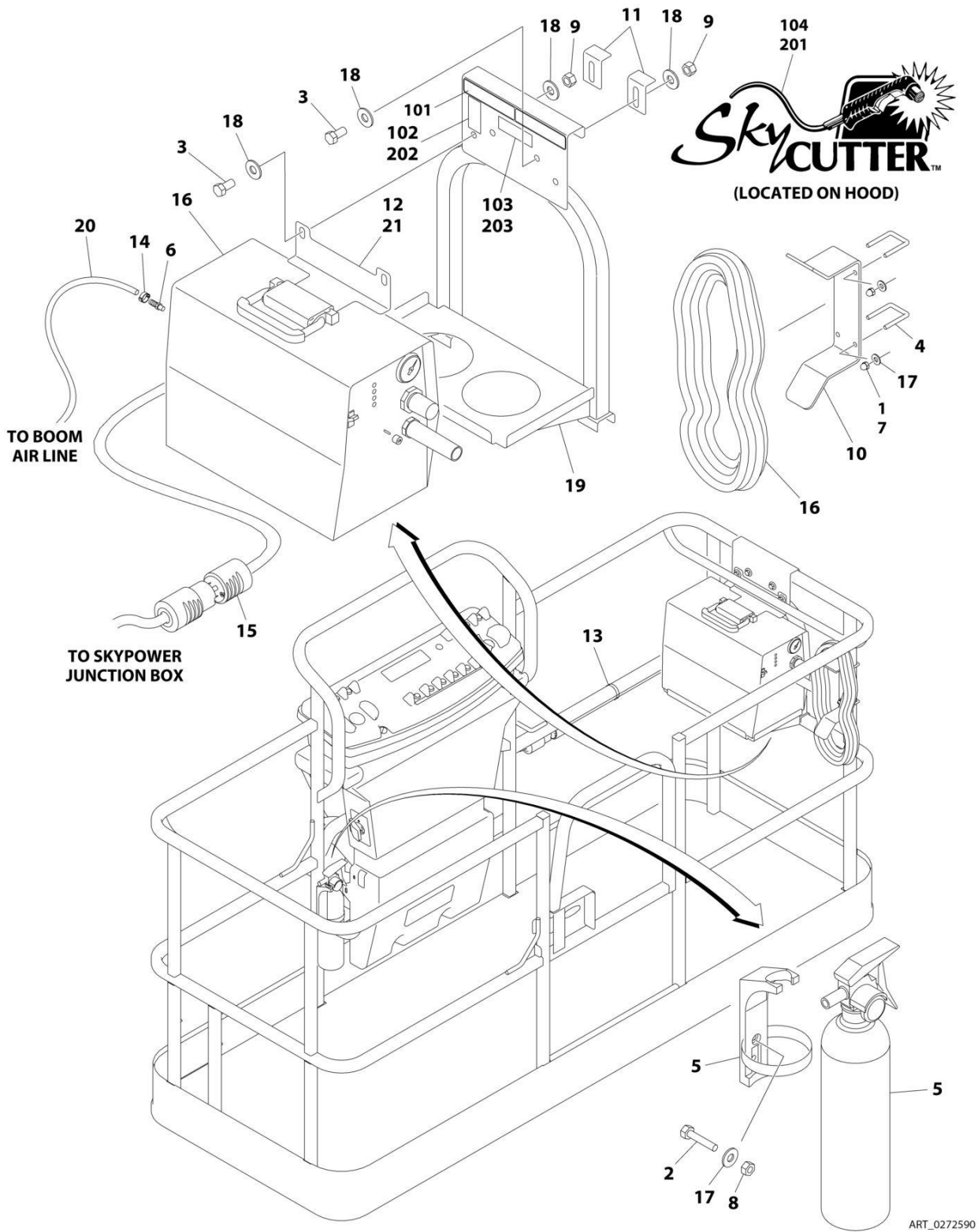
## SECTION 4 - PLATFORM

**FIGURE 4-7. SKYGLAZIER INSTALLATION**

ITEM	PART NUMBER	QTY	DESCRIPTION	REV
	1001101422	Ref	SKYGLAZIER INSTALLATION - WITHOUT LSS (ANSI AND CSA SPECS)	C
	1001102647	Ref	SKYGLAZIER INSTALLATION - WITH LSS (AUSTRALIAN SPECS)	C
		Ref	Note: Only Available on 600SC & 660SJC for ANSI, Australian and CSA Specs.	
1	0642012	2	Bolt 5/8 x 1-1/2	
1	0642026	2	Bolt 5/8 x 3-1/4	
2	0642212	4	Bolt 3/4 x 1-1/2	
3	2902212	1	Bumpers and Strap Kit	
3	0940102	1	Bumper Only	
3	4240149	1	Strap Only	
4	3312005	4	Nut 5/8	
5	3312205	4	Nut 3/4	
6	4420014	AR	Tape	
7	4712000	6	Washer 5/8	
8	4712200	8	Washer 3/4	
9	1001099366	1	Support	
10	1001099367	1	Support	
11	1001101421	1	Tray Assembly (See Items 101-110 for Breakdown)	
14	8310129	2	Bolt 5/8 x 2-1/2	
14	8310230	2	Bolt 5/8 x 4	
	1001101421	Ref	TRAY ASSEMBLY (ANSI, AUSTRALIAN AND CSA SPECS)	E
101	0100081	AR	Adhesive	
102	1120555	2	Cap, Tube	
103	3340956	1	Pad Kit	
104	3460334	1	Tube	
105	3520071	2	Plug	
106	4420066	AR	Tape, Double Sided	
108	See Note	NSS	Nameplate - Serial Number (Note: Not Available for Purchase)	
109	1001163131	1	Decal - Glazier Capacity	
110	1701509	2	Decal - Manual	
	0272418	Ref	SKYGLAZIER DECAL INSTALLATION	
201	1705358	2	Decal - SkyGlazier	

# SECTION 4 - PLATFORM

FIGURE 4-8. SKYCUTTER INSTALLATION - 60HZ POWER SUPPLY



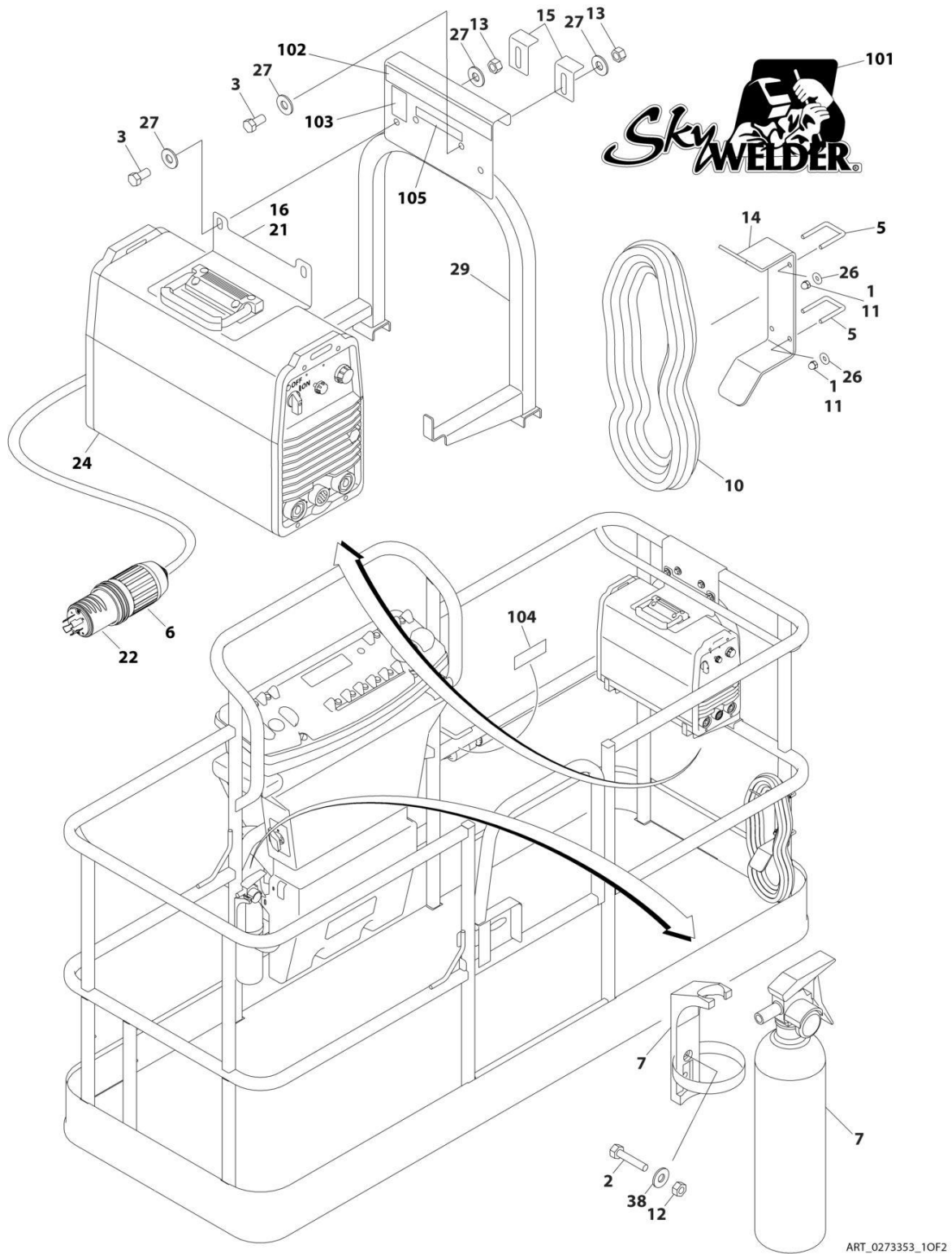
## SECTION 4 - PLATFORM

**FIGURE 4-8. SKYCUTTER INSTALLATION - 60HZ POWER SUPPLY**

ITEM	PART NUMBER	QTY	DESCRIPTION	REV
	0272590	Ref	SKYCUTTER INSTALLATION - 60HZ POWER SUPPLY	D
		Ref	Note: When replacing platform on machines with SkyCutter option, new bracket p/n 1001145405 must be purchased to accommodate SkyCutter components.	
1	0100011	AR	Compound, Locking	
2	0641406	2	Bolt 1/4 x 3/4	
3	0641606	4	Bolt 3/8 x 3/4	
4	1320302	2	Clamp	
5	2030010	1	Extinguisher, Fire	
6	2180832	1	Fitting, NPT/Barbed	
7	3300151	4	Nut 1/4	
8	3311405	2	Nut 1/4	
9	3311605	4	Nut 3/8	
10	3573400	1	Bracket, Cable	
11	3573641	2	Plate, Clamp (Use p/n 3577121)	
12A	3573643	1	Plate, Top Support	
12B	3576799	1	Plate, Top Support	
13	4240099	AR	Tie, Wire	
14	1320177	2	Clamp, Hose	
15	4460971	1	Plug, Twistlock	
16	4530024	1	Plasma Cutter Assembly (See PLASMA CUTTER ASSEMBLY for Breakdown)	
17	4751400	6	Washer 1/4	
18	4751600	8	Washer 3/8	
19	4846571	1	Support	
20	2720160	4 ft/ 1.2m	Hose	
	0272599	Ref	SKYCUTTER DECAL INSTALLATION (60HZ) (ANSI, ANSI EXPORT AND CSA SPECS)	A
101	1702868	1	Decal - No Hands	
102	1705305	1	Decal - Weld Lead	
103	1705466	1	Decal - Weight	
104	1705490	2	Decal - SkyCutter	

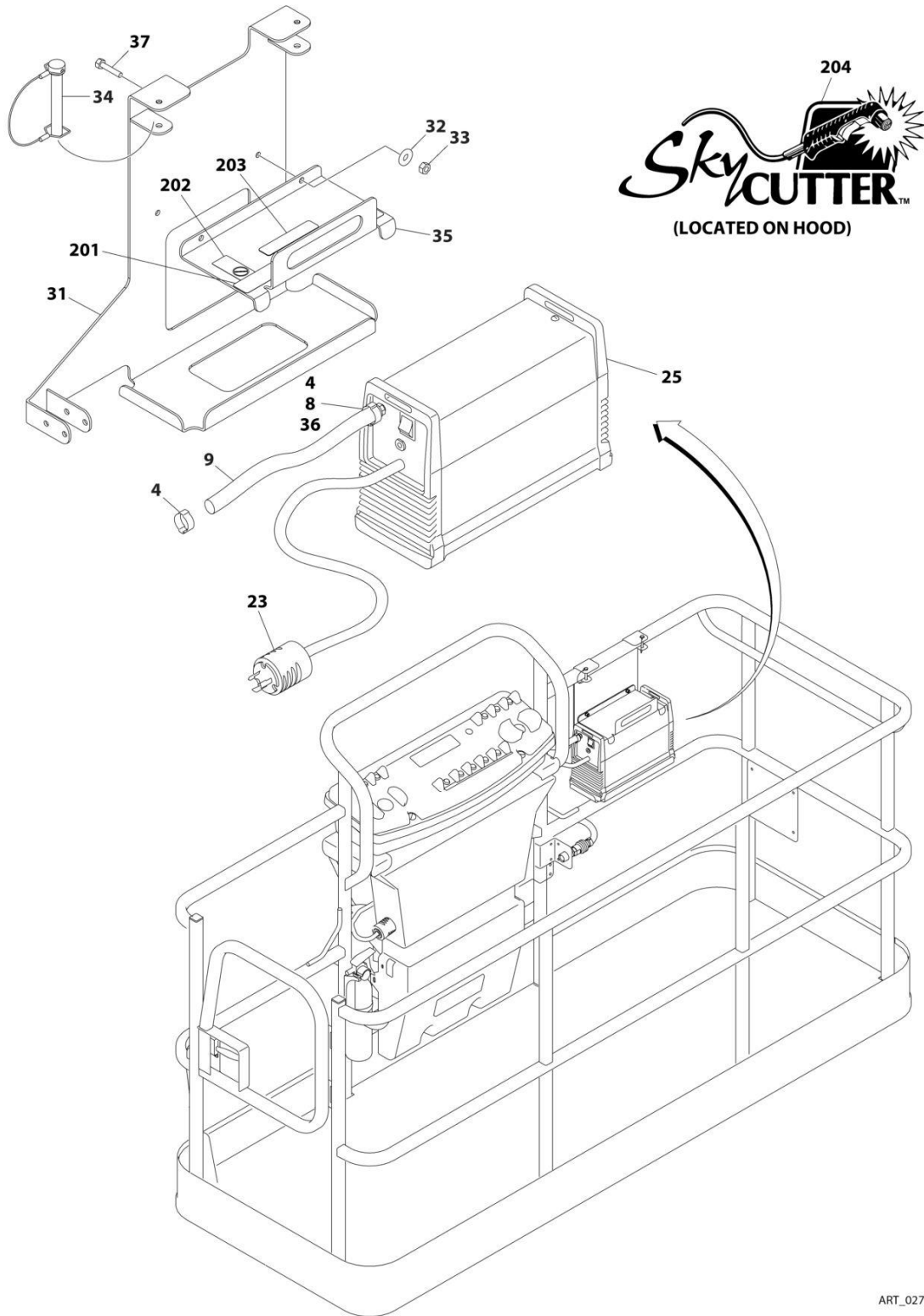
# SECTION 4 - PLATFORM

## FIGURE 4-9. SKYWELDER/SKYCUTTER COMBO INSTALLATION (60HZ)



ART\_0273353\_10F2

# SECTION 4 - PLATFORM



ART\_0273353\_20F2

## SECTION 4 - PLATFORM

**FIGURE 4-9. SKYWELDER/SKYCUTTER COMBO INSTALLATION (60HZ)**

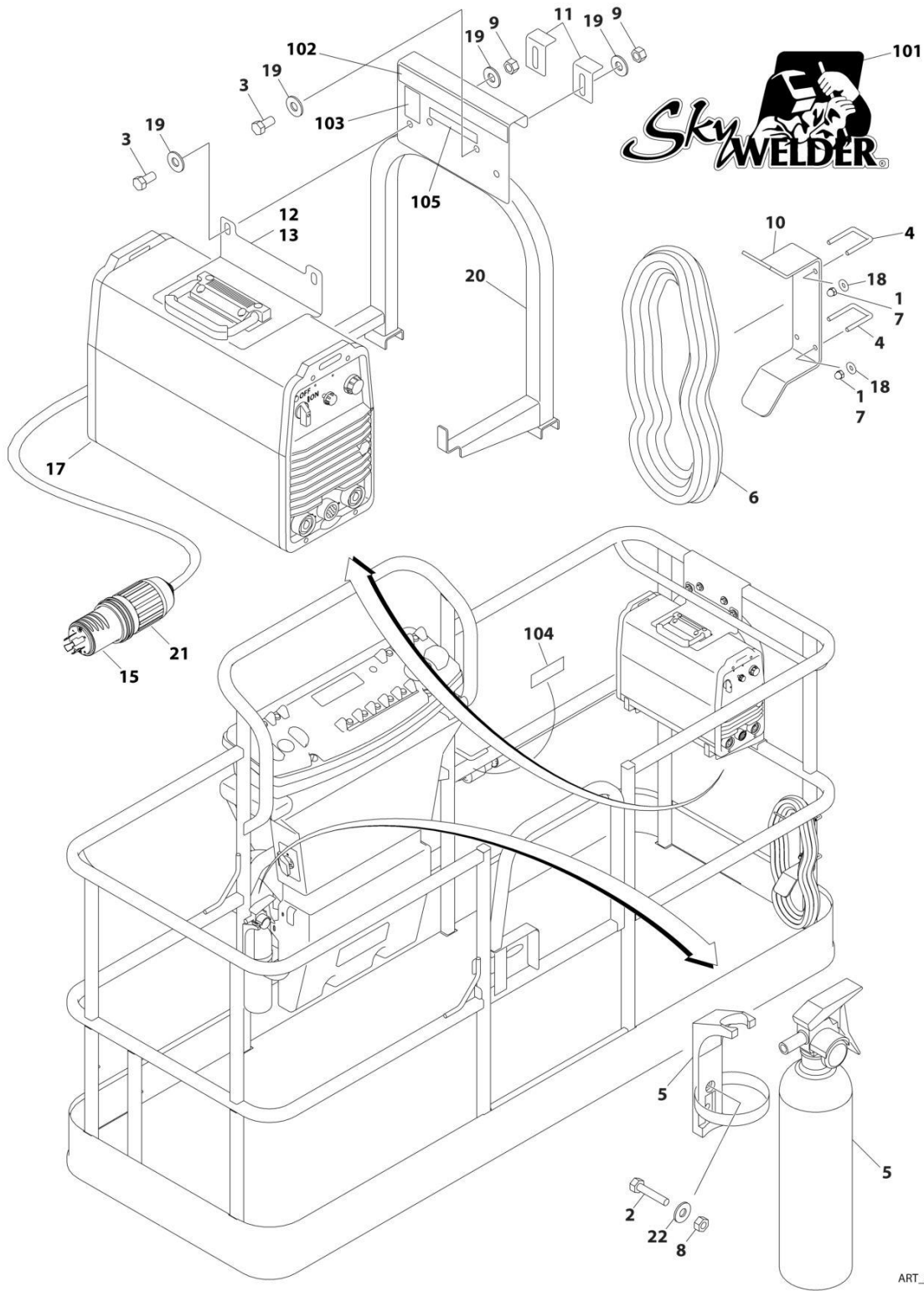
ITEM	PART NUMBER	QTY	DESCRIPTION	REV
	0273353	Ref	SKYWELDER/SKYCUTTER COMBO INSTALLATION (60HZ)	G
		Ref	Note: ANSI, ANSI Export and CSA Spec Only.	
1	0100011	AR	Compound, Locking	
2	0630518	2	Screw #10 x 3/4	
3	0641606	4	Bolt 3/8 x 3/4	
4	1320177	2	Clamp	
5	1320302	2	Clamp	
6	1671093	1	Cover, Plug	
7	2030010	1	Extinguisher, Fire	
8	2180832	1	Fitting, Barbed/NPT	
9	2720160	4.5 ft/ 1.37m	Hose	
10	2902217	1	Weld Leads Kit	
11	3300151	4	Nut 1/4	
12	3311005	2	Nut #10	
13	3311605	4	Nut 3/8	
14	3573400	1	Bracket	
15	3577121	2	Angle	
16	3573642	1	Plate	
20	4240099	AR	Tie-Strap (Not Shown)	
21	4420037	2.36 ft/ .71m	Tape	
22	4460962	1	Plug, Twist Lock	
23	4460971	1	Plug, Twist Lock	
24	4530028	1	Welder Assembly (See WELDER ASSEMBLY for Breakdown)	
25	1001098012	1	Plasma Cutter Assembly (See PLASMA CUTTER ASSEMBLY for Breakdown)	
26	4751400	4	Washer 1/4	
27	4751600	8	Washer 3/8	
29	4846627	1	Support	
31	1001145405	1	Bracket	
32	4811700	2	Washer M6	
33	3290605	2	Nut M6	
34	3421453	3	Pin	
35	3576799	1	Plate, Hold-Down	
36	0100020	1	Sealant	
37	4010608	2	Screw M6 x 16	
38	4751000	2	Washer #10	
	0272448	Ref	SKYWELDER DECAL INSTALLATION	B
101	1705355	2	Decal - SkyWelder	
102	1702868	1	Decal - No Hands	
103	1705305	1	Decal - Weld Leads	
104	1705375	1	Decal - 240V - 3 Phase - 60 Hz	
105	1705466	NLA	Decal - Weight (Use p/n 1001228988)	
	0272599	Ref	SKYCUTTER DECAL INSTALLATION	B
201	1702868	1	Decal - No Hands	
202	1705305	1	Decal - Weld Leads	
203	1705466	NLA	Decal - Weight (Use p/n 1001228988)	
204	1705490	2	Decal - SkyCutter	





# SECTION 4 - PLATFORM

## FIGURE 4-10. SKYWELDER INSTALLATION (60HZ)



ART\_0272254

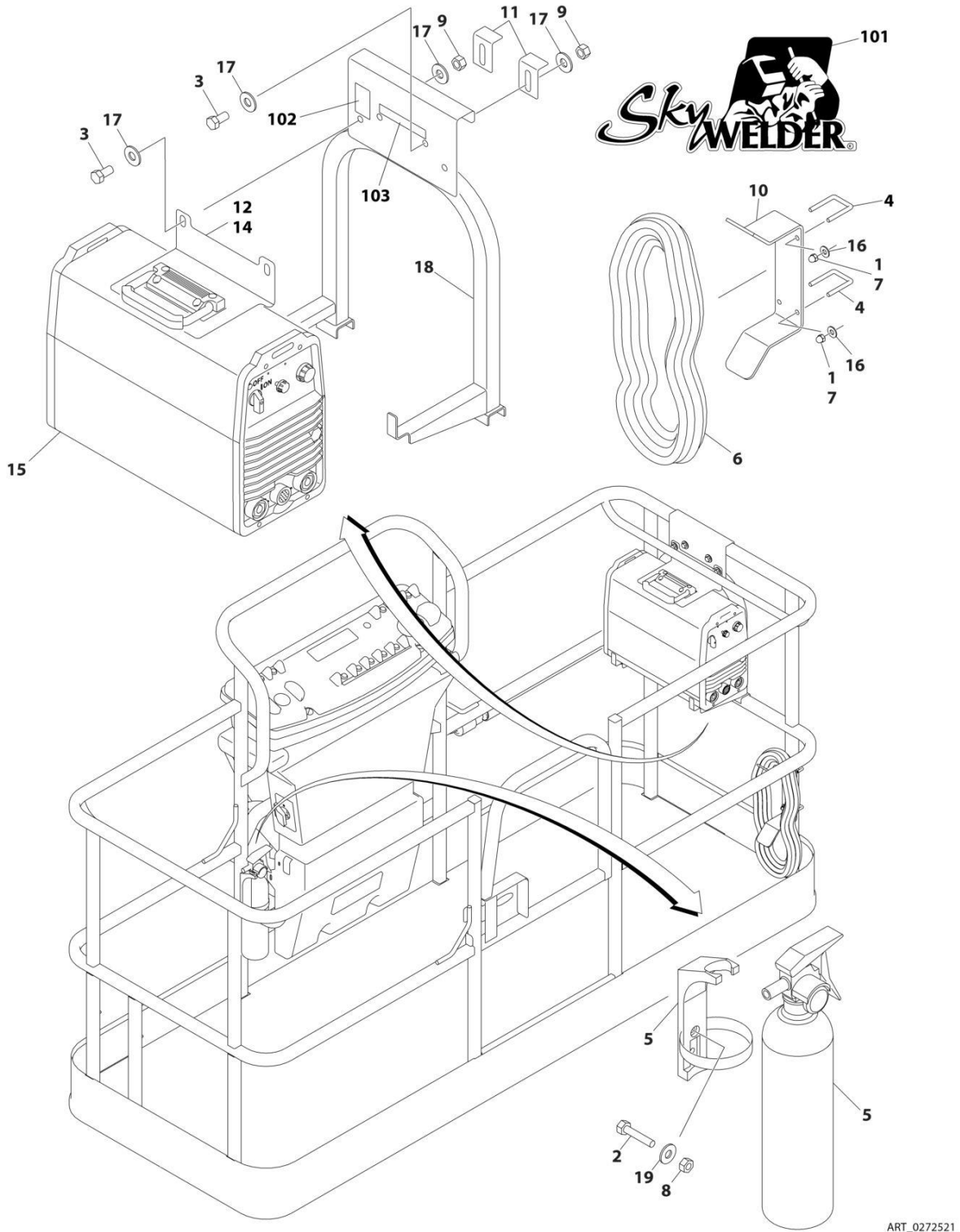
## SECTION 4 - PLATFORM

**FIGURE 4-10. SKYWELDER INSTALLATION (60HZ)**

ITEM	PART NUMBER	QTY	DESCRIPTION	REV
	0272254	Ref	SKYWELDER INSTALLATION (60HZ)	I
		Ref	Note: ANSI, ANSI Export and CSA Specs Only.	
1	0100011	AR	Compound, Locking	
2	0630518	2	Screw #10 x 3/4	
3	0641606	4	Bolt 3/8 x 3/4	
4	1320302	2	U-Clamp	
5	2030010	1	Extinguisher, Fire	
6	2902217	1	Weld Leads Kit	
7	3300151	4	Nut 1/4	
8	3311005	2	Nut #10	
9	3311605	4	Nut 3/8	
10	3573400	1	Bracket	
11	3577121	2	Angle	
12	3573642	1	Plate	
13	4420037	AR	Tape	
14	4240099	AR	Tie-Strap (Not Shown)	
15	4460962	1	Plug, Male Twistlock	
17	4530028	1	Welder Assembly (See WELDER ASSEMBLY for Breakdown)	
18	4751400	4	Washer 1/4	
19	4751600	8	Washer 3/8	
20	4846627	1	Support	
21	1671093	1	Cover, Plug	
22	4751000	2	Washer #10	
	0272448	Ref	SKYWELDER DECAL INSTALLATION	B
101	1705355	2	Decal - SkyWelder	
102	1702868	1	Decal - No Hands	
103	1705305	1	Decal - Weld Lead	
104	1705375	1	Decal - 240V - 3 Phase - 60Hz	
105	1705466	NLA	Decal - Weight (Use p/n 1001228988)	
105	1001228988	1	Decal - Weight	

# SECTION 4 - PLATFORM

## FIGURE 4-11. SKYWELDER INSTALLATION (50HZ)



ART\_0272521

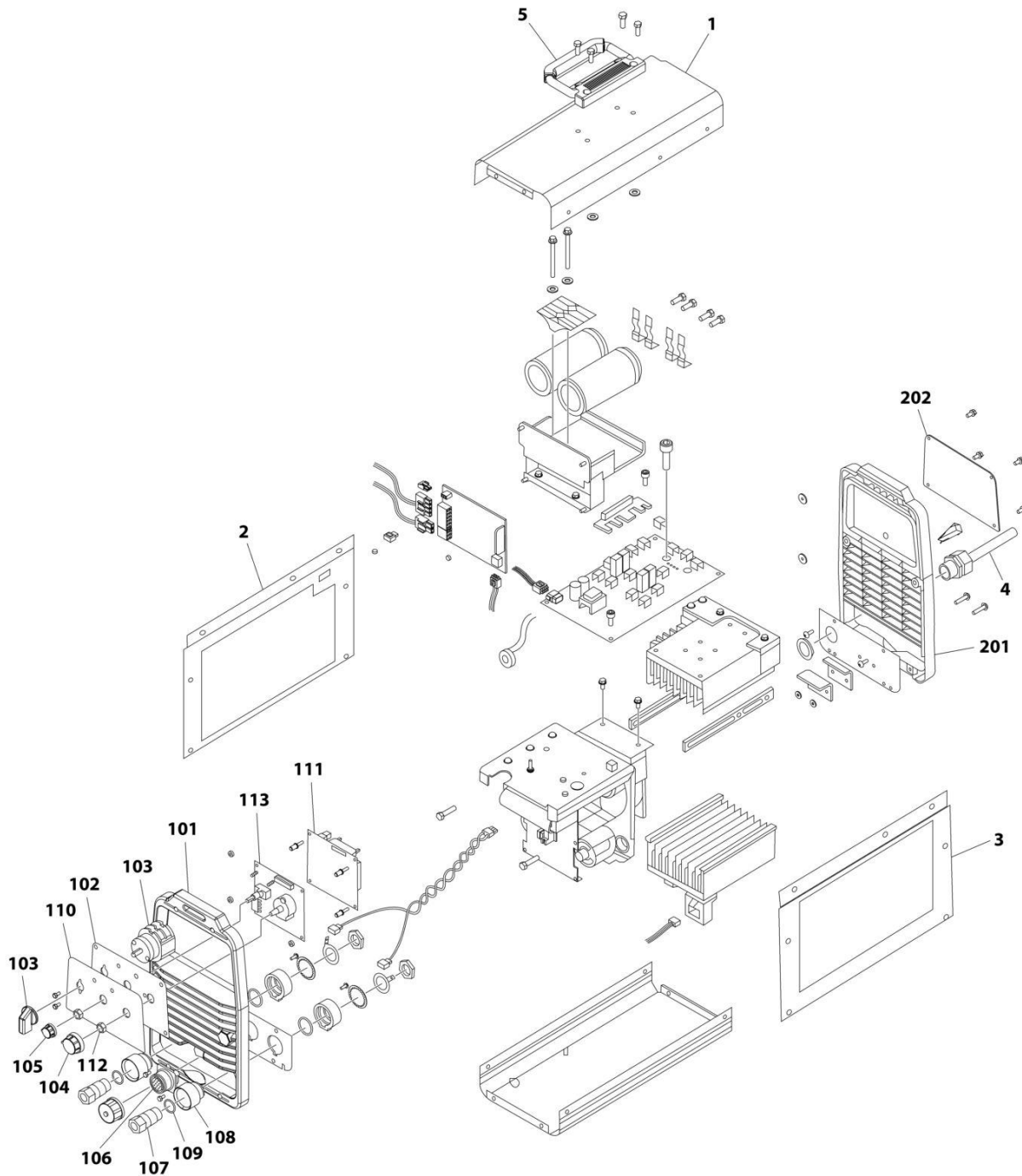
## SECTION 4 - PLATFORM

**FIGURE 4-11. SKYWELDER INSTALLATION (50HZ)**

ITEM	PART NUMBER	QTY	DESCRIPTION	REV
	0272521	Ref	SKYWELDER INSTALLATION (50HZ)	F
1	0100011	AR	Compound, Locking	
2	0630518	2	Screw #10 x 3/4	
3	0641606	4	Bolt 3/8 x 3/4	
4	1320302	2	U-Clamp	
5	2030010	1	Extinguisher, Fire	
6	2902217	1	Weld Leads Kit	
7	3300151	4	Nut 1/4	
8	3311005	2	Nut #10	
9	3311605	4	Nut 3/8	
10	3573400	1	Bracket	
11	3577121	2	Angle	
12	3573642	1	Plate	
13	4240099	AR	Tie-Strap (Not Shown)	
14	4420037	AR	Tape	
15	4530028	1	Welder Assembly Options (See WELDER ASSEMBLY for Breakdown):	
16	4751400	4	Washer 1/4	
17	4751600	8	Washer 3/8	
18	4846627	1	Support	
19	4751000	2	Washer #10	
	0272588	Ref	SKYWELDER DECAL INSTALLATION	A
101	1705355	2	Decal - SkyWelder	
102	1705305	1	Decal - Weld Lead	
103	1705466	1	Decal - Weight	

# SECTION 4 - PLATFORM

## FIGURE 4-12. WELDER ASSEMBLY



ART\_4530028

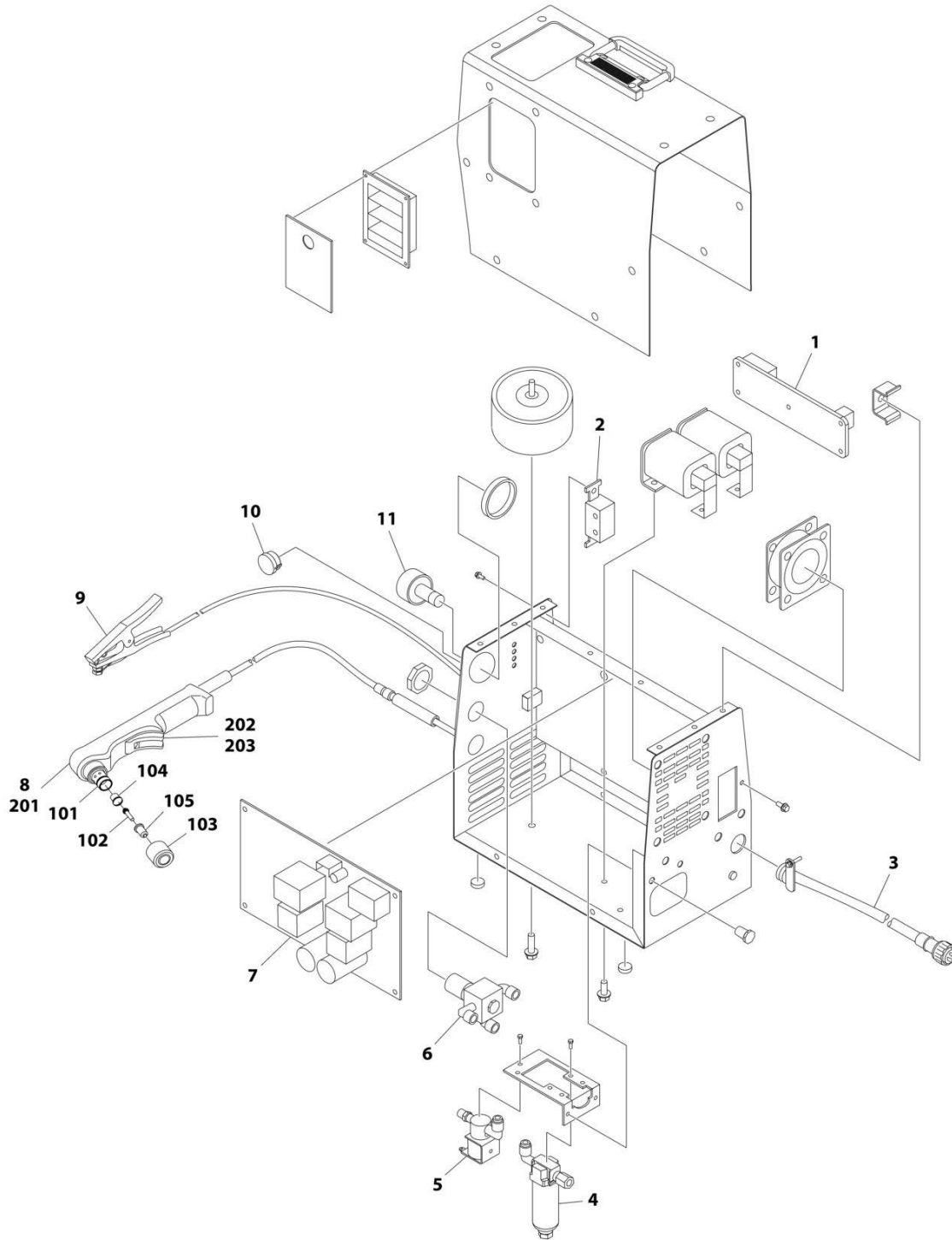
## SECTION 4 - PLATFORM

### FIGURE 4-12. WELDER ASSEMBLY

ITEM	PART NUMBER	QTY	DESCRIPTION	REV
	4530028	Ref	WELDER ASSEMBLY	B
		Ref	Note: For Other Components, contact your Miller Welder Dealer.	
1	7027773	1	Cover, Top	
1	7027774	1	Decal - Static Precautionary Warning	
2	See Note	NSS	Panel, LH Side (Note: Part of Item 1. Purchase Item 1)	
3	See Note	NSS	Panel, RH Side (Note: Part of Item 1. Purchase Item 1)	
4	7024467	1	Cable, Power	
4	7027775	1	Decal - Electrical Shock Warning (Not Shown)	
5	7027776	1	Handle, Carrying	
101	7024462	1	Panel, Front	
102	7024463	1	Panel, Console	
103	7024469	1	Switch with Lead	
104	7024470	1	Knob	
105	7024471	1	Knob	
106	7024472	1	Receptacle with Leads and Plugs	
107	7024473	2	Receptacle, Twistlock Female	
108	7024474	2	Insulator	
109	7024475	2	O-Ring	
110	7027777	1	Nameplate	
111	7027779	1	Circuit Card Assembly (Process Control)	
112	7024478	2	Nut	
113	7027778	1	Circuit Card Assembly (Operator Interface)	
201	7024462	1	Panel, Rear	
202	7027780	1	Panel, Cover	

# SECTION 4 - PLATFORM

## FIGURE 4-13. PLASMA CUTTER ASSEMBLY - 60HZ POWER SUPPLY



ART\_4530024



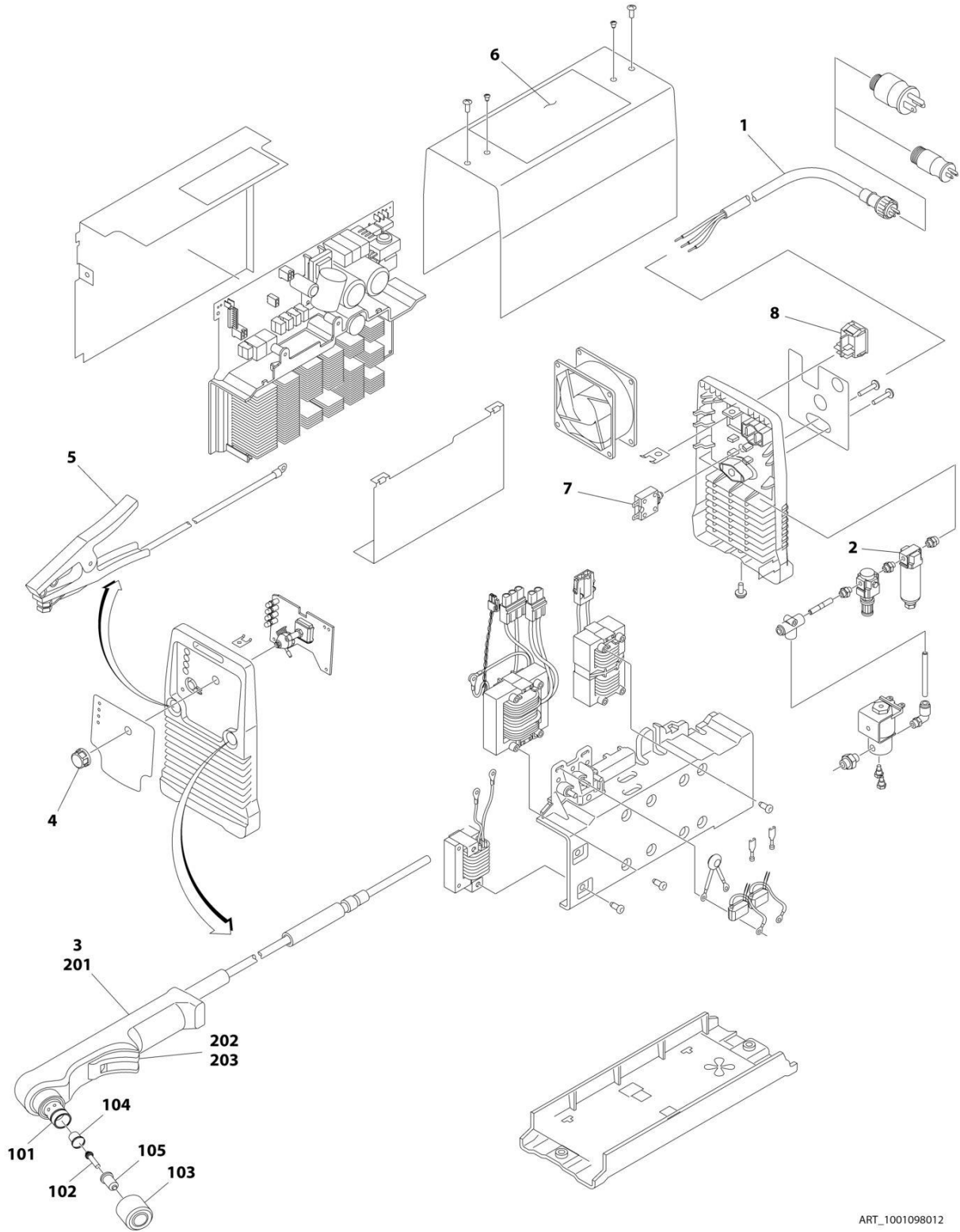
## SECTION 4 - PLATFORM

**FIGURE 4-13. PLASMA CUTTER ASSEMBLY - 60HZ POWER SUPPLY**

ITEM	PART NUMBER	QTY	DESCRIPTION	REV
	4530024	Ref	PLASMA CUTTER ASSEMBLY - 60HZ POWER SUPPLY	D
		Ref	Note: For other components see your Miller Dealer.	
1	7024519	1	Circuit Card	
2	7024520	1	Switch	
3	7024521	10 ft/ 3m	Cable, Power	
4	7024522	1	Filter, Air	
5	7024523	1	Valve, Air	
6	7024524	1	Regulator, Air	
7	7024525	1	Circuit Card	
8	7024526	1	Torch Assembly (See Items 101-203 for Breakdown)	
9	7024527	1	Clamp	
10	7024528	1	Knob	
11	7024529	1	Gauge, Air	
	7024526	Ref	TORCH ASSEMBLY	
101	7024530	1	O-Ring	
102	7024531	1	Electrode	
103	7024532	1	Cup, Retaining	
104	7024533	1	Swirl Ring	
105	7024534	1	Tip	
201	7024535	1	Handle, Torch	
202	7024536	1	Switch	
203	7024537	1	Trigger	

# SECTION 4 - PLATFORM

## FIGURE 4-14. PLASMA CUTTER ASSEMBLY



ART\_1001098012

## SECTION 4 - PLATFORM

### FIGURE 4-14. PLASMA CUTTER ASSEMBLY

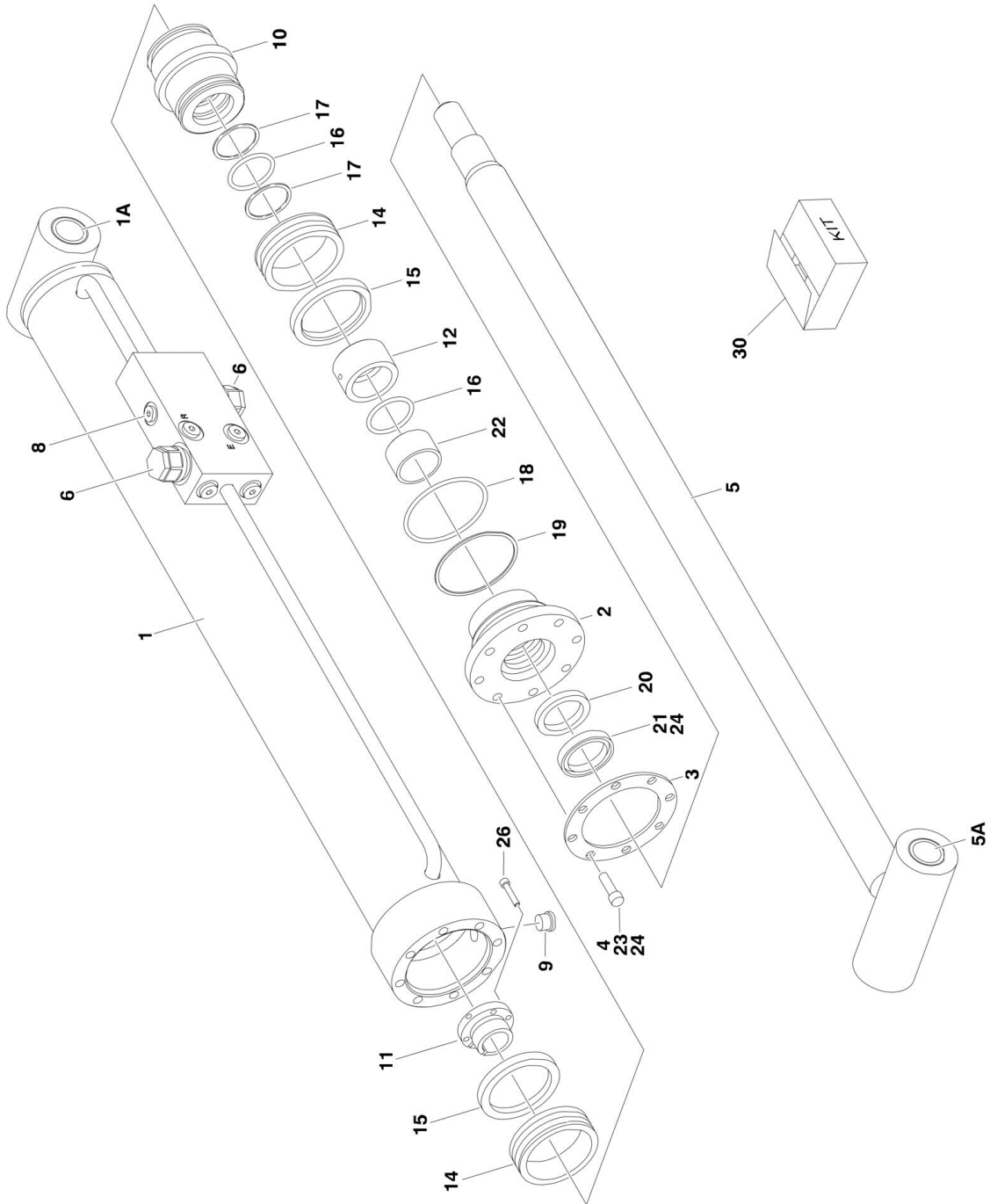
ITEM	PART NUMBER	QTY	DESCRIPTION	REV
	1001098012	Ref	PLASMA CUTTER ASSEMBLY	A
		Ref	Note: For Other Components, contact your Miller Welder Dealer.	
1	70001424	1	Cable, Power	
1	70001425	1	Decal - Voltage Warning	
2	70001427	1	Filter, Regulator	
3	70001428	1	Torch Assembly (See Items 101-203 for Breakdown)	
4	7024471	1	Knob	
5	70001429	1	Clamp with Cable	
6	70001430	1	Decal - Caution	
7	70001431	1	Breaker, Circuit	
8	70001432	1	Switch, Rocker	
	70001428	Ref	TORCH ASSEMBLY	
101	7024530	1	O-Ring	
102	7024531	1	Electrode	
103	7024532	1	Cup, Retaining	
104	7024533	1	Swirl Ring	
105	7024534	1	Tip	
201	7024535	1	Handle, Torch	
202	7024536	1	Switch	
203	7024537	1	Trigger	



**SECTION 5 - CYLINDER**

# SECTION 5 - CYLINDER

## FIGURE 5-1. JIB CYLINDER ASSEMBLY (ORIGINAL EQUIPMENT)



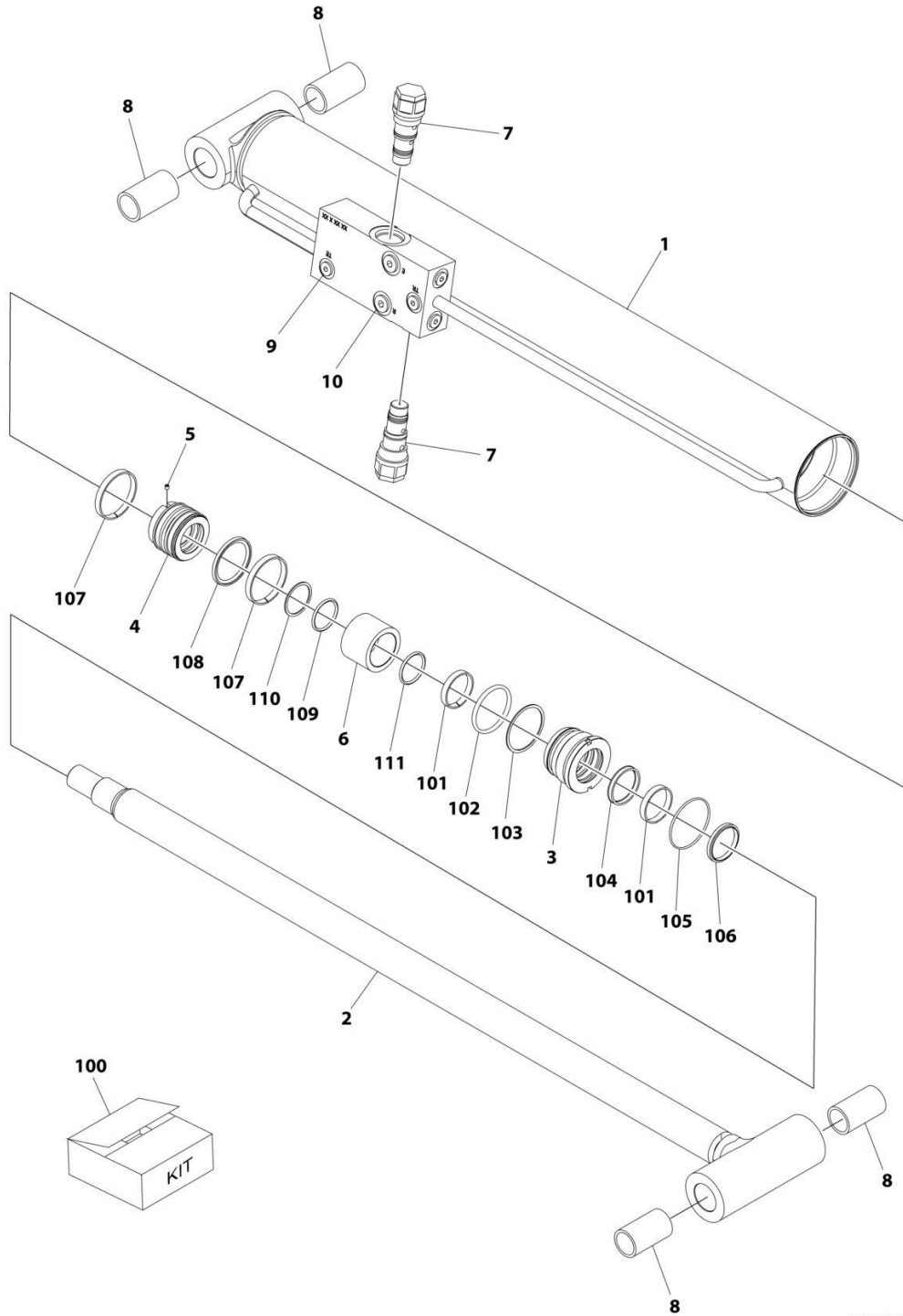
## SECTION 5 - CYLINDER

**FIGURE 5-1. JIB CYLINDER ASSEMBLY (ORIGINAL EQUIPMENT)**

ITEM	PART NUMBER	QTY	DESCRIPTION	REV
	1683609	Ref	<b>JIB CYLINDER ASSEMBLY (ORIGINAL EQUIPMENT)</b> Note: Original Cylinder May Have Been Replaced with Service Replacement. Identify PN Stamped on Cylinder Before Ordering Parts.	1
		Ref		
1	1684089	1	Barrel (Note: Includes Item 1A)	
1A	0962336	2	Bushing	
2	1683053	1	Head	
3	3760368	1	Ring, Washer	
4	3931516	8	Capscrew, Socket Head 5/16in-18NC x 1in	
5	1684090	1	Rod	
5A	0962336	2	Bushing (Note: Includes Item 5A)	
6	4640509	2	Cartridge, Valve	
6	2900792	2	Seal Kit - 4640509 Valve	
8	2220883	AR	Plug, O-Ring #4	
9	2220885	1	Plug, O-Ring #6	
10	3480210	1	Piston	
11	0961893	1	Bushing, Tapered	
12	4100100	1	Spacer	
14	See Note	NSS	Seal (Note: Use Item 30)	
15	See Note	NSS	Ring, Lock (Note: Use Item 30)	
16	See Note	NSS	O-Ring (Note: Use Item 30)	
17	See Note	NSS	Ring, Back-up (Note: Use Item 30)	
18	See Note	NSS	O-Ring (Note: Use Item 30)	
19	See Note	NSS	Ring, Back-up (Note: Use Item 30)	
20	See Note	NSS	Seal, Rod (Note: Use Item 30)	
21	See Note	NSS	Wiper (Note: Use Item 30)	
22	See Note	NSS	Ring, Wear (Note: Use Item 30)	
23	0100011	AR	Compound, Locking	
24	0100038	AR	Primer, Locking	
26	0630534	3	Screw, Socket Head #10-24NC x 1in	
30	2901303	1	Seal Kit (Includes Items 14-22)	

# SECTION 5 - CYLINDER

## FIGURE 5-2. JIB CYLINDER ASSEMBLY (SERVICE REPLACEMENT)



ART\_1001228012



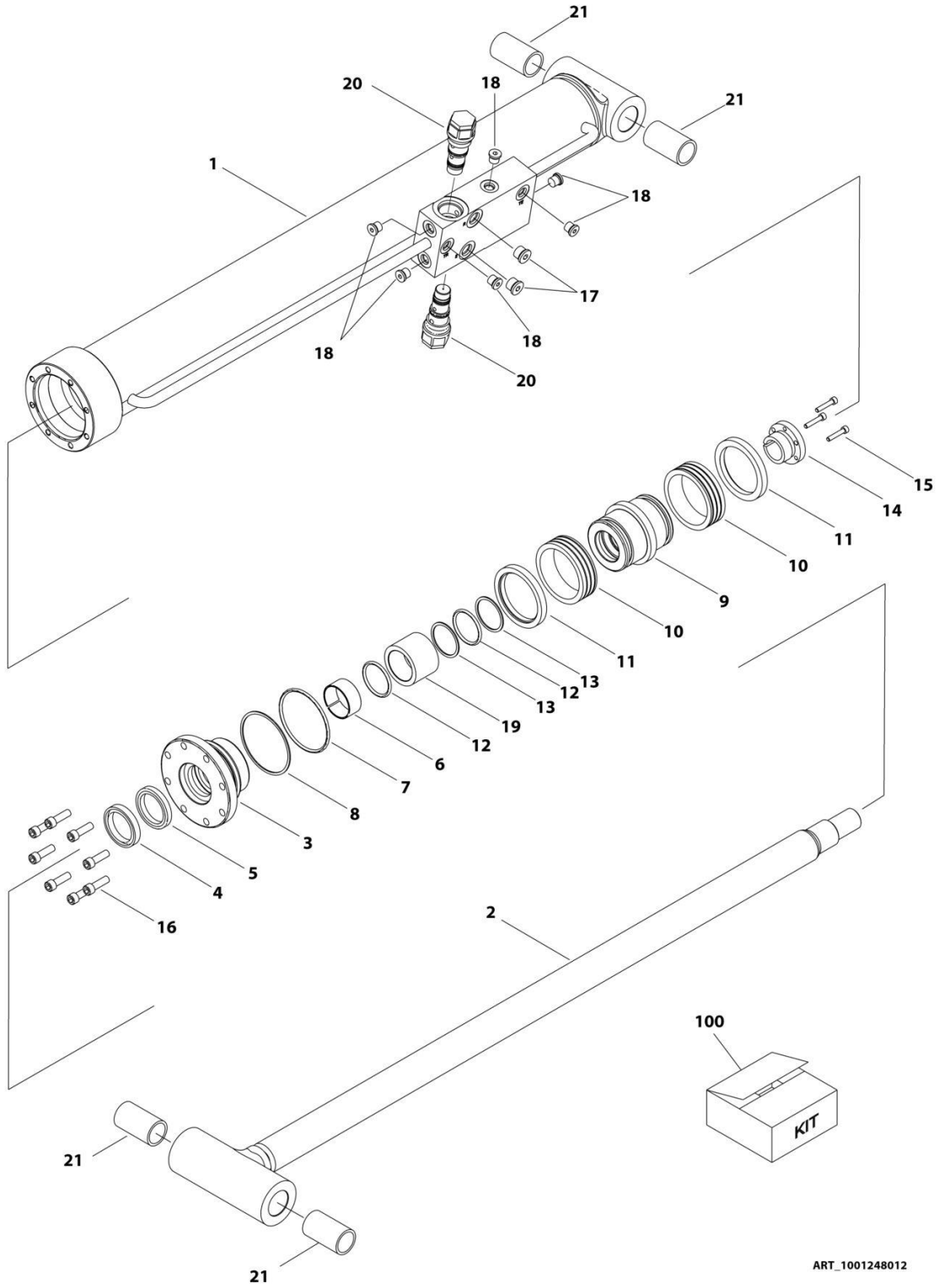
## SECTION 5 - CYLINDER

**FIGURE 5-2. JIB CYLINDER ASSEMBLY (SERVICE REPLACEMENT)**

ITEM	PART NUMBER	QTY	DESCRIPTION	REV
	1001228012	Ref	JIB CYLINDER ASSEMBLY (SERVICE REPLACEMENT)	A
		Ref	Note: Original Cylinder May Have Been Replaced with Service Replacement. Identify PN Stamped on Cylinder Before Ordering Parts.	
1	See Note	NSS	Barrel (Note: Not Available for Purchase)	
2	70006572	1	Rod	
3	70006571	1	Head	
4	70006570	1	Piston	
5	70023915	1	Screw	
6	70006569	1	Spacer	
7	4640509	2	Cartridge, Valve	
7	2900792	2	Seal Kit - 4640509 Valve	
8	0962336	4	Bushing	
9	2220883	6	Plug, O-Ring	
10	2220885	2	Plug, O-Ring	
100	70006568	1	Seal Kit (Includes Items 101-111)	
101	See Note	NSS	Ring, Wear (Note: Use Item 100)	
102	See Note	NSS	O-Ring (Note: Use Item 100)	
103	See Note	NSS	Ring, Back-up (Note: Use Item 100)	
104	See Note	NSS	Seal, Rod (Note: Use Item 100)	
105	See Note	NSS	O-Ring (Note: Use Item 100)	
106	See Note	NSS	Wiper (Note: Use Item 100)	
107	See Note	NSS	Ring, Wear (Note: Use Item 100)	
108	See Note	NSS	Seal (Note: Use Item 100)	
109	See Note	NSS	O-Ring (Note: Use Item 100)	
110	See Note	NSS	Ring, Back-up (Note: Use Item 100)	
111	See Note	NSS	O-Ring (Note: Use Item 100)	

# SECTION 5 - CYLINDER

## FIGURE 5-3. JIB CYLINDER ASSEMBLY (SERVICE REPLACEMENT)



ART\_1001248012

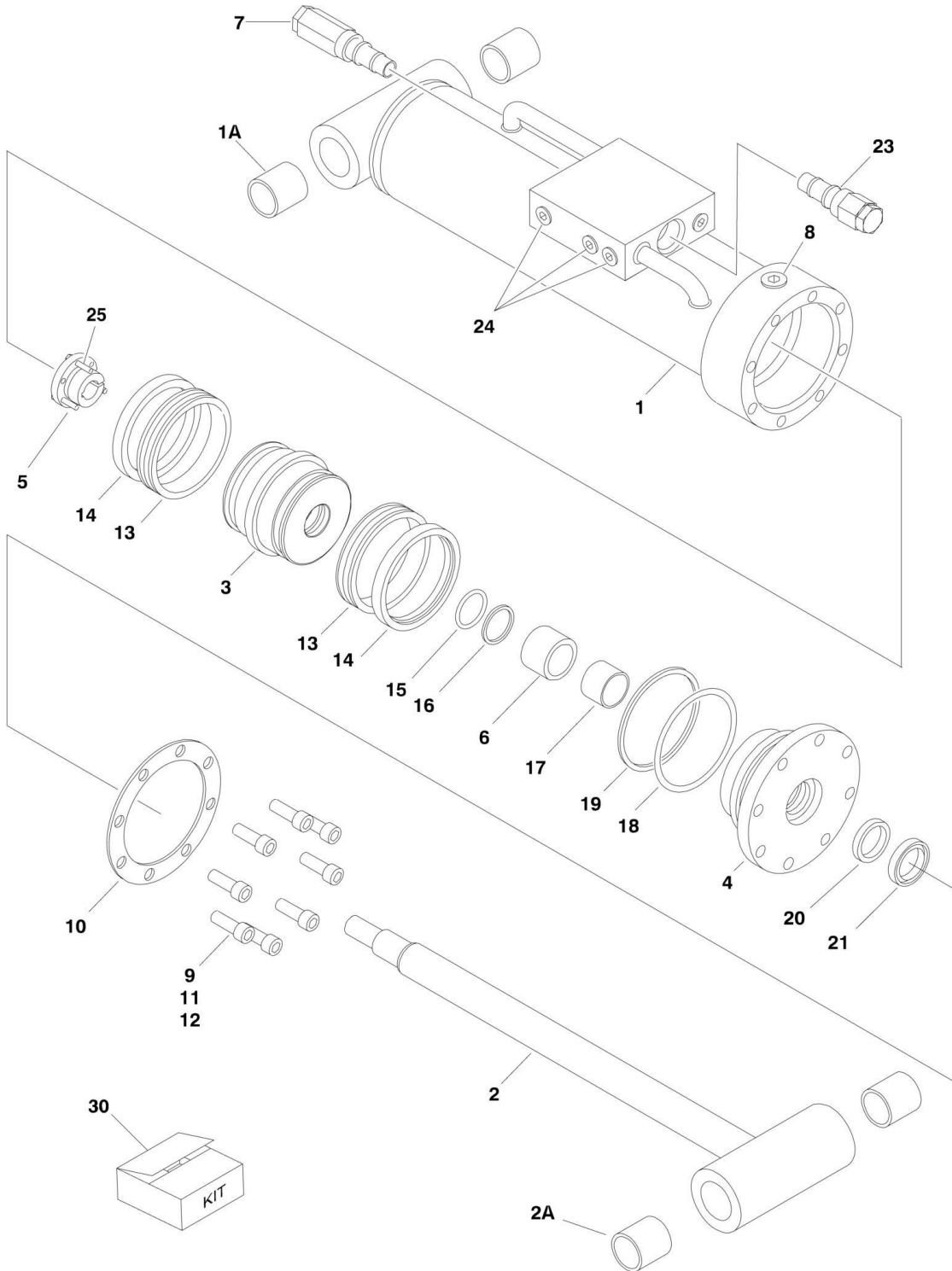
## SECTION 5 - CYLINDER

**FIGURE 5-3. JIB CYLINDER ASSEMBLY (SERVICE REPLACEMENT)**

ITEM	PART NUMBER	QTY	DESCRIPTION	REV
	1001248012	Ref	LIFT CYLINDER ASSEMBLY - JIB	A
		Ref	Note: Original Cylinder May Have Been Replaced with Service Replacement. Identify PN Stamped on Cylinder Before Ordering Parts.	
1	See Note	NSS	Barrel (Note: Not Available for Purchase)	
2	70006734	1	Rod	
3	70006649	1	Head	
4	See Note	NSS	Wiper (Note: Use Item 100)	
5	See Note	NSS	Seal, Rod (Note: Use Item 100)	
6	See Note	NSS	Ring, Wear (Note: Use Item 100)	
7	See Note	NSS	O-Ring (Note: Use Item 100)	
8	See Note	NSS	Ring, Back-up (Note: Use Item 100)	
9	70006650	1	Piston	
10	See Note	NSS	Seal (Note: Use Item 100)	
11	See Note	NSS	Ring, Lock (Note: Use Item 100)	
12	See Note	NSS	O-Ring (Note: Use Item 100)	
13	See Note	NSS	Ring, Back-up (Note: Use Item 100)	
14	0961893	1	Bushing, Tapered	
15	0630534	3	Capscrew, Socket Head #10 x 1	
16	70006735	8	Capscrew 5/16	
17	2220885	2	Plug, O-Ring	
18	2220883	6	Plug, O-Ring	
19	70006736	1	Spacer	
20	4640509	2	Cartridge, Valve	
20	2900792	2	Seal Kit - 4640509 Valve	
21	0962336	4	Bushing	
100	1001138795	1	Seal Kit (Includes Items 4-8 & 10-13)	

# SECTION 5 - CYLINDER

## FIGURE 5-4. LEVEL CYLINDER ASSEMBLY - 600SC (ORIGINAL EQUIPMENT)



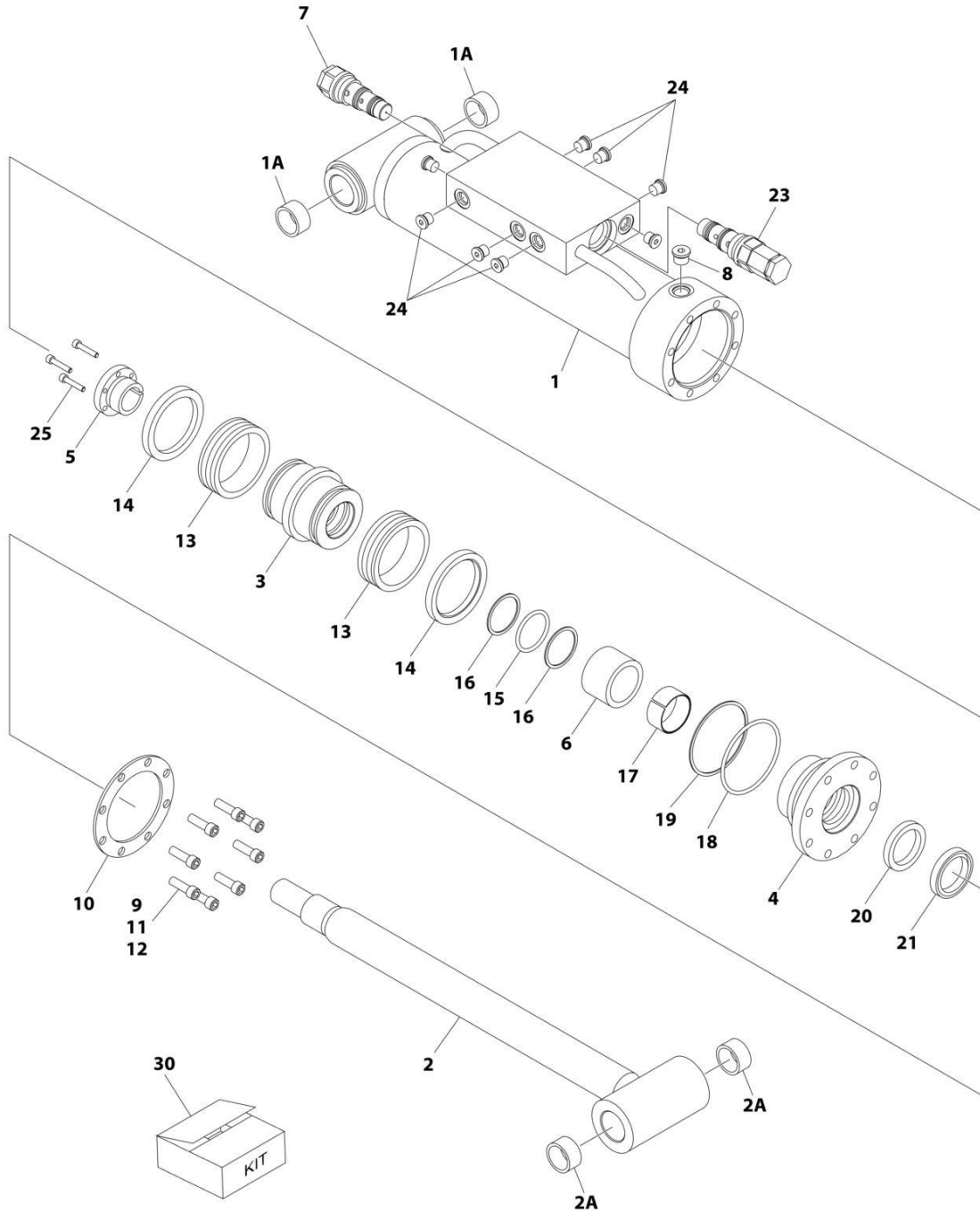
## SECTION 5 - CYLINDER

**FIGURE 5-4. LEVEL CYLINDER ASSEMBLY - 600SC (ORIGINAL EQUIPMENT)**

ITEM	PART NUMBER	QTY	DESCRIPTION	REV
	1683415	Ref	<b>LEVEL CYLINDER ASSEMBLY - 600SC (ORIGINAL EQUIPMENT)</b>	E
		Ref	Note: Original Cylinder May Have Been Replaced with Service Replacement. Identify PN Stamped on Cylinder Before Ordering Parts.	
1	1683977	1	Barrel (Note: Includes Item 1A)	
1A	0961947	2	Bushing	
2	1683976	1	Rod (Note: Includes Item 2A)	
2A	0961947	2	Bushing	
3	3480210	1	Piston	
4	1683053	1	Head	
5	0961893	1	Bushing, Tapered	
6	4566468	1	Spacer	
7	4640509	1	Cartridge, Valve	
7	2900792	1	Seal Kit - 4640509 Valve	
8	2220885	1	Plug, O-Ring	
9	3931516	8	Capscrew, Socket Head 5/16in-18NC x 1in	
10	3760368	1	Ring, Washer	
11	0100011	AR	Compound, Locking	
12	0100038	AR	Primer, Locking	
13	See Note	NSS	Seal (Note: Use Item 30)	
14	See Note	NSS	Ring, Lock (Note: Use Item 30)	
15	See Note	NSS	O-Ring (Note: Use Item 30)	
16	See Note	NSS	Ring, Back-up (Note: Use Item 30)	
17	See Note	NSS	Ring, Wear (Note: Use Item 30)	
18	See Note	NSS	O-Ring (Note: Use Item 30)	
19	See Note	NSS	Ring, Back-up (Note: Use Item 30)	
20	See Note	NSS	Seal, Rod (Note: Use Item 30)	
21	See Note	NSS	Wiper (Note: Use Item 30)	
23	4640932	1	Cartridge, Valve	
23	7011112	1	Seal Kit - Valve Cartridge	
24	2220883	AR	Plug, O-Ring	
25	0630534	3	Screw, Socket Head #10-24NC x 1in	
30	2901303	1	Seal Kit (Includes Items 13-21)	

# SECTION 5 - CYLINDER

## FIGURE 5-5. LEVEL CYLINDER ASSEMBLY - 600SC (SERVICE REPLACEMENT)



ART\_1001223512

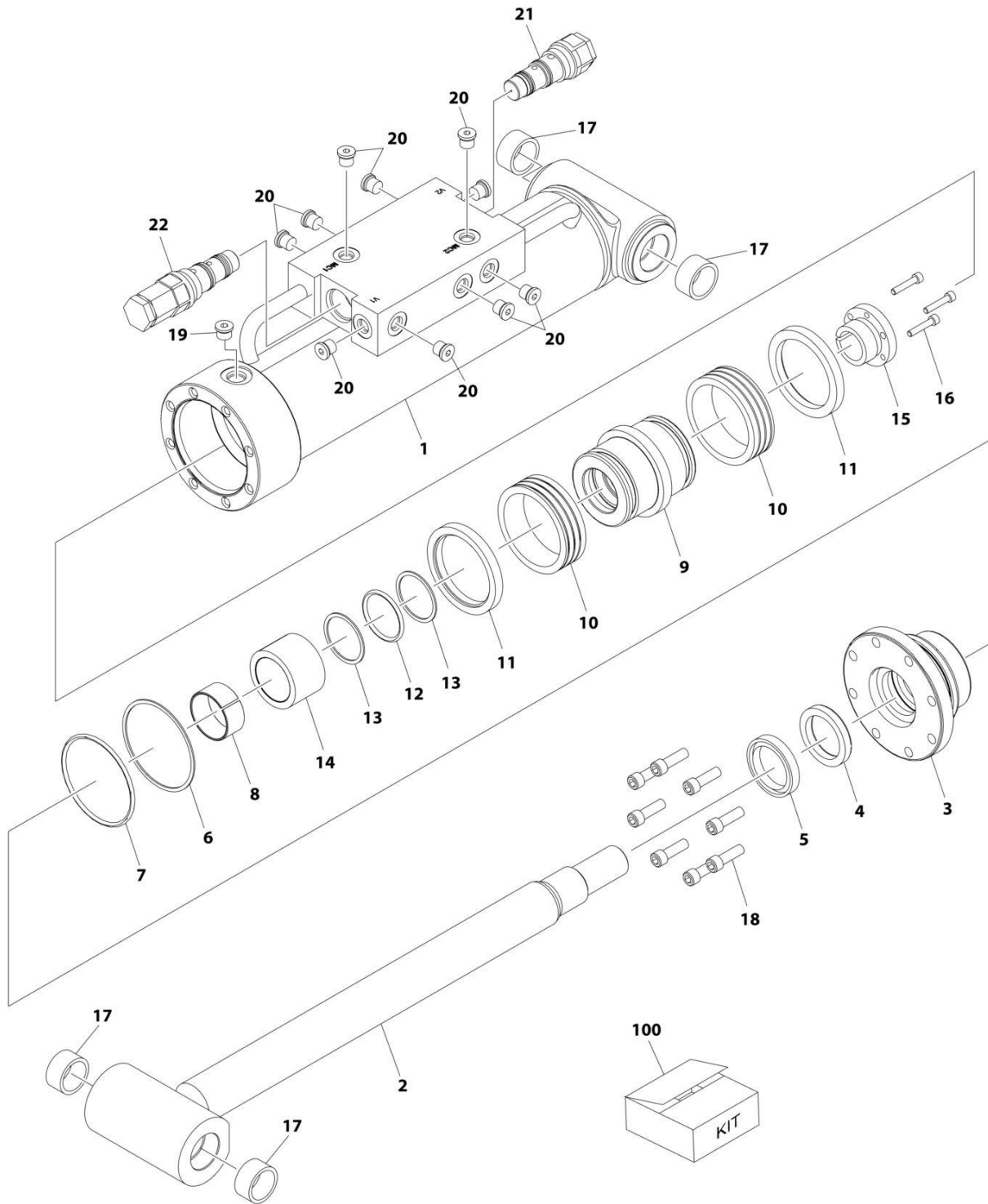
## SECTION 5 - CYLINDER

**FIGURE 5-5. LEVEL CYLINDER ASSEMBLY - 600SC (SERVICE REPLACEMENT)**

ITEM	PART NUMBER	QTY	DESCRIPTION	REV
	1001223512	Ref	LEVEL CYLINDER ASSEMBLY - 600SC (SERVICE REPLACEMENT)	B
		Ref	Note: Original Cylinder May Have Been Replaced with Service Replacement. Identify PN Stamped on Cylinder Before Ordering Parts.	
1	1001223511	1	Barrel (Note: Includes Item 1A)	
1A	0961947	2	Bushing	
2	1683976	1	Rod (Note: Includes Item 2A)	
2A	0961947	2	Bushing	
3	3480210	1	Piston	
4	1683053	1	Head	
5	0961893	1	Bushing, Tapered	
6	4566468	1	Spacer	
7	4640509	1	Cartridge, Valve	
7	2900792	1	Seal Kit 4640509 Valve	
8	2220885	1	Plug, O-Ring	
9	3931516	8	Capscrew 5/16 x 1	
10	3760368	1	Ring, Washer	
11	0100011	AR	Compound, Locking	
12	0100038	AR	Primer, Locking	
13	See Note	NSS	Seal (Note: Use Item 30)	
14	See Note	NSS	Ring, Lock (Note: Use Item 30)	
15	See Note	NSS	O-Ring (Note: Use Item 30)	
16	See Note	NSS	Ring, Back-up (Note: Use Item 30)	
17	See Note	NSS	Ring, Wear (Note: Use Item 30)	
18	See Note	NSS	O-Ring (Note: Use Item 30)	
19	See Note	NSS	Ring, Back-up (Note: Use Item 30)	
20	See Note	NSS	Seal, Rod (Note: Use Item 30)	
21	See Note	NSS	Wiper (Note: Use Item 30)	
23	4640932	1	Cartridge, Valve	
23	7011112	1	Seal Kit 4640932 Valve	
24	2220883	AR	Plug, O-Ring	
25	0630534	3	Screw #10 x 1	
30	2901303	1	Seal Kit (Includes Items 13-21)	

# SECTION 5 - CYLINDER

## FIGURE 5-6. LEVEL CYLINDER ASSEMBLY - 600SC (SERVICE REPLACEMENT)



ART\_1001228008



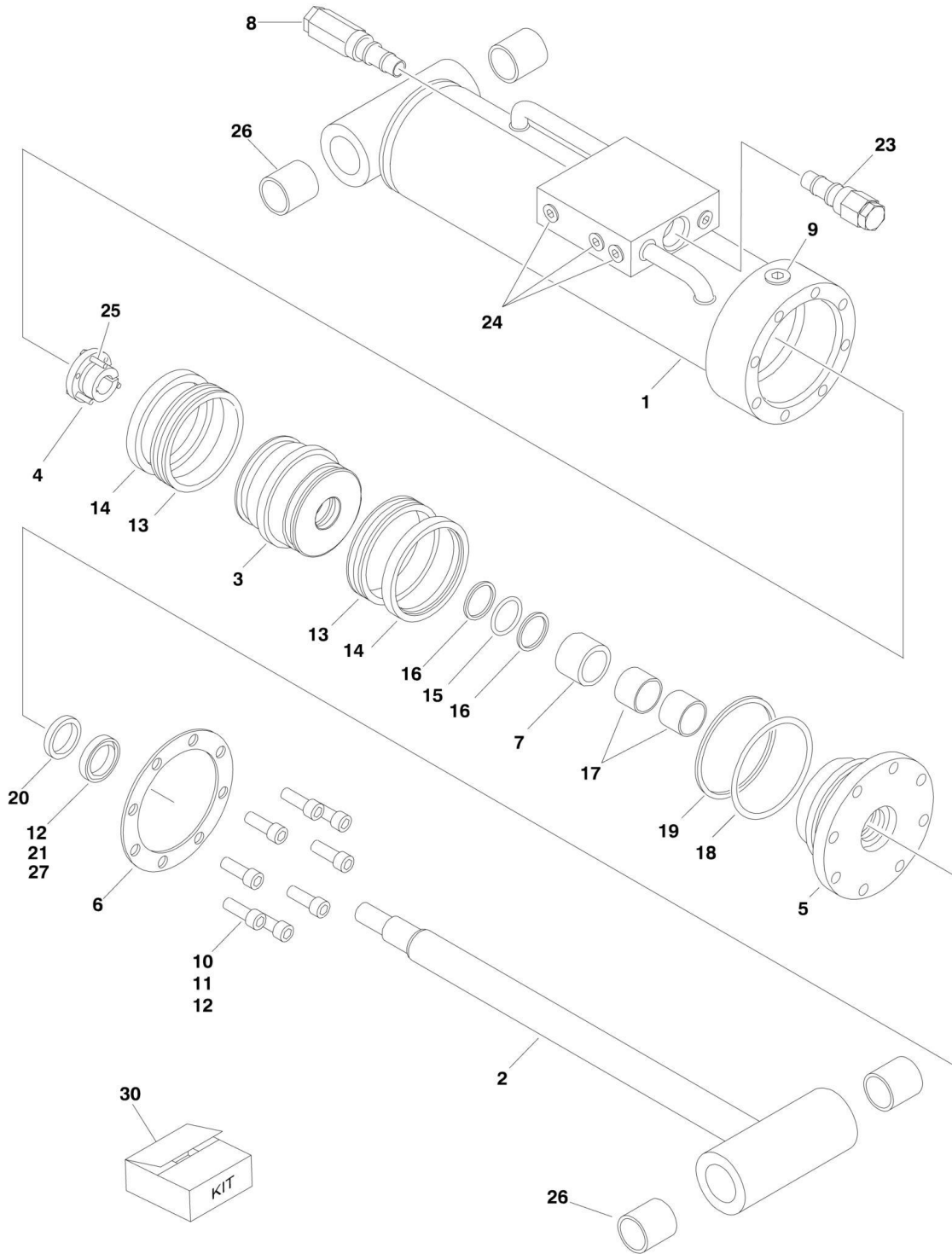
## SECTION 5 - CYLINDER

**FIGURE 5-6. LEVEL CYLINDER ASSEMBLY - 600SC (SERVICE REPLACEMENT)**

ITEM	PART NUMBER	QTY	DESCRIPTION	REV
	1001228008	Ref	LEVEL CYLINDER ASSEMBLY - 600SC (SERVICE REPLACEMENT)	A
		Ref	Note: Original Cylinder May Have Been Replaced with Service Replacement. Identify PN Stamped on Cylinder Before Ordering Parts.	
1	See Note	NSS	Barrel (Note: Not Available for Purchase)	
2	70006648	1	Rod	
3	70006649	1	Head	
4	See Note	NSS	Wiper (Note: Use Item 100)	
5	See Note	NSS	Seal (Note: Use Item 100)	
6	See Note	NSS	O-Ring (Note: Use Item 100)	
7	See Note	NSS	Ring, Back-up (Note: Use Item 100)	
8	See Note	NSS	Ring, Wear (Note: Use Item 100)	
9	70006650	1	Piston	
10	See Note	NSS	Seal (Note: Use Item 100)	
11	See Note	NSS	Ring, Lock (Note: Use Item 100)	
12	See Note	NSS	O-Ring (Note: Use Item 100)	
13	See Note	NSS	Ring, Back-up (Note: Use Item 100)	
14	70006569	1	Spacer	
15	0961893	1	Bushing, Tapered	
16	0630534	3	Screw #10 x 1	
17	0961947	4	Bushing	
18	3931516	8	Capscrew 5/16 x 1	
19	2220885	1	Plug, O-Ring	
20	2220883	10	Plug, O-Ring	
21	4640932	1	Cartridge, Valve	
21	7011112	1	Seal Kit - 4640932 Valve	
22	4640509	1	Cartridge, Valve	
22	2900792	1	Seal Kit - 4640509 Valve	
100	2901303	1	Seal Kit (Includes Items 4-8 & 10-13)	

# SECTION 5 - CYLINDER

## FIGURE 5-7. LEVEL CYLINDER ASSEMBLY - 660SJC (ORIGINAL EQUIPMENT)



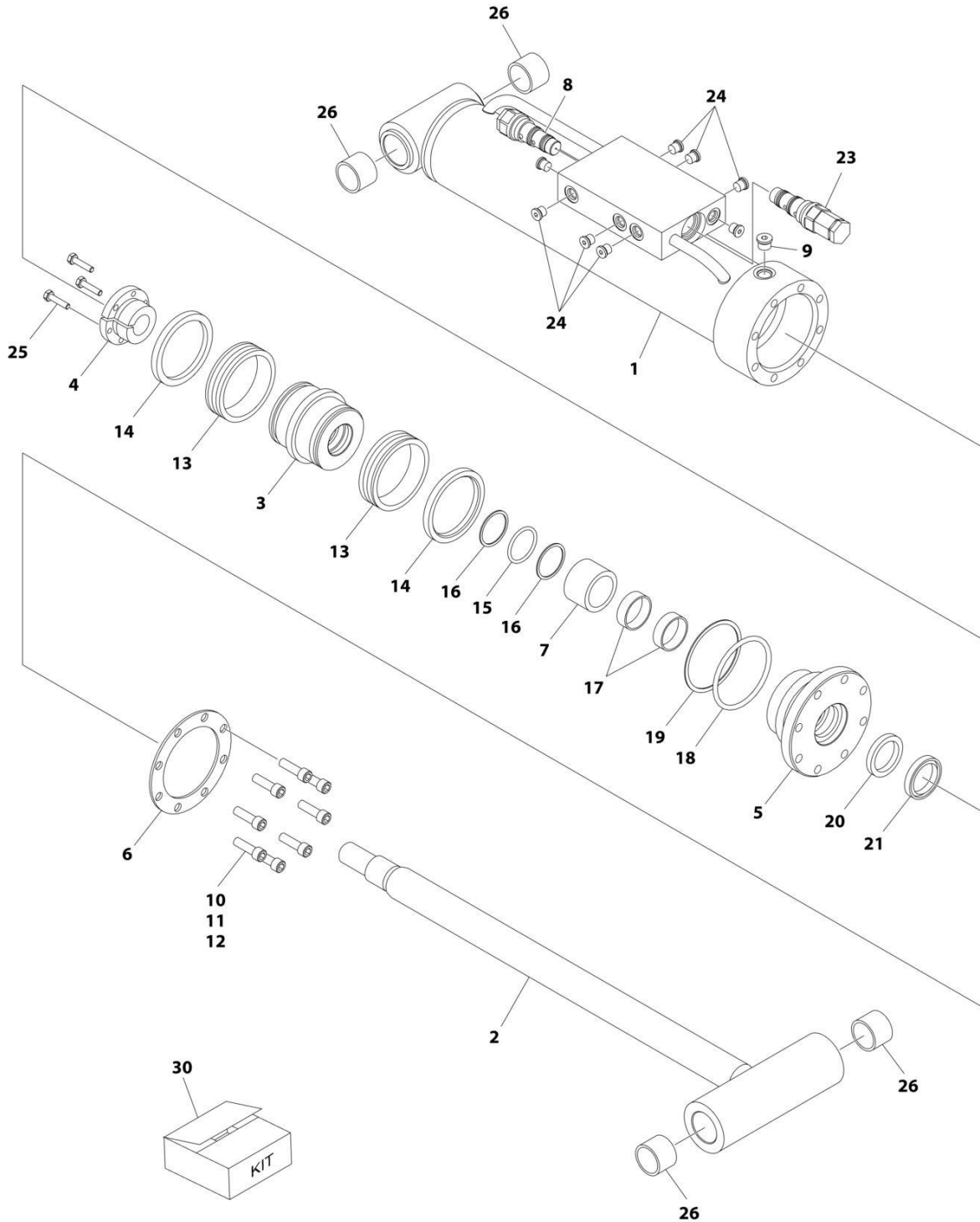
## SECTION 5 - CYLINDER

**FIGURE 5-7. LEVEL CYLINDER ASSEMBLY - 660SJC (ORIGINAL EQUIPMENT)**

ITEM	PART NUMBER	QTY	DESCRIPTION	REV
	1683418	Ref	<b>LEVEL CYLINDER ASSEMBLY - 660SJC (ORIGINAL EQUIPMENT)</b>	G
		Ref	Note: Original Cylinder May Have Been Replaced with Service Replacement. Identify PN Stamped on Cylinder Before Ordering Parts.	
1	1683952	1	Barrel	
2	1683963	1	Rod	
3	3480188	1	Piston	
4	0961894	1	Bushing, Tapered	
5	1683055	1	Head	
6	3760369	1	Ring, Washer	
7	4566468	1	Spacer	
8	4640509	1	Cartridge, Valve	
8	2900792	1	Seal Kit - 4640509 Valve	
9	2220885	1	Plug, O-Ring	
10	3931620	8	Capscrew, Socket Head 3/8in-16NC x 1-1/4in	
11	0100011	AR	Compound, Locking	
12	0100038	AR	Primer, Locking	
13	See Note	NSS	Seal (Note: Use Item 30)	
14	See Note	NSS	Ring, Lock (Note: Use Item 30)	
15	See Note	NSS	O-Ring (Note: Use Item 30)	
16	See Note	NSS	Ring, Back-up (Note: Use Item 30)	
17	See Note	NSS	Ring, Wear (Note: Use Item 30)	
18	See Note	NSS	O-Ring (Note: Use Item 30)	
19	See Note	NSS	Ring, Back-up (Note: Use Item 30)	
20	See Note	NSS	Seal, Rod (Note: Use Item 30)	
21	See Note	NSS	Wiper (Note: Use Item 30)	
23	4640932	1	Cartridge, Valve	
23	7011112	1	Seal Kit - Valve Cartridge	
24	2220883	8	Plug, O-Ring	
25	0630535	3	Screw, Socket Head 1/4in-20NC x 1-1/8in	
26	0961951	4	Bushing	
27	0100063	AR	Loctite #RC609	
30	2901301	1	Seal Kit (Includes Items 13-21)	

# SECTION 5 - CYLINDER

## FIGURE 5-8. LEVEL CYLINDER ASSEMBLIES - 660SJC (SERVICE REPLACEMENT)



ART\_1001223331

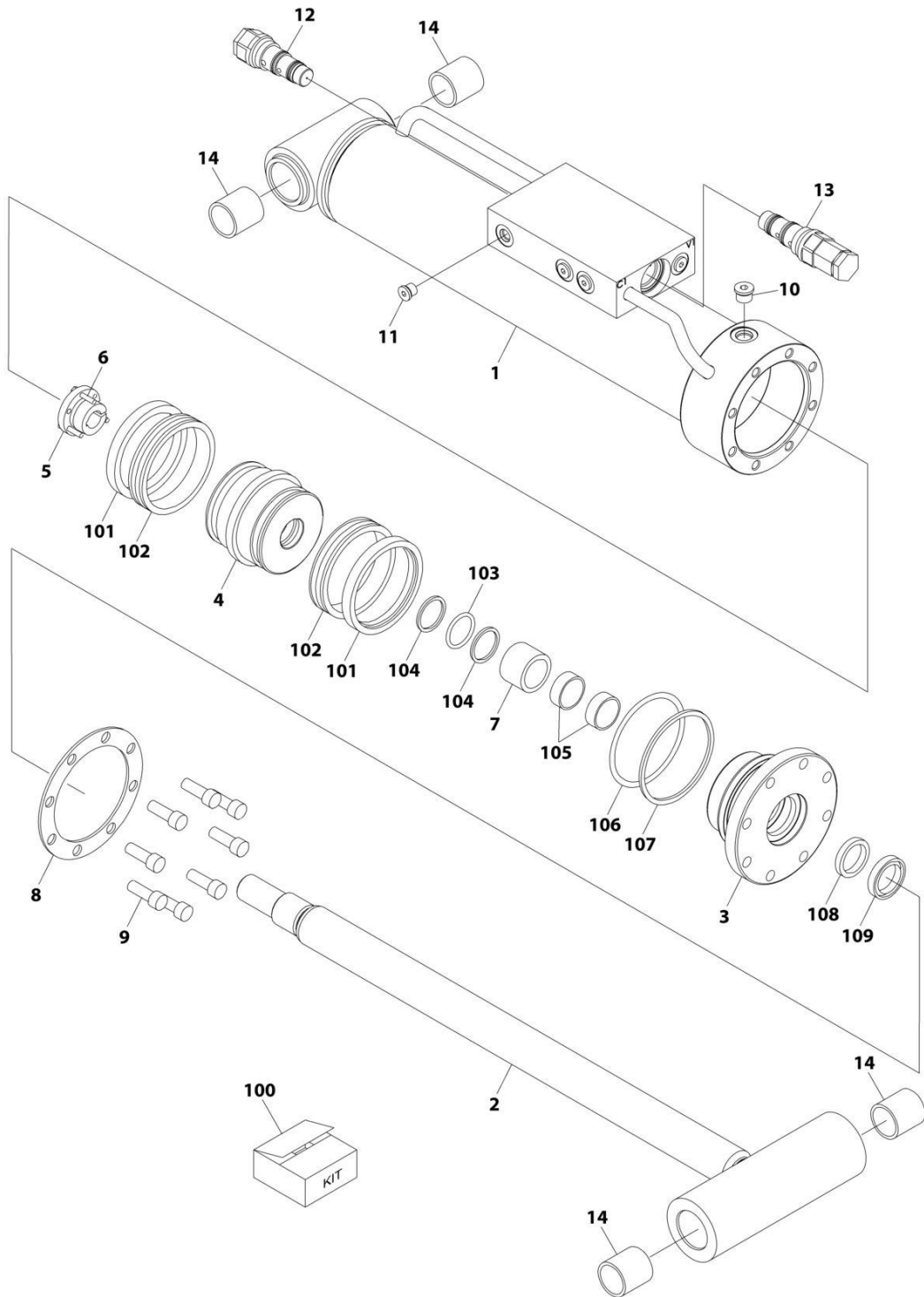
## SECTION 5 - CYLINDER

**FIGURE 5-8. LEVEL CYLINDER ASSEMBLIES - 660SJC (SERVICE REPLACEMENT)**

ITEM	PART NUMBER	QTY	DESCRIPTION	REV
	1001223331	Ref	LEVEL CYLINDER ASSEMBLIES - 600SJC & 660SJC (SERVICE REPLACEMENT)	B
		Ref	Note: Original Cylinder May Have Been Replaced with Service Replacement. Identify PN Stamped on Cylinder Before Ordering Parts.	
1	1001223332	1	Barrel (Note: Item 26 not included - Purchase Separately)	
2	1683963	1	Rod (Note: Item 26 not included - Purchase Separately)	
3	3480188	1	Piston	
4	0961894	1	Bushing, Tapered	
5	1683055	1	Head	
6	3760369	1	Ring, Washer	
7	4566468	1	Spacer	
8	4640509	1	Cartridge, Valve	
8	2900792	1	Seal Kit - 4640509 Valve	
9	2220885	1	Plug, O-Ring	
10	3931620	8	Capscrew 3/8 x 1-1/4	
11	0100011	AR	Compound, Locking	
12	0100038	AR	Primer, Locking	
13	See Note	NSS	Seal (Note: Use Item 30)	
14	See Note	NSS	Ring, Lock (Note: Use Item 30)	
15	See Note	NSS	O-Ring (Note: Use Item 30)	
16	See Note	NSS	Ring, Back-up (Note: Use Item 30)	
17	See Note	NSS	Ring, Wear (Note: Use Item 30)	
18	See Note	NSS	O-Ring (Note: Use Item 30)	
19	See Note	NSS	Ring, Back-up (Note: Use Item 30)	
20	See Note	NSS	Seal, Rod (Note: Use Item 30)	
21	See Note	NSS	Wiper (Note: Use Item 30)	
23	4640932	1	Cartridge, Valve	
23	7011112	1	Seal Kit - 4640932 Valve	
24	2220883	8	Plug, O-Ring	
25	0630535	3	Screw #10 x 1	
26	0961951	4	Bushing	
30	2901301	1	Seal Kit (Includes Items 13-21)	

# SECTION 5 - CYLINDER

## FIGURE 5-9. LEVEL CYLINDER ASSEMBLY - 660SJC (SERVICE REPLACEMENT)



ART\_1001228051

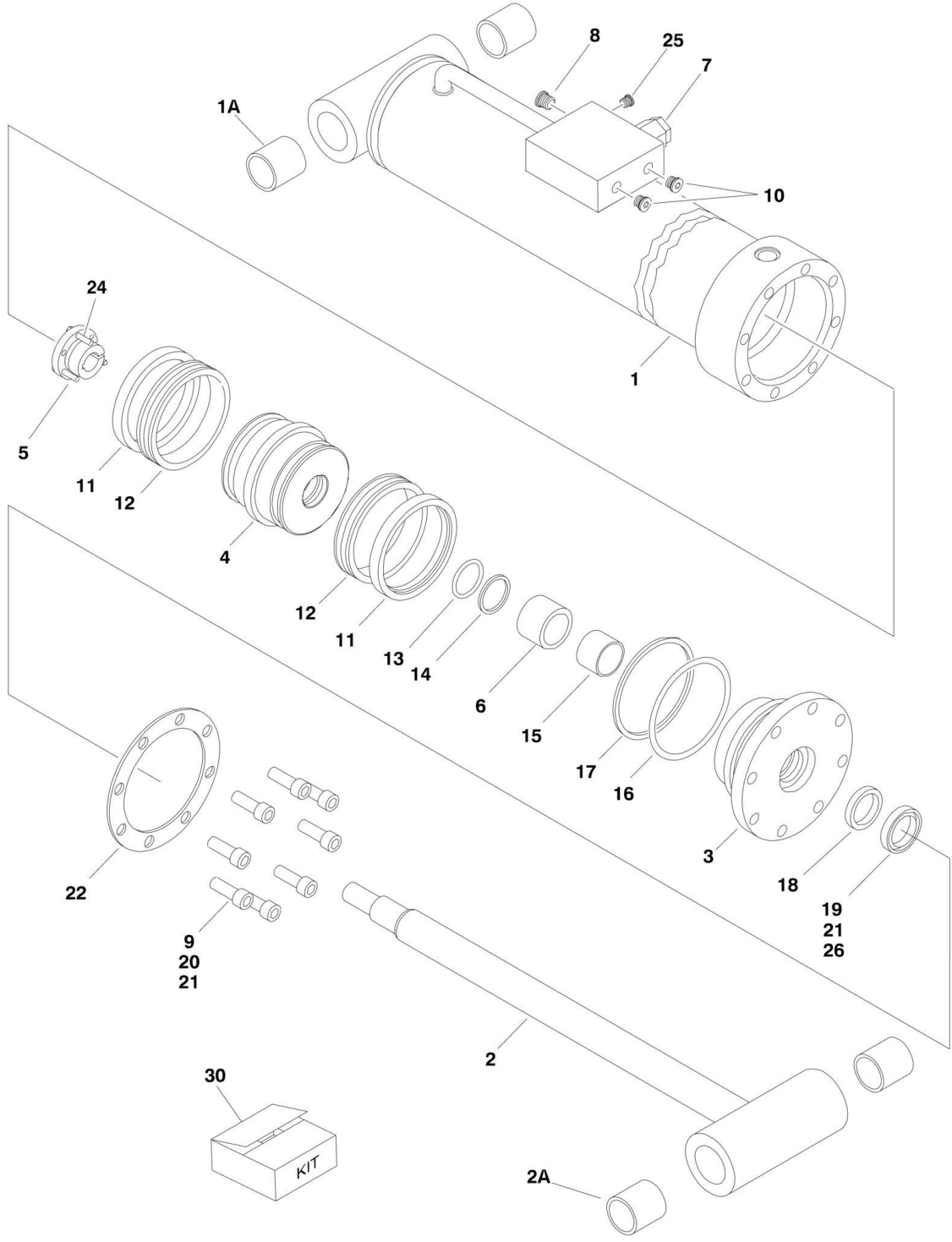
## SECTION 5 - CYLINDER

**FIGURE 5-9. LEVEL CYLINDER ASSEMBLY - 660SJC (SERVICE REPLACEMENT)**

ITEM	PART NUMBER	QTY	DESCRIPTION	REV
	1001228051	Ref	LEVEL CYLINDER ASSEMBLY	A
		Ref	Note: Original Cylinder May Have Been Replaced with Service Replacement. Identify PN Stamped on Cylinder Before Ordering Parts.	
1	See Note	NSS	Barrel (Note: Use p/n 1001228051)	
2	70006823	1	Rod	
3	70006446	1	Head	
4	70006445	1	Piston	
5	70006444	1	Bushing, Tapered	
6	0630535	3	Bolt 1/4 x 1-1/8	
7	70006443	1	Spacer	
8	70006822	1	Ring, Washer	
9	3931620	8	Capscrew 3/8 x 1-1/4	
10	2220885	1	Plug, O-Ring	
11	2220883	8	Plug, O-Ring	
12	4640509	1	Cartridge, Valve	
12	2900792	1	Seal Kit - 4640509 Valve	
13	4640932	1	Cartridge, Valve	
13	7011112	1	Seal Kit - 4640932 Valve	
14	0961951	4	Bushing	
100	1001138796	1	Seal Kit - 1001228051 Cylinder (Includes Items 101-109)	
101	See Note	NSS	Ring, Lock (Note: Use Item 100)	
102	See Note	NSS	Seal (Note: Use Item 100)	
103	See Note	NSS	O-Ring (Note: Use Item 100)	
104	See Note	NSS	Ring, Back-up (Note: Use Item 100)	
105	See Note	NSS	Ring, Wear (Note: Use Item 100)	
106	See Note	NSS	O-Ring (Note: Use Item 100)	
107	See Note	NSS	Ring, Back-up (Note: Use Item 100)	
108	See Note	NSS	Seal, Rod (Note: Use Item 100)	
109	See Note	NSS	Wiper (Note: Use Item 100)	

# SECTION 5 - CYLINDER

## FIGURE 5-10. LIFT CYLINDER ASSEMBLY





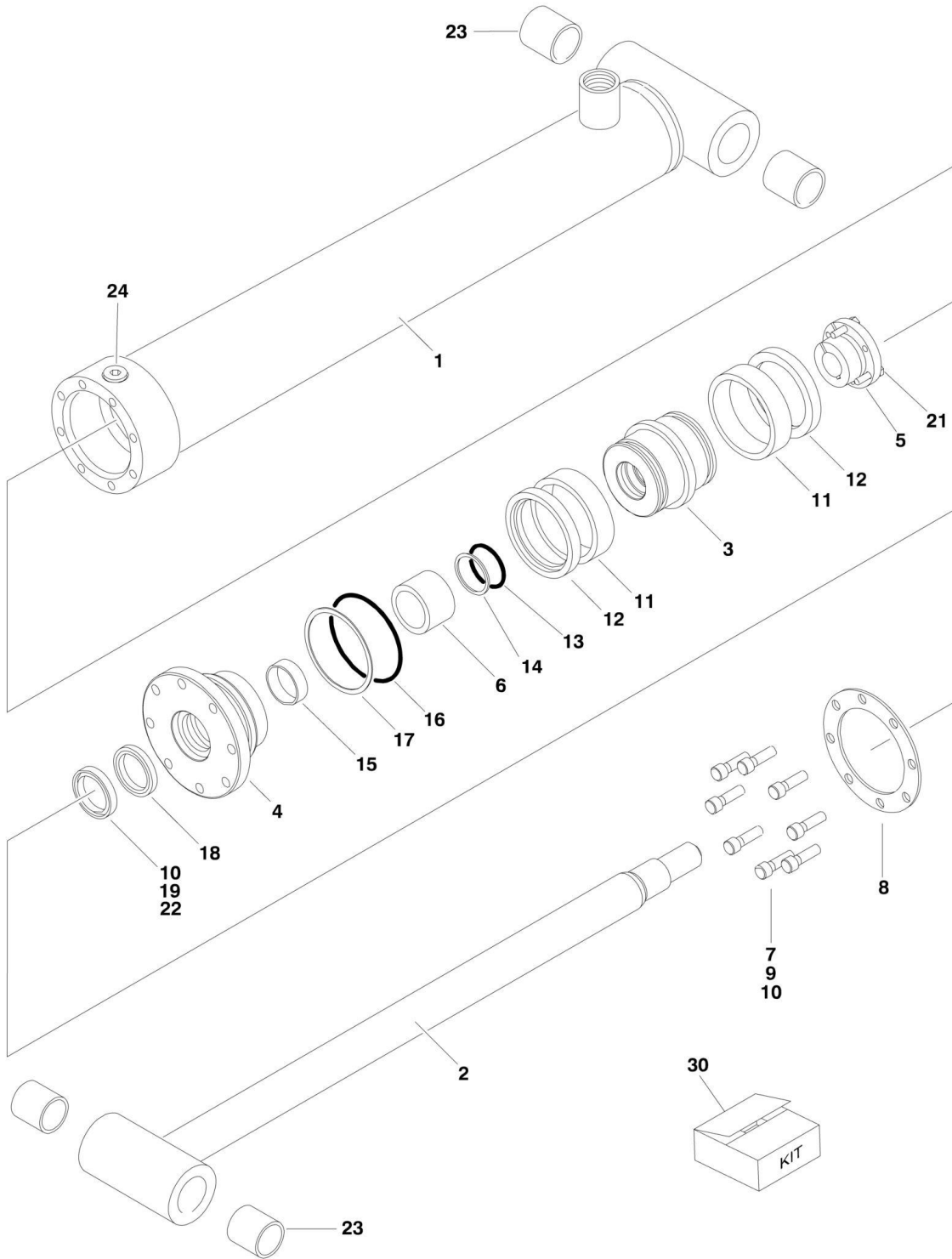
## SECTION 5 - CYLINDER

### FIGURE 5-10. LIFT CYLINDER ASSEMBLY

ITEM	PART NUMBER	QTY	DESCRIPTION	REV
		Ref	<b>LIFT CYLINDER ASSEMBLY</b>	
	1683666	Ref	<b>Original Equipment (SN 0300128000 through 0300138353)</b>	H
	1001112468	Ref	<b>Service Replacement (SN 0300128000 through 0300138353)</b>	B
	1001112468	Ref	<b>Original Equipment (SN 0300138354 through 0300174703)</b>	B
		Ref	Note: Original Cylinder May Have Been Replaced with Service Replacement. Identify PN Stamped on Cylinder Before Ordering Parts.	
1		Ref	Barrel Options: (Note: Includes Item 1A)	
1	1683955	1	Original Equipment <b>(SN 0300128000 through 0300138353)</b>	
1	1001112467	1	Service Replacement <b>(SN 0300128000 through 0300138353)</b>	
1	1001112467	1	Original Equipment <b>(SN 0300138354 through 0300174703)</b>	
1A	0961950	2	Bushing	
2	1683954	1	Rod (Note: Includes Item 2A)	
2A	0961950	2	Bushing	
3	1683067	1	Head	
4	3480206	1	Piston	
5	0961898	1	Bushing, Tapered (Use item #24 in place of supplied bolts)	
6	4566501	1	Spacer, Tube	
7	4640509	1	Cartridge, Valve	
7	2900792	1	Seal Kit - 4640509 Valve	
8	2220887	1	Plug, O-Ring	
9	3932032	8	Bolt, Socket Head 5/16in-11NC x 2in	
10	2220883	2	Plug, O-Ring	
11	See Note	NSS	Ring, Lock (Note: Use Item 30)	
12	See Note	NSS	Seal, Hydrolock (Note: Use Item 30)	
13	See Note	NSS	O-Ring (Note: Use Item 30)	
14	See Note	NSS	Ring, Back-up (Note: Use Item 30)	
15	See Note	NSS	Ring, Wear (Note: Use Item 30)	
16	See Note	NSS	O-Ring (Note: Use Item 30)	
17	See Note	NSS	Ring, Back-up (Note: Use Item 30)	
18	See Note	NSS	Seal, Rod (Note: Use Item 30)	
19	See Note	NSS	Wiper (Note: Use Item 30)	
20	0100011	AR	Compound, Locking	
21	0100038	AR	Primer, Locking	
22	3760372	1	Washer, Ring	
24	0630536	3	Screw, Socket Head 3/8in-16NC x 1-1/2in	
25	2220235	1	Plug, O-Ring	
26	0100063	AR	Loctite #RC609 Only <b>(SN 0300128000 through 0300138354)</b>	
30	2901285	1	Seal Kit (Includes Items 11-19)	

# SECTION 5 - CYLINDER

## FIGURE 5-11. MASTER CYLINDER ASSEMBLY



## SECTION 5 - CYLINDER

### FIGURE 5-11. MASTER CYLINDER ASSEMBLY

ITEM	PART NUMBER	QTY	DESCRIPTION	REV
		Ref	<b>MASTER CYLINDER ASSEMBLY</b>	
	1684414	Ref	<b>Master Cylinder Assembly 600SC</b>	D
	1684413	Ref	<b>Master Cylinder Assembly 660SJC (Original Equipment)</b>	F
		Ref	Note: Original Cylinder May Have Been Replaced with Service Replacement. Identify PN Stamped on Cylinder Before Ordering Parts.	
1		Ref	Barrel Options:	
1	1683972	1	Barrel 600SC (Includes Qty 2 of Item 23)	
1	1683949	1	Barrel 660SJC (Bushings Not Included)	
2		Ref	Rod Options:	
2	3850020	1	Rod 600SC (Includes Qty 2 of Item 23):	
2	1683963	1	Rod 600SJC & 660SJC (Bushings Not Included)	
3		Ref	Piston Options:	
3	3480210	1	Piston 600SC	
3	3480188	1	Piston 660SJC	
4		Ref	Head Options:	
4	1683053	1	Head 600SC	
4	1683055	1	Head 660SJC	
5		Ref	Bushing, Tapered Options:	
5	0961893	1	Bushing, Tapered 600SC	
5	0961894	1	Bushing, Tapered 660SJC	
6	4566468	1	Spacer, Tube	
7		Ref	Capscrew Options:	
7	3931516	8	Capscrew 600SC (5/16in-18NC x 1in)	
7	3931620	8	Capscrew 660SJC (3/8in-16NC x 1-1/4in)	
8		Ref	Ring, Washer Options:	
8	3760368	1	Ring, Washer 600SC	
8	3760369	1	Ring, Washer 660SJC	
9	0100011	AR	Compound, Locking	
10	0100038	AR	Primer, Locking	
11	See Note	NSS	Seal (Note: Use Item 30)	
12	See Note	NSS	Ring, Lock (Note: Use Item 30)	
13	See Note	NSS	O-Ring (Note: Use Item 30)	
14	See Note	NSS	Ring, Back-up (Note: Use Item 30)	
15	See Note	NSS	Ring, Wear (Note: Use Item 30)	
16	See Note	NSS	O-Ring (Note: Use Item 30)	
17	See Note	NSS	Ring, Back-up (Note: Use Item 30)	
18	See Note	NSS	Seal, Rod (Note: Use Item 30)	
19	See Note	NSS	Wiper (Note: Use Item 30)	
21		Ref	Screw, Socket Head	
21	0630534	3	Screw, Socket Head 600SC (#10-24NC x 1in)	
21	0630535	3	Screw, Socket Head 660SJC (1/4in-20NC x 1-1/8in)	
22	0100063	AR	Loctite #RC680	
23		Ref	Bushing Options:	
23	0961947	4	Bushing 600SC	
23	0961951	4	Bushing 660SJC	
24		Ref	Plug, O-Ring Options:	
24	Not Required	0	Plug, O-Ring 600SC	
24	2220885	1	Plug, O-Ring 660SJC	
30		Ref	Seal Kit Options (Includes Items 11-19):	

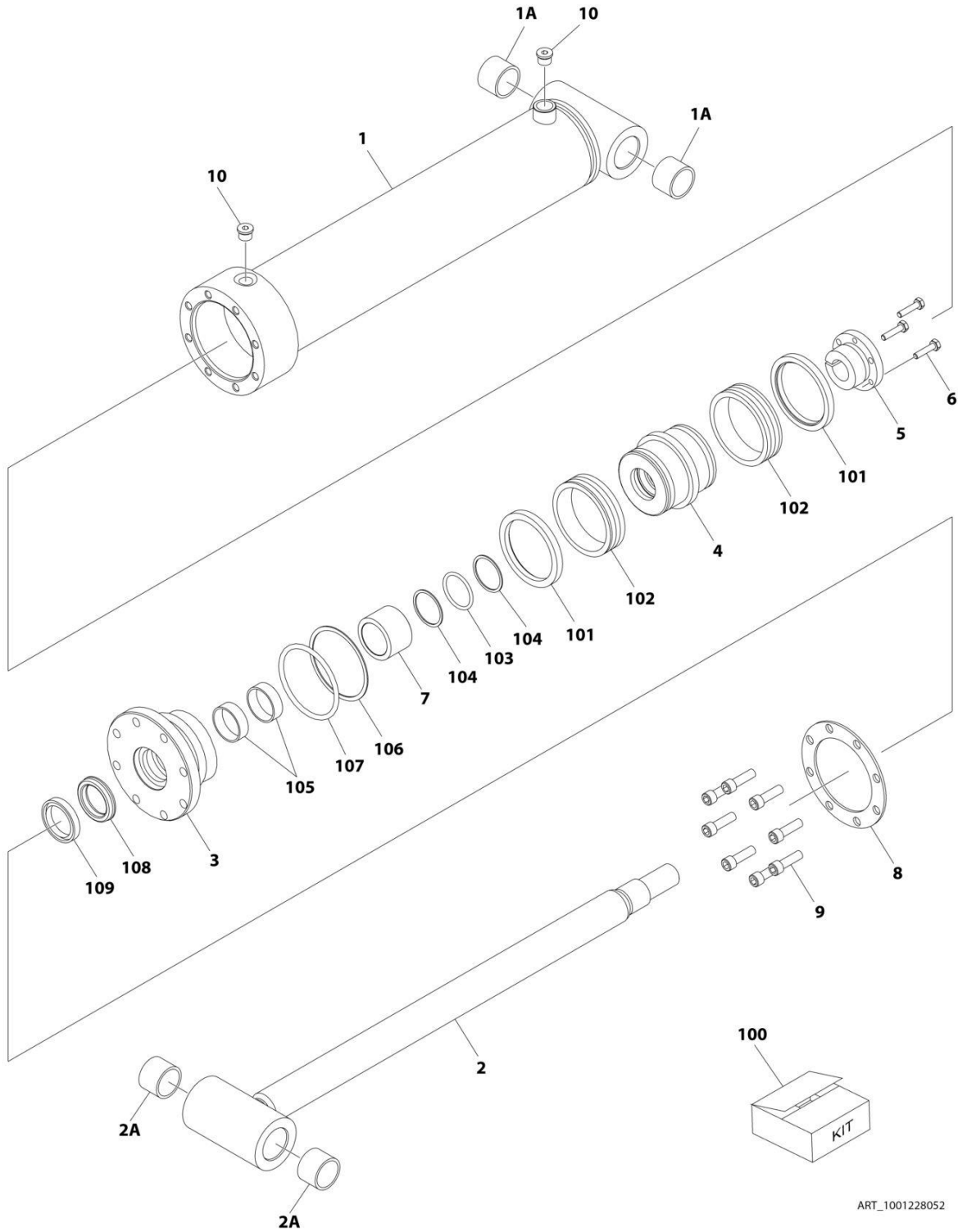
## SECTION 5 - CYLINDER

ITEM	PART NUMBER	QTY	DESCRIPTION	REV
30	2901303	1	Seal Kit 600SC (1684414 Cylinder)	
30	2901301	1	Seal Kit 660SJC (1684413 Cylinder)	



# SECTION 5 - CYLINDER

## FIGURE 5-12. MASTER CYLINDER ASSEMBLY - 660SJC (SERVICE REPAACEMENT)



ART\_1001228052

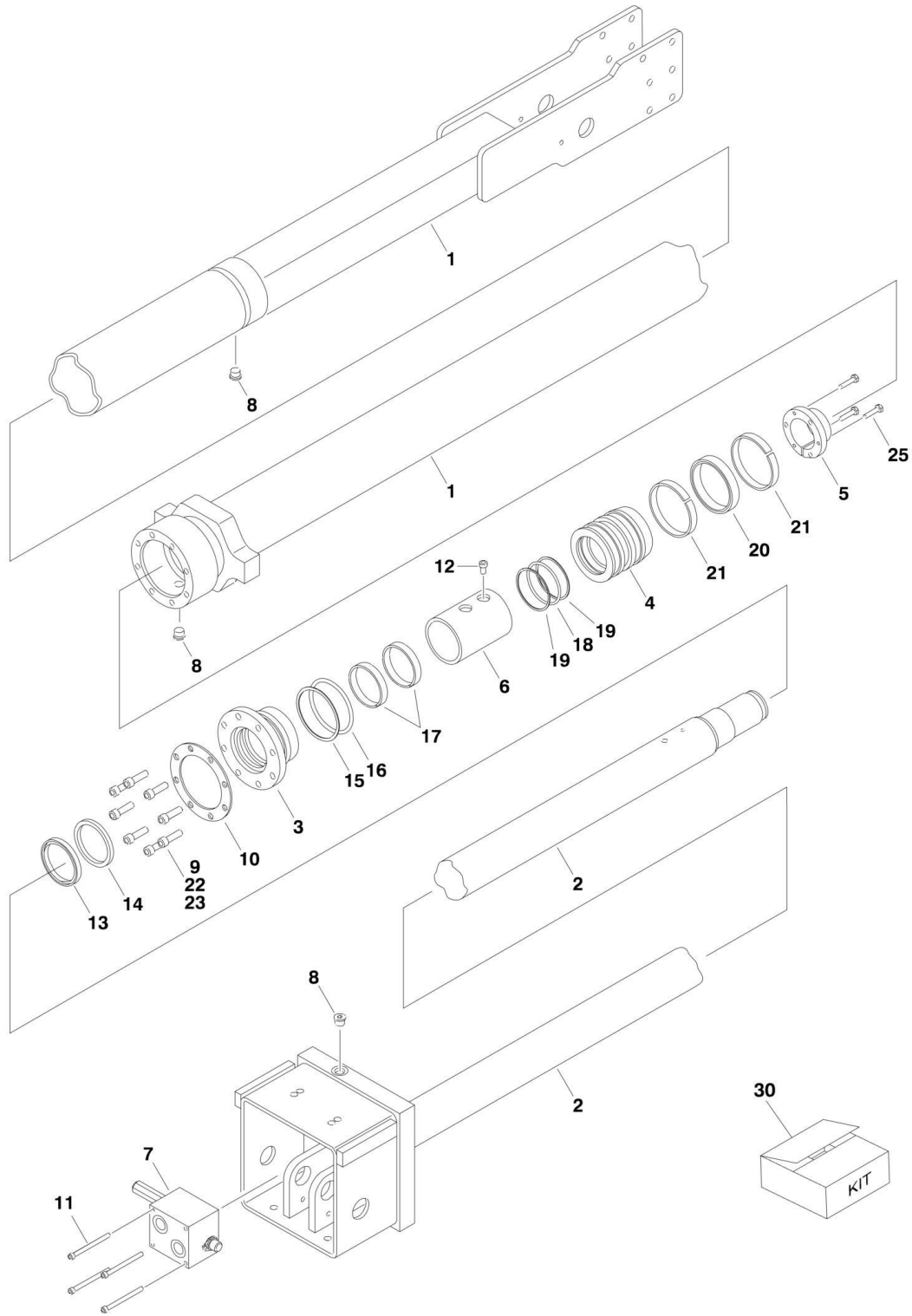
## SECTION 5 - CYLINDER

**FIGURE 5-12. MASTER CYLINDER ASSEMBLY - 660SJC (SERVICE REPAACEMENT)**

ITEM	PART NUMBER	QTY	DESCRIPTION	REV
	1001228052	Ref	MASTER CYLINDER ASSEMBLY - 660SJC (SERVICE REPAACEMENT)	A
		Ref	Note: Original Cylinder May Have Been Replaced with Service Replacement. Identify PN Stamped on Cylinder Before Ordering Parts.	
1	See Note	NSS	Barrel Weldment (Note: Not Available for Purchase)	
1A	0961951	2	Bushing	
2	70006447	1	Rod Weldment	
2A	0961951	2	Bushing	
3	70006446	1	Head	
4	70006445	1	Piston	
5	70006444	1	Bushing, Tapered	
6	0630535	3	Capscrew 1/4 x 1-1/8	
7	70006443	1	Spacer	
8	70006442	1	Ring, Washer	
9	3931620	8	Capscrew 3/8 x 1-1/4	
10	2220885	2	Plug, O-Ring	
100	1001138796	1	Seal Kit (Includes Items 101-109)	
101	See Note	NSS	Ring, Wear (Note: Use Item 100)	
102	See Note	NSS	Seal, Piston (Note: Use Item 100)	
103	See Note	NSS	O-Ring (Note: Use Item 100)	
104	See Note	NSS	Ring, Back-up (Note: Use Item 100)	
105	See Note	NSS	Ring, Wear (Note: Use Item 100)	
106	See Note	NSS	O-Ring (Note: Use Item 100)	
107	See Note	NSS	Ring, Back-up (Note: Use Item 100)	
108	See Note	NSS	Seal, Rod (Note: Use Item 100)	
109	See Note	NSS	Wiper, Rod (Note: Use Item 100)	

# SECTION 5 - CYLINDER

## FIGURE 5-13. TELESCOPE CYLINDER ASSEMBLY





## SECTION 5 - CYLINDER

**FIGURE 5-13. TELESCOPE CYLINDER ASSEMBLY**

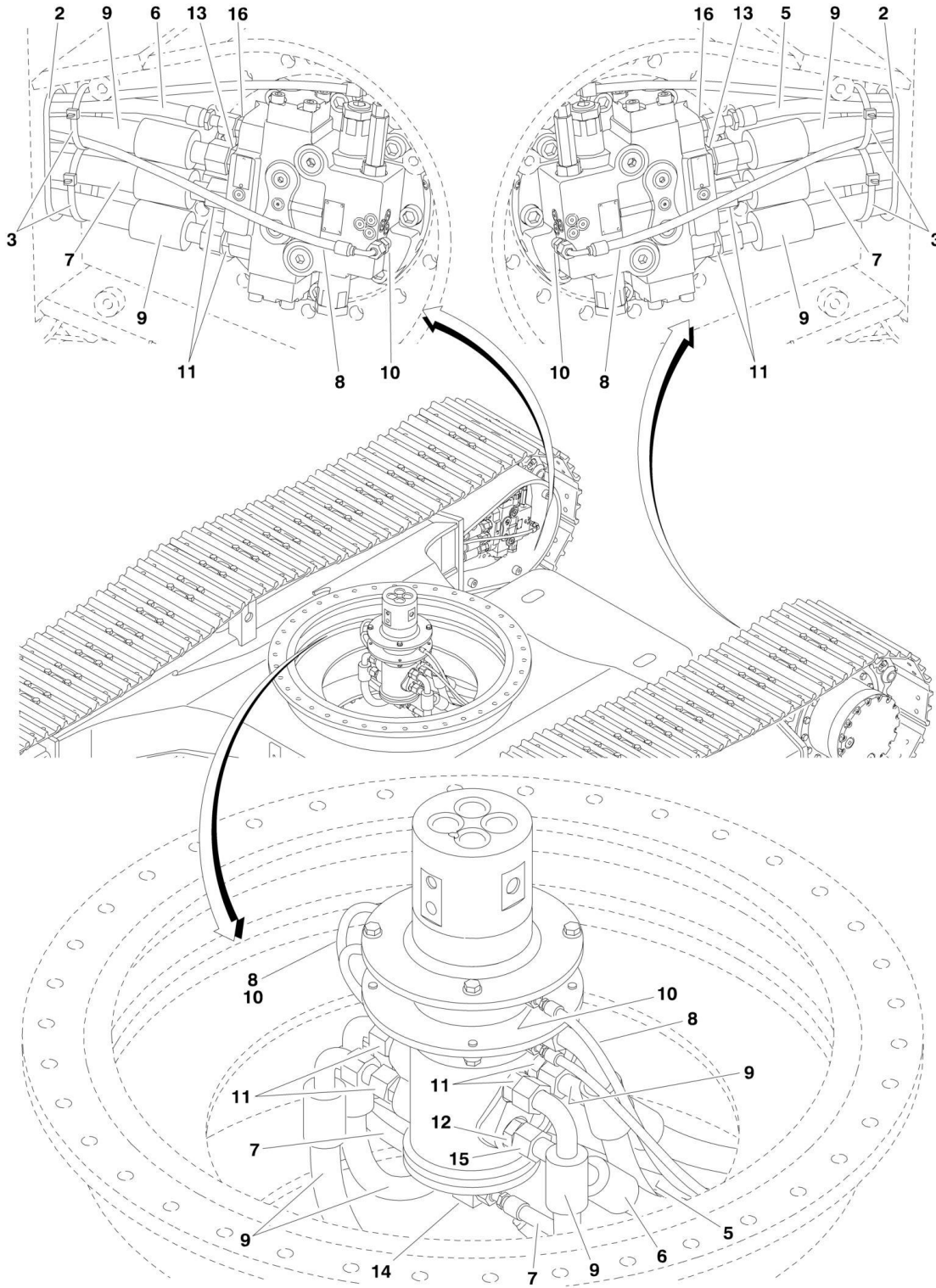
ITEM	PART NUMBER	QTY	DESCRIPTION	REV
	1683618	Ref	<b>TELESCOPE CYLINDER ASSEMBLY</b>	G
1	1683619	1	Barrel	
2	1683250	1	Rod	
3	1683057	1	Head	
4	3480205	1	Piston	
5	0961897	1	Bushing, Tapered	
6	4566644	1	Spacer, Tube	
7	4641028	1	Valve Assembly (No serviceable parts - sold as assembly only)	
7	7024397	2	O-Ring (Not Shown - Located between valve and cylinder block)	
8	2220885	6	Plug, O-Ring	
9	3931620	8	Capscrew 3/8in-16NC x 1-1/4in	
10	3760369	1	Ring, Washer	
11	3931448	4	Capscrew 1/4in-20NC x 3in	
12	3931508	1	Capscrew 5/16in-18NC x 1/2in	
13	See Note	NSS	Wiper (Note: Use Item 30)	
14	See Note	NSS	Seal, Rod (Note: Use Item 30)	
15	See Note	NSS	O-Ring (Note: Use Item 30)	
16	See Note	NSS	Ring, Back-up (Note: Use Item 30)	
17	See Note	NSS	Ring, Wear (Note: Use Item 30)	
18	See Note	NSS	O-Ring (Note: Use Item 30)	
19	4641028	NSS	Ring, Back-up (Note: Use Item 30)	
20	4641028	NSS	T-Seal (Note: Use Item 30)	
21	4641028	NSS	Ring, Wear (Note: Use Item 30)	
22	0100011	AR	Compound, Locking	
23	0100038	AR	Primer, Locking	
25	0630535	3	Bolt, Socket Head 1/4in-20NC x 1-1/8in	
30	2901284	1	Seal Kit (Includes Items 13-21)	



**SECTION 6 - HYDRAULIC**

# SECTION 6 - HYDRAULIC

## FIGURE 6-1. FRAME HYDRAULIC DIAGRAM (CATERPILLAR CHASSIS)



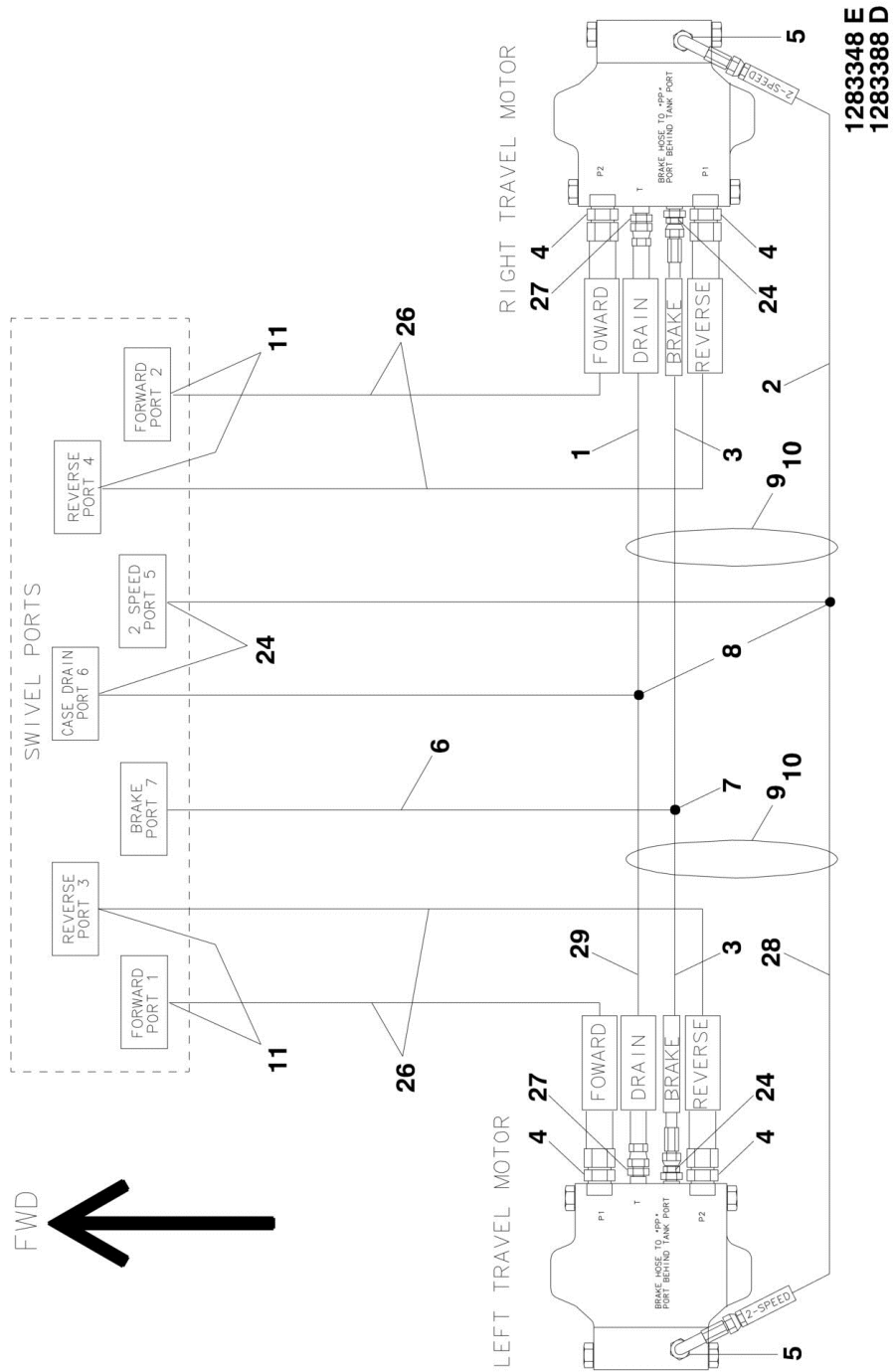
## SECTION 6 - HYDRAULIC

**FIGURE 6-1. FRAME HYDRAULIC DIAGRAM (CATERPILLAR CHASSIS)**

ITEM	PART NUMBER	QTY	DESCRIPTION	REV
		Ref	<b>FRAME HYDRAULIC DIAGRAMS</b>	
	1001102504	Ref	<b>Frame Hydraulic Diagrams 600SC (ANSI, ANSI Export, CSA and Japanese Specs)</b>	B
	1001109075	Ref	<b>Frame Hydraulic Diagrams 600SC (Australian and CE Specs)</b>	B
	1001103563	Ref	<b>Frame Hydraulic Diagrams 660SJC</b>	D
1	70002502	2	Grommet (Not Shown - Located on Frame Near Coupling)	
2	70002503	2	Grommet	
3	See Note	NSS	Tie-Strap (Note: Not Available for Purchase.)	
5	70002504	1	Hose	
6	70002505	1	Hose	
7	70002506	2	Hose	
8	70002507	2	Hose	
9	70002508	4	Hose	
10	70002509	4	Fitting	
11	70002510	8	Fitting	
12	70002511	1	Fitting	
13	70002512	2	Fitting	
14	70002513	1	Fitting, Tee	
15	70002514	1	Fitting, Tee	
16	70002515	2	Fitting	

# SECTION 6 - HYDRAULIC

## FIGURE 6-2. FRAME HYDRAULIC DIAGRAM (GRADALL CHASSIS)



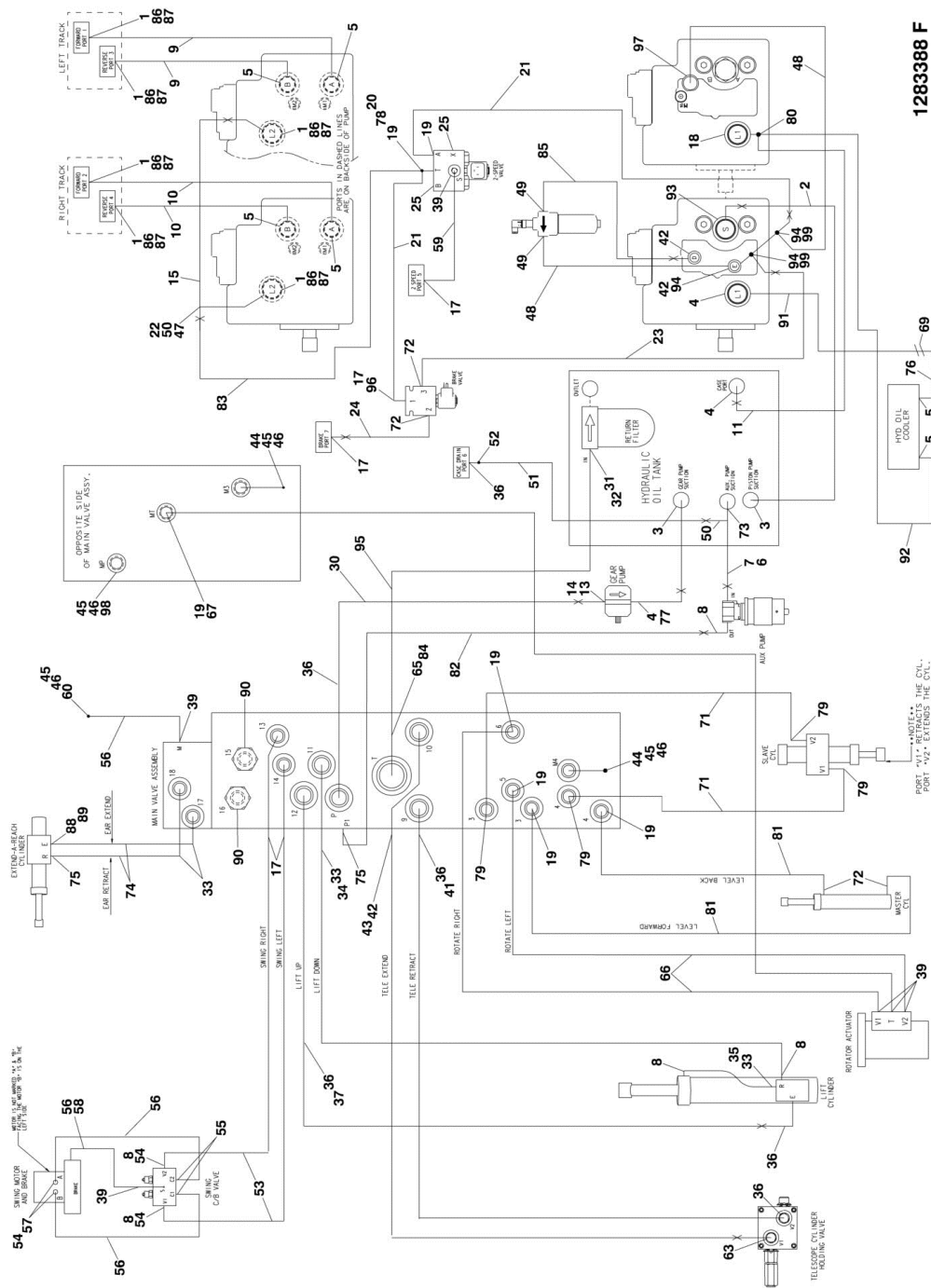
## SECTION 6 - HYDRAULIC

**FIGURE 6-2. FRAME HYDRAULIC DIAGRAM (GRADALL CHASSIS)**

ITEM	PART NUMBER	QTY	DESCRIPTION	REV
		Ref	<b>FRAME HYDRAULIC DIAGRAMS</b>	
	80215014	Ref	<b>Frame Hydraulic Diagrams 600SC (SN 030012800 through 0300169157)</b>	C
	2360574	Ref	<b>Frame Hydraulic Diagrams 600SC (SN 0300169158 through 0300174703)</b>	B
	80215016	Ref	<b>Frame Hydraulic Diagrams 660SJC (SN 030012800 through 0300169157)</b>	C
	2360576	Ref	<b>Frame Hydraulic Diagrams 660SJC (SN 0300169158 through 0300174703)</b>	B
1	84718604	1	Hose	
2	84719728	1	Hose	
3	84719727	2	Hose	
4	88662421	NLA	Fitting, 45 (Use p/n 2151212)	
5	88662329	NLA	Fitting, 90 (Use p/n 21530606)	
6	80213119	1	Fitting, 90	
7	88662354	NLA	Fitting, Tee (Use p/n 2170806)	
8		Ref	Fitting, Tee Options:	
8	88662346	NLA	Tee with 3 male ends (Use p/n 2170306)	
8	88662446	NLA	Tee with 2 male/1 female ends (Use p/n 2170706)	
9	83953053	2	Sleeve	
10	90027187	5	Tie Strap	
11	88662332	NLA	Fitting, 90 (Use p/n 2131212)	
24	88662301	NLA	Fitting, Straight (Use p/n 2110606)	
26	84718465	4	Hose	
27	88662448	NLA	Fitting, Straight (Use p/n 2110612)	
28		Ref	Hose Options:	
28	84719026	1	Hose with 1 Straight End and 1 (90) End	
28	84719728	1	Hose with 2 Straight End	
29		Ref	Hose Options:	
29	84719728	1	Hose with 2 Straight End	
29	84718604	1	Hose with 1 Straight End and 1 (90) End	

# SECTION 6 - HYDRAULIC

FIGURE 6-3. STANDARD HYDRAULIC DIAGRAM - CATERPILLAR ENGINE (SN 0300128000 through 0300149851)



1283388 F



## SECTION 6 - HYDRAULIC

**FIGURE 6-3. STANDARD HYDRAULIC DIAGRAM - CATERPILLAR ENGINE (SN 0300128000 through 0300149851)**

ITEM	PART NUMBER	QTY	DESCRIPTION	REV
		Ref	<b>HYDRAULIC DIAGRAMS</b>	
	2792655	Ref	<b>Hydraulic Diagrams 600SC Caterpillar Engine</b>	8-F
	1283388	Ref	<b>Hydraulic Diagrams 600SC Caterpillar Engine</b>	8-F
	2792656	Ref	<b>Hydraulic Diagrams 660SJC Caterpillar Engine</b>	8-F
	1283388	Ref	<b>Hydraulic Diagrams 660SJC Caterpillar Engine</b>	8-F
1	2220451	4	Fitting, Straight	
2	2753318	1	Hose	
3	2220380	2	Fitting, Straight	
4	2220376	3	Fitting, Straight	
5	2220578	6	Fitting, 90	
6	2752653	1	Hose	
7	2220408	1	Fitting, Straight	
8	2220628	AR	Fitting, 90	
9	2753706	2	Hose	
10	2753707	2	Hose	
11	2753321	1	Hose	
13	2220810	1	Fitting, Reducer	
14	4640744	1	Fitting, Check Valve	
15	2753809	2	Hose	
17	2220582	5	Fitting, Straight	
18	4641264	1	Valve, Check	
19	2220415	6	Fitting, Straight	
20	2220605	1	Fitting, Tee	
21	2752573	2	Hose	
22	2220700	1	Fitting, Tee	
23	2752580	1	Hose	
24	2752594	1	Hose	
25	2220235	2	Fitting, Plug	
29	2753893	1	Hose	
30	2753192	1	Hose	
31	2220921	1	Fitting, Reducer	
32	2220498	1	Fitting, 45	
33	2220372	4	Fitting, Straight	
34	2752631	1	Hose	
35	2752632	1	Hose	
36	2220373	6	Fitting, Straight	
37	2752515	1	Hose	
39	2220466	AR	Fitting, 90	
41	2751474	1	Hose	
42	2220947	3	Fitting, Straight	
43	2752762	1	Hose	
44	2220873	2	Fitting, Straight	
45	2220428	4	Fitting, Quick Disconnect	
46	2220429	4	Cover, Dust	
47	2220618	1	Fitting, Reducer	
48	2752763	2	Hose	
49	2221042	2	Fitting, 90	
50	2220622	2	Fitting, Reducer	
51	2752928	1	Hose	

## SECTION 6 - HYDRAULIC

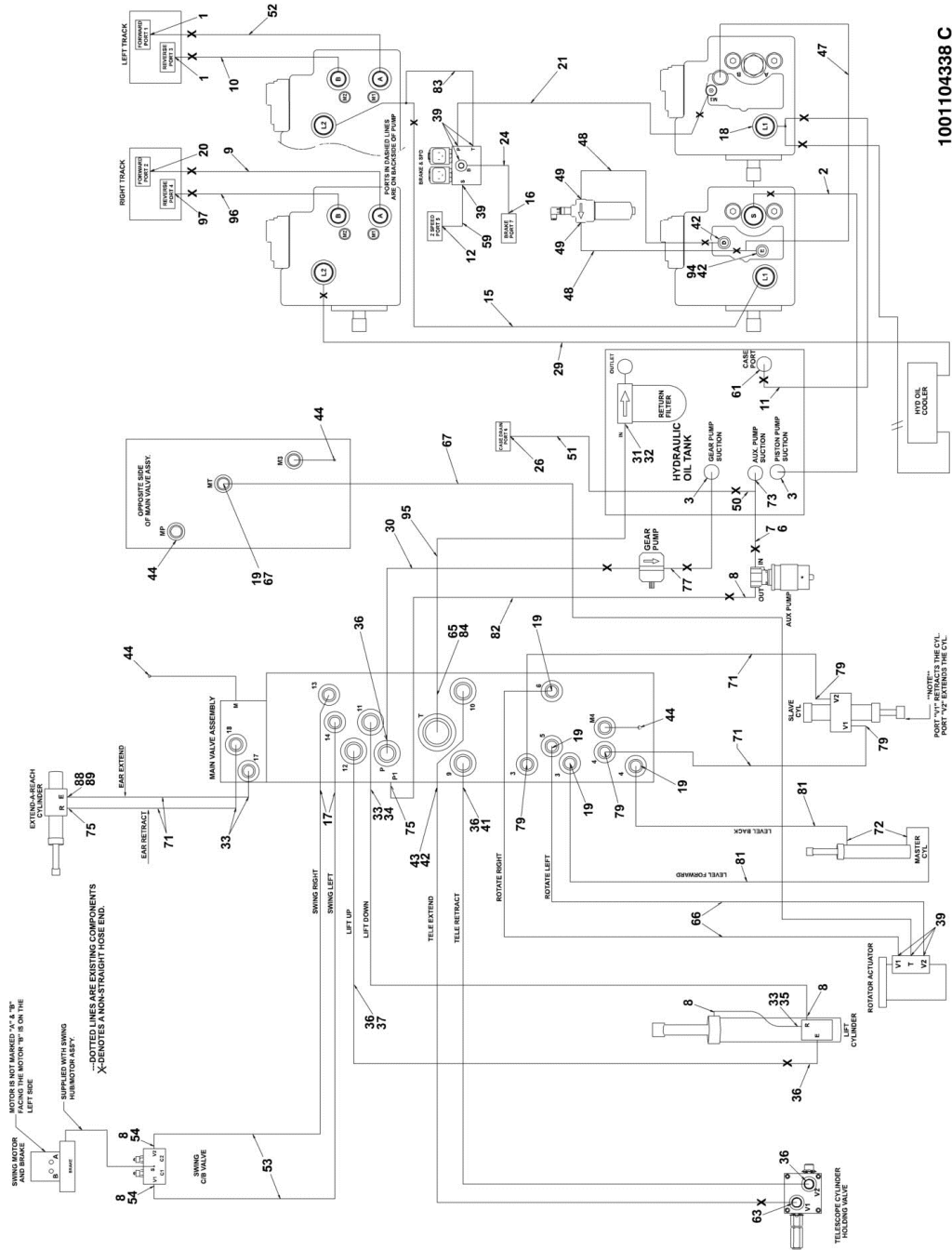
ITEM	PART NUMBER	QTY	DESCRIPTION	REV
52	2220471	1	Fitting, 90	
53	2752588	2	Hose	
54		Ref	Fitting Options:	
54	2220609	2	Fitting, Reducer (SN 0300128000 through 0300128617)	
54	2220582	2	Fitting, Straight (SN 0300128618 through 0300149852)	
55	2220468	2	Fitting, Straight Only (SN 0300128000 through 0300137441)	
56	2752981	Ref	Hose Options Only: (SN 0300128000 through 0300137441)	
56	2752981	3	Hose 600SC	
56	2752981	4	Hose 660SJC	
57	2220497	2	Fitting, Straight Only (SN 0300128000 through 0300137441)	
58	2220502	1	Fitting, 45 Only (SN 0300128000 through 0300137441)	
59	2751396	1	Hose	
60	2220414	1	Fitting, Straight	
63	2220950	1	Fitting, 45	
65	2220974	1	Fitting, Straight	
66		Ref	Hose Options:	
66	2752598	2	Hose 600SC	
66	2752596	2	Hose 660SJC	
67		Ref	Hose Options:	
67	2752599	1	Hose 600SC & 600SJC	
67	2752597	1	Hose 660SJC	
69	2230046	1	Fitting, 90 Bulkhead	
71	2752633	2	Hose	
72	2220472	4	Fitting, 90	
73	2220738	1	Fitting, Tee	
74		Ref	Hose Options:	
74	Not Required	0	Hose 600SC	
74	2752633	2	Hose 660SJC	
75	2220473	Ref	Fitting, 90	
75	2220473	1	Fitting, 90, 600SC	
75	2220473	1	Fitting, 90, 660SJC	
76	2754311	1	Hose	
77	2753472	1	Hose	
78	2220909	1	Orifice (.015)	
79	2220603	4	Fitting, Straight	
80	2220682	1	Fitting, Tee	
81	2752591	2	Hose	
82	2752643	1	Hose	
83	2752453	1	Hose	
84	2220409	1	Fitting, 45	
85	2754024	1	Hose	
86	0100011	AR	Compound, Locking	
87	0100038	AR	Primer, Locking	
88		Ref	Fitting, 90 Options:	
88	Not Required	0	Fitting, 90 600SC	
88	2180724	1	Fitting, 90 660SJC	
89		Ref	Orifice (.062) Options:	
89	Not Required	0	Orifice (.062) 600SC	
89	2180380	1	Orifice (.062) 660SJC	
90	2220237	2	Fitting, Plug	
91	2754023	1	Hose	

## SECTION 6 - HYDRAULIC

ITEM	PART NUMBER	QTY	DESCRIPTION	REV
92	2754022	1	Hose	
93	2220946	1	Fitting, Straight	
94	2220948	3	Fitting, Tee	
95	2752783	1	Hose	
96	2220914	1	Fitting, Restrictor	
97	2220852	1	Fitting, Straight	
98	2220873	1	Fitting, Nipple	
99	2220949	2	Fitting, Reducer	

# SECTION 6 - HYDRAULIC

## FIGURE 6-4. STANDARD HYDRAULIC DIAGRAM - CATERPILLAR ENGINE (SN 0300149852 through 0300174703)



1001104338 C

## SECTION 6 - HYDRAULIC

**FIGURE 6-4. STANDARD HYDRAULIC DIAGRAM - CATERPILLAR ENGINE (SN 0300149852 through 0300174703)**

ITEM	PART NUMBER	QTY	DESCRIPTION	REV
		Ref	<b>HYDRAULIC DIAGRAMS</b>	
	1001105480	Ref	<b>Hydraulic Diagrams 600SC Caterpillar Engine (SN 0300128000 through 0300166807)</b>	B-D
	1001104338	Ref	<b>Hydraulic Diagrams 600SC Caterpillar Engine (SN 0300128000 through 0300166807)</b>	B-D
	1001143453	Ref	<b>Hydraulic Diagrams 600SC Caterpillar Engine (SN 0300166808 through 0300174703)</b>	A-D
	1001104338	Ref	<b>Hydraulic Diagrams 600SC Caterpillar Engine (SN 0300166808 through 0300174703)</b>	A-D
	1001104340	Ref	<b>Hydraulic Diagrams 660SJC Caterpillar Engine (SN 0300128000 through 0300166807)</b>	B-D
	1001104338	Ref	<b>Hydraulic Diagrams 660SJC Caterpillar Engine (SN 0300128000 through 0300166807)</b>	
	1001143454	Ref	<b>Hydraulic Diagrams 660SJC Caterpillar Engine (SN 0300166808 through 0300174703)</b>	A-D
	1001104338	Ref	<b>Hydraulic Diagrams 660SJC Caterpillar Engine (SN 0300166808 through 0300174703)</b>	A-D
1	2111212	2	Fitting, Straight	
2	2753318	1	Hose	
3	2220380	2	Fitting, Straight	
4		Ref	Fitting, Straight Options:	
4	2220451	2	Fitting, Straight (SN 0300128000 through 0300166807)	
4	2220376	2	Fitting, Straight (SN 0300166808 through 0300174703)	
6	2752653	1	Hose	
7		Ref	Fitting, Straight Options:	
7	2220408	1	Fitting, Straight (SN 0300128000 through 0300166807)	
7	2220593	1	Fitting, Straight (SN 0300166808 through 0300174703)	
8	2220628	3	Fitting, 90	
9	1001104361	1	Hose	
10	1001104359	1	Hose	
11		Ref	Hose Options:	
11	1001109662	1	Hose (SN 0300149852 through 0300162381)	
11	1001138241	1	Hose (SN 0300162382 through 0300174703)	
12	2110406	1	Fitting, Straight	
15	1001110092	1	Hose	
16	2110408	1	Fitting, Straight	
17	2220582	5	Fitting, Straight	
19	2220415	5	Fitting, Straight	
20	2170112	1	Fitting, Straight	
21	2752581	1	Hose	
24	1001104362	1	Hose	
26	2130808	1	Fitting, 90	
30	2753192	1	Hose	
31	2220921	1	Fitting, Reducer	
32	2220498	1	Fitting, 45	
33	2220372	Ref	Fitting, Straight	
33	2220372	2	Fitting, Straight 600SC	
33	2220372	4	Fitting, Straight 660SJC	
34	2752631	1	Hose	
35	2752632	1	Hose	

## SECTION 6 - HYDRAULIC

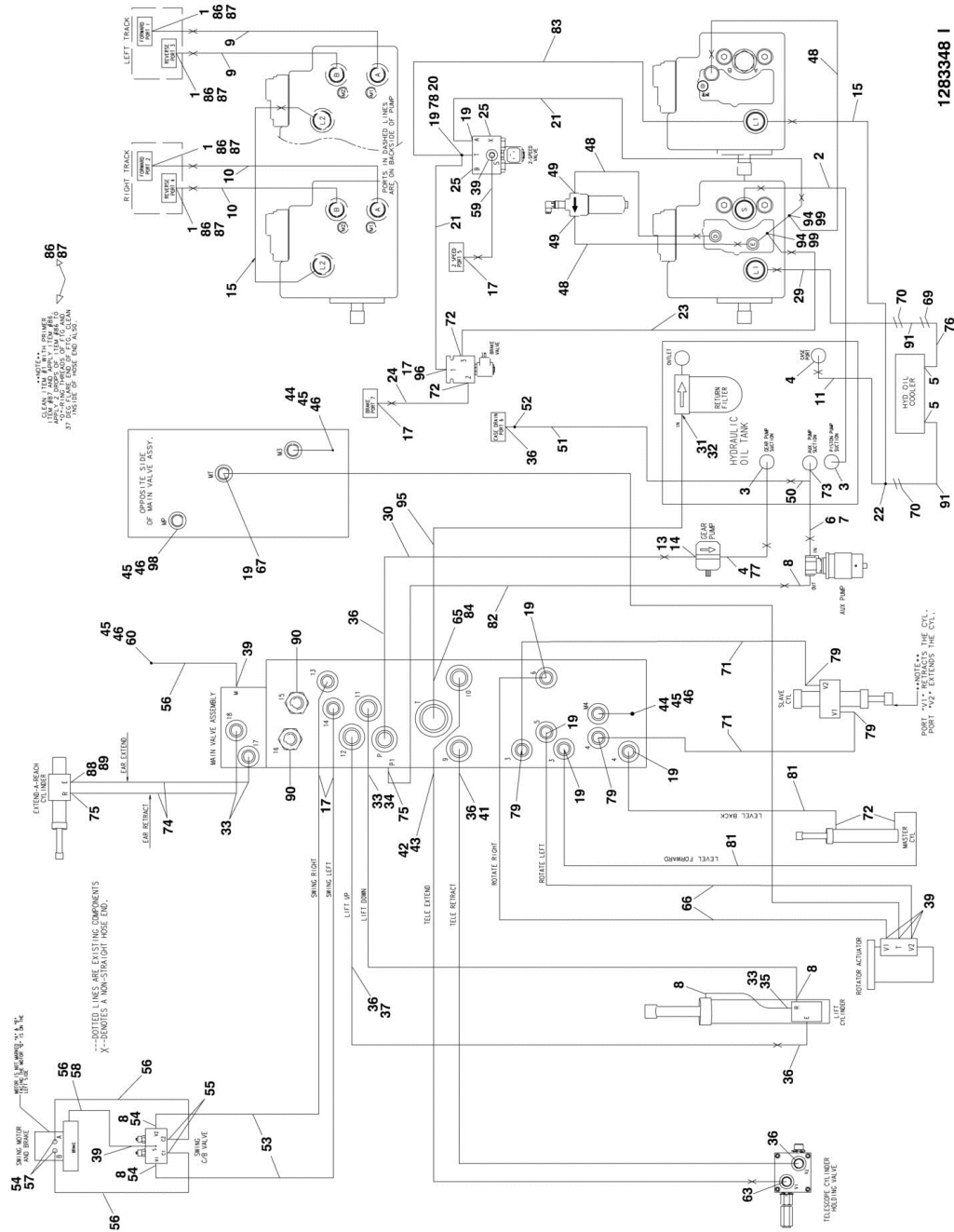
ITEM	PART NUMBER	QTY	DESCRIPTION	REV
36	2220373	5	Fitting, Straight	
37	2752515	1	Hose	
39	2220466	8	Fitting, 90	
41	2751474	1	Hose	
42	2220947	3	Fitting, Straight	
43	2752762	1	Hose	
44	2221086	Ref	Fitting, Nipple (Test Port)	
44	2221086	3	Fitting, Nipple (Test Port) 600SC	
44	2221086	4	Fitting, Nipple (Test Port) 660SJC	
47	1001109657	1	Hose	
48	2752763	2	Hose	
49	2221042	2	Fitting, 90	
50	2220622	1	Fitting, Reducer	
51	1001104363	1	Hose	
52	1001109659	1	Hose	
53	2752588	2	Hose	
59	1001104364	1	Hose	
60	2220414	1	Fitting, Straight	
61	2220451	2	Fitting, Straight	
63	2220950	1	Fitting, 45	
65	2220974	1	Fitting, Straight	
66		Ref	Hose Options:	
66	2752598	2	Hose 600SC	
66	2752596	2	Hose 660SJC	
67		Ref	Hose Options:	
67	2752599	1	Hose 600SC & 600SJC	
67	2752597	1	Hose 660SJC	
71	2752633	Ref	Hose	
71	2752633	2	Hose 600SC	
71	2752633	4	Hose 660SJC	
72	2220472	2	Fitting, 90	
73	2220738	1	Fitting, Tee	
75	2220473	Ref	Fitting, 90	
75	2220473	1	Fitting, 90, 600SC	
75	2220473	2	Fitting, 90, 660SJC	
77	2753472	1	Hose	
79	2220603	4	Fitting, Straight	
81	2752591	2	Hose	
82	2752643	1	Hose	
83	2752994	1	Hose	
84	2220409	1	Fitting, 45	
88		Ref	Fitting, 90 Options:	
88	Not Required	0	Fitting, 90 600SC	
88	2180724	1	Fitting, 90 660SJC	
89		Ref	Orifice (.062) Options:	
89	Not Required	0	Orifice (.062) 600SC	
89	2180380	1	Orifice (.062) 660SJC	
90	2220237	2	Fitting, Plug	
95	2752783	1	Hose	
96		Ref	Hose Options:	
96	1001104361	1	Hose (SN 0300149852 through 0300162381)	

## SECTION 6 - HYDRAULIC

ITEM	PART NUMBER	QTY	DESCRIPTION	REV
96	1001137643	1	Hose (SN 0300162382 through 0300174703)	
97		Ref	Fitting, Straight Options:	
97	2170112	1	Fitting, Straight (SN 0300128000 through 0300166807)	
97	2111212	1	Fitting, Straight (SN 0300166808 through 0300174703)	

# SECTION 6 - HYDRAULIC

## FIGURE 6-5. STANDARD HYDRAULIC DIAGRAM - DEUTZ ENGINE (SN 0300128000 through 0300169157)





## SECTION 6 - HYDRAULIC

**FIGURE 6-5. STANDARD HYDRAULIC DIAGRAM - DEUTZ ENGINE (SN 0300128000 through 0300169157)**

ITEM	PART NUMBER	QTY	DESCRIPTION	REV
		Ref	<b>HYDRAULIC DIAGRAMS</b>	
	2792596	Ref	<b>Hydraulic Diagrams 600SC Deutz Engine</b>	B-I
	1283348	Ref	<b>Hydraulic Diagrams 600SC Deutz Engine</b>	B-I
1	2220451	4	Fitting, Straight	
2	2753318	1	Hose	
3	2220380	2	Fitting, Straight	
4	2220376	AR	Fitting, Straight	
5	2220578	AR	Fitting, 90	
6	2752653	1	Hose	
7	2220408	1	Fitting, Straight	
8	2220628	5	Fitting, 90	
9	2753706	2	Hose	
10	2753707	2	Hose	
11	2753321	1	Hose	
13	2220810	1	Fitting, Reducer	
14	4640744	1	Fitting, Check Valve	
15	2753809	2	Hose	
17	2220582	AR	Fitting, Straight	
19	2220415	AR	Fitting, Straight	
20	2220605	1	Fitting, Tee	
21	2752573	2	Hose	
22	2220700	AR	Fitting, Tee	
23	2752580	1	Hose	
24	2752594	1	Hose	
25	2220235	2	Fitting, Plug	
29	2753893	1	Hose	
30	2753192	1	Hose	
31	2220921	1	Fitting, Reducer	
32	2220498	1	Fitting, 45	
33	2220372	4	Fitting, Straight	
34	2752631	1	Hose	
35	2752632	1	Hose	
36	2220373	6	Fitting, Straight	
37	2752515	1	Hose	
39	2220466	AR	Fitting, 90	
41	2751474	1	Hose	
42	2220947	AR	Fitting, Straight	
43	2752762	1	Hose	
44	2220873	2	Fitting, Straight	
45	2220428	4	Fitting, Quick Disconnect	
46	2220429	4	Cover, Dust	
48	2752763	3	Hose	
49	2221042	2	Fitting, 90	
50	2220622	AR	Fitting, Reducer	
51	2752928	1	Hose	
52	2220471	1	Fitting, 90	
53	2752588	2	Hose	
54	2220609	AR	Fitting, Reducer	
55	2220468	2	Fitting, Straight Only (SN 0300128000 through 0300137441)	

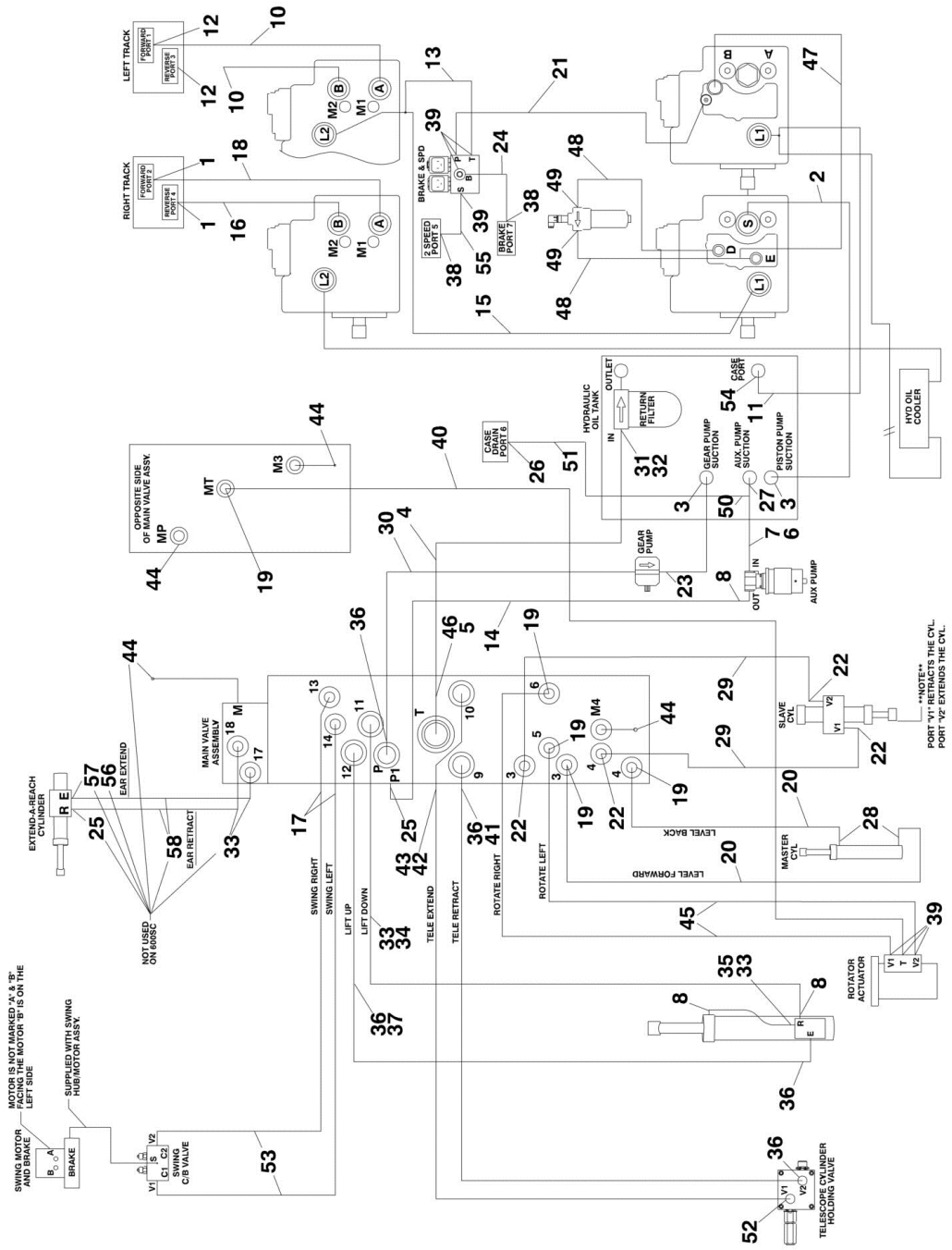
## SECTION 6 - HYDRAULIC

ITEM	PART NUMBER	QTY	DESCRIPTION	REV
56	2752981	AR	Hose	
57	2220497	2	Fitting, Straight Only (SN 0300128000 through 0300137441)	
58	2220502	1	Fitting, 45 Only (SN 0300128000 through 0300137441)	
59	2751396	1	Hose	
60	2220414	1	Fitting, Straight	
63	2220950	1	Fitting, 45	
65	2220974	1	Fitting, Straight	
66		Ref	Hose Options:	
66	2752598	2	Hose 600SC	
66	2752596	2	Hose 660SJC	
67		Ref	Hose Options:	
67	2752599	1	Hose 600SC & 600SJC	
67	2752597	1	Hose 660SJC	
69	2230046	1	Fitting, 90 Bulkhead	
70	2230027	2	Fitting, Straight Bulkhead	
71	2752633	2	Hose	
72	2220472	AR	Fitting, 90	
73	2220738	1	Fitting, Tee	
74		Ref	Hose Options:	
74	Not Required	0	Hose 600SC	
74	2752633	2	Hose 660SJC	
75	2220473	AR	Fitting, 90 Options:	
75	2220473	1	Fitting, 90, 600SC	
75	2220473	2	Fitting, 90, 660SJC	
76	2754311	1	Hose	
77	2753472	1	Hose	
78	2220909	1	Orifice (.015)	
79	2220603	4	Fitting, Straight	
81	2752591	2	Hose	
82	2752643	1	Hose	
83	2752438	1	Hose	
84	2220409	1	Fitting, 45	
86	0100011	AR	Compound, Locking	
87	0100038	AR	Primer, Locking	
88		Ref	Fitting, 90 Options:	
88	Not Required	0	Fitting, 90 600SC	
88	2180724	1	Fitting, 90 660SJC	
89		Ref	Orifice (.062) Options:	
89	Not Required	0	Orifice (.062) 600SC	
89	2180380	1	Orifice (.062) 660SJC	
90	2220237	2	Fitting, Plug	
91	2753892	2	Hose	
94	2220948	AR	Fitting, Tee	
95	2752783	1	Hose	
96	2220914	1	Fitting, Restrictor	
98	2220873	1	Fitting, Nipple	
99	2220949	2	Fitting, Reducer	



# SECTION 6 - HYDRAULIC

FIGURE 6-6. STANDARD HYDRAULIC DIAGRAM - DEUTZ ENGINE (SN 0300169158 through 0300174703)



## SECTION 6 - HYDRAULIC

**FIGURE 6-6. STANDARD HYDRAULIC DIAGRAM - DEUTZ ENGINE (SN 0300169158 through 0300174703)**

ITEM	PART NUMBER	QTY	DESCRIPTION	REV
	1001150760	Ref	<b>HYDRAULIC DIAGRAMS</b>	
	1001150763	Ref	<b>Hydraulic Diagrams 600SC Deutz Engine</b>	B-B
1	2111212	2	Fitting, Straight	
2	2753318	1	Hose	
3	2220380	2	Fitting, Straight	
4	2752783	1	Hose	
5	2220409	1	Fitting, 45	
6	2752653	1	Hose	
7	2220408	1	Fitting, Straight	
8	2220628	3	Fitting, 90	
10	1001104361	2	Hose	
11	1001138241	1	Hose	
12	2170112	2	Fitting, Straight	
13	2752994	1	Hose	
14	2752643	1	Hose	
15	1001110092	1	Hose	
16	1001109659	1	Hose	
17	2220582	2	Fitting, Straight	
18	1001104359	1	Hose	
19	2220415	5	Fitting, Straight	
20	2752591	2	Hose	
21	2752581	1	Hose	
22	2220603	4	Fitting, Straight	
23	2753472	1	Hose	
24	1001150475	1	Hose	
25	2220473	AR	Fitting, 90	
26	2110806	1	Fitting, Straight	
27	2220738	1	Fitting, Tee	
28	2220472	2	Fitting, Straight	
29	2752633	2	Hose	
30	2753192	1	Hose	
31	2220921	1	Fitting, Reducer	
32	2220498	1	Fitting, 45	
33	2220372	AR	Fitting, Straight	
34	2752631	1	Hose	
35	2752632	1	Hose	
36	2220373	5	Fitting, Straight	
37	2752515	1	Hose	
38	2110406	2	Fitting, Straight	
39	2220466	7	Fitting, 90	
40		Ref	Hose Options:	
40	2752599	1	Hose 600SC	
40	2752597	1	Hose 660SJC	
41	2751474	1	Hose	
42	2220947	1	Fitting, Straight	
43	2752762	1	Hose	
44	2221086	AR	Fitting, Straight	
45		Ref	Hose Options:	
45	2752598	2	Hose 600SC	

## SECTION 6 - HYDRAULIC

ITEM	PART NUMBER	QTY	DESCRIPTION	REV
45	2752596	2	Hose 660SJC	
46	2220974	1	Fitting Long Straight	
47	1001109657	1	Hose	
48	2752763	2	Hose	
49	2221042	2	Fitting, 90	
50	2220622	1	Fitting, Reducer	
51	1001104363	1	Hose	
52	2220950	1	Fitting, 45	
53	2752588	2	Hose	
54	2220451	1	Fitting, Straight	
55	1001104364	1	Hose	
56		Ref	Orifice (.062) Options:	
56	Not Required	0	Orifice (.062) 600SC	
56	2180380	1	Orifice (.062) 660SJC	
57		Ref	Fitting, 90 Options:	
57	Not Required	0	Fitting, 90 600SC	
57	2180724	1	Fitting, 90 660SJC	
58		Ref	Hose Options:	
58	Not Required	0	Hose 600SC	
58	2752633	2	Hose 660SJC	



# SECTION 6 - HYDRAULIC

## FIGURE 6-7. HYDRAULIC DIAGRAM LIST

ITEM	PART NUMBER	QTY	DESCRIPTION	REV
		Ref	<b>Note: Information on Diagrams Not Shown is Available From JLG Service/Parts Department.</b>	
		Ref	<b>Frame Hydraulic Diagram Options:</b>	
	1001102504	Ref	Frame Hydraulic Diagram 600SC with Caterpillar Chassis (ANSI, ANSI Export, CSA and Japanese Specs)	
	1001109075	Ref	Frame Hydraulic Diagram 600SC with Caterpillar Chassis (Australian and CE Specs)	
	8021-5014	Ref	Frame Hydraulic Diagram 600SC with Gradall Chassis <b>(SN 0300128000 through 0300169157)</b>	
	2360574	Ref	Frame Hydraulic Diagram 600SC with Gradall Chassis <b>(SN 0300169158 through 0300174703)</b>	
	1001103563	Ref	Frame Hydraulic Diagram 660SJC with Caterpillar Chassis	
	8021-5016	Ref	Frame Hydraulic Diagram 660SJC with Gradall Chassis <b>(SN 0300128000 through 0300169157)</b>	
	2360576	Ref	Frame Hydraulic Diagram 660SJC with Gradall Chassis <b>(SN 0300169158 through 0300174703)</b>	
		Ref	<b>Standard Hydraulic Diagrams:</b>	
		Ref	Caterpillar Engine	
	2792655	Ref	Standard Hydraulic Diagrams 600SC <b>(SN 0300128000 through 0300149851)</b>	
	1283388	Ref	Standard Hydraulic Diagrams 600SC <b>(SN 0300128000 through 0300149851)</b>	
	1001105480	Ref	Standard Hydraulic Diagrams 600SC <b>(SN 0300149852 through 0300174703)</b>	
	1001104338	Ref	Standard Hydraulic Diagrams 600SC <b>(SN 0300149852 through 0300174703)</b>	
	2792656	Ref	Standard Hydraulic Diagrams 660SJC <b>(SN 0300128000 through 0300149851)</b>	
	1283388	Ref	Standard Hydraulic Diagrams 660SJC <b>(SN 0300128000 through 0300149851)</b>	
	1001104340	Ref	Standard Hydraulic Diagrams 660SJC <b>(SN 0300149852 through 0300174703)</b>	
	1001104338	Ref	Standard Hydraulic Diagrams 660SJC <b>(SN 0300149852 through 0300174703)</b>	
		Ref	Deutz Engine	
	2792596	Ref	Deutz 600SC Deutz Engine <b>(SN 0300128000 through 0300168157)</b>	
	1283348	Ref	Deutz 600SC Deutz Engine <b>(SN 0300128000 through 0300168157)</b>	
	1001150763	Ref	Deutz 600SC Deutz Engine <b>(SN 0300168158 through 0300174703)</b>	
	1001150760	Ref	Deutz 600SC Deutz Engine <b>(SN 0300168158 through 0300174703)</b>	
		Ref	<b>Standard Hydraulic Schematic Options</b>	
	2792593	Ref	Standard Hydraulic Schematic <b>(SN 0300128000 through 0300149851)</b>	
	1001107109	Ref	Standard Hydraulic Schematic <b>(SN 0300149852 through 0300169158)</b>	
	1001151059	Ref	Standard Hydraulic Schematic <b>(SN 0300169158 through 0300174703)</b>	



**SECTION 7 - ELECTRICAL**

## SECTION 7 - ELECTRICAL

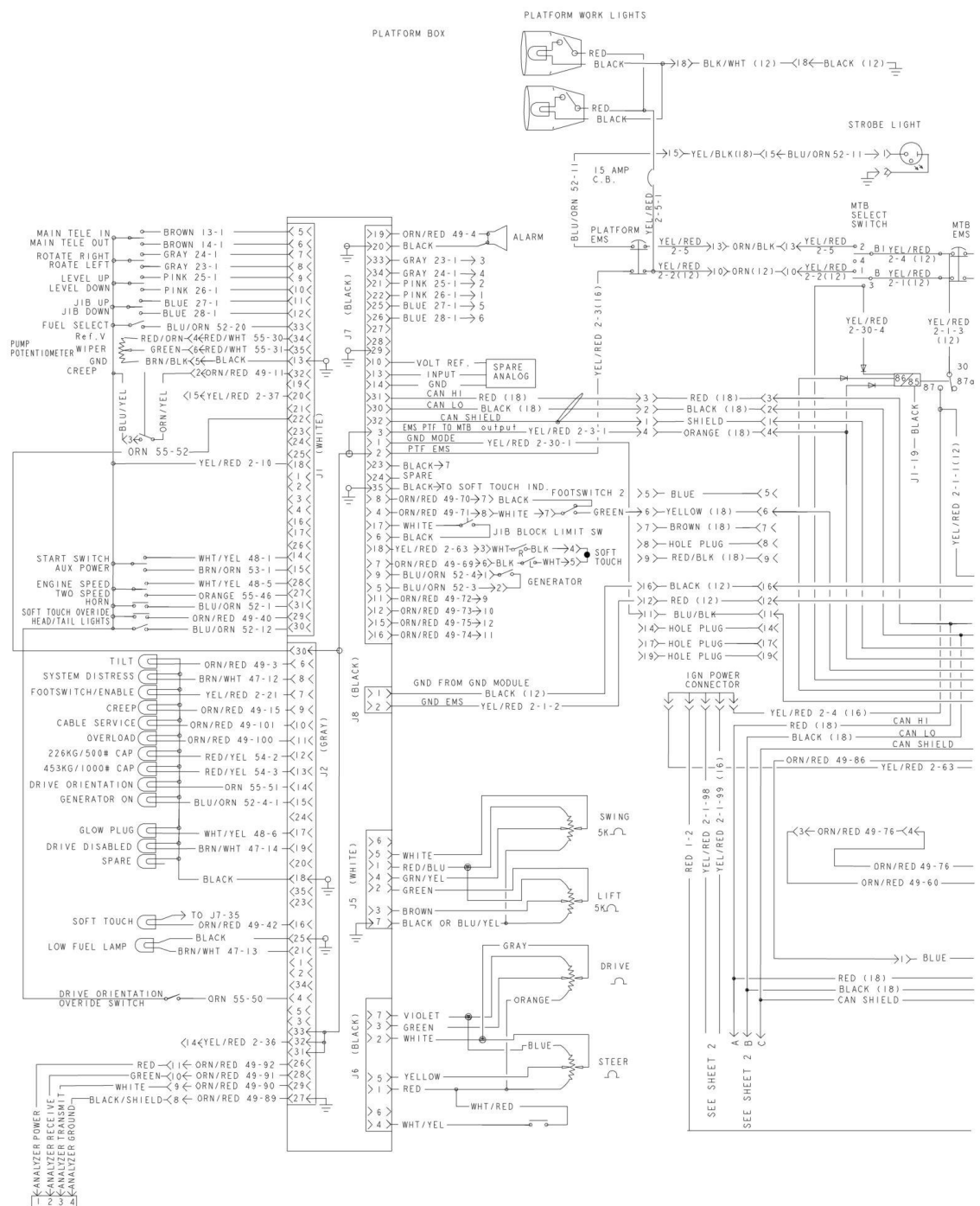
FIGURE 7-1. ELECTRICAL DIAGRAM LIST

ITEM	PART NUMBER	QTY	DESCRIPTION	REV
		Ref	<b>Note: Diagrams not shown are available from the JLG Service Department.</b>	
		Ref	<b>COLD WEATHER ELECTRICAL DIAGRAMS</b>	
	0273575	Ref	<b>Cold Weather Package (Caterpillar Engine)</b>	
	1282571	Ref	<b>Cold Weather Package (Caterpillar Engine)</b>	
	0256060	Ref	<b>Cold Weather Package (Deutz Engine)</b>	
	1282571	Ref	<b>Cold Weather Package (Deutz Engine)</b>	
	0257157	Ref	<b>Cold Weather Package with Ether Start (Deutz Engines)</b>	
	1282571	Ref	<b>Cold Weather Package with Ether Start (Deutz Engines)</b>	
	4932986	Ref	<b>ENGINE SHUTDOWN ELECTRICAL DIAGRAM (DEUTZ ENGINES)</b>	
		Ref	<b>2500W GENERATOR ELECTRICAL DIAGRAM</b>	
	4933300	Ref	<b>110V/60Hz</b>	
	4933300	Ref	<b>110V/50Hz (Available on ANSI Export, Australian and CE Specs) (SN 0300128000 through 0300132849)</b>	
	4933287	Ref	<b>110V/50Hz Only (Available on CE Spec - UK Only) (SN 0300128000 through 0300132849)</b>	
	4933284	Ref	<b>110V/50Hz Only (Available on CE Spec - Germany Only) (SN 0300128000 through 0300132849)</b>	
	100110027	Ref	<b>110V/50Hz (All Specs) (SN 0300132803 through 0300174703)</b>	
	4933300	Ref	<b>220V/50Hz (SN 0300128000 through 0300132849)</b>	
	100110027	Ref	<b>220V/50Hz (SN 0300132803 through 0300174703)</b>	
	4933264	Ref	<b>7500W SKYPOWER GENERATOR ELECTRICAL DIAGRAM</b>	
		Ref	<b>GROUND CONTROL BOX ELECTRICAL DIAGRAM</b>	
		Ref	<b>Note: For Ground Module Identification, refer to Revision Log page A.</b>	
		Ref	<b>Without UGM</b>	
	4933369	Ref	<b>Caterpillar Engine</b>	
	4933368	Ref	<b>Deutz Engine</b>	
		Ref	<b>With UGM</b>	
	1001108600	Ref	<b>Caterpillar Engine</b>	
	1001108601	Ref	<b>Deutz Engine</b>	
	4933219	Ref	<b>HEADLIGHT AND TAILLIGHTS ELECTRICAL DIAGRAM</b>	
		Ref	<b>PLATFORM ELECTRICAL DIAGRAM</b>	
	4922639	Ref	<b>Platform Electrical Diagram (SN 0300128000 through 0300136518)</b>	
	1001107753	Ref	<b>Platform Electrical Diagram (SN 0300136519 to Present)</b>	
		Ref	<b>PLATFORM WORKLIGHTS ELECTRICAL DIAGRAM</b>	
	0273486	Ref	<b>Platform Worklights Electrical Diagram 600SC</b>	
	0273490	Ref	<b>Platform Worklights Electrical Diagram 660SJC</b>	
	4933146	Ref	<b>SERVICE LIGHT CABLE ELECTRICAL DIAGRAM (AUSTRALIAN SPEC)</b>	
		Ref	<b>STANDARD ELECTRICAL SCHEMATIC</b>	
		Ref	<b>Note: For Ground Module Identification, refer to Revision Log page A.</b>	
	1870218	Ref	<b>Without UGM</b>	
	1001108900	Ref	<b>With UGM</b>	

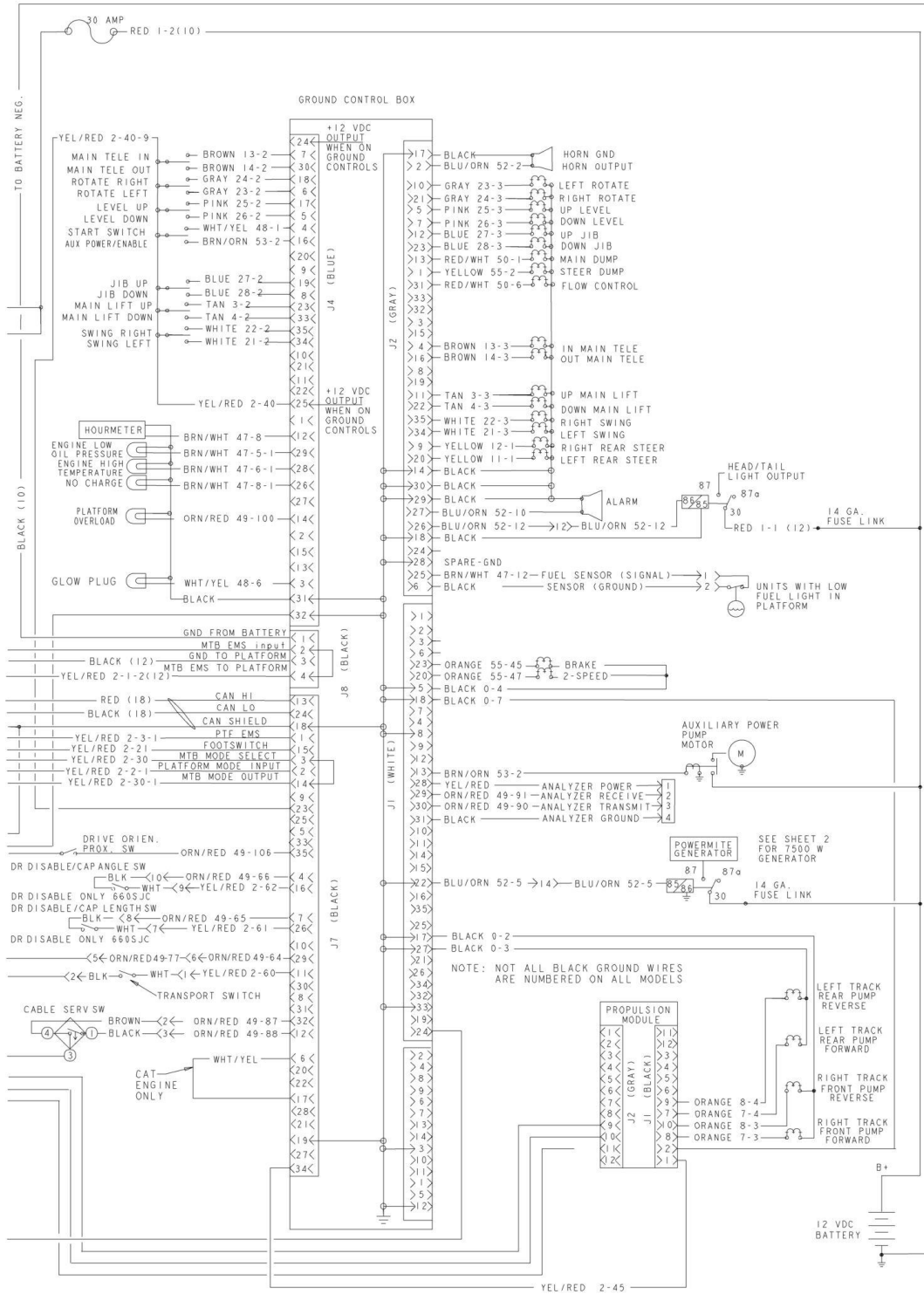


# SECTION 7 - ELECTRICAL

## FIGURE 7-2. ELECTRICAL SCHEMATIC (WITHOUT UGM)

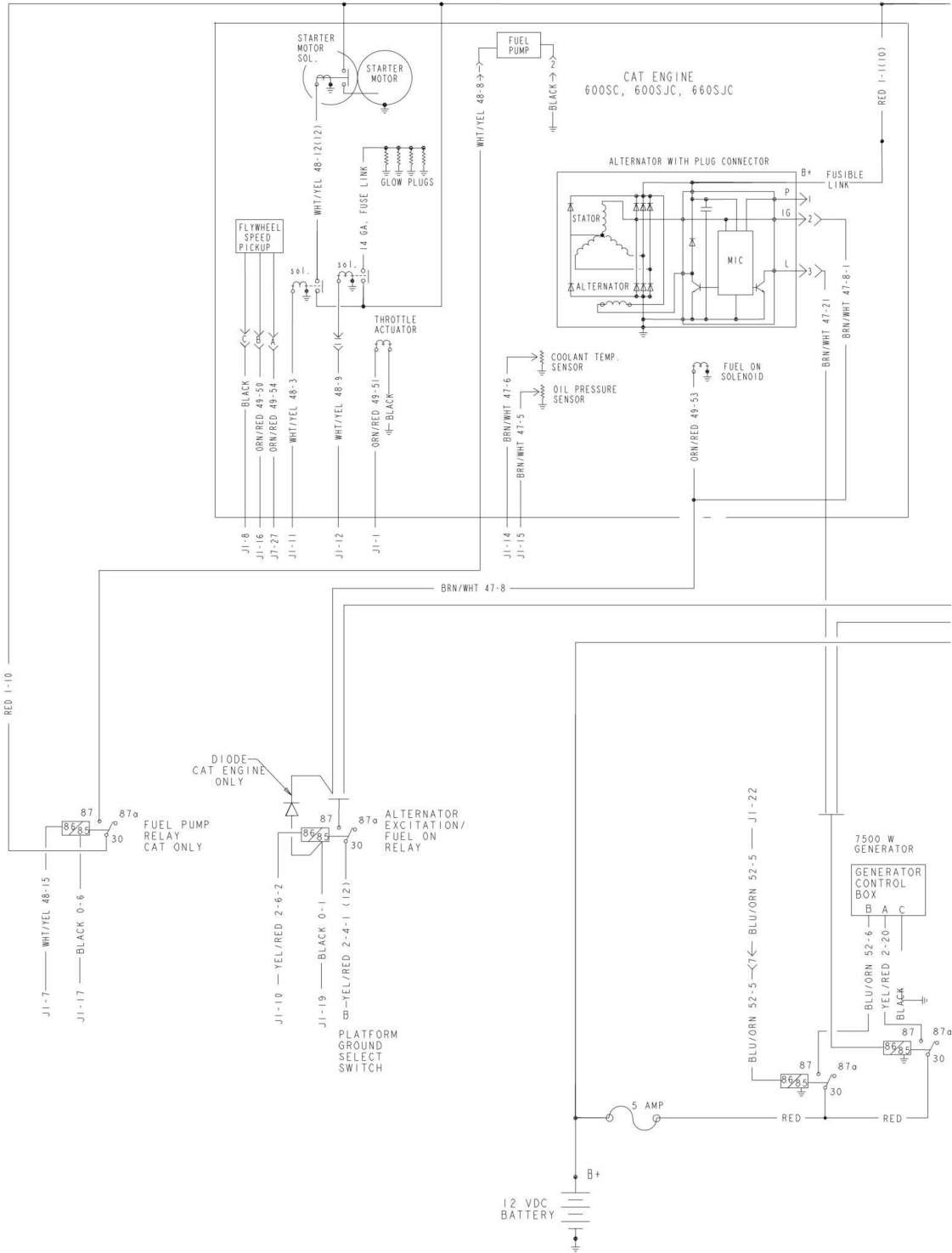


# SECTION 7 - ELECTRICAL

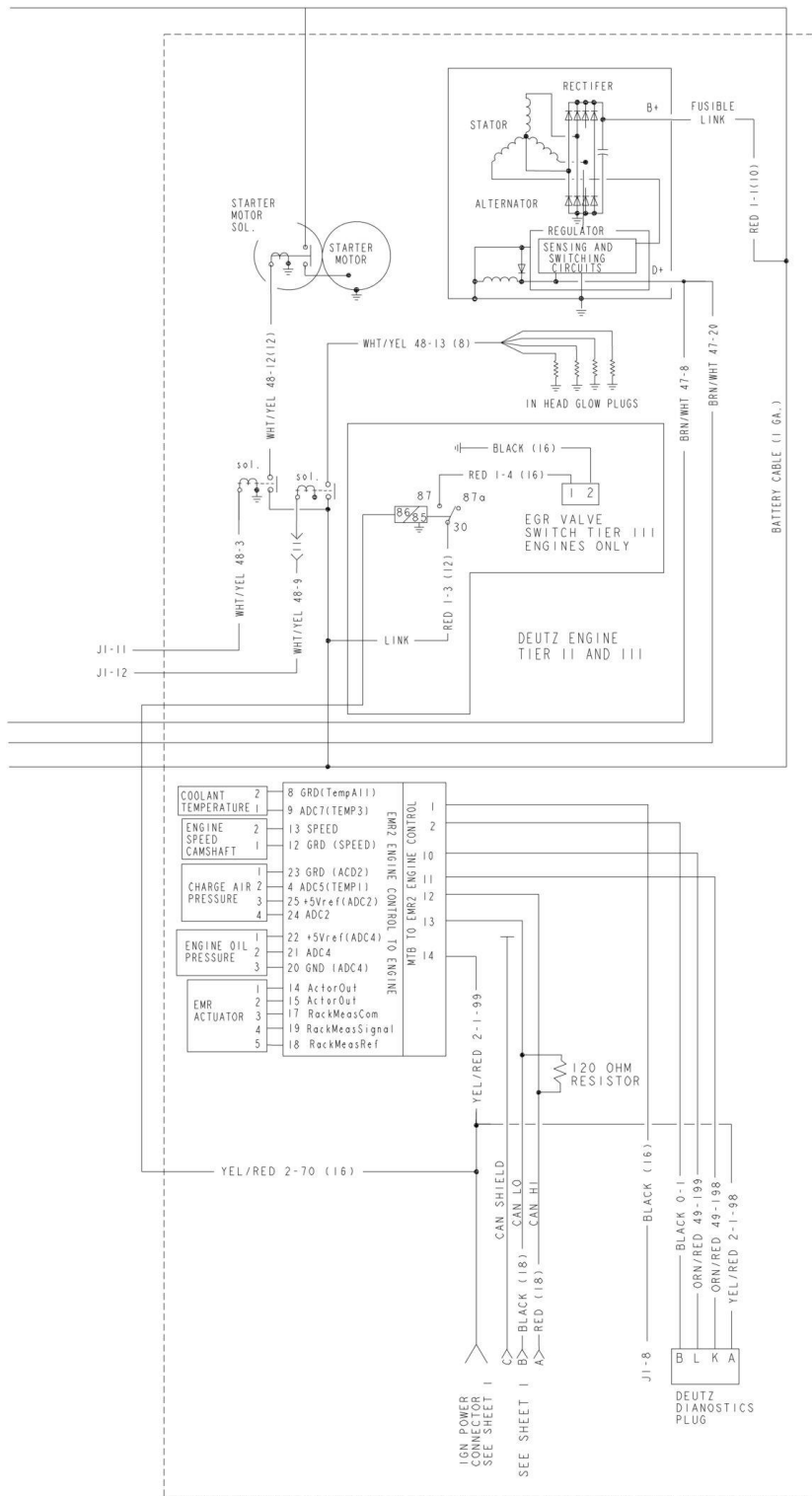


1870218 C

# SECTION 7 - ELECTRICAL



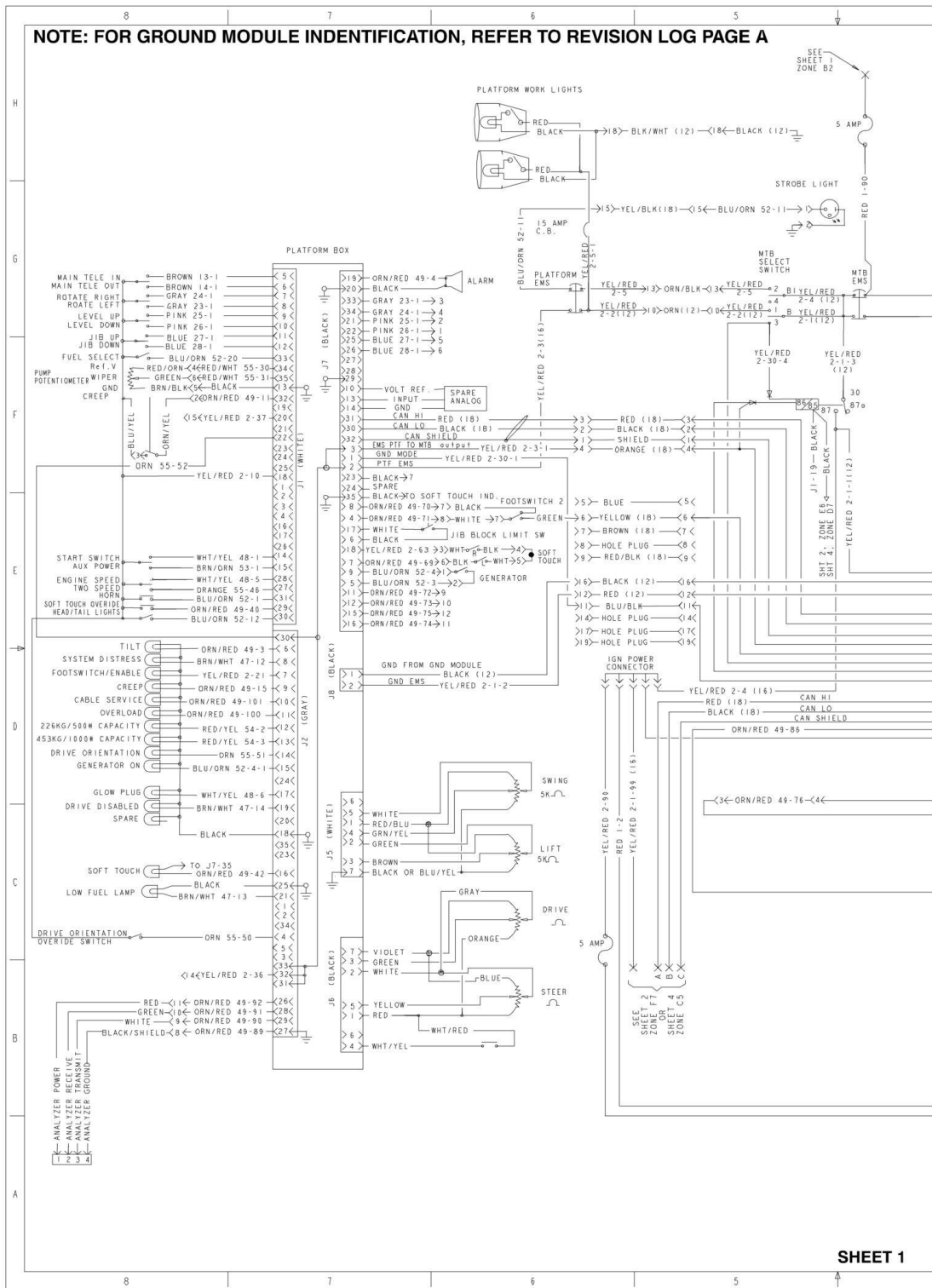
# SECTION 7 - ELECTRICAL



1870218 C

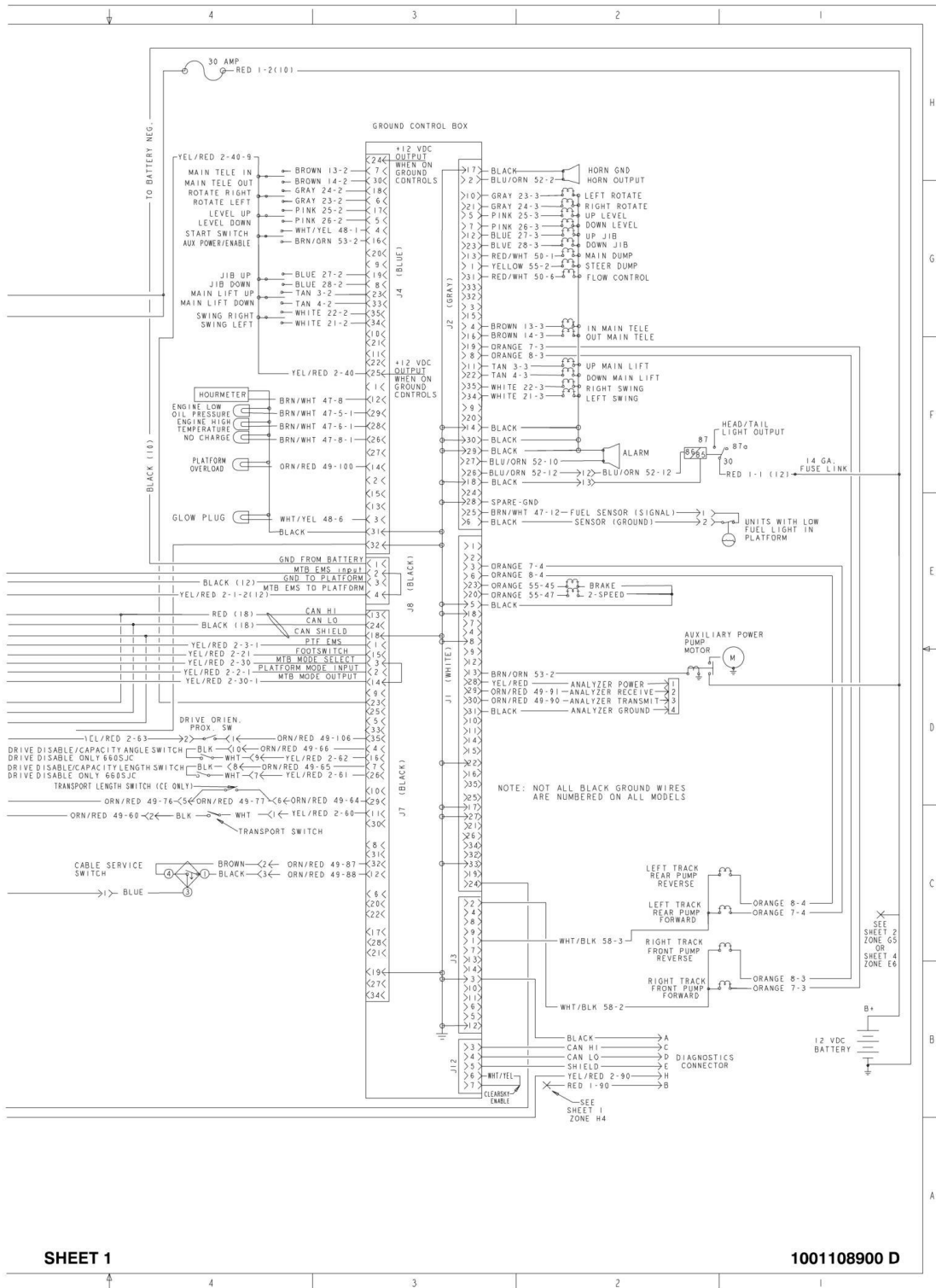
# SECTION 7 - ELECTRICAL

## FIGURE 7-3. ELECTRICAL SCHEMATIC (WITH UGM)

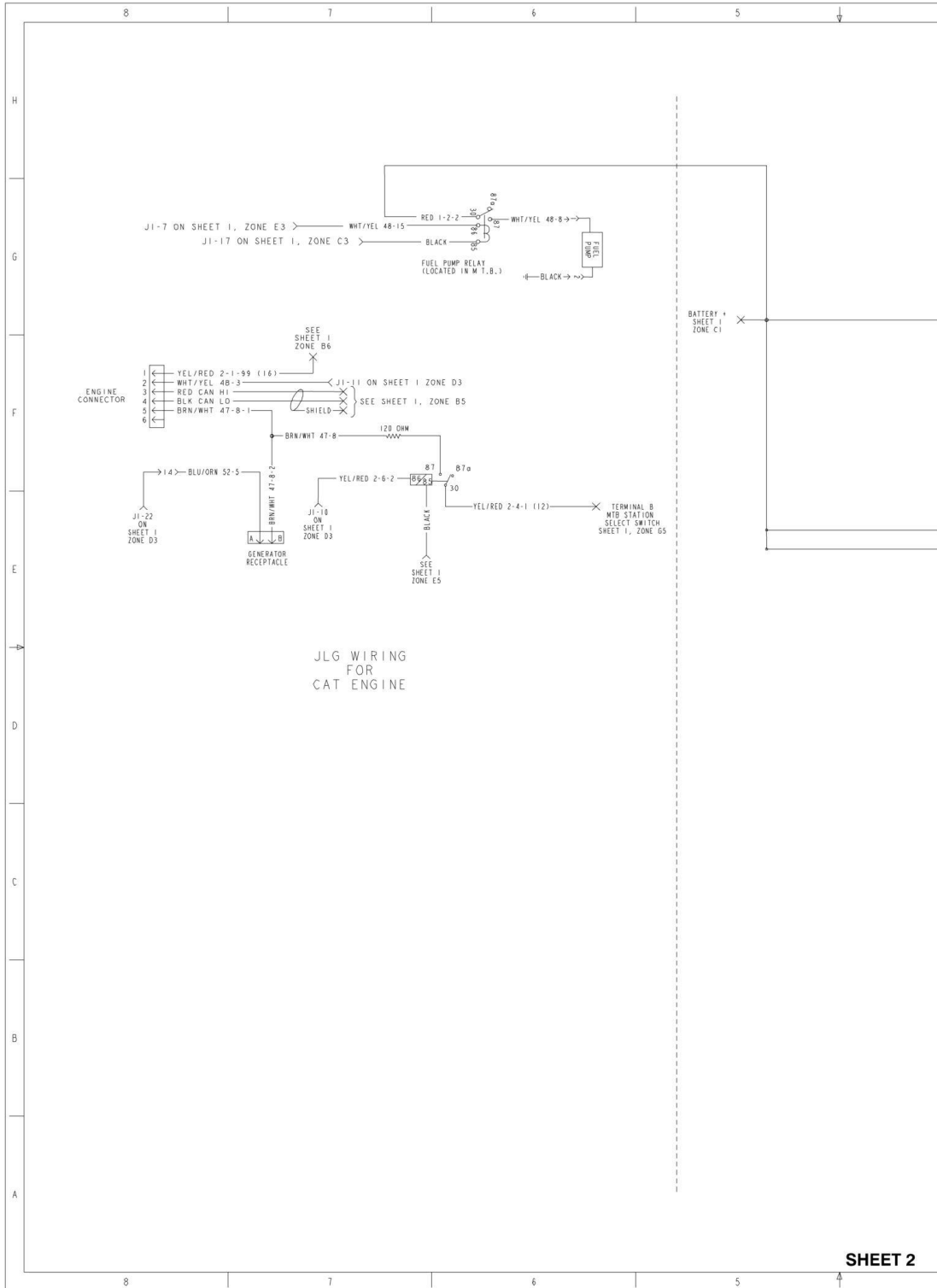




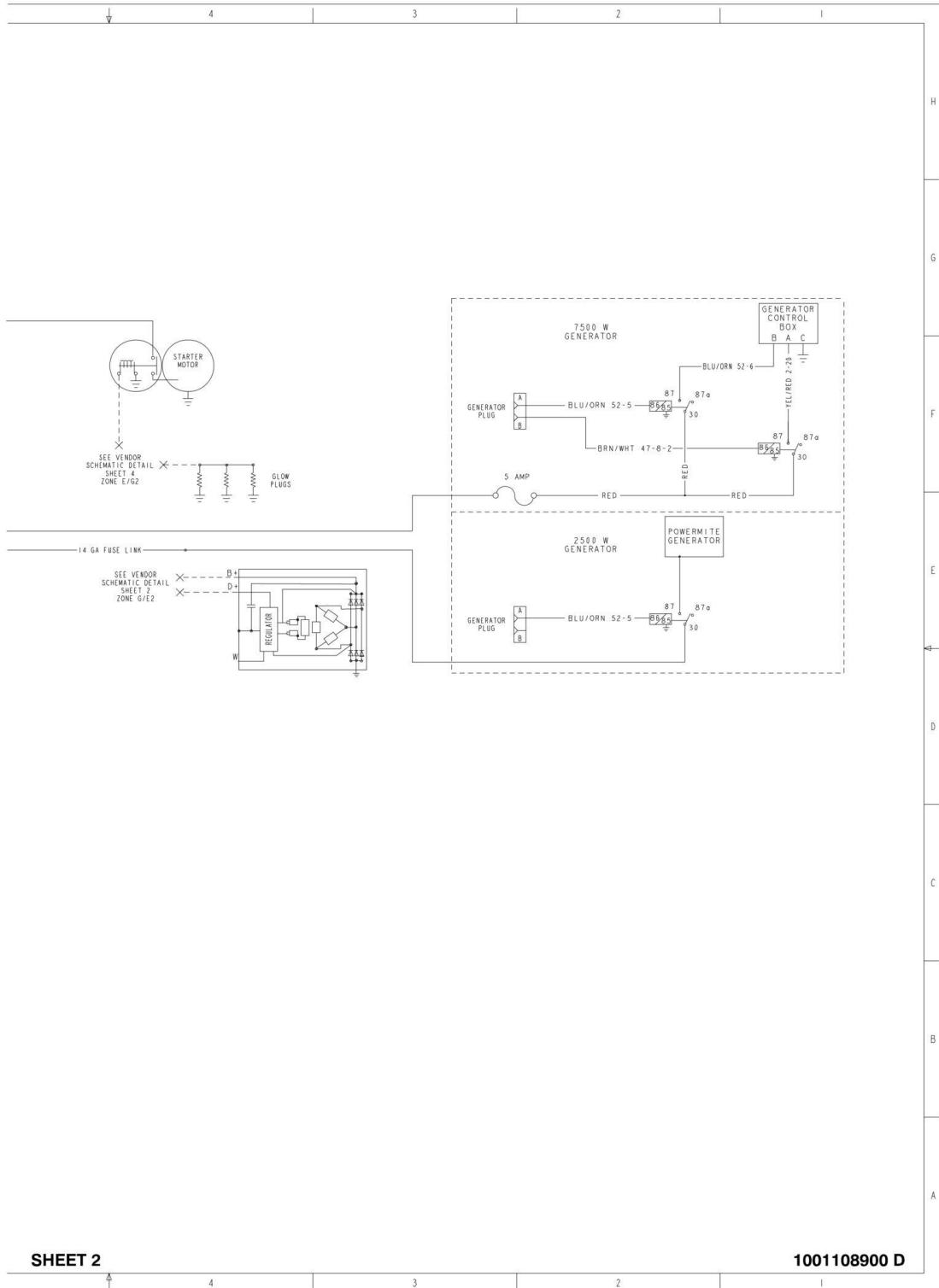
# SECTION 7 - ELECTRICAL



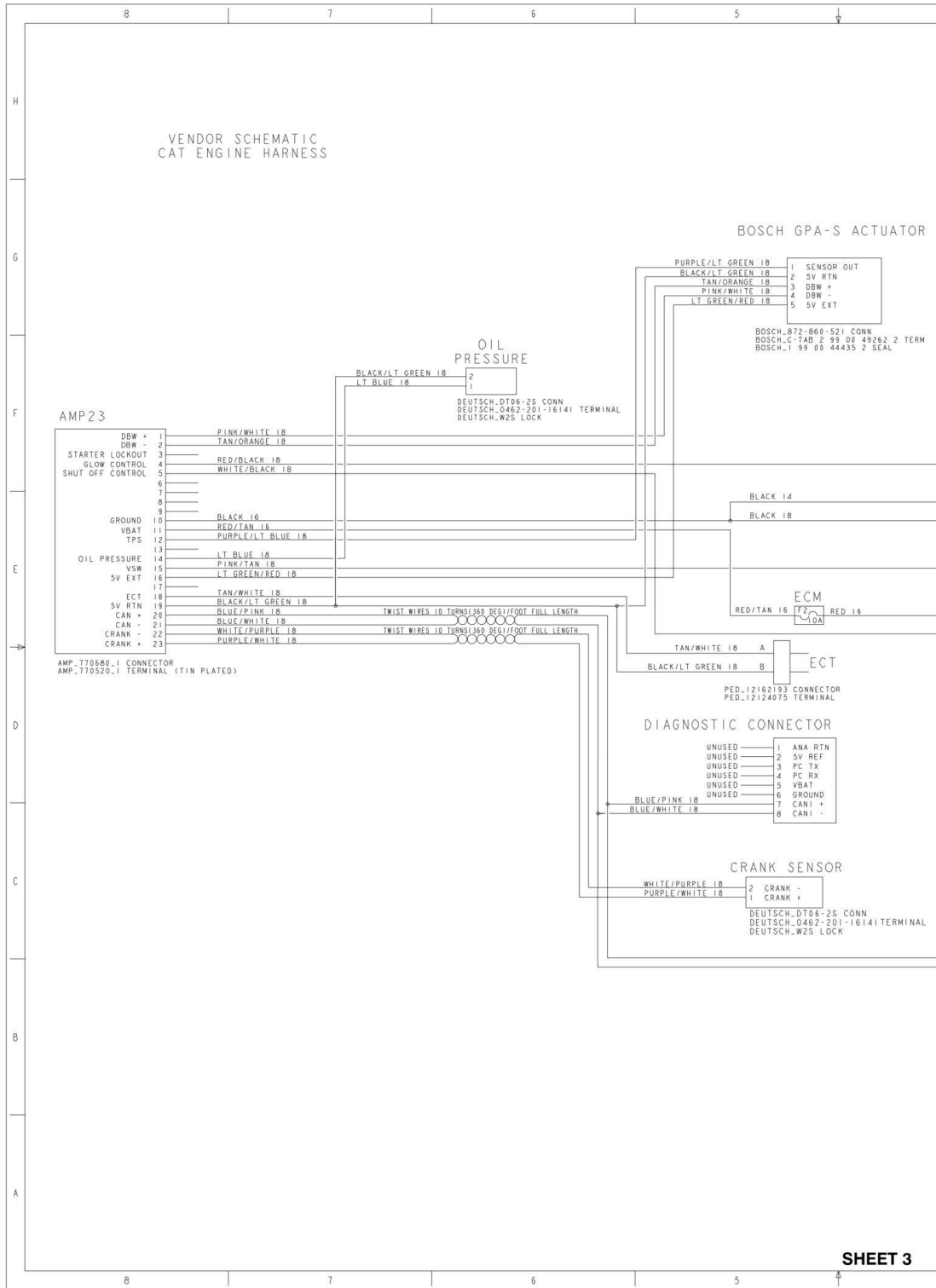
# SECTION 7 - ELECTRICAL



# SECTION 7 - ELECTRICAL

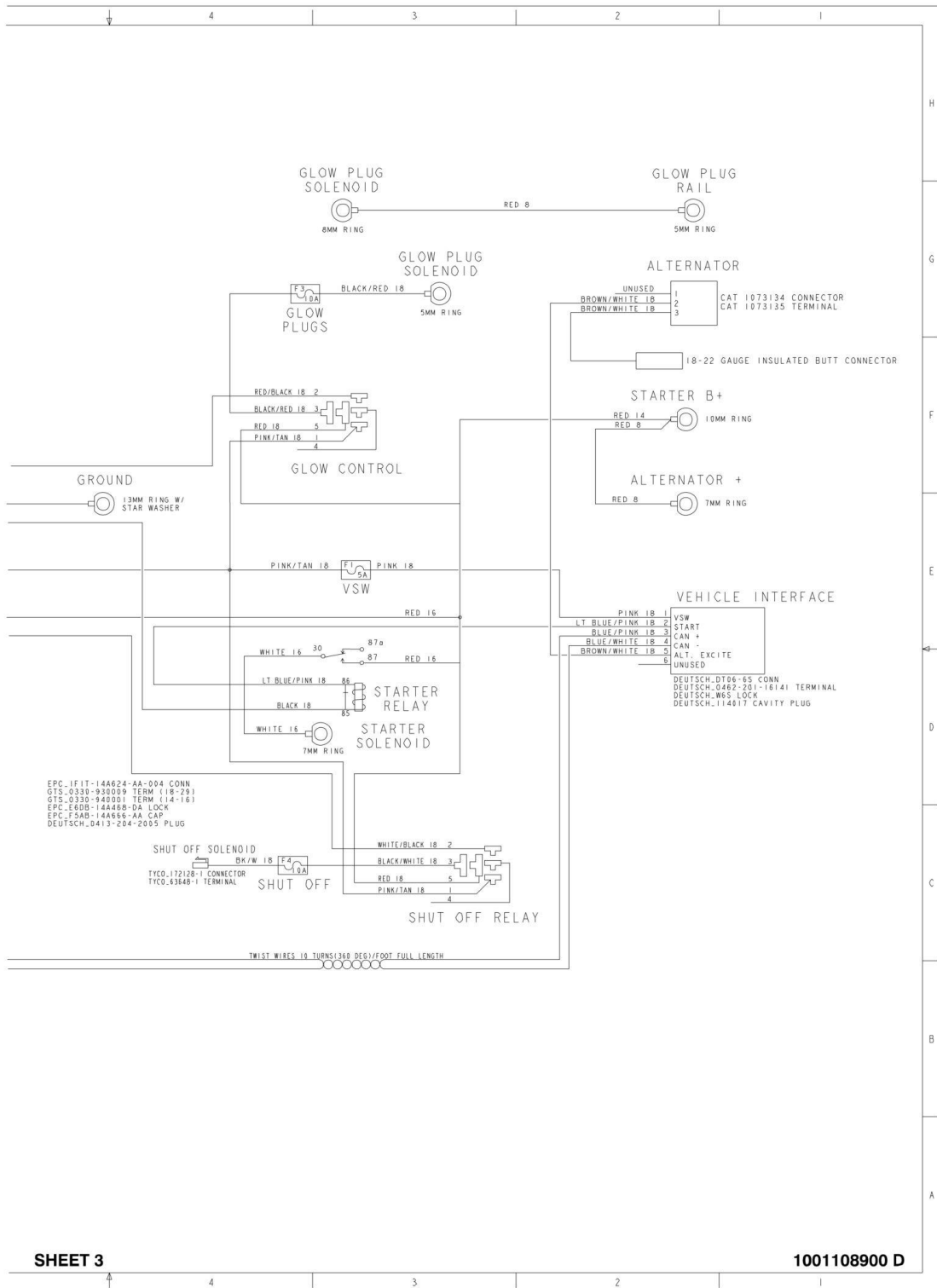


# SECTION 7 - ELECTRICAL



SHEET 3

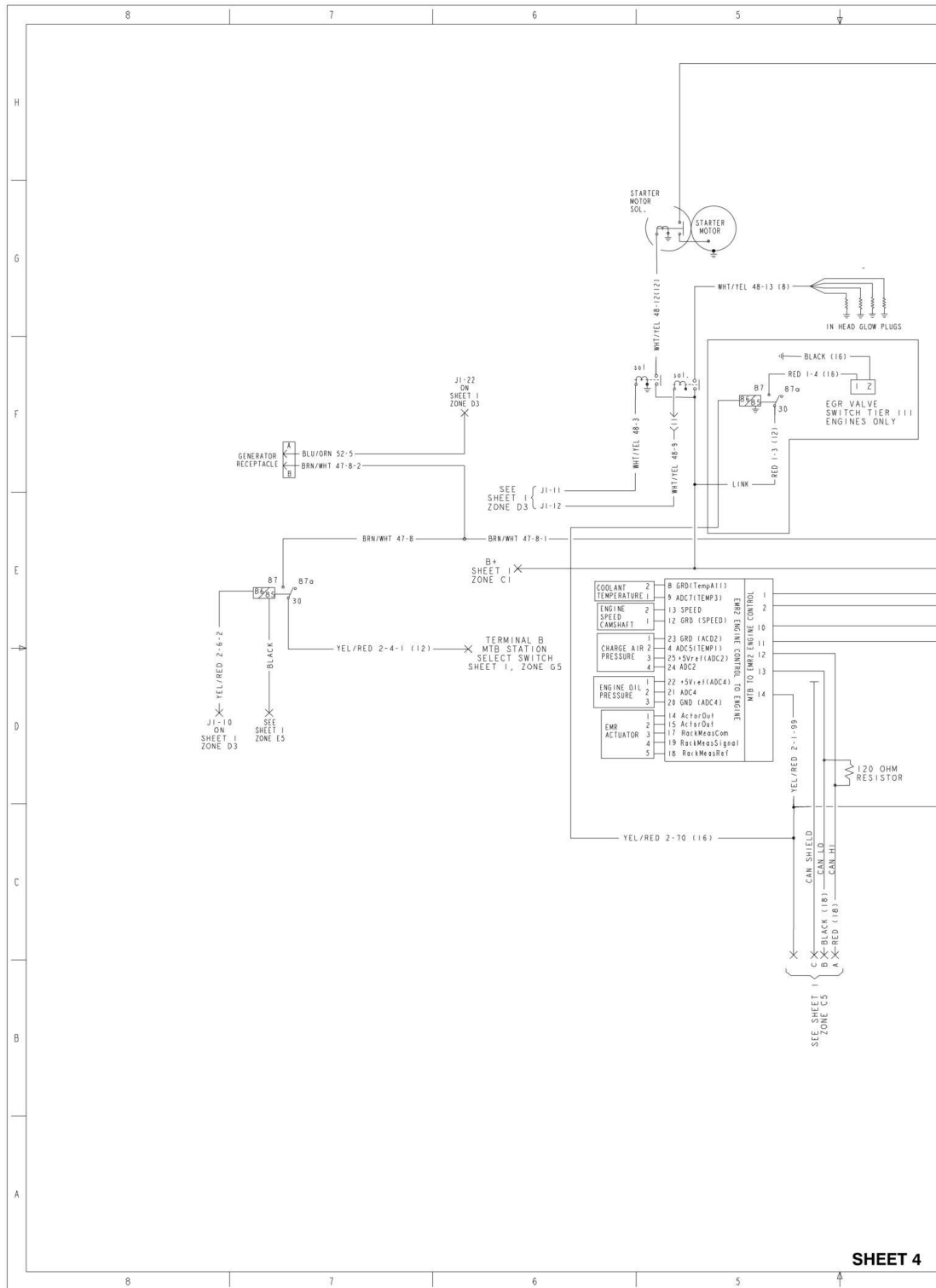
# SECTION 7 - ELECTRICAL



SHEET 3

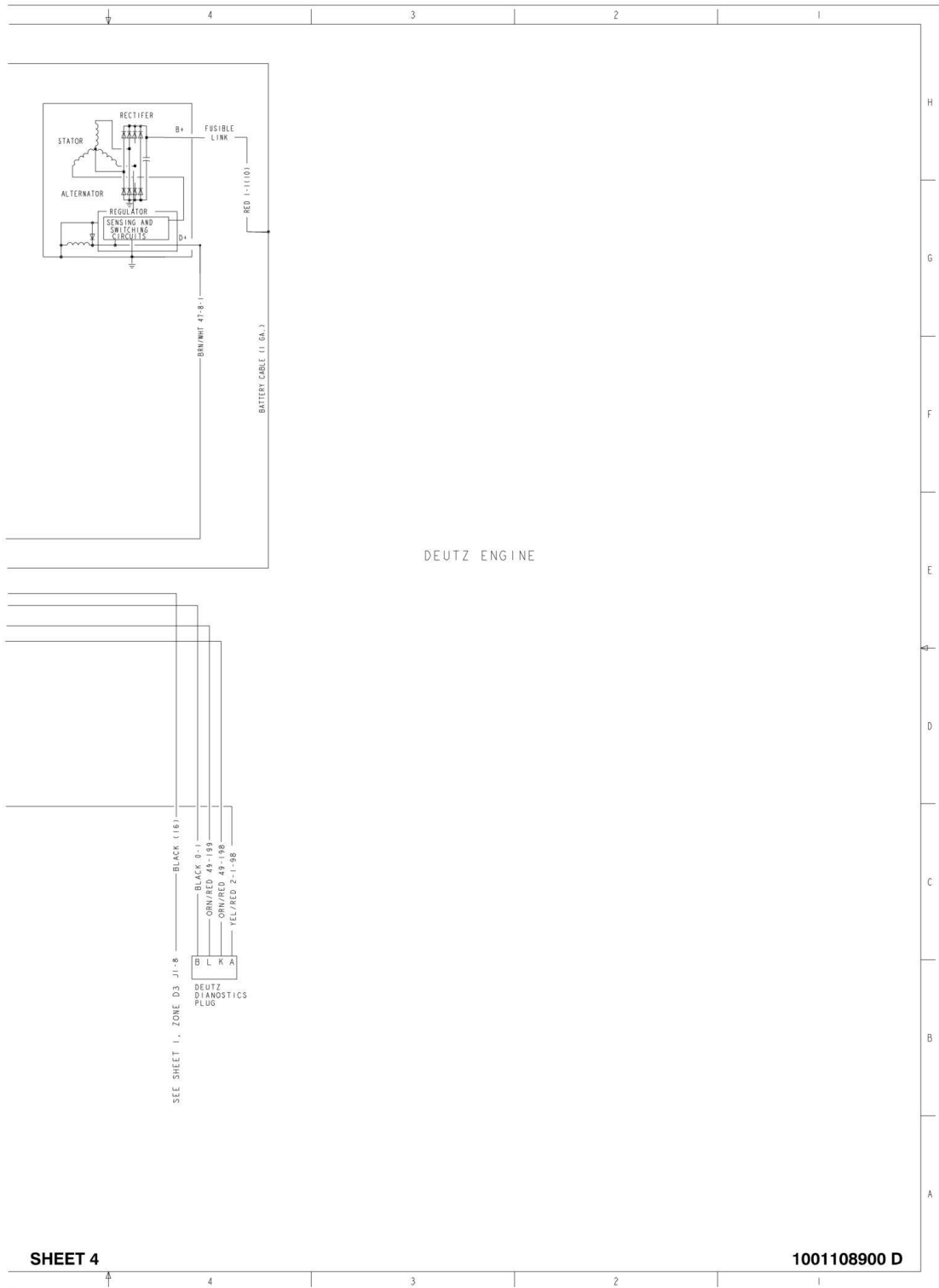
1001108900 D

# SECTION 7 - ELECTRICAL



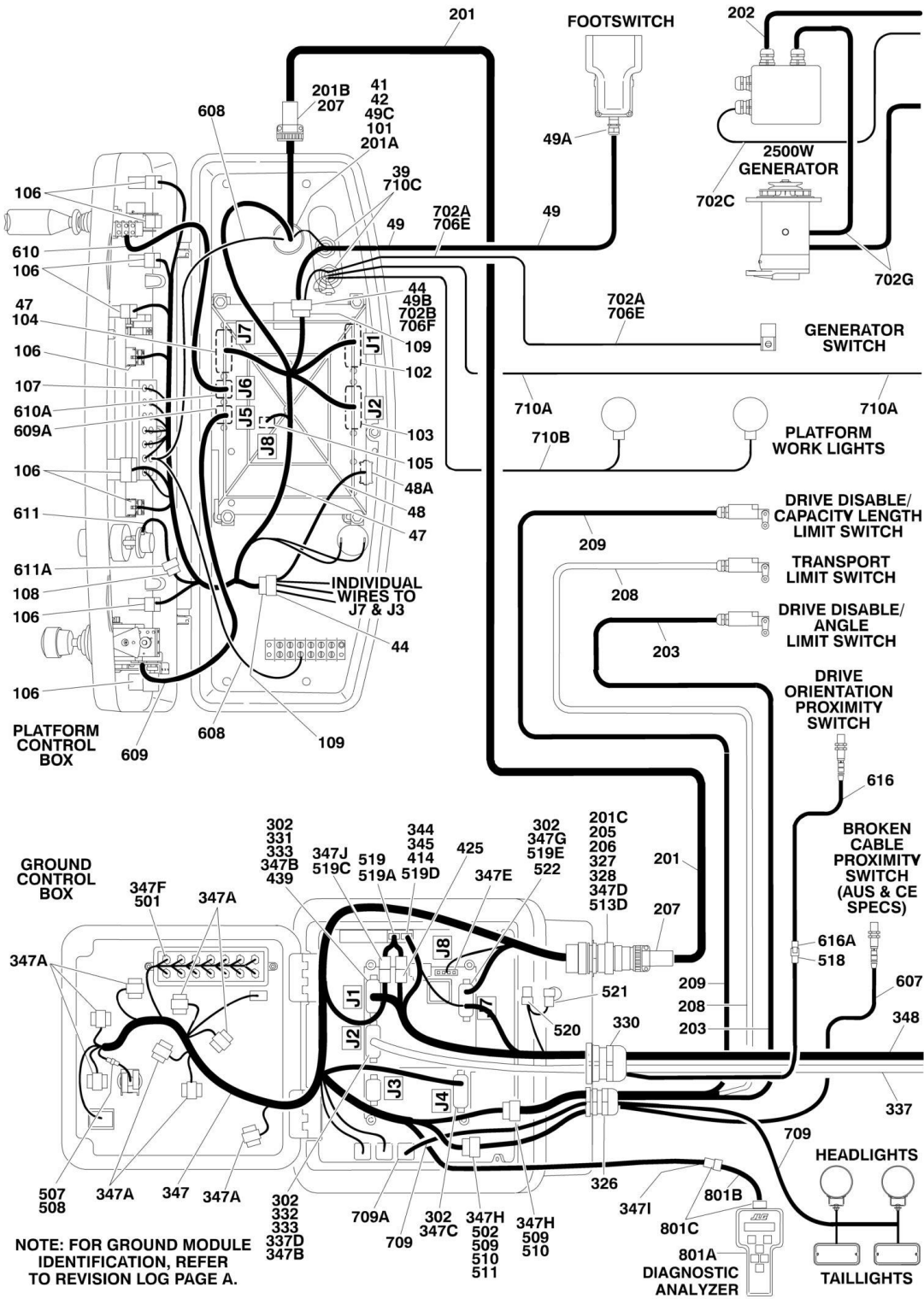
SHEET 4

# SECTION 7 - ELECTRICAL



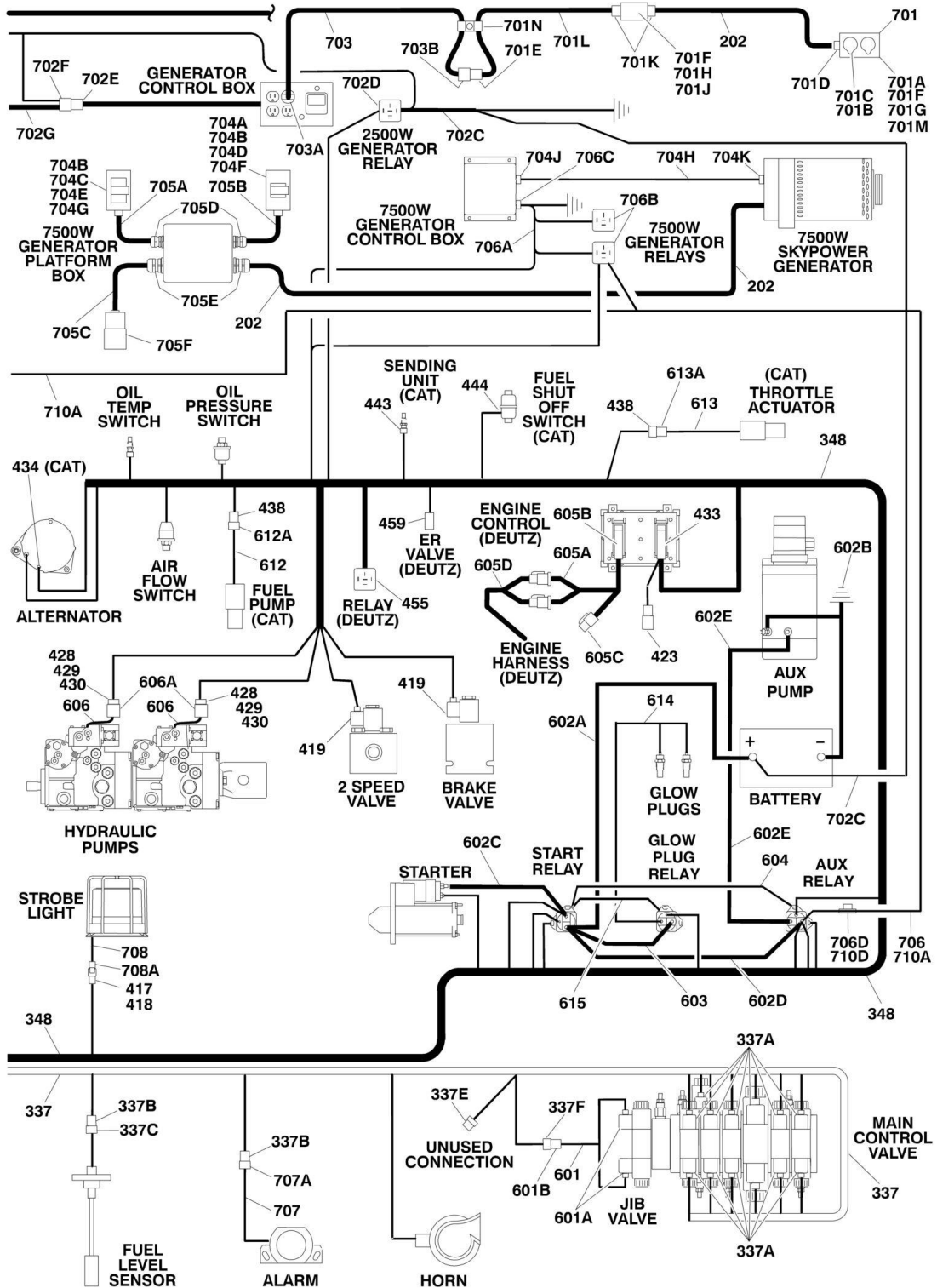
# SECTION 7 - ELECTRICAL

## FIGURE 7-4. HARNESS COMPONENTS INSTALLATION (WITHOUT UGM)





# SECTION 7 - ELECTRICAL



# SECTION 7 - ELECTRICAL

**FIGURE 7-4. HARNESS COMPONENTS INSTALLATION (WITHOUT UGM)**

ITEM	PART NUMBER	QTY	DESCRIPTION	REV
		Ref	<b>Note: For Ground Module Identification, Refer to Revision Log Page A</b>	
		Ref	<b>HARNESS COMPONENTS INSTALLATION</b>	
	0861634	Ref	<b>PLATFORM CONSOLE BOX COMPONENTS</b>	G
39	4460428	2	Connector, Strain Relief	
41	4460470	1	Nut, Terminal	
42	4460471	1	Lockwasher, Terminal	
44	4460708	2	Receptacle, Female - 15 Position	
45	4460905	5	Seal, Plug	
47		Ref	Harness, Platform Box Options (See Items 101-109 for Breakdown):	
47	4922639	1	Harness, Platform Box <b>(SN 0300128000 through 0300136518)</b>	
47	1001107753	1	Harness, Platform Box <b>(SN 0300136519 through 0300174703)</b>	
48	4922666	1	Harness, Analyzer Cable	1-A
48	4460226	4	Socket, Female (Not Shown - Located at J2)	
48A	4460761	1	Connector, Female - 4 Position	
48A	4460227	4	Pin, Male	
49	0272970	1	Harness, Footswitch (Includes Footswitch)	A
49	1060918	7 ft/2.1m	Cable, Electrical - 18/3	
49A	4460071	1	Connector, Strain Relief	
49B	4460226	2	Socket, Female	
49C	4460464	1	Pin, Male Deutsch	
		Ref	<b>PLATFORM BOX HARNESS ASSEMBLY</b>	
	4922639	Ref	<b>Platform Box Harness Assembly (SN 0300128000 through 0300136518)</b>	7-I
	1001107753	Ref	<b>Platform Box Harness Assembly (SN 0300136519 through 0300174703)</b>	C
101	4460866	1	Connector - 19 Position	
101	4460464	7	Pin, Male 16 Ga	
101	4460508	3	Pin, Male 12 Ga	
102	4460874	1	Connector - 35 Position (Natural)	
102	4460871	23	Socket, Female	
103	4460875	1	Connector - 35 Position (Gray)	
103	4460871	19	Socket, Female	
104	4460873	1	Connector - 35 Position (Black)	
104	4460871	25	Socket, Female	
105	4460879	1	Connector, Male - 2 Position	
105	4460887	2	Terminal (12 Gauge)	
106	4460418	9	Connector, Female - 6 Position	
106	4460419	27	Socket, Female	
107	4120035	13	Base, Light	
107	4460634	13	Terminal	
107	4460635	13	Terminal	
107	2920129	13	Bulb, Light	
108	4460225	1	Plug, Male - 6 Position	
108	4460227	5	Pin, Male	
109	4460434	2	Plug, Male - 15 Position	
109	4460227	28	Pin, Male	
		Ref	<b>BOOM CABLES INSTALLATION</b>	
		Ref	<b>Boom Cables Installation 600SC:</b>	

## SECTION 7 - ELECTRICAL

ITEM	PART NUMBER	QTY	DESCRIPTION	REV
		Ref	<b>ANSI and ANSI Export Specs</b>	
	0272042	Ref	<b>Without SkyPower and without Arctic Package</b>	3
	0274592	Ref	<b>With SkyPower and without Arctic Package</b>	1
	1001104427	Ref	<b>Without SkyPower and with Arctic Package</b>	1
	1001104429	Ref	<b>With SkyPower and with Arctic Package</b>	1
		Ref	<b>CE and Australian Specs:</b>	
	0272045	Ref	<b>Without SkyPower</b>	3
	0274593	Ref	<b>With SkyPower</b>	1
		Ref	<b>Boom Cables Installation 660SJC:</b>	
		Ref	<b>ANSI and ANSI Export Specs:</b>	
	0272043	Ref	<b>Without SkyPower and without Arctic Package</b>	2
	0274594	Ref	<b>With SkyPower and without Arctic Package</b>	1
	1001104428	Ref	<b>Without SkyPower and with Arctic Package</b>	1
	1001104430	Ref	<b>With SkyPower and with Arctic Package</b>	1
		Ref	<b>CE and Australian Specs:</b>	
	0272046	Ref	<b>Without SkyPower</b>	2
	0274595	Ref	<b>With SkyPower</b>	1
201		Ref	Harness, Boom (12/4 -18/8) Options:	
201	4922468	1	Harness, Boom (12/4 -18/8) 600SC without Arctic Package	2-B
201	4923657	1	Harness, Boom (12/4 -18/8) 600SC with Arctic Package	1
201	4922467	1	Harness, Boom (12/4 -18/8) 660SJC without Arctic Package	2-B
201	4923657	1	Harness, Boom (12/4 -18/8) 660SJC with Arctic Package	1
201		Ref	Cable, Electrical - 12/4 & 18/8	
201	1060896	67 ft /20.4m	4922468 Harness (600SC without Arctic Package)	
201	4923462	67 ft /20.4m	4923657 Harness (600SC with Arctic Package)	
201	4923462	75 ft /22.9m	4922467 Harness (600SC with Arctic Package)	
201	2820118	8 in/18cm	Heat Shrink	
201A	4460465	11	Socket, Female 18 Gauge	
201A	4460865	1	Connector - 19 Position	
201A	4460509	4	Socket, Female 12 Gauge	
201A	4460466	4	Seal, Plug	
201B	4460473	1	Clamp. Cable	
201C	4460465	11	Socket, Female 18 Gauge	
201C	4460509	4	Socket, Female 12 Gauge	
202		Ref	Cable, Electrical (To Receptacle Box) Options:	
202	4922889	1	Cable, Electrical (To Receptacle Box) 600SC ANSI and ANSI Export Specs without SkyPower and without Arctic Package (12/3 Cable 70ft/21.2m Length)	
202	4923660	1	Cable, Electrical (To Receptacle Box) 600SC ANSI and ANSI Export Specs without SkyPower and with Arctic Package (12/3 Cable 70ft/21.2m Length)	
202	4922884	1	Cable, Electrical (To Receptacle Box) 600SC CE and Australian Specs without SkyPower (12/3 Cable 70ft/21.2m Length)	
202	4922792	1	Cable, Electrical (To Receptacle Box) 600SC All Specs with SkyPower (8/5 Cable 83ft/25.3m)	
202	4922888	1	Cable, Electrical (To Receptacle Box) 660SJC ANSI and ANSI Export Specs without SkyPower and without Arctic Package (12/3 Cable 77ft/23.5m Length)	
202	4923510	1	Cable, Electrical (To Receptacle Box) 660SJC ANSI and	

## SECTION 7 - ELECTRICAL

ITEM	PART NUMBER	QTY	DESCRIPTION	REV
202	4922886	1	ANSI Export Specs without SkyPower and with Arctic Package (12/3 Cable 70ft/21.2m Length) Cable, Electrical (To Receptacle Box) 660SJC CE and Australian Specs without SkyPower (12/3 Cable 77ft/23.5m Length)	
202	4922791	1	Cable, Electrical (To Receptacle Box) 660SJC All Specs with SkyPower (8/5 Cable 90.5ft/27.6m)	
203	1061045	1	Cable, Electrical - 18/2 (To Drive Disable/Angle Switch) (15ft/4.6m Length)	
204		Ref	Sleeve, Nylon Options (Not Shown - Used with Items 201 & 202):	
204	4100026	10 ft/3m	Sleeve, Nylon 600SC	
204	Not Required	0	Sleeve, Nylon 660SJC	
205	4460865	1	Connector - 19 Position	
206	4460466	AR	Seal, Plug	
207	4460473	2	Clamp, Cable	
208		Ref	Cable, Electrical - 18/3 (To Transport Switch) Options:	
208	1061046	1	Cable, Electrical - 18/3 (To Transport Switch) 600SC	
208	1061047	1	Cable, Electrical - 18/3 (To Transport Switch) 660SJC	
209		Ref	Cable, Electrical - 18/3 (To Drive Disable/Capacity Length) Options:	
209	1061047	1	Cable, Electrical - 18/3 (To Drive Disable/Capacity Length) 600SC	
209	1061046	1	Cable, Electrical - 18/3 (To Drive Disable/Capacity Length) 660SJC	
		Ref	<b>GROUND CONTROL BOX COMPONENTS</b>	
302	0100048	AR	Grease, Dielectric	
326	4460426	1	Connector, Strain Relief	
327	4460470	1	Nut, Terminal	
328	4460471	1	Washer, Terminal	
330	4460526	1	Connector, Strain Relief	
331	4460874	1	Connector, White - 35 Position	
332	4460875	1	Connector, Gray - 35 Position	
333	4460905	AR	Plug, Connector	
337	4922513	1	Valve Harness Assembly	3-D
337A	4460880	11	DIN Connector	
337B	4460320	2	Plug, Male - 2 Position	
337B	4460267	4	Pin, Male	
337C	4460424	1	Connector, Female - 2 Position	
337C	4460268	2	Socket, Female	
337D	4460871	28	Socket, Female	
337E	4460326	1	Plug, Male - 3 Position	
337E	4460267	1	Pin, Male	
337F	4460445	1	Connector, Female - 3 Position	
337F	4460268	3	Socket, Female	
344	4460466	6	Seal, Plug	
345	4460909	1	Plug, Male -12 Position Mini (Black)	
347		Ref	Ground Control Box Harness Assembly Options:	
347	4923577	1	Ground Control Box Harness Assembly ( <b>SN 0300128000 through 0300144060</b> )	D
347	1001108126	1	Ground Control Box Harness Assembly ( <b>SN 0300144061 through 0300174703</b> )	A
347	3990010	2	Diode - 6 Amp (Not Shown - Located at Power Down Relay)	
347A	4460418	7	Connector, Female - 6 Position	

## SECTION 7 - ELECTRICAL

ITEM	PART NUMBER	QTY	DESCRIPTION	REV
347A	4460419	21	Socket, Female	
347B	4460871	16	Socket, Female	
347C	4460876	1	Connector, Blue - 35 Position	
347C	4460871	23	Socket, Female	
347C	4460905	1	Seal, Plug	
347D	4460866	1	Connector - 19 Position	
347D	4460464	10	Pin, Male Deutsch 16 Ga	
347D	4460508	3	Pin, Male Deutsch 12 Ga	
347E	4460878	1	Plug, Male - 4 Position	
347E	4460887	3	Terminal (12 Gauge)	
347F	4120035	5	Base, Light	
347F	4460634	6	Terminal (16 Gauge)	
347F	4460635	4	Terminal (12 Gauge)	
347G	4460873	1	Connector, Black - 35 Position	
347G	4460871	20	Socket, Female	
347G	4460465	4	Socket, Female	
347G	4460905	1	Seal, Plug	
347H	4460434	2	Plug, Male - 15 Position	
347H	4460227	19	Pin, Male	
347I	4460761	1	Connector, Female - 4 Position	
347I	4460227	4	Pin, Male	
347J	4460536	1	Connector, Female 3- Position	
347J	4460943	3	Pin, Male	
348		Ref	Harness, Engine Options (See Items 401-459 for Breakdown):	
348	4923582	1	Caterpillar Engine	
348	4923257	1	Deutz Engine (SN 0300128000 through 0300128968)	
348	1001102161	1	Deutz Engine (SN 0300128969 through 0300174703)	
349		Ref	Ground Control Wiring Diagram Options (See Items 501-522 for Breakdown):	
349	4933369	1	Caterpillar Engine	
349	4933368	1	Deutz Engine	
		Ref	<b>ENGINE HARNESS ASSEMBLY</b>	
	4923582	Ref	<b>Caterpillar Engine</b>	B
	4923257	Ref	<b>Deutz Engine (SN 0300128000 through 0300128968)</b>	G
	1001102161	Ref	<b>Deutz Engine (SN 0300128969 through 0300174703)</b>	B
414	4460928	5	Socket, Female	
417	4460424	1	Receptacle, Female - 2 Position	
418	4460268	2	Socket, Female	
419	4460880	2	DIN Connector without Diode	
423	4461070	1	Receptacle, Female with Resistor (3 Position) (Deutz Engine Only)	
423	4461095	1	Plug, Male - 3 Position	
423	4460944	3	Socket, Female	
424	3990001	1	Diode - 3 Amp (Not Shown - Caterpillar Engine Only)	
425	4460539	1	Connector, Male - 3 Position (Deutz Engine Only)	
425	4460944	3	Socket, Female	
428	4460460	2	Plug, Male - 4 Position	
429	4460457	8	Socket, Female	
430	4460458	8	Seal, Terminal	
433	4461052	1	Connector, Receptacle - 25 Position (Deutz Engine Only)	
433	4461005	5	Terminal (Gold)	
433	4461006	5	Seal, Terminal	

## SECTION 7 - ELECTRICAL

ITEM	PART NUMBER	QTY	DESCRIPTION	REV
433	4461060	2	Terminal (Tin)	
433	4461054	2	Seal, Terminal	
433	4461053	1	Cover, Plug	
434	4460996	1	Connector, Female - 3 Position (Caterpillar Engines Only)	
434	4460995	2	Terminal, Spade (Caterpillar Engines Only)	
438	4460891	2	Plug, Male - 2 Position (Caterpillar Engine Only)	
438	4460465	4	Socket, Female (Caterpillar Engine Only)	
439	4460871	9	Socket, Female	
443	4460539	1	Plug, Male - 3 Position (Caterpillar Engine Only)	
443	4460465	3	Socket, Female (Caterpillar Engine Only)	
444	4460792	1	Housing, Terminal (Caterpillar Engine Only)	
444	4460339	1	Terminal (Caterpillar Engine Only)	
455	4460375	1	Connector, Relay (Deutz Engines) <b>(SN 0300128969 through 0300174703)</b>	
455	4460374	4	Terminal, Relay (Deutz Engines Only) <b>(SN 0300128969 through 0300174703)</b>	
459	1001102290	1	Plug, Male - 2 Position (Deutz Engines) <b>(SN 0300128969 through 0300174703)</b>	
459	1001102291	2	Terminal (Deutz Engines) <b>(SN 0300128969 through 0300174703)</b>	
459	1001102304	1	Seal, Terminal (Deutz Engines) <b>(SN 0300128969 through 0300174703)</b>	
		Ref	<b>GROUND CONTROL BOX WIRING DIAGRAM</b>	
	4933369	Ref	<b>Caterpillar Engine</b>	D
	4933368	Ref	<b>Deutz Engine</b>	D
501	2920129	AR	Bulb, Light	
502	4922636	1	Jumper Harness (Required without Tower Elevation Switch) (Deutz Engine Only)	
507	2400065	1	Fuse - 30 Amp	
508	2400066	1	Fuseholder	
509	4460708	2	Connector, Female - 15 Position	
510	4460226	13	Socket, Female	
511	4922637	1	Jumper Harness (Required without Boom Length Switch)	
518	4460424	1	Receptacle, Female - 2 Position <b>(SN 0300137195 through 0300174703)</b>	
519		Ref	Harness, Can-Buss Options:	
519	4923259	1	Deutz Engine	C
519	4923584	1	Caterpillar Engine	B
519A	4460908	1	Plug, Male -12 Position Mini (Gray)	
519A	4460928	2	Socket, Female	
519A	4460466	10	Seal, Plug	
519C	4460539	1	Connector, Male - 3 Position	
519C	4460944	3	Socket, Female	
519D	4460928	1	Socket, Female	
519E	4460871	1	Socket, Female	
520	4460894	1	Plug, Male - 6 Position	
520	4460892	1	Receptacle, Female - 6 Position	
521	2902443	1	Receptacle Kit (Deutz Engine Only)	
521	4461071	8	Socket, Female	
521	4461072	1	Receptacle	
521	4461073	1	Cap, Dust	
521	4461074	1	Shell, Black	
522	4923591	1	Jumper Harness (Caterpillar Engine Only)	

## SECTION 7 - ELECTRICAL

ITEM	PART NUMBER	QTY	DESCRIPTION	REV
		Ref	<b>STANDARD HARNESS COMPONENTS</b>	
601	4921927	1	Jib Harness (660SJC Only)	3-F
601A	4460499	2	DIN Connector	
601B	4460326	1	Plug, Male - 3 Position	
601B	4460267	3	Pin, Male	
602	2902296	1	Battery Cable Kit	B
602A	7027000	1	Cable, Battery (Battery + to Starter Relay)	
602B	7027004	1	Cable, Battery (Battery and Aux Pump to Ground)	
602C	7027002	1	Cable, Battery (Starter Relay to Starter)	
602D	7027001	1	Cable, Battery (Starter Relay to Aux Pump)	
602E	7027003	1	Cable, Battery (Aux Relay to Aux Pump)	
603	1060904	1	Cable, Battery (Power to Glow Plug)	
604	4922737	1	Relay Grounding Harness	
605	See Note	Ref	Deutz Engine Harness Components (Deutz Engine Machines Only) (Note: Not Available for Purchase.)	
605A	7027796	1	Deutz Engine Harness	
605B	4461052	1	Receptacle, Female - 25 Position	
605B	4461053	1	Cover, Receptacle	
605B	4461005	5	Terminal	
605B	4461006	5	Seal (Used with p/n 4461005)	
605B	4461060	2	Terminal	
605B	4461054	2	Seal (Used with p/n 4461060)	
605B	4461008	18	Plug, Hole	
605C	7027793	1	Plug-In, Connector	
605D		Ref	Deutz Engine Harness Options (For other replacement parts refer to Deutz engine dealer):	
605D	7027794	1	Tier II <b>(SN 0300128000 through 0300128968)</b>	
605D	70001872	1	Tier III/IVi <b>(SN 0300128969 through 0300174703)</b>	
606	7022350	2	Pump Sensor Harness (Includes Sensor)	
606A	7007498	2	Receptacle, Female - 4 Position	
606A	4460475	4	Pin, Male	
606A	4460458	4	Seal, Terminal	
607	4360506	1	Broken Cable Proximity Switch Harness (Includes Switch) (Australian and CE Specs Only)	
608	4933146	Ref	Service Cable Light Electrical Diagram (Australian Spec Only)	1-A
608	4922314	1	Service Cable Light Harness (Australian Spec Only)	1-A
608	4120035	1	Socket, Light	
608	4460634	2	Terminal	
608	4460464	1	Socket, Female	
608	2920129	1	Bulb, Light	
609	See Note	NSS	Controller Harness Assembly (Lift and Swing) (Note: Not Available - Purchase Complete Controller)	
609A	7022819	1	Plug, Male - 8 Position (Natural)	
609A	4460871	8	Socket, Female	
610	See Note	NSS	Controller Harness Assembly (Drive and Steer) (Note: Not Available - Purchase Complete Controller)	
610A	See Note	NSS	Connector, Female - 8 Position (Note: Not Available for Purchase.)	
610A	4460871	6	Socket, Female	
611	See Note	1	Speed Control Harness (Note: Not Available for Purchase.)	
611A	4460224	1	Connector, Female - 6 Position	
611A	4460226	5	Socket, Female	
612	See Note	NSS	Fuel Pump Harness (Caterpillar Engines Only) (Note: Not	

## SECTION 7 - ELECTRICAL

ITEM	PART NUMBER	QTY	DESCRIPTION	REV
612A	4460897	1	Available for Purchase.) Receptacle, Female -2 Position (Caterpillar Engines Only)	
612A	4460464	2	Pin, Male (Caterpillar Engines Only)	
613	See Note	NSS	Throttle Actuator Harness (Caterpillar Engines Only) (Note: Not Available for Purchase.)	
613A	4460897	1	Receptacle, Female -2 Position (Caterpillar Engines Only)	
613A	4460464	2	Pin, Male (Caterpillar Engines Only)	
614	4923379	1	Harness, Glow Plug (Deutz Engine Machines Only)	
615	1060904	1	Cable, Jumper (Deutz Engine Machines Only)	
616	See Note	NSS	Drive Orientation Proximity Switch Harness (Note: Not Available for Purchase.) <b>(SN 0300137195 through 0300174703)</b>	
616A	4460320	1	Plug, Male - 2 Position <b>(SN 0300137195 through 0300174703)</b>	
		Ref	<b>OPTIONAL HARNESS COMPONENTS</b>	
701		Ref	AC to Platform Receptacle Components Options:	
		Ref	<b>Note: For use with 2500W Generator Only.</b>	
701		Ref	ANSI, ANSI Export and Japanese Specs Options:	
701	0256113	Ref	110V/60Hz GFI Receptacle	4
701	0257175	Ref	220V Receptacle	4
701	0256201	Ref	Australian, Brazilian and Latin America Specs (110V/50Hz)	3
701		Ref	CE Spec Options Only:	
701	0256201	Ref	110V/50Hz Receptacle (No Plug)	3
701	0273076	Ref	110V/50Hz Receptacle (See TURNTABLE SECTION for Components)	
701	0273078	Ref	CE Germany Specs (See TURNTABLE SECTION for Components)	
701	1001100390	Ref	220V with CEE 7 Post Ground Receptacle and Plug and Circuit Breaker (2x4 Box) (With Powermite Control Box)	E
701	0275455	Ref	220V with CEE 7 Post Ground Receptacle and Plug and Circuit Breaker (2x4 Box) (Without Powermite Control Box)	E
701	1001100391	Ref	220V with CEE 7 Side Ground Receptacle and Plug and Circuit Breaker (2x4 Box) (With Powermite Control Box)	E
701	0275456	Ref	220V with CEE 7 Side Ground Receptacle and Plug and Circuit Breaker (2x4 Box) (Without Powermite Control Box)	E
701	1001100392	Ref	220V with AFSINT 107 Keyed Ground Receptacle and Plug and Circuit Breaker (2x4 Box) (With Powermite Control Box)	D
701	0275659	Ref	220V with AFSINT 107 Keyed Ground Receptacle and Plug and Circuit Breaker (2x4 Box) (Without Powermite Control Box)	D
701	1001100393	Ref	110V with IEC Yellow Receptacle and Plug and Circuit Breaker (With Powermite Control Box)	C
701	0275235	Ref	110V with IEC Yellow Receptacle and Plug and Circuit Breaker (Without Powermite Control Box)	E
701	1001100394	Ref	220V with IEC Blue Receptacle and Plug and Circuit Breaker (With Powermite Control Box)	D
701	0275254	Ref	220V with IEC Blue Receptacle and Plug and Circuit Breaker (Without Powermite Control Box)	E
701	1001100395	Ref	220V with CEE 7 Post Ground Receptacle and Plug and Circuit Breaker (70mm x 70mm Box) (With Powermite Control Box)	D
701	0275237	Ref	220V with CEE 7 Post Ground Receptacle and Plug and Circuit Breaker (70mm x 70mm Box) (Without Powermite Control Box)	E
701	1001100396	Ref	220V with CEE 7 Side Ground Receptacle and Plug and Circuit Breaker (70mm x 70mm Box) (With Powermite Control Box)	D
701	0275253	Ref	220V with CEE 7 Side Ground Receptacle and Plug and	E



## SECTION 7 - ELECTRICAL

ITEM	PART NUMBER	QTY	DESCRIPTION	REV
			Circuit Breaker (70mm x 70mm Box) (Without Powermite Control Box)	
701A		Ref	Box, Switch Options:	
701A	0860038	1	0256113 & 0257175 Installations	
701A	See Note	NLA	0256201 Installation (Note: Not Available - Purchase Locally.)	
701A	0861731	1	0275455, 0275456, 0275659, 1001100390, 1001100391 & 1001100392 Installations	
701A	0861781	1	0275235, 0275254, 1001100393 & 1001100394 Installations	
701A	0861782	NLA	0275237, 0275253, 1001100395 & 1001100396 Installations (Note: Use p/n 1001100344 CEE 7 Side Ground Service Kit or p/n 1001100343 CEE 7 Post Ground Service Kit. Kit includes Box p/n 1001141967 and items 701B, 701C & 701E.)	
701A	1001141967	1	1001100343, 1001100344, 1001141970 & 1001141971 Kits	
701B		Ref	Receptacle Options:	
701B	4460346	1	0256113 Installation	
701B	4460125	1	0257175 Installation	
701B	See Note	1	0256201 Installation (Note: Not Available - Purchase Locally.)	
701B	4461244	1	0275455 & 1001100390 Installations	
701B	4461245	1	0275456 & 1001100391 Installations	
701B	4461246	1	0275659 & 1001100392 Installations	
701B	4461198	1	0275235 & 1001100393 Installations	
701B	4461201	1	0275254 & 1001100394 Installations	
701B	4461204	NLA	0275237 & 1001100395 Installations (Use p/n 1001100343)	
701B	4461207	NLA	0275253 & 1001100396 Installations (Use p/n 1001100344)	
701B	1001141968	1	1001100343 & 1001141971 Kits	
701B	1001141969	1	1001100344 & 1001141970 Kits	
701C		Ref	Shield, Cover Options:	
701C	4060700	1	0256113 Installation	
701C	4060092	1	0257175 Installation	
701C	See Note	NLA	0256201 Installation (Note: Not Available - Purchase Locally.)	
701C	4461244	1	0275455 & 1001100390 Installations	
701C	4461245	1	0275456 & 1001100391 Installations	
701C	4461246	1	0275659 & 1001100392 Installations	
701C	4461198	1	0275235 & 1001100393 Installations	
701C	4461201	1	0275254 & 1001100394 Installations	
701C	4461204	NLA	0275237 & 1001100395 Installations (Use p/n 1001100343)	
701C	4461207	NLA	0275253 & 1001100396 Installations (Use p/n 1001100344)	
701C	1001141968	1	1001100343 & 1001141971 Kits	
701C	1001141969	1	1001100344 & 1001141970 Kits	
701D		Ref	Connector, Strain Relief Options:	
701D	4460071	1	0256113 & 0257175 Installations	
701D	See Note	NLA	0256201 Installations (Note: Not Available - Purchase Locally.)	
701D	4460968	1	0275455, 0275456, 0275659, 0275235, 0275254, 0275237, 0275253, 1001100390, 1001100391,	

## SECTION 7 - ELECTRICAL

ITEM	PART NUMBER	QTY	DESCRIPTION	REV
			1001100392, 1001100393, 1001100394, 1001100395 & 1001100396 Installations	
701E		Ref	Plug, Male Options:	
701E	4460205	1	0256113 Installation	
701E	4460233	1	0257175 Installation	
701E	See Note	NLA	0256201 Installation (Note: Not Available - Purchase Locally.)	
701E	4461202	1	0275455 & 0275237 Installations & 1001100343 & 1001141971 Kits	
701E	4461205	1	0275456 & 0275253 Installation & 1001100344 & 1001141970 Kits	
701E	4461249	1	0275659 Installation	
701E	4461196	1	0275235 Installation	
701E	4461199	1	0275254 Installation	
701E	Not Required	0	1001100390, 1001100391, 1001100392, 1001100393, 1001100394, 1001100395 & 1001100396 Installations	
701F		Ref	Hardware Options:	
701F	0641405	AR	Bolt 1/4in - 20NC x 5/8in	
701F	0641407	AR	Bolt 1/4in - 20NC x 7/8in	
701F	0641416	AR	Bolt 1/4in - 20NC x 2in	
701F	0700408	AR	Screw M4 x 16mm	
701F	3290405	AR	Locknut M4	
701F	3311405	AR	Locknut 1/4in - 20NC	
701F	4711400	AR	Flatwasher 1/4in Thin	
701F	4811400	AR	Flatwasher M4	
701F	0100011	AR	Compound, Locking	
701G		Ref	Bracket, Receptacle Box Mounting Options:	
701G	Not Required	0	0256113, 0257175 & 0256201 Installations	
701G	0903484	1	0275455, 0275456, 0275659, 0275235, 0275254, 0275237, 0275253, 1001100390, 1001100391, 1001100392, 1001100393, 1001100394, 1001100395 & 1001100396 Installations	
701H		Ref	Bracket, Circuit Breaker Mounting Options:	
701H	Not Required	0	0256113, 0257175 & 0256201 Installations	
701H	0903611	1	0275455, 0275456, 0275659, 0275235, 0275254, 0275237, 0275253, 1001100390, 1001100391, 1001100392, 1001100393, 1001100394, 1001100395 & 1001100396 Installations ( <b>SN 0300128000 through 0300171768</b> )	
701H	1001154592	1	0275455, 0275456, 0275659, 0275235, 0275254, 0275237, 0275253, 1001100390, 1001100391, 1001100392, 1001100393, 1001100394, 1001100395 & 1001100396 Installations ( <b>SN 0300171768 through 0300174703</b> )	
701J		Ref	Kit, Box and Breaker (Required Only on CE Spec Installations Except 0256201 Installation):	
701J	1001109554	AR	Kit (With Powermite Generator Control Box)	B
701J	1001096070	AR	Kit (Without Powermite Generator Control Box)	D
701J		Ref	Circuit Breaker Options:	
701J	1001109477	1	Breaker 10A	
701J	1001109475	1	Breaker 16A	
701J	1001109482	1	Breaker 30mA	
701J	0861880	1	Breaker Box	
701J	4460956	1	Terminal Block	
701J	4460957	1	Terminal Block	

## SECTION 7 - ELECTRICAL

ITEM	PART NUMBER	QTY	DESCRIPTION	REV
701K	1001097150	2	Connector, Strain Relief Options (Required Only on CE Spec Installations Except 0256201 Installation):	
701L	1060908	12 ft/3.6m	Cable, Extension (Required Only on CE Spec Installations Except 0256201 Installation):	
701M		Ref	Gasket, Cover Options:	
701M	3960422	1	0256113 & 0257175 Installations	
701M	Not Required	0	0256113, 0257175, 0256201, 0275455, 0275456, 0275659, 0275235, 0275254, 0275237 & 0275253 Installations	
701N	1320149	1	Clamp, Hose	
701P	0275452		Receptacle Box Kit (220V CEE 7 Post Ground) (Not Shown) (Includes Items 701A, 701B, 701C & 701E) (0275455 Installation)	1
701P	1001100345		Receptacle Box Kit (220V CEE 7 Post Ground) (Not Shown) (Includes Items 701A, 701B, 701C & 701E) (1001100390 Installation)	2
701P	0275453		Receptacle Box Kit (220V CEE 7 Side Ground) (Not Shown) (Includes Items 701A, 701B, 701C & 701E) (0275456 Installation)	1
701P	1001100347		Receptacle Box Kit (220V CEE 7 Side Ground) (Not Shown) (Includes Items 701A, 701B, 701C & 701E) (1001100391 Installation)	3
701P	0275454		Receptacle Box Kit (220V AFSINT 107 Keyed Ground) (Not Shown) (Includes Items 701A, 701B, 701C & 701E) (0275659 Installation)	1
701P	1001100346		Receptacle Box Kit (220V AFSINT 107 Keyed Ground) (Not Shown) (Includes Items 701A, 701B, 701C & 701E) (1001100392 Installation)	2
701P	0275216		Receptacle Box Kit (110V IEC Yellow) (Not Shown) (Includes Items 701A, 701B, 701C & 701E) (0275235 Installation)	1
701P	1001100341		Receptacle Box Kit (110V IEC Yellow) (Not Shown) (Includes Items 701A, 701B, 701C & 701E) (1001100393 Installation)	2
701P	0275217		Receptacle Box Kit (220V IEC Blue) (Not Shown) (Includes Items 701A, 701B, 701C & 701E) (0275254 Installation)	1
701P	1001100342		Receptacle Box Kit (220V IEC Blue) (Not Shown) (Includes Items 701A, 701B, 701C & 701E) (1001100394 Installation)	2
701P	0275218	NLA	Receptacle Box Kit (220V CEE 7 Post Ground) (Not Shown) (Includes Items 701A, 701B, 701C & 701E) (0275237 Installation) (Use p/n 1001100343)	B
701P	1001091971	NLA	Receptacle Box Kit (220V CEE 7 Post Ground) (Not Shown) (Includes Items 701A, 701B, 701C & 701E) (1001100395 Installation) (Use p/n 1001100343)	C
701P	0275219	NLA	Receptacle Box Kit (220V CEE 7 Side Ground) (Not Shown) (Includes Items 701A, 701B, 701C & 701E) (0275253 Installation) (Use p/n 1001100344)	B-B
701P	1001091970	NLA	Receptacle Box Kit (220V CEE 7 Side Ground) (Not Shown) (Includes Items 701A, 701B, 701C & 701E) (1001100396 Installation) (use p/n 1001100344)	C
702		Ref	2500W Generator Electrical Components	
702	4933300	AR	110V/60Hz	2-A
702	4933300	AR	110V/50Hz (Available on ANSI Export, Australian and CE Specs) <b>(SN 0300128000 through 0300132849)</b>	2-A
702	4933287	AR	110V/50Hz Only (Available on CE Spec - UK Only) (Not Shown) <b>(SN 0300128000 through 0300132849)</b>	1-A
702	4933284	AR	110V/50Hz Only (Available on CE Spec - Germany Only) (Not Shown) <b>(SN 0300128000 through 0300132849)</b>	1-A

## SECTION 7 - ELECTRICAL

ITEM	PART NUMBER	QTY	DESCRIPTION	REV
702	1001100027	AR	110V/50Hz (All Specs) (SN 0300132803 through 0300174703)	E
702	4933300	AR	220V/50Hz (SN 0300128000 through 0300132849)	2-A
702	1001100027	AR	220V/50Hz (SN 0300132803 through 0300174703)	E
702	3990010	1	Diode - 6 Amp (Not Shown)	
702A	4922641	1	Harness - On/Off Switch	1-A
702B	4460226	2	Socket, Female	
702C	4922970	1	Powermite Control Box to Relay Harness	1-A
702D	4460375	1	Connector, Relay	
702D	4460374	4	Terminal, Relay	
702E	4460961	1	Connector, Female - 4 Position	
702E	4460705	4	Pin, Male	
702F	4460321	1	Connector, Male - 4 Position	
702F	4460906	4	Socket, Female	
702G	7020193	1	2500W Generator Power Cable	
703		Ref	2500W Generator to Rear of Boom Harness Options:	
		Ref	<b>Note: Harness used to connect AC at platform harness to 2500W generator receptacle to power platform receptacle.</b>	
703	4921827	1	ANSI and ANSI Export Specs	1
703	4921956	1	Australian and CE Spec	1
703		Ref	Cable, Electrical - 12/3 Options:	
703	1060494	20 ft/6.1m	ANSI and ANSI Export Specs	
703	1060461	20 ft/6.1m	Australian and CE Spec	
703A		Ref	Plug, Male Options:	
703A	4460205	1	ANSI and ANSI Export Specs	
703A	See Note	NLA	Australian and CE Spec (Note: Not Available - Purchase Locally.)	
703B		Ref	Receptacle, Female Options:	
703B	4460134	1	ANSI and ANSI Export Specs	
703B	See Note	1	Australian and CE Spec (Note: Not Available - Purchase Locally.)	
704		Ref	7500W SKYPOWER GENERATOR INSTALLATION	
704	0273540	Ref	60Hz and Caterpillar Engine	I
704	0272255	Ref	60Hz and Deutz Engine	K
704	0273541	Ref	50Hz Spec and Caterpillar Engine	I
704	0272492	Ref	50Hz Spec and Deutz Engine Note: SkyPower Generator is Standard On ANSI and CSA Specs. Optional on All Other Specs.	J
704A		Ref	Receptacle, Female Twist-Lock Options:	
704A	4460958	1	60Hz Spec	
704A	See Note	NLA	50Hz Spec (Note: Not Available - Purchase Locally.)	
704B		Ref	Gasket Options:	
704B	3960422	2	60Hz Spec	
704B	See Note	NLA	50Hz Spec (Note: Not Available - Purchase Locally.)	
704C		Ref	Cover, Receptacle Options:	
704C	4060700	1	60Hz Spec	
704C	See Note	NLA	50Hz Spec (Note: Not Available - Purchase Locally.)	
704D		Ref	Cover, Receptacle Options:	
704D	4061043	1	60Hz Spec	
704D	See Note	NLA	50Hz Spec (Note: Not Available - Purchase Locally.)	
704E		Ref	Receptacle Options:	
704E	4460346	1	60Hz Spec	
704E	See Note	NLA	50Hz Spec (Note: Not Available - Purchase Locally.)	

## SECTION 7 - ELECTRICAL

ITEM	PART NUMBER	QTY	DESCRIPTION	REV
704F	4460051	1	Connector, Strain Relief	
704G	4460071	1	Connector, Strain Relief	
704H	4922925	1	Harness, Generator	
704J	See Note	NSS	Plug, Male - 6 Position (Note: Use Item 704H)	
704J	See Note	NSS	Socket, Female (Note: Use Item 704H)	
704K	4460225	1	Plug, Male - 6 Position	
704K	4460226	6	Socket, Female	
705		Ref	7500W SkyPower Generator Junction Box Components	
705	0861542	Ref	60Hz Spec	C
705	0861567	Ref	50Hz Specs	B
705A		Ref	Cable, Electrical 12/3	
705A	1060494	2 ft/.6m	60Hz Spec	
705A	See Note	2 ft/.6m	50Hz Spec (Note: Not Available - Purchase Locally.)	
705B		Ref	Cable, Electrical 10/3	
705B	1060708	2.5 ft /.8m	60Hz Spec	
705B	See Note	2.5 ft /.8m	50Hz Spec (Note: Not Available - Purchase Locally.)	
705C	1060343	1.5 ft /.5m	Cable, Electrical 10/4 (60Hz Spec Only)	
705D	4460425	2	Connector, Strain Relief	
705E	4460426	2	Connector, Strain Relief	
705F	1671092	1	Cover (60Hz Spec Only)	
705F	4460963	1	Connector (60Hz Spec Only)	
706	4933264	Ref	7500W Generator Electrical Diagram Components	C
706A	4922757	1	Generator Harness	3-C
706B	4460374	2	Plug, Sealed Relay	
706B	4460375	7	Terminal	
706C	4460967	1	Plug, Male - 3 Position	
706C	4460465	3	Socket, Female	
706D	2400060	1	Fuseholder (Not Shown)	
706D	2400064	1	Fuse - 5 Amp (Not Shown)	
706E	4922641	1	Switch Harness	
706F	4460226	2	Socket, Female	
707	0257887	1	Alarm Harness (Includes Alarm)	
707A	4460424	1	Connector, Female - 2 Position	
707A	4460268	2	Socket, Female	
708	0272507	1	Strobe Light Harness (Includes Strobe Light)	B
708A	4460320	1	Plug, Male - 2 Position	
708A	4460267	2	Pin, Male	
709	See Note	1	Headlight and Taillight Harness (Note: Not Available for Purchase.)	
709	1060341	37 ft /11.3m	Cable, Electrical 16/2	
709A	3740049	1	Relay	
709A	4460259	3	Terminal	
709A	4460260	4	Housing, Terminal	
709A	4460297	1	Terminal	
709A	4922643	1	Lights Harness for Ground Control Box	1-A
709A	4460226	2	Socket, Female	
710	See Note	1	Work Lights Harness Components (Note: Not Available for Purchase.)	
710A	4922888	1	Harness, Electric 12/3 (Aux Relay to Console Box)	
710B	See Note	NSS	Work Light Harness (Note: Supplied with Work Light)	
710C	4460426	1	Connector, Strain Relief	

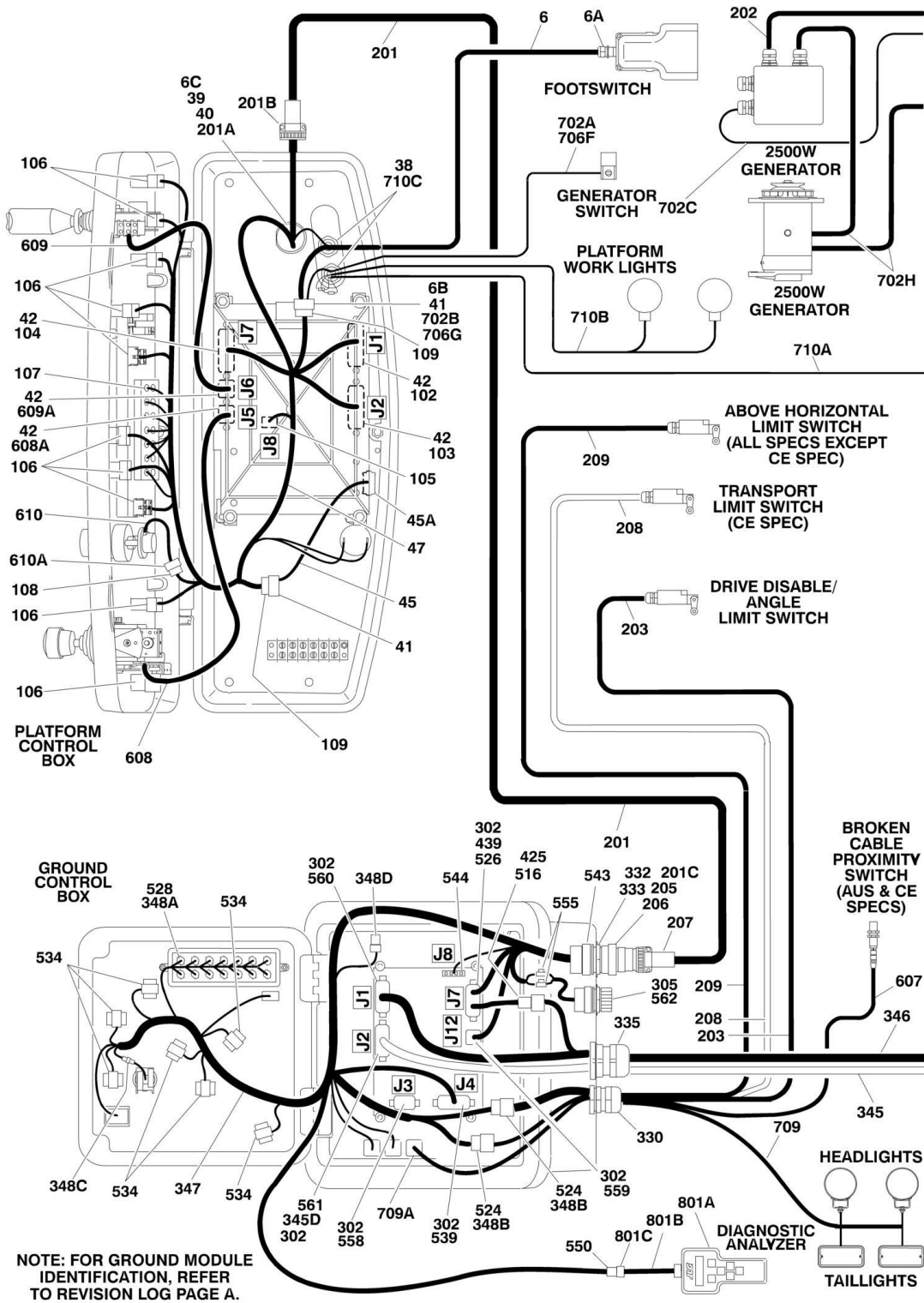
## SECTION 7 - ELECTRICAL

ITEM	PART NUMBER	QTY	DESCRIPTION	REV
710D	2400066	1	Fuseholder	
710D	2400070	1	Fuse 20 Amp	
		Ref	<b>TOOLS</b>	
	7002821	1	Crimper (For Wire to Pin/Socket Connections) (Not Shown)	
	7002823	1	Extractor (For Removal of Pin/Socket from Connectors) (Not Shown)	
	4460467	1	Extractor, Pin (Blue 16-18 Gauge) (For Removal of Pin/Socket from Connectors) (Not Shown)	
	4460510	1	Extractor, Pin (Yellow 12-14 Gauge) (For Removal of Pin/Socket from Connectors) (Not Shown)	
	7002828	1	Stripper, Wire (Not Shown)	
801	2901443	1	Analyzer/Cable Kit	
801A	1600244	1	Analyzer	
801B	1060633	1	Cable, Analyzer	
801C	4460321	2	Plug, Male - 4 Position	
801C	4460226	8	Socket, Female	



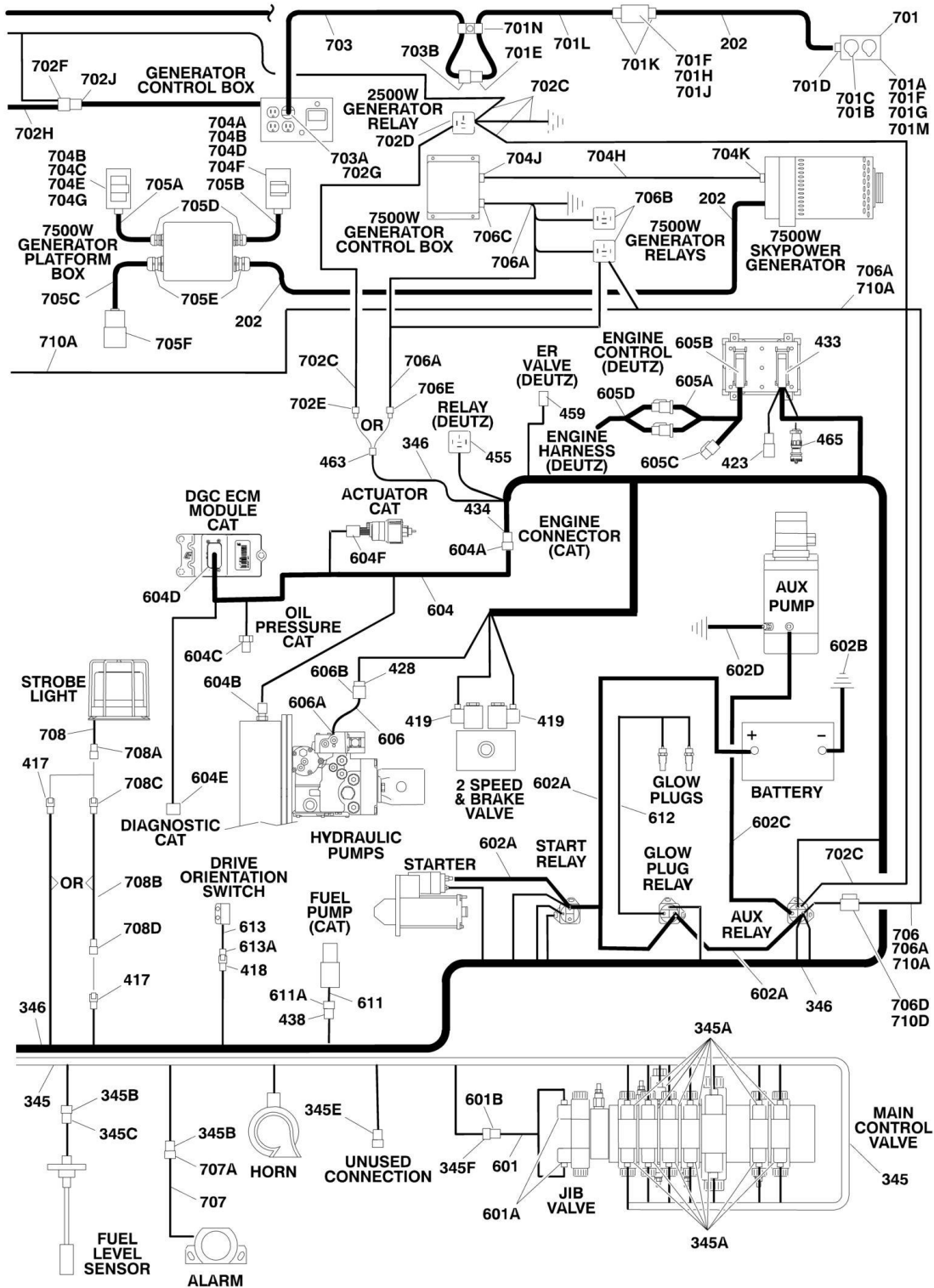
# SECTION 7 - ELECTRICAL

## FIGURE 7-5. HARNESS COMPONENTS INSTALLATION (WITH UGM)





# SECTION 7 - ELECTRICAL



# SECTION 7 - ELECTRICAL

## FIGURE 7-5. HARNESS COMPONENTS INSTALLATION (WITH UGM)

ITEM	PART NUMBER	QTY	DESCRIPTION	REV
		Ref	<b>Note: For Ground Module Identification, refer to Revision Log page A.</b>	
		Ref	<b>HARNESS COMPONENTS INSTALLATION</b>	
	1001108821	Ref	<b>PLATFORM CONSOLE BOX COMPONENTS</b>	D
6	0272970	1	Harness, Footswitch (Includes Footswitch)	A
6	1060918	7 ft/2.1m	Cable, Electrical - 18/3	
6A	4460071	1	Connector, Strain Relief	
6B	4460226	2	Socket, Female	
6C	4460464	1	Pin, Male Deutsch	
38	4460428	2	Connector, Strain Relief	
39	4460470	1	Nut, Terminal	
40	4460471	1	Lockwasher, Terminal	
41	4460708	2	Receptacle, Female - 15 Position	
42	4460905	5	Seal, Plug	
45	4922666	1	Harness, Analyzer Cable	1-A
45	4460226	4	Socket, Female (Not Shown - Located at J2)	
45A	4460761	1	Connector, Female - 4 Position	
45A	4460227	4	Pin, Male	
47	1001107753	1	Harness, Platform Box (See Items 101-109 For Breakdown)	
	1001107753	Ref	<b>PLATFORM BOX HARNESS ASSEMBLY</b>	D
101	4460866	1	Connector - 19 Position	
101	4460464	7	Pin, Male 16 Ga	
101	4460508	3	Pin, Male 12 Ga	
102	4460874	1	Connector - 35 Position (Natural)	
102	4460871	23	Socket, Female	
103	4460875	1	Connector - 35 Position (Gray)	
103	4460871	19	Socket, Female	
104	4460873	1	Connector - 35 Position (Black)	
104	4460871	25	Socket, Female	
105	4460879	1	Connector, Male - 2 Position	
105	4460887	2	Terminal (12 Gauge)	
106	4460418	9	Connector, Female - 6 Position	
106	4460419	27	Socket, Female	
107	4120035	13	Base, Light	
107	4460634	13	Terminal	
107	4460635	13	Terminal	
107	2920129	13	Bulb, Light	
108	4460225	1	Plug, Male - 6 Position	
108	4460227	5	Pin, Male	
109	4460434	2	Plug, Male - 15 Position	
109	4460227	28	Pin, Male	
		Ref	<b>BOOM CABLES INSTALLATION</b>	
		Ref	<b>Boom Cables Installation 600SC:</b>	
		Ref	<b>ANSI and ANSI Export Specs</b>	
	0272042	Ref	<b>Without SkyPower and without Arctic Package</b>	3
	0274592	Ref	<b>With SkyPower and without Arctic Package</b>	1
	1001104427	Ref	<b>Without SkyPower and with Arctic Package</b>	1
	1001104429	Ref	<b>With SkyPower and with Arctic Package</b>	1
		Ref	<b>CE and Australian Specs</b>	
	0272045	Ref	<b>Without SkyPower</b>	3

## SECTION 7 - ELECTRICAL

ITEM	PART NUMBER	QTY	DESCRIPTION	REV
	0274593	Ref	<b>With SkyPower</b>	1
		Ref	<b>Boom Cables Installation 660SJC:</b>	
		Ref	<b>ANSI and ANSI Export Specs</b>	
	0272043	Ref	<b>Without SkyPower and without Arctic Package</b>	2
	0274594	Ref	<b>With SkyPower and without Arctic Package</b>	1
	1001104428	Ref	<b>Without SkyPower and with Arctic Package</b>	1
	1001104430	Ref	<b>With SkyPower and with Arctic Package</b>	1
		Ref	<b>CE and Australian Specs</b>	
	0272046	Ref	<b>Without SkyPower</b>	2
	0274595	Ref	<b>With SkyPower</b>	1
201		Ref	Harness, Boom (12/4 -18/8) Options:	
201	4922468	1	Harness, Boom (12/4 -18/8) 600SC without Arctic Package	2-B
201	4923657	1	Harness, Boom (12/4 -18/8) 600SC with Arctic Package	1
201	4922467	1	Harness, Boom (12/4 -18/8) 660SJC without Arctic Package	2-B
201	4923657	1	Harness, Boom (12/4 -18/8) 660SJC with Arctic Package	1
201		Ref	Cable, Electrical - 12/4 & 18/8	
201	1060896	67 ft /20.4m	4922468 Harness (600SC without Arctic Package)	
201	4923462	67 ft /20.4m	4923657 Harness (600SC with Arctic Package)	
201	4923462	75 ft /22.9m	4922467 Harness (600SC with Arctic Package)	
201	2820118	8 in/18cm	Heat Shrink	
201A	4460465	11	Socket, Female 18 Gauge	
201A	4460865	1	Connector - 19 Position	
201A	4460509	4	Socket, Female 12 Gauge	
201A	4460466	4	Seal, Plug	
201B	4460473	1	Clamp, Cable	
201C	4460465	11	Socket, Female 18 Gauge	
201C	4460509	4	Socket, Female 12 Gauge	
202		Ref	Cable, Electrical (To Receptacle Box) Options:	
202	4922889	1	Cable, Electrical (To Receptacle Box) 600SC ANSI and ANSI Export Specs without SkyPower and without Arctic Package (12/3 Cable 70ft/21.2m Length)	
202	4923660	1	Cable, Electrical (To Receptacle Box) 600SC ANSI and ANSI Export Specs without SkyPower and with Arctic Package (12/3 Cable 70ft/21.2m Length)	
202	4922884	1	Cable, Electrical (To Receptacle Box) 600SC CE and Australian Specs without SkyPower (12/3 Cable 70ft/21.2m Length)	
202	4922792	1	Cable, Electrical (To Receptacle Box) 600SC All Specs with SkyPower (8/5 Cable 83ft/25.3m)	
202	4922888	1	Cable, Electrical (To Receptacle Box) 660SJC ANSI and ANSI Export Specs without SkyPower and without Arctic Package (12/3 Cable 77ft/23.5m Length)	
202	4923510	1	Cable, Electrical (To Receptacle Box) 660SJC ANSI and ANSI Export Specs without SkyPower and with Arctic Package (12/3 Cable 70ft/21.2m Length)	
202	4922886	1	Cable, Electrical (To Receptacle Box) 660SJC CE and Australian Specs without SkyPower (12/3 Cable 77ft/23.5m Length)	
202	4922791	1	Cable, Electrical (To Receptacle Box) 660SJC All Specs with SkyPower (8/5 Cable 90.5ft/27.6m)	
203	1061045	1	Cable, Electrical - 18/2 (To Drive Disable/Angle Switch)	

## SECTION 7 - ELECTRICAL

ITEM	PART NUMBER	QTY	DESCRIPTION	REV
204		Ref	(15ft/4.6m Length) Sleeve, Nylon Options (Not Shown - Used with Items 201 & 202):	
204	4100026	10 ft/3m	Sleeve, Nylon 600SC	
204	Not Required	0	Sleeve, Nylon 660SJC	
205	4460865	1	Connector - 19 Position	
206	4460466	AR	Seal, Plug	
207	4460473	2	Clamp, Cable	
208		Ref	Cable, Electrical - 18/3 (To Transport Switch) Options:	
208	1061046	1	Cable, Electrical - 18/3 (To Transport Switch) 600SC	
208	1061047	1	Cable, Electrical - 18/3 (To Transport Switch) 660SJC	
209		Ref	Cable, Electrical - 18/3 (To Drive Disable/Capacity Length) Options:	
209	1061047	1	Cable, Electrical - 18/3 (To Drive Disable/Capacity Length) 600SC	
209	1061046	1	Cable, Electrical - 18/3 (To Drive Disable/Capacity Length) 660SJC	
		Ref	<b>GROUND CONTROL BOX COMPONENTS</b>	
302	0100048	AR	Grease, Dielectric	
305	1001106736	1	Cap, Dust	
330	4460426	1	Connector, Strain Relief	
332	4460470	1	Nut, Terminal	
333	4460471	1	Washer, Terminal	
335	4460526	1	Connector, Strain Relief	
345	4922513	1	Valve Harness Assembly	3-D
345A	4460880	15	DIN Connector	
345B	4460320	2	Plug, Male - 2 Position	
345B	4460267	4	Pin, Male	
345C	4460424	1	Connector, Female - 2 Position	
345C	4460268	2	Socket, Female	
345D	4460871	28	Socket, Female	
345E	4460326	1	Plug, Male - 3 Position	
345E	4460267	1	Pin, Male	
345F	4460445	1	Connector, Female - 3 Position	
345F	4460268	3	Socket, Female	
346		Ref	Harness, Engine Options (See Items 401-465 for Breakdown):	
346	1001108597	1	Caterpillar Engine	
346	1001108598	1	Deutz Engine	
347	1001108602	1	Ground Control Box Harness Assembly (See Items 501-562 for Breakdown)	C
347	3990010	2	Diode - 6 Amp (Not Shown - Located at Power Down Relay)	
348		Ref	Ground Control Box Wiring Diagram (Not Shown)	
348	1001108600	1	Caterpillar Engine	D
348	1001108601	1	Deutz Engine	C
348A	2920129	AR	Bulb, Light	
348B	4460708	2	Receptacle, Female - 15 Position	
348B	4460226	11	Socket, Female	
348B	4922637	1	Harness, Jumper (Not Shown)	
348B	4922636	1	Harness, Jumper (Not Shown)	
348C	2400065	1	Fuse, 30Amp	
348C	2400066	1	Fuse, Holder with Cover	
348D	4460894	1	Plug, Male - 6 Position	

## SECTION 7 - ELECTRICAL

ITEM	PART NUMBER	QTY	DESCRIPTION	REV
348D	4460892	1	Receptacle, Female - 6 Position	
		Ref	<b>ENGINE HARNESS ASSEMBLIES</b>	
	1001108597	Ref	<b>Caterpillar Engine Machines</b>	C
	1001108598	Ref	<b>Deutz Engine Machines</b>	A
417	4460424	1	Receptacle, Female - 2 Position	
417	4460268	2	Socket, Female	
418	4460424	1	Receptacle, Female - 2 Position	
418	4460226	2	Socket, Female	
419	4460880	2	DIN Connector without Diode	
423	4461070	1	Receptacle, Female With Resistor (3 Position) (Deutz Engine Only)	
423	4461095	1	Plug, Male - 3 Position (Deutz Engine Only)	
423	4460944	3	Socket, Female (Deutz Engine Only)	
425	4460539	1	Connector, Male - 3 Position	
425	4460944	3	Socket, Female	
428	4460460	2	Connector, Male - 4 Position	
428	4460457	8	Terminal, Female	
428	4460458	8	Seal, Terminal	
433	4461052	1	Connector, Receptacle - 25 Position (Deutz Engine Only)	
433	4461005	5	Terminal (Gold) (Deutz Engine Only)	
433	4461006	5	Seal, Terminal (Deutz Engine Only)	
433	4461060	2	Terminal (Tin) (Deutz Engine Only)	
433	4461054	2	Seal, Terminal (Deutz Engine Only)	
433	4461053	1	Cover, Plug (Deutz Engine Only)	
433	4461008	AR	Plug, Hole (Deutz Engine Only)	
434	4460899	1	Connector - 6 Position (Caterpillar Engines Only)	
434	4460464	5	Pin, Male (Caterpillar Engines Only)	
434	4460466	1	Seal, Plug (Caterpillar Engines Only)	
438	4460891	1	Plug, Male - 2 Position (Caterpillar Engines Only)	
438	4460465	2	Socket, Female (Caterpillar Engines Only)	
439	4460871	AR	Socket, Female	
455	4460375	1	Connector, Relay (Deutz Engines Only)	
455	4460374	4	Terminal, Relay (Deutz Engines Only)	
459	1001102290	1	Plug, Male - 2 Position (Deutz Engines Only)	
459	1001102291	2	Terminal (Deutz Engines Only)	
459	1001102304	1	Seal, Terminal (Deutz Engines Only)	
463	4461157	1	Receptacle, Female - 2 Position	
463	4460979	2	Pin, Male	
463	4460458	2	Seal, Terminal	
465	2902443	1	Kit, Receptacle (Deutz Engine Only)	
465	4461071	8	Terminal, Female (Gold) (Deutz Engine Only)	
465	4461072	1	Connector, Flange Mount (Deutz Engine Only)	
465	4461073	1	Connector, Dust Cap (Deutz Engine Only)	
465	4461074	1	Connector, Shell (Deutz Engine Only)	
	1001108602	Ref	<b>GROUND CONTROL HARNESS ASSEMBLY</b>	C
516	4460536	1	Connector, Female - 3 Position	
516	4460943	3	Pin, Male	
521	3990010	2	Diode - 6 Amp (Not Shown)	
524	4460434	2	Plug, Male 15 - Position	
524	4460227	19	Pin	
526	4460873	1	Plug, Male - 35 Position (Black)	
526	4460871	17	Socket, Female	

## SECTION 7 - ELECTRICAL

ITEM	PART NUMBER	QTY	DESCRIPTION	REV
526	4460905	1	Plug, Seal	
528	4120035	6	Base, Light	
528	4460634	7	Terminal (16 Gauge)	
528	4460635	5	Terminal (12 Gauge)	
534	4460418	7	Connector, Female - 6 Position	
534	4460419	21	Socket, Female	
539	4460876	1	Plug, Male - 35 Position (Blue)	
539	4460871	24	Socket, Female	
539	4460905	1	Plug, Seal	
543	4460866	1	Connector - 19 Position	
543	4460464	7	Pin, Male (16 Gauge)	
543	4460508	3	Pin, Male (12 Gauge)	
544	4460878	1	Housing, Terminal - 4 Position	
544	4460887	3	Terminal (12 Gauge)	
550	4460761	1	Connector, Female 4 - Position	
550	4460227	4	Pin, Male	
555	8229242	2	Fuse 5A	
555	2400060	2	Holder, Fuse	
558	1001106339	1	Connector, Male - 14 Position	
558	4460871	2	Socket, Female	
558	4460905	AR	Plug, Seal	
559	1001106340	1	Connector, Male - 14 Position	
559	4460871	5	Socket, Female	
560	4460874	1	Connector, Natural	
560	4460871	10	Socket, Female	
560	4460905	AR	Plug, Seal	
561	4460875	1	Connector, Gray	
561	4460871	2	Socket, Female	
562	1001112612	1	Connector - 9 Position	
562	4460871	2	Socket, Female	
		Ref	<b>STANDARD HARNESS COMPONENTS</b>	
601	4921927	1	Jib Harness (660SJC Only)	3-F
601A	4460499	2	DIN Connector	
601B	4460326	1	Plug, Male - 3 Position	
601B	4460267	3	Pin, Male	
602		Ref	Battery Cable Kit Options:	
602	1001112763	1	Caterpillar Engines Machines (2 Relays on Engine Tray)	A
602	2902296	1	Deutz Engines Machines (3 Relays on Engine Tray)	C
602A		Ref	Cable, Battery (Red) Options:	
602A	7027028	1	Caterpillar Engines Machines	
602A	1001116240	1	Deutz Engines Machines	
602B		Ref	Cable, Battery (Black) Options:	
602B	7027029	1	Caterpillar Engines Machines	
602B	7027004	1	Deutz Engines Machines	
602C	7027002	1	Cable (Red)	
602D		Ref	Cable (Black) Options:	
602D	7027033	1	Caterpillar Engines Machines	
602D	7027003	1	Deutz Engines Machines	
604	1001112071	1	Caterpillar Engine Harness Components (Caterpillar Engine Machines Only)	B
604		Ref	Fuse Box Components (Part of Harness - Not Shown):	
604	70004316	1	Relay (Starter)	

## SECTION 7 - ELECTRICAL

ITEM	PART NUMBER	QTY	DESCRIPTION	REV
604	70004317	2	Relay 25Amp (Shutoff & Glow Control)	
604	70004318	1	Fuse 5Amp	
604	70004319	3	Fuse 10Amp	
604A	4460894	1	Plug, Male - 6 Position	
604A	4460465	5	Socket, Female	
604A	4460466	1	Seal, Plug	
604B	4460891	1	Plug, Male - 2 Position	
604B	4460465	2	Socket, Female	
604C	4460891	1	Plug, Male - 2 Position	
604C	4460465	2	Socket, Female	
604D	70020808	1	Plug, Male - 23 Position	
604D	70020809	16	Socket, Female	
604E	See Note	NSS	Connector - 8 Position (Note: Not Available for Purchase.)	
604F	See Note	NSS	Connector - 5 Position (Note: Not Available for Purchase.)	
605	See Note	Ref	Deutz Engine Harness Components (Deutz Engine Machines Only) (Note: Not Available for Purchase.)	
605A	7027796	1	Deutz Engine Harness	
605B	4461052	1	Receptacle, Female - 25 Position	
605B	4461053	1	Cover, Receptacle	
605B	4461005	5	Terminal	
605B	4461006	5	Seal (Used with p/n 4461005)	
605B	4461060	2	Terminal	
605B	4461054	2	Seal (Used with p/n 4461060)	
605B	4461008	18	Plug, Hole	
605C	7027793	1	Plug-In, Connector	
605D	70001872	1	Deutz Engine Harness (For other replacement parts refer to Deutz engine dealer)	
606	See Note	NSS	Pump Harness (Note: Not Available for Purchase.)	
606A	7007497	1	Plug (Pump End)	
606B	7007498	1	Plug (Engine Harness End)	
607	4360506	1	Broken Cable Proximity Switch Harness (Includes Switch) (Australian and CE Specs Only)	
608	See Note	NSS	Controller Harness Assembly (Lift and Swing) (Note: Not Available - Purchase Complete Controller)	
608A	7022819	1	Plug, Male - 8 Position (Natural)	
608A	4460871	8	Socket, Female	
609	See Note	NSS	Controller Harness Assembly (Drive and Steer) (Note: Not Available - Purchase Complete Controller)	
609A	See Note	NSS	Connector, Female - 8 Position (Note: Use Item 609)	
609A	4460871	6	Socket, Female	
610	See Note	NSS	Speed Control Harness (Note: Not Available - Purchase Complete Controller)	
610A	4460224	1	Connector, Female - 6 Position	
610A	4460226	5	Socket, Female	
611	See Note	NSS	Fuel Pump Harness (Caterpillar Engines Only) (Note: Not Available for Purchase.)	
611A	4460897	1	Receptacle, Female -2 Position (Caterpillar Engines Only)	
611A	4460464	2	Pin, Male (Caterpillar Engines Only)	
612	4923379	1	Harness, Glow Plug (Deutz Engine Machines Only)	
613	4360517	1	Switch, Proximity	
613A	4460320	1	Connector - 2 Position	
613A	4460227	2	Pin, Male	
		Ref	<b>OPTIONAL HARNESS COMPONENTS</b>	

## SECTION 7 - ELECTRICAL

ITEM	PART NUMBER	QTY	DESCRIPTION	REV
701		Ref	AC to Platform Receptacle Components Options: Note: For use with 2500W Generator Only.	
701		Ref	ANSI, ANSI Export and Japanese Specs Options:	
701	0256113	Ref	110V/60Hz GFI Receptacle	B
701	0257175	Ref	220V Receptacle	B
701	0256201	Ref	Australian, Brazilian and Latin America Specs (110V/50Hz)	3
701		Ref	CE Spec Options Only:	
701	0256201	Ref	110V/50Hz Receptacle (No Plug)	B
701	0273076	Ref	110V/50Hz Receptacle (See TURNTABLE SECTION for Components)	
701	0273078	Ref	CE Germany Specs (See TURNTABLE SECTION for Components)	
701	1001100390	Ref	220V with CEE 7 Post Ground Receptacle and Plug and Circuit Breaker (2x4 Box) (With Powermite Control Box)	E
701	0275455	Ref	220V with CEE 7 Post Ground Receptacle and Plug and Circuit Breaker (2x4 Box) (Without Powermite Control Box)	E
701	1001100391	Ref	220V with CEE 7 Side Ground Receptacle and Plug and Circuit Breaker (2x4 Box) (With Powermite Control Box)	E
701	0275456	Ref	220V with CEE 7 Side Ground Receptacle and Plug and Circuit Breaker (2x4 Box) (Without Powermite Control Box)	E
701	1001100392	Ref	220V with AFSINT 107 Keyed Ground Receptacle and Plug and Circuit Breaker (2x4 Box) (With Powermite Control Box)	D
701	0275659	Ref	220V with AFSINT 107 Keyed Ground Receptacle and Plug and Circuit Breaker (2x4 Box) (Without Powermite Control Box)	E
701	1001100393	Ref	110V with IEC Yellow Receptacle and Plug and Circuit Breaker (With Powermite Control Box)	C
701	0275235	Ref	110V with IEC Yellow Receptacle and Plug and Circuit Breaker (Without Powermite Control Box)	E
701	1001100394	Ref	220V with IEC Blue Receptacle and Plug and Circuit Breaker (With Powermite Control Box)	D
701	0275254	Ref	220V with IEC Blue Receptacle and Plug and Circuit Breaker (Without Powermite Control Box)	E
701	1001100395	Ref	220V with CEE 7 Post Ground Receptacle and Plug and Circuit Breaker (70mm x 70mm Box) (With Powermite Control Box)	D
701	0275237	Ref	220V with CEE 7 Post Ground Receptacle and Plug and Circuit Breaker (70mm x 70mm Box) (Without Powermite Control Box)	E
701	1001100396	Ref	220V with CEE 7 Side Ground Receptacle and Plug and Circuit Breaker (70mm x 70mm Box) (With Powermite Control Box)	D
701	0275253	Ref	220V with CEE 7 Side Ground Receptacle and Plug and Circuit Breaker (70mm x 70mm Box) (Without Powermite Control Box)	E
701A		Ref	Box, Switch Options:	
701A	0860038	1	0256113 & 0257175 Installations	
701A	See Note	NLA	0256201 Installation (Note: Not Available - Purchase Locally.)	
701A	0861731	1	0275455, 0275456, 0275659, 1001100390, 1001100391 & 1001100392 Installations	
701A	0861781	1	0275235, 0275254, 1001100393 & 1001100394 Installations	
701A	0861782	NLA	0275237, 0275253, 1001100395 & 1001100396 Installations (Note: Use p/n 1001100344 CEE 7 Side Ground Service Kit or p/n 1001100343 CEE 7 Post Ground Service Kit. Kit includes Box p/n 1001141967 and items 701B, 701C & 701E.)	



## SECTION 7 - ELECTRICAL

ITEM	PART NUMBER	QTY	DESCRIPTION	REV
701B		Ref	Receptacle Options:	
701B	4460346	1	0256113 Installation	
701B	4460125	1	0257175 Installation	
701B	See Note	NLA	0256201 Installation (Note: Not Available - Purchase Locally.)	
701B	4461244	1	0275455 & 1001100390 Installations	
701B	4461245	1	0275456 & 1001100391 Installations	
701B	4461246	1	0275659 & 1001100392 Installations	
701B	4461198	1	0275235 & 1001100393 Installations	
701B	4461201	1	0275254 & 1001100394 Installations	
701B	4461204	NLA	0275237 & 1001100395 Installations (Use p/n 1001100343)	
701B	4461207	NLA	0275253 & 1001100396 Installations (Use p/n 1001100344)	
701B	1001141968	1	1001100343 & 1001141971 Kits	
701B	1001141969	1	1001100344 & 1001141970 Kits	
701C		Ref	Shield, Cover Options:	
701C	4060700	1	0256113 Installation ( <b>SN 0300128000 through 0300138248</b> )	
701C	1001110873	1	0256113 Installation ( <b>SN 0300138249 through 0300174703</b> )	
701C	4060092	1	0257175 Installation	
701C	See Note	NLA	0256201 Installation (Note: Not Available - Purchase Locally.)	
701C	4461244	1	0275455 & 1001100390 Installations	
701C	4461245	1	0275456 & 1001100391 Installations	
701C	4461246	1	0275659 & 1001100392 Installations	
701C	4461198	1	0275235 & 1001100393 Installations	
701C	4461201	1	0275254 & 1001100394 Installations	
701C	4461204	NLA	0275237 & 1001100395 Installations (Use p/n 1001100343)	
701C	4461207	NLA	0275253 & 1001100396 Installations (Use p/n 1001100344)	
701C	1001141968	1	1001100343 & 1001141971 Kits	
701C	1001141969	1	1001100344 & 1001141970 Kits	
701D		Ref	Connector, Strain Relief Options:	
701D	4460071	1	0256113 & 0257175 Installations	
701D	See Note	NLA	0256201 Installations (Note: Not Available - Purchase Locally.)	
701D	4460968	1	0275455, 0275456, 0275659, 0275235, 0275254, 0275237, 0275253, 1001100390, 1001100391, 1001100392, 1001100393, 1001100394, 1001100395 & 1001100396 Installations	
701E		Ref	Plug, Male Options:	
701E	4460205	1	0256113 Installation	
701E	4460233	1	0257175 Installation	
701E	See Note	NLA	0256201 Installation (Note: Not Available - Purchase Locally.)	
701E	4461202	1	0275455 & 0275237 Installations & 1001100343 & 1001141971 Kits	
701E	4461205	1	0275456 & 0275253 Installation & 1001100344 & 1001141970 Kits	
701E	4461249	1	0275659 Installation	
701E	4461196	1	0275235 Installation	
701E	4461199	1	0275254 Installation	

# SECTION 7 - ELECTRICAL

ITEM	PART NUMBER	QTY	DESCRIPTION	REV
701E	See Note	NLA	1001100390, 1001100391, 1001100392, 1001100393, 1001100394, 1001100395 & 1001100396 Installations (Note: Not Available - Purchase Locally.)	
701F		Ref	Hardware Options:	
701F	0641405	AR	Bolt 1/4in - 20NC x 5/8in	
701F	0641407	AR	Bolt 1/4in - 20NC x 7/8in	
701F	0641416	AR	Bolt 1/4in - 20NC x 2in	
701F	0700408	AR	Screw M4 x 16mm	
701F	3290405	AR	Locknut M4	
701F	3311405	AR	Locknut 1/4in - 20NC	
701F	4711400	AR	Flatwasher 1/4in (Narrow)	
701F	4811400	AR	Flatwasher M4	
701F	0100011	AR	Compound, Locking	
701G		Ref	Bracket, Receptacle Box Mounting Options:	
701G	Not Required	0	0256113, 0257175 & 0256201 Installations	
701G	0903484	1	0275455, 0275456, 0275659, 0275235, 0275254, 0275237, 0275253, 1001100390, 1001100391, 1001100392, 1001100393, 1001100394, 1001100395 & 1001100396 Installations	
701H		Ref	Bracket, Circuit Breaker Mounting Options:	
701H	Not Required	0	0256113, 0257175 & 0256201 Installations	
701H	0903611	1	0275455, 0275456, 0275659, 0275235, 0275254, 0275237, 0275253, 1001100390, 1001100391, 1001100392, 1001100393, 1001100394, 1001100395 & 1001100396 Installations <b>(SN 0300128000 through 0300171767)</b>	
701H	1001154592	1	0275455, 0275456, 0275659, 0275235, 0275254, 0275237, 0275253, 1001100390, 1001100391, 1001100392, 1001100393, 1001100394, 1001100395 & 1001100396 Installations <b>(SN 0300171768 through 0300174703)</b>	
701J		Ref	Kit, Box and Breaker (Required Only on CE Spec Installations Except 0256201 Installation):	
701J	1001109554	AR	Kit (With Powermite Generator Control Box)	B
701J	1001096070	AR	Kit (Without Powermite Generator Control Box)	D
701J		Ref	Circuit Breaker Options:	
701J	1001109477	AR	Breaker 10A	
701J	1001109475	AR	Breaker 16A	
701J	1001109482	AR	Breaker 30mA	
701J	0861880	1	Breaker Box	
701J	4460956	1	Terminal Block	
701J	4460957	1	Terminal Block	
701K	1001097150	2	Connector, Strain Relief Options (Required Only on CE Spec Installations Except 0256201 Installation):	
701L	1060908	12 ft/3.6m	Cable, Extension (Required Only on CE Spec Installations Except 0256201 Installation)	
701M		Ref	Gasket, Cover Options:	
701M	3960422	1	0256113 & 0257175 Installations	
701M	Not Required	0	0256113, 0257175, 0256201, 0275455, 0275456, 0275659, 0275235, 0275254, 0275237 & 0275253 Installations	
701N	1320149	1	Clamp, Hose	
701P	0275452		Receptacle Box Kit (220V CEE 7 Post Ground) (Not Shown) (Includes Items 701A, 701B, 701C & 701E) (0275455 Installation)	1
701P	1001100345		Receptacle Box Kit (220V CEE 7 Post Ground) (Not Shown)	2

## SECTION 7 - ELECTRICAL

ITEM	PART NUMBER	QTY	DESCRIPTION	REV
701P	0275453		(Includes Items 701A, 701B, 701C & 701E) (1001100390 Installation) Receptacle Box Kit (220V CEE 7 Side Ground) (Not Shown) (Includes Items 701A, 701B, 701C & 701E) (0275456 Installation)	1
701P	1001100347		Receptacle Box Kit (220V CEE 7 Side Ground) (Not Shown) (Includes Items 701A, 701B, 701C & 701E) (1001100391 Installation)	3
701P	0275454		Receptacle Box Kit (220V AFSINT 107 Keyed Ground) (Not Shown) (Includes Items 701A, 701B, 701C & 701E) (0275659 Installation)	1
701P	1001100346		Receptacle Box Kit (220V AFSINT 107 Keyed Ground) (Not Shown) (Includes Items 701A, 701B, 701C & 701E) (1001100392 Installation)	2
701P	0275216		Receptacle Box Kit (110V IEC Yellow) (Not Shown) (Includes Items 701A, 701B, 701C & 701E) (0275235 Installation)	1
701P	1001100341		Receptacle Box Kit (110V IEC Yellow) (Not Shown) (Includes Items 701A, 701B, 701C & 701E) (1001100393 Installation)	2
701P	0275217		Receptacle Box Kit (220V IEC Blue) (Not Shown) (Includes Items 701A, 701B, 701C & 701E) (0275254 Installation)	1
701P	1001100342		Receptacle Box Kit (220V IEC Blue) (Not Shown) (Includes Items 701A, 701B, 701C & 701E) (1001100394 Installation)	2
701P	0275218	NLA	Receptacle Box Kit (220V CEE 7 Post Ground) (Not Shown) (Includes Items 701A, 701B, 701C & 701E) (0275237 Installation) (Use p/n 1001100343)	B
701P	1001091971	NLA	Receptacle Box Kit (220V CEE 7 Post Ground) (Not Shown) (Includes Items 701A, 701B, 701C & 701E) (1001100395 Installation) (use p/n 1001100343)	C
701P	0275219	NLA	Receptacle Box Kit (220V CEE 7 Side Ground) (Not Shown) (Includes Items 701A, 701B, 701C & 701E) (0275253 Installation) (Use p/n 1001100344)	B
701P	1001091970	NLA	Receptacle Box Kit (220V CEE 7 Side Ground) (Not Shown) (Includes Items 701A, 701B, 701C & 701E) (1001100396 Installation) (use p/n 1001100344)	C
702		Ref	2500W Generator Electrical Components	
702	1001112743	AR	50Hz	B
702	1001112588	AR	60Hz	A
702A	4922641	1	Harness - On/Off Switch	A
702B	4460226	2	Socket, Female	
702C	1001112589	1	Harness, Powermite Control Box to Relay Options:	A
702D	4460374	1	Connector, Seal Relay	
702D	4460705	4	Terminal	
702E	4460742	1	Connector, Male - 2 Position	
702E	4460743	2	Socket, Female	
702E	4460458	2	Seal	
702F	4460321	1	Connector, Male - 4 Position (60Hz Only)	
702F	4460906	4	Socket, Female (60Hz Only)	
702G	4460027	1	Receptacle, Twist Lock (110V Only)	
702H	7020193	1	Harness, Generator Power	
702J	4460961	1	Connector, Female - 4 Position	
702J	4460705	4	Pin, Male	
703		Ref	2500W Generator to Rear of Boom Harness Options:	
		Ref	<b>Note: Harness used to connect AC at platform harness to 2500W generator receptacle to power platform receptacle.</b>	
703	4921827	1	ANSI and ANSI Export Specs	1

## SECTION 7 - ELECTRICAL

ITEM	PART NUMBER	QTY	DESCRIPTION	REV
703	1060494	20 ft/6.1m	Cable, Electrical - 12/3	
703A	4460205	1	Plug, Male	
703A	4460027	1	Receptacle, Twist Lock (110V Only)	
703B	4460134	1	Receptacle, Female	
704		Ref	7500W SKYPOWER GENERATOR INSTALLATION	
704	1001115398	Ref	60Hz and Caterpillar Engine	A
704	1001115400	Ref	50Hz Spec and Caterpillar Engine	A
704	1001115387	Ref	60Hz and Deutz Engine	A
704	1001115389	Ref	50Hz Spec and Deutz Engine	A
		Ref	<b>Note: SkyPower Generator is Standard On ANSI and CSA Specs. Optional on All Other Specs.</b>	
704A		Ref	Receptacle, Female Twist-Lock Options:	
704A	4460958	1	60Hz Spec	
704A	See Note	NLA	50Hz Spec (Note: Not Available - Purchase Locally.)	
704B		Ref	Gasket Options:	
704B	3960422	2	60Hz Spec	
704B	See Note	NLA	50Hz Spec (Note: Not Available - Purchase Locally.)	
704C		Ref	Cover, Receptacle Options:	
704C	1001110873	1	60Hz Spec	
704C	See Note	NLA	50Hz Spec (Note: Not Available - Purchase Locally.)	
704D		Ref	Cover, Receptacle Options:	
704D	1001110872	1	60Hz Spec	
704D	See Note	NLA	50Hz Spec (Note: Not Available - Purchase Locally.)	
704E		Ref	Receptacle Options:	
704E	4460346	1	60Hz Spec	
704E	See Note	1	50Hz Spec (Note: Not Available - Purchase Locally.)	
704F	4460051	1	Connector, Strain Relief	
704G	4460071	1	Connector, Strain Relief	
704H	4922925	1	Harness, Generator	
704J	See Note	1	Plug, Male - 6 Position (Note: Not Available for Purchase.)	
704J	See Note	6	Socket, Female (Note: Not Available for Purchase.)	
704K	4460225	1	Plug, Male - 6 Position	
704K	4460226	6	Socket, Female	
705		Ref	7500W SkyPower Generator Junction Box Components	
705	0861542	Ref	60Hz Spec	C
705	0861567	Ref	50Hz Specs	B
705A		Ref	Cable, Electrical 12/3	
705A	1060494	2 ft/.6m	60Hz Spec	
705A	See Note	2 ft/.6m	50Hz Spec (Note: Not Available - Purchase Locally.)	
705B		Ref	Cable, Electrical 10/3	
705B	1060708	2.5 ft /.8m	60Hz Spec	
705B	See Note	2.5 ft /.8m	50Hz Spec (Note: Not Available - Purchase Locally.)	
705C	1060343	1.5 ft /.5m	Cable, Electrical 10/4 (60Hz Spec Only)	
705D	4460425	2	Connector, Strain Relief	
705E	4460426	2	Connector, Strain Relief	
705F	1671092	1	Cover (60Hz Spec Only)	
705F	4460963	1	Connector (60Hz Spec Only)	
706	1001112586	Ref	7500W Generator Electrical Diagram Components	A
706A	1001112587	1	Generator Harness	A
706B	4460374	2	Plug, Sealed Relay	
706B	4460375	7	Terminal	
706C	4460967	1	Plug, Male - 3 Position	

## SECTION 7 - ELECTRICAL

ITEM	PART NUMBER	QTY	DESCRIPTION	REV
706C	4460465	3	Socket, Female	
706D	2400060	1	Fuseholder Options:	
706D	2400064	1	Fuse - 5 Amp Options:	
706E	4460742	1	Plug, Male - 2 Position	
706E	4460743	2	Socket, Female	
706F	4922641	1	Switch Harness	
706G	4460226	2	Socket, Female	
707	0257887	1	Alarm Harness (Includes Alarm)	
707A	4460424	1	Connector, Female - 2 Position	
707A	4460268	2	Socket, Female	
708		Ref	Strobe Light Harness Options (Includes Strobe Light):	
708	0272507	1	Strobe Light Harness (SN 0300128000 through 0300171409)	B
708	2920161	1	Strobe Light Harness (SN 0300171410 through 0300174703)	B
708A	4460320	1	Plug, Male - 2 Position (SN 0300128000 through 0300171409)	
708A	4460267	2	Pin, Male (SN 0300128000 through 0300171410)	
708A	4460891	1	Plug, Male - 2 Position (SN 0300171410 through 0300174703)	
708A	4460465	2	Socket, Female (SN 0300171410 through 0300174703)	
708B	1001149818	1	Strobe Light Extension Harness Only (SN 0300171410 through 0300174703)	
708C	4460897	1	Receptacle, Female -2 Position	
708C	4460464	2	Pin, Male	
708D	4460320	2	Plug, Male - 2 Position	
708D	4460267	4	Pin, Male	
709	4933219	1	Headlight and Taillight Harness	C
709	1060341	37 ft /11.3m	Cable, Electrical 16/2	
709A	3740049	1	Relay	
709A	4460259	3	Terminal	
709A	4460260	4	Housing, Terminal	
709A	4460297	1	Terminal	
709A	4922643	1	Lights Harness for Ground Control Box	1-A
709A	4460226	2	Socket, Female	
710	See Note	1	Work Lights Harness Components (Note: Not Available for Purchase.)	
710A	4922888	1	Harness, Electric 12/3 (Aux Relay to Console Box)	
710B	See Note	NSS	Work Light Harness (Supplied with Work Light) (Note: Not Available for Purchase.)	
710C	4460426	1	Connector, Strain Relief	
710D	2400066	1	Fuseholder	
710D	2400070	1	Fuse 20 Amp	
		Ref	<b>TOOLS</b>	
	7002821	1	Crimper (For Wire to Pin/Socket Connections) (Not Shown)	
	7002823	1	Extractor (For Removal of Pin/Socket from Connectors) (Not Shown)	
	4460467	1	Extractor, Pin (Blue 16-18 Gauge) (For Removal of Pin/Socket from Connectors) (Not Shown)	
	4460510	1	Extractor, Pin (Yellow 12-14 Gauge) (For Removal of Pin/Socket from Connectors) (Not Shown)	
	7002828	1	Stripper, Wire (Not Shown)	
801	2901443	1	Analyzer/Cable Kit	
801A	1600244	1	Analyzer	

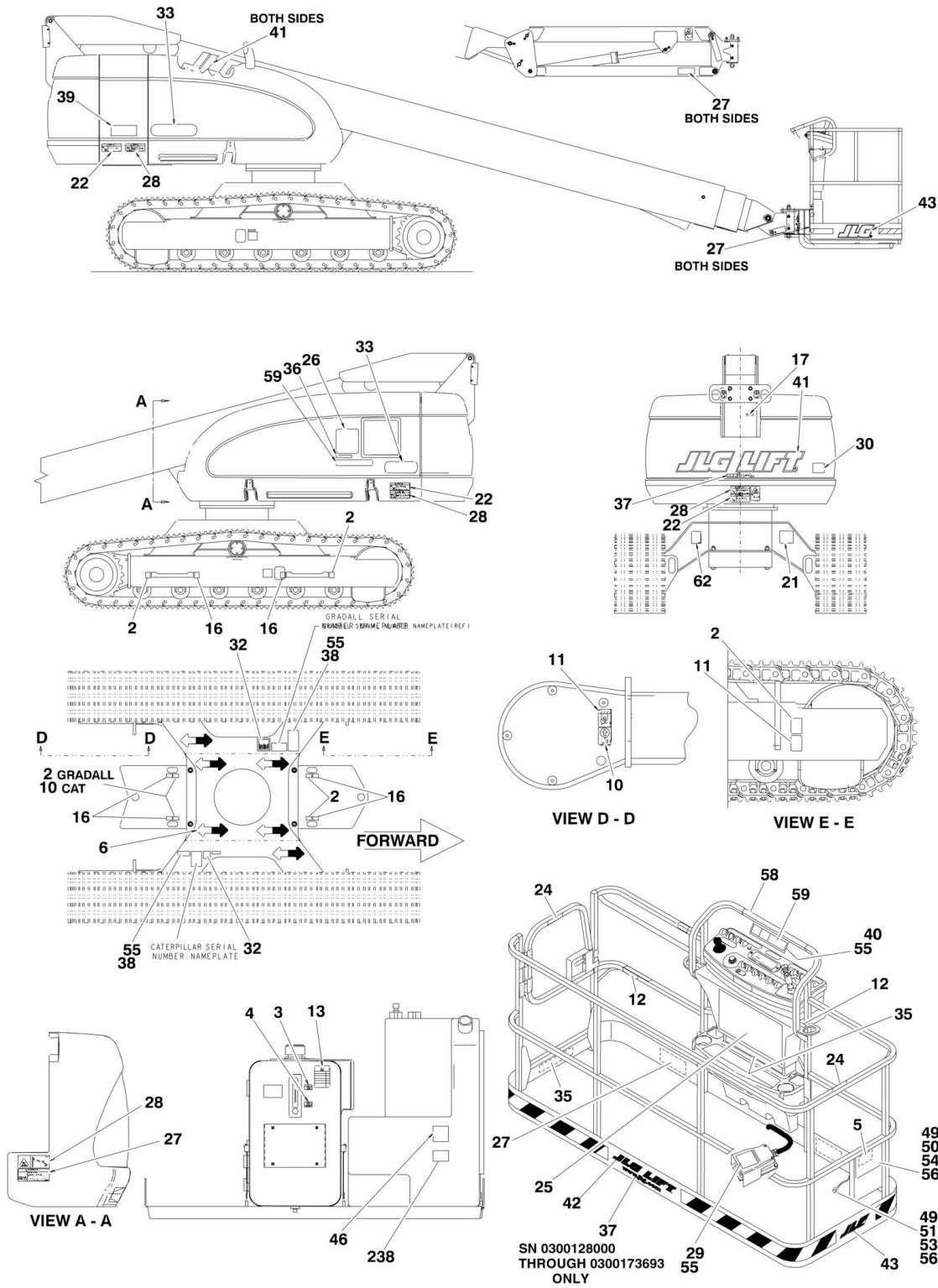
## SECTION 7 - ELECTRICAL

ITEM	PART NUMBER	QTY	DESCRIPTION	REV
801B	1060633	1	Cable, Analyzer	
801C	4460321	2	Plug, Male - 4 Position	
801C	4460226	8	Socket, Female	

**SECTION 8 - DECALS**

# SECTION 8 - DECALS

## FIGURE 8-1. DECAL INSTALLATION (ANSI SPECS)





## SECTION 8 - DECALS

**FIGURE 8-1. DECAL INSTALLATION (ANSI SPECS)**

ITEM	PART NUMBER	QTY	DESCRIPTION	REV
		Ref	<b>STANDARD DECAL INSTALLATIONS</b>	
	0274093	Ref	<b>JLG Logo Decals</b>	2
	0273906	Ref	<b>JLG Logo Decals 600SC</b>	B
	0273908	Ref	<b>JLG Logo Decals 660SJC</b>	B
2	1701499	6	Decal - No Lift Only <b>(SN 0300144413 through 0300174703)</b>	
3	1701502	1	Decal - High Oil Level Only <b>(SN 0300128000 through 0300133154)</b>	
4	1701503	1	Decal - Low Oil Level Only <b>(SN 0300128000 through 0300133154)</b>	
5	1701509	1	Decal - Manual	
6	1701529	6	Decal - Arrow	
10	1703811	2	Decal - Tie Down /Lift	
11	1703814	4	Decal - Danger/Electrocution	
12	1704277	AR	Decal - Attach Lanyard Here	
13	1704412	1	Decal - Hydraulic Oil	
16	1704461	4	Decal - No Tie Down <b>(SN 0300144413 through 0300174703)</b>	
17		Ref	Nameplate Options:	
17	3251243	1	120V-60Hz	
17	3252507	1	220V-50/60Hz	
21	1702153	1	Decal - Inspection Only <b>(SN 0300128000 through 0300144413)</b>	
22	1703953	AR	Decal - Warning/Crushing	
24	1702868	2	Decal - No Hands	
25	1703797	1	Decal - Danger/Warning	
26	1705336	1	Decal - Warning Inspection	
27	1703804	AR	Decal - Warning Crushing	
28	1703805	4	Decal - Danger Electrocution	
29	3252347	1	Nameplate - Footswitch	
30	3251813	1	Decal - USA	
32	See Note	NSS	Decal - Bar Code (Note: Not Available for Purchase.)	
33		Ref	Decal - Model Options:	
33	1704434	2	Decal - Model 600SC	
33	1703165	2	Decal - Model 660SJC	
35		Ref	Decal - 500LBS Max Capacity Options:	
35		Ref	Decal - 500LBS Max Capacity 600SC	
35	1704096	2	Decal - 500LBS Max Capacity <b>(SN 0300128000 through 0300148841)</b>	
35	1001121800	2	Decal - 500LBS Max Capacity <b>(SN 0300148842 through 0300174703)</b>	
35		Ref	Decal - 500LBS Max Capacity 660SJC	
35	1701645	2	Decal - 500LBS Max Capacity <b>(SN 0300128000 through 0300148841)</b>	
35	1001121801	2	Decal - 500LBS Max Capacity <b>(SN 0300148842 through 0300174703)</b>	
36		Ref	Decal - 500LBS Max Capacity Options:	
36		Ref	Decal - 500LBS Max Capacity 600SC	
36	1707014	1	Decal - 500LBS Max Capacity <b>(SN 0300128000 through 0300148841)</b>	
36	1001121813	1	Decal - 500LBS Max Capacity <b>(SN 0300148842 through 0300174703)</b>	
36		Ref	Decal - 500LBS Max Capacity 660SJC	
36	1707013	1	Decal - 500LBS Max Capacity <b>(SN 0300128000 through 0300148841)</b>	

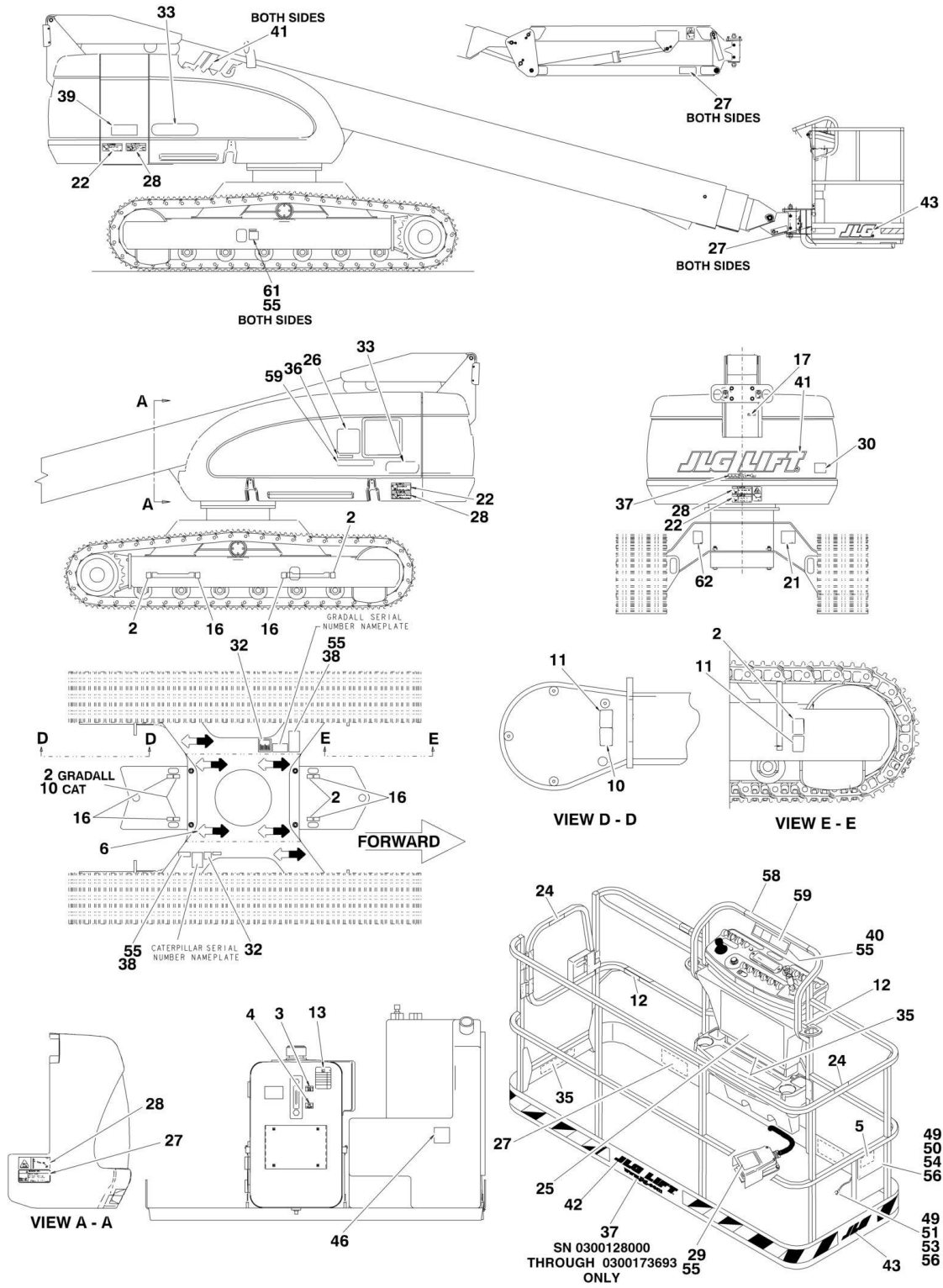
## SECTION 8 - DECALS

ITEM	PART NUMBER	QTY	DESCRIPTION	REV
36	1001121814	1	Decal - 500LBS Max Capacity (SN 0300148842 through 0300174703)	
37	1704885	2	Decal - Website	
38	See Note	NSS	Nameplate - Serial Number (Note: Not Available for Purchase)	
39	1705177	1	Decal - Lifting Diagram	
40	3572044	1	Plate, Decal Mounting	
41	1702861	3	Decal - JLG Lift (8in)	
42	1702774	1	Decal - JLG Lift (3-1/2in)	
43	1702773	2	Decal - JLG (5in)	
46	1701505	1	Decal - Fuel	
49	0100011	AR	Compound, Locking	
50	0641406	4	Bolt 1/4in-20NC x 3/4in	
51	0641408		Bolt 1/4in-20NC x 1in Only (SN 0300128000 through 0300144061)	
52	0860520	1	Box, Manual Storage	
53	1060279	1	Cable, Lanyard Only (SN 0300128000 through 0300144061)	
54	3311405	AR	Locknut 1/4in-20NC	
55	3820001	AR	Rivet	
56	4751400	AR	Flatwasher 1/4in Regular	
57	1704468	1	Decal - Motion Hazard	
58		Ref	Decal - Legend Options:	
58	1704502	1	Decal - Legend (SN 0300128000 through 0300144412)	
58	1001108494	1	Decal - Legend (SN 0300144413 through 0300174703)	
59	1706943	1	Decal - Legend	
62		Ref	Decal - Patent Options:	
62	1700584	1	Decal - Patent (SN 0300128000 through 0300151929)	
62	1001131269	1	Decal - Patent (SN 0300151930 through 0300174703)	
		Ref	<b>ADDITIONAL DECALS</b>	
238	1001108923	1	Decal - EPA/Carb Fuel Specs (SN 0300135010 through 0300174703)	



# SECTION 8 - DECALS

## FIGURE 8-2. DECAL INSTALLATION (ANSI EXPORT SPECS)



## SECTION 8 - DECALS

**FIGURE 8-2. DECAL INSTALLATION (ANSI EXPORT SPECS)**

ITEM	PART NUMBER	QTY	DESCRIPTION	REV
		Ref	<b>DECAL INSTALLATIONS</b>	
	0274093	Ref	<b>JLG Logo Decals</b>	2
	1001093424	Ref	<b>JLG Logo Decals 600SC - Brazil Spec Decals (Portuguese/English)</b>	B
	1001116970	Ref	<b>JLG Logo Decals 600SC - Chinese Spec Decals (Simplified Chinese/English)</b>	B
	1001116971	Ref	<b>JLG Logo Decals 600SC - Chinese Spec Decals (Traditional Chinese/English)</b>	B
	0273982	Ref	<b>JLG Logo Decals 600SC - CSA Spec Decals (English/French)</b>	B
	1001103292	Ref	<b>JLG Logo Decals 660SJC - Brazil Spec Decals (Portuguese/English)</b>	6
	0273984	Ref	<b>JLG Logo Decals 660SJC - CSA Spec Decals (English/French)</b>	B
	1001093554	Ref	<b>Decal - High Pressure Cylinder 600SC - Brazil Spec Decals (Portuguese/English)</b>	1
	1001094012	Ref	<b>Decal - High Pressure Cylinder 600SC/660SJC - CSA Spec Decals (English/French)</b>	1
2	1701499	6	Decal - No Lift Only <b>(SN 0300144413 through 0300174703)</b>	
3	1701502	1	Decal - High Oil Level Only <b>(SN 0300128000 through 0300133154)</b>	
4	1701503	1	Decal - Low Oil Level Only <b>(SN 0300128000 through 0300133154)</b>	
5	1701509	1	Decal - Manual	
6	1701529	6	Decal - Arrow	
10	1703811	2	Decal - Tie Down /Lift	
11	1703814	4	Decal - Danger/Electrocution	
12	1704277	AR	Decal - Attach Lanyard Here	
13	1704412	1	Decal - Hydraulic Oil	
16	1704461	4	Decal - No Tie Down <b>(SN 0300144413 through 0300174703)</b>	
17	3251243	1	Nameplate - 120V-60Hz	
21		Ref	Decal - Inspection Options:	
21		Ref	Brazil Spec Decals (Portuguese/English)	
21	1705901	1	Brazil Spec Decals <b>(SN 0300128000 through 0300151929)</b>	
21	Not Required	0	Brazil Spec Decals <b>(SN 0300151930 through 0300174703)</b>	
21	Not Required	0	Chinese Spec Decals (Chinese/English)	
21		Ref	CSA Spec Decals (English/French)	
21	1704006	1	CSA Spec Decals <b>(SN 0300128000 through 0300151929)</b>	
21	Not Required	0	CSA Spec Decals <b>(SN 0300151930 through 0300174703)</b>	
22		Ref	Decal - Warning/Crushing Options:	
22	1705903	AR	Brazil Spec Decals (Portuguese/English)	
22	1001116845	AR	Chinese Spec Decals (Chinese-Simplified/English)	
22	1703943	AR	Chinese Spec Decals (Chinese-Traditional/English)	
22	1703942	AR	CSA Spec Decals (English/French)	
24		Ref	Decal - No Hands Options:	
24	1705967	2	Brazil Spec Decals (Portuguese/English)	
24	1705968	2	Chinese Spec Decals (Chinese-Simplified/English)	
24	1001116846	2	Chinese Spec Decals (Chinese-Traditional/English)	
24	1704000	2	CSA Spec Decals (English/French)	
25		Ref	Decal - Danger/Warning	
25	1705895	1	Brazil Spec Decals (Portuguese/English)	
25	1001116847	1	Chinese Spec Decals (Chinese-Simplified/English)	
25	1703925	1	Chinese Spec Decals (Chinese-Traditional/English)	

## SECTION 8 - DECALS

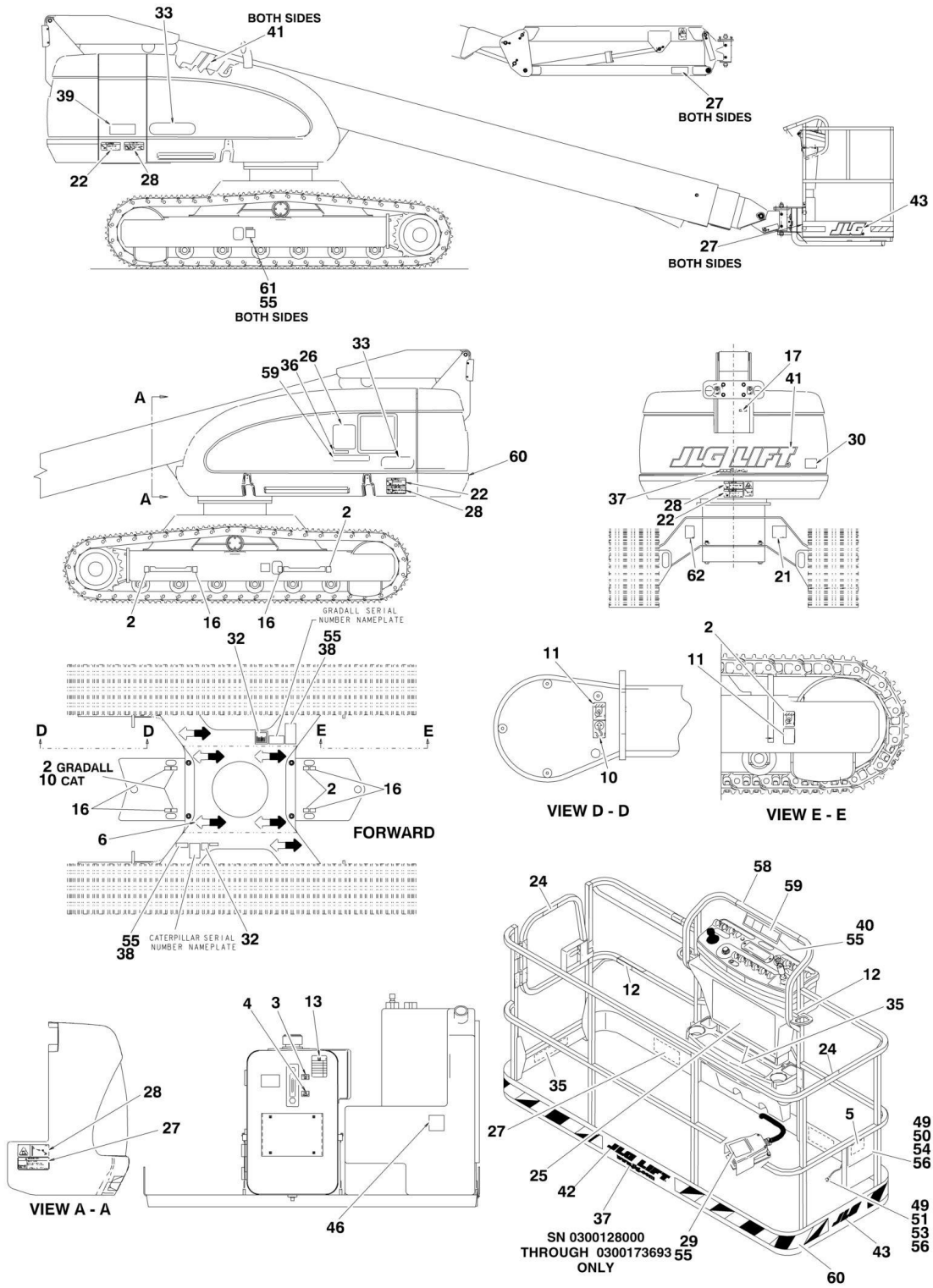
ITEM	PART NUMBER	QTY	DESCRIPTION	REV
25	1703924	1	CSA Spec Decals (English/French)	
26		Ref	Decal - Warning Inspection Options:	
26	1705896	1	Brazil Spec Decals (Portuguese/English)	
26	1001116848	1	Chinese Spec Decals (Chinese-Simplified/English)	
26	1001116849	1	Chinese Spec Decals (Chinese-Traditional/English)	
26	1705347	1	CSA Spec Decals (English/French)	
27		Ref	Decal - Warning/Crushing Options:	
27	1705898	AR	Brazil Spec Decals (Portuguese/English)	
27	1001116850	AR	Chinese Spec Decals (Chinese-Simplified/English)	
27	1703949	AR	Chinese Spec Decals (Chinese-Traditional/English)	
27	1703948	AR	CSA Spec Decals (English/French)	
28		Ref	Decal - Electrocutation Options:	
28	1705897	5	Brazil Spec Decals (Portuguese/English)	
28	1703937	5	Chinese Spec Decals (Chinese-Simplified/English)	
28	1001116851	5	Chinese Spec Decals (Chinese-Traditional/English)	
28	1703936	5	CSA Spec Decals (English/French)	
29		Ref	Decal - Caution Options:	
29	1705902	1	Brazil Spec Decals (Portuguese/English)	
29	1001116852	1	Chinese Spec Decals (Chinese-Simplified/English)	
29	1703982	1	Chinese Spec Decals (Chinese-Traditional/English)	
29	1703984	1	CSA Spec Decals (English/French)	
30	3251813	1	Decal - USA	
32	See Note	NSS	Decal - Bar Code (Note: Not Available for Purchase.)	
33		Ref	Decal - Model Options:	
33	1704434	2	Decal - Model 600SC	
33	1703165	2	Decal - Model 660SJC	
35		Ref	Decal - Warning Options:	
35		Ref	Decal - Warning ( <b>SN 0300128000 through 0300148841</b> )	
35	1706380	2	Decal - Warning 600SC (Portuguese/English)	
35	1704099	2	Decal - Warning 600SC (English/French)	
35	1001116853	2	Decal - Warning 600SC(Chinese-Simplified/English)	
35	1704101	2	Decal - Warning 600SC (Chinese-Traditional/English)	
35	1701645	2	Decal - Warning 660SJC (Portuguese/English)	
35	1707055	2	Decal - Warning 660SJC (English/French)	
35		Ref	Decal - Warning ( <b>SN 0300148842 through 0300174703</b> )	
35	1001121806	2	Decal - Warning 600SC (Portuguese/English)	
35	1001121802	2	Decal - Warning 600SC (English/French)	
35	1001121811	2	Decal - Warning 600SC(Chinese-Simplified/English)	
35	1001121809	2	Decal - Warning 600SC (Chinese-Traditional/English)	
35	1001121801	2	Decal - Warning 660SJC (Portuguese/English)	
35	1001121803	2	Decal - Warning 660SJC (English/French)	
36		Ref	Decal - 500Lbs Unrestricted Capacity	
36		Ref	Decal - 500Lbs Unrestricted Capacity ( <b>SN 0300128000 through 0300148841</b> )	
36	1707051	1	Decal - 500Lbs Unrestricted Capacity 600SC (Portuguese/English)	
36	1707046	1	Decal - 500Lbs Unrestricted Capacity 600SC (English/French)	
36	1001116854	1	Decal - 500Lbs Unrestricted Capacity 600SC(Chinese-Simplified/English)	
36	1707045	1	Decal - 500Lbs Unrestricted Capacity 600SC (Chinese-Traditional/English)	
36	1707052	1	Decal - 500Lbs Unrestricted Capacity 660SJC	

## SECTION 8 - DECALS

ITEM	PART NUMBER	QTY	DESCRIPTION	REV
36	1707047	1	(Portuguese/English) Decal - 500Lbs Unrestricted Capacity 660SJC (English/French)	
36		Ref	Decal - 500Lbs Unrestricted Capacity <b>(SN 0300148842 through 0300174703)</b>	
36	1001121819	1	Decal - 500Lbs Unrestricted Capacity 600SC (Portuguese/English)	
36	1001121815	1	Decal - 500Lbs Unrestricted Capacity 600SC (English/French)	
36	1001121824	1	Decal - 500Lbs Unrestricted Capacity 600SC(Chinese-Simplified/English)	
36	1001121822	1	Decal - 500Lbs Unrestricted Capacity 600SC (Chinese-Traditional/English)	
36	1001121655	1	Decal - 500Lbs Unrestricted Capacity 660SJC (Portuguese/English)	
36	1001121816	1	Decal - 500Lbs Unrestricted Capacity 660SJC (English/French)	
37	1704885	2	Decal - Website	
38	See Note	NSS	Nameplate - Serial Number (Note: Not Available for Purchase.)	
39	1705177	1	Decal - Lifting Diagram	
40	1001093553	1	Plate, Decal Mounting	
41	1702861	1	Decal - JLG Lift (8in)	
42	1702774	1	Decal - JLG Lift (3-1/2in)	
43	1702773	2	Decal - JLG (5in)	
46	1701505	1	Decal - Diesel Fuel	
49	0100011	AR	Compound, Locking	
50	0641406	4	Bolt 1/4in-20NC x 3/4in	
51	0641408	1	Bolt 1/4in-20NC x 1in	
52	0860520	1	Box, Manual Storage	
53	1060279	1	Cable, Lanyard	
54	3311405	5	Locknut 1/4in-20NC	
55	3820001	AR	Rivet	
56	4751400	10	Flatwasher 1/4in Regular	
57		Ref	Decal - Motion Hazard Options:	
57	1001093439	1	Brazil Spec Decals (Portuguese/English)	
57	1001116963	1	Chinese Spec Decals (Chinese-Simplified/English)	
57	1001116964	1	Chinese Spec Decals (Chinese-Traditional/English)	
57	1001093684	1	CSA Spec Decals (English/French)	
58		Ref	Decal - Legend Options:	
58	1704502	1	Decal - Legend <b>(SN 0300128000 through 0300144412)</b>	
58	1001108494	1	Decal - Legend <b>(SN 0300144413 through 0300174703)</b>	
59	1706943	1	Decal - Legend	
61		Ref	Decal - Crawler Caution Options:	
61	1001093555	2	Brazil Spec Decals (Portuguese/English)	
61	Not Required	0	Chinese Spec Decals (Chinese/English)	
61	1001094013	2	CSA Spec Decals (English/French)	
62		Ref	Decal - Patent Options:	
62	1700584	1	All Specs Except CSA	
62	1700584	1	CSA Spec <b>(SN 0300128000 through 0300151929)</b>	
62	1001131269	1	CSA Spec <b>(SN 0300151930 through 0300174703)</b>	

# SECTION 8 - DECALS

## FIGURE 8-3. DECAL INSTALLATION (AUSTRALIAN AND CE SPECS)





## SECTION 8 - DECALS

**FIGURE 8-3. DECAL INSTALLATION (AUSTRALIAN AND CE SPECS)**

ITEM	PART NUMBER	QTY	DESCRIPTION	REV
		Ref	<b>DECAL INSTALLATIONS</b>	
	0274093	Ref	<b>JLG Logo Decals</b>	2
	0273985	Ref	<b>Australian/CE Spec 600SC</b>	B
	0273987	Ref	<b>Australian/CE Spec 660SJC</b>	B
	0274006	Ref	<b>Dutch Spec 600SC/660SJC</b>	1
	0274008	Ref	<b>French Spec 600SC/660SJC</b>	1
	0274005	Ref	<b>German Spec 600SC/660SJC</b>	1
	0274007	Ref	<b>Italian Spec 600SC/660SJC</b>	1
	0274009	Ref	<b>Spanish Spec 600SC/660SJC</b>	1
2	1701499	6	Decal - No Lift Only (SN 0300144413 through 0300174703)	
3	1701502	1	Decal - High Oil Level Only (SN 0300128000 through 0300133154)	
4	1701503	1	Decal - Low Oil Level Only (SN 0300128000 through 0300133154)	
5	1701509	1	Decal - Manual	
6	1701529	6	Decal - Arrow	
10	1703811	2	Decal - Tie Down /Lift	
11	1703814	4	Decal - Danger/Electrocution	
12	1704277	AR	Decal - Attach Lanyard Here	
13	1704412	1	Decal - Hydraulic Oil	
16	1704461	4	Decal - No Tie Down (SN 0300144413 through 0300174703)	
17	3251243	1	Nameplate - 120V-60Hz	
25	1705921	1	Decal - Tipping/Electrical	
26	1705822	1	Decal - Electrical/Safety Manual	
27	1701518	AR	Decal - Warning/Crushing	
28	1705961	5	Decal - Electrocution	
29	1705828	1	Decal - Footswitch	
32	See Note	NSS	Decal - Bar Code (Note: Not Available for Purchase.)	
33		Ref	Decal - Model Options:	
	1704434	2	Decal - Model 600SC	
	1703165	2	Decal - Model 660SJC	
35	1705978	1	Decal - 230kg Capacity	
36	1705978	1	Decal - 230kg Capacity	
37	1704885	2	Decal - Website	
38	See Note	NSS	Nameplate - Serial Number (Note: Not Available for Purchase.)	
39	1705177	1	Decal - Lifting Diagram	
40	3572044	1	Plate, Decal Mounting	
41	1702861	3	Decal - JLG Lift (8in)	
42	1702774	1	Decal - JLG Lift (3-1/2in)	
43	1702773	2	Decal - JLG (5in)	
46	1701505	1	Decal - Diesel Fuel	
49	0100011	AR	Compound, Locking	
50	0641406	4	Bolt 1/4in-20NC x 3/4in	
51	0641408	1	Bolt 1/4in-20NC x 1in	
52	0860520	1	Box, Manual Storage	
53	1060279	1	Cable, Lanyard	
54	3311405	5	Locknut 1/4in-20NC	
55	3820001	9	Rivet	
56	4751400	10	Flatwasher 1/4in Regular	
57	1704468	1	Decal - Motion Hazard	

## SECTION 8 - DECALS

ITEM	PART NUMBER	QTY	DESCRIPTION	REV
60	4420051	17.4 ft /5.3m	Stripes, Safety	
61		Ref	Decal - Crawler Caution	
61	Not Required	0	Australian Spec	
61	1705080	2	Dutch Spec	
61	1705077	2	French Spec	
61	1705078	2	German Spec	
61	1705081	2	Italian Spec	
61	1705079	2	Spanish Spec	
62	1700584	1	Decal - Patent <b>(SN 0300128000 through 0300151930)</b>	

## **SECTION 9 - RECOMMENDED SERVICE PARTS STOCK**

## **SECTION 9 - RECOMMENDED SERVICE PARTS STOCK**

## SECTION 9 - RECOMMENDED SERVICE PARTS STOCK

FIGURE 9-1. MODELS 600SC/660SJC STANDARD PARTS

ITEM	PART NUMBER	QTY	DESCRIPTION	REV
		Ref	<b>Note: The following list will service one machine (built to current production per date on the front cover) with emergency repair parts which can be installed in the field. Parts from the list should be replaced when inventory is depleted to keep service parts stock supplied. For further information, contact your JLG dealer or the JLG Industries Parts Department.</b>	
		Ref	<b>STANDARD PARTS</b>	
	2120210	12	Element Filter	
	7012944	1	Coil	
	2120149	1	Element, Filter	
	7012772	1	Coil	
	7021376	1	Coil	
	70000582	1	Coil	
	7012664	12	Element, Air Cleaner	
	3740067	1	Relay	
	7024444	1	Breather, Hydraulic Tank	
	7024442	1	Strainer, Hydraulic Tank	
	3740049	1	Relay	
	4360328	1	Switch, Toggle	
	2860030	1	Key, Replacement	
	4360475	1	Switch, Mushroom	
	4360476	1	Switch, Contact Block	
	70002005	2	Power Track - Repair Section	
	2940074	1	Latch	
	1001129555	1	Controller (Lift and Swing)	
	1600359	1	Controller (Drive and Steer)	
	4360387	1	Switch, Push Button	
	4360407	1	Controller, Speed	
	4360331	1	Switch, Toggle	
	7022838	1	Switch, Push Button	
	2400065	2	Fuse - 30 Amp	



## SECTION 9 - RECOMMENDED SERVICE PARTS STOCK

FIGURE 9-2. MODELS 600SC/660SJC VARIABLE PARTS

ITEM	PART NUMBER	QTY	DESCRIPTION	REV
		Ref	<b>Note: The following list will service one machine (built to current production per date on the front cover) with emergency repair parts which can be installed in the field. Parts from the list should be replaced when inventory is depleted to keep service parts stock supplied. For further information, contact your JLG dealer or the JLG Industries Parts Department.</b>	
		Ref	<b>VARIABLE PARTS</b>	
	7026830	12	Filter, Fuel (Caterpillar Engine)	
	7026811	12	Filter, Oil (Caterpillar Engine)	
	8320270	12	Filter, Fuel (Deutz Engine)	
	7016331	12	Filter, Oil (Deutz Engine)	
	3740080	1	Relay (Deutz Engine)	
	4360469	1	Switch, Key (ANSI and ANSI Export Specs)	
	4360470	1	Switch, Key (Australian and CE Specs)	
	1001149676	1	Module, Ground Control ADE (Without UGM)	
	1001103667	1	Module, Ground Control ADE (With UGM)	
	1600422	1	Module, Propulsion	
	4360578	1	Switch, Limit	
	4360294	1	Breaker, Circuit (Deutz Engine)	
	4360336	1	Switch, Toggle (Machines with Generator Option)	
	3740080	1	Relay (Machines with Generator Option)	
	4360070	1	Breaker, Circuit (SkyPower Generator Option)	
	2400064	2	Fuse - 15 Amp (SkyPower Generator Option)	
	4360506	1	Switch, Proximity (Australian and CE Specs)	
	0272970	1	Footswitch	
	4360522	1	Switch, Toggle (Headlights/Taillights)	
	1600375	1	Module, Platform ADE (Without UGM)	
	1001106355	1	Module, Platform ADE (With UGM)	
	3990001	2	Diode (Caterpillar Engines)	
	1001109475	1	Breaker, Circuit - 16A (CE Spec Only)	
	1001109482	1	Breaker, Circuit - 30mA (CE Spec Only)	
	3990010	2	Diode 6 Amp (With 2500W Powermite Generator)	
	2400064	2	Fuse - 5 Amp (With 7500W SkyPower Generator)	
	2400070	2	Fuse - 20 Amp (Worklights Option)	

**SECTION 10 - SPECIAL OPTIONS**

# SECTION 10 - SPECIAL OPTIONS

## FIGURE 10-1. SPECIAL OPTIONS LIST

ITEM	PART NUMBER	QTY	DESCRIPTION	REV
		Ref	<b>MISCELLANEOUS SPECIAL OPTIONS</b>	
	Note	Ref	<b>Note: This list is to accommodate machines ordered with special equipment. Options may not be applicable to all models. For more specific parts information contact JLG Parts Department.</b>	
		Ref	<b>Airline to Platform Installation Options:</b>	
	0255388	Ref	1/2in 600SC without Arctic Package	
	1001093286	Ref	1/2in 600SC with Arctic Package	
	0255389	Ref	1/2in 660SJC without Arctic Package	
	0275341	Ref	1/2in 660SJC with Arctic Package	
		Ref	<b>Boom Bellows Installation Options:</b>	
	0255929	Ref	Boom Bellows Installation 600SC	
	0255930	Ref	Boom Bellows Installation 660SJC	
	0256273	Ref	<b>Boom Wipers Installation</b>	
	0256789	Ref	<b>Camera Mount Assembly</b>	
		Ref	<b>ClearSky Telematics (Factory Installed)</b>	
		Ref	Note: For Replacement Parts, Contact JLG Customer Service and Request Manual p/n 3128499.	
		Ref	Note: For Module (with/without UGM) Identification, refer to Revision Log page A.	
		Ref	ADE MACHINES (ABS Hoods)	
	1001102841	Ref	ANSI Spec	
	1001102842	Ref	ANSI Export and Japanese Specs	
	1001104985	Ref	CSA Spec	
		Ref	ADE/UGM MACHINES (ABS Hoods)	
	1001112990	Ref	ANSI Spec	
	1001112991	Ref	ANSI Export	
	1001112992	Ref	CSA Spec	
		Ref	ADE/UGM MACHINES (Steel Hoods)	
	1001118963	Ref	ANSI SPEC	
	1001134103	Ref	Australian Spec	
	1001127087	Ref	Brazil/New Zealand Specs	
	1001118964	Ref	CSA SPEC	
		Ref	<b>ClearSky Telematics (Dealer Installed)</b>	
		Ref	ANSI Spec	
	1001117251	Ref	Pre-UGM	
	1001119939	Ref	UGM	
		Ref	Australian Spec	
	1001139132	Ref	Pre-UGM	
	1001139151	Ref	UGM	
		Ref	CSA Spec	
	1001117258	Ref	Pre-UGM	
	1001119947	Ref	UGM	
		Ref	<b>Cold Weather Package</b>	
	0273575	Ref	Caterpillar Engines	
	0271912	Ref	Deutz Engines	
		Ref	<b>Decal Installations Options:</b>	
	1702788	1	Decal - Biodegradable Hydraulic Fluid (English)	
	1704174	1	Decal - Biodegradable (Synthetic) Hydraulic Fluid (English)	



## SECTION 10 - SPECIAL OPTIONS

ITEM	PART NUMBER	QTY	DESCRIPTION	REV
	1703479	1	Decal - Biodegradable Hydraulic Fluid (German)	
	1704175	1	Decal - Biodegradable (Synthetic) Hydraulic Fluid (German)	
	1001116251	Ref	Decal - ClearSky (ANSI Spec) (ABS Hoods)	
	1001116252	Ref	Decal - ClearSky (CSA Spec) (ABS Hoods)	
	1001120992	Ref	Decal - ClearSky (Steel Hoods)	
	0253550	Ref	Decal - CSA	
	0257195	Ref	Decal - Government Warranty	
	1001143504	Ref	Decal - Hewitt the Rental Store (English)	
	1001143519	Ref	Decal - Hewitt the Rental Store (French)	
	0256957	Ref	Decal - Lanyard Attach (GM K-1 Spec)	
	0256487	Ref	Decal - Prop 65 Warning (California Spec)	
	0270851	Ref	Decal - Sunbelt	
	0271032	Ref	Decal - United Rental	
		Ref	<b>Decal Kits Options:</b>	
	2902307	Ref	Decal Kit - Country Spec (ANSI and ANSI Export)	
	2902329	Ref	Decal Kit - Country Spec (Australian and CE)	
	2902312	Ref	Decal Kit - Country Spec (Brazil)	
	2902322	Ref	Decal Kit - Country Spec (CSA)	
	1001116844	Ref	Decal Kit - Country Spec (Chinese - Simplified)	
	2902309	Ref	Decal Kit - Country Spec (Chinese - Traditional)	
	2902303	Ref	Decal Kit - Master (Common Decals) <b>(SN 0300128000 through 0300144412)</b>	
	1001112906	Ref	Decal Kit - Master (Common Decals) <b>(SN 0300144413 through 0300174703)</b>	
	1001238909	Ref	Decal Kit - Platform	
	1001109193	Ref	Decal Kit - Platform Console Box (ANSI Spec without UGM)	
		Ref	<b>Electrical Connector Kits</b>	
	1001148902	Ref	Amp/Tyco Electrical Connector Kit	
	1001148903	Ref	Deutsch DT Electrical Connector Kit	
	1001148904	Ref	Deutsch HD Electrical Connector Kit	
	1001148905	Ref	Packard Electrical Connector Kit	
	1001148906	Ref	Various Electrical Connectors Kit	
	4932986	Ref	<b>Engine Shutdown Installation (Deutz Engines)</b>	
	1001153289	Ref	<b>Exhaust Pipe Extension (Deutz Tier IVi Engine and Steel Hoods Only)</b>	
		Ref	<b>Filter Kits</b>	
		Ref	Combined Filter Kit (Hydraulic/Air and Fuel/Engine Oil) Options:	
	1001114123	NLA	Caterpillar Engines Machines (Use p/n 1001110991)	
	1001114124	NLA	Caterpillar Engines Machines (Use p/n 1001110991)	
	1001110990	Ref	Deutz Engine Machines	
	1001114132	NLA	Hydraulic/Air Filter (Use p/n 1001109684)	
		Ref	Engine - Fuel/Engine Oil Filter Options:	
	See Note	Ref	Caterpillar Engines (Note: Not Available - Purchase Individual Components)	
	1001110133	Ref	Deutz Engines	
		Ref	<b>Fluids Options:</b>	
		Ref	Anti-freeze Options:	
	2300004	Ref	Caterpillar Machines without Arctic Package	
	2300041	Ref	Caterpillar Machines with Arctic Package	
		Ref	Engine Oil Options:	
	3020016	Ref	Machines without Arctic Package	
		Ref	Hydraulic Fluids Options:	

## SECTION 10 - SPECIAL OPTIONS

ITEM	PART NUMBER	QTY	DESCRIPTION	REV
	2300039	Ref	Exxon Univis HVI 26	
	2300014	Ref	Mobil 424	
	2300027	Ref	Mobil 224H Bio	
	2300029	Ref	Mobil EAL ISO 46 Bio	
	2300016	Ref	Mobil DTE 10 Excel 32	
	2300019	Ref	Quaker State Quintolubric 888-46 Fire Res.	
		Ref	<b>Footswitch Shield (Note: Move Decal to Shield)</b>	
	3380652	Ref	Footswitch Shield (SN 0300128000 through 0300167720)	
	1001117294	Ref	Footswitch Shield (SN 0300167721 through 0300174703)	
	1001126287	Ref	<b>Hood (Steel) Replacement Kit (Caterpillar Engine Machines)</b>	
	1001126286	Ref	<b>Hood (Steel) Replacement Kit (Deutz Engine Machines)</b>	
		Ref	<b>Hose Kits</b>	
	2902468	Ref	Hose Kit - Boom Only (600SC) (SN 0300128000 through 0300169157)	
	1001187491	Ref	Hose Kit - Boom (600SC)	
	2902473	Ref	Hose Kit - Boom Only (660SJC) (SN 0300128000 through 0300169157)	
	1001187498	Ref	Hose Kit - Boom (660SJC)	
	2902467	Ref	Hose Kit - Standard (SN 0300128000 through 0300169157)	
	1001189615	Ref	<b>Kingpin Removal Kit</b>	
	1001148971	Ref	<b>Lanyard (Bolt-on) Kit Installation</b>	
	1001147699	Ref	<b>Manual Storage Box Relocation Kit</b>	
	0258703	Ref	<b>Platform Console Cover Installation</b>	
		Ref	<b>Platform Entry Kit</b>	
	1001142504	Ref	Kit, Replace Swing Gate with Drop Bar	
	1001142505	Ref	Kit, Replace Drop Bar with Swing Gate	
		Ref	<b>Platform Mesh to Top Rail</b>	
	0273149	Ref	3ft x 6ft Platforms	
	0273145	Ref	3ft x 8ft Platforms	
	1702838	Ref	Decal - No Hands (ANSI Spec)	
	1704000	Ref	Decal - No Hands (CSA Spec)	
	1001149730	Ref	<b>Platform Mid Rail Repair Kit</b>	
		Ref	<b>Platform Top Rail Extension Installation Options:</b>	
	0272733	Ref	6ft/1.83m Platform	
	0272725	Ref	8ft/2.44m Platform	
		Ref	<b>SkyGuard Component Options:</b>	
	1001149560	Ref	SkyGuard Complete Add-on Kit (Non-UGM Machines)	
	1001143669	Ref	SkyGuard Complete Installation Kit (UGM Equipped Machines)	
	1001137672	Ref	SkyGuard Platform Sensor Installation Kit (UGM Equipped Machines) (Old Style Platform)	
	1001197016	Ref	SkyGuard Platform Sensor Installation Kit (UGM Equipped Machines) (New Style Platform)	
	1001137440	1	SkyGuard Sensor Harness	
	1001186431	2	Relay	
	1001143256	Ref	SkyGuard Optional Blue Beacon Installation Kit (Use p/n 1001206311)	
	1001206311	Ref	SkyGuard Blue Beacon Installation Kit	
		Ref	<b>Track Tensioning Kit</b>	
	Not Available	Ref	Caterpillar Chassis	
	2910968	Ref	Gradall Chassis	
		Ref	<b>Tools for Service</b>	
	2901443	1	Analyzer Kit	

## SECTION 10 - SPECIAL OPTIONS

ITEM	PART NUMBER	QTY	DESCRIPTION	REV
	8896941	1	Wire Stripper	
	7002821	1	Wire Crimper (To install wire ends to wires)	
	7002823	1	Pin/Socket Extractor - Universal (To Remove Pins/Sockets from Connectors)	
	4460467	1	Extractor - 16-18 Gauge (For Removal of Pin/Sockets from Deutsch Connectors)	
	4460510	1	Extractor - 12-14 Gauge (For Removal of Pin/Sockets from Deutsch Connectors)	
	7002822	1	Screwdriver, Potentiometer (To Adjust Drive Controllers)	
	7016654	1	Screwdriver, Magnetic	
	7004275	1	Seal Installation Tool - 1in	
	7004276	1	Seal Installation Tool - 1-1/2in	
	7002826	1	Seal Installation Tool - 2in	
	83813109	1	Track Adjustment Tool	
	7016655	1	Wire Rope Sheave Gauge	
	7014676	1	U.S. Standards Tool Kit	
	2900838	1	U.S. Standards Hardware Kit	
	1001137005	1	Software Cable Kit	
	2915096	Ref	<b>Turntable Bearing Kit</b>	
	1001238899	Ref	<b>Wear Pad Kit (SN 0300128000 through 0300168631)</b>	
	1001238900	Ref	<b>Wear Pad Kit (SN 0300168632 through 0300174703)</b>	
		Ref	<b>Weld Leads to Platform Installation Options:</b>	
	0255399	Ref	Weld Leads to Platform Installation 600SC	
	0255895	Ref	Weld Leads to Platform Installation 660SJC	
	2910172	Ref	<b>Wire Rope Kit</b>	



**PART NUMBER INDEX**

# PART NUMBER INDEX

0060066.....166, 177	0257483.....113	0273987.....329	0630535....235, 237, 239, 243, 247, 249
0060067.....161, 177	0257887 .... 123, 301, 317	0274005.....329	0630536.....241
0080163.....92	0257988.....181	0274006.....329	0630548.....115, 119
0080181.....72, 80	0258703.....338	0274007.....329	0630568.....190
0080241.....124	0259055.....57	0274008.....329	0641403....123, 170, 174
0080243.....72, 80	0270313.....123	0274009.....329	0641404....146, 150, 151, 181, 189
0100009.....189	0270329.....57	0274081.....141	0641405....150, 298, 314
0100011....21, 27, 43, 48, 57, 72, 74, 80, 81, 82, 83, 88, 89, 90, 98, 99, 100, 113, 115, 119, 123, 124, 128, 130, 134, 135, 136, 142, 146, 149, 153, 161, 166, 169, 173, 179, 181, 185, 205, 208, 211, 213, 223, 229, 231, 235, 237, 241, 243, 249, 258, 266, 298, 314, 322, 327, 329	0270381.....123	0274082.....145	0641406 72, 80, 123, 128, 134, 157, 174, 186, 205, 322, 327, 329
0100019..29, 48, 57, 130, 136, 151, 155, 161, 166	0270386.....191	0274086.....145	0641407....72, 80, 82, 90, 100, 120, 298, 314
0100020....72, 74, 81, 83, 88, 90, 98, 152, 155, 158, 208	0270387.....191	0274087.....141	0641408....134, 150, 186, 322, 327, 329
0100035.....123, 124, 189	0270388.....191	0274090.....145	0641410.....88, 98, 115
0100038....223, 229, 231, 235, 237, 241, 243, 249, 258, 266	0270805.....123	0274091.....141	0641416.....48, 167, 189, 298, 314
0100048....115, 119, 123, 124, 189, 292, 308	0270833.....123	0274093 .... 321, 325, 329	0641418.....185
0100062.....151	0270851.....337	0274300.....88	0641505.....150
0100063....235, 241, 243	0271032.....337	0274313.....47	0641506.....47, 115, 119, 128, 130, 135, 136, 157
0100079.....113	0271242.....181	0274314.....47	0641507.....72, 80, 81
0100081....135, 189, 203	0271552.....124, 190	0274491.....72	0641508..47, 88, 98, 142, 146, 150
0140001.....48	0271817.....27	0274592.....291, 306	0641510...75, 81, 90, 100
0140011.....189	0271912.....336	0274593.....291, 307	0641512.....48, 90, 100
0200741.....146	0272042.....291, 306	0274594 .... 167, 291, 307	0641514....47, 75, 81, 88, 98
0200742.....146	0272043 .... 167, 291, 307	0274595 .... 167, 291, 307	0641516.....149
0200819.....142	0272045.....291, 306	0274751.....128	0641522.....181
0239585.....57	0272046 .... 167, 291, 307	0275216.....299, 315	0641604.....161, 166
0253550.....337	0272070.....179	0275217.....299, 315	0641605.....82, 99
0254849.....113	0272136.....161	0275218.....299, 315	0641606..74, 80, 90, 100, 129, 130, 166, 169, 173, 205, 208, 211, 213
0255316.....58	0272138.....161	0275219.....299, 315	0641607....134, 169, 173
0255388.....336	0272146.....166, 190	0275235.....296, 312	0641608....43, 48, 72, 75, 77, 80, 83, 95, 113, 128, 130, 135, 161, 166, 170, 174, 181
0255389.....336	0272147.....166, 190	0275237.....296, 312	0641609..72, 80, 90, 100, 139
0255399.....339	0272254.....211	0275253.....296, 312	0641610....72, 75, 80, 81, 88, 90, 98, 100, 142, 146, 157, 186
0255881.....139	0272255.....149, 300	0275254.....296, 312	0641611.82, 99, 134, 166
0255895.....339	0272364.....77, 94	0275256.....72	0641612.....43
0255929.....336	0272399.....186	0275341.....336	0641613.....47, 169, 173
0255930.....336	0272418.....203	0275452.....299, 314	0641614....113, 166, 170, 174
0256060.....274	0272435.....152	0275453.....299, 315	0641616.....27, 134, 157, 169, 173
0256113.....296, 312	0272448.....208, 211	0275454.....299, 315	0641618.....151, 166
0256122.....130, 136	0272492.....149, 300	0275455.....296, 312	0641634.....170, 174
0256201.....296, 312	0272507 .... 123, 301, 317	0275456.....296, 312	0641638.....170, 174
0256273.....336	0272521.....213	0275659.....296, 312	0641644.....181
0256305.....123	0272588.....213	0340041 .. 72, 80, 90, 100	0641772.....142, 146
0256487.....337	0272589.....152	0340046.....72, 80	0641807.....181
0256690.....90	0272590.....205	0362528.....123	0641808....72, 75, 80, 81, 88, 89, 98, 99, 150
0256789.....336	0272599.....205, 208	0362609.....123	0641810.....155
0256823.....130, 136	0272725.....338	0362951.....123	0641812....75, 82, 89, 99, 179
0256847.....92	0272733.....338	0400075 .... 72, 80, 88, 98	
0256957.....337	0272970 ... 186, 290, 306, 334	0440233.....57	
0257157.....274	0273045.....145	0480120.....142, 146	
0257175.....296, 312	0273076.....296, 312	0480121.....142, 146	
0257195.....337	0273078.....296, 312	0480125.....151	
	0273085.....145	0480126.....151	
	0273145.....338	0480129.....151	
	0273149.....338	0561076.....170, 174	
	0273353.....208	0561183.....169, 173	
	0273450.....155	0561184.....169	
	0273486.....186, 274	0561185.....169, 173	
	0273490.....186, 274	0561237.....167	
	0273524.....74	0561245.....173	
	0273540.....149, 300	0561508.....174	
	0273541.....149, 300	0630458 .... 161, 166, 181	
	0273575.....274, 336	0630464.....189	
	0273687.....155	0630485.....134	
	0273906.....321	0630491.....124	
	0273908.....321	0630507.....128, 134	
	0273982.....325	0630518 ... 115, 119, 208, 211, 213	
	0273984.....325	0630534 ... 223, 227, 229, 231, 233, 243	
	0273985.....329		

## PART NUMBER INDEX

0641818 ..... 90, 100, 134, 139	0861634 .... 186, 189, 290	1001094101..91, 92, 101, 102	1001102547 ..... 141
0641820 ..... 72, 80	0861642 ..... 155	1001094321.....91, 101	1001102548 ..... 141
0641824 ..... 169, 173	0861731 ..... 297, 312	1001094375.....153	1001102603 ..... 115, 119
0641826 ..... 90, 100	0861781 ..... 297, 312	1001094475.....153	1001102604 ..... 115, 119
0642010 .... 74, 81, 88, 98	0861782 ..... 297, 312	1001094509.....153	1001102644 ..... 142
0642012 .... 161, 166, 203	0861872 ..... 115	1001094694.....108	1001102647 ..... 203
0642018 ..... 57	0861880 ..... 298, 314	1001094828.....57	1001102841 ..... 336
0642026 ..... 203	0902143 ..... 128	1001096070.....298, 314	1001102842 ..... 336
0642212 ..... 203	0902161 ..... 128	1001097150.....299, 314	1001103292 ..... 325
0642612 ..... 124	0902206 ..... 124	1001097553.....83	1001103563 29, 253, 272
0642684 ..... 179	0902219 ..... 128	1001097554.....75	1001103667 ..... 119, 334
0651406 ..... 47	0902223 ..... 128	1001097961.....130	1001103952 ..... 43
0681608 .... 170, 174, 179	0902351 ..... 128	1001097961.....130	1001103980 ..... 43
0681610 ..... 169, 173	0902384 ..... 128	1001098012.....208, 219	1001104308 ..... 91
0681836 ..... 57	0902416 ..... 128	1001098508.....90	1001104328 ..... 21, 35
0682014 ..... 130, 136	0902491 ..... 128	1001098916.....91	1001104338 ..... 261, 272
0682023 ..... 57	0902587 ..... 47	1001099051.....92, 101	1001104340 ..... 261, 272
0700408 ..... 298, 314	0902751 ..... 189	1001099121.....130	1001104359 ..... 261, 269
0700616 ..... 83, 135	0902888 ..... 150	1001099366.....203	1001104361 ..... 261, 262, 269
0700620 ..... 83	0902910 ..... 76	1001099367.....203	1001104362 ..... 261
0700808 ... 72, 80, 83, 90, 100	0903484 ..... 298, 314	1001099640.....90	1001104363 ..... 262, 270
0700810 ..... 92	0903611 ..... 298, 314	1001099686.....91	1001104364 ..... 262, 270
0700815 ..... 151	0920119 ..... 57	1001099721.....89	1001104425 ..... 88
0700816 ..... 142	0940049 ..... 129, 134	1001099722.....88	1001104426 ..... 74
0701010 ..... 72, 80, 83	0940070 .. 72, 80, 90, 100	1001099832.....181	1001104427 ..... 291, 306
0701012 .... 43, 72, 80, 92	0940071 ..... 128	1001099868.....145	1001104428 ..... 167, 291, 307
0701015 ..... 72, 80, 92	0940088 ..... 129	1001099869.....142, 147	1001104429 ..... 291, 306
0701414 ..... 72, 80	0940102 ..... 203	1001100027.....274, 300	1001104430 ..... 167, 291, 307
0711125 ..... 90	0961845 ..... 185	1001100233.....142	1001104433 ..... 89
0711214 ..... 73, 80	0961893 ... 223, 227, 229, 231, 233, 243	1001100234.....142, 147	1001104985 ..... 336
0711414 ..... 90, 100	0961894 .... 235, 237, 243	1001100308.....145	1001105480 ..... 261, 272
0720808 ..... 153	0961897 ..... 249	1001100313.....72, 75	1001105833 ..... 73, 81
0721005 ..... 147	0961898 ..... 241	1001100321.....141, 145	1001105993 ..... 72
0721006 ... 128, 142, 146, 190	0961898 ..... 241	1001100341.....299, 315	1001106338 ..... 72
0721008 ..... 129, 130	0961947 ... 166, 229, 231, 233, 243	1001100342.....299, 315	1001106339 ..... 310
0741607 ..... 161, 166	0961950 ... 161, 166, 169, 173, 241	1001100345.....299, 314	1001106340 ..... 310
0741612 ..... 169, 173	0961951 ... 161, 166, 169, 173, 235, 237, 239, 243, 247	1001100346.....299, 315	1001106355 ..... 189, 334
0760606 ..... 83	0961986 .. 72, 80, 90, 100	1001100347.....299, 315	1001106401 ..... 47
0760610 ..... 83	0962006 ..... 161, 166	1001100390.....296, 312	1001106695 ..... 47
0761210 ..... 83, 142	0962051 ..... 139	1001100391.....296, 312	1001106736 ..... 119, 308
0771212 ..... 74, 80	0962335 ..... 167	1001100392.....296, 312	1001107109 ..... 272
0771415 ..... 152	0962336 ... 223, 225, 227	1001100393.....296, 312	1001107116 ..... 80
0771626 ..... 29	0962449 ..... 142, 147	1001100394.....296, 312	1001107527 ..... 189
0801469 ..... 169, 173	0962520 ..... 151	1001100395.....296, 312	1001107677 ..... 189
0801479 ..... 173	0962563 ..... 142	1001100396.....296, 312	1001107705 ..... 73, 81
0801481 ..... 173	1001091179.....90, 101	1001100954.....128	1001107753 ..... 190, 274, 290, 306
0801483 ..... 169	1001091892.....90	1001100955.....128, 129	1001107767 ..... 43
0801484 ..... 169	1001091911.....113	1001101061.....57, 68	1001107769 ..... 43
0801498 ..... 169, 173	1001091970.....299, 315	1001101241..90, 92, 100, 102	1001108126 ..... 116, 292
0801504 ..... 169, 173	1001091971.....299, 315	1001101391.....129	1001108341 ..... 161
0801524 ..... 169, 173	1001093286.....336	1001101392.....129	1001108342 ..... 166, 190
0860038 .... 150, 297, 312	1001093382.... 72, 81, 89, 99	1001101421.....203	1001108459 ..... 119
0860520 .... 322, 327, 329	1001093424.....325	1001101422.....203	1001108484 ..... 119
0861538 ..... 151	1001093439.....327	1001101600.....89, 99	1001108485 ..... 119
0861541 ..... 152	1001093553.....327	1001101623.....129	1001108486 ..... 119
0861542 ... 149, 152, 301, 316	1001093554.....325	1001101673.....129	1001108487 ..... 119
0861567 ... 150, 152, 301, 316	1001093555.....327	1001102159.....29	1001108488 ..... 119
0861572 ..... 151	1001093684.....327	1001102161.....116, 293	1001108489 ..... 119
0861599 ..... 147	1001093943.....91, 101	1001102244.....115	1001108490 ..... 119
0861602 ..... 147	1001094012.....325	1001102245.....115	1001108494 ..... 322, 327
0861607 ..... 147	1001094013.....327	1001102246.....115	1001108597 ..... 120, 308, 309
0861633 ..... 189, 190	1001094043.....162, 167	1001102247.....115	
		1001102290.....294, 309	
		1001102291.....294, 309	
		1001102304.....294, 309	
		1001102504.29, 253, 272	

# PART NUMBER INDEX

1001108598.....120, 308, 309	1001112468..... 161, 166, 241	1001117430..... 134	1001139132.....336
1001108600.....274, 308	1001112570..... 84	1001117523..... 135	1001139151.....336
1001108601.....274, 308	1001112586..... 316	1001117525..... 135	1001140429.....186
1001108602.....120, 308, 309	1001112587..... 316	1001117543..... 135	1001141967.....297
1001108821.....186, 189, 306	1001112588..... 315	1001117598..... 135	1001141968.....297, 313
1001108822.....186	1001112589..... 315	1001117612..... 135	1001141969.....297, 313
1001108900.....274	1001112592..... 84	1001118264..... 135	1001142504.....338
1001108923.....322	1001112612..... 310	1001118417..... 189, 195	1001142505.....338
1001109064.....83, 84	1001112743..... 315	1001118550..... 135	1001143256..... 338
1001109065.....80	1001112763..... 83, 310	1001118599..... 151	1001143365.....47
1001109075.....29, 253, 272	1001112849..... 84	1001118715..... 135	1001143453.....261
1001109188.....82, 107	1001112906..... 337	1001118716..... 135	1001143454.....261
1001109189.....83, 100, 108	1001112990..... 336	1001118718..... 134	1001143504.....337
1001109193.....337	1001112991..... 336	1001118735..... 135	1001143519.....337
1001109436.....99	1001112992..... 336	1001118963..... 336	1001143669.....338
1001109437.....98	1001113047..... 134	1001118964..... 336	1001144021.....185
1001109475.....298, 314, 334	1001113466..... 21	1001119283..... 135	1001144022.....185
1001109477.....298, 314	1001114123..... 337	1001119939..... 336	1001144023.....185
1001109482.....298, 314, 334	1001114124..... 337	1001119947..... 336	1001144024.....185
1001109554.....298, 314	1001114132..... 337	1001120508..... 135	1001144319..... 101, 102
1001109595.....81, 101	1001115387..... 149, 316	1001120992..... 337	1001144355.....100
1001109599.....83, 100	1001115389..... 149, 316	1001121059..... 135	1001144356.....99
1001109601.....83, 100	1001115398..... 149, 316	1001121061..... 135	1001144357.....98
1001109657.....262, 270	1001115400..... 149, 316	1001121118..... 135	1001144629.....185
1001109659.....262, 269	1001115404..... 141	1001121119..... 135	1001145283.....47
1001109660.....83	1001115405..... 145	1001121340..... 152, 153	1001145284.....47
1001109661.....83	1001115409..... 145	1001121655..... 327	1001145405.....208
1001109662.....261	1001115410..... 145	1001121800..... 321	1001145885.....189
1001110092.....100, 261, 269	1001115413..... 141	1001121801..... 321, 326	1001145988.....27
1001110094.....100	1001115414..... 141	1001121802..... 326	1001147699.....338
1001110133.....337	1001116240... 74, 88, 98, 310	1001121803..... 326	1001147830.....134
1001110166.....134	1001116241..... 74, 88	1001121806..... 326	1001148650..... 170, 174
1001110169.....57, 65	1001116251..... 337	1001121809..... 326	1001148651..... 170, 174
1001110185.....100	1001116252..... 337	1001121811..... 326	1001148652..... 169, 173
1001110434.....189	1001116290..... 135, 136	1001121813..... 321	1001148653..... 170, 174
1001110469.....83, 100	1001116292..... 135, 136	1001121814..... 322	1001148902.....337
1001110665.....100	1001116456..... 134	1001121815..... 327	1001148903.....337
1001110795.....98	1001116457..... 134	1001121816..... 327	1001148904.....337
1001110796.....99	1001116562..... 134	1001121819..... 327	1001148905.....337
1001110797.....100	1001116595..... 84	1001121822..... 327	1001148906.....337
1001110872.....149, 316	1001116844..... 337	1001121824..... 327	1001148925..... 161, 166
1001110873.....149, 313, 316	1001116845..... 325	1001125097..... 135	1001148971.....338
1001110990.....337	1001116846..... 325	1001126286..... 338	1001149560.....338
1001111017.....119	1001116847..... 325	1001126287..... 338	1001149587.....27
1001111832.....82	1001116848..... 326	1001127087..... 336	1001149676.....334
1001111833.....82	1001116849..... 326	1001129555..... 332	1001149730.....338
1001111834.....81	1001116850..... 326	1001131269..... 322, 327	1001149730.....338
1001111835.....81	1001116851..... 326	1001134103..... 336	1001149818.....317
1001112057.....83	1001116852..... 326	1001137005..... 339	1001149955.....124
1001112059.....83	1001116853..... 326	1001137440..... 338	1001149994.....124
1001112067.....83	1001116854..... 326	1001137458..... 48	1001150406.....124
1001112068.....83	1001116963..... 327	1001137643..... 263	1001150475.....269
1001112069.....83	1001116964..... 327	1001137672..... 338	1001150760.....269, 272
1001112070.....83	1001116970..... 325	1001137737..... 101, 102	1001150763.....269, 272
1001112071.....84, 310	1001116971..... 325	1001137755..... 100	1001150998.....101
1001112072.....84	1001117172..... 186	1001137756..... 99	1001151059.....272
1001112073.....84	1001117174..... 186	1001137757..... 98	1001153289.....337
1001112075.....84	1001117234..... 134	1001137758..... 100	1001154592.....298, 314
1001112077.....81, 83	1001117249..... 134	1001137759..... 99	1001163131.....203
1001112467.....241	1001117251..... 336	1001137760..... 98	1001166539.....197
	1001117258..... 336	1001138241..... 261, 269	1001186431.....338
	1001117294..... 338	1001138430..... 185	1001187491.....338
	1001117307..... 134	1001138434..... 185	1001187498.....338
	1001117320..... 186	1001138494..... 186	1001189615.....338
	1001117429..... 134	1001138514..... 186	1001197016.....338
		1001138795..... 227	1001206311.....338
		1001138796..... 239, 247	1001223331..... 166, 237
			1001223332.....237



## PART NUMBER INDEX

1001223511 .....	231	1600375 .....	189, 334	1702868.....	205, 208, 211, 321	1705466 ...	205, 208, 211, 213
1001223512 .....	161, 231	1600411 .....	116	1702941.....	75, 83, 89, 99	1705489.....	152
1001228008 .....	161, 233	1600422 .....	116, 334	1702942.....	75, 83, 89, 99	1705490.....	205, 208
1001228012 .....	166, 225	1660234 .....	92	1702943.....	75, 82, 89, 99	1705714.....	147
1001228051 .....	166, 239	1660239 .....	72, 80	1702944.....	75, 83, 89, 99	1705715.....	147
1001228052 .....	166, 247	1660245 .....	43	1703162....	72, 80, 90, 101	1705728.....	147
1001228988 .....	211	1670769 .....	167	1703165.....	321, 326, 329	1705822.....	329
1001238899 .....	339	1670771 .....	128	1703479.....	337	1705828.....	329
1001238900 .....	339	1670779 .....	128	1703797.....	321	1705836.....	155
1001238909 .....	337	1670818 .....	123	1703804.....	321	1705837.....	155
1001248012 .....	166, 227	1670829 ....	115, 119, 189	1703805.....	321	1705886.....	155
1060279 ....	322, 327, 329	1671037 .....	189	1703811.....	321, 325, 329	1705895.....	325
1060341 .....	301, 317	1671055 .....	161, 166	1703814.....	321, 325, 329	1705896.....	326
1060343 ....	152, 301, 316	1671092 ....	152, 301, 316	1703924.....	326	1705897.....	326
1060461 .....	147, 300	1671093 .....	208, 211	1703925.....	325	1705898.....	326
1060494 ...	152, 300, 301, 316	1671228 .....	128, 129	1703936.....	326	1705901.....	325
1060625 ....	75, 82, 89, 99	1671230 .....	130	1703937.....	326	1705902.....	326
1060626 ....	74, 83, 89, 99	1671231 .....	129	1703942.....	325	1705903.....	325
1060633 .....	302, 318	1671232 .....	129	1703943.....	325	1705921.....	329
1060637 ....	72, 80, 88, 98	1671233 .....	128	1703948.....	326	1705961.....	329
1060708 ....	152, 301, 316	1671247 .....	128, 129	1703949.....	326	1705967.....	325
1060896 .....	291, 307	1683053 ...	223, 229, 231, 243	1703953.....	321	1705968.....	325
1060904 .....	74, 90, 295, 296	1683055 ....	235, 237, 243	1703982.....	326	1705978.....	329
1060908 .....	299, 314	1683057 .....	249	1703984.....	326	1706059.....	75, 89, 99
1060918 ....	186, 290, 306	1683067 .....	241	1704000.....	325, 338	1706060.....	75, 89, 99
1061045 .....	292, 307	1683250 .....	249	1704006.....	325	1706061.....	75, 89, 99
1061046 .....	292, 308	1683415 .....	161, 229	1704096.....	321	1706062.....	75, 89, 99
1061047 .....	292, 308	1683418 .....	166, 235	1704099.....	326	1706063.....	75, 89, 99
1101109188 .....	100	1683609 .....	166, 223	1704101.....	326	1706064.....	75, 89, 99
1120487 .....	113	1683618 ....	169, 173, 249	1704174.....	336	1706098.....	75, 89, 99
1120555 .....	203	1683619 .....	249	1704175.....	337	1706380.....	326
1180345 .....	181	1683666 ....	161, 166, 241	1704260.....	189	1706712.....	115, 119
1220078 .....	169, 173	1683949 .....	243	1704277.....	321, 325, 329	1706916.....	115
1260017 .....	57	1683952 .....	235	1704412.....	321, 325, 329	1706917.....	115
1282571 .....	274	1683954 .....	241	1704434.....	321, 326, 329	1706943.....	322, 327
1283348 .....	265, 272	1683955 .....	241	1704460.....	189	1707013.....	321
1283388 .....	257, 272	1683963 ....	235, 237, 243	1704461.....	321, 325, 329	1707014.....	321
1320016 .....	72, 80, 90, 100	1683972 .....	243	1704468.....	322, 329	1707045.....	326
1320022 ...	75, 81, 88, 90, 98, 102	1683976 .....	229, 231	1704502.....	322, 327	1707046.....	326
1320070 .....	170, 174	1683977 .....	229	1704707.....	191	1707047.....	327
1320149 .....	299, 314	1684089 .....	223	1704709.....	191	1707051.....	326
1320176 ...	75, 81, 89, 92, 99	1684090 .....	223	1704710.....	191	1707052.....	326
1320177 .....	205, 208	1684413 .....	166, 243	1704885.....	322, 327, 329	1707055.....	326
1320223 ...	74, 80, 82, 83, 90, 100	1684414 .....	161, 243	1704972.....	75, 89, 99	1810078.....	115
1320224 .....	83, 151	1700584 ....	322, 327, 330	1704997.....	189	1810079.....	115
1320235 .....	161, 166	1701499 ....	321, 325, 329	1705077.....	330	1810080.....	115
1320244 .....	174	1701500 .....	130, 136	1705078.....	330	1810081.....	115
1320247 .....	181	1701502 ....	321, 325, 329	1705079.....	330	1810082.....	115
1320263 .....	84	1701503 ....	321, 325, 329	1705080.....	330	1810083.....	115
1320302 ...	205, 208, 211, 213	1701505 ...	75, 82, 88, 98, 322, 327, 329	1705081.....	330	1810084.....	115
1321384 ....	129, 130, 134	1701509 ...	203, 321, 325, 329	1705132.....	189	1810085.....	115
1340060 .....	72, 80, 90, 100	1701518 .....	329	1705170.....	190	1870218.....	274
1380147 .....	139	1701529 ....	321, 325, 329	1705177.....	322, 327, 329	2000283.....	89
14403323 .....	11	1701645 .....	321, 326	1705305.....	205, 208, 211, 213	2000339.....	91, 92
14403364 .....	27	1702153 .....	321	1705325.....	142, 146, 147	2000342.....	89
1580011 .....	72, 80	1702566 .....	189	1705336.....	321	2000386.....	72, 75
1580012 .....	187	1702567 .....	189	1705347.....	326	2030010 ...	205, 208, 211, 213
1580013 .....	187	1702676 .....	190	1705355.....	208, 211, 213	2060025 ...	72, 80, 90, 101
1600244 .....	302, 317	1702773 ....	322, 327, 329	1705358.....	203	2080040 ....	134, 185, 186
1600317 .....	189, 193	1702774 ....	322, 327, 329	1705374.....	152	2080044 .....	166
1600359 ....	189, 201, 332	1702774 ....	322, 327, 329	1705375.....	152, 208, 211	2110406.....	261, 269
1600361 .....	76	1702788 .....	336	1705376.....	152	2110408.....	261
		1702838 .....	338	1705387.....	152	2110806.....	269
		1702861 ....	322, 327, 329	1705460.....	152	2111212 ....	261, 263, 269
				1705461.....	152	2120149.....	47, 332

# PART NUMBER INDEX

2120164.....47	2220628 ... 257, 261, 265, 269	2560187 ..... 135	2753321.....257, 265
2120209.....47	2220682 ..... 108, 258	2580024 .... 74, 83, 89, 99	2753472....258, 262, 266, 269
2120210.....47, 332	2220700 .... 108, 257, 265	2580050 .... 75, 82, 89, 99	2753706.....257, 265
2130808.....261	2220738 ... 108, 258, 262, 266, 269	2580062 ..... 90, 100	2753707.....257, 265
2160003.....58	2220750 ..... 155	2600209 ..... 130	2753809.....257, 265
2170112....261, 263, 269	2220794 ..... 75	2600233 ..... 129	2753892.....266
2180344.....58	2220810 .... 111, 257, 265	2600280 ..... 134	2753893.....257, 265
2180348.....82, 88, 98	2220852 ..... 108, 259	2600281 ..... 185	2754022.....259
2180380....258, 262, 266, 270	2220873 ... 257, 259, 265, 266	2720058 ... 72, 75, 80, 82, 88, 98	2754023.....258
2180724....258, 262, 266, 270	2220883 ... 223, 225, 227, 229, 231, 233, 235, 237, 239, 241	2720160 ..... 205, 208	2754024.....258
2180832.....205, 208	2220885 ... 223, 225, 227, 229, 231, 233, 235, 237, 239, 243, 247, 249	2720398 ..... 90, 101	2754311.....258, 266
2200222.....61, 113	2220887 ..... 241	2720434 ..... 72, 80, 90	2760105.... 115, 119, 189
2220063.....58	2220893 ..... 47	2720449 ..... 90	2780205.....57, 61
2220235.....241, 257, 265	2220909 ..... 258, 266	2720509 ..... 72, 80	2792593.....272
2220237....258, 262, 266	2220914 ..... 259, 266	2720510 ..... 73	2792596.....265, 272
2220250.....75	2220921 ... 257, 261, 265, 269	2720515 ..... 73, 80	2792655.....257, 272
2220252.....155	2220946 ..... 108, 259	2750532 ... 74, 82, 88, 98, 101	2792656.....257, 272
2220273.....74	2220947 ... 108, 257, 262, 265, 269	2750532 ... 74, 82, 88, 98, 101	2820031.... 142, 147, 151, 187
2220313....74, 82, 88, 98	2220948 .... 108, 259, 266	2751032 ..... 58	2820035.....186
2220372....257, 261, 265, 269	2220949 ..... 259, 266	2751396 ..... 258, 266	2820078.....130, 136
2220373....257, 262, 265, 269	2220950 ... 258, 262, 266, 270	2751474 ... 257, 262, 265, 269	2820118.....291, 307
2220376.... 108, 111, 257, 261, 265	2220974 ... 258, 262, 266, 270	2752438 ..... 266	2820233.....129
2220380....257, 261, 265, 269	2221042 ... 108, 257, 262, 265, 270	2752453 ..... 258	2820234.....129
2220408....257, 261, 265, 269	2221086 ..... 262, 269	2752515 ... 257, 262, 265, 269	2820235.....129
2220409....258, 262, 266, 269	2221176 ..... 82, 88, 98	2752573 ..... 257, 265	2840016.....139
2220414....258, 262, 266	2230027 ..... 99, 266	2752580 ..... 257, 265	2860012.....146
2220415....257, 261, 265, 269	2230046 82, 99, 258, 266	2752581 ..... 261, 269	2860030.... 116, 119, 332
2220428.....257, 265	2300004 ..... 73, 82, 337	2752588 ... 258, 262, 265, 270	2900770.....47
2220429.....257, 265	2300014 ..... 338	2752591 ... 258, 262, 266, 269	2900792....223, 225, 227, 229, 231, 233, 235, 237, 239, 241
2220451 ...82, 90, 99, 101, 108, 257, 261, 262, 265, 270	2300016 ..... 338	2752594 ..... 257, 265	2900838.....339
2220459.....75	2300019 ..... 338	2752596 ... 258, 262, 266, 270	2901284.....249
2220466....257, 262, 265, 269	2300027 ..... 338	2752597 ... 258, 262, 266, 269	2901285.....241
2220468.....258, 265	2300029 ..... 338	2752598 ... 258, 262, 266, 269	2901301.... 235, 237, 244
2220471.....258, 265	2300039 ..... 338	2752599 ... 258, 262, 266, 269	2901303....223, 229, 231, 233, 244
2220472....258, 262, 266, 269	2300041 ..... 73, 82, 337	2752631 ... 257, 261, 265, 269	2901443.... 302, 317, 338
2220473....258, 262, 266, 269	2360574 ..... 11, 255, 272	2752632 ... 257, 261, 265, 269	2902065.....92, 102
2220497.....258, 266	2360576 ..... 11, 255, 272	2752633 ... 258, 262, 266, 269, 270	2902065.....92, 102
2220498....257, 261, 265, 269	2400060 ... 153, 301, 310, 317	2752643 ... 258, 262, 266, 269	2902085.....147
2220502.....258, 266	2400064 ... 153, 301, 317, 334	2752643 ... 258, 262, 266, 269	2902212.....203
2220518.....108	2400065 ... 294, 308, 332	2752653 ... 257, 261, 265, 269	2902217.... 208, 211, 213
2220578 82, 99, 108, 257, 265	2400066 ... 294, 302, 308, 317	2752762 ... 257, 262, 265, 269	2902296.. 74, 88, 98, 295, 310
2220582.... 108, 257, 258, 261, 265, 269	2400070 .... 302, 317, 334	2752763 ... 257, 262, 265, 270	2902303.....337
2220593.....261	2420165 ..... 153	2752783 ... 259, 262, 266, 269	2902307.....337
2220603....258, 262, 266, 269	2420172 ..... 115, 119	2752928 ..... 257, 265	2902309.....337
2220605.....257, 265	2420203 .... 142, 146, 147	2752981 ..... 258, 266	2902312.....337
2220609.....258, 265	2460048 ..... 150	2752994 ..... 262, 269	2902322.....337
2220618.....108, 257	2460049 ..... 141, 145	2753192 ... 257, 261, 265, 269	2902329.....337
2220622.... 108, 257, 262, 265, 270	2460050 ..... 150	2753318 ... 257, 261, 265, 269	2902443.....294, 309
	2460055 ..... 141, 145		2902467.....338
	2460056 ..... 141, 145		2902468.....338
	2460057 ..... 141, 145		2902473.....338
	2560136 ..... 189		2910172.....339
			2910968.....338
			2915096.....339
			2920110.....124
			2920113.....124
			2920129.... 290, 294, 295, 306, 308
			2920140.....186
			2920161.....124, 317
			2920162.....147
			2920215.....123

# PART NUMBER INDEX

2940045 .....	134	129, 134, 139, 142,	3520035.....	116	3760368 ...	223, 229, 231,
2940074 .....	185, 332	146, 157, 167, 170,	3520054.....	90, 101, 189	243	
2940088 .....	129, 130	174, 181, 186, 205,	3520071.....	203	3760369 ...	235, 237, 243,
2940173 .....	134	208, 211, 213	3520072.....	185	249	
2940188 .....	129	3311705 .....	3520189.....	152	3760372 .....	241
3020016 .73, 82, 91, 101,	337	3311801 ...73, 80, 88, 98,	3520198.....	185	3790012 ...	124, 167, 189,
3020021 .....	92	151	3536089.....	186	190, 191	
3020044 .. 73, 82, 91, 101		3311805 .73, 81, 91, 101,	3537318.....	57	3790045 .....	74, 82
3160273 .....	57, 63	128, 134, 139, 179	3537416.....	91, 101	3790152 .....	82, 89, 100
3200362 .....	91, 101	3312005 .....	3537445.....	139	3820001 ...	124, 322, 327,
3200406 .. 73, 80, 91, 101		3312201 .....	3537446.....	139	329	
3220103 .....	91	3312205 .....	3538758.....	181	3820020 .....	185
3220104 .....	92	3312602 .....	3539219.....	115, 119	3841013 .....	181
3220113 .....	73, 80	3321501 .....	3539563.....	161, 167	3841143... 74, 82, 88, 98,	
3251102 .... 142, 147, 187		3340755 .....	3539590.....	130, 136	161, 167, 170, 174	
3251243 ... 146, 321, 325,	329	3340757 .....	3539622.....	170, 174	3841258 .....	161, 167
3251813 .....	321, 326	3340758 .....	3539872.....	73, 91	3841340 .....	162, 167
3252347 .....	321	3340764 .....	3539955.....	130, 136	3841456 .....	43
3252507 .... 142, 147, 321		3340844 .....	3539957.... 74, 82, 88, 98		3850020 .....	243
3252764 .....	149	3340871 ... 169, 170, 173,	3539971.....	91, 101	3860050 .....	181
3272001 .....	174	174	3571712.....	128	3890005 .....	169
3272401 .....	174	3340877 .....	3572044.....	322, 329	3890006 .....	169, 173
3272605 .....	179	3340881 .....	3573400.... 205, 208, 211,		3890009 .....	174
3290405 .....	298, 314	3340900 .....	213		3890010 .....	173
3290505 .....	142, 146	3340956 .....	3573641.....	205	3900085 .....	124
3290507 .....	83	3380429 .... 74, 82, 88, 98	3573642.... 208, 211, 213		3900210 .... 134, 135, 136	
3290601 .....	135	3380434 .....	3573643.....	205	3900232 .....	128, 129
3290605 .....	208	3380535 .....	3574206.....	73, 81	3900268 .....	116, 119
3290606 .....	185	3380652 .....	3574207.....	73, 81	3900316 .....	134
3290801 .....	73, 80	3421453 .....	3574208.....	73, 81	3900363 .....	135, 136
3291601 .....	29	3421565 .....	3574684.....	142	3910606 .....	149
3300151 ... 185, 205, 208,	211, 213	3421627 .....	3574978.....	91	3910608 .....	139, 153
3300205 .....	115, 119	3422417 .....	3576799.....	205, 208	3910610 .....	152
3300240 .....	174	3422424 .....	3577121.... 208, 211, 213		3910804 .....	116, 119
3300241 .....	169, 173	3422446 .... 74, 82, 88, 98	3580134.....	142, 146	3911040 .....	124
3300242 .....	174	3422532 .....	3580158.....	145	3930816 .....	123
3300353 .....	189	3422557 .....	3580241.....	169, 173	3930828 .....	123
3300364 .....	134	3422561 .....	3580243.....	169, 173	3931012 .....	27, 43
3300396 .....	152	3422562 .....	3580248.....	169, 173	3931408 .....	123
3300408 .....	115, 119	3422563 .....	3580249.....	169, 173	3931448 .....	249
3310601 .....	139, 152	3422564 .....	3580276.....	142, 146	3931508 .....	249
3310604 .....	153	3422565 .....	3580317.....	151	3931516 ... 223, 229, 231,	
3310801 .....	123	3422566 .....	3580318.....	151	233, 243	
3310805 .....	153	3422569 .....	3580319.....	151	3931620 .74, 82, 89, 100,	
3311001 ... 128, 129, 130,	147	3422580 .....	3580320.....	151	235, 237, 239, 243,	
3311005 27, 43, 124, 142,	146, 190, 208, 211, 213	3422583 .....	3580321.....	151	247, 249	
3311401 .....	115, 174	3422790 .....	3580322.....	141	3932032 .....	241
3311402 .....	161, 166	3422860 .....	3600242.....	74, 82, 111	3932224 .....	57
3311405 ... 48, 73, 80, 82,	91, 101, 116, 128, 134,	3422861 .....	3600359.....	75, 105, 108	3951608 .....	169, 173
157, 161, 166, 181,	186, 205, 298, 314,	3422867 .....	3600363.....	74, 105, 108	3960389 .75, 82, 89, 100,	
322, 327, 329		3423184 .....	3600365.....	48	128, 134	
3311501 .....	128, 134	3430816 .....	3600386.....	155, 157	3960407 .....	91, 101
3311505 ... 73, 75, 80, 82,	88, 91, 98, 101, 128,	3450404 .....	3600395.....	89, 99, 111	3960422 ... 149, 299, 300,	
135, 149, 181		3450806 .....	3600412.....	89, 107	314, 316	
3311508 .....	149	3460334 .....	3600413.....	89, 108	3960438 .....	129
3311601 ... 113, 128, 134,	190	3460544 .....	3620033.....	91, 101	3960461 .....	124
3311605 ... 73, 77, 80, 82,	91, 95, 99, 101, 128,	3470003 .....	3620034... 77, 82, 95, 100		3960462 .... 129, 130, 134	
		3480188 .... 235, 237, 243	3620047.....	73, 81	3960464 .....	129, 130
		3480205 .....	3641533.....	152, 153	3960468 ...73, 81, 91, 101	
		3480206 .....	3720021.....	155	3960469 ...73, 81, 91, 101	
		3480210 ... 223, 229, 231,	3740049 .... 115, 116, 119,		3960470 .....	128
		243	301, 317, 332		3980007 .... 74, 83, 89, 99	
		3510822 .....	3740067.. 73, 81, 91, 101,		3990001 .....	293, 334
		185	332		3990010 ... 292, 300, 308,	
		3510833 .....	3740080.....	92, 102, 142,	309, 334	
		185	146, 151, 334		4010608 .....	208
		3520028 .... 142, 146, 189	3760170.....	57	4010618 .....	185
		3520030 .....				
		134				
		3520034 .....				
		167				

## PART NUMBER INDEX

4031608.....142, 146	4360387 ..... 190, 332	4460374 ... 152, 294, 300,	4460761....290, 293, 306,
4031709.....83	4360407 ..... 190, 332	301, 309, 315, 316	310
4031911.....73, 81	4360436 ..... 113	4460375 ... 152, 294, 300,	4460792.....294
4032015.....151	4360469 ... 116, 119, 334	301, 309, 316	4460865....291, 292, 307,
4060092.....297, 313	4360470 ... 116, 119, 334	4460411 ..... 153	308
4060700....149, 297, 300,	4360475 ... 116, 119, 190,	4460412 ..... 153	4460866....290, 293, 306,
313	332	4460413 ..... 153	310
4060802....142, 147, 149,	4360476 ... 116, 119, 190,	4460414 ..... 153	4460871....193, 195, 201,
187	332	4460415 ..... 153	290, 292, 293, 294,
4060803.....181	4360506 ... 174, 295, 311,	4460418 ... 290, 292, 306,	295, 306, 308, 309,
4060805..74, 81, 91, 101,	334	310	310, 311
170, 174	4360517 ..... 27, 43, 311	4460419 ... 290, 293, 306,	4460873....290, 293, 306,
4060906.....116, 119	4360522 ..... 190, 334	310	309
4060907.....123	4360540 ..... 147	4460424 ... 292, 293, 294,	4460874....116, 290, 292,
4060918.....47	4360541 ..... 147	301, 308, 309, 317	306, 310
4061043.....149, 300	4360542 ..... 147	4460425 ... 152, 301, 316	4460875....116, 290, 292,
4061049.....151	4360578 ..... 123, 334	4460426 ... 116, 120, 152,	306, 310
4070410.....128	4400400 ..... 113	186, 292, 301, 308,	4460876.....293, 310
4070411.....128	4400449 ..... 113	316, 317	4460878.....293, 310
4070412.....128	4420014 ..... 203	4460428 ... 155, 190, 290,	4460879.....290, 306
4070585.....147	4420037 ... 208, 211, 213	306	4460880....292, 293, 308,
4070863.....169, 173	4420038 ..... 113	4460434 ... 290, 293, 306,	309
4070864.....169, 173	4420051 ..... 330	309	4460887....290, 293, 306,
4070895.....170, 174	4420054 ..... 123	4460445 ..... 292, 308	310
4070896.....169, 173	4420060 ... 123, 146, 153	4460457 ..... 293, 309	4460891....294, 309, 311,
4070897.....169, 173	4420066 ..... 203	4460458 ... 293, 295, 309,	317
4070898.....169, 173	4460007 ..... 190	315	4460892.....294, 309
4070929.....170, 174	4460018 ..... 153	4460460 ..... 293, 309	4460894....294, 308, 311
4070939.....170, 174	4460027 ... 141, 146, 315,	4460464 ... 290, 293, 295,	4460897....296, 311, 317
4070940.....170, 174	316	296, 306, 309, 310,	4460899.....309
4070976.....170, 174	4460051 ... 151, 301, 316	311, 317	4460905....116, 190, 290,
4070987.....116, 119	4460071 ... 151, 186, 290,	4460465 ... 152, 291, 293,	292, 293, 306, 310
4070994.....181	297, 301, 306, 313, 316	294, 301, 307, 309,	4460906.....300, 315
4070995.....181	4460125 ..... 297, 313	311, 317	4460908.....294
4071004.....170, 174	4460134 ..... 300, 316	4460466 ... 116, 291, 292,	4460909.....116, 292
4071005.....170, 174	4460190 ..... 141, 146	294, 307, 308, 309, 311	4460915.....116
4071007.....170, 174	4460205 ... 298, 300, 313,	4460467 .... 302, 317, 339	4460928.....293, 294
4100026.....292, 308	316	4460470 ... 116, 120, 190,	4460943.....293, 309
4100033.....162, 167	4460224 ..... 295, 311	290, 292, 306, 308	4460944....293, 294, 309
4100100.....223	4460225 ... 290, 301, 306,	4460471 ... 116, 120, 190,	4460956....153, 298, 314
4120035....290, 293, 295,	316	290, 292, 306, 308	4460957....153, 298, 314
306, 310	4460226 ... 198, 290, 294,	4460473 ... 291, 292, 307,	4460958....149, 300, 316
4160139.....128	295, 300, 301, 302,	308	4460961.....300, 315
4160143.....128	306, 308, 309, 311,	4460475 ..... 295	4460962.....208, 211
4160149.....174	315, 316, 317, 318	4460488 .... 116, 120, 190	4460963....152, 301, 316
4160194.....134	4460227 ... 290, 293, 306,	4460496 ..... 120	4460967....152, 301, 316
4220162.....124	309, 310, 311	4460497 ..... 120	4460968....123, 143, 146,
4220191.....73, 81	4460233 ..... 298, 313	4460499 ..... 55, 295, 310	147, 297, 313
4240018.....142, 151	4460234 ... 124, 153, 190	4460508 ... 290, 293, 306,	4460971.....205, 208
4240032....123, 124, 153	4460259 ..... 301, 317	310	4460979.....309
4240033.....162, 167	4460260 ..... 301, 317	4460509 ..... 291, 307	4460991.....147
424009977, 95, 186, 205,	4460265 ..... 198	4460510 .... 302, 317, 339	4460995.....294
208, 211, 213	4460267 ... 292, 295, 301,	4460526 ... 116, 120, 292,	4460996.....294
4240113.....113	308, 310, 317	308	4460999.....147
4240149.....203	4460268 ... 292, 293, 301,	4460536 ..... 293, 309	4461001.....153
4280295.....113	308, 309, 317	4460539 ... 293, 294, 309	4461005....293, 295, 309,
4300157.....151	4460297 ..... 301, 317	4460607 ..... 153	311
4340747.....155	4460320 ... 292, 296, 301,	4460633 ..... 155	4461006....293, 295, 309,
4360031.....186	308, 311, 317	4460634 ... 290, 293, 295,	311
4360070.....152, 334	4460321 ... 300, 302, 315,	306, 310	4461008....295, 309, 311
4360294.....147, 334	318	4460635 ... 290, 293, 306,	4461052....293, 295, 309,
4360328....116, 119, 167,	4460326 ... 292, 295, 308,	310	311
189, 191, 332	310	4460705 ..... 300, 315	4461053....294, 295, 309,
4360330.....190	4460339 ..... 294	4460708 ... 190, 290, 294,	311
4360331.....190, 332	4460346 ... 149, 297, 300,	306, 308	4461054....294, 295, 309,
4360336....124, 142, 146,	313, 316	4460742 ..... 315, 317	311
149, 187, 190, 334		4460743 ..... 315, 317	

# PART NUMBER INDEX

4461060 ... 294, 295, 309, 311	4740362 ..... 124, 186	4891600.....74, 82, 89, 91, 100, 139, 170, 174, 179	70000583 ..... 51
4461070 ..... 293, 309	4740397 .... 142, 146, 187	4891800.....57, 139, 170, 174, 179	70000619 ..... 152
4461071 ..... 294, 309	4740439 ..... 167	4892000.29, 57, 130, 136	70000782 ..... 68
4461072 ..... 294, 309	4740444 ..... 116, 120	4892600.....179	70000793 ..... 92, 102
4461073 ..... 294, 309	4740490 ..... 43	4921827 ..... 300, 315	70000863 ..... 150
4461074 ..... 294, 309	4740500 ..... 129	4921927 ..... 48, 295, 310	70000912 ..... 93, 102
4461095 ..... 293, 309	4750600 ..... 152	4921956 ..... 300	70000913 ..... 93, 102
4461157 ..... 309	4750800 ..... 153	4922314 ..... 295	70000914 ..... 93, 102
4461196 ..... 298, 313	4751000 .. 124, 129, 130, 142, 146, 190, 208, 211, 213	4922467 ..... 291, 307	70000915 ..... 93, 102
4461198 ..... 297, 313	4751400 .. 73, 81, 82, 91, 101, 116, 120, 123, 129, 134, 151, 162, 167, 186, 190, 205, 208, 211, 213, 322, 327, 329	4922468 ..... 291, 307	70000916 ..... 93, 102
4461199 ..... 298, 313	4751500 ... 47, 74, 75, 81, 82, 88, 98, 129, 130, 134, 136, 142, 146	4922513 .... 116, 120, 292, 308	70000917 ..... 93, 102
4461201 ..... 297, 313	4751600 ... 27, 43, 73, 81, 82, 91, 100, 101, 113, 129, 134, 142, 146, 157, 170, 174, 186, 205, 208, 211, 213	4922636 ..... 294, 308	70000918 ..... 93, 102
4461202 ..... 298, 313	4751700 ..... 92	4922637 ..... 294, 308	70000919 ..... 93, 102
4461204 ..... 297, 313	4751800 .. 73, 81, 89, 98, 155	4922639 ..... 190, 274, 290	70000934 ..... 47
4461205 ..... 298, 313	4751900 ..... 142	4922641 .... 153, 300, 301, 315, 317	70001002 ..... 92
4461207 ..... 297, 313	4752000 .... 74, 82, 89, 98	4922643 ..... 301, 317	70001017 ..... 80, 92
4461244 ..... 297, 313	4760600 ..... 152, 153	4922666 ..... 190, 290, 306	70001100 ..... 150
4461245 ..... 297, 313	4761000 ..... 129	4922737 ..... 73, 74, 295	70001120 ..... 76, 84
4461246 ..... 297, 313	4761400 .... 116, 120, 151	4922757 ..... 152, 301	70001126 ..... 94, 103
4461249 ..... 298, 313	4761500 ..... 150	4922791 ..... 292, 307	70001132 ..... 93, 102
4530024 ..... 205, 217	4761600 ..... 157	4922792 ..... 291, 307	70001181 ..... 103
4530028 ... 208, 211, 213, 215	4770600 ..... 139	4922884 ..... 291, 307	70001384 ..... 150
4566468 ... 229, 231, 235, 237, 243	4791400 81, 91, 101, 151	4922886 ..... 292, 307	70001423 ..... 93
4566501 ..... 241	4811400 ..... 298, 314	4922888 .... 186, 291, 301, 307, 317	70001424 ..... 219
4566644 ..... 249	4811600 ..... 83, 142, 146	4922889 ..... 291, 307	70001425 ..... 219
4567073 ..... 73, 81	4811700 ..... 83, 185, 208	4922912 ..... 147	70001427 ..... 219
4568721 ..... 73, 81	4811900 .. 73, 81, 83, 152	4922925 ..... 151, 301, 316	70001428 ..... 219
4569171 ..... 91	4812000 ..... 83	4922970 ..... 300	70001429 ..... 219
4569371 ..... 76, 85	4812100 .. 73, 81, 83, 142	4923257 ..... 116, 293	70001430 ..... 219
4620127 ..... 57	4812200 ..... 91, 101	4923259 ..... 294	70001431 ..... 219
4640509 ... 223, 225, 227, 229, 231, 233, 235, 237, 239, 241	4831900 ..... 92	4923379 ..... 91, 101, 296, 311	70001432 ..... 219
4640744 .... 111, 257, 265	4832000 ..... 73, 81	4923462 ..... 291, 307	70001435 ..... 93, 102
4640750 ..... 73	4844815 ..... 167	4923510 ..... 291, 307	70001498 ..... 94
4640751 ..... 101	4844816 ..... 167	4923577 ..... 116, 292	70001663 ..... 157
4640906 ..... 47	4844817 ..... 167	4923582 ..... 116, 293	70001696 ..... 150
4640907 ..... 47	4844944 ..... 162, 167	4923584 ..... 294	70001697 ..... 177
4640908 ..... 47	4845356 ..... 129	4923591 ..... 294	70001742 ..... 76, 84
4640921 ..... 47, 55	4845395 ..... 91, 101	4923657 ..... 291, 307	70001835 ..... 93, 102
4640932 ... 229, 231, 233, 235, 237, 239	4845404 ..... 91	4923660 ..... 291, 307	70001836 ..... 93, 102
4641028 ..... 249	4845411 ..... 129	4932986 ..... 274, 337	70001837 ..... 93, 102
4641264 ..... 108, 257	4845671 ..... 181	4933146 ..... 274, 295	70001838 ..... 93, 102
4641317 ..... 48	4845819 ..... 181	4933219 ..... 274, 317	70001839 ..... 94, 102
4641489 ..... 47, 51	4846319 ..... 169, 173	4933264 .... 152, 274, 301	70001841 ..... 93, 102
4711000 ..... 27, 43	4846452 ..... 185	4933284 ..... 274, 299	70001847 ..... 94, 103
4711400 ... 47, 88, 91, 98, 101, 116, 123, 150, 151, 181, 185, 298, 314	4846566 ..... 91, 101	4933287 ..... 274, 299	70001848 ..... 93, 102
471150073, 81, 135, 136, 149, 181, 190	4846571 ..... 205	4933300 .... 274, 299, 300	70001850 ..... 92, 102
4711600 ... 43, 47, 74, 77, 81, 91, 95, 101, 151, 169, 173, 181	4846573 ..... 179	4933368 .... 274, 293, 294	70001866 ..... 94, 103
4711700 ..... 92	4846627 ... 208, 211, 213	4933369 .... 274, 293, 294	70001868 ..... 94, 103
4711800 .... 139, 150, 181	4846790 ..... 73, 81	70000045 ..... 92	70001872 ... 94, 103, 295, 311
4712000 ..... 203	4846805 ..... 73, 81	70000122 ..... 141, 145	70001874 ..... 93, 102
4712200 ..... 203	4891400 ..... 48	70000123 ..... 141, 145	70001941 ..... 123
4740076 ..... 128	4891500 ..... 48	70000124 ..... 141, 146	70001953 ..... 150
4740158 ..... 162, 167		70000125 ..... 141, 146	70001966 ..... 150
4740171 ..... 128, 134		70000126 ..... 142, 146	70001969 ..... 150
4740274 .. 73, 81, 91, 101		70000127 ..... 141, 146	70001973 ..... 150
4740314 ..... 162, 167		70000264 ..... 94	70001974 ..... 150
		70000342 ..... 177	70001976 ..... 55
		70000345 ..... 94, 103	70002005 ..... 181, 332
		70000579 ..... 51	70002006 ..... 181
		70000580 ..... 51	70002065 ..... 68
		70000582 ..... 51, 332	70002066 ..... 68
			70002067 ..... 68
			70002068 ..... 68
			70002069 ..... 68

# PART NUMBER INDEX

70002070.....68	70002510.....253	70003708.....150	7001485.....105, 106
70002071.....68	70002511.....253	70003709.....150	7001909.....61, 68
70002072.....68	70002512.....253	70003784.....190	7001911.....61, 68
70002073.....68	70002513.....253	70003995.....48	7001912.....68
70002074.....69	70002514.....253	70003996.....48	7001928.....61
70002075.....69	70002515.....253	70003997.....48	7001931.....61, 68
70002088.....150	70002516.....43	70003998.....48	7001985.....61, 68
7000209.....61	7000253.....61, 68	70003999.....48	7001987.....61
7000213.....69	7000255.....61, 68	70004000.....48	7001988.....61
7000214.....61	7000256.....61	70004169.....150	70020808.....311
7000217.....61, 68	7000257.....61, 68	70004170.....150	70020809.....311
70002200.....92, 93, 94, 102	7000258.....61	70004171.....150	70023915.....225
70002208.....65	7000263.....61, 68	70004182.....73, 81	70025082.....103
70002234.....94, 103	7000269.....61	70004316.....310	70025752.....103
70002243.....65	7000270.....61	70004317.....311	70025753.....103
7000228.....61, 68	70002705.....80	70004318.....311	7002821.....302, 317, 339
7000229.....61, 68	70002706.....80	70004319.....311	7002822.....339
70002297.....150	70002730.....195	70004643.....181	7002823.....302, 317, 339
7000230.....61, 68	70002731.....195	70004752.....197	7002826.....339
70002415.....94, 103	70002732.....195	70004753.....197	7002828.....302, 317
70002416.....94, 103	70002733.....195	70004754.....197	7003928.....193, 195
70002417.....94, 103	70002734.....195	70004755.....197	7003953.....193
7000246.....61, 68	70002735.....195	70004756.....197	7003974.....201
70002460.....150	70002761.....77, 84	70004757.....197	7003976.....193
70002464.....29	70002762.....77, 84	70004758.....197	7003977.....193
70002465.....29, 35	70002763.....76, 85	70004759.....197	7003992.....193
70002466.....35	70002764.....77, 84	70004760.....197	7003993.....193
70002467.....35	70002765.....77, 84	70004761.....197	7004035.....65, 69
70002468.....35	70002766.....77	70004762.....197	7004043.....65, 69
70002469.....35	70002767.....77	70004763.....197	7004044.....65, 69
70002470.....35	7000281.....68	70004764.....197	7004248.....48
70002471.....35	70002818.....153	70004765.....197	7004275.....339
70002475.....31	70002819.....153	70004766.....197	7004276.....339
70002476.....31	70002820.....153	70004767.....197	7004290.....48
70002477.....31	70002821.....153	70004768.....197	7005881.....63
70002478.....31	70002822.....153	70004769.....197	7005882.....63
70002479.....31	70002823.....153	70004770.....197	7005889.....63
7000248.....68	70002824.....153	70004771.....197	7005890.....63
70002480.....31	70002825.....153	70004772.....197	7005891.....63
70002481.....31	70002826.....153	70004773.....198	7005892.....63
70002482.....31	70002833.....75, 84	70004774.....198	7005893.....63
70002483.....31	70002834.....75, 84	70004775.....198	7006138.....181
70002484.....31	70002835.....75, 84	70005916.....103	7006143.....181
70002485.....31	70002841.....77	70005917.....103	7007289.....107
70002486.....31	70002843.....76, 84	7000625.....186	7007412.....107
70002487.....31	70002844.....76, 84	70006442.....247	7007419.....105, 107
70002488.....31	70002845.....77, 84	70006443.....239, 247	7007470.....106, 107
70002489.....31	70002846.....77, 84	70006444.....239, 247	7007489.....111
70002490.....31	70002847.....76, 84	70006445.....239, 247	7007497.....311
70002491.....31	70002848.....76, 84	70006446.....239, 247	7007498.....295, 311
70002492.....31	70002849.....76, 84	70006447.....247	7007633.....61, 68
70002493.....31	70002850.....76, 84	70006568.....225	7010103.....111
70002495.....33	70002851.....76, 85	70006569.....225, 233	7010104.....111
70002496.....33	70002852.....77, 85	70006570.....225	7010105.....111
70002497.....33	70002863.....76	70006571.....225	7010474.....61, 68
70002498.....33	70002902.....186	70006572.....225	7010488.....61
70002499.....33	70002903.....186	7000663.....94, 103	7010492.....61, 68
70002500.....43	70002904.....186	70006648.....233	7010494.....61
70002501.....43	70002905.....186	70006649.....227, 233	7010496.....61
70002502.....43, 253	70002906.....195	70006650.....227, 233	7010542.....51
70002503.....43, 253	70002948.....155	70006734.....227	7010543.....47, 48, 51
70002504.....253	70003001.....94	70006735.....227	7011043.....48
70002505.....253	70003002.....94	70006736.....227	7011044.....48
70002506.....253	70003003.....94	70006822.....239	7011048.....48
70002507.....253	70003476.....92, 93, 94, 103	70006823.....239	7011062.....48
70002508.....253	70003483.....186	7001268.....106	7011063.....48
70002509.....253	70003631.....150	7001481.....107	7011064.....48

## PART NUMBER INDEX

7011065 .....	48	7017421 .....	55	7021260.....	106	7022614.....	35
7011066 .....	48	7017422 .....	55	7021265.....	106	7022617.....	29
7011112 ...	229, 231, 233, 235, 237, 239	7017464 .....	51	7021267.....	105	7022618.....	33
7011328 .....	47	7017481 .....	47	7021269.....	106	7022622.....	31
70124410 .....	103	7018612 .....	57	7021271.....	106	7022623.....	33
70124440 .....	103	7018912 .....	52, 55	7021272.....	106	7022624.....	31
7012513 .....	141, 145	7018942 .....	55	7021273.....	106	7022625.....	33
7012514 .....	141, 145	7018945 .....	55	7021274.....	106	7022626.....	33
7012518 .....	51	7018991 .....	51	7021275.....	106	7022627.....	31, 33
7012558 .....	141, 145	7019111 .....	193	7021276.....	106	7022629.....	33
7012664 .	72, 80, 90, 101, 332	7019122 .....	193	7021277.....	106	7022630.....	33
7012772 ..	51, 52, 55, 332	7019123 .....	193	7021278.....	106	7022631.....	33
7012773 .....	51, 52, 55	7019141 .....	193	7021279.....	106	7022632.....	33
7012775 .....	51	7019142 .....	193	7021280.....	107	7022633.....	33
7012776 .....	55	7019143 .....	193	7021281.....	107	7022636.....	29
7012777 .....	55	7019144 .....	193	7021283.....	107	7022637.....	33
7012799 .....	51	7019145 .....	193	7021285.....	107	7022638.....	33
7012905 .....	47	7019147 .....	193	7021289.....	106	7022645.....	33
7012912 .....	51, 52	7019149 .....	193	7021296.....	107	7022652.....	35
7012914 .....	51	7019150 .....	193	7021297.....	107	7022654.....	31
7012918 .....	51	7019171 .....	193	7021298.....	107	7022655.....	31
7012941 .....	47, 48	7019174 .....	193	7021299.....	107	7022656.....	31
7012944 ..	47, 48, 51, 332	7019177 .....	193	7021310.....	52	7022657.....	31
7012953 .....	51, 55	7019197 .....	193	7021373.....	51	7022658.....	31
7012965 .....	55	7019658 .....	113	7021375.....	51	7022660.....	31
7012967 .....	51	7019680 .....	141, 146	7021376.....	51, 332	7022661.....	31
7012972 .....	47	7020020 .....	47	7022190.....	106	7022662.....	33
7012987 .....	111	7020021 .....	47	7022321.....	105	7022663.....	33
7012988 .....	111	7020108 .....	141, 145	7022330.....	105	7022664.....	35
7012989 .....	51	7020109 .....	141, 145	7022331.....	105	7022693.....	13
7012998 .....	51, 52, 55	7020110 .....	141, 145	7022332.....	105	7022720.....	43
7014676 .....	339	7020111 .....	141, 145	7022333.....	105	7022721.....	43
7016314 .....	113	7020175 ...	116, 119, 190	7022334.....	105	7022722.....	43
7016319 .....	124	7020176 ...	116, 119, 190	7022335.....	105	7022723.....	43
7016322 .....	139	7020190 .....	141, 145	7022336.....	105	7022724.....	43
7016331 .....	92, 102, 334	7020192 .....	142, 146	7022337.....	105	7022726.....	43
7016372 .....	124	7020193 .....	300, 315	7022338.....	105	7022727.....	43
7016374 .....	139	7020194 .....	141, 146	7022340.....	106	7022729.....	43
7016380 .....	123	7020246 .....	115, 119	7022341.....	106	7022732.....	29
7016399 .....	186	7020408 .....	93, 102	7022342.....	106	7022735.....	43
7016422 .....	63	7020411 .....	93	7022343.....	106	7022736.....	43
7016423 .....	63	7020447 .....	93	7022344.....	106	7022751.....	35
7016424 .....	63	7020449 .....	93, 102	7022345.....	106	7022808.....	193, 195
7016425 .....	63	7020459 .....	94, 103	7022346.....	106	7022814.....	193
7016426 .....	63	7020460 .....	94	7022347.....	106	7022815.....	193, 195
7016427 .....	63	7020464 .....	94	7022348.....	106	7022816.....	193
7016530 .....	181	7020465 .....	92, 102	7022349.....	106	7022817.....	193
7016654 .....	339	7020468 .....	92, 102	7022350.....	107, 295	7022818.....	193
7016655 .....	339	7020471 .....	93, 102	7022351.....	107	7022819 ...	193, 195, 295, 311
7017023 .....	68	7020479 .....	94, 103	7022352.....	107	7022821.....	43
7017028 .....	69	7020487 .....	92, 102	7022353.....	107	7022832.....	201
7017070 .....	61, 68	7021229 .....	107	7022354.....	105	7022833.....	201
7017072 .....	68	7021236 .....	105	7022355.....	105	7022834.....	201
7017080 .....	68	7021237 .....	105	7022357.....	106	7022835.....	201
7017082 .....	69	7021238 .....	105	7022358.....	107	7022836.....	201
7017085 .....	68	7021239 .....	105	7022359.....	107	7022837.....	201
7017158 .....	177	7021240 .....	105	7022521.....	51	7022838.....	201, 332
7017159 .....	177	7021243 .....	105	7022601.....	31	7022839.....	201
7017162 .....	177	7021248 .....	105	7022603.....	31	7023981.....	47
7017163 .....	177	7021249 .....	105	7022604.....	33	7023996.....	105
7017164 .....	177	7021250 .....	105	7022605.....	29	7023997.....	105
7017183 .....	177	7021251 .....	105, 106	7022606.....	35	7023998.....	105
7017193 .....	177	7021253 .....	105	7022607.....	35	7023999.....	105
7017195 .....	177	7021255 ...	105, 106, 107	7022608.....	35	7024100.....	61, 69
7017410 .....	51	7021256 .....	107	7022609.....	35	7024379.....	65, 69
		7021257 .....	106	7022610.....	31	7024380.....	65, 69
		7021259 .....	106	7022612.....	35		

# PART NUMBER INDEX

7024381.....	65, 69	7026199.....	141, 145	7026835.....	76	80213044.....	11
7024389.....	65	7026330.....	48	7026836.....	76	80213060.....	11
7024390.....	65, 69	7026597.....	150	7026837.....	76	80213115.....	27
7024395.....	65	7026608.....	94, 103	7026838.....	77	80213116.....	27
7024396.....	69	7026631.....	92, 102	7026839.....	75, 76, 84	80213117.....	11, 21
7024397.....	249	7026632.....	157	7026840.....	76	80213118.....	11
7024398.....	92	7026633.....	157	7026841.....	76	80213119.....	255
7024439.....	113	7026634.....	157	7026843.....	76	80213121.....	13
7024440.....	113	7026635.....	157	7026882.....	76	80214001.....	17
7024441.....	113	7026636.....	157	7026887.....	76	80214002.....	17
7024442.....	113, 332	7026637.....	157	7026888.....	75	80214003.....	17
7024443.....	113	7026638.....	157	7027000.....	295	80214004.....	23
7024444.....	113, 332	7026639.....	157	7027001.....	74, 88, 295	80214005.....	17
7024445.....	113	7026640.....	157	7027002.....	74, 83, 88, 98, 295, 310	80214006.....	17
7024446.....	113	7026641.....	158	7027003.....	74, 88, 98, 295, 310	80214007.....	17
7024453.....	65, 69	7026642.....	158	7027004.....	74, 88, 98, 295, 310	80214008.....	17
7024454.....	69	7026643.....	158	7027028.....	83, 310	80214009.....	19
7024455.....	69	7026644.....	158	7027029.....	83, 310	80214010.....	19, 25
7024456.....	69	7026645.....	158	7027033.....	83, 310	80214011.....	19, 25
7024458.....	69	7026646.....	158	7027236.....	94	80214012.....	19
7024462.....	215	7026647.....	158	7027239.....	94	80214013.....	19
7024463.....	215	7026648.....	158	7027246.....	92	80214014.....	19
7024467.....	215	7026649.....	158	7027276.....	94, 103	80214015.....	19
7024469.....	215	7026650.....	158	7027412.....	73, 81	80214017.....	19
7024470.....	215	7026651.....	157	7027608.....	92	80214018.....	19
7024471.....	215, 219	7026652.....	157	7027609.....	93	80214019.....	19
7024472.....	215	7026653.....	157	7027610.....	93	80214020.....	19
7024473.....	215	7026654.....	157	7027773.....	215	80214021.....	19
7024474.....	215	7026655.....	157	7027774.....	215	80214022.....	19
7024475.....	215	7026656.....	157	7027775.....	215	80214023.....	23
7024478.....	215	7026658.....	158	7027776.....	215	80214024.....	23
7024485.....	150	7026659.....	157	7027777.....	215	80214026.....	23
7024488.....	151	7026660.....	157	7027778.....	215	80214027.....	23
7024489.....	151	7026661.....	157	7027780.....	215	80214028.....	23
7024519.....	217	7026800.....	76, 84	7027781.....	155	80214029.....	23
7024520.....	217	7026801.....	76, 84	7027782.....	155	80214030.....	23
7024521.....	217	7026802.....	76, 84	7027783.....	155	80214031.....	25
7024522.....	217	7026803.....	76, 84	7027784.....	155	80214033.....	25
7024523.....	217	7026804.....	76, 84	7027790.....	94, 103	80214034.....	25
7024524.....	217	7026805.....	76, 84	7027791.....	94, 103	80214171.....	14
7024525.....	217	7026806.....	76, 84	7027792.....	94, 103	80214172.....	14
7024526.....	217	7026807.....	76, 84	7027793.....	94, 103, 295, 311	80214308.....	13
7024527.....	217	7026808.....	85	7027794.....	295	80214312.....	13
7024528.....	217	7026809.....	76, 85	7027795.....	94, 103	80214325.....	13
7024529.....	217	7026810.....	76, 84	7027796.....	94, 103, 295, 311	80214326.....	13
7024530.....	217, 219	7026811.....	75, 84, 334	7027799.....	150	80214329.....	13
7024531.....	217, 219	7026812.....	75, 84	7027887.....	142, 146	80214332.....	13
7024532.....	217, 219	7026813.....	75, 84	77143013.....	119	80214333.....	13
7024533.....	217, 219	7026814.....	76, 85	80211039.....	11	80214334.....	13
7024534.....	217, 219	7026815.....	76, 85	80211144.....	27	80214337.....	13
7024535.....	217, 219	7026816.....	76, 84	80211147.....	27	80214361.....	21
7024536.....	217, 219	7026817.....	76, 84	80211148.....	27	80214362.....	21
7024537.....	217, 219	7026818.....	77	80211154.....	11	80214363.....	21
7024560.....	92, 102	7026819.....	76, 84	80211160.....	27	80214364.....	21
7024565.....	94, 103	7026820.....	76, 85	80213004.....	11, 17	80214365.....	21
7024579.....	94, 103	7026821.....	76, 85	80213005.....	11, 19	80214366.....	21
7024598.....	139	7026822.....	76, 85	80213011.....	11	80214367.....	21
7024704.....	68	7026824.....	76	80213016.....	21	80214368.....	21
7024763.....	68	7026825.....	76	80213040.....	11, 23	80214369.....	21
7024784.....	69	7026826.....	76, 85	80213041.....	11, 25	80214370.....	21
7024800.....	106	7026827.....	76, 85	80213042.....	11, 25	80214371.....	14
7024801.....	107	7026828.....	76, 85			80214372.....	14
7024802.....	107	7026829.....	76, 85			80214373.....	14
7024803.....	107	7026830.....	75, 84, 334			80214374.....	14
7024804.....	106	7026831.....	75, 85			80214375.....	13
7024805.....	105	7026832.....	77, 85			80214376.....	13
7026188.....	150	7026833.....	75, 85			80214377.....	13



## PART NUMBER INDEX

80214378 .....	14	83191002 .....	11	83694108.....	23	88521212.....	11
80214379 .....	14	83191004 .....	27	83813109.....	339	88551013.....	11, 27
80215014 .....	11, 27, 255	83191010 .....	27	83953053.....	255	88662301.....	255
8021-5014.....	272	83191013 .....	27	8405009.....	72, 81	88662329.....	255
80215016 .....	11, 27, 255	83191021 .....	27	8405104.....	72, 81	88662332.....	255
8021-5016.....	272	83191056 .....	11	8406105.....	83	88662346.....	255
80216028 .....	11	83191058 .....	11	8406109.....	84	88662354.....	255
80216035 .....	27	83201001 .....	11	8410013.....	90	88662421.....	255
8021-D121 .....	11	83201047 .....	11	84718465.....	255	88662446.....	255
80424002 .....	68	8320270 .....	93, 102, 334	84718604.....	255	88662448.....	255
80613008 .....	11, 25	83304150 .....	65	84719026.....	255	8896941 .....	339
80613009 .....	11, 25	83604107 .....	23	84719727.....	255	90027187 .....	255
80614008 .....	25	83694007 .....	23	84719728.....	255	90027472 .....	11
80683015 .....	11	83694009 .....	23	88201065.....	11	90027475 .....	11
80914076 .....	13	83694010 .....	23	88201069.....	27	90206194.....	134
8229242 .....	310	83694040 .....	23	88341012.....	11	91401281 ..	72, 81, 89, 99
8303541 .....	83	83694045 .....	25	88501008.....	27		
8310129 .....	203	83694046 .....	25	88501016.....	11		
8310230 .....	203	83694047 .....	25	88521205...74, 81, 89, 99			



3121251



An Oshkosh Corporation Company

**Corporate Office**  
**JLG Industries, Inc.**  
**1 JLG Drive**  
**McConnellsburg, PA 17233-9533 USA**  
☎ **(717) 485-5161 (Corporate)**  
☎ **(877) 554-5438 (Customer Support)**  
📠 **(717) 485-6417**

**Visit our website for JLG Worldwide Locations**  
**[www.jlg.com](http://www.jlg.com)**