



Illustrated Parts Manual

Models
680S
800S
810SJ
860SJ

SN 0300182743 to SN 0300272492*
SN B300001092 to SN B300005730*
* see Revision Log page for exceptions

P/N
3121632

October 1, 2021 - Rev Q

ANSI

CE



AS/NZS



An Oshkosh Corporation Company

REVISION LOG

NOTES:

Note: SN 0300174290, 0300180894 & 0300181347 also built to the same specs as machines built SN 0300182743 to SN 0300272492.

Note: The 800S & 860SJ Boom Lifts are manufactured by JLG Industries in the following countries: USA and China. Refer to the Serial Number Tag to identify the country of manufacture. The country of manufacture may be determined by the Serial Number. Machines manufactured in the USA will have a serial number prefix of 03 (i.e. 03XXXXXXXX). Machines manufactured in China will have a serial number prefix of B3 (i.e. B3XXXXXXXX).

List of SN exceptions:

0300272449 to 0300272454, B300005568

Note: Model 810SJ - All components are the same as used on the 860SJ models with the exception of the Decal & Boom Installations. These components can be found in Section 10 - Special Options.

REVISION LOG:

January 17, 2014 - A - Original Issue of Manual (Edited to B/M 1001160050 Rev E & B/M 1001156802 Rev D)

October 6, 2014 - B - Revised Manual (Edited to B/M 1001156802 Rev D)

November 25, 2015 - C - Revised Manual (Edited to B/M 1001156802 Rev D)

January 8, 2016 - D - Revised Manual (Edited to B/M 1001156802 Rev AM) (Revision 4)

April 29, 2016 - E - Revised Manual (Edited to B/M 1001156802 Rev AP) (Revision 2)

July 22, 2016 - F - Revised Manual (Edited to B/M 1001156802 Rev AP) (Revision 3)

October 21, 2016 - G - Revised Manual (Edited to B/M 1001156802 Rev AP) (Revision 2)

January 16, 2017 - H - Revised Manual (Edited to B/M 1001156802 Rev BL) (Revision 2)

April 20, 2017 - I - Revised Manual (Edited to B/M 1001156802 Rev BL) (Revision 2)

July 28, 2017 - J - Revised Manual (Edited to B/M 1001156802 Rev BL) (Revision 2)

October 6, 2017 - K - Revised Manual (Edited to B/M 1001156802 Rev BM) (Revision 2)

January 31, 2018 - L - Revised Manual (Edited to B/M 1001156802 Rev BZ) (Revision 2)

April 12, 2018 - M - Revised Manual (Edited to B/M 1001156802 Rev CE) (Revision 2)

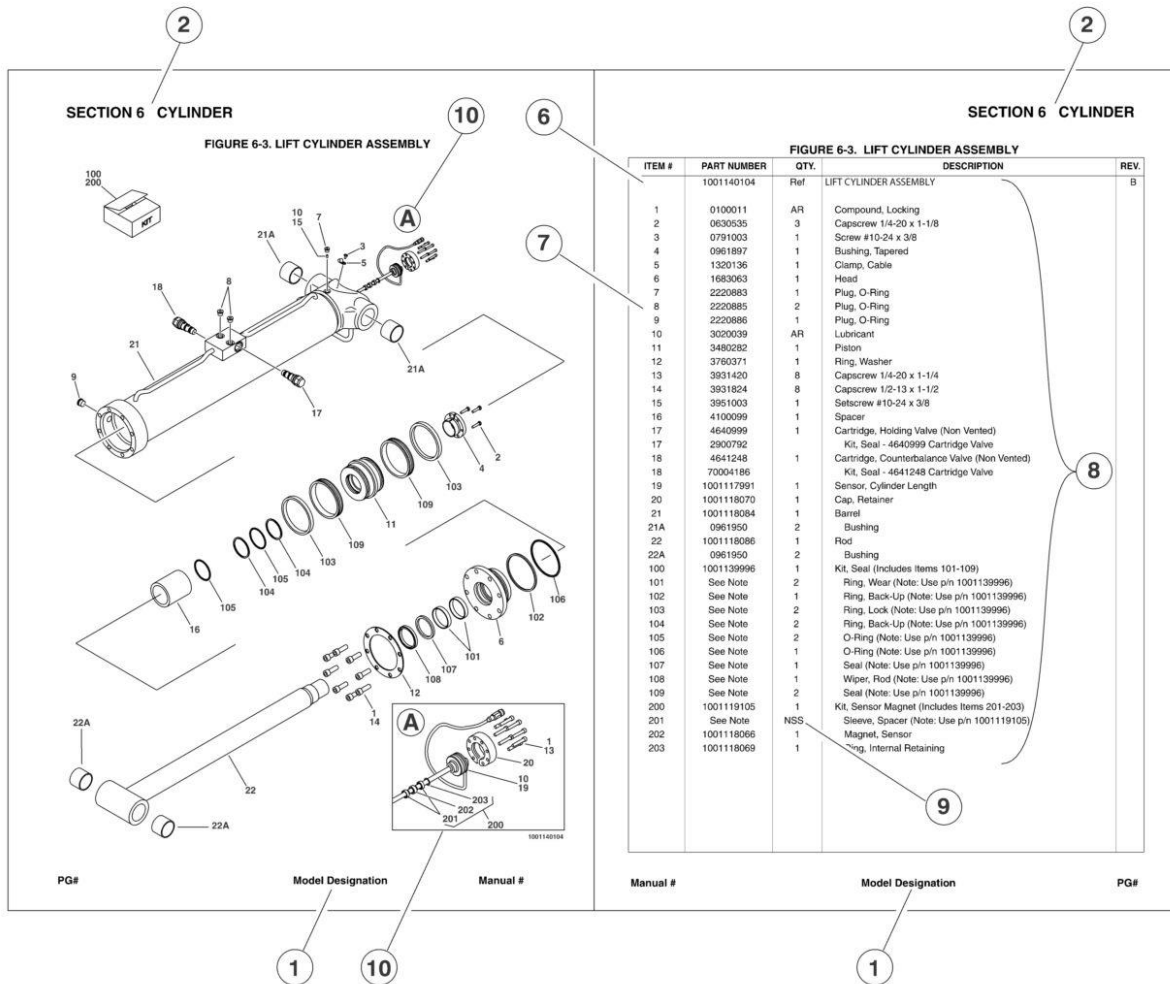
July 27, 2018 - N - Revised Manual (Edited to B/M 1001156802 Rev CE) (Revision 2)

October 18, 2018 - O - Revised Manual (Edited to B/M 1001156802 Rev CT) (Revision 5)

April 24, 2020 - P - Revised Manual (Edited to B/M 1001156802 Rev CT) (Revision 5)

October 1, 2021 - Q - Revised Manual (Edited to B/M 1001156802 Rev CT) (Revision 5)

GENERAL INFORMATION



1) MACHINE IDENTIFICATION

Machines are identified by model and in some cases a combination of models, serial number (SN) or regional standard (i.e. ANSI, CE, CSA). Components may also be identified by SN or manufacturer. Common components that may be identified by these characteristics are engines and hydraulic components.

2) PARTS MANUAL ORGANIZATION

Product information in this manual is organized under section titles. Frame, Cylinder, Hydraulic and Electrical are a few examples. Each section is organized by figure and page number. The information within the Figure is then organized by item number, part number, description and corresponding illustration(s).

3) TABLE OF CONTENTS

A table of contents is found toward the beginning of the manual. Figure number, description and page number are provided for quick reference to the page containing the related information.

4) RECOMMENDED SPARE PARTS

The Recommended Spare Parts, located near the end of the manual, reference most frequently used maintenance parts.

5) PART NUMBER INDEX

A numerical index listing all part numbers and the corresponding page number(s) appears at the back of the manual.

GENERAL INFORMATION

6) NON-SERVICED PARTS

In some instances, it is necessary to display non-serviced parts, assemblies or installations. In the case of assemblies and installations there will be a Ref in the Qty column. In case of parts that are not available for service within assemblies or components, there will be a NSS (Not Sold Separately) or NLA (No Longer Available) listed in the Qty. column of the manual.

7) PARTS LIST ITEM NUMBERS

Numbers shown in the item# column correspond to numbers used in the associated illustration (s). Item numbers which are missing from the sequence in the parts list are not used on that page

8) INDENTED PARTS DESCRIPTION

An indented part description is included in the item under which it is indented.

9) ABB REVIATION AND SYMBOLS

AC.....	.. Alternating Current	LCD Liquid Crystal Display
ADE.....	..Advanced Design Electronics	LED Light Emitting Diodes
ANSIAmerican National Standards Institute	LH.....	.. Left Hand
AR.....	..As Required	LSSLoad Sensing System
ASSY Assembly	M(m).....	.. Metric/Meter
AUX.....	..Auxiliary	MM (mm)Milimeter
AWG.....	..American WireGauge	mA.....	.. Miliamps
B/M.....	.. Bill of Material	NLA.....	..No Longer Available
CE.....	..European Conformity	NPT National Pipe Threads
CCWCounter Clockwise	NSSNot So ld Separately
cm.....	..Centimeter	OD.....	..Outside Diameter
CWClockwise	ORB.....	.. O-Ring Boss
CSA.....	..Canadian Standards Association	ORFS.....	.. O-Ring Face Seal
CYL.....	..Cylinder	OZ (oz)Ounces
DIA.....	..Diameter	PGPage
DC.....	..Direct Current	P/N.....	..Part Number
EMS Emergency Stop	qt.....	..Quarts
ENGEngine	QTY.....	..Quantity
FT (ft).....	..Feet	REFReference
GA (Ga).....	..Gauge	REVRevision Level
HYD.....	..Hydraulic	RH.....	.. Right Hand
Hz.....	..Hertz	SAE.....	.. Society of Automotive Engineers
ID.....	..Inside Diameter	SN.....	..Serial Number
in.....	..inches	SPEC(S).....	..Specifications
ISOInternational Organization for Standards	T/T.....	..Turntable
JIC.....	..Joint Industry Council	UGMUniversal Ground Module
KGKilogram	V.....	..Volts
L.....	..Liter	W.....	..Watts
LB.....	..Pounds	#.....	..Number

10) ILLUSTRATION REFERENCE LETTERS

When necessary, illustrations may contain reference letters that are intended to track information (i. e. hoses, harnesses) from one point to another or to track visual enlargement of components to show details that may be located in another area on the illustration.

Note: Due to continuous product improvements, JLG Industries, Inc. reserves the right to make specification changes without prior notification. Contact JLG Industries, Inc. for updated information.

TABLE OF CONTENTS

SECTION 1 - FRAME.....	13
FIGURE 1-1. AXLE AND STEERING INSTALLATION WITHOUT TOW PACKAGE	14
FIGURE 1-2. AXLE AND STEERING INSTALLATION WITH TOW PACKAGE	18
FIGURE 1-3. TIRE AND WHEEL DRIVE INSTALLATIONS.....	22
FIGURE 1-4. DRIVE HUB/BRAKE ASSEMBLY (SN 0300182743 through 0300244559, SN B300001092 through B300002866)	26
FIGURE 1-5. DRIVE HUB/BRAKE ASSEMBLY (SN 0300244560 through 0300272492, SN B300002867 through B300005730)	30
FIGURE 1-6. DRIVE MOTOR ASSEMBLY	34
FIGURE 1-7. FRAME VALVES AND SHIELDS INSTALLATIONS.....	38
FIGURE 1-8. TOW PACKAGE INSTALLATION.....	40
SECTION 2 - TURNTABLE.....	43
FIGURE 2-1. CONTROL VALVES AND AUXILIARY PUMP INSTALLATIONS	44
FIGURE 2-2. MAIN CONTROL VALVE ASSEMBLY (SN 0300182743 through 0300190436).....	48
FIGURE 2-3. MAIN CONTROL VALVE ASSEMBLY (SN 0300190437 through 0300263834, SN B300001092 through B300003943)	50
FIGURE 2-4. MAIN CONTROL VALVE ASSEMBLY (SN 0300263835 through 0300272492, SN B300003944 through B300005730).....	52
FIGURE 2-5. AUXILIARY PUMP WITH BATTERY WITHOUT BATTERY DISCONNECT SWITCH INSTALLATION	54
FIGURE 2-6. AUXILIARY PUMP WITH BATTERY WITH BATTERY DISCONNECT SWITCH INSTALLATION.....	56
FIGURE 2-7. TURNTABLE BEARING AND SWING DRIVE INSTALLATION.....	58
FIGURE 2-8. SWING MOTOR/HUB ASSEMBLY (Prior to SN 0300270177, Prior to SN B300005528)	60
FIGURE 2-9. SWING MOTOR/HUB ASSEMBLY (SN 0300270177 to Present, SN B300005528 to Present).....	64
FIGURE 2-10. DEUTZ D2011 ENGINE INSTALLATION	68
FIGURE 2-11. DEUTZ TD2.9L4 ENGINE INSTALLATION	78
FIGURE 2-12. FORD ENGINE INSTALLATION.....	96
FIGURE 2-13. GM ENGINE INSTALLATION	108
FIGURE 2-14. HYDROSTATIC PUMP ASSEMBLY (SN 0300182743 through 0300208405, SN B300001092 through B300001325).....	114
FIGURE 2-15. HYDROSTATIC PUMP ASSEMBLY (SN 0300208406 through 0300240852, SN B300001326 through B300002584).....	118
FIGURE 2-16. HYDROSTATIC PUMP ASSEMBLY (SN 0300240853 through 0300272492, SN B300002585 through B300005730).....	120
FIGURE 2-17. VARIABLE PUMP ASSEMBLY	122
FIGURE 2-18. FUEL-WATER SEPARATOR INSTALLATION - DEUTZ D2011.....	126
FIGURE 2-19. FUEL-WATER SEPARATOR INSTALLATION - DEUTZ TD2.9L4.....	128
FIGURE 2-20. FUEL FILTER ASSEMBLY (DEUTZ TD2.9L4 ENGINES)	130
FIGURE 2-21. BREATHER HEATER INSTALLATION - DEUTZ D2.9L4 ENGINE WITH ARCTIC PACKAGE.....	132
FIGURE 2-22. TANK INSTALLATIONS.....	134
FIGURE 2-23. LP TANK INSTALLATIONS (FORD & GM ENGINE MACHINES ONLY)	140
FIGURE 2-24. ROTARY COUPLING INSTALLATION.....	142
FIGURE 2-25. GROUND CONTROL BOX ASSEMBLY.....	144
FIGURE 2-26. LIMIT SWITCHES, LIGHTS AND ALARM INSTALLATIONS	150
FIGURE 2-27. HOODS INSTALLATION (ABS).....	156
FIGURE 2-28. HOODS (STEEL) AND LIFTING PLATE INSTALLATIONS.....	162
FIGURE 2-29. HOOD ASSEMBLY - ENGINE SIDE REAR (DEUTZ DT2.9L4 (STAGE V) ENGINES) (SN B300004395 through B300005730).....	170

TABLE OF CONTENTS

FIGURE 2-30. HOOD ASSEMBLY - TANK SIDE REAR (DEUTZ DT2.9L4 (STAGE V) ENGINES) (SN B300004395 through B300005730).....	172
FIGURE 2-31. ENGINE TRAY JACK INSTALLATION (OPTIONAL)	174
FIGURE 2-32. 2500W GENERATOR INSTALLATION - DEUTZ D2011 MACHINES (OPTIONAL)	176
FIGURE 2-33. 2500W GENERATOR INSTALLATION - DEUTZ TD2.9L4 MACHINES (OPTIONAL)	180
FIGURE 2-34. 2500W GENERATOR INSTALLATION - FORD MACHINES (OPTIONAL).....	182
FIGURE 2-35. 2500W GENERATOR INSTALLATION - GM MACHINES (OPTIONAL)	186
FIGURE 2-36. 4000W GENERATOR INSTALLATION - DEUTZ D2011 ENGINES	190
FIGURE 2-37. 4000W GENERATOR INSTALLATION - DEUTZ TD2.9L4 ENGINES	194
FIGURE 2-38. 4000W GENERATOR INSTALLATION - GM ENGINES	198
FIGURE 2-39. 7500W SKYPOWER GENERATOR INSTALLATION - DEUTZ ENGINES	202
FIGURE 2-40. 7500W SKYPOWER GENERATOR INSTALLATION - FORD ENGINES	208
FIGURE 2-41. 7500W SKYPOWER GENERATOR INSTALLATION - GM ENGINES.....	212
FIGURE 2-42. SKYAIR AIR COMPRESSOR INSTALLATION	216
FIGURE 2-43. AIR COMPRESSOR ASSEMBLY	218
FIGURE 2-44. WHITE NOISE ALARM INSTALLATION	222
SECTION 3 - BOOM.....	225
FIGURE 3-1. TOWER BOOM, UPRIGHT AND CYLINDERS INSTALLATION.....	226
FIGURE 3-2. MAIN BOOM INSTALLATION (680S,800S)	230
FIGURE 3-3. MAIN BOOM INSTALLATION (860SJ).....	234
FIGURE 3-4. MAIN BOOM ASSEMBLIES	238
FIGURE 3-5. ROTATOR ASSEMBLY.....	242
FIGURE 3-6. PLATFORM SUPPORT AND CONTROL VALVES INSTALLATIONS	246
FIGURE 3-7. PLATFORM VALVE ASSEMBLIES (680S,800S) (SN 0300190437 through 0300263834, SN B300001092 through B300003943).....	250
FIGURE 3-8. PLATFORM VALVE ASSEMBLIES (860SJ) (SN 0300182743 through 0300190436)	252
FIGURE 3-9. PLATFORM VALVE ASSEMBLY (680S,800S) (SN 0300263835 through 0300272492, SN B300003944 through B300005730).....	254
FIGURE 3-10. PLATFORM VALVE ASSEMBLY (860SJ) (860SJ) (SN 0300263835 through 0300272492, SN B300003944 through B300005730).....	256
FIGURE 3-11. PLATFORM SUPPORT INSTALLATION - WITH 1 CELL LSS (800S,860SJ).....	258
FIGURE 3-12. PLATFORM SUPPORT INSTALLATION - WITH 4 CELL LSS	260
FIGURE 3-13. BOOM CABLE CLAMPS INSTALLATIONS	264
SECTION 4 - PLATFORM	267
FIGURE 4-1. PLATFORM COMPONENTS INSTALLATION	268
FIGURE 4-2. PLATFORM COMPONENTS INSTALLATION (FALL ARREST PLATFORM)	274
FIGURE 4-3. PLATFORM CONSOLE ASSEMBLY (WITHOUT SKYGUARD)	276
FIGURE 4-4. PLATFORM CONSOLE ASSEMBLY (WITH SKYGUARD).....	282
FIGURE 4-5. CONTROLLER ASSEMBLY (LIFT AND SWING)	288
FIGURE 4-6. CONTROLLER ASSEMBLY (LIFT AND SWING)	290
FIGURE 4-7. CONTROLLER ASSEMBLY (DRIVE AND STEER)	294
FIGURE 4-8. CONTROLLER ASSEMBLY (DRIVE AND STEER)	296
FIGURE 4-9. SOFT TOUCH SYSTEM INSTALLATION (OPTIONAL).....	298
FIGURE 4-10. PLATFORM BUMPER PADDING INSTALLATION (OPTIONAL).....	300
FIGURE 4-11. SKYGUARD SYSTEM INSTALLATION (SN 0300182743 through 0300255782, SN B300001092 through B300004484).....	302

TABLE OF CONTENTS

FIGURE 4-12. SKYGUARD BAR INSTALLATION (SN 0300255783 through 0300272492, SN B300004485 through B300005730)	304
FIGURE 4-13. CROSS RAIL INSTALLATION	306
FIGURE 4-14. SKYEYE INSTALLATION	308
FIGURE 4-15. SKYGLAZIER INSTALLATION (800S,860SJ)	310
FIGURE 4-16. SKYLINE INSTALLATION	312
FIGURE 4-17. SKYWELDER/SKYCUTTER COMBO INSTALLATION (60HZ) (ANSI, ANSI EXPORT, AND CSA SPECS) (NOT AVAILABLE ON 800S SHIPYARD MACHINES) (800S,860SJ)	314
FIGURE 4-18. SKYWELDER INSTALLATION (50HZ) (CE SPECS) (NOT AVAILABLE ON 800S SHIPYARD MACHINES) (800S,860SJ)	318
FIGURE 4-19. SKYWELDER INSTALLATION (60HZ) (ANSI, ANSI EXPORT, AUSTRALIAN, CSA, AND JAPANESE SPECS) (800S,860SJ)	320
FIGURE 4-20. SKYWELDER PREP PACKAGE (60HZ) (ANSI, ANSI EXPORT, AUSTRALIAN, CSA, AND JAPANESE SPECS) (800S,860SJ)	322
FIGURE 4-21. WELDER ASSEMBLY	324
FIGURE 4-22. SKYCUTTER INSTALLATION (ANSI, ANSI EXPORT, CSA, AND JAPANESE SPECS) (NOT AVAILABLE ON 800S SHIPYARD MACHINES) (800S,860SJ)	326
FIGURE 4-23. PLASMA CUTTER ASSEMBLY	328
FIGURE 4-24. PIPE RACKS INSTALLATION (ANSI AND AUSTRALIAN SPECS) (NOT AVAILABLE ON 800S SHIPYARD MACHINES) (800S,860SJ)	330
FIGURE 4-25. FALL ARREST INSTALLATION (BOLT-ON EXTERNAL) (6FT/1.82M PLATFORM) (800S,860SJ)	332
FIGURE 4-26. FALL ARREST INSTALLATION (BOLT-ON EXTERNAL) (6FT/1.82M TRI-ENTRY PLATFORM) (800S,860SJ)	334
FIGURE 4-27. FALL ARREST INSTALLATION (BOLT-ON EXTERNAL) (8FT/2.4M PLATFORM) (800S,860SJ)	336
SECTION 5 - CYLINDER	339
FIGURE 5-1. AXLE LOCKOUT CYLINDER ASSEMBLY (SN 0300182743 through 0300272492, SN B300001092 through B300002483)	340
FIGURE 5-2. AXLE LOCKOUT CYLINDER ASSEMBLY (SN B300002484 through B300005730)	342
FIGURE 5-3. LEVEL CYLINDER ASSEMBLY - PLATFORM SLAVE (680S,800S) (SN 0300182743 through 0300183962)	344
FIGURE 5-4. LEVEL CYLINDER ASSEMBLY - PLATFORM SLAVE (680S,800S) (SN 0300183963 through 0300193126)	346
FIGURE 5-5. LEVEL CYLINDER ASSEMBLY - PLATFORM SLAVE (680S,800S) (SN 0300193127 through 0300198300)	348
FIGURE 5-6. LEVEL CYLINDER ASSEMBLY - PLATFORM SLAVE (680S,800S) (SN 0300198301 through 0300198660)	350
FIGURE 5-7. LEVEL CYLINDER ASSEMBLY - PLATFORM SLAVE (680S,800S) (SN 0300198661 through 0300243278, SN B300001092 through B300002584)	352
FIGURE 5-8. LEVEL CYLINDER ASSEMBLY - PLATFORM SLAVE (680S,800S) (SN 0300243279 through 0300272492, SN B300002585 through B300005730)	354
FIGURE 5-9. LEVEL CYLINDER ASSEMBLY - PLATFORM SLAVE (860SJ) (SN 0300182743 through 0300244707, SN B300001092 through B300002483)	356
FIGURE 5-10. LEVEL CYLINDER ASSEMBLY - PLATFORM SLAVE (860SJ) (SN 0300244708 through 0300272492)	358
FIGURE 5-11. LEVEL CYLINDER ASSEMBLY - PLATFORM SLAVE (860SJ) (SN B300002484 through B300005730)	360
FIGURE 5-12. LEVEL CYLINDER ASSEMBLY - JIB (860SJ) (SN 0300182743 through 0300244707, SN B300001092 through B300002483)	362
FIGURE 5-13. LEVEL CYLINDER ASSEMBLY - JIB (860SJ) (SN 0300244708 through 0300272492)	364
FIGURE 5-14. LEVEL CYLINDER ASSEMBLY - JIB (860SJ) (SN B300002484 through B300005730)	366
FIGURE 5-15. LIFT CYLINDER ASSEMBLY - MAIN BOOM (680S,800S) (SN 0300182743 through 0300239593, SN B300001092 through B300002483)	368
FIGURE 5-16. LIFT CYLINDER ASSEMBLY - MAIN BOOM (680S,800S) (SN 0300239594 through 0300272492, SN B300002484 through B300005730)	370
FIGURE 5-17. LIFT CYLINDER ASSEMBLY - MAIN BOOM (860SJ) (SN 0300182743 through 0300239858, SN B300001092 through B300002483)	372
FIGURE 5-18. LIFT CYLINDER ASSEMBLY - MAIN BOOM (860SJ) (SN 0300239859 through 0300272492)	374

TABLE OF CONTENTS

FIGURE 5-19. LIFT CYLINDER ASSEMBLY - MAIN BOOM (860SJ) (SN B300002484 through B300005730)	376
FIGURE 5-20. STEER CYLINDER ASSEMBLY (SN 0300182743 through 0300272492, SN B300001092 through B300002483)	378
FIGURE 5-21. STEER CYLINDER ASSEMBLY (860SJ) (SN B300002484 through B300005730)	380
FIGURE 5-22. TELESCOPE CYLINDER ASSEMBLY	382
FIGURE 5-23. TELESCOPE CYLINDER ASSEMBLY (680S) (SN 0300244880 through 0300272492)	386
FIGURE 5-24. TELESCOPE CYLINDER ASSEMBLY (800S) (SN 0300243279 through 0300272492, SN B300002585 through B300005730)	388
FIGURE 5-25. TELESCOPE CYLINDER ASSEMBLY (860SJ) (SN 030024708 through 0300272492, SN B300002588 through B300005730)	390
SECTION 6 - HYDRAULIC	393
FIGURE 6-1. AXLE LOCKOUT HYDRAULIC DIAGRAM	394
FIGURE 6-2. DRIVE HYDRAULIC DIAGRAM - 2WD (SN 0300182743 through 0300196954, SN B300001092 through B300001096)	396
FIGURE 6-3. DRIVE HYDRAULIC DIAGRAM - 2WD (SN 0300196955 through 0300272492, SN B300001097 through B300005730)	400
FIGURE 6-4. DRIVE HYDRAULIC DIAGRAM - 4WD (SN 0300182743 through 0300196954, SN B300001092 through B300001096)	404
FIGURE 6-5. DRIVE HYDRAULIC DIAGRAM - 4WD (SN 0300196955 through 0300272492, SN B300001097 through B300005730)	408
FIGURE 6-6. MANUAL DESCENT HYDRAULIC DIAGRAM (OPTIONAL)	414
FIGURE 6-7. STANDARD HYDRAULIC DIAGRAM (SN 0300182743 through 0300190436)	416
FIGURE 6-8. STANDARD HYDRAULIC DIAGRAM (SN 0300190437 through 0300196954, SN B300001092 through B300001096)	420
FIGURE 6-9. STANDARD HYDRAULIC DIAGRAM (SN 0300196955 through 0300272492, SN B300001097 through B300005730)	424
FIGURE 6-10. HYDRAULIC DIAGRAM LIST	428
SECTION 7 - ELECTRICAL	431
FIGURE 7-1. ELECTRICAL DIAGRAM LIST	432
FIGURE 7-2. HARNESS COMPONENTS INSTALLATION	434
FIGURE 7-3. BATTERY DISCONNECT SWITCH INSTALLATION	462
FIGURE 7-4. SKYEYE INTERMEDIATE HARNESS	464
FIGURE 7-5. SKYEYE RECEIVER HARNESS	466
FIGURE 7-6. SKYEYE EMITTER HARNESS	468
FIGURE 7-7. SKYLINE HARNESS	470
FIGURE 7-8. INTERFACE HARNESS - WITH 1 CELL LSS	472
SECTION 8 - DECALS	475
FIGURE 8-1. DECAL INSTALLATION (ANSI SPEC)	476
FIGURE 8-2. DECAL INSTALLATION (COUNTRY SPEC)	480
FIGURE 8-3. DECAL INSTALLATION (AUSTRALIAN AND CE SPEC)	486
FIGURE 8-4. DECAL INSTALLATION (CE SPEC)	490
SECTION 9 - RECOMMENDED SERVICE PARTS STOCK	493
FIGURE 9-1. STANDARD PARTS	494
FIGURE 9-2. VARIABLE PARTS	496
SECTION 10 - SPECIAL OPTIONS	497

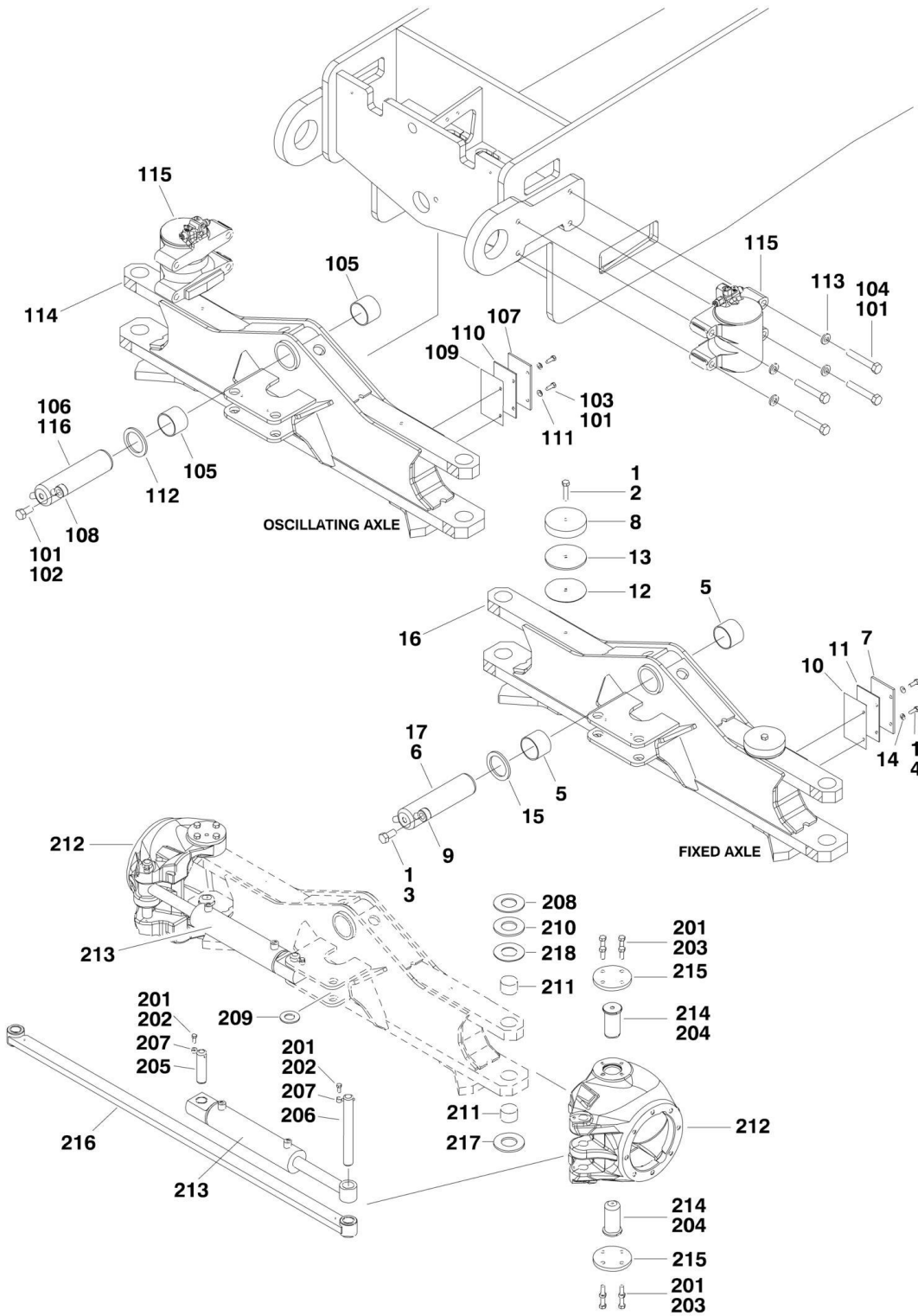
TABLE OF CONTENTS

FIGURE 10-1. SPECIAL OPTIONS.....	498
PART NUMBER INDEX.....	507

SECTION 1 - FRAME

SECTION 1 - FRAME

FIGURE 1-1. AXLE AND STEERING INSTALLATION WITHOUT TOW PACKAGE



SECTION 1 - FRAME

FIGURE 1-1. AXLE AND STEERING INSTALLATION WITHOUT TOW PACKAGE

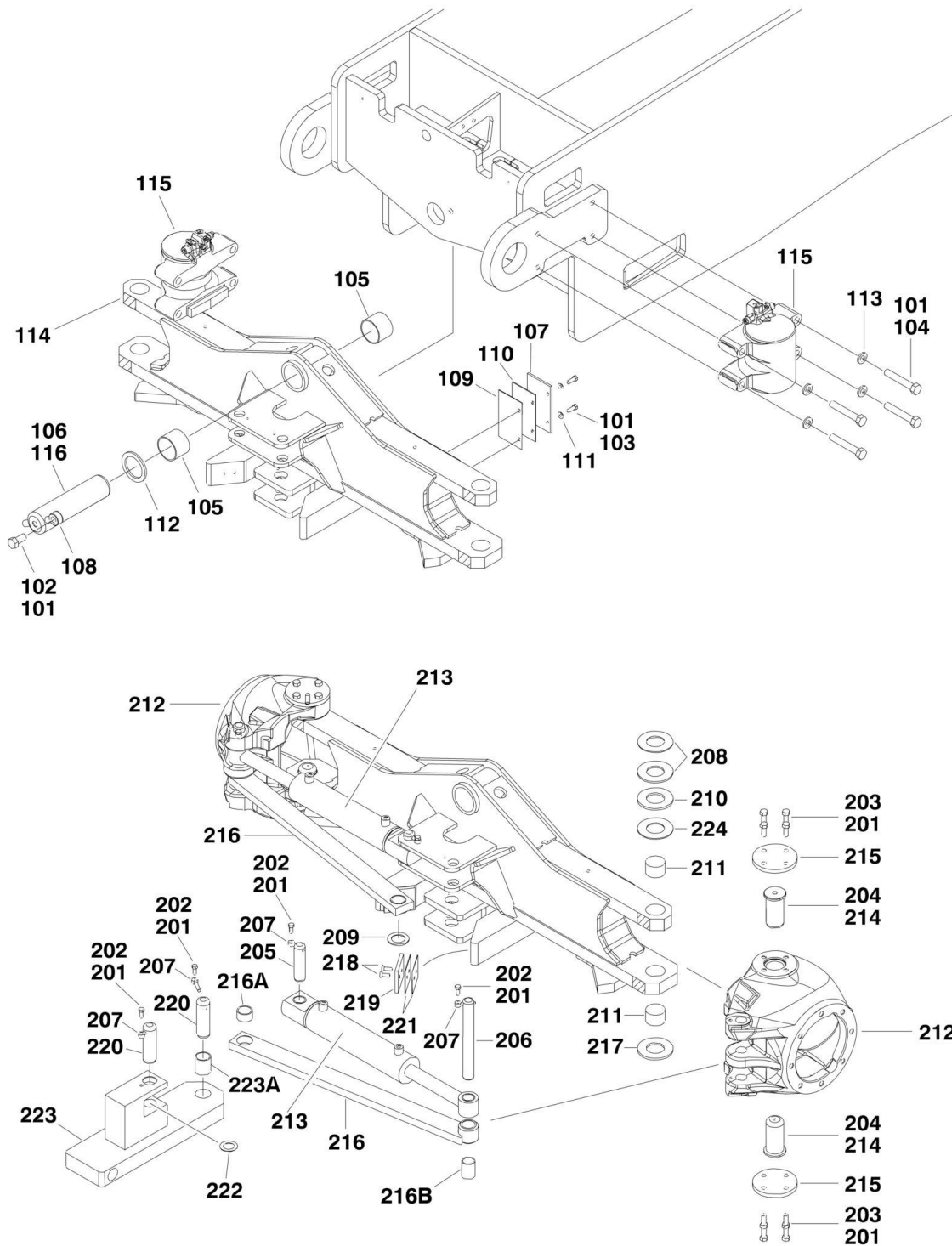
ITEM	PART NUMBER	QTY	DESCRIPTION	REV
	1001151037	Ref	FIXED AXLE INSTALLATION	B
1	0100011	AR	Compound, Locking	
2	0641818	2	Bolt 1/2in-13NC x 2-1/4in	
3	0642212	1	Bolt 3/4in-10NC x 1-1/2in	
4	0681608	4	Bolt 3/8in-16NC x 1in Grade 8	
5	0962102	2	Bushing	
6	3020039	AR	Lubricant	
7	3538047	AR	Shim, Wear	
8	3539877	2	Plate, Stop	
9	3841287	1	Keeper, Pin	
10	4070878	AR	Shim 1/16in	
11	4070879	AR	Shim 1/8in	
12	4070944	AR	Shim 1/16in	
13	4070945	AR	Shim 1/4in	
14	4711600	4	Flatwasher 3/8in Thin	
15	4740472	1	Washer, Special	
16	1001152719	1	Axle	
17	1001156710	1	Pin	
		Ref	OSCILLATING AXLE INSTALLATION	
	1001154584	Ref	Oscillating Axle Installation (SN 0300182743 through 0300272492, Except SN 0300272449 through 0300272454)	D
	1001154584	Ref	Oscillating Axle Installation (SN B300001092 through B300002483)	D
	1001231147	Ref	Oscillating Axle Installation (SN B300002484 through B300005730, Excluding B300005568)	A
101	0100011	AR	Compound, Locking	
102	0642212	1	Bolt 3/4in-10NC x 1-1/2in	
103	0681608	4	Bolt 3/8in-16NC x1in Grade 8	
104	0682236	8	Bolt 3/4in-10NC x 4-1/2in Grade 8	
105	0962102	2	Bushing	
106	3020039	AR	Lubricant	
107	3538047	AR	Shim, Axle Wear	
108	3841287	1	Shaft, Keeper 3/8in Dia x 6in	
109	4070878	AR	Shim, Axle Wear	
110	4070879	AR	Shim, Axle Wear	
111	4711600	4	Flatwasher 3/8in Thin	
112	4740472	1	Washer, Special	
113	4892200	8	Flatwasher 3/4in Hardened	
114	1001152719	1	Axle	
115		Ref	Axle Lockout Cylinder Assembly Options (See CYLINDER SECTION for Breakdown):	
115	1001154258	NLA	Axle Lockout Cylinder (Use p/n 1001204560) (SN 0300182743 through 0300214570)	
115	1001204560	2	Axle Lockout Cylinder (SN 0300214571 through 0300272492, Except SN 0300272449 through 0300272454)	
115	1001154258	NLA	Axle Lockout Cylinder (Use p/n 1001204560) (SN B300001092 through B300001499)	
115	1001204560	2	Axle Lockout Cylinder (SN B300001500 through B300002483)	
115	1001230374	2	Axle Lockout Cylinder (SN B300002484 through B300005730, Excluding B300005568)	
116	1001156710	1	Pin	

SECTION 1 - FRAME

ITEM	PART NUMBER	QTY	DESCRIPTION	REV
		Ref	STEER INSTALLATIONS	
	1001151034	Ref	Steer Installation (SN 0300182743 through 0300272492, Except SN 0300272449 through 0300272454)	F
	1001151034	Ref	Steer Installation (SN B300001092 through B300002483)	F
	1001230783	Ref	Steer Installation (SN B300002484 through B300005730, Excluding B300005568)	A
201	0100011	AR	Compound, Locking	
202	0641607	4	Bolt 3/8in-16NC x 7/8in	
203	0641810	16	Bolt 1/2in-13NC x 1-1/4in	
204	3020029	AR	Lubricant	
205	3422417	2	Pin	
206	3422790	2	Pin	
207	3841520	4	Keeper, Pin	
208	4740256	AR	Thrustwasher	
209	4740473	2	Washer, Special	
210	1001103810	2	Thrustwasher	
211	1001165657	4	Bearing	
212	1001150372	2	Spindle	
213		Ref	Steer Cylinder Assembly (See CYLINDER SECTION for Breakdown)	
213	1001150539	1	Steer Cylinder (SN 0300182743 through 0300272492, Except SN 0300272449 through 0300272454)	
213	1001150539	1	Steer Cylinder (SN B300001092 through B300002483)	
213	1001230375	1	Steer Cylinder (SN B300002484 through B300005730, Excluding B300005568)	
214	1001161355	4	Kingpin	
215	1001150937	4	Plate	
216	1001151980	1	Tie-Rod	
217	1001161399	2	Thrustwasher	
218	4740463	AR	Thrustwasher	

SECTION 1 - FRAME

FIGURE 1-2. AXLE AND STEERING INSTALLATION WITH TOW PACKAGE



SECTION 1 - FRAME

FIGURE 1-2. AXLE AND STEERING INSTALLATION WITH TOW PACKAGE

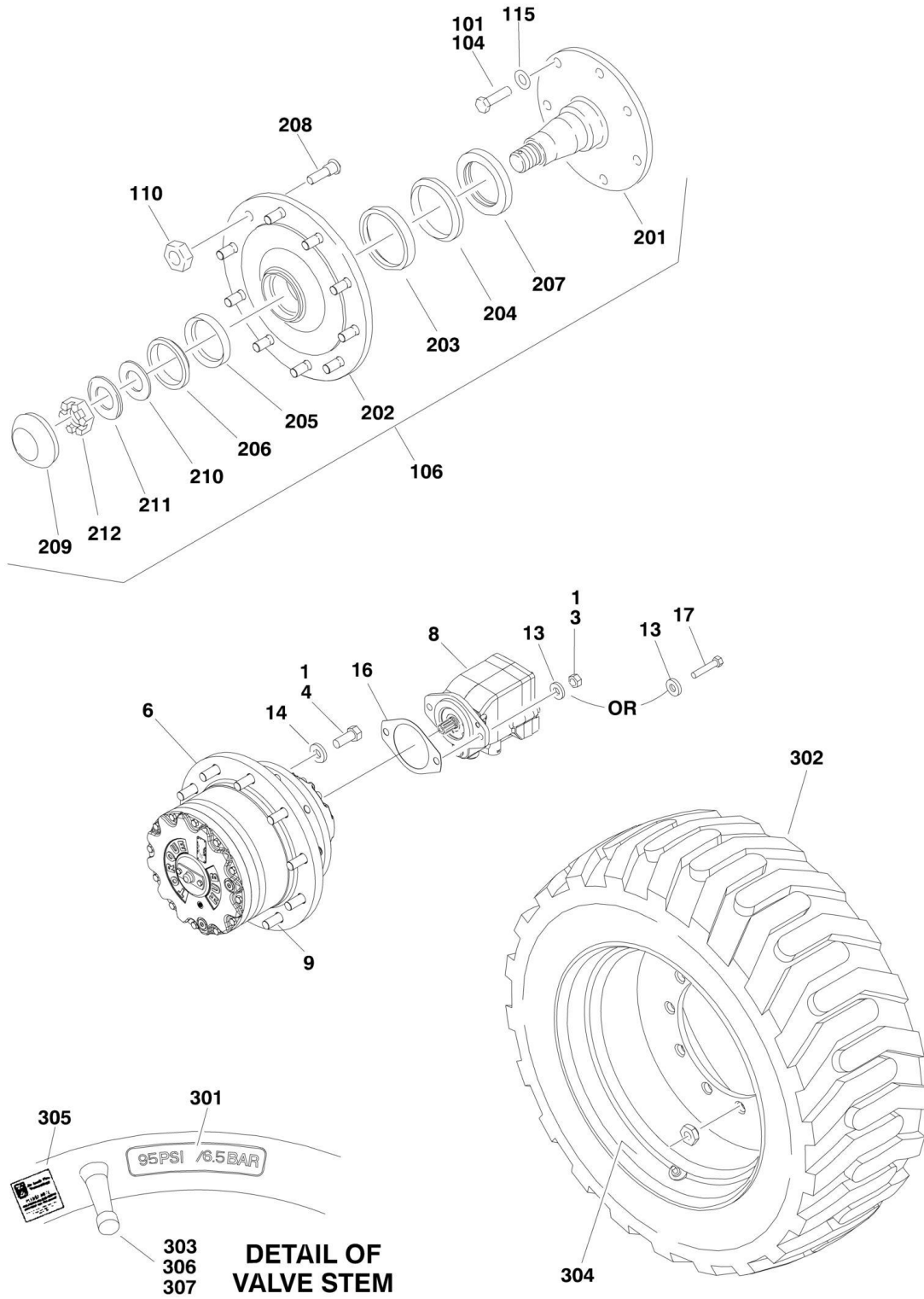
ITEM	PART NUMBER	QTY	DESCRIPTION	REV
		Ref	OSCILLATING AXLE INSTALLATION	
	1001155194	Ref	Oscillating Axle Installation (SN 0300182743 through 0300272492, Except SN 0300272449 through 0300272454)	D
	1001155194	Ref	Oscillating Axle Installation (SN B300001092 through B300002483)	D
	1001232540	Ref	Oscillating Axle Installation (SN B300002484 through B300005730, Excluding B300005568)	A
101	0100011	AR	Compound, Locking	
102	0642212	1	Bolt 3/4in-10NC x 1-1/2in	
103	0681608	4	Bolt 3/8in-16NC x1in Grade 8	
104	0682236	8	Bolt 3/4in-10NC x 4-1/2in Grade 8	
105	0962102	2	Bushing	
106	3020039	AR	Lubricant	
107	3538047	AR	Shim, Axle Wear	
108	3841287	1	Shaft, Keeper 3/8in Dia x 6in	
109	4070878	AR	Shim, Axle Wear	
110	4070879	AR	Shim, Axle Wear	
111	4711600	4	Flatwasher 3/8in Thin	
112	4740472	1	Washer, Special	
113	4892200	8	Flatwasher 3/4in Hardened	
114	1001154875	1	Axle	
115		Ref	Axle Lockout Cylinder Assembly (See CYLINDER SECTION for Breakdown):	
115	1001154258	NLA	Axle Lockout Cylinder (Use p/n 1001204560) (SN 0300182743 through 0300214570)	
115	1001204560	1	Axle Lockout Cylinder (SN 0300214571 through 0300272492, Except SN 0300272449 through 0300272454)	
115	1001154258	NLA	Axle Lockout Cylinder (Use p/n 1001204560) (SN B300001092 through B300001499)	
115	1001204560	1	Axle Lockout Cylinder (SN B300001500 through B300002483)	
115	1001230374	1	Axle Lockout Cylinder (SN B300002484 through B300005730, Excluding B300005568)	
116	1001156710	1	Pin	
		Ref	STEER INSTALLATION	
	1001155192	Ref	Steer Installation (SN 0300182743 through 0300272492, Except SN 0300272449 through 0300272454)	F
	1001155192	Ref	Steer Installation (SN B300001092 through B300002483)	F
	1001232539	Ref	Steer Installation (SN B300002484 through B300005730, Excluding B300005568)	A
201	0100011	AR	Compound, Locking	
202	0641607	6	Bolt 3/8in-16NC x 7/8in	
203	0641810	16	Bolt 1/2in-13NC x 1-1/4in	
204	3020029	AR	Lubricant	
205	3422417	2	Pin	
206	3422790	2	Pin	
207	3841520	6	Keeper, Pin	
208	4740256	AR	Thrustwasher	
209	4740473	2	Washer, Special	
210	1001103810	2	Thrustwasher	
211	1001165657	4	Bearing	
212	1001150372	2	Spindle	

SECTION 1 - FRAME

ITEM	PART NUMBER	QTY	DESCRIPTION	REV
213		Ref	Steer Cylinder Assembly (See CYLINDER SECTION for Breakdown)	
213	1001150539	1	Steer Cylinder (SN 0300182743 through 0300272492, Except SN 0300272449 through 0300272454)	
213	1001150539	1	Steer Cylinder (SN B300001092 through B300002483)	
213	1001230375	1	Steer Cylinder (SN B300002484 through B300005730, Excluding B300005568)	
214	1001161355	4	Kingpin	
215	1001150937	4	Plate	
216	1001154931	2	Tie-Rod	
216A	0962181	1	Bushing	
216B	0962152	1	Bushing	
217	1001161399	2	Thrustwasher	
218	0741609	4	Screw 3/8in-16NC x 1-1/8in	
219	3340966	2	Pad, Stop	
220	3422848	2	Pin, Hitch	
221	4071059	AR	Shim	
222	4740155	3	Thrustwasher	
223	1001155035	1	Link	
223A	0962348	1	Bushing	
224	4740463	AR	Thrustwasher	

SECTION 1 - FRAME

FIGURE 1-3. TIRE AND WHEEL DRIVE INSTALLATIONS



SECTION 1 - FRAME

FIGURE 1-3. TIRE AND WHEEL DRIVE INSTALLATIONS

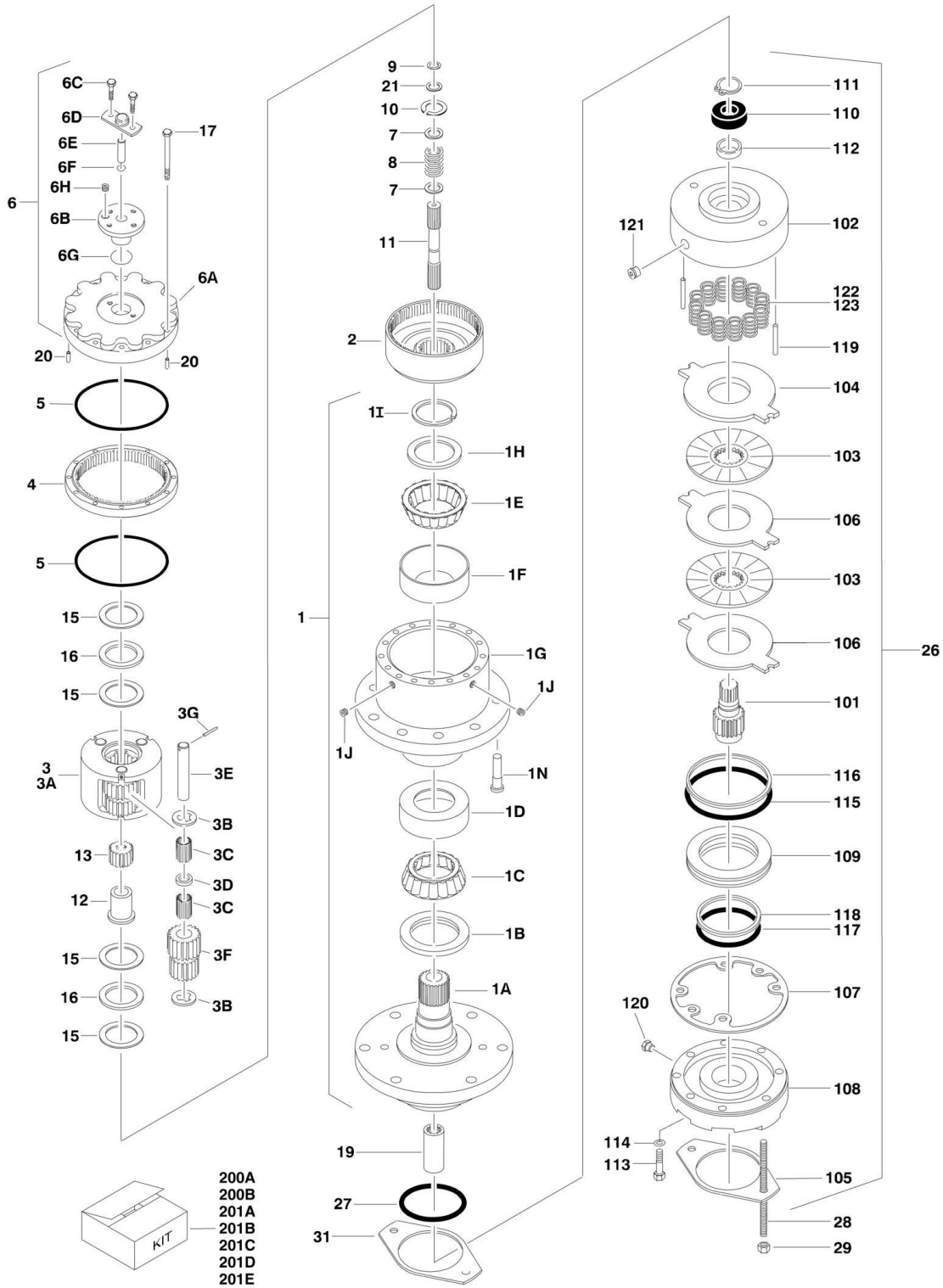
ITEM	PART NUMBER	QTY	DESCRIPTION	REV
		Ref	WHEEL DRIVE INSTALLATION	
	1001157015	Ref	Wheel Drive Installation 2WD	C
	1001157016	Ref	Wheel Drive Installation 4WD	C
		Ref	Note: 2WD Qty Shown. For 4WD, Double Qty Shown.	
1	0100011	AR	Compound, Locking	
3	3311801	4	Nut 1/2in-13 NC (SN 0300182743 through 0300244559, SN B300001092 through B300002866)	
4	0682016	16	Bolt 5/8in-11NC x 2in Grade 8	
5	2300016	AR	Fluid, Hydraulic (Not Shown) (SN 0300182743 through 0300244559, SN B300001092 through B300002866)	
6	2780272	2	Drive Hub Assembly (See DRIVE HUB ASSEMBLY for Breakdown) (SN 0300182743 through 0300244559, SN B300001092 through B300002866)	
6	1001219219	2	Drive Hub Assembly (See DRIVE HUB ASSEMBLY for Breakdown) (SN 0300244560 through 0300272492, SN B300002867 through B300005730, Except SN 0300272449 through 0300272454, Excluding B300005568)	
7	3020008	AR	Lubricant (Not Shown)	
8		Ref	Drive Motor Assembly Options (See DRIVE MOTOR ASSEMBLY for Breakdown):	
8	3160347	2	2WD Rear	
8	3160348	4	4WD Front and Rear	
9	3300007	20	Nut, Wheel	
13	4891800	4	Flatwasher, 1/2in Hardened	
14	4892000	16	Flatwasher 5/8in Hardened	
16	3960526	2	Gasket (SN 0300244560 through 0300272492, SN B300002867 through B300005730, Except SN 0300272449 through 0300272454, Excluding B300005568)	
17	0681822	4	Bolt 1/2 x 2-3/4 Grade 8 (SN 0300244560 through 0300272492, SN B300002867 through B300005730, Except SN 0300272449 through 0300272454, Excluding B300005568)	
50	1001228544	1	Drive Hub Assembly Kit (Not Shown - Includes Items 6, 16 & 17)	
	1001157015	Ref	HUB INSTALLATION (2WD ONLY)	C
101	0100011	AR	Compound, Locking	
104	0682016	16	Bolt 5/8in-16NC x 2in Grade 8	
106	2780229	2	Hub Assembly (See Items 201-212 for Breakdown)	
110	3300007	20	Lugnut	
115	4892000	16	Flatwasher 5/8in Hardened	
	2780229	Ref	HUB ASSEMBLY (2WD ONLY)	A
201	7017052	2	Spindle (1 per Assembly)	
202	7017053	2	Housing (1 per Assembly)	
203	7010404	2	Cup, Bearing - Inner (1 per Assembly)	
204	7010405	2	Cone, Bearing - Inner (1 per Assembly)	
205	7017056	2	Cup, Bearing - Outer (1 per Assembly)	
206	7017055	2	Cone, Bearing - Outer (1 per Assembly)	
207	7010406	2	Seal, Lip (1 per Assembly)	
208	7000265	20	Stud (10 per Assembly)	
209	7017054	2	Dust Cap (1 per Assembly)	
210	7017051	2	Washer, Special (1 per Assembly)	
211	7017057	2	Washer, Tanged (1 per Assembly)	
212	7017058	2	Nut, Bearing (1 per Assembly)	

SECTION 1 - FRAME

ITEM	PART NUMBER	QTY	DESCRIPTION	REV
		Ref	TIRE AND WHEEL INSTALLATIONS	
	0270885	Ref	15-625 NHS Pneumatic Tire (Available on All Specs except Australian and CE Specs)	D
	0272322	Ref	15-625 NHS Pneumatic Tire with Sealant (Available on ANSI Specs Only)	D
	1001209983	Ref	41/18LL x 22.5 Pneumatic Sand Tire (Note: For Model 810SJ, See Special Options Section)	C
	0270886	Ref	15-625 NHS Foam-Filled Tire (Available on All Specs)	D
	0270888	Ref	18-625 NHS Foam-Filled Tire (Available on All Specs)	C
	1001169757	Ref	18-625 NHS Foam-Filled Tire (Non-Marking) (Available on All Specs)	A
	0271083	2	15-625 NHS Pneumatic Left Side Tire	D
	0271084	2	15-625 NHS Pneumatic Right Side Tire	D
	0272334	2	15-625 NHS Pneumatic with Sealant Left Side Tire	D
	0272333	2	15-625 NHS Pneumatic with Sealant Right Side Tire	D
	1001209983	4	41/18LL x 22.5 Pneumatic Sand Tire	C
	0271085	2	15-625 NHS Foam-Filled Left Side Tire	H
	0271086	2	15-625 NHS Foam-Filled Right Side Tire	H
	0271090	2	18-625 NHS Foam-Filled Left Side Tire	F
	1001169755	2	18-625 NHS Foam-Filled Non-Marking Left Side Tire	C
	0271091	2	18-625 NHS Foam-Filled Right Side Tire	F
	1001169756	2	18-625 NHS Foam-Filled Non-Marking Right Side Tire	C
		Ref	Note: Assemblies may require ballast/foam filling to manufacturer's specifications prior to installing on a machine. Refer to Operation and Safety or Service and Maintenance Manuals. Purchase individual tire and/or rim only if able to foam fill tire and wheel assembly, otherwise, purchase complete assembly.	
301	1702701	1	Decal - 95psi/6.5 Bar (15-625 Tires) (Pneumatic NHS Tires Only)	
301	1701643	1	Decal - 70psi/5 Bar (Pneumatic Sand Tires Only)	
302		Ref	Tire Options:	
302	4520252	1	15-625 Tire	
302	4520253	1	18-625 Tire	
302	1001169754	1	18-625 Tire - Non-Marking	
302	4520256	1	41/18LL x 22.5 Sand Tire	
303	4640113	1	Valve, Air (Pneumatic Tires)	
303	4640113	1	Valve, Air (41/18LL x 22.5 Pneumatic Sand Tires) (SN 0300182743 through 0300258577)	
303	4641122	1	Valve, Air (41/18LL x 22.5 Pneumatic Sand Tires) (SN 0300258578 through 0300272492, Except SN 0300272449 through 0300272454)	
303	4641122	1	Valve, Air (Foam-Filled Tires)	
304		Ref	Rim, Wheel Options:	
304	4860224	1	13 x 24.5 Rim (Use with 15-625 Tires)	
304	4860225	1	15 x 24.5 Rim (Use with 18-625 Tires)	
304	1001209982	1	14 x 22.5 Rim (Used with Sand Tires)	
305	1705364	AR	Decal - Tire Sealant (With Sealant Only)	
306	1300019	AR	Chemical, Tire Sealant (Green) (With Sealant Only)	
307	1120552	AR	Cap, Valve Stem (Green) (With Sealant Only)	

SECTION 1 - FRAME

FIGURE 1-4. DRIVE HUB/BRAKE ASSEMBLY (SN 0300182743 through 0300244559, SN B300001092 through B300002866)



SECTION 1 - FRAME

FIGURE 1-4. DRIVE HUB/BRAKE ASSEMBLY (SN 0300182743 through 0300244559, SN B300001092 through B300002866)

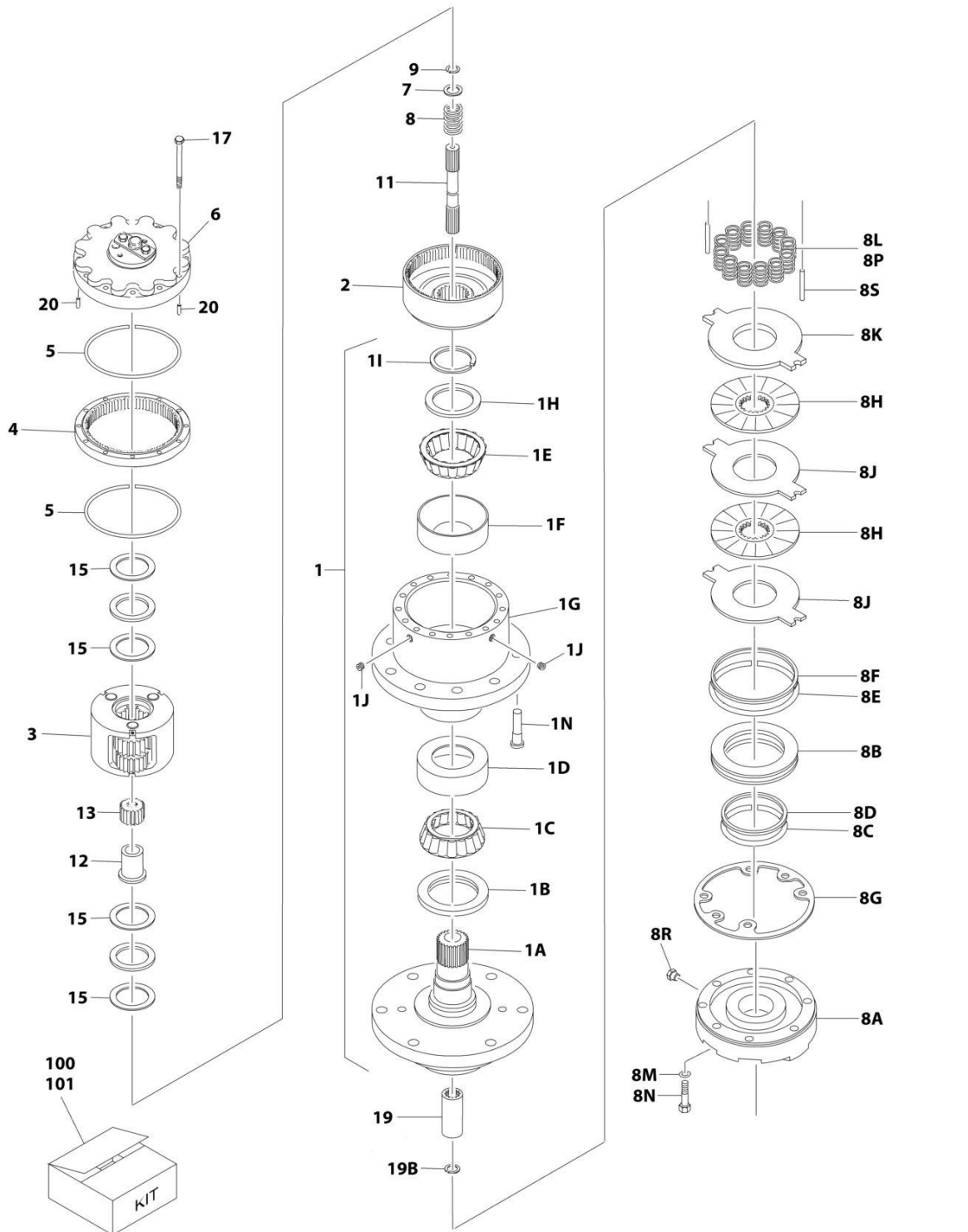
ITEM	PART NUMBER	QTY	DESCRIPTION	REV
	2780272	Ref	DRIVE HUB/BRAKE ASSEMBLY (SN 0300182743 through 0300244559, SN B300001092 through B300002866)	F
	2780227	Ref	Hub Assembly	B
1	See Note	NSS	Spindle/Housing Assembly (Note: Not Available - Purchase Individual Components)	
1A	7010464	1	Spindle	
1B	7000236	1	Seal	
1C	7000273	1	Cone, Bearing	
1D	7000272	1	Cup, Bearing	
1E	7000275	1	Cone, Bearing	
1F	7000274	1	Cup, Bearing	
1G	7017033	1	Housing	
1H	7000239	1	Thrustwasher	
1I	7000240	1	Ring, Retaining	
1J	7001928	1	Plug, Pipe	
1N	7000265	10	Stud, Wheel	
2	7024782	1	Gear, Ring	
3	7024145	1	Carrier Assembly	
3A	7024147	NLA	Carrier (use p/n 7024145)	
3B	7001901	6	Thrustwasher, Tanged	
3C	7001902	96	Bearing, Needle	
3D	7001903	3	Spacer, Thrust	
3E	7024146	3	Shaft, Planet	
3F	7024148	3	Gear, Cluster	
3G	7001906	3	Rollpin	
4	7024151	1	Gear, Internal	
5	7000224	1	O-Ring	
6	See Note	NSS	Cover Assembly (Note: Not Available - Purchase Individual Components)	
6A	7024155	1	Cover	
6B	7024783	1	Cap	
6C	7000220	4	Bolt 1/4in-20NC x 3/4in	
6D	7000231	1	Cap, Disengage	
6E	7000235	1	Rod, Disengage	
6F	7000213	1	O-Ring	
6G	7000238	1	O-Ring	
6H	7017048	1	Plug, Pipe	
7	7000282	2	Thrustwasher	
8	7000283	1	Spring	
9	7000284	1	Ring, Retaining	
10	7017027	1	Ring, Retaining	
11	7024781	1	Shaft, Input	
12	7024154	1	Spacer, Input	
13	7024149	1	Gear, Sun	
15	7000287	4	Thrustwasher	
16	7000288	2	Thrustwasher	
17	7000289	12	Bolt 3/8in-16NC x 2-1/2in (Grade 8)	
19	7000290	1	Coupling	
20	7017047	2	Pin, Dowel	

SECTION 1 - FRAME

ITEM	PART NUMBER	QTY	DESCRIPTION	REV
21	7017050	1	Thrustwasher	
26	7024182	1	Brake Assembly (Includes Items 101-123)	
27	7024763	2	O-Ring	
28	7024717	2	Stud 1/2in-13NC x 4-5/8in	
29	7024718	2	Nut 1/2in-13NC	
31	70005483	1	Gasket	
	7024182	Ref	BRAKE ASSEMBLY	
101	7024189	1	Shaft	
102	See Note	NSS	Housing (Note: Use p/n 7024182)	
103	See Note	NSS	Plate, Friction (Note: Use Item 201C)	
104	See Note	NSS	Plate, Pressure (Note: Use Item 201C)	
105	7000731	1	Gasket	
106	See Note	NSS	Plate, Outer (Note: Use Item 201C)	
107	See Note	NSS	Gasket (Note: Use Items 200B, 201C or 201D)	
108	7024191	1	Cylinder	
109	7024192	1	Piston	
110	See Note	NSS	Bearing, Ball (Note: Use Item 201D)	
111	See Note	NSS	Ring, Retaining (Note: Use Item 201D)	
112	See Note	NSS	Seal, Shaft (Note: Use Item 201D)	
113	See Note	NSS	Capscrew (Note: Purchase Locally)	
114	See Note	NSS	Lockwasher (Note: Purchase Locally)	
115	See Note	NSS	O-Ring (Note: Use Item 200B)	
116	See Note	NSS	Ring, Back-up (Note: Use Item 200B)	
117	See Note	NSS	O-Ring (Note: Use Item 200B)	
118	See Note	NSS	Ring, Back-up (Note: Use Item 200B)	
119	7024190	2	Pin, Dowel	
120	See Note	NSS	Plug (Note: Purchase Locally)	
121	See Note	NSS	Plug (Note: Purchase Locally)	
122	See Note	NSS	Spring Kit (Natural) (Note: Use Item 201B)	
123	See Note	NSS	Spring Kit (Blue) (Note: Use Item 201B)	
		Ref	KIT OPTIONS:	
200		Ref	Seal Kit Options:	
200A	7017068	1	Seal Kit - Hub (Includes Items 1B,1I, 5, 6F, 6G, 15 & 16)	
200A	70006431	1	Seal Kit - Hub (Includes Items 1B,1I, 5, 6F & 17)	
200B	7024194	1	Seal Kit - 7024182 Brake (Includes Items 105, 107 & 115-118)	
201		Ref	Repair Kit Options:	
201A	7024195	NLA	Spring Kit - 7024182 Brake (Includes 12 Natural Colored Springs) (Use p/n 7024196)	
201B	7024196	1	Spring Kit - 7024182 Brake (Includes 12 Natural and 2 Blue Colored Springs)	
201C	7024193	1	Friction Disc Kit - 7024182 Brake (Includes Items 103, 104, 106 & 107)	
201D	7024197	1	Bearing Kit - 7024182 Brake (Includes Items 107 & 110-112)	
201E	70006430	1	Bearing Kit - Hub (Includes Items 1B-1F, 1I, 5, 6F & 17)	

SECTION 1 - FRAME

FIGURE 1-5. DRIVE HUB/BRAKE ASSEMBLY (SN 0300244560 through 0300272492, SN B300002867 through B300005730)



ART_1001219219

SECTION 1 - FRAME

FIGURE 1-5. DRIVE HUB/BRAKE ASSEMBLY (SN 0300244560 through 0300272492, SN B300002867 through B300005730)

ITEM	PART NUMBER	QTY	DESCRIPTION	REV
	1001219219	Ref	DRIVE HUB/BRAKE ASSEMBLY	C
		Ref	Note: No Service Parts Breakdown at Time of Printing.	
1	See Note	NSS	Spindle/Housing Assembly (Note: Not Available - Purchase Individual Components)	
1A	70006677	1	Spindle	
1B	70006678	1	Seal	
1C	1001091460	1	Cone, Bearing	
1D	1001091460	1	Cup, Bearing	
1E	1001091461	1	Cone, Bearing	
1F	1001091461	1	Cup, Bearing	
1G	See Note	NSS	Housing (Note: Not Available - Not Available for Purchase)	
1H	7000239	1	Thrustwasher	
1I	7000240	1	Ring, Retaining	
1J	7001928	1	Plug, Pipe	
1N	See Note	NSS	Stud, Wheel (Note: Not Available - Not Available for Purchase)	
2	7024782	1	Gear, Ring	
3	70006673	1	Carrier Assembly	
4	7024151	1	Gear, Internal	
5	7000224	2	O-Ring	
6	70006674	NSS	Cover Assembly (Note: Not Available - Not Available for Purchase)	
7	70006691	1	Thrustwasher	
8	7000283	1	Spring	
8A	7024191	1	Housing, Piston	
8B	70006684	1	Piston	
8C	See Note	NSS	O-Ring (Note: Use Item 101)	
8D	See Note	NSS	Ring, Back-up (Note: Use Item 101)	
8E	See Note	NSS	O-Ring (Note: Use Item 101)	
8F	See Note	NSS	Ring, Back-up (Note: Use Item 101)	
8G	See Note	NSS	Gasket (Note: Use Items 100 & 101)	
8H	See Note	NSS	Brake, Stator (Note: Use Item 100)	
8J	See Note	NSS	Brake, Rotor (Note: Use Item 100)	
8K	See Note	NSS	Plate, Pressure	
8L	80344004	10	Spring	
8M	70006685	6	Capscrew	
8N	70006690	6	Lockwasher	
8P	70006680	2	Spring	
8R	7017082	2	Plug	
8S	7024190	2	Pin, Dowel	
9	7000284	1	Ring, Retaining	
11	70006675	1	Shaft, Input	
12	7024154	1	Spacer, Input	
13	7024149	1	Gear, Sun	
15	70006692	2	Thrustwasher	
17	7000289	12	Bolt 3/8 x 2-1/2in (Grade 8)	
19	70006676	1	Coupling	
19B	7017028	1	Ring, Retaining	
20	7017047	2	Pin, Dowel	
100	70006832	1	Friction Disc Kit	

SECTION 1 - FRAME

ITEM	PART NUMBER	QTY	DESCRIPTION	REV
101	70006833	1	Seal Kit	

SECTION 1 - FRAME

FIGURE 1-6. DRIVE MOTOR ASSEMBLY

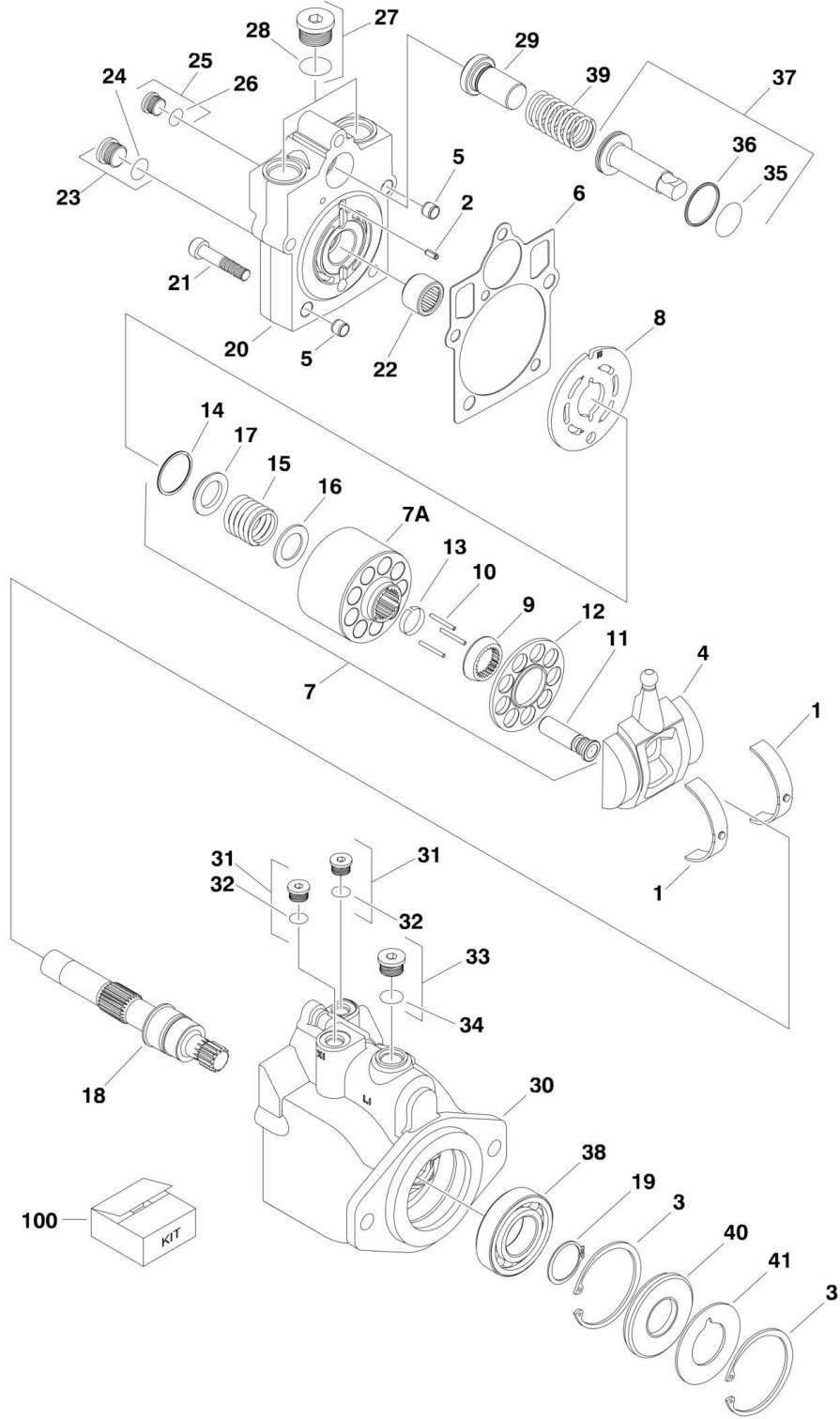


FIGURE 1-6. DRIVE MOTOR ASSEMBLY

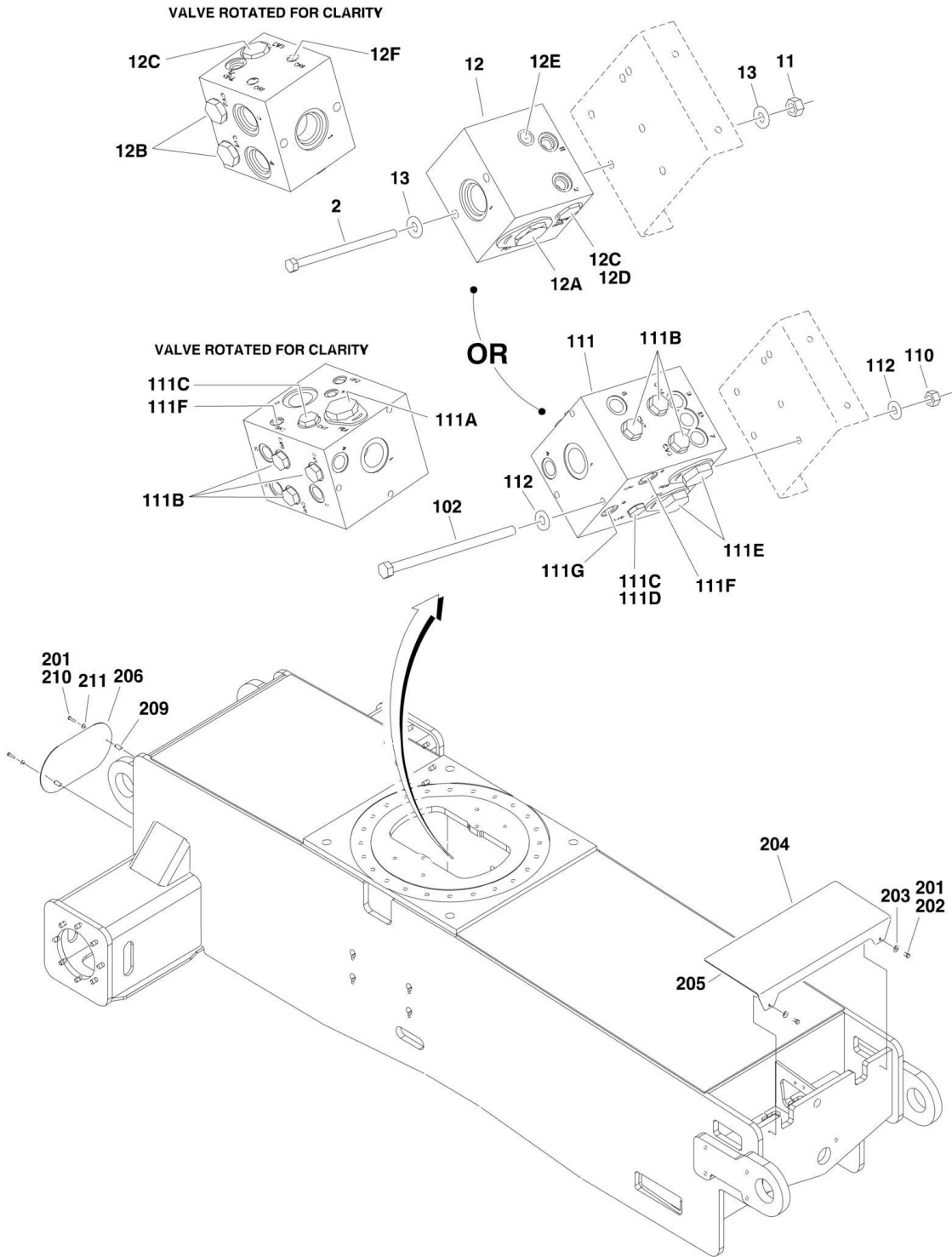
ITEM	PART NUMBER	QTY	DESCRIPTION	REV
		Ref	DRIVE MOTOR ASSEMBLIES:	
	3160347	Ref	Drive Motor Assemblies 2WD	B
	3160348	Ref	Drive Motor Assemblies 4WD	D
1	7022302	2	Bearing, Journal	
2	7007446	1	Pin	
3	7007438	2	Ring, Retaining	
4		Ref	Swash Plate Options:	
4	70000794	1	Swash Plate 2WD	
4	7022305	1	Swash Plate 4WD	
5	See Note	NSS	Pin (Note: Not Available for Purchase)	
6	See Note	NSS	Gasket (Note: Use Item 100)	
7		Ref	Cylinder Block Kit (Includes Items 7A & 9-17)	
7	7027740	1	Cylinder Block Kit 2WD	
7	7023907	1	Cylinder Block Kit 4WD	
7A	See Note	NSS	Block, Cylinder (Note: Purchase Item 7)	
8		Ref	Plate, Valve Options:	
8	7024862	1	Plate, Valve 2WD	
8	7023908	1	Plate, Valve 4WD	
9		Ref	Guide, Slipper Retainer Options:	
9	See Note	NSS	Guide, Slipper Retainer 2WD (Note: Purchase Item 7)	
9	7021277	1	Guide, Slipper Retainer 4WD	
10	7021275	3	Pin, Slipper Hold Down	
11	See Note	NSS	Piston Assembly (Note: Purchase Item 7)	
12		Ref	Retainer, Slipper Options:	
12	See Note	NSS	Retainer, Slipper 2WD (Note: Purchase Item 7)	
12	7022310	1	Retainer, Slipper 4WD	
13		Ref	Retainer, Hold Down Pin Options:	
13	Not Required	0	Retainer, Hold Down Pin 2WD	
13	7021276	1	Retainer, Hold Down Pin 4WD	
14	7022311	1	Ring, Retaining	
15		Ref	Spring Options:	
15	7024867	1	Spring 2WD	
15	7022312	1	Spring 4WD	
16		Ref	Washer Options:	
16	7022313	1	Washer 2WD	
16	7024868	1	Washer 4WD	
17	7022314	1	Retainer, Spring	
18	7023910	1	Shaft	
19	7007439	1	Ring, Retaining	
20		Ref	Cap, End - Axial Options:	
20	70000795	1	Cap, End - Axial 2WD	
20	70000797	1	Cap, End - Axial 4WD	
21	7022368	5	Screw	
22	7021249	1	Bearing, Needle	
23	2220886	1	Plug (Includes Item 24)	
24	See Note	NSS	O-Ring (Note: Use Item 23 or 100)	
25	2220883	1	Plug (Includes Item 26)	
26	See Note	NSS	O-Ring (Note: Use Item 25 or 100)	
27	2220888	2	Plug (Includes Item 28)	
28	See Note	NSS	O-Ring (Note: Use Item 27 or 100)	

SECTION 1 - FRAME

ITEM	PART NUMBER	QTY	DESCRIPTION	REV
29		Ref	Seat, Spring Options:	
29	7027741	1	Seat, Spring 2WD	
29	7022372	1	Seat, Spring 4WD	
30	See Note	NSS	Housing (Note: Not Available - Purchase Complete Assembly)	
31	2220883	2	Plug (Includes Item 32)	
32	See Note	NSS	O-Ring (Note: Use Item 31 or 100)	
33	2220886	1	Plug (Includes Item 34)	
34	See Note	NSS	O-Ring (Note: Use Item 33 or 100)	
35	See Note	NSS	O-Ring (Note: Use Item 100)	
36	See Note	NSS	Ring, Seal (Note: Use Item 100)	
37		Ref	Piston, Servo Options (Includes Items 35 & 36):	
37	7024871	1	Piston, Servo 2WD	
37	7024854	1	Piston, Servo 4WD	
38	7007437	1	Bearing	
39	7022326	1	Spring	
40	See Note	NSS	Seal, Lip (Note: Use Item 100)	
41	7022371	1	Washer, Support	
		Ref	KIT OPTIONS:	
100	7022328	1	Seal Kit (Includes Items 6, 24, 26, 28, 32, 34, 35, 36 & 40)	

SECTION 1 - FRAME

FIGURE 1-7. FRAME VALVES AND SHIELDS INSTALLATIONS



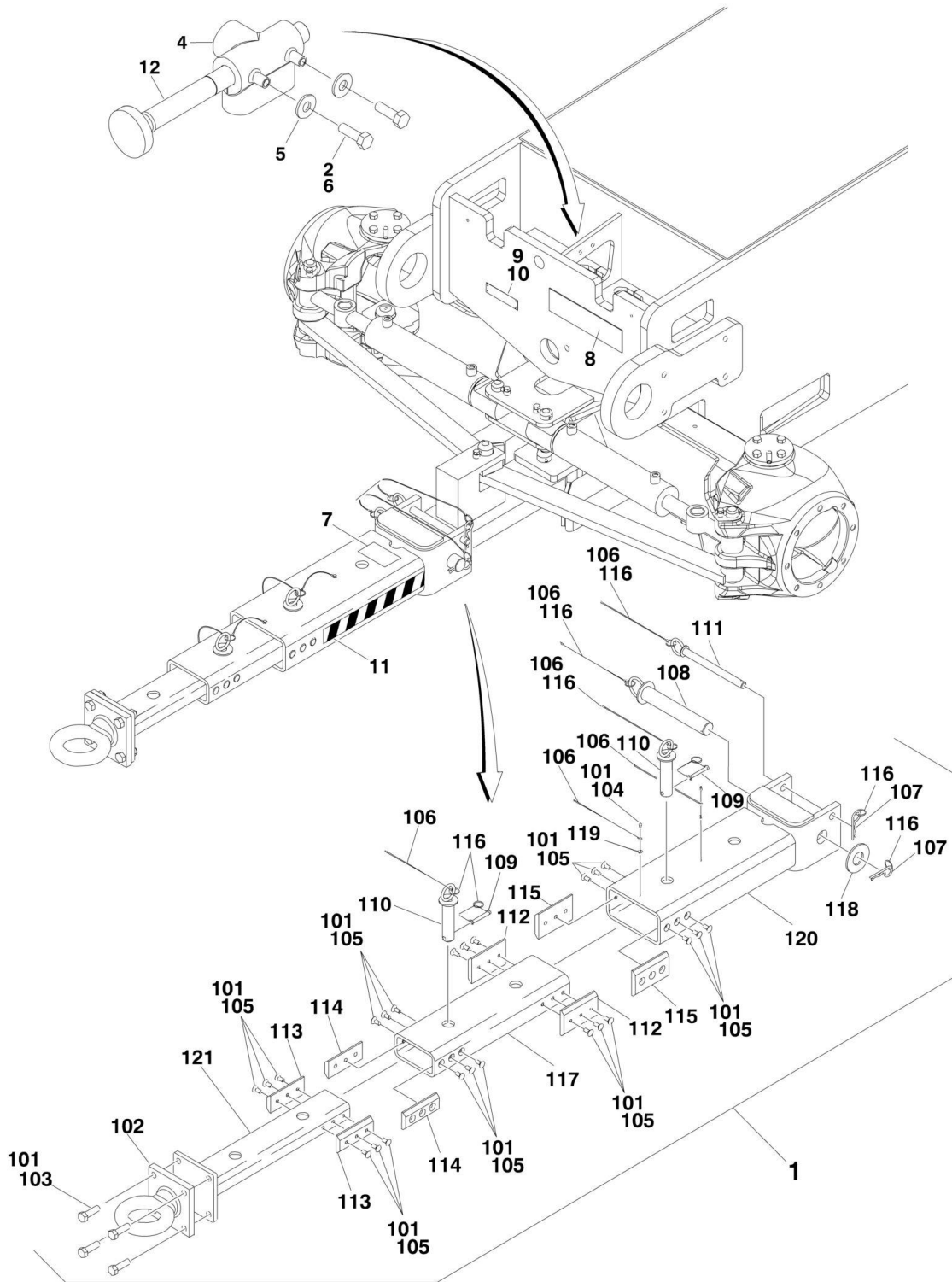
SECTION 1 - FRAME

FIGURE 1-7. FRAME VALVES AND SHIELDS INSTALLATIONS

ITEM	PART NUMBER	QTY	DESCRIPTION	REV
	1001157015	Ref	DRIVE VALVES INSTALLATION - 2WD	C
2	0641542	2	Bolt 5/16in-18NC x 5-1/4in	
11	3311505	2	Locknut 5/16in-18NC	
12	1001099870	1	Flow Divider Valve Assembly	B
12A	7023933	1	Cartridge, Flow Divider	
12A	7021625	1	Seal Kit - 7023933 Cartridge	
12A	70000781	1	Lockdown Kit	
12B	7022397	2	Cartridge, Check	
12B	7022399	2	Seal Kit - 7022397 Cartridge	
12C	70002390	2	Cartridge, Check	
12C	7022399	2	Seal Kit - 70002390 Cartridge	
12D	7024881	1	Piston, Pilot	
12E	7017406	1	Plug	
12F	7024844	1	Plug	
12F	7017492	1	Orifice	
13	4711500	4	Flatwasher 5/16in Thin	
	1001157016	Ref	DRIVE VALVES INSTALLATION - 4WD	C
102	0641560	3	Bolt 5/16in-18NC x 7-1/2in	
110	3311505	3	Locknut 5/16in-18NC	
111	4641303	1	Flow Divider Valve Assembly	
111A	7023933	1	Cartridge, Flow Divider	
111A	7021625	1	Seal Kit - 7023933 Cartridge	
111B	7022397	6	Cartridge, Check	
111B	7022399	6	Seal Kit - 7022397 Cartridge	
111C	7021639	2	Cartridge, Check Valves	
111C	2900756	2	Seal Kit - 7021639 Cartridge	
111D	7024881	1	Piston, Pilot	
111E	7023917	2	Cartridge, Flow Divider	
111E	7021625	2	Seal Kit - 7023917 Cartridge	
111F	70003935	2	Orifice	
111G	70003936	1	Orifice	
112	4711500	6	Flatwasher 5/16in Thin	
	1001158203	Ref	FRAME SHIELDS INSTALLATIONS	D
201	0100011	AR	Compound, Locking	
202	0641606	2	Bolt, 3/8in - 16NC x 3/4in	
203	4751600	2	Flatwasher 3/8in Regular	
204	1001158187	1	Cover	
205	4280296	27 in /68cm	Trim	
206	1001158188	1	Cover	
209	8580420	2	Nut, Well	
210	0641410	2	Bolt 1/4in-20NC x 1-1/4in	
211	4751400	2	Flatwasher 1/4in Regular	

SECTION 1 - FRAME

FIGURE 1-8. TOW PACKAGE INSTALLATION



SECTION 1 - FRAME

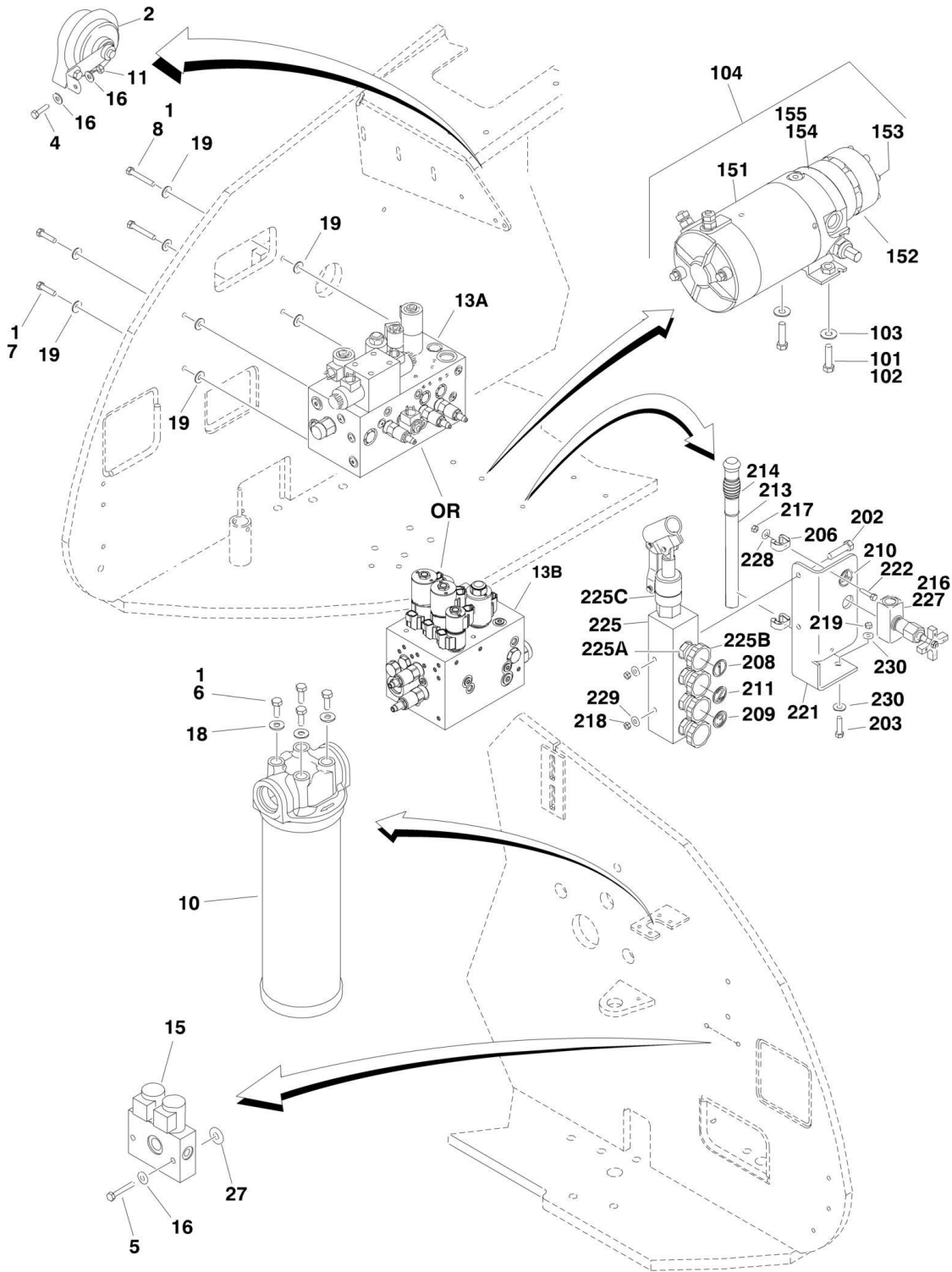
FIGURE 1-8. TOW PACKAGE INSTALLATION

ITEM	PART NUMBER	QTY	DESCRIPTION	REV
	1001158436	Ref	TOW BAR INSTALLATION (ENGLISH DECALS)	B
	1001220283	Ref	TOW BAR INSTALLATION (FRENCH/ENGLISH DECALS)	A
1	0250528	1	Tow Bar Assembly (See Items 101-121 for Breakdown)	
2	0641508	2	Bolt 5/16in-18NC x 1in	
4	4640261	1	Valve, Select	
5	4751500	4	Flatwasher 5/16in Regular	
6	0100011	AR	Compound, Locking	
7	1704578	2	Decal - Crushing (English Language)	
7	1706593	2	Decal - Crushing (English/French Dual Language)	
8	1705090	1	Decal - Towing Instructions (English Language)	
8	1705820	1	Decal - Towing Instructions (English/French Dual Language)	
9	3250872	1	Decal/Nameplate - Steer/Tow Select Valve (English Language)	
9	1704272	1	Decal/Nameplate - Steer/Tow Select Valve (English/French Dual Language)	
10	3820001	AR	Rivet	
11	4420051	AR	Tape, Safety	
12	1001160780	1	Extension, Rod	
	0270528	Ref	TOW BAR ASSEMBLY	A
101	0100011	AR	Compound, Locking	
102	0362910	1	Pintle, Draw Eye	
103	0642010	4	Bolt 5/8in-11NC x 1-1/4in	
104	0721004	2	Screw, Hex Machine	
105	0741607	24	Screw, Countersunk 3/8in-16NC x 7/8in	
106	1060584	6	Cable, Lanyard	
107	3420372	2	Pin, Cotter	
108	3420447	1	Pin, Towing	
109	3421565	2	Pin, Snap	
110	3422841	2	Pin	
111	3422847	1	Pin	
112	3572009	2	Plate, Slide Stop	
113	3572010	2	Plate, Slide Stop	
114	3572011	2	Plate, Slide Stop	
115	3572012	2	Plate, Slide Stop	
116	3760170	8	Ring, Split	
117	4568133	1	Tube, Tow Bar	
118	4740036	1	Flatwasher	
119	4751000	2	Flatwasher #10 Regular	
120	4846295	1	Tow Bar Attach Weldment	
121	4846296	1	Pintle Attach Weldment	

SECTION 2 - TURNTABLE

SECTION 2 - TURNTABLE

FIGURE 2-1. CONTROL VALVES AND AUXILIARY PUMP INSTALLATIONS



SECTION 2 - TURNTABLE

FIGURE 2-1. CONTROL VALVES AND AUXILIARY PUMP INSTALLATIONS

ITEM	PART NUMBER	QTY	DESCRIPTION	REV
		Ref	VALVES INSTALLATIONS	
		Ref	Valves Installations without Hostile Environment/without LSS or with 4 Cell LSS (680S,800S)	
	1001161980	Ref	Machines with Deutz D2011 & GM Engines (680S,800S) (SN 0300182743 through 0300190436)	C
	1001149531	Ref	Machines with Deutz TD2.9L4 Engines (680S,800S) (SN 0300182743 through 0300190436)	D
	1001167198	Ref	Machines with All Deutz, Ford & GM Engines (680S,800S) (SN 0300190437 through 0300272492, Except SN 0300272449 through 0300272454)	B
	1001167198	Ref	Machines with All Deutz & GM Engines (680S,800S) (SN B300001092 through B300005730, Excluding B300005568)	B
		Ref	Valves Installation without Hostile Environment/with 1 Cell LSS (800S)	
	1001219979	Ref	Machines with All Deutz & Ford Engines (800S)	A
		Ref	Valves Installations with Hostile Environment/without LSS or with 4 Cell LSS (800S)	
	1001161982	Ref	Machines with Deutz D2011 & GM Engines (800S) (SN 0300182743 through 0300190436)	C
	1001149531	Ref	Machines with Deutz TD2.9L4 Engines (800S) (SN 0300182743 through 0300190436)	D
	1001167200	Ref	Machines with All Deutz, Ford & GM Engines (800S) (SN 0300190437 through 0300272492, Except SN 0300272449 through 0300272454)	B
	1001167200	Ref	Machines with All Deutz & GM Engines (800S) (SN B300001092 through B300005730, Excluding B300005568)	B
		Ref	Valves Installations without LSS or with 4 Cell LSS (860SJ)	
	1001161981	Ref	Machines with Deutz D2011 & GM Engines (860SJ) (SN 0300182743 through 0300190436)	C
	1001149532	Ref	Machines with Deutz TD2.9L4 Engines (860SJ) (SN 0300182743 through 0300190436)	D
	1001167199	Ref	Machines with All Deutz, Ford & GM Engines (860SJ) (SN 0300190437 through 0300272492, Except SN 0300272449 through 0300272454)	B
	1001167199	Ref	Machines with All Deutz & GM Engines (860SJ) (SN B300001092 through B300005730, Excluding B300005568)	B
		Ref	Valves Installation with 1 Cell LSS (860SJ)	
	1001219980	Ref	Machines with All Deutz & Ford Engines (860SJ)	B
1	0100011	AR	Compound, Locking	
2	0140001	1	Horn (Deutz TD2.9L4 Machines Only) (SN 0300190437 through 0300272492, Except SN 0300272449 through 0300272454)	
4	0641408	1	Bolt 1/4in-20NC x 1in	
5	0641418	2	Bolt 1/4in-20NC x 2-1/4in	
6	0641606	6	Bolt 3/8in-16NC x 3/4in	
7	0641612	4	Bolt 3/8in-16NC x 1-1/2in	
7	0641613	4	Bolt 3/8in-16NC x 1-5/8in	
10	1001108617	AR	Hydraulic Filter Assembly Options:	
10	70002231	1	Element, Filter	
11	3311405	1	Locknut 1/4in-20NC	
13A	4641432	1	Main Control Valve Assembly (See MAIN CONTROL VALVE ASSEMBLY for Breakdown) (SN 0300182743 through 0300190436)	

SECTION 2 - TURNTABLE

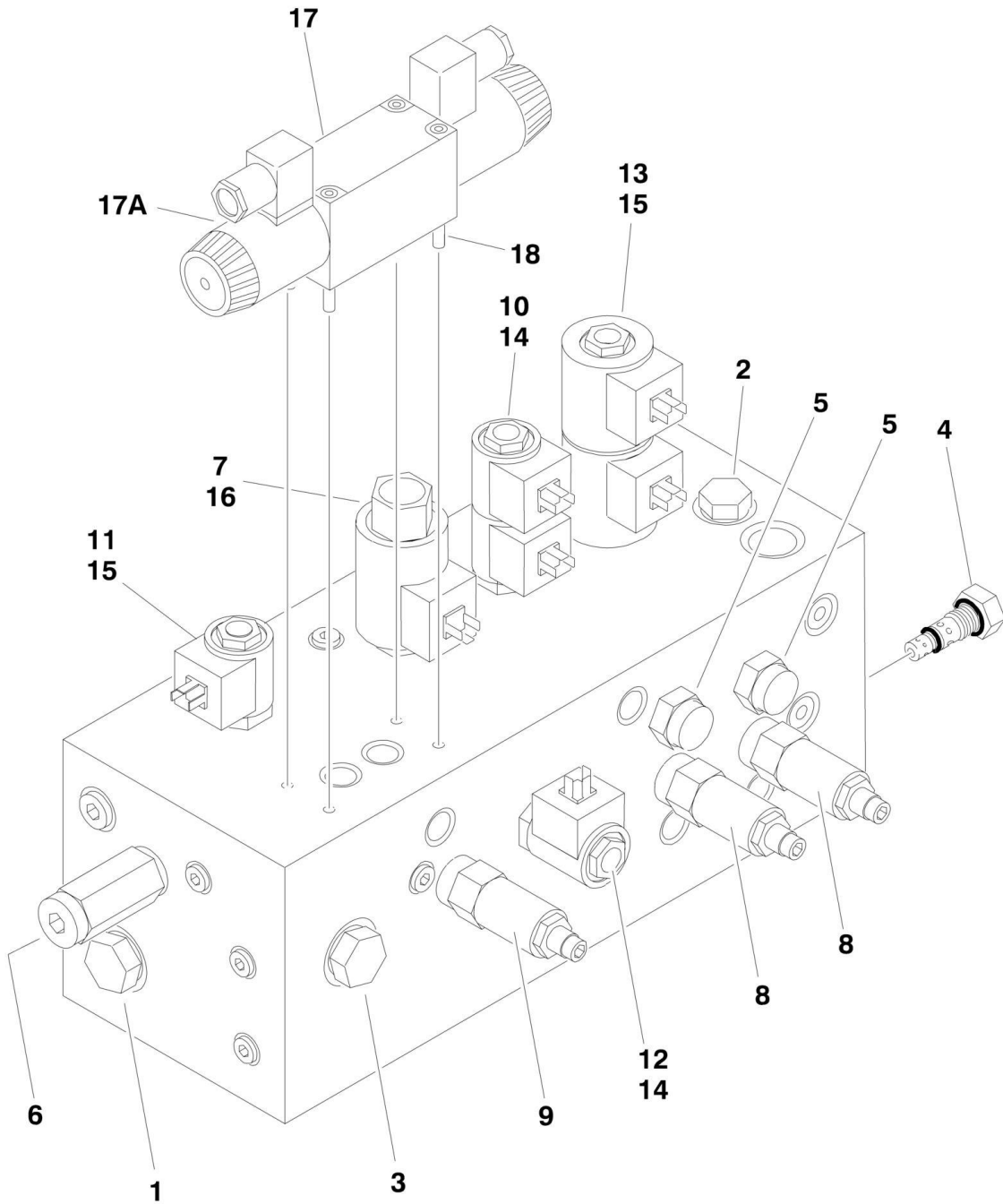
ITEM	PART NUMBER	QTY	DESCRIPTION	REV
13B	1001154598	1	Main Control Valve Assembly (See MAIN CONTROL VALVE ASSEMBLY for Breakdown) (SN 0300190437 through 030026383400)	
13B	1001235900	1	Main Control Valve Assembly (See MAIN CONTROL VALVE ASSEMBLY for Breakdown) (SN 0300263835 through 0300272492, Except SN 0300272449 through 0300272454)	
13B	1001154598	1	Main Control Valve Assembly (See MAIN CONTROL VALVE ASSEMBLY for Breakdown) (SN B300001092 through B300003943)	
13B	1001235900	1	Main Control Valve Assembly (See MAIN CONTROL VALVE ASSEMBLY for Breakdown) (SN B300003944 through B300005730, Excluding B300005568)	
15	4641317	1	Dual Select Valve Assembly	C
15	7012944	2	Coil	
15	7012941	2	Cartridge Less Coil	
15	7010543	2	Seal Kit - 7012941 Valve (1 Per Cartridge)	
16	4711400	AR	Flatwasher 1/4in Thin	
18	4711600	10	Flatwasher 3/8in Thin	
19	4751600	12	Flatwasher 3/8in Regular	
27	1001110425	1	Spacer	
	1001157262	Ref	AUXILIARY PUMP INSTALLATION	B
101	0100011	AR	Compound, Locking	
102	0641606	2	Bolt 3/8in-16NC x 3/4in	
103	4751600	2	Flatwasher 3/8in Regular	
104	1001137459	1	Auxiliary Pump Assembly (See Items 151-155 for Breakdown)	
	1001137459	Ref	AUXILIARY PUMP ASSEMBLY	A
151	70003998	1	Motor	
152	70004266	1	Pump	
153	70001020	4	Screw	
154	70003612	2	O-Ring	
155	70004267	1	O-Ring	
	1001157261	Ref	MANUAL DESCENT INSTALLATION (OPTIONAL) (SN 0300182743 through 0300187355)	A
202	0641420	2	Bolt 1/4in-20NC x 2-1/2in	
203	0641507	2	Bolt 5/16in-18NC x 7/8in	
206	1380136	2	Clip, Gripper	
207	1702901	1	Decal - Manual Descent (Not Shown - Located on hood)	
208	1702903	1	Decal - #1	
209	1702924	1	Decal - #3	
210	1702925	1	Decal - #4	
211	1702927	1	Decal - #2	
212	1705589	1	Decal - Manual Descent (Not Shown - Located on Hydraulic Tank)	
213	2560122	1	Handle	
214	2560123	1	Handle, Grip	
216	2900062	1	Kit, Valve Mounting	
217	3311005	2	Locknut #10-24NC	
218	3311405	2	Locknut 1/4in-20NC	
219	3311505	4	Locknut 5/16in-18NC	
221	3574179	1	Plate, Valve Mounting	
222	3911008	2	Screw #10-24NC x 1/2in	
225	4640930	1	Manifold, Manual Descent Assembly	
225A		Ref	Cartridge, Needle Options:	
225A	4640902	4	Cartridge, Needle (was p/n 7012954) (Original Equipment)	

SECTION 2 - TURNTABLE

ITEM	PART NUMBER	QTY	DESCRIPTION	REV
225A	7012953	4	Seal, Kit - 7012954 Cartridge	
225A	4640902	4	Cartridge, Needle (Service Replacement)	
225A	7012953	4	Seal, Kit - 4640902 Cartridge	
225B	7012961	4	Knob	
225C		Ref	Cartridge, Pump Options:	
225C	70004019	1	Cartridge, Pump (was p/n 7012694) (Original Equipment)	
225C	7012699	1	Seal, Kit - 7012694 Cartridge	
225C	70004019	1	Cartridge, Pump (Service Replacement)	
225C	7017496	1	Seal, Kit - 70004019 Cartridge (was p/n 2900756)	
227	4641263	1	Valve, Metering	
228	4751000	2	Flatwasher #10 Regular	
229	4751400	2	Flatwasher 1/4in Regular	
230	4751500	6	Flatwasher 5/16in Regular	

SECTION 2 - TURNTABLE

FIGURE 2-2. MAIN CONTROL VALVE ASSEMBLY (SN 0300182743 through 0300190436)



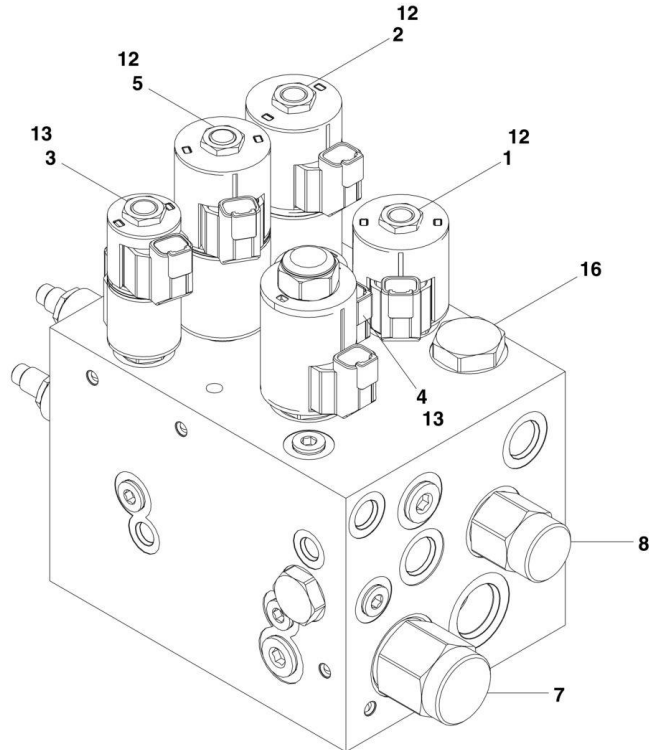
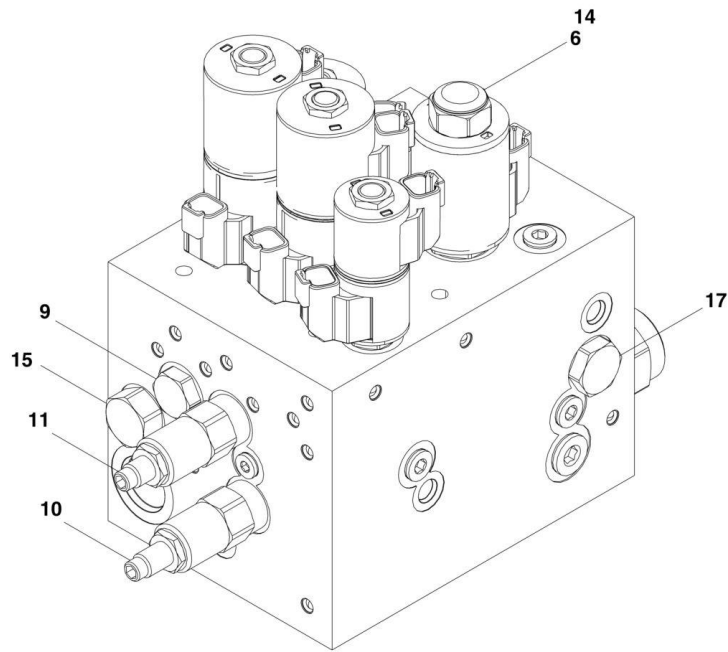
SECTION 2 - TURNTABLE

FIGURE 2-2. MAIN CONTROL VALVE ASSEMBLY (SN 0300182743 through 0300190436)

ITEM	PART NUMBER	QTY	DESCRIPTION	REV
	4641432	Ref	MAIN CONTROL VALVE ASSEMBLY	D
1	70004581	1	Cartridge, Check Valve	
1	70004571	1	Seal Kit - 70004581 Cartridge	
2	7012975	1	Cartridge, Check Valve	
2	7012967	1	Seal Kit - 7012975 Cartridge	
3	7023985	1	Cartridge, Check Valve	
3	7017496	1	Seal Kit - 7023985 Cartridge	
4	70004579	1	Cartridge, Flow Regulator (Steer)	
4	70004580	1	Seal Kit - 70004579 Cartridge	
5	10837580	2	Cartridge, Load Sensing (Steer and Swing) (was p/n 7010542)	
5	7010543	2	Seal Kit - 7010542 Cartridge	
6	70004576	1	Cartridge, Pilot	
6	70004577	1	Seal Kit - 70004576 Cartridge	
7	70004693	1	Cartridge, Proportional Flow (Tele)	
7	70004694	1	Seal Kit - 70004693 Cartridge	
8	7017422	2	Cartridge, Relief Valve (Steer and Swing)	
8	7012998	2	Seal Kit - 7017422 Cartridge	
9	7017489	1	Cartridge, Relief Valve (Tele Out Relief)	
9	7012998	1	Seal Kit - 7017489 Cartridge	
10	7023922	1	Cartridge, Solenoid (Swing)	
10	7017402	1	Seal Kit - 7023922 Cartridge	
11	70004570	1	Cartridge, Solenoid (Main Dump)	
11	70004571	1	Seal Kit - 70004570 Cartridge	
12	7021612	1	Cartridge, Solenoid (Lift Up Dump)	
12	7010543	1	Seal Kit - 7021612 Cartridge	
13	7023925	1	Cartridge, Solenoid (Steer Direction)	
13	7012903	1	Seal Kit - 7023925 Cartridge	
14	7012944	3	Coil	
15	7012943	3	Coil	
15	70003024	1	Spacer, Coil	
16	7017451	1	Coil	
17	70000579	1	Control Valve Assembly (Tele Direction)	
17	70000583	1	Seal Kit	
17A	70000582	1	Coil	
17A	70000580	1	Nut, Coil	
18	See Note	NSS	Capscrew (Note: Not Available for Purchase)	

SECTION 2 - TURNTABLE

FIGURE 2-3. MAIN CONTROL VALVE ASSEMBLY (SN 0300190437 through 0300263834, SN B300001092 through B300003943)



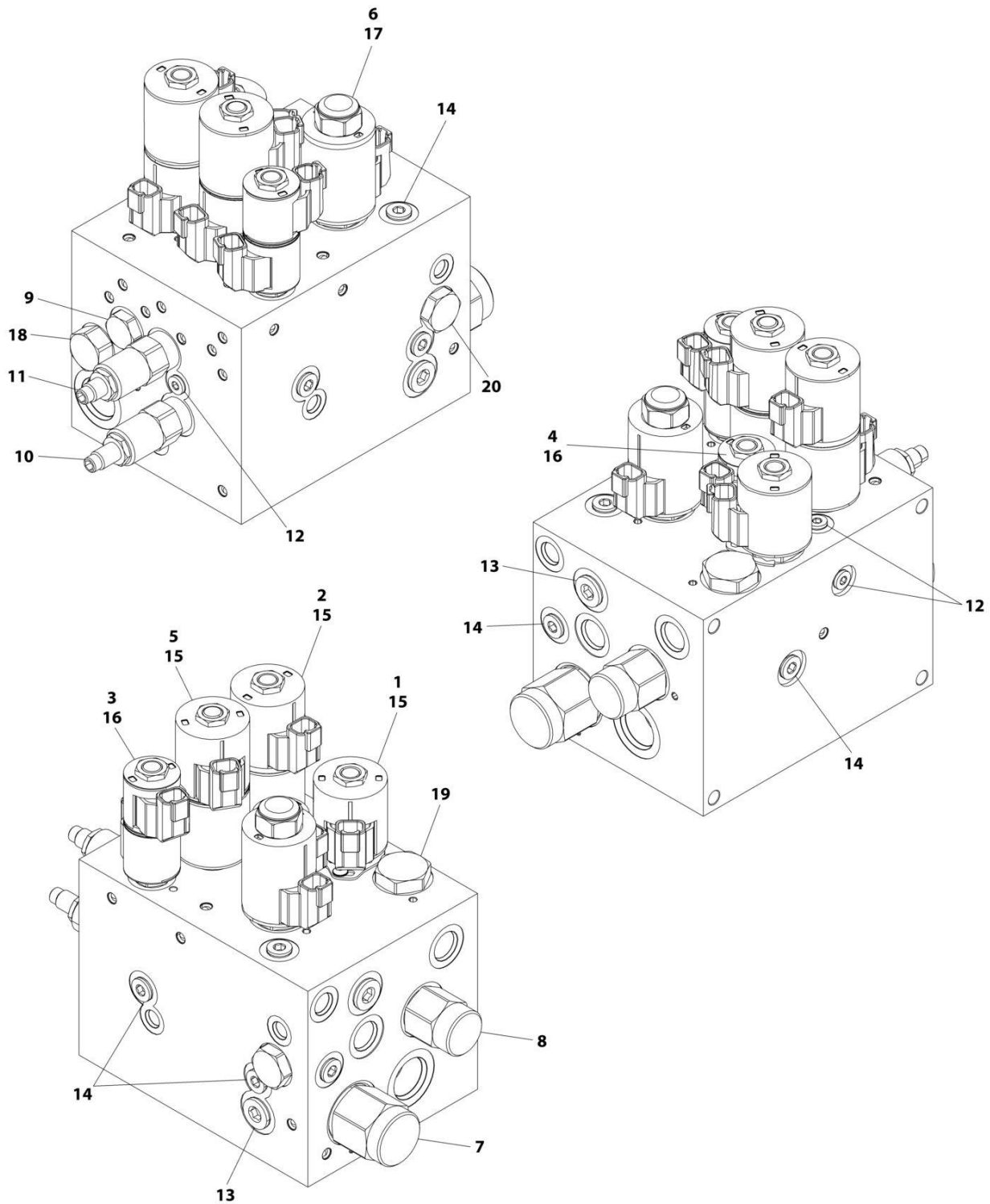
SECTION 2 - TURNTABLE

FIGURE 2-3. MAIN CONTROL VALVE ASSEMBLY (SN 0300190437 through 0300263834, SN B300001092 through B300003943)

ITEM	PART NUMBER	QTY	DESCRIPTION	REV
	1001154598	Ref	MAIN CONTROL VALVE ASSEMBLY	D
1	70004570	1	Cartridge, Solenoid Valve (Main Dump)	
1	70004571	1	Seal Kit - 70004570 Valve	
1	70005725	1	Lock Down Kit	
2	7023925	1	Cartridge, Solenoid Valve (Steer)	
2	7012903	1	Seal Kit - 7023925 Valve	
3	7017452	1	Cartridge, Solenoid Valve (Tele)	
3	7017402	1	Seal Kit - 7017452 Valve	
4	7021612	1	Cartridge, Solenoid Valve (Lift)	
4	7012907	1	Seal Kit - 7021612 Valve	
5	70003022	1	Cartridge, Solenoid Valve (Swing)	
5	7012903	1	Seal Kit - 70003022 Valve	
6	70004572	1	Cartridge, Solenoid Valve (Tele)	
6	70004573	1	Seal Kit - 70004572 Valve	
7	70004574	1	Cartridge, Valve	
7	70004575	1	Seal Kit - 70004574 Valve	
8	70004576	1	Cartridge, Valve	
8	70004577	1	Seal Kit - 70004576 Valve	
9	10837580	1	Cartridge, Valve	
9	7010543	1	Seal Kit - 10837580 Valve	
10	7017422	1	Cartridge, Valve	
10	7012998	1	Seal Kit - 7017422 Valve	
11	70004578	1	Cartridge, Valve	
11	7021653	1	Seal Kit - 70004578 Valve	
12	70003788	5	Coil	
13	70002386	3	Coil	
14	70003789	1	Coil	
15	70004579	1	Cartridge, Valve	
15	70004580	1	Seal Kit - 70004579 Valve	
16	70004581	1	Cartridge, Valve	
16	70004571	1	Seal Kit - 70004581 Valve	
17	7023985	1	Cartridge, Valve	
17	7017496	1	Seal Kit - 7023985 Valve	

SECTION 2 - TURNTABLE

FIGURE 2-4. MAIN CONTROL VALVE ASSEMBLY (SN 0300263835 through 0300272492, SN B300003944 through B300005730)



ART_1001235900

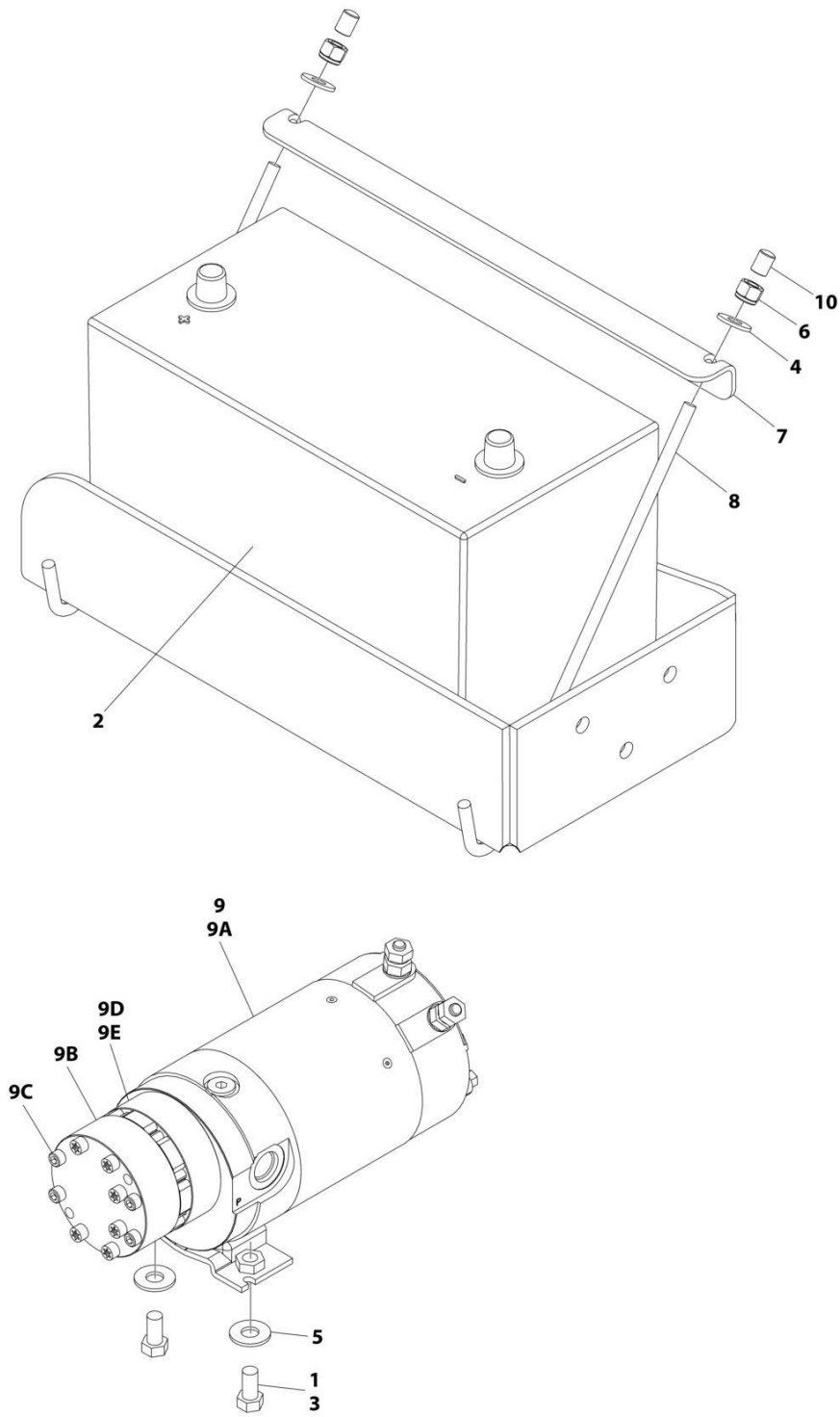
SECTION 2 - TURNTABLE

FIGURE 2-4. MAIN CONTROL VALVE ASSEMBLY (SN 0300263835 through 0300272492, SN B300003944 through B300005730)

ITEM	PART NUMBER	QTY	DESCRIPTION	REV
	1001235900	Ref	MAIN CONTROL VALVE ASSEMBLY	B
1	70004570	1	Cartridge, Solenoid Valve (Main Dump)	
1	70004571	1	Seal Kit - 70004570 Valve	
1	70005725	1	Lock Down Kit	
2	7023925	1	Cartridge, Solenoid Valve (Steer)	
2	7012903	1	Seal Kit - 7023925 Valve	
3	7017452	1	Cartridge, Solenoid Valve (Tele)	
3	7017402	1	Seal Kit - 7017452 Valve	
4	7021612	1	Cartridge, Solenoid Valve (Lift)	
4	7012907	1	Seal Kit - 7021612 Valve	
5	70003022	1	Cartridge, Solenoid Valve (Swing)	
5	7012903	1	Seal Kit - 70003022 Valve	
6	70004572	1	Cartridge, Solenoid Valve (Tele)	
6	70004573	1	Seal Kit - 70004572 Valve	
7	70004574	1	Cartridge, Valve	
7	70004575	1	Seal Kit - 70004574 Valve	
8	70004576	1	Cartridge, Valve	
8	70004577	1	Seal Kit - 70004576 Valve	
9	10837580	1	Cartridge, Valve	
9	7010543	1	Seal Kit - 10837580 Valve	
10	7017422	1	Cartridge, Valve	
10	7012998	1	Seal Kit - 7017422 Valve	
11	70004578	1	Cartridge, Valve	
11	7021653	1	Seal Kit - 70004578 Valve	
12	91164059	3	Plug, #4	
13	91164057	3	Plug, #8	
14	91164079	6	Plug, #6	
15	70003788	5	Coil	
16	70002386	3	Coil	
17	70003789	1	Coil	
18	70004579	1	Cartridge, Valve	
18	70004580	1	Seal Kit - 70004579 Valve	
19	70004581	1	Cartridge, Valve	
19	70004571	1	Seal Kit - 70004581 Valve	
20	7023985	1	Cartridge, Valve	
20	7017496	1	Seal Kit - 7023985 Valve	

SECTION 2 - TURNTABLE

FIGURE 2-5. AUXILIARY PUMP WITH BATTERY WITHOUT BATTERY DISCONNECT SWITCH INSTALLATION



ART_1001239472

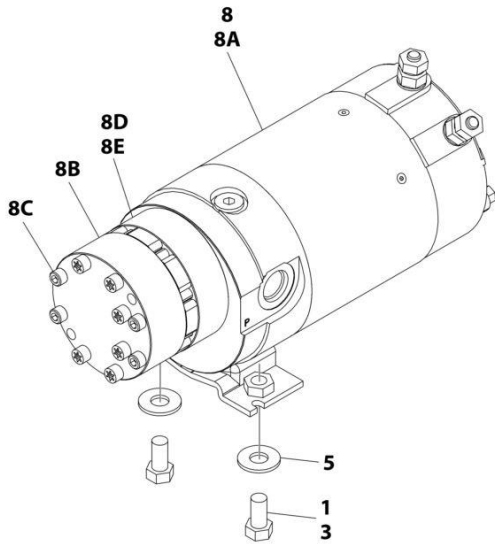
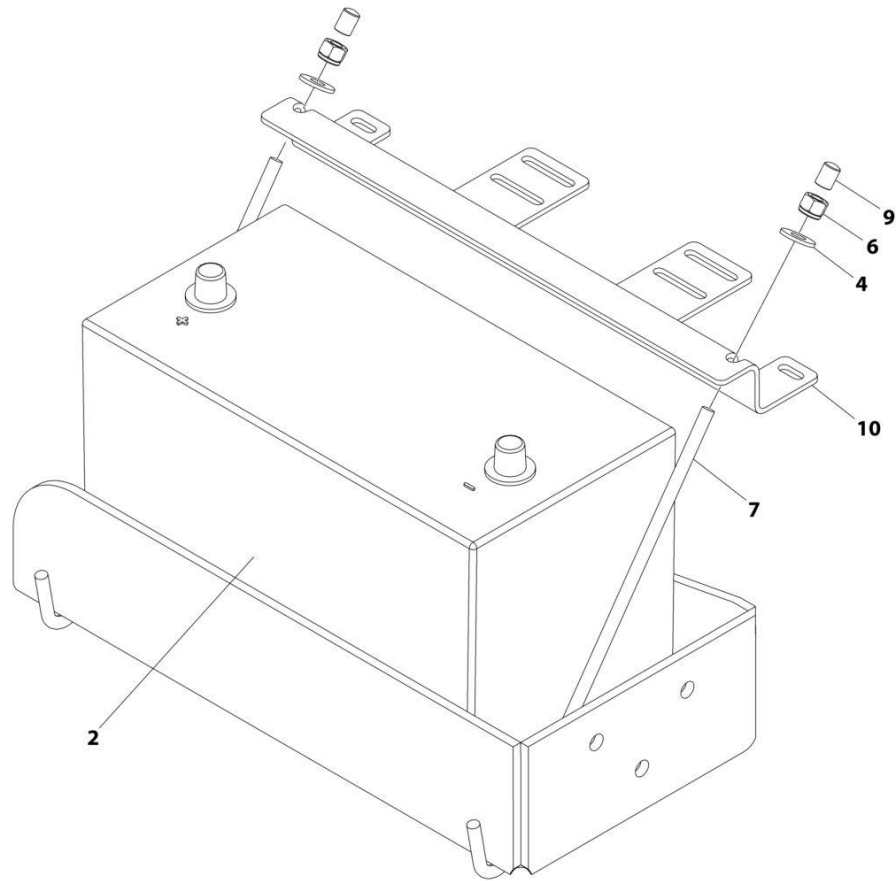
SECTION 2 - TURNTABLE

FIGURE 2-5. AUXILIARY PUMP WITH BATTERY WITHOUT BATTERY DISCONNECT SWITCH INSTALLATION

ITEM	PART NUMBER	QTY	DESCRIPTION	REV
	1001239472	Ref	AUXILIARY PUMP WITH BATTERY WITHOUT BATTERY DISCONNECT SWITCH INSTALLATION	A
1	0100011	AR	Compound, Locking	
2	0400075	1	Battery	
3	0641606	2	Bolt 3/8 x 3/4	
4	4751500	2	Washer 5/16	
5	4751600	2	Washer 3/8	
6	88521205	2	Nut 5/16	
7	91401281	1	Hold-down, Battery	
8	1001093382	2	Bolt, Battery Hold-down	
9	1001137459	1	Auxiliary Pump Assembly	
9A	70003998	1	Motor	
9B	70004266	1	Pump	
9C	70001020	4	Screw	
9D	70003612	2	O-Ring	
9E	70004267	1	O-Ring	
10	1001218572	2	Cap, Vinyl	

SECTION 2 - TURNTABLE

FIGURE 2-6. AUXILIARY PUMP WITH BATTERY WITH BATTERY DISCONNECT SWITCH INSTALLATION



ART_1001239471

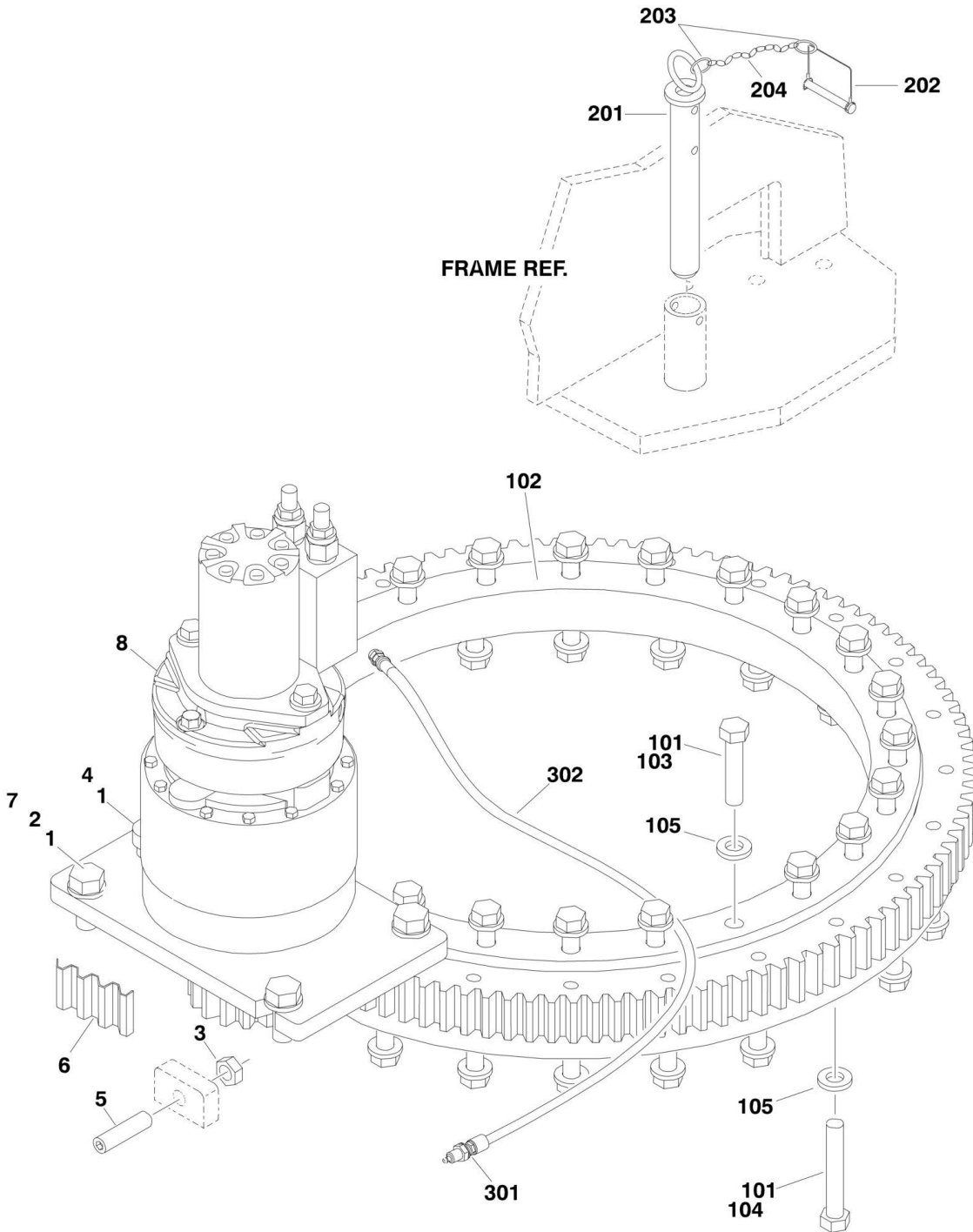
SECTION 2 - TURNTABLE

FIGURE 2-6. AUXILIARY PUMP WITH BATTERY WITH BATTERY DISCONNECT SWITCH INSTALLATION

ITEM	PART NUMBER	QTY	DESCRIPTION	REV
	1001239471	Ref	AUXILIARY PUMP WITH BATTERY WITH BATTERY DISCONNECT SWITCH INSTALLATION	A
1	0100011	AR	Compound, Locking	
2	0400075	1	Battery	
3	0641606	2	Bolt 3/8 x 3/4	
4	4751500	2	Washer 5/16	
5	4751600	2	Washer 3/8	
6	88521205	2	Nut 5/16	
7	1001093382	2	Bolt, Battery Hold-down	
8	1001137459	1	Auxiliary Pump Assembly	
8A	70003998	1	Motor	
8B	70004266	1	Pump	
8C	70001020	4	Screw	
8D	70003612	2	O-Ring	
8E	70004267	1	O-Ring	
9	1001218572	2	Cap, Vinyl	
10	1001236303	1	Hold-down, Battery	

SECTION 2 - TURNTABLE

FIGURE 2-7. TURNTABLE BEARING AND SWING DRIVE INSTALLATION



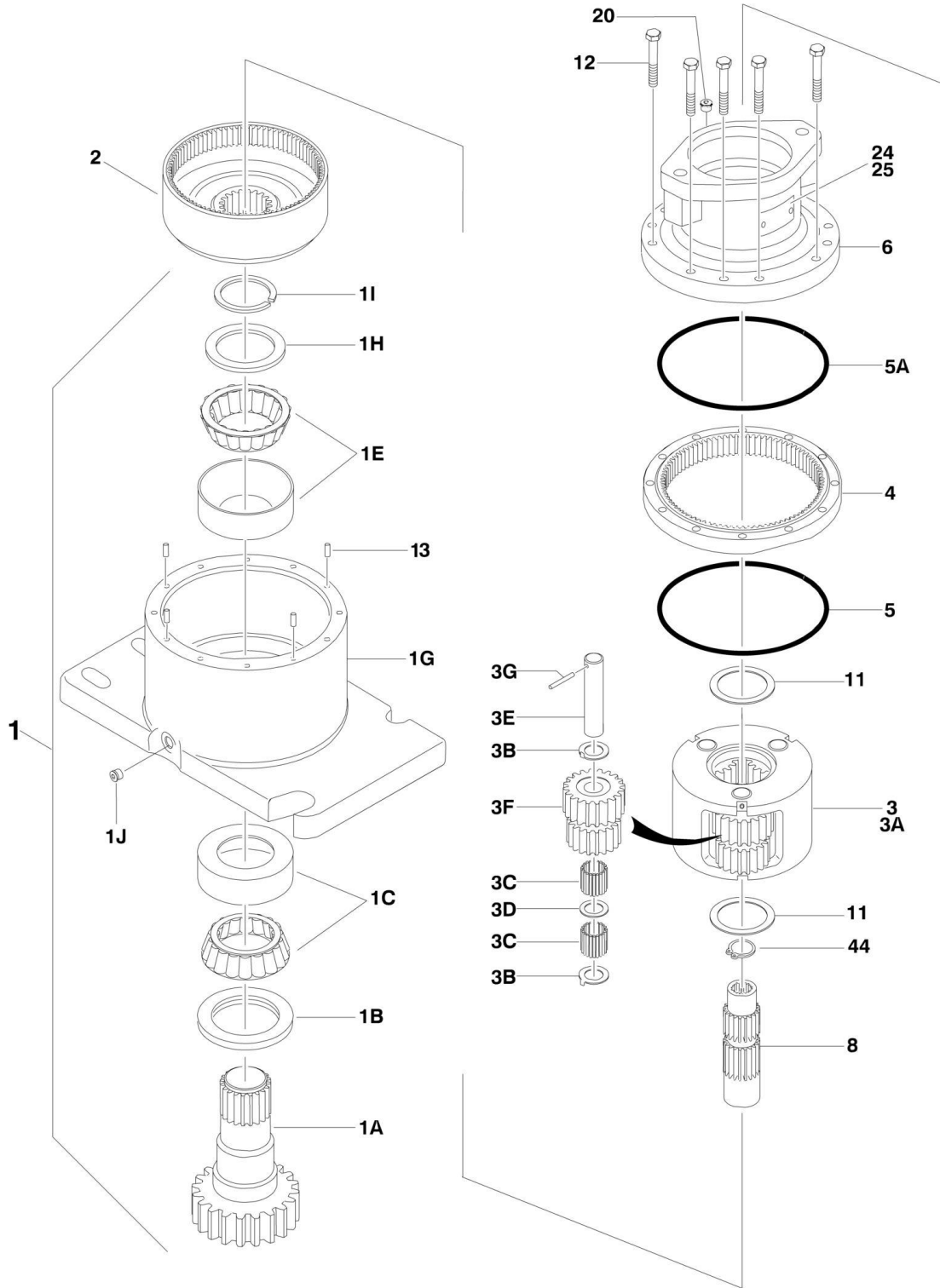
SECTION 2 - TURNTABLE

FIGURE 2-7. TURNTABLE BEARING AND SWING DRIVE INSTALLATION

ITEM	PART NUMBER	QTY	DESCRIPTION	REV
	1001094899	Ref	SWING DRIVE INSTALLATION	E
1	0100019	AR	Compound, Locking	
2	0682216	4	Bolt 3/4in-10NC x 2in Grade 8	
3	3312002	1	Nut, Jam 3/4in-10NC	
4	3900293	1	Bolt, Shoulder	
5	3952020	2	Setscrew 5/8in-11NC x 2-1/2in	
6	4071009	1	Shim (SN 0300182743 through 0300189311)	
6	1001125492	1	Shim (SN 0300189312 through 0300272492, Except SN 0300272449 through 0300272454)	
6	1001125492	1	Shim (SN B300001092 through B300005730, Excluding B300005568)	
7	4740057	4	Flatwasher 3/4in Hardened	
8	1001101060	1	Swing Motor/Swing Hub Assembly (See SWING MOTOR/HUB ASSEMBLY for Breakdown) (Prior to SN 0300270177, Prior to SN B300005528)	
8	1001229810	1	Swing Motor/Swing Hub Assembly (See SWING MOTOR/HUB ASSEMBLY for Breakdown) (SN 0300270177 to Present, SN B300005528 to Present)	
	0271002	Ref	TURNTABLE BEARING INSTALLATION	E
101	0100019	AR	Compound, Locking	
102	0440244	1	Bearing, Turntable	
103	0682023	24	Bolt 5/8in - 11NC x 2-7/8in Grade 8	
104	0682032	24	Bolt 5/8in - 11NC x 4in Grade 8	
105	4892000	48	Flatwasher, 5/8in Hardened	
	0259147	Ref	TURNTABLE LOCK INSTALLATION	B
201	4844958	1	Pin	
202	3421565	1	Pin, Snap	
203	3760170	2	Ring, Quick Release	
204	1260017	9 in/23cm	Chain	
	1001161076	Ref	REMOTE BEARING LUBE INSTALLATION	A
301	0100011	AR	Compound, Locking	
302	1001157058	1	Hose and Fitting Assembly	

SECTION 2 - TURNTABLE

FIGURE 2-8. SWING MOTOR/HUB ASSEMBLY (Prior to SN 0300270177, Prior to SN B300005528)



SECTION 2 - TURNTABLE

FIGURE 2-8. SWING MOTOR/HUB ASSEMBLY (Prior to SN 0300270177, Prior to SN B300005528)

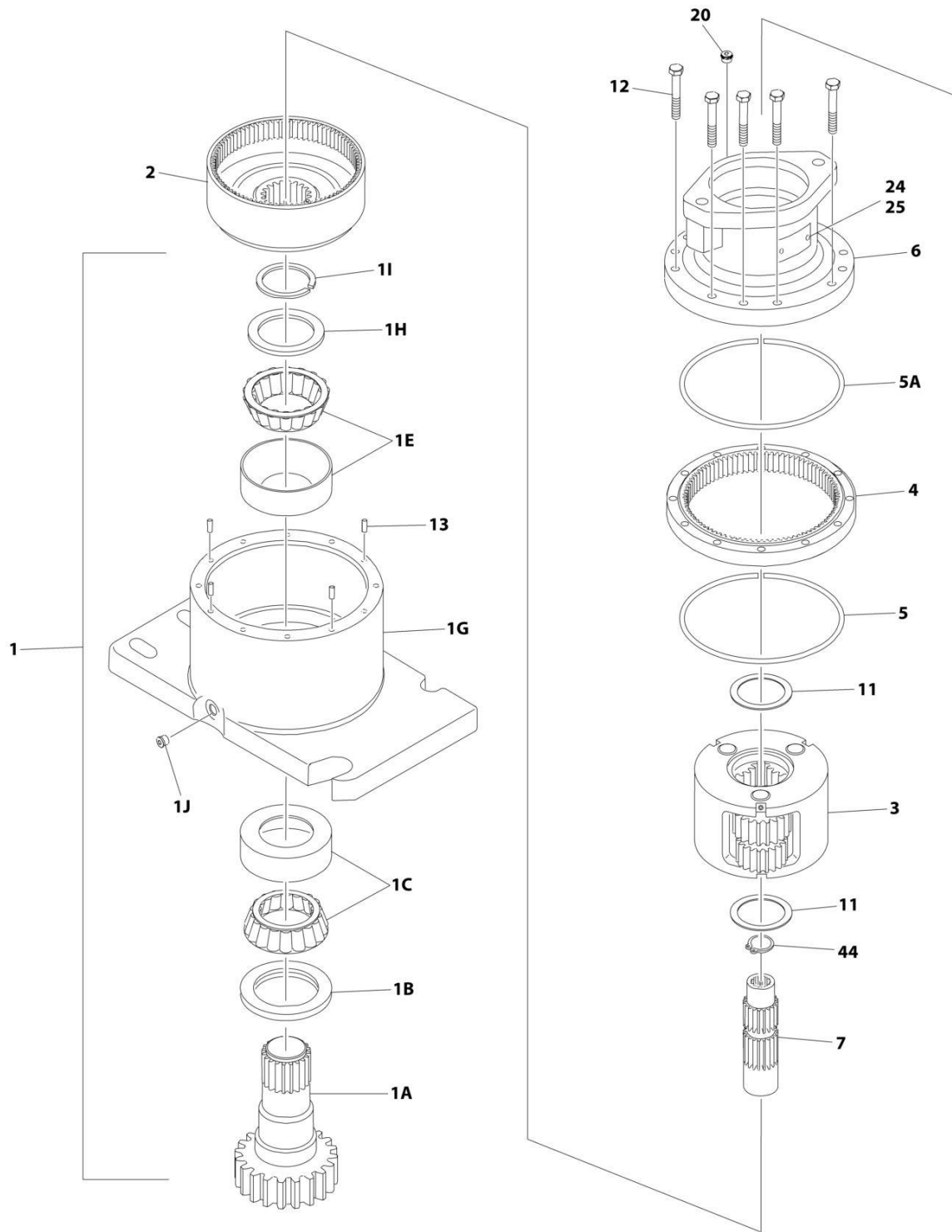
ITEM	PART NUMBER	QTY	DESCRIPTION	REV
	1001101060	Ref	SWING MOTOR/HUB ASSEMBLY	B
1	See Note	NSS	Housing/Shaft Assembly (Note: Not Available - Purchase Individual Components)	
1A	7010492	1	Shaft, Output	
1B	7000228	1	Seal, Lip	
1C	7000255	1	Bearing Kit (Includes Cup and Cone)	
1E	7000257	1	Bearing Kit (Includes Cup and Cone)	
1G	7024762	1	Housing	
1H	7007633	1	Thrustwasher	
1I	7000229	1	Ring, Retaining	
1J	7017072	1	Plug, Pipe	
2	7000246	1	Gear, Internal	
3	80424002	1	Carrier Assembly	
3A	7001931	1	Carrier	
3B	7001985	6	Washer, Tanged	
3C	7001909	84	Bearing, Needle	
3D	7000263	3	Thrustwasher	
3E	7001911	3	Shaft, Planet	
3F	7001912	3	Gear, Cluster	
3G	7010474	3	Rollpin	
4	7000248	1	Gear, Ring	
5	7000230	1	O-Ring	
5A	7017070	1	O-Ring	
6	See Note	NSS	Housing, Brake (Note: Not Available - Purchase Complete Assembly)	
8	70002065	1	Gear, Sun	
8A	70000782	1	Piston	
8D	70002070	1	O-Ring	
8E	70002071	1	Ring, Back-up	
8F	70002073	1	O-Ring	
8H	70002072	1	Ring, Back-up	
8J	70002067	4	Disc, Rotor	
8K	70002068	5	Disc, Stator	
8L	70002066	14	Spring	
11	7000253	2	Thrustwasher	
12	7000217	12	Bolt 3/8in-16NC x 2-1/4in (Grade 8)	
13	7017080	4	Pin, Dowel	
20	7017072	1	Plug, Pipe	
21	7024704	4	Bolt 5/16in-18NC x 2in (Grade 8)	
22	See Note	NSS	Lockwasher (Note: Not Available for Purchase)	
23	7017023	2	Plug, Pipe	
24	See Note	NSS	Plate, ID (Note: Not available for purchase)	
25	7000281	2	Screw, Drive	
26	7024763	1	O-Ring	
28	See Note	NSS	Lug, Lifting (Note: Not Available for Purchase)	
29	70002069	2	Bolt 1/2in-13NC x 2in (Grade 8)	
30	7017085	2	Elbow	
31	70002075	1	Motor Assembly (See Items 101-125 for Breakdown)	
32	7024784	1	Valve Assembly - Complete (No Serviceable Parts)	
35	70002074	1	Tube	

SECTION 2 - TURNTABLE

ITEM	PART NUMBER	QTY	DESCRIPTION	REV
44	7017028	1	Ring, Internal Retaining	
45	7000213	2	O-Ring	
	70002075	Ref	MOTOR ASSEMBLY	
101	7024454	5	Bolt	
102	7004035	1	Cover, End	
103	7023318	1	Seal, Commutator	
104	7004036	5	Seal, Ring	
105	7024453	1	Commutator and Ring Assembly	
106	7024453	1	Ring	
107	7024379	1	Manifold	
108	7024455	1	Rotor Set	
109	7024380	1	Plate, Wear	
110	7024456	1	Link, Drive	
112	7024458	1	Shaft, Coupling	
113	7024381	1	Bearing, Inner	
114	7004043	1	Thrustwasher	
115	7004044	1	Bearing, Thrust	
116	7004049	1	Seal, Inner	
117	7004045	1	Washer, Back-up	
118	7024457	1	Housing	
119	7024390	1	Bearing, Outer	
120	7004047	1	Seal	
125	80424043	1	Washer, Back-up	
		Ref	KIT OPTIONS:	
200		Ref	Seal Kit Options:	
200A	7024100	1	Swing Hub (Includes Items 1B, 1I, 5, 5A & 11)	
200A	70006437	1	Swing Hub (Includes Items 1B, 1I, 5, 5A, 12 & 26)	
200B	70002086	1	Swing Brake (Includes Items 8D, 8E, 8F, 8H & 26)	
200C	7024396	1	Swing Motor (Includes Items 103, 104, 116, 117, 120 & 125)	
201	70002085	1	Disc Kit - Swing Brake (Includes Items 8J & 8K)	
202	70006436	1	Bearing and Seal Kit (Includes Items 1B, 1C, 1E, 1I, 5, 5A, 12 & 26)	

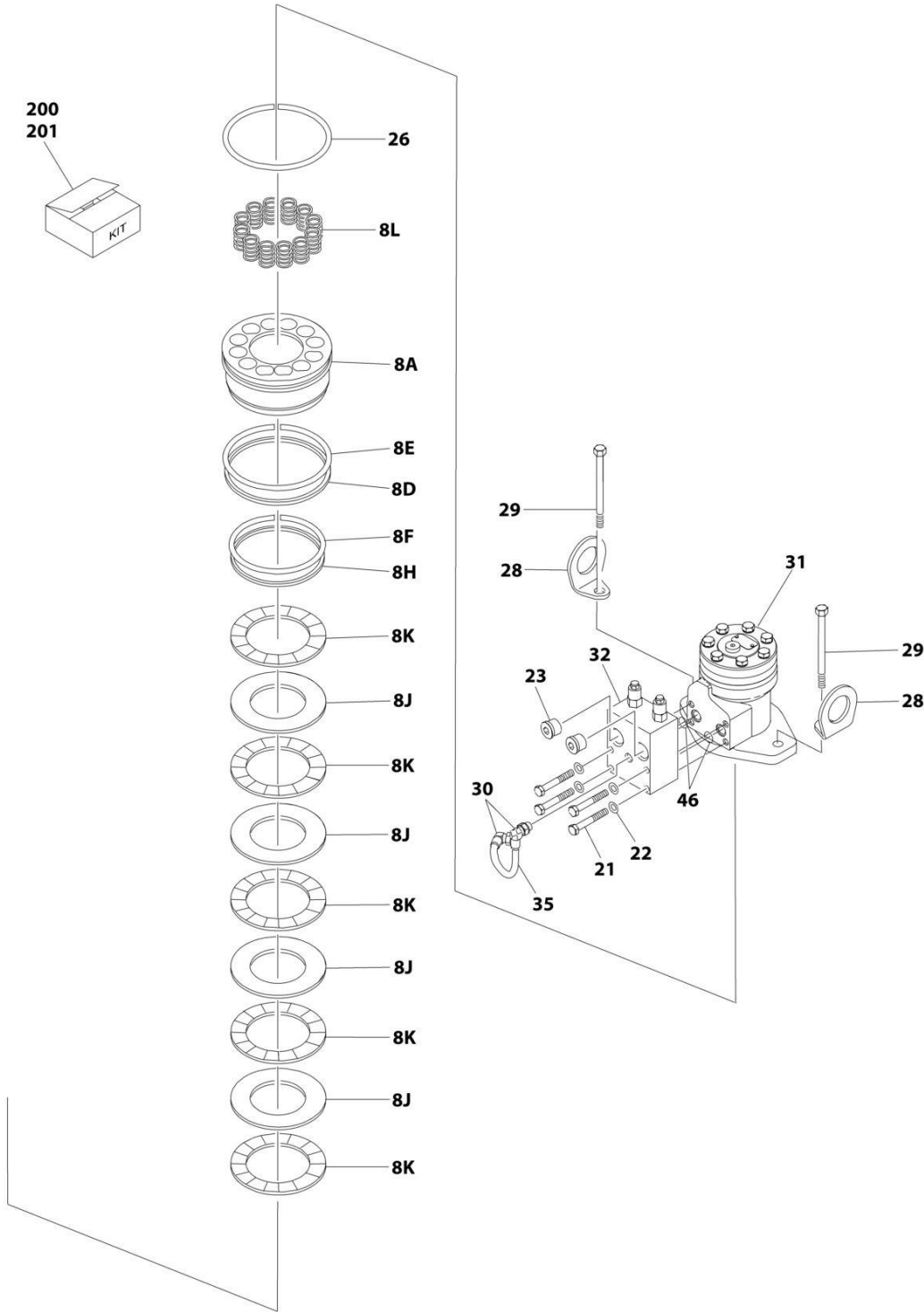
SECTION 2 - TURNTABLE

FIGURE 2-9. SWING MOTOR/HUB ASSEMBLY (SN 0300270177 to Present, SN B300005528 to Present)



ART_1001229810_10F2

SECTION 2 - TURNTABLE



ART_1001229810_20F2

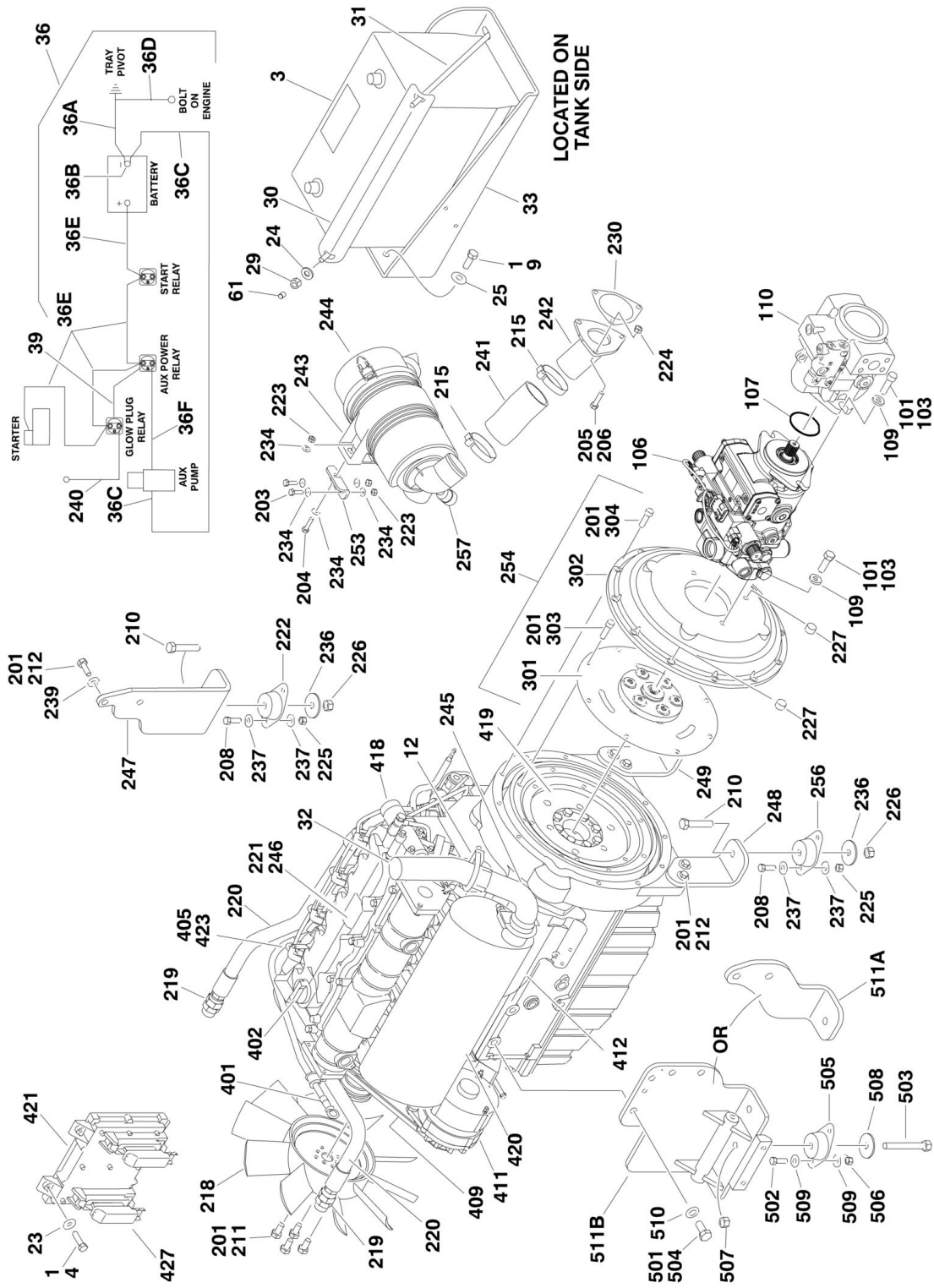
SECTION 2 - TURNTABLE

FIGURE 2-9. SWING MOTOR/HUB ASSEMBLY (SN 0300270177 to Present, SN B300005528 to Present)

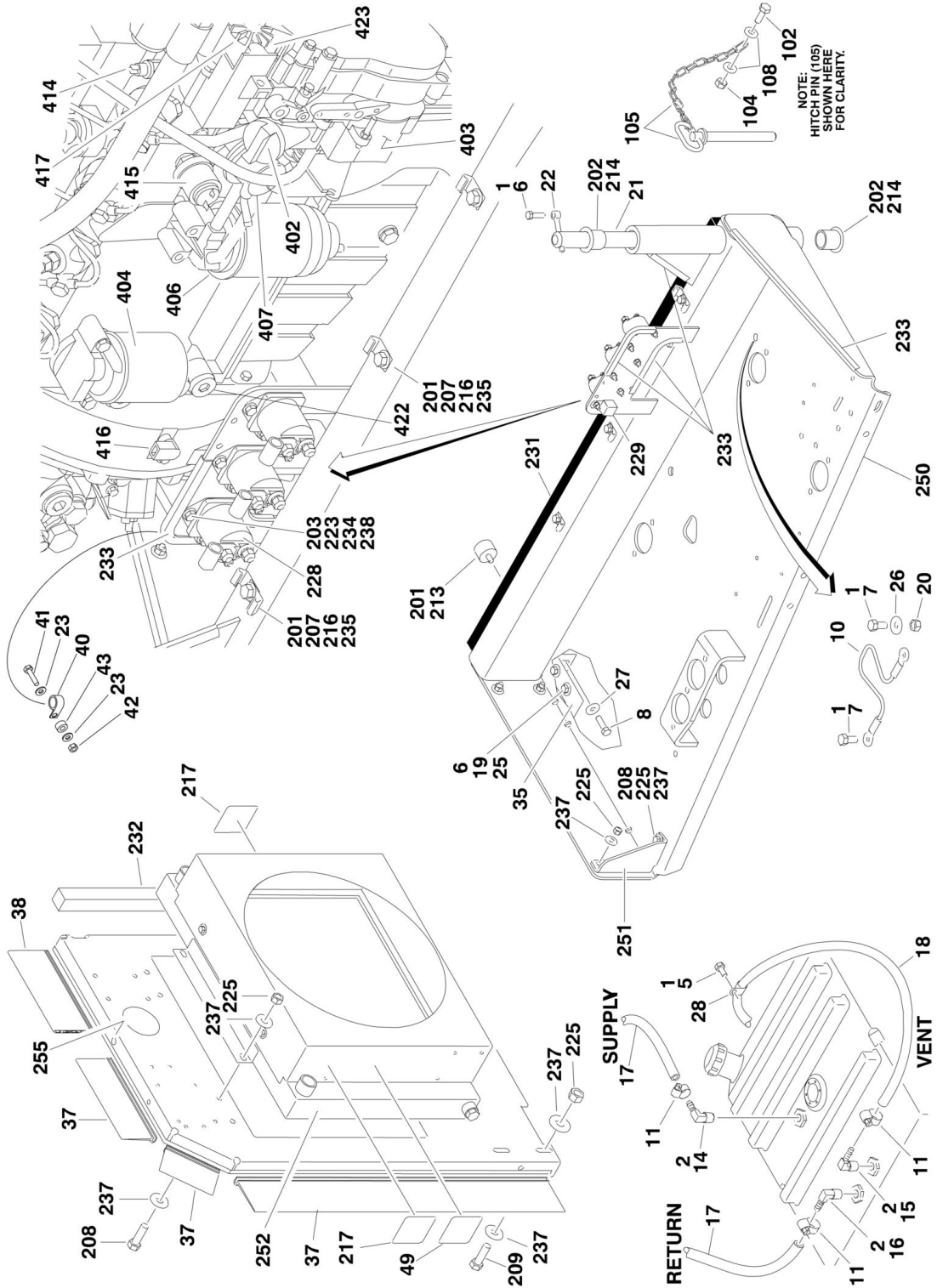
ITEM	PART NUMBER	QTY	DESCRIPTION	REV
	1001229810	Ref	SWING MOTOR/HUB ASSEMBLY	C
1	See Note	1	Housing/Shaft Assembly (Note: Not Available - Purchase Individual Components)	
1A	7010492	1	Shaft, Output	
1B	7000228	1	Seal, Lip	
1C	7000255	1	Bearing Kit (Includes Cup and Cone)	
1E	7000257	1	Bearing Kit (Includes Cup and Cone)	
1G	7024762	1	Housing	
1H	7007633	1	Washer, Thrust	
1I	7000229	1	Ring, Retaining	
1J	7017072	1	Plug, Pipe	
2	7000246	1	Gear, Internal	
3	7000247	1	Carrier Assembly	
4	7000248	1	Gear, Ring	
5	7000230	1	O-Ring	
5A	7017070	1	O-Ring	
6	1001229810	NSS	Housing, Brake (Note: Not Available - Purchase Complete Assembly)	
7	70005203	1	Gear, Sun	
8A	70004037	1	Piston	
8D	70004041	1	O-Ring	
8E	70004044	1	Ring, Back-up	
8F	70004042	1	O-Ring	
8H	70004043	1	Ring, Back-up	
8J	70002085	4	Disc, Rotor	
8K	70002085	5	Disc, Stator	
8L	70002066	14	Spring	
11	7000253	2	Washer, Thrust	
12	7000217	12	Bolt 3/8 x 2-1/4 Grade 8	
13	7017080	4	Pin, Dowel	
20	7017072	1	Plug, Pipe	
21	7024704	4	Bolt 5/16 x 2 Grade 8	
22	70004045	4	Washer	
23	7017023	2	Plug, Pipe	
24	See Note	NSS	Plate, ID (Note: Not Available for Purchase)	
25	See Note	NSS	Rivet (Note: Not Available for Purchase)	
26	7024763	1	O-Ring	
28	See Note	NSS	Lug, Lifting (Note: Not Available for Purchase)	
29	70004040	2	Bolt 1/2 x 1 (Grade 8)	
30	7017085	2	Elbow	
31	70006304	1	Motor Assembly	
32	7024784	1	Valve Assembly - Complete (No Serviceable Parts)	
35	70004047	1	Tube	
44	7017028	1	Ring, Internal Retaining	
45	7000213	2	O-Ring	
		Ref	KIT OPTIONS:	
200	7024100	1	Seal Kit - Swing Hub (Includes Items 1B, 1I, 5, 5A & 11)	
201	70002085	1	Disc Kit - Swing Brake (Includes Items 8J & 8K)	

SECTION 2 - TURNTABLE

FIGURE 2-10. DEUTZ D2011 ENGINE INSTALLATION



SECTION 2 - TURNTABLE



SECTION 2 - TURNTABLE

FIGURE 2-10. DEUTZ D2011 ENGINE INSTALLATION

ITEM	PART NUMBER	QTY	DESCRIPTION	REV
		Ref	DEUTZ D2011 ENGINE INSTALLATION	
	1001156170	Ref	Without Arctic Package (All Specs except CE Spec)	H
	1001160977	Ref	Without Arctic Package (CE Spec Only)	C
	1001156171	Ref	With Arctic Package (All Specs) (SN 0300182743 through 0300196954)	F
	1001178212	Ref	With Arctic Package (All Specs) (SN 0300196955 through 0300272492, SN B300001097 through B300005730, Except SN 0300272449 through 0300272454, Excluding B300005568)	F
1	0100011	AR	Compound, Locking	
2	0100020	AR	Sealant, Pipe	
3	0400075	1	Battery (SN 0300182743 through 0300259989, SN B300001092 through B300004169)	
4	0641410	4	Bolt 1/4in-20NC x 1-1/4in	
5	0641608	1	Bolt 3/8in-16NC x 1in	
6	0641610	3	Bolt 3/8in-16NC x 1-1/4in	
7	0641808	2	Bolt 1/2in-13NC x 1in	
8	0642010	1	Bolt 5/8in-11NC x 1-1/4in	
9	0681608	3	Bolt 3/8in-16NC x 1in Grade 8	
10	1060637	1	Cable, Lanyard	
11	1320022	5	Clamp, Hose	
12	1320176	1	Clamp	
13	1701505	1	Decal - Diesel (Not Shown - Located on Hood)	
14	2180348	1	Fitting, Straight Barbed	
15	2220313	1	Fitting, Elbow	
16	2221176	1	Fitting, Elbow Barbed	
17	2720058	30 ft/9.2m	Hose	
18	2750532	7 ft/2.1m	Hose	
19	3311605	4	Locknut 3/8in-16NC	
20	3311801	1	Nut 1/2in-13NC	
21	3422446	1	Pin, Pivot	
22	3841143	1	Pin, Keeper	
23	4711400	AR	Flatwasher 1/4in Thin	
24	4751500	AR	Flatwasher 5/16in Regular	
25	4751600	7	Flatwasher 3/8in Regular	
26	4751800	1	Flatwasher 1/2in Regular	
27	4752000	1	Flatwasher 5/8in Regular	
28	8406102	1	Clip	
29	88521205	AR	Locknut 5/16in-18NC	
30	91401281	1	Hold-down, Battery (SN 0300182743 through 0300259989, SN B300001092 through B300004169)	
31	1001093382	2	Bolt, Battery Hold-down (SN 0300182743 through 0300259989, SN B300001092 through B300004169)	
32	1001101600	1	Tube, Exhaust	
33	1001162497	1	Bracket	
35	1001151070	1	Plate	
36	1001155143	1	Battery Cable Kit	C
36A	7027092	1	Cable, Battery (Black) (Battery - to Tray Pivot and Relay Grds)	
36B	8270147	1	Terminal, Battery (With Boot) Cable, Battery (Black)	
36C	7027093	1	Cable, Battery (Black) (Battery - to Aux Pump Ground)	
36D	7027053	1	Cable, Battery (Black) (Engine to Tray Pivot Grd)	
36E	7027094	1	Cable (Red) (Battery + to Relays/Starter)	

SECTION 2 - TURNTABLE

ITEM	PART NUMBER	QTY	DESCRIPTION	REV
36F	7027095	1	Cable (Red) (Aux Relay to Aux Pump)	
37	3960548	44 in/1.1m	Seal	
38	3960549	11 in /28cm	Seal	
39	4922737	1	Harness, Engine Ground (SN 0300182743 through 0300259989, SN B300001092 through B300004169)	
40	1320224	1	Clamp (SN 0300247153 through 0300272492, SN B300003181 through B300005730, Except SN 0300272449 through 0300272454, Excluding B300005568)	
41	0641409	1	Bolt ¼ x 1-1/8	
42	3311405	1	Nut 1/4	
43	1001110425	1	Spacer (SN 0300247153 through 0300272492, SN B300003181 through B300005730, Except SN 0300272449 through 0300272454, Excluding B300005568)	
49		Ref	Decal - Warning Explosion/Fire	
49	1704972	1	ANSI Spec	
49	1706098	1	Australian and CE Spec	
49	1706059	1	Brazilian Spec	
49	1706060	1	Chinese Spec	
49	1706064	1	CSA Spec	
49	1706062	1	Japanese Spec	
49	1706061	1	Korean Spec	
49	1706063	1	Spanish Language	
		Ref	Note: Arctic Package Items 50-59 Not Shown - Used on Arctic Machines Only.	
50	1060625	1	Cable, Immersion Heater (Located on bottom of Hydraulic Oil Tank) (SN 0300182743 through 0300185003)	
51	1060626	1	Cord, 3 Way Extension (Located on Left Front of Engine)	
52	1320223	2	Clamp (SN 0300182743 through 0300196954)	
53	1702941	1	Decal - Battery Heater (Located on Battery Heater)	
54	1702942	1	Decal - Engine Block Heater (Located on Right Side of Engine)	
55	1702943	1	Decal - Hydraulic Tank Heater (Located on bottom of Hydraulic Oil Tank)	
56	1702944	1	Decal - Heater Cord (Located on Left Front of Engine)	
57	2580024	1	Heater, Battery (Located on Battery)	
58	2580050	1	Heater, Hydraulic Tank (Located on bottom of Hydraulic Oil Tank) (SN 0300182743 through 0300208405)	
58	1001188972	1	Heater, Hydraulic Tank (Located on bottom of Hydraulic Oil Tank) (SN 0300208406 through 0300272492, Except SN 0300272449 through 0300272454)	
58	2580050	1	Heater, Hydraulic Tank (Located on bottom of Hydraulic Oil Tank) (SN B300001097 through B300001323)	
58	1001188972	1	Heater, Hydraulic Tank (Located on bottom of Hydraulic Oil Tank) (SN B300001324 through B300005730, Excluding B300005568)	
59	3980007	1	Seat, Battery	
60	1001150918	1	Cable, Immersion Heater (Located on bottom of Hydraulic Oil Tank) (SN 0300196955 through 0300272492, Except SN 0300272449 through 0300272454)	
60	1001150918	1	Cable, Immersion Heater (Located on bottom of Hydraulic Oil Tank) (SN B300001097 through B300005730, Excluding B300005568)	
61	1001218572	AR	Cap, Vinyl (SN 0300232903 through 0300272492, Except SN 0300272449 through 0300272454)	
		Ref	ENGINE AND PUMP ASSEMBLIES	
	1001154236	Ref	Without Arctic Package (All Specs except CE Spec)	D

SECTION 2 - TURNTABLE

ITEM	PART NUMBER	QTY	DESCRIPTION	REV
	1001160966	Ref	Without Arctic Package (CE Spec Only)	B
	1001154237	Ref	With Arctic Package (All Specs)	D
101	0100011	AR	Compound, Locking	
102	0641407	1	Bolt 1/4in-20NC x 7/8in	
103	0641812	4	Bolt 1/2in-13NC x 1-1/2in	
104	3311405	1	Locknut 1/4in-20NC	
105	3422532	1	Pin, Hitch	
106	1001152522	1	Hydrostatic Pump Assembly with Fittings (See HYDROSTATIC PUMP ASSEMBLY for Breakdown) (SN 0300182743 through 0300208405)	
106	1001187510	NLA	Hydrostatic Pump Assembly with Fittings (Use p/n 1001225745) (See HYDROSTATIC PUMP ASSEMBLY for Breakdown) (SN 0300208406 through 0300240852)	
106	1001225745	1	Hydrostatic Pump Assembly with Fittings (See HYDROSTATIC PUMP ASSEMBLY for Breakdown) (SN 0300240853 through 0300272492, Except SN 0300272449 through 0300272454)	
106	1001152522	1	Hydrostatic Pump Assembly with Fittings (See HYDROSTATIC PUMP ASSEMBLY for Breakdown) (SN B300001092 through B300001325)	
106	1001187510	NLA	Hydrostatic Pump Assembly with Fittings (Use p/n 1001225745) (See HYDROSTATIC PUMP ASSEMBLY for Breakdown) (SN B300001326 through B300002584)	
106	1001225745	1	Hydrostatic Pump Assembly with Fittings (See HYDROSTATIC PUMP ASSEMBLY for Breakdown) (SN B300002585 through B300005730, Excluding B300005568)	
107	3790044	1	O-Ring	
108	4751400	1	Flatwasher 1/4in Regular	
109	4891800	4	Flatwasher 1/2in Hardened	
110	1001094595		Variable Pump Assembly with Fittings (See VARIABLE PUMP ASSEMBLY for Breakdown)	
		Ref	ENGINE ASSEMBLIES	
	1001153396	Ref	Without Arctic Package (All Specs except CE Spec)	C
	1001160965	Ref	Without Arctic Package (CE Spec Only)	B
	1001153779	Ref	With Arctic Package (All Specs)	D
201	0100011	AR	Compound, Locking	
202	0100062	AR	Compound, Locking	
203	0641407	8	Bolt 1/4in-20NC x 7/8in	
204	0641410	2	Bolt 1/4in-20NC x 1-1/4in	
205	0641510	2	Bolt 5/16in-18NC x 1-1/4in	
206	0641512	1	Bolt 5/16in-18NC x 1-1/2in	
207	0641606	3	Bolt 3/8in-16NC x 3/4in	
208	0641609	14	Bolt 3/8in-16NC x 1-1/8in	
209	0641610	4	Bolt 3/8in-16NC x 1-1/4in	
210	0641820	2	Bolt 1/2in-13NC x 2-1/2in	
211	0700808	4	Bolt M8 x 16mm	
212	0771414	6	Bolt M14 x 30mm Grade 10.9	
213	0940070	1	Bumper	
214	0961986	2	Bushing, Flanged	
215	1320016	2	Clamp	
216	1320223	4	J-Clip	
217	1703162	2	Decal - Caution Fan Blade	
218	2060025	1	Fan	
219	2220451	2	Fitting, Straight	
220	2720398	2	Hose, Oil Cooler	

SECTION 2 - TURNTABLE

ITEM	PART NUMBER	QTY	DESCRIPTION	REV
221		Ref	Oil, Motor Options (Not Shown):	
221	3020016	15 qts/ 14.2L	Without Arctic Package	
221	3020044	15 qts/ 14.2L	With Arctic Package	
222	3200406	1	Mount, Motor	
223	3311405	10	Locknut 1/4in-20NC	
224	3311505	3	Locknut 5/16in-18NC	
225	3311605	18	Locknut 3/8in-16NC	
226	3311805	3	Locknut 1/2in-13NC	
227	3520054	2	Plug	
228	3740067	3	Relay	
229	3740080	1	Relay	
230	3960407	1	Gasket, Air Intake	
231	3960468	1	Seal	
232	3960469	1	Seal	
233	4060805	37 in/1m	Flex-Trim	
234	4711400	14	Flatwasher 1/4in Thin	
235	4711600	3	Flatwasher 3/8in Thin	
236	4740274	3	Washer, Snubbing	
237	4751600	36	Flatwasher 3/8in Regular	
238	4791400	6	Starwasher 1/4in	
239	4812200	2	Flatwasher M14	
240	4923379	1	Harness, Glow Plug (See ELECTRICAL SECTION for Breakdown)	
241	1001001939	1	Hose, Flex	
242	1001146273	1	Adapter, Air Intake	
243	1001147812	1	Clamp	
244	1001147813	1	Air Cleaner Assembly Filter Element	
244	70004020	1	Element, Filter (Not Shown)	
245		Ref	Pipe, Exhaust Options:	
245	1001147820	AR	Pipe - All Specs except CE Specs	
245	See Note	NSS	Pipe - CE Specs (Note: Part of Muffler - Not Sold Separately)	
246		Ref	Engine, Deutz D2011 (See Items for 401-428 for Serviced Components)	
246	1001147823	1	Engine - All Specs except CE Specs	
246	1001144319	1	Engine - CE Specs	
247	1001149704	1	Support, Engine	
248	1001149705	1	Support, Engine	
249	1001149706	1	Support, Engine	
250	1001149793	1	Tray, Engine	
251	1001150915	1	Gusset	
252	1001150998	1	Radiator	
253	1001152459	1	Plate, Air Cleaner Mounting	
254	1001153282	1	Pump Coupling Kit (See Items 301-304 for Breakdown)	
255	1001153414	1	Plate, Radiator Mounting	
256		Ref	Mount, Motor Options:	
256	3200401	2	Mount - All Specs except CE Specs	
256	3200106	2	Mount - CE Specs	
257	1001143390	1	Indicator (SN 0300232903 through 0300272492, Except SN 0300272449 through 0300272454)	
		Ref	Note: Arctic Package Items 280 Not Shown - Used on Arctic Machines Only.	

SECTION 2 - TURNTABLE

ITEM	PART NUMBER	QTY	DESCRIPTION	REV
280	2580062		Heater, Block (Not Shown - Located in Oil Pan)	
	1001153282	Ref	PUMP COUPLING KIT	D
301	70004183	1	Coupling, Guardian	
302	See Note	NSS	Plate, Pump Adapter (Note: Use p/n 1001153282)	
303	See Note	NSS	Capscrew M10 x 20mm Grade 10.9 (Note: Purchase Locally)	
304	See Note	NSS	Capscrew M10 x 25mm Grade 10.9 (Note: Purchase Locally)	
		Ref	ENGINE COMPONENTS	
	1001147823	Ref	All Specs except CE Spec	B
	1001144319	Ref	CE Spec Only	B
401		Ref	Dipstick Options:	
401	70004287	1	1001147823 Engine (All Specs except CE Specs)	
401	7026631	1	1001144319 Engine (CE Specs Only)	
401		Ref	Seal, Dipstick Options:	
401	70000044	1	1001147823 Engine (All Specs except CE Specs)	
401	7020487	1	1001144319 Engine (CE Specs Only)	
401		Ref	Tube, Dipstick Options:	
401	70001002	1	1001147823 Engine (All Specs except CE Specs)	
401	See Note	NSS	1001144319 Engine (CE Specs Only) (Note: Not Available for Purchase)	
401		Ref	Seal, Dipstick Tube Options:	
401	7020403	1	1001147823 Engine (All Specs except CE Specs)	
401	See Note	NSS	1001144319 Engine (CE Specs Only) (Note: Not Available for Purchase)	
402	7020465	2	Cap, Filler	
403	70001850	1	Pump, Oil Lube	
403	7020468	1	Seal Between Oil Pump and Engine Block (Not Shown)	
404	7016331	1	Filter, Oil	
404	70003472	1	Bracket, Oil Filter Mounting (1001147823 Engine Only)	
404	7027236	1	Sensor, Oil Temperature (1001147823 Engine Only)	
404	70025082	1	Ring, Sealing (1001147823 Engine Only)	
405		Ref	Pump, Injector Options:	
405	70000912	4	Series A Injector	
405	70000913	4	Series B Injector	
405	70000914	4	Series C Injector	
405	70000915	4	Series D Injector	
405		Ref	Seal/Gasket, Pump (1 per Injector) Options:	
405	70003464	4	1001147823 Engine (All Specs except CE Specs)	
405	See Note	NSS	1001144319 Engine (CE Specs Only) (Note: Not Available for Purchase)	
405		Ref	Injector, Fuel	
405	70003478	4	1001147823 Engine (All Specs except CE Specs)	
405	See Note	NSS	1001144319 Engine (CE Specs Only) (Note: Not Available for Purchase)	
405		Ref	Seal/Gasket, Injector (1 per Injector) Options:	
405	70003136	4	1001147823 Engine (All Specs except CE Specs)	
405	See Note	NSS	1001144319 Engine (CE Specs Only) (Note: Not Available for Purchase)	
406	7016328	1	Filter, Fuel	
406		Ref	Sensor Options:	
406	70003465	1	1001147823 Engine (All Specs except CE Specs)	
406	70001848	1	1001144319 Engine (CE Specs Only)	
406		Ref	Seal, Sensor Options:	

SECTION 2 - TURNTABLE

ITEM	PART NUMBER	QTY	DESCRIPTION	REV
406	70003466	2	1001147823 Engine (All Specs except CE Specs)	
406	70001132	2	1001144319 Engine (CE Specs Only)	
407	70000916	1	Pump, Fuel Supply	
407	70001435	1	Repair Kit for Fuel Supply Pump	
407	70000919	1	Hand Pump for Fuel Supply Pump	
407	70000917	1	O-Seal Between Fuel Pump and Engine Block	
407	70000918	1	O-Seal Between Fuel Pump and Hand Pump	
408		Ref	Gasket, Intake Manifold Options (Not Shown):	
408	70001871	4	1001147823 Engine (All Specs except CE Specs)	
408	7020449	4	1001144319 Engine (CE Specs Only)	
409	7020408	1	V-Belt	
410		Ref	Exhaust Manifold Components (Not Shown)	
410	70001835	1	Gasket, Exhaust Adapter to Exhaust Rail	
410	70001841	1	Valve, Exhaust (Fits into Exhaust Adapter)	
410	70001836	1	Gasket, Exhaust Rail to Cylinder Head	
410	70001837	1	Gasket, Exhaust Manifold to Muffler	
410	70001838	2	Gasket, Exhaust Manifold to Engine Block (1001144319 Engine Only)	
410	7020471	4	Gasket, Exhaust Manifold to Engine Block (1001144319 Engine Only)	
410	70001874	1	Restrictor, Choke (Fits between Qty 2 of p/n 70001838) (1001144319 Engine Only)	
410	70001839	2	Flange, Sealing (1001144319 Engine Only)	
410		Ref	Stud, Mounting Options:	
410	70002200	4	1001147823 Engine (All Specs except CE Specs)	
410	70004270	4	1001144319 Engine (CE Specs Only)	
410		Ref	Nut, Exhaust Manifold	
410	See Note	NSS	1001147823 Engine (All Specs except CE Specs) (Note: Not Available for Purchase)	
410	70003476	AR	1001144319 Engine (CE Specs Only)	
411		Ref	Alternator Options:	
411	70004056	1	1001147823 Engine (All Specs except CE Specs)	
411	7000663	1	1001144319 Engine (CE Specs Only)	
411	70001868	1	Regulator, Voltage (Not Shown)	
411	70001866	1	Seal, Voltage Regulator (Not Shown)	
411	70002234	1	Bar, Alternator Adjustment	
412	7020479	1	Starter	
412		Ref	Relay Options:	
412	70004058	1	1001147823 Engine (All Specs except CE Specs)	
412	7026608	1	1001144319 Engine (CE Specs Only)	
413		Ref	Plug-In Connector (Not Shown) Options:	
413	70004060	2	1001147823 Engine (All Specs except CE Specs)	
413	See Note	NSS	1001144319 Engine (CE Specs Only) (Note: Not Available for Purchase)	
414	7027791	1	Transmitter, Temperature	
415	7027790	1	Sensor, Oil Pressure	
416		Ref	Sensor, Speed Options:	
416	70004272	1	1001147823 Engine (All Specs except CE Specs)	
416	7024565	1	1001144319 Engine (CE Specs Only)	
417	7027792	1	Throttle Actuator	
417	7027276	2	Springs	
418		Ref	Thermostat Options (Located at rear of engine block - Not Shown):	

SECTION 2 - TURNTABLE

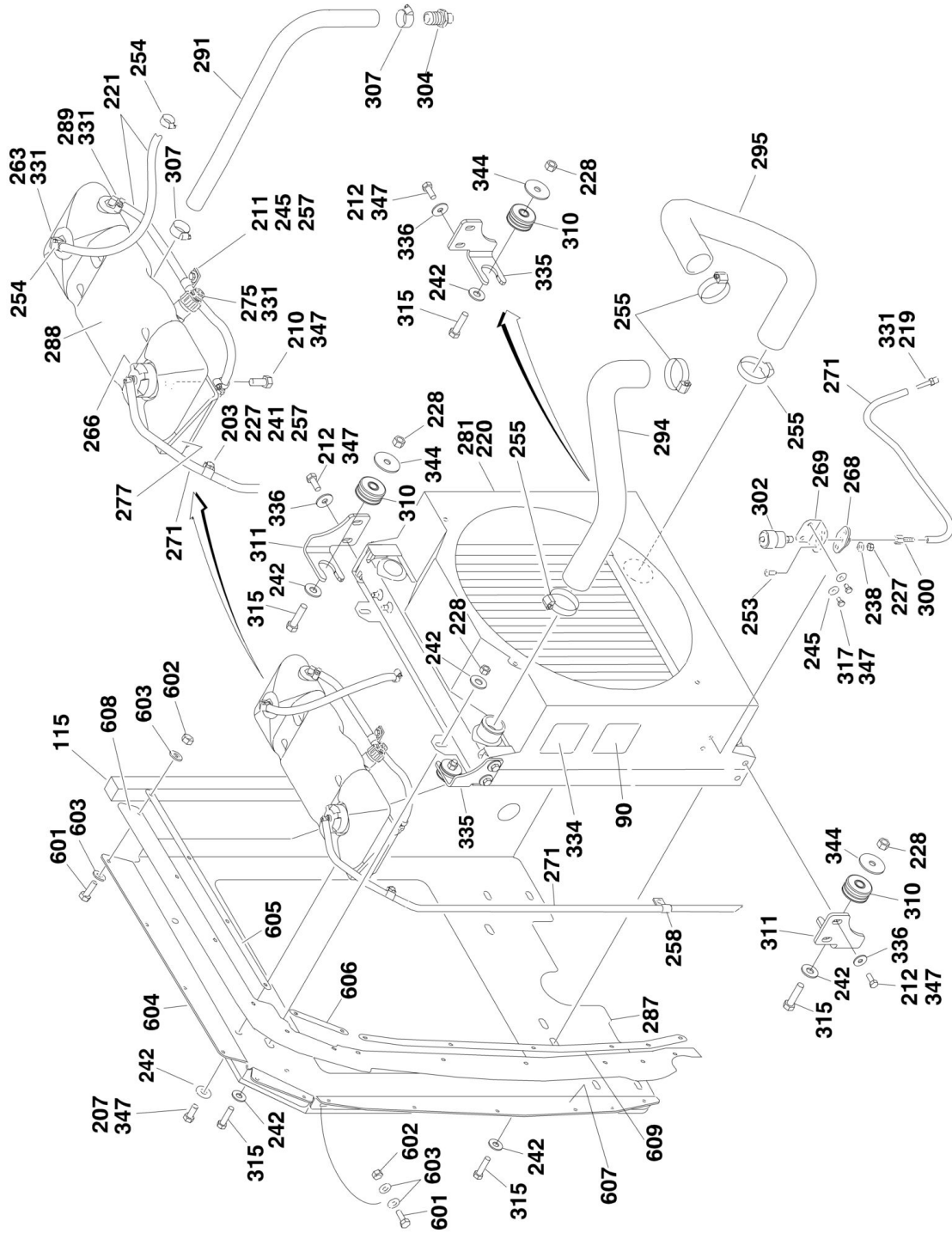
ITEM	PART NUMBER	QTY	DESCRIPTION	REV
418	70003475	1	1001147823 Engine (All Specs except CE Specs)	
418	7020459	1	1001144319 Engine (CE Specs Only)	
419	70001870	1	Flywheel with Ring Gear	
419	7024579	1	Gear, Ring 110 Tooth	
420		Ref	Muffler Options:	
420	7000695	1	1001147823 Engine (Standard on All Specs except CE Specs)	
420	1001099051	1	1001144319 Engine (Standard on CE Specs Only) (Note: Not Included with Engine - Must be Purchased Separately)	
420	1001101241	1	Catalytic Muffler Option on ANSI Export, Australian, CE and Japanese Specs (SN 0300183034 through 0300243317, SN B300001097 through B300243279)	
420	1001099051	1	Spark Arresting Muffler Option on ANSI Export, Australian and CE Specs (SN 0300243318 through 0300272492, SN B300243280 through B300005730, Except SN 0300272449 through 0300272454, Excluding B300005568)	
420	70001844	1	U-Clamp (1001147823 Engine Only)	
420	7020471	1	Gasket (1001147823 Engine Only)	
421	7027795	1	Module, Control	
422	70001181	1	Valve, Pressure Control	
422	70124410	1	Spring	
422	70025082	1	Seal	
422	70124440	1	Screw, Locking	
423	70000345	4	Plug, Glow	
424	70000800	1	Camshaft Pulley Repair Kit (Not Shown) (1001147823 Engine Only)	
425	70001847	1	Breather, Front Cover (Not Shown) (1001144319 Engine Only)	
425	70001126	1	Seal, Front Cover Breather (Not Shown) (1001144319 Engine Only)	
426		Ref	Gasket, Head Options (Not Shown):	
426	70002415	1	Gasket with 1 Notch	
426	70002416	1	Gasket with 2 Notches	
426	70002417	1	Gasket with 3 Notches	
427	7027796	1	Harness, Engine (Connects to Item 421)	
427	70001872	1	Harness, Engine (Connects to p/n 7027796)	
428		Ref	Gaskets and Seals - Miscellaneous (Not Shown)	
428		Ref	Gasket Set	
428	70004289	1	1001147823 Engine (All Specs except CE Specs)	
428	See Note	NSS	1001144319 Engine (CE Specs Only) (Note: Not Available for Purchase)	
428		Ref	Seal, Rear Main	
428	70002718	1	1001147823 Engine (All Specs except CE Specs)	
428	See Note	NSS	1001144319 Engine (CE Specs Only) (Note: Not Available for Purchase)	
428		Ref	Seal, Front Main	
428	70004280	1	1001147823 Engine (All Specs except CE Specs)	
428	See Note	NSS	1001144319 Engine (CE Specs Only) (Note: Not Available for Purchase)	
429	70025752	1	Valve, Pressure Relief (Not Shown - Located at Engine Front Left)	
429	70025753	1	Spring	
429	70005916	1	Seal	
429	70005917	1	Screw, Locking	
		Ref	RIGHT ENGINE SUPPORT INSTALLATIONS	
	1001151253	Ref	Machines without Generator	A

SECTION 2 - TURNTABLE

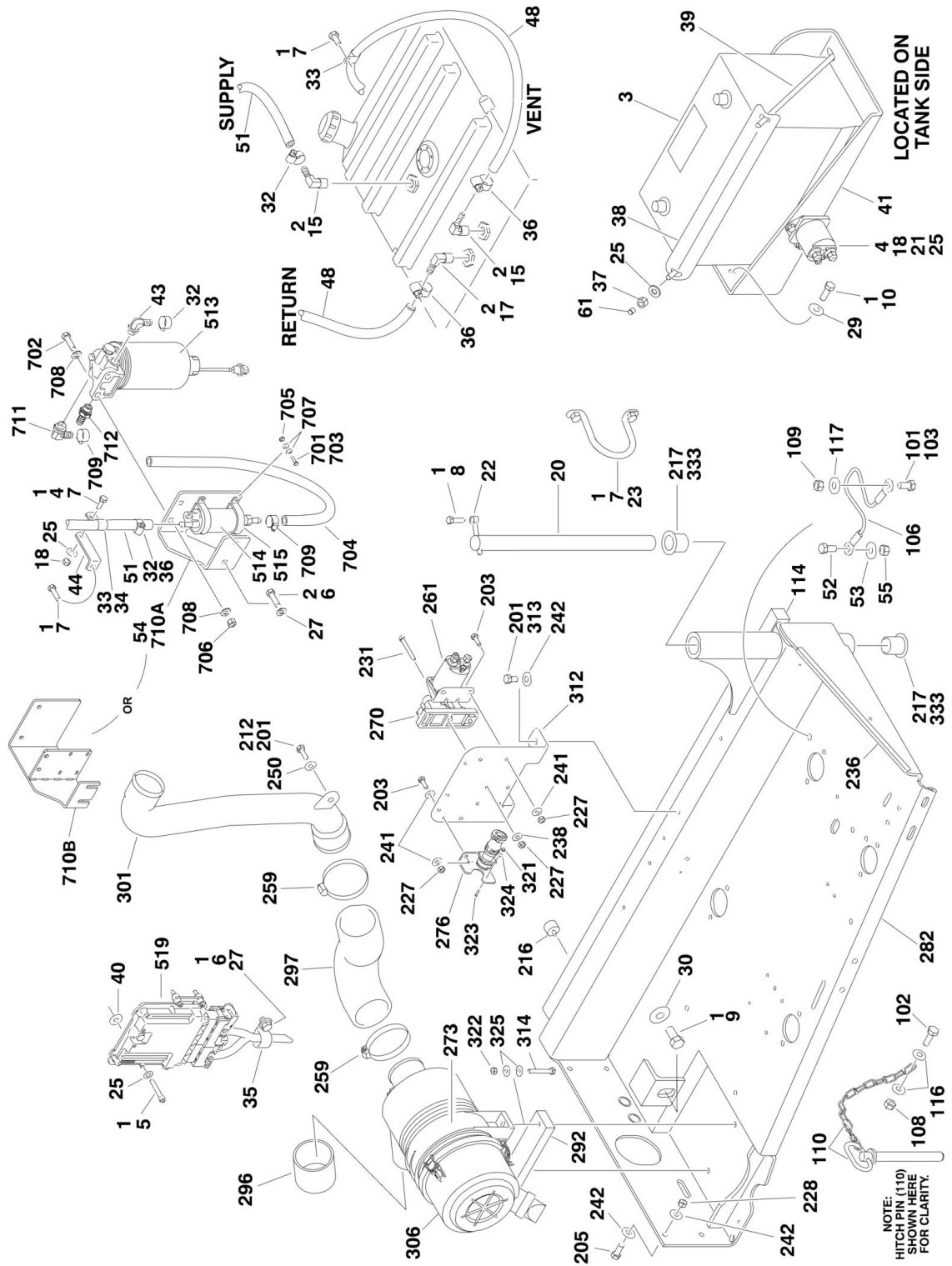
ITEM	PART NUMBER	QTY	DESCRIPTION	REV
	1001151252	Ref	Machines with Generator	B
501	0100011	AR	Compound, Locking	
502	0641609	2	Bolt 3/8in-16NC x 1-1/8in	
503	0641818	1	Bolt 1/2in-13NC x 2-1/4in	
504	0771414	3	Bolt 14mm x 30mm Grade 10.9	
505	3200401	1	Mount, Motor	
506	3311605	2	Locknut 3/8in-16NC	
507	3311805	1	Locknut 1/2in-13NC	
508	4740274	1	Washer, Snubbing	
509	4751600	4	Flatwasher 3/8in Regular	
510	4812200	3	Flatwasher M14	
511		Ref	Support, Engine (Right Front)	
511A	1001149703	1	Machines without Generator	
511B	1001150890	1	Machines with Generator	

SECTION 2 - TURNTABLE

FIGURE 2-11. DEUTZ TD2.9L4 ENGINE INSTALLATION



SECTION 2 - TURNTABLE



SECTION 2 - TURNTABLE

FIGURE 2-11. DEUTZ TD2.9L4 ENGINE INSTALLATION

ITEM	PART NUMBER	QTY	DESCRIPTION	REV
287	1001186985	1	Plate, Mounting (Modine Radiator) (680S,800S) (SN 0300229743 through 0300272492, SN B300001092 through B300005730, Except SN 0300272449 through 0300272454, Excluding B300005568)	
		Ref	DEUTZ TD2.9L4 ENGINE INSTALLATION	
	1001173971	Ref	Machines without Arctic Package (680S,800S) (SN 0300182743 through 0300227014)	E
	1001185674	Ref	Machines without Arctic Package (680S,800S) (SN 0300227015 through 0300272492, SN B300001599 through B300005730, Except SN 0300272449 through 0300272454, Excluding B300005568)	G
	1001173979	Ref	Machines with Arctic Package (800S) (SN 0300182743 through 0300196954)	C
	1001178227	Ref	Machines with Arctic Package (800S) (SN 0300196955 through 0300227014)	E
	1001185676	Ref	Machines with Arctic Package (800S) (SN 0300227015 through 0300272492, SN B300001599 through B300005730, Except SN 0300272449 through 0300272454, Excluding B300005568)	I
	1001214778	Ref	Machines with China III Engines (800S) (SN B300001092 through B300001738)	A
	1001223784	Ref	Machines with China III Engines (800S) (SN B300001739 through B300002369)	B
	1001223758	Ref	Machines with China III Engines (800S) (SN B300002370 through B300005730, Excluding B300005568)	E
	1001235492	Ref	Machines with Stage V Engines (800S) (SN 0300257533 through 0300272492, SN B300003809 through B300005730, Except SN 0300272449 through 0300272454, Excluding B300005568)	B
	1001148560	Ref	Machines without Arctic Package (860SJ) (SN 0300182743 through 0300227014)	K
	1001185674	Ref	Machines without Arctic Package (860SJ) (SN 0300227015 through 0300272492, SN B300001599 through B300005730, Except SN 0300272449 through 0300272454, Excluding B300005568)	G
	1001148567	Ref	Machines with Arctic Package (860SJ) (SN 0300182743 through 0300196954)	K
	1001178214	Ref	Machines with Arctic Package (860SJ) (SN 0300196955 through 0300227014)	E
	1001185676	Ref	Machines with Arctic Package (860SJ) (SN 0300227015 through 0300272492, SN B300001599 through B300005730, Except SN 0300272449 through 0300272454, Excluding B300005568)	I
	1001178214	Ref	Machines with Arctic Package (860SJ) (SN B300001092 through B300001749)	E
	1001223784	Ref	Machines with China III Engines (860SJ) (SN B300001739 through B300002369)	B
	1001223758	Ref	Machines with China III Engines (860SJ) (SN B300002370 through B300005730, Excluding B300005568)	E
	1001235492	Ref	Machines with Stage V Engines (860SJ) (SN 0300257533 through 0300272492, SN B300003809 through B300005730, Except SN 0300272449 through 0300272454, Excluding B300005568)	B
1	0100011	AR	Compound, Locking	
2	0100020	AR	Sealant, Pipe	
3	0400075	AR	Battery (SN 0300182743 through 0300259989, SN B300001092 through B300004169)	
4	0641406	AR	Bolt 1/4in-20NC x 3/4in	

SECTION 2 - TURNTABLE

ITEM	PART NUMBER	QTY	DESCRIPTION	REV
5	0641412	4	Bolt 1/4in-20NC x 1-1/2in	
6	0641606	3	Screw 3/8in-16NC x 3/4in	
7	0641608	AR	Screw 3/8in-16NC x 1in	
8	0641610	1	Screw 3/8in-16NC x 1-1/4in	
9	0642010	1	Bolt 5/8in-11NC x 1-1/4in	
10	0681608	3	Screw 3/8in-16NC x 1in Grade 8	
12	0760810	AR	Bolt M8 x 20mm	
13	0771212	1	Bolt M12 x 25mm Grade 10.9	
14	1701505	1	Decal - Diesel Fuel (Not Shown Located on Fuel Tank or Hood)	
15	2180832	1	Fitting, Elbow Barbed	
16	2200222	1	Plug (Not Shown - Located in Bottom of Fuel Tank)	
17	2220313	2	Fitting, Elbow	
18	3311405	AR	Locknut 1/4in-20NC	
20	3422446	1	Pin, Pivot	
21	3740067	1	Relay	
22	3841143	1	Pin, Keeper	
23	3841340	1	Loop, Hose (SN 0300182743 through 0300227014)	
23	3841340	1	Loop, Hose (SN B300001092 through B300001749)	
25	4711400	AR	Flatwasher 1/4in Thin	
26	4711500	AR	Flatwasher 5/16in Thin	
27	4711600	3	Flatwasher 3/8in Thin	
29	4751600	3	Flatwasher 3/8in Regular	
30	4752000	1	Flatwasher 5/8in Regular	
31	4812100	1	Flatwasher M12	
32	8405006	2	Clamp	
33	8406102	AR	Clip	
34	8406112	AR	Clip (SN 0300182743 through 0300219104)	
35	8406201	1	Clip	
36	8410013	AR	Clamp	
37	88521205	AR	Locknut 5/16in-18NC	
38	91401281	AR	Hold-down, Battery (SN 0300182743 through 0300259989, SN B300001092 through B300004169)	
39	1001093382	AR	Bolt, Battery Hold-down (SN 0300182743 through 0300259989, SN B300001092 through B300004169)	
40	1001110425	4	Spacer	
41	1001162497	1	Bracket, Battery	
43	1001142501	1	Fitting, Elbow Barbed	
44	1001148149	1	Bracket (SN 0300182743 through 0300185387)	
46	1001222665	1	Fuel Pump Harness requiring Ring Terminals (Not Shown - See ELECTRICAL SECTION for Breakdown) (SN 0300182743 through 0300234668, SN B300001092 through B300002065)	
46	1001138491	1	Fuel Pump Harness requiring Push-on Terminals (Not Shown - See ELECTRICAL SECTION for Breakdown) (SN 0300134669 through 0300272492, SN B300002066 through B300005730, Except SN 0300272449 through 0300272454, Excluding B300005568)	
47	1001143736	1	Battery Cable Kit (Not Shown)	E
47A	7027084	1	Cable, Battery (Black) (Battery - to Tray Pivot Grd)	
47B	8270147	1	Terminal, Battery (With Boot)	
47C	7027085	1	Cable, Battery (Black) (Battery - to Aux Pump and Relay Grds)	
47D	7027086	1	Cable, Battery (Black) (Engine to Tray Pivot Grd)	
47E	7027087	1	Cable (Red) (Battery + to Aux Relay/Power Module/Starter)	
47F	7027088	1	Cable (Red) (Aux Relay to Aux Pump)	

SECTION 2 - TURNTABLE

ITEM	PART NUMBER	QTY	DESCRIPTION	REV
48	1001165035	AR	Hose	
48	2750532	AR	Hose (Vent Line - USA Built Machines) (SN 0300227015 through 0300272492, Except SN 0300272449 through 0300272454)	
48	2750532	AR	Hose (Vent Line - China Built Machines)	
50	1001155823	1	Fitting, Quick Disconnect Elbow	
51	1001154405	AR	Hose	
52	0641814	1	Bolt 1/2in-13NC x 1-3/4in	
53	4751800	1	Flatwasher 1/2in Regular	
54		Ref	Bracket Assembly Less Filter/Pump (See Items 701-711 for Breakdown)	
54	1001162335	1	All Machines Except China III Engines	
54	1001227224	1	China III Engines Only	
55	3311805	1	Locknut 1/2in-13NC	
56	4812000	AR	Washer M10	
57	0761008	AR	Bolt M10 x 16	
58	1320061	1	Clamp (SN 0300219105 through 0300272492, Except SN 0300272449 through 0300272454)	
58	1320061	1	Clamp (SN B300001739 through B300005730, Excluding B300005568)	
59	1001223704	1	Pipe Exhaust (SN 0300240853 through 0300272492, Except SN 0300272449 through 0300272454)	
59	1001223704	1	Pipe Exhaust (SN B300002633 through B300005730, Excluding B300005568)	
60	1001221212	1	Clamp (SN 0300240853 through 0300272492, Except SN 0300272449 through 0300272454)	
60	1001221212	1	Clamp (SN B300002370 through B300005730, Excluding B300005568)	
61	1001218572	AR	Cap, Vinyl (SN 0300232903 through 0300272492, Except SN 0300272449 through 0300272454)	
62	1001233763	1	Deutz Breather Heater Installation (with Arctic Package) (See BREATHER HEATER INSTALLATION – DEUTZ TD2.9L4 ENGINE WITH ARCTIC PACKAGE for Breakdown) (SN 0300246356 through 0300272492, SN B300002607 through B300005730, Except SN 0300272449 through 0300272454, Excluding B300005568)	
62	1001196634	1	Fuse, 2 Amp	
62	1001232842	1	Breather Heater Kit	
62	2400060	1	Holder, Fuse	
		Ref	Note: Arctic Package Items 70 - 79 (Not Shown - Used on Arctic Machines Only)	
70	1702941	1	Decal - Battery Heater	
71	1702942	1	Decal - Engine Block Heater	
72	1702943	1	Decal - Hydraulic Tank Heater	
73	1702944	1	Decal - Heater Cord	
74		Ref	Heater, Hydraulic Tank Options:	
74	2580050	1	Heater (SN 0300182743 through 0300208405)	
74	1001188972	1	Heater (SN 0300208406 through 0300272492, Except SN 0300272449 through 0300272454)	
74	2580050	1	Heater (SN B300001092 through B300001323)	
74	1001188972	1	Heater (SN B300001324 through B300005730, Excluding B300005568)	
75	3980007	1	Seat, Battery	
76	1060626	1	Cord, 3 Way Extension	
77	2580024	1	Heater, Battery	

SECTION 2 - TURNTABLE

ITEM	PART NUMBER	QTY	DESCRIPTION	REV
79	1001150918	1	Cord, 8ft Extension	
90		Ref	Decal - Warning Explosion/Fire Options:	
90	1704972	1	ANSI Spec	
90	1706098	1	Australian and CE Spec	
90	1706060	1	China Spec	
90	1706064	1	CSA Spec	
		Ref	ENGINE AND PUMP ASSEMBLY	
	1001173972	Ref	Machines without Arctic Package (680S,800S) (SN 0300182743 through 0300227014)	F
	1001185673	Ref	Machines without Arctic Package (680S,800S) (SN 0300227015 through 0300232902)	D
	1001185667	Ref	Machines without Arctic Package (680S,800S) (SN 0300232903 through 0300272492, SN B300001599 through B300005730, Except SN 0300272449 through 0300272454, Excluding B300005568)	E
	1001173980	Ref	Machines with Arctic Package (800S) (SN 0300182743 through 0300227014)	F
	1001185675	Ref	Machines with Arctic Package (800S) (SN 0300227015 through 0300232902)	D
	1001185671	Ref	Machines with Arctic Package (800S) (SN 0300232903 through 0300272492, SN B300001599 through B300005730, Except SN 0300272449 through 0300272454, Excluding B300005568)	E
	1001173972	Ref	Machines with China III Engines (800S) (SN B300001092 through B300001738)	F
	1001223782	Ref	Machines with China III Engines (800S) (SN B300001739 through B300002369)	B
	1001226257	Ref	Machines with China III Engines (800S) (SN B300002370 through B300002584)	D
	1001227615	Ref	Machines with China III Engines (800S) (SN B300002585 through B300005730, Excluding B300005568)	C
	1001235490	Ref	Machines with Stage V Engines (800S) (SN 0300257533 through 0300272492, SN B300003809 through B300005730, Except SN 0300272449 through 0300272454, Excluding B300005568)	B
	1001148550	Ref	Machines without Arctic Package (860SJ) (SN 0300182743 through 0300227014)	H
	1001185673	Ref	Machines without Arctic Package (860SJ) (SN 0300227015 through 0300272492, Except SN 0300272449 through 0300272454)	D
	1001185667	Ref	Machines without Arctic Package (860SJ) (SN 0300232903 through 0300272492, SN B300001599 through B300005730, Except SN 0300272449 through 0300272454, Excluding B300005568)	E
	1001148566	Ref	Machines with Arctic Package (860SJ) (SN 0300182743 through 0300227014)	H
	1001185675	Ref	Machines with Arctic Package (860SJ) (SN 0300227015 through 0300232902)	D
	1001185671	Ref	Machines with Arctic Package (860SJ) (SN 0300232903 through 0300272492, SN B300001599 through B300005730, Except SN 0300272449 through 0300272454, Excluding B300005568)	E
	1001148550	Ref	Machines with China III Engines (860SJ) (SN B300001092 through B300001738)	H
	1001223782	Ref	Machines with China III Engines (860SJ) (SN B300001739 through B300002369)	B
	1001226257	Ref	Machines with China III Engines (860SJ) (SN B300002370 through B300002584)	D

SECTION 2 - TURNTABLE

ITEM	PART NUMBER	QTY	DESCRIPTION	REV
	1001227615	Ref	Machines with China III Engines (860SJ) (SN B300002585 through B300005730, Excluding B300005568)	C
	1001235490	Ref	Machines with Stage V Engines (860SJ) (SN 0300257533 through 0300272492, SN B300003809 through B300005730, Except SN 0300272449 through 0300272454, Excluding B300005568)	B
101	0100011	AR	Compound, Locking	
102	0641406	AR	Bolt 1/4in-20NC x 3/4in	
103	0641808	1	Bolt 1/2in-13NC x 1in	
104	0641812	4	Bolt 1/2in-13NC x 1-1/2in	
106	1060637	1	Lanyard	
107	3020037	AR	Lubricant	
108	3311405	1	Locknut 1/4in-20NC	
109	3311801	AR	Nut 1/2in-13NC	
110	3422532	1	Pin, Hitch	
111		Ref	Hydrostatic Pump Assembly with Fittings (See HYDROSTATIC PUMP ASSEMBLY for Breakdown)	
111	1001152522	1	Pump Assembly with Fittings (SN 0300182743 through 0300208405)	
111	1001187510	NLA	Pump Assembly with Fittings (Use p/n 1001225745) (SN 0300208406 through 0300240852, SN B300001092 through B300002584)	
111	1001225745	1	Pump Assembly with Fittings (SN 0300240853 through 0300272492, SN B300002585 through B300005730, Except SN 0300272449 through 0300272454, Excluding B300005568)	
111	1001152522	1	Pump Assembly with Fittings (China III Engines) (SN B300001092 through B300001323)	
111	1001187510	1	Pump Assembly with Fittings (Use p/n 1001225745) (China III Engines) (SN B30001324 through B300002605)	
111	1001225745	1	Pump Assembly with Fittings (China III Engines) (SN B30002606 through B300005730, Excluding B300005568)	
112	1001094595		Variable Pump Assembly with Fittings (See VARIABLE PUMP ASSEMBLY for Breakdown)	
113	3790044	1	O-Ring	
114	3960468	1	Seal	
115	3960469	1	Seal	
116	4751400	2	Flatwasher 1/4in Regular	
117	4751800	1	Flatwasher 1/2in Regular	
118	4891800	4	Flatwasher 1/2in Hardened	
119	1001158145	1	Pipe, Exhaust (SN 0300182743 through 0300232902)	
120	1001235488	1	Engine, Deutz TD2.9L4 (Stage V) (See Items 501-535 for Serviced Components)	
		Ref	ENGINE ASSEMBLY	
	1001173974	Ref	Machines without Arctic Package (680S,800S) (SN 0300182743 through 0300227014)	I
	1001176027	Ref	Machines without Arctic Package (680S,800S) (SN 0300227015 through 0300272492, SN B300001599 through B300005730, Except SN 0300272449 through 0300272454, Excluding B300005568)	M
	1001173981	Ref	Machines with Arctic Package (800S) (SN 0300182743 through 0300227014)	K
	1001176035	Ref	Machines with Arctic Package (800S) (SN 0300227015 through 0300272492, SN B300001599 through B300005730, Except SN 0300272449 through 0300272454, Excluding B300005568)	M
	1001214050	Ref	Machines with China III Engines (800S) (SN B300001092 through B300002369)	G

SECTION 2 - TURNTABLE

ITEM	PART NUMBER	QTY	DESCRIPTION	REV
	1001223592	Ref	Machines with China III Engines (800S) (SN B300002370 through B300002584)	G
	1001227614	Ref	Machines with China III Engines (800S) (SN B300002585 through B300005730, Excluding B300005568)	F
	1001235489	Ref	Machines with Stage V Engines (800S) (SN 0300257533 through 0300272492, SN B300003809 through B300005730, Except SN 0300272449 through 0300272454, Excluding B300005568)	C
	1001140412	Ref	Machines without Arctic Package (860SJ) (SN 0300182743 through 0300227014)	T
	1001176027	Ref	Machines without Arctic Package (860SJ) (SN 0300227015 through 0300272492, SN B300001599 through B300005730, Except SN 0300272449 through 0300272454, Excluding B300005568)	M
	1001142853	Ref	Machines with Arctic Package (860SJ) (SN 0300182743 through 0300227014)	T
	1001176035	Ref	Machines with Arctic Package (860SJ) (SN 0300227015 through 0300272492, SN B300001599 through B300005730, Except SN 0300272449 through 0300272454, Excluding B300005568)	M
	1001214050	Ref	Machines with China III Engines (860SJ) (SN B300001092 through B300002369)	G
	1001223592	Ref	Machines with China III Engines (860SJ) (SN B300002370 through B300002584)	G
	1001227614	Ref	Machines with China III Engines (860SJ) (SN B300002585 through B300005730, Excluding B300005568)	F
	1001235489	Ref	Machines with Stage V Engines (860SJ) (SN 0300257533 through 0300272492, SN B300003809 through B300005730, Except SN 0300272449 through 0300272454, Excluding B300005568)	C
201	0100011	AR	Compound, Locking	
203	0641406	AR	Bolt 1/4in-20NC x 3/4in	
204	0641608	8	Bolt 3/8in-16NC x 1in	
205	0641609	6	Bolt 3/8in-16NC x 1-1/8in	
207	0641708	2	Bolt 7/16in-14NC x 1in	
210	0741605	AR	Screw, Flathead 3/8in-16NC x 5/8in	
211	0760606	1	Bolt M6 x 12mm	
212	0760810	AR	Bolt M8 x 20mm	
214	0771212	6	Bolt M12 x 25 Grade 10.9	
215	0771414	AR	Bolt M14 x 30mm Grade 10.9	
215	0771415	AR	Bolt M14 x 35mm Grade 10.9	
216	0940070	1	Bumper	
217	0961986	2	Bushing, Flanged	
219	2220315	1	Fitting, Straight Barbed	
220		Ref	Coolant Options:	
220	2300004	AR	Without Arctic Package	
220	2300041	AR	With Arctic Package	
221	2720015	40 in/1m	Hose	
222	2720340	12 in / 30.5cm	Hose	
223	1001153282	1	Pump Coupling Kit (See Items 401-403 for Breakdown)	
224		Ref	Oil, Motor Options:	
224	1001136079	AR	Without Arctic Package	
224	1001136172	AR	With Arctic Package	
225	3200401	4	Mount, Motor	
226	3271801	4	Nut 1/2in-13NC Grade 8	

SECTION 2 - TURNTABLE

ITEM	PART NUMBER	QTY	DESCRIPTION	REV
227	3311405	AR	Locknut 1/4in-20NC	
228	3311605	16	Locknut 3/8in-16NC	
230	3580320	1	Pulley	
231	3931432	1	Capscrew 1/4in-20NC x 2in	
232	3931512	4	Capscrew 5/16in-18NC x 3/4in	
233	3931628	4	Capscrew 3/8in-16NC x 1-3/4in	
234	4031914	4	Capscrew M8 x 50mm	
235	4032014	4	Capscrew M10 x 50mm	
236	4060805	15 in / 38cm	Flex-Trim	
237	4640751	1	Valve, Oil Drain	
238	4711400	AR	Flatwasher 1/4in Thin	
239	4711500	AR	Flatwasher 5/16in Thin	
240	4711700	2	Flatwasher 7/16in Thin	
241	4751400	10	Flatwasher 1/4in Regular	
241	4791400	AR	Starwasher 1/4	
242	4751600	AR	Flatwasher 3/8in Regular	
245	4811702	AR	Flatwasher M6	
246	4811900	AR	Flatwasher M8	
247	4812000	AR	Flatwasher M10	
315	0641612	4	Bolt 3/8in-16NC x 1-1/2in	
248	4812100	7	Flatwasher M12	
249	4812200	5	Flatwasher M14	
250	4891500	1	Flatwasher 5/16in Hardened	
251	4891800	4	Flatwasher 1/2in Hardened	
253	0630407	2	Screw 1/4in-20 x 5/8in	
254	8405009	4	Clamp	
255	8405104	4	Clamp	
256	8405204	2	Clamp	
257	8406109	AR	Clip	
258	8406110	1	Clip	
259	8410011	2	Clamp	
260	8410013	1	Clamp	
261	1001117308	1	Relay	
263	1001134488	1	Fitting, Elbow Barbed (Part of Item 288)	
264	1001135138	1	Adapter	
265	1001135679	1	Adapter	
266	1001136834	1	Cap, Tank	
267	1001137276	1	Fan	
268	1001138173	1	Support	
269	1001138175	1	Bracket	
270	1001138228	1	Relay, Power Module	
270	70023593	1	Fuse 30Amp (Battery Output)	
270	70023592	1	Fuse 20Amp (Switched Output)	
271	1001138248	62 in/1.6m	Tube	
273	1001138557	1	Clamp	
274	1001142623	1	Hose, Inlet	
275	1001138827	1	Sensor, Coolant Level (Part of Item 288)	
276	1001139240	1	Bracket	
277	1001139303	1	Bracket, Tank (SN 0300182743 through 0300229742)	
277	1001176419	1	Bracket, Tank (SN 0300229743 through 0300272492, Except SN 0300272449 through 0300272454)	

SECTION 2 - TURNTABLE

ITEM	PART NUMBER	QTY	DESCRIPTION	REV
277	1001176419	1	Bracket, Tank (China III Engines)	
278	1001139409	4	Washer, Special	
280	1001139813	1	Engine, Deutz TD2.9L4 (See Items 501-535 for Serviced Components)	
280	1001214039	1	Engine, Deutz TD2.9L4 (China III Engines) (See Items 501-535 for Serviced Components) (SN B300001092 through B300002369)	
280	1001223591	1	Engine, Deutz TD2.9L4 (China III Engines) (See Items 501-535 for Serviced Components) (SN B300002370 through B300005730, Excluding B300005568)	
281	1001155384	1	Radiator (RCP) (SN 0300182743 through 0300229742)	
281	70007073	1	Adapter, Hose	
281	1001167042	1	Radiator (Modine) (SN 0300229743 through 0300272492, SN B300001092 through B300005730, Except SN 0300272449 through 0300272454, Excluding B300005568)	
281	1001167042	1	Radiator (Modine) (China III Engines)	
282		Ref	Tray Options:	
282	1001173976	1	Tray (680S,800S) (SN 0300182743 through 0300229742)	
282	1001190610	1	Tray (680S,800S) (SN 0300229743 through 0300272492, SN B300001092 through B300005730, Except SN 0300272449 through 0300272454, Excluding B300005568)	
282	1001140362	1	Tray (860SJ) (SN 0300182743 through 0300229742)	
282	1001190610	1	Tray (China III Engines) (800S,860SJ)	
283	1001140448	1	Mount, Rear Engine	
284	1001140450	1	Mount, Rear Engine	
285	1001140454	1	Mount, Front Engine	
286	1001140466	1	Mount, Generator/Engine (SN 0300182743 through 0300229742)	
286	1001202368	1	Mount, Generator/Engine (SN 0300229743 through 0300272492, SN B300001092 through B300005730, Except SN 0300272449 through 0300272454, Excluding B300005568)	
286	1001202368	1	Mount, Generator/Engine (China III Engines)	
287		Ref	Plate, Mounting Options:	
287	1001173978	1	Plate, Mounting (RCP Radiator) (680S,800S) (SN 0300182743 through 0300229742)	
287	1001140487	1	Plate, Mounting (RCP Radiator) (860SJ) (SN 0300182743 through 0300229742)	
287	1001186985	1	Plate, Mounting (Modine Radiator) (860SJ) (SN 0300229743 through 0300272492, SN B300001092 through B300005730, Except SN 0300272449 through 0300272454, Excluding B300005568)	
287	1001186985	1	Plate, Mounting (China III Engines) (800S,860SJ)	
288	1001140535	NLA	Tank (Use p/n 1001230635) (SN 0300182743 through 0300241332, SN B300001092 through B300002584)	
288	1001230635	1	Tank (Includes Items 263, 275 & 289) (SN 0300241333 through 0300272492, SN B300002585 through B300005730, Except SN 0300272449 through 0300272454, Excluding B300005568)	
289	1001140564	1	Fitting, Elbow Barbed (Part of Item 288)	
290	1001141304	1	Harness, Glow Plug (Not Shown - See ELECTRICAL SECTION for Breakdown)	
291	1001141370	1	Hose	
292	1001141419	1	Shim	
293	1001141546	1	Shim (860SJ) (SN 0300182743 through 0300219104)	
294	1001141583	1	Hose, Radiator - Upper (SN 0300182743 through 0300229742)	

SECTION 2 - TURNTABLE

ITEM	PART NUMBER	QTY	DESCRIPTION	REV
294	1001177844	1	Hose, Radiator - Upper (SN 0300229743 through 0300272492, SN B300001092 through B300005730, Except SN 0300272449 through 0300272454, Excluding B300005568)	
294	1001177844	1	Hose, Radiator - Upper (China III Engines)	
295	1001141584	1	Hose, Radiator - Lower (SN 0300182743 through 0300229742)	
295	1001177845	1	Hose, Radiator - Lower (SN 0300229743 through 0300272492, SN B300001092 through B300005730, Except SN 0300272449 through 0300272454, Excluding B300005568)	
295	1001177845	1	Hose, Radiator - Lower (China III Engines)	
296	1001141585	1	Hose, Inlet	
297	1001141586	1	Pipe, Intake	
298	1001152489	1	Fitting, Elbow Barbed	
300	1001141995	1	Fitting, Straight Barbed	
301		Ref	Pipe Options:	
301	1001142733	1	Pipe (SN 0300182743 through 0300187749)	
301	1001165842	1	Pipe (SN 0300187750 through 0300272492, Except SN 0300272449 through 0300272454)	
301	1001165842	1	Pipe (SN B300001092 through B300005730, Excluding B300005568)	
302	1001143390	1	Indicator, Service	
303	1001143726	1	Harness, Deutz Engine (Not Shown - See ELECTRICAL SECTION for Breakdown)	
304	1001143797	1	Fitting, Straight Barbed	
305	1001143907	1	Cable, Alternator Power (Not Shown - See ELECTRICAL SECTION for Breakdown)	
306	1001138489	1	Air Cleaner Assembly Filter Element	
306	91403102	1	Element, Filter (Not Shown)	
307	8405007	2	Clamp	
310	1001169054	4	Pad, Isolator (SN 0300229743 through 0300272492, SN B300001092 through B300005730, Except SN 0300272449 through 0300272454, Excluding B300005568)	
310	1001169054	4	Pad, Isolator (China III Engines)	
311	1001204325	2	Bracket, Radiator (USA Built Machines) (SN 0300229743 through 0300272492, SN B300001092 through B300005730, Except SN 0300272449 through 0300272454, Excluding B300005568)	
311	1001204325	2	Bracket, Radiator (China III Engines)	
312	1001145154	1	Plate, Relay Mounting	
313	0641605	2	Bolt 3/8in-16NC x 5/8in	
314	0641518	2	Bolt 5/16in-18NC x 2-1/4in	
315	0641607	4	Bolt 3/8in-16NC x 7/8in	
316	0681820	4	Bolt 1/2in-13NC x 2-1/2in Grade 8	
316	0681822	4	Bolt 1/2in-13NC x 2-3/4in Grade 8	
317	0760605	2	Bolt M6 x 10mm	
318	0761210	1	Bolt M12 x 20mm	
319	1321716	1	P-Clamp (SN 0300182743 through 0300196000)	
320	1001154405	20 in / 51cm	Hose (SN 0300182743 through 0300219104)	
321	3310401	3	Nut #4-40NC	
322	3311505	2	Locknut 5/16in-18NC	
323	3910408	3	Screw #4-40NC x 1/2in	
324	4750400	3	Flatwasher #4 Regular	
325	4751500	4	Flatwasher 5/16in Regular	
326	8405006	2	Clamp (SN 0300182743 through 0300219104)	

SECTION 2 - TURNTABLE

ITEM	PART NUMBER	QTY	DESCRIPTION	REV
327	8406102	AR	Clip	
328	1001138717	1	Bracket (SN 0300182743 through 0300219104)	
329	1001142501	1	Fitting, Elbow Barbed (SN 0300182743 through 0300219104)	
330	1001148641	1	Bracket (SN 0300182742 through 0300196000)	
331	0100020	AR	Sealant	
332	4240099	AR	Tie-Strap (Not Shown)	
333	0100062	AR	Compound, Locking	
334	1703162	1	Decal - Caution Fan Blade	
335	1001178223	2	Bracket, Radiator (SN 0300229743 through 0300272492, SN B300001092 through B300005730, Except SN 0300272449 through 0300272454, Excluding B300005568)	
335	1001178223	2	Bracket, Radiator (China III Engines)	
336	4811902	8	Washer M8	
338	1001178876	1	Bracket (SN 0300219105 through 0300272492, SN B300001092 through B300005730, Except SN 0300272449 through 0300272454, Excluding B300005568)	
338	1001178876	1	Bracket (China III Engines) (SN B300001092 through B300002369)	
338	1001224937	1	Bracket (China III Engines) (SN B300002370 through B300005730, Excluding B300005568)	
339	5250810	AR	Bolt M8 x 20	
339	0760815	AR	Bolt M8 x 35	
340	0761015	AR	Bolt M10 x 35	
341	3291005	2	Nut M10	
342	1001177359	1	Hose (SN 0300219105 through 0300272492, SN B300001092 through B300005730, Except SN 0300272449 through 0300272454, Excluding B300005568)	
344	1001169138	4	Washer (SN 0300229743 through 0300272492, SN B300001092 through B300005730, Except SN 0300272449 through 0300272454, Excluding B300005568)	
344	1001169138	4	Washer (China III Engines)	
345	5240800	1	Washer M8	
346	0700814	1	Bolt M8 x 30	
347	1001180620	AR	Adhesive	
348	1001221203	1	Muffler Bracket Assembly (China III Engines) (SN B300002370 through B300005730, Excluding B300005568)	
349	0701025	4	Bolt M10 x 85 (China III Engines) (SN B300002370 through B300005730, Excluding B300005568)	
350	3290801	2	Nut M8 (China III Engines) (SN B300002370 through B300005730, Excluding B300005568)	
351	1001224936	2	Mount (China III Engines) (SN B300002370 through B300005730, Excluding B300005568)	
352	0760814	4	Bolt M8 x 30 (China III Engines) (SN B300002370 through B300005730, Excluding B300005568)	
353	1001128901	2	Strap (China III Engines) (SN B300002370 through B300002584)	
353	1001233089	2	Strap (China III Engines) (SN B300002585 through B300005730, Excluding B300005568)	
354	1001223593	1	Muffler (China III Engines) (SN B300002370 through B300005730, Excluding B300005568)	
355	1001224940	1	Pipe, Flex (China III Engines) (SN B300002370 through B300005730, Excluding B300005568)	
356	1001221212	1	Clamp (China III Engines) (SN B300002370 through B300005730, Excluding B300005568)	
357	1001221219	1	Clamp (China III Engines) (SN B300002370 through B300005730, Excluding B300005568)	

SECTION 2 - TURNTABLE

ITEM	PART NUMBER	QTY	DESCRIPTION	REV
359	1001181899	1	Clamp (China III Engines) (SN B300002370 through B300005730, Excluding B300005568)	
		Ref	Note: Arctic Package Item 361 (Used on Arctic Machines Only) Not Shown.	
361	1001181895	AR	Adhesive	
361	1001140312	1	Heater, Engine Block	
	1001153282	Ref	PUMP COUPLING INSTALLATION	D
401	70004183	1	Coupling	
402	See Note	NSS	Plate, Pump Adapter (Note: Use p/n 1001153282)	
403	See Note	NSS	Capscrew M10 x 20mm Grade 10.9 (Note: Purchase Locally)	
404	See Note	NSS	Capscrew M10 x 25mm Grade 10.9 (Note: Purchase Locally)	
	1001139813	Ref	ENGINE COMPONENTS	J
	1001214039	Ref	ENGINE COMPONENTS (CHINA III ENGINES) (SN B300001092 through B300002369)	C
	1001223591	Ref	ENGINE COMPONENTS (CHINA III ENGINES) (SN B300002370 through B300005730, Excluding B300005568)	B
	1001235488	Ref	ENGINE COMPONENTS (STAGE V ENGINE) (SN 0300257533 through 0300272492, SN B300003809 through B300005730, Except SN 0300272449 through 0300272454, Excluding B300005568)	B
501	70004274	1	Dipstick (Not Shown - Located On Side Left Front) (Includes Seal)	
501	70024904	1	Dipstick (Not Shown - Located On Side Left Front) (Includes Seal) (China III Engines)	
501	70024905	1	Seal	
502	7020465	2	Cap, Oil Fill	
503	70025111	2	Clamp	
503	70005920	1	Hose, Breather	
504	70025088	1	Plug	
504	70005941	1	Plug (China III Engines)	
504	7020404	1	Seal	
504	70005942	1	Seal (China III Engines)	
505	70001870	1	Flywheel with Ring Gear	
505	7024579	1	Gear, Ring	
506		Ref	Gasket and Seal Options (Not Shown):	
506	70024906	1	Gasket, Head	
506	70025206	1	Gasket, Small Valve Cover	
506	70025207	1	Gasket, Large Valve Cover	
506	70005171	1	Gasket, Valve Cover (China III Engines)	
506	7002508	1	Gasket, Valve Cover to Air Charge Elbow	
506	70002718	1	Seal, Rear Main	
506	See Note	NSS	Seal, Front Main (Note: Not Available for Purchase)	
506	70004280	1	Seal, Front Main (China III Engines)	
506	70024907	1	Gasket, Front Cover	
506	70028185	1	Gasket, Front Cover (China III Engines)	
506	70005177	1	Gasket, Air Charge Manifold to Head/Block (Not Shown) (China III Engines)	
506	70025164	1	Gasket, Exhaust Manifold to Head	
506	70024912	1	Gasket, Exhaust Manifold to Turbocharger	
506	70021895	2	Gasket, Exhaust Manifold (Outlet) (China III Engines)	
506	70004279	1	Gasket Kit (1001139813 & 1001235488 Engine)	
506	See Note	NSS	Gasket Kit (1001214039 Engine) (Note: Not Available for Purchase)	
506	70005938	1	Gasket Kit (1001223591 Engine)	

SECTION 2 - TURNTABLE

ITEM	PART NUMBER	QTY	DESCRIPTION	REV
507	70025076	1	Valve, Pressure Control (1001139813, 1001214039 & 1001235488 Engines)	
507	70025176	1	Spring	
507	70025082	1	Seal	
507	70025091	1	Screw, Locking	
507	See Note	NSS	Valve, Pressure Control (1001223591 Engine) (Note: Not Available for Purchase)	
507	70025082	1	Seal	
508	70025202	1	Pump, Oil Lube (Not Shown - Located Front Left Side)	
508	70005172	1	Pump, Oil Lube (Not Shown - Located Front Left Side) (China III Engines)	
508	70025135	1	O-Ring	
508	70025135	1	O-Ring (China III Engines)	
508	70025136	1	Seal	
508	70005173	1	Gasket (China III Engines)	
509	7016331	1	Filter, Oil	
510	70004275	1	Cooler, Oil	
510	70024494	1	Cooler, Oil (China III Engines)	
510	70024925	1	Gasket	
511	70024924	1	Pump, High Pressure (Not Shown - Located Front Left Side)	
511	70025152	1	O-Ring (Between Pump and Spacer)	
511	70024488	1	Spacer	
511	70024517	1	O-Ring (Between Spacer and Engine Block)	
512	70025181	4	Injector, Fuel	
512	70025140	4	Washer, Sealing	
512	70025146	4	Clamp (Top of Injector)	
512	70025145	4	O-Seal	
512	70025154	4	Shoe, Clamping	
512	70000345	4	Plug, Glow	
512	70025231	1	Harness, Glow Plug (Not Shown)	
513	70024961	1	Filter with Head	
513	70025153	NLA	Filter, Fuel (Use p/n 1001225430)	
513	70024513	1	Sensor with Cable	
513	70025239	1	Seal	
514	70024486	1	Pump, Fuel (1001139813 & 1001235488 Engine)	
514	1001226098	1	Pump, Fuel (1001214039 Engine)	
514	70006144	1	Pump, Fuel (1001223591 Engine)	
515	70025144	2	Clamp	
516	70025160	1	Filter with Head (1001139813, 1001214039 & 1001235488 Engines)	
516	70004511	1	Filter with Head (1001223591 Engine)	
516	70025161	NLA	Filter, Fuel (Use p/n 1001225431) (1001139813, 1001214039 & 1001235488 Engines)	
516	1001225432	1	Filter, Fuel (1001223591 Engine)	
517	70024504	1	Sensor, Pressure (1001139813, 1001214039 & 1001235488 Engines)	
517	70028538	1	Sensor, Pressure (1001223591 Engine)	
517	70024920	1	Seal	
518	70025151	1	Rail, Fuel (Not Shown)	
518	70025235	1	Repair Kit	
519	70025210	1	ECU (Engine Control Unit)	
520	70024910	1	Pump, Water (1001139813, 1001214039 & 1001235488 Engines)	
520	70028802	1	Pump, Water (1001223591 Engine)	

SECTION 2 - TURNTABLE

ITEM	PART NUMBER	QTY	DESCRIPTION	REV
520	70025200	1	Seal	
520	70025084	2	Plug	
520	7020492	2	Seal	
521	70024473	1	Thermostat (USA Built Machines)	
521	70005929	1	Thermostat (China Built Machines)	
521	70025143	1	O-Seal (USA Built Machines)	
521	70005184	1	O-Seal (China Built Machines)	
521	70005931	1	Gasket, Cover	
521	70025142	1	Cover, Thermostat	
522	70025178	1	Pipe (1001139813, 1001214039 & 1001235488 Engines)	
522	See Note	NSS	Pipe (1001223591 Engine) (Note: Not Available for Purchase)	
522	70025156	1	Valve, Shuttle (1001139813 & 1001235488 Engine)	
522	70025768	1	Valve, Shuttle (1001214039 Engine)	
522	See Note	NSS	Valve, Shuttle (1001223591 Engine) (Note: Not Available for Purchase)	
522	70025179	2	Gasket	
522	70025180	1	Gasket	
523	70025203	1	Module, EGR (Not Shown - Located on Left Side)	
524	70004276	1	Turbocharger	
525	70025477	1	Tensioner, Belt	
526	70004277	1	Belt, Drive	
527	70024914	1	Alternator (1001139813, 1001214039 & 1001235488 Engines)	
527	70025149	1	Regulator, Voltage	
527	70006652	1	Alternator (1001139813 & 1001235488 Engines)	
527	70006653	1	Regulator, Voltage	
528	70024915	1	Starter (Not Shown - Located on Left Side)	
528	70005647	1	Solenoid	
528	70005648	1	Relay	
529	70025077	1	Harness, Engine (Not Shown)	
530	70024503	2	Sensor, Speed (Not Shown - Located Left Side Front and Flywheel Housing)	
530	70026210	2	Sensor, Speed (Not Shown - Located Left Side Front and Flywheel Housing) (China III Engines)	
530	70024917	1	Seal (Flywheel Housing Location)	
530	70005191	1	O-Ring (Front Engine Block Location)	
531	70024918	1	Sender, Temperature (Not Shown - Located Top Front)	
532	70024504	1	Sensor, Pressure (Not Shown - Located Left Side Front)	
532	70024920	1	Seal	
533	70024507	1	Sensor, Pressure	
533	70025120	1	Seal	
534	70024922	1	Sender, Temperature	
534	70025212	1	Seal	
535	70025799	1	Muffler	
535	70005937	1	Muffler (China III Engines) (SN B300001092 through B300002632)	
535	70004278	1	Outlet, Muffler	
535	70025246	1	Outlet, Muffler (China III Engines) (SN B300001092 through B300002632)	
535	70024515	2	Clamp	
535	70025245	2	Clamp (China III Engines) (SN B300001092 through B300002632)	
535	70025801	3	Gasket	

SECTION 2 - TURNTABLE

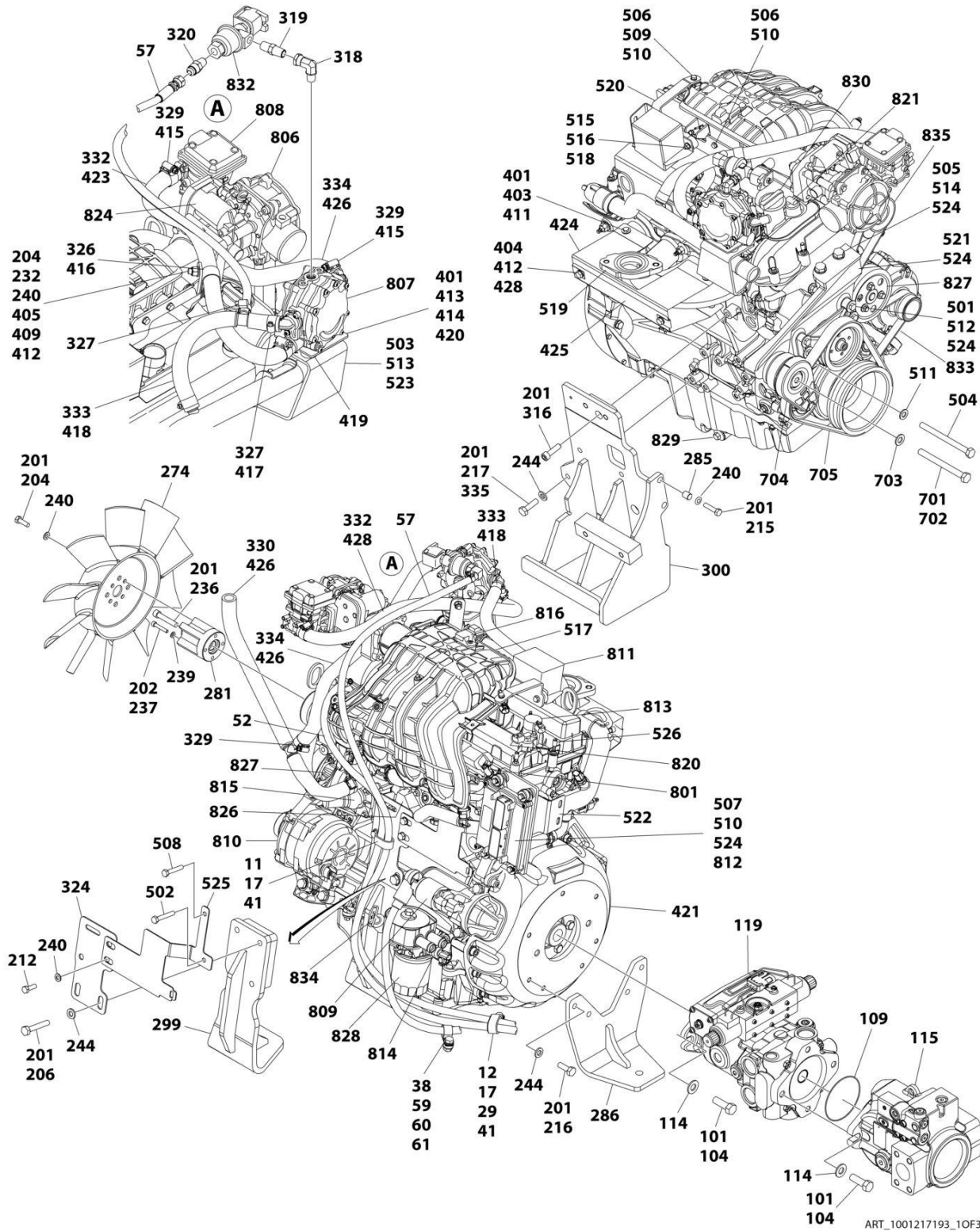
ITEM	PART NUMBER	QTY	DESCRIPTION	REV
535	70025242	3	Gasket (China III Engines) (SN B300001092 through B300002632)	
536	70124530	1	Valve, Pressure Relief	
536	70124538	1	Spring	
536	70104570	1	Seal	
536	70025660	1	Screw, Locking	
	1001143483	Ref	BAFFLES INSTALLATION - STEEL HOODS	B
	1001143484	Ref	BAFFLES INSTALLATION - ABS HOODS	C
601	0641406	AR	Bolt 1/4in-20NC x 3/4in	
601	0641407	AR	Bolt 1/4in-20NC x 7/8in	
602	3311405	19	Locknut 1/4in-20NC	
603	4711400	38	Flatwasher 1/4in Thin	
604		Ref	Bracket Options:	
604	1001141711	1	Bracket (Steel Hoods) (SN 0300182743 through 0300199944)	
604	1001174745	1	Bracket (Steel Hoods) (SN 0300199945 through 0300272492, Except SN 0300272449 through 0300272454)	
604	1001141711	1	Bracket (Steel Hoods) (SN B300001092 through B300001153)	
604	1001174745	1	Bracket (Steel Hoods) (SN B300001154 through B300005730, Excluding B300005568)	
604	1001141711	1	Bracket (ABS Hoods) (SN 0300182743 through 0300205490)	
604	1001174745	1	Bracket (ABS Hoods) (SN 0300205491 through 0300272492, Except SN 0300272449 through 0300272454)	
604	1001141711	1	Bracket (ABS Hoods) (SN B300001092 through B300001245)	
604	1001174745	1	Bracket (ABS Hoods) (SN B300001246 through B300005730, Excluding B300005568)	
605	1001142031	1	Bracket	
606	1001142032	1	Bracket	
607	1001143449	1	Bracket	
608		Ref	Seal Options:	
608	1001143472	1	Seal (Steel Hoods) (SN 0300182743 through 0300199944)	
608	1001174746	1	Seal (Steel Hoods) (SN 0300199945 through 0300272492, Except SN 0300272449 through 0300272454)	
608	1001143472	1	Seal (Steel Hoods) (SN B300001092 through B300001153)	
608	1001174746	1	Seal (Steel Hoods) (SN B300001154 through B300005730, Excluding B300005568)	
608	1001143575	1	Seal (ABS Hoods) (SN 0300182743 through 0300205490)	
608	1001195967	1	Seal (ABS Hoods) (SN 0300205491 through 0300272492, Except SN 0300272449 through 0300272454)	
608	1001143575	1	Seal (ABS Hoods) (SN B300001092 through B300001245)	
608	1001195967	1	Seal (ABS Hoods) (SN B300001246 through B300005730, Excluding B300005568)	
609	1001143525	1	Bracket	
		Ref	BRACKET ASSEMBLY (LESS FUEL PUMP AND FILTER)	
	1001162335	Ref	All Machines Except China III Engines	D
	1001227224	Ref	China III Engines Only	B
701	0100011	AR	Locking, Compound	
702	0641610	2	Bolt 3/8in-16NC x 1-1/4in	
703	0721006	4	Bolt #10-24NC x 3/4in	
704	1001154405	1.5 ft/ 0.4m	Hose	
705	3311001	4	Nut #10-20NC	
706	3311605	2	Locknut 3/8in-16NC	
707	4711000	8	Flatwasher #10 Thin	
708	4711600	4	Flatwasher 3/8in Thin	

SECTION 2 - TURNTABLE

ITEM	PART NUMBER	QTY	DESCRIPTION	REV
709	8405006	2	Clamp	
710A	1001141870	1	Plate, Fuel Pump Mount (SN 0300182743 through 0300272492, SN B300001092 through B300002369, Except SN 0300272449 through 0300272454)	
710B	1001226285	1	Plate, Fuel Pump Mount (SN B300002370 through B300005730, Excluding B300005568)	
711	1001142501	1	Fitting, Elbow Barbed	
712	1001141718	1	Fitting, Straight Barbed (China III Engines) (SN B300002867 through B300005730, Excluding B300005568)	
	1001216221	Ref	EXHAUST PIPE INSTALLATION WITHOUT SPARK ARRESTOR	A
	1001145750	Ref	EXHAUST PIPE INSTALLATION WITH SPARK ARRESTER (SN 0300182743 through 0300232902, SN B300001092 through B300001960)	B
	1001216167	Ref	EXHAUST PIPE INSTALLATION WITH SPARK ARRESTOR (SN 0300232903 through 0300272492, SN B300001961 through B300005730, Except SN 0300272449 through 0300272454, Excluding B300005568)	A
801	1001158145	1	Pipe, Exhaust without Spark Arrestor	
801	1001145751	1	Pipe, Exhaust with Spark Arrestor (SN 0300182743 through 0300232902, SN B300001092 through B300001960)	
801	1001216166	1	Pipe, Exhaust with Spark Arrestor (SN 0300232903 through 0300272492, SN B300001961 through B300005730, Except SN 0300272449 through 0300272454, Excluding B300005568)	
	1001202311	Ref	FUEL PUMP BRACKET INSTALLATION (MACHINES WITH ABS HOODS)	A
901	0100011	AR	Compound, Locking	
902	0760810	2	Bolt M8 x 20	
903	0761008	1	Bolt M10 x 16	
904	0761015	2	Bolt M10 x 35	
905	1320061	2	Clamp	
906	3291005	2	Nut M10	
907	4811900	2	Washer M8	
908	4812000	5	Washer M10	
909	1001178876	1	Bracket	

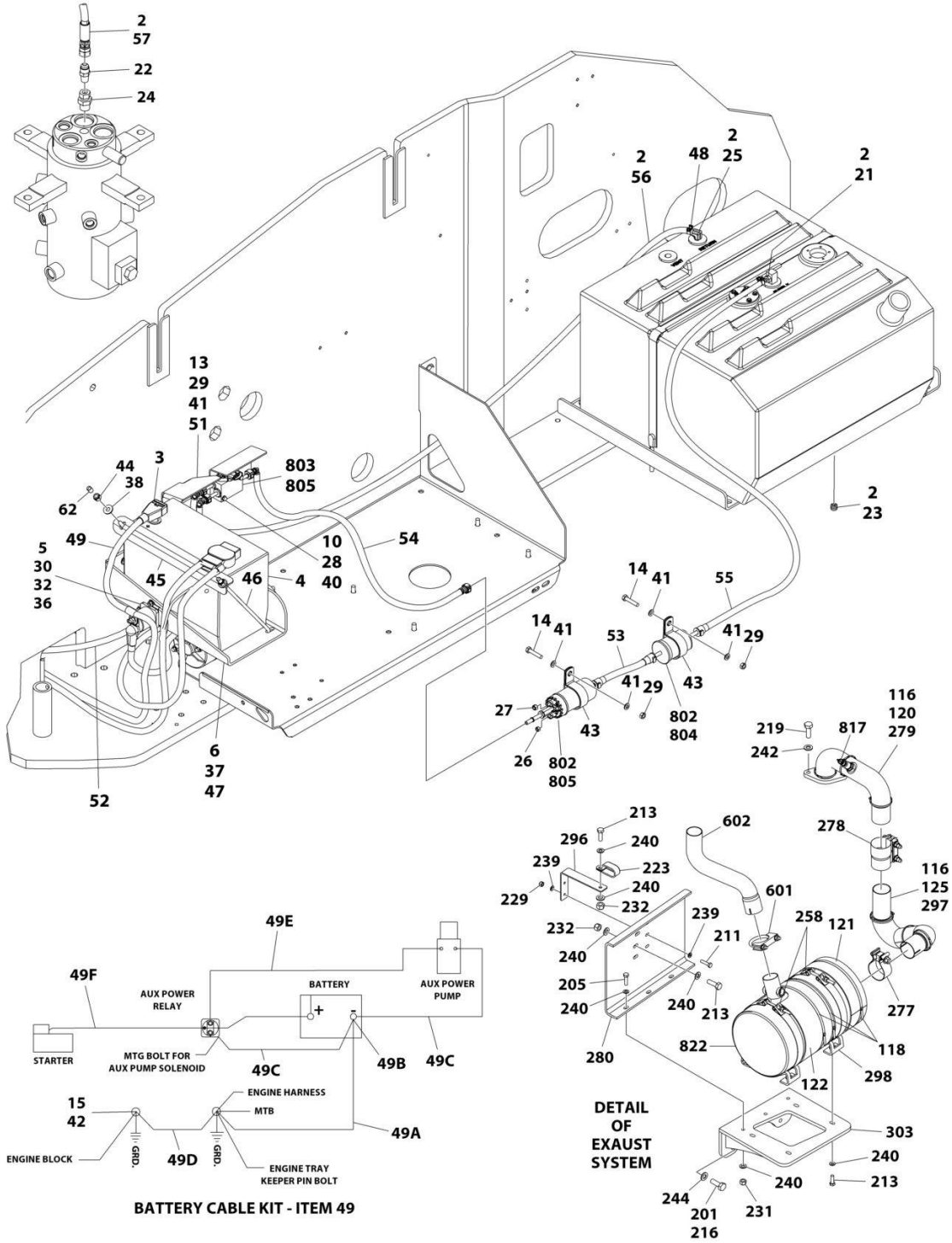
SECTION 2 - TURNTABLE

FIGURE 2-12. FORD ENGINE INSTALLATION



ART_1001217193_10F3

SECTION 2 - TURNTABLE



ART_1001217193_30F3

SECTION 2 - TURNTABLE

FIGURE 2-12. FORD ENGINE INSTALLATION

ITEM	PART NUMBER	QTY	DESCRIPTION	REV
		Ref	FORD ENGINE INSTALLATION	
	1001217193	Ref	Ford Engine Installation	H
1	0100011	AR	Compound, Locking	
2	0100020	AR	Sealant	
3	0100048	AR	Grease, Terminal	
4	0400075	1	Battery (SN 0300182743 through 0300259989, SN B300001092 through B300004169)	
5	0641406	2	Bolt 1/4 x 3/4	
6	0641607	3	Bolt 3/8 x 7/8	
7	0641610	1	Bolt 3/8 x 1-1/4	
8	0641808	1	Bolt 1/2 x 1	
9	0642010	1	Bolt 5/8 x 1-1/4	
10	0760619	2	Bolt M6 x 55	
11	0760810	1	Bolt M8 x 20	
12	0760812	1	Bolt M8 x 25	
12	0641408	1	Bolt 1/4 x 1	
13	0760820	2	Bolt M8 x 60	
13	0641412	2	Bolt 1/4 x 1-1/2	
14	0760816	2	Bolt M8 x 40	
15	0761008	1	Bolt M10 x 16	
17	1321283	2	Clamp	
18	1700818	1	Decal - LP Gas (Not Shown) (SN 0300182743 through 0300259989, SN B30001092 through B300005730, Excluding B300005568)	
19	1701542	1	Decal - Gas (Not Shown)	
20	1701543	AR	Decal - LPG (Not Shown)	
21	2180348	1	Fitting, Straight NPT/Barbed	
22	2180418	1	Fitting, Straight	
23	2200222	1	Plug	
24	2220005	1	Fitting, Straight NPT	
25	2221176	1	Fitting, 90	
26	3290405	1	Nut M4	
27	3290505	1	Nut M5	
28	3290607	2	Nut M6	
28	3311405	2	Nut 1/4	
29	3290801	5	Nut M8	
29	3311405	AR	Nut 1/4	
30	3311405	AR	Nut 1/4	
31	3422446	1	Pin	
32	3740067	1	Relay	
33	3790012	1	O-Ring (Not Shown - Located on Platform Console Box)	
34	3841143	1	Keeper, Pin	
35	4360336	1	Switch, Toggle (Not Shown - Located on Platform Console Box)	
36	4711400	4	Washer 1/4	
37	4711600	4	Washer 3/8	
38	4751500	AR	Washer 5/16	
38	4751400	AR	Washer 1/4	
39	4752000	1	Washer 5/8	
40	4811700	4	Washer M6	
40	4751400	AR	Washer 1/4	

SECTION 2 - TURNTABLE

ITEM	PART NUMBER	QTY	DESCRIPTION	REV
41	4811900	AR	Washer M8	
41	4751400	AR	Washer 1/4	
42	4812000	1	Washer M10	
43	85941018	2	Clamp	
44	88521205	AR	Nut 5/16	
45	91401281	1	Bracket, Battery Hold Down (SN 0300182743 through 0300259989, SN B300001092 through B300004169)	
46	1001093382	2	J-Bolt (SN 0300182743 through 0300259989, SN B300001092 through B300004169)	
47	1001162497	1	Bracket, Battery	
48	1001174486	2	Clamp	
49	1001216568	1	Battery Cable Kit	
49A	7027084	1	Cable, Battery - Ground to Battery -	
49B	8270147	1	Terminal, Battery with Boot	
49C	7027085	1	Cable, Battery - Auxiliary Pump/Relay to Battery -	
49D	7027086	1	Cable, Battery - Engine to Ground	
49E	7027088	1	Cable, Battery - Auxiliary Relay to Auxiliary Pump	
49F	70009020	1	Cable, Battery - Starter/Auxiliary Relay to Battery +	
51	1001219370	1	Bracket	
52	1001219634	1	Hose	
53	1001219635	1	Hose (SN 0300182743 through 0300247152)	
53	1001156823	1	Hose (SN 0300247153 through 0300272492, Except SN 0300272449 through 0300272454)	
54	1001219636	1	Hose	
55	1001219637	1	Hose	
56	1001219638	1	Hose	
57	1001219639	1	Hose	
58	4240099	AR	Tie-Strap (Not Shown)	
59	0771012	1	Bolt M10 x 25	
59	0641408	1	Bolt 1/4 x 1	
60	3291001	1	Nut M10	
60	3311405	1	Nut 1/4	
61	8406201	1	Clip	
62	1001218572	AR	Cap	
		Ref	FORD ENGINE AND PUMP SUB-ASSEMBLY	
	1001217192	Ref	Ford Engine and Pump Sub-Assembly	E
101	0100011	AR	Compound, Locking	
102	0641407	1	Bolt 1/4 x 7/8	
103	0641808	1	Bolt 1/2 x 1	
104	0641812	4	Bolt 1/2 x 1-1/2	
105	1060637	1	Cable, Lanyard	
106	3311405	1	Nut 1/4	
107	3311805	1	Nut 1/2	
108	3422532	1	Pin	
109	3790044	1	O-Ring	
110	3960389	60 in/1.5m	Seal (SN 0300182743 through 0300240852)	
111	3960469	1	Seal	
112	4751400	1	Washer 1/4	
113	4751800	1	Washer 1/2	
114	4891800	4	Washer 1/2	
115	1001094595	1	Variable Pump Assembly (See VARIABLE PUMP ASSEMBLY for Breakdown)	

SECTION 2 - TURNTABLE

ITEM	PART NUMBER	QTY	DESCRIPTION	REV
116	1001100825	6	Strap	
117	1001115930	AR	Oil, Motor (Not Shown) (SN 0300182743 through 0300240852)	
117	1001190775	AR	Oil, Motor (Not Shown) (SN 0300240853 through 0300272492, Except SN 0300272449 through 0300272454)	
118	1001221464	3	Strap	
119	1001187510	NLA	Hydrostatic Pump Assembly (Use p/n 1001225745) (See HYDROSTATIC PUMP ASSEMBLY for Breakdown) (SN 0300182743 through 0300240852)	
119	1001225745	1	Hydrostatic Pump Assembly (See HYDROSTATIC PUMP ASSEMBLY for Breakdown) (SN 0300240853 through 0300272492, Except SN 0300272449 through 0300272454)	
120	1001216532	1	Insulate, Exhaust Pipe	
121	1001216534	1	Insulate, Muffler	
122	1001216535	1	Insulate, Muffler	
123	1001217170	1	Seal	
125	1001218085	1	Insulate, Exhaust Pipe	
		Ref	FORD ENGINE ASSEMBLY	
	1001217191	Ref	Ford Engine Assembly	K
201	0100011	AR	Compound, Locking	
202	0100020	AR	Sealant	
203	0700810	AR	Bolt M8 x 20	
204	0700812	AR	Bolt M8 x 25	
205	0700814	AR	Bolt M8 x 30	
206	0711020	3	Bolt M10 x 60	
209	0760608	2	Bolt M6 x 16	
210	0760610	4	Bolt M6 x 20	
211	0760612	AR	Bolt M6 x 25	
211	0760812	AR	Bolt M8 x 25	
212	0760810	AR	Bolt M8 x 20	
213	0760812	AR	Bolt M8 x 25	
214	0760814	AR	Bolt M8 x 30	
214	0761015	AR	Bolt M10 x 35	
215	0760815	2	Bolt M8 x 35	
216	0761014	11	Bolt M10 x 30	
217	0761015	AR	Bolt M10 x 35	
218	0761016	4	Bolt M10 x 40	
219	0771014	2	Bolt M10 x 30	
221	0961986	2	Bearing	
222	1320110	1	Clamp	
223	1321283	1	Clamp (SN 0300182743 through 0300240852)	
223	1001187781	1	Clamp (SN 0300240853 through 0300272492, Except SN 0300272449 through 0300272454)	
224A	1580011	1	Container, Coolant Overflow (SN 0300182743 through 0300240852)	
224B	1001223584	1	Container, Coolant Overflow (SN 0300240853 through 0300272492, Except SN 0300272449 through 0300272454)	
225	1703162	2	Decal - Fan Blade	
226	2180467	1	Fitting, Straight NPT/Barbed	
227	2300004	AR	Coolant (Not Shown)	
228	3290601	2	Nut M6	
229	3290605	AR	Nut M6	
229	3290805	AR	Nut M8	
230	3290607	2	Nut M6	

SECTION 2 - TURNTABLE

ITEM	PART NUMBER	QTY	DESCRIPTION	REV
231	3290801	4	Nut M8	
232	3290805	AR	Nut M8	
232	3291005	AR	Nut M10	
233	3291005	AR	Nut M10	
234	3291001	4	Nut M10	
235	3291201	3	Nut M12	
236	3931640	1	Capscrew 3/8 x 2-1/2	
237	4031711	4	Capscrew M6 x 35	
238	4240099	AR	Tie-Strap (Not Shown)	
239	4811700	AR	Washer M6	
239	4811900	AR	Washer M8	
240	4811900	AR	Washer M8	
240	4812000	AR	Washer M10	
241	4811902	10	Washer M8	
242	4812000	AR	Washer M10	
243	4812002	6	Washer M10	
244	5241000	15	Washer M10	
245	5241200	3	Washer M10	
246	8305401	2	Nut 1/4	
247	8307109	2	Washer 1/4	
248	8310548	2	Screw 1/4 x 1/2	
249	8405006	2	Clamp	
250	8405009	AR	Clamp	
251	8405102	2	Clamp	
252	8405104	2	Clamp	
253	8405203	3	Clamp	
254	8406109	AR	Clip	
255	8406110	2	Clip	
255	8406109	2	Clip	
256	8410001	1	Clamp	
257	8410011	1	Clamp	
258	1001128901	2	Strap, Clamp	
259	1001138173	1	Support	
260	1001138175	1	Bracket	
261	1001141585	1	Hose, Air Cleaner Inlet	
262	1001141995	1	Fitting, Straight NPT/Barbed	
264	1001149639	1	Indicator, Restriction	
265	1001191610	3	Mount, Motor	
266	1001168018	3	Washer	
267	1001169054	4	Isolator	
268	1001169138	4	Pad	
269	1001169967	1	Bracket	
270	1001170035	1	Bracket	
271	1001176329	1	Bracket	
272	1001180620	AR	Adhesive	
273	1001186426	1	Clamp, Air Cleaner	
274	1001213357	1	Fan (SN 0300182743 through 0300240852)	
274	1001223042	1	Fan (SN 0300240853 through 0300272492, Except SN 0300272449 through 0300272454)	
275A	1001213482	1	Bracket (SN 0300182743 through 0300240852)	
275B	1001225442	1	Bracket (SN 0300240853 through 0300272492, Except SN 0300272449 through 0300272454)	

SECTION 2 - TURNTABLE

ITEM	PART NUMBER	QTY	DESCRIPTION	REV
276	1001215674	1	Radiator (SN 0300182743 through 0300240852)	
276	1001223923	1	Radiator (SN 0300240853 through 0300272492, Except SN 0300272449 through 0300272454)	
277	1001215681	1	Clamp	
278	1001215974	1	Clamp	
279	1001216075	1	Pipe, Exhaust Inlet	
280	1001216092	1	Shield, Heat	
281	1001216201	1	Spacer, Fan	
285	1001216919	2	Sleeve	
286	1001216995	1	Mount, Engine (Rear)	
287	1001217032	1	Tube, Air Intake	
288	1001217046	1	Bracket	
289	1001217090	1	Tube, Intake (Intermediate)	
292	1001217174	1	Seal	
293	1001217175	1	Seal	
294	1001217183	2	Seal	
295	1001217185	2	Seal	
296	1001217186	1	Support	
297	1001217317	1	Pipe, Exhaust Inlet	
298	1001217543	2	Mount	
299	1001218362	1	Mount, Engine (Front Left)	
300	1001218449	1	Mount, Engine (Front Right)	
301	1001134488	1	Fitting, 90 Barbed	
302	1001219259	1	Tray	
303	1001219345	1	Bracket	
304	1001219361	1	Support	
305	1001219363	1	Plate, Radiator	
306	1001219480	1	Bracket	
307	1001219611	1	Hose, Radiator (Lower)	
308	1001219612	1	Hose, Radiator (Upper)	
309	1001219613	1	Tube, Intake (Lower)	
310	1001138248	31 in/ 77cm	Tube, Nylon	
311	1001189979	1	Air Filter Assembly	
311	70005008	1	Element, Filter	
313	2720058	AR	Hose	
314	2720271	3 ft/.9m	Hose (SN 0300182743 through 0300240852)	
315	1001165035	AR	Hose	
316	4032011	1	Capscrew M10 x 35	
316	5272010	1	Capscrew M10 x 35	
317	4811702	2	Washer M6	
317	4811900	2	Washer M8	
318	2220064	1	Fitting, 90 FSNPSM/NPTF	
319	2220261	1	Fitting, Straight	
320	2180418	1	Fitting, Straight	
321	1001221615	2	Nut, Tinnerman M8	
322	0701224	1	Bolt M12 x 80	
322	1001098828	1	Bolt M12 x 70 Grade 10.9	
323	1001098828	2	Bolt M12 x 70 Grade 10.9	
323	0711223	3	Bolt M12 x 75 Grade 10.9	
324	1001222033	1	Plate	
325	0940070	1	Bumper	

SECTION 2 - TURNTABLE

ITEM	PART NUMBER	QTY	DESCRIPTION	REV
326	8406201	1	Clip (SN 0300240853 through 0300272492, Except SN 0300272449 through 0300272454)	
327	8410009	2	Clamp (SN 0300240853 through 0300272492, Except SN 0300272449 through 0300272454)	
328	2180348	1	Fitting (SN 0300240853 through 0300272492, Except SN 0300272449 through 0300272454)	
329	1001173535	6	Clamp (SN 0300240853 through 0300272492, Except SN 0300272449 through 0300272454)	
330	1001224489	1	Hose (SN 0300240853 through 0300272492, Except SN 0300272449 through 0300272454)	
331	1001225510	1	Decal - Fill Level (SN 0300240853 through 0300272492, Except SN 0300272449 through 0300272454)	
332	1001216531	1	Hose (SN 0300240853 through 0300272492, Except SN 0300272449 through 0300272454)	
333	1001227666	13 in/ 33cm	Hose (SN 0300240853 through 0300272492, Except SN 0300272449 through 0300272454)	
334	1001224486	1	Hose (SN 0300240853 through 0300272492, Except SN 0300272449 through 0300272454)	
335	0761015	5	Bolt M10 x 35 (SN 0300182743 through 0300240852)	
335	0711014	5	Bolt M10 x 30 (SN 0300240853 through 0300272492, Except SN 0300272449 through 0300272454)	
338	0100062	AR	Compound, Locking (SN 0300240853 through 0300272492, Except SN 0300272449 through 0300272454)	
339	4060805	16 in/ 40.6cm	Flex-Trim (SN 0300240853 through 0300272492, Except SN 0300272449 through 0300272454)	
340	1001227667	1	Hose (SN 0300240853 through 0300272492, Except SN 0300272449 through 0300272454)	
	1001216910	Ref	FORD ENGINE ASSEMBLY - PUMP COUPLING/ FUEL SYSTEM	F
401	0100011	AR	Compound, Locking	
403	0760605	4	Bolt M6 x 10	
404	0760807	2	Bolt M8 x 14	
405	0760812	AR	Bolt M8 x 25	
409	3290805	AR	Nut M8	
411	4811702	4	Washer M6	
412	4811900	4	Washer M8	
413	5250605	3	Bolt M6 x 10	
414	5260600	1	Nut M6 Class 10	
415	1001173535	4	Clamp (SN 0300182743 through 030022715)	
416	8406201	1	Clip (SN 0300182743 through 030022715)	
417	8410009	2	Clamp (SN 0300182743 through 030022715)	
418	82033995	10 in/ 27cm	Hose (SN 0300182743 through 030022715)	
419	1001211794	3	Mount, Isolator	
420	1001213045	1	Bracket (SN 0300182743 through 0300232537)	
420	1001227769	1	Bracket (SN 0300232538 through 0300272492, Except SN 0300272449 through 0300272454)	
421	1001213810	1	Pump Coupling, Kit	
421	70006134	1	Coupling	
421	70006135	1	Housing	
421	70006136	1	Hardware Kit	
423	1001216531	1	Hose (SN 0300182743 through 030022715)	
424	1001216768	1	Bracket	
425	1001216769	1	Bracket	
426	1001216810	1	Hose (SN 0300182743 through 030022715)	
428	1001149160	2	Nut, Tinnerman M8	

SECTION 2 - TURNTABLE

ITEM	PART NUMBER	QTY	DESCRIPTION	REV
	1001216065	Ref	FORD ENGINE ASSEMBLY - BRACKETS/EXHAUST MANIFOLD	K
501	0700816	4	Bolt M8 x 40	
502	0700818	1	Bolt M8 x 50	
503	0701014	2	Bolt M10 x 30	
504	0710827	1	Bolt M8 x 100 Grade 10.9	
505	0711216	2	Bolt M12 x 40	
506	0760610	3	Bolt M6 x 20	
507	0760615	4	Bolt M6 x 35	
508	0760817	1	Bolt M8 x 45	
509	3290601	1	Nut M6	
510	4811700	8	Washer M6	
511	4811900	1	Washer M8	
512	4811902	4	Washer M8	
513	4812000	1	Washer M10	
514	4812100	2	Washer M12	
515	5250605	2	Bolt M6 x 10	
516	5260600	2	Nut M6 Class 10	
517	1001210448	1	Engine, Ford 2.5L (See Ford Engine Components for Serviced Parts)	
518	1001211794	2	Mount	
519	1001214827	1	Manifold, Exhaust	
520	1001215384	1	Bracket	
521	1001216071	1	Bracket	
522	1001216144	1	Support, Muffler	
523	1001216616	1	Mount, Vaporizer (SN 0300182743 through 0300232535)	
523	1001227772	1	Mount, Vaporizer (SN 0300232536 through 0300272492, Except SN 0300272449 through 0300272454)	
524	0100011	AR	Compound, Locking	
525	1001221545	1	Plate	
526	1001222641	6	Cap	
		Ref	EXHAUST PIPE INSTALLATION	
	1001220142	Ref	Exhaust Pipe Installation without Spark Arrestor	B
	1001219907	Ref	Exhaust Pipe Installation with Spark Arrestor	B
601	1320176	1	Clamp (SN 0300182743 through 0300245226)	
601	1001221397	1	Clamp (SN 0300245227 through 0300272492, Except SN 0300272449 through 0300272454)	
602		Ref	Tail Pipe Options	
602	1001217350	1	Tail Pipe without Spark Arrestor	
602	1001217476	1	Tail Pipe with Spark Arrestor	
602	1001218087	1	Insulate	
602	1001100825	3	Strap	
	1001220404	Ref	DRIVE BELT INSTALLATION (MACHINES WITHOUT GENERATOR)	C
701	0100011	AR	Compound, Locking	
702	0701026	1	Bolt M10 x 90	
703	4812000	1	Washer M10	
703	4812002	1	Washer M10	
704	1001216300	1	Pulley	
705	1001216619	1	V-Belt	
	1001210448	Ref	FORD ENGINE COMPONENTS	F
801	70006145	4	Injector, Fuel	
801	70006147	1	Rail, Fuel	

SECTION 2 - TURNTABLE

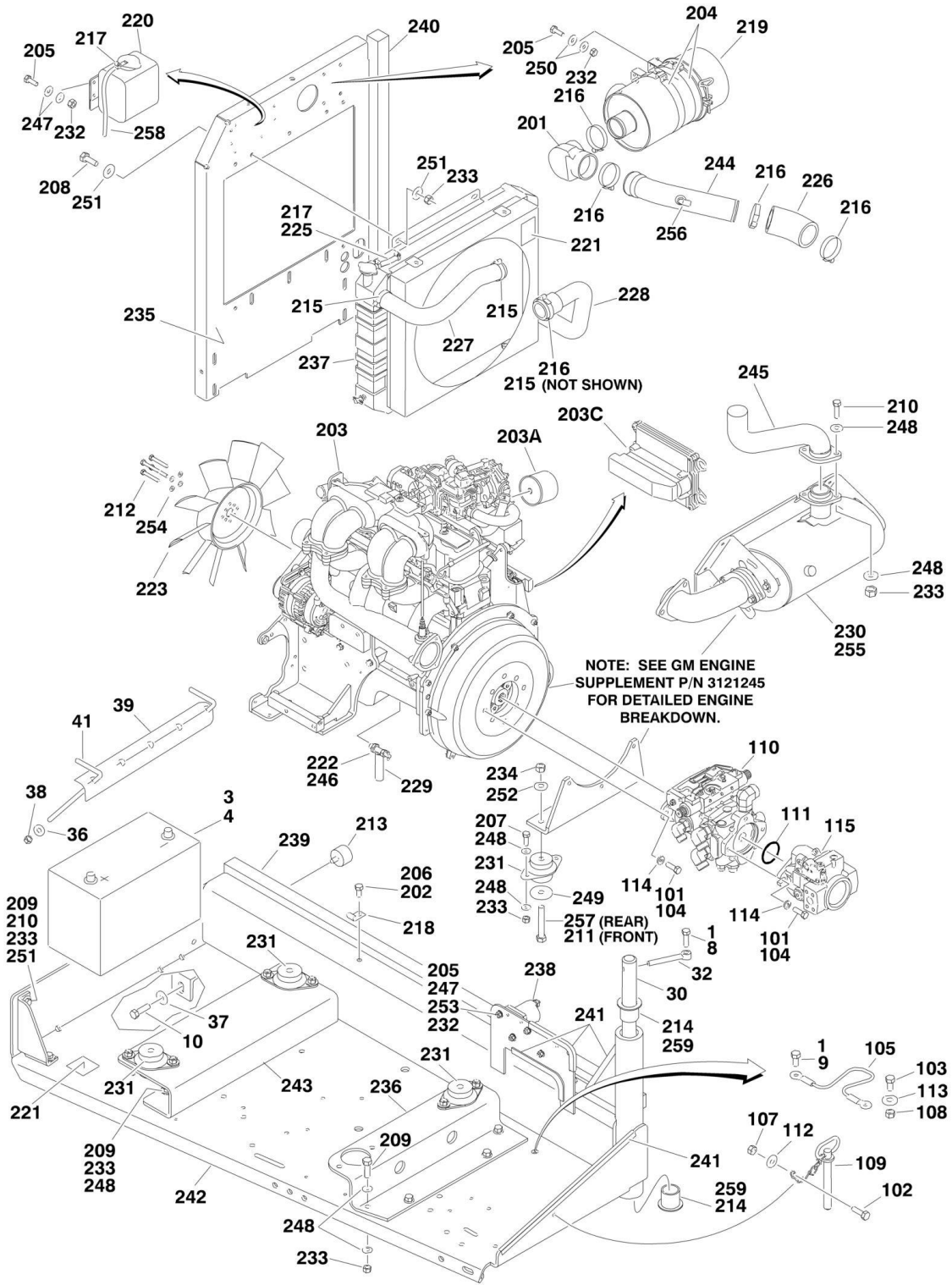
ITEM	PART NUMBER	QTY	DESCRIPTION	REV
802	70006150	1	Pump, Fuel	
802	70006154	1	Fitting M10	
803	70006151	1	Block, Fuel	
803	70006152	2	Fitting SAE6	
803	70006153	1	Fitting SAE3	
803	70006189	1	Harness, Fuel Block	
804	70006155	1	Filter, Fuel	
805	7022162	8	Clamp	
805	70006157	8	Clip, Fuel Quick Disconnect	
806	70006158	1	Mixer, LP	
806	70006168	1	Mixer Diaphragm Replacement Kit	
806	70006159	1	Adapter, Mixer to Governor	
806	70006160	1	O-Ring, Mixer to Adapter	
806	70006161	1	Seal, Mixer to Adapter	
807	70006162	1	Regulator, LP Vapor	
807	70006166	2	Fitting, 70	
807	70006167	1	Fitting, Straight	
807	70006165	2	Isolator, Rubber	
808	70006163	1	Regulator, Direct Electronic Pressure	
808	70006164	1	Adapter, Fitting 90	
809	70006169	1	Starter	
809	70006233	1	Harness, Alternator/Starter	
810	70006170	1	Alternator	
811	70006173	1	Cover, Relay Box	
811	70006171	2	Relay (Fuel Pump & Power)	
811	70006172	1	Relay (Starter)	
811	70006175	1	Fuse - 20AMP (Starter)	
811	70006174	1	Decal - Relay Box Cover	
811	70006188	1	Harness, Engine	
811	70006165	2	Isolator, Rubber	
812	70006176	1	Module - Engine Control Unit (ECU/GCP)	
812	70006191	1	Software & Diagnostic Cable	
813	70006177	4	Coil and Boot Assembly	
813	70006178	4	Plug, Spark	
814	70006179	1	Switch, Oil Pressure	
815	70006180	1	Sensor, Knock	
816	70006181	1	Sensor, TMAP	
817	70006182	2	Sensor, O2	
818	70006183	1	Sensor, Coolant Temperature (Not Shown - Located Rear of Engine Block)	
819	70006184	1	Sensor, Crank Position (Not Shown - Located at Front RH Side of Block)	
820	70006185	1	Sensor, Cam Position	
821	70006186	1	Solenoid, Timing	
821	70006187	1	Grommet, Rubber	
822	70006194	1	Muffler	
822	70006195	1	Plug (Located at Muffler Outlet)	
823		Ref	Gasket Options (Not Shown)	
823	70006196	1	Gasket, Exhaust Manifold to Head	
823	70006197	1	Gasket, Exhaust Manifold Outlet	
823	70006200	1	Gasket, Intake Manifold to Head	
823	70006219	1	Gasket Set - Camshaft Cover	

SECTION 2 - TURNTABLE

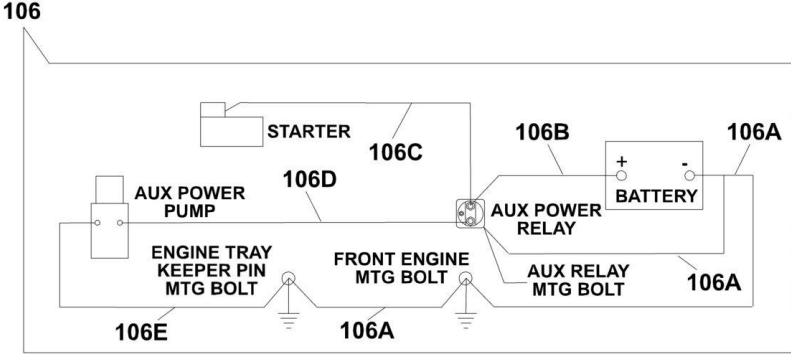
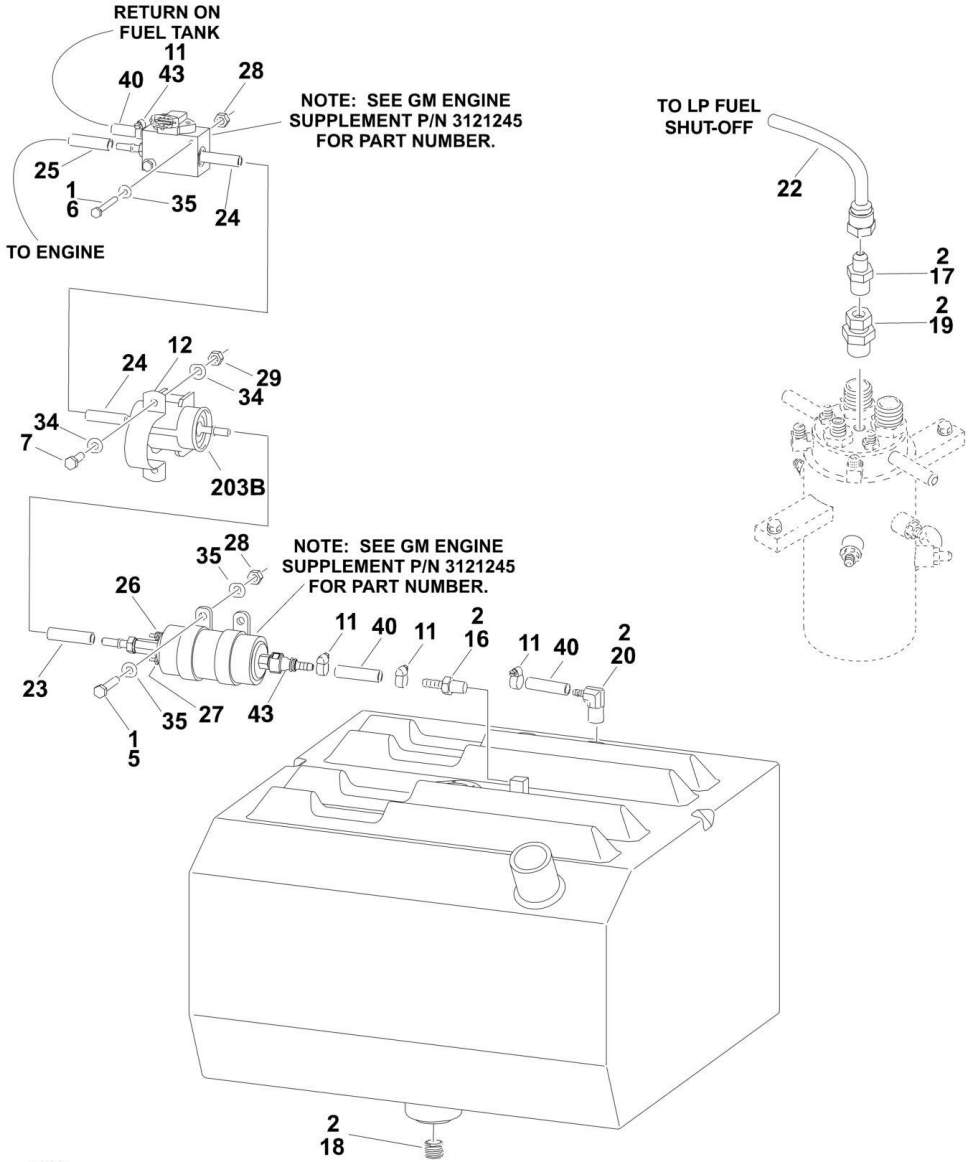
ITEM	PART NUMBER	QTY	DESCRIPTION	REV
823	70006225	1	Gasket, Cylinder Head	
824	70006198	1	Governor	
824	7027404	1	Gasket, Governor Actuator	
824	70006199	1	Gasket, Governor to Intake Manifold Adapter	
825	70006203	1	Flywheel (Not Shown)	
826	70006205	1	Thermostat (Includes Housing)	
826	70006206	1	Gasket, Water Inlet	
827	70006207	1	Pump, Water	
827	70006208	1	O-Ring, Water Pump	
827	See Note	NSS	Pulley, Water Pump (Note: Not Available for Purchase at This Time)	
828	70006213	1	Filter, Oil	
829	70006215	1	Plug, Oil Drain	
829	70006217	1	Gasket, Oil Drain Plug	
830	70006221	1	Cap, Oil Fill	
831	70006232	1	Sensor, Crank (Not Shown)	
832	70006235	1	Valve, Lock-Off (Includes Filter)	
833	70006202	1	Belt	
834	70006236	1	Dipstick	
835	70007108	1	Belt Tensioner	

SECTION 2 - TURNTABLE

FIGURE 2-13. GM ENGINE INSTALLATION



SECTION 2 - TURNTABLE



SECTION 2 - TURNTABLE

FIGURE 2-13. GM ENGINE INSTALLATION

ITEM	PART NUMBER	QTY	DESCRIPTION	REV
	1001156470	Ref	GM ENGINE INSTALLATION (SN 0300182743 through 0300221608)	F
	1001216721	Ref	GM ENGINE INSTALLATION (SN 0300221609 through 0300272492, Except SN 0300272449 through 0300272454)	B
	1001156470	Ref	GM ENGINE INSTALLATION (SN B300001092 through B300001575)	F
	1001216721	Ref	GM ENGINE INSTALLATION (SN B300001576 through B300005730, Excluding B300005568)	B
1	0100011	AR	Compound, Locking	
2	0100020	AR	Sealant, Pipe	
3	0100048	AR	Grease, Dielectric	
4	0400075	1	Battery (Wet)	
5	0641412	2	Bolt 1/4in-20NC x 1-1/2in	
6	0641422	2	Bolt 1/4in-20NC x 2-3/4in	
7	0641511	2	Bolt 5/16in-18NC x 1-3/8in	
8	0641608	1	Bolt 3/8in-16NC x 1in	
9	0641808	1	Bolt 1/2in-13NC x 1in	
10	0642010	1	Bolt 5/8in-11NC x 1-1/4in	
11	1001174486	AR	Clamp, Fuel Line	
12	1320323	1	Clamp	
13	1700818	2	Decal - LP Gas (Liquid) (Not Shown)	
14	1701542	1	Decal, Gas (Not Shown)	
15	1701543	2	Decal, LPG (Not Shown)	
16	2180348	1	Fitting, Barbed	
17	2180418	1	Fitting, Straight	
18	2200222	1	Fitting, Plug	
19	2220005	1	Fitting, Straight	
20	2221176	1	Fitting, Elbow	
21	2300004	AR	Fluid, Anti-Freeze (Not Shown)	
22	2720392	1	Hose, LP	
23	2720566	1	Hose, Hi Pressure Fuel Line (6in/15cm Length) (SN 0300182743 through 0300183271)	
23	1001156823	1	Hose, Hi Pressure Fuel Line (6in/15cm Length) (SN 0300183272 through 0300272492, Except SN 0300272449 through 0300272454)	
23	1001156823	1	Hose, Hi Pressure Fuel Line (6in/15cm Length) (SN B300001092 through B300005730, Excluding B300005568)	
24	2720567	1	Hose, Hi Pressure Fuel Line (4ft/1.2m Length) (SN 0300182743 through 0300183271)	
24	1001156824	1	Hose, Hi Pressure Fuel Line (4ft/1.2m Length) (SN 0300183272 through 0300272492, Except SN 0300272449 through 0300272454)	
24	1001156824	1	Hose, Hi Pressure Fuel Line (4ft/1.2m Length) (SN B300001092 through B300005730, Excluding B300005568)	
25	2720580	1	Hose (SN 0300182743 through 0300183271)	
25	1001156825	1	Hose (SN 0300183272 through 0300272492, Except SN 0300272449 through 0300272454)	
25	1001156825	1	Hose (SN B300001092 through B300005730, Excluding B300005568)	
26	3290405	1	Locknut M4 x 0.7	
27	3290505	1	Locknut M5 x 0.8	
28	3311405	4	Locknut 1/4in x 20NC	
29	3311505	2	Locknut 5/16in-18NC	

SECTION 2 - TURNTABLE

ITEM	PART NUMBER	QTY	DESCRIPTION	REV
30	3422446	1	Pin	
31	3790012	1	O-Ring (Not Shown - Located in Console Box)	
32	3841143	1	Keeper	
33	4360336	1	Switch, Toggle (Not Shown - Located in Console Box)	
34	4711500	4	Flatwasher 5/16in Thin	
35	4751400	8	Flatwasher 1/4in Regular	
36	4751500	2	Flatwasher 5/16in Regular	
37	4752000	1	Flatwasher 5/8in Regular	
38	88521205	2	Locknut, Nylon Insert 5/16in-18NC	
39	91401281	1	Angle, Battery Hold Down	
40	1001091587	1	Hose, Fuel Line (SN 0300182743 through 0300183271)	
40	1001156819	1	Hose, Fuel Line (SN 0300183272 through 0300196954)	
40	1001177228	1	Hose, Fuel Line (SN 0300196955 through 0300272492, Except SN 0300272449 through 0300272454)	
40	1001156819	1	Hose, Fuel Line (SN B300001092 through B300001102)	
40	1001177228	1	Hose, Fuel Line (SN B300001103 through B300005730, Excluding B300005568)	
41	1001093382	2	Bolt, Battery Hold-down	
43	1001174093	2	Coupling, Quick Disconnect (SN 0300183272 through 0300196954)	
43	1001177155	1	Hose, Fuel (SN 0300196955 through 0300272492, Except SN 0300272449 through 0300272454)	
43	1001174093	1	Coupling, Quick Disconnect (SN B300001092 through B300001102)	
43	1001177155	1	Hose, Fuel (SN B300001103 through B300005730, Excluding B300005568)	
	1001156471	Ref	GM ENGINE AND PUMP ASSEMBLIES (SN 0300182743 through 0300221608)	E
	1001216715	Ref	GM ENGINE AND PUMP ASSEMBLIES (SN 0300221609 through 0300272492, Except SN 0300272449 through 0300272454)	C
	1001156471	Ref	GM ENGINE AND PUMP ASSEMBLIES (SN B300001092 through B300001575)	E
	1001216715	Ref	GM ENGINE AND PUMP ASSEMBLIES (SN B300001576 through B300005730, Excluding B300005568)	C
101	0100011	AR	Compound, Locking	
102	0641407	1	Bolt 1/4in-20NC x 7/8in	
103	0641808	1	Bolt 1/2in-13NC x 1in	
104	0641812	4	Bolt 1/2in-13NC x 1-1/2in	
105	1060637	1	Cable, Lanyard	
106	2902533	1	Battery Cable Kit	D
106A	7027018	1	Cable (Battery - to Ground)	
106B	7027015	1	Cable (Battery + to Auxiliary Relay)	
106C	7027017	1	Cable (Auxiliary Relay to Starter)	
106D	7016824	1	Cable (Auxiliary Relay to Auxiliary Pump)	
106E	7016825	1	Cable (Ground to Auxiliary Pump)	
107	3311405	1	Locknut 1/4in-20NC	
108	3311805	1	Locknut 1/2in-13NC	
109	3422532	1	Pin, Hitch	
110	1001152522	1	Hydrostatic Pump Assembly with Fittings (See HYDROSTATIC PUMP ASSEMBLY for Breakdown) (SN 0300182743 through 0300208405)	
110	1001187510	1	Hydrostatic Pump Assembly with Fittings (See HYDROSTATIC PUMP ASSEMBLY for Breakdown) (SN 0300208406 through 0300272492, Except SN 0300272449 through 0300272454)	

SECTION 2 - TURNTABLE

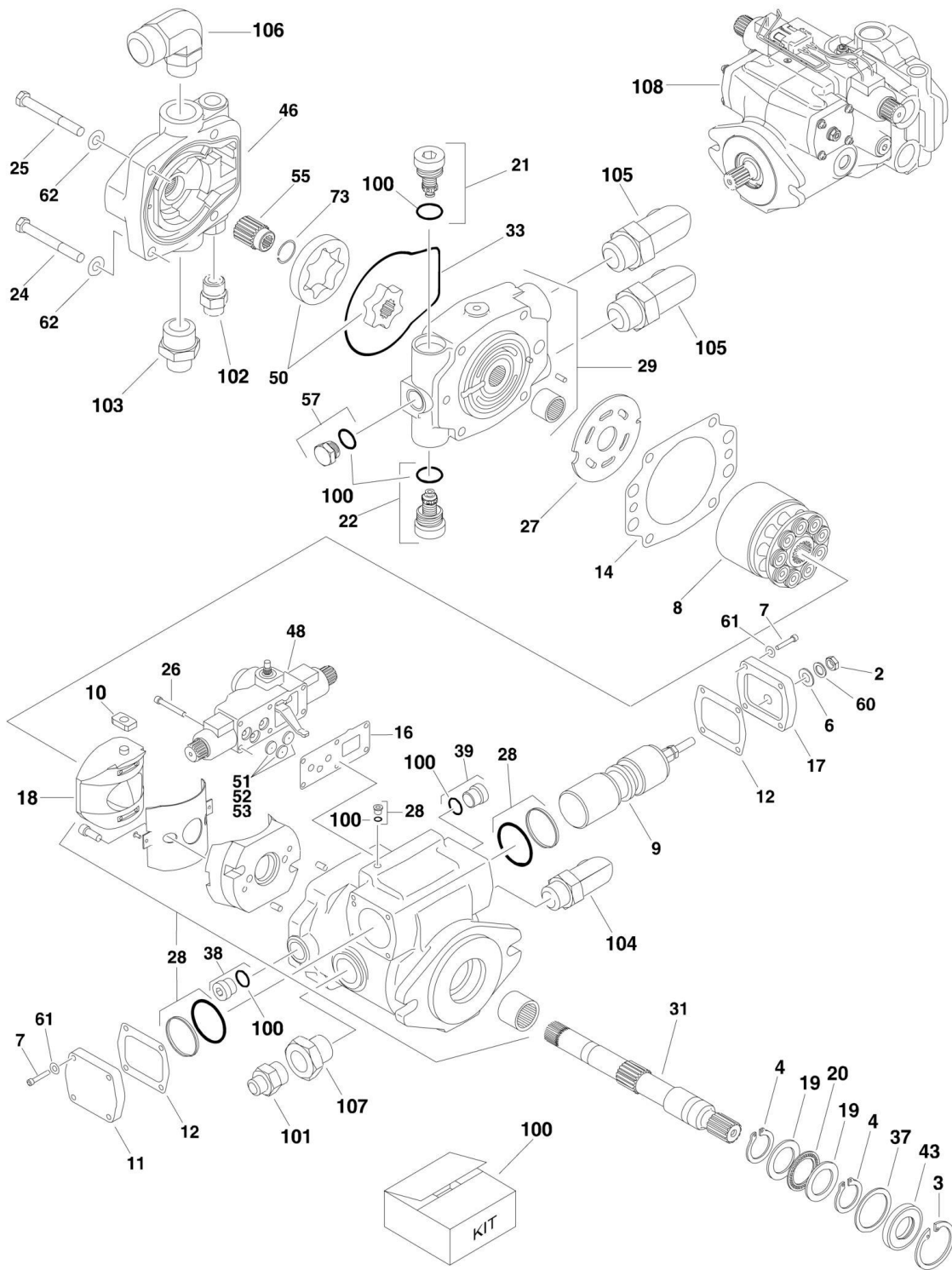
ITEM	PART NUMBER	QTY	DESCRIPTION	REV
110	1001152522	1	Hydrostatic Pump Assembly with Fittings (See HYDROSTATIC PUMP ASSEMBLY for Breakdown) (SN B300001092 through B300001327)	
110	1001187510	1	Hydrostatic Pump Assembly with Fittings (See HYDROSTATIC PUMP ASSEMBLY for Breakdown) (SN B300001328 through B300005730, Excluding B300005568)	
111	3790044	1	O-Ring	
112	4751400	1	Flatwasher 1/4in Regular	
113	4751800	1	Flatwasher 1/2in Regular	
114	4891800	4	Flatwasher, 1/2in Hardened	
115	1001094595		Variable Pump Assembly with Fittings (See VARIABLE PUMP ASSEMBLY for Breakdown)	
117	1001115930	AR	Oil, 10W-30 Motor	
	1001114632	Ref	GM ENGINE ASSEMBLY (SN 0300182743 through 0300221608)	F
	1001216714	Ref	GM ENGINE ASSEMBLY (SN 0300221609 through 0300272492, Except SN 0300272449 through 0300272454)	B
	1001114632	Ref	GM ENGINE ASSEMBLY (SN B300001092 through B300001575)	F
	1001216714	Ref	GM ENGINE ASSEMBLY (SN B300001576 through B300005730, Excluding B300005568)	B
201	0080201	1	Adapter, Elbow	
202	0100011	AR	Compound, Locking	
203	1001114595	1	Engine, GM 3.0L (See GM Engine Supplement P/N 3121245 for Breakdown of Additional Components) (SN 0300182743 through 0300221608)	
203	1001214862	1	Engine, GM 3.0L without Mounting Brackets (See GM Engine Supplement P/N 3121245 for Breakdown of Additional Components) (SN 0300221609 through 0300272492, Except SN 0300272449 through 0300272454)	
203	1001216713	1	Engine, GM 3.0L with Mounting Brackets(See GM Engine Supplement P/N 3121245 for Breakdown of Additional Components) (SN 0300221609 through 0300272492, Except SN 0300272449 through 0300272454)	
203	1001114595	1	Engine, GM 3.0L (See GM Engine Supplement P/N 3121245 for Breakdown of Additional Components) (SN B300001092 through 0300001575)	
203	1001214862	1	Engine, GM 3.0L without Mounting Brackets (See GM Engine Supplement P/N 3121245 for Breakdown of Additional Components) (SN B300001576 through B300005730, Excluding B300005568)	
203	1001216713	1	Engine, GM 3.0L with Mounting Brackets (See GM Engine Supplement P/N 3121245 for Breakdown of Additional Components) (SN B300001576 through B300005730, Excluding B300005568)	
203A	7027965	1	Filter, Oil	
203B	7027972	1	Filter, Fuel	
203C	70002895	1	Module, Control (ECU)	
203D	70000164	4	Sparkplug (Not Shown)	
204	0340041	2	Band, Mounting	
205	0641406	10	Bolt 1/4in-20NC x 3/4in	
206	0641606	3	Bolt 3/8in-16NC x 3/4in	
207	0641608	8	Bolt 3/8in-16NC x 1in	
208	0641609	4	Bolt 3/8in-16NC x 1-1/8in	
209	0641610	10	Bolt 3/8in-16NC x 1-1/4in	
210	0641612	4	Bolt 3/8in-16NC x 1-1/2in	
211	0641828	2	Bolt 1/2in-13NC x 3-1/2in	
212	0700810	4	Bolt M8 x 20mm	

SECTION 2 - TURNTABLE

ITEM	PART NUMBER	QTY	DESCRIPTION	REV
213	0940070	1	Bumper	
214	0961986	2	Bearing, Flanged	
215	1320012	3	Clamp	
216	1320016	5	Clamp	
217	1320022	AR	Clamp	
218	1320223	3	Clamp	
219	1340060	1	Air Cleaner Assembly	
219	7012664	1	Element, Air Cleaner	
220	1580011	1	Container, Coolant Overflow	
221	1703162	2	Decal - Caution Fan	
222	0100020	AR	Locking Compound	
223	2060025	1	Fan	
225	2720058	5.5 in /14cm	Hose	
226	1001116544	1	Duct	
227	2720563	1	Hose, Radiator (Top)	
228	2720564	1	Hose, Radiator (Bottom)	
229	2750532	1 ft/0.3m	Hose	
230	1001091794	1	Insulation, Muffler	
231	3200362	4	Mount, Engine	
232	3311405	12	Locknut 1/4in-20NC	
233	3311605	26	Locknut 3/8in-16NC	
234	3311805	4	Locknut 1/2in-13NC	
235	3539872	1	Plate, Radiator Mounting	
236	3572280	1	Plate, Engine Mount	
237	3620040	1	Radiator	
237	8180311	1	Cap, Radiator (was p/n 7019656)	
238	3740067	1	Relay	
239	3960468	1	Seal	
240	3960469	1	Seal	
241	4060805	3 ft/0.9m	Flex-Trim	
242	4341239	1	Tray, Engine	
243	4341241	1	Mount, Engine (Front)	
244	1001116545	1	Tube, Intake	
245	4569394	1	Pipe, Exhaust	
246	4640952	1	Valve, Oil Drain	
247	4711400	12	Flatwasher 1/4in Thin	
248	4711600	36	Flatwasher 3/8in Thin	
249	4740274	4	Flatwasher, Snubbing	
250	4751400	8	Flatwasher 1/4in Regular	
251	4751600	16	Flatwasher 3/8in Regular	
252	4751800	4	Flatwasher 1/2in Regular	
253	4791400	2	Starwasher 1/4in	
254	4831900	4	Lockwasher M8	
255	4920385	10 ft/3m	Wire, Safety	
256	2180877	1	Fitting Elbow	
257	0641826	2	Bolt 1/2in-13NC x 3-1/4in	
258	2720271	18 in /46cm	Hose	
259	0100062	AR	Retaining Compound	

SECTION 2 - TURNTABLE

FIGURE 2-14. HYDROSTATIC PUMP ASSEMBLY (SN 0300182743 through 0300208405, SN B300001092 through B300001325)



SECTION 2 - TURNTABLE

FIGURE 2-14. HYDROSTATIC PUMP ASSEMBLY (SN 0300182743 through 0300208405, SN B300001092 through B300001325)

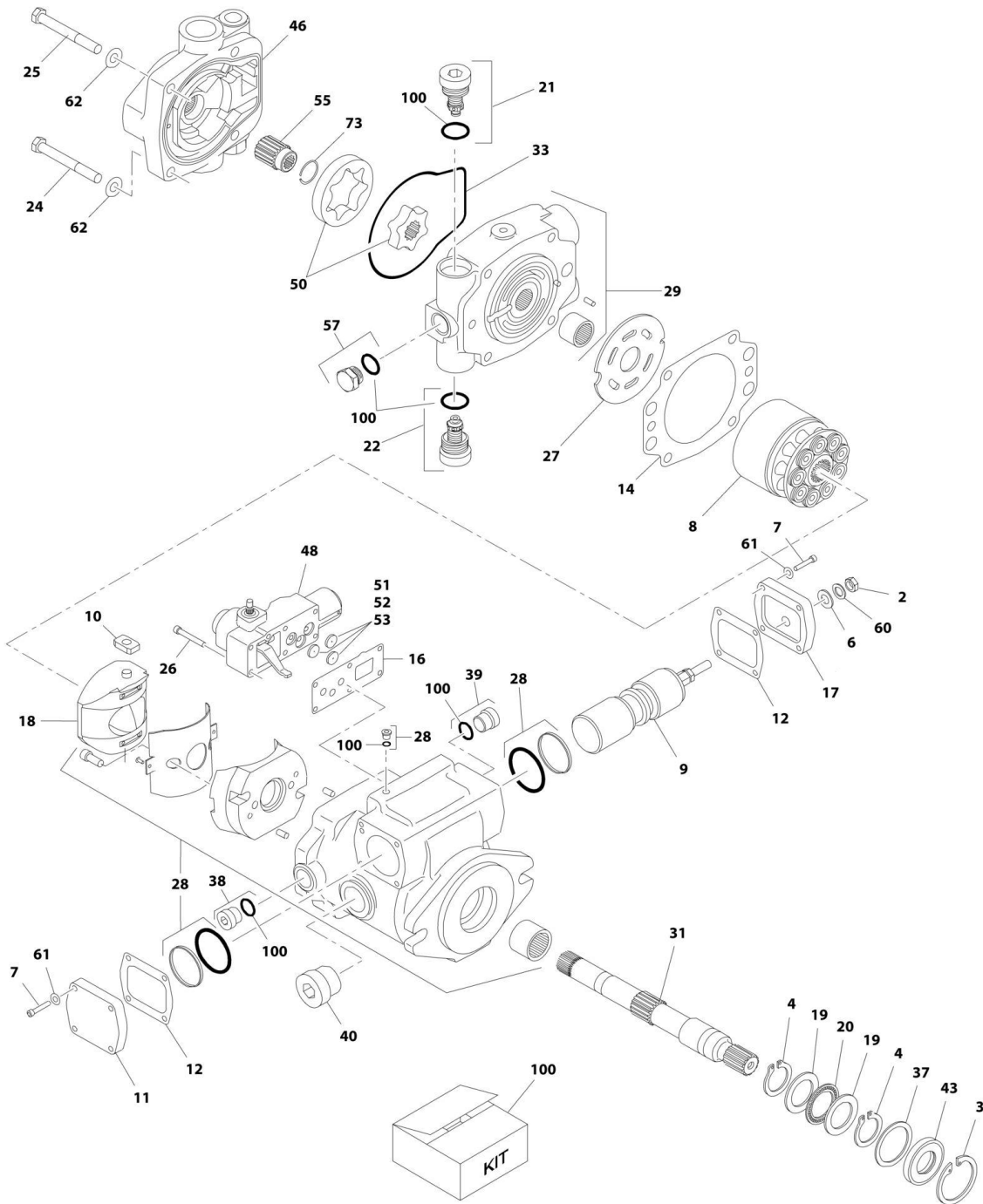
ITEM	PART NUMBER	QTY	DESCRIPTION	REV
	1001142522	Ref	PUMP ASSEMBLY (SN 0300182743 through 0300208405, SN B300001092 through B300001325)	C
2	See Note	NSS	Nut (Note: Not Available for Purchase)	
3	See Note	NSS	Ring, Retaining (Note: Use Item 100)	
4	See Note	NSS	Ring, Retaining (Note: Use Item 100)	
6	See Note	NSS	Washer, Seal (Note: Use Item 100)	
7	70004330	8	Capscrew	
8	70004331	1	Cylinder Block Assembly	
9	70004332	1	Servo Piston Assembly	
10	70004333	1	Follower, Servo Piston	
11	70004334	1	Cover	
12	70005116	2	Gasket, Cover	
14	See Note	NSS	Gasket, Housing (Note: Use Item 100)	
16	See Note	NSS	Gasket, Control Housing (Note: Use Item 100)	
17	70004335	1	Cover	
18	70004336	1	Camplate Assembly	
19	7004907	2	Race, Thrust	
20	7004908	1	Bearing, Thrust	
21	70004337	1	Relief Valve Assembly	
22	70004337	1	Relief Valve Assembly	
24	70004338	2	Capscrew	
25	70004338	2	Capscrew	
26	70004339	6	Capscrew	
27	70004340	1	Plate, Valve	
28	See Note	NSS	Housing (Note: Not Available for Purchase)	
29	70004341	1	End Cover Assembly	
31	70004342	1	Shaft, Drive	
33	See Note	NSS	O-Ring (Note: Use Item 100)	
37	7004906	1	Washer	
38	See Note	NSS	Plug (Note: Not Available for Purchase)	
39	See Note	NSS	Plug (Note: Not Available for Purchase)	
43	See Note	NSS	Seal, Shaft (Note: Use Item 100)	
46	70004343	1	Adapter, Charge Pump	
48	70004344	1	Servo Control Assembly	
50	70004345	1	Gerotor	
51	70004346	1	Orifice	
52	70004346	1	Orifice	
53	70004346	1	Orifice	
55	70004347	1	Coupler	
57	See Note	NSS	Plug (Note: Not Available for Purchase)	
60	70004348	1	Washer	
61	70004349	8	Washer	
62	70004350	4	Washer	
73	70004351	1	Ring, Retaining	
100	70004352	1	Seal Kit - Pump (Includes Items 3, 4, 6, 12, 14, 16, 33 & 43 and Valve and Plug O-Rings and Seals)	
	1001152522	Ref	PUMP AND FITTING ASSEMBLY	C
101	2110408	1	Fitting, Straight	
102	2110810	1	Fitting, Straight	

SECTION 2 - TURNTABLE

ITEM	PART NUMBER	QTY	DESCRIPTION	REV
103	2111016	1	Fitting, Straight	
104	2131212	1	Fitting, Elbow	
105	2131616	2	Fitting, Elbow	
106	2132016	1	Fitting, Elbow	
107	2220811	1	Fitting, Reducer	
108	1001142522	1	Pump Assembly (Includes Items 1-73)	
200	70005663	1	Tool, Port Plate for Pump p/n 1001142522 (Not Shown)	

SECTION 2 - TURNTABLE

FIGURE 2-15. HYDROSTATIC PUMP ASSEMBLY (SN 0300208406 through 0300240852, SN B300001326 through B300002584)



ART_1001187510-A

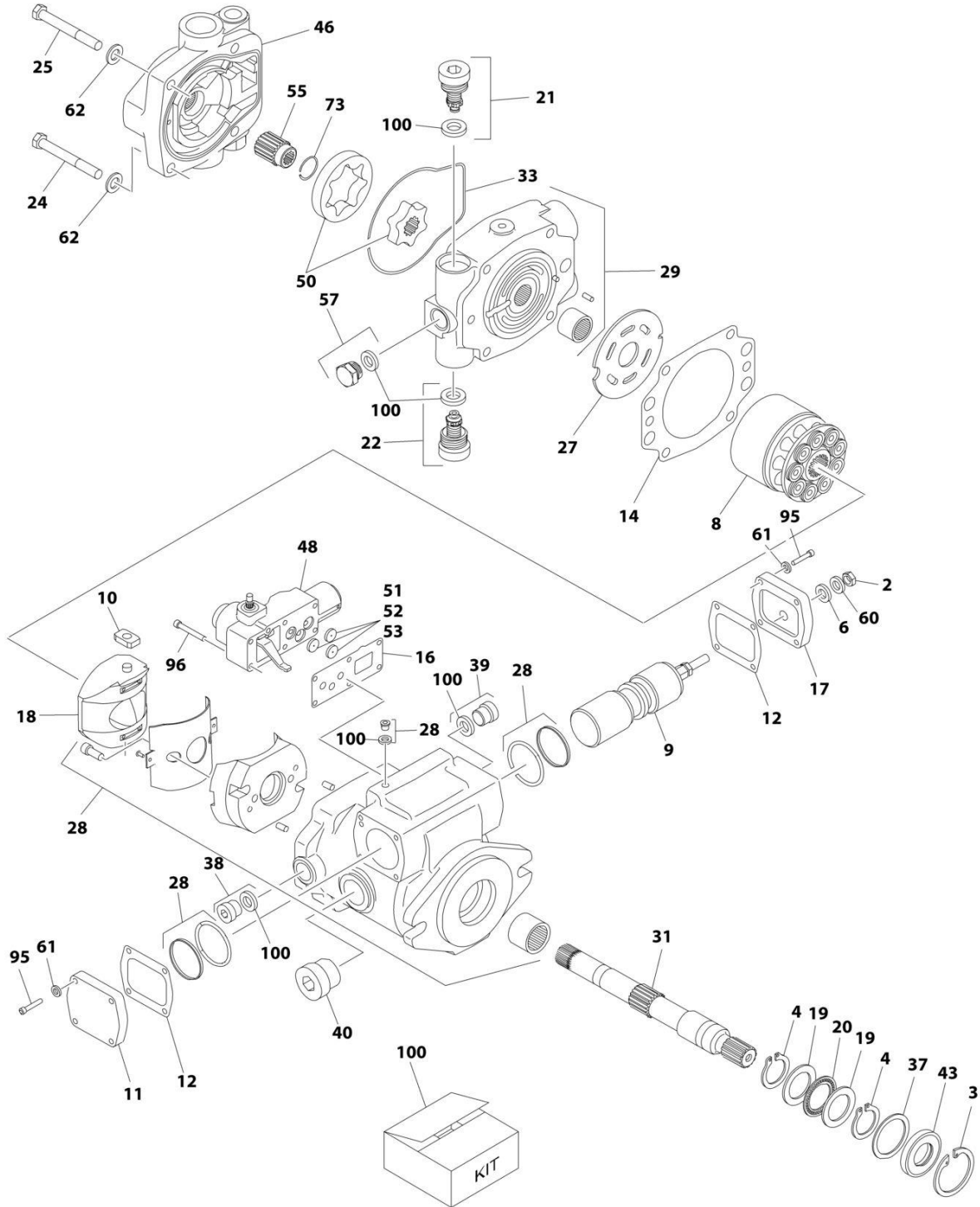
SECTION 2 - TURNTABLE

FIGURE 2-15. HYDROSTATIC PUMP ASSEMBLY (SN 0300208406 through 0300240852, SN B300001326 through B300002584)

ITEM	PART NUMBER	QTY	DESCRIPTION	REV
	1001187510	Ref	HYDROSTATIC PUMP ASSEMBLY (SN 0300208406 through 0300240852, SN B300001326 through B300002584)	C
2	See Note	NSS	Nut (Note: Use Item 100)	
3	See Note	NSS	Ring, Retaining (Note: Use Item 100)	
4	See Note	NSS	Ring, Retaining (Note: Use Item 100)	
6	See Note	NSS	Washer, Seal (Note: Use Item 100)	
7	70005464	8	Capscrew	
8	70004331	1	Cylinder Block Assembly	
9	70004332	1	Servo Piston Assembly	
10	70004333	1	Follower, Servo Piston	
11	70005458	1	Cover	
12	See Note	NSS	Gasket, Cover (Note: Use Item 100)	
14	See Note	NSS	Gasket, Housing (Note: Use Item 100)	
16	See Note	NSS	Gasket, Control Housing (Note: Use Item 100)	
17	70005459	1	Cover	
18	70004336	1	Camplate Assembly	
19	7004907	2	Race, Thrust	
20	7004908	1	Bearing, Thrust	
21	70004337	1	Relief Valve Assembly	
22	70004337	1	Relief Valve Assembly	
24	70004338	2	Capscrew	
25	70004338	2	Capscrew	
26	70005465	6	Capscrew	
27	70004340	1	Plate, Valve	
28	See Note	NSS	Housing (Note: Not Available - Purchase Assembly)	
29	70005460	1	End Cover Assembly	
31	70004342	1	Shaft, Drive	
33	See Note	NSS	O-Ring (Note: Use Item 100)	
37	7004906	1	Washer	
38	70005461	1	Plug	
39	70005461	1	Plug	
40	70005462	1	Plug	
43	See Note	NSS	Seal, Shaft (Note: Use Item 100)	
46	70004343	1	Adapter, Charge Pump	
48	70004344	1	Servo Control Assembly	
50	70004345	1	Gerotor	
51	70004346	1	Orifice	
52	70004346	1	Orifice	
53	70004346	1	Orifice	
55	70004347	1	Coupler	
57	70005463	1	Plug	
60	70004348	1	Washer	
61	70004349	8	Washer	
62	70004350	4	Washer	
73	70004351	1	Ring, Retaining	
100	70004352	1	Seal Kit - Pump (Includes Items 2, 3, 4, 6, 12, 14, 16, 33 & 43 and Valve and Plug O-Rings and Seals)	

SECTION 2 - TURNTABLE

FIGURE 2-16. HYDROSTATIC PUMP ASSEMBLY (SN 0300240853 through 0300272492, SN B300002585 through B300005730)



ART_1001225745

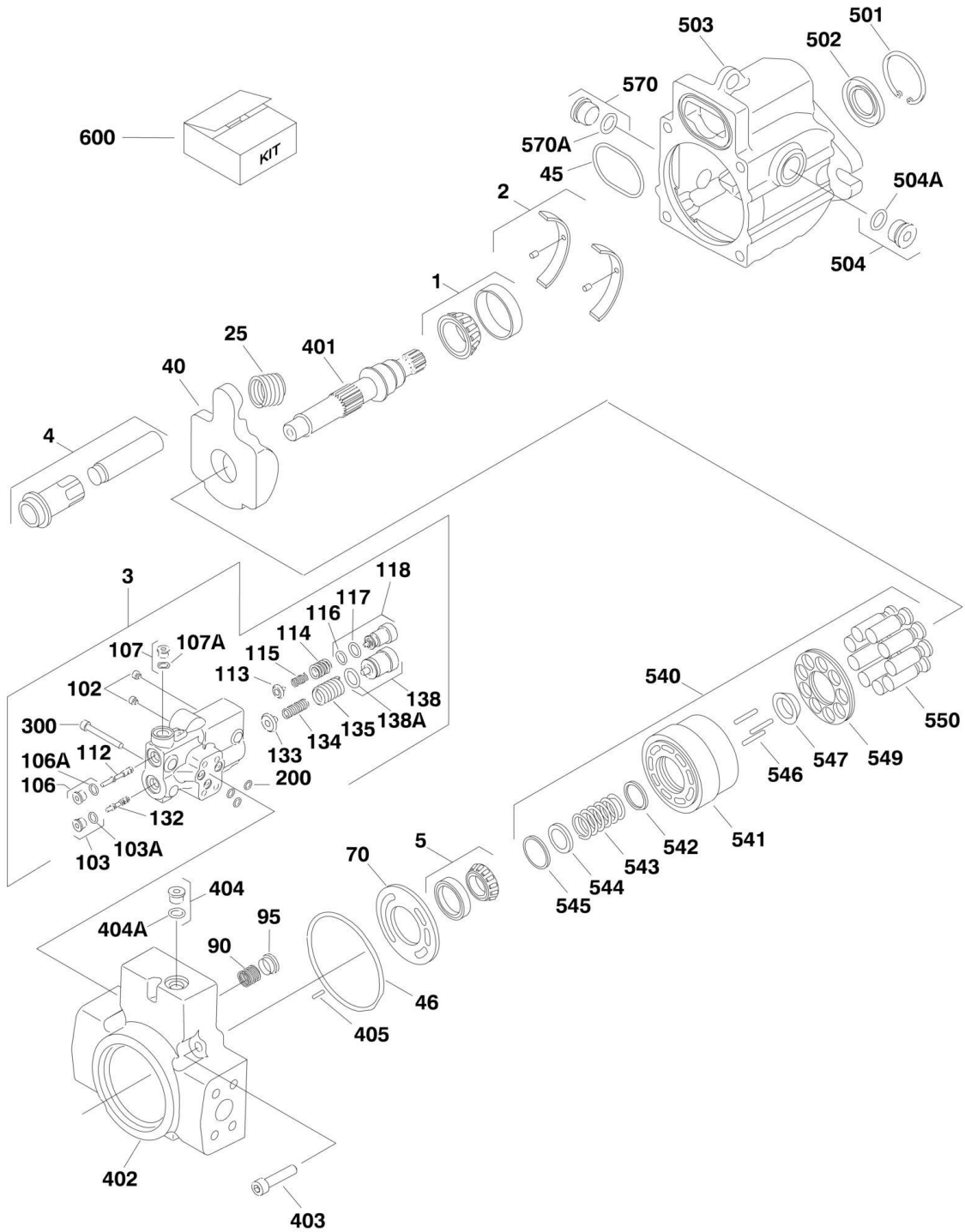
SECTION 2 - TURNTABLE

FIGURE 2-16. HYDROSTATIC PUMP ASSEMBLY (SN 0300240853 through 0300272492, SN B300002585 through B300005730)

ITEM	PART NUMBER	QTY	DESCRIPTION	REV
	1001225745	Ref	HYDROSTATIC PUMP ASSEMBLY	A
2	70004329	1	Nut	
3	See Note	NSS	Ring, Retaining (Note: Use Item 100)	
4	See Note	NSS	Ring, Retaining (Note: Use Item 100)	
6	See Note	NSS	Washer, Seal (Note: Use Item 100)	
8	70004331	1	Cylinder Block Assembly	
9	70004332	1	Servo Piston Assembly	
10	70004333	1	Follower, Servo Piston	
11	70005458	1	Cover	
12	See Note	NSS	Gasket, Cover (Note: Use Item 100)	
14	See Note	NSS	Gasket, Housing (Note: Use Item 100)	
16	See Note	NSS	Gasket, Control Housing (Note: Use Item 100)	
17	70005459	1	Cover	
18	70004336	1	Camplate Assembly	
19	7004907	2	Race, Thrust	
20	7004908	1	Bearing, Thrust	
21	70004337	1	Relief Valve Assembly	
22	70004337	1	Relief Valve Assembly	
24	70004338	2	Capscrew	
25	70004338	2	Capscrew	
27	70004340	1	Plate, Valve	
28	See Note	NSS	Housing (Note: Not Available - Purchase Assembly)	
29	70005460	1	End Cover Assembly	
31	70004342	1	Shaft, Drive	
33	See Note	NSS	O-Ring (Note: Use Item 100)	
37	7004906	1	Washer	
38	70005461	1	Plug	
39	70005461	1	Plug	
40	70005462	1	Plug	
43	See Note	NSS	Seal, Shaft (Note: Use Item 100)	
46	70004343	1	Adapter, Charge Pump	
48	70004344	1	Servo Control Assembly	
50	70004345	1	Gerotor	
51	70004346	1	Orifice	
52	70004346	1	Orifice	
53	70004346	1	Orifice	
55	70004347	1	Coupler	
57	70005463	1	Plug	
60	70004348	1	Washer	
61	70004349	8	Washer	
62	70004350	4	Washer	
73	70004351	1	Ring, Retaining	
95	70005464	8	Capscrew	
96	70005465	6	Capscrew	
100	70004352	1	Seal Kit - Pump (Includes Items 3, 4, 6, 12, 14, 16, 33 & 43 and Valve and Plug O-Rings and Seals)	

SECTION 2 - TURNTABLE

FIGURE 2-17. VARIABLE PUMP ASSEMBLY



SECTION 2 - TURNTABLE

FIGURE 2-17. VARIABLE PUMP ASSEMBLY

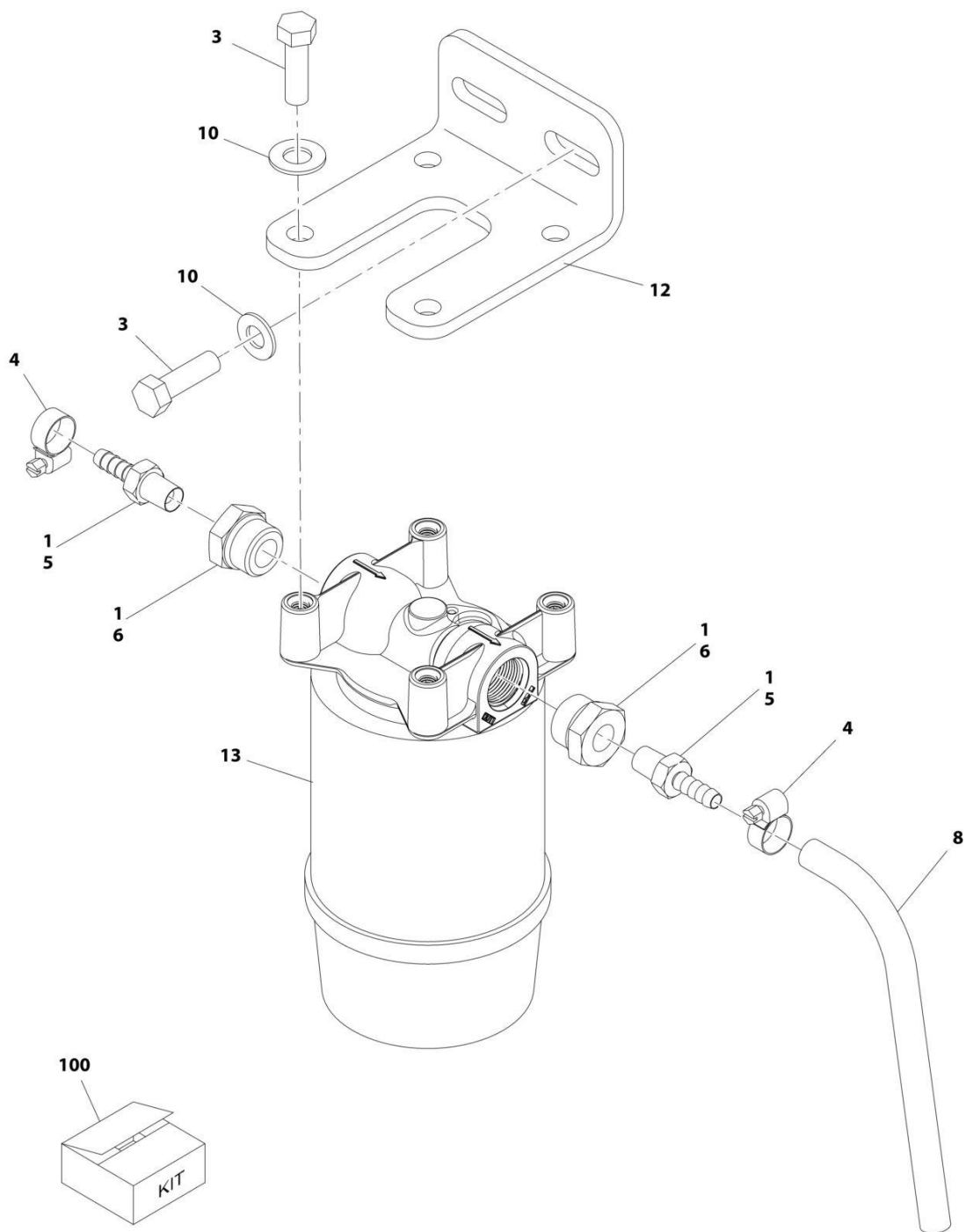
ITEM	PART NUMBER	QTY	DESCRIPTION	REV
	1001094595	Ref	PUMP ASSEMBLY	A
1	7023947	1	Bearing, Front (Includes Cup and Cone)	
2	7023948	1	Bearings, Swash Plate (Includes Both Sides and Pins)	
3	7023956	1	Control Valve Assembly (Includes Items 102-300)	
4	7023949	1	Servo Piston Assembly	
5	7023950	1	Bearing, Rear (Includes Cup and Cone)	
25	7023951	1	Spring	
40	7023952	1	Swash Plate	
45	See Note	NSS	O-Ring (Note: Use Item 600)	
46	See Note	NSS	O-Ring (Note: Use Item 600)	
70	70001954	1	Plate, Valve	
90	70001955	1	Spring, Check Valve	
95	70001956	1	Poppet, Check Valve	
102	See Note	NSS	Setscrew (Note: Use Item 3)	
103	See Note	NSS	Plug (Note: Use Item 3)	
103A	See Note	NSS	O-Ring (Note: Use Item 103 or 600)	
106	See Note	NSS	Plug (Note: Use Item 3)	
106A	See Note	NSS	O-Ring (Note: Use Item 106 or 600)	
107	See Note	NSS	Plug (Note: Use Item 3)	
107A	See Note	NSS	O-Ring (Note: Use Item 107 or 600)	
112	See Note	NSS	Spool, Control (Note: Use Item 3)	
113	See Note	NSS	Guide, Spring (Note: Use Item 3)	
114	See Note	NSS	Spring (Note: Use Item 3)	
115	See Note	NSS	Spring (Note: Use Item 3)	
116	See Note	NSS	O-Ring (Note: Use Item 600)	
117	See Note	NSS	Ring, Back-up (Note: Use Item 600)	
118	See Note	NSS	Plug, Adjusting (Note: Use Item 3)	
132	See Note	NSS	Spool, Control (Note: Use Item 3)	
133	See Note	NSS	Guide, Spring (Note: Use Item 3)	
134	See Note	NSS	Spring (Note: Use Item 3)	
135	See Note	NSS	Spring (Note: Use Item 3)	
138	See Note	NSS	Plug, PC Adjusting (Note: Use Item 3)	
138A	See Note	NSS	O-Ring (Note: Use Item 138 or 600)	
200	See Note	NSS	Ring, Seal (Note: Use Item 600)	
300	7023957	4	Screw	
401	7023958	1	Shaft	
402	70001957	1	Cap, End	
403	7023960	4	Screw	
404	7022318	1	Plug	
404A	See Note	NSS	O-Ring (Note: Use Item 404 or 600)	
405	7023961	1	Pin	
501	7023962	1	Ring, Retaining	
502	See Note	NSS	Seal, Lip (Note: Use Item 600)	
503	See Note	NSS	Housing (Note: Purchase Complete Assembly)	
504	7023964	1	Plug	
504A	7007415	1	O-Ring	
540	7023965	1	Cylinder Block Assembly	
541	See Note	NSS	Block, Cylinder (Note: Use Item 540)	
542	7024868	1	Washer	
543	7024867	1	Spring	

SECTION 2 - TURNTABLE

ITEM	PART NUMBER	QTY	DESCRIPTION	REV
544	7022314	1	Retainer, Spring	
545	7022311	1	Ring, Retaining	
546	7021275	3	Pin, Slipper	
547	7024864	1	Guide, Slipper	
549	7024866	1	Retainer, Slipper	
550	7023966	9	Piston Assembly	
570	7023964	1	Plug	
570A	7007415	1	O-Ring	
600	7023967	1	Seal Kit - Complete (Includes Items 45, 46, 103A, 106A, 107A, 116, 117, 138A, 200, 404A & 502)	

SECTION 2 - TURNTABLE

FIGURE 2-18. FUEL-WATER SEPARATOR INSTALLATION - DEUTZ D2011



ART_1001196428

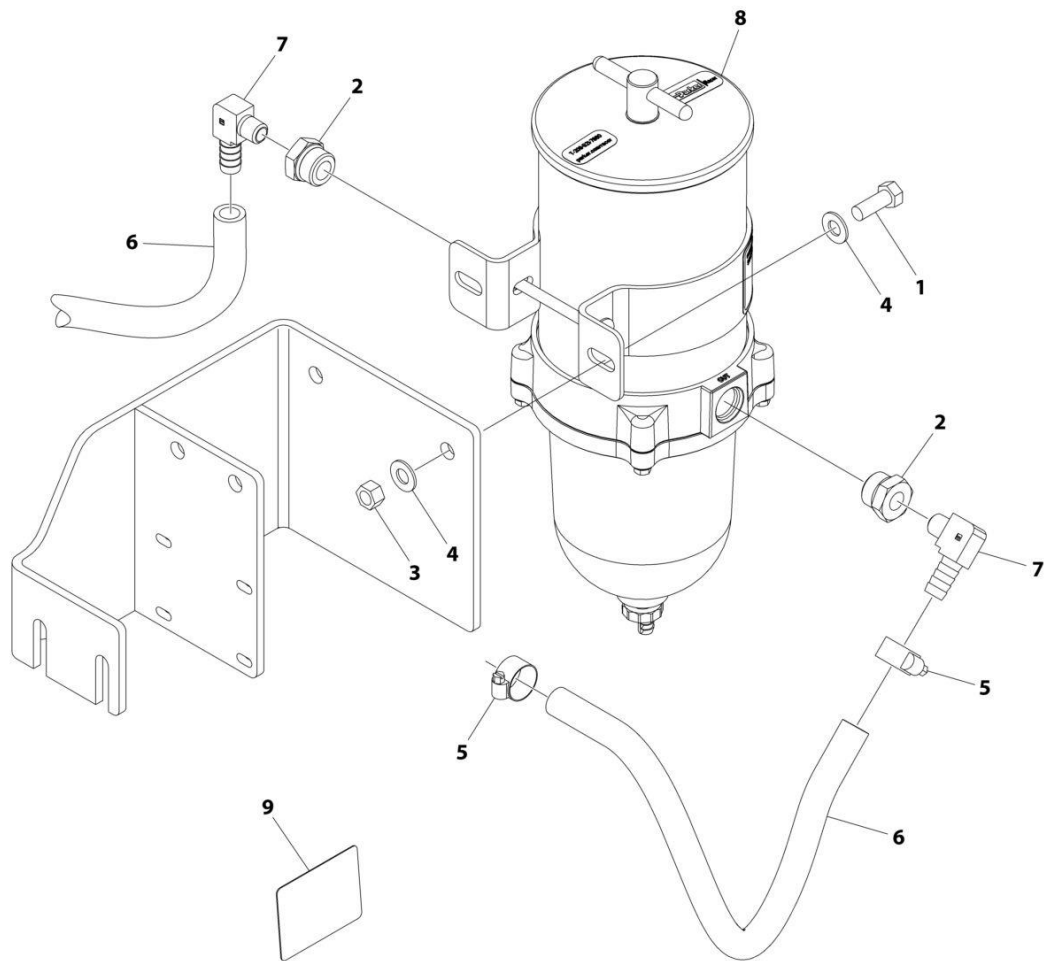
SECTION 2 - TURNTABLE

FIGURE 2-18. FUEL-WATER SEPARATOR INSTALLATION - DEUTZ D2011

ITEM	PART NUMBER	QTY	DESCRIPTION	REV
	1001196428	Ref	FUEL-WATER SEPARATOR INSTALLATION - DEUTZ D2011 (OPTIONAL)	B
1	0100020	AR	Sealant	
3	0641610	6	Bolt 3/8 x 1-1/4	
4	1320022	2	Clamp	
5	2180348	2	Fitting, Straight	
6	2220816	2	Fitting, Straight	
8	2720058	12 in /31cm	Hose	
10	4751600	6	Washer 3/8	
12	1001188884	1	Bracket	
13	1001188887	1	Fuel/Water Separator Assembly	
13	1001202280	1	Head	
13	1001202281	1	Element	
100	1001204667	1	Fuel/Water Separator Add-on Kit	

SECTION 2 - TURNTABLE

FIGURE 2-19. FUEL-WATER SEPARATOR INSTALLATION - DEUTZ TD2.9L4



NOTE : LOCATED ON HOOD

ART_1001226286

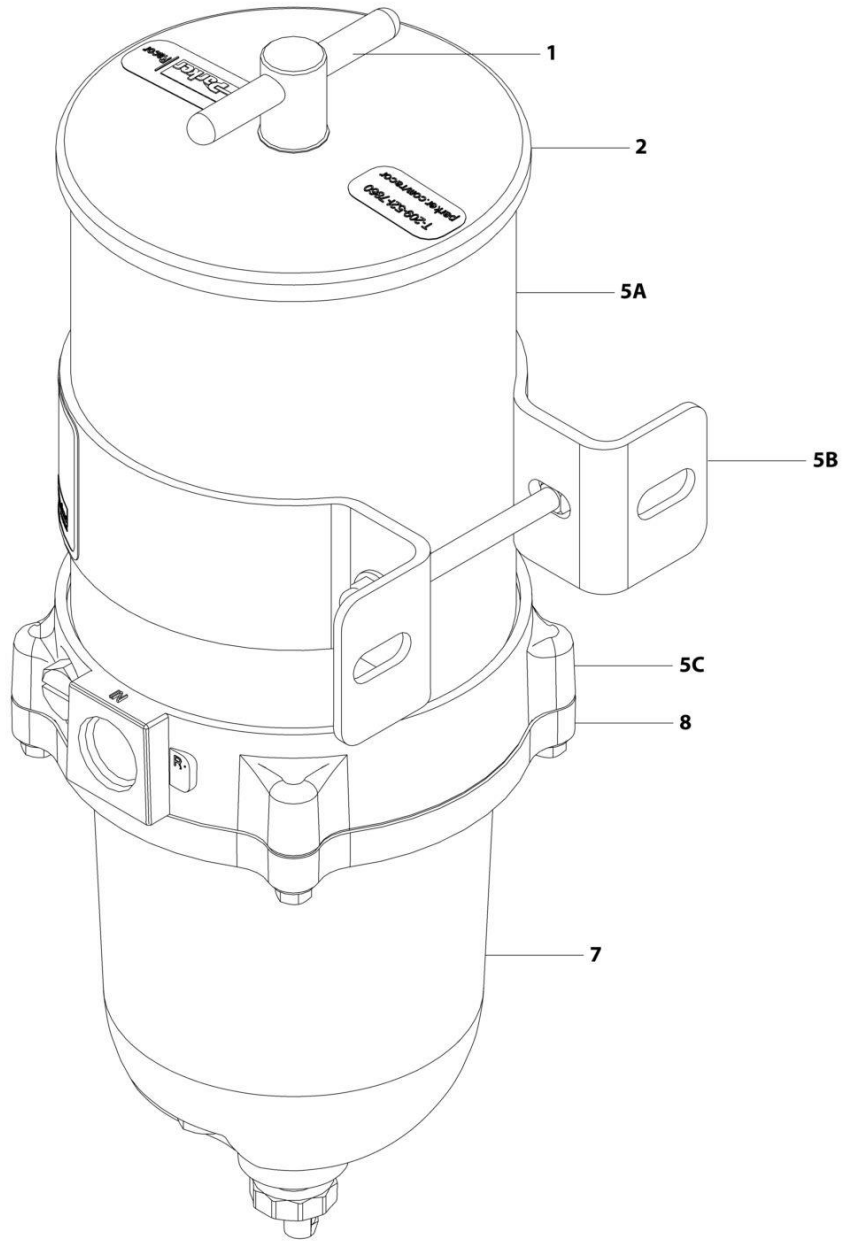
SECTION 2 - TURNTABLE

FIGURE 2-19. FUEL-WATER SEPARATOR INSTALLATION - DEUTZ TD2.9L4

ITEM	PART NUMBER	QTY	DESCRIPTION	REV
	1001226286	Ref	FUEL-WATER SEPARATOR INSTALLATION - DEUTZ TD2.9L4	B
1	0641608	2	Bolt 3/8 x 1	
2	2220816	2	Fitting, Straight	
3	3311605	2	Nut 3/8	
4	4711600	4	Washer 3/8	
5	8405006	2	Clamp	
6	1001154405	7 ft/ 213m	Hose	
7	1001178797	2	Fitting, Elbow	
8	1001222817	1	Filter, Fuel (See Separate Breakdown in this Section)	
9	1001226923	1	Decal - Fuel Water Separator	

SECTION 2 - TURNTABLE

FIGURE 2-20. FUEL FILTER ASSEMBLY (DEUTZ TD2.9L4 ENGINES)



ART_1001222817

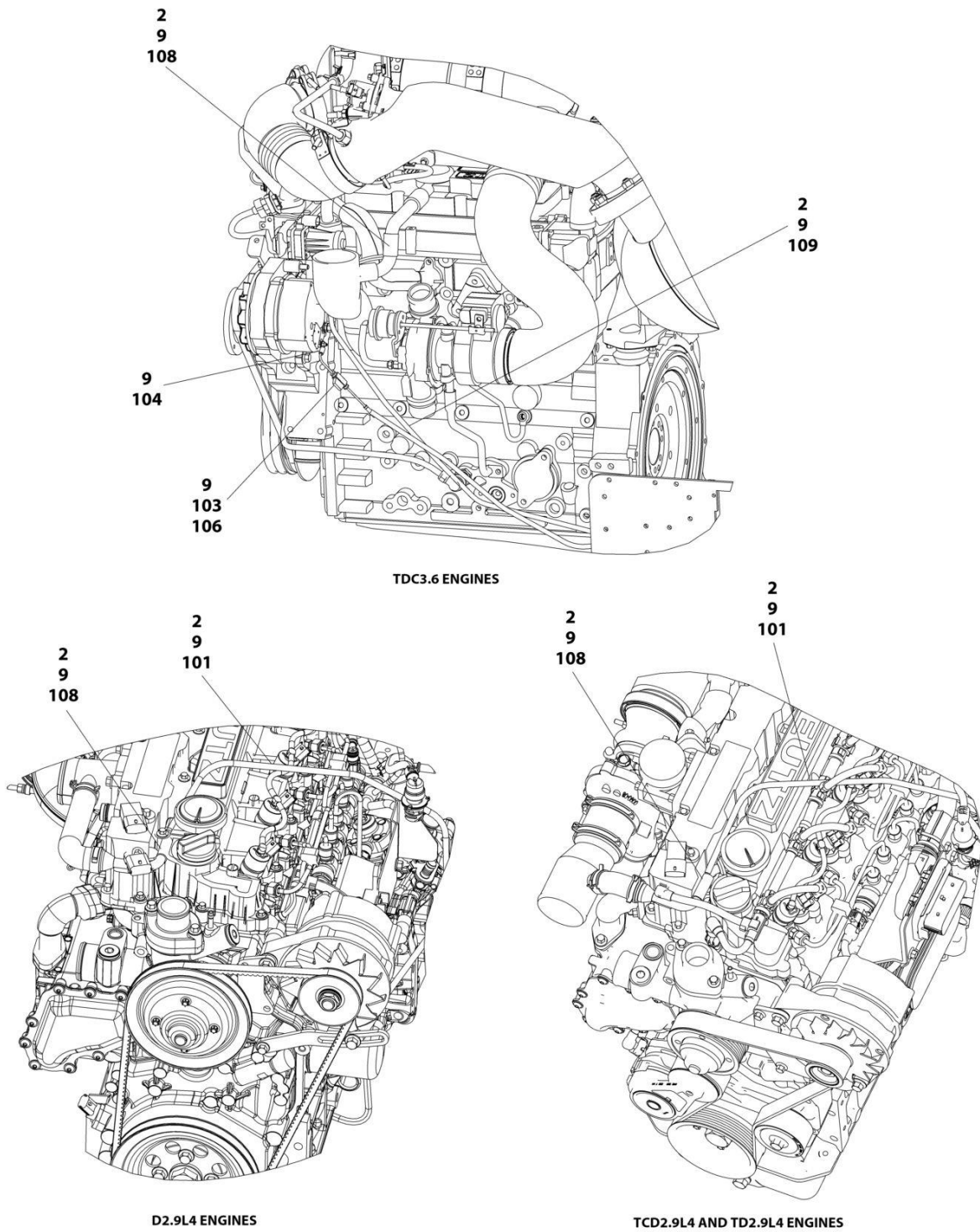
SECTION 2 - TURNTABLE

FIGURE 2-20. FUEL FILTER ASSEMBLY (DEUTZ TD2.9L4 ENGINES)

ITEM	PART NUMBER	QTY	DESCRIPTION	REV
	1001222817	Ref	FUEL FILTER ASSEMBLY	A
1	70006403	1	Handle Kit (Includes Handle, Handle O-Ring & Lid Gasket)	
2	70006404	1	Lid Kit (Includes Lid, Handle O-Ring & Lid Gasket)	
3	70006405	1	Element, Filter (Not Shown)	
5A	See Note	NSS	Housing (Note: Use p/n 1001222817)	
5B	See Note	NSS	Bracket (Note: Use p/n 1001222817)	
5C	See Note	NSS	Tube, Return (Note: Use p/n 1001222817)	
6	70006407	1	Certrfuge & Baffle Kit (Not Shown - Located at Bottom of 5C) (Also Includes p/n 70006406 & Bowl Gasket)	
6	70006406	1	Checkball & Gasket Kit (Not Shown - Located at Bottom of 5C)	
7	70006409	1	Bowl Kit (Includes Bowl Gasket, Plug with O-Ring & Drain)	
7	70006408	1	Gasket, Bowl	
8	70006410	1	Bowl Ring Kit (Includes Bowl Gasket & Bolts)	

SECTION 2 - TURNTABLE

FIGURE 2-21. BREATHER HEATER INSTALLATION - DEUTZ D2.9L4 ENGINE WITH ARCTIC PACKAGE



ART_1001233763

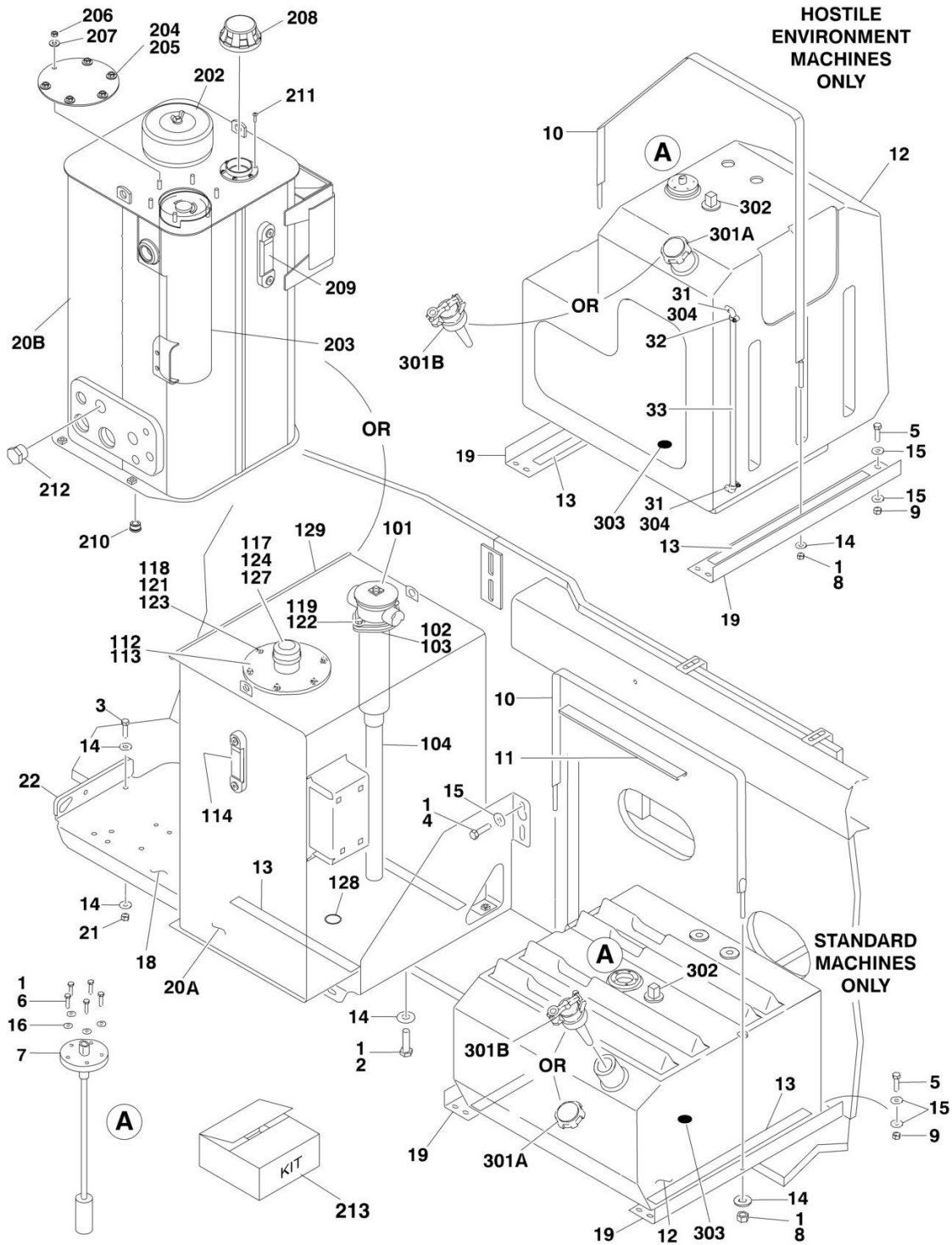
SECTION 2 - TURNTABLE

FIGURE 2-21. BREATHER HEATER INSTALLATION - DEUTZ D2.9L4 ENGINE WITH ARCTIC PACKAGE

ITEM	PART NUMBER	QTY	DESCRIPTION	REV
	1001233763	Ref	BREATHER HEATER INSTALLATION - DEUTZ ENGINES	D
2	4240099	AR	Tie-Strap	
9	1001243895	1	Breather Heater Harness	C
101	2820035	AR	Insulation	
103	2400060	1	Fuseholder with Cover	
104	4460043	1	Terminal, Ring	
105	4460722	1	Terminal, Ring (Not Shown)	
106	1001196634	1	Fuse - 2 Amp	
108	1001232842	1	Breather Heater Kit	

SECTION 2 - TURNTABLE

FIGURE 2-22. TANK INSTALLATIONS



SECTION 2 - TURNTABLE

FIGURE 2-22. TANK INSTALLATIONS

ITEM	PART NUMBER	QTY	DESCRIPTION	REV
		Ref	TANKS INSTALLATION	
		Ref	USA Built Machines	
	1001157258	Ref	Deutz Engine Machines (SN 0300182743 through 0300196954)	E
	1001178209	Ref	Deutz Engine Machines (SN 0300169955 through 0300272492, Except SN 0300272449 through 0300272454)	A
	1001157260	Ref	Deutz Engine Machines with Hostile Environment Package (SN 0300182743 through 0300196954)	E
	1001178211	Ref	Deutz Engine Machines with Hostile Environment Package (SN 0300196955 through 0300272492, Except SN 0300272449 through 0300272454)	B
	1001157259	Ref	Ford & GM Engine Machines (SN 0300182743 through 0300196954)	B
	1001178210	Ref	Ford & GM Engine Machines (SN 0300196955 through 0300272492, Except SN 0300272449 through 0300272454)	A
		Ref	China Built Machines	
	1001157258	Ref	Deutz Engine Machines (SN B300001092 through B300001096)	E
	1001178209	Ref	Deutz Engine Machines (SN B300001097 through B300005730, Excluding B300005568)	A
	1001157260	Ref	Deutz Engine Machines with Hostile Environment Package (SN B300001092 through B300001096)	E
	1001178211	Ref	Deutz Engine Machines with Hostile Environment Package (SN B300001097 through B300005730, Excluding B300005568)	A
1	0100011	AR	Compound, Locking	
2	0641607	4	Bolt 3/8in-16NC x 7/8in	
3	0641614	2	Bolt 3/8in-16NC x 1-3/4in	
4	0641808	2	Bolt 1/2in-13NC x 1in	
5	0641816	4	Bolt 1/2in-13NC x 2in	
6	0731007	AR	Capscrew #10-32NF x 7/8in	
6	0731005	AR	Capscrew #10-32NF x 5/8in	
7		Ref	Gauge, Fuel Level Options:	
7	1001148607	1	Standard Machines	
7	1001109048	1	Hostile Environment Machines	
7	4460834	1	Connector - 2 Position (Hostile Environment Machines Only)	
7	4460842	2	Terminal (Hostile Environment Machines Only)	
8	3311601	2	Nut 3/8in-16NC	
9	3311805	4	Locknut 1/2in-13NC	
10		Ref	Strap, Tank Mounting Options:	
10	4240139	1	Standard Machines	
10	1001110059	1	Hostile Environment Machines	
11		Ref	Strip, Protector Options:	
11	4280295	30 in /76cm	Standard Machines (SN 0300182743 through 0300207673)	
11	4280295	30 in /76cm	Standard Machines (SN B300001092 through B300001300)	
11	Not Required	0	Hostile Environment Machines	
12		Ref	Fuel Tank Assembly Options (See Items 301-303 for Breakdown):	
12	4400439	1	Deutz Engines (USA Built Machines) (SN 0300182743 through 0300189714)	

SECTION 2 - TURNTABLE

ITEM	PART NUMBER	QTY	DESCRIPTION	REV
12	1001160567	1	Deutz Engines (USA Built Machines) (SN 0300189715 through 0300272492, Except SN 0300272449 through 0300272454)	
12	1001160567	1	Deutz Engines (USA Built Machines) (SN B300001092 through B300005730, Excluding B300005568)	
12	1001108579	1	Deutz Engines with Hostile Environment Package	
12	1001091563	1	Ford & GM Engine Machines (SN 0300182743 through 0300185779)	
12	1001160559	1	Ford & GM Engine Machines (SN 0300185780 through 0300272492, Except SN 0300272449 through 0300272454)	
13	4420038	6 ft/1.7m	Tape, Rubber	
14	4711600	10	Flatwasher 3/8in Thin	
14	4751600	AR	Flatwasher 3/8in Regular	
15	4711800	10	Flatwasher 1/2in Thin	
16	4751000	AR	Flatwasher #10 Regular	
18	1001156805	1	Tray, Tank	
19	1001157056	2	Mount	
20		Ref	Hydraulic Tank Assembly Options:	
20A	1001158290	1	Tank Assembly (See Items 101-113 for Breakdown) (SN 0300182743 through 0300196954)	
20B	1001178057	1	Tank Assembly (See Items 151-155 for Breakdown) (SN 0300196955 through 0300272492, Except SN 0300272449 through 0300272454)	
20A	1001158290	1	Tank Assembly (See Items 101-113 for Breakdown) (SN B300001092 through B300001096)	
20B	1001178057	1	Tank Assembly (See Items 151-155 for Breakdown) (SN B300001097 through B300005730, Excluding B300005568)	
21	3311605	2	Locknut 3/8in-16NC	
22		Ref	Flex-Trim Options:	
22	4060804	9 in /23cm	Flex-Trim (SN 0300201336 through 0300272492, Except SN 0300272449 through 0300272454)	
22	4060804	9 in /23cm	Flex-Trim (SN B300001189 through B300005730, Excluding B300005568)	
		Ref	Note: Items 31-33 Used on Hostile Environment Machines Only.	
31	2180467	2	Fitting, Barb	
32	8405009	2	Clamp, Gear	
33	1001113103	1	Tube, Fuel Sight	
	1001158290	Ref	HYDRAULIC TANK ASSEMBLY (SN 0300182743 through 0300196954)	B
	1001158290	Ref	HYDRAULIC TANK ASSEMBLY (SN B300001092 through B300001096)	B
101	7024374	1	Filter Assembly	
101	7024375	1	Element, Filter	
102	7023306	1	Seal, Cover	
103	7023347	1	Gasket, Flange to Tank	
104	Not Available	1	Pipe, CPVC	
112	7024439	1	Cover	
113	7024440	1	Gasket	
114	7024441	1	Gauge, Sight	
117	7024443	1	Neck, Fill	
118	83304174	6	Nut 1/4in-20NC	
119	4751600	2	Flatwasher 3/8in Regular	
121	83304173	6	Flatwasher 1/4in	
122	83304170	2	Bolt 3/8in-16NC x 1-1/2in	

SECTION 2 - TURNTABLE

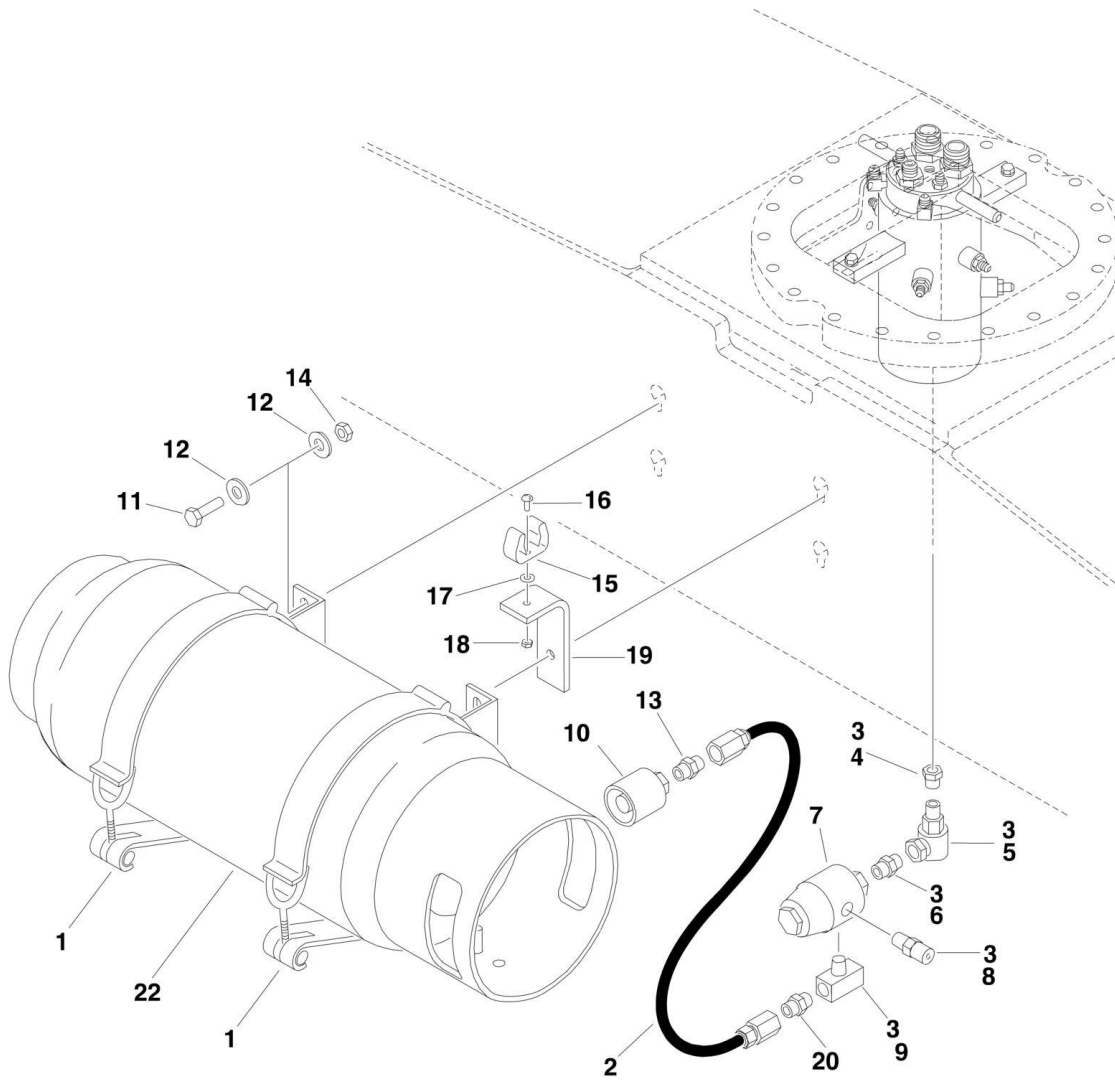
ITEM	PART NUMBER	QTY	DESCRIPTION	REV
123	83304172	6	Stud 1/4in-20NC	
124	7024445	1	Screen	
127	7024444	1	Breather/Fill Cap	
128	7024446	1	Plug, Magnetic	
129	Not Available	22 in /55cm	Trim	
	1001178057	Ref	HYDRAULIC TANK ASSEMBLY (SN 0300196955 through 0300272492, Except SN 0300272449 through 0300272454)	D
	1001178057	Ref	HYDRAULIC TANK ASSEMBLY (SN B300001097 through B300005730, Excluding B300005568)	D
202	70005708	1	Breather Assembly (Includes Breather, Element & Wingnut)	
202	See Note	NSS	Breather (Note: Use p/n 70005708 or Item 213)	
203	See Note	NSS	Element, Hydraulic (Note: Use Item 213)	
204	70002839	1	Gasket	
205	See Note	NSS	Cover (Note: Not Available for Purchase)	
206	4751500	6	Washer 5/16	
207	3311501	6	Nut 5/16	
208	70002838	1	Cap, Fill	
209	7024441	1	Gauge, Level	
210	70002112	1	Plug	
211	See Note	NSS	Screw #10 x 3/4 (Note: Not Available - Purchase Locally)	
212	See Note	NSS	Plug (Note: Not Available - Purchase Locally)	
213	70002814	1	Hydraulic Tank Service Kit (Includes Items 202-204)	
		Ref	FUEL TANK ASSEMBLY	
	4400439	Ref	Deutz Engines (USA Built Machines) (SN 0300182743 through 0300189714)	H
	1001160567	Ref	Deutz Engines (USA Built Machines) (SN 0300189715 through 0300272492, Except SN 0300272449 through 0300272454)	E
	1001160567	Ref	Deutz Engines (USA Built Machines) (SN B300001092 through B300005730, Excluding B300005568)	E
	1001108579	Ref	Deutz Engines with Hostile Environment Package	F
	1001091563	Ref	Ford & GM Engine Machines (SN 0300182743 through 0300185779)	C
	1001160559	Ref	Ford & GM Engine Machines (SN 0300185780 through 0300272492, Except SN 0300272449 through 0300272454)	C
301		Ref	Cap Options:	
301A	7016314	1	Cap (Standard Non-Locking) (4400439 Tank)	
301A	70004414	1	Cap (Standard Non-Locking) (1001160567 Tank)	
301A	7016314	1	Cap (Standard Non-Locking) (1001108579 Tank)	
301A	70001103	1	Cap (Standard Non-Locking) (1001091563 Tank)	
301A	1001211336	1	Cap (Standard Non-Locking) (1001160559 Tank)	
301B	1120487	1	Optional Lockable (Diesel Machines Only) (Note: Lock Not Included) (SN 0300182743 through 0300199155)	
301B		Ref	Optional Lockable (Diesel Machines Only) (SN 0300199156 through 0300272492, Except SN 0300272449 through 0300272454)	
301B	1120487	1	Optional Lockable (Diesel Machines Only) (Note: Lock Not Included) (SN B300001092 through B300001150)	
301B		Ref	Optional Lockable (Diesel Machines Only) (SN B300001151 through B300005730, Excluding B300005568)	
302		Ref	Tube, Fuel Pickup Options:	
302	7020043	1	Tube, Pickup (4400439 Tank)	
302	7020043	1	Tube, Pickup (1001160567 Tank)	
302	70004413	1	Tube, Pickup (1001108579 Tank)	

SECTION 2 - TURNTABLE

ITEM	PART NUMBER	QTY	DESCRIPTION	REV
302	7020043	1	Tube, Pickup (1001091563 Tank)	
302	7020043	1	Tube, Pickup (1001160559 Tank)	
303	See Note	1	Plug (Note: See Engine Installation for Callout)	
304	2200222	2	Plug (1001108579 Tank)	
304	0100020	AR	Sealant (1001108579 Tank)	

SECTION 2 - TURNTABLE

FIGURE 2-23. LP TANK INSTALLATIONS (FORD & GM ENGINE MACHINES ONLY)



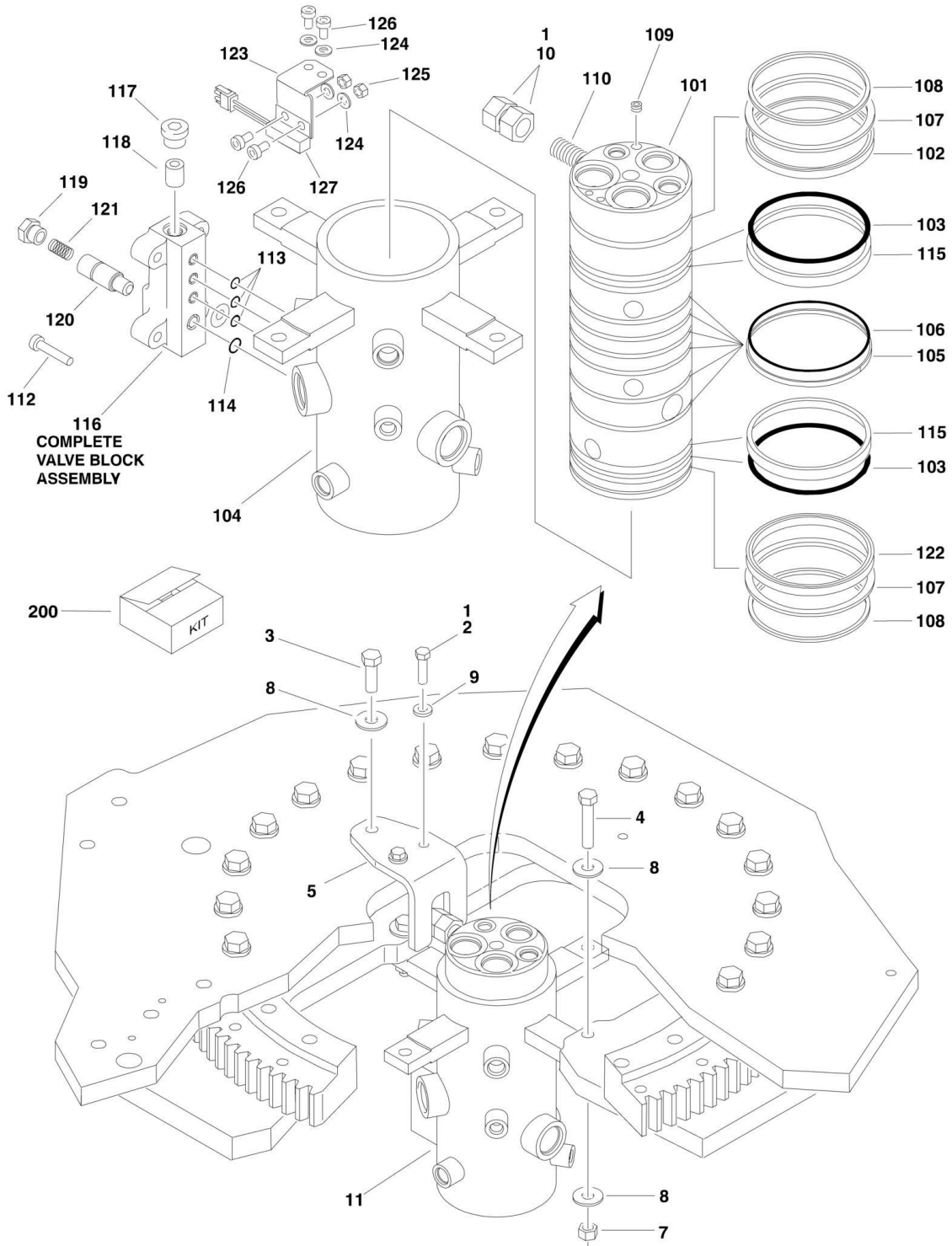
SECTION 2 - TURNTABLE

FIGURE 2-23. LP TANK INSTALLATIONS (FORD & GM ENGINE MACHINES ONLY)

ITEM	PART NUMBER	QTY	DESCRIPTION	REV
	1001151010	Ref	LP TANK AND BRACKETS INSTALLATION	D
1	1320220	2	Clamp Kit - LP	
1	1320127	2	Clamp, Toggle (1 Per Clamp)	
2	2720144	2	Hose	
3	0100020	AR	Sealant, Pipe	
4	2221197	1	Fitting, Reducer	
5	2180125	1	Fitting - Elbow	
6	2220261	1	Fitting, Nipple	
7	2180388	1	Filter, Bulkhead	
8	2180389	1	Valve, Relief	
9	2220418	1	Fitting, Tee	
10	2180387	2	Fitting, LP Tank	
11	0641617	8	Bolt 3/8in-16NC x 2-1/8in	
12	4751600	8	Flatwasher 3/8in Regular	
13	2180418	2	Fitting, Straight	
14	3311605	8	Locknut 3/8in-16NC	
15	1320218	2	Clamp, Spring	
16	0720804	2	Screw #8-32NC x 1/2in	
17	4750800	4	Flatwasher #8 Regular	
18	3310805	2	Locknut #8-32NC	
19	0181949	2	Support, Angle	
20	2221024	2	Fitting, Ball Check	
22		Ref	LP Tank Options:	
22	4400275	1	Aluminum	
22	4400420	1	Steel	

SECTION 2 - TURNTABLE

FIGURE 2-24. ROTARY COUPLING INSTALLATION



SECTION 2 - TURNTABLE

FIGURE 2-24. ROTARY COUPLING INSTALLATION

ITEM	PART NUMBER	QTY	DESCRIPTION	REV
	1001107531	Ref	ROTARY COUPLING INSTALLATION	A
1	0100011	AR	Compound, Locking	
2	0641611	2	Bolt 3/8in-16NC x 1-3/8in	
3	0641812	1	Bolt 1/2in-13NC x 1-1/2in	
4	0641820	2	Bolt 1/2in-13NC x 2-1/2in	
5	0903242	1	Bracket	
7	3271805	2	Locknut 1/2in-13NC	
8	4751800	5	Flatwasher 1/2in Regular	
9	4891600	2	Flatwasher 3/8in Hardened	
10	3322201	2	Locknut 3/4in x 16NF	
11	1001106974	1	Coupling, Rotary (See Items 101-128 for Breakdown)	
	1001106974	Ref	ROTARY COUPLING ASSEMBLY	B
101	1001106974	1	Body (Note: Not Available - Purchase Complete Assembly)	
102	70001248	1	Seal, Poly	
103	70001248	2	O-Ring/Seal	
104	See Note	NSS	Housing (Note: Not Available - Purchase Complete Assembly)	
105	70001248	6	Seal, Cap	
106	70001248	6	O-Ring	
107	7026503	2	Ring, Thrust	
108	7026504	2	Ring, Retaining	
109	80934561	2	Plug	
110	See Note	NSS	Lug, Torque (Note: Not Available for Purchase)	
112	7026197	4	Capscrew	
113	70001248	3	O-Ring	
114	70001248	1	O-Ring	
115	70001248	2	Bearing	
116	7024404	1	Block Valve Assembly	
117	7026505	1	Plug	
118	7026506	1	Valve, Check	
119	7026507	1	Plug	
120	7024404	1	Plunger, Valve (Note: Not Available for Purchase)	
121	7026509	1	Spring	
122	70001248	1	Seal, Oil	
123	70003454	1	Bracket, Switch Mounting	
124	4711000	4	Flatwasher #10 Thin	
125	See Note	NSS	Locknut 1/4in-24NF (Note: Not Available for Purchase)	
126	See Note	NSS	Capscrew 1/4in-24NF (Note: Not Available for Purchase)	
127	4360517	1	Switch, Proximity	
128	See Note	AR	Protective Netting (Not Shown) (Note: Not Available for Purchase)	
200	70001248	Ref	Seal Kit - (Includes Items 102, 103, 105, 106, 113, 114, 115 & 122)	

SECTION 2 - TURNTABLE

FIGURE 2-25. GROUND CONTROL BOX ASSEMBLY

ITEM	PART NUMBER	QTY	DESCRIPTION	REV
		Ref	GROUND CONTROL BOX ASSEMBLY - DEUTZ TD2.9L4 ENGINE (680S,800S)	
		Ref	USA Built Machines:	
	1001165772	Ref	Ground Control Box Assembly - Deutz TD2.9L4 Engine (All Specs except CE Spec) (680S,800S) (SN 0300182743 through 0300190436)	E
	1001168339	Ref	Ground Control Box Assembly - Deutz TD2.9L4 Engine (All Specs except CE Spec) (680S,800S) (SN 0300190437 through 0300272492, Except SN 0300272449 through 0300272454)	D
	1001184181	Ref	Ground Control Box Assembly - Deutz TD2.9L4 Engine (CE Specs) (680S,800S) (SN 0300182743 through 0300201002)	B
	1001188004	Ref	Ground Control Box Assembly - Deutz TD2.9L4 and Deutz TD2.9L4 (Stage V) Engines (CE Specs) (680S,800S) (SN 0300201003 through 0300272492, Except SN 0300272449 through 0300272454)	B
		Ref	China Built Machines:	
	1001168339	Ref	Ground Control Box Assembly - Deutz TD2.9L4 Engine (All Specs except CE Spec) (800S) (SN B300001092 through B300005730, Excluding B300005568)	D
	1001184181	Ref	Ground Control Box Assembly - Deutz TD2.9L4 Engine (CE Specs) (800S) (SN B300001092 through B300001179)	B
	1001188004	Ref	Ground Control Box Assembly - Deutz TD2.9L4 and Deutz TD2.9L4 (Stage V) Engines (CE Specs) (800S) (SN B300001180 through B300005730, Excluding B300005568)	B
		Ref	GROUND CONTROL BOX ASSEMBLY - DEUTZ D2011 ENGINE (680S,800S)	
		Ref	USA Built Machines:	
	1001158928	Ref	Ground Control Box Assembly - Deutz D2011 Engine (All Specs except CE Spec) (680S,800S) (SN 0300182743 through 0300190436)	D
	1001168335	Ref	Ground Control Box Assembly - Deutz D2011 Engine (All Specs except CE Spec) (680S,800S) (SN 0300190437 through 0300272492, Except SN 0300272449 through 0300272454)	C
	1001158930	Ref	Ground Control Box Assembly - Deutz D2011 Engine (CE Specs) (680S,800S) (SN 0300182743 through 0300190436)	D
	1001168337	Ref	Ground Control Box Assembly - Deutz D2011 Engine (CE Specs) (680S,800S) (SN 0300190437 through 0300201002)	C
	1001193809	Ref	Ground Control Box Assembly - Deutz D2011 Engine (CE Specs) (680S,800S) (SN 0300201003 through 0300272492, Except SN 0300272449 through 0300272454)	A
		Ref	China Built Machines:	
	1001168335	Ref	Ground Control Box Assembly - Deutz D2011 Engine (All Specs except CE Spec) (800S) (SN B300001092 through B300005730, Excluding B300005568)	C
	1001168337	Ref	Ground Control Box Assembly - Deutz D2011 Engine (CE Specs) (800S) (SN B300001092 through B300001179)	C
	1001193809	Ref	Ground Control Box Assembly - Deutz D2011 Engine (CE Specs) (800S) (SN B300001180 through B300005730, Excluding B300005568)	A
		Ref	GROUND CONTROL BOX ASSEMBLY - FORD ENGINE (800S)	
		Ref	USA Built Machines:	
	1001218775	Ref	Ground Control Box Assembly - Ford Engine (800S)	B
		Ref	GROUND CONTROL BOX ASSEMBLY - GM ENGINE (800S)	
		Ref	USA Built Machines:	
	1001158926	Ref	Ground Control Box Assembly - GM Engine (800S) (SN 0300182743 through 0300190436)	D

SECTION 2 - TURNTABLE

ITEM	PART NUMBER	QTY	DESCRIPTION	REV
	1001168292	Ref	Ground Control Box Assembly - GM Engine (800S) (SN 0300190437 through 0300272492, Except SN 0300272449 through 0300272454)	C
		Ref	China Built Machines:	
	1001168292	Ref	Ground Control Box Assembly - GM Engine (800S)	C
		Ref	GROUND CONTROL BOX ASSEMBLY - DEUTZ TD2.9L4 ENGINE (860SJ)	
		Ref	USA Built Machines:	
	1001165773	Ref	Ground Control Box Assembly - Deutz TD2.9L4 Engine (All Specs except CE Spec) (860SJ) (SN 0300182743 through 0300190436)	D
	1001168340	Ref	Ground Control Box Assembly - Deutz TD2.9L4 Engine (All Specs except CE Spec) (860SJ) (SN 0300190437 through 0300272492, Except SN 0300272449 through 0300272454)	C
	1001184182	Ref	Ground Control Box Assembly - Deutz TD2.9L4 Engine (CE Specs) (860SJ) (SN 0300182743 through 0300201002)	B
	1001188005	Ref	Ground Control Box Assembly - Deutz TD2.9L4 and Deutz TD2.9L4 (Stage V) Engines (CE Specs) (860SJ) (SN 0300201003 through 0300272492, Except SN 0300272449 through 0300272454)	A
		Ref	China Built Machines:	
	1001168340	Ref	Ground Control Box Assembly - Deutz TD2.9L4 Engine (All Specs except CE Spec) (860SJ) (SN B300001092 through B300005730, Excluding B300005568)	C
	1001184182	Ref	Ground Control Box Assembly - Deutz TD2.9L4 Engine (CE Specs) (860SJ) (SN B300001092 through B300001179)	B
	1001188005	Ref	Ground Control Box Assembly - Deutz TD2.9L4 and Deutz TD2.9L4 (Stage V) Engines (CE Specs) (860SJ) (SN B300001180 through B300005730, Excluding B300005568)	A
		Ref	GROUND CONTROL BOX ASSEMBLY - DEUTZ D2011 ENGINE (860SJ)	
		Ref	USA Built Machines:	
	1001158929	Ref	Ground Control Box Assembly - Deutz D2011 Engine (All Specs except CE Spec) (860SJ) (SN 0300182743 through 0300190436)	D
	1001168336	Ref	Ground Control Box Assembly - Deutz D2011 Engine (All Specs except CE Spec) (860SJ) (SN 0300190437 through 0300272492, Except SN 0300272449 through 0300272454)	C
	1001158931	Ref	Ground Control Box Assembly - Deutz D2011 Engine (CE Specs) (860SJ) (SN 0300182743 through 0300190436)	D
	1001168338	Ref	Ground Control Box Assembly - Deutz D2011 Engine (CE Specs) (860SJ) (SN 0300190437 through 0300201002)	C
	1001193690	Ref	Ground Control Box Assembly - Deutz D2011 Engine (CE Specs) (860SJ) (SN 0300201003 through 0300272492, Except SN 0300272449 through 0300272454)	A
		Ref	China Built Machines:	
	1001168336	Ref	Ground Control Box Assembly - Deutz D2011 Engine (All Specs except CE Spec) (860SJ) (SN B300001092 through B300005730)	C
	1001168338	Ref	Ground Control Box Assembly - Deutz D2011 Engine (CE Specs) (860SJ) (SN B300001092 through B300001179)	C
	1001193690	Ref	Ground Control Box Assembly - Deutz D2011 Engine (CE Specs) (860SJ) (SN B300001180 through B300005730, Excluding B300005568)	A
		Ref	GROUND CONTROL BOX ASSEMBLY - FORD ENGINE (860SJ)	
		Ref	USA Built Machines:	
	1001218774	Ref	Ground Control Box Assembly - Ford Engine (860SJ)	B
		Ref	GROUND CONTROL BOX ASSEMBLY - GM ENGINE (860SJ)	

SECTION 2 - TURNTABLE

ITEM	PART NUMBER	QTY	DESCRIPTION	REV
		Ref	USA Built Machines:	
	1001158927	Ref	Ground Control Box Assembly - GM Engine (860SJ) (SN 0300182743 through 0300190436)	D
	1001168334	Ref	Ground Control Box Assembly - GM Engine (860SJ) (SN 0300190437 through 0300272492, Except SN 0300272449 through 0300272454)	C
		Ref	China Built Machines:	
	1001168334	Ref	Ground Control Box Assembly - GM Engine (860SJ)	C
1	0100009	AR	Sealant	
2	0100011	AR	Compound, Locking	
3	0100048	AR	Grease, Dielectric	
4	0630518	2	Capscrew, Button Head	
5	0630548	5	Bolt, 2-1/2in Tap	
6	0641404	AR	Bolt 1/4-20 x 1/2	
7	0641407	1	Bolt 1/4-20 x 7/8	
8	0641506	4	Bolt 5/16-18 x 3/4	
9	1670829	1	Bezel	
10	1706712	1	Decal - Ground Control Display	
11A	2420172	1	Gauge, Hourmeter	
11B	1001109503	1	Gauge, Hourmeter	
12	2760105	1	Housing, Display Light	
13	3300205	4	Nut, Retainer	
14	3300353	2	Nut, Tinnerman	
15	3300408	4	Locknut, Plastic Insert	
16	3311405	2	Nut 1/4-20	
17	3520035	1	Plug, Cap	
18	3539219	1	Plate, Reinforcement (SN 0300182743 through 0300199945)	
18	3539219	1	Plate, Reinforcement (SN B300001092 through B300001154)	
19	3740049	AR	Relay	
20	3900268	2	Screw #10 x 1/2	
21	3910804	4	Screw #8-32 x 1/4	
22	4060906	1	Shield, Toggle Switch	
23	4070991	1	Shim	
24	4360469	1	Switch, Key - All Specs except CE Specs	
24	4360470	1	Switch, Key - CE Specs (SN 0300182743 through 0300201002)	
24	4360469	1	Switch, Key - CE Specs (SN 0300201003 through 0300272492, Except SN 0300272449 through 0300272454)	
24	4360470	1	Switch, Key - CE Specs (SN B300001092 through B300001179)	
24	4360469	1	Switch, Key - CE Specs (SN B300001180 through B300005730, Excluding B300005568)	
24	2860030	1	Key Replacement - All Specs	
25	4360475	1	Switch, Emergency Stop	
25	7020175	1	Cap, Mushroom	
25	7020176	1	Block, Contact	
26	4360476	1	Switch, Contact Block	
27	4460426	1	Connector, Strain Relief	
28	4460470	1	Nut, Terminal	
29	4460471	1	Lockwasher, Terminal	
30	4460488	6	Mounting Base, Terminal	
31	4460496	1	Washer, Terminal	
32	4460497	1	Nut, Terminal	

SECTION 2 - TURNTABLE

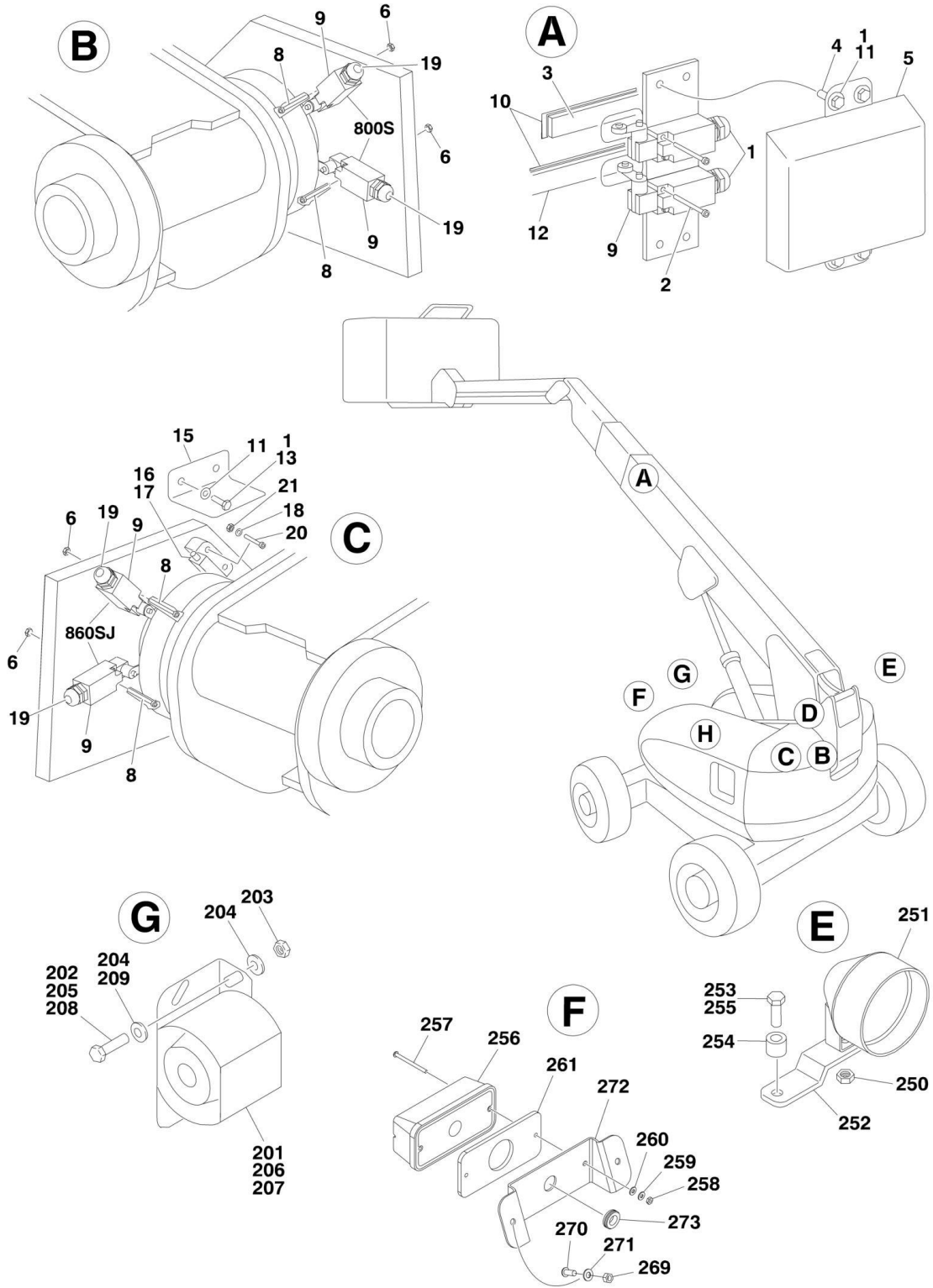
ITEM	PART NUMBER	QTY	DESCRIPTION	REV
33	4460526	1	Connector, Strain Relief	
34	4740397	7	Spacer	
35	4740444	1	Washer	
36	4740518	2	Washer	
37	4751400	12	Washer 1/4	
38	4761400	6	Washer 1/4	
39	77143013	11	Nut 1/4-20	
40	1001102601	1	Decal - Faceplate (All Specs except CE) (680S,800S)	
40	1001102601	1	Decal - Faceplate (CE Spec) (680S,800S) (SN 0300182743 through 0300201002)	
40	1001180091	1	Decal - Faceplate (CE Spec) (680S,800S) (SN 0300201003 through 0300272492, Except SN 0300272449 through 0300272454)	
40	1001102601	1	Decal - Faceplate (CE Spec) (680S,800S) (SN B300001092 through B300001179)	
40	1001180091	1	Decal - Faceplate (CE Spec) (680S,800S) (SN B300001180 through B300005730, Excluding B300005568)	
40	1001102602	1	Decal - Faceplate (All Specs except CE) (860SJ)	
40	1001102602	1	Decal - Faceplate (CE Spec) (860SJ) (SN 0300182743 through 0300201002)	
40	1001180092	1	Decal - Faceplate (CE Spec) (860SJ) (SN 0300201003 through 0300272492, Except SN 0300272449 through 0300272454)	
40	1001102602	1	Decal - Faceplate (CE Spec) (860SJ) (SN B300001092 through B300001179)	
40	1001180092	1	Decal - Faceplate (CE Spec) (860SJ) (SN B300001180 through B300005730, Excluding B300005568)	
41	1001103667	1	Module, Ground Control (Note: Re-calibration Required when Replaced)	
42	1001106736	1	Cap, Dust	
43	1001110339	1	Harness, Ground Control Box (Deutz D2011 Engines - All Specs except CE Specs) (Not Shown - See ELECTRICAL SECTION for Breakdown)	
43	1001110339	1	Harness, Ground Control Box (Deutz D2011 Engines - CE Specs) (Not Shown - See ELECTRICAL SECTION for Breakdown) (SN 0300182743 through 0300201002)	
43	1001186236	1	Harness, Ground Control Box (Deutz D2011 Engines - CE Specs) (Not Shown - See ELECTRICAL SECTION for Breakdown) (SN 0300201003 through 0300272492, Except SN 0300272449 through 0300272454)	
43	1001110339	1	Harness, Ground Control Box (Deutz D2011 Engines - CE Specs) (Not Shown - See ELECTRICAL SECTION for Breakdown) (SN B300001092 through B300001179)	
43	1001186236	1	Harness, Ground Control Box (Deutz D2011 Engines - CE Specs) (Not Shown - See ELECTRICAL SECTION for Breakdown) (SN B300001180 through B300005730, Excluding B300005568)	
43	1001146010	1	Harness, Ground Control Box (Deutz DT2.9L4 Engines - All Specs except CE Specs) (Not Shown - See ELECTRICAL SECTION for Breakdown)	
43	1001146010	1	Harness, Ground Control Box (Deutz DT2.9L4 Engines - CE Specs) (Not Shown - See ELECTRICAL SECTION for Breakdown) (SN 0300182743 through 0300201002)	
43	1001186236	1	Harness, Ground Control Box (Deutz DT2.9L4 and Deutz DT2.9L4 (Stage V) Engines - CE Specs) (Not Shown - See ELECTRICAL SECTION for Breakdown) (SN 0300201003 through 0300272492, Except SN 0300272449 through 0300272454)	

SECTION 2 - TURNTABLE

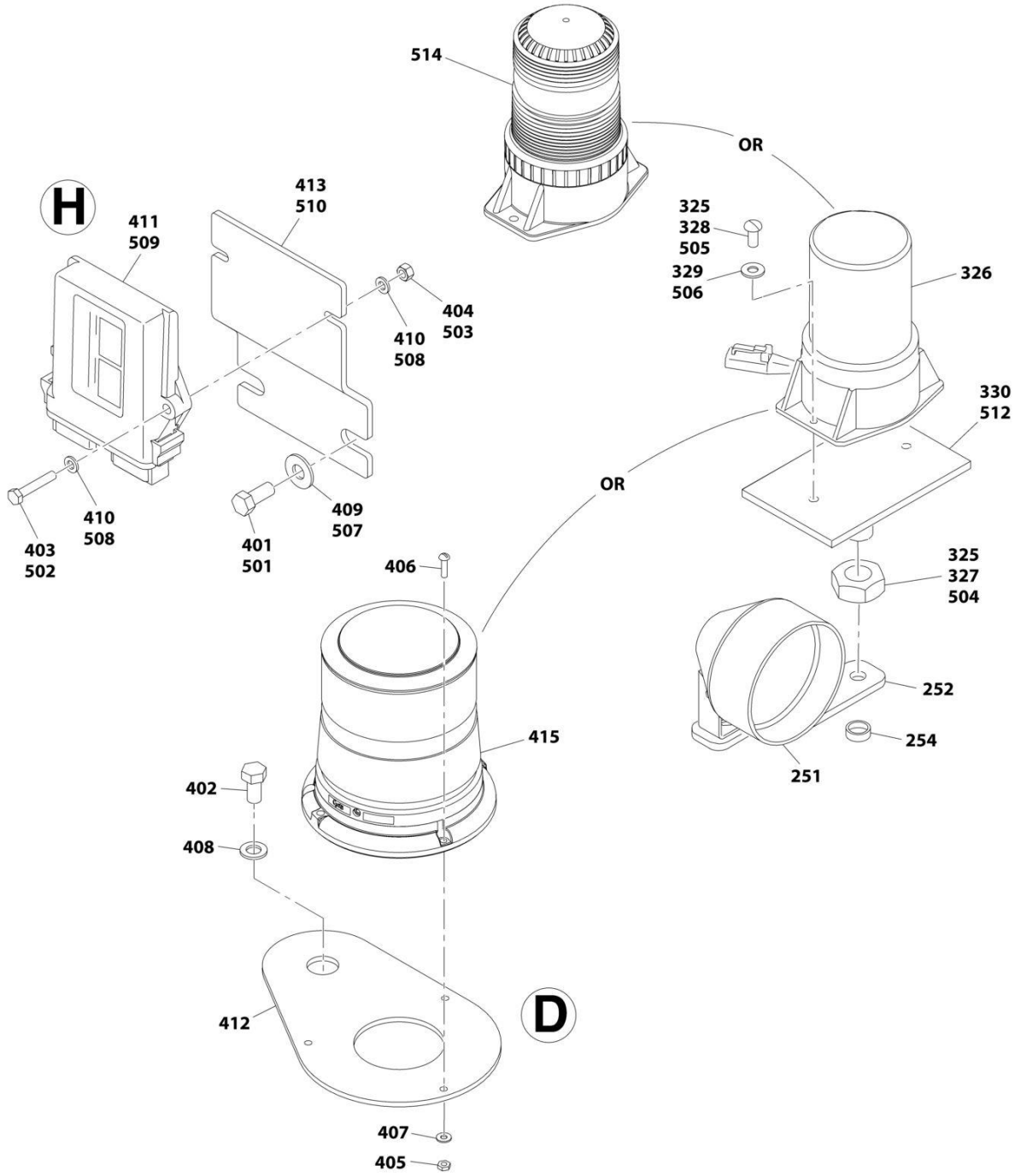
ITEM	PART NUMBER	QTY	DESCRIPTION	REV
43	1001146010	1	Harness, Ground Control Box (Deutz DT2.9L4 Engines - CE Specs) (Not Shown - See ELECTRICAL SECTION for Breakdown) (SN B300001092 through B300001179)	
43	1001186236	1	Harness, Ground Control Box (Deutz DT2.9L4 and Deutz DT2.9L4 (Stage V) Engines - CE Specs) (Not Shown - See ELECTRICAL SECTION for Breakdown) (SN B300001180 through B300005730, Excluding B300005568)	
43	1001110339	1	Harness, Ground Control Box (Ford & GM Engines) (Not Shown - See ELECTRICAL SECTION for Breakdown)	
44	1001152174	1	Lid (All Specs except CE Spec)	
44	1001152174	1	Lid (CE Spec) (SN 0300182743 through 0300201002)	
44	1001188041	1	Lid (CE Spec) (SN 0300201003 through 0300272492, Except SN 0300272449 through 0300272454)	
44	1001152174	1	Lid (CE Spec) (SN B300001092 through B300001179)	
44	1001188041	1	Lid (CE Spec) (SN B300001180 through B300005730, Excluding B300005568)	
45	1001169234	1	Box Less Lid	
46	1001165776	1	Harness, Deutz TD2.9L4 and Deutz DT2.9L4 (Stage V) Engine (Not Shown - See ELECTRICAL SECTION for Breakdown)	
46	1001154324	1	Harness, Deutz D2011 Engine (Not Shown - See ELECTRICAL SECTION for Breakdown)	
46	1001216327	1	Harness, Ford Engine (Not Shown - See ELECTRICAL SECTION for Breakdown)	
46	1001154323	1	Harness, GM Engine (Not Shown - See ELECTRICAL SECTION for Breakdown)	
47		Ref	Harness, Platform Valve Options: (Not Shown - See ELECTRICAL SECTION for Breakdown)	
47	1001154327	1	Harness, Valve (SN 0300182743 through 0300190436)	
47	1001168024	1	Harness, Valve (SN 0300190437 through 0300272492, Except SN 0300272449 through 0300272454)	
47	1001168024	1	Harness, Valve (SN B300001092 through B300005730, Excluding B300005568)	
49	1001155043	AR	Washer	
50	1001155044	AR	Nut 15/32-32	
51	1001155045	AR	Switch, Toggle	
53	4891500	4	Washer 5/16	
54	1001188874	2	Nut	
55	1001103308	2	Screw 1/4	
56	4711400	2	Washer 1/4	
57	3520031	2	Plug	
58	1001176469	1	Shroud (CE Spec) (SN 0300201003 through 0300272492, Except SN 0300272449 through 0300272454)	
58	1001176469	1	Shroud (CE Spec) (SN B300001180 through B300005730, Excluding B300005568)	
59	4360387	1	Switch, Push Button (CE Spec) (SN 0300201003 through 0300272492, Except SN 0300272449 through 0300272454)	
59	4360387	1	Switch, Push Button (CE Spec) (SN B300001180 through B300005730, Excluding B300005568)	

SECTION 2 - TURNTABLE

FIGURE 2-26. LIMIT SWITCHES, LIGHTS AND ALARM INSTALLATIONS



SECTION 2 - TURNTABLE



SECTION 2 - TURNTABLE

FIGURE 2-26. LIMIT SWITCHES, LIGHTS AND ALARM INSTALLATIONS

ITEM	PART NUMBER	QTY	DESCRIPTION	REV
		Ref	LIMIT SWITCHES INSTALLATION	
		Ref	USA Built Machines: (SN 0300182743 through 0300236015)	
	0271360	Ref	Limit Switches Installation (All Specs except Australian and CE Specs) (680S,800S)	K
	1001091187	Ref	Limit Switches Installation (Australian and CE Specs Only) (680S,800S)	E
	0271362	Ref	Limit Switches Installation (All Specs except Australian and CE Specs) (860SJ)	K
	1001091188	Ref	Limit Switches Installation (Australian and CE Specs Only) (860SJ)	E
		Ref	USA Built Machines: (SN 0300236016 through 0300272492, Except SN 0300272449 through 0300272454)	
	1001224902	Ref	Limit Switches Installation (All Specs except Australian, CE and China Specs) (680S,800S)	A
	1001224900	Ref	Limit Switches Installation (Australian, CE and China Specs Only) (680S,800S)	A
	1001224903	Ref	Limit Switches Installation (All Specs except Australian and CE Specs) (860SJ)	A
	1001224901	Ref	Limit Switches Installation (Australian and CE Specs Only) (860SJ)	A
		Ref	China Built Machines:	
	0271360	Ref	Limit Switches Installation (All Specs except Australian and CE Specs) (800S)	K
	1001091187	Ref	Limit Switches Installation (Australian and CE Specs Only) (800S)	E
	0271362	Ref	Limit Switches Installation (All Specs except Australian and CE Specs) (860SJ)	K
	1001091188	Ref	Limit Switches Installation (Australian and CE Specs Only) (860SJ)	E
1	0100011	AR	Compound, Locking	
2	0100035	AR	Compound, Locking	
3	1001106480	Ref	Bar, Fiberglass (Top)	
3	1001106480	1	All Specs except Australian and CE Specs	
3	Not Required	0	Australian and CE Specs Only	
4	0641403	4	Bolt 1/4 x 3/8	
5	1671022	1	Cover, Limit Switch	
6	3310805	AR	Nut #8	
7	3930816	AR	Capscrew #8 x 1	
8	3930828	AR	Capscrew #8 x 1-3/4	
8	1001223804	AR	Capscrew #8 x 2-1/4	
9	4360578	Ref	Switch, Limit Options: (Note: P/N 4360578 does not include #19 Connector - Purchase Separately)	
9	4360578	4	All Specs except Australian and CE Specs	
9	4360578	2	Australian and CE Specs Only	
10	4420060	Ref	Tape, Double Sided Options:	
10	4420060	31.2 ft /9.5m	All Specs except Australian and CE Specs	
10	4420060	12.3 ft /3.8m	Australian and CE Specs Only	
11	4751400	6	Washer 1/4	
12	1001106449	1	Bar, Fiberglass (Bottom)	
13	0641406	2	Bolt 1/4 x 3/4	
15	1671059	1	Cover, Proximity Switch	

SECTION 2 - TURNTABLE

ITEM	PART NUMBER	QTY	DESCRIPTION	REV
16	4071043	1	Shim	
17	4360517	1	Switch, Proximity	
18	1001097942	4	Washer #8	
19	4460968	Ref	Connector, Strain Relief Options:	
19	4460968	4	All Specs except Australian and CE Specs	
19	4460968	2	Australian and CE Specs Only	
20	1001097939	AR	Capscrew #8 x 1-3/4	
20	1001223804	AR	Capscrew #8 x 2-1/4	
21	1001097945	2	Nut #8	
		Ref	ALARM INSTALLATION	
	0271999	Ref	Deutz DT2.9L4 Engines (SN 0300182743 through 0300185779)	A
201	0257887	1	Alarm/Harness Assembly	
201	0140032	1	Alarm	
201	2820035	6 in/15cm	Loom	
201	4460424	1	Plug	
201	4460268	2	Socket	
202	0641410	2	Bolt 1/4 x 1-1/4	
203	3311405	2	Nut 1/4	
204	4711400	4	Washer 1/4	
	1001158364	Ref	Deutz D2011 & GM Engines	A
	1001158364	Ref	Deutz TD2.9L4 Engines (SN 0300185780 through 0300272492, Except SN 0300272449 through 0300272454)	A
	1001158364	Ref	Deutz TD2.9L4 Engines (SN B300001092 through B300005730, Excluding B300005568)	A
205	0100011	AR	Compound, Locking	
206	0100048	AR	Grease, Dielectric	
207	0140044	1	Alarm	
208	0641405	2	Bolt 1/4 x 5/8	
209	4711400	2	Washer 1/4	
		Ref	LIGHTS INSTALLATIONS (OPTIONAL)	
	0271552	Ref	Headlights and Taillights (ABS Hoods)	E
	1001164786	Ref	Headlights and Taillights (Steel Hoods)	C
	0272057	Ref	Floodlights (ABS Hoods) (Not Shown)	C
	1001184259	Ref	Floodlights (Steel Hoods) (Not Shown)	B
250	3311605	2	Nut 3/8	
251		Ref	Light Options:	
251	2920110	2	Headlight	
251	2920157	2	Floodlight (Not Shown)	
252	0902206	2	Bracket, Mounting	
253	0642612	1	Bolt 1 x 1-1/2	
254		Ref	Spacer Options:	
254	4220162	2	Spacer	
254	4892600	2	Washer 1	
255	0100011	AR	Compound, Locking	
256		Ref	Light Options:	
256	2920113	2	Taillight	
256	2920157	2	Floodlight (Not Shown)	
257	3911040	4	Screw #10 x 2-1/2	
258	3311005	4	Nut #10	
259	4751000	4	Washer #10	
260	4740362	4	Washer, Fender	
261	3960461	2	Gasket	

SECTION 2 - TURNTABLE

ITEM	PART NUMBER	QTY	DESCRIPTION	REV
263	4240032	AR	Tie-Strap (Not Shown)	
264	4460234	AR	Mount, Tie-Strap (Not Shown)	
265	4360522	1	Switch, Push Button (Not Shown - Located on Console)	
267	3820001	11	Rivet, Pop (Not Shown)	
268	1705170	1	Decal - Lights (Not Shown - Located on Console)	
269	3311505	4	Nut 5/16 (Steel Hoods Only)	
270	3900210	4	Screw 5/16 x 3/4 (Steel Hoods Only)	
271	4711500	4	Washer 5/16 (Steel Hoods Only)	
272	1001165118	2	Support (Steel Hoods Only)	
273	1001188354	2	Grommet (Steel Hoods Only) (SN 0300251468 through 0300272492, SN B300003219 through B300005730, Except SN 0300272449 through 0300272454, Excluding B300005568)	
	1001149955	Ref	STROBE LIGHT INSTALLATION (AMBER) (OPTIONAL) (SN 0300182743 through 0300190436)	A
	1001160077	Ref	STROBE LIGHT INSTALLATION (SN 0300190437 through 0300272492, Except SN 0300272449 through 0300272454)	B
	1001160077	Ref	STROBE LIGHT INSTALLATION (SN B300001092 through B300005730, Excluding B300005568)	B
	1001150406	Ref	Strobe Light Sub-Assembly (Amber)	B
325	0100035	AR	Compound, Locking	
326	2920161	1	Strobe Light/Harness Assembly	
326	7016319	1	Bulb	
326	7016372	1	Lens	
327	3312602	1	Nut 1	
328	3900085	2	Screw #10 x 1/2	
329	4751000	2	Washer 1/4	
330	1001149994	1	Mount Strobe	
331	1001149818	1	Harness, Strobe Light Extension (Not Shown - See ELECTRICAL SECTION for Breakdown) (SN 0300182743 through 0300190436)	
	1001189174	Ref	STROBE LIGHT INSTALLATION (BLUE) (OPTIONAL) (Use p/n 1001242253) (SN 0300182743 through 0300217034)	B
	1001189174	Ref	STROBE LIGHT INSTALLATION (BLUE) (OPTIONAL) (Use p/n 1001205494) (SN B300001092 through B300001698)	B
	1001207308	Ref	STROBE LIGHT INSTALLATION (RED) (OPTIONAL) (Use p/n 1001242254) (SN 0300182743 through 0300217034)	B
	1001207308	Ref	STROBE LIGHT INSTALLATION (RED) (OPTIONAL) (Use p/n 1001205494) (SN B300001092 through B300001698)	B
401	0641610	2	Bolt 3/8 x 1-1/4	
402	0642612	1	Bolt 1 x 1-1/2	
403	0700615	2	Bolt M6 x 35	
404	3290607	2	Nut M6	
405	3311005	3	Nut #10	
406	3911012	3	Screw #10 x 3/4	
407	4711000	3	Washer #10	
408	4712600	1	Washer 1	
409	4751600	2	Washer 3/8	
410	4811700	4	Washer M6	
411	1001142683	1	Module, Beacon Light	
412	1001142694	1	Bracket	
413	1001142722	1	Bracket	
414	1001142736	1	Harness, Beacon Control (Module to Light) (Not Shown - See ELECTRICAL SECTION for Breakdown)	
415	1001143431	1	Light, Strobe (Blue)	

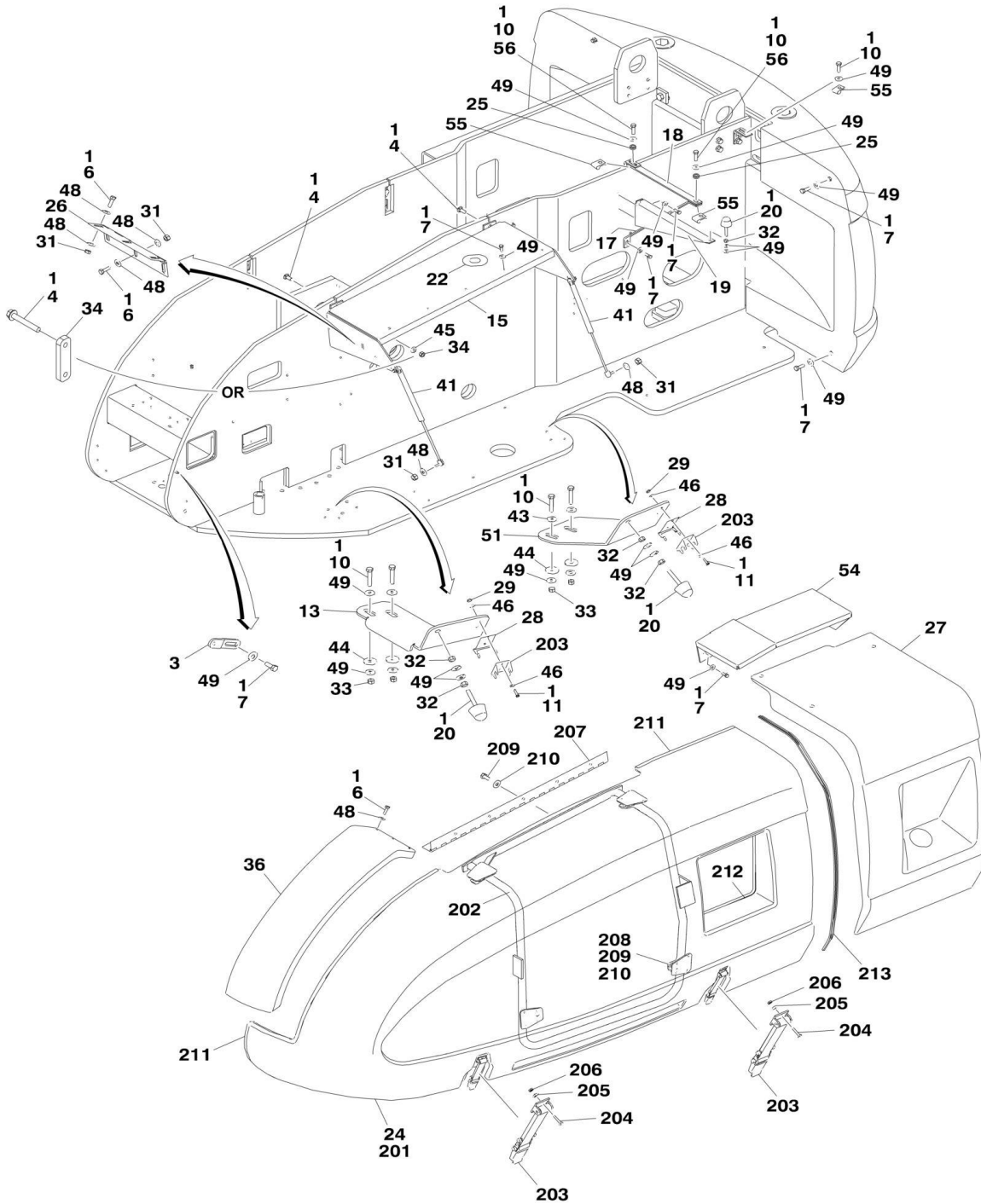
SECTION 2 - TURNTABLE

ITEM	PART NUMBER	QTY	DESCRIPTION	REV
415	1001197067	1	Light, Strobe (Red)	
416	1001150944	1	Harness, Beacon Control (Module to Ground Control Box) (Not Shown - See ELECTRICAL SECTION for Breakdown)	
	1001205494	NLA	STROBE LIGHT INSTALLATION (BLUE) (OPTIONAL) (Use p/n 1001242253) (SN 0300217035 through 0300255782)	E
	1001242253	Ref	STROBE LIGHT INSTALLATION (BLUE) (OPTIONAL) (SN 0300255783 through 0300272492, Except SN 0300272449 through 0300272454)	A
	1001205494	NLA	STROBE LIGHT INSTALLATION (BLUE) (OPTIONAL) (Use p/n 1001242253) (SN B300001699 through B300004484)	E
	1001242253	Ref	STROBE LIGHT INSTALLATION (BLUE) (OPTIONAL) (SN B300004485 through B300005730, Excluding B300005568)	A
	1001209872	NLA	STROBE LIGHT INSTALLATION (RED) (OPTIONAL) (Use p/n 1001242254) (SN 0300217035 through 0300255782)	E
	1001242254	Ref	STROBE LIGHT INSTALLATION (RED) (OPTIONAL) (SN 0300255783 through 0300272492, Except SN 0300272449 through 0300272454)	A
	1001209872	NLA	STROBE LIGHT INSTALLATION (RED) (OPTIONAL) (Use p/n 1001242254) (SN B300001699 through B300004484)	E
	1001242254	Ref	STROBE LIGHT INSTALLATION (RED) (OPTIONAL) (SN B300004485 through B300005730, Excluding B300005568)	A
501	0641610	2	Bolt 3/8 x 1-1/4	
502	0700615	2	Bolt M6 x 35	
503	3290607	2	Nut M6	
504	3312602	1	Nut 1	
505	3900085	2	Screw #10 x 1/2	
506	4751000	2	Washer #10	
507	4751600	2	Washer 3/8	
508	4811700	4	Washer M6	
509	1001142683	1	Module, Beacon Light	
510	1001142722	1	Bracket	
511	1001142736	1	Harness, Beacon Control (Module to Light) (Not Shown - See ELECTRICAL SECTION for Breakdown)	
512	1001149994	1	Mount, Strobe	
514	1001200910	1	Light, Strobe (Blue)	
514	1001207004	1	Light, Strobe (Red)	
515	4240032	AR	Tie-Strap (Not Shown)	
516	4460488	AR	Mount, Tie-Strap (Not Shown)	
517	1001217005	1	Beacon Light Kit – Blue (Not Shown - Includes Items 504-506, 512 & 514) (SN 0300255783 through 0300272492, SN B300004485 through B300005730, Except SN 0300272449 through 0300272454, Excluding B300005568)	

SECTION 2 - TURNTABLE

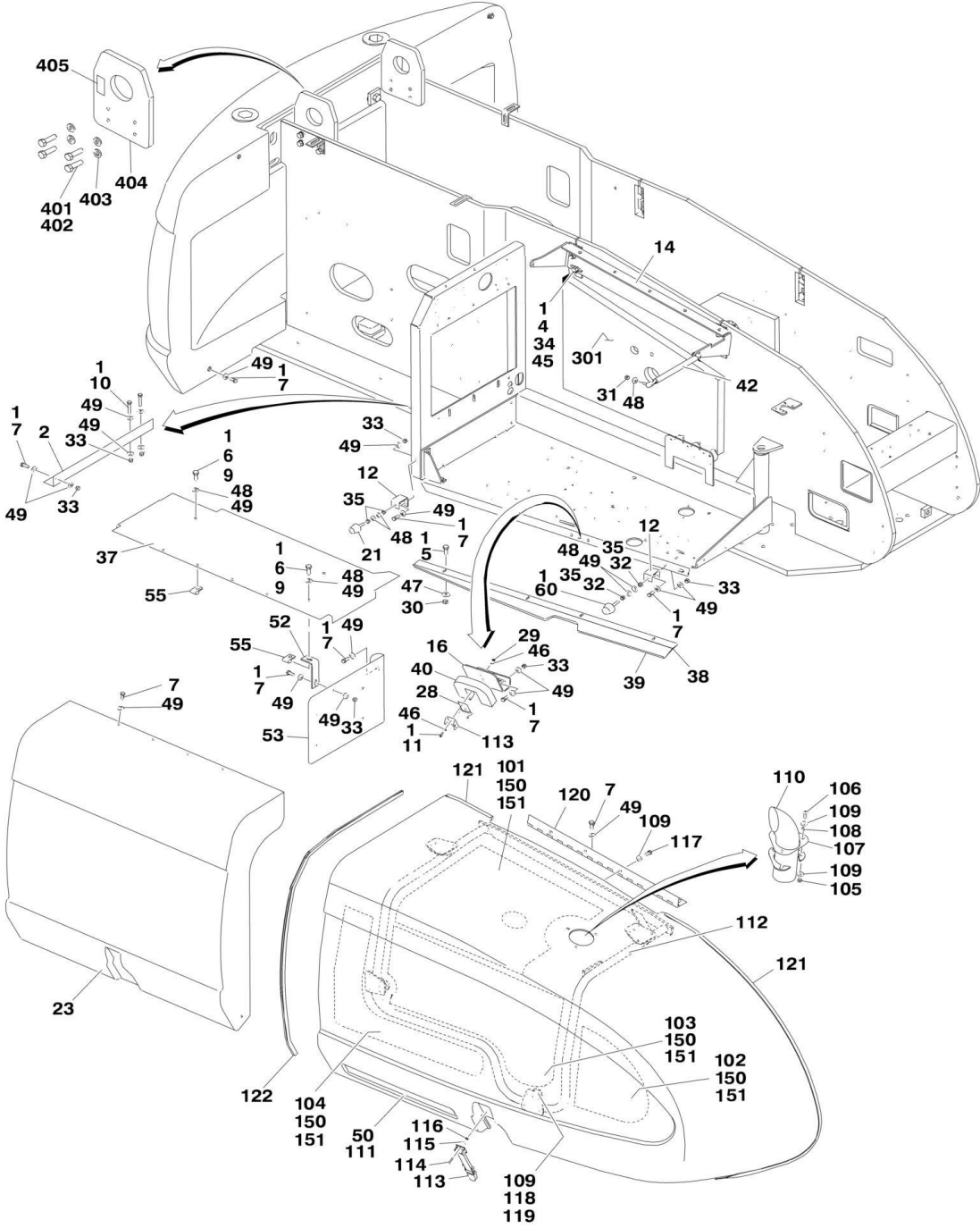
FIGURE 2-27. HOODS INSTALLATION (ABS)

NOTE: REPLACEMENT DECALS MUST BE PURCHASED SEPARATELY.



SECTION 2 - TURNTABLE

NOTE: REPLACEMENT DECALS MUST BE PURCHASED SEPARATELY.



SECTION 2 - TURNTABLE

FIGURE 2-27. HOODS INSTALLATION (ABS)

ITEM	PART NUMBER	QTY	DESCRIPTION	REV
		Ref	NOTE: REPLACEMENT DECALS MUST BE PURCHASED SEPARATELY - SEE DECALS SECTION.	
	1001157415	Ref	HOODS INSTALLATION - DEUTZ D2011 & GM ENGINES	F
	1001148561	Ref	HOODS INSTALLATION - DEUTZ DT2.9L4 AND DEUTZ DT2.9L4 (STAGE V) ENGINES	E
1	0100011	AR	Compound, Locking	
2	0182077	1	Angle, Hood Support (SN 0300182743 through 0300196638)	
2	1001161711	1	Angle, Hood Support (SN 0300196639 through 0300272492, Except SN 0300272449 through 0300272454)	
2	1001161711	1	Angle, Hood Support (SN B300001092 through B300005730, Excluding B300005568)	
3	0362770	1	Bar, Panel Mounting	
4	0630507	8	Bolt, Carriage 1/2in-13NC x 1-1/4in	
4	0811812	8	Bolt 1/2 x 1-1/2	
5	0641406	4	Bolt 1/4in-20NC x 3/4in	
6	0641508	AR	Bolt 5/16in-18NC x 1in	
7	0641608	AR	Bolt 3/8in-16NC x 1in	
8	0641609	2	Bolt 3/8in-16NC x 1-1/8in	
9	0641610	AR	Bolt 3/8in-16NC x 1-1/4in	
10	0641616	AR	Bolt 3/8in-16NC x 2in	
11	0721006	6	Screw #10-24NC x 3/4in	
12	0902219	2	Bracket, Bumper	
13	0902223	1	Bracket, Latch	
14	0902351	1	Bracket, Hood Mounting (SN 0300183034 through 0300216489)	
14	1001207558	1	Bracket, Hood Mounting (SN 0300216490 through 0300272492, Except SN 0300272449 through 0300272454)	
14	0902351	1	Bracket, Hood Mounting (SN B300001092 through B300001499)	
14	1001207558	1	Bracket, Hood Mounting (SN B300001500 through B300005730, Excluding B300005568)	
15	0902412	1	Bracket, Hood Mounting	
16	0902491	1	Bracket, Latch	
17	0902673	1	Bracket, Support (Front Cover)	
18	0902674	1	Bracket, Support (Front Cover)	
19	0902769	1	Bracket, Bumper Support	
20	0940071	3	Bumper	
21	0940088	1	Bumper	
22	1120601	1	Plug, Cap	
23	1671201	1	Cover	
24	1671228	1	Hood Assembly (See Items 201-213 for Breakdown)	
25	2540035	AR	Grommet	
26	2600244	1	Hinge, Adapter Panel	
27	2680490	1	Hood, Right Cover	
28	2940188	3	Latch, Spring Clip	
29	3311005	6	Locknut #10-24NC	
30	3311405	4	Locknut 1/4in-20NC	
31	3311505	9	Locknut 5/16in-18NC	
32	3311601	AR	Nut 3/8in-16NC	
33	3311605	12	Locknut 3/8in-16NC	
34	3311805	8	Locknut 1/2in-13NC	
34	1001150260	4	Plate	
35	3321501	AR	Nut 5/16in-24NF	

SECTION 2 - TURNTABLE

ITEM	PART NUMBER	QTY	DESCRIPTION	REV
36	3380444	1	Panel, Adapter	
37	3380575	1	Panel, Cover	
38	3571712	1	Plate, Seal (Deutz D2011 & GM Engines) (SN 0300183034 through 0300216489)	
38	1001208024	1	Plate, Seal (Deutz D2011 & GM Engines) (SN 0300216490 through 0300272492, Except SN 0300272449 through 0300272454)	
38	3571712	1	Plate, Seal (Deutz D2011 & GM Engines) (SN B300001092 through B300001499)	
38	1001208024	1	Plate, Seal (Deutz D2011 & GM Engines) (SN B300001500 through B300005730, Excluding B300005568)	
38	1001143858	1	Plate, Seal (Deutz DT2.9L4 Engines) (SN 0300183034 through 0300216489)	
38	1001204648	1	Plate, Seal (Deutz DT2.9L4 Engines) (SN 0300216490 through 0300272492, Except SN 0300272449 through 0300272454)	
38	1001143858	1	Plate, Seal (Deutz DT2.9L4 Engines) (SN B300001092 through B300001499)	
38	1001204648	1	Plate, Seal (Deutz DT2.9L4 Engines) (SN B300001500 through B300005730, Excluding B300005568)	
39	3960389	3.5 ft/ 1.1m	Seal	
40	3960470	1	Seal, Latch	
41	4160139	2	Spring, Gas (Tank Side)	
42	4160143	1	Spring, Gas (Engine Side)	
43	4711600	2	Flatwasher 3/8in Thin	
44	4740076	AR	Washer, Fender	
45	4740171	8	Washer, Hardened	
46	4751000	12	Flatwasher #10 Regular	
47	4751400	4	Flatwasher 1/4in Regular	
48	4751500	AR	Flatwasher 5/16in Regular	
49	4751600	AR	Flatwasher 3/8in Regular	
50	1001099138	1	Hood Assembly (Deutz D2011 & GM Engines) (See Items 101-151 for Breakdown)	
50	1001143607	1	Hood Assembly (Deutz DT2.9L4 Engines) (See Items 101-151 for Breakdown)	
51	1001157021	1	Bracket	
52	1001157474	1	Bracket	
53	1001157475	1	Panel	
54	1001157736	1	Panel	
55	1001126828	6	Nut, Tinnerman	
56	0641614	AR	Bolt 3/8in-16NC x 1-3/4in	
60	0940071	1	Bumper (SN 0300183034 through 0300216489)	
60	0940088	1	Bumper (SN 0300216490 through 0300272492, Except SN 0300272449 through 0300272454)	
60	0940071	1	Bumper (SN B300001092 through B300001527)	
60	0940088	1	Bumper (SN B300001528 through B300005730, Excluding B300005568)	
	1001099138	Ref	HOOD ASSEMBLY (ENGINE SIDE) (DEUTZ D2011 & GM ENGINES)	B
	1001143607	Ref	HOOD ASSEMBLY (ENGINE SIDE) (DEUTZ DT2.9L4 ENGINES AND DEUTZ DT2.9L4 (STAGE V) ENGINES)	F
101	1001101673	1	Insulation (Deutz D2011 & GM Engines)	
102	2820233	1	Insulation, Rear Sound (Deutz D2011 & GM Engines)	
103	2820234	1	Insulation, Center Sound (Deutz D2011 & GM Engines)	
104	2820235	1	Insulation, Rear Sound (Deutz D2011 & GM Engines)	

SECTION 2 - TURNTABLE

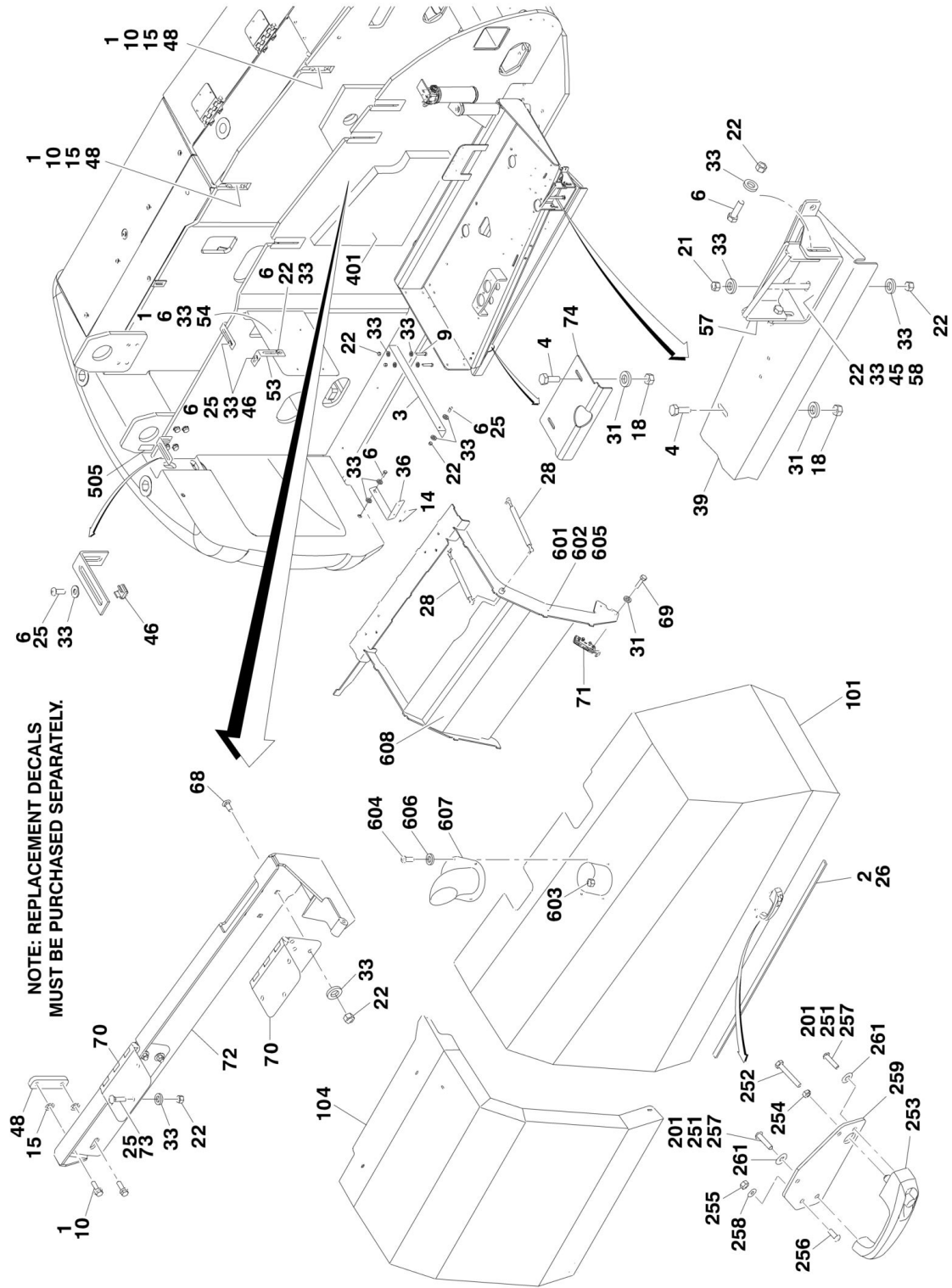
ITEM	PART NUMBER	QTY	DESCRIPTION	REV
105	3311605	AR	Locknut 3/8in x 16NC	
106	3900232	AR	Screw, Button Head 3/8in-16NC x 1-1/4in	
106	3900316	AR	Screw, Button Head 3/8in-16NC x 1in	
107	1001101623	1	Shield, Heat Gasket (Deutz D2011 & GM Engines)	
108	4740500	AR	Washer (Special)	
109	4751600	AR	Flatwasher 3/8in Regular	
110	1001099121	1	Tube, Exhaust (Deutz D2011 & GM Engines)	
110	1001143611	1	Tube, Exhaust (Deutz DT2.9L4 Engines)	
111	1001099139	1	Hood (Deutz D2011 & GM Engines) (Note: Must Install Insulation Before Putting Machine Back in Service - Items 101-104, 107 & 110)	
111	1001143601	1	Hood (Deutz DT2.9L4 Engines) (Note: Must Install Insulation Before Putting Machine Back in Service - Items 110, 150 & 151)	
112	1671230	1	Frame, Tubular (Deutz D2011 & GM Engines)	
112	1001153435	1	Frame, Tubular (Deutz DT2.9L4 Engines)	
113	2940088	1	Latch	
114	0721008	2	Screw, Machine #10-24NC x 1in	
115	4751000	2	Flatwasher #10 Regular	
116	3311005	2	Locknut #10-24NC	
117	0641608	6	Bolt 3/8in-16NC x 1in	
118	1321384	4	Hold Down	
119	0641606	4	Bolt 3/8in-16NC x 3/4in	
120	2600209	1	Hinge	
121	3960464	65 in/ 1.67m	Seal	
122	3960462	61 in/ 1.55m	Seal	
150	1001152566	AR	Insulation, Heat (Deutz DT2.9L4 Engines)	
151	1001117140	AR	Tape, Aluminum (Deutz DT2.9L4 Engines)	
	1671228	Ref	HOOD ASSEMBLY (TANK SIDE)	A
201	1671231	1	Hood	
202	1671232	1	Frame, Tubular	
203	2940088	2	Latch	
204	0721008	4	Screw, Machine #10-24NC x 1in	
205	4751000	4	Flatwasher #10 Regular	
206	3311005	4	Locknut #10-24NC	
207	2600233	1	Hinge	
208	1321384	4	Hold Down	
209	0641606	9	Bolt 3/8in-16NC x 3/4in	
210	4711600	9	Flatwasher 3/8in Thin	
211	3960464	83 in/ 2.11m	Seal	
212	3960438	55 in/1.4m	Seal	
213	3960462	53 in/ 1.35m	Seal	
	0272081	Ref	NOISE REDUCTION INSTALLATION (DEUTZ ENGINE MACHINES)	4-D
301	2820078	1	Foam, Acoustical	
	1001158084	Ref	LIFTING PLATE INSTALLATION	B
401	0100019	AR	Compound, Locking	
402	0682016	8	Bolt 5/8in-11NC x 2in Grade 8	
403	4892000	8	Flatwasher 5/8in Hardened	
404	1001157870	2	Plate, Lifting	

SECTION 2 - TURNTABLE

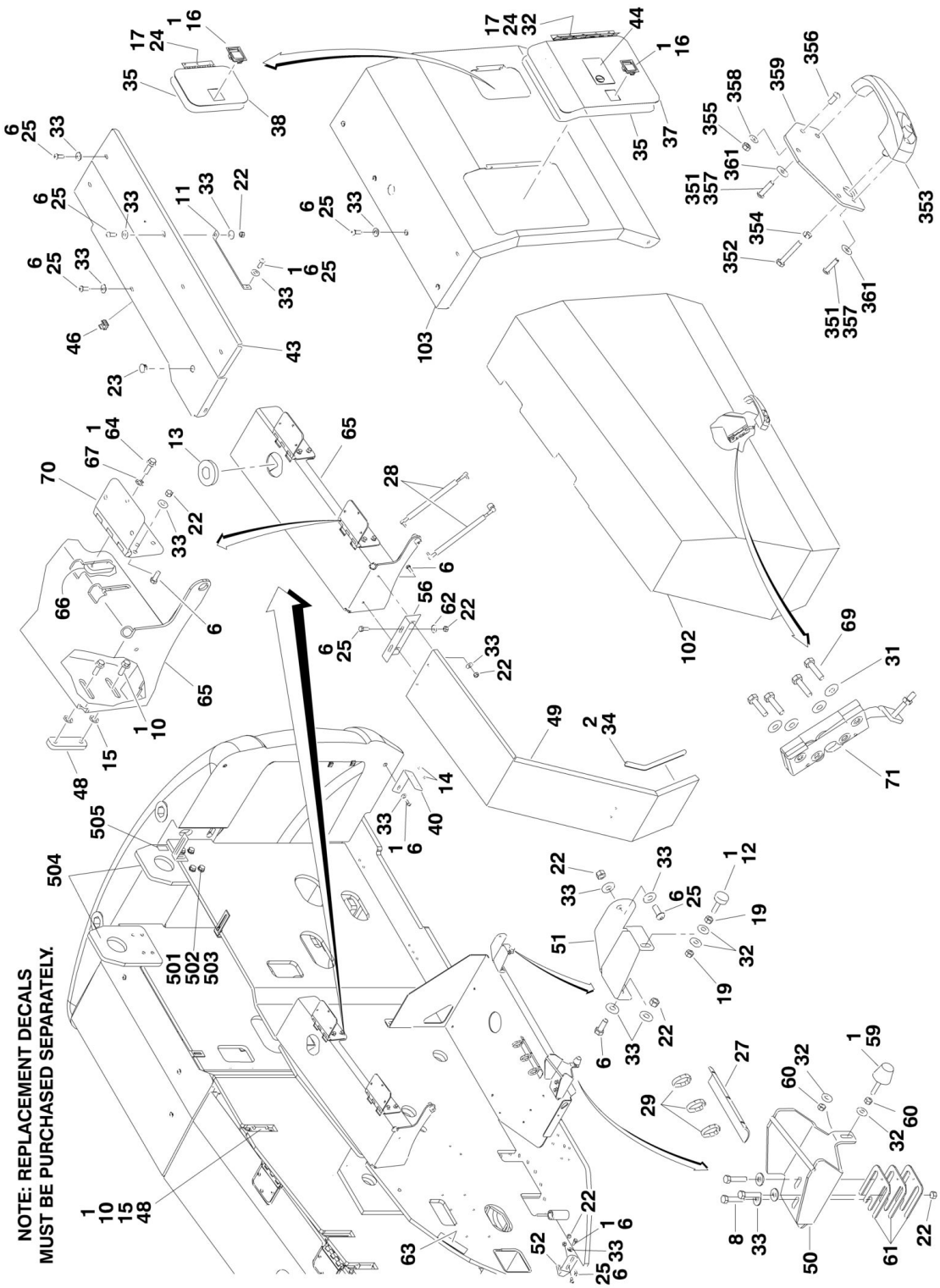
ITEM	PART NUMBER	QTY	DESCRIPTION	REV
405	1703811	2	Decal - Lift	

SECTION 2 - TURNTABLE

FIGURE 2-28. HOODS (STEEL) AND LIFTING PLATE INSTALLATIONS



SECTION 2 - TURNTABLE



SECTION 2 - TURNTABLE

FIGURE 2-28. HOODS (STEEL) AND LIFTING PLATE INSTALLATIONS

ITEM	PART NUMBER	QTY	DESCRIPTION	REV
		Ref	NOTE: REPLACEMENT DECALS MUST BE PURCHASED SEPARATELY - SEE DECALS SECTION.	
		Ref	HOODS INSTALLATIONS	
	1001157416	Ref	Standard Machines - Deutz D2011 & GM Engine Machines	G
	1001173872	Ref	Standard Machines - Deutz DT2.9L4 Engine Machines (USA Built Machines)	E
	1001173872	Ref	Standard Machines - Deutz DT2.9L4 Engine Machines (China Built Machines) (SN B300001092 through B300004394)	E
	1001244466	Ref	Standard Machines - Deutz DT2.9L4 (Stage V) Engine Machines (China Built Machines) (SN B300004395 through B300005730, Excluding B300005568)	A
	1001220393	Ref	Standard Machines - Ford Engine Machines	A
	1001157753	Ref	Hostile Environment Machines - Deutz D2011 & GM Engine Machines	F
	1001173870	Ref	Hostile Environment Machines - Deutz DT2.9L4 Engine Machines	D
1	0100011	AR	Compound, Locking	
2	0100081	AR	Adhesive	
3	1001161711	1	Mount	
4	0641406	AR	Bolt 1/4in-20NC x 3/4in	
6	0641608	AR	Bolt 3/8in-16NC x 7/8in	
8	0641613	3	Bolt 3/8in-16NC x 1-5/8in	
9	0641616	2	Bolt 3/8in-16NC x 2in	
10	0811812	8	Bolt 1/2in-13NC x 1-1/2in	
11	0902673	1	Bracket	
12	0940049	AR	Stopper, Hood	
13	1120601	1	Plug	
14	2080040	4	Fastener, Huck	
15	2080072	4	Retainer	
16	2940045	2	Latch, Paddle	
17	3300364	5	Nut, Tinnerman	
18	3311405	AR	Locknut 1/4in-20NC	
19	3311501	2	Nut 5/16in-18NC	
21	3311601	1	Nut 3/8in-16NC	
22	3311605	42	Locknut 3/8in-16NC	
23	3520030	1	Plug, Hole	
24	3900210	5	Screw, Button Head 5/16in-18 x 3/4in	
25	3900316	AR	Screw, Button Head 3/8in-16NC x 1in	
26	3960389	54 in/1.4m	Seal	
27	4061032	1	Shield (SN 0300182743 through 0300226928)	
27	4061032	1	Shield (SN B300001092 through B300001749)	
28	4160194	4	Spring, Gas	
29	4240018	3	Tie-Strap (Not Shown)	
31	4751400	AR	Flatwasher 1/4in Regular	
32	4751500	7	Flatwasher 5/16in Regular	
33	4751600	AR	Flatwasher 3/8in Regular	
34	1001110166	59 in /1.5mm	Seal	
35	1001113047	84 in /2.14m	Seal	
36	1001116280	1	Bracket, Hood	
37	1001116322	1	Door	

SECTION 2 - TURNTABLE

ITEM	PART NUMBER	QTY	DESCRIPTION	REV
38		Ref	Door Options:	
38	1001116344	1	Standard Machines	
38	1001125501	1	Hostile Environment Machines (Not Shown)	
39	1001117249	1	Plate, Seal (Deutz and GM Engine Machines)	
39	1001220067	1	Plate, Seal (Ford Engine Machines)	
40	1001116358	1	Bracket	
43	1001117027	1	Bracket	
44	1001117307	1	Decal - Emergency Stop	
45	1001117525	1	Bracket, Striker Plate (SN 0300182743 through 0300219203)	
45	1001186501	1	Bracket, Striker Plate (SN 0300219204 through 0300272492, Except SN 0300272449 through 0300272454)	
45	1001117525	1	Bracket, Striker Plate (SN B300001092 through B300001753)	
45	1001186501	1	Bracket, Striker Plate (SN B300001754 through B300005730, Excluding B300005568)	
46	1001126828	5	Nut, Tinnerman	
		Ref	Note: Customer must transfer Item 108 Heat Shield to Hood Assembly before putting machine back in service.	
48	1001150260	4	Plate	
49		Ref	Plate, Spacer Options:	
49	1001155899	1	Plate (SN 0300182743 through 0300187375)	
49	1001173580	1	Plate (SN 0300187376 through 0300272492, Except SN 0300272449 through 0300272454)	
49	1001173580	1	Plate (SN B300001092 through B300005730, Excluding B300005568)	
50	1001157024	1	Bracket, Striker	
51	1001157025	1	Bracket	
52	1001157344	1	Bracket	
53	1001157474	1	Bracket	
54	1001157475	1	Panel	
56	1001157612	1	Bracket	
57	1001117523	1	Bracket (SN 0300182743 through 0300219203)	
57	1001186502	1	Bracket (SN 0300219204 through 0300272492, Except SN 0300272449 through 0300272454)	
57	1001117523	1	Bracket (SN B300001092 through B300001753)	
57	1001186502	1	Bracket (SN B300001754 through B300005730, Excluding B300005568)	
58	0641611	2	Bolt 3/8in-16NC x 1-3/8in	
59	0940088	1	Bumper	
60	3321501	2	Nut 5/16in-24NF	
61	4071048	3	Shim	
62	4711600	4	Flatwasher 3/8in Thin	
63	4420038	6 in/16cm	Tape	
64	0811610	8	Screw 3/8in-16NC x 1-1/4in	
65	1001157284	1	Mount	
66	1001169935	4	Plate (SN 0300182743 through 0300219203)	
66	1001186251	1	Plate (SN 0300219204 through 0300272492, Except SN 0300272449 through 0300272454)	
66	1001169935	1	Plate (SN B300001092 through B300001753)	
66	1001186251	1	Plate (SN B300001754 through B300005730, Excluding B300005568)	
67	8310070	8	Pushnut 3/8in	
68	0630485	8	Bolt, Carriage	
69	0641408	8	Bolt 1/4in-20NC x 1in	

SECTION 2 - TURNTABLE

ITEM	PART NUMBER	QTY	DESCRIPTION	REV
70	2600280	4	Hinge (SN 0300182743 through 0300219203)	
70	1001186254	4	Hinge (SN 0300219204 through 0300272492, Except SN 0300272449 through 0300272454)	
70	2600280	4	Hinge (SN B300001092 through B300001753)	
70	1001186254	1	Hinge (SN B300001754 through B300005730, Excluding B300005568)	
71	2940173	2	Latch	
72	1001150253	1	Bracket (SN 0300182743 through 0300219203)	
72	1001196768	1	Bracket (SN 0300219204 through 0300272492, Except SN 0300272449 through 0300272454)	
72	1001150253	1	Bracket (SN B300001092 through B300001753)	
72	1001196768	1	Bracket (SN B300001754 through B300005730, Excluding B300005568)	
73	0641609	6	Bolt 3/8 x 1-1/8	
74	1001220002	1	Baffle (Ford Engine Machines)	
100	1001174283	1	Hood Kit - Standard Machines (Deutz D2011, Ford & GM Engines) (Not Shown - Includes Items 101-104)	C
100	1001174282	1	Hood Kit - Hostile Environment Machines (Deutz D2011 & GM Engines) (Not Shown - Includes Items 101-104)	C
100	1001174143	1	Hood Kit - Standard Machines (Deutz DT2.9L4 Engines) (Not Shown - Includes Items 101-104)	C
100	1001174101	1	Hood Kit - Hostile Environment Machines (Deutz DT2.9L4 Engines) (Not Shown - Includes Items 101-104)	C
100	See Note	Ref	Hood Kit - Deutz DT2.9L4 (Stage V) Engines (Not Available for Purchase)	
101		Ref	Note: Customer must transfer Item 607 (Stack) & 608 (Heat Shield) to new Hood before putting machine back in service.	
101	1001157208	1	Hood Assembly - Engine Side Rear (Deutz D2011, Ford & GM Engines) (See Items 251-261 for Breakdown)	
101	1001162915	1	Hood Assembly - Engine Side Rear (Deutz DT2.9L4 Engines) (See Items 251-261 for Breakdown) (USA Built Machines)	
101	1001162915	1	Hood Assembly - Engine Side Rear (Deutz DT2.9L4 Engines) (See Items 251-261 for Breakdown) (China Built Machines) (SN B300001092 through B300004394)	
101	1001244463	1	Hood Assembly - Engine Side Rear (Deutz DT2.9L4 (Stage V) Engines) (China Built Machines) (See Separate Breakdown in This Section) (SN B300004395 through B300005730, Excluding B300005568)	
102	1001157209	1	Hood Assembly - Tank Side Rear (See Items 351-361 for Breakdown) (USA Built Machines)	
102	1001157209	1	Hood Assembly - Tank Side Rear (See Items 351-361 for Breakdown) (China Built Machines) (SN B300001092 through B300004394)	
102	1001244465	1	Hood Assembly - Tank Side Rear (China Built Machines) (See Separate Breakdown in This Section) (SN B300004395 through B300005730, Excluding B300005568)	
103	1001116558	1	Hood - Tank Side Front (Standard Machines)	
103	1001125502	1	Hood - Tank Side Front (Hostile Environment Machines) (Not Shown)	
104	1001116620	1	Hood - Engine Side Front	
	1001157208	Ref	HOOD ASSEMBLY - ENGINE SIDE REAR (DEUTZ D2011, FORD & GM ENGINE)	D
	1001162915	Ref	HOOD ASSEMBLY - ENGINE SIDE REAR (DEUTZ TD2.9L4 ENGINES)	C
		Ref	Note: Customer must transfer Item 607 (Stack) & 608 (Heat Shield) to new Hood before putting machine back in service.	

SECTION 2 - TURNTABLE

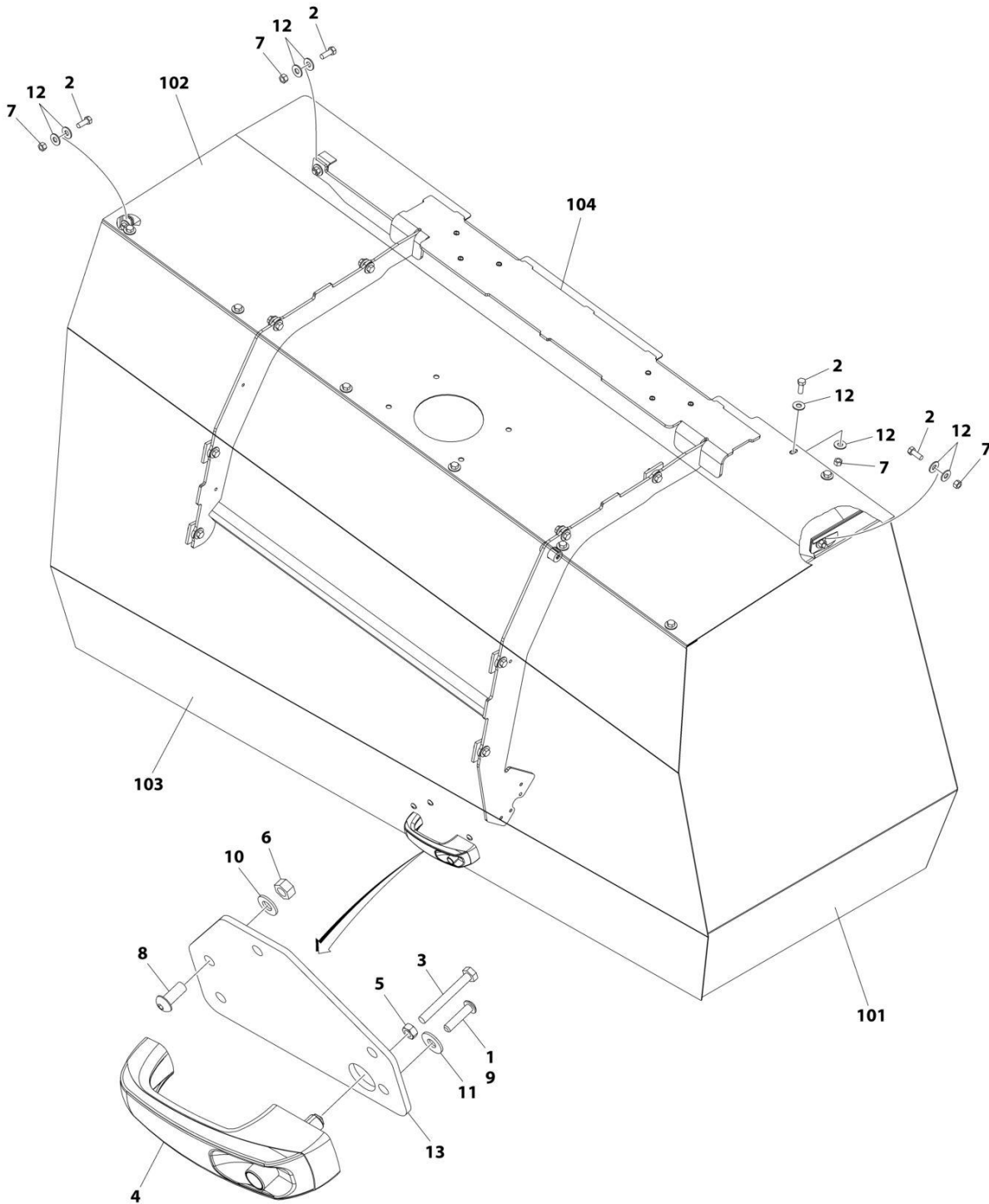
ITEM	PART NUMBER	QTY	DESCRIPTION	REV
251	0100011	AR	Compound, Locking	
252	0700617	AR	Bolt M6 x 45mm	
252	0700618	AR	Bolt M6 x 50mm	
253	2560187	1	Handle, Push Button	
254	3290601	1	Nut M6	
255	3311505	3	Locknut 5/16in-18NC	
256	3900210	3	Screw, Button Head 5/16in-18NC x 3/4in	
257	3900363	2	Screw, Button Head M6 x 25mm	
258	4711500	3	Flatwasher 5/16in Thin	
259	1001116290	1	Plate, Latch Mounting	
261	4751400	2	Flatwasher 1/4in Regular	
	1001157209	Ref	HOOD ASSEMBLY - TANK SIDE REAR	B
351	0100011	AR	Compound, Locking	
352	0700617	1	Bolt M6 x 45mm	
353	2560187	1	Handle, Push Button	
354	3290601	1	Nut M6	
355	3311505	3	Locknut 5/16in-18NC	
356	3900210	3	Screw, Button Head 5/16in-18NC x 3/4in	
357	3900363	2	Screw, Button Head M6 x 25mm	
358	4711500	3	Flatwasher 5/16in Thin	
359	1001116290	1	Plate, Latch Mounting	
361	4751400	2	Flatwasher 1/4in Regular	
	0272081	Ref	NOISE REDUCTION INSTALLATION (DEUTZ ENGINE MACHINES)	4-D
401	2820078	1	Foam, Acoustical	
	1001158084	Ref	LIFTING PLATE INSTALLATION	B
501	0100019	AR	Compound, Locking	
502	0682016	8	Bolt 5/8in-11NC x 2in Grade 8	
503	4892000	8	Flatwasher 5/8in Hardened	
504	1001157870	2	Plate, Lifting	
505	1703811	2	Decal - Lift	
		Ref	HOODS INSTALLATIONS	
	1001157752	Ref	Deutz D2011 Engine Machines	C
	1001157755	Ref	Deutz D2011 Engine Machines with Hostile Environment Package	C
	1001173871	Ref	Deutz DT2.9L4 and Deutz DT2.9L4 (Stage V) Engine Machines (USA Built Machines)	B
	1001173871	Ref	Deutz DT2.9L4 and Deutz DT2.9L4 (Stage V) Engine Machines (China Built Machines) (SN B300001092 through B300004394)	B
	1001244467	Ref	Deutz DT2.9L4 (Stage V) Engine Machines (China Built Machines) (SN B300004395 through B300005730, Excluding B300005568)	A
	1001173869	Ref	Deutz DT2.9L4 Engine Machines with Hostile Environment Package	B
	1001220392	Ref	Ford Engine Machines	A
	1001157751	Ref	GM Engine Machines	C
601	0641406	3	Bolt 1/4in-20NC x 3/4in	
602	3311405	3	Locknut 1/4in-20NC	
603	3311605	4	Locknut 3/8in-16NC	
604	3900316	AR	Screw, Button Head 3/8in-16NC x 1in	
604	0641608	AR	Bolt 3/8 x 1	
605	4751400	3	Flatwasher 1/4in Regular	
606	4751600	8	Flatwasher 3/8in Regular	

SECTION 2 - TURNTABLE

ITEM	PART NUMBER	QTY	DESCRIPTION	REV
607		Ref	Stack, Exhaust Options:	
607	1001116456	1	Deutz D2011 Engine Machines	
607	1001144527	1	Deutz DT2.9L4 Engine Machines	
607	1001116457	1	Ford & GM Engine Machines	
608		Ref	Shield, Heat Options:	
608	1001150561	1	Shield - Deutz D2011 & GM Engine Machines	
608	1001163101	1	Shield - Deutz DT2.9L4 Engine Machines	

SECTION 2 - TURNTABLE

FIGURE 2-29. HOOD ASSEMBLY - ENGINE SIDE REAR (DEUTZ DT2.9L4 (STAGE V) ENGINES) (SN B300004395 through B300005730)



ART_1001244463

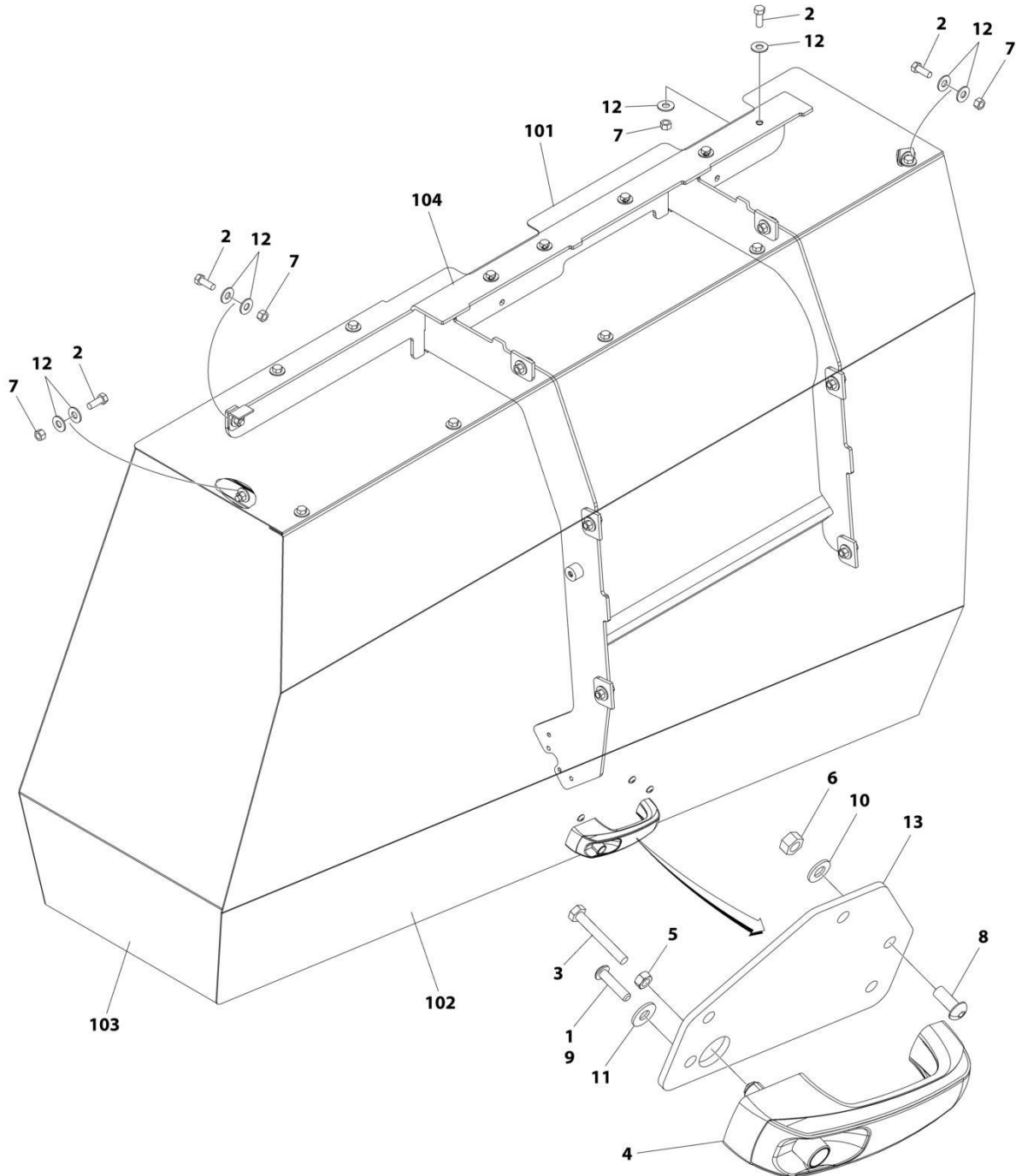
SECTION 2 - TURNTABLE

FIGURE 2-29. HOOD ASSEMBLY - ENGINE SIDE REAR (DEUTZ DT2.9L4 (STAGE V) ENGINES) (SN B300004395 through B300005730)

ITEM	PART NUMBER	QTY	DESCRIPTION	REV
	1001244463	Ref	HOOD ASSEMBLY - ENGINE SIDE REAR	A
1	0100011	AR	Compound, Locking	
2	0641608	28	Bolt 3/8 x 7/8	
3	0700618	1	Bolt M6 x 50	
4	2560187	1	Handle, Push Button	
5	3290601	1	Nut M6	
6	3311505	3	Nut 5/16	
7	3311605	28	Nut 3/8	
8	3900210	3	Screw, Button Head 5/16 x 3/4	
9	3900363	2	Screw, Button Head M6 x 25	
10	4711500	3	Washer 5/16	
11	4751400	2	Washer 1/4	
12	4751600	56	Washer 3/8	
13	1001116290	1	Plate, Latch Mounting	
100	1001243985	1	Hood Engine Side Kit (Not Shown - Includes Items 101-104)	
101	1001239688	1	End Panel	
102	1001239689	1	Top Panel	
103	1001239690	1	Side Panel	
104	1001239691	1	Support	

SECTION 2 - TURNTABLE

FIGURE 2-30. HOOD ASSEMBLY - TANK SIDE REAR (DEUTZ DT2.9L4 (STAGE V) ENGINES) (SN B300004395 through B300005730)



ART_1001244465

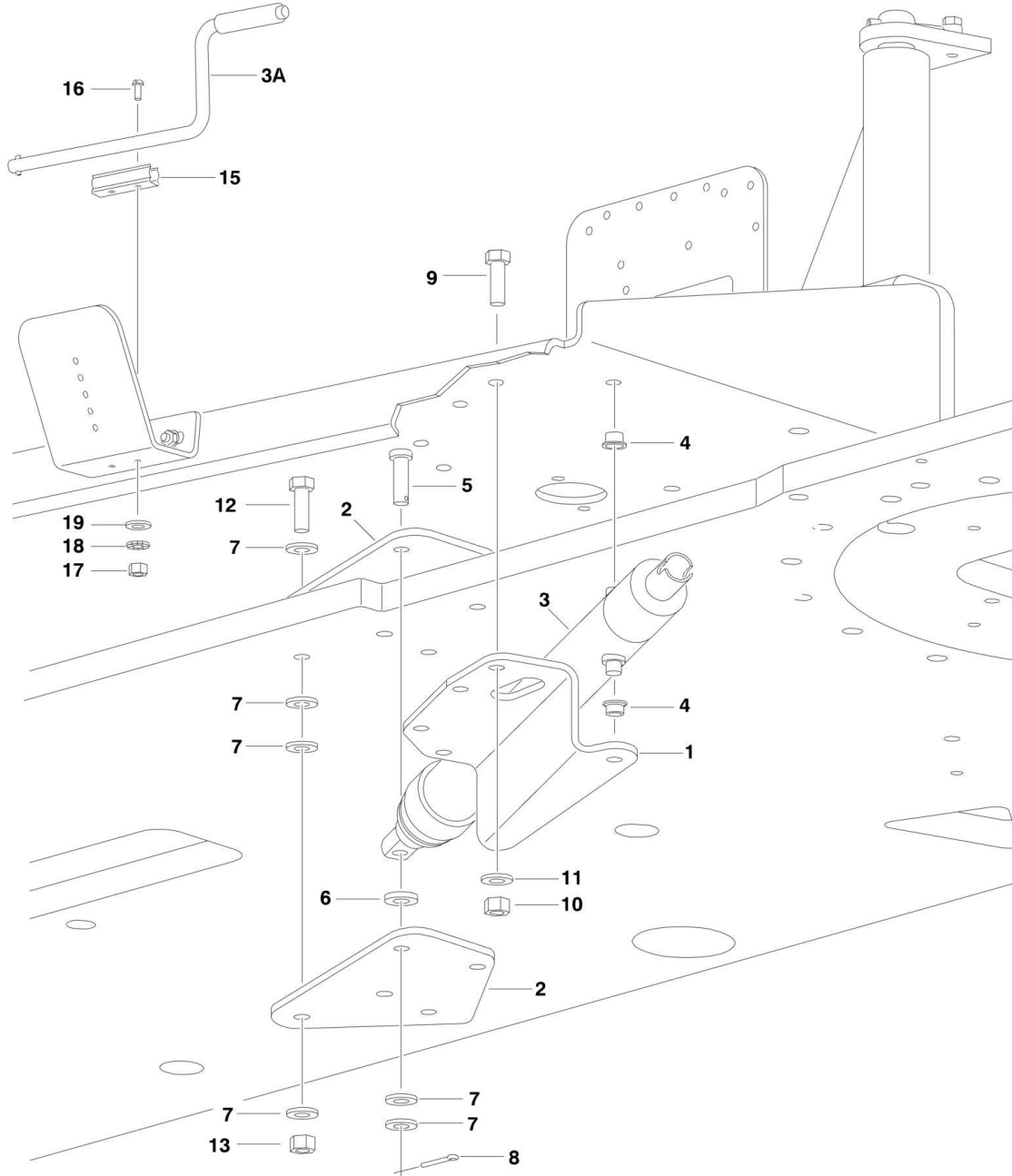
SECTION 2 - TURNTABLE

FIGURE 2-30. HOOD ASSEMBLY - TANK SIDE REAR (DEUTZ DT2.9L4 (STAGE V) ENGINES) (SN B300004395 through B300005730)

ITEM	PART NUMBER	QTY	DESCRIPTION	REV
	1001244465	Ref	HOOD ASSEMBLY - TANK SIDE REAR	A
1	0100011	AR	Compound, Locking	
2	0641608	28	Bolt 3/8 x 7/8	
3	0700617	1	Bolt M6 x 45	
4	2560187	1	Handle, Push Button	
5	3290601	1	Nut M6	
6	3311505	3	Nut 5/16	
7	3311605	28	Nut 3/8	
8	3900210	3	Screw, Button Head 5/16 x 3/4	
9	3900363	2	Screw, Button Head M6 x 25	
10	4711500	3	Washer 5/16	
11	4751400	2	Washer 1/4	
12	4751600	56	Washer 3/8	
13	1001116290	1	Plate, Latch Mounting	
100	1001243986	1	Hood Tank Side Kit (Not Shown - Includes Items 101-104)	
101	1001239721	1	Top Panel	
102	1001239722	1	Side Panel	
103	1001239723	1	End Panel	
104	1001239724	1	Support	

SECTION 2 - TURNTABLE

FIGURE 2-31. ENGINE TRAY JACK INSTALLATION (OPTIONAL)



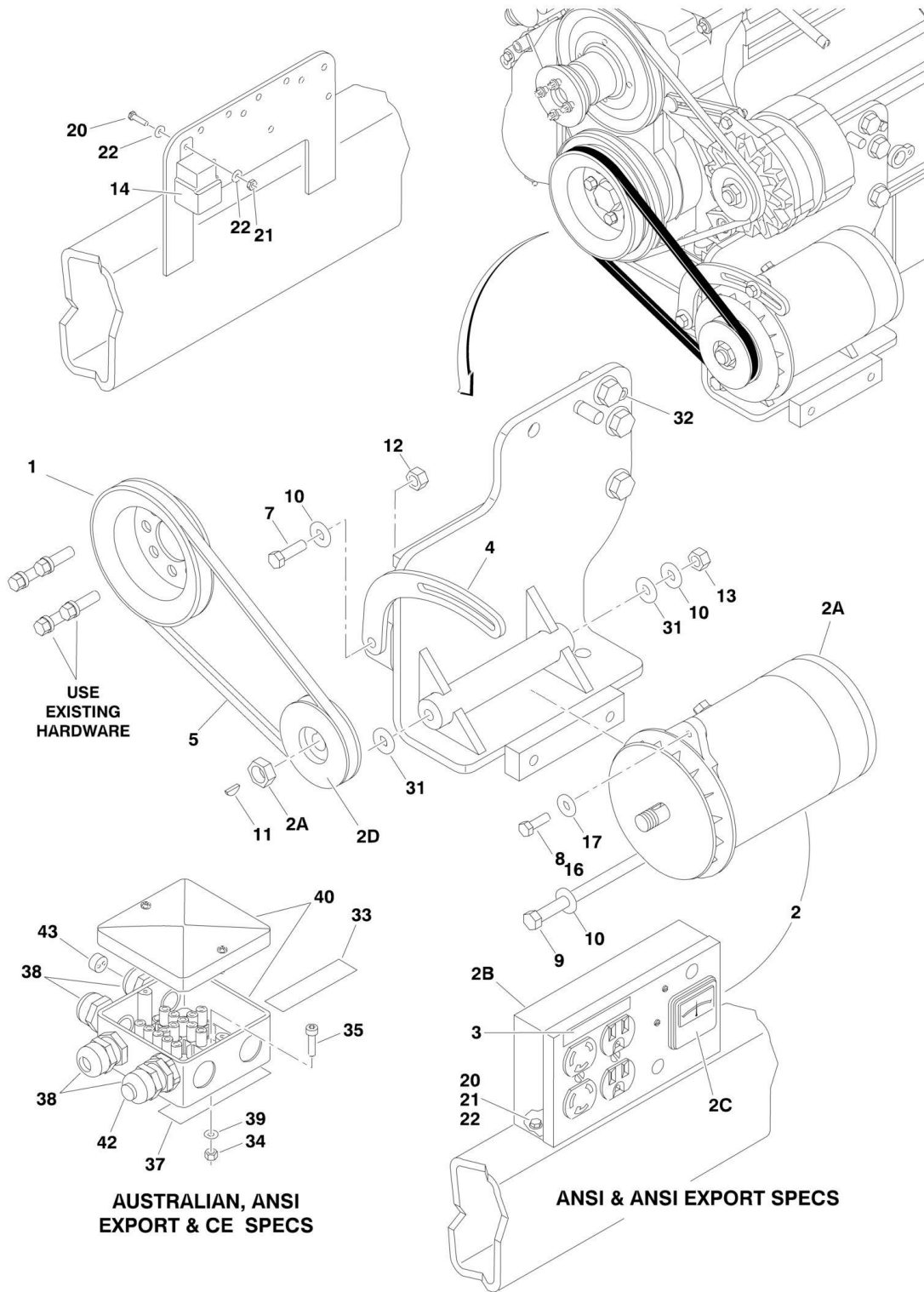
SECTION 2 - TURNTABLE

FIGURE 2-31. ENGINE TRAY JACK INSTALLATION (OPTIONAL)

ITEM	PART NUMBER	QTY	DESCRIPTION	REV
	0258728	Ref	ENGINE TRAY JACK INSTALLATION (DEUTZ & GM ENGINES)	2-C
	1001219881	Ref	ENGINE TRAY JACK INSTALLATION (FORD ENGINES)	B
1	3537445	1	Bracket (Deutz & GM Engines)	
1	1001218547	1	Bracket (Ford Engines)	
2	3537446	2	Bracket	
3	2840016	1	Jack and Handle Assembly	F
3A	7024598	1	Handle	
4	0962051	2	Bearing, Flange	
5	3430816	1	Pin, Clevis	
6	4891800	1	Flatwasher 1/2in Hardened	
7	4711800	6	Flatwasher 1/2in Thin	
8	3450404	1	Pin, Cotter 1/8in x 1in	
9	0641609	4	Bolt 3/8in-16NC x 1-1/8in	
10	3311605	4	Locknut 3/8in-16NC	
11	4891600	4	Flatwasher 3/8in Hardened	
12	0641818	4	Bolt 1/2in-13NC x 2-1/4in	
13	3311805	4	Locknut 1/2in-13NC	
15	1380147	1	Clip, Spring	
16	3910608	2	Screw, Round Head #6-32NC x 1in	
17	3310601	2	Nut #6-32NC	
18	4770600	2	Starwasher #6	
19	4740119	2	Washer, Aluminum	

SECTION 2 - TURNTABLE

FIGURE 2-32. 2500W GENERATOR INSTALLATION - DEUTZ D2011 MACHINES (OPTIONAL)



SECTION 2 - TURNTABLE

FIGURE 2-32. 2500W GENERATOR INSTALLATION - DEUTZ D2011 MACHINES (OPTIONAL)

ITEM	PART NUMBER	QTY	DESCRIPTION	REV
		Ref	2500 W GENERATOR INSTALLATION - Deutz D2011 Machines (Optional)	
	1001115405	Ref	110V/60Hz (ANSI and ANSI Export Specs)	B
	1001115406	Ref	220V/50Hz (ANSI Export Specs)	B
	1001115409	Ref	220V/50Hz (Australian and CE Specs)	B
1	3580158	1	Pulley	
2		Ref	Generator and Control Box Assembly Options:	
2	2460055	1	110V/60Hz (ANSI and ANSI Export Specs)	
2	2460056	1	220V/50Hz (ANSI Export Specs)	
2	1001100321	1	220V/50Hz (Australian and CE Specs)	
2A	7012558	1	Generator Only - 110V/60Hz	
2A	1001100321	1	Generator Only - 220V/50Hz	
2A		Ref	Note: Replacement Generators come standard with p/n 3580134 pulley. This pulley may not be correct for all applications. Refer to pulley options below.	
2A		Ref	Armature with Slip Rings Options:	
2A	7026199	1	Armature with Slip Rings - 110V/60Hz	
2A	70000123	1	Armature with Slip Rings - 220V/50Hz	
2A	7012513	4	Cap, Brush Holder	
2A	7020108	4	Brush	
2A	7020109	4	Holder, Brush	
2A	7012514	1	Fan	
2A	7020110	1	Bell, Front	
2A	7020111	1	Bell, Rear	
2A	7020190	2	Bearing	
2B	7019680	1	Box, Control - 110V/60Hz	
2B	70000127	1	Box, Control - 220V/50Hz (ANSI Export Specs)	
2B	Not Required	0	Box, Control - 220V/50Hz (Australian and CE Specs)	
2B		Ref	Receptacle Options:	
2B	4460190	1	Receptacle, Standard (110V Only)	
2B	4460027	1	Receptacle, Twistlock (110V Only)	
2B	70000124	1	Receptacle, Double (220V/50Hz Only)	
2B	70000125	1	Receptacle, Single (220V/50Hz Only)	
2B		Ref	Breaker, Circuit Options:	
2B	4360542	1	Breaker 110V/60Hz	
2B	70000126	1	Breaker 220V/50Hz	
2B	3520028	1	Plug, Hole	
2C		Ref	Voltmeter Options:	
2C	2420203	1	Voltmeter - 110V	
2C	7020192	1	Voltmeter - 220V	
2D		Ref	Pulley Options:	
2D	3580276	1	Pulley - 60Hz	
2D	3580134	1	Pulley - 50Hz	
2D	7027887	1	Key, Woodruff	
3		Ref	Decal Options:	
3	3251243	1	110V/60Hz (ANSI and ANSI Export Specs)	
3	Not Required	0	220V/50Hz (ANSI Export, Australian and CE Specs)	
4	0200742	1	Arm, Adjusting	
5	0480121	1	V-Belt	
7	0641610	1	Bolt 3/8in-16NC x 1-1/4in	

SECTION 2 - TURNTABLE

ITEM	PART NUMBER	QTY	DESCRIPTION	REV
8	0100011	AR	Compound, Locking	
9	0641772	1	Bolt 7/16in-14NC x 9in	
10	4751600	6	Flatwasher 3/8in Regular	
11	2860012	1	Key, Woodruff	
12	3311605	1	Locknut 3/8in-16NC	
13	3311705	1	Locknut 7/16in-14NC	
14	3740080	1	Relay	
16	0641508	1	Bolt 5/16in-18NC x 1in	
17	4751500	AR	Flatwasher 5/16in Regular	
20	0721006	AR	Bolt #10-24NC x 3/4in	
21	3311005	AR	Locknut #10-24NC	
22	4751000	AR	Flatwasher #10 Regular	
25	4360336	1	Switch, Toggle (Not Shown - Located at Platform)	
26	4740397	1	Bushing (Not Shown - Located at Platform)	
27	4060802	1	Guard, Switch (Not Shown - Located at Platform)	
28	3252507	1	Decal - 220V-50/60Hz (Not Shown - Located on Turntable)	
29	2820031	4 in/10cm	Heat Shrink (Not Shown - Located at Platform)	
30	3251102	1	Decal (Not Shown - Located at Platform)	
		Ref	Note: Items 32-43 Used on ANSI Export, Australian and CE Specs Only.	
32	0641404	1	Bolt 1/4in-20NC x 1/2in	
33	3252507	2	Decal - 220V-50Hz	
		Ref	Note: One Decal Not Shown - Located on the Inside of Platform Rail.	
34	3290505	1	Locknut M5 x 0.8mm	
35	4031608	1	Bolt M5 x 20mm	
36	4240018	1	Tie-Strap (Not Shown)	
37	4420060	1	Tape, Double Coated Acrylic Foam	
38	4460968	3	Connector, Strain Relief	
39	4811600	1	Flatwasher M5	
40	1001099869	1	Box, Junction	
42		Ref	Light Red Options:	
42	1001100233	1	125 Vac	
42	1001100234	1	250 Vac	
43	0962449	1	Bushing	
44	2902085	1	Kit, Powermite Generator Mounting (Not Shown)	

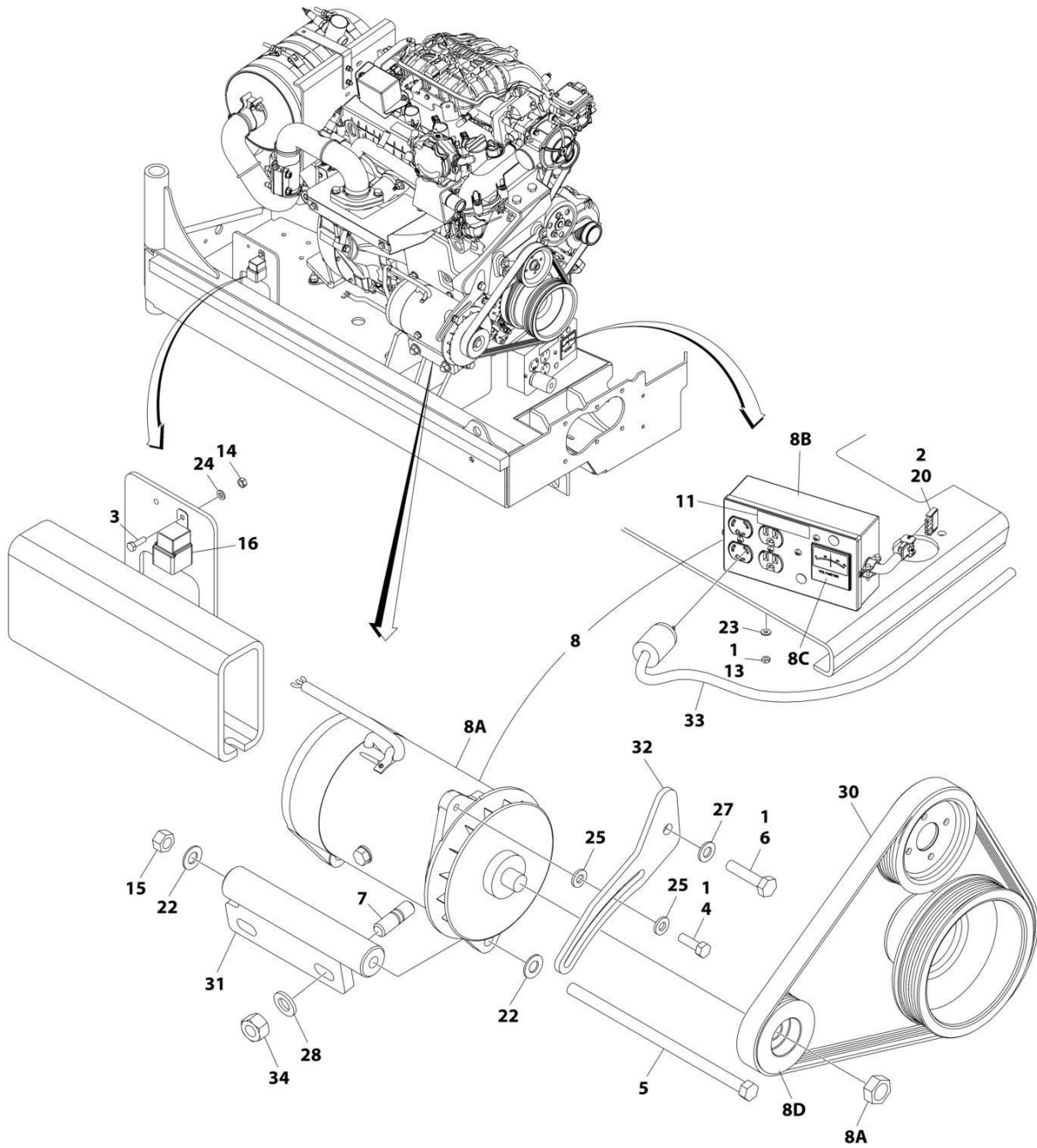
SECTION 2 - TURNTABLE

FIGURE 2-33. 2500W GENERATOR INSTALLATION - DEUTZ TD2.9L4 MACHINES (OPTIONAL)

ITEM	PART NUMBER	QTY	DESCRIPTION	REV
	1001180287	Ref	2500W GENERATOR INSTALLATION - DEUTZ TD2.9L4 MACHINES (OPTIONAL)	C
1	0100011	AR	Compound, Locking	
2	0100019	AR	Compound, Locking	
3	0641508	1	Bolt 5/16 x 1	
4	0641607	1	Bolt 3/8 x 7/8	
5	0641772	1	Bolt 7/16 x 9	
6	0641812	2	Bolt 1/2 x 1-1/2	
7	0721006	1	Screw #10 x 3/4	
8	2820031	AR	Heat Shrink (Not Shown - Located at Platform)	
9	3251102	1	Name Plate - Generator On (Not Shown - Located at Platform)	
10	3311005	3	Nut #10	
12	3311705	1	Nut 7/16	
13	3311801	2	Nut 1/2	
14	3740080	1	Relay	
15	4060802	1	Guard, Switch (Not Shown - Located at Platform)	
16	4240018	AR	Strap, Cable Tie (Not Shown)	
17	4360336	1	Switch, Toggle (Not Shown - Located at Platform)	
18	4711000	6	Washer #10	
19	4711600	1	Washer 3/8	
20	4711700	2	Washer 7/16	
21	4751500	1	Washer 5/16	
22	4891800	4	Washer 1/2	
23	1001148138	1	V-Belt	
24	1001163599	2	Stud	
25	1001216015	1	Bracket	
26	1001179837	1	Arm, Adjustment	
27	1001180001	1	Generator and Control Box Assembly	
27A	7012558	1	Generator Only - 110V/60Hz	
27A		Ref	Note: Replacement Generators come standard with p/n 3580134 pulley. This pulley may not be correct for all applications. Refer to pulley options below.	
27A	7026199	1	Armature with Slip Rings	
27A	7012513	4	Cap, Brush Holder	
27A	7020108	4	Brush	
27A	7020109	4	Holder, Brush	
27A	7012514	1	Fan	
27A	7020110	1	Bell, Front	
27A	7020111	1	Bell, Rear	
27A	7020190	2	Bearing	
27B	7019680	1	Box, Control - 110V/60Hz	
27B		Ref	Receptacle Options:	
27B	4460190	1	Receptacle, Standard (110V Only)	
27B	4460027	1	Receptacle, Twistlock (110V Only)	
27B	4360542	1	Breaker, Circuit	
27B	3520028	1	Plug, Hole	
27C	2420203	1	Voltmeter	
27D	3580276	1	Pulley	
27D	7027887	1	Key, Woodruff	
29	1001181243	1	Mount, Generator	

SECTION 2 - TURNTABLE

FIGURE 2-34. 2500W GENERATOR INSTALLATION - FORD MACHINES (OPTIONAL)



ART_1001219619

SECTION 2 - TURNTABLE

FIGURE 2-34. 2500W GENERATOR INSTALLATION - FORD MACHINES (OPTIONAL)

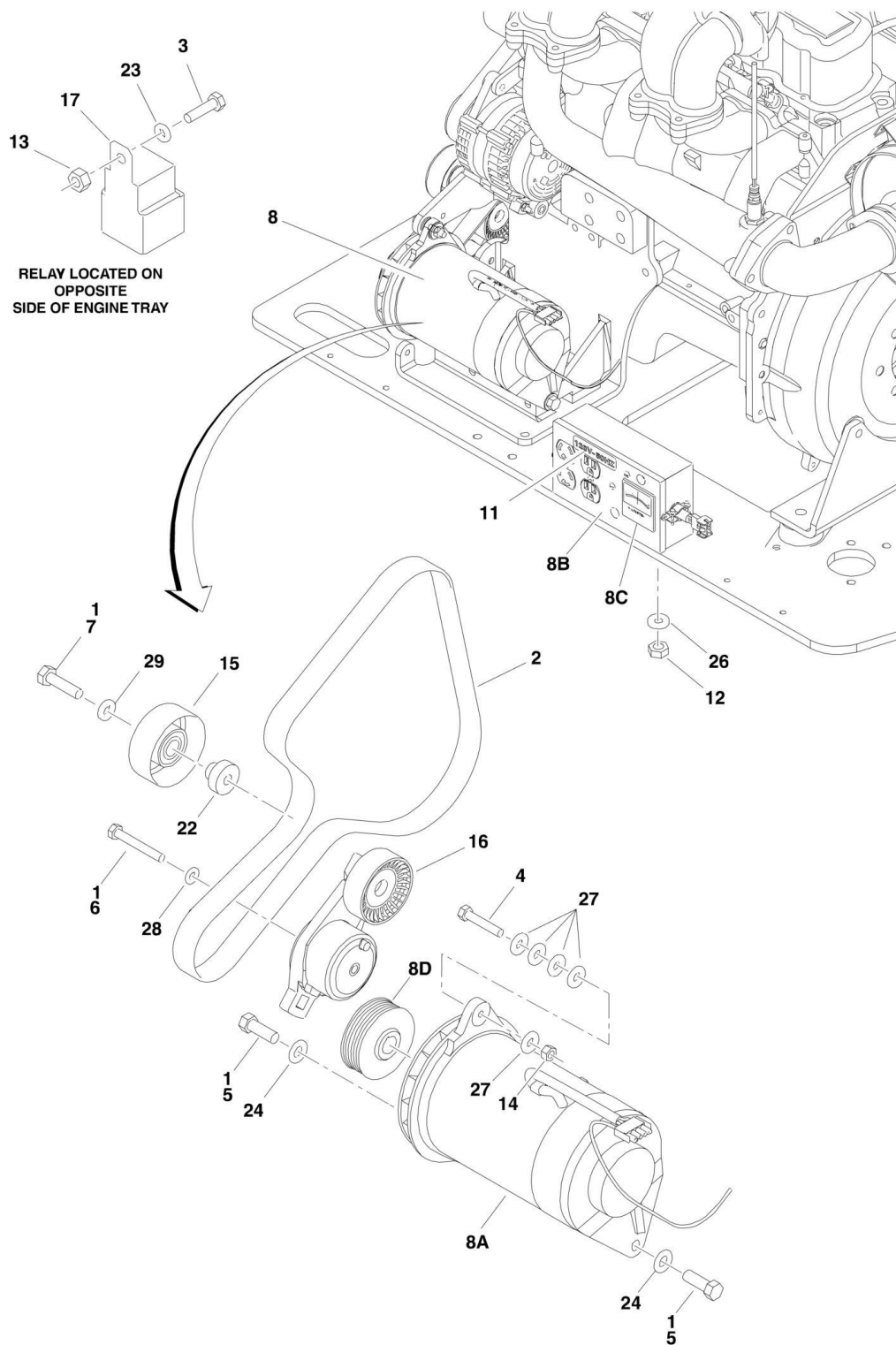
ITEM	PART NUMBER	QTY	DESCRIPTION	REV
	1001219619	Ref	2500W GENERATOR INSTALLATION - FORD MACHINES (OPTIONAL)	E
1	0100011	AR	Compound, Locking	
2	0100048	AR	Grease, Dielectric	
3	0760610	1	Bolt M6 x 20	
4	0641508	1	Bolt 5/16 x 1	
5	0641772	1	Bolt 7/16 x 9	
6	0761016	1	Bolt M10 x 40	
7	1001155041	1	Stud	
8	2460051	1	Generator and Control Box Assembly	
8A	7012558	1	Generator Only - 110V/60Hz	
		Ref	Note: Replacement Generators come standard with pin 3580134 pulley. This pulley may not be correct for all applications. Refer to pulley options below.	
8A	7026199	1	Armature with Slip Rings	
8A	7012513	4	Cap, Brush Holder	
8A	7020108	4	Brush	
8A	7020109	4	Holder, Brush	
8A	7012514	1	Fan	
8A	7020110	1	Bell, Front	
8A	7020111	1	Bell, Rear	
8A	7020190	2	Bearing	
8B	7019680	1	Box, Control - 110V/60Hz	
8B		Ref	Receptacle Options:	
8B	4460190	1	Receptacle, Standard (110V Only)	
8B	4460027	1	Receptacle, Twistlock (110V Only)	
8B	4360542	1	Breaker, Circuit	
8B	3520028	1	Plug, Hole	
8C	2420203	1	Voltmeter	
8D	3580324	1	Pulley	
8D	7027887	1	Key, Woodruff	
9	2820031	1	Heat Shrink (Not Shown - Located at Platform)	
10	3251102	1	Nameplate Generator (Not Shown - Located at Platform)	
11	3251243	1	Decal - 120V-60Hz	
13	3311005	2	Nut #10	
14	3290601	1	Nut M6	
15	3311705	1	Nut 7/16	
16	3740080	1	Relay	
17	4060802	1	Guard Switch (Not Shown - Located at Platform)	
18	4240099	AR	Tie-Strap (Not Shown)	
19	4360336	1	Switch, Toggle (Not Shown - Located at Platform)	
20	4460321	1	Plug, Male - 4 Position	
21	4460906	1	Socket, Female (Not Shown) (SN 0300182743 through 0300245227)	
22	4711700	2	Washer 7/16	
23	4751000	2	Washer #10	
24	4811700	1	Washer M6	
25	4891500	2	Washer 5/16	
27	4812000	1	Washer M10	
28	4812200	2	Washer M14	

SECTION 2 - TURNTABLE

ITEM	PART NUMBER	QTY	DESCRIPTION	REV
30	1001216391	1	V-Belt	
31	1001219630	1	Mount, Generator	
32	1001219632	1	Arm, Adjustment	
33	4921829	1	Harness, Inverter	
34	3291201	2	Nut M12	

SECTION 2 - TURNTABLE

FIGURE 2-35. 2500W GENERATOR INSTALLATION - GM MACHINES (OPTIONAL)



SECTION 2 - TURNTABLE

FIGURE 2-35. 2500W GENERATOR INSTALLATION - GM MACHINES (OPTIONAL)

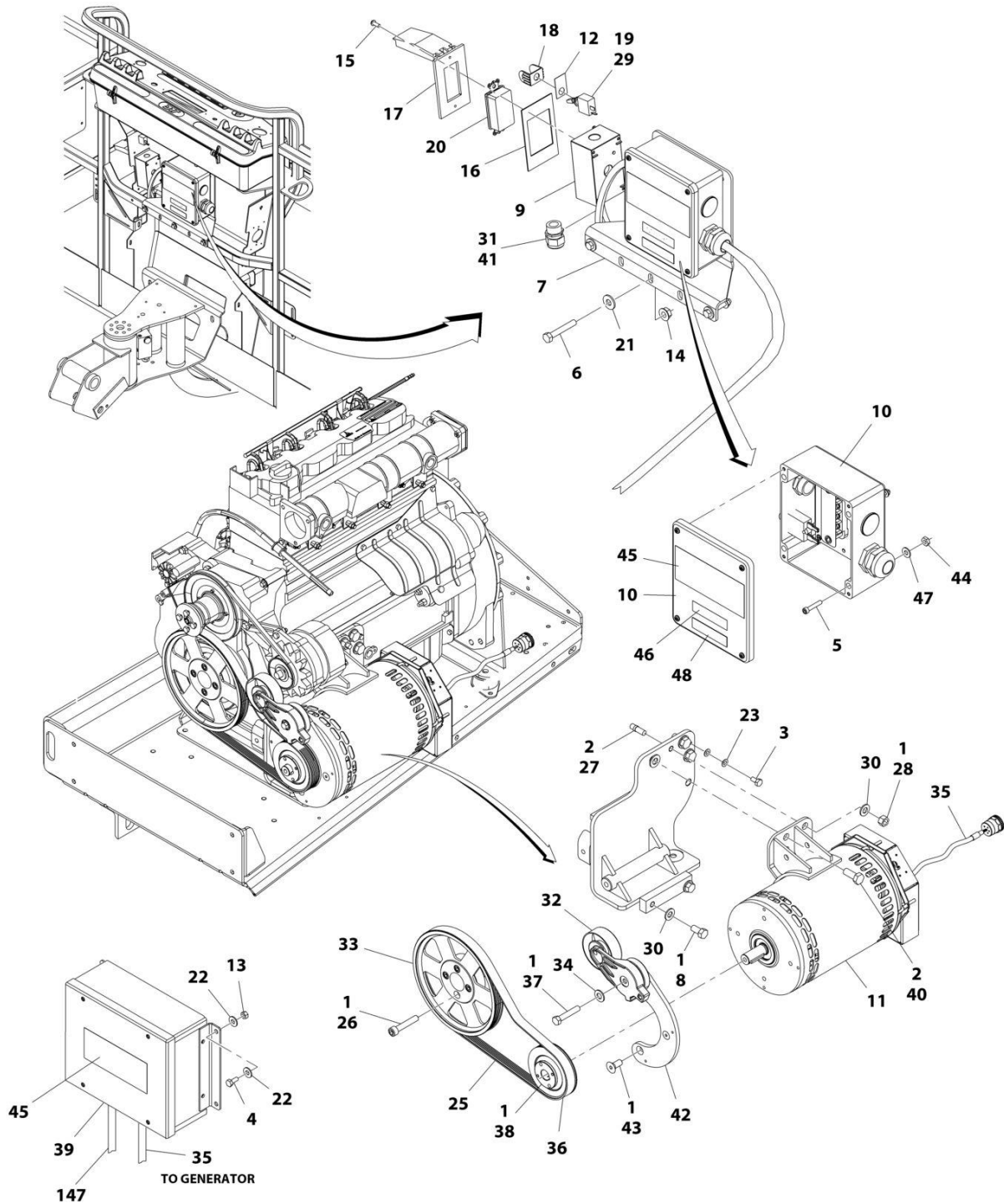
ITEM	PART NUMBER	QTY	DESCRIPTION	REV
		Ref	2500W GENERATOR INSTALLATION (GM ENGINES) (OPTIONAL):	
	0275039	Ref	110V Generator	F
1	0100011	AR	Compound, Locking	
2	0480142	1	V-Belt	
3	0641405	1	Bolt 1/4in-20NC x 5/8in	
4		Ref	Bolt Options:	
4	0641514	1	Bolt 5/16in-18NC x 1-3/4in	
4	0641510	1	Bolt 5/16in-18NC x 1-1/4in	
5	0641710	2	Bolt 7/16in-14NC x 1-1/4in	
6	0700820	1	Bolt M8 x 60mm	
7	0701016	1	Bolt M10 x 40mm	
8	2460051	1	Generator and Control Box Assembly	
8A	7012558	1	Generator Only - 110V/60Hz	
		Ref	Note: Replacement Generators come standard with p/n 3580134 pulley. This pulley may not be correct for all applications. Refer to pulley options below.	
8A		Ref	Armature with Slip Rings Options:	
8A	7026199	1	Armature with Slip Rings - 110V/60Hz	
8A	70000123	1	Armature with Slip Rings - 220V/50Hz	
8A	7012513	4	Cap, Brush Holder	
8A	7020108	4	Brush	
8A	7020109	4	Holder, Brush	
8A	7012514	1	Fan	
8A	7020110	1	Bell, Front	
8A	7020111	1	Bell, Rear	
8A	7020190	2	Bearing	
8B	7019680	1	Box, Control - 110V/60Hz	
8B		Ref	Receptacle Options:	
8B	4460190	1	Receptacle, Standard (110V Only)	
8B	4460027	1	Receptacle, Twistlock (110V Only)	
8B	4360542	1	Breaker, Circuit	
8B	3520028	1	Plug, Hole	
8C	2420203	1	Voltmeter	
8D	3580324	1	Pulley	
8D	7027887	1	Key, Woodruff	
9	2820031	AR	Heat Shrink (Not Shown - Located at Platform)	
10	3251102	1	Nameplate - Generator (Not Shown - Located at Platform)	
11	3251243	1	Decal - 110 Volt	
12	3311005	2	Locknut #10-24NC	
13	3311405	1	Locknut 1/4in-20NC	
14	3311505	1	Locknut 5/16in-18NC	
15	3580312	1	Pulley, Idler	
16	3580348	1	Tensioner, Belt	
17	3740080	1	Relay, Bosch	
18	4060802	1	Guard, Switch (Not Shown - Located at Platform)	
19	4240018	AR	Tie-Strap (Not Shown)	
20	4360336	1	Switch, Toggle (Not Shown - Located at Platform)	
21	4460906	3	Terminal (Not Shown)	
22	4568735	1	Spacer, Tube (Idler Pulley Grooved)	

SECTION 2 - TURNTABLE

ITEM	PART NUMBER	QTY	DESCRIPTION	REV
23	4711400	1	Flatwasher 1/4in Thin	
24	4711700	2	Flatwasher 7/16in Thin	
25	4740397	1	Spacer (Not Shown - Located at Platform)	
26	4751000	2	Flatwasher #10 Regular	
27	4751500	AR	Flatwasher 5/16in Regular	
28	4811900	1	Flatwasher M8	
29	4891600	1	Flatwasher 3/8in Hardened	

SECTION 2 - TURNTABLE

FIGURE 2-36. 4000W GENERATOR INSTALLATION - DEUTZ D2011 ENGINES



ART_1001153309

SECTION 2 - TURNTABLE

FIGURE 2-36. 4000W GENERATOR INSTALLATION - DEUTZ D2011 ENGINES

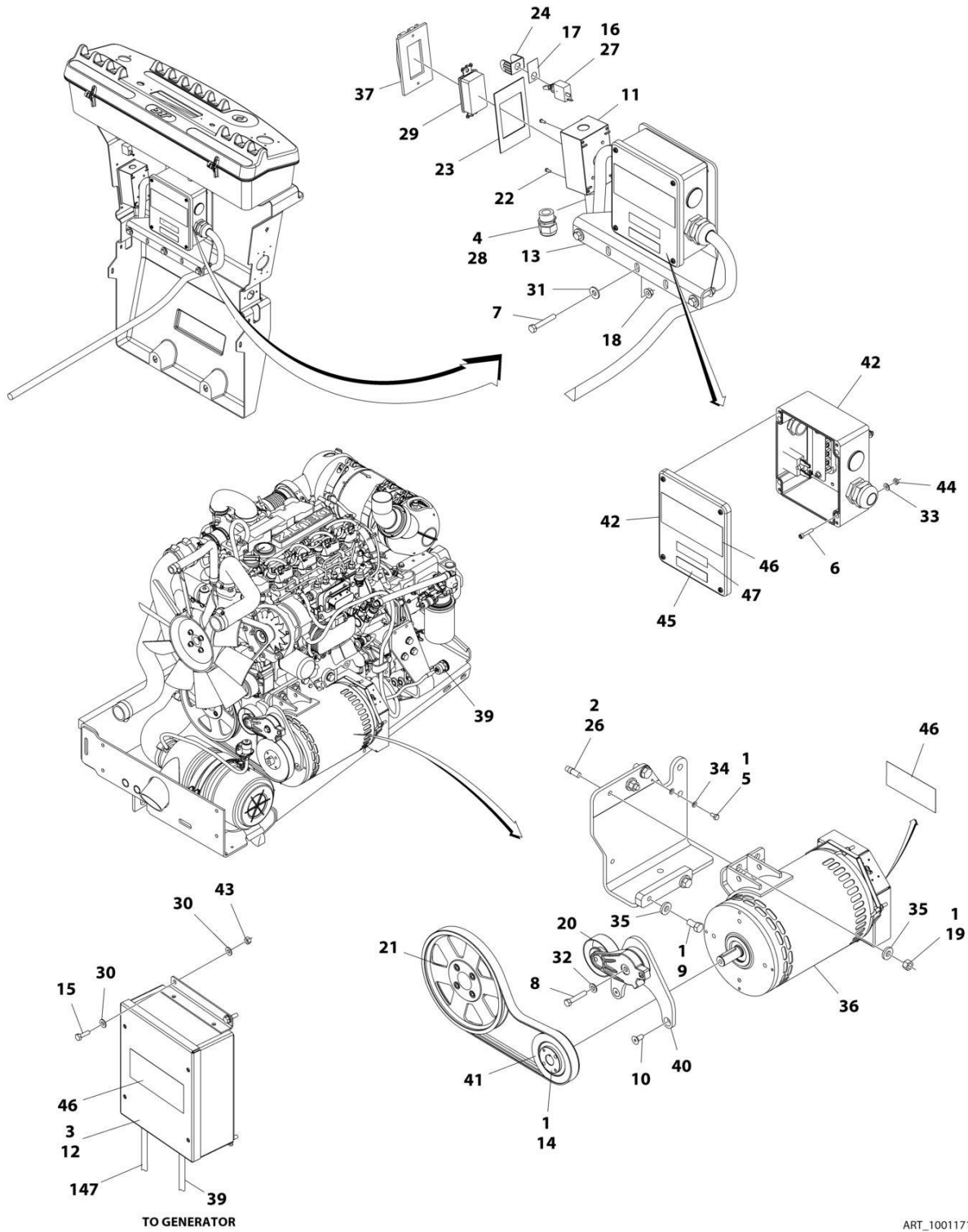
ITEM	PART NUMBER	QTY	DESCRIPTION	REV
		Ref	4000W GENERATOR INSTALLATION - DEUTZ D2011 ENGINES	
	1001153309	Ref	4000W/60Hz Generator Installation - Deutz D2011 Engines	B
	1001153310	Ref	4000W/50Hz Generator Installation - Deutz D2011 Engines	F
1	0100011	AR	Compound, Locking	
2	0100019	AR	Compound, Locking	
3	0641404	1	Bolt 1/4 x 1/2	
4	0641405	4	Bolt 1/4 x 5/8	
5	3931016	4	Capscrew #10 x 1	
6	0641516	3	Bolt 5/16 x 2	
7	0902888	1	Bracket	
8	0641808	2	Bolt 1/2 x 1	
9	0860038	1	Box, Receptacle (60Hz)	
10	1001152457	1	Junction Box Assembly (60Hz)	
10	3300396	1	Cover, Breaker	
10	4360070	1	Breaker, Circuit - 15Amp	
10	4460425	1	Connector, Strain Relief (LH Side)	
10	4460426	1	Connector, Strain Relief (RH Side)	
10	1001152530	1	Block, Terminal	
10	1001158363	1	Cover, Terminal Block	
10	1001153260	1	Decal - Wiring Diagram	
11	1001129858	1	Generator Assembly (60Hz)	
11	1001138565	1	Generator Assembly (50Hz)	
11	70003709	1	Ring, Retaining (External)	
11	70003708	1	Ring, Retaining (Internal)	
11	70001966	1	Bearing	
11	70004092	1	Endbell (Shaft End)	
11	70004171	1	Key	
11	70004676	1	Rotor	
11	70004684	1	Stator (60Hz)	
11	70004677	1	Stator (50Hz)	
11	70004678	1	Endbell (Rear)	
11	70004679	1	Cover, Endbell (Rear)	
11	70004680	1	Enclosure, Wiring	
11	70004685	1	Cover, Enclosure (60Hz)	
11	70004681	1	Cover, Enclosure (50Hz)	
11	70004682	1	Switch, Reset (Located on Enclosure Cover)	
11	70004098	1	Connector, Strain Relief (60Hz) (Located on Enclosure Cover)	
11	70004683	1	Connector, Strain Relief (50Hz) (Located on Enclosure Cover)	
12	3251102	1	Nameplate - Generator	
13	3311405	AR	Nut 1/4	
14	3311508	3	Nut 5/16	
15	3910606	4	Screw #6 x 3/8	
16	3960422	1	Gasket, Receptacle (60Hz)	
17	1001110873	1	Cover, Receptacle (60Hz)	
18	4060802	1	Guard, Switch	
19	4360336	1	Switch, Toggle	
20	4460346	1	Receptacle	
21	4751500	3	Washer 5/16	
22	4751400	8	Washer 1/4	
23	4791400	2	Washer 1/4	

SECTION 2 - TURNTABLE

ITEM	PART NUMBER	QTY	DESCRIPTION	REV
25	0480129	1	Belt, Generator (60Hz)	
25	0480126	1	Belt, Generator (50Hz)	
26	4032015	4	Capscrew M10 x 55	
27	4300157	1	Stud	
28	3311801	1	Nut 1/2	
29	2820031	AR	Heat Shrink	
30	4711800	3	Washer 1/2	
31	4460071	1	Connector, Strain Relief (60Hz)	
32	3580317	1	Pulley, Tensioner	
33	3580320	1	Pulley, Engine	
34	4711600	1	Washer 3/8	
35	1001152532	1	Harness, Generator	
36	3580318	1	Pulley, Generator (60Hz)	
36	3580319	1	Pulley, Generator (50Hz)	
37	0641616	1	Bolt 3/8 x 2	
38	0962520	1	Bushing	
39	1001138566	1	Box, Control	
39	70006552	1	Capacitor	
39	70006553	1	Relay	
40	0771415	1	Bolt M14 x 35	
41	0100020	AR	Sealant	
42	1001139357	1	Mount, Tensioner	
43	0741607	3	Screw 3/8 x 7/8	
44	3311005	4	Nut #10	
45	1705387	3	Decal - Hazardous Voltage (60Hz)	
45	1705489	2	Decal - Hazardous Voltage (50Hz)	
46	3251243	1	Decal - 120V-60Hz (60Hz)	
47	4751000	4	Washer #10	
48	1705374	1	Decal - 240V-60Hz (60Hz)	
140	1001096070	1	Breaker Box Kit (Not Shown) (50Hz) (See ELECTRICAL SECTION for Breakdown) (SN 0300182743 through 0300214274)	
140	1001165368	1	Breaker Box Kit (Not Shown) (50Hz) (See ELECTRICAL SECTION for Breakdown) (SN 0300214275 through 0300272492, Except SN 0300272449 through 0300272454)	
140	1001096070	1	Breaker Box Kit (Not Shown) (50Hz) (See ELECTRICAL SECTION for Breakdown) (SN B300001092 through B300001596)	
140	1001165368	1	Breaker Box Kit (Not Shown) (50Hz) (See ELECTRICAL SECTION for Breakdown) (SN B300001597 through B300005730, Excluding B300005568)	
141	0641406	2	Bolt 1/4 x 3/4 (Attaches Item 140 to Item 142) (Not Shown)	
142	1001177910	1	Bracket (Attaches Item 140) (Not Shown) (50Hz)	
147	1001153197	1	Generator Harness (See ELECTRICAL SECTION for Breakdown)	

SECTION 2 - TURNTABLE

FIGURE 2-37. 4000W GENERATOR INSTALLATION - DEUTZ TD2.9L4 ENGINES



ART_1001171127

SECTION 2 - TURNTABLE

FIGURE 2-37. 4000W GENERATOR INSTALLATION - DEUTZ TD2.9L4 ENGINES

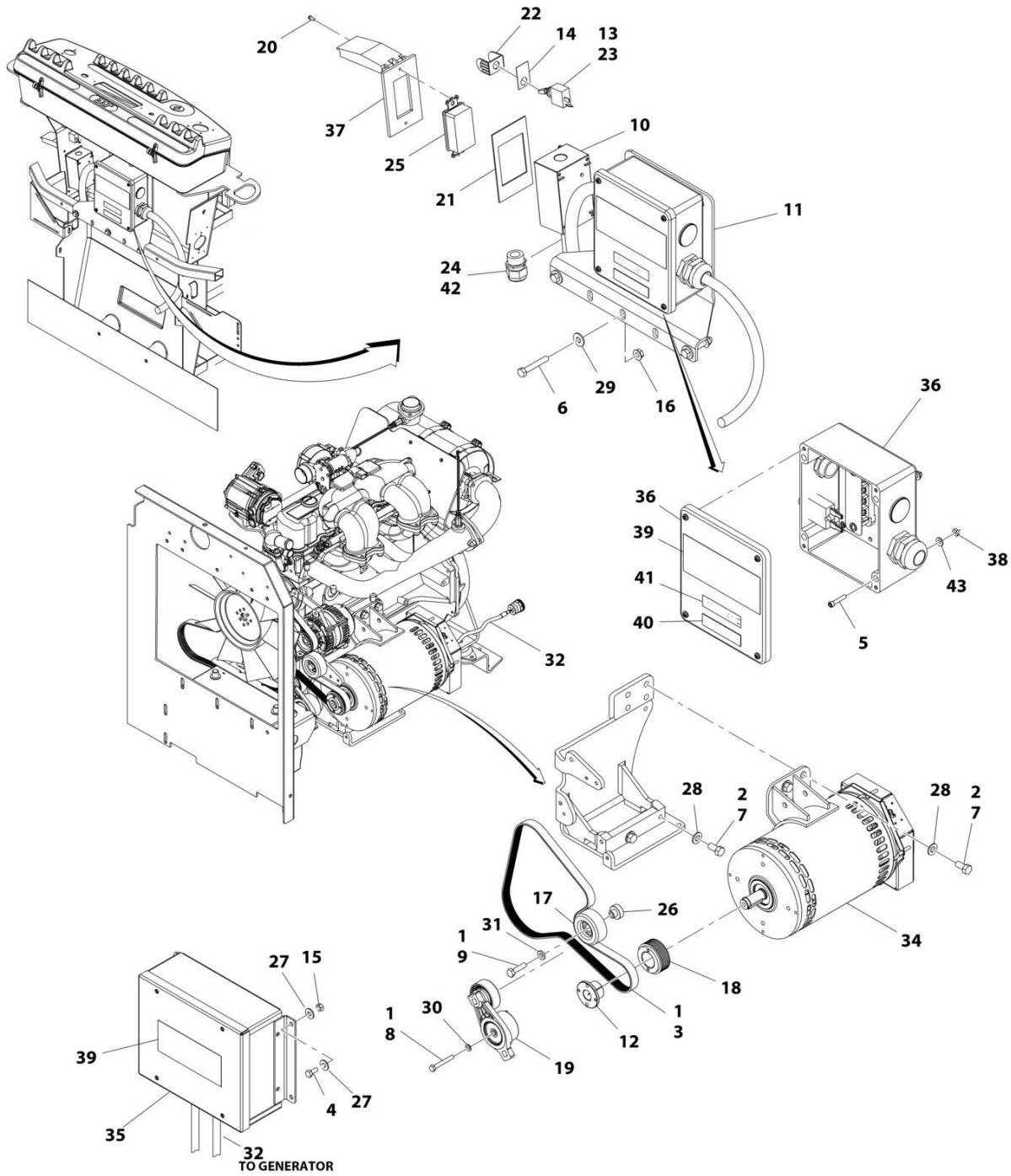
ITEM	PART NUMBER	QTY	DESCRIPTION	REV
		Ref	4000W GENERATOR INSTALLATION - DEUTZ TD2.9L4 ENGINES	
	1001171127	Ref	4000W/60Hz Generator Installation - Deutz TD2.9L4 engines	C
	1001171269	Ref	4000W/50Hz Generator Installation - Deutz TD2.9L4 engines and Deutz TD2.9L4 (Stage V) engines	E
1	0100011	AR	Compound, Locking	
2	0100019	AR	Compound, Locking	
3	0100048	AR	Grease, Dielectric	
4	0100079	AR	Sealant	
5	0641404	1	Bolt 1/4 x 1/2	
6	3931016	4	Capscrew #10 x 1	
7	0641516	3	Bolt 5/16 x 2	
8	0641618	1	Bolt 3/8 x 2-1/4	
9	0641808	2	Bolt 1/2 x 1	
10	0741607	3	Screw 3/8 x 7/8	
11	0860038	1	Box, Switch (60Hz)	
12	1001138566	1	Box, Control	
12	70006552	1	Capacitor	
12	70006553	1	Relay	
13	0902888	1	Bracket, Junction Box (60Hz)	
14	0962520	1	Bushing, Split	
15	0641405	4	Bolt 1/4 x 5/8	
16	2820031	AR	Heat Shrink	
17	3251102	1	Nameplate - Generator	
18	3311508	3	Nut 5/16	
19	3311801	2	Nut 1/2	
20	3580317	1	Tensioner, Belt with Pulley	
21	3580318	1	Pulley, Generator (60Hz)	
21	3580319	1	Pulley, Generator (50Hz)	
22	3910606	4	Screw #6 x 3/8	
23	3960422	1	Gasket, AC Receptacle (60Hz)	
24	4060802	1	Guard, Switch	
25	4240018	AR	Tie-Strap (Not Shown)	
26	1001163599	2	Stud	
27	4360336	1	Switch, Toggle	
28	4460071	1	Connector, Strain Relief (60Hz)	
29	4460346	1	Receptacle (60Hz)	
30	4711400	AR	Washer 1/4	
31	4751500	3	Washer 5/16	
32	4711600	1	Washer 3/8	
33	4751000	4	Washer #10	
34	4791400	2	Washer 1/4	
35	4891800	4	Washer 1/2	
36	1001140346	1	Generator Assembly (60Hz)	
36	1001140347	1	Generator Assembly (50Hz)	
36	70003709	1	Ring, Retaining (External)	
36	70003708	1	Ring, Retaining (Internal)	
36	70001966	1	Bearing	
36	70004092	1	Endbell (Shaft End)	
36	70004099	1	Key	

SECTION 2 - TURNTABLE

ITEM	PART NUMBER	QTY	DESCRIPTION	REV
36	70004676	1	Rotor	
36	70004687	1	Stator (60Hz)	
36	70004686	1	Stator (50Hz)	
36	70004678	1	Endbell (Rear)	
36	70004679	1	Cover, Endbell (Rear)	
36	70004680	1	Enclosure, Wiring	
36	70004685	1	Cover, Enclosure (60Hz)	
36	70004681	1	Cover, Enclosure (50Hz)	
36	70004682	1	Switch, Reset (Located on Enclosure Cover)	
36	70004098	1	Connector, Strain Relief (60Hz) (Located on Enclosure Cover)	
36	70004683	1	Connector, Strain Relief (50Hz) (Located on Enclosure Cover)	
36	4460224	1	Connector - 6 Position (50Hz) (Located on Enclosure Cover)	
36	4460294	2	Pin, Male (50Hz) (Located on Enclosure Cover)	
37	1001110873	1	Cover, Receptacle (60Hz)	
39	1001152532	1	Harness, Generator	
40	1001142643	1	Support, Gen Tensioner	
41	1001142646	1	Belt, Generator (60Hz)	
41	1001142645	1	Belt, Generator (50Hz)	
42	1001152457	1	Junction Box Assembly (60Hz)	
42	3300396	1	Cover, Breaker	
42	4360070	1	Breaker, Circuit - 15Amp	
42	4460425	1	Connector, Strain Relief (LH Side)	
42	4460426	1	Connector, Strain Relief (RH Side)	
42	1001152530	1	Block, Terminal	
42	1001158363	1	Cover, Terminal Block	
42	1001153260	1	Decal - Wiring Diagram	
43	3311405	4	Nut 1/4	
44	3311005	4	Nut #10	
45	1705374	1	Decal - 240V (60Hz)	
46	1705387	3	Decal - Hazardous Voltage (60Hz)	
46	1705489	2	Decal - Hazardous Voltage (50Hz)	
47	3251243	1	Decal - 120V-60Hz (60Hz)	
106	0641406	2	Bolt 1/4 x 3/4 (Used to Attach Item 133 to Item 140) (Not Shown) (50Hz)	
133		Ref	Breaker Box Kit (Not Shown) (50Hz) (See ELECTRICAL SECTION for Breakdown)	
133	1001096070	1	Breaker Box Kit (SN 0300182743 through 0300214274)	
133	1001165368	1	Breaker Box Kit (SN 0300214275 through 0300272492, Except SN 0300272449 through 0300272454)	
133	1001096070	1	Breaker Box Kit (SN B300001092 through B300001596)	
133	1001165368	1	Breaker Box Kit (SN B300001597 through B300005730, Excluding B300005568)	
140	1001177910	1	Bracket (Used to Attach Item 133) (Not Shown) (50Hz)	
147		Ref	Generator Harness (See ELECTRICAL SECTION for Breakdown)	
147	1001153197	1	Generator Harness (SN 0300182743 through 0300213719)	
147	1001153259	1	Generator Harness (SN 0300213720 through 0300272492, Except SN 0300272449 through 0300272454)	
147	1001153197	1	Generator Harness (SN B300001092 through B300001596)	
147	1001153259	1	Generator Harness (SN B300001597 through B300005730, Excluding B300005568)	

SECTION 2 - TURNTABLE

FIGURE 2-38. 4000W GENERATOR INSTALLATION - GM ENGINES



ART_1001139960

SECTION 2 - TURNTABLE

FIGURE 2-38. 4000W GENERATOR INSTALLATION - GM ENGINES

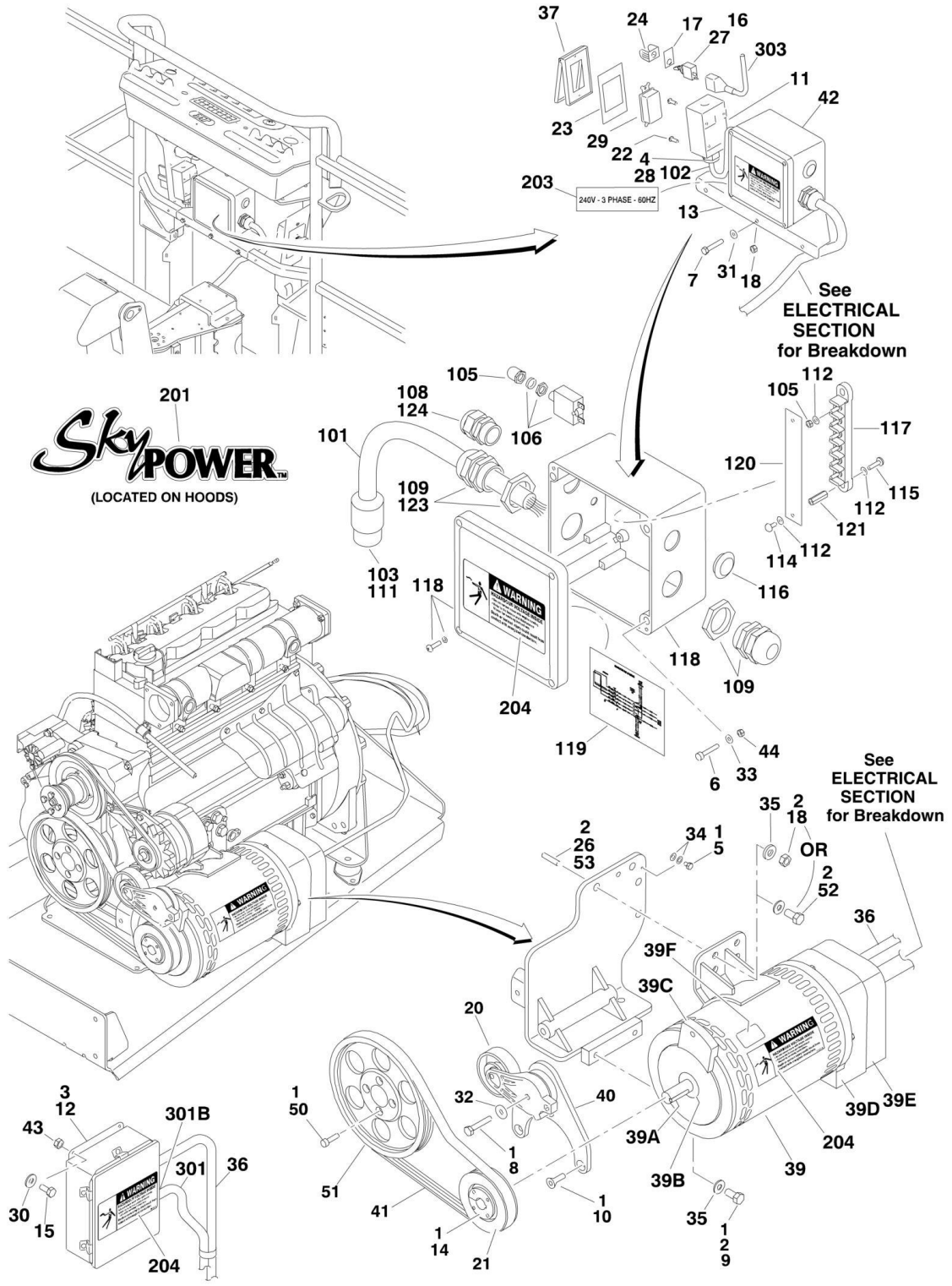
ITEM	PART NUMBER	QTY	DESCRIPTION	REV
	1001139960	Ref	4000W GENERATOR INSTALLATION - GM ENGINES	B
1	0100011	AR	Compound, Locking	
2	0100019	AR	Compound, Locking	
3	0480142	1	Belt, Generator	
4	0641405	4	Bolt 1/4 x 5/8	
5	3931016	4	Capscrew #10 x 1	
6	0641516	3	Bolt 5/16 x 2	
7	0641808	4	Bolt 1/2 x 1	
8	0700820	1	Bolt M8 x 60	
9	0701016	1	Bolt M10 x 40	
10	0860038	1	Box, Switch	
11	0902888	1	Bracket, Junction Box	
12	0962520	1	Bushing, Split	
13	2820031	AR	Heat Shrink	
14	3251102	1	Nameplate - Generator	
15	3311405	4	Nut 1/4	
16	3311508	3	Nut 5/16	
17	3580312	1	Pulley, Idler	
18	3580314	1	Pulley, Drive	
19	3580348	1	Tensioner, Belt with Pulley	
20	3910606	4	Screw #6 x 3/8	
21	3960422	1	Gasket	
22	4060802	1	Guard, Switch	
23	4360336	1	Switch, Toggle	
24	4460071	1	Connector, Strain Relief	
25	4460346	1	Receptacle	
26	4568735	1	Tube, Spacer	
27	4711400	8	Washer 1/4	
28	4711800	4	Washer 1/2	
29	4751500	3	Washer 5/16	
30	4811900	1	Washer M8	
31	4891600	1	Washer 3/8	
32	1001152532	1	Harness, Generator	
34	1001129858	1	Generator, Assembly	
34	70003709	1	Ring, Retaining (External)	
34	70003708	1	Ring, Retaining (Internal)	
34	70001966	1	Bearing	
34	70004092	1	Endbell (Shaft End)	
34	70004171	1	Key	
34	70004676	1	Rotor	
34	70004684	1	Stator	
34	70004678	1	Endbell (Rear)	
34	70004679	1	Cover, Endbell (Rear)	
34	70004680	1	Enclosure, Wiring	
34	70004685	1	Cover, Enclosure	
34	70004682	1	Switch, Reset (Located on Enclosure Cover)	
34	70004098	1	Connector, Strain Relief (Located on Enclosure Cover)	
35	1001138566	1	Box, Control	
35	70006552	1	Capacitor	
35	70006553	1	Relay	

SECTION 2 - TURNTABLE

ITEM	PART NUMBER	QTY	DESCRIPTION	REV
36	1001152457	1	Junction Box Assembly	
36	3300396	1	Cover, Breaker	
36	4360070	1	Breaker, Circuit - 15Amp	
36	4460425	1	Connector, Strain Relief (LH Side)	
36	4460426	1	Connector, Strain Relief (RH Side)	
36	1001152530	1	Block, Terminal	
36	1001158363	1	Cover, Terminal Block	
36	1001153260	1	Decal - Wiring Diagram	
37	1001110873	1	Cover	
38	3311005	4	Nut #10	
39	1705387	3	Decal - Hazardous Voltage	
40	1705374	1	Decal - 240V-60Hz	
41	3251243	1	Decal - 120V-60Hz	
42	0100020	AR	Sealant	
43	4751000	4	Washer #10	

SECTION 2 - TURNTABLE

FIGURE 2-39. 7500W SKYPOWER GENERATOR INSTALLATION - DEUTZ ENGINES



SECTION 2 - TURNTABLE

FIGURE 2-39. 7500W SKYPOWER GENERATOR INSTALLATION - DEUTZ ENGINES

ITEM	PART NUMBER	QTY	DESCRIPTION	REV
		Ref	7500W SKYPOWER GENERATOR INSTALLATION	
	1001115388	Ref	60Hz (Deutz D2011 Engine)	F
	1001148563	Ref	60Hz (Deutz TD2.9L4 Engine)	F
	1001115394	Ref	50Hz (Deutz D2011 Engine)	F
	1001148564	Ref	50Hz (Deutz TD2.9L4 Engine and Deutz TD2.9L4 (Stage V) Engine)	F
1	0100011	AR	Compound, Locking	
2	0100019	AR	Compound, Locking	
3	0100048	AR	Compound, Silicone	
4	0100079	AR	Sealant	
4	0100020	AR	Sealant	
5		Ref	Bolt Options:	
5	0641403	1	Bolt 1/4in-20NC x 3/8in	
5	0641404	1	Bolt 1/4in-20NC x 1/2in	
6	3931016	4	Capscrew 3/8in-16NC x 1in	
7	0641516	3	Bolt 5/16in-18NC x 2in	
8	0641618	1	Bolt 3/8in-16NC x 2-1/4in	
9	0641808	2	Bolt 1/2in-13NC x 1in	
10	0741607	3	Screw 3/8in-16NC x 7/8in (Deutz TD2.9L4 Engines Only)	
11		Ref	Box, Switch Options:	
11	0860038	AR	60Hz Spec	
11	See Note	NLA	50Hz Spec (Note: Not Available - Purchase Locally)	
12		Ref	Control Box Assembly Options:	
12	0861538	1	60Hz Control Box	
12	0861572	1	50Hz Control Box	
12	7024488	1	Card, Circuit - Generator Power	
12	See Note	NLA	Fuse (Note: Not Available - Purchase Locally)	
12	7024489	1	Card, Circuit - Control	
12	70000619	1	Harness, Control Box (Internal)	
		Ref	Note: Same Circuit Card (P/N 7024489) is used for both 60Hz and 50Hz. When replacing card, rocker switch on card must be set for required application.	
13	0902888	1	Bracket, Box Mounting	
14	0962520	1	Bushing, Split Taper	
15	0641405	4	Bolt 1/4in-20NC x 5/8in	
16	2820031	1	Heat Shrink	
17	3252764	1	Nameplate	
18	3311505	3	Locknut 5/16in-18NC	
18	3311508	3	Nut, Flange 5/16in-18NC	
19	3311801	AR	Nut 1/2in-13NC	
20	3580317	1	Tensioner, Belt with Pulley	
21		Ref	Pulley Options:	
21	3580318	1	60Hz	
21	3580319	1	50Hz	
22	3910606	4	Screw #6-32NC x 3/8in	
23		Ref	Gasket Options:	
23	3960422	2	60Hz	
23	See Note	NLA	50Hz (Note: Not Available - Purchase Locally)	
24	4060802	1	Guard, Switch	
25	4240018	AR	Tie-Strap (Not Shown)	

SECTION 2 - TURNTABLE

ITEM	PART NUMBER	QTY	DESCRIPTION	REV
26	4300157	AR	Stud (Deutz D2011 Engines)	
26	1001163599	AR	Stud (Deutz DT2.9L4 Engines)	
27	4360336	1	Switch, Toggle	
28		Ref	Connector, Strain Relief	
28	4460071	1	60Hz	
28	See Note	NLA	50Hz (Note: Not Available - Purchase Locally)	
29		Ref	Receptacle, Female Options (110-120V):	
29	4460346	1	60Hz	
29	See Note	NLA	50Hz (Note: Not Available - Purchase Locally)	
30		Ref	Flatwasher Options:	
30	4711400	8	Flatwasher 1/4in Thin	
30	4751400	8	Flatwasher 1/4in Regular	
31	4711500	6	Flatwasher 5/16in Thin	
32	4711600	1	Flatwasher 3/8in Thin	
33	4751000	2	Flatwasher #10 Regular	
34	4791400	AR	Starwasher 1/4in	
35	4711800	AR	Flatwasher 1/2in Thin (Deutz D2011 Engines)	
35	4891800	AR	Flatwasher 1/2in Hardened (Deutz DT2.9L4 Engines)	
36	4922925	1	Harness, Generator	
37		Ref	Cover, Receptacle Options:	
37	1001110873	1	60Hz Cover, Top Hinged	
37	See Note	NLA	50Hz Cover (Note: Not Available - Purchase Locally)	
39		Ref	Generator Assembly Options:	
39	2460048	1	Deutz D2011 Engines	
39	1001136988	1	Deutz TD2.9L4 Engines (SN 0300182743 through 0300226024, SN B300001092 through B300001738)	
39	1001212223	1	Deutz TD2.9L4 Engines (SN 0300226025 through 0300272492, SN B30001739 through B300005730, Except SN 0300272449 through 0300272454, Excluding B300005568)	
39	70001100	1	Rotor (Includes p/n 70001384 & 70000863) (Not Shown)	
39	70001384	1	Bearing, Ball Radial (Not Shown):	
39	70000863	1	Fan (Not Shown)	
39		Ref	Stator Options (Not Shown):	
39	70002088	1	2460048 Generator	
39	70004093	1	1001136988 Generator	
39	70006093	1	1001212223 Generator	
39	70002297	1	Stud	
39	70003631	1	Brushholder Assembly (Not Shown) (was p/n 7024484)	
39A		Ref	Key Options:	
39A	70004171	1	2460048 Generator (was p/n 7024561)	
39A	70004099	1	1001136988 & 1001212223 Generators	
39B	70001966	1	Bearing, Ball Radial (Located in Belt Tensioner Endbell)	
39B	70003708	1	Ring, Internal Retaining (Located in Belt Tensioner Endbell)	
39B	70003709	1	Ring, External Retaining (Located in Belt Tensioner Endbell)	
39C		Ref	Endbell, Belt Tensioner Options:	
39C	70001953	1	2460048 Generator	
39C	70004092	1	1001136988 & 1001212223 Generators	
39D		Ref	Endbell, Brush Block Options:	
39D	70004169	1	2460048 Generator (was p/n 70001385)	
39D	70004094	1	1001136988 & 1001212223 Generators	
39E		Ref	Shroud (was p/n 70002290)	

SECTION 2 - TURNTABLE

ITEM	PART NUMBER	QTY	DESCRIPTION	REV
39E	70004169	1	2460048 Generator (was p/n 70002290)	
39E	70004096	1	1001136988 Generator	
39E	70006094	1	1001212223 Generator	
39E		Ref	Insulator, Endbell Options:	
39E	See Note	NSS	2460048 Generator (Note: Not Available for Purchase)	
39E	70004097	1	1001136988 Generator	
39E	70002291	1	1001212223 Generator	
39E	7027799	1	Block, Connector 6 Position (Not Shown)	
39E	70002460	1	Nut, Brass (Attaches p/n 7027799 to Cover) (Not Shown)	
39E		Ref	Breaker, Circuit 30Amp Options (Not Shown):	
39E	7024485	1	2460048 & 1001136988 Generators	
39E	70006095	1	1001212223 Generator	
39E		Ref	Boot, Breaker Options (Not Shown):	
39E	70001696	1	2460048 & 1001136988 Generators (was p/n 7024486)	
39E	70006096	1	1001212223 Generator	
39E	7026626	1	Connector, 6 Position (Includes Seal) (Not Shown - Plugs into Item 36)	
39E	7026597	1	Connector, with Leads (Not Shown)	
39E		Ref	Clamp, Cable Options (Not Shown):	
39E	7026188	1	2460048 Generator	
39E	70004098	1	1001136988 & 1001212223 Generators	
39E		Ref	Plate, End Panel Options:	
39E	70004169	1	2460048 Generator	
39E	70004095	1	1001136988 Generator	
39E	70006097	1	1001212223 Generator	
39E	70001974	1	Decal - Terminal Connections	
39F	70001973	1	Decal - Warning Moving Parts	
40	1001142643	1	Support (Deutz TD2.9L4 Engines Only)	
41		Ref	Belt, Drive Options:	
41	0480129	1	60Hz (Deutz D2011 Engines)	
41	1001142646	1	60Hz (Deutz TD2.9L4 Engines)	
41	0480126	1	50Hz (Deutz D2011 Engines)	
41	1001142645	1	50Hz (Deutz TD2.9L4 Engines)	
42		Ref	Junction Box Assembly Options (See Items 101-124 for Breakdown):	
42	1001157592	1	60Hz Spec	
42	1001157525	1	50Hz Spec	
43	3311405	4	Locknut 1/4in-20NC	
44	3311005	4	Locknut #10-24NC	
50		Ref	Capscrew Options:	
50	3931628		Deutz TD2.9L4 Engines	
50	4032015		Deutz D2011 Engines	
51	3580320	1	Pulley	
52	0771415	1	Bolt M14 x 35mm Grade 10.9 (Deutz D2011 Engine Only)	
53	0100062	AR	Adhesive	
		Ref	JUNCTION BOX ASSEMBLY	
	1001157592	Ref	60Hz Control Box	C
	1001157525	Ref	50Hz Control Box	B
101	1060343	1.5 ft /.46m	Cable, Electrical 10/4 (60Hz Spec Only)	
102		Ref	Cable, Electrical 12/3	
102	1060494	2 ft/61cm	60Hz Spec (SN 0300182743 through 0300205490)	

SECTION 2 - TURNTABLE

ITEM	PART NUMBER	QTY	DESCRIPTION	REV
102	1001179154	2.5 ft /76cm	60Hz Spec (SN 0300205491 through 0300272492, Except SN 0300272449 through 0300272454)	
102	1060494	2 ft/61cm	60Hz Spec (SN B300001092 through B300001245)	
102	1001179154	2.5 ft /76cm	60Hz Spec (SN B300001246 through B300005730, Excluding B300005568)	
102	See Note	2.5 ft /76cm	50Hz Spec (Note: Not Available - Purchase Locally)	
103	1671092	1	Cover (60Hz Spec Only)	
104	3300396	1	Cover, Fuse	
105	3311001	6	Nut #10-24NC	
106	4360070	1	Circuit Breaker - 15Amp	
108	4460425	1	Connector, Strain Relief	
109	4460426	2	Connector, Strain Relief	
111	4460963	1	Connector (60Hz Spec Only)	
112	4711000	4	Flatwasher, #10 Thin	
114	10702077	2	Screw #10-32NF x 3/8in	
115	10702082	2	Screw #10-32NF x 3/4in	
116	1001152525	1	Plug	
117	1001157520	1	Block, Terminal	
118	1001157521	1	Box, Junction	
119	1001157528	1	Decal - Wiring Schematic	
120	1001158007	1	Cover, PVC	
121	1001158008	1	Stand-Off	
123	3520189	1	Plug (50Hz Spec Only)	
124	3520192	1	Plug (50Hz Spec Only)	
		Ref	DECAL INSTALLATION	
	0272435	Ref	60Hz Specs	D
	0272589	Ref	50Hz Spec	A
201	1705460	2	Decal - SkyPower	
202	3251243	1	Decal - 120V - 60Hz (60Hz Spec Only) (Not Shown - Located at Platform Receptacle) (SN 0300222414 through 0300272492, SN B300001594 through B300005730, Except SN 0300272449 through 0300272454, Excluding B300005568)	
203		Ref	Decal - 240V - 3 Phase Options:	
203	1705375	1	60Hz Spec	
203	1705461	1	50Hz Spec	
204		Ref	Decal, Hazardous Voltage Options:	
204	1705387	3	60Hz Spec	
204	1705489	3	50Hz Spec	
		Ref	ELECTRICAL DIAGRAM COMPONENTS	
	1001157769	Ref	Deutz D2011 Engines	B
	1001157770	Ref	Deutz TD2.9L4 and Deutz TD2.9L4 (Stage V) Engines	A
301		Ref	Generator Harness Options (See ELECTRICAL SECTION for Breakdown):	
301	1001119968	1	Deutz D2011 Engines	C
301	1001152429	1	Deutz TD2.9L4 Engines	A
301A		Ref	Component Options:	
301A	2400060	1	Fuseholder (Includes Fuse and Cap) (Deutz D2011 Engines) (Not Shown)	
301A	2400064	1	Fuse - 5Amp (Deutz D2011 Engines) (Not Shown)	
301A	1001117078	1	Fuseholder (Includes Fuse and Cap) (Deutz TD2.9L4 Engines) (Not Shown)	
301A	See Note	NSS	Fuse - 5Amp (Deutz TD2.9L4 Engines) (Not Shown) (Note: Use 1001117078 Assembly or Purchase Fuse Locally)	

SECTION 2 - TURNTABLE

ITEM	PART NUMBER	QTY	DESCRIPTION	REV
301A	1001096134	1	Cover, Fuseholder (Deutz TD2.9L4 Engines) (Not Shown)	
301B	4460967	1	Plug, Male - 3 Position	
301B	4460465	3	Socket, Female	
303	4922641	1	Switch Harness	

SECTION 2 - TURNTABLE

FIGURE 2-40. 7500W SKYPOWER GENERATOR INSTALLATION - FORD ENGINES

ITEM	PART NUMBER	QTY	DESCRIPTION	REV
	1001219618	Ref	7500W SKYPOWER GENERATOR INSTALLATION - FORD ENGINES	D
		Ref	Note: See ELECTRICAL SECTION for Boom Cable Components.	
1	0100011	AR	Compound, Locking	
2	0100019	AR	Compound, Locking	
3	0641405	4	Bolt 1/4 x 5/8	
4	0760610	2	Bolt M6 x 20	
5	0641516	3	Bolt 5/16 x 2	
6	0741607	3	Screw 3/8 x 7/8	
7	0761018	1	Bolt M10 x 50	
9	0860038	1	Box, Switch	
10	0861538	1	Control Box Assembly	
10	7024488	1	Card, Circuit - Generator Power	
10	See Note	1	Fuse (Note: Not Available - Purchase Locally)	
10	7024489	1	Card, Circuit - Control	
10	70000619	1	Harness, Circuit Card	
11	0902888	1	Bracket, Box Mounting	
12	0962520	1	Bushing, Split Taper	
13	2820031	1	Heat Shrink	
14	3252764	1	Nameplate - AC & Weld	
15	3291201	4	Nut M12	
16	3311005	4	Nut #10	
17	3290601	2	Nut M6	
18	3311505	3	Nut 5/16	
19	3580314	1	Pulley	
20	3740080	2	Relay	
21	3580317	1	Tensioner, Belt	
22	3910606	2	Screw #6 x 3/8	
23	3931016	4	Capscrew #10 x 1	
24	3960422	1	Gasket	
25	4060802	1	Guard, Switch	
26	4360336	1	Switch, Toggle	
27	4460071	1	Connector, Strain Relief	
28	4460346	1	Receptacle	
29	4711400	4	Washer 1/4	
30	4711500	6	Washer 5/16	
31	4751000	4	Washer #10	
32	4811700	2	Washer M6	
34	4922925	1	Harness, Generator	
35	5241200	4	Washer M12	
36	1001136104	1	Generator Assembly	
36	70003631	1	Brushholder Assembly (Not Shown) (was p/n 7024484)	
36	7024485	1	Breaker, Circuit 30Amp (Not Shown)	
36	70001696	1	Boot, Breaker (was p/n 7024486 - Not Shown)	
36	70001966	1	Bearing, Ball Radial (Located In Belt Tensioner Endbell - Not Shown)	
36	7027799	1	Block, Connector 6 Position (Not Shown)	
36	70002460	6	Nut, Brass (Attaches p/n 7027799 to Cover) (Not Shown)	
36	7026188	1	Clamp, Cable (Not Shown)	
36	7026597	1	Connector, W/Leads (Not Shown)	

SECTION 2 - TURNTABLE

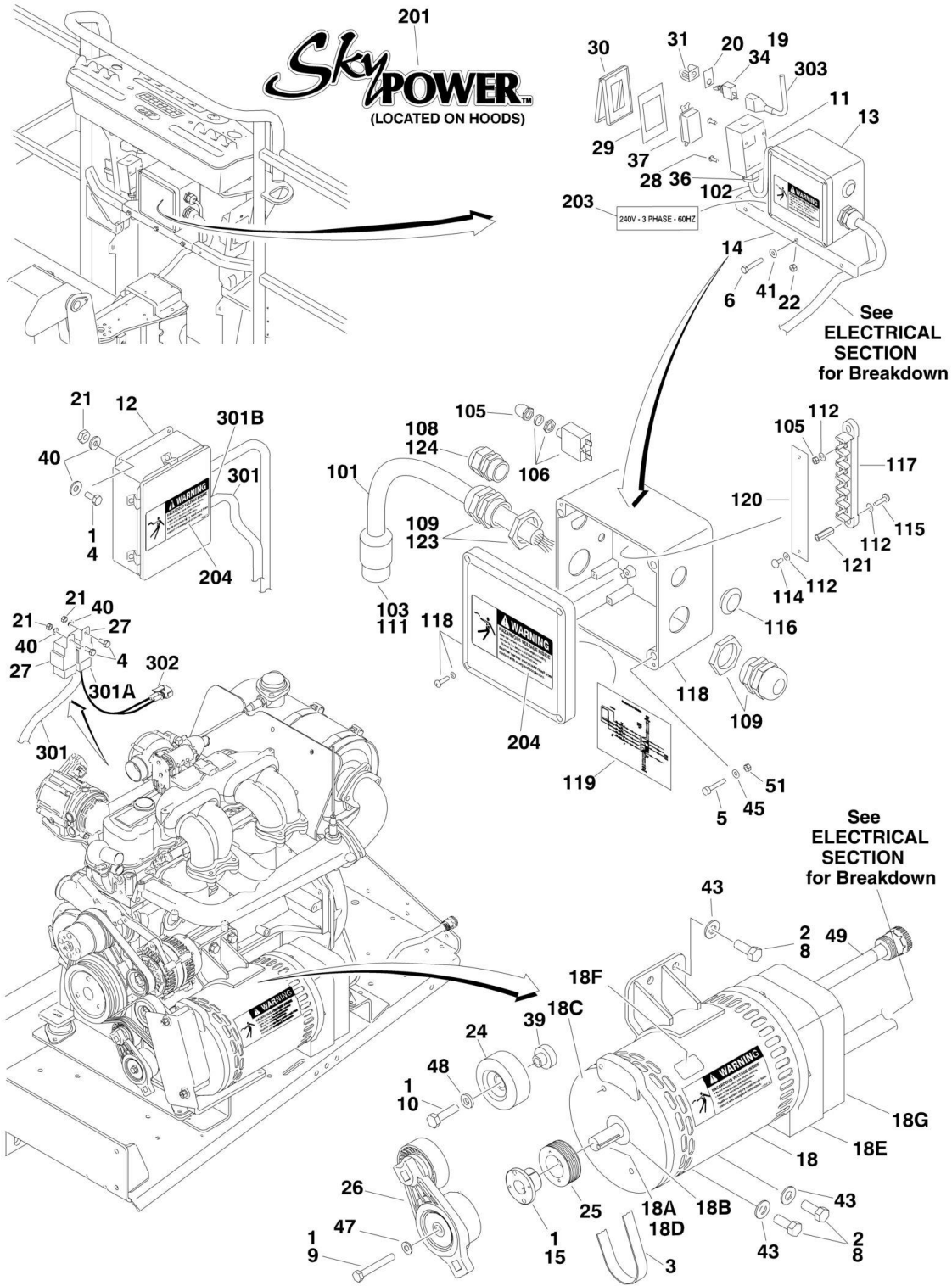
ITEM	PART NUMBER	QTY	DESCRIPTION	REV
36	7026626	1	Connector - 6 Position with Seal (Not Shown)	
36	70002088	1	Stator (Not Shown)	
36	70004169	1	Panel, End (Not Shown) (was p/n 70002255)	
36	70001974	1	Decal - Terminal Connections (Not Shown)	
36	70000863	1	Fan (Not Shown)	
36	70002297	4	Stud (Not Shown)	
36A	70004171	1	Key (was p/n 7024561)	
36A	70001100	1	Armature, Generator (Includes Radial Ball Bearing on End with Brushes and Fan)	
36A	70001384	1	Bearing, Ball Radial	
36B	70001966	1	Bearing, Radial Ball	
36B	70003708	1	Ring, Internal Retaining (Located in Belt Tensioner Endbell)	
36B	70003709	1	Ring, External Retaining (Located in Belt Tensioner Endbell)	
36C	70001973	1	Decal - Warning Moving Parts	
36D	70004169	1	Endbell, Brush Block (was p/n 70001385)	
36E	70001953	1	Endbell, Belt Tensioner	
36F	70004169	1	Endbell, Shroud Assembly (was p/n 70002290)	
37	1001196382	4	Stud	
38	1001157592	1	Junction Box Assembly (See Items 101-121 for Breakdown)	
40	1001216390	1	V-Belt	
41	1001218930	1	Mount, Tensioner	
42	1001110873	1	Cover, Receptacle	
43	4871700	2	Washer M6	
44	0760606	1	Bolt M6 x 12	
	1001157592	Ref	JUNCTION BOX ASSEMBLY	C
101	1060343	1.5 ft /0.46m	Cable, Electrical - 10/4 (60Hz Only)	
102	1001179154	2.5 ft /0.76m	Cable Electrical - 12/3	
103	1671092	1	Cover, Connector	
104	3300396	1	Cover, Fuse	
105	3311001	6	Nut #10	
106	4360070	1	Breaker, Circuit 15Amp	
107	4460425	1	Connector, Strain Relief	
108	4460426	2	Connector, Strain Relief	
111	4460963	1	Receptacle	
112	4711000	10	Washer #10	
114	10702077	2	Screw #10 x 3/8	
115	10702082	2	Screw #10 x 3/4	
116	1001152525	1	Plug, Hole	
117	1001157520	1	Block, Terminal Pole	
118	1001157521	1	Box, Junction	
119	1001157528	1	Decal - Box Junction	
120	1001158007	1	Cover	
121	1001158008	2	Standoff	
	0272435	Ref	DECAL INSTALLATION	D
201	1705460	2	Decal - SkyPower	
202	3251243	1	Decal - 120V - 60Hz (60Hz Spec Only) (Located on Opposite Side)	
203	1705375	1	Decal - 240V - 3 Phase	
204	1705387	3	Decal, Hazardous Voltage	
	1001221498	Ref	ELECTRICAL DIAGRAM COMPONENTS	A
301	1001221208	1	Generator Harness	A

SECTION 2 - TURNTABLE

ITEM	PART NUMBER	QTY	DESCRIPTION	REV
301A	4460374	2	Plug, Sealed Relay	
301A	4460375	8	Terminal	
301B	4460967	1	Plug, Male - 3 Position	
301B	4460465	3	Socket, Female	
301C	2400060	2	Fuseholder (Not Shown)	
301C	2400064	2	Fuse - 5 Amp (Not Shown)	
301D	4460742	1	Plug, Male - 2 Position (Not Shown)	
301D	4460743	2	Socket, Female (Not Shown)	
303	4922641	1	Switch Harness	

SECTION 2 - TURNTABLE

FIGURE 2-41. 7500W SKYPOWER GENERATOR INSTALLATION - GM ENGINES



SECTION 2 - TURNTABLE

FIGURE 2-41. 7500W SKYPOWER GENERATOR INSTALLATION - GM ENGINES

ITEM	PART NUMBER	QTY	DESCRIPTION	REV
	0275257	Ref	7500W SKYPOWER GENERATOR INSTALLATION	H
		Ref		Note: SkyPower Generator is Standard On ANSI and CSA Specs. Optional on All Other Specs.
		Ref		Note: See ELECTRICAL SECTION for Boom Cable Installation.
1	0100011	AR	Compound, Locking	
2	0100019	AR	Compound, Locking	
3	0480142	1	Belt, Generator	
4	0641405	6	Bolt 1/4in-20NC x 5/8in	
5	3931016	4	Capscrew #10-24NC x 1in	
6	0641516	3	Bolt 5/16in-18NC x 2in	
8	0641808	4	Bolt 1/2in-13NC x 1in	
9	0700820	1	Bolt M8 x 60mm	
10	0701016	1	Bolt M10 x 40mm	
11	0860038	AR	Box, Switch	
12	0861538	1	Control Box Assembly	
12	7024488	1	Card, Circuit - Generator Power	
12	See Note	NSS	Fuse (Note: Not Available - Purchase Locally)	
12	7024489	1	Card, Circuit - Control	
12	70000619	1	Harness, Control Box (Internal)	
13	1001157592	1	Junction Box Assembly Options (See Items 101-121 for Breakdown):	
14	0902888	1	Bracket, Box Mounting	
15	0962520	1	Bushing, Split Taper	
18	2460048	1	Generator Assembly	
18	7024484	1	Brushholder Assembly (Not Shown)	
18	7024485	1	Breaker, Circuit 30Amp (Not Shown)	
18	70001696	1	Boot, Breaker (Not Shown)	
18	7027799	1	Block, Connection - 6 Position (Not Shown)	
18	70002460	6	Nut, Brass (Attaches p/n 7027799 to Cover) (Not Shown)	
18	7026626	1	Connector, 6 Position (Includes Seal) (Not Shown - Plugs into Item 49)	
18	7026597	1	Connector, with Lead (Not Shown)	
18	7026188	1	Connector, Clamp (Not Shown)	
18	70004169	1	Plate, End Panel (was p/n 70002255)	
18	70002088	1	Stator (Not Shown)	
18	70001974	1	Decal - Terminal Connections (Not Shown)	
18	70000863	1	Fan (Not Shown)	
18	70002297	4	Stud (Not Shown)	
18A	70004171	1	Key (was p/n 7024561)	
18B	70001966	1	Bearing, Shaft (Front)	
18C	70001953	1	Endbell (Front)	
18D	70001100	1	Shaft/Rotor/Windings/Fan/Rear Bearing Assembly	
18D	70001384	1	Bearing, Shaft (Rear)	
18E	70004169	1	Endbell, Brush Block (was p/n 70001385)	
18F	70001973	1	Decal - Warning Moving Parts	
18G	70004169	1	Shroud (was p/n 70002290)	
19	2820031	1	Insulator	
20	3252764	1	Nameplate	
21	3311405	6	Locknut 1/4in-20NC	
22	3311505	3	Locknut 5/16in-18NC	

SECTION 2 - TURNTABLE

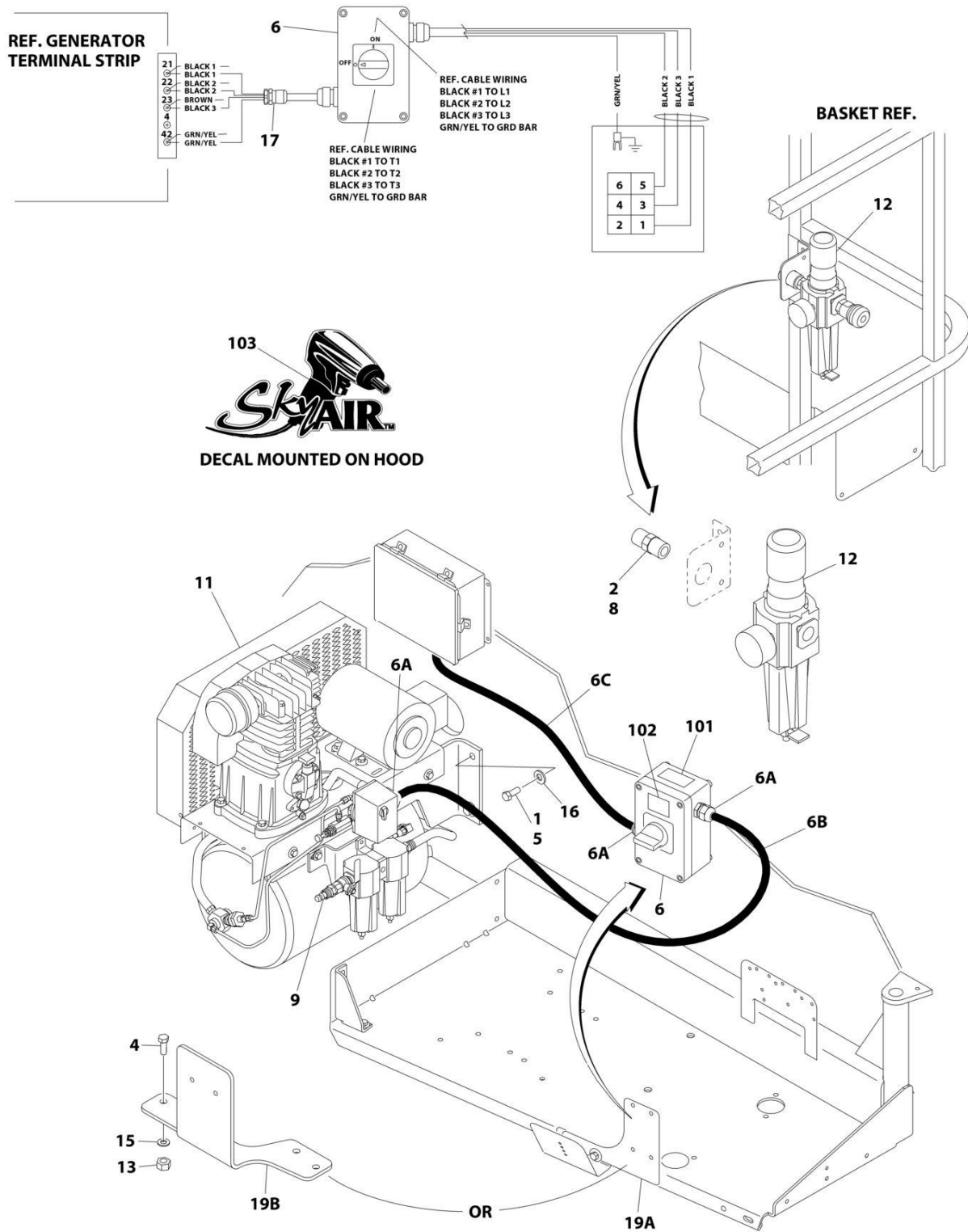
ITEM	PART NUMBER	QTY	DESCRIPTION	REV
24	3580312	1	Pulley, Idler	
25	3580314	1	Pulley, Drive Grooved	
26	3580348	1	Pulley, Belt Tensioner	
27	3740080	2	Relay	
28	3910606	4	Screw #6-32NC x 3/8in	
29	3960422	1	Gasket	
30	1001110873	1	Cover, Receptacle	
31	4060802	1	Guard, Switch	
34	4360336	1	Switch, Toggle	
36	4460071	1	Connector, Strain Relief	
37	4460346	1	Receptacle	
39	4568735	1	Tube, Spacer Pulley Grooved	
40	4711400	10	Flatwasher 1/4in Thin	
41	4711500	6	Flatwasher 5/16in Thin	
43	4711800	4	Flatwasher 1/2in Thin	
45	4751000	4	Flatwasher #10 Regular	
47	4811900	1	Flatwasher M8	
48	4891600	1	Flatwasher 3/8in Hardened	
49	4922925	1	Harness, Generator	
51	3311005	4	Locknut #10-24NC	
	1001157592	Ref	JUNCTION BOX ASSEMBLY	C
101	1060343	1.5 ft /.46m	Cable, Electrical 10/4	
102	1060494	2 ft/61cm	Cable, Electrical 12/3 (SN 0300182743 through 0300205490)	
102	1001179154	2.5 ft /76cm	Cable, Electrical 12/3 (SN 0300205491 through 0300272492, Except SN 0300272449 through 0300272454)	
103	1671092	1	Cover	
104	3300396	1	Cover, Fuse	
105	3311001	6	Nut #10-24NC	
106	4360070	1	Circuit Breaker - 15Amp	
108	4460425	1	Connector, Strain Relief	
109	4460426	2	Connector, Strain Relief	
111	4460963	1	Connector	
112	4711000	4	Flatwasher, #10 Thin	
114	10702077	2	Screw #10-32NF x 3/8in	
115	10702082	2	Screw #10-32NF x 3/4in	
116	1001152525	1	Plug	
117	1001157520	1	Block, Terminal	
118	1001157521	1	Box, Junction	
119	1001157528	1	Decal - Wiring Schematic	
120	1001158007	1	Cover, PVC	
121	1001158008	1	Stand-Off	
	0272435	Ref	DECAL INSTALLATION	D
201	1705460	2	Decal - SkyPower	
202	3251243	1	Decal - 120V - 60Hz (60Hz Spec Only) (Not Shown - Located at Platform Receptacle) (SN 0300222414 through 0300272492, Except SN 0300272449 through 0300272454)	
203	1705375	1	Decal - 240V - 3 Phase	
204	1705387	3	Decal, Hazardous Voltage	
	1001157768	Ref	ELECTRICAL DIAGRAM COMPONENTS	A
301	4923420	1	Generator Harness	A
301A	4460374	2	Plug, Sealed Relay	

SECTION 2 - TURNTABLE

ITEM	PART NUMBER	QTY	DESCRIPTION	REV
301A	4460375	8	Terminal	
301B	4460967	1	Plug, Male - 3 Position	
301B	4460465	3	Socket, Female	
301C	2400060	2	Fuseholder (Not Shown)	
301C	2400064	2	Fuse - 5Amp (Not Shown)	
302	4460742	1	Connector - 2 Position	
302	4460743	2	Socket, Female	
302	4460458	2	Seal	
303	4922641	1	Switch Harness	

SECTION 2 - TURNTABLE

FIGURE 2-42. SKYAIR AIR COMPRESSOR INSTALLATION



ART_0273596

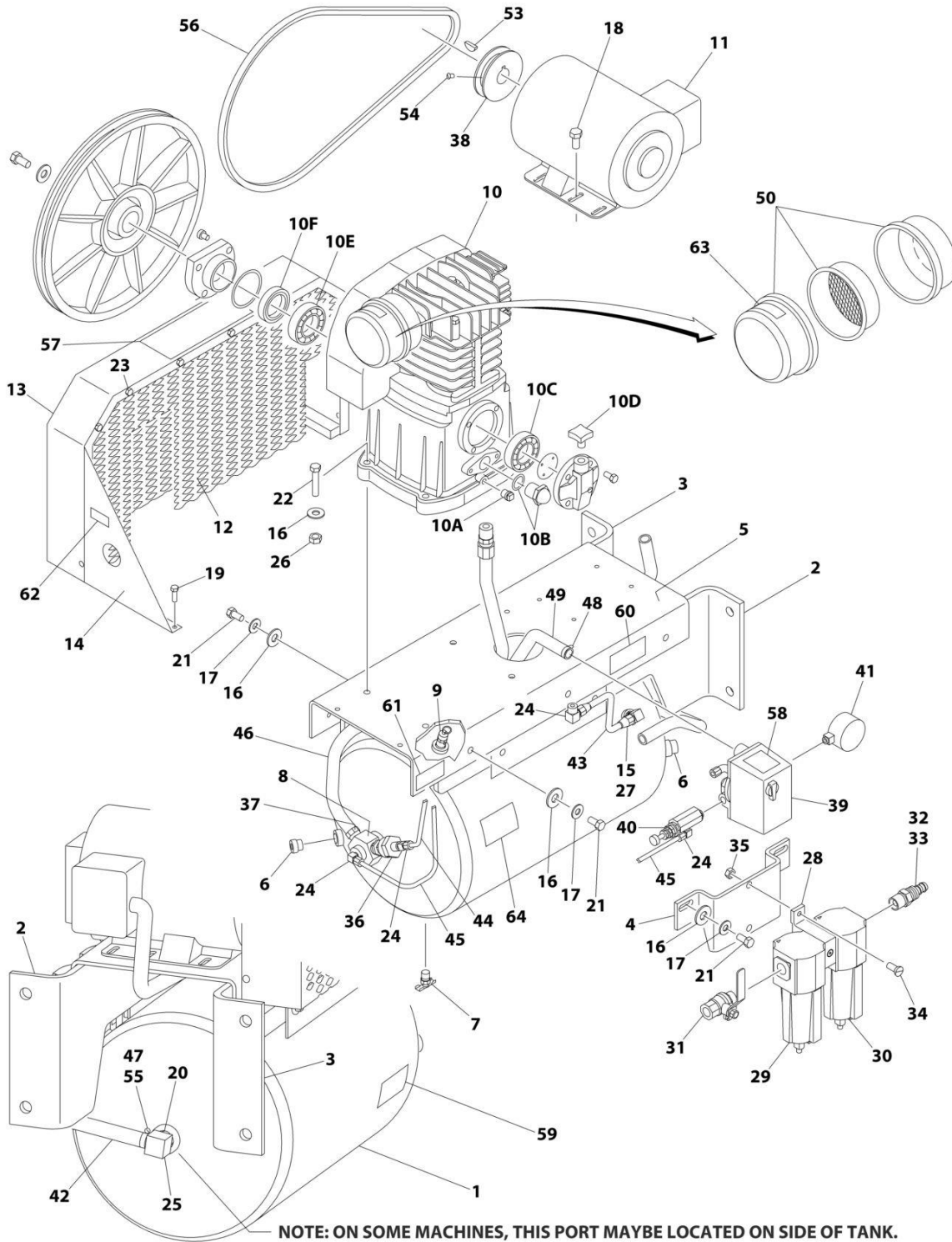
SECTION 2 - TURNTABLE

FIGURE 2-42. SKYAIR AIR COMPRESSOR INSTALLATION

ITEM	PART NUMBER	QTY	DESCRIPTION	REV
		Ref	SKYAIR AIR COMPRESSOR INSTALLATION	
	0273596	Ref	SkyAir Air Compressor Installation (Deutz D2011 & GM Engines)	B
	1001148565	Ref	SkyAir Air Compressor Installation (Deutz TD2.9L4 Engines and Deutz TD2.9L4 (Stage V) Engines)	B
		Ref	Note: ANSI, ANSI Export and CSA Specs Only.	
		Ref	Note: 60Hz Machines Only.	
1	0100019	AR	Compound, Locking	
2	0100020	AR	Sealant #567	
3	0641406	2	Bolt 1/4 x 3/4 (Not Shown)	
4	0641608	3	Bolt 3/8 x 1	
5	0641810	4	Bolt 1/2 x 1-1/4	
6	0861642	1	Control Box Assembly	
6A	4460633	3	Connector, Strain Relief	
6B	70002948	AR	Cable, Electrical - 12/4 (13ft/4m)	
6C	70002948	AR	Cable, Electrical - 12/4 (30in/76cm)	
7	1320224	1	Clamp (Not Shown)	
8	2220252	1	Fitting	
9	2220750	1	Fitting	
10	3311405	2	Nut 1/4 (Not Shown)	
11	3600386	3	Compressor Assembly (See AIR COMPRESSOR ASSEMBLY for Breakdown)	
12	3720021	1	Filter/Regulator Assembly	
12	7027781	1	Service Kit (Includes Gaskets and Seals)	
12	7027782	1	Filter	
12	7027784	1	Gauge	
12	7027783	1	Valve, Drain	
13	3311605	3	Nut 3/8	
14	4711400	4	Washer 1/4 (Not Shown)	
15	4711600	3	Washer 3/8	
16	4751800	4	Washer 1/2	
17	4460428	1	Connector, Strain Relief	
19		Ref	Bracket, Control Box Options:	
19A	4340747		Bracket (Deutz D2011 and GM Engines)	
19B	1001144447		Bracket (Deutz TD2.9L4 Engines)	
	0273687	Ref	DECAL INSTALLATION	A
101	1705836	1	Decal - Hazard Voltage	
102	1705837	1	Decal - Air Compressor	
103	1705886	2	Decal - SkyAir	

SECTION 2 - TURNTABLE

FIGURE 2-43. AIR COMPRESSOR ASSEMBLY



ART_3600386

SECTION 2 - TURNTABLE

FIGURE 2-43. AIR COMPRESSOR ASSEMBLY

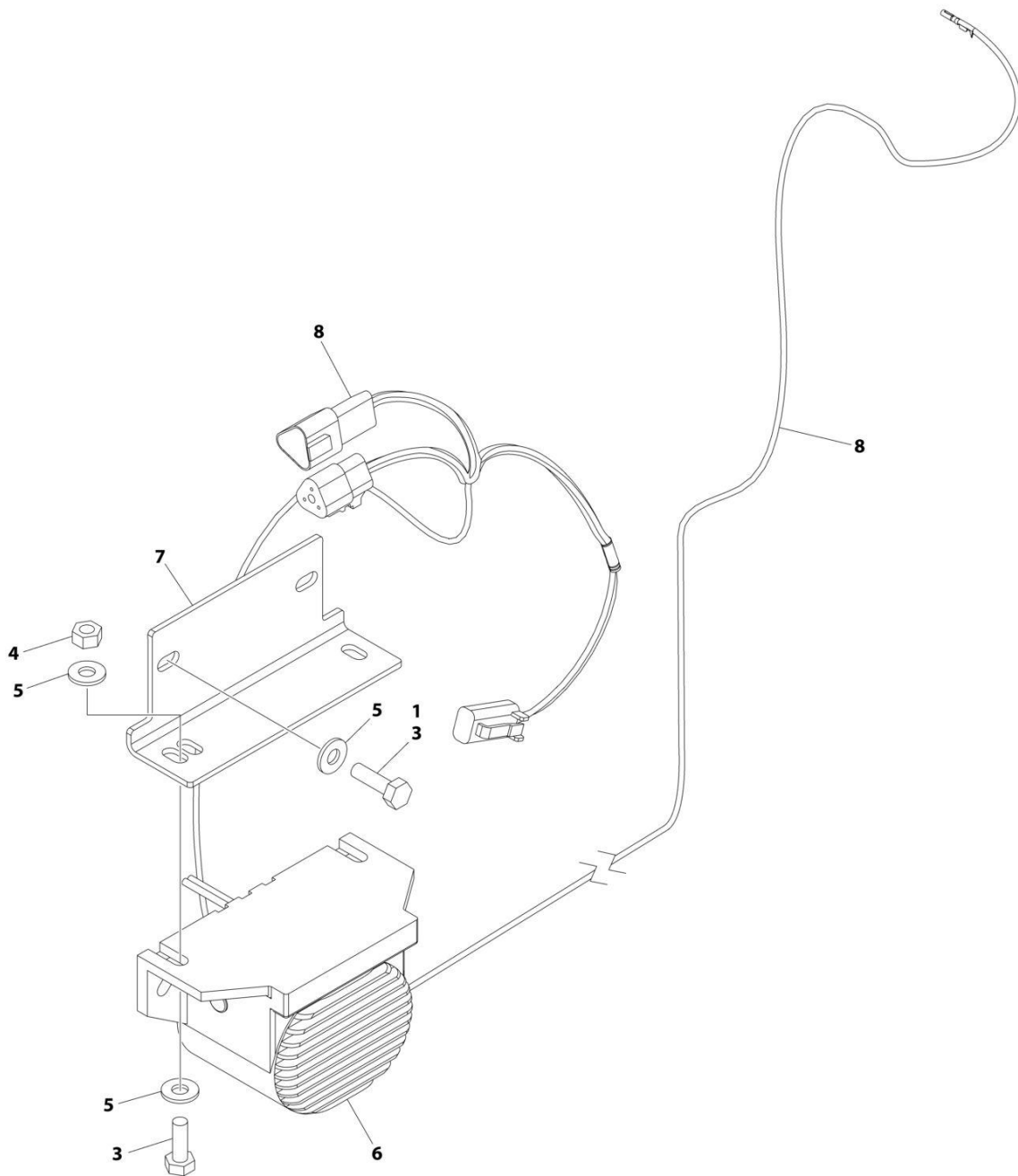
ITEM	PART NUMBER	QTY	DESCRIPTION	REV
	3600386	Ref	AIR COMPRESSOR ASSEMBLY	B
1	7026632	1	Tank	
2	See Note	1	Bracket, Mounting (Note: Not Available for Purchase)	
3	See Note	1	Bracket, Mounting (Note: Not Available for Purchase)	
4	See Note	1	Bracket, Regulator Mounting (Note: Not Available for Purchase)	
5	See Note	1	Deck (Note: Not Available for Purchase)	
6	See Note	2	Plug (Note: Not Available for Purchase)	
7	7026633	1	Valve, Drain	
8	7026634	1	Valve, Check	
9	7026635	1	Valve, Safety	
10	7026636	1	Pump Assembly	
10	7026659	1	Gasket and Seal Kit	
10A	7026651	1	Plug, Oil Drain	
10B	7026652	1	Gauge, Oil Sight	
10C	7026653	1	Bearing	
10D	7026654	1	Cap, Oil Fill	
10E	7026655	1	Bearing	
10F	7026656	1	Seal	
11	7026637	1	Motor Assembly	
11	See Note	1	Brush Kit (Note: Not Available for Purchase)	
12	See Note	1	Screen, Inner (Note: Not Available for Purchase)	
13	See Note	1	Guard, Belt (Note: Not Available for Purchase)	
14	See Note	2	Support (Note: Not Available for Purchase)	
15	See Note	1	Bushing (Note: Not Available for Purchase)	
16	4751600	18	Washer 3/8	
17	4761600	10	Washer 3/8	
18	0641506	4	Bolt 5/16 x 3/4	
19	0641406	8	Bolt 1/4 x 3/4	
20	See Note	1	Bushing (Note: Not Available for Purchase)	
21	0641610	10	Bolt 3/8 x 1-1/4	
22	0641616	4	Bolt 3/8 x 2	
23	See Note	10	Bolt 1/4 x 1/2 (Note: Not Available for Purchase)	
24	See Note	4	Fitting (Note: Not Available for Purchase)	
25	See Note	1	Fitting, Barbed (Note: Not Available for Purchase)	
26	3311605	4	Nut 3/8	
27	See Note	1	Fitting, Compression (Note: Not Available for Purchase)	
28	See Note	1	Bracket, Mounting (Note: Not Available for Purchase)	
29	7026660	1	Filter, Oil Removal	
30	7026661	1	Filter, Water Removal	
31	70001663	1	Valve, Ball Shut-Off	
32	See Note	1	Bushing (Note: Not Available for Purchase)	
33	See Note	1	Fitting, Barbed (Note: Not Available for Purchase)	
34	See Note	2	Screw 1/4 x 1 (Note: Not Available for Purchase)	
35	3311405	2	Nut 1/4	
36	See Note	1	Unloader (Note: Not Available for Purchase)	
37	See Note	1	Fitting (Note: Not Available for Purchase)	
38	See Note	1	Pulley (Note: Not Available for Purchase)	
39	7026638	1	Switch, Pressure	
40	7026639	1	Vale, Pilot	
41	7026640	1	Gauge	

SECTION 2 - TURNTABLE

ITEM	PART NUMBER	QTY	DESCRIPTION	REV
42	See Note	1	Hose (Note: Not Available for Purchase)	
43	See Note	1	Tube, Feed (Note: Not Available for Purchase)	
44	See Note	1	Tube (Note: Not Available for Purchase)	
45	See Note	1	Tube (Note: Not Available for Purchase)	
46	See Note	1	Aftercooler (Note: Not Available for Purchase)	
47	See Note	2	Clamp (Note: Not Available for Purchase)	
48	See Note	2	Clamp (Note: Not Available for Purchase)	
49	See Note	1	Harness, Wiring (Note: Not Available for Purchase)	
50	7026658	1	Filter Assembly	
50	7026641	1	Element, Filter	
51	See Note	23 oz	Oil, Compressor (Note: Not Available for Purchase)	
52	0100020	AR	Sealant	
53	See Note	1	Key (Note: Not Available for Purchase)	
54	See Note	2	Setscrew (Note: Not Available for Purchase)	
55	See Note	2	Cover, Clamp End (Note: Not Available for Purchase)	
56	7026642	1	Belt	
57	7026643	1	Decal - Unit Warning	
58	7026644	1	Decal - Pressure Switch Warning	
59	7026645	1	Decal - Drain Tank Warning	
60	7026646	1	Decal - Compressor Maintenance	
61	7026647	1	Decal - Initial Oil Fill	
62	7026648	1	Decal - Hot Surfaces Warning	
63	7026649	1	Decal - Paper Element Cleaning	
64	7026650	1	Decal - Dual Control	

SECTION 2 - TURNTABLE

FIGURE 2-44. WHITE NOISE ALARM INSTALLATION



ART_1001247281

SECTION 2 - TURNTABLE

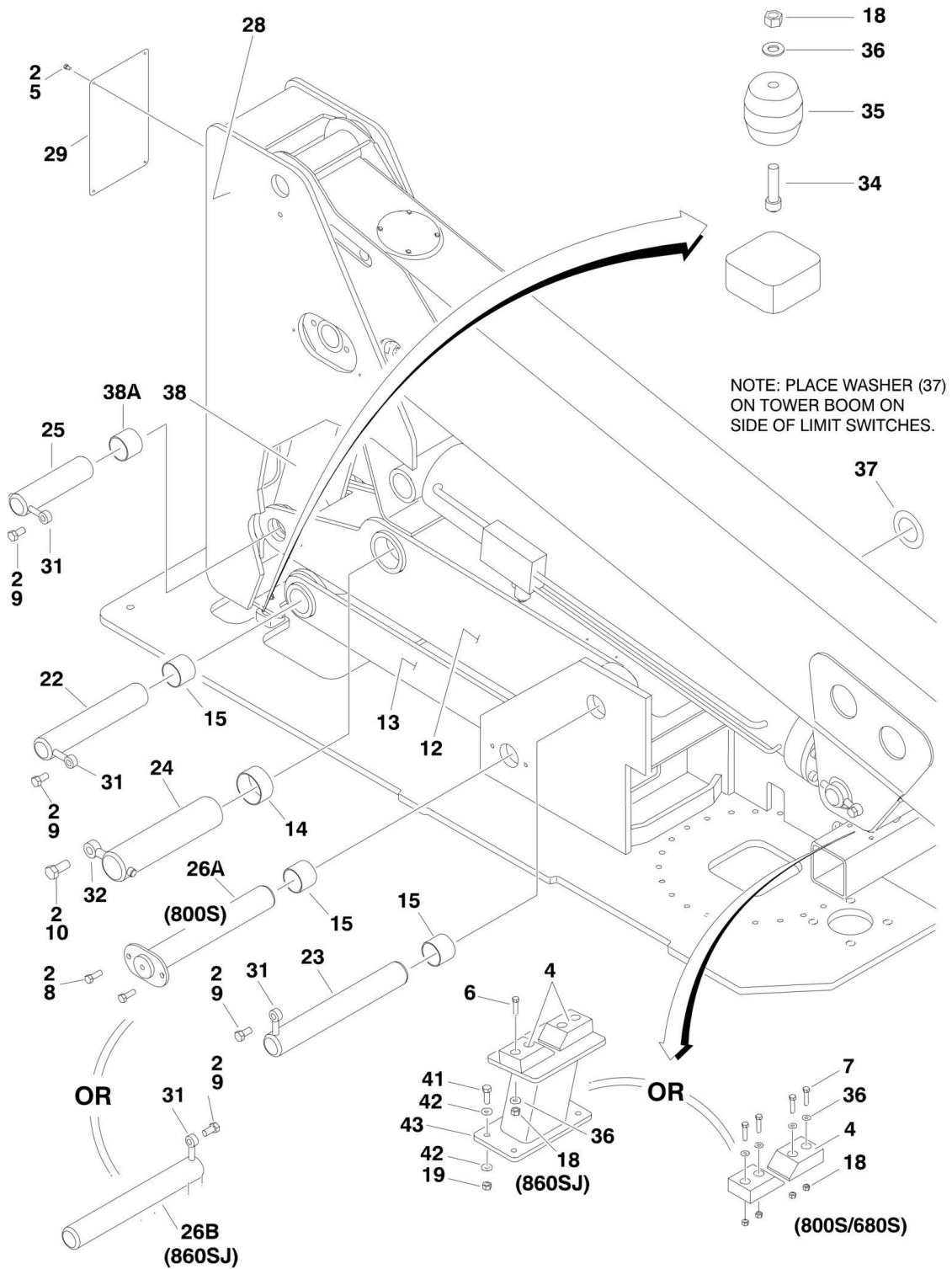
FIGURE 2-44. WHITE NOISE ALARM INSTALLATION

ITEM	PART NUMBER	QTY	DESCRIPTION	REV
	1001247281	Ref	WHITE NOISE ALARM INSTALLATION	B
1	0100011	AR	Compound, Locking	
2	0100048	AR	Compound, Silicone (Not Shown)	
3	0641406	4	Bolt 1/4 x 3/4	
4	3311405	2	Nut 1/4	
5	4711400	6	Washer 1/4	
6	1001182806	1	Alarm	
7	1001231886	1	Plate	
8	1001243682	1	White Noise Motion Alarm Harness (See Separate Breakdown in this Section)	

SECTION 3 - BOOM

SECTION 3 - BOOM

FIGURE 3-1. TOWER BOOM, UPRIGHT AND CYLINDERS INSTALLATION



SECTION 3 - BOOM

FIGURE 3-1. TOWER BOOM, UPRIGHT AND CYLINDERS INSTALLATION

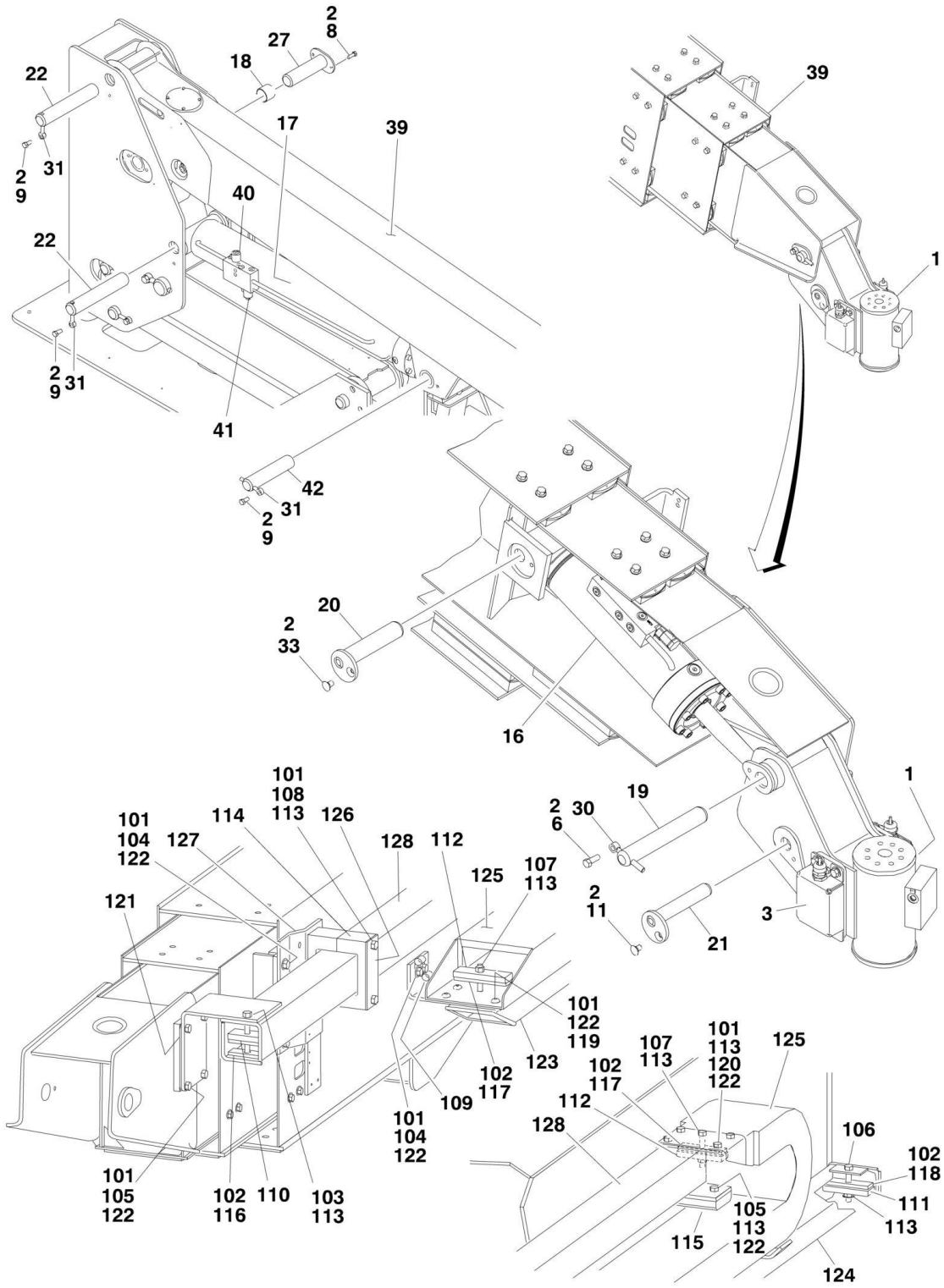
ITEM	PART NUMBER	QTY	DESCRIPTION	REV
		Ref	TOWER BOOM, UPRIGHT AND CYLINDERS INSTALLATIONS	
	1001155751	Ref	Tower Boom, Upright and Cylinders Installations (800S)	J
	1001155752	Ref	Tower Boom, Upright and Cylinders Installations (860SJ) (SN 0300182743 through 0300272492, Except SN 0300272449 through 0300272454)	K
	1001155752	Ref	Tower Boom, Upright and Cylinders Installations (860SJ) (SN B300001092 through B300002483)	H
	1001231103	Ref	Tower Boom, Upright and Cylinders Installations (860SJ) (SN B300002484 through B300005730, Excluding B300005568)	B
	1001155753	Ref	Tower Boom, Upright and Cylinders Installations (680S)	I
2	0100011	AR	Compound, Locking	
4	0561380	1	Block, Boom Rest	
5	0641504	4	Bolt 5/16in-18NC x 5/8in	
6	0641615	4	Bolt 3/8in-16NC x 1-7/8in (860SJ)	
7	0641613	4	Bolt 3/8in-16NC x 1-5/8in (680S,800S)	
8	0642014	AR	Bolt 5/8in-11NC x 1-3/4in	
9	0642212	3	Bolt 3/4in-10NC x 1-1/2in	
10	0642618	1	Bolt 1in-8NC x 2-1/4in	
12		Ref	Tower Weldment Options:	
12	0801279	1	Tower (680S,800S)	
12	0801306	1	Tower (860SJ)	
13		Ref	Link (Tower) Weldment Options:	
13	0801280	1	Link (Tower) (680S,800S) (SN 0300182743 through 0300216719)	
13	1001201602	1	Link (Tower) (680S,800S) (SN 0300216720 through 0300272492, Except SN 0300272449 through 0300272454)	
13	0801280	1	Link (Tower) (800S) (SN B300001092 through B300001498)	
13	1001201602	1	Link (Tower) (800S) (SN B300001499 through B300005730, Excluding B300005568)	
13	0801307	1	Link (Tower) (860SJ) (Except SN 0300182743 through 0300211623)	
13	1001194573	1	Link (Tower) (860SJ) (SN 0300211624 through 0300272492, Except SN 0300272449 through 0300272454)	
13	0801307	1	Link (Tower) (860SJ) (SN B300001092 through B300001431)	
13	1001194573	1	Link (Tower) (860SJ) (SN B300001432 through B300005730, Excluding B300005568)	
14	0962122	2	Bushing	
15	0962297	AR	Bushing	
18	3311605	6	Locknut 3/8in-16NC	
19	3311805	4	Locknut 1/2in-13NC	
22	3422908	1	Pin	
23	3422909	1	Pin	
24	3422910	1	Pin	
25	3422920	1	Pin	
26		Ref	Pin Options:	
26A	3422930	1	Pin (680S,800S)	
26B	3422909	1	Pin (860SJ)	
28	1001157180	1	Upright	
29	3573050	1	Cover, Upright Rear	
31	3841287	AR	Keeper, Pin	
32	3841356	1	Keeper, Pin	
34	3931624	2	Capscrew, Socket Head 3/8in-16NC x 1-1/2in	

SECTION 3 - BOOM

ITEM	PART NUMBER	QTY	DESCRIPTION	REV
35	4160187	2	Spring, Rubber	
36	4711600	6	Flatwasher 3/8in Thin	
37	4740492	1	Thrustwasher	
38		Ref	Power Link Weldment Options:	
38	1001117804	1	Power Link (680S,800S)	
38	1001117805	1	Power Link (860SJ)	
38A	0962297	4	Bushing	
41	0641812	4	Bolt 1/2in-13NC x 1-1/2in (860SJ)	
42	4711800	8	Flatwasher 1/2in Thin (860SJ)	
43	1001157837	1	Rest, Boom (860SJ)	

SECTION 3 - BOOM

FIGURE 3-2. MAIN BOOM INSTALLATION (680S,800S)



SECTION 3 - BOOM

FIGURE 3-2. MAIN BOOM INSTALLATION (680S,800S)

ITEM	PART NUMBER	QTY	DESCRIPTION	REV
	1001155751	Ref	BOOM AND CYLINDERS INSTALLATION (800S)	J
	1001155753	Ref	BOOM AND CYLINDERS INSTALLATION (680S)	I
1		Ref	Rotator Options (See ROTATOR ASSEMBLY for Breakdown):	
1	0060061	NLA	Rotator (Use p/n 1001181060) (800S) (SN 0300182743 through 0300202002)	
1	1001181060	1	Rotator (800S) (SN 0300202003 through 0300272492, Except SN 0300272449 through 0300272454)	
1	0060061	NLA	Rotator (Use p/n 1001181060) (800S) (SN B300001092 through B300001179)	
1	1001181060	1	Rotator (800S) (SN B300001180 through B300005730, Excluding B300005568)	
1	1001091625	NLA	Rotator (Use p/n 1001181061) (680S) (SN 0300182743 through 0300202002)	
1	1001181061	1	Rotator (680S) (SN 0300202003 through 0300272492, Except SN 0300272449 through 0300272454)	
2	0100011	AR	Compound, Locking	
3	0273695	1	Platform Level Sensor Switch Assembly (See PLATFORM SUPPORT AND CONTROL VALVES INSTALLATION for Breakdown)	
6	0641608	1	Bolt 3/8in-16NC x 1in	
8	0642014	2	Bolt 5/8in-11NC x 1-3/4in	
9	0642212	3	Bolt 3/4in-10NC x 1-1/2in	
11	0741605	1	Bolt 3/8in-16NC x 5/8in	
16		Ref	Level Cylinder Assembly - Platform Slave Options (See CYLINDER SECTION for Breakdown):	
16	1684189	NLA	Level Cylinder (Use p/n 1001228027) (SN 0300182743 through 0300183962)	
16	1001140460	1	Level Cylinder (SN 0300183963 through 0300193126)	
16	1684189	NLA	Level Cylinder (Use p/n 1001228027) (SN 0300193127 through 0300198300)	
16	1001140460	1	Level Cylinder (SN 0300198301 through 0300198660)	
16	1684189	NLA	Level Cylinder (Use p/n 1001228027) (SN 0300198661 through 0300243278)	
16	1001228027	1	Level Cylinder (SN 0300243279 through 0300272492, Except SN 0300272449 through 0300272454)	
16	1684189	NLA	Level Cylinder (Use p/n 1001228027) (SN B300001092 through B300002584)	
16	1001228027	1	Level Cylinder (SN B300002585 through B300005730, Excluding B300005568)	
17		Ref	Main Lift Cylinder Assembly Options (See CYLINDER SECTION for Breakdown)	
17	1684199	NLA	Main Lift Cylinder (Use p/n 1001228028) (SN 0300182743 through 0300239593)	
17	1001228028	1	Main Lift Cylinder (SN 0300239594 through 0300272492, Except SN 0300272449 through 0300272454)	
17	1684199	NLA	Main Lift Cylinder (Use p/n 1001228028) (SN B300001092 through B300002483)	
17	1001228028	1	Main Lift Cylinder (SN B300002484 through B300005730, Excluding B300005568)	
18	0962297	2	Bushing (Part of Timing Link)	
19	3422562	1	Pin	
20	3422569	1	Pin	
21	3422580	1	Pin	
22	3422908	2	Pin	

SECTION 3 - BOOM

ITEM	PART NUMBER	QTY	DESCRIPTION	REV
25	3422920	1	Pin	
27	3422931	1	Pin	
30	3841143	1	Keeper, Pin	
31	3841287	3	Keeper, Pin	
33	3900192	1	Screw 3/8in-16NC x 1/2in	
39	1001155760	1	Main Boom Assembly (See MAIN BOOM ASSEMBLY for Breakdown) (800S)	
39	1001155763	1	Main Boom Assembly (See MAIN BOOM ASSEMBLY for Breakdown) (680S)	
40	4641188	1	Cartridge, Lift Holding Solenoid (SN 0300182743 through 0300257002, SN B300001092 through B300003767)	
40	7023923	1	Cartridge - 4641188 Valve	
40	7023919	1	Seal Kit - 4641188 Valve	
40	7012943	1	Coil - 4641188 Valve	
41	4641234	1	Cartridge, Lift Relief Proportional Solenoid (SN 0300182743 through 0300257002, SN B300001092 through B300003767)	
41	7023982	1	Cartridge - 4641234 Valve	
41	7012925	1	Seal Kit - 4641234 Valve	
41	7017451	1	Coil - 4641234 Valve	
42		Ref	Pin Options	
42	3422920	1	Pin (SN 0300182743 through 0300206896)	
42	1001196221	1	Pin (SN 0300206897 through 0300272492, Except SN 0300272449 through 0300272454)	
42	3422920	1	Pin (SN B300001091 through B300001327)	
42	1001196221	1	Pin (SN B300001328 through B300005730, Excluding B300005568)	
	1001156965	Ref	POWER TRACK INSTALLATION	B
101	0100011	AR	Compound, Locking	
102	0100081	AR	Adhesive	
103	0630539	1	Bolt 3/8in-16NC x 3-1/2in	
104	0641606	12	Bolt 3/8in-16NC x 3/4in	
105	0641608	6	Bolt 3/8in-16NC x 1in	
106	0641620	1	Bolt 3/8in-16NC x 2-1/2in	
107	0641622	2	Bolt 3/8in-16NC x 2-3/4in	
108	0641644	2	Bolt 3/8in-16NC x 5-1/2in	
109	1320263	2	Clamp, Cable	
110	1320288	1	Clamp, Hose	
111	1320289	1	Clamp, Hose	
112	1320294	2	Bar, Clamping	
113	3311605	12	Locknut 3/8in-16NC	
114	3340764	2	Pad, Wear	
115	3340787	1	Pad, Wear	
116	3340941	2	Pad, Push Tube	
117	3340942	2	Pad, Rubber	
118	3340943	2	Pad, Rubber	
119	3900283	4	Screw, Button Head 3/8in-16NC x 3/4in	
120	3900316	4	Screw, Button Head 3/8in-16NC x 1in	
121	4070969	2	Shim	
122	4711600	28	Flatwasher 3/8in Thin	
123	4846553	1	Support, Push Tube	
124	4846558	1	Tube, Push	
125	1001131731	1	Power Track	
125	70003921	AR	Repair Section (Includes 1 Pin Assembly for each end)	

SECTION 3 - BOOM

ITEM	PART NUMBER	QTY	DESCRIPTION	REV
125	70003922	1	Mounting Feet (Includes Both Pair of Feet)	
126	1001136400	1	Plate	
127	1001156439	1	Plate	
128	1001156443	1	Tube, Push	

SECTION 3 - BOOM

FIGURE 3-3. MAIN BOOM INSTALLATION (860SJ)

ITEM	PART NUMBER	QTY	DESCRIPTION	REV
	1001155752	Ref	BOOM AND CYLINDERS INSTALLATION	K
	1001155752	Ref	TOWER BOOM, UPRIGHT AND CYLINDERS INSTALLATION (SN B300001092 through B300002483)	H
	1001231103	Ref	TOWER BOOM, UPRIGHT AND CYLINDERS INSTALLATION (SN B300002484 through B300005730, Excluding B300005568)	B
1	0100011	AR	Compound, Locking	
2		Ref	Jib Assembly (See Items 101-120 for Breakdown)	
2	0271444	NLA	Jib Assembly (Use p/n 1001247055) (SN 0300182743 through 0300261695)	
2	1001247055	1	Jib Assembly (SN 0300261696 through 0300272492, Except SN 0300272449 through 0300272454)	
2	0271444	1	Jib Assembly (SN B300001092 through B300002483)	
2	1001231056	NLA	Jib Assembly (Use p/n 1001247055) (SN B300002484 through B300004253)	
2	1001247049	1	Jib Assembly (SN B300004254 through B300005730, Excluding B300005568)	
3	0273695	1	Platform Level Sensor Switch Assembly (See PLATFORM SUPPORT AND CONTROL VALVES INTSTALLATION for Breakdown)	
7	0641808	2	Bolt 1/2in-13NC x 1in	
9	0642014	2	Bolt 5/8in-11NC x 1-3/4in	
10	0642212	3	Bolt 3/4in-10NC x 1-1/2in	
16		Ref	Platform Level Cylinder Assembly (See CYLINDER SECTION for Breakdown)	
16	1684136	NLA	Platform Level Cylinder (Use p/n 1001228022) (SN 0300182743 through 0300244707)	
16	1001228022	1	Platform Level Cylinder (SN 0300244708 through 0300272492, Except SN 0300272449 through 0300272454)	
16	1684136	NLA	Platform Level Cylinder (Use p/n 1001228022) (SN B300001092 through B300002483)	
16	1001230372	1	Platform Level Cylinder (SN B300002484 through B300005730, Excluding B300005568)	
17		Ref	Main Lift Cylinder Assembly (See CYLINDER SECTION for Breakdown)	
17	1684202	NLA	Main Lift Cylinder (Use p/n 1001228029) (SN 0300182743 through 0300239858)	
17	1001228029	1	Main Lift Cylinder (SN 0300239859 through 0300272492, Except SN 0300272449 through 0300272454)	
17	1684202	NLA	Main Lift Cylinder (Use p/n 1001228029) (SN B300001092 through B300002483)	
17	1001230373	1	Main Lift Cylinder (SN B300002484 through B300005730, Excluding B300005568)	
20	3422793	2	Pin	
21	3422908	2	Pin	
24	3422920	1	Pin	
25	3422931	1	Pin	
26	3422932	1	Pin	
29	3841203	2	Keeper, Pin	
30	3841287	3	Keeper, Pin	
32	3900192	1	Screw 3/8in-16NC x 1/2in	
40	1001155762	1	Main Boom Assembly (See MAIN BOOM ASSEMBLY for Breakdown)	

SECTION 3 - BOOM

ITEM	PART NUMBER	QTY	DESCRIPTION	REV
41	4641188	1	Cartridge, Lift Holding Solenoid (SN 0300182743 through 0300244708, SN B300001092 through B300005730, Excluding B300005568)	
41	7023923	1	Cartridge - 4641188 Valve	
41	7023919	1	Seal Kit - 4641188 Valve	
41	7012943	1	Coil - 4641188 Valve	
42	4641234	1	Cartridge, Lift Relief Proportional Solenoid (SN 0300182743 through 0300244708, SN B300001092 through B300005730, Excluding B300005568)	
42	7023982	1	Cartridge - 4641234 Valve	
42	7012925	1	Seal Kit - 4641234 Valve	
42	7017451	1	Coil - 4641234 Valve	
43		Ref	Pin Options	
43	3422920	1	Pin (SN 0300182743 through 0300206896)	
43	1001196221	1	Pin (SN 0300206897 through 0300272492, Except SN 0300272449 through 0300272454)	
43	3422920	1	Pin (SN B300001091 through B300001327)	
43	1001196221	1	Pin (SN B300001328 through B300005730, Excluding B300005568)	
43	0962297	2	Bushing (Part of Timing Link)	
		Ref	JIB ASSEMBLY	
	0271444	Ref	Jib Assembly (SN 0300182743 through 0300261695)	L
	1001247055	Ref	Jib Assembly (SN 0300261696 through 0300272492, Except SN 0300272449 through 0300272454)	A
	0271444	Ref	Jib Assembly (SN B300001092 through B300002483)	J
	1001231056	Ref	Jib Assembly (SN B300002484 through B300004253)	B
	1001247049	Ref	Jib Assembly (SN B300004254 through B300005730, Excluding B300005568)	A
101		Ref	Rotator Options (See ROTATOR ASSEMBLY for Breakdown):	
101	0060048	NLA	Rotator (Use p/n 1001181051) (SN 0300182743 through 0300202002)	
101	1001181051	1	Rotator (SN 0300202003 through 0300272492, Except SN 0300272449 through 0300272454)	
101	0060048	NLA	Rotator (Use p/n 1001181051) (SN B300001092 through B300001179)	
101	1001181051	1	Rotator (SN B300001180 through B300005730, Excluding B300005568)	
102	0100011	AR	Compound, Locking	
103	0641604	2	Bolt 3/8in-16NC x 1/2in	
104	0641608	2	Bolt 3/8in-16NC x 1in	
105	0641610	1	Bolt 3/8in-16NC x 1-1/4in	
106	0641618	4	Bolt 3/8in-16NC x 2-1/4in	
107	0961947	AR	Bushing	
108		Ref	Jib Lift Cylinder Assembly (See CYLINDER SECTION for Breakdown)	
108	1683609	NLA	Jib Lift Cylinder (Use p/n 1001248012) (SN 0300182743 through 0300244707)	
108	1001248012	1	Jib Lift Cylinder (SN 0300244708 through 0300272492, Except SN 0300272449 through 0300272454)	
108	1683609	NLA	Jib Lift Cylinder (Use p/n 1001248012) (SN B300001092 through B300002483)	
108	1001230371	1	Jib Lift Cylinder (SN B300002484 through B300005730, Excluding B300005568)	
109	3311605	5	Locknut 3/8in-16NC	
110	3422860	2	Pin	

SECTION 3 - BOOM

ITEM	PART NUMBER	QTY	DESCRIPTION	REV
111	3422861	2	Pin (SN 0300182743 through 0300261695)	
111	1001182064	2	Pin (SN 0300261696 through 0300272492, Except SN 0300272449 through 0300272454)	
111	3422861	2	Pin (SN B300001092 through B300004253)	
111	1001182064	2	Pin (SN B300004254 through B300005730, Excluding B300005568)	
112	3422867	1	Pin	
113	3841143	3	Keeper, Pin	
114	3841340	1	Loop, Hose	
115	4740439	2	Thrustwasher	
116	4844816	1	Link, Jib (Upper)	
116A	0962335	4	Bushing	
117	4844817	2	Link, Jib (Lower) (SN 0300182743 through 0300261695)	
117	1001181960	2	Link, Jib (Lower) (SN 0300261696 through 0300272492, Except SN 0300272449 through 0300272454)	
117	4844817	2	Link, Jib (Lower) (SN B300001092 through B300004253)	
117	1001181960	2	Link, Jib (Lower) (SN B300004254 through B300005730, Excluding B300005568)	
118	4846435	1	Pivot, Jib	
119	3520034	AR	Plug, Hole	
	1001156966	Ref	POWER TRACK INSTALLATION	B
201	0100011	AR	Compound, Locking	
202	0100081	AR	Adhesive	
203	0630539	1	Bolt 3/8in-16NC x 3-1/2in	
204	0641606	12	Bolt 3/8in-16NC x 3/4in	
205	0641608	6	Bolt 3/8in-16NC x 1in	
206	0641620	1	Bolt 3/8in-16NC x 2-1/2in	
207	0641622	2	Bolt 3/8in-16NC x 2-3/4in	
208	0641644	2	Bolt 3/8in-16NC x 5-1/2in	
209	1320263	2	Clamp, Cable	
210	1320288	1	Clamp, Hose	
211	1320289	1	Clamp, Hose	
212	1320294	2	Bar, Clamping	
213	3311605	12	Locknut 3/8in-16NC	
214	3340764	2	Pad, Wear	
215	3340787	1	Pad, Wear	
216	3340941	2	Pad, Push Tube	
217	3340942	2	Pad, Rubber	
218	3340943	2	Pad, Rubber	
219	3900283	4	Screw, Button Head 3/8in-16NC x 3/4in	
220	3900316	4	Screw, Button Head 3/8in-16NC x 1in	
221	4070969	2	Shim	
222	4711600	28	Flatwasher 3/8in Thin	
223	4846553	1	Support, Push Tube	
224	4846558	1	Tube, Push	
225	1001131731	1	Power Track	
225	70003921	AR	Repair Section (Includes 1 Pin Assembly for each end)	
225	70003922	1	Mounting Feet (Includes Both Pair of Feet)	
226	1001136400	1	Plate	
227	1001156439	1	Plate	
228	1001156914	1	Tube, Push	

SECTION 3 - BOOM

FIGURE 3-4. MAIN BOOM ASSEMBLIES

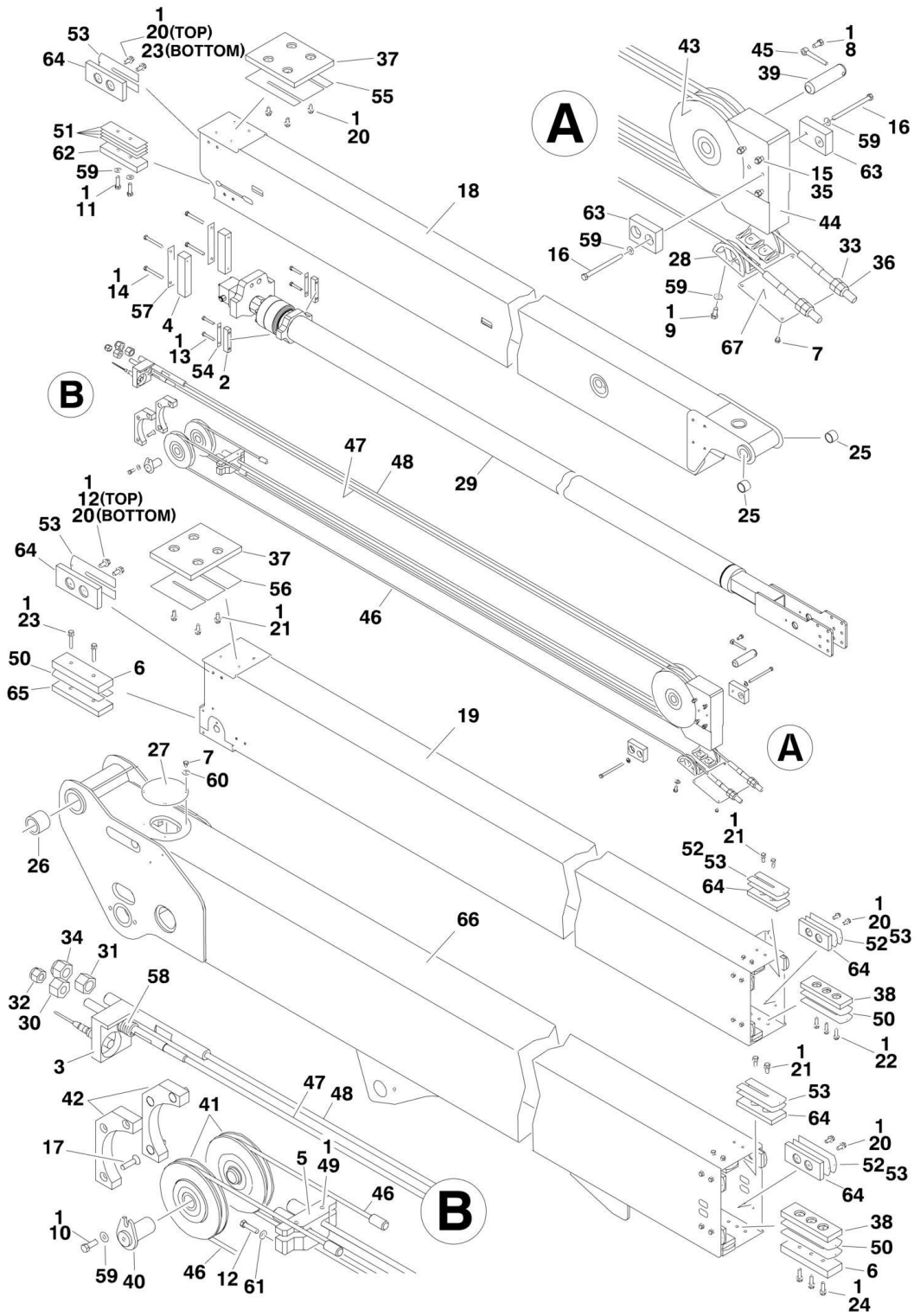


FIGURE 3-4. MAIN BOOM ASSEMBLIES

ITEM	PART NUMBER	QTY	DESCRIPTION	REV
		Ref	MAIN BOOM ASSEMBLY OPTIONS:	
	1001155760	Ref	Main Boom Assembly (800S)	D
	1001155762	Ref	Main Boom Assembly (860SJ)	E
	1001155763	Ref	Main Boom Assembly (680S)	E
1	0100011	AR	Compound, Locking	
2	0561185	2	Block, Telescope Attach	
3	0561445	1	Block, Spring Mounting	
4	0561446	2	Block, Tele Mount	
5	0561447	1	Block, Cable Mount	
6	0561449	3	Block, Spacer	
7	0641403	8	Bolt 1/4in-20NC x 3/8in	
8	0641606	1	Bolt 3/8in-16NC x 3/4in	
9	0641607	2	Bolt 3/8in-16NC x 7/8in	
10	0641608	2	Bolt 3/8in-16NC x 1in	
11	0641610	4	Bolt 3/8in-16NC x 1-1/4in	
12	0641613	6	Bolt 3/8in-16NC x 1-5/8in	
13	0641616	4	Bolt 3/8in-16NC x 2in	
14	0641626	4	Bolt 3/8in-16NC x 3-1/4in	
15	0641634	4	Bolt 3/8in-16NC x 4 1/4in	
16	0641640	2	Bolt 3/8in-16NC x 5in	
17	0741612	6	Screw, Flathead 3/8in-16NC x 1-1/2in	
18		Ref	Fly Weldment Options:	
18	0801275	1	Fly Weldment (800S)	
18	0801282	1	Fly Weldment (860SJ)	
18	0801275	1	Fly Weldment (680S) (SN 0300182743 through 0300229061)	
18	1001212012	1	Fly Weldment (680S) (SN 0300229062 through 0300272492, Except SN 0300272449 through 0300272454)	
19		Ref	Mid Weldment Options:	
19	0801649	1	Mid Weldment (680S,800S)	
19	0801647	1	Mid Weldment (860SJ)	
20	0811606	28	Screw 3/8in-16NC x 3/4in	
21	0811607	12	Screw 3/8in-16NC x 7/8in	
22	0811608	6	Screw 3/8in-16NC x 1in	
23	0811614	6	Screw 3/8in-16NC x 1-3/4in	
24	0811616	6	Screw 3/8in-16NC x 2in	
25	0961948	2	Bearing (860SJ)	
26	0962297	2	Bearing	
27	1120510	1	Cover, Pin	
28	1220078	2	Sheave, Block	
29		Ref	Telescope Cylinder Assembly Options (See CYLINDER SECTION for Breakdown):	
29	1684041	NLA	Telescope Cylinder (Use p/n 1001228081) (800S) (SN 0300182743 through 0300196954)	
29	1001177317	NLA	Telescope Cylinder (Use p/n 1001228081) (800S) (SN 0300196955 through 0300243278)	
29	1001228081	1	Telescope Cylinder (800S) (SN 0300243279 through 0300272492, Except SN 0300272449 through 0300272454)	
29	1684041	NLA	Telescope Cylinder (Use p/n 1001228081) (800S) (SN B300001092 through B300001096)	
29	1001177317	NLA	Telescope Cylinder (Use p/n 1001228081) (800S) (SN B300001097 through B300002584, Excluding B300005568)	

SECTION 3 - BOOM

ITEM	PART NUMBER	QTY	DESCRIPTION	REV
29	1001228081	1	Telescope Cylinder (800S) (SN B300002585 through B300005730)	
29	1684043	1	Telescope Cylinder (860SJ) (SN 0300182743 through 0300196954)	
29	1001181588	1	Telescope Cylinder (Use p/n 1001228083) (860SJ) (SN 0300196955 through 0300244707)	
29	1001228083	1	Telescope Cylinder (860SJ) (SN 0300244708 through 0300272492, Except SN 0300272449 through 0300272454)	
29	1684043	1	Telescope Cylinder (860SJ) (SN B300001092 through B300001096)	
29	1001181588	1	Telescope Cylinder (Use p/n 1001228083) (860SJ) (SN B300001097 through B300002587)	
29	1001228083	1	Telescope Cylinder (860SJ) (SN B300002588 through B300005730, Excluding B300005568)	
29	1684519	1	Telescope Cylinder (680S) (SN 0300182743 through 0300196954)	
29	1001181589	NLA	Telescope Cylinder (Use p/n 1001228085) (680S) (SN 0300196955 through 0300244879)	
29	1001228085	1	Telescope Cylinder (680S) (SN 0300244880 through 0300272492, Except SN 0300272449 through 0300272454)	
30	3272001	1	Nut 5/8in-11NC	
31	3272401	1	Nut 7/8in-9NC	
32	3300240	1	Nut	
33	3300241	2	Locknut 3/4in-10NC	
34	3300242	1	Locknut 7/8in-9NC	
35	3311605	4	Locknut 3/8in-16NC	
36	3312201	2	Nut 3/4in-10NC	
37	3340757	2	Pad, Wear	
38	3340871	4	Pad, Wear	
39	3422417	1	Pin, Extend Sheave	
40	3422424	2	Pin	
41	3580243	2	Sheave, Retract	
41	0961951	1	Bushing	
42	3580249	2	Guard, Sheave	
43	3580288	1	Sheave, Extend	
43	0961951	2	Bushing	
44	3580289	1	Guard, Sheave	
45	3841143	1	Keeper, Pin	
46		Ref	Cable, Wire Rope	
46	3890013	2	Cable, Wire Rope (680S,800S)	
46	3890016	2	Cable, Wire Rope (860SJ)	
47		Ref	Cable, Wire Rope	
47	3890014	1	Cable, Wire Rope (680S,800S)	
47	3890017	1	Cable, Wire Rope (860SJ)	
48		Ref	Cable, Wire Rope	
48	3890015	1	Cable, Wire Rope (680S,800S)	
48	3890018	1	Cable, Wire Rope (860SJ)	
49	3951608	2	Setscrew 3/8in-16NC x 1in	
50	4070863	5	Shim (#11 Gauge)	
51	4070895	8	Shim (#16 Gauge)	
52	4070897	10	Shim (#18 Gauge)	
53	4070898	22	Shim (#11 Gauge)	
54	4070929	2	Shim (#16 Gauge)	
55	4070939	1	Shim (#16 Gauge)	

SECTION 3 - BOOM

ITEM	PART NUMBER	QTY	DESCRIPTION	REV
56	4070940	1	Shim (#16 Gauge)	
57	4071020	2	Shim (#16 Gauge)	
58	4160149	1	Spring, Torsion	
59	4711600	12	Flatwasher 3/8in Thin	
60	4751400	4	Flatwasher 1/4in Regular	
61	4891600	2	Flatwasher 3/8in Hardened	
62	1001148650	2	Pad, Wear	
63	1001148651	2	Pad, Wear	
64	1001148652	20	Pad, Wear	
65	1001148653	1	Pad, Wear	
66		Ref	Base Weldment Options:	
66	1001155770	1	Base Weldment (680S,800S)	
66	1001155771	1	Base Weldment (860SJ)	
67	3539622	1	Plate, Cover	

SECTION 3 - BOOM

FIGURE 3-5. ROTATOR ASSEMBLY

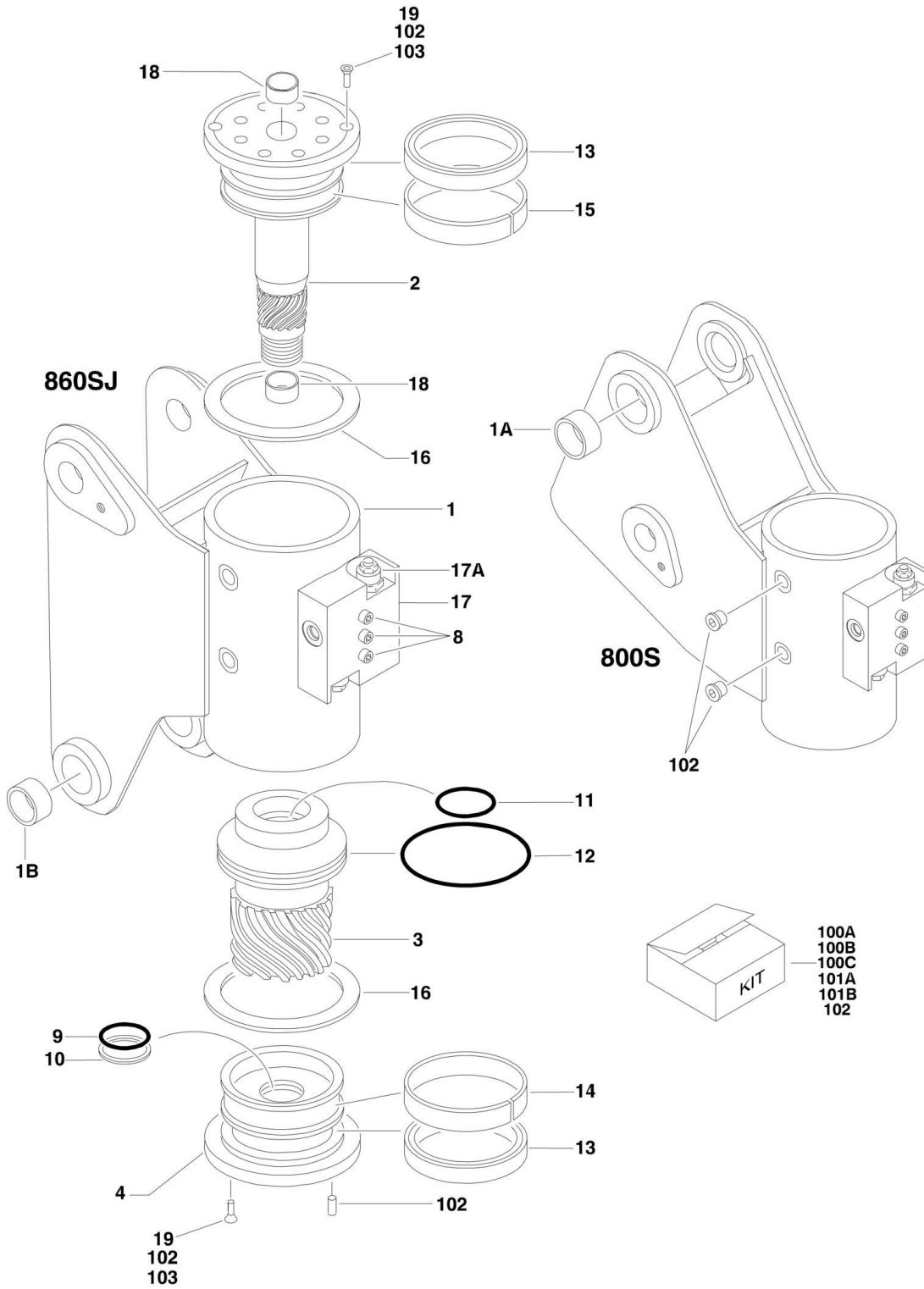


FIGURE 3-5. ROTATOR ASSEMBLY

ITEM	PART NUMBER	QTY	DESCRIPTION	REV
		Ref	ROTATOR ASSEMBLY	
	0060061	Ref	Rotator Assembly (800S) (SN 0300182743 through 0300202002)	J
	1001181060	Ref	Rotator Assembly (800S) (SN 0300202003 through 0300272492, Except SN 0300272449 through 0300272454)	A
	0060061	Ref	Rotator Assembly (800S) (SN B300001092 through B300001199)	J
	1001181060	Ref	Rotator Assembly (800S) (SN B300001200 through B300005730, Excluding B300005568)	A
	0060048	Ref	Rotator Assembly (860SJ) (SN 0300182743 through 0300202002)	J
	1001181051	Ref	Rotator Assembly (860SJ) (SN 0300202003 through 0300272492, Except SN 0300272449 through 0300272454)	A
	0060048	Ref	Rotator Assembly (860SJ) (SN B300001092 through B300001179)	J
	1001181051	Ref	Rotator Assembly (860SJ) (SN B300001180 through B300005730, Excluding B300005568)	A
	1001091625	Ref	Rotator Assembly (680S) (SN 0300182743 through 0300202002)	C
	1001181061	Ref	Rotator Assembly (680S) (SN 0300202003 through 0300272492, Except SN 0300272449 through 0300272454)	A
1		Ref	Case/Bracket Weldment	
1	7017175	1	0060061 Rotator	
1	7017141	1	0060048 Rotator	
1	See Note	NSS	1001091625, 1001181059, 1001181060 & 1001181061, Rotator (Note: Purchase Complete Assembly)	
1A		Ref	Bushing Options: (Top)	
1A	0961951	2	0060061 & 1001091625 Rotator	
1A	Not Required	0	0060048 Rotator	
1B		Ref	Bushing Options: (Bottom)	
1B	7017150	2	0060061 & 1001181051 Rotator	
1B	0961947	2	0060048 & 1001181060 Rotator	
2		Ref	Shaft Options:	
2	7017162	1	0060061, 1001181051, 1001091625 & 1001181060 Rotator	
2	7017140	1	0060048 Rotator	
3		Ref	Sleeve, Piston Options:	
3	7017163	1	0060061, 1001091625, 1001181051, 1001181060 & 1001181061 Rotator	
3	7017139	1	0060048 Rotator	
4	7017164	1	Cap, End	
8	See Note	NSS	Bolt 1/4 x 1-1/2 (Grade 8) (Note: Not Available - Purchase Locally)	
9	See Note	NSS	Seal, Cap (Note: Use Items 100A, 100B & 100C)	
10	See Note	NSS	Ring, Back-up Cap (Note: Use Items 100A, 100B & 100C)	
11	See Note	NSS	Seal, Rod (Note: Use Items 100A, 100B & 100C)	
12	See Note	NSS	Seal, Piston (Note: Use Items 100A, 100B & 100C)	
13	See Note	NSS	Packing, Bearing (Note: Use Items 100A, 100B & 100C)	
14	See Note	NSS	Bearing, Cap (Note: Use Items 101A & 101B)	
15	See Note	NSS	Bearing, Shaft (Note: Use Items 101A & 101B)	
16	See Note	NSS	Thrustwasher (Note: Use Items 101A & 101B)	
17		Ref	Counterbalance Valve Assembly Options:	
17	7017172	1	0060061, 1001091625, 1001181051, 1001181060 & 1001181061 Rotator	

SECTION 3 - BOOM

ITEM	PART NUMBER	QTY	DESCRIPTION	REV
17	7017125	1	0060048 Rotator	
17A		Ref	Valve, Cartridge Options:	
17A	7017192	2	0060061, 100109625, 1001181051, 1001181060 & 1001181061 Rotator	
17A	7011323	2	0060048 Rotator	
17A		Ref	Seal Kit (1 Per Assembly)	
17A	See Note	NSS	7017192 Cartridge (Note: Use p/n 7017192)	
17A	2900770	2	7011323 Cartridge	
18	7017195	2	Bushing	
19	70001697	6	Screw, Countersunk (0060048 Rotator)	
20	70005579	1	Tube, Stop (Optional) (Not Shown - Used on p/n 1001091625 Rotator Only)	
		Ref	KIT OPTIONS:	
100		Ref	Seal Kit Options: (Includes Items 9-13 & 102)	
100A	7017158	1	0060061 & 1001091625 Rotator (Standard)	
100B	70000342	1	0060061, 1001091625, 1001181051, 1001181060 & 1001181061 Rotator (Low Temperature)	
100C	7017137	1	0060048 Rotator	
101		Ref	Bearing Kit Options: (Includes Items 14-16)	
101A	7017159	1	0060061, 1001091625, 1001181051 & 1001181060 Rotator	
101B	7017138	1	0060048 Rotator	
102	7017142	1	Hardware Kit (0060061, 1001091625, 1001181051, 1001181060 & 1001181061 Rotator) (Includes End Cap Dowel Pins, Plugs and 103)	
103	70001697	4	Screw, Countersunk 1/4in-20NC x 3/8in (Grade 8)	

SECTION 3 - BOOM

FIGURE 3-6. PLATFORM SUPPORT AND CONTROL VALVES INSTALLATIONS

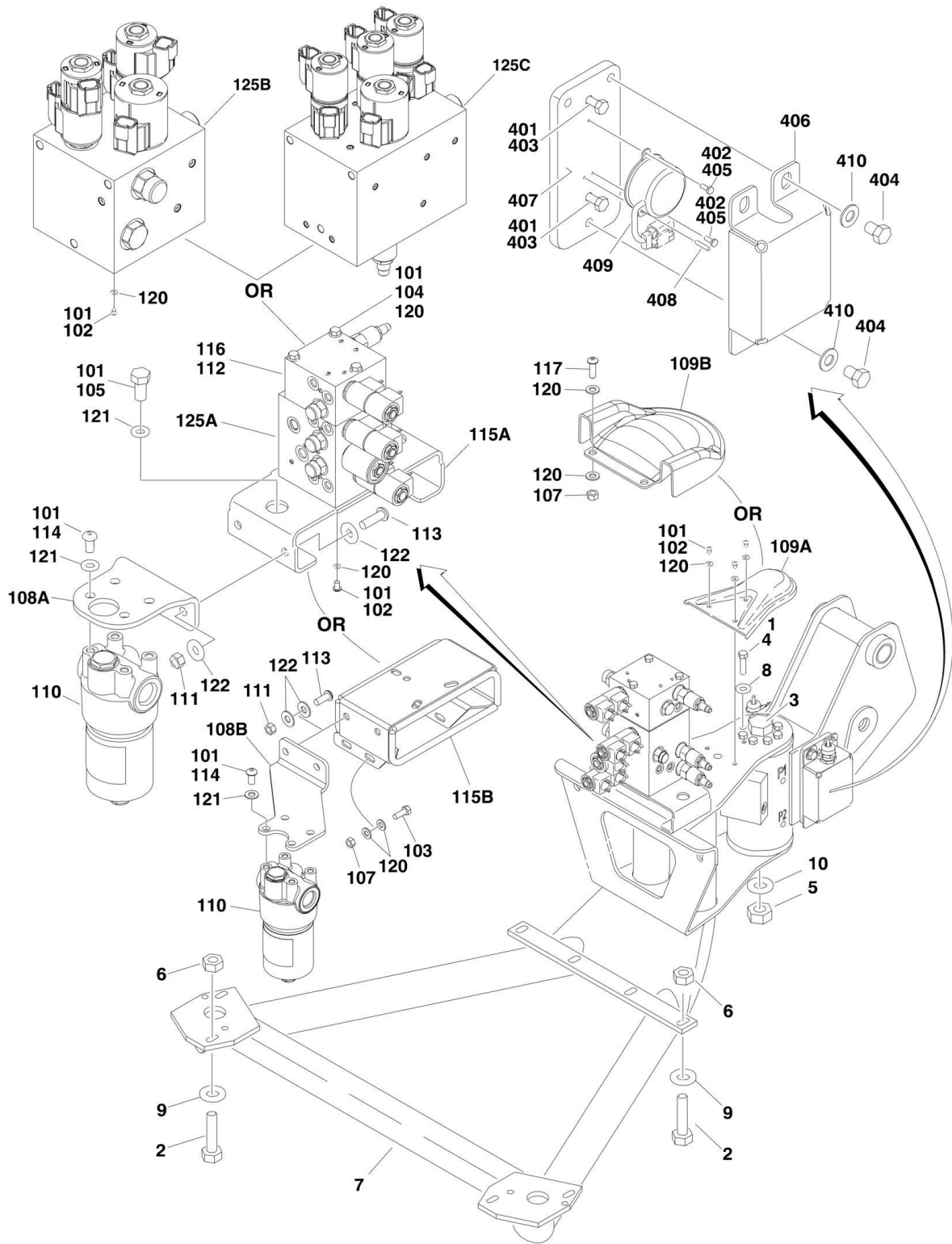


FIGURE 3-6. PLATFORM SUPPORT AND CONTROL VALVES INSTALLATIONS

ITEM	PART NUMBER	QTY	DESCRIPTION	REV
		Ref	PLATFORM SUPPORT INSTALLATION	
	0272070	Ref	Machines without LSS	F
	See Note	Ref	Machines with LSS (Note: See Separate Breakdown in this Section)	
1	0100011	AR	Compound, Locking	
2	0641812	8	Bolt 1/2in-13NC x 1-1/2in	
3	0642684	1	Bolt 1in-8NC x 10-1/2in	
4	0681608	8	Bolt 3/8in-16NC x 1in (Grade 8)	
5	3300243	1	Locknut 1in-8NC	
6	3311805	8	Locknut 1/2in-13NC	
7	4846573	1	Support	
8	4891600	8	Flatwasher 3/8in Hardened	
9	4891800	8	Flatwasher 1/2in Hardened	
10	4892600	1	Flatwasher 1in Hardened	
		Ref	VALVE INSTALLATIONS	
		Ref	Valve Installations without Hostile Environment/without LSS or with 4 Cell LSS (680S,800S)	
	1001161980	Ref	Machines with Deutz D2011 and GM Engines (680S,800S) (SN 0300182743 through 0300190436)	C
	1001149531	Ref	Machines with Deutz TD2.9L4 Engines (680S,800S) (SN 0300182743 through 0300190436)	D
	1001167198	Ref	Machines with All Deutz, Ford and GM Engines (680S,800S) (SN 0300190437 through 0300272492, Except SN 0300272449 through 0300272454)	B
	1001167198	Ref	Machines with All Deutz and GM Engines (680S,800S) (SN B300001092 through B300005730, Excluding B300005568)	B
		Ref	Valves Installation without Hostile Environment/with 1 Cell LSS (800S)	
	1001219979	Ref	Machines with All Deutz & Ford Engines (800S)	B
		Ref	Valves Installations with Hostile Environment/without LSS or with 4 Cell LSS (800S)	
	1001161982	Ref	Machines with Deutz D2011 and GM Engines (800S) (SN 0300182743 through 0300190436)	C
	1001149531	Ref	Machines with Deutz TD2.9L4 Engines (800S) (SN 0300182743 through 0300190436)	D
	1001167200	Ref	Machines with All Deutz, Ford and GM Engines (800S) (SN 0300190437 through 0300272492, Except SN 0300272449 through 0300272454)	B
	1001167200	Ref	Machines with All Deutz and GM Engines (800S) (SN B300001092 through B300005730, Excluding B300005568)	B
		Ref	Valves Installations without LSS with 4 Cell LSS (860SJ)	
	1001161981	Ref	Machines with Deutz D2011 and GM Engines (860SJ) (SN 0300182743 through 0300190436)	C
	1001149532	Ref	Machines with Deutz TD2.9L4 Engines (860SJ) (SN 0300182743 through 0300190436)	D
	1001167199	Ref	Machines with All Deutz, Ford and GM Engines (860SJ) (SN 0300190437 through 0300272492, Except SN 0300272449 through 0300272454)	B
	1001167199	Ref	Machines with All Deutz and GM Engines (860SJ) (SN B300001092 through B300005730, Excluding B300005568)	B
		Ref	Valves Installation with 1 Cell LSS (860SJ)	
	1001219980	Ref	Machines with All Deutz & Ford Engines (860SJ)	B
101	0100011	AR	Compound, Locking	
102	0630467	6	Screw, Button Head	

SECTION 3 - BOOM

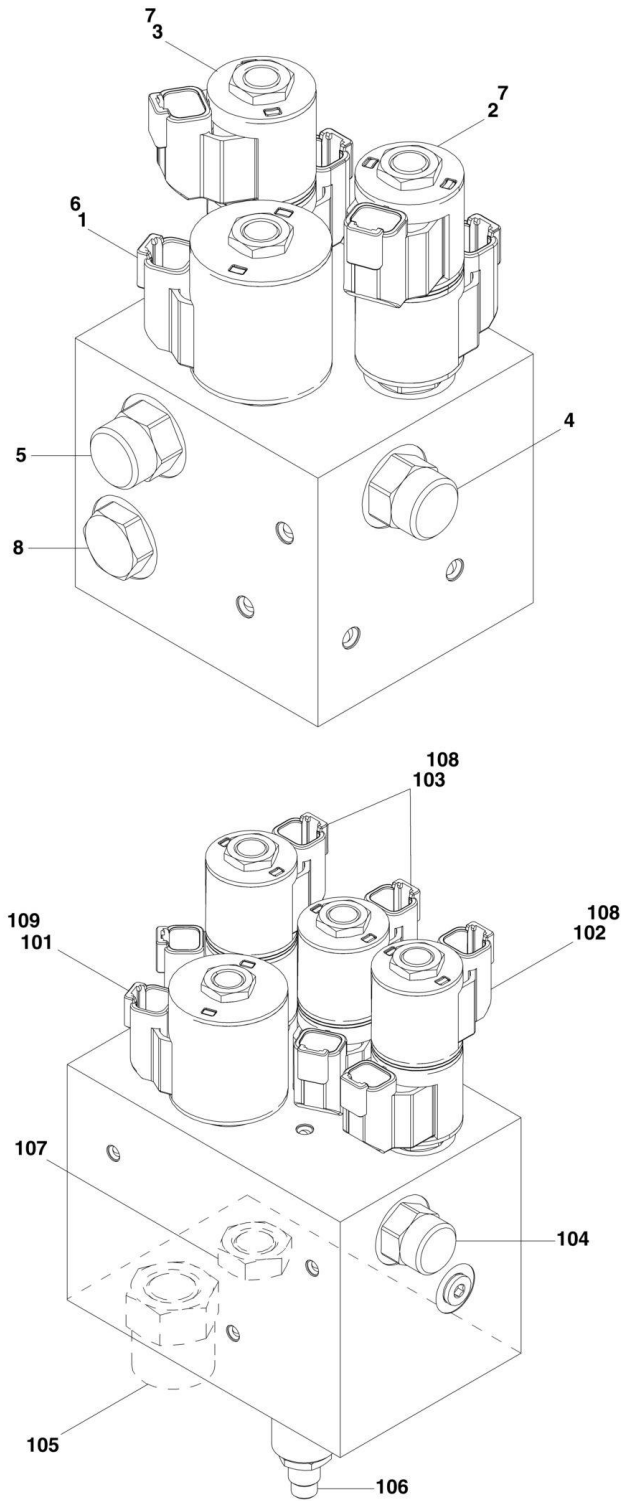
ITEM	PART NUMBER	QTY	DESCRIPTION	REV
103	0641507	4	Bolt 5/16 x 7/8	
104	0641526	3	Bolt 5/16in-18NC x 3-1/4in (860SJ) (SN 0300182743 through 0300190436)	
105	0641606	2	Bolt 3/8in-16NC x 3/4in	
107	3311505	6	Nut 5/16	
108A	0903530	1	Bracket, Filter Mounting (Machines without LSS or with 4 Cell LSS)	
108B	1001222314	1	Bracket, Filter Mounting (Machines with 1 Cell LSS)	
109A	1670964	1	Cover (Required on all Machines without LSS or with 4 Cell LSS except with Hostile Environment Machines with Deutz D2011, Ford and GM Engines) (800S)	
109B	1001207969	1	Cover (Machines with 1 Cell LSS)	
110	2120217	1	Filter, High Pressure	
110	70002097	1	Element, Filter	
110	70001499	1	Kit, Seal	
110	70004328	1	Plug, Indicator	
111	3311605	2	Locknut 3/8in-16NC	
112	3780117	2	O-Ring (860SJ) (SN 0300182743 through 0300190436)	
113	3900232	AR	Screw 3/8in-16NC x 1-1/4in	
113	3900316	AR	Screw 3/8 x 1	
114	3900283	4	Screw 3/8in-16NC x 3/4in	
115A	4341264	1	Plate, Valve Mounting (Machines without LSS or with 4 Cell LSS)	
115B	1001208944	1	Plate, Valve Mounting (Machines with 1 Cell LSS)	
116	4641186	1	Valve, Jib (See PLATFORM VALVE ASSEMBLY for Breakdown) (860SJ) (SN 0300182743 through 0300190436)	
117	88261024	2	Screw 5/16 x 1	
120	4711500	AR	Flatwasher 5/16in Thin	
121	4711600	6	Flatwasher 3/8in Thin	
122	4751600	4	Flatwasher 3/8in Regular	
125A	1001118473	1	Valve, Level/Rotate (See PLATFORM VALVE ASSEMBLIES for Breakdown) (SN 0300182743 through 0300190436)	
125B	1001154600	1	Valve, Platform (See PLATFORM VALVE ASSEMBLIES for Breakdown) (680S,800S) (SN 0300190437 through 0300263834)	
125B	1001244114	1	Valve, Platform (See PLATFORM VALVE ASSEMBLIES for Breakdown) (680S,800S) (SN 0300263835 through 0300272492, Except SN 0300272449 through 0300272454)	
125B	1001154600	1	Valve, Platform (See PLATFORM VALVE ASSEMBLIES for Breakdown) (680S,800S) (SN B300001092 through B300003943)	
125B	1001244114	1	Valve, Platform (See PLATFORM VALVE ASSEMBLIES for Breakdown) (680S,800S) (SN B300003944 through B300005730, Excluding B300005568)	
125C	1001154599	1	Valve, Platform (See PLATFORM VALVE ASSEMBLIES for Breakdown) (860SJ) (SN 0300190437 through 0300263834)	
125C	1001235901	1	Valve, Platform (See PLATFORM VALVE ASSEMBLIES for Breakdown) (860SJ) (SN 0300263835 through 0300272492, Except SN 0300272449 through 0300272454)	
125C	1001154599	1	Valve, Platform (See PLATFORM VALVE ASSEMBLIES for Breakdown) (860SJ) (SN B300001092 through B300003943)	
125C	1001235901	1	Valve, Platform (See PLATFORM VALVE ASSEMBLIES for Breakdown) (860SJ) (SN B300003944 through B300005730, Excluding B300005568)	

SECTION 3 - BOOM

ITEM	PART NUMBER	QTY	DESCRIPTION	REV
126	1001141137	1	Harness, Upper Valve (Not Shown - See ELECTRICAL SECTION for Breakdown) (SN 0300182743 through 0300190436)	D
126	1001168025	1	Harness, Upper Valve (Not Shown - See ELECTRICAL SECTION for Breakdown) (SN 0300190437 through 0300272492, Except SN 0300272449 through 0300272454)	
126	1001168025	1	Harness, Upper Valve (Not Shown - See ELECTRICAL SECTION for Breakdown) (SN B300001092 through B300005730, Excluding B300005568)	
	0273695	Ref	LEVEL SENSOR SWITCH INSTALLATION	
401	0100011	AR	Compound, Locking	
402	0100035	AR	Compound, Locking	
403	0641406	4	Bolt 1/4in-20NC x 3/4in	
404	0641604	6	Bolt 3/8in-16NC x 1/2in	
405	3930606	4	Capscrew #6-32NC x 3/8in	
406	1671044	2	Cover, Sensor	
407	3200449	2	Mount, Sensor	
408	3440410	2	Rollpin	
409	1001133329	2	Sensor (SN 0300182743 through 0300184647)	
409	1001147479	2	Sensor (SN 0300184648 through 0300272492, Except SN 0300272449 through 0300272454)	
409	1001147479	2	Sensor (SN B300001092 through B300005730, Excluding B300005568)	
410	4711600	6	Flatwasher 3/8in Thin	

SECTION 3 - BOOM

FIGURE 3-7. PLATFORM VALVE ASSEMBLIES (680S,800S) (SN 0300190437 through 0300263834, SN B300001092 through B300003943)



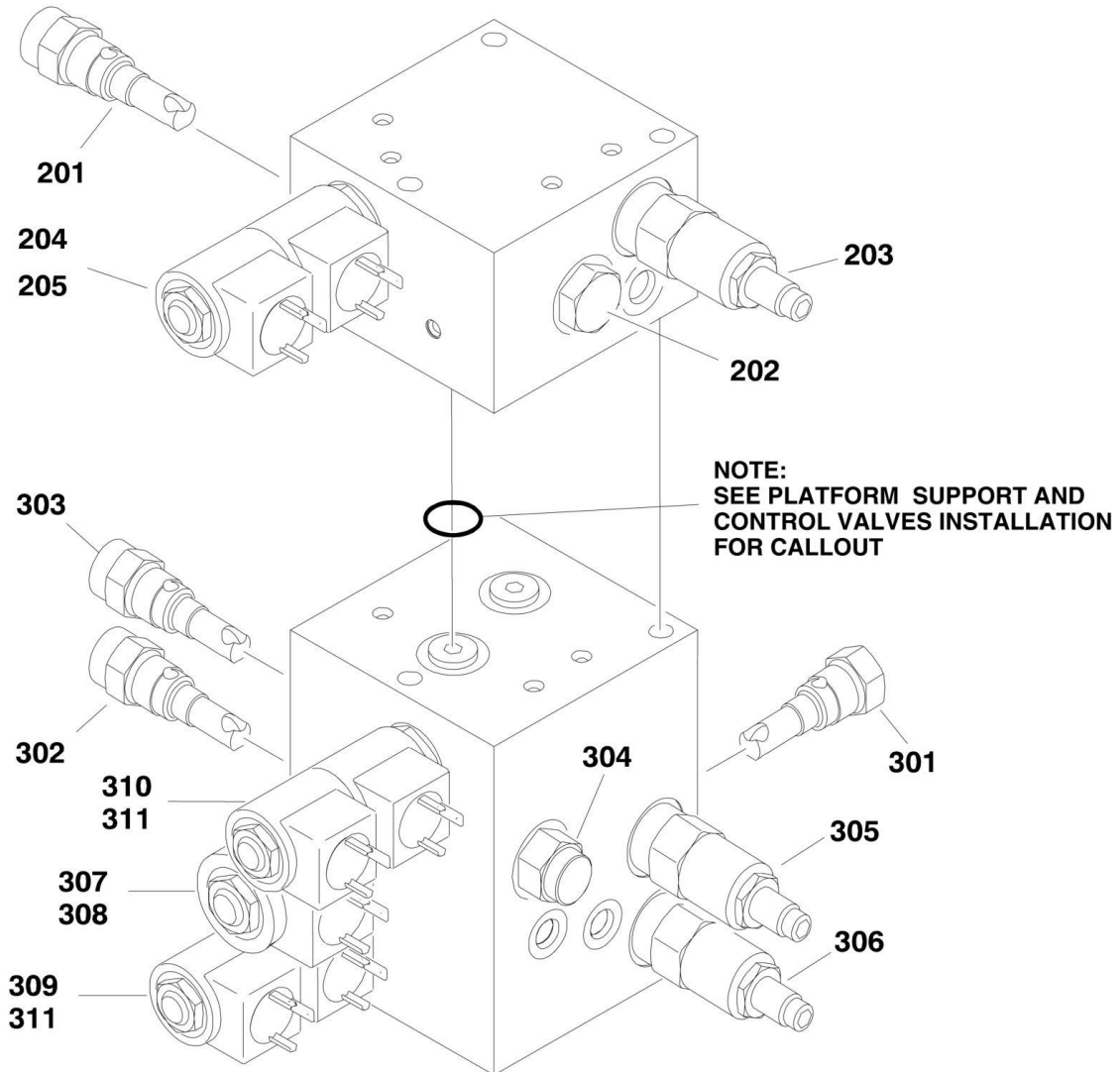
SECTION 3 - BOOM

FIGURE 3-7. PLATFORM VALVE ASSEMBLIES (680S,800S) (SN 0300190437 through 0300263834, SN B300001092 through B300003943)

ITEM	PART NUMBER	QTY	DESCRIPTION	REV
		Ref	PLATFORM VALVE ASSEMBLIES	
	1001154600	Ref	PLATFORM VALVE ASSEMBLY (680S,800S) (SN 0300190437 through 0300263834, SN B300001092 through B300003943)	D
1	7012995	1	Cartridge, Solenoid Valve (Pressure) (680S,800S)	
1	7012518	1	Seal Kit - 7012995 Valve (680S,800S)	
2	7017452	1	Cartridge, Solenoid Valve (Platform Rotator) (680S,800S)	
2	7017402	1	Seal Kit - 7017452 Valve (680S,800S)	
3	7023922	1	Cartridge, Solenoid Valve (Platform Level) (680S,800S)	
3	7017402	1	Seal Kit - 7023922 Valve (680S,800S)	
4	7012989	1	Cartridge, Valve (Flow Regulator) (680S,800S)	
4	7012953	1	Seal Kit - 7012989 Valve (680S,800S)	
5	7023984	NLA	Cartridge, Valve (use p/n 7017446) (680S,800S)	
5	7017446	1	Cartridge, Valve (Flow Regulator) (680S,800S)	
5	7012953	1	Seal Kit - 7023984 & 7017446 Valves (680S,800S)	
6	70003788	1	Coil (680S,800S)	
7	70002386	4	Coil (680S,800S)	
8	7012955	1	Cartridge, Valve (Check Valve) (680S,800S)	
8	7012967	1	Seal Kit - 7012955 Valve (680S,800S)	
9	70004582	1	Orifice (Not Shown - Located on Back at Port T) (680S,800S)	
	1001154599	Ref	PLATFORM VALVE ASSEMBLY (860SJ) (SN 0300190437 through 0300263834, SN B300001092 through B300003943)	E
101	7012995	1	Cartridge, Solenoid Valve (Pressure) (860SJ)	
101	7012518	1	Seal Kit - 7012955 Valve (860SJ)	
102	7017452	1	Cartridge, Solenoid Valve (Platform Rotator) (860SJ)	
102	7017402	1	Seal Kit - 7017452 Valve (860SJ)	
103	7023922	2	Cartridge, Solenoid Valve (Platform Jib & Platform Level) (860SJ)	
103	7017402	2	Seal Kit - 7023922 Valve (860SJ)	
104	7012989	1	Cartridge, Valve (Flow Regulator) (860SJ)	
104	7012953	1	Seal Kit - 7012989 Valve (860SJ)	
105	7023984	NLA	Cartridge, Valve (use p/n 7017446) (860SJ)	
105	7017446	1	Cartridge, Valve (Flow Regulator) (860SJ)	
105	7012953	1	Seal Kit - 7023984 Valve (860SJ)	
106	70004578	1	Cartridge, Valve (860SJ)	
106	7011653	1	Seal Kit - 70004578 Valve (860SJ)	
107	7012955	1	Cartridge, Valve (Check Valve) (860SJ)	
107	7012967	1	Seal Kit - 7012955 Valve (860SJ)	
108	70002386	6	Coil (860SJ)	
109	70003788	1	Coil (860SJ)	
110	70004582	1	Orifice (Not Shown - Located on Back at Port T) (860SJ)	

SECTION 3 - BOOM

FIGURE 3-8. PLATFORM VALVE ASSEMBLIES (860SJ) (SN 0300182743 through 0300190436)



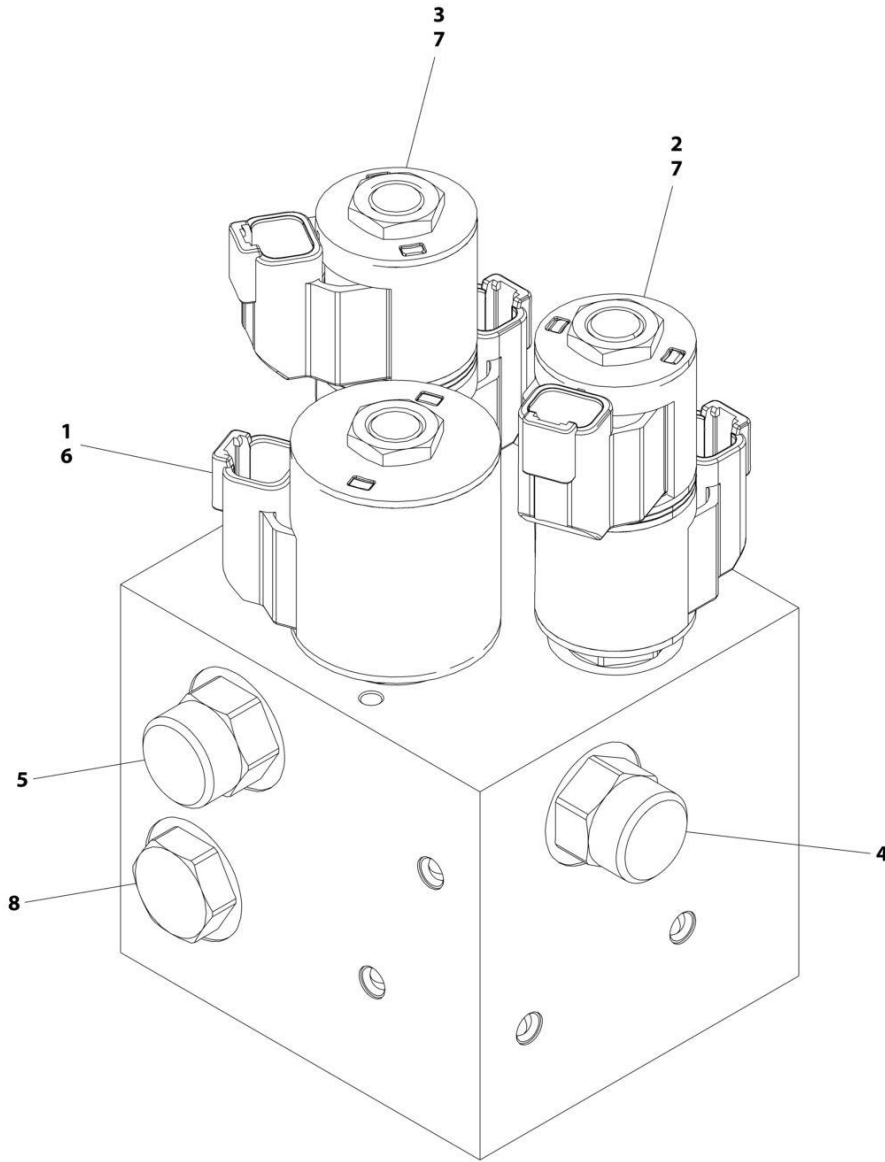
SECTION 3 - BOOM

FIGURE 3-8. PLATFORM VALVE ASSEMBLIES (860SJ) (SN 0300182743 through 0300190436)

ITEM	PART NUMBER	QTY	DESCRIPTION	REV
	4641186	Ref	JIB VALVE ASSEMBLY	C
201	7012965	1	Valve, Cartridge	
201	7012953	1	Seal Kit - 7012965 Valve	
202	7010542	1	Valve, Load Shuttle	
202	7010543	1	Seal Kit - 7010542 Valve	
203	7023915	1	Valve, Relief	
203	7012967	1	Seal Kit - 7023915 Valve	
204	7023922	1	Valve, Solenoid	
204	7017402	1	Seal Kit - 7017452 Valve	
205	7012944	2	Coil	
	1001118473	Ref	LEVEL/ROTATE VALVE ASSEMBLY	C
301	7012955	1	Valve, Check	
301	7012967	1	Seal Kit - 7012955 Valve	
302	7023984	1	Valve, Flow Regulator	
302	7012953	1	Seal Kit - 023984 Valves	
303	7012989	1	Valve, Flow Regulator	
303	7012953	1	Seal Kit - 7012989 Valve	
304	7012965	1	Valve, Flow Regulator	
304	7012953	1	Seal Kit - 7012965 Valves	
305	7023983	1	Valve, Relief (Level Up)	
305	7012967	1	Seal Kit - 7023983 Valve	
306	7023911	1	Valve, Relief (Level Down)	
306	7012967	1	Seal Kit - 7023911 Valve	
307	7017479	1	Valve, Solenoid (Pressure)	
307	7012518	1	Seal Kit - 7017479 Valve	
308	7012943	1	Coil	
309	7023922	1	Valve, Solenoid (Platform Level)	
309	7017402	1	Seal Kit - 7023922 Valve	
310	7017452	1	Valve, Solenoid (Rotator)	
310	7017402	2	Seal Kit - 7017452 Valve	
311	7012944	4	Coil	

SECTION 3 - BOOM

FIGURE 3-9. PLATFORM VALVE ASSEMBLY (680S,800S) (SN 0300263835 through 0300272492, SN B300003944 through B300005730)



ART_1001244114

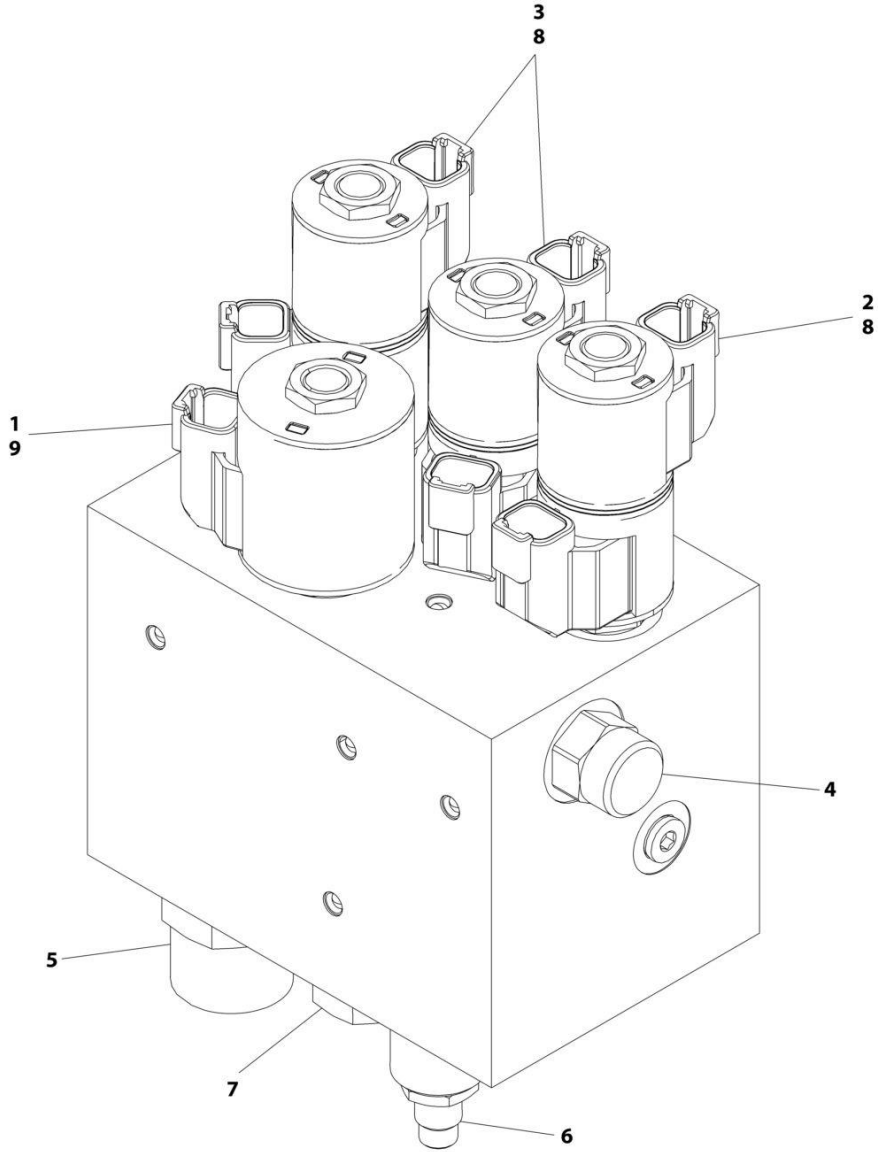
SECTION 3 - BOOM

FIGURE 3-9. PLATFORM VALVE ASSEMBLY (680S,800S) (SN 0300263835 through 0300272492, SN B300003944 through B300005730)

ITEM	PART NUMBER	QTY	DESCRIPTION	REV
	1001244114	Ref	PLATFORM VALVE ASSEMBLY	B
1	7012995	1	Cartridge, Solenoid Valve (Pressure)	
1	7012518	1	Seal Kit - 7012995 Valve	
2	7017452	1	Cartridge, Solenoid Valve (Platform Rotator)	
2	7017402	1	Seal Kit - 7017452 Valve	
3	7023922	1	Cartridge, Solenoid Valve (Platform Level)	
3	7017402	1	Seal Kit - 7023922 Valve	
4	7012989	1	Cartridge, Valve (Flow Regulator)	
4	7012953	1	Seal Kit - 7012989 Valve	
5	7017446	1	Cartridge, Valve (Flow Regulator)	
5	7012953	1	Seal Kit - 7023984 & 7017446 Valves	
6	70003788	1	Coil	
7	70002386	4	Coil	
8	7012955	1	Cartridge, Valve (Check Valve)	
8	7012967	1	Seal Kit - 7012955 Valve	
9	70004582	1	Orifice (Not Shown - Located on Back at Port T)	

SECTION 3 - BOOM

FIGURE 3-10. PLATFORM VALVE ASSEMBLY (860SJ) (860SJ) (SN 0300263835 through 0300272492, SN B300003944 through B300005730)



ART_1001235901

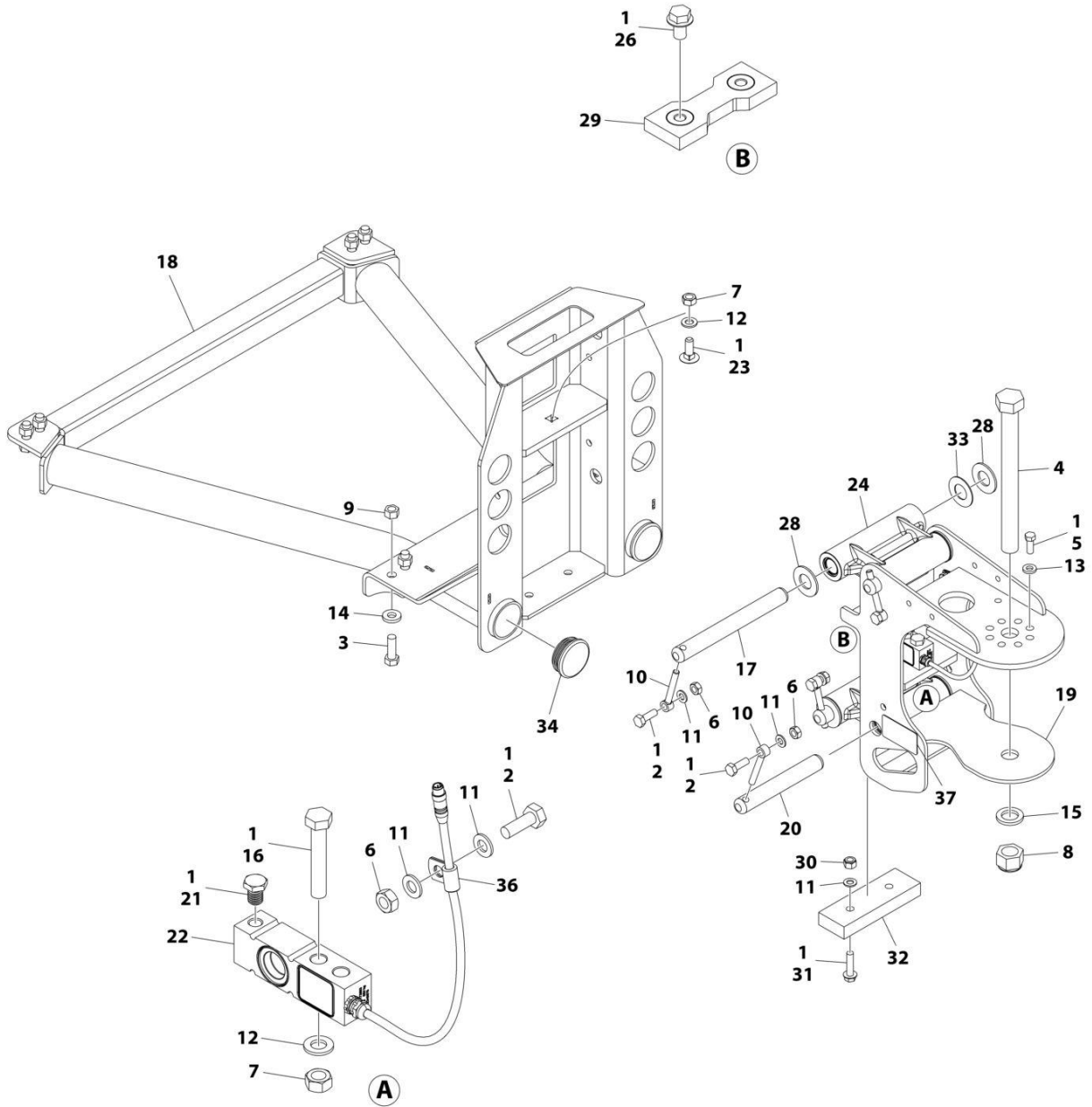
SECTION 3 - BOOM

**FIGURE 3-10. PLATFORM VALVE ASSEMBLY (860SJ) (860SJ) (SN 0300263835 through 0300272492,
SN B300003944 through B300005730)**

ITEM	PART NUMBER	QTY	DESCRIPTION	REV
	1001235901	Ref	PLATFORM VALVE ASSEMBLY	A
1	7012995	1	Cartridge, Solenoid Valve (Pressure)	
1	7012518	1	Seal Kit - 7012955 Valve	
2	7017452	1	Cartridge, Solenoid Valve (Platform Rotator)	
2	7017402	1	Seal Kit - 7017452 Valve	
3	7023922	2	Cartridge, Solenoid Valve (Platform Jib & Platform Level)	
3	7017402	2	Seal Kit - 7023922 Valve	
4	7012989	1	Cartridge, Valve (Flow Regulator)	
4	7012953	1	Seal Kit - 7012989 Valve	
5	7023984	NLA	Cartridge, Valve (use p/n 7017446)	
5	7017446	1	Cartridge, Valve (Flow Regulator)	
5	7012953	1	Seal Kit - 7023984 Valve	
6	70004578	1	Cartridge, Valve	
6	7021653	1	Seal Kit - 70004578 Valve	
7	7012955	1	Cartridge, Valve (Check Valve)	
7	7012967	1	Seal Kit - 7012955 Valve	
8	70002386	6	Coil	
9	70003788	1	Coil	
10	70004582	1	Orifice (Not Shown - Located on Back at Port T)	

SECTION 3 - BOOM

FIGURE 3-11. PLATFORM SUPPORT INSTALLATION - WITH 1 CELL LSS (800S,860SJ)



ART_1001167596

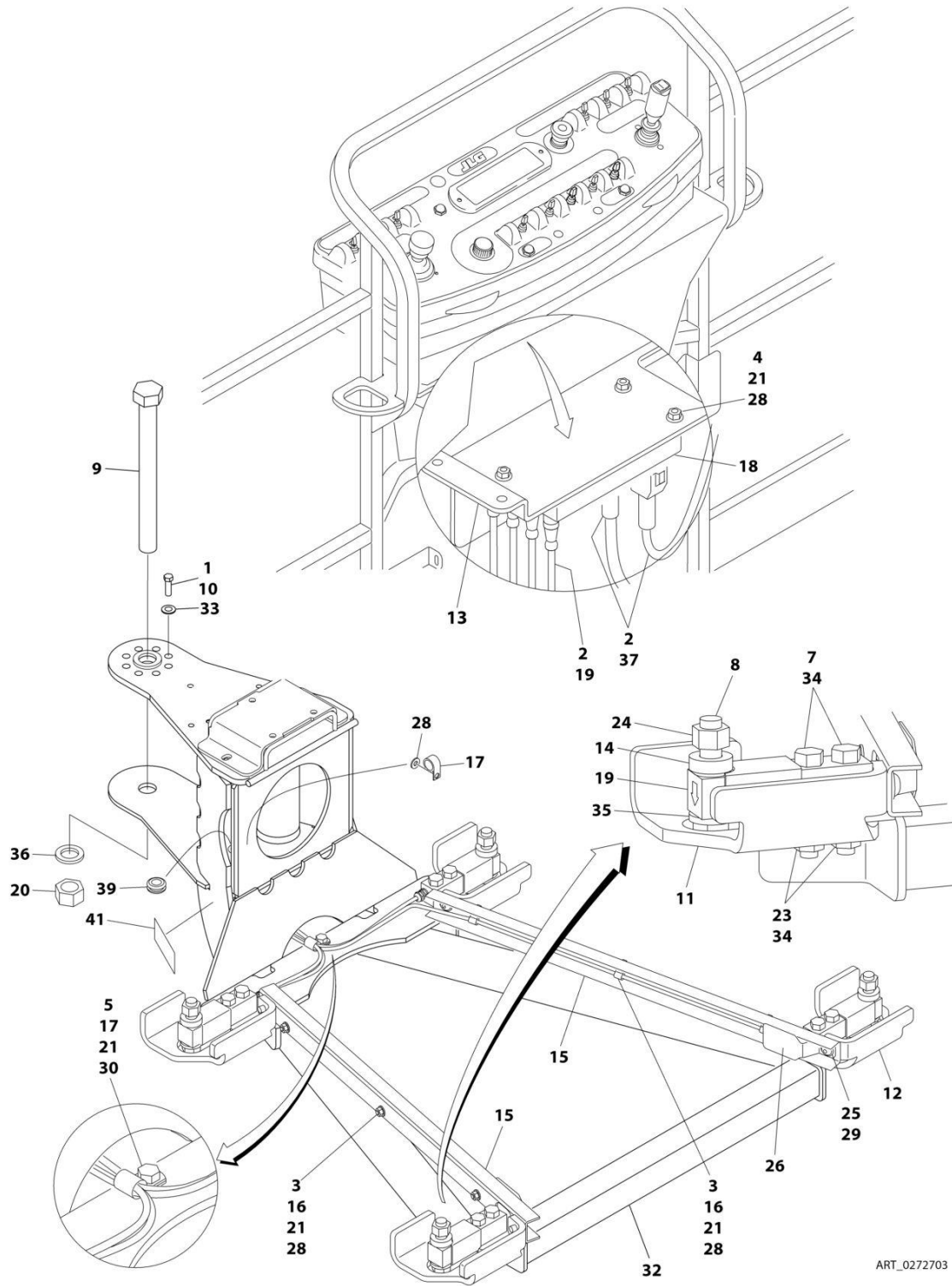
SECTION 3 - BOOM

FIGURE 3-11. PLATFORM SUPPORT INSTALLATION - WITH 1 CELL LSS (800S,860SJ)

ITEM	PART NUMBER	QTY	DESCRIPTION	REV
	1001167596	Ref	PLATFORM SUPPORT INSTALLATION - WITH 1 CELL LSS	J
1	0100011	AR	Compound, Locking	
2	0761014	5	Bolt M10 x 30	
3	0641812	8	Bolt 1/2 x 1-1/2	
3	0761216	8	Bolt M12 x 40	
4	0642684	1	Bolt 1 x 10-1/2	
5	0681608	8	Bolt 3/8 x 1	
6	3291001	5	Nut M10	
7	3291201	3	Nut M12	
8	3300243	1	Nut 1	
9	3311805	8	Nut 1/2	
9	3291205	8	Nut M12	
10	3841143	4	Keeper, Pin	
11	4812000	8	Washer M10	
12	4812100	3	Washer M12	
13	4891600	8	Washer 3/8	
14	4891800	8	Washer 1/2	
14	5241200	8	Washer M12	
15	4892600	1	Washer 1	
16	1001098828	2	Bolt M12 x 70 Grade 10.9	
17	1001167565	2	Pin	
18	1001200494	1	Support, Platform	
19	1001167567	1	Support, Rotator	
20	1001168402	2	Pin	
21	1001188622	1	Screw	
22	1001172663	1	Gauge, Load Sensing	
23	1001188844	1	Bolt M12 x 35	
24	1001201351	2	Link, LSS Assembly	
26	5251008	2	Bolt M10 x 16	
28	1001189002	8	Bearing	
29	1001190985	1	Pad, Wear	
30	3291005	2	Nut M10	
31	5251016	2	Bolt M10 x 40	
32	1001200491	1	Pad, Wear	
33	1001189001	4	Bearing	
34	1001204725	2	Plug	
36	91203039	1	Clamp	
37	1001216630	2	Decal - Tie Down/No Lift	

SECTION 3 - BOOM

FIGURE 3-12. PLATFORM SUPPORT INSTALLATION - WITH 4 CELL LSS



SECTION 3 - BOOM

FIGURE 3-12. PLATFORM SUPPORT INSTALLATION - WITH 4 CELL LSS

ITEM	PART NUMBER	QTY	DESCRIPTION	REV
	0272703	Ref	PLATFORM SUPPORT INSTALLATION - WITH 4 CELL LSS (800S,860SJ)	Q
	0275574	Ref	PLATFORM SUPPORT INSTALLATION - WITH 4 CELL LSS (680S)	F
1	0100011	AR	Compound, Locking	
2	0100048	AR	Grease, Dielectric	
3	0641405	AR	Bolt 1/4 x 5/8	
4	0641416	3	Bolt 1/4 x 2	
5	0641407	AR	Bolt 1/4 x 7/8	
5	3941406	AR	Screw 1/4 x 3/4	
7	0641822	AR	Bolt 1/2 x 2-3/4	
7	0641820	AR	Bolt 1/2 x 2-1/2	
8	0642024	4	Bolt 5/8 x 3	
9	0642684	1	Bolt 1 x 10-1/2	
10	0681608	8	Bolt 3/8 x 1 Grade 8	
11	0902919	2	Bracket, Cell Guard (LH) (800S,860SJ)	
11	3576903	1	Bracket, Cell Guard (LH Front) (680S)	
11	3576931	1	Bracket, Cell Guard (LH Rear) (680S)	
12	0902920	2	Bracket, Cell Guard (RH) (800S,860SJ)	
12	3576904	1	Bracket, Cell Guard (RH Front) (680S)	
12	3577017	1	Bracket, Cell Guard (RH Rear) (680S)	
13	1001113483	1	Bracket, Module Mount	
14	0962450	4	Bushing, Spacer	
15	1271538	2	Channel (800S,860SJ)	
15	1271651	2	Channel (680S)	
16	1320136	AR	Clamp	
17	1320224	AR	Clamp	
18	1600387	1	Module, Control - LSS (Note: Recalibration Required When Replaced)	
19	2420202	4	Cell, Load (Includes Cable)	
20	3272605	1	Nut 1 Grade 8	
20	3300243	1	Nut 1 Grade 8	
21	3311405	AR	Nut 1/4	
23	3311805	8	Nut 1/2	
24	3312005	4	Nut 5/8	
25	3900283	4	Screw 3/8 x 3/4	
26	4061054	2	Shield	
27	4240033	AR	Tie-Strap (Not Shown)	
28	4711400	10	Washer 1/4	
29	4711600	4	Washer 3/8	
30	4751400	1	Washer 1/4	
32	4846573	1	Support, Platform (800S,860SJ)	
32	4341327	1	Support, Platform (680S)	
33	4891600	8	Washer 3/8	
34	4891800	8	Washer 1/2	
35	4892000	4	Washer 5/8	
36	4892600	1	Washer 1	
37	4922869	1	LSS Harness	
37	4922705	1	Analyzer Harness (Not Shown)	
37	4460761	1	Receptacle, Female - 4 Position (Not Shown)	

SECTION 3 - BOOM

ITEM	PART NUMBER	QTY	DESCRIPTION	REV
37	4460226	1	Socket, Female	
37	4460836	1	Connector - 12 Position (Black) (J2)	
37	4460465	1	Socket, Female	
37	4460466	1	Plug, Terminal	
37	0840055	1	Boot	
37	4460933	1	Connector - 12 Position (Grey) (J1)	
37	4460465	1	Socket, Female	
37	4460466	1	Plug, Terminal	
37	0840055	1	Boot	
38	1061020	2	Cable, Extension (Not Shown) (680S)	
39	2540038	1	Grommet	
40	2920129	1	Bulb, Light (Not Shown - Located on Ground Control Box)	
41	1001216630	2	Decal - Tie Down/No Lift	

SECTION 3 - BOOM

FIGURE 3-13. BOOM CABLE CLAMPS INSTALLATIONS

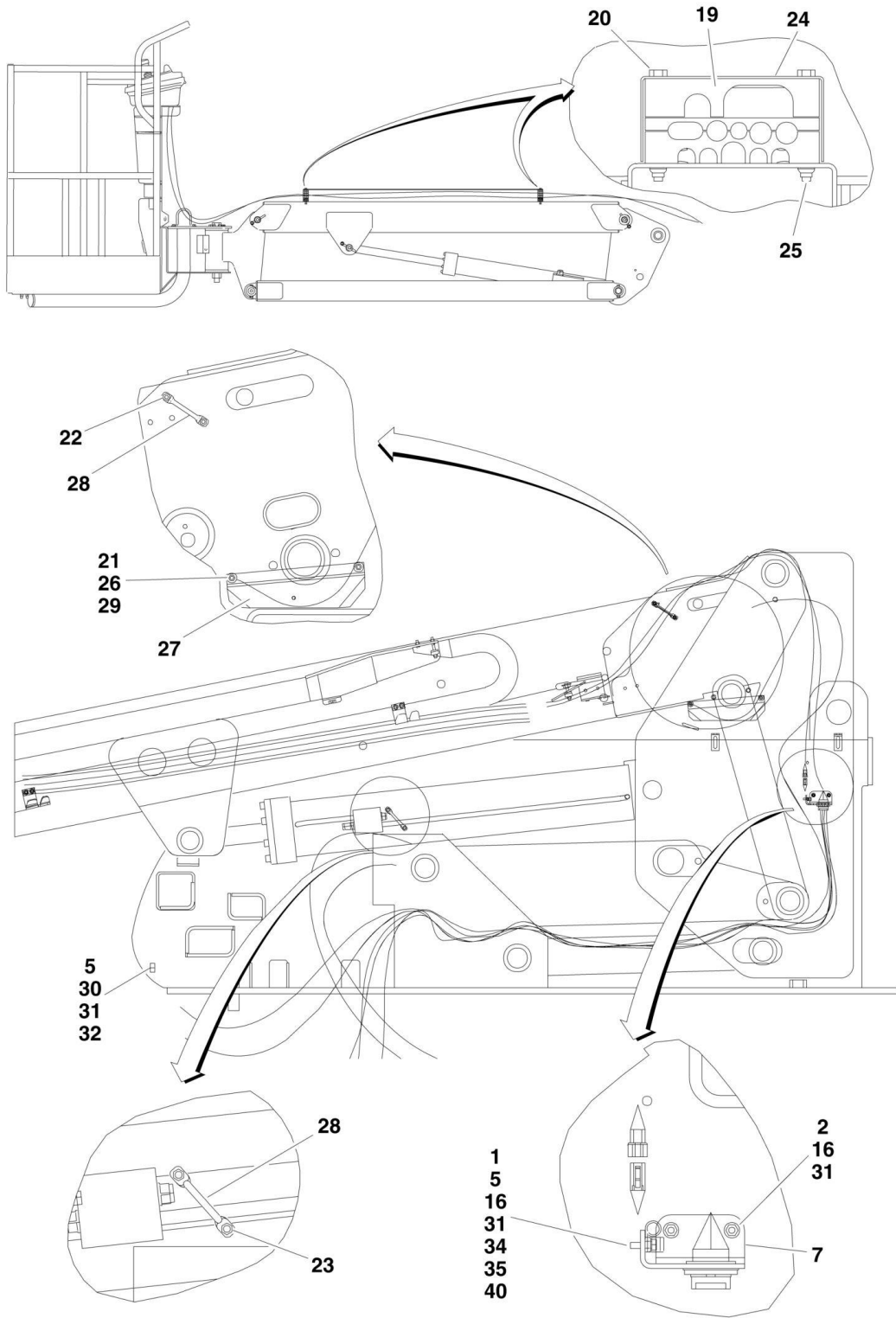


FIGURE 3-13. BOOM CABLE CLAMPS INSTALLATIONS

ITEM	PART NUMBER	QTY	DESCRIPTION	REV
		Ref	BOOM CABLE CLAMPS INSTALLATION	
		Ref	Boom Cable Clamps Installation (800S)	
	0271322	Ref	All Specs except Australian and CE Specs (800S)	I
	0271323	Ref	Australian and CE Specs Only (800S)	I
	1001243557	Ref	China Specs without AC Cables (800S)	A
	0271323	Ref	All Machines with 4000W/50Hz Generators (800S)	I
	1001153324	Ref	All Machines with 4000W/60Hz Generators (800S)	A
	0272388	Ref	All Specs except Australian and CE Specs with 7500W Generator and without Arctic Package (800S)	I
	1001117399	Ref	Australian and CE Specs Only with 7500W Generator and without Arctic Package (800S)	D
	1001091609	Ref	All Specs except Australian, CE and Japanese Specs without 7500W Generator and with Arctic Package (800S)	C
	1001091664	Ref	All Specs except Australian, CE and Japanese Specs with 7500W Generator and Arctic Package (800S)	G
		Ref	Boom Cable Clamps Installation (860SJ)	
	0271324	Ref	All Specs except Australian and CE Specs (860SJ)	I
	0271325	Ref	Australian and CE Specs Only (860SJ)	K
	1001243558	Ref	China Specs without AC Cables (860SJ)	A
	0271325	Ref	All Machines with 4000W/50Hz Generators (860SJ)	K
	1001153325	Ref	All Machines with 4000W/60Hz Generators (860SJ)	A
	0272389	Ref	All Specs except Australian and CE Specs with 7500W Generator and without Arctic Package (860SJ)	H
	1001117400	Ref	Australian and CE Specs Only with 7500W Generator and without Arctic Package (860SJ)	D
	0275586	Ref	All Specs except Australian, CE and Japanese Specs without 7500W Generator and with Arctic Package (860SJ)	B
	1001091665	Ref	All Specs except Australian, CE and Japanese Specs with 7500W Generator and with Arctic Package (860SJ)	G
1	0641408	1	Bolt 1/4in-20NC x 1in	
2	0641412	2	Bolt 1/4in-20NC x 1-1/2in	
5		Ref	Clamp Options:	
5	1320223	2	Machines without 4000W or 7500W Generator	
5	Not Required	0	Machines with 4000W or 7500W Generator	
7	3573047	1	Plate, Terminal Mounting	
16	4711400	5	Flatwasher 1/4in Thin	
19		Ref	Block, Clamp Options: (860SJ)	
19	0561484	2	0271324, 0271325, 0272389, 1001117400 & 1001153325 Installations (860SJ)	
19	1001091472	2	0275586 & 1001091665 Installations (860SJ)	
20	0641424	4	Bolt 1/4in-20NC x 3in (860SJ)	
21	0641511	2	Bolt 5/16in-18NC x 1-3/8in	
22	0641604	2	Bolt 3/8in-16NC x 1/2in	
23	0641607	2	Bolt 3/8in-16NC x 7/8in	
24	1671034	1	Cover, Jib (860SJ)	
25	2080044	4	Rivnut (860SJ)	
26	3311505	2	Locknut 5/16in-18NC	
27	3573296	1	Plate, Hose Cover	
28	3841340	2	Loop, Hose	
29	4751500	4	Flatwasher 5/16in Regular	
30		Ref	Bolt 1/4in-20NC x 1-1/4in Options:	
30	0641410	1	Machines without 4000W or 7500W Generator	

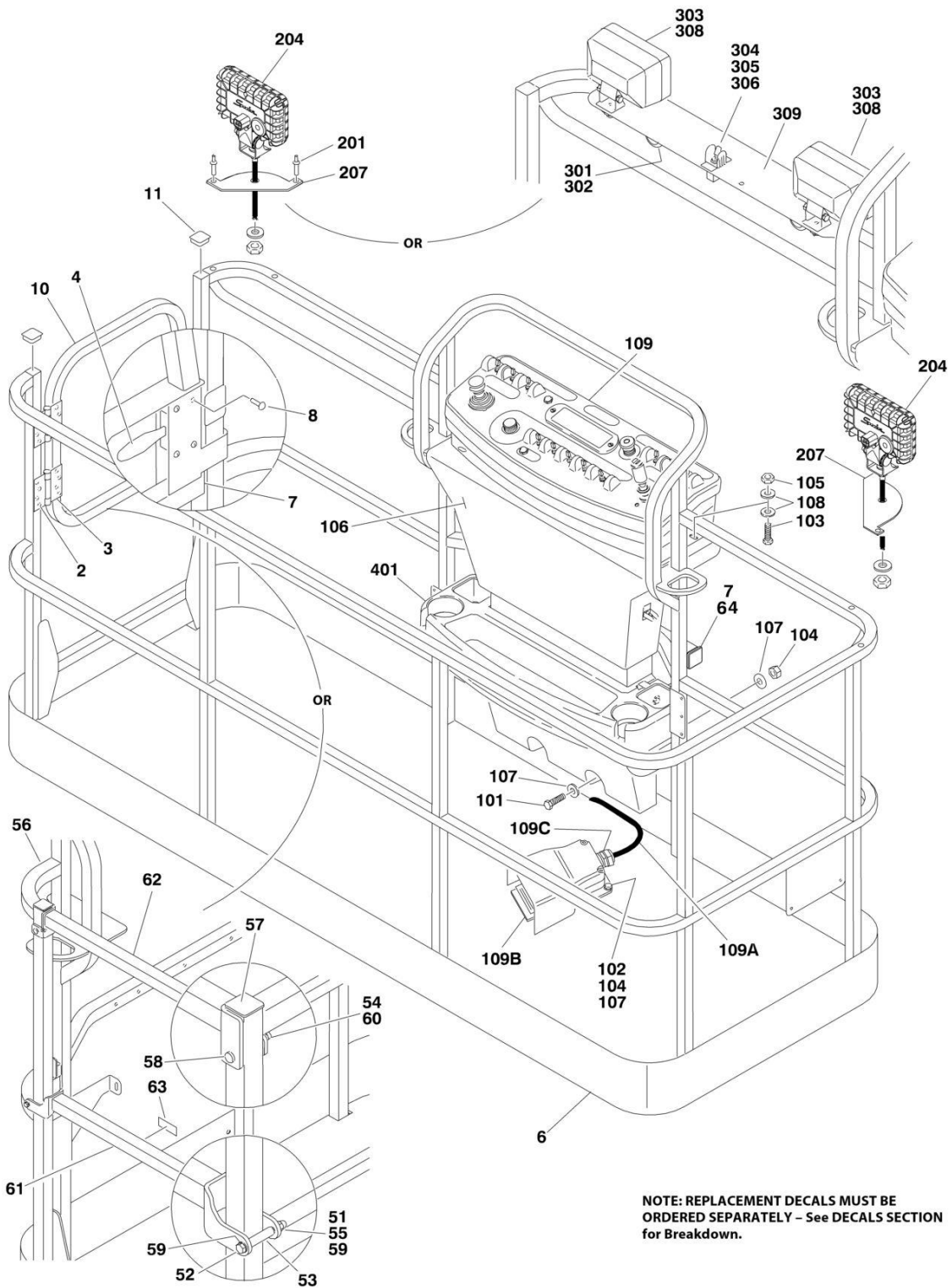
SECTION 3 - BOOM

ITEM	PART NUMBER	QTY	DESCRIPTION	REV
30	Not Required	0	Machines with 4000W or 7500W Generator	
31	3311405	AR	Locknut 1/4in-20NC	
32		Ref	Flatwasher 1/4in Regular Options:	
32	4751400	1	Machines without 4000W or 7500W Generator	
32	Not Required	0	Machines with 4000W or 7500W Generator	
34	1320061	1	Clamp	
35	1320041	1	Clamp (Machines with 4000W or 7500W Generator Only)	
35	1320202	1	Clamp (Machines with 4000W or 7500W Generator Only)	
40	4751400	1	Washer 1/4	

SECTION 4 - PLATFORM

SECTION 4 - PLATFORM

FIGURE 4-1. PLATFORM COMPONENTS INSTALLATION



NOTE: REPLACEMENT DECALS MUST BE ORDERED SEPARATELY - See DECALS SECTION for Breakdown.

SECTION 4 - PLATFORM

FIGURE 4-1. PLATFORM COMPONENTS INSTALLATION

ITEM	PART NUMBER	QTY	DESCRIPTION	REV
		Ref	PLATFORM ASSEMBLY WITH GATE	
		Ref	USA Built Machines:	
	1001144027	Ref	Platform 30in x 4ft (76cm x 1.22m) (SN 0300182743 through 0300201002)	D
	1001186387	Ref	Platform 30in x 4ft (76cm x 1.22m) (SN 0300201003 through 0300272492, Except SN 0300272449 through 0300272454)	C
	1001144026	Ref	Platform 30in x 5ft (76cm x 1.52m) (SN 0300182743 through 0300201002)	D
	1001186386	Ref	Platform 30in x 5ft (76cm x 1.52m) (SN 0300201003 through 0300272492, Except SN 0300272449 through 0300272454)	C
	1001144024	Ref	Platform 36in x 6ft (91.5cm x 1.83m) (SN 0300182743 through 0300201002)	D
	1001186384	Ref	Platform 36in x 6ft (91.5cm x 1.83m) (SN 0300201003 through 0300272492, Except SN 0300272449 through 0300272454)	C
	1001228376	Ref	Platform 36in x 6ft (91.5cm x 1.83m) with Tri-Entry (1 Gate/2 Drop Bars)	C
	1001144023	Ref	Platform 36in x 8ft (91.5cm x 2.44m) (SN 0300182743 through 0300201002)	D
	1001186383	Ref	Platform 36in x 8ft (91.5cm x 2.44m) (SN 0300201003 through 0300272492, Except SN 0300272449 through 0300272454)	D
	1001228243	Ref	Platform 36in x 8ft (91.5cm x 2.44m) with Tri-Entry (1 Gate/2 Drop Bars)	A
		Ref	China Built Machines:	
	1001144027	Ref	Platform 30in x 4ft (76cm x 1.22m) (SN B300001092 through B300001179)	D
	1001186387	Ref	Platform 30in x 4ft (76cm x 1.22m) (SN B300001180 through B300005730, Excluding B300005568)	C
	1001144026	Ref	Platform 30in x 5ft (76cm x 1.52m) (SN B300001092 through B300001179)	D
	1001186386	Ref	Platform 30in x 5ft (76cm x 1.52m) (SN B300001180 through B300005730, Excluding B300005568)	C
	1001144024	Ref	Platform 36in x 6ft (91.5cm x 1.83m) (SN B300001092 through B300001179)	D
	1001186384	Ref	Platform 36in x 6ft (91.5cm x 1.83m) (SN B300001180 through B300005730, Excluding B300005568)	C
	1001228376	Ref	Platform 36in x 6ft (91.5cm x 1.83m) with Tri-Entry (1 Gate/2 Drop Bars)	C
	1001144023	Ref	Platform 36in x 8ft (91.5cm x 2.44m) (SN B300001092 through B300001179)	D
	1001186383	Ref	Platform 36in x 8ft (91.5cm x 2.44m) (SN B300001180 through B300005730, Excluding B300005568)	D
	1001228243	Ref	Platform 36in x 8ft (91.5cm x 2.44m) with Tri-Entry (1 Gate/2 Drop Bars)	A
	1001186335	Ref	Platform 48in x 160in (1.22cm x 4cm) (680S)	C
		Ref	Note: Original Equipment platform may have been replaced with Service Replacement platform. Identify platform before ordering parts.	
		Ref	Note: For Platforms with Mesh to the Top Rail, customer must order Platforms and Mesh separately. See SPECIAL OPTIONS SECTION for Mesh Installations.	
		Ref	Note: Replacement Decals Must Be Ordered Separately - See DECALS SECTION.	
		Ref	Note: When Replacing 8ft/2.44m platform with Soft Touch option, new Soft Touch Rail p/n 4846673 must be purchased to accommodate limit switch locations.	

SECTION 4 - PLATFORM

ITEM	PART NUMBER	QTY	DESCRIPTION	REV
		Ref	Note: When replacing platform on machines with SkyCutter option, new bracket p/n 1001145405 must be purchased to accomodate SkyCutter components.	
2	2080040	16	Fastener, Huck	
3	2600281	2	Hinge, Self-Closing	
4	2940074	1	Latch	
6	See Note	NSS	Platform (Note: Purchase Complete Platform Assembly.)	
7	3520072	3	Cap, Plug	
8	3820020	4	Rivet	
10	1001144629	1	Gate	
11	3520198	2	Cap-Plug	
		Ref	PLATFORM ASSEMBLY WITH DROP-BAR	
		Ref	USA Built Machines:	
	1001144018	Ref	Platform 30in x 4ft (76cm x 1.22m) (SN 0300182743 through 0300201002)	D
	1001186375	Ref	Platform 30in x 4ft (76cm x 1.22m) (SN 0300201003 through 0300272492, Except SN 0300272449 through 0300272454)	B
	1001144019	Ref	Platform 30in x 5ft (76cm x 1.52m) (SN 0300182743 through 0300201002)	D
	1001186377	Ref	Platform 30in x 5ft (76cm x 1.52m) (SN 0300201003 through 0300272492, Except SN 0300272449 through 0300272454)	C
	1001144021	Ref	Platform 36in x 6ft (91.5cm x 1.83m) (SN 0300182743 through 0300201002)	D
	1001186379	Ref	Platform 36in x 6ft (91.5cm x 1.83m) (SN 0300201003 through 0300272492, Except SN 0300272449 through 0300272454)	B
	1001228377	Ref	Platform 36in x 6ft (91.5cm x 1.83m) with Tri-Entry (3 Drop Bars)	B
	1001128598	Ref	Platform 36in x 6ft (91.5cm x 1.83m) (Machines with Shipyard Package) (Not Shown) (SN 0300182743 through 0300201002)	D
	1001186374	Ref	Platform 36in x 6ft (91.5cm x 1.83m) (Machines with Shipyard Package) (Not Shown) (SN 0300201003 through 0300272492, Except SN 0300272449 through 0300272454)	A
	1001128479	Ref	Platform 36in x 6ft (91.5cm x 1.83m) (Machines with Shipyard Package with Platform Bumpers) (Not Shown) (SN 0300182743 through 0300201002)	D
	1001186371	Ref	Platform 36in x 6ft (91.5cm x 1.83m) (Machines with Shipyard Package with Platform Bumpers) (Not Shown) (SN 0300201003 through 0300272492, Except SN 0300272449 through 0300272454)	A
	1001144022	Ref	Platform 36in x 8ft (91.5cm x 2.44m) (SN 0300182743 through 0300201002)	D
	1001186382	Ref	Platform 36in x 8ft (91.5cm x 2.44m) (SN 0300201003 through 0300272492, Except SN 0300272449 through 0300272454)	B
	1001228375	Ref	Platform 36in x 8ft (91.5cm x 2.44m) with Tri-Entry (3 Drop Bars)	A
		Ref	China Built Machines:	
	1001144018	Ref	Platform 30in x 4ft (76cm x 1.22m) (SN B300001092 through B300001179)	D
	1001186375	Ref	Platform 30in x 4ft (76cm x 1.22m) (SN B300001180 through B300005730, Excluding B300005568)	B
	1001144019	Ref	Platform 30in x 5ft (76cm x 1.52m) (SN B300001092 through B300001179)	D
	1001186377	Ref	Platform 30in x 5ft (76cm x 1.52m) (SN B300001180 through B300005730, Excluding B300005568)	C
	1001144021	Ref	Platform 36in x 6ft (91.5cm x 1.83m) (SN B300001092 through B300001179)	D

SECTION 4 - PLATFORM

ITEM	PART NUMBER	QTY	DESCRIPTION	REV
	1001186379	Ref	Platform 36in x 6ft (91.5cm x 1.83m) (SN B300001180 through B300005730, Excluding B300005568)	B
	1001228377	Ref	Platform 36in x 6ft (91.5cm x 1.83m) with Tri-Entry (3 Drop Bars)	B
	1001128598	Ref	Platform 36in x 6ft (91.5cm x 1.83m) (Machines with Shipyard Package) (Not Shown) (SN B300001092 through B300001179)	D
	1001186374	Ref	Platform 36in x 6ft (91.5cm x 1.83m) (Machines with Shipyard Package) (Not Shown) (SN B300001180 through B300005730, Excluding B300005568)	A
	1001128479	Ref	Platform 36in x 6ft (91.5cm x 1.83m) (Machines with Shipyard Package with Platform Bumpers) (Not Shown) (SN B300001092 through B300001179)	D
	1001186371	Ref	Platform 36in x 6ft (91.5cm x 1.83m) (Machines with Shipyard Package with Platform Bumpers) (Not Shown) (SN B300001180 through B300005730, Excluding B300005568)	A
	1001144022	Ref	Platform 36in x 8ft (91.5cm x 2.44m) (SN B300001092 through B300001179)	D
	1001186382	Ref	Platform 36in x 8ft (91.5cm x 2.44m) (SN B300001180 through B300005730, Excluding B300005568)	B
	1001228375	Ref	Platform 36in x 8ft (91.5cm x 2.44m) with Tri-Entry (3 Drop Bars)	A
		Ref	Note: Original Equipment platform may have been replaced with Service Replacement platform. Identify platform before ordering parts.	
		Ref	Note: Replacement Decals Must Be Ordered Separately - See DECALS SECTION.	
		Ref	Note: When replacing 8ft/2.44m platform with Soft Touch option, new Soft Touch Rail p/n 4846673 must be purchased to accomodate limit switch locations.	
		Ref	Note: When Replacing platform on machines with SkyCutter option, new bracket p/n 1001145405 must be purchased to accomodate SkyCutter components.	
51	0100011	AR	Compound, Locking	
52	0641418	AR	Bolt 1/4 x 2-1/4	
52	0641420	AR	Bolt 1/4 x 2-1/2	
53	0961845	AR	Bushing	
54	3290606	2	Nut M6	
55	3300151	AR	Nut, Acorn	
56	See Note	NSS	Platform (Note: Purchase Platform Assembly.)	
57	3520198	2	Cap-Plug	
58	4010618	2	Screw M6 x 50mm	
59	4711400	AR	Flatwasher 1/4in Thin	
60	4811700	2	Flatwasher M6	
61		Ref	Bar, Drop Options:	
61	1001138494	AR	Drop Bar (Machines without Shipyard Package)	
61	1001111346	1	Drop Bar (Machines with Shipyard Package) (Not Shown)	
62	1001138514	1	Rail (Top)	
63	1001140429	AR	Decal - Drop-Bar	
64	3520072	2	Cap, Plug	
		Ref	CONSOLE BOX INSTALLATION	
		Ref	USA Built Machines:	
	1001114897	Ref	Console Box Installation (Without SkyGuard)	E
	1001190019	Ref	Console Box Installation (With SkyGuard/without LSS or with 4 Cell LSS)	C
	1001221704	NLA	Console Box Installation (Use p/n 1001241720) (With SkyGuard/with 1 Cell LSS)	B

SECTION 4 - PLATFORM

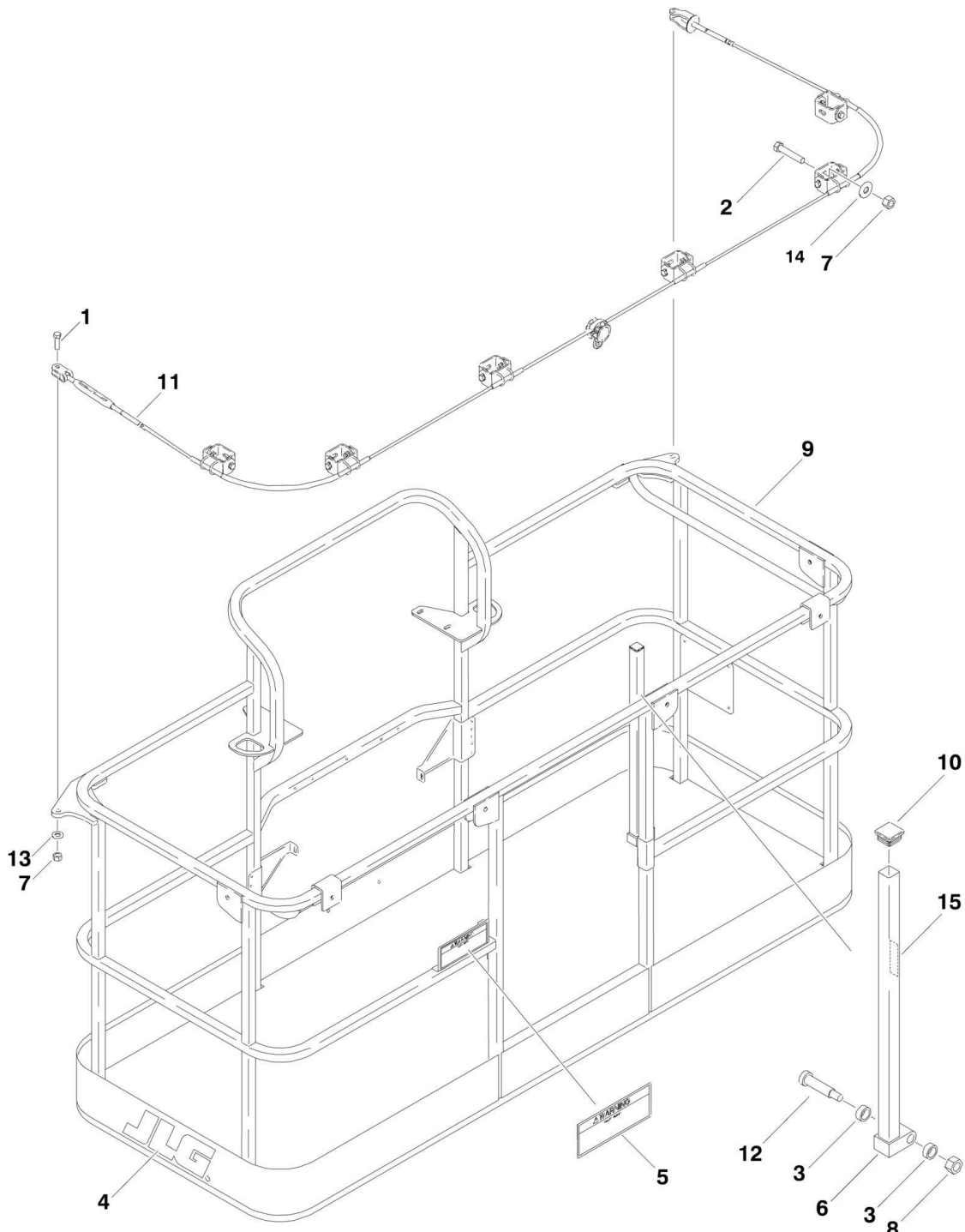
ITEM	PART NUMBER	QTY	DESCRIPTION	REV
	1001241720	Ref	Console Box Installation (With SkyGuard Bar/with 1 Cell LSS)	A
		Ref	China Built Machines:	
	1001114897	Ref	Console Box Installation (Without SkyGuard)	D
	1001190019	Ref	Console Box Installation (With SkyGuard/without LSS or with 4 Cell LSS)	C
	1001221704	NLA	Console Box Installation (Use p/n 1001241720) (With SkyGuard/with 1 Cell LSS)	B
	1001241720	Ref	Console Box Installation (With SkyGuard Bar/with 1 Cell LSS)	A
101	0641406	4	Bolt 1/4in-20NC x 3/4in	
102	0641408	3	Bolt 1/4in-20NC x 1in	
103	0641610	4	Bolt 3/8in-16NC x 1-1/4in	
104	3311405	7	Locknut 1/4in-20NC	
105	3311605	4	Locknut 3/8in-16NC	
106	3380434	1	Panel, Decal Mount	
107	4740362	7	Flatwasher 1/4in Fender	
108	4751600	8	Flatwasher 3/8in Regular	
109		Ref	Platform Console Assembly Options (See PLATFORM CONSOLE ASSEMBLY for Breakdown):	
109		Ref	USA Built Machines without LSS or with 4 Cell LSS	
109	1001141140	1	Platform Console Assembly (Without SkyGuard) (SN 0300182743 through 0300188906)	
109	1001166675	1	Platform Console Assembly (Without SkyGuard) (SN 0300188907 through 0300219490)	
109	1001202571	1	Platform Console Assembly (Without SkyGuard) (SN 0300219941 through 0300272492, Except SN 0300272449 through 0300272454)	
109	1001190018	1	Platform Console Box Assembly (With SkyGuard) (SN 0300201003 through 0300219490)	
109	1001204511	1	Platform Console Assembly (With SkyGuard) (SN 0300219491 through 0300272492, Except SN 0300272449 through 0300272454)	
109		Ref	China Built Machines without LSS or with 4 Cell LSS	
109	1001166675	1	Platform Console Box (Without SkyGuard) (SN B300001092 through B300001598)	
109	1001202571	1	Platform Console Box (Without SkyGuard) (SN B300001599 through B300005730, Excluding B300005568)	
109	1001190018	1	Platform Console Box (With SkyGuard) (SN B300001181 through B300001598)	
109	1001204511	1	Platform Console Box (With SkyGuard) (SN B300001599 through B300005730, Excluding B300005568)	
		Ref	All Machines with 1 Cell LSS	
	1001221719	NLA	Platform Console Box (With SkyGuard) (Use p/n 1001241716) (SN 0300227324 through 0300255782)	
	1001241716	Ref	Platform Console Box (With SkyGuard Bar) (SN 0300255783 through 0300272492, Except SN 0300272449 through 0300272454)	
	1001221719	NLA	Platform Console Box (With SkyGuard) (Use p/n 1001241716) (SN B300002206 through B300004484)	
	1001241716	Ref	Platform Console Box (With SkyGuard Bar) (SN B300004485 through B300005730, Excluding B300005568)	
109	1001117174	1	Footswitch Assembly	
109A	1060918	7 ft/2.14m	Cable, Electrical - 18/3	
109B	1001117172	1	Footswitch	

SECTION 4 - PLATFORM

ITEM	PART NUMBER	QTY	DESCRIPTION	REV
109B	70002902	1	Block, Contact	
109B	70002903	1	Gasket	
109B	70002905	1	Cover	
109B	70002904	1	Bolt Replacement Kit	
109C	4460071	1	Connector, Strain Relief	
		Ref	WORKLIGHTS INSTALLATIONS (OPTIONAL)	
	0273472	Ref	Worklights Installations (800S)	E
	0273483	Ref	Worklights Installations (860SJ)	E
	1001128153	Ref	Worklights Installations (Worklights/Double Qty Listed for 4 Corner Worklight) (860SJ)	B
201	2080040	AR	Huck Fastener	
204	2920140	NLA	Worklight (Use p/n 1001222838) (SN 0300182743 through 0300258641, SN B300001092 through B300003937)	
204	7016399	2	Bulb, Replacement (1 Per Worklight)	
204	1001232838	1	Worklight w/Switch Kit (SN 0300258642 through 0300272492, SN B300003938 through B300005730, Except SN 0300272449 through 0300272454, Excluding B300005568)	
204	1001232586	1	Worklight w/Switch	
204	1001232799	1	Harness, Light	
207	3536089	2	Plate, Mounting	
213	4460426	1	Connector, Strain Relief (Not Shown - Located at Console Box)	
217		Ref	Hardware Options (Not Shown):	
217	2820035	9 ft/2.74m	Loom, Vinly (2 Worklights)	
217	2820020	1 ft/0.30m	Shrink, Heat (4 Worklights)	
218	4240099	10	Tie-Strap (Not Shown)	
	0272058	Ref	FLOODLIGHTS INSTALLATION	B
301	0641518	2	Bolt 5/16in-18NC x 2-1/4in	
302	2560173	2	Handle, Star Knob	
303	2920157	2	Floodlight	
303	7024452	2	Bulb, Replacement (1 Per Light)	
304	3250585	1	Nameplate - Lights On	
305	4060802	1	Guard, Switch	
306	4360336	1	Switch, Toggle	
307	4420037	AR	Tape, Insulation (Not Shown)	
308	4751800	2	Flatwasher 1/2in Regular	
309	4846561	1	Mount, Light	
		Ref	TRAY INSTALLATIONS (OPTIONAL)	
401	1580012	1	Tray, Storage (Center)	
402	1580013	1	Tray, Storage (Rail Mounted - Not Shown)	

SECTION 4 - PLATFORM

FIGURE 4-2. PLATFORM COMPONENTS INSTALLATION (FALL ARREST PLATFORM)



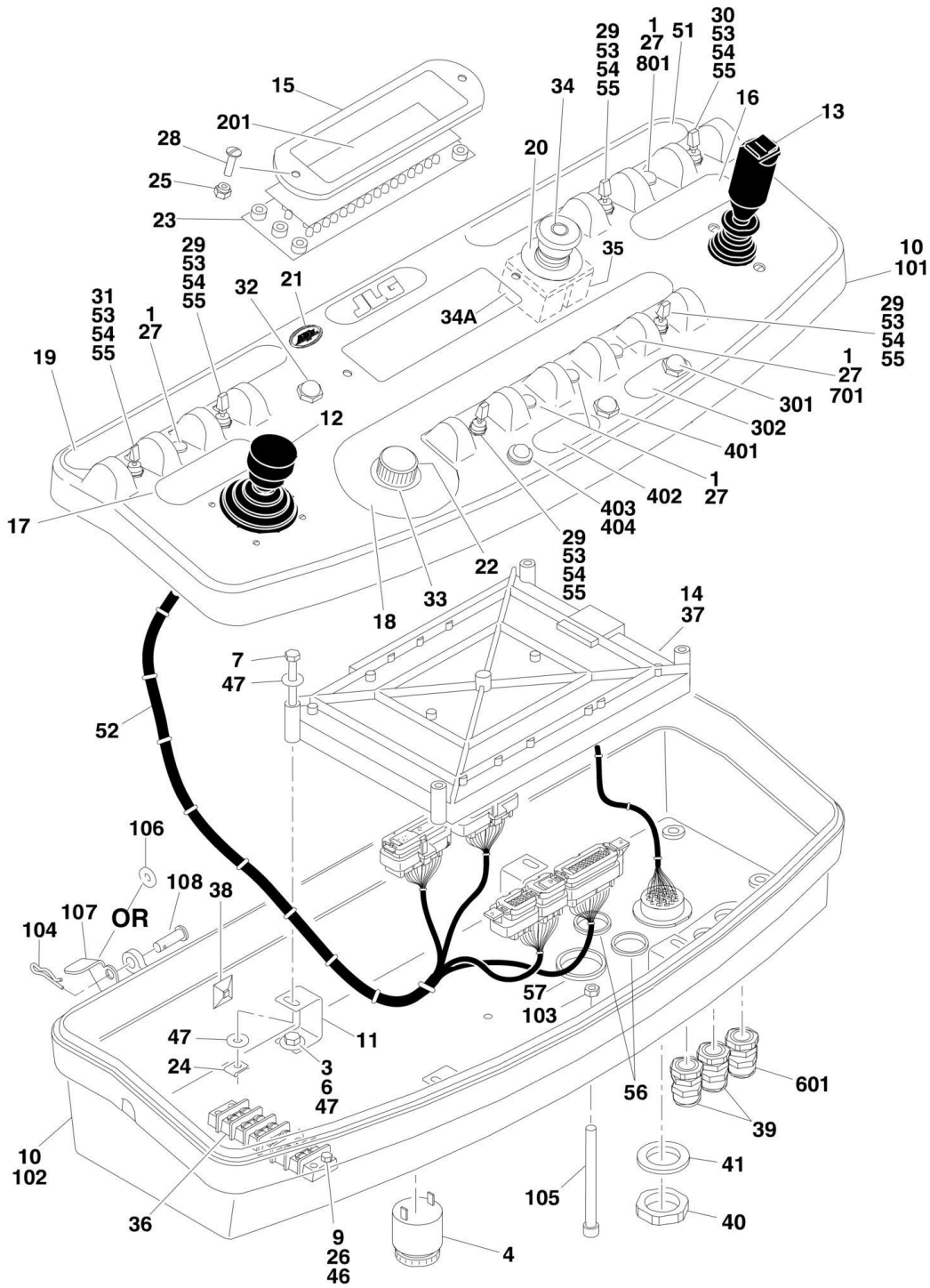
SECTION 4 - PLATFORM

FIGURE 4-2. PLATFORM COMPONENTS INSTALLATION (FALL ARREST PLATFORM)

ITEM	PART NUMBER	QTY	DESCRIPTION	REV
		Ref	PLATFORM ASSEMBLY (FALL ARREST)	
	3510884	Ref	Platform (3ft x 6ft) (SN 0300182743 through 0300186658)	F
	1001144597	Ref	Platform (3ft x 6ft) (SN 0300186659 through 0300201002)	D
	1001186333	Ref	Platform (3ft x 6ft) (SN 0300201003 through 0300272492, Except SN 0300272449 through 0300272454)	C
	3510868	Ref	Platform (3ft x 8ft) (SN 0300182743 through 0300186658)	F
	1001144596	Ref	Platform (3ft x 8ft) (SN 0300186659 through 0300201002)	D
	1001186334	Ref	Platform (3ft x 8ft) (SN 0300201003 through 0300272492, Except SN 0300272449 through 0300272454)	B
	1001144597	Ref	Platform (3ft x 6ft) (SN B300001092 through B300001179)	D
	1001186333	Ref	Platform (3ft x 6ft) (SN B300001180 through B300005730, Excluding B300005568)	C
	1001144596	Ref	Platform (3ft x 8ft) (SN B300001092 through B300001179)	E
	1001186334	Ref	Platform (3ft x 8ft) (SN B300001180 through B300005730, Excluding B300005568)	B
		Ref	Note: Replacement Decals Must be Ordered Separately - See DECALS SECTION for Breakdown.	
		Ref	Note: Fall Arrest Not Available on Australian or CE Spec Machines.	
1	0681814	2	Bolt 1/2in-13NC x 1-3/4in (Grade 8)	
2	0681822	AR	Bolt 1/2in-13NC x 2-3/4in (Grade 8)	
3	0962270	2	Bearing, Oilite	
4	1702773	1	Decal - JLG	
5	1705014	1	Decal - Safety	
6	2410014	1	Gate	
7	3271805	AR	Locknut 1/2in-13NC (Grade 8)	
8	3311605	1	Locknut 3/8in-16NC	
9	See Note	NSS	Platform (Note: Purchase Platform Assembly)	
10	3520072	1	Cap-Plug	
11		Ref	Cable, Fall Arrest Options:	
11	1060919	NLA	Cable (3ft x 6ft Platform) (Use p/n 1001203655) (SN 0300182743 through 0300214274)	
11	1001203655	1	Cable (3ft x 6ft Platform) (SN 0300214275 through 0300272492, Except SN 0300272449 through 0300272454)	
11	1060919	NLA	Cable (3ft x 6ft Platform) (Use p/n 1001203655) (SN B300001092 through B300001464)	
11	1001203655	1	Cable (3ft x 6ft Platform) (SN B300001465 through B300005730, Excluding B300005568)	
11	3890040	NLA	Cable (3ft x 8ft Platform) (Use p/n 1001203656) (SN 0300182743 through 0300215844)	
11	1001203656	1	Cable (3ft x 8ft Platform) (SN 0300215845 through 0300272492, Except SN 0300272449 through 0300272454)	
11	3890040	NLA	Cable (3ft x 8ft Platform) (Use p/n 1001203656) (SN B300001092 through B300001484)	
11	1001203656	1	Cable (3ft x 8ft Platform) (SN B300001485 through B300005730, Excluding B300005568)	
12	3900054	1	Bolt 1/2in-13NC x 1-3/4in	
13	4711800	2	Flatwasher 1/2in Thin	
14	4751800	AR	Flatwasher 1/2in Regular	
15	1706385	1	Decal - Drop Bar	

SECTION 4 - PLATFORM

FIGURE 4-3. PLATFORM CONSOLE ASSEMBLY (WITHOUT SKYGUARD)



SECTION 4 - PLATFORM

FIGURE 4-3. PLATFORM CONSOLE ASSEMBLY (WITHOUT SKYGUARD)

ITEM	PART NUMBER	QTY	DESCRIPTION	REV
		Ref	PLATFORM CONSOLE ASSEMBLY (WITHOUT SKYGUARD)	
	1001141140	Ref	Platform Console Assembly (SN 0300182743 through 0300188906)	C
	1001166675	Ref	Platform Console Assembly (SN 0300188907 through 0300219490)	C
	1001202571	Ref	Platform Console Assembly (SN 0300219491 through 0300272492, Except SN 0300272449 through 0300272454)	C
	1001166675	Ref	Platform Console Assembly (SN B300001092 through B300001598)	C
	1001202571	Ref	Platform Console Assembly (SN B300001599 through B300005730, Excluding B300005568)	C
1	0100009	AR	Sealant	
3	0100081	AR	Compound, Loctite	
4	0140011	1	Alarm	
6	0641406	4	Bolt 1/4in-20NC x 3/4in	
7	0641414	4	Bolt 1/4in-20NC x 1-3/4in	
8	0721003	2	Bolt #10-24NC x 3/8in	
9	0721006	2	Screw #10-24NC x 3/4in	
10	0861441	1	Box, Console (See Items 101-108 for Breakdown) (SN 0300182743 through 0300219490)	
10	1001201886	1	Box, Console (See Items 101-108 for Breakdown) (SN 0300219491 through 0300272492, Except SN 0300272449 through 0300272454)	
10	0861441	1	Box, Console (See Items 101-108 for Breakdown) (SN B300001092 through B300001598)	
10	1001201886	1	Box, Console (See Items 101-108 for Breakdown) (SN B300001599 through B300005730, Excluding B300005568)	
11	0902751	4	Bracket, Support (SN 0300182743 through 0300188906)	
11	1001172760	4	Bracket, Support (SN 0300188907 through 0300272492, Except SN 0300272449 through 0300272454)	
11	1001172760	4	Bracket, Support (SN B300001092 through B300005730, Excluding B300005568)	
12	1001118417	NLA	Controller Assembly (Lift and Swing) (See CONTROLLER ASSEMBLY (LIFT AND SWING) for Breakdown) (Use p/n 1001129555) (SN 0300182743 through 0300188906)	
12	1001166539	NLA	Controller Assembly (Lift and Swing) (See CONTROLLER ASSEMBLY (LIFT AND SWING) for Breakdown) (Use p/n 1001129555) (SN 0300188907 through 0300272492, Except SN 0300272449 through 0300272454)	
12	1001166539	NLA	Controller Assembly (Lift and Swing) (See CONTROLLER ASSEMBLY (LIFT AND SWING) for Breakdown) (Use p/n 1001129555) (SN B300001092 through B300005730, Excluding B300005568)	
13	1001118416	NLA	Controller Assembly (Drive and Steer) (See CONTROLLER ASSEMBLY (DRIVE AND STEER) for Breakdown) (Use p/n 1001212415) (SN 0300182743 through 0300188906)	
13	1001166538	NLA	Controller Assembly (Drive and Steer) (See CONTROLLER ASSEMBLY (DRIVE AND STEER) for Breakdown) (Use p/n 1001212415) (SN 0300188907 through 0300272492, Except SN 0300272449 through 0300272454)	
13	1001166538	NLA	Controller Assembly (Drive and Steer) (See CONTROLLER ASSEMBLY (DRIVE AND STEER) for Breakdown) (Use p/n 1001212415) (SN B300001092 through B300005730, Excluding B300005568)	
14	1001141138	1	Controller, Module (Note: Re-calibration Required when Replaced)	

SECTION 4 - PLATFORM

ITEM	PART NUMBER	QTY	DESCRIPTION	REV
15	1671176	1	Bezel	
16	1702565	1	Decal (Drive and Steer)	
17	1702566	1	Decal (Lift and Swing)	
18	1702567	1	Decal (Function Speed)	
19	1702676	1	Decal (Horn)	
20	1704260	1	Decal - EMS	
21	1705132	1	Decal - Control ADE (SN 0300182743 through 0300188906)	
22	2560136	1	Handle, Knob	
23	2920154	1	Panel, LED Light	
24	3300353	4	Nut, Tinnermen	
25	3300408	2	Insert, Nylon	
26	3311005	2	Locknut #10-24NC	
27	3520054	5	Plug, Hole	
28	3911018	2	Screw, Round Head #10	
29	4360328	4	Switch, Toggle (SN 0300182743 through 0300188906)	
29	1001155045	4	Switch, Toggle (SN 0300188907 through 0300272492, Except SN 0300272449 through 0300272454)	
29	1001155045	4	Switch, Toggle (SN B300001092 through B300005730, Excluding B300005568)	
30	4360330	1	Switch, Toggle (SN 0300182743 through 0300188906)	
30	1001159256	1	Switch, Toggle (SN 0300188907 through 0300272492, Except SN 0300272449 through 0300272454)	
30	1001159256	1	Switch, Toggle (SN B300001092 through B300005730, Excluding B300005568)	
31	4360331	1	Switch, Toggle (SN 0300182743 through 0300188906)	
31	1001161709	1	Switch, Toggle (SN 0300188907 through 0300272492, Except SN 0300272449 through 0300272454)	
31	1001161709	1	Switch, Toggle (SN B300001092 through B300005730, Excluding B300005568)	
32	4360387	1	Switch, Pushbutton	
33	4360407	1	Controller, Speed	
33	See Note	NSS	Gasket "Top Hat" (Included with Switch) (Note: Not Available - Purchase Complete Controller)	
33	70003784	1	Seal	
34	4360475	1	Switch, Emergency Stop	
34	7020175	1	Cap, Red	
34A	7020176	1	Contact Block	
35	4360476	1	Block, Contact	
36	4460007	1	Bar, Buss - Ground	
37	0100048	AR	Grease, Dielectric	
38	4460234	3	Base, Mounting	
39	4460428	2	Connector, Strain Relief	
40	4460470	1	Nut, Terminal	
41	4460471	1	Lockwasher, Terminal	
42	4460496	1	Nut, Terminal (Not Shown - See ELECTRICAL SECTION for Location)	
43	4460497	1	Lockwasher, Terminal (Not Shown - See ELECTRICAL SECTION for Location)	
44	4460708	2	Connector, Female - 15 Position (Not Shown - See ELECTRICAL SECTION for Location)	
45	4460905	5	Seal, Plug (Not Shown - See ELECTRICAL SECTION for Location)	
46	4751000	2	Flatwasher #10 Regular	
47	4751400	8	Flatwasher 1/4in Regular	

SECTION 4 - PLATFORM

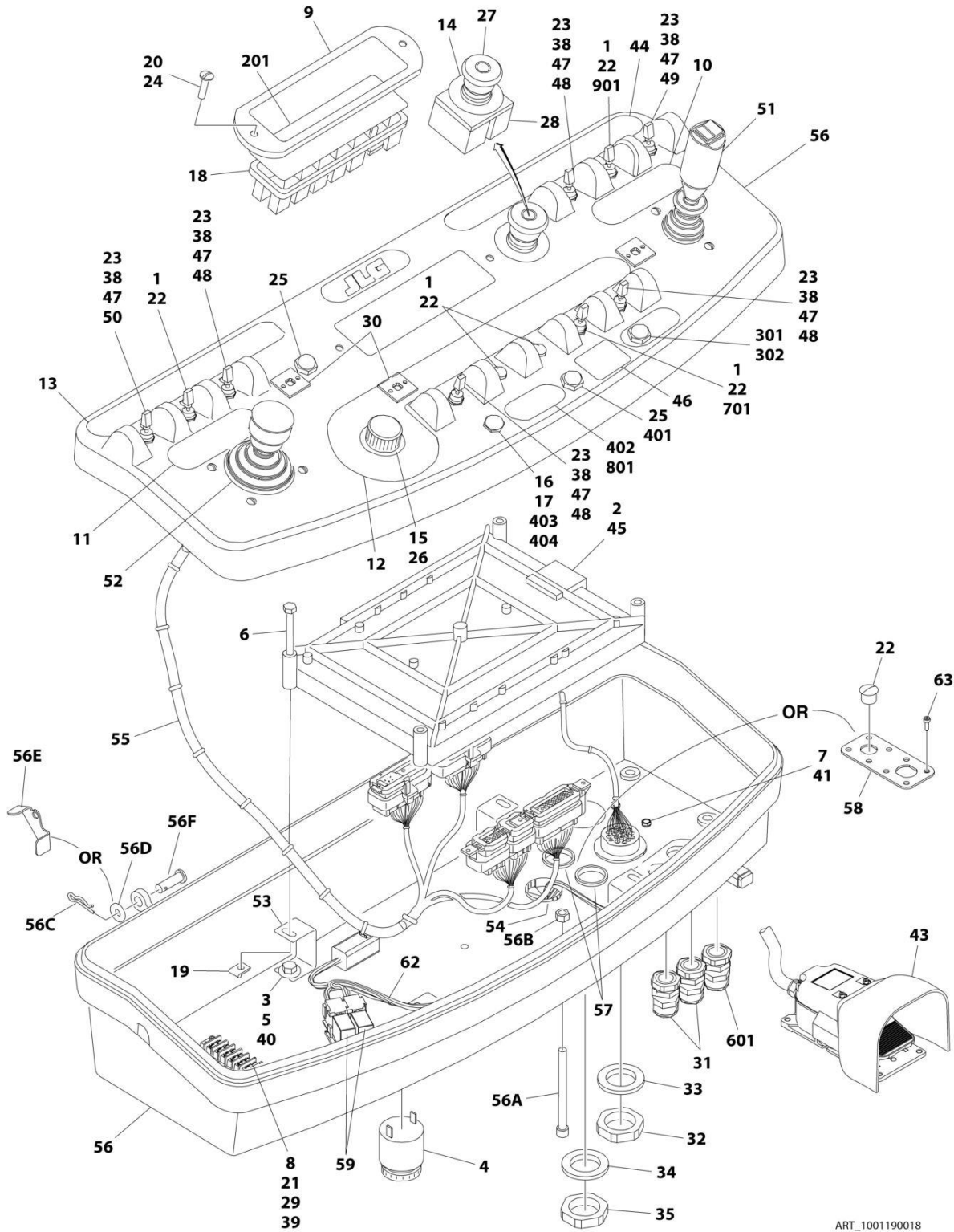
ITEM	PART NUMBER	QTY	DESCRIPTION	REV
48	4761000	2	Lockwasher #10	
49	4922666	1	Harness, Analyzer Cable (Not Shown - See ELECTRICAL SECTION for Breakdown)	
51	1001131168	1	Decal (Stop)	
52	1001141136	1	Harness, Platform Box (See ELECTRICAL SECTION for Breakdown)	
53	3790012	AR	O-Ring	
54	1001155044	AR	Nut 15/32 (SN 0300188907 through 0300272492, Except SN 0300272449 through 0300272454)	
54	1001155044	AR	Nut 15/32 (SN B300001092 through B300005730, Excluding B300005568)	
55	4740397	AR	Spacer (SN 0300188907 through 0300272492, Except SN 0300272449 through 0300272454)	
55	4740397	AR	Spacer (SN B300001092 through B300005730, Excluding B300005568)	
56	3520033	AR	Plug (SN 0300219491 through 0300224209)	
56	1001220486	2	Plug (SN 0300224210 through 0300272492, Except SN 0300272449 through 0300272454)	
56	3520033	2	Plug (SN B300001599 through B300001629)	
56	1001200486	2	Plug (SN B300001630 through B300005730, Excluding B300005568)	
57	3520035	AR	Plug (SN 0300219491 through 0300272492, Except SN 0300272449 through 0300272454)	
	0861441	Ref	CONSOLE BOX ASSEMBLY (SN 0300182743 through 0300219490)	H
	1001201886	Ref	CONSOLE BOX ASSEMBLY (SN 0300219491 through 0300272492, Except SN 0300272449 through 0300272454)	B
	0861441	Ref	CONSOLE BOX ASSEMBLY (SN B300001092 through B300001598)	H
	1001201886	Ref	CONSOLE BOX ASSEMBLY (SN B300001599 through B300005730, Excluding B300005568)	B
101	See Note	NSS	Console Top (Note: Not Available for Purchase)	
102	See Note	NSS	Console Bottom (Note: Not Available for Purchase)	
103	3311601	1	Nut 3/8in-16NC	
104	3470003	2	Pin, Hairpin	
105	0630568	1	Screw 3/8in-16NC x 4-1/2in	
106	4711500	AR	Washer 5/16	
106	4711600	AR	Washer 3/8	
107	1001200575	AR	Bracket	
108	3430616	1	Pin (SN 0300219491 through 0300272492, SN B300001599 through B300005730, Except SN 0300272449 through 0300272454, Excluding B300005568)	
		Ref	LIGHT PANEL DECAL INSTALLATION	
	1001125008	Ref	Light Panel Decal Installation (All Specs except Australian and CE Specs) (680S,800S)	A
	1001108992	Ref	Light Panel Decal Installation (Australian and CE Specs Only) (680S,800S)	A
	1001125009	Ref	Light Panel Decal Installation (All Specs except Australian and CE Specs) (860SJ)	A
	1001108992	Ref	Light Panel Decal Installation (Australian and CE Specs Only) (860SJ)	A
201		Ref	Decal - Display	
201	1001125010	1	Decal - Display (All Specs except Australian and CE Specs) (680S,800S)	
201	1001107952	1	Decal - Display (Australian Spec Only Options) (680S,800S)	
201	1001107952	1	Decal - Display (CE Spec Only) (680S,800S)	

SECTION 4 - PLATFORM

ITEM	PART NUMBER	QTY	DESCRIPTION	REV
201	1001125011	1	Decal - Display (All Specs except Australian and CE Specs) (860SJ)	C
201	1001107952	1	Decal - Display (Australian Spec Only Options) (860SJ)	
201	1001107952	1	Decal - Display (CE Spec Only) (860SJ)	
	0271552	Ref	HEAD AND TAIL LIGHTS INSTALLATION (OPTIONAL)	
301	4360522	1	Switch, Push Button	
302	1705170	1	Decal - Lights	
		Ref	SOFT TOUCH SYSTEM INSTALLATION (OPTIONAL)	
401	4360387	1	Switch, Pushbutton	
402	1702938	1	Decal - Soft Touch Override	
403	2920028	1	Light, Indicator	
404	2920029	1	Bulb, Light	
		Ref	PLATFORM WORKLIGHT INSTALLATION (OPTIONAL)	B
601	4460426	1	Connector, Strain Relief	
	0258608	Ref	JIB SWITCH INSTALLATION (860SJ)	
701	4360328	1	Switch, Toggle (860SJ)	
		Ref	DUAL FUEL SWITCH INSTALLATION (860SJ)	
801	4360336	1	Switch, Toggle (860SJ)	
801	3790012	1	O-Ring (860SJ)	

SECTION 4 - PLATFORM

FIGURE 4-4. PLATFORM CONSOLE ASSEMBLY (WITH SKYGUARD)



ART_1001190018

SECTION 4 - PLATFORM

FIGURE 4-4. PLATFORM CONSOLE ASSEMBLY (WITH SKYGUARD)

ITEM	PART NUMBER	QTY	DESCRIPTION	REV
	1001190018	Ref	PLATFORM CONSOLE ASSEMBLY (WITH SKYGUARD) (MACHINES WITHOUT LSS OR WITH 4 CELL LSS) (SN 0300201003 through 0300219490)	C
	1001204511	Ref	PLATFORM CONSOLE ASSEMBLY (WITH SKYGUARD) (MACHINES WITHOUT LSS OR WITH 4 CELL LSS) (SN 0300219491 through 0300272492, Except SN 0300272449 through 0300272454)	D
	1001190018	Ref	PLATFORM CONSOLE ASSEMBLY (WITH SKYGUARD) (MACHINES WITHOUT LSS OR WITH 4 CELL LSS) (SN B300001181 through B300001598)	B
	1001204511	Ref	PLATFORM CONSOLE ASSEMBLY (WITH SKYGUARD) (MACHINES WITHOUT LSS OR WITH 4 CELL LSS) (SN B300001599 through B300005730, Excluding B300005568)	D
	1001221719	Ref	PLATFORM CONSOLE ASSEMBLY (WITH SKYGUARD) (MACHINES WITH 1 CELL LSS) (SN 0300227324 through 0300255782)	C
	1001241716	Ref	PLATFORM CONSOLE ASSEMBLY (WITH SKYGUARD BAR) (MACHINES WITH 1 CELL LSS) (SN 0300255783 through 0300272492, Except SN 0300272449 through 0300272454)	A
	1001221719	Ref	PLATFORM CONSOLE ASSEMBLY (WITH SKYGUARD) (MACHINES WITH 1 CELL LSS) (SN B300002206 through B300004484)	C
	1001241716	Ref	PLATFORM CONSOLE ASSEMBLY (WITH SKYGUARD BAR) (MACHINES WITH 1 CELL LSS) (SN B300004485 through B300005730, Excluding B300005568)	A
		Ref	Note: For Machines Built SN 0300182743 through 0300201002 & SN B300001092 through B300001180, Refer to SPECIAL OPTIONS SECTION.	
1	0100009	AR	Sealant	
2	0100048	AR	Grease, Dielectric	
3	0100035	AR	Compound, Locking	
4	0140011	1	Alarm	
5	0641406	4	Bolt 1/4 x 3/4	
6	0641414	4	Bolt 1/4 x 1-3/4	
7	0721003	2	Screw #10 x 3/8	
8	0721006	2	Screw #10 x 3/4	
9	1671176	1	Bezel	
10	1702565	1	Decal - Drive and Steer	
11	1702566	1	Decal - Lift and Swing	
12	1702567	1	Decal - Function Speed	
13	1702676	1	Decal - Horn	
14	1704260	1	Decal - Emergency Stop	
15	2560136	1	Knob	
16	2920028	1	Light, Indicator	
17	2920029	1	Lamp, Bulb	
18	2920154	1	Fixture, LED Light	
19	3300353	4	Nut, Tinnerman	
20	3300408	2	Nut, Insert #10	
21	3311005	2	Nut #10	
22	3520054	AR	Plug, Hole	
23	3790012	6	O-Ring	
24	3911018	2	Screw #10 x 1-1/8	
25	4360387	2	Switch, Push Button	
26	4360407	1	Switch, Flow Control	

SECTION 4 - PLATFORM

ITEM	PART NUMBER	QTY	DESCRIPTION	REV
26	See Note	1	Gasket "Top Hat" (Included with Switch) (Note: Not Available for Purchase)	
26	70003784	1	Seal	
27	4360475	1	Switch, Emergency Stop	
27	7020175	1	Cap, Red	
27	7020176	1	Block, Contact	
28	4360476	1	Switch, Contact	
29	4460007	1	Bussbar	
30	4460234	3	Mount, Tie-Strap	
31	4460428	2	Connector, Strain Relief	
32	4460470	1	Nut	
33	4460471	1	Washer	
34	4460496	1	Washer	
35	4460497	1	Nut	
36	4460708	2	Connector - 15 Position (Not Shown)	
37	4460905	AR	Plug, Terminal (Not Shown)	
38	4740397	6	Spacer, Washer	
39	4751000	2	Washer #10	
40	4751400	8	Washer 1/4	
41	4761000	2	Washer #10	
42	4922666	1	Harness, Analyzer Cable (Not Shown - See ELECTRICAL SECTION for Breakdown)	
43	1001117174	1	Footswitch Assembly (See PLATFORM COMPONENTS INSTALLATION for Breakdown)	
44	1001131168	1	Decal - Stop	
45	1001141138	1	Module, Platform (Note: Re-calibration Required when Replaced)	
46	1001144433	1	Decal - No Weight SkyGuard (SN 0300201003 through 0300255782)	
46	1001144433	1	Decal - No Weight SkyGuard (SN B300001181 through B30004484)	
47	1001155044	AR	Nut 15/32	
48	1001155045	AR	Switch, Toggle	
49	1001159256	1	Switch, Toggle	
50	1001161709	1	Switch, Toggle	
51	1001166538	NLA	Controller Drive/Steer (Use p/n 1001212415) (See CONTROLLER ASSEMBLY (DRIVE AND STEER) for Breakdown)	
52	1001166539	NLA	Controller Lift/Swing (Use p/n 1001129555) (See CONTROLLER ASSEMBLY (LIFT AND SWING) for Breakdown)	
53	1001172760	4	Bracket	
54	1001185281	1	Plug	
55	1001186237	1	Harness, Console Box (Machines without LSS or with 4 Cell LSS) (See ELECTRICAL SECTION for Breakdown)	
55	1001220282	1	Harness, Console Box (Machines with 1 Cell LSS) (See ELECTRICAL SECTION for Breakdown)	
56	1001190017	1	Console Box Assembly (Machines without LSS or with 4 Cell LSS) (SN 0300201003 through 0300219490)	D
56	1001201887	1	Console Box Assembly (Machines without LSS or with 4 Cell LSS) (SN 0300219491 through 0300272492, Except SN 0300272449 through 0300272454)	B
56	1001190017	1	Console Box Assembly (Machines without LSS or with 4 Cell LSS) (SN B300001183 through B300001598)	D
56	1001201887	1	Console Box Assembly (Machines without LSS or with 4 Cell LSS) (SN B300001599 through B300005730, Excluding B300005568)	B

SECTION 4 - PLATFORM

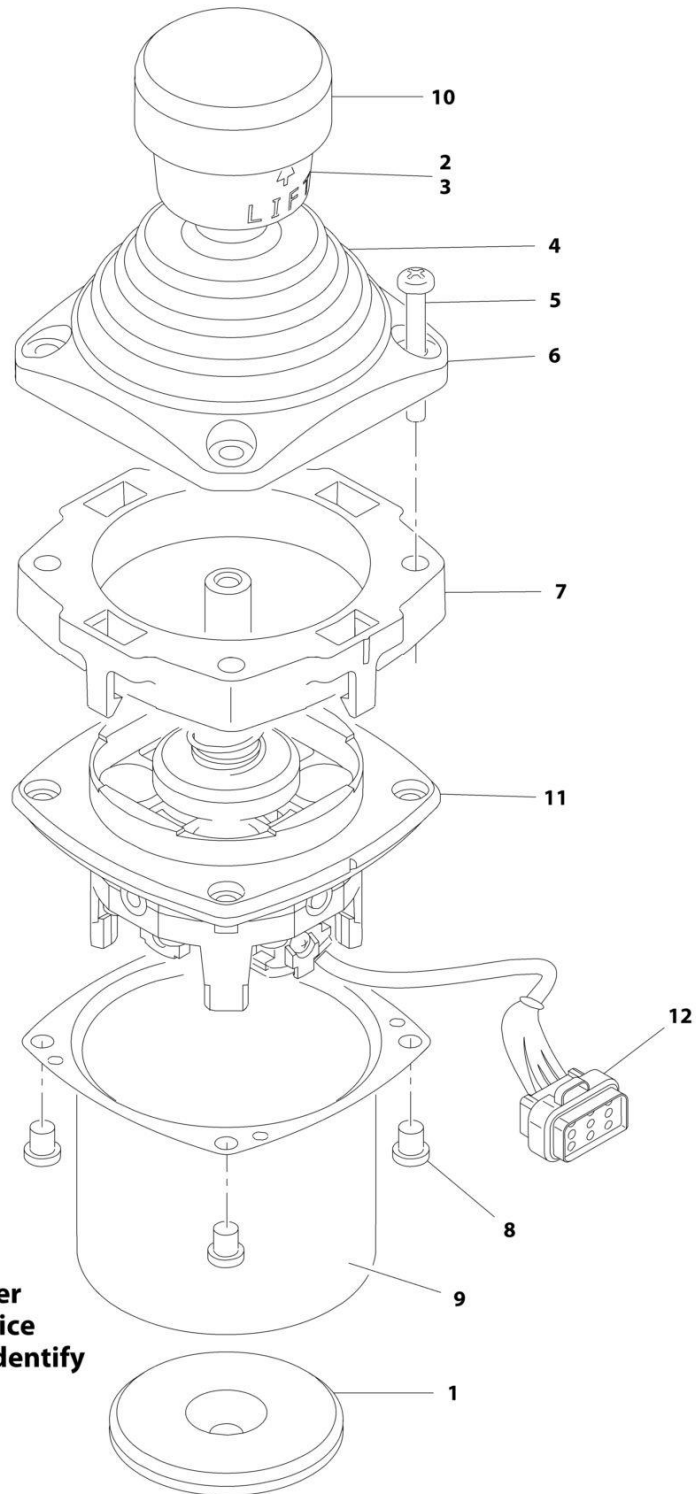
ITEM	PART NUMBER	QTY	DESCRIPTION	REV
56	1001218068	1	Console Box Assembly (Machines with 1 Cell LSS)	C
56A	0630568	1	Capscrew 3/8 x 4-1/2	
56B	3311601	1	Nut 3/8	
56C	3470003	2	Hairpin	
56D	4711500	AR	Washer 5/16	
56D	4711600	AR	Washer 3/8	
56E	1001200575	AR	Bracket, Stop	
56F	3430616	2	Pin (SN 0300219491 through 0300272492, SN B300001599 through B300005730, Except SN 0300272449 through 0300272454, Excluding B300005568)	
57	3520033	AR	Plug (SN 0300219491 through 0300224209)	
57	1001220486	AR	Plug (SN 0300224210 through 0300272492, Except SN 0300272449 through 0300272454)	
57	3520033	AR	Plug (SN B300001599 through B300001629)	
57	1001220486	AR	Plug (SN B300001630 through B300005730, Excluding B300005568)	
58	1001213882	1	Mount (Machines with 1 Cell LSS)	
59	1001186431	2	Relay (Machines with 1 Cell LSS)	
59	4240032	AR	Tie-Strap	
59	4460488	AR	Mount, Tie-Strap	
62	1001225580	1	Interface Harness (Machines with 1 Cell LSS) (SN 0300201003 through 0300255782)	
62	1001225580	1	Interface Harness (Machines with 1 Cell LSS) (SN B300001181 through B300004484)	
63	3900349	AR	Capscrew M2.5	
		Ref	LIGHT PANEL DECAL INSTALLATION	
	1001125008	Ref	Light Panel Decal Installation (All Spec Except Australian and CE Specs) (680S,800S)	A
	1001108992	Ref	Light Panel Decal Installation (Australian and CE Specs Only) (680S,800S)	A
	1001125009	Ref	Light Panel Decal Installation (All Specs Except Australian and CE Specs) (860SJ)	A
	1001108992	Ref	Light Panel Decal Installation (Australian and CE Specs Only) (860SJ)	A
201		Ref	Decal - Display	
201	1001125010	1	Decal - Display (All Specs Except Australian and CE Specs) (680S,800S)	
201	1001107952	1	Decal - Display (Australian Spec Only) (680S,800S)	
201	1001107952	1	Decal - Display (CE Spec Only) (680S,800S)	
201	1001125011	1	Decal - Display (All Specs Except Australian and CE Specs) (860SJ)	
201	1001107952	1	Decal - Display (Australian Spec Only) (860SJ)	
201	1001107952	1	Decal - Display (CE Spec Only) (860SJ)	
	0271552	Ref	HEAD AND TAIL LIGHTS INSTALLATION (OPTIONAL)	E
301	4360522	1	Switch, Push Button	
302	1705170	1	Decal - Lights	
		Ref	SOFT TOUCH SYSTEM INSTALLATION (OPTIONAL)	
401	4360387	1	Switch, Push Button	
402	1702938	1	Decal - Soft Touch Override	
403	2920028	1	Light, Indicator	
404	2920029	1	Bulb, Light	
		Ref	PLATFORM WORKLIGHT INSTALLATION (OPTIONAL)	
601	4460426	1	Connector, Strain Relief	
	0258608	Ref	JIB SWITCH INSTALLATION (860SJ)	B

SECTION 4 - PLATFORM

ITEM	PART NUMBER	QTY	DESCRIPTION	REV
701	4360328	1	Switch, Toggle (860SJ)	
		Ref	SKYGUARD OVERRIDE DECALS INSTALLATION	
801	1001141300	1	Decal - SkyGuard Override	
801	1001141302	1	Decal - SkyGuard Override with Soft Touch	
		Ref	DUAL FUEL SWITCH INSTALLATION	
901	4360336	1	Switch, Toggle	
901	3790012	1	O-Ring	

SECTION 4 - PLATFORM

FIGURE 4-5. CONTROLLER ASSEMBLY (LIFT AND SWING)



Note: Original Equipment controller may have been replaced with Service Replacement controller. Visually identify controller before ordering parts.

ART_100118417

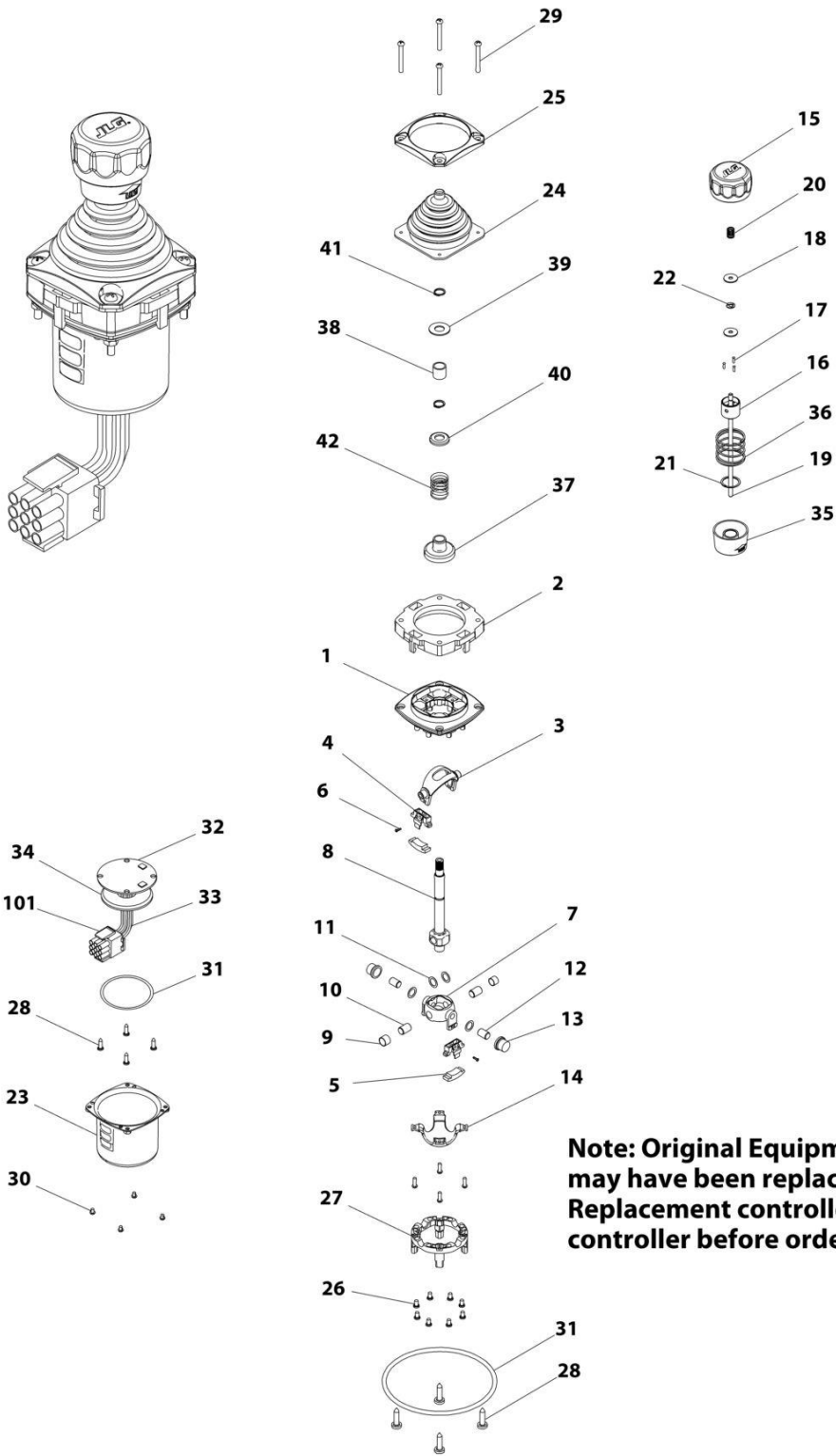
SECTION 4 - PLATFORM

FIGURE 4-5. CONTROLLER ASSEMBLY (LIFT AND SWING)

ITEM	PART NUMBER	QTY	DESCRIPTION	REV
		Ref	Note: Original Equipment controller may have been replaced with Service Replacement controller. Visually Identify controller before ordering parts.	
	1001118417	Ref	CONTROLLER ASSEMBLY (LIFT AND SWING) (SN 0300182743 through 0300188906)	E
	1001118417	Ref	CONTROLLER ASSEMBLY (LIFT AND SWING) (SN B300001092 through B300005730, Excluding B300005568)	E
		Ref	Note: Use p/n 1001129555 Kit as replacement.	
1	70002730	1	Gasket	
2	7003928	1	Spring	
3	7022808	1	Cap, Lift	
4	70002731	1	Boot	
5	70002732	4	Screw	
6	7022815	1	Bezel	
7	70002733	1	Adapter	
8	70002734	4	Screw	
9	70002735	1	Can, Enclosure	
10	70002906	1	Cap	
11	See Note	NSS	Mechanical Assembly (Note: Purchase p/n 1001129555)	
12	7022819	1	Connector - 8 Position	
12	4460871	6	Socket, Female	

SECTION 4 - PLATFORM

FIGURE 4-6. CONTROLLER ASSEMBLY (LIFT AND SWING)



ART_1001166539

SECTION 4 - PLATFORM

FIGURE 4-6. CONTROLLER ASSEMBLY (LIFT AND SWING)

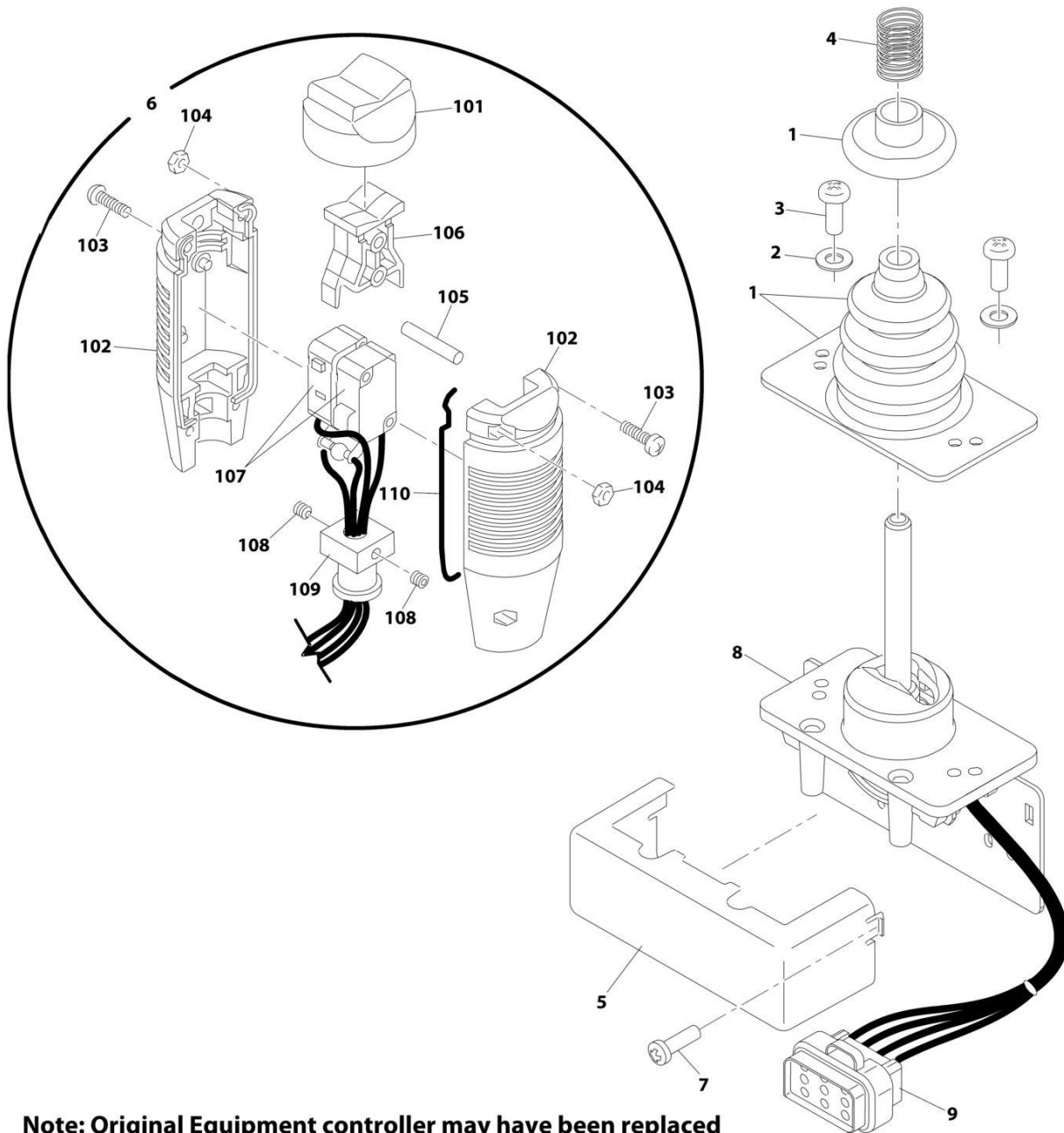
ITEM	PART NUMBER	QTY	DESCRIPTION	REV
		Ref	Note: Original Equipment controller may have been replaced with Service Replacement controller. Visually identify controller before ordering parts.	
	1001166539	Ref	CONTROLLER ASSEMBLY (LIFT AND SWING)	D
		Ref	Note: Use p/n 1001129555 as Replacement.	
1	See Note	1	Main Cast Body (Note: Not Available - Purchase Complete Assembly)	
2	70004752	1	Adapter	
3	See Note	NSS	Pivot Arm, Plastic (Note: Not Available - Purchase Complete Assembly)	
4	See Note	NSS	Holder, Magnet (Note: Not Available - Purchase Complete Assembly)	
5	See Note	NSS	Arc, Magnet (Note: Not Available - Purchase Complete Assembly)	
6	See Note	NSS	Screw (Note: Not Available for Purchase)	
7	See Note	NSS	Pivot Arm, Cast (Note: Not Available - Purchase Complete Assembly)	
8	See Note	NSS	Shaft, Main (Note: Not Available - Purchase Complete Assembly)	
9	See Note	NSS	Bearing (Note: Not Available - Purchase Complete Assembly)	
10	See Note	NSS	Pin (Note: Not Available - Purchase Complete Assembly)	
11	See Note	NSS	Shim (Note: Not Available - Purchase Complete Assembly)	
12	See Note	NSS	Pin (Note: Not Available - Purchase Complete Assembly)	
13	See Note	NSS	Bearing (Note: Not Available - Purchase Complete Assembly)	
14	See Note	NSS	Dome, Centering (Note: Not Available - Purchase Complete Assembly)	
15	70004753	1	Cap	
16	70004754	1	Insert, Cap	
17	70004755	3	Pin	
18	70004756	2	Washer	
19	70004757	1	Pin, Centering	
20	70004758	1	Spring	
21	70004759	1	Ring, Retaining	
22	70004760	1	E-Ring	
23	70004761	1	Can, Enclosure	
24	70004762	1	Boot	
25	70004763	1	Bezel	
26	See Note	NSS	Screw (Note: Not Available for Purchase)	
27	See Note	NSS	Base Mounting (Note: Not Available - Purchase Complete Assembly)	
28	See Note	NSS	Screw (Note: Not Available for Purchase)	
29	70004764	4	Screw	
30	70004765	4	Screw	
31	70004766	1	O-Ring	
32	See Note	NSS	Plate (Note: Not Available - Purchase Complete Assembly)	
33	See Note	NSS	Harness (Note: Not Available - Purchase Complete Assembly)	
34	70004767	1	Grommet, Rubber	
35	70004768	1	Housing	
36	70004769	1	Spring	
37	70004770	1	Stopper	
38	70004771	1	Spacer	
39	70004772	1	Washer	
40	70004773	1	Disc	

SECTION 4 - PLATFORM

ITEM	PART NUMBER	QTY	DESCRIPTION	REV
41	70004774	2	Ring, Retaining	
42	70004775	1	Spring	
101	4460265	1	Connector - 9 Position	
101	4460226	6	Socket, Female	

SECTION 4 - PLATFORM

FIGURE 4-7. CONTROLLER ASSEMBLY (DRIVE AND STEER)



Note: Original Equipment controller may have been replaced with Service Replacement controller. Visually identify controller before ordering parts.

ART_1001118416

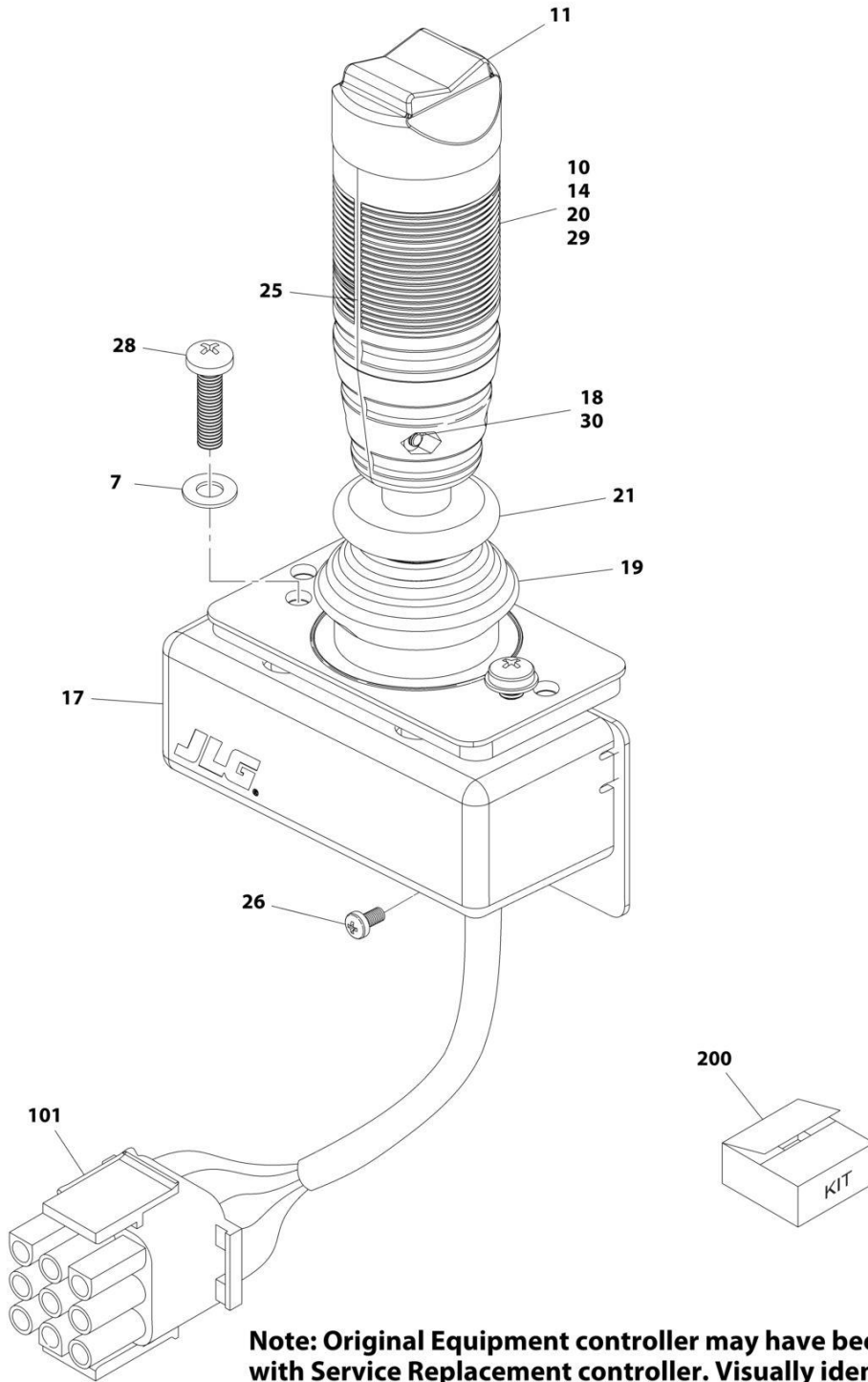
SECTION 4 - PLATFORM

FIGURE 4-7. CONTROLLER ASSEMBLY (DRIVE AND STEER)

ITEM	PART NUMBER	QTY	DESCRIPTION	REV
		Ref	Note: Original Equipment controller may have been replaced with Service Replacement controller. Visually identify controller before ordering parts.	
	1001118416	Ref	CONTROLLER ASSEMBLY (DRIVE AND STEER) (SN 0300182743 through 0300188906)	D
	1001118416	Ref	CONTROLLER ASSEMBLY (DRIVE AND STEER) (SN B300001092 through B300005730, Excluding B300005568)	D
		Ref	Note: Use p/n 1001212415 as replacement.	
1	70002724	1	Boot and Control Lock Assembly	
2	7003941	2	Washer	
3	70002725	2	Screw	
4	7019162	1	Spring	
5	70002726	1	Enclosure	
6	70002727	1	Handle Assembly (See Items 101-110 for Breakdown)	
7	70002728	1	Screw	
8	See Note	NSS	Mechanical Assembly (Note: Use p/n 1001166538)	
9	1001113961	1	Plug, Male - 8 Position (Black) (was p/n 7022825)	
9	4460871	7	Socket, Female	
	70002727	Ref	HANDLE ASSEMBLY	
101	7003972	1	Boot, Switch	
102	7003973	2	Half, Handle	
103	7003980	4	Screw	
104	7019167	4	Nut	
105	7019164	1	Axle	
106	7019165	1	Rocker	
107	7002729	1	Wiring Assembly	
107	7003982	2	Switch, Micro	
108	7003983	2	Setscrew	
109	7019194	1	Coupling	
110	7003989	2	Gasket	

SECTION 4 - PLATFORM

FIGURE 4-8. CONTROLLER ASSEMBLY (DRIVE AND STEER)



Note: Original Equipment controller may have been replaced with Service Replacement controller. Visually identify controller before ordering parts.

ART_1001166538

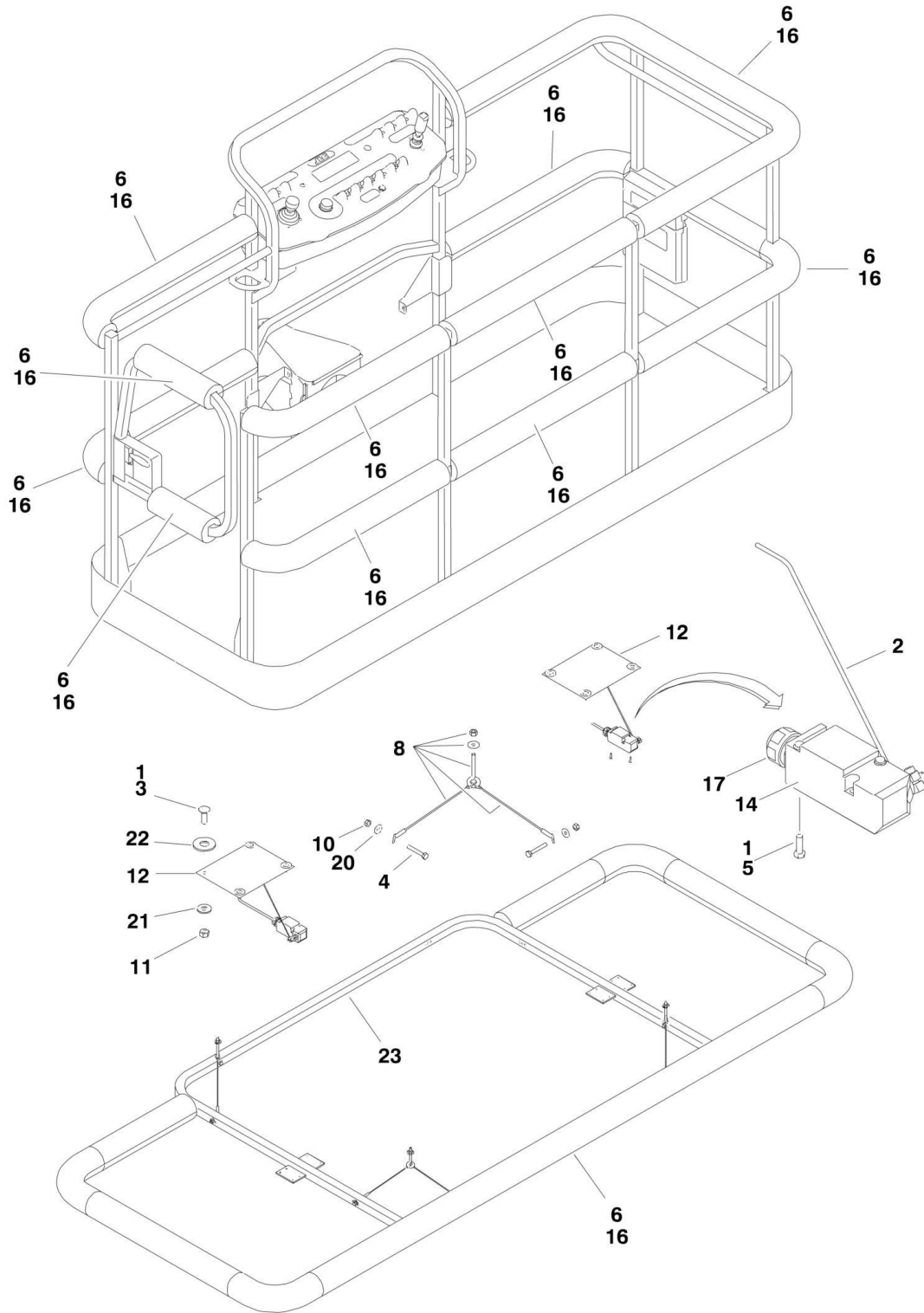
SECTION 4 - PLATFORM

FIGURE 4-8. CONTROLLER ASSEMBLY (DRIVE AND STEER)

ITEM	PART NUMBER	QTY	DESCRIPTION	REV
		Ref	Note: Original Equipment controller may have been replaced with Service Replacement controller. Visually identify controller before ordering parts.	
	1001166538	Ref	CONTROLLER ASSEMBLY (DRIVE AND STEER)	G
		Ref	Note: Use p/n 1001212415 as replacement.	
7	70004738	2	Washer	
10	70004739	1	Roller	
11	70004740	1	Boot, Switch	
14	70004741	2	Half, Handle	
17	70004742	1	Enclosure	
18	70004743	4	Nut	
19	70004744	NLA	Boot, Controller (Note: Use Item 200)	
20	70004745	NLA	Tube, Locking (Note: Use Item 200)	
21	70004746	NLA	Disc, Locking (Note: Use Item 200)	
25	70004747	2	Seal, Rope	
26	70004748	1	Screw, M3 x 6	
28	70004749	2	Screw, M5 x 20	
29	70004750	1	Pin, Dowel	
30	70004751	4	Screw, M3 x 16	
101	4460265	1	Connector - 9 Position	
101	4460226	7	Socket, Female	
200	70005230	1	Boot Kit (Includes Items 19-21)	

SECTION 4 - PLATFORM

FIGURE 4-9. SOFT TOUCH SYSTEM INSTALLATION (OPTIONAL)



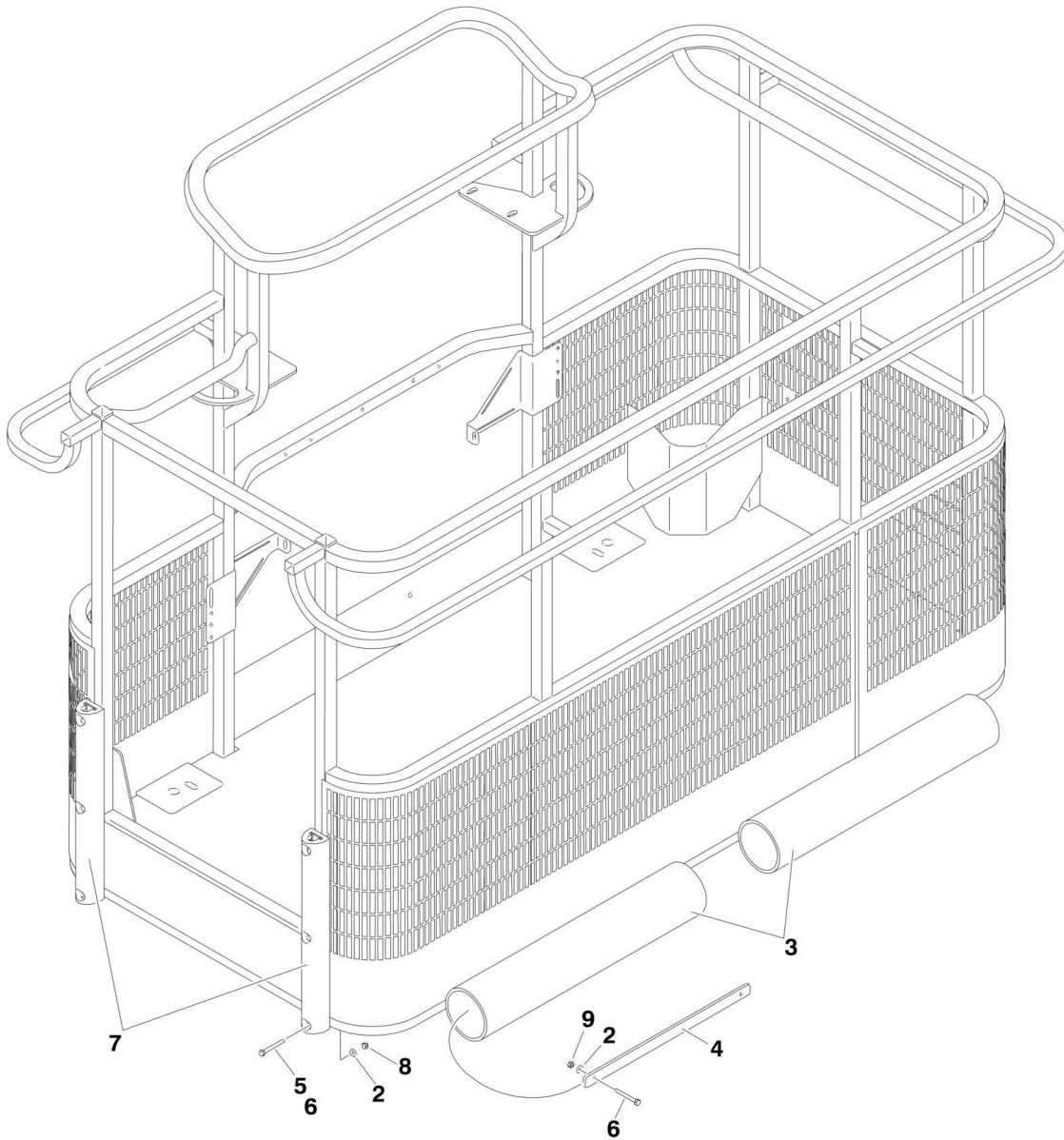
SECTION 4 - PLATFORM

FIGURE 4-9. SOFT TOUCH SYSTEM INSTALLATION (OPTIONAL)

ITEM	PART NUMBER	QTY	DESCRIPTION	REV
		Ref	SOFT TOUCH SYSTEM INSTALLATIONS	
	0273824	Ref	6ft Platforms	D
	0272427	Ref	8ft Platforms	G
	1001108256	Ref	6ft/1.8m Platforms with Fall Arrest	C
	0273706	Ref	8ft/2.4m Platforms with Fall Arrest	D
1	0100011	AR	Compound, Locking	
2	0200048	2	Arm, Switch	
3	0630462	8	Bolt, Carriage	
4	0641414	8	Bolt 1/4in-20NC x 1-3/4in	
5	0721005	4	Bolt #10-24NC x 5/8in	
6		Ref	Bumper Kits (Includes Corners and Enough Straight Material for One Platform)	
6	0940134	1	6ft Platform	
6	0940103	1	8ft Platform	
6	0940177	1	6ft/1.8m Platforms with Fall Arrest	
6	0940133	1	8ft/2.4m Platforms with Fall Arrest	
6	0940092	Ref	Bumper (Corner) Options:	
6	0940092	12	Standard Platform	
6	0940092	8	Fall Arrest Platforms	
6	0940094	AR	Bumper (12ft Length)	
7	1060341	Ref	Cable, Electrical - 16/2 Options:	
7	1060341	22 ft/6.7m	6ft Platform	
7	1060341	23 ft/7m	8ft Platform	
8	1060903	4	Wire Rope and Eyebolt Assembly	
9	1702938	1	Decal - Soft Touch Override	
10	3311401	8	Nut 1/4in-20NC	
11	3311501	8	Nut 5/16in-18NC	
12		Ref	Plate, Switch Strike Options:	
12	3575359	2	6ft Platform	
12	3574091	2	8ft Platform	
13	4240099	7	Tie-Strap	
14	4360057	2	Switch, Limit	
15	4360387	1	Switch, Push Button	
16	4420068	AR	Tape, Adhesive	
16	1001197017	AR	Tie-Strap	
17	4460049	2	Connector, Strain Relief	
18	4460234	7	Tie-Strap	
19	4460425	1	Connector, Strain Relief	
20	4751400	8	Flatwasher 1/4in Regular	
21	4751500	AR	Flatwasher 5/16in Regular	
22	4751800	8	Flatwasher 1/2in Regular	
23		Ref	Rail, Soft Touch Options:	
23	3641569	1	6ft Platform	
23	4846673	1	8ft Platform	
25	2920028	1	Light, Indicator	
26	2920028	1	Bulb, Light	

SECTION 4 - PLATFORM

FIGURE 4-10. PLATFORM BUMPER PADDING INSTALLATION (OPTIONAL)



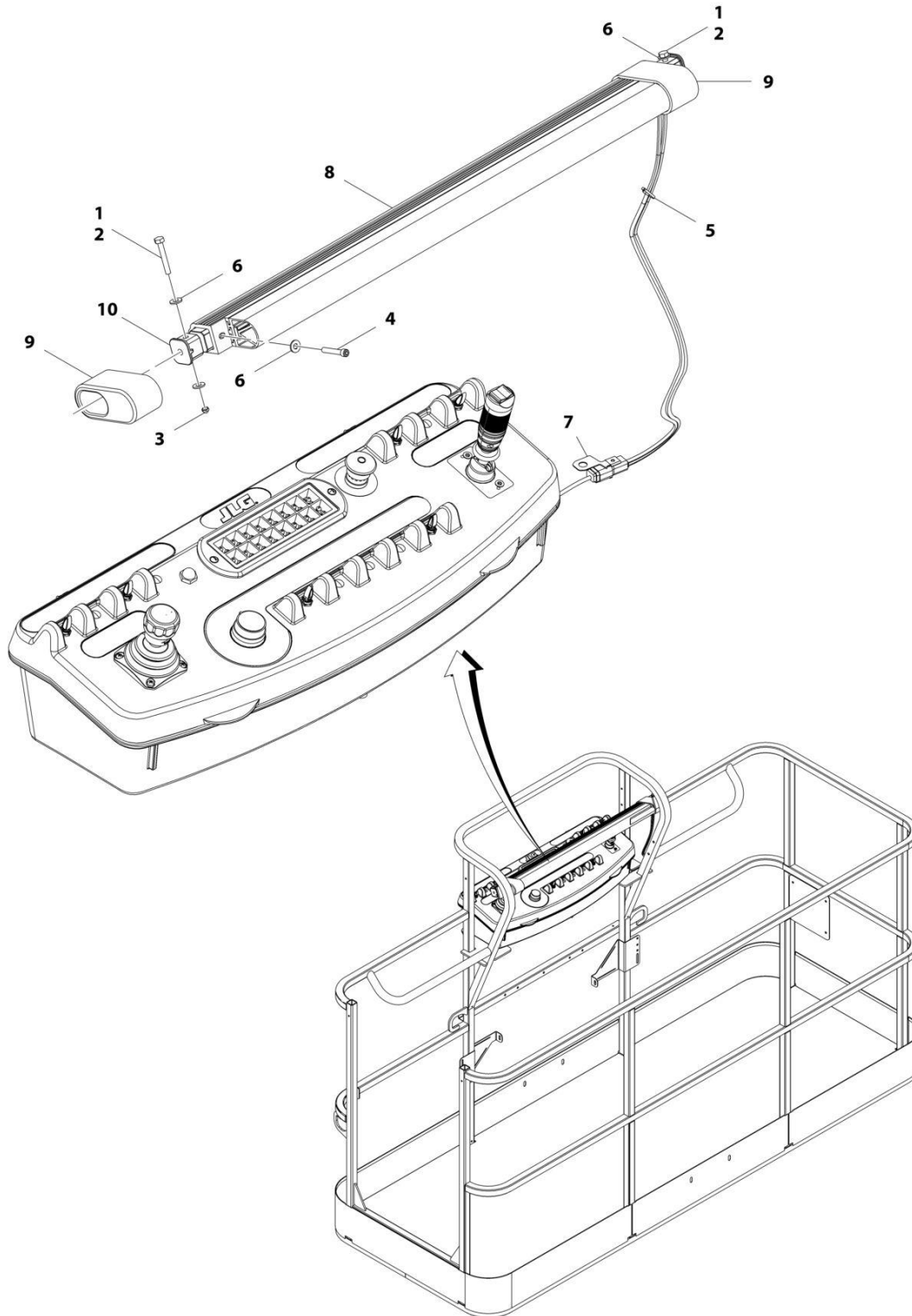
SECTION 4 - PLATFORM

FIGURE 4-10. PLATFORM BUMPER PADDING INSTALLATION (OPTIONAL)

ITEM	PART NUMBER	QTY	DESCRIPTION	REV
	1001110982	Ref	BUMPER INSTALLATION	D
2	4711400	10	Flatwasher 1/4in Thin	
3	1001110979	3	Bumper	
4	1001110980	3	Clamp, Bumper	
5	0100011	AR	Compound, Locking	
6	0641418	10	Bolt 1/4in-20NC x 2-1/4in	
7	0940159	2	Bumper	
8	3300430	4	Nut, Acorn 1/4in-20NC	
9	3311405	6	Locknut 1/4in-20NC	

SECTION 4 - PLATFORM

FIGURE 4-11. SKYGUARD SYSTEM INSTALLATION (SN 0300182743 through 0300255782, SN B300001092 through B300004484)



ART_1001187508

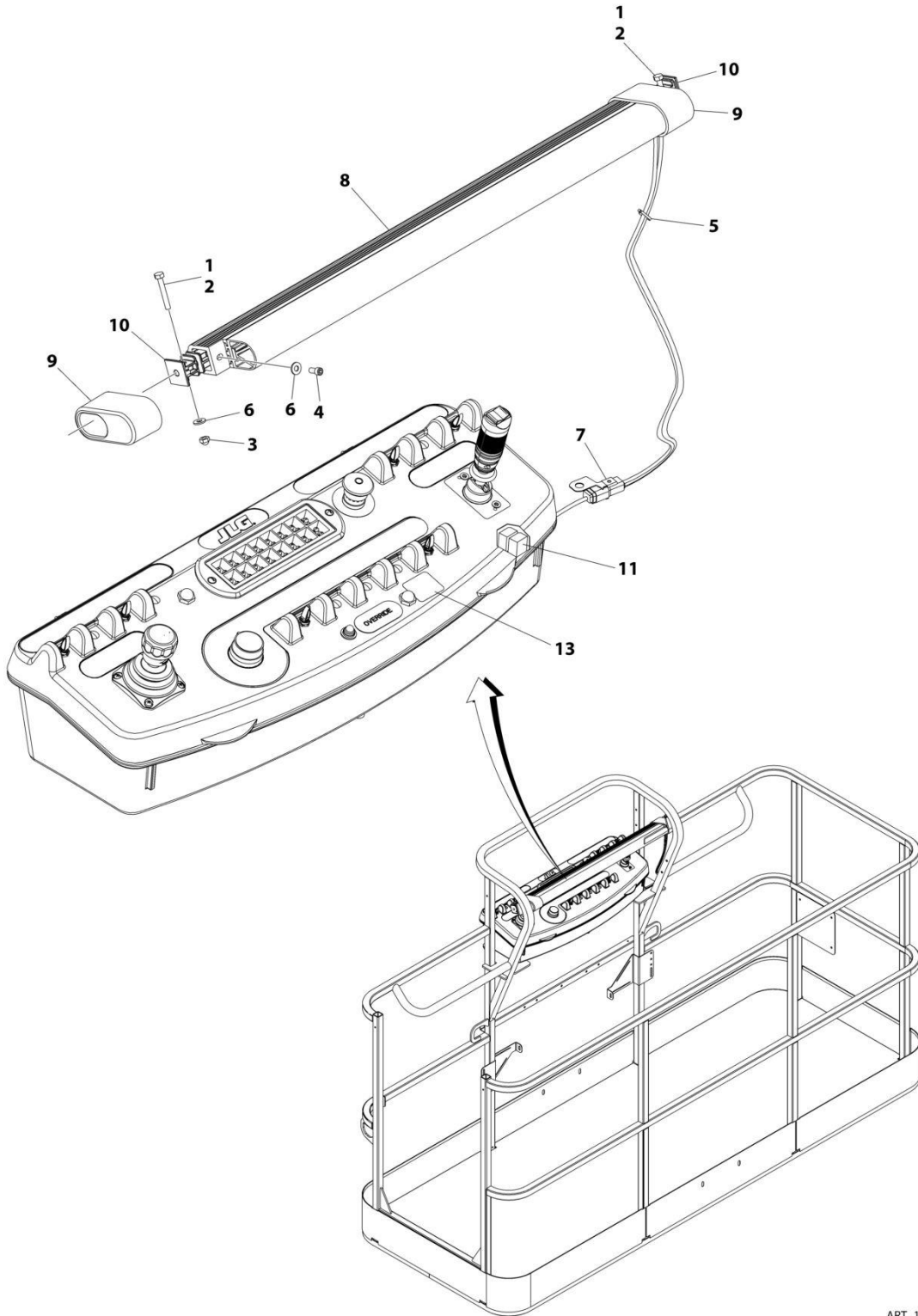
SECTION 4 - PLATFORM

FIGURE 4-11. SKYGUARD SYSTEM INSTALLATION (SN 0300182743 through 0300255782, SN B300001092 through B300004484)

ITEM	PART NUMBER	QTY	DESCRIPTION	REV
	1001187508	Ref	SKYGUARD SYSTEM INSTALLATION	C
		Ref		
1	0100011	AR	Compound, Locking	
2	0641414	2	Bolt, 1/4-20 x 1-3/4	
3	3300430	2	Nut, Acorn 1/4-20	
4	3931424	2	Capscrew, 1/4-20 x 1-1/2	
4	3931408	2	Capscrew 1/4 x 1/2	
5	4240033	AR	Tie-Strap	
6	4711400	AR	Washer, 1/4	
7	1001120328	1	Mount	
8	1001137673	1	Switch, SkyGuard Assembly	
9	1001186517	2	Cover, Platform Sensor	
10	1001188889	NLA	Support, Block (Use p/n 1001209664) (SN 0300182743 through 0300244559, SN B300001180 through B300002766)	
10	1001209664	2	Support, Block (SN 0300244560 through 0300255782, SN B300002767 through B300004484)	

SECTION 4 - PLATFORM

FIGURE 4-12. SKYGUARD BAR INSTALLATION (SN 0300255783 through 0300272492, SN B300004485 through B300005730)



ART_1001238495

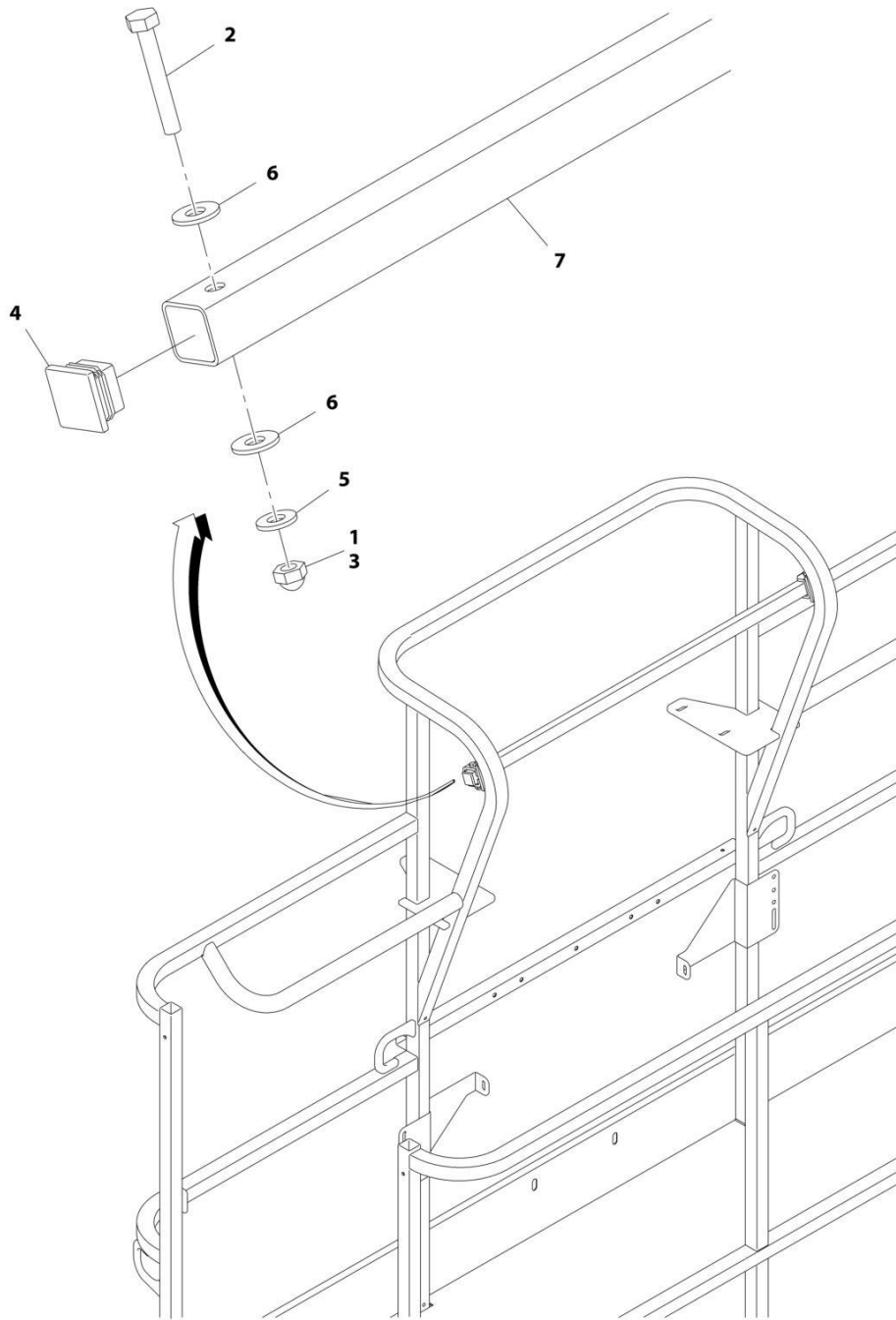
SECTION 4 - PLATFORM

FIGURE 4-12. SKYGUARD BAR INSTALLATION (SN 0300255783 through 0300272492, SN B300004485 through B300005730)

ITEM	PART NUMBER	QTY	DESCRIPTION	REV
	1001238495	Ref	SKYGUARD BAR INSTALLATION	A
1	0100011	AR	Compound, Locking	
2	0641414	2	Bolt 1/4 x 1-3/4	
3	3300430	2	Nut 1/4	
4	3931408	2	Capscrew 1/4 x 1/2	
5	4240033	8	Tie-Strap	
6	4711400	6	Washer 1/4	
7	1001120328	1	Mount	
8	1001137673	1	SkyGuard Switch Assembly	
9	1001186517	2	Cover, Platform Sensor	
10	1001209664	2	Support, Block	
11	1001186431	2	Relay	
12	1001225580	1	Interface Harness Assembly (Not Shown - Located Inside Console Box) (See Separate Breakdown in ELECTRICAL Section)	
13	1001144433	1	Decal - No Weight SkyGuard	

SECTION 4 - PLATFORM

FIGURE 4-13. CROSS RAIL INSTALLATION



ART_1001182138

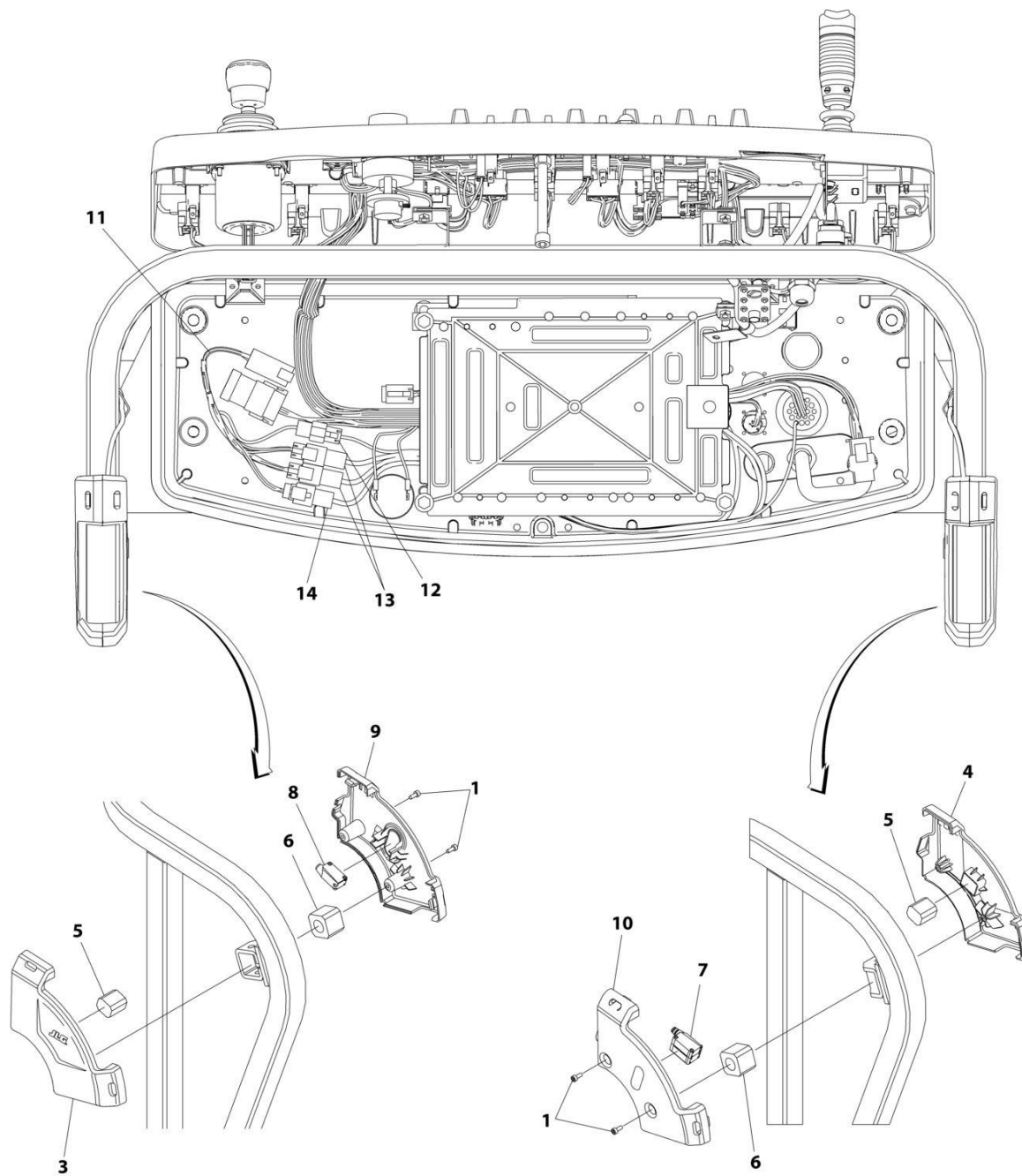
SECTION 4 - PLATFORM

FIGURE 4-13. CROSS RAIL INSTALLATION

ITEM	PART NUMBER	QTY	DESCRIPTION	REV
	1001182138	Ref	CROSS RAIL INSTALLATION	A
1	0100071	AR	Compound, Locking	
2	0641414	2	Bolt 1/4 x 1-3/4	
3	3300430	2	Nut 1/4	
4	3520182	2	Plug	
5	4711400	2	Washer 1/4	
6	4751400	4	Washer 1/4	
7	1001191708	1	Bar	

SECTION 4 - PLATFORM

FIGURE 4-14. SKYEYE INSTALLATION



ART_1001229341

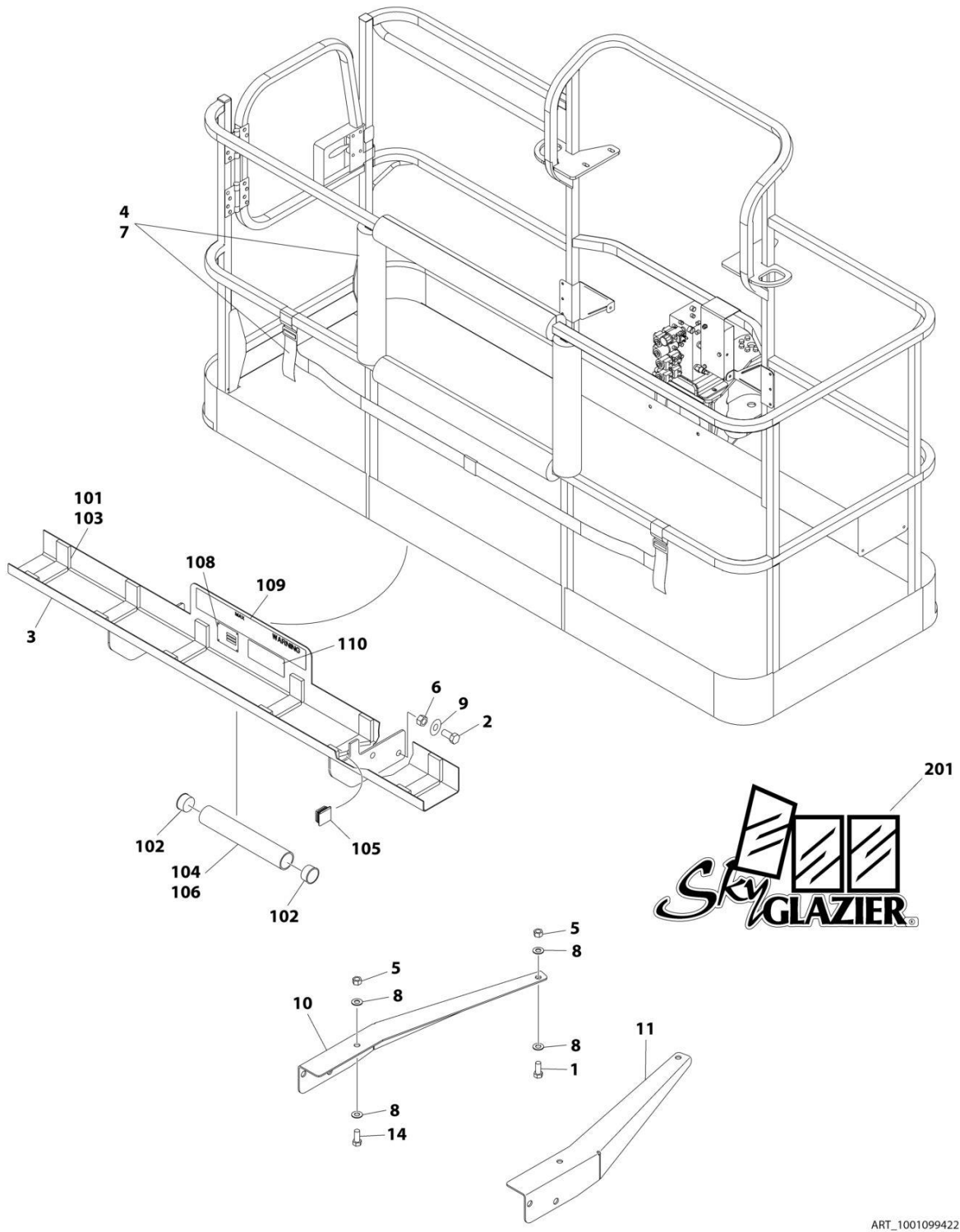
SECTION 4 - PLATFORM

FIGURE 4-14. SKYEYE INSTALLATION

ITEM	PART NUMBER	QTY	DESCRIPTION	REV
	1001229341	Ref	SKYEYE INSTALLATION	B
1	4031505	4	Bolt M4 x 10	
2	4240033	AR	Tie-Strap (Not Shown)	
3	1001227633	1	Housing, LH Outer	
4	1001227634	1	Housing, RH Outer	
5	1001227985	2	Shim	
6	1001227987	2	Shim	
7	1001228224	2	Sensor, Receiver	
8	1001228225	1	Sensor, Emitter	
9	1001232164	1	Housing, LH Inner	
10	1001232165	1	Housing, RH Inner	
11	1001237865	1	Harness, Skyeeye Intermediate (See Separate Breakdown in ELECTRICAL Section)	
12	1001238319	NLA	Harness, Skyeeye Drain Jumper	
12	1001187674	1	Plug, Male - 2 Position	
12	4460942	1	Terminal	
12	4460466	1	Plug, Terminal	
12	4460508	1	Pin, Male	
13	1001237863	2	Harness, Skyeeye Receiver (See Separate Breakdown in ELECTRICAL Section)	
14	1001237864	1	Harness, Skyeeye Emitter (See Separate Breakdown in ELECTRICAL Section)	

SECTION 4 - PLATFORM

FIGURE 4-15. SKYGLAZIER INSTALLATION (800S,860SJ)



ART_1001099422

SECTION 4 - PLATFORM

FIGURE 4-15. SKYGLAZIER INSTALLATION (800S,860SJ)

ITEM	PART NUMBER	QTY	DESCRIPTION	REV
	1001101422	Ref	SKYGLAZIER INSTALLATION (ANSI, ANSI EXPORT AND CSA SPECS)	C
	1001102647	Ref	SKYGLAZIER INSTALLATION (AUSTRALIAN SPECS)	C
	1001099422	Ref	SKYGLAZIER INSTALLATION (BRAZIL SPECS)	C
	1001099421	Ref	SKYGLAZIER INSTALLATION (LATIN AMERICAN SPECS)	C
		Ref	Note: Only Available on 860SJ for Brazil and Latin American Specs. Available on 800S & 860SJ for ANSI, Australian and CSA Specs.	
1	0642012	2	Bolt 5/8 x 1-1/2	
1	0642026	2	Bolt 5/8 x 3-1/4	
2	0642212	4	Bolt 3/4 x 1-1/2	
3	1001101421	1	Tray Assembly (All Spec except Brazil and Latin American Specs) (See Items 101-110 for Breakdown)	
3	0272951	1	Tray Assembly (Brazil Spec) (See Items 101-110 for Breakdown)	
3	0272948	1	Tray Assembly (Latin American Spec) (See Items 101-110 for Breakdown)	
4	2902212	1	Bumpers and Strap Kit	
4	0940102	1	Bumper Only	
4	4240149	1	Strap Only	
5	3312005	4	Nut 5/8	
5	1001149924	AR	Nut, Plastic 5/8	
6	3312205	4	Nut 3/4	
7	4420014	AR	Tape	
8	4712000	6	Washer 5/8	
9	4712200	8	Washer 3/4	
10	1001099366	1	Support	
11	1001099367	1	Support	
14	8310129	2	Bolt 5/8 x 2-1/2	
14	0642026	2	Bolt 5/8 x 3-1/4	
14	8310230	2	Bolt 5/8 x 4	
	1001101421	Ref	TRAY ASSEMBLY (ALL SPECS EXCEPT BRAZIL AND LATIN AMERICAN SPECS)	E
	0272951	Ref	TRAY ASSEMBLY (BRAZIL SPECS)	E
	0272948	Ref	TRAY ASSEMBLY (LATIN AMERICAN SPECS)	E
101	0100081	AR	Adhesive	
102	1120555	2	Cap, Tube	
103	3340956	1	Pad Kit	
104	3460334	1	Tube	
105	3520071	2	Plug	
106	4420066	AR	Tape, Double Sided	
108	See Note	NSS	Nameplate - Serial Number (Note: Not Available for Purchase)	
109	1001163131	1	Decal - Glazier Capacity (All Specs except Brazil and Latin American Specs)	
109	1001163297	2	Decal - Glazier Capacity (Brazil Specs)	
109	1001163296	2	Decal - Glazier Capacity (Latin American Specs)	
110	1701509	2	Decal - Manual	
	0272418	Ref	SKYGLAZIER DECAL INSTALLATION	4
201	1705358	2	Decal - SkyGlazier	

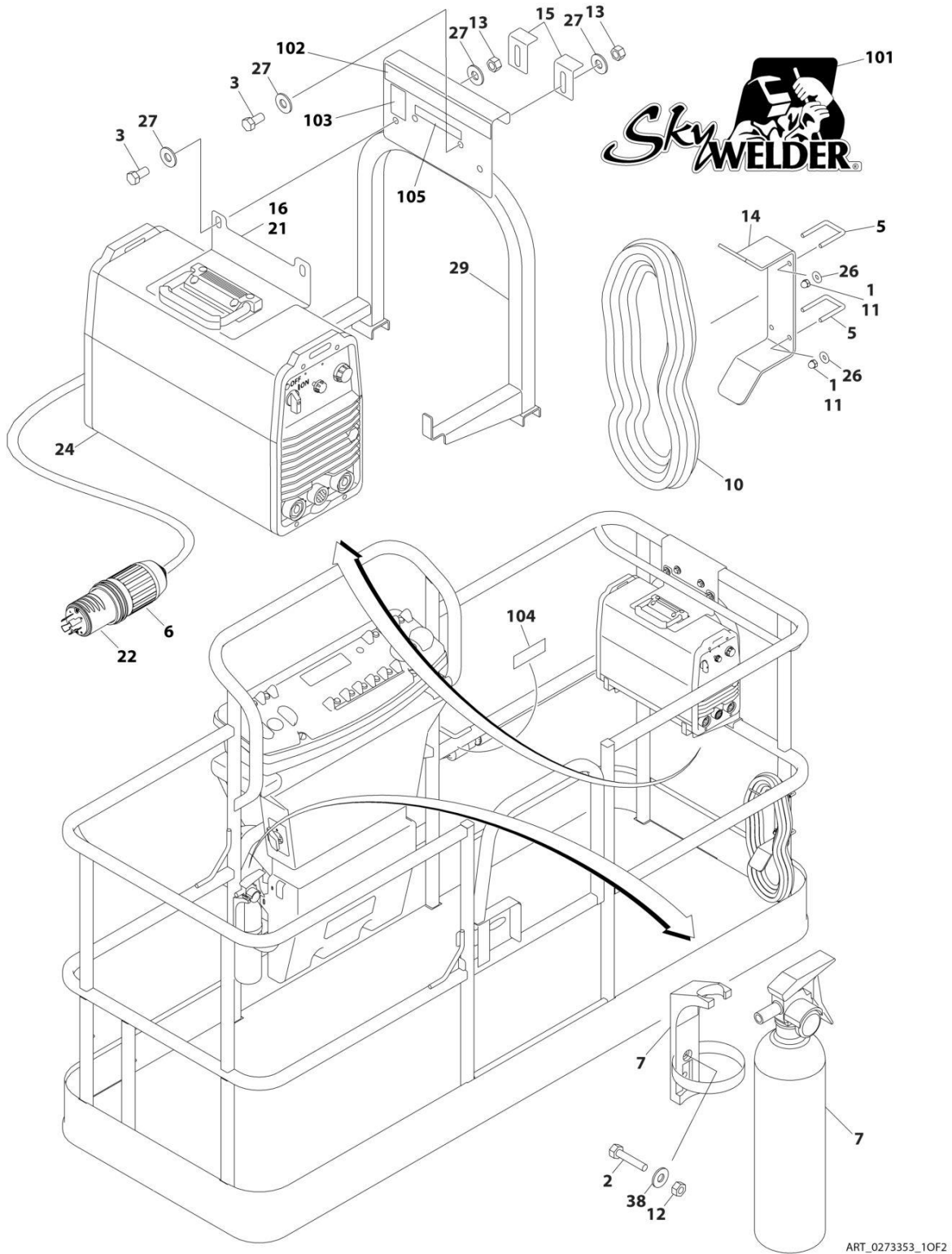
SECTION 4 - PLATFORM

FIGURE 4-16. SKYLINE INSTALLATION

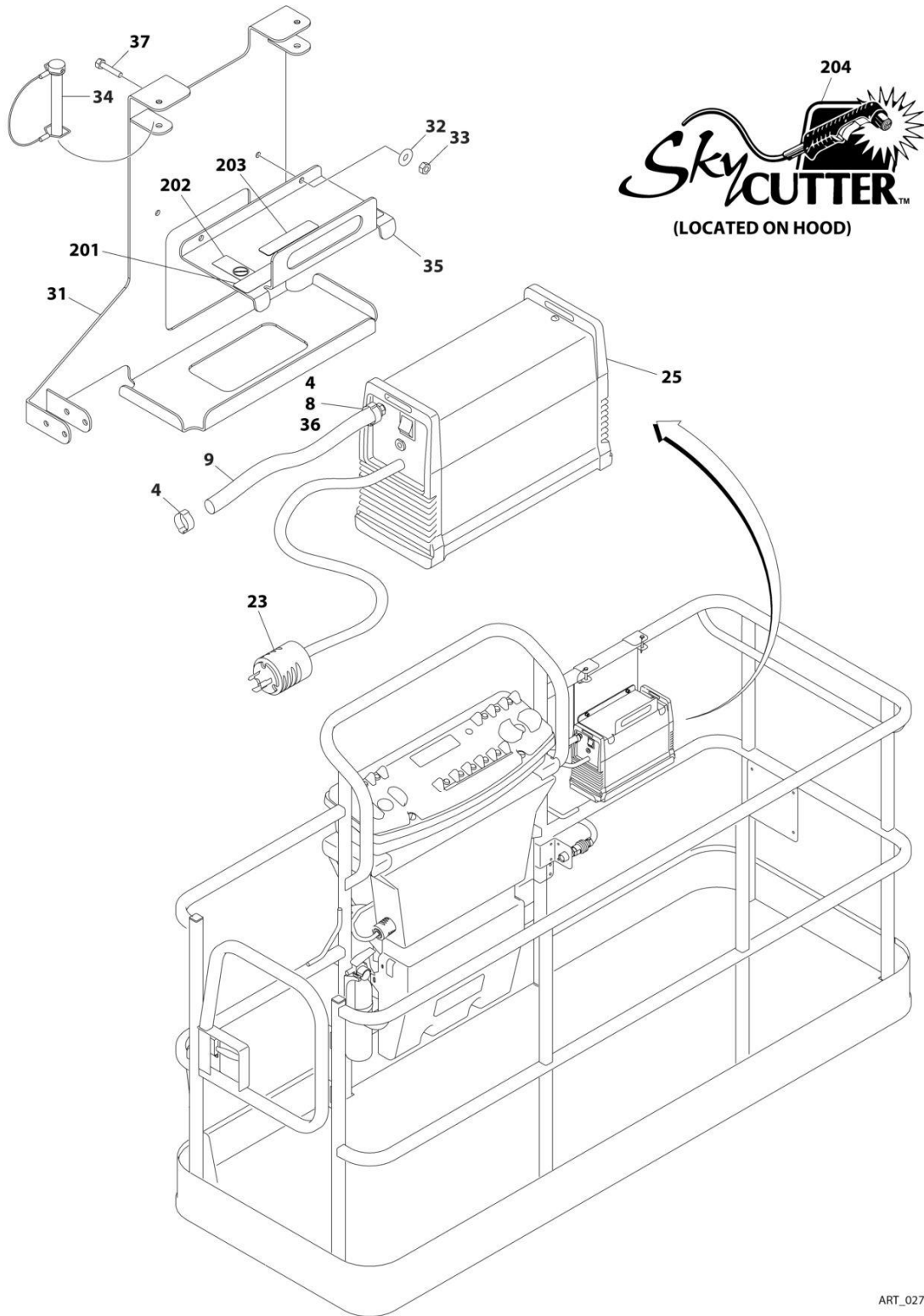
ITEM	PART NUMBER	QTY	DESCRIPTION	REV
	1001238559	Ref	SKYLINE INSTALLATION	B
1	0641404	2	Bolt 1/4 x 1/2	
2	0641405	2	Bolt 1/4 x 5/8	
3	3311405	2	Nut 1/4	
4	3311601	2	Nut 3/8	
5	4031516	2	Capscrew M4 x 60	
6	4240033	AR	Tie-Strap (Not Shown)	
7	4711400	4	Washer 1/4	
8	1001120328	1	Mount	
9	1001232642	1	Bracket	
10	1001232650	1	Magnet	
11	1001232667	1	Sensor, Proximity	
12	1001235011	1	Nut	
13	1001235013	1	Washer	
14	1001236552	1	Block	
15	1001238418	1	Harness, Skyline (See Separate Breakdown in ELECTRICAL Section)	
16	1001238472	1	Mount	
17	1001238477	1	Housing, LH	
18	1001241965	1	Housing, RH	
19	1001238824	1	Rope	
20	0100011	AR	Compound, Locking	

SECTION 4 - PLATFORM

FIGURE 4-17. SKYWELDER/SKYCUTTER COMBO INSTALLATION (60HZ) (ANSI, ANSI EXPORT, AND CSA SPECS) (NOT AVAILABLE ON 800S SHIPYARD MACHINES) (800S,860SJ)



SECTION 4 - PLATFORM



ART_0273353_20F2

SECTION 4 - PLATFORM

FIGURE 4-17. SKYWELDER/SKYCUTTER COMBO INSTALLATION (60HZ) (ANSI, ANSI EXPORT, AND CSA SPECS) (NOT AVAILABLE ON 800S SHIPYARD MACHINES) (800S,860SJ)

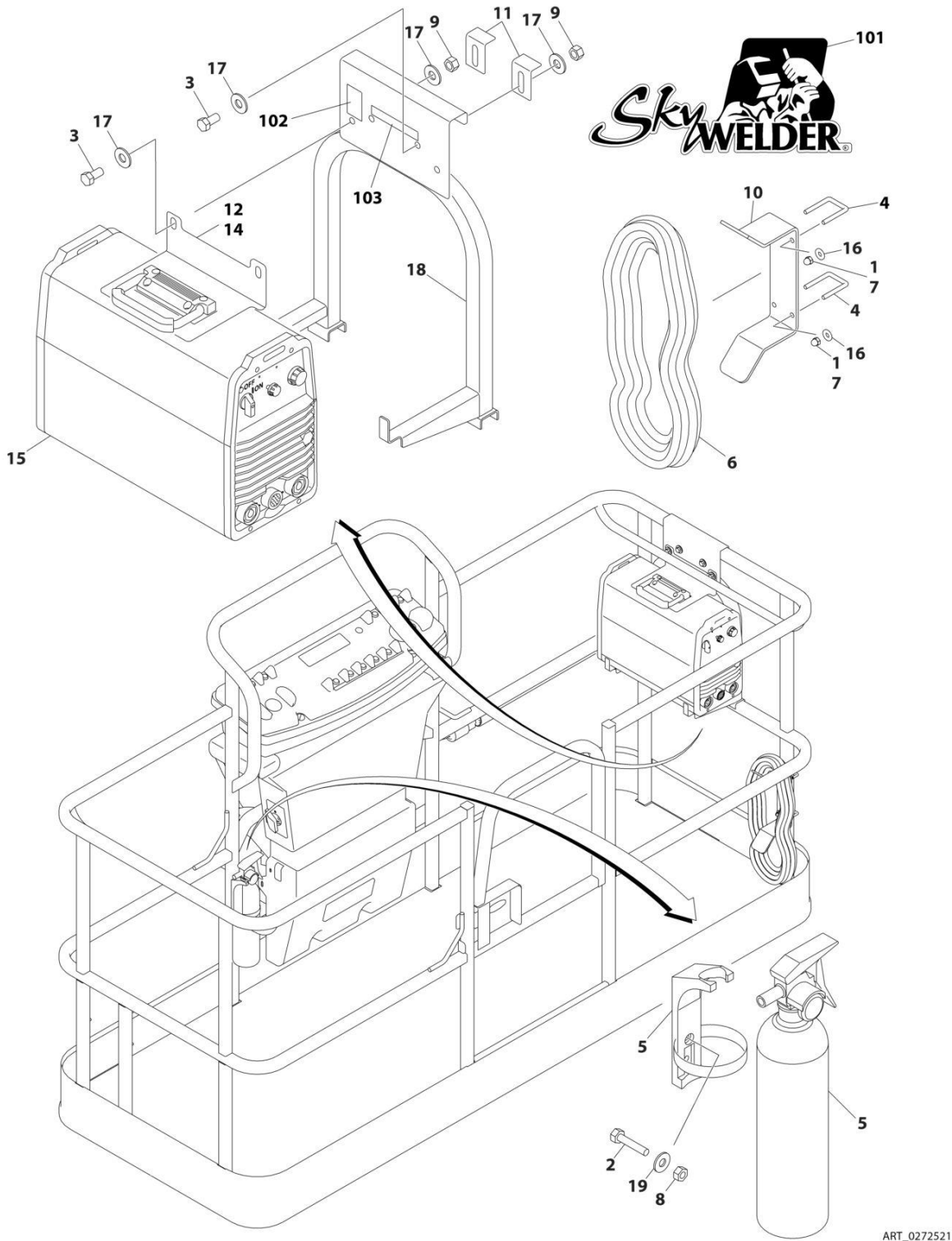
ITEM	PART NUMBER	QTY	DESCRIPTION	REV
	0273353	Ref	SKYWELDER/SKYCUTTER COMBO INSTALLATION (60HZ)	G
1	0100011	AR	Compound, Locking	
2	0630518	2	Screw #10 x 3/4	
3	0641606	4	Bolt 3/8 x 3/4	
4	1320177	2	Clamp	
5	1320302	2	Clamp	
6	1671093	1	Cover, Plug	
7	2030010	1	Extinguisher, Fire	
8	2180832	1	Fitting, Barbed/NPT	
9	2720160	4.5 ft /1.37m	Hose	
10	2902217	1	Weld Leads Kit	
11	3300151	4	Nut 1/4	
12	3311005	2	Nut #10	
13	3311605	4	Nut 3/8	
14	3573400	1	Bracket	
15	3577121	2	Angle	
16	3573642	1	Plate	
20	4240099	AR	Tie-Strap (Not Shown)	
21	4420037	2.36 ft /.71m	Tape	
22	4460962	1	Plug, Twist Lock	
23	4460971	1	Plug, Twist Lock	
24	4530028	1	Welder Assembly (See WELDER ASSEMBLY for Breakdown)	
25	1001098012	1	Plasma Cutter Assembly (See PLASMA CUTTER ASSEMBLY for Breakdown)	
26	4751400	4	Washer 1/4	
27	4751600	8	Washer 3/8	
29	4846627	1	Support	
31	1001145405	1	Bracket	
32	4811700	2	Washer M6	
33	3290605	2	Nut M6	
34	3421453	3	Pin	
35	3576799	1	Plate, Hold-Down	
36	0100020	1	Sealant	
37	4010608	2	Screw M6 x 16	
38	4751000	2	Washer #10	
	0272448	Ref	SKYWELDER DECAL INSTALLATION	B
101	1705355	2	Decal - SkyWelder	
102	1702868	1	Decal - No Hands	
103	1705305	1	Decal - Weld Leads	
104	1705375	1	Decal - 240V - 3 Phase - 60 Hz	
105	1705466	NLA	Decal - Weight (Use p/n 1001228988) (SN 0300182743 through 0300233654, SN B300001092 through B300001996)	
105	1001228988	1	Decal - Weight (SN 0300233655 through 0300272492, SN B300001997 through B300005730, Except SN 0300272449 through 0300272454, Excluding B300005568)	
	0272599	Ref	SKYCUTTER DECAL INSTALLATION	B
201	1702868	1	Decal - No Hands	
202	1705305	1	Decal - Weld Leads	

SECTION 4 - PLATFORM

ITEM	PART NUMBER	QTY	DESCRIPTION	REV
203	1705466	NLA	Decal - Weight (Use p/n 1001228988) (SN 0300182743 through 0300233654, SN B300001092 through B300001996)	
203	1001228988	1	Decal - Weight (SN 0300233655 through 0300272492, SN B300001997 through B300005730, Except SN 0300272449 through 0300272454, Excluding B300005568)	
204	1705490	2	Decal - SkyCutter	

SECTION 4 - PLATFORM

FIGURE 4-18. SKYWELDER INSTALLATION (50HZ) (CE SPECS) (NOT AVAILABLE ON 800S SHIPYARD MACHINES) (800S,860SJ)



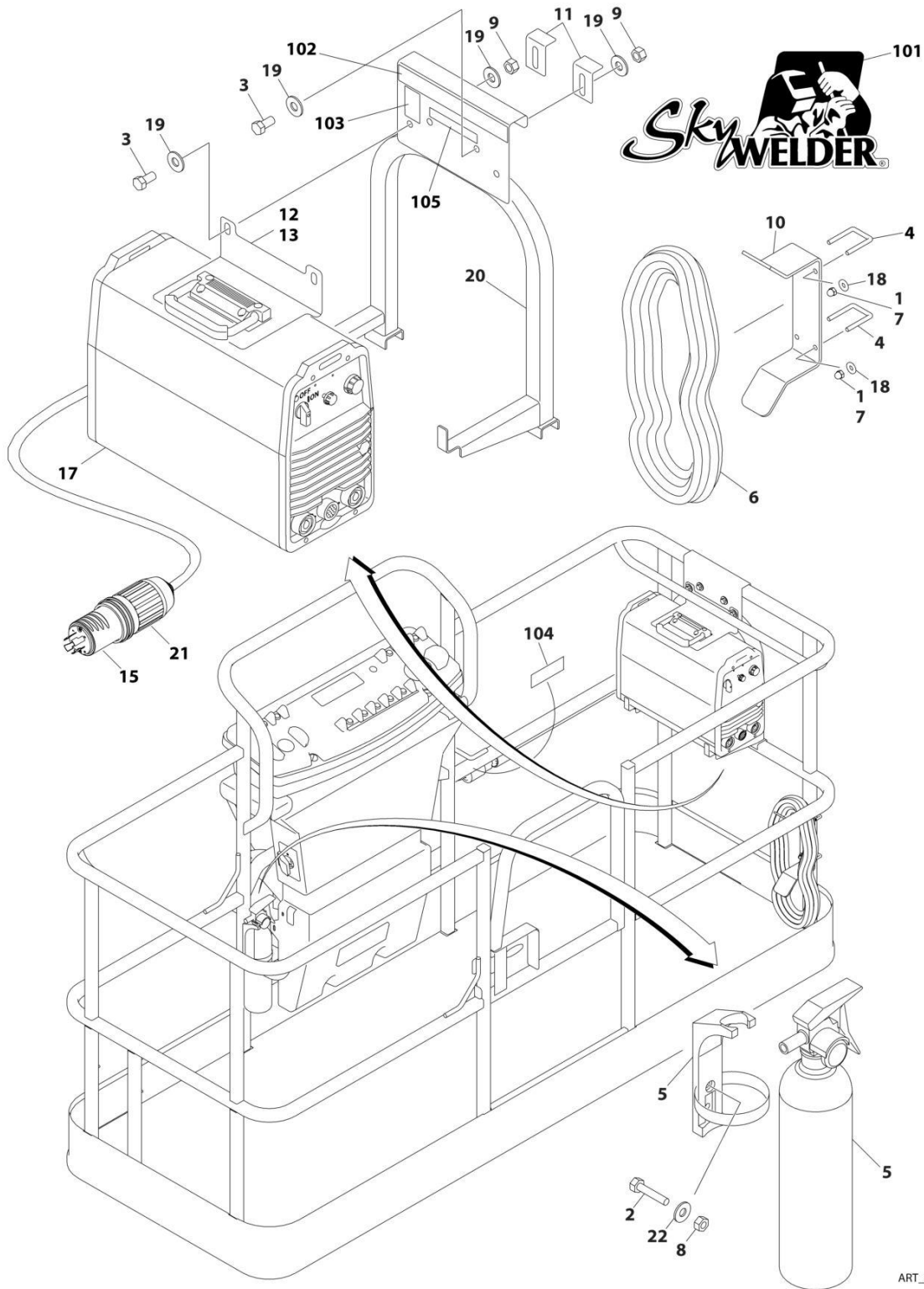
SECTION 4 - PLATFORM

FIGURE 4-18. SKYWELDER INSTALLATION (50HZ) (CE SPECS) (NOT AVAILABLE ON 800S SHIPYARD MACHINES) (800S,860SJ)

ITEM	PART NUMBER	QTY	DESCRIPTION	REV
	0272521	Ref	SKYWELDER INSTALLATION (50HZ)	F
1	0100011	AR	Compound, Locking	
2	0630518	2	Screw #10 x 3/4	
3	0641606	4	Bolt 3/8 x 3/4	
4	1320302	2	U-Clamp	
5	2030010	1	Extinguisher, Fire	
6	2902217	1	Weld Leads Kit	
7	3300151	4	Nut 1/4	
8	3311005	2	Nut #10	
9	3311605	4	Nut 3/8	
10	3573400	1	Bracket	
11	3577121	2	Angle	
12	3573642	1	Plate	
13	4240099	AR	Tie-Strap (Not Shown)	
14	4420037	AR	Tape	
15	4530028	1	Welder Assembly (See WELDER ASSEMBLY for Breakdown)	
16	4751400	4	Washer 1/4	
17	4751600	8	Washer 3/8	
18	4846627	1	Support	
19	4751000	2	Washer #10	
	0272588	Ref	SKYWELDER DECAL INSTALLATION	B
101	1705355	2	Decal - SkyWelder	
102	1705305	1	Decal - Weld Lead	
103	1705466	NLA	Decal - Weight (Use p/n 1001228988) (SN 0300182743 through 0300233654, SN B300001092 through B300001996)	
103	1001228988	1	Decal - Weight (SN 0300233655 through 0300272492, SN B300001997 through B300005730, Except SN 0300272449 through 0300272454, Excluding B300005568)	

SECTION 4 - PLATFORM

FIGURE 4-19. SKYWELDER INSTALLATION (60HZ) (ANSI, ANSI EXPORT, AUSTRALIAN, CSA, AND JAPANESE SPECS) (800S,860SJ)



ART_0272254

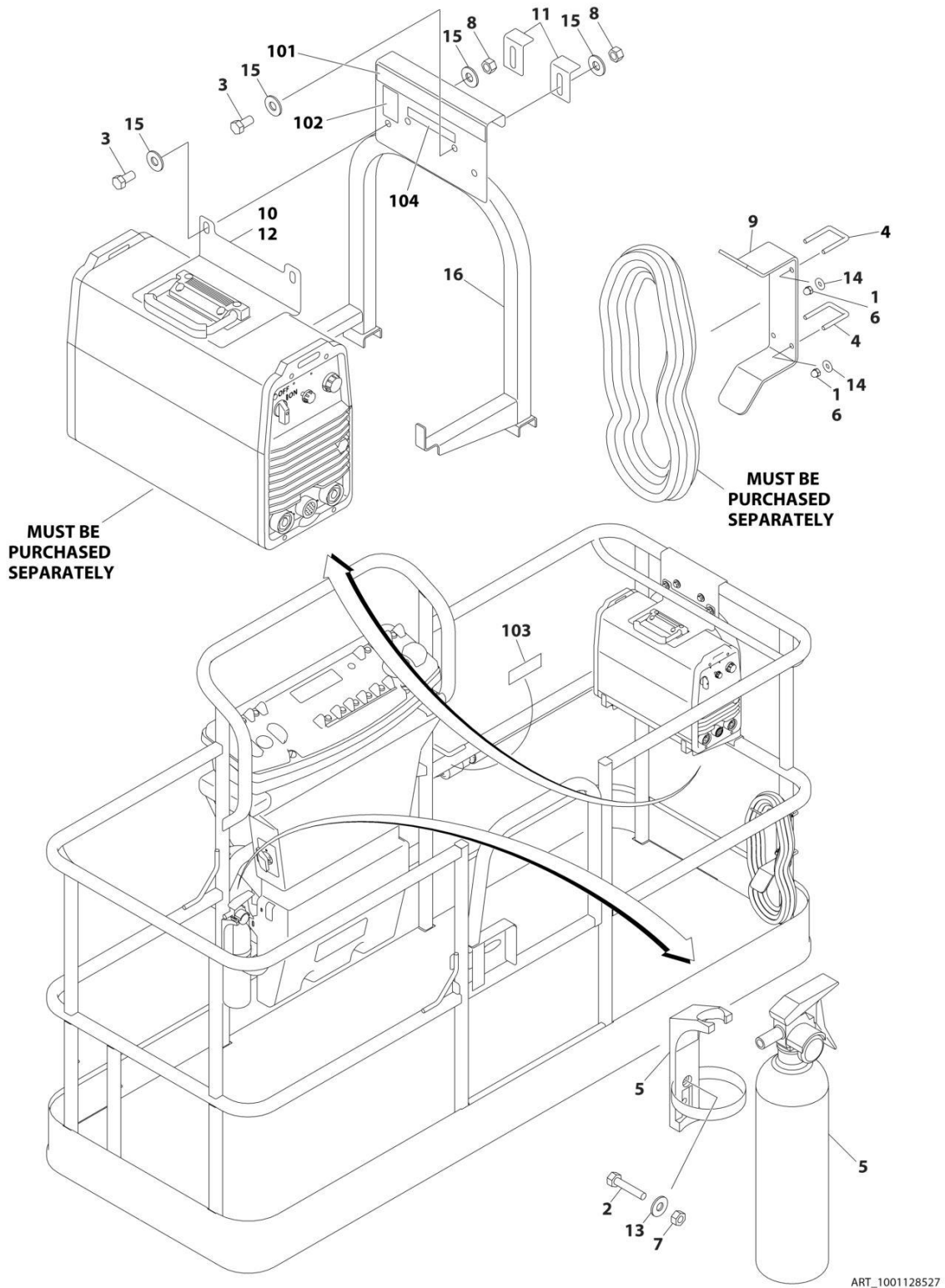
SECTION 4 - PLATFORM

FIGURE 4-19. SKYWELDER INSTALLATION (60HZ) (ANSI, ANSI EXPORT, AUSTRALIAN, CSA, AND JAPANESE SPECS) (800S,860SJ)

ITEM	PART NUMBER	QTY	DESCRIPTION	REV
	0272254	Ref	SKYWELDER INSTALLATION (60HZ)	I
1	0100011	AR	Compound, Locking	
2	0630518	2	Screw #10 x 3/4	
3	0641606	4	Bolt 3/8 x 3/4	
4	1320302	2	U-Clamp	
5	2030010	1	Extinguisher, Fire	
6	2902217	1	Weld Leads Kit	
7	3300151	4	Nut 1/4	
8	3311005	2	Nut #10	
9	3311605	4	Nut 3/8	
10	3573400	1	Bracket	
11	3577121	2	Angle	
12	3573642	1	Plate	
13	4420037	AR	Tape	
14	4240099	AR	Tie-Strap (Not Shown)	
15	4460962	1	Plug, Male Twistlock	
17	4530028	1	Welder Assembly (See WELDER ASSEMBLY for Breakdown)	
18	4751400	4	Washer 1/4	
19	4751600	8	Washer 3/8	
20	4846627	1	Support	
21	1671093	1	Cover, Plug	
22	4751000	2	Washer #10	
	0272448	Ref	SKYWELDER DECAL INSTALLATION	B
101	1705355	2	Decal - SkyWelder	
102	1702868	1	Decal - No Hands	
103	1705305	1	Decal - Weld Lead	
104	1705375	1	Decal - 240V - 3 Phase - 60Hz	
105	1705466	NLA	Decal - Weight (Use p/n 1001228988) (SN 0300182743 through 0300233654, SN B300001092 through B300001996)	
105	1001228988	1	Decal - Weight (SN 0300233655 through 0300272492, SN B300001997 through B300005730, Except SN 0300272449 through 0300272454, Excluding B300005568)	

SECTION 4 - PLATFORM

FIGURE 4-20. SKYWELDER PREP PACKAGE (60HZ) (ANSI, ANSI EXPORT, AUSTRALIAN, CSA, AND JAPANESE SPECS) (800S,860SJ)



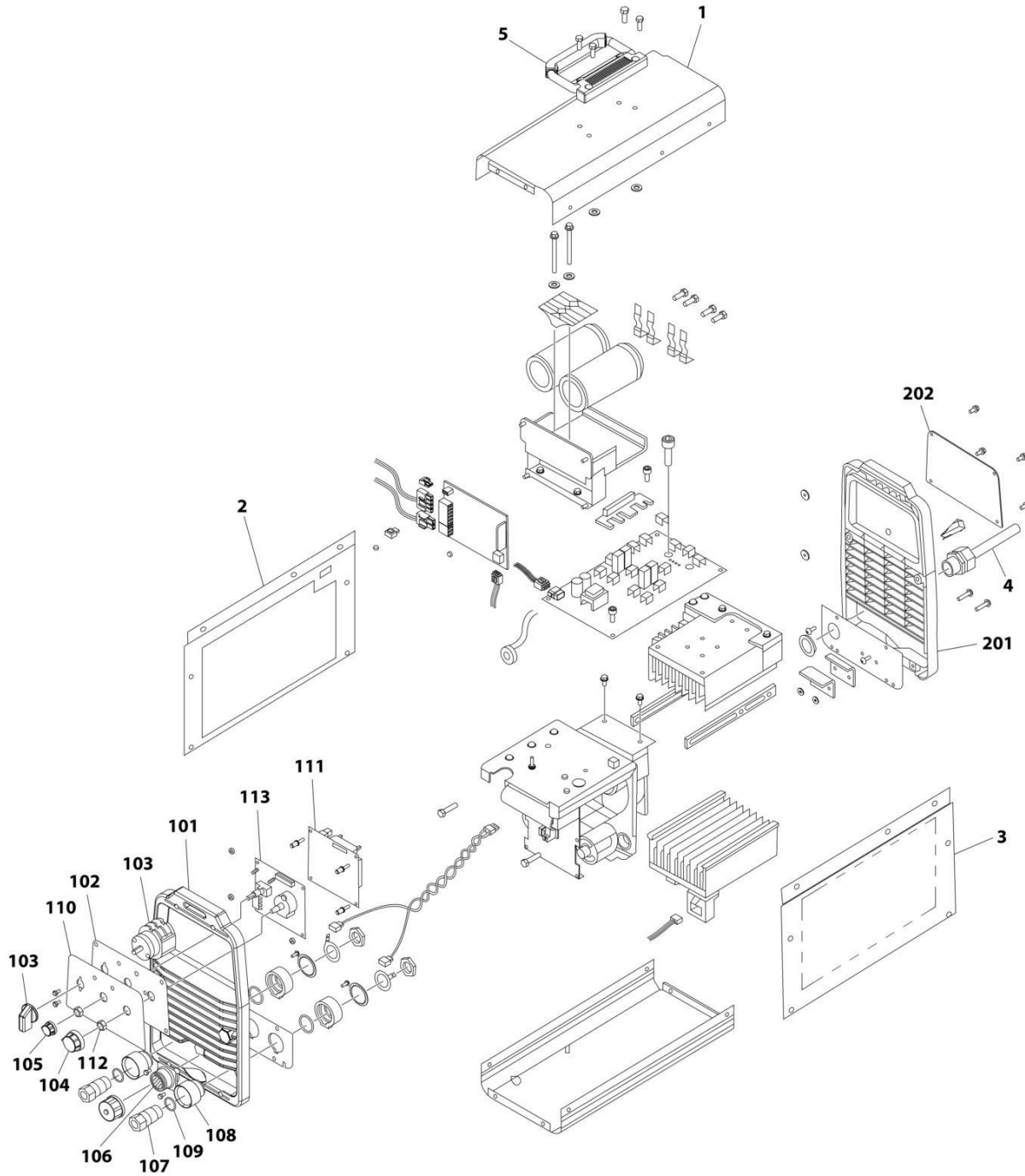
SECTION 4 - PLATFORM

FIGURE 4-20. SKYWELDER PREP PACKAGE (60HZ) (ANSI, ANSI EXPORT, AUSTRALIAN, CSA, AND JAPANESE SPECS) (800S,860SJ)

ITEM	PART NUMBER	QTY	DESCRIPTION	REV
	1001128527	Ref	SKYWELDER PREP PACKAGE (60HZ)	B
1	0100011	AR	Compound, Locking	
2	0630518	2	Screw #10 x 3/4	
3	0641606	4	Bolt 3/8 x 3/4	
4	1320302	2	U-Clamp	
5	2030010	1	Extinguisher, Fire	
6	3300151	4	Nut 1/4	
7	3311005	2	Nut #10	
8	3311605	4	Nut 3/8	
9	3573400	1	Bracket	
10	3573642	1	Plate	
11	3577121	2	Angle	
12	4420037	AR	Tape	
13	4751000	2	Washer #10	
14	4751400	4	Washer 1/4	
15	4751600	8	Washer 3/8	
16	4846627	1	Support	
	1001128556	Ref	SKYWELDER DECAL INSTALLATION	B
101	1702868	1	Decal - No Hands	
102	1705305	1	Decal - Weld Lead	
103	1705375	1	Decal - 240V - 3 Phase - 60Hz	
104	1705466	NLA	Decal - Weight (Use p/n 1001228988) (SN 0300182743 through 0300233654, SN B300001092 through B300001996)	
104	1001228988	1	Decal - Weight (SN 0300233655 through 0300272492, SN B300001997 through B300005730, Except SN 0300272449 through 0300272454, Excluding B300005568)	

SECTION 4 - PLATFORM

FIGURE 4-21. WELDER ASSEMBLY



ART_4530028

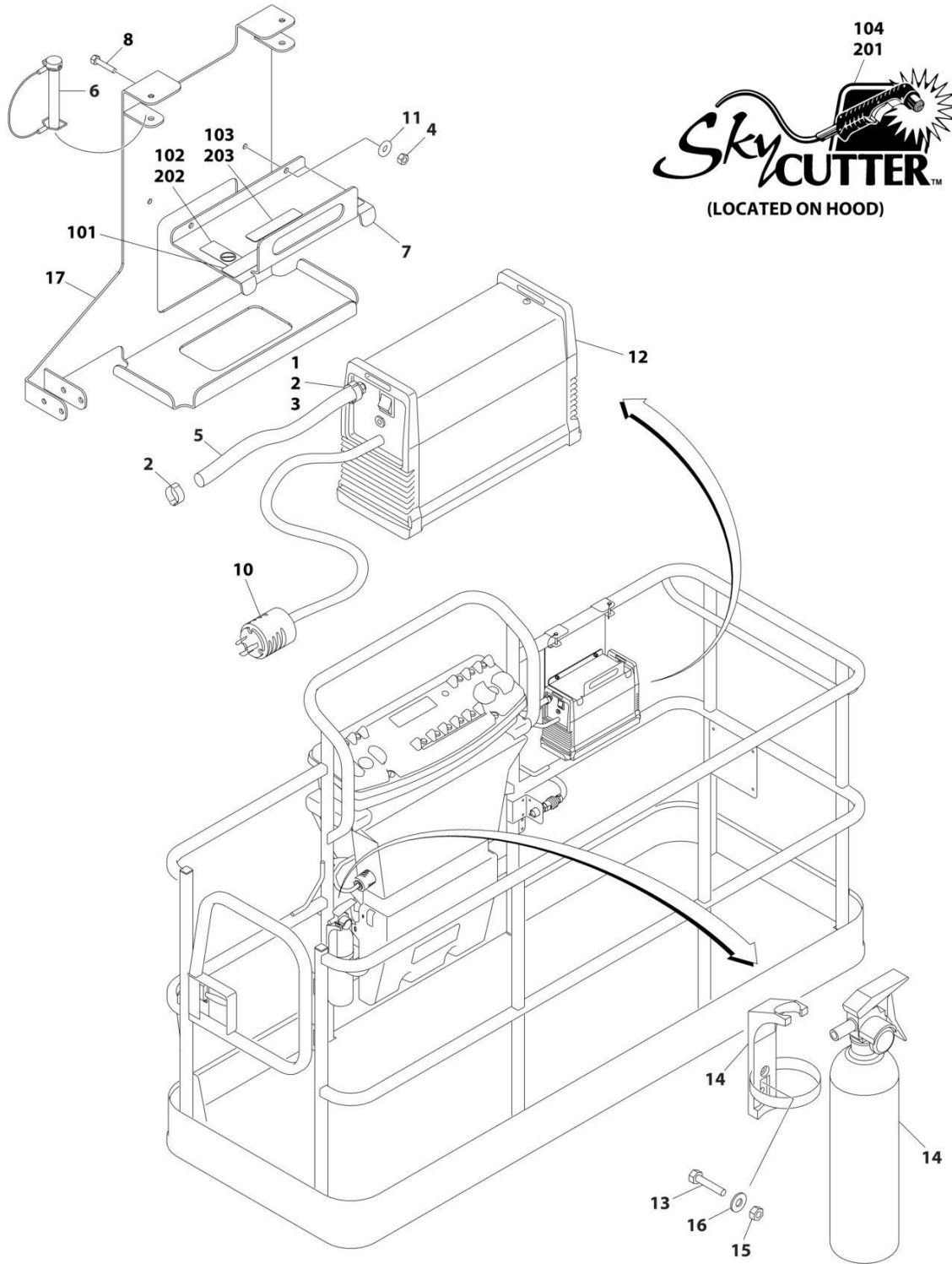
SECTION 4 - PLATFORM

FIGURE 4-21. WELDER ASSEMBLY

ITEM	PART NUMBER	QTY	DESCRIPTION	REV
	4530028	Ref	WELDER ASSEMBLY	B
		Ref	Note: For Other Components, contact your Miller Welder Dealer.	
1	7027773	1	Cover, Top	
1	7027774	1	Decal - Static Precautionary Warning	
2	See Note	NSS	Panel, LH Side (Note: Part of Item 1. Purchase Item 1)	
3	See Note	NSS	Panel, RH Side (Note: Part of Item 1. Purchase Item 1)	
4	7024467	1	Cable, Power	
4	7027775	1	Decal - Electrical Shock Warning (Not Shown)	
5	7027776	1	Handle, Carrying	
101	7024462	1	Panel, Front	
102	7024463	1	Panel, Console	
103	7024469	1	Switch with Lead	
104	7024470	1	Knob	
105	7024471	1	Knob	
106	7024472	1	Receptacle with Leads and Plugs	
107	7024473	2	Receptacle, Twistlock Female	
108	7024474	2	Insulator	
109	7024475	2	O-Ring	
110	7027777	1	Nameplate	
111	7027779	1	Circuit Card Assembly (Process Control)	
112	7024478	2	Nut	
113	7027778	1	Circuit Card Assembly (Operator Interface)	
201	7024462	1	Panel, Rear	
202	7027780	1	Panel, Cover	

SECTION 4 - PLATFORM

FIGURE 4-22. SKYCUTTER INSTALLATION (ANSI, ANSI EXPORT, CSA, AND JAPANESE SPECS)
(NOT AVAILABLE ON 800S SHIPYARD MACHINES) (800S,860SJ)



ART_1001098149

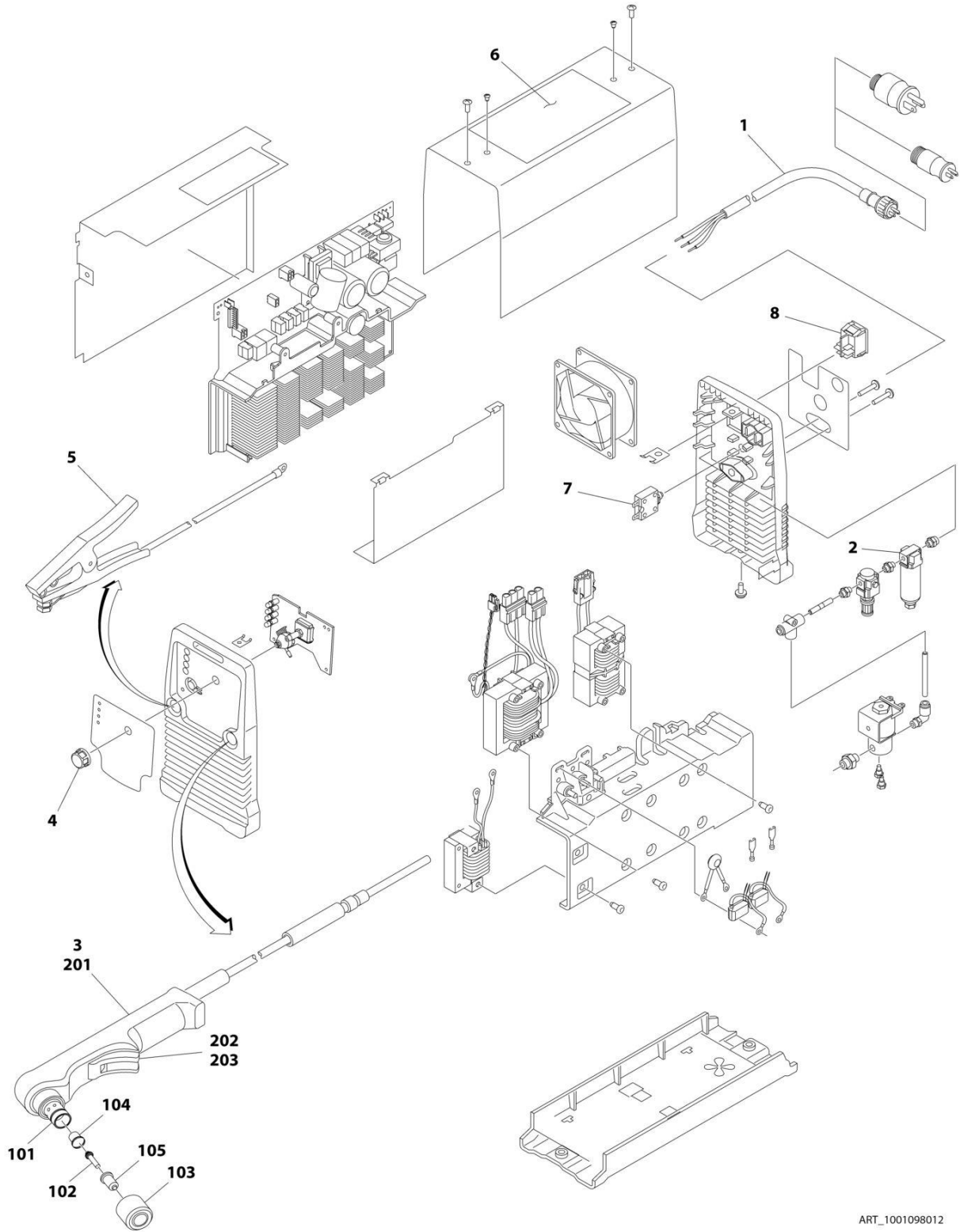
SECTION 4 - PLATFORM

**FIGURE 4-22. SKYCUTTER INSTALLATION (ANSI, ANSI EXPORT, CSA, AND JAPANESE SPECS)
(NOT AVAILABLE ON 800S SHIPYARD MACHINES) (800S,860SJ)**

ITEM	PART NUMBER	QTY	DESCRIPTION	REV
	1001098149	Ref	SKYCUTTER INSTALLATION	D
		Ref	Note: When replacing platform on machines with SkyCutter option, new bracket p/n 1001145405 must be purchased to accommodate SkyCutter components.	
1	0100020	AR	Sealant	
2	1320177	2	Clamp, Hose	
3	2180832	1	Fitting, NPT/Barbed	
4	3290605	2	Nut M6	
5	2720160	3 ft/.9m	Hose	
6	3421453	3	Pin	
7	3576799	1	Plate, Hold-Down	
8	4010608	2	Screw M6 x 16	
10	4460971	1	Plug, Twistlock	
11	4811700	2	Washer M6	
12	1001098012	1	Plasma Cutter Assembly (See PLASMA CUTTER ASSEMBLY for Breakdown)	
13	0630518	2	Screw #10 x 3/4	
14	2030010	1	Extinguisher, Fire	
15	3311005	2	Nut #10	
16	4751000	2	Washer #10	
17	1001145405	1	Support	
	0272599	Ref	SKYCUTTER DECAL INSTALLATION (ANSI, ANSI EXPORT AND CSA SPECS)	B
101	1702868	1	Decal - No Hands	
102	1705305	1	Decal - Weld Lead	
103	1705466	NLA	Decal - Weight (Use p/n 1001228988) (SN 0300182743 through 0300233654, SN B300001092 through B300001996)	
103	1001228988	1	Decal - Weight (SN 0300233655 through 0300272492, SN B300001997 through B300005730, Except SN 0300272449 through 0300272454, Excluding B300005568)	
104	1705490	2	Decal - SkyCutter	
	0272607	Ref	SKYCUTTER DECAL INSTALLATION (JAPANESE SPECS)	B
201	1705490	2	Decal - SkyCutter	
202	1705305	1	Decal - Weld Lead	
203	1705466	NLA	Decal - Weight (Use p/n 1001228988) (SN 0300182743 through 0300233654, SN B300001092 through B300001996)	
203	1001228988	1	Decal - Weight (SN 0300233655 through 0300272492, SN B300001997 through B300005730, Except SN 0300272449 through 0300272454, Excluding B300005568)	

SECTION 4 - PLATFORM

FIGURE 4-23. PLASMA CUTTER ASSEMBLY



ART_1001098012

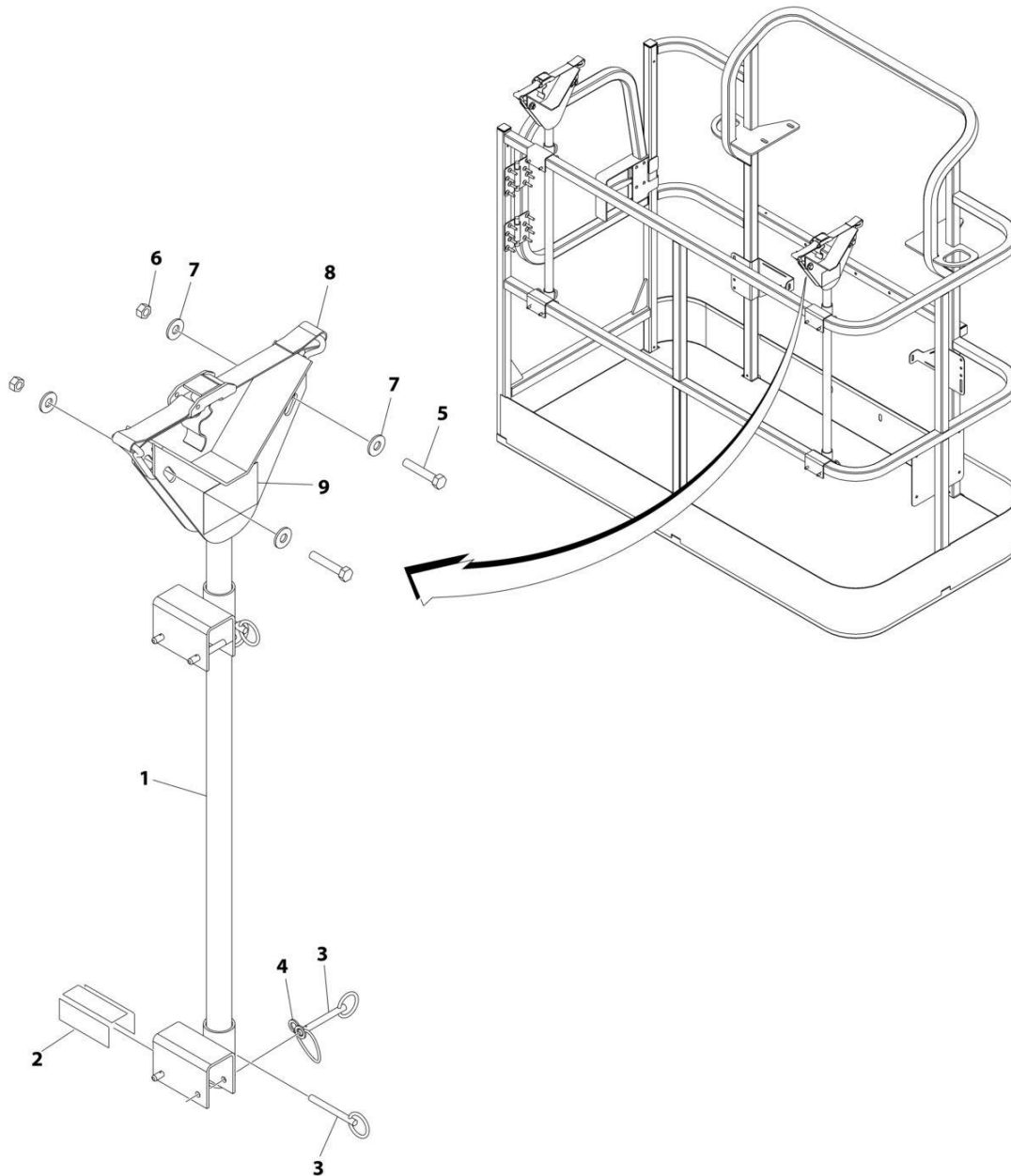
SECTION 4 - PLATFORM

FIGURE 4-23. PLASMA CUTTER ASSEMBLY

ITEM	PART NUMBER	QTY	DESCRIPTION	REV
	1001098012	Ref	PLASMA CUTTER ASSEMBLY	A
		Ref	Note: For Other Components, contact your Miller Welder Dealer.	
1	70001424	1	Cable, Power	
1	70001425	1	Decal - Voltage Warning	
2	70001427	1	Filter, Regulator	
3	70001428	1	Torch Assembly (See Items 101-203 for Breakdown)	
4	7024471	1	Knob	
5	70001429	1	Clamp with Cable	
6	70001430	1	Decal - Caution	
7	70001431	1	Breaker, Circuit	
8	70001432	1	Switch, Rocker	
	70001428	Ref	TORCH ASSEMBLY	
101	7024530	1	O-Ring	
102	7024531	1	Electrode	
103	7024532	1	Cup, Retaining	
104	7024533	1	Swirl Ring	
105	7024534	1	Tip	
201	7024535	1	Handle, Torch	
202	7024536	1	Switch	
203	7024537	1	Trigger	

SECTION 4 - PLATFORM

FIGURE 4-24. PIPE RACKS INSTALLATION (ANSI AND AUSTRALIAN SPECS) (NOT AVAILABLE ON 800S SHIPYARD MACHINES) (800S,860SJ)



ART_0257728

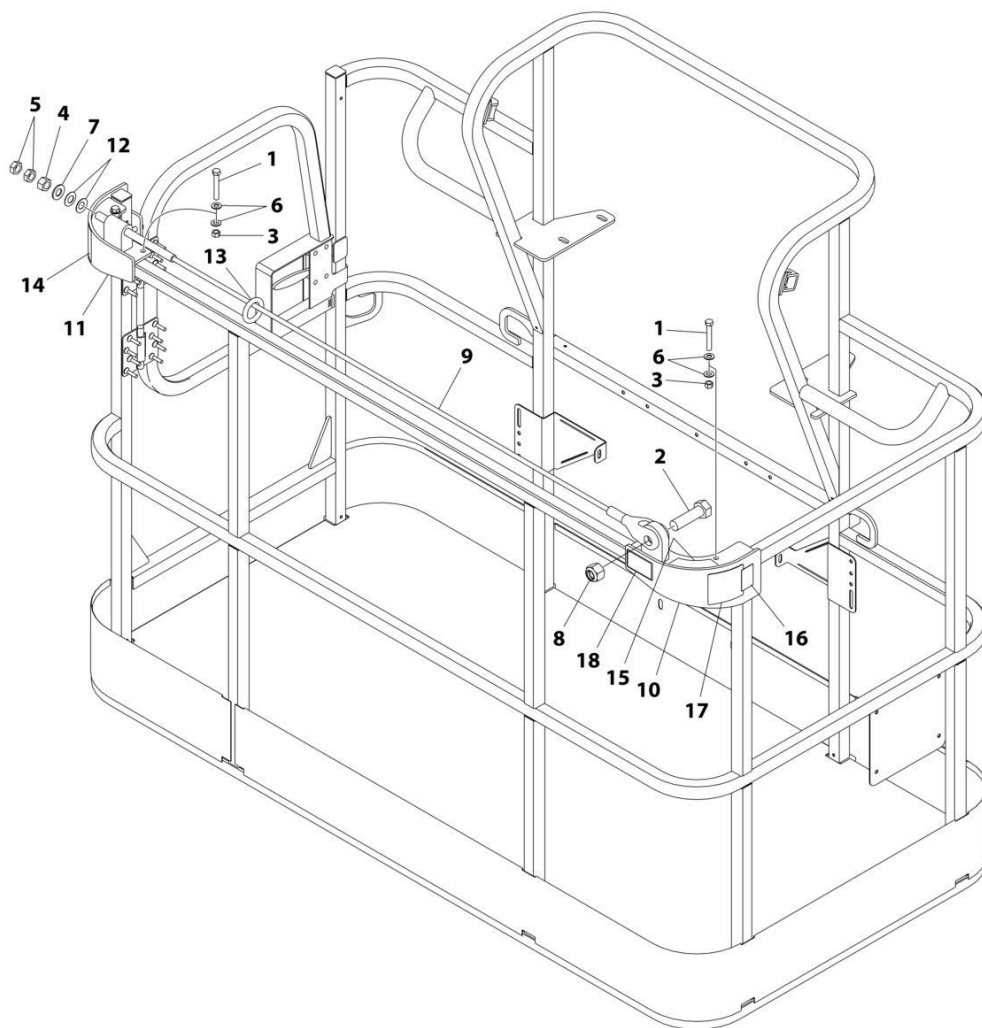
SECTION 4 - PLATFORM

FIGURE 4-24. PIPE RACKS INSTALLATION (ANSI AND AUSTRALIAN SPECS) (NOT AVAILABLE ON 800S SHIPYARD MACHINES) (800S,860SJ)

ITEM	PART NUMBER	QTY	DESCRIPTION	REV
	0257728	Ref	PIPE RACK INSTALLATION (ANSI AND CSA SPECS)	2/C
	0274661	Ref	PIPE RACK INSTALLATION (AUSTRALIAN SPECS)	1/A
1	4845582	2	Rack, Pipe	
2	4420062	AR	Tape	
3	3422661	10	Pin	
4	1060379	4	Lanyard	
5	0641514	4	Bolt 5/16 x 1-3/4	
6	3311505	4	Nut 5/16	
7	4751500	8	Washer 5/16	
8	0480100	2	Tie-Down	
9	1703683	2	Decal - Capacity (ANSI and CSA Specs)	
9	1706510	1	Decal - Capacity (Australian Specs)	

SECTION 4 - PLATFORM

FIGURE 4-25. FALL ARREST INSTALLATION (BOLT-ON EXTERNAL) (6FT/1.82M PLATFORM)
(800S,860SJ)



ART_1001236747

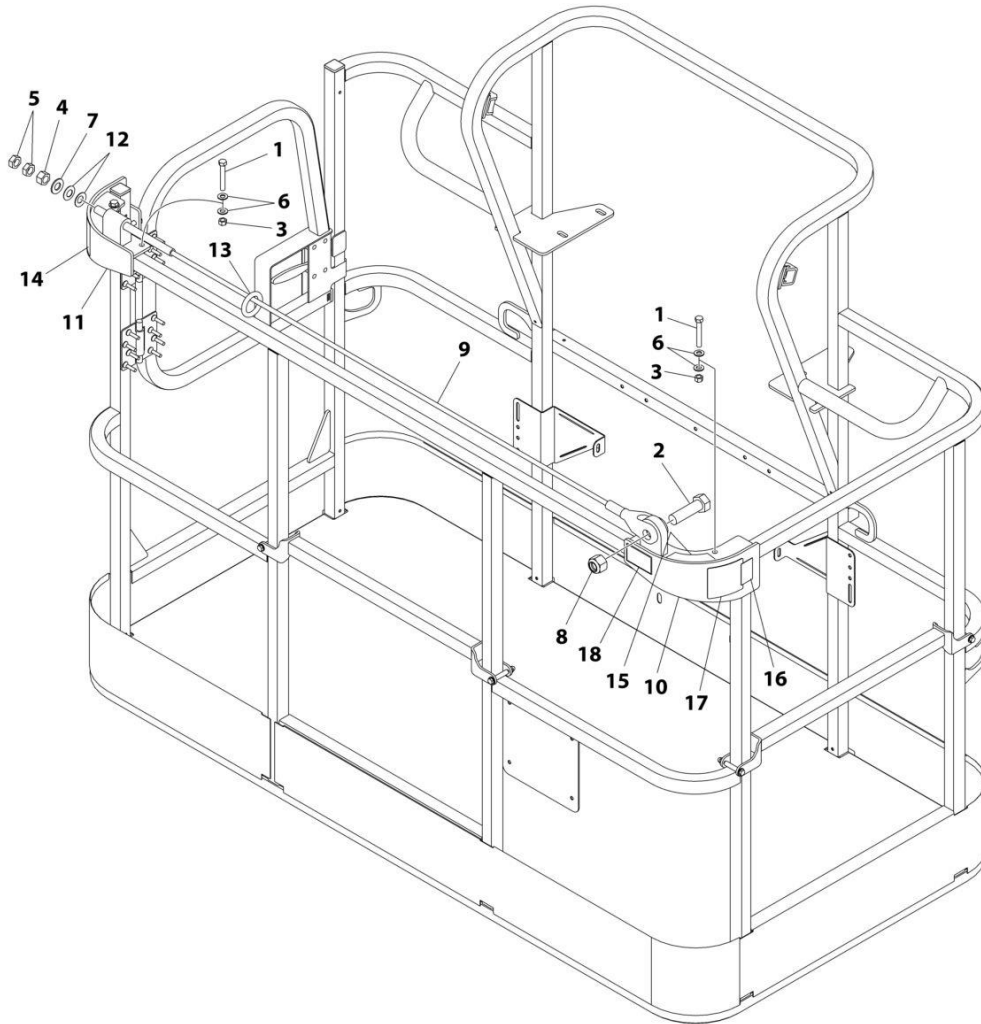
SECTION 4 - PLATFORM

**FIGURE 4-25. FALL ARREST INSTALLATION (BOLT-ON EXTERNAL) (6FT/1.82M PLATFORM)
(800S,860SJ)**

ITEM	PART NUMBER	QTY	DESCRIPTION	REV
	1001236747	Ref	FALL ARREST INSTALLATION (BOLT - ON) 6FT/1.82M PLATFORM	C
1	0681620	6	Bolt 3/8 x 2-1/2	
2	0682424	1	Bolt 7/8 x 3	
3	3271605	6	Nut 3/8	
4	3272001	1	Nut 5/8	
5	3312002	2	Nut 5/8	
6	4711600	12	Washer 3/8	
7	4712000	1	Washer 5/8	
8	88521214	1	Nut 7/8	
9	1001231950	1	Rope	
10	1001232010	1	Bracket (RH)	
11	1001232011	1	Bracket (LH)	
12	1001236891	2	Washer	
13	1001236895	1	Ring	
14	1001238263	1	Decal - Warning Falling Hazard	
15	1001252629	1	Decal - Weight	
16	1001248140	1	Decal - Bolt Fall Arrest Re-Cert	
17	1001248141	1	Decal - Inscription	

SECTION 4 - PLATFORM

FIGURE 4-26. FALL ARREST INSTALLATION (BOLT-ON EXTERNAL) (6FT/1.82M TRI-ENTRY PLATFORM) (800S,860SJ)



ART_1001238463

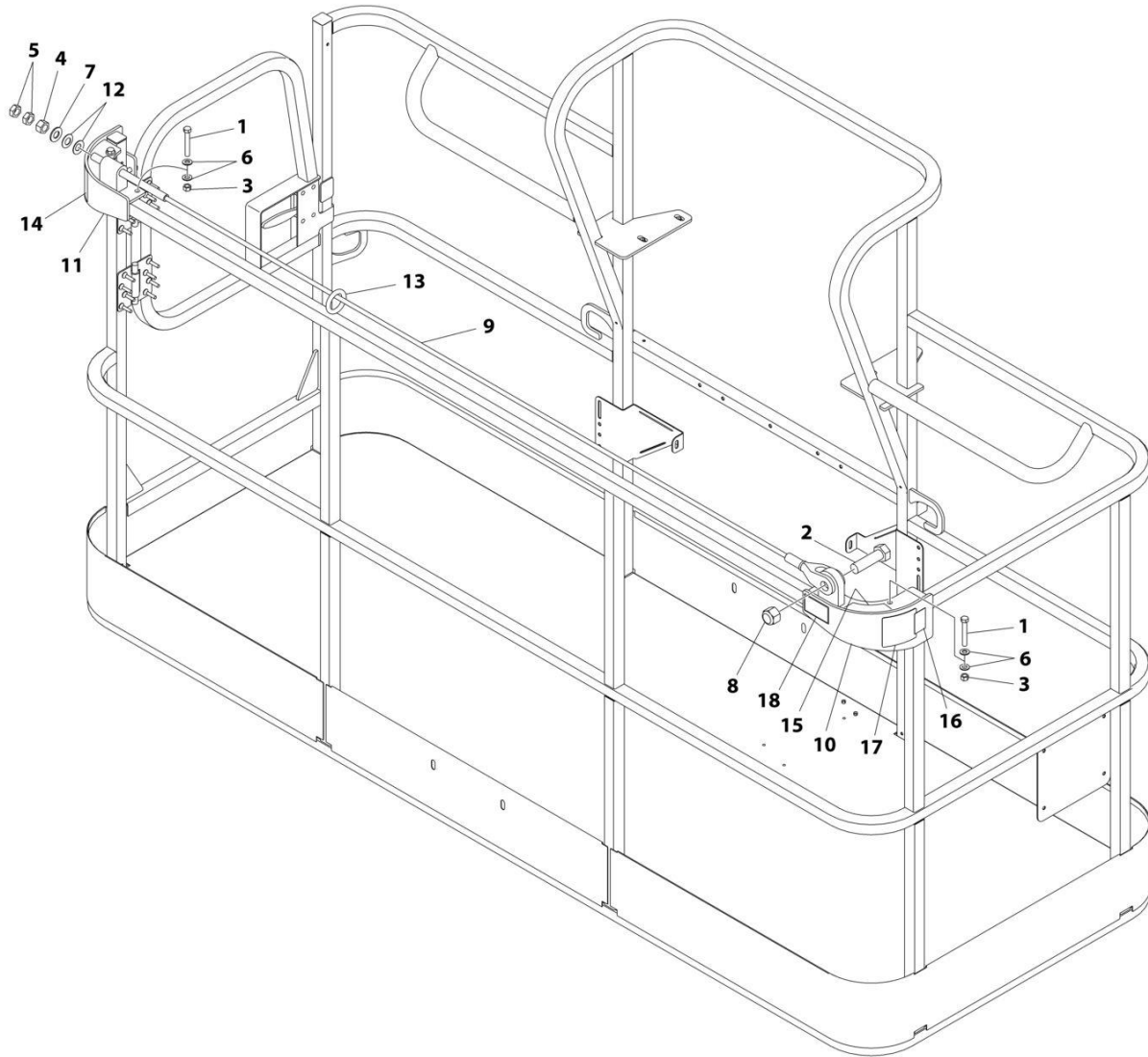
SECTION 4 - PLATFORM

FIGURE 4-26. FALL ARREST INSTALLATION (BOLT-ON EXTERNAL) (6FT/1.82M TRI-ENTRY PLATFORM) (800S,860SJ)

ITEM	PART NUMBER	QTY	DESCRIPTION	REV
	1001238463	Ref	FALL ARREST INSTALLATION (BOLT - ON) 6FT/1.82M PLATFORM	C
1	0681620	6	Bolt 3/8 x 2-1/2	
2	0682424	1	Bolt 7/8 x 3	
3	3271605	6	Nut 3/8	
4	3272001	1	Nut 5/8	
5	3312002	2	Nut 5/8	
6	4711600	12	Washer 3/8	
7	4712000	1	Washer 5/8	
8	88521214	1	Nut 7/8	
9	1001231950	1	Rope	
10	1001232010	1	Bracket (RH)	
11	1001232011	1	Bracket (LH)	
12	1001236891	2	Washer	
13	1001236895	1	Ring	
14	1001238263	1	Decal - Warning Falling Hazard	
15	1001252629	1	Decal - Weight	
16	1001248140	1	Decal - Bolt Fall Arrest Re-Cert	
17	1001248141	1	Decal - Inscription	

SECTION 4 - PLATFORM

FIGURE 4-27. FALL ARREST INSTALLATION (BOLT-ON EXTERNAL) (8FT/2.4M PLATFORM)
(800S,860SJ)



ART_1001236746

SECTION 4 - PLATFORM

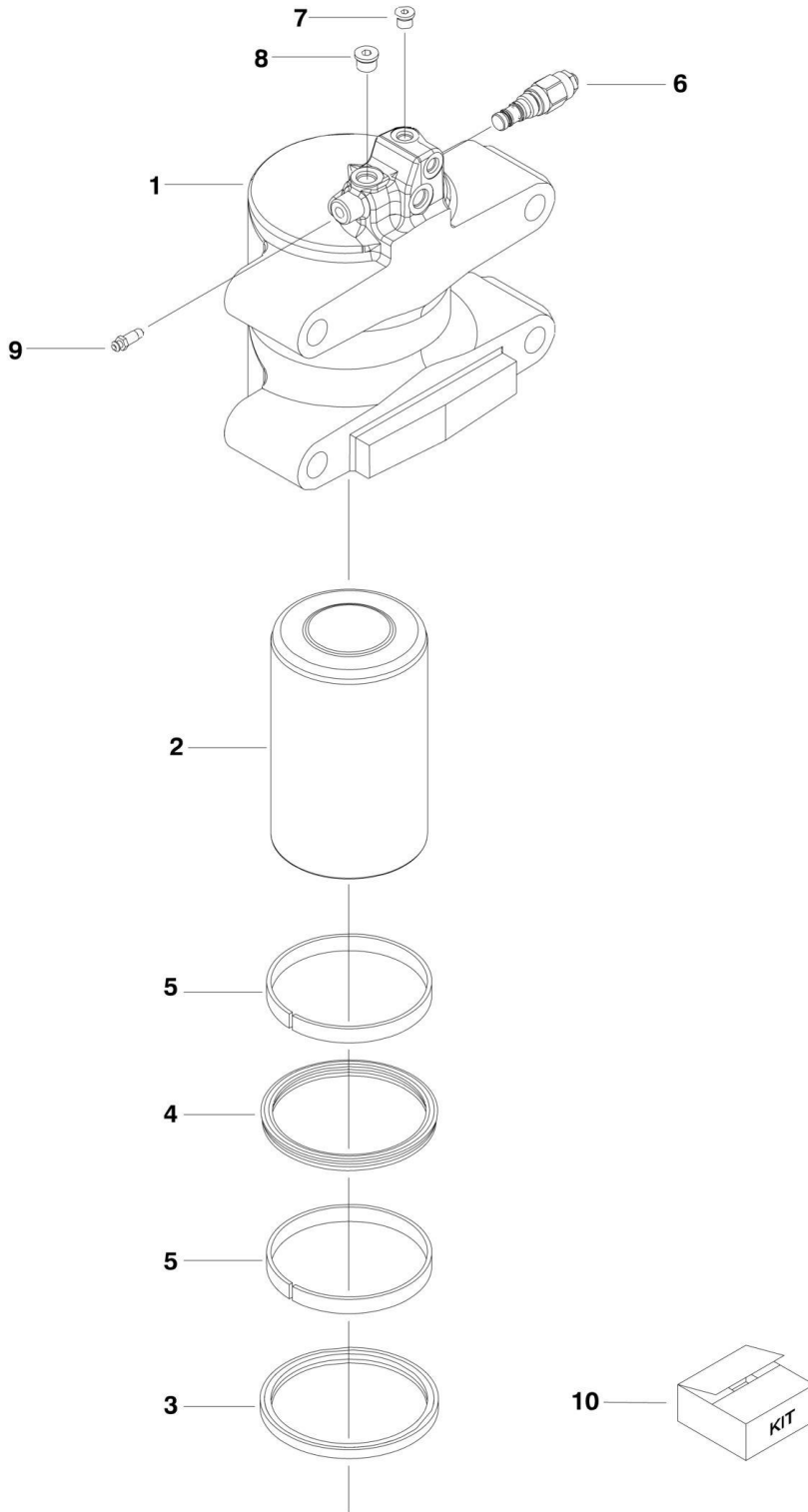
**FIGURE 4-27. FALL ARREST INSTALLATION (BOLT-ON EXTERNAL) (8FT/2.4M PLATFORM)
(800S,860SJ)**

ITEM	PART NUMBER	QTY	DESCRIPTION	REV
	1001236746	Ref	FALL ARREST INSTALLATION (BOLT - ON) 8FT/2.4M PLATFORM	C
1	0681620	6	Bolt 3/8 x 2-1/2	
2	0682424	1	Bolt 7/8 x 3	
3	3271605	6	Nut 3/8	
4	3272001	1	Nut 5/8	
5	3312002	2	Nut 5/8	
6	4711600	12	Washer 3/8	
7	4712000	1	Washer 5/8	
8	88521214	1	Nut 7/8	
9	1001231949	1	Rope	
10	1001232010	1	Bracket (RH)	
11	1001232011	1	Bracket (LH)	
12	1001236891	2	Washer	
13	1001236895	1	Ring	
14	1001238263	1	Decal - Warning Falling Hazard	
15	1001252629	1	Decal - Weight 23LBS/10.4KG	
16	1001248140	1	Decal - Bolt Fall Arrest Re-Cert	
17	1001248141	1	Decal - Inscription	

SECTION 5 - CYLINDER

SECTION 5 - CYLINDER

FIGURE 5-1. AXLE LOCKOUT CYLINDER ASSEMBLY (SN 0300182743 through 0300272492, SN B300001092 through B300002483)



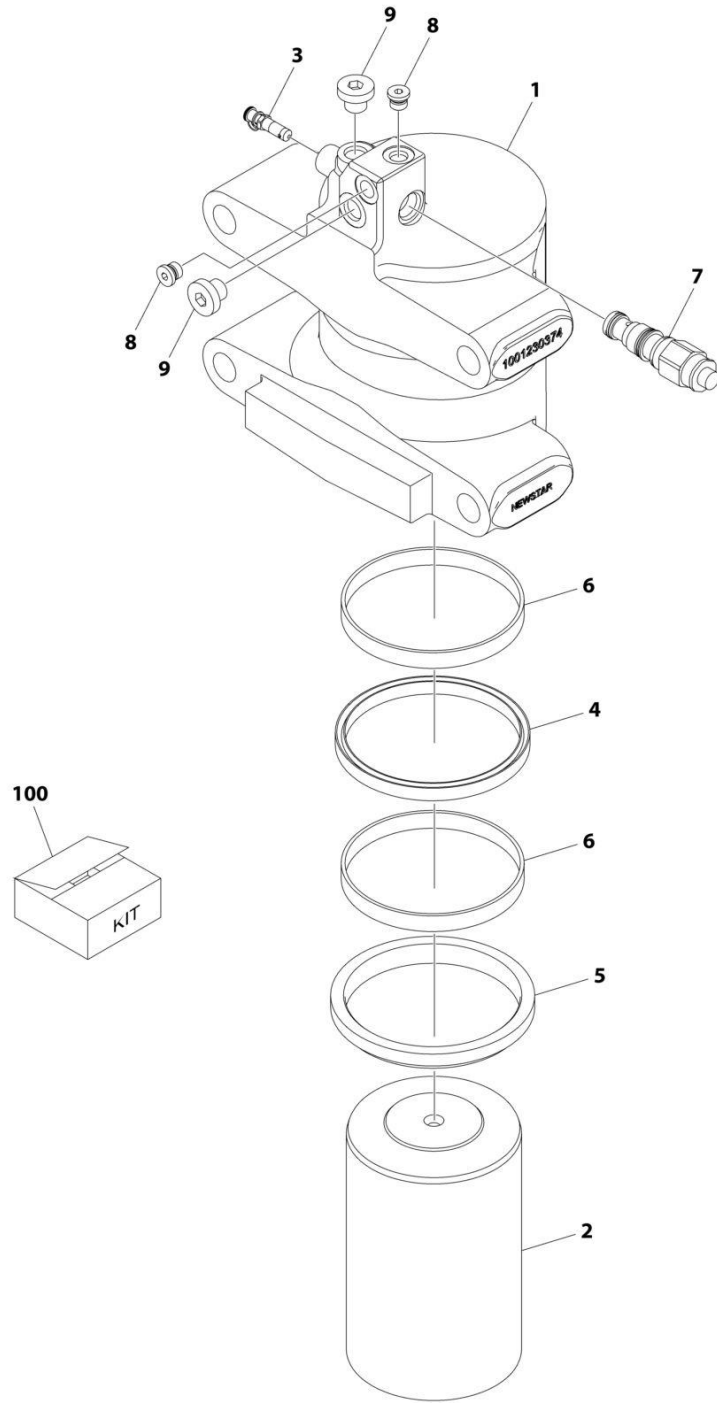
SECTION 5 - CYLINDER

FIGURE 5-1. AXLE LOCKOUT CYLINDER ASSEMBLY (SN 0300182743 through 0300272492, SN B300001092 through B300002483)

ITEM	PART NUMBER	QTY	DESCRIPTION	REV
	1001154258	Ref	AXLE LOCKOUT CYLINDER ASSEMBLY (SN 0300182743 through 0300214570)	E
	1001204560	Ref	AXLE LOCKOUT CYLINDER ASSEMBLY (SN 0300214571 through 0300272492, Except SN 0300272449 through 0300272454)	A
	1001154258	Ref	AXLE LOCKOUT CYLINDER ASSEMBLY (SN B300001092 through B300001499)	E
	1001204560	Ref	AXLE LOCKOUT CYLINDER ASSEMBLY (SN B300001500 through B300002483)	B
		Ref	Note: Original Cylinder may have been replaced with Service Replacement. Identify PN Stamped on Cylinder Before Ordering Parts.	
1	1001154126	1	Barrel	
2	1001154687	1	Rod	
3	See Note	NSS	Wiper (Note : Use Item 10)	
4	See Note	NSS	Seal, Rod (Note : Use Item 10)	
5	See Note	NSS	Ring, Wear (Note : Use Item 10)	
6	1001117372	1	Cartridge, Valve (Counterbalance)	
6	70002842	1	Seal Kit - 1001117372 Valve (1 Per Assembly)	
7	2220883	1	Plug, O-Ring	
8	2220885	1	Plug, O-Ring	
9	4640858	1	Valve, Bleeder	
10	1001098167	1	Seal Kit (Includes Items 3-5)	

SECTION 5 - CYLINDER

FIGURE 5-2. AXLE LOCKOUT CYLINDER ASSEMBLY (SN B300002484 through B300005730)



ART_1001230374

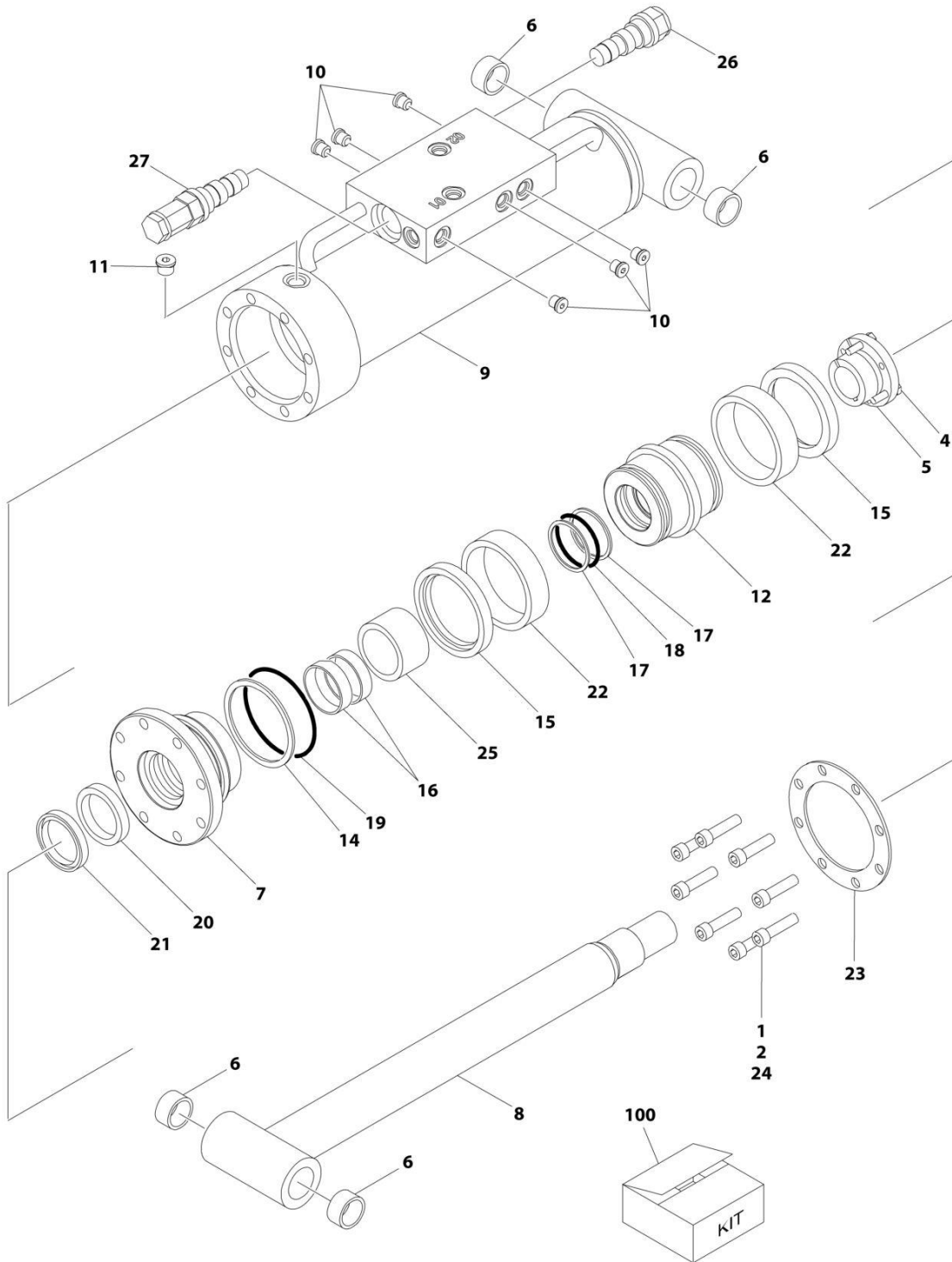
SECTION 5 - CYLINDER

FIGURE 5-2. AXLE LOCKOUT CYLINDER ASSEMBLY (SN B300002484 through B300005730)

ITEM	PART NUMBER	QTY	DESCRIPTION	REV
	1001230374	Ref	AXLE LOCKOUT CYLINDER ASSEMBLY	A
		Ref	Note: Original Cylinder may have been replaced with Service Replacement. Identify PN Stamped on Cylinder Before Ordering Parts.	
1	See Note	NSS	Barrel (Note: Not Available for Purchase)	
2	70006948	1	Rod	
3	4640858	1	Bleeder Valve	
4	See Note	NSS	Seal, Rod (Note: Use Item 100)	
5	See Note	NSS	Wiper (Note: Use Item 100)	
6	See Note	NSS	Ring, Wear (Note: Use Item 100)	
7	1001117372	1	Counterbalance Valve	
7	70002842	1	Seal Kit - 1001117372 Valve	
8	2220883	2	Plug	
9	2220885	2	Plug	
100	70006949	1	Seal kit - 1001230374 Cylinder (Includes 4-6)	

SECTION 5 - CYLINDER

FIGURE 5-3. LEVEL CYLINDER ASSEMBLY - PLATFORM SLAVE (680S,800S) (SN 0300182743 through 0300183962)



ART_1684189

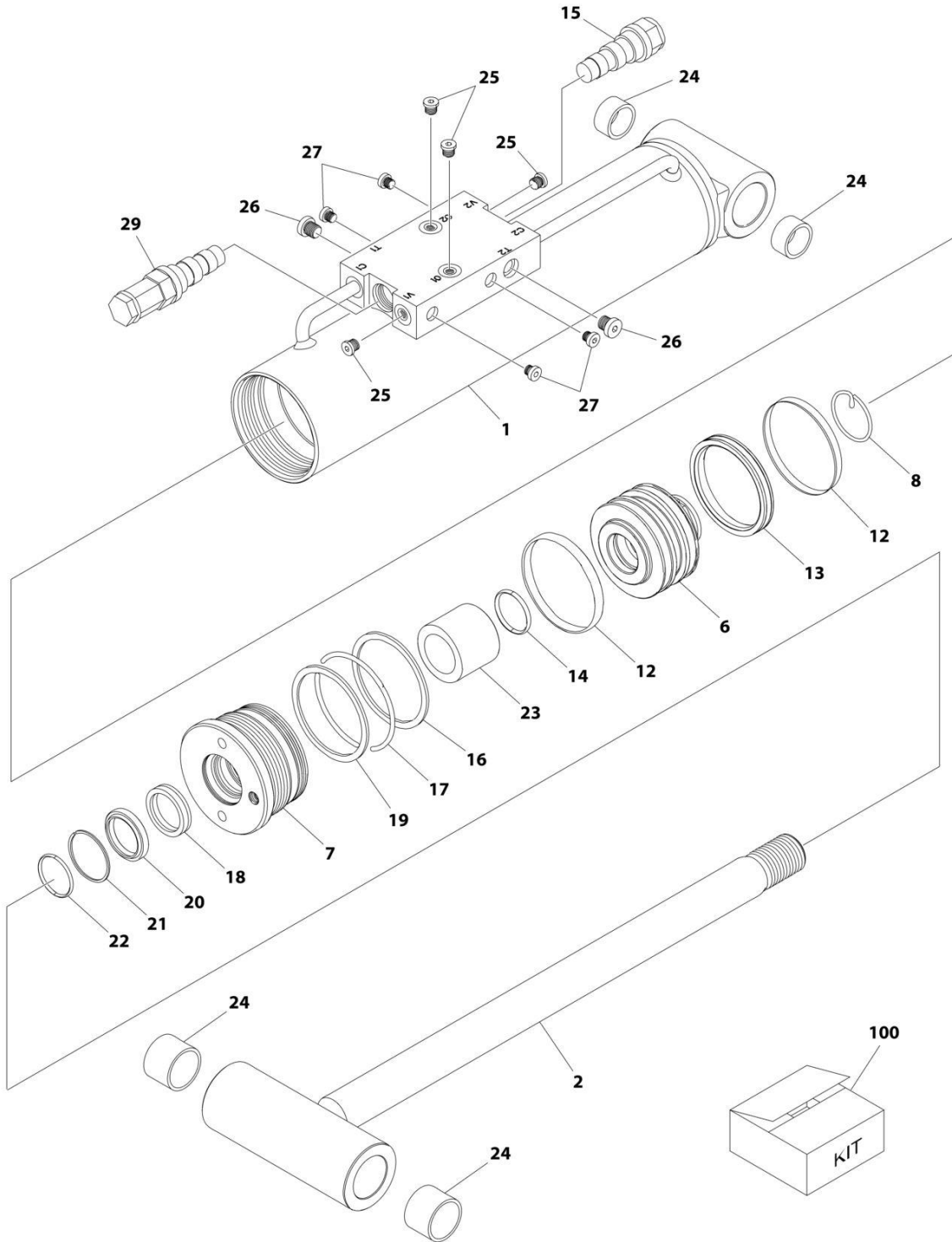
SECTION 5 - CYLINDER

FIGURE 5-3. LEVEL CYLINDER ASSEMBLY - PLATFORM SLAVE (680S,800S) (SN 0300182743 through 0300183962)

ITEM	PART NUMBER	QTY	DESCRIPTION	REV
	1684189	Ref	LEVEL CYLINDER ASSEMBLY - PLATFORM SLAVE	F
		Ref	Note: Original Cylinder may have been replaced with Service Replacement. Identify PN Stamped on Cylinder Before Ordering Parts.	
1	0100011	AR	Compound, Locking	
2	0100038	AR	Primer, Locking	
4	0630535	3	Capscrew 1/4 x 1	
5	0961894	1	Bushing, Tapered	
6	0961947	4	Bushing	
7	1683059	1	Head	
8	1683976	1	Rod (Note: Includes Item 6)	
9	1684188	1	Barrel (Note: Includes Item 6)	
10	2220883	10	Plug	
11	2220885	1	Plug	
12	3480267	1	Piston	
14	See Note	NSS	Ring, Back-up (Note: Use Item 100)	
15	See Note	NSS	Ring, Lock (Note: Use Item 100)	
16	See Note	NSS	Ring, Wear (Note: Use Item 100)	
17	See Note	NSS	Ring, Back-up (Note: Use Item 100)	
18	See Note	NSS	O-Ring (Note: Use Item 100)	
19	See Note	NSS	O-Ring (Note: Use Item 100)	
20	See Note	NSS	Seal (Note: Use Item 100)	
21	See Note	NSS	Wiper (Note: Use Item 100)	
22	See Note	NSS	Seal (Note: Use Item 100)	
23	3760370	1	Ring, Washer	
24	3931620	8	Capscrew 3/8 x 1-1/4	
25	4568402	1	Spacer, Tube	
26	4641232	1	Valve, Cartridge	
26	7011112	1	Seal Kit - 4641232 Valve	
27	4640932	1	Valve, Cartridge	
27	7011112	1	Seal Kit - 4640932 Valve	
100	2902061	1	Seal Kit (Includes Items 14-22)	

SECTION 5 - CYLINDER

FIGURE 5-4. LEVEL CYLINDER ASSEMBLY - PLATFORM SLAVE (680S,800S) (SN 0300183963 through 0300193126)



ART_1001140460

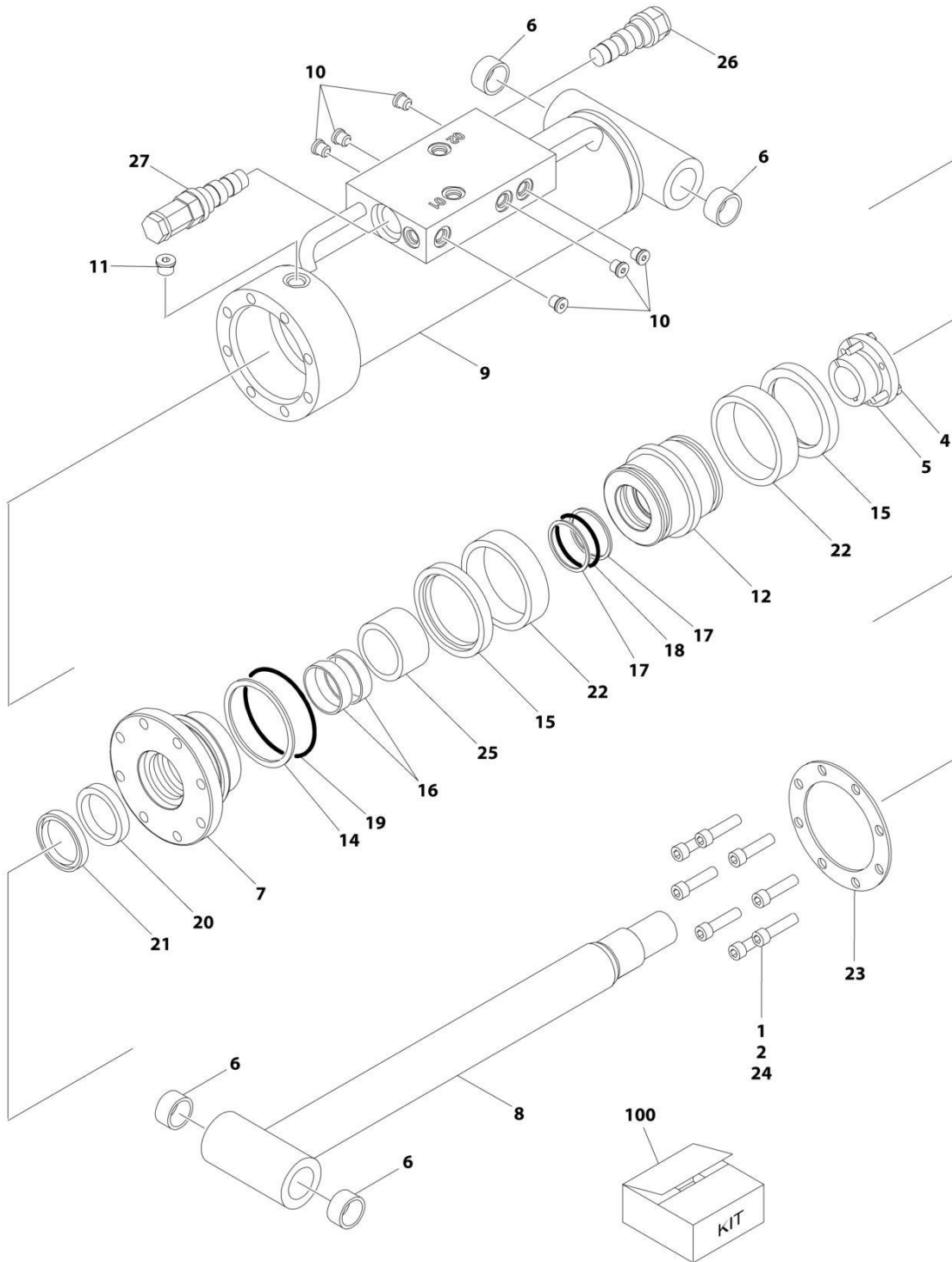
SECTION 5 - CYLINDER

FIGURE 5-4. LEVEL CYLINDER ASSEMBLY - PLATFORM SLAVE (680S,800S) (SN 0300183963 through 0300193126)

ITEM	PART NUMBER	QTY	DESCRIPTION	REV
	1001140460	Ref	LEVEL CYLINDER ASSEMBLY - PLATFORM SLAVE	A
		Ref	Note: Original Cylinder may have been replaced with Service Replacement. Identify PN Stamped on Cylinder Before Ordering Parts.	
1	70003857	1	Barrel	
2	70003858	1	Rod	
6	70003854	1	Piston	
7	70003855	1	Head	
8	70002224	1	Rollpin	
12	See Note	NSS	Ring, Wear (Note: Use Item 100)	
13	See Note	NSS	Seal (Note: Use Item 100)	
14	See Note	NSS	O-Ring (Note: Use Item 100)	
15	4641232	1	Valve, Cartridge	
15	7011112	1	Seal Kit - 4641232 Valve	
16	See Note	NSS	O-Ring (Note: Use Item 100)	
17	See Note	NSS	Ring, Back-up (Note: Use Item 100)	
18	See Note	NSS	Seal (Note: Use Item 100)	
19	See Note	NSS	O-Ring (Note: Use Item 100)	
20	See Note	NSS	Wiper (Note: Use Item 100)	
21	70003838	1	Ring, Retaining	
22	70003856	1	O-Ring	
23	70003839	1	Spacer, Tube	
24	0961948	4	Bushing	
25	7017406	4	Plug	
26	See Note	4	Plug (Note: Not Available for Purchase)	
27	See Note	2	Plug (Note: Not Available for Purchase)	
29	4640932	1	Valve, Cartridge	
29	7011112	1	Seal Kit - 4640932 Valve	
100	70003859	1	Seal Kit (Includes Items 12-14 & 16-20)	

SECTION 5 - CYLINDER

FIGURE 5-5. LEVEL CYLINDER ASSEMBLY - PLATFORM SLAVE (680S,800S) (SN 0300193127 through 0300198300)



ART_1684189

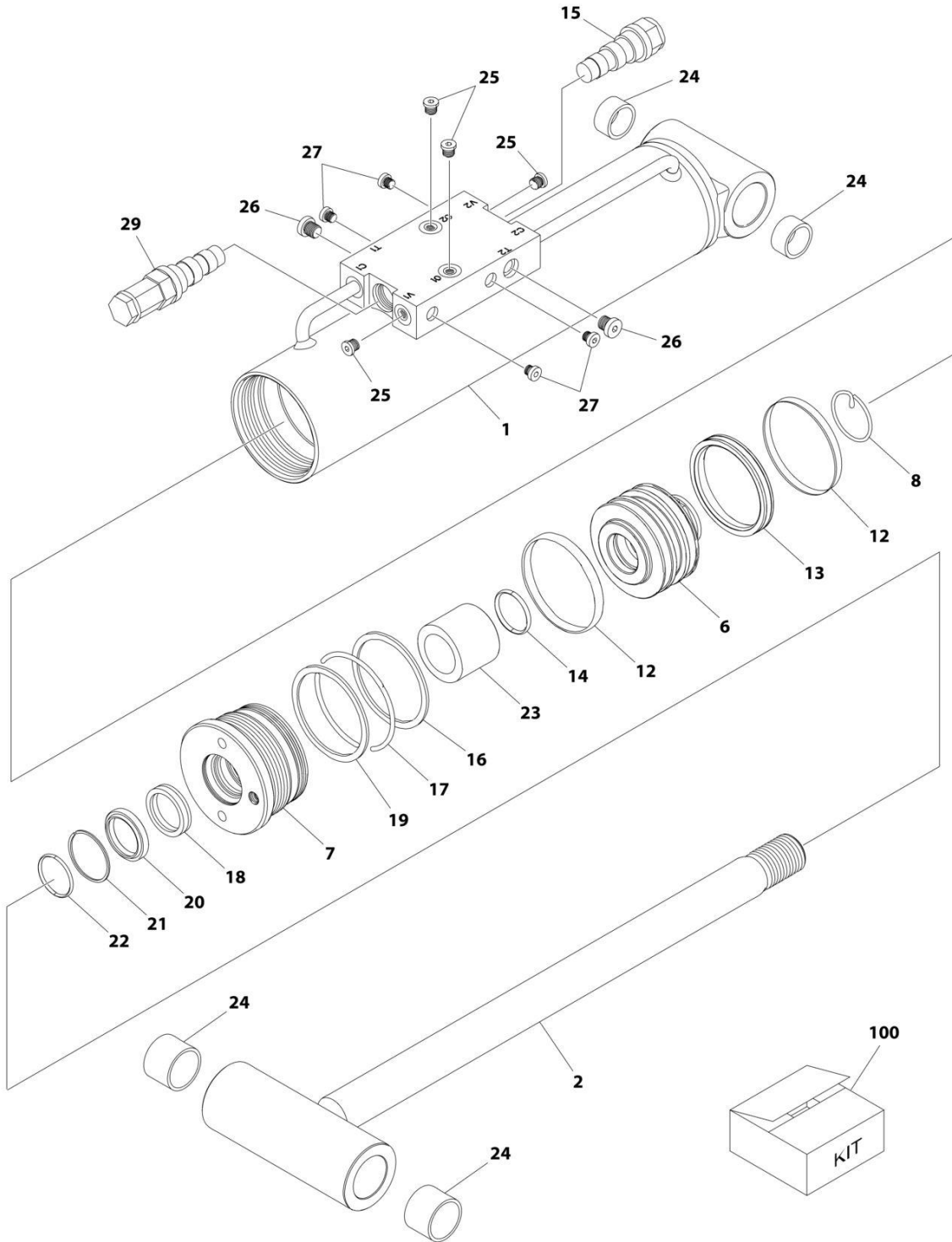
SECTION 5 - CYLINDER

FIGURE 5-5. LEVEL CYLINDER ASSEMBLY - PLATFORM SLAVE (680S,800S) (SN 0300193127 through 0300198300)

ITEM	PART NUMBER	QTY	DESCRIPTION	REV
	1684189	Ref	LEVEL CYLINDER ASSEMBLY - PLATFORM SLAVE	F
		Ref	Note: Original Cylinder may have been replaced with Service Replacement. Identify PN Stamped on Cylinder Before Ordering Parts.	
1	0100011	AR	Compound, Locking	
2	0100038	AR	Primer, Locking	
4	0630535	3	Capscrew 1/4 x 1	
5	0961894	1	Bushing, Tapered	
6	0961947	4	Bushing	
7	1683059	1	Head	
8	1683976	1	Rod (Note: Includes Item 6)	
9	1684188	1	Barrel (Note: Includes Item 6)	
10	2220883	10	Plug	
11	2220885	1	Plug	
12	3480267	1	Piston	
14	See Note	NSS	Ring, Back-up (Note: Use Item 100)	
15	See Note	NSS	Ring, Lock (Note: Use Item 100)	
16	See Note	NSS	Ring, Wear (Note: Use Item 100)	
17	See Note	NSS	Ring, Back-up (Note: Use Item 100)	
18	See Note	NSS	O-Ring (Note: Use Item 100)	
19	See Note	NSS	O-Ring (Note: Use Item 100)	
20	See Note	NSS	Seal (Note: Use Item 100)	
21	See Note	NSS	Wiper (Note: Use Item 100)	
22	See Note	NSS	Seal (Note: Use Item 100)	
23	3760370	1	Ring, Washer	
24	3931620	8	Capscrew 3/8 x 1-1/4	
25	4568402	1	Spacer, Tube	
26	4641232	1	Valve, Cartridge	
26	7011112	1	Seal Kit - 4641232 Valve	
27	4640932	1	Valve, Cartridge	
27	7011112	1	Seal Kit - 4640932 Valve	
100	2902061	1	Seal Kit (Includes Items 14-22)	

SECTION 5 - CYLINDER

FIGURE 5-6. LEVEL CYLINDER ASSEMBLY - PLATFORM SLAVE (680S,800S) (SN 0300198301 through 0300198660)



ART_1001140460

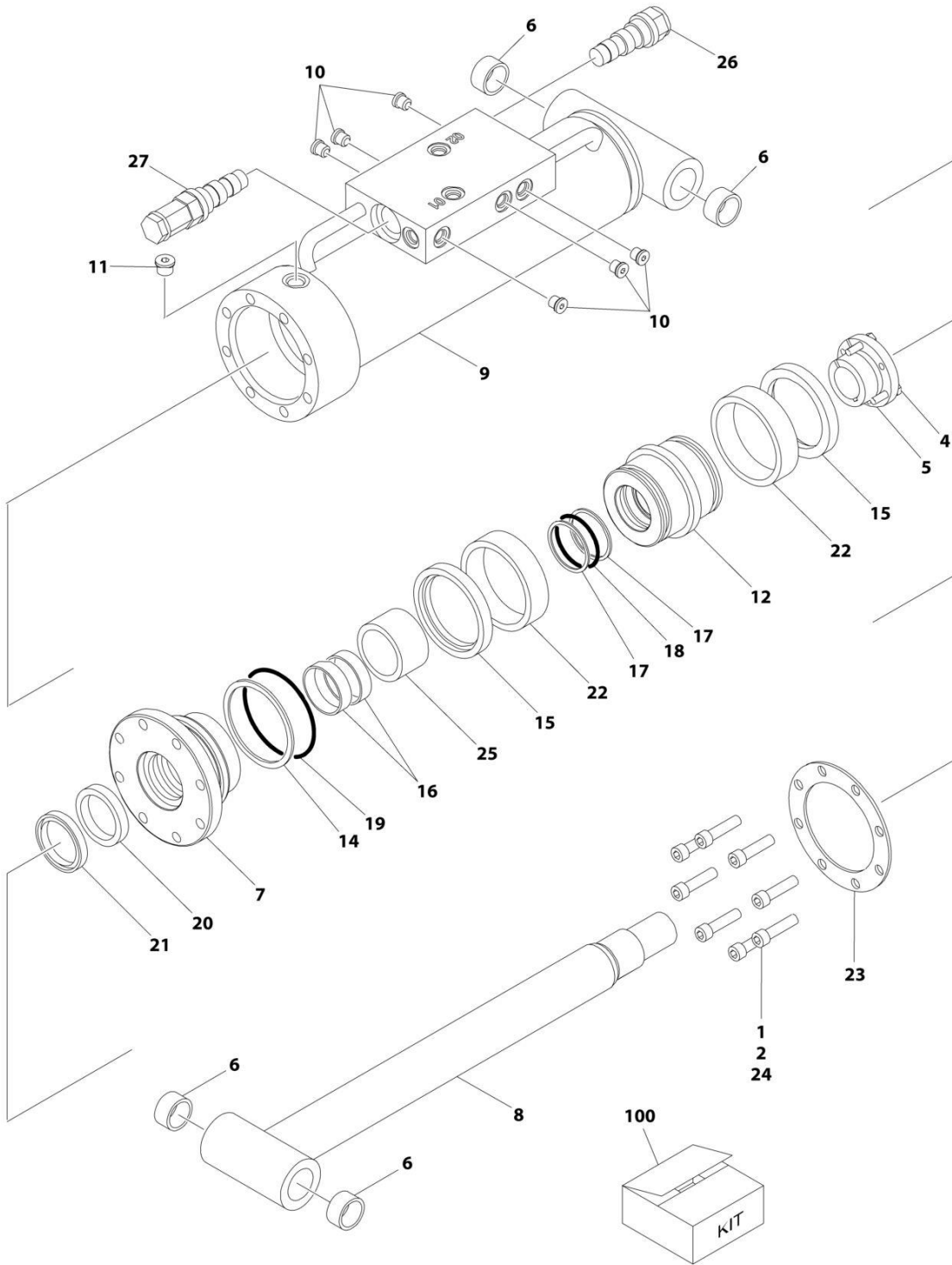
SECTION 5 - CYLINDER

FIGURE 5-6. LEVEL CYLINDER ASSEMBLY - PLATFORM SLAVE (680S,800S) (SN 0300198301 through 0300198660)

ITEM	PART NUMBER	QTY	DESCRIPTION	REV
	1001140460	Ref	LEVEL CYLINDER ASSEMBLY - PLATFORM SLAVE	A
		Ref	Note: Original Cylinder may have been replaced with Service Replacement. Identify PN Stamped on Cylinder Before Ordering Parts.	
1	70003857	1	Barrel	
2	70003858	1	Rod	
6	70003854	1	Piston	
7	70003855	1	Head	
8	70002224	1	Rollpin	
12	See Note	NSS	Ring, Wear (Note: Use Item 100)	
13	See Note	NSS	Seal (Note: Use Item 100)	
14	See Note	NSS	O-Ring (Note: Use Item 100)	
15	4641232	1	Valve, Cartridge	
15	7011112	1	Seal Kit - 4641232 Valve	
16	See Note	NSS	O-Ring (Note: Use Item 100)	
17	See Note	NSS	Ring, Back-up (Note: Use Item 100)	
18	See Note	NSS	Seal (Note: Use Item 100)	
19	See Note	NSS	O-Ring (Note: Use Item 100)	
20	See Note	NSS	Wiper (Note: Use Item 100)	
21	70003838	1	Ring, Retaining	
22	70003856	1	O-Ring	
23	70003839	1	Spacer, Tube	
24	0961948	4	Bushing	
25	7017406	4	Plug	
26	See Note	4	Plug (Note: Not Available for Purchase)	
27	See Note	2	Plug (Note: Not Available for Purchase)	
29	4640932	1	Valve, Cartridge	
29	7011112	1	Seal Kit - 4640932 Valve	
100	70003859	1	Seal Kit (Includes Items 12-14 & 16-20)	

SECTION 5 - CYLINDER

FIGURE 5-7. LEVEL CYLINDER ASSEMBLY - PLATFORM SLAVE (680S,800S) (SN 0300198661 through 0300243278, SN B300001092 through B300002584)



ART_1684189

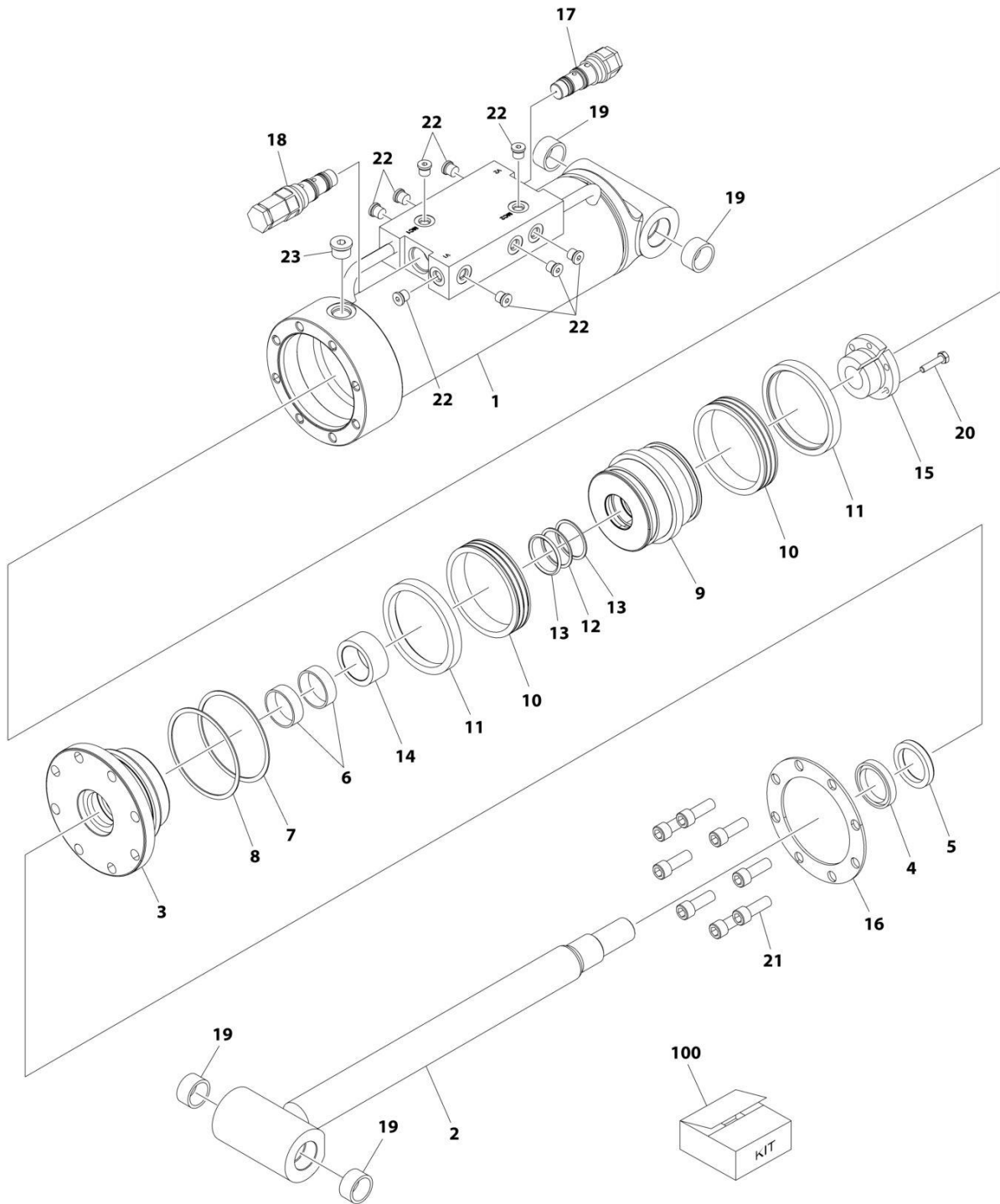
SECTION 5 - CYLINDER

FIGURE 5-7. LEVEL CYLINDER ASSEMBLY - PLATFORM SLAVE (680S,800S) (SN 0300198661 through 0300243278, SN B300001092 through B300002584)

ITEM	PART NUMBER	QTY	DESCRIPTION	REV
	1684189	Ref	LEVEL CYLINDER ASSEMBLY - PLATFORM SLAVE	F
		Ref	Note: Original Cylinder may have been replaced with Service Replacement. Identify PN Stamped on Cylinder Before Ordering Parts.	
1	0100011	AR	Compound, Locking	
2	0100038	AR	Primer, Locking	
4	0630535	3	Capscrew 1/4 x 1	
5	0961894	1	Bushing, Tapered	
6	0961947	4	Bushing	
7	1683059	1	Head	
8	1683976	1	Rod (Note: Includes Item 6)	
9	1684188	1	Barrel (Note: Includes Item 6)	
10	2220883	10	Plug	
11	2220885	1	Plug	
12	3480267	1	Piston	
14	See Note	NSS	Ring, Back-up (Note: Use Item 100)	
15	See Note	NSS	Ring, Lock (Note: Use Item 100)	
16	See Note	NSS	Ring, Wear (Note: Use Item 100)	
17	See Note	NSS	Ring, Back-up (Note: Use Item 100)	
18	See Note	NSS	O-Ring (Note: Use Item 100)	
19	See Note	NSS	O-Ring (Note: Use Item 100)	
20	See Note	NSS	Seal (Note: Use Item 100)	
21	See Note	NSS	Wiper (Note: Use Item 100)	
22	See Note	NSS	Seal (Note: Use Item 100)	
23	3760370	1	Ring, Washer	
24	3931620	8	Capscrew 3/8 x 1-1/4	
25	4568402	1	Spacer, Tube	
26	4641232	1	Valve, Cartridge	
26	7011112	1	Seal Kit - 4641232 Valve	
27	4640932	1	Valve, Cartridge	
27	7011112	1	Seal Kit - 4640932 Valve	
100	2902061	1	Seal Kit (Includes Items 14-22)	

SECTION 5 - CYLINDER

FIGURE 5-8. LEVEL CYLINDER ASSEMBLY - PLATFORM SLAVE (680S,800S) (SN 0300243279 through 0300272492, SN B300002585 through B300005730)



ART_1001228027

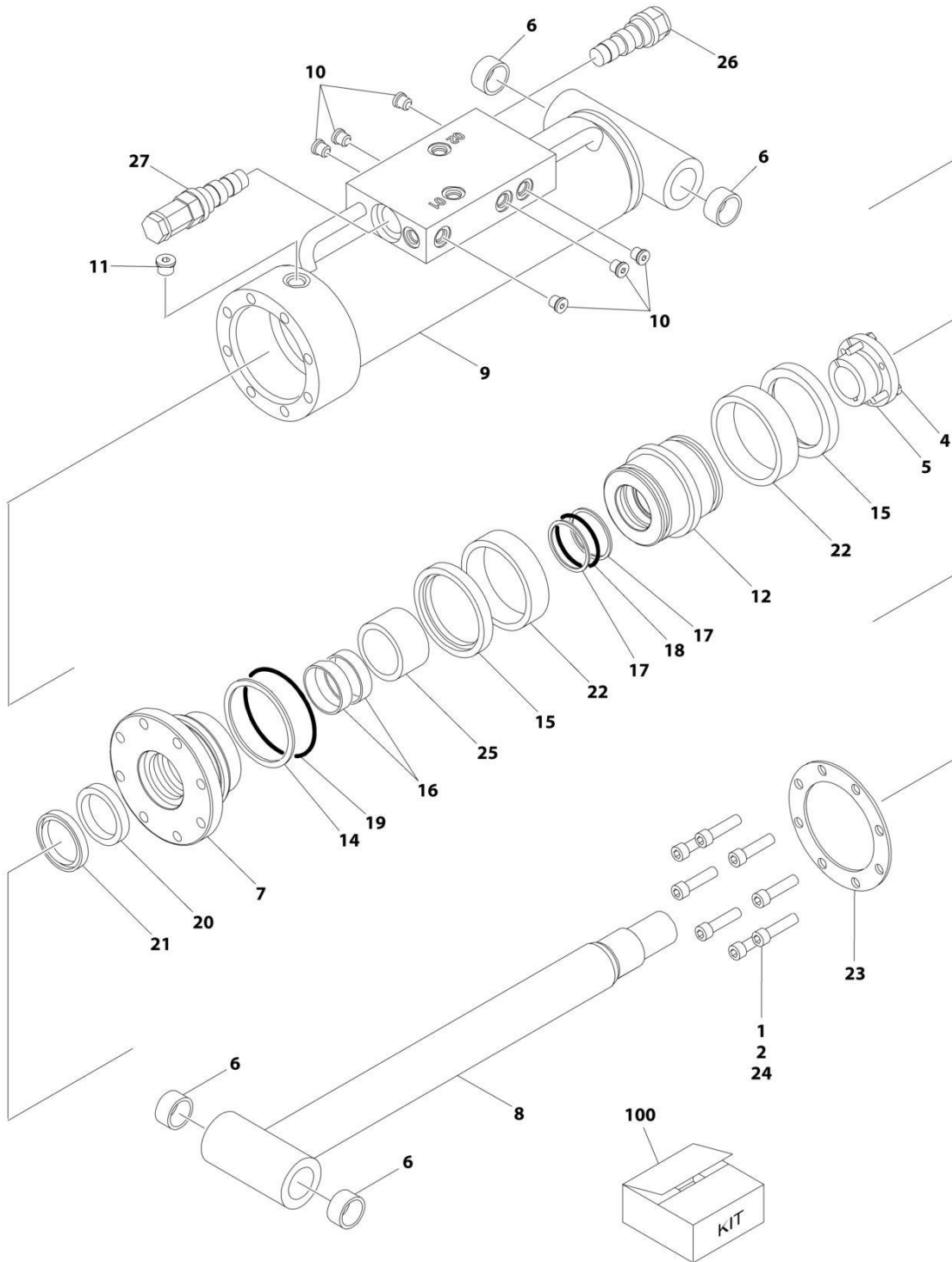
SECTION 5 - CYLINDER

FIGURE 5-8. LEVEL CYLINDER ASSEMBLY - PLATFORM SLAVE (680S,800S) (SN 0300243279 through 0300272492, SN B300002585 through B300005730)

ITEM	PART NUMBER	QTY	DESCRIPTION	REV
	1001228027	Ref	LEVEL CYLINDER ASSEMBLY - PLATFORM SLAVE	C
		Ref	Note: Original Cylinder may have been replaced with Service Replacement. Identify PN Stamped on Cylinder Before Ordering Parts.	
1	See Note	NSS	Barrel (Note: Not Available for Purchase)	
2	70006648	1	Rod	
3	70006699	1	Head	
4	See Note	NSS	Wiper (Note: Use Item 100)	
5	See Note	NSS	Seal, Rod (Note: Use Item 100)	
6	See Note	NSS	Ring, Wear (Note: Use Item 100)	
7	See Note	NSS	O-Ring (Note: Use Item 100)	
8	See Note	NSS	Ring, Back-up (Note: Use Item 100)	
9	70006700	1	Piston	
10	See Note	NSS	T-Seal (Note: Use Item 100)	
11	See Note	NSS	Ring, Wear (Note: Use Item 100)	
12	See Note	NSS	O-Ring (Note: Use Item 100)	
13	See Note	NSS	Ring, Back-up (Note: Use Item 100)	
14	70006701	1	Spacer, Tube	
15	0961894	1	Bushing, Tapered	
16	3760370	1	Washer (SN 0300243279 through 0300254132, SN B300002585 through B300003435)	
16	70007047	2	Washer (SN 0300254133 through 0300272492, SN B300003436 through B300005730, Except SN 0300272449 through 0300272454, Excluding B300005568)	
17	4641232	1	Valve, Cartridge	
17	7011112	1	Seal Kit - 4641232 Valve	
18	4640932	1	Valve, Cartridge	
18	7011112	1	Seal Kit - 4640932 Valve	
19	0961947	4	Bushing	
20	0630535	3	Capscrew 1/4 x 1	
21	3931720	8	Capscrew 7/16 x 1-1/4	
22	2220883	10	Plug	
23	2220886	AR	Plug	
100	2902061	1	Seal Kit (Includes Items 4-8 & 10-13)	

SECTION 5 - CYLINDER

FIGURE 5-9. LEVEL CYLINDER ASSEMBLY - PLATFORM SLAVE (860SJ) (SN 0300182743 through 0300244707, SN B300001092 through B300002483)



ART_1684136

SECTION 5 - CYLINDER

FIGURE 5-9. LEVEL CYLINDER ASSEMBLY - PLATFORM SLAVE (860SJ) (SN 0300182743 through 0300244707, SN B300001092 through B300002483)

ITEM	PART NUMBER	QTY	DESCRIPTION	REV
	1684136	Ref	LEVEL CYLINDER ASSEMBLY - PLATFORM SLAVE	G
		Ref	Note: Original Cylinder may have been replaced with Service Replacement. Identify PN Stamped on Cylinder Before Ordering Parts.	
1	0100011	AR	Compound, Locking	
2	0100038	AR	Primer, Locking	
4	0630535	3	Capscrew 1/4 x 1	
5	0961894	1	Bushing, Tapered	
6	0961948	4	Bushing	
7	1683059	1	Head	
8	1684133	1	Rod	
9	1684135	1	Barrel	
10	2220883	10	Plug	
11	2220885	1	Plug	
12	3480267	1	Piston	
14	See Note	NSS	Ring, Back-up (Note: Use Item 100)	
15	See Note	NSS	Ring, Lock (Note: Use Item 100)	
16	See Note	NSS	Ring, Wear (Note: Use Item 100)	
17	See Note	NSS	Ring, Back-up (Note: Use Item 100)	
18	See Note	NSS	O-Ring (Note: Use Item 100)	
19	See Note	NSS	O-Ring (Note: Use Item 100)	
20	See Note	NSS	Seal (Note: Use Item 100)	
21	See Note	NSS	Wiper (Note: Use Item 100)	
22	See Note	NSS	Seal (Note: Use Item 100)	
23	3760370	1	Ring, Washer	
24	3931620	8	Capscrew 3/8 x 1-1/4	
25	4566468	1	Spacer, Tube	
26	4641232	1	Valve, Cartridge	
26	7011112	1	Seal Kit - 4641232 Valve	
27	4640932	1	Valve, Cartridge	
27	7011112	1	Seal Kit - 4640932 Valve	
100	2902061	1	Seal Kit (Includes Items 14-22)	

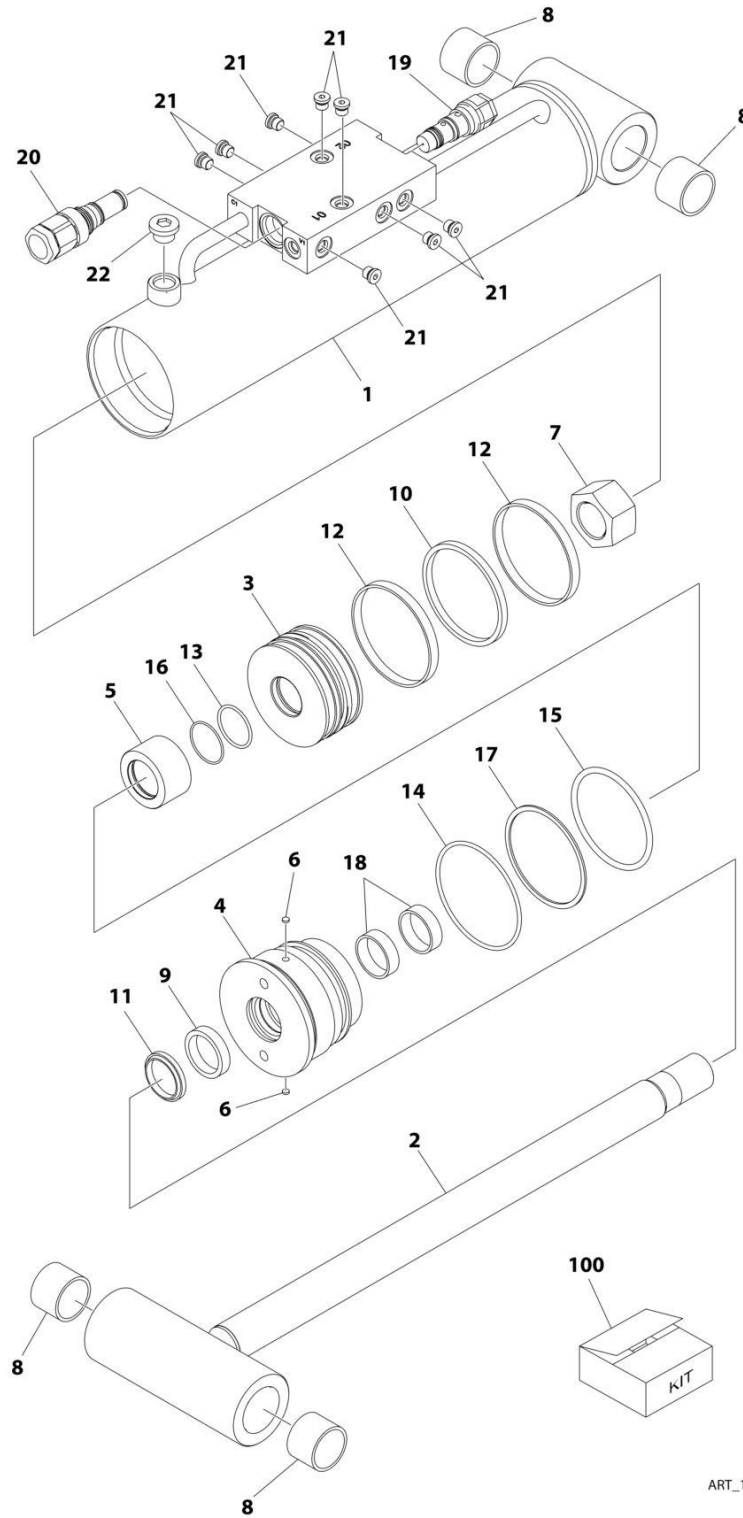
SECTION 5 - CYLINDER

FIGURE 5-10. LEVEL CYLINDER ASSEMBLY - PLATFORM SLAVE (860SJ) (SN 0300244708 through 0300272492)

ITEM	PART NUMBER	QTY	DESCRIPTION	REV
	1001228022	Ref	LEVEL CYLINDER ASSEMBLY - PLATFORM SLAVE	C
		Ref	Note: Original Cylinder may have been replaced with Service Replacement. Identify PN Stamped on Cylinder Before Ordering Parts.	
1	See Note	NSS	Barrel (Note: Not Available for Purchase)	
2	70006726	1	Rod	
3	70006699	1	Head	
4	See Note	NSS	Wiper (Note: Use Item 100)	
5	See Note	NSS	Seal, Rod (Note: Use Item 100)	
6	See Note	NSS	Ring, Wear (Note: Use Item 100)	
7	See Note	NSS	O-Ring (Note: Use Item 100)	
8	See Note	NSS	Ring, Back-up (Note: Use Item 100)	
9	70006700	1	Piston	
10	See Note	NSS	T-Seal (Note: Use Item 100)	
11	See Note	NSS	Ring, Wear (Note: Use Item 100)	
12	See Note	NSS	O-Ring (Note: Use Item 100)	
13	See Note	NSS	Ring, Back-up (Note: Use Item 100)	
14	70006645	1	Spacer, Tube	
15	0961894	1	Bushing, Tapered	
16	70006727	2	Washer	
17	4641232	1	Valve, Cartridge	
17	7011112	1	Seal Kit - 4641232 Valve	
18	4640932	1	Valve, Cartridge	
18	7011112	1	Seal Kit - 4640932 Valve	
19	0961948	4	Bushing	
20	0630535	3	Capscrew 1/4 x 1	
21	70006728	8	Bolt	
22	2220883	10	Plug	
23	2220886	AR	Plug (Not Shown)	
100	2902061	1	Seal Kit (Includes Items 4-8 & 10-13)	

SECTION 5 - CYLINDER

FIGURE 5-11. LEVEL CYLINDER ASSEMBLY - PLATFORM SLAVE (860SJ) (SN B300002484 through B300005730)



ART_1001230372

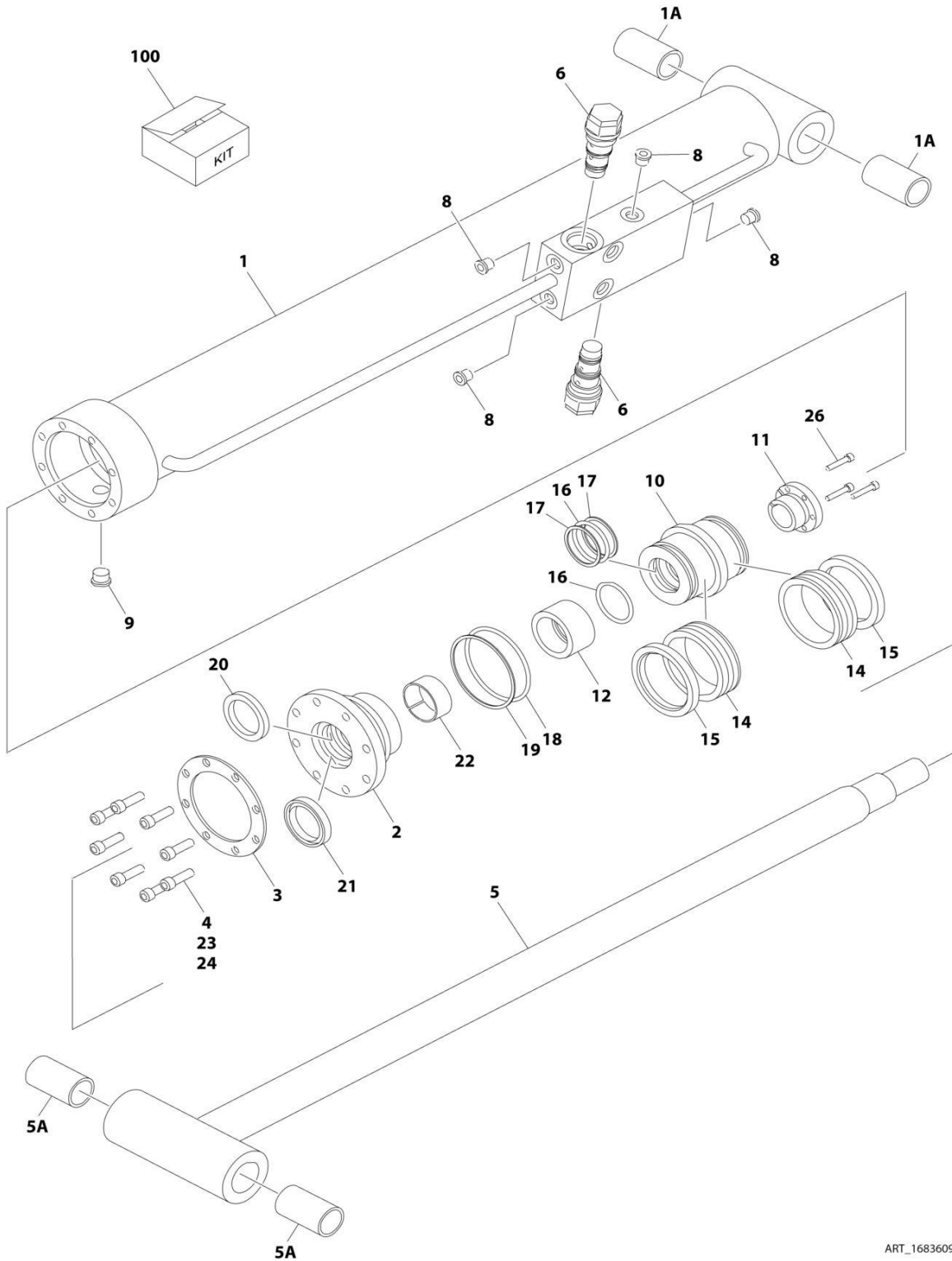
SECTION 5 - CYLINDER

FIGURE 5-11. LEVEL CYLINDER ASSEMBLY - PLATFORM SLAVE (860SJ) (SN B300002484 through B300005730)

ITEM	PART NUMBER	QTY	DESCRIPTION	REV
	1001230372	Ref	LEVEL CYLINDER ASSEMBLY - PLATFORM SLAVE	A
		Ref	Note: Original Cylinder may have been replaced with Service Replacement. Identify PN Stamped on Cylinder Before Ordering Parts.	
1	See Note	NSS	Barrel (Note: Not Available for Purchase)	
2	70006935	1	Rod	
3	70006936	1	Piston	
4	70006937	1	Head	
5	70006938	1	Spacer	
6	70003636	2	Insert	
7	70006893	1	Nut	
8	0961948	4	Bushing	
9	See Note	NSS	Seal, Rod (Note: Use Item 100)	
10	See Note	NSS	Seal, Piston (Note: Use Item 100)	
11	See Note	NSS	Wiper (Note: Use Item 100)	
12	See Note	NSS	Ring, Wear (Note: Use Item 100)	
13	See Note	NSS	O-Ring (Note: Use Item 100)	
14	See Note	NSS	O-Ring (Note: Use Item 100)	
15	See Note	NSS	O-Ring (Note: Use Item 100)	
16	See Note	NSS	O-Ring (Note: Use Item 100)	
17	See Note	NSS	Ring, Back-up (Note: Use Item 100)	
18	See Note	NSS	Ring, Wear (Note: Use Item 100)	
19	4641232	1	Valve, Cartridge	
19	7011112	1	Seal Kit - 4640932 Valve	
20	4640932	1	Valve, Cartridge	
20	7011112	1	Seal Kit - 4641232 Valve	
21	2220883	10	Plug	
22	2220886	1	Plug	
100	70006939	1	Seal Kit (Includes Items 9-18)	

SECTION 5 - CYLINDER

FIGURE 5-12. LEVEL CYLINDER ASSEMBLY - JIB (860SJ) (SN 0300182743 through 0300244707, SN B300001092 through B300002483)



ART_1683609

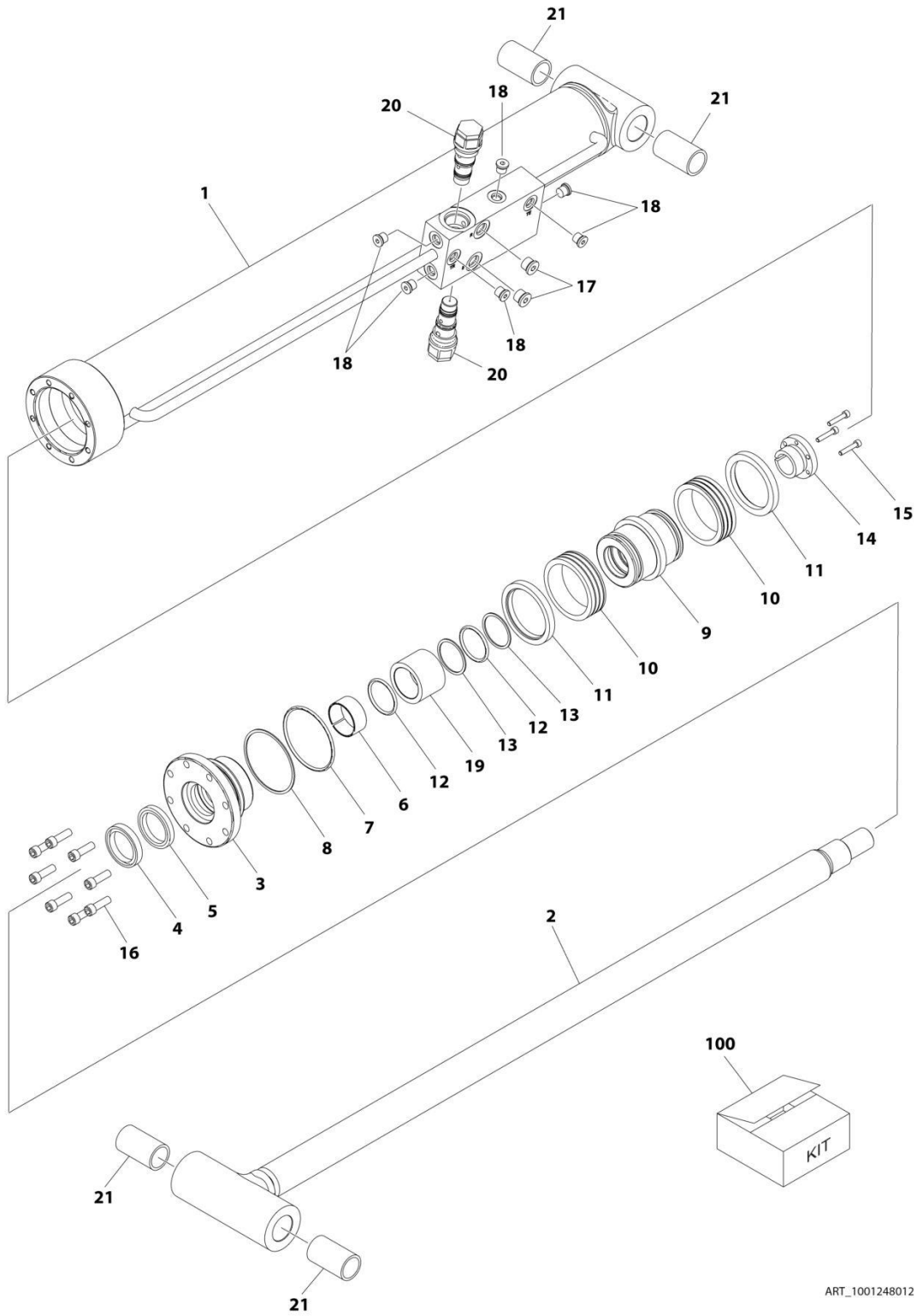
SECTION 5 - CYLINDER

FIGURE 5-12. LEVEL CYLINDER ASSEMBLY - JIB (860SJ) (SN 0300182743 through 0300244707, SN B300001092 through B300002483)

ITEM	PART NUMBER	QTY	DESCRIPTION	REV
	1683609	Ref	LIFT CYLINDER ASSEMBLY	L
		Ref	Note: Original Cylinder may have been replaced with Service Replacement. Identify PN Stamped on Cylinder Before Ordering Parts.	
1	1684089	1	Barrel	
1A	0962336	2	Bushing	
2	1683053	1	Head	
3	3760368	1	Ring, Washer	
4	3931516	8	Capscrew 5/16in-18NC x 1in	
5	1684090	1	Rod	
5A	0962336	2	Bushing	
6	4640509	2	Cartridge, Valve	
6	2900792	2	Seal Kit - 4640509 Valve	
8	2220883	2	Plug #4	
9	2220885	1	Plug #6	
10	3480210	1	Piston	
11	0961893	1	Bushing, Tapered	
12	4100100	1	Spacer, Tube	
14	See Note	NSS	Seal (Note: Use Item 100)	
15	See Note	NSS	Ring, Lock (Note: Use Item 100)	
16	See Note	NSS	O-Ring (Note: Use Item 100)	
17	See Note	NSS	Ring, Back-up (Note: Use Item 100)	
18	See Note	NSS	O-Ring (Note: Use Item 100)	
19	See Note	NSS	Ring, Back-up (Note: Use Item 100)	
20	See Note	NSS	Seal, Rod (Note: Use Item 100)	
21	See Note	NSS	Wiper (Note: Use Item 100)	
22	See Note	NSS	Ring, Wear (Note: Use Item 100)	
23	0100011	AR	Compound, Locking	
24	0100038	AR	Primer, Locking	
26	0630534	3	Bolt #10-24NC x 1in	
100	2901303	1	Seal Kit (Includes Items 14-22)	

SECTION 5 - CYLINDER

FIGURE 5-13. LEVEL CYLINDER ASSEMBLY - JIB (860SJ) (SN 0300244708 through 0300272492)



ART_1001248012

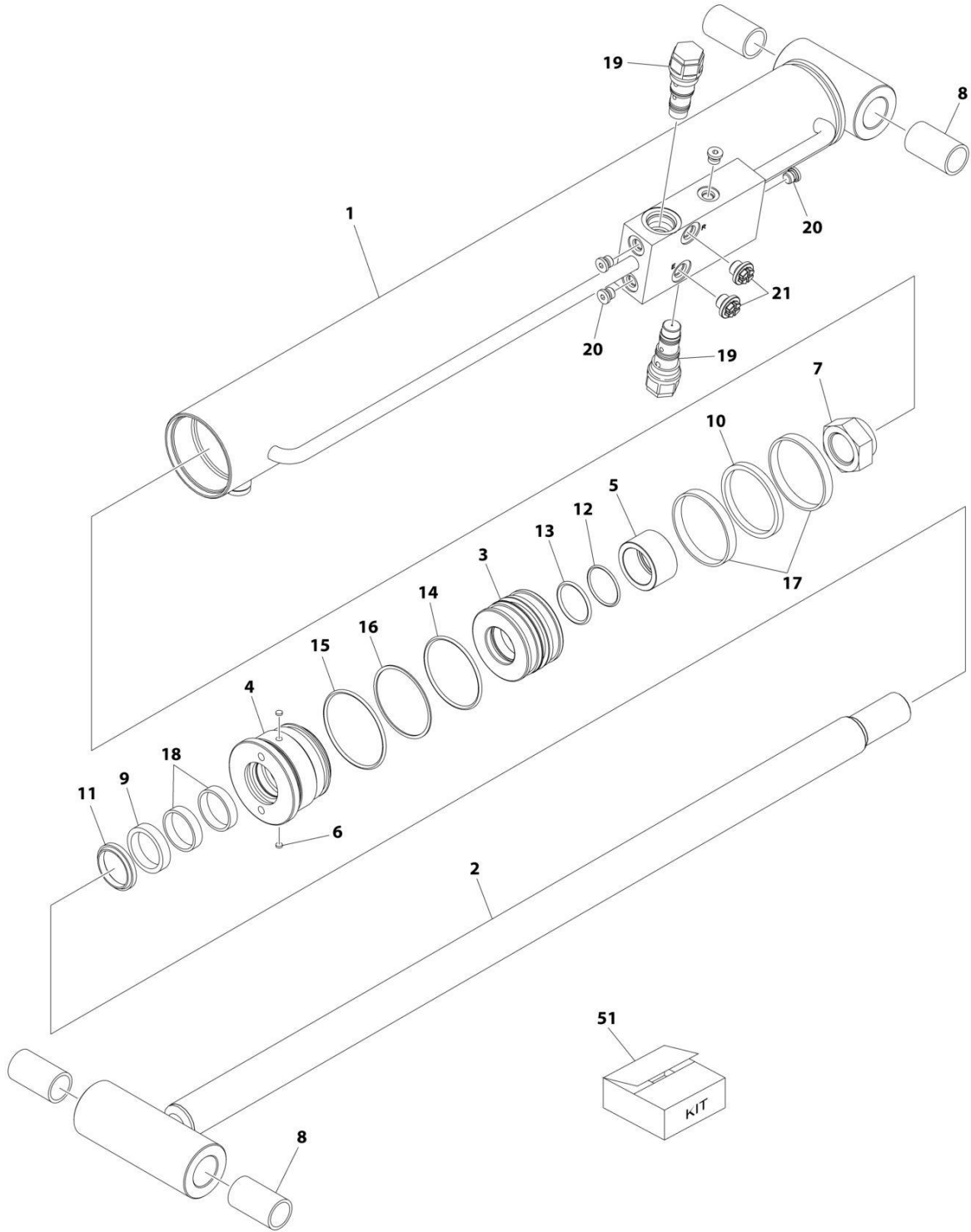
SECTION 5 - CYLINDER

FIGURE 5-13. LEVEL CYLINDER ASSEMBLY - JIB (860SJ) (SN 0300244708 through 0300272492)

ITEM	PART NUMBER	QTY	DESCRIPTION	REV
	1001248012	Ref	LIFT CYLINDER ASSEMBLY - JIB	C
		Ref	Note: Original Cylinder May Have Been Replaced with Service Replacement. Identify PN Stamped on Cylinder Before Ordering Parts.	
1	See Note	NSS	Barrel (Note: Not Available for Purchase)	
2	70006734	1	Rod	
3	70006649	1	Head	
4	See Note	NSS	Wiper (Note: Use Item 100)	
5	See Note	NSS	Seal, Rod (Note: Use Item 100)	
6	See Note	NSS	Ring, Wear (Note: Use Item 100)	
7	See Note	NSS	O-Ring (Note: Use Item 100)	
8	See Note	NSS	Ring, Back-up (Note: Use Item 100)	
9	70006650	1	Piston	
10	See Note	NSS	Seal (Note: Use Item 100)	
11	See Note	NSS	Ring, Lock (Note: Use Item 100)	
12	See Note	NSS	O-Ring (Note: Use Item 100)	
13	See Note	NSS	Ring, Back-up (Note: Use Item 100)	
14	0961893	1	Bushing, Tapered	
15	0630534	3	Capscrew, Socket Head #10 x 1	
16	70006735	8	Capscrew 5/16	
17	2220885	2	Plug, O-Ring	
18	2220883	6	Plug, O-Ring	
19	70006736	1	Spacer	
20	4640509	2	Cartridge, Valve	
20	2900792	2	Seal Kit - 4640509 Valve	
21	0962336	4	Bushing	
100	1001138795	1	Seal Kit (Includes Items 4-8 & 10-13)	

SECTION 5 - CYLINDER

FIGURE 5-14. LEVEL CYLINDER ASSEMBLY - JIB (860SJ) (SN B300002484 through B300005730)



ART_1001230371

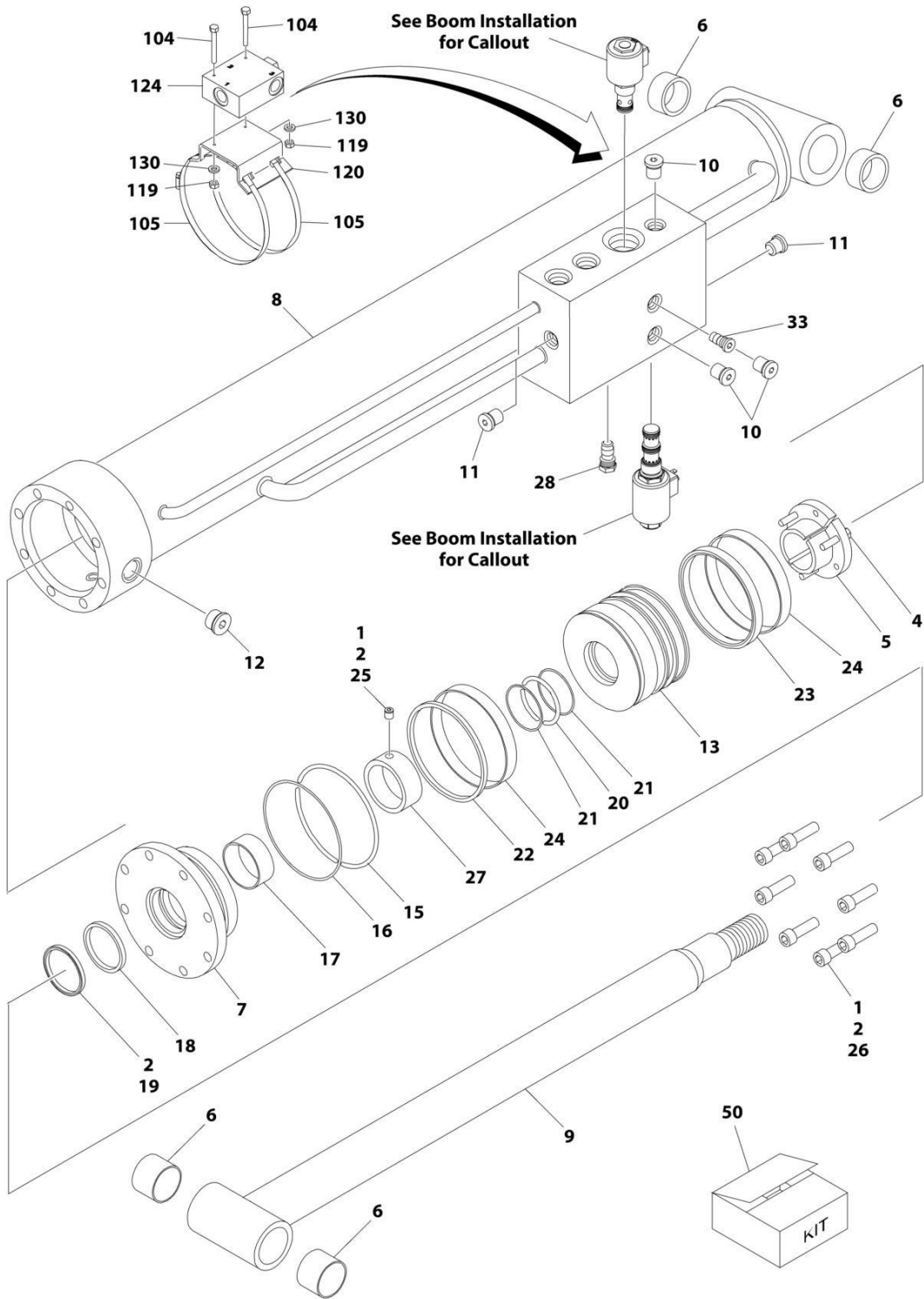
SECTION 5 - CYLINDER

FIGURE 5-14. LEVEL CYLINDER ASSEMBLY - JIB (860SJ) (SN B300002484 through B300005730)

ITEM	PART NUMBER	QTY	DESCRIPTION	REV
	1001230371	Ref	LIFT CYLINDER ASSEMBLY - JIB	A
		Ref	Note: Original Cylinder may have been replaced with Service Replacement. Identify PN Stamped on Cylinder Before Ordering Parts.	
1	See Note	NSS	Barrel (Note : Purchase Complete Assembly)	
2	70006930	1	Rod	
3	70006931	1	Piston	
4	70006932	1	Head	
5	70006933	1	Spacer, Tube	
6	70003636	1	Lock, Insert	
7	70006900	1	Nut	
8	0962336	4	Bushing	
9	See Note	NSS	Seal, Rod (Note: Use Item 51)	
10	See Note	NSS	Seal, Piston (Note: Use Item 51)	
11	See Note	NSS	Wiper (Note: Use Item 51)	
12	See Note	NSS	O-Ring (Note: Use Item 51)	
13	See Note	NSS	O-Ring (Note: Use Item 51)	
14	See Note	NSS	O-Ring (Note: Use Item 51)	
15	See Note	NSS	O-Ring (Note: Use Item 51)	
16	See Note	NSS	Ring, Back-up (Note: Use Item 51)	
17	See Note	NSS	Ring, Wear (Note: Use Item 51)	
18	See Note	NSS	Ring, Wear (Note: Use Item 51)	
19	4640509	2	Catridge, Valve	
19	2900792	2	Seal Kit - 4640509 Valve	
20	2220883	4	Plug	
21	2220885	2	Plug	
51	70006934	1	Seal Kit (Includes Item 9-18)	

SECTION 5 - CYLINDER

FIGURE 5-15. LIFT CYLINDER ASSEMBLY - MAIN BOOM (680S,800S) (SN 0300182743 through 0300239593, SN B300001092 through B300002483)



ART_1684199

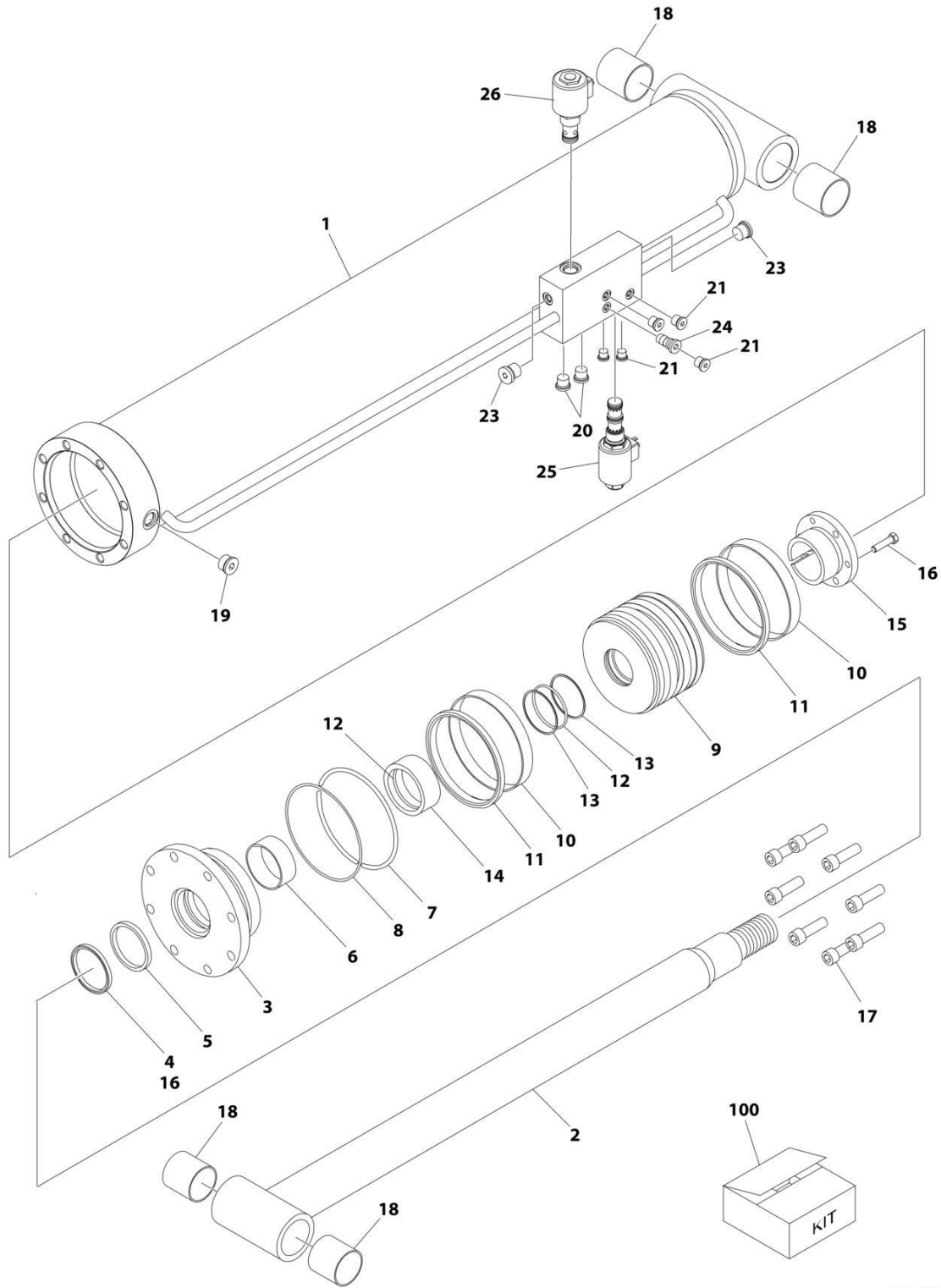
SECTION 5 - CYLINDER

FIGURE 5-15. LIFT CYLINDER ASSEMBLY - MAIN BOOM (680S,800S) (SN 0300182743 through 0300239593, SN B300001092 through B300002483)

ITEM	PART NUMBER	QTY	DESCRIPTION	REV
	1684199	Ref	MAIN LIFT CYLINDER ASSEMBLY	H
		Ref	Note: Original Cylinder may have been replaced with Service Replacement. Identify PN Stamped on Cylinder Before Ordering Parts.	
1	0100011	AR	Compound, Locking	
2	0100038	AR	Primer, Locking	
4	0630536	3	Bolt	
5	0961898	1	Bushing, Tapered	
6	0962033	4	Bushing	
7	1683818	1	Head	
8	1684198	1	Barrel	
9	1684080	1	Rod	
10	2220883	5	Plug	
11	2220885	2	Plug	
12	2220888	1	Plug	
13	3480275	1	Piston	
15	See Note	NSS	O-Ring (Note: Use Item 50)	
16	See Note	NSS	Ring, Back-up (Note: Use Item 50)	
17	See Note	NSS	Ring, Wear (Note: Use Item 50)	
18	See Note	NSS	Seal, Rod (Note: Use Item 50)	
19	See Note	NSS	Wiper (Note: Use Item 50)	
20	See Note	NSS	O-Ring (Note: Use Item 50)	
21	See Note	NSS	Ring, Back-up (Note: Use Item 50)	
22	See Note	NSS	Ring, Guidelock (Note: Use Item 50)	
23	See Note	NSS	Seal (Note: Use Item 50)	
24	See Note	NSS	Ring, Guidelock (Note: Use Item 50)	
25	3900310	1	Setscrew	
26	3932240	8	Capscrew 3/4 x 2-1/2	
27	4568240	1	Spacer, Tube	
28	4641144	1	Cartridge, Restrictor/Check Valve	
28	7012967	1	Seal Kit - 4641144 Valve	
33	4641194	1	Cartridge, Relief Valve	
33	7023927	1	Seal Kit - 4641194 Valve	
50	2901537	1	Seal Kit (Includes Items 15-24)	
	1001157261	Ref	MANUAL DESCENT INSTALLATION (OPTIONAL) (SN 0300182743 through 0300187355)	A
104	0641514	2	Bolt 5/16in-18NC x 1-3/4in	
105	1320315	2	Clamp	
119	3311505	2	Locknut 5/16in-18NC	
120	3574172	1	Plate, Valve Mounting	
124	4640673	1	Valve, Check	
124	7011325	1	Cartridge, Valve Check	
130	4751500	2	Flatwasher 5/16in Regular	

SECTION 5 - CYLINDER

FIGURE 5-16. LIFT CYLINDER ASSEMBLY - MAIN BOOM (680S,800S) (SN 0300239594 through 0300272492, SN B300002484 through B300005730)



ART_1001228028

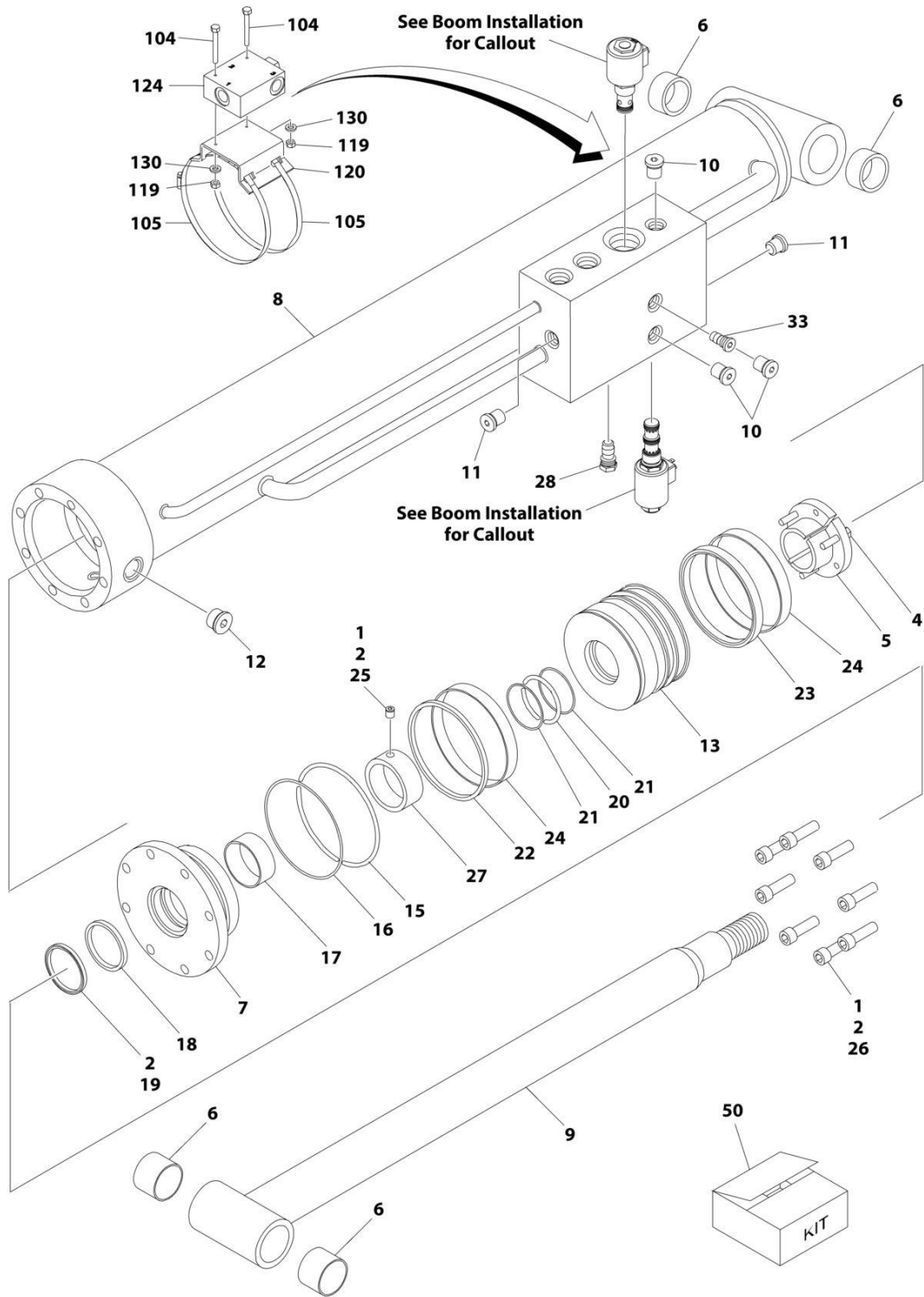
SECTION 5 - CYLINDER

FIGURE 5-16. LIFT CYLINDER ASSEMBLY - MAIN BOOM (680S,800S) (SN 0300239594 through 0300272492, SN B300002484 through B300005730)

ITEM	PART NUMBER	QTY	DESCRIPTION	REV
	1001228028	Ref	LIFT CYLINDER ASSEMBLY - MAIN BOOM	C
		Ref	Note: Original Cylinder may have been replaced with Service Replacement. Identify PN Stamped on Cylinder Before Ordering Parts.	
1	See Note	NSS	Barrel (Note: Not Available for Purchase)	
2	70006506	1	Rod	
3	70006505	1	Head	
4	See Note	NSS	Wiper (Note: Use Item 100)	
5	See Note	NSS	Seal, Rod (Note: Use Item 100)	
6	See Note	NSS	Ring, Wear (Note: Use Item 100)	
7	See Note	NSS	O-Ring (Note: Use Item 100)	
8	See Note	NSS	Ring, Back-up (Note: Use Item 100)	
9	70006504	1	Piston	
10	See Note	NSS	Ring, Guidelock (Note: Use Item 100)	
11	See Note	NSS	Ring, Guidelock (Note: Use Item 100)	
12	See Note	NSS	O-Ring (Note: Use Item 100)	
13	See Note	NSS	Ring, Back-up (Note: Use Item 100)	
14	70006503	1	Spacer, Tube	
15	0961898	1	Bushing, Tapered	
16	0630536	3	Bolt	
16	0100011	AR	Compound, Locking	
16	0100038	AR	Primer, Locking	
17	3932240	8	Capscrew 3/4 x 2-1/2	
17	0100011	AR	Compound, Locking	
17	0100038	AR	Primer, Locking	
18	0962033	4	Bushing	
19	2220888	3	Plug	
20	2220887	2	Plug	
21	2220883	4	Plug	
23	2220885	2	Plug	
24	4641194	1	Cartridge, Relief Valve	
24	7023927	1	Seal Kit - 4641194 Valve	
25	4641188	1	Cartridge, Lift Holding Solenoid (800S,860SJ) (SN 0300257003 through 0300272492, SN B300003768 through B300005730, Except SN 0300272449 through 0300272454, Excluding B300005568)	
25	7023923	1	Cartridge - 4641188 Valve	
25	7023919	1	Seal Kit - 4641188 Valve	
25	7012943	1	Coil - 4641188 Valve	
26	4641234	1	Cartridge, Lift Relief Proportional Solenoid (800S,860SJ) (SN 0300257003 through 0300272492, SN B300003768 through B300005730, Except SN 0300272449 through 0300272454, Excluding B300005568)	
26	7023982	1	Cartridge - 4641234 Valve	
26	7012925	1	Seal Kit - 4641234 Valve	
26	7017451	1	Coil - 4641234 Valve	
100	2901537	1	Seal Kit (Includes Items 5-8 & 10-13)	

SECTION 5 - CYLINDER

FIGURE 5-17. LIFT CYLINDER ASSEMBLY - MAIN BOOM (860SJ) (SN 0300182743 through 0300239858, SN B300001092 through B300002483)



ART_1684202

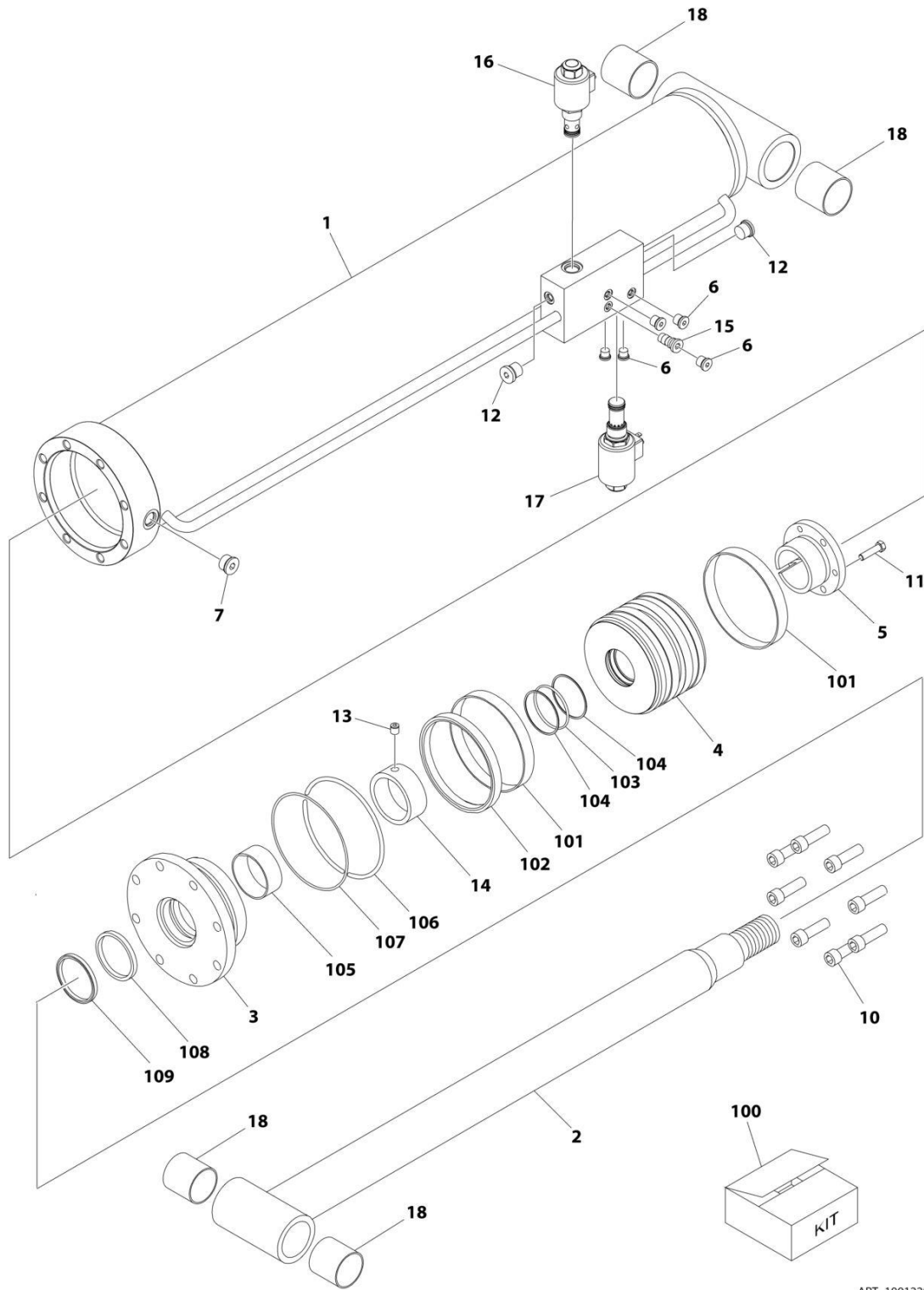
SECTION 5 - CYLINDER

FIGURE 5-17. LIFT CYLINDER ASSEMBLY - MAIN BOOM (860SJ) (SN 0300182743 through 0300239858, SN B300001092 through B300002483)

ITEM	PART NUMBER	QTY	DESCRIPTION	REV
	1684202	Ref	LIFT CYLINDER ASSEMBLY - MAIN BOOM	I
		Ref	Note: Original Cylinder may have been replaced with Service Replacement. Identify PN Stamped on Cylinder Before Ordering Parts.	
1	0100011	AR	Compound, Locking	
2	0100038	AR	Primer, Locking	
4	0630536	3	Bolt	
5	0961898	1	Bushing, Tapered	
6	0962033	4	Bushing	
7	1683818	1	Head	
8	1684198	1	Barrel	
9	1684123	1	Rod	
10	2220883	5	Plug	
11	2220885	2	Plug	
12	2220888	1	Plug	
13	3480275	1	Piston	
15	See Note	NSS	O-Ring (Note: Use Item 50)	
16	See Note	NSS	Ring, Back-up (Note: Use Item 50)	
17	See Note	NSS	Ring, Wear (Note: Use Item 50)	
18	See Note	NSS	Seal, Rod (Note: Use Item 50)	
19	See Note	NSS	Wiper (Note: Use Item 50)	
20	See Note	NSS	O-Ring (Note: Use Item 50)	
21	See Note	NSS	Ring, Back-up (Note: Use Item 50)	
22	See Note	NSS	Ring, Guidelock (Note: Use Item 50)	
23	See Note	NSS	Seal (Note: Use Item 50)	
24	See Note	NSS	Ring, Guidelock (Note: Use Item 50)	
25	3900310	1	Setscrew	
26	3932240	8	Capscrew 3/4 x 2-1/2	
27	4568273	1	Spacer, Tube	
28	4641144	1	Cartridge, Restrictor/Check Valve	
28	7012967	1	Seal Kit - 4641144 Valve	
33	4641194	1	Cartridge, Relief Valve	
33	7023927	1	Seal Kit - 4641194 Valve	
50	2901537	1	Seal Kit (Includes Items 15-24)	
	1001157261	Ref	MANUAL DESCENT INSTALLATION (OPTIONAL) (SN 0300182743 through 0300187355)	
104	0641514	2	Bolt 5/16in-18NC x 1-3/4in	
105	1320315	2	Clamp	
119	3311505	2	Locknut 5/16in-18NC	
120	3574172	1	Plate, Valve Mounting	
124	4640673	1	Valve, Check	
124	7011325	1	Cartridge, Valve Check	
130	4751500	2	Flatwasher 5/16in Regular	

SECTION 5 - CYLINDER

FIGURE 5-18. LIFT CYLINDER ASSEMBLY - MAIN BOOM (860SJ) (SN 0300239859 through 0300272492)



ART_1001228029

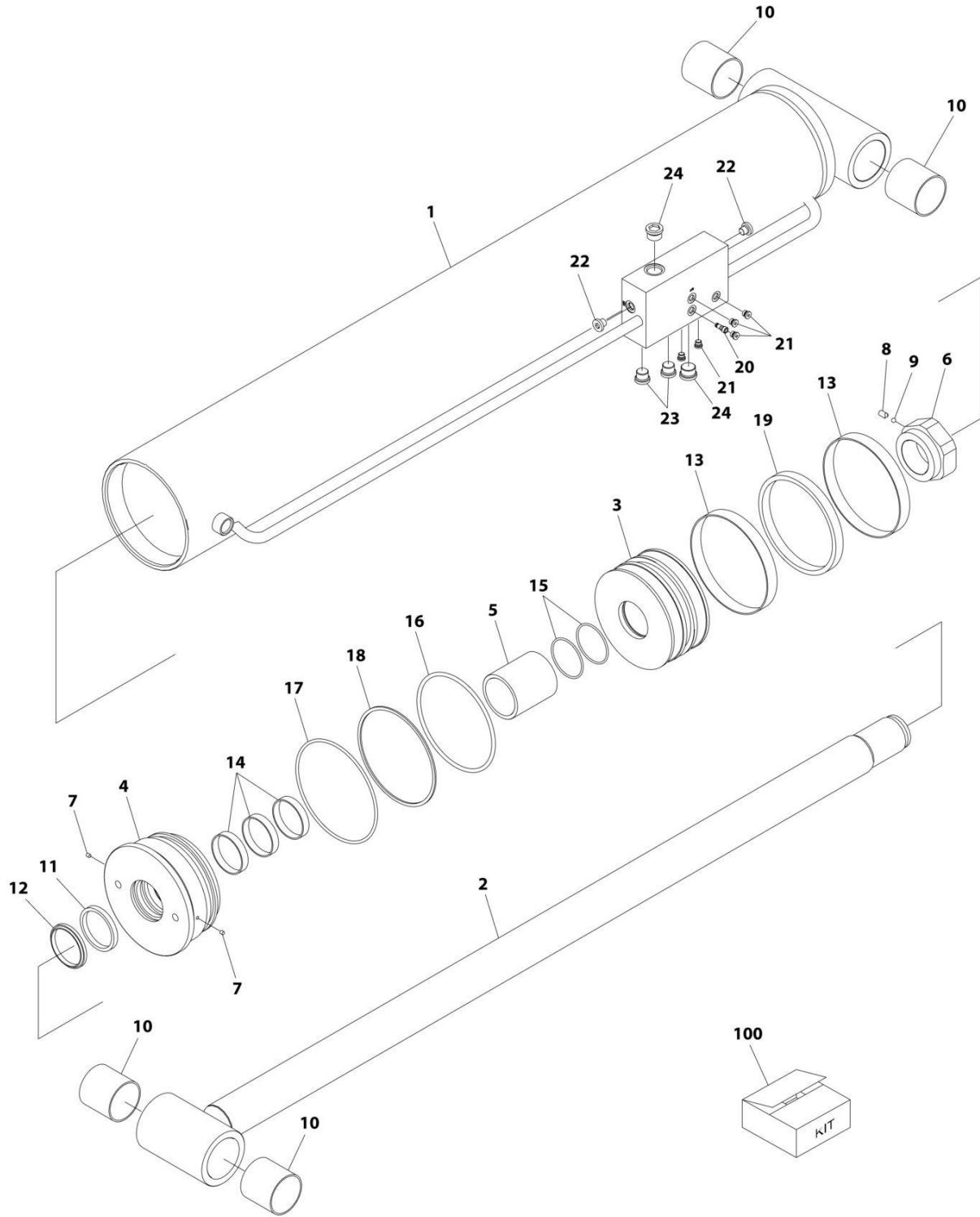
SECTION 5 - CYLINDER

FIGURE 5-18. LIFT CYLINDER ASSEMBLY - MAIN BOOM (860SJ) (SN 0300239859 through 0300272492)

ITEM	PART NUMBER	QTY	DESCRIPTION	REV
	1001228029	Ref	LIFT CYLINDER ASSEMBLY - MAIN BOOM	B
		Ref	Note: Original Cylinder may have been replaced with Service Replacement. Identify PN Stamped on Cylinder Before Ordering Parts.	
1	See Note	NSS	Barrel (Note: Not Available for Purchase)	
2	70006395	1	Rod	
3	70006377	1	Head	
4	70006394	1	Piston	
5	70006365	1	Bushing, Tapered	
6	2220883	5	Plug	
7	See Note	NSS	Plug (Note: Not Available for Purchase)	
10	3932240	8	Capscrew 3/4 x 2-1/2	
11	0630536	3	Bolt	
12	2220885	2	Plug	
13	3900310	1	Setscrew	
14	70006393	1	Spacer, Tube	
15	4641194	1	Cartridge, Relief Valve	
15	7023927	1	Seal Kit - 4641194 Valve	
16	4641234	1	Cartridge, Relief Valve	
16	7023982	1	Cartridge Less Coil	
16	7012925	1	Seal Kit - 7023982/4641234 Valve	
16	7017451	1	Coil	
17	4641188	1	Cartridge, Holding Valve	
17	7023923	1	Cartridge Less Coil	
17	7023919	1	Seal Kit - 7023923/4641188 Valve	
17	7012943	1	Coil	
18	0962033	4	Bushing	
100	70006392	1	Seal Kit (Includes Items 101-109)	
101	See Note	NSS	Ring, Guidelock (Note: Use Item 100)	
102	See Note	NSS	Seal (Note: Use Item 100)	
103	See Note	NSS	O-Ring (Note: Use Item 100)	
104	See Note	NSS	Ring, Back-up (Note: Use Item 100)	
105	See Note	NSS	Ring, Wear (Note: Use Item 100)	
106	See Note	NSS	O-Ring (Note: Use Item 100)	
107	See Note	NSS	Ring, Back-up (Note: Use Item 100)	
108	See Note	NSS	Seal, Rod (Note: Use Item 100)	
109	See Note	NSS	Wiper (Note: Use Item 100)	

SECTION 5 - CYLINDER

FIGURE 5-19. LIFT CYLINDER ASSEMBLY - MAIN BOOM (860SJ) (SN B300002484 through B300005730)



ART_1001230373

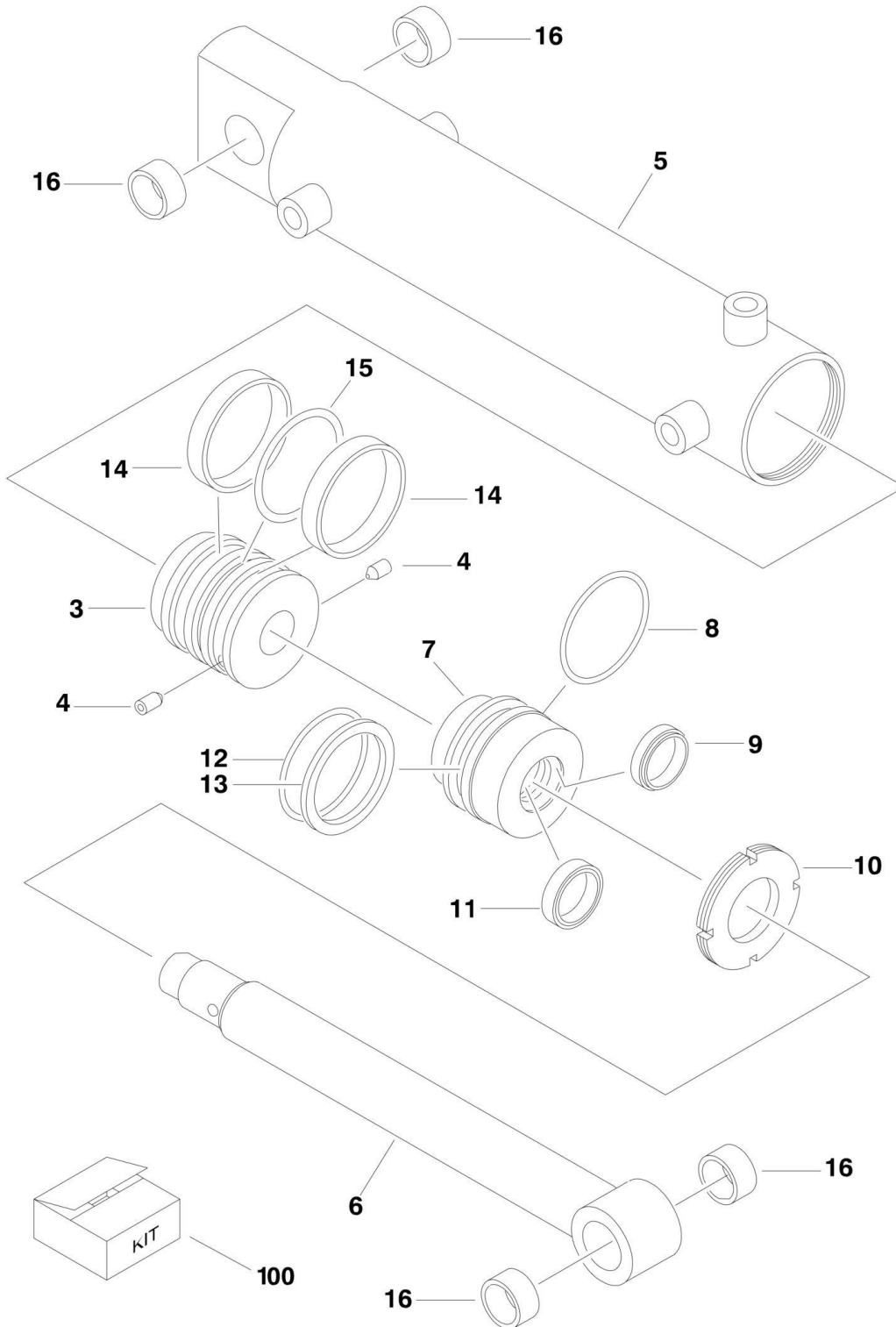
SECTION 5 - CYLINDER

FIGURE 5-19. LIFT CYLINDER ASSEMBLY - MAIN BOOM (860SJ) (SN B300002484 through B300005730)

ITEM	PART NUMBER	QTY	DESCRIPTION	REV
	1001230373	Ref	LIFT CYLINDER ASSEMBLY	A
		Ref	Note: Original Cylinder may have been replaced with Service Replacement. Identify PN Stamped on Cylinder Before Ordering Parts.	
1	See Note	NSS	Barrel (Note: Not Available for Purchase)	
2	70006940	1	Rod	
3	70006941	1	Piston	
4	70006942	1	Head	
5	70006943	1	Spacer	
6	70006944	1	Nut	
7	70006899	2	Insert	
8	70006945	1	Setscrew	
9	70004120	1	Ball	
10	0962033	4	Bushing	
11	See Note	NSS	Seal, Rod (Note: Use Item 100)	
12	See Note	NSS	Wiper (Note: Use Item 100)	
13	See Note	NSS	Ring, Wear (Note: Use Item 100)	
14	See Note	NSS	Ring, Wear (Note: Use Item 100)	
15	See Note	NSS	O-Ring (Note: Use Item 100)	
16	See Note	NSS	O-Ring (Note: Use Item 100)	
17	See Note	NSS	O-Ring (Note: Use Item 100)	
18	See Note	NSS	Ring, Back-up (Note: Use Item 100)	
19	See Note	NSS	Seal, Piston (Note: Use Item 100)	
20	4641194	1	Valve, Cartridge	
20	7023927	1	Seal Kit - 4640509 Valve	
21	2220883	5	Plug	
22	2220885	2	Plug	
23	2220888	2	Plug	
24	2220887	3	Plug	
100	70006947	1	Seal Kit (Includes Items 9-18)	

SECTION 5 - CYLINDER

FIGURE 5-20. STEER CYLINDER ASSEMBLY (SN 0300182743 through 0300272492, SN B300001092 through B300002483)



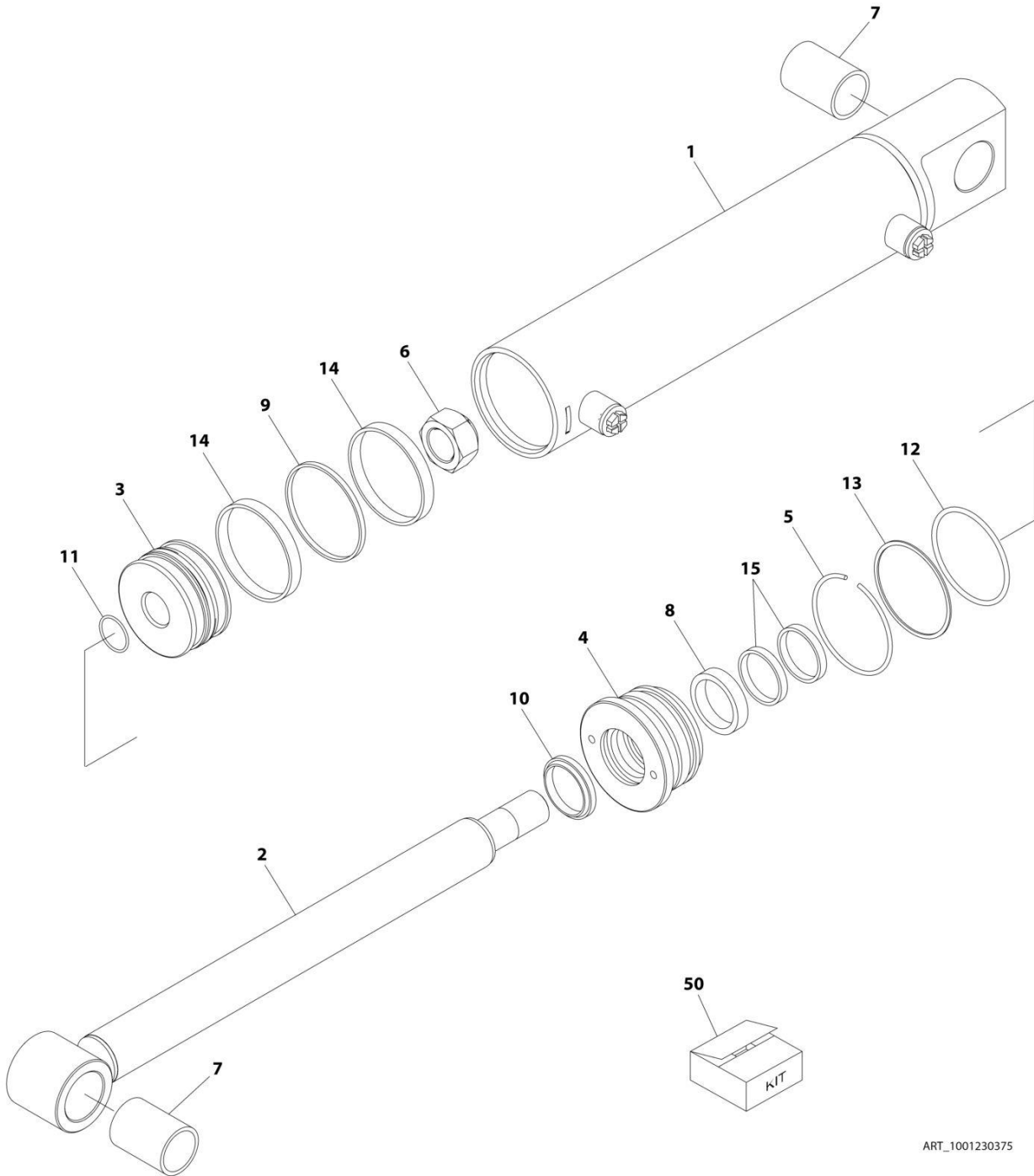
SECTION 5 - CYLINDER

FIGURE 5-20. STEER CYLINDER ASSEMBLY (SN 0300182743 through 0300272492, SN B300001092 through B300002483)

ITEM	PART NUMBER	QTY	DESCRIPTION	REV
	1001150539	Ref	STEER CYLINDER ASSEMBLY Note: Original Cylinder may have been replaced with Service Replacement. Identify PN Stamped on Cylinder Before Ordering Parts.	F
		Ref		
3	70002744	1	Piston	
4	70002745	2	Setscrew M6 x 10mm	
5	70004381	1	Barrel	
6	70004382	1	Rod	
7	70002748	1	Head	
8	See Note	NSS	Ring (Note: Use Item 100)	
9	See Note	NSS	Wiper (Note: Use Item 100)	
10	70002749	1	Nut, Spanner	
11	See Note	NSS	Seal (Note: Use Item 100)	
12	See Note	NSS	O-Ring (Note: Use Item 100)	
13	See Note	NSS	Ring, Back-up (Note: Use Item 100)	
14	See Note	NSS	Ring, Wear (Note: Use Item 100)	
15	See Note	NSS	Seal (Note: Use Item 100)	
16	0962152	4	Bushings	
100	70002751	1	Seal Kit (Includes Items 8, 9 & 11-15)	

SECTION 5 - CYLINDER

FIGURE 5-21. STEER CYLINDER ASSEMBLY (860SJ) (SN B300002484 through B300005730)



ART_1001230375

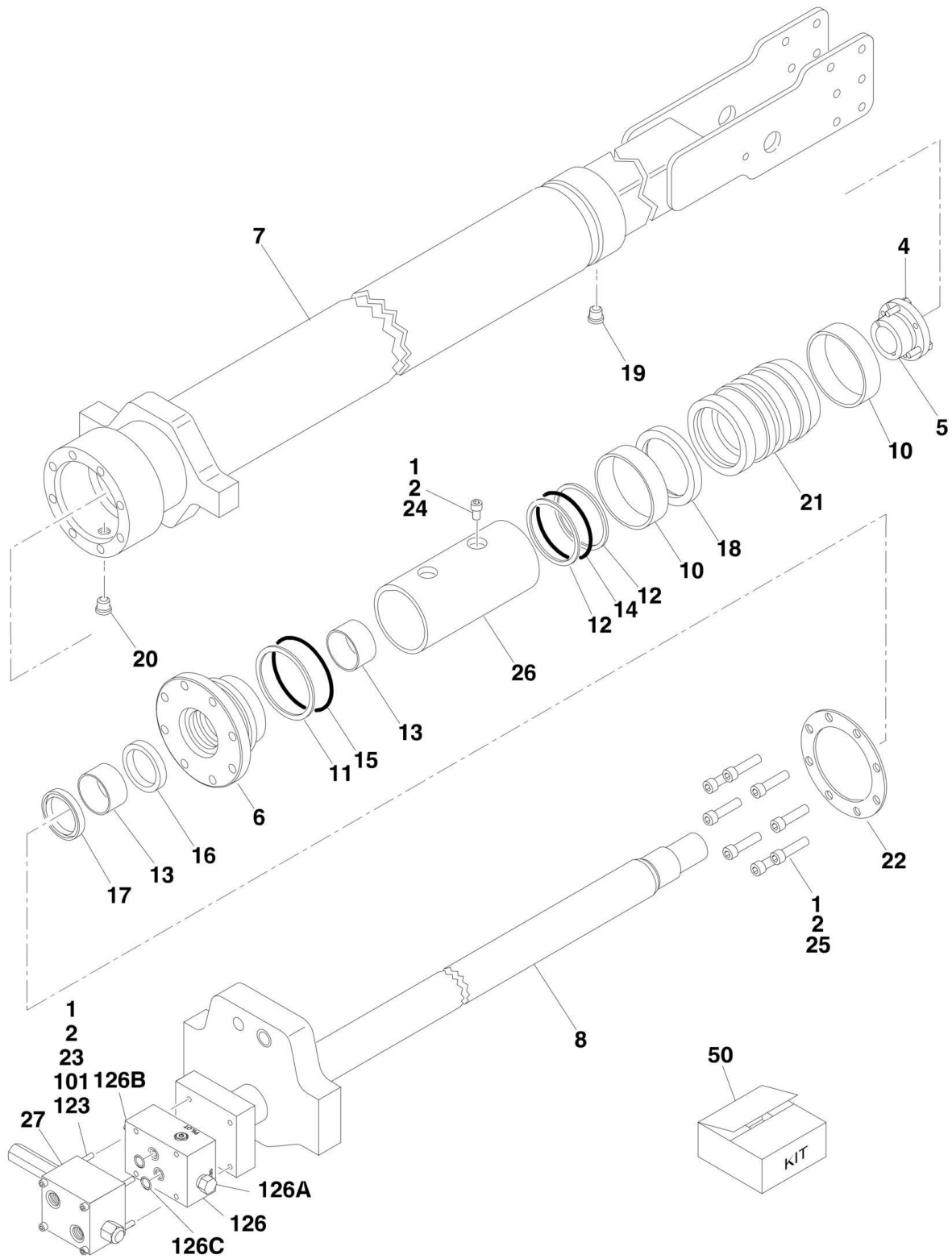
SECTION 5 - CYLINDER

FIGURE 5-21. STEER CYLINDER ASSEMBLY (860SJ) (SN B300002484 through B300005730)

ITEM	PART NUMBER	QTY	DESCRIPTION	REV
	1001230375	Ref	STEER CYLINDER ASSEMBLY	A
		Ref	Note: Original Cylinder may have been replaced with Service Replacement. Identify PN Stamped on Cylinder Before Ordering Parts.	
1	See Note	NSS	Barrel (Note: Not Available for Purchase)	
2	70006964	1	Rod	
3	70006965	1	Piston	
4	70006966	1	Head	
5	70006967	1	Nut	
6	70006968	1	Ring, Baffle	
7	0962152	2	Bushing	
8	See Note	NSS	Seal, Rod (Note: Use Item 50)	
9	See Note	NSS	Seal (Note: Use Item 50)	
10	See Note	NSS	Wiper (Note: Use Item 50)	
11	See Note	NSS	O-Ring (Note: Use Item 50)	
12	See Note	NSS	O-Ring (Note: Use Item 50)	
13	See Note	NSS	Ring, Back-up (Note: Use Item 50)	
14	See Note	NSS	Ring, Wear (Note: Use Item 50)	
15	See Note	NSS	Ring, Wear (Note: Use Item 50)	
50	70006969	1	Seal Kit - 1001230375 Cyliner (Includes Items 8-15)	

SECTION 5 - CYLINDER

FIGURE 5-22. TELESCOPE CYLINDER ASSEMBLY



SECTION 5 - CYLINDER

FIGURE 5-22. TELESCOPE CYLINDER ASSEMBLY

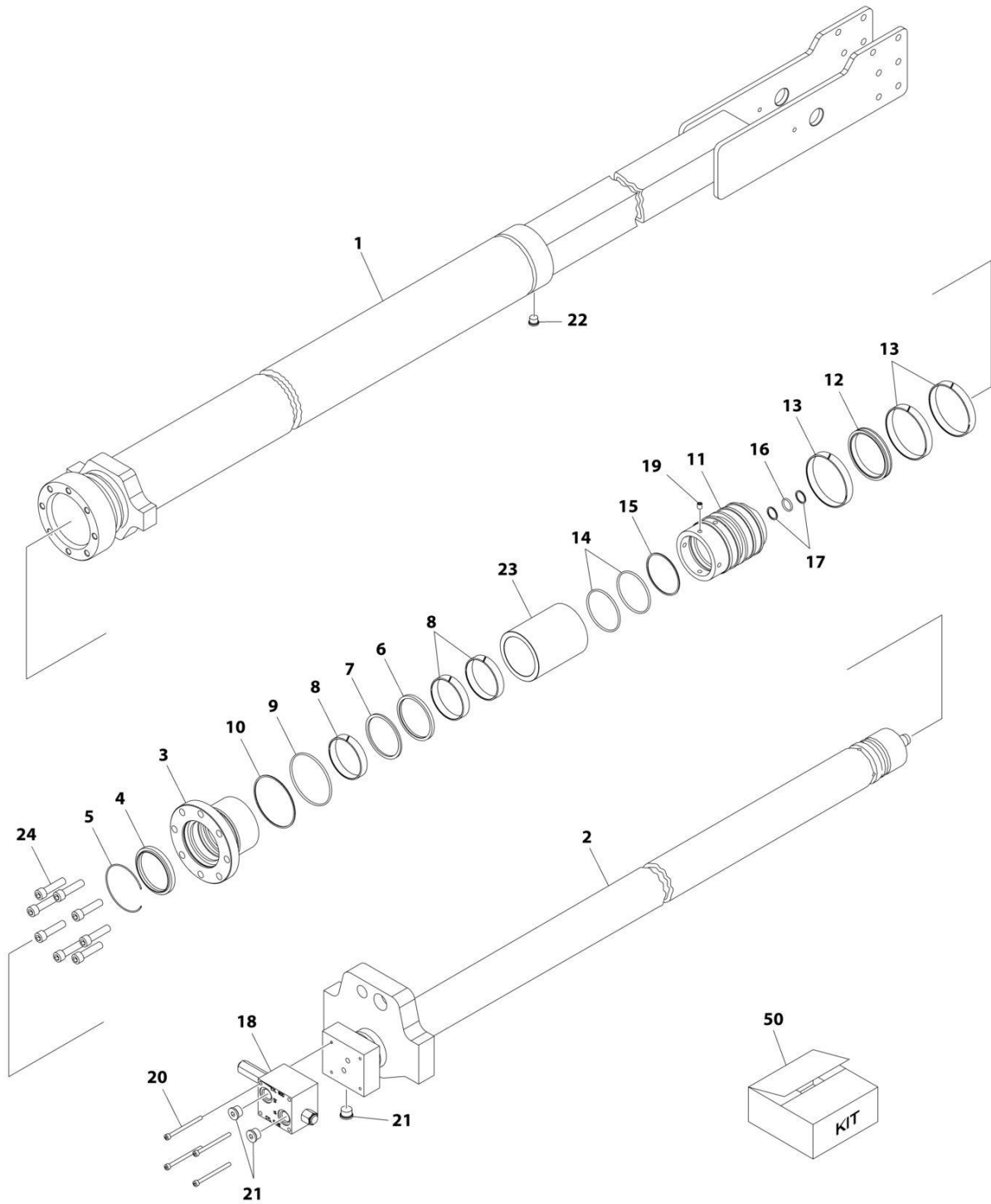
ITEM	PART NUMBER	QTY	DESCRIPTION	REV
		Ref	TELESCOPE CYLINDER ASSEMBLY	
		Ref	Note: Original Cylinder may have been replaced with Service Replacement. Identify PN Stamped on Cylinder Before Ordering Parts.	
	1684041	Ref	Telescope Cylinder (800S) (SN 0300182743 through 0300196954)	G
	1001177317	Ref	Telescope Cylinder (800S) (SN 0300196955 through 0300243278)	B
	1684041	Ref	Telescope Cylinder (800S) (SN B300001092 through B300001096)	G
	1001177317	Ref	Telescope Cylinder (800S) (SN B300001097 through B300002584)	B
	1684043	Ref	Telescope Cylinder (860SJ) (SN 0300182743 through 0300196954)	H
	1001181588	Ref	Telescope Cylinder (860SJ) (SN 0300196955 through 0300244707)	C
	1684043	Ref	Telescope Cylinder (860SJ) (SN B300001092 through B300001096)	H
	1001181588	Ref	Telescope Cylinder (860SJ) (SN B300001097 through 0300244707)	C
	1684519	Ref	Telescope Cylinder (680S) (SN 0300182743 through 0300196954)	D
	1001181589	Ref	Telescope Cylinder (680S) (SN 0300196955 through 0300244879)	B
1	0100011	AR	Compound, Locking	
2	0100038	AR	Primer, Locking	
4	0630535	3	Bolt 1/4in-20NC x 1-1/8in	
5	0961897	1	Bushing, Tapered	
6		Ref	Head Options:	
6	1683077	1	Head (1684041, 1684043 & 1684519 Cylinders)	
6	1001175884	1	Head (1001177317, 1001181588 & 1001181589 Cylinders)	
7		Ref	Barrel Options:	
7	1684049	1	Barrel (800S)	
7	1684045	1	Barrel (860SJ)	
7	0370038	1	Barrel (680S)	
8		Ref	Rod Options:	
8	1001115631	1	Rod (800S)	
8	1001115465	1	Rod (860SJ)	
8	1001115693	1	Rod (680S)	
10	See Note	NSS	Ring, Wear (Note: Use Item 50)	
11	See Note	NSS	Ring, Back-up (Note: Use Item 50)	
12	See Note	NSS	Ring, Back-up (Note: Use Item 50)	
13	See Note	NSS	Ring, Wear (Note: Use Item 50)	
14	See Note	NSS	O-Ring (Note: Use Item 50)	
15	See Note	NSS	O-Ring (Note: Use Item 50)	
16	See Note	NSS	Seal, Rod (Note: Use Item 50)	
17	See Note	NSS	Wiper (Note: Use Item 50)	
18	See Note	NSS	T-Seal (Note: Use Item 50)	
19	2220885	1	Plug, O-Ring	
20	2220886	2	Plug, O-Ring	
21	1001115504	1	Piston	
22	1001108958	1	Ring, Washer	

SECTION 5 - CYLINDER

ITEM	PART NUMBER	QTY	DESCRIPTION	REV
23	3931448	4	Capscrew 1/4in-20NC x 3in	
24	3931508	1	Capscrew 5/16in-18NC x 1/2in	
25		Ref	Capscrew Options:	
25	3931724	8	Capscrew 7/16in-14NC x 1-1/2in (1684041, 1684043 & 1689519 Cylinders)	
25	3931740	8	Capscrew 7/16in-14NC x 2-1/2in (1001177317, 1001181588 & 1001181589 Cylinders)	
26		Ref	Spacer, Tube Options:	
26	1001115633	1	Spacer, Tube (680S,800S)	
26	1001115469	1	Spacer, Tube (860SJ)	
27	4641033	1	Valve Assembly (No serviceable parts - sold as assembly only)	
27	7024508	2	O-Ring (Not Shown - Located between valve and cylinder)	
50		Ref	Seal Kit Options (Includes Items 10-18):	
50	1001115617	1	Seal Kit (1684041, 1684043 & 1684519 Cylinders)	
50	1001181694	1	Seal Kit (1001177317, 1001181588 & 1001181589 Cylinders)	
	1001157261	Ref	MANUAL DESCENT INSTALLATION (OPTIONAL) (SN 0300182743 through 0300187355)	A
101	0100011	AR	Compound, Locking	
123	3931480	4	Capscrew 1/4in-20NC x 5in	
126	4641262	1	Valve, Assembly (Manual Descent)	
126A	7026015	1	Cartridge	
126A	7026004	1	Seal Kit - 7026015 Cartridge	
126B	7026016	1	Cartridge	
126B	7011346	1	Seal Kit - 7026016 Cartridge	
126C	3790112	2	O-Ring	

SECTION 5 - CYLINDER

FIGURE 5-23. TELESCOPE CYLINDER ASSEMBLY (680S) (SN 0300244880 through 0300272492)



ART_1001228085

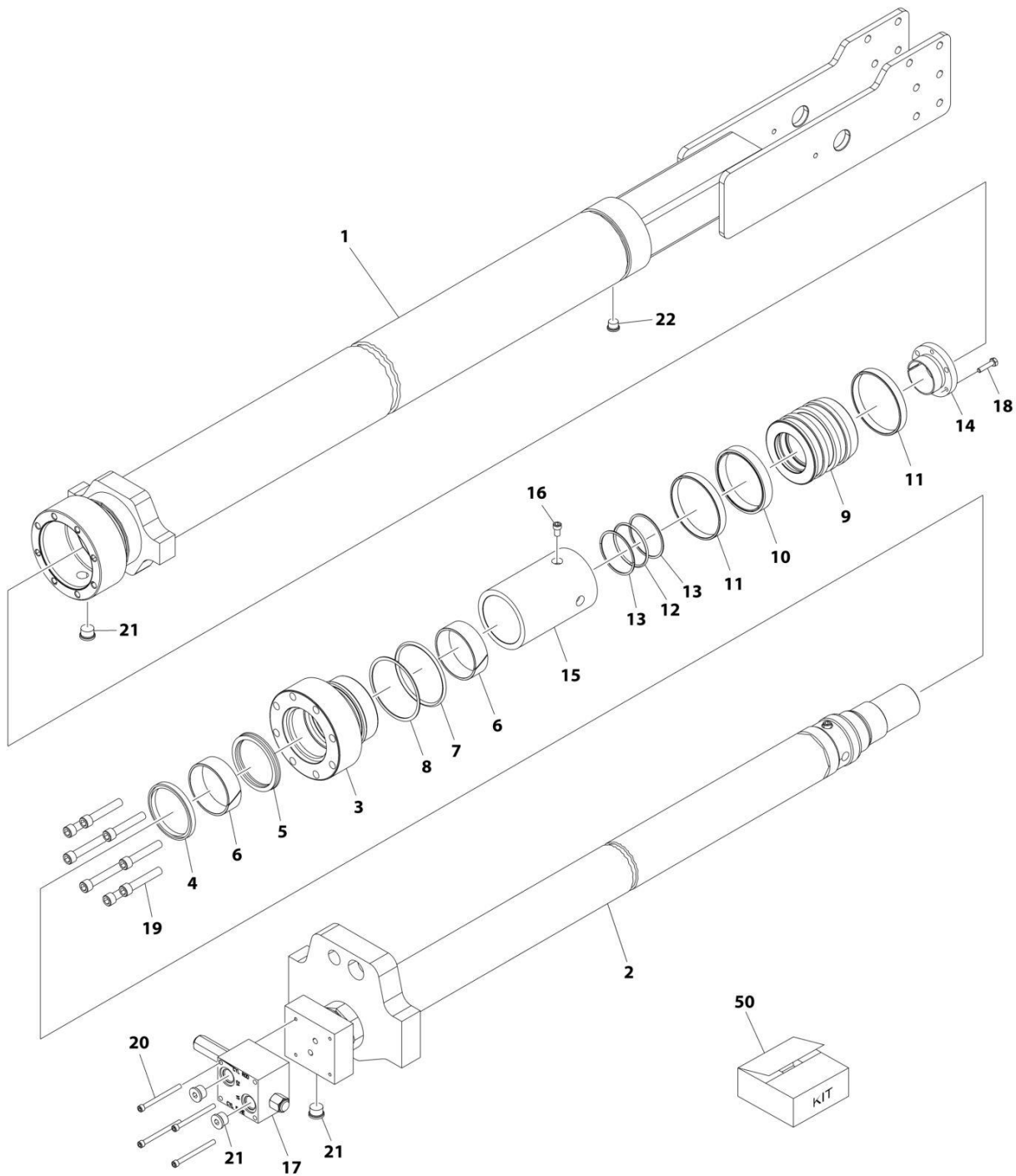
SECTION 5 - CYLINDER

FIGURE 5-23. TELESCOPE CYLINDER ASSEMBLY (680S) (SN 0300244880 through 0300272492)

ITEM	PART NUMBER	QTY	DESCRIPTION	REV
	1001228085	Ref	TELESCOPE CYLINDER ASSEMBLY (680S) (SN 030024480 through 0300272492, Except SN 0300272449 through 0300272454)	C
		Ref	Note: Original Cylinder may have been replaced with Service Replacement. Identify PN Stamped on Cylinder Before Ordering Parts.	
1	See Note	NSS	Barrel (Note: Not Available for Purchase)	
2	70006805	1	Rod	
3	70006806	1	Head	
4	See Note	NSS	Wiper (Note: Use Item 50)	
5	70023379	1	Ring, Retainer	
6	See Note	NSS	Seal, Rod (Note: Use Item 50)	
7	See Note	NSS	Ring, Back-up (Note: Use Item 50)	
8	See Note	NSS	Ring, Wear (Note: Use Item 50)	
9	See Note	NSS	O-Ring (Note: Use Item 50)	
10	See Note	NSS	Ring, Back-up (Note: Use Item 50)	
11	70006807	1	Piston	
12	See Note	NSS	Seal, Piston (Note: Use Item 50)	
13	See Note	NSS	Ring, Wear (Note: Use Item 50)	
14	See Note	NSS	O-Ring (Note: Use Item 50)	
15	See Note	NSS	Ring, Back-up (Note: Use Item 50)	
16	See Note	NSS	O-Ring (Note: Use Item 50)	
17	See Note	NSS	Ring, Back-up (Note: Use Item 50)	
18	4641033	1	Valve Assembly (No serviceable parts - sold as assembly only)	
18	7024508	2	O-Ring (Not Shown - Located between valve and cylinder)	
19	70005839	1	Setscrew	
20	70006802	4	Bolt	
21	2220886	3	Plug, O-Ring	
22	2220885	1	Plug, O-Ring	
23	70006808	1	Spacer	
24	70006803	8	Bolt	
50	70006809	1	Seal Kit Options (Includes Items 4, 6-10 & 12-17)	

SECTION 5 - CYLINDER

FIGURE 5-24. TELESCOPE CYLINDER ASSEMBLY (800S) (SN 0300243279 through 0300272492, SN B300002585 through B300005730)



ART_1001228081

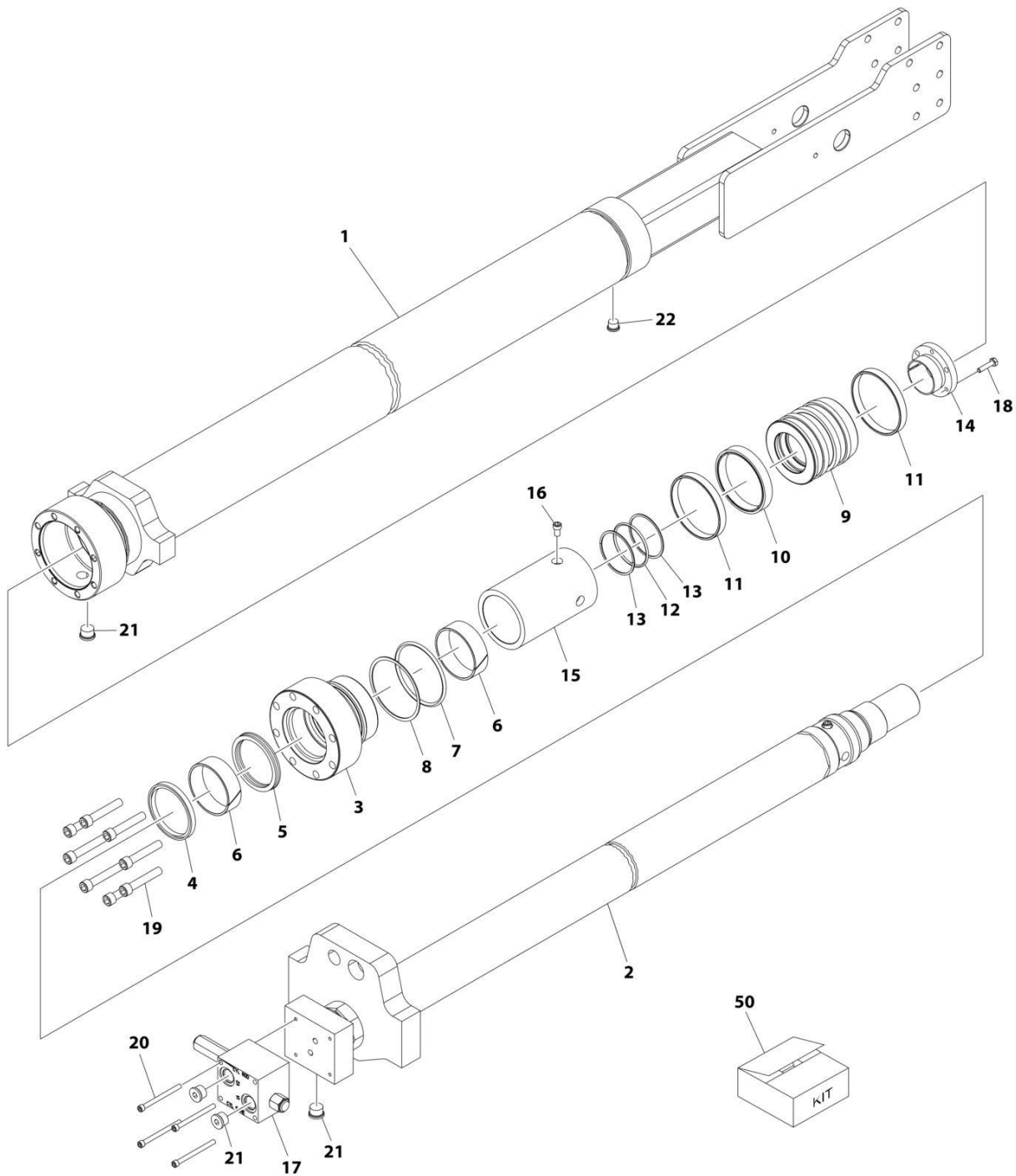
SECTION 5 - CYLINDER

FIGURE 5-24. TELESCOPE CYLINDER ASSEMBLY (800S) (SN 0300243279 through 0300272492, SN B300002585 through B300005730)

ITEM	PART NUMBER	QTY	DESCRIPTION	REV
	1001228081	Ref	TELESCOPE CYLINDER ASSEMBLY	B
		Ref	Note: Original Cylinder may have been replaced with Service Replacement. Identify PN Stamped on Cylinder Before Ordering Parts.	
1	See Note	NSS	Barrel (Note: Not Available for Purchase)	
2	70006719	1	Rod	
3	70006694	1	Head	
4	See Note	NSS	Wiper (Note: Use Item 50)	
5	See Note	NSS	Seal, Rod (Note: Use Item 50)	
6	See Note	NSS	Ring, Wear (Note: Use Item 50)	
7	See Note	NSS	O-Ring (Note: Use Item 50)	
8	See Note	NSS	Ring, Back-up (Note: Use Item 50)	
9	70006720	1	Piston	
10	See Note	NSS	T-Seal (Note: Use Item 50)	
11	See Note	NSS	Ring, Wear (Note: Use Item 50)	
12	See Note	NSS	O-Ring (Note: Use Item 50)	
13	See Note	NSS	Ring, Back-up (Note: Use Item 50)	
14	0961897	1	Bushing, Tapered	
15	70006721	1	Spacer, Tube	
16	3931508	1	Capscrew 5/16 x 1/2	
17	4641033	1	Valve Assembly (No serviceable parts - sold as assembly only)	
17	7024508	2	O-Ring (Not Shown - Located between valve and cylinder)	
18	0630535	3	Bolt 1/4 x 1-1/8	
19	3931740	8	Capscrew 7/16 x 2-1/2	
20	3931448	4	Capscrew 1/4 x 3	
21	2220886	2	Plug, O-Ring	
22	2220885	1	Plug, O-Ring	
50	1001181694	1	Seal Kit Options (Includes Items 4-8 & 10-13)	

SECTION 5 - CYLINDER

FIGURE 5-25. TELESCOPE CYLINDER ASSEMBLY (860SJ) (SN 030024708 through 0300272492, SN B300002588 through B300005730)



ART_1001228083

SECTION 5 - CYLINDER

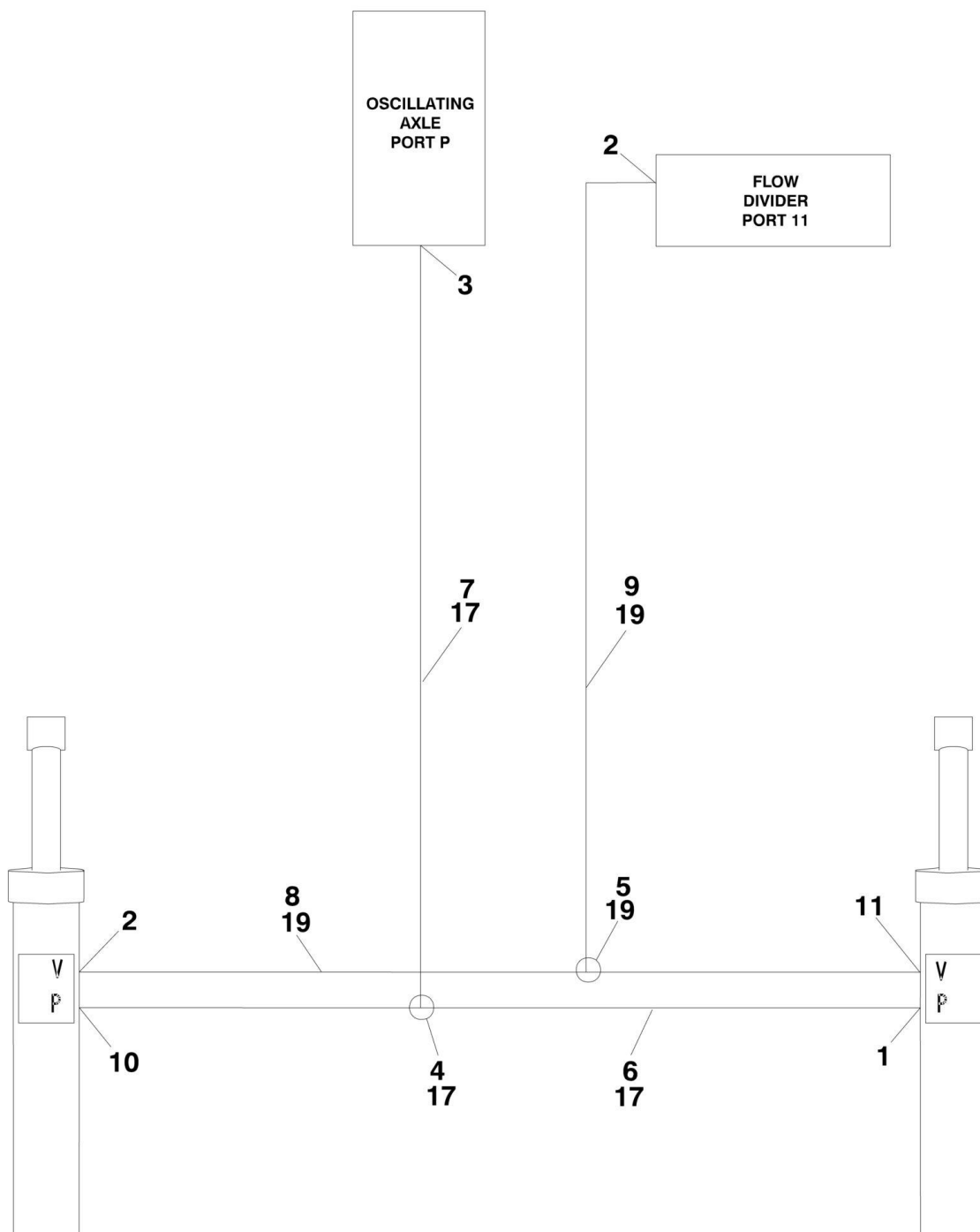
FIGURE 5-25. TELESCOPE CYLINDER ASSEMBLY (860SJ) (SN 030024708 through 0300272492, SN B300002588 through B300005730)

ITEM	PART NUMBER	QTY	DESCRIPTION	REV
	1001228083	Ref	TELESCOPE CYLINDER ASSEMBLY	B
		Ref	Note: Original Cylinder may have been replaced with Service Replacement. Identify PN Stamped on Cylinder Before Ordering Parts.	
1	See Note	NSS	Barrel (Note: Not Available for Purchase)	
2	70006729	1	Rod	
3	70006694	1	Head	
4	See Note	NSS	Wiper (Note: Use Item 50)	
5	See Note	NSS	Seal, Rod (Note: Use Item 50)	
6	See Note	NSS	Ring, Wear (Note: Use Item 50)	
7	See Note	NSS	O-Ring (Note: Use Item 50)	
8	See Note	NSS	Ring, Back-up (Note: Use Item 50)	
9	70006720	1	Piston	
10	See Note	NSS	T-Seal (Note: Use Item 50)	
11	See Note	NSS	Ring, Wear (Note: Use Item 50)	
12	See Note	NSS	O-Ring (Note: Use Item 50)	
13	See Note	NSS	Ring, Back-up (Note: Use Item 50)	
14	0961897	1	Bushing, Tapered	
15	70006730	1	Spacer, Tube	
16	70006731	1	Bolt	
17	4641033	1	Valve Assembly (No serviceable parts - sold as assembly only)	
17	7024508	2	O-Ring (Not Shown - Located between valve and cylinder)	
18	0630535	3	Bolt 1/4 x 1-1/8	
19	70006732	8	Bolt	
20	70006733	4	Bolt	
21	2220886	4	Plug, O-Ring	
22	2220885	1	Plug, O-Ring	
50	1001181694	1	Seal Kit Options (Includes Items 4-8 & 10-13)	

SECTION 6 - HYDRAULIC

SECTION 6 - HYDRAULIC

FIGURE 6-1. AXLE LOCKOUT HYDRAULIC DIAGRAM



SECTION 6 - HYDRAULIC

FIGURE 6-1. AXLE LOCKOUT HYDRAULIC DIAGRAM

ITEM	PART NUMBER	QTY	DESCRIPTION	REV
	1001157400	Ref	AXLE LOCKOUT HYDRAULIC DIAGRAM	F
1	2110406	1	Fitting, Straight	
2	2110606	2	Fitting, Straight	
3	2110408	1	Fitting, Straight	
4	2170704	1	Fitting, Tee (SN 0300182743 through 0300213729)	
4	2170704	1	Fitting, Tee (SN B300001092 through B300001452)	
5	2170706	1	Fitting, Tee (SN 0300182743 through 0300213729)	
5	2170706	1	Fitting, Tee (SN B300001092 through B300001452)	
6	2754337	1	Hose (SN 0300182743 through 0300213729)	
6	2754337	1	Hose (SN B300001092 through B300001452)	
7	1001170644	1	Hose (SN 0300182743 through 0300213729)	
7	1001170644	1	Hose (SN B300001092 through B300001452)	
8	2753979	1	Hose (SN 0300182743 through 0300213729)	
8	2753979	1	Hose (SN B300001092 through B300001452)	
9	2753735	1	Hose (SN 0300182743 through 0300213729)	
9	2753935	1	Hose (SN B300001092 through B300001452)	
10	2170104	1	Fitting, Straight (SN 0300182743 through 0300227014)	
10	2110404	1	Fitting, Straight (SN 0300227015 through 0300272492, Except SN 0300272449 through 0300272454)	
10	2170104	1	Fitting, Straight (SN B300001092 through B300001749)	
10	2110404	1	Fitting, Straight (SN B300001750 through B300005730, Excluding B300005568)	
11	2170106	1	Fitting, Straight (SN 0300182743 through 030022714)	
	2110606	1	Fitting, Straight (SN 0300227015 through 0300272492, Except SN 0300272449 through 0300272454)	
	2170106	1	Fitting, Straight (SN B300001092 through B300001749)	
	2110606	1	Fitting, Straight (SN B300001750 through B300005730, Excluding B300005568)	
17	1001198339	1	Hose with Crimped Tee (SN 0300213730 through 0300272492, Except SN 0300272449 through 0300272454)	
17	1001198339	1	Hose with Crimped Tee (SN B300001453 through B300005730, Excluding B300005568)	
19	1001198336	1	Hose with Crimped Tee (SN 0300213730 through 0300272492, Except SN 0300272449 through 0300272454)	
19	1001198336	1	Hose with Crimped Tee (SN B300001453 through B300005730, Excluding B300005568)	

SECTION 6 - HYDRAULIC

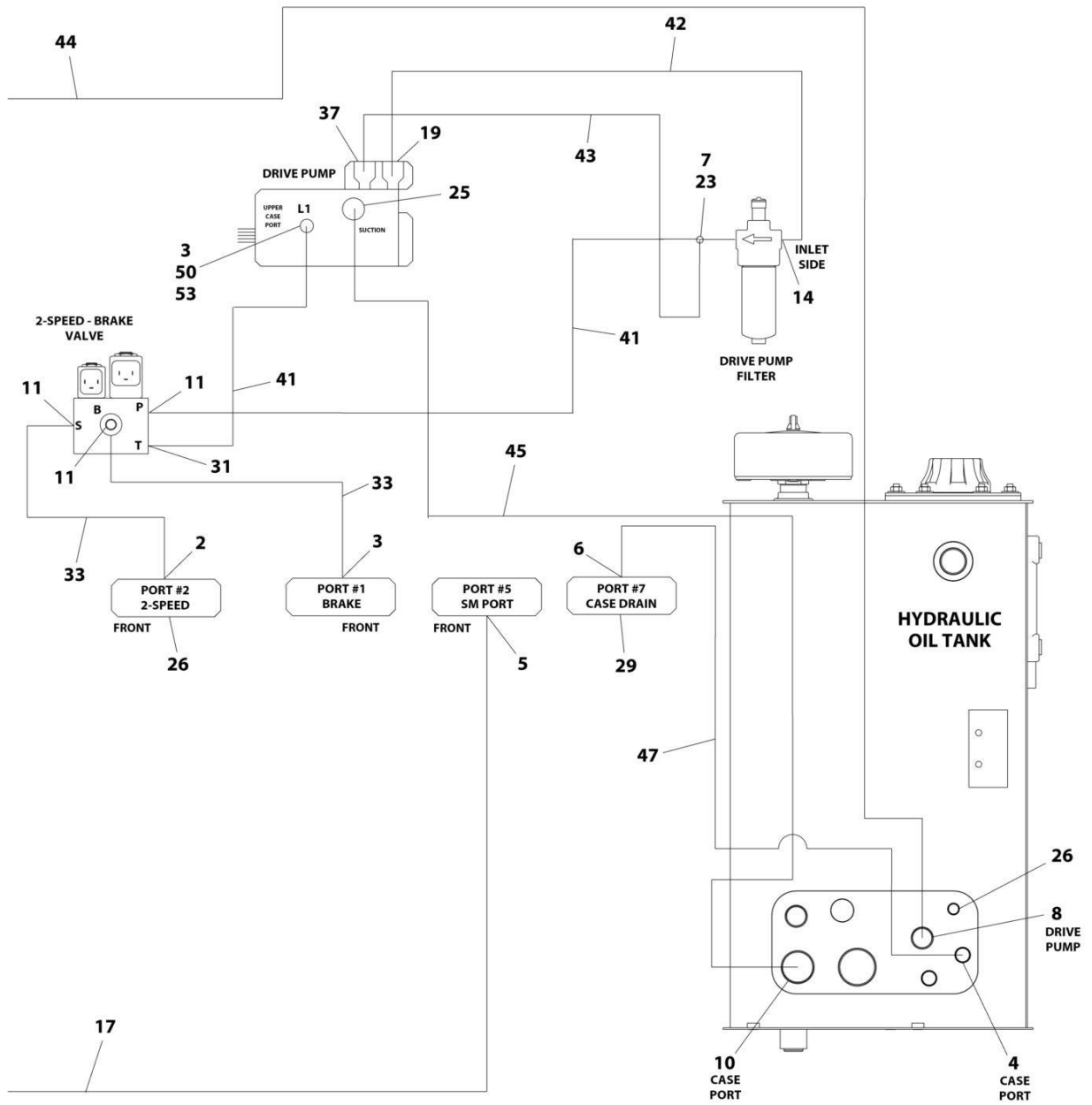
FIGURE 6-2. DRIVE HYDRAULIC DIAGRAM - 2WD (SN 0300182743 through 0300196954, SN B300001092 through B300001096)

ITEM	PART NUMBER	QTY	DESCRIPTION	REV
	1001157398	Ref	DRIVE HYDRAULIC DIAGRAM - 2WD (SN 0300182743 through 0300196954, SN B300001092 through B300001096)	D
1	2110404	2	Fitting, Straight	
2	2110406	3	Fitting, Straight	
3	2110408	3	Fitting, Straight	
4	2110808	2	Fitting, Straight	
5	2110606	3	Fitting, Straight	
6	2110812	1	Fitting, Straight	
7	2221084	1	Fitting, Tee	
8	2111212	6	Fitting, Straight	
9	2111616	3	Fitting, Straight	
10	2112020	1	Fitting, Straight	
11	2130404	3	Fitting, Elbow	
12	2130606	1	Fitting, Tee	
13	2151616	1	Fitting, Elbow	
14	2131012	1	Fitting, Elbow	
15	2130808	1	Fitting, Elbow	
16	2220550	1	Fitting, Reducer	
17	2754243	1	Hose	
18	2150406	1	Fitting, Elbow	
20	2754242	1	Hose	
21	2170508	1	Fitting, Tee	
22	2170504	2	Fitting, Tee	
23	2221183	1	Fitting, Reducer	
24	2221088	1	Fitting, Tee	
26	2220237	1	Fitting, Plug	
27	2753688	2	Hose	
28	2170412	1	Fitting, Tee	
30	1001159854	2	Hose	
31	2170204	1	Fitting, Elbow	
32	2754401	2	Hose	
33	2753540	2	Hose	
34	2753725	2	Hose	
35	3753550	1	Hose	
36	2754240	2	Hose	
38	2753622	1	Hose	
39	2753635	1	Hose	
40	2753685	1	Hose	
41	1001095307	2	Hose	
42	2753768	1	Hose	
43	1001095308	1	Hose	
44	2753664	1	Hose	
45	1001157866	1	Hose	
46	2753667	2	Hose	
47	2753685	1	Hose	
48	2131616	2	Fitting, Elbow	
49	2131212	1	Fitting, Elbow	
50	2220811	1	Fitting, Straight	
51	2110810	1	Fitting, Straight	

SECTION 6 - HYDRAULIC

ITEM	PART NUMBER	QTY	DESCRIPTION	REV
52	2111016	1	Fitting, Straight	
53	2132016	1	Fitting, Elbow	
54	2220238	1	Plug	
55	2170708	1	Fitting, Tee	

SECTION 6 - HYDRAULIC



ART_1001178218_20F2

SECTION 6 - HYDRAULIC

FIGURE 6-3. DRIVE HYDRAULIC DIAGRAM - 2WD (SN 0300196955 through 0300272492, SN B300001097 through B300005730)

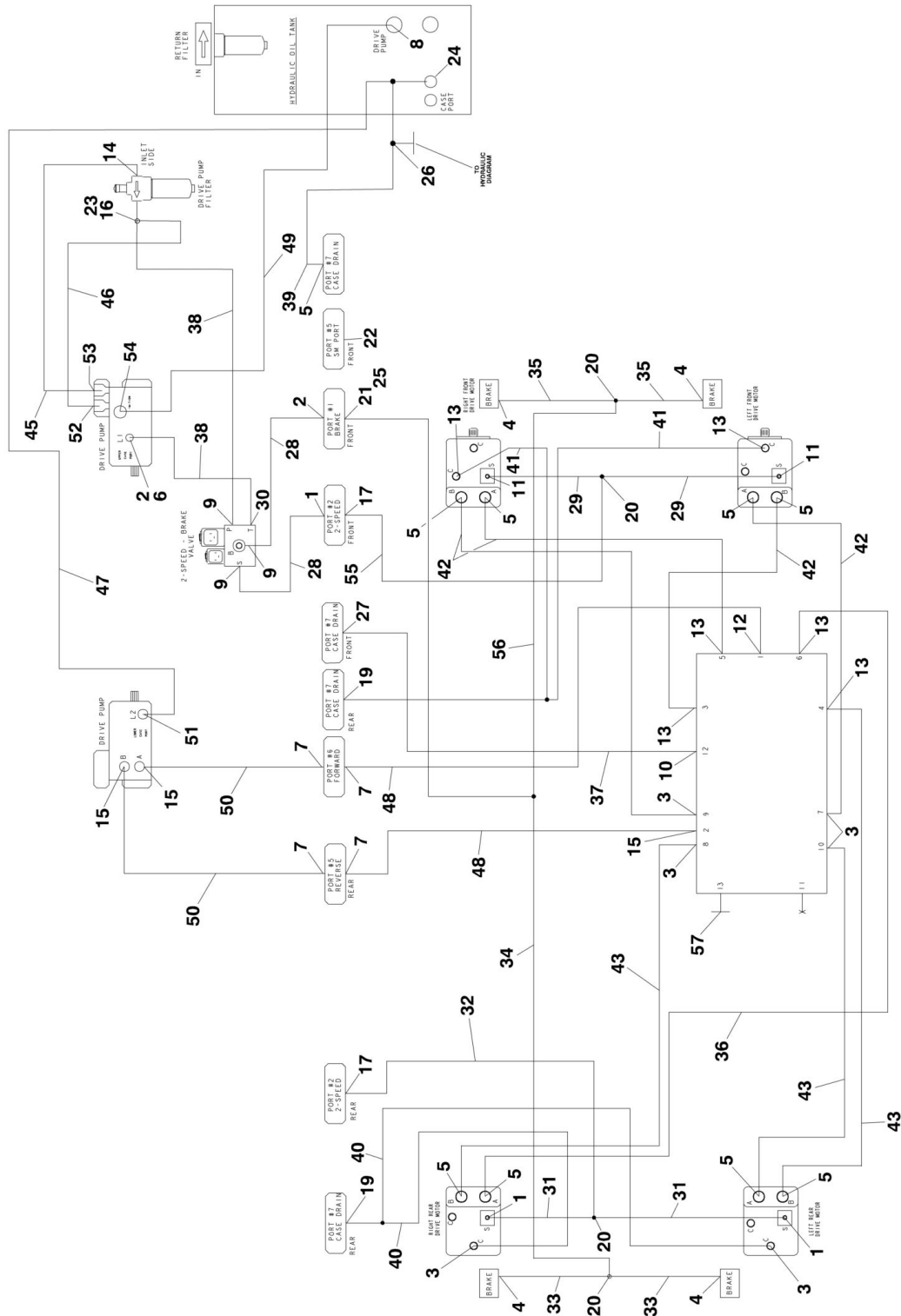
ITEM	PART NUMBER	QTY	DESCRIPTION	REV
	1001178218	Ref	DRIVE HYDRAULIC DIAGRAM - 2WD (SN 0300196955 through 0300272492, SN B300001097 through B300005730, Except SN 0300272449 through 0300272454, Excluding B300005568)	E
1	2110404	2	Fitting, Straight	
2	2110406	3	Fitting, Straight	
3	2110408	2	Fitting, Straight	
4	2110808	2	Fitting, Straight	
5	2110606	3	Fitting, Straight	
6	2110812	1	Fitting, Straight	
7	2221084	1	Fitting, Tee (SN 0300182743 through 0300213729)	
7	1001198337	1	Fitting, Tee (SN 0300213730 through 0300272492, Except SN 0300272449 through 0300272454)	
7	2221084	1	Fitting, Tee (SN B300001092 through B300001452)	
7	1001198337	1	Fitting, Tee (SN B300001453 through B300005730, Excluding B300005568)	
8	2111212	6	Fitting, Straight	
9	2111616	3	Fitting, Straight	
10	2112020	1	Fitting, Straight	
11	2130404	3	Fitting, Elbow	
12	2130606	1	Fitting, Tee	
13	2151616	1	Fitting, Elbow	
14	2131012	1	Fitting, Elbow	
15	2130808	1	Fitting, Elbow	
16	2220550	1	Fitting, Reducer (SN 0300182743 through 0300213729)	
16	1001199395	1	Fitting, Reducer (SN 0300213730 through 0300272492, Except SN 0300272449 through 0300272454)	
16	2220550	1	Fitting, Reducer (SN B300001092 through B300001452)	
16	1001199395	1	Fitting, Reducer (SN B300001453 through B300005730, Excluding B300005568)	
17	2754243	1	Hose	
18	2150406	1	Fitting, Elbow	
19	2111016	1	Fitting, Straight	
20	2754242	1	Hose	
21	2170508	1	Fitting, Tee (SN 0300182743 through 0300213729)	
21	2170508	1	Fitting, Tee (SN B300001092 through B300001452)	
22	2170504	AR	Fitting, Tee	
23	2221183	1	Fitting, Reducer (SN 0300182743 through 0300213729)	
23	2221183	1	Fitting, Reducer (SN B300001092 through B300001452)	
25	2132016	1	Fitting, Elbow	
26	2220237	2	Fitting, Plug	
27	2753688	2	Hose	
28	2170412	1	Fitting, Tee (SN 0300182743 through 0300213729)	
28	2170412	1	Fitting, Tee (SN B300001092 through B300001452)	
29	2220238	1	Plug	
30	1001159854	2	Hose	
31	2170204	1	Fitting, Elbow	
32	2754401	2	Hose (SN 0300182743 through 0300213729)	
32	2754401	1	Hose (SN B300001092 through B300001452)	
33	2753540	2	Hose	
34	2753725	2	Hose (SN 0300182743 through 0300245235)	

SECTION 6 - HYDRAULIC

ITEM	PART NUMBER	QTY	DESCRIPTION	REV
34	2754337	2	Hose (SN 0300245236 through 0300272492, Except SN 0300272449 through 0300272454)	
34	2753725	2	Hose (SN 0300182743 through 0300245235)	
34	2754337	2	Hose (SN 0300245236 through 0300272492, Except SN 0300272449 through 0300272454)	
35	2753550	1	Hose (SN 0300182743 through 0300213729)	
35	2753550	1	Hose (SN B300001092 through B300001452)	
36	2754240	2	Hose (SN 0300182743 through 0300213729)	
36	2754240	1	Hose (SN B300001092 through B300001452)	
37	2110810	1	Fitting, Straight	
38	2753622	1	Hose	
39	2753635	1	Hose	
40	2753685	1	Hose (SN 0300182743 through 0300213729)	
40	2753685	1	Hose (SN B300001092 through B300001452)	
41	1001095307	2	Hose (SN 0300182743 through 0300213729)	
41	2753555	2	Hose (SN 0300213730 through 0300272492, Except SN 0300272449 through 0300272454)	
41	1001095307	2	Hose (SN B300001092 through B300001452)	
41	2753555	2	Hose (SN B300001453 through B300005730, Excluding B300005568)	
42	2753768	1	Hose	
43	1001095308	1	Hose	
44	2753699	1	Hose	
45	1001157866	1	Hose	
46	2753667	2	Hose	
47	2753685	1	Hose	
48	2131616	2	Fitting, Elbow	
49	2131212	1	Fitting, Elbow	
50	2220811	1	Fitting, Straight (SN 0300182743 through 0300213729)	
50	2110408	1	Fitting, Straight (SN 0300182743 through 0300213729)	
50	2220811	1	Fitting, Straight (SN B300001092 through B300001452)	
50	2110408	1	Fitting, Straight (SN B300001092 through B300001452)	
51	1001198340	1	Hose with Crimped Tee (SN 0300213730 through 0300272492, Except SN 0300272449 through 0300272454)	
51	1001198340	1	Hose with Crimped Tee (SN B300001453 through B300005730, Excluding B300005568)	
52	1001198334	1	Hose with Crimped Tee (SN 0300213730 through 0300272492, Except SN 0300272449 through 0300272454)	
52	1001198334	1	Hose with Crimped Tee (SN B300001453 through B300005730, Excluding B300005568)	
53	1001199396	1	Fitting, 90 (SN 0300213730 through 0300272492, Except SN 0300272449 through 0300272454)	
53	1001199396	1	Fitting, 90 (SN B300001453 through B300005730, Excluding B300005568)	

SECTION 6 - HYDRAULIC

FIGURE 6-4. DRIVE HYDRAULIC DIAGRAM - 4WD (SN 0300182743 through 0300196954, SN B300001092 through B300001096)



SECTION 6 - HYDRAULIC

FIGURE 6-4. DRIVE HYDRAULIC DIAGRAM - 4WD (SN 0300182743 through 0300196954, SN B300001092 through B300001096)

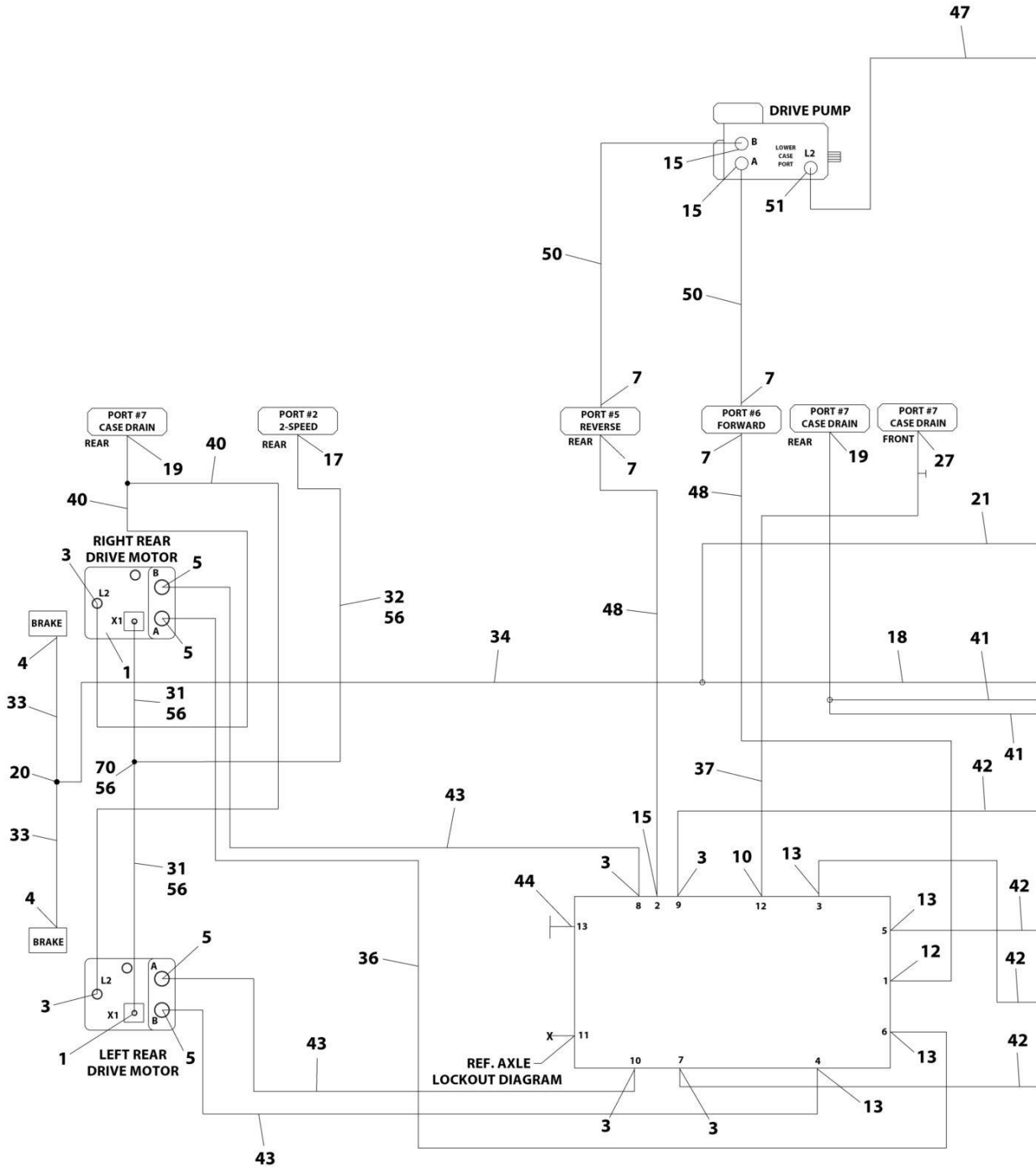
ITEM	PART NUMBER	QTY	DESCRIPTION	REV
		Ref	DRIVE HYDRAULIC DIAGRAM - 4WD (SN 0300182743 through 0300196954, SN B300001092 through B300001096)	
	1001157399	Ref	Without Arctic Package	D
	1001157402	Ref	With Arctic Package	D
1	2110406	3	Fitting, Straight	
2	2110408	2	Fitting, Straight	
3	2110808	6	Fitting, Straight	
4	2110404	4	Fitting, Straight	
5	2110812	9	Fitting, Straight	
6	2220811	1	Fitting, Reducer	
7	2111616	4	Fitting, Straight	
8	2112020	1	Fitting, Straight	
9	2130404	3	Fitting, Elbow	
10	2130604	1	Fitting, Elbow	
11	2130406	2	Fitting, Elbow	
12	2151616	1	Fitting, Elbow	
13	2130808	6	Fitting, Elbow	
14		Ref	Fitting, Elbow Options:	
14	2131012	1	Without Arctic Package	
14	2131008	1	With Arctic Package	
15	2131616	3	Fitting, Elbow	
16		Ref	Fitting, Tee Options:	
16	2221084	1	Without Arctic Package	
16	2170308	1	With Arctic Package	
17	2150406	2	Fitting, Elbow	
19	2170408	2	Fitting, Tee	
20	2170504	4	Fitting, Tee	
21	2170350	1	Fitting, Tee	
22	2220237	1	Fitting, Plug	
23	2221183	1	Fitting, Reducer	
24	2221088	1	Fitting, Tee	
25	2220591	1	Fitting, Reducer	
26	2170708	1	Fitting, Tee	
27	2130606	1	Fitting, Elbow	
28	2753540	2	Hose	
29		Ref	Hose Options:	
29	2754678	2	Without Arctic Package	
29	1001159294	2	With Arctic Package	
30	2130204	1	Fitting, Elbow	
31	2754401	2	Hose	
32	2753550	1	Hose	
33	2754337	2	Hose	
34	2753622	1	Hose	
35		Ref	Hose Options:	
35	2754512	2	Without Arctic Package	
35	1001106957	2	With Arctic Package	
36	2754338	1	Hose	
37	2753626	1	Hose	
38	1001095307	2	Hose	

SECTION 6 - HYDRAULIC

ITEM	PART NUMBER	QTY	DESCRIPTION	REV
39	2753685	1	Hose	
40	2753686	2	Hose	
41		Ref	Hose Options:	
41	2753628	2	Without Arctic Package	
41	2754720	2	With Arctic Package	
42		Ref	Hose Options:	
42	2753970	4	Without Arctic Package	
42	2754743	4	With Arctic Package	
43	2753971	3	Hose	
45	2753768	1	Hose	
46	1001095308	1	Hose	
47	2753664	1	Hose	
48	2753634	2	Hose	
49	1001157866	1	Hose	
50	2753667	2	Hose	
51	2131212	1	Fitting, Elbow	
52	2110810	1	Fitting, Straight	
53	2111016	1	Fitting, Straight	
54	2132016	1	Fitting, Elbow	
55	2753940	1	Hose	
56	2753942	1	Hose	
57	2220238	1	Plug	

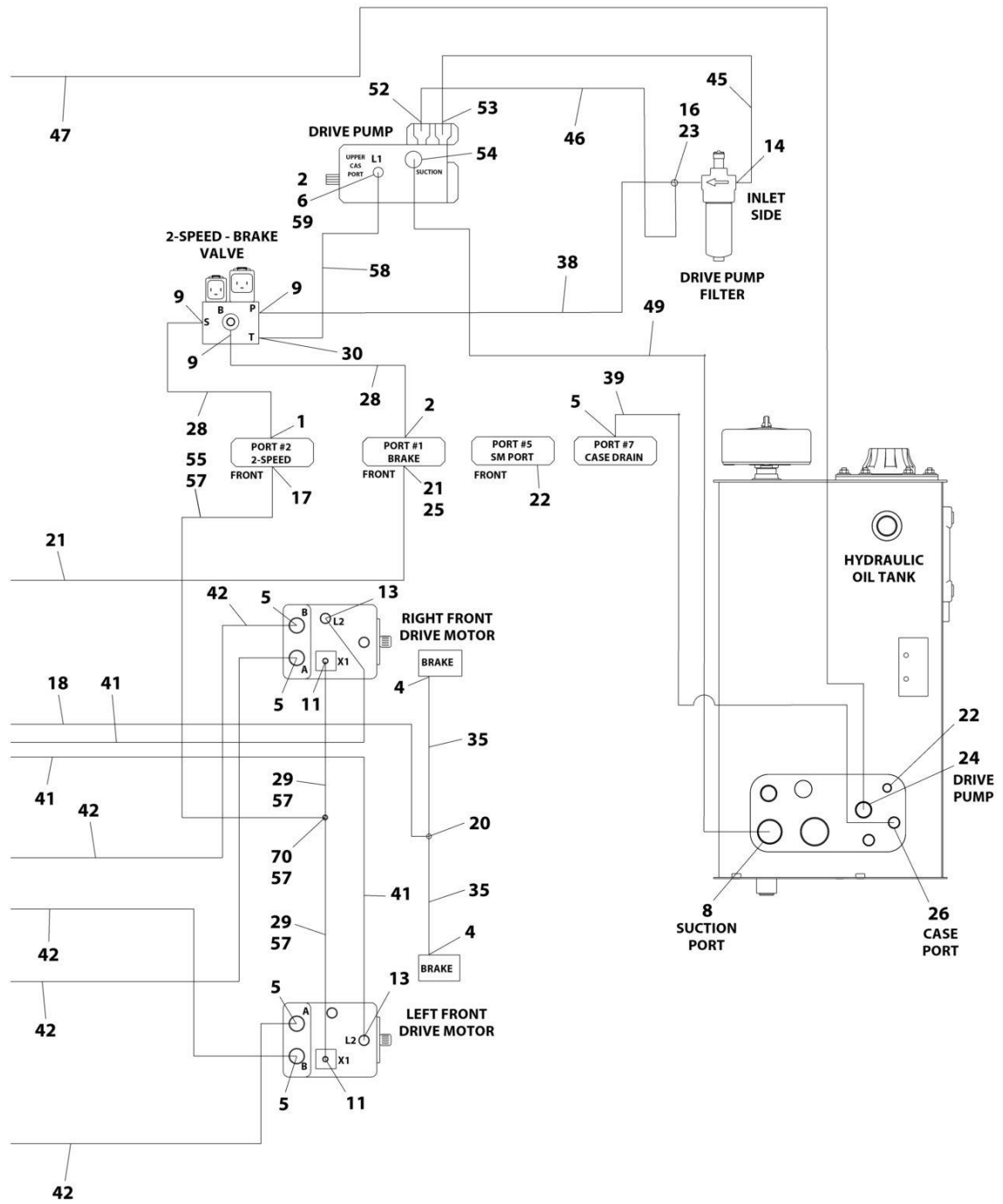
SECTION 6 - HYDRAULIC

FIGURE 6-5. DRIVE HYDRAULIC DIAGRAM - 4WD (SN 0300196955 through 0300272492, SN B300001097 through B300005730)



ART_1001178219_10F2

SECTION 6 - HYDRAULIC



ART_1001178219_2OF2

SECTION 6 - HYDRAULIC

FIGURE 6-5. DRIVE HYDRAULIC DIAGRAM - 4WD (SN 0300196955 through 0300272492, SN B300001097 through B300005730)

ITEM	PART NUMBER	QTY	DESCRIPTION	REV
		Ref	DRIVE HYDRAULIC DIAGRAM - 4WD (SN 0300196955 through 0300272492, SN B300001097 through B300005730, Except SN 0300272449 through 0300272454, Excluding B300005568)	
	1001178219	Ref	Drive Hydraulic Diagram Without Arctic Package	D
	1001178220	Ref	Drive Hydraulic Diagram With Arctic Package	E
1	2110406	3	Fitting, Straight	
2	2110408	AR	Fitting, Straight	
3	2110808	6	Fitting, Straight	
4	2110404	4	Fitting, Straight	
5	2110812	9	Fitting, Straight	
6	2220811	1	Fitting, Reducer (SN 0300182743 through 0300213729)	
6	2220811	1	Fitting, Reducer (SN B300001092 through B300001452)	
7	2111616	4	Fitting, Straight	
8	2112020	1	Fitting, Straight	
9	2130404	3	Fitting, Elbow	
10	2130604	1	Fitting, Elbow	
11	2130406	2	Fitting, Elbow	
12	2151616	1	Fitting, Elbow	
13	2130808	6	Fitting, Elbow	
14	2131012	1	Fitting, 90	
15	2131616	3	Fitting, Elbow	
16	2221084	1	Fitting, Tee (Without Arctic Package) (SN 0300182743 through 0300213729)	
16	2170308	1	Fitting, Tee (With Arctic Package) (SN 0300182743 through 0300213729)	
16	1001198337	1	Fitting, Tee (SN 0300213730 through 0300272492, Except SN 0300272449 through 0300272454)	
16	2221084	1	Fitting, Tee (Without Arctic Package) (SN B30000192 through B300001452)	
16	2170308	1	Fitting, Tee (With Arctic Package) (SN B300001092 through B300001452)	
16	1001198337	1	Fitting, Tee (SN B300001453 through B300005730, Excluding B300005568)	
17	2150406	2	Fitting, Elbow	
18	2753542	1	Hose	
19	2170408	2	Fitting, Tee	
20	2170504	2	Fitting, Tee	
21	2170350	1	Fitting, Tee (SN 0300182743 through 0300213729)	
21	1001198338	1	Fitting, Tee (SN 0300213730 through 0300272492, Except SN 0300272449 through 0300272454)	
21	2170350	1	Fitting, Tee (SN B300001092 through B300001452)	
21	1001198338	1	Fitting, Tee (SN B300001453 through B300005730, Excluding B300005568)	
22	2220237	1	Fitting, Plug	
23	2221183	1	Fitting, Reducer (SN 0300182743 through 0300213729)	
23	2221183	1	Fitting, Reducer (SN B300001092 through B300001452)	
24	2111212	1	Fitting, Straight	
25	2220591	1	Fitting, Reducer (SN 0300182743 through 0300213729)	
25	2220591	1	Fitting, Reducer (SN B300001092 through B300001452)	
26	2110808	1	Fitting, Straight	
27	2130606	1	Fitting, Elbow	

SECTION 6 - HYDRAULIC

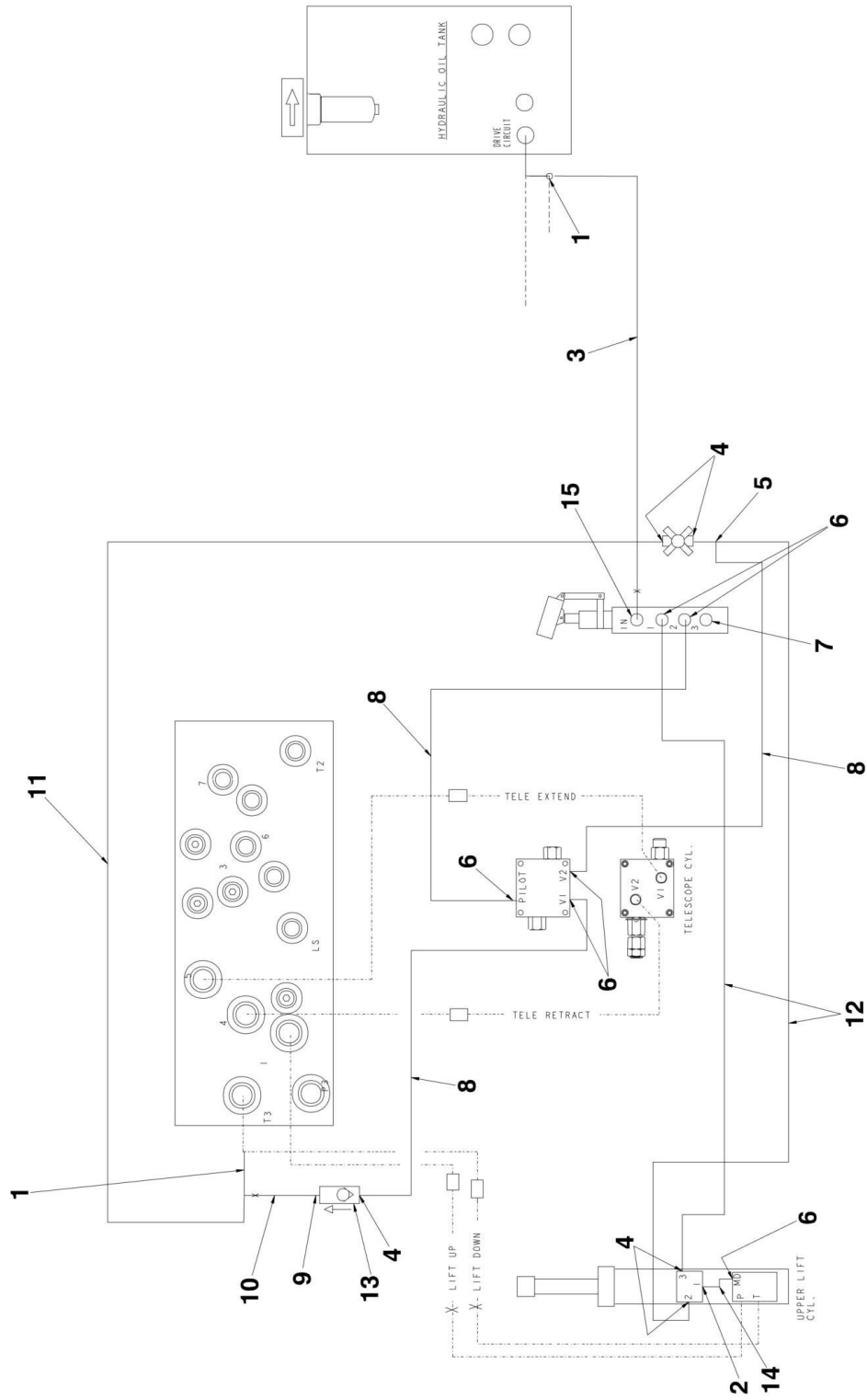
ITEM	PART NUMBER	QTY	DESCRIPTION	REV
28	2753540	2	Hose	
29	2754678	2	Hose (Without Arctic Package) (SN 0300182743 through 0300213729)	
29	2754678	1	Hose (Without Arctic Package) (SN B300001092 through B300001452)	
29	1001159294	2	Hose (With Arctic Package) (SN 0300182743 through 0300213729)	
29	1001159294	1	Hose (With Arctic Package) (SN B300001092 through B300001452)	
30	2130204	1	Fitting, Elbow	
31	2754401	2	Hose (SN 0300182743 through 0300213729)	
31	2754401	1	Hose (SN B300001092 through B300001452)	
32	2753550	1	Hose (SN 0300182743 through 0300213729)	
32	2753550	1	Hose (SN B300001092 through B300001452)	
33	2754337	2	Hose	
34	2753622	1	Hose	
35	2754512	2	Hose (Without Arctic Package)	
35	1001106957	2	Hose (With Arctic Package)	
36	2754338	1	Hose	
37	2753626	1	Hose	
38	1001095307	1	Hose	
39	2753685	1	Hose	
40	2753686	2	Hose	
41	2753628	2	Hose (Without Arctic Package)	
41	2754720	2	Hose (With Arctic Package)	
42	2753970	4	Hose (Without Arctic Package)	
42	2754743	4	Hose (With Arctic Package)	
43	2753971	3	Hose	
44	2220238	1	Plug	
45	2753768	1	Hose	
46	1001095308	1	Hose	
47	2753699	1	Hose	
48	2753634	2	Hose	
49	1001157866	1	Hose	
50	2753667	2	Hose	
51	2131212	1	Fitting, Elbow	
52	2110810	1	Fitting, Straight	
53	2111016	1	Fitting, Straight	
54	2132016	1	Fitting, Elbow	
55	2753940	1	Hose (SN 0300182743 through 0300213729)	
55	2753940	1	Hose (SN B300001092 through B300001452)	
56	1001198340	1	Hose with Crimped Tee (SN 0300213730 through 0300272492, Except SN 0300272449 through 0300272454)	
56	1001198340	1	Hose with Crimped Tee (SN B300001453 through B300005730, Excluding B300005568)	
57	1001198341	1	Hose with Crimped Tee (Without Arctic Package) (SN 0300213730 through 0300272492, Except SN 0300272449 through 0300272454)	
57	1001204269	1	Hose with Crimped Tee (Without Arctic Package) (SN B300001453 through B300005730, Excluding B300005568)	
57	1001198341	1	Hose with Crimped Tee (With Arctic Package) (SN 0300213730 through 0300272492, Except SN 0300272449 through 0300272454)	

SECTION 6 - HYDRAULIC

ITEM	PART NUMBER	QTY	DESCRIPTION	REV
57	1001204269	1	Hose with Crimped Tee (Without Arctic Package) (SN B300001453 through B300005730, Excluding B300005568)	
58	1001095307	1	Hose (SN 0300182743 through 0300213729)	
58	2753555	1	Hose (SN 0300213730 through 0300272492, Except SN 0300272449 through 0300272454)	
58	1001095307	1	Hose (SN B300001092 through B300001452)	
58	2753555	1	Hose (SN B300001453 through B300005730, Excluding B300005568)	
59	1001199396	1	Fitting, 90 (SN 0300213730 through 0300272492, Except SN 0300272449 through 0300272454)	
59	1001199396	1	Fitting, 90 (SN B300001453 through B300005730, Excluding B300005568)	
70	2170504	2	Fitting, Tee (SN 0300182743 through 0300213729)	
70	2170504	2	Fitting, Tee (SN B300001092 through B300001452)	

SECTION 6 - HYDRAULIC

FIGURE 6-6. MANUAL DESCENT HYDRAULIC DIAGRAM (OPTIONAL)



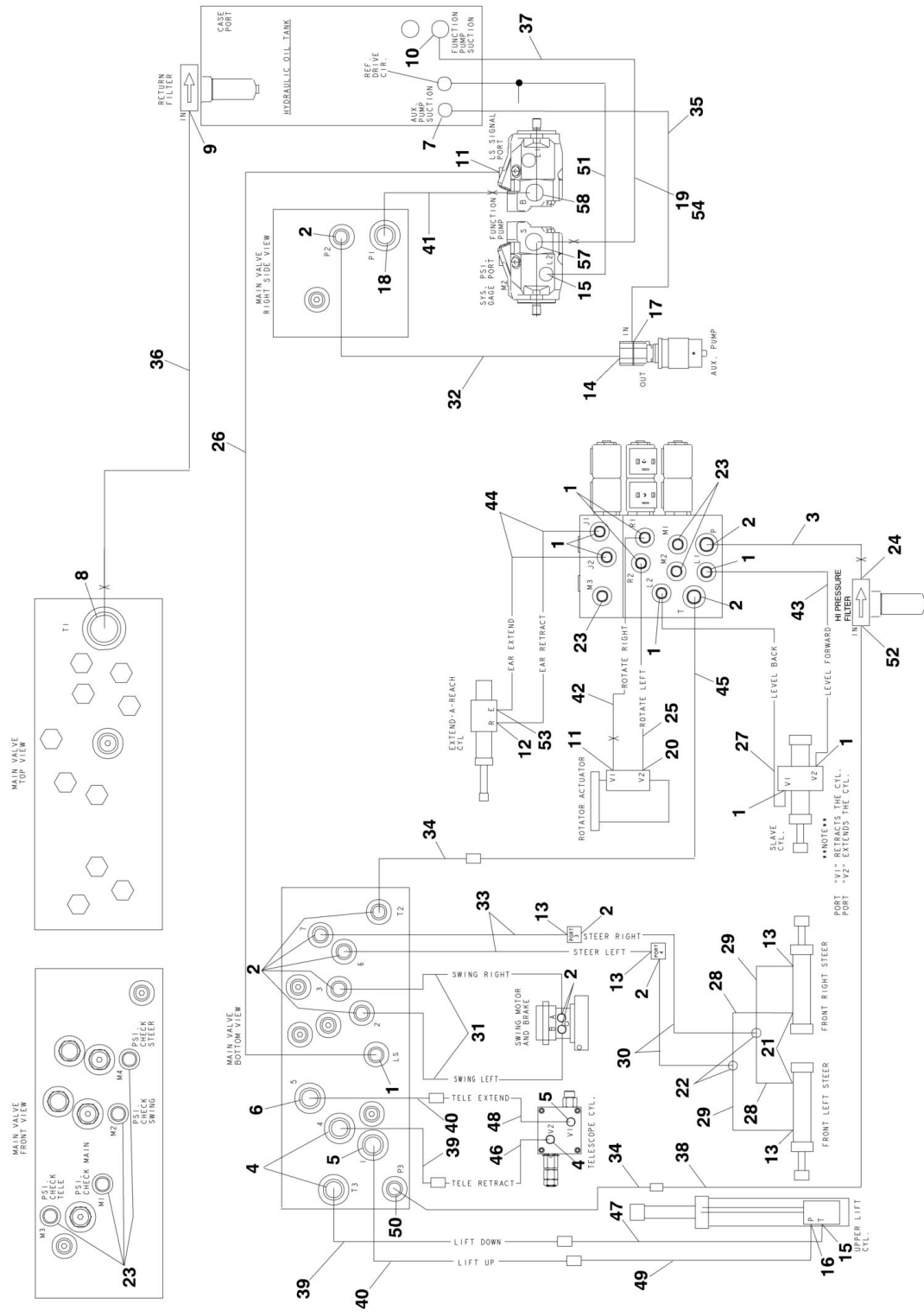
SECTION 6 - HYDRAULIC

FIGURE 6-6. MANUAL DESCENT HYDRAULIC DIAGRAM (OPTIONAL)

ITEM	PART NUMBER	QTY	DESCRIPTION	REV
	2792597	Ref	MANUAL DESCENT HYDRAULIC DIAGRAM	A
1	2170708	2	Fitting, Tee	
2	2110406	1	Fitting	
3	2753578	1	Hose	
4	2130406	5	Fitting, Elbow	
5	2170804	1	Fitting, Tee	
6	2130404	6	Fitting, Elbow	
7	2220235	1	Fitting, Plug	
8	2753678	3	Hose	
9	2170306	1	Fitting, Tee	
10	2753895	1	Hose	
11	2753896	1	Hose	
12	2753897	2	Hose	
13	4640774	1	Valve, Check	
14	4568708	1	Tube	
15	2110604	1	Fitting	

SECTION 6 - HYDRAULIC

FIGURE 6-7. STANDARD HYDRAULIC DIAGRAM (SN 0300182743 through 0300190436)



SECTION 6 - HYDRAULIC

FIGURE 6-7. STANDARD HYDRAULIC DIAGRAM (SN 0300182743 through 0300190436)

ITEM	PART NUMBER	QTY	DESCRIPTION	REV
		Ref	STANDARD HYDRAULIC DIAGRAM	
	1001157396	Ref	Standard Hydraulic Diagram (680S,800S)	D
	1001157397	Ref	Standard Hydraulic Diagram (860SJ)	D
1	2110404	AR	Fitting, Straight	
2	2110606	12	Fitting, Straight	
3	2717059	1	Hose	
4	2110808	3	Fitting, Straight	
5	2111008	2	Fitting, Straight	
6	2111010	1	Fitting, Straight	
7	2151212	1	Fitting, Elbow	
7	2111212	1	Fitting, Straight	
8	2111612	1	Fitting, Elbow	
9	2111616	1	Fitting, Straight	
10	2112424	1	Fitting, Straight	
11	2130404	1	Fitting, Elbow	
12		Ref	Fitting, Elbow Options:	
12	Not Required	0	Fitting, Elbow (800S)	
12	2130406	1	Fitting, Elbow (860SJ)	
13	2130606	4	Fitting, Elbow	
14	2130608	1	Fitting, Elbow	
15	2130810	1	Fitting, Elbow	
16	2131010	1	Fitting, Elbow	
17	2111208	1	Fitting, Straight	
18	2131212	1	Fitting, Elbow	
19	4240018	3	Tie-Strap	
20	2150404	1	Fitting, Elbow	
21	2110606	2	Fitting, Straight	
22	2170506	2	Fitting, Tee	
23	2221086	AR	Fitting, Pressure Check	
24	2110612	1	Fitting, Straight	
25	2753545	1	Hose	
26	2753622	1	Hose	
27		Ref	Hose Options:	
27	2753622	1	Hose (800S)	
27	2753677	1	Hose (860SJ)	
28	1001159340	2	Hose	
29	2753656	2	Hose	
30	2753632	2	Hose	
31	2753653	2	Hose	
32	2753654	1	Hose	
33	2753656	2	Hose	
34	2753657	2	Hose	
35	1001111968	1	Hose	
36	2753665	1	Hose	
37	1001157851	1	Hose	
38		Ref	Hose Options:	
38	2753693	1	Hose (800S)	
38	2753692	1	Hose (860SJ)	
39	2753670	2	Hose	
40	2753671	2	Hose	

SECTION 6 - HYDRAULIC

ITEM	PART NUMBER	QTY	DESCRIPTION	REV
41	1001157852	1	Hose	
42	2753674	1	Hose	
43		Ref	Hose Options:	
43	2753675	1	Hose (800S)	
43	2753678	1	Hose (860SJ)	
44		Ref	Hose Options:	
44	Not Required	0	Hose (800S)	
44	2753676	2	Hose (860SJ)	
45		Ref	Hose Options:	
45	2753679	1	Hose (800S)	
45	2753680	1	Hose (860SJ)	
46	2753681	1	Hose	
47	2753682	1	Hose	
48	2753683	1	Hose	
49	2753684	1	Hose	
50	2110608	1	Fitting, Straight	
51	2753590	1	Hose	
52	2130612	1	Fitting, Elbow	
53		Ref	Fitting, Elbow Options:	
53	Not Required	0	Fitting, Elbow (800S)	
53	2180829	1	Fitting, Elbow (860SJ)	
54	4061032	1	Hose Guard	
57	2220737	1	Split Flange Kit	
58	2220478	1	Split Flange Kit	

SECTION 6 - HYDRAULIC

FIGURE 6-8. STANDARD HYDRAULIC DIAGRAM (SN 0300190437 through 0300196954, SN B300001092 through B300001096)

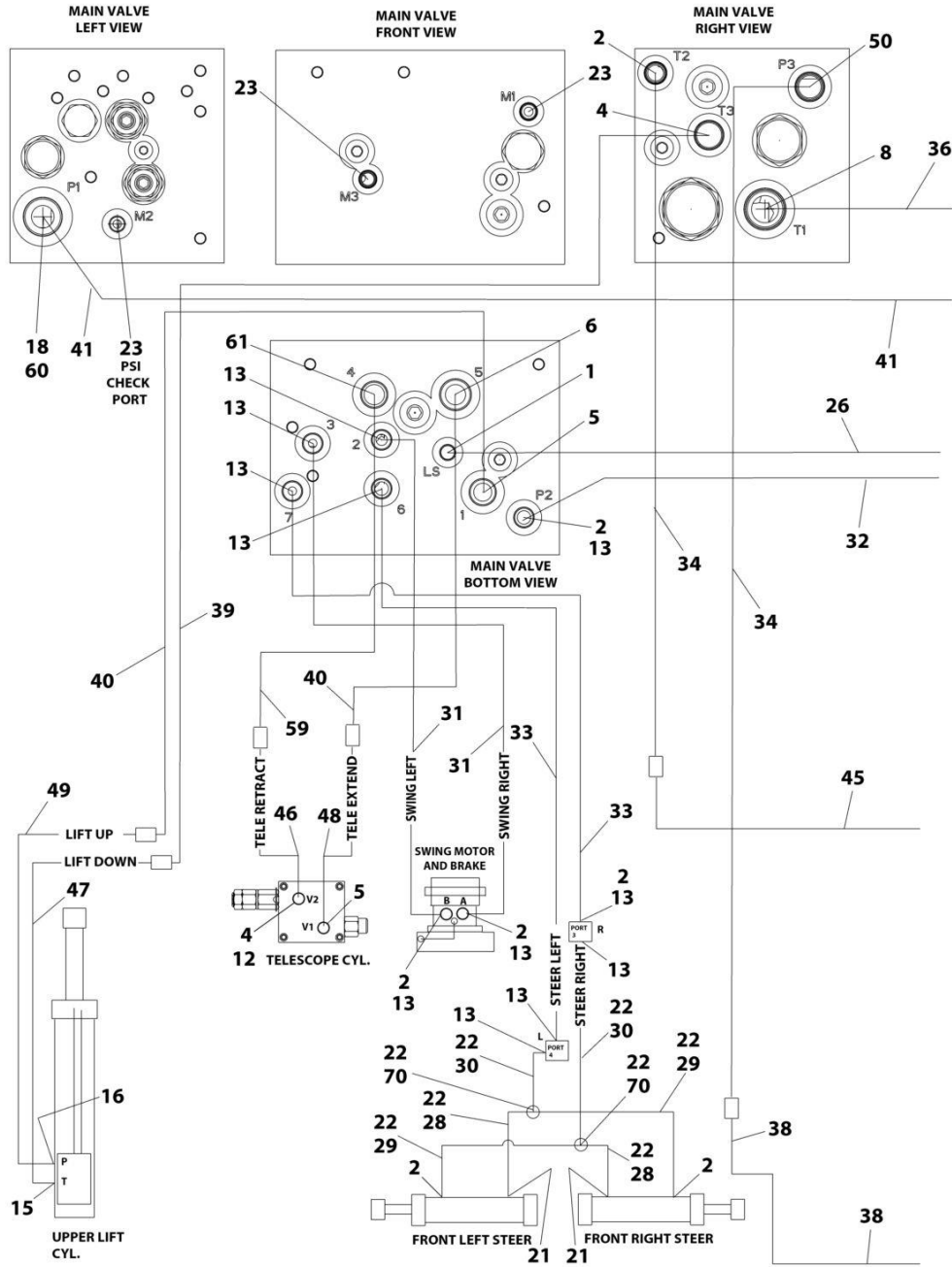
ITEM	PART NUMBER	QTY	DESCRIPTION	REV
		Ref	STANDARD HYDRAULIC DIAGRAM	
	1001167276	Ref	Standard Hydraulic Diagram (680S,800S)	F
	1001167277	Ref	Standard Hydraulic Diagram (860SJ)	E
1	2110404	AR	Fitting, Straight	
2	2110606	8	Fitting, Straight	
3	2717059	1	Hose	
4	2170208	2	Fitting, Straight	
5	2111008	2	Fitting, Straight	
6	2111010	1	Fitting, Straight	
7	2111212	1	Fitting, Straight	
8	88662327	1	Fitting, Straight	
9	2111616	1	Fitting, Straight	
10	2112424	1	Fitting, Straight	
11	2130404	2	Fitting, Elbow	
12		Ref	Fitting, Elbow Options :	
12	Not Required	0	Fitting, Elbow (800S)	
12	2130406	1	Fitting, Elbow (860SJ)	
13	2130606	8	Fitting, Elbow	
14	2130608	1	Fitting, Elbow	
15	2130810	2	Fitting, Elbow	
16	2131010	1	Fitting, Elbow	
17	2111208	1	Fitting, Straight	
18	2111212	1	Fitting, Straight	
19	4240018	3	Tie-Strap	
20	2150404	1	Fitting, Elbow	
21	2110606	2	Fitting, Straight	
22	2170506	2	Fitting, Tee	
23	2221086	AR	Fitting, Pressure Check	
24	2110612	1	Fitting, Straight	
25	2753545	1	Hose	
26	2753622	1	Hose	
27		Ref	Hose Options:	
27	2753622	1	Hose (800S)	
27	2753677	1	Hose (860SJ)	
28	1001159340	2	Hose	
29	2753656	2	Hose	
30	2753732	2	Hose	
31	2753653	2	Hose	
32	2753654	1	Hose	
33	2753656	2	Hose	
34	1001167194	2	Hose	
35	1001111968	1	Hose	
36	1001177226	1	Hose	
37	1001157851	1	Hose	
38		Ref	Hose Options:	
38	2753693	1	Hose (800S)	
38	2753692	1	Hose (860SJ)	
39	2753670	1	Hose	
40	2753671	2	Hose	

SECTION 6 - HYDRAULIC

ITEM	PART NUMBER	QTY	DESCRIPTION	REV
41	1001157852	1	Hose (SN 0300190437 through 0300195666)	
41	1001181894	1	Hose (SN 0300195667 through 0300196954)	
41	1001181894	1	Hose (SN B300001092 through B300001096)	
42	2753674	1	Hose	
43		Ref	Hose Options:	
43	2753675	1	Hose (800S)	
43	2753678	1	Hose (860SJ)	
44		Ref	Hose Options:	
44	Not Required	0	Hose (800S)	
44	2753676	2	Hose (860SJ)	
45		Ref	Hose Options:	
45	2753679	1	Hose (800S)	
45	2753680	1	Hose (860SJ)	
46	2753681	1	Hose	
47	2753682	1	Hose	
48	2753686	1	Hose	
49	2753684	1	Hose	
50	2110608	1	Fitting, Straight	
51	2753590	1	Hose	
52	2130612	1	Fitting, Elbow	
53		Ref	Fitting, Elbow Options:	
53	Not Required	0	Fitting, Elbow (800S)	
53	2180829	1	Fitting, Elbow (860SJ)	
54	4061032	1	Hose, Guard	
57	2220737	1	Split Flange Kit	
58	2220478	1	Split Flange Kit	
59	1001167196	1	Hose	
60	2172112	1	Fitting, 90	
61	2110808	1	Fitting, Straight	

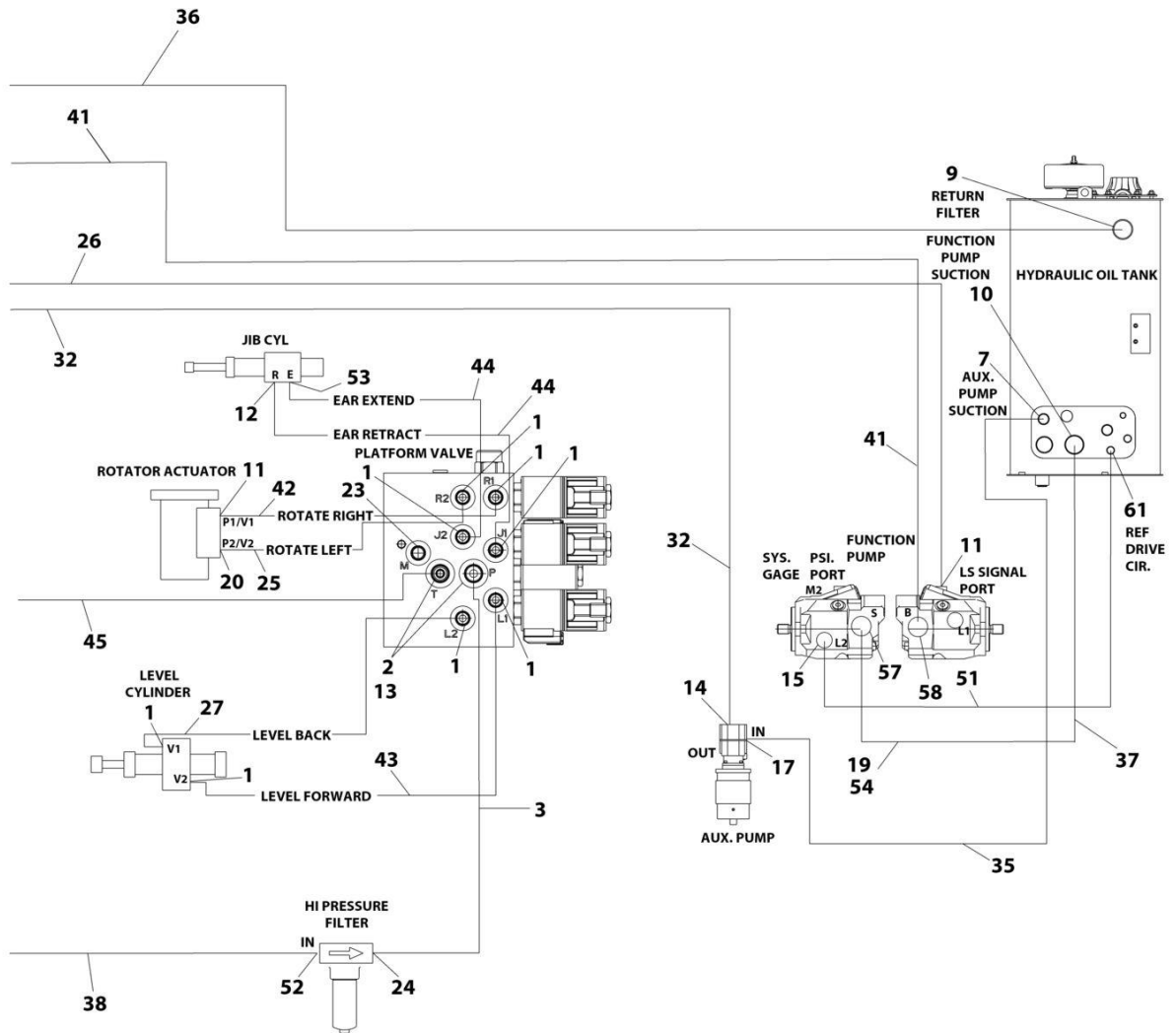
SECTION 6 - HYDRAULIC

FIGURE 6-9. STANDARD HYDRAULIC DIAGRAM (SN 0300196955 through 0300272492, SN B300001097 through B300005730)



ART_1001178217_10F2

SECTION 6 - HYDRAULIC



ART_1001178217_20F2

SECTION 6 - HYDRAULIC

FIGURE 6-9. STANDARD HYDRAULIC DIAGRAM (SN 0300196955 through 0300272492, SN B300001097 through B300005730)

ITEM	PART NUMBER	QTY	DESCRIPTION	REV
		Ref	STANDARD HYDRAULIC DIAGRAM	
	1001178215	Ref	Standard Hydraulic Diagram (680S,800S)	I
	1001178217	Ref	Standard Hydraulic Diagram (860SJ)	I
1	2110404	AR	Fitting, Straight	
2	2110606	AR	Fitting, Straight	
3	2717059	1	Hose	
4	2110808	AR	Fitting, Straight (SN 0300182743 through 0300213729)	
4	2170208	1	Fitting, 90 (SN 0300213730 through 0300272492, Except SN 0300272449 through 0300272454)	
4	2110808	AR	Fitting, Straight (SN B300001092 through B300001452)	
4	2170208	1	Fitting, 90 (SN B300001453 through B300005730, Excluding B300005568)	
5	2111008	2	Fitting, Straight	
6	2111010	1	Fitting, Straight	
7	2111212	1	Fitting, Straight	
8	88662327	1	Fitting, Straight	
9	2111616	1	Fitting, Straight	
10	2112424	1	Fitting, Straight	
11	2130404	2	Fitting, Elbow	
12	2130406	AR	Fitting, Elbow (860SJ)	
13	2130606	AR	Fitting, Elbow	
14	2130608	1	Fitting, Elbow	
15	2130810	2	Fitting, Elbow	
16	2131010	1	Fitting, Elbow	
17	2111208	1	Fitting, Straight	
18	2111212	1	Fitting, Straight	
19	4240018	3	Tie-Strap	
20	2150404	1	Fitting, Elbow	
21	2110606	2	Fitting, Straight	
22	1001198333	2	Hose with Crimped Tee (SN 0300213730 through 0300272492, Except SN 0300272449 through 0300272454)	
22	1001198333	2	Hose with Crimped Tee (SN B300001453 through B300005730, Excluding B300005568)	
23	2221086	AR	Fitting, Pressure Check	
24	2110612	1	Fitting, Straight	
25	2753545	1	Hose	
26	2753622	1	Hose	
27	2753622	1	Hose (800S)	
27	2753677	1	Hose (860SJ)	
28	1001159340	2	Hose (SN 0300182743 through 0300213729)	
28	1001159340	2	Hose (SN B300001092 through B300001452)	
29	2753656	2	Hose (SN 0300182743 through 0300213729)	
29	2753656	2	Hose (SN B300001092 through B300001452)	
30	2753732	2	Hose (SN 0300182743 through 0300213729)	
30	2753732	2	Hose (SN B300001092 through B300001452)	
31	2753653	2	Hose	
32	2753654	1	Hose	
33	2753656	2	Hose	
34	1001167194	2	Hose	
35	1001111968	1	Hose	

SECTION 6 - HYDRAULIC

ITEM	PART NUMBER	QTY	DESCRIPTION	REV
36	1001177226	1	Hose	
37	1001157851	1	Hose	
38	2753693	1	Hose (800S)	
38	2753692	1	Hose (860SJ)	
39	2753670	1	Hose	
40	2753671	2	Hose	
41	1001181894	1	Hose	
42	2753674	1	Hose	
43	2753675	1	Hose (800S)	
43	2753678	1	Hose (860SJ)	
44	2753676	2	Hose (860SJ)	
45	2753679	1	Hose (800S)	
45	2753680	1	Hose (860SJ)	
46	2753681	1	Hose	
47	2753682	1	Hose	
48	2753683	1	Hose	
49	2753684	1	Hose	
50	2110608	1	Fitting, Straight	
51	2755022	1	Hose	
52	2130612	1	Fitting, Elbow	
53	2180829	1	Fitting, Elbow (860SJ)	
54	4061032	1	Hose, Guard	
57	2220737	1	Split Flange Kit	
58	2220478	1	Split Flange Kit	
59	1001167196	1	Hose	
60	2172112	AR	Fitting, 90	
61	2110808	2	Fitting, Straight	
70	2170506	2	Fitting, Tee (SN 0300182743 through 0300213729)	
70	2170506	2	Fitting, Tee (SN B300001092 through B300001452)	

SECTION 6 - HYDRAULIC

FIGURE 6-10. HYDRAULIC DIAGRAM LIST

ITEM	PART NUMBER	QTY	DESCRIPTION	REV
		Ref	Note: Information on diagrams not shown are available from JLG Service/Parts Departments. See Service and Maintenance Manual for Schematics.	
	1001157400	Ref	Axle Lockout Hydraulic Diagram	
		Ref	Drive Hydraulic Diagram:	
	1001157398	Ref	2WD Machines (SN 0300182743 through 0300196954)	
	1001178218	Ref	2WD Machines (SN 0300196955 through 0300272492, Except SN 0300272449 through 0300272454)	
	1001157398	Ref	2WD Machines (SN B300001092 through B300001096)	
	1001178218	Ref	2WD Machines (SN B300001097 through B300005730, Excluding B300005568)	
	1001157399	Ref	4WD/2WS Machines (SN 0300182743 through 0300196954)	
	1001178219	Ref	4WD/2WS Machines (SN 0300196955 through 0300272492, Except SN 0300272449 through 0300272454)	
	1001157399	Ref	4WD/2WS Machines (SN B300001092 through B300001096)	
	1001178219	Ref	4WD/2WS Machines (SN B300001097 through B300005730, Excluding B300005568)	
	1001157402	Ref	4WD/2WS Machines with Arctic Package (SN 0300182743 through 0300196954)	
	1001178220	Ref	4WD/2WS Machines with Arctic Package (SN 0300196955 through 0300272492, Except SN 0300272449 through 0300272454)	
	1001157402	Ref	4WD/2WS Machines with Arctic Package (SN B300001092 through B300001096)	
	1001178220	Ref	4WD/2WS Machines with Arctic Package (SN B300001097 through B300005730, Excluding B300005568)	
	2792597	Ref	Manual Descent Hydraulic Diagram (Optional)	
		Ref	Oil Cooler Hydraulic Diagrams:	
	1001158251	Ref	Deutz D2011 Engine Machines	
	1001156039	Ref	Deutz TD2.9L4 Engine Machines	
	0271939	Ref	GM Engine Machines	
	1283309	Ref	GM Engine Machines	
		Ref	Standard Hydraulic Diagram:	
	1001157396	Ref	Standard Hydraulic Diagram (680S,800S) (SN 0300182743 through 0300190436)	
	1001167276	Ref	Standard Hydraulic Diagram (680S,800S) (SN 0300190437 through 0300196954)	
	1001178215	Ref	Standard Hydraulic Diagram (Separate Tow Diagram) (680S,800S) (SN 0300196955 through 0300272492, Except SN 0300272449 through 0300272454)	
	1001217940	Ref	Standard Hydraulic Diagram (Includes Tow Diagram) (680S,800S) (SN 0300227015 through 0300272492, Except SN 0300272449 through 0300272454)	
	1001167276	Ref	Standard Hydraulic Diagram (800S) (SN B300001092 through B300001096)	
	1001178215	Ref	Standard Hydraulic Diagram (Separate Tow Diagram) (800S) (SN B300001097 through B300005730, Excluding B300005568)	
	1001217940	Ref	Standard Hydraulic Diagram (Includes Tow Diagram) (800S) (SN B300001750 through B300005730, Excluding B300005568)	
	1001157397	Ref	Standard Hydraulic Diagram (860SJ) (SN 0300182743 through 0300190436)	

SECTION 6 - HYDRAULIC

ITEM	PART NUMBER	QTY	DESCRIPTION	REV
	1001167277	Ref	Standard Hydraulic Diagram (860SJ) (SN 0300190437 through 0300196954)	
	1001178217	Ref	Standard Hydraulic Diagram (Separate Tow Diagram) (860SJ) (SN 0300196955 through 0300272492, Except SN 0300272449 through 0300272454)	
	1001217941	Ref	Standard Hydraulic Diagram (Includes Tow Diagram) (860SJ) (SN 0300227015 through 0300272492, Except SN 0300272449 through 0300272454)	
	1001167277	Ref	Standard Hydraulic Diagram (860SJ) (SN B300001092 through B300001096)	
	1001178217	Ref	Standard Hydraulic Diagram (Separate Tow Diagram) (860SJ) (SN B300001097 through B300005730, Excluding B300005568)	
	1001217941	Ref	Standard Hydraulic Diagram (Includes Tow Diagram) (860SJ) (SN B300001750 through B300005730, Excluding B300005568)	
		Ref	Standard Hydraulic Schematic:	
	2792678	Ref	Deutz D2011 Engine Machines (SN 0300182743 through 0300185779)	
	1001149880	Ref	Deutz TD2.9L4 Engine Machines (SN 0300182743 through 0300185779)	
	2792678	Ref	GM Engine Machines (SN 0300182743 through 0300185779)	
	1001161563	Ref	All Machines (SN 0300185780 through 0300190436)	
	1001167259	Ref	All Machines (SN 0300190437 through 0300272492, Except SN 0300272449 through 0300272454)	
	1001167259	Ref	All Machines (SN B300001092 through B300005730, Excluding B300005568)	
	1001157401	Ref	Tow Hydraulic Diagram (SN 0300182743 through 0300227014)	
		Ref	Tow Hydraulic Diagram (SN 0300227015 through 0300272492, Except SN 0300272449 through 0300272454)	
	1001157401	Ref	Tow Hydraulic Diagram (SN B300001092 through B300001749)	
		Ref	Tow Hydraulic Diagram (SN B300001750 through B300005730, Excluding B300005568)	

SECTION 7 - ELECTRICAL

SECTION 7 - ELECTRICAL

FIGURE 7-1. ELECTRICAL DIAGRAM LIST

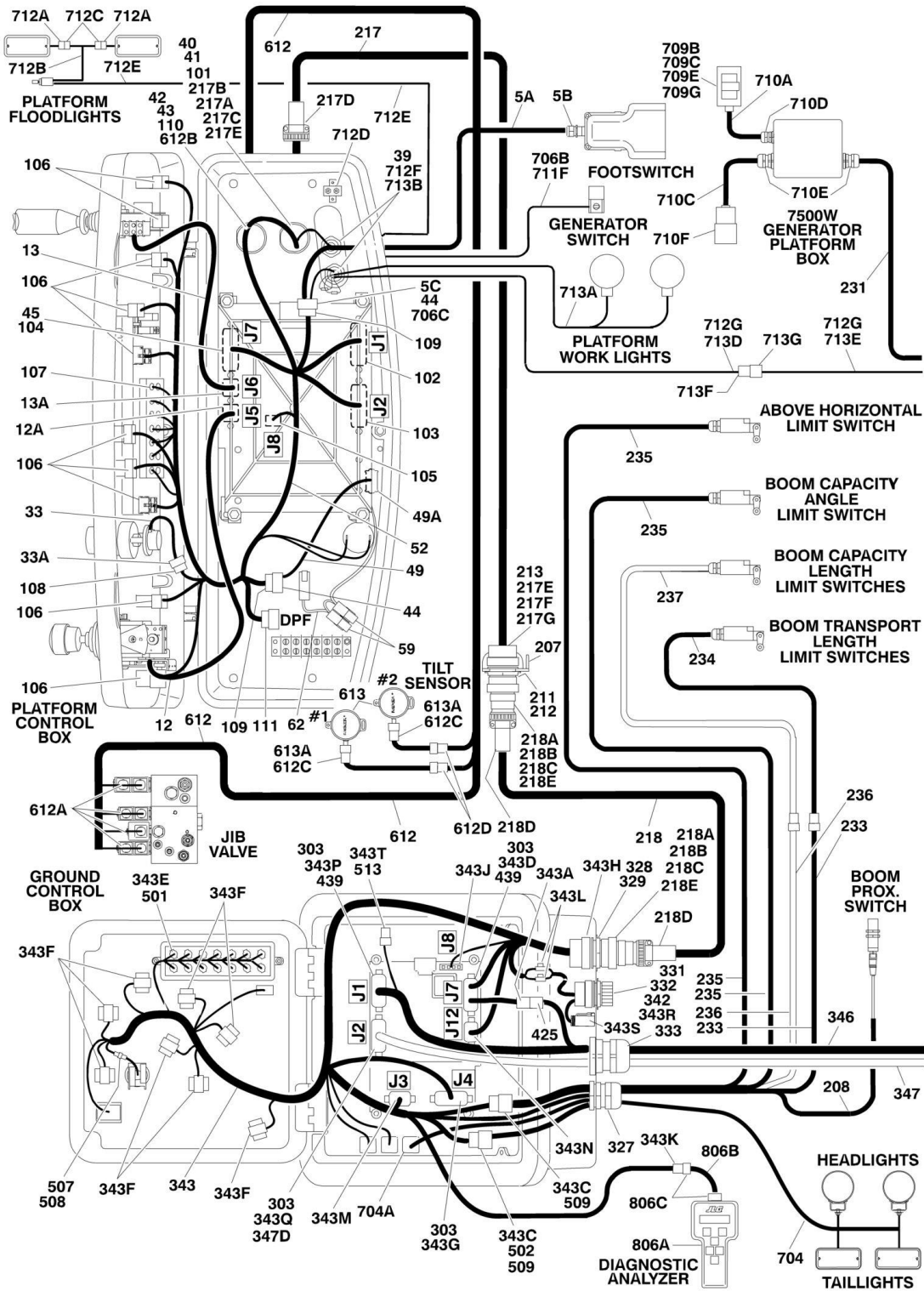
ITEM	PART NUMBER	QTY	DESCRIPTION	REV
		Ref	Note: Diagrams are available from the JLG Service Department. See Service & Maintenance Manual for Schematics.	
		Ref	GENERATOR ELECTRICAL DIAGRAM	
		Ref	2500W Generators (50Hz)	
	1001112743	Ref	ANSI Export Specs - Deutz	
		Ref	2500W Generators (60Hz)	
	1001112588	Ref	ANSI Specs - Deutz Engines Only	
	4933350	Ref	ANSI Specs - Ford & GM Engines Only	
		Ref	4000W Generators (50Hz)	
	1001153025	Ref	Deutz Engines (ANSI Export & Japanese Specs) (SN 0300182743 through 0300204764, SN B300001092 through B300001327)	
	1001194437	Ref	Deutz Engines (ANSI Export & Japanese Specs) (SN 0300204765 through 0300272492, SN B300001328 through B300005730, Except SN 0300272449 through 0300272454, Excluding B300005568)	
	1001159648	Ref	Deutz Engines (Australian Specs)	
	1001153025	Ref	Deutz Engines (CE Specs)	
	1001160271	Ref	Deutz Engines (CE UK Specs)	
		Ref	4000W Generators (60Hz)	
	1001132055	Ref	Deutz D2011 & GM Engines	
	1001132055	Ref	Deutz DT2.9L4 Engines (SN 0300182743 through 0300213719, SN B300001092 through B300001596)	
	1001153257	Ref	Deutz DT2.9L4 Engines (SN 0300213720 through 0300272492, SN B300001597 through B300005730, Except SN 0300272449 through 0300272454, Excluding B300005568)	
		Ref	7500W Generators (SkyPower) (60Hz/50Hz)	
	1001157769	Ref	Deutz D2011 Engine Machines	
	1001157770	Ref	Deutz TD2.9L4 Engine Machines	
	1001221498	Ref	Ford Engine Machines	
	1001157768	Ref	GM Engine Machines	
		Ref	LIGHTS ELECTRICAL DIAGRAM	
	4933231	Ref	Chassis Flood Lights	
	4933219	Ref	Head and Tail Lights	
	4933249	Ref	Platform Flood Lights	
	4933278	Ref	LSS PLATFORM MODULE ELECTRICAL DIAGRAM	
		Ref	PLATFORM WORKLIGHTS ELECTRICAL DIAGRAM	
	0273472	Ref	Platform Worklights Electrical Diagram (800S)	
	0273483	Ref	Platform Worklights Electrical Diagram (860SJ)	
	1001128153	Ref	Platform Worklights Electrical Diagram (4 Corner Worklights) (860SJ)	
	4933304	Ref	SKYAIR ELECTRICAL DIAGRAM	
	4933218	Ref	SOFT TOUCH ELECTRICAL DIAGRAM	
		Ref	STANDARD ELECTRICAL DIAGRAMS	
	1001154329	Ref	Deutz D2011 Engine Machines	
	1001165778	Ref	Deutz TD2.9L4 Engine and Deutz DT2.9L4 (Stage V) Engine Machines	
	1001224138	Ref	Ford Engine Machines	
	1001154328	Ref	GM Engine Machines	
		Ref	STANDARD ELECTRICAL SCHEMATICS	
	1001159732	Ref	Deutz, Ford & GM Engine Machines	

SECTION 7 - ELECTRICAL

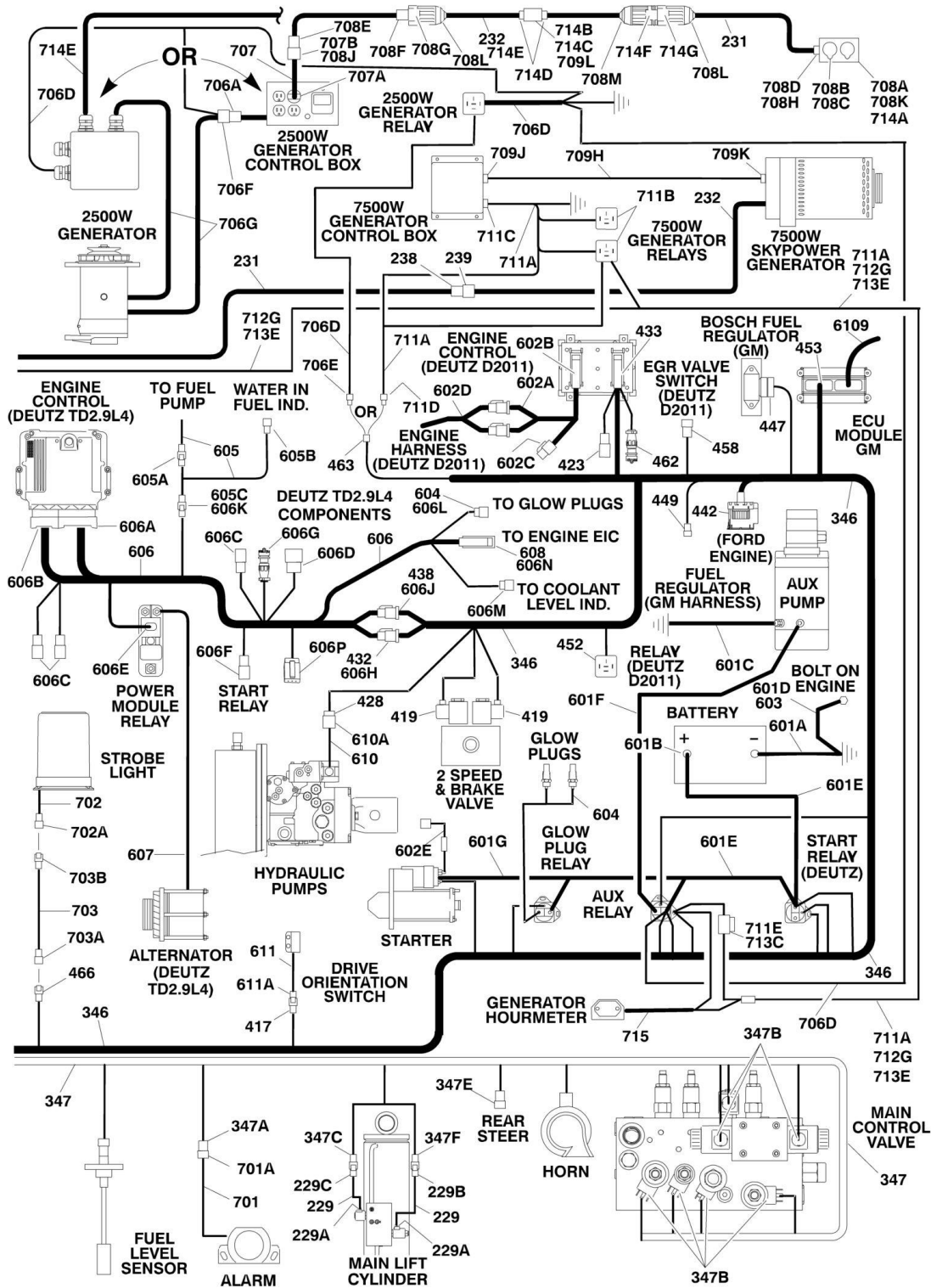
ITEM	PART NUMBER	QTY	DESCRIPTION	REV
	1001131992	Ref	GM Engine Schematic (Engine Schematic Only. P/N 1001159732 is Schematic for complete machine)	

SECTION 7 - ELECTRICAL

FIGURE 7-2. HARNESS COMPONENTS INSTALLATION



SECTION 7 - ELECTRICAL



SECTION 7 - ELECTRICAL

FIGURE 7-2. HARNESS COMPONENTS INSTALLATION

ITEM	PART NUMBER	QTY	DESCRIPTION	REV
		Ref	PLATFORM CONSOLE BOX COMPONENTS	
5		Ref	Footswitch Components	
5A	1060918	7.5 ft/ 2.3m	Cable, Electrical - 18/3	
5A	0100020	AR	Sealant	
5B	4460071	1	Connector, Strain Relief	
5C	4460464	1	Pin, Male	
5C	4460226	2	Socket, Female	
12	See Note	NSS	Controller Harness Assembly (Lift and Swing) (Note: Purchase Complete Controller)	
12A	7022819	1	Plug, Male - 8 Position (Natural)	
12A	4460871	8	Socket, Female	
13	See Note	NSS	Controller Harness/Circuit Board Assembly (Drive and Steer) (Note: Purchase Complete Controller)	
13A	7022825	1	Plug, Male - 8 Position (Black)	
13A	4460871	7	Socket, Female	
33	See Note	NSS	Controller Harness (Speed Control) (Note: Purchase Complete Controller)	
33A	4460224	1	Receptacle, Female - 6 Position	
33A	4460226	6	Socket, Female	
39	4460428	2	Connector, Strain Relief	
40	4460470	1	Nut, Terminal	
41	4460471	1	Lockwasher, Terminal	
42	4460496	1	Lockwasher, Terminal	
43	4460497	1	Nut, Terminal	
44	4460708	2	Receptacle - 15 Position	
45	4460905	5	Seal, Plug	
49	4922666	1	Harness, Analyzer Cable	C
49	4460226	4	Socket, Female (Not Shown - Located at J2)	
49A	4460761	1	Connector, Female - 4 Position	
49A	4460227	4	Pin, Male	
52		Ref	Harness, Platform Box Options (See Items 101-111 for Breakdown):	
52	1001141136	1	Harness, Platform Box (Machines without LSS or with 4 Cell LSS) (Without SkyGuard)	
52	1001186237	1	Harness, Platform Box (Machines without LSS or with 4 Cell LSS) (With SkyGuard)	
52	1001220282	1	Harness, Platform Box (Machines with 1 Cell LSS)	
59	1001186431	2	Relay (Machines with 1 Cell LSS)	
62	1001225580	1	Harness, Interface (Machines with 1 Cell LSS)	
	1001141136	Ref	PLATFORM BOX HARNESS ASSEMBLY (MACHINES WITHOUT LSS OR WITH 4 CELL LSS) (WITHOUT SKYGUARD)	B
	1001186237	Ref	PLATFORM BOX HARNESS ASSEMBLY (MACHINES WITHOUT LSS OR WITH 4 CELL LSS) (WITH SKYGUARD)	C
	1001220282	Ref	PLATFORM BOX HARNESS ASSEMBLY (MACHINES WITH 1 CELL LSS)	E
101	4460866	1	Connector - 19 Pin	
101	4460929	10	Pin, Male Deutsch 16Ga	
101	4460508	3	Pin, Male Deutsch 12Ga	
102	4460874	1	Connector - 35 Position (Natural)	
102	4460871	23	Socket, Female	
103	4460876	1	Connector - 35 Position (Blue)	

SECTION 7 - ELECTRICAL

ITEM	PART NUMBER	QTY	DESCRIPTION	REV
103	4460871	23	Socket, Female	
104	4460873	1	Connector - 35 Position (Black)	
104	4460871	28	Socket, Female	
105	4460879	1	Connector, Male 2 Position	
105	4460887	2	Terminal (12 Gauge)	
106	4460418	7	Connector, Female - 6 Position	
106	4460419	21	Socket, Female	
107	4460225	4	Connector - 6 Position	
107	4460226	18	Terminal (16 Gauge)	
108	4460225	1	Connector - 6 Position	
108	4460227	5	Pin, Male	
109	4460434	2	Connector - 15 Position	
109	4460227	AR	Pin, Male	
110	4460925	1	Connector - 21 Pin	
110	4460929	8	Pin, Male Deutsch 16Ga	
110	4460917	8	Pin, Male Deutsch 12Ga	
111	4460266	1	Connector - 9 Position	
111	4460227	7	Pin, Male	
112	4460884	1	Connector - 4 Position (Not Shown) (With SkyGuard - To Platform Sensor)	
112	4460944	4	Socket, Female (Not Shown)	
112	4460932	1	Connector, Female - 4 Position (Not Shown) (With SkyGuard)	
113	1001116720	4	Terminal, Female (Not Shown) (With SkyGuard - To Relays 1 & 2)	
114	1001118388	4	Terminal, Female (Not Shown) (With SkyGuard - To Relays 1 & 2)	
115	4460539	1	Receptacle, Female - 3 Position (Not Shown) (With SkyGuard - Connection X001)	
115	4460943	2	Pin, Male (Not Shown)	
116	4460536	1	Plug, Male - 3 Position (Not Shown) (With SkyGuard - Connection X002)	
116	4460944	2	Socket, Female (Not Shown)	
117	4460708	2	Connector, Female - 15 Position (Not Shown) (With SkyGuard)	
117	4460226	3	Socket, Female (Not Shown)	
118	4460894	1	Plug, Male - 6 Position (Not shown) (Machines with 1 Cell LSS)	
118	4460465	5	Socket, Female (Not Shown) (Machines with 1 Cell LSS)	
118	4460942	1	Socket, Female (Not Shown) (Machines with 1 Cell LSS)	
119	4460933	1	Plug, Male - 12 Position (Not Shown) (Machines with 1 Cell LSS)	
119	1001119020	1	Bussbar (Not Shown) (Machines with 1 Cell LSS)	
120	1001213447	1	Receptacle, Female - 5 Position (Not Shown) (Machines with 1 Cell LSS)	
121	2400060	1	Holder, Fuse (Not Shown) (Machines with 1 Cell LSS)	
121	8229242	1	Fuse, 5A (Not Shown) (Machines with 1 Cell LSS)	
		Ref	BOOM CABLES INSTALLATION	
		Ref	Boom Cables Installation (680S,800S)	
	0271322	Ref	All Specs except Australian and CE Specs (680S,800S)	I
	0271323	Ref	Australian and CE Specs Only (680S,800S)	I
	1001243557	Ref	China Specs without AC Cables (680S,800S)	A
	0271323	Ref	All Machines with 4000W/50Hz Generator (680S,800S)	I
	1001153324	Ref	All Machines with 4000W/60Hz Generator (680S,800S)	A
	0272388	Ref	All Specs except Australian and CE Specs with 7500W Generator and without Arctic Package (680S,800S)	I

SECTION 7 - ELECTRICAL

ITEM	PART NUMBER	QTY	DESCRIPTION	REV
	1001117399	Ref	Australian and CE Specs Only with 7500W Generator and without Arctic Package (680S,800S)	D
	1001091609	Ref	All Specs except Australian, CE and Japanese Specs without 7500W Generator and with Arctic Package (680S,800S)	C
	1001091664	Ref	All Specs except Australian, CE and Japanese Specs with 7500W Generator and Arctic Package (680S,800S)	G
		Ref	Boom Cables Installation (860SJ)	
	0271324	Ref	All Specs except Australian and CE Specs (860SJ)	I
	0271325	Ref	Australian and CE Specs Only (860SJ)	K
	1001243558	Ref	China Specs without AC Cables (860SJ)	A
	0271325	Ref	All Machines with 4000W/50Hz Generator (860SJ)	K
	1001153325	Ref	All Machines with 4000W/60Hz Generator (860SJ)	A
	0272389	Ref	All Specs except Australian and CE Specs with 7500W Generator and without Arctic Package (860SJ)	H
	1001117400	Ref	Australian and CE Specs Only with 7500W Generator and without Arctic Package (860SJ)	D
	0275586	Ref	All Specs except Australian, CE and Japanese Specs without 7500W Generator and with Arctic Package (860SJ)	B
	1001091665	Ref	All Specs except Australian, CE and Japanese Specs with 7500W Generator and Arctic Package (860SJ)	G
207	3573047	1	Plate, Receptacle Mounting	
208	4360506	1	Proximity Switch and Harness Assembly	
211	4460470	1	Nut, Terminal	
212	4460471	1	Lockwasher, Terminal	
213	4460866	1	Connector - 19 Position	
217		Ref	Harness Assembly - Main Boom (12/4 - 18/8) Options:	
217	4922566	1	Harness Assembly - Main Boom (12/4 -18/8) (800S)	C
217	1001091618	1	Harness Assembly - Main Boom (12/4 -18/8) (With Arctic Package) (800S)	C
217	4922567	1	Harness Assembly - Main Boom (12/4 -18/8) (860SJ)	D
217	4923595	1	Harness Assembly - Main Boom (12/4 -18/8) (With Arctic Package) (860SJ)	B
217		Ref	Cable, Electrical - 12/4 & 18/8 Options:	
217	1060896	85 ft/26m	Cable, Electrical - 12/4 & 18/8 (800S)	
217	4923462	85 ft/26m	Cable, Electrical - 12/4 & 18/8 (With Arctic Package) (800S)	
217	1060896	95 ft/29m	Cable, Electrical - 12/4 & 18/8 (860SJ)	
217	4923462	95 ft/29m	Cable, Electrical - 12/4 & 18/8 (With Arctic Package) (860SJ)	
217	2820031	AR	Heat Shrink 1/2 to 1-1/2	
217	1001226400	AR	Heat Shrink 1 (SN 0300236016 through 0300272492, Except SN 0300272449 through 0300272454)	
217A	4460465	11	Socket, Female 18 Gauge	
217B	4460865	1	Connector - 19 Position	
217C	4460509	4	Socket, Female 12 Gauge	
217D	4460473	1	Clamp, Cable	
217E	4460466	8	Seal, Plug	
217F	4460464	11	Pin, Male 18 Gauge	
217G	4460508	4	Pin, Male 12 Gauge	
218		Ref	Harness Assembly - Tower Boom (12/4 - 18/8) Options:	
218	4922569	1	Without Arctic Package	B
218	4923596	1	With Arctic Package	C
218		Ref	Cable, Electrical - 12/4 & 18/8 Options:	

SECTION 7 - ELECTRICAL

ITEM	PART NUMBER	QTY	DESCRIPTION	REV
218	1060896	20 ft/6.1m	Without Arctic Package	
218	4923462	20 ft/6.1m	With Arctic Package	
218	1001226400	AR	Heat Shrink	
218A	4460465	22	Socket, Female 18 Gauge	
218B	4460865	2	Connector - 19 Position	
218C	4460509	8	Socket, Female 12 Gauge	
218D	4460473	2	Clamp, Cable	
218E	4460466	8	Seal, Plug	
229		Ref	Holding Valve/Lift Dump Harness Assembly Options: (Note: This is actually two separate harnesses under the same p/n)	
229	4922660	1	Without Arctic Package	E
229	4923597	1	With Arctic Package	1-A
229A	4460880	2	Connector, DIN	
229B	4460320	1	Plug, Male - 2 Position	
229B	4460226	2	Socket, Female	
229C	4460424	1	Connector, Female - 2 Position	
229C	4460267	2	Pin, Male	
231		Ref	Harness, 110V A/C (To Bulkhead) Options:	
231		Ref	Harness, 110V A/C (To Bulkhead): (800S)	
231	4922873	1	All Specs except Australian and CE Specs (800S)	
231	4922875	1	Australian and CE Specs Only (800S)	
231	4922875	1	All Machines with 4000W/50Hz Generators (800S)	
231	1001156426	1	All Machines with 4000W/60Hz Generators (800S)	
231	4922790	NLA	All Specs except Australian and CE Specs (Harness, 8/5 Cable - With 7500W Generator) (Use p/n 1001121670) (800S)	
231	1001091620	1	All Specs except Australian, CE and Japanese Specs (Harness, 8/5 Cable - With Arctic Package) (800S)	
231	4922790	NLA	All Specs except Australian, CE and Japanese Specs (Harness, 8/5 Cable - With 7500W Generator and Arctic Package) (Use p/n 1001121670) (800S)	
231		Ref	Harness, 110V A/C (To Bulkhead): (860SJ)	
231	4922877	1	All Specs except Australian and CE Specs (860SJ)	
231	4922878	1	Australian and CE Specs Only (860SJ)	
231	4922878	1	All Machines with 4000W/50Hz Generators (860SJ)	
231	1001156427	1	All Machines with 4000W/60Hz Generators (860SJ)	
231	4922808	NLA	All Specs (Harness, 8/5 Cable - With 7500W Generator) (Use p/n 1001121671) (860SJ)	
231	4923600	1	All Specs except Australian, CE and Japanese Specs (Harness, 8/5 Cable - With Arctic Package) (860SJ)	
231	4922808	NLA	All Specs except Australian, CE and Japanese Specs (Harness, 8/5 Cable - With 7500W Generator and Arctic Package) (Use p/n 1001121671) (860SJ)	
232		Ref	Harness, 110V A/C (To Generator Box) Options:	
232	4922874	1	All Specs except Australian and CE Specs	
232	4922876	1	Australian and CE Specs Only	
232	1001156425	1	All Machines with 4000W/60Hz Generators	
232	4922809	NLA	All Specs (Harness, 8/5 Cable - With 7500W Generator) (Use p/n 1001121669)	
232	4923601	1	All Specs except Australian, CE and Japanese Specs (Harness, 8/5 Cable - With Arctic Package)	
232	4922809	NLA	All Specs except Australian, CE and Japanese Specs (Harness, 8/5 Cable - With 7500W Generator and Arctic Package) (Use p/n 1001121669)	

SECTION 7 - ELECTRICAL

ITEM	PART NUMBER	QTY	DESCRIPTION	REV
233		Ref	Harness, Limit Switch Lower Options (To Boom Transport Length Limit Switch):	
233	4922872	1	Without Arctic Package	
233	4923599	1	With Arctic Package	
233		Ref	Cable, Electrical - 18/2 Options:	
233	1060902	20 ft/6m	Without Arctic Package	
233	4923466	20 ft/6m	With Arctic Package	
233	4460465	2	Socket, Female	
233	4460891	1	Plug, Male - 2 Position	
234		Ref	Harness, Limit Switch Upper Options (To Boom Transport Length Limit Switch):	
234	4922871	1	Without Arctic Package	
234	4923598	1	With Arctic Package	
234		Ref	Cable, Electrical - 18/2 Options:	
234	1060902	34 ft /10.4m	Without Arctic Package	
234	4923466	34 ft /10.4m	With Arctic Package	
234	4460464	2	Pin, Male	
234	4460897	1	Receptacle, Female - 2 Position	
235		Ref	Cable, Electrical - 18/2	
235		Ref	Cable, Electrical - 18/2 (800S)	
235	1061018	2	All Specs except Australian and CE Specs (800S)	
235	1061018	1	Australian and CE Specs Only (800S)	
235	1061018	2	All Specs with 7500W Generator (800S)	
235		Ref	Cable, Electrical - 18/2 (860SJ)	
235	1061019	2	All Specs except Australian and CE Specs (860SJ)	
235	1061019	1	Australian and CE Specs Only (860SJ)	
235	1061019	2	All Specs with 7500W Generator (860SJ)	
236		Ref	Harness, Limit Switch Lower Options (To Boom Capacity Length Switch) (All Specs except Australian and CE Specs):	
236	1001098908	1	Without Arctic Package	
236	1001098910	1	With Arctic Package	
236		Ref	Cable, Electrical - 18/2 Options:	
236	1060902	20 ft/6m	Standard and SkyWelder	
236	4923466	20 ft/6m	With Arctic Package	
236	4460464	2	Pin, Male	
236	4460897	1	Plug, Male - 2 Position	
237		Ref	Harness, Limit Switch Upper Options (To Boom Capacity Length Switch) (All Specs except Australian and CE Specs):	
237	1001098909	1	Without Arctic Package	
237	1001098911	1	With Arctic Package	
237		Ref	Cable, Electrical - 18/2 Options:	
237	1060902	34 ft /10.4m	Standard and SkyWelder	
237	4923466	34 ft /10.4m	With Arctic Package	
237	4460465	2	Socket, Female	
237	4460891	1	Plug, Male - 2 Position	
238	4460959	1	Terminal, Turnlock Plug (With 4000W & 7500W Generator) (SN 0300182743 through 0300228759, SN B300001092 through B300001790)	
238	1001218622	1	Terminal, Turnlock Plug (With 4000W & 7500W Generator) (SN 0300228760 through 0300272492, SN B300001791 through	

SECTION 7 - ELECTRICAL

ITEM	PART NUMBER	QTY	DESCRIPTION	REV
			B300005730, Except SN 0300272449 through 0300272454, Excluding B300005568)	
238	1671092	1	Cover, Female Connector (SN 0300182743 through 0300228759, SN B300001092 through B300001790)	
239	4460960	1	Terminal, Turnlock Connector (With 4000W & 7500W Generator) (SN 0300182743 through 0300228759, SN B300001092 through B300001790)	
239	1001218623	1	Terminal, Turnlock Connector (With 4000W & 7500W Generator) (SN 0300228760 through 0300272492, SN B300001791 through B300005730, Except SN 0300272449 through 0300272454, Excluding B300005568)	
239	1671093	1	Cover, Male Connector (SN 0300182743 through 0300228759, SN B300001092 through B300001790)	
		Ref	GROUND CONTROL BOX COMPONENTS	
303	0100048	AR	Grease, Dielectric	
327	4460426	1	Connector, Strain Relief	
328	4460470	1	Nut, Terminal	
329	4460471	1	Locknut, Terminal	
331	4460496	1	Lockwasher, Terminal	
332	4460497	1	Nut, Terminal	
333	4460526	1	Connector, Strain Relief	
342	1001106736	1	Cap, Dust	
343		Ref	Ground Control Box Harness Assembly Options:	
343	1001110339	1	Deutz D2011 Engine Machines (SN 0300182743 through 0300201002)	F
343	1001186236	1	Deutz D2011 Engine Machines (SN 0300201003 through 0300272492, Except SN 0300272449 through 0300272454)	F
343	1001110339	1	Deutz D2011 Engine Machines (SN B300001092 through B300001179)	F
343	1001186236	1	Deutz D2011 Engine Machines (SN B300001180 through B300005730, Excluding B300005568)	F
343	1001146010	1	Deutz DT2.9L4 Engine Machines (All Specs except CE Spec)	D
343	1001146010	1	Deutz DT2.9L4 Engine Machines (CE Spec) (SN 0300182743 through 0300201002)	D
343	1001186236	1	Deutz DT2.9L4 Engine and Deutz DT2.9L4 (Stage V) Engine Machines (CE Spec) (SN 0300201003 through 0300272492, Except SN 0300272449 through 0300272454)	F
343	1001146010	1	Deutz DT2.9L4 Engine Machines (CE Spec) (SN B300001092 through B300001179)	D
343	1001186236	1	Deutz DT2.9L4 Engine and Deutz DT2.9L4 (Stage V) Engine Machines (CE Spec) (SN B300001180 through B300005730, Excluding B300005568)	F
343	1001110339	1	Ford & GM Engine Machines	F
343A	4460536	1	Connector, Female 3 - Position	
343A	4460943	3	Pin, Male	
343B	3990010	2	Diode - 6Amp (Not Shown - Located at Power Down Relay)	
343C	4460434	2	Plug, Male - 15 Position	
343C	4460227	21	Pin, Male	
343D	4460873	1	Connector - 35 Position (Black)	
343D	4460871	19	Socket, Female	
343D	4460905	1	Seal, Plug	
343E	4120035	AR	Base, Light	
343E	4460634	AR	Terminal (16 Gauge)	
343E	4460635	AR	Terminal (12 Gauge)	
343F	4460418	7	Connector, Female - 6 Position	

SECTION 7 - ELECTRICAL

ITEM	PART NUMBER	QTY	DESCRIPTION	REV
343F	4460419	21	Socket, Female	
343G	4460876	1	Connector - 35 Position (Blue)	
343G	4460871	24	Socket, Female	
343G	4460905	1	Seal, Plug	
343H	4460866	1	Connector - 19 Pin	
343H	4460464	10	Pin, Male Deutsch 16Ga	
343H	4460508	3	Pin, Male Deutsch 12Ga	
343J	4460878	1	Housing, Terminal - 4 Position	
343J	4460887	3	Terminal (12 Gauge)	
343K	4460761	1	Connector, Female 4 - Position	
343K	4460227	4	Pin, Male	
343L	8229242	2	Fuse 5A	
343L	2400060	2	Holder, Fuse	
343M	1001106339	1	Connector, Male - 14 Position	
343M	4460871	2	Socket, Female	
343N	1001106340	1	Connector, Male - 14 Position	
343N	4460871	5	Socket, Female	
343P	4460874	1	Connector, Natural	
343P	4460871	10	Socket, Female	
343Q	4460875	1	Connector, Gray	
343Q	4460871	5	Socket, Female	
343R	1001112612	1	Connector - 9 Position	
343R	4460943	4	Pin, Male	
343S	4460884	1	Plug, Male - 4 Position (SN 0300210399 through 0300272492, SN B300001375 through B300005730, Except SN 0300272449 through 0300272454, Excluding B300005568)	
343S	1001192401	1	Cap, Dust (SN 0300210399 through 0300272492, SN B300001375 through B300005730, Except SN 0300272449 through 0300272454, Excluding B300005568)	
343S	4460365	4	Socket, Female (SN 0300210399 through 0300272492, SN B300001375 through B300005730, Except SN 0300272449 through 0300272454, Excluding B300005568)	
343T	4460894	1	Plug, Male - 6 Position (SN 0300211624 through 0300272492, Except SN 0300272449 through 0300272454)	
343T	4460892	1	Connector, Bussbar - 6 Position (SN 0300211624 through 0300272492, Except SN 0300272449 through 0300272454)	
343T	4460894	1	Plug, Male - 6 Position (SN B300001390 through B300005730, Excluding B300005568)	
343T	4460892	1	Connector, Bussbar - 6 Position (SN B300001390 through B300005730, Excluding B300005568)	
346		Ref	Engine Harness Assembly (See Items 401-466 for Breakdown)	
346	1001154324	1	Deutz D2011 Engine Machines	
346	1001165776	1	Deutz TD2.9L4 Engine and Deutz DT2.9L4 (Stage V) Engine Machines	
346	1001216327	1	Ford Engine Harness	
346	1001154323	1	GM Engine Machines	
347	1001154327	1	Valve Harness Assembly (SN 0300182743 through 0300190436)	C
347	1001168024	1	Valve Harness Assembly (SN 0300190437 through 0300272492, Except SN 0300272449 through 0300272454)	E
347	1001168024	1	Valve Harness Assembly (SN B300001092 through B300005730, Excluding B300005568)	E
347A	4460539	1	Plug, Male - 3 Position	
347A	1001116693	2	Pin, Male	

SECTION 7 - ELECTRICAL

ITEM	PART NUMBER	QTY	DESCRIPTION	REV
347A	4460466	1	Seal, Plug	
347B	4460880	9	DIN Connector (SN 0300182743 through 0300190436)	
347B	4460891	9	Plug, Male - 2 Position (SN 0300190437 through 0300272492, Except SN 0300272449 through 0300272454)	
347B	1001116693	18	Socket, Female (SN 0300190437 through 0300272492, Except SN 0300272449 through 0300272454)	
347B	4460891	9	Plug, Male - 2 Position (SN B300001092 through B300005730, Excluding B300005568)	
347B	1001116693	18	Socket, Female (SN B300001092 through B300005730, Excluding B300005568)	
347C	4460320	1	Plug, Male - 2 Position	
347C	4460267	2	Pin, Male (SN 0300182743 through 0300190436)	
347C	4460226	2	Pin, Male (SN 0300190437 through 0300272492, Except SN 0300272449 through 0300272454)	
347C	4460226	2	Pin, Male (SN B300001092 through B300005730, Excluding B300005568)	
347D	4460871	AR	Socket, Female	
347D	4460508	1	Socket, Female	
347E	4460225	1	Plug, Male - 6 Position (SN 0300182743 through 0300190436)	
347E	4460267	6	Pin, Male (SN 0300182743 through 0300190436)	
347F	4460424	1	Connector, Female - 2 Position	
347F	4460267	2	Pin, Male	
348		Ref	Ground Control Box Wiring Diagram (Not Shown - See Items 501-513 for Breakdown)	
348	1001154329	1	Deutz D2011 Engine Machines	
348	1001165778	1	Deutz TD2.9L4 Engine and Deutz DT2.9L4 (Stage V) Engine Machines	
348	1001224138	1	Ford Engine Machines	
348	1001154328	1	GM Engine Machines	
		Ref	ENGINE HARNESS ASSEMBLY	
	1001154324	Ref	Deutz D2011 Engine Machines	A
	1001165776	Ref	Deutz TD2.9L4 Engine and Deutz DT2.9L4 (Stage V) Engine Machines	D
	1001216327	Ref	Ford Engine Machines	B
	1001154323	Ref	GM Engine Machines	A
417	4460424	1	Receptacle, Female - 2 Position	
417	4460268	2	Socket, Female	
419	4460880	2	DIN Connector without Diode	
423	4461070	1	Receptacle, Female with Resistor (3 Position) (Deutz D2011 Engine Only)	
423	4461095	1	Plug, Male - 3 Position (Deutz D2011 Engine Only)	
423	4460944	3	Socket, Female (Deutz D2011 Engine Only)	
425	4460539	1	Plug, Male - 3 Position	
425	4460944	3	Socket, Female	
428	4460460	1	Connector, Male - 4 Position	
428	4460457	4	Terminal, Female	
428	4460458	4	Seal, Terminal	
432	4460899	1	Connector, Male - 6 Position (Deutz TD2.9L4 Engines Only)	
432	4460464	5	Pin, Male	
432	4460943	5	Pin, Male (Gold)	
432	4460466	1	Seal, Plug	
433	4461052	1	Connector, Receptacle - 25 Position (Deutz D2011 Engine Only)	
433	4461005	5	Terminal (Gold) (Deutz D2011 Engine Only)	
433	4461006	5	Seal, Terminal (Deutz D2011 Engine Only)	

SECTION 7 - ELECTRICAL

ITEM	PART NUMBER	QTY	DESCRIPTION	REV
433	4461060	2	Terminal (Tin) (Deutz D2011 Engine Only)	
433	4461054	2	Seal, Terminal (Deutz D2011 Engine Only)	
433	4461053	1	Cover, Plug (Deutz D2011 Engine Only)	
433	4461008	18	Plug, Hole (Deutz D2011 Engine Only)	
438	4460931	1	Connector, Male - 8 Position (Deutz TD2.9L4 Engines Only)	
438	4460464	4	Pin, Male	
438	4460466	4	Seal, Plug	
439	4460871	AR	Socket, Female	
442	1001215016	1	Connector -42 Position (Ford Engine Machines)	
442	1001215091	5	Terminal, Male (Ford Engine Machines)	
442	1001216212	1	Terminal, Male (Ford Engine Machines)	
442	1001215534	33	Plug, Terminal	
442	1001216213	3	Plug, Terminal	
447	4461121	1	Plug, Male - 4 Position (GM Engine Only)	
447	4461122	4	Socket, Female (GM Engine Only)	
447	4461123	4	Seal, Terminal (GM Engine Only)	
449	4461124	1	Receptacle, Female - 4 Position (GM Engine Only)	
449	4460693	4	Pin, Male (GM Engine Only)	
449	4460608	4	Seal, Terminal (GM Engine Only)	
449	4461161	1	Lock, Terminal (GM Engine Only)	
452	4460374	1	Plug, Sealed Relay (Deutz D2011 Engine)	
452	4460375	4	Terminal (Deutz D2011 Engine)	
453	4461109	1	Plug, Male - 16 Position (GM Engine Only)	
453	4461111	7	Pin, Male (GM Engine Only)	
453	4461113	7	Seal, Terminal (GM Engine Only)	
453	4461222	9	Plug, Terminal (GM Engine Only)	
458	1001102290	1	Connector, 2 Position (Deutz D2011 Engine)	
458	1001102304	2	Seal (Deutz D2011 Engine)	
458	1001102291	2	Terminal, Receptacle (Deutz D2011 Engine)	
462	2902443	1	Kit, Receptacle (Deutz D2011 Engine Only)	
462	4461071	8	Terminal, Female (Gold) (Deutz D2011 Engine Only)	
462	4461072	1	Connector, Flange Mount (Deutz D2011 Engine Only)	
462	4461073	1	Connector, Dust Cap (Deutz D2011 Engine Only)	
462	4461074	1	Connector, Shell (Deutz D2011 Engine Only)	
463	4461157	1	Receptacle, Female - 2 Position	
463	4460979	2	Pin, Male	
463	4460458	2	Seal, Terminal	
466	4460897	1	Connector, Female - 2 Position	
466	1001116693	2	Pin, Male	
		Ref	GROUND CONTROL BOX WIRING DIAGRAM	
	1001154329	Ref	Deutz D2011 Engine Machines	D
	1001165778	Ref	Deutz TD2.9L4 Engine and Deutz DT2.9L4 (Stage V) Engine Machines	F
	1001224138	Ref	Ford Engine Machines	A
	1001154328	Ref	GM Engine Machines	E
501	2920129	AR	Bulb, Light	
502	4922636	1	Harness, Jumper	
	4460226	2	Socket, Female	
507	1001173590	1	Fuse Assembly 30 Amp	
507	2400066	1	Fuse, Holder	
508	2400065	1	Fuse, 30Amp	
509	4460708	2	Receptacle, Female - 15 Position	

SECTION 7 - ELECTRICAL

ITEM	PART NUMBER	QTY	DESCRIPTION	REV
509	4460226	13	Socket, Female	
511	4922771	1	Harness, Angle Sensor (Boom Proximity Sensor)	
511	1060902	9.5 ft /2.9m	Cable - 18/2	
511A	4460226	2	Socket, Female	
511B	4460424	1	Receptacle, Female - 2 Position	
513	4460894	1	Plug, Male - 6 Position	
513	4460892	1	Connector, Bussbar - 6 Position	
		Ref	STANDARD HARNESS COMPONENTS	
601		Ref	Battery Cable Kit Options:	
601	1001155143	1	Deutz D2011 Engines Machines	C
601	1001143736	1	Deutz TD2.9L4 Engine and Deutz DT2.9L4 (Stage V) Engine Machines	E
601	2902533	1	GM Engine Machines	B
601A		Ref	Cable, Battery (Black) Options (Battery - to Tray Pivot and Relay Grounds):	
601A	7027092	1	Deutz D2011 Engines Machines	
601A	7027084	1	Deutz TD2.9L4 Engine and Deutz DT2.9L4 (Stage V) Engine Machines	
601A	7027018	1	GM Engine Machines	
601B	8270147	1	Terminal, Battery (With Boot) Cable, Battery (Black) (Deutz Engines Only)	
601C		Ref	Cable, Battery (Black) Options (Battery - to Aux Pump Ground):	
601C	7027093	1	Deutz D2011 Engines Machines	
601C	7027085	1	Deutz TD2.9L4 Engine and Deutz DT2.9L4 (Stage V) Engine Machines	
601C	7016825	1	GM Engine Machines	
601D		Ref	Cable, Battery (Black) Options (Engine to Tray Pivot Grd):	
601D	7027053	1	Deutz D2011 Engines Machines	
601D	7027086	1	Deutz TD2.9L4 Engine and Deutz DT2.9L4 (Stage V) Engine Machines	
601D	Not Required	0	GM Engine Machines	
601E		Ref	Cable (Red) Options (Battery + to Relays/Starter):	
601E	7027094	1	Deutz D2011 Engines Machines	
601E	7027087	1	Deutz TD2.9L4 Engine and Deutz DT2.9L4 (Stage V) Engine Machines	
601E	7027015	1	GM Engine Machines (Note: Requires Item 601G to complete run to Starter)	
601F		Ref	Cable (Red) Options (Aux Relay to Aux Pump):	
601F	7027095	1	Deutz D2011 Engines Machines	
601F	7027088	1	Deutz TD2.9L4 Engine and Deutz DT2.9L4 (Stage V) Engine Machines	
601F	7016824	1	GM Engine Machines	
601G		Ref	Cable (Auxiliary Relay to Starter)	
601G	7027094	1	Deutz D2011 Engines Machines	
601G	7027087	1	Deutz TD2.9L4 Engine and Deutz DT2.9L4 (Stage V) Engine Machines	
601G	7027017	1	GM Engine Machines	
602		Ref	Deutz Engine Harness Components (Deutz Engine Machines Only)	
602A	7027796	1	Engine Harness (D2011 Engine Only)	
602B	See Note	NSS	Receptacle, Female - 25 Position (Note: Not Available - Purchase Complete Harness)	
602C	70004060	1	Plug-In, Connector (Deutz D2011 Engine Only)	

SECTION 7 - ELECTRICAL

ITEM	PART NUMBER	QTY	DESCRIPTION	REV
602D	70001872	1	Engine Harness (For other replacement parts refer to Deutz engine dealer) (D2011 Engine Only)	
602E	70004271	1	Cable, Starter Interconnect (Connects item 602D to Starter) (D2011 Engine Only)	
603	4922737	1	Harness, Engine Grounding Harness (Deutz D2011 Engine Only) (SN 0300182743 through 0300208405)	
603	4922737	1	Harness, Engine Grounding Harness (Deutz D2011 Engine Only) (SN B300001092 through B300001327)	
604		Ref	Harness, Glow Plug (Deutz Engine Only)	
604	4923379	1	Deutz D2011 Engine	B
604	70025231	1	Deutz TD2.9L4 Engine and Deutz DT2.9L4 (Stage V) Engine	
604	70025233	1	Connector for 70025231 Harness Deutz TD2.9L4 Engine	
604	1001141304	1	Wire, Fuse Link (Not Shown) (Deutz TD2.9L4 Engine and Deutz DT2.9L4 (Stage V) Engine Only)	
605	1001222665	1	Fuel Harness (Deutz TD2.9L4 Engines Only) (Note: Machines requiring Ring Terminals at Pump) (SN 0300182743 through 0300234668, SN B300001092 through B300002065)	A
605	1001138491	NLA	Fuel Harness (Deutz TD2.9L4 Engine and Deutz DT2.9L4 (Stage V) Engine Only) (Use p/n 1001222665) (Note: Machines requiring Push-on Terminals at Pump) (SN 0300234669 through 0300272492, SN B300002066 through B300005730, Except SN 0300272449 through 0300272454, Excluding B300005568)	D
605A	4460897	1	Receptacle, Female - 2 Position	
605A	4460941	2	Pin, Male	
605A	4460891	1	Plug, Male - 2 Position	
605A	4460942	2	Socket, Female	
605B	1001116983	1	Receptacle, Female - 2 Position	
605B	1001116710	2	Terminal	
605B	4461054	2	Seal	
605C	4460932	1	Receptacle, Female - 4 Position	
605C	4460941	2	Pin, Male	
605C	4460464	2	Pin, Male	
606	1001143726	1	Deutz TD2.9L4 Engine and Deutz DT2.9L4 (Stage V) Engine Harness	K
606A	1001133956	1	Connector (Includes Cover, Locks and Retention Plate)	
606A	1001126352	6	Terminal	
606A	1001126353	6	Seal, Terminal	
606A	1001126384	19	Terminal	
606A	1001126351	3	Terminal	
606A	1001126356	63	Plug, Seal	
606A	1001126357	2	Plug, Seal	
606B	1001133957	1	Connector (Includes Cover, Locks and Retention Plate)	
606B	1001126384	17	Terminal	
606B	1001126351	13	Terminal	
606B	1001126356	19	Plug, Seal	
606B	1001126357	11	Plug, Seal	
606C	4461070	3	Receptacle, Female with Resistor (3 Position)	
606C	4461095	6	Plug, Male - 3 Position	
606C	4460944	6	Socket, Female	
606C	4460466	2	Seal, Plug	
606D	80484084	1	Receptacle, Female - 8 Position	
606D	8229242	1	Fuse - 5A	
606D	80983191	1	Fuse - 10A	
606D	1001147264	1	Cap	

SECTION 7 - ELECTRICAL

ITEM	PART NUMBER	QTY	DESCRIPTION	REV
606D	1001116727	8	Plug	
606D	4460458	4	Seal	
606E	1001116952	1	Plug, Male - 2 Position	
606E	4460465	2	Socket, Female	
606F	1001138110	1	Plug, Male - 2 Position	
606F	1001138111	2	Socket, Female	3-B
606F	1001138113	2	Seal	A
606G	2902443	1	Kit, Receptacle	
606G	4461071	8	Terminal, Female (Gold)	
606G	4461072	1	Connector, Flange Mount	
606G	4461073	1	Connector, Dust Cap	
606G	4461074	1	Connector, Shell	
606H	4460894	1	Plug, Male - 6 Position	
606H	4460465	3	Socket, Female	
606H	4460944	2	Socket, Female	
606H	4460466	1	Seal, Plug	
606J	4460930	1	Plug, Male - 8 Position	
606J	4460465	1	Socket, Female	
606J	4460466	7	Seal, Plug	
606K	4460884	1	Plug, Male - 4 Position (SN 0300182743 through 0300224697)	
606K	1001220379	1	Plug, Male - 4 Position (SN 0300224698 through 0300272492, Except SN 0300272449 through 0300272454)	
606K	4460884	1	Plug, Male - 4 Position (SN B300001092 through B300001655)	
606K	1001220379	1	Plug, Male - 4 Position (SN B300001656 through B300005730, Excluding B300005568)	
606K	4460465	2	Socket, Female	
606K	4460942	2	Socket, Female	
606K	4460932	1	Receptacle, Female - 4 Position	
606K	4460466	4	Seal, Plug	
606L	1001142938	1	Plug, Male - 2 Position	
606L	1001142940	2	Terminal, Female	
606L	1001142941	2	Seal	
606M	1001133714	1	Plug, Male - 4 Position	
606M	1001133715	3	Terminal, Female	
606M	1001135650	3	Seal	
606M	1001135651	NLA	Plug, Cavity (Use p/n 4461008)	
606N	1001126362	1	Receptacle, Female - 62 Position	
606N	1001126363	33	Terminal	
606N	1001126364	33	Seal	
606N	1001126391	23	Plug	
606N	4461008	4	Plug, Cavity	
606N	1001126365	2	Terminal	
606N	4461054	2	Seal	
606N	4460465	2	Socket, Female	
606N	1001151856	1	Elbow, Conduit	
606P	4460891	1	Plug, Male - 2 Position	
606P	4460465	2	Socket, Female	
606P	1001171403	1	Resistor Assembly	
607	1001143907	1	Alternator Power Cable (Deutz TD2.9L4 Engines and Deutz DT2.9L4 (Stage V) Engines)	
607	1001098764	1	Boot, Red (Deutz TD2.9L4 Engines)	

SECTION 7 - ELECTRICAL

ITEM	PART NUMBER	QTY	DESCRIPTION	REV
607	70004103	1	Cable, Alternator Interconnect (Not Shown - Connects item 602D to Alternator) (D2011 Engine Only)	
608	70025077	1	Harness, Engine (Deutz TD2.9L4 Engines)	
609	70002898	1	Harness, GM Engine (GM Engine Machines Only)	
609	7027989	1	Connector - 10 Pin	
610	See Note	NSS	Pump Harness (Note: Not Available for Purchase)	
610A	7007498	1	Plug	
611	4360517	1	Harness, Swivel Coupling Sensor (Includes Sensor)	
611A	4460320	1	Plug, Male - 2 Position	
611A	4460227	2	Pin, Male	
612	1001141137	1	Harness, Upper Valve (SN 0300182743 through 0300190436)	C
612	1001168025	1	Harness, Upper Valve (SN 0300190437 through 0300272492, Except SN 0300272449 through 0300272454)	B
612	1001168025	1	Harness, Upper Valve (SN B300001092 through B300005730, Excluding B300005568)	B
612A	4460880	7	Connector, DIN (SN 0300182743 through 0300190436)	
612A	4460891	7	Plug, Male - 2 Position (SN 0300190437 through 0300272492, Except SN 0300272449 through 0300272454)	
612A	4460465	14	Socket, Female (SN 0300190437 through 0300272492, Except SN 0300272449 through 0300272454)	
612A	4460891	7	Plug, Male - 2 Position (SN B300001092 through B300005730, Excluding B300005568)	
612A	4460465	14	Socket, Female (SN B300001092 through B300005730, Excluding B300005568)	
612B	4460926	1	Connector - 21 Position	
612B	4460928	8	Socket, Female	
612B	4460918	8	Socket, Female	
612B	2820031	AR	Heat Shrink	
612C	4460911	2	Receptacle, Female - 3 Position	
612C	4460912	2	Lock Wedge - 3 Position	
612C	4460918	6	Pin, Male	
612D	1560011	2	Connector, Strain Relief	
612D	1560012	2	Nut, Conduit	
613	1001133329	2	Switch, Tilt Sensor (Includes Tilt Sensor)	
613A	4460910	2	Plug, Male - 3 Position	
613A	4460917	6	Socket, Female	
613A	4460913	2	Lock, Wedge	
		Ref	OPTIONAL HARNESS COMPONENTS	
701	0257887	1	Alarm Harness (Includes Alarm)	
701	0140032	1	Alarm	
701	2820035	6 in/15cm	Loom	
701A	4460424	1	Plug, Male - 2 Position	
701A	4460268	2	Socket, Female	
702	2920161	1	Strobe (Amber) Light Harness (Includes Strobe Light)	
702B	4460891	1	Connector, Male - 2 Position (Strobe Light - 2920161)	
702B	4460465	2	Socket, Female (Strobe Light - 2920161)	
702C	1001142736	1	Strobe (Blue/Red) Light Harness (Module to Light) (Not Shown)	
702D	1001150944	1	Strobe (Blue/Red) Light Harness (Module to Ground Control Box) (Not Shown) (SN 0300182743 through 0300217034)	
703	1001149818	1	Strobe Light Extension Harness (Amber Light) (SN 0300171628 through 0300272492, Except SN 0300272449 through 0300272454)	D
703A	4460320	1	Connector, Female - 2 Position	
703A	4460267	2	Pin, Male	

SECTION 7 - ELECTRICAL

ITEM	PART NUMBER	QTY	DESCRIPTION	REV
703B	4460897	1	Connector, Female - 2 Position	
703B	4460464	2	Pin, Male	
704	See Note	NSS	Headlight and Taillight/Chassis Illumination Harness (Note: Not Available for Purchase)	
704	1060341	Ref	Cable, Electrical 16/2 Options:	
704	1060341	37 ft /11.3m	Headlights and Taillights	
704	1060341	40 ft /12.2m	Chassis Illumination Lights	
704A	3740049	1	Relay	
704A	4460259	3	Terminal	
704A	4460260	4	Housing, Terminal	
704A	4460297	1	Terminal	
704A	4922643	1	Lights Harness for Ground Control Box	C
704A	4460226	2	Socket, Female	
706		Ref	2500W Generator Electrical Diagram Options	
706	1001112743	AR	50Hz - Deutz D2011 Engines	B
706	1001112588	AR	60Hz - Deutz D2011 Engines	B
706	4933350	AR	60Hz - Ford & GM Engines	C
706A	4460321	1	Connector, Male - 4 Position (ANSI Spec Only)	
706A	4460906	1	Socket, Female	
706A	4460268	3	Socket, Female	
706B	4922641	1	Harness - On/Off Switch	D
706C	4460226	2	Socket, Female (SN 0300182743 through 0300236015)	
706C	4460268	2	Socket, Female (SN 0300236016 through 0300272492, Except SN 0300272449 through 0300272454)	
706D		Ref	Powermite Control Box to Relay Options:	
706D	1001112589	1	Deutz Engines	A
706D	4923445	1	Ford & GM Engines	A
706D	4460374	1	Plug, Sealed Relay	
706D	4460375	3	Terminal	
706E	4460742	1	Plug, Male - 2 Position	
706E	4460743	1	Socket, Female	
706E	4460458	1	Seal, Terminal	
706F	4460961	1	Connector, Female - 4 Position (ANSI Spec Only)	
706F	4460705	4	Pin, Male	
706G	7020193	1	Harness, Generator Power	
707	4922741	1	Generator to Rear of Boom Harness (110V)	
707	4921955	1	Generator to Rear of Boom Harness (220V)	
		Ref	Note: Harness used to connect AC at platform harness to Powermite Generator Control Box receptacle.	
707A	4460205	1	Plug, Male	
707B	4460134	1	Receptacle, Female	
708		Ref	AC to Platform Receptacle Components Options:	
708	0272259	Ref	AC Cable to 110V GFI Receptacle at Platform Installation (ANSI, ANSI Export, CSA and Japanese Specs without Generator or with 2500W Generator)	C
708	0272260	Ref	AC Cable to 220V GFI Receptacle Platform Installation (ANSI, CSA and Japanese Spec without Generator or with 2500W Generator)	C
708	1001171131	Ref	240V Receptacle with GFCI used with 4000W Generator (Not Shown)	B
708	1001159121	Ref	240V Receptacle with GFCI used with 7500W Generator (Not Shown)	B

SECTION 7 - ELECTRICAL

ITEM	PART NUMBER	QTY	DESCRIPTION	REV
708	0256202	Ref	AC Cable Only/No Receptacle at Platform Installation (ANSI Export, Australian, CE and Japanese Specs without Generator or with 2500W Generator)	D
708	1001243560	Ref	AC Cable Only/No Receptacle at Platform Installation (China Specs Only)	A
708	1001243561	Ref	AC Cable Only/No Receptacle at Platform Installation (China Specs Only)	A
708	1001091969	Ref	AC Cable to 110V IEC Yellow Receptacle and Plug and Circuit Breaker (CE Spec without Generator) (Note: Requires 0256202 Cable Only Installation and Item 714 Breaker Box Installation)	C
708	1001100326	Ref	AC Cable to 110V IEC Yellow Receptacle and Plug and Circuit Breaker with 2500W Generator (Note: Requires 0256202 Cable Only Installation and Item 714 Breaker Box Installation)	D
708	1001194203	Ref	AC Cable to 110V IEC Yellow Receptacle and Plug and Circuit Breaker (CE Spec with 4000W Generator) (SN 0300182743 through 0300213787)	B
708	1001206253	Ref	AC Cable to 110V IEC Yellow Receptacle and Plug and Circuit Breaker (CE Spec with 4000W Generator) (SN 0300213788 through 0300272492, Except SN 0300272449 through 0300272454)	A
708	1001194203	Ref	AC Cable to 110V IEC Yellow Receptacle and Plug and Circuit Breaker (CE Spec with 4000W Generator) (SN B300001092 through B300001458)	B
708	1001206253	Ref	AC Cable to 110V IEC Yellow Receptacle and Plug and Circuit Breaker (CE Spec with 4000W Generator) (SN B300001459 through B300005730, Excluding B300005568)	A
708	1001091970	Ref	AC Cable to 220V IEC Blue Receptacle and Plug and Circuit Breaker (CE Spec without Generator) (Note: Requires 0256202 Cable Only Installation and Item 714 Breaker Box installation)	C
708	1001100327	Ref	AC Cable to 220V IEC Blue Receptacle and Plug and Circuit Breaker (CE Spec with 2500W Generator) (Note: Requires 0256202 Cable Only Installation and Item 714 Breaker Box Installation)	D
708	1001194204	Ref	AC Cable to 220V IEC Blue Receptacle and Plug and Circuit Breaker (CE Spec with 4000W Generator) (SN 0300182743 through 0300213787)	B
708	1001206254	Ref	AC Cable to 220V IEC Blue Receptacle and Plug and Circuit Breaker (CE Spec with 4000W Generator) (SN 0300213788 through 0300272492, Except SN 0300272449 through 0300272454)	A
708	1001194204	Ref	AC Cable to 220V IEC Blue Receptacle and Plug and Circuit Breaker (CE Spec with 4000W Generator) (SN B300001092 through B300001458)	B
708	1001206254	Ref	AC Cable to 220V IEC Blue Receptacle and Plug and Circuit Breaker (CE Spec with 4000W Generator) (SN B300001459 through B300005730, Excluding B300005568)	A
708	1001091971	NLA	AC Cable to 220V CEE7 Post Ground Receptacle and Plug and Circuit Breaker (70mm x 70mm Box) (Use p/n 1001091973) (CE Spec without Generator) (Note: Requires 0256202 Cable Only Installation and Item 714 Breaker Box Installation)	C
708	1001100328	NLA	AC Cable to 220V CEE7 Post Ground Receptacle and Plug and Circuit Breaker (70mm x 70mm Box) (CE Spec with 2500W Generator) (Use p/n 1001100331) (Note: Requires 0256202 Cable Only Installation and Item 714 Breaker Box Installation)	D
708	1001091972	NLA	AC Cable to 220V CEE7 Side Ground Receptacle and Plug and Circuit Breaker (70mm x 70mm Box) (CE Spec without Generator) (Use p/n 1001091974) (Note: Requires 0256202 Cable Only Installation and Item 714 Breaker Box Installation)	C
708	1001100329	NLA	AC Cable to 220V CEE7 Side Ground Receptacle and Plug and Circuit Breaker (70mm x 70mm Box) (CE Spec with 2500W	D

SECTION 7 - ELECTRICAL

ITEM	PART NUMBER	QTY	DESCRIPTION	REV
708	1001091973	Ref	Generator) (Use p/n 1001100333) (Note: Requires 0256202 Cable Only Installation and Item 714 Breaker Box Installation)	F
708	1001100331	Ref	AC Cable to 220V CEE7 Post Ground Receptacle and Plug and Circuit Breaker (2 x 4 Box) (CE Spec without Generator) (Note: Requires 0256202 Cable Only Installation and Item 714 Breaker Box Installation)	E
708	1001194197	Ref	AC Cable to 220V CEE7 Post Ground Receptacle and Plug and Circuit Breaker (2 x 4 Box) (CE Spec with 4000W Generator) (SN 0300182743 through 0300213787)	B
708	1001206250	Ref	AC Cable to 220V CEE7 Post Ground Receptacle and Plug and Circuit Breaker (2 x 4 Box) (CE Spec with 4000W Generator) (SN 0300213788 through 0300272492, Except SN 0300272449 through 0300272454)	A
708	1001194197	Ref	AC Cable to 220V CEE7 Post Ground Receptacle and Plug and Circuit Breaker (2 x 4 Box) (CE Spec with 4000W Generator) (SN B300001092 through B300001458)	B
708	1001206250	Ref	AC Cable to 220V CEE7 Post Ground Receptacle and Plug and Circuit Breaker (2 x 4 Box) (CE Spec with 4000W Generator) (SN B300001459 through B300005730, Excluding B300005568)	A
708	1001091974	Ref	AC Cable to 220V CEE7 Side Ground Receptacle and Plug and Circuit Breaker (2 x 4 Box) (CE Spec without Generator) (Note: Requires 0256202 Cable Only Installation and Item 714 Breaker Box Installation)	F
708	1001100333	Ref	AC Cable to 220V CEE7 Side Ground Receptacle and Plug and Circuit Breaker (2 x 4 Box) (CE Spec with 2500W Generator) (Note: Requires 0256202 Cable Only Installation and Item 714 Breaker Box Installation)	E
708	1001194198	Ref	AC Cable to 220V CEE7 Side Ground Receptacle and Plug and Circuit Breaker (2 x 4 Box) (CE Spec with 4000W Generator) (SN 0300182743 through 0300213787)	B
708	1001206251	Ref	AC Cable to 220V CEE7 Side Ground Receptacle and Plug and Circuit Breaker (2 x 4 Box) (CE Spec with 4000W Generator) (SN 0300213788 through 0300272492, Except SN 0300272449 through 0300272454)	A
708	1001194198	Ref	AC Cable to 220V CEE7 Side Ground Receptacle and Plug and Circuit Breaker (2 x 4 Box) (CE Spec with 4000W Generator) (SN B300001092 through B300001458)	B
708	1001206251	Ref	AC Cable to 220V CEE7 Side Ground Receptacle and Plug and Circuit Breaker (2 x 4 Box) (CE Spec with 4000W Generator) (SN B300001459 through B300005730, Excluding B300005568)	A
708	1001091975	Ref	AC Cable to 220V with AFSINT 107 Keyed Ground Receptacle and Plug and Circuit Breaker (2 x 4 Box) (CE Spec without Generator) (Note: Requires 0256202 Cable Only Installation and Item 714 Breaker Box Installation)	F
708	1001100337	Ref	AC Cable to 220V with AFSINT 107 Keyed Ground Receptacle and Plug and Circuit Breaker (2 x 4 Box) (CE Spec with 2500W Generator) (Note: Requires 0256202 Cable Only Installation and Item 714 Breaker Box Installation)	E
708	1001194200	Ref	AC Cable to 220V AFSINT 107 Keyed Ground Receptacle and Plug and Circuit Breaker (2 x 4 Box) (CE Spec with 4000W Generator) (SN 0300182743 through 0300213787)	B
708	1001206252	Ref	AC Cable to 220V AFSINT 107 Keyed Ground Receptacle and Plug and Circuit Breaker (2 x 4 Box) (CE Spec with 4000W Generator) (SN 0300213788 through 0300272492, Except SN 0300272449 through 0300272454)	A

SECTION 7 - ELECTRICAL

ITEM	PART NUMBER	QTY	DESCRIPTION	REV
708	1001194200	Ref	AC Cable to 220V AFSINT 107 Keyed Ground Receptacle and Plug and Circuit Breaker (2 x 4 Box) (CE Spec with 4000W Generator) (SN B300001092 through B300001458)	B
708	1001206252	Ref	AC Cable to 220V AFSINT 107 Keyed Ground Receptacle and Plug and Circuit Breaker (2 x 4 Box) (CE Spec with 4000W Generator) (SN B300001459 through B300005730, Excluding B300005568)	A
708	1001194365	Ref	AC Receptacle - 220V (2 x 4 Box) (ANSI Export Spec) (SN 0300182743 through 0300213787)	B
708	1001206255	Ref	AC Receptacle - 220V (2 x 4 Box) (ANSI Export Spec) (SN 0300213788 through 0300272492, Except SN 0300272449 through 0300272454)	A
708	1001194365	Ref	AC Receptacle - 220V (2 x 4 Box) (ANSI Export Spec) (SN B300001092 through B300001458)	B
708	1001206255	Ref	AC Receptacle - 220V (2 x 4 Box) (ANSI Export Spec) (SN B300001459 through B300005730, Excluding B300005568)	A
708A	0860038	1	Box, Switch - 0272259 & 0272260 Installations	
708A	Not Required	0	Box, Switch - 0256202 Installation (Note: Use Receptacle Kit or Purchase Locally)	
708A	0861781	1	Box, Switch - 1001091969, 1001091970, 1001100326, 1001100327, 1001194203, 1001194204, 1001206253, 1001206254 Installations	
708A	0861782	NLA	Box, Switch - 1001091971, 1001100328, 1001091972, 1001100329 Installations (Note: Use p/n 1001141970 CEE7 Side Ground Service Kit or p/n 1001141971 CEE7 Post Ground Service Kit. Kits Includes Box p/n 1001141967 and Items 708B, 708C, 708E & 708J)	
708A	0861731	1	Box, Switch - 0275452, 1001091969, 1001091970, 1001100326, 1001100327, 1001100345, 1001194197, 1001194198, 1001194200, 1001194365, 1001206250, 1001206251, 1001206252, 1001206255 Installations	
708A	1001141967	1	Box, Switch - 0275218, 1001100343, 1001100344, 1001141970 & 1001141971 Kits	
708B	4460346	1	Receptacle - 0272259 Installation	
708B	4460125	1	Receptacle - 0272260 Installation	
708B	Not Required	0	Receptacle - 0256202 Installation (Note: Use Receptacle Kit or Purchase Locally)	
708B	4461198	1	Receptacle - 1001091969, 1001100326, 1001194203, 1001206253 Installations	
708B	4461201	1	Receptacle - 1001091970, 1001100327, 1001194204, 1001206254 Installations	
708B	4461204	NLA	Receptacle - 0275218, 1001091971, 1001100328 Installations (Use p/n 1001100343)	
708B	4461207	NLA	Receptacle - 1001091972, 1001100329 Installations (Use p/n 1001100344)	
708B	4461244	1	Receptacle - 0275452, 1001091973, 1001100331, 1001100345, 1001194197, 1001206250 Installations	
708B	4461245	1	Receptacle - 1001091974, 1001100333, 1001194198, 1001206251 Installations	
708B	4461246	1	Receptacle - 1001091975, 1001100337, 1001194200, 1001206252 Installations	
708B	1001141968	1	Receptacle - 1001100343 & 1001141971 Kits	
708B	1001141969	1	Receptacle - 1001100344 & 1001141970 Kits	
708C	1001110873	1	Shield, Cover - 0272259 Installation	
708C	4060092	1	Shield, Cover - 0272260 Installation	
708C	Not Required	0	Shield, Cover - 0256202 Installation (Purchase Locally)	

SECTION 7 - ELECTRICAL

ITEM	PART NUMBER	QTY	DESCRIPTION	REV
708C	See Note	NSS	Shield, Cover – 0275218, 0275452, 1001091973, 1001091974, 1001091975, 1001091969, 1001091970, 1001091971, 1001091972, 1001100331, 1001100333, 1001100337, 1001100326, 1001100327, 1001100328, 1001100329, 1001100345, 1001194197, 1001194198, 1001194200, 1001194203, 1001194204, 1001206250, 1001206251, 1001206252, 1001206253, 1001206254 Installations (Note: Shield Included with Receptacle - Purchase Item 708B)	
708C	1670603	1	Shield, Cover - 1001194365, 1001206255 Installations	
708C	3960422	1	Gasket, Cover (0272259 & 0272260 Installations Only)	
708D	4460051	1	Connector, Strain Relief - 0272259 & 0272260 Installations	
708D	Not Required	0	Connector, Strain Relief - 0256202 Installation (Note: Use Receptacle Kit or Purchase Locally)	
708D	1001101191	1	Connector, Strain Relief - 1001091969, 1001100326, 1001091970, 1001100327, 1001091971, 1001100328, 1001091972, 1001100329, 1001091973, 1001100331, 1001091974, 1001100333, 1001091975, 1001100337, 1001206250, 1001206251, 1001206252, 1001206253, 1001206254, 1001206255 Installations	
708D	4460968	1	Connector, Strain Relief - 1001194203 & 1001194204 Installations	
708D	4460662	1	Connector, Strain Relief - 1001194197, 1001194198 & 1001194200 Installations	
708E	4460205	1	Plug, Male - 0272259 Installation	
708E	4460233	1	Plug, Male - 0272260 Installation	
708E	Not Required	0	Plug, Male - 0256202 Installation (Note: Use Receptacle Kit or Purchase Locally)	
708E	4461196	1	Plug, Male - 1001091969 Installation	
708E	4461199	1	Plug, Male - 1001091970 Installation	
708E	4461202	NLA	Plug, Male (Use p/n 4461205) – 0275218, 0275452, 1001091971, 1001100345, 1001091973 Installations & 1001100343 & 1001141971 Kits	
708E	4461205	1	Plug, Male - 1001091972, 1001091974 Installations & 1001100344 & 1001141970 Kits	
708E	4461249	1	Plug, Male - 1001091975 Installation	
708E	Not Required	0	Plug, Male - 1001100326, 1001100327, 1001100328, 1001100329, 1001100331, 1001100333 & 1001100337 Installations	
708F	4460205	AR	Plug, Male - 0272259 Installation	
708F	1001213584	AR	Plug, Male - 0272259 Installation	
708F	4460233	AR	Plug, Male - 0272260 Installation	
708F	1001213584	AR	Plug, Male - 0272260 Installation	
708F	4460709	AR	Plug, Male - 0256202, 1001091969, 1001100326, 1001091970, 1001100327, 1001091971, 1001100328, 1001091972, 1001100329, 1001091973, 1001100331, 1001091974, 1001100333, 1001091975 & 1001100337 Installations	
708F	1001213584	AR	Plug, Male - 0256202 Installation (SN 0300236825 through 0300272492, SN B300002256 through B300005730, Except SN 0300272449 through 0300272454, Excluding B300005568)	
708F	4460692	1	Plug, Male - 1001160272 Installation	
708F	4460959	1	Plug, Male - 0272433 Installation	
708F	1001213584	1	Plug, Male - 1001243560 Installation	
708G	4460134	1	Connector, Female - 0272259 Installation	
708G	1001213585	1	Connector, Female - 0272259 Installation	
708G	1001213585	1	Connector, Female - 1001213560 Installation	
708G	4460701	1	Connector, Female - 0272260 Installation	

SECTION 7 - ELECTRICAL

ITEM	PART NUMBER	QTY	DESCRIPTION	REV
708G	1001213585	1	Connector, Female - 0272260 Installation	
708G	4460710	AR	Connector, Female - 0256202, 1001091969, 1001100326, 1001091970, 1001100327, 1001091971, 1001100328, 1001091972, 1001100329, 1001091973, 1001100331, 1001091974, 1001100333, 1001091975 & 1001100337 Installations	
708G	1001213585	AR	Connector, Female - 0256202 Installation (SN 0300236825 through 0300272492, SN B300002256 through B300005730, Except SN 0300272449 through 0300272454, Excluding B300005568)	
708G	1001213585	1	Connector, Female - 1001213560 Installation	
708H	1001101196	1	Connector, Adapter - 1001091969, 1001100326, 1001091970, 1001100327, 1001091971, 1001100328, 1001091972, 1001100329, 1001206253, 1001206254 Installations	
708H	1001101197	1	Connector, Adapter - 1001091973, 1001100331, 1001091974, 1001091975, 1001100337, 1001206250, 1001206251, 1001206251, 1001206253, 1001206255 Installations	
708J	4461197	1	Receptacle, Female - 1001100326 Installation (CE Specs with 2500W Generator Control Box Only)	
708J	4461200	1	Receptacle, Female - 1001100327 Installation (CE Specs with 2500W Generator Control Box Only)	
708J	4461203	1	Receptacle, Female - 1001100328, 1001100331 & 1001100345 Installations & 1001100343 & 1001141971 Kits (CE Specs with 2500W Generator Control Box Only)	
708J	4461206	1	Receptacle, Female - 1001100329 & 1001100333 Installations & 1001100344 & 1001141970 Kits (CE Specs with 2500W Generator Control Box Only)	
708J	4461250	1	Receptacle, Female - 1001100337 Installation (CE Specs with 2500W Generator Control Box Only)	
708K	0275216	1	Receptacle Box Kit - 110V IEC Yellow (1001091969 Installation) (For CE Machines without 2500W Generator Only) (Includes Items 708A, 708B, 708C & 708E)	1
708K	0275217	1	Receptacle Box Kit - 220V IEC Blue (1001091970 Installation) (For CE Machines without 2500W Generator Only) (Includes Items 708A, 708B, 708C & 708E)	1
708K	0275218	NLA	Receptacle Box Kit - 220V CEE7 Post Ground (1001091971 Installation) (Use p/n 1001100343) (For CE Machines without 2500W Generator Only) (Includes Items 708A, 708B, 708C & 708E)	C
708K	0275219	NLA	Receptacle Box Kit - 220V CEE7 Side Ground (1001091972 Installation) (Use p/n 1001100344) (Use p/n 1001100343) (For CE Machines without 2500W Generator Only) (Includes Items 708A, 708B, 708C & 708E)	B
708K	0275452	1	Receptacle Box Kit - 220V CEE7 Post Ground (1001091973 Installation) (For CE Machines without 2500W Generator Only) (Includes Items 708A, 708B, 708C & 708E)	C
708K	0275453	1	Receptacle Box Kit - 220V CEE7 Side Ground (1001091974 Installation) (For CE Machines without 2500W Generator Only) (Includes Items 708A, 708B, 708C & 708E)	1
708K	0275454	1	Receptacle Box Kit - 220V AFSINT 107 Keyed Ground (1001091975 Installation) (For CE Machines without 2500W Generator Only) (Includes Items 708A, 708B, 708C & 708E)	1
708K	1001100341	1	Receptacle Box Kit - 110V IEC Yellow (1001100326 Installation) (For CE Machines with 2500W Generator Only) (Includes Items 708A, 708B, 708C, 708E & 708J)	2
708K	1001100342	1	Receptacle Box Kit - 220V IEC Blue (1001100327 Installation) (For CE Machines with 2500W Generator Only) (Includes Items 708A, 708B, 708C, 708E & 708J)	2
708K	1001091971	NLA	Receptacle Box Kit - 220V CEE7 Post Ground (1001100328 Installation) (Use p/n 1001100343 Kit) (For CE Machines with	B

SECTION 7 - ELECTRICAL

ITEM	PART NUMBER	QTY	DESCRIPTION	REV
708K	1001091970	NLA	2500W Generator Only) (Includes Items 708A, 708B, 708C, 708E & 708J) Receptacle Box Kit - 220V CEE7 Side Ground (1001100329 Installation) (Use p/n 1001100344 Kit) (For CE Machines with 2500W Generator Only) (Includes Items 708A, 708B, 708C, 708E & 708J)	B
708K	1001100345	1	Receptacle Box Kit - 220V CEE7 Post Ground (1001100331 Installation) (For CE Machines with 2500W Generator Only) (Includes Items 708A, 708B, 708C, 708E & 708J)	C
708K	1001100347	1	Receptacle Box Kit - 220V CEE7 Side Ground (1001100333 Installation) (For CE Machines with 2500W Generator Only) (Includes Items 708A, 708B, 708C, 708E & 708J)	2
708K	1001100346	1	Receptacle Box Kit - 220V AFSINT 107 Keyed Ground (1001100337 Installation) (For CE Machines with 2500W Generator Only) (Includes Items 708A, 708B, 708C, 708E & 708J)	2
708L	1001156351	2	Cover, Connector - 0256202 Installation (SN 0300182743 through 0300236824, SN B300001092 through B300002255)	
708M	1001156352	1	Cover, Plug - 0256202 Installation (SN 0300182743 through 0300236824, SN B300001092 through B300002255)	
708N	1001193018	1	Bracket, Receptacle Box - 1001091969, 1001091970, 1001091971, 1001091972, 1001091973, 1001091974, 1001091975, 1001100326, 1001100327, 1001100328, 1001100329, 1001100331, 1001100333, 1001100337, 1001194203, 1001194204, 1001194197, 1001194198, 1001194200, 1001194365, 1001206250, 1001206251, 1001206252, 1001206253, 1001206254, 1001206255 Installations (SN 0300201003 through 0300272492, Except SN 0300272449 through 0300272454)	
708N	1001193018	1	Bracket, Receptacle Box - 1001091969, 1001091970, 1001091971, 1001091972, 1001091973, 1001091974, 1001091975, 1001100326, 1001100327, 1001100328, 1001100329, 1001100331, 1001100333, 1001100337, 1001194203, 1001194204, 1001194197, 1001194198, 1001194200, 1001194365, 1001206250, 1001206251, 1001206252, 1001206253, 1001206254, 1001206255 Installations (SN B300001180 through B300005730, Excluding B300005568)	
709	1001153309	Ref	4000W Generator Installation - Deutz D2011 Engine (60Hz)	B
709	1001153310	Ref	4000W Generator Installation - Deutz D2011 Engine (50Hz)	F
709	1001171127	Ref	4000W Generator Installation - Deutz DT2.9L4 Engine (60Hz)	C
709	1001171269	Ref	4000W Generator Installation - Deutz DT2.9L4 Engine and Deutz TD2.9L4 (Stage V) Engine (50Hz)	E
709	1001139960	Ref	4000W Generator Installation - GM Engine	B
709	1001115388	Ref	7500W SkyPower Generator Installation - Deutz D2011 Engine (60Hz)	F
709	1001115394	Ref	7500W SkyPower Generator Installation - Deutz D2011 Engine (50Hz)	F
709	1001148563	Ref	7500W SkyPower Generator Installation - Deutz DT2.9L4 Engine (60Hz)	E
709	1001148564	Ref	7500W SkyPower Generator Installation - Deutz DT2.9L4 Engine and Deutz DT2.9L4 (Stage V) Engine (50Hz)	E
709	1001219618	Ref	7500W SkyPower Generator Installation - Ford Engine	D
709	0275257	Ref	7500W SkyPower Generator Installation - GM Engine	H
709B	3960422	1	Gasket - 60Hz Spec	
709B	See Note	Ref	Gasket - 50Hz Spec (Note: Not Available - Purchase Locally)	
709C	1001110873	Ref	Cover, Receptacle - 60Hz Spec (Top Hinged Cover)	
709C	See Note	Ref	Cover, Receptacle - 50Hz Spec (Note: Not Available - Purchase Locally)	

SECTION 7 - ELECTRICAL

ITEM	PART NUMBER	QTY	DESCRIPTION	REV
709E	4460346	Ref	Receptacle - 60Hz Spec	
709E	See Note	Ref	Receptacle - 50Hz Spec (Note: Not Available - Purchase Locally)	
709G	4460071	1	Connector, Strain Relief	
709H	1001152532	Ref	Harness, Generator - 4000W Generator	A
709H	4922925	1	Harness, Generator - 7500W SkyPower Generator	C
709J	See Note	NSS	Plug, Male - 6 Position - 7500W SkyPower Generator (Note: Not Available for Purchase)	
709J	77363233	1	Plug, Male - 6 Position - 4000W SkyPower Generator	
709J	77363229	6	Socket, Female - 7500W SkyPower Generator	
709J	4460465	2	Socket, Female - 4000W Generator	
709K	4460225	1	Plug, Male - 6 Position	
709K	4460226	6	Socket, Female - 7500W SkyPower Generator	
709K	4460268	2	Socket, Female - 4000W Generator	
709K	4460807	1	Seal - 4000W Generator	
709K	4460808	1	Seal - 4000W Generator	
709L	See Note	AR	Breaker Box Kit (4000K 50 Hz Generators) (Note: See Item 714C for Replacement Parts)	
710	1001152457	Ref	4000W Generator Junction Box Components (60Hz) (Call-out # Not Shown)	B
710	1001152458	Ref	4000W Generator Junction Box Components (50Hz) (Call-out # Not Shown)	B
710	1001157592	Ref	7500W SkyPower Generator Junction Box Components (60Hz) (Call-out # Not Shown)	D
710	1001157525	Ref	7500W SkyPower Generator Junction Box Components (50Hz) (Call-out # Not Shown)	D
710A	1060494	2 ft/.6m	Cable, Electrical 12/3 - 60Hz Spec (SN 0300182743 through 0300205490)	
710A	1001179154	2.5 ft /.76m	Cable, Electrical 12/3 - 60Hz Spec (SN 0300205491 through 0300272492, Except SN 0300272449 through 0300272454)	
710A	1060494	2 ft/.6m	Cable, Electrical 12/3 - 60Hz Spec (SN B300001092 through B300001245)	
710A	1001179154	2.5 ft /.76m	Cable, Electrical 12/3 - 60Hz Spec (SN B300001246 through B300005730, Excluding B300005568)	
710C	1060343	1.5 ft /.46m	Cable, Electrical 10/4 (7500W/60Hz Spec Only)	
710D	4460425	1	Connector, Strain Relief	
710E	4460426	2	Connector, Strain Relief (60Hz Spec Only)	
710E	4460426	1	Connector, Strain Relief (50Hz Spec Only)	
710E	3520189	1	Plug (50Hz Spec Only)	
710F	1671092	1	Cover (7500W/60Hz Spec Only)	
710F	4460963	1	Connector (7500W/60Hz Spec Only)	
711	1001153025	Ref	4000W Generator Electrical Diagram (50Hz) (Deutz Engines) (ANSI Export & Japanese Specs) (SN 0300182743 through 0300204764, SN B300001092 through B300001327)	C
711	1001194437	Ref	4000W Generator Electrical Diagram (50Hz) (Deutz Engines) (ANSI Export & Japanese Specs) (SN 0300204765 through 0300272492, SN B300001328 through B300005730, Except SN 0300272449 through 0300272454, Excluding B300005568)	B
711	1001159648	Ref	4000W Generator Electrical Diagram (50Hz) (Deutz Engines) (Australian Specs)	C
711	1001153025	Ref	4000W Generator Electrical Diagram (50Hz) (Deutz Engines) (CE Specs)	C
711	1001160271	Ref	4000W Generator Electrical Diagram (50Hz) (Deutz Engines) (CE UK Specs)	C
711	1001132055	Ref	4000W Generator Electrical Diagram (60Hz) (Deutz D2011 & GM Engines)	A

SECTION 7 - ELECTRICAL

ITEM	PART NUMBER	QTY	DESCRIPTION	REV
711	1001132055	Ref	4000W Generator Electrical Diagram (60Hz) (Deutz DT2.9L4 Engines) (SN 0300182743 through 0300213719, SN B300001092 through B300001596)	A
711	1001153257	Ref	4000W Generator Electrical Diagram (60Hz) (Deutz DT2.9L4 Engines) (SN 0300213720 through 0300272492, SN B300001597 through B300005730, Except SN 0300272449 through 0300272454, Excluding B300005568)	A
711	1001157769	Ref	7500W SkyPower Generator Electrical Diagram - 50Hz - Deutz Engine Machines (Call-out # Not Shown)	B
711	1001157770	Ref	7500W SkyPower Generator Electrical Diagram - 60Hz - Deutz Engine Machines (Call-out # Not Shown)	A
711	1001221498	Ref	7500W SkyPower Generator Electrical Diagram - 60Hz - Ford Engine Machines (Call-out # Not Shown)	A
711	1001157768	Ref	7500W SkyPower Generator Electrical Diagram - 60Hz - GM Engine Machines (Call-out # Not Shown)	A
711A	1001153197	1	Generator Harness - 4000W Generator (Deutz D2011 & GM Engines)	B
711A	1001153197	1	Generator Harness - 4000W Generator (Deutz DT2.9L4 Engines) (SN 0300182743 through 0300213719, SN B300001092 through B300001596)	B
711A	1001153259	1	Generator Harness - 4000W Generator (Deutz DT2.9L4 and Deutz DT2.9L4 (Stage V) Engines) (SN 0300213720 through 0300272492, SN B300001597 through B300005730, Except SN 0300272449 through 0300272454, Excluding B300005568)	B
711A	1001152429	1	Generator Harness - 7500W/50Hz SkyPower Generator (Deutz Engine Machines)	C
711A	1001119968	1	Generator Harness - 7500W/60Hz SkyPower Generator (Deutz Engine Machines)	C
711A	1001221208	1	Generator Harness - 7500W SkyPower Generator (Ford Engine Machines)	A
711A	4923420	1	Generator Harness - 7500W SkyPower Generator (GM Engine Machines)	A
711B	4460374	2	Plug, Sealed Relay (7500W SkyPower Generator with GM Engines Only)	
711B	4460375	7	Terminal (7500W SkyPower Generator with GM Engines Only)	
711C	4460967	1	Plug, Male - 3 Position	
711C	4460465	3	Socket, Female	
711D	4460742	1	Plug, Male - 2 Position (4000W/60Hz Generator)	
711D	4460743	2	Socket, Female (4000W/60Hz Generator)	
711D	4460458	1	Seal (4000W/60Hz Generator)	
711D	1001116727	1	Seal (4000W/60Hz Generator)	
711D	4460742	1	Plug, Male - 2 Position (7500W SkyPower Generator 50Hz Deutz & 60Hz - Ford & GM Engines Only)	
711D	4460743	2	Socket, Female (7500W SkyPower Generator 50Hz Deutz & 60Hz - Ford & GM Engines Only)	
711D	4460458	2	Seal (7500W SkyPower Generator 50Hz Deutz & 60Hz - Ford & GM Engines Only)	
711E	2400060	1	Fuseholder (50Hz Deutz & 60Hz - Ford & GM Engines)	
711E	2400064	1	Fuse - 5Amp (50Hz Deutz & 60Hz - Ford & GM Engines)	
711E	1001117078	1	Fuseholder (Includes Fuse and Cap) (60Hz - Deutz Engine)	
711E	See Note	NSS	Fuse - 5Amp (60Hz - Deutz Engines) (Note: Use 1001117078 Assembly or Purchase Fuse Locally)	
711E	1001096134	1	Cover, Fuseholder (60Hz - Deutz Engines)	
711F	4922641	1	Switch Harness	
711G	1001164091	1	Ground Harness (50Hz Generators) (Not Shown)	
712	4933249	1	Floodlights Harness Components	2-A
712A	4460320	2	Plug, Male - 2 Position	

SECTION 7 - ELECTRICAL

ITEM	PART NUMBER	QTY	DESCRIPTION	REV
712A	4460227	4	Pin, Male	
712B	4922764	1	Floodlight Harness (Lights to Switch)	B
712C	4460424	2	Connector, Female - 2 Position	
712C	4460226	4	Socket, Female	
712D	4360232	1	Circuit Breaker - 15Amp	
712E	1060977	1	Cord, 2 Wire Coiled (Console Box Circuit Breaker to Switch)	
712F	4460425	1	Connector, Strain Relief	
712G	4922883	1	Harness, Console Box to Aux Relay	
712G	1060708	120 ft /36.6m	10/3 Cable	
713		Ref	Platform Worklights Components	
713A	2920140	NLA	Platform Worklights External Harness (Use p/n 1001222838) (Includes Light and Wire Only) (SN 0300182743 through 0300258641, SN B300001092 through B300003937)	
713A	1001232838	1	Worklight w/Switch Kit (SN 0300258642 through 0300272492, SN B300003938 through B300005730, Except SN 0300272449 through 0300272454, Excluding B300005568)	
713B	4460426	1	Connector, Strain Relief	
713C		Ref	Fuse Options:	
713C	2400070	1	20Amp Fuse (2 Worklights)	
713C	2400065	1	30Amp Fuse (4 Worklights)	
713C	2400066	1	Holder, Fuse	
713D	4922874	Ref	Harness, Console Box to Connector Options:	
713D	4922874	1	2 Worklights	
713D	4922874	3	4 Worklights	
713D	1060708	11 ft/3.4m	10/3 Cable (1 per Harness)	
713E		Ref	Harness, Connector to Aux Relay Options:	
713E	4922873	1	Harness, Connector to Aux Relay Harness (85ft/25.9m of 10/3 Cable p/n 1060708) (800S)	
713E	4922877	1	Harness, Connector to Aux Relay Harness (92ft/28m of 10/3 Cable p/n 1060708) (860SJ)	
713F	1001098234	1	Connector, Female - 3 Position (Platform Worklights Only)	
713G	1001098349	1	Connector, Male - 3 Position (Platform Worklights Only)	
714		Ref	AC Cable with Breaker (Required Only on CE Spec Installations)	
714	1001091790	Ref	Without Powermite Generator (SN 0300182743 through 0300191622)	D
714	1001177711	Ref	Without Powermite Generator (SN 0300191623 through 0300272492, Except SN 0300272449 through 0300272454)	C
714	1001177711	Ref	Without Powermite Generator (SN B300001092 through B300005730, Excluding B300005568)	C
714	1001109559	Ref	With Powermite Generator (SN 0300182743 through 0300191622)	A
714	1001177712	Ref	With Powermite Generator (SN 0300191623 through 0300272492, Except SN 0300272449 through 0300272454)	C
714	1001177712	Ref	With Powermite Generator (SN B300001092 through B300005730, Excluding B300005568)	C
714	1001188332	Ref	Circuit Breaker Installation	A
714A	0903484	1	Bracket, Receptacle Box Mounting	
714A	0641416	2	Bolt 1/4in-20NC x 2in	
714A	3311405	2	Locknut 1/4in-20NC	
714A	4711400	4	Flatwasher 1/4in (Narrow)	
714B	0903697	1	Bracket, Circuit Breaker Mounting (SN 0300182743 through 0300191622)	
714B	1001177910	1	Bracket, Circuit Breaker Mounting (SN 0300191623 through 0300272492, Except SN 0300272449 through 0300272454)	

SECTION 7 - ELECTRICAL

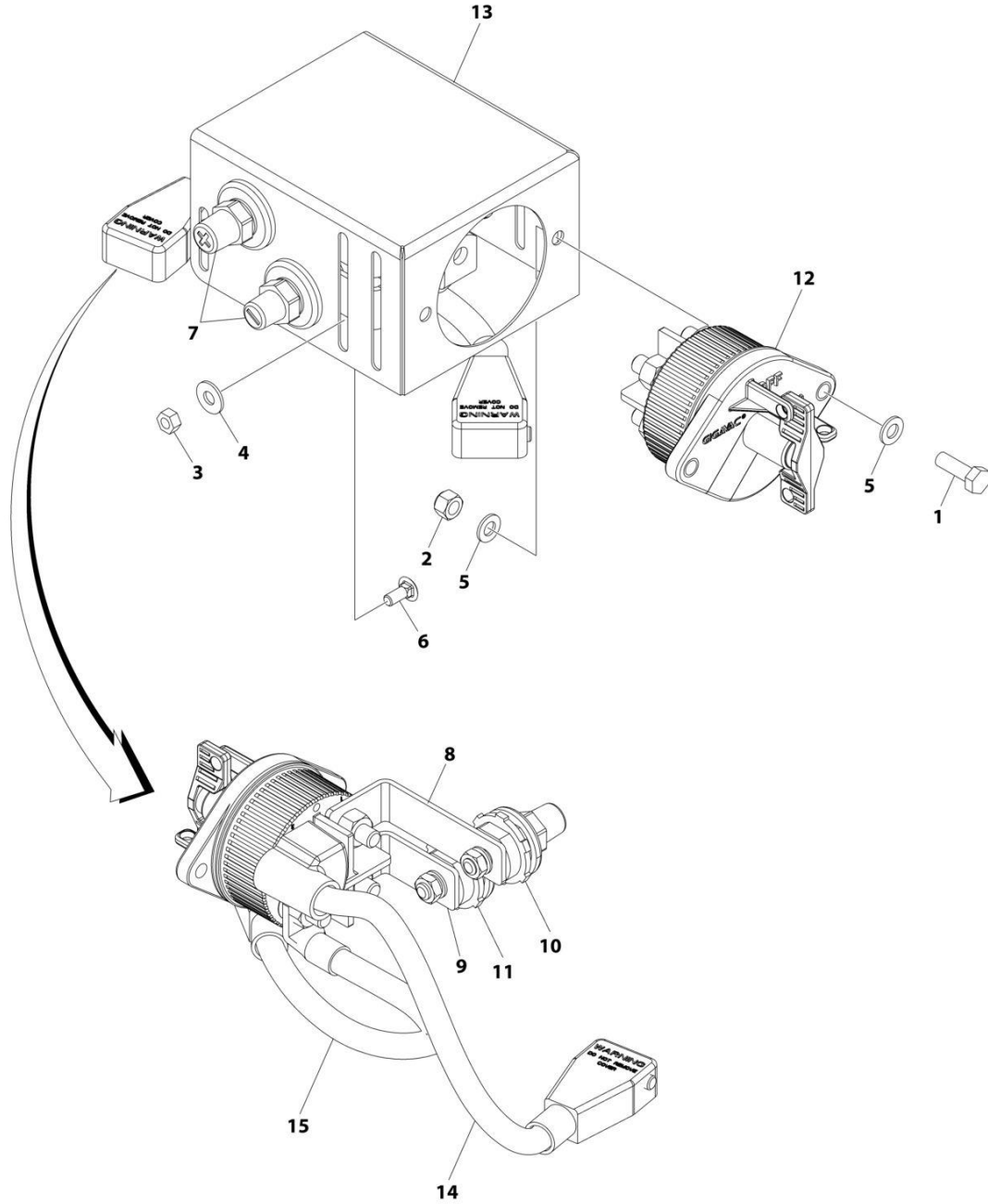
ITEM	PART NUMBER	QTY	DESCRIPTION	REV
714B	1001177910	1	Bracket, Circuit Breaker Mounting (SN B300001092 through B300005730, Excluding B300005568)	
714B	0641412	2	Bolt 1/4in-20NC x 1-1/2in	
714B	3311405	2	Locknut 1/4in-20NC	
714B	4711400	4	Flatwasher 1/4in (Narrow)	
714C		Ref	Kit, Box and Breaker (Required on CE Spec Installations):	
714C	1001109654	AR	Machines without Powermite Generator Control Box	B
714C	1001109648	AR	Machines with Powermite Generator Control Box	B
714C	1001096070	1	Machines with 4000W Generators (SN 0300182743 through 0300214274, SN B300001092 through B300001596)	E
714C	1001165368	1	Machines with 4000W Generators (SN 0300214275 through 0300272492, SN B300001597 through B300005730, Except SN 0300272449 through 0300272454, Excluding B300005568)	B
714C		Ref	Circuit Breaker Options:	
714C	1001109477	NLA	Circuit Breaker 10A (Use p/n 1001181046) (SN 0300182743 through 0300204764)	
714C	1001109475	NLA	Circuit Breaker 16A (Use p/n 1001181045) (SN 0300182743 through 0300204764)	
714C	1001109482	NLA	Circuit Breaker 30mA (Use p/n 1001181046 When Paired with 10A Breaker / Use p/n 1001181045 When Paired with 16A Breaker) (SN 0300182743 through 0300204764)	
714C	1001181046	1	Circuit, Breaker 10A/30mA Combination (SN 0300204765 through 0300272492, Except SN 0300272449 through 0300272454)	
714C	1001181045	1	Circuit, Breaker 16A/30mA Combination (SN 0300204765 through 0300272492, Except SN 0300272449 through 0300272454)	
714C	1001109477	NLA	Circuit Breaker 10A (Use p/n 1001181046) (SN B300001092 through B300001232)	
714C	1001109475	NLA	Circuit Breaker 16A (Use p/n 1001181045) (SN B300001092 through B300001232)	
714C	1001109482	NLA	Circuit Breaker 30mA (Use p/n 1001181046 When Paired with 10A Breaker / Use p/n 1001181045 When Paired with 16A Breaker) (SN B300001092 through B300001232)	
714C	1001181046	1	Circuit, Breaker 10A/30mA Combination (SN B300001233 through B300005730, Excluding B300005568)	
714C	1001181045	1	Circuit, Breaker 16A/30mA Combination (SN B300001233 through B300005730, Excluding B300005568)	
714C	0861880	1	Breaker Box	
714C	4460956	1	Terminal, Block End Barrier	
714C	1060908	6 ft/1.8m	Cable, Extension	
714C	4460957	1	Terminal Block	
714D		Ref	Connector, Strain Relief Options:	
714D	1001101191	1	Top (With or Without Powermite Generator)	
714D	1001097150	1	Bottom (With or Without Powermite Generator)	
714D	1001097150	2	Top & Bottom (4000W Generators) (SN 0300182743 through 0300214275, SN B300001092 through B300001596)	
714D	1001101191	2	Top & Bottom (4000W Generators) (SN 0300214275 through 0300272492, SN B300001597 through B300005730, Except SN 0300272449 through 0300272454, Excluding B300005568)	
714D	0641406	2	Bolt 1/4in-20NC x 3/4in	
714D	3311405	2	Locknut 1/4in-20NC	
714D	4711400	4	Flatwasher 1/4in (Narrow)	
714E	1060908	12 ft/3.6m	Cable, Electrical 12/3	

SECTION 7 - ELECTRICAL

ITEM	PART NUMBER	QTY	DESCRIPTION	REV
714E	1060545	12 ft/3.6m	Cable, Electrical 10/3	
714F	4460709	1	Plug, Male (CE Specs Only)	
714F	1001213584	1	Plug, Male (CE Specs Only) (1001177711 & 1001177712 Installations) (SN 0300236825 through 0300272492, SN B300002256 through B300005730, Except SN 0300272449 through 0300272454, Excluding B300005568)	
714G	4460710	1	Connector, Female (CE Specs Only)	
714G	1001213585	1	Connector, Female (CE Specs Only) (1001177711 & 1001177712 Installations) (SN 0300236825 through 0300272492, SN B300002256 through B300005730, Except SN 0300272449 through 0300272454, Excluding B300005568)	
715	1001094509	1	Generator Hourmeter Harness	
		Ref	TOOLS	
801	7002821	1	Crimper (For Wire to Pin/Socket Connections) (Not Shown)	
802	7002823	1	Extractor (For Removal of Pin/Socket from Connectors) (Not Shown)	
803	4460467	1	Extractor, Pin (Blue 16-18 Gauge) (For Removal of Pin/Socket from Connectors) (Not Shown)	
804	4460510	1	Extractor, Pin (Yellow 12-14 Gauge) (For Removal of Pin/Socket from Connectors) (Not Shown)	
805	7002828	1	Stripper, Wire (Not Shown)	
806	2901443	1	Analyzer Kit (Not Shown)	
806A	1600244	1	Analyzer	
806B	1060633	1	Cable, Analyzer	1-A
806C	4460321	2	Plug, Male	
806C	4460226	8	Socket, Female	

SECTION 7 - ELECTRICAL

FIGURE 7-3. BATTERY DISCONNECT SWITCH INSTALLATION



ART_1001236304

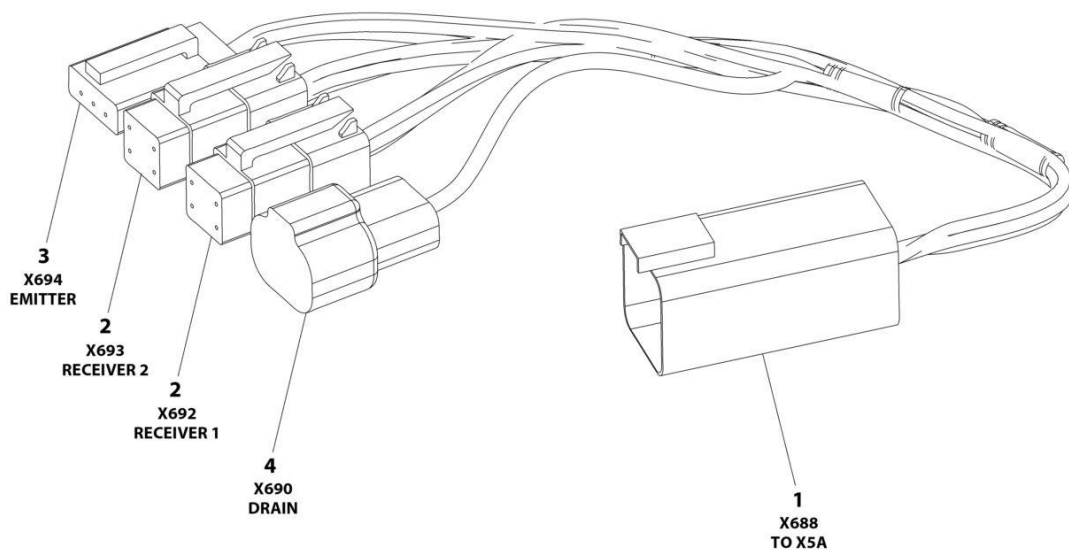
SECTION 7 - ELECTRICAL

FIGURE 7-3. BATTERY DISCONNECT SWITCH INSTALLATION

ITEM	PART NUMBER	QTY	DESCRIPTION	REV
	1001236304	Ref	BATTERY DISCONNECT SWITCH INSTALLATION	A
1	0760812	2	Bolt M8 x 25	
2	3290805	2	Nut M8	
3	3311405	3	Nut 1/4	
4	4751400	3	Washer 1/4	
5	4811900	4	Washer M8	
6	88411013	3	Bolt 1/4 x 3/4	
7	1001206476	1	Connectors, Post	
8	1001209432	1	Bussbar	
9	1001209474	1	Bussbar	
10	1001214570	1	Connector (Red)	
11	1001214571	1	Connector (Black)	
12	1001225346	1	Switch, Battery	
13	1001226531	1	Mount	
14	1001236504	1	Cable, Battery (+)	
15	1001236505	1	Cable, Battery (-)	

SECTION 7 - ELECTRICAL

FIGURE 7-4. SKYEYE INTERMEDIATE HARNESS



ART_1001237865

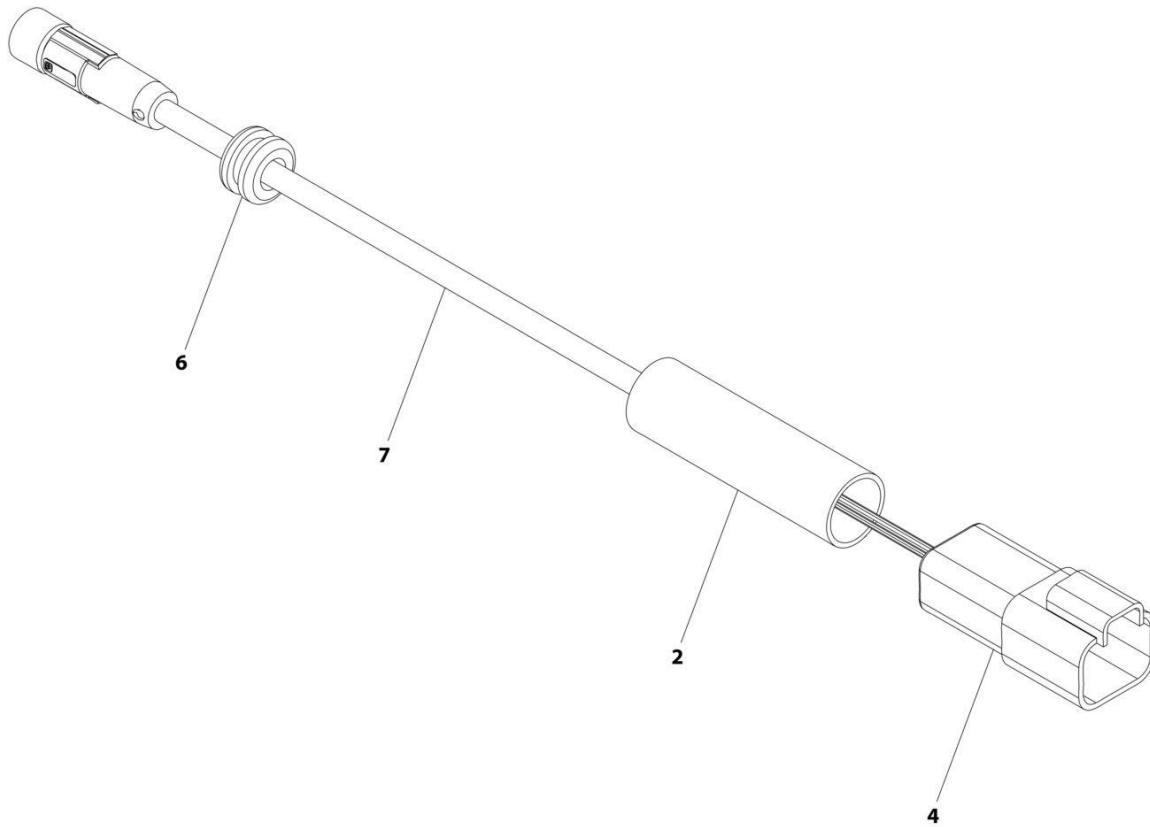
SECTION 7 - ELECTRICAL

FIGURE 7-4. SKYEYE INTERMEDIATE HARNESS

ITEM	PART NUMBER	QTY	DESCRIPTION	REV
	1001237865	Ref	SKYEYE INTERMEDIATE HARNESS	A
1	4460899	1	Connector - 6 Position	
1	4460943	4	Pin, Male	
1	4460466	2	Plug, Terminal	
2	4461077	2	Connector - 4 Position	
2	1001119619	8	Socket, Female	
3	4460911	1	Connector - 3 Position	
3	1001119619	3	Socket, Female	
4	1001187681	1	Connector - 2 Position	
4	4460941	1	Pin, Male	
4	4460466	1	Plug, Terminal	

SECTION 7 - ELECTRICAL

FIGURE 7-5. SKYEYE RECEIVER HARNESS



ART_1001237863

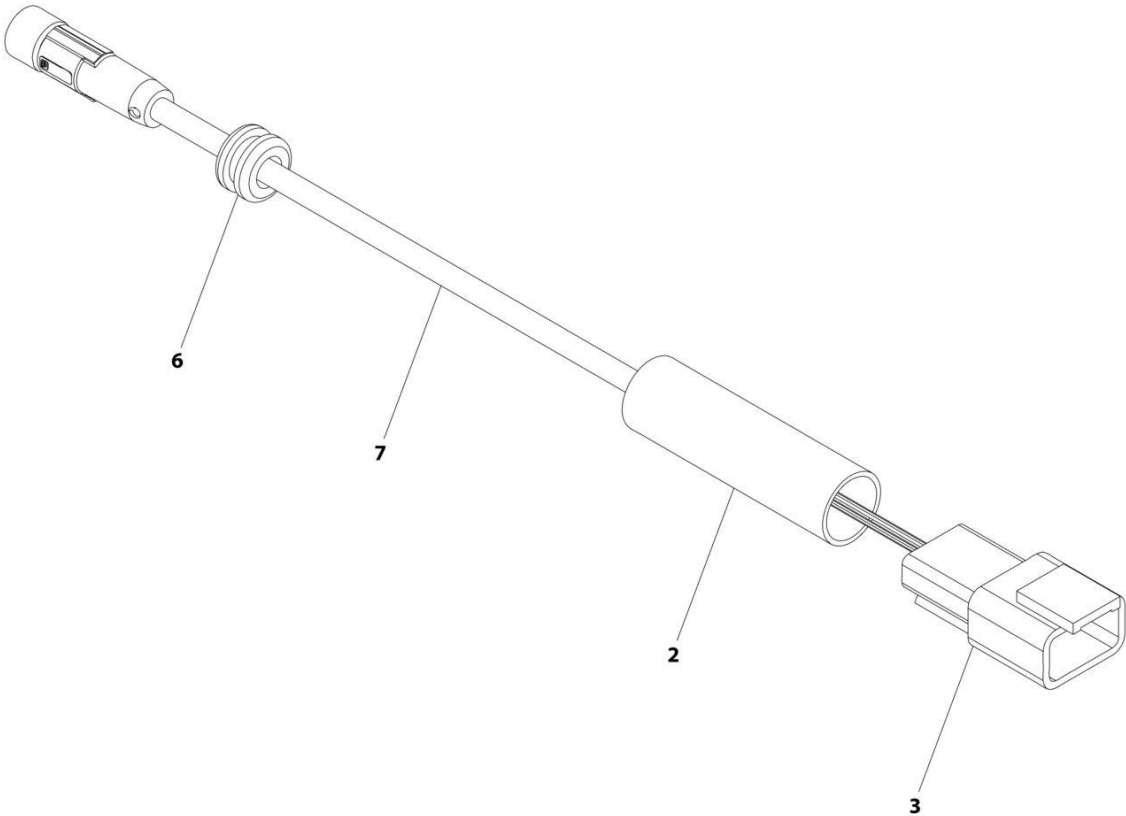
SECTION 7 - ELECTRICAL

FIGURE 7-5. SKYEYE RECEIVER HARNESS

ITEM	PART NUMBER	QTY	DESCRIPTION	REV
	1001237863	Ref	SKYEYE RECEIVER HARNESS	A
2	2820247	AR	Tubing, Heat Shrink	
4	1001097051	1	Connector - 4 Position	
4	1001119620	4	Pin, Male	
6	1001227996	1	Grommet	
7	1001237862	1	Cable, M8 Female Cordset	

SECTION 7 - ELECTRICAL

FIGURE 7-6. SKYEYE EMITTER HARNESS



ART_1001237864

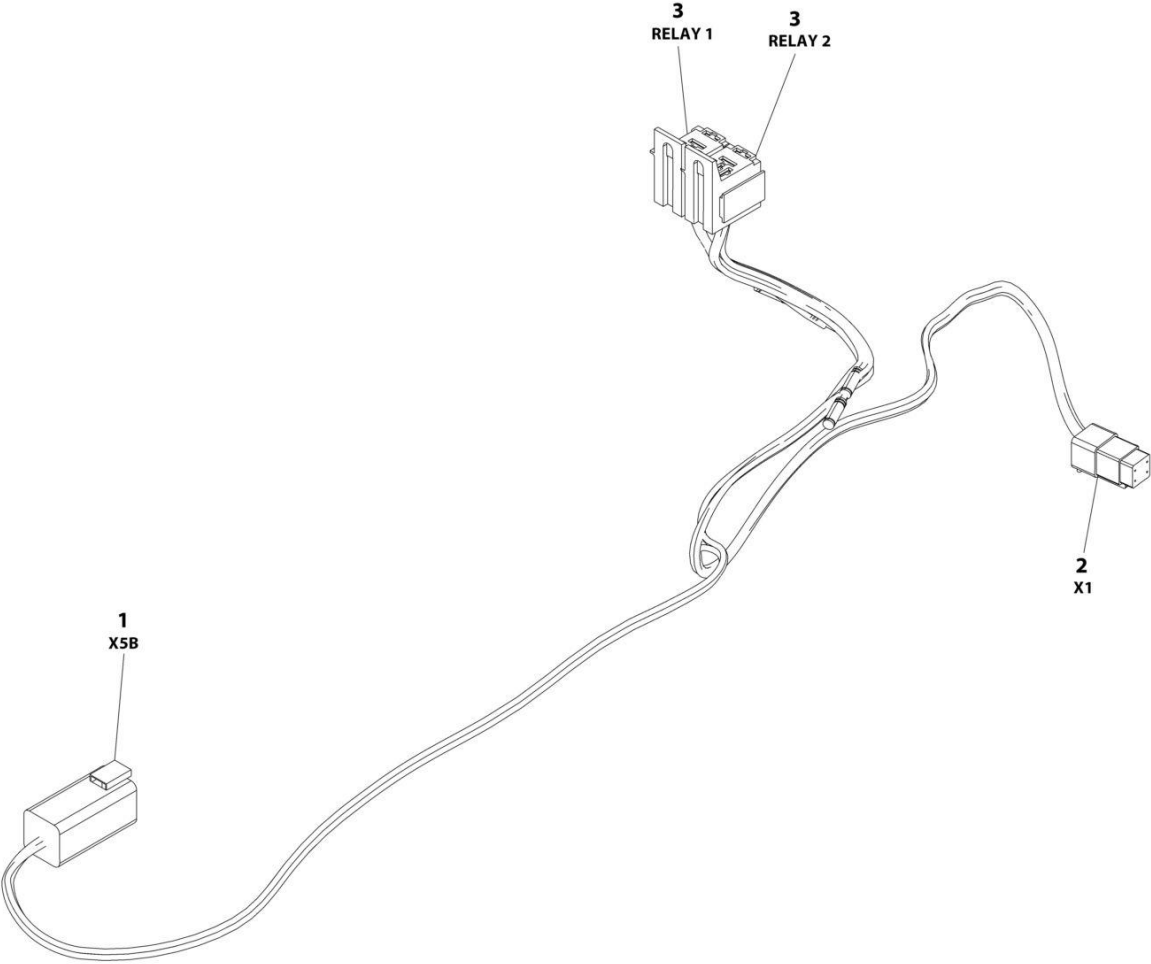
SECTION 7 - ELECTRICAL

FIGURE 7-6. SKYEYE EMITTER HARNESS

ITEM	PART NUMBER	QTY	DESCRIPTION	REV
	1001237864	Ref	SKYEYE EMITTER HARNESS	A
2	2820247	AR	Tubing, Heat Shrink	
3	4460910	1	Connector - 3 Position	
3	1001119620	3	Pin, Male	
6	1001227996	1	Grommet	
7	1001237862	1	Cable, M8 Female Cordset	

SECTION 7 - ELECTRICAL

FIGURE 7-7. SKYLINE HARNESS



ART_1001238418

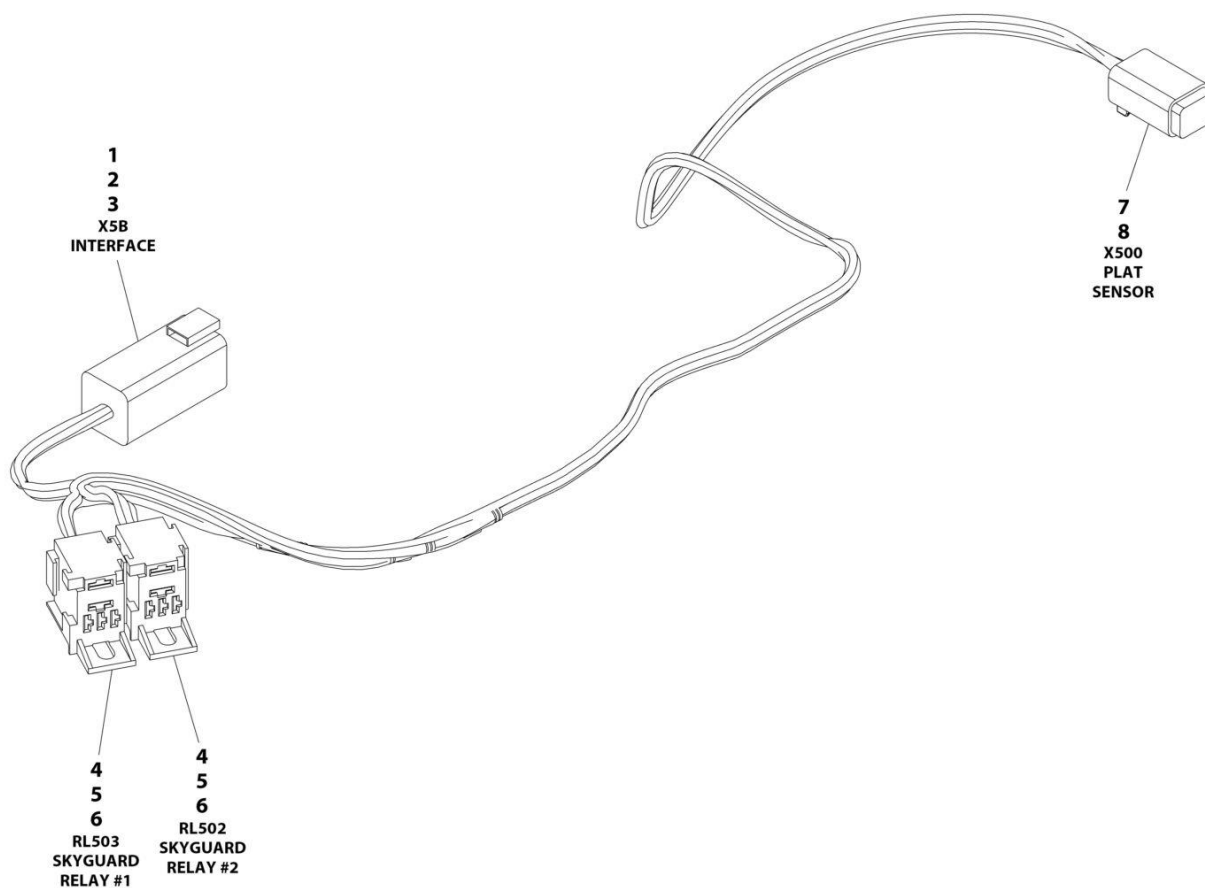
SECTION 7 - ELECTRICAL

FIGURE 7-7. SKYLINE HARNESS

ITEM	PART NUMBER	QTY	DESCRIPTION	REV
	1001238418	Ref	SKYLINE HARNESS	B
1	4460899	1	Connector - 6 Position	
1	4460464	4	Pin, Male	
1	4460466	2	Plug, Terminal	
2	4461077	1	Connector - 4 Position	
2	1001126009	4	Socket, Female	
3	1001186432	2	Plug, Relay	
3	1001118388	5	Terminal	
3	1001118384	3	Terminal	
3	3740086	2	Relay	

SECTION 7 - ELECTRICAL

FIGURE 7-8. INTERFACE HARNESS - WITH 1 CELL LSS



ART_1001225580

SECTION 7 - ELECTRICAL

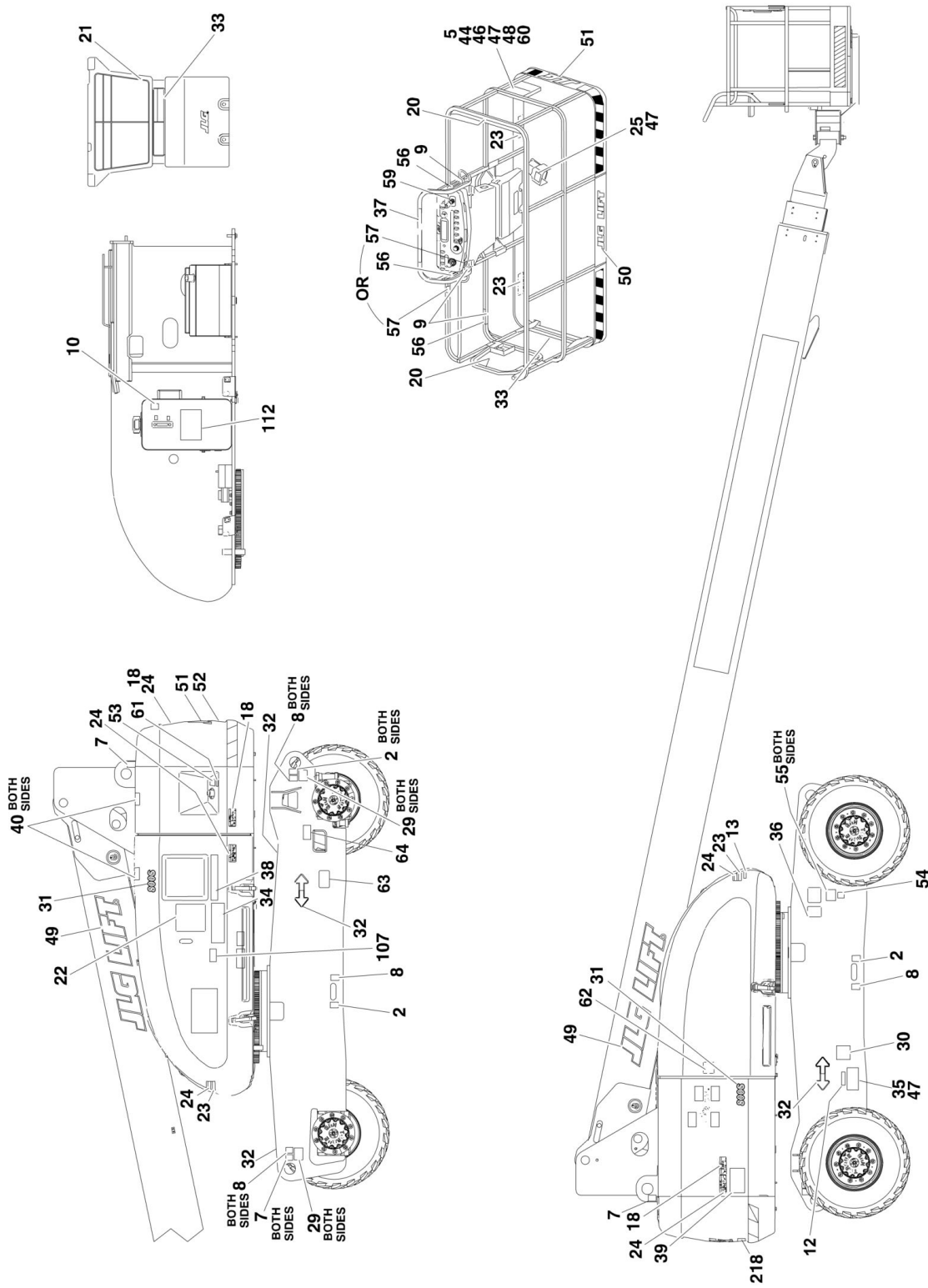
FIGURE 7-8. INTERFACE HARNESS - WITH 1 CELL LSS

ITEM	PART NUMBER	QTY	DESCRIPTION	REV
	1001225580	Ref	INTERFACE HARNESS - WITH 1 CELL LSS	C
1	4460899	1	Connector	
2	4460464	4	Terminal	
3	4460466	2	Plug	
4	1001186432	2	Connector	
5	1001116720	4	Terminal	
6	1001118388	4	Terminal	
7	4460844	1	Connector	
8	4460465	4	Terminal	

SECTION 8 - DECALS

SECTION 8 - DECALS

FIGURE 8-1. DECAL INSTALLATION (ANSI SPEC)



SECTION 8 - DECALS

FIGURE 8-1. DECAL INSTALLATION (ANSI SPEC)

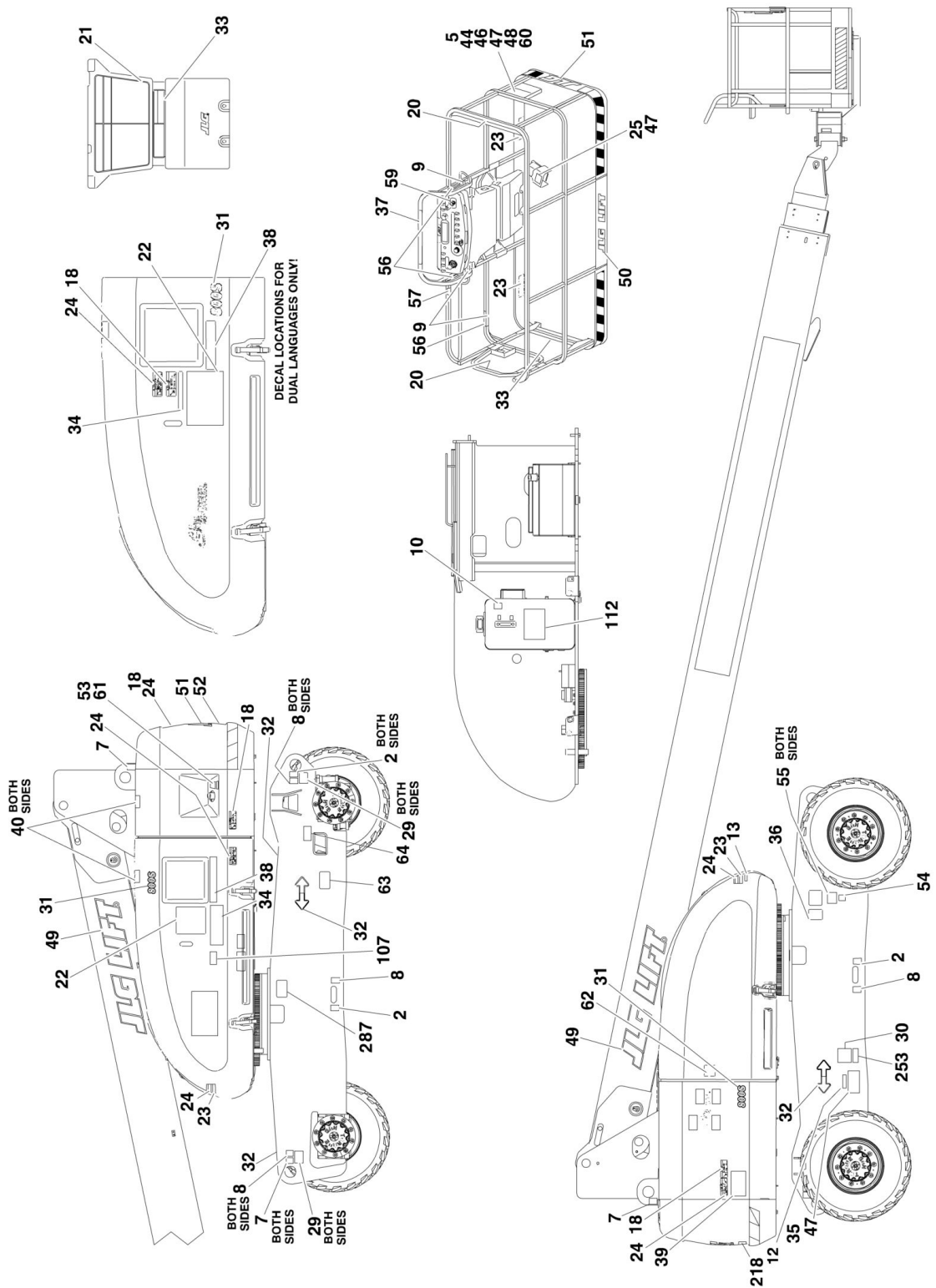
ITEM	PART NUMBER	QTY	DESCRIPTION	REV
	1283408	Ref	STANDARD DECAL INSTALLATIONS	Y
	0274499	Ref	Standard Decal Installations (800S)	H
	0274500	Ref	Standard Decal Installations (860SJ)	H
	0274518	Ref	JLG Logo Decals	D
2	1701499	4	Decal - No Lift	
5	1701509	1	Decal - Manual	
7	1703811	AR	Decal - Tie Down/Lift	
8	1703814	6	Decal - Tie Down	
9	1704277	4	Decal - Attach Lanyard Here	
10	1704412	1	Decal - Hydraulic Oil Chart	
12	1705514	1	Decal - CSA	
13	3251243	1	Nameplate - 120V-60HZ	
18	1703953	4	Decal - Warning Crushing	
20	1702868	2	Decal - No Hands	
21	1703797	1	Decal - Warning/Danger	
22	1705336	1	Decal - Warning Inspection (MTB)	
23	1703804	4	Decal - Warning Crushing	
24	1703805	4	Decal - Danger Electrocution	
25	3252347	1	Decal - Footswitch	
28	1703475	4	Decal - Max Tire Load (800S)	
28	1703482	4	Decal - Max Tire Load (860SJ)	
30	See Note	NSS	Decal - Bar Code (Note: Not Available for Purchase)	
31		Ref	Decal Options:	
31	1704906	2	Decal - Model (800S)	
31	1704907	2	Decal - Model (860SJ)	
32	1701501	4	Decal- Arrow	
33		Ref	Decal Capacity Options:	
33	1001122507	2	Decal Capacity - Decal - 500LBS Unrestricted Capacity (800S)	
33	1001122508	2	Decal Capacity - Decal - 500LBS Maximum Capacity (860SJ)	
34		Ref	Decal Capacity Options:	
34	1001122515	1	Decal Capacity - Decal - 500LBS Unrestricted Capacity (800S)	
34	1001122516	1	Decal Capacity - Decal - 500LBS Maximum Capacity (860SJ)	
35	See Note	NSS	Nameplate, Manufacturer (Note: Not Available for Purchase)	
36	1001131269	1	Decal - Patent	
37	1001108496	1	Decal - Legend Options	
38	1706941	1	Decal - Legend (MTB)	
39		Ref	Decal - Lift Diagram Options:	
39	3252781	1	Decal - Lift Diagram (SN 0300182743 through 0300189311)	
39	1001175354	1	Decal - Lift Diagram (SN 0300189312 through 0300272492, Except SN 0300272449 through 0300272454)	
39	1001175354	1	Decal - Lift Diagram (SN B300001092 through B300005730, Excluding B300005568)	
40	1701691	4	Decal - No Step	
44	0860520	1	Box, Manual Storage	
46	3311405	1	Locknut 1/4in	
47	3820001	2	Rivet	
48	4751400	1	Flatwasher 1/4in Regular	
49	1702861	2	Decal - JLG Lift (8in Height)	
50	1702774	1	Decal - JLG Lift (3-1/2in Height)	
51	1702773	1	Decal - JLG (5in Height)	

SECTION 8 - DECALS

ITEM	PART NUMBER	QTY	DESCRIPTION	REV
52	1704885	1	Decal - Website	
53		Ref	Decal - Fuel	
53	1701505	1	Diesel	
53	1701542	1	Gas	
54	1701543	1	Decal - LP Gas (GM Engine Machines Only)	
55	1700818	2	Decal - LP Gas (Liquid) (GM Engine Machines Only)	
55	1704271	2	Decal - LP Gas (Liquid) CSA Specs (English /French) (GM Engine Machines Only)	
55	1702720	2	Decal - LP Gas (Liquid) Latin American Specs (Spanish) (GM Engine Machines Only)	
56	1703175	1	Decal - Lanyard Attach (GM Spec)	
57	1702962	1	Decal - Warning Prop (DSL) (SN 0300182743 through 0300243278, SN B300001092 through B300002584)	
57	1001231801	1	Decal - Warning Prop (DSL) (SN 0300243279 through 0300272492, SN B300002585 through B300005730, Except SN 0300272449 through 0300272454, Excluding B300005568)	
57	1702961	1	Decal - Warning Prop (Gas) (SN 0300182743 through 0300243278, SN B300001092 through B300002584)	
57	1001236338	NLA	Decal - Warning Prop (Gas) (Use p/n 1001231801) (SN 0300243279 through 0300256903, SN B300002585 through B300003681)	
57	1001231801	1	Decal - Warning Prop (SN 0300256904 through 0300272492, SN B300003682 through B300005730, Except SN 0300272449 through 0300272454, Excluding B300005568)	
59	1705351	1	Decal - Drive/Steer Instructions	
60	0641406	1	Bolt 1/4in-20NC x 3/4in	
61	1001125387	1	Decal - Low Sulfur Fuel (Deutz TD2.9L4 Machines)	
62	1704972	1	Decal - Warning Explosion/Fire	
63	1001223055	1	Decal - Yearly Inspection (SN 0300234039 through 0300272492, SN B300002026 through B300005730, Except SN 0300272449 through 0300272454, Excluding B300005568)	
64	1001223453	1	Decal - ICES (SN 0300240876 through 0300272492, SN B300002667 through B300005730, Except SN 0300272449 through 0300272454, Excluding B300005568)	
	1001157261	Ref	MANUAL DESCENT DECALS (OPTIONAL) (SN 0300182743 through 0300187355)	A
107	1702901	1	Decal - Manual Descent	
112	1705589	1	Decal - Manual Descent	
		Ref	DECALS - OPTIONAL	
218	3251813	1	Decal - USA	

SECTION 8 - DECALS

FIGURE 8-2. DECAL INSTALLATION (COUNTRY SPEC)



SECTION 8 - DECALS

FIGURE 8-2. DECAL INSTALLATION (COUNTRY SPEC)

ITEM	PART NUMBER	QTY	DESCRIPTION	REV
	1283408	Ref	DECAL INSTALLATIONS	Y
	0274505	Ref	Decal Installations - Brazil Spec (Spanish/Portuguese) (800S)	F
	0274503	Ref	Decal Installations - Chinese Spec (English/Chinese) (800S)	F
	0274507	Ref	Decal Installations - CSA Spec (English/French) (800S)	G
	0274511	Ref	Decal Installations - Japanese Spec (English/Japanese) (800S)	F
	0274501	Ref	Decal Installations - Korean Spec (English/Korean) (800S)	F
	0274513	Ref	Decal Installations - Latin America Spec (English/Spanish) (800S)	F
	0274506	Ref	Decal Installations - Brazil Spec (Spanish/Portuguese) (860SJ)	F
	0274504	Ref	Decal Installations - Chinese Spec (English/Chinese) (860SJ)	F
	0274508	Ref	Decal Installations - CSA Spec (English/French) (860SJ)	G
	0274512	Ref	Decal Installations - Japanese Spec (English/Japanese) (860SJ)	F
	0274502	Ref	Decal Installations - Korean Spec (English/Korean) (860SJ)	F
	0274514	Ref	Decal Installations - Latin America Spec (English/Spanish) (860SJ)	F
	0274518	Ref	JLG Logo Decals	D
2	1701499	4	Decal - No Tie Down /Lift	
5	1701509	1	Decal - Manual	
6	Not Required	0	Not Required	
7	1703811	AR	Decal - Tie Down /Lift	
8	1703814	6	Decal - Tie Down	
9	1704277	3	Decal - Attach Lanyard	
10	1704412	1	Decal - Hydraulic Oil Chart	
12		Ref	Decal - CSA (Booms)	
12	Not Required	0	Brazil/ Chinese/ Japanese/ Korean/ Latin American Spec	
12	1705514	1	CSA Spec	
13		Ref	Decal Options:	
13	Not Required	0	Brazil/Chinese/Korean Spec	
13	3251243	1	120V-60Hz - CSA/Japanese/Latin American Spec	
18		Ref	Decal - Warning Crushing (Rotate) Options:	
18	1705903	1	Brazil Spec	
18	1703943	7	Chinese Spec	
18	1703942	7	CSA Spec	
18	1703944	6	Japanese Spec	
18	1703945	6	Korean Spec	
18	1703941	7	Latin American Spec	
20		Ref	Decal - No Hands Options:	
20	1705967	2	Brazil Spec	
20	1001116846	2	Chinese Spec (Traditional)	
20	1705968	2	Chinese Spec (Simplified)	
20	1704000	2	CSA Spec	
20	Not Required	0	Japanese Spec	
20	1705969	2	Korean Spec	
20	1704001	2	Latin American Spec	
21		Ref	Decal - Warning/Danger (PLF) Options:	
21	1705895	1	Brazil Spec	
21	1703925	1	Chinese Spec	
21	1703924	1	CSA Spec	
21	1703926	1	Japanese Spec	

SECTION 8 - DECALS

ITEM	PART NUMBER	QTY	DESCRIPTION	REV
21	1703927	1	Korean Spec	
21	1703923	1	Latin American Spec	
22		Ref	Decal - Warning Inspection (MTB) Options:	
22	1705896	1	Brazil Spec	
22	1001116849	1	Chinese Spec (Traditional)	
22	1705348	1	Chinese Spec (Simplified)	
22	1705347	1	CSA Spec	
22	1705344	1	Japanese Spec	
22	1705345	1	Korean Spec	
22	1705917	1	Latin American Spec	
23		Ref	Decal - Warning Crushing (Down) Options:	
23	1705898	6	Brazil Spec	
23	1703949	6	Chinese Spec	
23	1703948	6	CSA Spec	
23	1703950	6	Japanese Spec	
23	1703951	6	Korean Spec	
23	1703947	6	Latin American Spec	
24		Ref	Decal - Danger Electrocution Options:	
24	1705897	5	Brazil Spec	
24	1001116851	5	Chinese Spec (Traditional)	
24	1703937	5	Chinese Spec (Simplified)	
24	1703936	5	CSA Spec	
24	1703938	5	Japanese Spec	
24	1703939	5	Korean Spec	
24	1703935	5	Latin American Spec	
25		Ref	Decal - Foot Switch Options:	
25	1705902	1	Brazil Spec	
25	1703982	1	Chinese Spec	
25	1703984	1	CSA Spec	
25	1703980	1	Japanese Spec	
25	1703981	1	Korean Spec	
25	1703983	1	Latin American Spec	
28	1703475	4	Decal - Max Tire Load (800S)	
28	1703482	4	Decal - Max Tire Load (860SJ)	
30	See Note	NSS	Decal - Bar Code (Note: Not Available for Purchase)	
31		Ref	Decal Options:	
31	1704906	2	Decal - Model (800S)	
31	1704907	2	Decal - Model (860SJ)	
32	1701501	4	Decal - Arrow	
33		Ref	Decal Capacity Options:	
33		Ref	Decal Capacity - 500LBS Unrestricted Capacity (800S)	
33	1001121806	2	Brazil Spec (800S)	
33	1001121809	2	Chinese Spec (800S)	
33	1001121802	2	CSA Spec (800S)	
33	1001121807	2	Japanese Spec (800S)	
33	1001122200	2	Korean Spec (800S)	
33	1001121804	2	Latin American Spec (800S)	
33		Ref	Decal Capacity - 500LBS Maximum Capacity (860SJ)	
33	1001122512	2	Brazil Spec (860SJ)	
33	1001122510	2	Chinese Spec (860SJ)	
33	1001122513	2	CSA Spec (860SJ)	

SECTION 8 - DECALS

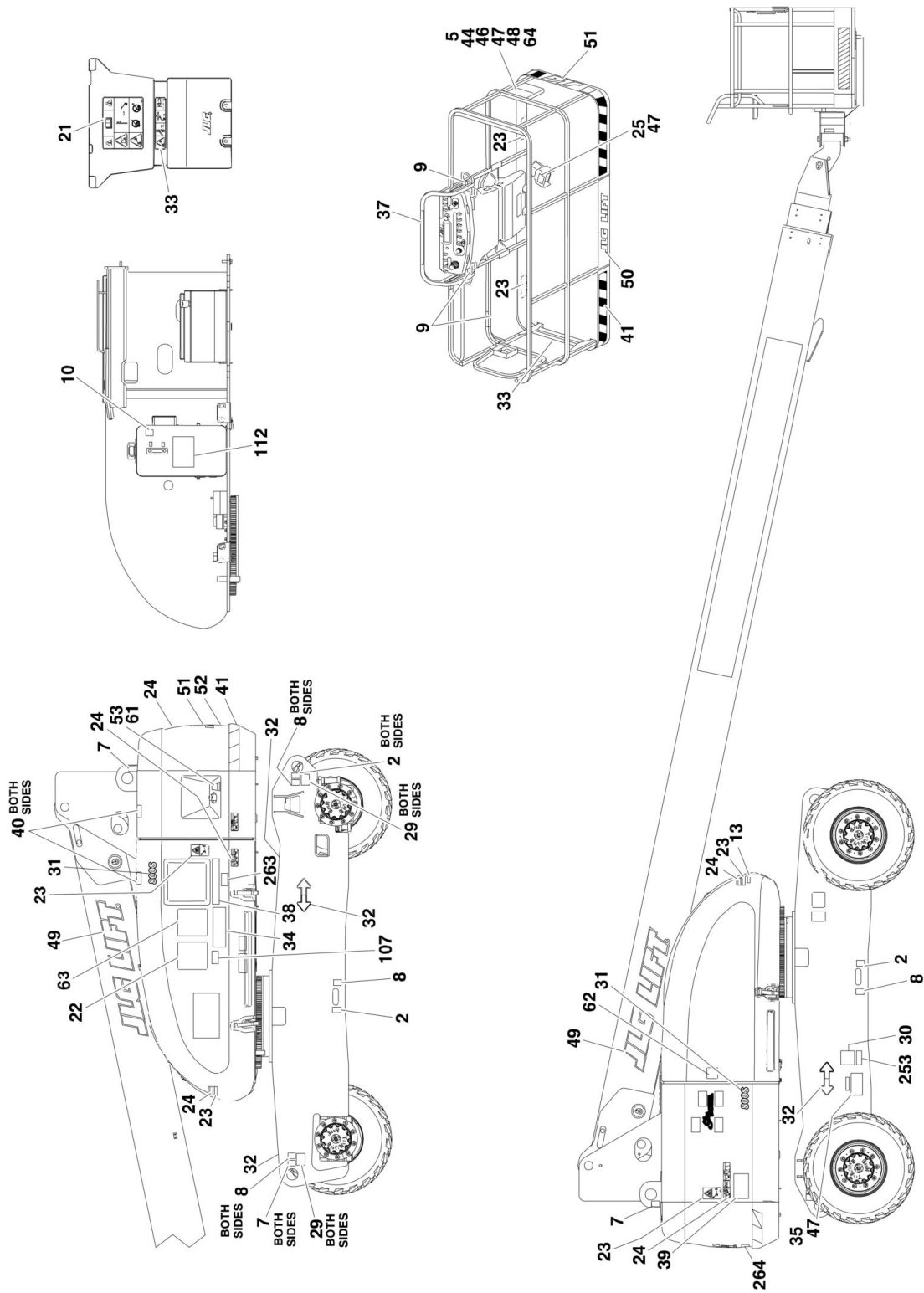
ITEM	PART NUMBER	QTY	DESCRIPTION	REV
33	1001122514	2	Japanese Spec (860SJ)	
33	1001122509	2	Korean Spec (860SJ)	
33	1001122511	2	Latin American Spec (860SJ)	
34		Ref	Decal Capacity Options: (860SJ)	
34		Ref	Decal Capacity - 500LBS Unrestricted Capacity (800S)	
34	1001121819	1	Brazil Spec (800S)	
34	1001121822	1	Chinese Spec (800S)	
34	1001121815	1	CSA Spec (800S)	
34	1001121820	1	Japanese Spec (800S)	
34	1001122201	1	Korean Spec (800S)	
34	1001121817	1	Latin American Spec (800S)	
34		Ref	Decal Capacity - 500LBS Maximum Capacity (860SJ)	
34	1001122520	1	Brazil Spec (860SJ)	
34	1001122518	1	Chinese Spec (860SJ)	
34	1001122521	1	CSA Spec (860SJ)	
34	1001122522	1	Japanese Spec (860SJ)	
34	1001122517	1	Korean Spec (860SJ)	
34	1001122519	1	Latin American Spec (860SJ)	
35	See Note	NSS	Nameplate, Manufacturer (Note: Not Available for Purchase)	
36	1001131269	1	Decal - Patent	
37	1001108496	1	Decal - Legend	
38	1706941	1	Decal - Legend (MTB)	
39		Ref	Decal - Lift Diagram Options:	
39	3252781	1	Decal - Lift Diagram (SN 0300182743 through 0300189311)	
39	1001175354	1	Decal - Lift Diagram (SN 0300189312 through 0300272492, Except SN 0300272449 through 0300272454)	
39	1001175354	1	Decal - Lift Diagram (SN B300001092 through B300005730, Excluding B300005568)	
40	1701691	4	Decal - No Step	
44	0860520	1	Box, Manual Storage	
46	3311405	1	Locknut 1/4in	
47	3820001	2	Rivet	
48	4751400	2	Flatwasher 1/4in Regular	
49	1702861	2	Decal - JLG Lift (8in Height)	
50	1702774	1	Decal - JLG Lift (3-1/2in Height)	
51	1702773	1	Decal - JLG (5in Height)	
52	1704885	1	Decal - Website	
53		Ref	Decal - Fuel	
53	1701505	1	Diesel	
53	1701542	1	Gas	
56		Ref	Decal - Lanyard Attach (GM Spec)	
56	Not Required	0	Brazil/ Chinese/ Japanese/ Korean/ Latin American Spec	
56	1703175	1	CSA Spec	
59		Ref	Decal - Drive/Steer Instructions Options:	
59	1705905	1	Brazil Spec	
59	1705430	1	Chinese Spec	
59	1705429	1	CSA Spec	
59	1705426	1	Japanese Spec	
59	1705427	1	Korean Spec	
59	1705910	1	Latin American Spec	
60	0641406	1	Bolt 1/4in-20NC x 3/4in	

SECTION 8 - DECALS

ITEM	PART NUMBER	QTY	DESCRIPTION	REV
61	1001125387	1	Decal - Low Sulfur Fuel (CSA Spec with Deutz TD2.9L4 Machines Only)	
61	1001139654	1	Decal - Ultra Low Sulfur Fuel (ANSI Export Spec with Deutz TD2.9L4 and Deutz TD2.9L4 (Stage V) Machines Only)	
62		Ref	Decal - Warning Explosion/Fire Options:	
62	1706059	1	Brazil Spec	1
62	1706060	1	Chinese Spec	
62	1706064	1	CSA Spec	
62	1706062	1	Japanese Spec	
62	1706061	1	Korean Spec	
62	1706063	1	Latin American Spec	
63		Ref	Decal - Yearly Inspection (SN 0300234039 through 0300272492, SN B300002026 through B300005730, Except SN 0300272449 through 0300272454, Excluding B300005568)	
63	1001224052	1	Brazil Specs	
63	1001224050	1	Chinese Specs	
63	1001223971	1	CSA Specs	
63	1001224053	1	Japanese Specs	
63	1001224048	1	Korean Specs	
63	1001224049	1	Latin American Specs	
64	1001223453	1	Decal - ICES (SN 0300240876 through 0300272492, SN B300002667 through B300005730, Except SN 0300272449 through 0300272454, Excluding B300005568)	
	1001157261	Ref	MANUAL DESCENT DECALS (OPTIONAL) (SN 0300182743 through 0300187355)	A
107	1702901	1	Decal - Manual Descent	
112	1705589	1	Decal - Manual Descent	
		Ref	DECALS - OPTIONAL	
218	3251813	1	Decal - USA	
253	1001143852	1	Decal - Emissions Compliance	
287	See Note	NSS	Nameplate - ECO (China GB Specs Only) (Note: Not Available for Purchase)	
287	3820001	4	Rivet	

SECTION 8 - DECALS

FIGURE 8-3. DECAL INSTALLATION (AUSTRALIAN AND CE SPEC)



SECTION 8 - DECALS

FIGURE 8-3. DECAL INSTALLATION (AUSTRALIAN AND CE SPEC)

ITEM	PART NUMBER	QTY	DESCRIPTION	REV
		Ref	USAGE CHART:	
		Ref	Australian Spec Machines (800S,860SJ) (SN 0300182743 through 0300272492, Except SN 0300272449 through 0300272454)	
		Ref	Australian Spec Machines (800S,860SJ) (SN B300001092 through B300005730, Excluding B300005568)	
		Ref	CE Spec Machines (800S,860SJ) (SN 0300182743 through 0300219588)	
		Ref	CE Spec Machines (800S,860SJ) (SN B300001092 through B300001541)	
		Ref	CE Spec Machines (680S) (SN 0300182743 through 0300272492, Except SN 0300272449 through 0300272454)	
	1283408	Ref	DECAL INSTALLATIONS	Y
	1001114371	Ref	Decal Installations (Australian Spec) (800S)	F
	0274509	Ref	Decal Installations (CE and China Specs) (800S)	I
	1001114372	Ref	Decal Installations (Australian Spec) (860SJ)	F
	0274510	Ref	Decal Installations (CE and China Specs) (860SJ)	I
	0275865	Ref	Decal Installations (CE Spec) (680S)	E
	0274518	Ref	JLG Logo Decals	D
2	1701499	AR	Decal - No Lift	
5	1701509	1	Decal - Manual	
7	1703811	AR	Decal - Lift	
8	1703814	6	Decal - Tie Down	
9	1704277	4	Decal - Attach Lanyard Here	
10	1704412	1	Decal - Hydraulic Oil Chart	
21	1705921	1	Decal - Tipping/Electric (PLF)	
22	1705822	1	Decal - Electric/Safety Manual	
23	1701518	AR	Decal - Warning Crushing	
24	1705961	5	Decal - Danger Electrocution	
25	1705828	1	Decal - Footswitch	
28	1703475	4	Decal - Max Tire Load (800S)	
28	1703482	4	Decal - Max Tire Load (860SJ)	
28	1703478	4	Decal - Max Tire Load (680S)	
30	See Note	NSS	Decal - Bar Code (Note: Not Available for Purchase)	
31		Ref	Decal Options:	
31	1704906	2	Decal - Model (800S)	
31	1704907	2	Decal - Model (860SJ)	
31	1707124	2	Decal - Model (680S)	
32	1701501	4	Decal- Arrow	
33	1705978	1	Decal - 230kg Capacity	
34	1705978	1	Decal - 230kg Capacity	
35	See Note	NSS	Nameplate, Manufacturer (Note: Not Available for Purchase)	
39		Ref	Decal - Lift Diagram Options:	
39	3252781	1	Decal - Lift Diagram (SN 0300182743 through 0300189311)	
39	1001175354	1	Decal - Lift Diagram (SN 0300189312 through 0300272492, Except SN 0300272449 through 0300272454)	
39	1001175354	1	Decal - Lift Diagram (SN B300001092 through B300005730, Excluding B300005568)	
40	1701691	4	Decal - No Step	
41	4420051	23.1 ft/7m	Stripes, Warning	
42	3251242	1	Decal - 240V-50Hz	

SECTION 8 - DECALS

ITEM	PART NUMBER	QTY	DESCRIPTION	REV
44	0860520	1	Box, Manual Storage	
46	3311405	1	Locknut 1/4in	
47	3820001	2	Rivet	
48	4751400	2	Flatwasher 1/4in Regular	
49	1702861	2	Decal - JLG Lift (8in Height)	
50	1702774	1	Decal - JLG Lift (3-1/2in Height)	
51	1702773	1	Decal - JLG (5in Height)	
52	1704885	1	Decal - Website	
53	1701505	1	Decal - Fuel	
61	1001139654	1	Decal - Ultra Low Sulfur Fuel (CE Spec with Deutz TD2.9L4 Engine Only)	
62	1706098	1	Decal - Warning Explosion/Fire	
63	1001112551	1	Decal - Emergency Control (Australian Spec Only)	
64	0641406	1	Bolt 1/4in-20NC x 3/4in	
	1001157261	Ref	MANUAL DESCENT DECALS (OPTIONAL) (SN 0300182743 through 0300187355)	A
107	1702901	1	Decal - Manual Descent	
112	1705589	1	Decal - Manual Descent	
		Ref	DECAL OPTIONS	
253	1001143852	1	Decal - Emissions Compliance	
263	1001197408	1	Decal - MSSO (CE Spec) (SN 0300201003 through 0300272492, Except SN 0300272449 through 0300272454)	
263	1001197408	1	Decal - MSSO (CE Spec) (SN B300001180 through B300005730, Excluding B300005568)	
264	1705980	1	Decal - Sound Power Level (Australian Spec)	
264		Ref	Decal - Sound Power Level (CE Spec) Options:	
264	1705980	1	Decal - Sound Power Level (SN 0300182743 through 0300211594)	
264	1705980	1	Decal - Sound Power Level - Deutz D2011 Engines (SN 0300211595 through 0300272492, Except SN 0300272449 through 0300272454)	
264	1705368	1	Decal - Sound Power Level - Deutz DT2.9L4 Engines/ABS Hoods (SN 0300211595 through 0300272492, Except SN 0300272449 through 0300272454)	
264	1001200072	1	Decal - Sound Power Level - Deutz DT2.9L4 Engines/Steel Hoods (SN 0300211595 through 0300272492, Except SN 0300272449 through 0300272454)	
264	1705980	1	Decal - Sound Power Level (SN B300001092 through B300001389)	
264	1705980	1	Decal - Sound Power Level - Deutz D2011 Engines (SN B300001390 through B300005730, Excluding B300005568)	
264	1705368	1	Decal - Sound Power Level - Deutz DT2.9L4 Engines/ABS Hoods (SN B300001390 through B300005730, Excluding B300005568)	
264	1001200072	1	Decal - Sound Power Level - Deutz DT2.9L4 Engines/Steel Hoods (SN B300001390 through B300005730, Excluding B300005568)	

SECTION 8 - DECALS

FIGURE 8-4. DECAL INSTALLATION (CE SPEC)

ITEM	PART NUMBER	QTY	DESCRIPTION	REV
		Ref	USAGE CHART:	
		Ref	CE Specs (SN 0300219589 through 0300272492, Except SN 0300272449 through 0300272454)	
		Ref	CE Specs (SN B300001542 through B300005730, Excluding B300005568)	
	1001217454	Ref	DECALS INSTALLATION	A
	0274509	Ref	Decal Installations (CE Spec) (800S)	I
	0274510	Ref	Decal Installations (CE Spec) (860SJ)	I
2	1701499	4	Decal - No Lift	
5	1701509	1	Decal - Manual	
7	1703811	2	Decal - Lift	
8	1703814	6	Decal - Tie Down	
9	1704277	3	Decal - Attach Lanyard Here	
10	1704412	1	Decal - Hydraulic Oil Chart	
21	1705921	1	Decal - Tipping/Electric (PLF)	
22	1705822	1	Decal - Electric/Safety Manual	
23	1701518	7	Decal - Warning Crushing	
24	1705961	5	Decal - Danger Electrocution	
25	1705828	1	Decal - Footswitch	
29	1703475	4	Decal - Max Tire Load (800S)	
29	1703482	4	Decal - Max Tire Load (860SJ)	
30	See Note	NSS	Decal - Bar Code (Note: Not Available for Purchase)	
31		Ref	Decal Options:	
31	1704906	2	Decal - Model (800S)	
31	1704907	2	Decal - Model (860SJ)	
32	1701501	4	Decal- Arrow	
33	1705978	1	Decal - 230kg Capacity	
34	1705978	1	Decal - 230kg Capacity	
39	1001175354	1	Decal - Lift Diagram	
40	1701691	4	Decal - No Step	
41	4420051	277 in /7m	Stripes, Warning	
44	0860520	1	Box, Manual Storage	
46	3311405	4	Nut 1/4	
47	3820001	2	Rivet	
48	4751400	8	Washer 1/4	
49	1001159323	2	Decal - JLG (8in Height)	
51	1702773	3	Decal - JLG (5in Height)	
53	1701505	1	Decal - Fuel	
58	0641406	4	Bolt 1/4 x 3/4	
		Ref	DECAL OPTIONS	
205	See Note	NSS	Nameplate, Manufacturer (Note: Not Available for Purchase)	
238	1001139654	1	Decal - Ultra Low Sulfur Fuel (CE Spec with Deutz TD2.9L4 Engine and Deutz TD2.9L4 (Stage V) Engine Only)	
263	1001197408	1	Decal - MSSO (CE Spec)	
264		Ref	Decal - Sound Power Level (CE Spec) Options:	
264	1705980	1	Decal - Sound Power Level (Deutz D2011 Engines)	
264	1705368	1	Decal - Sound Power Level (Deutz DT2.9L4 Engines and Deutz DT2.9L4 (Stage V) Engines/ABS Hoods)	
264	1001200072	1	Decal - Sound Power Level (Deutz DT2.9L4 Engines and Deutz DT2.9L4 (Stage V) Engines/Steel Hoods) (SN 0300211595)	

SECTION 8 - DECALS

ITEM	PART NUMBER	QTY	DESCRIPTION	REV
274	1001214030	Ref	through 0300272492, Except SN 0300272449 through 0300272454)	
274	1001173703	1	Decal Installation - EAC Russian/CIS Specs) Decal - EAC	

SECTION 9 - RECOMMENDED SERVICE PARTS STOCK

SECTION 9 - RECOMMENDED SERVICE PARTS STOCK

SECTION 9 - RECOMMENDED SERVICE PARTS STOCK

FIGURE 9-1. STANDARD PARTS

ITEM	PART NUMBER	QTY	DESCRIPTION	REV
		Ref	Note: The following list will service one machine (built to current production per date on the front cover) with emergency repair parts which can be installed in the field. Parts from the list should be replaced when inventory is depleted to keep service parts stock supplied. For further information, contact your JLG dealer or the JLG Industries Parts Department.	
		Ref	STANDARD PARTS	
	70002231	12	Element, Filter	
	7012944	1	Coil	
	7012943	1	Coil	
	7017451	1	Coil	
	70000582	1	Coil	
	3740067	1	Relay	
	See Note	NLA	Filter, Hydraulic Tank (Note: Use p/n 70002814)	
	See Note	NLA	Breather, Hydraulic Tank (Note: Use p/n 70002814)	
	4360517	1	Switch, Proximity	
	3740049	1	Relay	
	2860030	1	Key, Replacement	
	4360475	1	Switch, Mushroom	
	4360476	1	Contact, Switch Block	
	100115045	1	Switch, Toggle	
	70003921	1	Powertrack Repair Section	
	70003922	1	Powertrack Mounting Bracket Kit	
	70002097	3	Element, High Pressure Filter	
	1001147479	1	Switch, Level Sensor	
	2940074	1	Latch	
	4360328	1	Switch, Toggle	
	4360330	1	Switch, Toggle	
	4360331	1	Switch, Toggle	
	4360387	1	Switch, Push Button	
	4360407	1	Controller, Speed	
	1001129555	1	Controller (Lift and Swing)	
	1001212415	1	Controller (Drive and Steer)	
	4360506	1	Switch, Proximity	
	8229242	2	Fuse - 5A	
	2400065	2	Fuse - 30A	

SECTION 9 - RECOMMENDED SERVICE PARTS STOCK

FIGURE 9-2. VARIABLE PARTS

ITEM	PART NUMBER	QTY	DESCRIPTION	REV
		Ref	Note: The following list will service one machine (built to current production per date on the front cover) with emergency repair parts which can be installed in the field. Parts from the list should be replaced when inventory is depleted to keep service parts stock supplied. For further information, contact your JLG dealer or the JLG Industries Parts Department.	
		Ref	VARIABLE PARTS	
	3740080	1	Relay (Deutz D2011 Engines)	
	70004020	1 doz	Element, Air Cleaner (Deutz D2011 Engines)	
	7016331	1 doz	Filter, Oil (Deutz D2011 Engines)	
	7016328	1 doz	Filter, Fuel (Deutz D2011 Engines - All Specs except CE Specs)	
	7027795	1	Module, Engine Control (Deutz D2011 Engines)	
	1001117308	1	Relay (Deutz TD2.9L4 Engines)	
	1001138228	1	Module, Power Relay (Deutz TD2.9L4 Engines)	
	91403102	1 doz	Element, Air Cleaner (Deutz TD2.9L4 Engines)	
	7016331	1 doz	Filter, Oil (Deutz TD2.9L4 Engines)	
	70025153	1 doz	Filter, Fuel (Deutz TD2.9L4 Engines) (Use p/n 1001225430)	
	70025161	1 doz	Filter, Fuel (Deutz TD2.9L4 Engines) (Use p/n 1001225431)	
	70025210	1	Module, Engine Control (Deutz TD2.9L4 Engines)	
	7012664	1 doz	Element, Air Cleaner (GM Engines)	
	7027965	1 doz	Filter, Oil (GM Engine Machines)	
	7027972	1 doz	Filter, Fuel (GM Engine Machines)	
	70002895	1	Module, Engine Control (GM Engine Machines)	
	4360469	1	Switch, Key (All Specs except CE Specs)	
	4360470	1	Switch, Key (CE Specs Only)	
	1001103667	1	Module, Ground Control	
	4360578	1	Switch, Limit	
	4360336	1	Switch, Toggle (Machines with SkyPower)	
	4360070	1	Breaker, Circuit (Machines with SkyPower)	
	2400064	2	Fuse - 5Amp (Deutz D2011 and GM Engine Machines with SkyPower)	
	3740080	1	Relay (Machines with SkyPower and GM Engine)	
	1001117172	1	Footswitch	
	1001141138	1	Module, Controller	
	4360336	1	Switch, Toggle (Machines with Floodlights)	
	4360336	1	Switch, Toggle (Machines with Dual Fuel)	
	4360522	1	Switch, Push Button (Machines with Headlights Option)	
	4360057	1	Switch, Limit	
	80983191	2	Fuse 10Amp (Deutz 2.9L4 Engine Machines)	
	4360232	1	Breaker, Circuit (Machines with Platform Worklights)	
	2400070	2	Fuse 20A (Machines with 2 Platform Worklights)	
	2400065	2	Fuse 30A (Machines with 4 Platform Worklights)	
	1001109477	1	Breaker, Circuit 10A (CE Spec Machines with Power to Platform)	
	1001109475	1	Breaker, Circuit 16A (CE Spec Machines with Power to Platform)	
	1001109482	1	Breaker, Circuit 30mA (CE Spec Machines with Power to Platform)	

SECTION 10 - SPECIAL OPTIONS

SECTION 10 - SPECIAL OPTIONS

FIGURE 10-1. SPECIAL OPTIONS

ITEM	PART NUMBER	QTY	DESCRIPTION	REV
		Ref	Note: This list is to accommodate machines ordered with special equipment. Options may not be applicable to all models. For more specific parts information contact JLG Parts Department.	
		Ref	MISCELLANEOUS SPECIAL OPTIONS	
	1001229762	Ref	Air Intake Shut-off Valve (Deutz TD2.9L4 Engines)	
	1340061	Ref	Air Cleaner Precleaner	
		Ref	Air Line at Platform Installations	
	0271472	Ref	Air Line at Platform Installations (800S)	
	1001091712	Ref	Air Line at Platform Installations (With Arctic Package) (800S)	
	0271473	Ref	Air Line at Platform Installations (860SJ)	
	1001091713	Ref	Air Line at Platform Installations (With Arctic Package) (860SJ)	
		Ref	Arctic Package Kit Options:	
	1001205031	Ref	Arctic Package Add-on Kit (with Deutz DT2.9L4 Engine without SkyPower) (800S)	
	1001205030	Ref	Arctic Package Add-on Kit (with Deutz DT2.9L4 Engine with SkyPower) (800S)	
	1001205033	Ref	Arctic Package Add-on Kit (with Deutz DT2.9L4 Engine without SkyPower) (860SJ)	
	1001205032	Ref	Arctic Package Add-on Kit (with Deutz DT2.9L4 Engine with SkyPower) (860SJ)	
	1001217005	Ref	Beacon Light Kit (Blue)	
		Ref	Bellows Installations	
	0271476	Ref	Bellows Installations (680S,800S)	
	0271477	Ref	Bellows Installations (860SJ)	
	1001158259	Ref	Frame Bellows	
		Ref	Boom Rope Service Kits	
	1001111231	Ref	Boom Rope Service Kit (680S,800S)	
	1001197240	Ref	Boom Rope Service Kit (860SJ)	
	2910888	Ref	Boom Wear Pad Kit	
		Ref	Boom Wiper Installation	
	0271448	Ref	Standard Machines	
	1001122305	Ref	Hostile Environment Machines	
	1001172045	Ref	Cable/Ladder Rack Installation	
		Ref	ClearSky (Telematics) Installations (Dealer Installed)	
	1001242409	Ref	ClearSky (Telematics) Access Control Installation Kit (Dealer Installed) (ANSI, ANSI Export and CSA Specs)	
	1001243183	Ref	ClearSky (Telematics) Added-on Kit (Dealer Installed) (ANSI, ANSI Export and CSA Specs)	
	1001243184	Ref	ClearSky (Telematics) Added-on Kit (Dealer Installed) (CE Specs)	
		Ref	ClearSky (Telematics) Installation (Factory Installed)	
		Ref	ClearSky with Steel Hoods (USA Built Machines) (Note: Refer to Manual Supplement p/n 3128499 for available replacement parts). (SN 0300144483 through 0300234668)	
		Ref	ClearSky with Steel Hoods (China Built Machines) (Note: Refer to Manual Supplement p/n 3128499 for available replacement parts). (SN B300001092 through B300002065)	
	1001118963	Ref	ANSI SPEC	
	1001134103	Ref	Australian Specs Only	

SECTION 10 - SPECIAL OPTIONS

ITEM	PART NUMBER	QTY	DESCRIPTION	REV
	1001118964	Ref	CSA Specs	
	1001127087	Ref	Brazil and New Zealand Specs Only	
		Ref	ClearSky with Steel Hoods (USA Built Machines) (SN 0300234669 through 0300272492, Except SN 0300272449 through 0300272454)	
		Ref	ClearSky with Steel Hoods (China Built Machines) (SN B300002066 through B300005730, Excluding B300005568)	
	1001227494	Ref	ClearSky Telematics Installation - Canbus Connection (Factory Installed) (ANSI & CSA Specs)	
	1001228950	Ref	ClearSky Telematics Installation - Canbus Connection (Factory Installed) (ANSI EXPORT & CE Specs)	
	1001246475	Ref	ClearSky Telematics Installation - Canbus Connection (Factory Installed) (Australian Specs)	
	1001246476	Ref	ClearSky Telematics Installation - Canbus Connection (Factory Installed) (China)	
	1001229107	Ref	ClearSky Telematics Installation - 3 Wire Connection (Factory Installed) (ANSI & CSA Specs)	
	1001233237	Ref	ClearSky Telematics Installation - 3 Wire Connection (Factory Installed) (ANSI EXPORT & CE Specs)	
		Ref	ClearSky (Telematics) Kit (Dealer Installed)	
	1001119939	Ref	ANSI Spec	
	1001139151	Ref	Australian Spec	
	1001234099	Ref	CE Specs	
	1001119947	Ref	CSA Spec	
		Ref	Cold Weather Start Kits	
	0271912	Ref	Deutz D2011 Engine Machines (SN 0300182743 through 0300185779)	
	1001155185	Ref	Deutz D2011 Engine Machines (SN 0300185780 through 0300196954)	
	1001178208	Ref	Deutz D2011 Engine Machines (SN 0300196955 through 0300272492, Except SN 0300272449 through 0300272454)	
	1001151900	Ref	Deutz DT2.9L4 Engine Machines (SN 0300182743 through 0300196954)	
	1001178208	Ref	Deutz D2011 Engine Machines (SN 0300196955 through 0300272492, Except SN 0300272449 through 0300272454)	
	1001178207	Ref	Deutz TD2.9L4 Engine and Deutz TD2.9L4 (Stage V) Engine Machines	
	1001219840	Ref	Ford Engine Machines	
	0275262	Ref	GM Engine Machines	
	1001245137	Ref	Control Valve Lockdown Kit (Used on Valves p/n 1001235900, 1001235901 & 1001244114)	
	1001115918	Ref	Cribbing Switch Installation	
		Ref	Decal Installations	
	1001120993	Ref	Decal - ClearSky	
	1001214030	Ref	Decal - EAC (CIS & Russian Specs)	
	0257195	Ref	Decal - Government Warranty Installation (ANSI Spec)	
	1703175	Ref	Decal - Lanyard Attach (GM K-1 Spec)	
	1001218850	Ref	Decal - No Hands (CE))	
	1702668	Ref	Decal - No Hands (English Language)	
	1704000	Ref	Decal - No Hands (Dual Language - English/French)	
	1705967	Ref	Decal - No Hands (Dual Language - English/Portuguese)	
	1705969	Ref	Decal - No Hands (Dual Language - English/Korean)	
	1704001	Ref	Decal - No Hands (Dual Language - English/Spanish)	

SECTION 10 - SPECIAL OPTIONS

ITEM	PART NUMBER	QTY	DESCRIPTION	REV
	1702962	1	Decal - Prop 65 Warning (Diesel Machines) (ANSI Spec) (SN 0300182743 through 0300243278, SN B300001092 through B300002584)	
	1001231801	1	Decal - Prop 65 Warning (Diesel Machines) (ANSI Spec) (SN 0300243279 through 0300272492, SN B300002585 through B300005730, Except SN 0300272449 through 0300272454, Excluding B300005568)	
	1702961	1	Decal - Prop 65 Warning (Gasoline Machines) (ANSI Spec) (SN 0300182743 through 0300243278, SN B300001092 through B300002584)	
	1001236338	1	Decal - Prop 65 Warning (Gasoline Machines) (ANSI Spec) (SN 0300243279 through 0300272492, SN B300002585 through B300005730, Except SN 0300272449 through 0300272454, Excluding B300005568)	
	1001200131	Ref	Decal - Quick Reference (Danish) (Lomax Rentals)	
	1001200129	Ref	Decal - Quick Reference (Dutch) (Lomax Rentals)	
	1001181145	Ref	Decal - Quick Reference (English) (Lomax Rentals)	
	1001200128	Ref	Decal - Quick Reference (French) (Lomax Rentals)	
	1001200130	Ref	Decal - Quick Reference (German) (Lomax Rentals)	
	1001200134	Ref	Decal - Quick Reference (Norwegian) (Lomax Rentals)	
	1001200133	Ref	Decal - Quick Reference (Spanish) (Lomax Rentals)	
	1001200132	Ref	Decal - Quick Reference (Swedish) (Lomax Rentals)	
		Ref	Decal Kits Options:	
	2902307	Ref	Decal Kit - Country Spec (ANSI and ANSI Export)	
	2902329	Ref	Decal Kit - Country Spec (Australian and CE)	
	2902312	Ref	Decal Kit - Country Spec (Brazil)	
	2902322	Ref	Decal Kit - Country Spec (CSA)	
	1001116844	Ref	Decal Kit - Country Spec (Chinese - Simplified)	
	2902309	Ref	Decal Kit - Country Spec (Chinese - Traditional)	
	2902308	Ref	Decal Kit - Country Spec (Japanese)	
	2902310	Ref	Decal Kit - Country Spec (Korean)	
	2902311	Ref	Decal Kit - Country Spec (Latin America)	
	1001109029	Ref	Decal Kit - Master (All Specs except Australian and CE Specs)	
	2902303	Ref	Decal Kit - Master (Australian and CE Specs) (SN 0300182743 through 0300211594)	
	1001199949	Ref	Decal Kit - Master (Australian and CE Specs) (SN 0300211595 through 0300272492, Except SN 0300272449 through 0300272454)	
	2902303	Ref	Decal Kit - Master (Australian and CE Specs) (SN B300001092 through B300001389)	
	1001199949	Ref	Decal Kit - Master (Australian and CE Specs) (SN B300001390 through B300005730, Excluding B300005568)	
	1001193640	Ref	Decal Kit - Machine (ANSI Spec Only)	
	1001108722	Ref	Decal Kit - Platform (800S)	
	1001108723	Ref	Decal Kit - Platform (860SJ)	
	1001241345	Ref	Decal Kit - Platform Console Box (ANSI Spec)	
	2902354	Ref	Decal Kit - Tire Load (800S)	
	2902429	Ref	Decal Kit - Tire Load (860SJ)	
	1001109257	Ref	Drive Orientation Kit (860SJ)	
	2902394	Ref	Drive/Steer Cutout Kit	
		Ref	Electrical Connector Kits	
	1001148902	Ref	Amp/Tyco Electrical Connector Kit	
	1001148903	Ref	Deutsch DT Electrical Connector Kit	
	1001148904	Ref	Deutsch HD Electrical Connector Kit	
	1001148905	Ref	Packard Electrical Connector Kit	

SECTION 10 - SPECIAL OPTIONS

ITEM	PART NUMBER	QTY	DESCRIPTION	REV
	1001148906	Ref	Various Electrical Connectors Kit	
	1001218022	Ref	Engine Block Heater Installation (Ford Engines)	
	0275261	Ref	Engine Block Heater Installation (GM Engines)	
	1001246867	Ref	Enhanced Detection System (EDS) Level 1 (2-Bar) Installation Kit	
	1001246860	Ref	Enhanced Detection System (EDS) Level 2 (3-Bar) Installation Kit	
	1001237883	Ref	Fall Arrest (Bolt-on) Add-on Kit (6ft/1.82m Platform (ANSI, ANSI Export, China, CSA & Japanese Specs Only) (Fits Platform p/ns 1001186384, 1001144024 & 1001228376)	
	1001237882	Ref	Fall Arrest (Bolt-on) Add-on Kit (8ft/2.4m Platform (ANSI, ANSI Export, China, CSA & Japanese Specs Only) (Fits Platform p/ns 1001186383 & 1001144023)	
		Ref	Fan Cover/Grille Options:	
	1001185078	Ref	Fan Cover Add-on Kit (Deutz D2011 Engines)	
	1001182599	Ref	Fan Cover Installation (Deutz D2011 Engines)	
	1001093389	Ref	Fan Grille Installation (Deutz D2011 Engines)	
	1001213223	Ref	Fan & Belt Grille Add-on Kit (Deutz D2011 Engines without Generator)	
	1001202122	Ref	Fan & Belt Grille Installation (Deutz D2011 Engines without Generator)	
	1001213222	Ref	Fan & Belt Grille Add-on Kit (Deutz D2011 Engines with Generator)	
	1001202398	Ref	Fan & Belt Grille Installation (Deutz D2011 Engines with Generator)	
	1001149126	Ref	Fan Grille Installation (Deutz TD2.9L4 Engines) (RCP Radiator Only)	
	1001177694	Ref	Fan Grille Installation (Deutz TD2.9L4 Engines and Deutz TD2.9L4 (Stage V) Engines) (Modine Radiator Only)	
	1001213219	Ref	Fan & Belt Grille Add-on Kit (Deutz TD2.9L4 Engines without Generator) (Modine Radiator)	
	1001202397	Ref	Fan & Belt Grille Add-on Kit (Deutz TD2.9L4 Engines without Generator) (Modine Radiator)Fan & Belt Grille Installation (Deutz TD2.9L4 Engines without Generator) (Modine Radiator)	
	1001213220	Ref	Fan & Belt Grille Add-on Kit (Deutz TD2.9L4 Engines without Generator) (RCP Radiator)	
	1001202082	Ref	Fan & Belt Grille Installation (Deutz TD2.9L4 Engines without Generator) (RCP Radiator)	
	1001213227	Ref	Fan & Belt Grille Add-on Kit (Deutz TD2.9L4 Engines with Generator) (Modine Radiator)	
	1001213181	Ref	Fan & Belt Grille Installation (Deutz TD2.9L4 Engines with Generator) (Modine Radiator)	
	1001213221	Ref	Fan & Belt Grille Add-on Kit (Deutz TD2.9L4 Engines with Generator) (RCP Radiator)	
	1001202331	Ref	Fan & Belt Grille Installation (Deutz TD2.9L4 Engines with Generator) (RCP Radiator)	
	1001093389	Ref	Fan Cover Installation (Ford & GM Engines)	
	1001125824	Ref	Fire Extinguisher Brackets installation (Frame Mounted)	
	1001139099	Ref	Fire Extinguisher Installation (20lb) (Platform Mounted)	
	1001121862	Ref	Fire Protection For Hoses and Cables (800S)	
	1001227951	Ref	Fire Protection For Platform Valves and Filter (800S)	
	1001238967	Ref	Fire Protection For Hoses and Cables (860SJ)	
	1001239235	Ref	Fire Protection For Platform Valves and Filter (860SJ)	
		Ref	Filter Kits:	
		Ref	Combined Filter Kit (Hydraulic/Air and Fuel/Engine Oil)	

SECTION 10 - SPECIAL OPTIONS

ITEM	PART NUMBER	QTY	DESCRIPTION	REV
	1001241772	1	Deutz D2011 Engine Machines (SN 0300182743 through 0300196954)	
	1001225623	1	Deutz D2011 Engine Machines (SN 0300196955 through 0300272492, Except SN 0300272449 through 0300272454)	
	1001181149	1	Deutz DT2.9L4 Engine Machines (ULS Only) (SN 0300182741 through 0300196954, SN B300001092 through B300001096)	
	1001195537	1	Deutz DT2.9L4 Engine Machines (ULS Only) (SN 0300196955 through 0300272492, SN B300001097 through B300005730, Except SN 0300272449 through 0300272454, Excluding B300005568)	
	1001151650	1	GM Engine Machines (SN 0300182743 through 0300196954)	
	1001225625	1	GM Engine Machines (SN 0300196955 through 0300272492, Except SN 0300272449 through 0300272454)	
		Ref	Hydraulic/Air Filter Kit Options:	
		Ref	Deutz D2011 Engines (Not Available)	
	1001204457	1	Deutz DT2.9L4 Engines (SN 0300182743 through 0300196955)	
	1001204454	1	Deutz DT2.9L4 Engines (SN 0300196955 through 0300272492, Except SN 0300272449 through 0300272454)	
		Ref	Engine - Fuel/Engine Oil Filter Options	
	1001110133	1	Deutz D2011 Engines	
	1001204460	1	Deutz DT2.9L4 Engines	
		Ref	Fluids:	
	2300004	Ref	Coolant, Standard	
	3020016	Ref	Engine Oil, (15W-40)	
	3020044	Ref	Engine Oil, (0W-40)	
	1001115930	Ref	Engine Oil, (10W-30)	
		Ref	Hydraulic Fluids Options:	
	2300014	Ref	Mobil 424	
	2300027	Ref	Mobil 224H Bio	
	2300016	Ref	Mobil DTE 10 Excel 32	
	2300021	Ref	Union Carbide Ucon HP5046 Fire Resistant	
	2300039	Ref	Exxon Univis HVI (Arctic Package Only)	
	3020039	Ref	Lubricant (Axle Pivot)	
	3020029	Ref	Lubricant (Kingpin)	
	3020008	Ref	Lubricant 80W-90 (Drive Hub)	
	1001117294	Ref	Footswitch Shield (With Arctic Package)	
	1001202749	Ref	Fuel Cap Cover Installation (Black) (Note: Lock p/n 1001102157 Must be Purchased Separately)	
	1001191395	Ref	Fuel Cap Cover Installation (Green) (Diesel Machines) (Note: Lock p/n 1001102157 Must be Purchased Separately)	
	1001191394	Ref	Fuel Cap Cover Installation (Red) (Gas Machines) (Note: Lock p/n 1001102157 Must be Purchased Separately)	
	1001204467	Ref	Fuel/Water Separator Filter Add-on Kit	
		Ref	Generator Add-on Kits	
		Ref	4000W Generator Options:	
	1001212067	Ref	4000W/50Hz Generator Add-on Kit (Deutz D2011 Engines)	
	1001213604	Ref	4000W/60Hz Generator Add-on Kit (Deutz D2011 Engines)	
	1001211798	Ref	4000W/50Hz Generator Add-on Kit (Deutz TD2.9L4 Engines)	
	1001213602	Ref	4000W/60Hz Generator Add-on Kit (Deutz TD2.9L4 Engines)	
		Ref	7500W SkyPower Generator Options:	
	1001116163	Ref	7500W/60Hz Generator Add-on Kit	
	1001217323	Ref	7500W/60Hz Generator Add-on Kit	
		Ref	Hood (ABS to Steel) Replacement Kits	

SECTION 10 - SPECIAL OPTIONS

ITEM	PART NUMBER	QTY	DESCRIPTION	REV
	1001121708	Ref	Hood Kit (with Deutz Engine) (800S)	
	1001121709	Ref	Hood Kit (with GM Engine) (800S)	
	1001121710	Ref	Hood Kit (with Deutz Engine) (860SJ)	
	1001121711	Ref	Hood Kit (with GM Engine) (860SJ)	
		Ref	Hose Kit Options	
	1001187509	Ref	Hose Kit - Boom (680S,800S)	
	1001187500	Ref	Hose Kit - Boom (860SJ)	
	1001210688	Ref	Hose Kit (Upper) (800S,860SJ)	
	1001209634	Ref	Hose Kit - Platform Valve (680S,800S)	
	1001209635	Ref	Hose Kit - Platform Valve (860SJ)	
	1001121412	Ref	Hostile (Extreme) Environment Installation (with Deutz Engine) (ANSI, ANSI Export, CE-LRC, China, CSA and Japanese Specs) (800S)	
	1001210977	Ref	Hostile (Extreme) Environment Installation (with Deutz Engine) (ANSI, ANSI Export, CE-LRC, China, CSA and Japanese Specs) (860SJ)	
	1001204929	Ref	Hostile (Extreme) Environment Add-on Kit (with Deutz Engine) (ANSI, ANSI Export and CSA Specs) (800S)	
	1001241416	Ref	Hostile (Extreme) Environment Add-on Kit (with Deutz Engine) (860SJ)	
	1001094475	Ref	Hourmeter for Generator	
	1001148971	Ref	Lanyard (Bolt-on) Kit Installation	
	1001183407	Ref	Low Temperature Cutout Installation (Russian Specs) (SN 0300182743 through 0300244707, SN B300001092 through B300002605)	
	1001236951	Ref	Low Temperature Cutout Installation (Russian Specs) (SN 0300244708 through 0300272492, SN B300002606 through B300005730, Except SN 0300272449 through 0300272454, Excluding B300005568)	
		Ref	Oil Cooler Options:	
	1001158251	Ref	Oil Cooler Installations (Deutz D2011 Engines)	
	1001156039	Ref	Oil Cooler Installations (Deutz TD2.9L4 Engines) (RCP Cooler) (SN 0300182743 through 0300227014)	
	1001186631	Ref	Oil Cooler Installations (Deutz TD2.9L4 Engines and Deutz TD2.9L4 (Stage V) Engines) (YMER Cooler) (SN 0300227015 through 0300272492, Except SN 0300272449 through 0300272454)	
	1001156039	Ref	Oil Cooler Installations (Deutz TD2.9L4 Engines) (RCP Cooler) (SN B300001092 through B300001749)	
	1001186631	Ref	Oil Cooler Installations (Deutz TD2.9L4 Engines and Deutz TD2.9L4 (Stage V) Engines) (YMER Cooler) (SN B300001750 through B300005730, Excluding B300005568)	
	0271939	Ref	Oil Cooler Installations (GM Engines)	
	1001200725	Ref	Oil Cooler Replacement Kit (RCP to YMER)	
		Ref	Pipe Jack Installations	
	0257728	Ref	ANSI Spec	
	0274661	Ref	Australian Spec	
	1001214984	Ref	Platform Box Decal Protection Installation (GB China Specs)	
		Ref	Platform Box Cover Installations	
	0258703	Ref	Plastic Cover (USA Built Machines) (SN 0300182743 through 0300201002)	
	1001195304	Ref	Steel Cover (USA Built Machines) (SN 0300201003 through 0300272492, Except SN 0300272449 through 0300272454)	
	1001112821	Ref	Steel Cover (China Built Machines) (SN B300001092 through B300001996)	

SECTION 10 - SPECIAL OPTIONS

ITEM	PART NUMBER	QTY	DESCRIPTION	REV
	1001110974	Ref	Steel Cover (Chinese Built Machines) (SN B300001997 through B300005730, Excluding B300005568)	
	1001110974	Ref	Steel Cover (All Specs except Chinese and Korean Specs)	
	1001125229	Ref	Steel Cover (Korean Spec)	
	1001125230	Ref	Steel Cover (Chinese Specs - Simplified Language)	
	1001205175	Ref	Platform Cover Add-on Kit	
		Ref	Platform Entry Kits	
	1001142504	Ref	Drop Bar (Replacing Swing Gate with Drop Bar)	
	1001142505	Ref	Swing Gate (Replacing Drop Bar with Swing Gate)	
		Ref	Platform Fall Arrest Add-on Kit Options (Note: Requires Foam Filled Tires and p/n 1001165646 Counterweight)	
	1001145975	Ref	Fall Arrest Add-on Kit (36in x 72in Platform)	
	1001145965	Ref	Fall Arrest Add-on Kit (36in x 96in Platform)	
		Ref	Platform Mesh To Mid Rail Installation (Side Entry Platform)	
	1001140318	Ref	Platform Mesh To Mid Rail Installation (Side Entry Platform) - 2.5ft x 4ft Platforms (ANSI, ANSI Export and Australian Specs) (800S,860SJ)	
	1001140315	Ref	Platform Mesh To Mid Rail Installation (Side Entry Platform) - 2.5ft x 5ft Platforms (ANSI, ANSI Export and CSA Specs) (800S,860SJ)	
	1001138772	Ref	Platform Mesh To Mid Rail Installation (Side Entry Platform) - 3ft x 6ft Platforms (ANSI, ANSI Export and CSA Specs) (800S,860SJ)	
	1001138773	Ref	Platform Mesh To Mid Rail Installation (Side Entry Platform) - 3ft x 8ft Platforms (ANSI, ANSI Export and CSA Specs) (800S,860SJ)	
		Ref	Platform Mesh to Mid Rail Add-on Kits:	
	1001214478	Ref	30in x 4ft (76cm x 1.22m) with Gate	
	1001214515	Ref	30in x 5ft (76cm x 1.52m) with Gate	
	1001214540	Ref	36in x 6ft (91.5cm x 1.83m) with Gate	
	1001214548	Ref	36in x 8ft (91.5cm x 2.44m) with Gate	
		Ref	Platform Mesh To Top Rail Installation (Side Entry Platform)	
	0273147	Ref	Platform Mesh To Top Rail Installation (Side Entry Platform) - 2.5ft x 4ft Platforms (ANSI, ANSI Export and CSA Specs) (800S,860SJ)	
	1001219633	Ref	Oil Cooler Installations (Ford Engines)	
	0273146	Ref	Platform Mesh To Top Rail Installation (Side Entry Platform) - 2.5ft x 5ft Platforms (ANSI, ANSI Export and CSA Specs) (800S,860SJ)	
	0273149	Ref	Platform Mesh To Top Rail Installation (Side Entry Platform) - 3ft x 6ft Platforms (ANSI, ANSI Export and CSA Specs) (800S,860SJ)	
	0273145	Ref	Platform Mesh To Top Rail Installation (Side Entry Platform) - 3ft x 8ft Platforms (ANSI, ANSI Export and CSA Specs) (800S,860SJ)	
	1001120532	Ref	Platform Mesh To Top Rail Installation (Side Entry Platform) - 3ft x 8ft Platforms (With Fall Arrest) (ANSI Export Specs) (800S)	
		Ref	Platform Mesh to Top Rail Add-on Kits:	
	1001214552	Ref	30in x 4ft (76cm x 1.22m) with Gate	
	1001214559	Ref	30in x 5ft (76cm x 1.52m) with Gate	
	1001214561	Ref	36in x 6ft (91.5cm x 1.83m) with Gate	
	1001214562	Ref	36in x 8ft (91.5cm x 2.44m) with Gate	
	1001149730	Ref	Platform Mid Rail Repair Kit	
		Ref	Platform Top Rail Extension Installations	
	0272733	1	Platform 6ft (1.83m)	

SECTION 10 - SPECIAL OPTIONS

ITEM	PART NUMBER	QTY	DESCRIPTION	REV
	0272725	1	Platform 8ft (2.44m)	
	1001209059	Ref	Platform Work Surface Installation	
	1001177328	Ref	Power Track Mounting Block Repair Kit	
	1001100121	Ref	Programmable Security Lock Installation (CE Spec Only)	
	1001162546	Ref	Pump Coupling Service Kit (Sauer Danfoss)	
	1001199487	Ref	Radiator Replacement Kit (RCP to Modine)	
	1001171131	Ref	Receptacle (240V GFCI) Installation (4000W Generator)	
	1001159121	Ref	Receptacle (240V GFCI) Installation (7500W Generator)	
		Ref	SkyGuard Component Options:	
	1001206477	Ref	SkyGuard Complete Add-On Kit (Blue Beacon)	
	1001143669	NLA	SkyGuard Complete Add-On Kit (Blue Beacon) (Use p/n 1001206477)	
	1001210026	Ref	SkyGuard Complete Add-On Kit (Red Beacon)	
	1001197016	Ref	SkyGuard Platform Sensor Kit	
	1001137672	Ref	SkyGuard Platform Sensor Kit	
	1001137440	1	SkyGuard Sensor Harness	
	1001186431	2	Relay	
	1001206311	Ref	SkyGuard Strobe Light Kit (Blue Beacon)	
	1001143256	NLA	SkyGuard Strobe Light Kit (Blue Beacon) (Use p/n 1001206311)	
	1001210025	Ref	SkyGuard Strobe Light Kit (Red Beacon)	
	1001176372	Ref	SkyGuard Plug Removal Kit	
	1001232643	Ref	SkyLine Kit	
	1001231235	Ref	SkyWelder Locking Bracket Installation	
	1001110926	Ref	Soft Touch (Overhead) Installation (Chinese/Korean Specs Only)	
	1001125393	Ref	Soft Touch (Overhead) Kit (Chinese/Korean Specs Only)	
		Ref	Strobe Light Installations (Amber) (Note: See SkyGuard for Blue Strobe Light)	
	1001152965	Ref	Platform Mounted	
	1001154231	Ref	Platform/Ground Mounted	
	1001184931	Ref	Telescope Cylinder Service Kit	
	1001228357	Ref	Telematics Retrofit Harness Kit (Machines with UGM)	
	0272325	Ref	Tire Sealant Installation (ANSI Spec Only)	
	0272312	Ref	Tire Sealant Decal Installation	
	2902203	1	Kit, Tire Sealant Decal	
	1001228355	Ref	Turntable Bearing Cover Installation	
		Ref	Tools for Service	
	2901443	1	Analyzer Kit	
	8896941	1	Wire Stripper	
	7002821	1	Wire Crimper (To install wire ends to wires)	
	7002823	1	Pin/Socket Extractor - Universal (To Remove Pins/Sockets from Connectors)	
	4460467	1	Extractor - 16-18 Gauge (For Removal of Pin/Sockets from Deutsch Connectors)	
	4460510	1	Extractor - 12-14 Gauge (For Removal of Pin/Sockets from Deutsch Connectors)	
	7002822	1	Screwdriver, Potentiometer (To Adjust Drive Controllers)	
	7016654	1	Screwdriver, Magnetic	
	7004275	1	Seal Installation Tool - 1in	
	7004276	1	Seal Installation Tool - 1-1/2in	
	7002826	1	Seal Installation Tool - 2in	
	7016655	1	Wire Rope Sheave Gauge	

SECTION 10 - SPECIAL OPTIONS

ITEM	PART NUMBER	QTY	DESCRIPTION	REV
	1001137005	1	Software Cable Kit	
	70005663	1	Tool, Port Plate for Pump p/n 1001142522	
	2915094	Ref	Turntable Bearing Replacement Kit	
		Ref	Weld Leads at Platform Installations	
	0271487	Ref	Weld Leads at Platform Installations (800S)	
	0271488	Ref	Weld Leads at Platform Installations (860SJ)	

PART NUMBER INDEX

SECTION 10 - SPECIAL OPTIONS

0060048.....236, 243	0271083 24	0274502 481	0641405.... 153, 187, 191,
0060061.....231, 243	0271084 24	0274503 481	195, 199, 203, 209,
0080201..... 112	0271085 24	0274504 481	213, 261, 313
0100009..... 147, 277, 283	0271086 24	0274505 481	0641406.... 81, 85, 86, 94,
0100011.... 15, 16, 19, 23,	0271090 24	0274506 481	99, 112, 152, 158, 164,
39, 41, 45, 46, 55, 57,	0271091 24	0274507 481	167, 192, 196, 217,
59, 70, 72, 77, 81, 85,	0271322 265, 437	0274508 481	219, 223, 249, 272,
86, 94, 95, 99, 100,	0271323 265, 437	0274509 487, 491	277, 283, 459, 478,
101, 104, 105, 110,	0271324 265, 438	0274510 487, 491	483, 488, 491
111, 112, 135, 143,	0271325 265, 438	0274511 481	0641407 72, 94, 100, 111,
147, 152, 153, 158,	0271360 152	0274512 481	147, 261
164, 167, 171, 173,	0271362 152	0274513 481	0641408 45, 99, 100, 165,
178, 181, 183, 187,	0271444 235, 236	0274514 481	265, 272
191, 195, 199, 203,	0271448 498	0274518 477, 481, 487	0641409.....71
209, 213, 223, 227,	0271472 498	0274661 331, 503	0641410.. 39, 70, 72, 153,
231, 232, 235, 236,	0271473 498	0275039 187	265
237, 239, 247, 249,	0271476 498	0275216 454	0641412 82, 99, 110, 265,
259, 261, 271, 299,	0271477 498	0275217 454	459
301, 303, 305, 313,	0271487 506	0275218 454	0641414.... 277, 283, 299,
316, 319, 321, 323,	0271488 506	0275219 454	303, 305, 307
345, 349, 353, 357,	0271552 153, 280, 285	0275257 213, 455	0641416..... 261, 458
363, 369, 371, 373,	0271912 499	0275261 501	0641418..... 45, 271, 301
383, 384	0271939 428, 503	0275262 499	0641420..... 46, 271
0100019..... 59, 160, 167,	0271999 153	0275452 454	0641422..... 110
181, 191, 195, 199,	0272057 153	0275453 454	0641424..... 265
203, 209, 213, 217	0272058 273	0275454 454	0641504..... 227
0100020.... 70, 81, 90, 99,	0272070 247	0275574 261	0641506..... 147, 219
101, 110, 113, 127,	0272081 160, 167	0275586 265, 438	0641507..... 46, 248
138, 141, 192, 200,	0272254 321	0275865 487	0641508..... 41, 158, 178,
203, 217, 220, 316,	0272259 449	0340041 112	181, 183
327, 436	0272260 449	0362770 158	0641510..... 72, 187
0100035.... 152, 154, 249,	0272312 505	0362910 41	0641511..... 110, 265
283	0272322 24	0370038 383	0641512..... 72
0100038.... 345, 349, 353,	0272325 505	0400075 ... 55, 57, 70, 81,	0641514.... 187, 331, 369,
357, 363, 369, 371,	0272333 24	99, 110	373
373, 383	0272334 24	0440244 59	0641516.... 191, 195, 199,
0100048..... 99, 110, 147,	0272388 265, 437	0480100 331	203, 209, 213
153, 183, 195, 203,	0272389 265, 438	0480121 177	0641518..... 89, 273
223, 261, 278, 283, 441	0272418 311	0480126 192, 205	0641526..... 248
0100062 72, 90, 104, 113,	0272427 299	0480129 192, 205	0641542..... 39
205	0272435 ... 206, 210, 214	0480142 ... 187, 199, 213	0641560..... 39
0100071 307	0272448 316, 321	0561185 239	0641604.... 236, 249, 265
0100079..... 195, 203	0272521 319	0561380 227	0641605..... 89
0100081.... 164, 232, 237,	0272588 319	0561445 239	0641606.... 39, 45, 46, 55,
277, 311	0272589 206	0561446 239	57, 72, 82, 112, 160,
0140001 45	0272599 316, 327	0561447 239	232, 237, 239, 248,
0140011 277, 283	0272607 327	0561449 239	316, 319, 321, 323
0140032..... 153, 448	0272703 261	0561484 265	0641607.... 16, 19, 89, 99,
0140044..... 153	0272725 505	0630407 87	135, 181, 239, 265
0181949..... 141	0272733 504	0630462 299	0641608.. 70, 82, 86, 110,
0182077 158	0272948 311	0630467 247	112, 129, 158, 160,
0200048..... 299	0272951 311	0630485 165	164, 167, 171, 173,
0200742 177	0273145 504	0630507 158	217, 231, 232, 236,
0250528..... 41	0273146 504	0630518 ... 147, 316, 319,	237, 239
0256202..... 450	0273147 504	321, 323, 327	0641609.. 72, 77, 86, 112,
0257195..... 499	0273149 504	0630534 363, 365	158, 166, 175
0257728..... 331, 503	0273353 316	0630535 ... 345, 349, 353,	0641610.... 70, 72, 82, 94,
0257887..... 153, 448	0273472 273, 432	355, 357, 359, 383,	99, 112, 127, 154, 155,
0258608..... 280, 285	0273483 273, 432	389, 391	158, 177, 219, 236,
0258703..... 503	0273596 217	0630536 ... 369, 371, 373,	239, 272
0258728..... 175	0273687 217	375	0641611..... 143, 165
0259147..... 59	0273695 ... 231, 235, 249	0630539 232, 237	0641612..... 45, 87, 112
0270528..... 41	0273706 299	0630548 147	0641613..... 45, 164, 227,
0270885..... 24	0273824 299	0630568 279, 285	239
0270886..... 24	0274499 477	0641403 152, 203, 239	0641614..... 135, 159
0270888..... 24	0274500 477	0641404 ... 147, 178, 191,	0641615..... 227
0271002..... 59	0274501 481	195, 203, 313	

SECTION 10 - SPECIAL OPTIONS

0641616 ... 158, 164, 192, 219, 239	0711216 105	0861538.....203, 209, 213	1001091187 152
0641617 141	0711223 103	0861572.....203	1001091188 152
0641618 195, 203, 236	0720804 141	0861642.....217	1001091460 31
0641620 232, 237	0721003 277, 283	0861731.....452	1001091461 31
0641622 232, 237	0721004 41	0861781.....452	1001091472 265
0641626 239	0721005 299	0861782.....452	1001091563 136, 137
0641634 239	0721006 94, 158, 178, 181, 277, 283	0861880.....459	1001091587 111
0641640 239	0721008 160	0902206.....153	1001091609 265, 438
0641644 232, 237	0731005 135	0902219.....158	1001091618 438
0641708 86	0731007 135	0902223.....158	1001091620 439
0641710 187	0741605 86, 231	0902351.....158	1001091625 231, 243
0641772 178, 181, 183	0741607 41, 192, 195, 203, 209	0902412.....158	1001091664 265, 438
0641808 . 70, 85, 99, 100, 110, 111, 135, 191, 195, 199, 203, 213, 235	0741609 20	0902491.....158	1001091665 265, 438
0641810 16, 19, 217	0741612 239	0902673.....158, 164	1001091712 498
064181272, 85, 100, 111, 143, 181, 228, 247, 259	0760605 89, 104	0902674.....158	1001091713 498
0641814 83	0760606 86, 210	0902751.....277	1001091790 458
0641816 135	0760608 101	0902769.....158	1001091794 113
0641818 15, 77, 175	0760610 ... 101, 105, 183, 209	0902888.... 191, 195, 199, 203, 209, 213	1001091969 450
0641820 72, 143, 261	0760612 101	0902919.....261	1001091970 450, 455
0641822 261	0760615 105	0902920.....261	1001091971 450, 454
0641826 113	0760619 99	0903242.....143	1001091972 450
0641828 112	0760807 104	0903484.....458	1001091973 451
0642010 ... 41, 70, 82, 99, 110	0760810 ... 82, 86, 95, 99, 101	0903530.....248	1001091974 451
0642012 311	0760812 99, 101, 104, 463	0903697.....458	1001091975 451
0642014 227, 231, 235	0760814 90, 101	0940049.....164	1001093382 ... 55, 57, 70, 82, 100, 111
0642024 261	0760815 90, 101	0940070.72, 86, 103, 113	1001093389 501
0642026 311	0760816 99	0940071.....158, 159	1001094475 503
0642212 15, 19, 227, 231, 235, 311	0760817 105	0940088.... 158, 159, 165	1001094509 460
0642612 153, 154	0760820 99	0940092.....299	1001094595 . 72, 85, 100, 112, 123
0642618 227	0761008 83, 95, 99	0940094.....299	1001094899 59
0642684 247, 259, 261	0761014 101, 259	0940102.....311	1001095307 397, 403, 405, 411, 412
0681608 ... 15, 19, 70, 82, 247, 259, 261	0761015 90, 95, 101, 104	0940103.....299	1001095308 397, 403, 406, 411
0681620 333, 335, 337	0761016 101, 183	0940133.....299	1001095308 397, 403, 406, 411
0681814 275	0761018 209	0940134.....299	1001096070 192, 196, 459
0681820 89	0761210 89	0940159.....301	1001096134 207, 457
0681822 23, 89, 275	0761216 259	0940177.....299	1001097051 467
0682016 23, 160, 167	0771012 100	0961845.....271	1001097150 459
0682023 59	0771014 101	0961893.....363, 365	1001097939 153
0682032 59	0771212 82, 86	0961894....345, 349, 353, 355, 357, 359	1001097942 153
0682216 59	0771414 72, 77, 86	0961897....383, 389, 391	1001097945 153
0682236 15, 19	0771415 86, 192, 205	0961898....369, 371, 373	1001098012 316, 327, 329
0682424 333, 335, 337	0801275 239	0961947236, 243, 345, 349, 353, 355	1001098149 327
0700615 154, 155	0801279 227	0961948....239, 347, 351, 357, 359, 361	1001098167 341
0700617 167, 173	0801280 227	0961951.....240, 243	1001098167 341
0700618 167, 171	0801282 239	0961986.72, 86, 101, 113	1001098234 458
0700808 72	0801306 227	0962033....369, 371, 373, 375, 377	1001098349 458
0700810 101, 112	0801307 227	0962051.....175	1001098764 447
0700812 101	0801647 239	0962102.....15, 19	1001098828 103, 259
0700814 90, 101	0801649 239	0962122.....227	1001098908 440
0700816 105	0811606 239	0962152.....20, 379, 381	1001098909 440
0700818 105	0811607 239	0962181.....20	1001098910 440
0700820 187, 199, 213	0811608 239	0962270.....275	1001098911 440
0701014 105	0811610 165	0962297....227, 228, 231, 236, 239	1001099051 76
0701016 187, 199, 213	0811614 239	0962335.....237	1001099121 160
0701025 90	0811616 239	0962336....363, 365, 367	1001099138 159
0701026 105	0811812 158, 164	0962348.....20	1001099139 160
0701224 103	0840055 262	0962449.....178	1001099366 311
0710827 105	0860038 ... 191, 195, 199, 203, 209, 213, 452	0962450.....261	1001099367 311
0711014 104	0860520 ... 477, 483, 488, 491	0962520.... 192, 195, 199, 203, 209, 213	1001099421 311
0711020 101	0861441 277, 279	1001001939.....73	1001099422 311
			1001099869 178
			1001099870 39
			1001100121 505

SECTION 10 - SPECIAL OPTIONS

1001100233..... 178	1001110339 148, 149, 441	1001116952 447	1001122519..... 483
1001100234..... 178	1001110425 46, 71, 82	1001116983 446	1001122520..... 483
1001100321..... 177	1001110873 191, 196, 200, 204, 210, 214, 452, 455	1001117027 165	1001122521..... 483
1001100326..... 450	1001110926 505	1001117078 206, 457	1001122522..... 483
1001100327..... 450	1001110974 504	1001117140 160	1001125008..... 279, 285
1001100328..... 450	1001110979 301	1001117172 272, 496	1001125009..... 279, 285
1001100329..... 450	1001110980 301	1001117174 272, 284	1001125010..... 279, 285
1001100331..... 451	1001110982 301	1001117249 165	1001125011..... 280, 285
1001100333..... 451	1001111231 498	1001117294 502	1001125229..... 504
1001100337..... 451	1001111346 271	1001117307 165	1001125230..... 504
1001100341..... 454	1001111968 417, 421, 426	1001117308 87, 496	1001125387..... 478, 484
1001100342..... 454	1001112551 488	1001117372 341, 343	1001125393..... 505
1001100345..... 455	1001112588 432, 449	1001117399 265, 438	1001125492..... 59
1001100346..... 455	1001112589 449	1001117400 265, 438	1001125501..... 165
1001100347..... 455	1001112612 442	1001117523 165	1001125502..... 166
1001100825..... 101, 105	1001112743 432, 449	1001117525 165	1001125824..... 501
1001101060..... 59, 62	1001112821 503	1001117804 228	1001126009..... 471
1001101191..... 453, 459	1001113047 164	1001117805 228	1001126351..... 446
1001101196..... 454	1001113103 136	1001118384 471	1001126352..... 446
1001101197..... 454	1001113483 261	1001118388 437, 471, 473	1001126353..... 446
1001101241..... 76	1001113961 295	1001118416 277, 295	1001126356..... 446
1001101421..... 311	1001114371 487	1001118417 277, 289	1001126357..... 446
1001101422..... 311	1001114372 487	1001118473 248, 253	1001126362..... 447
1001101600..... 70	1001114595 112	1001118963 498	1001126363..... 447
1001101623..... 160	1001114632 112	1001118964 499	1001126364..... 447
1001101673..... 159	1001114897 271, 272	1001119020 437	1001126365..... 447
1001102290..... 444	1001115388 203, 455	1001119619 465	1001126384..... 446
1001102291..... 444	1001115394 203, 455	1001119620 467, 469	1001126391..... 447
1001102304..... 444	1001115405 177	1001119939 499	1001126828..... 159, 165
1001102601..... 148	1001115406 177	1001119947 499	1001127087..... 499
1001102602..... 148	1001115409 177	1001119968 206, 457	1001128153..... 273, 432
1001102647..... 311	1001115465 383	1001120328 303, 305, 313	1001128479..... 270, 271
1001103308..... 149	1001115466 384	1001120532 504	1001128527..... 323
1001103667..... 148, 496	1001115469 383	1001120993 499	1001128556..... 323
1001103810..... 16, 19	1001115504 383	1001121412 503	1001128598..... 270, 271
1001106339..... 442	1001115504 383	1001121708 503	1001128901..... 90, 102
1001106340..... 442	1001115617 384	1001121709 503	1001129555..... 494
1001106449..... 152	1001115631 383	1001121710 503	1001129858..... 191, 199
1001106480..... 152	1001115633 384	1001121711 503	1001131168..... 279, 284
1001106736..... 148, 441	1001115693 383	1001121802 482	1001131269..... 477, 483
1001106957..... 405, 411	1001115918 499	1001121804 482	1001131731..... 232, 237
1001106974..... 143	1001115930 101, 112, 502	1001121806 482	1001131992..... 433
1001107531..... 143	1001116163 502	1001121807 482	1001132055..... 432, 456, 457
1001107952..... 279, 280, 285	1001116280 164	1001121809 482	1001133329..... 249, 448
1001108256..... 299	1001116290 167, 171, 173	1001121815 483	1001133714..... 447
1001108496..... 477, 483	1001116322 164	1001121817 483	1001133715..... 447
1001108579..... 136, 137	1001116344 165	1001121819 483	1001133956..... 446
1001108617..... 45	1001116358 165	1001121820 483	1001133957..... 446
1001108722..... 500	1001116456 168	1001121822 483	1001134103..... 498
1001108723..... 500	1001116457 168	1001121862 501	1001134488..... 87, 103
1001108958..... 383	1001116544 113	1001122200 482	1001135138..... 87
1001108992..... 279, 285	1001116545 113	1001122201 483	1001135650..... 447
1001109029..... 500	1001116545 113	1001122305 498	1001135651..... 447
1001109048..... 135	1001116558 166	1001122507 477	1001135679..... 87
1001109257..... 500	1001116620 166	1001122508 477	1001136079..... 86
1001109475..... 459, 496	1001116693 442, 443, 444	1001122509 483	1001136104..... 209
1001109477..... 459, 496	1001116710 446	1001122510 482	1001136172..... 86
1001109482..... 459, 496	1001116720 437, 473	1001122511 483	1001136400..... 233, 237
1001109503..... 147	1001116727 447, 457	1001122512 482	1001136834..... 87
1001109559..... 458	1001116844 500	1001122513 482	1001136988..... 204
1001109648..... 459	1001116846 481	1001122514 483	1001137005..... 506
1001109654..... 459	1001116849 482	1001122515 477	1001137276..... 87
1001110059..... 135	1001116851 482	1001122516 477	1001137440..... 505
1001110133..... 502		1001122517 483	1001137459..... 46, 55, 57
1001110166..... 164		1001122518 483	1001137672..... 505
			1001137673..... 303, 305

SECTION 10 - SPECIAL OPTIONS

1001138110..... 447	1001141969..... 452	1001147812..... 73	1001152457..... 191, 196, 200, 456
1001138111..... 447	1001141995..... 89, 102	1001147813..... 73	1001152458..... 456
1001138113..... 447	1001142031..... 94	1001147820..... 73	1001152459..... 73
1001138173..... 87, 102	1001142032..... 94	1001147823..... 73, 74	1001152489..... 89
1001138175..... 87, 102	1001142501..... 82, 90, 95	1001148138..... 181	1001152522..... 72, 85, 111, 112, 115
1001138228..... 87, 496	1001142504..... 504	1001148149..... 82	1001152525..... 206, 210, 214
1001138248..... 87, 103	1001142505..... 504	1001148550..... 84	1001152530..... 191, 196, 200
1001138489..... 89	1001142522..... 115, 116	1001148560..... 81	1001152532..... 192, 196, 199, 456
1001138491..... 82, 446	1001142623..... 87	1001148561..... 158	1001152566..... 160
1001138494..... 271	1001142643..... 196, 205	1001148563..... 203, 455	1001152719..... 15
1001138514..... 271	1001142645..... 196, 205	1001148564..... 203, 455	1001153025..... 432, 456
1001138557..... 87	1001142646..... 196, 205	1001148565..... 217	1001153197..... 192, 196, 457
1001138565..... 191	1001142683..... 154, 155	1001148566..... 84	1001153257..... 432, 457
1001138566..... 192, 195, 199	1001142694..... 154	1001148567..... 81	1001153259..... 196, 457
1001138717..... 90	1001142722..... 154, 155	1001148607..... 135	1001153260..... 191, 196, 200
1001138772..... 504	1001142733..... 89	1001148641..... 90	1001153282..... 73, 74, 86, 91
1001138773..... 504	1001142736..... 154, 155, 448	1001148650..... 241	1001153309..... 191, 455
1001138795..... 365	1001142853..... 86	1001148651..... 241	1001153310..... 191, 455
1001138827..... 87	1001142938..... 447	1001148652..... 241	1001153324..... 265, 437
1001139099..... 501	1001142940..... 447	1001148653..... 241	1001153325..... 265, 438
1001139151..... 499	1001142941..... 447	1001148902..... 500	1001153396..... 72
1001139240..... 87	1001143256..... 505	1001148903..... 500	1001153414..... 73
1001139303..... 87	1001143390..... 73, 89	1001148904..... 500	1001153435..... 160
1001139357..... 192	1001143431..... 154	1001148905..... 500	1001153779..... 72
1001139409..... 88	1001143431..... 154	1001148906..... 501	1001154126..... 341
1001139654..... 484, 488, 491	1001143449..... 94	1001148971..... 503	1001154231..... 505
1001139813..... 88, 91	1001143472..... 94	1001149126..... 501	1001154236..... 71
1001139960..... 199, 455	1001143483..... 94	1001149160..... 104	1001154237..... 72
1001140312..... 91	1001143484..... 94	1001149531..... 45, 247	1001154258..... 15, 19, 341
1001140315..... 504	1001143525..... 94	1001149532..... 45, 247	1001154323..... 149, 442, 443
1001140318..... 504	1001143575..... 94	1001149639..... 102	1001154324..... 149, 442, 443
1001140346..... 195	1001143601..... 160	1001149703..... 77	1001154327..... 149, 442
1001140347..... 195	1001143607..... 159	1001149704..... 73	1001154328..... 432, 443, 444
1001140362..... 88	1001143611..... 160	1001149705..... 73	1001154329..... 432, 443, 444
1001140412..... 86	1001143669..... 505	1001149706..... 73	1001154405..... 83, 89, 94, 129
1001140429..... 271	1001143726..... 89, 446	1001149730..... 504	1001154584..... 15
1001140448..... 88	1001143736..... 82, 445	1001149793..... 73	1001154598..... 46, 51
1001140450..... 88	1001143797..... 89	1001149818..... 154, 448	1001154599..... 248, 251
1001140454..... 88	1001143852..... 484, 488	1001149880..... 429	1001154600..... 248, 251
1001140460..... 231, 347, 351	1001143858..... 159	1001149924..... 311	1001154687..... 341
1001140466..... 88	1001143907..... 89, 447	1001149955..... 154	1001154875..... 19
1001140487..... 88	1001144018..... 270	1001149994..... 154, 155	1001154931..... 20
1001140535..... 88	1001144019..... 270	1001150253..... 166	1001155035..... 20
1001140564..... 88	1001144021..... 270	1001150260..... 158, 165	1001155041..... 183
1001141136..... 279, 436	1001144022..... 270, 271	1001150372..... 16, 19	1001155043..... 149
1001141137..... 249, 448	1001144023..... 269	1001150406..... 154	1001155044..... 149, 279, 284
1001141138..... 277, 284, 496	1001144024..... 269	1001150539..... 16, 20, 379	1001155045..... 149, 278, 284, 494
1001141140..... 272, 277	1001144026..... 269	1001150561..... 168	1001155143..... 70, 445
1001141300..... 286	1001144027..... 269	1001150890..... 77	1001155185..... 499
1001141302..... 286	1001144319..... 73, 74	1001150915..... 73	1001155192..... 19
1001141304..... 88, 446	1001144433..... 284, 305	1001150918..... 71, 84	1001155194..... 19
1001141370..... 88	1001144447..... 217	1001150937..... 16, 20	
1001141419..... 88	1001144527..... 168	1001150944..... 155, 448	
1001141546..... 88	1001144596..... 275	1001150998..... 73	
1001141583..... 88	1001144597..... 275	1001151010..... 141	
1001141584..... 89	1001144629..... 270	1001151034..... 16	
1001141585..... 89, 102	1001145154..... 89	1001151037..... 15	
1001141586..... 89	1001145405..... 316, 327	1001151070..... 70	
1001141711..... 94	1001145750..... 95	1001151252..... 77	
1001141718..... 95	1001145751..... 95	1001151253..... 76	
1001141870..... 95	1001145965..... 504	1001151650..... 502	
1001141967..... 452	1001145975..... 504	1001151856..... 447	
1001141968..... 452	1001146010..... 148, 149, 441	1001151900..... 499	
	1001146273..... 73	1001151980..... 16	
	1001147264..... 446	1001152174..... 149	
	1001147479..... 249, 494	1001152429..... 206, 457	

SECTION 10 - SPECIAL OPTIONS

1001155384.....88	1001157528 206, 210, 214	1001161711 158, 164	1001170644.....395
1001155751.....227, 231	1001157592 205, 210, 213, 214, 456	1001161980 45, 247	1001171127..... 195, 455
1001155752.....227, 235	1001157612 165	1001161981 45, 247	1001171131..... 449, 505
1001155753.....227, 231	1001157736 159	1001161982 45, 247	1001171269..... 195, 455
1001155760.....232, 239	1001157751 167	1001162335 83, 94	1001171403.....447
1001155762.....235, 239	1001157752 167	1001162497 .. 70, 82, 100	1001172045.....498
1001155763.....232, 239	1001157753 164	1001162546 505	1001172663.....259
1001155770.....241	1001157755 167	1001162915 166	1001172760.....277, 284
1001155771.....241	1001157768 214, 432, 457	1001163101 168	1001173535..... 104
1001155823.....83	1001157769 206, 432, 457	1001163131 311	1001173580.....165
1001155899.....165	1001157770 206, 432, 457	1001163296 311	1001173590.....444
1001156039.....428, 503	1001157837 228	1001163297 311	1001173703.....492
1001156170.....70	1001157851 417, 421, 427	1001163599 181, 195, 204	1001173869.....167
1001156171.....70	1001157852 418, 422	1001164091 457	1001173870.....164
1001156351.....455	1001157866 397, 403, 406, 411	1001164786 153	1001173871.....164
1001156352.....455	1001157870 160, 167	1001165035 83, 103	1001173971.....81
1001156425.....439	1001158007 206, 210, 214	1001165118 154	1001173972.....84
1001156426.....439	1001158008 206, 210, 214	1001165368 192, 196, 459	1001173974.....85
1001156427.....439	1001158084 160, 167	1001165657 16, 19	1001173976.....88
1001156439.....233, 237	1001158145 85, 95	1001165772 145	1001173978.....88
1001156443.....233	1001158187 39	1001165773 146	1001173979.....81
1001156470.....110	1001158188 39	1001165776 149, 442, 443	1001173980.....84
1001156471.....111	1001158203 39	1001165778 432, 443, 444	1001173981.....85
1001156710.....15, 19	1001158251 428, 503	1001165842 89	1001174093.....111
1001156805.....136	1001158259 498	1001166538 277, 284, 297	1001174101.....166
1001156819.....111	1001158290 136	1001166539 277, 284, 291	1001174143.....166
1001156823.....100, 110	1001158363 191, 196, 200	1001166675 272, 277	1001174282.....166
1001156824.....110	1001158364 153	1001167042 88	1001174283.....166
1001156825.....110	1001158436 41	1001167194 421, 426	1001174486..... 100, 110
1001156914.....237	1001158926 145	1001167196 422, 427	1001174745.....94
1001156965.....232	1001158927 147	1001167198 45, 247	1001174746.....94
1001156966.....237	1001158928 145	1001167199 45, 247	1001175354.....477, 483, 487, 491
1001157015.....23, 39	1001158929 146	1001167200 45, 247	1001175884.....383
1001157016.....23, 39	1001158930 145	1001167259 429	1001176027.....85, 86
1001157021.....159	1001158931 146	1001167276 421, 428	1001176035.....85, 86
1001157024.....165	1001158932 145	1001167277 421, 429	1001176329.....102
1001157025.....165	1001158929 146	1001167565 259	1001176372.....505
1001157056.....136	1001158930 145	1001167567 259	1001176419.....87, 88
1001157058.....59	1001158931 146	1001167596 259	1001176469.....149
1001157180.....227	1001159121 449, 505	1001168018 102	1001177155.....111
1001157208.....166	1001159256 278, 284	1001168024 149, 442	1001177226.....421, 427
1001157209.....166, 167	1001159294 405, 411	1001168025 249, 448	1001177228.....111
1001157258.....135	1001159323 491	1001168292 146	1001177317.....239, 383
1001157259.....135	1001159340 417, 421, 426	1001168334 147	1001177328.....505
1001157260.....135	1001159648 432, 456	1001168335 145	1001177359.....90
1001157261 46, 369, 373, 384, 478, 484, 488	1001159732 432	1001168336 146	1001177694.....501
1001157262.....46	1001159854 397, 402	1001168337 145	1001177711.....458
1001157284.....165	1001160077 154	1001168338 146	1001177712.....458
1001157344.....165	1001160271 432, 456	1001168339 145	1001177844.....89
1001157396.....417, 428	1001160559 136, 137	1001168340 146	1001177845.....89
1001157397.....417, 428	1001160567 136, 137	1001168402 259	1001177910.....192, 196, 458, 459
1001157398.....397, 428	1001160780 41	1001169054 89, 102	1001178057.....136, 137
1001157399.....405, 428	1001160965 72	1001169138 90, 102	1001178207.....499
1001157400.....395, 428	1001160966 72	1001169234 149	1001178208.....499
1001157401.....429	1001160977 70	1001169754 24	1001178209.....135
1001157402.....405, 428	1001161076 59	1001169755 24	1001178210.....135
1001157415.....158	1001161355 16, 20	1001169756 24	1001178211.....135
1001157416.....164	1001161399 16, 20	1001169757 24	1001178212.....70
1001157474 159, 165	1001161563 429	1001169935 165	1001178214.....81
1001157475 159, 165	1001161709 278, 284	1001169967 102	1001178215.....426, 428
1001157520.....206, 210, 214		1001170035 102	1001178217.....426, 429
1001157521206, 210, 214			1001178218.....402, 428
1001157525.....205, 456			1001178219.....410, 428
			1001178220.....410, 428

SECTION 10 - SPECIAL OPTIONS

1001178223	90	1001186501.....	165	1001198336.....	395	1001206477	505
1001178227	81	1001186502.....	165	1001198337.....	402, 410	1001207004	155
1001178797	129	1001186517.....	303, 305	1001198338.....	410	1001207308	154
1001178876	90, 95	1001186631.....	503	1001198339.....	395	1001207558	158
1001179154	206, 210, 214, 456	1001186985.....	81, 88	1001198340.....	403, 411	1001207969	248
1001179837	181	1001187500.....	503	1001198341.....	411	1001208024	159
1001180001	181	1001187508.....	303	1001199395.....	402	1001208944	248
1001180091	148	1001187509.....	503	1001199396.....	403, 412	1001209059	505
1001180092	148	1001187510.....	72, 85, 101, 111, 112, 119	1001199487.....	505	1001209432	463
1001180287	181	1001187674.....	309	1001199949.....	500	1001209474	463
1001180620	90, 102	1001187681.....	465	1001200072.....	488, 491	1001209634	503
1001181045	459	1001187781.....	101	1001200128.....	500	1001209635	503
1001181046	459	1001187781.....	101	1001200129.....	500	1001209664	303, 305
1001181051	236, 243	1001188004.....	145	1001200130.....	500	1001209872	155
1001181060	231, 243	1001188005.....	146	1001200131.....	500	1001209982	24
1001181061	231, 243	1001188041.....	149	1001200132.....	500	1001209983	24
1001181145	500	1001188332.....	458	1001200133.....	500	1001210025	505
1001181149	502	1001188354.....	154	1001200134.....	500	1001210026	505
1001181243	181	1001188622.....	259	1001200486.....	279	1001210448	105
1001181588	240, 383	1001188844.....	259	1001200491.....	259	1001210688	503
1001181589	240, 383	1001188874.....	149	1001200494.....	259	1001210977	503
1001181694	384, 389, 391	1001188884.....	127	1001200575.....	279, 285	1001211336	137
1001181894	422, 427	1001188887.....	127	1001200725.....	503	1001211794	104, 105
1001181895	91	1001188889.....	303	1001200910.....	155	1001211798	502
1001181899	91	1001188972.....	71, 83	1001201351.....	259	1001212012	239
1001181960	237	1001189001.....	259	1001201602.....	227	1001212067	502
1001182064	237	1001189002.....	259	1001201886.....	277, 279	1001212223	204
1001182138	307	1001189174.....	154	1001201887.....	284	1001212415	494
1001182599	501	1001189979.....	103	1001202082.....	501	1001213045	104
1001182806	223	1001190017.....	284	1001202122.....	501	1001213181	501
1001183407	503	1001190018.....	272, 283	1001202280.....	127	1001213219	501
1001184181	145	1001190019.....	271, 272	1001202281.....	127	1001213220	501
1001184182	146	1001190610.....	88	1001202311.....	95	1001213221	501
1001184259	153	1001190775.....	101	1001202331.....	501	1001213222	501
1001184931	505	1001190985.....	259	1001202368.....	88	1001213223	501
1001185078	501	1001191394.....	502	1001202397.....	501	1001213227	501
1001185281	284	1001191395.....	502	1001202398.....	501	1001213357	102
1001185667	84	1001191610.....	102	1001202571.....	272, 277	1001213447	437
1001185671	84	1001191708.....	307	1001202749.....	502	1001213482	102
1001185673	84	1001192401.....	442	1001203655.....	275	1001213584	453, 460
1001185674	81	1001193018.....	455	1001203656.....	275	1001213585	453, 454, 460
1001185675	84	1001193640.....	500	1001204269.....	411, 412	1001213602	502
1001185676	81	1001193690.....	146	1001204325.....	89	1001213604	502
1001186236	148, 149, 441	1001193809.....	145	1001204454.....	502	1001213610	104
1001186237	284, 436	1001194197.....	451	1001204457.....	502	1001213882	285
1001186251	165	1001194198.....	451	1001204460.....	502	1001214030	492, 499
1001186254	166	1001194200.....	451, 452	1001204467.....	502	1001214039	88, 91
1001186333	275	1001194203.....	450	1001204511.....	272, 283	1001214050	85, 86
1001186334	275	1001194204.....	450	1001204560.....	15, 19, 341	1001214478	504
1001186335	269	1001194365.....	452	1001204648.....	159	1001214515	504
1001186371	270, 271	1001194437.....	432, 456	1001204667.....	127	1001214540	504
1001186374	270, 271	1001194573.....	227	1001204725.....	259	1001214544	504
1001186375	270	1001195304.....	503	1001204929.....	503	1001214552	504
1001186377	270	1001195537.....	502	1001205030.....	498	1001214559	504
1001186379	270, 271	1001195967.....	94	1001205031.....	498	1001214561	504
1001186382	270, 271	1001196221.....	232, 236	1001205032.....	498	1001214562	504
1001186383	269	1001196382.....	210	1001205033.....	498	1001214570	463
1001186384	269	1001196428.....	127	1001205175.....	504	1001214571	463
1001186386	269	1001196634.....	83, 133	1001205494.....	155	1001214778	81
1001186387	269	1001196768.....	166	1001206250.....	451	1001214827	105
1001186426	102	1001197016.....	505	1001206251.....	451	1001214862	112
1001186431	285, 305, 436, 505	1001197017.....	299	1001206252.....	451, 452	1001214984	503
1001186432	471, 473	1001197067.....	155	1001206253.....	450	1001215016	444
		1001197240.....	498	1001206254.....	450	1001215091	444
		1001197408.....	488, 491	1001206255.....	452	1001215384	105
		1001198333.....	426	1001206311.....	505	1001215534	444
		1001198334.....	403	1001206476.....	463		

SECTION 10 - SPECIAL OPTIONS

1001215674.....	103	1001218572 ...	55, 57, 71, 83, 100	1001223593	90	1001228357.....	505
1001215681.....	103	1001218622	440	1001223704	83	1001228375.....	270, 271
1001215974.....	103	1001218623	441	1001223758	81	1001228376.....	269
1001216015.....	181	1001218774	146	1001223782	84	1001228377.....	270, 271
1001216065.....	105	1001218775	145	1001223784	81	1001228544.....	23
1001216071.....	105	1001218850	499	1001223804	152, 153	1001228950.....	499
1001216075.....	103	1001218930	210	1001223923	103	1001228988.....	316, 317, 319, 321, 323, 327
1001216092.....	103	1001219219	23, 31	1001223971	484	1001229107.....	499
1001216144.....	105	1001219259	103	1001224048	484	1001229341.....	309
1001216166.....	95	1001219345	103	1001224049	484	1001229762.....	498
1001216167.....	95	1001219361	103	1001224050	484	1001229810.....	59, 66
1001216201.....	103	1001219363	103	1001224052	484	1001230371.....	236, 367
1001216212.....	444	1001219370	100	1001224053	484	1001230372.....	235, 361
1001216213.....	444	1001219480	103	1001224138	432, 443, 444	1001230373.....	235, 377
1001216221.....	95	1001219611	103	1001224486	104	1001230374.....	15, 19, 343
1001216300.....	105	1001219612	103	1001224489	104	1001230375.....	16, 20, 381
1001216327.....	149, 442, 443	1001219613	103	1001224900	152	1001230635.....	88
1001216390.....	210	1001219618	209, 455	1001224901	152	1001230783.....	16
1001216391.....	184	1001219619	183	1001224902	152	1001231056.....	235, 236
1001216531.....	104	1001219630	184	1001224903	152	1001231103.....	227, 235
1001216532.....	101	1001219632	184	1001224936	90	1001231147.....	15
1001216534.....	101	1001219633	504	1001224937	90	1001231235.....	505
1001216535.....	101	1001219634	100	1001224940	90	1001231801.....	478, 500
1001216568.....	100	1001219635	100	1001225346	463	1001231886.....	223
1001216616.....	105	1001219636	100	1001225432	92	1001231949.....	337
1001216619.....	105	1001219637	100	1001225442	102	1001231950.....	333, 335
1001216630.....	259, 262	1001219638	100	1001225510	104	1001232010.....	333, 335, 337
1001216713.....	112	1001219639	100	1001225580	285, 305, 436, 473	1001232011.....	333, 335, 337
1001216714.....	112	1001219840	499	1001225623	502	1001232164.....	309
1001216715.....	111	1001219881	175	1001225625	502	1001232165.....	309
1001216721.....	110	1001219907	105	1001225745	72, 85, 101, 121	1001232539.....	19
1001216768.....	104	1001219979	45, 247	1001226098	92	1001232540.....	19
1001216769.....	104	1001219980	45, 247	1001226257	84	1001232586.....	273
1001216810.....	104	1001220002	166	1001226285	95	1001232642.....	313
1001216910.....	104	1001220067	165	1001226286	129	1001232643.....	505
1001216919.....	103	1001220142	105	1001226400	438, 439	1001232650.....	313
1001216995.....	103	1001220282	284, 436	1001226531	463	1001232667.....	313
1001217005.....	155, 498	1001220283	41	1001226923	129	1001232799.....	273
1001217032.....	103	1001220379	447	1001227224	83, 94	1001232838.....	273, 458
1001217046.....	103	1001220392	167	1001227494	499	1001232842.....	83, 133
1001217090.....	103	1001220393	164	1001227614	86	1001233089.....	90
1001217170.....	101	1001220404	105	1001227615	84, 85	1001233237.....	499
1001217174.....	103	1001220486	279, 285	1001227633	309	1001233763.....	83, 133
1001217175.....	103	1001221203	90	1001227634	309	1001234099.....	499
1001217183.....	103	1001221208	210, 457	1001227666	104	1001235011.....	313
1001217185.....	103	1001221212	83, 90	1001227667	104	1001235013.....	313
1001217186.....	103	1001221219	90	1001227769	104	1001235488.....	85, 91
1001217191.....	101	1001221397	105	1001227772	105	1001235489.....	86
1001217192.....	100	1001221464	101	1001227951	501	1001235490.....	84, 85
1001217193.....	99	1001221498	210, 432, 457	1001227985	309	1001235492.....	81
1001217317.....	103	1001221545	105	1001227987	309	1001235900.....	46, 53
1001217323.....	502	1001221615	103	1001227996	467, 469	1001235901.....	248, 257
1001217350.....	105	1001221704	271, 272	1001228022	235, 359	1001236303.....	57
1001217454.....	491	1001221719	272, 283	1001228027	231, 355	1001236304.....	463
1001217476.....	105	1001222033	103	1001228028	231, 371	1001236338.....	478, 500
1001217543.....	103	1001222314	248	1001228029	235, 375	1001236504.....	463
1001217940.....	428	1001222641	105	1001228081	239, 240, 389	1001236505.....	463
1001217941.....	429	1001222665	82, 446	1001228083	240, 391	1001236552.....	313
1001218022.....	501	1001222817	129, 131	1001228085	240, 387	1001236746.....	337
1001218068.....	285	1001223042	102	1001228224	309	1001236747.....	333
1001218085.....	101	1001223055	478	1001228225	309	1001236891.....	333, 335, 337
1001218087.....	105	1001223453	478, 484	1001228243	269	1001236895.....	333, 335, 337
1001218362.....	103	1001223584	101	1001228355	505		
1001218449.....	103	1001223591	88, 91				
1001218547.....	175	1001223592	86				

SECTION 10 - SPECIAL OPTIONS

1001236951 503	1001252629..... 333, 335, 337	1340061.....498	1702565 278, 283
1001237862 467, 469	1060341 299, 449	1380136.....46	1702566 278, 283
1001237863 309, 467	1060343 ... 205, 210, 214, 456	1380147 175	1702567 278, 283
1001237864 309, 469	1060379 331	1560011.....448	1702668 499
1001237865 309, 465	1060494 ... 205, 206, 214, 456	1560012.....448	1702676 278, 283
1001237882 501	1060545 460	1580011..... 101, 113	1702701 24
1001237883 501	1060584 41	1580012.....273	1702720 478
1001238263 333, 335, 337	1060625 71	1580013.....273	1702773... 275, 477, 483, 488, 491
1001238319 309	1060626 71, 83	1600244.....460	1702774 477, 483, 488
1001238418 313, 471	1060633 460	1600387261	1702861 477, 483, 488
1001238463 335	1060637 70, 85, 100, 111	1670603.....453	1702868 ... 316, 321, 323, 327, 477
1001238472 313	1060708 458	1670829.....147	1702901 46, 478, 484, 488
1001238477 313	1060896 438, 439	1670964.....248	1702903 46
1001238495 305	1060902 440, 445	1671022.....152	1702924 46
1001238559 313	1060903 299	1671034.....265	1702925 46
1001238824 313	1060908 459	1671044.....249	1702927 46
1001238967 501	1060918 272, 436	1671059.....152	1702938 ... 280, 285, 299
1001239235 501	1060919 275	1671092... 206, 210, 214, 441, 456	1702941 71, 83
1001239471 57	1060977 458	1671093.... 316, 321, 441	1702942 71, 83
1001239472 55	1061018 440	1671176.....278, 283	1702943 71, 83
1001239688 171	1061019 440	1671201.....158	1702944 71, 83
1001239689 171	1061020 262	1671228..... 158, 160	1702961 478, 500
1001239690 171	10702077 .. 206, 210, 214	1671230.....160	1702962 478, 500
1001239691 171	10702082 .. 206, 210, 214	1671231.....160	1702966 72, 90, 101, 113
1001239721 173	10837580 49, 51, 53	1671232.....160	1703175 478, 483, 499
1001239722 173	1120487 137	1683053.....363	1703475... 477, 482, 487, 491
1001239723 173	1120510 239	1683059.... 345, 349, 353, 357	1703478 487
1001239724 173	1120552 24	1683077.....383	1703482 ... 477, 482, 487, 491
1001241345 500	1120555 311	1683609.....236, 363	1703683 331
1001241416 503	1120601 158, 164	1683818.....369, 373	1703797 477
1001241716 272, 283	1120601 158, 164	1683976.... 345, 349, 353	1703804 477
1001241720 272	1220078 239	1684041.....239, 383	1703805 477
1001241772 502	1260017 59	1684043.....240, 383	1703811 ... 161, 167, 477, 481, 487, 491
1001241965 313	1271538 261	1684045.....383	1703814... 477, 481, 487, 491
1001242253 155	1271651 261	1684049.....383	1703923 482
1001242254 155	1283309 428	1684080.....369	1703924 481
1001242409 498	1283408 ... 477, 481, 487	1684089.....363	1703925 481
1001243183 498	1300019 24	1684090.....363	1703926 481
1001243184 498	1320012 113	1684123.....373	1703927 482
1001243557 265, 437	1320016 72, 113	1684133.....357	1703935 482
1001243558 265, 438	1320022 70, 113, 127	1684135.....357	1703936 482
1001243560 450	1320022 70, 113, 127	1684136.....235, 357	1703937 482
1001243561 450	1320041 266	1684188.... 345, 349, 353	1703938 482
1001243682 223	1320061 83, 95, 266	1684189.... 231, 345, 349, 353	1703939 482
1001243895 133	1320110 101	1684198.....369, 373	1703941 481
1001243985 171	1320127 141	1684199.....231, 369	1703942 481
1001243986 173	1320136 261	1684202.....235, 373	1703943 481
1001244114 248, 255	1320176 70, 105	1684519.....240, 383	1703944 481
1001244463 166, 171	1320177 316, 327	1700818..... 99, 110, 478	1703945 481
1001244465 166, 173	1320202 266	1701499.... 477, 481, 487, 491	1703947 482
1001244466 164	1320218 141	1701501.... 477, 482, 487, 491	1703948 482
1001244467 167	1320220 141	1701505 70, 82, 478, 483, 488, 491	1703949 482
1001245137 499	1320223 71, 72, 113, 265	1701509.... 311, 477, 481, 487, 491	1703950 482
1001246475 499	1320224 71, 217, 261	1701518.....487, 491	1703951 482
1001246476 499	1320263 232, 237	1701542.... 99, 110, 478, 483	1703953 477
1001246860 501	1320288 232, 237	1701543..... 99, 110, 478	1703980 482
1001246867 501	1320289 232, 237	1701643.....24	1703981 482
1001247049 235, 236	1320294 232, 237	1701691.... 477, 483, 487, 491	1703982 482
1001247055 235, 236	1320302 ... 316, 319, 321, 323		1703983 482
1001247281 223	1320315 369, 373		1703984 482
1001248012 236, 365	1320323 110		
1001248140 333, 335, 337	1321283 99, 101		
1001248141 333, 335, 337	1321384 160		
	1321716 89		
	1340060 113		

SECTION 10 - SPECIAL OPTIONS

1704000.....481, 499	1705967 481, 499	2130810 417, 421, 426	2220811.... 116, 397, 403,
1704001.....481, 499	1705968 481	2131008 405	405, 410
1704260.....278, 283	1705969 481, 499	2131010 417, 421, 426	2220816..... 127, 129
1704271.....478	1705978 487, 491	2131012 ... 397, 402, 405,	2220883 35, 36, 341, 343,
1704272.....41	1705980 488, 491	410	345, 349, 353, 355,
1704277....477, 481, 487,	1706059 71, 484	2131212 ... 116, 397, 403,	357, 359, 361, 363,
491	1706060 71, 84, 484	406, 411, 417	365, 367, 369, 371,
1704412....477, 481, 487,	1706061 71, 484	2131616 ... 116, 397, 403,	373, 375, 377
491	1706062 71, 484	405, 410	2220885.... 341, 343, 345,
1704578.....41	1706063 71, 484	2132016 ... 116, 398, 402,	349, 353, 357, 363,
1704885....478, 483, 488	1706064 71, 84, 484	406, 411	365, 367, 369, 371,
1704906....477, 482, 487,	1706098 71, 84, 488	2150404 417, 421, 426	373, 375, 377, 383,
491	1706385 275	2150406 ... 397, 402, 405,	387, 389, 391
1704907....477, 482, 487,	1706510 331	410	2220886 35, 36, 355, 359,
491	1706593 41	2151212 417	361, 383, 387, 389, 391
1704972..... 71, 84, 478	1706712 147	2151616 ... 397, 402, 405,	2220887..... 371, 377
1705014.....275	1706941 477, 483	410	2220888..... 35, 369, 371,
1705090.....41	1707124 487	2170104 395	373, 377
1705132.....278	2030010 ... 316, 319, 321,	2170106 395	2221024..... 141
1705170..... 154, 280, 285	323, 327	2170204 397, 402	2221084.... 397, 402, 405,
1705305.... 316, 319, 321,	2060025 72, 113	2170208 421, 426	410
323, 327	2080040 ... 164, 270, 273	2170306 415	2221086.... 417, 421, 426
1705336.....477	2080044 265	2170308 405, 410	2221088..... 397, 405
1705344.....482	2080072 164	2170350 405, 410	2221176..... 70, 99, 110
1705345.....482	2110404 ... 395, 397, 402,	2170408 405, 410	2221183.... 397, 402, 405,
1705347.....482	405, 410, 417, 421, 426	2170412 397, 402	410
1705348.....482	2110406 ... 395, 397, 402,	2170504 ... 397, 402, 405,	2221197..... 141
1705351.....478	405, 410, 415	410, 412	2300004..... 86, 101, 110,
1705355.... 316, 319, 321	2110408 ... 115, 395, 397,	2170506 417, 421, 427	502
1705358.....311	402, 403, 405, 410	2170508 397, 402	2300014..... 502
1705364.....24	2110604 415	2170704 395	2300016..... 23, 502
1705368.....488, 491	2110606 ... 395, 397, 402,	2170706 395	2300021..... 502
1705374.... 192, 196, 200	417, 421, 426	2170708 398, 405, 415	2300027..... 502
1705375.... 206, 210, 214,	2110608 418, 422, 427	2170804 415	2300039..... 502
316, 321, 323	2110612 417, 421, 426	2172112 422, 427	2300041..... 86
1705387.... 192, 196, 200,	2110808 ... 397, 402, 405,	2180125 141	2400060..... 83, 133, 206,
206, 210, 214	410, 417, 422, 426, 427	2180348 70, 99, 104, 110,	211, 215, 437, 442, 457
1705426.....483	2110810 ... 115, 397, 403,	127	2400064.... 206, 211, 215,
1705427.....483	406, 411	2180387 141	457, 496
1705429.....483	2110812 ... 397, 402, 405,	2180388 141	2400065.... 444, 458, 494,
1705430.....483	410	2180389 141	496
1705460.... 206, 210, 214	2111008 417, 421, 426	2180418 99, 103, 110,	2400066..... 444, 458
1705461.....206	2111010 417, 421, 426	141	2400070..... 458, 496
1705466.... 316, 317, 319,	2111016 ... 116, 398, 402,	2180467 101, 136	2410014..... 275
321, 323, 327	406, 411	2180829 ... 418, 422, 427	2420172..... 147
1705489.... 192, 196, 206	2111208 417, 421, 426	2180832 82, 316, 327	2420202..... 261
1705490..... 317, 327	2111212 ... 397, 402, 410,	2180877 113	2420203.... 177, 181, 183,
1705514.....477, 481	417, 421, 426	2200222 82, 99, 110, 138	187
1705589.... 46, 478, 484,	2111612 417	2220005 99, 110	2460048..... 204, 213
488	2111616 ... 397, 402, 405,	2220064 103	2460051..... 183, 187
1705820.....41	410, 417, 421, 426	2220235 415	2460055..... 177
1705822.....487, 491	2112020 ... 397, 402, 405,	2220237 ... 397, 402, 405,	2460056..... 177
1705828.....487, 491	410	410	2540035..... 158
1705836.....217	2112424 417, 421, 426	2220238 ... 398, 402, 406,	2540038..... 262
1705837.....217	2120217 248	411	2560122..... 46
1705886.....217	2130204 405, 411	2220252 217	2560123..... 46
1705895.....481	2130404 ... 397, 402, 405,	2220261 103, 141	2560136..... 278, 283
1705896.....482	410, 415, 417, 421, 426	2220313 70, 82	2560173..... 273
1705897.....482	2130406 ... 405, 410, 415,	2220315 86	2560187.... 167, 171, 173
1705898.....482	417, 421, 426	2220418 141	2580024..... 71, 83
1705902.....482	2130604 405, 410	2220451 72	2580050..... 71, 83
1705903.....481	2130606 ... 397, 402, 405,	2220478 418, 422, 427	2580062..... 74
1705905.....483	410, 417, 421, 426	2220550 397, 402	2600209..... 160
1705910.....483	2130608 417, 421, 426	2220591 405, 410	2600233..... 160
1705917.....482	2130612 418, 422, 427	2220737 418, 422, 427	2600244..... 158
1705921.....487, 491	2130808 ... 397, 402, 405,	2220750 217	2600280..... 166
1705961.....487, 491	410		2600281..... 270

SECTION 10 - SPECIAL OPTIONS

2680490	158	2753896	415	2902533.....	111, 445	3300007	23
2717059	417, 421, 426	2753897	415	2910888.....	498	3300151 ...	271, 316, 319, 321, 323
2720015	86	2753935	395	2915094.....	506	3300205	147
2720058	70, 103, 113, 127	2753940	406, 411	2920028....	280, 283, 285, 299	3300240	240
2720144	141	2753942	406	2920029....	280, 283, 285	3300241	240
2720160	316, 327	2753970	406, 411	2920110.....	153	3300242	240
2720271	103, 113	2753971	406, 411	2920113.....	153	3300243	247, 259, 261
2720340	86	2753979	395	2920129.....	262, 444	3300353	147, 278, 283
2720392	110	2754240	397, 403	2920140.....	273, 458	3300364.....	164
2720398	72	2754242	397, 402	2920154.....	278, 283	3300396 ...	191, 196, 200, 206, 210, 214
2720563	113	2754243	397, 402	2920157.....	153, 273	3300408	147, 278, 283
2720564	113	2754337 ...	395, 403, 405, 411	2920161.....	154, 448	3300430 ...	301, 303, 305, 307
2720566	110	2754338	405, 411	2940045.....	164	3310401	89
2720567	110	2754401 ...	397, 402, 405, 411	2940074.....	270, 494	3310601	175
2720580	110	2754512	405, 411	2940088.....	160	3310805.....	141, 152
2750532	70, 83, 113	2754678	405, 411	2940173.....	166	3311001	94, 206, 210, 214
2753540 ...	397, 402, 405, 411	2754720	406, 411	2940188.....	158	3311005	46, 153, 154, 158, 160, 178, 181, 183, 187, 192, 196, 200, 205, 209, 214, 278, 283, 316, 319, 321, 323, 327
2753542	410	2754743	406, 411	3020008.....	23, 502	3311401	299
2753545	417, 421, 426	2754772	406, 411	3020016.....	73, 502	3311405 ...	45, 46, 71, 72, 73, 82, 85, 87, 94, 99, 100, 110, 111, 113, 147, 153, 158, 164, 167, 187, 191, 196, 199, 205, 213, 217, 219, 223, 261, 266, 272, 301, 313, 458, 459, 463, 477, 483, 488, 491
2753550	403, 405, 411	2755022	427	3020029.....	16, 19, 502	3311501	137, 164, 299
2753555	403, 412	2760105	147	3020037.....	85	3311505 ...	39, 46, 73, 89, 110, 154, 158, 167, 171, 173, 187, 203, 209, 213, 248, 265, 331, 369, 373
2753578	415	2780227	27	3020039.....	15, 19, 502	3311508 ...	191, 195, 199, 203
2753590	418, 422	2780229	23	3020044.....	73, 502	3311601 ...	135, 158, 164, 279, 285, 313
2753622 ...	397, 403, 405, 411, 417, 421, 426	2780272	23, 27	3160347.....	23, 35	3311605 ...	70, 73, 77, 87, 94, 113, 129, 136, 141, 153, 158, 160, 164, 167, 171, 173, 175, 178, 217, 219, 227, 232, 236, 237, 240, 248, 272, 275, 316, 319, 321, 323
2753626	405, 411	2792597	415, 428	3160348.....	23, 35	3311705	178, 181, 183
2753628	406, 411	2792678	429	3200106.....	73	3311801 .	23, 70, 85, 181, 192, 195, 203
2753632	417	2820020	273	3200362.....	113	3311805 .	73, 77, 83, 100, 111, 113, 158, 159
2753634	406, 411	2820031 ...	178, 181, 183, 187, 192, 195, 199, 203, 209, 213, 438, 448	3200406.....	73	3312002	59, 333, 335, 337
2753635	397, 403	2820035 ...	133, 153, 273, 448	3200449.....	249	3312005	261, 311
2753653	417, 421, 426	2820078	160, 167	3250585.....	273	3312201	240
2753654	417, 421, 426	2820233	159	3250872.....	41	3312205	311
2753656	417, 421, 426	2820234	159	3251102....	178, 181, 183, 187, 191, 195, 199	3312602	154, 155
2753657	417	2820235	159	3251242.....	487		
2753664	397, 406	2820247	467, 469	3251243....	177, 183, 187, 192, 196, 200, 206, 210, 214, 477, 481		
2753665	417	2840016	175	3251813.....	478, 484		
2753667 ...	397, 403, 406, 411	2860012	178	3252347.....	477		
2753670	417, 421, 427	2860030	147, 494	3252507.....	178		
2753671	417, 421, 427	2900062	46	3252764....	203, 209, 213		
2753674	418, 422, 427	2900756	39	3252781....	477, 483, 487		
2753675	418, 422, 427	2900770	244	3271605....	333, 335, 337		
2753676	418, 422, 427	2900792 ...	363, 365, 367	3271801.....	86		
2753677 ...	417, 421, 426	2901303	363	3271805.....	143, 275		
2753678 ...	415, 418, 422, 427	2901443	460, 505	3272001....	240, 333, 335, 337		
2753679	418, 422, 427	2901537 ...	369, 371, 373	3272401.....	240		
2753680	418, 422, 427	2902061 ...	345, 349, 353, 355, 357, 359	3272605.....	261		
2753681 ...	418, 422, 427	2902085	178	3290405.....	99, 110		
2753682	418, 422, 427	2902203	505	3290505.....	99, 110, 178		
2753683	418, 427	2902212	311	3290601....	101, 105, 167, 171, 173, 183, 209		
2753684	418, 422, 427	2902217 ...	316, 319, 321	3290605....	101, 316, 327		
2753685 ...	397, 403, 406, 411	2902303	500	3290606.....	271		
2753686	406, 411, 422	2902307	500	3290607....	99, 101, 154, 155		
2753688	397, 402	2902308	500	3290801.....	90, 99, 102		
2753692	417, 421, 427	2902309	500	3290805....	101, 102, 104, 463		
2753693	417, 421, 427	2902310	500	3291001....	100, 102, 259		
2753699	403, 411	2902311	500	3291005.90	95, 102, 259		
2753725	397, 402, 403	2902312	500	3291201....	102, 184, 209, 259		
2753732	421, 426	2902322	500	3291205.....	259		
2753735	395	2902329	500				
2753768 ...	397, 403, 406, 411	2902354	500				
2753895	415	2902394	500				
		2902429	500				
		2902443	444, 447				

SECTION 10 - SPECIAL OPTIONS

3321501.....158, 165	3520198..... 270, 271	3790044 72, 85, 100, 112	3941406.....261
3322201.....143	3536089..... 273	3790112..... 384	3951608.....240
3340757.....240	3537445..... 175	3820001..... 41, 154, 477,	3952020..... 59
3340764.....232, 237	3537446..... 175	483, 484, 488, 491	3960389.... 100, 159, 164
3340787.....232, 237	3538047..... 15, 19	3820020..... 270	3960407..... 73
3340871.....240	3539219..... 147	3841143 .70, 82, 99, 111,	3960422.... 191, 195, 199,
3340941.....232, 237	3539622..... 241	232, 237, 240, 259	203, 209, 214, 453, 455
3340942.....232, 237	3539872..... 113	3841203..... 235	3960438.....160
3340943.....232, 237	3539877..... 15	3841287 15, 19, 227, 232,	3960461.....153
3340956.....311	3571712..... 159	235	3960462.....160
3340966.....20	3572009..... 41	3841340..... 82, 237, 265	3960464.....160
3380434.....272	3572010..... 41	3841356..... 227	3960468..... 73, 85, 113
3380444.....159	3572011..... 41	3841520..... 16, 19	3960469.73, 85, 100, 113
3380575.....159	3572012..... 41	3890013..... 240	3960470.....159
3420372.....41	3572280..... 113	3890014..... 240	3960526.....23
3420447.....41	3573047..... 265, 438	3890015..... 240	3960548..... 71
3421453.....316, 327	3573050..... 227	3890016..... 240	3960549..... 71
3421565.....41, 59	3573296..... 265	3890017..... 240	3980007..... 71, 83
3422417..... 16, 19, 240	3573400... 316, 319, 321,	3890018..... 240	3990010.....441
3422424.....240	323	3890040..... 275	4010608..... 316, 327
3422446... 70, 82, 99, 111	3573642 ... 316, 319, 321,	3900054..... 275	4010618.....271
3422532.72, 85, 100, 111	323	3900085..... 154, 155	4031505.....309
3422562.....231	3574091..... 299	3900192..... 232, 235	4031516.....313
3422569.....231	3574172..... 369, 373	3900210 ... 154, 164, 167,	4031608.....178
3422580.....231	3574179..... 46	171, 173	4031711.....102
3422661.....331	3575359..... 299	3900232..... 160, 248	4031914..... 87
3422790.....16, 19	3576799..... 316, 327	3900268..... 147	4032011.....103
3422793.....235	3576903..... 261	3900283 ... 232, 237, 248,	4032014..... 87
3422841.....41	3576904..... 261	261	4032015..... 192, 205
3422847.....41	3576931..... 261	3900293..... 59	4060092.....452
3422848.....20	3577017..... 261	3900310 ... 369, 373, 375	4060802... 178, 181, 183,
3422860.....236	3577121 ... 316, 319, 321,	3900316 ... 160, 164, 167,	187, 191, 195, 199,
3422861.....237	323	232, 237, 248	203, 209, 214, 273
3422867.....237	3580134..... 177	3900349..... 285	4060804.....136
3422908.... 227, 231, 235	3580158..... 177	3900363 ... 167, 171, 173	4060805.73, 87, 104, 113
3422909.....227	3580243..... 240	3910408..... 89	4060906.....147
3422910.....227	3580249..... 240	3910606 ... 191, 195, 199,	4061032.... 164, 418, 422,
3422920.... 227, 232, 235,	3580276..... 177, 181	203, 209, 214	427
236	3580288..... 240	3910608..... 175	4061054.....261
3422930.....227	3580289..... 240	3910804..... 147	4070863.....240
3422931.....232, 235	3580312 ... 187, 199, 214	3911008..... 46	4070878..... 15, 19
3422932.....235	3580314 ... 199, 209, 214	3911012..... 154	4070879..... 15, 19
3430616.....279, 285	3580317 ... 192, 195, 203,	3911018..... 278, 283	4070895.....240
3430816.....175	209	3911040..... 153	4070897.....240
3440410.....249	3580318 ... 192, 195, 203	3930606..... 249	4070898.....240
3450404.....175	3580319 ... 192, 195, 203	3930816..... 152	4070929.....240
3460334.....311	3580320..... 87, 192, 205	3930828..... 152	4070939.....240
3470003.....279, 285	3580324..... 183, 187	3931016 ... 191, 195, 199,	4070940.....241
3480210.....363	3580348 ... 187, 199, 214	203, 209, 213	4070944..... 15
3480267.... 345, 349, 353,	3600386..... 217, 219	3931408..... 303, 305	4070945..... 15
357	3620040..... 113	3931424..... 303	4070969..... 232, 237
3480275.....369, 373	3641569..... 299	3931432..... 87	4070991.....147
3510868.....275	3720021..... 217	3931448..... 384, 389	4071009.....59
3510884.....275	3740049 ... 147, 449, 494	3931480..... 384	4071020.....241
3520028.... 177, 181, 183,	3740067 .73, 82, 99, 113,	3931508..... 384, 389	4071043.....153
187	494	3931512..... 87	4071048.....165
3520030.....164	3740080.... 73, 178, 181,	3931516..... 363	4071059.....20
3520031.....149	183, 187, 209, 214, 496	3931620 ... 345, 349, 353,	4100100.....363
3520033.....279, 285	3740086..... 471	357	4120035.....441
3520034.....237	3753550..... 397	3931624..... 227	4160139.....159
3520035.....147, 279	3760170..... 41, 59	3931628..... 87, 205	4160143.....159
3520054.....73, 278, 283	3760368..... 363	3931640..... 102	4160149.....241
3520071.....311	3760370 ... 345, 349, 353,	3931720..... 355	4160187.....228
3520072.... 270, 271, 275	355, 357	3931724..... 384	4160194.....164
3520182.....307	3780117..... 248	3931740..... 384, 389	4220162.....153
3520189.....206, 456	3790012.... 99, 111, 279,	3932240 ... 369, 371, 373,	
3520192.....206	280, 283, 286	375	

SECTION 10 - SPECIAL OPTIONS

4240018 ... 164, 178, 181, 187, 195, 203, 417, 421, 426	4460071 ... 192, 195, 199, 204, 209, 214, 273, 436, 456	4460470.... 147, 278, 284, 436, 438, 441	4460910..... 448, 469
4240032 154, 155, 285	4460125 452	4460471.... 147, 278, 284, 436, 438, 441	4460911 448, 465
4240033 ... 261, 303, 305, 309, 313	4460134 449, 453	4460473..... 438, 439	4460912 448
4240099 90, 100, 102, 133, 183, 273, 299, 316, 319, 321	4460190 ... 177, 181, 183, 187	4460488..... 147, 155, 285	4460913 448
4240139 135	4460205 449, 453	4460496.... 147, 278, 284, 436, 441	4460917 437, 448
4240149 311	4460224 196, 436	4460497.... 147, 278, 284, 436, 441	4460918 448
4280295 135	4460225 ... 437, 443, 456	4460508.... 309, 436, 438, 442, 443	4460925 437
4280296 39	4460226 ... 262, 292, 297, 436, 437, 439, 443, 444, 445, 449, 456, 458, 460	4460509..... 438, 439	4460926 448
4300157 192, 204	4460227 ... 436, 437, 441, 442, 448, 458	4460510..... 460, 505	4460928 448
4340747 217	4460233 453	4460526..... 148, 441	4460929 436, 437
4341239 113	4460234 ... 154, 278, 284, 299	4460536..... 437, 441	4460930 447
4341241 113	4460259 449	4460539.... 437, 442, 443	4460931 444
4341264 248	4460260 449	4460608..... 444	4460932 ... 437, 446, 447
4341327 261	4460265 292, 297	4460633..... 217	4460933 262, 437
4360057 299, 496	4460266 437	4460634..... 441	4460941 446, 465
4360070 ... 191, 196, 200, 206, 210, 214, 496	4460267 ... 439, 443, 448	4460635..... 441	4460942 ... 309, 437, 446, 447
4360232 458, 496	4460268 ... 153, 443, 448, 449, 456	4460662..... 453	4460943 ... 437, 441, 442, 443, 465
4360328 ... 278, 280, 286, 494	4460294 196	4460692..... 453	4460944 ... 437, 443, 446, 447
4360330 278, 494	4460297 449	4460693..... 444	4460956 459
4360331 278, 494	4460320 ... 439, 443, 448, 457	4460701..... 453	4460957 459
4360336 99, 111, 178, 181, 183, 187, 191, 195, 199, 204, 209, 214, 273, 280, 286, 496	4460321 ... 183, 449, 460	4460705..... 449	4460959 440, 453
4360387 ... 149, 278, 280, 283, 285, 299, 494	4460346 ... 191, 195, 199, 204, 209, 214, 452, 456	4460708.... 278, 284, 436, 437, 444	4460960 441
4360407 ... 278, 283, 494	4460365 442	4460709..... 453, 460	4460961 449
4360469 147, 496	4460374 ... 211, 214, 444, 449, 457	4460710..... 454, 460	4460962 316, 321
4360470 147, 496	4460375 ... 211, 215, 444, 449, 457	4460722..... 133	4460963 ... 206, 210, 214, 456
4360475 ... 147, 278, 284, 494	4460418 437, 441	4460742.... 211, 215, 449, 457	4460967 ... 207, 211, 215, 457
4360476 ... 147, 278, 284, 494	4460419 437, 442	4460743.... 211, 215, 449, 457	4460968 153, 178, 453
4360506 438, 494	4460424 ... 153, 439, 443, 445, 448, 458	4460761.... 261, 436, 442	4460971 316, 327
4360517 ... 143, 153, 448, 494	4460425 ... 191, 196, 200, 206, 210, 214, 299, 456, 458	4460807..... 456	4460979 444
4360522 ... 154, 280, 285, 496	4460426 ... 147, 191, 196, 200, 206, 210, 214, 273, 280, 285, 441, 456, 458	4460808..... 456	4461005 443
4360542 ... 177, 181, 183, 187	4460428 ... 217, 278, 284, 436	4460834..... 135	4461006 443
4360578 152, 496	4460434 437, 441	4460836..... 262	4461008 444, 447
4400275 141	4460457 443	4460842..... 135	4461052 443
4400420 141	4460458 ... 215, 443, 444, 447, 449, 457	4460844..... 473	4461053 444
4400439 135, 137	4460460 443	4460865..... 438, 439	4461054 ... 444, 446, 447
4420014 311	4460464 ... 436, 438, 440, 442, 443, 444, 446, 449, 471, 473	4460866.... 436, 438, 442	4461060 444
4420037 ... 273, 316, 319, 321, 323	4460465 ... 207, 211, 215, 262, 437, 438, 439, 440, 447, 448, 456, 457, 473	4460871.... 289, 295, 436, 437, 441, 442, 443, 444	4461070 443, 446
4420038 136, 165	4460466 ... 262, 309, 438, 439, 443, 444, 446, 447, 465, 471, 473	4460873..... 437, 441	4461071 444, 447
4420051 41, 487, 491	4460467 460, 505	4460874..... 436, 442	4461072 444, 447
4420060 152, 178		4460875..... 442	4461073 444, 447
4420062 331		4460876..... 436, 442	4461074 444, 447
4420066 311		4460877..... 442	4461077 465, 471
4420068 299		4460878..... 442	4461095 443, 446
4460007 278, 284		4460879..... 437	4461109 444
4460027 ... 177, 181, 183, 187		4460880.... 439, 443, 448	4461111 444
4460043 133		4460884.... 437, 442, 447	4461113 444
4460049 299		4460887..... 437, 442	4461121 444
4460051 453		4460891.... 440, 443, 446, 447, 448	4461122 444
		4460892..... 442, 445	4461123 444
		4460894.... 437, 442, 445, 447	4461124 444
		4460897.... 440, 444, 446, 449	4461157 444
		4460899.... 443, 465, 471, 473	4461161 444
		4460905.... 278, 284, 436, 441, 442	4461196 453
		4460906.... 183, 187, 449	4461197 454
			4461198 452
			4461199 453
			4461200 454
			4461201 452
			4461202 453
			4461203 454
			4461204 452
			4461205 453

SECTION 10 - SPECIAL OPTIONS

4461206.....454	4711600 ... 15, 19, 46, 73,	4761000 279, 284	4922790.....439
4461207.....452	82, 94, 99, 113, 129,	4761400 148	4922808.....439
4461222.....444	136, 159, 160, 165,	4761600 219	4922809.....439
4461244.....452	181, 192, 195, 204,	4770600 175	4922869.....261
4461245.....452	217, 228, 232, 237,	4791400 73, 87, 113, 191,	4922871.....440
4461246.....452	241, 248, 249, 261,	195, 204	4922872.....440
4461249.....453	279, 285, 333, 335, 337	4811600 178	4922873.....439, 458
4461250.....454	4711700 87, 181, 183,	4811700 99, 102, 105,	4922874.....439, 458
4520252.....24	188	154, 155, 183, 209,	4922875.....439
4520253.....24	4711800 ... 136, 175, 192,	271, 316, 327	4922876.....439
4520256.....24	199, 204, 214, 228, 275	4811702 87, 103, 104	4922877.....439, 458
4530028....316, 319, 321,	4712000 ... 311, 333, 335,	4811900 87, 95, 100, 102,	4922878.....439
325	337	103, 104, 105, 188,	4922883.....458
4566468.....357	4712200 311	199, 214, 463	4922925....204, 209, 214,
4568133.....41	4712600 154	4811902 90, 102, 105	456
4568240.....369	4740036 41	4812000 . 83, 87, 95, 100,	4923379.....73, 446
4568273.....373	4740057 59	102, 105, 183, 259	4923420.....214, 457
4568402....345, 349, 353	4740076 159	4812002 102, 105	4923445.....449
4568708.....415	4740119 175	4812100 82, 87, 105, 259	4923462.....438, 439
4568735....187, 199, 214	4740155 20	4812200 .. 73, 77, 87, 183	4923466.....440
4569394.....113	4740171 159	4831900 113	4923595.....438
4640113.....24	4740256 16, 19	4844816 237	4923596.....438
4640261.....41	4740274 73, 77, 113	4844817 237	4923597.....439
4640509....363, 365, 367	4740362 153, 272	4844958 59	4923598.....440
4640673.....369, 373	4740397 ... 148, 178, 188,	4845582 331	4923599.....440
4640751.....87	279, 284	4846295 41	4923600.....439
4640774.....415	4740439 237	4846296 41	4923601.....439
4640858.....341, 343	4740444 148	4846435 237	4933218.....432
4640902.....46, 47	4740463 16, 20	4846553 232, 237	4933219.....432
4640930.....46	4740472 15, 19	4846558 232, 237	4933231.....432
4640932....345, 347, 349,	4740473 16, 19	4846561 273	4933249.....432, 457
351, 353, 355, 357,	4740492 228	4846573 247, 261	4933278.....432
359, 361	4740500 160	4846627 ... 316, 319, 321,	4933304.....432
4640952.....113	4740518 148	323	4933350.....432, 449
4641033....384, 387, 389,	4750400 89	4846673 299	5240800.....90
391	4750800 141	4860224 24	5241000.....102
4641122.....24	4751000 41, 47, 136, 153,	4860225 24	5241200....102, 209, 259
4641144.....369, 373	154, 155, 159, 160,	4871700 210	5250605.....104, 105
4641186.....248, 253	178, 183, 188, 192,	4891500 87, 149, 183	5250810.....90
4641188....232, 236, 371,	195, 200, 204, 209,	4891600 ... 143, 175, 188,	5251008.....259
375	214, 278, 284, 316,	199, 214, 241, 247,	5251016.....259
4641194....369, 371, 373,	319, 321, 323, 327	259, 261	5260600.....104, 105
375, 377	4751400 ... 39, 47, 72, 85,	4891800 ... 23, 72, 85, 87,	5272010.....103
4641232....345, 347, 349,	87, 99, 100, 111, 112,	100, 112, 175, 181,	7000044.....74
351, 353, 355, 357,	113, 148, 152, 159,	195, 204, 247, 259, 261	70000123.....177, 187
359, 361	164, 167, 171, 173,	4892000 23, 59, 160, 167,	70000124.....177
4641234....232, 236, 371,	191, 204, 241, 261,	261	70000125.....177
375	266, 278, 284, 299,	4892200 15, 19	70000126.....177
4641262.....384	307, 316, 319, 321,	4892600 ... 153, 247, 259,	70000127.....177
4641263.....47	323, 463, 477, 483,	261	70000164.....112
4641303.....39	488, 491	4920385 113	70000342.....244
4641317.....46	4751500 ... 41, 47, 55, 57,	4921829 184	70000345.....76, 92
4641432.....45, 49	70, 89, 99, 111, 137,	4921955 449	70000579.....49
4711000....94, 143, 154,	159, 164, 178, 181,	4922566 438	70000580.....49
181, 206, 210, 214	188, 191, 195, 199,	4922567 438	70000582.....49, 494
4711400....46, 70, 73, 82,	265, 299, 331, 369, 373	4922569 438	70000583.....49
87, 94, 99, 113, 149,	4751600 ... 39, 46, 55, 57,	4922636 444	70000619...203, 209, 213
153, 188, 195, 199,	70, 73, 77, 82, 87, 113,	4922641 ... 207, 211, 215,	70000781.....39
204, 209, 214, 217,	127, 136, 141, 154,	449, 457	70000782.....62
223, 261, 265, 271,	155, 159, 160, 164,	4922643 449	70000794.....35
301, 303, 305, 307,	167, 171, 173, 178,	4922660 439	70000795.....35
313, 458, 459	219, 248, 272, 316,	4922666 279, 284, 436	70000797.....35
4711500..39, 82, 87, 111,	319, 321, 323	4922705 261	70000800.....76
154, 167, 171, 173,	4751800 . 70, 83, 85, 100,	4922737 71, 446	70000863...204, 210, 213
204, 209, 214, 248,	112, 113, 143, 217,	4922741 449	70000912.....74
279, 285	273, 275, 299	4922764 458	70000913.....74
	4752000 ... 70, 82, 99, 111	4922771 445	70000914.....74

SECTION 10 - SPECIAL OPTIONS

70000915	74	70002112	137	70002895.....	112, 496	70004103.....	448
70000916	75	7000213	27, 63, 66	70002898.....	448	70004120.....	377
70000917	75	7000217	62, 66	7000290.....	27	70004169..	204, 205, 210, 213
70000918	75	7000220	27	70002902.....	273	70004171..	191, 199, 204, 210, 213
70000919	75	70002200	75	70002903.....	273	70004183.....	74, 91
70001002	74	70002224	347, 351	70002904.....	273	70004266.....	46, 55, 57
70001020	46, 55, 57	70002231	45, 494	70002905.....	273	70004267.....	46, 55, 57
70001100 ..	204, 210, 213	70002234	75	70002906.....	289	70004270.....	75
70001103	137	7000224	27, 31	70002948.....	217	70004271.....	446
70001126	76	7000228	62, 66	70003022.....	51, 53	70004272.....	75
70001132	75	7000229	62, 66	70003024.....	49	70004274.....	91
70001181	76	70002291	205	70003136.....	74	70004275.....	92
70001248	143	70002297 ..	204, 210, 213	70003454.....	143	70004276.....	93
70001384 ..	204, 210, 213	7000230	62, 66	70003464.....	74	70004277.....	93
70001424	329	7000231	27	70003465.....	74	70004278.....	93
70001425	329	7000235	27	70003466.....	75	70004279.....	91
70001427	329	7000236	27	70003472.....	74	70004280.....	76, 91
70001428	329	7000238	27	70003475.....	76	70004287.....	74
70001429	329	70002386	51, 53, 251, 255, 257	70003476.....	75	70004289.....	76
70001430	329	70002386	51, 53, 251, 255, 257	70003478.....	74	70004328.....	248
70001431	329	7000239	27, 31	70003612.....	46, 55, 57	70004329.....	121
70001432	329	70002390	39	70003631.....	204, 209	70004330.....	115
70001435	75	7000240	27, 31	70003636.....	361, 367	70004331..	115, 119, 121
70001499	248	70002415	76	70003708..	191, 195, 199, 204, 210	70004332..	115, 119, 121
70001663	219	70002416	76	70003709..	191, 195, 199, 204, 210	70004333..	115, 119, 121
70001696 ..	205, 209, 213	70002417	76	70003784.....	278, 284	70004334.....	115
70001697	244	7000246	62, 66	70003788.....	51, 53, 251, 255, 257	70004335.....	115
70001835	75	70002460 ..	205, 209, 213	70003789.....	51, 53	70004336..	115, 119, 121
70001836	75	7000247	66	70003838.....	347, 351	70004337..	115, 119, 121
70001837	75	7000248	62, 66	70003839.....	347, 351	70004338..	115, 119, 121
70001838	75	7000253	62, 66	70003854.....	347, 351	70004339.....	115
70001839	75	7000255	62, 66	70003855.....	347, 351	70004340..	115, 119, 121
70001841	75	7000257	62, 66	70003856.....	347, 351	70004341.....	115
70001844	76	7000263	62	70003857.....	347, 351	70004342..	115, 119, 121
70001847	76	7000265	23, 27	70003858.....	347, 351	70004343..	115, 119, 121
70001848	74	70002718	76, 91	70003859.....	347, 351	70004344..	115, 119, 121
70001850	74	7000272	27	70003921...232, 237, 494		70004345..	115, 119, 121
70001866	75	70002724	295	70003922...233, 237, 494		70004346..	115, 119, 121
70001868	75	70002725	295	70003935.....	39	70004347..	115, 119, 121
70001870	76, 91	70002726	295	70003936.....	39	70004348..	115, 119, 121
70001871	75	70002727	295	70003998.....	46, 55, 57	70004349..	115, 119, 121
70001872	76, 446	70002728	295	70004019.....	47	70004350..	115, 119, 121
70001874	75	7000273	27	70004020.....	73, 496	70004351..	115, 119, 121
70001953 ..	204, 210, 213	70002730	289	70004037.....	66	70004352..	115, 119, 121
70001954	123	70002731	289	70004040.....	66	70004381.....	379
70001955	123	70002732	289	70004041.....	66	70004382.....	379
70001956	123	70002733	289	70004042.....	66	70004413.....	137
70001957	123	70002734	289	70004043.....	66	70004414.....	137
70001966 ..	191, 195, 199, 204, 209, 210, 213	70002735	289	70004044.....	66	70004511.....	92
70001973 ..	205, 210, 213	7000274	27	70004045.....	66	70004570.....	49, 51, 53
70001974 ..	205, 210, 213	70002744	379	70004047.....	66	70004571.....	49, 51, 53
70002065	62	70002745	379	70004056.....	75	70004572.....	51, 53
70002066	62, 66	70002748	379	70004058.....	75	70004573.....	51, 53
70002067	62	70002749	379	70004060.....	75, 445	70004574.....	51, 53
70002068	62	7000275	27	70004092..	191, 195, 199, 204	70004575.....	51, 53
70002069	62	70002751	379	70004093.....	204	70004576.....	49, 51, 53
70002069	62	7000281	62	70004094.....	204	70004577.....	49, 51, 53
70002070	62	70002814	137	70004095.....	205	70004578.....	51, 53, 251, 257
70002071	62	7000282	27	70004096.....	205	70004579.....	49, 51, 53
70002072	62	7000283	27, 31	70004097.....	205	70004580.....	49, 51, 53
70002073	62	70002838	137	70004098..	191, 196, 199, 205	70004581.....	49, 51, 53
70002074	62	70002839	137	70004099.....	195, 204	70004582..	251, 255, 257
70002075	62, 63	7000284	27, 31			70004676..	191, 196, 199
70002085	63, 66	70002842	341, 343			70004677.....	191
70002086	63	7000287	27				
70002088 ..	204, 210, 213	7000288	27				
70002097	248, 494	7000289	27, 31				

SECTION 10 - SPECIAL OPTIONS

70004678... 191, 196, 199	70005465..... 119, 121	70006189..... 106	70006691..... 31
70004679... 191, 196, 199	70005483..... 28	70006191..... 106	70006692..... 31
70004680... 191, 196, 199	70005579..... 244	70006194..... 106	70006694..... 389, 391
70004681..... 191, 196	70005647..... 93	70006195..... 106	70006699..... 355, 359
70004682... 191, 196, 199	70005648..... 93	70006196..... 106	70006700..... 355, 359
70004683..... 191, 196	70005663..... 116, 506	70006197..... 106	70006701..... 355
70004684..... 191, 199	70005708..... 137	70006198..... 107	70006719..... 389
70004685... 191, 196, 199	70005725..... 51, 53	70006199..... 107	70006720..... 389, 391
70004686..... 196	70005839..... 387	70006200..... 106	70006721..... 389
70004687..... 196	70005916..... 76	70006202..... 107	70006726..... 359
70004693..... 49	70005917..... 76	70006203..... 107	70006727..... 359
70004694..... 49	70005920..... 91	70006205..... 107	70006728..... 359
70004738..... 297	70005929..... 93	70006206..... 107	70006729..... 391
70004739..... 297	70005931..... 93	70006207..... 107	70006730..... 391
70004740..... 297	70005937..... 93	70006208..... 107	70006731..... 391
70004741..... 297	70005938..... 91	70006213..... 107	70006732..... 391
70004742..... 297	70005941..... 91	70006215..... 107	70006733..... 391
70004743..... 297	70005942..... 91	70006217..... 107	70006734..... 365
70004744..... 297	70006093..... 204	70006219..... 106	70006735..... 365
70004745..... 297	70006094..... 205	70006221..... 107	70006736..... 365
70004746..... 297	70006095..... 205	70006225..... 107	70006802..... 387
70004747..... 297	70006096..... 205	70006232..... 107	70006803..... 387
70004748..... 297	70006097..... 205	70006233..... 106	70006805..... 387
70004749..... 297	70006134..... 104	70006235..... 107	70006806..... 387
70004750..... 297	70006135..... 104	70006236..... 107	70006807..... 387
70004751..... 297	70006136..... 104	70006304..... 66	70006808..... 387
70004752..... 291	70006144..... 92	70006365..... 375	70006809..... 387
70004753..... 291	70006145..... 105	70006377..... 375	70006832..... 31
70004754..... 291	70006147..... 105	70006392..... 375	70006833..... 32
70004755..... 291	70006150..... 106	70006393..... 375	70006893..... 361
70004756..... 291	70006151..... 106	70006394..... 375	70006899..... 377
70004757..... 291	70006152..... 106	70006395..... 375	70006900..... 367
70004758..... 291	70006153..... 106	70006403..... 131	70006930..... 367
70004759..... 291	70006154..... 106	70006404..... 131	70006931..... 367
70004760..... 291	70006155..... 106	70006405..... 131	70006932..... 367
70004761..... 291	70006157..... 106	70006406..... 131	70006933..... 367
70004762..... 291	70006158..... 106	70006407..... 131	70006934..... 367
70004763..... 291	70006159..... 106	70006408..... 131	70006935..... 361
70004764..... 291	70006160..... 106	70006409..... 131	70006936..... 361
70004765..... 291	70006161..... 106	70006410..... 131	70006937..... 361
70004766..... 291	70006162..... 106	70006430..... 28	70006938..... 361
70004767..... 291	70006163..... 106	70006431..... 28	70006939..... 361
70004768..... 291	70006164..... 106	70006436..... 63	70006940..... 377
70004769..... 291	70006165..... 106	70006437..... 63	70006941..... 377
70004770..... 291	70006166..... 106	70006503..... 371	70006942..... 377
70004771..... 291	70006167..... 106	70006504..... 371	70006943..... 377
70004772..... 291	70006168..... 106	70006505..... 371	70006944..... 377
70004773..... 291	70006169..... 106	70006506..... 371	70006945..... 377
70004774..... 292	70006170..... 106	70006552 .. 192, 195, 199	70006947..... 377
70004775..... 292	70006171..... 106	70006553 .. 192, 195, 199	70006948..... 343
70005008..... 103	70006172..... 106	7000663..... 75	70006949..... 343
70005116..... 115	70006173..... 106	70006645..... 359	7000695..... 76
70005171..... 91	70006174..... 106	70006648..... 355	70006964..... 381
70005172..... 92	70006175..... 106	70006649..... 365	70006965..... 381
70005173..... 92	70006176..... 106	70006650..... 365	70006966..... 381
70005177..... 91	70006177..... 106	70006652..... 93	70006967..... 381
70005184..... 93	70006178..... 106	70006653..... 93	70006968..... 381
70005191..... 93	70006179..... 106	70006673..... 31	70006969..... 381
70005203..... 66	70006180..... 106	70006674..... 31	70007047..... 355
70005230..... 297	70006181..... 106	70006675..... 31	70007073..... 88
70005458..... 119, 121	70006182..... 106	70006676..... 31	70007108..... 107
70005459..... 119, 121	70006183..... 106	70006677..... 31	7000731..... 28
70005460..... 119, 121	70006184..... 106	70006678..... 31	70009020..... 100
70005461..... 119, 121	70006185..... 106	70006680..... 31	7001901..... 27
70005462..... 119, 121	70006186..... 106	70006684..... 31	7001902..... 27
70005463..... 119, 121	70006187..... 106	70006685..... 31	7001903..... 27
70005464..... 119, 121	70006188..... 106	70006690..... 31	7001906..... 27

SECTION 10 - SPECIAL OPTIONS

7001909 62	70025202 92	7011112.... 345, 347, 349, 351, 353, 355, 357, 359, 361	7017068 28
7001911 62	70025203 93	7011323..... 244	7017070 62, 66
7001912 62	70025206 91	7011325..... 369, 373	7017072 62, 66
7001928 27, 31	70025207 91	7011346..... 384	7017080 62, 66
7001931 62	70025210 92, 496	7011653..... 251	7017082 31
7001985 62	70025212 93	70124410..... 76	7017085 62, 66
70021895 91	70025231 92, 446	70124440..... 76	7017125 244
70023379 387	70025233 446	70124530..... 94	7017137 244
70023592 87	70025235 92	70124538..... 94	7017138 244
70023593 87	70025239 92	7012513.... 177, 181, 183, 187	7017139 243
70024473 93	70025242 94	7012514.... 177, 181, 183, 187	7017140 243
70024486 92	70025245 93	7012518.... 251, 253, 255, 257	7017141 243
70024488 92	70025246 93	7012558.... 177, 181, 183, 187	7017142 244
70024494 92	70025477 93	7012664..... 113, 496	7017150 243
70024503 93	70025660 94	7012699..... 47	7017158 244
70024504 92, 93	70025752 76	7012903..... 49, 51, 53	7017159 244
70024507 93	70025753 76	7012907..... 51, 53	7017162 243
70024513 92	70025768 93	7012925.... 232, 236, 371, 375	7017163 243
70024515 93	70025799 93	7012941..... 46	7017164 243
70024517 92	70025801 93	7012943.... 49, 232, 236, 253, 371, 375, 494	7017172 243
70024904 91	70026210 93	7012944. 46, 49, 253, 494	7017175 243
70024905 91	7002729 295	7012953.... 47, 251, 253, 255, 257	7017192 244
70024906 91	70028185 91	7012955.... 251, 253, 255, 257	7017195 244
70024907 91	7002821 460, 505	7012961..... 47	7017402. 49, 51, 53, 251, 253, 255, 257
70024910 92	7002822 505	7012965..... 253	7017406 39, 347, 351
70024912 91	7002823 460, 505	7012967.... 49, 251, 253, 255, 257, 369, 373	7017422 49, 51, 53
70024914 93	7002826 505	7012975..... 49	7017446 251, 255, 257
70024915 93	7002828 460	7012989.... 251, 253, 255, 257	7017451 49, 232, 236, 371, 375, 494
70024917 93	70028538 92	7012995.... 251, 255, 257	7017452 51, 53, 251, 253, 255, 257
70024918 93	70028802 92	7012998..... 49, 51, 53	7017479 253
70024920 92, 93	7003928 289	7016314..... 137	7017489 49
70024922 93	7003941 295	7016319..... 154	7017492 39
70024924 92	7003972 295	7016328..... 74, 496	7017496 47, 49, 51, 53
70024925 92	7003973 295	7016331..... 74, 92, 496	7019162 295
70024961 92	7003980 295	7016372..... 154	7019164 295
70025076 92	7003982 295	7016399..... 273	7019165 295
70025077 93, 448	7003983 295	7016654..... 505	7019167 295
7002508 91	7003989 295	7016655..... 505	7019194 295
70025082 74, 76, 92	7004035 63	7016824..... 111, 445	7019680 ... 177, 181, 183, 187
70025084 93	7004036 63	7016825..... 111, 445	7020043 137, 138
70025088 91	7004043 63	7017023 62, 66	7020108 ... 177, 181, 183, 187
70025091 92	7004044 63	7017027 27	7020109 ... 177, 181, 183, 187
70025111 91	7004045 63	7017028..... 31, 63, 66	7020110 ... 177, 181, 183, 187
70025120 93	7004047 63	7017033..... 27	7020111 ... 177, 181, 183, 187
70025135 92	7004049 63	7017047..... 27, 31	7020175 147, 278, 284
70025136 92	7004275 505	7017048..... 27	7020176 147, 278, 284
70025140 92	7004276 505	7017050..... 28	7020190 ... 177, 181, 183, 187
70025142 93	7004906 115, 119, 121	7017051..... 23	7020192 177
70025143 93	7004907 115, 119, 121	7017052..... 23	7020193 449
70025144 92	7004908 115, 119, 121	7017053..... 23	7020403 74
70025145 92	7007415 123, 124	7017054..... 23	7020404 91
70025146 92	7007437 36	7017055..... 23	7020408 75
70025149 93	7007438 35	7017056..... 23	7020449 75
70025151 92	7007439 35	7017057..... 23	7020459 76
70025152 92	7007446 35	7017058..... 23	7020465 74, 91
70025153 92, 496	7007498 448		7020468 74
70025154 92	7007633 62, 66		7020471 75, 76
70025156 93	7010404 23		7020479 75
70025160 92	7010405 23		
70025161 92, 496	7010406 23		
70025164 91	70104570 94		
70025176 92	7010464 27		
70025178 93	7010474 62		
70025179 93	7010492 62, 66		
70025180 93	7010542 253		
70025181 92	7010543 ... 46, 49, 51, 53, 253		
70025200 93			

SECTION 10 - SPECIAL OPTIONS

7020487.....	74	7023983.....	253	7024536.....	329	7026660.....	219
7020492.....	93	7023984....	251, 253, 257	7024537.....	329	7026661.....	219
7021249.....	35	7023985.....	49, 51, 53	7024565.....	75	7027015.....	111, 445
7021275.....	35, 124	7024100.....	63, 66	7024579.....	76, 91	7027017.....	111, 445
7021276.....	35	7024145.....	27	7024598.....	175	7027018.....	111, 445
7021277.....	35	7024146.....	27	7024704.....	62, 66	7027053.....	70, 445
7021612.....	49, 51, 53	7024147.....	27	7024717.....	28	7027084.....	82, 100, 445
7021625.....	39	7024148.....	27	7024718.....	28	7027085.....	82, 100, 445
7021639.....	39	7024149.....	27, 31	7024762.....	62, 66	7027086.....	82, 100, 445
7021653.....	51, 53, 257	7024151.....	27, 31	7024763.....	28, 62, 66	7027087.....	82, 445
7022162.....	106	7024154.....	27, 31	7024781.....	27	7027088.....	82, 100, 445
7022302.....	35	7024155.....	27	7024782.....	27, 31	7027092.....	70, 445
7022305.....	35	7024182.....	28	7024783.....	27	7027093.....	70, 445
7022310.....	35	7024189.....	28	7024784.....	62, 66	7027094.....	70, 445
7022311.....	35, 124	7024190.....	28, 31	7024844.....	39	7027095.....	71, 445
7022312.....	35	7024191.....	28, 31	7024854.....	36	7027236.....	74
7022313.....	35	7024192.....	28	7024862.....	35	7027276.....	75
7022314.....	35, 124	7024193.....	28	7024864.....	124	7027404.....	107
7022318.....	123	7024194.....	28	7024866.....	124	7027740.....	35
7022326.....	36	7024195.....	28	7024867.....	35, 123	7027741.....	36
7022328.....	36	7024196.....	28	7024868.....	35, 123	7027773.....	325
7022368.....	35	7024197.....	28	7024871.....	36	7027774.....	325
7022371.....	36	7024374.....	136	7024881.....	39	7027775.....	325
7022372.....	36	7024375.....	136	7026004.....	384	7027776.....	325
7022397.....	39	7024379.....	63	7026015.....	384	7027777.....	325
7022399.....	39	7024380.....	63	7026016.....	384	7027778.....	325
7022808.....	289	7024381.....	63	7026188....	205, 209, 213	7027779.....	325
7022815.....	289	7024390.....	63	7026197.....	143	7027780.....	325
7022819.....	289, 436	7024396.....	63	7026199... 177, 181, 183,		7027781.....	217
7022825.....	436	7024404.....	143	187		7027782.....	217
7023306.....	136	7024439.....	136	7026503.....	143	7027783.....	217
7023318.....	63	7024440.....	136	7026504.....	143	7027784.....	217
7023347.....	136	7024441.....	136, 137	7026505.....	143	7027790.....	75
7023907.....	35	7024443.....	136	7026506.....	143	7027791.....	75
7023908.....	35	7024444.....	137	7026507.....	143	7027792.....	75
7023910.....	35	7024445.....	137	7026509.....	143	7027795.....	76, 496
7023911.....	253	7024446.....	137	7026597....	205, 209, 213	7027796.....	76, 445
7023915.....	253	7024452.....	273	7026608.....	75	7027799....	205, 209, 213
7023917.....	39	7024453.....	63	7026626....	205, 210, 213	7027887....	177, 181, 183,
7023919....	232, 236, 371,	7024454.....	63	7026631.....	74	187	
375		7024455.....	63	7026632.....	219	7027965.....	112, 496
7023922.....	49, 251, 253,	7024456.....	63	7026633.....	219	7027972.....	112, 496
255, 257		7024457.....	63	7026634.....	219	7027989.....	448
7023923....	232, 236, 371,	7024458.....	63	7026635.....	219	77143013.....	148
375		7024462.....	325	7026636.....	219	77363229.....	456
7023925.....	49, 51, 53	7024463.....	325	7026637.....	219	77363233.....	456
7023927....	369, 371, 373,	7024467.....	325	7026638.....	219	80344004.....	31
375, 377		7024469.....	325	7026639.....	219	80424002.....	62
7023933.....	39	7024470.....	325	7026640.....	219	80424043.....	63
7023947.....	123	7024471.....	325, 329	7026641.....	220	80484084.....	446
7023948.....	123	7024472.....	325	7026642.....	220	80934561.....	143
7023949.....	123	7024473.....	325	7026643.....	220	80983191.....	446, 496
7023950.....	123	7024474.....	325	7026644.....	220	8180311.....	113
7023951.....	123	7024475.....	325	7026645.....	220	82033995.....	104
7023952.....	123	7024478.....	325	7026646.....	220	8229242....	437, 442, 446,
7023956.....	123	7024484.....	213	7026647.....	220	494	
7023957.....	123	7024485....	205, 209, 213	7026648.....	220	8270147.70, 82, 100, 445	
7023958.....	123	7024488....	203, 209, 213	7026649.....	220	8305401.....	102
7023960.....	123	7024489....	203, 209, 213	7026650.....	220	8307109.....	102
7023961.....	123	7024508... 384, 387, 389,		7026651.....	219	8310070.....	165
7023962.....	123	391		7026652.....	219	8310129.....	311
7023964.....	123, 124	7024530.....	329	7026653.....	219	8310230.....	311
7023965.....	123	7024531.....	329	7026654.....	219	8310548.....	102
7023966.....	124	7024532.....	329	7026655.....	219	83304170.....	136
7023967.....	124	7024533.....	329	7026656.....	219	83304172.....	137
7023982....	232, 236, 371,	7024534.....	329	7026658.....	220	83304173.....	136
375		7024535.....	329	7026659.....	219	83304174.....	136

SECTION 10 - SPECIAL OPTIONS

8405006 . 82, 89, 95, 102, 129	8406109 87, 102	85941018.....100	91164059..... 53
8405007 89	8406110 87, 102	88261024.....248	91164079..... 53
8405009 87, 102, 136	8406112 82	88411013.....463	91203039..... 259
8405102 102	8406201 82, 100, 104	88521205..55, 57, 70, 82, 100, 111	9140128155, 70, 82, 100, 111
8405104 87, 102	8410001 102	88521214...333, 335, 337	91403102..... 89, 496
8405203 102	8410009 104	88662327.....421, 426	
8405204 87	8410011 87, 102	8896941.....505	
8406102 70, 82, 90	8410013 82, 87	91164057.....53	
	8580420 39		



3121632



An Oshkosh Corporation Company

Corporate Office
JLG Industries, Inc.
1 JLG Drive
McConnellsburg, PA 17233-9533 USA
☎ (717) 485-5161 (Corporate)
☎ (877) 554-5438 (Customer Support)
☎ (717) 485-6417

Visit our website for JLG Worldwide Locations.
www.jlg.com