



# Illustrated Parts Manual

**Models**  
**600SC**  
**660SJC**

**SN 0300236299**  
**TO SN 0300272446**

**P/N**  
**3121777**  
**October 1, 2021 - Rev I**

**ANSI**

**CE**



**AS/NZS**



An Oshkosh Corporation Company





## REVISION LOG

### PARTS MANUAL REVISION LOG:

**September 30, 2017 - A - Original Issue of Manual (Manual edited to 1001188600 Revision U) (Revision 1)**

**November 30, 2017 - B - Revised Manual (Manual Edited to 1001188600 Revision U) (Revision 2)**

**February 12, 2018 - C - Revised Manual (Manual Edited to 1001188600 Revision U) (Revision 2)**

**May 18, 2018 - D - Revised Manual (Manual Edited to 1001188600 Revision Z) (Revision 3)**

**August 10, 2018 - E - Revised Manual (Manual Edited to 1001188600 Revision Z) (Revision 2)**

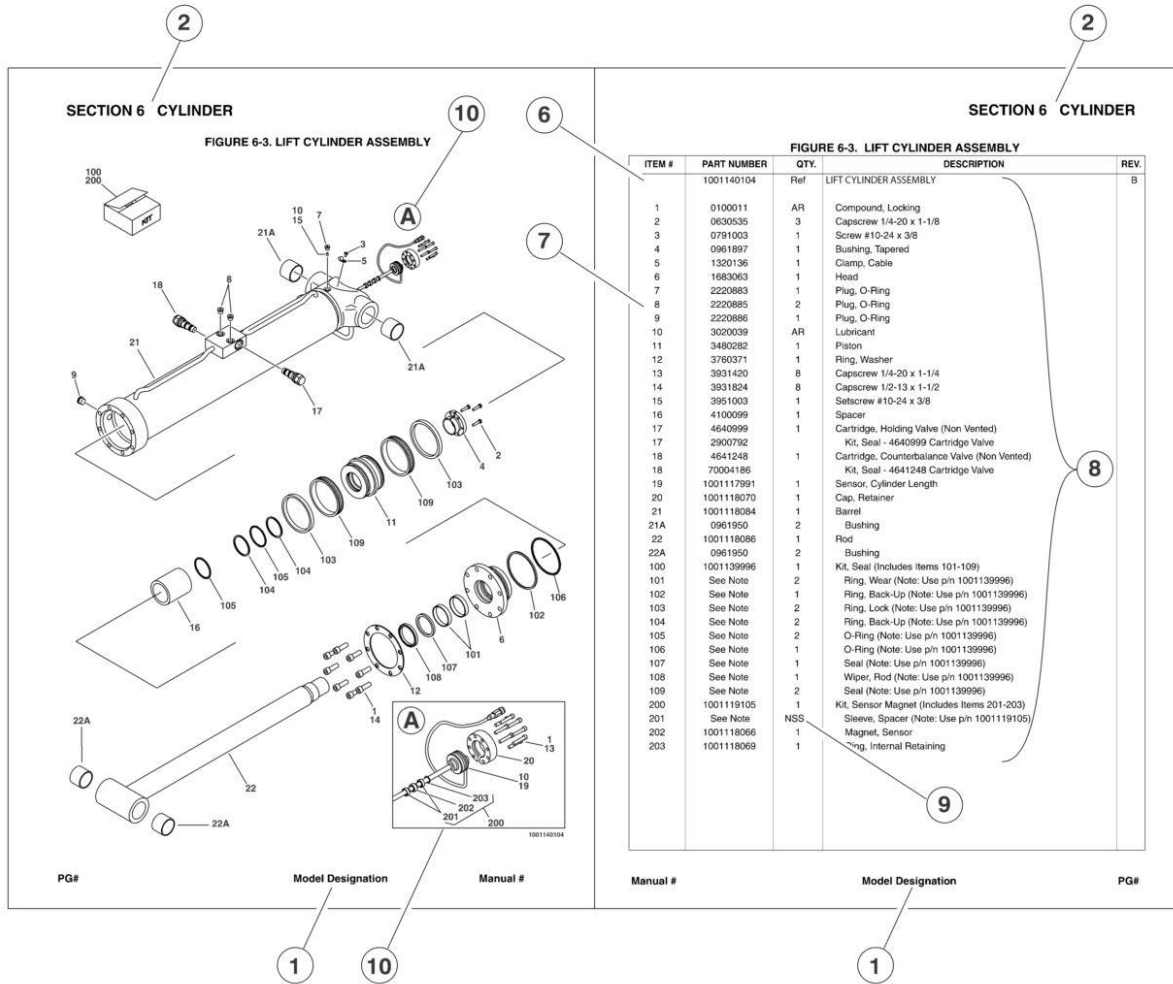
**November 26, 2018 - F - Revised Manual (Manual Edited to 1001188600 Revision AC) (Revision 4)**

**March 30, 2020 - G - Revised Manual (Manual Edited to 1001188600 Revision AC) (Revision 4)**

**February 1, 2021 - H - Revised Manual (Manual Edited to 1001188600 Revision AC) (Revision 4)**

**October 1, 2021 - I - Revised Manual (Manual Edited to 1001188600 Revision AC) (Revision 4)**

# GENERAL INFORMATION



## 1) MACHINE IDENTIFICATION

Machines are identified by model and in some cases a combination of models, serial number (SN) or regional standard (i.e. ANSI, CE, CSA). Components may also be identified by SN or manufacturer. Common components that may be identified by these characteristics are engines and hydraulic components.

## 2) PARTS MANUAL ORGANIZATION

Product information in this manual is organized under section titles. Frame, Cylinder, Hydraulic and Electrical are a few examples. Each section is organized by figure and page number. The information within the Figure is then organized by item number, part number, description and corresponding illustration (s).

## 3) TABLE OF CONTENTS

A table of contents is found toward the beginning of the manual. Figure number, description and page number are provided for quick reference to the page containing the related information.

## 4) RECOMMENDED SPARE PARTS

The Recommended Spare Parts, located near the end of the manual, reference most frequently used maintenance parts.

## 5) PART NUMBER INDEX

A numerical index listing all part numbers and the corresponding page number(s) appears at the back of the manual.

## GENERAL INFORMATION

### 6) NON-SERVICED PARTS

In some instances, it is necessary to display non-serviced parts, assemblies or installations. In the case of assemblies and installations there will be a Ref in the Qty column. In case of parts that are not available for service within assemblies or components, there will be a NSS (Not Sold Separately) or NLA (No Longer Available) listed in the Qty. column of the manual.

### 7) PARTS LIST ITEM NUMBERS

Numbers shown in the item# column correspond to numbers used in the associated illustration (s). Item numbers which are missing from the sequence in the parts list are not used on that page

### 8) INDENTED PARTS DESCRIPTION

An indented part description is included in the item under which it is indented.

### 9) ABBREVIATION AND SYMBOLS

AC.....	.. Alternating Current	LCD .....	.. Liquid Crystal Display
ADE.....	.. Advanced Design Electronics	LED .....	.. Light Emitting Diodes
ANSI .....	.. American National Standards Institute	LH.....	.. Left Hand
AR.....	.. As Required	LSS .....	.. Load Sensing System
ASSY .....	.. Assembly	M(m).....	.. Metric/Meter
AUX.....	.. Auxiliary	MM (mm) .....	.. Milimeter
AWG.....	.. American Wire Gauge	mA.....	.. Milliamps
B/M.....	.. Bill of Material	NLA.....	.. No Longer Available
CE.....	.. European Conformity	NPT .....	.. National Pipe Threads
CCW .....	.. Counter Clockwise	NSS .....	.. Not So Id Separately
cm.....	.. Centimeter	OD.....	.. Outside Diameter
CW .....	.. Clockwise	ORB.....	.. O-Ring Boss
CSA.....	.. Canadian Standards Association	ORFS.....	.. O-Ring Face Seal
CYL.....	.. Cylinder	OZ (oz).....	.. Ounces
DIA.....	.. Diameter	PG .....	.. Page
DC.....	.. Direct Current	P/N.....	.. Part Number
EMS .....	.. Emergency Stop	qt.....	.. Quarts
ENG .....	.. Engine	QTY.....	.. Quantity
FT (ft).....	.. Feet	REF .....	.. Reference
GA (Ga).....	.. Gauge	REV .....	.. Revision Level
HYD.....	.. Hydraulic	RH.....	.. Right Hand
Hz.....	.. Hertz	SAE.....	.. Society of Automotive Engineers
ID.....	.. Inside Diameter	SN.....	.. Serial Number
in.....	.. inches	SPEC(S).....	.. Specifications
ISO .....	.. International Organization for Standards	T/T.....	.. Turntable
JIC.....	.. Joint Industry Council	UGM .....	.. Universal Ground Module
KG .....	.. Kilogram	V.....	.. Volts
L.....	.. Liter	W.....	.. Watts
LB.....	.. Pounds	#.....	.. Number

### 10) ILLUSTRATION REFERENCE LETTERS

When necessary, illustrations may contain reference letters that are intended to track information (i. e. hoses, harnesses) from one point to another or to track visual enlargement of components to show details that may be located in another area on the illustration.

*Note: Due to continuous product improvements, JLG Industries, Inc. reserves the right to make specification changes without prior notification. Contact JLG Industries, Inc. for updated information.*



# TABLE OF CONTENTS

SECTION 1 - FRAME.....	13
FIGURE 1-1. GRADALL FRAME ASSEMBLY (600SC).....	14
FIGURE 1-2. GRADALL FRAME ASSEMBLY (660SJC).....	16
FIGURE 1-3. GRADALL FRAME DRIVE ASSEMBLY.....	18
FIGURE 1-4. GRADALL FRAME TRACK ROLLER ASSEMBLY (BOTTOM).....	22
FIGURE 1-5. GRADALL FRAME TRACK ROLLER ASSEMBLY (CARRIER).....	24
FIGURE 1-6. GRADALL FRAME TRACK CHAIN ASSEMBLY.....	26
FIGURE 1-7. GRADALL FRAME IDLER ASSEMBLY.....	28
FIGURE 1-8. GRADALL FRAME SPRING ASSEMBLY.....	30
FIGURE 1-9. GRADALL FRAME SHOCK ASSEMBLY.....	32
FIGURE 1-10. RUBBER TRACK PAD INSTALLATION.....	34
SECTION 2 - TURNTABLE.....	37
FIGURE 2-1. VALVE INSTALLATION - 600SC.....	38
FIGURE 2-2. VALVE INSTALLATION - 660SJC.....	40
FIGURE 2-3. MAIN VALVE ASSEMBLY.....	42
FIGURE 2-4. SWING DRIVE INSTALLATION.....	46
FIGURE 2-5. SWING MOTOR/HUB ASSEMBLY.....	48
FIGURE 2-6. TURNTABLE BEARING AND LUBE INSTALLATION.....	52
FIGURE 2-7. TURNTABLE LOCK INSTALLATION.....	54
FIGURE 2-8. ROTARY COUPLING INSTALLATION.....	56
FIGURE 2-9. ROTARY COUPLING ASSEMBLY.....	58
FIGURE 2-10. DRIVE ORIENTATION INSTALLATION.....	60
FIGURE 2-11. TANKS INSTALLATION - DIESEL MACHINES (POLY FUEL TANK).....	62
FIGURE 2-12. TANKS INSTALLATION - DIESEL MACHINES (STEEL FUEL TANK).....	64
FIGURE 2-13. HYDRAULIC TANK ASSEMBLY.....	66
FIGURE 2-14. BATTERY AND AUXILIARY PUMP INSTALLATION.....	68
FIGURE 2-15. BATTERY AND AUXILIARY PUMP W/DISCONNECT SWITCH INSTALLATION.....	70
FIGURE 2-16. ELECTRICAL COMPONENTS INSTALLATION - 600SC.....	72
FIGURE 2-17. ELECTRICAL COMPONENTS INSTALLATION - 660SJC.....	74
FIGURE 2-18. GROUND CONTROL PANEL ASSEMBLY - 600SC.....	76
FIGURE 2-19. GROUND CONTROL PANEL ASSEMBLY - 660SJC.....	78
FIGURE 2-20. KEYSWITCH INSTALLATION - 600SC (ALL SPECS EXCEPT CE SPECS).....	80
FIGURE 2-21. KEYSWITCH INSTALLATION - 600SC (CE SPECS).....	82
FIGURE 2-22. KEYSWITCH INSTALLATION - 660SJC (ALL SPECS EXCEPT CE SPECS).....	84
FIGURE 2-23. KEYSWITCH INSTALLATION - 660SJC (CE SPECS).....	86
FIGURE 2-24. STROBE LIGHT INSTALLATION - AMBER (OPTIONAL).....	88
FIGURE 2-25. STROBE LIGHT INSTALLATION - BLUE (OPTIONAL) (SN 0300236299 through 0300259984).....	90
FIGURE 2-26. STROBE LIGHT INSTALLATION - BLUE (OPTIONAL) (SN 0300259985 through 0300272446).....	92
FIGURE 2-27. STROBE LIGHT INSTALLATION - RED (OPTIONAL) (SN 0300236299 through 0300259984).....	94
FIGURE 2-28. STROBE LIGHT INSTALLATION (SN 0300259985 through 0300272446).....	96
FIGURE 2-29. HOODS INSTALLATIONS - ABS.....	98
FIGURE 2-30. HOOD ASSEMBLY - TANK SIDE (ABS).....	102
FIGURE 2-31. HOOD ASSEMBLY - ENGINE SIDE (ABS).....	104
FIGURE 2-32. HOODS INSTALLATIONS - STEEL.....	106
FIGURE 2-33. HOOD ASSEMBLY - TANK SIDE (STEEL).....	110
FIGURE 2-34. HOOD ASSEMBLY - ENGINE SIDE (STEEL).....	112
FIGURE 2-35. HOOD INSULATION INSTALLATION (STEEL HOODS).....	114
FIGURE 2-36. COVERS INSTALLATION.....	116
FIGURE 2-37. WHITE NOISE ALARM INSTALLATION.....	118
SECTION 3 - ENGINE.....	121
FIGURE 3-1. DEUTZ D2011 ENGINE INSTALLATION - WITHOUT ARCTIC PACKAGE.....	122
FIGURE 3-2. DEUTZ D2011 ENGINE AND PUMPS SUB-ASSEMBLY - WITHOUT ARCTIC PACKAGE.....	124
FIGURE 3-3. DEUTZ D2011 ENGINE ASSEMBLY - WITHOUT ARCTIC PACKAGE.....	128
FIGURE 3-4. DEUTZ D2011 ENGINE INSTALLATION - WITH ARCTIC PACKAGE.....	132
FIGURE 3-5. DEUTZ D2011 ENGINE AND PUMPS SUB-ASSEMBLY - WITH ARCTIC PACKAGE.....	136
FIGURE 3-6. DEUTZ D2011 ENGINE ASSEMBLY - WITH ARCTIC PACKAGE.....	140
FIGURE 3-7. DEUTZ D2011 ENGINE COMPONENTS.....	144
FIGURE 3-8. DEUTZ TD2.9L4 ENGINE INSTALLATION - WITHOUT ARCTIC PACKAGE.....	148
FIGURE 3-9. DEUTZ TD2.9L4 ENGINE AND PUMPS SUB-ASSEMBLY - WITHOUT ARCTIC PACKAGE.....	150
FIGURE 3-10. DEUTZ TD2.9L4 ENGINE ASSEMBLY - WITHOUT ARCTIC PACKAGE.....	154
FIGURE 3-11. DEUTZ TD2.9L4 ENGINE INSTALLATION - WITH ARCTIC PACKAGE.....	160

# TABLE OF CONTENTS

FIGURE 3-12. DEUTZ TD2.9L4 ENGINE AND PUMPS SUB-ASSEMBLY - WITH ARCTIC PACKAGE .....	164
FIGURE 3-13. DEUTZ TD2.9L4 ENGINE ASSEMBLY - WITH ARCTIC PACKAGE .....	168
FIGURE 3-14. DEUTZ TD2.9L4 ENGINE COMPONENTS .....	174
FIGURE 3-15. DEUTZ TD2.9L4 ENGINE INSTALLATION - WITHOUT ARCTIC PACKAGE (CHINA SPECS ONLY) .....	180
FIGURE 3-16. DEUTZ TD2.9L4 ENGINE AND PUMPS SUB-ASSEMBLY - WITHOUT ARCTIC PACKAGE (CHINA SPECS ONLY) .....	182
FIGURE 3-17. DEUTZ TD2.9L4 ENGINE ASSEMBLY - WITHOUT ARCTIC PACKAGE (CHINA SPECS ONLY) .....	186
FIGURE 3-18. DEUTZ TD2.9L4 ENGINE INSTALLATION - WITH ARCTIC PACKAGE (CHINA SPECS ONLY) .....	192
FIGURE 3-19. DEUTZ TD2.9L4 ENGINE AND PUMPS SUB-ASSEMBLY - WITH ARCTIC PACKAGE (CHINA SPECS ONLY) .....	196
FIGURE 3-20. DEUTZ TD2.9L4 ENGINE ASSEMBLY - WITH ARCTIC PACKAGE (CHINA SPECS ONLY) .....	200
FIGURE 3-21. DEUTZ TD2.9L4 ENGINE COMPONENTS (CHINA SPECS ONLY) .....	206
FIGURE 3-22. DEUTZ TD2.9L4 (STAGE V) ENGINE INSTALLATION .....	210
FIGURE 3-23. DEUTZ TD2.9L4 (STAGE V) ENGINE AND PUMP SUB-ASSEMBLY .....	212
FIGURE 3-24. DEUTZ TD2.9L4 (STAGE V) ENGINE ASSEMBLY .....	216
FIGURE 3-25. DEUTZ TD2.9L4 (STAGE V) ENGINE COMPONENTS .....	222
FIGURE 3-26. PUMP COUPLING KIT (DEUTZ ENGINES) .....	228
FIGURE 3-27. PISTON PUMP ASSEMBLY- FRONT .....	230
FIGURE 3-28. PISTON PUMP ASSEMBLY- REAR .....	234
FIGURE 3-29. FUEL FILTER INSTALLATION (STEEL FUEL TANK) (DEUTZ D2011 ENGINES) .....	238
FIGURE 3-30. FUEL PUMP AND FILTER INSTALLATION (STEEL FUEL TANK) (DEUTZ TD2.9L4 ENGINES) .....	240
FIGURE 3-31. FUEL FILTER INSTALLATION (DEUTZ TD2.9L4 ENGINES) .....	242
FIGURE 3-32. FUEL FILTER ASSEMBLY (DEUTZ TD2.9L4 ENGINES) .....	244
FIGURE 3-33. BREATHER HEATER INSTALLATION - DEUTZ D2.9L4 ENGINE WITH ARCTIC PACKAGE .....	246
FIGURE 3-34. MUFFLER INSTALLATION - SPARK ARRESTING (DEUTZ D2011 ENGINES) (OPTIONAL) .....	248
FIGURE 3-35. DEUTZ 2.9L4 EXHAUST INSTALLATION (CHINA SPECS ONLY) .....	250
FIGURE 3-36. ENGINE HOOD BAFFLES INSTALLATION - ABS HOODS .....	252
FIGURE 3-37. ENGINE HOOD BAFFLES INSTALLATION - STEEL HOODS .....	254
FIGURE 3-38. TRAY JACK INSTALLATION .....	256
FIGURE 3-39. MOTOR MOUNT INSTALLATION - WITHOUT GENERATOR (DEUTZ D2011 ENGINES) .....	258
FIGURE 3-40. MOTOR MOUNT INSTALLATION - WITH GENERATOR (DEUTZ D2011 ENGINES) .....	260
FIGURE 3-41. MOTOR MOUNT INSTALLATION - WITHOUT GENERATOR (DEUTZ TD2.9L4 ENGINES) .....	262
FIGURE 3-42. MOTOR MOUNT INSTALLATION - WITH GENERATOR (DEUTZ TD2.9L4 ENGINES) .....	264
FIGURE 3-43. 2500W GENERATOR INSTALLATION - 220V/50HZ (DEUTZ D2011 ENGINES) (OPTIONAL) .....	266
FIGURE 3-44. 2500W GENERATOR INSTALLATION - 110V/60HZ (DEUTZ D2011 ENGINES) (OPTIONAL) .....	268
FIGURE 3-45. 2500W GENERATOR INSTALLATION - 110V/60HZ (DEUTZ TD2.9L4 ENGINES) (OPTIONAL) .....	270
FIGURE 3-46. 4000W GENERATOR INSTALLATION - 220V/50HZ (DEUTZ D2011 ENGINES) (OPTIONAL) .....	274
FIGURE 3-47. 4000W GENERATOR INSTALLATION - 110V/60HZ (DEUTZ D2011 ENGINES) (OPTIONAL) .....	278
FIGURE 3-48. 4000W GENERATOR INSTALLATION - 220V/50HZ (DEUTZ TD2.9L4 ENGINES) (OPTIONAL) .....	282
FIGURE 3-49. 4000W GENERATOR INSTALLATION - 110V/60HZ (DEUTZ TD2.9L4 ENGINES) (OPTIONAL) .....	286
FIGURE 3-50. 7500W SKYPOWER GENERATOR INSTALLATION - 220V/50HZ (DEUTZ D2011 ENGINES) (OPTIONAL) .....	290
FIGURE 3-51. 7500W SKYPOWER GENERATOR INSTALLATION - 110V/60HZ (DEUTZ D2011 ENGINES) (OPTIONAL) .....	294
FIGURE 3-52. 7500W GENERATOR INSTALLATION - 220V/50HZ (DEUTZ TD2.9L4 ENGINES) (OPTIONAL) .....	298
FIGURE 3-53. 7500W SKYPOWER GENERATOR INSTALLATION - 110V/60HZ (DEUTZ TD2.9L4 ENGINES) (OPTIONAL) .....	302
SECTION 4 - BOOM .....	307
FIGURE 4-1. BOOM INSTALLATION - 600SC .....	308
FIGURE 4-2. BOOM INSTALLATION - 660SJC .....	312
FIGURE 4-3. BOOM ASSEMBLY - 600SC .....	316
FIGURE 4-4. BOOM ASSEMBLY - 660SJC .....	320
FIGURE 4-5. JIB ASSEMBLY - 660SJC .....	324
FIGURE 4-6. PLATFORM ROTATOR ASSEMBLY - 600SC .....	326
FIGURE 4-7. PLATFORM ROTATOR ASSEMBLY - 660SJC .....	328
FIGURE 4-8. POWER TRACK INSTALLATION .....	330
FIGURE 4-9. BOOM VALVES INSTALLATION - 600SC .....	332
FIGURE 4-10. BOOM VALVES INSTALLATION - 660SJC .....	334
FIGURE 4-11. PLATFORM VALVE ASSEMBLY - 600SC .....	336
FIGURE 4-12. PLATFORM VALVE ASSEMBLY - 660SJC .....	338
FIGURE 4-13. BOOM SENSORS INSTALLATION - 600SC .....	340
FIGURE 4-14. BOOM SENSORS INSTALLATION - 660SJC .....	342
FIGURE 4-15. PLATFORM SUPPORT INSTALLATION - WITHOUT LSS .....	344
FIGURE 4-16. PLATFORM SUPPORT INSTALLATION - WITH LSS .....	346
SECTION 5 - PLATFORM .....	349
FIGURE 5-1. PLATFORM ASSEMBLY - 30IN X 3FT (76CM X .91M) - DROP BAR ENTRY .....	350

# TABLE OF CONTENTS

FIGURE 5-2. PLATFORM ASSEMBLY - 36IN X 6FT (91.5CM X 1.83M) WITH SWING GATE .....	352
FIGURE 5-3. PLATFORM ASSEMBLY - 36IN X 6FT (91.5CM X 1.83M) WITH DROP BAR .....	354
FIGURE 5-4. PLATFORM ASSEMBLY - 36IN X 6FT (91.5CM X 1.83M) TRI-ENTRY WITH SWING GATE .....	356
FIGURE 5-5. PLATFORM ASSEMBLY - 36IN X 6FT (91.5CM X 1.83M) TRI-ENTRY WITH DROPBAR .....	358
FIGURE 5-6. PLATFORM ASSEMBLY - 36IN X 8FT (91.5CM X 2.44M) TRI-ENTRY WITH DROPBAR .....	360
FIGURE 5-7. PLATFORM ASSEMBLY - 36IN X 8FT (91.5CM X 2.44M) TRI-ENTRY WITH DROPGATE .....	362
FIGURE 5-8. PLATFORM ASSEMBLY - 36IN X 8FT (91.5CM X 2.44M) WITH SWING GATE .....	364
FIGURE 5-9. PLATFORM ASSEMBLY - 36IN X 8FT (91.5CM X 2.44M) WITH DROP BAR .....	366
FIGURE 5-10. TRAY ASSEMBLY .....	368
FIGURE 5-11. PLATFORM CONSOLE AND FOOTSWITCH INSTALLATION (SN 0300236299 through 0300259984).....	370
FIGURE 5-12. PLATFORM CONSOLE AND FOOTSWITCH INSTALLATION (SN 0300259985 through 0300272446) .....	372
FIGURE 5-13. CONSOLE BOX ASSEMBLY (SN 0300236299 through 0300259984) .....	374
FIGURE 5-14. CONSOLE BOX ASSEMBLY (SN 0300259985 through 0300272446) .....	378
FIGURE 5-15. DECAL AND LIGHT PANEL INSTALLATION - 600SC (ALL SPECS EXCEPT AUSTRALIAN AND CE SPECS) .....	382
FIGURE 5-16. DECAL AND LIGHT PANEL INSTALLATION - 600SC (AUSTRALIAN AND CE SPECS) .....	384
FIGURE 5-17. DECAL AND LIGHT PANEL INSTALLATION - 660SJC (ALL SPECS EXCEPT AUSTRALIAN AND CE SPECS) .....	386
FIGURE 5-18. DECAL AND LIGHT PANEL INSTALLATION - 660SJC (AUSTRALIAN AND CE SPECS) .....	388
FIGURE 5-19. CONTROLLER ASSEMBLY (DRIVE AND STEER) .....	390
FIGURE 5-20. CONTROLLER ASSEMBLY (LIFT AND SWING).....	392
FIGURE 5-21. FOOTSWITCH ASSEMBLY .....	396
FIGURE 5-22. SKYGUARD INSTALLATION (SN 0300236299 through 0300259984) .....	398
FIGURE 5-23. SKYGUARD BAR INSTALLATION (SN 0300259985 through 0300272446) .....	400
FIGURE 5-24. CROSS RAIL INSTALLATION .....	402
FIGURE 5-25. SKYEYE INSTALLATION.....	404
FIGURE 5-26. SKYGLAZIER INSTALLATION - 600SC & 660SJC (ANSI, AUSTRALIAN AND CSA SPECS) .....	406
FIGURE 5-27. SKYLINE INSTALLATION .....	408
FIGURE 5-28. SKYWELDER INSTALLATION (50HZ) .....	410
FIGURE 5-29. SKYWELDER INSTALLATION (60HZ).....	412
FIGURE 5-30. SKYWELDER PREP PACKAGE (60HZ) .....	414
FIGURE 5-31. WELDER ASSEMBLY .....	416
<b>SECTION 6 - CYLINDER .....</b>	<b>419</b>
FIGURE 6-1. LEVEL CYLINDER ASSEMBLY - PLATFORM SLAVE (600SC).....	420
FIGURE 6-2. LEVEL CYLINDER ASSEMBLY - PLATFORM SLAVE (660SJC) .....	422
FIGURE 6-3. LIFT CYLINDER ASSEMBLY - BOOM.....	424
FIGURE 6-4. LIFT CYLINDER ASSEMBLY - JIB (660SJC) (SN 0300236299 through 0300245222) .....	426
FIGURE 6-5. LIFT CYLINDER ASSEMBLY - JIB (660SJC) (SN 0300245223 through 0300272446) .....	430
FIGURE 6-6. TELESCOPE CYLINDER (SN 0300236299 through 0300245222) .....	432
FIGURE 6-7. TELESCOPE CYLINDER ASSEMBLY (SN 0300245223 through 0300251713).....	434
FIGURE 6-8. TELESCOPE CYLINDER ASSEMBLY (SN 0300251714 through 0300272446).....	436
<b>SECTION 7 - HYDRAULIC .....</b>	<b>439</b>
FIGURE 7-1. FRAME HYDRAULIC DIAGRAM (600SC) .....	440
FIGURE 7-2. FRAME HYDRAULIC DIAGRAM (660 SJC) .....	442
FIGURE 7-3. STANDARD HYDRAULIC DIAGRAM (600SC) .....	444
FIGURE 7-4. STANDARD HYDRAULIC DIAGRAM (660SJC) .....	452
FIGURE 7-5. HYDRAULIC DIAGRAM LIST .....	460
<b>SECTION 8 - ELECTRICAL.....</b>	<b>461</b>
FIGURE 8-1. 660SJC ELECTRICAL LAYOUT .....	462
FIGURE 8-2. AC BOX AT PLATFORM INSTALLATION -110V (ALL SPECS EXCEPT AUSTRALIAN & CE SPECS) .....	474
FIGURE 8-3. AC BOX AT PLATFORM INSTALLATION - 110V IEC YELLOW (CE SPECS WITHOUT 4000W/50HZ GENERATOR) .....	476
FIGURE 8-4. AC BOX AT PLATFORM INSTALLATION - 110V IEC YELLOW (CE SPECS WITH 4000W/50HZ GENERATOR) .....	478
FIGURE 8-5. AC BOX AT PLATFORM INSTALLATION - 220V IEC BLUE (CE SPECS WITHOUT 4000W/50HZ GENERATOR) .....	480
FIGURE 8-6. AC BOX AT PLATFORM INSTALLATION - 220V IEC BLUE (CE SPECS WITH 4000W/50HZ GENERATOR) .....	482
FIGURE 8-7. AC BOX AT PLATFORM INSTALLATION - 220V CEE7 2IN X 4IN POST GROUND (CE SPECS WITHOUT 4000W/50HZ GENERATOR) .....	484
FIGURE 8-8. AC BOX AT PLATFORM INSTALLATION - 220V CEE7 2IN X 4IN POST GROUND (CE SPECS WITH 4000W/50HZ GENERATOR) .....	486

# TABLE OF CONTENTS

FIGURE 8-9. AC BOX AT PLATFORM INSTALLATION - 220V CEE7 2IN X 4IN SIDE GROUND (CE SPECS WITHOUT 4000W/50HZ GENERATOR).....	488
FIGURE 8-10. AC BOX AT PLATFORM INSTALLATION - 220V CEE7 2IN X 4IN SIDE GROUND (CE SPECS WITH 4000W/50HZ GENERATOR).....	490
FIGURE 8-11. AC BOX AT PLATFORM INSTALLATION - 220V AFSINT107 (CE SPECS WITHOUT 4000W/50HZ GENERATOR).....	492
FIGURE 8-12. AC BOX AT PLATFORM INSTALLATION - 220V AFSINT 107 (CE SPECS WITH 4000W/50HZ GENERATOR).....	494
FIGURE 8-13. AC BOX AT PLATFORM INSTALLATION - 220V CUSTOMER SUPPLIED COMPONENTS (ANSI EXPORT, AUSTRALIAN, CE AND CHINA SPECS) .....	496
FIGURE 8-14. AC BOX AT PLATFORM INSTALLATION - 240V (WITH 4000W GENERATOR) (ALL SPECS EXCEPT AUSTRALIAN & CE SPECS) .....	498
FIGURE 8-15. AC BOX AT PLATFORM INSTALLATION - 240V (WITH 7500WSKYPOWER GENERATOR) (ALL SPECS EXCEPT AUSTRALIAN & CE SPECS) .....	500
FIGURE 8-16. AC BREAKER BOX INSTALLATION - SINGLE DOUBLE POLE BREAKER .....	502
FIGURE 8-17. AC BREAKER BOX INSTALLATION - 3 BREAKERS .....	504
FIGURE 8-18. AC CABLES AND CLAMPS INSTALLATION - WITHOUT GENERATOR (600SC) (ALL SPECS EXCEPT ANSI & CSA SPECS).....	506
FIGURE 8-19. AC CABLES AND CLAMPS INSTALLATION - WITHOUT GENERATOR (660SJC) (ALL SPECS EXCEPT ANSI & CSA SPECS) .....	508
FIGURE 8-20. AC CABLES AND CLAMPS INSTALLATION - WITHOUT GENERATOR (600SC) (ANSI & CSA SPECS) .....	510
FIGURE 8-21. AC CABLES AND CLAMPS INSTALLATION - WITHOUT GENERATOR (660SJC) (ANSI & CSA SPECS) .....	512
FIGURE 8-22. AC CABLES AND CLAMPS INSTALLATION - WITH 2500W GENERATOR (600SC) .....	514
FIGURE 8-23. AC CABLES AND CLAMPS INSTALLATION - WITH 2500W GENERATOR (660SJC) .....	516
FIGURE 8-24. AC CABLES AND CLAMPS INSTALLATION - WITH 4000W-50HZ GENERATOR (600SC).....	518
FIGURE 8-25. AC CABLES AND CLAMPS INSTALLATION - WITH 4000W-50HZ GENERATOR (660SJC).....	520
FIGURE 8-26. AC CABLES AND CLAMPS INSTALLATION - WITH 4000W-60HZ GENERATOR (600SC).....	522
FIGURE 8-27. AC CABLES AND CLAMPS INSTALLATION - WITH 4000W-60HZ GENERATOR (660SJC).....	524
FIGURE 8-28. AC CABLES AND CLAMPS INSTALLATION - WITH 7500W SKYPOWER GENERATOR (600SC) .....	526
FIGURE 8-29. AC CABLES AND CLAMPS INSTALLATION - WITH 7500W SKYPOWER GENERATOR (660SJC) .....	528
FIGURE 8-30. BATTERY DISCONNECT SWITCH INSTALLATION .....	530
FIGURE 8-31. BREAKER BOX KIT - SINGLE DOUBLE POLE BREAKER (WITHOUT 4000W/50HZ GENERATOR).....	532
FIGURE 8-32. BREAKER BOX KIT - SINGLE DOUBLE POLE BREAKER (WITH 4000W/50HZ GENERATOR) .....	534
FIGURE 8-33. BREAKER BOX KIT - 3 BREAKERS (SN 0300236299 through 0300241590) .....	536
FIGURE 8-34. BREAKER BOX KIT - 3 BREAKERS (SN 0300241591 through 0300272446) .....	538
FIGURE 8-35. BOOM ANGLE SENSOR HARNESS .....	540
FIGURE 8-36. BOOM CABLE - LOWER .....	542
FIGURE 8-37. BOOM CABLE - UPPER (600SC).....	544
FIGURE 8-38. BOOM CABLE - UPPER (660SJC).....	546
FIGURE 8-39. CAPACITY PROXIMITY HARNESS (SN 0300236299 through 0300258280) .....	548
FIGURE 8-40. CAPACITY PROXIMITY HARNESS (SN 0300258280 through 0300272446) .....	550
FIGURE 8-41. CAPACITY PROXIMITY HARNESS (SN 0300258280 through 0300272446) .....	552
FIGURE 8-42. ELECTRICAL COMPONENTS INSTALLATION - 600SC .....	554
FIGURE 8-43. ELECTRICAL COMPONENTS INSTALLATION - 660SJC .....	556
FIGURE 8-44. ENGINE HARNESS - DEUTZ D2011 ENGINES .....	558
FIGURE 8-45. ENGINE HARNESS - DEUTZ TD2.9L4 ENGINES (SN 0300236299 through 0300241926) .....	560
FIGURE 8-46. ENGINE HARNESS - DEUTZ TD2.9L4 ENGINES (SN 0300241927 through 0300272446) .....	564
FIGURE 8-47. FUEL PUMP HARNESS - DEUTZ TD2.9L4 ENGINE .....	568
FIGURE 8-48. GENERATOR HARNESS - 2500W .....	570
FIGURE 8-49. GENERATOR HARNESS - 4000W .....	572
FIGURE 8-50. GENERATOR HARNESS - 7500W SKYPOWER .....	574
FIGURE 8-51. GENERATOR RECEPTACLE BOX TO AC PLUG HARNESS (2500W GENERATOR) .....	576
FIGURE 8-52. GENERATOR TO ENGINE HARNESS - 7500W SKYPOWER GENERATOR (DEUTZ D2011 ONLY) .....	578
FIGURE 8-53. GROUND CONTROL HARNESS .....	580
FIGURE 8-54. INTERFACE HARNESS - WITH 1 CELL LSS .....	582
FIGURE 8-55. LIFT CYLINDER HARNESS .....	584
FIGURE 8-56. MAIN VALVE HARNESS .....	586
FIGURE 8-57. PLATFORM CONSOLE HARNESS (SN 0300236299 through 0300259984) .....	588
FIGURE 8-58. PLATFORM CONSOLE HARNESS (SN 0300259985 through 0300272446) .....	592
FIGURE 8-59. PLATFORM VALVE HARNESS (600SC) .....	594
FIGURE 8-60. PLATFORM VALVE HARNESS (660SJC) .....	596
FIGURE 8-61. RECEPTACLE BOX KIT - 110V IEC YELLOW (CE SPEC) .....	598
FIGURE 8-62. RECEPTACLE BOX KIT - 220V IEC BLUE (CE SPEC) .....	600
FIGURE 8-63. RECEPTACLE BOX KIT - 220V CEE7 POST GROUND 2X4 BOX (CE SPEC) .....	602
FIGURE 8-64. RECEPTACLE BOX KIT - 220V CEE7 SIDE GROUND (CE SPEC) .....	604
FIGURE 8-65. RECEPTACLE BOX KIT - 220V AFSINT 107 (CE SPEC) .....	606
FIGURE 8-66. SKYEYE INTERMEDIATE HARNESS.....	608
FIGURE 8-67. SKYEYE EMITTER HARNESS .....	610



# TABLE OF CONTENTS

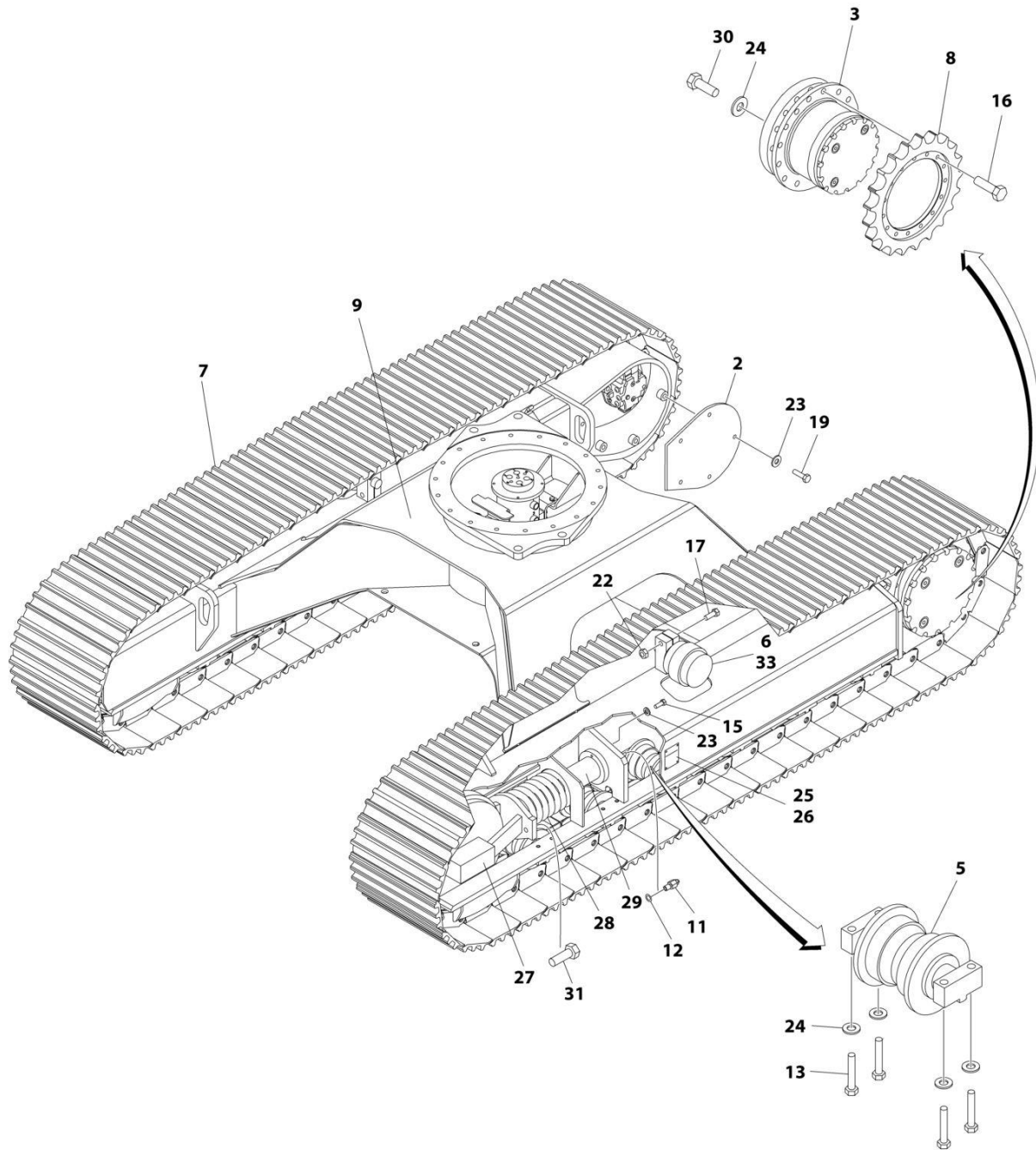
FIGURE 8-68. 4. SKYEYE RECEIVER HARNESS .....	612
FIGURE 8-69. SKYLINE HARNESS .....	614
FIGURE 8-70. STROBE LIGHT CONTROL HARNESS (BLUE LIGHT) .....	616
FIGURE 8-71. TELE PROXIMITY HARNESS .....	618
FIGURE 8-72. TURNTABLE HARNESS .....	620
<b>SECTION 9 - DECALS .....</b>	<b>623</b>
FIGURE 9-1. DECAL INSTALLATION - 600SC (ANSI SPECS - ENGLISH LANGUAGE) .....	624
FIGURE 9-2. DECAL INSTALLATION - 600SC (BRAZIL SPECS - PORTUGUESE/SPANISH LANGUAGES) .....	626
FIGURE 9-3. DECAL INSTALLATION - 600SC (CE SPECS - ENGLISH LANGUAGE) .....	628
FIGURE 9-4. DECAL INSTALLATION - 600SC (CHINESE SPECS - ENGLISH/SIMPLIFIED CHINESE LANGUAGES) .....	630
FIGURE 9-5. DECAL INSTALLATION - 600SC (CHINESE SPECS - ENGLISH/TRADITIONAL CHINESE LANGUAGES) .....	632
FIGURE 9-6. DECAL INSTALLATION - 600SC (CSA SPECS - ENGLISH/FRENCH LANGUAGES) .....	634
FIGURE 9-7. DECAL INSTALLATION - 600SC (JAPANESE SPECS - ENGLISH/JAPANESE LANGUAGES) .....	636
FIGURE 9-8. DECAL INSTALLATION - 600SC (KOREAN SPECS - ENGLISH/KOREAN LANGUAGES) .....	638
FIGURE 9-9. DECAL INSTALLATION - 600SC (LATIN AMERICA SPECS - ENGLISH/SPANISH LANGUAGES) .....	640
FIGURE 9-10. DECAL INSTALLATION - 660SJC (ANSI SPECS - ENGLISH LANGUAGE) .....	642
FIGURE 9-11. DECAL INSTALLATION - 660SJC (AUSTRALIAN SPECS - ENGLISH LANGUAGE) .....	644
FIGURE 9-12. DECAL INSTALLATION - 660SJC (BRAZIL SPECS - PORTUGUESE/SPANISH LANGUAGES) .....	646
FIGURE 9-13. DECAL INSTALLATION - 660SJC (CE SPECS - ENGLISH LANGUAGE) .....	648
FIGURE 9-14. DECAL INSTALLATION - 660SJC (CHINESE SPECS - ENGLISH/SIMPLIFIED CHINESE LANGUAGES) .....	650
FIGURE 9-15. DECAL INSTALLATION - 660SJC (CHINESE SPECS - ENGLISH/TRADITIONAL CHINESE LANGUAGES) .....	652
FIGURE 9-16. DECAL INSTALLATION - 660SJC (CSA SPECS - ENGLISH/FRENCH LANGUAGES) .....	654
FIGURE 9-17. DECAL INSTALLATION - 660SJC (JAPANESE SPECS - ENGLISH/JAPANESE LANGUAGES) .....	656
FIGURE 9-18. DECAL INSTALLATION - 660SJC (KOREAN SPECS - ENGLISH/KOREAN LANGUAGES) .....	658
FIGURE 9-19. DECAL INSTALLATION - 660SJC (LATIN AMERICA SPECS - ENGLISH/SPANISH LANGUAGES) .....	660
FIGURE 9-20. DECAL INSTALLATION - OPTIONS .....	662
<b>SECTION 10 - RECOMMENDED SERVICE PARTS STOCK .....</b>	<b>665</b>
FIGURE 10-1. RECOMMENDED SERVICE PARTS STOCK .....	666
<b>SECTION 11 - SPECIAL OPTIONS .....</b>	<b>669</b>
FIGURE 11-1. SPECIAL OPTIONS .....	670
<b>PART NUMBER INDEX .....</b>	<b>673</b>



**SECTION 1 - FRAME**

# SECTION 1 - FRAME

## FIGURE 1-1. GRADALL FRAME ASSEMBLY (600SC)



ART\_1001196734

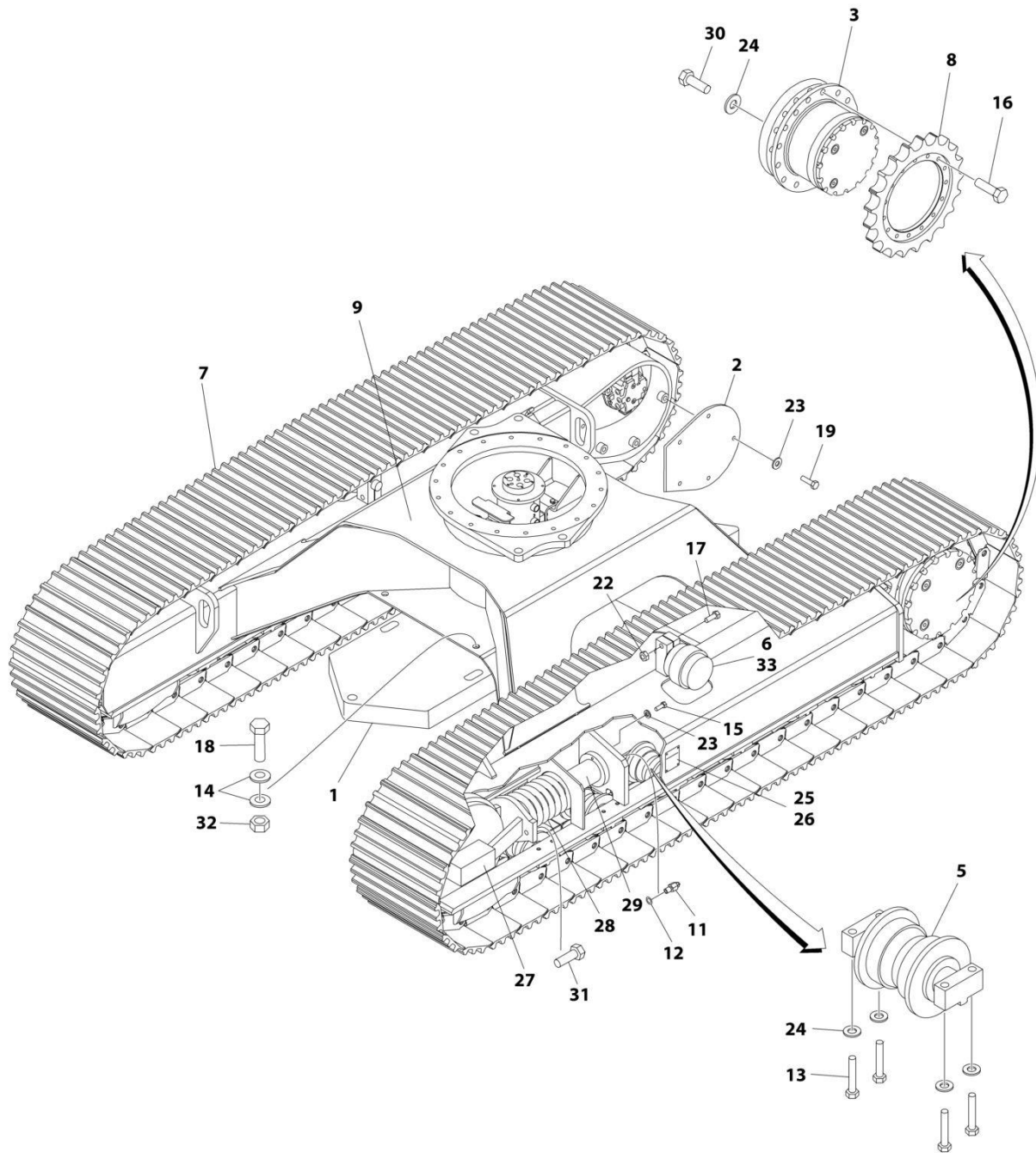
# SECTION 1 - FRAME

**FIGURE 1-1. GRADALL FRAME ASSEMBLY (600SC)**

ITEM	PART NUMBER	QTY	DESCRIPTION	REV
	1001196734	Ref	GRADALL FRAME ASSEMBLY	E
2	80211039	2	Plate, Cover	
3	80213121	2	Drive Assembly (See Separate Breakdown in this Section)	
5	80213004	12	Track Roller Assembly - Bottom (See Separate Breakdown in this Section)	
6	80213005	2	Track Roller Assembly - Carrier (See Separate Breakdown in this Section)	
7	80213117	2	Track Chain Assembly (See Separate Breakdown in this Section)	
8	80213044	2	Sprocket, Drive	
9	80216028	1	Undercarriage	
11	80613008	2	Fitting, Grease	
12	80613009	2	Seal, Grease Fitting	
13	80683015	48	Bolt 5/8 x 3	
15	83191002	4	Bolt M12 x 45	
16	80213011	30	Bolt M16 x 50	
17	83201001	2	Bolt 3/4 x 4-1/4	
19	88201065	10	Bolt 1/2 x 1	
22	88521212	2	Nut 3/4	
23	88551013	14	Washer 1/2	
24	90027472	80	Washer 5/8	
25	80213060	2	Nameplate - Caution	
26	88341012	8	Screw #4 x 5/16	
27	80213040	2	Idler Assembly (See Separate Breakdown in this Section)	
28	80213041	2	Spring Assembly (See Separate Breakdown in this Section)	
29	80213042	2	Shock Assembly (See Separate Breakdown in this Section)	
30	83191056	32	Bolt M16 x 50	
31	83191058	4	Capscrew M16 x 45	
33	14403323	AR	Never-Seize	

# SECTION 1 - FRAME

## FIGURE 1-2. GRADALL FRAME ASSEMBLY (660SJC)



ART\_100119677

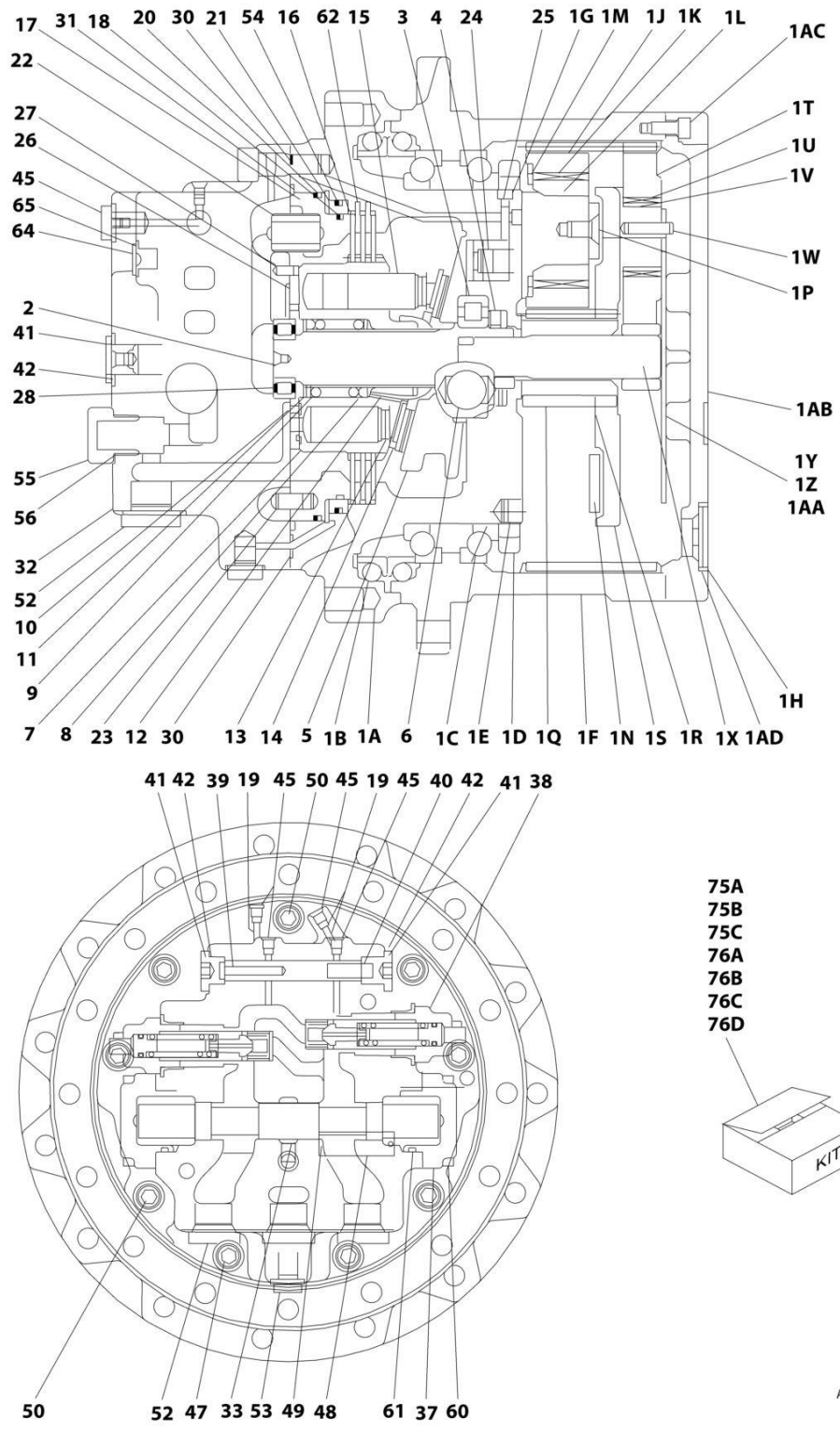
# SECTION 1 - FRAME

## FIGURE 1-2. GRADALL FRAME ASSEMBLY (660SJC)

ITEM	PART NUMBER	QTY	DESCRIPTION	REV
	1001196677	Ref	GRADALL FRAME ASSEMBLY	F
1	80211154	1	Counterweight	
2	80211039	2	Plate, Cover	
3	80213121	2	Drive Assembly (See Separate Breakdown in this Section)	
5	80213004	12	Track Roller Assembly - Bottom (See Separate Breakdown in this Section)	
6	80213005	2	Track Roller Assembly - Carrier (See Separate Breakdown in this Section)	
7	80213117	2	Track Chain Assembly (See Separate Breakdown in this Section)	
8	80213044	2	Sprocket, Drive	
9	80216028	1	Undercarriage	
11	80613008	2	Fitting, Grease	
12	80613009	2	Seal, Grease Fitting	
13	80683015	48	Bolt 5/8 x 3	
14	90027475	8	Washer 1	
15	83191002	4	Bolt M12 x 45	
16	80213011	30	Bolt M16 x 50	
17	83201001	2	Bolt 3/4 x 4-1/4	
18	83201047	4	Capscrew 1 x 8-1/2 (Grade 8)	
18	83201147	4	Capscrew 1 x 8-1/2	
19	88201065	10	Bolt 1/2	
22	88521212	2	Nut 3/4	
23	88551013	14	Washer 1/2	
24	90027472	80	Washer 5/8	
25	80213060	2	Nameplate - Caution	
26	88341012	8	Screw #4 x 5/16	
27	80213040	2	Idler Assembly (See Separate Breakdown in this Section)	
28	80213041	2	Spring Assembly (See Separate Breakdown in this Section)	
29	80213042	2	Shock Assembly (See Separate Breakdown in this Section)	
30	83191056	32	Bolt M16 x 50	
31	83191058	4	Capscrew M16 x 45	
32	88501016	4	Nut 1	
33	14403323	AR	Never-Seize	

# SECTION 1 - FRAME

## FIGURE 1-3. GRADALL FRAME DRIVE ASSEMBLY



ART\_80213121



# SECTION 1 - FRAME

## FIGURE 1-3. GRADALL FRAME DRIVE ASSEMBLY

ITEM	PART NUMBER	QTY	DESCRIPTION	REV
	80213121	Ref	GRADALL FRAME DRIVE ASSEMBLY	
1	80214375	1	Gear Box Assembly	
1A	See Note	NSS	Flange (Note: Use Item 76B)	
1B	See Note	NSS	Seal, Floating (Note: Use Item 75A)	
1C	80214337	2	Bearing, Angular	
1D	See Note	NSS	Nut, Ring (Note: Use Item 1)	
1E	See Note	NSS	Plug (Note: Use Item 1)	
1F	See Note	NSS	Housing (Note: Use Item 1)	
1G	See Note	NSS	Plug (Note: Not Available - Purchase Locally)	
1H	See Note	NSS	Plug (Note: Not Available - Purchase Locally)	
1J	80214332	4	Gear, Planetary (B)	
1K	80214334	4	Bearing, Needle	
1L	80214333	4	Bushing, Floating	
1M	See Note	NSS	Thrustwasher (Note: Use Item 1)	
1N	See Note	NSS	Plate, Thrust (Note: Use Item 1)	
1P	See Note	NSS	Screw (Note: Use Item 1)	
1Q	80214329	1	Gear, Sun	
1R	See Note	NSS	Ring, Retaining (Note: Not Available - Purchase Locally)	
1S	See Note	NSS	Holder (Note: Use Item 1)	
1T	80214376	3	Gear, Planetary (A)	
1U	80214326	3	Bearing, Needle	
1V	80214325	3	Race, Inner Bearing	
1W	See Note	NSS	Pin, Spring (Note: Use Item 1)	
1X	80214377	1	Driveshaft	
1Y	See Note	NSS	Plate, Thrust (Note: Use Item 76A)	
1Z	See Note	NSS	Plate, Thrust (Note: Use Item 76A)	
1AA	See Note	NSS	Plate, Thrust (Note: Use Item 76A)	
1AB	7022693	1	Cover	
1AC	See Note	16	Bolt (Note: Not Available - Purchase Locally)	
1AD	See Note	NSS	O-Ring (Note: Use Item 75A)	
2	80214308	1	Shaft	
3	80914076	1	Bearing	
4	See Note	NSS	Seal, Oil (Note: Use Item 75B)	
5	See Note	NSS	Plate, Swash (Note: Purchase Complete Assembly)	
6	See Note	NSS	Ball (Note: Purchase Complete Assembly)	
7	See Note	NSS	Block, Cylinder (Note: Use Item 76B)	
8	See Note	NSS	Collar (Note: Purchase Complete Assembly)	
9	See Note	NSS	Spring (Note: Purchase Complete Assembly)	
10	See Note	NSS	Collar (Note: Purchase Complete Assembly)	
11	See Note	NSS	Ring, Retaining (Note: Not Available - Purchase Locally)	
12	80214312	3	Pin	
13	See Note	NSS	Retainer, Holder (Note: Not Available - Purchase Complete Assembly)	
14	See Note	NSS	Plate, Retainer (Note: Not Available - Purchase Complete Assembly)	
15	See Note	NSS	Piston Assembly (Note: Use Item 76B)	
16	See Note	NSS	Plate, Brake Disc (Note: Use Item 76C)	
17	See Note	NSS	Piston, Brake (Note: Use Item 76C)	
18	See Note	NSS	O-Ring (Note: Use Item 75B or 76C)	
19	See Note	NSS	Orifice (Note: Not Available for Purchase)	

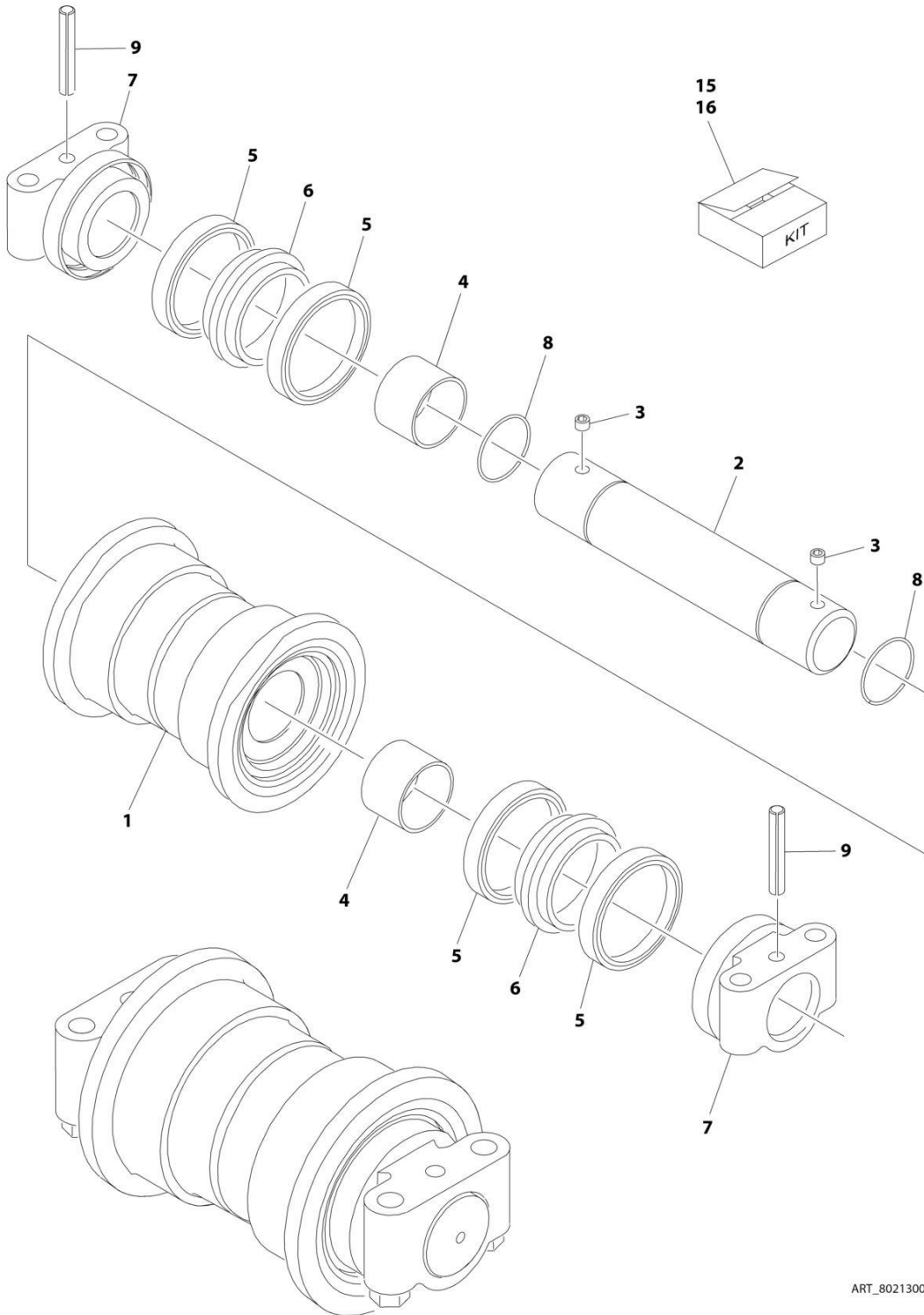
## SECTION 1 - FRAME

ITEM	PART NUMBER	QTY	DESCRIPTION	REV
20	See Note	NSS	O-Ring (Note: Use Item 75B or 76C)	
21	See Note	NSS	Collar (Note: Use Item 76C)	
22	See Note	NSS	Spring (Note: Not Available - Purchase Complete Assembly)	
23	See Note	NSS	Pin (Note: Not Available - Purchase Complete Assembly)	
24	See Note	NSS	Piston Assembly (Note: Not Available - Purchase Complete Assembly)	
25	See Note	NSS	Spring (Note: Not Available - Purchase Complete Assembly)	
26	See Note	NSS	Plate, Valve (Note: Not Available - Purchase Complete Assembly)	
27	See Note	NSS	Pin (Note: Not Available - Purchase Complete Assembly)	
28	80214378	1	Bearing	
30	See Note	NSS	O-Ring (Note: Use Item 75B)	
31	See Note	NSS	O-Ring (Note: Use Item 75B)	
32	See Note	NSS	Plate, Base (Note: Use Item 76C)	
33	See Note	NSS	Spool (Note: Use Item 76C)	
37	See Note	NSS	Flange (Note: Not Available - Purchase Complete Assembly)	
38	80214379	2	Relief Valve Assembly (See Below for Seal Kit)	
39	See Note	NSS	Spool (Note: Not Available - Purchase Complete Assembly)	
40	See Note	NSS	Spring (Note: Not Available - Purchase Complete Assembly)	
41	See Note	NSS	Plug (Note: Not Available - Purchase Locally)	
42	See Note	NSS	O-Ring (Note: Use Item 75B)	
45	See Note	NSS	Plug (Note: Not Available - Purchase Locally)	
47	See Note	NSS	Bolt (Note: Not Available - Purchase Locally)	
48	See Note	NSS	Nameplate (Note: Not Available for Purchase)	
49	See Note	NSS	Drivescrew (Note: Not Available for Purchase)	
50	See Note	NSS	Bolt (Note: Not Available for Purchase)	
52	See Note	NSS	Plug, Shipping (Note: Not Available for Purchase)	
53	See Note	NSS	Plug, Shipping (Note: Not Available for Purchase)	
54	See Note	NSS	O-Ring (Note: Use Item 75B)	
55	See Note	NSS	Plug (Note: Not Available - Purchase Locally)	
56	See Note	NSS	O-Ring (Note: Use Item 75B)	
60	See Note	NSS	Bolt (Note: Not Available - Purchase Locally)	
61	See Note	NSS	O-Ring (Note: Use Item 75B)	
62	See Note	NSS	Plate, Friction (Note: Use Item 76C)	
64	See Note	NSS	Plug (Note: Not Available - Purchase Locally)	
65	See Note	NSS	O-Ring (Note: Use Item 75B)	
75		Ref	Seal Kit Options:	
75A	80214371	1	Hub Seal Kit (Includes Items 1B & 1AD)	
75B	80214372	1	Motor/Brake/Valve Seal Kit (Includes Items 4, 18, 20, 30, 31, 42, 54, 56, 61, 65 & Item 75C)	
75C	See Note	NSS	Relief Valve Seal Kit (Includes 3 O-Rings and 2 Back-up Rings for Item 38) (Note: Use Item 75B)	
76		Ref	Repair Kit Options:	
76A	80214172	1	Hub Thrust Plate Kit (Includes Items 1Y, 1Z & 1AA)	
76B	80214171	1	Cylinder Block Kit (Includes Items 1, 7 & 15)	
76C	80214373	1	Brake Kit (Includes Items 16, 17, 18, 20, 21 & 62)	
76D	80214374	1	Base Plate Kit (Includes Items 32 & 33)	



# SECTION 1 - FRAME

## FIGURE 1-4. GRADALL FRAME TRACK ROLLER ASSEMBLY (BOTTOM)



ART\_80213004

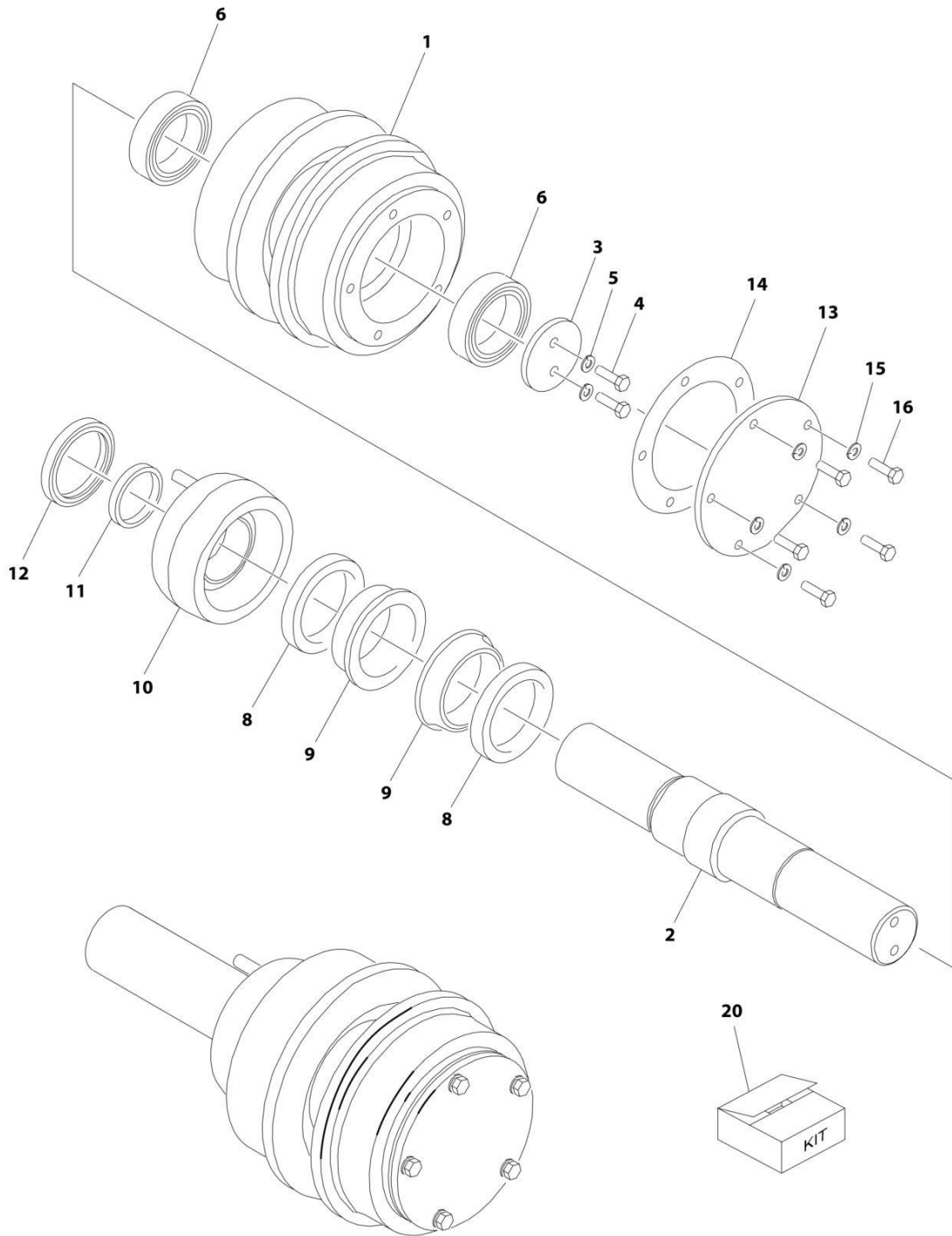
## SECTION 1 - FRAME

**FIGURE 1-4. GRADALL FRAME TRACK ROLLER ASSEMBLY (BOTTOM)**

ITEM	PART NUMBER	QTY	DESCRIPTION	REV
	80213004	Ref	GRADALL FRAME TRACK ROLLER ASSEMBLY	F
1	See Note	NSS	Roller, Guide (Note: Use Item 16)	
2	80214008	1	Shaft	
3	See Note	NSS	Plug (Note: Not Available - Purchase Locally)	
4	80214006	2	Bearing	
5	80214003	4	Ring	
6	80214003	2	Seal	
7	80214002	2	Support, Mounting Bracket	
8	80214007	2	O-Ring	
9	80214001	2	Rollpin	
15	80214003	2	Seal Kit (Includes Items 5 & 6)	
16	80214005	1	Roller Guide Bearing Kit (Includes Items 1 & 4)	

# SECTION 1 - FRAME

FIGURE 1-5. GRADALL FRAME TRACK ROLLER ASSEMBLY (CARRIER)



ART\_80213005

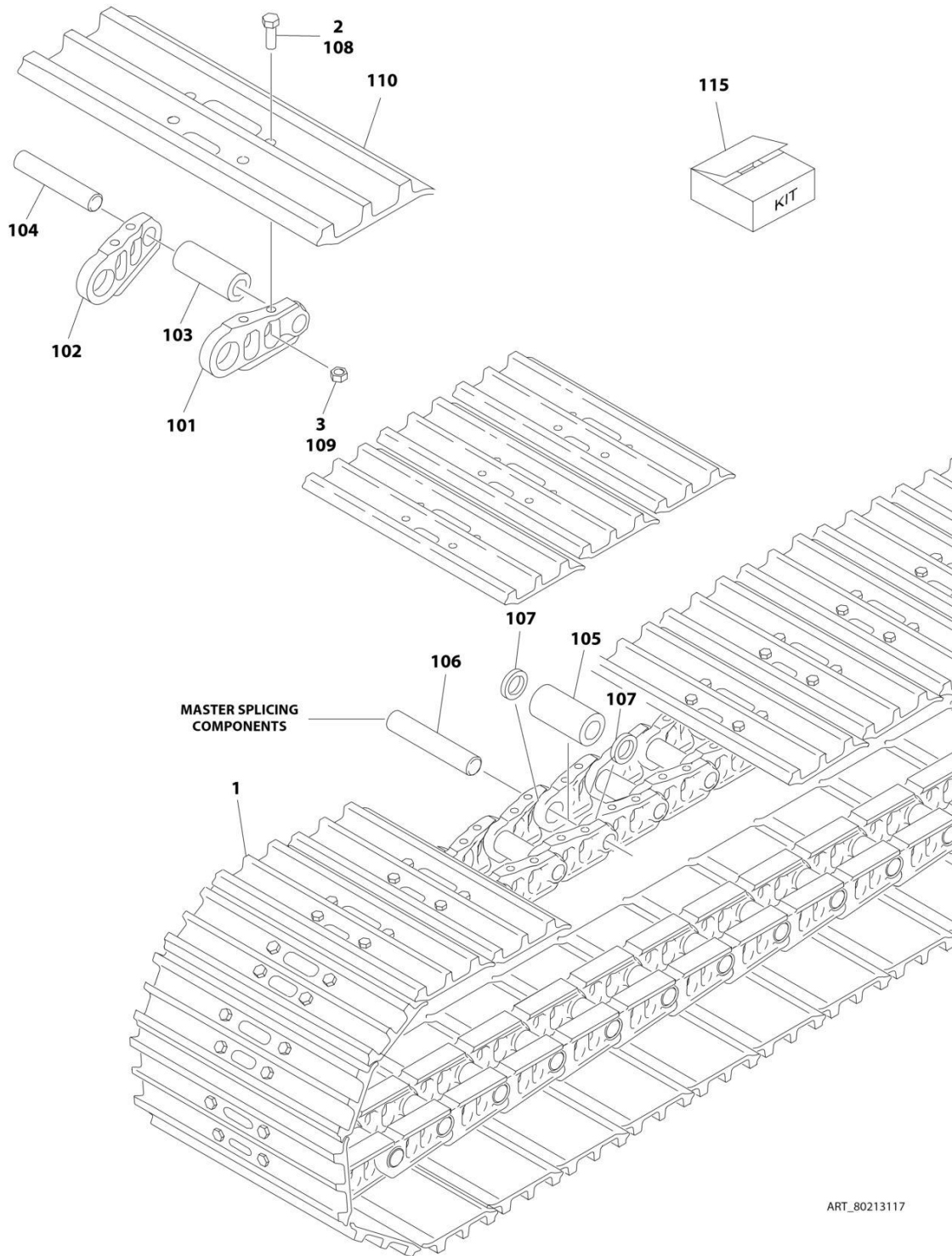
## SECTION 1 - FRAME

**FIGURE 1-5. GRADALL FRAME TRACK ROLLER ASSEMBLY (CARRIER)**

ITEM	PART NUMBER	QTY	DESCRIPTION	REV
	80213005	Ref	GRADALL FRAME TRACK ROLLER ASSEMBLY	D
1	80214017	NLA	Roller, Guide (Use p/n 80213005)	
2	80214022	1	Shaft	
3	See Note	NSS	Cover, Internal (Note: Not Available - Purchase Complete Assembly)	
4	80214014	2	Bolt	
5	80214015	2	Washer	
6	80214013	2	Bearing, Roller	
8	See Note	NSS	Ring, Seal (Note: Use Item 20)	
9	See Note	NSS	Ring, Tension (Note: Use Item 20)	
10	80214019	1	Collar	
11	80214020	1	Ring, Packing	
12	80214021	1	Ring, Seal	
13	80214011	1	Cover	
14	80214012	1	Seal, Cover	
15	80214010	5	Lockwasher	
16	80214009	5	Bolt	
20	80214018	1	Seal Kit (Includes Items 8 & 9)	

# SECTION 1 - FRAME

## FIGURE 1-6. GRADALL FRAME TRACK CHAIN ASSEMBLY



ART\_80213117



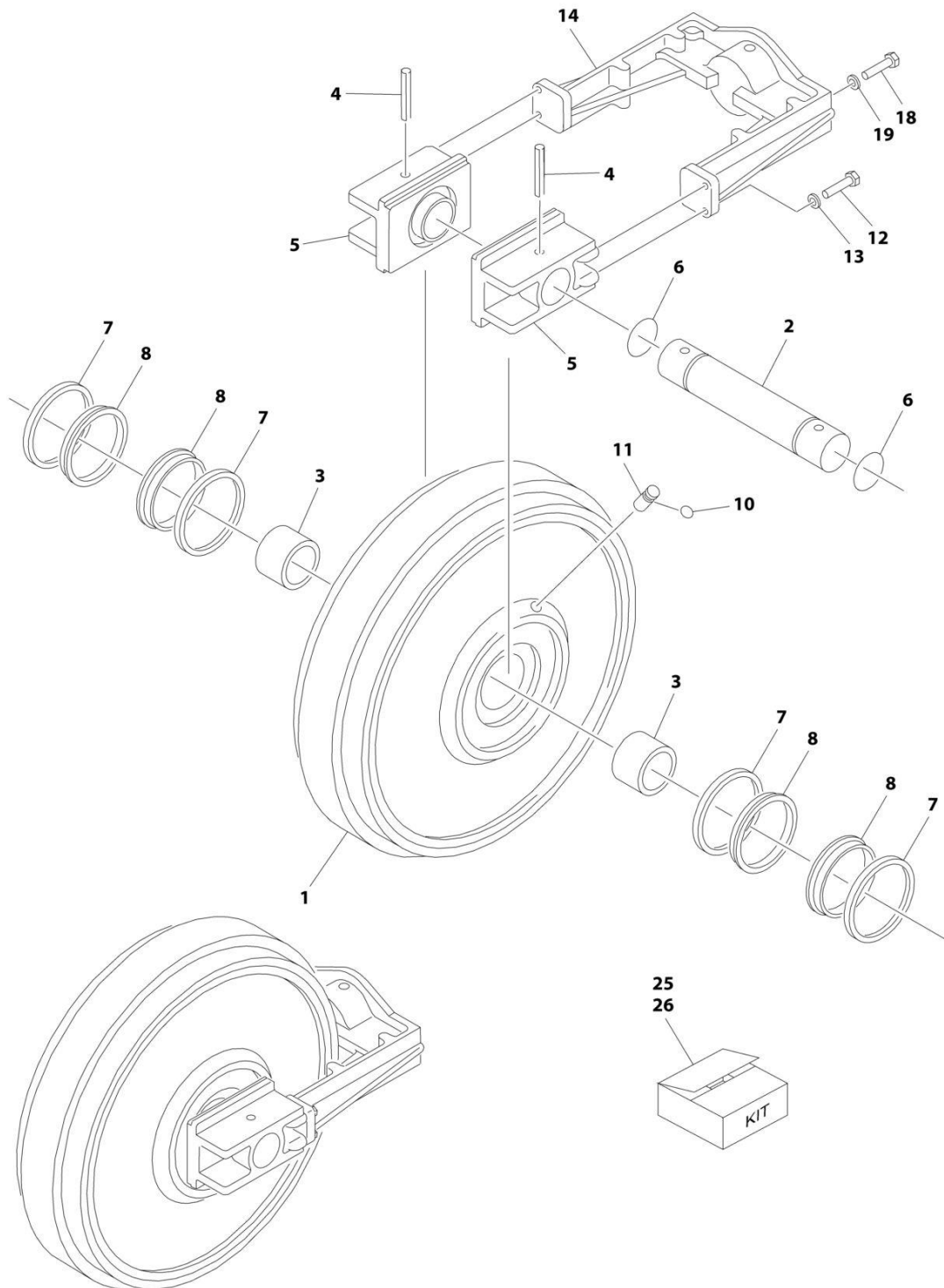
# SECTION 1 - FRAME

**FIGURE 1-6. GRADALL FRAME TRACK CHAIN ASSEMBLY**

ITEM	PART NUMBER	QTY	DESCRIPTION	REV
	80213117	Ref	GRADALL FRAME TRACK CHAIN ASSEMBLY	
		Ref	Note: Qty shown is for one track - 2 tracks per machine	
1	See Note	47	Shoe Assembly (Note: Not Available - Purchase Individual Parts)	
2	80213016	188	Bolt	
3	80214368	188	Nut	
		Ref	SHOE ASSEMBLY	
		Ref	Note: Qty shown is for one side - 47 shoes per track and 2 tracks per machine	
101	80214361	47	Link, Right	
102	80214362	47	Link, Left	
103	80214363	47	Bearing	
104	80214364	46	Pin, Hinge	
105	80214365	1	Bearing, Splice	
106	80214366	1	Pin, Splice Hinge	
107	80214367	2	Spacer	
108	80213016	188	Screw	
109	80214368	188	Nut	
110	80214369	47	Cleat, Track	
115	80214370	1	Pin and Bearing Kit (Includes Items 103-107)	

# SECTION 1 - FRAME

## FIGURE 1-7. GRADALL FRAME IDLER ASSEMBLY



ART\_80213040

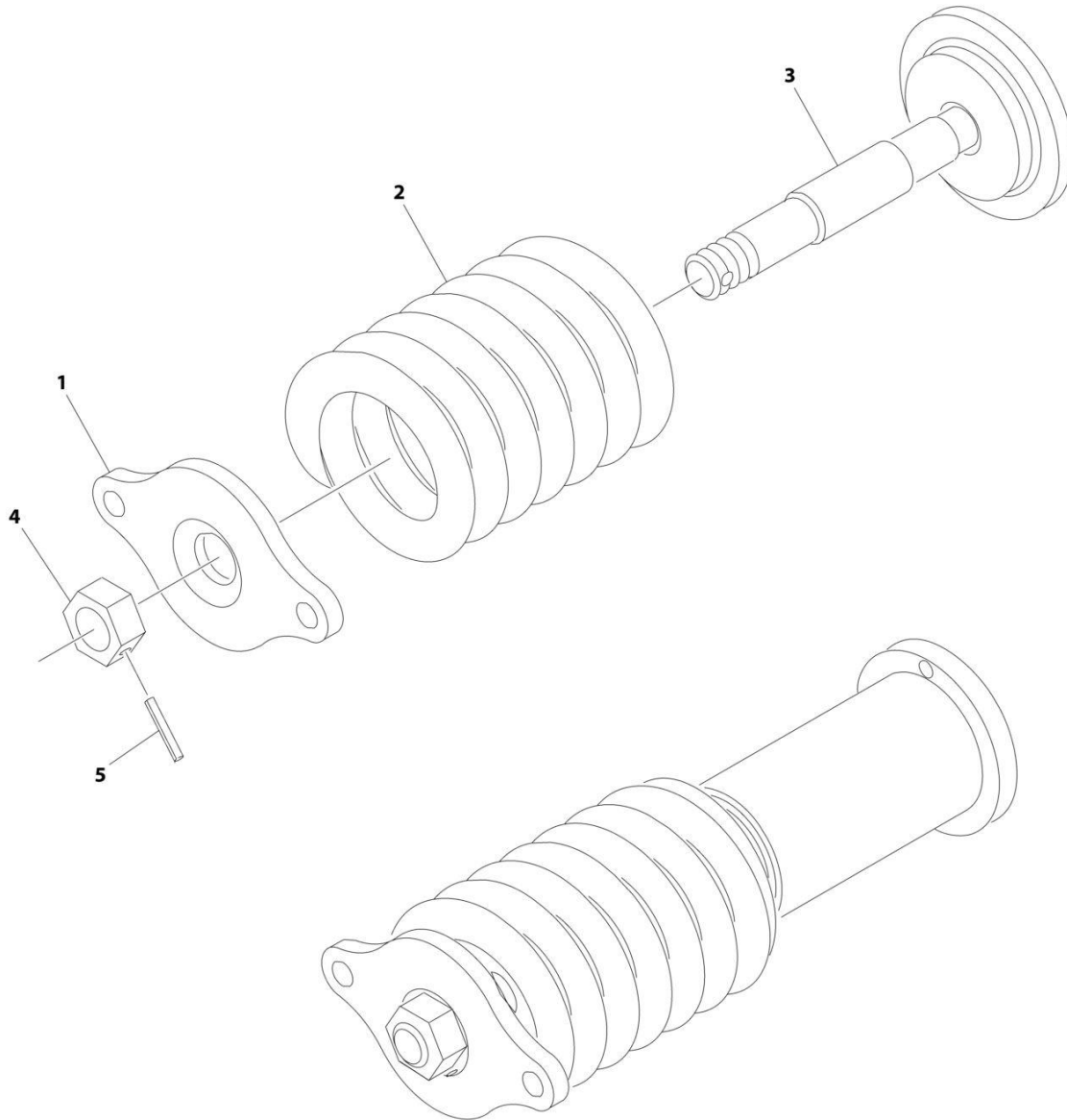
# SECTION 1 - FRAME

## FIGURE 1-7. GRADALL FRAME IDLER ASSEMBLY

ITEM	PART NUMBER	QTY	DESCRIPTION	REV
	80213040	Ref	GRADALL FRAME IDLER ASSEMBLY	B
1	See Note	NSS	Idler without Bearing (Note: Use Item 25)	
2	80214027	1	Shaft	
3	80214024	2	Bearing	
4	80214004	2	Rollpin	
5	80214026	2	Bracket, Mounting	
6	80214028	2	Seal	
7	See Note	NSS	Seal (Note: Use Item 26)	
8	See Note	NSS	Holder, Seal (Note: Use Item 26)	
10	83604107	1	O-Ring	
11	83694108	1	Plug	
12	80214030	4	Bolt	
13	83694007	4	Lockwasher	
14	80214029	1	Bracket	
18	83694009	2	Bolt	
19	83694010	2	Lockwasher	
25	80214023	1	Idler Kit (Includes Items 1 & 3)	
26	83694040	2	Seal and Holder Kit (Includes Items 7 & 8)	

# SECTION 1 - FRAME

## FIGURE 1-8. GRADALL FRAME SPRING ASSEMBLY



ART\_80213041

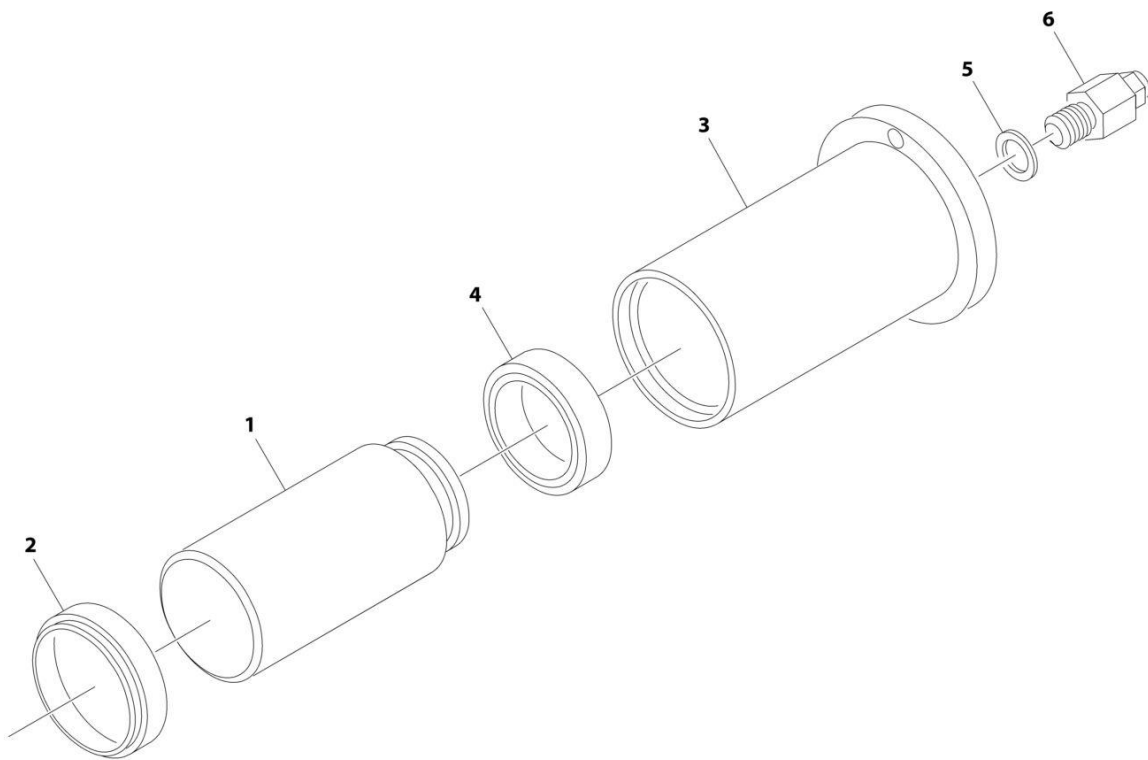
# SECTION 1 - FRAME

## FIGURE 1-8. GRADALL FRAME SPRING ASSEMBLY

ITEM	PART NUMBER	QTY	DESCRIPTION	REV
	80213041	Ref	GRADALL FRAME SPRING ASSEMBLY	C
1	80214031	1	Flange, Mounting	
2	80214033	1	Spring	
3	80214034	1	Plate, Base	
4	80214010	1	Locknut	
5	80214011	1	Rollpin	

# SECTION 1 - FRAME

FIGURE 1-9. GRADALL FRAME SHOCK ASSEMBLY



ART\_80213043

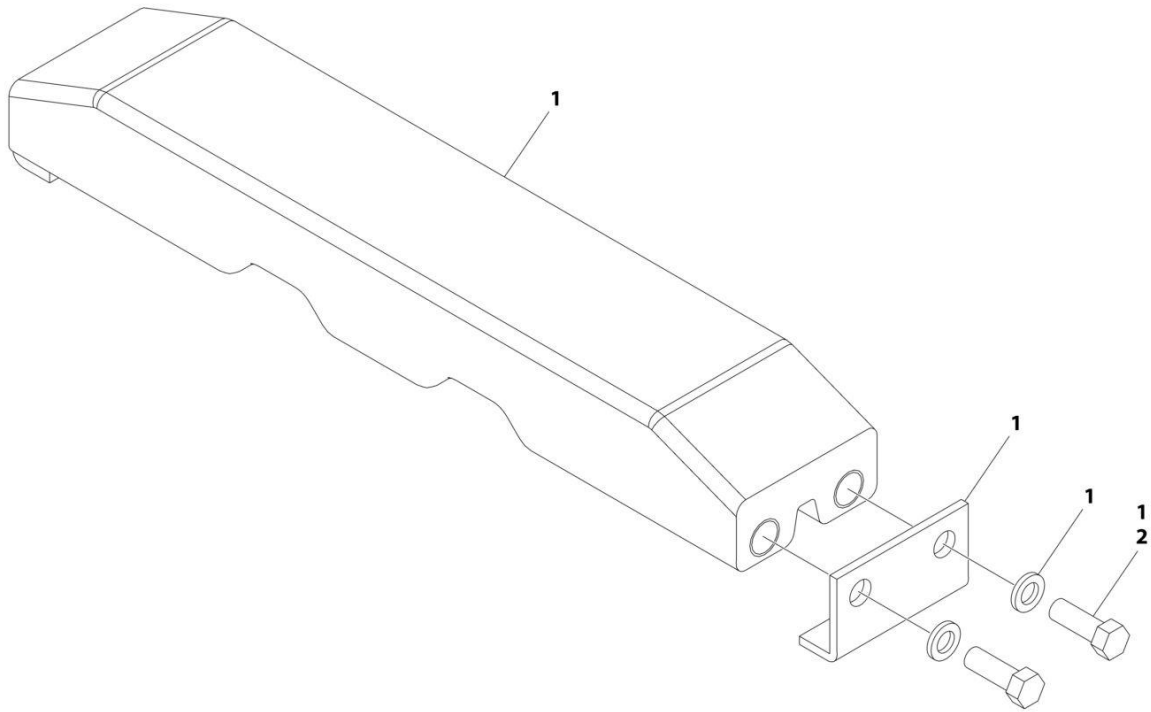
# SECTION 1 - FRAME

## FIGURE 1-9. GRADALL FRAME SHOCK ASSEMBLY

ITEM	PART NUMBER	QTY	DESCRIPTION	REV
	80213042	Ref	GRADALL FRAME SHOCK ASSEMBLY	A
1	83694046	1	Piston/Rod	
2	83694045	1	Wiper	
3	80614008	1	Barrel	
4	83694047	1	Seal	
5	80613009	1	Seal	
6	80613008	1	Fitting	

# SECTION 1 - FRAME

## FIGURE 1-10. RUBBER TRACK PAD INSTALLATION



ART\_0272029



# SECTION 1 - FRAME

## FIGURE 1-10. RUBBER TRACK PAD INSTALLATION

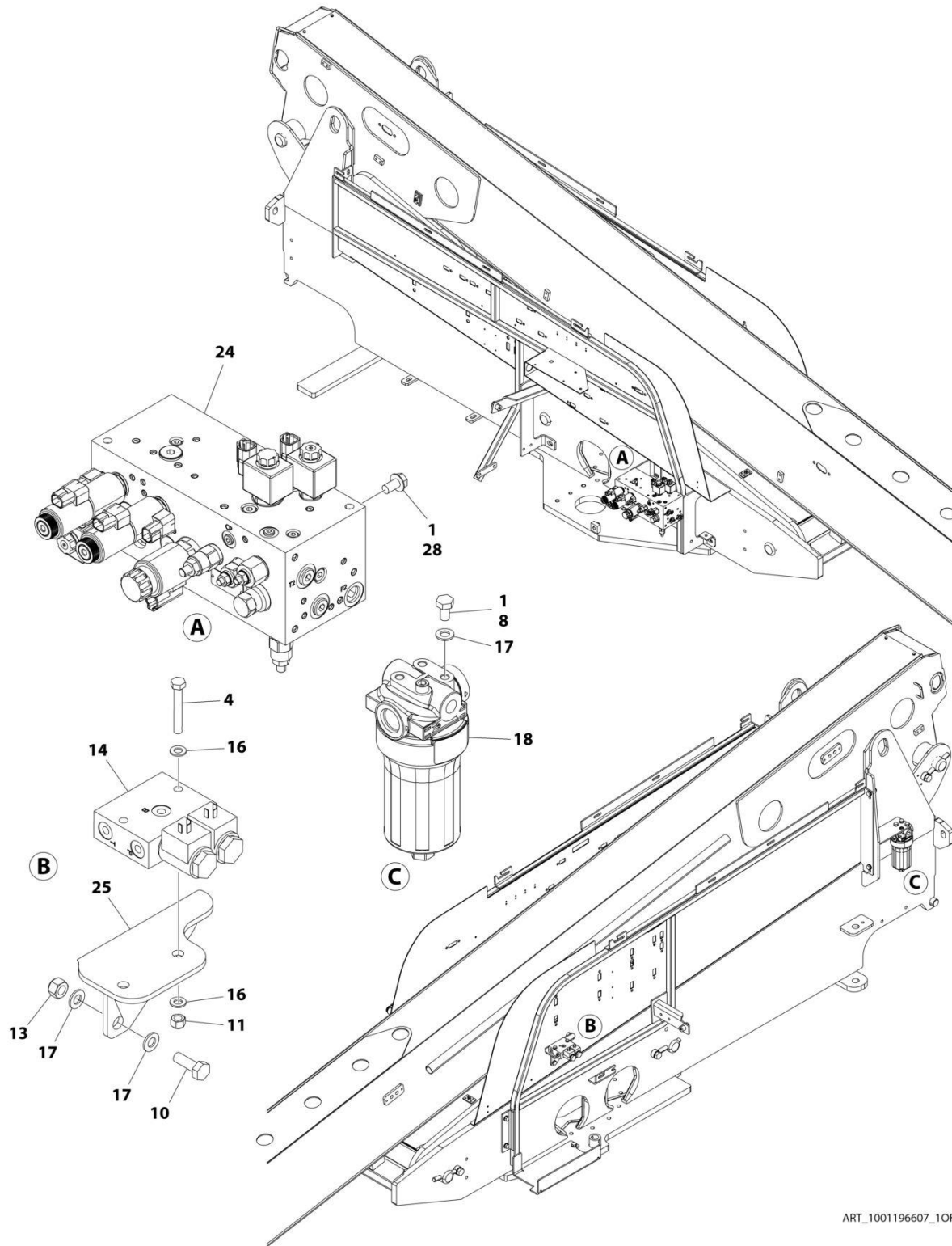
ITEM	PART NUMBER	QTY	DESCRIPTION	REV
	0272029	Ref	RUBBER TRACK PAD INSTALLATION	1-B
1	3340938	94	Pad, Rubber Track	
2	0100011	AR	Compound, Locking	



**SECTION 2 - TURNTABLE**

# SECTION 2 - TURNTABLE

## FIGURE 2-1. VALVE INSTALLATION - 600SC



ART\_1001196607\_1OF2

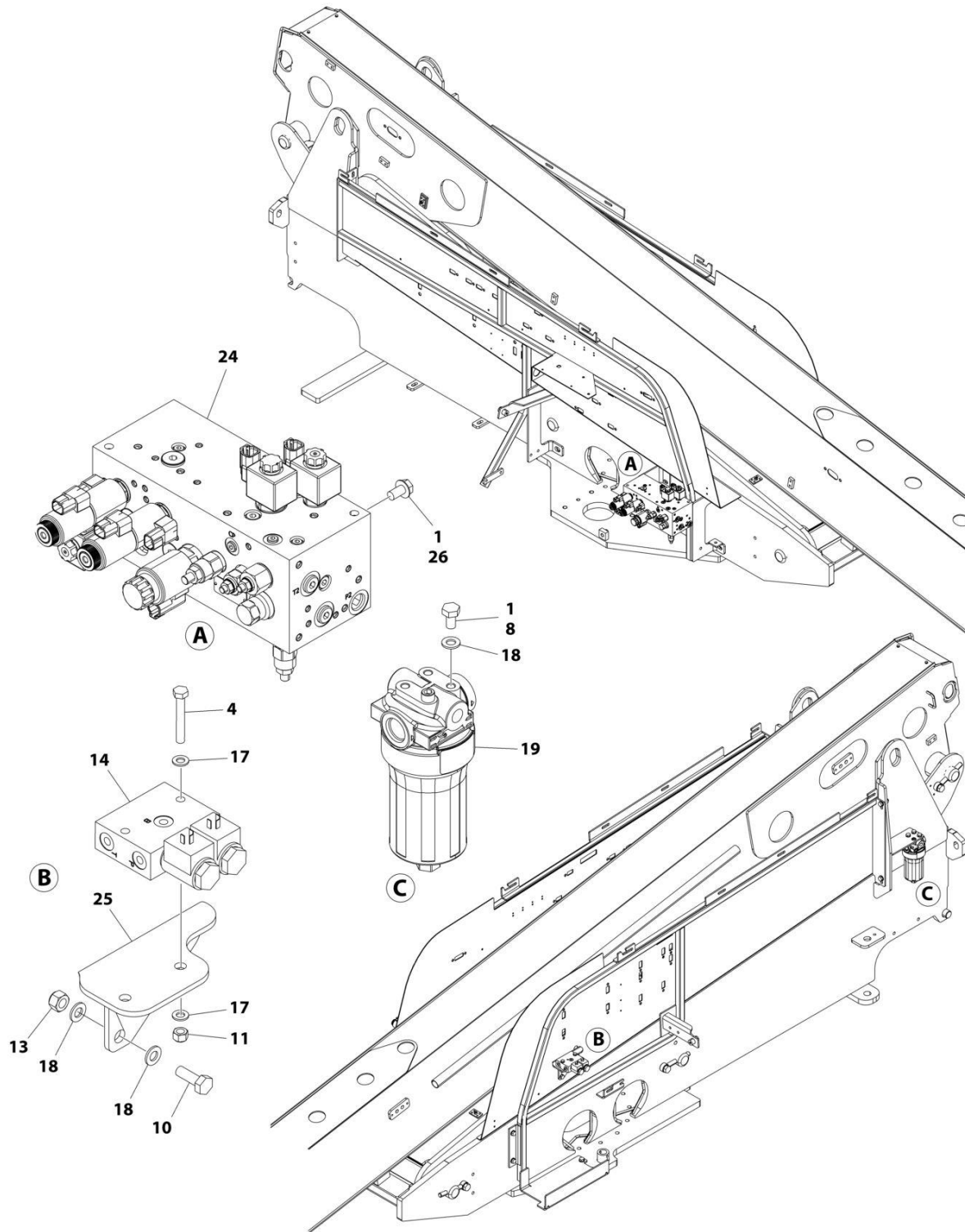
## SECTION 2 - TURNTABLE

**FIGURE 2-1. VALVE INSTALLATION - 600SC**

ITEM	PART NUMBER	QTY	DESCRIPTION	REV
	1001196607	Ref	VALVE INSTALLATION	D
1	0100011	AR	Compound, Locking	
4	0700819	2	Bolt M8 x 55	
8	0761009	6	Bolt M10 x 18	
10	0761014	2	Bolt M10 x 30	
11	3290805	5	Nut M8	
13	3291005	2	Nut M10	
14	4641317	1	Brake/Two Speed Valve Assembly	
14	7012941	2	Cartridge Less Coil	
14	7010543	2	Seal Kit - 7012941 Valve	
14	7012944	2	Coil	
16	4811900	10	Washer M8	
17	4812000	10	Washer M10	
18	1001208874	1	Filter, Hydraulic	
18	70010383	1	Element, Filter	
24	1001196595	1	Main Valve Assembly (See Separate Breakdown in this Section)	
25	1001196803	1	Bracket	
28	5251009	4	Bolt M10 x 18	

# SECTION 2 - TURNTABLE

## FIGURE 2-2. VALVE INSTALLATION - 660SJC



ART\_1001197143\_10F2

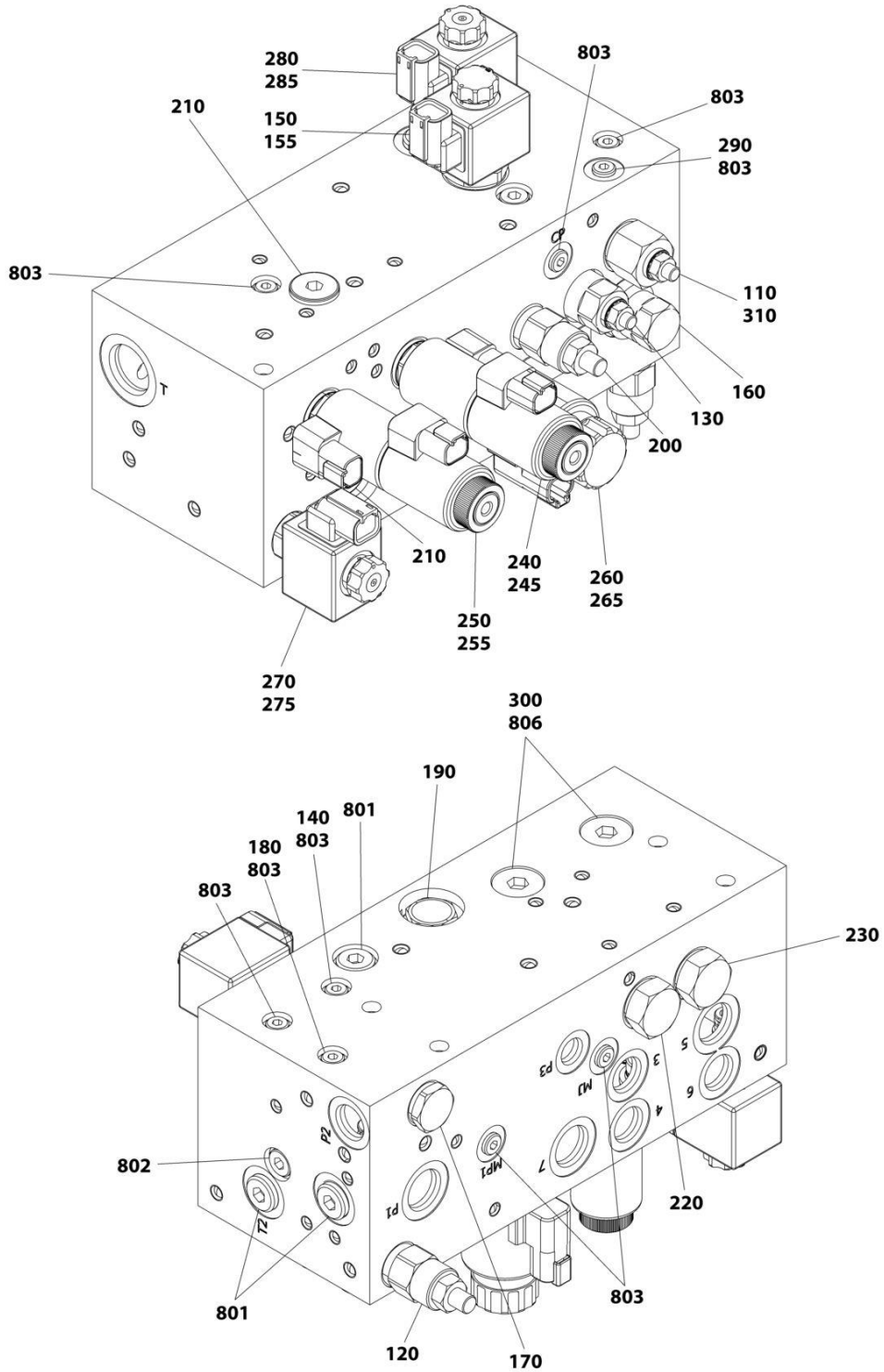
## SECTION 2 - TURNTABLE

**FIGURE 2-2. VALVE INSTALLATION - 660SJC**

ITEM	PART NUMBER	QTY	DESCRIPTION	REV
	1001197143	Ref	VALVE INSTALLATION	E
1	0100011	AR	Compound, Locking	
4	0700819	2	Bolt M8 x 55	
8	0761009	6	Bolt M10 x 18	
10	0761014	2	Bolt M10 x 30	
11	3290805	4	Nut M8	
13	3291005	2	Nut M10	
14	4641317	1	Brake/Two Speed Valve Assembly	
14	7012941	2	Cartridge Less Coil	
14	7010543	2	Seal Kit - 7012941 Valve	
14	7012944	2	Coil	
17	4811900	9	Washer M8	
18	4812000	10	Washer M10	
19	1001208874	1	Filter, Hydraulic	
19	70010383	1	Element, Filter	
24	1001196595	1	Main Valve Assembly (See Separate Breakdown in this Section)	
25	1001196803	1	Bracket	
26	5251009	4	Bolt M10 x 18	

# SECTION 2 - TURNTABLE

## FIGURE 2-3. MAIN VALVE ASSEMBLY



ART\_1001196595



## SECTION 2 - TURNTABLE

### FIGURE 2-3. MAIN VALVE ASSEMBLY

ITEM	PART NUMBER	QTY	DESCRIPTION	REV
	1001196595	Ref	MAIN VALVE ASSEMBLY	C
110	70006109	1	Valve, Flow/Pressure Control	
110	70006110	1	Cap	
110	70004656	1	Seal Kit - 70006109 Valve	
120	70003019	1	Valve, Relief	
120	70004052	1	Seal Kit - 70003019 Valve	
130	70004607	1	Valve, Relief	
130	70004602	1	Seal Kit - 70004607 Valve	
140	70004668	1	Orifice	
150	70006111	1	Valve, Solenoid without Coil	
150	70004584	1	Seal Kit - 70006111 Valve	
150	70004051	1	Coil Nut & Pole Tube O-Ring Kit	
155	70004653	1	Coil	
160	70006112	1	Valve, Load Sense	
160	70006113	1	Seal Kit - 70006112 Valve	
170	70005952	1	Valve, Check	
170	70004052	1	Seal Kit - 70005952 Valve	
180	7022527	1	Orifice 2mm	
190	70003027	1	Valve, Flow/Pressure Control	
190	70004052	1	Seal Kit - 70003027 Valve	
200	70003019	1	Valve, Relief	
200	70004052	1	Seal Kit - 70003019 Valve	
210	70023859	4	Valve, Relief	
210	70023860	4	Seal Kit - 70023859 Valve	
220	70006114	1	Valve, Pressure Compensator	
220	70004656	1	Seal Kit - 70006114 Valve	
230	70006114	1	Valve, Pressure Compensator	
230	70004656	1	Seal Kit - 70006114 Valve	
240	70006115	1	Valve, Solenoid without Coil (Swing)	
240	70006116	1	Seal Kit - 70006115 Valve	
240	70004661	1	Nut, Coil	
240	70024457	1	O-Ring at Coil Nut	
240	70004662	1	O-Ring at Bottom of Pole Tube	
245	80434249	2	Coil	
250	70006117	1	Valve, Solenoid without Coil (Tele)	
250	70006116	1	Seal Kit - 70006117 Valve	
250	70004661	1	Nut, Coil	
250	70024457	1	O-Ring at Coil Nut	
250	70004662	1	O-Ring at Bottom of Pole Tube	
255	80434249	2	Coil	
260	70004657	1	Valve, Solenoid (Lift)	
260	70004594	1	Seal Kit - 70004657 Valve	
260	70004597	1	Nut, Coil	
260	70004596	1	O-Ring at Coil Nut	
265	70004595	1	Coil	
270	70004598	1	Valve, Solenoid (Lift)	
270	70004055	1	Seal Kit - 70004598 Valve	
270	70005947	1	Coil Nut & Pole Tube O-Ring Kit	
275	70004653	1	Coil	
280	70006118	1	Valve, Solenoid (Lift)	

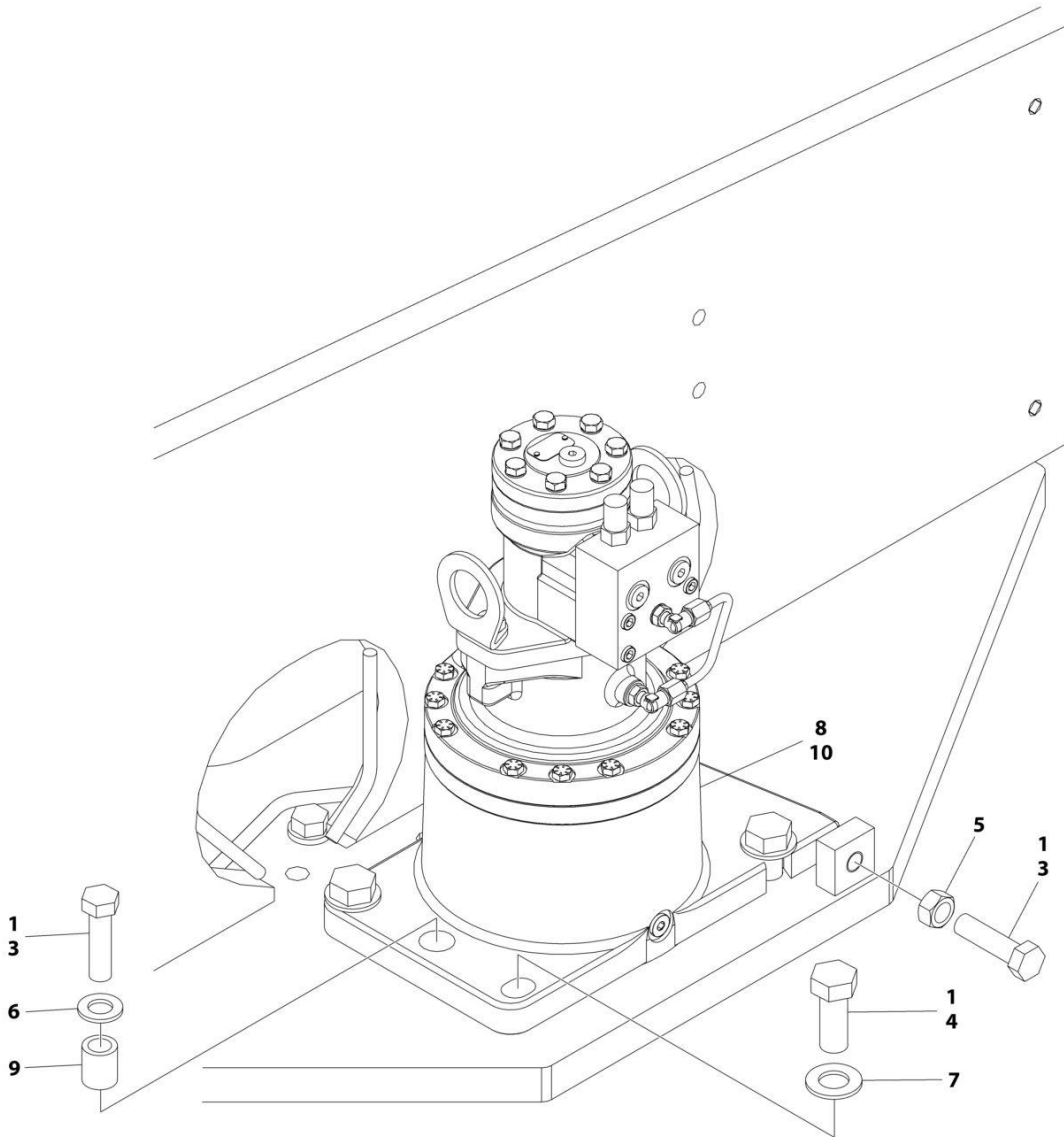
## SECTION 2 - TURNTABLE

ITEM	PART NUMBER	QTY	DESCRIPTION	REV
280	70004052	1	Seal Kit - 70006118 Valve	
280	70004051	1	Coil Nut & Pole Tube O-Ring Kit	
285	70004653	1	Coil	
290	7023821	1	Orifice .8mm	
300	70006119	1	Valve, Check	
310	70006357	1	Orifice 4mm	
801	70002759	4	Plug	
802	70004617	2	Plug	
803	70002758	9	Plug	
806	70006120	2	Plug	



# SECTION 2 - TURNTABLE

## FIGURE 2-4. SWING DRIVE INSTALLATION



ART\_1001185842

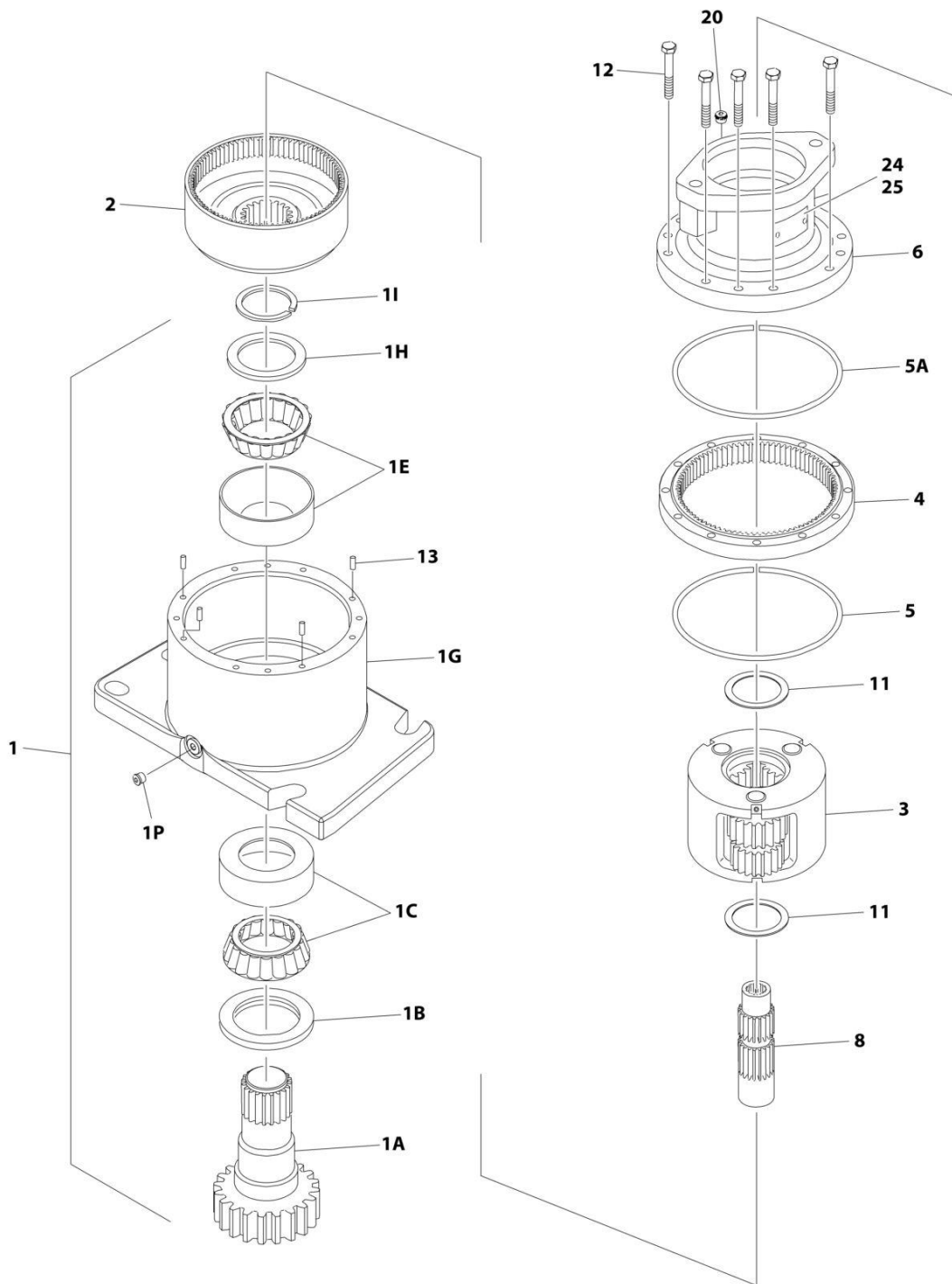
**SECTION 2 - TURNTABLE**

**FIGURE 2-4. SWING DRIVE INSTALLATION**

<b>ITEM</b>	<b>PART NUMBER</b>	<b>QTY</b>	<b>DESCRIPTION</b>	<b>REV</b>
	1001185842	Ref	SWING DRIVE INSTALLATION	B
1	0100019	AR	Compound, Locking	
3	0771620	2	Bolt M16 x 60	
4	0772018	4	Bolt M20 x 50	
5	3291601	1	Nut M16	
6	5241600	1	Washer M16	
7	5242000	4	Washer M20	
8	1001125492	1	Shim	
9	1001134543	1	Spacer	
10	1001187855	1	Swing Motor/Hub Assembly (See Separate Breakdown in this Section)	

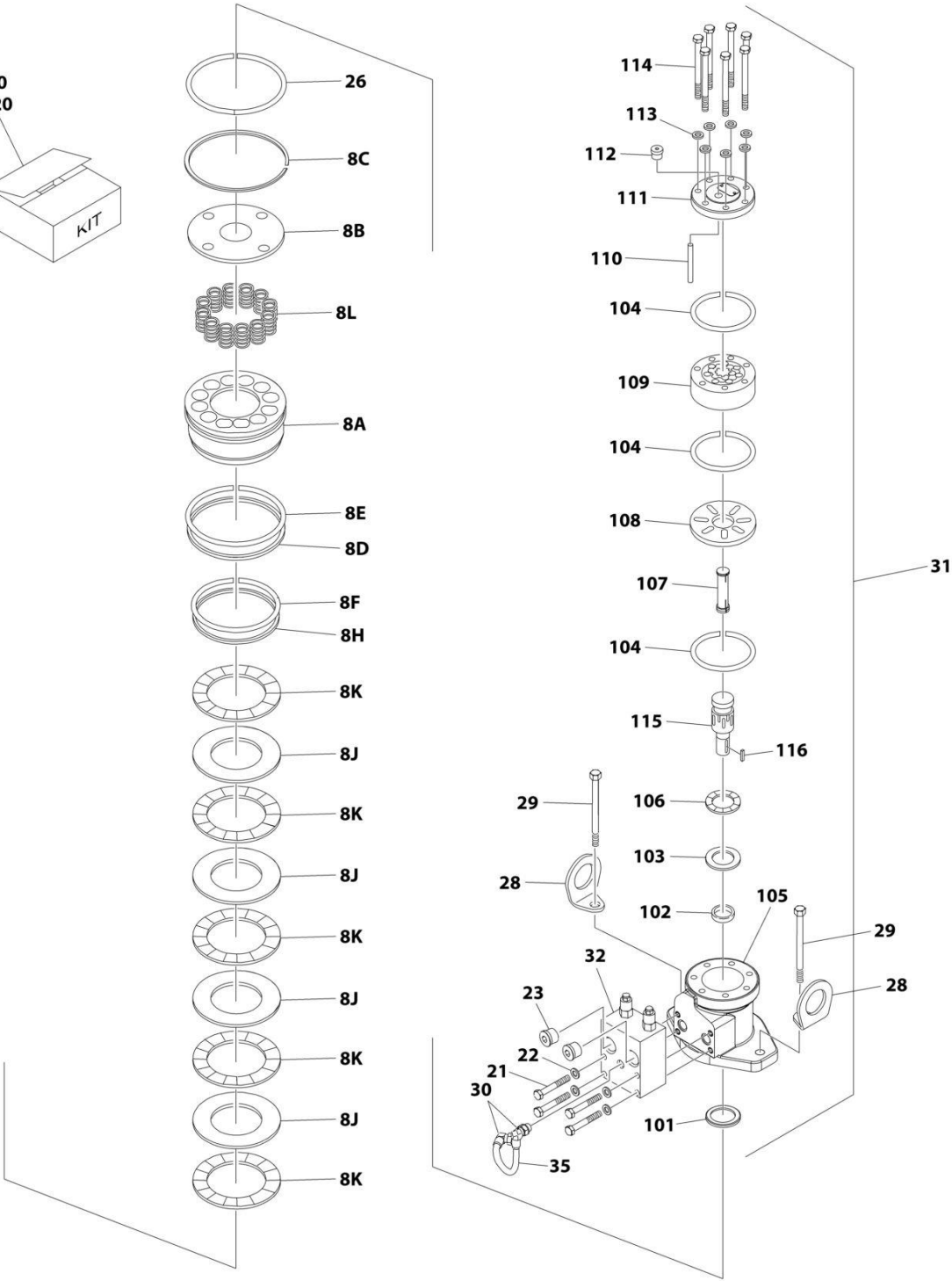
# SECTION 2 - TURNTABLE

## FIGURE 2-5. SWING MOTOR/HUB ASSEMBLY



ART\_1001187855\_10F2

# SECTION 2 - TURNTABLE



ART\_1001187855\_2OF2

## SECTION 2 - TURNTABLE

**FIGURE 2-5. SWING MOTOR/HUB ASSEMBLY**

ITEM	PART NUMBER	QTY	DESCRIPTION	REV
	1001187855	Ref	SWING MOTOR/HUB ASSEMBLY	D
1	See Note	NSS	Housing/Shaft Assembly (Note: Not Available - Purchase Complete Swing Motor/Hub Assembly)	
1A	7010492	1	Shaft, Output	
1B	7000228	1	Seal, Lip	
1C	7000255	1	Bearing Kit (Includes Cup and Cone)	
1E	7000257	1	Bearing Kit (Includes Cup and Cone)	
1G	See Note	1	Housing (Note: Not Available for Purchase)	
1H	7007633	1	Thrustwasher	
1I	7000229	1	Ring, Retaining	
1P	7017072	1	Plug, Pipe	
2	7000246	1	Gear, Internal	
3	7000247	1	Carrier Assembly	
3A	7001931	1	Carrier	
3B	7001985	6	Washer, Tanged	
3C	7001909	96	Bearing, Needle	
3D	7000263	3	Thrustwasher	
3E	7001911	3	Shaft, Planet	
3F	7001912	3	Gear, Cluster	
3G	7010474	3	Roll Pin	
4	7000248	1	Gear, Ring	
5	7000230	1	O-Ring (Black)	
5A	7017070	1	O-Ring (White)	
6	See Note	NSS	Housing, Brake (Note: Not Available for Purchase)	
7	70005203	1	Gear, Sun	
8		Ref	Brake Components	
8A	70004037	1	Piston, Brake	
8B	7024743	1	Plate, Pressure	
8C	70004039	1	Ring, Retaining	
8D	70004041	1	O-Ring	
8E	70004044	1	Ring, Back-up	
8F	70004042	1	O-Ring	
8H	70004043	1	Ring, Back-up	
8J	See Note	NSS	Rotor, Brake (Note: Use p/n 70002085)	
8K	See Note	NSS	Stator, Brake (Note: Use p/n 70002085)	
8L	70002066	7	Spring, Brake	
11	7000253	2	Thrustwasher	
12	7000217	12	Bolt, 5/16 x 2-1/4 Grade 8	
13	7017080	4	Pin, Dowel	
20	7017072	1	Plug, Pipe	
21	7024704	4	Bolt 5/16 x 2 Grade 8	
22	70004045	4	Lockwasher	
23	7017023	2	Plug, Pipe	
24	See Note	NSS	Plate, ID (Note: Not Available for Purchase)	
25	See Note	NSS	Rivet	
26	7024763	1	O-Ring	
28	See Note	NSS	Lug, Lifting (Note: Not Available for Purchase)	
29	70004040	2	Bolt 1/2 x 1-1/2 Grade 8	
30	7017085	2	Elbow	
31	70006304	1	Motor Assembly (See Items 101-120 for Breakdown)	

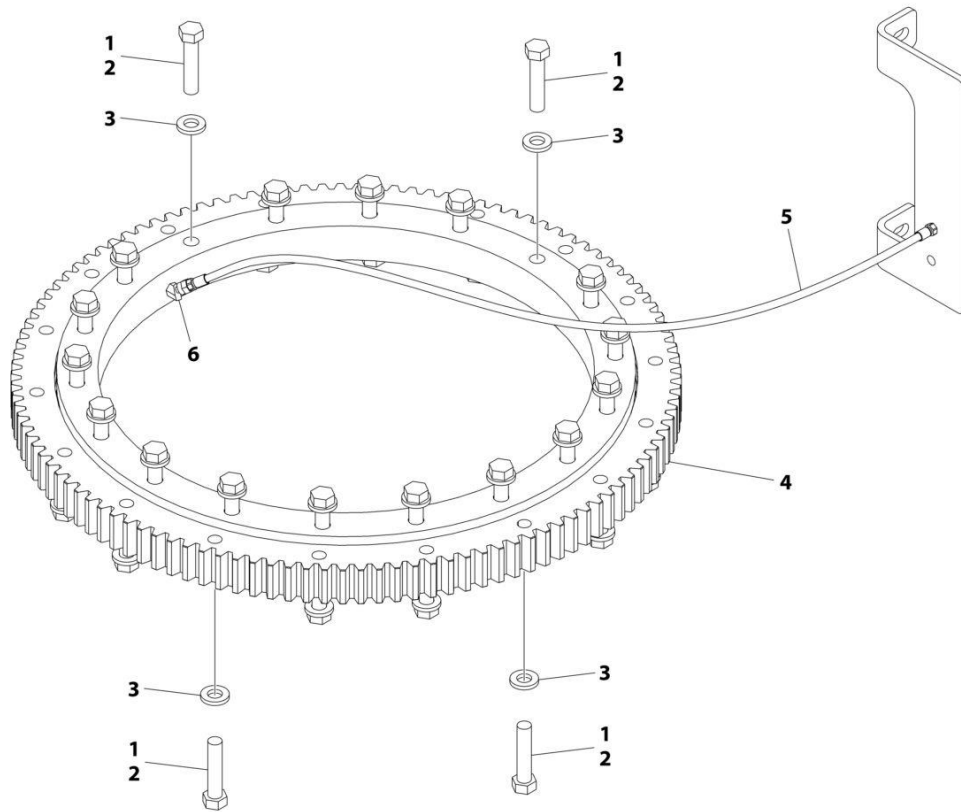


## SECTION 2 - TURNTABLE

ITEM	PART NUMBER	QTY	DESCRIPTION	REV
32	7024784	1	Valve (No Serviceable Parts)	
33	7017082	1	Plug, Pipe (Not Shown)	
35	70004047	1	Tube	
40	7024100	1	Seal Kit - Hub (Includes Items 1B, 1I, 5, 5A & 11)	
	70006304	Ref	Motor Assembly	
101	See Note	NSS	Seal, Dust (Note: Use Item 120)	
102	See Note	NSS	Seal, Shaft (Note: Use Item 120)	
103	See Note	NSS	Thrustwasher (Note: Use Item 120)	
104	See Note	NSS	Seal, Ring (Note: Use Item 120)	
105	See Note	NSS	Housing (Note: Purchase Complete Assembly)	
106	70006306	1	Bearing, Thrust	
107	7005889	1	Link, Drive	
108	70006307	1	Plate, Wear	
109	70006310	1	Rotor Set	
110	7005891	1	Pin	
111	70006308	1	Cover, End	
112	See Note	NSS	Plug (Note: Purchase Complete Assembly)	
113	70006309	1	Washer Kit (Includes 7 Washers)	
114	70006313	1	Bolt Kit (Includes 7 Bolts)	
115	See Note	NSS	Shaft (Note: Purchase Complete Assembly)	
116	See Note	NSS	Key (Note: Purchase Complete Assembly)	
120	70006305	1	Seal Kit - Motor (Includes Items 101-104)	

# SECTION 2 - TURNTABLE

## FIGURE 2-6. TURNTABLE BEARING AND LUBE INSTALLATION



ART\_1001185709

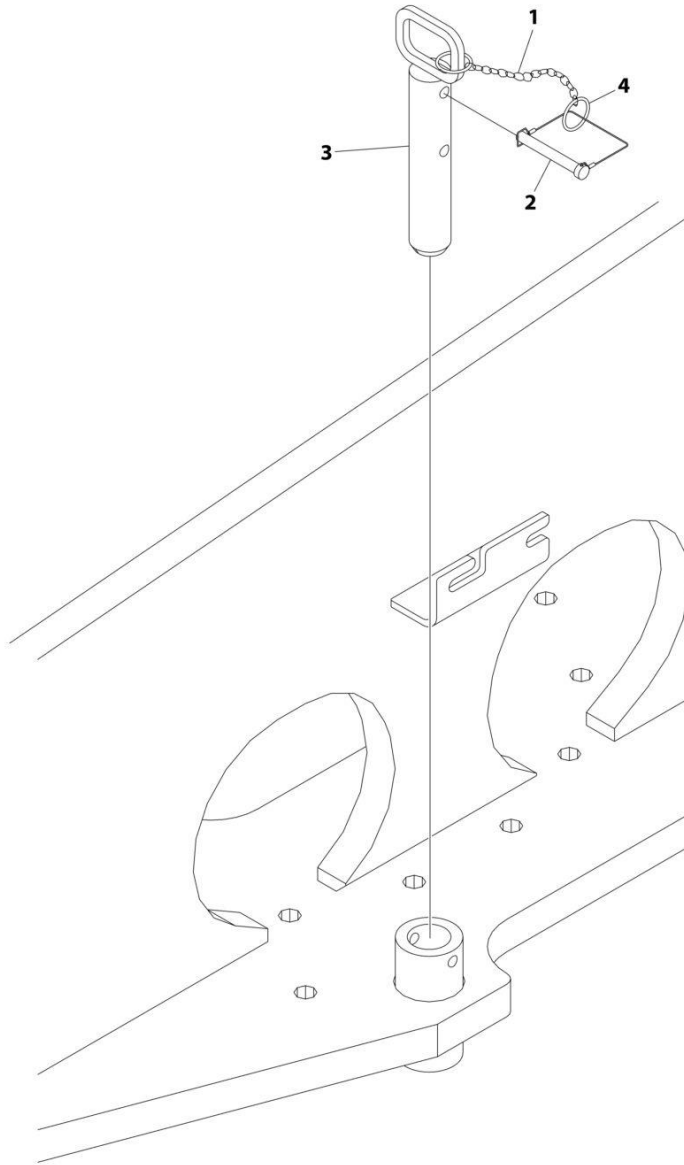
## SECTION 2 - TURNTABLE

### FIGURE 2-6. TURNTABLE BEARING AND LUBE INSTALLATION

ITEM	PART NUMBER	QTY	DESCRIPTION	REV
	1001185709	Ref	TURNTABLE BEARING AND LUBE INSTALLATION	D
1	0100019	AR	Compound, Locking	
2	0682023	36	Bolt 5/8 x 2-7/8	
3	4892000	36	Washer 5/8	
4	0440233	1	Bearing, Turntable	
5	1001188125	1	Hose	
6	2220124	1	Fitting, 45	

# SECTION 2 - TURNTABLE

## FIGURE 2-7. TURNTABLE LOCK INSTALLATION



ART\_1001187022

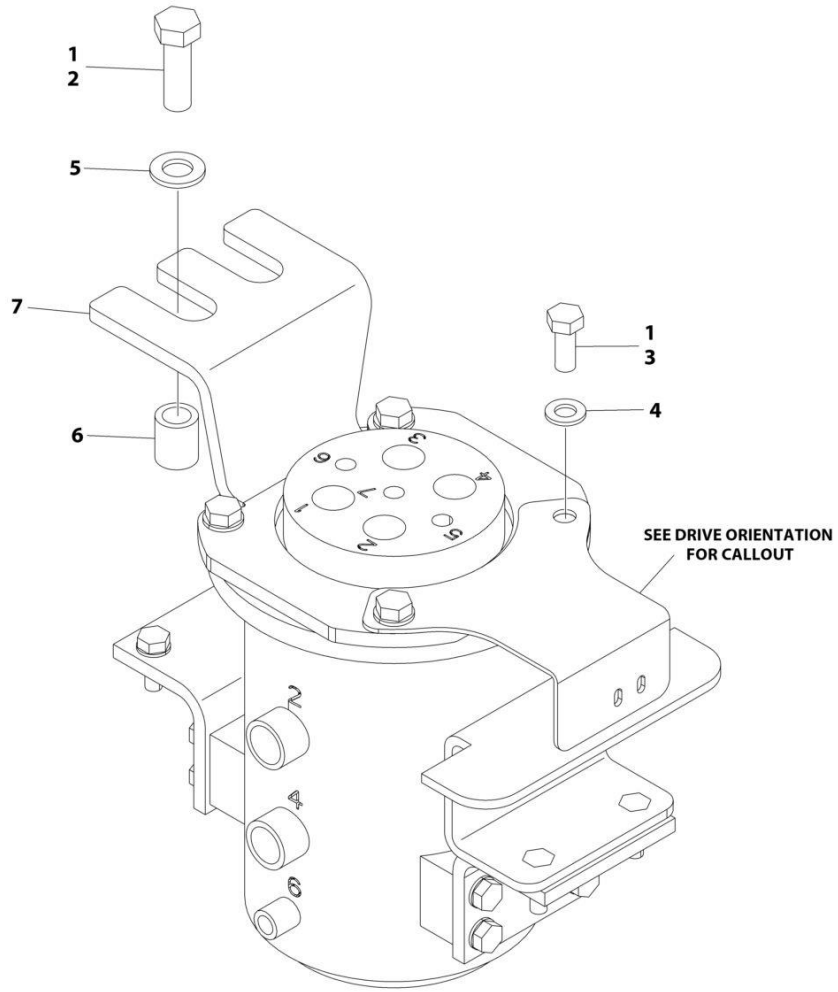
**SECTION 2 - TURNTABLE**

**FIGURE 2-7. TURNTABLE LOCK INSTALLATION**

ITEM	PART NUMBER	QTY	DESCRIPTION	REV
	1001187022	Ref	TURNTABLE LOCK INSTALLATION	B
1	1260017	9 in/23cm	Chain	
2	3421565	1	Snap-Pin	
3	3421627	NLA	Pin, Lock (Use p/n 1001169582) ( <b>SN 0300236299 through 0300255068</b> )	
3	1001169582	1	Pin, Lock ( <b>SN 0300255069 through 0300272446</b> )	
4	3760170	2	Ring	

# SECTION 2 - TURNTABLE

## FIGURE 2-8. ROTARY COUPLING INSTALLATION



ART\_1001197084

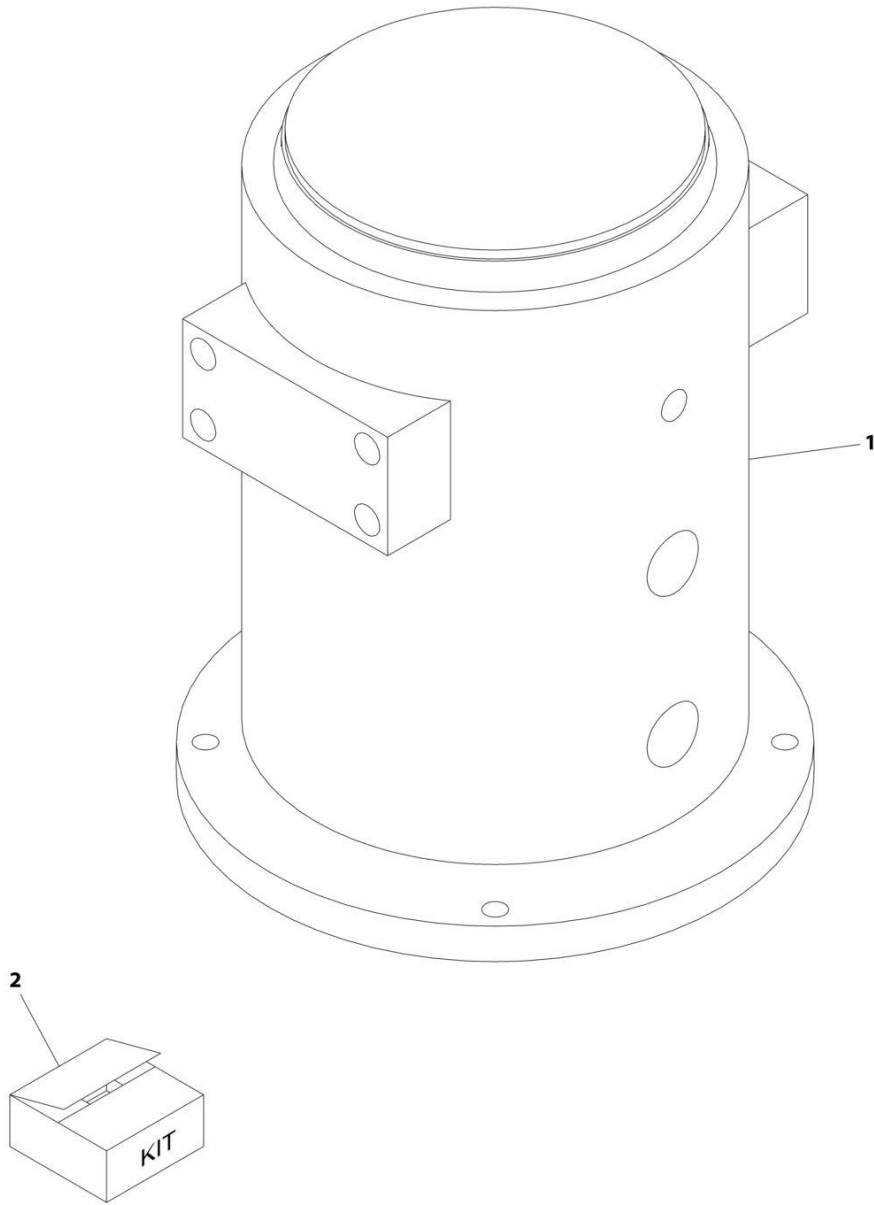
**SECTION 2 - TURNTABLE**

**FIGURE 2-8. ROTARY COUPLING INSTALLATION**

<b>ITEM</b>	<b>PART NUMBER</b>	<b>QTY</b>	<b>DESCRIPTION</b>	<b>REV</b>
	1001197084	Ref	ROTARY COUPLING INSTALLATION	A
1	0100011	AR	Compound, Locking	
2	0701618	2	Bolt M16 x 50	
3	0761214	4	Bolt M12 x 30	
4	4812100	4	Washer M12	
5	5241600	2	Washer M16	
6	1001134543	2	Spacer	
7	1001197070	1	Mount	

# SECTION 2 - TURNTABLE

## FIGURE 2-9. ROTARY COUPLING ASSEMBLY



ART\_80213115



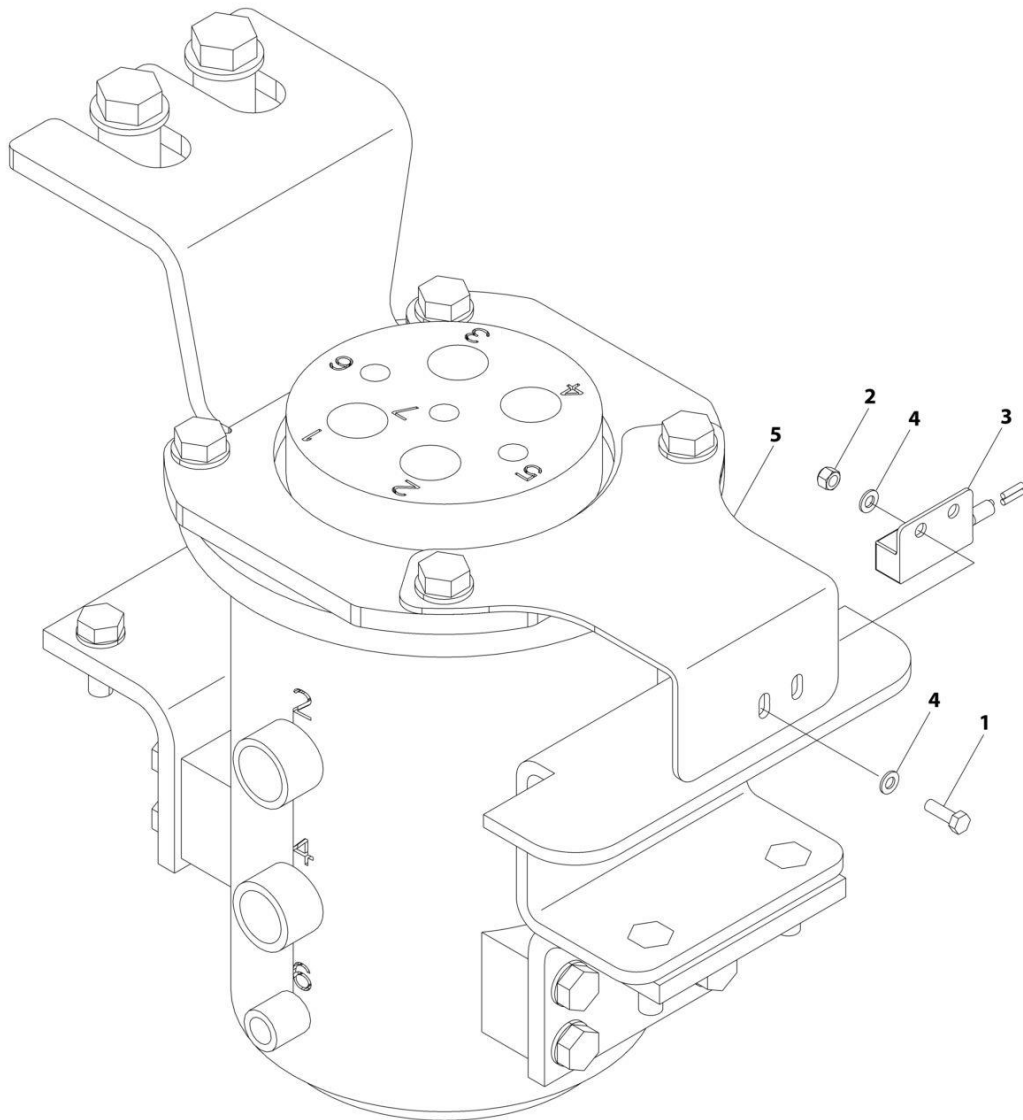
**SECTION 2 - TURNTABLE**

**FIGURE 2-9. ROTARY COUPLING ASSEMBLY**

ITEM	PART NUMBER	QTY	DESCRIPTION	REV
1	80213115	Ref	ROTARY COUPLING ASSEMBLY	
2	80213116	1	Seal Kit - 80213115 Coupling (Includes 9 Seals & 2 Wiper Rings)	

# SECTION 2 - TURNTABLE

## FIGURE 2-10. DRIVE ORIENTATION INSTALLATION



ART\_1001197461

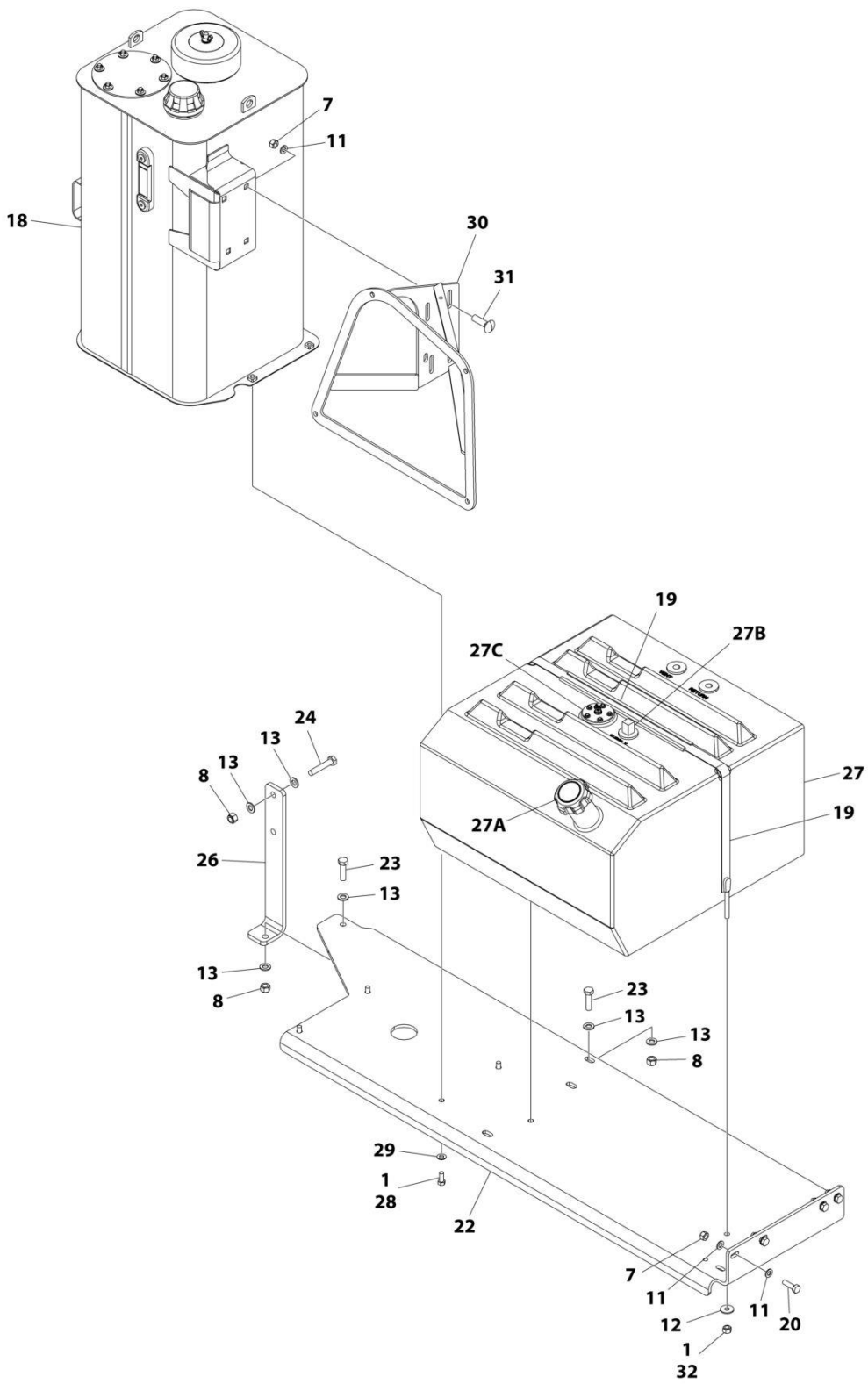
**SECTION 2 - TURNTABLE**

**FIGURE 2-10. DRIVE ORIENTATION INSTALLATION**

<b>ITEM</b>	<b>PART NUMBER</b>	<b>QTY</b>	<b>DESCRIPTION</b>	<b>REV</b>
	1001197461	Ref	DRIVE ORIENTATION INSTALLATION	B
1	0760508	2	Bolt M5 x 16	
2	3290505	2	Nut M5	
3	4360517	1	Switch, Proximity	
4	4811600	4	Washer M5	
5	1001197689	1	Bracket	

# SECTION 2 - TURNTABLE

## FIGURE 2-11. TANKS INSTALLATION - DIESEL MACHINES (POLY FUEL TANK)



ART\_1001188257

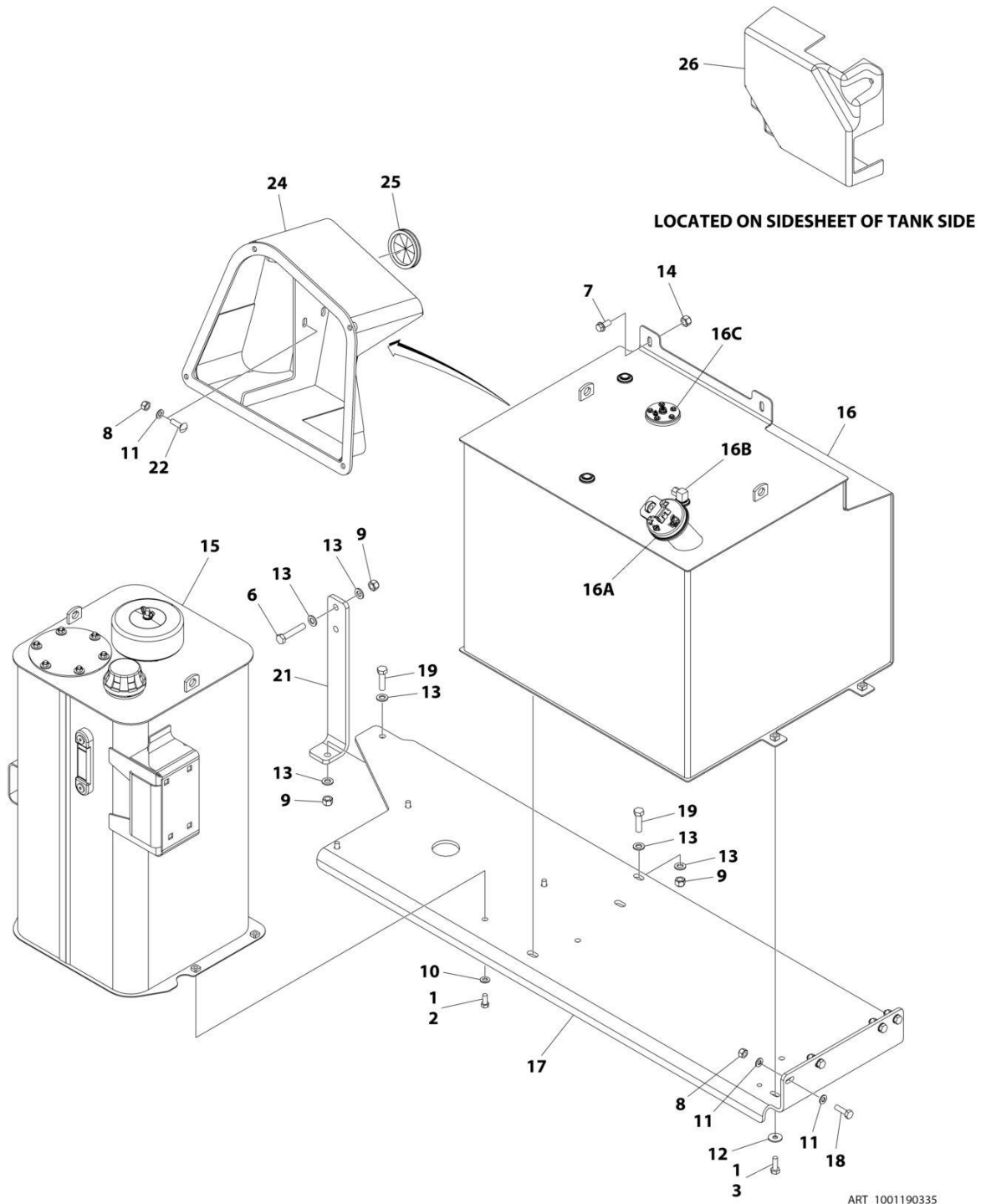
## SECTION 2 - TURNTABLE

**FIGURE 2-11. TANKS INSTALLATION - DIESEL MACHINES (POLY FUEL TANK)**

ITEM	PART NUMBER	QTY	DESCRIPTION	REV
	1001188257	Ref	TANKS INSTALLATION	K
1	0100011	AR	Compound, Locking	
7	3291005	8	Nut M10	
8	3291205	4	Nut M12	
11	4812000	12	Washer M10	
12	4812002	2	Washer M10	
13	4812100	8	Washer M12	
18	1001178057	1	Hydraulic Tank Assembly (See Separate Breakdown in this Section)	
19	1001238954	1	Strap Assembly	
19	1001189119	1	Strap	
19	4280295	48 in/ 122cm	Strip, Protector	
20	0701015	4	Bolt M10 x 35	
22	1001199933	1	Tray	
23	0701217	2	Bolt M12 x 45	
24	0701221	2	Bolt M12 x 65	
26	1001199883	1	Support	
27	1001201325	1	Tank, Fuel	
27A	70004414	1	Cap, Fill	
27B	7020043	1	Tube, Pickup	
27C	1001148607	1	Sender, Fuel Level	
27C	0731005	5	Screw #10 x 5/8	
27C	4751000	5	Washer #10	
28	0641607	4	Bolt 3/8 x 7/8	
28	0641608	4	Bolt 3/8 x 1	
29	4711600	4	Washer 3/8	
30	1001213251	1	Support, Ground Control	
31	1001228406	4	Bolt M10 x 35	
31	0630613	4	Bolt M10 x 30	
32	3291005	2	Nut M10	
32	3291001	2	Nut M10	

# SECTION 2 - TURNTABLE

## FIGURE 2-12. TANKS INSTALLATION - DIESEL MACHINES (STEEL FUEL TANK)



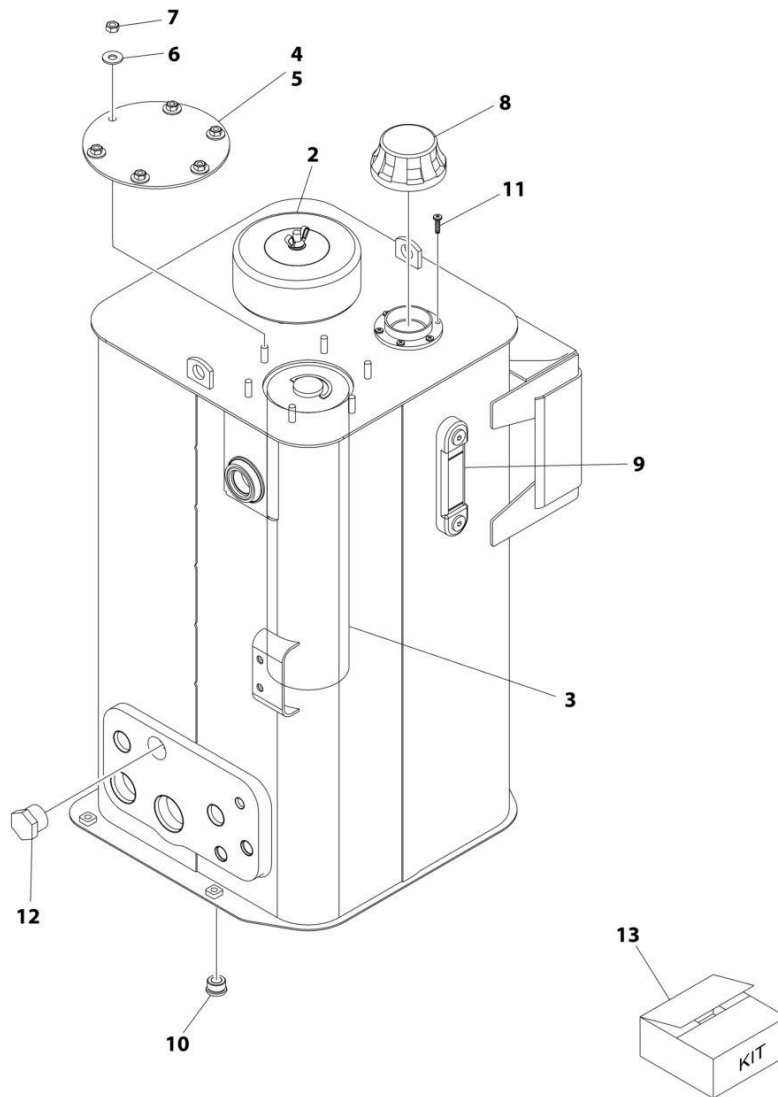
## SECTION 2 - TURNTABLE

**FIGURE 2-12. TANKS INSTALLATION - DIESEL MACHINES (STEEL FUEL TANK)**

ITEM	PART NUMBER	QTY	DESCRIPTION	REV
	1001190335	Ref	TANKS INSTALLATION	I
1	0100011	AR	Compound, Locking	
2	0641607	4	Bolt 3/8 x 7/8	
2	0641608	4	Bolt 3/8 x 1	
3	0761014	4	Bolt M10 x 30	
6	0701221	2	Bolt M12 x 65	
7	5251012	2	Bolt M10 x 25	
8	3291005	8	Nut M10	
9	3291205	4	Nut M12	
10	4711600	4	Washer 3/8	
11	4812000	12	Washer M10	
12	4812002	4	Washer M10	
13	4812100	8	Washer M12	
14	1001118972	1	Nut, Tinnerman M10	
15	1001178057	1	Hydraulic Tank Assembly (See Separate Breakdown in this Section)	
16	1001189764	1	Tank, Fuel	
16A	1001080707	1	Cap, Fill	
16B	70006314	1	Tube, Pickup	
16C	1001189800	1	Sender, Fuel Level	
16C	0731005	5	Screw #10 x 5/8	
16C	4751000	5	Washer #10	
17	1001199933	1	Tray	
18	0701015	4	Bolt M10 x 35	
19	0701217	2	Bolt M12 x 45	
21	1001199883	1	Support	
22	1001228406	4	Bolt M10 x 35	
22	0630613	4	Bolt M10 x 30	
24	1001229572	1	Mount, Ground Control	
25	1001218676	1	Grommet	
26	1001218539	1	Cover	

# SECTION 2 - TURNTABLE

## FIGURE 2-13. HYDRAULIC TANK ASSEMBLY



ART\_1001178057



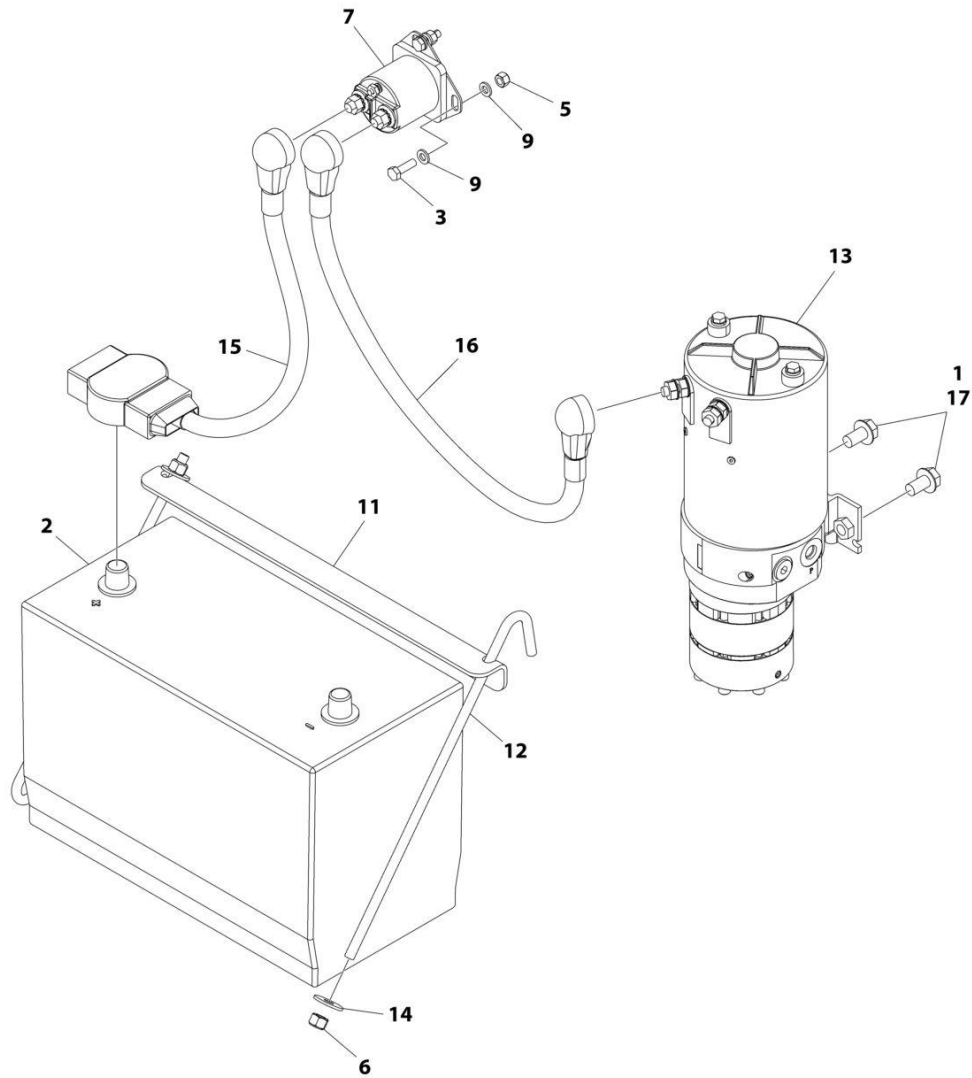
## SECTION 2 - TURNTABLE

**FIGURE 2-13. HYDRAULIC TANK ASSEMBLY**

ITEM	PART NUMBER	QTY	DESCRIPTION	REV
	1001178057	Ref	HYDRAULIC TANK ASSEMBLY	D
2	70005708	1	Breather Assembly (Includes Breather, Element and Wingnut)	
2	See Note	NSS	Element, Breather (Note: Use p/n 70005708 or Item 13)	
3	See Note	NSS	Element, Hydraulic (Note: Use Item 13)	
4	70002839	1	Gasket	
5	See Note	NSS	Cover (Note: Not Available for Purchase)	
6	83304173	6	Washer 5/16	
7	70004199	6	Nut 5/16	
8	70002838	1	Cap, Fill	
9	7024441	1	Gauge, Level	
10	70002112	1	Plug	
11	70004795	6	Screw #10 x 3/4	
12	See Note	NSS	Plug (Note: Not Available - Purchase Locally)	
13	70002814	1	Hydraulic Tank Service Kit (Includes Items 2-4)	

# SECTION 2 - TURNTABLE

## FIGURE 2-14. BATTERY AND AUXILIARY PUMP INSTALLATION



ART\_1001186346

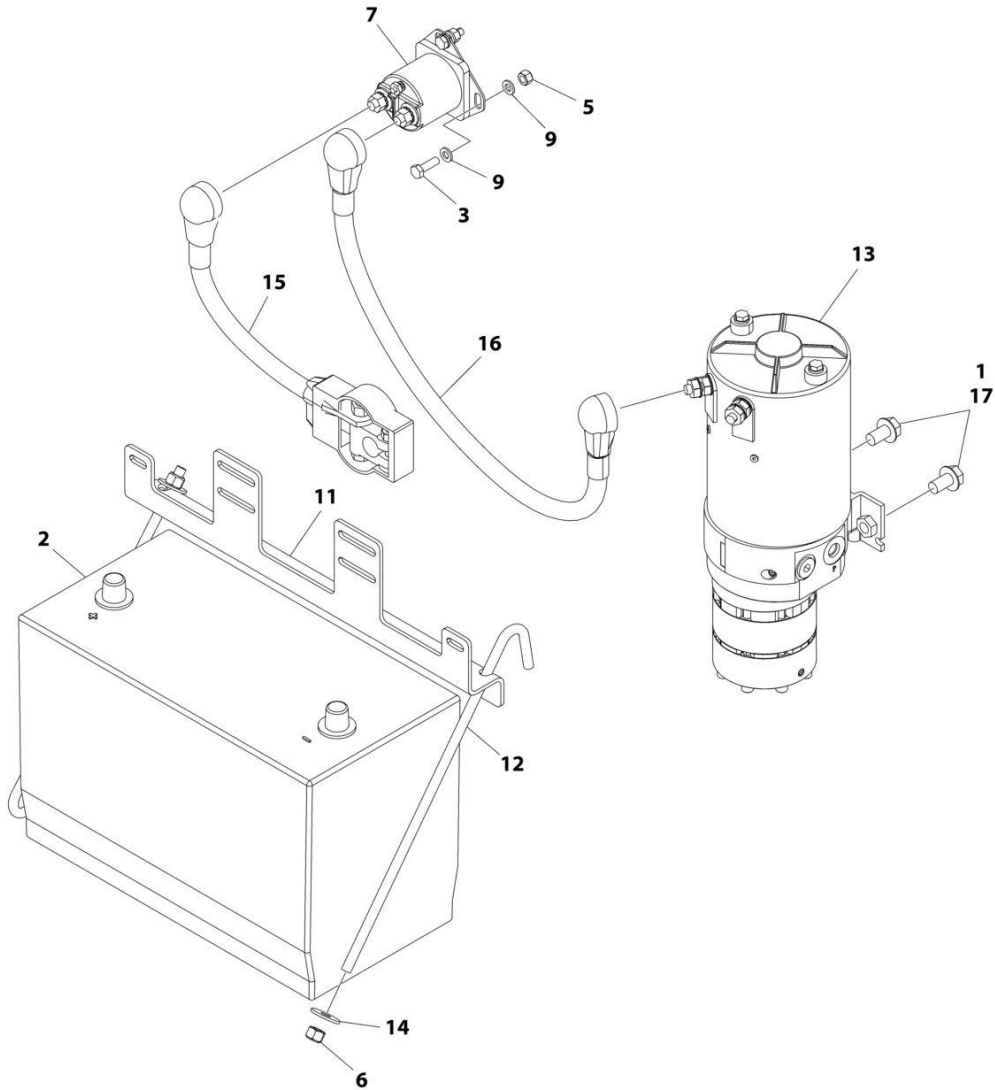
## SECTION 2 - TURNTABLE

**FIGURE 2-14. BATTERY AND AUXILIARY PUMP INSTALLATION**

ITEM	PART NUMBER	QTY	DESCRIPTION	REV
	1001186346	Ref	BATTERY AND AUXILIARY PUMP INSTALLATION	G
1	0100011	AR	Compound, Locking	
2	0400075	1	Battery	
3	0700610	2	Bolt M6 x 20	
5	3290605	2	Nut M6	
6	3290805	2	Nut M8	
7	3740067	1	Relay	
9	4811700	4	Washer M6	
11	91401281	1	Bracket, Hold Down	
12	1001192012	2	J-Bolt	
13	1001187808	1	Auxiliary Pump/Motor Assembly (Note: Replacement Motor is only Service Component Available. For Other Components, Replace Complete Assembly.)	
13	70003998	1	Motor, Replacement	
14	4811902	2	Washer M8	
15	1001188664	1	Cable, Battery (+)	
16	1001188666	1	Cable, Aux Relay to Aux Pump	
17	5251009	2	Bolt M10 x 18	

## SECTION 2 - TURNTABLE

FIGURE 2-15. BATTERY AND AUXILIARY PUMP W/DISCONNECT SWITCH INSTALLATION



ART\_1001238663

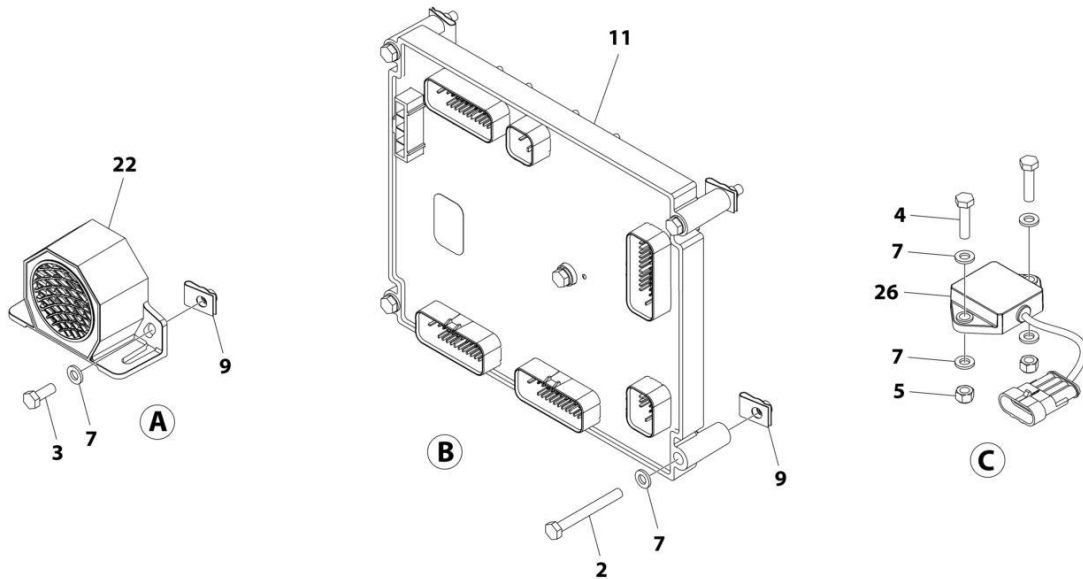
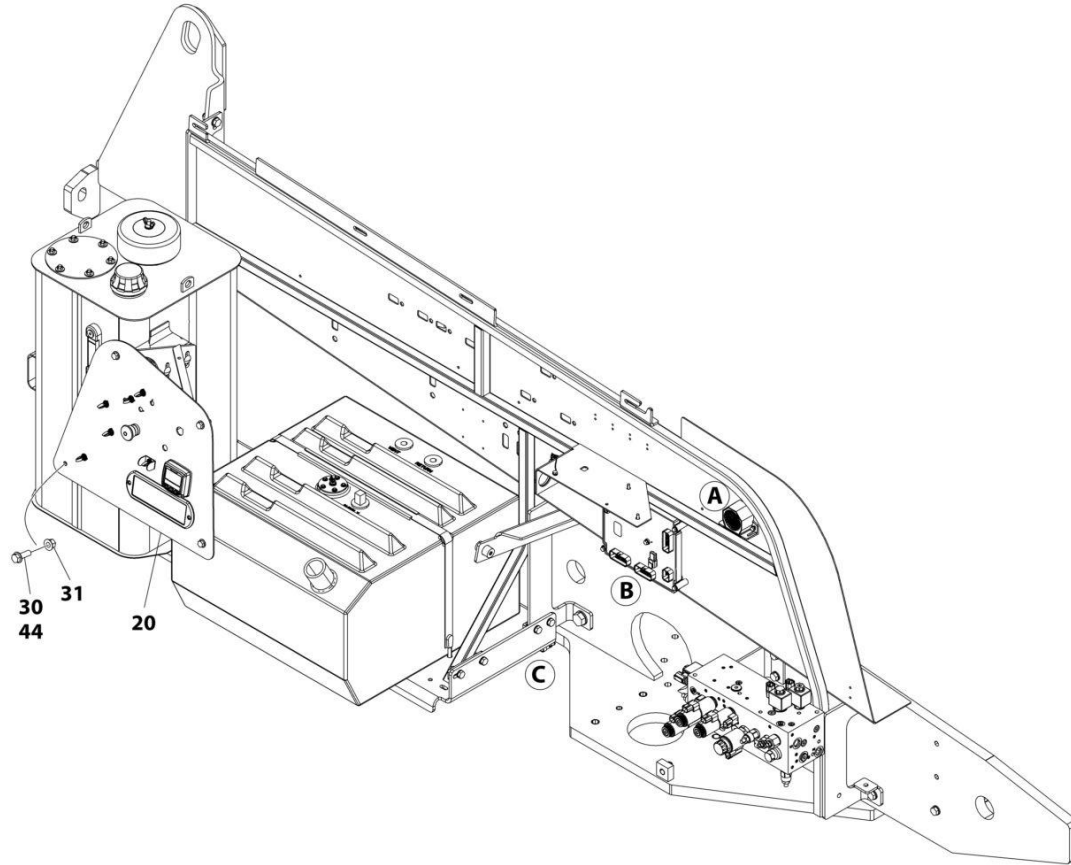
## SECTION 2 - TURNTABLE

**FIGURE 2-15. BATTERY AND AUXILIARY PUMP W/DISCONNECT SWITCH INSTALLATION**

ITEM	PART NUMBER	QTY	DESCRIPTION	REV
	1001238663	Ref	BATTERY AND AUXILIARY PUMP W/DISCONNECT SWITCH INSTALLATION	B
1	0100011	AR	Compound, Locking	
2	0400075	1	Battery	
3	0700610	2	Bolt M6 x 20	
5	3290605	2	Nut M6	
6	3290805	2	Nut M8	
7	3740067	1	Relay	
9	4811700	4	Washer M6	
11	1001236303	1	Bracket, Hold Down	
12	1001192012	2	J-Bolt	
13	1001187808	1	Auxiliary Pump/Motor Assembly (Note: Replacement Motor is only Service Component Available. For Other Components, Replace Complete Assembly.)	
13	70003998	1	Motor, Replacement	
14	4811902	2	Washer M8	
15	1001188664	1	Cable, Battery (+)	
16	1001188666	1	Cable, Aux Relay to Aux Pump	
17	5251009	2	Bolt M10 x 18	

# SECTION 2 - TURNTABLE

## FIGURE 2-16. ELECTRICAL COMPONENTS INSTALLATION - 600SC



ART\_1001199302\_1OF2

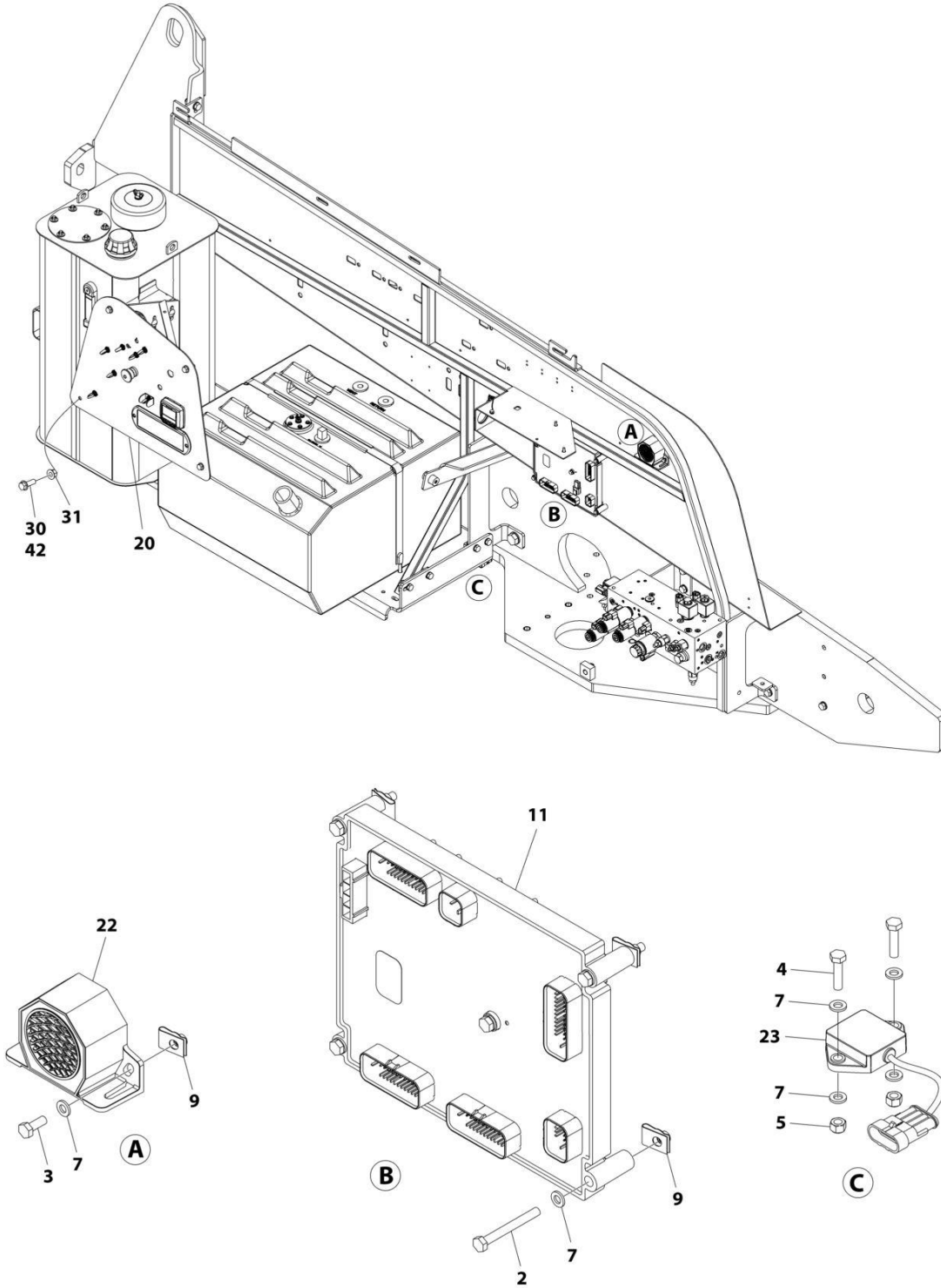
## SECTION 2 - TURNTABLE

**FIGURE 2-16. ELECTRICAL COMPONENTS INSTALLATION - 600SC**

ITEM	PART NUMBER	QTY	DESCRIPTION	REV
	1001199302	Ref	ELECTRICAL COMPONENTS INSTALLATION	J
2	0700619	5	Bolt M6 x 55	
3	0700608	5	Bolt M6 x 16	
4	0760612	2	Bolt M6 x 25	
5	3290605	3	Nut M6	
7	4811700	15	Washer M6	
9	1001130220	7	Nut, Tinnerman M6	
11	1001187200	1	Module, Ground Control (Note: Re-calibration Required when Replaced)	
20	1001192108	1	Ground Control Panel Assembly (See Separate Breakdown in this Section)	
22	0140043	1	Alarm	
26	1001181325	1	Sensor (SN 0300236299 through 0300241590)	
26	1001219601	1	Sensor (SN 0300241591 through 0300272446)	
30	5251014	4	Bolt M10 x 30	
31	5261018	4	Nut M10 Class 10	
31	5261000	4	Nut M10 Class 10	
44	0100011	AR	Compound, Locking (SN 0300243774 through 0300272446)	

# SECTION 2 - TURNTABLE

## FIGURE 2-17. ELECTRICAL COMPONENTS INSTALLATION - 660SJC



ART\_1001200979\_1OF2



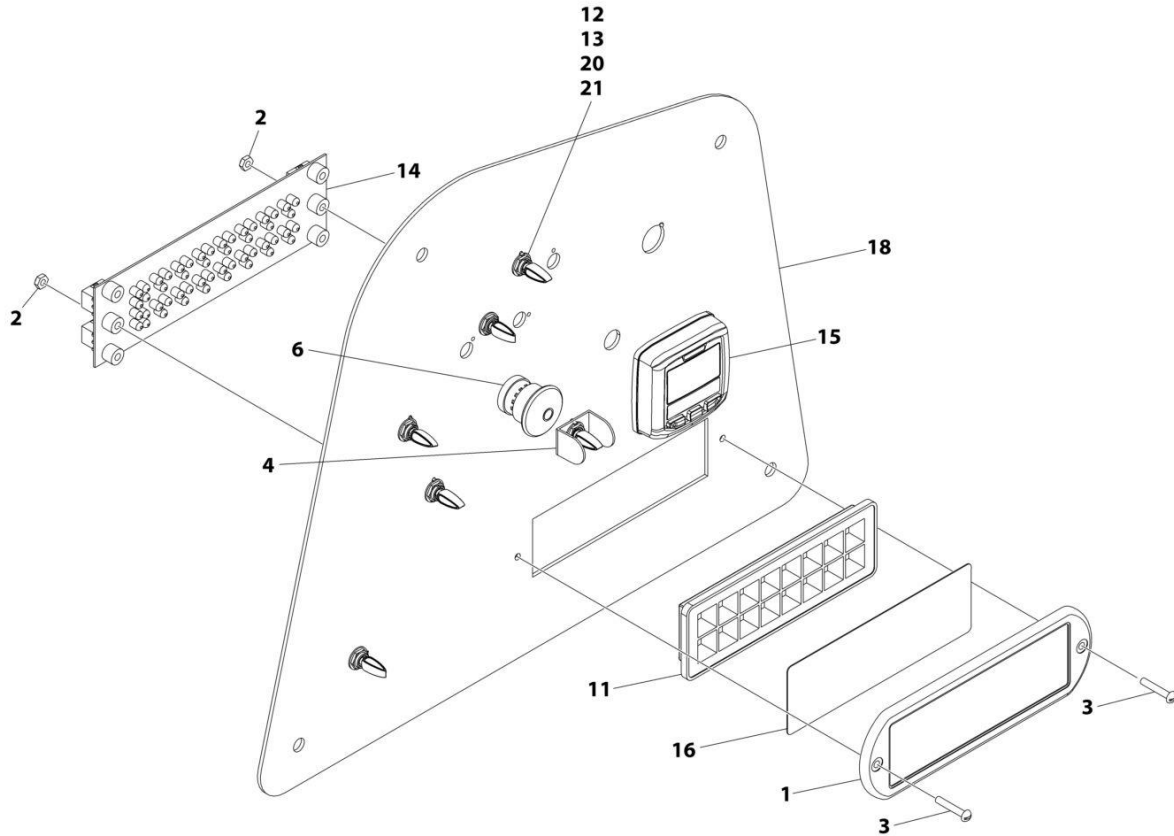
## SECTION 2 - TURNTABLE

**FIGURE 2-17. ELECTRICAL COMPONENTS INSTALLATION - 660SJC**

ITEM	PART NUMBER	QTY	DESCRIPTION	REV
	1001200979	Ref	ELECTRICAL COMPONENTS INSTALLATION	H
2	0700619	5	Bolt M6 x 55	
3	0700608	5	Bolt M6 x 16	
4	0760612	2	Bolt M6 x 25	
5	3290605	3	Nut M6	
7	4811700	15	Washer M6	
9	1001130220	7	Nut, Tinnerman M6	
11	1001187200	1	Module, Ground Control (Note: Re-calibration Required when Replaced)	
20	1001191115	1	Ground Control Panel Assembly (See Separate Breakdown in this Section)	
22	0140043	1	Alarm	
23	1001181325	1	Sensor (SN 0300236299 through 0300241590)	
23	1001219601	1	Sensor (SN 0300241591 through 0300272446)	
30	5251014	4	Bolt M10 x 30	
31	5261018	4	Nut M10 Class 10	
31	5261000	4	Nut M10 Class 10	
42	0100011	AR	Compound, Locking (SN 0300243774 through 0300272446)	

# SECTION 2 - TURNTABLE

## FIGURE 2-18. GROUND CONTROL PANEL ASSEMBLY - 600SC



ART\_1001192108

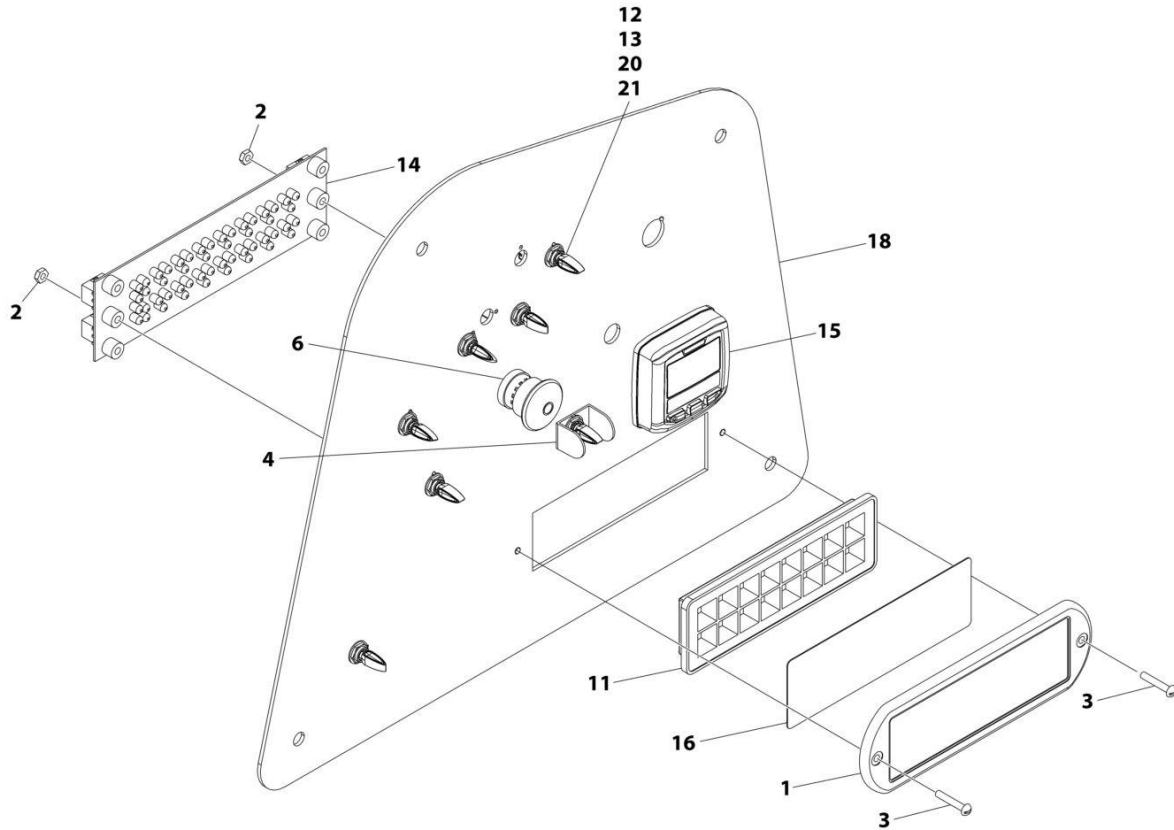
## SECTION 2 - TURNTABLE

**FIGURE 2-18. GROUND CONTROL PANEL ASSEMBLY - 600SC**

ITEM	PART NUMBER	QTY	DESCRIPTION	REV
	1001192108	Ref	GROUND CONTROL PANEL ASSEMBLY	D
1	1670829	1	Bezel	
2	3300408	2	Nut	
3	3911018	2	Screw #10 x 1-1/8	
4	4060906	1	Guard, Switch	
6	4360475	1	Switch, Emergency Stop	
6	7020175	1	Cap	
6	7020176	1	Block, Contact	
11	1001146220	1	Housing, Display	
12	1001155043	6	Washer	
13	1001155044	6	Nut 15/32	
14	1001170838	1	Panel, LED	
15	1001171482	1	Gauge	
16	1001173529	1	Decal - Display Panel	
18	1001191126	1	Plate	
20	4740397	6	Washer	
21	1001155045	6	Switch, Toggle	

# SECTION 2 - TURNTABLE

## FIGURE 2-19. GROUND CONTROL PANEL ASSEMBLY - 660SJC



ART\_1001191115

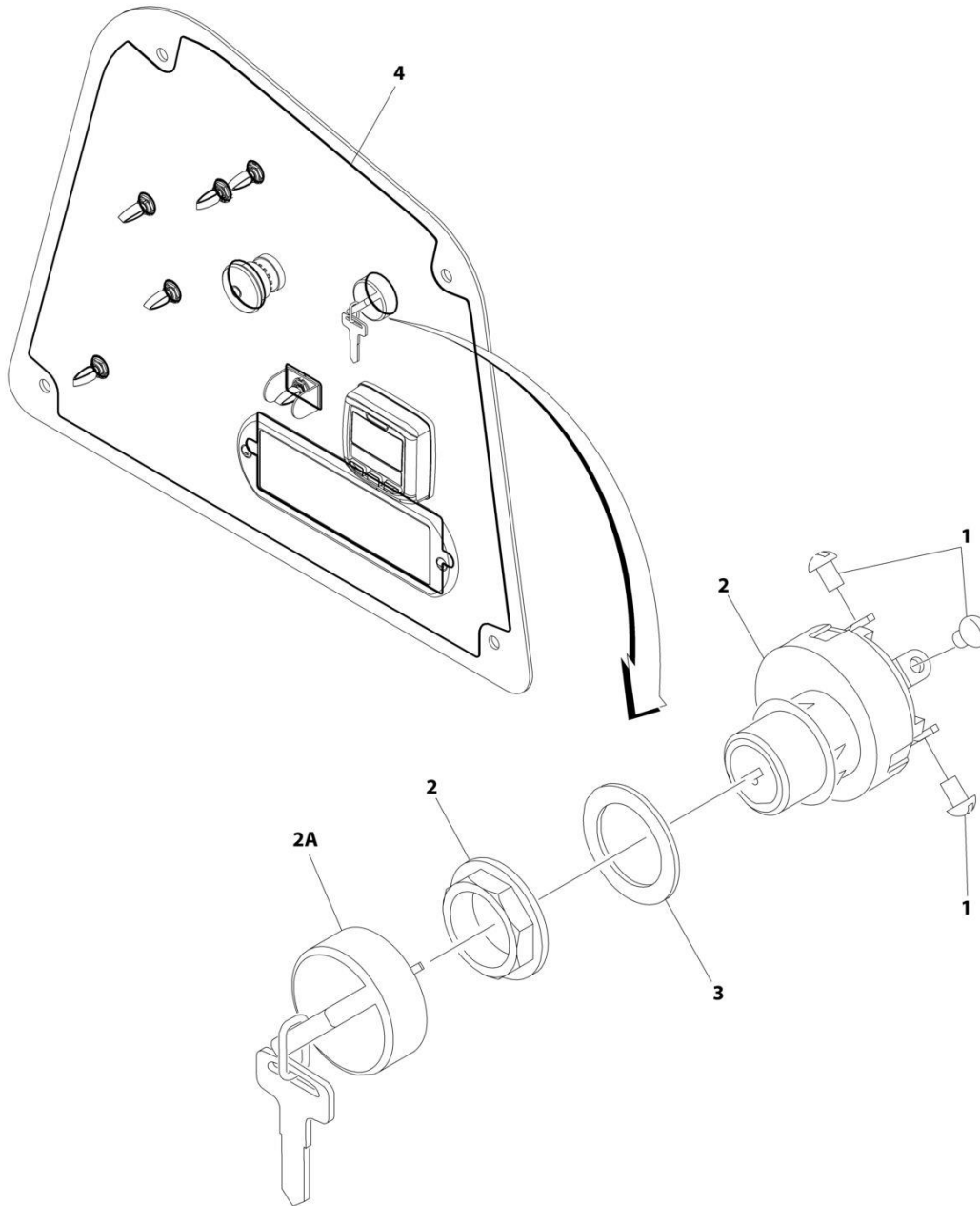
## SECTION 2 - TURNTABLE

**FIGURE 2-19. GROUND CONTROL PANEL ASSEMBLY - 660SJC**

ITEM	PART NUMBER	QTY	DESCRIPTION	REV
	1001191115	Ref	GROUND CONTROL PANEL ASSEMBLY	D
1	1670829	1	Bezel	
2	3300408	2	Nut	
3	3911018	2	Screw #10 x 1-1/8	
4	4060906	1	Guard, Switch	
6	4360475	1	Switch, Emergency Stop	
6	7020175	1	Cap	
6	7020176	1	Block, Contact	
11	1001146220	1	Housing, Display	
12	1001155043	7	Washer	
13	1001155044	7	Nut 15/32	
14	1001170838	1	Panel, LED	
15	1001171482	1	Gauge	
16	1001173529	1	Decal - Display Panel	
18	1001191126	1	Plate	
20	4740397	7	Washer	
21	1001155045	7	Switch, Toggle	

# SECTION 2 - TURNTABLE

FIGURE 2-20. KEYSWITCH INSTALLATION - 600SC (ALL SPECS EXCEPT CE SPECS)



ART\_1001200055

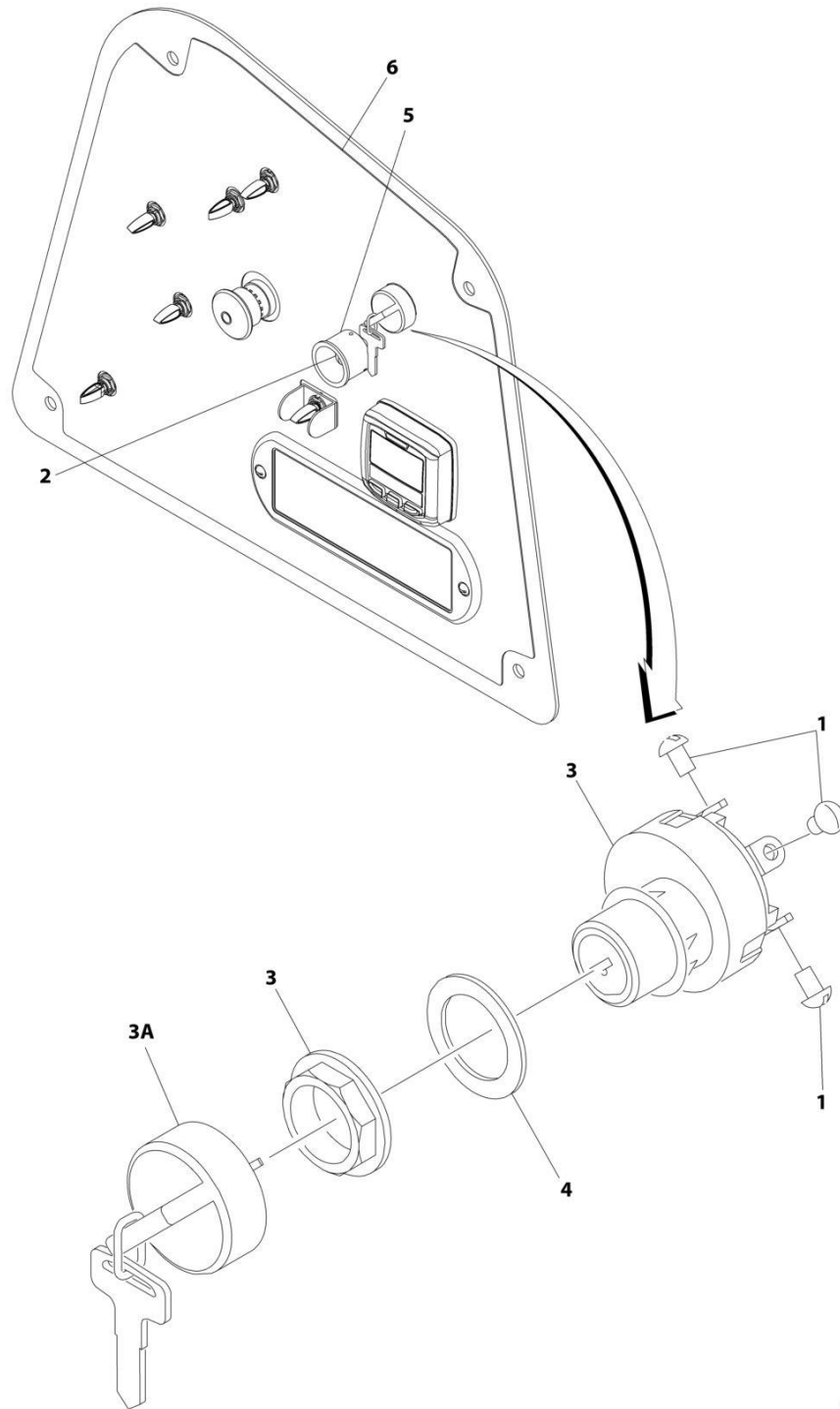
**SECTION 2 - TURNTABLE**

**FIGURE 2-20. KEYSWITCH INSTALLATION - 600SC (ALL SPECS EXCEPT CE SPECS)**

ITEM	PART NUMBER	QTY	DESCRIPTION	REV
	1001200055	Ref	KEYSWITCH INSTALLATION	A
1	3910804	6	Screw #8 x 1/4	
2	4360469	1	Switch, Key	
2A	2860030	1 Set	Key, Replacement	
3	1001151393	1	Shim	
4	1001200057	1	Decal - Ground Control Panel	

# SECTION 2 - TURNTABLE

## FIGURE 2-21. KEYSWITCH INSTALLATION - 600SC (CE SPECS)



ART\_1001200930



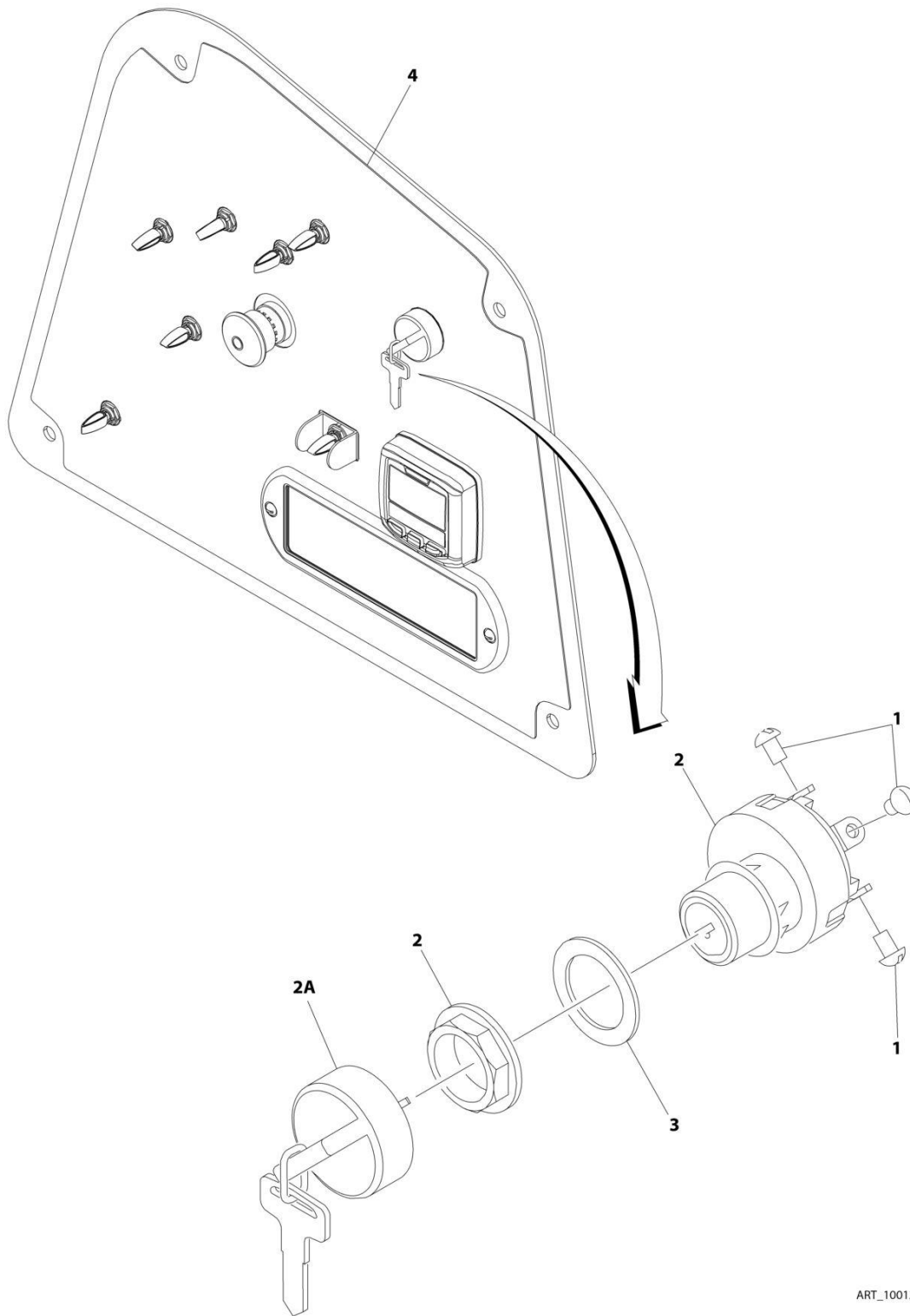
**SECTION 2 - TURNTABLE**

**FIGURE 2-21. KEYSWITCH INSTALLATION - 600SC (CE SPECS)**

ITEM	PART NUMBER	QTY	DESCRIPTION	REV
	1001200930	Ref	KEYSWITCH INSTALLATION	A
1	3910804	6	Screw #8 x 1/4	
2	4360387	1	Switch, Push Button	
3	4360469	1	Switch, Key	
3A	2860030	1 Set	Key, Replacement	
4	1001151393	1	Shim	
5	1001176469	1	Shroud, Switch	
6	1001200932	1	Decal - Ground Control Panel	

# SECTION 2 - TURNTABLE

FIGURE 2-22. KEYSWITCH INSTALLATION - 660SJC (ALL SPECS EXCEPT CE SPECS)



ART\_1001200056

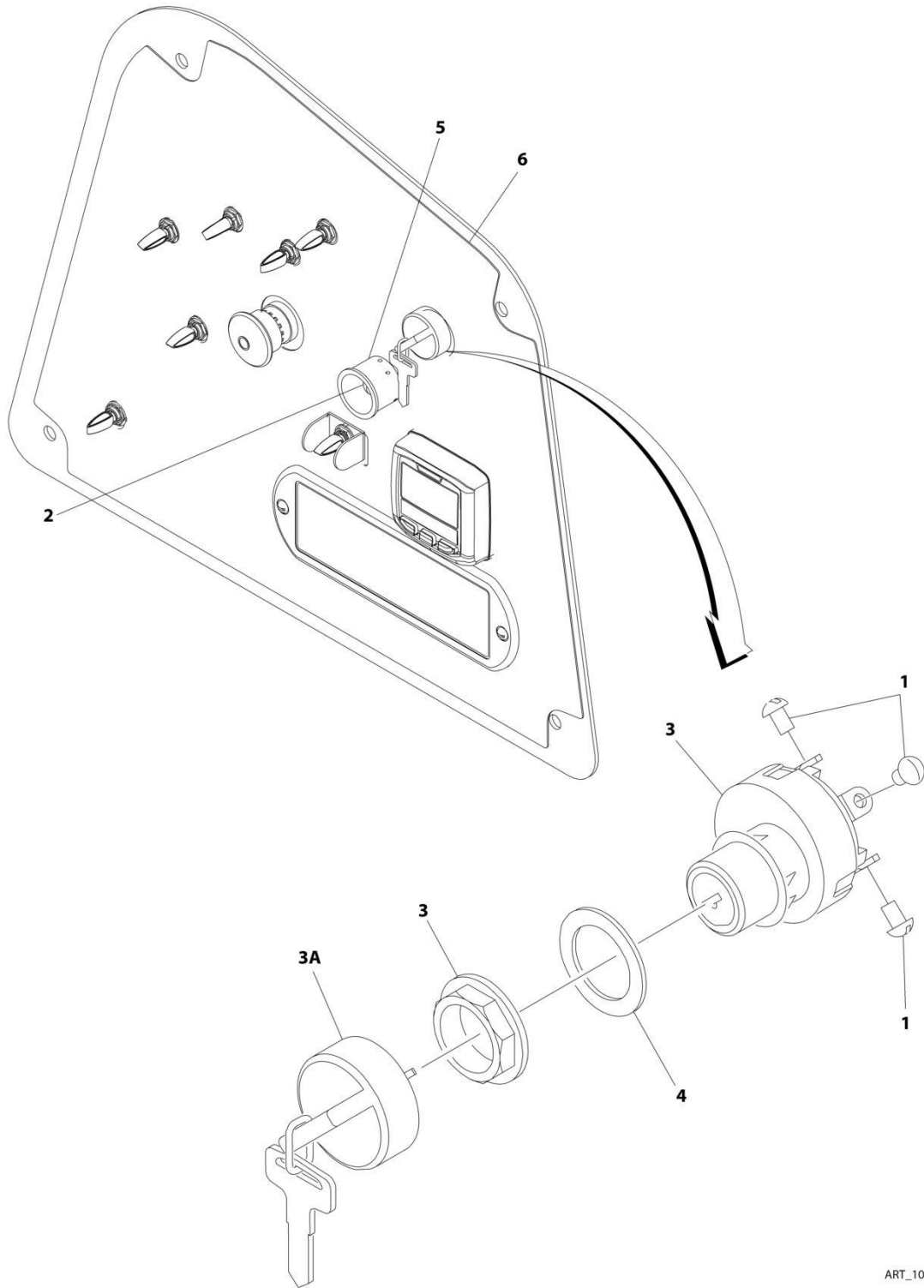
**SECTION 2 - TURNTABLE**

**FIGURE 2-22. KEYSWITCH INSTALLATION - 660SJC (ALL SPECS EXCEPT CE SPECS)**

ITEM	PART NUMBER	QTY	DESCRIPTION	REV
	1001200056	Ref	KEYSWITCH INSTALLATION	A
1	3910804	6	Screw #8 x 1/4	
2	4360469	1	Switch, Key	
2A	2860030	1 Set	Key, Replacement	
3	1001151393	1	Shim	
4	1001200058	1	Decal - Ground Control Panel	

# SECTION 2 - TURNTABLE

## FIGURE 2-23. KEYSWITCH INSTALLATION - 660SJC (CE SPECS)



ART\_1001200931

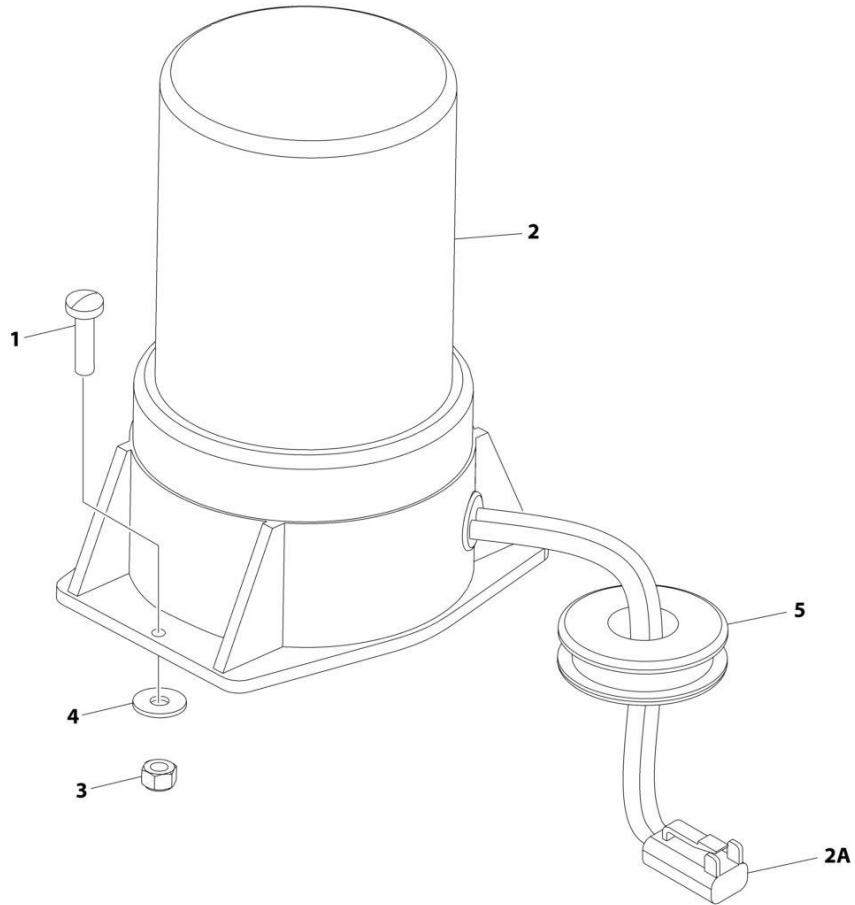
**SECTION 2 - TURNTABLE**

**FIGURE 2-23. KEYSWITCH INSTALLATION - 660SJC (CE SPECS)**

ITEM	PART NUMBER	QTY	DESCRIPTION	REV
	1001200931	Ref	KEYSWITCH INSTALLATION	A
1	3910804	6	Screw #8 x 1/4	
2	4360387	1	Switch, Push Button	
3	4360469	1	Switch, Key	
3A	2860030	1 Set	Key, Replacement	
4	1001151393	1	Shim	
5	1001176469	1	Shroud, Switch	
6	1001200933	1	Decal - Ground Control Panel	

## SECTION 2 - TURNTABLE

FIGURE 2-24. STROBE LIGHT INSTALLATION - AMBER (OPTIONAL)



ART\_1001191557

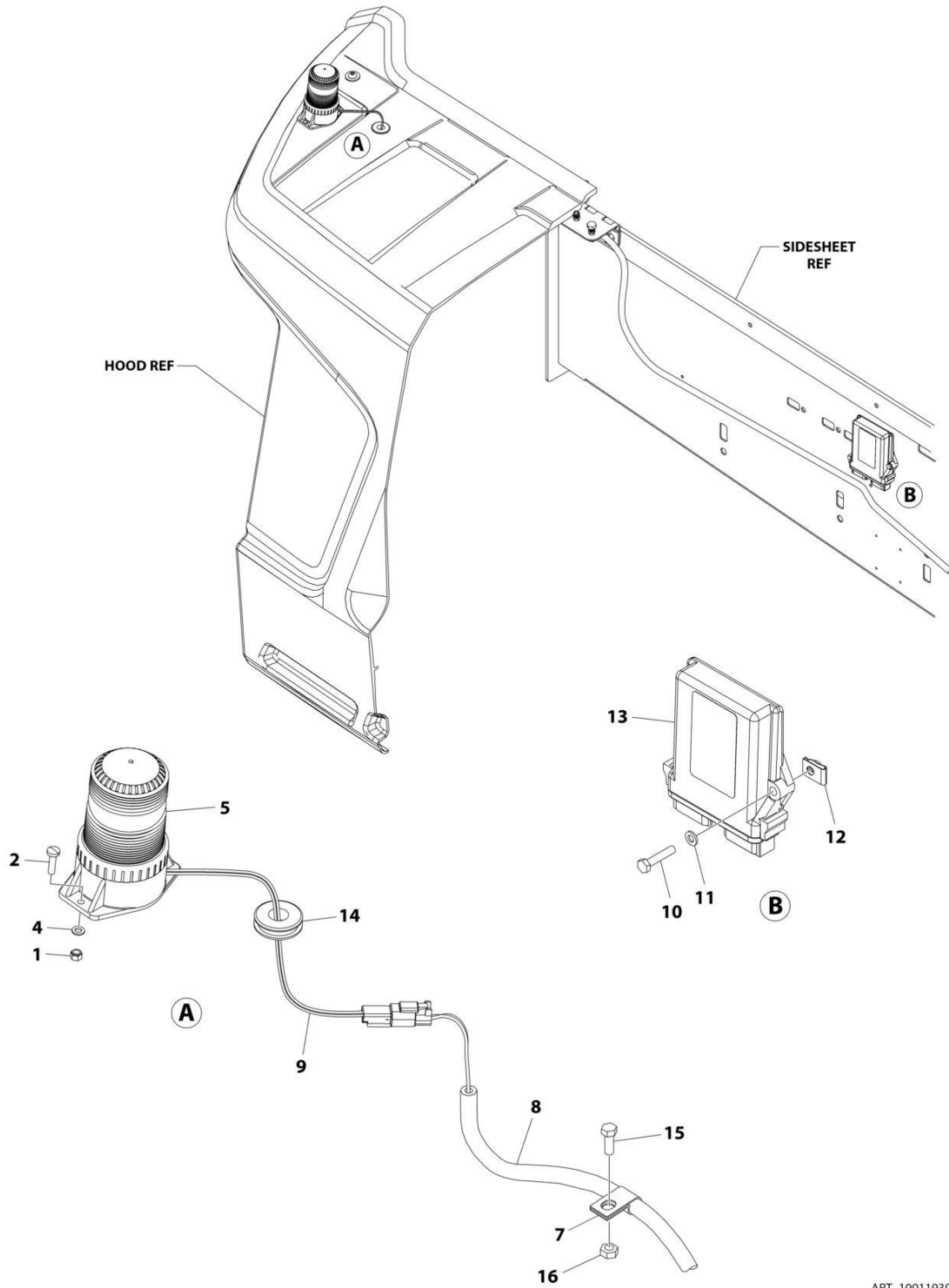
**SECTION 2 - TURNTABLE**

**FIGURE 2-24. STROBE LIGHT INSTALLATION - AMBER (OPTIONAL)**

ITEM	PART NUMBER	QTY	DESCRIPTION	REV
	1001191557	Ref	STROBE LIGHT INSTALLATION	D
1	4010510	2	Screw M5 x 20	
2	2920161	1	Light Strobe (Amber)	
2	7016319	1	Bulb	
2	7016372	1	Lens	
2A	4460891	1	Plug, Male - 2 Position	
2A	4460465	2	Socket, Female	
3	3290505	2	Nut M5	
4	4811600	2	Washer M5	
5	2540020	1	Grommet	
7	4240099	1	Tie-Strap (Not Shown)	

## SECTION 2 - TURNTABLE

FIGURE 2-25. STROBE LIGHT INSTALLATION - BLUE (OPTIONAL) (SN 0300236299 through 0300259984)



ART\_1001193944



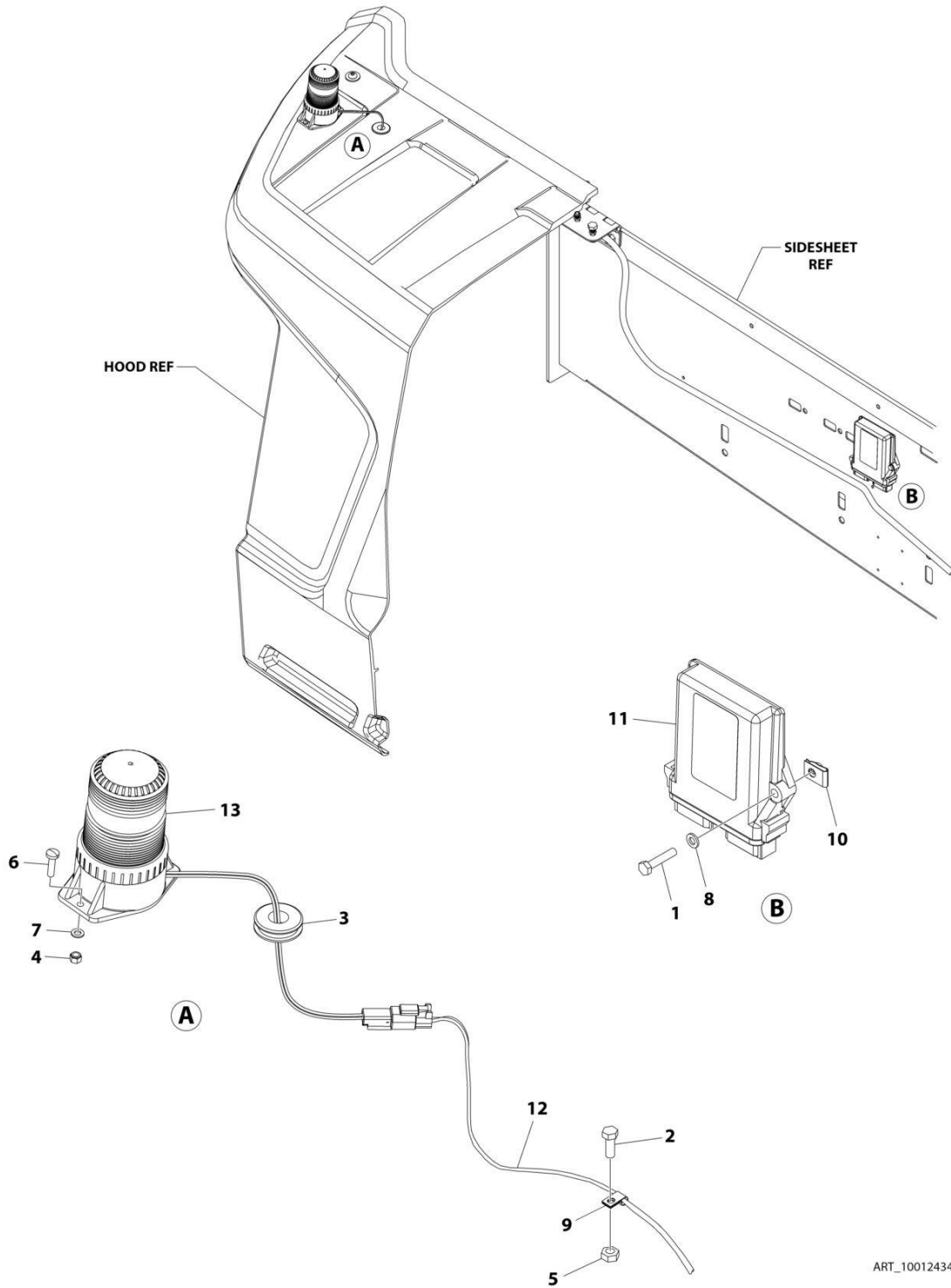
## SECTION 2 - TURNTABLE

**FIGURE 2-25. STROBE LIGHT INSTALLATION - BLUE (OPTIONAL) (SN 0300236299 through 0300259984)**

ITEM	PART NUMBER	QTY	DESCRIPTION	REV
	1001193944	Ref	STROBE LIGHT INSTALLATION	1
1	3290505	2	Nut M5	
2	4010510	2	Screw M5 x 20	
4	4811600	2	Washer M5	
5	1001200910	1	Light, Strobe (Blue)	
5	4460897	2	Receptacle, Female - 2 Position	
5	4460464	4	Pin, Male	
7	8406110	1	Clip	
8	1001142736	1	Strobe Light Control Harness (See Separate Breakdown in ELECTRICAL SECTION)	
9	1001196458	1	Strobe Light Extension Harness	
9	4460891	1	Plug, Male - 4 Position	
9	4460465	2	Socket, Female	
9	4460897	2	Receptacle, Female - 2 Position	
9	4460464	4	Pin, Male	
10	0760614	2	Bolt M6 x 30	
11	4811700	2	Washer M6	
12	1001130220	2	Nut, Tinnerman M6	
13	1001142683	1	Module, Beacon Control	
14	2540020	1	Grommet	
15	0761016	1	Bolt M10 x 40	
16	3291005	1	Nut M10	

# SECTION 2 - TURNTABLE

FIGURE 2-26. STROBE LIGHT INSTALLATION - BLUE (OPTIONAL) (SN 0300259985 through 0300272446)



ART\_1001243464

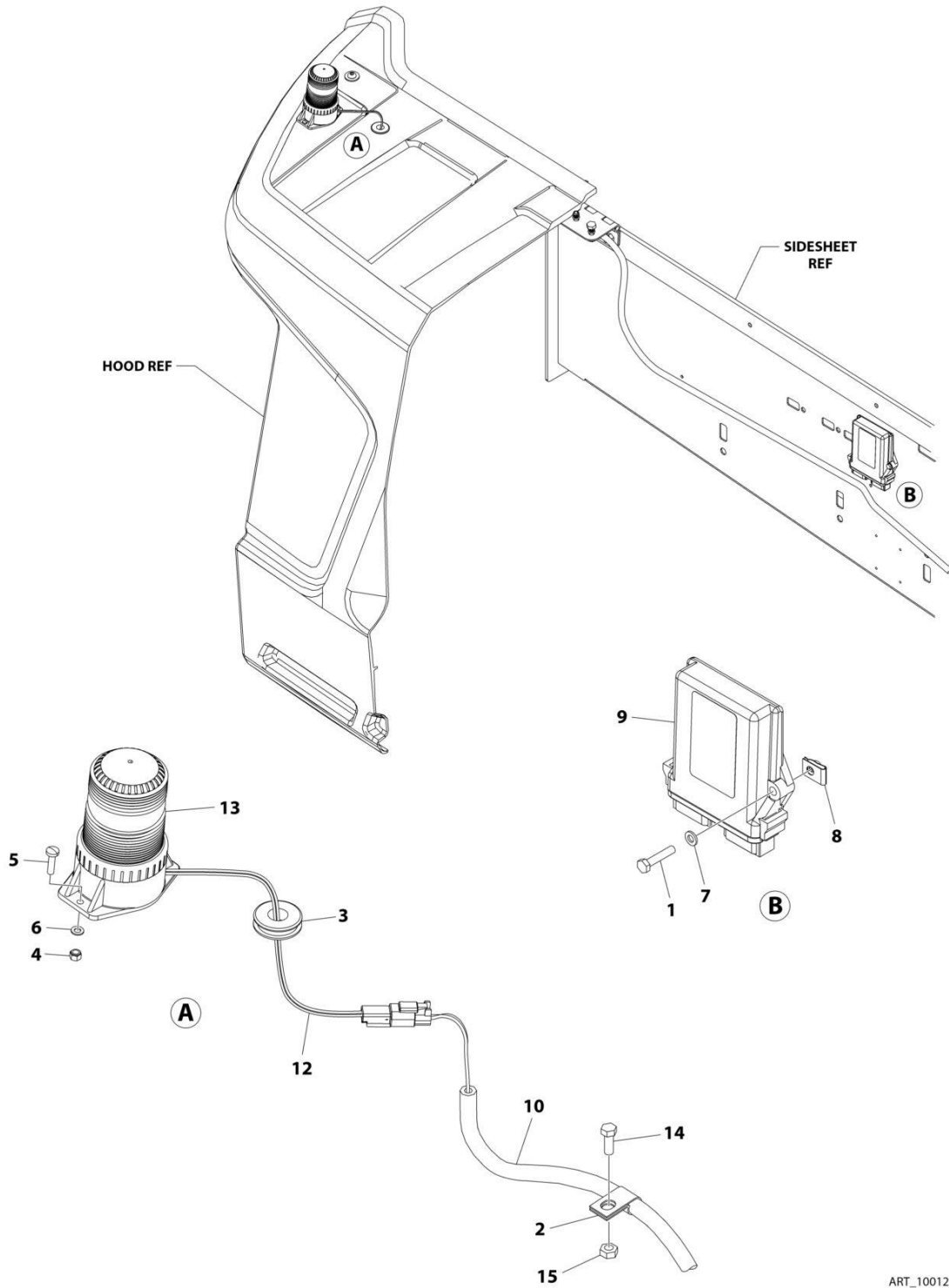
## SECTION 2 - TURNTABLE

**FIGURE 2-26. STROBE LIGHT INSTALLATION - BLUE (OPTIONAL) (SN 0300259985 through 0300272446)**

ITEM	PART NUMBER	QTY	DESCRIPTION	REV
	1001243464	Ref	STROBE LIGHT INSTALLATION	A
1	0760614	2	Bolt M6 x 30	
2	0761016	1	Bolt M10 x 40	
3	2540020	1	Grommet	
4	3290505	2	Nut M5	
5	3291005	1	Nut M10	
6	4010510	2	Screw M5 x 20	
7	4811600	2	Washer M5	
8	4811700	2	Washer M6	
9	8406110	1	Clip	
10	1001130220	2	Nut, Tinnerman M6	
11	1001142683	1	Module, Beacon Control	
12	1001142736	1	Strobe Light Control Harness (See Separate Breakdown in ELECTRICAL SECTION)	
13	1001200910	1	Light, Strobe (Blue)	
13	4460897	2	Receptacle, Female - 2 Position	
13	4460464	4	Pin, Male	

## SECTION 2 - TURNTABLE

FIGURE 2-27. STROBE LIGHT INSTALLATION - RED (OPTIONAL) (SN 0300236299 through 0300259984)



ART\_1001212192

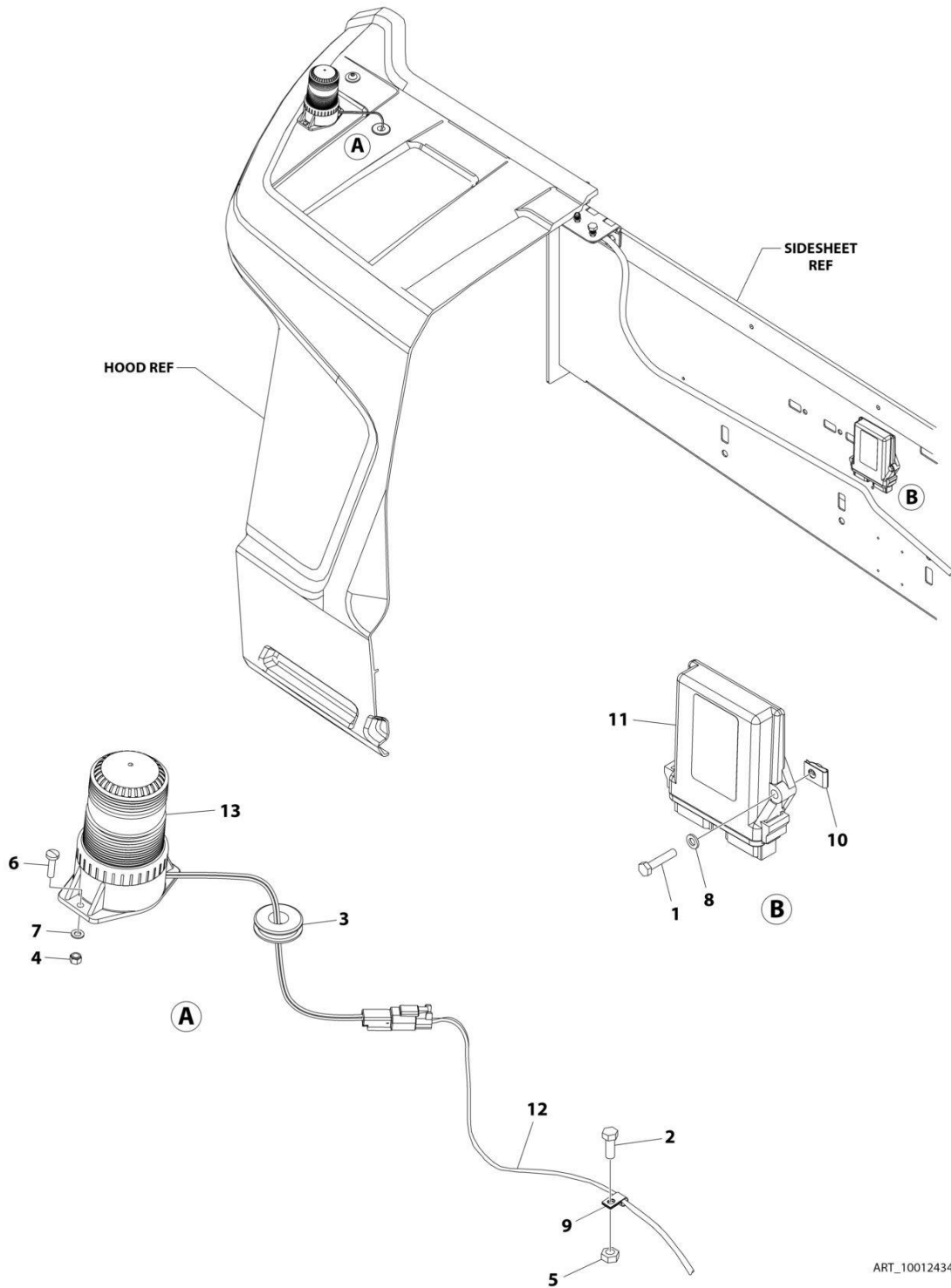
## SECTION 2 - TURNTABLE

**FIGURE 2-27. STROBE LIGHT INSTALLATION - RED (OPTIONAL) (SN 0300236299 through 0300259984)**

ITEM	PART NUMBER	QTY	DESCRIPTION	REV
	1001212192	Ref	STROBE LIGHT INSTALLATION	D
1	0760614	2	Bolt M6 x 30	
2	8406110	1	Clip	
3	2540020	1	Grommet	
4	3290505	2	Nut M5	
5	4010510	2	Screw M5 x 20	
6	4811600	2	Washer M5	
7	4811700	2	Washer M6	
8	1001130220	2	Nut, Tinnerman M6	
9	1001142683	1	Module, Beacon Control	
10	1001142736	1	Strobe Light Control Harness (See Separate Breakdown in ELECTRICAL SECTION)	
12	1001196458	1	Strobe Light Extension Harness	
12	4460891	1	Plug, Male - 4 Position	
12	4460465	2	Socket, Female	
12	4460897	2	Receptacle, Female - 2 Position	
12	4460464	4	Pin, Male	
13	1001207004	1	Light, Strobe (Red)	
13	4460897	2	Receptacle, Female - 2 Position	
13	4460464	4	Pin, Male	
14	0761016	1	Bolt M10 x 40	
15	3291005	1	Nut M10	

# SECTION 2 - TURNTABLE

FIGURE 2-28. STROBE LIGHT INSTALLATION (SN 0300259985 through 0300272446)



ART\_1001243465

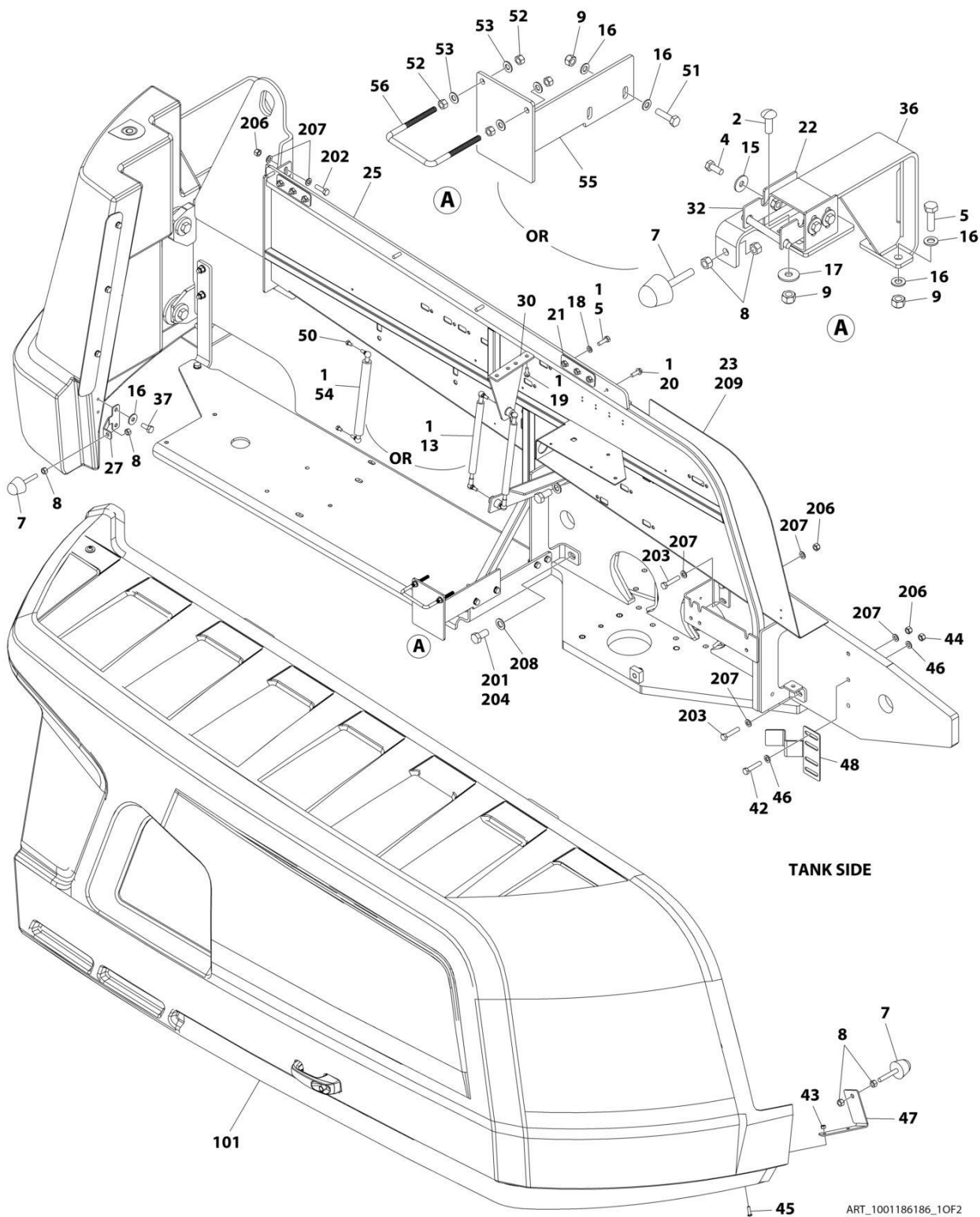
## SECTION 2 - TURNTABLE

**FIGURE 2-28. STROBE LIGHT INSTALLATION (SN 0300259985 through 0300272446)**

ITEM	PART NUMBER	QTY	DESCRIPTION	REV
	1001243465	Ref	STROBE LIGHT INSTALLATION	A
1	0760614	2	Bolt M6 x 30	
2	0761016	1	Bolt M10 x 40	
3	2540020	1	Grommet	
4	3290505	2	Nut M5	
5	3291005	1	Nut M10	
6	4010510	2	Screw M5 x 20	
7	4811600	2	Washer M5	
8	4811700	2	Washer M6	
9	8406110	1	Clip	
10	1001130220	2	Nut, Tinnerman M6	
11	1001142683	1	Module, Beacon Control	
12	1001142736	1	Strobe Light Control Harness (See Separate Breakdown in ELECTRICAL SECTION)	
13	1001207004	1	Light, Strobe (Red)	
13	4460897	2	Receptacle, Female - 2 Position	
13	4460464	4	Pin, Male	

# SECTION 2 - TURNTABLE

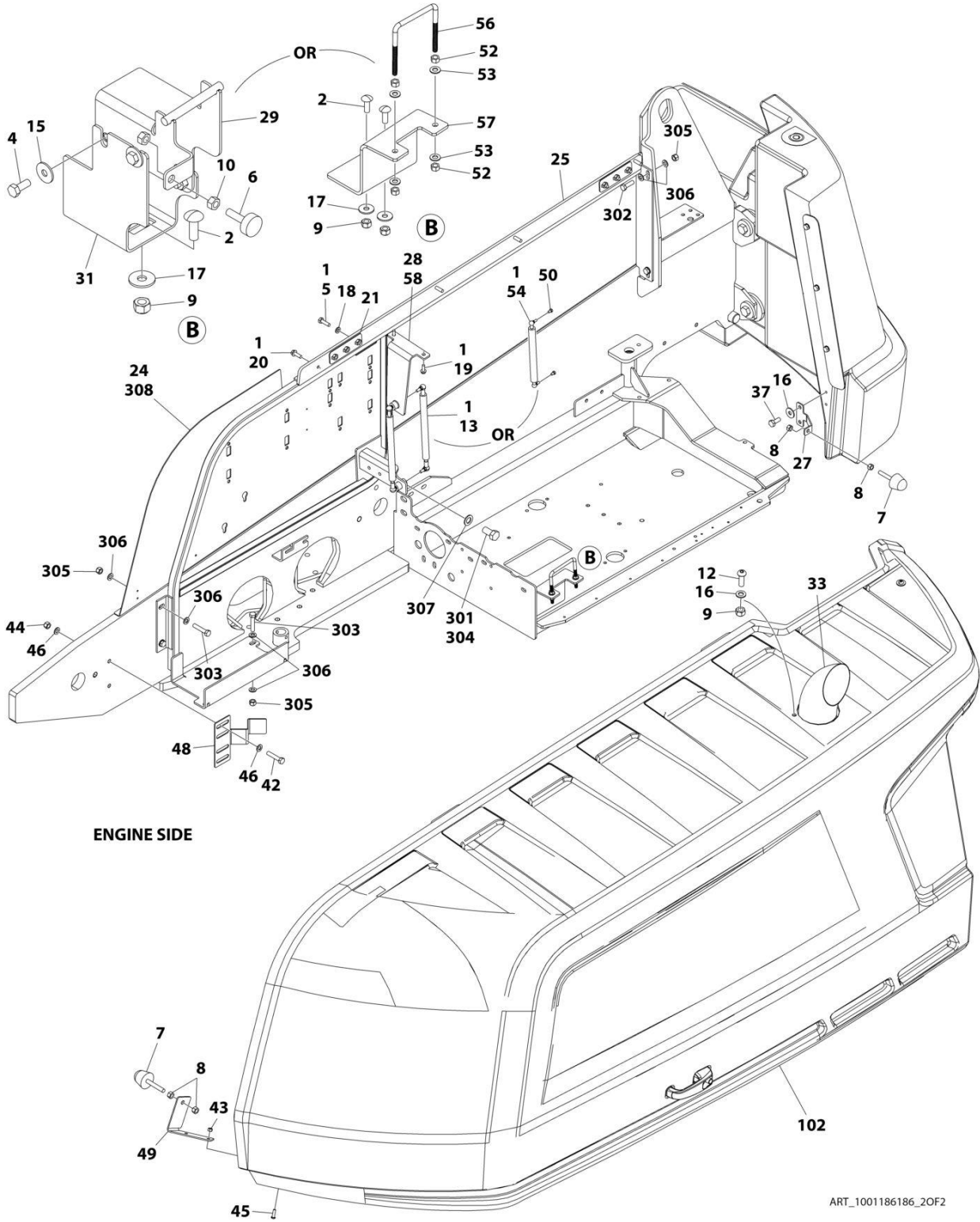
## FIGURE 2-29. HOODS INSTALLATIONS - ABS



ART\_1001186186\_10F2



# SECTION 2 - TURNTABLE



ART\_1001186186\_2OF2

## SECTION 2 - TURNTABLE

FIGURE 2-29. HOODS INSTALLATIONS - ABS

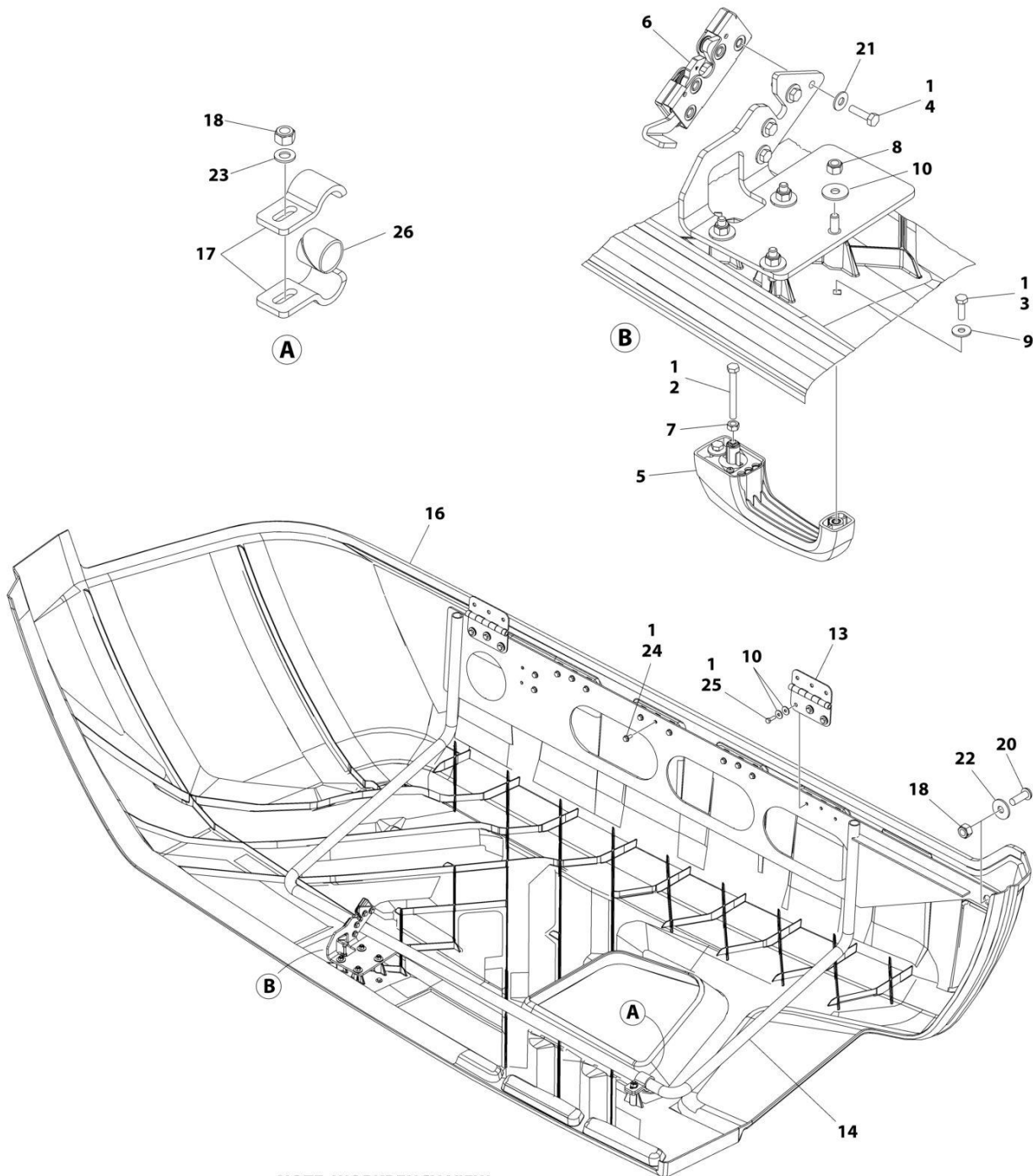
ITEM	PART NUMBER	QTY	DESCRIPTION	REV
	1001186186	Ref	HOODS INSTALLATIONS	G
1	0100011	AR	Compound, Locking	
2	0630613	AR	Bolt M10 x 30	
4	0760810	8	Bolt M8 x 20	
5	0761015	AR	Bolt M10 x 35	
7	1001206314	AR	Bumper	
8	3311601	AR	Nut 3/8	
9	3291005	AR	Nut M10	
10	3311501	2	Nut 5/16	
12	1001174673	2	Screw M10 x 30	
13	1001210762	4	Spring, Gas (SN 0300236299 through 0300260694)	
15	4811902	8	Washer M8	
16	4812000	6	Washer M10	
17	4812002	AR	Washer M10	
18	5241000	12	Washer M10	
19	5250812	4	Bolt M8 x 25	
20	5251014	8	Bolt M10 x 30	
21	1001169046	4	Nut, Hinge	
22	1001172615	1	Mount (SN 0300236299 through 0300260694)	
23	1001187950	1	Side-Sheet Assembly - Tank Side (See Items 201-209 for Breakdown)	
24	1001187951	1	Side-Sheet Assembly - Engine Side (See Items 301-308 for Breakdown)	
25	1001189067	2	Mount	
27	1001190338	2	Bracket	
28	1001190476	1	Bracket (SN 0300236299 through 0300260694)	
29	1001190756	1	Support (SN 0300236299 through 0300260694)	
30	1001192841	1	Bracket	
31	1001192842	1	Mount (SN 0300236299 through 0300260694)	
32	1001192843	1	Support (SN 0300236299 through 0300260694)	
33	1001193760	1	Pipe, Exhaust	
36	1001206880	1	Support (SN 0300236299 through 0300260694)	
37	0701012	2	Bolt M10 x 25	
42	0701220	2	Bolt M12 x 60	
43	3290605	4	Nut M6	
44	3291205	2	Nut M12	
45	3900364	4	Screw M6 x 20	
46	4812100	4	Washer M12	
47	1001213543	1	Bracket	
48	1001231310	2	Bracket	
49	1001213744	1	Bracket	
50	0641504	4	Bolt 5/16 x 1/2	
51	0701016	2	Bolt M10 x 40	
52	3271601	8	Nut 3/8	
53	4711600	8	Washer 3/8	
54	1001213794	1	Spring, Gas (SN 0300260695 through 0300272446)	
55	1001243171	1	SUPPORT,STRIKER MOUNT (SN 0300260695 through 0300272446)	
56	1001243414	2	Bolt, U-Bolt 3/8	
57	1001243522	1	Bracket (SN 0300260695 through 0300272446)	

## SECTION 2 - TURNTABLE

ITEM	PART NUMBER	QTY	DESCRIPTION	REV
58	1001243654	1	Bracket (SN 0300260695 through 0300272446)	
100	1001227887	1	Hood Kit (Not Shown)	
101	1001195454	1	Hood Assembly - Tank Side (See Separate Breakdown in this Section)	
102	1001195455	1	Hood Assembly - Engine Side (See Separate Breakdown in this Section)	
	1001187950	Ref	SIDE-SHEET ASSEMBLY - TANK SIDE	C
201	0100011	AR	Compound, Locking	
202	0701216	2	Bolt M12 x 40	
203	0701220	4	Bolt M12 x 60	
204	0762016	2	Bolt M20 x 40	
206	3291205	6	Nut M12	
207	4812100	12	Washer M12	
208	4812500	2	Washer M20	
209	1001188194	1	Side-Sheet, Tank Side	
	1001187951	Ref	SIDE-SHEET ASSEMBLY - ENGINE SIDE	B
301	0100011	AR	Compound, Locking	
302	0701216	2	Bolt M12 x 40	
303	0701220	3	Bolt M12 x 60	
304	0762016	1	Bolt M20 x 40	
305	3291205	5	Nut M12	
306	4812100	10	Washer M12	
307	4812500	1	Washer M20	
308	1001188187	1	Side-Sheet, Engine Side	

# SECTION 2 - TURNTABLE

## FIGURE 2-30. HOOD ASSEMBLY - TANK SIDE (ABS)



NOTE: WORKBENCH VIEW

ART\_1001195454

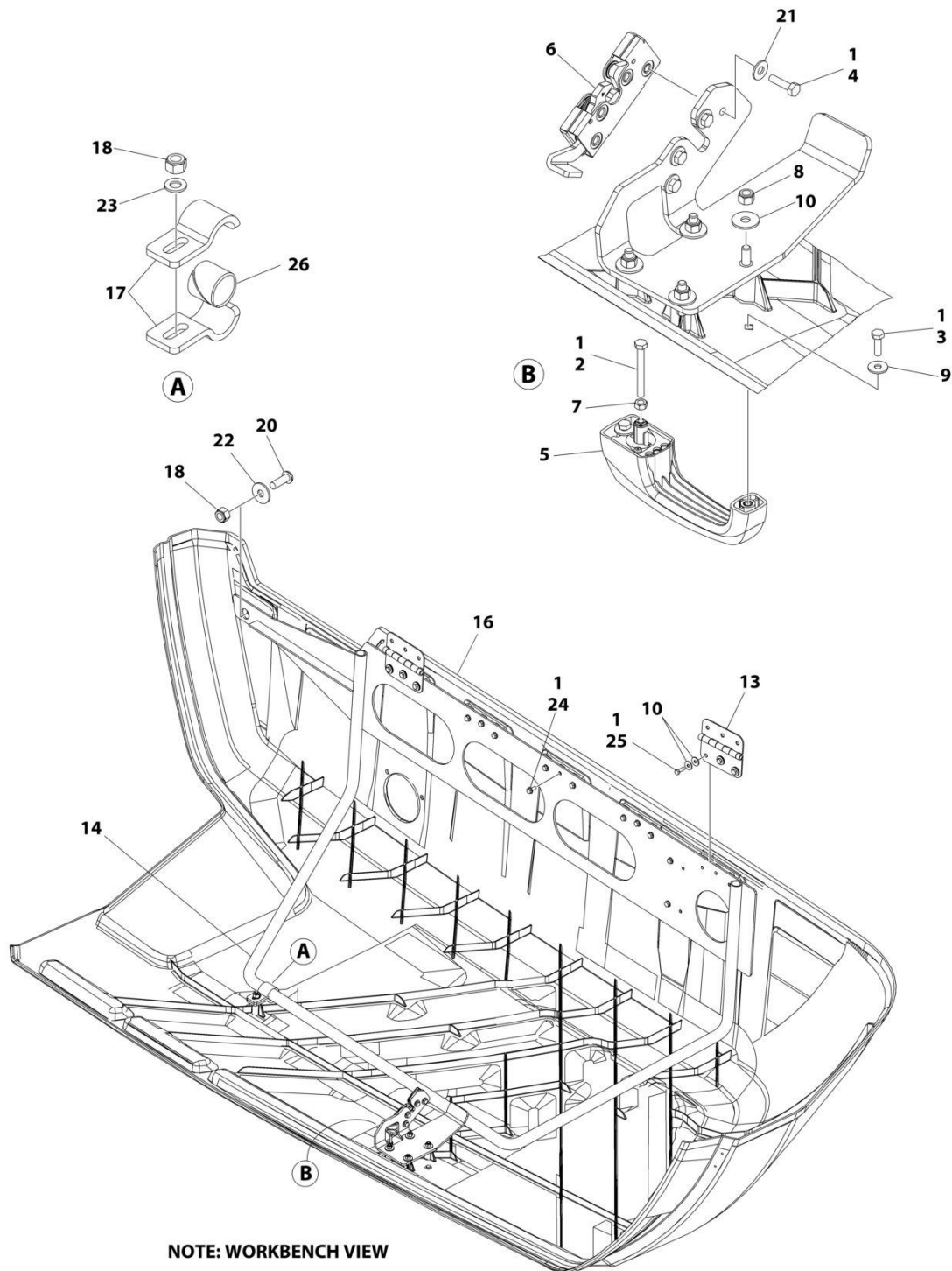
## SECTION 2 - TURNTABLE

**FIGURE 2-30. HOOD ASSEMBLY - TANK SIDE (ABS)**

ITEM	PART NUMBER	QTY	DESCRIPTION	REV
	1001195454	Ref	HOOD ASSEMBLY	G
1	0100011	AR	Compound, Locking	
2	0700619	1	Bolt M6 x 55	
3	0760610	2	Bolt M6 x 20	
4	0641408	4	Bolt 1/4 x 1	
5	2560187	1	Handle, Push Button	
6	2940173	1	Latch, Rotary	
7	3290601	1	Nut M6	
8	3290805	4	Nut M8	
9	4811702	2	Washer M6	
10	4811902	16	Washer M8	
13	1001139384	2	Hinge	
14	1001204303	1	Support	
16	1001193168	1	Hood	
17	1321384	2	Clamp	
18	3291005	2	Nut M10	
20	1001174673	1	Screw M10 x 30	
21	4751400	4	Washer 1/4	
22	4812002	1	Washer M10	
23	4812000	1	Washer M10	
24	5250810	11	Bolt M8 x 20	
25	0760812	6	Bolt M8 x 25	
26	1001227367	1	Bearing	

# SECTION 2 - TURNTABLE

## FIGURE 2-31. HOOD ASSEMBLY - ENGINE SIDE (ABS)



ART\_1001195455

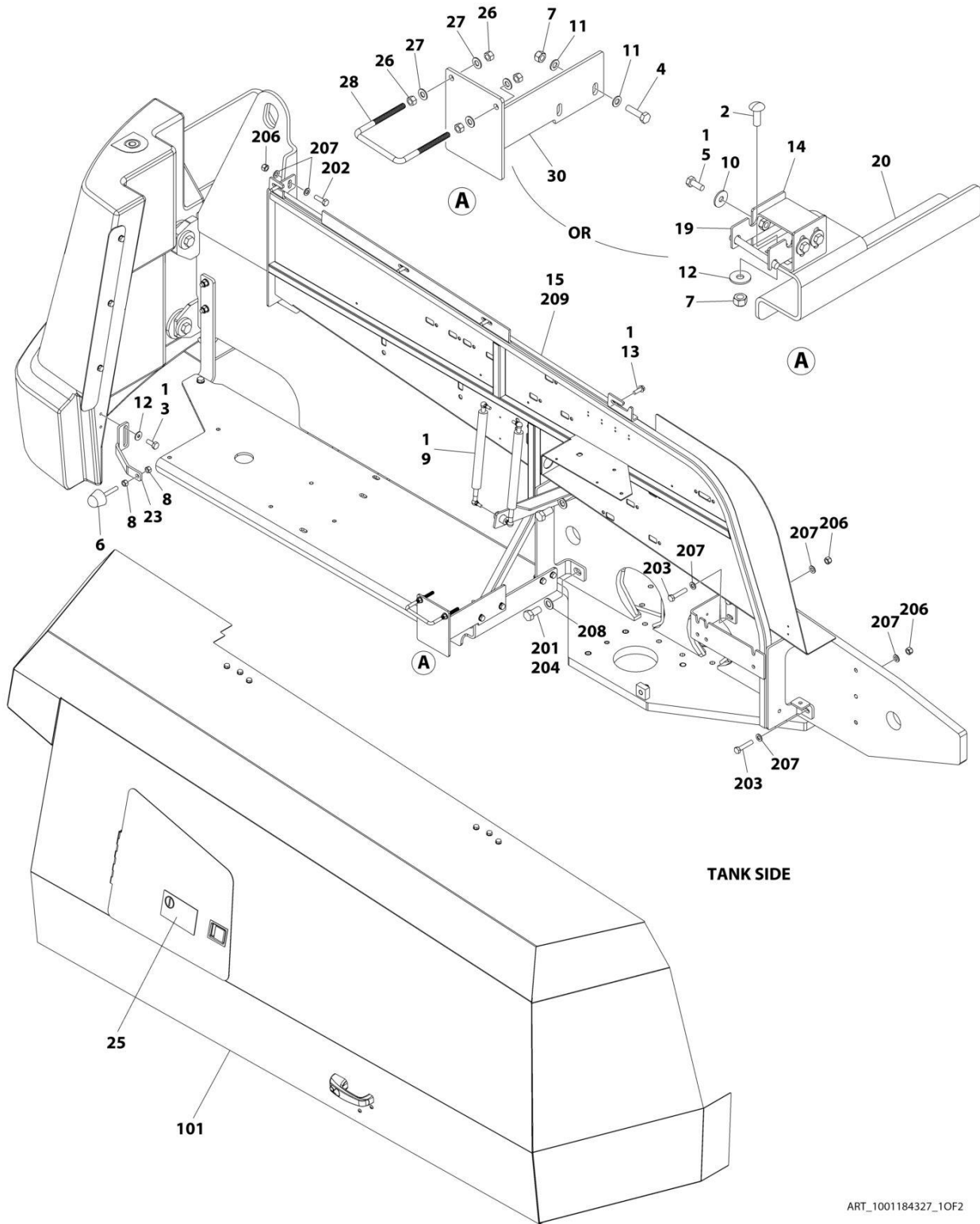
## SECTION 2 - TURNTABLE

**FIGURE 2-31. HOOD ASSEMBLY - ENGINE SIDE (ABS)**

ITEM	PART NUMBER	QTY	DESCRIPTION	REV
	1001195455	Ref	HOOD ASSEMBLY	H
1	0100011	AR	Compound, Locking	
2	0700619	1	Bolt M6 x 55	
3	0760610	2	Bolt M6 x 20	
4	0641408	4	Bolt 1/4 x 1	
5	2560187	1	Handle, Push Button	
6	2940173	1	Latch, Rotary	
7	3290601	1	Nut M6	
8	3290805	4	Nut M8	
9	4811702	2	Washer M6	
10	4811902	16	Washer M8	
13	1001139384	2	Hinge	
14	1001204251	1	Support	
16	1001193169	1	Hood	
17	1321384	2	Clamp	
18	3291005	2	Nut M10	
20	1001174673	1	Screw M10 x 30	
21	4751400	4	Washer 1/4	
22	4812002	1	Washer M10	
23	4812000	1	Washer M10	
24	5250810	11	Bolt M8 x 20	
25	0760812	6	Bolt M8 x 25	
26	1001227367	1	Bearing	

# SECTION 2 - TURNTABLE

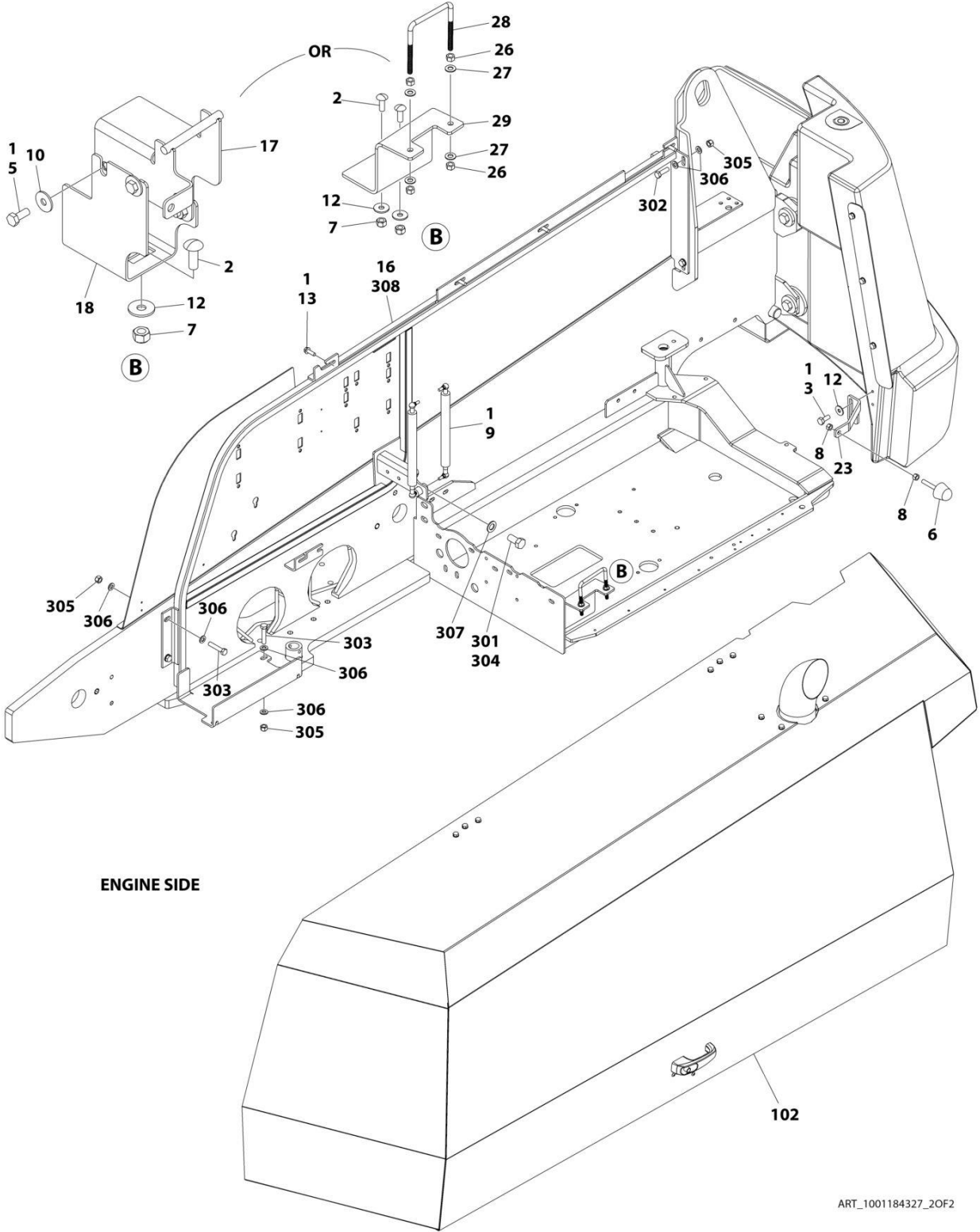
## FIGURE 2-32. HOODS INSTALLATIONS - STEEL



ART\_1001184327\_10F2



**SECTION 2 - TURNTABLE**



**ENGINE SIDE**

ART\_1001184327\_20F2

## SECTION 2 - TURNTABLE

FIGURE 2-32. HOODS INSTALLATIONS - STEEL

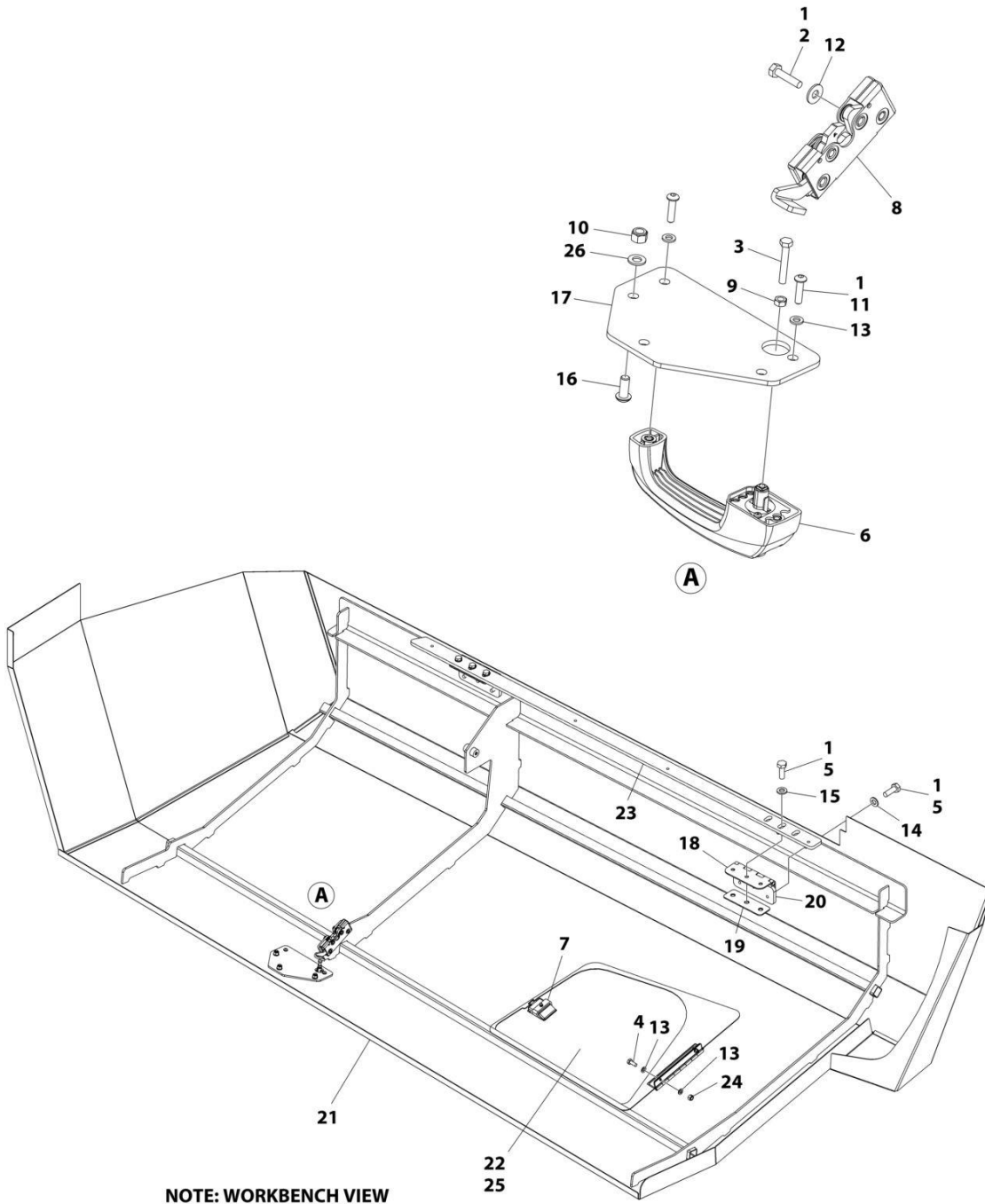
ITEM	PART NUMBER	QTY	DESCRIPTION	REV
	1001184327	Ref	HOODS INSTALLATIONS	K
1	0100011	AR	Compound, Locking	
2	0630613	AR	Bolt M10 x 30	
3	0701012	4	Bolt M10 x 25	
4	0701016	2	Bolt M10 x 40	
5	0760810	8	Bolt M8 x 20	
6	1001206314	2	Bumper	
7	3291005	AR	Nut M10	
8	3311601	4	Nut 3/8	
9	1001219138	4	Spring, Gas	
10	4811902	8	Washer M8	
11	4812000	4	Washer M10	
12	4812002	AR	Washer M10	
13	5251014	8	Bolt M10 x 30	
14	1001172615	1	Mount (SN 0300236299 through 0300260694)	
15	1001187950	1	Side-Sheet Assembly - Tank Side (See Items 201-209 for Breakdown)	
16	1001187951	1	Side-Sheet Assembly - Engine Side (See Items 301-308 for Breakdown)	
17	1001190756	1	Support (SN 0300236299 through 0300260694)	
18	1001192842	1	Mount (SN 0300236299 through 0300260694)	
19	1001192843	1	Support (SN 0300236299 through 0300260694)	
20	1001195535	1	Mount (SN 0300236299 through 0300260694)	
23	1001212333	2	Bracket	
25	1001117307	1	Decal - Emergency Stop	
26	3271601	8	Nut 3/8	
27	4711600	8	Washer 3/8	
28	1001243414	2	Bolt, U-Bolt 3/8	
29	1001243522	1	Bracket (SN 0300260695 through 0300272446)	
30	1001243171	1	Support (SN 0300260695 through 0300272446)	
100	1001227888	1	Hood Kit (Not Shown)	
101	1001211762	1	Hood Assembly - Tank Side (See Separate Breakdown in this Section)	
102	1001211774	1	Hood Assembly - Engine Side (See Separate Breakdown in this Section)	
	1001187950	Ref	SIDE-SHEET ASSEMBLY - TANK SIDE	C
201	0100011	AR	Compound, Locking	
202	0701216	2	Bolt M12 x 40	
203	0701220	4	Bolt M12 x 60	
204	0762016	2	Bolt M20 x 40	
206	3291205	6	Nut M12	
207	4812100	12	Washer M12	
208	4812500	2	Washer M20	
209	1001188194	1	Side-Sheet, Tank Side	
	1001187951	Ref	SIDE-SHEET ASSEMBLY - ENGINE SIDE	B
301	0100011	AR	Compound, Locking	
302	0701216	2	Bolt M12 x 40	
303	0701220	3	Bolt M12 x 60	
304	0762016	1	Bolt M20 x 40	
305	3291205	5	Nut M12	

**SECTION 2 - TURNTABLE**

ITEM	PART NUMBER	QTY	DESCRIPTION	REV
306	4812100	10	Washer M12	
307	4812500	1	Washer M20	
308	1001188187	1	Side-Sheet, Engine Side	

# SECTION 2 - TURNTABLE

## FIGURE 2-33. HOOD ASSEMBLY - TANK SIDE (STEEL)



ART\_1001211762

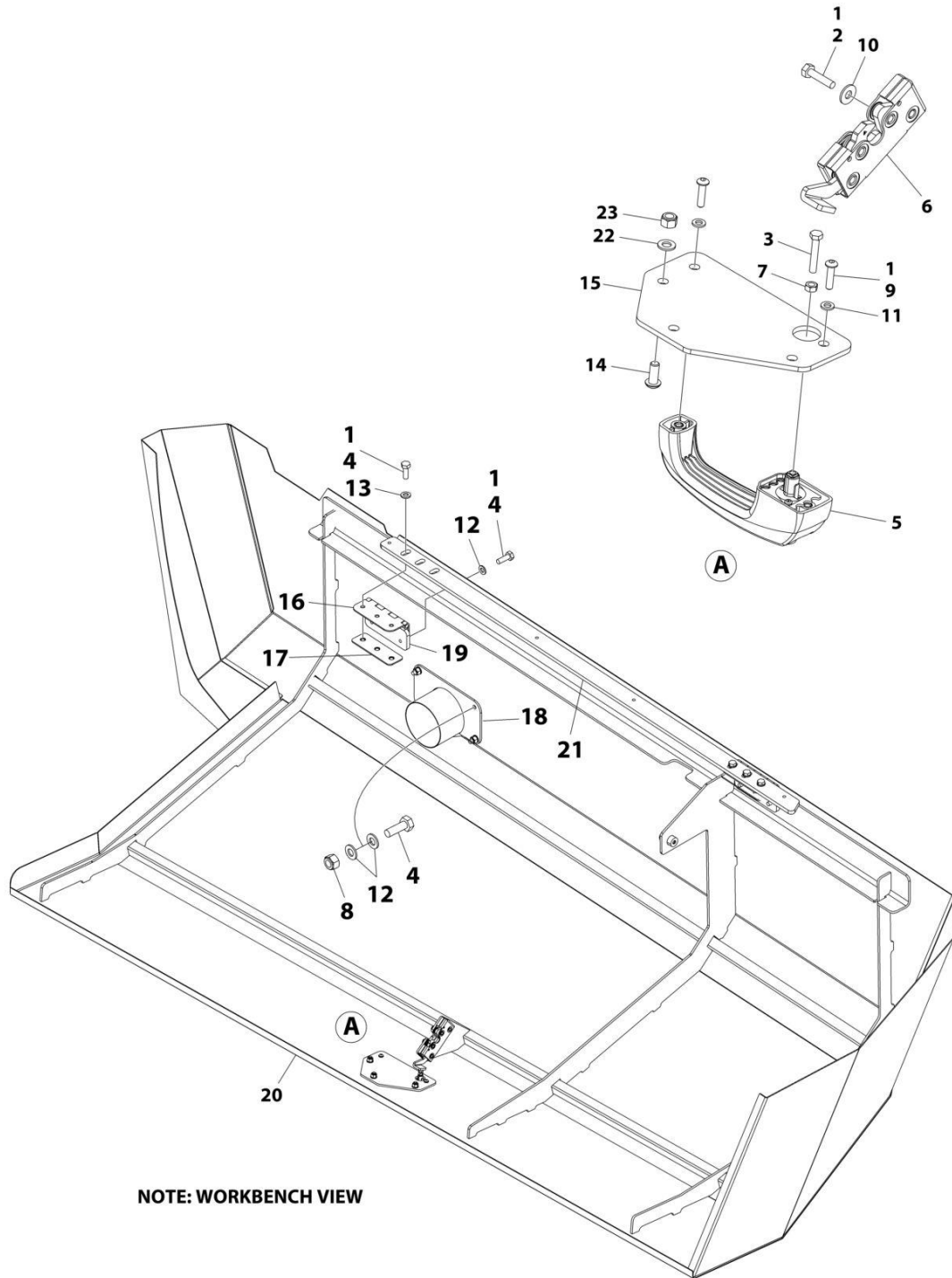
## SECTION 2 - TURNTABLE

**FIGURE 2-33. HOOD ASSEMBLY - TANK SIDE (STEEL)**

ITEM	PART NUMBER	QTY	DESCRIPTION	REV
	1001211762	Ref	HOOD ASSEMBLY	J
1	0100011	AR	Compound, Locking	
2	0641409	4	Bolt 1/4 x 1-1/8	
3	0700616	1	Bolt M6 x 40	
4	0760608	2	Bolt M6 x 16	
5	0761014	12	Bolt M10 x 30	
6	2560187	1	Handle, Push Button	
7	2940045	1	Latch, Paddle	
8	2940173	1	Latch, Rotary	
9	3290601	1	Nut M6	
10	3290805	3	Nut M8	
11	3900363	2	Screw M6 x 25	
12	4751400	4	Washer 1/4	
13	4811700	6	Washer M6	
14	4812000	6	Washer M10	
15	5241000	6	Washer M10	
16	1001164726	3	Screw M8 x 20	
17	1001116290	1	Plate	
18	1001139384	2	Hinge	
19	1001169046	2	Nut, Hinge	
20	1001202333	2	Plate, Nut	
21	1001211752	1	Hood	
22	1001211760	1	Door	
23	1001211761	1	Plate	
24	3290605	2	Nut M6	
25	1001113047	78 in/ 2m	Seal	
26	4811900	3	Washer M8	

# SECTION 2 - TURNTABLE

## FIGURE 2-34. HOOD ASSEMBLY - ENGINE SIDE (STEEL)



NOTE: WORKBENCH VIEW

ART\_1001211774

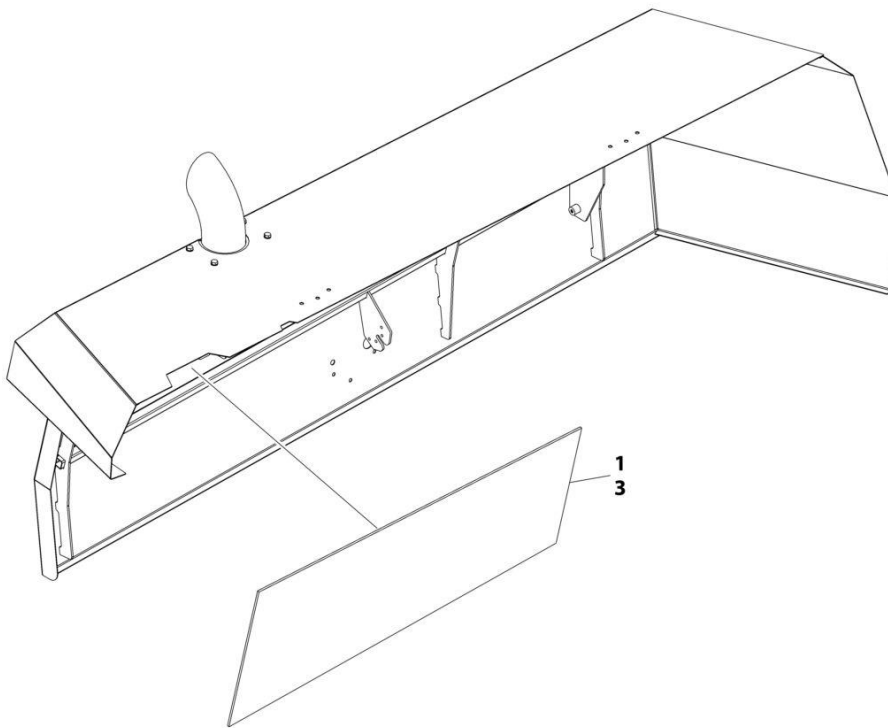
## SECTION 2 - TURNTABLE

**FIGURE 2-34. HOOD ASSEMBLY - ENGINE SIDE (STEEL)**

ITEM	PART NUMBER	QTY	DESCRIPTION	REV
	1001211774	Ref	HOOD ASSEMBLY	J
1	0100011	AR	Compound, Locking	
2	0641409	4	Bolt 1/4 x 1-1/8	
3	0700615	1	Bolt M6 x 35	
4	0761014	16	Bolt M10 x 30	
5	2560187	1	Handle , Push Button	
6	2940173	1	Latch, Rotary	
7	3290601	1	Nut M6	
8	3291005	4	Nut M10	
9	3900363	2	Screw M6 x 25	
10	4751400	4	Washer 1/4	
11	4811700	2	Washer M6	
12	4812000	14	Washer M10	
13	5241000	6	Washer M10	
14	1001164726	3	Screw M8 x 20	
15	1001116290	1	Plate	
16	1001139384	2	Hinge	
17	1001169046	2	Nut, Hinge	
18	1001194888	1	Pipe, Exhaust	
19	1001202333	2	Plate, Nut	
20	1001211767	1	Hood	
21	1001211773	1	Plate	
22	4811900	3	Washer M8	
23	3290805	3	Nut M8	

## SECTION 2 - TURNTABLE

FIGURE 2-35. HOOD INSULATION INSTALLATION (STEEL HOODS)



ART\_1001237894



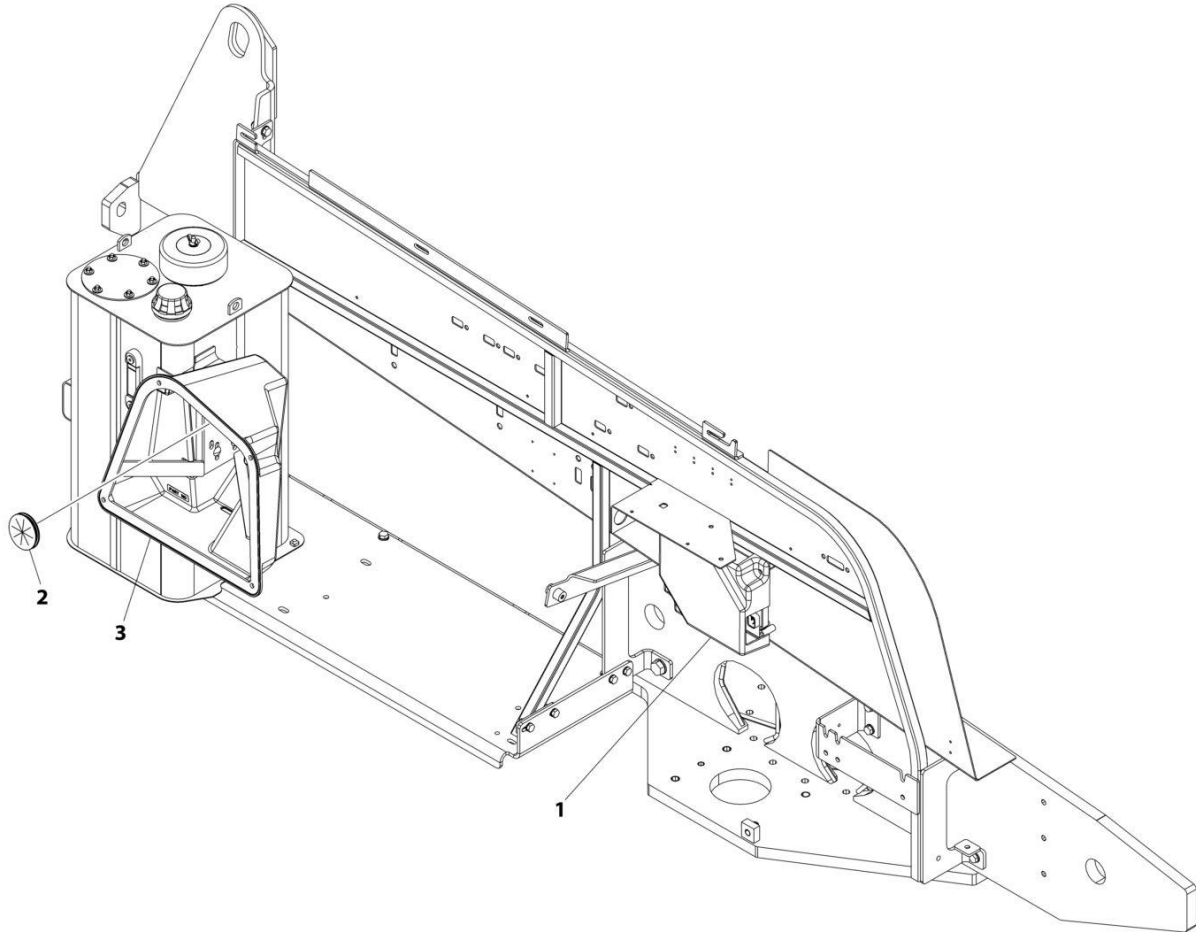
**SECTION 2 - TURNTABLE**

**FIGURE 2-35. HOOD INSULATION INSTALLATION (STEEL HOODS)**

<b>ITEM</b>	<b>PART NUMBER</b>	<b>QTY</b>	<b>DESCRIPTION</b>	<b>REV</b>
	1001237894	Ref	HOOD INSULATION INSTALLATION (STEEL HOODS)	A
1	1001117140	AR	Tape	
2	1001184327	1	Hood Installation (Not Shown - See Separate Breakdown in this Section)	
3	1001237895	1	Insulate, Heat Shield	

# SECTION 2 - TURNTABLE

## FIGURE 2-36. COVERS INSTALLATION



ART\_1001219128

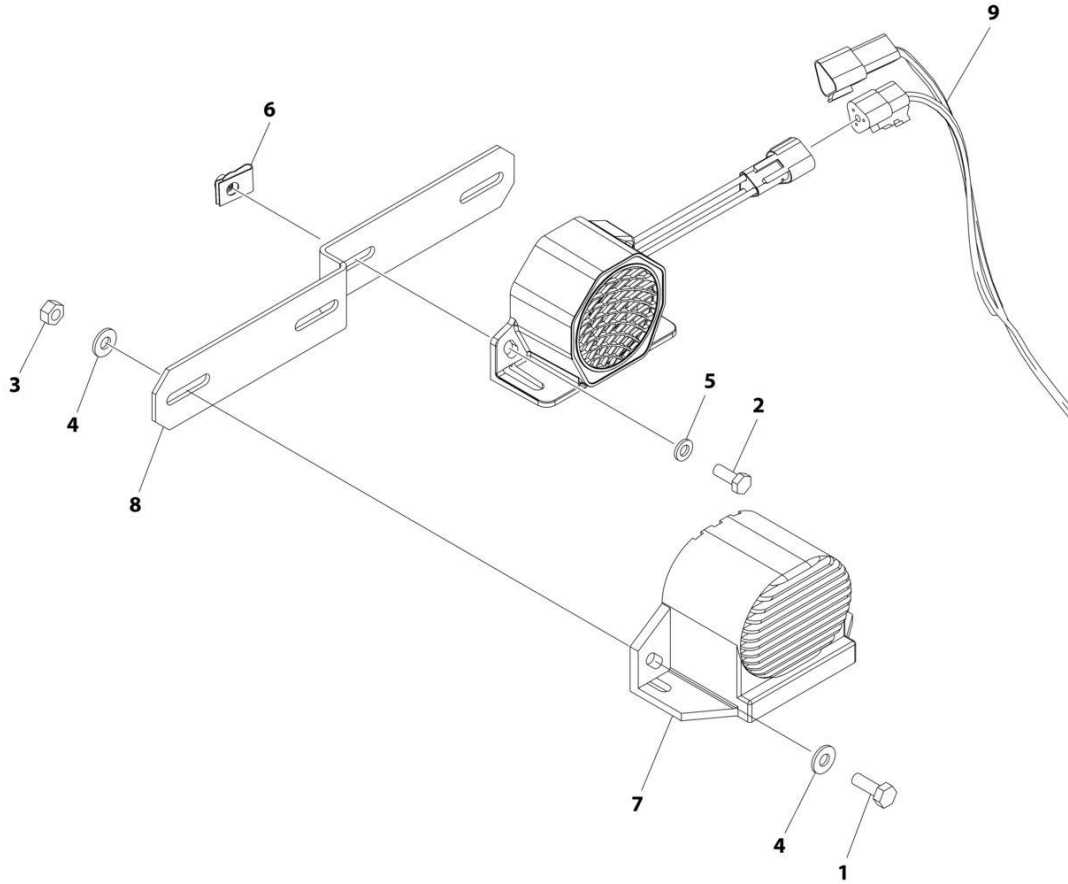
**SECTION 2 - TURNTABLE**

**FIGURE 2-36. COVERS INSTALLATION**

ITEM	PART NUMBER	QTY	DESCRIPTION	REV
	1001219128	Ref	COVERS INSTALLATION	A
1	1001218539	1	Cover, Controller	
2	1001218676	1	Grommet	
3	1001220638	1	Cover, Ground Control	

# SECTION 2 - TURNTABLE

## FIGURE 2-37. WHITE NOISE ALARM INSTALLATION



ART\_1001247386

## SECTION 2 - TURNTABLE

**FIGURE 2-37. WHITE NOISE ALARM INSTALLATION**

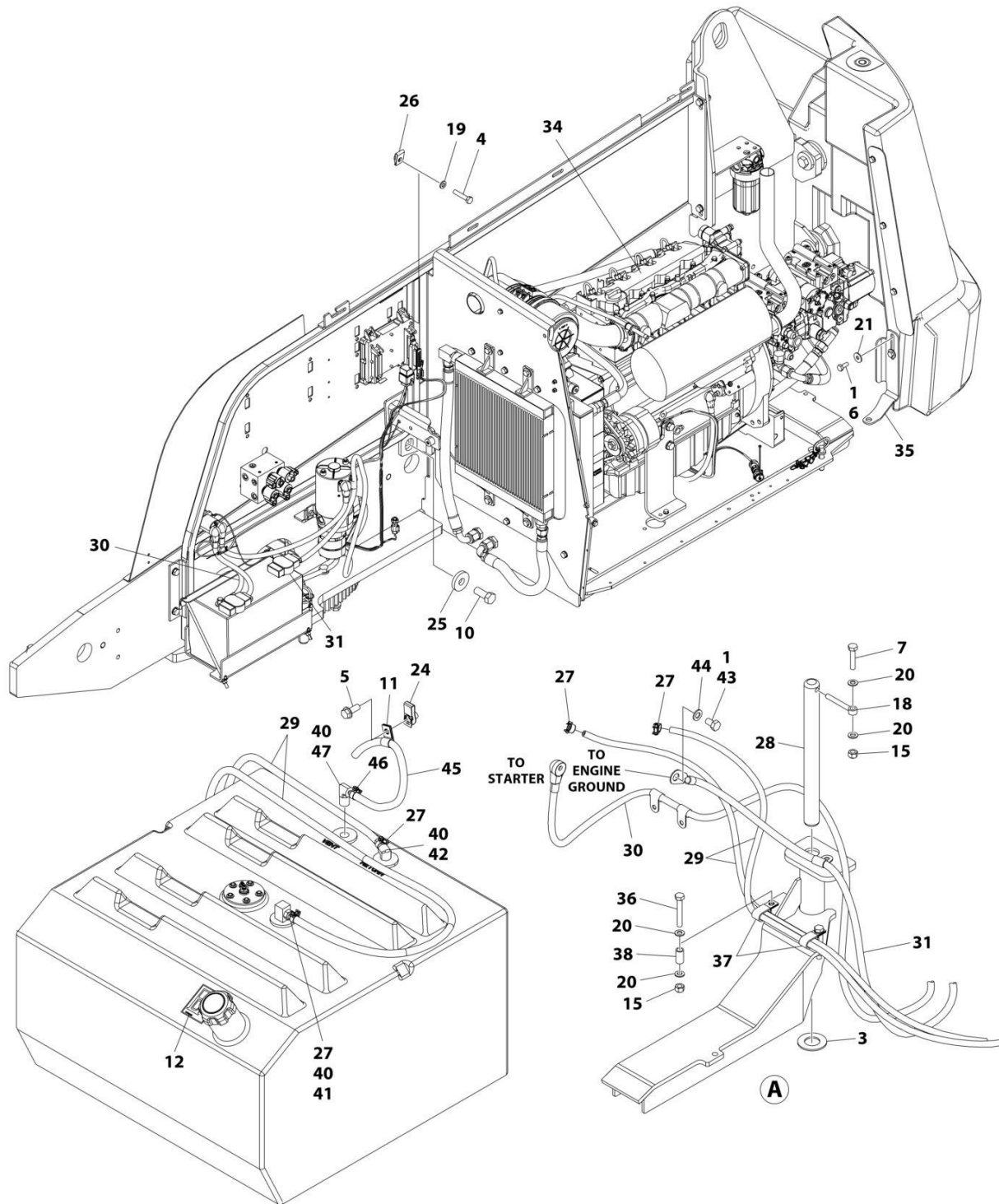
ITEM	PART NUMBER	QTY	DESCRIPTION	REV
	1001247386	Ref	WHITE NOISE ALARM INSTALLATION	A
1	0641406	2	Bolt 1/4 x 3/4	
2	0760608	2	Bolt M6 x 16	
3	3311405	2	Nut 1/4	
4	4711400	4	Washer 1/4	
5	4811700	2	Washer M6	
6	1001130220	2	Nut, Tinnerman M6	
7	1001182806	1	Alarm	
8	1001231711	1	Bracket	
9	1001243682	1	White Noise Alarm Harness (See Separate Breakdown in ELECTRICAL SECTION)	



**SECTION 3 - ENGINE**

# SECTION 3 - ENGINE

## FIGURE 3-1. DEUTZ D2011 ENGINE INSTALLATION - WITHOUT ARCTIC PACKAGE



ART\_1001196565



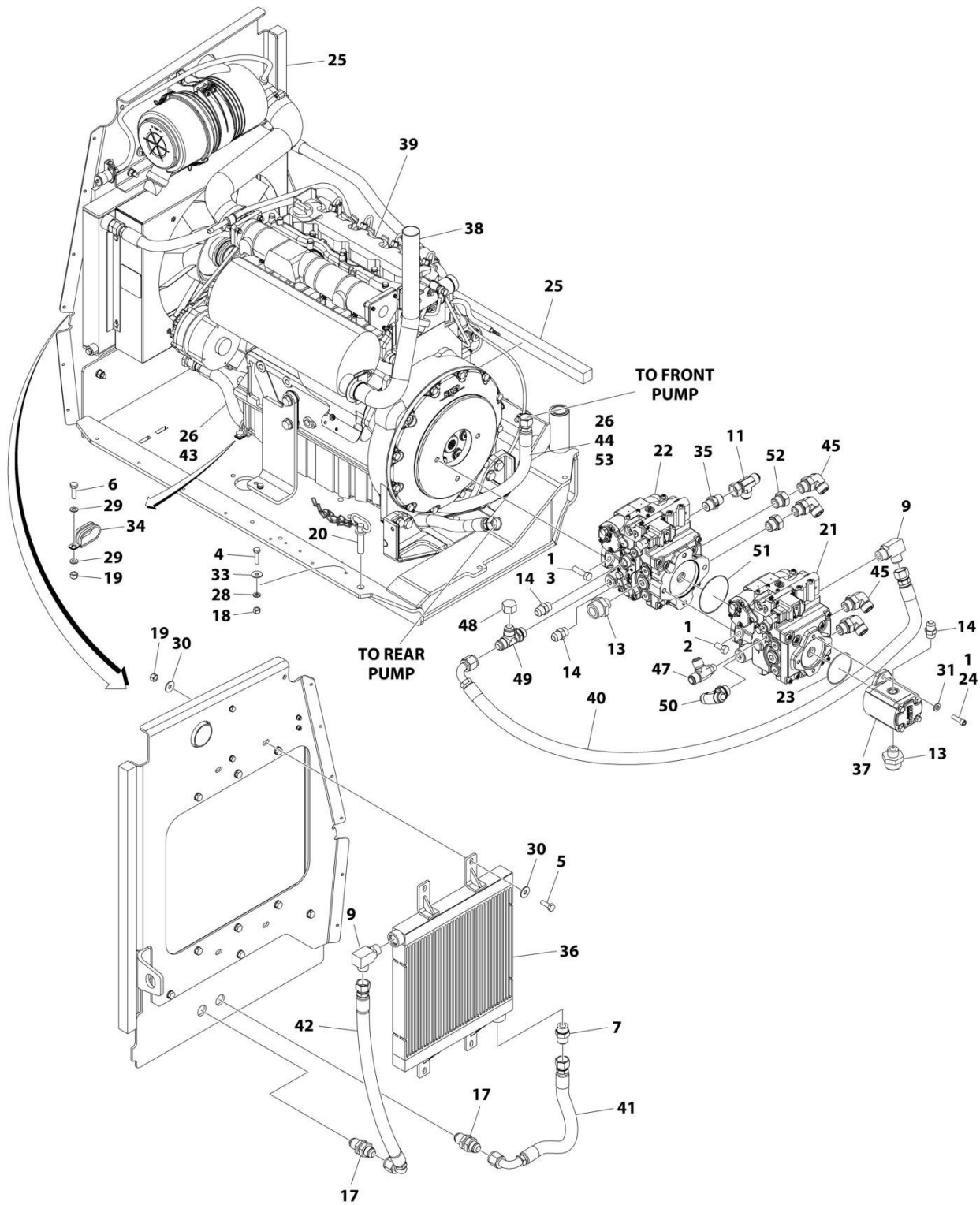
## SECTION 3 - ENGINE

**FIGURE 3-1. DEUTZ D2011 ENGINE INSTALLATION - WITHOUT ARCTIC PACKAGE**

ITEM	PART NUMBER	QTY	DESCRIPTION	REV
	1001196565	Ref	DEUTZ D2011 ENGINE INSTALLATION	G
1	0100011	AR	Compound, Locking	
3	0440162	1	Bearing	
4	0700614	4	Bolt M6 x 30	
5	5251012	1	Bolt M10 x 25	
6	0701012	2	Bolt M10 x 25	
7	0711018	1	Bolt M10 x 50	
10	0772018	1	Bolt M20 x 50	
11	8406110	1	Clip	
12	1701505	1	Decal - Diesel Fuel	
15	3291005	3	Nut M10	
18	3841143	1	Keeper, Pin	
19	4811700	4	Washer M6	
20	4812000	6	Washer M10	
21	4812002	2	Washer M10	
24	1001118972	1	Nut, Tinnerman M10	
25	1001119051	1	Washer	
26	1001130220	4	Nut, Tinnerman M6	
27	1001174486	4	Clamp	
28	1001155094	1	Pin	
29	2720058	288 in/ 7.3m	Hose, Fuel	
30	1001188667	1	Cable, Battery (+) to Aux Relay to Starter	
31	1001188670	1	Cable, Battery (-) to Aux Pump and Ground	
34	1001196572	1	Deutz D2011 Engine and Pumps Sub-Assembly (See Separate Breakdown in this Section)	
35	1001197881	1	Bracket	
36	0701022	2	Bolt M10 x 70	
37	1001026127	2	Clamp	
38	1001200731	2	Tube	
39	4240099	6	Tie-Strap (Not Shown)	
40	0100020	AR	Sealant	
41	2180348	1	Fitting, Straight NPT x Barb	
42	2221176	1	Fitting, 90 Barbed	
43	0761210	1	Bolt M12 x 20	
44	4812100	1	Washer M12	
45	2720058	20 in/ 0.5m	Hose, Fuel (SN 0300236299 through 0300244374)	
45	1001165035	20 in/ 0.5m	Hose (SN 0300244375 through 0300272446)	
46	1001174486	1	Clamp (SN 0300236299 through 0300244374)	
46	1001136975	1	Clamp (SN 0300244375 through 0300272446)	
47	2221176	1	Fitting, 90 Barbed (SN 0300236299 through 0300244374)	
47	2220313	1	Fitting, 90 NPTF/Barb (SN 0300244375 through 0300272446)	
100	1001235699	1	Battery Cable Kit (Includes Items 30 & 31) (Not Shown) (SN 0300244375 through 0300272446)	

# SECTION 3 - ENGINE

## FIGURE 3-2. DEUTZ D2011 ENGINE AND PUMPS SUB-ASSEMBLY - WITHOUT ARCTIC PACKAGE



ART\_1001196572

## SECTION 3 - ENGINE

**FIGURE 3-2. DEUTZ D2011 ENGINE AND PUMPS SUB-ASSEMBLY - WITHOUT ARCTIC PACKAGE**

ITEM	PART NUMBER	QTY	DESCRIPTION	REV
	1001196572	Ref	DEUTZ D2011 ENGINE AND PUMPS SUB-ASSEMBLY	G
1	0100011	AR	Compound, Locking	
2	0641808	2	Bolt 1/2 x 1	
3	0641814	2	Bolt 1/2 x 1-3/4	
4	0760612	1	Bolt M6 x 25	
5	0761014	4	Bolt M10 x 30	
6	0761015	2	Bolt M10 x 35	
7	2220451	1	Fitting, Straight JIC/ORB	
9	2220578	2	Fitting, 90 JIC/ORB	
11	2220700	1	Fitting, Tee JIC/FSJIC/JIC ( <b>SN 0300236299 through 0300243549</b> )	
13	2220946	2	Fitting, Straight JIC/ORB	
14	2220947	3	Fitting, Straight JIC/ORB	
17	2230027	2	Fitting, Straight	
18	3290605	1	Nut M6	
19	3291005	6	Nut M10	
20	3422532	1	Pin	
21	3600359	1	Piston Pump Assembly - Rear (See Separate Breakdown in this Section)	
22	3600363	1	Piston Pump Assembly - Front (See Separate Breakdown in this Section)	
23	3790152	1	O-Ring	
24	3931620	2	Capscrew 3/8 x 1-1/4	
24	3931618	2	Capscrew 3/8 x 1-1/8	
25	3960469	2	Seal	
26	4061032	AR	Shield	
27	4240099	AR	Tie-Strap (Not Shown)	
28	4811700	1	Washer M6	
29	4812000	4	Washer M10	
30	4812002	8	Washer M10	
31	5241000	2	Washer M10	
33	4811702	1	Washer M6	
34	1001164196	2	Clamp	
35	1001179156	1	Valve, Check	
36	1001188601	1	Radiator, Oil Cooler	
37	1001190143	1	Gear Pump Assembly	
37	70006356	1	Seal Kit - 1001190143 Pump	
38	1001191273	1	Pipe, Exhaust	
39	1001196571	1	Deutz D2011 Engine Assembly (See Separate Breakdown in this Section)	
40	1001200216	1	Hose	
41	1001195504	1	Hose	
42	1001195505	1	Hose	
43	1001195509	1	Hose	
44	1001195507	1	Hose ( <b>SN 0300236299 through 0300243549</b> )	
45	2131212	4	Fitting, 90 ORFS/ORB	
47	1001213814	1	Fitting, Tee JIC/ORB/JIC	
48	2220518	1	Cap	
49	2220738	1	Fitting, Tee JIC/ORB/JIC	
50	2220695	1	Fitting, Tee JIC/ORB/JIC	

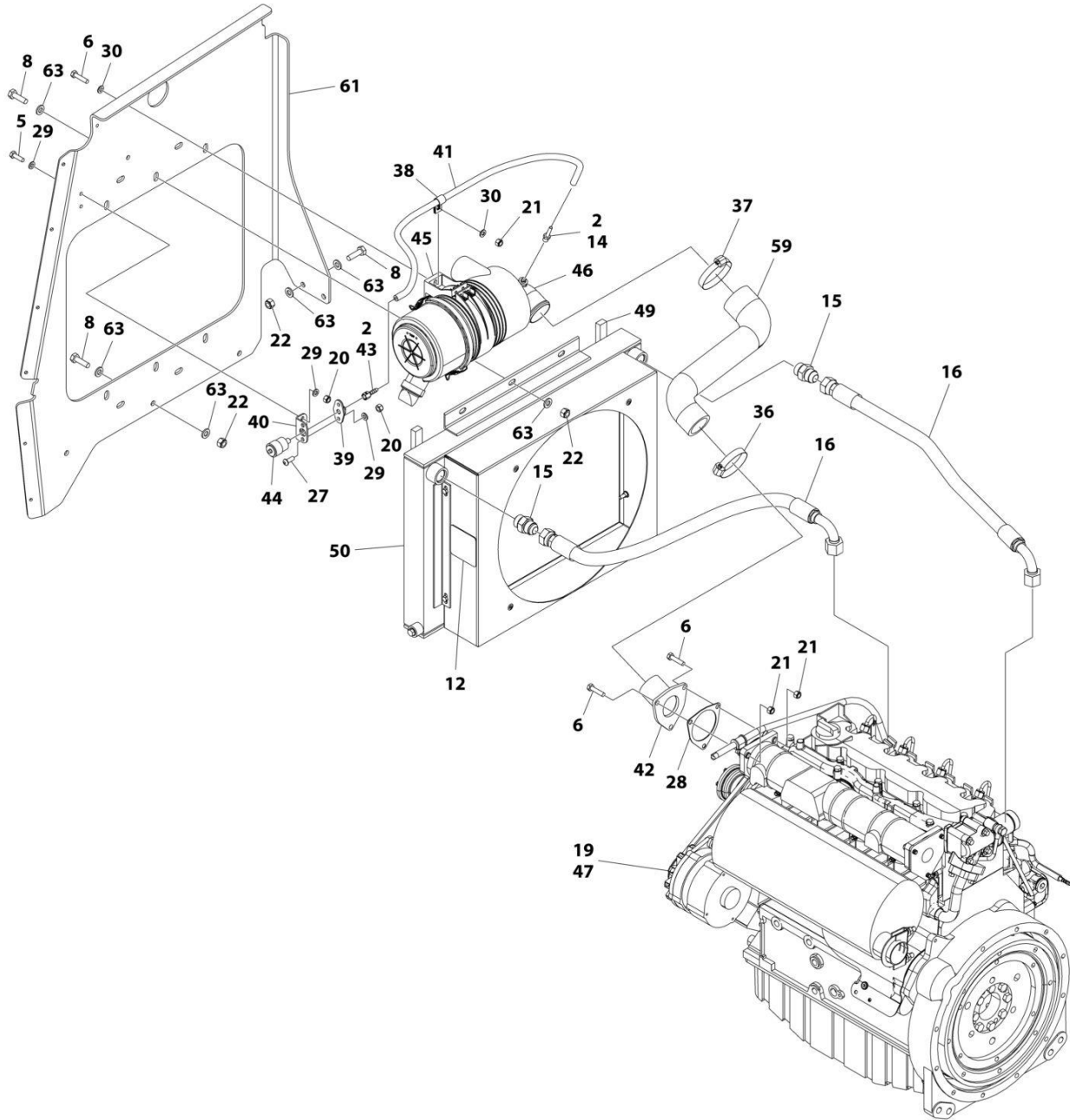
## SECTION 3 - ENGINE

ITEM	PART NUMBER	QTY	DESCRIPTION	REV
51	3790045	1	O-Ring	
52	1001233450	2	Fitting, Straight ORB/ORB	
53	1001235110	1	Hose (SN 0300243550 through 0300272446)	



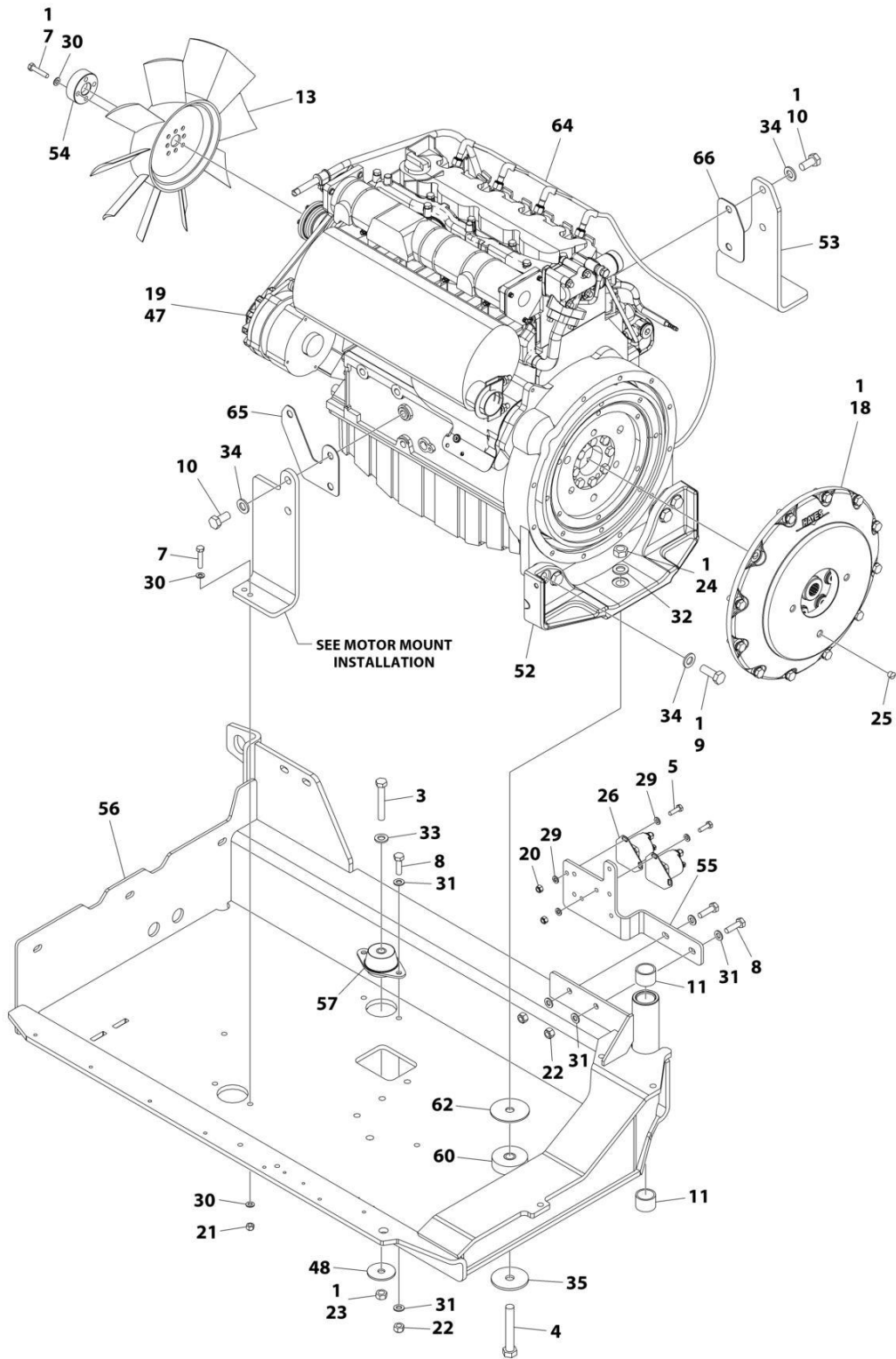
# SECTION 3 - ENGINE

## FIGURE 3-3. DEUTZ D2011 ENGINE ASSEMBLY - WITHOUT ARCTIC PACKAGE



ART\_1001196571\_1OF2

# SECTION 3 - ENGINE



ART\_1001196571\_20F2

# SECTION 3 - ENGINE

FIGURE 3-3. DEUTZ D2011 ENGINE ASSEMBLY - WITHOUT ARCTIC PACKAGE

ITEM	PART NUMBER	QTY	DESCRIPTION	REV
	1001196571	Ref	DEUTZ D2011 ENGINE ASSEMBLY	M
1	0100011	AR	Compound, Locking	
2	0100020	AR	Sealant	
3	0711224	1	Bolt M12 x 80	
4	0711627	1	Bolt M16 x 100	
5	0760610	6	Bolt M6 x 20	
6	0760815	5	Bolt M8 x 35	
7	0760816	5	Bolt M8 x 40	
8	0761015	15	Bolt M10 x 35	
9	0771416	4	Bolt M14 x 40	
10	0771414	4	Bolt M14 x 30	
11	0961951	2	Bushing	
12	1703162	2	Decal - Fan Blade	
13	2060025	1	Fan	
14	2220315	1	Fitting, Straight Barbed	
15	2220451	2	Fitting, Straight ORB/JIC	
16	2720398	2	Hose	
18	2902065	1	Pump Coupling Kit (See Separate Breakdown in this Section)	
19	3020016	AR	Oil, Motor 15W-40	
20	3290605	8	Nut M6	
21	3290805	6	Nut M8	
22	3291005	15	Nut M10	
23	3331211	1	Nut M12	
24	3331611	1	Nut M16	
25	3520054	2	Plug	
26	3740067	2	Relay	
27	3900357	2	Screw M6 x 16	
28	3960407	1	Gasket, Air Intake Adapter	
29	4811700	14	Washer M6	
30	4811900	10	Washer M8	
31	4812000	8	Washer M10	
32	4812300	1	Washer M16	
33	5241200	1	Washer M12	
34	5241400	8	Washer M14	
35	7300435	1	Washer	
36	8405203	1	Clamp	
37	8405204	1	Clamp	
38	8406109	1	Clip	
39	1001138173	1	Support	
40	1001138175	1	Bracket	
41	1001138248	29.6 in/ 0.7m	Tube	
42	1001139819	1	Adapter	
43	1001141995	1	Fitting, Straight NPT/Barbed	
44	1001143390	1	Indicator, Air Filter Service	
45	1001147812	1	Clamp	
46	1001147813	1	Filter, Air	
46	70004020	1	Element, Filter	
47	1001147823	1	Deutz D20111 Engine Components (See Separate Breakdown in this Section)	

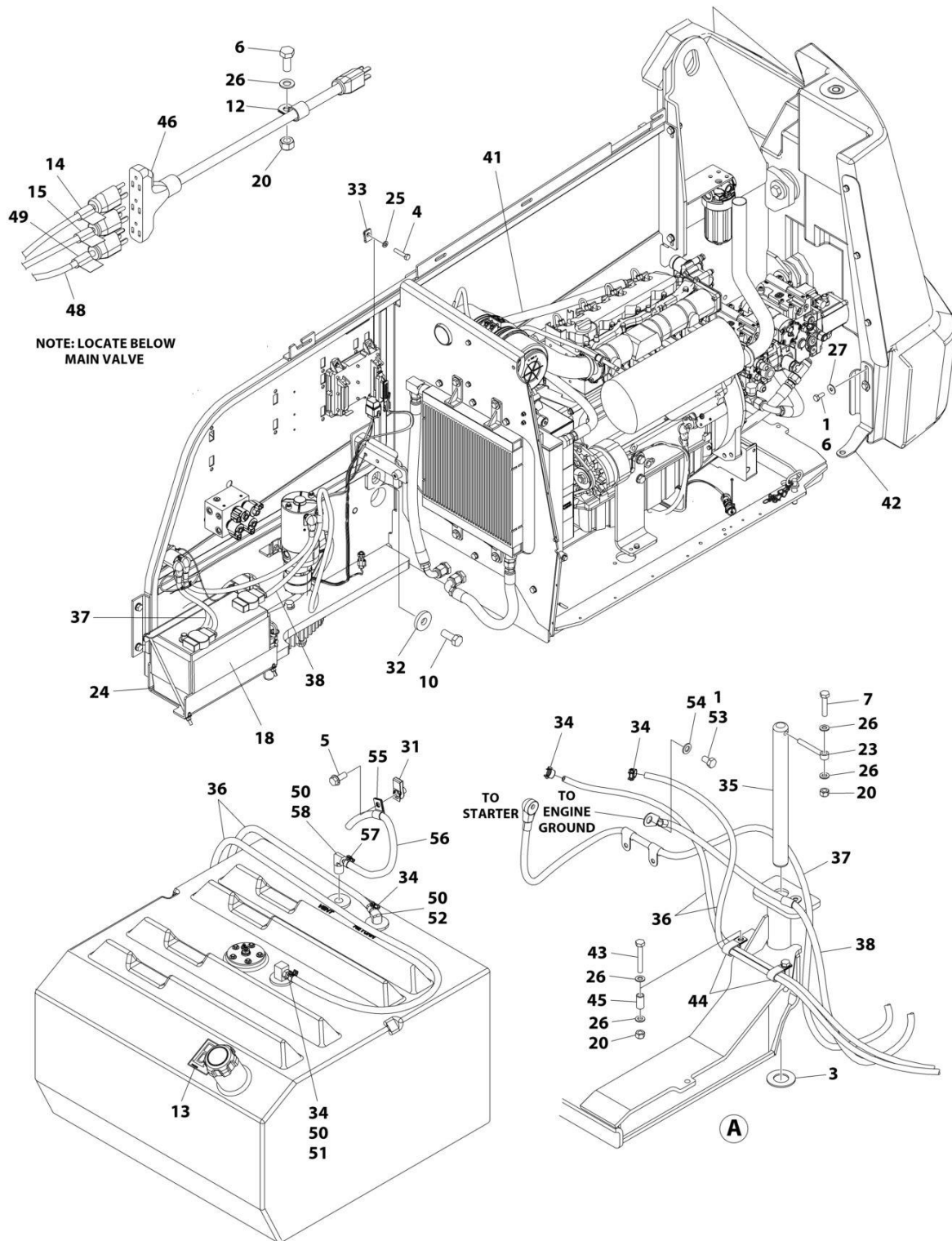


## SECTION 3 - ENGINE

ITEM	PART NUMBER	QTY	DESCRIPTION	REV
48	1001168018	1	Washer	
49	1001168166	2	Seal	
50	1001187082	1	Radiator	
51	1001188236	1	Engine Harness - Deutz D2011 Engines (Not Shown) (See Separate Breakdown in ELECTRICAL SECTION)	
52	1001188535	1	Bracket, Engine - Rear	
53	1001189026	1	Bracket, Engine - Right	
54	1001189161	1	Adapter, Fan	
55	1001203885	1	Plate	
56	1001200435	1	Tray	
57	1001191610	1	Mount, Motor	
59	1001195711	1	Hose	
60	1001197149	1	Support	
61	1001200793	1	Support	
62	1001197725	1	Spacer	
63	5241000	22	Washer M10	
64	4923379	1	Glow Plug Harness (SN 0300236299 through 0300243773)	
64	1001234396	1	Glow Plug Harness (SN 0300243774 through 0300272446)	
65	1001201843	1	Shim .079	
66	1001201844	1	Shim .079	

# SECTION 3 - ENGINE

## FIGURE 3-4. DEUTZ D2011 ENGINE INSTALLATION - WITH ARCTIC PACKAGE



ART\_1001196566

## SECTION 3 - ENGINE

**FIGURE 3-4. DEUTZ D2011 ENGINE INSTALLATION - WITH ARCTIC PACKAGE**

ITEM	PART NUMBER	QTY	DESCRIPTION	REV
	1001196566	Ref	DEUTZ D2011 ENGINE INSTALLATION	G
1	0100011	AR	Compound, Locking	
3	0440162	1	Bearing	
4	0700614	4	Bolt M6 x 30	
5	5251012	1	Bolt M10 x 25	
6	0701012	3	Bolt M10 x 25	
7	0711018	1	Bolt M10 x 50	
10	0772018	1	Bolt M20 x 50	
12	1320061	1	Clamp	
13	1701505	1	Decal - Diesel Fuel	
14	1702941	1	Decal - Battery Heater	
15	1702943	1	Decal - Hydraulic Tank Heater	
18	2580024	1	Heater, Battery	
19	1001188972	1	Heater, Immersion (Not Shown - Located on Hydraulic Tank)	
20	3291005	4	Nut M10	
23	3841143	1	Keeper, Pin	
24	3980007	1	Seal, Battery	
25	4811700	4	Washer M6	
26	4812000	7	Washer M10	
27	4812002	2	Washer M10	
31	1001118972	1	Nut, Tinnerman M10	
32	1001119051	1	Washer	
33	1001130220	4	Nut, Tinnerman M6	
34	1001174486	5	Clamp	
35	1001155094	1	Pin	
36	2720058	308 in/ 7.9m	Hose, Fuel	
37	1001188667	1	Cable, Battery (+) to Aux Relay to Starter	
38	1001188670	1	Cable, Battery (-) to Aux Pump and Ground	
41	1001196574	1	Deutz D2011 Engine and Pumps Sub-Assembly (See Separate Breakdown in this Section)	
42	1001197881	1	Bracket	
43	0701022	2	Bolt M10 x 70	
44	1001026127	2	Clamp	
45	1001200731	2	Tube	
46	1060626	1	Plug, 3 Way	
47	4240099	1	Tie-Strap (Not Shown)	
48	1001150918	1	Cable, Extension	
49	1702942	1	Decal - Engine Block Heater	
50	0100020	AR	Sealant	
51	2180348	1	Fitting, Straight NPT/Barbed	
52	2221176	1	Fitting, 90 Barbed	
53	0761210	1	Bolt M12 x 20	
54	4812100	1	Washer M12	
55	8406110	1	Clip	
56	2720058	20 in/ 0.5m	Hose, Fuel (SN 0300236299 through 0300244374)	
56	1001165035	20 in/ 0.5m	Hose (SN 0300244375 through 0300272446)	
57	1001174486	1	Clamp (SN 0300236299 through 0300244374)	

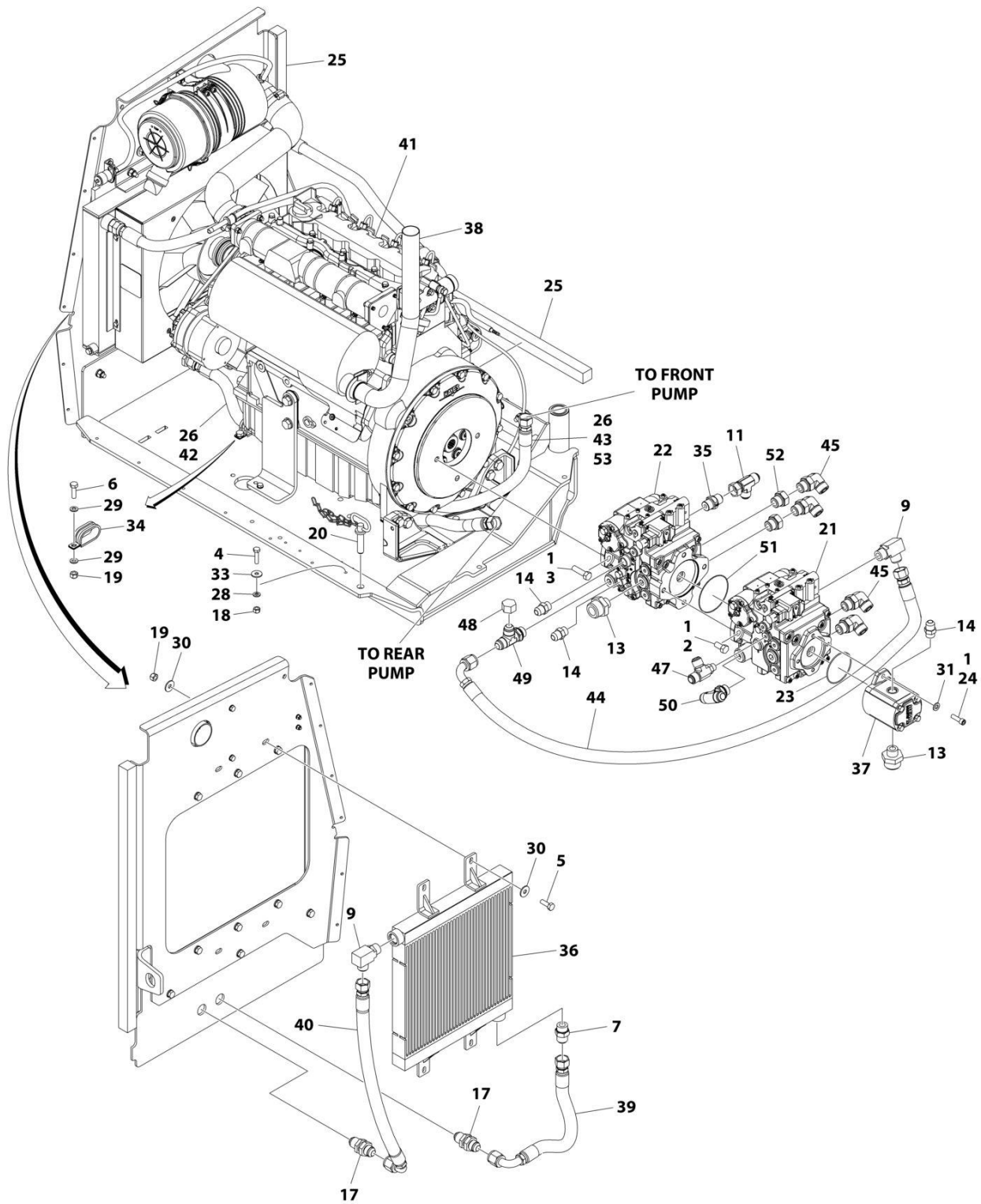
## SECTION 3 - ENGINE

ITEM	PART NUMBER	QTY	DESCRIPTION	REV
57	1001136975	1	Clamp (SN 0300244375 through 0300272446)	
58	2221176	1	Fitting, 90 Barbed (SN 0300236299 through 0300244374)	
58	2220313	1	Fitting, 90 NPTF/Barb (SN 0300244375 through 0300272446)	
100	1001235699	1	Battery Cable Kit (Includes Items 37 & 38) (Not Shown) (SN 0300244375 through 0300272446)	



# SECTION 3 - ENGINE

## FIGURE 3-5. DEUTZ D2011 ENGINE AND PUMPS SUB-ASSEMBLY - WITH ARCTIC PACKAGE



ART\_1001196574

## SECTION 3 - ENGINE

**FIGURE 3-5. DEUTZ D2011 ENGINE AND PUMPS SUB-ASSEMBLY - WITH ARCTIC PACKAGE**

ITEM	PART NUMBER	QTY	DESCRIPTION	REV
	1001196574	Ref	DEUTZ D2011 ENGINE AND PUMPS SUB-ASSEMBLY	G
1	0100011	AR	Compound, Locking	
2	0641808	2	Bolt 1/2 x 1	
3	0641814	2	Bolt 1/2 x 1-3/4	
4	0760612	1	Bolt M6 x 25	
5	0761014	4	Bolt M10 x 30	
6	0761015	2	Bolt M10 x 35	
7	2220451	1	Fitting, Straight JIC/ORB	
9	2220578	1	Fitting, 90 JIC/ORB	
11	2220700	1	Fitting, Tee JIC/FSJIC/JIC ( <b>SN 0300236299 through 0300243549</b> )	
13	2220946	2	Fitting, Straight JIC/ORB	
14	2220947	3	Fitting, Straight JIC/ORB	
17	2230027	2	Fitting, Straight	
18	3290605	1	Nut M6	
19	3291005	6	Nut M10	
20	3422532	1	Pin	
21	3600359	1	Piston Pump Assembly - Rear (See Separate Breakdown in this Section)	
22	3600363	1	Piston Pump Assembly - Front (See Separate Breakdown in this Section)	
23	3790152	1	O-Ring	
24	3931620	2	Capscrew 3/8 x 1-1/4	
24	3931618	2	Capscrew 3/8 x 1-1/8	
25	3960469	2	Seal	
26	4061032	AR	Shield	
27	4240099	AR	Tie-Strap (Not Shown)	
28	4811700	1	Washer M6	
29	4812000	4	Washer M10	
30	4812002	8	Washer M10	
31	5241000	2	Washer M10	
33	4811702	1	Washer M6	
34	1001164196	2	Clamp	
35	1001179156	1	Valve, Check	
36	1001188601	1	Radiator, Oil Cooler	
37	1001190143	1	Gear Pump Assembly	
37	70006356	1	Seal Kit - 1001190143 Pump	
38	1001191273	1	Pipe	
39	1001195504	1	Hose	
40	1001195505	1	Hose	
41	1001196573	1	Deutz D2011 Engine Assembly (See Separate Breakdown in this Section)	
42	1001195509	1	Hose	
43	1001195507	1	Hose ( <b>SN 0300236299 through 0300243549</b> )	
44	1001200216	1	Hose	
45	2131212	4	Fitting, 90 ORFS/ORB	
47	1001213814	1	Fitting, Tee JIC/ORB/JIC	
48	2220518	1	Cap	
49	2220738	1	Fitting, Tee JIC/ORB/JIC	
50	2220695	1	Fitting, Tee JIC/ORB/JIC	

## SECTION 3 - ENGINE

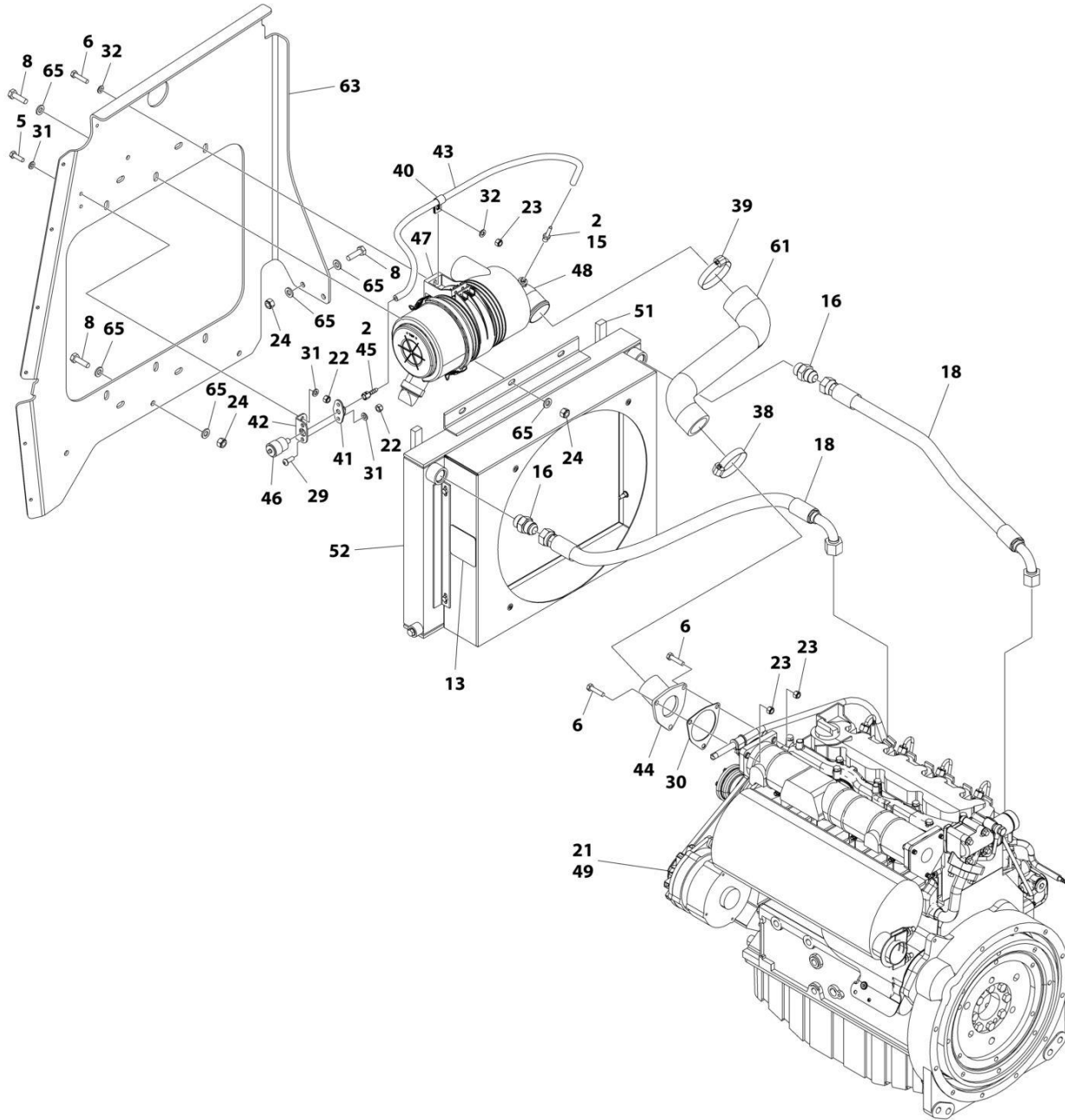
ITEM	PART NUMBER	QTY	DESCRIPTION	REV
51	3790045	1	O-Ring	
52	1001233450	2	Fitting, Straight ORB/ORB	
53	1001235110	1	Hose (SN 0300243550 through 0300272446)	





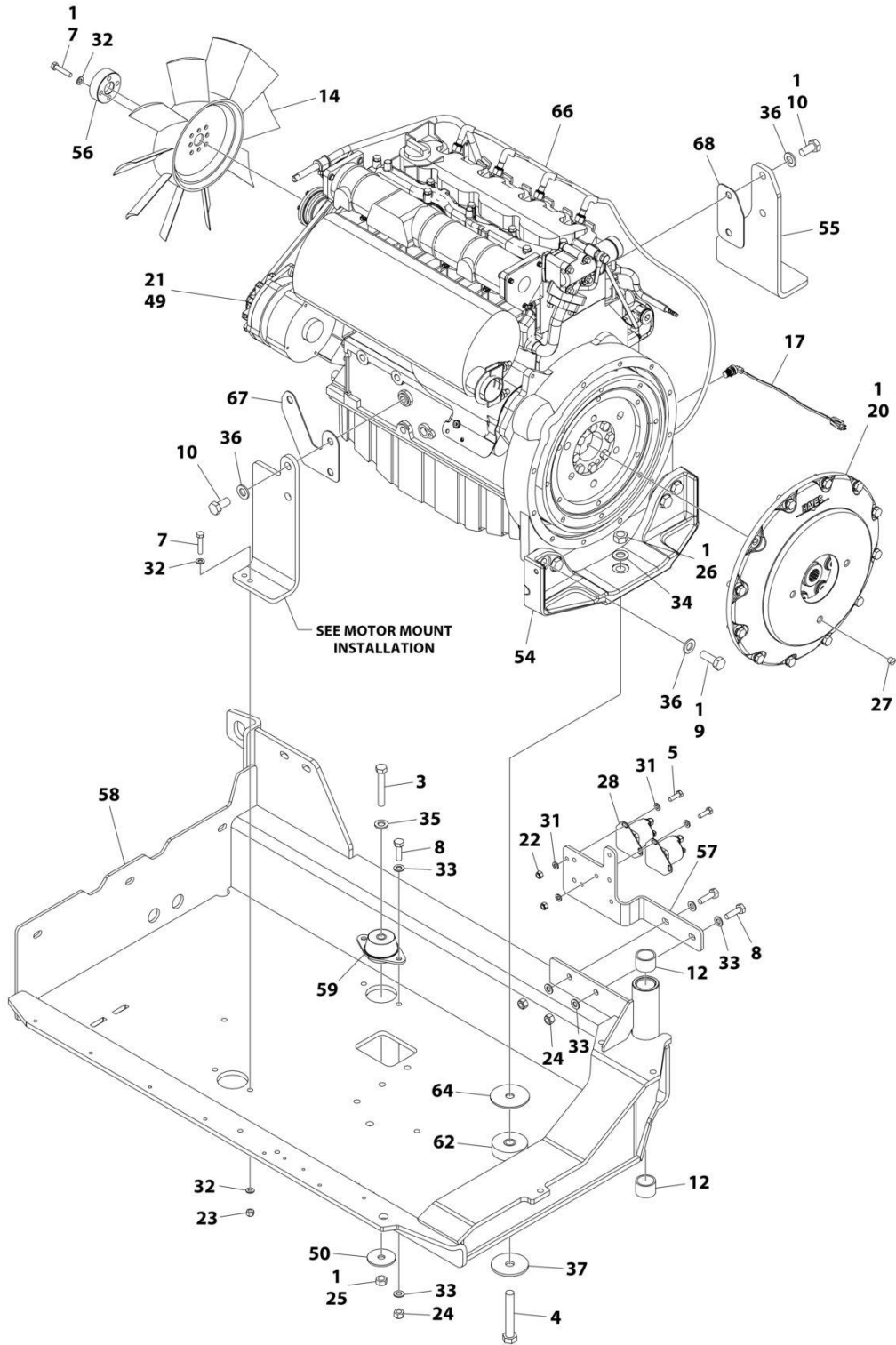
# SECTION 3 - ENGINE

## FIGURE 3-6. DEUTZ D2011 ENGINE ASSEMBLY - WITH ARCTIC PACKAGE



ART\_1001196573\_1OF2

# SECTION 3 - ENGINE



ART\_1001196573\_20F2

# SECTION 3 - ENGINE

FIGURE 3-6. DEUTZ D2011 ENGINE ASSEMBLY - WITH ARCTIC PACKAGE

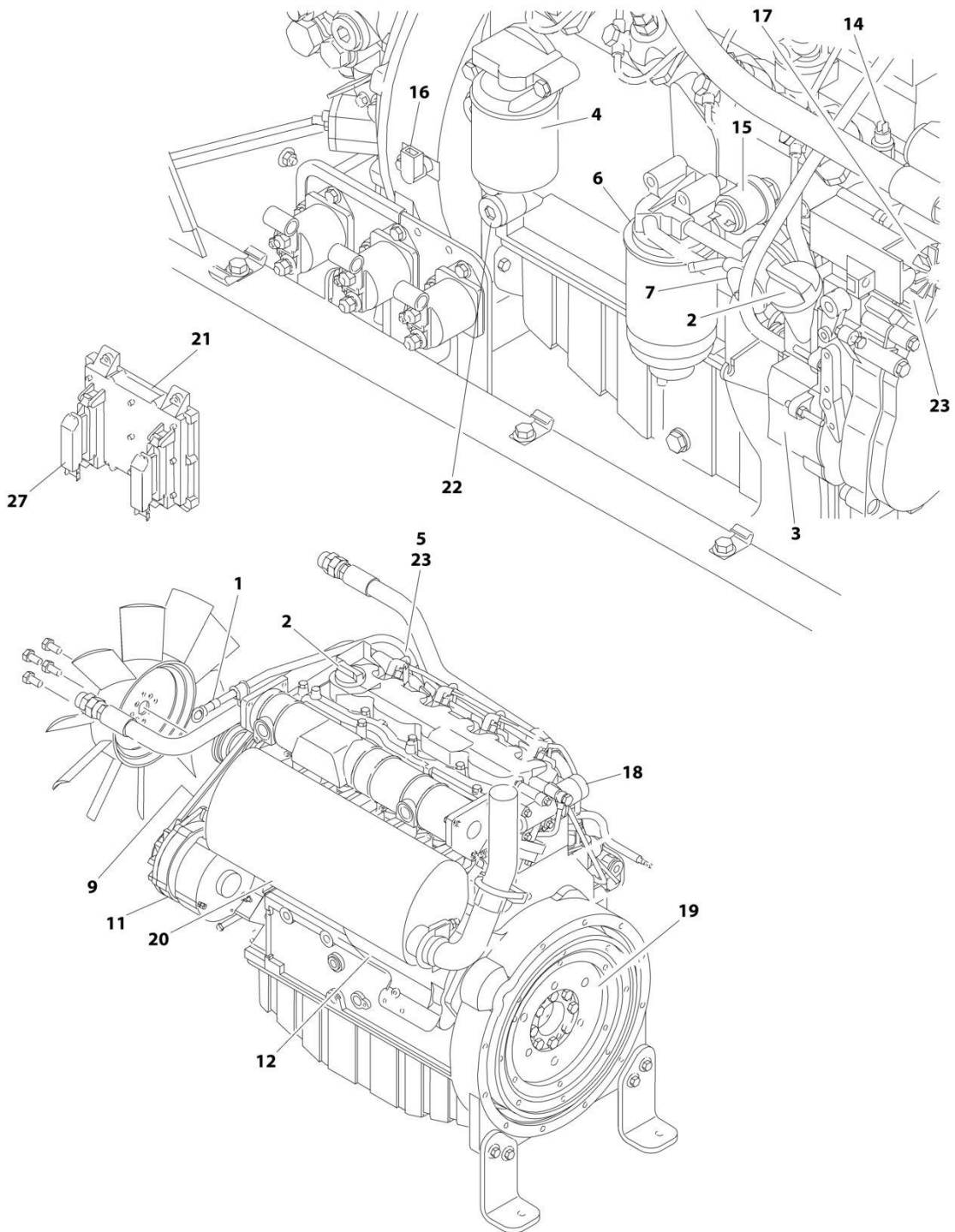
ITEM	PART NUMBER	QTY	DESCRIPTION	REV
	1001196573	Ref	DEUTZ D2011 ENGINE ASSEMBLY	M
1	0100011	AR	Compound, Locking	
2	0100020	AR	Sealant	
3	0701224	1	Bolt M12 x 80	
4	0711627	1	Bolt M16 x 100	
5	0760610	6	Bolt M6 x 20	
6	0760815	5	Bolt M8 x 35	
7	0760816	5	Bolt M8 x 40	
8	0761015	15	Bolt M10 x 35	
9	0771416	4	Bolt M14 x 40	
10	0771414	4	Bolt M14 x 30	
12	0961951	2	Bushing	
13	1703162	2	Decal - Fan Blade	
14	2060025	1	Fan	
15	2220315	1	Fitting, Straight Barbed	
16	2220451	2	Fitting, Straight ORB/JIC	
17	2580062	1	Heater, Engine Block	
18	2720398	2	Hose	
20	2902065	1	Pump Coupling Kit (See Separate Breakdown in this Section)	
21	3020044	AR	Oil, Engine 0W-40	
22	3290605	8	Nut M6	
23	3290805	6	Nut M8	
24	3291005	15	Nut M10	
25	3331211	1	Nut M12	
26	3331611	1	Nut M16	
27	3520054	2	Plug	
28	3740067	2	Relay	
29	3900357	2	Screw M6 x 16	
30	3960407	1	Gasket, Air Intake Adapter	
31	4811700	14	Washer M6	
32	4811900	10	Washer M8	
33	4812000	8	Washer M10	
34	4812300	1	Washer M16	
35	5241200	1	Washer M12	
36	5241400	8	Washer M14	
37	7300435	1	Washer	
38	8405203	1	Clamp	
39	8405204	1	Clamp	
40	8406109	1	Clip	
41	1001138173	1	Support	
42	1001138175	1	Bracket	
43	1001138248	29.6 in/ 0.7m	Tube	
44	1001139819	1	Adapter	
45	1001141995	1	Fitting, Straight NPT/Barbed	
46	1001143390	1	Indicator, Air Filter Service	
47	1001147812	1	Clamp	
48	1001147813	1	Filter, Air	
48	70004020	1	Element, Filter	
49	1001147823	1	Deutz D2011 Engine Components (See Separate Breakdown in	

## SECTION 3 - ENGINE

ITEM	PART NUMBER	QTY	DESCRIPTION	REV
			this Section)	
50	1001168018	1	Washer	
51	1001168166	2	Seal	
52	1001187082	1	Radiator	
53	1001188236	1	Engine Harness - Deutz D2011 Engines (Not Shown) (See Separate Breakdown in ELECTRICAL SECTION)	
54	1001188535	1	Bracket, Engine - Rear	
55	1001189026	1	Bracket, Engine - Right	
56	1001189161	1	Adapter, Fan	
57	1001203885	1	Plate	
58	1001200435	1	Tray	
59	1001191610	1	Mount, Motor	
61	1001195711	1	Hose	
62	1001197149	1	Support	
63	1001200793	1	Support	
64	1001197725	1	Spacer	
65	5241000	22	Washer M10	
66	4923379	1	Glow Plug Harness (SN 0300236299 through 0300243773)	
66	1001234396	1	Glow Plug Harness (SN 0300243774 through 0300272446)	
67	1001201843	1	Shim .079	
68	1001201844	1	Shim .079	

# SECTION 3 - ENGINE

## FIGURE 3-7. DEUTZ D2011 ENGINE COMPONENTS



ART\_1001147823

## SECTION 3 - ENGINE

### FIGURE 3-7. DEUTZ D2011 ENGINE COMPONENTS

ITEM	PART NUMBER	QTY	DESCRIPTION	REV
	1001147823	Ref	ENGINE COMPONENTS	C
1	70004287	1	Dipstick	
1	70000044	1	Seal, Dipstick	
1	70001002	1	Tube, Dipstick	
1	7020403	1	Seal, Dipstick Tube	
2	7020465	2	Cap, Filler	
3	70001850	1	Pump, Oil Lube	
3	7020468	1	Seal Between Oil Pump and Engine Block (Not Shown)	
4	7016331	1	Filter, Oil	
4	70003472	1	Bracket, Oil Filter	
4	7027236	1	Sender, Temperature	
4	70025082	1	Ring, Sealing	
5	70000912	4	Series A Injector	
5	70000913	4	Series B Injector	
5	70000914	4	Series C Injector	
5	70000915	4	Series D Injector	
5	70003464	4	Seal/Gasket, Pump (1 Per Injector)	
5	70003478	4	Injector, Fuel	
5	70003136	4	Seal/Gasket, Pump (1 Per Injector)	
6	7016328	1	Filter, Fuel	
6	70003465	1	Sensor	
6	70003466	1	Seal, Sensor	
7	70000916	1	Pump, Fuel Supply	
7	70001435	1	Repair Kit for Fuel Supply Pump	
7	70000919	1	Hand Pump for Fuel Supply Pump	
7	70000917	1	O - Seal Between Fuel Pump and Engine Block	
7	70000918	1	O - Seal Between Fuel Pump and Hand Pump	
8	70001871	4	Gasket, Intake Manifold	
9	7020408	1	V-Belt	
10		Ref	Exhaust Manifold Components (Not Shown)	
10	70001835	1	Gasket, Exhaust Adapter to Exhaust Rail	
10	70001841	1	Valve, Exhaust (Fits into Exhaust Adapter)	
10	70001836	1	Gasket, Exhaust Rail to Cylinder Head	
10	70001837	1	Gasket, Exhaust Manifold to Muffler	
10	70002200	4	Stud, Mounting	
10	See Note	AR	Nut, Exhaust Manifold	
11	70004056	1	Alternator	
11	70001868	1	Regulator, Voltage (Not Shown)	
11	70001866	1	Seal, Gasket for Voltage Regulator (Not Shown)	
11	70002234	1	Bar, Alternator Adjustment	
12	7020479	1	Starter	
12	70004058	1	Relay	
13	70004060	2	Plug-In Connector	
14	7027791	1	Transmitter, Temperature	
15	7027790	1	Sensor, Oil Pressure	
16	70004272	1	Sensor, Speed	
17	7027792	1	Throttle Actuator	
17	7027276	2	Spring	
18	70003475	1	Thermostat (Located at rear of engine block - Not Shown)	
19	70001870	1	Flywheel with Ring Gear	

## SECTION 3 - ENGINE

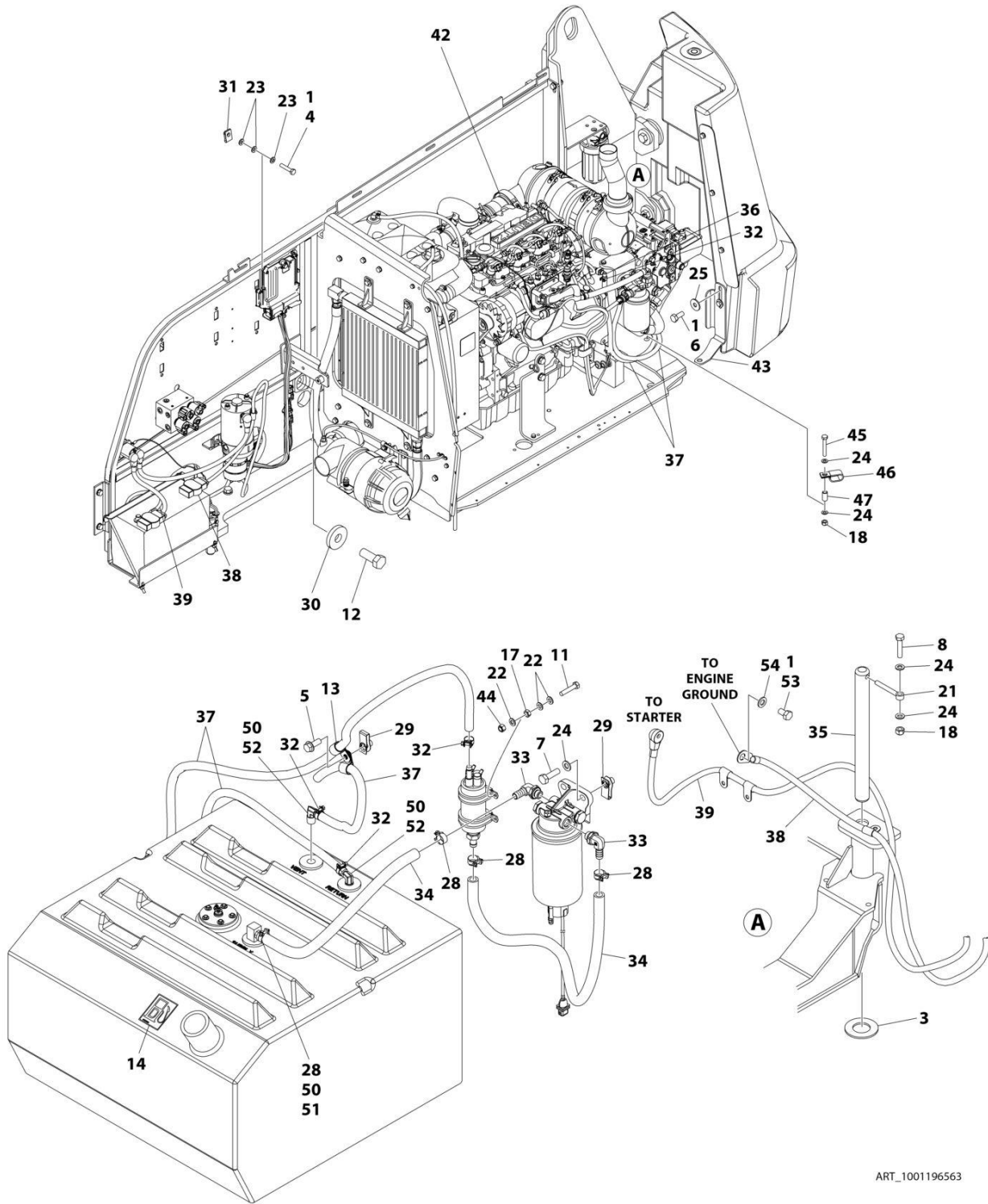
ITEM	PART NUMBER	QTY	DESCRIPTION	REV
19	7024579	1	Gear, Ring 110 Tooth	
20	7000695	1	Muffler	
20	70001844	1	U-Ciamp	
20	7020471	4	Gasket	
21	7027795	1	Module, Control	
22	70001181	1	Valve, Pressure Control	
22	70124410	1	Spring	
22	70025082	1	Seal	
22	70124440	1	Screw, Locking	
23	70000345	4	Plug, Glow	
24	70000800	1	Camshaft Pulley Repair Kit (Not Shown)	
26	70002415	1	Gasket, Head with 1 Notch (Not Shown)	
62	70002416	1	Gasket, Head with 2 Notch (Not Shown)	
26	70002417	1	Gasket, Head with 3 Notch (Not Shown)	
27	7027796	1	Harness, Engine (Connects to Item 421)	
27	70001872	1	Harness, Engine (Connects to p/n 7027796)	
28		Ref	Gaskets and Seals - Miscellaneous (Not Shown)	
28	70004289	1	Gasket Set	
28	70002718	1	Seal, Rear Main	
28	70004280	1	Seal, Front Main	
29	70025752	1	Valve, Pressure Relief (Not Shown - Located at Engine Front Left)	
29	70025753	1	Spring	
29	70005916	1	Seal	
29	70005917	1	Plug, Locking	





# SECTION 3 - ENGINE

## FIGURE 3-8. DEUTZ TD2.9L4 ENGINE INSTALLATION - WITHOUT ARCTIC PACKAGE



ART\_1001196563

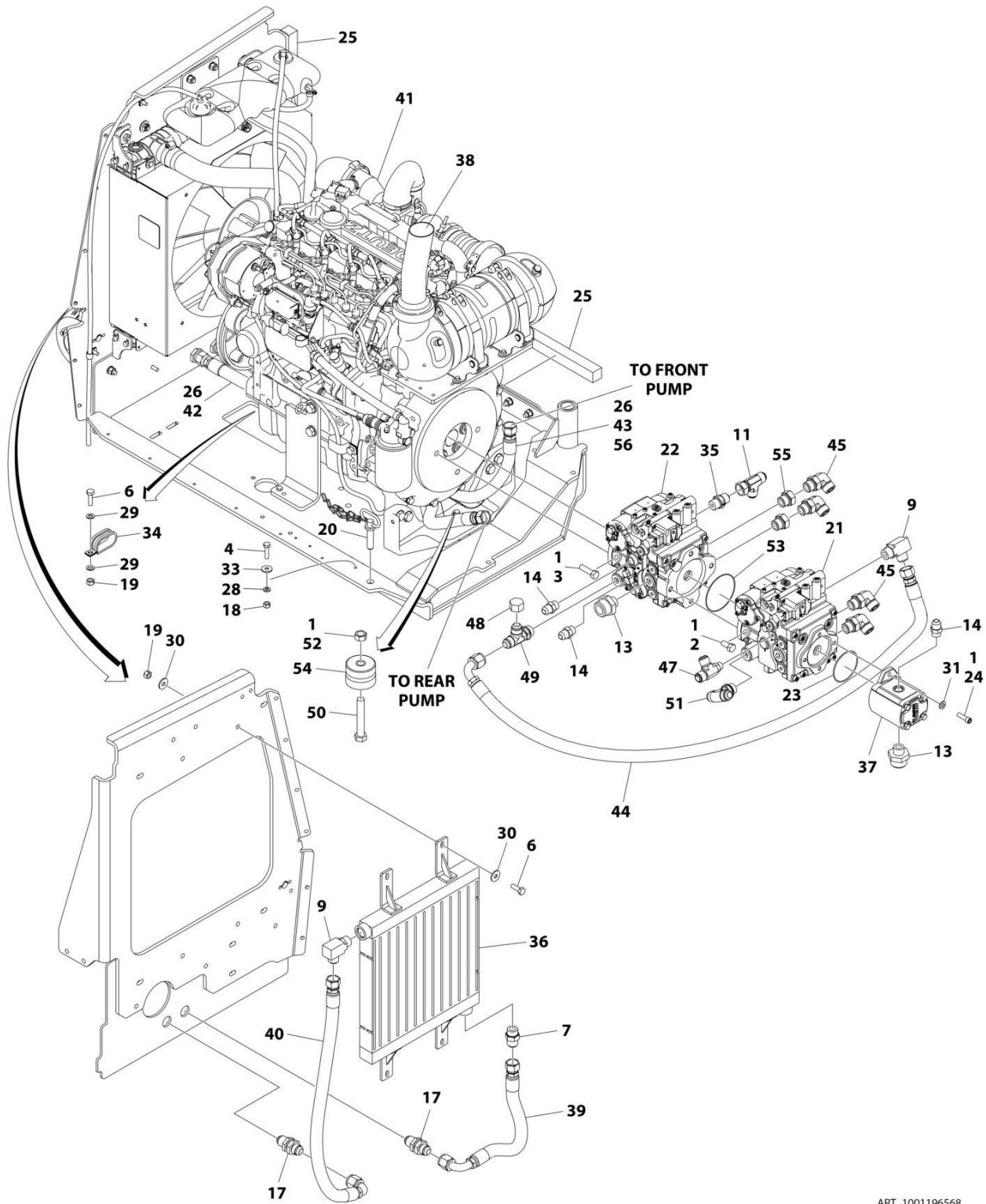
## SECTION 3 - ENGINE

**FIGURE 3-8. DEUTZ TD2.9L4 ENGINE INSTALLATION - WITHOUT ARCTIC PACKAGE**

ITEM	PART NUMBER	QTY	DESCRIPTION	REV
	1001196563	Ref	DEUTZ TD2.9L4 ENGINE INSTALLATION	H
1	0100011	AR	Compound, Locking	
3	0440162	1	Bearing	
4	0700614	4	Bolt M6 x 30	
5	5251012	1	Bolt M10 x 25	
6	0701012	2	Bolt M10 x 25	
7	0701015	2	Bolt M10 x 35	
8	0711018	1	Bolt M10 x 50	
11	0760512	4	Bolt M5 x 25	
12	0772018	1	Bolt M20 x 50	
13	1320061	2	Clamp	
14	1701505	1	Decal - Diesel Fuel	
17	3290501	4	Nut M5	
18	3291005	2	Nut M10	
21	3841143	1	Keeper, Pin	
22	4811600	12	Washer M5	
23	4811700	12	Washer M6	
24	4812000	6	Washer M10	
25	4812002	2	Washer M10	
28	1001175568	4	Clip	
29	1001118972	3	Nut, Tinnerman M10	
30	1001119051	1	Washer	
31	1001130220	4	Nut, Tinnerman M6	
32	1001136975	5	Clamp	
33	1001142501	2	Fitting, 90 Barbed	
34	1001154405	33 in/ 0.8m	Hose	
35	1001155094	1	Pin	
36	1001155823	1	Fitting, 90 Quick Connect	
37	1001165035	27 ft/ 8.2m	Hose	
38	1001188668	1	Cable, Battery (-) to Aux Pump and Ground	
39	1001188669	1	Cable, Battery (+) to Aux Relay to Starter	
42	1001196568	1	Deutz TD2.9L4 T4F Engine and Pump Sub-Assembly (See Separate Breakdown in this Section)	
43	1001197881	1	Bracket	
44	3290505	4	Nut M5	
45	0701022	1	Bolt M10 x 70	
46	1001026127	1	Clamp	
47	1001200731	1	Tube	
48	4240099	1	Tie-Strap (Not Shown)	
49	1001190444	1	Fuel Pump Harness - Deutz TD2.9L4 Engine (Not Shown) (See Separate Breakdown in ELECTRICAL SECTION)	
50	0100020	AR	Sealant	
51	2180832	1	Fitting, Straight Barbed	
52	2220313	2	Fitting, 90 NPTF/Barb	
53	0761210	1	Bolt M12 x 20	
54	4812100	1	Washer M12	
100	1001235532	1	Battery Cable Kit (Includes Items 38 & 39) (Not Shown) <b>(SN 0300244375 through 0300272446)</b>	

# SECTION 3 - ENGINE

## FIGURE 3-9. DEUTZ TD2.9L4 ENGINE AND PUMPS SUB-ASSEMBLY - WITHOUT ARCTIC PACKAGE



## SECTION 3 - ENGINE

**FIGURE 3-9. DEUTZ TD2.9L4 ENGINE AND PUMPS SUB-ASSEMBLY - WITHOUT ARCTIC PACKAGE**

ITEM	PART NUMBER	QTY	DESCRIPTION	REV
	1001196568	Ref	DEUTZ TD2.9L4 ENGINE AND PUMPS SUB-ASSEMBLY	I
1	0100011	AR	Compound, Locking	
2	0641808	2	Bolt 1/2 x 1	
3	0641814	2	Bolt 1/2 x 1-3/4	
4	0760612	1	Bolt M6 x 25	
6	0761015	6	Bolt M10 x 35	
7	2220451	1	Fitting, Straight JIC/ORB	
9	2220578	2	Fitting, 90 JIC/ORB	
11	2220700	1	Fitting, Tee JIC/FSJIC/JIC (SN 0300236299 through 0300243549)	
13	2220946	2	Fitting, Straight JIC/ORB	
14	2220947	3	Fitting, Straight JIC/ORB	
17	2230027	2	Fitting, Straight	
18	3290605	1	Nut M6	
19	3291005	6	Nut M10	
20	3422532	1	Pin	
21	3600359	1	Piston Pump Assembly - Rear (See Separate Breakdown in this Section)	
22	3600363	1	Piston Pump Assembly - Front (See Separate Breakdown in this Section)	
23	3790152	1	O-Ring	
24	3931620	2	Capscrew 3/8 x 1-1/4	
24	3931618	2	Capscrew 3/8 x 1-1/8	
25	3960469	2	Seal	
26	4061032	AR	Shield	
27	4240099	AR	Tie-Strap (Not Shown)	
28	4811700	1	Washer M6	
29	4812000	4	Washer M10	
30	4812002	8	Washer M10	
31	5241000	2	Washer M10	
33	4811702	1	Washer M6	
34	1001164196	2	Clamp	
35	1001179156	1	Valve, Check	
36	1001188171	1	Radiator, Oil Cooler	
37	1001190143	1	Gear Pump Assembly	
37	70006356	1	Seal Kit - 1001190143 Pump	
38	1001211042	NLA	Pipe, Exhaust (Use p/n 1001239207) (SN 0300236299 through 0300255066)	
38	1001239207	1	Pipe, Exhaust (SN 0300255067 through 0300272446)	
39	1001195504	1	Hose	
40	1001195506	1	Hose	
41	1001186812	1	Deutz TD2.9L4 Engine Assembly (See Separate Breakdown in this Section)	
42	1001195509	1	Hose	
43	1001195507	1	Hose (SN 0300236299 through 0300243549)	
44	1001200216	1	Hose	
45	2131212	4	Fitting, 90 ORFS/ORB	
47	1001213814	1	Fitting, Tee JIC/ORB/JIC	
48	2220518	1	Cap	
49	2220738	1	Fitting, Tee JIC/ORB/JIC	
50	0711627	1	Bolt M16 x 100	

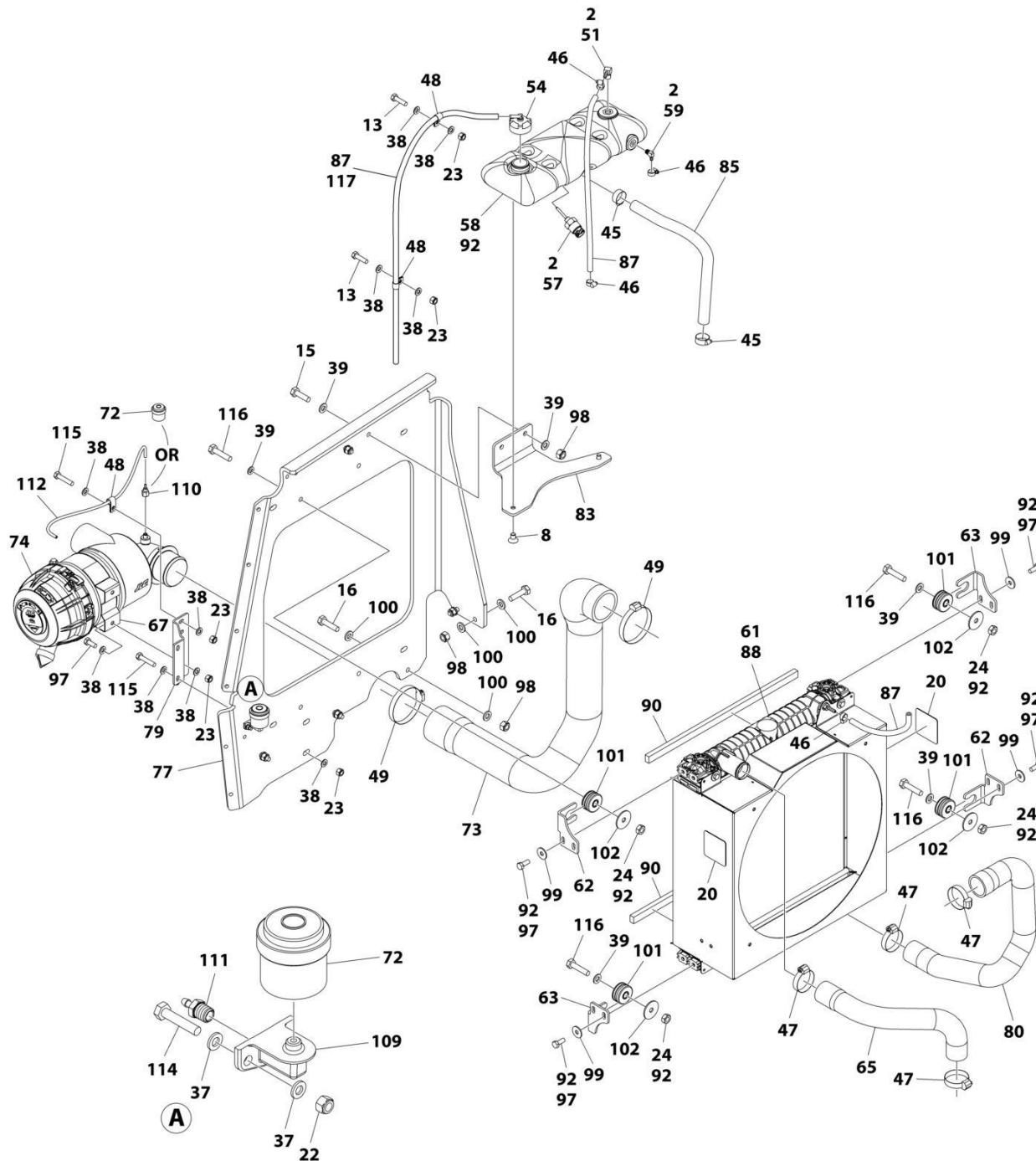
## SECTION 3 - ENGINE

ITEM	PART NUMBER	QTY	DESCRIPTION	REV
51	2220695	1	Fitting, Tee JIC/ORB/JIC	
52	3331611	1	Nut M16	
53	3790045	1	O-Ring	
54	1001197149	1	Mount, Engine	
55	1001233450	2	Fitting, Straight ORB/ORB	
56	1001235110	1	Hose (SN 0300243550 through 0300272446)	



# SECTION 3 - ENGINE

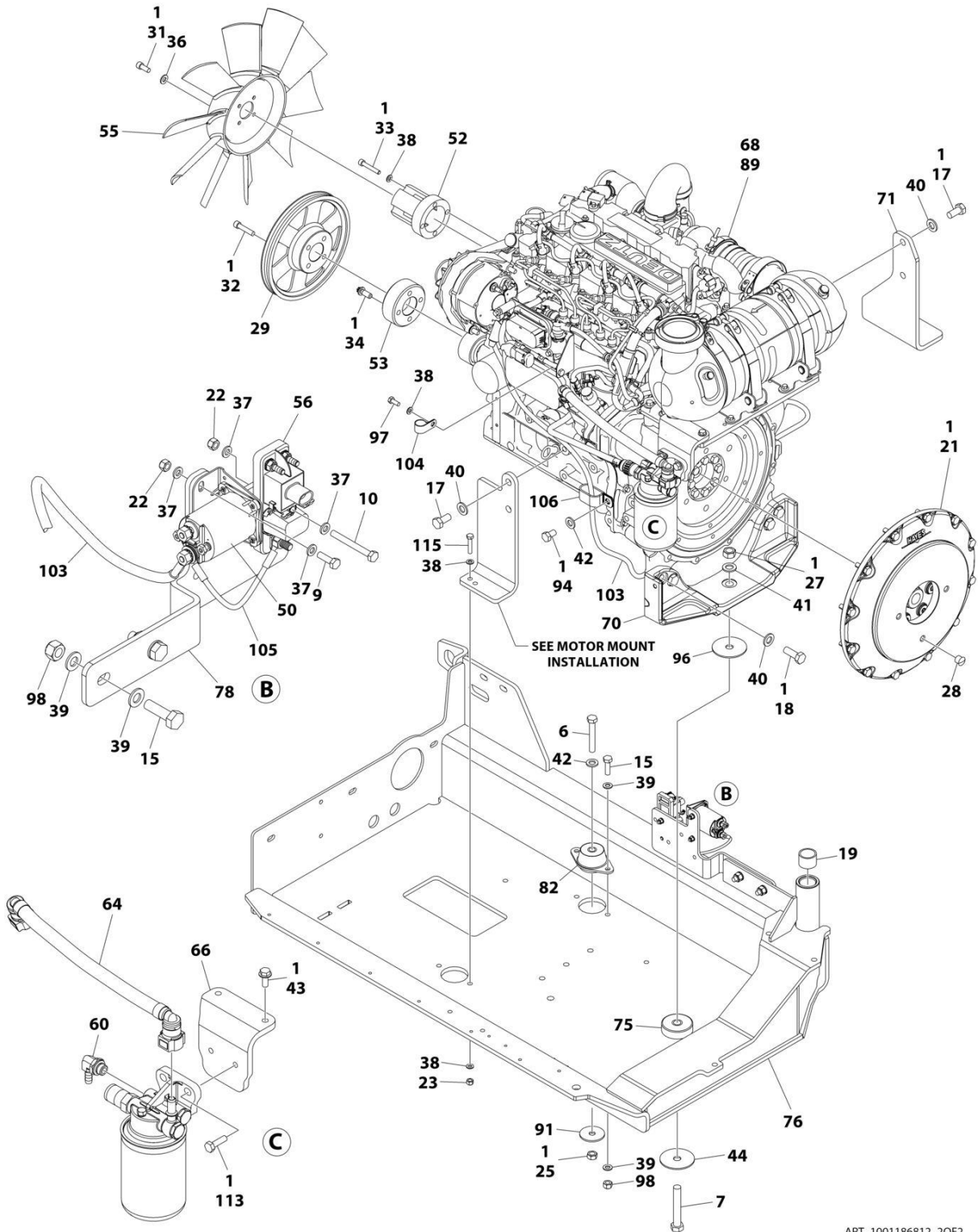
## FIGURE 3-10. DEUTZ TD2.9L4 ENGINE ASSEMBLY - WITHOUT ARCTIC PACKAGE



ART\_1001186812\_10F2



# SECTION 3 - ENGINE



ART\_1001186812\_20F2

## SECTION 3 - ENGINE

FIGURE 3-10. DEUTZ TD2.9L4 ENGINE ASSEMBLY - WITHOUT ARCTIC PACKAGE

ITEM	PART NUMBER	QTY	DESCRIPTION	REV
	1001186812	Ref	DEUTZ TD2.9L4 - 67HP ENGINE ASSEMBLY	T
1	0100011	AR	Compound, Locking	
2	0100020	AR	Sealant	
6	0711224	1	Bolt M12 x 80	
7	0711627	1	Bolt M16 x 100	
8	0741605	2	Screw 3/8 x 5/8	
9	0760610	2	Bolt M6 x 20	
10	0760619	1	Bolt M6 x 55	
13	0760814	AR	Bolt M8 x 30	
15	0761015	6	Bolt M10 x 35	
16	0761016	5	Bolt M10 x 40	
17	0771414	4	Bolt M14 x 30	
18	0771416	4	Bolt M14 x 40	
19	0961951	2	Bushing	
20	1703162	2	Decal - Fan Blade	
21	2902065	1	Pump Coupling Kit (See Separate Breakdown in this Section)	
22	3290605	AR	Nut M6	
23	3290805	AR	Nut M8	
24	3291001	4	Nut M10	
25	3331211	1	Nut M12	
27	3331611	1	Nut M16	
28	3520054	1	Plug	
29	3580320	1	Pulley	
31	3931512	4	Capscrew 5/16 x 3/4	
32	3931628	4	Capscrew 3/8 x 1-3/4	
33	4031914	4	Capscrew M8 x 50	
34	4032014	4	Capscrew M10 x 50	
36	4711500	4	Washer 5/16	
37	4811700	AR	Washer M6	
38	4811900	AR	Washer M8	
39	4812000	20	Washer M10	
40	5241400	8	Washer M14	
41	4812300	1	Washer M16	
42	5241200	2	Washer M12	
43	5250810	2	Bolt M8 x 20	
44	7300435	1	Washer	
45	8405007	2	Clamp	
46	8405009	4	Clamp	
47	8405104	4	Clamp	
48	8406109	AR	Clip	
49	8410011	2	Clamp	
50	1001117308	1	Contactactor	
51	1001134488	1	Fitting, 90 Barbed (Part of Item 58)	
52	1001135138	1	Adapter, Fan	
53	1001135679	1	Adapter	
54	1001136834	1	Cap, Tank	
55	1001137276	1	Fan	
56	1001138228	1	Relay	
57	1001138827	1	Sensor, Coolant Level (Part of Item 58)	
58	1001140535	NLA	Tank, Surge (Use p/n 1001230635) (SN 0300236299 through	

## SECTION 3 - ENGINE

ITEM	PART NUMBER	QTY	DESCRIPTION	REV
			<b>0300242293)</b>	
58	1001230635	1	Tank, Surge (Include Items 51, 57 & 59) <b>(SN 0300242294 through 0300272446)</b>	
59	1001140564	1	Fitting, 90 Barbed (Part of Item 58)	
60	1001152489	1	Fitting, 90 Barbed	
61	1001167042	1	Radiator	
62	1001169967	2	Bracket	
63	1001170035	2	Bracket	
64	1001177359	1	Hose	
65	1001177844	1	Hose, Radiator (Top)	
66	1001227059	NLA	Mount (Use p/n 1001231805) <b>(SN 0300236299 through 0300242293)</b>	
66	1001231805	1	Mount <b>(SN 0300242294 through 0300272446)</b>	
67	1001186426	1	Clamp, Air Cleaner	
68	1001186902	1	Deutz TD2.9L4 - 67HP Engine (See Separate Breakdown in this Section)	
69	1001188237	NLA	Engine Harness - Deutz TD2.9L4 - 67HP Engines (Not Shown) (Use pn 1001233895) (See Separate Breakdown in ELECTRICAL Section) <b>(SN 0300236299 through 0300241926)</b>	
69	1001233895	1	Engine Harness - Deutz TD2.9L4 - 67HP Engines (Not Shown) (See Separate Breakdown in ELECTRICAL Section) <b>(SN 0300241927 through 0300272446)</b>	
70	1001188535	1	Bracket, Engine - Rear	
71	1001189026	1	Bracket, Engine - Right	
72	1001166716	1	Restriction, Indicator	
73	1001189913	1	Hose	
74	1001189979	1	Filter, Air	
74	70005008	1	Element, Filter	
75	1001190164	1	Mount, Motor	
76	1001200745	1	Tray	
77	1001229091	1	Support, Radiator	
78	1001203885	1	Plate	
79	1001190942	1	Support	
80	1001191025	1	Hose, Radiator (Bottom)	
82	1001191610	1	Mount, Motor	
83	1001192400	1	Bracket	
85	1001193049	1	Hose	
87	2720015	AR	Hose	
88	2300004	AR	Coolant	
89	1001136079	AR	Oil, Motor 15W-40	
90	1001168166	2	Seal	
91	1001168018	1	Washer	
92	1001180620	AR	Adhesive	
94	0761210	1	Bolt M12 x 20	
96	1001197725	1	Spacer	
97	0760810	11	Bolt M8 x 20	
98	3291005	11	Nut M10	
99	4811902	8	Washer M8	
100	5241000	10	Washer M10	
101	1001169054	4	Isolator	
102	1001169138	4	Pad, Snubbing	
103	1001190442	1	Harness, Alternator Power	
103	1001098764	1	Boot - Red	

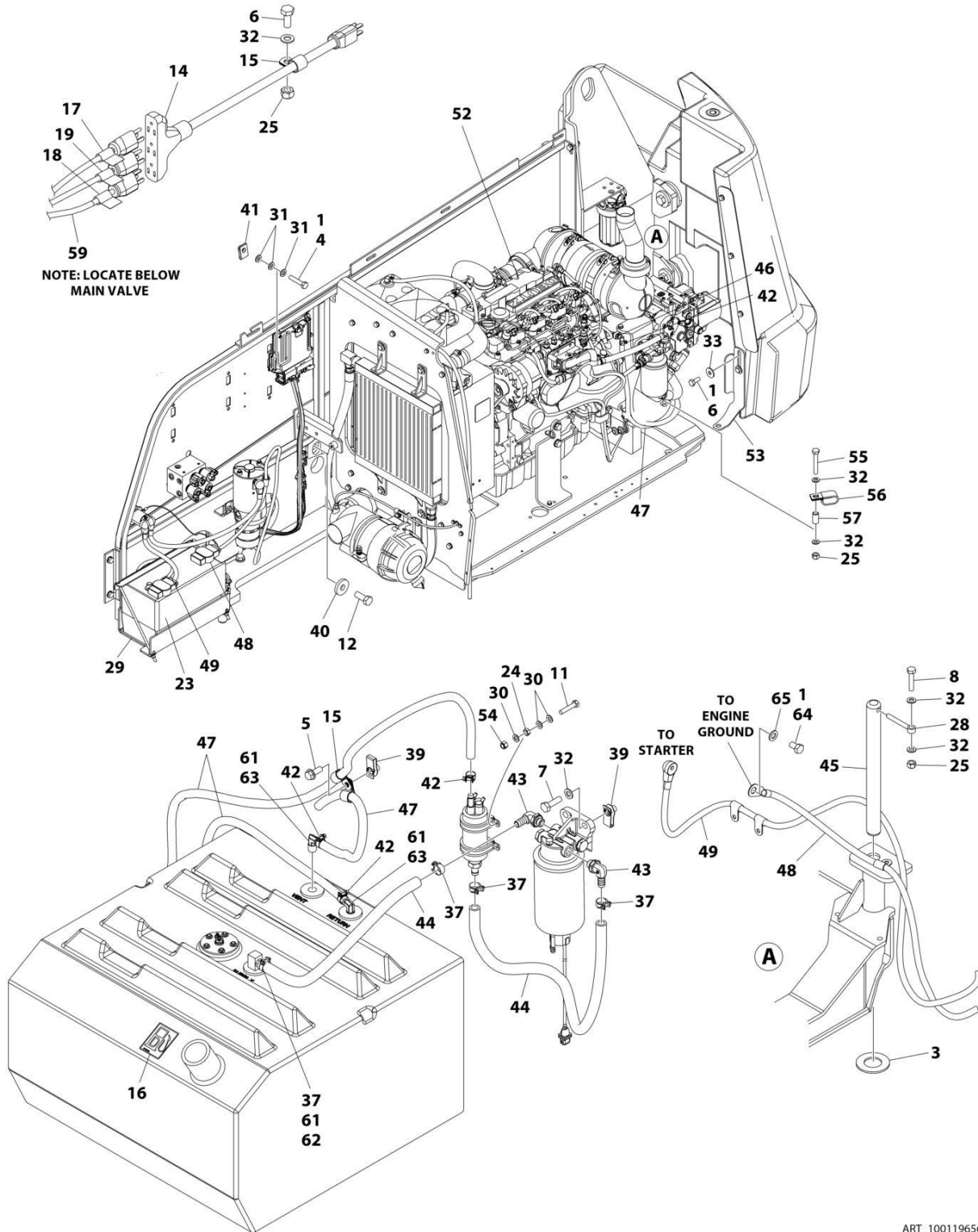
## SECTION 3 - ENGINE

ITEM	PART NUMBER	QTY	DESCRIPTION	REV
104	1320202	1	Clamp	
105	1001141304	1	Harness, Glow Fuse	
106	1001181899	1	Clamp	
108	4240099	1	Tie-Strap (Not Shown)	
109	1001223254	1	Bracket <b>(SN 0300236299 through 0300255066)</b>	
110	1001223255	1	Fitting, Straight FNPT <b>(SN 0300236299 through 0300255066)</b>	
111	1001223256	1	Fitting, Straight MNPT <b>(SN 0300236299 through 0300255066)</b>	
112	1001223257	24 in/.6m	Hose <b>(SN 0300236299 through 0300255066)</b>	
113	5251012	2	Bolt M10 x 25	
114	0760614	2	Bolt M6 x 30 <b>(SN 0300236299 through 0300255066)</b>	
115	0760816	3	Bolt M8 x 40	
116	0761017	4	Bolt M10 x 45	
117	1001138248	4 ft/1.25m	Tube <b>(SN 0300255067 through 0300272446)</b>	



# SECTION 3 - ENGINE

## FIGURE 3-11. DEUTZ TD2.9L4 ENGINE INSTALLATION - WITH ARCTIC PACKAGE



ART\_1001196564

## SECTION 3 - ENGINE

**FIGURE 3-11. DEUTZ TD2.9L4 ENGINE INSTALLATION - WITH ARCTIC PACKAGE**

ITEM	PART NUMBER	QTY	DESCRIPTION	REV
	1001196564	Ref	DEUTZ TD2.9L4 ENGINE INSTALLATION	H
1	0100011	AR	Compound, Locking	
3	0440162	1	Bearing	
4	0700614	4	Bolt M6 x 30	
5	5251012	1	Bolt M10 x 25	
6	0701012	3	Bolt M10 x 25	
7	0701015	2	Bolt M10 x 35	
8	0711018	1	Bolt M10 x 50	
11	0760512	4	Bolt M5 x 25	
12	0772018	1	Bolt M20 x 50	
14	1060626	1	Plug, 3 Way	
15	1320061	3	Clamp	
16	1701505	1	Decal - Diesel Fuel	
17	1702941	1	Decal - Battery Heater	
18	1702942	1	Decal - Engine Block Heater	
19	1702943	1	Decal - Hydraulic Tank Heater	
23	2580024	1	Heater, Battery	
24	3290501	4	Nut M5	
25	3291005	3	Nut M10	
28	3841143	1	Keeper, Pin	
29	3980007	1	Seat, Battery	
30	4811600	12	Washer M5	
31	4811700	12	Washer M6	
32	4812000	7	Washer M10	
33	4812002	2	Washer M10	
37	1001175568	4	Clip	
38	1001188972	1	Heater, Immersion (Not Shown - Located on Hydraulic Tank)	
39	1001118972	3	Nut, Tinnerman M10	
40	1001119051	1	Washer	
41	1001130220	4	Nut, Tinnerman M6	
42	1001136975	5	Clamp	
43	1001142501	2	Fitting, 90 Barbed	
44	1001154405	33 in/ 0.8m	Hose	
45	1001155094	1	Pin	
46	1001155823	1	Fitting, 90 Quick Connect	
47	1001165035	27 ft/ 8.2m	Hose	
48	1001188668	1	Cable, Battery (-) to Aux Pump and Ground	
49	1001188669	1	Cable, Battery (+) to Aux Relay to Starter	
52	1001196570	1	Deutz TH2.9L4 Engine and Pumps Sub-Assembly (See Separate Breakdown in this Section)	
53	1001197881	1	Bracket	
54	3290505	4	Nut M5	
55	0701022	1	Bolt M10 x 70	
56	1001026127	1	Clamp	
57	1001200731	1	Tube	
58	4240099	1	Tie-Strap (Not Shown)	
59	1001150918	1	Cable, Extension	
60	1001190444	1	Engine Harness - Deutz TD2.9L4 Engines (Not Shown) (See	

## SECTION 3 - ENGINE

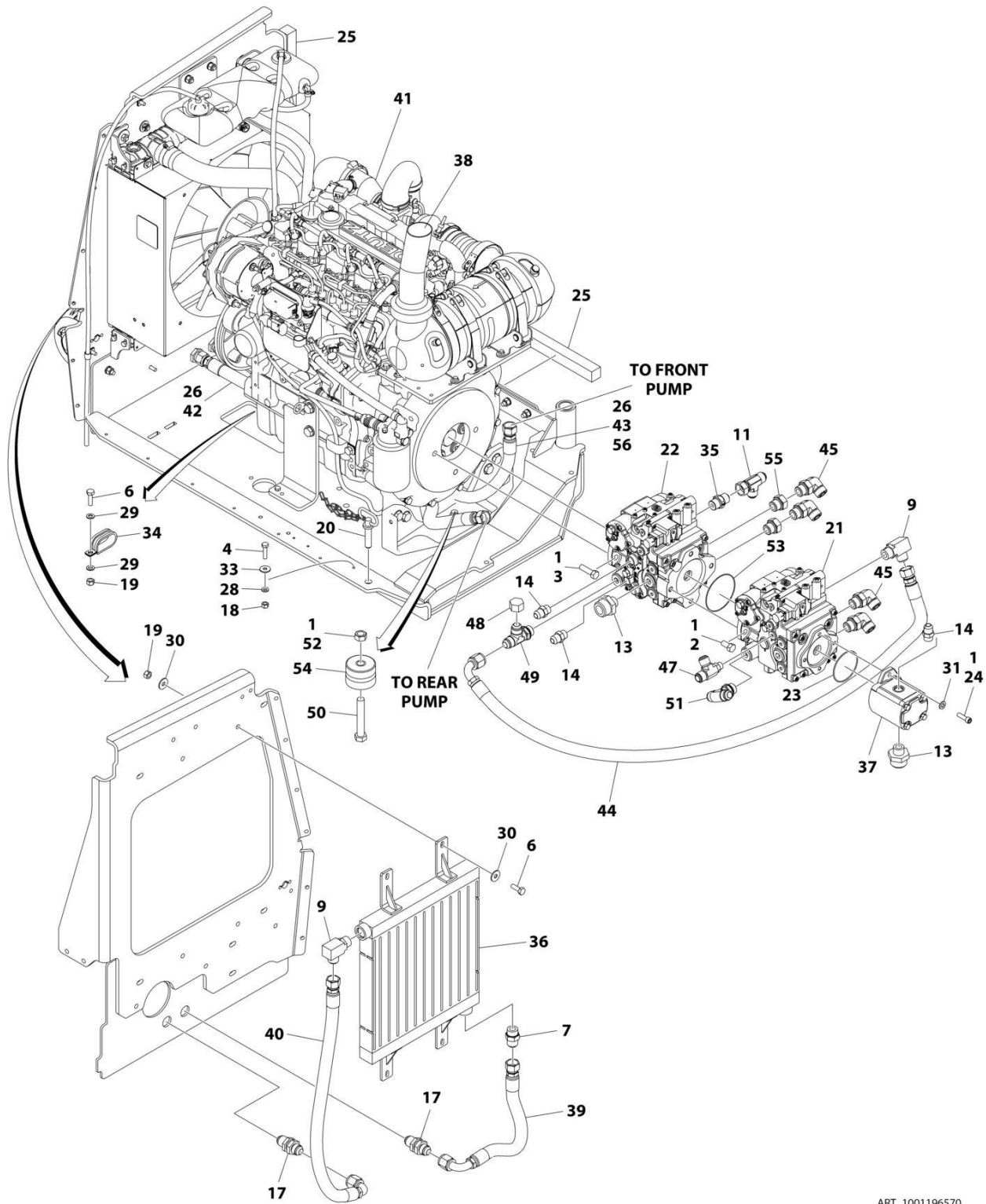
ITEM	PART NUMBER	QTY	DESCRIPTION	REV
61	0100020	AR	Separate Breakdown in ELECTRICAL SECTION) Sealant	
62	2180832	1	Fitting, Straight Barbed	
63	2220313	2	Fitting, 90 NPTF/Barb	
64	0761210	1	Bolt M12 x 20	
65	4812100	1	Washer M12	
66	1001233763	1	Deutz Breather Heater Installation (Not Shown - See Separate Breakdown in this Section) <b>(SN 0300244375 through 0300272446)</b>	
66	4240099	AR	Tie-Strap	
66	1001196634	1	Fuse 2amp	
66	1001232842	1	Heater, Deutz Breather Kit	
66	2400060	1	Fuse, Holder	
100	1001235532	1	Battery Cable Kit (Includes Items 48 & 49) (Not Shown) <b>(SN 0300244375 through 0300272446)</b>	





# SECTION 3 - ENGINE

## FIGURE 3-12. DEUTZ TD2.9L4 ENGINE AND PUMPS SUB-ASSEMBLY - WITH ARCTIC PACKAGE



ART\_1001196570

## SECTION 3 - ENGINE

**FIGURE 3-12. DEUTZ TD2.9L4 ENGINE AND PUMPS SUB-ASSEMBLY - WITH ARCTIC PACKAGE**

ITEM	PART NUMBER	QTY	DESCRIPTION	REV
	1001196570	Ref	DEUTZ TD2.9L4 ENGINE AND PUMPS SUB-ASSEMBLY	I
1	0100011	AR	Compound, Locking	
2	0641808	2	Bolt 1/2 x 1	
3	0641814	2	Bolt 1/2 x 1-3/4	
4	0760612	1	Bolt M6 x 25	
6	0761015	6	Bolt M10 x 35	
7	2220451	1	Fitting, Straight JIC/ORB	
9	2220578	2	Fitting, 90 JIC/ORB	
11	2220700	1	Fitting, Tee JIC/FSJIC/JIC ( <b>SN 0300236299 through 0300243549</b> )	
13	2220946	2	Fitting, Straight JIC/ORB	
14	2220947	3	Fitting, Straight JIC/ORB	
17	2230027	2	Fitting, Straight	
18	3290605	1	Nut M6	
19	3291005	6	Nut M10	
20	3422532	1	Pin	
21	3600359	1	Piston Pump Assembly - Rear (See Separate Breakdown in this Section)	
22	3600363	1	Piston Pump Assembly - Front (See Separate Breakdown in this Section)	
23	3790152	1	O-Ring	
24	3931620	2	Capscrew 3/8 x 1-1/4	
24	3931618	2	Capscrew 3/8 x 1-1/8	
25	3960469	2	Seal	
26	4061032	AR	Shield	
27	4240099	AR	Tie-Strap (Not Shown)	
28	4811700	1	Washer M6	
29	4812000	4	Washer M10	
30	4812002	8	Washer M10	
31	5241000	2	Washer M10	
33	4811702	1	Washer M6	
34	1001164196	2	Clamp	
35	1001179156	1	Valve, Check	
36	1001188171	1	Radiator, Oil Cooler	
37	1001190143	1	Gear Pump Assembly	
37	70006356	1	Seal Kit - 1001190143 Pump	
38	1001211042	NLA	Pipe, Exhaust (Use p/n 1001239207) ( <b>SN 0300236299 through 0300255066</b> )	
38	1001239207	1	Pipe, Exhaust ( <b>SN 0300255067 through 0300272446</b> )	
39	1001195504	1	Hose	
40	1001195506	1	Hose	
41	1001186814	1	Deutz TD2.9L4 Engine Assembly (See Separate Breakdown in this Section)	
42	1001195509	1	Hose	
43	1001195507	1	Hose ( <b>SN 0300236299 through 0300243549</b> )	
44	1001200216	1	Hose	
45	2131212	4	Fitting, 90 ORFS/ORB	
47	1001213814	1	Fitting, Tee JIC/ORB/JIC	
48	2220518	1	Cap	
49	2220738	1	Fitting, Tee JIC/ORB/JIC	
50	0711627	1	Bolt M16 x 100	

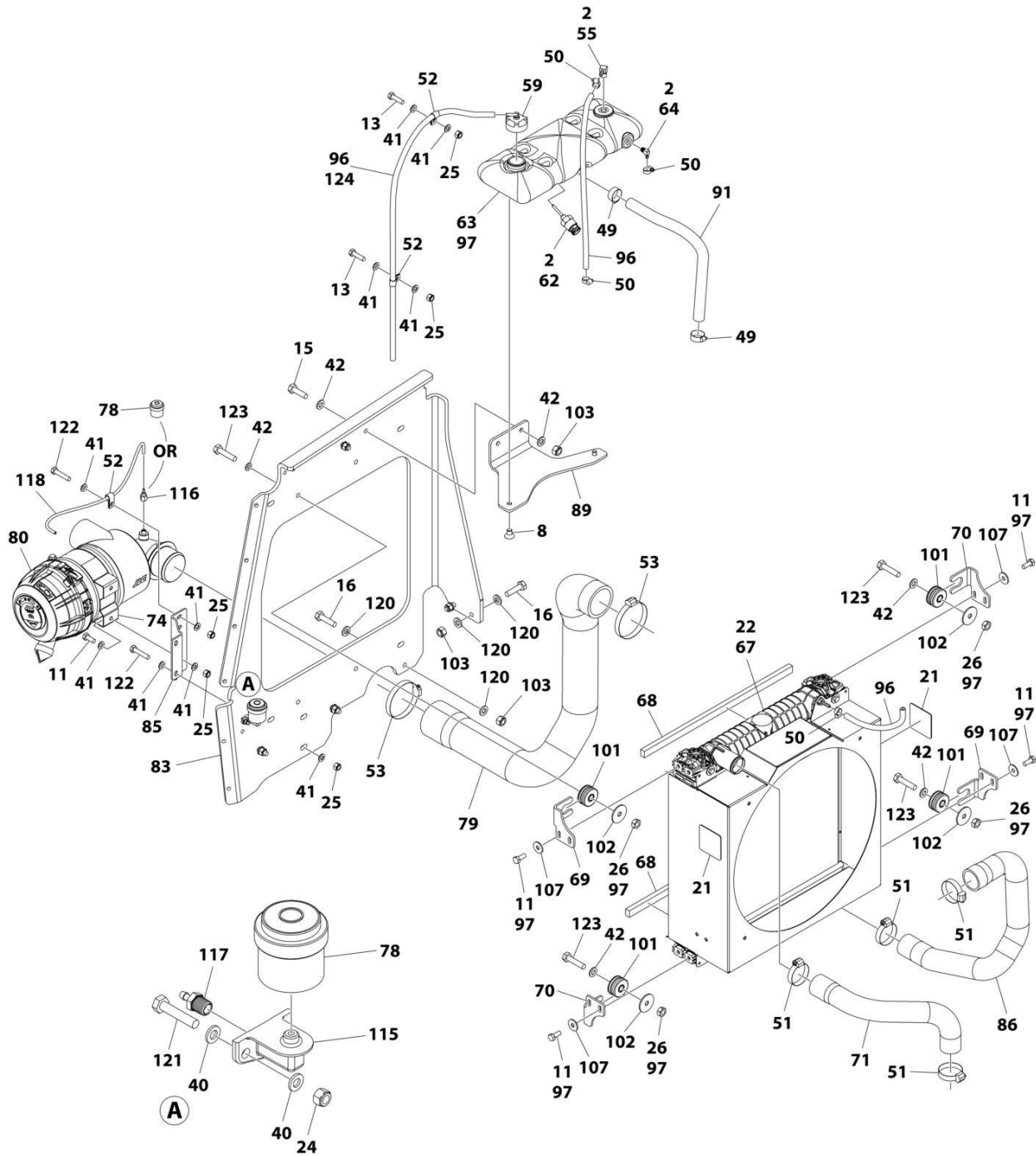
## SECTION 3 - ENGINE

ITEM	PART NUMBER	QTY	DESCRIPTION	REV
51	2220695	1	Fitting, Tee JIC/ORB/JIC	
52	3331611	1	Nut M16	
53	3790045	1	O-Ring	
54	1001197149	1	Mount	
55	1001233450	2	Fitting, Straight ORB/ORB	
56	1001235110	1	Hose (SN 0300243550 through 0300272446)	



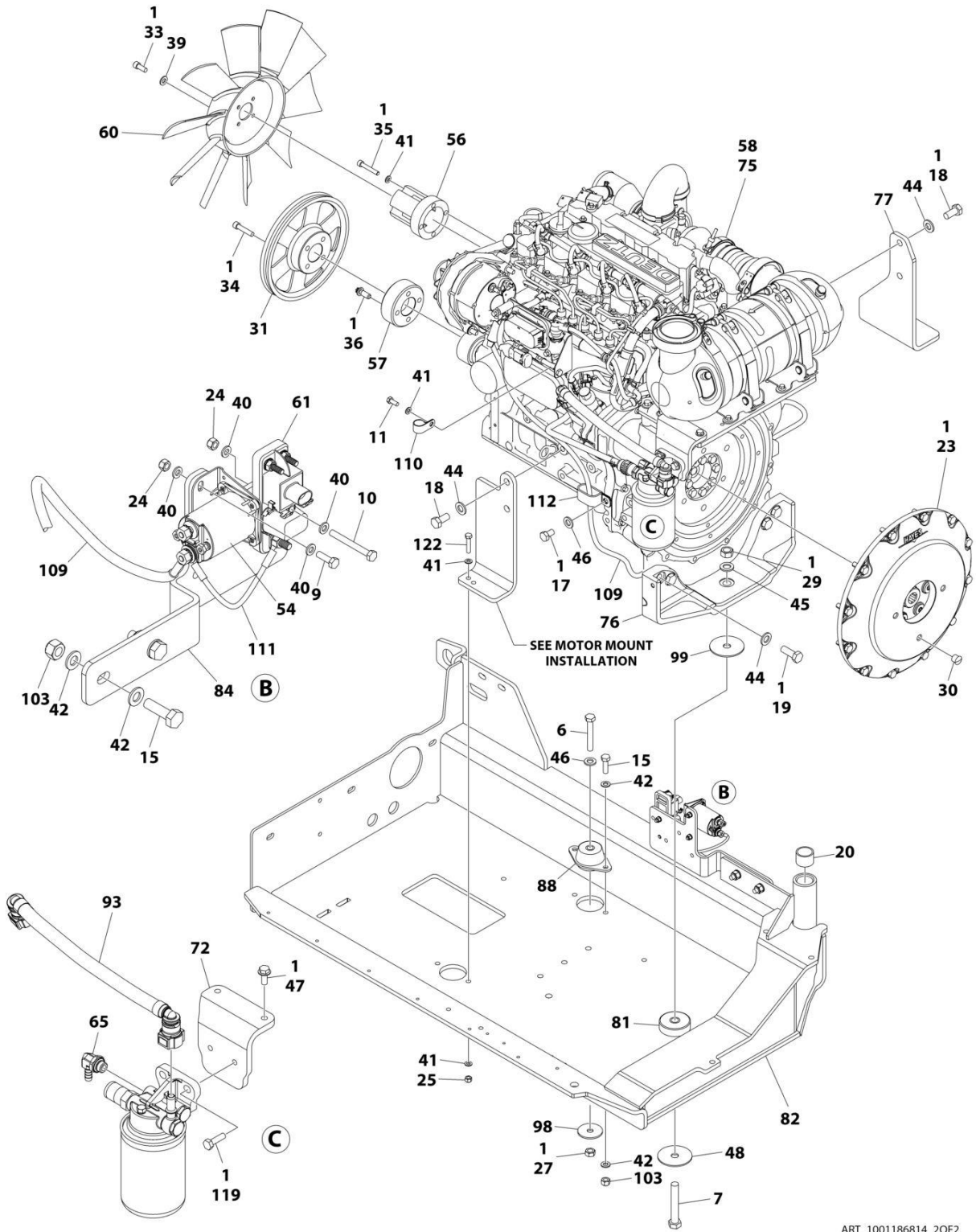
# SECTION 3 - ENGINE

## FIGURE 3-13. DEUTZ TD2.9L4 ENGINE ASSEMBLY - WITH ARCTIC PACKAGE



ART\_1001186814\_10F2

# SECTION 3 - ENGINE



ART\_1001186814\_2OF2

## SECTION 3 - ENGINE

FIGURE 3-13. DEUTZ TD2.9L4 ENGINE ASSEMBLY - WITH ARCTIC PACKAGE

ITEM	PART NUMBER	QTY	DESCRIPTION	REV
	1001186814	Ref	DEUTZ TD2.9L4 - 67HP ENGINE ASSEMBLY	T
1	0100011	AR	Compound, Locking	
2	0100020	AR	Sealant	
6	0711224	1	Bolt M12 x 80	
7	0711627	1	Bolt M16 x 100	
8	0741605	2	Screw 3/8 x 5/8	
9	0760610	2	Bolt M6 x 20	
10	0760619	1	Bolt M6 x 55	
11	0760810	11	Bolt M8 x 20	
13	0760814	AR	Bolt M8 x 30	
15	0761015	6	Bolt M10 x 35	
16	0761016	5	Bolt M10 x 40	
17	0761210	1	Bolt M12 x 20	
18	0771414	4	Bolt M14 x 30	
19	0771416	4	Bolt M14 x 40	
20	0961951	2	Bushing	
21	1703162	2	Decal - Fan Blade	
22	2300041	AR	Coolant	
23	2902065	1	Pump Coupling Kit (See Separate Breakdown in this Section)	
24	3290605	AR	Nut M6	
25	3290805	AR	Nut M8	
26	3291001	4	Nut M10	
27	3331211	1	Nut M12	
29	3331611	1	Nut M16	
30	3520054	1	Plug	
31	3580320	1	Pulley	
33	3931512	4	Capscrew 5/16 x 3/4	
34	3931628	4	Capscrew 3/8 x 1-3/4	
35	4031914	4	Capscrew M8 x 50	
36	4032014	4	Capscrew M10 x 50	
39	4711500	4	Washer 5/16	
40	4811700	AR	Washer M6	
41	4811900	AR	Washer M8	
42	4812000	20	Washer M10	
44	5241400	8	Washer M14	
45	4812300	1	Washer M16	
46	5241200	2	Washer M12	
47	5250810	2	Bolt M8 x 20	
48	7300435	1	Washer	
49	8405007	2	Clamp	
50	8405009	4	Clamp	
51	8405104	4	Clamp	
52	8406109	AR	Clip	
53	8410011	2	Clamp	
54	1001117308	1	Contactator	
55	1001134488	1	Fitting, 90 Barbed (Part of Item 63)	
56	1001135138	1	Adapter	
57	1001135679	1	Adapter	
58	1001136172	AR	Oil, Motor 5W-40	
59	1001136834	1	Cap, Tank	



## SECTION 3 - ENGINE

ITEM	PART NUMBER	QTY	DESCRIPTION	REV
60	1001137276	1	Fan	
61	1001138228	1	Relay	
62	1001138827	1	Sensor, Coolant Level (Part of Item 63)	
63	1001140535	NLA	Tank, Surge (Use p/n 1001230635) <b>(SN 0300236299 through 0300242293)</b>	
63	1001230635	1	Tank, Surge (Includes Items 55, 62 & 64) <b>(SN 0300242294 through 0300272446)</b>	
64	1001140564	1	Fitting, 90 Barbed (Part of Item 63)	
65	1001152489	1	Fitting, 90 Pipe/Barbed	
67	1001167042	1	Radiator	
68	1001168166	2	Seal	
69	1001169967	2	Bracket	
70	1001170035	2	Bracket	
71	1001177844	1	Hose, Radiator (Top)	
72	1001227059	NLA	Mount (Use p/n 1001231805) <b>(SN 0300236299 through 0300242293)</b>	
72	1001231805	1	Mount <b>(SN 0300242294 through 0300272446)</b>	
74	1001186426	1	Clamp, Air Cleaner	
75	1001186902	1	Deutz TD2.9L4 - 67HP Engine (See Separate Breakdown in this Section)	
76	1001188535	1	Bracket, Engine - Rear	
77	1001189026	1	Bracket, Engine - Right	
78	1001166716	1	Restriction, Indicator	
79	1001189913	1	Hose	
80	1001189979	1	Filter, Air	
80	70005008	1	Element, Filter	
81	1001190164	1	Mount, Motor	
82	1001200745	1	Tray	
83	1001229091	1	Support, Radiator	
84	1001203885	1	Plate	
85	1001190942	1	Support	
86	1001191025	1	Hose, Radiator (Bottom)	
88	1001191610	1	Mount, Motor	
89	1001192400	1	Bracket	
91	1001193049	1	Hose	
92	1001140312	1	Heater, Engine Block	
93	1001177359	1	Hose	
94	1001188237	NLA	Engine Harness - Deutz TD2.9L4 - 67HP Engines (Not Shown) (Use pn 1001233895) (See Separate Breakdown in ELECTRICAL SECTION) <b>(SN 0300236299 through 0300241926)</b>	
94	1001233895	1	Engine Harness - Deutz TD2.9L4 - 67HP Engines (Not Shown) (See Separate Breakdown in ELECTRICAL SECTION) <b>(SN 0300241927 through 0300272446)</b>	
96	2720015	AR	Hose	
97	1001180620	AR	Adhesive	
98	1001168018	1	Washer	
99	1001197725	1	Spacer	
101	1001169054	4	Isolator	
102	1001169138	4	Pad, Snubbing	
103	3291005	11	Nut M10	
107	4811902	8	Washer M8	
108	1001181895	AR	Adhesive	
109	1001190442	1	Harness, Alternator Power	

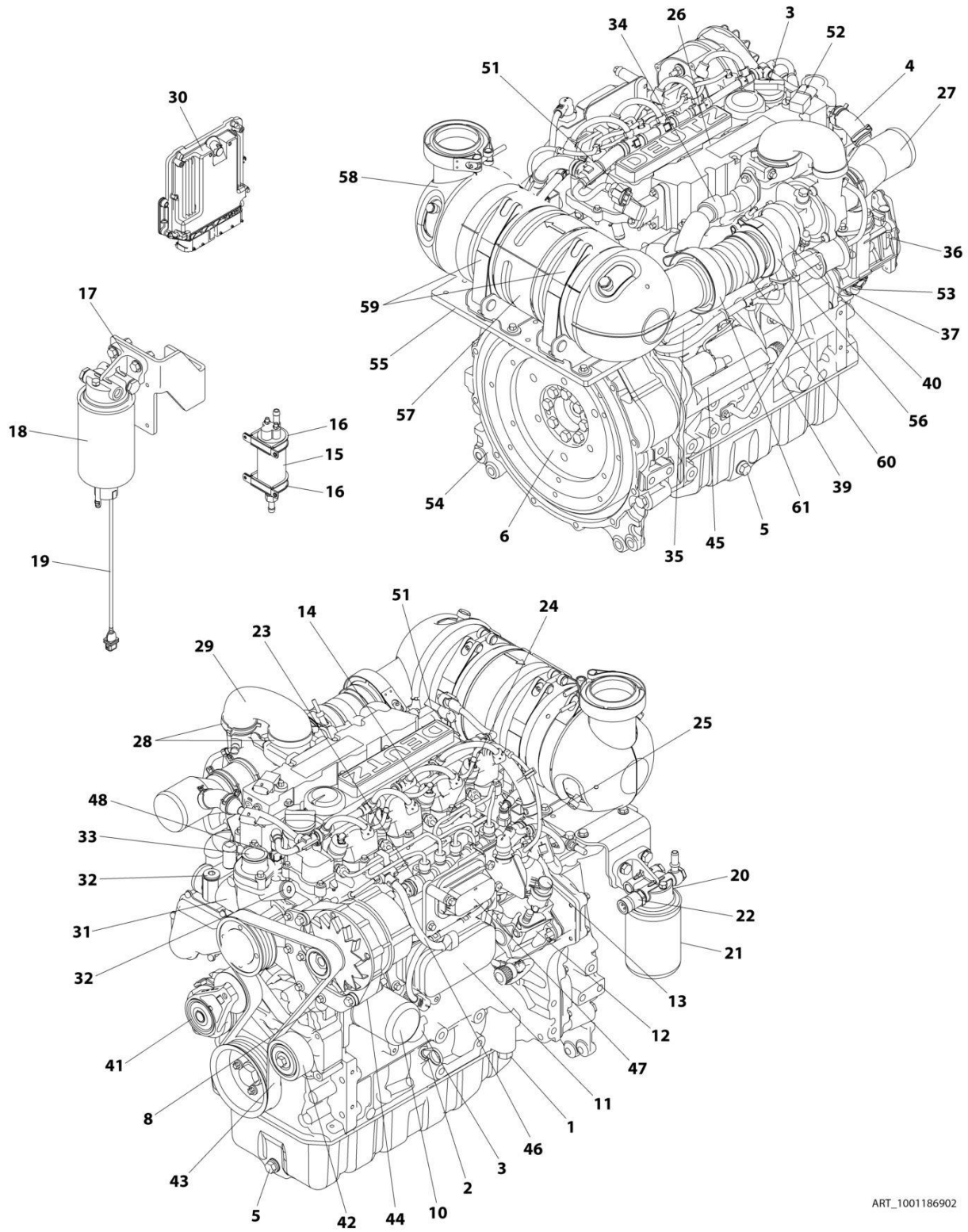
## SECTION 3 - ENGINE

ITEM	PART NUMBER	QTY	DESCRIPTION	REV
109	1001098764	1	Boot - Red	
110	1320202	1	Clamp	
111	1001141304	1	Harness, Glow Fuse	
112	1001181899	1	Clamp	
114	4240099	1	Tie-Strap (Not Shown)	
115	1001223254	1	Bracket (SN 0300236299 through 0300255066)	
116	1001223255	1	Fitting, Straight FNPT (SN 0300236299 through 0300255066)	
117	1001223256	1	Fitting, Straight MNPT (SN 0300236299 through 0300255066)	
118	1001223257	24 in/.6m	Hose (SN 0300236299 through 0300255066)	
119	5251012	2	Bolt M10 x 25	
120	5241000	10	Washer M10	
121	0760614	2	Bolt M6 x 30 (SN 0300236299 through 0300255066)	
122	0760816	3	Bolt M8 x 40	
123	0761017	4	Bolt M10 x 45	
124	1001138248	4 ft/1.25m	Tube (SN 0300255067 through 0300272446)	



# SECTION 3 - ENGINE

## FIGURE 3-14. DEUTZ TD2.9L4 ENGINE COMPONENTS



ART\_1001186902

## SECTION 3 - ENGINE

### FIGURE 3-14. DEUTZ TD2.9L4 ENGINE COMPONENTS

ITEM	PART NUMBER	QTY	DESCRIPTION	REV
	1001186902	Ref	DEUTZ TD2.9L4 - 67HP ENGINE COMPONENTS	D
1	70025660	1	Plug	
1	70006264	1	Valve, Plunger	
1	70006265	1	Spring	
1	70006266	1	Seal	
2	70024904	1	Dipstick	
2	70024905	2	Seal	
3	7020465	2	Cap, Fill	
4	70005920	1	Line, Breather	
4	70025111	2	Clamp	
5	70006941	2	Plug	
5	70005942	2	Seal	
6	70001870	1	Flywheel	
6	7024579	1	Ring Gear	
6	70025139	8	Bolt	
7		Ref	Gasket & Seal Options (Not Shown):	
7	70005938	1	Gasket Kit	
7	70024906	1	Gasket, Head	
7	70005922	1	Gasket, Valve Cover	
7	70028185	1	Gasket, Front Cover	
7	70004280	1	Seal, Front Main	
7	70002718	1	Seal, Rear Main	
8	70025091	1	Plug	
8	70025076	1	Valve, Plunger	
8	70025176	1	Spring	
8	70025082	1	Seal	
9	70005172	1	Pump, Lube (Not Shown - Located RH Rear)	
9	70025135	1	O-Seal	
9	70005173	1	Gasket	
10	7016331	1	Filter, Oil	
10	70025137	1	Bushing, Oil Filter	
11	70024494	1	Cooler, Oil	
11	70024925	1	Gasket, Oil Filter	
12	70024924	1	Pump, High Pressure	
12	70025152	1	Gasket (Spacer to Pump)	
12	70024488	1	Spacer	
12	70024517	1	Gasket (Spacer to Block)	
12	70004505	1	Valve, Overflow	
12	70004506	1	Gasket, Overflow	
12	70004507	1	Gasket, Overflow	
13	70004508	1	Valve, Volume Control	
13	70004509	1	O-Ring	
13	70004510	1	Gasket	
14	70025181	4	Injector	
14	70025140	4	Washer, Sealing	
14	70025146	4	Clamp	
14	70025145	4	O-Seal	
14	70025154	4	Shoe/Pad, Clamping	
15	1001226098	1	Pump, Fuel Supply (was p/n 70005174 & 70006144)	
16	70025144	2	Clip, Clamp	

## SECTION 3 - ENGINE

ITEM	PART NUMBER	QTY	DESCRIPTION	REV
17	70024961	1	Fuel Filter Assembly	
18	70025153	1	Element, Filter	
19	70024513	1	Cable, Sensor	
19	70025239	1	Seal, Ring	
20	70025160	1	Fuel Filter Assembly	
20	70004513	2	Seal (at Hollow Bolt)	
21	70025161	1	Element, Filter	
22	70024504	1	Sensor, Pressure	
22	70024920	1	O-Seal	
23	70025151	1	Rail, Fuel	
23	70025235	1	Repair Kit - Fuel Rail	
23	70025240	1	O-Ring	
24	70025182	1	Tube, Fuel - Cylinders 1 & 2	
24	70025183	1	Tube, Fuel - Cylinders 3 & 4	
24	70025184	1	Tube, Fuel	
25	70024502	1	Pipe, Fuel Leakage	
25	70025185	1	Hose, Fuel	
25	70025158	1	Manifold	
25	70025109	2	Clamp, Spring	
25	70025115	1	Clamp	
25	70025133	1	Hose	
25	70025101	2	Clamp	
25	70025148	1	Connector, Plug-in	
26	70005923	1	Manifold, Charger Air	
26	70005177	1	Gasket, Charger Air Manifold	
26	70005924	1	Seal (Manifold to Elbow)	
26	70005925	1	Line, Breather (Not Shown)	
26	70005181	1	O-Seal (Breather to Manifold)	
27	70005926	1	Elbow	
27	70025112	2	Clamp	
27	70004501	1	Sleeve, Rubber	
28	70005927	1	Sleeve	
28	70025107	2	Clamp	
29	70005928	1	Elbow, Air Charge	
30	70025210	1	Module, ECU	
31	70024910	1	Pump, Coolant	
31	70025200	1	Ring, Sealing (Pump to Block)	
32	70025084	2	Plug	
32	7020492	2	Ring, Sealing	
33	70007603	1	Thermostat	
33	70005184	1	O-Seal (Thermostat to Housing)	
33	70005930	1	Housing, Thermostat	
33	70005931	1	O-Seal (Thermostat to Pump)	
33	70025124	2	Bolt	
34	70025178	1	Tube	
34	70025179	2	Gasket (at Either End of Tube)	
35	70025768	1	Valve, Shuttle	
35	70025180	1	Gasket	
35	70025174	1	Housing, Shuttle Valve	
35	70025175	1	Cap, Shuttle Valve	
36	70025203	1	Module, EGR	

## SECTION 3 - ENGINE

ITEM	PART NUMBER	QTY	DESCRIPTION	REV
36	70025155	1	Plug (Not Shown)	
37	70005188	1	Valve, EGR Control	
37	70005189	1	Seal (Valve to Module)	
38	70004282	1	Manifold, Exhaust (Not Shown)	
38	70025164	1	Gasket, Manifold to Head (Not Shown)	
38	70025130	8	Bolt, Manifold (Not Shown)	
38	70026995	1	Elbow, Exhaust (Not Shown)	
38	70025179	2	Gasket, Manifold to Elbow (Not Shown)	
39	70005932	1	Tube, Oil Return	
39	70025132	1	O-Seal	
40	70004276	1	Turbocharger	
40	70024509	1	Gasket (Turbocharger to Oil Return Tube Housing)	
40	70024912	1	Gasket (Turbocharger to Exhaust)	
41	70025477	1	Tensioner, Belt	
42	70024484	1	Roller, Idler	
43	70004277	1	Belt	
44	70025733	1	Pulley, Alternator	
44	70024914	1	Alternator	
44	70025149	1	Controller	
44	70025131	1	Fan	
45	70024915	1	Starter	
45	70005647	1	Switch, Solenoid	
45	70005648	1	Relay	
46	70000345	4	Glow Plug	
46	70025231	1	Harness, Glow Plug	
46	70025233	1	Connector, Plug-in	
47	70025077	1	Harness, Engine	
48	70024918	1	Sender, Temperature	
49	70024504	1	Sensor, Pressure (Not Shown - RH Front)	
49	70024920	1	O-Seal	
50	70026210	1	Sensor, Speed (Not Shown - Front)	
50	70005191	1	Ring, Seal	
51	70024507	1	Sensor, Pressure	
51	70025120	1	O-Seal	
51	70005933	1	Adapter	
51	70005934	1	O-Seal	
52	70024922	1	Sender, Temperature	
52	70025212	1	O-Seal	
53	70026210	1	Sensor, Speed (Not Shown - Front)	
53	70024917	1	O-Seal	
54	70025192	1	Housing	
55	70005935	1	Bracket	
56	70025877	1	Clip	
56	70025242	1	Gasket	
56	70025877	1	Clip	
56	70025242	1	Gasket	
57	70005937	1	Muffler, DOC	
58	70025246	1	Outlet, Muffler	
59	70025245	2	Clamp	
60	70004504	1	Compensator	
60	70025242	1	Gasket	

## SECTION 3 - ENGINE

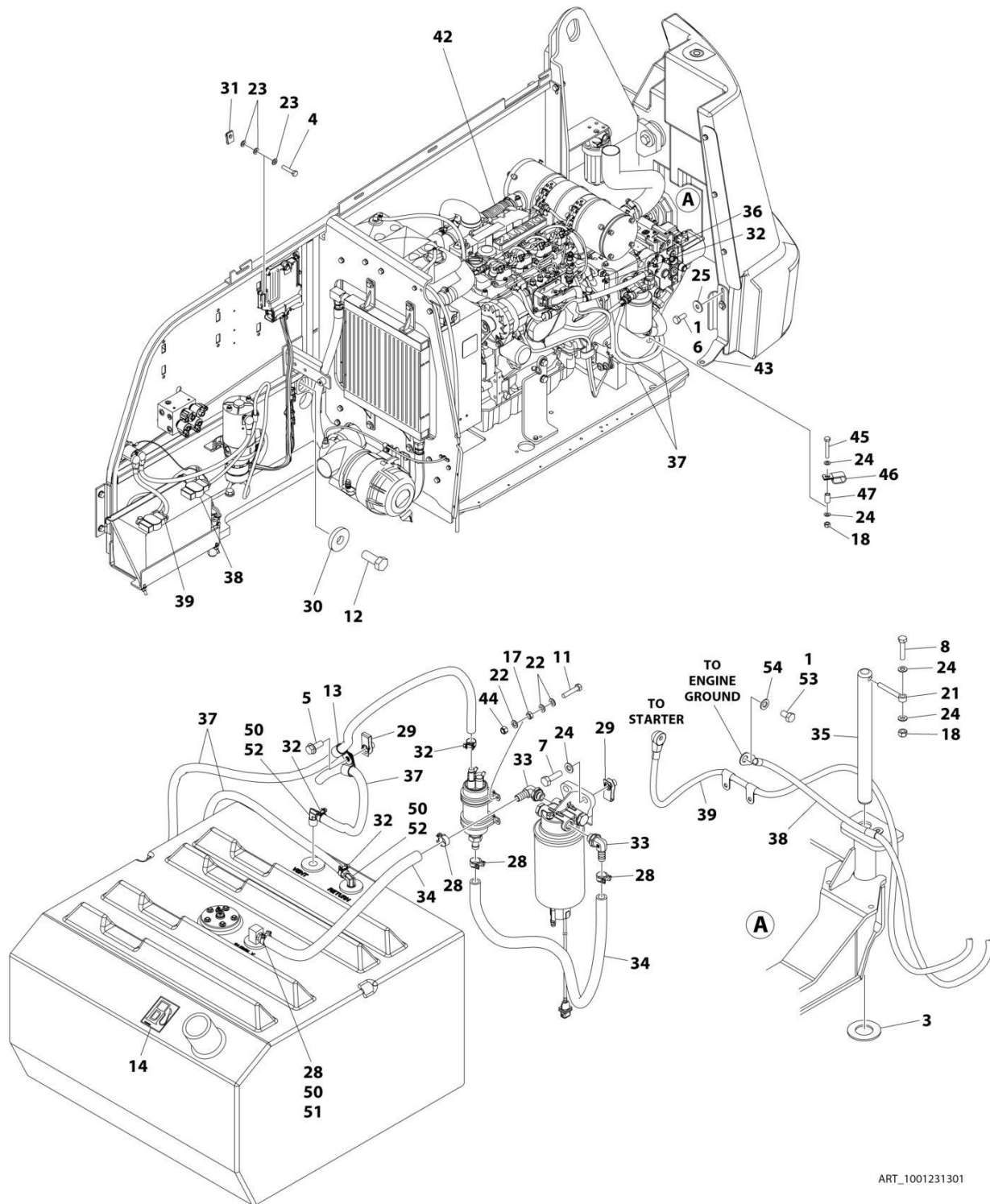
ITEM	PART NUMBER	QTY	DESCRIPTION	REV
60	70005527	1	Clip	
61	70025877	1	Clip	





# SECTION 3 - ENGINE

FIGURE 3-15. DEUTZ TD2.9L4 ENGINE INSTALLATION - WITHOUT ARCTIC PACKAGE (CHINA SPECS ONLY)



ART\_1001231301

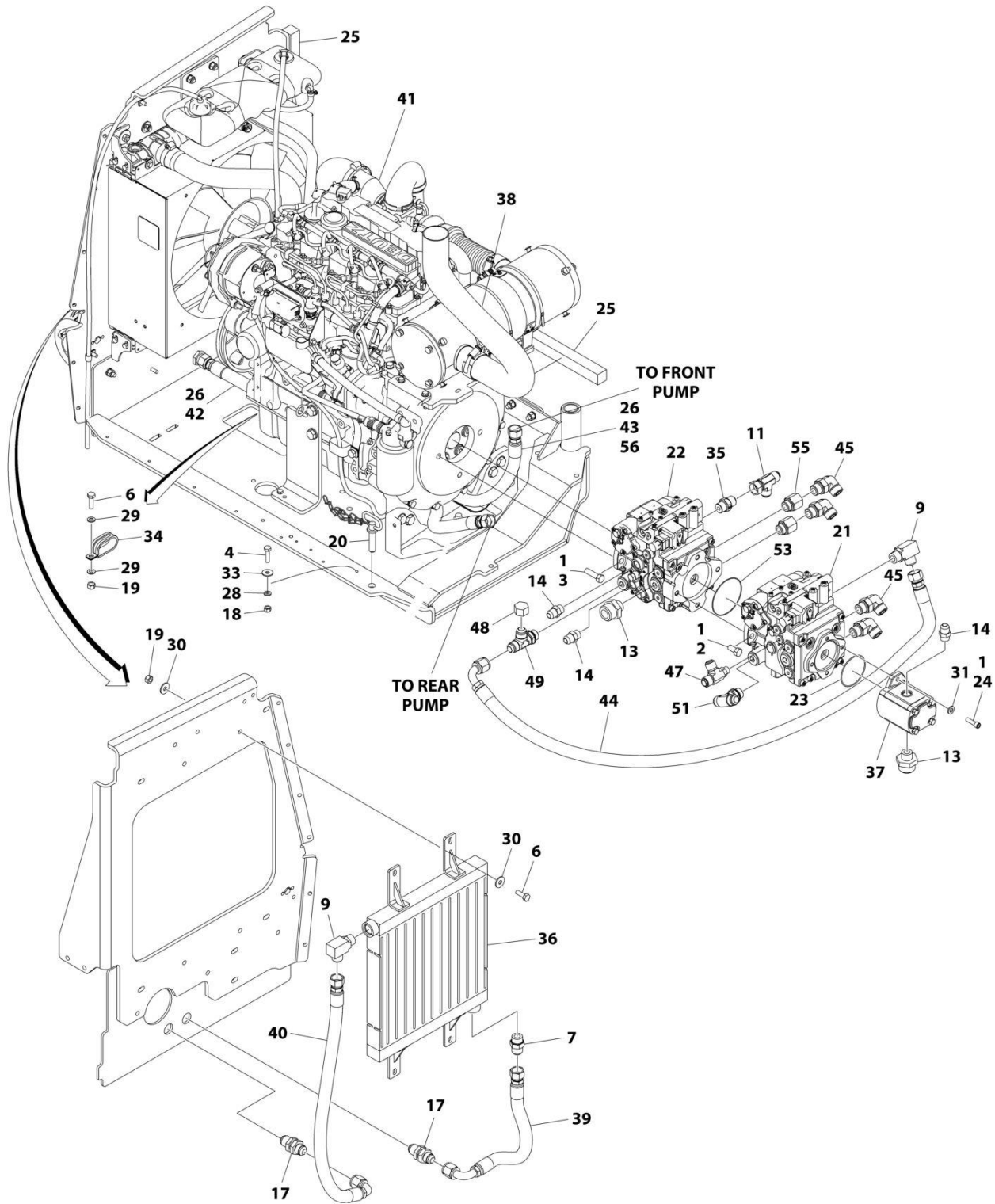
## SECTION 3 - ENGINE

**FIGURE 3-15. DEUTZ TD2.9L4 ENGINE INSTALLATION - WITHOUT ARCTIC PACKAGE (CHINA SPECS ONLY)**

ITEM	PART NUMBER	QTY	DESCRIPTION	REV
	1001231301	Ref	DEUTZ TD2.9L4 ENGINE INSTALLATION	C
1	0100011	AR	Compound, Locking	
3	0440162	1	Bearing	
4	0700614	4	Bolt M6 x 30	
5	5251012	1	Bolt M10 x 25	
6	0701012	2	Bolt M10 x 25	
7	0701015	2	Bolt M10 x 35	
8	0711018	1	Bolt M10 x 50	
11	0760512	4	Bolt M5 x 25	
12	0772018	1	Bolt M20 x 50	
13	1320061	2	Clamp	
14	1701505	1	Decal - Diesel Fuel	
17	3290501	4	Nut M5	
18	3291005	2	Nut M10	
21	3841143	1	Keeper, Pin	
22	4811600	12	Washer M5	
23	4811700	12	Washer M6	
24	4812000	6	Washer M10	
25	4812002	2	Washer M10	
28	1001175568	4	Clip	
29	1001118972	3	Nut, Tinnerman M10	
30	1001119051	1	Washer	
31	1001130220	4	Nut, Tinnerman M6	
32	1001136975	5	Clamp	
33	1001142501	2	Fitting, 90 Barbed	
34	1001154405	33 in/ 0.8m	Hose	
35	1001155094	1	Pin	
36	1001155823	1	Fitting, 90 Quick Connect	
37	1001165035	27 ft/ 8.2m	Hose	
38	1001188668	1	Cable, Battery (-) to Aux Pump and Ground	
39	1001188669	1	Cable, Battery (+) to Aux Relay to Starter	
42	1001231302	1	Deutz TD2.9L4 T4F Engine and Pump Sub-Assembly (See Separate Breakdown in this Section)	
43	1001197881	1	Bracket	
44	3290505	4	Nut M5	
45	0701022	1	Bolt M10 x 70	
46	1001026127	1	Clamp	
47	1001200731	1	Tube	
48	4240099	7	Tie-Strap (Not Shown)	
49	1001190444	1	Fuel Pump Harness - Deutz TD2.9L4 Engine (Not Shown) (See Separate Breakdown in ELECTRICAL SECTION)	
50	0100020	AR	Sealant	
51	2180832	1	Fitting, Straight Barbed	
52	2220313	2	Fitting, 90 NPTF/Barb	
53	0761210	1	Bolt M12 x 20	
54	4812100	1	Washer M12	
100	1001235532	1	Battery Cable Kit (Includes Items 38 & 39) (Not Shown) (SN <b>0300244375 through 0300272446</b> )	

# SECTION 3 - ENGINE

**FIGURE 3-16. DEUTZ TD2.9L4 ENGINE AND PUMPS SUB-ASSEMBLY - WITHOUT ARCTIC PACKAGE (CHINA SPECS ONLY)**



ART\_1001196568

## SECTION 3 - ENGINE

**FIGURE 3-16. DEUTZ TD2.9L4 ENGINE AND PUMPS SUB-ASSEMBLY - WITHOUT ARCTIC PACKAGE  
(CHINA SPECS ONLY)**

ITEM	PART NUMBER	QTY	DESCRIPTION	REV
	1001231302	Ref	DEUTZ TD2.9L4 ENGINE AND PUMPS SUB-ASSEMBLY	C
1	0100011	AR	Compound, Locking	
2	0641808	2	Bolt 1/2 x 1	
3	0641814	2	Bolt 1/2 x 1-3/4	
4	0760612	1	Bolt M6 x 25	
6	0761015	6	Bolt M10 x 35	
7	2220451	1	Fitting, Straight JIC/ORB	
9	2220578	2	Fitting, 90 JIC/ORB	
11	2220700	1	Fitting, Tee JIC/FSJIC/JIC ( <b>SN 0300236299 through 0300243549</b> )	
13	2220946	2	Fitting, Straight JIC/ORB	
14	2220947	3	Fitting, Straight JIC/ORB	
17	2230027	2	Fitting, Straight	
18	3290605	1	Nut M6	
19	3291005	6	Nut M10	
20	3422532	1	Pin	
21	3600359	1	Piston Pump Assembly - Rear (See Separate Breakdown in this Section)	
22	3600363	1	Piston Pump Assembly - Front (See Separate Breakdown in this Section)	
23	3790152	1	O-Ring	
24	3931620	2	Capscrew 3/8 x 1-1/4	
24	3931618	2	Capscrew 3/8 x 1-1/8	
25	3960469	2	Seal	
26	4061032	AR	Shield	
27	4240099	AR	Tie-Strap (Not Shown)	
28	4811700	1	Washer M6	
29	4812000	4	Washer M10	
30	4812002	8	Washer M10	
31	5241000	2	Washer M10	
33	4811702	1	Washer M6	
34	1001164196	2	Clamp	
35	1001179156	1	Valve, Check	
36	1001188171	1	Radiator, Oil Cooler	
37	1001190143	1	Gear Pump Assembly	
37	70006356	1	Seal Kit - 1001190143 Pump	
38	1001231690	1	Pipe, Exhaust	
39	1001195504	1	Hose	
40	1001195506	1	Hose	
41	1001231308	1	Deutz TD2.9L4 Engine Assembly (See Separate Breakdown in this Section)	
42	1001195509	1	Hose	
43	1001195507	1	Hose ( <b>SN 0300236299 through 0300243549</b> )	
44	1001200216	1	Hose	
45	2131212	4	Fitting, 90 ORFS/ORB	
47	1001213814	1	Fitting, Tee JIC/ORB/JIC	
48	2220518	1	Cap	
49	2220738	1	Fitting, Tee JIC/ORB/JIC	
51	2220695	1	Fitting, Tee JIC/ORB/JIC	
53	3790045	1	O-Ring	

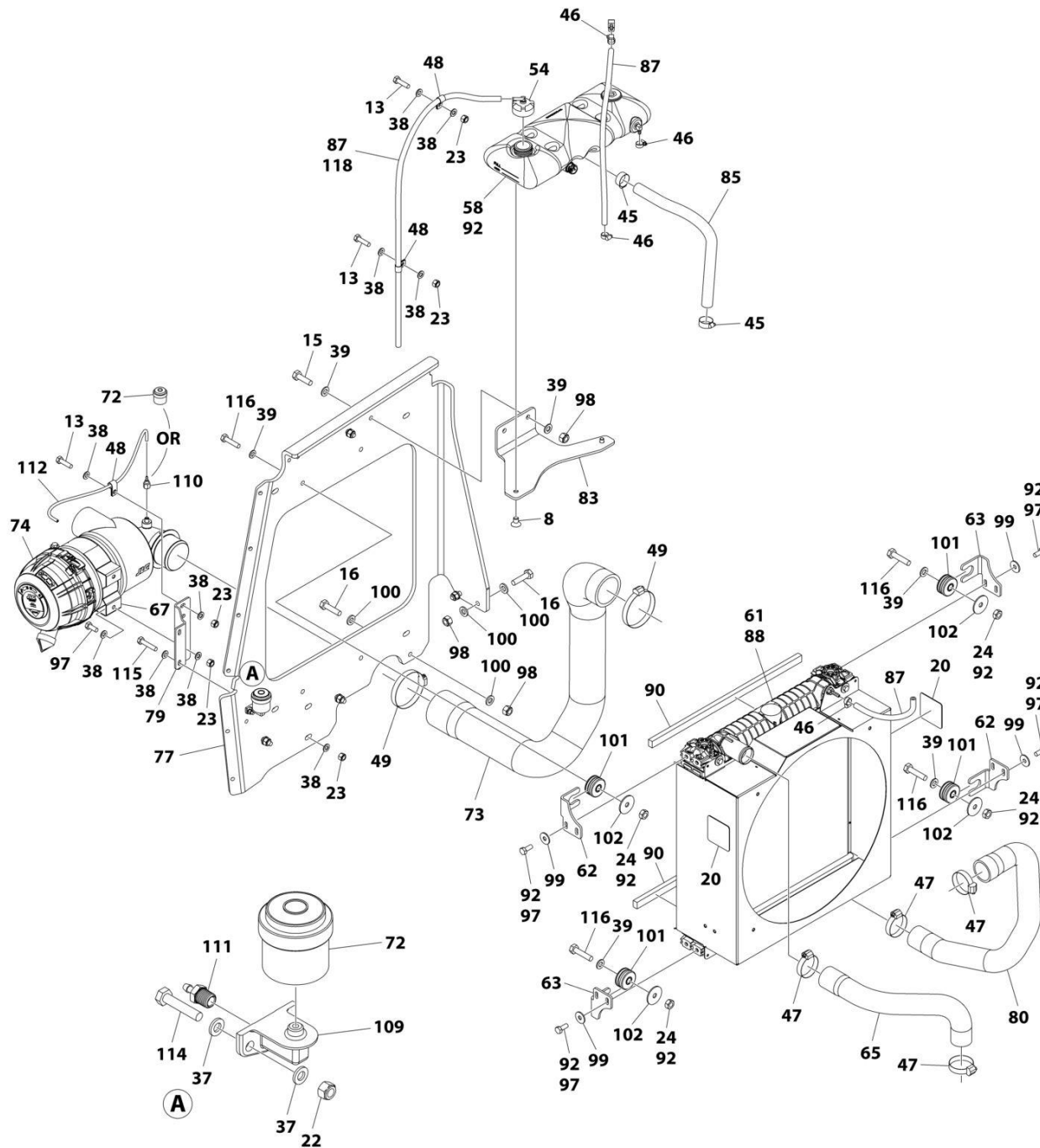
## SECTION 3 - ENGINE

ITEM	PART NUMBER	QTY	DESCRIPTION	REV
55	1001233450	2	Fitting, Straight ORB/ORB	
56	1001235110	1	Hose (SN 0300243550 through 0300272446)	



# SECTION 3 - ENGINE

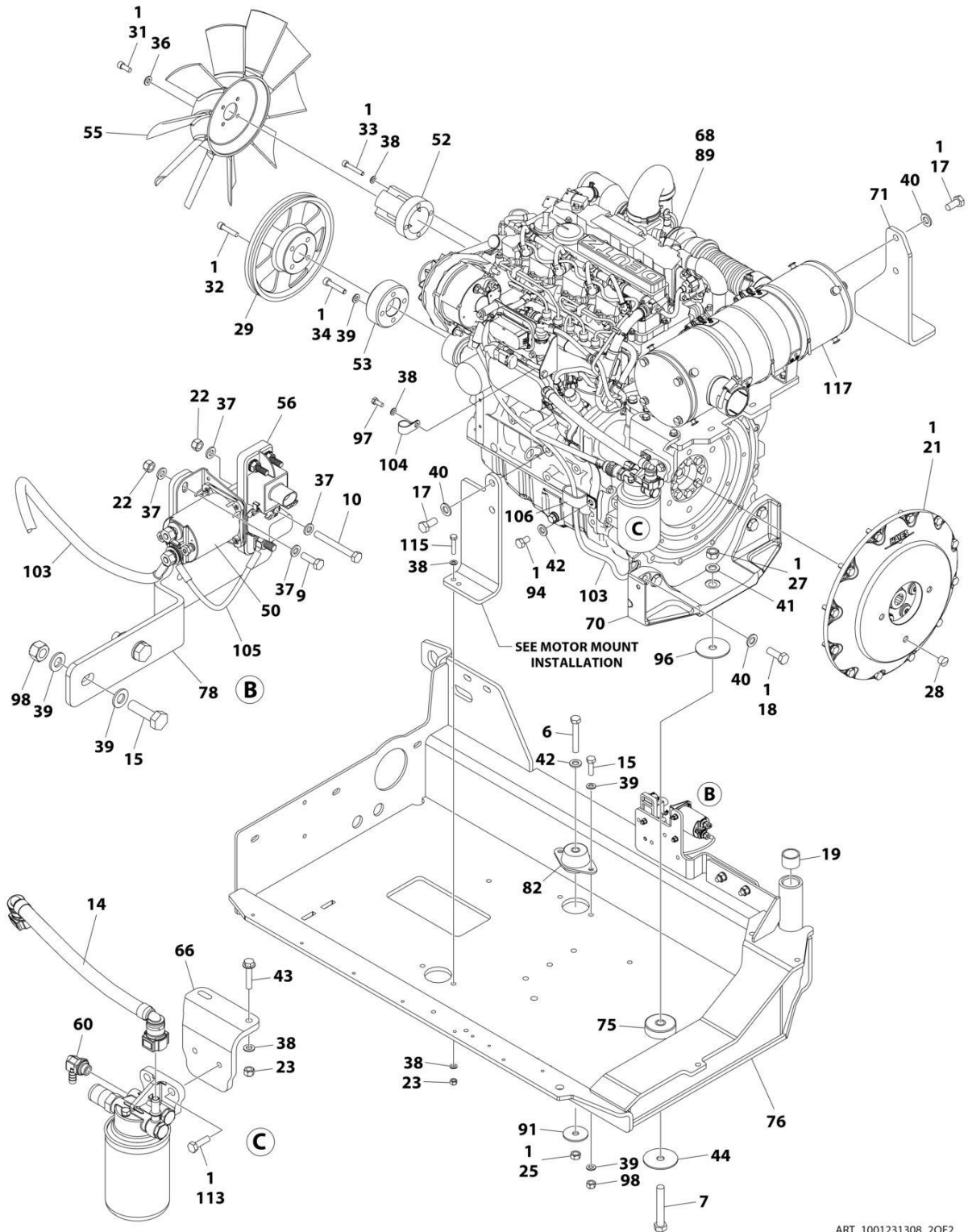
## FIGURE 3-17. DEUTZ TD2.9L4 ENGINE ASSEMBLY - WITHOUT ARCTIC PACKAGE (CHINA SPECS ONLY)



ART\_1001231308\_10F2



# SECTION 3 - ENGINE



ART\_1001231308\_20F2

## SECTION 3 - ENGINE

**FIGURE 3-17. DEUTZ TD2.9L4 ENGINE ASSEMBLY - WITHOUT ARCTIC PACKAGE (CHINA SPECS ONLY)**

ITEM	PART NUMBER	QTY	DESCRIPTION	REV
	1001231308	Ref	DEUTZ TD2.9L4 ENGINE ASSEMBLY	F
1	0100011	AR	Compound, Locking	
6	0711224	1	Bolt M12 x 80	
7	0711627	1	Bolt M16 x 100	
8	0741605	2	Screw 3/8 x 5/8	
9	0760610	2	Bolt M6 x 20	
10	0760619	1	Bolt M6 x 55	
13	0760814	AR	Bolt M8 x 30	
14	1001177359	1	Hose	
15	0761015	6	Bolt M10 x 35	
16	0761016	5	Bolt M10 x 40	
17	0771414	4	Bolt M14 x 30	
18	0771416	4	Bolt M14 x 40	
19	0961951	2	Bushing	
20	1703162	2	Decal - Fan Blade	
21	2902065	1	Pump Coupling Kit (See Separate Breakdown in this Section)	
22	3290605	AR	Nut M6	
23	3290805	AR	Nut M8	
24	3291001	4	Nut M10	
25	3331211	1	Nut M12	
27	3331611	1	Nut M16	
28	3520054	1	Plug	
29	3580320	1	Pulley	
31	3931512	4	Capscrew 5/16 x 3/4	
32	3931628	4	Capscrew 3/8 x 1-3/4	
33	4031914	4	Capscrew M8 x 50	
34	4032014	4	Capscrew M10 x 50	
36	4711500	4	Washer 5/16	
37	4811700	AR	Washer M6	
38	4811900	AR	Washer M8	
39	4812000	20	Washer M10	
40	5241400	8	Washer M14	
41	4812300	1	Washer M16	
42	5241200	2	Washer M12	
43	5250816	2	Bolt M8 x 40	
44	7300435	1	Washer	
45	8405007	2	Clamp	
46	8405009	4	Clamp	
47	8405104	4	Clamp	
48	8406109	AR	Clip	
49	8410011	2	Clamp	
50	1001117308	1	Contactactor	
52	1001135138	1	Adapter, Fan	
53	1001135679	1	Adapter	
54	1001136834	1	Cap, Tank	
55	1001137276	1	Fan	
56	1001138228	1	Relay	
58	1001230635	1	Tank, Surge	
60	1001152489	1	Fitting, 90 Barbed	

## SECTION 3 - ENGINE

ITEM	PART NUMBER	QTY	DESCRIPTION	REV
61	1001167042	1	Radiator	
62	1001169967	2	Bracket	
63	1001170035	2	Bracket	
65	1001177844	1	Hose, Radiator (Top)	
66	1001231805	1	Bracket	
67	1001186426	1	Clamp, Air Cleaner	
68	1001223591	1	Deutz TD2.9L4 Engine (See Separate Breakdown in this Section)	
69	1001188237	NLA	Engine Harness - Deutz TD2.9L4 Engines (Use p/n 1001233895) (Not Shown) (See Separate Breakdown in ELECTRICAL Section) <b>(SN 0300236299 through 0300241926)</b>	
69	1001233895	1	Engine Harness - Deutz TD2.9L4 Engines (Not Shown) (See Separate Breakdown in ELECTRICAL Section) <b>(SN 0300241927 through 0300272446)</b>	
70	1001188535	1	Bracket, Engine - Rear	
71	1001189026	1	Bracket, Engine - Right	
72	1001166716	1	Restriction, Indicator	
73	1001189913	1	Hose	
74	1001189979	1	Filter, Air	
74	70005008	1	Element, Filter	
75	1001197149	1	Mount, Motor	
76	1001200745	1	Tray	
77	1001229091	1	Support, Radiator	
78	1001203885	1	Plate	
79	1001190942	1	Support	
80	1001191025	1	Hose, Radiator (Bottom)	
82	1001191610	1	Mount, Motor	
83	1001192400	1	Bracket	
85	1001193049	1	Hose	
87	2720015	AR	Hose	
88	2300004	AR	Coolant	
89	1001136079	AR	Oil, Motor 15W-40	
90	1001168166	2	Seal	
91	1001168018	1	Washer	
92	1001180620	AR	Adhesive	
94	0761210	1	Bolt M12 x 20	
96	1001197725	1	Spacer	
97	0760810	11	Bolt M8 x 20	
98	3291005	11	Nut M10	
99	4811902	8	Washer M8	
100	5241000	10	Washer M10	
101	1001169054	4	Isolator	
102	1001169138	4	Pad, Snubbing	
103	1001190442	1	Harness, Alternator Power	
103	1001098764	1	Boot - Red	
104	1320202	1	Clamp	
105	1001141304	1	Harness, Glow Fuse	
106	1001181899	1	Clamp	
108	4240099	3	Tie-Strap (Not Shown)	
109	1001223254	1	Bracket <b>(SN 0300236299 through 0300255066)</b>	
110	1001223255	1	Fitting, Straight FNPT <b>(SN 0300236299 through 0300255066)</b>	
111	1001223256	1	Fitting, Straight MNPT <b>(SN 0300236299 through 0300255066)</b>	
112	1001223257	24 in/	Hose <b>(SN 0300236299 through 0300255066)</b>	

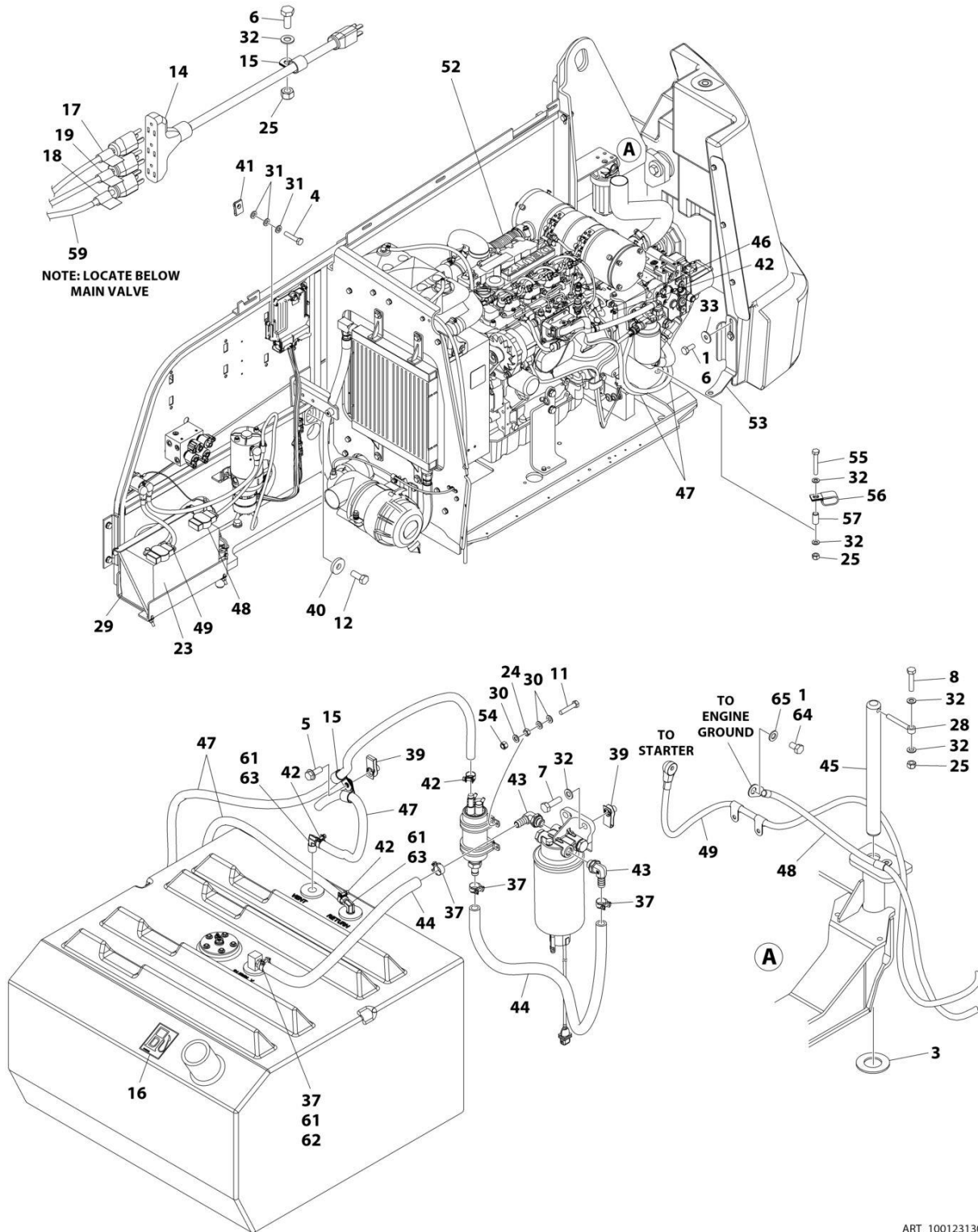
## SECTION 3 - ENGINE

ITEM	PART NUMBER	QTY	DESCRIPTION	REV
		0.6m		
113	5251012	2	Bolt M10 x 25	
114	0760614	2	Bolt M6 x 30 <b>(SN 0300236299 through 0300255066)</b>	
115	0760816	3	Bolt M8 x 40	
116	0761017	4	Bolt M10 x 45	
117	1001231649	1	Deutz TD2.9L4 Engine Exhaust Installation (See Separate Breakdown in this Section)	
118	1001138248	4 ft/1.25m	Tube <b>(SN 0300255067 through 0300272446)</b>	



# SECTION 3 - ENGINE

FIGURE 3-18. DEUTZ TD2.9L4 ENGINE INSTALLATION - WITH ARCTIC PACKAGE (CHINA SPECS ONLY)



ART\_1001231303

## SECTION 3 - ENGINE

**FIGURE 3-18. DEUTZ TD2.9L4 ENGINE INSTALLATION - WITH ARCTIC PACKAGE (CHINA SPECS ONLY)**

ITEM	PART NUMBER	QTY	DESCRIPTION	REV
	1001231303	Ref	DEUTZ TD2.9L4 ENGINE INSTALLATION	C
1	0100011	AR	Compound, Locking	
3	0440162	1	Bearing	
4	0700614	4	Bolt M6 x 30	
5	5251012	1	Bolt M10 x 25	
6	0701012	3	Bolt M10 x 25	
7	0701015	2	Bolt M10 x 35	
8	0711018	1	Bolt M10 x 50	
11	0760512	4	Bolt M5 x 25	
12	0772018	1	Bolt M20 x 50	
14	1060626	1	Plug, 3 Way	
15	1320061	3	Clamp	
16	1701505	1	Decal - Diesel Fuel	
17	1702941	1	Decal - Battery Heater	
18	1702942	1	Decal - Engine Block Heater	
19	1702943	1	Decal - Hydraulic Tank Heater	
23	2580024	1	Heater, Battery	
24	3290501	4	Nut M5	
25	3291005	3	Nut M10	
28	3841143	1	Keeper, Pin	
29	3980007	1	Seat, Battery	
30	4811600	12	Washer M5	
31	4811700	12	Washer M6	
32	4812000	7	Washer M10	
33	4812002	2	Washer M10	
37	1001175568	4	Clip	
38	1001188972	1	Heater, Immersion (Not Shown - Located on Hydraulic Tank)	
39	1001118972	3	Nut, Tinnerman M10	
40	1001119051	1	Washer	
41	1001130220	4	Nut, Tinnerman M6	
42	1001136975	5	Clamp	
43	1001142501	2	Fitting, 90 Barbed	
44	1001154405	42 in/ 1.1m	Hose	
45	1001155094	1	Pin	
46	1001155823	1	Fitting, 90 Quick Connect	
47	1001165035	25 ft/ 7.6m	Hose	
48	1001188668	1	Cable, Battery (-) to Aux Pump and Ground	
49	1001188669	1	Cable, Battery (+) to Aux Relay to Starter	
52	1001231305	1	Deutz TH2.9L4 Engine and Pumps Sub-Assembly (See Separate Breakdown in this Section)	
53	1001197881	1	Bracket	
54	3290505	4	Nut M5	
55	0701022	1	Bolt M10 x 70	
56	1001026127	1	Clamp	
57	1001200731	1	Tube	
58	4240099	1	Tie-Strap (Not Shown)	
59	1001150918	1	Cable, Extension	

## SECTION 3 - ENGINE

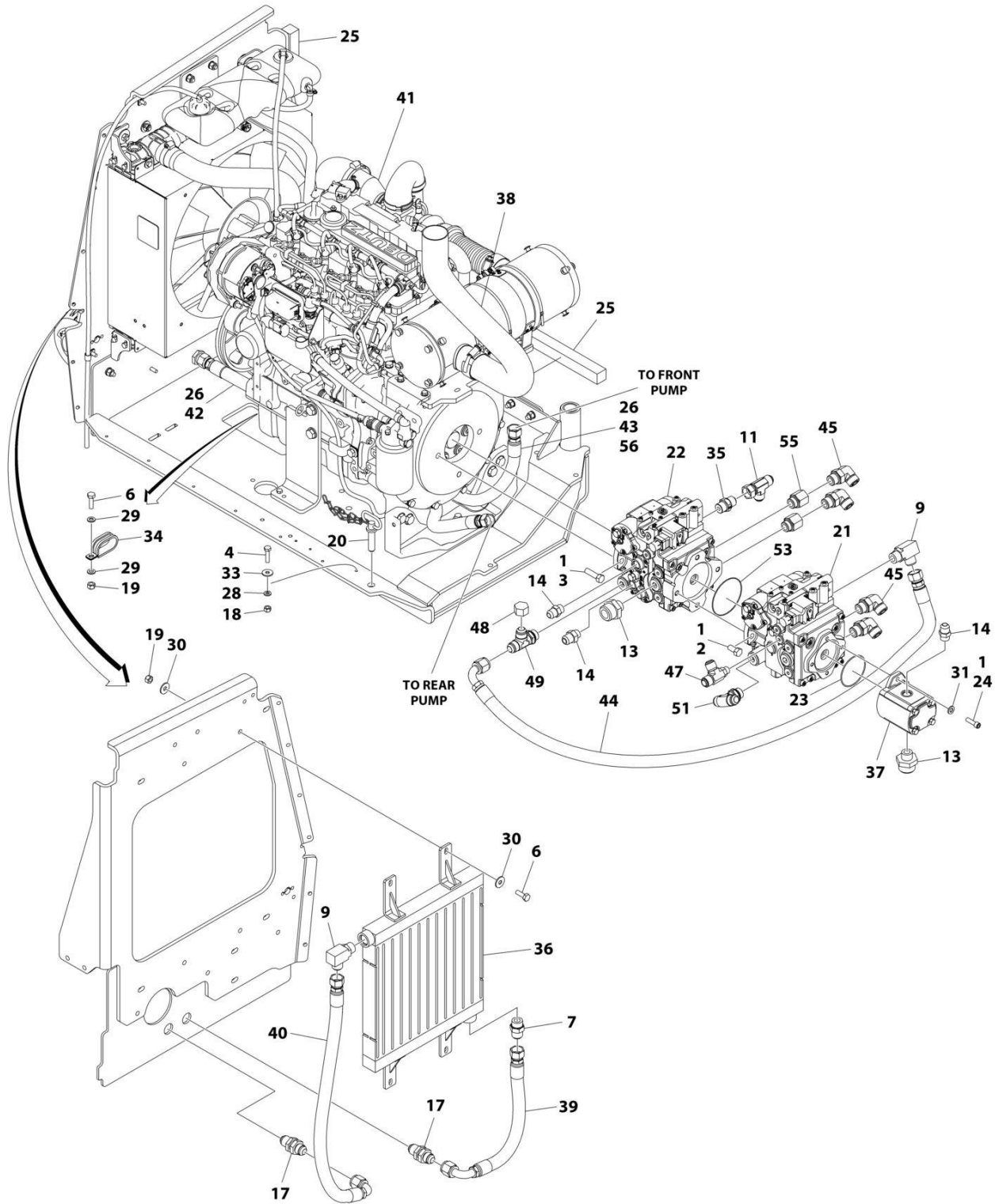
ITEM	PART NUMBER	QTY	DESCRIPTION	REV
60	1001190444	1	Engine Harness - Deutz TD2.9L4 Engines (Not Shown) (See Separate Breakdown in ELECTRICAL SECTION)	
61	0100020	AR	Sealant	
62	2180832	1	Fitting, Straight Barbed	
63	2220313	2	Fitting, 90 NPTF/Barb	
64	0761210	1	Bolt M12 x 20	
65	4812100	1	Washer M12	
66	1001233763	1	Deutz Breather Heater Installation (Not Shown - See Separate Breakdown in this Section) <b>(SN 0300244375 through 0300272446)</b>	
66	4240099	AR	Tie-Strap	
66	1001196634	1	Fuse 2amp	
66	1001232842	1	Heater, Deutz Breather Kit	
66	2400060	1	Fuse, Holder	
100	1001235532	1	Battery Cable Kit (Includes Items 48 & 49) (Not Shown) <b>(SN 0300244375 through 0300272446)</b>	





# SECTION 3 - ENGINE

**FIGURE 3-19. DEUTZ TD2.9L4 ENGINE AND PUMPS SUB-ASSEMBLY - WITH ARCTIC PACKAGE (CHINA SPECS ONLY)**



ART\_1001231305

## SECTION 3 - ENGINE

**FIGURE 3-19. DEUTZ TD2.9L4 ENGINE AND PUMPS SUB-ASSEMBLY - WITH ARCTIC PACKAGE  
(CHINA SPECS ONLY)**

ITEM	PART NUMBER	QTY	DESCRIPTION	REV
	1001231305	Ref	DEUTZ TD2.9L4 ENGINE AND PUMPS SUB-ASSEMBLY	C
1	0100011	AR	Compound, Locking	
2	0641808	2	Bolt 1/2 x 1	
3	0641814	2	Bolt 1/2 x 1-3/4	
4	0760612	1	Bolt M6 x 25	
6	0761015	6	Bolt M10 x 35	
7	2220451	1	Fitting, Straight JIC/ORB	
9	2220578	2	Fitting, 90 JIC/ORB	
11	2220700	1	Fitting, Tee JIC/FSJIC/JIC ( <b>SN 0300236299 through 0300243549</b> )	
13	2220946	2	Fitting, Straight JIC/ORB	
14	2220947	3	Fitting, Straight JIC/ORB	
17	2230027	2	Fitting, Straight	
18	3290605	1	Nut M6	
19	3291005	6	Nut M10	
20	3422532	1	Pin	
21	3600359	1	Piston Pump Assembly - Rear (See Separate Breakdown in this Section)	
22	3600363	1	Piston Pump Assembly - Front (See Separate Breakdown in this Section)	
23	3790152	1	O-Ring	
24	3931620	2	Capscrew 3/8 x 1-1/4	
24	3931618	2	Capscrew 3/8 x 1-1/8	
25	3960469	2	Seal	
26	4061032	AR	Shield	
27	4240099	AR	Tie-Strap (Not Shown)	
28	4811700	1	Washer M6	
29	4812000	4	Washer M10	
30	4812002	8	Washer M10	
31	5241000	2	Washer M10	
33	4811702	1	Washer M6	
34	1001164196	2	Clamp	
35	1001179156	1	Valve, Check	
36	1001188171	1	Radiator, Oil Cooler	
37	1001190143	1	Gear Pump Assembly	
37	70006356	1	Seal Kit - 1001190143 Pump	
38	1001231690	1	Pipe, Exhaust	
39	1001195504	1	Hose	
40	1001195506	1	Hose	
41	1001231307	1	Deutz TD2.9L4 Engine Assembly (See Separate Breakdown in this Section)	
42	1001195509	1	Hose	
43	1001195507	1	Hose ( <b>SN 0300236299 through 0300243549</b> )	
44	1001200216	1	Hose	
45	2131212	4	Fitting, 90 ORFS/ORB	
47	1001213814	1	Fitting, Tee JIC/ORB/JIC	
48	2220518	1	Cap	
49	2220738	1	Fitting, Tee JIC/ORB/JIC	
51	2220695	1	Fitting, Tee JIC/ORB/JIC	
53	3790045	1	O-Ring	

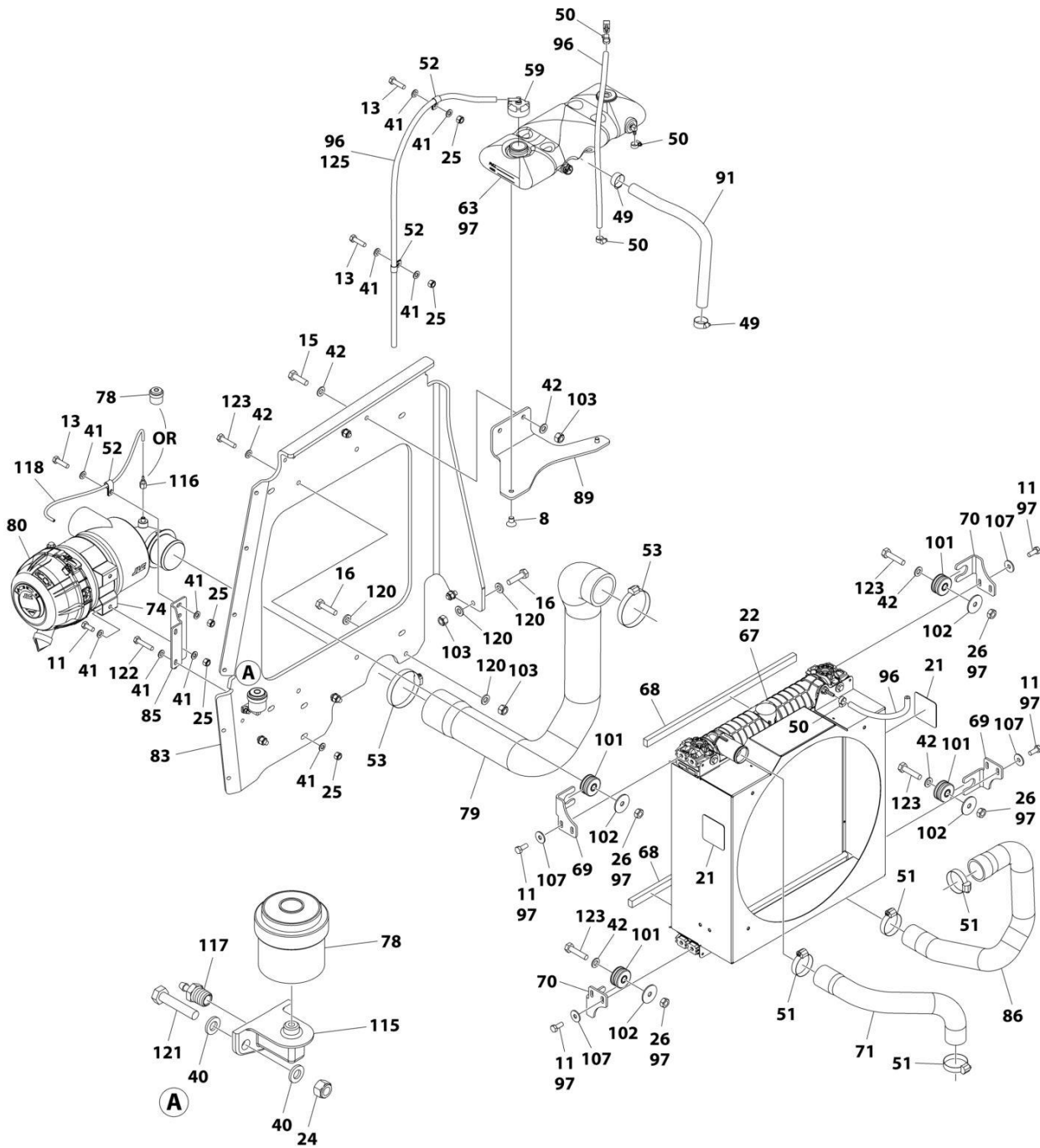
## SECTION 3 - ENGINE

ITEM	PART NUMBER	QTY	DESCRIPTION	REV
55	1001233450	2	Fitting, Straight ORB/ORB	
56	1001235110	1	Hose (SN 0300243550 through 0300272446)	



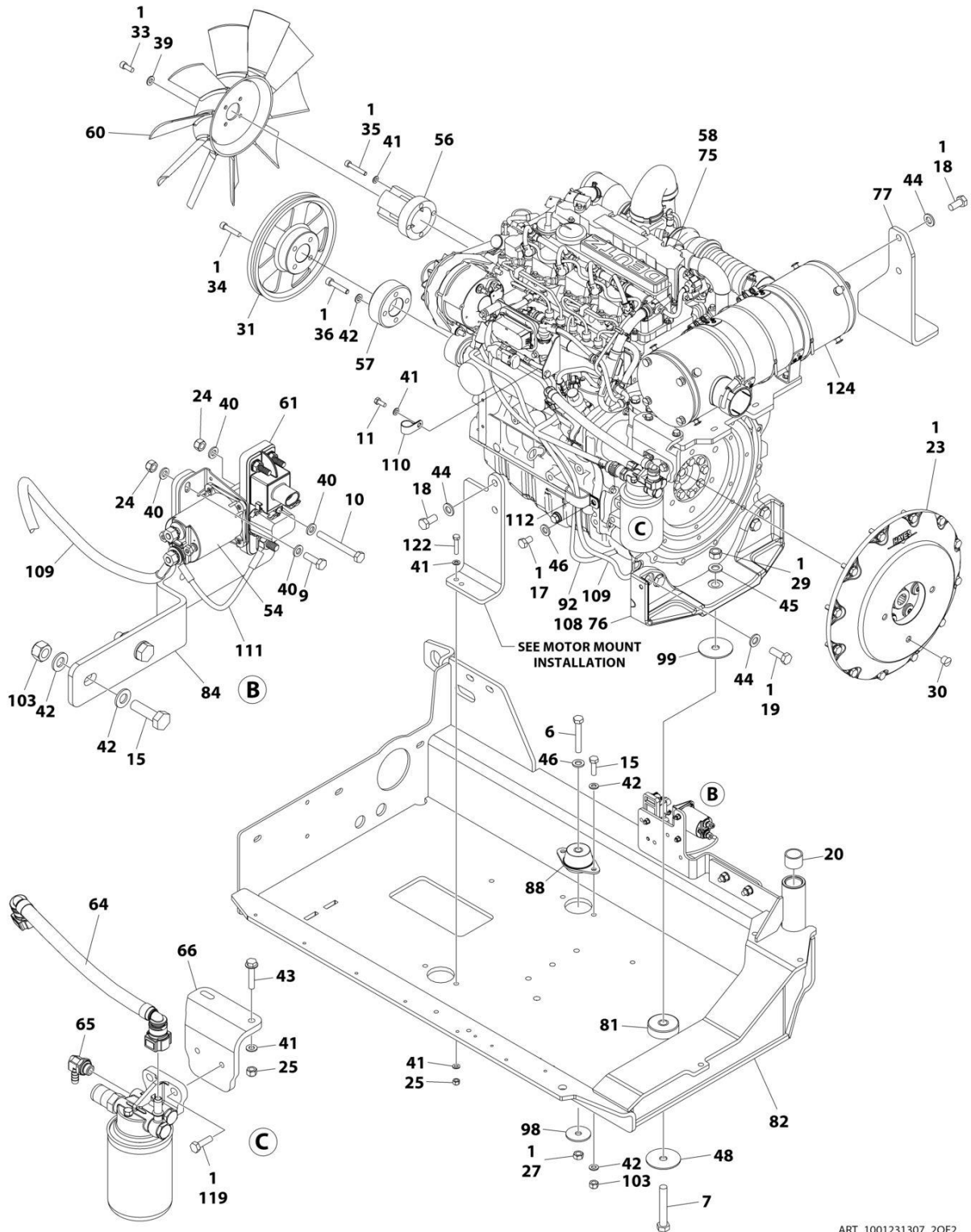
# SECTION 3 - ENGINE

## FIGURE 3-20. DEUTZ TD2.9L4 ENGINE ASSEMBLY - WITH ARCTIC PACKAGE (CHINA SPECS ONLY)



ART\_1001231307\_10F2

# SECTION 3 - ENGINE



ART\_1001231307\_20F2

## SECTION 3 - ENGINE

FIGURE 3-20. DEUTZ TD2.9L4 ENGINE ASSEMBLY - WITH ARCTIC PACKAGE (CHINA SPECS ONLY)

ITEM	PART NUMBER	QTY	DESCRIPTION	REV
	1001231307	Ref	DEUTZ TD2.9L4 ENGINE ASSEMBLY	E
1	0100011	AR	Compound, Locking	
6	0711224	1	Bolt M12 x 80	
7	0711627	1	Bolt M16 x 100	
8	0741605	2	Screw 3/8 x 5/8	
9	0760610	2	Bolt M6 x 20	
10	0760619	1	Bolt M6 x 55	
11	0760810	11	Bolt M8 x 20	
13	0760814	AR	Bolt M8 x 30	
15	0761015	6	Bolt M10 x 35	
16	0761016	5	Bolt M10 x 40	
17	0761210	1	Bolt M12 x 20	
18	0771414	4	Bolt M14 x 30	
19	0771416	4	Bolt M14 x 40	
20	0961951	2	Bushing	
21	1703162	2	Decal - Fan Blade	
22	2300041	AR	Coolant	
23	2902065	1	Pump Coupling Kit (See Separate Breakdown in this Section)	
24	3290605	AR	Nut M6	
25	3290805	AR	Nut M8	
26	3291001	4	Nut M10	
27	3331211	1	Nut M12	
29	3331611	1	Nut M16	
30	3520054	1	Plug	
31	3580320	1	Pulley	
33	3931512	4	Capscrew 5/16 x 3/4	
34	3931628	4	Capscrew 3/8 x 1-3/4	
35	4031914	4	Capscrew M8 x 50	
36	4032014	4	Capscrew M10 x 50	
39	4711500	4	Washer 5/16	
40	4811700	AR	Washer M6	
41	4811900	AR	Washer M8	
42	4812000	20	Washer M10	
43	5250816	2	Bolt M8 x 40	
44	5241400	8	Washer M14	
45	4812300	1	Washer M16	
46	5241200	2	Washer M12	
48	7300435	1	Washer	
49	8405007	2	Clamp	
50	8405009	4	Clamp	
51	8405104	4	Clamp	
52	8406109	3	Clip	
53	8410011	AR	Clamp	
54	1001117308	1	Contactactor	
56	1001135138	1	Adapter	
57	1001135679	1	Adapter	
58	1001136172	AR	Oil, Motor 5W-40	
59	1001136834	1	Cap, Tank	
60	1001137276	1	Fan	
61	1001138228	1	Relay	



## SECTION 3 - ENGINE

ITEM	PART NUMBER	QTY	DESCRIPTION	REV
63	1001230635	1	Tank, Surge	
64	1001177359	1	Hose	
65	1001152489	1	Fitting, 90 Pipe/Barbed	
66	1001231805	1	Bracket	
67	1001167042	1	Radiator	
68	1001168166	2	Seal	
69	1001169967	2	Bracket	
70	1001170035	2	Bracket	
71	1001177844	1	Hose, Radiator (Top)	
74	1001186426	1	Clamp, Air Cleaner	
75	1001223591	1	Deutz TD2.9L4 Engine (See Separate Breakdown in this Section)	
76	1001188535	1	Bracket, Engine - Rear	
77	1001189026	1	Bracket, Engine - Right	
78	1001166716	1	Restriction, Indicator	
79	1001189913	1	Hose	
80	1001189979	1	Filter, Air	
80	70005008	1	Element, Filter	
81	1001197149	1	Mount, Motor	
82	1001200745	1	Tray	
83	1001229091	1	Support, Radiator	
84	1001203885	1	Plate	
85	1001190942	1	Support	
86	1001191025	1	Hose, Radiator (Bottom)	
88	1001191610	1	Mount, Motor	
89	1001192400	1	Bracket	
91	1001193049	1	Hose	
92	1001140312	1	Heater, Engine Block	
94	1001188237	NLA	Engine Harness - Deutz TD2.9L4 Engines (Use p/n 1001233895) (Not Shown) (See Separate Breakdown in ELECTRICAL SECTION) (SN 0300236299 through 0300241926)	
94	1001233895	1	Engine Harness - Deutz TD2.9L4 Engines (Not Shown) (See Separate Breakdown in ELECTRICAL SECTION) (SN 0300241927 through 0300272446)	
96	2720015	AR	Hose	
97	1001180620	AR	Adhesive	
98	1001168018	1	Washer	
99	1001197725	1	Spacer	
101	1001169054	4	Isolator	
102	1001169138	4	Pad, Snubbing	
103	3291005	11	Nut M10	
107	4811902	8	Washer M8	
108	1001181895	AR	Adhesive	
109	1001190442	1	Harness, Alternator Power	
109	1001098764	1	Boot - Red	
110	1320202	1	Clamp	
111	1001141304	1	Harness, Glow Fuse	
112	1001181899	1	Clamp	
114	4240099	2	Tie-Strap (Not Shown)	
115	1001223254	1	Bracket (SN 0300236299 through 0300255066)	
116	1001223255	1	Fitting, Straight FNPT (SN 0300236299 through 0300255066)	
117	1001223256	1	Fitting, Straight MNPT (SN 0300236299 through 0300255066)	
118	1001223257	24 in/	Hose (SN 0300236299 through 0300255066)	

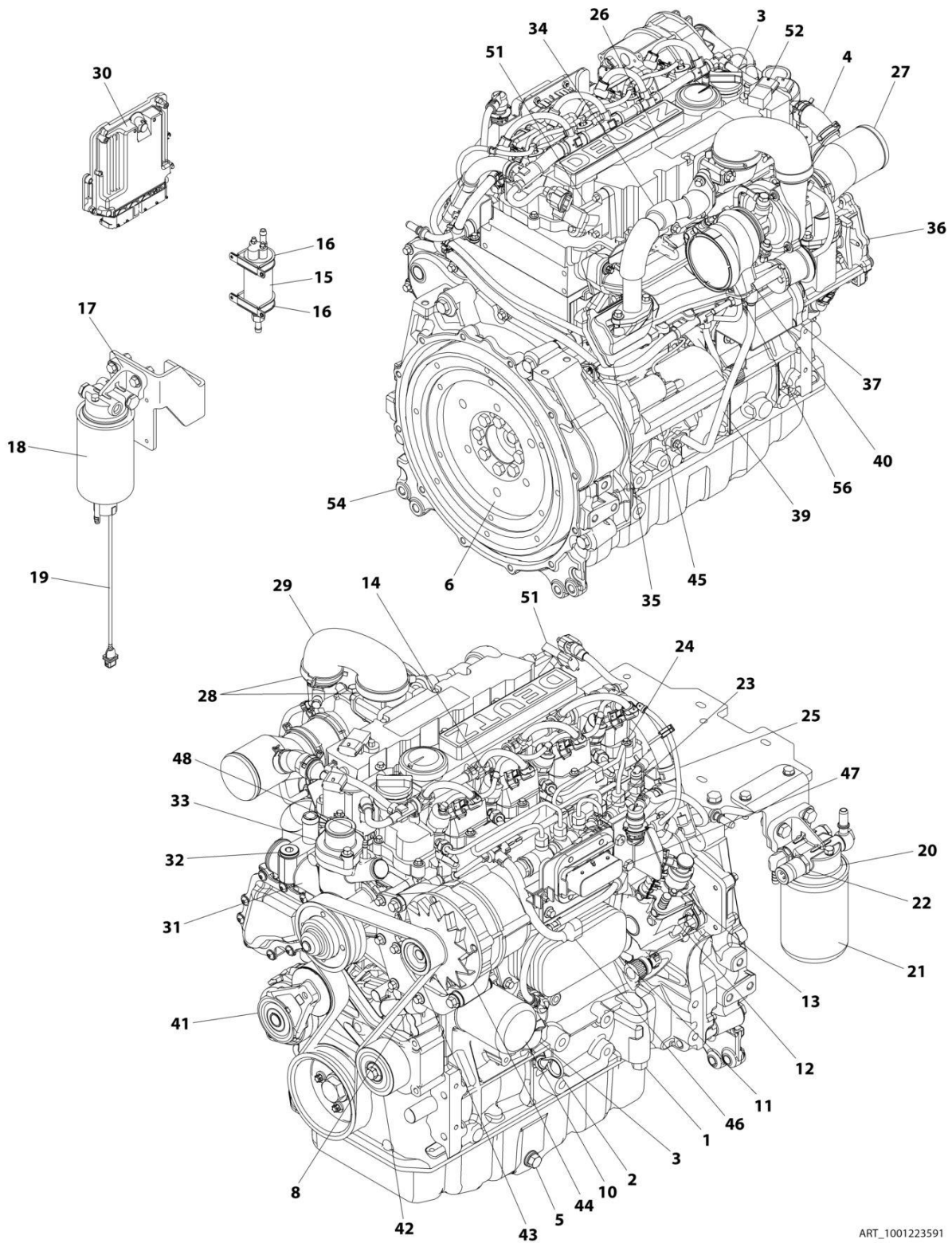
## SECTION 3 - ENGINE

ITEM	PART NUMBER	QTY	DESCRIPTION	REV
		0.6m		
119	5251012	2	Bolt M10 x 25	
120	5241000	10	Washer M10	
121	0760614	2	Bolt M6 x 30 <b>(SN 0300236299 through 0300255066)</b>	
122	0760816	3	Bolt M8 x 40	
123	0761017	4	Bolt M10 x 45	
124	1001231649	1	Deutz TD2.9L4 Engine Exhaust Installation (See Separate Breakdown in this Section)	
125	1001138248	4 ft/1.25m	Tube <b>(SN 0300255067 through 0300272446)</b>	



# SECTION 3 - ENGINE

## FIGURE 3-21. DEUTZ TD2.9L4 ENGINE COMPONENTS (CHINA SPECS ONLY)



ART\_1001223591

## SECTION 3 - ENGINE

**FIGURE 3-21. DEUTZ TD2.9L4 ENGINE COMPONENTS (CHINA SPECS ONLY)**

ITEM	PART NUMBER	QTY	DESCRIPTION	REV
	1001223591	Ref	DEUTZ TD2.9L4 ENGINE COMPONENTS	C
1	70025660	1	Plug	
1	70006264	1	Valve, Plunger	
1	70006265	1	Spring	
1	70006266	1	Seal	
2	70024904	1	Dipstick	
2	70024905	2	Seal	
3	7020465	2	Cap, Fill	
4	70005920	1	Line, Breather	
4	70025111	2	Clamp	
5	70006941	2	Plug	
5	70005942	2	Seal	
6	70001870	1	Flywheel	
6	7024579	1	Ring Gear	
6	70025139	8	Bolt	
7		Ref	Gasket & Seal Options (Not Shown):	
7	70005938	1	Gasket Kit	
7	70024906	1	Gasket, Head	
7	70005922	1	Gasket, Valve Cover	
7	70028185	1	Gasket, Front Cover	
7	70004280	1	Seal, Front Main	
7	70002718	1	Seal, Rear Main	
8	See Note	NSS	Valve, Slide (Note: Not Available for Purchase)	
8	70025082	1	Seal	
9	70005172	1	Pump, Lube (Not Shown - Located RH Rear)	
9	70025135	1	O-Seal	
9	70005173	1	Gasket	
10	7016331	1	Filter, Oil	
11	70024494	1	Cooler, Oil	
11	70024925	1	Gasket, Oil Filter	
12	70024924	1	Pump, High Pressure	
12	70025152	1	Gasket (Spacer to Pump)	
12	70024488	1	Spacer	
12	70024517	1	Gasket (Spacer to Block)	
12	70004505	1	Valve, Overflow	
12	70004506	1	Gasket, Overflow	
12	70004507	1	Gasket, Overflow	
13	70004508	1	Valve, Volume Control	
13	70004509	1	O-Ring	
13	70004510	1	Gasket	
14	70025181	4	Injector	
14	70025140	4	Washer, Sealing	
14	70025146	4	Clamp	
14	70025145	4	O-Seal	
14	70025154	4	Shoe/Pad, Clamping	
15	70006144	NLA	Pump, Fuel Supply (Use p/n 1001226098)	
16	70025144	2	Clip, Clamp	
17	70024961	1	Fuel Filter Assembly	
18	1001225430	1	Element, Filter	
19	70024513	1	Cable, Sensor	

## SECTION 3 - ENGINE

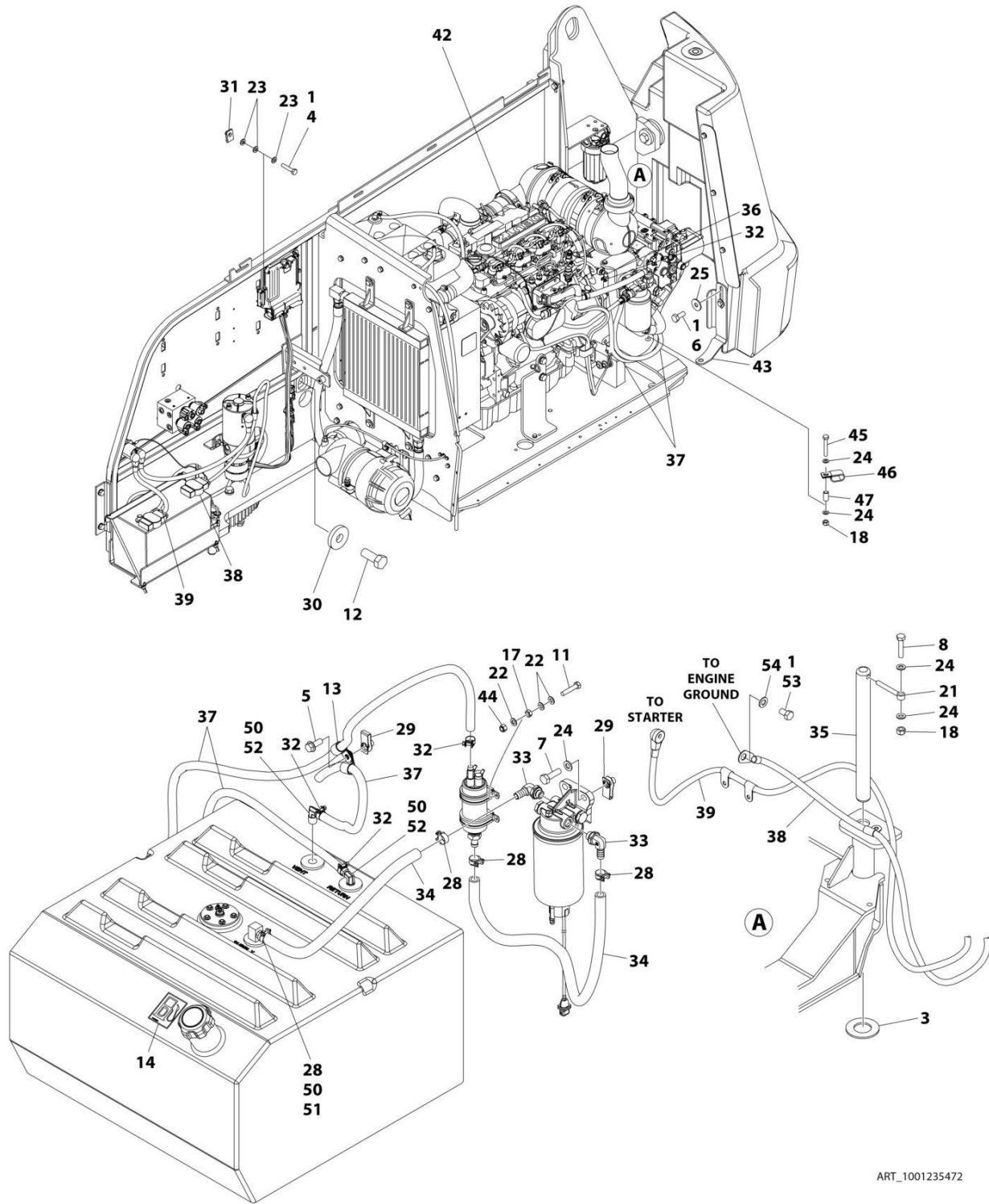
ITEM	PART NUMBER	QTY	DESCRIPTION	REV
19	70025239	1	Seal, Ring	
20	70004511	1	Fuel Filter Assembly	
20	70004513	2	Seal (at Hollow Bolt)	
21	1001225432	1	Element, Filter	
22	70028538	1	Sensor, Pressure	
22	70024920	1	O-Seal	
23	70025151	1	Rail, Fuel	
23	70025235	1	Repair Kit - Fuel Rail	
23	70025240	1	O-Ring	
24	70025182	1	Tube, Fuel - Cylinders 1 & 2	
24	70025183	1	Tube, Fuel - Cylinders 3 & 4	
24	70025184	1	Tube, Fuel	
25	70024502	1	Pipe, Fuel Leakage	
25	70025185	1	Hose, Fuel	
25	70025158	1	Manifold	
25	70025109	2	Clamp, Spring	
25	70025115	1	Clamp	
25	70025133	1	Hose	
25	70025101	2	Clamp	
25	70025148	1	Connector, Plug-in	
26	70005923	1	Manifold, Charger Air	
26	70005177	1	Gasket, Charger Air Manifold	
26	70005924	1	Seal (Manifold to Elbow)	
26	7000180	1	Line, Breather (Not Shown)	
26	70005181	1	O-Seal (Breather to Manifold)	
27	70005926	1	Elbow	
27	70025112	2	Clamp	
27	70004501	1	Sleeve, Rubber	
28	See Note	NSS	Sleeve (Note: Not Available for Purchase)	
28	70025107	2	Clamp	
29	70005928	1	Elbow, Air Charge	
30	70025210	1	Module, ECU	
31	70028802	1	Pump, Coolant	
31	70025200	1	Ring, Sealing (Pump to Block)	
32	70025084	2	Plug	
32	7020492	2	Ring, Sealing	
33	70005929	1	Thermostat	
33	70005184	1	O-Seal (Thermostat to Housing)	
33	70025142	1	Housing, Thermostat	
33	70005931	1	O-Seal (Thermostat to Pump)	
33	70025124	2	Bolt	
34	See Note	NSS	Tube (Note: Not Available for Purchase)	
34	70025179	2	Gasket (at Either End of Tube)	
35	See Note	NSS	Valve, Shuttle (Note: Not Available for Purchase)	
35	70025180	1	Gasket	
35	See Note	NSS	Housing, Shuttle Valve (Note: Not Available for Purchase)	
35	70025175	1	Cap, Shuttle Valve	
36	70025203	1	Module, EGR	
36	70025155	1	Plug (Not Shown)	
37	70005188	1	Valve, EGR Control	
37	70005189	1	Seal (Valve to Module)	

## SECTION 3 - ENGINE

ITEM	PART NUMBER	QTY	DESCRIPTION	REV
38	70004282	1	Manifold, Exhaust (Not Shown)	
38	70025164	1	Gasket, Manifold to Head (Not Shown)	
38	70025130	8	Bolt, Manifold (Not Shown)	
38	70026995	1	Elbow, Exhaust (Not Shown)	
38	70025179	2	Gasket, Manifold to Elbow (Not Shown)	
39	70005932	1	Tube, Oil Return	
39	70025132	1	O-Seal	
40	70004276	1	Turbocharger	
40	70024509	1	Gasket (Turbocharger to Oil Return Tube Housing)	
40	1001191599	1	Gasket (Turbocharger to Exhaust)	
41	70025477	1	Tensioner, Belt	
42	70024484	1	Roller, Idler	
43	70004277	1	Belt	
44	70025733	1	Pulley, Alternator	
44	70006652	1	Alternator	
44	70006653	1	Controller	
44	See Note	NSS	Fan (Note: Not Available for Purchase)	
45	70024915	1	Starter	
45	70005647	1	Switch, Solenoid	
45	70005648	1	Relay	
46	70000345	4	Glow Plug	
46	70025231	1	Harness, Glow Plug	
46	70025233	1	Connector, Plug-in	
47	70025077	1	Harness, Engine	
48	70024918	1	Sender, Temperature	
49	70028538	1	Sensor, Pressure (Not Shown - RH Front)	
49	70024920	1	O-Seal	
50	70026210	1	Sensor, Speed (Not Shown - Front)	
50	70005191	1	Ring, Seal	
51	70024507	1	Sensor, Pressure	
51	70025120	1	O-Seal	
51	70005933	1	Adapter	
51	70005934	1	O-Seal	
52	70024922	1	Sender, Temperature	
52	70025212	1	O-Seal	
53	70026210	1	Sensor, Speed (Not Shown - Front)	
53	70024917	1	O-Seal	
54	70025192	1	Housing	
56	70005527	1	Clip	

# SECTION 3 - ENGINE

## FIGURE 3-22. DEUTZ TD2.9L4 (STAGE V) ENGINE INSTALLATION



ART\_1001235472



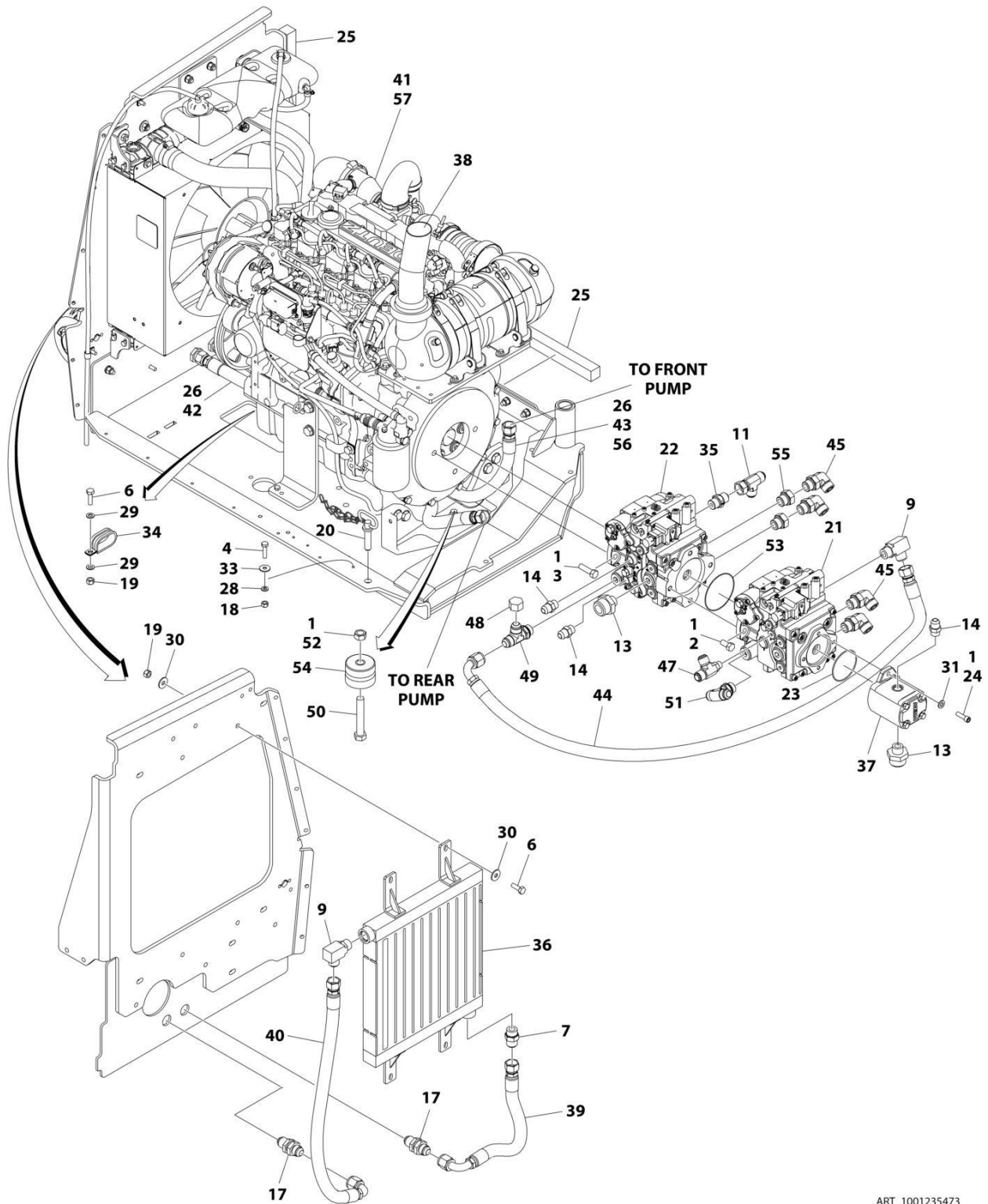
## SECTION 3 - ENGINE

**FIGURE 3-22. DEUTZ TD2.9L4 (STAGE V) ENGINE INSTALLATION**

ITEM	PART NUMBER	QTY	DESCRIPTION	REV
	1001235472	Ref	DEUTZ TD2.9L4 (STAGE V) ENGINE INSTALLATION	C
1	0100011	AR	Compound, Locking	
3	0440162	1	Bearing	
4	0700614	4	Bolt M6 x 30	
5	5251012	1	Bolt M10 x 25	
6	0701012	2	Bolt M10 x 25	
7	0701015	2	Bolt M10 x 35	
8	0711018	1	Bolt M10 x 50	
11	0760512	4	Bolt M5 x 25	
12	0772018	1	Bolt M20 x 50	
13	1320061	2	Clamp	
14	1701505	1	Decal - Diesel Fuel	
17	3290501	4	Nut M5	
18	3291005	2	Nut M10	
21	3841143	1	Keeper, Pin	
22	4811600	12	Washer M5	
23	4811700	12	Washer M6	
24	4812000	6	Washer M10	
25	4812002	2	Washer M10	
28	1001175568	4	Clip	
29	1001118972	3	Nut, Tinnerman M10	
30	1001119051	1	Washer	
31	1001130220	4	Nut, Tinnerman M6	
32	1001136975	5	Clamp	
33	1001142501	2	Fitting, 90 Barbed	
34	1001154405	33 in/ 0.8m	Hose	
35	1001155094	1	Pin	
36	1001155823	1	Fitting, 90 Quick Connect	
37	1001165035	27 ft/ 8.2m	Hose	
38	1001188668	1	Cable, Battery (-) to Aux Pump and Ground	
39	1001188669	1	Cable, Battery (+) to Aux Relay to Starter	
42	1001235473	1	Deutz TD2.9L4 (Stage V) Engine and Pump Sub-Assembly (See Separate Breakdown in this Section)	
43	1001197881	1	Bracket	
44	3290505	4	Nut M5	
45	0701022	1	Bolt M10 x 70	
46	1001026127	1	Clamp	
47	1001200731	1	Tube	
48	4240099	1	Tie-Strap (Not Shown)	
49	1001190444	1	Fuel Pump Harness - Deutz TD2.9L4 Engine (Not Shown) (See Separate Breakdown in ELECTRICAL Section)	
50	0100020	AR	Sealant	
51	2180832	1	Fitting, Straight Barbed	
52	2220313	2	Fitting, 90 NPTF/Barb	
53	0761210	1	Bolt M12 x 20	
54	4812100	1	Washer M12	
100	1001235532	1	Battery Cable Kit (Includes Items 38 & 39) (Not Shown)	

# SECTION 3 - ENGINE

FIGURE 3-23. DEUTZ TD2.9L4 (STAGE V) ENGINE AND PUMP SUB-ASSEMBLY



ART\_1001235473

## SECTION 3 - ENGINE

**FIGURE 3-23. DEUTZ TD2.9L4 (STAGE V) ENGINE AND PUMP SUB-ASSEMBLY**

ITEM	PART NUMBER	QTY	DESCRIPTION	REV
	1001235473	Ref	DEUTZ TD2.9L4 (STAGE V) ENGINE AND PUMP SUB-ASSEMBLY	C
1	0100011	AR	Compound, Locking	
2	0641808	2	Bolt 1/2 x 1	
3	0641814	2	Bolt 1/2 x 1-3/4	
4	0760612	1	Bolt M6 x 25	
6	0761015	6	Bolt M10 x 35	
7	2220451	1	Fitting, Straight JIC/ORB	
9	2220578	2	Fitting, 90 JIC/ORB	
11	2220700	1	Fitting, Tee JIC/FSJIC/JIC	
13	2220946	2	Fitting, Straight JIC/ORB	
14	2220947	3	Fitting, Straight JIC/ORB	
17	2230027	2	Fitting, Straight	
18	3290605	1	Nut M6	
19	3291005	6	Nut M10	
20	3422532	1	Pin	
21	3600359	1	Piston Pump Assembly - Rear (See Separate Breakdown in this Section)	
22	3600363	1	Piston Pump Assembly - Front (See Separate Breakdown in this Section)	
23	3790152	1	O-Ring	
24	3931620	2	Capscrew 3/8 x 1-1/4	
24	3931618	2	Capscrew 3/8 x 1-1/8	
25	3960469	2	Seal	
26	4061032	AR	Shield	
27	4240099	AR	Tie-Strap (Not Shown)	
28	4811700	1	Washer M6	
29	4812000	4	Washer M10	
30	4812002	8	Washer M10	
31	5241000	2	Washer M10	
33	4811702	1	Washer M6	
34	1001164196	2	Clamp	
35	1001179156	1	Valve, Check	
36	1001188171	1	Radiator, Oil Cooler	
37	1001190143	1	Gear Pump Assembly	
37	70006356	1	Seal Kit - 1001190143 Pump	
38	1001211042	NLA	Pipe, Exhaust (Use p/n 1001239207) <b>(SN 0300236299 through 0300255066)</b>	
38	1001239207	1	Pipe, Exhaust <b>(SN 0300255067 through 0300272446)</b>	
38	1001239207	1	Pipe, Exhaust	
39	1001195504	1	Hose	
40	1001195506	1	Hose	
41	1001235474	1	Deutz TD2.9L4 (Stage V) Engine Assembly (See Separate Breakdown in this Section)	
42	1001195509	1	Hose	
43	1001195507	1	Hose	
44	1001200216	1	Hose	
45	2131212	4	Fitting, 90 ORFS/ORB	
47	1001213814	1	Fitting, Tee JIC/ORB/JIC	
48	2220518	1	Cap	
49	2220738	1	Fitting, Tee JIC/ORB/JIC	

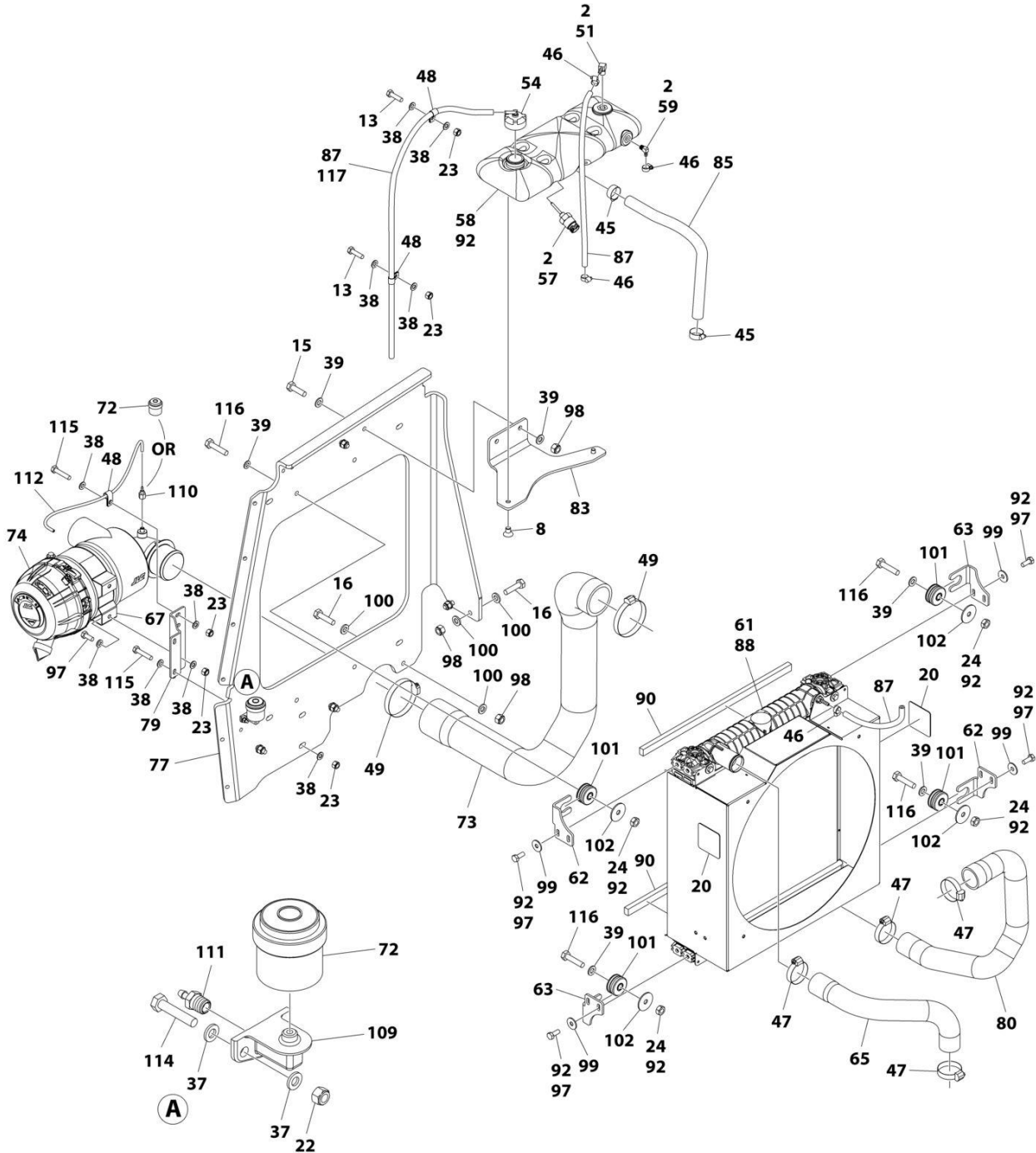
## SECTION 3 - ENGINE

ITEM	PART NUMBER	QTY	DESCRIPTION	REV
50	0711627	1	Bolt M16 x 100	
51	2220695	1	Fitting, Tee JIC/ORB/JIC	
52	3331611	1	Nut M16	
53	3790045	1	O-Ring	
54	1001197149	1	Mount, Engine	
55	1001233450	2	Fitting, Straight ORB/ORB	
56	1001235110	1	Hose	
57	1001235458	1	Deutz TD2.9L4 (Stage V) Engine (See Separate Breakdown in this Section) <b>(SN 0300257349 through 0300272446)</b>	
57	1001235458	1	Deutz TD2.9L4 (Stage V) Engine (See Separate Breakdown in this Section)	



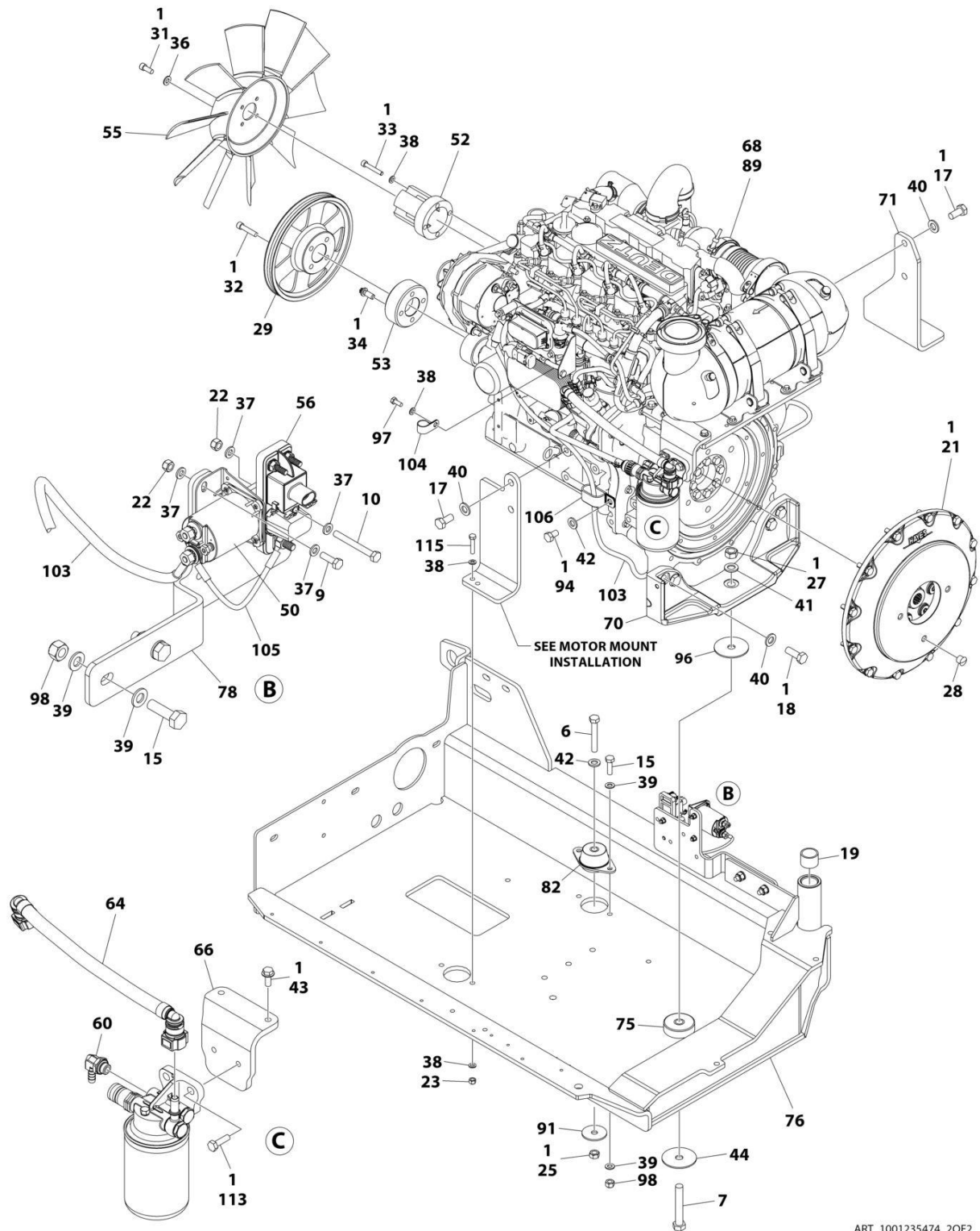
# SECTION 3 - ENGINE

## FIGURE 3-24. DEUTZ TD2.9L4 (STAGE V) ENGINE ASSEMBLY



ART\_1001235474\_10F2

# SECTION 3 - ENGINE



ART\_1001235474\_20F2

## SECTION 3 - ENGINE

**FIGURE 3-24. DEUTZ TD2.9L4 (STAGE V) ENGINE ASSEMBLY**

ITEM	PART NUMBER	QTY	DESCRIPTION	REV
	1001235474	Ref	DEUTZ TD2.9L4 (STAGE V) ENGINE ASSEMBLY	C
1	0100011	AR	Compound, Locking	
2	0100020	AR	Sealant	
6	0711224	1	Bolt M12 x 80	
7	0711627	1	Bolt M16 x 100	
8	0741605	2	Screw 3/8 x 5/8	
9	0760610	2	Bolt M6 x 20	
10	0760619	1	Bolt M6 x 55	
13	0760814	AR	Bolt M8 x 30	
15	0761015	6	Bolt M10 x 35	
16	0761016	5	Bolt M10 x 40	
17	0771414	4	Bolt M14 x 30	
18	0771416	4	Bolt M14 x 40	
19	0961951	2	Bushing	
20	1703162	2	Decal - Fan Blade	
21	2902065	1	Pump Coupling Kit (See Separate Breakdown in this Section)	
22	3290605	AR	Nut M6	
23	3290805	AR	Nut M8	
24	3291001	4	Nut M10	
25	3331211	1	Nut M12	
27	3331611	1	Nut M16	
28	3520054	1	Plug	
29	3580320	1	Pulley	
31	3931512	4	Capscrew 5/16 x 3/4	
32	3931628	4	Capscrew 3/8 x 1-3/4	
33	4031914	4	Capscrew M8 x 50	
34	4032014	4	Capscrew M10 x 50	
36	4711500	4	Washer 5/16	
37	4811700	AR	Washer M6	
38	4811900	AR	Washer M8	
39	4812000	20	Washer M10	
40	5241400	8	Washer M14	
41	4812300	1	Washer M16	
42	5241200	2	Washer M12	
43	5250810	2	Bolt M8 x 20	
44	7300435	1	Washer	
45	8405007	2	Clamp	
46	8405009	4	Clamp	
47	8405104	4	Clamp	
48	8406109	AR	Clip	
49	8410011	2	Clamp	
50	1001117308	1	Contactactor	
51	1001134488	1	Fitting, 90 Barbed (Part of Item 58)	
52	1001135138	1	Adapter, Fan	
53	1001135679	1	Adapter	
54	1001136834	1	Cap, Tank	
55	1001137276	1	Fan	
56	1001138228	1	Relay	
57	1001138827	1	Sensor, Coolant Level (Part of Item 58)	
58	1001230635	1	Tank, Surge (Include Items 51, 57 & 59)	



## SECTION 3 - ENGINE

ITEM	PART NUMBER	QTY	DESCRIPTION	REV
59	1001140564	1	Fitting, 90 Barbed (Part of Item 58)	
60	1001152489	1	Fitting, 90 Barbed	
61	1001167042	1	Radiator	
62	1001169967	2	Bracket	
63	1001170035	2	Bracket	
64	1001177359	1	Hose	
65	1001177844	1	Hose, Radiator (Top)	
66	1001231805	1	Mount	
67	1001186426	1	Clamp, Air Cleaner	
68	1001235458	1	Deutz TD2.9L4 (Stage V) Engine (See Separate Breakdown in this Section) <b>(SN 0300236299 through 0300257348)</b>	
69	1001233895	1	Engine Harness - Deutz Engines (Not Shown) (See Separate Breakdown in ELECTRICAL Section)	
70	1001188535	1	Bracket, Engine - Rear	
71	1001189026	1	Bracket, Engine - Right	
72	1001166716	1	Restriction, Indicator	
73	1001189913	1	Hose	
74	1001189979	1	Filter, Air	
74	70005008	1	Element, Filter	
75	1001190164	1	Mount, Motor	
76	1001200745	1	Tray	
77	1001229091	1	Support, Radiator	
78	1001203885	1	Plate	
79	1001190942	1	Support	
80	1001191025	1	Hose, Radiator (Bottom)	
82	1001191610	1	Mount, Motor	
83	1001192400	1	Bracket	
85	1001193049	1	Hose	
87	2720015	AR	Hose	
88	2300004	AR	Coolant	
89	1001136079	AR	Oil, Motor 15W-40	
90	1001168166	2	Seal	
91	1001168018	1	Washer	
92	1001180620	AR	Adhesive	
94	0761210	1	Bolt M12 x 20	
96	1001197725	1	Spacer	
97	0760810	11	Bolt M8 x 20	
98	3291005	11	Nut M10	
99	4811902	8	Washer M8	
100	5241000	10	Washer M10	
101	1001169054	4	Isolator	
102	1001169138	4	Pad, Snubbing	
103	1001190442	1	Harness, Alternator Power	
103	1001098764	1	Boot - Red	
104	1320202	1	Clamp	
105	1001141304	1	Harness, Glow Fuse	
106	1001181899	1	Clamp	
108	4240099	1	Tie-Strap (Not Shown)	
109	1001223254	1	Bracket <b>(SN 0300236299 through 0300255066)</b>	
110	1001223255	1	Fitting, Straight FNPT <b>(SN 0300236299 through 0300255066)</b>	
111	1001223256	1	Fitting, Straight MNPT <b>(SN 0300236299 through 0300255066)</b>	
112	1001223257	24 in/ .6m	Hose <b>(SN 0300236299 through 0300255066)</b>	

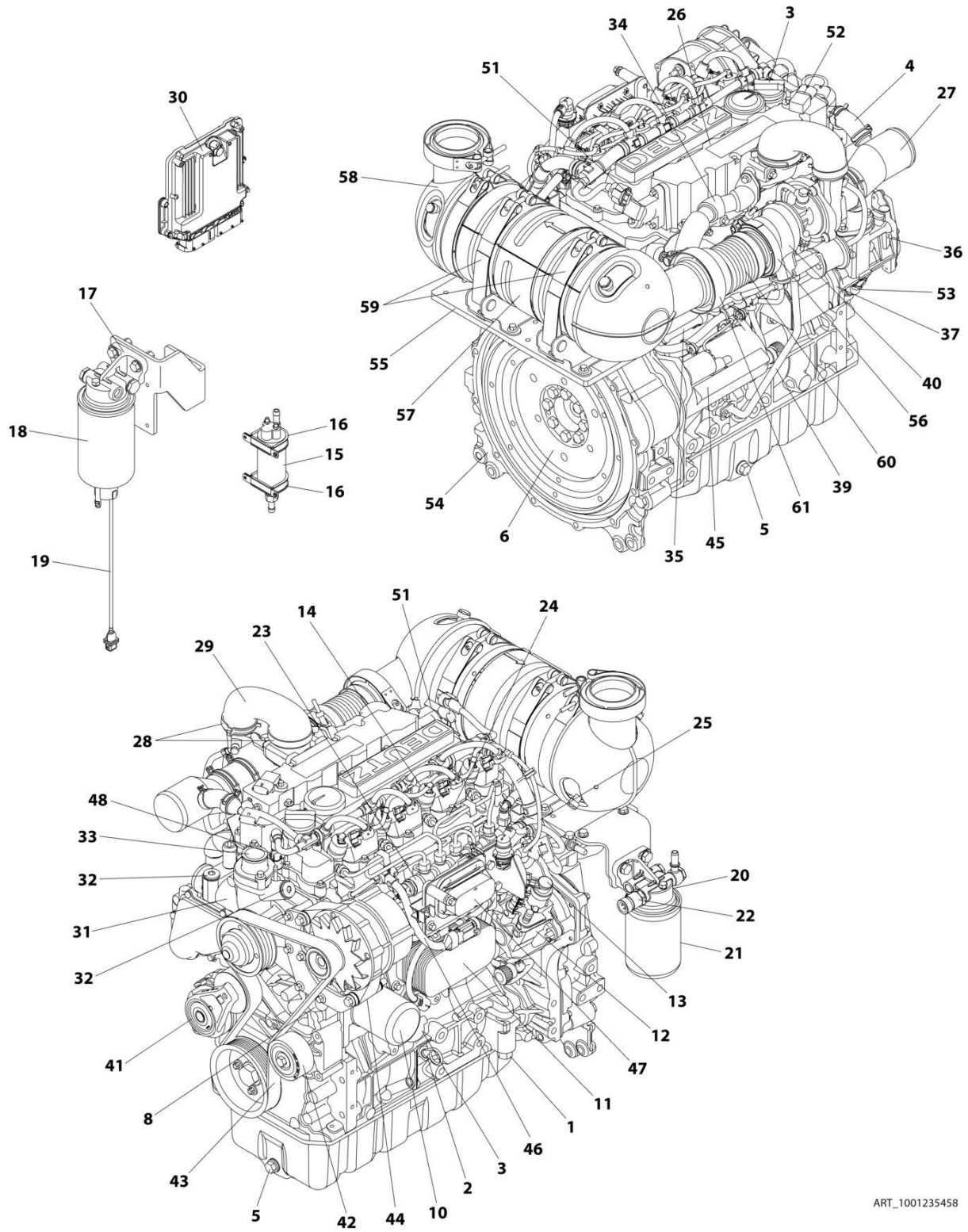
## SECTION 3 - ENGINE

ITEM	PART NUMBER	QTY	DESCRIPTION	REV
113	5251012	2	Bolt M10 x 25	
114	0760614	AR	Bolt M6 x 30	
115	0760816	3	Bolt M8 x 40	
116	0761017	4	Bolt M10 x 45	
117	1001138248	4 ft/1.25m	Tube (SN 0300255067 through 0300272446)	
117	1001138248	4 ft/1.25m	Tube	



# SECTION 3 - ENGINE

## FIGURE 3-25. DEUTZ TD2.9L4 (STAGE V) ENGINE COMPONENTS



ART\_1001235458

## SECTION 3 - ENGINE

### FIGURE 3-25. DEUTZ TD2.9L4 (STAGE V) ENGINE COMPONENTS

ITEM	PART NUMBER	QTY	DESCRIPTION	REV
	1001235458	Ref	DEUTZ TD2.9L4 (STAGE V) ENGINE COMPONENTS	B
1	70025660	1	Plug	
1	70006264	1	Valve, Plunger	
1	70006265	1	Spring	
1	70006266	1	Seal	
2	70024904	1	Dipstick	
2	70024905	2	Seal	
3	7020465	2	Cap, Fill	
4	70005920	1	Line, Breather	
4	70025111	2	Clamp	
5	70006941	2	Plug	
5	70005942	2	Seal	
6	70001870	1	Flywheel	
6	7024579	1	Ring Gear	
6	70025139	8	Bolt	
7		Ref	Gasket & Seal Options (Not Shown):	
7	70005938	1	Gasket Kit	
7	70024906	1	Gasket, Head	
7	70005922	1	Gasket, Valve Cover	
7	70028185	1	Gasket, Front Cover	
7	70004280	1	Seal, Front Main	
7	70002718	1	Seal, Rear Main	
8	70025091	1	Plug	
8	70025076	1	Valve, Plunger	
8	70025176	1	Spring	
8	70025082	1	Seal	
9	70005172	1	Pump, Lube (Not Shown - Located RH Rear)	
9	70025135	1	O-Seal	
9	70005173	1	Gasket	
10	7016331	1	Filter, Oil	
10	70025137	1	Bushing, Oil Filter	
11	70024494	1	Cooler, Oil	
11	70024925	1	Gasket, Oil Filter	
12	70024924	1	Pump, High Pressure	
12	70025152	1	Gasket (Spacer to Pump)	
12	70024488	1	Spacer	
12	70024517	1	Gasket (Spacer to Block)	
12	70004505	1	Valve, Overflow	
12	70004506	1	Gasket, Overflow	
12	70004507	1	Gasket, Overflow	
13	70004508	1	Valve, Volume Control	
13	70004509	1	O-Ring	
13	70004510	1	Gasket	
14	70025181	4	Injector	
14	70025140	4	Washer, Sealing	
14	70025146	4	Clamp	
14	70025145	4	O-Seal	
14	70025154	4	Shoe/Pad, Clamping	
15	1001226098	1	Pump, Fuel Supply (was p/n 70005174 & 70006144)	
16	70025144	2	Clip, Clamp	

## SECTION 3 - ENGINE

ITEM	PART NUMBER	QTY	DESCRIPTION	REV
17	70024961	1	Fuel Filter Assembly	
18	70025153	1	Element, Filter	
19	70024513	1	Cable, Sensor	
19	70025239	1	Seal, Ring	
20	70025160	1	Fuel Filter Assembly	
20	70004513	2	Seal (at Hollow Bolt)	
21	70025161	1	Element, Filter	
22	70024504	1	Sensor, Pressure	
22	70024920	1	O-Seal	
23	70025151	1	Rail, Fuel	
23	70025235	1	Repair Kit - Fuel Rail	
23	70025240	1	O-Ring	
24	70025182	1	Tube, Fuel - Cylinders 1 & 2	
24	70025183	1	Tube, Fuel - Cylinders 3 & 4	
24	70025184	1	Tube, Fuel	
25	70024502	1	Pipe, Fuel Leakage	
25	70025185	1	Hose, Fuel	
25	70025158	1	Manifold	
25	70025109	2	Clamp, Spring	
25	70025115	1	Clamp	
25	70025133	1	Hose	
25	70025101	2	Clamp	
25	70025148	1	Connector, Plug-in	
26	70005923	1	Manifold, Charger Air	
26	70005177	1	Gasket, Charger Air Manifold	
26	70005924	1	Seal (Manifold to Elbow)	
26	70005925	1	Line, Breather (Not Shown)	
26	70005181	1	O-Seal (Breather to Manifold)	
27	70005926	1	Elbow	
27	70025112	2	Clamp	
27	70004501	1	Sleeve, Rubber	
28	70005927	1	Sleeve	
28	70025107	2	Clamp	
29	70005928	1	Elbow, Air Charge	
30	70025210	1	Module, ECU	
31	70024910	1	Pump, Coolant	
31	70025200	1	Ring, Sealing (Pump to Block)	
32	70025084	2	Plug	
32	7020492	2	Ring, Sealing	
33	70005929	1	Thermostat	
33	70005184	1	O-Seal (Thermostat to Housing)	
33	70005930	1	Housing, Thermostat	
33	70005931	1	O-Seal (Thermostat to Pump)	
33	70025124	2	Bolt	
34	70025178	1	Tube	
34	70025179	2	Gasket (at Either End of Tube)	
35	70025768	1	Valve, Shuttle	
35	70025180	1	Gasket	
35	70025174	1	Housing, Shuttle Valve	
35	70025175	1	Cap, Shuttle Valve	
36	70025203	1	Module, EGR	

## SECTION 3 - ENGINE

ITEM	PART NUMBER	QTY	DESCRIPTION	REV
36	70025155	1	Plug (Not Shown)	
37	70005188	1	Valve, EGR Control	
37	70005189	1	Seal (Valve to Module)	
38	70004282	1	Manifold, Exhaust (Not Shown)	
38	70025164	1	Gasket, Manifold to Head (Not Shown)	
38	70025130	8	Bolt, Manifold (Not Shown)	
38	70026995	1	Elbow, Exhaust (Not Shown)	
38	70025179	2	Gasket, Manifold to Elbow (Not Shown)	
39	70005932	1	Tube, Oil Return	
39	70025132	1	O-Seal	
40	70004276	1	Turbocharger	
40	70024509	1	Gasket (Turbocharger to Oil Return Tube Housing)	
40	1001191599	1	Gasket (Turbocharger to Exhaust)	
41	70025477	1	Tensioner, Belt	
42	70024484	1	Roller, Idler	
43	70004277	1	Belt	
44	70025733	1	Pulley, Alternator	
44	70024914	1	Alternator	
44	70025149	1	Controller	
44	70025131	1	Fan	
45	70024915	1	Starter	
45	70005647	1	Switch, Solenoid	
45	70005648	1	Relay	
46	70000345	4	Glow Plug	
46	70025231	1	Harness, Glow Plug	
46	70025233	1	Connector, Plug-in	
47	70025077	1	Harness, Engine	
48	70024918	1	Sender, Temperature	
49	70024504	1	Sensor, Pressure (Not Shown - RH Front)	
49	70024920	1	O-Seal	
50	70026210	1	Sensor, Speed (Not Shown - Front)	
50	70005191	1	Ring, Seal	
51	70024507	1	Sensor, Pressure	
51	70025120	1	O-Seal	
51	70005933	1	Adapter	
51	70005934	1	O-Seal	
52	70024922	1	Sender, Temperature	
52	70025212	1	O-Seal	
53	70026210	1	Sensor, Speed (Not Shown - Front)	
53	70024917	1	O-Seal	
54	70025192	1	Housing	
55	70005935	1	Bracket	
56	70025877	1	Clip	
56	70025242	1	Gasket	
56	70025877	1	Clip	
56	70025242	1	Gasket	
57	70005937	1	Muffler, DOC	
58	70025246	1	Outlet, Muffler	
59	70025245	2	Clamp	
60	70004504	1	Compensator	
60	70025242	1	Gasket	

## SECTION 3 - ENGINE

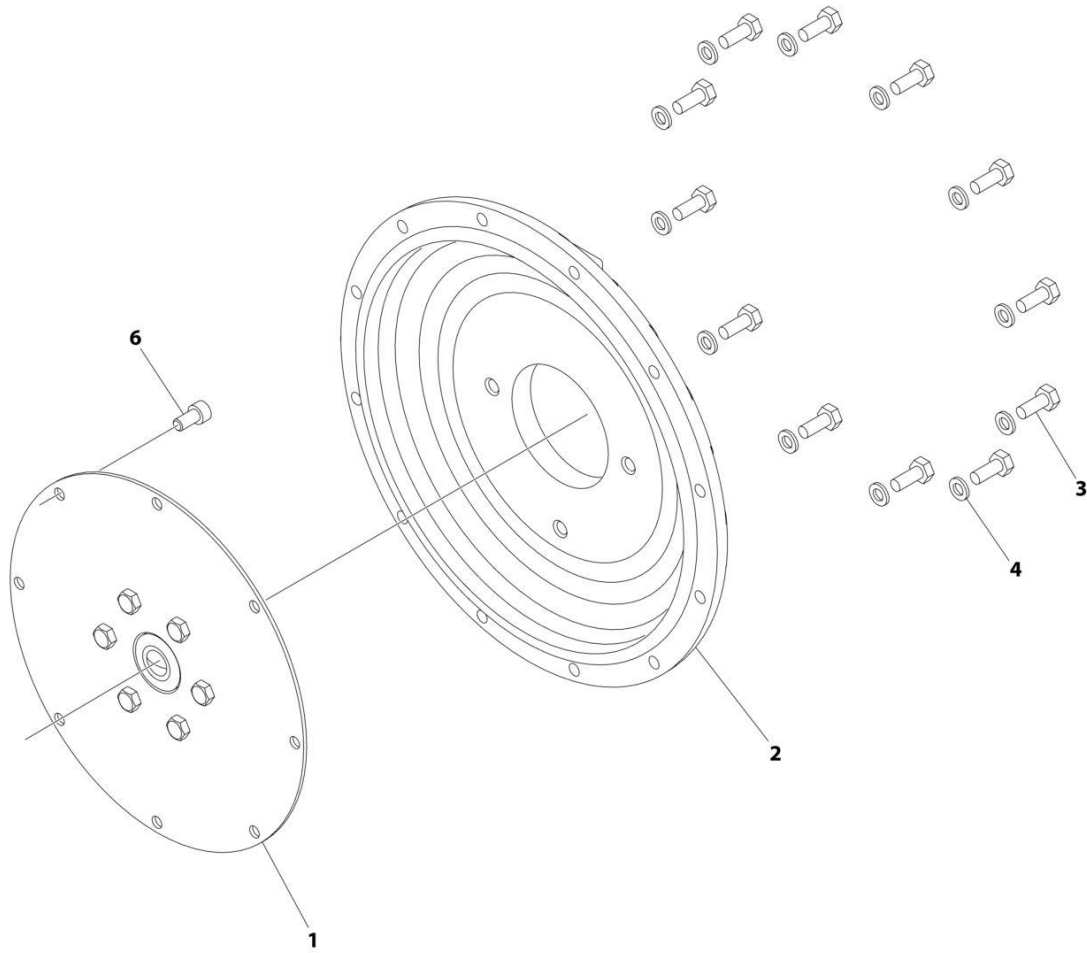
ITEM	PART NUMBER	QTY	DESCRIPTION	REV
60	70005527	1	Clip	
61	70025877	1	Clip	





# SECTION 3 - ENGINE

## FIGURE 3-26. PUMP COUPLING KIT (DEUTZ ENGINES)



ART\_2902065

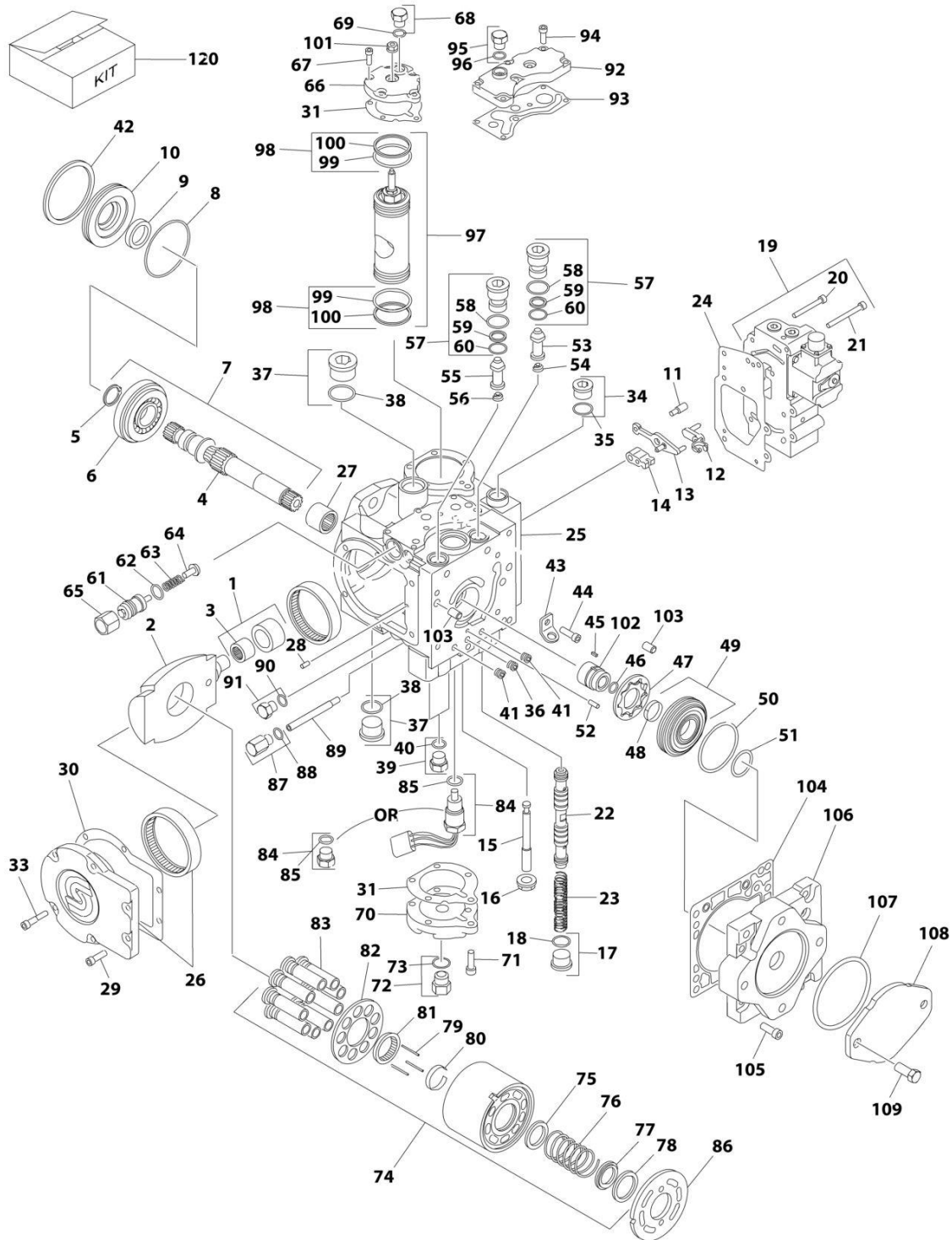
## SECTION 3 - ENGINE

### FIGURE 3-26. PUMP COUPLING KIT (DEUTZ ENGINES)

ITEM	PART NUMBER	QTY	DESCRIPTION	REV
	2902065	Ref	PUMP COUPLING KIT	L
1	70000793	1	Coupling, Hayes	
2	See Note	NSS	Plate, Pump Adapter (Note: Use p/n 2902065)	
3	See Note	NSS	Bolt M10 x 30 Grade 10.9 (Note: Use p/n 2902065)	
4	See Note	NSS	Washer M10 (Note: Use p/n 2902065)	
6	See Note	NSS	Bolt M10 x 20 Grade 10.9 (Note: Use p/n 2902065)	

# SECTION 3 - ENGINE

## FIGURE 3-27. PISTON PUMP ASSEMBLY- FRONT



ART\_3600363

## SECTION 3 - ENGINE

### FIGURE 3-27. PISTON PUMP ASSEMBLY- FRONT

ITEM	PART NUMBER	QTY	DESCRIPTION	REV
	3600363	Ref	PISTON PUMP ASSEMBLY	B
1	7024805	1	Cam Follower Bearing Assembly (Includes Item 3)	
2	7022330	1	Swashplate	
3	7021236	1	Bearing, Needle	
4	7021237	1	Shaft	
5	7021238	1	Ring, Retaining	
6	7021239	1	Bearing, Roller	
7	7021240	1	Shaft (Includes Items 4-6)	
8	See Note	NSS	O-Ring (Note: Use Item 120)	
9	See Note	NSS	Seal, Lip (Note: Use Item 120)	
10	7021243	1	Carrier, Shaft Seal	
11	7023996	1	Screw	
12	7022331	1	Link, Control Summing	
13	7022332	1	Link, Control Feedback	
14	7022333	1	Link, Neutral Adjust	
15	7022334	1	Screw, Neutral Adjust	
16	7023997	1	Nut, Seal	
17	7022321	1	Plug (Includes Item 18)	
18	See Note	NSS	O-Ring (Note: Use Item 17 or 120)	
19	7022335	1	Control Kit (Includes Items 20 & 21)	
20	7023998	4	Screw	
21	7021267	3	Screw	
22	7022336	1	Spool Assembly	
23	7022337	1	Spring	
24	7022338	1	Gasket, Control	
25	7023999	1	Housing Assembly (Includes Items 27, 32, 36 & 41)	
26	7021248	1	Side Cover Assembly	
27	7021249	1	Bearing, Needle	
28	7021250	1	Pin	
29	7021251	2	Screw	
30	See Note	NSS	Gasket, Side Cover (Note: Use Item 120)	
31	7021253	2	Gasket, Servo Cover	
33	7021255	4	Screw	
34	7022321	1	Plug (Includes Item 35)	
35	See Note	NSS	O-Ring (Note: Use Item 34 or 120)	
36	7001485	1	Plug	
37	7007419	2	Plug (Includes Item 38)	
38	See Note	NSS	O-Ring (Note: Use Item 37 or 120)	
39	7007470	2	Plug (Includes Item 40)	
40	See Note	NSS	O-Ring (Note: Use Item 39 or 120)	
41	7001485	2	Plug, Pipe	
42	7021257	1	Ring, Retaining	
43	7022340	1	Bracket, Lifting	
44	7021251	1	Screw	
45	7022342	1	Key	
46	7022341	1	Ring, Retaining	
47	7022343	1	Gerotor Assembly	
48	7021259	1	Bearing, Journal	
49	7022344	1	Cover Assembly (Gerotor) (Includes Item 48):	
50	See Note	1	O-Ring (Note: No longer required per supplier. Pressure is the	

## SECTION 3 - ENGINE

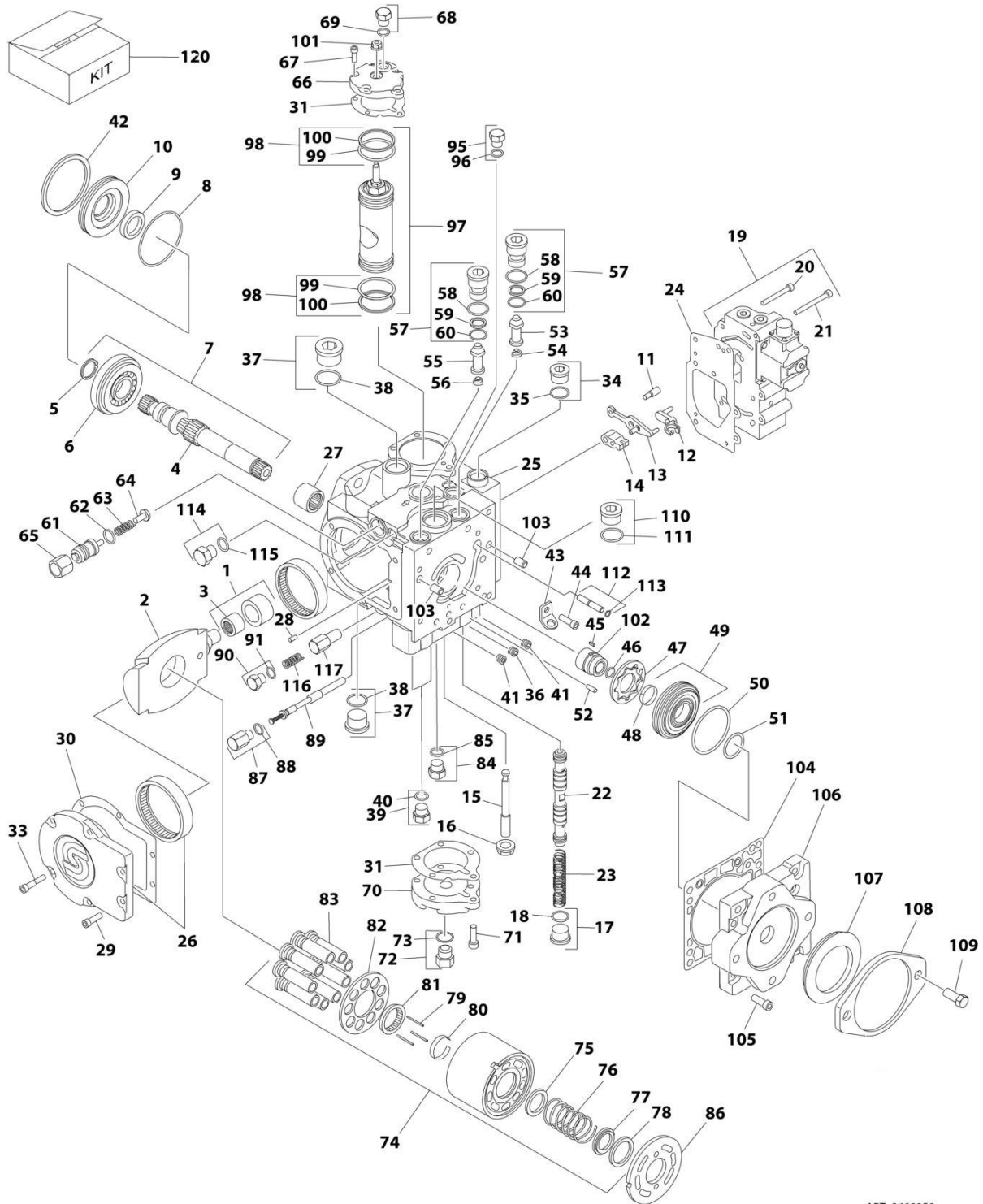
ITEM	PART NUMBER	QTY	DESCRIPTION	REV
			same on either side of o-ring)	
51	See Note	NSS	O-Ring (Note: Use Item 120)	
52	See Note	1	Pin (Note: Not Available for Purchase)	
53	7022345	1	Valve, SCR	
54	7024800	1	Spring	
55	7022345	1	Valve, SCR	
56	7024800	1	Spring	
57	7021265	2	Bypass Valve Assembly (Includes Items 58, 59 & 60)	
58	See Note	NSS	O-Ring (Note: Use Item 57 or 120)	
59	See Note	NSS	Ring, Back-up (Note: Use Item 57 or 120)	
60	See Note	NSS	O-Ring (Note: Use Item 57 or 120)	
61	7022346	1	Adjuster	
62	7021289	1	O-Ring	
63	7022347	1	Spring	
64	7024804	1	Poppet	
65	7022190	1	Nut	
66	7022348	1	Cover, Servo	
67	7021255	5	Screw, Torx	
68	7007470	1	Plug (Includes Item 69)	
69	See Note	NSS	O-Ring (Note: Use Item 68 or 120)	
70	7001268	1	Cover, Servo	
71	7021255	5	Screw, Torx	
72	7007470	1	Plug (Includes Item 73)	
73	See Note	NSS	O-Ring (Note: Use Item 72 or 120)	
74	7022349	1	Cylinder Block Kit Options (Includes Items 75 to 83)	
75	7021271	1	Washer, Special	
76	7021272	1	Spring, Cylinder Block	
77	7021273	1	Washer, Special	
78	7021274	1	Ring, Retaining	
79	7021275	3	Pin, Slipper Hold Down	
80	7021276	1	Retainer, Pin	
81	7021277	1	Guide, Retainer	
82	7021278	1	Retainer, Slipper	
83	7021279	9	Piston Assembly	
84	7022350	1	Sensor, Speed (Includes Item 85)	
85	See Note	NSS	O-Ring (Note: Use Item 84 or 120)	
86	7021281	1	Plate, Valve (Right Side)	
87	7007470	1	Plug (Includes Item 88)	
88	See Note	NSS	O-Ring (Note: Use Item 87 or 120)	
89	7024801	1	Spool, Loop Flushing	
90	7021283	1	Plug (Includes Item 91)	
91	See Note	NSS	O-Ring (Note: Use Item 90 or 120)	
92	7021285	1	Adapter, Remote Filter	
93	See Note	NSS	Gasket, Filter Adapter	
94	7021255	7	Screw (Front Pump Only)	
95	7007470	1	Plug (Includes Item 96)	
96	See Note	NSS	O-Ring (Note: Use Item 95 or 120)	
97	7022351	1	Servo Piston Kit (Includes Qty 2 of Item 98)	
98	7007412	2	Servo Piston Ring Kit (Includes Items 99 & 100)	
99	See Note	NSS	O-Ring (Note: Use Item 97, 98 or 120)	
100	See Note	NSS	Ring, Piston (Note: Use Item 97, 98 or 120)	

## SECTION 3 - ENGINE

ITEM	PART NUMBER	QTY	DESCRIPTION	REV
101	See Note	NSS	Nut, Seal (Note: Use Item 120)	
102	7022352	1	Coupling	
103	7001481	2	Pin	
104	See Note	NSS	Gasket, Charge Pump (Note: Use Item 120)	
105	7021296	6	Screw, Torx	
106	7022353	1	Cover, Charge Pump	
107	See Note	NSS	O-Ring (Note: Use Item 120)	
108	7021229	1	Cover, Flange	
109	7007289	2	Screw	
120	7021280	1	Seal Kit - Complete (Includes Items 8, 9, 16, 18, 30, 31, 35, 38, 40, 51, 58, 59, 60, 69, 73, 85, 88, 91, 93, 96, 99, 100, 101, 104, 107, 111, 113 & 115)	

# SECTION 3 - ENGINE

## FIGURE 3-28. PISTON PUMP ASSEMBLY- REAR



ART\_3600359



## SECTION 3 - ENGINE

### FIGURE 3-28. PISTON PUMP ASSEMBLY- REAR

ITEM	PART NUMBER	QTY	DESCRIPTION	REV
	3600359	Ref	PISTON PUMP ASSEMBLY	A
1	7024805	1	Cam Follower Bearing Assembly (Includes Item 3)	
2	7022330	1	Swashplate	
3	7021236	1	Bearing, Needle	
4	7022354	1	Shaft	
5	7021238	1	Ring, Retaining	
6	7021239	1	Bearing, Roller	
7	7022355	1	Shaft (Includes Items 4, 5 & 6)	
8	See Note	NSS	O-Ring (Note: Use Item 120)	
9	See Note	NSS	Seal, Lip (Note: Use Item 120)	
10	7021243	1	Carrier, Shaft Seal	
11	7023996	1	Screw	
12	7022331	1	Link, Control Summing	
13	7022332	1	Link, Control Feedback	
14	7022333	1	Link, Neutral Adjust	
15	7022334	1	Screw, Neutral Adjust	
16	7023997	1	Nut, Seal	
17	7022321	1	Plug (Includes Item 18)	
18	See Note	NSS	O-Ring (Note: Use Item 17 or 120)	
19	7022335	1	Control Kit (Includes Items 20 & 21)	
20	7023998	4	Screw	
21	7021267	3	Screw	
22	7022336	1	Spool Assembly	
23	7022337	1	Spring	
24	7022338	1	Gasket, Control	
25	See Note	NLA	Housing Assembly (Note: Not Available - Purchase Complete Rear Pump)	
26	7021248	1	Side Cover Assembly	
27	7021249	1	Bearing, Needle	
28	7021250	1	Pin	
29	7021251	2	Screw	
30	See Note	NSS	Gasket, Side Cover (Note: Use Item 120)	
31	7021253	2	Gasket, Servo Cover	
33	7021255	4	Screw	
34	7022321	1	Plug (Includes Item 35)	
35	See Note	NSS	O-Ring (Note: Use Item 34 or 120)	
36	7001485	1	Plug	
37	7007419	2	Plug (Includes Item 38)	
38	See Note	NSS	O-Ring (Note: Use Item 37 or 120)	
39	7007470	2	Plug (Includes Item 40)	
40	See Note	NSS	O-Ring (Note: Use Item 39 or 120)	
41	7001485	2	Plug, Pipe	
42	7021257	1	Ring, Retaining	
43	7022340	1	Bracket, Lifting	
44	7021251	1	Screw	
45	7022342	1	Key	
46	7022341	1	Ring, Retaining	
47	7022357	1	Spacer	
48	7021259	1	Bearing, Journal	
49	7021260	1	Cover Assembly (Includes Item 48)	

## SECTION 3 - ENGINE

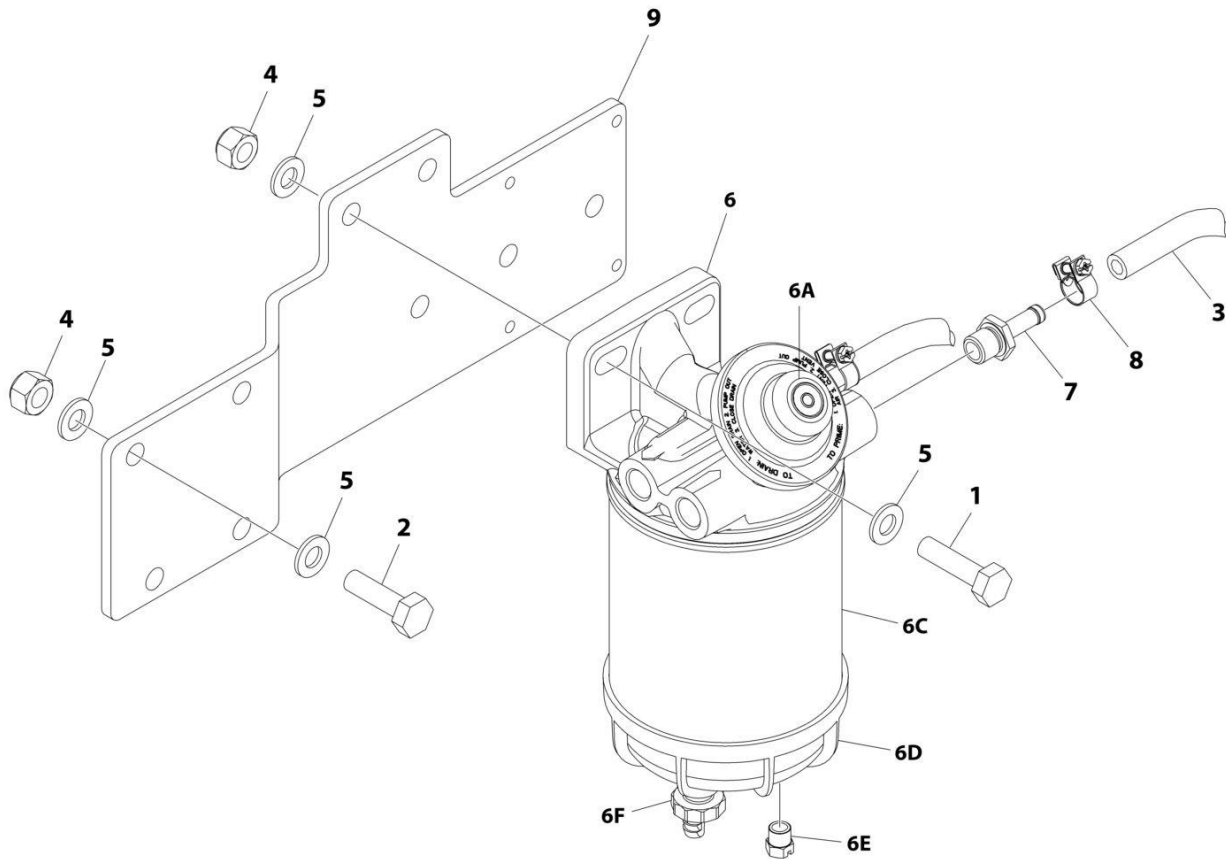
ITEM	PART NUMBER	QTY	DESCRIPTION	REV
50	See Note	1	O-Ring (Note: No longer required per supplier. Pressure is the same on either side of o-ring)	
51	See Note	NSS	O-Ring (Note: Use Item 120)	
52	See Note	1	Pin (Note: Not Available for Purchase)	
53	7022345	1	Valve, SCR	
54	7024800	1	Spring	
55	7022345	1	Valve, SCR	
56	7024800	1	Spring	
57	7021265	2	Bypass Valve Assembly (Includes Items 58, 59 & 60)	
58	See Note	NSS	O-Ring (Note: Use Item 57 or 120)	
59	See Note	NSS	Ring, Back-up (Note: Use Item 57 or 120)	
60	See Note	NSS	O-Ring (Note: Use Item 57 or 120)	
61	7022346	1	Adjuster	
62	7021289	1	O-Ring	
63	7022347	1	Spring	
64	7024804	1	Poppet	
65	7022190	1	Nut	
66	7022348	1	Cover, Servo	
67	7021255	5	Screw, Torx	
68	7007470	1	Plug (Includes Item 69)	
69	See Note	NSS	O-Ring (Note: Use Item 68 or 120)	
70	7001268	1	Cover, Servo	
71	7021255	5	Screw, Torx	
72	7007470	1	Plug (Includes Item 73)	
73	See Note	NSS	O-Ring (Note: Use Item 72 or 120)	
74	7021269	1	Cylinder Block Kit (Includes Items 75 to 83)	
75	7021271	1	Washer, Special	
76	7021272	1	Spring, Cylinder Block	
77	7021273	1	Washer, Special	
78	7021274	1	Ring, Retaining	
79	7021275	3	Pin, Slipper Hold Down	
80	7021276	1	Retainer, Pin	
81	7021277	1	Guide, Retainer	
82	7021278	1	Retainer, Slipper	
83	7021279	9	Piston Assembly	
84	7007470	1	Plug (Includes Item 85)	
85	See Note	NSS	O-Ring (Note: Use Item 84 or 120)	
86	7021281	1	Plate, Valve (Right Side)	
87	7007470	1	Plug (Includes Item 88)	
88	See Note	NSS	O-Ring (Note: Use Item 87 or 120)	
89	7024801	1	Spool, Loop Flushing	
90	7021283	1	Plug (Includes Item 91)	
91	See Note	NSS	O-Ring (Note: Use Item 90 or 120)	
95	7007470	1	Plug (Includes Item 96)	
96	See Note	NSS	O-Ring (Note: Use Item 95 or 120)	
97	7022351	1	Servo Piston Kit (Includes Qty 2 of Item 98)	
98	7007412	2	Servo Piston Ring Kit (Includes Items 99 & 100)	
99	See Note	NSS	O-Ring (Note: Use Item 97, 98 or 120)	
100	See Note	NSS	Ring, Piston (Note: Use Item 97, 98 or 120)	
101	See Note	NSS	Nut, Seal (Note: Use Item 120)	
102	7022359	1	Coupling	
103	7001481	2	Pin	

## SECTION 3 - ENGINE

ITEM	PART NUMBER	QTY	DESCRIPTION	REV
104	See Note	NSS	Gasket, Charge Pump (Note: Use Item 120)	
105	7021296	6	Screw, Torx	
106	7021297	1	Cover, Charge Pump	
107	7021298	1	Seal	
108	7021299	1	Cover, Flange	
109	7007289	2	Screw	
110	7007419	1	Plug (Rear Pump Only)	
111	See Note	NSS	O-Ring (Rear Pump Only) (Note: Use Item 110 or 120)	
112	7022358	1	Plug (Include Item 113)	
113	See Note	NSS	O-Ring (Note: Use Item 112 or 120)	
114	7021256	1	Plug (Include Item 115) (Rear Pump Only)	
115	See Note	NSS	O-Ring (Rear Pump Only) (Note: Use Item 114 or 120)	
116	7024802	1	Spring	
117	7024803	1	Poppet	
120	7021280	1	Seal Kit - Complete (Includes Items 8, 9, 16, 18, 30, 31, 35, 38, 40, 51, 58, 59, 60, 69, 73, 85, 88, 91, 93, 96, 99, 100, 101, 104, 107, 111, 113 & 115)	

# SECTION 3 - ENGINE

## FIGURE 3-29. FUEL FILTER INSTALLATION (STEEL FUEL TANK) (DEUTZ D2011 ENGINES)



ART\_1001225054

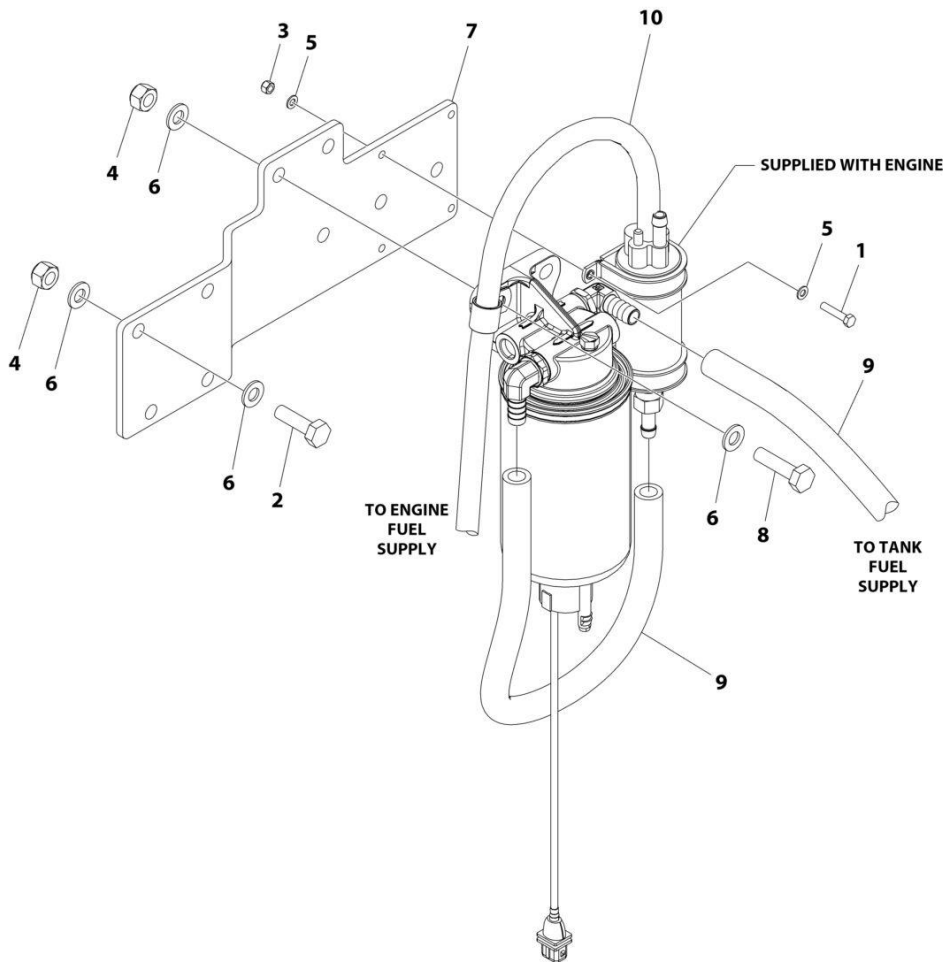
## SECTION 3 - ENGINE

**FIGURE 3-29. FUEL FILTER INSTALLATION (STEEL FUEL TANK) (DEUTZ D2011 ENGINES)**

ITEM	PART NUMBER	QTY	DESCRIPTION	REV
	1001225054	Ref	FUEL FILTER INSTALLATION	B
1	0761016	2	Bolt M10 x 40	
2	0761015	2	Bolt M10 x 35	
2	1001228406	2	Bolt M10 x 35	
3	2720058	32 in/ 80cm	Hose, Fuel Line	
4	3291005	4	Nut M10	
5	4812000	AR	Washer M10	
6	1001149452	1	Fuel Filter/Water Separator Assembly	
6A	See Note	NSS	Indicator, Restriction (Note: Use p/n 1001149452)	
6B	70004064	1	Bypass Valve Kit (Not Shown)	
6C	70004065	1	Gasket, Head to Element	
6C	70004066	1	Element, Filter	
6D	70004067	1	Gasket, Element to Bowl	
6D	70004068	1	Bowl Kit (Includes Bowl, Element and Plug)	
6E	70004069	1	Plug	
6F	70004070	1	Drain	
7	1001149469	2	Fitting, Straight Barbed	
8	1001174486	2	Clamp	
9	1001224967	1	Bracket	

# SECTION 3 - ENGINE

## FIGURE 3-30. FUEL PUMP AND FILTER INSTALLATION (STEEL FUEL TANK) (DEUTZ TD2.9L4 ENGINES)



ART\_1001204902

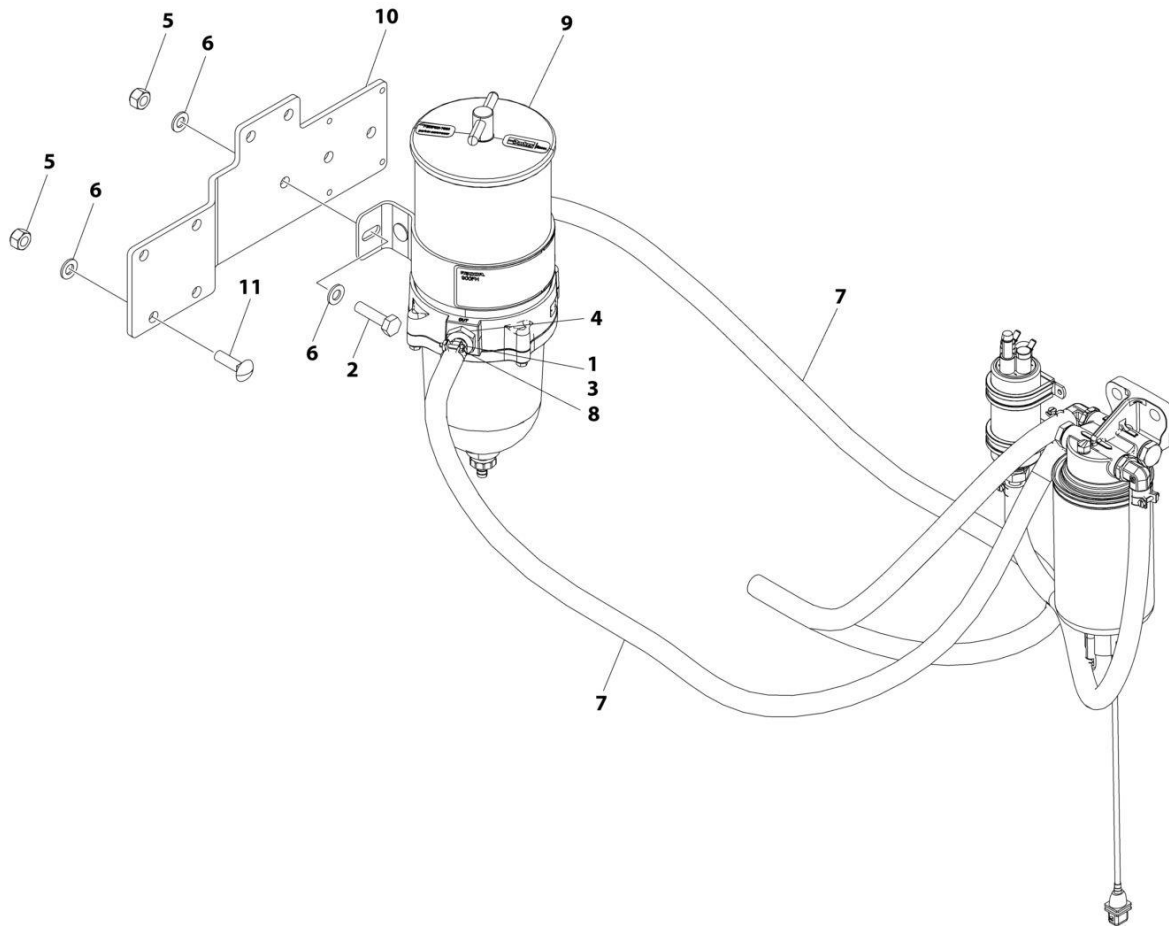
## SECTION 3 - ENGINE

**FIGURE 3-30. FUEL PUMP AND FILTER INSTALLATION (STEEL FUEL TANK) (DEUTZ TD2.9L4 ENGINES)**

ITEM	PART NUMBER	QTY	DESCRIPTION	REV
	1001204902	Ref	FUEL PUMP AND FILTER INSTALLATION	D
1	0760512	4	Bolt M5 x 25	
2	0761015	2	Bolt M10 x 35	
2	1001228406	2	Bolt M10 x 35	
3	3290505	4	Nut M5	
4	3291005	4	Nut M10	
5	4811600	8	Washer M5	
6	4812000	AR	Washer M10	
7	1001224967	1	Bracket	
8	0701016	2	Bolt M10 x 40	
9	1001154405	2.3 ft/ 70cm	Hose	
10	1001165035	2.5 ft/ 75cm	Hose	

# SECTION 3 - ENGINE

## FIGURE 3-31. FUEL FILTER INSTALLATION (DEUTZ TD2.9L4 ENGINES)



ART\_1001224474



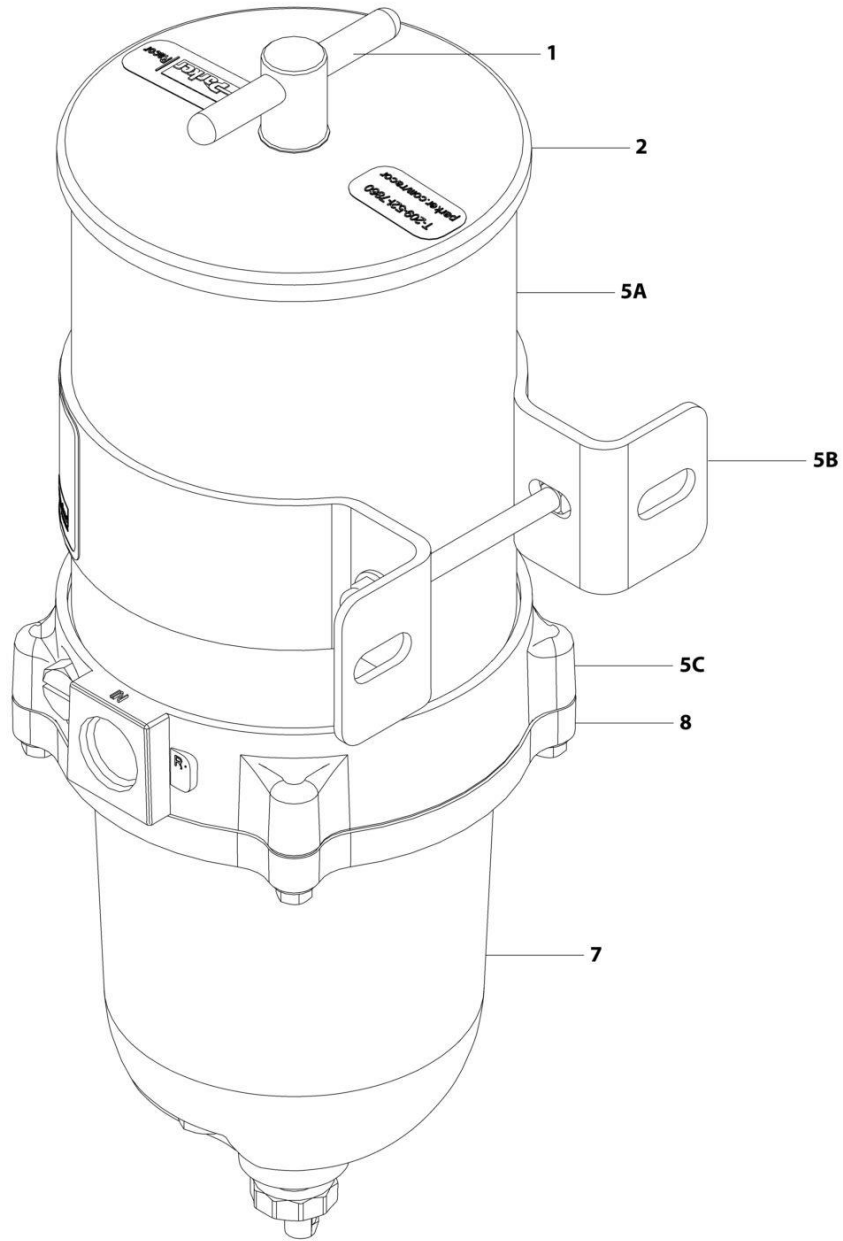
## SECTION 3 - ENGINE

**FIGURE 3-31. FUEL FILTER INSTALLATION (DEUTZ TD2.9L4 ENGINES)**

ITEM	PART NUMBER	QTY	DESCRIPTION	REV
	1001224473	Ref	FUEL FILTER INSTALLATION	B
1	0100020	AR	Sealant	
2	0761016	2	Bolt M10 x 40	
3	2180832	2	Fitting, Straight Barbed	
4	2220816	2	Fitting, Straight NPT	
5	3291005	4	Nut M10	
6	4812000	6	Washer M10	
7	1001154405	42 in/ 1.1m	Hose	
8	1001175568	2	Clip	
9	1001222817	1	Fuel Filter Assembly (See Separate Breakdown in this Section)	
10	1001224967	1	Bracket	
11	1001228406	2	Bolt M10 x 35, GRADE 8.8	

# SECTION 3 - ENGINE

## FIGURE 3-32. FUEL FILTER ASSEMBLY (DEUTZ TD2.9L4 ENGINES)



ART\_1001222817

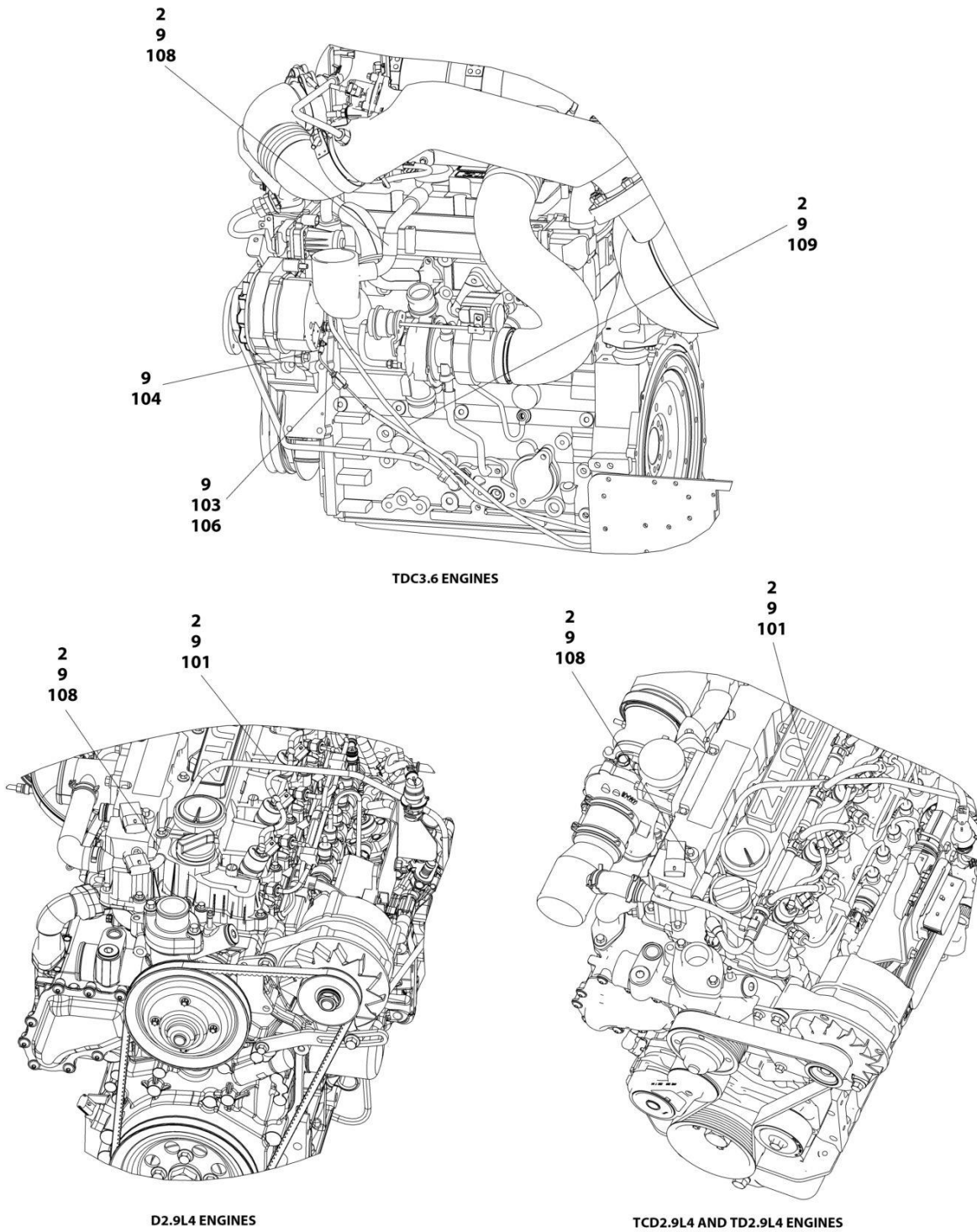
## SECTION 3 - ENGINE

**FIGURE 3-32. FUEL FILTER ASSEMBLY (DEUTZ TD2.9L4 ENGINES)**

ITEM	PART NUMBER	QTY	DESCRIPTION	REV
	1001222817	Ref	FUEL FILTER ASSEMBLY	A
1	70006403	1	Handle Kit (Includes Handle, Handle O-Ring & Lid Gasket)	
2	70006404	1	Lid Kit (Includes Lid, Handle O-Ring & Lid Gasket)	
3	70006405	1	Element, Filter (Not Shown)	
5A	See Note	NSS	Housing (Note: Use p/n 1001222817)	
5B	See Note	NSS	Bracket (Note: Use p/n 1001222817)	
5C	See Note	NSS	Tube, Return (Note: Use p/n 1001222817)	
6	70006407	1	Certrfuge & Baffle Kit (Not Shown - Located at Bottom of 5C) (Also Includes p/n 70006406 & Bowl Gasket)	
6	70006406	1	Checkball & Gasket Kit (Not Shown - Located at Bottom of 5C)	
7	70006409	1	Bowl Kit (Includes Bowl Gasket, Plug with O-Ring & Drain)	
7	70006408	1	Gasket, Bowl	
8	70006410	1	Bowl Ring Kit (Includes Bowl Gasket & Bolts)	

# SECTION 3 - ENGINE

## FIGURE 3-33. BREATHER HEATER INSTALLATION - DEUTZ D2.9L4 ENGINE WITH ARCTIC PACKAGE



ART\_1001233763

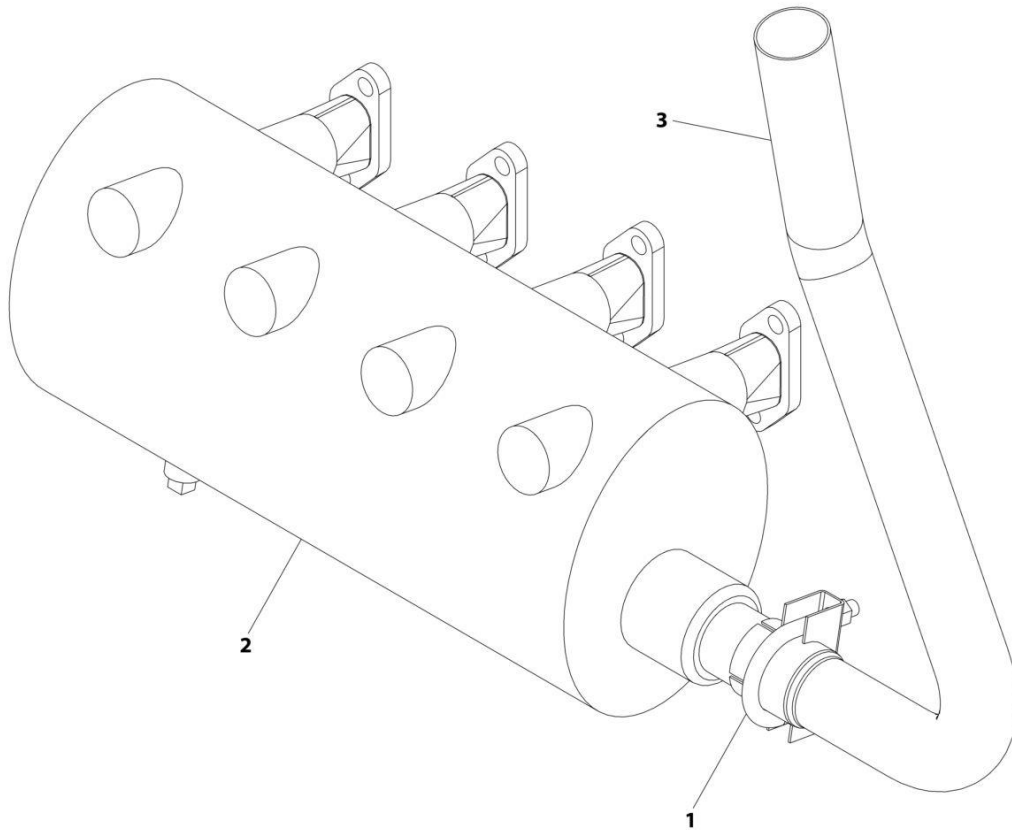
## SECTION 3 - ENGINE

**FIGURE 3-33. BREATHER HEATER INSTALLATION - DEUTZ D2.9L4 ENGINE WITH ARCTIC PACKAGE**

ITEM	PART NUMBER	QTY	DESCRIPTION	REV
	1001233763	Ref	BREATHER HEATER INSTALLATION - DEUTZ ENGINES	D
2	4240099	AR	Tie-Strap	
9	1001243895	1	Breather Heater Harness	C
101	2820035	AR	Insulation	
103	2400060	1	Fuseholder with Cover	
104	4460043	1	Terminal, Ring	
105	4460722	1	Terminal, Ring (Not Shown)	
106	1001196634	1	Fuse - 2 Amp	
108	1001232842	1	Breather Heater Kit	

## SECTION 3 - ENGINE

FIGURE 3-34. MUFFLER INSTALLATION - SPARK ARRESTING (DEUTZ D2011 ENGINES)  
(OPTIONAL)



ART\_1001192284

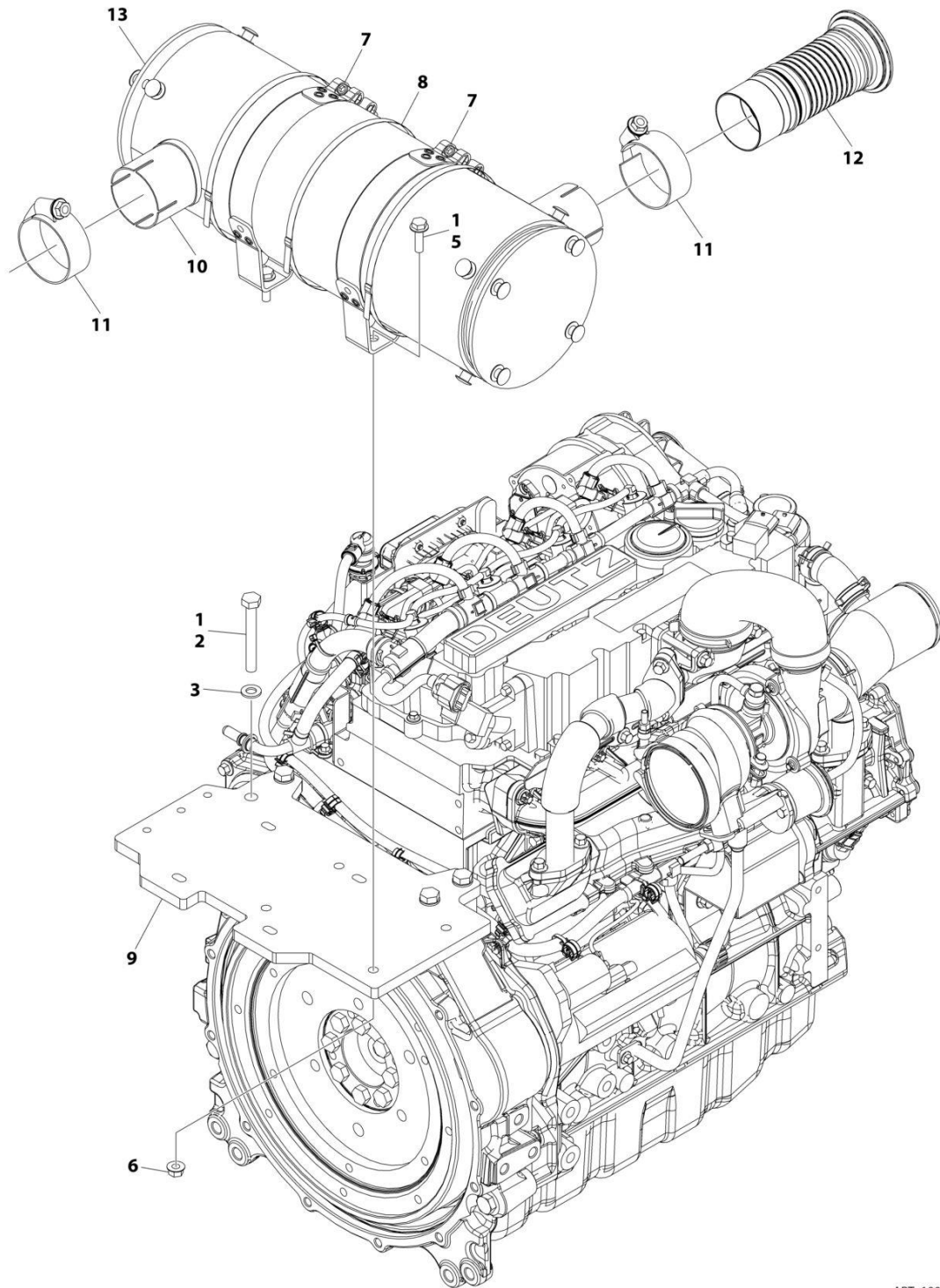
## SECTION 3 - ENGINE

**FIGURE 3-34. MUFFLER INSTALLATION - SPARK ARRESTING (DEUTZ D2011 ENGINES)  
(OPTIONAL)**

ITEM	PART NUMBER	QTY	DESCRIPTION	REV
	1001192284	Ref	MUFFLER INSTALLATION	B
1	1320176	1	Clamp	
2	1001191156	1	Muffler, Spark Arresting	
3	1001195763	1	Pipe, Exhaust	

# SECTION 3 - ENGINE

FIGURE 3-35. DEUTZ 2.9L4 EXHAUST INSTALLATION (CHINA SPECS ONLY)



ART\_1001231649



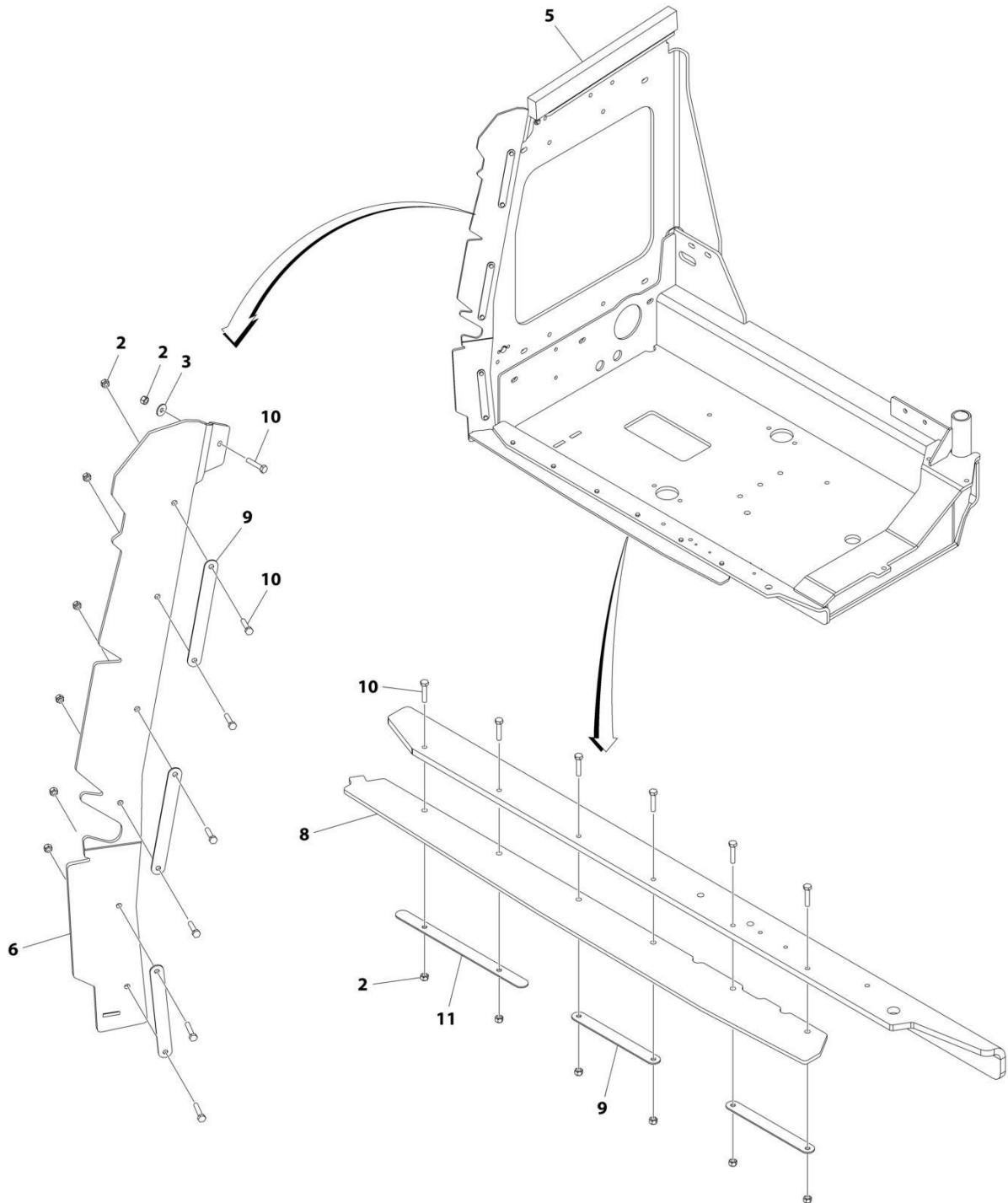
## SECTION 3 - ENGINE

### FIGURE 3-35. DEUTZ 2.9L4 EXHAUST INSTALLATION (CHINA SPECS ONLY)

ITEM	PART NUMBER	QTY	DESCRIPTION	REV
	1001231649	Ref	DEUTZ 2.9L4 EXHAUST INSTALLATION	A
1	0100011	AR	Compound, Locking	
2	0701024	4	Bolt M10 x 80	
3	4812000	4	Washer M10	
4	4920385	AR	Wire, Safety (Not Shown)	
5	5250813	4	Bolt M8 x 28	
6	5260800	4	Nut M8 Grade 10.9	
7	1001119727	2	Clamp	
8	1001137336	3	Strap	
9	1001221203	1	Bracket	
10	1001221207	1	Muffler	
11	1001221212	2	Clamp	
12	1001221217	1	Pipe	
13	1001221427	1	Wrap, Muffler	

# SECTION 3 - ENGINE

## FIGURE 3-36. ENGINE HOOD Baffles INSTALLATION - ABS HOODS



ART\_1001197268

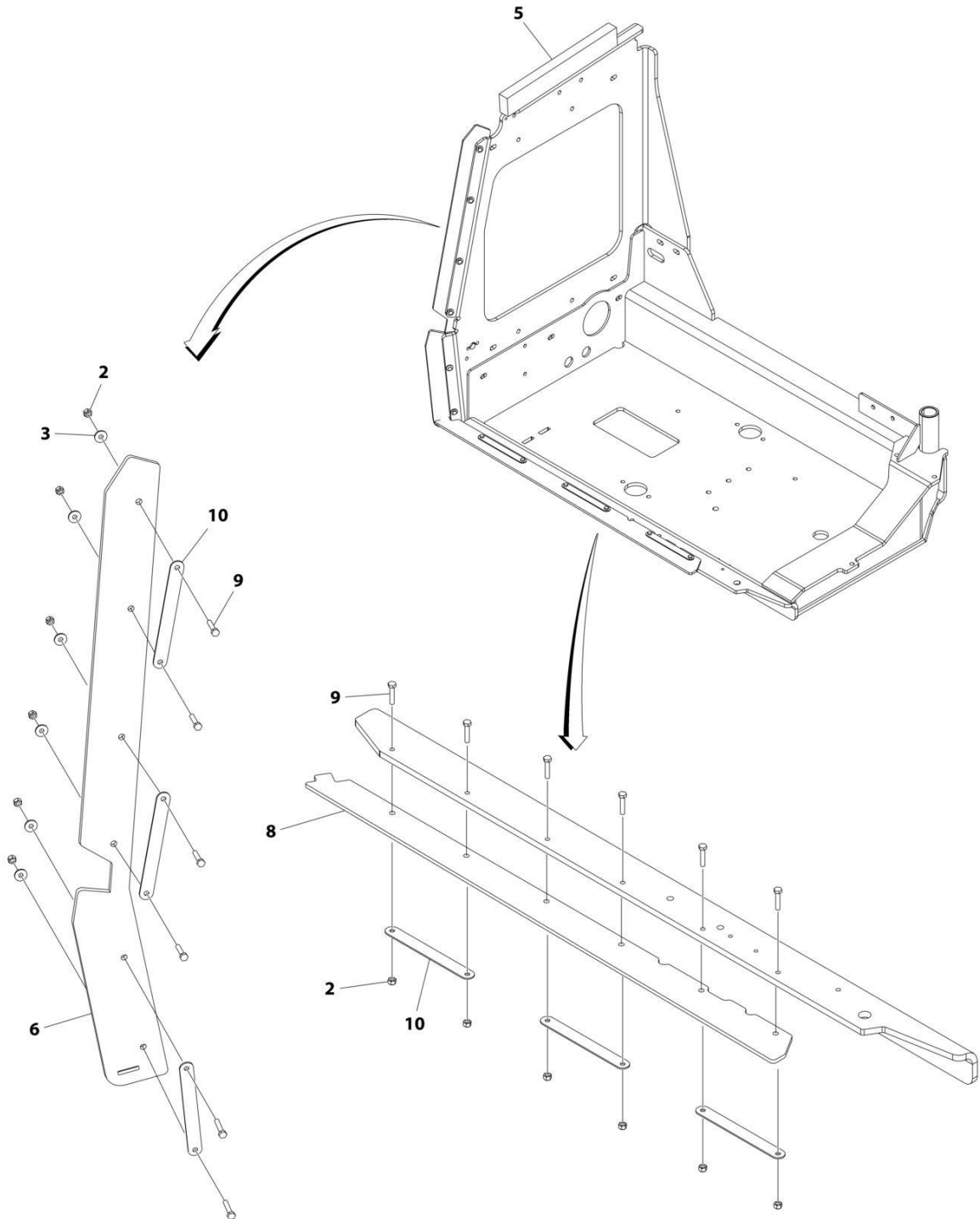
## SECTION 3 - ENGINE

**FIGURE 3-36. ENGINE HOOD BAFFLES INSTALLATION - ABS HOODS**

ITEM	PART NUMBER	QTY	DESCRIPTION	REV
	1001197268	Ref	ENGINE HOOD BAFFLES INSTALLATION	G
2	3290605	13	Nut M6	
3	4811702	8	Washer M6	
5	1001197389	1	Seal	
6	1001197386	NLA	Seal (Use p/n 1001234370) <b>(600SC SN 0300235168 through 0300243424)</b>	
6	1001197386	NLA	Seal (Use p/n 1001234370) <b>(660SJC SN 0300235168 through 0300243424)</b>	
6	1001234370	1	Seal <b>(600SC SN 0300243425 through 0300272446)</b>	
6	1001234370	1	Seal <b>(660SJC SN 0300243425 through 0300272446)</b>	
8	1001197388	NLA	Seal (Use p/n 1001234371) <b>(600SC SN 0300235168 through 0300243424)</b>	
8	1001197388	NLA	Seal (Use p/n 1001234371) <b>(660SJC SN 0300235168 through 0300243424)</b>	
8	1001234371	1	Seal <b>(600SC SN 0300243425 through 0300272446)</b>	
8	1001234371	1	Seal <b>(660SJC SN 0300243425 through 0300272446)</b>	
9	1001167164	5	Support	
10	0760614	13	Bolt M6 x 30	
11	1001233429	1	Support	

# SECTION 3 - ENGINE

## FIGURE 3-37. ENGINE HOOD Baffles INSTALLATION - STEEL HOODS



ART\_1001197269

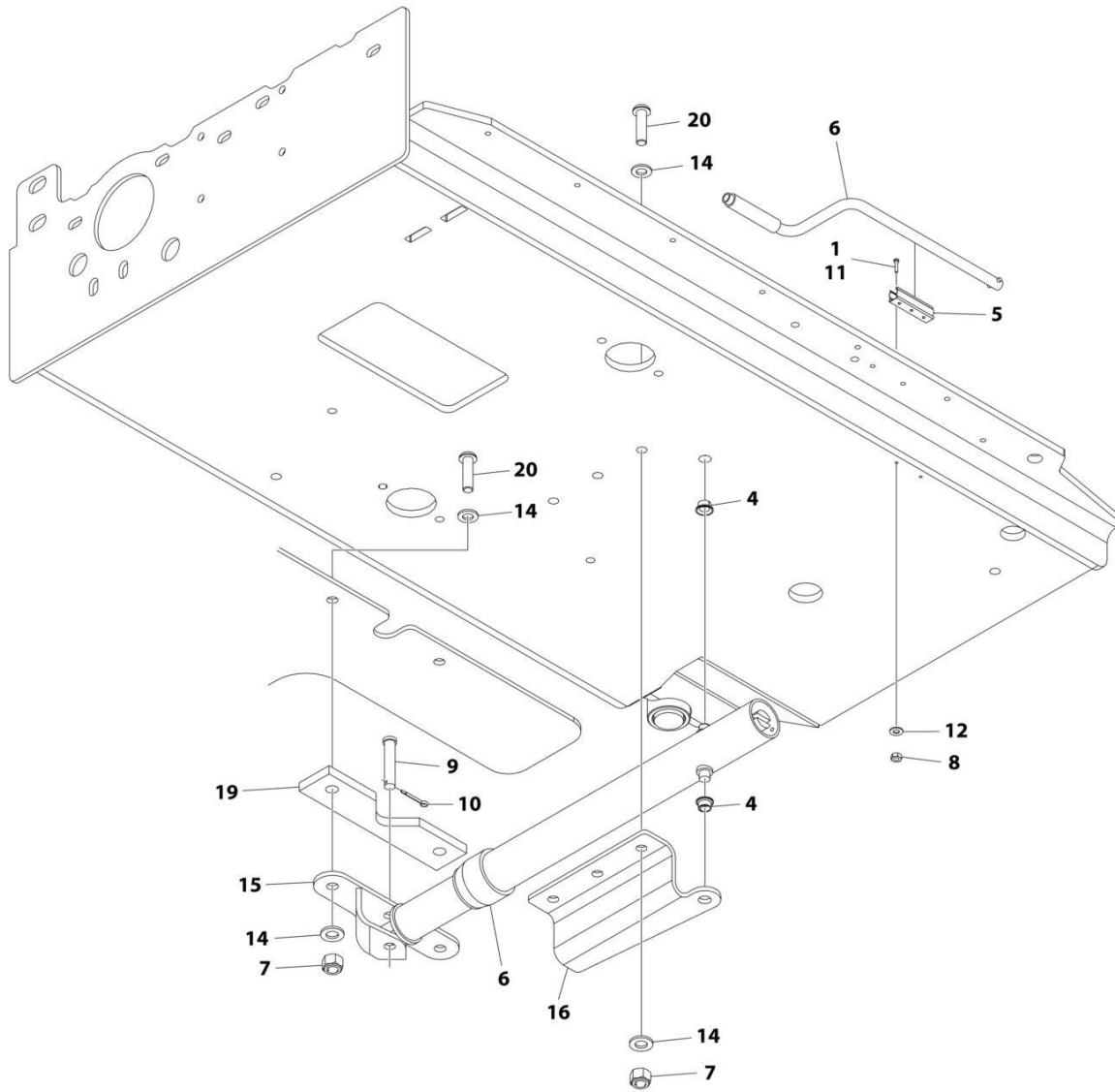
## SECTION 3 - ENGINE

**FIGURE 3-37. ENGINE HOOD BAFFLES INSTALLATION - STEEL HOODS**

ITEM	PART NUMBER	QTY	DESCRIPTION	REV
	1001197269	Ref	ENGINE HOOD BAFFLES INSTALLATION	F
2	3290605	AR	Nut M6	
3	4811702	AR	Washer M6	
5	1001197389	1	Seal ( <b>600SC SN 0300235168 through 0300243424</b> )	
5	1001197389	1	Seal ( <b>660SJC SN 0300235168 through 0300243424</b> )	
5	1001234281	1	Seal ( <b>600SC SN 0300243425 through 0300272446</b> )	
5	1001234281	1	Seal ( <b>660SJC SN 0300243425 through 0300272446</b> )	
6	1001197390	NLA	Seal (Use p/n 1001234299) ( <b>600SC SN 0300235168 through 0300243424</b> )	
6	1001197390	NLA	Seal (Use p/n 1001234299) ( <b>660SJC SN 0300235168 through 0300243424</b> )	
6	1001234299	1	Seal ( <b>600SC SN 0300243425 through 0300272446</b> )	
6	1001234299	1	Seal ( <b>660SJC SN 0300243425 through 0300272446</b> )	
8	1001197392	NLA	Seal (Use p/n 1001234283) ( <b>600SC SN 0300235168 through 0300243424</b> )	
8	1001197392	NLA	Seal (Use p/n 1001234283) ( <b>660SJC SN 0300235168 through 0300243424</b> )	
8	1001234283	1	Seal ( <b>600SC SN 0300243425 through 0300272446</b> )	
8	1001234283	1	Seal ( <b>660SJC SN 0300243425 through 0300272446</b> )	
9	0760614	AR	Bolt M6 x 30	
10	1001167164	6	Support	

# SECTION 3 - ENGINE

## FIGURE 3-38. TRAY JACK INSTALLATION



ART\_1001186980

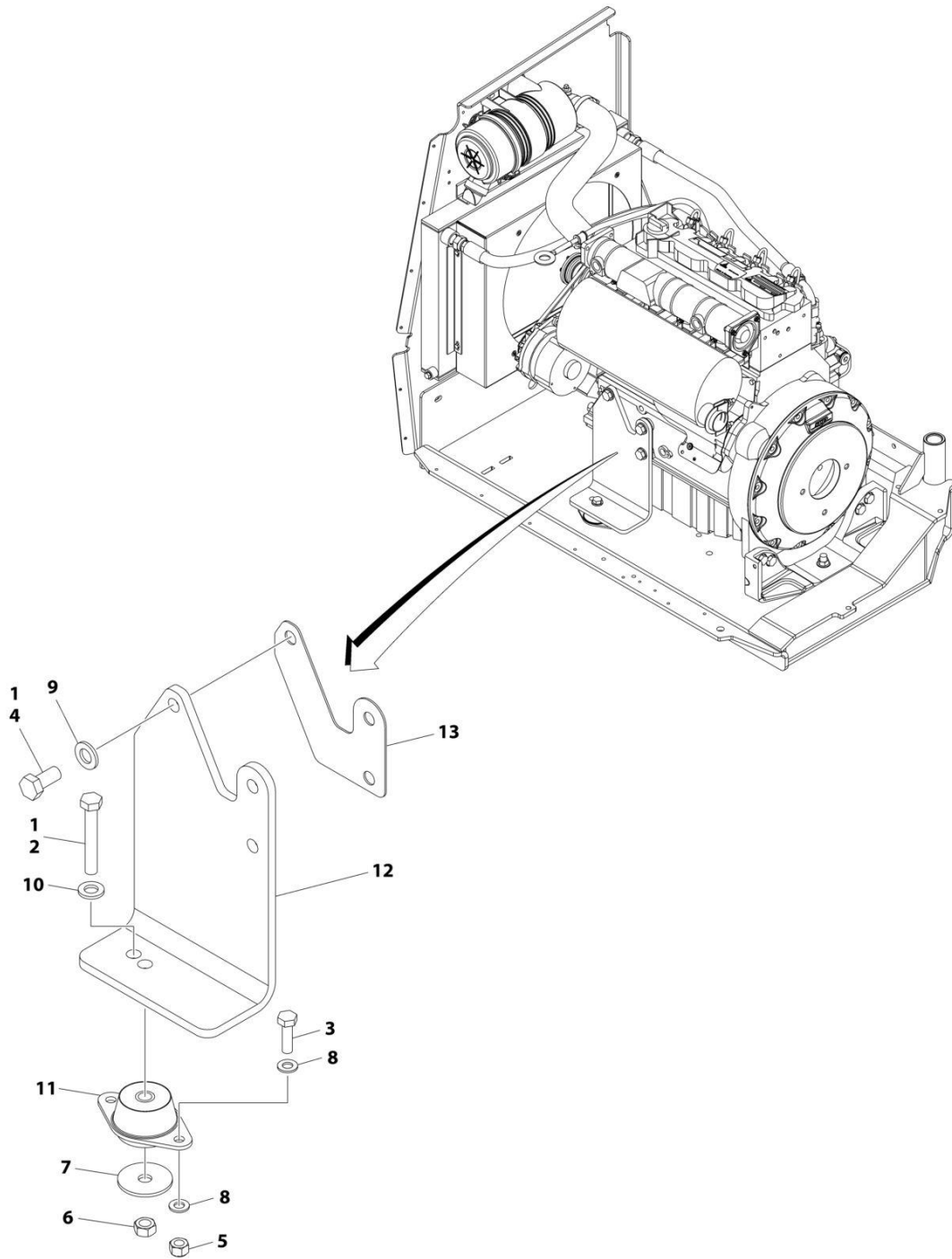
## SECTION 3 - ENGINE

### FIGURE 3-38. TRAY JACK INSTALLATION

ITEM	PART NUMBER	QTY	DESCRIPTION	REV
	1001186980	Ref	TRAY JACK INSTALLATION	E
1	0100011	AR	Compound, Locking	
4	0962051	2	Bearing	
5	1380147	1	Clip	
6	2840016	1	Jack and Handle Assembly	
6	7024598	1	Handle	
7	3291205	5	Nut M12	
8	3290301	2	Nut M3	
9	3430820	1	Pin	
10	3450404	1	Pin (SN 0300236299 through 0300251713)	
10	1001236121	1	Pin (SN 0300251714 through 0300272446)	
11	4010308	2	Screw M3 x 16	
12	4811400	2	Washer M4	
14	4812100	10	Washer M12	
15	1001166894	1	Support	
16	1001175073	1	Support	
19	1001186981	1	Plate	
20	1001102978	5	Screw M12 x 45 Grade 10.9	

# SECTION 3 - ENGINE

## FIGURE 3-39. MOTOR MOUNT INSTALLATION - WITHOUT GENERATOR (DEUTZ D2011 ENGINES)



ART\_1001192443



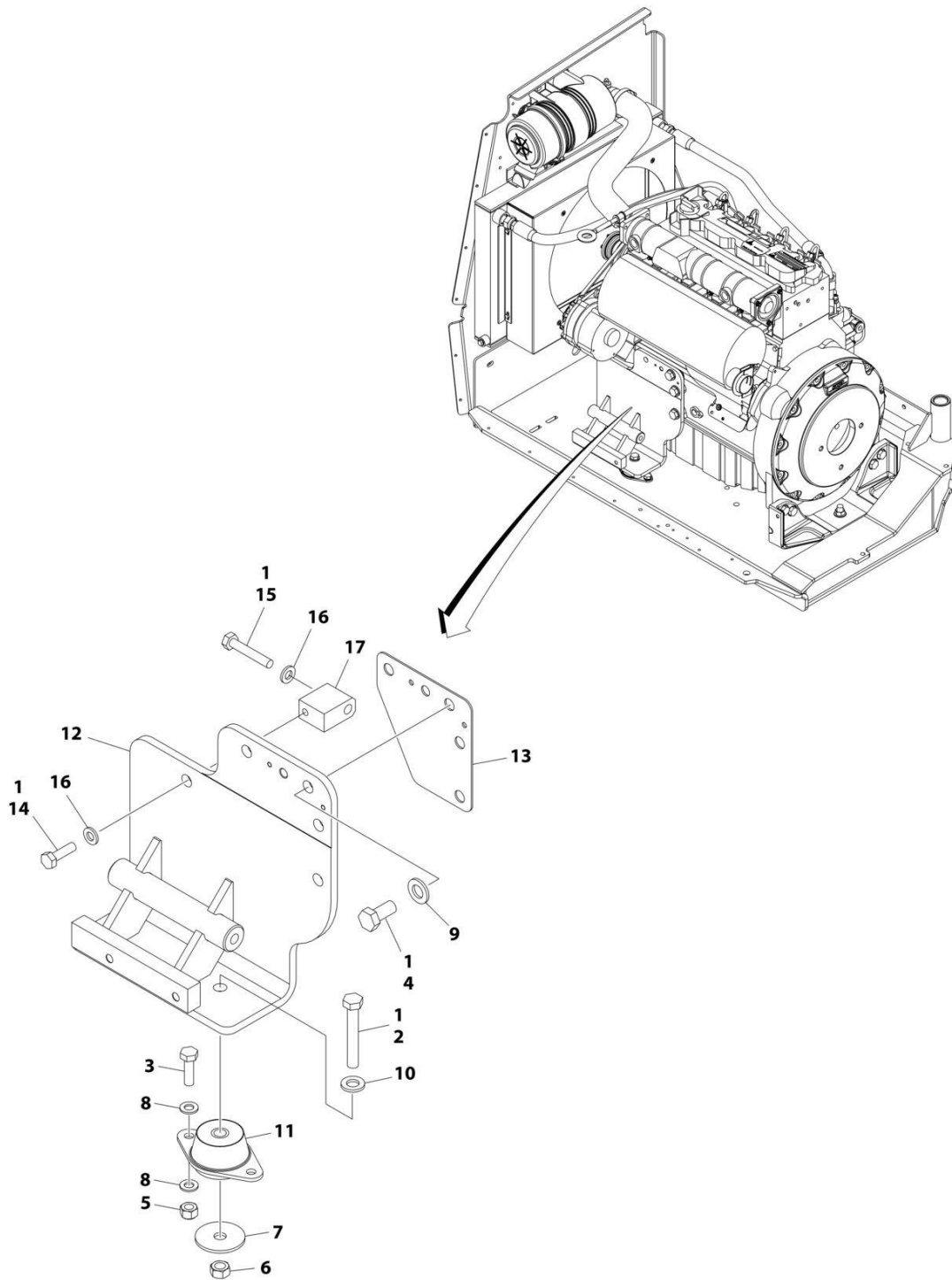
## SECTION 3 - ENGINE

**FIGURE 3-39. MOTOR MOUNT INSTALLATION - WITHOUT GENERATOR (DEUTZ D2011 ENGINES)**

ITEM	PART NUMBER	QTY	DESCRIPTION	REV
	1001192443	Ref	MOTOR MOUNT INSTALLATION	D
1	0100011	AR	Compound, Locking	
2	0711224	1	Bolt M12 x 80	
3	0761015	2	Bolt M10 x 35	
4	0771414	3	Bolt M14 x 30	
5	3291005	2	Nut M10	
6	3331211	1	Nut M12	
7	1001168018	1	Washer	
8	4812000	4	Washer M10	
9	5241400	3	Washer M14	
10	5241200	1	Washer M12	
11	1001191610	1	Mount, Motor	
12	1001189227	1	Mount	
13	1001201843	1	Shim	

# SECTION 3 - ENGINE

## FIGURE 3-40. MOTOR MOUNT INSTALLATION - WITH GENERATOR (DEUTZ D2011 ENGINES)



ART\_1001191856

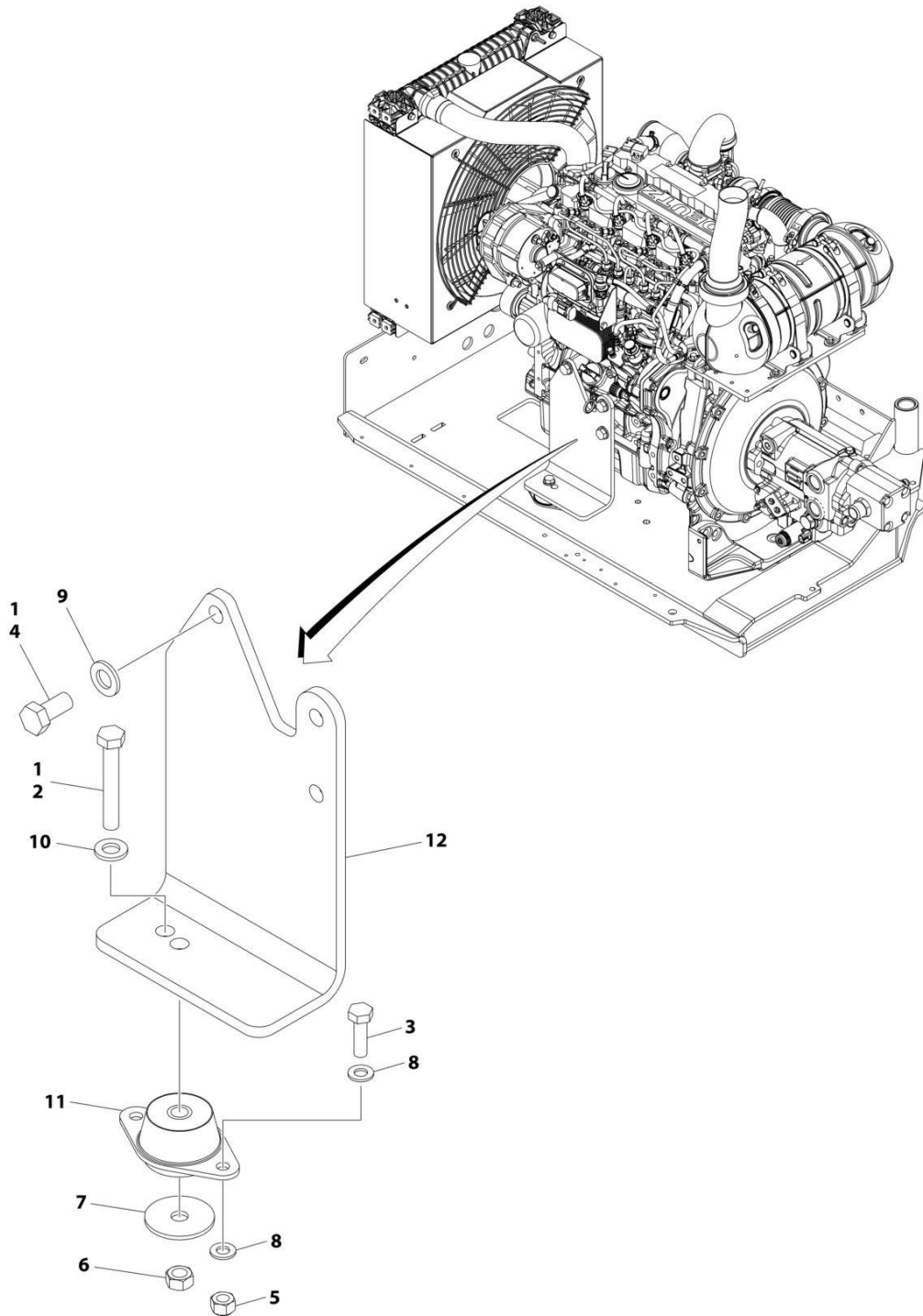
## SECTION 3 - ENGINE

**FIGURE 3-40. MOTOR MOUNT INSTALLATION - WITH GENERATOR (DEUTZ D2011 ENGINES)**

ITEM	PART NUMBER	QTY	DESCRIPTION	REV
	1001191856	Ref	MOTOR MOUNT INSTALLATION	F
1	0100011	AR	Compound, Locking	
2	0711224	1	Bolt M12 x 80	
3	0761015	2	Bolt M10 x 35	
4	0771415	3	Bolt M14 x 35	
5	3291005	2	Nut M10	
6	3331211	1	Nut M12	
7	1001168018	1	Washer	
8	4812000	4	Washer M10	
9	5241400	3	Washer M14	
10	5241200	1	Washer M12	
11	1001191610	1	Mount, Engine	
12	1001239710	1	Bracket	
13	1001205957	1	Shim	
14	0711015	1	Bolt M10 x 35	
15	0711020	1	Bolt M10 x 60	
16	5241000	2	Washer M10	
17	1001239715	1	Block	

# SECTION 3 - ENGINE

## FIGURE 3-41. MOTOR MOUNT INSTALLATION - WITHOUT GENERATOR (DEUTZ TD2.9L4 ENGINES)



ART\_1001192442

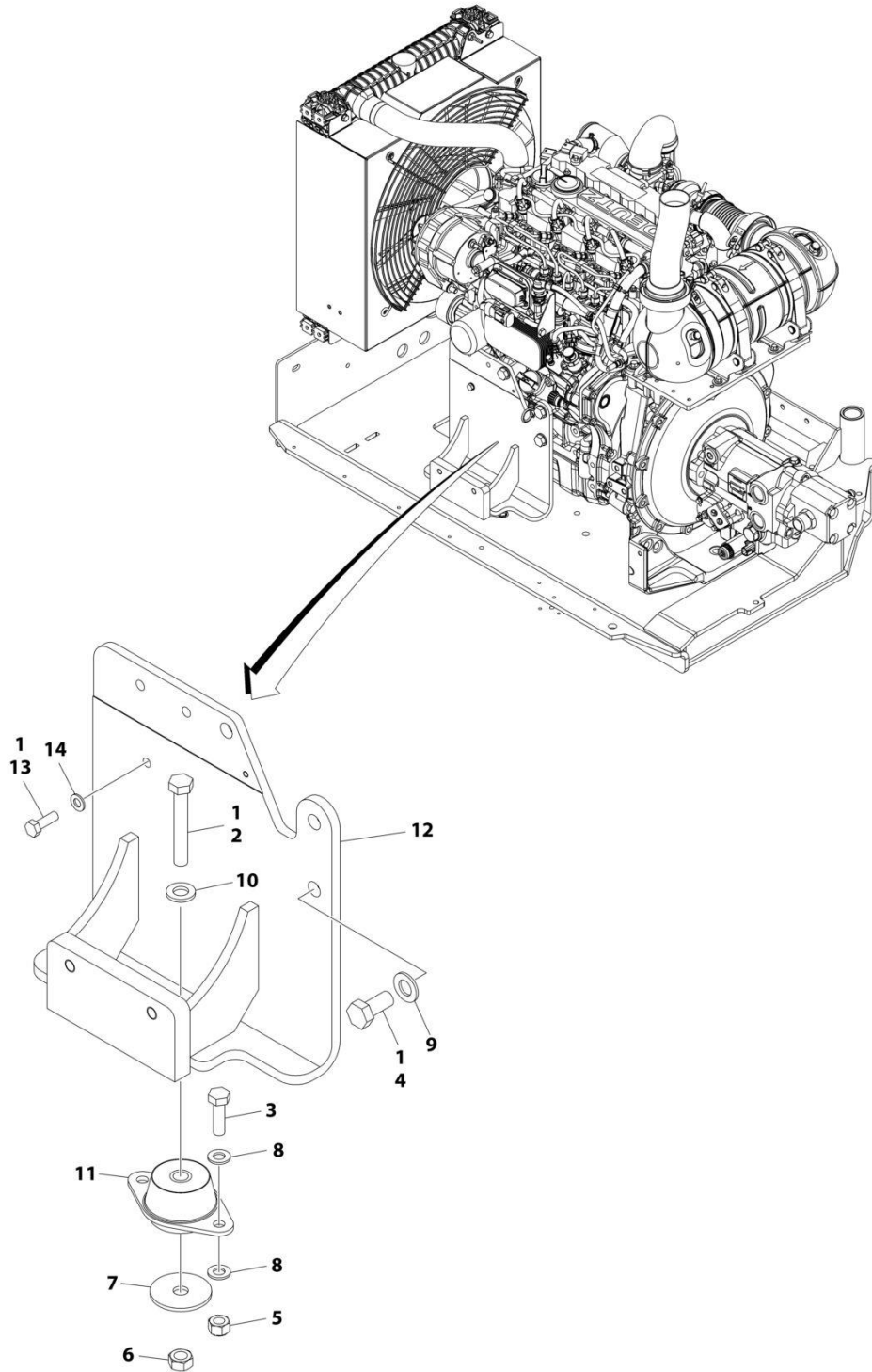
## SECTION 3 - ENGINE

**FIGURE 3-41. MOTOR MOUNT INSTALLATION - WITHOUT GENERATOR (DEUTZ TD2.9L4 ENGINES)**

ITEM	PART NUMBER	QTY	DESCRIPTION	REV
	1001192442	Ref	MOTOR MOUNT INSTALLATION	D
1	0100011	AR	Compound, Locking	
2	0711224	1	Bolt M12 x 80	
3	0761015	2	Bolt M10 x 35	
4	0771414	3	Bolt M14 x 30	
5	3291005	2	Nut M10	
6	3331211	1	Nut M12	
7	1001168018	1	Washer	
8	4812000	4	Washer M10	
9	5241400	3	Washer M14	
10	5241200	1	Washer M12	
11	1001191610	1	Mount, Motor	
12	1001189227	1	Mount	

# SECTION 3 - ENGINE

## FIGURE 3-42. MOTOR MOUNT INSTALLATION - WITH GENERATOR (DEUTZ TD2.9L4 ENGINES)



ART\_1001192008

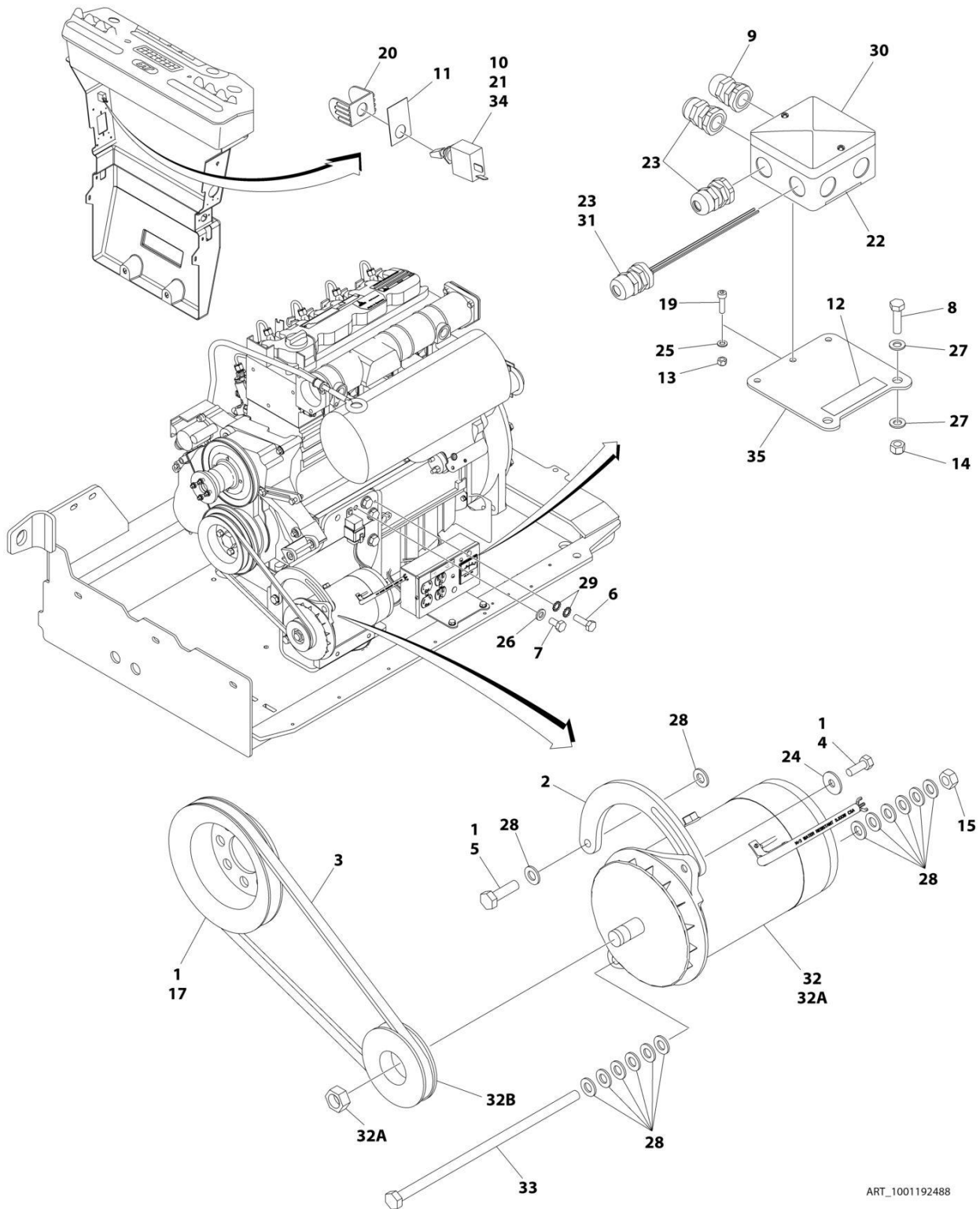
## SECTION 3 - ENGINE

**FIGURE 3-42. MOTOR MOUNT INSTALLATION - WITH GENERATOR (DEUTZ TD2.9L4 ENGINES)**

ITEM	PART NUMBER	QTY	DESCRIPTION	REV
	1001192008	Ref	MOTOR MOUNT INSTALLATION	F
1	0100011	AR	Compound, Locking	
2	0711224	1	Bolt M12 x 80	
3	0761015	2	Bolt M10 x 35	
4	0771415	3	Bolt M14 x 35	
5	3291005	2	Nut M10	
6	3331211	1	Nut M12	
7	1001168018	1	Washer	
8	4812000	4	Washer M10	
9	5241400	3	Washer M14	
10	5241200	1	Washer M12	
11	1001191610	1	Mount, Motor	
12	1001209016	1	Mount	
13	0770814	1	Bolt M8 x 30	
14	5240800	1	Washer M8	

# SECTION 3 - ENGINE

## FIGURE 3-43. 2500W GENERATOR INSTALLATION - 220V/50HZ (DEUTZ D2011 ENGINES) (OPTIONAL)



ART\_1001192488



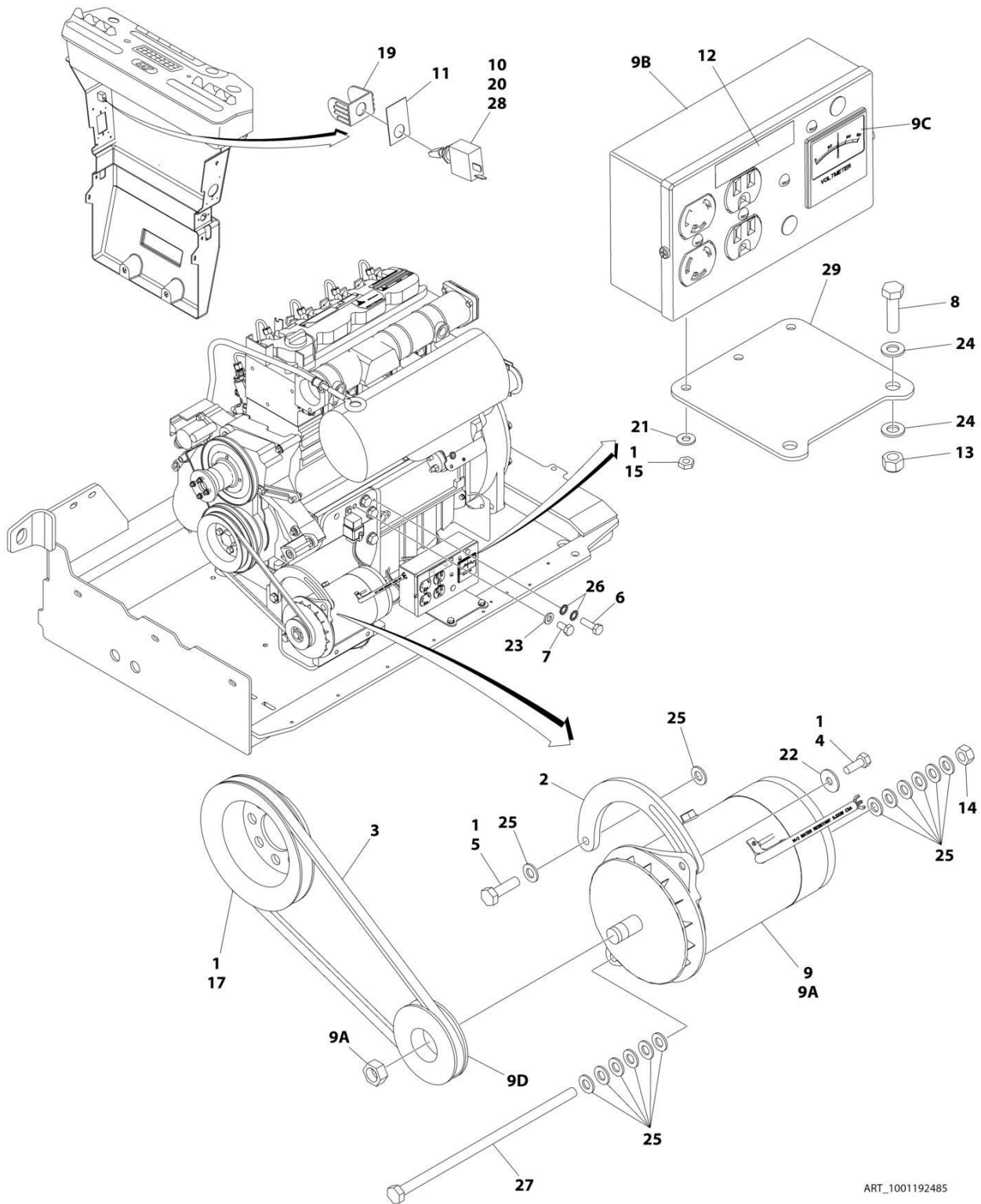
## SECTION 3 - ENGINE

**FIGURE 3-43. 2500W GENERATOR INSTALLATION - 220V/50HZ (DEUTZ D2011 ENGINES)  
(OPTIONAL)**

ITEM	PART NUMBER	QTY	DESCRIPTION	REV
	1001192488	Ref	2500W GENERATOR INSTALLATION	F
1	0100011	AR	Compound, Locking	
2	1001239716	1	Arm, Adjusting	
3	0480124	1	Belt, Generator	
4	0641508	1	Bolt 5/16 x 1	
5	0761012	1	Bolt M10 x 25	
6	0700610	1	Bolt M6 x 20	
7	0760606	1	Bolt M6 x 12	
8	0760814	2	Bolt M8 x 30	
9	0962449	1	Bushing	
10	2820031	AR	Heat Shrink	
11	3251102	1	Nameplate - Generator On/Off	
12	3252507	1	Decal - 220 Volt	
13	3290505	1	Nut M5	
14	3290805	2	Nut M8	
15	3291007	1	Nut M10	
17	3580158	1	Pulley	
19	4031608	1	Capscrew M5 x 20	
20	4060802	1	Guard, Switch	
21	4360336	1	Switch, Toggle	
22	4420060	1	Tape	
23	4460968	3	Connector, Strain Relief	
24	4811902	1	Washer M8	
25	4811600	1	Washer M5	
26	4811700	1	Washer M6	
27	4811900	4	Washer M8	
28	4812000	14	Washer M10	
29	4871700	2	Washer M6	
30	1001099869	1	Box, Junction	
31	1001100234	1	Lamp, Red	
32	1001100321	1	Generator Assembly	
32A		Ref	Note: Replacement Generators come standard with p/n 3580134 pulley. This pulley may not be correct for all applications. Refer to pulley options below.	
32A	70000123	1	Armature with Slip Rings	
32A	7012513	4	Cap, Brush Holder	
32A	7020108	4	Brush	
32A	7020109	4	Holder, Brush	
32A	7012514	1	Fan	
32A	7020110	1	Bell, Front	
32A	7020111	1	Bell, Rear	
32A	7020190	2	Bearing	
32B	3580134	1	Pulley	
32B	7027887	1	Key, Woodruff	
33	1001119280	1	Bolt M10 x 260	
34	4922641	1	Generator Switch Harness	
35	1001193167	1	Plate	
36	1001194114	1	Generator Harness - 2500W (Not Shown) (See Separate Breakdown in ELECTRICAL SECTION)	

# SECTION 3 - ENGINE

## FIGURE 3-44. 2500W GENERATOR INSTALLATION - 110V/60HZ (DEUTZ D2011 ENGINES) (OPTIONAL)



ART\_1001192485

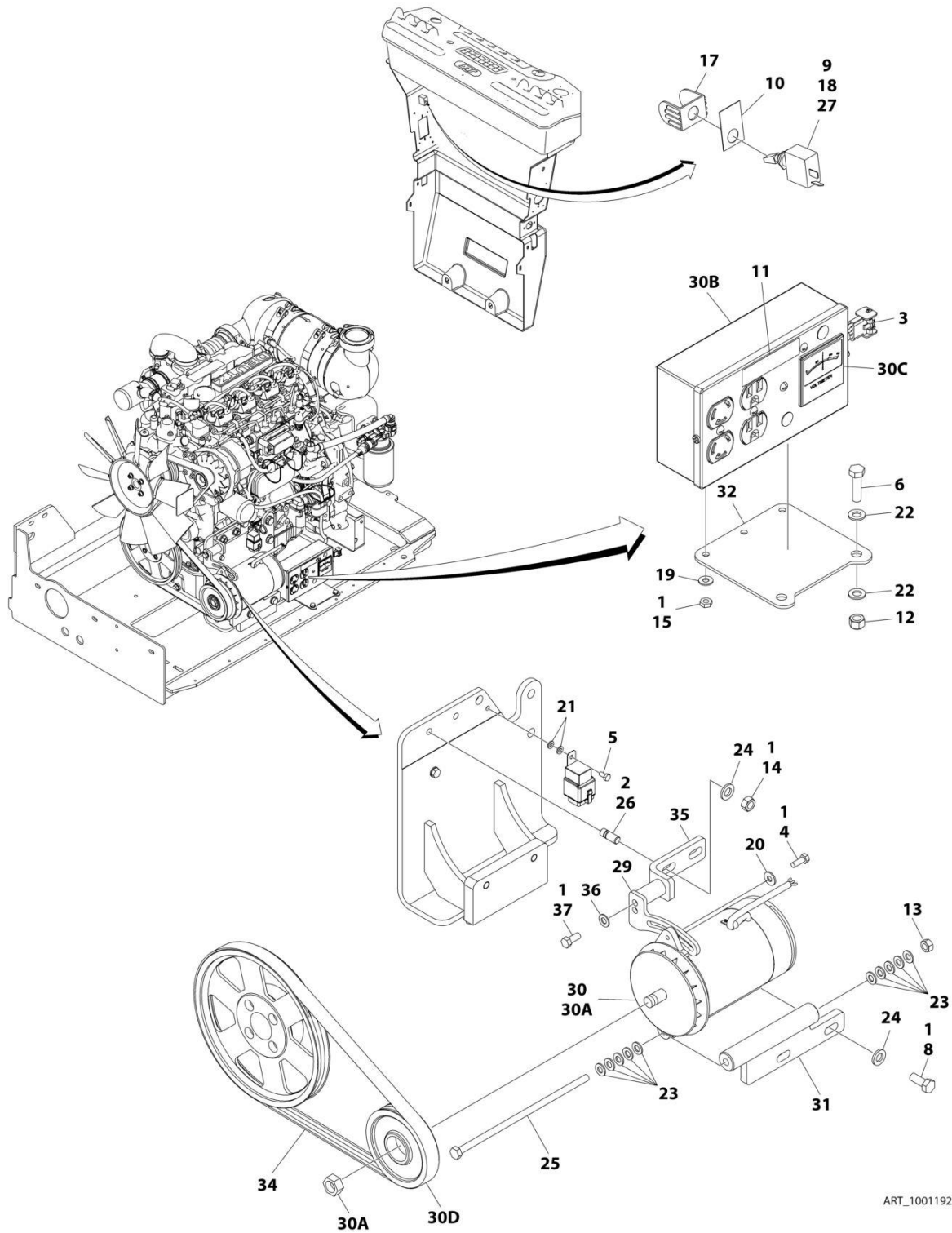
## SECTION 3 - ENGINE

**FIGURE 3-44. 2500W GENERATOR INSTALLATION - 110V/60HZ (DEUTZ D2011 ENGINES)  
(OPTIONAL)**

ITEM	PART NUMBER	QTY	DESCRIPTION	REV
	1001192485	Ref	2500W GENERATOR INSTALLATION	F
1	0100011	AR	Compound, Locking	
2	1001239716	1	Arm, Adjusting	
3	0480124	1	Belt	
4	0641508	1	Bolt 5/16 x 1	
5	0761012	1	Bolt M10 x 25	
6	0700610	1	Bolt M6 x 20	
7	0760606	1	Bolt M6 x 12	
8	0760814	2	Bolt M8 x 30	
9	2460055	1	Generator and Control Box Assembly	
9A	7012558	1	Generator, Replacement	
9A		Ref	Note: Replacement Generators come standard with p/n 3580134 pulley. This pulley may not be correct for all applications. Refer to pulley options below.	
9A	7012513	4	Cap, Brush Holder	
9A	7020108	4	Brush	
9A	7020109	4	Holder, Brush	
9A	7012514	1	Fan	
9A	7020190	2	Bearing	
9A	7020110	1	Bell, Front	
9A	7020111	1	Bell, Rear	
9B	7019680	1	Box, Control	
9B	4360542	1	Breaker, Circuit	
9B	4460190	AR	Receptacle, Standard	
9B	4460027	AR	Receptacle, Twistlock	
9C	2420203	1	Voltmeter	
9D	3580276	1	Pulley	
9D	7027887	1	Key, Woodruff	
10	2820031	AR	Heat Shrink	
11	3251102	1	Nameplate - Generator On/Off	
12	3251243	1	Decal - 120V-60Hz	
13	3290805	2	Nut M8	
14	3291007	1	Nut M10	
15	3311001	2	Nut #10	
17	3580158	1	Pulley	
19	4060802	1	Guard, Switch	
20	4360336	1	Switch, Toggle	
21	4751000	1	Washer #10	
22	4811902	1	Washer M8	
23	4811700	1	Washer M6	
24	4811900	4	Washer M8	
25	4812000	14	Washer M10	
26	4871700	2	Washer M6	
27	1001119280	1	Bolt M10 x 260	
28	4922641	1	Generator Switch Harness	
29	1001193167	1	Plate, Mounting	
30	1001194114	1	Generator Harness - 2500W (Not Shown) (See Separate Breakdown in ELECTRICAL SECTION)	

# SECTION 3 - ENGINE

## FIGURE 3-45. 2500W GENERATOR INSTALLATION - 110V/60HZ (DEUTZ TD2.9L4 ENGINES) (OPTIONAL)



ART\_1001192280

## SECTION 3 - ENGINE

**FIGURE 3-45. 2500W GENERATOR INSTALLATION - 110V/60HZ (DEUTZ TD2.9L4 ENGINES)  
(OPTIONAL)**

ITEM	PART NUMBER	QTY	DESCRIPTION	REV
	1001192280	Ref	2500W GENERATOR INSTALLATION	F
1	0100011	AR	Compound, Locking	
2	0100019	AR	Compound, Locking	
3	0100048	AR	Silicone	
4	0641507	1	Bolt 5/16 x 7/8	
5	0760606	1	Bolt M6 x 12	
6	0760814	2	Bolt M8 x 30	
8	0761214	2	Bolt M12 x 30	
9	2820031	AR	Heat Shrink	
10	3251102	1	Nameplate - Generator On/Off	
11	3251243	1	Decal - 120V-60Hz	
12	3290805	2	Nut M8	
13	3291007	1	Nut M10	
14	3291201	2	Nut M12	
15	3311001	2	Nut #10	
17	4060802	1	Guard, Switch	
18	4360336	1	Switch, Toggle	
19	4751000	2	Washer #10	
20	4751500	1	Washer 5/16	
21	4811700	2	Washer M6	
22	4811900	4	Washer M8	
23	4812000	10	Washer M10	
24	5241200	4	Washer M12	
25	1001119280	1	Bolt M10 x 260	
26	1001196382	2	Stud	
27	4922641	1	Generator Switch Harness	
29	1001179837	1	Arm, Adjusting	
30	1001180001	1	Generator and Control Box Assembly	
30A	7012558	1	Generator, Replacement	
30A		Ref	Note: Replacement Generators come standard with p/n 3580134 pulley. This Pulley may not be correct for all applications. Refer to Pulley options below.	
30A	7026199	1	Armature with Slip Rings	
30A	7012513	4	Cap, Brush Holder	
30A	7020108	4	Brush	
30A	7020109	4	Holder, Brush	
30A	7012514	1	Fan	
30A	7020110	1	Bell, Front	
30A	7020111	1	Bell, Rear	
30A	7020190	2	Bearing	
30B	7019680	1	Box, Control	
30B		Ref	Receptacle Options:	
30B	4460190	1	Receptacle, Standard	
30B	4460027	1	Receptacle, Twistlock	
30B	4360542	1	Breaker, Circuit	
30B	3520028	1	Plug, Hole	
30C	2420203	1	Voltmeter	
30D	3580276	1	Pulley	
30D	7027887	1	Key, Woodruff	

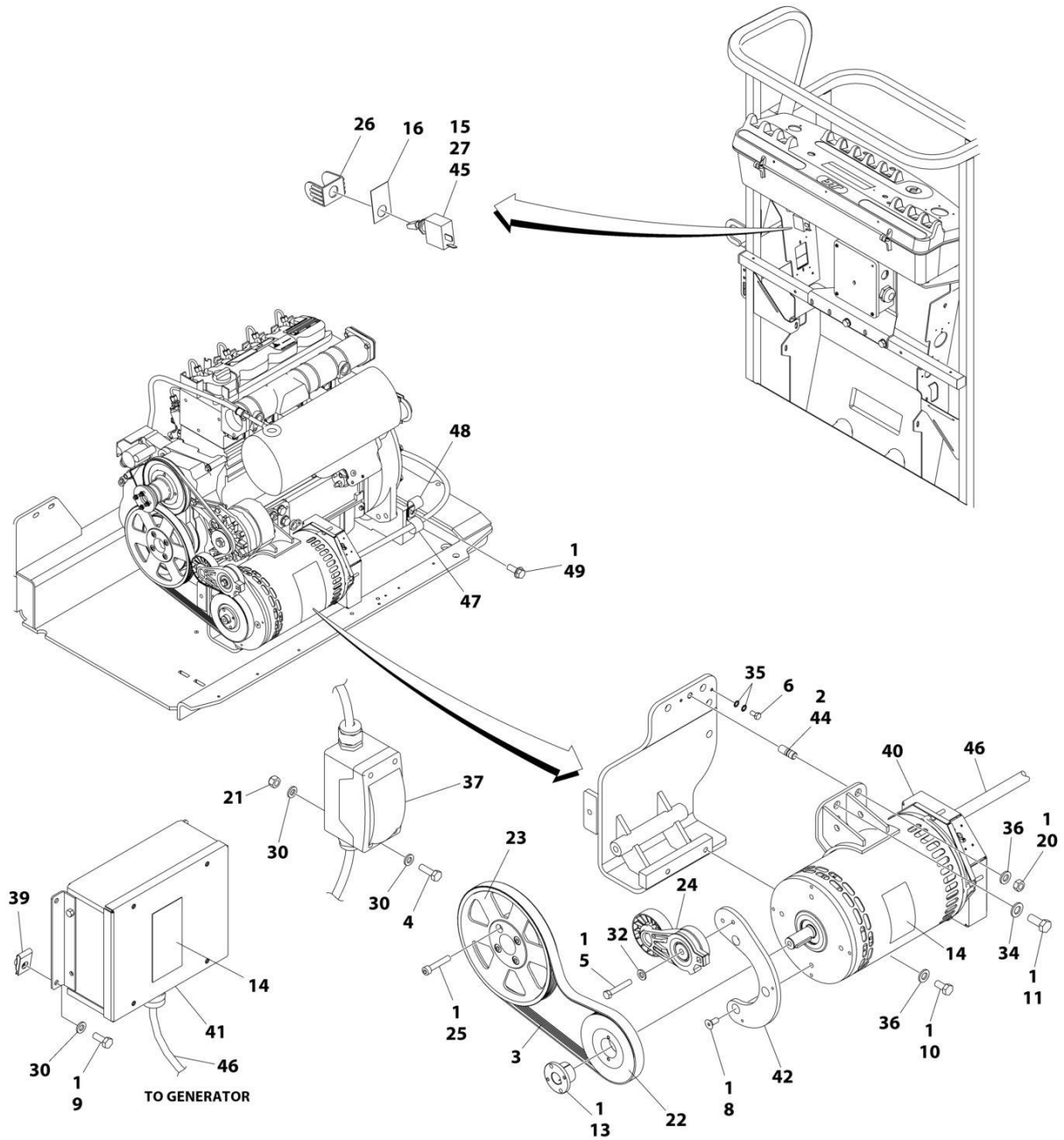
## SECTION 3 - ENGINE

ITEM	PART NUMBER	QTY	DESCRIPTION	REV
31	1001181243	1	Mount (Lower)	
32	1001193167	1	Plate	
33	1001194114	1	Generator Harness - 2500W (Not Shown) (See Separate Breakdown in ELECTRICAL SECTION)	
34	1001148138	1	Belt	
35	1001216015	1	Mount (Upper)	
36	4711600	1	Washer 3/8	
37	0641607	1	Bolt 3/8 x 7/8	



# SECTION 3 - ENGINE

## FIGURE 3-46. 4000W GENERATOR INSTALLATION - 220V/50HZ (DEUTZ D2011 ENGINES) (OPTIONAL)



ART\_1001192487



## SECTION 3 - ENGINE

**FIGURE 3-46. 4000W GENERATOR INSTALLATION - 220V/50HZ (DEUTZ D2011 ENGINES)  
(OPTIONAL)**

ITEM	PART NUMBER	QTY	DESCRIPTION	REV
	1001192487	Ref	4000W GENERATOR INSTALLATION	H
1	0100011	AR	Compound, Locking	
2	0100019	AR	Compound, Locking	
3	1001141814	1	Belt	
4	0760610	2	Bolt M6 x 20	
5	0641618	1	Bolt 3/8 x 2-1/4	
6	0760606	1	Bolt M6 x 12	
8	0741607	3	Screw 3/8 x 7/8	
9	0760608	4	Bolt M6 x 16	
10	0761212	2	Bolt M12 x 25	
11	0771415	1	Bolt 14 x 35	
13	0962520	1	Bushing, Split	
14	1705489	2	Decal - Hazardous Voltage	
15	2820031	AR	Heat Shrink	
16	3251102	1	Nameplate - Generator On/Off	
20	3291201	1	Nut M12	
21	3290605	2	Nut M6	
22	3580319	1	Pulley	
23	3580320	1	Pulley	
24	3580317	1	Tensioner, Belt	
25	4032015	4	Capscrew M10 x 55	
26	4060802	1	Guard, Switch	
27	4360336	1	Switch, Toggle	
30	4811700	8	Washer M6	
32	5241000	1	Washer M10	
34	5241400	1	Washer M14	
35	4871700	2	Washer M6	
36	5241200	3	Washer M12	
37	1001096070	1	Breaker Box Kit (See Separate Breakdown in ELECTRICAL SECTION)	
39	1001130220	4	Nut, Tinnerman M6	
40	1001138565	1	Generator Assembly (50Hz)	
40	70003709	1	Ring, Retaining (External)	
40	70003708	1	Ring, Retaining (Internal)	
40	70001966	1	Bearing	
40	70004092	1	Endbell (Shaft End)	
40	70004171	1	Key	
40	70004676	1	Rotor	
40	70004677	1	Stator	
40	70004678	1	Endbell (Rear)	
40	70004679	1	Cover, Endbell (Rear)	
40	70004680	1	Enclosure, Wiring	
40	70004681	1	Cover, Enclosure	
40	70004682	1	Switch, Reset (Located on Enclosure Cover)	
40	70004683	1	Connector, Strain Relief (Located on Enclosure Cover)	
41	1001138566	1	Box, Control	
41	70006552	1	Capacitor	
41	70006553	1	Relay	
42	1001139357	1	Mount	

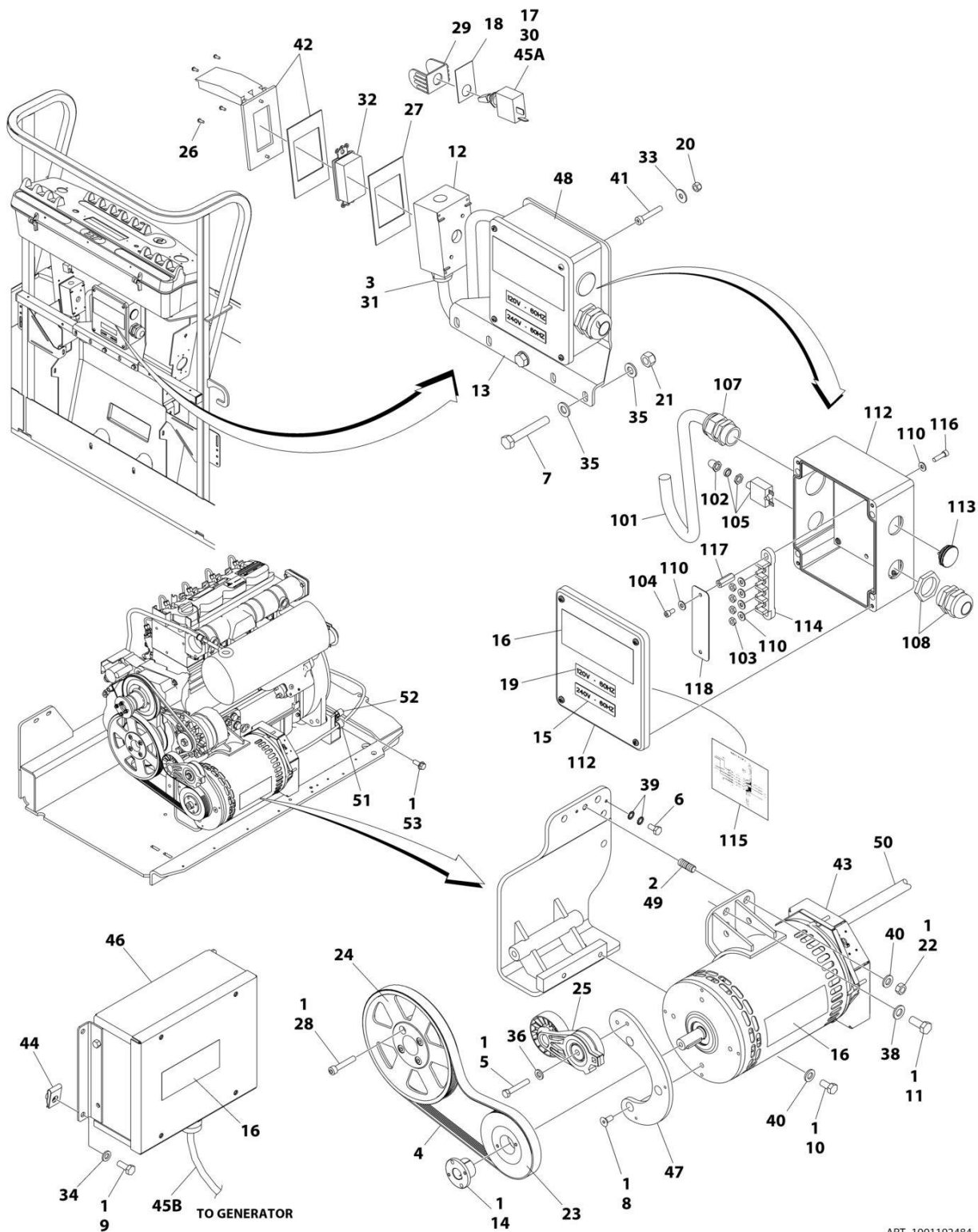
## SECTION 3 - ENGINE

ITEM	PART NUMBER	QTY	DESCRIPTION	REV
44	1001196382	1	Stud	
45	4922641	1	Generator Switch Harness	
46	1001152532	1	Generator Harness (See Separate Breakdown in ELECTRICAL SECTION)	
47	7274000040	1	Clamp	
48	1320061	1	Clamp	
49	5251012	1	Bolt M10 x 25	



# SECTION 3 - ENGINE

## FIGURE 3-47. 4000W GENERATOR INSTALLATION - 110V/60HZ (DEUTZ D2011 ENGINES) (OPTIONAL)



ART\_1001192484

## SECTION 3 - ENGINE

**FIGURE 3-47. 4000W GENERATOR INSTALLATION - 110V/60HZ (DEUTZ D2011 ENGINES)  
(OPTIONAL)**

ITEM	PART NUMBER	QTY	DESCRIPTION	REV
	1001192484	Ref	4000W GENERATOR INSTALLATION	H
1	0100011	AR	Compound, Locking	
2	0100019	AR	Compound, Locking	
3	0100079	AR	Sealant	
4	1001136356	1	Belt	
5	0641618	1	Bolt 3/8 x 2-1/4	
6	0760606	1	Bolt M6 x 12	
7	0700819	1	Bolt M8 x 55	
8	0741607	3	Screw 3/8 x 7/8	
9	0760608	4	Bolt M6 x 16	
10	0761212	2	Bolt M12 x 25	
11	0771415	1	Bolt M14 x 35	
12	0860038	1	Box, Receptacle	
13	0902888	1	Bracket	
14	0962520	1	Bushing, Split	
15	1705374	1	Decal - 240V-60Hz	
16	1705387	3	Decal - Hazardous Voltage	
17	2820031	AR	Heat Shrink	
18	3251102	1	Nameplate - Generator On/Off	
19	3251243	1	Decal - 120V-60Hz	
20	3290505	4	Nut M5	
21	3290805	2	Nut M8	
22	3291201	1	Nut M12	
23	3580318	1	Pulley	
24	3580320	1	Pulley	
25	3580317	1	Tensioner, Belt	
26	3910606	4	Screw #6 x 3/8	
27	3960422	1	Gasket	
28	4032015	4	Capscrew M10 x 55	
29	4060802	1	Guard, Switch	
30	4360336	1	Switch, Toggle	
31	4460071	1	Connector, Strain Relief	
32	4460346	1	Receptacle	
33	4811602	4	Washer M5	
34	4811700	4	Washer M6	
35	4811900	4	Washer M8	
36	5241000	1	Washer M10	
38	5241400	1	Washer M14	
39	4871700	2	Washer M6	
40	5241200	3	Washer M12	
41	1001104029	4	Capscrew M5 x 30 Grade 12.9	
42	1001110873	1	Cover, Receptacle	
43	1001129858	1	Generator Assembly (60Hz)	
43	70003709	1	Ring, Retaining (External)	
43	70003708	1	Ring, Retaining (Internal)	
43	70001966	1	Bearing	
43	70004092	1	Endbell (Shaft End)	
43	70004171	1	Key	
43	70004676	1	Rotor	

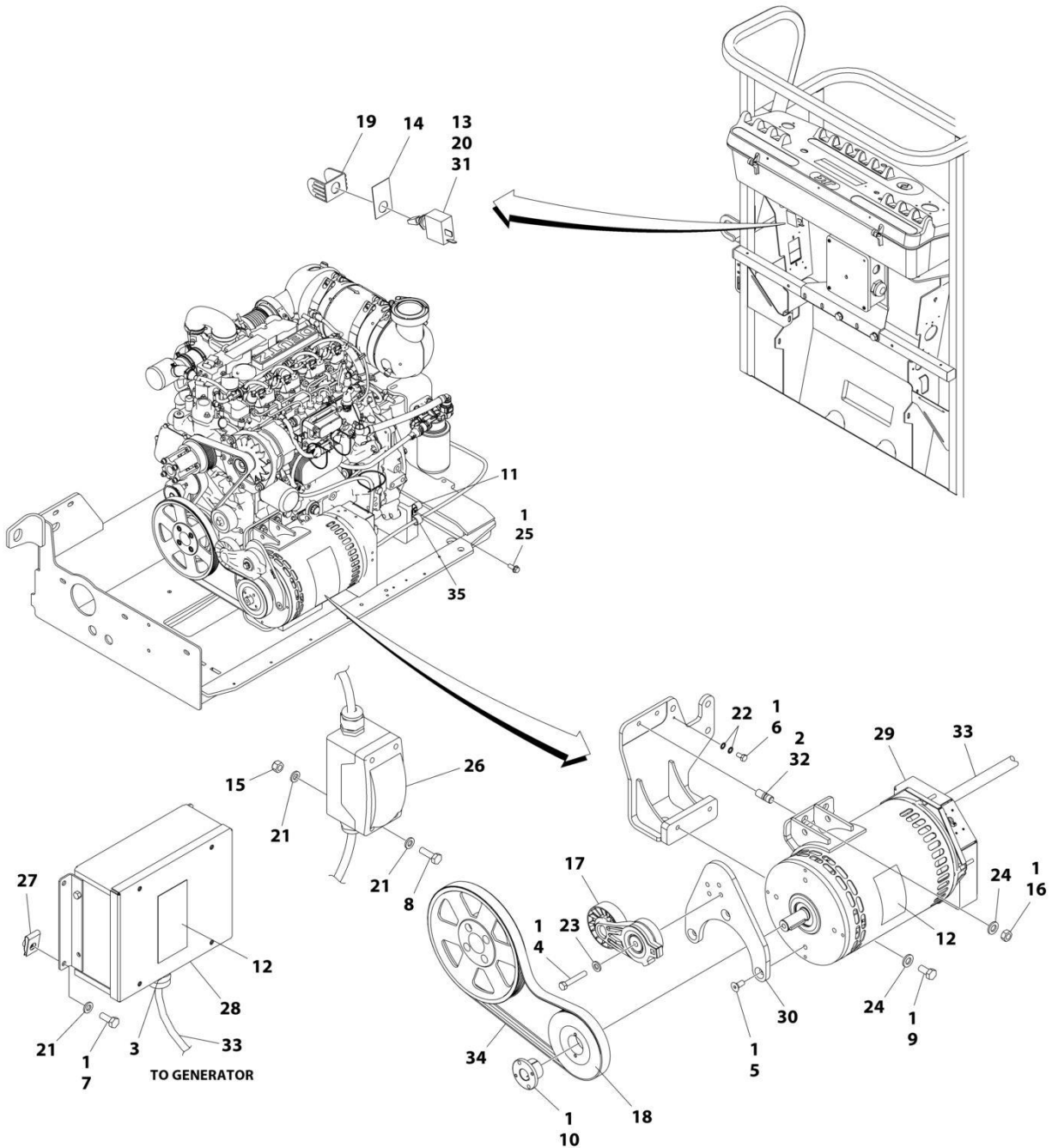
## SECTION 3 - ENGINE

ITEM	PART NUMBER	QTY	DESCRIPTION	REV
43	70004684	1	Stator	
43	70004678	1	Endbell (Rear)	
43	70004679	1	Cover, Endbell (Rear)	
43	70004680	1	Enclosure, Wiring	
43	70004685	1	Cover, Enclosure	
43	70004682	1	Switch, Reset (Located on Enclosure Cover)	
43	70004098	1	Connector, Strain Relief (Located on Enclosure Cover)	
44	1001130220	4	Nut, Tinnerman M6	
45A	4922641	1	Generator Switch Harness	
45B	1001153197	1	Generator to Engine Harness	
45B	4460967	1	Connector - 3 Position	
45B	4460465	2	Socket, Female	
46	1001138566	1	Box, Control	
46	70006552	1	Capacitor	
46	70006553	1	Relay	
47	1001139357	1	Mount	
48	1001152457	1	Junction Box Assembly (See Items 101-118 for Breakdown)	
49	1001196382	1	Stud	
50	1001152532	1	Generator Harness (See Separate Breakdown in ELECTRICAL SECTION)	
51	7274000040	1	Clamp	
52	1320061	1	Clamp	
53	5251012	1	Bolt M10 x 25	
	1001152457	Ref	JUNCTION BOX ASSEMBLY	
101	1001179154	2.5 ft/ 0.8m	Cable, Electrical - 12/3	
102	3300396	1	Cover, Breaker	
103	3311001	4	Nut #10	
104	3900300	2	Screw	
105	4360070	1	Breaker, Circuit - 15Amp	
107	4460425	1	Connector, Strain Relief (LH Side)	
108	4460426	1	Connector, Strain Relief (RH Side)	
110	4711000	8	Washer #10	
112	1001152456	1	Box, Junction	
113	1001152525	1	Plug	
114	1001152530	1	Terminal, Block	
115	1001153260	1	Decal - Wiring Diagram	
116	3900267	2	Screw	
117	1001158008	2	Stand-Off	
118	1001158363	1	Cover, Terminal Block	



# SECTION 3 - ENGINE

## FIGURE 3-48. 4000W GENERATOR INSTALLATION - 220V/50HZ ( DEUTZ TD2.9L4 ENGINES) (OPTIONAL)



ART\_1001230953



## SECTION 3 - ENGINE

**FIGURE 3-48. 4000W GENERATOR INSTALLATION - 220V/50HZ ( DEUTZ TD2.9L4 ENGINES)  
(OPTIONAL)**

ITEM	PART NUMBER	QTY	DESCRIPTION	REV
	1001230953	Ref	4000W GENERATOR INSTALLATION	A
1	0100011	AR	Compound, Locking	
2	0100019	AR	Compound, Locking	
3	0100048	AR	Grease, Terminal	
4	0641616	1	Bolt 3/8 x 2	
5	0741607	3	Screw 3/8 x 7/8	
6	0760606	1	Bolt M6 x 12	
7	0760608	4	Bolt M6 x 16	
8	0760610	2	Bolt M6 x 20	
9	0761212	2	Bolt M12 x 25	
10	0962520	1	Bushing, Split	
11	1320061	1	Clamp	
12	1705489	2	Decal - Hazardous Voltage	
13	2820031	AR	Heatshrink	
14	3251102	1	Nameplate - Generator	
15	3290605	2	Nut M6	
16	3291201	2	Nut M12	
17	3580317	1	Tensioner, Belt	
18	3580319	1	Pulley	
19	4060802	1	Guard, Switch	
20	4360336	1	Switch, Toggle	
21	4811700	8	Washer M6	
22	4871700	2	Washer M6	
23	5241000	1	Washer M10	
24	5241200	4	Washer M12	
25	5251012	1	Bolt M10 x 25	
26	1001096070	1	Box & Breaker Kit (See Separate Breakdown in ELECTRICAL SECTION)	
27	1001130220	4	Nut, Tinnerman M6	
28	1001138566	1	Box, Control	
28	70006552	1	Capacitor	
28	70006553	1	Relay	
29	1001140347	1	Generator Assembly - 50Hz	
29	70003709	1	Ring, Retaining (External)	
29	70003708	1	Ring, Retaining (Internal)	
29	70001966	1	Bearing	
29	70004092	1	Endbell (Shaft End)	
29	70004099	1	Key	
29	70004676	1	Rotor	
29	70004686	1	Stator	
29	70004678	1	Endbell (Rear)	
29	70004679	1	Cover, Endbell (Rear)	
29	70004680	1	Enclosure, Wiring	
29	70004681	1	Cover, Enclosure	
29	70004682	1	Switch, Reset (Located on Enclosure Cover)	
29	70004683	1	Connector, Strain Relief (Located on Enclosure Cover)	
29	4460224	1	Connector - 6 Position (Located on Enclosure Cover)	
29	4460294	1	Pin, Male (Located on Enclosure Cover)	
30	1001142643	1	Support	

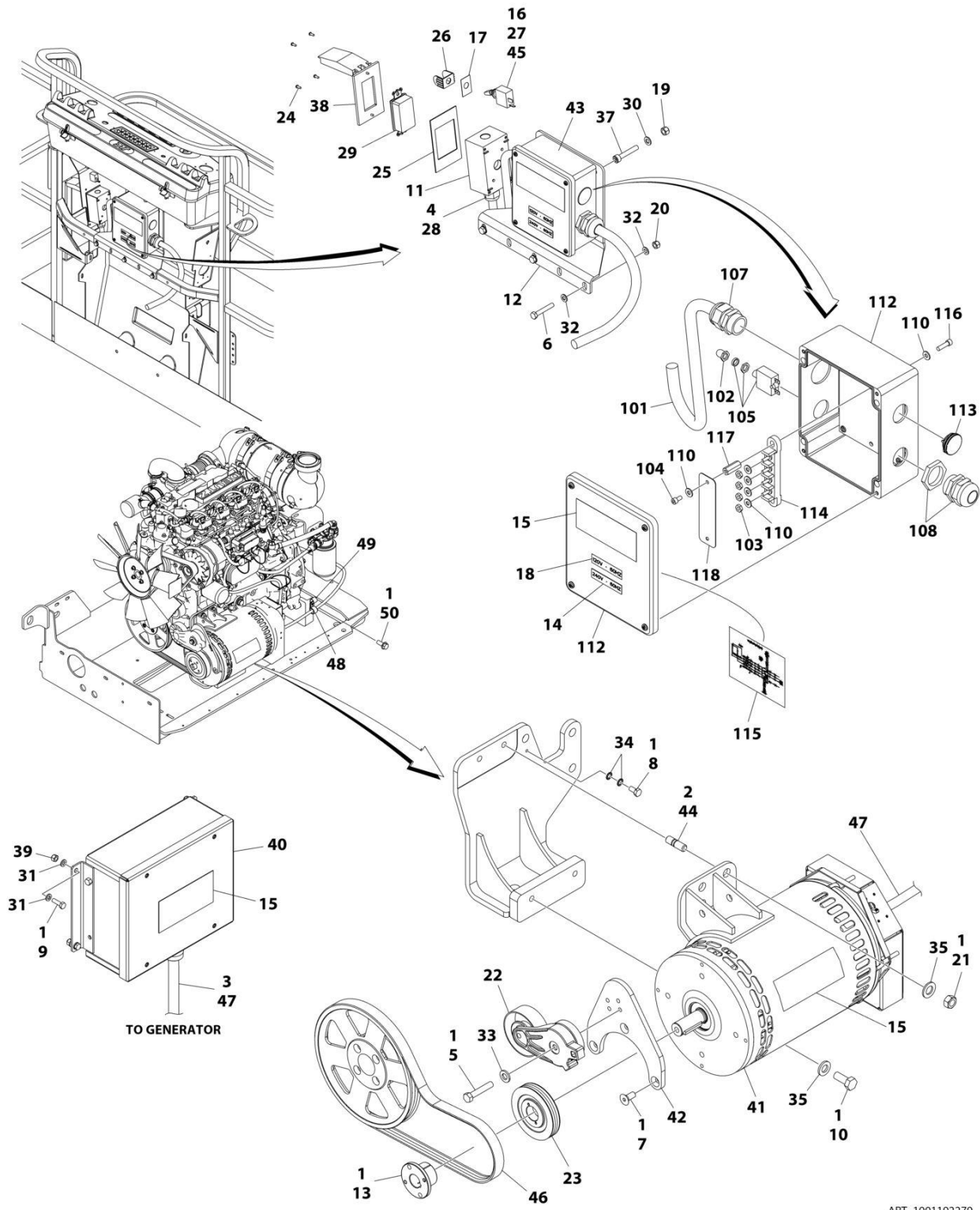
## SECTION 3 - ENGINE

ITEM	PART NUMBER	QTY	DESCRIPTION	REV
31	4922641	1	Switch Harness	
32	1001196382	2	Stud	
33	1001152532	1	Generator Harness (See Separate Breakdown in ELECTRICAL SECTION)	
34	1001214683	1	V-Belt	
35	7274000040	1	Clamp	



# SECTION 3 - ENGINE

## FIGURE 3-49. 4000W GENERATOR INSTALLATION - 110V/60HZ (DEUTZ TD2.9L4 ENGINES) (OPTIONAL)



ART\_1001192279

## SECTION 3 - ENGINE

**FIGURE 3-49. 4000W GENERATOR INSTALLATION - 110V/60HZ (DEUTZ TD2.9L4 ENGINES)  
(OPTIONAL)**

ITEM	PART NUMBER	QTY	DESCRIPTION	REV
	1001192279	Ref	4000W GENERATOR INSTALLATION	F
1	0100011	AR	Compound, Locking	
2	0100019	AR	Compound, Locking	
3	0100048	AR	Compound, Locking	
4	0100079	AR	Sealant	
5	0641616	1	Bolt 3/8 x 2	
6	0700819	2	Bolt M8 x 55	
7	0741607	3	Screw 3/8 x 7/8	
8	0760606	1	Bolt M6 x 12	
9	0760608	4	Bolt M6 x 16	
10	0761212	2	Bolt M12 x 25	
11	0860038	1	Box, Receptacle	
12	0902888	1	Bracket	
13	0962520	1	Bushing, Split	
14	1705374	1	Decal - 240V-60Hz	
15	1705387	3	Decal - Hazardous Voltage	
16	2820031	AR	Heat Shrink	
17	3251102	1	Nameplate - Generator On/Off	
18	3251243	1	Decal - 120V-60Hz	
19	3290505	4	Nut M5	
20	3290805	2	Nut M8	
21	3291201	2	Nut M12	
22	3580317	1	Tensioner, Belt	
23	3580318	1	Pulley	
24	3910606	4	Screw #6 x 3/8	
25	3960422	1	Gasket	
26	4060802	1	Guard, Switch	
27	4360336	1	Switch, Toggle	
28	4460071	1	Connector, Strain Relief	
29	4460346	1	Receptacle	
30	4811602	4	Washer M5	
31	4811700	4	Washer M6	
32	4811900	4	Washer M8	
33	5241000	1	Washer M10	
34	4871700	2	Washer M6	
35	5241200	4	Washer M12	
37	1001104029	4	Capscrew M5 x 30 Grade 12.9	
38	1001110873	1	Cover	
39	1001130220	4	Nut, Tinnerman M6	
40	1001138566	1	Box, Control	
40	70006552	1	Capacitor	
40	70006553	1	Relay	
41	1001140346	1	Generator Assembly (60Hz)	
41	70003709	1	Ring, Retaining (External)	
41	70003708	1	Ring, Retaining (Internal)	
41	70001966	1	Bearing	
41	70004092	1	Endbell (Shaft End)	
41	70004099	1	Key	
41	70004676	1	Rotor	

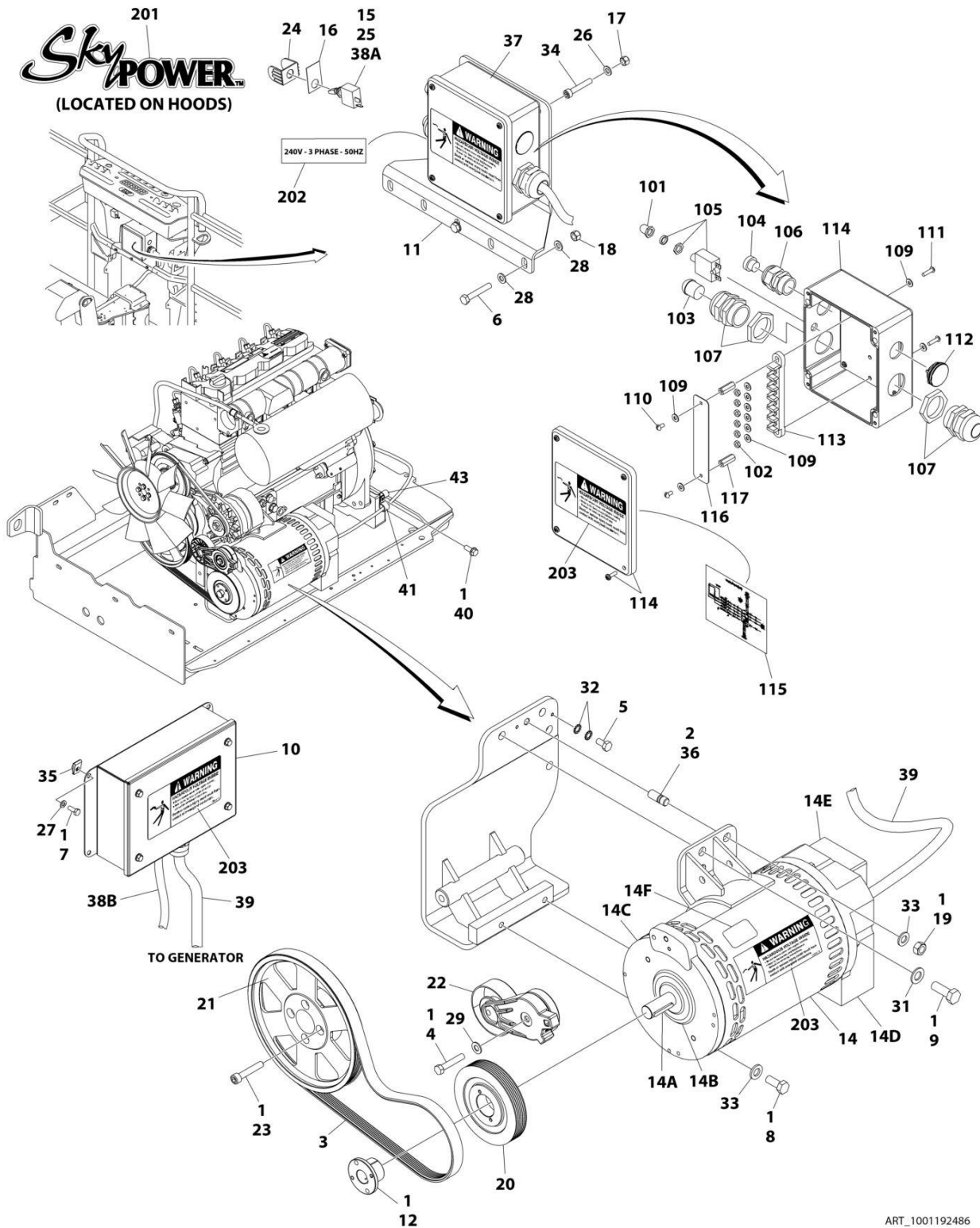
## SECTION 3 - ENGINE

ITEM	PART NUMBER	QTY	DESCRIPTION	REV
41	70004687	1	Stator	
41	70004678	1	Endbell (Rear)	
41	70004679	1	Cover, Endbell (Rear)	
41	70004680	1	Enclosure, Wiring	
41	70004685	1	Cover, Enclosure	
41	70004682	1	Switch, Reset (Located on Enclosure Cover)	
41	70004098	1	Connector, Strain Relief (Located on Enclosure Cover)	
42	1001142643	1	Support	
43	1001152457	1	Junction Box Assembly (See Items 101-118 for Breakdown)	
44	1001196382	2	Stud	
45	4922641	1	Generator Switch Harness	
46	1001142646	1	Belt	
47	1001152532	1	Generator Harness (See Separate Breakdown in ELECTRICAL SECTION)	
48	7274000040	1	Clamp	
49	1320061	1	Clamp	
50	5251012	1	Bolt M10 x 25	
	1001152457	Ref	JUNCTION BOX ASSEMBLY	
101	1001179154	2.5 ft/ 0.8m	Cable, Electrical - 12/3	
102	3300396	1	Cover, Breaker	
103	3311001	4	Nut #10	
104	3900300	2	Screw	
105	4360070	1	Breaker, Circuit - 15Amp	
107	4460425	1	Connector, Strain Relief (LH Side)	
108	4460426	1	Connector, Strain Relief (RH Side)	
110	4711000	8	Washer #10	
112	1001152456	1	Box, Junction	
113	1001152525	1	Plug	
114	1001152530	1	Terminal, Block	
115	1001153260	1	Decal - Wiring Diagram	
116	3900267	2	Screw	
117	1001158008	2	Stand-Off	
118	1001158363	1	Cover, Terminal Block	



# SECTION 3 - ENGINE

FIGURE 3-50. 7500W SKYPOWER GENERATOR INSTALLATION - 220V/50HZ (DEUTZ D2011 ENGINES) (OPTIONAL)





## SECTION 3 - ENGINE

**FIGURE 3-50. 7500W SKYPOWER GENERATOR INSTALLATION - 220V/50HZ (DEUTZ D2011 ENGINES) (OPTIONAL)**

ITEM	PART NUMBER	QTY	DESCRIPTION	REV
	1001192486	Ref	7500W SKYPOWER GENERATOR INSTALLATION	I
1	0100011	AR	Compound, Locking	
2	0100019	AR	Compound, Locking	
3	1001141814	1	Belt	
4	0641618	1	Bolt 3/8 x 2-1/4	
5	0760606	1	Bolt M6 x 12	
6	0700819	2	Bolt M8 x 55	
7	0760608	4	Bolt M6 x 16	
8	0761212	2	Bolt M12 x 25	
9	0771415	1	Bolt M14 x 35	
10	0861572	1	Control Box Assembly	
10	7024488	1	Card, Circuit - Generator Power	
10	See Note	NSS	Fuse (Note: Not Available - Purchase Locally)	
10	7024489	1	Card, Circuit - Control	
10	70000619	1	Harness, Control Box (Internal)	
11	0902888	1	Bracket	
12	0962520	1	Bushing, Split	
14	2460048	1	Generator Assembly	
14	70001100	1	Rotor (Includes p/n 70001384 & 70000863) (Not Shown)	
14	70001384	1	Bearing, Ball Radial (Not Shown)	
14	70000863	1	Fan (Not Shown)	
14	70002088	1	Stator (Not Shown)	
14	70002297	1	Stud	
14	70003631	1	Brushholder Assembly (Not Shown)	
14A	70004171	1	Key	
14B	70001966	1	Bearing, Ball Radial (Located in Belt Tensioner Endbell)	
14B	70003708	1	Ring, Internal Retaining (Located in Belt Tensioner Endbell)	
14B	70003709	1	Ring, External Retaining (Located in Belt Tensioner Endbell)	
14C	70001953	1	Endbell, Belt Tensioner	
14D	70004169	1	Endbell, Brush Block	
14E	70004169	1	Shroud	
14E	See Note	NSS	Insulator, Endbell (Note: Not Available for Purchase)	
14E	7027799	1	Block, Connector 6 Position (Not Shown)	
14E	70002460	1	Nut, Brass (Attaches p/n 7027799 to Cover) (Not Shown)	
14E	7024485	1	Breaker, Circuit 30Amp (Not Shown)	
14E	70001696	1	Boot, Breaker (Not Shown)	
14E	7026626	1	Connector, 6 Position (Includes Seal) (Not Shown - Plugs into Item 39)	
14E	7026597	1	Connector, with Leads (Not Shown)	
14E	7026188	1	Clamp, Cable Options (Not Shown)	
14E	70004169	1	Plate, End Panel	
14E	70001974	1	Decal - Terminal Connections	
14F	70001973	1	Decal - Warning Moving Parts	
15	2820031	AR	Heat Shrink	
16	3252764	1	Nameplate - AC & Weld	
17	3290505	4	Nut M5	
18	3290805	2	Nut M8	
19	3291201	1	Nut M12	
20	3580319	1	Pulley	

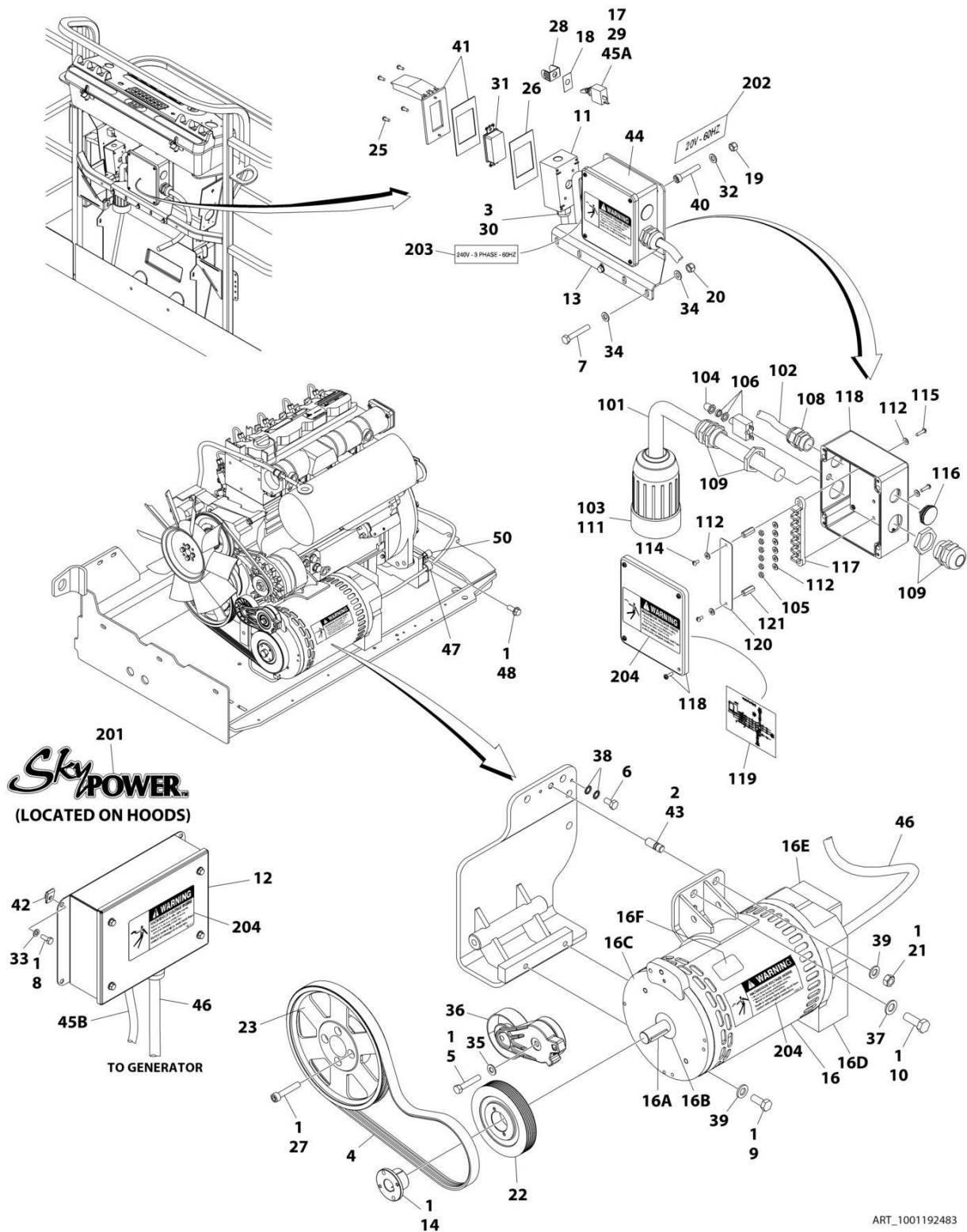
## SECTION 3 - ENGINE

ITEM	PART NUMBER	QTY	DESCRIPTION	REV
21	3580320	1	Pulley	
22	3580317	1	Tensioner, Belt	
23	4032015	4	Capscrew M10 x 55	
24	4060802	1	Guard, Switch	
25	4360336	1	Switch, Toggle	
26	4811602	4	Washer M5	
27	4811700	4	Washer M6	
28	4811900	4	Washer M8	
29	5241000	1	Washer M10	
31	5241400	1	Washer M14	
32	4871700	2	Washer M6	
33	5241200	3	Washer M12	
34	1001104029	4	Capscrew M5 x 30 Grade 12.9	
35	1001130220	4	Nut, Tinnerman M6	
36	1001196382	1	Stud	
37	1001157525	1	Junction Box Assembly (See Items 101-117 for Breakdown)	
38A	4922641	1	Generator Switch Harness	
38B	1001152429	1	Generator to Engine Harness (See Separate Breakdown in ELECTRICAL SECTION)	
39	4922925	1	Generator Harness (See Separate Breakdown in ELECTRICAL SECTION)	
40	5251012	1	Bolt M10 x 25	
41	7274000040	1	Clamp	
43	1320061	1	Clamp	
	1001157525	Ref	JUNCTION BOX ASSEMBLY	B
101	3300396	1	Cover, Fuse	
102	3311001	6	Nut #10	
103	3520189	1	Plug	
104	3520192	1	Plug	
105	4360070	1	Circuit Breaker - 15Amp	
106	4460425	1	Connector, Strain Relief	
107	4460426	2	Connector, Strain Relief	
109	4711000	30	Washer #10	
110	10702077	2	Screw #10 x 3/8	
111	10702082	2	Screw #10 x 3/4	
112	1001152525	1	Plug	
113	1001152520	1	Block, Terminal	
114	1001157521	1	Box, Junction	
115	1001157528	1	Decal - Wiring Schematic	
116	1001158007	1	Cover, PVC	
117	1001158008	2	Stand-Off	
	0272589	Ref	DECAL INSTALLATION	A
201	1705460	2	Decal - SkyPower	
202	1705461	1	Decal - 240V - 3 Phase - 50Hz	
203	1705489	3	Decal - Hazardous Voltage	



# SECTION 3 - ENGINE

## FIGURE 3-51. 7500W SKYPOWER GENERATOR INSTALLATION - 110V/60HZ (DEUTZ D2011 ENGINES) (OPTIONAL)



## SECTION 3 - ENGINE

**FIGURE 3-51. 7500W SKYPOWER GENERATOR INSTALLATION - 110V/60HZ (DEUTZ D2011 ENGINES) (OPTIONAL)**

ITEM	PART NUMBER	QTY	DESCRIPTION	REV
	1001192483	Ref	7500W SKYPOWER GENERATOR INSTALLATION	I
1	0100011	AR	Compound, Locking	
2	0100019	AR	Compound, Locking	
3	0100079	AR	Sealant	
4	1001136356	1	Belt	
5	0641618	1	Bolt 3/8 x 2-1/4	
6	0760606	1	Bolt M6 x 12	
7	0700819	2	Bolt M8 x 55	
8	0760608	4	Bolt M6 x 16	
9	0761212	2	Bolt M12 x 25	
10	0771415	1	Bolt M14 x 35	
11	0860038	1	Box, Receptacle	
12	0861538	1	Control Box Assembly	
12	7024488	1	Card, Circuit - Generator Power	
12	See Note	NSS	Fuse (Note: Not Available - Purchase Locally)	
12	7024489	1	Card, Circuit - Control	
12	70000619	1	Harness, Control Box (Internal)	
13	0902888	1	Bracket	
14	0962520	1	Bushing, Split	
16	2460048	1	Generator Assembly	
16	70001100	1	Rotor (Includes p/n 70001384 & 70000863) (Not Shown)	
16	70001384	1	Bearing, Ball Radial (Not Shown)	
16	70000863	1	Fan (Not Shown)	
16	70002088	1	Stator (Not Shown)	
16	70002297	1	Stud	
16	70003631	1	Brushholder Assembly (Not Shown)	
16A	70004171	1	Key	
16B	70001966	1	Bearing, Ball Radial (Located in Belt Tensioner Endbell)	
16B	70003708	1	Ring, Internal Retaining (Located in Belt Tensioner Endbell)	
16B	70003709	1	Ring, External Retaining (Located in Belt Tensioner Endbell)	
16C	70001953	1	Endbell, Belt Tensioner	
16D	70004169	1	Endbell, Brush Block	
16E	70004169	1	Shroud	
16E	See Note	NSS	Insulator, Endbell (Note: Not Available for Purchase)	
16E	7027799	1	Block, Connector - 6 Position (Not Shown)	
16E	70002460	1	Nut, Brass (Attaches p/n 7027799 to Cover) (Not Shown)	
16E	7024485	1	Breaker, Circuit 30Amp (Not Shown)	
16E	70001696	1	Boot, Breaker (Not Shown)	
16E	7026626	1	Connector, 6 Position (Includes Seal) (Not Shown - Plugs into Item 39)	
16E	7026597	1	Connector, with Leads (Not Shown)	
16E	7026188	1	Clamp, Cable Options (Not Shown)	
16E	70004169	1	Plate, End Panel	
16E	70001974	1	Decal - Terminal Connections	
16F	70001973	1	Decal - Warning Moving Parts	
17	2820031	AR	Heat Shrink	
18	3252764	1	Nameplate - AC & Weld	
19	3290505	4	Nut M5	
20	3290805	2	Nut M8	

## SECTION 3 - ENGINE

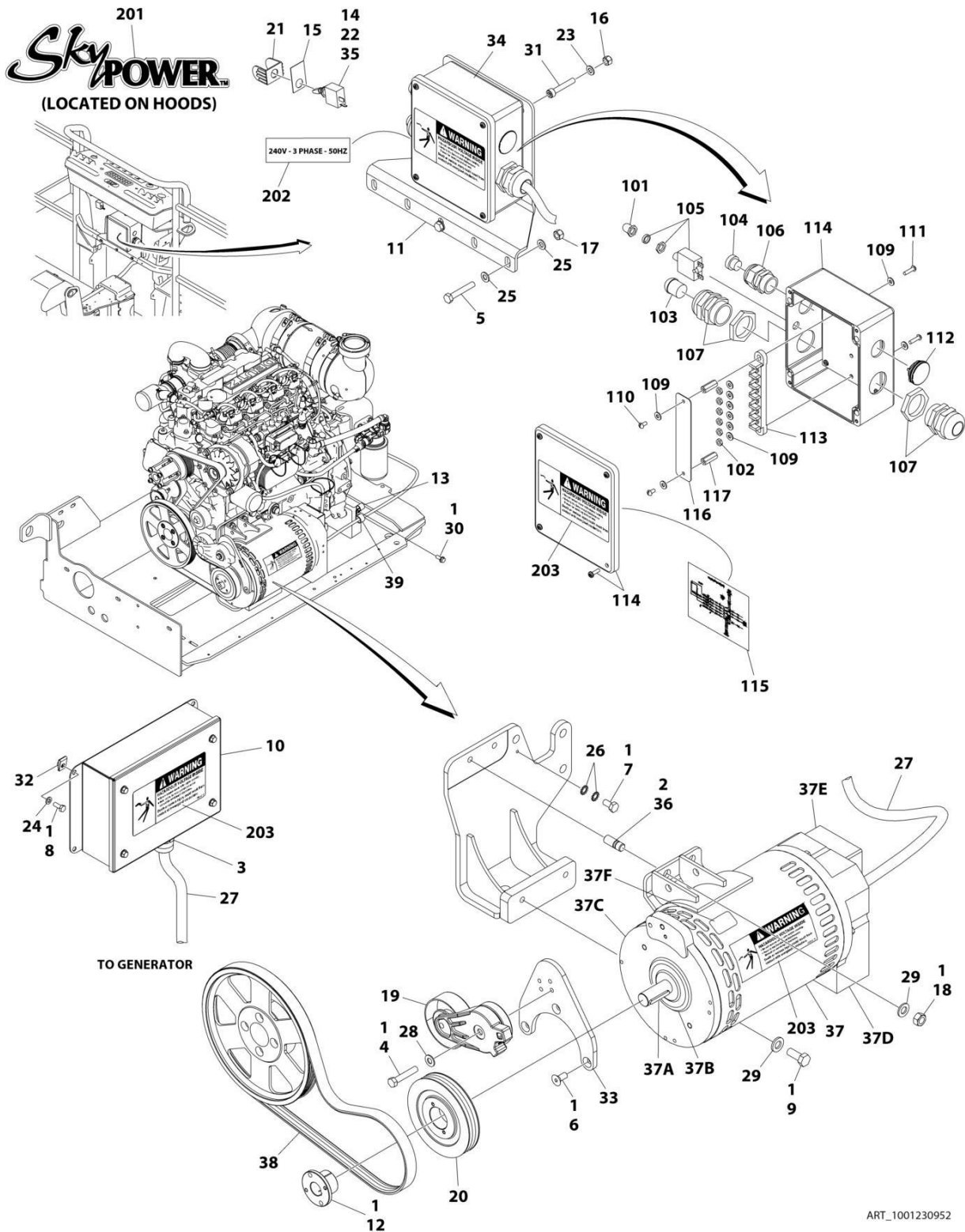
ITEM	PART NUMBER	QTY	DESCRIPTION	REV
21	3291201	1	Nut M12	
22	3580318	1	Pulley	
23	3580320	1	Pulley	
25	3910606	4	Screw #6 x 3/8	
26	3960422	1	Gasket	
27	4032015	4	Capscrew M10 x 55	
28	4060802	1	Guard, Switch	
29	4360336	1	Switch, Toggle	
30	4460071	1	Connector, Strain Relief	
31	4460346	1	Receptacle	
32	4811602	4	Washer M5	
33	4811700	4	Washer M6	
34	4811900	4	Washer M8	
35	5241000	1	Washer M10	
36	3580317	1	Tensioner, Belt	
37	5241400	1	Washer M14	
38	4871700	2	Washer M6	
39	5241200	3	Washer M12	
40	1001104029	4	Capscrew M5 x 30 Grade 12.9	
41	1001110873	1	Cover	
42	1001130220	4	Nut, Tinnerman M6	
43	1001196382	1	Stud	
44	1001157592	1	Junction Box Assembly (See Items 101-121 for Breakdown)	
45A	4922641	1	Generator Switch Harness	
45B	1001152429	1	Generator to Engine Harness (See Separate Breakdown in ELECTRICAL SECTION)	
46	4922925	1	Generator Harness (See Separate Breakdown in ELECTRICAL SECTION)	
47	7274000040	1	Clamp	
48	5251012	1	Bolt M10 x 25	
50	1320061	1	Clamp	
	1001157592	Ref	JUNCTION BOX ASSEMBLY	C
101	1060343	1.5 ft/ 0.5m	Cable, Electrical 10/4	
102	1001179154	2.5 ft/ 0.8m	Cable, Electrical 12/3	
103	1671092	1	Cover	
104	3300396	1	Cover, Fuse	
105	3311001	6	Nut #10	
106	4360070	1	Circuit Breaker - 15Amp	
108	4460425	1	Connector, Strain Relief	
109	4460426	2	Connector, Strain Relief	
111	4460963	1	Connector	
112	4711000	10	Washer #10	
114	10702077	2	Screw #10 x 3/8	
115	10702082	2	Screw #10 x 3/4	
116	1001152525	1	Plug	
117	1001157520	1	Block, Terminal	
118	1001157521	1	Box, Junction	
119	1001157528	1	Decal - Wiring Schematic	
120	1001158007	1	Cover, PVC	
121	1001158008	2	Stand-Off	

## SECTION 3 - ENGINE

ITEM	PART NUMBER	QTY	DESCRIPTION	REV
	0272435	Ref	DECAL INSTALLATION	D
201	1705460	2	Decal - SkyPower	
202	3251243	1	Decal - 120V-60Hz	
203	1705375	1	Decal - 240V - 3 Phase - 60Hz	
204	1705387	3	Decal - Hazardous Voltage	

# SECTION 3 - ENGINE

FIGURE 3-52. 7500W GENERATOR INSTALLATION - 220V/50HZ (DEUTZ TD2.9L4 ENGINES) (OPTIONAL)





## SECTION 3 - ENGINE

**FIGURE 3-52. 7500W GENERATOR INSTALLATION - 220V/50HZ (DEUTZ TD2.9L4 ENGINES)  
(OPTIONAL)**

ITEM	PART NUMBER	QTY	DESCRIPTION	REV
	1001230952	Ref	7500W GENERATOR INSTALLATION	A
1	0100011	AR	Compound, Locking	
2	0100019	AR	Compound, Locking	
3	0100048	AR	Grease, Terminal	
4	0641616	1	Bolt 3/8 x 2	
5	0700819	2	Bolt M8 x 55	
6	0741607	3	Screw 3/8 x 7/8	
7	0760606	1	Bolt M6 x 12	
8	0760608	4	Bolt M6 x 16	
9	0761212	2	Bolt M12 x 25	
10	0861572	1	Control Box Assembly	
10	7024488	1	Card, Circuit - Generator Power	
10	See Note	NSS	Fuse (Note: Not Available - Purchase Locally)	
10	7024489	1	Card, Circuit - Control	
10	70000619	1	Harness, Control Box (Internal)	
11	0902888	1	Bracket	
12	0962520	1	Bushing, Split	
13	1320061	1	Clamp	
14	2820031	AR	Heatshrink	
15	3252764	1	Nameplate - AC & Weld	
16	3290505	4	Nut M5	
17	3290805	2	Nut M8	
18	3291201	2	Nut M12	
19	3580317	1	Tensioner, Belt	
20	3580319	1	Pulley	
21	4060802	1	Guard, Switch	
22	4360336	1	Switch, Toggle	
23	4811602	4	Washer M5	
24	4811700	4	Washer M6	
25	4811900	4	Washer M8	
26	4871700	2	Washer M6	
27	4922925	1	Generator Harness (See Separate Breakdown in ELECTRICAL SECTION)	
28	5241000	1	Washer M10	
29	5241200	4	Washer M12	
30	5251012	1	Bolt M10 x 25	
31	1001104029	4	Capscrew M5 x 30, Grade 12.9	
32	1001130220	4	Nut, Tinnerman M6	
33	1001142643	1	Support	
34	1001157525	1	Junction Box Assembly (See Items 101-117 for Breakdown)	
35	4922641	1	Switch Harness	
36	1001196382	2	Stud	
37	1001212223	1	Generator Assembly - 50Hz	
37	70001100	1	Rotor (Includes p/n 70001384 & 70000863) (Not Shown)	
37	70001384	1	Bearing, Ball Radial (Not Shown)	
37	70000863	1	Fan (Not Shown)	
37	70006093	1	Stator (Not Shown)	
37	70002297	1	Stud	
37	70003631	1	Brushholder Assembly (Not Shown) (was p/n 7024484)	

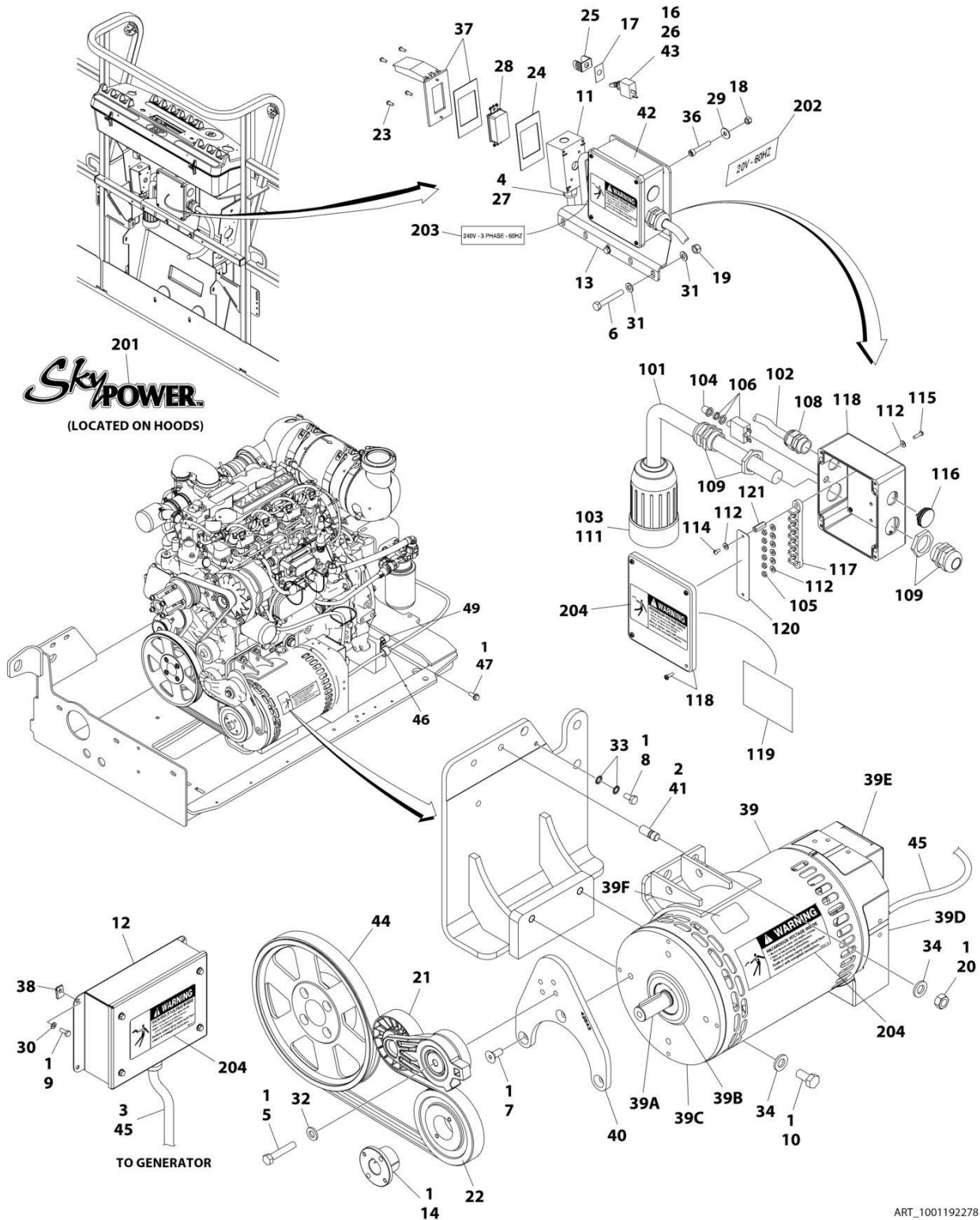
## SECTION 3 - ENGINE

ITEM	PART NUMBER	QTY	DESCRIPTION	REV
37A	70004099	1	Key	
37B	70001966	1	Bearing, Ball Radial (Located in Belt Tensioner Endbell)	
37B	70003708	1	Ring, Internal Retaining (Located in Belt Tensioner Endbell)	
37B	70003709	1	Ring, External Retaining (Located in Belt Tensioner Endbell)	
37C	70004092	1	Endbell, Belt Tensioner	
37D	70004094	1	Endbell, Brush Block	
37E	70006094	1	Shroud	
37E	70002291	1	Insulator, Endbell	
37E	7027799	1	Block, Connector - 6 Position (Not Shown)	
37E	70002460	1	Nut, Brass (Attaches p/n 7027799 to Cover) (Not Shown)	
37E	70006095	1	Breaker, Circuit 30Amp (Not Shown)	
37E	70006096	1	Boot, Breaker (Not Shown)	
37E	7026626	1	Connector - 6 Position (Includes Seal) (Not Shown - Plugs into Item 36)	
37E	7026597	1	Connector with Leads (Not Shown)	
37E	70004098	1	Clamp, Cable (Not Shown)	
37E	70006097	1	Plate, End Panel	
37E	70001974	1	Decal - Terminal Connections	
37F	70001973	1	Decal - Warning Moving Parts	
38	1001214683	1	Belt	
39	7274000040	1	Clamp	
	1001157525	1	JUNCTION BOX ASSEMBLY	B
101	3300396	1	Cover, Fuse	
102	3311001	6	Nut #10	
103	3520189	1	Plug	
104	3520192	1	Plug	
105	4360070	1	Circuit Breaker - 15Amp	
106	4460425	1	Connector, Strain Relief	
107	4460426	2	Connector, Strain Relief	
109	4711000	10	Washer #10	
110	10702077	2	Screw #10 x 3/8	
111	10702082	2	Screw #10 x 3/4	
112	1001152525	1	Plug	
113	1001157520	1	Block, Terminal	
114	1001157521	1	Box, Junction	
115	1001157528	1	Decal - Wiring Schematic	
116	1001158007	1	Cover, PVC	
117	1001158008	2	Stand-Off	
	0272589	Ref	DECAL INSTALLATION	A
201	1705460	2	Decal - SkyPower	
202	1705461	1	Decal - 240V - 3 Phase - 50Hz	
203	1705489	3	Decal - Hazardous Voltage	



# SECTION 3 - ENGINE

FIGURE 3-53. 7500W SKYPOWER GENERATOR INSTALLATION - 110V/60HZ (DEUTZ TD2.9L4 ENGINES) (OPTIONAL)



## SECTION 3 - ENGINE

**FIGURE 3-53. 7500W SKYPOWER GENERATOR INSTALLATION - 110V/60HZ (DEUTZ TD2.9L4 ENGINES) (OPTIONAL)**

ITEM	PART NUMBER	QTY	DESCRIPTION	REV
	1001192278	Ref	7500W SKYPOWER GENERATOR INSTALLATION	G
1	0100011	AR	Compound, Locking	
2	0100019	AR	Compound, Locking	
3	0100048	AR	Compound Terminal	
4	0100079	AR	Sealant	
5	0641616	1	Bolt 3/8 x 2	
6	0700819	2	Bolt M8 x 55	
7	0741607	3	Screw 3/8 x 7/8	
8	0760606	1	Bolt M6 x 12	
9	0760608	4	Bolt M6 x 16	
10	0761212	2	Bolt M12 x 25	
11	0860038	1	Box, Receptacle	
12	0861538	1	Control Box Assembly	
12	7024488	1	Card, Circuit - Generator Power	
12	See Note	NSS	Fuse (Note: Not Available - Purchase Locally)	
12	7024489	1	Card, Circuit - Control	
12	70000619	1	Harness, Control Box (Internal)	
		Ref	Note: Same Circuit Card (P/N 7024489) is used for both 60Hz and 50Hz. When replacing card, rocker switch on card must be set for required application.	
13	0902888	1	Bracket	
14	0962520	1	Bushing, Split	
16	2820031	AR	Heat Shrink	
17	3252764	1	Nameplate - AC & Weld	
18	3290505	4	Nut M5	
19	3290805	2	Nut M8	
20	3291201	2	Nut M12	
21	3580317	1	Tensioner, Belt	
22	3580318	1	Pulley	
23	3910606	4	Screw #6 x 3/8	
24	3960422	1	Gasket	
25	4060802	1	Guard, Switch	
26	4360336	1	Switch, Toggle	
27	4460071	1	Connector, Strain Relief	
28	4460346	1	Receptacle	
29	4811602	4	Washer M5	
30	4811700	4	Washer M6	
31	4811900	4	Washer M8	
32	5241000	1	Washer M10	
33	4871700	2	Washer M6	
34	5241200	4	Washer M12	
36	1001104029	1	Capscrew M5 x 30 Grade 12.9	
37	1001110873	1	Cover	
38	1001130220	4	Nut, Tinnerman M6	
39	1001212223	1	Generator Assembly	
39	70001100	1	Rotor (Includes p/n 70001384 & 70000863) (Not Shown)	
39	70001384	1	Bearing, Ball Radial (Not Shown)	
39	70000863	1	Fan (Not Shown)	

## SECTION 3 - ENGINE

ITEM	PART NUMBER	QTY	DESCRIPTION	REV
39	70006093	1	Stator (Not Shown)	
39	70002297	1	Stud	
39	70003631	1	Brushholder Assembly (Not Shown) (was p/n 7024484)	
39A	70004099	1	Key	
39B	70001966	1	Bearing, Ball Radial (Located in Belt Tensioner Endbell)	
39B	70003708	1	Ring, Internal Retaining (Located in Belt Tensioner Endbell)	
39B	70003709	1	Ring, External Retaining (Located in Belt Tensioner Endbell)	
39C	70004092	1	Endbell, Belt Tensioner	
39D	70004094	1	Endbell, Brush Block	
39E	70006094	1	Shroud	
39E	70002291	1	Insulator, Endbell	
39E	7027799	1	Block, Connector - 6 Position (Not Shown)	
39E	70002460	1	Nut, Brass (Attaches p/n 7027799 to Cover) (Not Shown)	
39E	70006095	1	Breaker, Circuit 30Amp (Not Shown)	
39E	70006096	1	Boot, Breaker (Not Shown)	
39E	7026626	1	Connector, 6 Position (Includes Seal) (Not Shown - Plugs into Item 45)	
39E	7026597	1	Connector with Leads (Not Shown)	
39E	70004098	1	Clamp, Cable (Not Shown)	
39E	70006097	1	Plate, End Panel	
39E	70001974	1	Decal - Terminal Connections	
39F	70001973	1	Decal - Warning Moving Parts	
40	1001142643	1	Support	
41	1001196382	2	Stud	
42	1001157592	1	Junction Box Assembly (See Items 101-121 for Breakdown)	
43	4922641	1	Generator Switch Harness	
44	1001142646	1	Belt	
45	4922925	1	Generator Harness (See Separate Breakdown in ELECTRICAL SECTION)	
46	7274000040	1	Clamp	
47	5251012	1	Bolt M10 x 25	
49	1320061	1	Clamp	
	1001157592	Ref	JUNCTION BOX ASSEMBLY	C
101	1060343	1.5 ft/ 0.5m	Cable, Electrical 10/4	
102	1001179154	2.5 ft/ 76cm	Cable, Electrical 12/3	
103	1671092	1	Cover, Connector	
104	3300396	1	Cover, Fuse	
105	3311001	6	Nut #10	
106	4360070	1	Circuit Breaker - 15Amp	
108	4460425	1	Connector, Strain Relief	
109	4460426	2	Connector, Strain Relief	
111	4460963	1	Connector	
112	4711000	4	Washer #10	
114	10702077	2	Screw #10 x 3/8	
115	10702082	2	Screw #10 x 3/4	
116	1001152525	1	Plug	
117	1001157520	1	Block, Terminal	
118	1001157521	1	Box, Junction	
119	1001157528	1	Decal - Wiring Schematic	
120	1001158007	1	Cover, PVC	

## SECTION 3 - ENGINE

ITEM	PART NUMBER	QTY	DESCRIPTION	REV
121	1001158008	1	Stand-Off	D
	0272435	Ref	DECAL INSTALLATION	
201	1705460	2	Decal - SkyPower	
202	3251243	1	Decal - 120V-60Hz	
203	1705375	1	Decal - 240V - 3 Phase - 60Hz	
204	1705387	3	Decal - Hazardous Voltage	

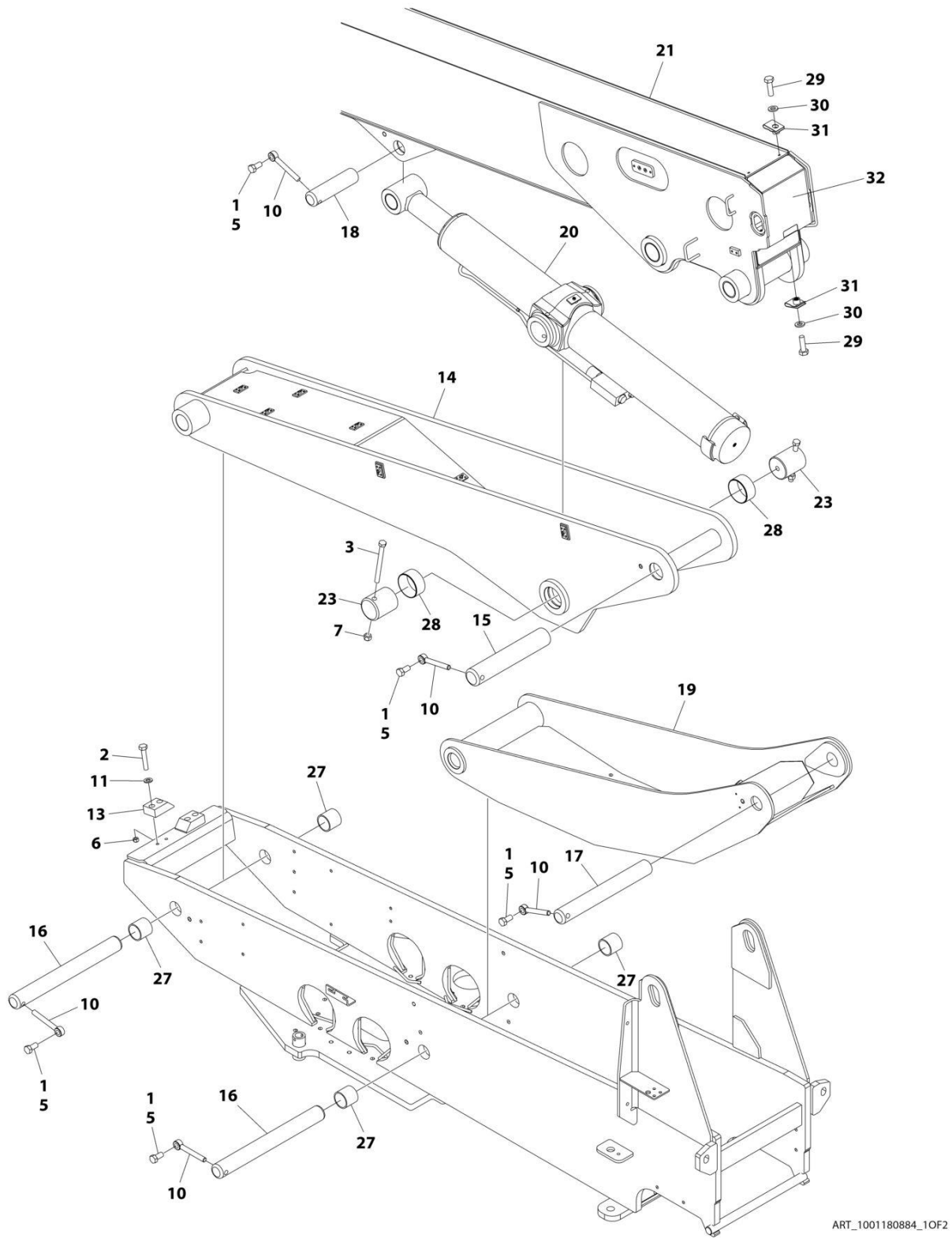




**SECTION 4 - BOOM**

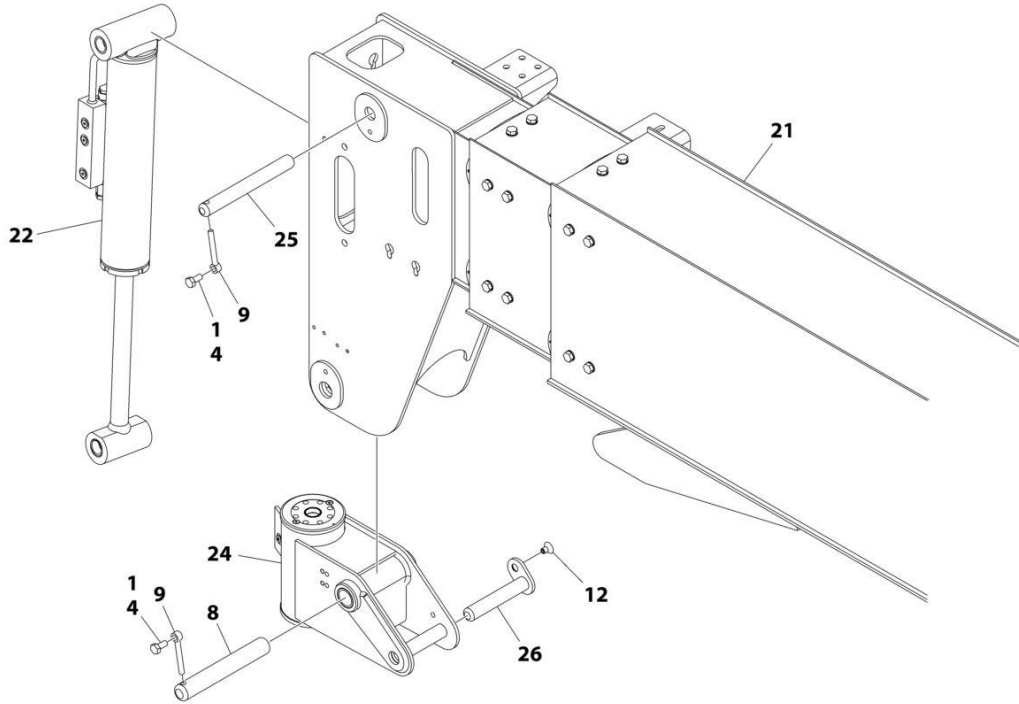
# SECTION 4 - BOOM

## FIGURE 4-1. BOOM INSTALLATION - 600SC



ART\_1001180884\_1OF2

# SECTION 4 - BOOM



ART\_1001180884\_2OF2

# SECTION 4 - BOOM

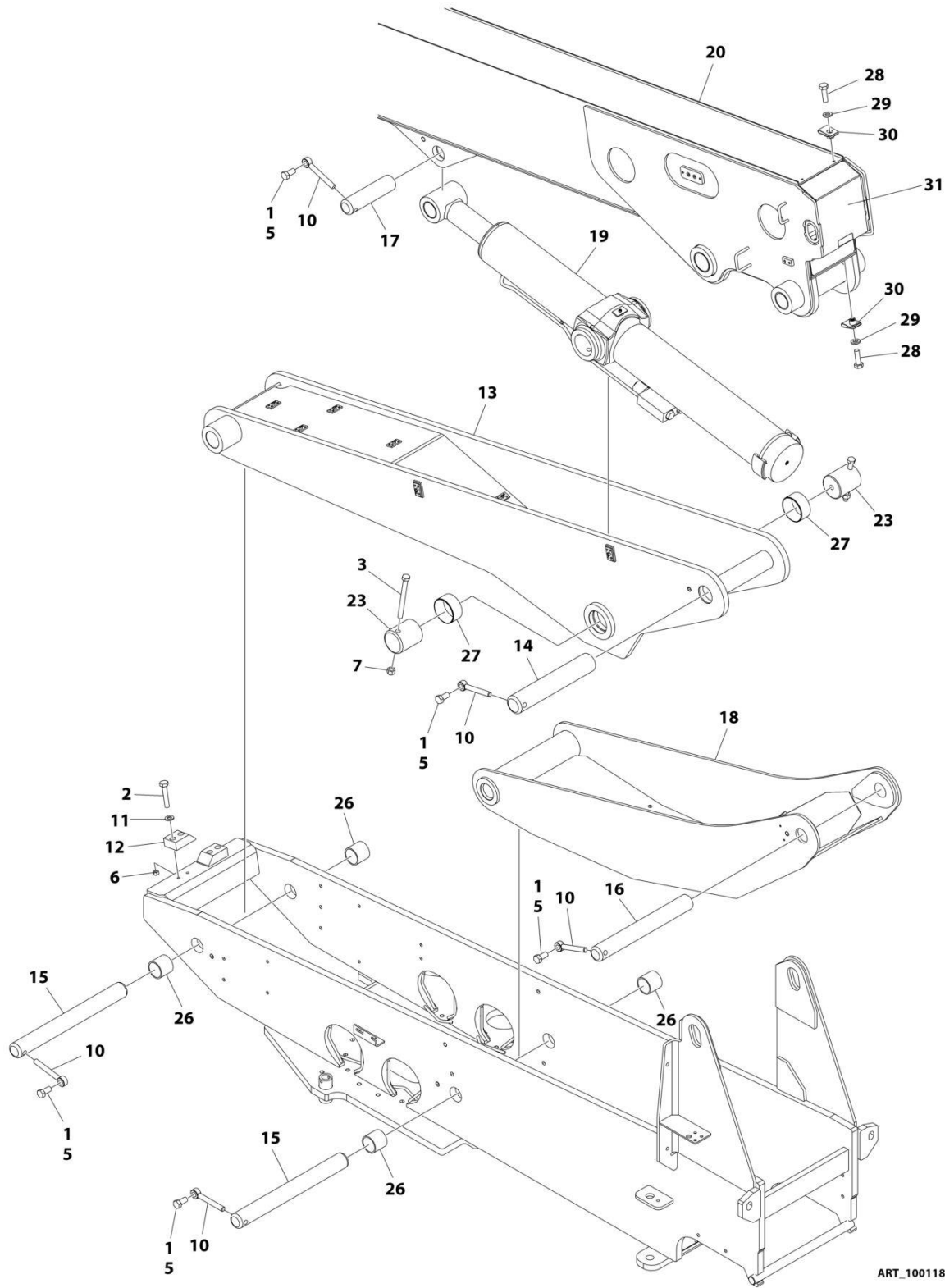
FIGURE 4-1. BOOM INSTALLATION - 600SC

ITEM	PART NUMBER	QTY	DESCRIPTION	REV
	1001180884	Ref	BOOM INSTALLATION	F
1	0100011	AR	Compound, Locking	
2	0701019	4	Bolt M10 x 55	
3	0711635	2	Bolt M16 x 180	
4	0761011	2	Bolt M10 x 22	
5	0762016	5	Bolt M20 x 40	
6	3291005	4	Nut M10	
7	3291605	2	Nut M16	
8	3422582	1	Pin	
9	3841143	2	Keeper, Pin	
10	3841287	5	Keeper, Pin	
11	4812000	4	Washer M10	
12	1001137032	1	Screw M10 x 16	
13	1001138459	2	Pad	
14	1001174231	1	Link	
15	1001174250	1	Pin	
16	1001174252	2	Pin	
17	1001174253	1	Pin	
18	1001174254	1	Pin	
19	1001174256	1	Link	
20	1001184500	1	Lift Cylinder Assembly (See Separate Breakdown in CYLINDER SECTION)	
21	1001180883	1	Boom Assembly (See Separate Breakdown in CYLINDER SECTION)	
22	1001184954	1	Level Cylinder Assembly - Platform Slave (See Separate Breakdown in CYLINDER SECTION)	
23	1001183926	2	Pin	
24	1001187348	1	Platform Rotator Assembly (See Separate Breakdown in this Section)	
25	1001192910	1	Pin	
26	1001192991	1	Pin	
27	0962423	4	Bearing	
28	1001174251	2	Bearing	
29	0760610	4	Bolt M6 x 20	
30	4811700	4	Washer M6	
31	1001130220	4	Nut, Tinnerman M6	
32	1001228177	1	Cover	



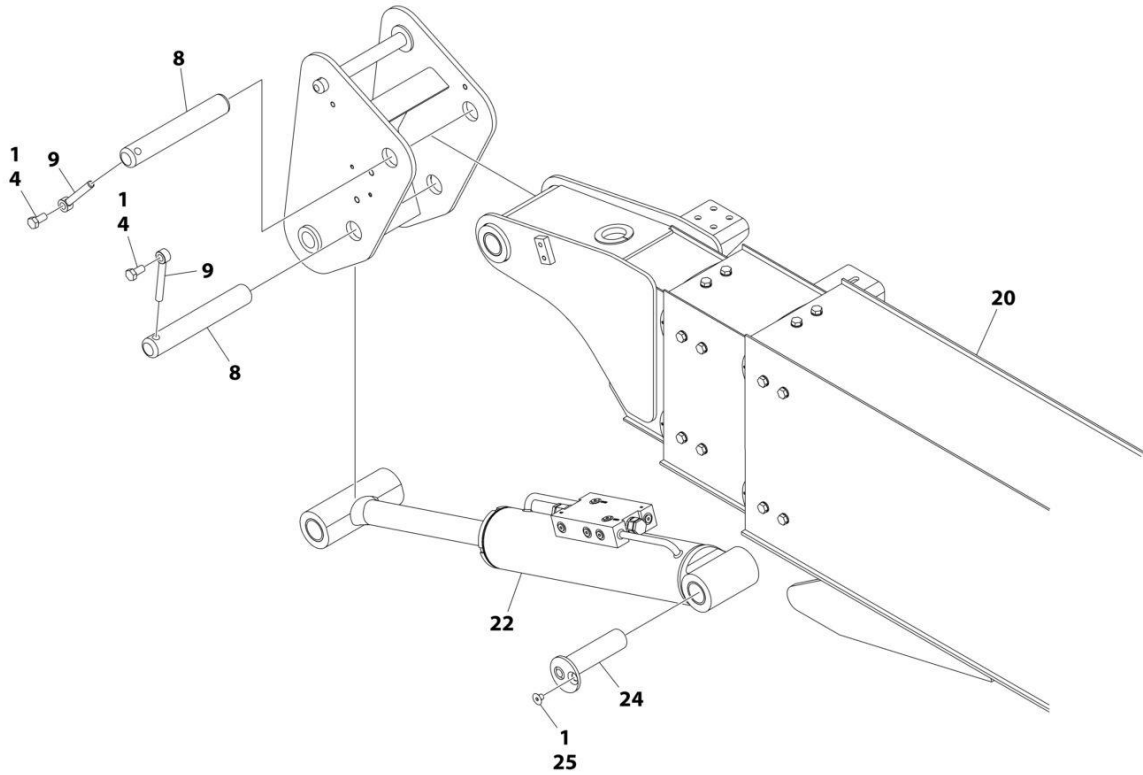
# SECTION 4 - BOOM

## FIGURE 4-2. BOOM INSTALLATION - 660SJC



ART\_1001180885\_10F2

# SECTION 4 - BOOM



ART\_1001180885\_20F2

## SECTION 4 - BOOM

FIGURE 4-2. BOOM INSTALLATION - 660SJC

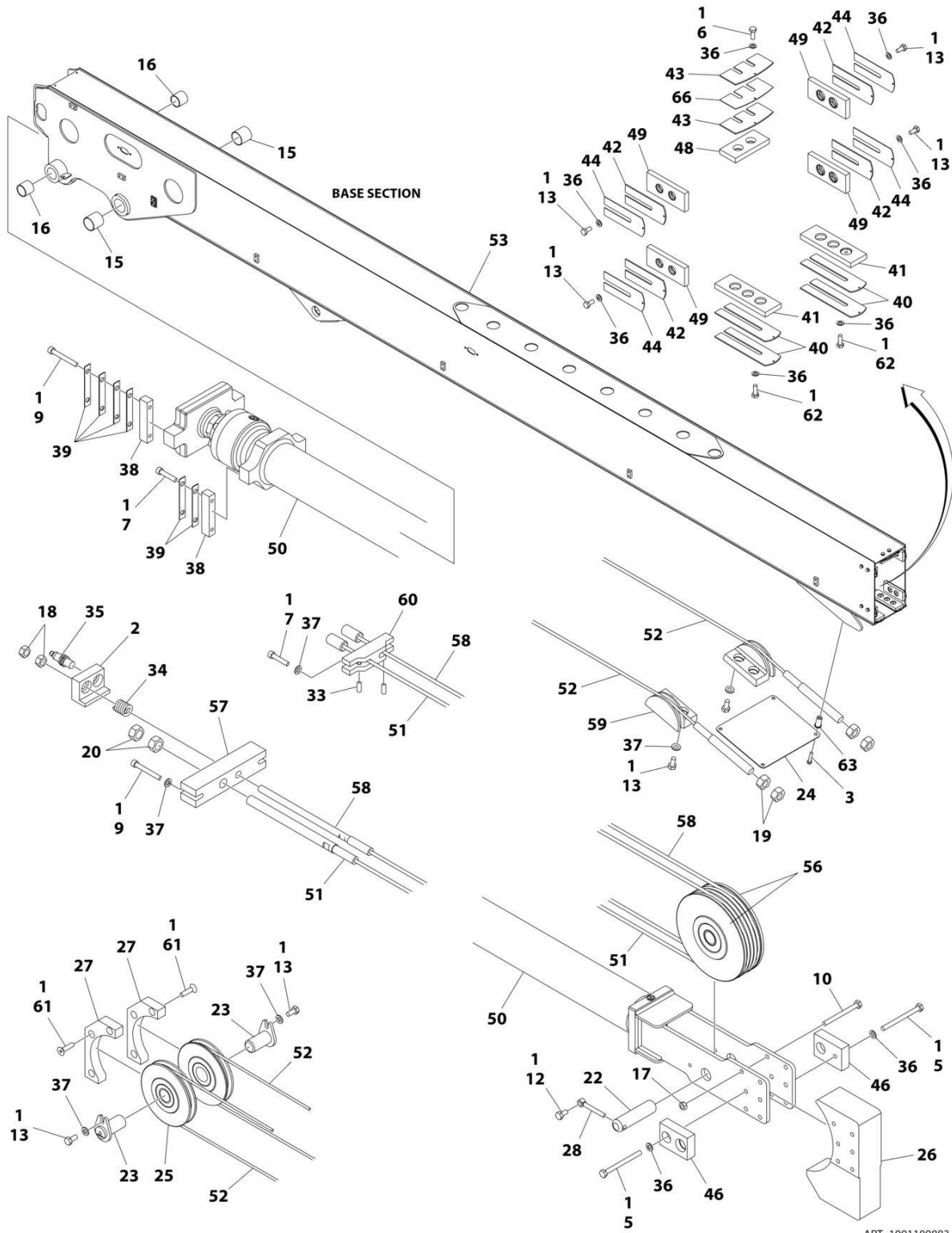
ITEM	PART NUMBER	QTY	DESCRIPTION	REV
	1001180885	Ref	BOOM INSTALLATION	F
1	0100011	AR	Compound, Locking	
2	0701019	4	Bolt M10 x 55	
3	0711635	2	Bolt M16 x 180	
4	0761212	2	Bolt M12 x 25	
5	0762016	5	Bolt M20 x 40	
6	3291005	4	Nut M10	
7	3291605	2	Nut M16	
8	3422793	2	Pin	
9	3841203	2	Keeper, Pin	
10	3841287	5	Keeper, Pin	
11	4812000	4	Washer M10	
12	1001138459	2	Pad	
13	1001174231	1	Link	
14	1001174250	1	Pin	
15	1001174252	2	Pin	
16	1001174253	1	Pin	
17	1001174254	1	Pin	
18	1001174256	1	Link	
19	1001184500	1	Lift Cylinder Assembly (See Separate Breakdown in CYLINDER SECTION)	
20	1001176217	1	Boom Assembly (See Separate Breakdown in this Section)	
22	1001184957	1	Level Cylinder Assembly - Platform Slave (See Separate Breakdown in CYLINDER SECTION)	
23	1001183926	2	Pin	
24	1001192052	1	Pin	
25	1001192027	1	Screw M10 x 12	
26	0962423	4	Bearing	
27	1001174251	2	Bearing	
28	0760610	4	Bolt M6 x 20	
29	4811700	4	Washer M6	
30	1001130220	4	Nut - Tinnerman M6	
31	1001228177	1	Cover	





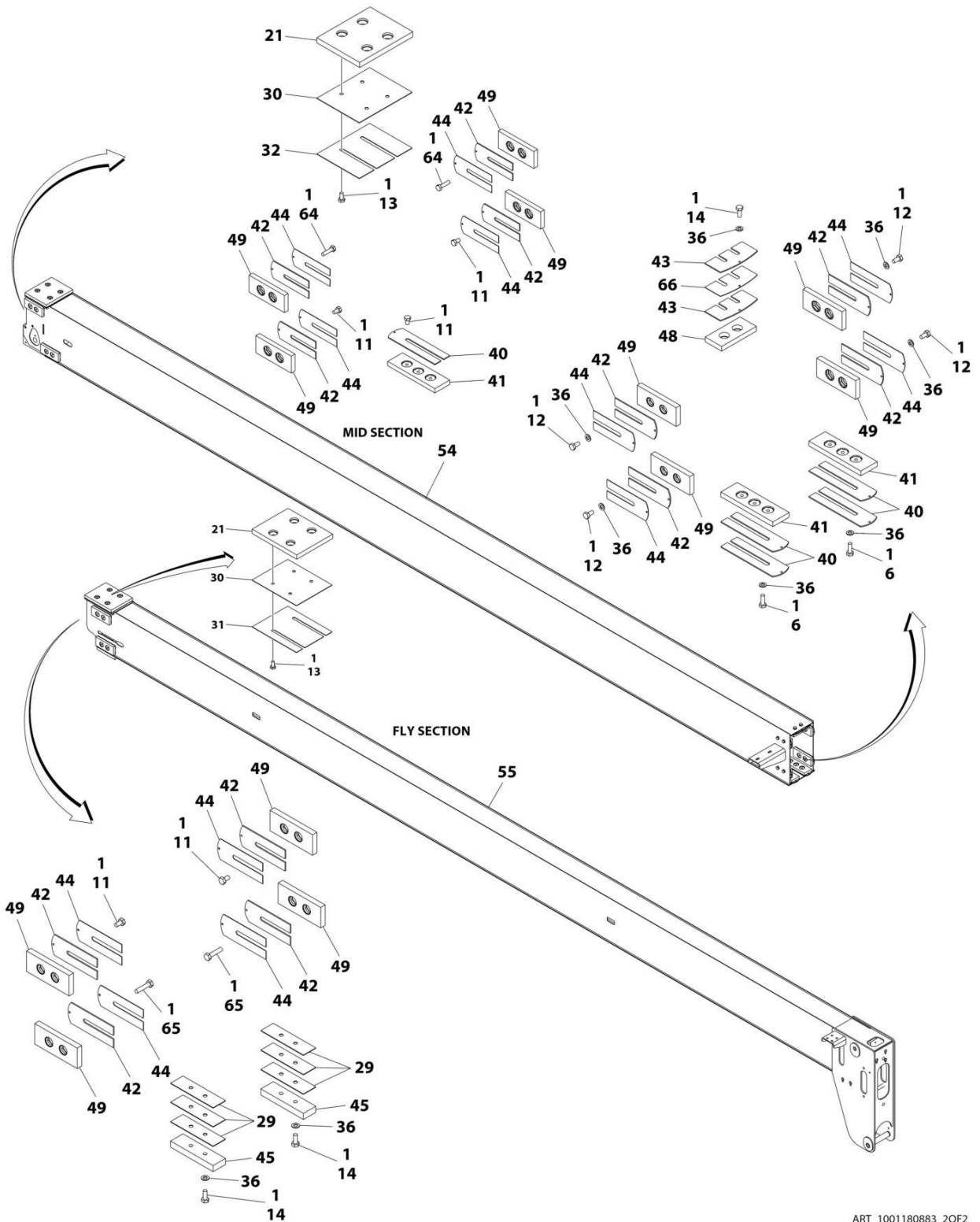
# SECTION 4 - BOOM

## FIGURE 4-3. BOOM ASSEMBLY - 600SC



ART\_1001180883\_10F2

# SECTION 4 - BOOM



ART\_1001180883\_2OF2

# SECTION 4 - BOOM

## FIGURE 4-3. BOOM ASSEMBLY - 600SC

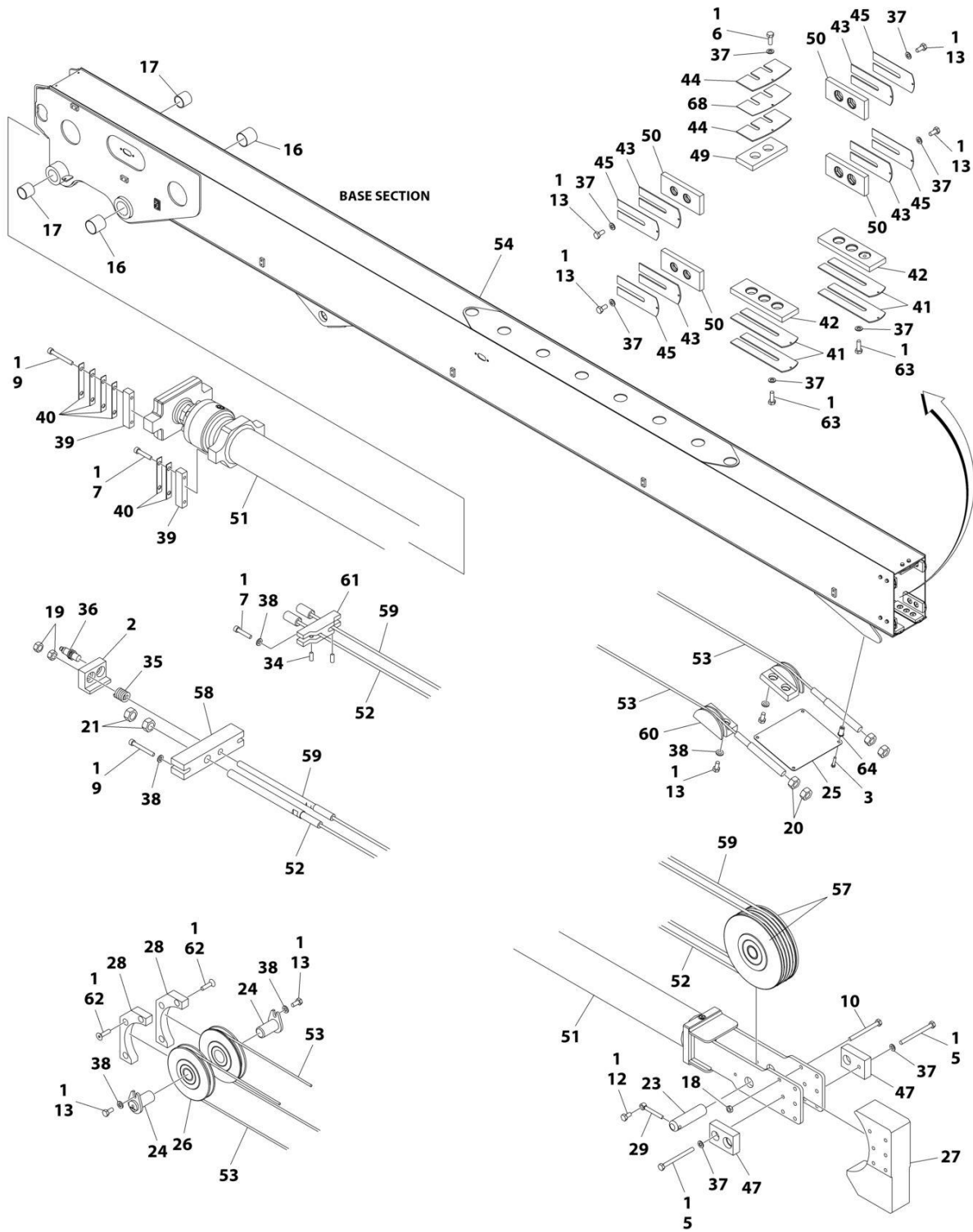
ITEM	PART NUMBER	QTY	DESCRIPTION	REV
	1001180883	Ref	BOOM ASSEMBLY	L
1	0100011	AR	Compound, Locking	
2	0561508	1	Block	
3	0760614	4	Bolt M6 x 30	
5	0701029	2	Bolt M10 x 120	
6	0701013	8	Bolt M10 x 28	
7	4032014	6	Capscrew M10 x 50	
9	4032020	6	Capscrew M10 x 80	
10	0701028	4	Bolt M10 x 110	
11	0761009	10	Bolt M10 x 18	
12	0761010	9	Bolt M10 x 20	
13	0761011	22	Bolt M10 x 22	
14	0761012	6	Bolt M10 x 25	
15	0962033	2	Bushing	
16	0962423	2	Bearing	
17	3291001	4	Nut M10	
18	3291601	2	Nut M16	
19	3292001	4	Nut M20	
20	3292201	2	Nut M22	
21	1001191385	2	Pad, Wear	
22	3422417	1	Pin	
23	3422424	2	Pin	
24	3539622	1	Cover	
25	3580243	2	Sheave, Retract	
25	0961951	2	Bushing (1 Per Sheave)	
26	3580248	1	Guard, Sheave (Extend)	
27	3580249	1	Guard, Sheave (Retract)	
28	3841143	1	Keeper, Pin	
29	4070895	6	Shim 16Ga	
30	4070896	2	Shim .06	
31	4070939	1	Shim 16Ga	
32	4070940	1	Shim 16Ga	
33	4092009	2	Setscrew M10 x 25	
34	4160149	1	Spring	
35	1001214831	1	Switch, Proximity	
36	4812000	38	Washer M10	
37	5241000	10	Washer M10	
38	1001135488	4	Block	
39	1001136571	12	Shim 16Ga	
40	1001136575	9	Shim 11Ga	
41	1001136583	5	Pad, Wear	
42	1001136592	16	Shim 11Ga	
43	1001138436	4	Shim 11Ga	
44	1001143713	16	Shim 18Ga	
45	1001148650	2	Pad, Wear	
46	1001191384	2	Pad, Wear	
48	1001136587	2	Pad, Wear	
49	1001153398	16	Pad, Wear	
50	1001175850	NLA	Telescope Cylinder Assembly (Use p/n 1001251079) (See Separate Breakdown in CYLINDER SECTION) (SN 0300236299)	

## SECTION 4 - BOOM

ITEM	PART NUMBER	QTY	DESCRIPTION	REV
50	1001228079	NLA	<b>through 0300245222)</b> Telescope Cylinder Assembly (Use p/n 1001251079) (See Separate Breakdown in CYLINDER SECTION) <b>(SN 0300245223 through 0300251713)</b>	
50	1001251079	1	Telescope Cylinder Assembly (See Separate Breakdown in CYLINDER SECTION) <b>(SN 0300251714 through 0300272446)</b>	
51	1001175998	1	Rope, Wire (Extend)	
52	1001175999	2	Rope, Wire (Retract)	
53	1001176208	1	Base, Boom	
54	1001176212	1	Mid, Boom	
55	1001180882	1	Fly, Boom	
56	1001184913	2	Sheave, Extend	
56	1001184918	2	Bushing (1 Per Sheave)	
56	1001184917	2	Sleeve, Bronze (1 Per Sheave)	
56	1001184915	2	Ring, Retaining (1 Per Sheave)	
57	1001186541	1	Block	
58	1001189859	1	Rope, Wire (Extend)	
59	1001191048	2	Sheave, Block	
60	1001191202	1	Block	
61	1001191205	6	Screw M10 x 40	
62	0761014	6	Bolt M10 x 30	
63	1001203719	4	Wellnut M6	
64	0761016	4	Bolt M10 x 40	
65	0761017	4	Bolt M10 x 45	
66	1001136590	1	Shim <b>(SN 0300257349 through 0300272446)</b>	

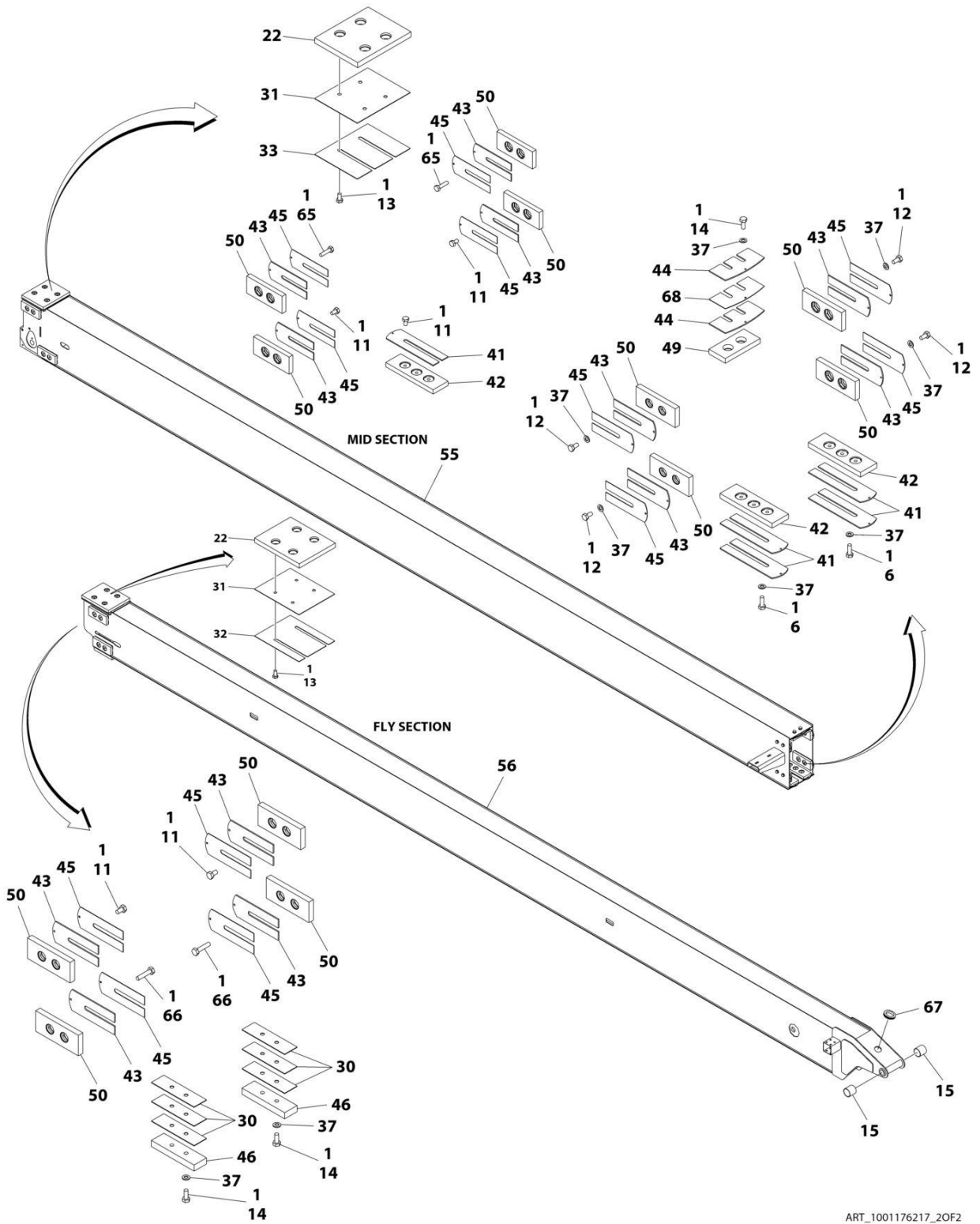
# SECTION 4 - BOOM

## FIGURE 4-4. BOOM ASSEMBLY - 660SJC



ART\_1001176217\_10F2

# SECTION 4 - BOOM



ART\_1001176217\_2OF2

# SECTION 4 - BOOM

## FIGURE 4-4. BOOM ASSEMBLY - 660SJC

ITEM	PART NUMBER	QTY	DESCRIPTION	REV
	1001176217	Ref	BOOM ASSEMBLY	M
1	0100011	AR	Compound, Locking	
2	0561508	1	Block	
3	0760614	4	Bolt M6 x 30	
5	0701029	2	Bolt M10 x 120	
6	0701013	8	Bolt M10 x 28	
7	4032014	6	Capscrew M10 x 50	
9	4032020	6	Capscrew M10 x 80	
10	0701028	4	Bolt M10 x 110	
11	0761009	10	Bolt M10 x 18	
12	0761010	9	Bolt M10 x 20	
13	0761011	22	Bolt M10 x 22	
14	0761012	6	Bolt M10 x 25	
15	0961948	2	Bearing	
16	0962033	2	Bushing	
17	0962423	2	Bearing	
18	3291001	4	Nut M10	
19	3291601	2	Nut M16	
20	3292001	4	Nut M20	
21	3292201	2	Nut M22	
22	1001191385	2	Pad, Wear	
23	3422417	1	Pin	
24	3422424	2	Pin	
25	3539622	1	Cover	
25	0961951	2	Bushing (1 Per Sheave)	
26	3580243	2	Sheave, Retract	
27	3580248	1	Guard, Sheave (Extend)	
28	3580249	2	Guard, Sheave (Retract)	
29	3841143	1	Keeper, Pin	
30	4070895	6	Shim 16Ga	
31	4070896	2	Shim .06	
32	4070939	1	Shim 16Ga	
33	4070940	1	Shim 16Ga	
34	4092009	2	Setscrew M10 x 25	
35	4160149	1	Spring	
36	1001214831	1	Switch, Proximity	
37	4812000	38	Washer M10	
38	5241000	10	Washer M10	
39	1001135488	4	Block	
40	1001136571	12	Shim 16Ga	
41	1001136575	9	Shim 11Ga	
42	1001136583	5	Pad, Wear	
43	1001136592	16	Shim 11Ga	
44	1001138436	4	Shim 11Ga	
45	1001143713	16	Shim 18Ga	
46	1001148650	2	Pad, Wear	
47	1001191384	2	Pad, Wear	
49	1001136587	2	Pad, Wear	
50	1001153398	16	Pad, Wear	
51	1001175850	NLA	Telescope Cylinder Assembly (Use p/n 1001251079) (See	

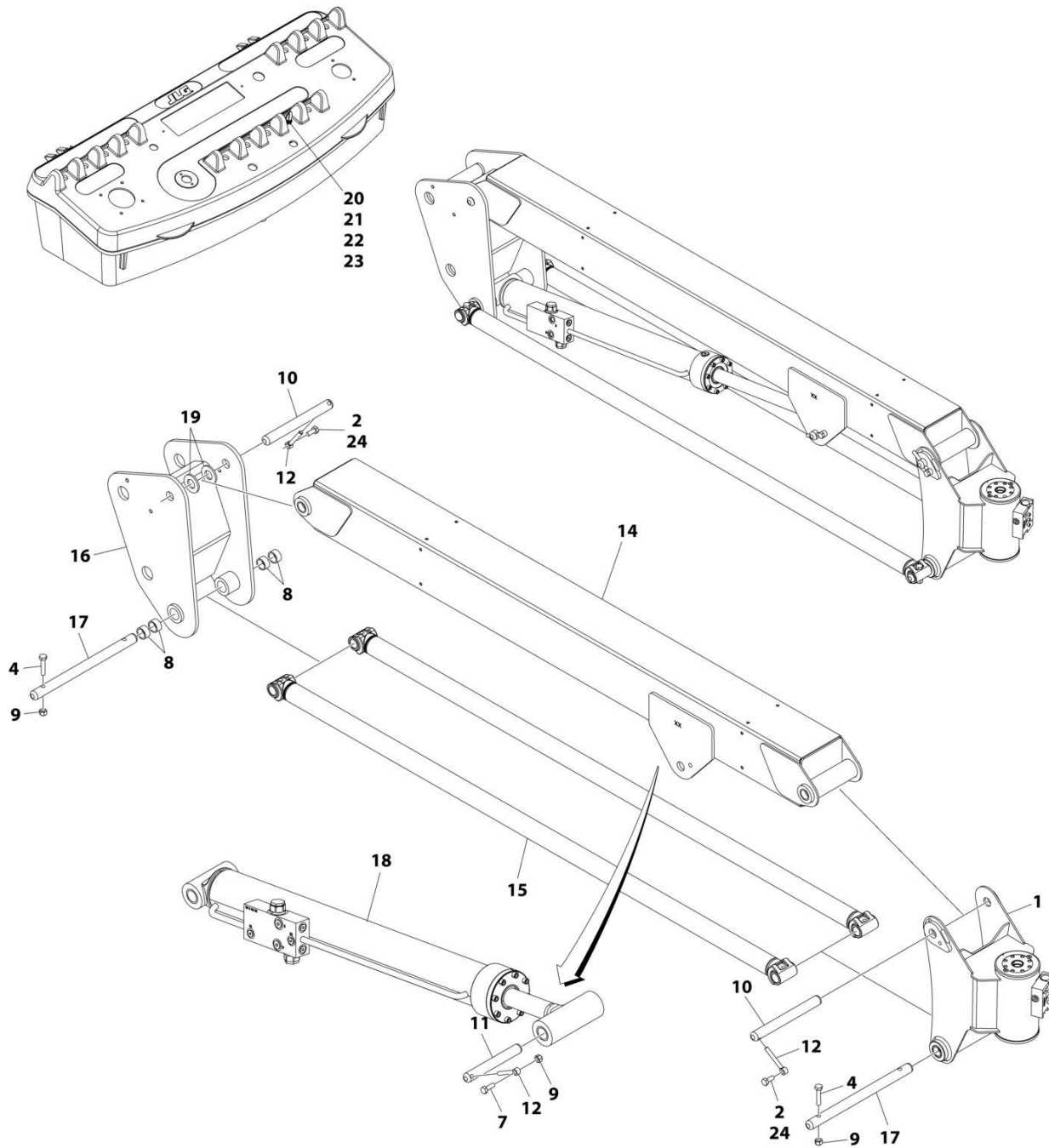


## SECTION 4 - BOOM

ITEM	PART NUMBER	QTY	DESCRIPTION	REV
51	1001228079	NLA	Separate Breakdown in CYLINDER SECTION) (SN 0300236299 through 0300245222) Telescope Cylinder Assembly (Use p/n 1001251079) (See Separate Breakdown in CYLINDER SECTION) (SN 0300245223 through 0300251713)	
51	1001251079	1	Telescope Cylinder Assembly (See Separate Breakdown in CYLINDER SECTION) (SN 0300251714 through 0300272446)	
52	1001175998	1	Rope, Wire (Extend)	
53	1001175999	2	Rope, Wire (Retract)	
54	1001176208	1	Base, Boom	
55	1001176212	1	Mid, Boom	
56	1001176216	1	Fly, Boom	
57	1001184913	2	Sheave, Extend	
57	1001184918	2	Bushing (1 per Sheave)	
57	1001184917	2	Sleeve, Bronze (1 per Sheave)	
57	1001184915	2	Ring, Retaining (1 per Sheave)	
58	1001186541	1	Block	
59	1001189859	1	Rope, Wire (Extend)	
60	1001191048	2	Sheave, Block	
61	1001191202	1	Block	
62	1001191205	6	Screw M10 x 40	
63	0761014	6	Bolt M10 x 30	
64	1001203719	4	Wellnut M6	
65	0761016	4	Bolt M10 x 40	
66	0761017	4	Bolt M10 x45	
67	4060805	6 in/ 16cm	Flex - Trim	
68	1001136590	2	Shim (SN 0300257349 through 0300272446)	

# SECTION 4 - BOOM

## FIGURE 4-5. JIB ASSEMBLY - 660SJC



ART\_1001182046

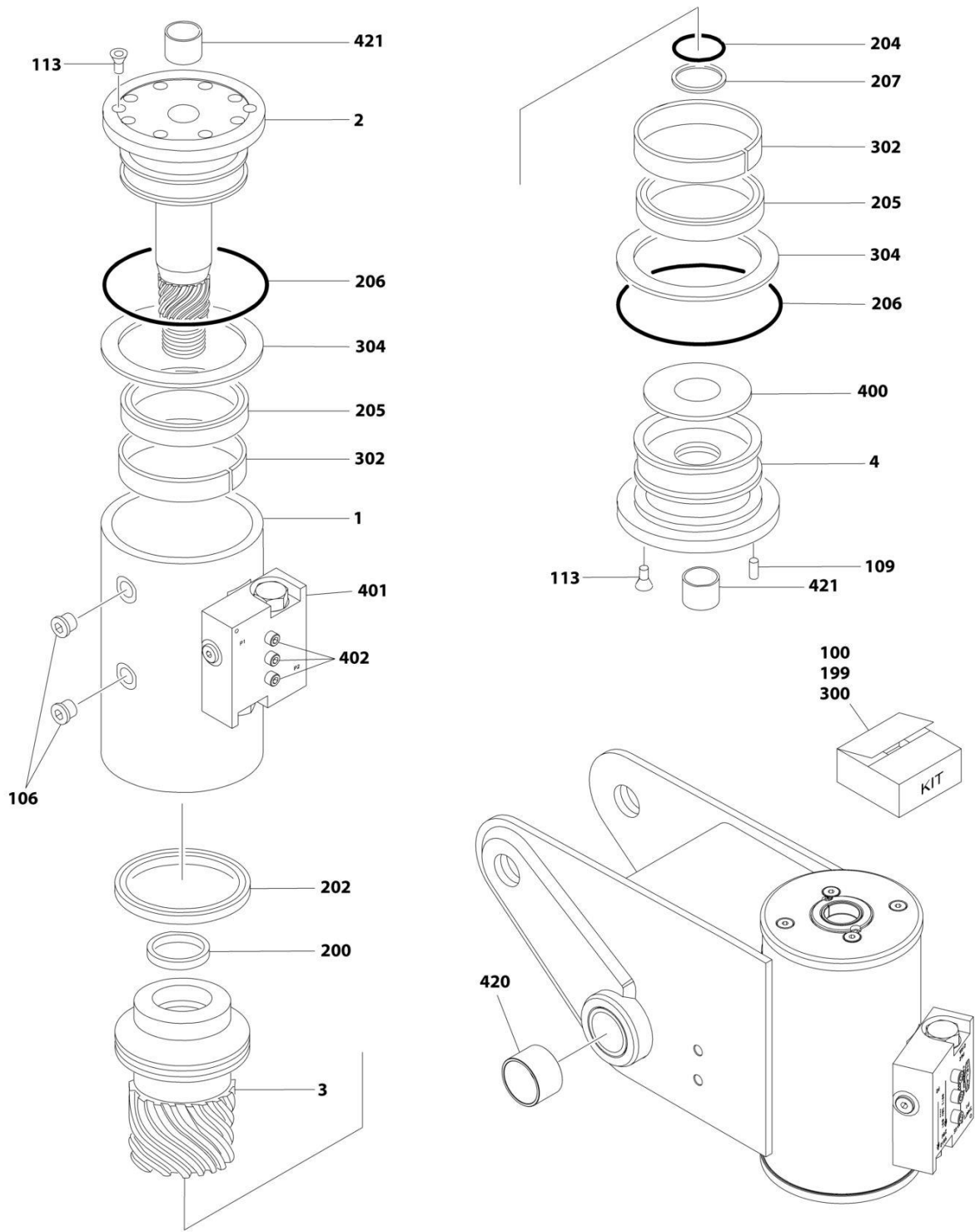
# SECTION 4 - BOOM

## FIGURE 4-5. JIB ASSEMBLY - 660SJC

ITEM	PART NUMBER	QTY	DESCRIPTION	REV
	1001182046	Ref	JIB ASSEMBLY	G
1	1001190580	1	Platform Rotator Assembly (See Separate Breakdown in this Section)	
2	0100011	AR	Compound, Locking	
4	0701018	4	Bolt M10 x 50	
7	0761014	1	Bolt M10 x 30	
8	0961947	4	Bearing	
9	3291005	1	Nut M10	
10	3422860	2	Pin	
11	3422867	1	Pin	
12	3841143	3	Keeper, Pin	
14	4844816	1	Tube, JIB	
14	0962335	4	Bushing	
15	1001181960	2	Link	
16	1001181962	1	Pivot	
17	1001182064	2	Pin	
18	1001231956	1	Lift Cylinder Assembly - JIB (See Separate Breakdown in CYLINDER SECTION) <b>(SN 0300236299 through 0300245222)</b>	
18	1001228013	1	Lift Cylinder Assembly - JIB (See Separate Breakdown in CYLINDER SECTION) <b>(SN 0300245223 through 0300272446)</b>	
19	4740439	2	Washer	
20	3790012	1	O-Ring	
21	4740397	1	Spacer	
22	1001155044	1	Nut 15/32	
23	1001155045	1	Switch, Toggle	
24	0761012	2	Bolt M10 x 25	

# SECTION 4 - BOOM

## FIGURE 4-6. PLATFORM ROTATOR ASSEMBLY - 600SC



ART\_1001187348

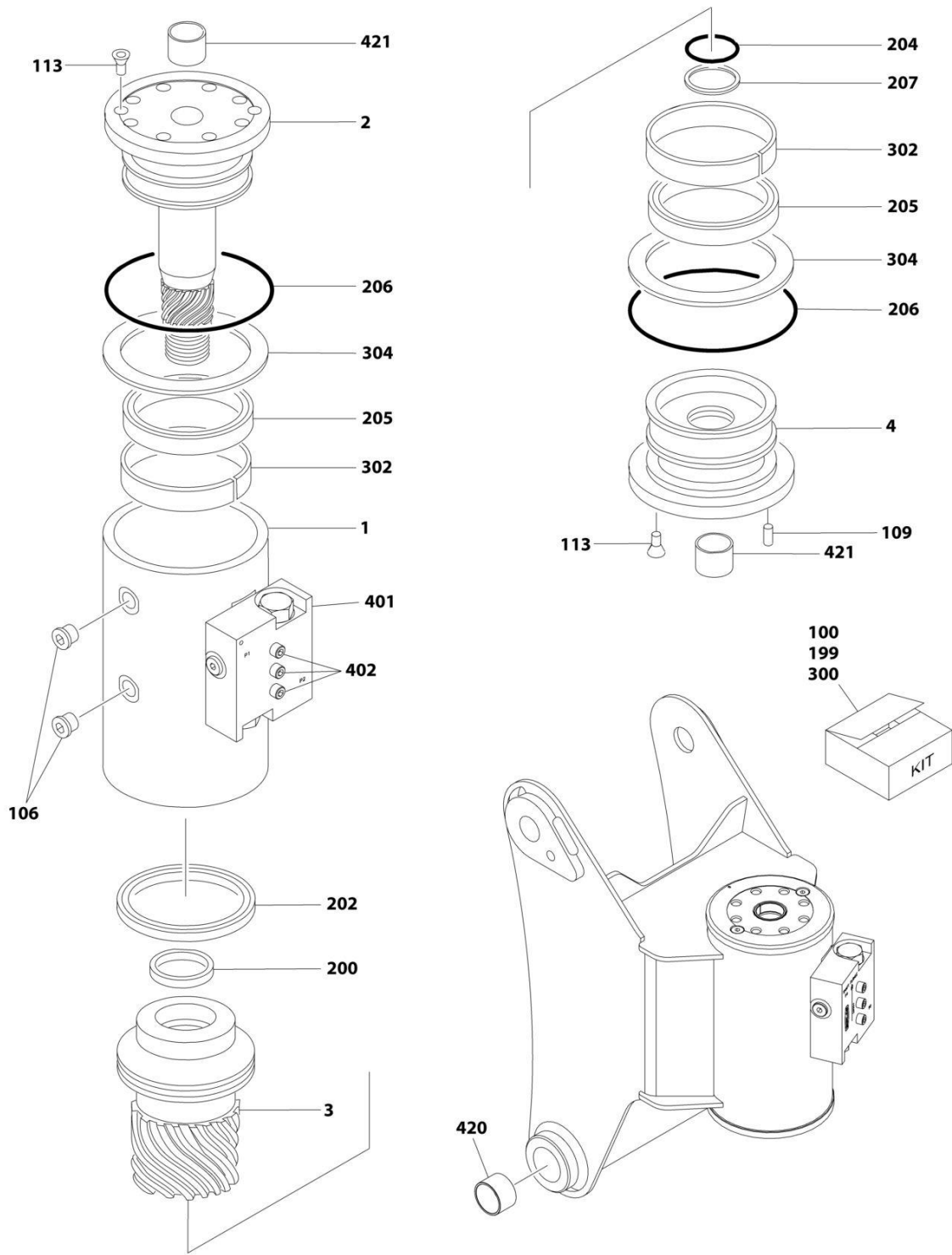
## SECTION 4 - BOOM

### FIGURE 4-6. PLATFORM ROTATOR ASSEMBLY - 600SC

ITEM	PART NUMBER	QTY	DESCRIPTION	REV
	1001187348	Ref	PLATFORM ROTATOR ASSEMBLY	E
1	See Note	NSS	Housing/Ring Gear (Note: Purchase Complete Assembly)	
2	7017162	1	Shaft	
3	7017163	1	Piston	
4	7017164	1	Cap	
100	7017142	1	Hardware Kit (Includes Items 106-109)	
106	See Note	NSS	Plug (Note: Use Item 100)	
109	See Note	NSS	Pin, Dowel (Note: Use Item 100)	
113	70001697	6	Screw 1/4 x 3/8	
199	70000342	1	Seal Kit - Low Temperature (Includes Items 200-207)	
200	See Note	NSS	T-Seal (Note: Use Item 199)	
202	See Note	NSS	T-Seal (Note: Use Item 199)	
204	See Note	NSS	O-Ring (Note: Use Item 199)	
205	See Note	NSS	Seal (Note: Use Item 199)	
206	See Note	NSS	O-Ring (Note: Use Item 199)	
207	See Note	NSS	Ring, Back-up (Note: Use Item 199)	
300	7017159	1	Bearing Kit (Includes Items 302-304)	
302	See Note	NSS	Bearing (Note: Use Item 300)	
304	See Note	NSS	Washer, Thrust (Note: Use Item 300)	
400	70005671	1	Stop	
401	7017172	1	Valve, Control (Note: Sold as Assembly Only)	
401	7017192	2	Cartridge, Valve - Counterbalance (Seal Kit Not Available)	
401	See Note	1	Cartridge, Valve - Check (Seal Kit Not Available) (Note: Use p/n 7017172)	
402	See Note	1	Bolt 1/4 x 1-1/2 Grade 8 (Note: Purchase Locally)	
420	0961951	2	Bushing	
421	7017195	2	Bushing	

# SECTION 4 - BOOM

## FIGURE 4-7. PLATFORM ROTATOR ASSEMBLY - 660SJC



ART\_1001190580

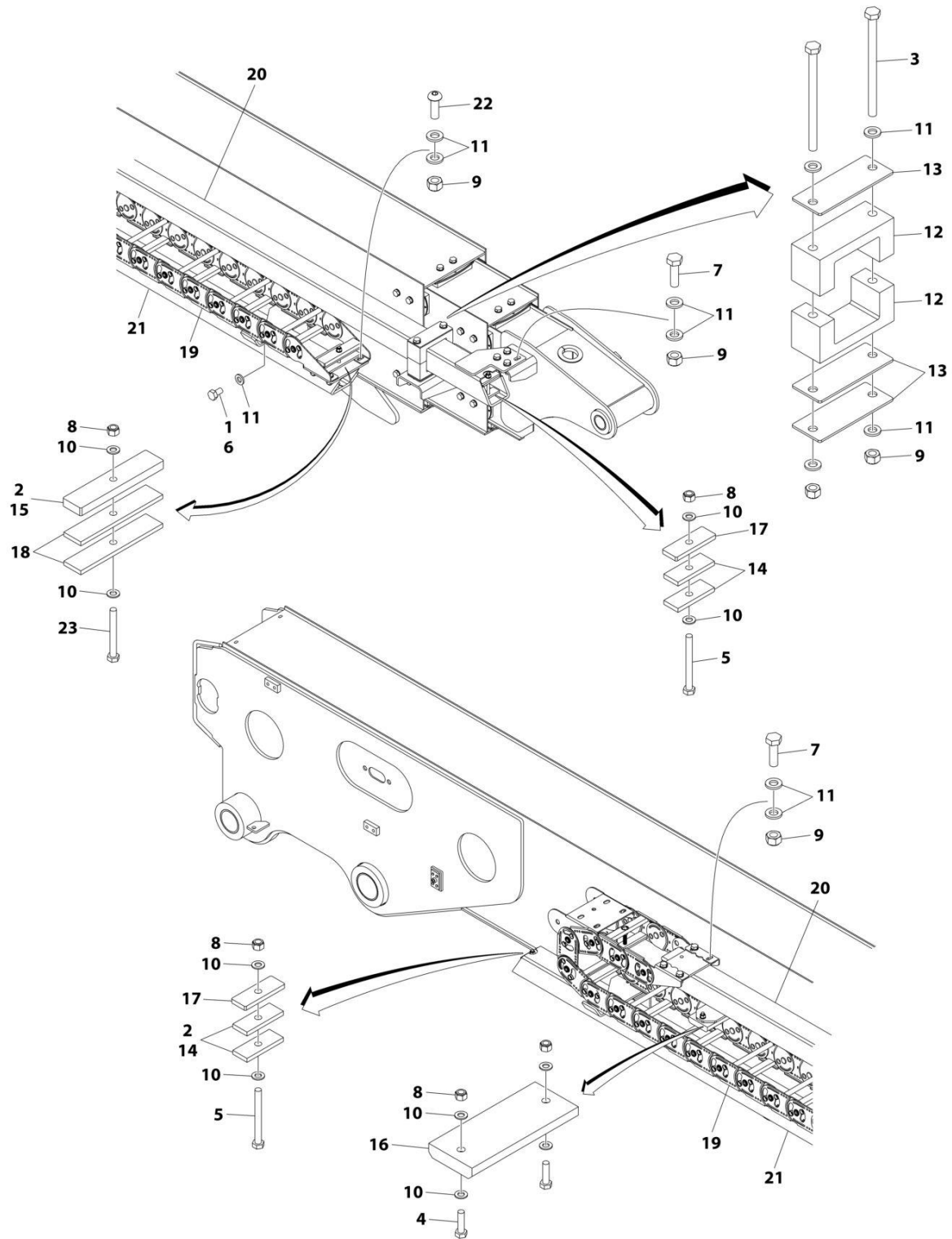
## SECTION 4 - BOOM

### FIGURE 4-7. PLATFORM ROTATOR ASSEMBLY - 660SJC

ITEM	PART NUMBER	QTY	DESCRIPTION	REV
	1001190580	Ref	PLATFORM ROTATOR ASSEMBLY	F
1	See Note	NSS	Housing/Ring Gear (Note: Purchase Complete Assembly)	
2	7017162	1	Shaft	
3	7017163	1	Piston	
4	7017164	1	Cap	
100	7017142	1	Hardware Kit (Includes Items 106-109)	
106	See Note	NSS	Plug (Note: Use Item 100)	
109	See Note	NSS	Pin, Dowel (Note: Use Item 100)	
113	70001697	6	Screw 1/4 x 3/8	
199	70000342	1	Seal Kit - Low Temperature (Includes Items 200-207)	
200	See Note	NSS	T-Seal (Note: Use Item 199)	
202	See Note	NSS	T-Seal (Note: Use Item 199)	
204	See Note	NSS	O-Ring (Note: Use Item 199)	
205	See Note	NSS	Seal (Note: Use Item 199)	
206	See Note	NSS	Ring, Back-up (Note: Use Item 199)	
207	See Note	NSS	Ring, Back-up (Note: Use Item 199)	
300	7017159	1	Bearing Kit (Includes Items 302-304)	
302	See Note	NSS	Bearing (Note: Use Item 300)	
304	See Note	NSS	Washer, Thrust (Note: Use Item 300)	
401	7017172	1	Valve, Control (Note: Sold as Assembly Only)	
401	7017192	2	Cartridge, Valve - Counterbalance (Seal Kit Not Available)	
401	See Note	1	Cartridge, Valve - Check (Seal Kit Not Available) (Note: Use p/n 7017172)	
402	See Note	NSS	Bolt 1/4 x 1-1/2 Grade 8 (Note: Purchase Locally)	
420	0961947	2	Bushing	
421	7017195	1	Bushing	

# SECTION 4 - BOOM

## FIGURE 4-8. POWER TRACK INSTALLATION



ART\_1001174630

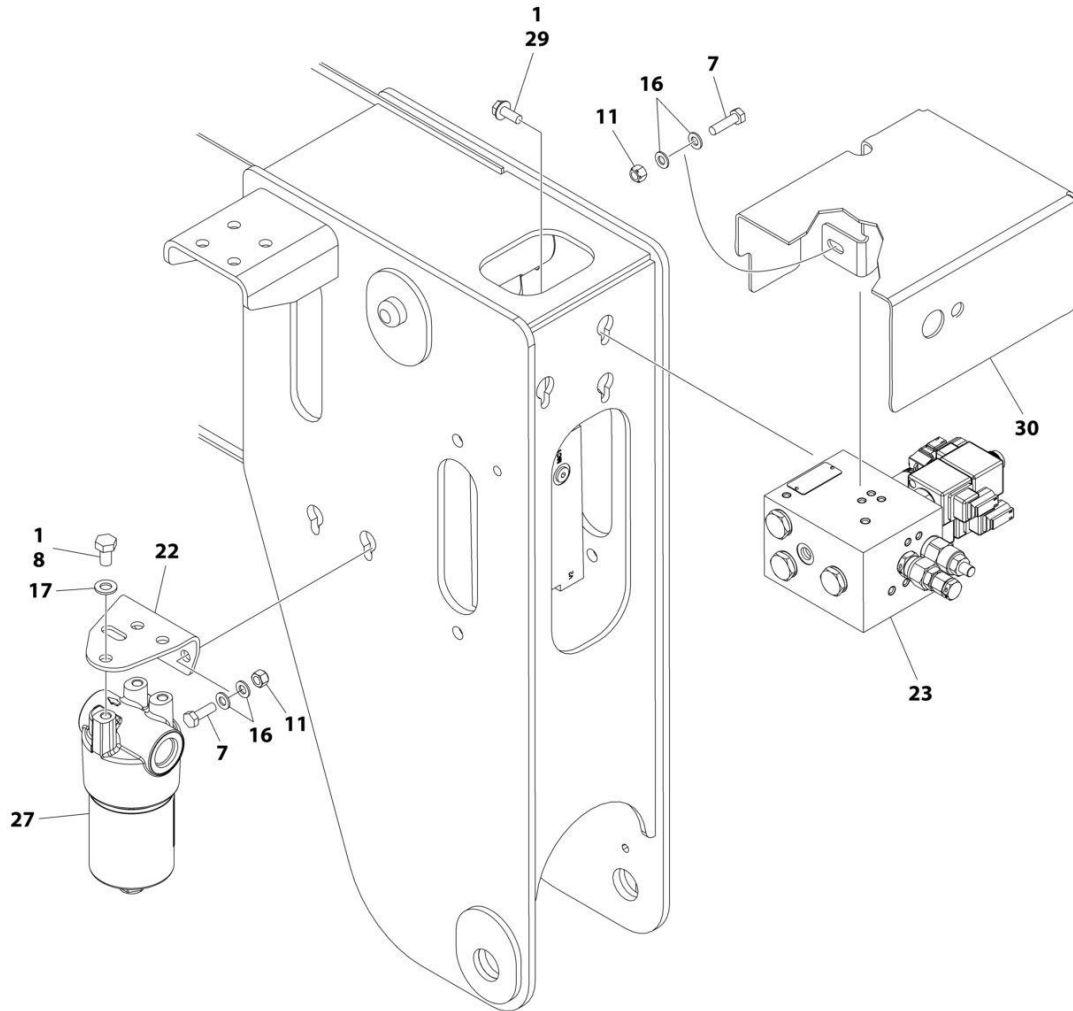


FIGURE 4-8. POWER TRACK INSTALLATION

ITEM	PART NUMBER	QTY	DESCRIPTION	REV
	1001174630	Ref	POWER TRACK INSTALLATION	F
1	0100011	AR	Compound, Locking	
2	0100081	AR	Adhesive	
3	0701032	2	Bolt M10 x 150	
4	0760814	2	Bolt M8 x 30	
5	0760824	2	Bolt M8 x 80	
6	0761009	8	Bolt M10 x 18	
7	0761015	8	Bolt M10 x 35	
8	3290805	5	Nut M8	
9	3291005	14	Nut M10	
10	4811900	10	Washer M8	
11	5241000	36	Washer M10	
12	1001136398	2	Pad	
13	1001136400	AR	Plate	
14	1001136402	4	Pad	
15	1001136461	1	Plate	
16	1001136469	NLA	Pad, Wear (Use p/n 3340787) ( <b>SN 0300236299 through 0300248931</b> )	
16	3340787	1	Pad, Wear ( <b>SN 0300248932 through 0300272446</b> )	
17	1001139078	2	Plate	
18	1001151192	2	Pad	
19	1001174631	1	Powertrack Assembly	
19	70005683	AR	Repair Section - Power Track	
19	70005684	1	Mounting Kit - Power Track (Includes Mounting Feet and Hardware)	
20	1001174632	1	Tube, Push	
21	1001174636	1	Support	
22	1001174673	4	Screw M10 x 30	
23	0760822	1	Bolt M8 x 70	

# SECTION 4 - BOOM

## FIGURE 4-9. BOOM VALVES INSTALLATION - 600SC



ART\_1001196607\_20F2

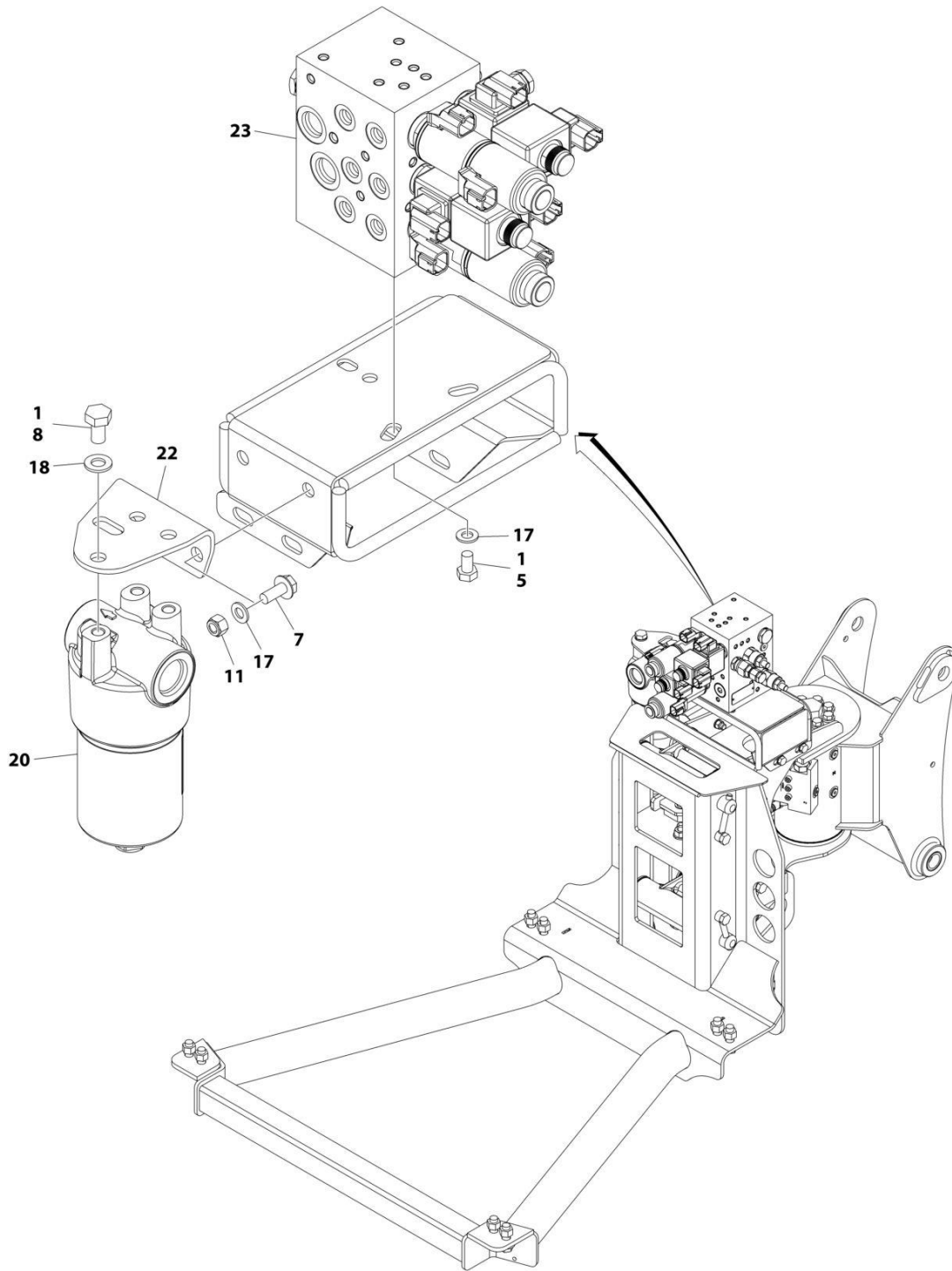
## SECTION 4 - BOOM

**FIGURE 4-9. BOOM VALVES INSTALLATION - 600SC**

ITEM	PART NUMBER	QTY	DESCRIPTION	REV
	1001196607	Ref	BOOM VALVES INSTALLATION	D
1	0100011	AR	Compound, Locking	
7	0760814	3	Bolt M8 x 30	
8	0761009	6	Bolt M10 x 18	
11	3290805	5	Nut M8	
16	4811900	10	Washer M8	
17	4812000	10	Washer M10	
22	1001188302	1	Mount	
23	1001190287	1	Platform Valve Assembly - 600SC (See Separate Breakdown in this Section)	
27	1001201511	1	Filter, High Pressure	
27	70005335	1	Element, Filter	
27	70005682	1	Repair Kit (Includes Element O-Ring, Bowl O-Ring & Back-up Ring)	
29	5250810	3	Bolt M8 x 20	
30	1001204529	1	Cover	

# SECTION 4 - BOOM

## FIGURE 4-10. BOOM VALVES INSTALLATION - 660SJC



ART\_1001197143\_20F2

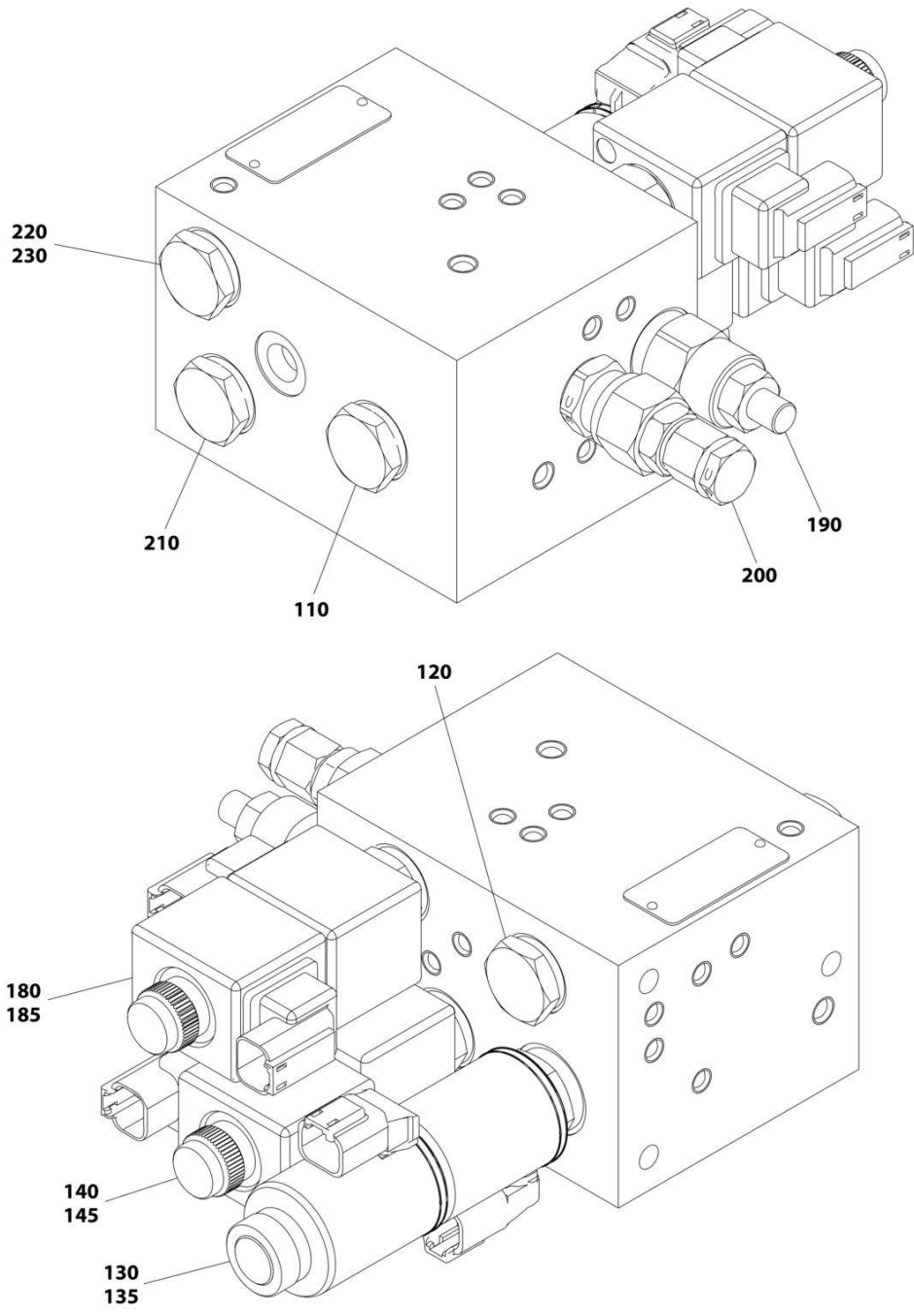
## SECTION 4 - BOOM

**FIGURE 4-10. BOOM VALVES INSTALLATION - 660SJC**

ITEM	PART NUMBER	QTY	DESCRIPTION	REV
	1001197143	Ref	BOOM VALVES INSTALLATION	E
1	0100011	AR	Compound, Locking	
5	0760807	3	Bolt M8 x 14	
7	5250810	2	Bolt M8 x 20	
8	0761009	3	Bolt M10 x 18	
11	3290805	2	Nut M8	
17	4811900	5	Washer M8	
18	4812000	3	Washer M10	
20	1001201511	1	Filter, High Pressure	
20	70005335	1	Element, Filter	
20	70005682	1	Repair Kit (Includes Element O-Ring, Bowl O-Ring & Back-up Ring)	
22	1001188302	1	Plate	
23	1001190286	1	Platform Valve Assembly - 660SJC (See Separate Breakdown in this Section)	

# SECTION 4 - BOOM

## FIGURE 4-11. PLATFORM VALVE ASSEMBLY - 600SC



ART\_1001190287

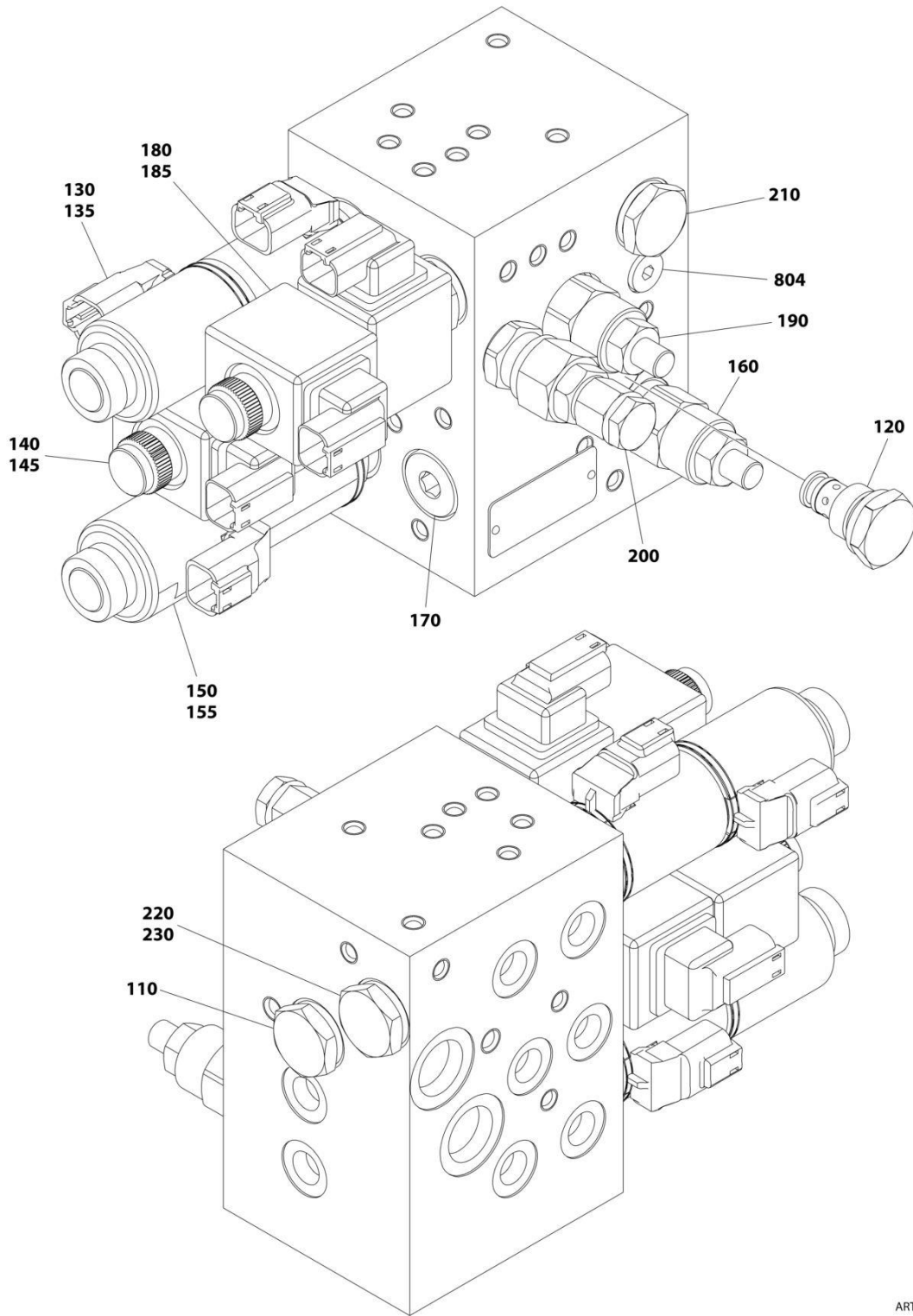
## SECTION 4 - BOOM

**FIGURE 4-11. PLATFORM VALVE ASSEMBLY - 600SC**

ITEM	PART NUMBER	QTY	DESCRIPTION	REV
	1001190287	Ref	PLATFORM VALVE ASSEMBLY	E
110	70005951	1	Valve, Check	
110	70004052	1	Seal Kit - 70005951 Valve	
120	70003027	1	Valve, Flow/Pressure Control	
120	70004052	1	Seal Kit - 70003027 Valve	
130	70006121	1	Valve, Solenoid (Platform Level)	
130	70006116	1	Seal Kit - 70006121 Valve	
135	70006122	2	Coil	
140	70005627	1	Valve, Solenoid (Platform Swing)	
140	70004053	1	Seal Kit - 70005627 Valve	
140	70006123	1	Coil Nut & Pole Tube O-Ring Kit	
145	70004653	2	Coil	
180	70006124	1	Valve, Solenoid	
180	70023862	1	Seal Kit - 70006124 Valve	
180	70006123	1	Coil Nut & Pole Tube O-Ring Kit	
185	70004653	2	Coil	
190	70003019	1	Valve, Relief	
190	70004052	1	Seal Kit - 70003019 Valve	
200	70006125	1	Valve, Relief	
200	70006126	1	Seal Kit - 70006125 Valve	
210	70005952	1	Valve, Check	
210	70004052	1	Seal Kit - 70005952 Valve	
220	7022524	1	Orifice 0.5mm	
230	70005952	1	Valve, Check	
230	70004052	1	Seal Kit - 70005952 Valve	

# SECTION 4 - BOOM

## FIGURE 4-12. PLATFORM VALVE ASSEMBLY - 660SJC



ART\_1001190286



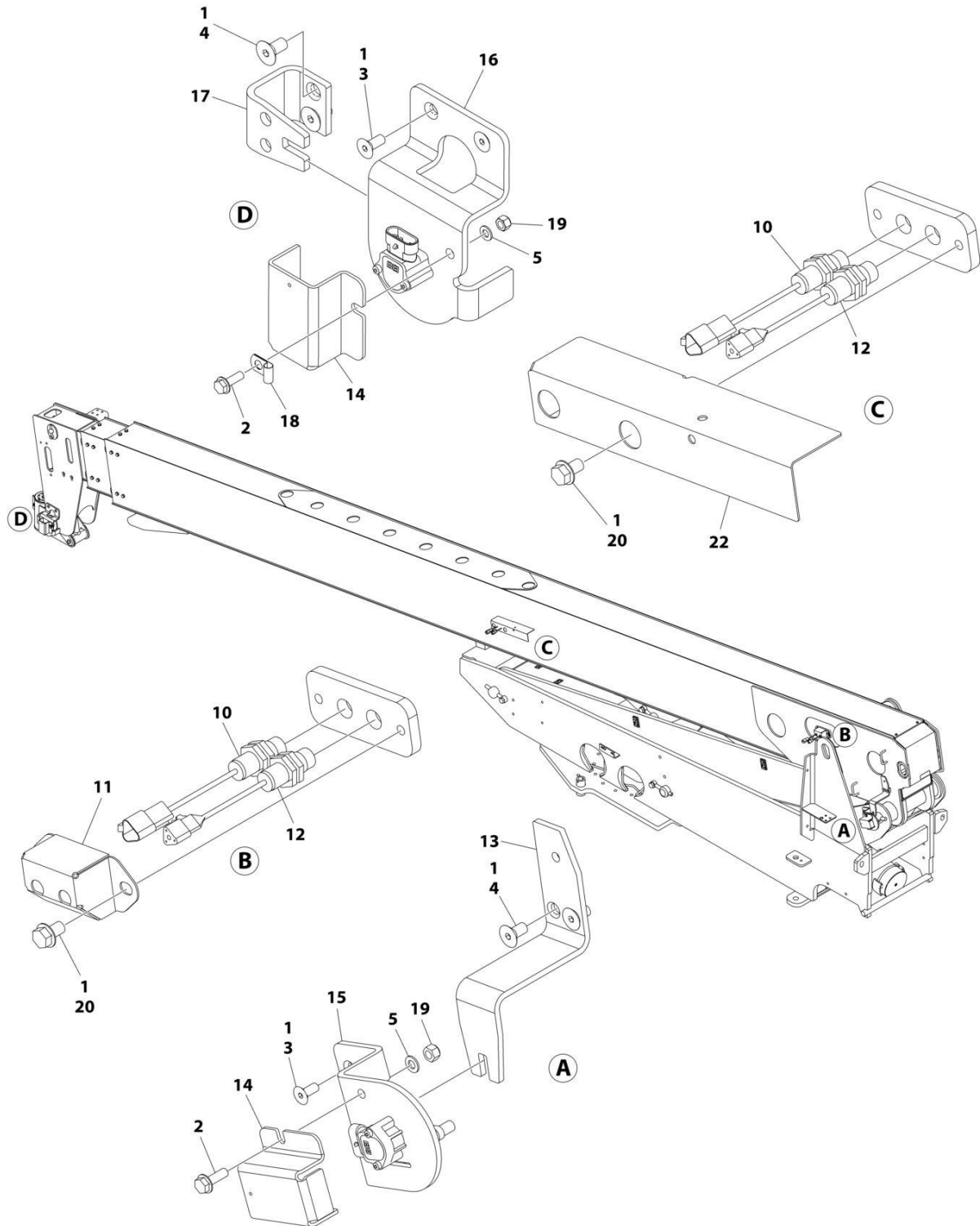
## SECTION 4 - BOOM

**FIGURE 4-12. PLATFORM VALVE ASSEMBLY - 660SJC**

ITEM	PART NUMBER	QTY	DESCRIPTION	REV
	1001190286	Ref	PLATFORM VALVE ASSEMBLY	D
110	70005951	1	Valve, Check	
110	70004052	1	Seal Kit - 70005951 Valve	
120	70003027	1	Valve, Flow/Pressure Control	
120	70004052	1	Seal Kit - 70003027 Valve	
130	70006121	1	Valve, Solenoid (Platform Level)	
130	70006116	1	Seal Kit - 70006121 Valve	
135	70006122	2	Coil	
140	70005627	1	Valve, Solenoid (Platform Swing)	
140	70004053	1	Seal Kit - 70005627 Valve	
140	70006123	1	Coil Nut & Pole Tube O-Ring Kit	
145	70004653	2	Coil	
150	70006121	1	Valve, Solenoid (JIB Up/Down)	
150	70006116	1	Seal Kit - 70006121 Valve	
155	70006122	2	Coil	
160	70003019	1	Valve, Relief	
160	70004052	1	Seal Kit - 70003019 Valve	
170	70004613	1	Valve, Relief	
170	70023860	1	Seal Kit - 70004613 Valve	
180	70006124	1	Valve, Solenoid	
180	70023862	1	Seal Kit - 70006124 Valve	
180	70006123	1	Coil Nut & Pole Tube O-Ring Kit	
185	70004653	2	Coil	
190	70003019	1	Valve, Relief	
190	70004052	1	Seal Kit - 70003019 Valve	
200	70006125	1	Valve, Relief	
200	70006126	1	Seal Kit - 70006125 Valve	
210	70005952	1	Valve, Check	
210	70004052	1	Seal Kit - 70003019 Valve	
220	7022524	1	Orifice 0.5mm	
230	70005952	1	Valve, Check	
230	70004052	1	Seal Kit - 70005952 Valve	
804	70005200	1	Plug	

# SECTION 4 - BOOM

## FIGURE 4-13. BOOM SENSORS INSTALLATION - 600SC



ART\_1001187605

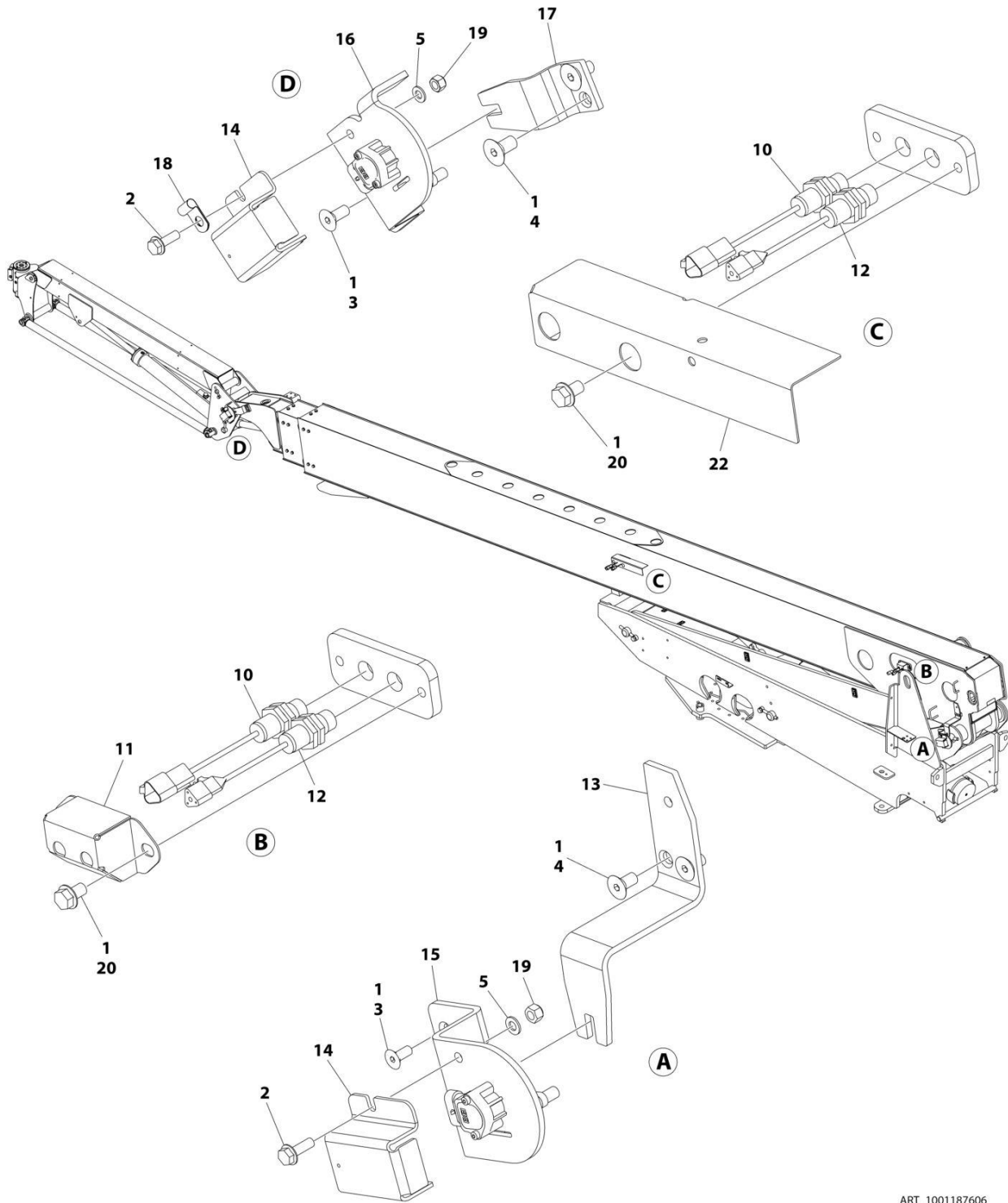
## SECTION 4 - BOOM

**FIGURE 4-13. BOOM SENSORS INSTALLATION - 600SC**

ITEM	PART NUMBER	QTY	DESCRIPTION	REV
	1001187605	Ref	BOOM SENSORS INSTALLATION	E
1	0100011	AR	Compound, Locking	
2	5250812	2	Bolt M8 x 25	
3	1001137125	4	Screw M8 x 20	
4	1001155441	4	Screw M10 x 20 Grade 10.9	
5	4811900	2	Washer M8	
10	1001170847	3	Sensor, Proximity	
11	1001204715	3	Bracket	
12	1001182570	3	Sensor, Proximity	
13	1001211585	1	Plate	
14	1001211588	2	Shield	
15	1001211577	1	Sensor (Lower)	
15	4010303	1	Screw Posi-drive M3 x 6	
15	1001204939	1	Sensor, Angle	
15	1001211580	1	Bracket	
15	1001211582	1	Link, Angle Sensor Arm	
16	1001211578	1	Sensor (Upper)	
16	4010303	1	Screw Posi-drive M3 x 6	
16	1001191020	1	Sensor, Angle	
16	1001211581	1	Bracket	
16	1001211583	1	Link, Angle Sensor Arm	
17	1001211586	1	Plate	
18	8406003	1	Clip	
19	3290805	2	Nut M8	
20	5251008	14	Bolt M10 x 16	
21	4240033	7	Tie-Strap (Not Shown)	
22	1001227792	1	Plate	

# SECTION 4 - BOOM

## FIGURE 4-14. BOOM SENSORS INSTALLATION - 660SJC



ART\_1001187606

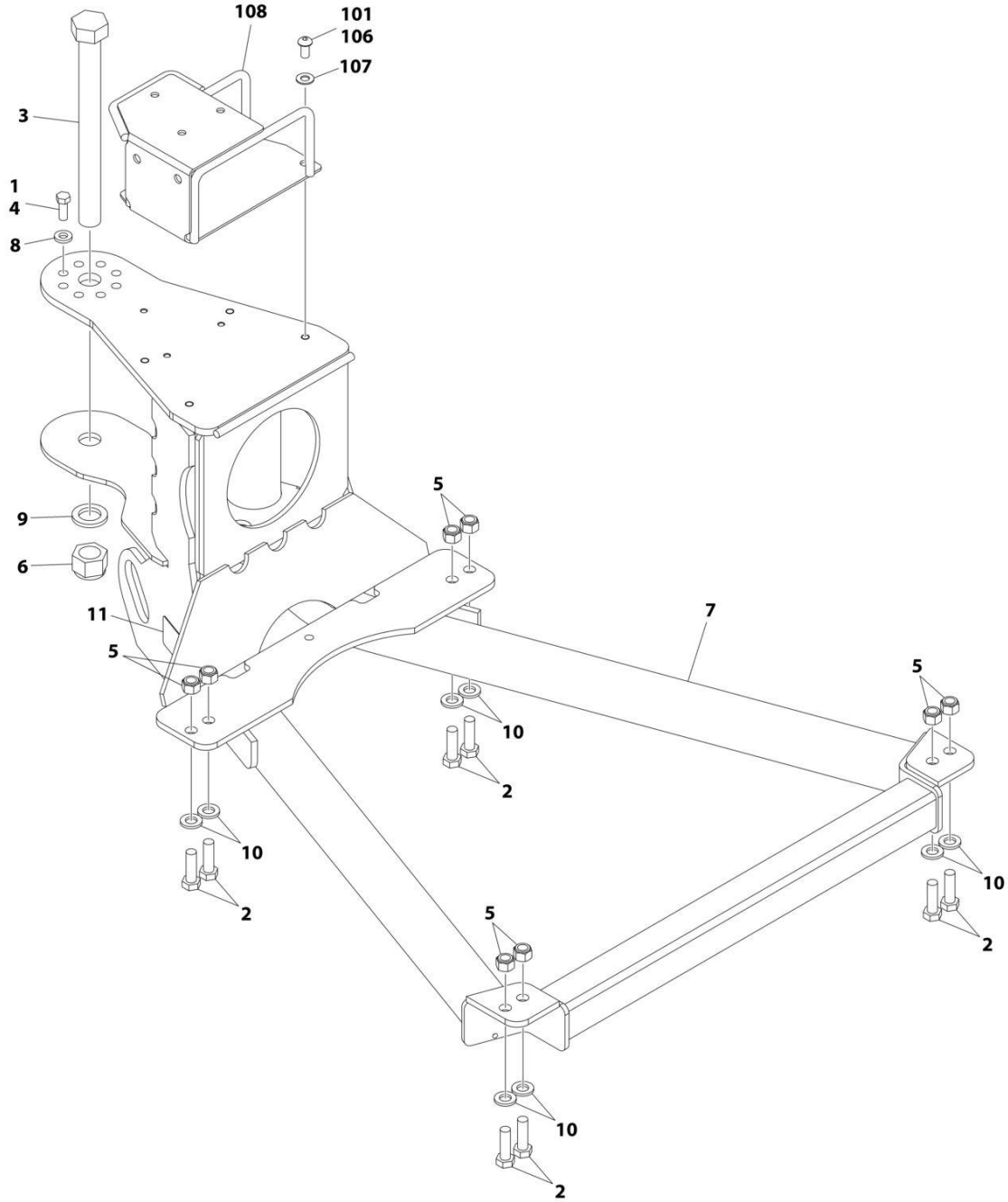
## SECTION 4 - BOOM

**FIGURE 4-14. BOOM SENSORS INSTALLATION - 660SJC**

ITEM	PART NUMBER	QTY	DESCRIPTION	REV
	1001187606	Ref	BOOM SENSORS INSTALLATION	E
1	0100011	AR	Compound, Locking	
2	5250812	2	Bolt M8 x 25	
3	1001137125	4	Screw M8 x 20	
4	1001155441	4	Screw M10 x 20 Grade 10.9	
5	4811900	2	Washer M8	
10	1001170847	2	Sensor, Proximity	
11	1001204715	1	Bracket	
12	1001182570	2	Sensor, Proximity	
13	1001211585	1	Plate	
14	1001211588	2	Shield	
15	1001211577	1	Sensor (Lower)	
15	4010303	1	Screw Posi-drive M3 x 6	
15	1001204939	1	Sensor, Angle	
15	1001211580	1	Bracket	
15	1001211582	1	Link, Angle Sensor Arm	
16	1001211579	1	Sensor (Upper)	
16	4010303	1	Screw Posi-drive M3 x 6	
16	1001191020	1	Sensor, Angle	
16	1001211581	1	Bracket	
16	1001211584	1	Link, Angle Sensor Arm	
17	1001211587	1	Plate	
18	8406003	1	Clip	
19	3290805	2	Nut M8	
20	5251008	4	Bolt M10 x 16	
21	4240033	2	Tie-Strap (Not Shown)	
22	1001227792	1	Plate	

# SECTION 4 - BOOM

## FIGURE 4-15. PLATFORM SUPPORT INSTALLATION - WITHOUT LSS



ART\_1001235513

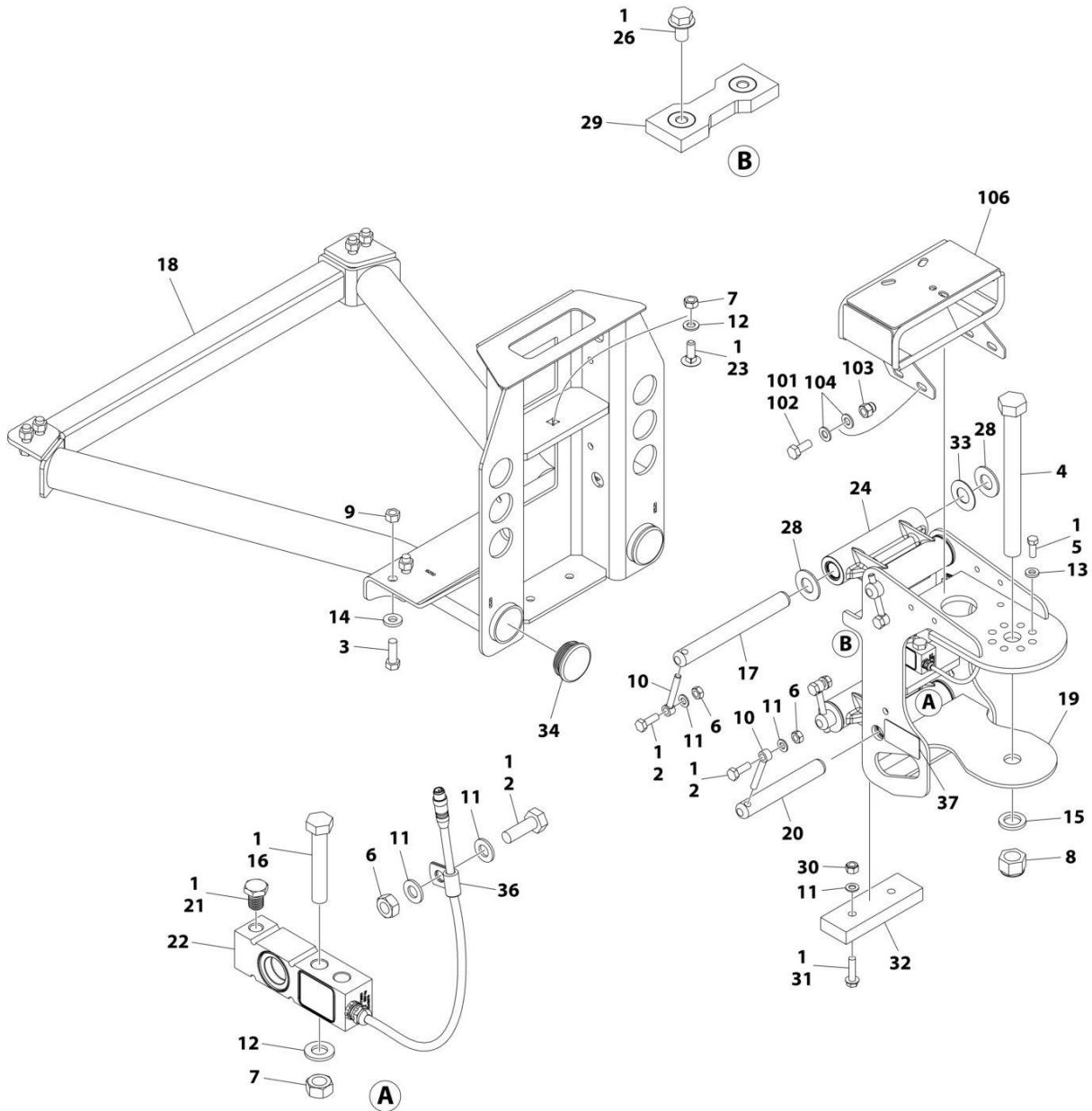
## SECTION 4 - BOOM

**FIGURE 4-15. PLATFORM SUPPORT INSTALLATION - WITHOUT LSS**

ITEM	PART NUMBER	QTY	DESCRIPTION	REV
	1001235513	1	PLATFORM SUPPORT INSTALLATION	A
1	0100011	AR	Compound, Locking	
2	0761216	8	Bolt M12 x 40	
3	0642684	1	Bolt 1 x 10-1/2	
4	0681608	8	Bolt 3/8 x 1	
5	3291205	8	Nut M12	
6	3300243	1	Nut 1	
7	4846573	1	Support	
8	4891600	8	Washer 3/8	
9	4892600	1	Washer 1	
10	5241200	8	Washer M12	
11	1001216630	2	Decal - Tie Down/No Lift	
	1001202688	1	VALVE MOUNT INSTALLATION	C
101	0100011	AR	Compound, Locking	
106	3900283	4	Screw 3/8 x 3/4	
107	4711600	4	Washer 3/8	
108	1001206920	1	Mount, Valve	

# SECTION 4 - BOOM

## FIGURE 4-16. PLATFORM SUPPORT INSTALLATION - WITH LSS



ART\_1001167596



## SECTION 4 - BOOM

**FIGURE 4-16. PLATFORM SUPPORT INSTALLATION - WITH LSS**

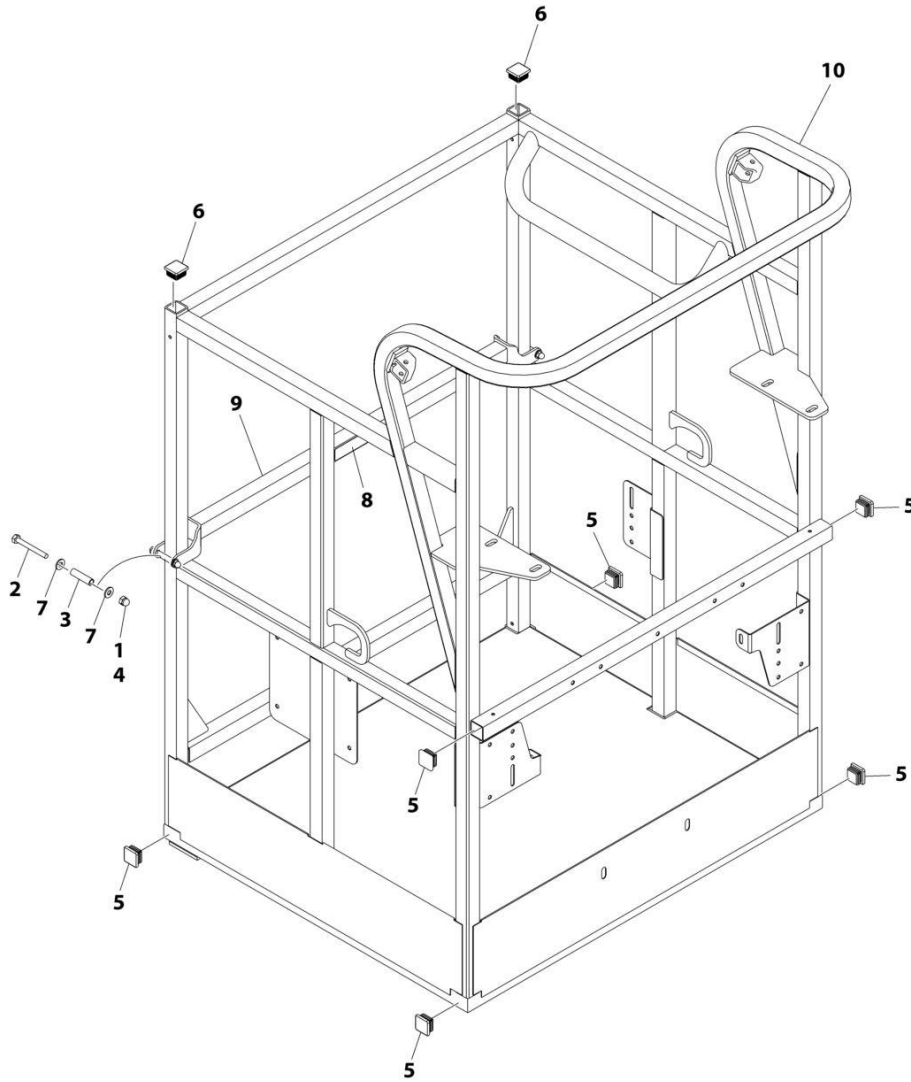
ITEM	PART NUMBER	QTY	DESCRIPTION	REV
	1001167596	Ref	PLATFORM SUPPORT INSTALLATION	N
1	0100011	AR	Compound, Locking	
2	0761014	5	Bolt M10 x 30	
3	0761216	8	Bolt M12 x 40	
4	1001255133	1	Bolt 1 x 11	
5	0681608	8	Bolt 3/8 x 1	
6	3291001	5	Nut M10	
7	3291201	3	Nut M12	
8	1001174040	1	Nut 1	
9	3291205	8	Nut M12	
10	3841143	4	Keeper, Pin	
11	4812000	8	Washer M10	
12	4812100	3	Washer M12	
13	4891600	8	Washer 3/8	
14	5241200	8	Washer M12	
15	4892600001	1	Washer 1	
16	1001098828	2	Bolt M12 x 70 Grade 10.9	
17	1001167565	2	Pin	
18	1001200494	1	Support, Platform	
19	1001167567	1	Support, Rotator	
20	1001168402	2	Pin	
21	1001188622	1	Screw	
22	1001247468	1	Gauge, Load Sensing	
23	1001188844	1	Bolt M12 x 35	
24	1001201351	2	Link	
26	5251008	2	Bolt M10 x 16	
28	1001189002	8	Bearing	
29	1001190985	1	Pad, Wear	
30	3291005	2	Nut M10	
31	5251016	2	Bolt M10 x 40	
32	1001200491	1	Pad, Wear	
33	1001189001	4	Bearing	
34	1001204725	2	Plug	
36	91203039	1	Clamp	
37	1001216630	2	Decal - Tie Down/No Lift	
38	1001238421	Ref	Kit, Platform Leveling (Not Shown)	
	1001202687	Ref	VALVE MOUNT INSTALLATION	B
101	0100011	AR	Compound, Locking	
102	0760810	4	Bolt M8 x 20	
103	3290806	4	Nut M8	
104	4811900	8	Washer M8	
106	1001208994	1	Mount, Valve	



**SECTION 5 - PLATFORM**

# SECTION 5 - PLATFORM

FIGURE 5-1. PLATFORM ASSEMBLY - 30IN X 3FT (76CM X .91M) - DROP BAR ENTRY



ART\_1001228215

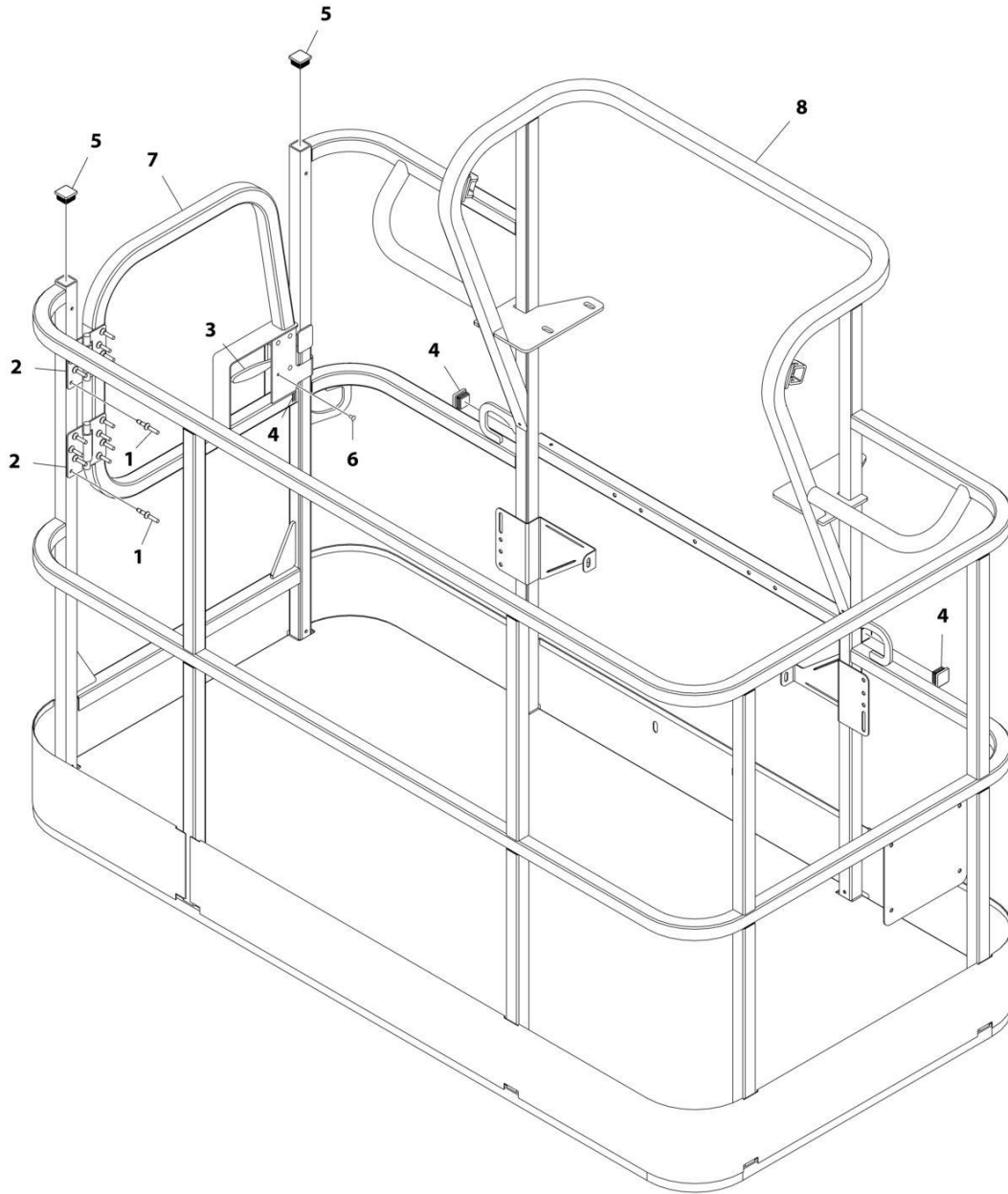
## SECTION 5 - PLATFORM

**FIGURE 5-1. PLATFORM ASSEMBLY - 30IN X 3FT (76CM X .91M) - DROP BAR ENTRY**

ITEM	PART NUMBER	QTY	DESCRIPTION	REV
	1001228215	Ref	PLATFORM ASSEMBLY	A
	See Note	Ref	Note: Platform and Mesh must be ordered separately for Platforms with Mesh. See SPECIAL OPTIONS SECTION for Mesh Installations.	
	See Note	Ref	Note: Replacement Decals Must be Ordered Separately - See DECAL SECTION.	
1	0100011	AR	Compound, Locking	
2	0641418	2	Bolt 1/4 x 2-1/4	
3	0961845	2	Bushing	
4	3300151	2	Nut 1/4	
5	3520072	6	Cap, Plug	
6	3520198	2	Cap, Plug	
7	4711400	4	Washer 1/4	
8	1001140429	1	Decal - Drop Bar	
9	1001226872	1	Bar, Drop	
10	See Note	NSS	Platform (Note: Not Available - Purchase Platform Assembly)	

# SECTION 5 - PLATFORM

FIGURE 5-2. PLATFORM ASSEMBLY - 36IN X 6FT (91.5CM X 1.83M) WITH SWING GATE



ART\_1001186384

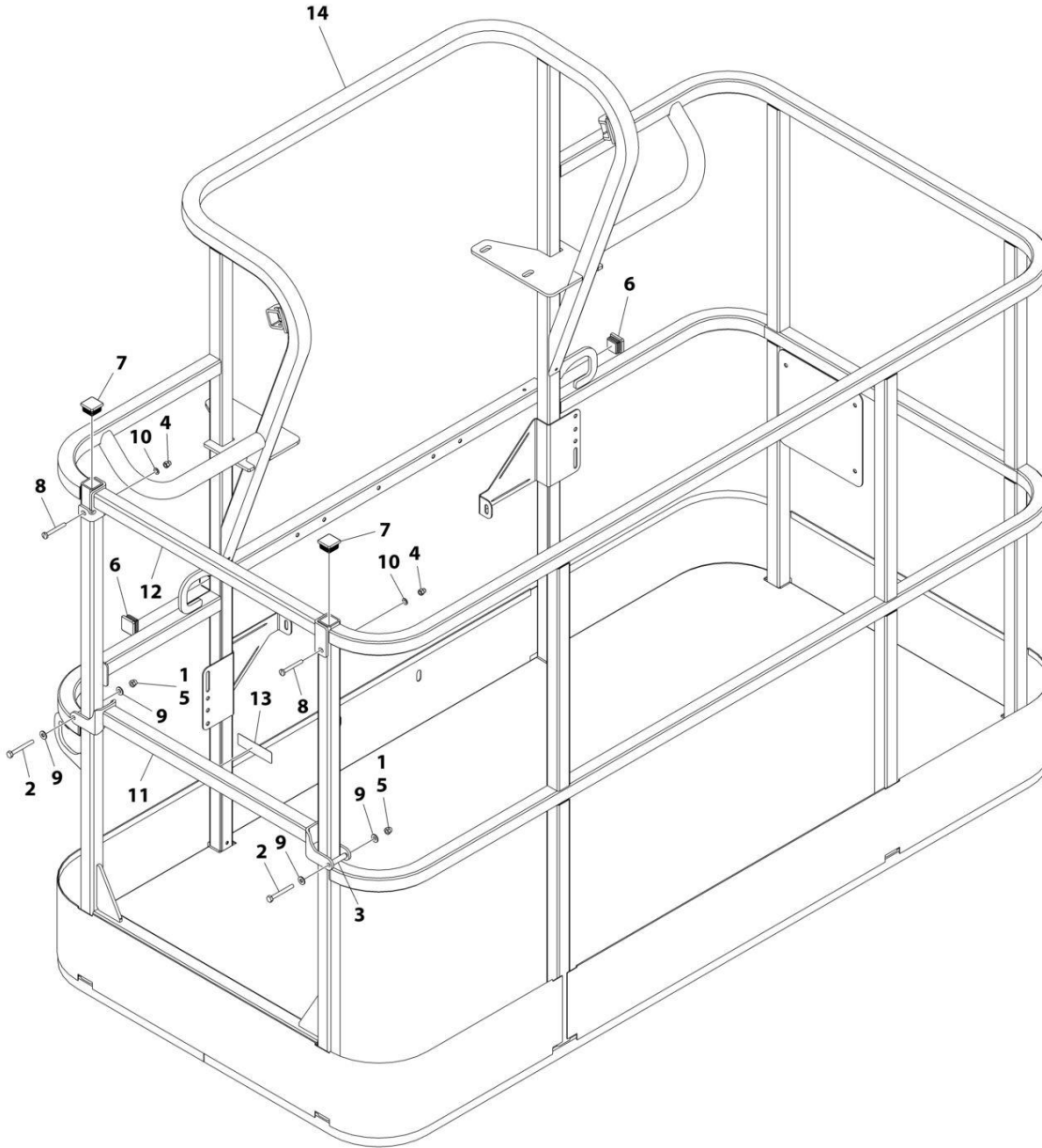
## SECTION 5 - PLATFORM

**FIGURE 5-2. PLATFORM ASSEMBLY - 36IN X 6FT (91.5CM X 1.83M) WITH SWING GATE**

ITEM	PART NUMBER	QTY	DESCRIPTION	REV
	1001186384	Ref	PLATFORM ASSEMBLY - 36IN X 6FT (91.5CM X 1.83M) WITH SWING GATE	C
	See Note	Ref	Note: Platform and Mesh must be ordered separately for Platforms with Mesh. See SPECIAL OPTIONS SECTION for Mesh Installations.	
	See Note	Ref	Note: Replacement Decals Must be Ordered Separately - See DECALS SECTION.	
1	2080040	16	Fastener, Huck	
2	2600281	2	Hinge	
3	2940074	1	Latch	
4	3520072	3	Plug	
5	3520198	2	Plug	
6	3820020	4	Rivet	
7	1001144629	1	Gate	
8	See Note	NSS	Platform (Note: Not Available - Purchase Platform Assembly)	

# SECTION 5 - PLATFORM

FIGURE 5-3. PLATFORM ASSEMBLY - 36IN X 6FT (91.5CM X 1.83M) WITH DROP BAR



ART\_1001186379



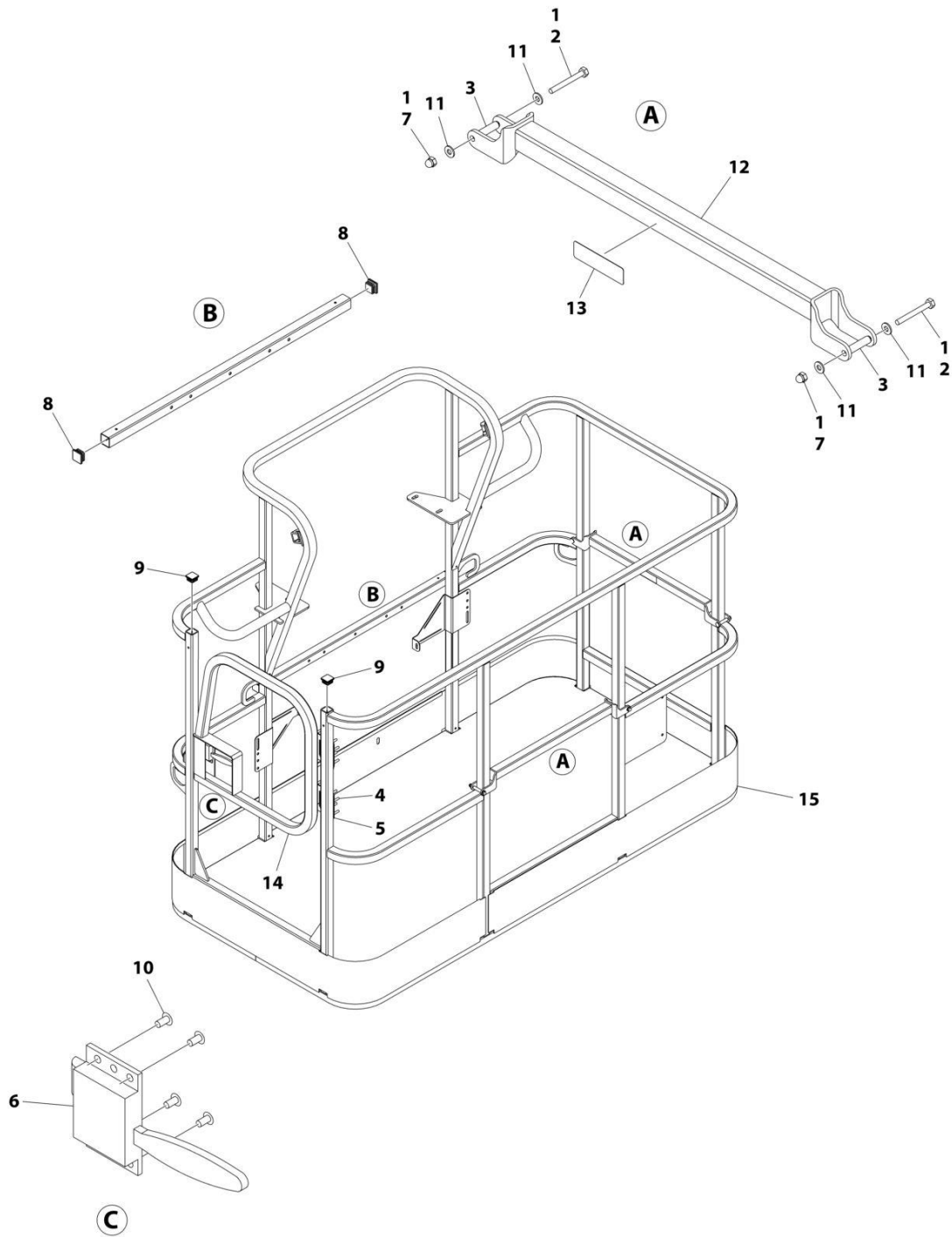
## SECTION 5 - PLATFORM

**FIGURE 5-3. PLATFORM ASSEMBLY - 36IN X 6FT (91.5CM X 1.83M) WITH DROP BAR**

ITEM	PART NUMBER	QTY	DESCRIPTION	REV
	1001186379	Ref	PLATFORM ASSEMBLY - 36IN X 6FT (91.5CM X 1.83M) WITH DROP BAR	B
		Ref	Note: Platform and Mesh must be ordered separately for Platforms with Mesh. See SPECIAL OPTIONS SECTION for Mesh Installations.	
		Ref	Note: Replacement Decals Must be Ordered Separately - See DECALS SECTION.	
1	0100011	AR	Compound, Locking	
2	0641418	2	Bolt 1/4 x 2-1/4	
3	0961845	2	Bushing	
4	3290606	2	Nut M6	
5	3300151	2	Nut 1/4	
6	3520072	2	Plug	
7	3520198	2	Plug	
8	4010618	2	Screw M6 x 50	
9	4711400	4	Washer 1/4	
10	4811700	2	Washer M6	
11	1001138494	1	Bar, Drop	
12	1001138514	1	Rail (Top)	
13	1001140429	1	Decal - Drop Bar	
14	See Note	NSS	Platform (Note: Not Available - Purchase Platform Assembly)	

# SECTION 5 - PLATFORM

## FIGURE 5-4. PLATFORM ASSEMBLY - 36IN X 6FT (91.5CM X 1.83M) TRI-ENTRY WITH SWING GATE



ART\_1001228376

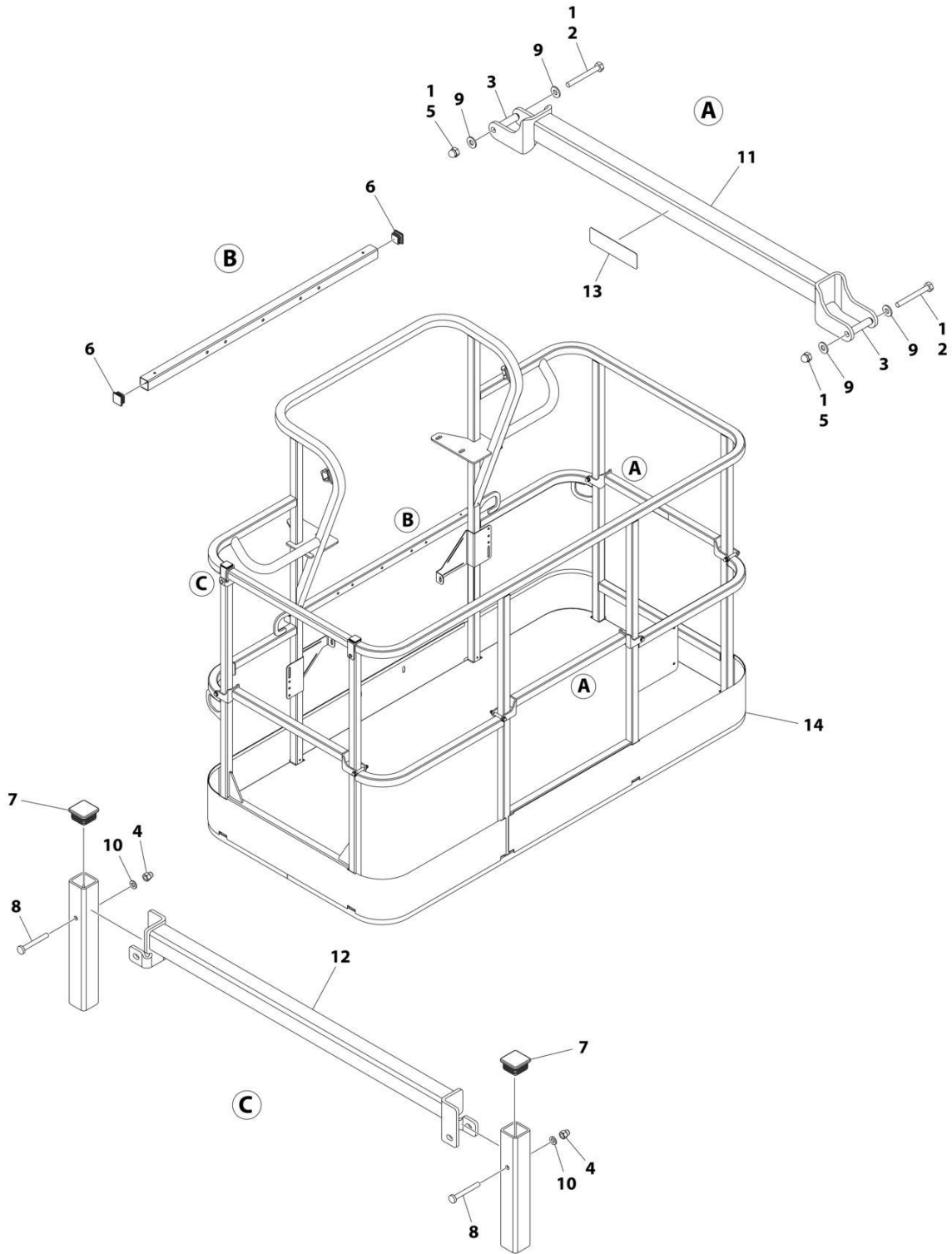
## SECTION 5 - PLATFORM

**FIGURE 5-4. PLATFORM ASSEMBLY - 36IN X 6FT (91.5CM X 1.83M) TRI-ENTRY WITH SWING GATE**

ITEM	PART NUMBER	QTY	DESCRIPTION	REV
	1001228376	Ref	PLATFORM ASSEMBLY - 36IN x 6FT (91.5CM x 1.83M)	B
		Ref	Note: Platform and Mesh must be ordered separately for Platforms with Mesh. See SPECIAL OPTIONS SECTION for Mesh Installations.	
		Ref	Note: Replacement Decals Must be Ordered Separately - See DECAL SECTION.	
1	0100011	AR	Compound, Locking	
2	0641418	4	Bolt 1/4 x 2-1/4	
3	0961845	4	Bushing	
4	2080040	16	Fastener	
5	2600281	2	Hinge	
6	2940074	1	Latch	
7	3300151	4	Nut 1/4	
8	3520072	3	Plug	
9	3520198	2	Plug	
10	3820020	4	Rivet	
11	4711400	8	Washer 1/4	
12	1001138494	2	Bar, Drop	
13	1001140429	2	Decal - Drop Bar	
14	1001144629	1	Gate	
15	See Note	NSS	Platform (Note: Not Available - Purchase Platform Assembly)	

# SECTION 5 - PLATFORM

FIGURE 5-5. PLATFORM ASSEMBLY - 36IN X 6FT (91.5CM X 1.83M) TRI-ENTRY WITH DROPBAR



ART\_1001228377

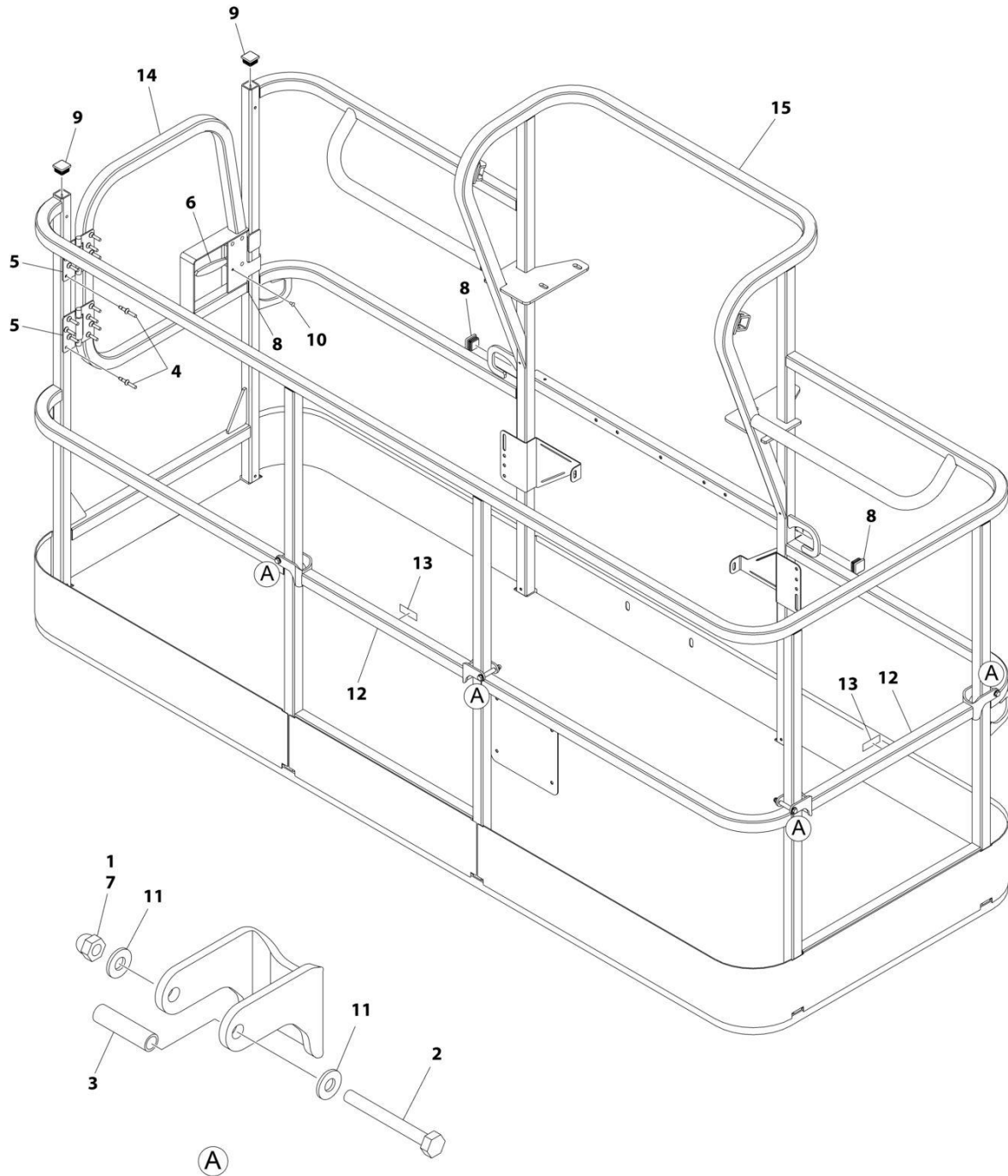
## SECTION 5 - PLATFORM

**FIGURE 5-5. PLATFORM ASSEMBLY - 36IN X 6FT (91.5CM X 1.83M) TRI-ENTRY WITH DROPBAR**

ITEM	PART NUMBER	QTY	DESCRIPTION	REV
	1001228377	Ref	PLATFORM ASSEMBLY - 36IN x 6FT (91.5CM x 1.83M)	B
		Ref	Note: Platform and Mesh must be ordered separately for Platforms with Mesh. See SPECIAL OPTIONS SECTION for Mesh Installations.	
		Ref	Note: Replacement Decals Must be Ordered Separately - See DECAL SECTION.	
1	0100011	1	Compound, Locking	
2	0641418	6	Bolt 1/4 x 2-1/4	
3	0961845	6	Bushing	
4	3290606	2	Nut M6	
5	3300151	6	Nut 1/4	
6	3520072	2	Plug	
7	3520198	2	Plug	
8	4010618	2	Screw M6 x 50	
9	4711400	12	Washer 1/4	
10	4811700	2	Washer M6	
11	1001138494	3	Bar, Drop	
12	1001138514	1	Rail (Top)	
13	1001140429	3	Decal - Drop Bar	
14	See Note	NSS	Platform, Weldment (Note: Not Available - Purchase Platform Assembly)	

# SECTION 5 - PLATFORM

FIGURE 5-6. PLATFORM ASSEMBLY - 36IN X 8FT (91.5CM X 2.44M) TRI-ENTRY WITH DROPBAR



ART\_1001228243

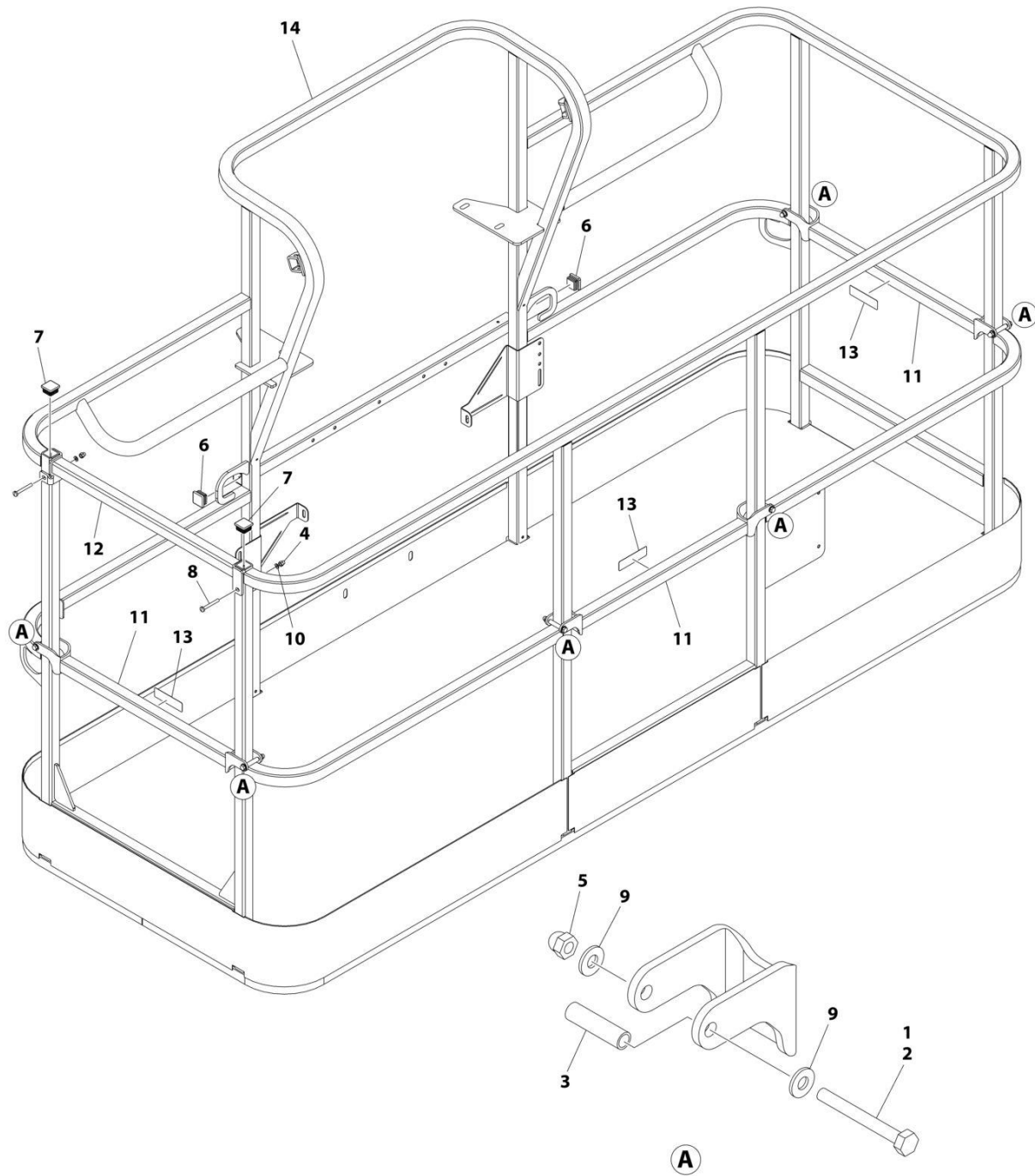
## SECTION 5 - PLATFORM

**FIGURE 5-6. PLATFORM ASSEMBLY - 36IN X 8FT (91.5CM X 2.44M) TRI-ENTRY WITH DROPBAR**

ITEM	PART NUMBER	QTY	DESCRIPTION	REV
	1001228243	Ref	PLATFORM ASSEMBLY - 36IN X 8FT (91.5CM X 2.44M) WITH TRI-ENTRY	A
		Ref	Note: Platform and Mesh must be ordered separately for Platforms with Mesh. See SPECIAL OPTIONS SECTION for Mesh Installations.	
1	0100011	AR	Compound, Locking	
2	0641418	4	Bolt 1/4 x 2-1/4	
3	0961845	4	Bushing	
4	2080040	16	Fastener, Huck	
5	2600281	2	Hinge, Self-Closing	
6	2940074	1	Latch	
7	3300151	4	Nut 1/4	
8	3520072	3	Cap, Plug	
9	3520198	2	Cap, Plug	
10	3820020	4	Rivet	
11	4711400	8	Washer 1/4	
12	1001138494	2	Bar, Drop	
13	1001140429	2	Decal - Drop Bar	
14	1001144629	1	Gate, Weldment	
15	See Note	1	Platform (Note: Not Available - Purchase Platform Assembly)	

# SECTION 5 - PLATFORM

FIGURE 5-7. PLATFORM ASSEMBLY - 36IN X 8FT (91.5CM X 2.44M) TRI-ENTRY WITH DROPGATE



ART\_1001228375



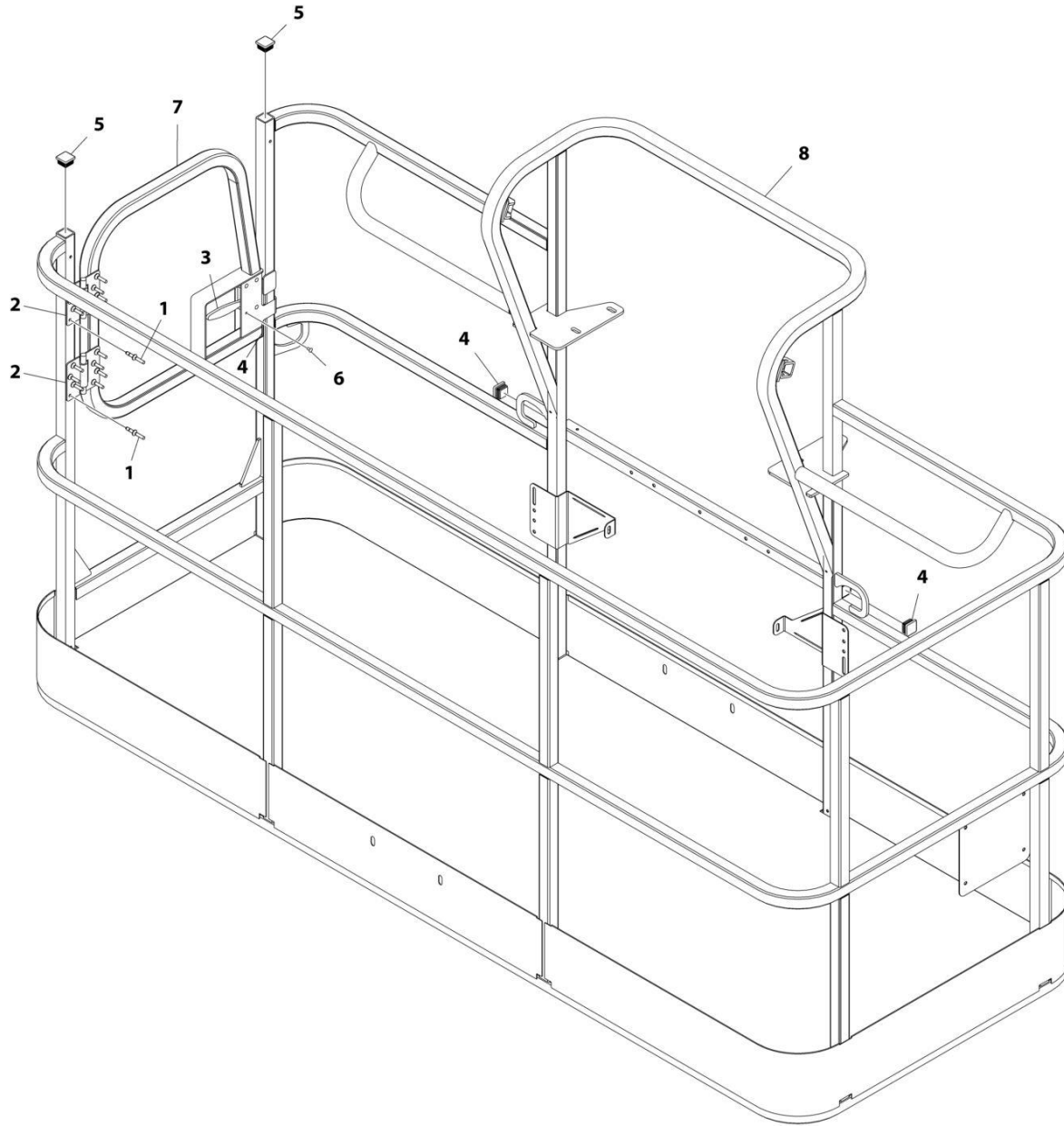
## SECTION 5 - PLATFORM

**FIGURE 5-7. PLATFORM ASSEMBLY - 36IN X 8FT (91.5CM X 2.44M) TRI-ENTRY WITH DROPGATE**

ITEM	PART NUMBER	QTY	DESCRIPTION	REV
	1001228375	Ref	PLATFORM ASSEMBLY - 36IN X 8FT (91.5CM X 2.44M) WITH TRI-ENTRY	A
		Ref	Note: Platform and Mesh must be ordered separately for Platforms with Mesh. See SPECIAL OPTIONS SECTION for Mesh Installations.	
		Ref	Note: Replacement Decals Must be Ordered Separately - See DECAL SECTION.	
1	0100011	AR	Compound, Locking	
2	0641418	6	Bolt 1/4 x 2-1/4	
3	0961845	6	Bushing	
4	3290606	2	Nut M6 x 1	
5	3300151	6	Nut 1/4	
6	3520072	2	Cap, Plug	
7	3520198	2	Cap, Plug	
8	4010618	2	Screw M6 x 50	
9	4711400	12	Washer 1/4	
10	4811700	2	Washer M6	
11	1001138494	3	Bar, Drop	
12	1001138514	1	Rail (Top)	
13	1001140429	3	Decal - Drop Bar	
14	See Note	1	Platform (Note: Not Available - Purchase Platform Assembly)	

# SECTION 5 - PLATFORM

FIGURE 5-8. PLATFORM ASSEMBLY - 36IN X 8FT (91.5CM X 2.44M) WITH SWING GATE



ART\_1001186383

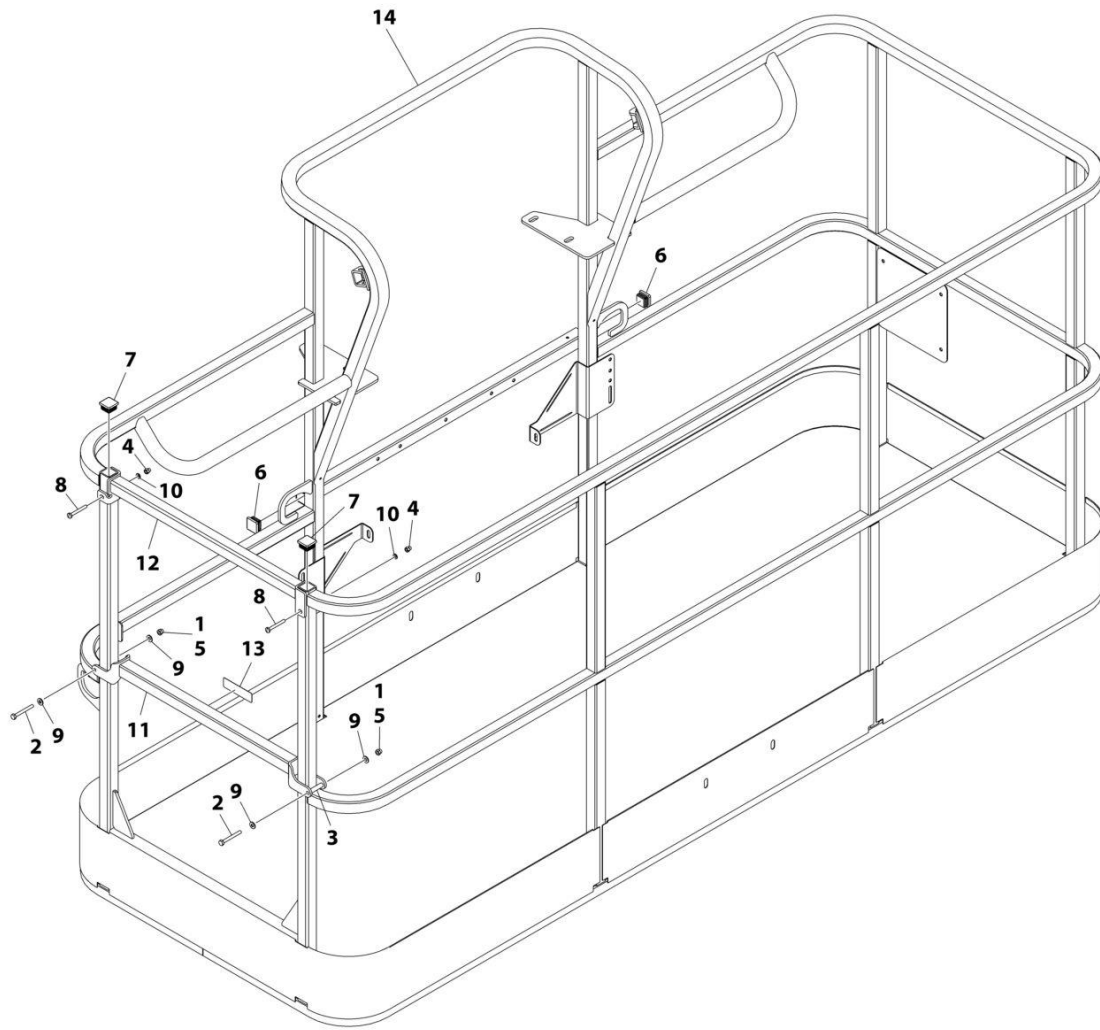
## SECTION 5 - PLATFORM

**FIGURE 5-8. PLATFORM ASSEMBLY - 36IN X 8FT (91.5CM X 2.44M) WITH SWING GATE**

ITEM	PART NUMBER	QTY	DESCRIPTION	REV
	1001186383	Ref	PLATFORM ASSEMBLY - 36IN X 8FT (91.5CM X 2.44M) WITH SWING GATE	D
		Ref	Note: Platform and Mesh must be ordered separately for Platforms with Mesh. See SPECIAL OPTIONS SECTION for Mesh Installations.	
		Ref	Note: Replacement Decals Must be Ordered Separately - See DECALS SECTION.	
1	2080040	16	Fastener, Huck	
2	2600281	2	Hinge	
3	2940074	1	Latch	
4	3520072	3	Plug	
5	3520198	2	Plug	
6	3820020	4	Rivet	
7	1001144629	1	Gate	
8	See Note	NSS	Platform (Note: Not Available - Purchase Platform Assembly)	

# SECTION 5 - PLATFORM

FIGURE 5-9. PLATFORM ASSEMBLY - 36IN X 8FT (91.5CM X 2.44M) WITH DROP BAR



ART\_1001186382

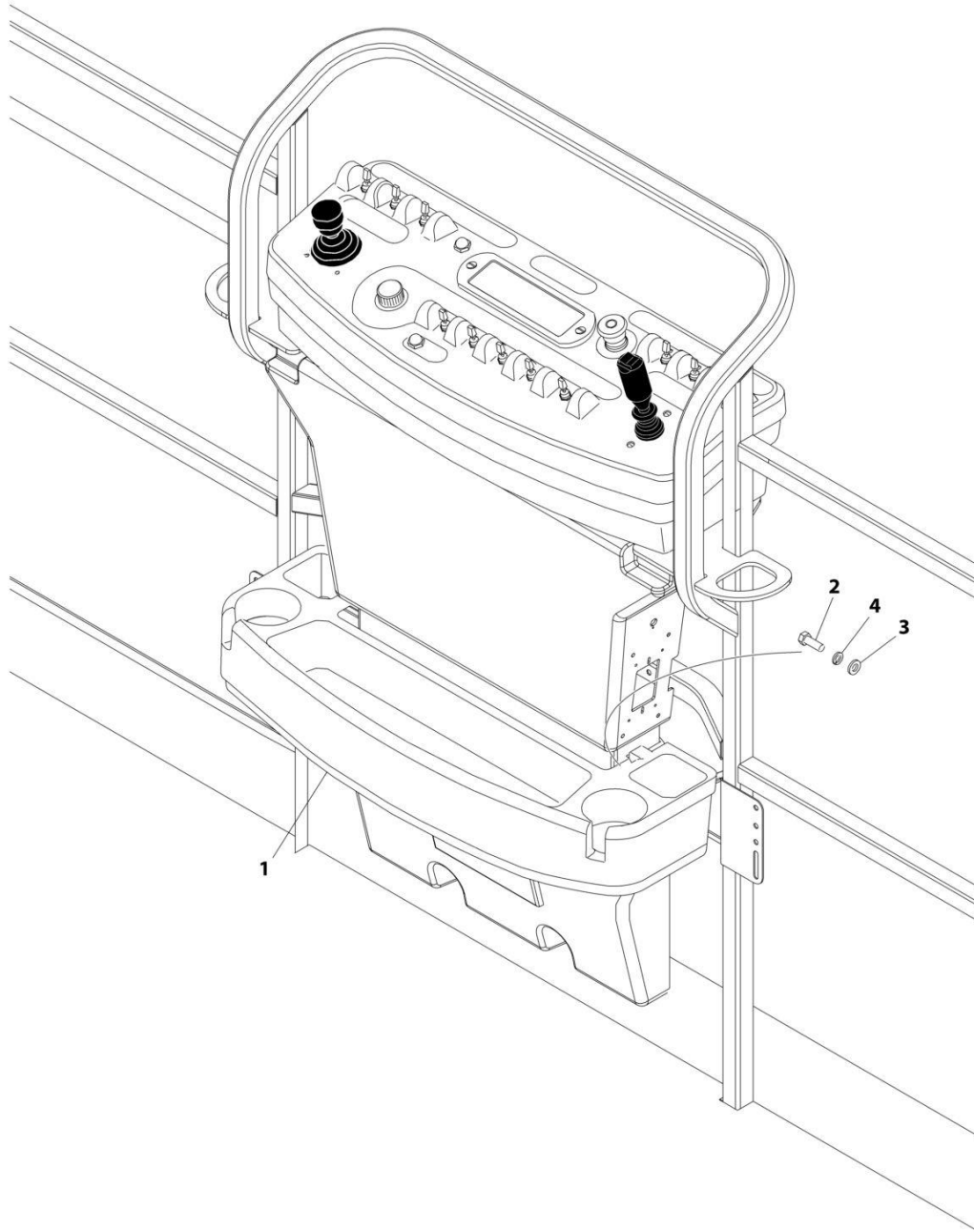
## SECTION 5 - PLATFORM

**FIGURE 5-9. PLATFORM ASSEMBLY - 36IN X 8FT (91.5CM X 2.44M) WITH DROP BAR**

ITEM	PART NUMBER	QTY	DESCRIPTION	REV
	1001186382	Ref	PLATFORM ASSEMBLY - 36IN X 8FT (91.5CM X 2.44M) WITH DROP BAR	C
		Ref	Note: Platform and Mesh must be ordered separately for Platforms with Mesh. See SPECIAL OPTIONS SECTION for Mesh Installations.	
		Ref	Note: Replacement Decals Must be Ordered Separately - See DECALS SECTION.	
1	0100011	AR	Compound, Locking	
2	0641418	2	Bolt 1/4 x 2-1/4	
3	0961845	2	Bushing	
4	3290606	2	Nut M6	
5	3300151	2	Nut 1/4	
6	3520072	2	Plug	
7	3520198	2	Plug	
8	4010618	2	Screw M6 x 50	
9	4711400	4	Washer 1/4	
10	4811700	2	Washer M6	
11	1001138494	1	Bar, Drop	
12	1001138514	1	Rail (Top)	
13	1001140429	1	Decal - Drop Bar	
14	See Note	NSS	Platform (Note: Not Available - Purchase Platform Assembly)	

# SECTION 5 - PLATFORM

## FIGURE 5-10. TRAY ASSEMBLY



ART\_1580012

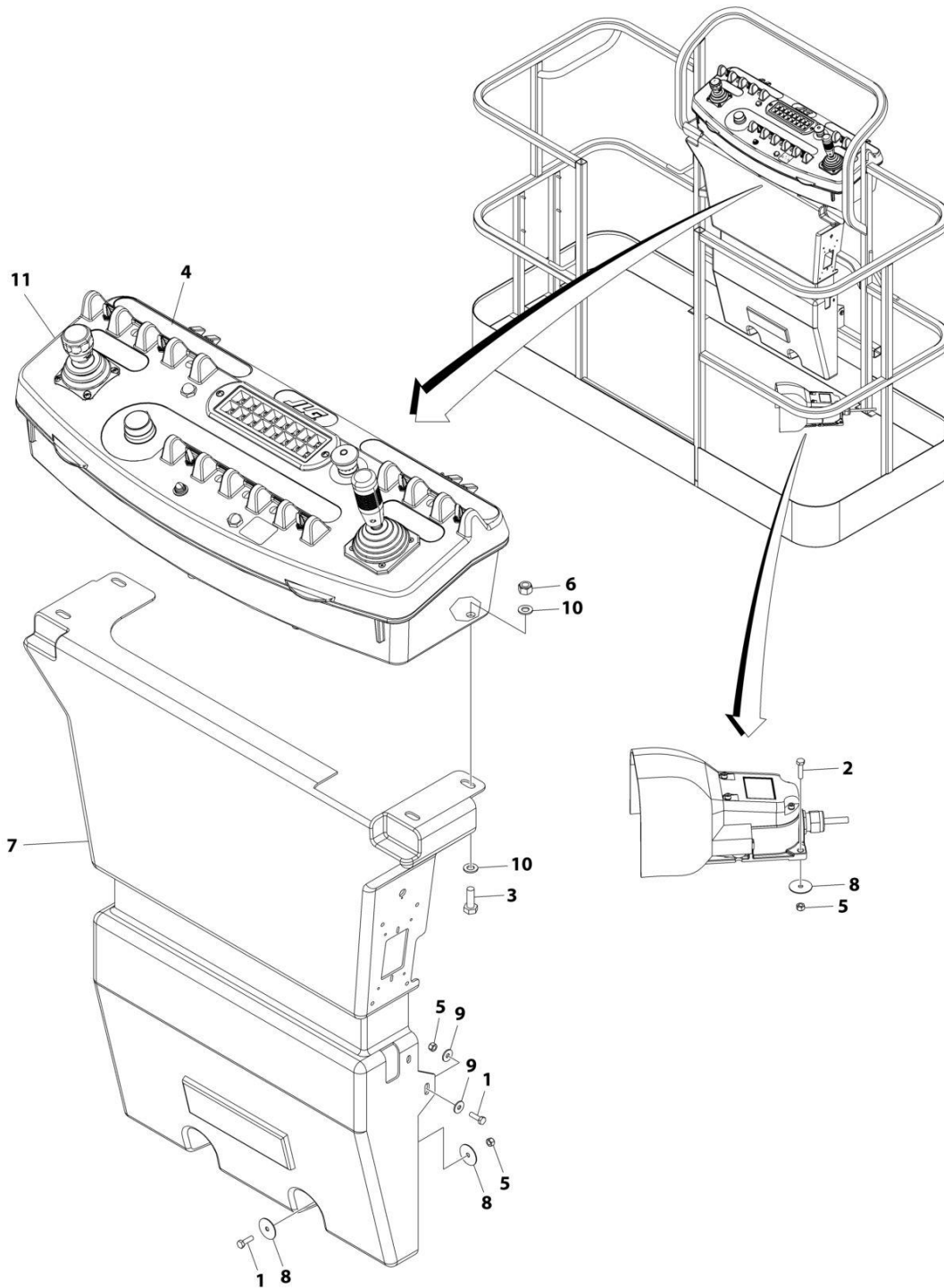
## SECTION 5 - PLATFORM

### FIGURE 5-10. TRAY ASSEMBLY

ITEM	PART NUMBER	QTY	DESCRIPTION	REV
	1580012	Ref	TRAY ASSEMBLY	C
1	See Note	NSS	Tray, Storage (Center) (Note: Purchase p/n 1580012)	
2	0641406	2	Bolt 1/4 x 3/4	
3	4751400	2	Washer 1/4	
4	4761400	2	Washer 1/4	

# SECTION 5 - PLATFORM

FIGURE 5-11. PLATFORM CONSOLE AND FOOTSWITCH INSTALLATION (SN 0300236299 through 0300259984)



ART\_1001197177



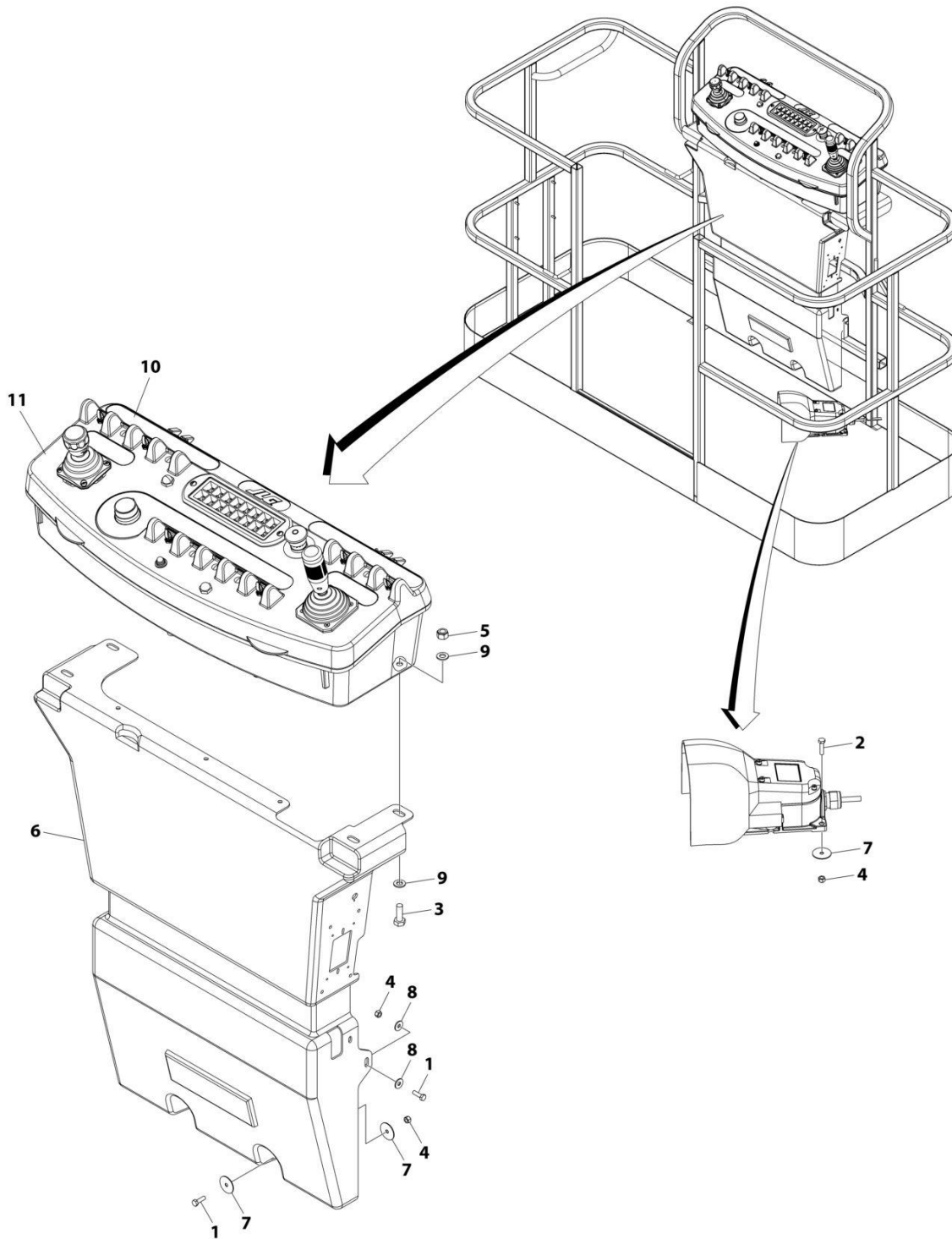
## SECTION 5 - PLATFORM

**FIGURE 5-11. PLATFORM CONSOLE AND FOOTSWITCH INSTALLATION (SN 0300236299 through 0300259984)**

ITEM	PART NUMBER	QTY	DESCRIPTION	REV
	1001197177	Ref	PLATFORM CONSOLE AND FOOTSWITCH INSTALLATION	C
1	0700610	4	Bolt M6 x 20	
2	0700612	3	Bolt M6 x 25	
3	0701014	4	Bolt M10 x 30	
4	1001184626	1	Decal - Horn	
5	3290605	7	Nut M6	
6	3291005	4	Nut M10	
7	3380434	1	Panel	
8	4740362	7	Washer	
9	4811702	4	Washer M6	
10	4812000	8	Washer M10	
11	1001197176	1	Platform Console Assembly (See Separate Breakdown in this Section)	

# SECTION 5 - PLATFORM

FIGURE 5-12. PLATFORM CONSOLE AND FOOTSWITCH INSTALLATION (SN 0300259985 through 0300272446)



ART\_1001243455

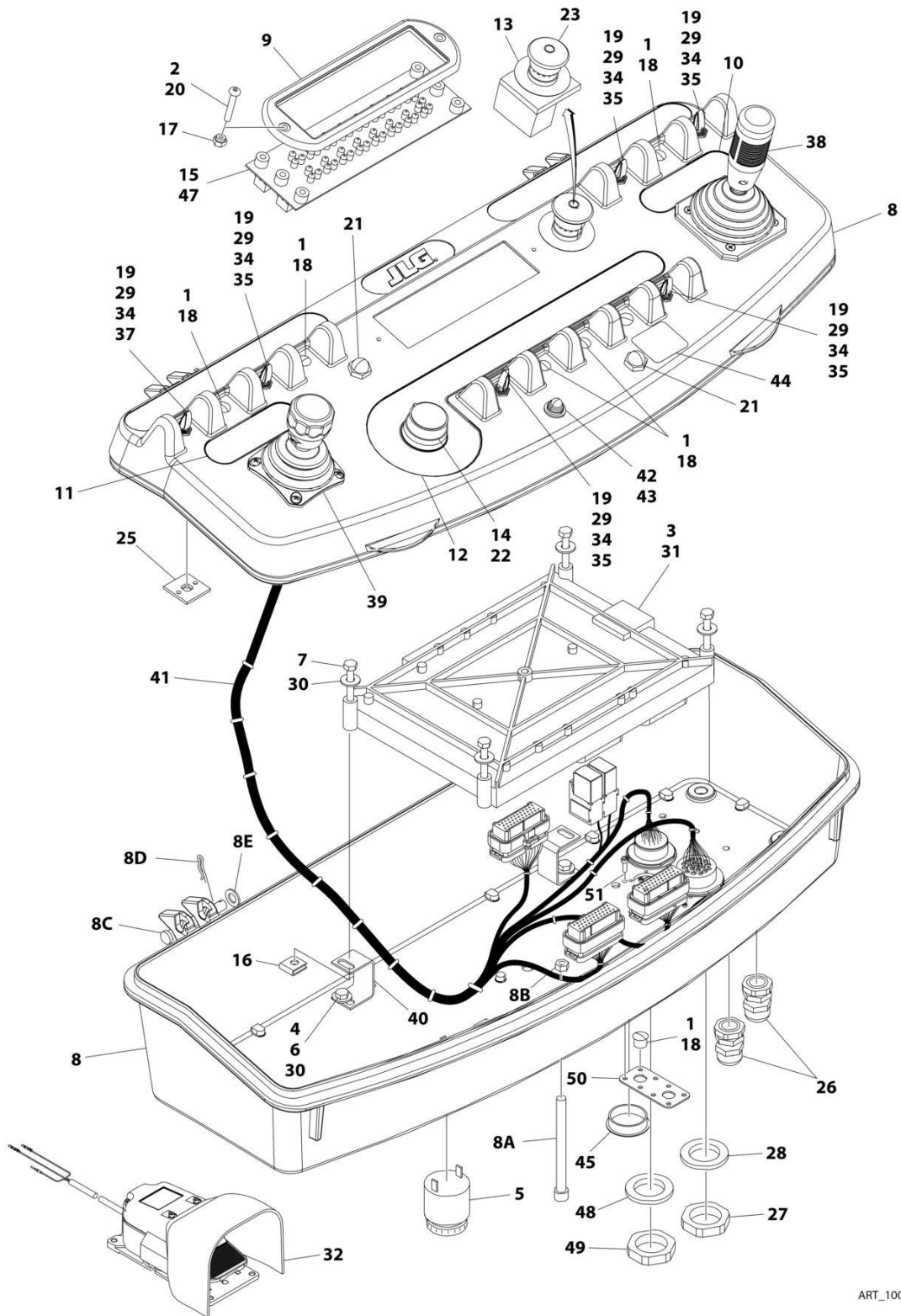
## SECTION 5 - PLATFORM

**FIGURE 5-12. PLATFORM CONSOLE AND FOOTSWITCH INSTALLATION (SN 0300259985 through 0300272446)**

ITEM	PART NUMBER	QTY	DESCRIPTION	REV
	1001243455	Ref	PLATFORM CONSOLE AND FOOTSWITCH INSTALLATION	A
1	0700610	4	Bolt M6 x 20	
2	0700612	3	Bolt M6 x 25	
3	0701014	4	Bolt M10 x 30	
4	3290605	7	Nut M6	
5	3291005	4	Nut M10	
6	3380434	1	Panel	
7	4740362	7	Washer	
8	4811702	4	Washer M6	
9	4812000	8	Washer M10	
10	1001184626	1	Decal - Horn	
11	1001243460	1	Platform Console Assembly (See Separate Breakdown in this Section)	

# SECTION 5 - PLATFORM

## FIGURE 5-13. CONSOLE BOX ASSEMBLY (SN 0300236299 through 0300259984)



ART\_1001197176

## SECTION 5 - PLATFORM

**FIGURE 5-13. CONSOLE BOX ASSEMBLY (SN 0300236299 through 0300259984)**

ITEM	PART NUMBER	QTY	DESCRIPTION	REV
	1001197176	Ref	CONSOLE BOX ASSEMBLY	G
1	0100009	AR	Sealant	
2	0100035	AR	Compound, Locking	
3	0100048	AR	Grease, Dielectric	
4	0100081	AR	Adhesive	
5	0140011	1	Alarm	
6	0641404	4	Bolt 1/4 x 1/2	
7	0641414	4	Bolt 1/4 x 1-3/4	
8	1001215229	1	Console Box Assembly	
8A	0630568	1	Capscrew 3/8 x 4-1/2	
8B	3311601	1	Nut 3/8	
8C	3430616	2	Pin	
8D	3470003	2	Hairpin	
8E	4711600	2	Washer 3/8	
9	1670829	1	Bezel	
10	1704460	1	Decal - Drive and Steer	
11	1702566	1	Decal - Lift and Swing	
12	1702567	1	Decal - Function Speed	
13	1704260	1	Decal - Emergency Stop	
14	2560136	1	Handle, Knob	
15	1001170838	1	Gauge, LED	
16	3300353	4	Nut, Tinnerman	
17	3311005	2	Nut #10	
18	3520054	7	Plug	
19	3790012	6	O-Ring	
20	3911018	2	Screw #10 x 1-1/8	
21	4360387	2	Switch, Push Button	
22	4360407	1	Controller, Speed	
22	4460224	1	Receptacle, Female - 6 Position	
22	4460226	6	Socket, Female	
22	See Note	1	Gasket "Top Hat" (Includes with Switch) (Note: Not Available - Purchase Complete Controller)	
22	70003784	1	Seal	
23	4360475	1	Switch, Emergency Stop	
23	7020175	1	Cap, Red	
23	7020176	1	Block, Contact	
25	4460234	3	Mount, Tie-Strap	
26	4460428	2	Connector, Strain Relief	
27	4460470	1	Nut, Terminal	
28	4460471	1	Washer, Terminal	
29	4740397	6	Washer	
30	4751400	8	Washer 1/4	
31	1001185726	1	Module, Platform (Note: Re-calibration Required when Replaced)	
32	1001117174	1	Footswitch Assembly (See Separate Breakdown in this Section)	
34	1001155044	6	Nut 15/32	
35	1001155045	4	Switch, Toggle	
36	1001159256	1	Switch, Toggle	
37	1001161709	1	Switch, Toggle	
38	1600359	1	Controller Assembly (Drive and Steer) (See Separate Breakdown in this Section)	

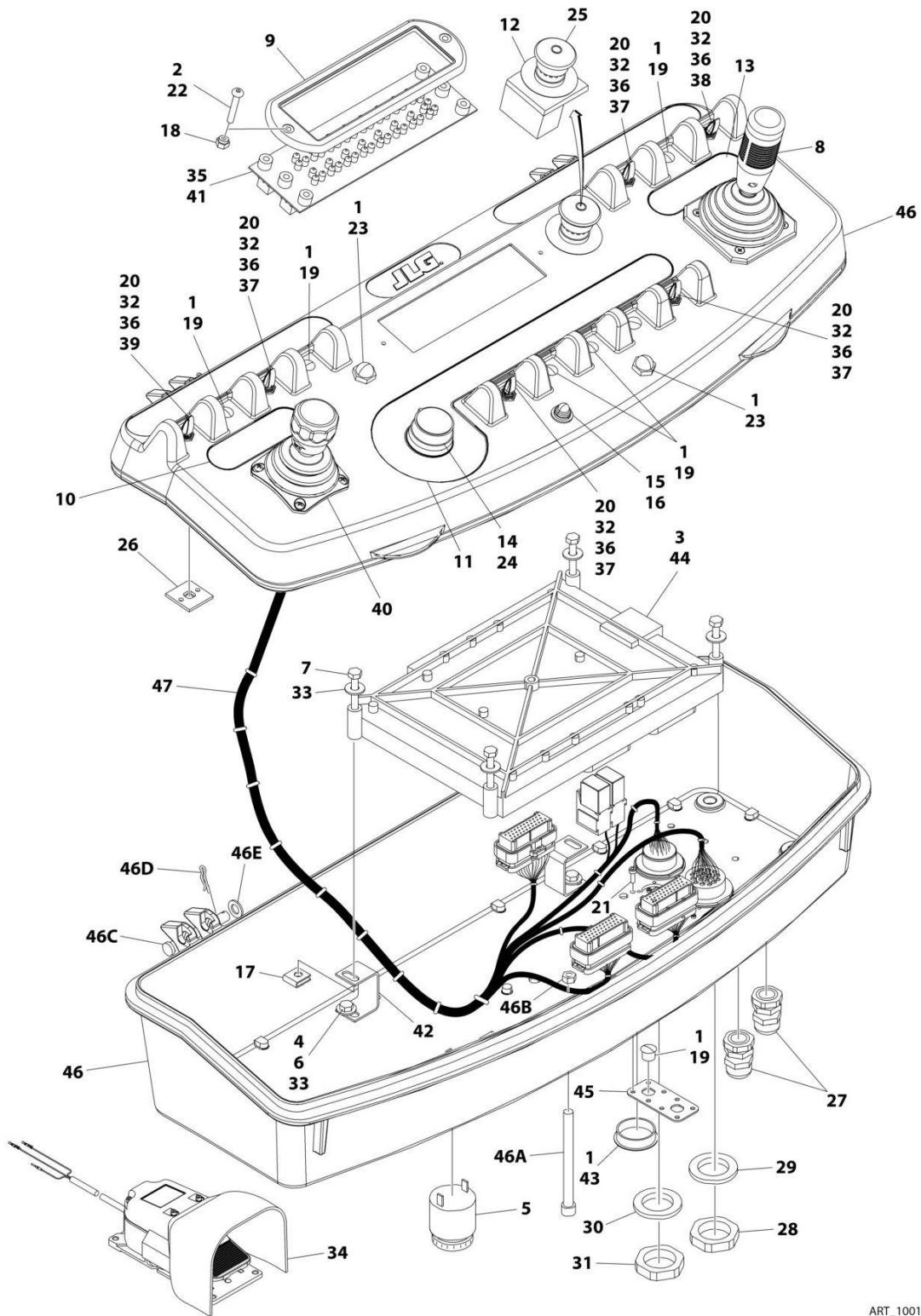
## SECTION 5 - PLATFORM

ITEM	PART NUMBER	QTY	DESCRIPTION	REV
39	1001166539	NLA	Controller Assembly (Lift and Swing) (Use p/n 10012129555) (See Separate Breakdown in this Section)	
40	1001172760	4	Bracket	
41	1001196222	1	Platform Console Harness (See Separate Breakdown in ELECTRICAL SECTION)	
42	2920028	1	Light, Indicator	
43	2920029	1	Bulb, Light	
44	1001144433	1	Decal - No Weight SkyGuard	
45	1001185281	1	Plug	
47	1001146220	1	Fixture, Light	
48	4460496	1	Washer, Terminal	
49	4460497	1	Nut, Terminal	
50	1001213882	1	Mount, Connector	
51	3900349	1	Capscrew M2.5 x 8	



# SECTION 5 - PLATFORM

## FIGURE 5-14. CONSOLE BOX ASSEMBLY (SN 0300259985 through 0300272446)



ART\_1001243460



## SECTION 5 - PLATFORM

**FIGURE 5-14. CONSOLE BOX ASSEMBLY (SN 0300259985 through 0300272446)**

ITEM	PART NUMBER	QTY	DESCRIPTION	REV
	1001243460	Ref	CONSOLE BOX ASSEMBLY	A
1	0100009	AR	Sealant	
2	0100035	AR	Compound, Locking	
3	0100048	AR	Grease, Dielectric	
4	0100081	AR	Adhesive	
5	0140011	1	Alarm	
6	0641404	4	Bolt 1/4 x 1/2	
7	0641414	4	Bolt 1/4 x 1-3/4	
8	1600359	1	Controller Assembly (Drive and Steer) (See Separate Breakdown in this Section)	
9	1670829	1	Bezel	
10	1702566	1	Decal - Lift and Swing	
11	1702567	1	Decal - Function Speed	
12	1704260	1	Decal - Emergency Stop	
13	1704460	1	Decal - Drive and Steer	
14	2560136	1	Handle, Knob	
15	2920028	1	Light, Indicator	
16	2920029	1	Bulb, Light	
17	3300353	4	Nut, Tinnerman	
18	3311005	2	Nut #10	
19	3520054	7	Plug	
20	3790012	6	O-Ring	
21	3900349	8	Capscrew M2.5 x 8	
22	3911018	2	Screw #10 x 1-1/8	
23	4360387	2	Switch, Push Button	
24	4360407	1	Controller, Speed	
24	4460224	1	Receptacle, Female - 6 Position	
24	4460226	6	Socket, Female	
24	See Note	1	Gasket "Top Hat" (Includes with Switch) (Note: Not Available - Purchase Complete Controller)	
24	70003784	1	Seal	
25	4360475	1	Switch, Emergency Stop	
25	7020175	1	Cap, Red	
25	7020176	1	Block, Contact	
26	4460234	3	Mount, Tie-Strap	
27	4460428	2	Connector, Strain Relief	
28	4460470	1	Nut, Terminal	
29	4460471	1	Washer, Terminal	
30	4460496	1	Washer, Terminal	
31	4460497	1	Nut, Terminal	
32	4740397	6	Washer	
33	4751400	8	Washer 1/4	
34	1001117174	1	Footswitch Assembly (See Separate Breakdown in this Section)	
35	1001146220	1	Fixture, Light	
36	1001155044	6	Nut 15/32	
37	1001155045	5	Switch, Toggle	
38	1001159256	1	Switch, Toggle	
39	1001161709	1	Switch, Toggle	
40	1001166539	NLA	Controller Assembly (Lift and Swing) (Use p/n 10012129555) (See Separate Breakdown in this Section)	

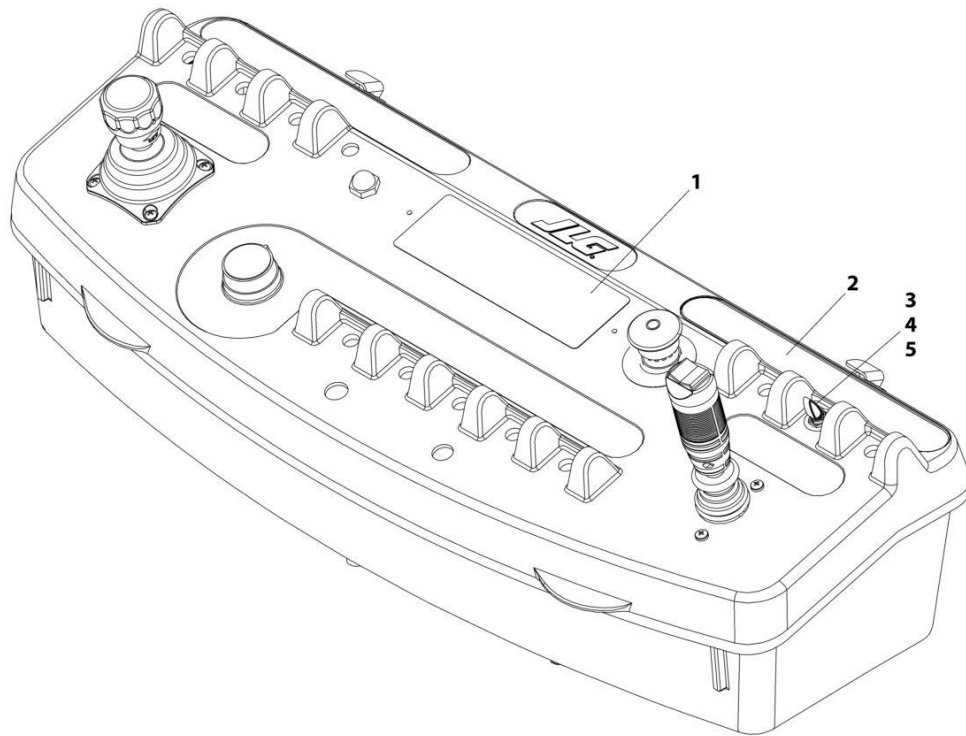
## SECTION 5 - PLATFORM

ITEM	PART NUMBER	QTY	DESCRIPTION	REV
41	1001170838	1	Gauge, LED	
42	1001172760	4	Bracket	
43	1001185281	1	Plug	
44	1001185726	1	Module, Platform (Note: Re-calibration Required when Replaced)	
45	1001213882	1	Mount, Connector	
46	1001215229	1	Console Box Assembly	
46A	0630568	1	Capscrew 3/8 x 4-1/2	
46B	3311601	1	Nut 3/8	
46C	3430616	2	Pin	
46D	3470003	2	Hairpin	
46E	4711600	2	Washer 3/8	
47	1001243261	1	Platform Console Harness (See Separate Breakdown in ELECTRICAL SECTION)	



## SECTION 5 - PLATFORM

FIGURE 5-15. DECAL AND LIGHT PANEL INSTALLATION - 600SC (ALL SPECS EXCEPT AUSTRALIAN AND CE SPECS)



ART\_1001167963

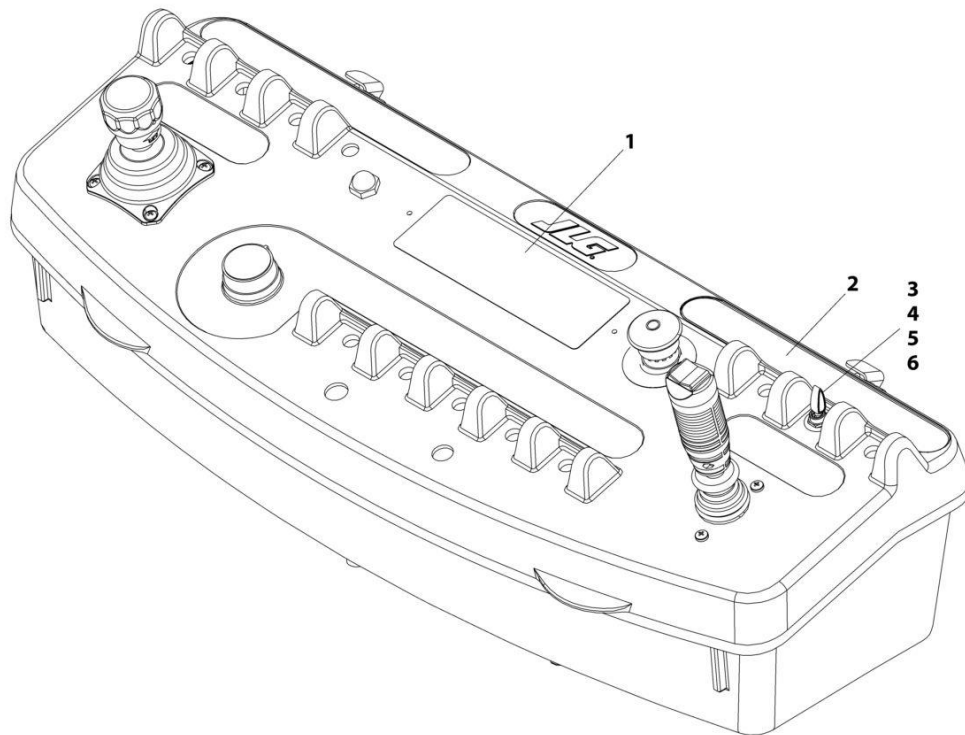
## SECTION 5 - PLATFORM

**FIGURE 5-15. DECAL AND LIGHT PANEL INSTALLATION - 600SC (ALL SPECS EXCEPT AUSTRALIAN AND CE SPECS)**

ITEM	PART NUMBER	QTY	DESCRIPTION	REV
	1001167963	Ref	DECAL AND LIGHT PANEL INSTALLATION	C
1	1001167962	1	Decal - Display	
2	1001195947	1	Decal - Stop and Aux Power	
3	3790012	1	O-Ring	
4	1001155044	1	Nut 15/32	
5	1001161710	1	Switch, Toggle	

## SECTION 5 - PLATFORM

FIGURE 5-16. DECAL AND LIGHT PANEL INSTALLATION - 600SC (AUSTRALIAN AND CE SPECS)



ART\_1001184620

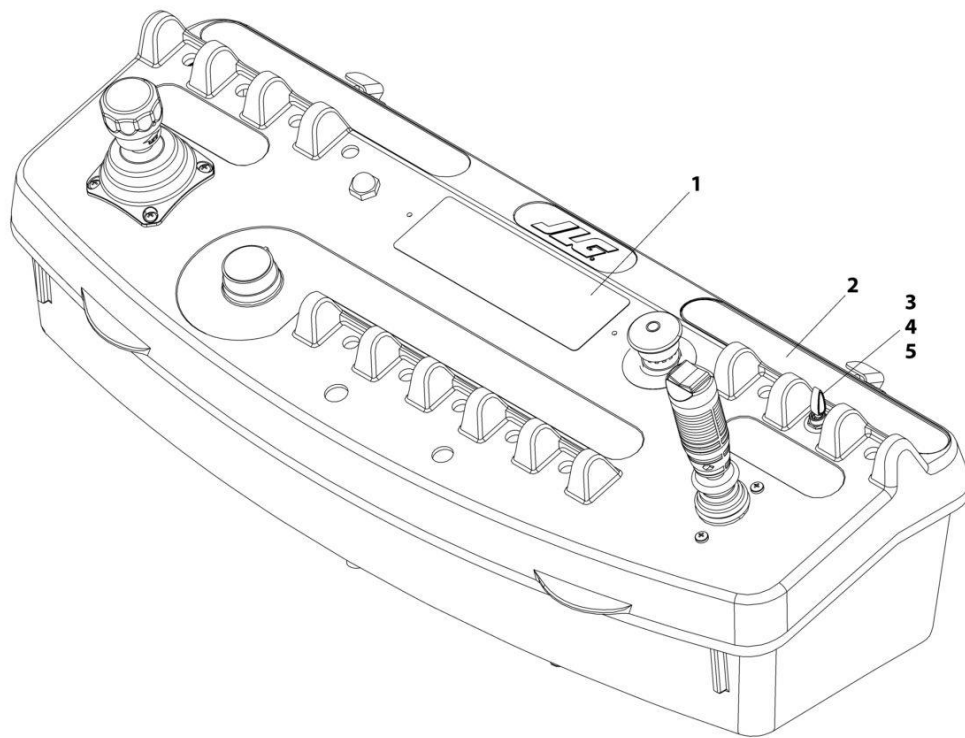
## SECTION 5 - PLATFORM

**FIGURE 5-16. DECAL AND LIGHT PANEL INSTALLATION - 600SC (AUSTRALIAN AND CE SPECS)**

ITEM	PART NUMBER	QTY	DESCRIPTION	REV
	1001184620	Ref	DECAL AND LIGHT PANEL INSTALLATION	B
1	1001184621	1	Decal - Display	
2	1001184619	1	Decal - Stop and Aux Power	
3	3790012	1	O-Ring	
4	1001155044	1	Nut 15/32	
5	1001161710	1	Switch, Toggle	
6	4740397	1	Spacer	

## SECTION 5 - PLATFORM

FIGURE 5-17. DECAL AND LIGHT PANEL INSTALLATION - 660SJC (ALL SPECS EXCEPT AUSTRALIAN AND CE SPECS)



ART\_1001193238



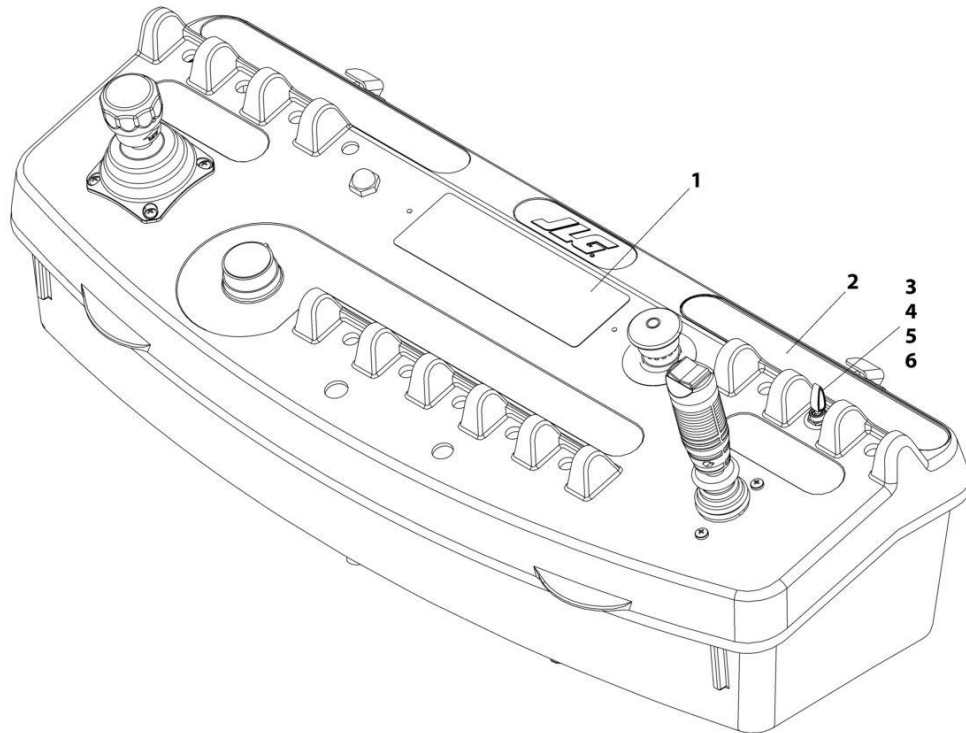
## SECTION 5 - PLATFORM

**FIGURE 5-17. DECAL AND LIGHT PANEL INSTALLATION - 660SJC (ALL SPECS EXCEPT AUSTRALIAN AND CE SPECS)**

ITEM	PART NUMBER	QTY	DESCRIPTION	REV
	1001193238	Ref	DECAL AND LIGHT PANEL INSTALLATION	B
1	1001193756	1	Decal - Display	
2	1001207105	1	Decal - Stop and Aux Power	
3	3790012	1	O-Ring	
4	1001155044	1	Nut 15/32	
5	1001161710	1	Switch, Toggle	

# SECTION 5 - PLATFORM

FIGURE 5-18. DECAL AND LIGHT PANEL INSTALLATION - 660SJC (AUSTRALIAN AND CE SPECS)



ART\_1001193239

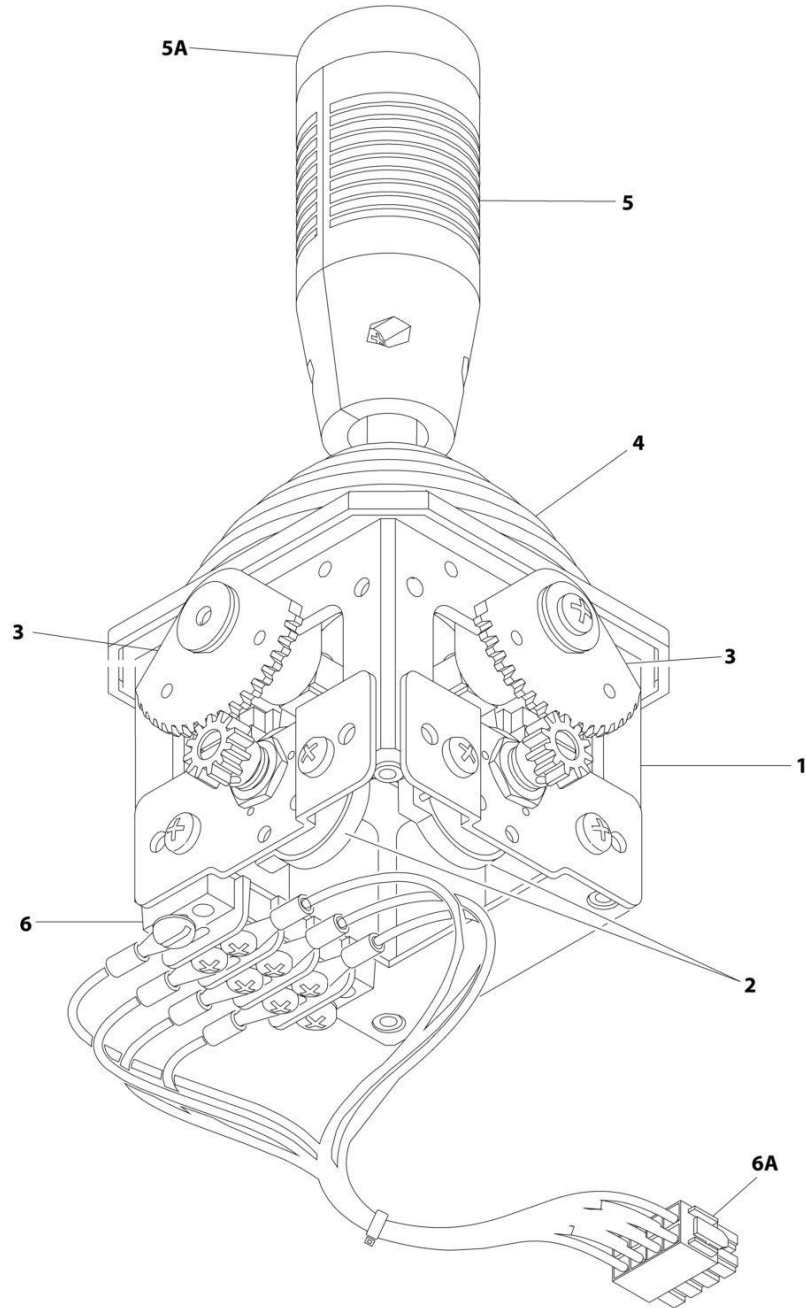
## SECTION 5 - PLATFORM

**FIGURE 5-18. DECAL AND LIGHT PANEL INSTALLATION - 660SJC (AUSTRALIAN AND CE SPECS)**

ITEM	PART NUMBER	QTY	DESCRIPTION	REV
	1001193239	Ref	DECAL AND LIGHT PANEL INSTALLATION	B
1	1001193757	1	Decal - Display	
2	1001193758	1	Decal - Stop and Aux Power	
3	3790012	1	O-Ring	
4	1001155044	1	Nut 15/32	
5	1001161710	1	Switch, Toggle	
6	4740397	1	Washer	

# SECTION 5 - PLATFORM

## FIGURE 5-19. CONTROLLER ASSEMBLY (DRIVE AND STEER)



ART\_1600359

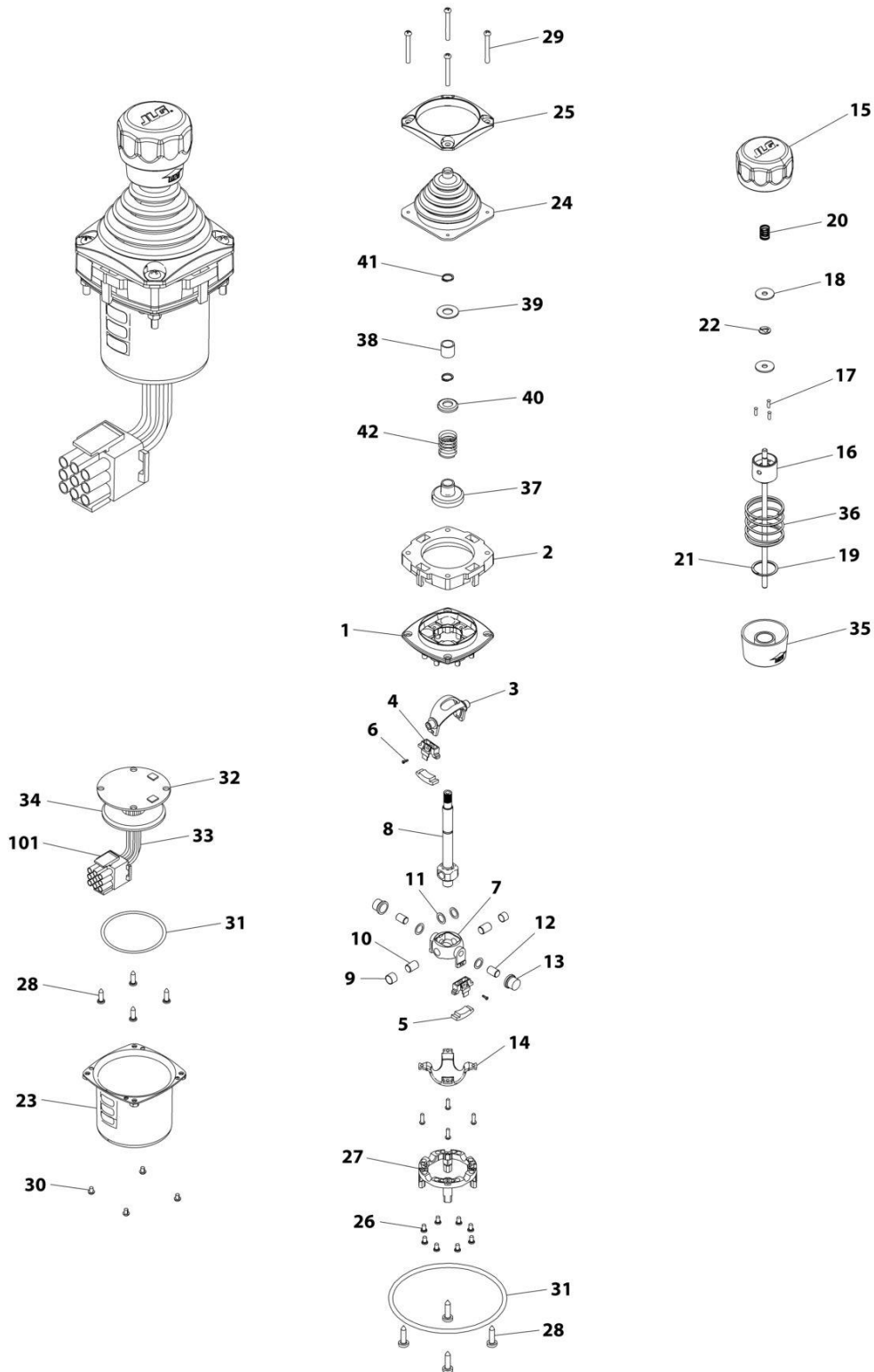
## SECTION 5 - PLATFORM

**FIGURE 5-19. CONTROLLER ASSEMBLY (DRIVE AND STEER)**

ITEM	PART NUMBER	QTY	DESCRIPTION	REV
	1600359	Ref	CONTROLLER ASSEMBLY	A
1	7022832	1	Housing Assembly (Includes Casting, Gimbles, etc)	
2	7022833	2	Potentiometer Plate	
2	7003974	2	Potentiometer	
3	7022834	2	Drive Gear Assembly	
4	7022835	1	Boot Assembly	
5	7022836	1	Handle Assembly	
5A	7022839	1	Cap, Rubber	
5A	7022838	1	Switch, Push Button	
6	7022837	1	Terminal Block/PC Board Assembly	
6A	See Note	NSS	Plug, Male 8 Position (Note: Not Available for Purchase)	
6A	4460871	6	Socket, Female	

# SECTION 5 - PLATFORM

## FIGURE 5-20. CONTROLLER ASSEMBLY (LIFT AND SWING)



ART\_1001166539

## SECTION 5 - PLATFORM

**FIGURE 5-20. CONTROLLER ASSEMBLY (LIFT AND SWING)**

ITEM	PART NUMBER	QTY	DESCRIPTION	REV
	1001166539	Ref	CONTROLLER ASSEMBLY	E
		Ref	Note: Original Equipment Controller May Have Been Replaced with Service Replacement Controller. Visually Identify Controller Before Ordering Parts.	
		Ref	Note: For Replacement, Use p/n 1001129555	
1	See Note	NSS	Main Cast Body (Note: Not Available - Purchase Complete Assembly)	
2	70004752	1	Adapter	
3	See Note	NSS	Pivot Arm, Plastic (Note: Not Available - Purchase Complete Assembly)	
4	See Note	NSS	Holder, Magnet (Note: Not Available - Purchase Complete Assembly)	
5	See Note	NSS	Arc, Magnet (Note: Not Available - Purchase Complete Assembly)	
6	See Note	NSS	Screw (Note: Not Available for Purchase)	
7	See Note	NSS	Pivot Arm, Cast (Note: Not Available - Purchase Complete Assembly)	
8	See Note	NSS	Shaft, Main (Note: Not Available - Purchase Complete Assembly)	
9	See Note	NSS	Bearing (Note: Not Available - Purchase Complete Assembly)	
10	See Note	NSS	Pin (Note: Not Available - Purchase Complete Assembly)	
11	See Note	NSS	Shim (Note: Not Available - Purchase Complete Assembly)	
12	See Note	NSS	Pin (Note: Not Available - Purchase Complete Assembly)	
13	See Note	NSS	Bearing (Note: Not Available - Purchase Complete Assembly)	
14	See Note	NSS	Dome, Centering (Note: Not Available - Purchase Complete Assembly)	
15	70004753	1	Cap	
16	70004754	1	Insert, Cap	
17	70004755	3	Pin	
18	70004756	2	Washer	
19	70004757	1	Pin, Centering	
20	70004758	1	Spring	
21	70004759	1	Ring, Retaining	
22	70004760	1	E-Ring	
23	70004761	1	Can, Enclosure	
24	70004762	1	Boot	
25	70004763	1	Bezel	
26	See Note	NSS	Screw (Note: Not Available for Purchase)	
27	See Note	NSS	Base Mounting (Note: Not Available - Purchase Complete Assembly)	
28	See Note	NSS	Screw (Note: Not Available for Purchase)	
29	70004764	4	Screw	
30	70004765	4	Screw	
31	70004766	1	O-Ring	
32	See Note	NSS	Plate (Note: Not Available - Purchase Complete Assembly)	
33	See Note	NSS	Harness (Note: Not Available - Purchase Complete Assembly)	
34	70004767	1	Grommet, Rubber	
35	70004768	1	Housing	
36	70004769	1	Spring	
37	70004770	1	Stopper	
38	70004771	1	Spacer	
39	70004772	1	Washer	
40	70004773	1	Disc	

## SECTION 5 - PLATFORM

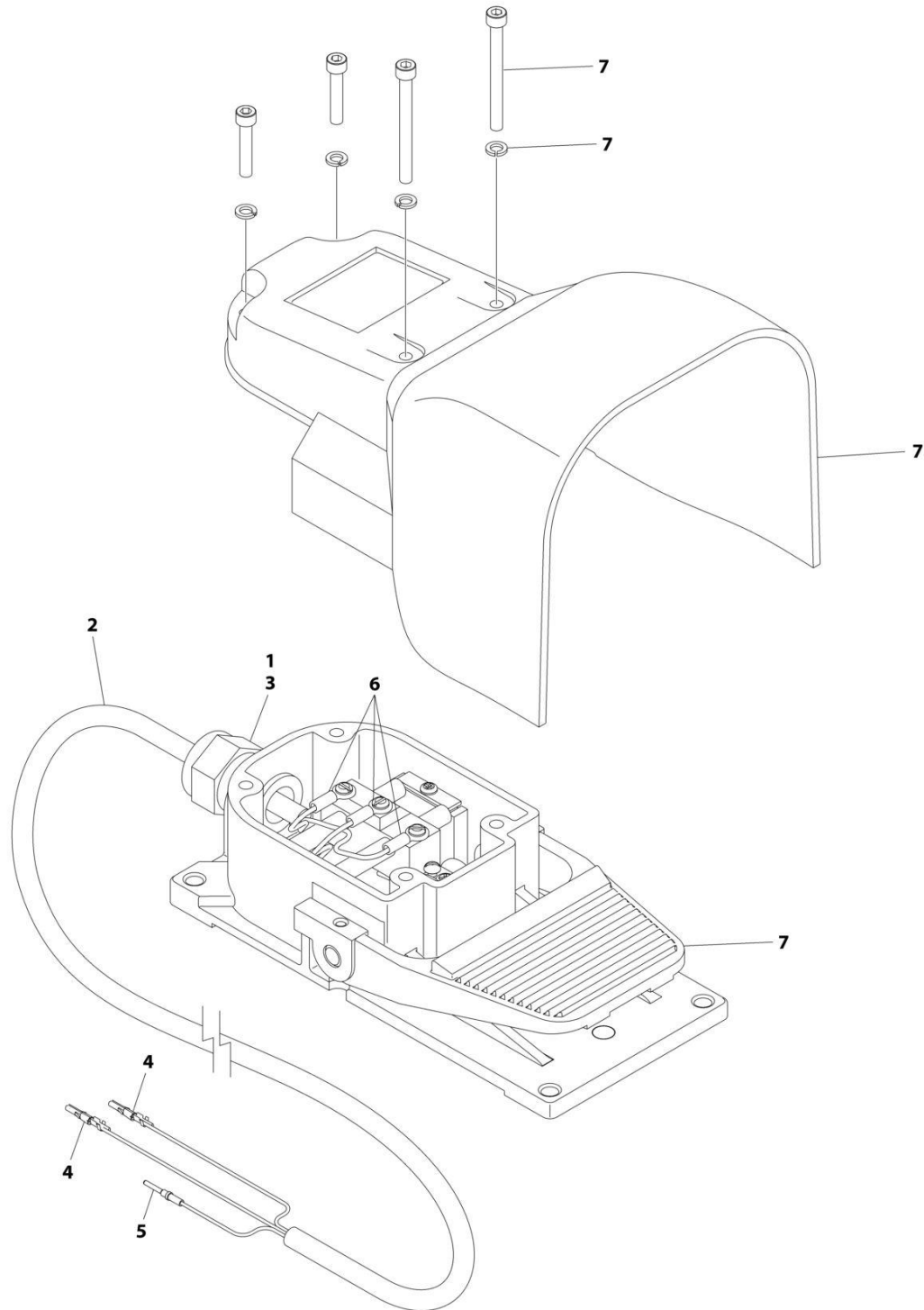
ITEM	PART NUMBER	QTY	DESCRIPTION	REV
41	70004774	2	Ring, Retaining	
42	70004775	1	Spring	
101	4460265	1	Connector - 9 Position	
101	4460226	6	Socket, Female	





# SECTION 5 - PLATFORM

## FIGURE 5-21. FOOTSWITCH ASSEMBLY



ART\_1001117174

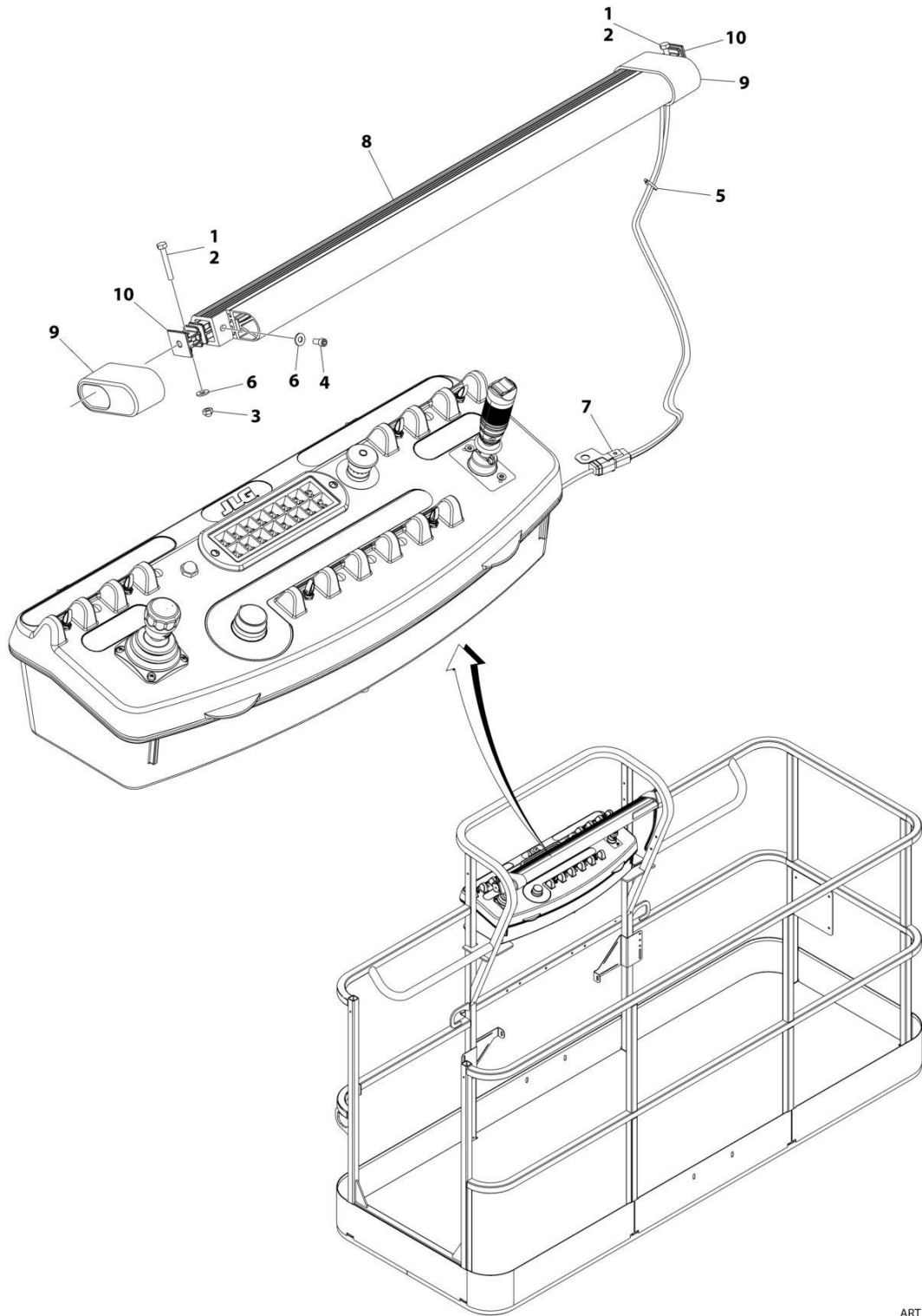
## SECTION 5 - PLATFORM

**FIGURE 5-21. FOOTSWITCH ASSEMBLY**

ITEM	PART NUMBER	QTY	DESCRIPTION	REV
	1001117174	Ref	FOOTSWITCH ASSEMBLY	B
1	0100020	AR	Sealant	
2	1060918	7.5 ft/ 2.3m	Cable, Electrical - 18/3	
3	4460071	1	Connector, Strain Relief	
4	4460226	2	Socket, Female	
5	4460464	1	Pin, Male	
6	1001098122	3	Terminal	
7	1001117172	1	Footswitch	
7	70002902	1	Switch, 20Amp	
7	70002903	1	Gasket	
7	70002905	1	Cover	
7	70002904	1	Kit, Replacement Bolt	

# SECTION 5 - PLATFORM

FIGURE 5-22. SKYGUARD INSTALLATION (SN 0300236299 through 0300259984)



ART\_1001187508

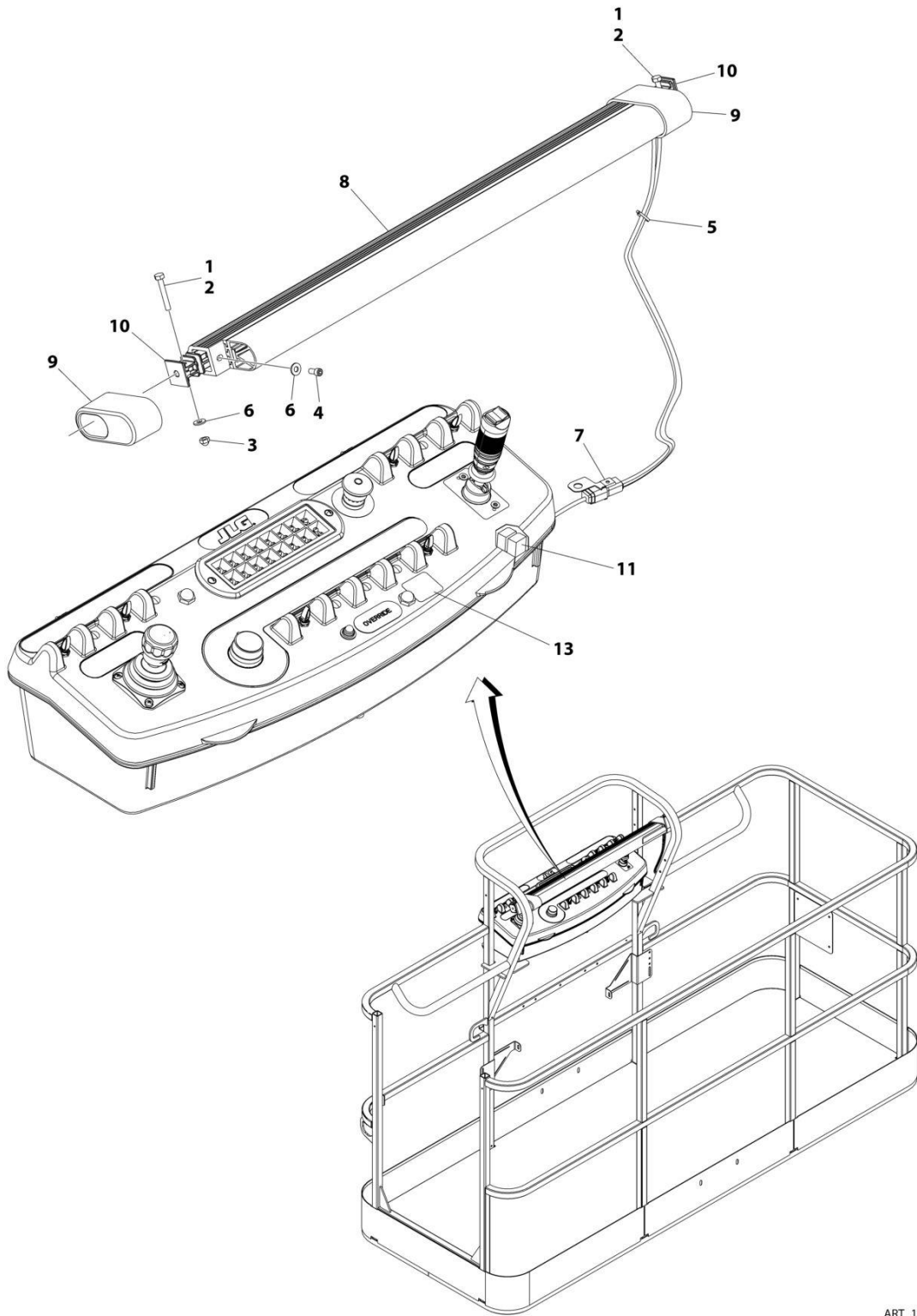
## SECTION 5 - PLATFORM

**FIGURE 5-22. SKYGUARD INSTALLATION (SN 0300236299 through 0300259984)**

ITEM	PART NUMBER	QTY	DESCRIPTION	REV
	1001187508	Ref	SKYGUARD INSTALLATION	D
1	0100011	AR	Compound, Locking	
2	0641414	2	Bolt 1/4 x 1-3/4	
3	3300430	2	Nut 1/4	
4	3931424	2	Capscrew 1/4 x 1-1/2	
4	3931408	2	Capscrew 1/4 x 1/2	
5	4240033	AR	Tie-Strap	
6	4711400	AR	Washer 1/4	
7	1001120328	1	Mount	
8	1001137673	1	SkyGuard Switch Assembly	
9	1001186517	2	Cover, Platform Sensor	
10	1001188889	2	Support, Block (SN 0300236299 through 0300244667)	
10	1001209664	2	Support, Block (SN 0300244668 through 0300272446)	

# SECTION 5 - PLATFORM

FIGURE 5-23. SKYGUARD BAR INSTALLATION (SN 0300259985 through 0300272446)



ART\_1001238495

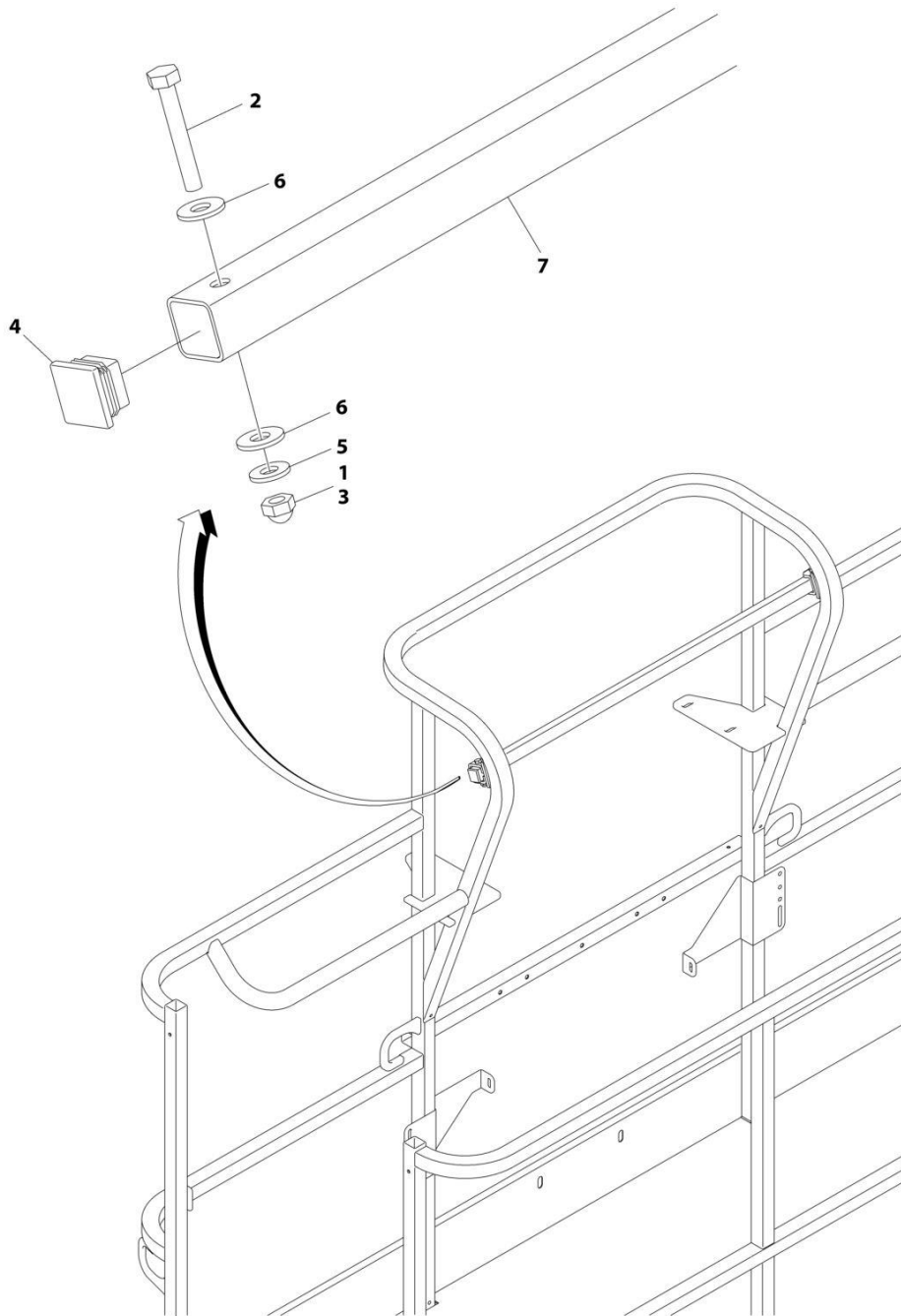
## SECTION 5 - PLATFORM

**FIGURE 5-23. SKYGUARD BAR INSTALLATION (SN 0300259985 through 0300272446)**

ITEM	PART NUMBER	QTY	DESCRIPTION	REV
	1001238495	Ref	SKYGUARD BAR INSTALLATION	A
1	0100011	AR	Compound, Locking	
2	0641414	2	Bolt 1/4 x 1-3/4	
3	3300430	2	Nut 1/4	
4	3931408	2	Capscrew 1/4 x 1/2	
5	4240033	8	Tie-Strap	
6	4711400	6	Washer 1/4	
7	1001120328	1	Mount	
8	1001137673	1	SkyGuard Switch Assembly	
9	1001186517	2	Cover, Platform Sensor	
10	1001209664	2	Support, Block	
11	1001186431	2	Relay	
12	1001225580	1	Interface Harness Assembly (Not Shown - Located Inside Console Box) (See Separate Breakdown in ELECTRICAL Section)	
13	1001144433	1	Decal - No Weight SkyGuard	

# SECTION 5 - PLATFORM

## FIGURE 5-24. CROSS RAIL INSTALLATION



ART\_1001182138



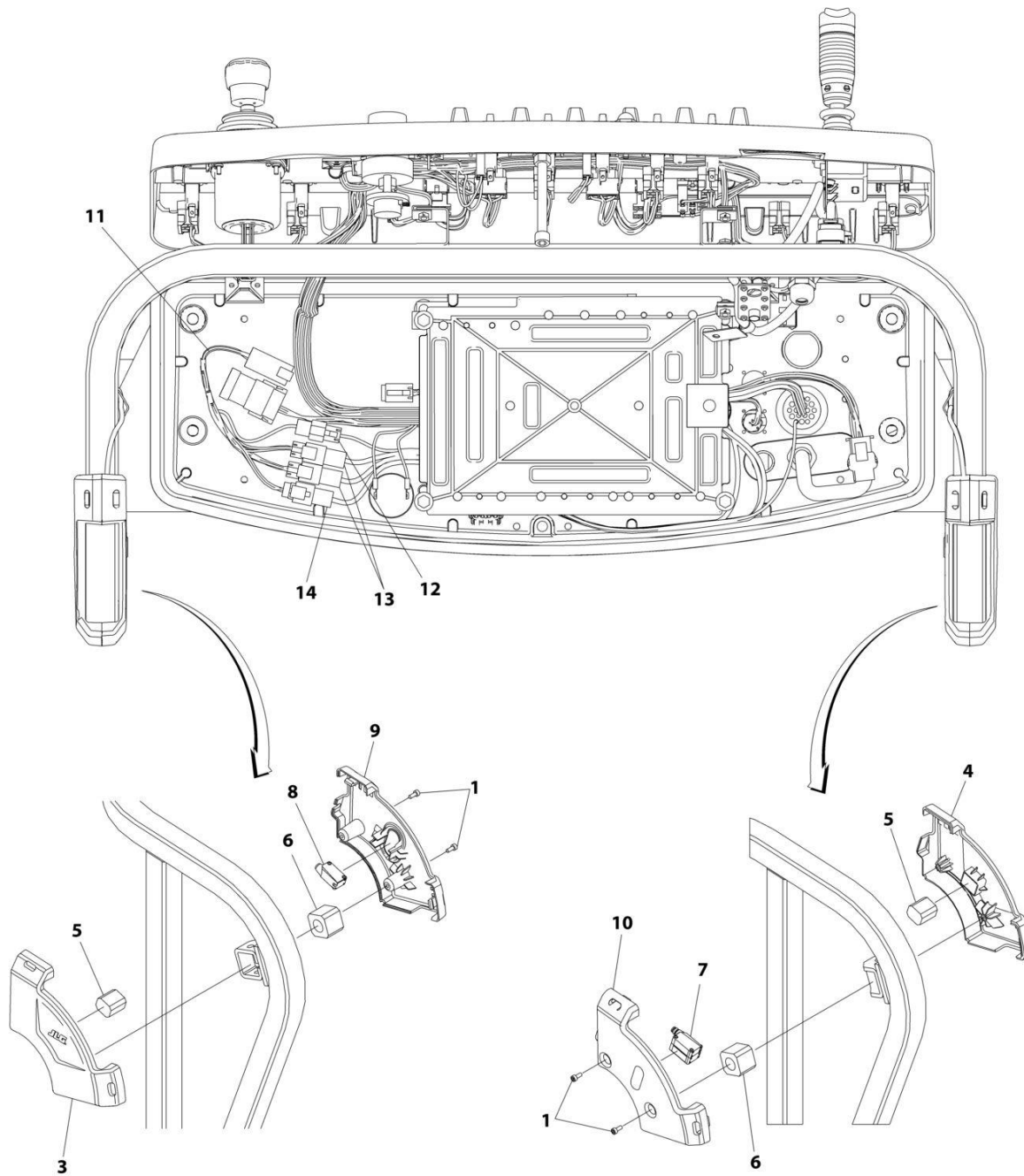
## SECTION 5 - PLATFORM

### FIGURE 5-24. CROSS RAIL INSTALLATION

ITEM	PART NUMBER	QTY	DESCRIPTION	REV
	1001182138	Ref	CROSS RAIL INSTALLATION	A
1	0100071	AR	Compound, Locking	
2	0641414	2	Bolt 1/4 x 1-3/4	
3	3300430	2	Nut 1/4	
4	3520182	2	Plug	
5	4711400	2	Washer 1/4	
6	4751400	4	Washer 1/4	
7	1001191708	1	Bar	

# SECTION 5 - PLATFORM

## FIGURE 5-25. SKYEYE INSTALLATION



ART\_1001229341

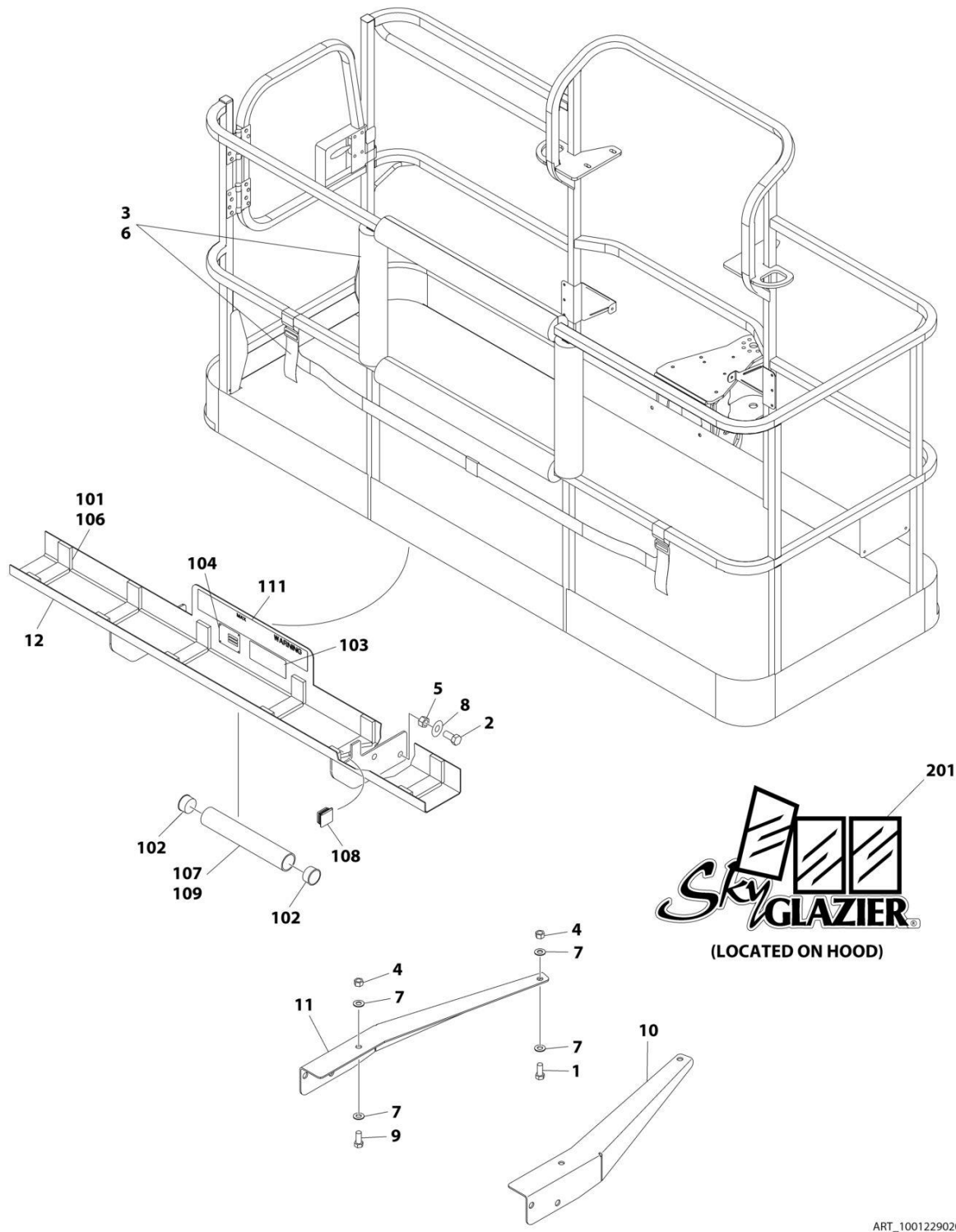
## SECTION 5 - PLATFORM

### FIGURE 5-25. SKYEYE INSTALLATION

ITEM	PART NUMBER	QTY	DESCRIPTION	REV
	1001229341	Ref	SKYEYE INSTALLATION	B
1	4031505	4	Bolt M4 x 10	
2	4240033	AR	Tie-Strap (Not Shown)	
3	1001227633	1	Housing, LH Outer	
4	1001227634	1	Housing, RH Outer	
5	1001227985	2	Shim	
6	1001227987	2	Shim	
7	1001228224	2	Sensor, Receiver	
8	1001228225	1	Sensor, Emitter	
9	1001232164	1	Housing, LH Inner	
10	1001232165	1	Housing, RH Inner	
11	1001237865	1	Harness, Skyeye Intermediate (See Separate Breakdown in ELECTRICAL Section)	
12	1001238319	NLA	Harness, Skyeye Drain Jumper	
12	1001187674	1	Plug, Male - 2 Position	
12	4460942	1	Terminal	
12	4460466	1	Plug, Terminal	
12	4460508	1	Pin, Male	
13	1001237863	2	Harness, Skyeye Receiver (See Separate Breakdown in ELECTRICAL Section)	
14	1001237864	1	Harness, Skyeye Emitter (See Separate Breakdown in ELECTRICAL Section)	

# SECTION 5 - PLATFORM

FIGURE 5-26. SKYGLAZIER INSTALLATION - 600SC & 660SJC (ANSI, AUSTRALIAN AND CSA SPECS)



ART\_1001229020

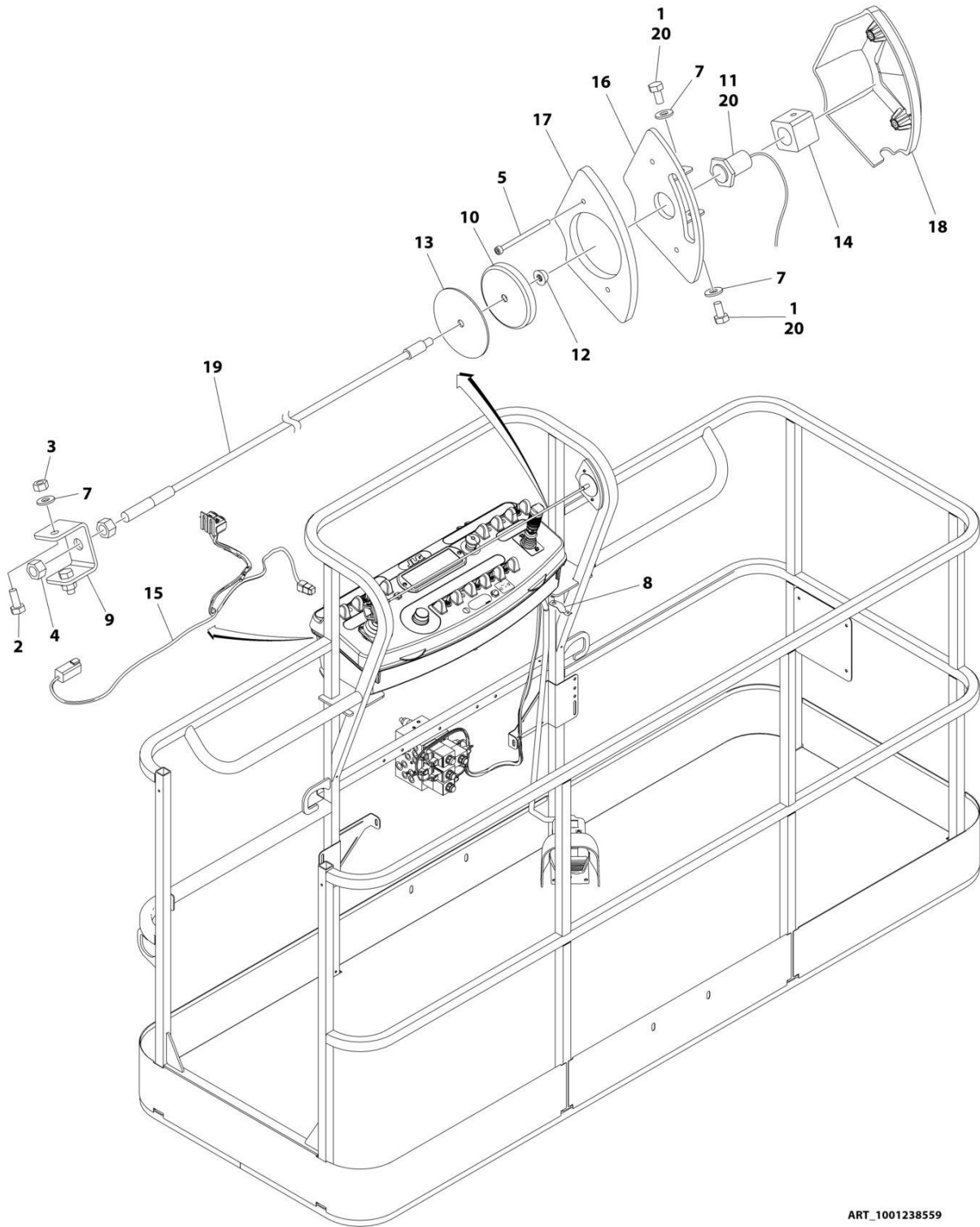
## SECTION 5 - PLATFORM

**FIGURE 5-26. SKYGLAZIER INSTALLATION - 600SC & 660SJC (ANSI, AUSTRALIAN AND CSA SPECS)**

ITEM	PART NUMBER	QTY	DESCRIPTION	REV
	1001229020	Ref	SKYGLAZIER INSTALLATION	A
1	0642012	2	Bolt 5/8 x 1-1/2	
2	0642212	4	Bolt 3/4 x 1-1/2	
3	2902212	1	Bumpers and Strap Kit	
3	0940102	1	Bumper Only	
3	4240149	1	Strap Only	
4	3312005	4	Nut 5/8	
5	3312205	4	Nut 3/4	
6	4420014	AR	Tape	
7	4712000	6	Washer 5/8	
8	4712200	8	Washer 3/4	
9	8310129	2	Bolt 3/4 x 2-1/2	
10	1001099366	1	Support	
11	1001099367	1	Support	
12	1001229082	1	Tray Assembly (See Items 101-111 for Breakdown)	
	1001229082	Ref	TRAY ASSEMBLY	B
101	0100081	AR	Adhesive	
102	1120555	2	Cap, Tube	
103	1701509	1	Decal - Manual	
104	See Note	NSS	Nameplate - Serial Number (Note: Not Available for Purchase)	
106	3340956	1	Pad Kit	
107	3460334	1	Tube	
108	3520071	2	Plug	
109	4420066	AR	Tape, Double Sided	
111	1001199035	2	Decal - Glazier Capacity	
	0272418	Ref	SKYGLAZIER DECAL INSTALLATION	4
201	1705358	2	Decal - SkyGlazier	

# SECTION 5 - PLATFORM

## FIGURE 5-27. SKYLINE INSTALLATION



ART\_1001238559

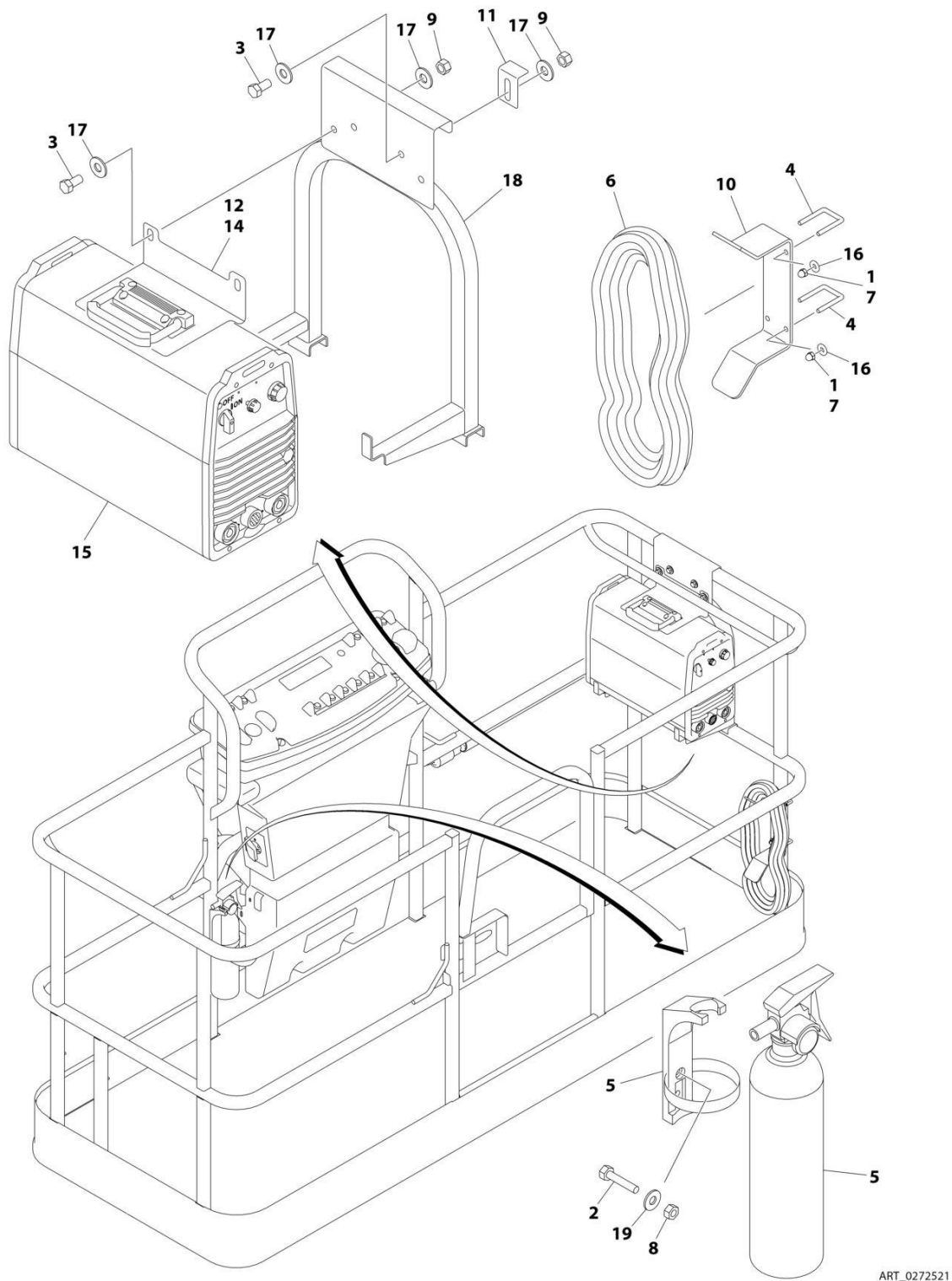
## SECTION 5 - PLATFORM

### FIGURE 5-27. SKYLINE INSTALLATION

ITEM	PART NUMBER	QTY	DESCRIPTION	REV
	1001238559	Ref	SKYLINE INSTALLATION	B
1	0641404	2	Bolt 1/4 x 1/2	
2	0641405	2	Bolt 1/4 x 5/8	
3	3311405	2	Nut 1/4	
4	3311601	2	Nut 3/8	
5	4031516	2	Capscrew M4 x 60	
6	4240033	AR	Tie-Strap (Not Shown)	
7	4711400	4	Washer 1/4	
8	1001120328	1	Mount	
9	1001232642	1	Bracket	
10	1001232650	1	Magnet	
11	1001232667	1	Sensor, Proximity	
12	1001235011	1	Nut	
13	1001235013	1	Washer	
14	1001236552	1	Block	
15	1001238418	1	Harness, Skyline (See Separate Breakdown in ELECTRICAL Section)	
16	1001238472	1	Mount	
17	1001238477	1	Housing, LH	
18	1001241965	1	Housing, RH	
19	1001238824	1	Rope	
20	0100011	AR	Compound, Locking	

# SECTION 5 - PLATFORM

## FIGURE 5-28. SKYWELDER INSTALLATION (50HZ)





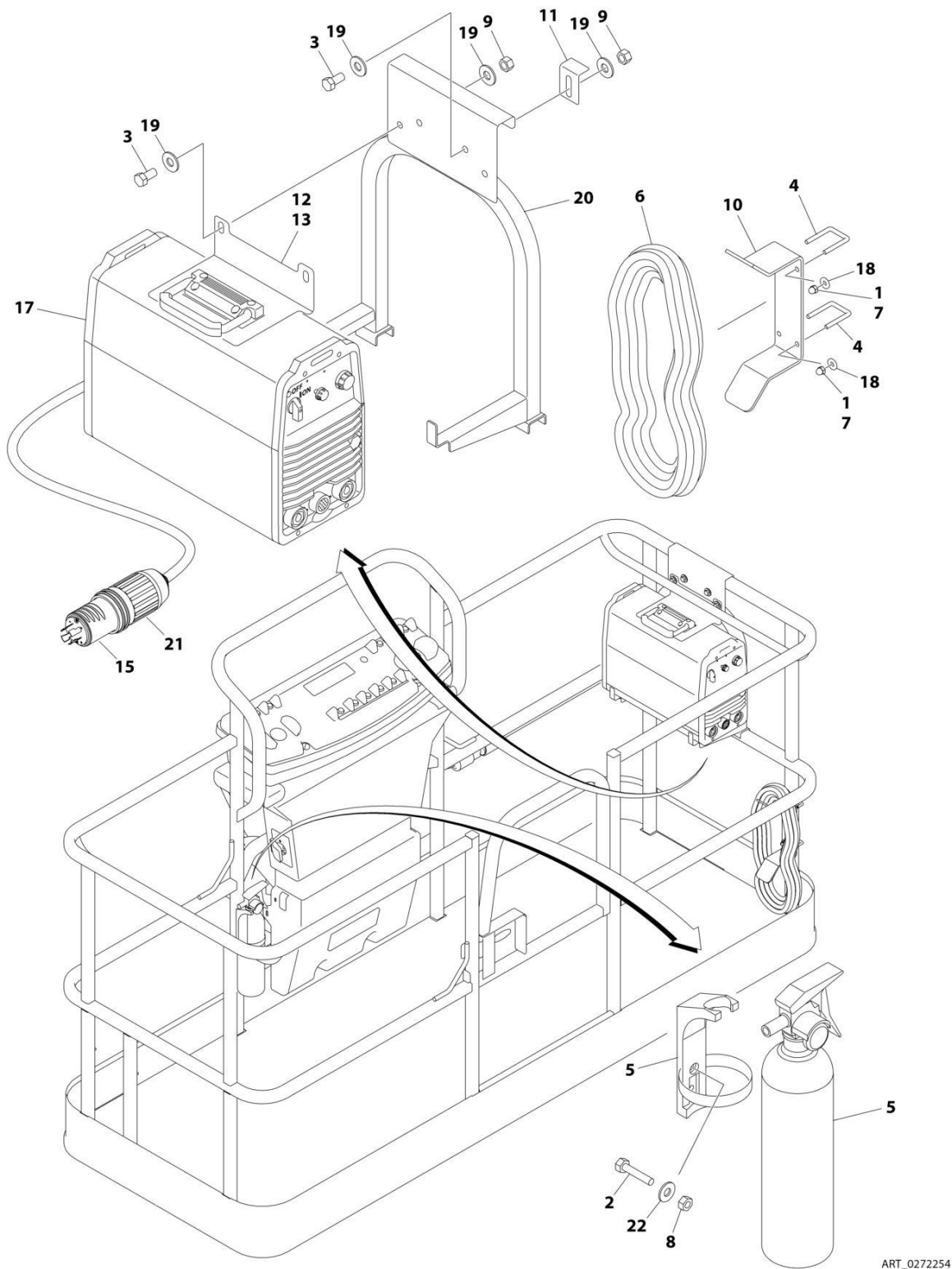
## SECTION 5 - PLATFORM

**FIGURE 5-28. SKYWELDER INSTALLATION (50HZ)**

ITEM	PART NUMBER	QTY	DESCRIPTION	REV
	0272521	Ref	SKYWELDER INSTALLATION	F
1	0100011	AR	Compound, Locking	
2	0630518	2	Screw #10 x 3/4	
3	0641606	4	Bolt 3/8 x 3/4	
4	1320302	2	U-Clamp	
5	2030010	1	Extinguisher, Fire	
6	2902217	1	Weld Leads Kit	
7	3300151	4	Nut 1/4	
8	3311005	2	Nut #10	
9	3311605	4	Nut 3/8	
10	3573400	1	Bracket	
11	3577121	2	Angle	
12	3573642	1	Plate	
13	4240099	AR	Tie-Strap (Not Shown)	
14	4420037	AR	Tape	
15	4530028	1	Welder Assembly (See Separate Breakdown in this Section)	
16	4751400	4	Washer 1/4	
17	4751600	8	Washer 3/8	
18	4846627	1	Support	
19	4751000	2	Washer #10	

# SECTION 5 - PLATFORM

## FIGURE 5-29. SKYWELDER INSTALLATION (60HZ)



ART\_0272254

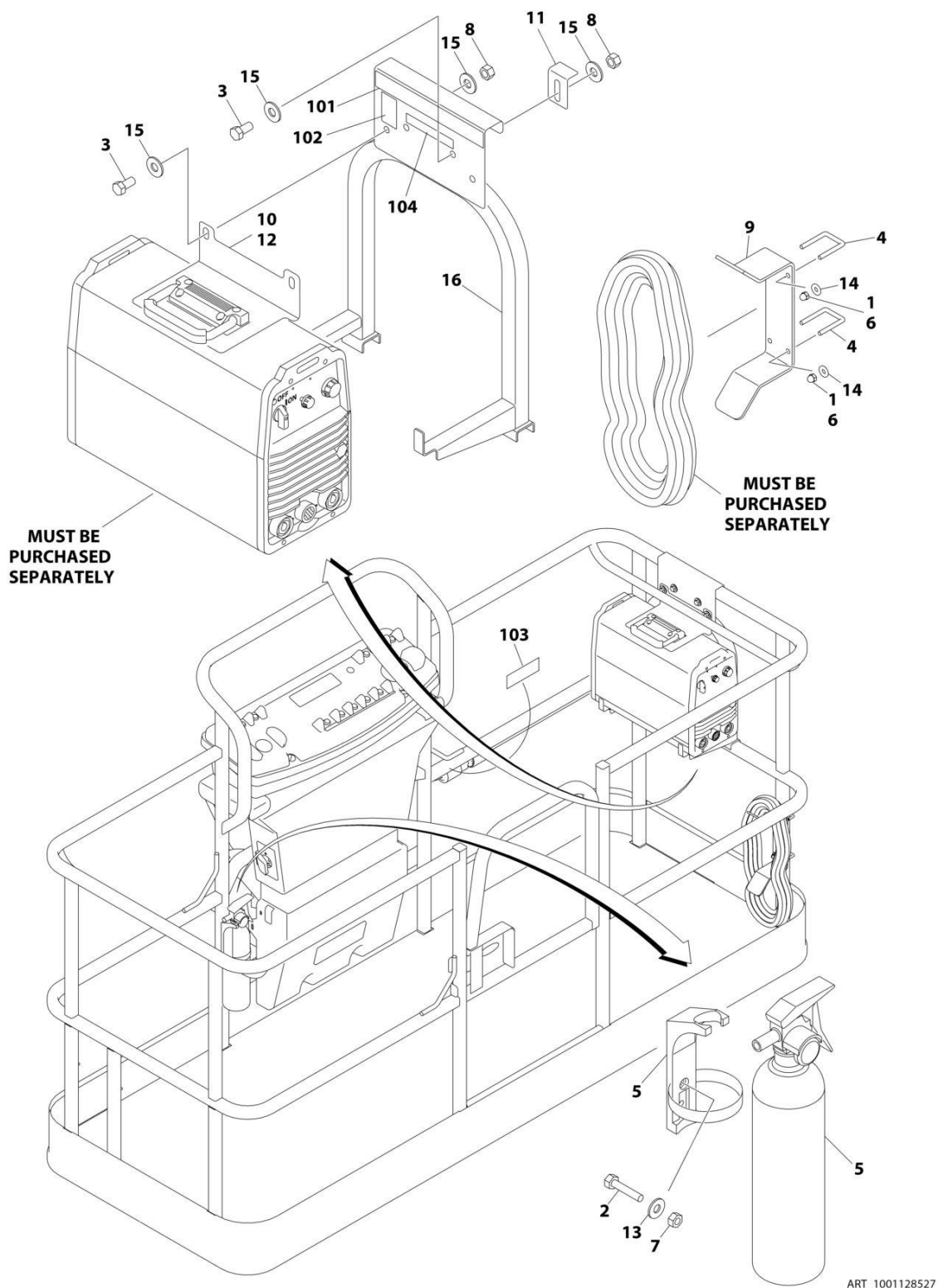
## SECTION 5 - PLATFORM

**FIGURE 5-29. SKYWELDER INSTALLATION (60HZ)**

ITEM	PART NUMBER	QTY	DESCRIPTION	REV
	0272254	Ref	SKYWELDER INSTALLATION	1
1	0100011	AR	Compound, Locking	
2	0630518	2	Screw #10 x 3/4	
3	0641606	4	Bolt 3/8 x 3/4	
4	1320302	2	U-Clamp	
5	2030010	1	Extinguisher, Fire	
6	2902217	1	Weld Leads Kit	
7	3300151	4	Nut 1/4	
8	3311005	2	Nut #10	
9	3311605	4	Nut 3/8	
10	3573400	1	Bracket	
11	3577121	2	Angle	
12	3573642	1	Plate	
13	4420037	AR	Tape	
14	4240099	AR	Tie-Strap (Not Shown)	
15	4460962	1	Plug, Male Twistlock	
17	4530028	1	Welder Assembly (See Separate Breakdown in this Section)	
18	4751400	4	Washer 1/4	
19	4751600	8	Washer 3/8	
20	4846627	1	Support	
21	1671093	1	Cover, Plug	
22	4751000	2	Washer #10	

# SECTION 5 - PLATFORM

## FIGURE 5-30. SKYWELDER PREP PACKAGE (60HZ)



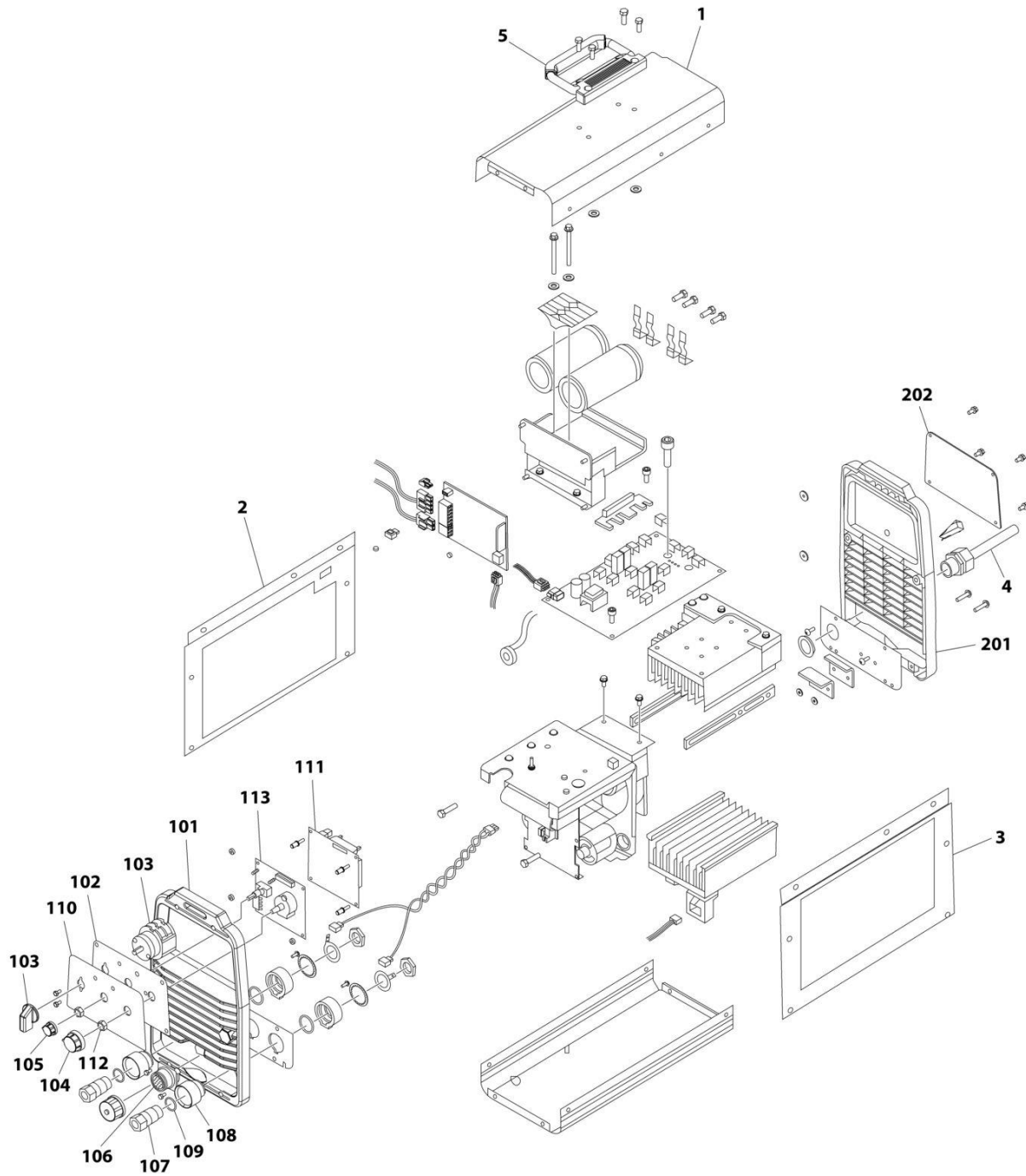
## SECTION 5 - PLATFORM

**FIGURE 5-30. SKYWELDER PREP PACKAGE (60HZ)**

ITEM	PART NUMBER	QTY	DESCRIPTION	REV
	1001128527	Ref	SKYWELDER PREP PACKAGE (60HZ)	B
1	0100011	AR	Compound, Locking	
2	0630518	2	Screw #10 x 3/4	
3	0641606	4	Bolt 3/8 x 3/4	
4	1320302	2	U-Clamp	
5	2030010	1	Extinguisher, Fire	
6	3300151	4	Nut 1/4	
7	3311005	2	Nut #10	
8	3311605	4	Nut 3/8	
9	3573400	1	Bracket	
10	3573642	1	Plate	
11	3577121	2	Angle	
12	4420037	AR	Tape	
13	4751000	2	Washer #10	
14	4751400	4	Washer 1/4	
15	4751600	8	Washer 3/8	
16	4846627	1	Support	
	1001128556	Ref	SKYWELDER DECAL INSTALLATION	C
101	1702868	1	Decal - No Hands	
102	1705305	1	Decal - Weld Lead	
103	1705375	1	Decal - 240V - 3 Phase - 60Hz	
104	1001228988	1	Decal - Weight	

# SECTION 5 - PLATFORM

## FIGURE 5-31. WELDER ASSEMBLY



ART\_4530028

## SECTION 5 - PLATFORM

### FIGURE 5-31. WELDER ASSEMBLY

ITEM	PART NUMBER	QTY	DESCRIPTION	REV
	4530028	Ref	WELDER ASSEMBLY	B
		Ref	Note: For Other Components, contact your Miller Welder Dealer.	
1	7027773	1	Cover, Top	
1	7027774	1	Decal - Static Precautionary Warning	
2	See Note	NSS	Panel, LH Side (Note: Part of Item 1. Purchase Item 1)	
3	See Note	NSS	Panel, RH Side (Note: Part of Item 1. Purchase Item 1)	
4	7024467	1	Cable, Power	
4	7027775	1	Decal - Electrical Shock Warning (Not Shown)	
5	7027776	1	Handle, Carrying	
101	7024462	1	Panel, Front	
102	7024463	1	Panel, Console	
103	7024469	1	Switch with Lead	
104	7024470	1	Knob	
105	7024471	1	Knob	
106	7024472	1	Receptacle with Leads and Plugs	
107	7024473	2	Receptacle, Twistlock Female	
108	7024474	2	Insulator	
109	7024475	2	O-Ring	
110	7027777	1	Nameplate	
111	7027779	1	Circuit Card Assembly (Process Control)	
112	7024478	2	Nut	
113	7027778	1	Circuit Card Assembly (Operator Interface)	
201	7024462	1	Panel, Rear	
202	7027780	1	Panel, Cover	

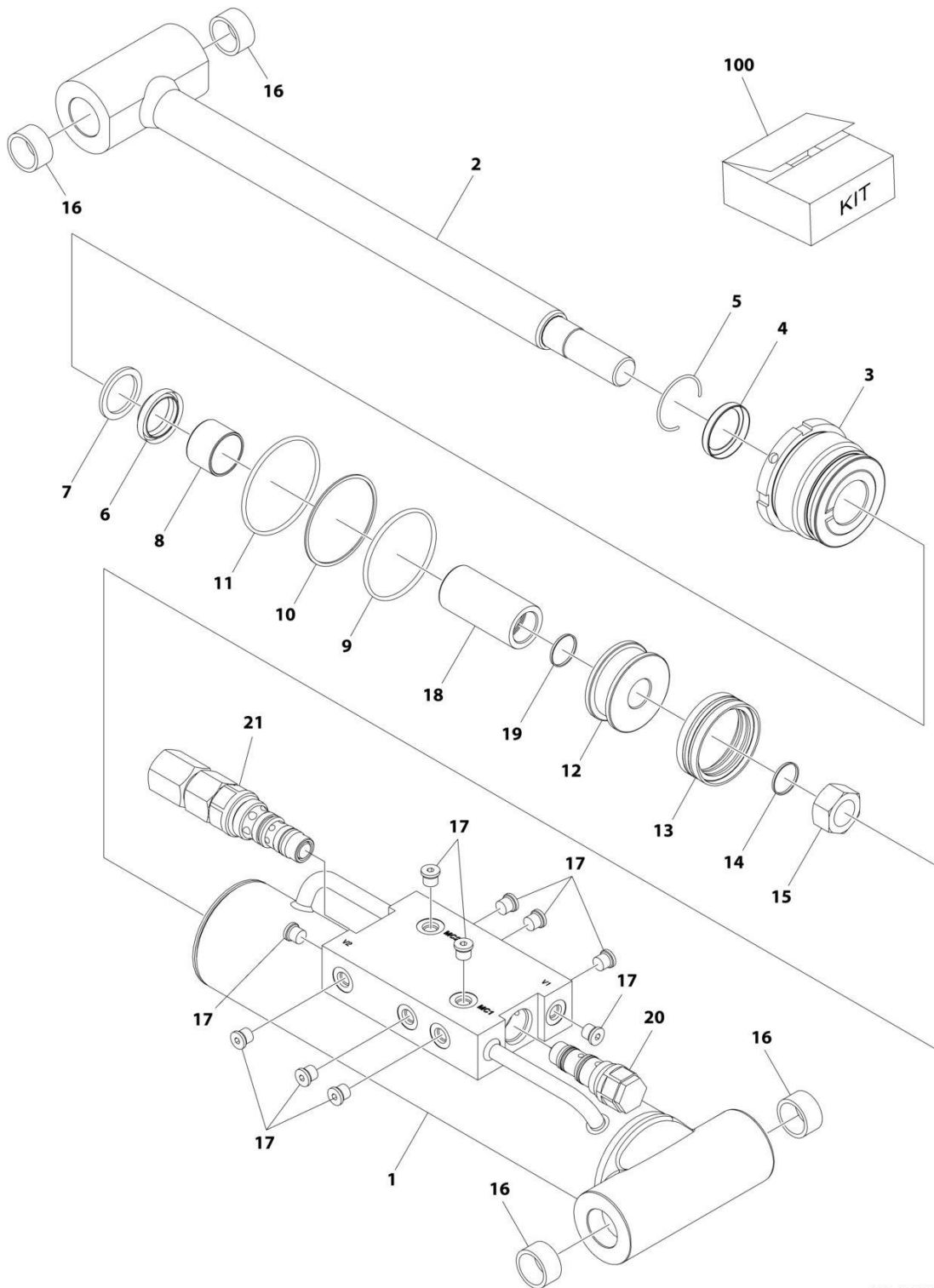




**SECTION 6 - CYLINDER**

# SECTION 6 - CYLINDER

## FIGURE 6-1. LEVEL CYLINDER ASSEMBLY - PLATFORM SLAVE (600SC)



ART\_1001184954

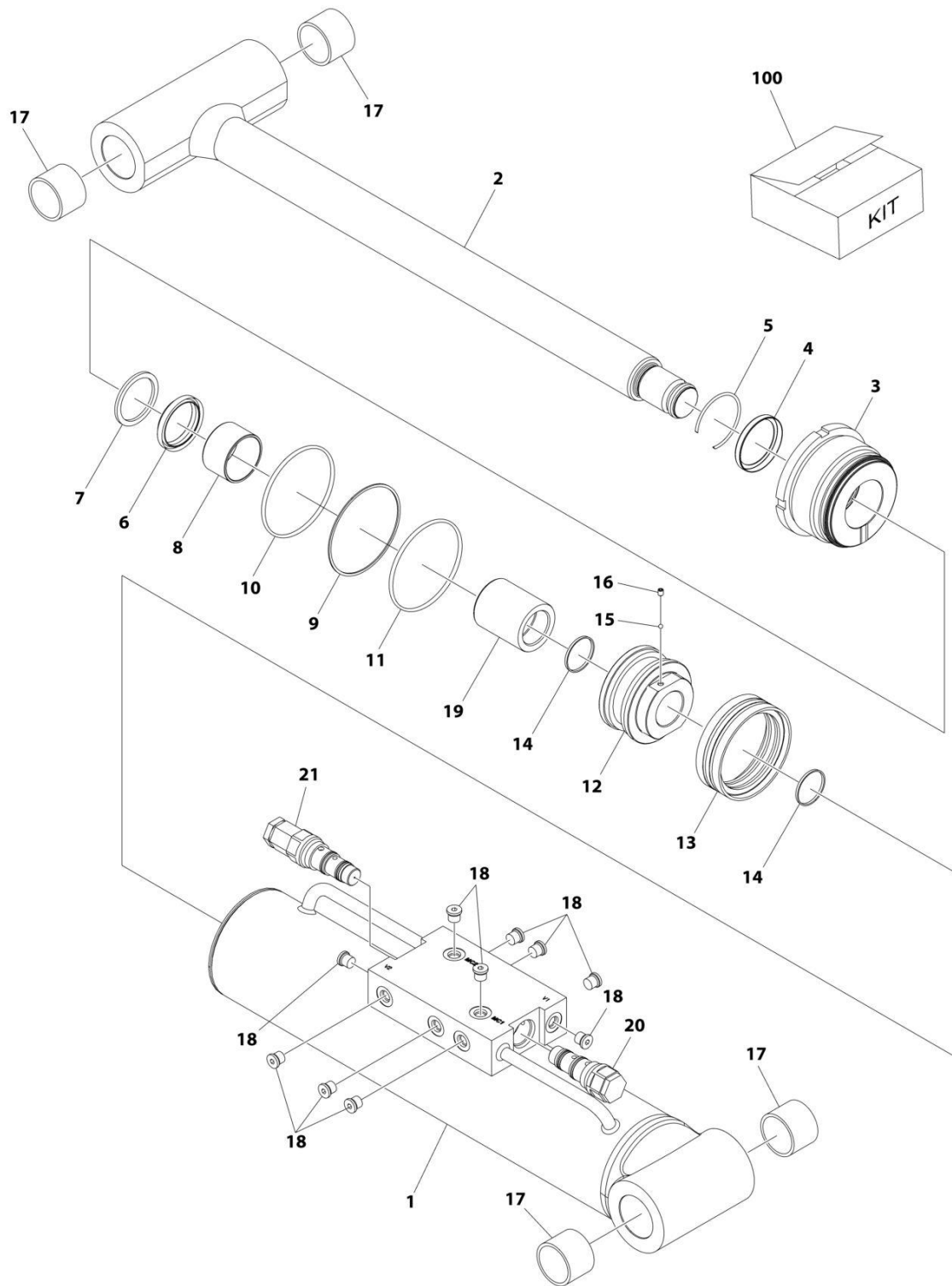
## SECTION 6 - CYLINDER

**FIGURE 6-1. LEVEL CYLINDER ASSEMBLY - PLATFORM SLAVE (600SC)**

ITEM	PART NUMBER	QTY	DESCRIPTION	REV
	1001184954	Ref	LEVEL CYLINDER ASSEMBLY	E
		Ref	Note: Original Cylinder may have been replaced with Service Replacement. Identify PN Stamped on Cylinder Before Ordering Parts.	
1	70005693	1	Barrel	
2	70005694	1	Rod	
3	70003085	1	Head	
4	See Note	NSS	Wiper (Note: Use Item 100)	
5	70002366	1	Ring, Retaining	
6	See Note	NSS	Seal, Rod (Note: Use Item 100)	
7	See Note	NSS	Ring, Back-up (Note: Use Item 100)	
8	70005695	1	Bearing	
9	See Note	NSS	O-Ring (Note: Use Item 100)	
10	See Note	NSS	Ring, Back-up (Note: Use Item 100)	
11	See Note	NSS	O-Ring (Note: Use Item 100)	
12	70002381	1	Piston	
13	See Note	NSS	Seal, Piston (Note: Use Item 100)	
14	See Note	NSS	O-Ring (Note: Use Item 100)	
15	70002335	1	Nut	
16	0961947	4	Bearing	
17	2220883	10	Plug	
18	70005696	1	Spacer	
19	See Note	NSS	O-Ring (Note: Use Item 100)	
20	4640999	1	Valve, Counterbalance	
20	2900792	1	Seal Kit - 4640999 Valve	
21	1001232117	1	Valve, Counterbalance	
21	7011112	1	Seal Kit - 1001232117 Valve	
100	70005697	1	Seal Kit - 1001184954 Cylinder (Includes Items 4, 6, 7, 9, 10, 11, 13, 14 & 19)	

# SECTION 6 - CYLINDER

## FIGURE 6-2. LEVEL CYLINDER ASSEMBLY - PLATFORM SLAVE (660SJC)



ART\_1001184957

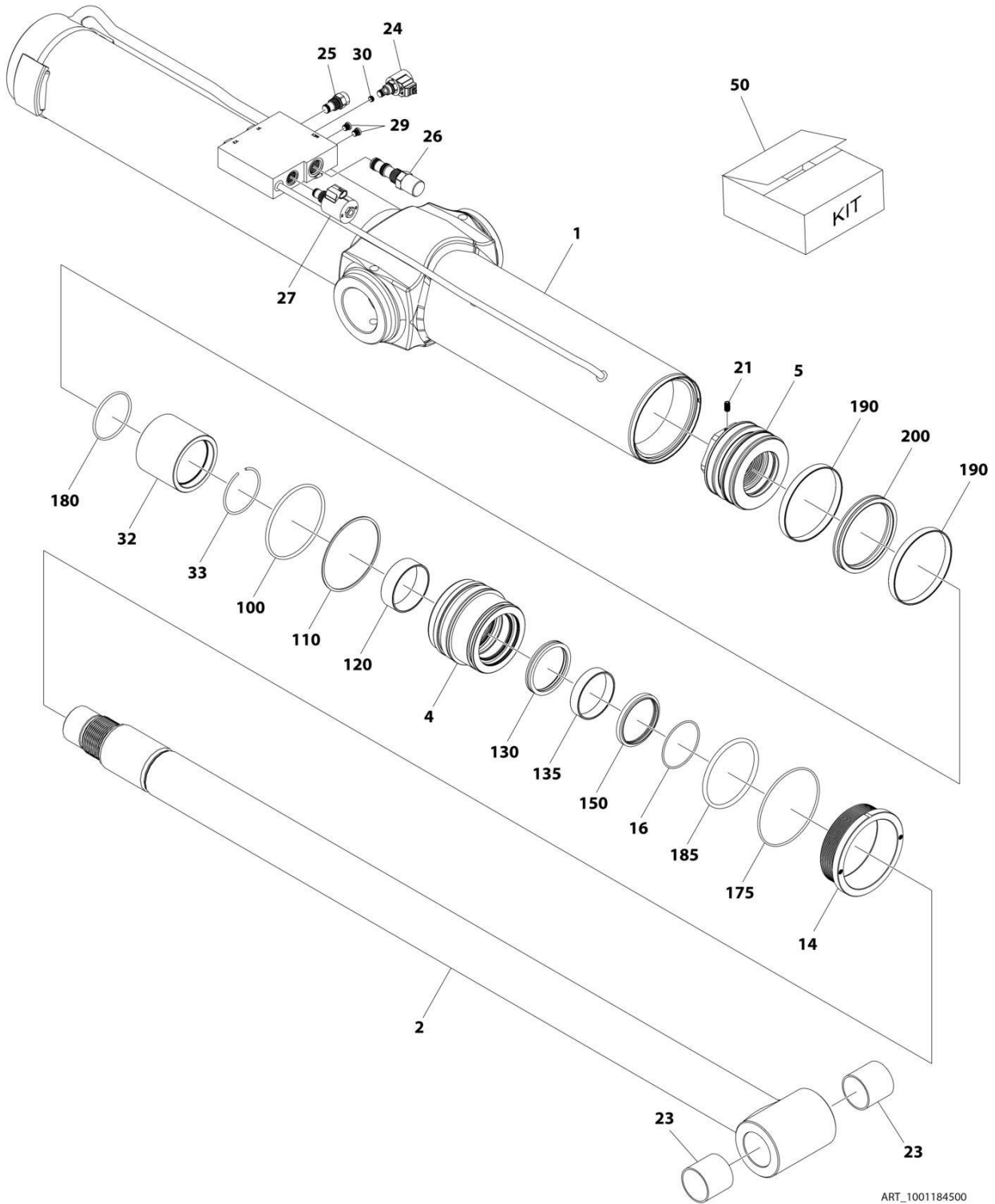
## SECTION 6 - CYLINDER

**FIGURE 6-2. LEVEL CYLINDER ASSEMBLY - PLATFORM SLAVE (660SJC)**

ITEM	PART NUMBER	QTY	DESCRIPTION	REV
	1001184957	Ref	LEVEL CYLINDER ASSEMBLY	D
		Ref	Note: Original Cylinder may have been replaced with Service Replacement. Identify PN Stamped on Cylinder Before Ordering Parts.	
1	70005698	1	Barrel	
2	70005699	1	Rod	
3	70005700	1	Head	
4	See Note	NSS	Wiper (Note: Use Item 100)	
5	70002410	1	Ring, Retaining	
6	See Note	NSS	Seal, Rod (Note: Use Item 100)	
7	See Note	NSS	Ring, Back-up (Note: Use Item 100)	
8	70004237	1	Bearing	
9	See Note	NSS	O-Ring (Note: Use Item 100)	
10	See Note	NSS	Ring, Back-up (Note: Use Item 100)	
11	See Note	NSS	O-Ring (Note: Use Item 100)	
12	70005701	1	Piston	
13	See Note	NSS	Seal, Piston (Note: Use Item 100)	
14	See Note	NSS	O-Ring (Note: Use Item 100)	
15	70022564	1	Ball	
16	70023369	1	Setscrew	
17	0961948	4	Bearing	
18	2220883	10	Plug	
19	70005702	1	Spacer	
20	4640999	1	Valve, Counterbalance	
20	2900792	1	Seal Kit - 4640999 Valve	
21	4640932	1	Valve, Counterbalance	
21	7011112	1	Seal Kit - 4640932 Valve	
100	70005703	1	Seal Kit - 1001184957 Cylinder (Include Items 4, 6, 7, 9, 10, 11, 13 & 14)	

# SECTION 6 - CYLINDER

## FIGURE 6-3. LIFT CYLINDER ASSEMBLY - BOOM



ART\_1001184500

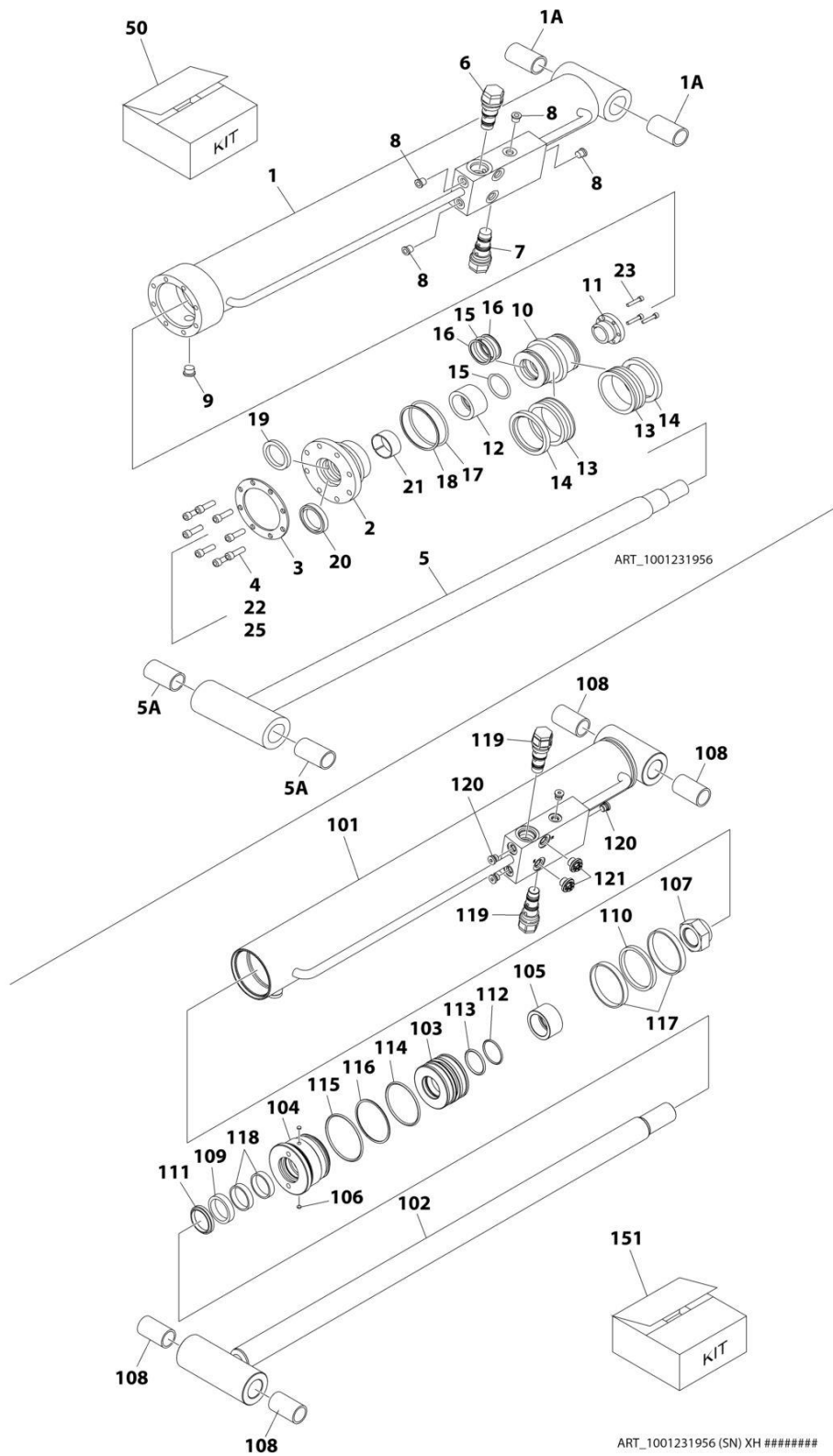
## SECTION 6 - CYLINDER

### FIGURE 6-3. LIFT CYLINDER ASSEMBLY - BOOM

ITEM	PART NUMBER	QTY	DESCRIPTION	REV
	1001184500	Ref	LIFT CYLINDER ASSEMBLY	J
		Ref	Note: Original Cylinder may have been replaced with Service Replacement. Identify PN Stamped on Cylinder Before Ordering Parts.	
1	70005570	1	Barrel	
2	70005571	1	Rod	
4	70005572	1	Head	
5	70025580	1	Head	
14	70026164	1	Collar, Locking	
16	70000699	1	Ring, Retaining	
21	70025582	1	Setscrew	
23	0962423	2	Bushing	
24	1001195382	1	Valve, Solenoid	
24	7017467	1	Cartridge Less Coil	
24	7012967	1	Seal Kit - 1001195382 & 7017467 Valves	
24	70005576	1	Coil	
25	4641390	1	Valve, Check	
25	7017496	1	Seal Kit - 4641930 Valve	
26	1001203628	1	Valve, Pressure Compensator	
26	7012925	1	Seal Kit - 1001203628 Valve	
27	1001218037	1	Valve, Solenoid	
27	70006003	1	Cartridge Less Coil	
27	70006005	1	Seal Kit - 1001218037 & 70006003 Valve	
27	70006004	1	Coil	
27	70006006	1	Coil Nut Kit	
29	70025619	2	Plug	
30	70006261	1	Orifice	
32	70006260	1	Spacer	
33	70005575	1	Wire, Retaining	
50	70005563	1	Seal Kit - 1001184500 Cylinder (Includes Items 100-200)	
100	See Note	NSS	O-Ring (Note: Use Item 50)	
110	See Note	NSS	Ring, Back-up (Note: Use Item 50)	
120	See Note	NSS	Ring, Bearing (Note: Use Item 50)	
130	See Note	NSS	Seal, Rod (Note: Use Item 50)	
135	See Note	NSS	Ring, Bearing (Note: Use Item 50)	
150	See Note	NSS	Wiper (Note: Use Item 50)	
175	See Note	NSS	O-Ring (Note: Use Item 50)	
180	See Note	NSS	O-Ring (Note: Use Item 50)	
185	See Note	NSS	O-Ring (Note: Use Item 50)	
190	See Note	NSS	Ring, Bearing (Note: Use Item 50)	
200	See Note	NSS	Seal, Piston (Note: Use Item 50)	

# SECTION 6 - CYLINDER

FIGURE 6-4. LIFT CYLINDER ASSEMBLY - JIB (660SJC) (SN 0300236299 through 0300245222)





## SECTION 6 - CYLINDER

**FIGURE 6-4. LIFT CYLINDER ASSEMBLY - JIB (660SJC) (SN 0300236299 through 0300245222)**

ITEM	PART NUMBER	QTY	DESCRIPTION	REV
	1001231956	Ref	LIFT CYLINDER ASSEMBLY (ALL EXCEPT CYLINDERS WITH SN START WITH XH)	C
		Ref	Note: If Cylinder is Stamped 1001231956 (SN) XH ##### Refer to Items 101-151 for Service Parts.	
		Ref	Note: Original Cylinder May Have Been Replaced with Service Replacement. Identify PN Stamped on Cylinder Before Ordering Parts.	
1	1684089	1	Barrel	
1A	0962336	2	Bushing	
2	1683053	1	Head	
3	3760368	1	Ring, Washer	
4	3931516	8	Capscrew 5/16 x 1	
5	1684090	1	Rod	
5A	0962336	2	Bushing	
6	4640509	1	Cartridge, Valve	
6	2900792	1	Seal Kit - 4640509 Valve	
7	1001231963	1	Cartridge, Valve	
7	70004186	1	Seal Kit - 1001231963 Valve	
8	2220883	4	Plug, O-Ring #4	
9	2220885	1	Plug, O-Ring #6	
10	3480210	1	Piston	
11	0961893	1	Bushing, Tapered	
12	4100100	1	Spacer, Tube	
13	See Note	NSS	Seal (Note: Use Item 50)	
14	See Note	NSS	Ring, Lock (Note: Use Item 50)	
15	See Note	NSS	O-Ring (Note: Use Item 50)	
16	See Note	NSS	Ring, Back-up (Note: Use Item 50)	
17	See Note	NSS	O-Ring (Note: Use Item 50)	
18	See Note	NSS	Ring, Back-up (Note: Use Item 50)	
19	See Note	NSS	Seal, Rod (Note: Use Item 50)	
20	See Note	NSS	Wiper (Note: Use Item 50)	
21	See Note	NSS	Ring, Wear (Note: Use Item 50)	
22	0100011	AR	Compound, Locking	
23	0630534	3	Bolt #10 x 1	
25	0100038	AR	Primer, Locking	
50	2901303	1	Seal Kit (Includes Items 13-21)	
	1001231956	Ref	LIFT CYLINDER ASSEMBLY (CYLINDERS STAMPED 1001231956 (SN) XH #####)	A
		Ref	Note: Original Cylinder May Have Been Replaced with Service Replacement. Identify PN Stamped on Cylinder Before Ordering Parts.	
101	See Note	1	Barrel (Note: Purchase Complete Assembly)	
102	70006930	1	Rod	
103	70006931	1	Piston	
104	70006932	1	Head	
105	70006933	1	Spacer, Tube	
106	70003636	1	Lock, Insert	
107	70006900	1	Nut	
108	0962336	1	Bushing	
109	See Note	1	Seal, Rod (Note: Use Item 151)	
110	See Note	1	Seal, Piston (Note: Use Item 151)	

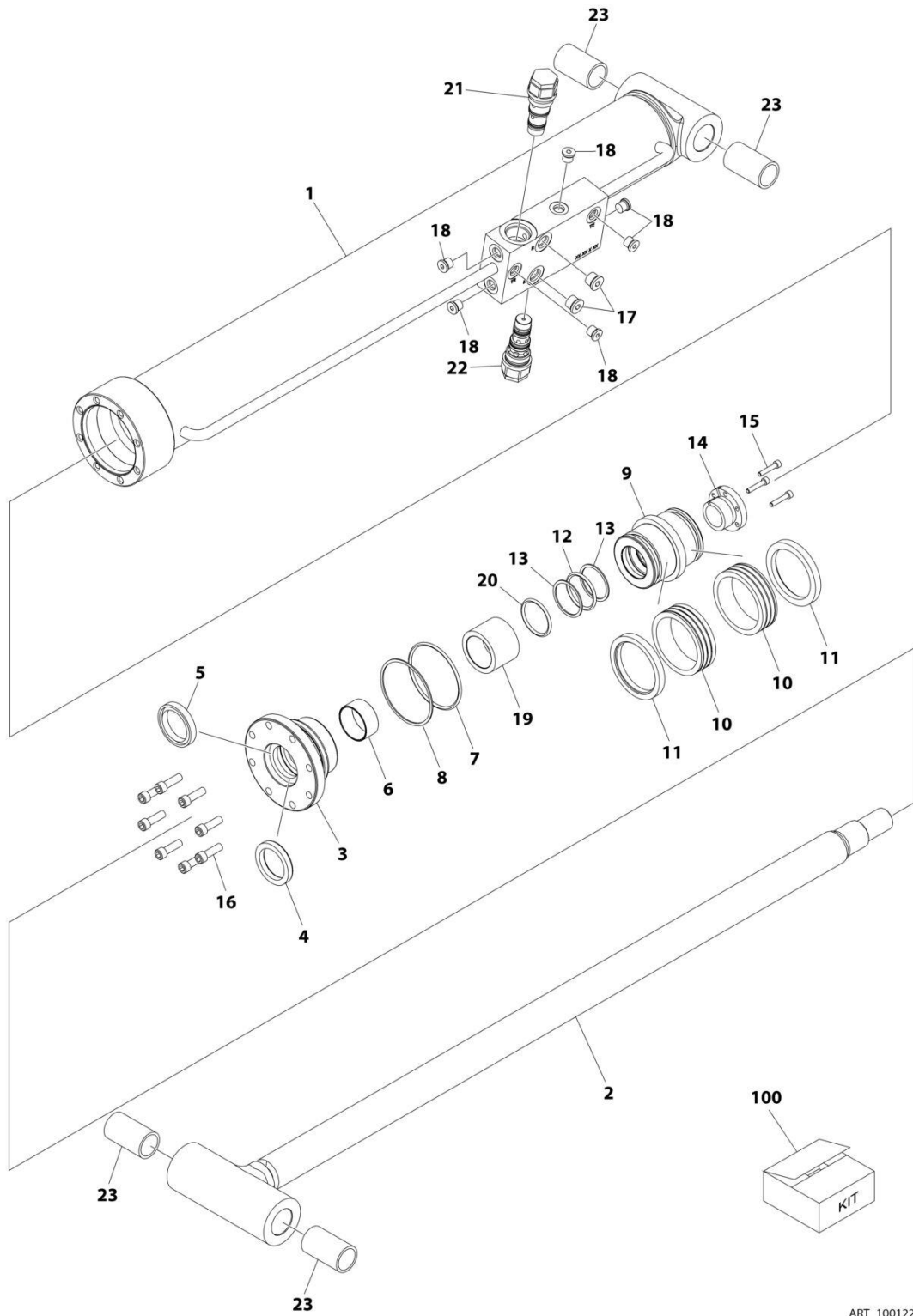
## SECTION 6 - CYLINDER

ITEM	PART NUMBER	QTY	DESCRIPTION	REV
111	See Note	1	Wiper (Note: Use Item 151)	
112	See Note	1	O-Ring (Note: Use Item 151)	
113	See Note	1	O-Ring (Note: Use Item 151)	
114	See Note	1	O-Ring (Note: Use Item 151)	
115	See Note	1	O-Ring (Note: Use Item 151)	
116	See Note	1	Ring, Back-up (Note: Use Item 151)	
117	See Note	1	Ring, Wear (Note: Use Item 151)	
118	See Note	1	Ring, Wear (Note: Use Item 151)	
119	4640509	1	Catridge, Valve	
119	2900792	1	Seal Kit - 4640509 Valve	
120	2220883	1	Plug	
121	2220885	1	Plug	
151	70006934	1	Seal Kit (Includes Item 109-118)	



# SECTION 6 - CYLINDER

FIGURE 6-5. LIFT CYLINDER ASSEMBLY - JIB (660SJC) (SN 0300245223 through 0300272446)



ART\_1001228013

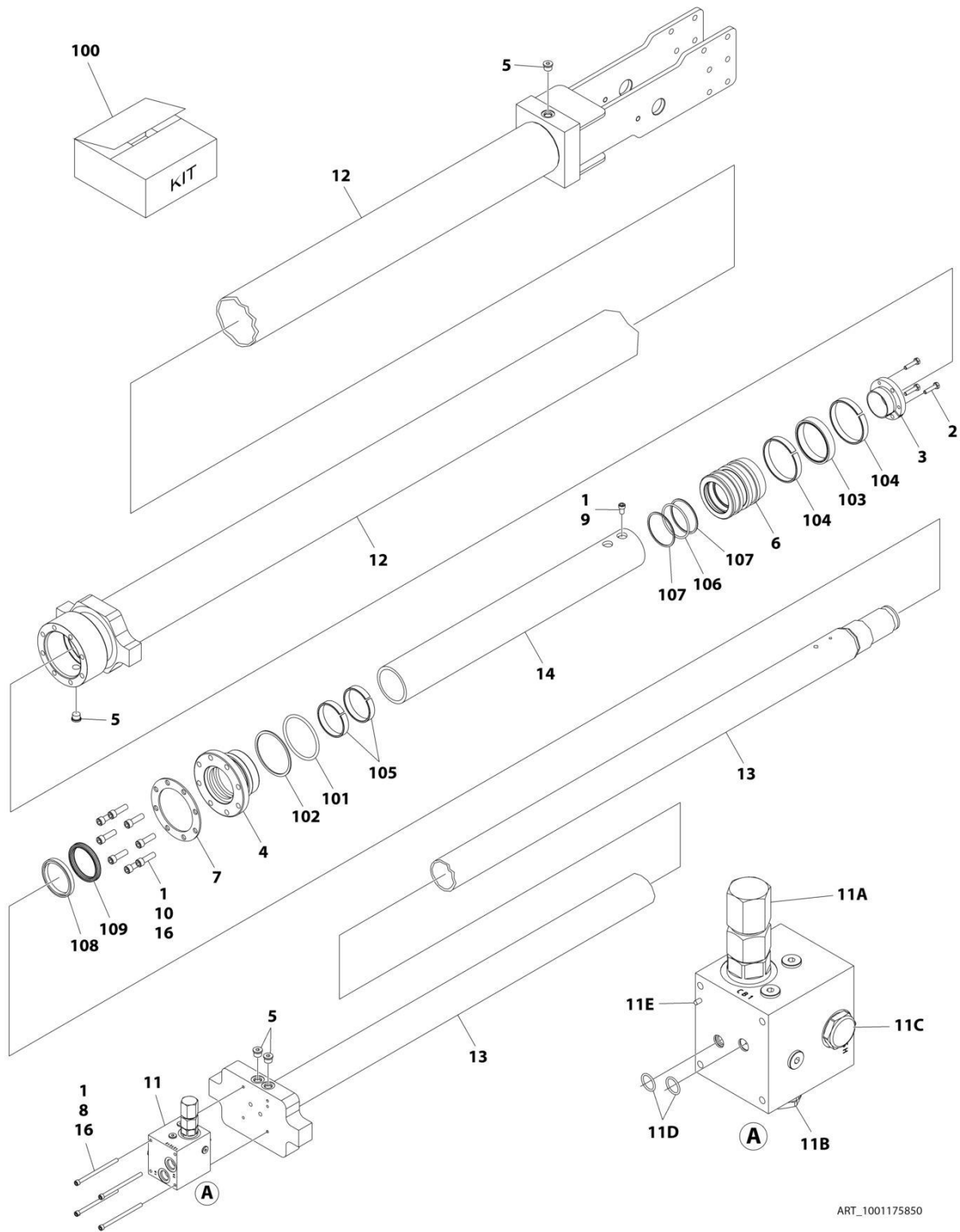
## SECTION 6 - CYLINDER

**FIGURE 6-5. LIFT CYLINDER ASSEMBLY - JIB (660SJC) (SN 0300245223 through 0300272446)**

ITEM	PART NUMBER	QTY	DESCRIPTION	REV
	1001228013	Ref	LIFT CYLINDER ASSEMBLY	B
		Ref	Note: Original Cylinder May Have Been Replaced with Service Replacement. Identify PN Stamped on Cylinder Before Ordering Parts.	
1	See Note	NSS	Barrel (Note: Not Available for Purchase)	
2	70006734	1	Rod	
3	70006649	1	Head	
4	See Note	NSS	Wiper (Note: Use Item 100)	
5	See Note	NSS	Seal, Rod (Note: Use Item 100)	
6	See Note	NSS	Ring, Wear (Note: Use Item 100)	
7	See Note	NSS	O-Ring (Note: Use Item 100)	
8	See Note	NSS	Ring, Back-up (Note: Use Item 100)	
9	70006650	1	Piston	
10	See Note	NSS	Seal (Note: Use Item 100)	
11	See Note	NSS	Ring, Lock (Note: Use Item 100)	
12	See Note	NSS	O-Ring (Note: Use Item 100)	
13	See Note	NSS	Ring, Back-up (Note: Use Item 100)	
14	0961893	1	Bushing, Tapered	
15	0630534	3	Bolt #10-24NC x 1in	
16	70006735	8	Capscrew 5/16 x 1	
17	2220885	2	Plug, O-Ring #6	
18	2220883	6	Plug, O-Ring #4	
19	70006736	1	Spacer, Tube	
20	See Note	NSS	O-Ring (Note: Use Item 100)	
21	4640509	1	Cartridge, Valve	
21	2900792	1	Seal Kit - 4640509 Valve	
22	1001231963	1	Cartridge, Valve	
22	70004186	1	Seal Kit - 1001231963 Valve	
23	0962336	4	Bushing	
100	2901303	1	Seal Kit (Includes Items 4-8, 10-13 & 20)	

# SECTION 6 - CYLINDER

FIGURE 6-6. TELESCOPE CYLINDER (SN 0300236299 through 0300245222)



ART\_1001175850

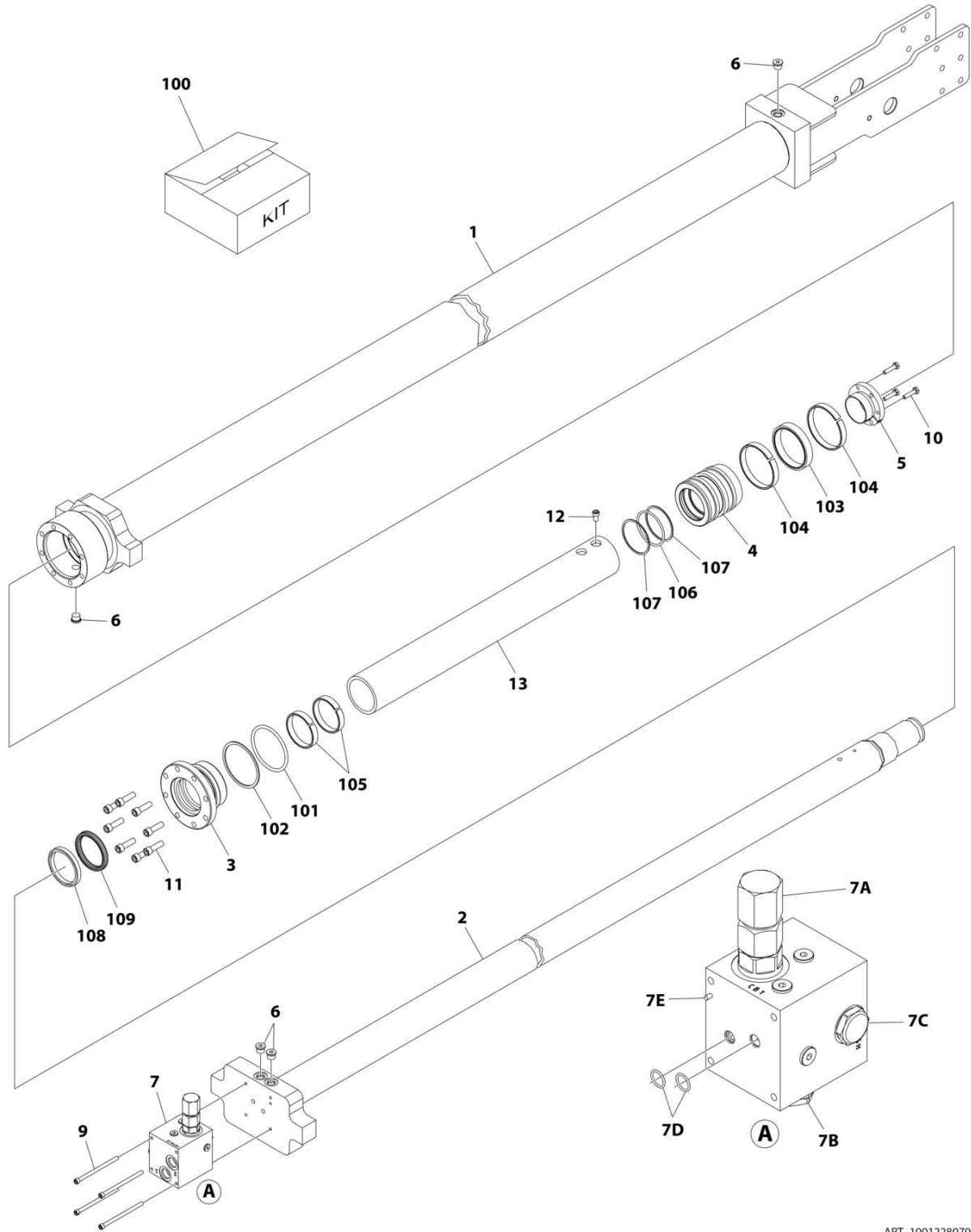
## SECTION 6 - CYLINDER

**FIGURE 6-6. TELESCOPE CYLINDER (SN 0300236299 through 0300245222)**

ITEM	PART NUMBER	QTY	DESCRIPTION	REV
	1001175850	Ref	TELESCOPE CYLINDER ASSEMBLY	E
		Ref	Note: Original Cylinder may have been replaced with Service Replacement. Identify PN Stamped on Cylinder Before Ordering Parts.	
1	0100011	AR	Compound, Locking	
2	0630535	3	Bolt 1/4 x 1-1/8	
3	0961897	1	Bushing, Tapered	
4	1683057	1	Head	
5	2220885	4	Plug #6	
6	3480205	1	Piston	
7	3760369	1	Ring, Washer	
8	3931464	4	Capscrew 1/4 x 4	
9	3931508	1	Capscrew 5/16 x 1/2	
10	3931620	8	Capscrew 3/8 x 1-1/4	
11	1001133245	1	Valve Assembly	
11A	70003926	1	Cartridge, Valve	
11A	70004186	1	Seal Kit - 70003926 Valve	
11B	70004155	1	Cartridge, Valve	
11B	70004186	1	Seal Kit - 70004155 Valve	
11C	70003928	1	Cartridge, Valve	
11C	70003929	1	Seal Kit - 70003928 Valve	
11D	70003982	1	Seal	
11E	70003930	1	Roll Pin	
12	1001175346	1	Barrel	
13	1001175852	1	Rod	
14	1001176339	1	Spacer	
16	0100038	AR	Primer	
100	1001177519	1	Seal Kit - 1001175850 (Includes Item 101-109)	
101	1001177520	NSS	O-Ring (Note: Use Item 100)	
102	1001177521	NSS	Ring, Back-up (Note: Use Item 100)	
103	1001177522	NSS	Seal (Note: Use Item 100)	
104	3960361	NSS	Ring, Wear (Note: Use Item 100)	
105	3760132	NSS	Ring, Wear (Note: Use Item 100)	
106	1001138915	NSS	O-Ring (Note: Use Item 100)	
107	3760356	NSS	Seal, Back-up (Note: Use Item 100)	
108	3960158	NSS	Wiper (Note: Use Item 100)	
109	1001215321	NSS	Seal, Rod (Note: Use Item 100)	

# SECTION 6 - CYLINDER

FIGURE 6-7. TELESCOPE CYLINDER ASSEMBLY (SN 0300245223 through 0300251713)



ART\_1001228079



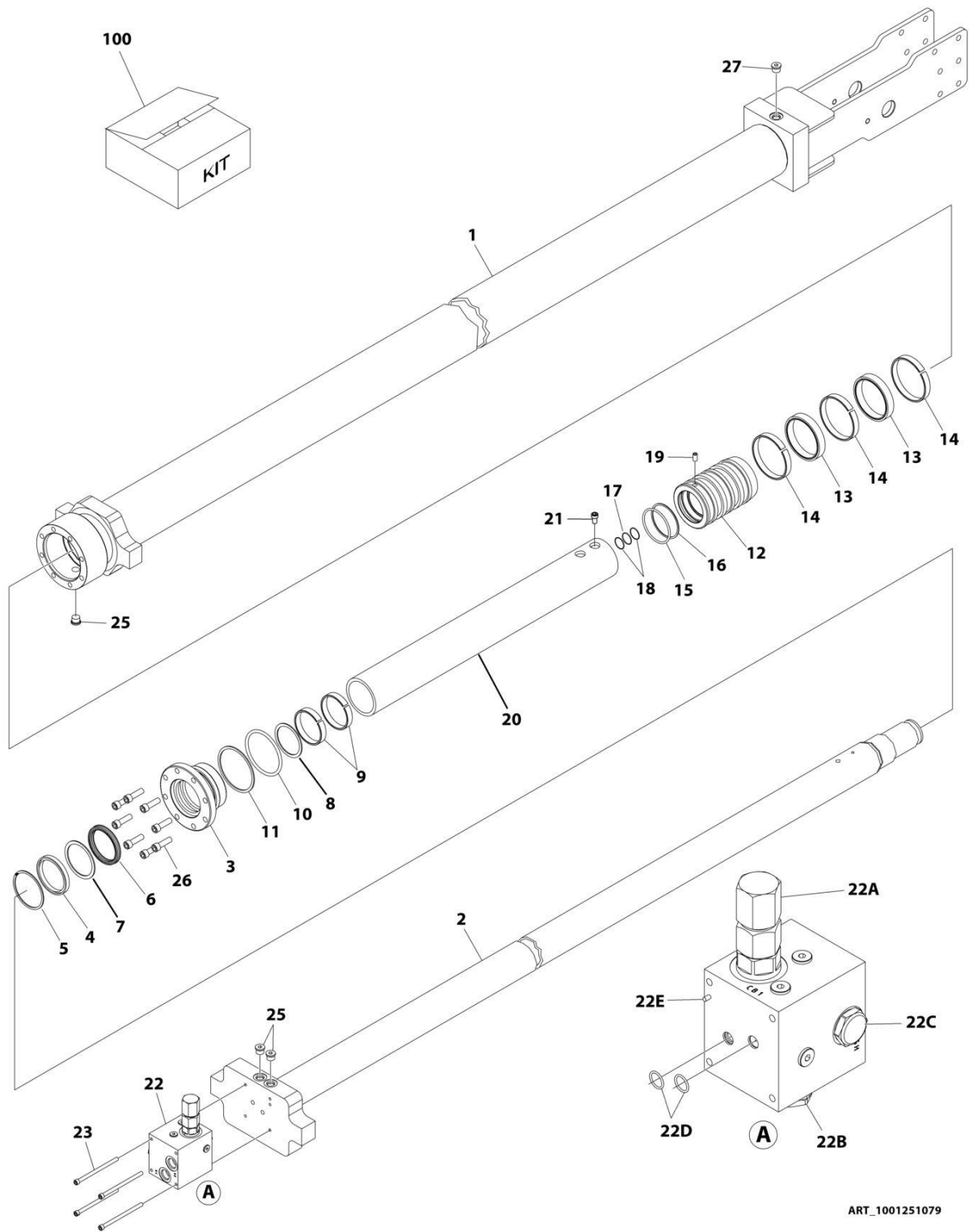
## SECTION 6 - CYLINDER

**FIGURE 6-7. TELESCOPE CYLINDER ASSEMBLY (SN 0300245223 through 0300251713)**

ITEM	PART NUMBER	QTY	DESCRIPTION	REV
	1001228079	Ref	TELESCOPE CYLINDER ASSEMBLY	A
		Ref	Note: Original Cylinder may have been replaced with Service Replacement. Identify PN Stamped on Cylinder Before Ordering Parts.	
1	See Note	NSS	Barrel (Note: Not Available for Purchase)	
2	70006441	1	Rod	
3	70006440	1	Head	
4	70006439	1	Piston	
5	70006438	1	Bushing, Tapered	
6	2220885	4	Plug #6	
7	1001133245	1	Valve Assembly	
7A	70003926	1	Cartridge, Valve	
7A	70004186	1	Seal Kit - 70003926 Valve	
7B	70004155	1	Cartridge, Valve	
7B	70004186	1	Seal Kit - 70004155 Valve	
7C	70003928	1	Cartridge, Valve	
7C	70003929	1	Seal Kit - 70003928 Valve	
7D	70003982	1	Seal	
7E	70003930	1	Roll Pin	
9	3931464	4	Capscrew 1/4 x 4	
10	0630535	3	Bolt 1/4 x 1-1/8	
11	3931620	8	Capscrew 3/8 x 1-1/4	
12	3931508	1	Capscrew 5/16 x 1/2	
13	See Note	NSS	Spacer (Note: Not available for purchase)	
100	1001177519	1	Seal Kit - 1001228079 (Includes Item 101-109)	
101	1001177520	NSS	O-Ring (Note: Use Item 100)	
102	1001177521	NSS	Ring, Back-up (Note: Use Item 100)	
103	1001177522	NSS	Seal (Note: Use Item 100)	
104	3960361	NSS	Ring, Wear (Note: Use Item 100)	
105	3760132	NSS	Ring, Wear (Note: Use Item 100)	
106	1001138915	NSS	O-Ring (Note: Use Item 100)	
107	3760356	NSS	Seal, Back-up (Note: Use Item 100)	
108	3960158	NSS	Wiper (Note: Use Item 100)	
109	1001215321	NSS	Seal, Rod (Note: Use Item 100)	

# SECTION 6 - CYLINDER

FIGURE 6-8. TELESCOPE CYLINDER ASSEMBLY (SN 0300251714 through 0300272446)



ART\_1001251079

## SECTION 6 - CYLINDER

**FIGURE 6-8. TELESCOPE CYLINDER ASSEMBLY (SN 0300251714 through 0300272446)**

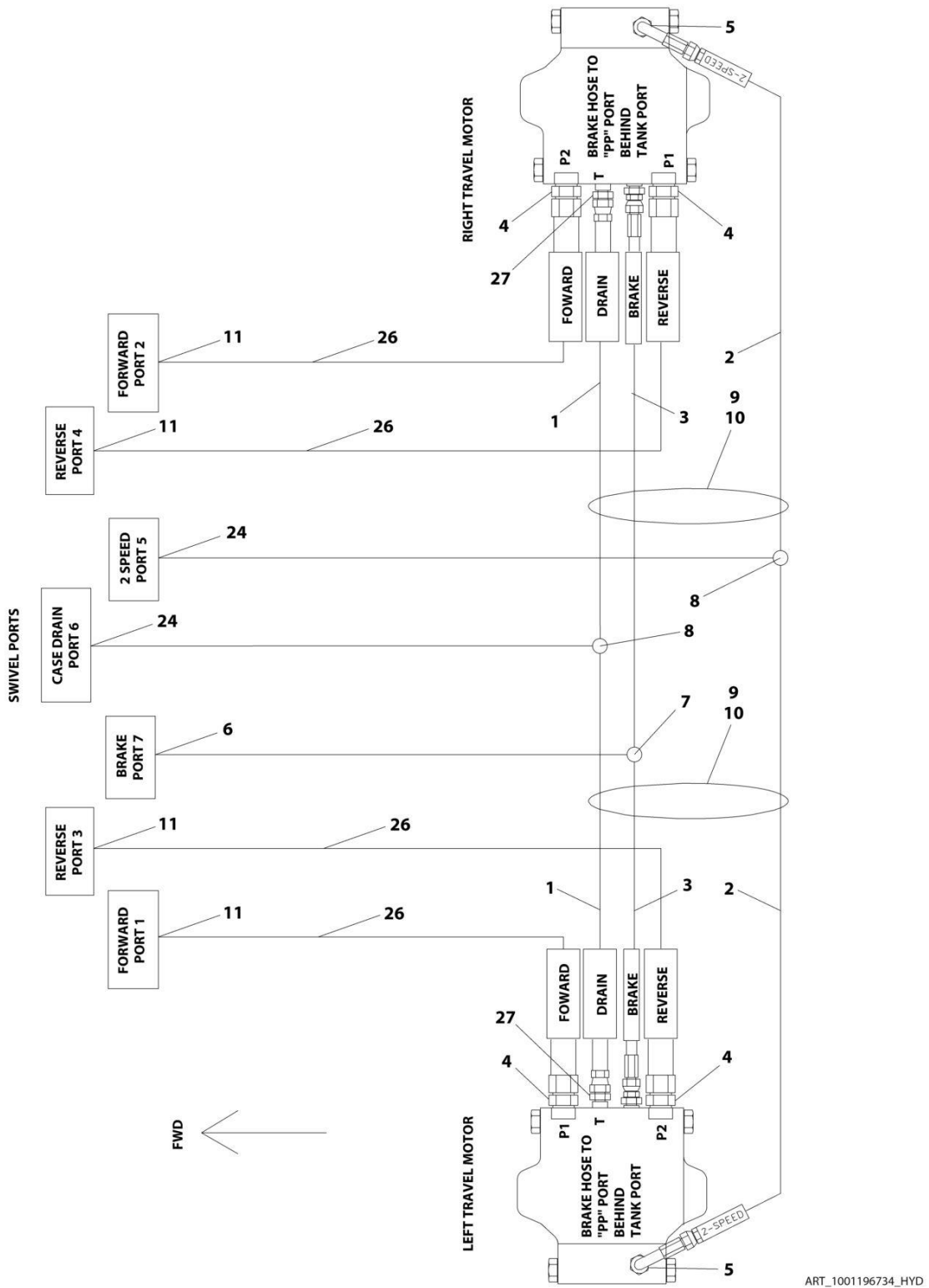
ITEM	PART NUMBER	QTY	DESCRIPTION	REV
	1001251079	Ref	TELESCOPE CYLINDER ASSEMBLY	B
	See Note	Ref	Note: Original Cylinder may have been replaced with Service Replacement. Identify PN Stamped on Cylinder Before Ordering Parts.	
1	See Note	NSS	Barrel (Note: Use PN 1001251079)	
2	70006978	1	Rod	
3	70006979	1	Head	
4	See Note	NSS	Wiper (Note: Use Item 100)	
5	70050795	1	Ring, Retaining	
6	See Note	NSS	Seal, Rod (Note: Use Item 100)	
7	See Note	NSS	Ring, Back-up (Note: Use Item 100)	
8	See Note	NSS	Ring, Buffer (Note: Use Item 100)	
9	See Note	NSS	Ring, Wear (Note: Use Item 100)	
10	See Note	NSS	O-Ring (Note: Use Item 100)	
11	See Note	NSS	Ring, Back-up (Note: Use Item 100)	
12	70006980	1	Piston	
13	See Note	NSS	Seal, Piston (Note: Use Item 100)	
14	See Note	NSS	Ring, Wear (Note: Use Item 100)	
15	See Note	NSS	O-Ring (Note: Use Item 100)	
16	See Note	NSS	Ring, Back-up (Note: Use Item 100)	
17	See Note	NSS	O-Ring (Note: Use Item 100)	
18	See Note	NSS	Ring, Back-up (Note: Use Item 100)	
19	70005839	1	Setscrew M8 x 12	
20	70006981	1	Spacer	
21	70006731	1	Bolt M8 x 12	
22	1001133245	1	Valve Assembly	
22A	70003926	1	Cartridge, Valve	
22A	70004186	1	Seal Kit - 70003926 Valve	
22B	70004155	1	Cartridge, Valve	
22B	70004186	1	Seal Kit - 70004155 Valve	
22C	70003928	1	Cartridge, Valve	
22C	70003929	1	Seal Kit - 70003928 Valve	
22D	70003982	2	Seal	
22E	70003930	1	Roll Pin	
23	70005595	4	Bolt M6 x 100	
25	2220885	3	Plug 9/16	
26	70006982	8	Bolt M10 x 45	
27	2220883	1	Plug 7/16	
100	70006983	1	Seal Kit - 1001251079 Cylinder (Includes Items 4, 6-11 & 13-18)	



**SECTION 7 - HYDRAULIC**

# SECTION 7 - HYDRAULIC

## FIGURE 7-1. FRAME HYDRAULIC DIAGRAM (600SC)



ART\_1001196734\_HYD

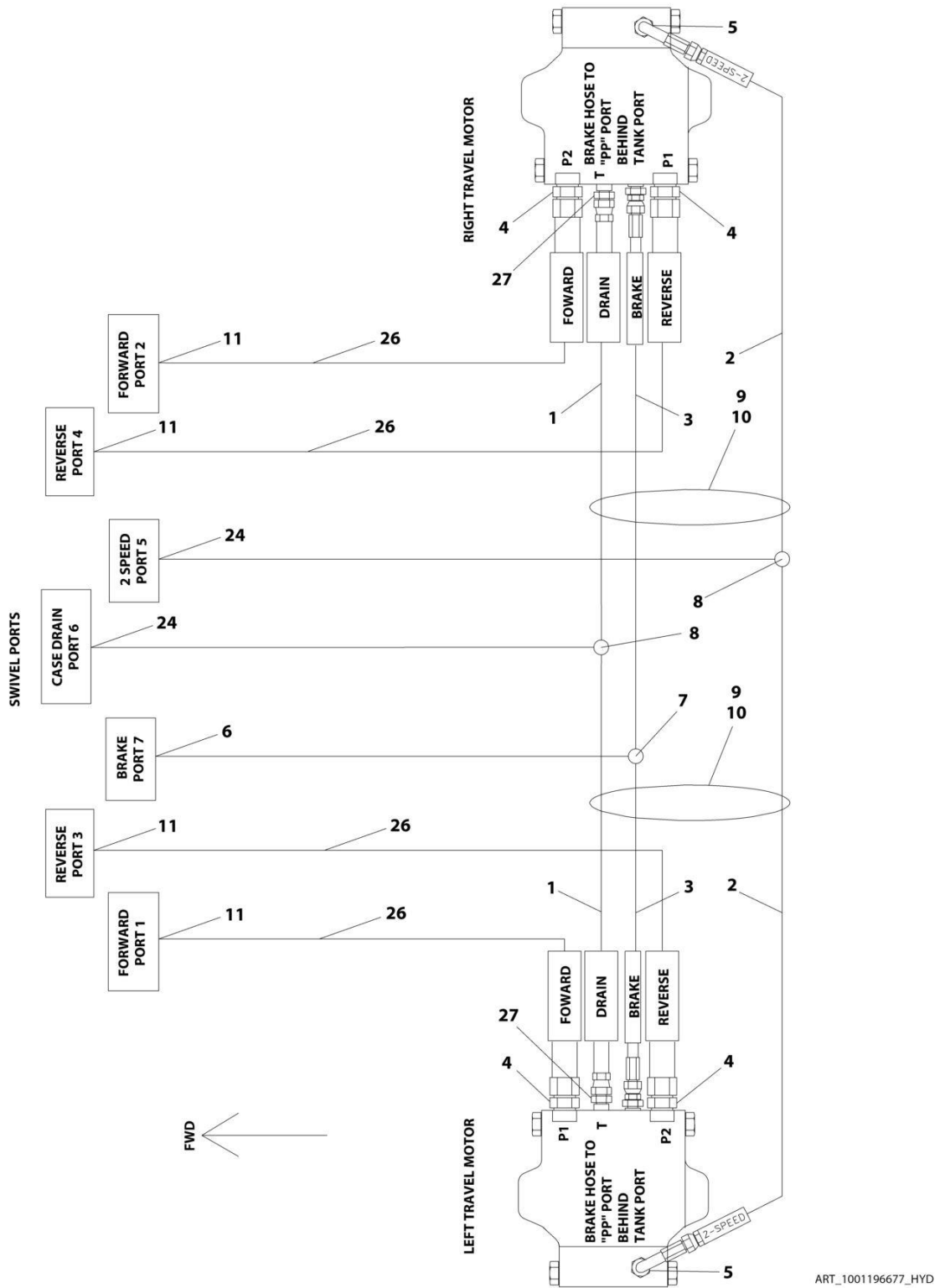
## SECTION 7 - HYDRAULIC

**FIGURE 7-1. FRAME HYDRAULIC DIAGRAM (600SC)**

ITEM	PART NUMBER	QTY	DESCRIPTION	REV
	1001196734	Ref	FRAME HYDRAULIC DIAGRAM	E
1	84718604	2	Hose	
2	84719728	2	Hose	
3	84719727	2	Hose	
4	2151212	4	Fitting, 45	
5	88662329	NLA	Fitting, 90 (Use p/n 21530606)	
6	80213119	1	Fitting, 90	
7	88662354	NLA	Fitting, Tee (Use p/n 2170806)	
8	88662446	NLA	Fitting, Tee (Use p/n 2170706)	
9	83953053	2	Sleeve	
10	90027187	4	Tie-Strap	
11	88662332	NLA	Fitting, 90 (Use p/n 2131212)	
24	88662301	NLA	Fitting, Straight (use p/n 2110606)	
25	14403364	AR	Compound, Locking (Not Shown)	
26	84718465	4	Hose	
27	88662448	NLA	Fitting, Straight (Use p/n 2110612)	

# SECTION 7 - HYDRAULIC

## FIGURE 7-2. FRAME HYDRAULIC DIAGRAM (660 SJC)





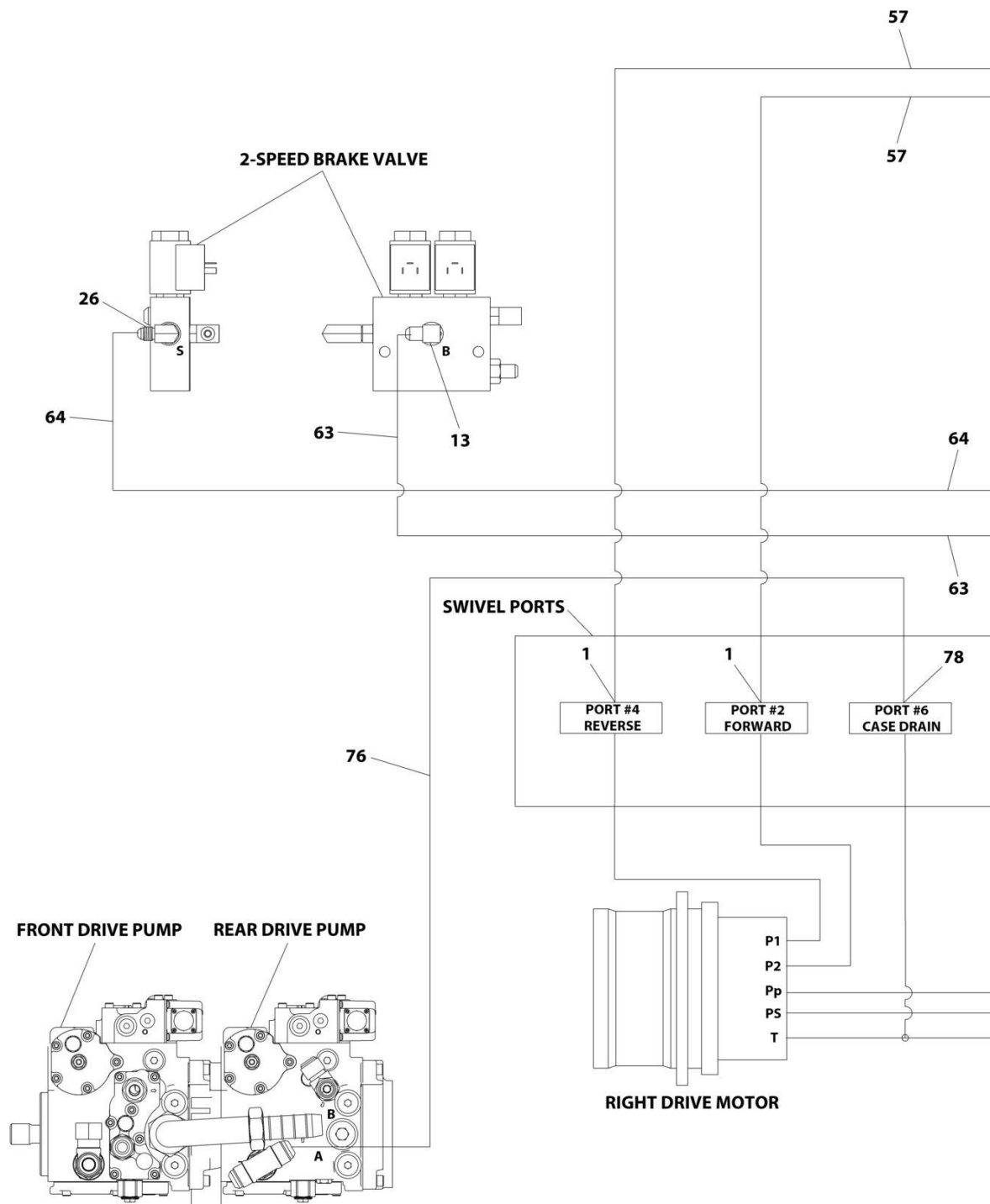
## SECTION 7 - HYDRAULIC

**FIGURE 7-2. FRAME HYDRAULIC DIAGRAM (660 SJC)**

ITEM	PART NUMBER	QTY	DESCRIPTION	REV
	1001196677	1	FRAME HYDRAULIC DIAGRAM	F
1	84718604	2	Hose	
2	84719728	2	Hose	
3	84719727	2	Hose	
4	2151212	4	Fitting, 45	
5	88662329	NLA	Fitting, 90 (Use p/n 21530606)	
6	80213119	1	Fitting, 90	
7	88662354	NLA	Fitting, Tee (Use p/n 2170806)	
8	88662446	NLA	Fitting, Tee (Use p/n 2170706)	
9	83953053	2	Sleeve	
10	90027187	1	Tie-Strap	
11	88662332	NLA	Fitting, 90 (Use p/n 2131212)	
24	88662301	NLA	Fitting, Straight (Use p/n 2110606)	
25	14403364	AR	Compound, Locking (Not Shown)	
26	84718465	4	Hose	
27	88662448	NLA	Fitting, Straight (Use p/n 2110612)	

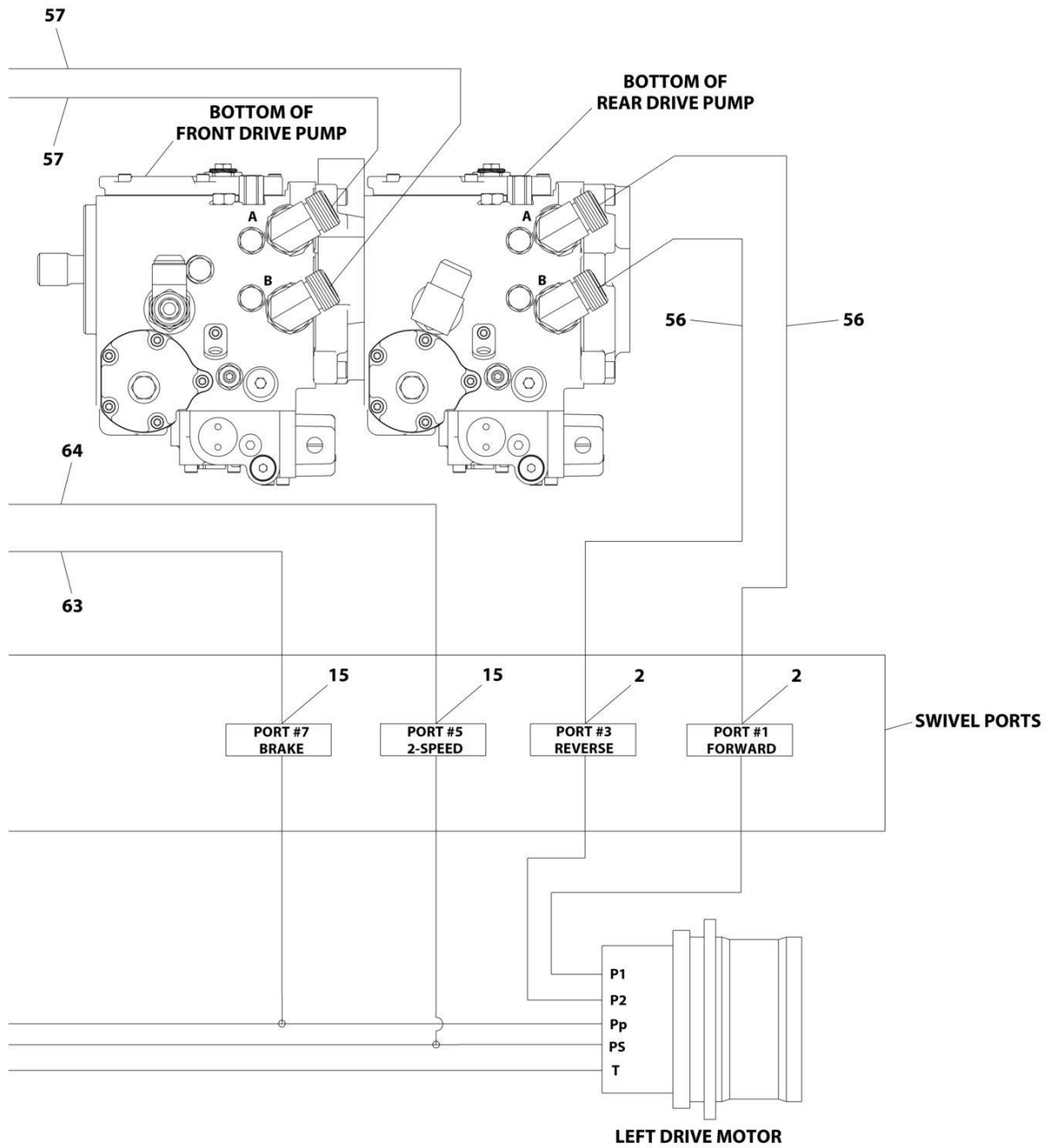
# SECTION 7 - HYDRAULIC

## FIGURE 7-3. STANDARD HYDRAULIC DIAGRAM (600SC)



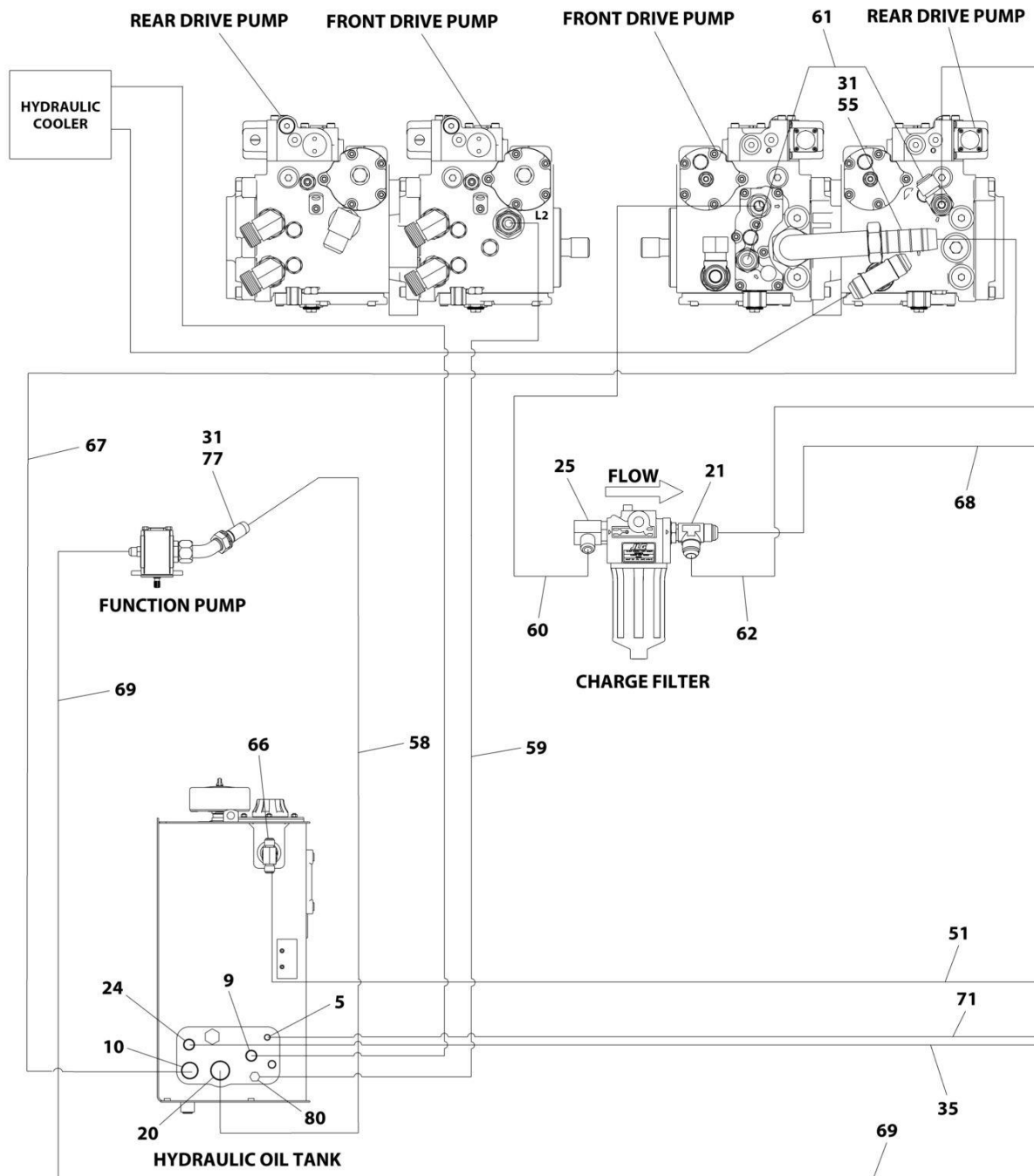
ART\_1001201186\_1OF6

# SECTION 7 - HYDRAULIC



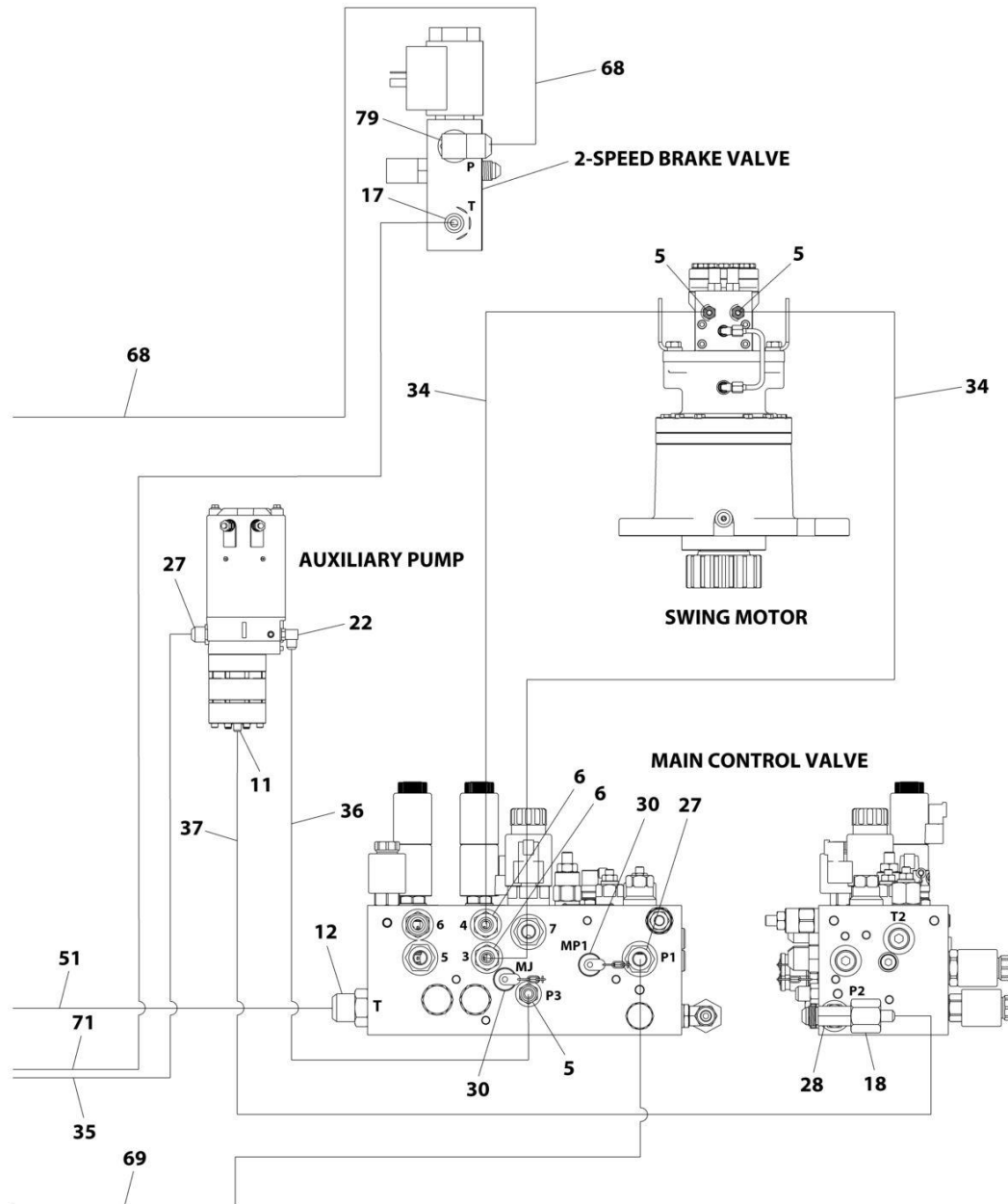
ART\_1001201186\_20F6

# SECTION 7 - HYDRAULIC



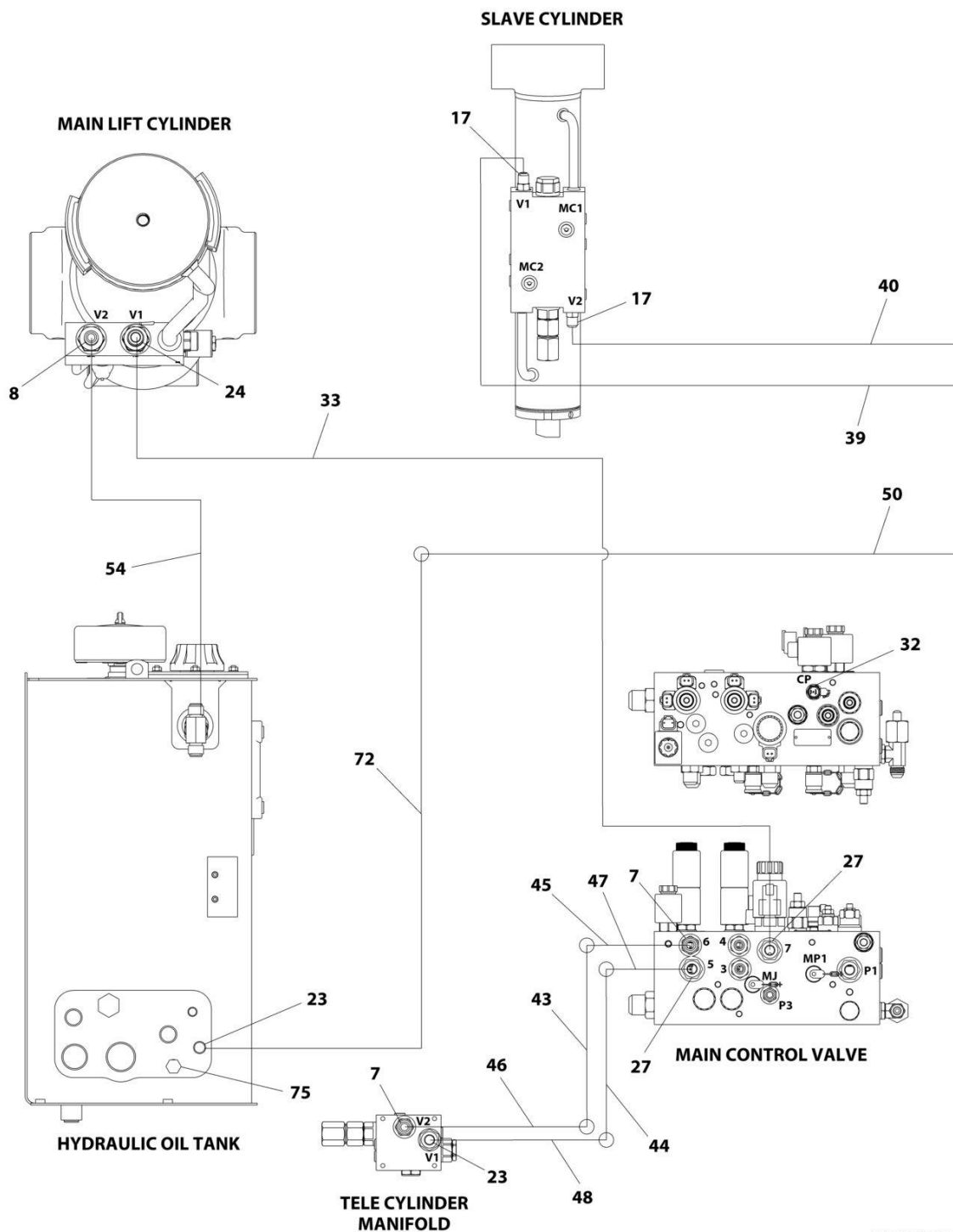
ART\_1001201186\_30F6

# SECTION 7 - HYDRAULIC



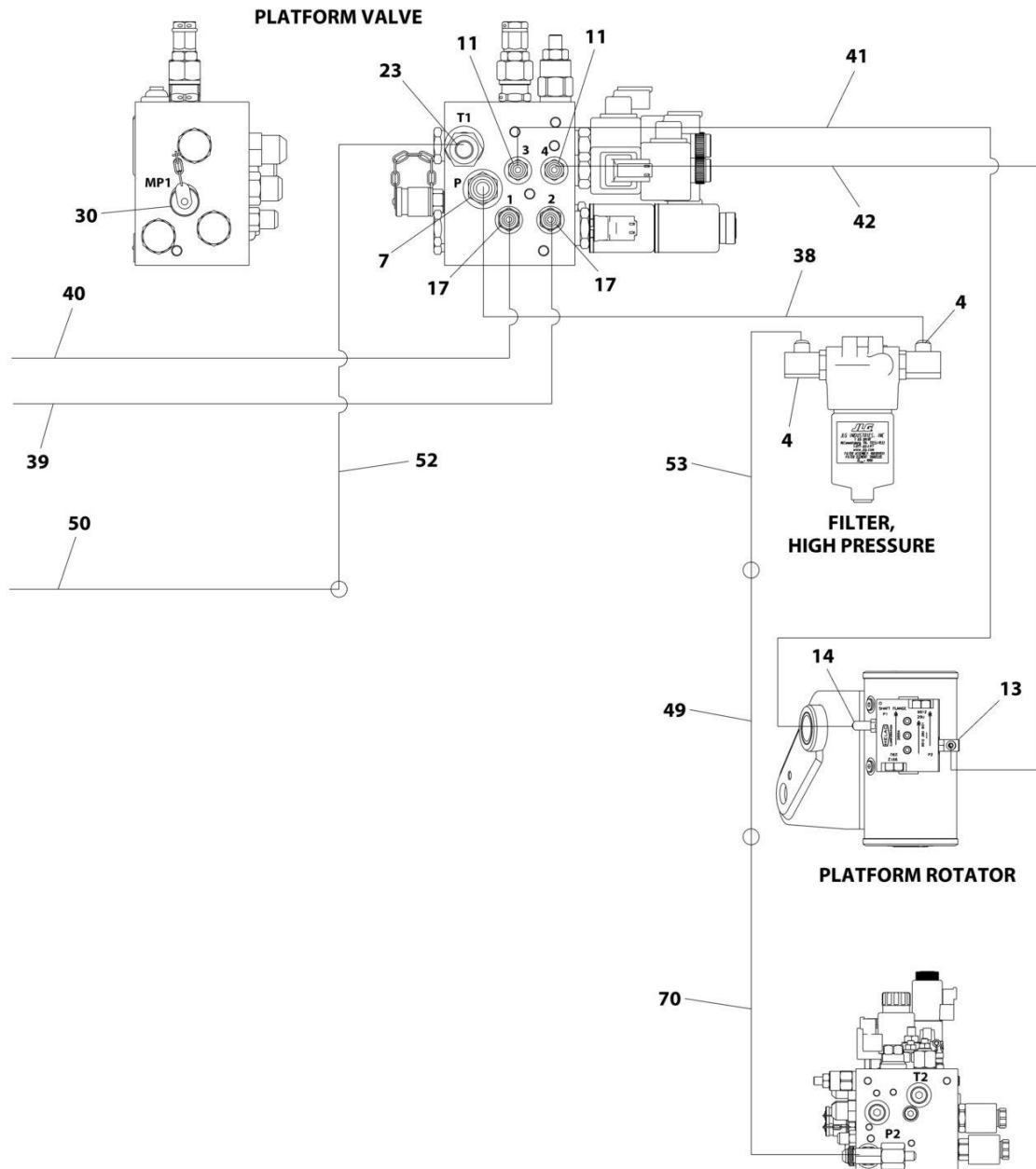
ART\_1001201186\_4OF6

# SECTION 7 - HYDRAULIC



ART\_1001201186\_50F6

# SECTION 7 - HYDRAULIC



ART\_1001201186\_60F6

# SECTION 7 - HYDRAULIC

## FIGURE 7-3. STANDARD HYDRAULIC DIAGRAM (600SC)

ITEM	PART NUMBER	QTY	DESCRIPTION	REV
	1001201186	Ref	STANDARD HYDRAULIC DIAGRAM	G
1	2111212	2	Fitting, Straight ORFS/ORB	
2	2170112	2	Fitting, Straight ORFS/ORB	
4	2220366	2	Fitting, 90 JIC/ORB	
5	2220371	4	Fitting, Straight JIC/ORB	
6	2220372	2	Fitting, Stright JIC/ORB	
7	2220373	3	Fitting, Stright JIC/ORB	
8	2220375	1	Fitting, Stright JIC/ORB	
9	2220637	1	Fitting, 45 JIC/ORB (SN 0300236299 through 0300243549)	
9	2220498	1	Fitting, 45 JIC/ORB (SN 0300243550 through 0300272446)	
10	2220380	1	Fitting, Straight JIC/ORB	
11	2220415	3	Fitting, Straight JIC/ORB	
12	2220451	1	Fitting, Straight JIC/ORB	
13	2220466	2	Fitting, 90 JIC/ORB	
14	2220502	1	Fitting, 45 JIC/ORB	
15	2220582	2	Fitting, Straight JIC/ORB	
17	2220603	5	Fitting, Straight JIC/ORB	
18	2220618	1	Fitting, Straight JIC/FSJIC	
20	2220733	1	Fitting, Straight JIC/ORB	
21	2220738	1	Fitting, Tee JIC/ORB/JIC	
22	2220775	1	Fitting, 90 JIC/ORB	
23	2220852	3	Fitting, Straight JIC/ORB	
24	2220865	2	Fitting, Straight JIC/ORB	
25	2220906	1	Fitting, 90 JIC/ORB	
26	2220940	1	Fitting, 90 JIC/ORB	
27	2220947	4	Fitting, Straight JIC/ORB	
28	2220999	1	Fitting, Tee JIC/ORB/JIC	
30	2221086	3	Fitting, Test	
31	80633030	2	Clamp	
32	1001119455	1	Valve, Oil Sampling	
33	1001192641	1	Hose	
34	1001192651	2	Hose	
35	1001228226	1	Hose	
36	1001192654	1	Hose	
37	1001192655	1	Hose	
38	1001192658	1	Hose	
39	1001192684	1	Hose	
40	1001192685	1	Hose	
41	1001192686	1	Hose	
42	1001192687	1	Hose	
43	1001192693	1	Tube	
44	1001192694	1	Tube	
45	1001192695	1	Hose	
46	1001192696	1	Hose	
47	1001192698	1	Hose	
48	1001192699	1	Hose	
49	1001201255	1	Tube	
50	1001220903	1	Tube	
51	1001203430	1	Hose	
52	1001220941	1	Hose	

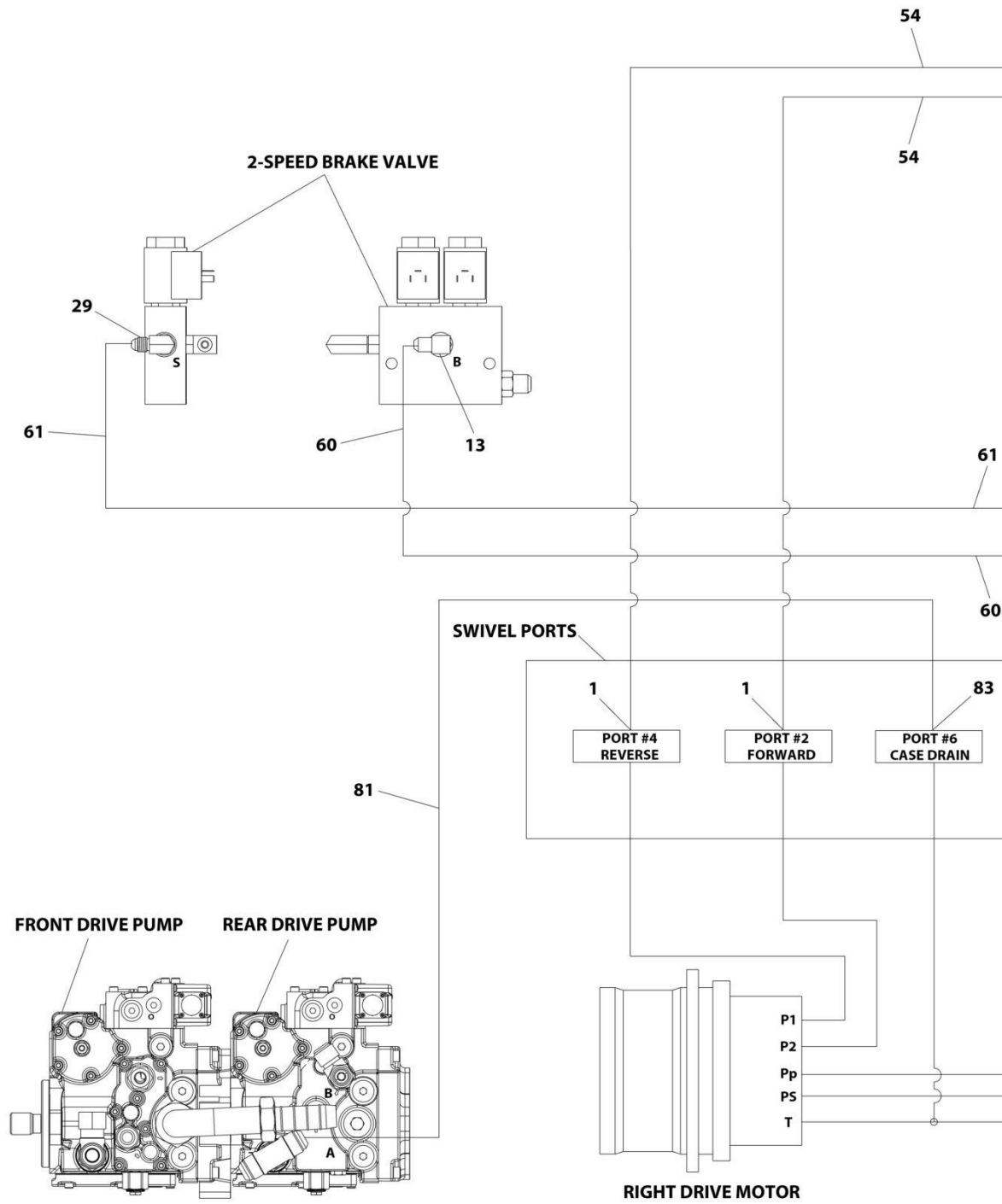


## SECTION 7 - HYDRAULIC

ITEM	PART NUMBER	QTY	DESCRIPTION	REV
53	1001204389	1	Hose	
54	1001204645	1	Hose	
55	1001205824	1	Fitting, 90 Barb	
56	1001211281	2	Hose	
57	1001211282	2	Hose	
58	1001211283	1	Hose	
59	1001211284	1	Hose (SN 0300236299 through 0300243549)	
59	1001235487	1	Hose (SN 0300243550 through 0300272446)	
60	1001211286	1	Hose	
61	1001211287	1	Hose	
62	1001211288	1	Hose	
63	1001211291	1	Hose	
64	1001211292	1	Hose	
66	1001214408	1	Fitting, Tee JIC/ORB/JIC	
67	1001203432	1	Hose	
68	1001192673	1	Hose	
69	1001192679	1	Hose	
70	1001203424	1	Hose	
71	1001214149	1	Hose	
72	1001220912	1	Hose	
75	2220238	1	Plug (SN 0300236299 through 0300243549)	
76	1001229337	1	Hose	
77	1001230217	1	Fitting, 45 Barb	
78	1001230313	1	Fitting, Straight JIC/ORB	
79	1001232948	1	Fitting, 90 JIC/ORB	
80	2221345	1	Fitting, 45 JIC/ORB (SN 0300243550 through 0300272446)	

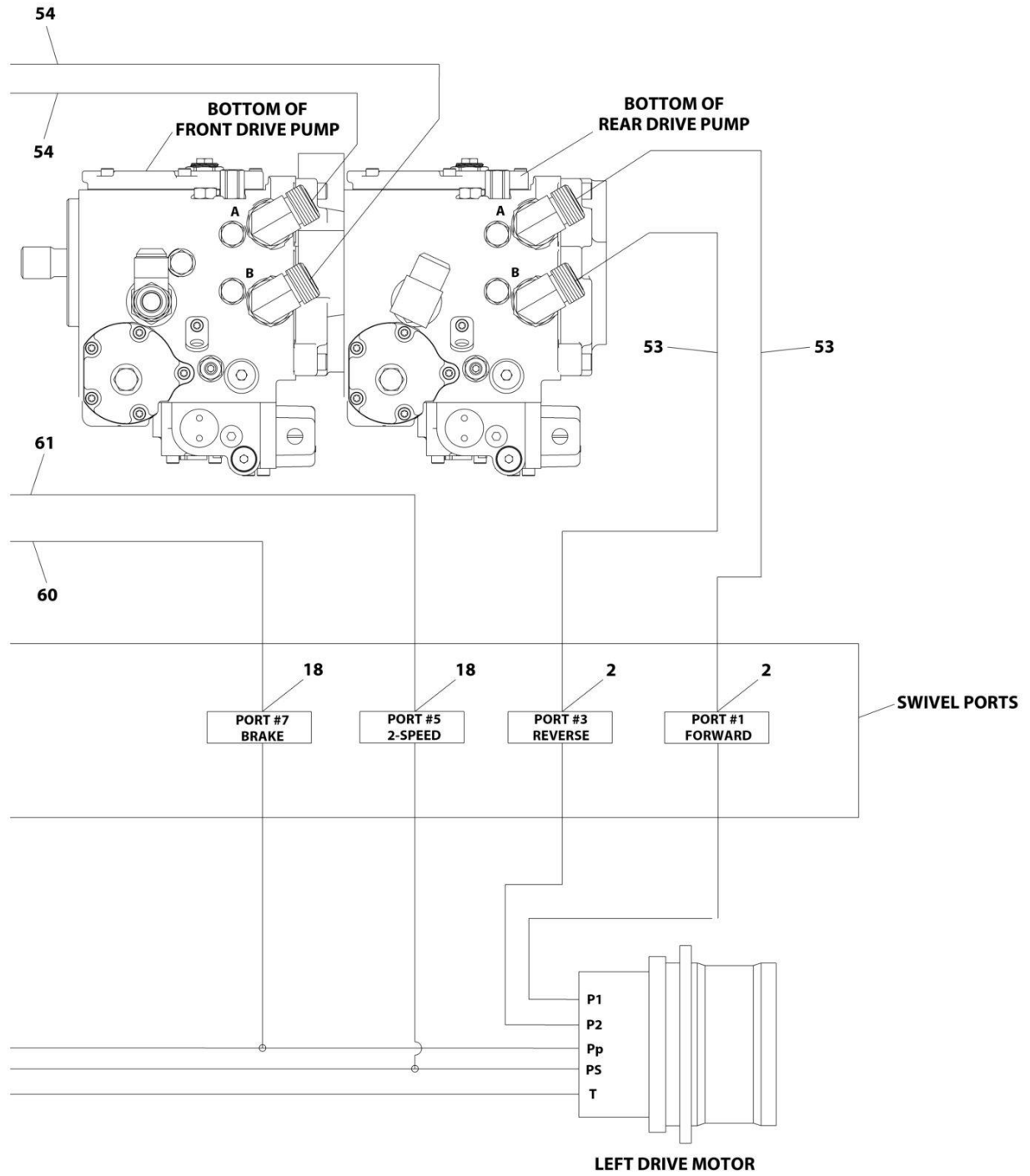
# SECTION 7 - HYDRAULIC

## FIGURE 7-4. STANDARD HYDRAULIC DIAGRAM (660SJC)



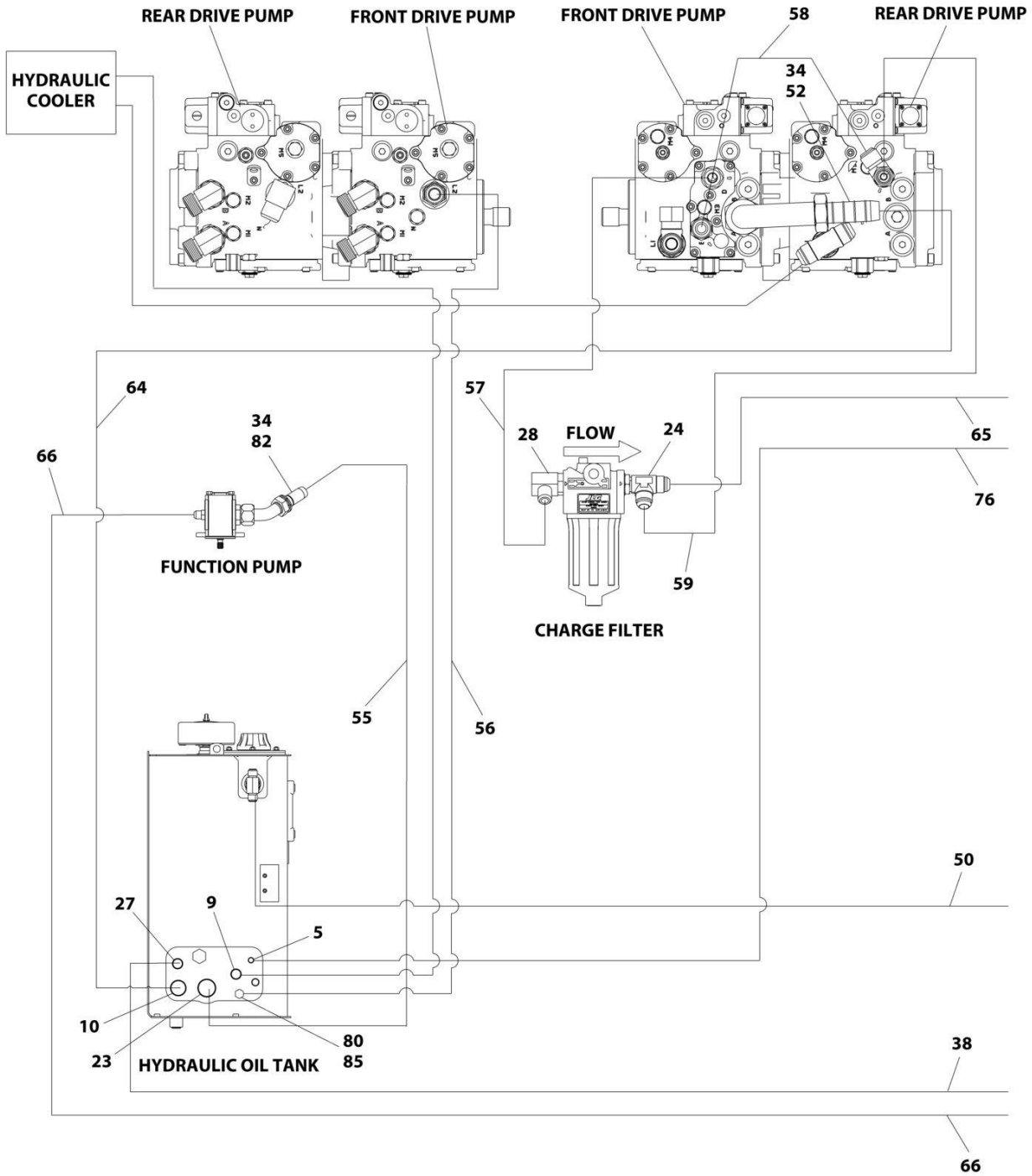
ART\_1001193250\_10F6

# SECTION 7 - HYDRAULIC



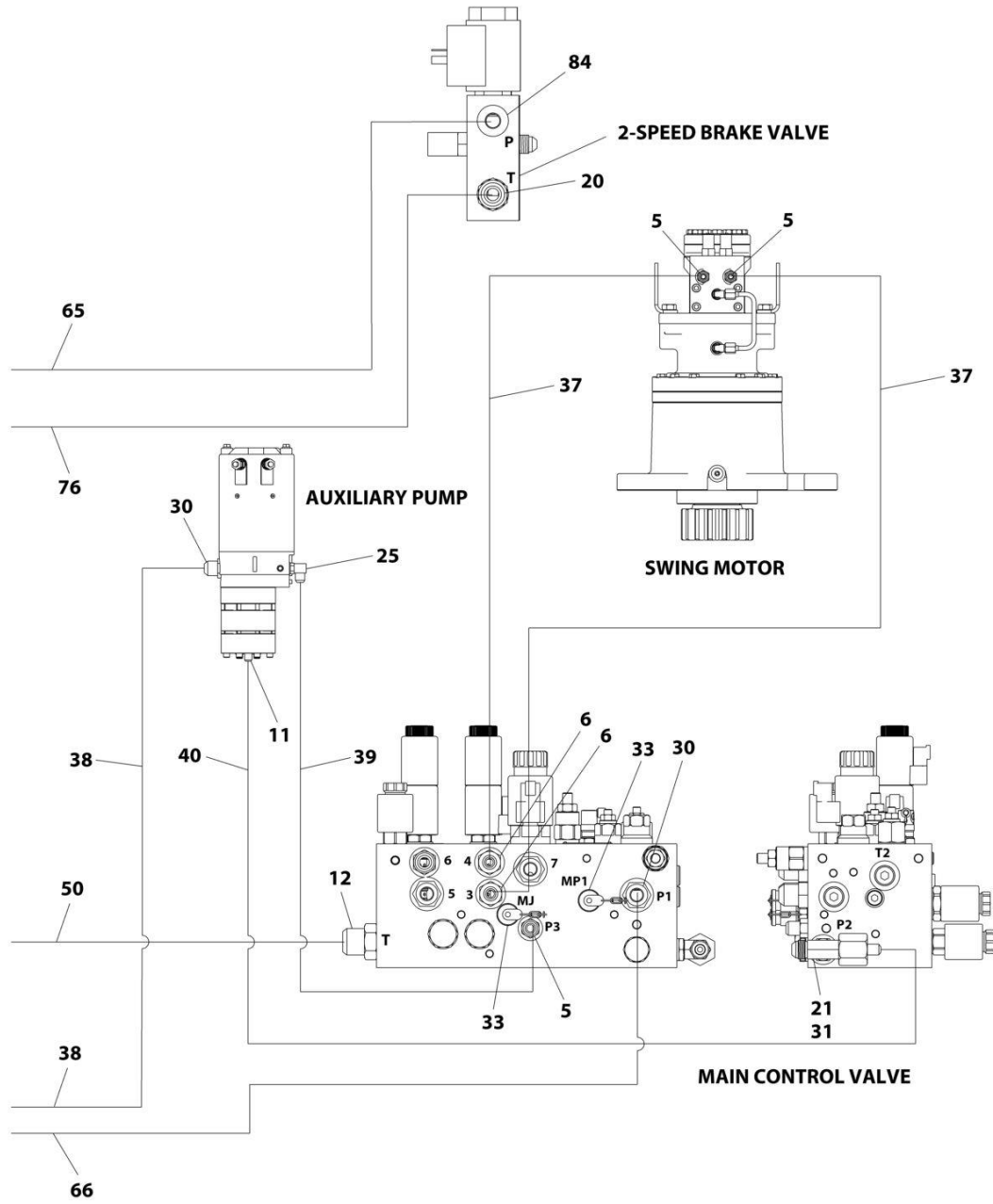
ART\_1001193250\_20F6

# SECTION 7 - HYDRAULIC



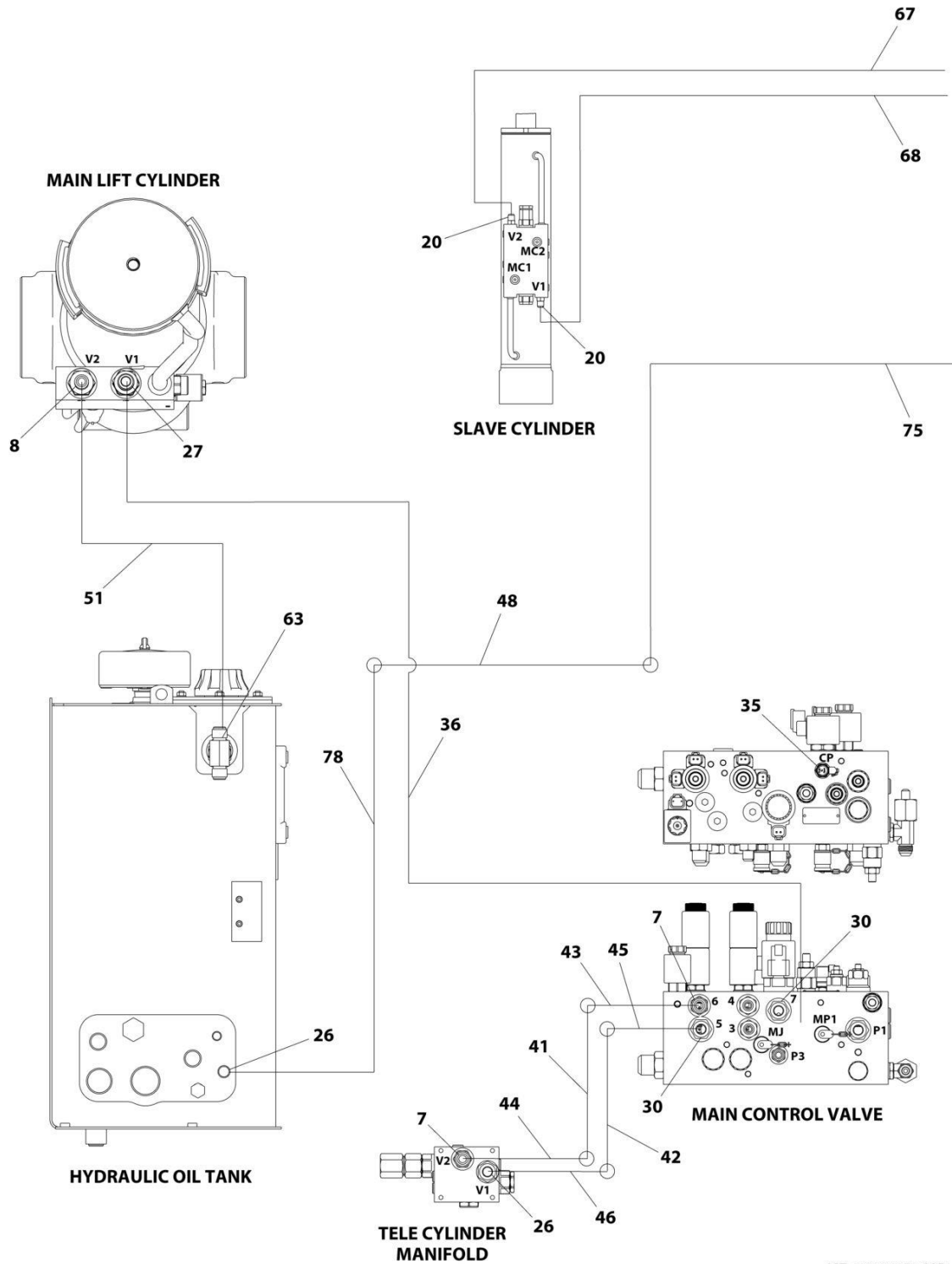
ART\_1001193250\_30F6

# SECTION 7 - HYDRAULIC



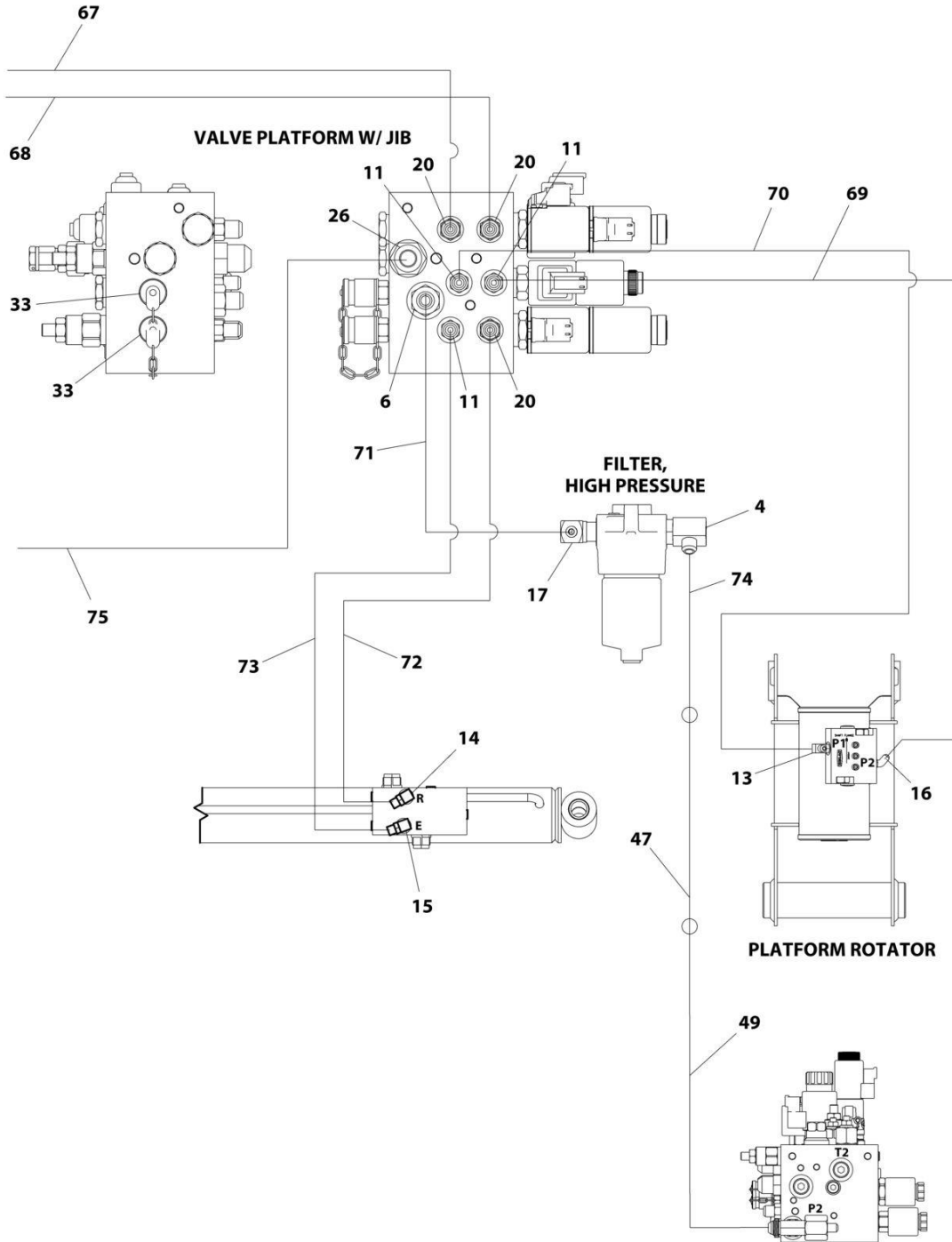
ART\_1001193250\_4OF6

# SECTION 7 - HYDRAULIC



ART\_1001193250\_SOF6

# SECTION 7 - HYDRAULIC



ART\_1001193250\_6OF6

# SECTION 7 - HYDRAULIC

## FIGURE 7-4. STANDARD HYDRAULIC DIAGRAM (660SJC)

ITEM	PART NUMBER	QTY	DESCRIPTION	REV
	1001193250	Ref	STANDARD HYDRAULIC DIAGRAM	G
1	2111212	2	Fitting, Straight ORFS/ORB	
2	2170112	2	Fitting, Straight ORFS/ORB	
4	2220366	1	Fitting, 90 JIC/ORB	
5	2220371	4	Fitting, Straight JIC/ORB	
6	2220372	3	Fitting, Straight JIC/ORB	
7	2220373	2	Fitting, Straight JIC/ORB	
8	2220375	1	Fitting, Straight JIC/ORB	
9	2220637	1	Fitting, 45 JIC/ORB (SN 0300236299 through 0300243549)	
9	2220498	1	Fitting, 45 JIC/ORB (SN 0300243550 through 0300272446)	
10	2220380	1	Fitting, Straight JIC/ORB	
11	2220415	4	Fitting, Straight JIC/ORB	
12	2220451	1	Fitting, Straight JIC/ORB	
13	2220466	2	Fitting, 90 JIC/ORB	
14	2220472	1	Fitting, 90 JIC/ORB	
15	2220473	1	Fitting, 90 JIC/ORB	
16	2220502	1	Fitting, 45 JIC/ORB	
17	2221048	1	Fitting, 90 JIC/ORB	
18	2220582	2	Fitting, Straight JIC/ORB	
20	2220603	6	Fitting, Straight JIC/ORB	
21	2220618	1	Fitting, Straight JIC/FSJIC	
23	2220733	1	Fitting, Straight JIC/ORB	
24	2220738	1	Fitting, Tee JIC/ORB/JIC	
25	2220775	1	Fitting, 90 JIC/ORB	
26	2220852	3	Fitting, Stright JIC/ORB	
27	2220865	2	Fitting, Stright JIC/ORB	
28	2220906	1	Fitting, 90 JIC/ORB	
29	2220940	1	Fitting, Elbow	
30	2220947	4	Fitting, Stright JIC/ORB	
31	2220999	1	Fitting, Tee JIC/ORB/JIC	
33	2221086	4	Fitting, Test	
34	80633030	2	Clamp	
35	1001119455	1	Valve, Oil Sampling	
36	1001192641	1	Hose	
37	1001192651	2	Hose	
38	1001228226	1	Hose	
39	1001192654	1	Hose	
40	1001192655	1	Hose	
41	1001192693	1	Tube	
42	1001192694	1	Tube	
43	1001192695	1	Hose	
44	1001192696	1	Hose	
45	1001192698	1	Hose	
46	1001192699	1	Hose	
47	1001201255	1	Tube	
48	1001220903	1	Tube	
49	1001203424	1	Hose	
50	1001203430	1	Hose	
51	1001204645	1	Hose	
52	1001205824	1	Fitting, 90 Barb	



## SECTION 7 - HYDRAULIC

ITEM	PART NUMBER	QTY	DESCRIPTION	REV
53	1001211281	2	Hose	
54	1001211282	2	Hose	
55	1001211283	1	Hose	
56	1001211284	1	Hose (SN 0300236299 through 0300243549)	
56	1001235487	1	Hose (SN 0300243550 through 0300272446)	
57	1001211286	1	Hose	
58	1001211287	1	Hose	
59	1001211288	1	Hose	
60	1001211291	1	Hose	
61	1001211292	1	Hose	
63	1001214408	1	Fitting, Tee JIC/ORB/JIC	
64	1001203432	1	Hose	
65	1001192673	1	Hose	
66	1001192679	1	Hose	
67	1001193927	1	Hose	
68	1001193928	1	Hose	
69	1001192929	1	Hose	
70	1001193930	1	Hose	
71	1001222522	1	Hose	
72	1001193932	1	Hose	
73	1001193933	1	Hose	
74	1001203426	1	Hose	
75	1001221016	1	Hose	
76	1001214149	1	Hose	
78	1001220912	1	Hose	
80	2220238	1	Plug (SN 0300236299 through 0300243549)	
81	1001229337	1	Hose	
82	1001230217	1	Fitting, 45 Barb	
83	1001230313	1	Fitting, Straight JIC/ORB	
84	1001232948	1	Fitting, 90 JIC/ORB	
85	2221345	1	Fitting, 45 JIC/ORB (SN 0300243550 through 0300272446)	

# SECTION 7 - HYDRAULIC

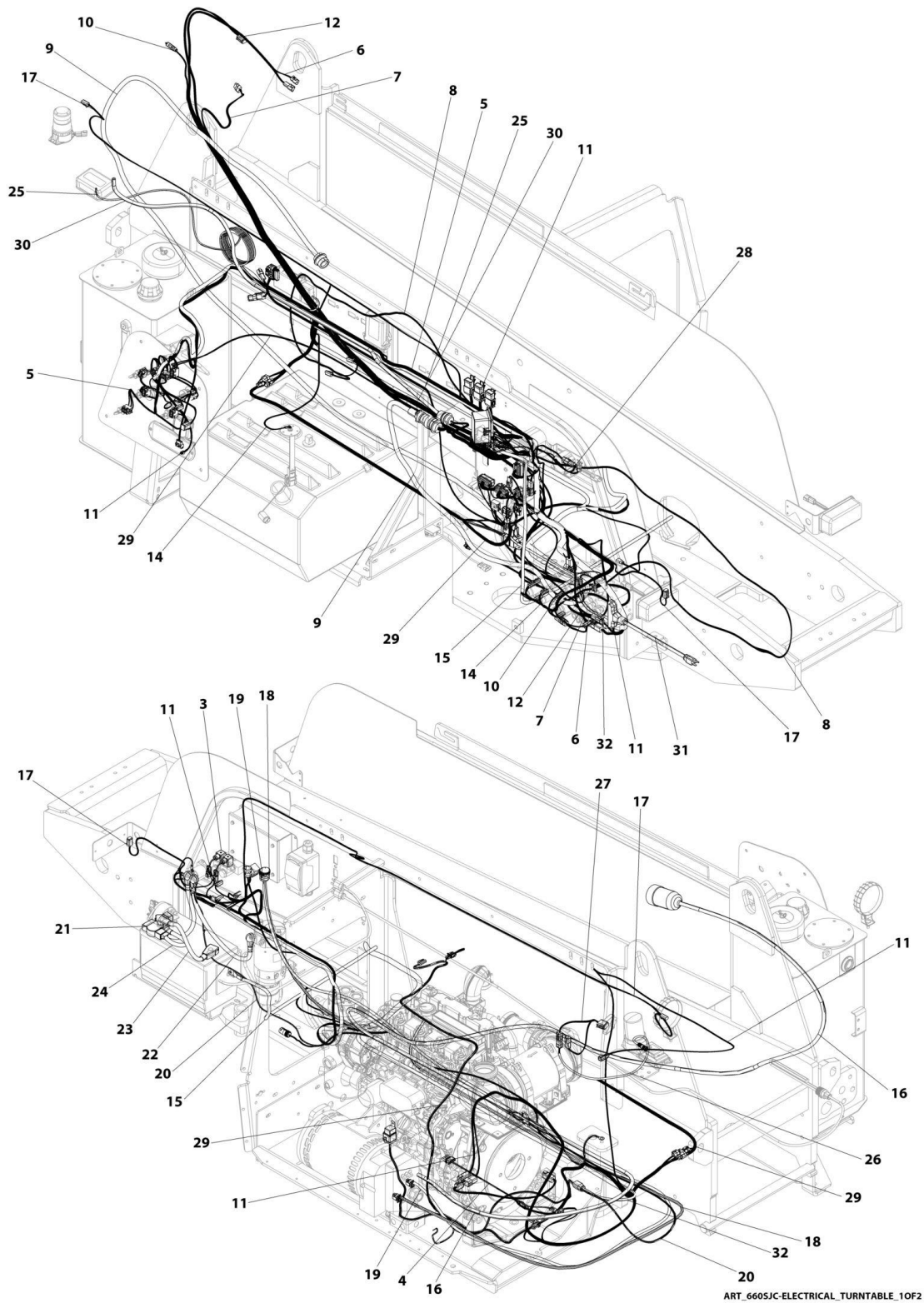
**FIGURE 7-5. HYDRAULIC DIAGRAM LIST**

ITEM	PART NUMBER	QTY	DESCRIPTION	REV
		Ref	HYDRAULIC DIAGRAM LIST	
		Ref	Note: Diagrams that are not shown are available from the JLG Service Department. See Service and Maintenance Manual for Schematics.	
	1001196734	Ref	HYDRAULIC DIAGRAM - FRAME	
	1001196677	Ref	Frame Hydraulic Diagram (600SC)	
	1001201186	Ref	Frame Hydraulic Diagram (660SJC)	
	1001193250	Ref	HYDRAULIC DIAGRAM - STANDARD	
	1001230009	Ref	Standard Hydraulic Diagram (600SC)	
		Ref	Standard Hydraulic Diagram (660SJC)	
		Ref	HYDRAULIC SCHEMATIC	

**SECTION 8 - ELECTRICAL**

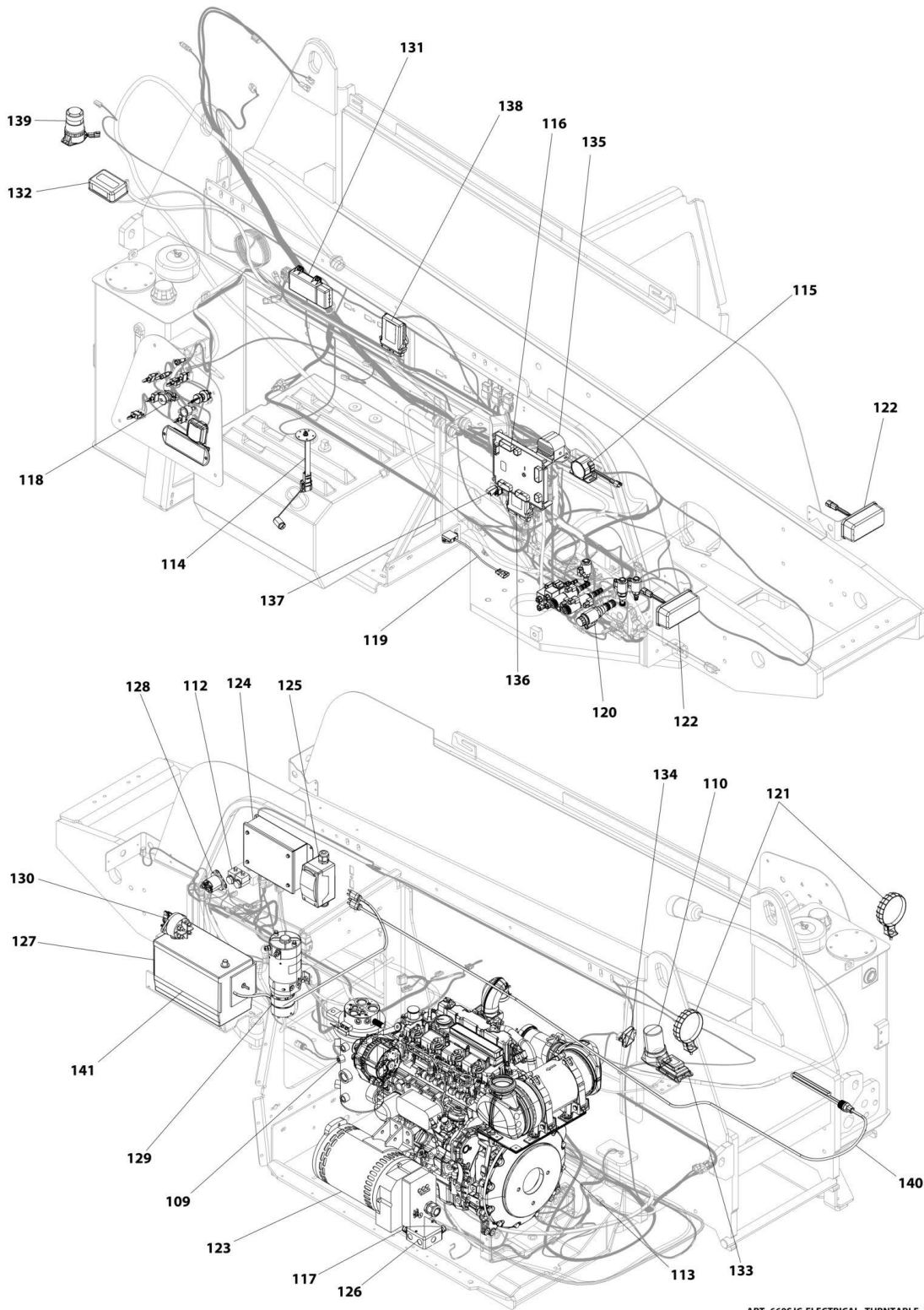
# SECTION 8 - ELECTRICAL

## FIGURE 8-1. 660SJC ELECTRICAL LAYOUT



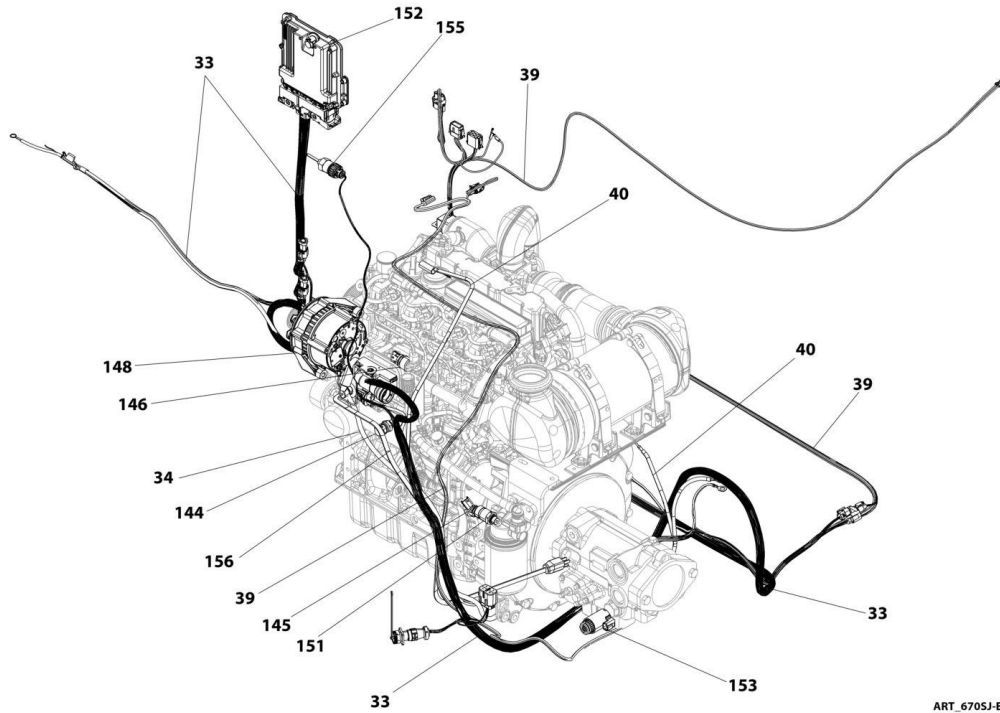
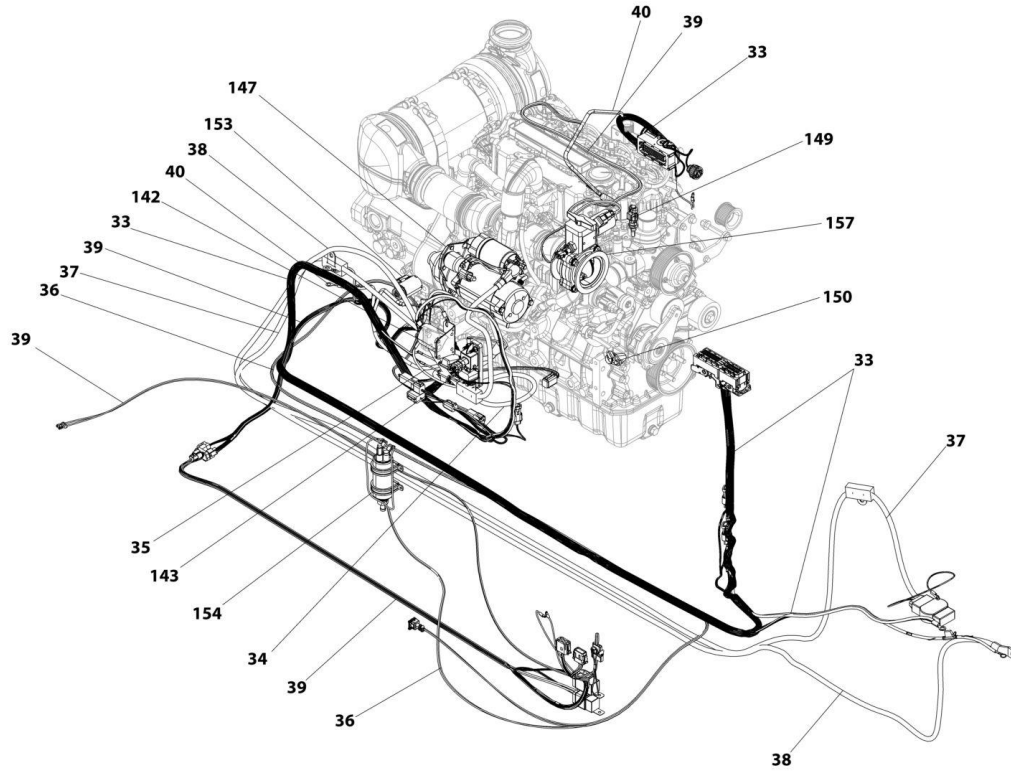
ART\_660SJC-ELECTRICAL\_TURNTABLE\_10F2

# SECTION 8 - ELECTRICAL



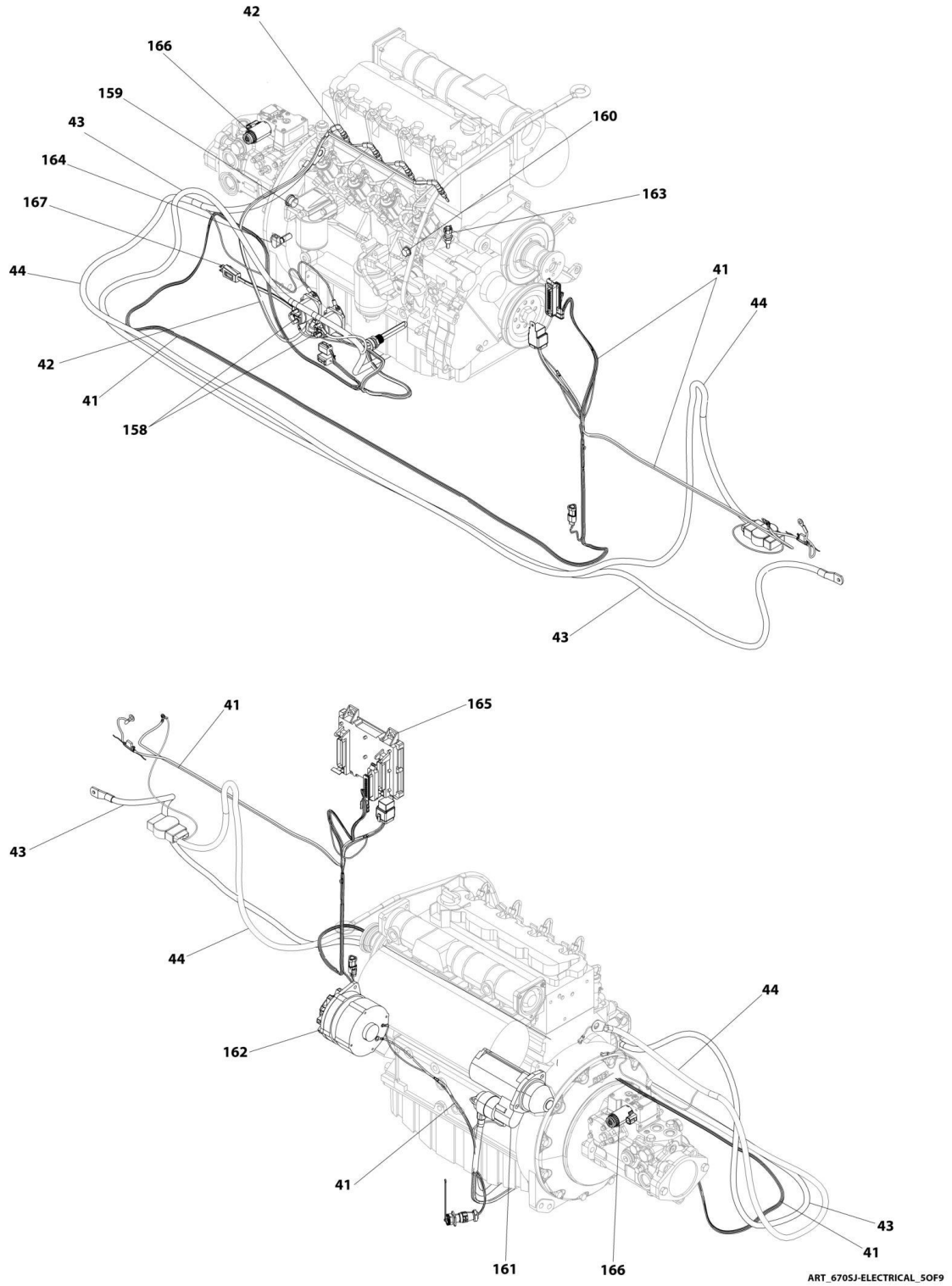
ART\_660SJC-ELECTRICAL\_TURNTABLE\_20F2

# SECTION 8 - ELECTRICAL

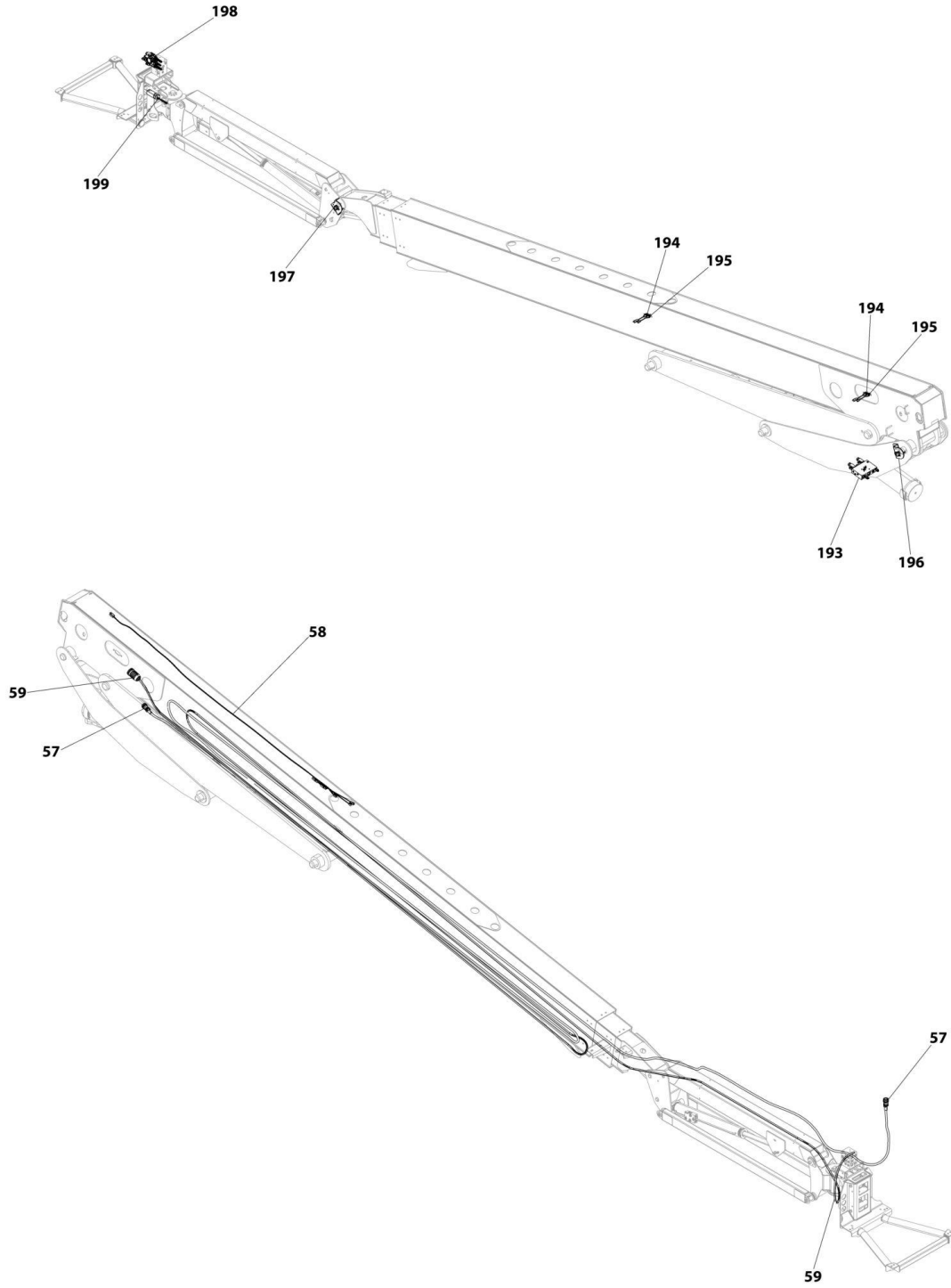


ART\_6705J-ELECTRICAL\_40F9

# SECTION 8 - ELECTRICAL



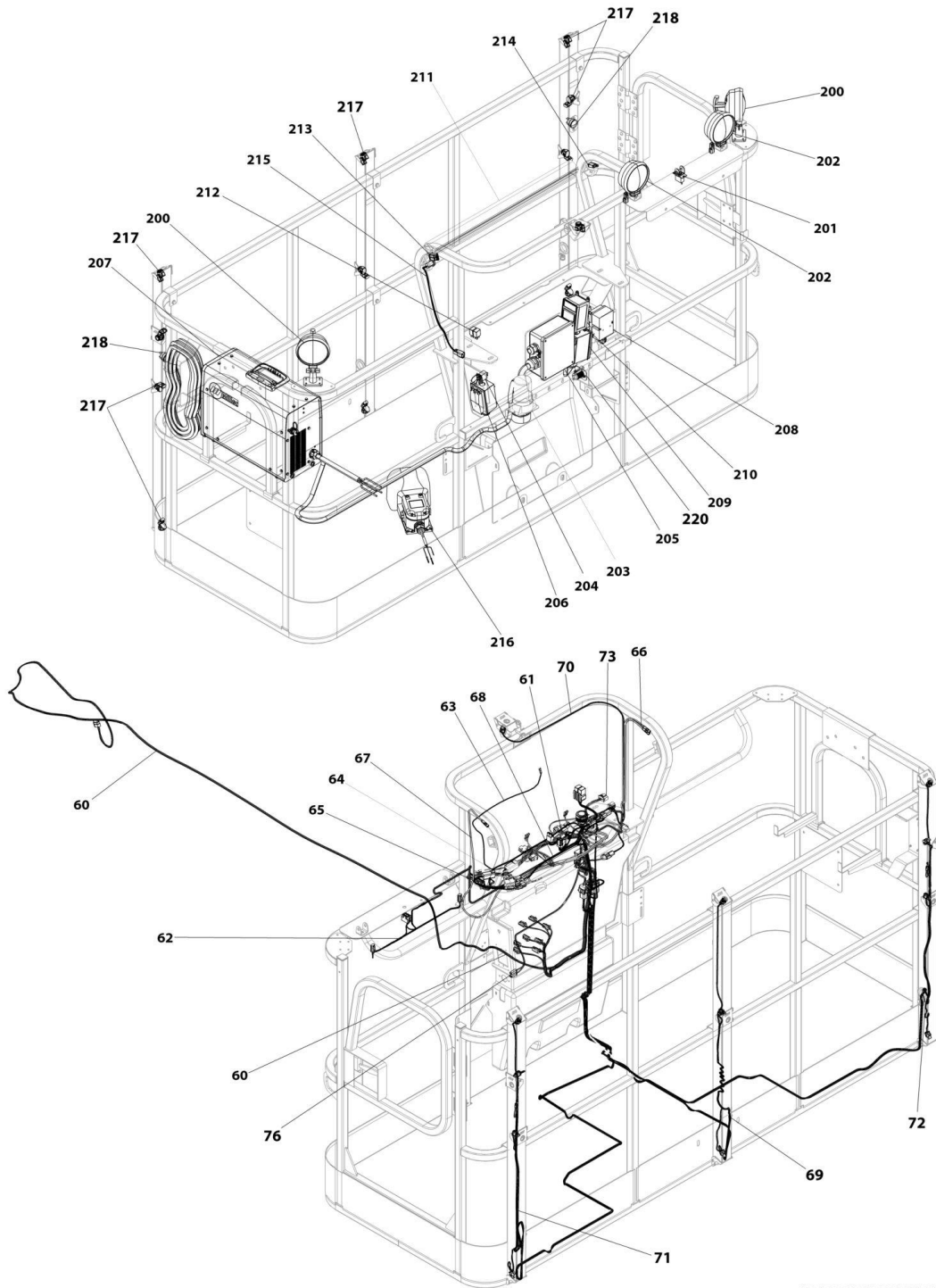
# SECTION 8 - ELECTRICAL



ART\_6605J-ELECTRICAL\_BOOM

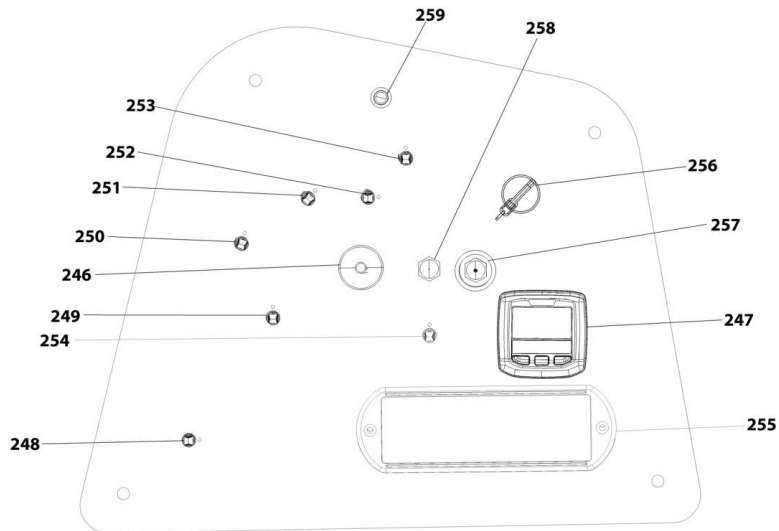
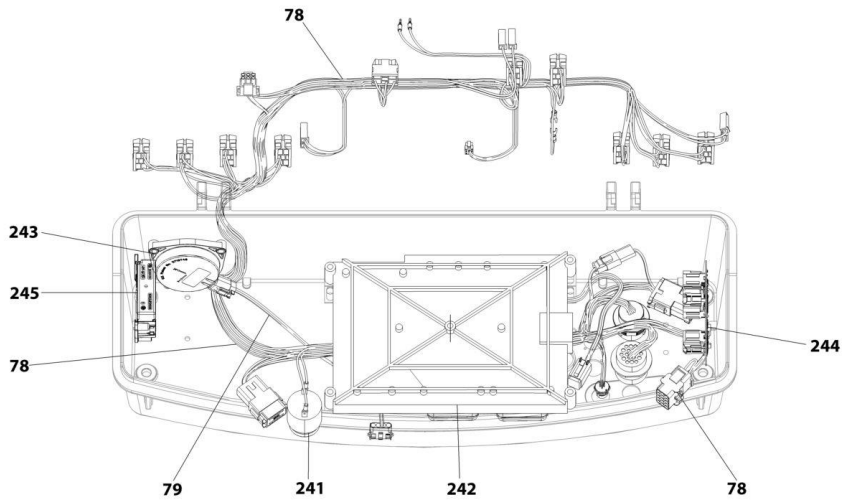
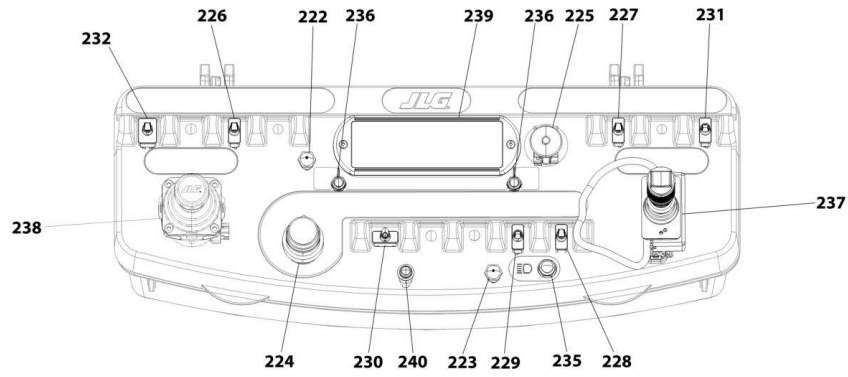


# SECTION 8 - ELECTRICAL



ART\_660SJC-ELECTRICAL\_PLATFORM

# SECTION 8 - ELECTRICAL



ART\_660SJC-ELECTRICAL\_CONTROLS

## SECTION 8 - ELECTRICAL

### FIGURE 8-1. 660SJC ELECTRICAL LAYOUT

ITEM	PART NUMBER	QTY	DESCRIPTION	REV
		Ref	HARNESS LIST	
		Ref	Note: This figure is for part identification only.	
3		Ref	Harness, Can Field	
4		Ref	Harness, Left Drive	
5		Ref	Harness, Ground Control	
6		Ref	Harness, Tele Retract	
7		Ref	Harness, Boom Angle Sensor	
8		Ref	Harness, Lift Cylinder	
9		Ref	Cable, Boom (Lower)	
10		Ref	Harness, Boom Cable Service	
11		Ref	Harness, Turntable	
12		Ref	Harness, Capacity (Lower)	
14		Ref	Harness, Main Valve	
15		Ref	Harness, Ground Module	
16		Ref	Cable, AC Ground to Platform	
17		Ref	Harness, Head and Tail Light	
18		Ref	Harness, 7500W Generator	
19		Ref	Harness, 4000W Generator	
20		Ref	Harness, 2500W Generator	
21		Ref	Cable, Battery (+) to Aux Relay	
22		Ref	Cable, Aux Relay to Aux Pump	
23		Ref	Cable, Battery (+) to Disconnect	
24		Ref	Cable, Battery (-) to Disconnect	
25		Ref	Harness, Clearsky	
26		Ref	Harness, Telematics	
27		Ref	Harness, Xirgo Jumper	
28		Ref	Harness, White Noise Alarm	
29		Ref	Harness, ASOV	
30		Ref	Harness, Strobe Light Control	
31		Ref	3-Way Plug	
32		Ref	Cable, Extension	
33		Ref	Harness, Engine	
34		Ref	Harness, Alternator Power	
35		Ref	Harness, Glow Plug Fuse	
36		Ref	Harness, Fuel Pump	
37		Ref	Cable, Battery (-) to Aux Pump to Ground	
38		Ref	Cable, Battery (+) to Relay to Starter	
39		Ref	Harness, ASOV	
40		Ref	Breather Tube Heater	
41		Ref	Harness, Engine	
42		Ref	Harness, Glow Plug Fuse	
43		Ref	Cable, Battery (+) to Relay to Starter	
44		Ref	Cable, Battery (-) to Aux Pump to Ground	
57		Ref	Cable, Boom (Upper)	
58		Ref	Harness, Capacity (Upper)	
59		Ref	Cable, AC Ground to Platform	
60		Ref	Harness, Platform Valve	
61		Ref	Harness, Platform Work Light	
62		Ref	Harness, Platform Flood Light	
63		Ref	Harness, Platform Strobe Light	

## SECTION 8 - ELECTRICAL

ITEM	PART NUMBER	QTY	DESCRIPTION	REV
64		Ref	Harness, SkyGuard	
65		Ref	Harness, SkyEye Intermediate	
66		Ref	Harness, SkyEye Receiver	
67		Ref	Harness, SkyEye Emitter	
68		Ref	Harness, SkyLine	
69		Ref	Harness, SkySense Mid Tube	
70		Ref	Harness SkySense Overhead Sensor	
71		Ref	Harness, SkySense Left Tube	
72		Ref	Harness, SkySense Right Tube	
73		Ref	Harness, SkySense Main	
76		Ref	Harness, USB	
78		Ref	Harness, Platform Console	
79		Ref	Harness, Tilt Sensor	
		Ref	COMPONENT LIST	
109		Ref	Rotary Coupling	
110		Ref	Light, Strobe (Amber)	
112		Ref	Solenoids, Axle Valve	
113		Ref	Engine	
114		Ref	Sensor, Fuel Level	
115		Ref	Alarm	
116		Ref	Module, Ground Control	
117		Ref	Light, Generator	
118		Ref	Ground Control Panel	
119		Ref	Sensor, Tilt	
120		Ref	Solenoids, Main Control Valve	
121		Ref	Headlight	
122		Ref	Taillight	
123		Ref	Generator	
124		Ref	Box, Generator Control	
125		Ref	AC Breaker Box	
126		Ref	Generator Junction Box	
127		Ref	Battery	
128		Ref	Relay	
129		Ref	Auxiliary Pump/Motor	
130		Ref	Switch, Battery Disconnect	
131		Ref	Module, ClearSky Telematics CANBUS	
132		Ref	Antenna, ClearSky Telematics	
133		Ref	Module, ClearSky Telematics 3-Wire	
134		Ref	Voltage Regulator, ClearSky Telematics	
135		Ref	Alarm, White Noise	
136		Ref	Module, ASOV Control	
137		Ref	Switch, ASOV	
138		Ref	Module, Strobe Control	
139		Ref	Light, Strobe	
140		Ref	Heater, Immersion	
141		Ref	Heater, Battery	
142		Ref	Contactactor	
143		Ref	Relay	
144		Ref	Sensor, Oil Pressure	
145		Ref	Sensor, Speed	
146		Ref	Sensor, Fuel Rail Pressure	

## SECTION 8 - ELECTRICAL

ITEM	PART NUMBER	QTY	DESCRIPTION	REV
147		Ref	Starter	
148		Ref	Alternator	
149		Ref	Engine Coolant Temperature Sensor	
150		Ref	Sensor, Speed	
151		Ref	Sensor, Fuel Pressure	
152		Ref	Module, Engine Control	
153		Ref	Solenoids, Piston Pump	
154		Ref	Fuel Pump	
155		Ref	Sensor, Coolant Level	
156		Ref	Heater, Engine Block	
157		Ref	Air Shut Off Valve (ASOV)	
158		Ref	Relay	
159		Ref	Sensor, Temperature	
160		Ref	Sensor, Oil Pressure	
161		Ref	Starter	
162		Ref	Alternator	
163		Ref	Engine Coolant Temperature Sensor	
164		Ref	Sensor, Speed	
165		Ref	Module, Engine Control	
166		Ref	Solenoids, Gear Pump	
167		Ref	Heater, Engine Block	
193		Ref	Solenoid, Lift Cylinder	
194		Ref	Sensor, Proximity	
195		Ref	Sensor, Proximity	
196		Ref	Sensor, Lower Angle	
197		Ref	Sensor, Upper Angle	
198		Ref	Solenoids, Platform Valve	
199		Ref	Cell, Load Sensing	
200		Ref	Platform Work Light	
201		Ref	Switch, Platform Flood Light	
202		Ref	Platform Flood Light	
203		Ref	Light, Platform Strobe	
204		Ref	Switch, Generator	
205		Ref	Junction Box	
206		Ref	AC Receptacle	
207		Ref	Welding Machine	
208		Ref	AC Receptacle	
209		Ref	AC Receptacle	
210		Ref	AC Receptacle/Breaker Box	
211		Ref	Switch, SkyGuard	
212		Ref	Relay	
213		Ref	Sensor, SkyEye Receiver	
214		Ref	Sensor, SkyEye Emitter	
215		Ref	Sensor, SkyLine Proximity	
216		Ref	Footswitch	
217		Ref	Sensor, SkySense	
218		Ref	Alarm	
220		Ref	USB Receptacle	
222		Ref	Switch, Horn	
223		Ref	Switch, Soft Touch/SkyGuard/SkySense Override	
224		Ref	Switch, Function Speed Control	

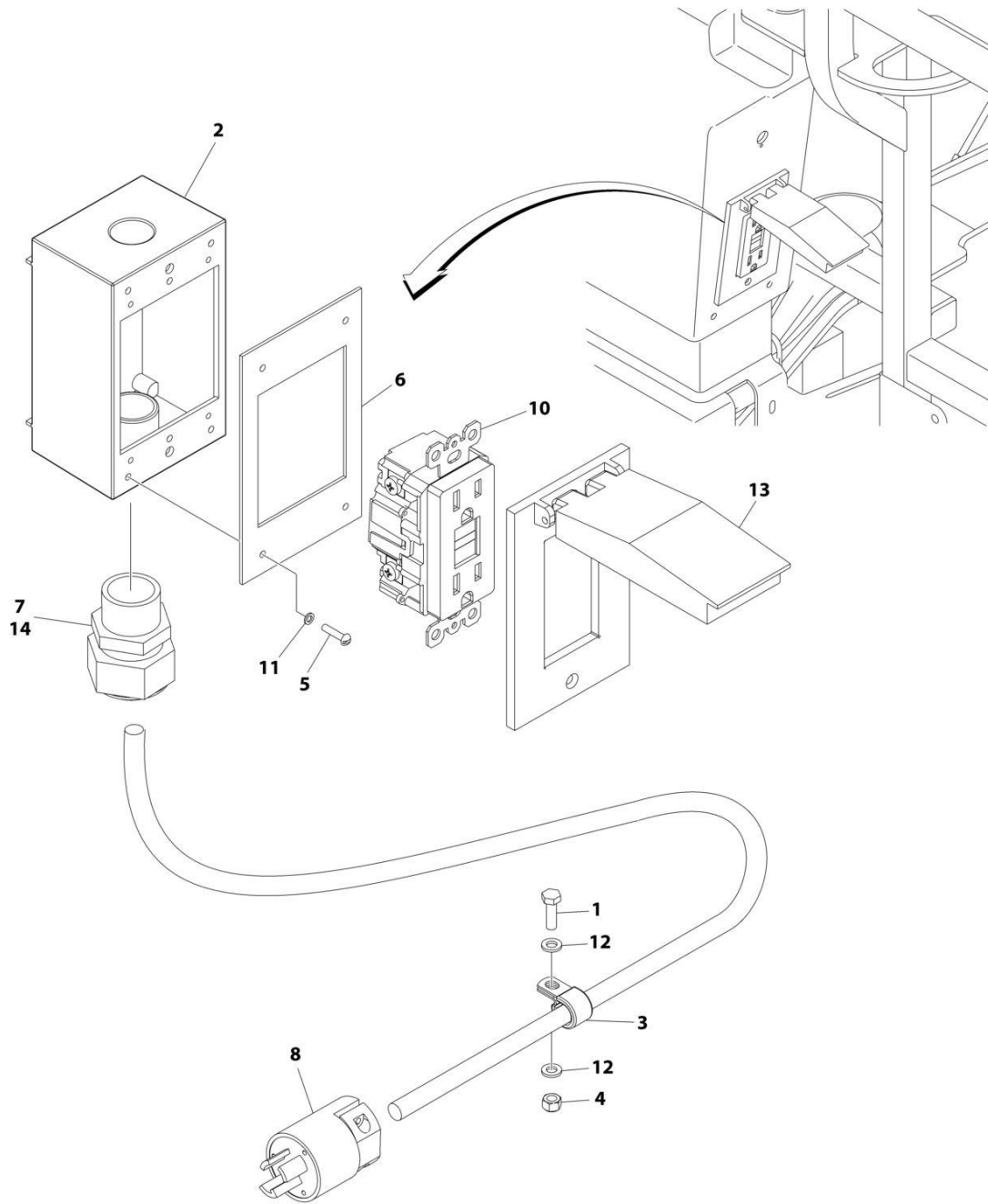
## SECTION 8 - ELECTRICAL

ITEM	PART NUMBER	QTY	DESCRIPTION	REV
225		Ref	Switch, Power/Emergency Stop	
226		Ref	Switch, Platform Leveling Override	
227		Ref	Switch, Start/Auxilliary Power	
228		Ref	Switch, Boom Telescope	
229		Ref	Switch, Jib Up/Down	
230		Ref	Switch, Platform Rotate	
231		Ref	Switch, Drive Orientation Override	
232		Ref	Switch, Drive Speed/ Torque Select	
235		Ref	Switch, Lights	
236		Ref	Light, SkySense Indicator	
237		Ref	Controller, Drive/Steer	
238		Ref	Controller, Main Lift/Swing	
239		Ref	Display, Platform	
240		Ref	Light, Soft Touch/SkyGuard/SkySense Indicator	
241		Ref	Alarm	
242		Ref	Module, Platform	
243		Ref	Sensor, Tilt	
244		Ref	Module, SkySense Control	
245		Ref	Module, SkySense Sensor	
246		Ref	Switch, Emergency Stop	
247		Ref	Display, Ground	
248		Ref	Switch, Turntable Swing	
249		Ref	Switch, Boom Lift	
250		Ref	Switch, Boom Telescope	
251		Ref	Switch, Jib Up/Down	
252		Ref	Switch, Platform Rotate	
253		Ref	Switch, Platform Leveling Override	
254		Ref	Switch, Engine Start/ Auxiliary Power	
255		Ref	Indicator Panel	
256		Ref	Switch, Key	
257		Ref	Switch, Machine Safety System Override (MSSO)	
258		Ref	Switch, Diesel Particulate Filter (DPF)	
259		Ref	Light, ASOV	



# SECTION 8 - ELECTRICAL

FIGURE 8-2. AC BOX AT PLATFORM INSTALLATION -110V (ALL SPECS EXCEPT AUSTRALIAN & CE SPECS)



ART\_1001190773



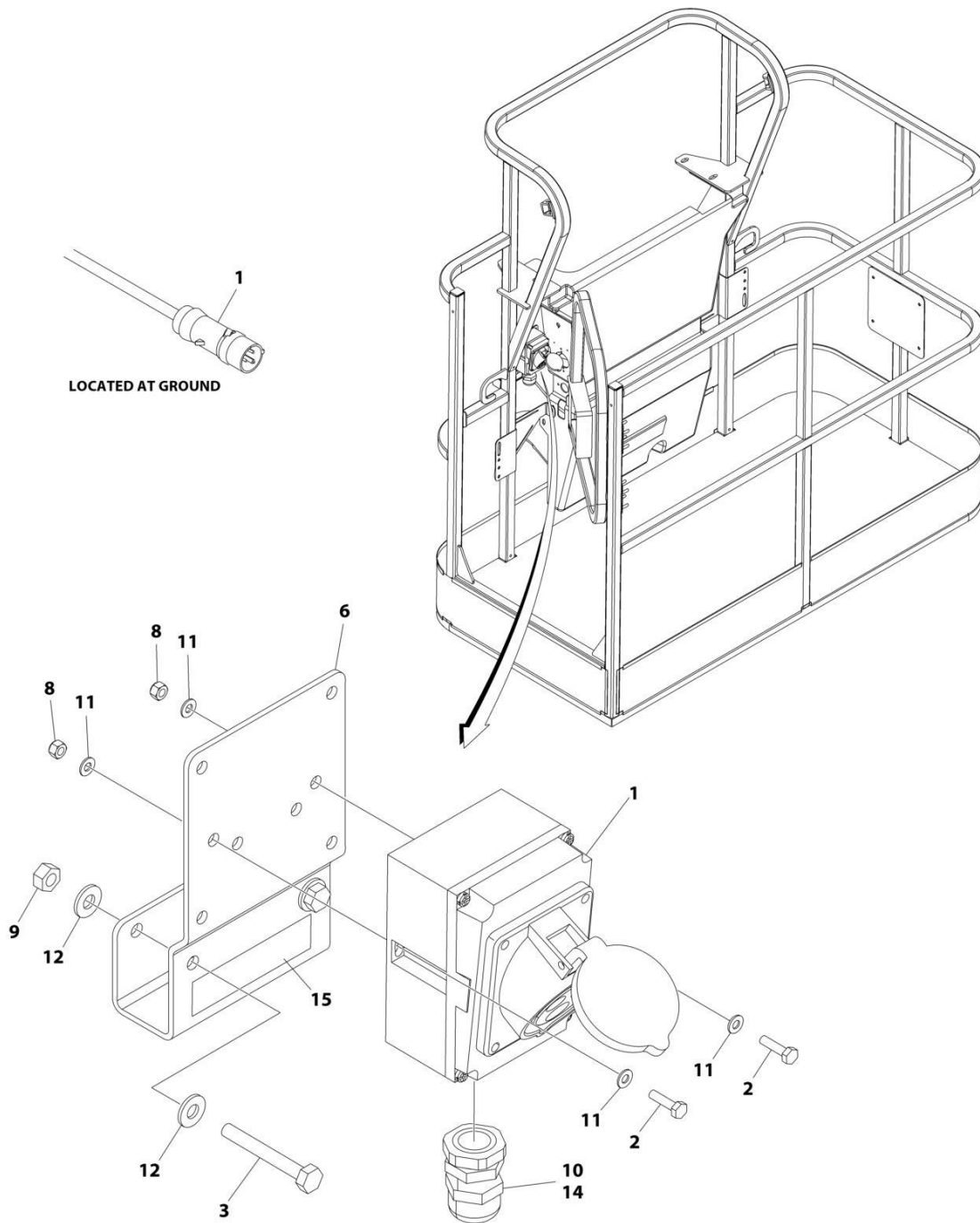
## SECTION 8 - ELECTRICAL

**FIGURE 8-2. AC BOX AT PLATFORM INSTALLATION -110V (ALL SPECS EXCEPT AUSTRALIAN & CE SPECS)**

ITEM	PART NUMBER	QTY	DESCRIPTION	REV
	1001190773	Ref	AC BOX AT PLATFORM INSTALLATION	C
1	0760610	1	Bolt M6 x 20	
2	0860038	1	Box, Switch	
3	1320041	1	Clamp	
4	3290605	1	Nut M6	
5	3910610	4	Screw #6 x 5/8	
6	3960422	1	Gasket	
7	4460071	1	Connector, Strain Relief	
8	4460205	1	Plug, Male	
9	4460315	1	Terminal, Spade (Not Shown)	
10	4460346	1	Receptacle	
11	4760600	4	Washer #6	
12	4811700	2	Washer M6	
13	1001110873	1	Shield, Cover	
14	0100079	AR	Sealant	

# SECTION 8 - ELECTRICAL

FIGURE 8-3. AC BOX AT PLATFORM INSTALLATION - 110V IEC YELLOW (CE SPECS WITHOUT 4000W/50HZ GENERATOR)



ART\_1001190493

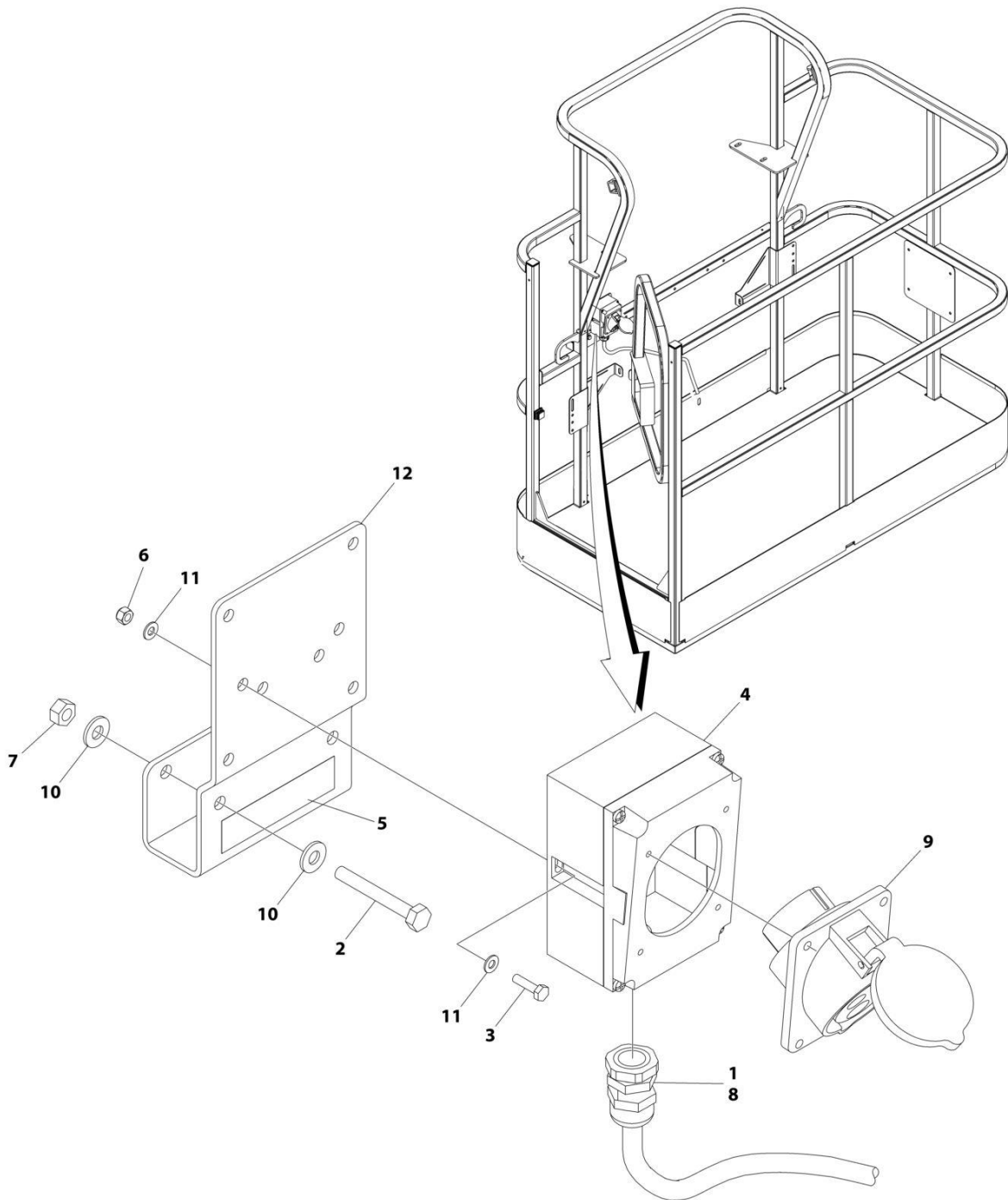
## SECTION 8 - ELECTRICAL

**FIGURE 8-3. AC BOX AT PLATFORM INSTALLATION - 110V IEC YELLOW (CE SPECS WITHOUT 4000W/50HZ GENERATOR)**

ITEM	PART NUMBER	QTY	DESCRIPTION	REV
	1001190493	Ref	AC BOX AT PLATFORM INSTALLATION	C
1	0275216	1	Receptacle Box Kit - 110V IEC Yellow (See Separate Breakdown in this Section)	
2	0700408	2	Bolt M4 x 16	
3	0700618	2	Bolt M6 x 50	
6	1001193018	1	Bracket	
8	3290405	2	Nut M4	
9	3290605	2	Nut M6	
10	4460968	1	Connector, Strain Relief	
11	4811400	4	Washer M4	
12	4811700	4	Washer M6	
14	0100079	AR	Sealant	
15	1705325	1	Decal - 110V	

# SECTION 8 - ELECTRICAL

FIGURE 8-4. AC BOX AT PLATFORM INSTALLATION - 110V IEC YELLOW (CE SPECS WITH 4000W/50HZ GENERATOR)



ART\_1001194203

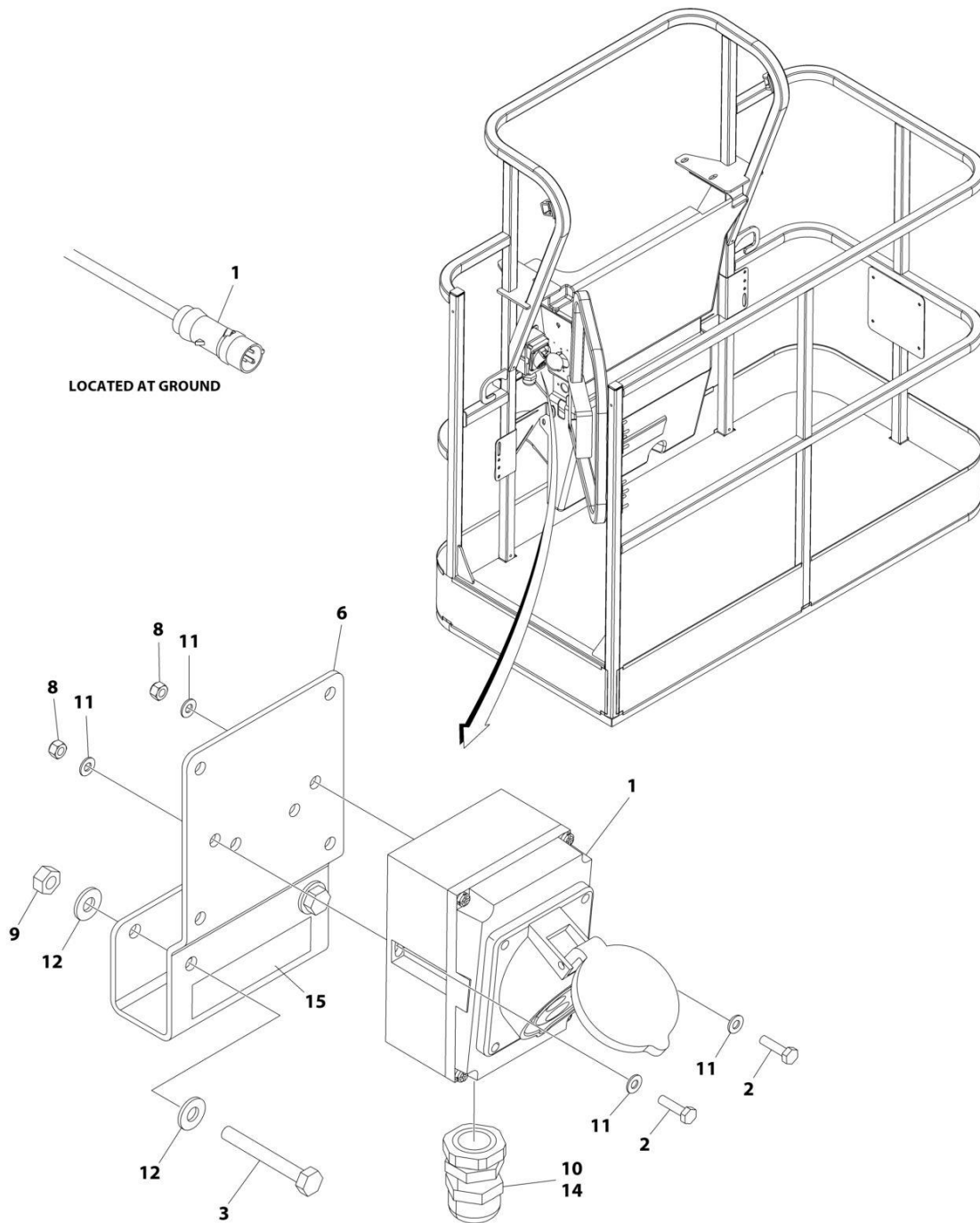
## SECTION 8 - ELECTRICAL

**FIGURE 8-4. AC BOX AT PLATFORM INSTALLATION - 110V IEC YELLOW (CE SPECS WITH 4000W/50HZ GENERATOR)**

ITEM	PART NUMBER	QTY	DESCRIPTION	REV
	1001194203	Ref	AC BOX AT PLATFORM INSTALLATION	B
1	0100020	AR	Sealant, Pipe	
2	0641416	2	Bolt 1/4 x 2	
3	0700408	2	Bolt M4 x 16	
4	0861781	1	Box, Switch	
5	1705325	1	Decal - 110V	
6	3290405	2	Nut M4	
7	3311405	2	Nut 1/4	
8	4460968	1	Connector, Strain Relief	
9	4461198	1	Receptacle	
10	4711400	4	Washer 1/4	
11	4811400	4	Washer M4	
12	1001193018	1	Bracket, AC Receptacle	

# SECTION 8 - ELECTRICAL

FIGURE 8-5. AC BOX AT PLATFORM INSTALLATION - 220V IEC BLUE (CE SPECS WITHOUT 4000W/50HZ GENERATOR)



ART\_1001190495

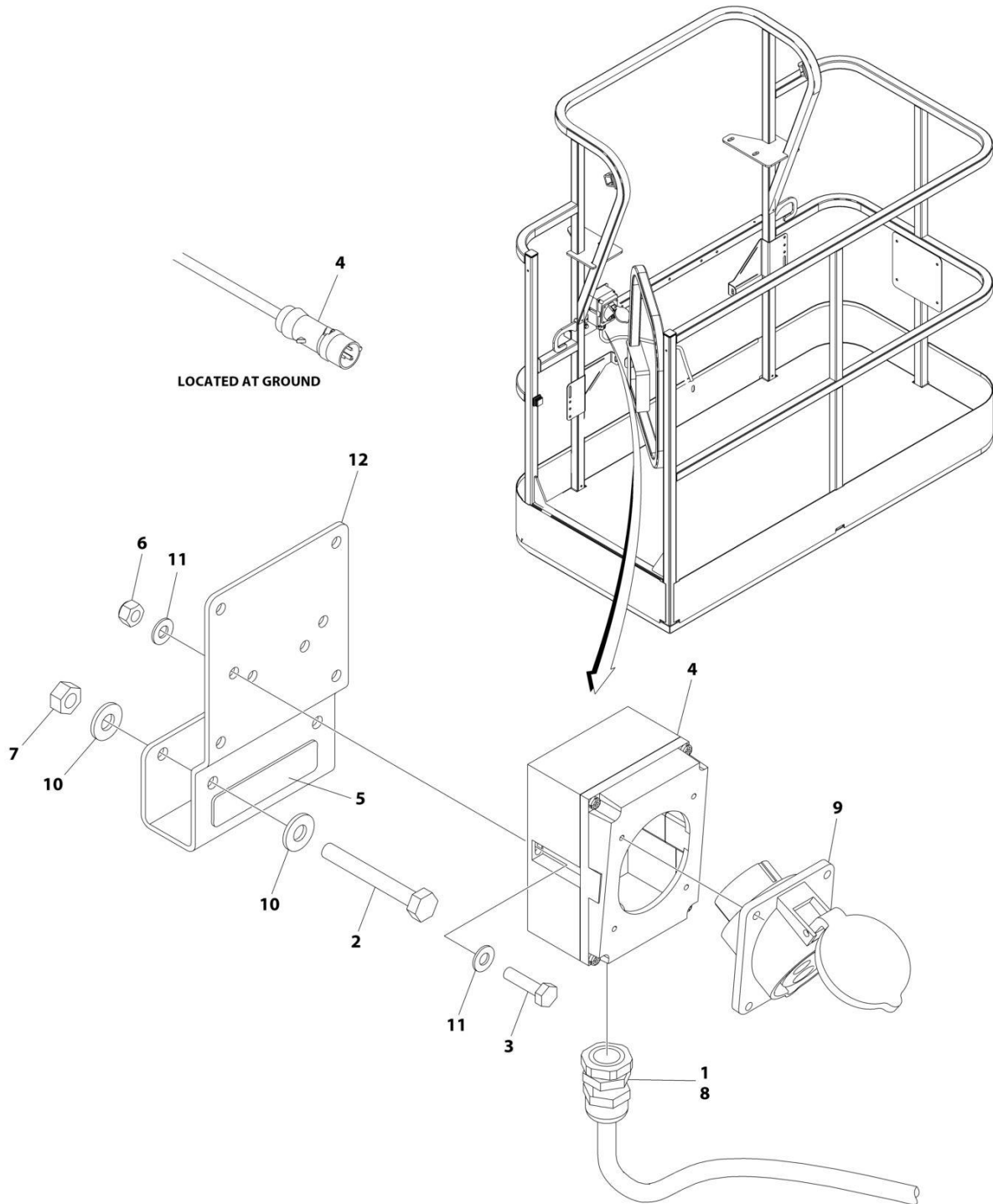
## SECTION 8 - ELECTRICAL

**FIGURE 8-5. AC BOX AT PLATFORM INSTALLATION - 220V IEC BLUE (CE SPECS WITHOUT 4000W/50HZ GENERATOR)**

ITEM	PART NUMBER	QTY	DESCRIPTION	REV
	1001190495	Ref	AC BOX AT PLATFORM INSTALLATION	C
1	0275217	1	Receptacle Box Kit - 220V IEC Blue (See Separate Breakdown in this Section)	
2	0700408	2	Bolt M4 x 16	
3	0700618	2	Bolt M6 x 50	
6	1001193018	1	Bracket	
8	3290405	2	Nut M4	
9	3290605	2	Nut M6	
10	4460968	1	Connector, Strain Relief	
11	4811400	4	Washer M4	
12	4811700	4	Washer M6	
14	0100079	AR	Sealant	
15	3252507	1	Decal - 220 Volt	

# SECTION 8 - ELECTRICAL

FIGURE 8-6. AC BOX AT PLATFORM INSTALLATION - 220V IEC BLUE (CE SPECS WITH 4000W/50HZ GENERATOR)



ART\_1001194204



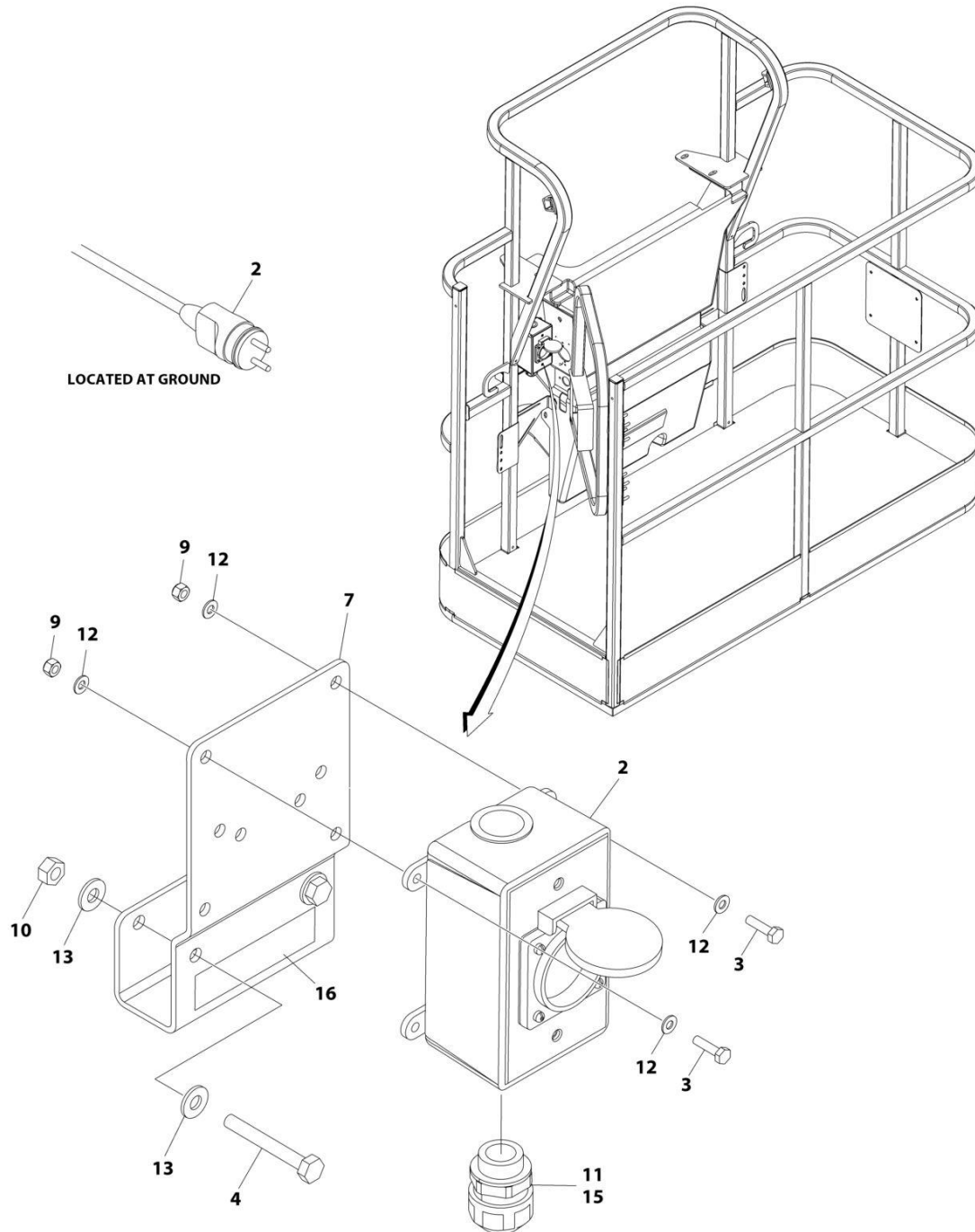
## SECTION 8 - ELECTRICAL

**FIGURE 8-6. AC BOX AT PLATFORM INSTALLATION - 220V IEC BLUE (CE SPECS WITH 4000W/50HZ GENERATOR)**

ITEM	PART NUMBER	QTY	DESCRIPTION	REV
	1001194204	Ref	AC BOX AT PLATFORM INSTALLATION	B
1	0100020	AR	Sealant, Pipe	
2	0641416	2	Bolt 1/4 x 2	
3	0700408	2	Bolt M4 x 16	
4	0861781	1	Box, Switch	
5	3251242	1	Decal - 240V/50Hz	
6	3290405	2	Nut M4	
7	3311405	2	Nut 1/4	
8	4460968	1	Connector, Strain Relief	
9	4461201	1	Receptacle	
10	4711400	4	Washer 1/4	
11	4811400	4	Washer M4	
12	1001193018	1	Bracket, AC Receptacle	

# SECTION 8 - ELECTRICAL

FIGURE 8-7. AC BOX AT PLATFORM INSTALLATION - 220V CEE7 2IN X 4IN POST GROUND (CE SPECS WITHOUT 4000W/50HZ GENERATOR)



ART\_1001190441

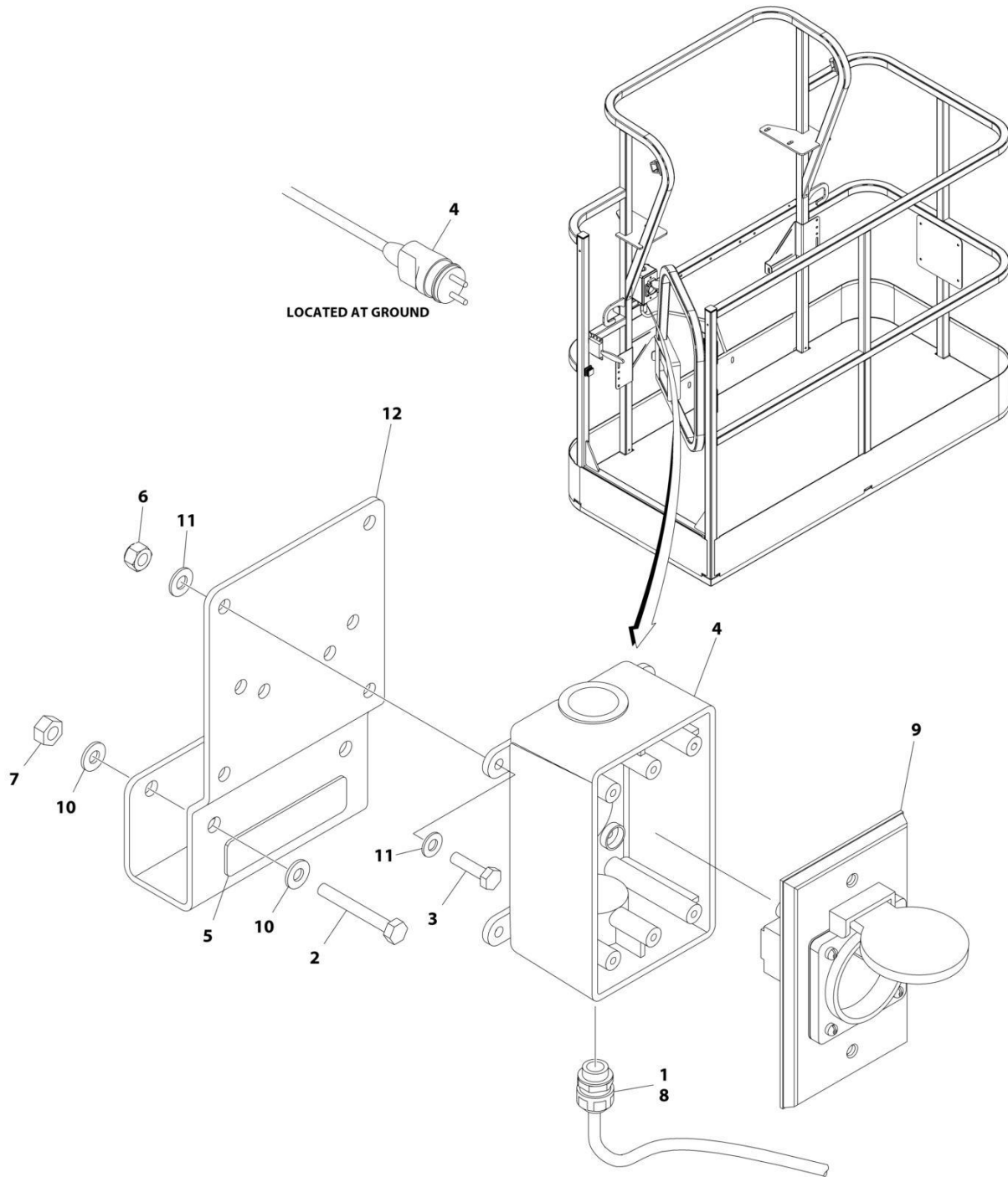
## SECTION 8 - ELECTRICAL

**FIGURE 8-7. AC BOX AT PLATFORM INSTALLATION - 220V CEE7 2IN X 4IN POST GROUND (CE SPECS WITHOUT 4000W/50HZ GENERATOR)**

ITEM	PART NUMBER	QTY	DESCRIPTION	REV
	1001190441	Ref	AC BOX AT PLATFORM INSTALLATION	D
2	0275452	1	Receptacle Box Kit - 220V CEE7 Post Ground 2in x 4in (See Separate Breakdown in this Section)	
3	0700408	4	Bolt M4 x 16	
4	0700618	2	Bolt M6 x 50	
7	1001193018	1	Bracket	
9	3290405	4	Nut M4	
10	3290605	2	Nut M6	
11	4460662	1	Connector, Strain Relief	
12	4811400	8	Washer M4	
13	4811700	4	Washer M6	
15	0100079	AR	Sealant	
16	3252507	1	Decal - 220 Volt	

# SECTION 8 - ELECTRICAL

FIGURE 8-8. AC BOX AT PLATFORM INSTALLATION - 220V CEE7 2IN X 4IN POST GROUND (CE SPECS WITH 4000W/50HZ GENERATOR)



ART\_1001194197

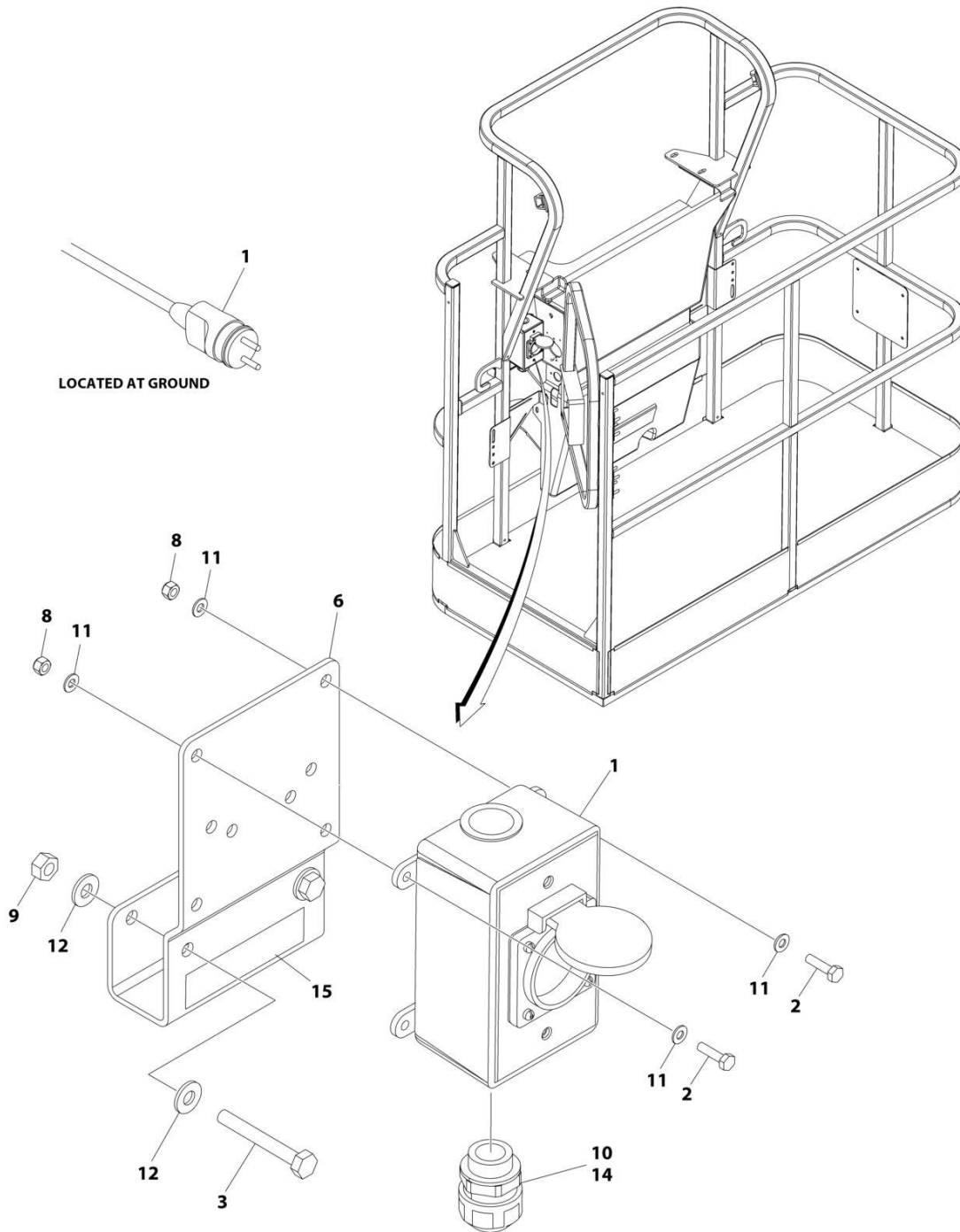
## SECTION 8 - ELECTRICAL

**FIGURE 8-8. AC BOX AT PLATFORM INSTALLATION - 220V CEE7 2IN X 4IN POST GROUND (CE SPECS WITH 4000W/50HZ GENERATOR)**

ITEM	PART NUMBER	QTY	DESCRIPTION	REV
	1001194197	Ref	AC BOX AT PLATFORM INSTALLATION	B
1	0100020	AR	Sealant, Pipe	
2	0641416	2	Bolt 1/4 x 2	
3	0700408	4	Bolt M4 x 16	
4	0861731	1	Box, Switch	
5	3251242	1	Decal - 240V/50Hz	
6	3290405	4	Nut M4	
7	3311405	2	Nut 1/4	
8	4460662	1	Connector, Strain Relief	
9	4461244	1	Receptacle	
10	4711400	4	Washer 1/4	
11	4811400	8	Washer M4	
12	1001193018	1	Bracket, AC Receptacle	
13	4460806	2	Terminal, Fork (Not Shown)	
14	1001205958	1	Terminal (Not Shown)	

# SECTION 8 - ELECTRICAL

FIGURE 8-9. AC BOX AT PLATFORM INSTALLATION - 220V CEE7 2IN X 4IN SIDE GROUND (CE SPECS WITHOUT 4000W/50HZ GENERATOR)



ART\_1001190484

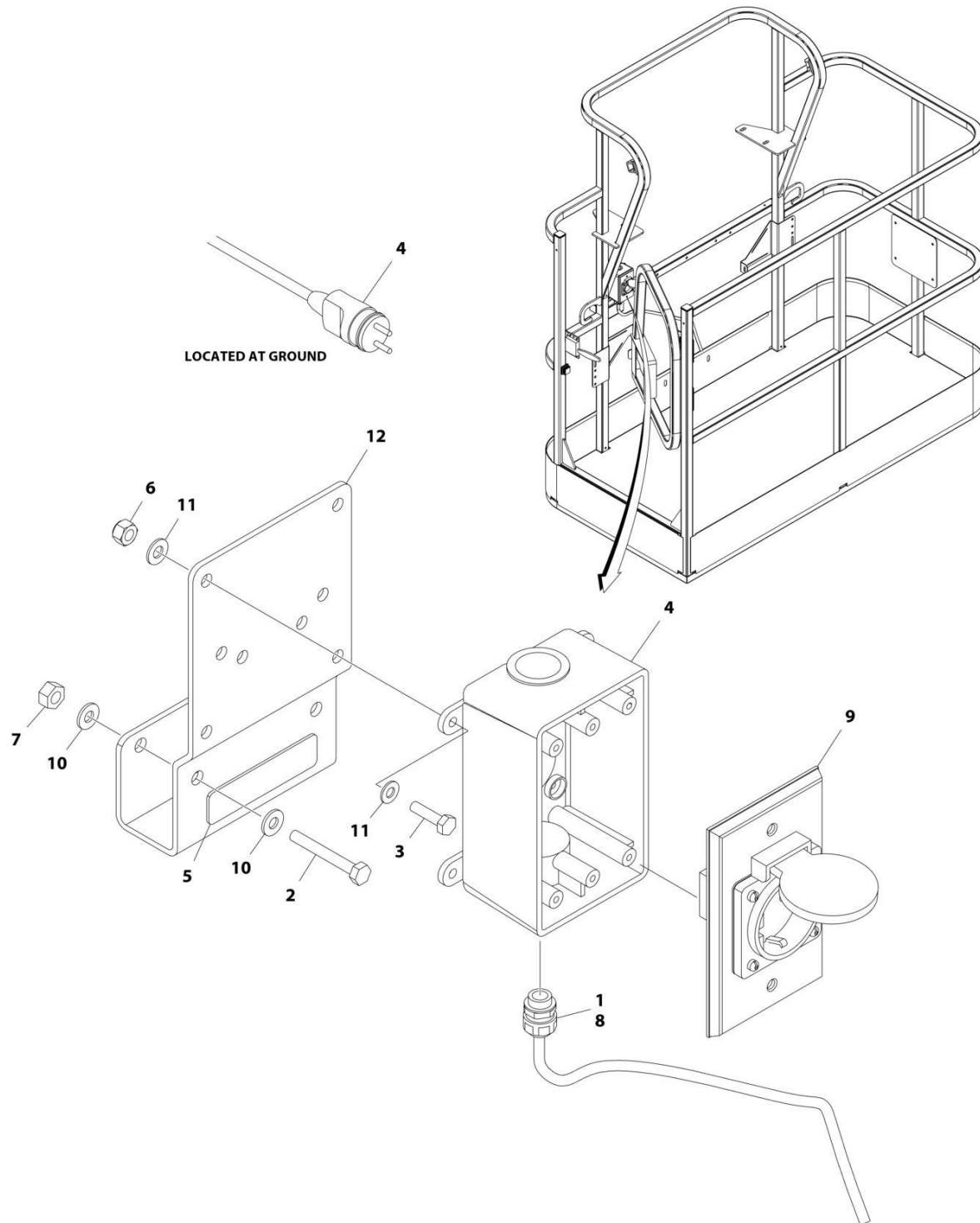
## SECTION 8 - ELECTRICAL

**FIGURE 8-9. AC BOX AT PLATFORM INSTALLATION - 220V CEE7 2IN X 4IN SIDE GROUND (CE SPECS WITHOUT 4000W/50HZ GENERATOR)**

ITEM	PART NUMBER	QTY	DESCRIPTION	REV
	1001190484	Ref	AC BOX AT PLATFORM INSTALLATION	D
1	0275453	1	Receptacle Box Kit - 220V CEE7 Side Ground 2in x 4in (See Separate Breakdown in this Section)	
2	0700408	4	Bolt M4 x 16	
3	0700618	2	Bolt M6 x 50	
6	1001193018	1	Bracket	
8	3290405	4	Nut M4	
9	3290605	2	Nut M6	
10	4460662	1	Connector, Strain Relief	
11	4811400	8	Washer M4	
12	4811700	4	Washer M6	
14	0100079	AR	Sealant	
15	3252507	1	Decal - 220 Volt	

# SECTION 8 - ELECTRICAL

FIGURE 8-10. AC BOX AT PLATFORM INSTALLATION - 220V CEE7 2IN X 4IN SIDE GROUND (CE SPECS WITH 4000W/50HZ GENERATOR)



ART\_1001194198



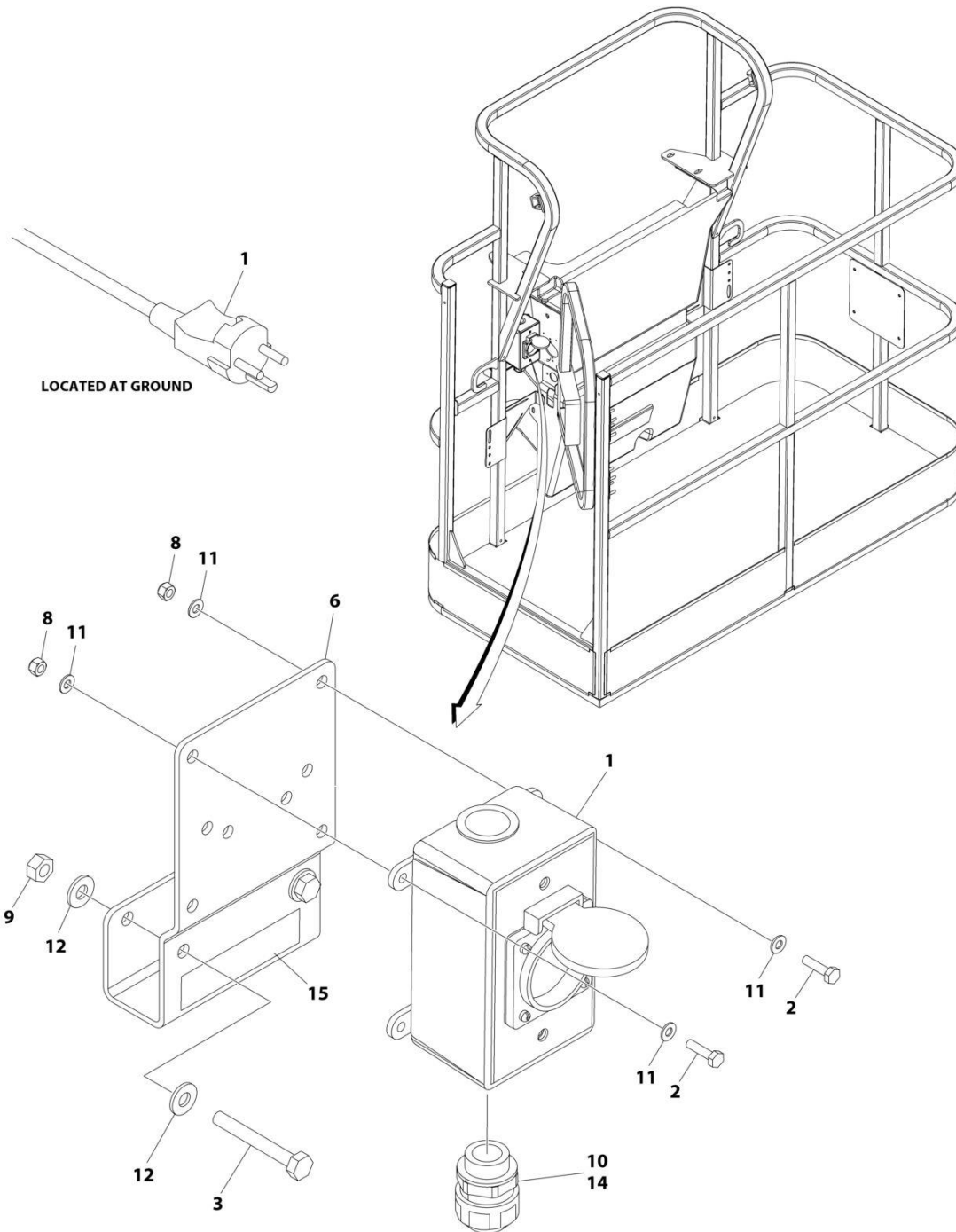
## SECTION 8 - ELECTRICAL

**FIGURE 8-10. AC BOX AT PLATFORM INSTALLATION - 220V CEE7 2IN X 4IN SIDE GROUND (CE SPECS WITH 4000W/50HZ GENERATOR)**

ITEM	PART NUMBER	QTY	DESCRIPTION	REV
	1001194198	Ref	AC BOX AT PLATFORM INSTALLATION	B
1	0100020	AR	Sealant, Pipe	
2	0641416	2	Bolt 1/4 x 2	
3	0700408	4	Bolt M4 x 16	
4	0861731	1	Box, Switch	
5	3251242	1	Decal - 240V/50Hz	
6	3290405	4	Nut M4	
7	3311405	2	Nut 1/4	
8	4460662	1	Connector, Strain Relief	
9	4461245	1	Receptacle	
10	4711400	4	Washer 1/4	
11	4811400	8	Washer M4	
12	1001193018	1	Bracket, AC Receptacle	
13	4460806	2	Terminal, Fork (Not Shown)	
14	1001205958	1	Terminal (Not Shown)	

# SECTION 8 - ELECTRICAL

FIGURE 8-11. AC BOX AT PLATFORM INSTALLATION - 220V AFSINT107 (CE SPECS WITHOUT 4000W/50HZ GENERATOR)



ART\_1001190485

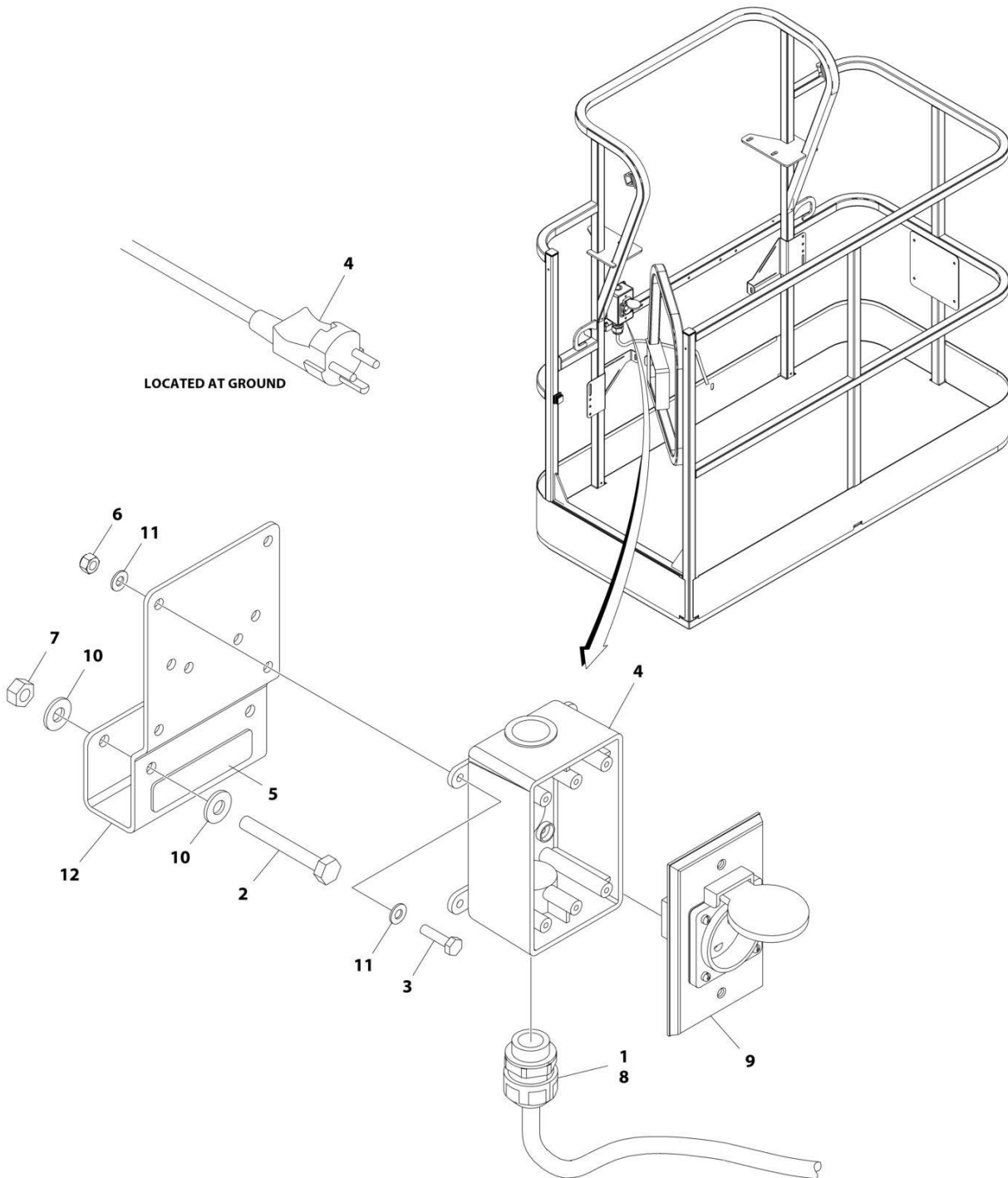
## SECTION 8 - ELECTRICAL

**FIGURE 8-11. AC BOX AT PLATFORM INSTALLATION - 220V AFSINT107 (CE SPECS WITHOUT 4000W/50HZ GENERATOR)**

ITEM	PART NUMBER	QTY	DESCRIPTION	REV
	1001190485	Ref	AC BOX AT PLATFORM INSTALLATION	C
1	0275454	1	Receptacle Box Kit - 220V AFSINT107 (See Separate Breakdown in this Section)	
2	0700408	4	Bolt M4 x 16	
3	0700618	2	Bolt M6 x 50	
6	1001193018	1	Bracket	
8	3290405	4	Nut M4	
9	3290605	2	Nut M6	
10	4460662	1	Connector, Strain Relief	
11	4811400	8	Washer M4	
12	4811700	4	Washer M6	
14	0100079	AR	Sealant	
15	3252507	1	Decal - 220 Volt	

# SECTION 8 - ELECTRICAL

FIGURE 8-12. AC BOX AT PLATFORM INSTALLATION - 220V AFSINT107 (CE SPECS WITH 4000W/50HZ GENERATOR)



ART\_1001194200

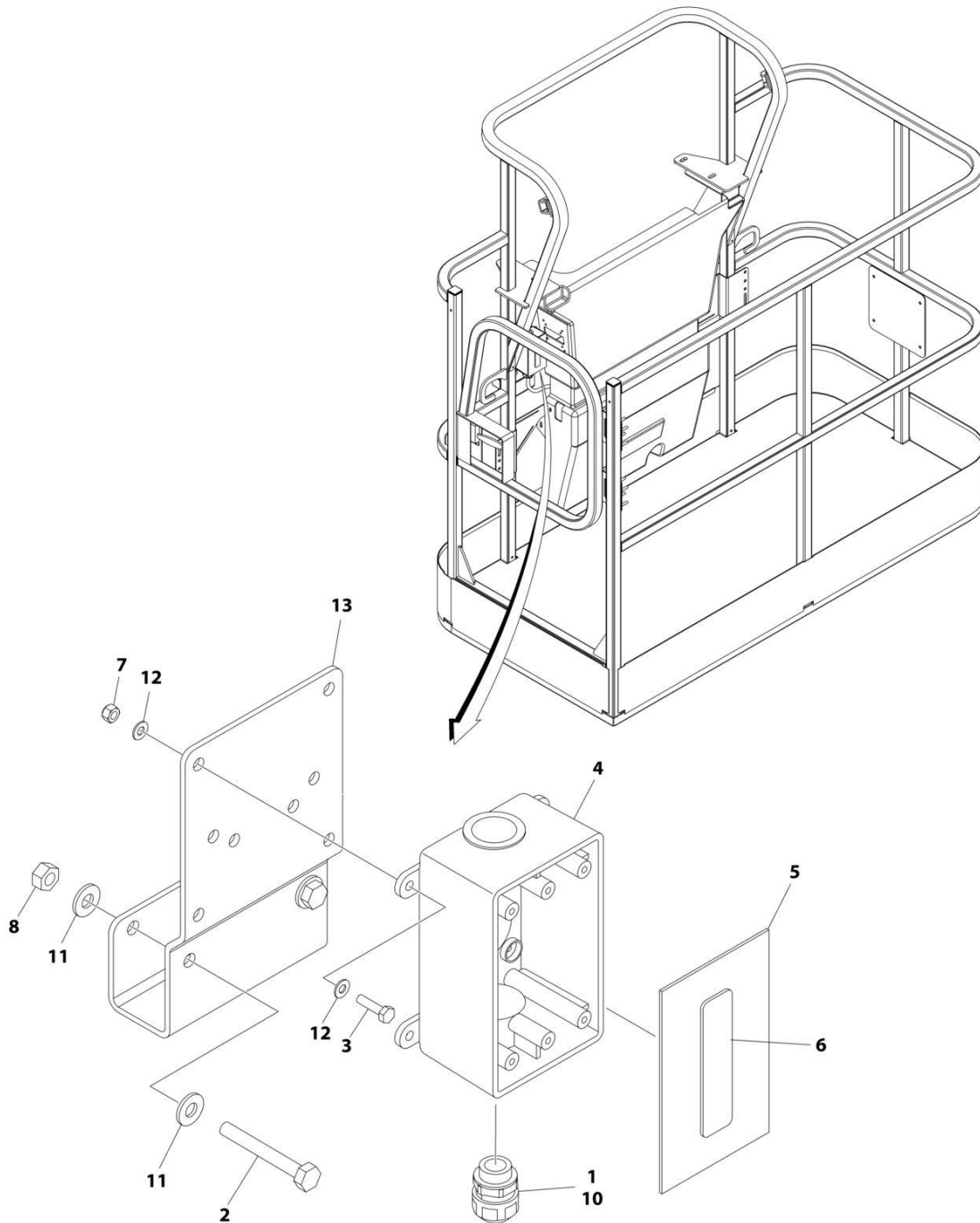
## SECTION 8 - ELECTRICAL

**FIGURE 8-12. AC BOX AT PLATFORM INSTALLATION - 220V AFSINT107 (CE SPECS WITH 4000W/50HZ GENERATOR)**

ITEM	PART NUMBER	QTY	DESCRIPTION	REV
	1001194200	Ref	AC BOX AT PLATFORM INSTALLATION	B
1	0100020	AR	Sealant, Pipe	
2	0641416	2	Bolt 1/4 x 2	
3	0700408	4	Bolt M4 x 16	
4	0861731	1	Box, Switch	
5	3251242	1	Decal - 240V/50Hz	
6	3290405	4	Nut M4	
7	3311405	2	Nut 1/4	
8	4460662	1	Connector, Strain Relief	
9	4461246	1	Receptacle	
10	4711400	4	Washer 1/4	
11	4811400	8	Washer M4	
12	1001193018	1	Bracket, AC Receptacle	
13	1001205958	1	Terminal (Not Shown)	

# SECTION 8 - ELECTRICAL

**FIGURE 8-13. AC BOX AT PLATFORM INSTALLATION - 220V CUSTOMER SUPPLIED COMPONENTS  
(ANSI EXPORT, AUSTRALIAN, CE AND CHINA SPECS)**



ART\_1001194365

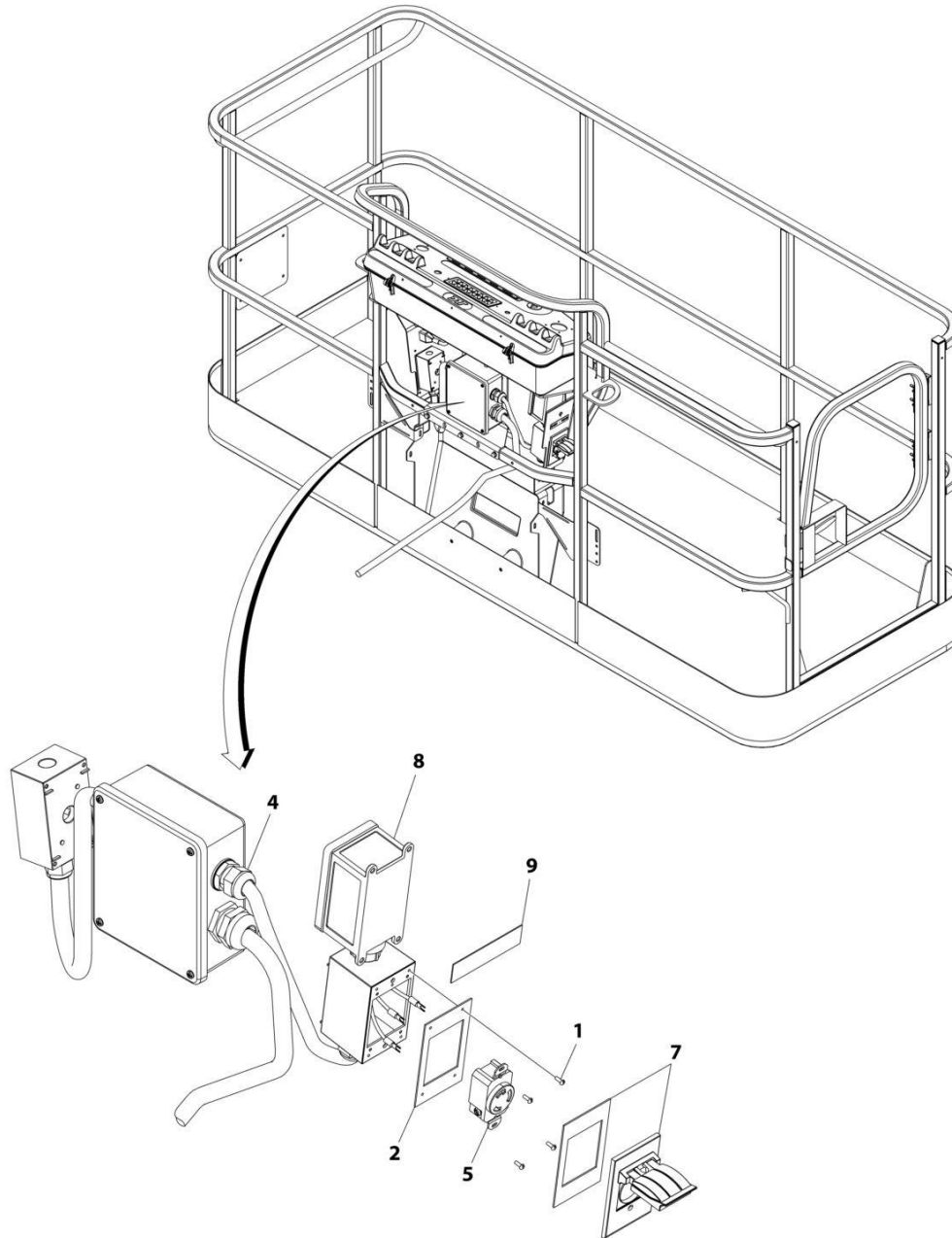
## SECTION 8 - ELECTRICAL

**FIGURE 8-13. AC BOX AT PLATFORM INSTALLATION - 220V CUSTOMER SUPPLIED COMPONENTS  
(ANSI EXPORT, AUSTRALIAN, CE AND CHINA SPECS)**

ITEM	PART NUMBER	QTY	DESCRIPTION	REV
	1001194365	Ref	AC BOX AT PLATFORM INSTALLATION - BOX WITH COVER (2X4 BOX)	A
1	0100020	AR	Sealant	
2	0641416	2	Bolt 1/4 x 2	
3	0700408	4	Bolt M4 x 16	
4	0861731	1	Box, Switch	
5	1670603	1	Cover	
6	3251242	1	Decal - 240V/50Hz	
7	3290405	4	Nut M4	
8	3311405	2	Nut 1/4	
9	4460384	3	Terminal (Not Shown)	
10	4460662	1	Connector, Strain Relief	
11	4711400	4	Washer 1/4	
12	4811400	8	Washer M4	
13	1001193018	1	Bracket, AC Receptacle	

## SECTION 8 - ELECTRICAL

FIGURE 8-14. AC BOX AT PLATFORM INSTALLATION - 240V (WITH 4000W GENERATOR) (ALL SPECS EXCEPT AUSTRALIAN & CE SPECS)



ART\_1001171131



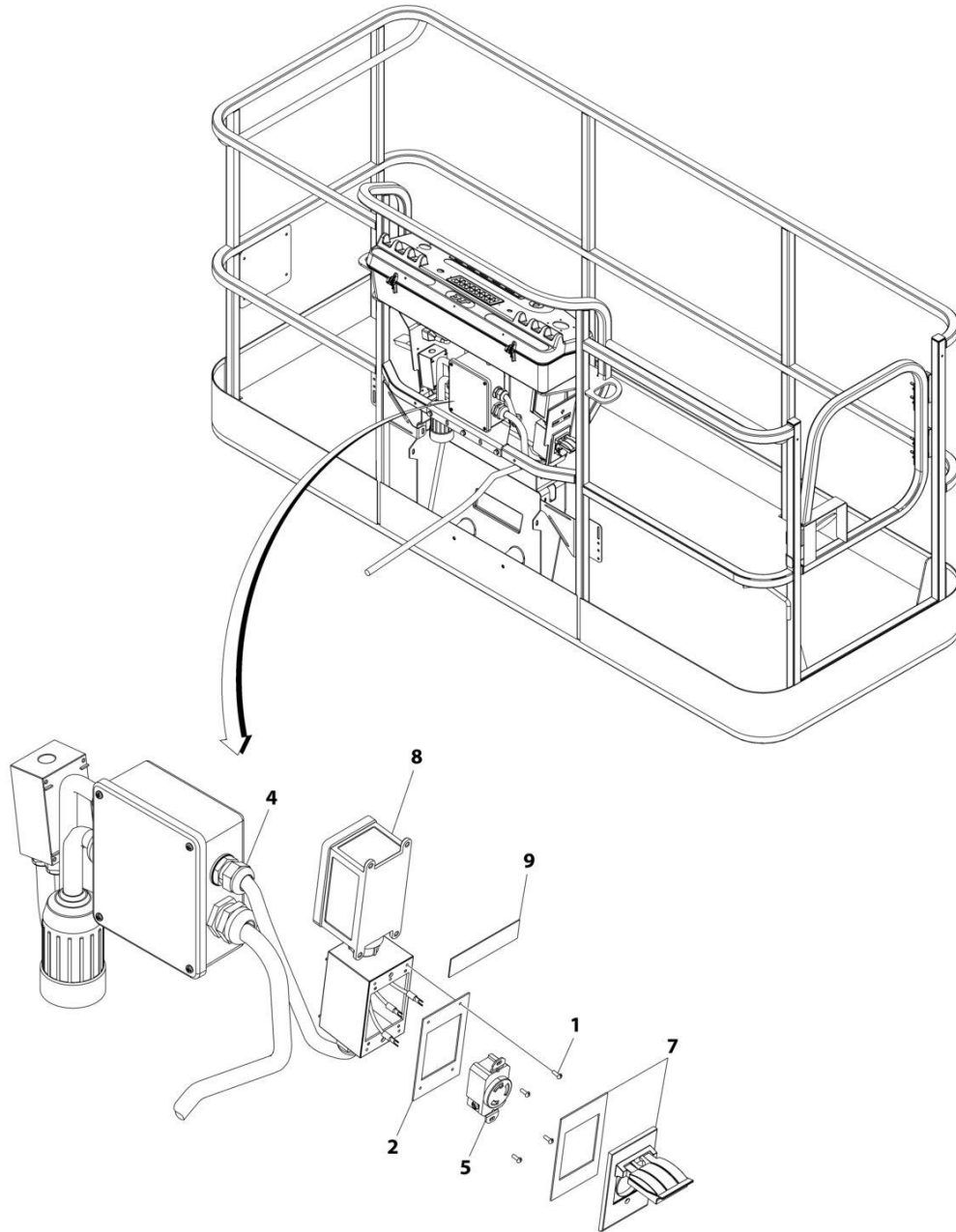
## SECTION 8 - ELECTRICAL

**FIGURE 8-14. AC BOX AT PLATFORM INSTALLATION - 240V (WITH 4000W GENERATOR) (ALL SPECS EXCEPT AUSTRALIAN & CE SPECS)**

ITEM	PART NUMBER	QTY	DESCRIPTION	REV
	1001171131	Ref	AC BOX AT PLATFORM INSTALLATION - 240V RECEPTACLE	B
1	3910606	4	Screw 6 x 3/8	
2	3960422	1	Gasket	
3	4240018	AR	Tie-Strap (Not Shown)	
4	4460425	1	Connector, Strain Relief	
5	1001176862	1	Receptacle	
7	1001110872	1	Cover, Receptacle	
8	1001159120	1	Receptacle/Breaker Box Assembly	
8	1001148675	1	Box, Receptacle	
8	1001159118	1	Breaker GFCI 30Amp 240VAC	
8	4460612	1	Connector, Strain Relief	
8	1001159119	1	Connector (Between Boxes)	
9	1705374	1	Decal - 240V/60Hz	

# SECTION 8 - ELECTRICAL

**FIGURE 8-15. AC BOX AT PLATFORM INSTALLATION - 240V (WITH 7500WSKYPOWER GENERATOR) (ALL SPECS EXCEPT AUSTRALIAN & CE SPECS)**



ART\_1001159121

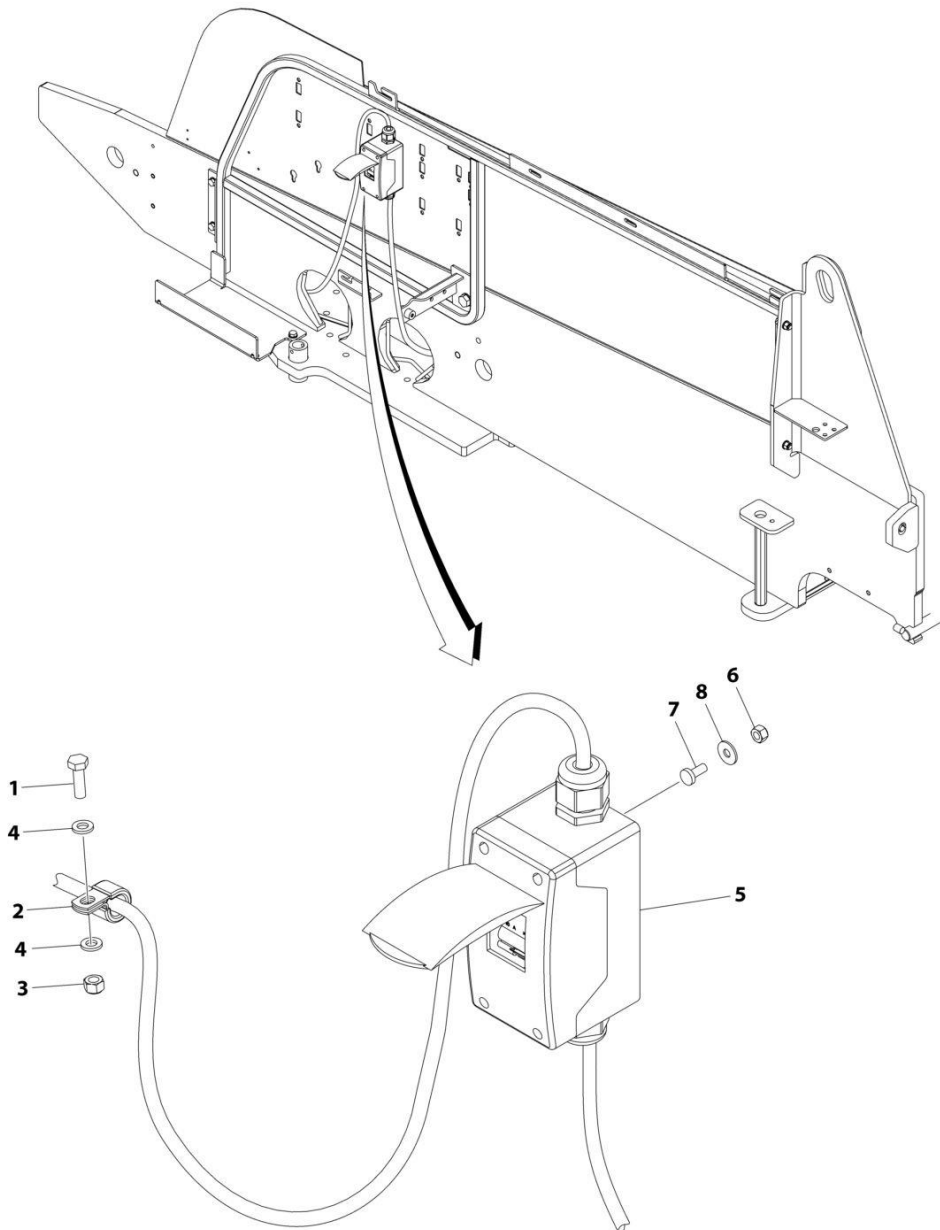
## SECTION 8 - ELECTRICAL

**FIGURE 8-15. AC BOX AT PLATFORM INSTALLATION - 240V (WITH 7500WSKYPower GENERATOR) (ALL SPECS EXCEPT AUSTRALIAN & CE SPECS)**

ITEM	PART NUMBER	QTY	DESCRIPTION	REV
	1001159121	Ref	AC BOX AT PLATFORM INSTALLATION - 240V RECEPTACLE	B
1	3910606	4	Screw 6 x 3/8	
2	3960422	1	Gasket	
3	4240018	AR	Tie-Strap (Not Shown)	
4	4460425	1	Connector, Strain Relief	
5	4460958	1	Receptacle	
7	1001110872	1	Cover, Receptacle	
8	1001159120	1	Receptacle/Breaker Box Assembly	
8	1001148675	1	Box, Receptacle	
8	1001159118	1	Breaker Box Assembly	
8	4460612	1	Connector, Strain Relief	
8	1001159119	1	Connector (Between Boxes)	
9	1705374	1	Decal - 240V/60Hz	

# SECTION 8 - ELECTRICAL

## FIGURE 8-16. AC BREAKER BOX INSTALLATION - SINGLE DOUBLE POLE BREAKER



ART\_1001190774

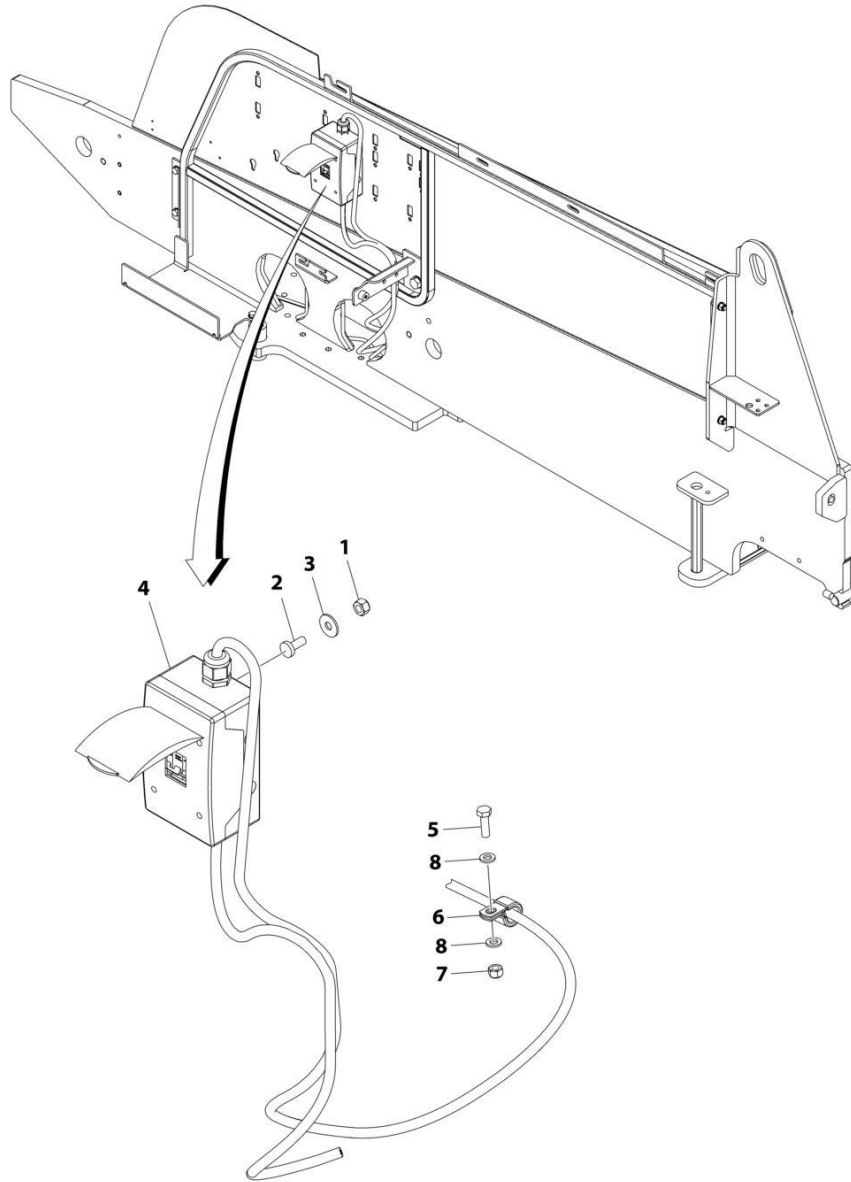
## SECTION 8 - ELECTRICAL

**FIGURE 8-16. AC BREAKER BOX INSTALLATION - SINGLE DOUBLE POLE BREAKER**

ITEM	PART NUMBER	QTY	DESCRIPTION	REV
	1001190774	Ref	AC BREAKER BOX INSTALLATION	C
1	0760610	1	Bolt M6 x 20	
2	1320041	1	Clamp	
3	3290605	1	Nut M6	
4	4811700	2	Washer M6	
5	2902549	1	Breaker Box Kit - Single Double Pole Breaker (See Separate Breakdown in this Section)	
6	3290405	2	Nut M4	
7	4010405	2	Screw M4 x 10	
8	1001091102	2	Washer M4	

# SECTION 8 - ELECTRICAL

## FIGURE 8-17. AC BREAKER BOX INSTALLATION - 3 BREAKERS



ART\_1001211049

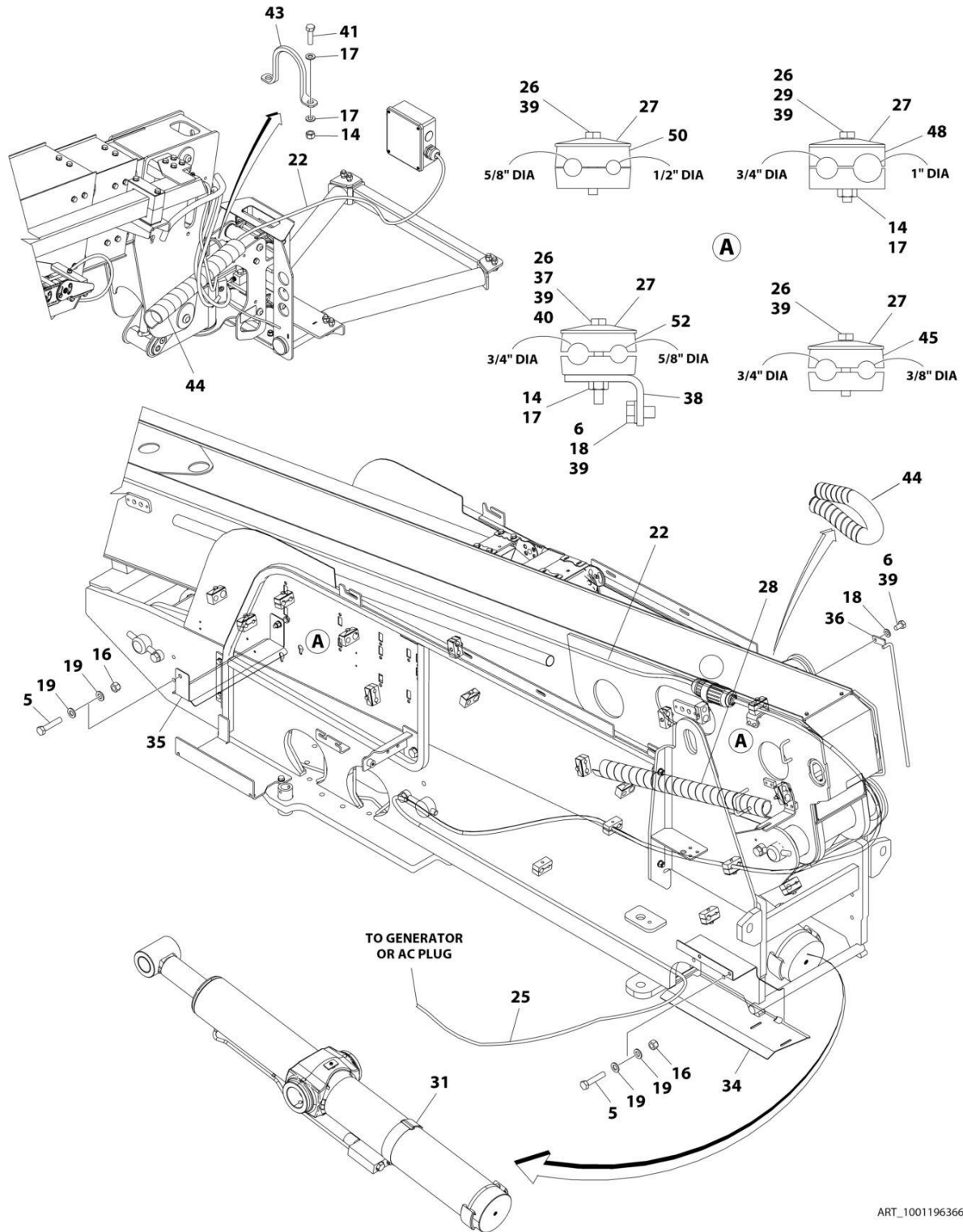
## SECTION 8 - ELECTRICAL

**FIGURE 8-17. AC BREAKER BOX INSTALLATION - 3 BREAKERS**

ITEM	PART NUMBER	QTY	DESCRIPTION	REV
	1001211049	Ref	AC BREAKER BOX INSTALLATION	C
1	3290405	2	Nut M4	
2	4010405	2	Screw M4 x 10	
3	1001091102	2	Washer M4	
4	1001152485	1	Breaker Box Kit - 3 Breakers (See Separate Breakdown in this Section) <b>(600SC SN 0300236299 through 0300241590)</b>	
4	1001152485	1	Breaker Box Kit - 3 Breakers (See Separate Breakdown in this Section) <b>(660SJC SN 0300236299 through 0300241590)</b>	
4	1001152486	1	Breaker Box Kit - 3 Breakers (See Separate Breakdown in this Section) <b>(600SC SN 0300241591 through 0300272446)</b>	
4	1001152486	1	Breaker Box Kit - 3 Breakers (See Separate Breakdown in this Section) <b>(660SJC SN 0300241591 through 0300272446)</b>	
5	0760610	1	Bolt M6 x 20	
6	1320041	1	Clamp	
7	3290605	1	Nut M6	
8	4811700	2	Washer M6	

# SECTION 8 - ELECTRICAL

## FIGURE 8-18. AC CABLES AND CLAMPS INSTALLATION - WITHOUT GENERATOR (600SC) (ALL SPECS EXCEPT ANSI & CSA SPECS)





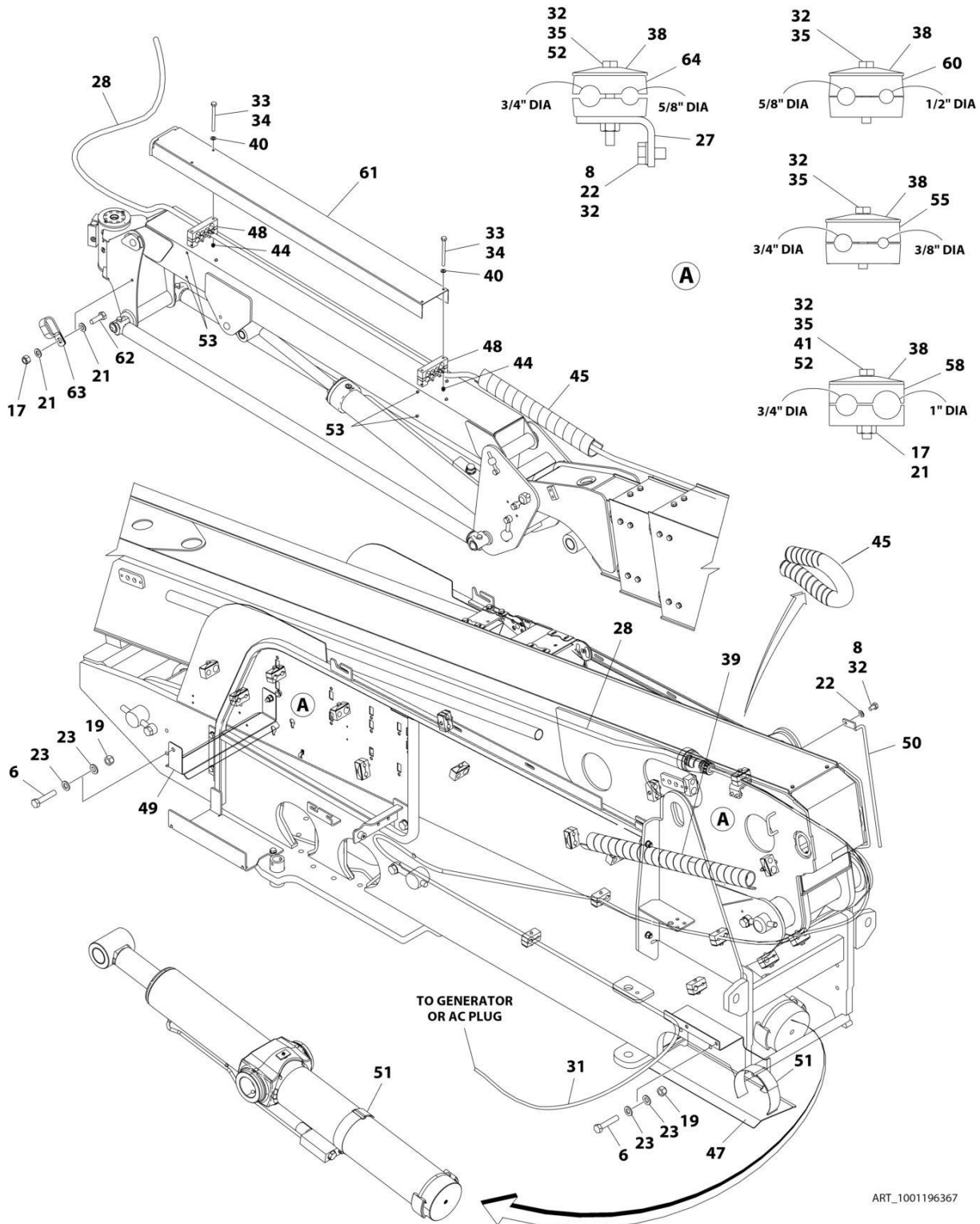
## SECTION 8 - ELECTRICAL

**FIGURE 8-18. AC CABLES AND CLAMPS INSTALLATION - WITHOUT GENERATOR (600SC) (ALL SPECS EXCEPT ANSI & CSA SPECS)**

ITEM	PART NUMBER	QTY	DESCRIPTION	REV
	1001196366	Ref	AC CABLES AND CLAMPS INSTALLATION	I
5	0701220	4	Bolt M12 x 60	
6	0761009	2	Bolt M10 x 18	
14	3290805	4	Nut M8	
16	3291205	4	Nut M12	
17	4811900	5	Washer M8	
18	4812000	3	Washer M10	
19	4812100	8	Washer M12	
20	1001146588	4	Tie-Strap (Not Shown)	
22	1001195225	1	AC Ground to Platform Cable (Upper)	
22	1001214095	1	Plug, Male	
25	1001196368	1	AC Ground to Platform Cable (Lower)	
25	1001214096	1	Receptacle, Female	
26	0700818	16	Bolt M8 x 50	
27	77133137	19	Cover, Clamp	
28	1001204690	1	Shield, Tube	
29	5281918	1	Capscrew M8 x 70	
31	1001143645	2	Strap, Cinch	
34	1001199881	1	Support	
35	1001201342	1	Support	
36	1001202936	1	Guide	
37	0700822	1	Bolt M8 x 70	
38	1001229637	1	Bracket	
39	0100011	AR	Compound, Locking	
40	0760822	1	Bolt M8 x 70	
41	0760814	2	Bolt M8 x 30	
42	4240018	3	Tie-Strap (Not Shown)	
43	3841340	1	Loop, Hose	
44	1001181923	AR	Shield, Tube	
45	1001209948	3	Clamp	
48	1001209951	6	Clamp	
50	1001209953	7	Clamp	
51	4240099	2	Tie-Strap (Not Shown)	
52	1001209949	3	Clamp	

# SECTION 8 - ELECTRICAL

**FIGURE 8-19. AC CABLES AND CLAMPS INSTALLATION - WITHOUT GENERATOR (660SJC) (ALL SPECS EXCEPT ANSI & CSA SPECS)**



ART\_1001196367

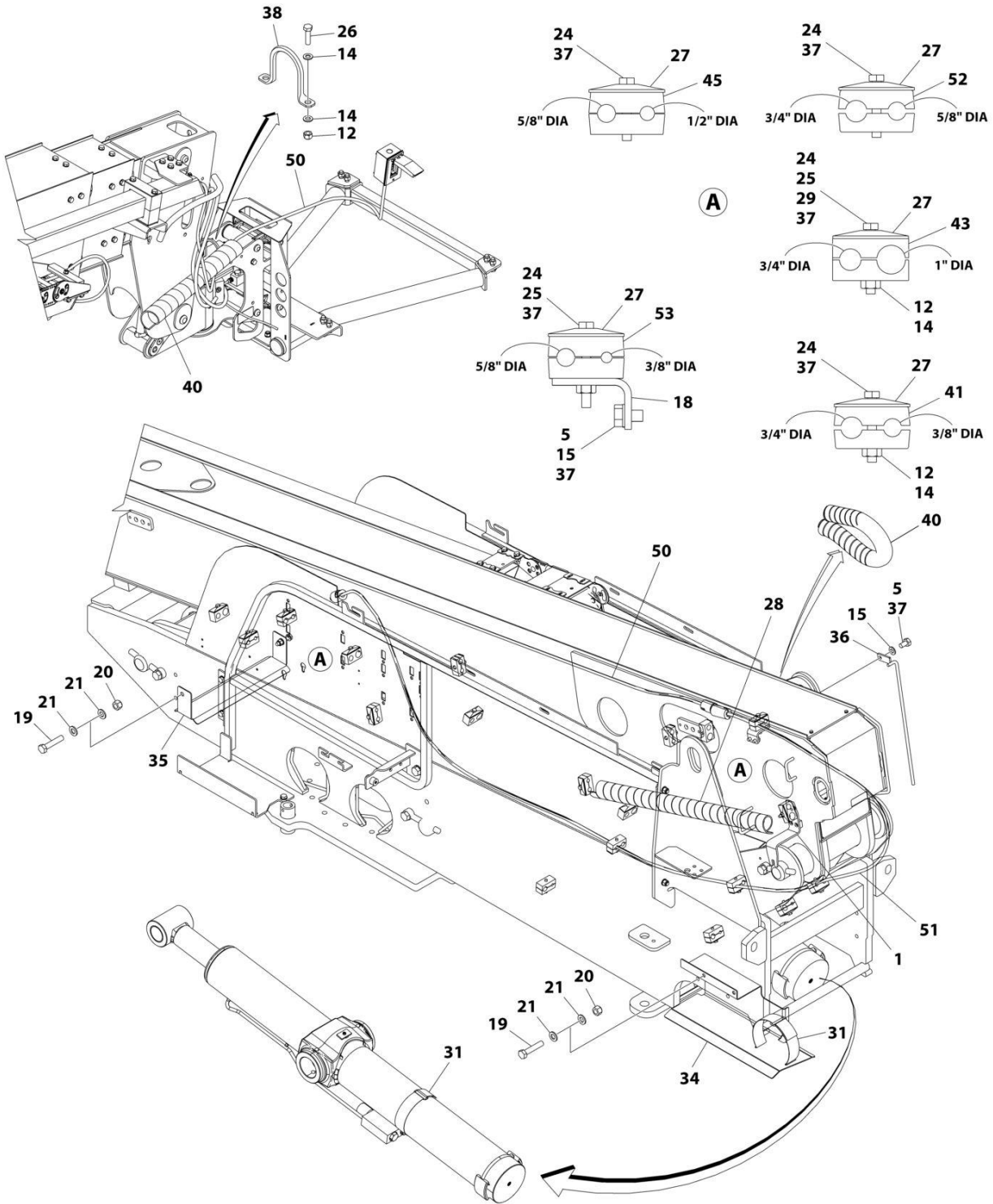
## SECTION 8 - ELECTRICAL

**FIGURE 8-19. AC CABLES AND CLAMPS INSTALLATION - WITHOUT GENERATOR (660SJC) (ALL SPECS EXCEPT ANSI & CSA SPECS)**

ITEM	PART NUMBER	QTY	DESCRIPTION	REV
	1001196367	Ref	AC CABLES AND CLAMPS INSTALLATION	I
6	0701220	4	Bolt M12 x 60	
8	0761009	3	Bolt M10 x 18	
17	3290805	4	Nut M8	
19	3291205	4	Nut M12	
21	4811900	5	Washer M8	
22	4812000	3	Washer M10	
23	4812100	8	Washer M12	
24	1001146588	4	Tie-Strap (Not Shown)	
27	1001229637	1	Bracket	
28	1001195226	1	AC Ground to Platform Cable (Upper)	
28	1001214095	1	Plug, Male	
31	1001196368	1	AC Ground to Platform Cable (Lower)	
31	1001214096	1	Receptacle, Female	
32	0100011	AR	Compound, Locking	
33	0100035	AR	Compound, Locking	
34	0641424	4	Bolt 1/4 x 3	
35	0700818	16	Bolt M8 x 50	
38	77133137	19	Cover, Clamp	
39	1001204690	1	Shield, Tube	
40	4811700	4	Washer M6	
41	5281918	1	Capscrew M8 x 70	
44	2080044	4	Rivet - Nut 1/4	
45	1001181923	AR	Shield, Tube	
47	1001199881	1	Support	
48	1001201090	2	Block, Clamp	
49	1001201342	1	Support	
50	1001202936	1	Guide	
51	1001143645	2	Strap, Cinch	
52	0700822	2	Bolt M8 x 70	
53	3520034	8	Plug	
54	4240018	4	Tie-Strap (Not Shown)	
55	1001209948	3	Clamp	
58	1001209951	6	Clamp	
60	1001209953	7	Clamp	
61	1001209957	1	Cover	
62	0760812	1	Bolt M8 x 25	
63	1001116792	1	Clamp	
64	1001209949	3	Clamp	

# SECTION 8 - ELECTRICAL

## FIGURE 8-20. AC CABLES AND CLAMPS INSTALLATION - WITHOUT GENERATOR (600SC) (ANSI & CSA SPECS)



ART\_1001193207

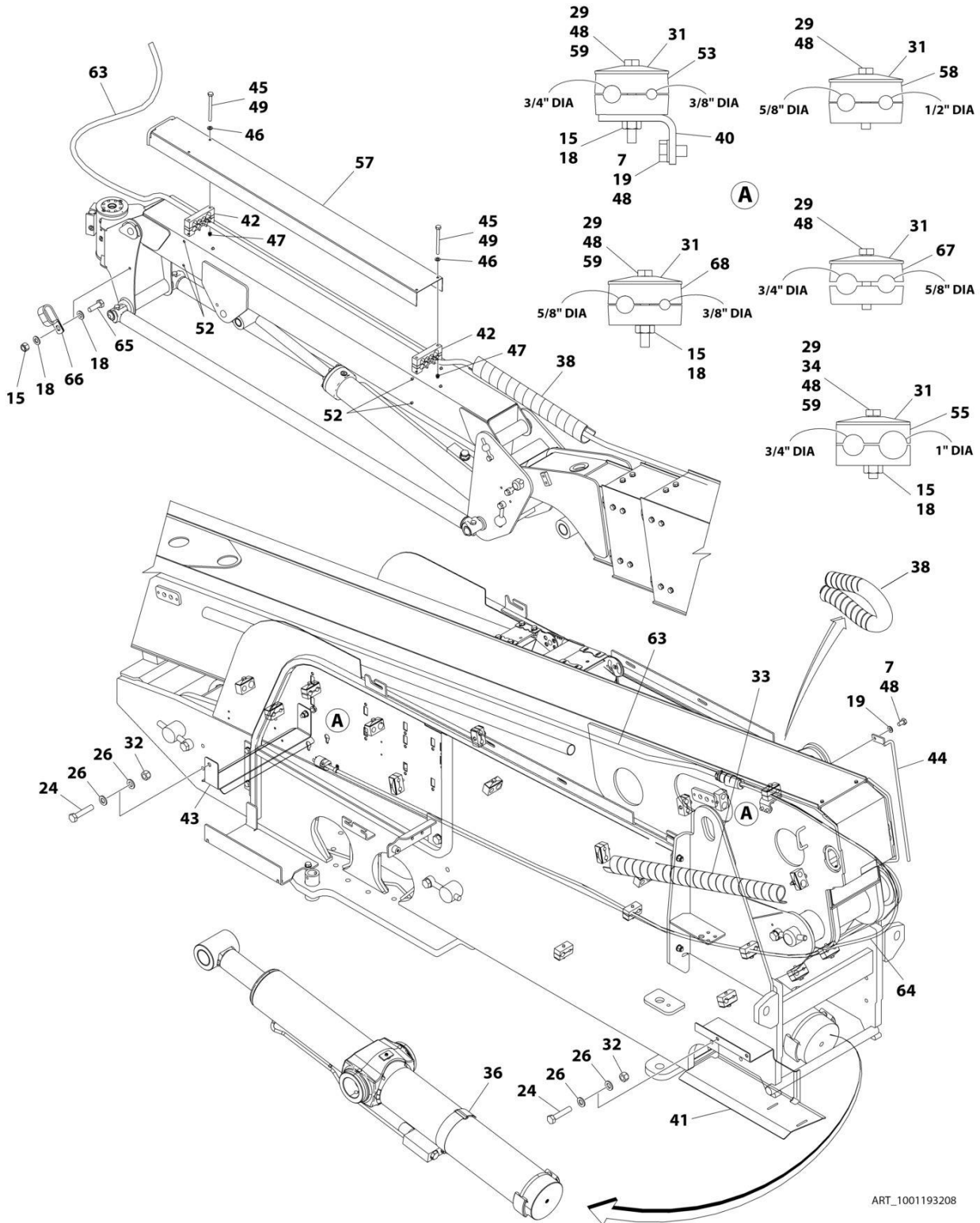
## SECTION 8 - ELECTRICAL

**FIGURE 8-20. AC CABLES AND CLAMPS INSTALLATION - WITHOUT GENERATOR (600SC) (ANSI & CSA SPECS)**

ITEM	PART NUMBER	QTY	DESCRIPTION	REV
	1001193207	Ref	AC CABLES AND CLAMPS INSTALLATION	K
1	1001211585	1	Bracket	
5	0761009	3	Bolt M10 x 18	
12	3290805	4	Nut M8	
14	4811900	5	Washer M8	
15	4812000	3	Washer M10	
16	1001146588	4	Tie-Strap (Not Shown)	
18	1001229637	1	Bracket	
19	0701220	4	Bolt M12 x 60	
20	3291205	4	Nut M12	
21	4812100	8	Washer M12	
24	0700818	16	Bolt M8 x 50	
25	0700822	2	Bolt M8 x 70	
26	0760814	2	Bolt M8 x 30	
27	77133137	19	Cover, Clamp	
28	1001204690	1	Shield, Tube	
29	5281918	1	Capscrew M8 x 70	
31	1001143645	2	Strap, Cinch	
34	1001199881	1	Support	
35	1001201342	1	Support	
36	1001202936	1	Guide	
37	0100011	AR	Compound, Locking	
38	3841340	1	Loop, Hose	
39	4240018	3	Tie-Strap (Not Shown)	
40	1001181923	AR	Shield, Tube	
41	1001209948	3	Clamp	
43	1001209951	6	Clamp	
45	1001209953	3	Clamp	
46	4240099	2	Tie-Strap (Not Shown)	
50	1001195227	1	AC Ground to Platform Cable (Upper)	
50	1001120204	1	Plug, Male	
51	1001195525	1	AC Ground to Platform Cable (Lower)	
51	1001120205	1	Receptacle, Female	
52	1001209949	3	Clamp	
53	1001228809	4	Clamp	

# SECTION 8 - ELECTRICAL

## FIGURE 8-21. AC CABLES AND CLAMPS INSTALLATION - WITHOUT GENERATOR (660SJC) (ANSI & CSA SPECS)



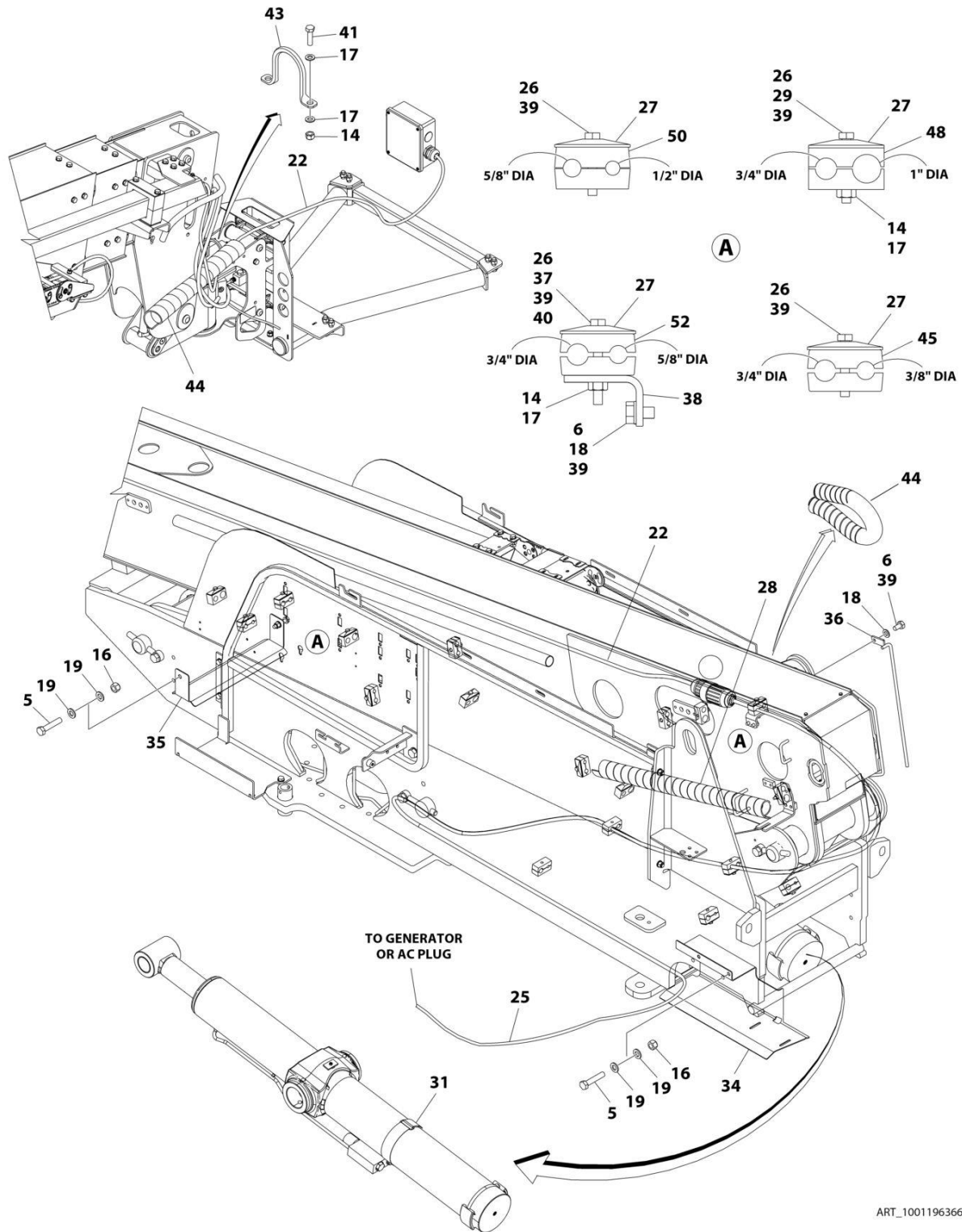
## SECTION 8 - ELECTRICAL

**FIGURE 8-21. AC CABLES AND CLAMPS INSTALLATION - WITHOUT GENERATOR (660SJC) (ANSI & CSA SPECS)**

ITEM	PART NUMBER	QTY	DESCRIPTION	REV
	1001193208	Ref	AC CABLES AND CLAMPS INSTALLATION	K
7	0761009	3	Bolt M10 x 18	
15	3290805	3	Nut M8	
18	4811900	3	Washer M8	
19	4812000	3	Washer M10	
20	1001146588	4	Tie-Strap (Not Shown)	
24	0701220	4	Bolt M12 x 60	
26	4812100	8	Washer M12	
29	0700818	16	Bolt M8 x 50	
31	77133137	19	Cover, Clamp	
32	3291205	4	Nut M12	
33	1001204690	1	Shield, Tube	
34	5281918	1	Capscrew M8 x 70	
36	1001143645	2	Strap, Cinch	
38	1001181923	AR	Shield, Tube	
40	1001229637	1	Bracket	
41	1001199881	1	Support	
42	1001201090	2	Block, Clamp	
43	1001201342	1	Support	
44	1001202936	1	Guide	
45	0641424	4	Bolt 1/4 x 3	
46	4811700	4	Washer M6	
47	2080044	4	Rivet - Nut 1/4	
48	0100011	AR	Compound, Locking	
49	0100035	AR	Compound, Locking	
51	4240018	4	Tie-Strap (Not Shown)	
52	3520034	8	Plug	
53	1001209948	3	Clamp	
55	1001209951	6	Clamp	
57	1001209957	1	Cover	
58	1001209953	3	Clamp	
59	0700822	2	Bolt M8 x 70	
63	1001195228	1	AC Ground to Platform Cable (Upper)	
63	1001120204	1	Plug, Male	
64	1001195525	1	AC Ground to Platform Cable (Lower)	
64	1001120205	1	Receptacle, Female	
65	0760812	1	Bolt M8 x 25	
66	1001116792	1	Clamp	
67	1001209949	3	Clamp	
68	1001228809	4	Clamp	

# SECTION 8 - ELECTRICAL

FIGURE 8-22. AC CABLES AND CLAMPS INSTALLATION - WITH 2500W GENERATOR (600SC)



ART\_1001196366



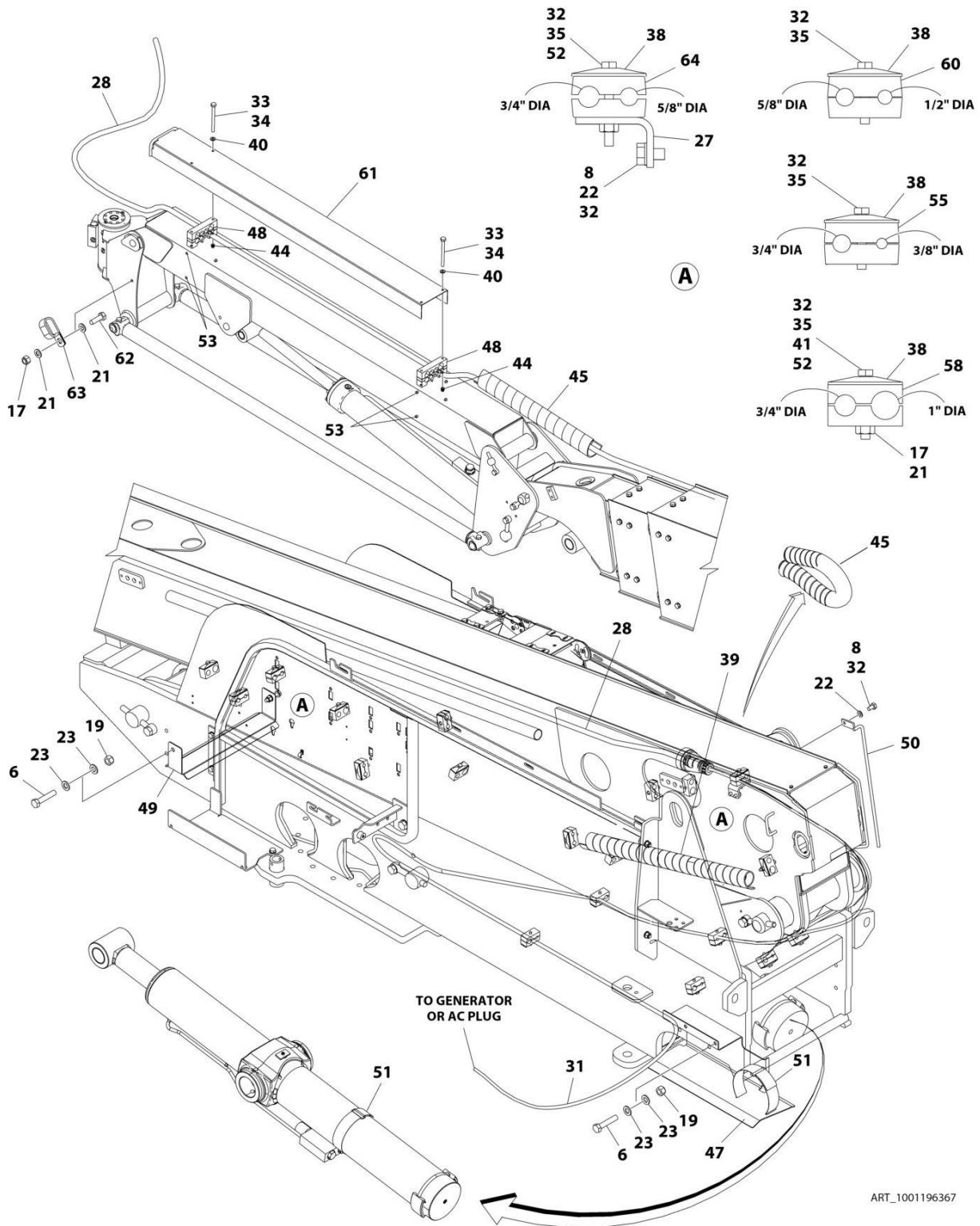
## SECTION 8 - ELECTRICAL

**FIGURE 8-22. AC CABLES AND CLAMPS INSTALLATION - WITH 2500W GENERATOR (600SC)**

ITEM	PART NUMBER	QTY	DESCRIPTION	REV
	1001196366	Ref	AC CABLES AND CLAMPS INSTALLATION	I
5	0701220	4	Bolt M12 x 60	
6	0761009	2	Bolt M10 x 18	
14	3290805	4	Nut M8	
16	3291205	4	Nut M12	
17	4811900	5	Washer M8	
18	4812000	3	Washer M10	
19	4812100	8	Washer M12	
20	1001146588	4	Tie-Strap (Not Shown)	
22	1001195225	1	AC Ground to Platform Cable (Upper)	
22	1001214095	1	Plug, Male	
25	1001196368	1	AC Ground to Platform Cable (Lower)	
25	1001214096	1	Receptacle, Female	
26	0700818	16	Bolt M8 x 50	
27	77133137	19	Cover, Clamp	
28	1001204690	1	Shield, Tube	
29	5281918	1	Capscrew M8 x 70	
31	1001143645	2	Strap, Cinch	
34	1001199881	1	Support	
35	1001201342	1	Support	
36	1001202936	1	Guide	
37	0700822	1	Bolt M8 x 70	
38	1001229637	1	Bracket	
39	0100011	AR	Compound, Locking	
40	0760822	1	Bolt M8 x 70	
41	0760814	2	Bolt M8 x 30	
42	4240018	3	Tie-Strap (Not Shown)	
43	3841340	1	Loop, Hose	
44	1001181923	AR	Shield, Tube	
45	1001209948	3	Clamp	
48	1001209951	6	Clamp	
50	1001209953	7	Clamp	
51	4240099	2	Tie-Strap (Not Shown)	
52	1001209949	3	Clamp	

# SECTION 8 - ELECTRICAL

FIGURE 8-23. AC CABLES AND CLAMPS INSTALLATION - WITH 2500W GENERATOR (660SJC)



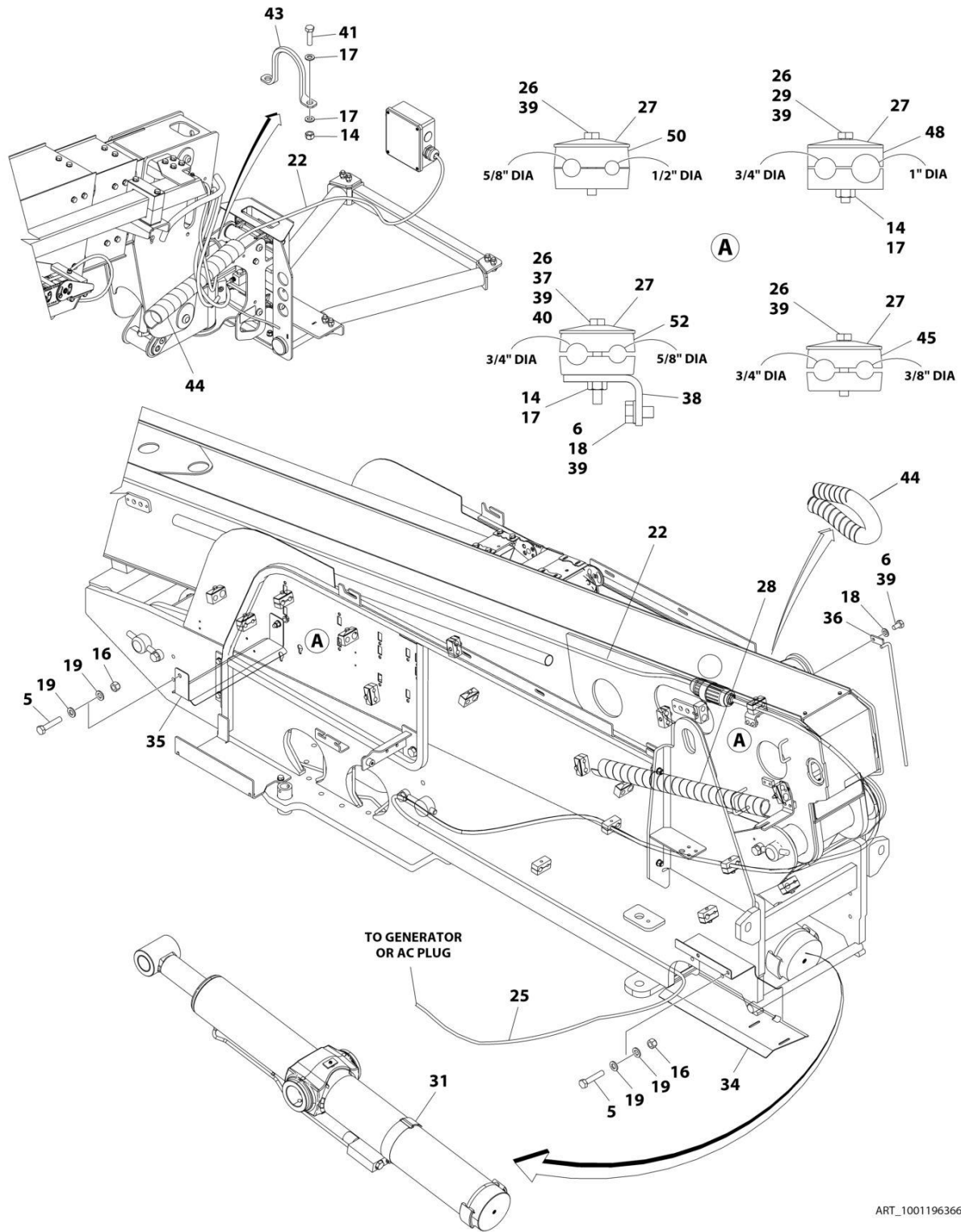
## SECTION 8 - ELECTRICAL

**FIGURE 8-23. AC CABLES AND CLAMPS INSTALLATION - WITH 2500W GENERATOR (660SJC)**

ITEM	PART NUMBER	QTY	DESCRIPTION	REV
	1001196367	Ref	AC CABLES AND CLAMPS INSTALLATION	I
6	0701220	4	Bolt M12 x 60	
8	0761009	3	Bolt M10 x 18	
17	3290805	4	Nut M8	
19	3291205	4	Nut M12	
21	4811900	5	Washer M8	
22	4812000	3	Washer M10	
23	4812100	8	Washer M12	
24	1001146588	4	Tie-Strap (Not Shown)	
27	1001229637	1	Bracket	
28	1001195226	1	AC Ground to Platform Cable (Upper)	
28	1001214095	1	Plug, Male	
31	1001196368	1	AC Ground to Platform Cable (Lower)	
31	1001214096	1	Receptacle, Female	
32	0100011	AR	Compound, Locking	
33	0100035	AR	Compound, Locking	
34	0641424	4	Bolt 1/4 x 3	
35	0700818	16	Bolt M8 x 50	
38	77133137	19	Cover, Clamp	
39	1001204690	1	Shield, Tube	
40	4811700	4	Washer M6	
41	5281918	1	Capscrew M8 x 70	
44	2080044	4	Rivet - Nut 1/4	
45	1001181923	AR	Shield, Tube	
47	1001199881	1	Support	
48	1001201090	2	Block, Clamp	
49	1001201342	1	Support	
50	1001202936	1	Guide	
51	1001143645	2	Strap, Cinch	
52	0700822	2	Bolt M8 x 70	
53	3520034	8	Plug	
54	4240018	4	Tie-Strap (Not Shown)	
55	1001209948	3	Clamp	
58	1001209951	6	Clamp	
60	1001209953	7	Clamp	
61	1001209957	1	Cover	
62	0760812	1	Bolt M8 x 25	
63	1001116792	1	Clamp	
64	1001209949	3	Clamp	

# SECTION 8 - ELECTRICAL

## FIGURE 8-24. AC CABLES AND CLAMPS INSTALLATION - WITH 4000W-50HZ GENERATOR (600SC)



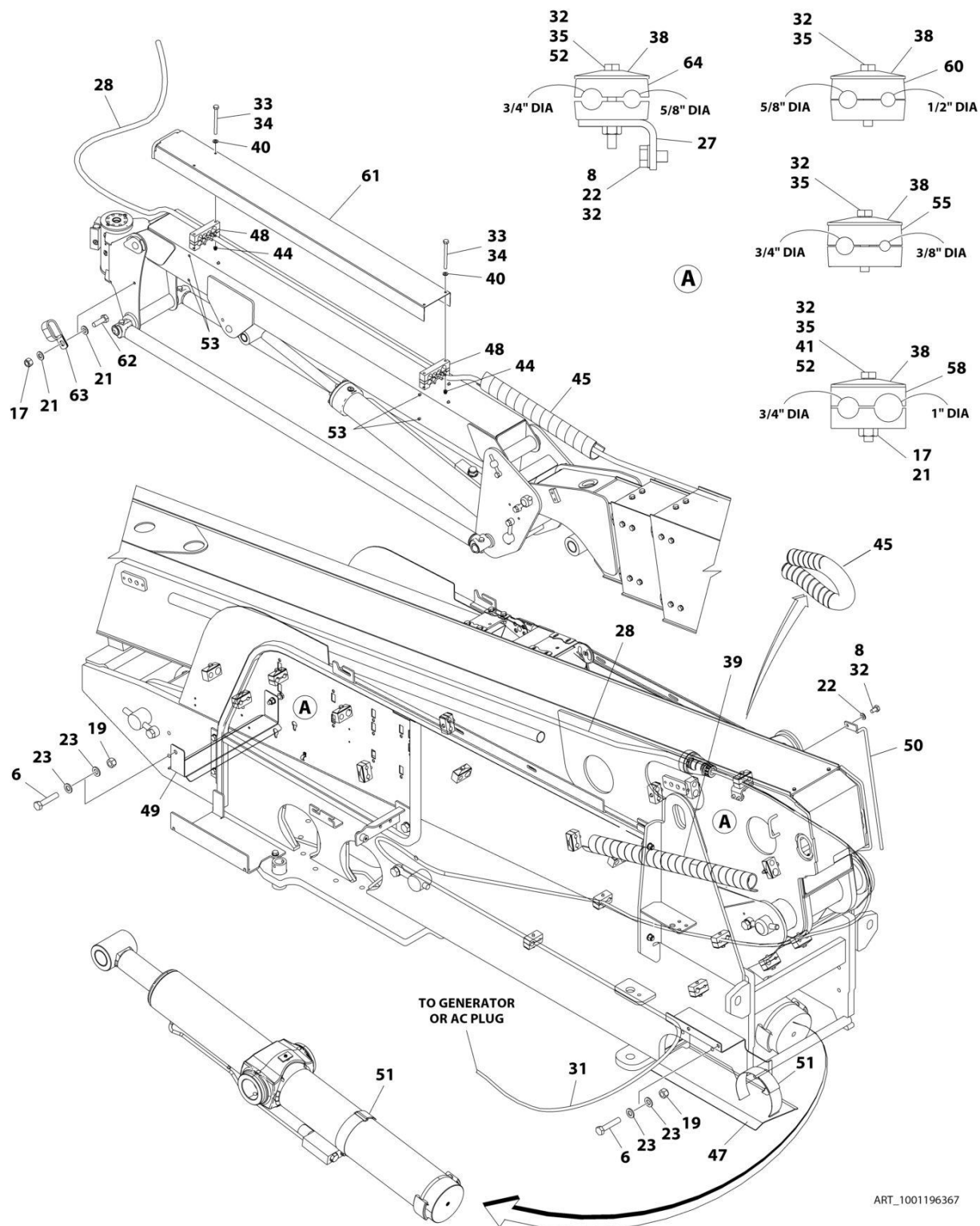
## SECTION 8 - ELECTRICAL

**FIGURE 8-24. AC CABLES AND CLAMPS INSTALLATION - WITH 4000W-50HZ GENERATOR (600SC)**

ITEM	PART NUMBER	QTY	DESCRIPTION	REV
	1001196366	Ref	AC CABLES AND CLAMPS INSTALLATION	I
5	0701220	4	Bolt M12 x 60	
6	0761009	2	Bolt M10 x 18	
14	3290805	4	Nut M8	
16	3291205	4	Nut M12	
17	4811900	5	Washer M8	
18	4812000	3	Washer M10	
19	4812100	8	Washer M12	
20	1001146588	4	Tie-Strap (Not Shown)	
22	1001195225	1	AC Ground to Platform Cable (Upper)	
22	1001214095	1	Plug, Male	
25	1001196368	1	AC Ground to Platform Cable (Lower)	
25	1001214096	1	Receptacle, Female	
26	0700818	16	Bolt M8 x 50	
27	77133137	19	Cover, Clamp	
28	1001204690	1	Shield, Tube	
29	5281918	1	Capscrew M8 x 70	
31	1001143645	2	Strap, Cinch	
34	1001199881	1	Support	
35	1001201342	1	Support	
36	1001202936	1	Guide	
37	0700822	1	Bolt M8 x 70	
38	1001229637	1	Bracket	
39	0100011	AR	Compound, Locking	
40	0760822	1	Bolt M8 x 70	
41	0760814	2	Bolt M8 x 30	
42	4240018	3	Tie-Strap (Not Shown)	
43	3841340	1	Loop, Hose	
44	1001181923	AR	Shield, Tube	
45	1001209948	3	Clamp	
48	1001209951	6	Clamp	
50	1001209953	7	Clamp	
51	4240099	2	Tie-Strap (Not Shown)	
52	1001209949	3	Clamp	

# SECTION 8 - ELECTRICAL

## FIGURE 8-25. AC CABLES AND CLAMPS INSTALLATION - WITH 4000W-50HZ GENERATOR (660SJC)



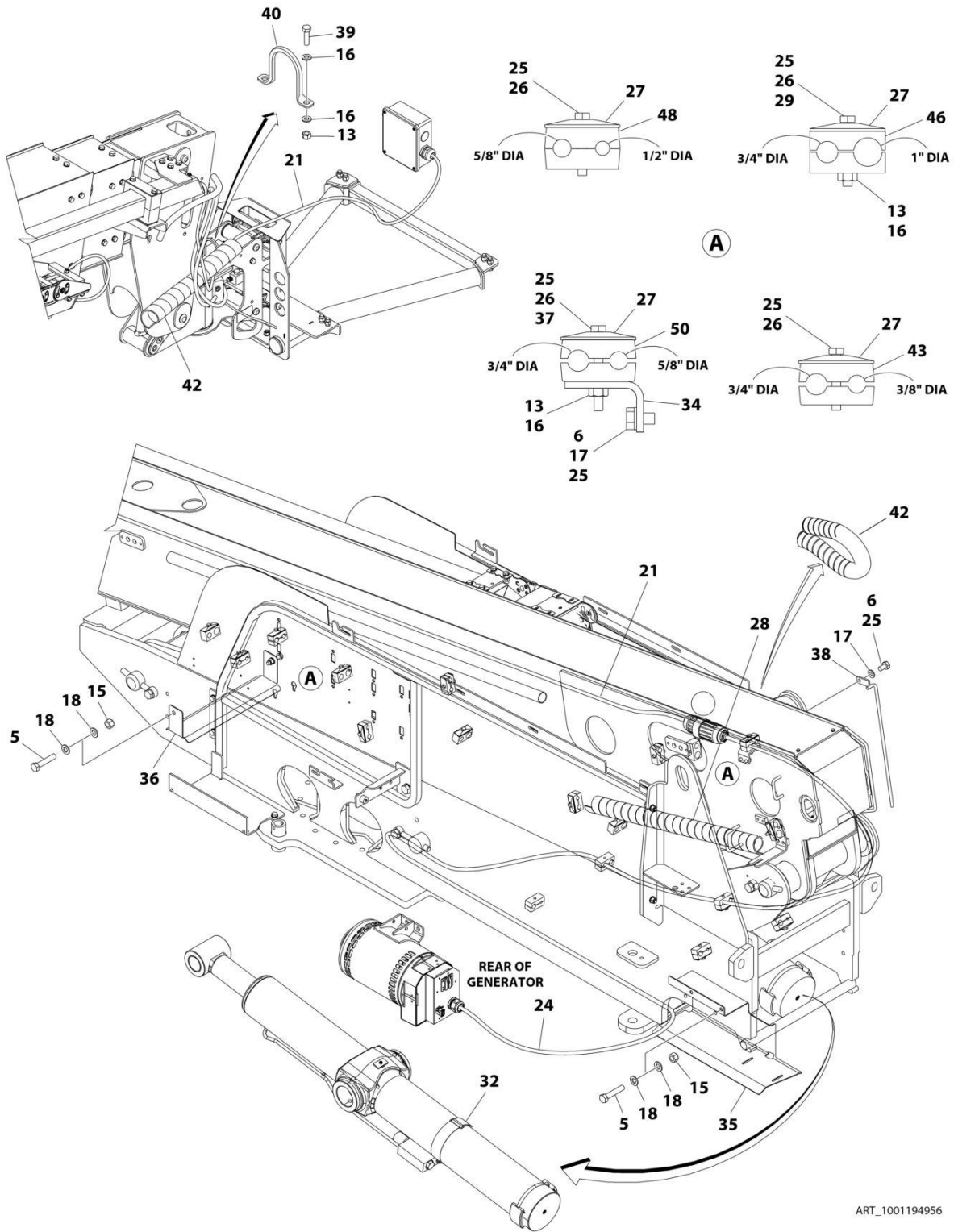
## SECTION 8 - ELECTRICAL

**FIGURE 8-25. AC CABLES AND CLAMPS INSTALLATION - WITH 4000W-50HZ GENERATOR  
(660SJC)**

ITEM	PART NUMBER	QTY	DESCRIPTION	REV
	1001196367	Ref	AC CABLES AND CLAMPS INSTALLATION	I
6	0701220	4	Bolt M12 x 60	
8	0761009	3	Bolt M10 x 18	
17	3290805	4	Nut M8	
19	3291205	4	Nut M12	
21	4811900	5	Washer M8	
22	4812000	3	Washer M10	
23	4812100	8	Washer M12	
24	1001146588	4	Tie-Strap (Not Shown)	
27	1001229637	1	Bracket	
28	1001195226	1	AC Ground to Platform Cable (Upper)	
28	1001214095	1	Plug, Male	
31	1001196368	1	AC Ground to Platform Cable (Lower)	
31	1001214096	1	Receptacle, Female	
32	0100011	AR	Compound, Locking	
33	0100035	AR	Compound, Locking	
34	0641424	4	Bolt 1/4 x 3	
35	0700818	16	Bolt M8 x 50	
38	77133137	19	Cover, Clamp	
39	1001204690	1	Shield, Tube	
40	4811700	4	Washer M6	
41	5281918	1	Capscrew M8 x 70	
44	2080044	4	Rivet - Nut 1/4	
45	1001181923	AR	Shield, Tube	
47	1001199881	1	Support	
48	1001201090	2	Block, Clamp	
49	1001201342	1	Support	
50	1001202936	1	Guide	
51	1001143645	2	Strap, Cinch	
52	0700822	2	Bolt M8 x 70	
53	3520034	8	Plug	
54	4240018	4	Tie-Strap (Not Shown)	
55	1001209948	3	Clamp	
58	1001209951	6	Clamp	
60	1001209953	7	Clamp	
61	1001209957	1	Cover	
62	0760812	1	Bolt M8 x 25	
63	1001116792	1	Clamp	
64	1001209949	3	Clamp	

# SECTION 8 - ELECTRICAL

## FIGURE 8-26. AC CABLES AND CLAMPS INSTALLATION - WITH 4000W-60HZ GENERATOR (600SC)



ART\_1001194956



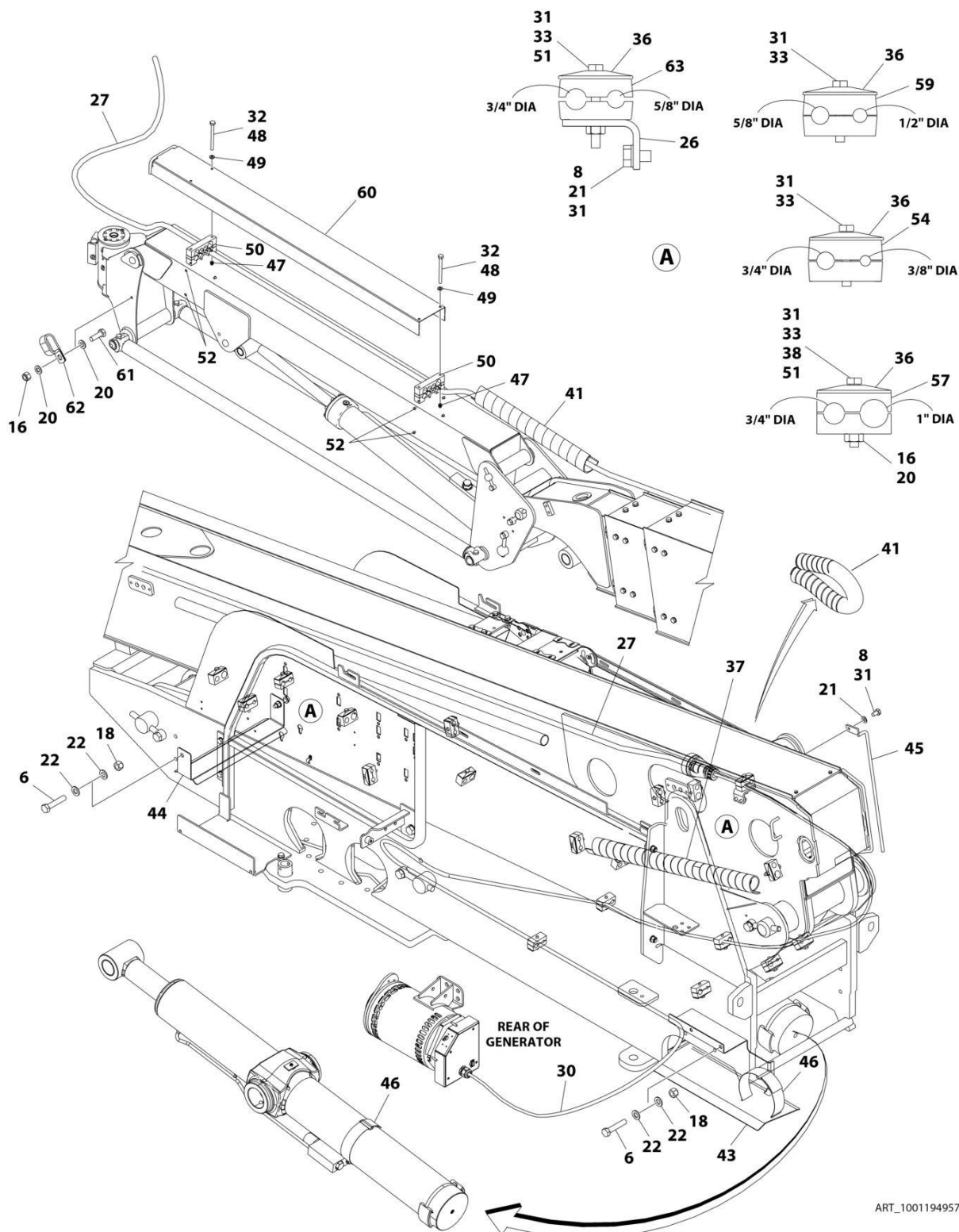
## SECTION 8 - ELECTRICAL

**FIGURE 8-26. AC CABLES AND CLAMPS INSTALLATION - WITH 4000W-60HZ GENERATOR (600SC)**

ITEM	PART NUMBER	QTY	DESCRIPTION	REV
	1001194956	Ref	AC CABLES AND CLAMPS INSTALLATION	I
5	0701220	4	Bolt M12 x 60	
6	0761009	3	Bolt M10 x 18	
13	3290805	4	Nut M8	
15	3291205	4	Nut M12	
16	4811900	5	Washer M8	
17	4812000	3	Washer M10	
18	4812100	8	Washer M12	
19	1001146588	4	Tie-Strap (Not Shown)	
21	1001228186	1	AC Ground to Platform Cable (Upper)	
21	4460959	1	Plug, Male	
21	1671093	1	Cover, Plug	
24	1001228188	1	AC Ground to Platform Cable (Lower)	
24	4460960	1	Receptacle, Female	
24	1671092	1	Cover, Receptacle	
25	0100011	AR	Compound, Locking	
26	0700818	16	Bolt M8 x 50	
27	77133137	19	Cover, Clamp	
28	1001204690	1	Shield, Tube	
29	5281918	1	Capscrew M8 x 70	
32	1001143645	2	Strap, Cinch	
34	1001229637	1	Bracket	
35	1001199881	1	Support	
36	1001201342	1	Support	
37	0700822	2	Bolt M8 x 70	
38	1001202936	1	Guide	
39	0760814	2	Bolt M8 x 30	
40	3841340	1	Loop, Hose	
41	4240018	3	Tie-Strap (Not Shown)	
42	1001181923	AR	Shield, Tube	
43	1001209948	3	Clamp	
46	1001209951	6	Clamp	
48	1001209953	7	Clamp	
49	4240099	2	Tie-Strap (Not Shown)	
50	1001209949	3	Clamp	

# SECTION 8 - ELECTRICAL

FIGURE 8-27. AC CABLES AND CLAMPS INSTALLATION - WITH 4000W-60HZ GENERATOR (660SJC)



ART\_1001194957

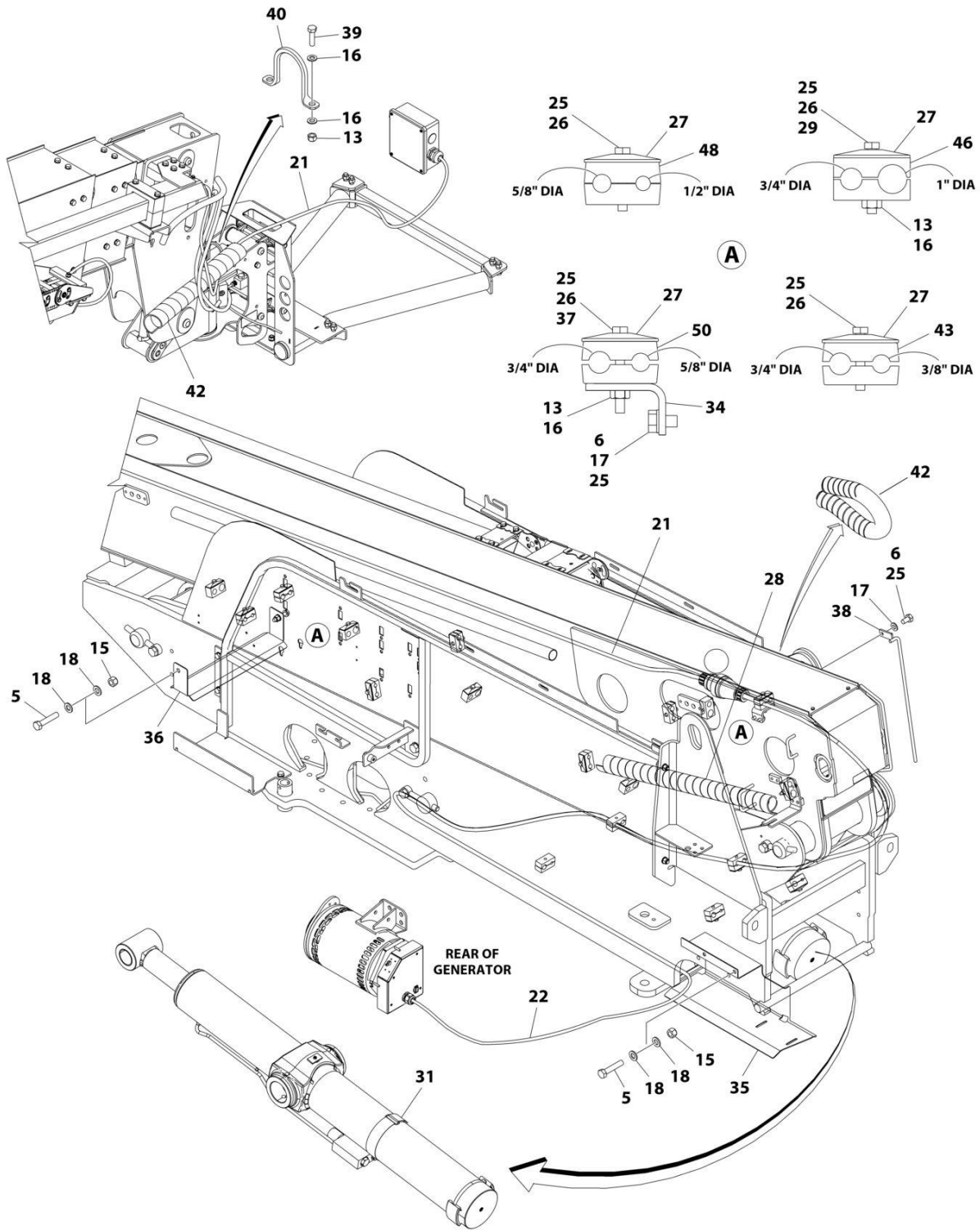
## SECTION 8 - ELECTRICAL

**FIGURE 8-27. AC CABLES AND CLAMPS INSTALLATION - WITH 4000W-60HZ GENERATOR  
(660SJC)**

ITEM	PART NUMBER	QTY	DESCRIPTION	REV
	1001194957	Ref	AC CABLES AND CLAMPS INSTALLATION	I
6	0701220	4	Bolt M12 x 60	
8	0761009	3	Bolt M10 x 18	
16	3290805	4	Nut M8	
18	3291205	4	Nut M12	
20	4811900	5	Washer M8	
21	4812000	3	Washer M10	
22	4812100	8	Washer M12	
23	1001146588	4	Tie-Strap (Not Shown)	
26	1001229637	1	Bracket	
27	1001228187	1	AC Ground to Platform Cable (Upper)	
27	4460959	1	Plug, Male	
27	1671093	1	Cover, Plug	
30	1001228188	1	AC Ground to Platform Cable (Lower)	
30	4460960	1	Receptacle, Female	
30	1671092	1	Cover, Receptacle	
31	0100011	AR	Compound, Locking	
32	0100035	AR	Compound, Locking	
33	0700818	16	Bolt M8 x 50	
36	77133137	19	Cover, Clamp	
37	1001204690	1	Shield, Tube	
38	5281918	1	Capscrew M8 x 70	
41	1001181923	AR	Shield, Tube	
43	1001199881	1	Support	
44	1001201342	1	Support	
45	1001202936	1	Guide	
46	1001143645	2	Strap, Cinch	
47	2080044	4	Rivet - Nut 1/4	
48	0641424	4	Bolt 1/4 x 3	
49	4811700	4	Washer M6	
50	1001201090	2	Block, Clamp	
51	0700822	2	Bolt M8 x 70	
52	3520034	8	Plug	
53	4240018	4	Tie-Strap (Not Shown)	
54	1001209948	3	Clamp	
57	1001209951	6	Clamp	
59	1001209953	7	Clamp	
60	1001209957	1	Cover	
61	0760812	1	Bolt M8 x 25	
62	1001116792	1	Clamp	
63	1001209949	3	Clamp	

# SECTION 8 - ELECTRICAL

## FIGURE 8-28. AC CABLES AND CLAMPS INSTALLATION - WITH 7500W SKYPOWER GENERATOR (600SC)



ART\_1001194961

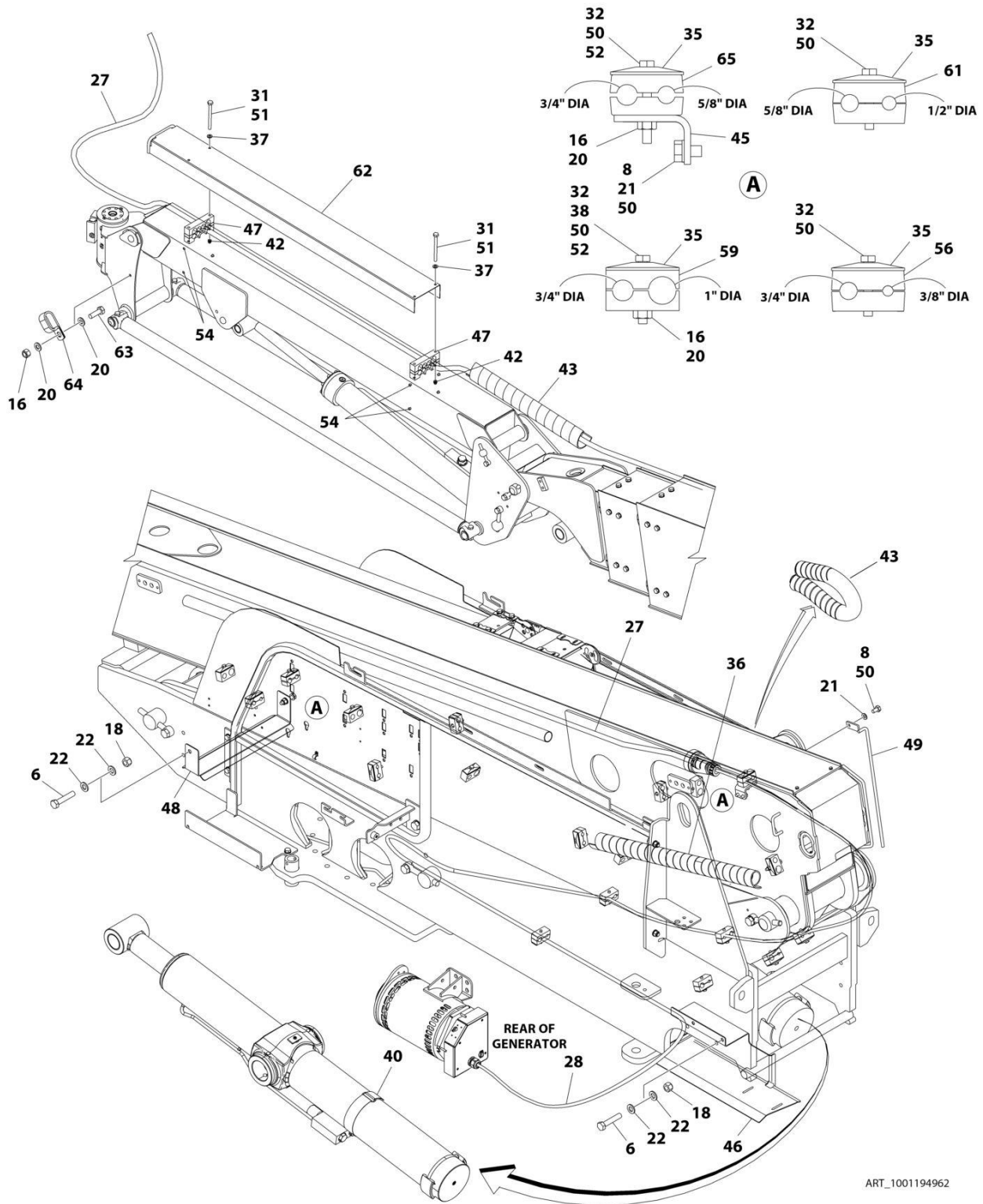
## SECTION 8 - ELECTRICAL

**FIGURE 8-28. AC CABLES AND CLAMPS INSTALLATION - WITH 7500W SKYPOWER GENERATOR  
(600SC)**

ITEM	PART NUMBER	QTY	DESCRIPTION	REV
	1001194961	Ref	AC CABLES AND CLAMPS INSTALLATION	J
5	0701220	4	Bolt M12 x 60	
6	0761009	3	Bolt M10 x 18	
13	3290805	4	Nut M8	
15	3291205	4	Nut M12	
16	4811900	5	Washer M8	
17	4812000	3	Washer M10	
18	4812100	8	Washer M12	
19	1001146588	4	Tie-Strap (Not Shown)	
21	1001195229	1	AC Ground to Platform Cable (Upper)	
21	4460959	1	Plug, Male	
21	1671093	1	Cover, Plug	
22	1001195357	1	AC Ground to Platform Cable (Lower)	
22	4460960	1	Receptacle, Female	
22	1671092	1	Cover, Female	
25	0100011	AR	Compound, Locking	
26	0700818	16	Bolt M8 x 50	
27	77133137	19	Cover, Clamp	
28	1001204690	1	Shield, Tube	
29	5281918	1	Capscrew M8 x 70	
31	1001143645	2	Strap, Cinch	
34	1001229637	1	Bracket	
35	1001199881	1	Support	
36	1001201342	1	Support	
37	0700822	2	Bolt M8 x 70	
38	1001202936	1	Guide	
39	0760814	2	Bolt M8 x 30	
40	3841340	1	Loop, Hose	
41	4240018	3	Tie-Strap (Not Shown)	
42	1001181923	AR	Shield, Tube	
43	1001209948	3	Clamp	
46	1001209951	6	Clamp	
48	1001209953	3	Clamp	
49	4240099	2	Tie-Strap (Not Shown)	
50	1001209949	7	Clamp	

# SECTION 8 - ELECTRICAL

## FIGURE 8-29. AC CABLES AND CLAMPS INSTALLATION - WITH 7500W SKYPOWER GENERATOR (660SJC)



ART\_1001194962

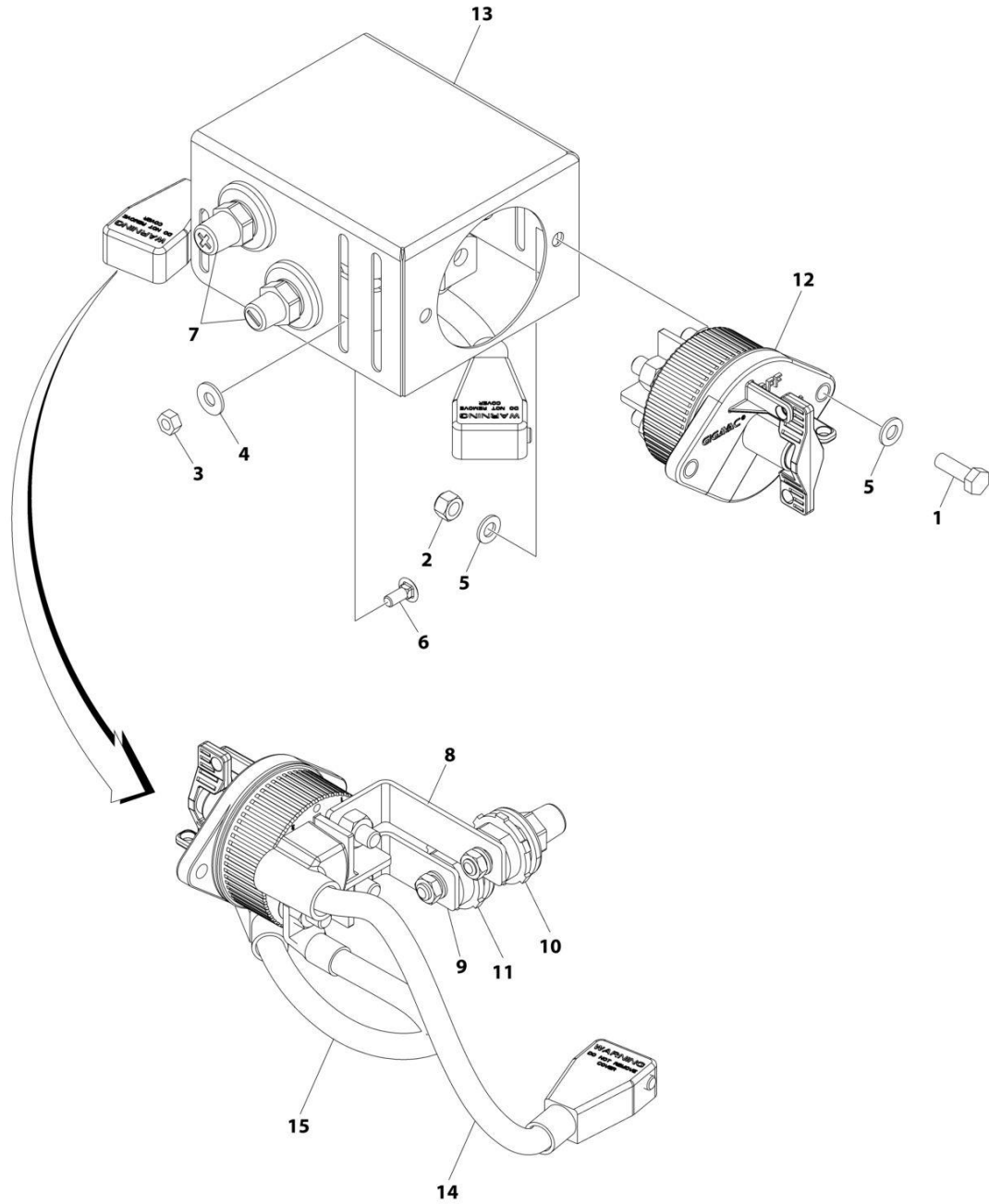
## SECTION 8 - ELECTRICAL

**FIGURE 8-29. AC CABLES AND CLAMPS INSTALLATION - WITH 7500W SKYPOWER GENERATOR  
(660SJC)**

ITEM	PART NUMBER	QTY	DESCRIPTION	REV
	1001194962	Ref	AC CABLES AND CLAMPS INSTALLATION	J
6	0701220	4	Bolt M12 x 60	
8	0761009	3	Bolt M10 x 18	
16	3290805	4	Nut M8	
18	3291205	4	Nut M12	
20	4811900	5	Washer M8	
21	4812000	3	Washer M10	
22	4812100	8	Washer M12	
23	1001146588	4	Tie-Strap (Not Shown)	
27	1001227075	1	AC Ground to Platform Cable (Upper)	
27	4460959	1	Plug, Male	
27	1671093	1	Cover, Plug	
28	1001226304	1	AC Ground to Platform Cable (Lower)	
28	4460960	1	Receptacle, Female	
28	1671092	1	Cover, Receptacle	
31	0641424	4	Bolt 1/4 x 3	
32	0700818	16	Bolt M8 x 50	
35	77133137	19	Cover, Clamp	
36	1001204690	1	Shield, Tube	
37	4811700	4	Washer M6	
38	5281918	1	Capscrew M8 x 70	
40	1001143645	2	Strap, Cinch	
42	2080044	4	Rivet - Nut 1/4	
43	1001181923	AR	Shield, Tube	
45	1001229637	1	Bracket	
46	1001199881	1	Support	
47	1001201090	2	Block, Clamp	
48	1001201342	1	Support	
49	1001202936	1	Guide	
50	0100011	AR	Compound, Locking	
51	0100035	AR	Compound, Locking	
52	0700822	2	Bolt M8 x 70	
54	3520034	8	Plug	
55	4240018	4	Tie-Strap (Not Shown)	
56	1001209948	3	Clamp	
59	1001209951	6	Clamp	
61	1001209953	3	Clamp	
62	1001209957	1	Cover	
63	0760812	1	Bolt M8 x 25	
64	1001116792	1	Clamp	
65	1001209949	7	Clamp	
66	0700819	1	Bolt M8 x 55 (Not Shown)	

# SECTION 8 - ELECTRICAL

## FIGURE 8-30. BATTERY DISCONNECT SWITCH INSTALLATION



ART\_1001236304



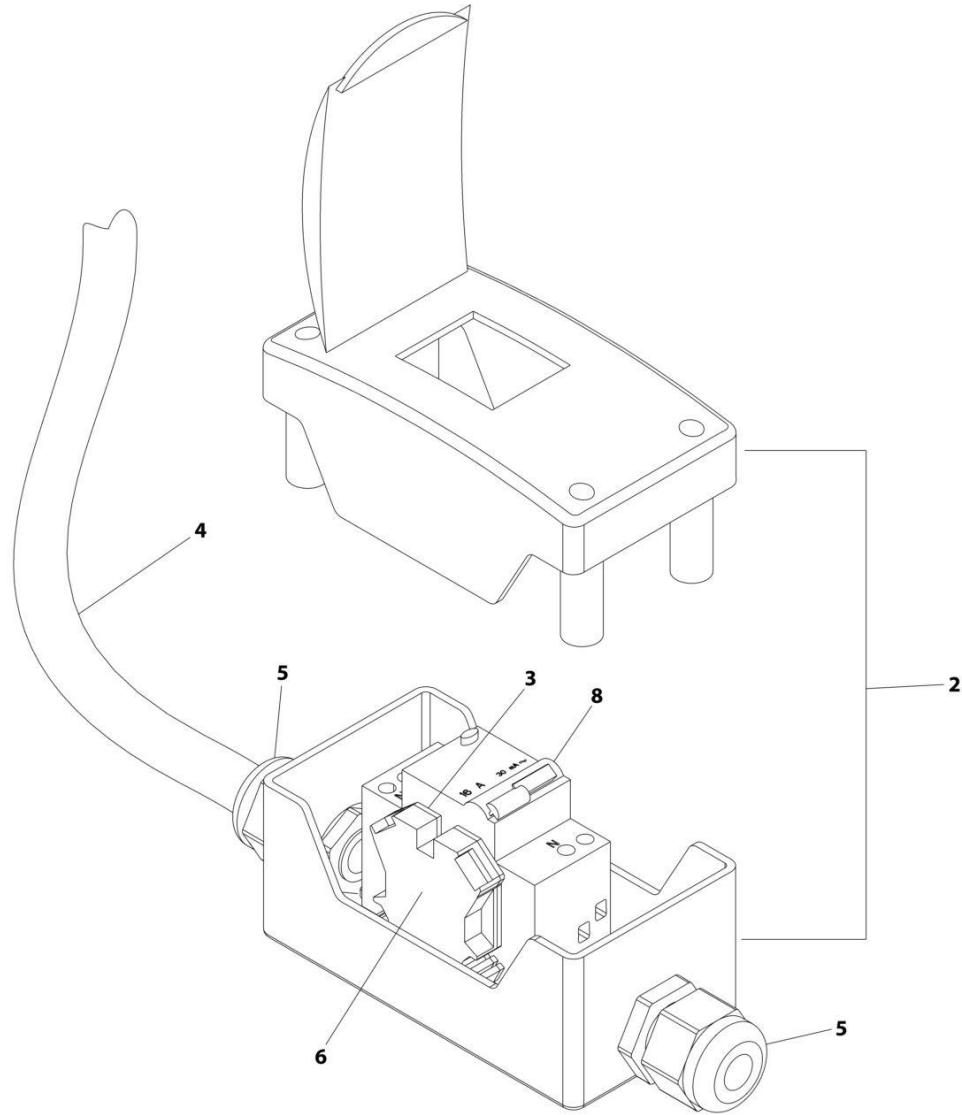
## SECTION 8 - ELECTRICAL

**FIGURE 8-30. BATTERY DISCONNECT SWITCH INSTALLATION**

ITEM	PART NUMBER	QTY	DESCRIPTION	REV
	1001236304	Ref	BATTERY DISCONNECT SWITCH INSTALLATION	A
1	0760812	2	Bolt M8 x 25	
2	3290805	2	Nut M8	
3	3311405	3	Nut 1/4	
4	4751400	3	Washer 1/4	
5	4811900	4	Washer M8	
6	88411013	3	Bolt 1/4 x 3/4	
7	1001206476	1	Connectors, Post	
8	1001209432	1	Bussbar	
9	1001209474	1	Bussbar	
10	1001214570	1	Connector (Red)	
11	1001214571	1	Connector (Black)	
12	1001225346	1	Switch, Battery	
13	1001226531	1	Mount	
14	1001236504	1	Cable, Battery (+)	
15	1001236505	1	Cable, Battery (-)	

# SECTION 8 - ELECTRICAL

FIGURE 8-31. BREAKER BOX KIT - SINGLE DOUBLE POLE BREAKER (WITHOUT 4000W/50HZ GENERATOR)



ART\_2902549

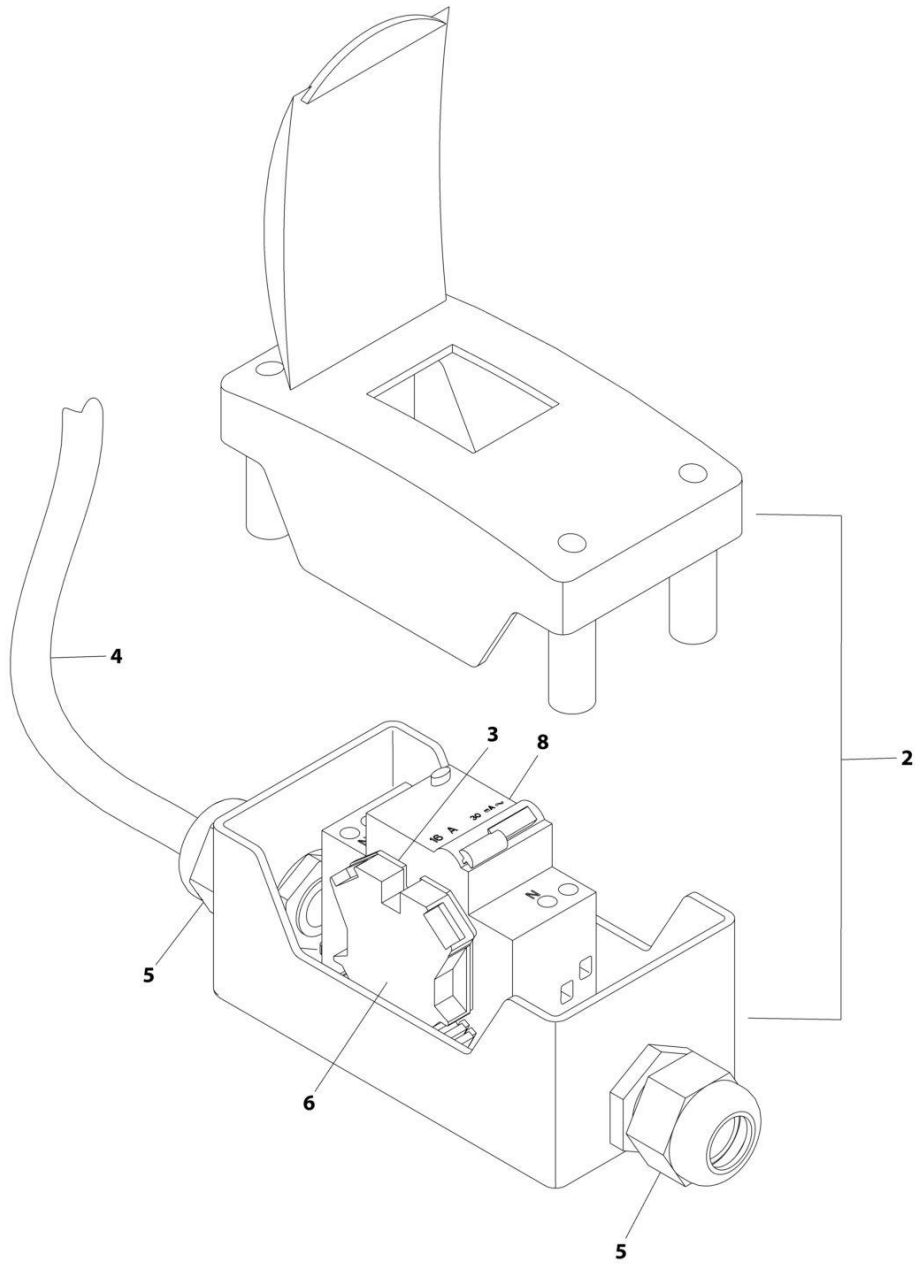
## SECTION 8 - ELECTRICAL

**FIGURE 8-31. BREAKER BOX KIT - SINGLE DOUBLE POLE BREAKER (WITHOUT 4000W/50HZ GENERATOR)**

ITEM	PART NUMBER	QTY	DESCRIPTION	REV
	2902549	Ref	BREAKER BOX KIT - 110/220V 16AMP BREAKER	F
2	0861880	1	Box	
3	4460956	1	Barrier, Terminal	
4	1060908	6 ft/1.8m	Cable, 12/3	
5	1001097150	2	Connector, Strain Relief	
6	4460957	1	Block, Terminal	
8	1001181045	1	Breaker, Combination 16Amp/30mAmp	

# SECTION 8 - ELECTRICAL

**FIGURE 8-32. BREAKER BOX KIT - SINGLE DOUBLE POLE BREAKER (WITH 4000W/50HZ GENERATOR)**



ART\_1001096070

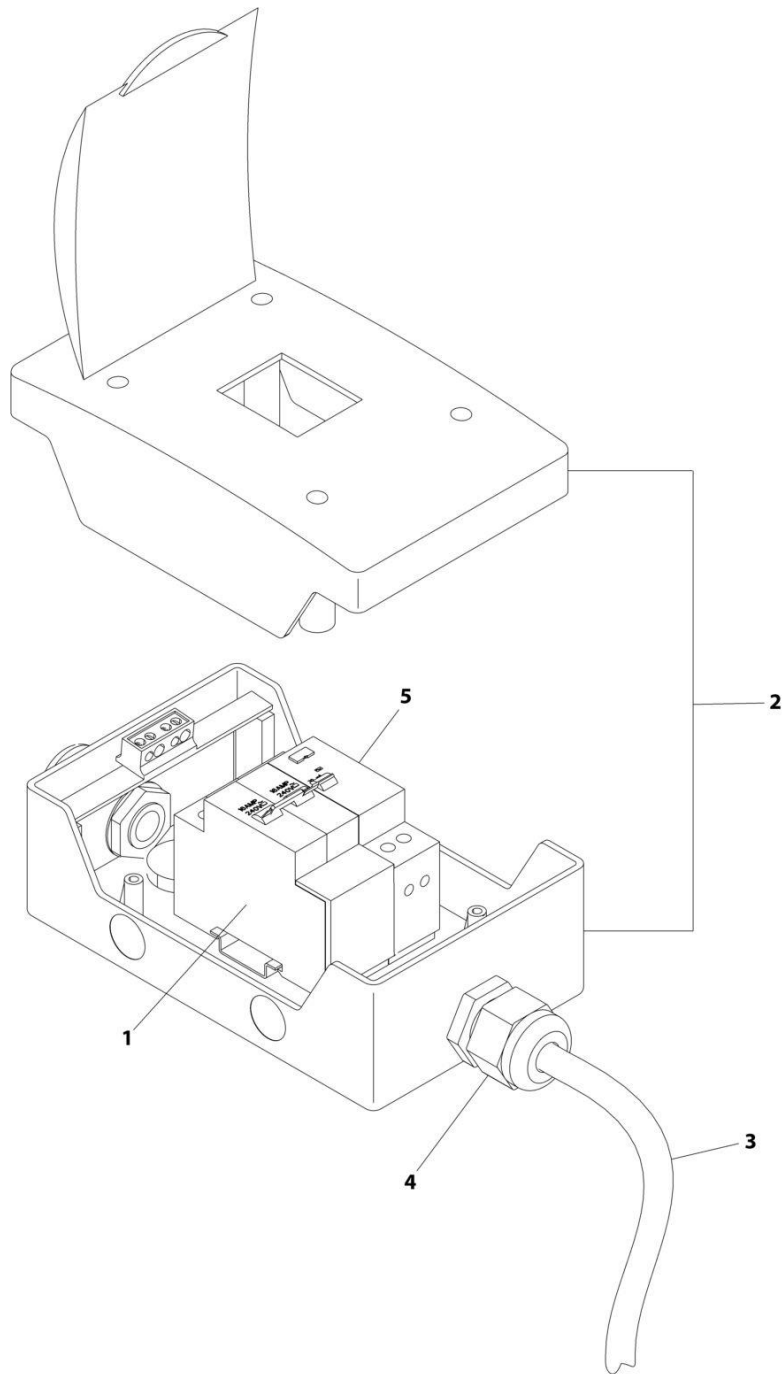
## SECTION 8 - ELECTRICAL

**FIGURE 8-32. BREAKER BOX KIT - SINGLE DOUBLE POLE BREAKER (WITH 4000W/50HZ GENERATOR)**

ITEM	PART NUMBER	QTY	DESCRIPTION	REV
	1001096070	Ref	BREAKER BOX KIT	E
2	0861880	1	Box	
3	4460956	1	Barrier, Terminal Block End	
4	1060908	12 ft/ 3.6m	Cable, 12/3	
5	1001097150	2	Connector, Strain Relief	
6	4460957	1	Block, Terminal	
8	1001181045	1	Breaker, 16Amp	

# SECTION 8 - ELECTRICAL

FIGURE 8-33. BREAKER BOX KIT - 3 BREAKERS (SN 0300236299 through 0300241590)



ART\_1001152485-D

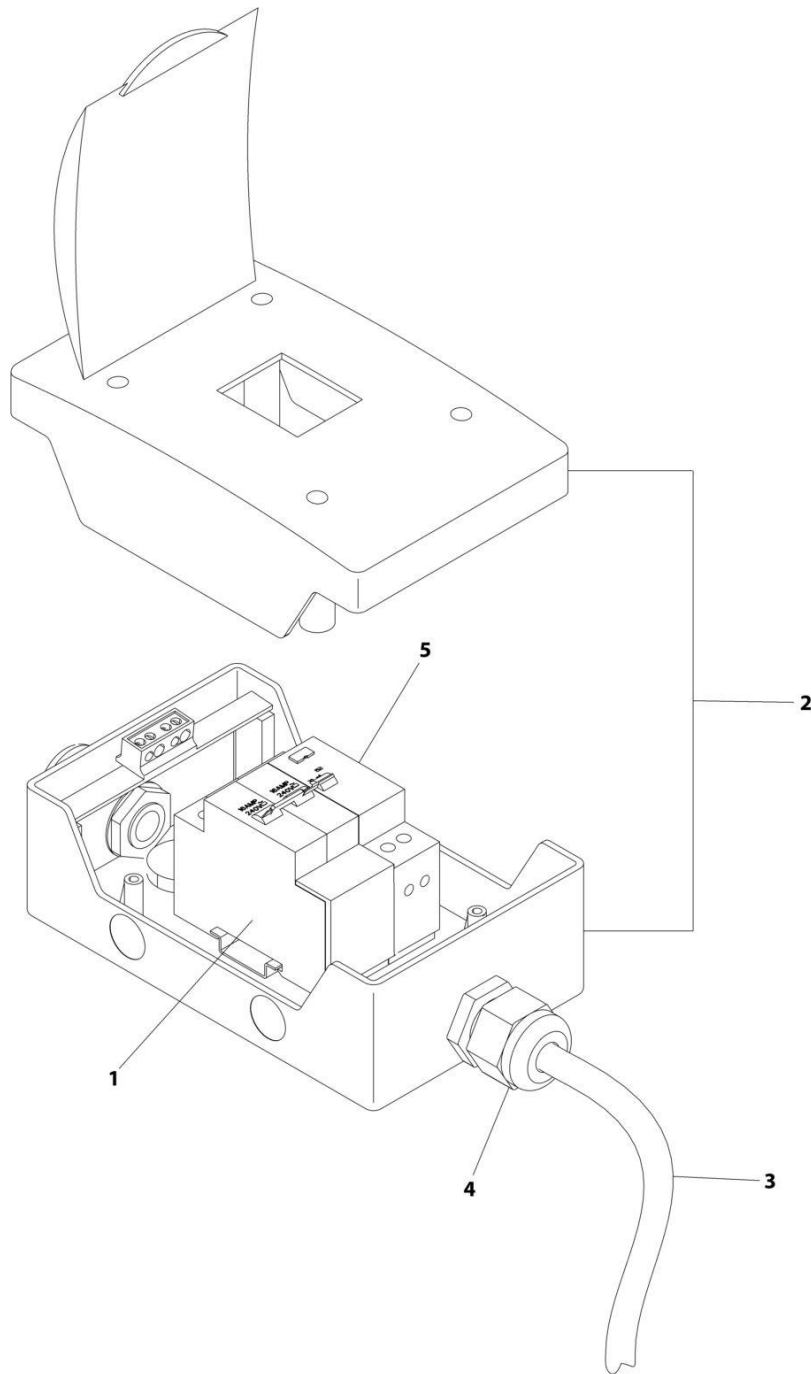
## SECTION 8 - ELECTRICAL

**FIGURE 8-33. BREAKER BOX KIT - 3 BREAKERS (SN 0300236299 through 0300241590)**

ITEM	PART NUMBER	QTY	DESCRIPTION	REV
	1001152485	Ref	BREAKER BOX KIT WITH TWO BREAKERS	D
1	1001189172	1	Breaker 16Amp Double	
2	1001152483	1	Box	
3	1060908	6 ft/1.8m	Cable, 12/3	
4	1001097150	2	Connector, Strain Relief	
5	1001189171	1	Breaker, 30mA	

# SECTION 8 - ELECTRICAL

FIGURE 8-34. BREAKER BOX KIT - 3 BREAKERS (SN 0300241591 through 0300272446)



ART\_1001152486



## SECTION 8 - ELECTRICAL

**FIGURE 8-34. BREAKER BOX KIT - 3 BREAKERS (SN 0300241591 through 0300272446)**

ITEM	PART NUMBER	QTY	DESCRIPTION	REV
	1001152486	Ref	BREAKER BOX KIT	A
1	1001152479	1	Breaker, 16 Amp (Double)	
2	1001152483	1	Box	
3	1060908	12 ft / 3.66m	Cable, 12/3	
4	1001097150	1	Connector, Strain Relief	
5	1001152482	1	Breaker, 30mA	

# SECTION 8 - ELECTRICAL

## FIGURE 8-35. BOOM ANGLE SENSOR HARNESS



ART\_1001189005

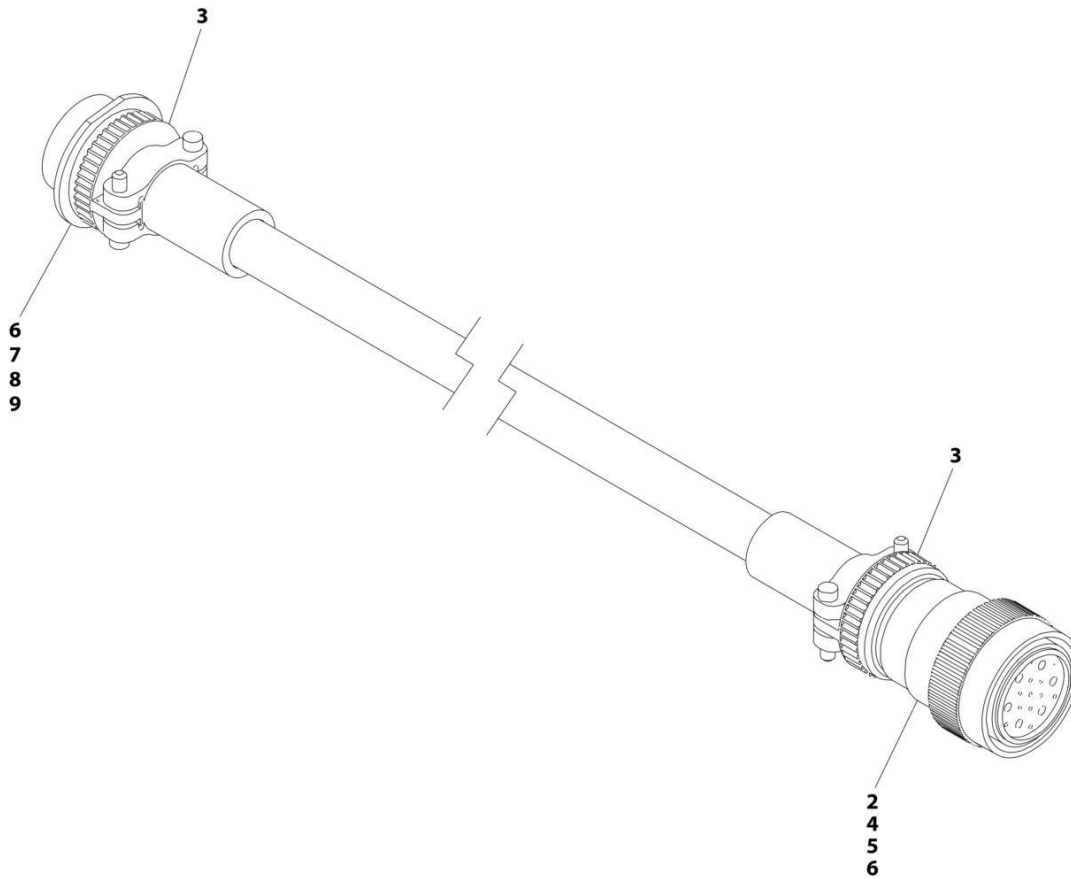
## SECTION 8 - ELECTRICAL

### FIGURE 8-35. BOOM ANGLE SENSOR HARNESS

ITEM	PART NUMBER	QTY	DESCRIPTION	REV
	1001189005	Ref	BOOM ANGLE SENSOR HARNESS	D
1	1001230931	1	Plug, Male - 6 Position	
1	1001116748	6	Terminal	
2	4460932	1	Receptacle, Female - 4 Position	
2	4460464	4	Pin, Male	

# SECTION 8 - ELECTRICAL

## FIGURE 8-36. BOOM CABLE - LOWER



ART\_1001206082

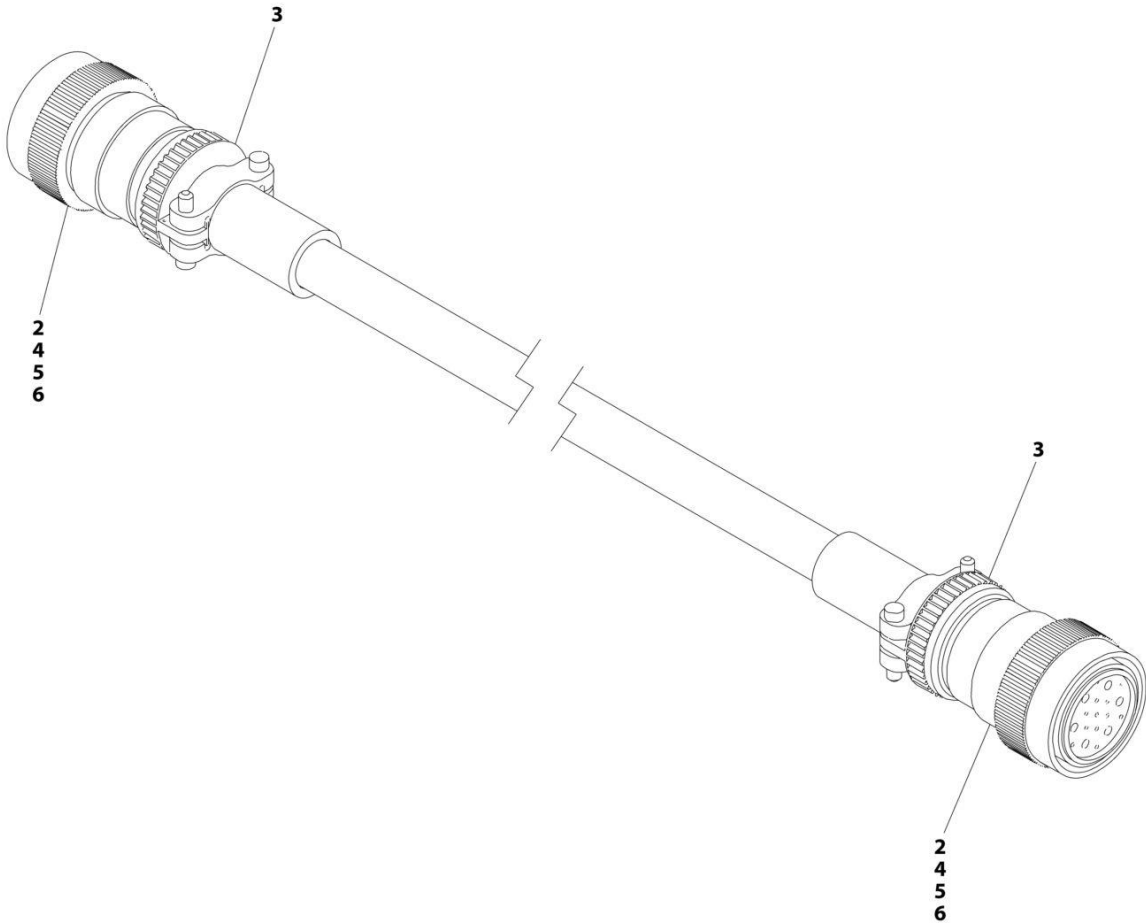
# SECTION 8 - ELECTRICAL

## FIGURE 8-36. BOOM CABLE - LOWER

ITEM	PART NUMBER	QTY	DESCRIPTION	REV
	1001206082	Ref	BOOM CABLE	C
2	4460865	1	Connector - 19 Position	
3	4460473	2	Clamp	
4	4460465	10	Socket, Female	
5	4460509	4	Socket, Female	
6	4460466	10	Plug, Socket	
7	4460866	1	Connector - 19 Position	
8	4460508	4	Pin, Male	
9	4460464	10	Pin, Male	

# SECTION 8 - ELECTRICAL

## FIGURE 8-37. BOOM CABLE - UPPER (600SC)



ART\_1001188533

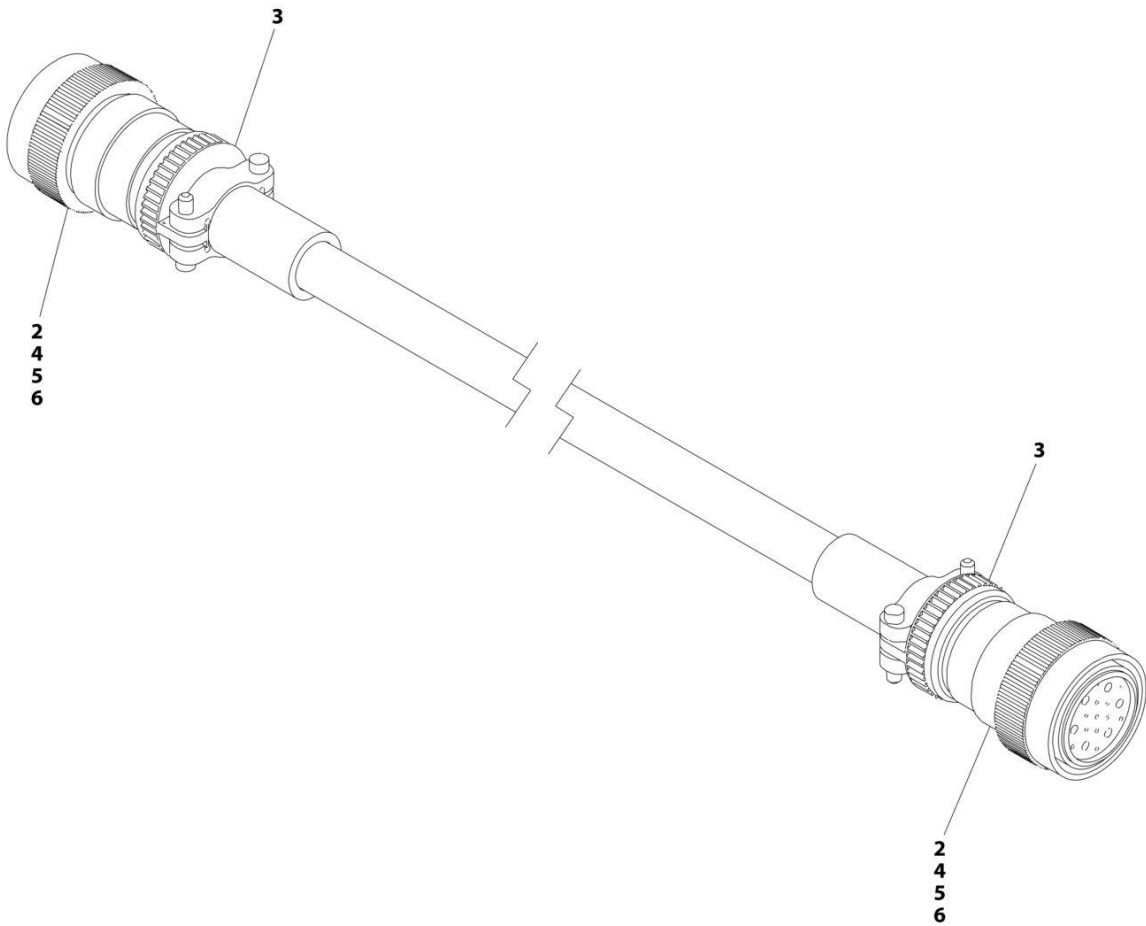
## SECTION 8 - ELECTRICAL

### FIGURE 8-37. BOOM CABLE - UPPER (600SC)

ITEM	PART NUMBER	QTY	DESCRIPTION	REV
	1001188533	Ref	BOOM CABLE	C
2	4460865	2	Connector - 19 Position	
3	4460473	2	Clamp	
4	4460465	20	Socket, Female	
5	4460509	8	Socket, Female	
6	4460466	10	Plug, Socket	
7	1001226400	2	Heat Shrink (Not Shown)	

# SECTION 8 - ELECTRICAL

## FIGURE 8-38. BOOM CABLE - UPPER (660SJC)



ART\_1001188534



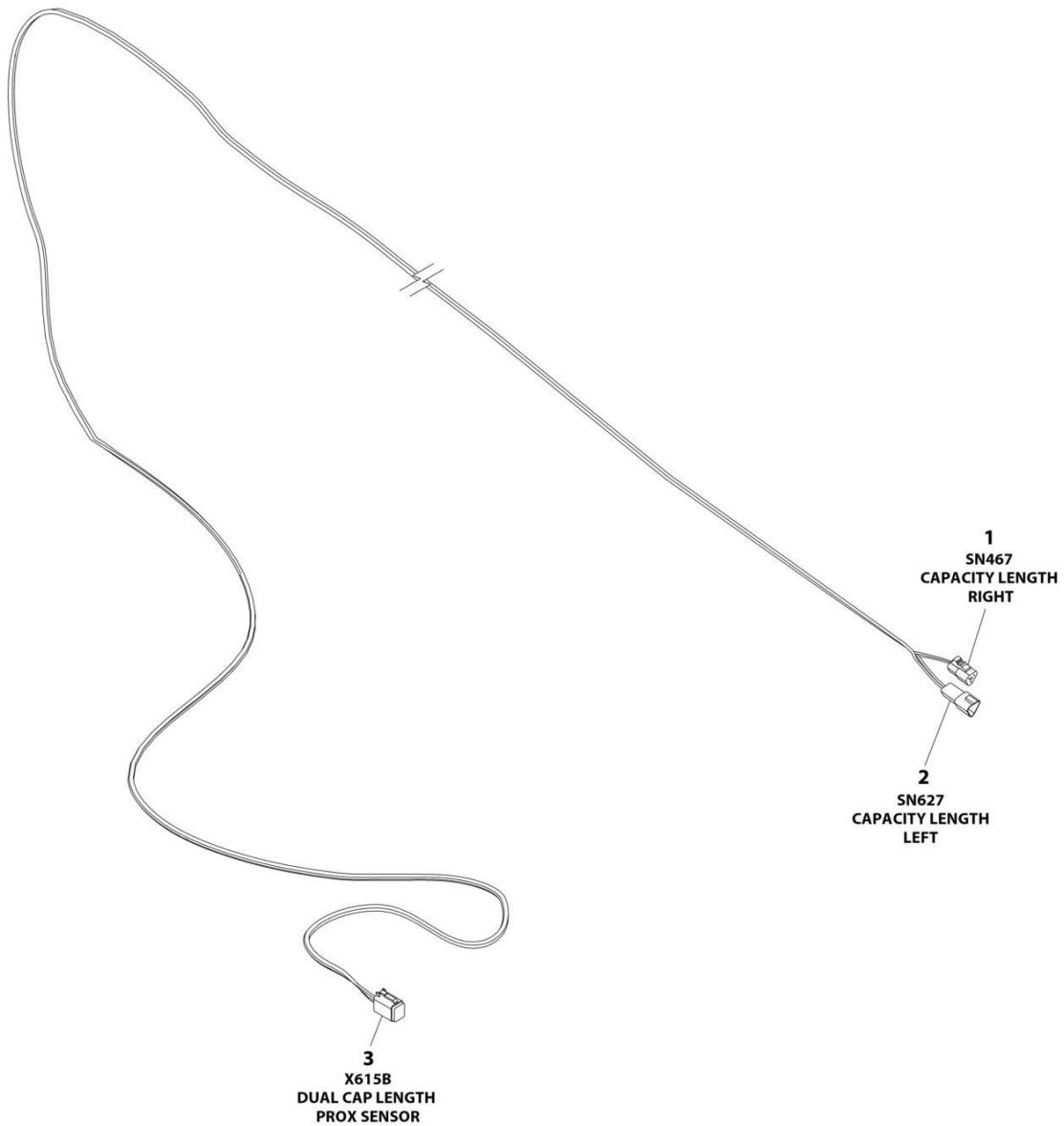
## SECTION 8 - ELECTRICAL

### FIGURE 8-38. BOOM CABLE - UPPER (660SJC)

ITEM	PART NUMBER	QTY	DESCRIPTION	REV
	1001188534	Ref	BOOM CABLE	C
2	4460865	2	Connector - 19 Position	
3	4460473	2	Clamp	
4	4460465	20	Socket, Female	
5	4460509	8	Socket, Female	
6	4460466	10	Plug, Socket	
7	1001226400	2	Heat Shrink (Not Shown)	

# SECTION 8 - ELECTRICAL

FIGURE 8-39. CAPACITY PROXIMITY HARNESS (SN 0300236299 through 0300258280)



ART\_1001189004

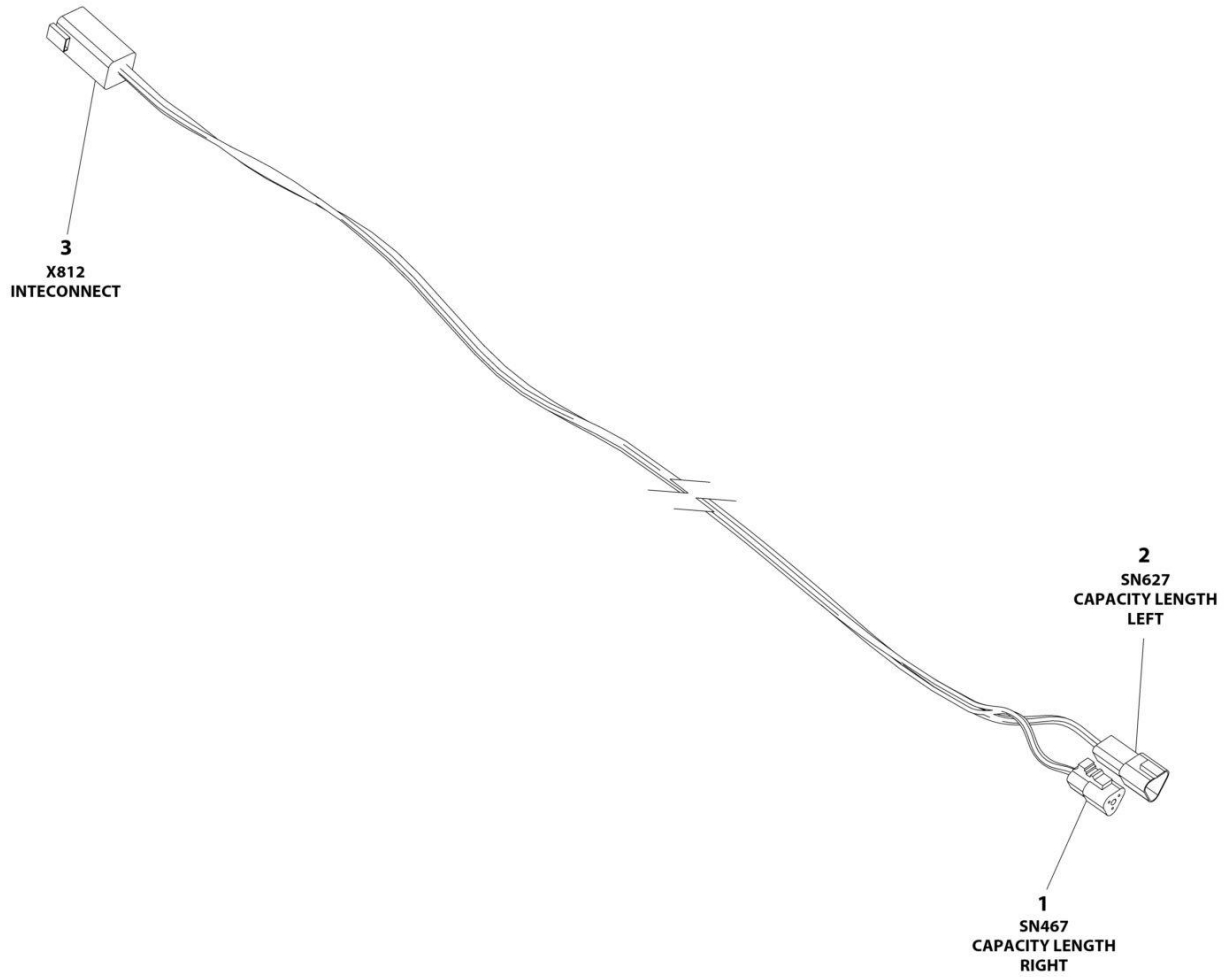
## SECTION 8 - ELECTRICAL

**FIGURE 8-39. CAPACITY PROXIMITY HARNESS (SN 0300236299 through 0300258280)**

ITEM	PART NUMBER	QTY	DESCRIPTION	REV
	1001189004	Ref	CAPACITY PROXIMITY HARNESS	D
1	4460539	1	Plug, Male - 3 Position	
1	4460465	3	Socket, Female	
2	4460536	1	Receptacle, Female - 3 Position	
2	4640464	3	Pin, Male	
3	4460894	1	Plug, Male - 6 Position	
3	4460465	6	Socket, Female	

# SECTION 8 - ELECTRICAL

FIGURE 8-40. CAPACITY PROXIMITY HARNESS (SN 0300258280 through 0300272446)



ART\_1001242907

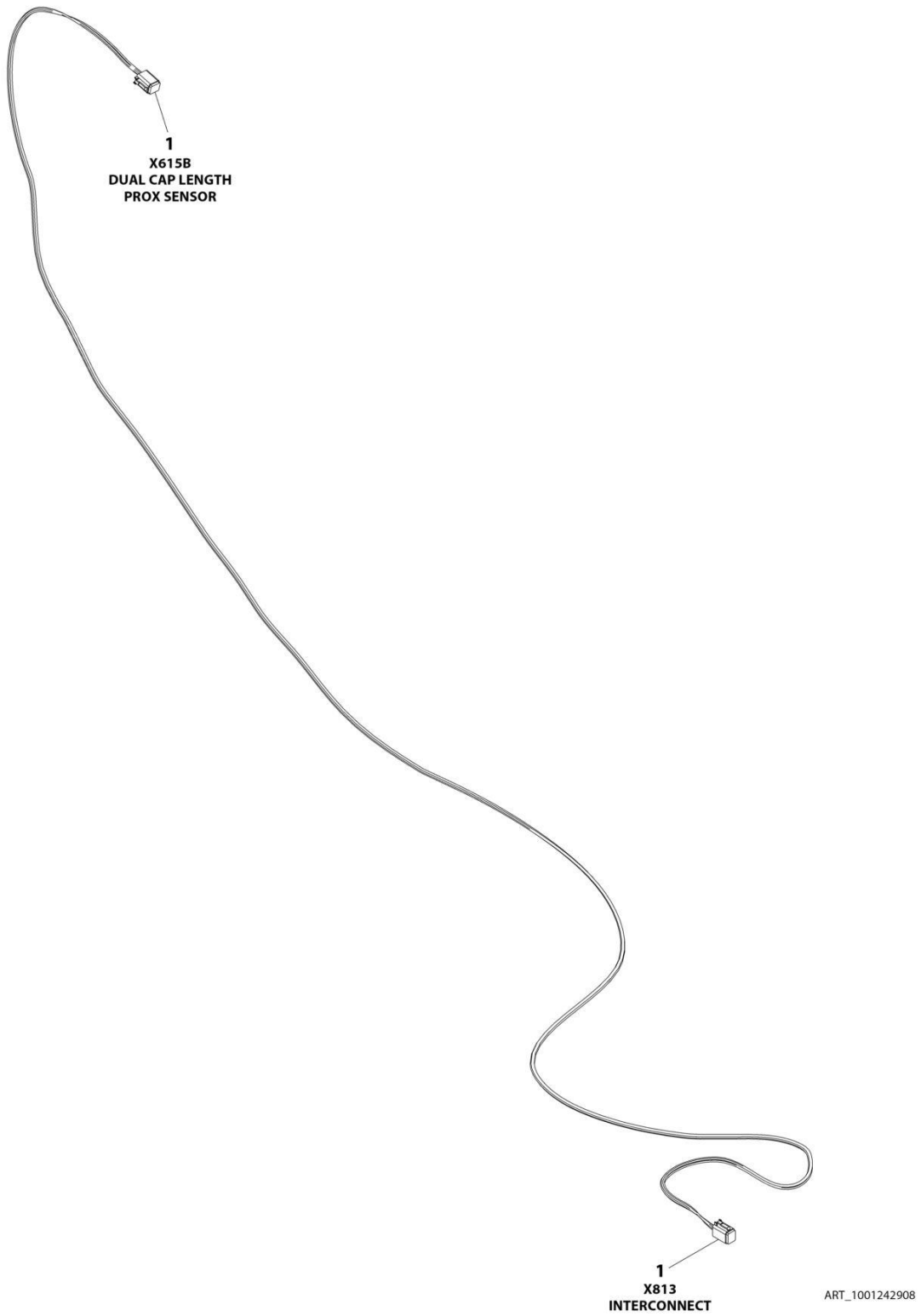
## SECTION 8 - ELECTRICAL

**FIGURE 8-40. CAPACITY PROXIMITY HARNESS (SN 0300258280 through 0300272446)**

ITEM	PART NUMBER	QTY	DESCRIPTION	REV
	1001242907	Ref	CAPACITY PROXIMITY HARNESS	B
1	4460539	1	Plug, Male - 3 Position	
1	4460465	3	Socket, Female	
2	4460536	1	Receptacle, Female - 3 Position	
2	4640464	3	Pin, Male	
3	4460899	1	Receptacle, Female - 6 Position	
3	4460464	6	Pin, Male	

# SECTION 8 - ELECTRICAL

FIGURE 8-41. CAPACITY PROXIMITY HARNESS (SN 0300258280 through 0300272446)



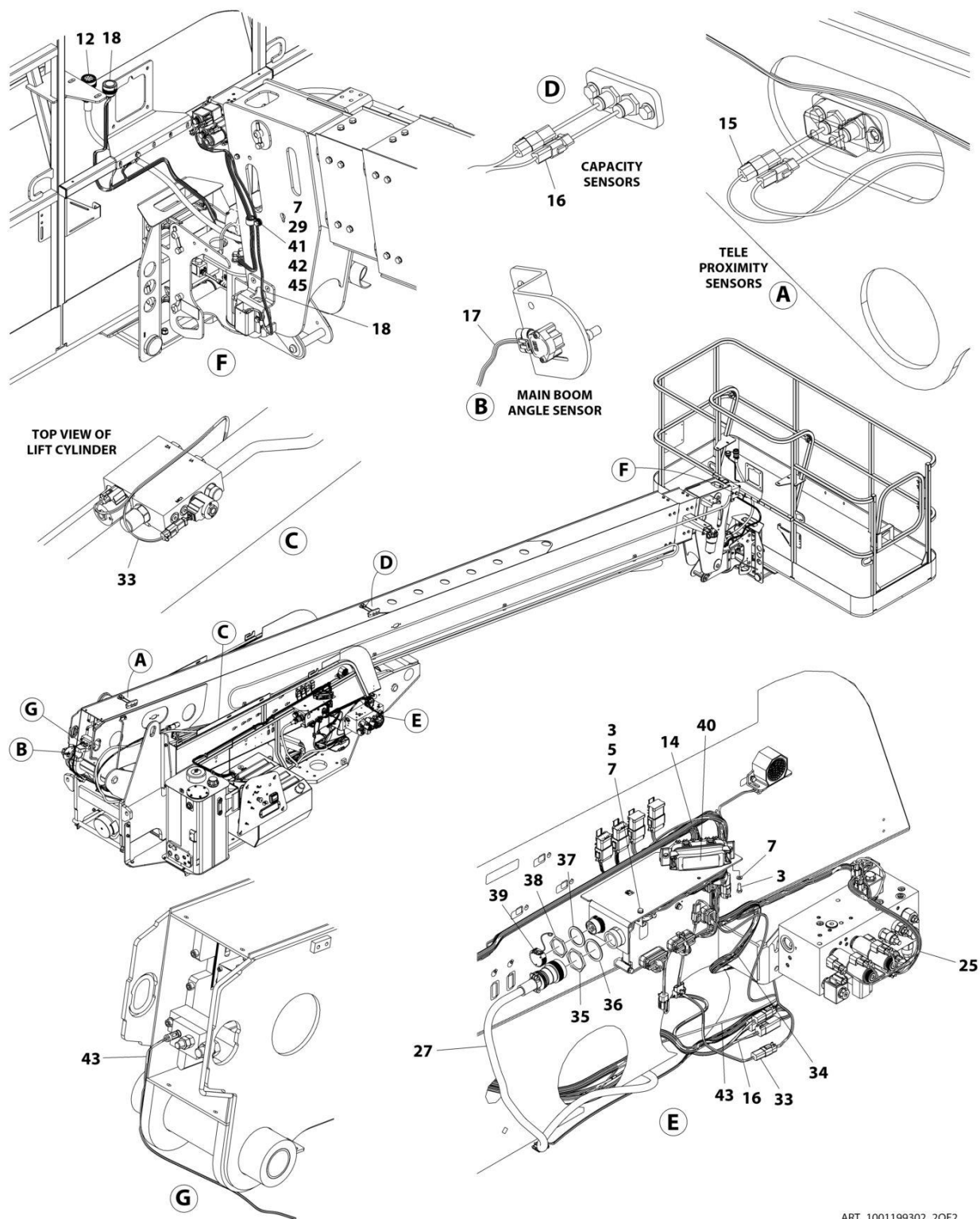
## SECTION 8 - ELECTRICAL

**FIGURE 8-41. CAPACITY PROXIMITY HARNESS (SN 0300258280 through 0300272446)**

ITEM	PART NUMBER	QTY	DESCRIPTION	REV
	1001242908	Ref	CAPACITY PROXIMITY HARNESS	B
1	4460894	2	Plug, Male - 6 Position	
1	4460465	12	Socket, Female	

# SECTION 8 - ELECTRICAL

## FIGURE 8-42. ELECTRICAL COMPONENTS INSTALLATION - 600SC



ART\_1001199302\_2OF2



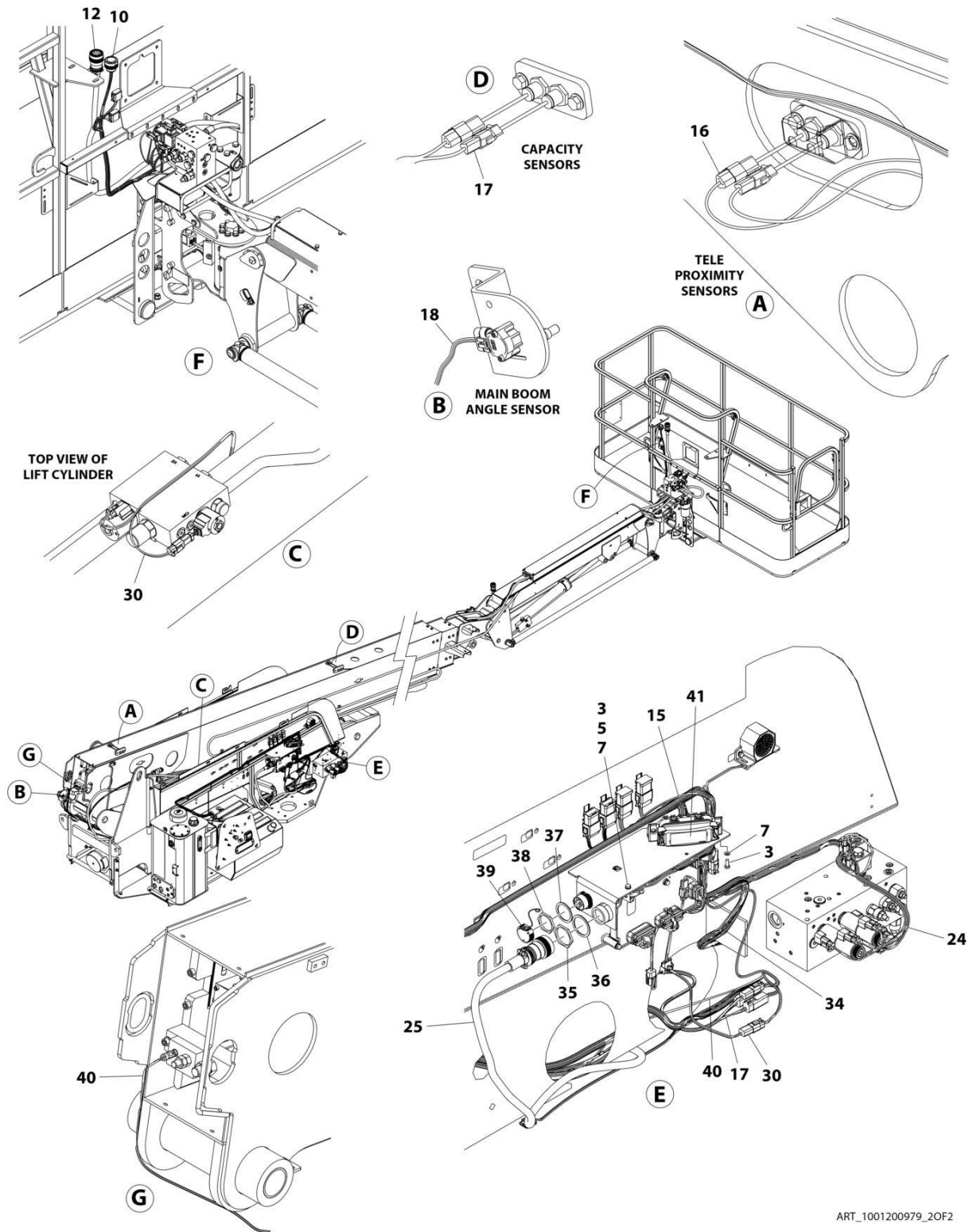
## SECTION 8 - ELECTRICAL

**FIGURE 8-42. ELECTRICAL COMPONENTS INSTALLATION - 600SC**

ITEM	PART NUMBER	QTY	DESCRIPTION	REV
	1001199302	Ref	ELECTRICAL COMPONENTS INSTALLATION	J
3	0760608	5	Bolt M6 x 16	
5	3290605	3	Nut M6	
7	4811700	16	Washer M6	
12	1001188533	1	Boom Cable - Upper (See Separate Breakdown in this Section)	
14	1001188644	1	Ground Control Harness (See Separate Breakdown in this Section)	
15	1001189003	15	Tele Proximity Harness (See Separate Breakdown in this Section)	
16	1001189004	1	Capacity Proximity Harness (See Separate Breakdown in this Section)	
17	1001189005	1	Boom Angle Sensor Harness (See Separate Breakdown in this Section)	
18	1001191328	1	Platform Valve Harness (See Separate Breakdown in this Section)	
25	1001197706	1	Main Valve Harness (See Separate Breakdown in this Section)	
27	1001206082	1	Boom Cable - Lower (See Separate Breakdown in this Section)	
28	4240099	AR	Tie-Strap (Not Shown)	
29	1320041	1	Clamp	
33	1001205923	1	Lift Cylinder Harness (See Separate Breakdown in this Section)	
34	1001215304	1	Turntable Harness (See Separate Breakdown in this Section)	
35	4460470	1	Nut, Terminal	
36	4460471	1	Washer, Terminal	
37	4460496	1	Washer, Terminal	
38	4460497	1	Nut, Terminal	
39	1001106736	1	Cap, Dust	
40	1001231846	1	Decal - Fuse Box	
41	1001203719	1	Nut M6	
42	0760615	1	Bolt M6 x 35	
43	1001227527	1	Service Cable	
45	1320043	1	Clamp (SN 0300243774 through 0300272446)	

# SECTION 8 - ELECTRICAL

## FIGURE 8-43. ELECTRICAL COMPONENTS INSTALLATION - 660SJC



ART\_1001200979\_20F2

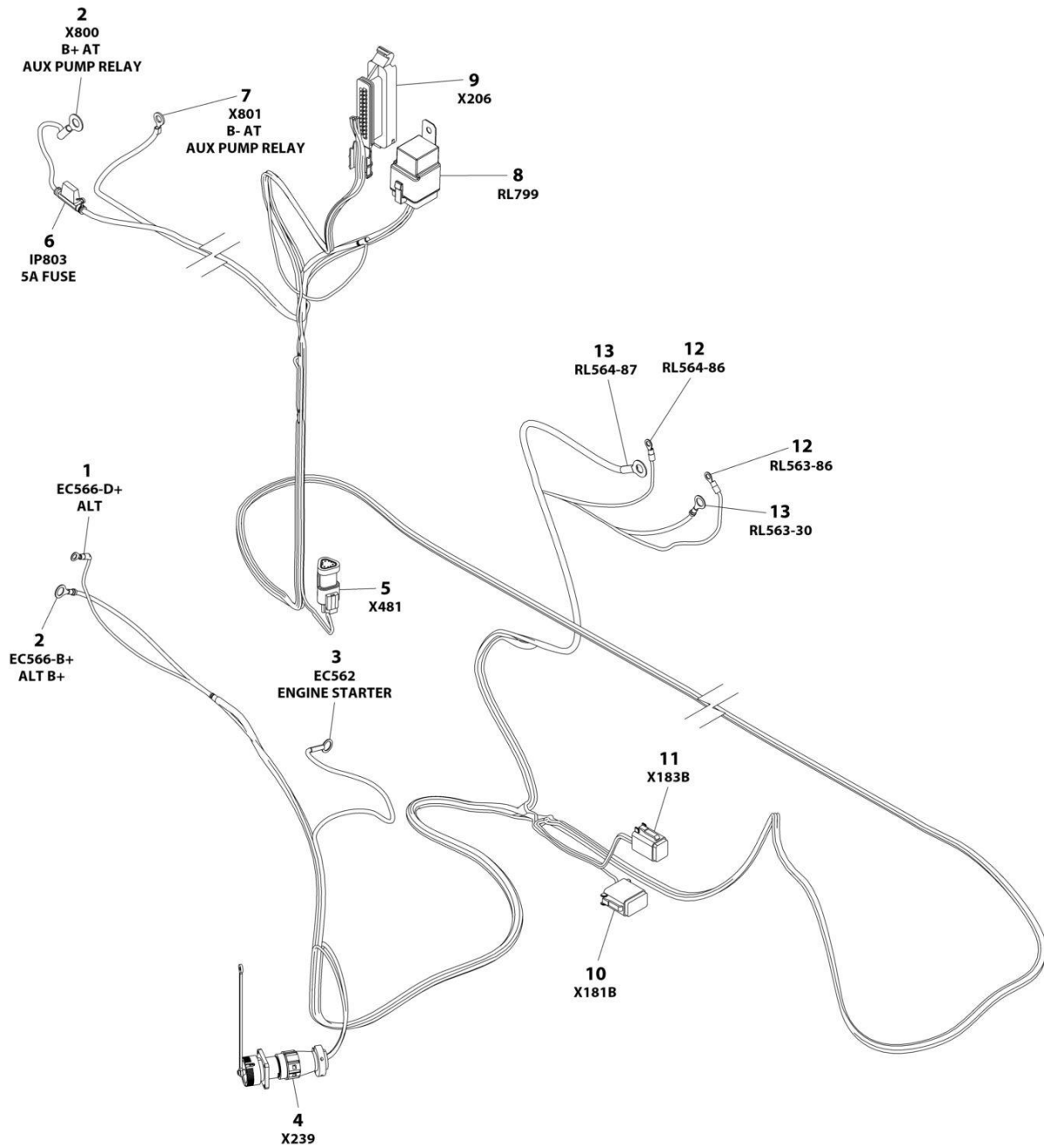
## SECTION 8 - ELECTRICAL

**FIGURE 8-43. ELECTRICAL COMPONENTS INSTALLATION - 660SJC**

ITEM	PART NUMBER	QTY	DESCRIPTION	REV
	1001200979	Ref	ELECTRICAL COMPONENTS INSTALLATION	1
3	0760608	1	Bolt M6 x 16	
5	3290605	3	Nut M6	
7	4811700	15	Washer M6	
10	1001189111	1	Platfrom Valve Harness (See Separate Breakdown in this Section)	
12	1001188534	1	Boom Cable - Upper (See Separate Breakdown in this Section)	
15	1001188644	1	Ground Control Harness (See Separate Breakdown in this Section)	
16	1001189003	1	Tele Proximity Harness (See Separate Breakdown in this Section)	
17	1001189004	1	Capacity Proximity Harness (See Separate Breakdown in this Section)	
18	1001189005	1	Boom Angle Sensor Harness (See Separate Breakdown in this Section)	
24	1001197706	1	Main Valve Harness (See Separate Breakdown in this Section)	
25	1001206082	1	Boom Cable - Lower (See Separate Breakdown in this Section)	
30	1001205923	1	Lift Cylinder Harness (See Separate Breakdown in this Section)	
31	4240099	10	Tie-Strap (Not Shown)	
34	1001215304	1	Turntable Harness (See Separate Breakdown in this Section)	
35	4460470	1	Nut, Terminal	
36	4460471	1	Washer, Terminal	
37	4460496	1	Washer, Terminal	
38	4460497	1	Nut, Terminal	
39	1001106736	1	Cap, Dust	
40	1001227527	1	Cable, Service	
41	1001196637	1	Decal - Fuse Box	

# SECTION 8 - ELECTRICAL

## FIGURE 8-44. ENGINE HARNESS - DEUTZ D2011 ENGINES



ART\_1001188236

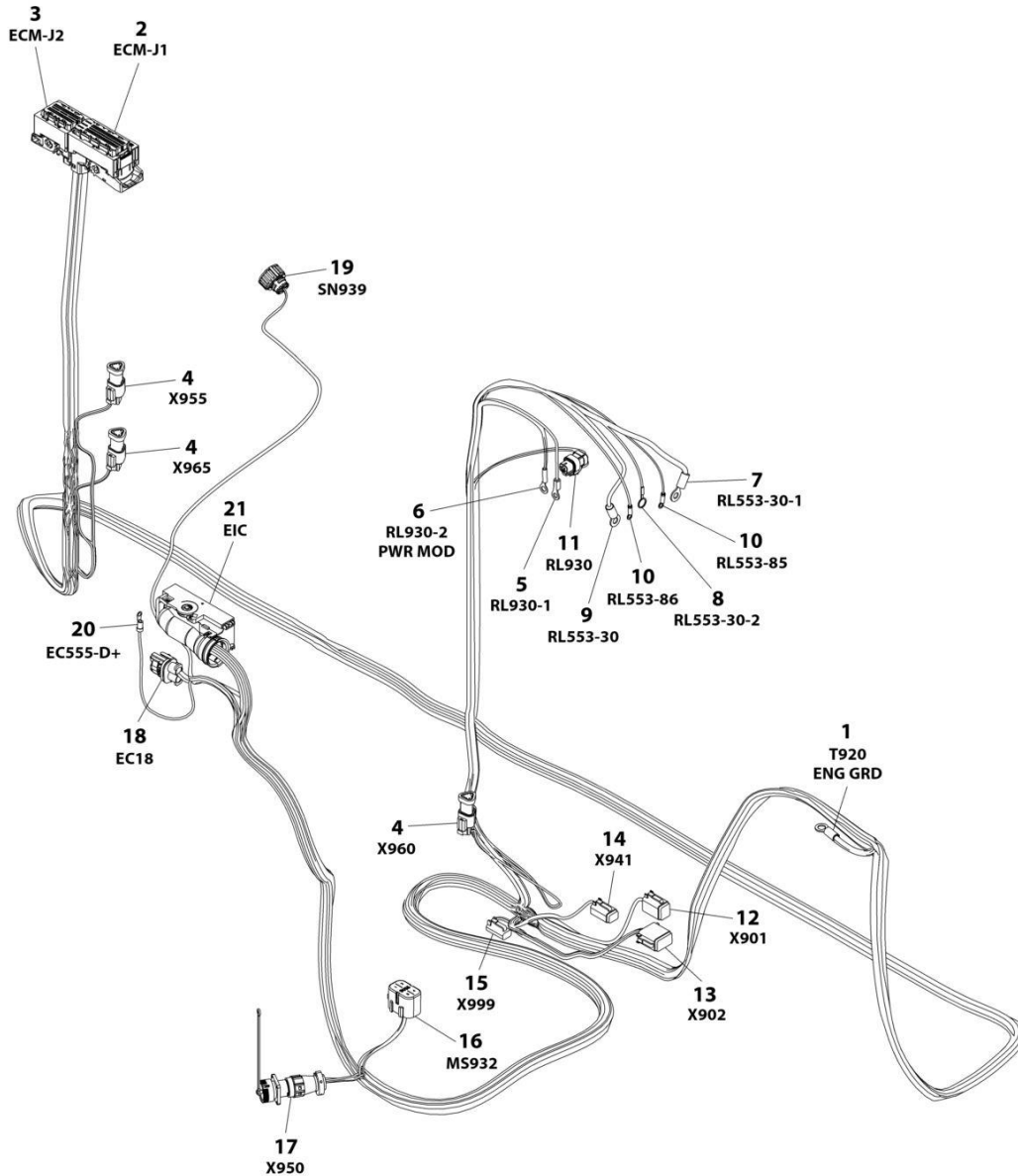
## SECTION 8 - ELECTRICAL

### FIGURE 8-44. ENGINE HARNESS - DEUTZ D2011 ENGINES

ITEM	PART NUMBER	QTY	DESCRIPTION	REV
	1001188236	Ref	ENGINE HARNESS	F
1	4460042	1	Terminal, Ring	
2	8220045	2	Terminal, Ring	
3	4460142	1	Terminal, Ring	
4	2902443	1	Receptacle Kit	
4	4461073	1	Cap, Dust	
5	4461095	1	Plug, Male - 3 Position	
5	4460944	2	Socket, Female	
5	4460466	1	Plug, Terminal	
5	4461070	1	Receptacle, Female - 3 Position	
5	4460943	3	Pin, Male	
6	2600066	2	Fuseholder with 5Amp Fuse	
6	See Note	NSS	Fuse - 5Amp (Note: Purchase Locally)	
7	4460312	1	Terminal, Ring	
8	1001118282	1	Plug, Relay <b>(SN 0300236299 through 0300242293)</b>	
8	1001117025	1	Plug, Relay <b>(SN 0300242294 through 0300272446)</b>	
8	1001116734	1	Terminal	
8	1001116732	3	Terminal	
8	1001128128	1	Plug, Terminal	
9	4461052	1	Connector - 25 Position	
9	4461060	1	Terminal	
9	4461005	6	Terminal	
9	4461008	18	Plug, Terminal	
9	4461054	1	Seal	
9	4461006	6	Seal	
9	4461053	1	Cover	
10	4460930	1	Plug, Male - 8 Position	
10	4460465	8	Socket, Female	
10	4460466	7	Plug, Terminal	
11	4460894	1	Plug, Male - 6 Position	
11	4460465	3	Socket, Female	
11	4460944	2	Socket, Female	
11	4460466	1	Plug, Terminal	
12	4460313	2	Terminal, Ring	
13	8220164	2	Terminal, Ring	

# SECTION 8 - ELECTRICAL

## FIGURE 8-45. ENGINE HARNESS - DEUTZ TD2.9L4 ENGINES (SN 0300236299 through 0300241926)



ART\_1001188237

## SECTION 8 - ELECTRICAL

**FIGURE 8-45. ENGINE HARNESS - DEUTZ TD2.9L4 ENGINES (SN 0300236299 through 0300241926)**

ITEM	PART NUMBER	QTY	DESCRIPTION	REV
	1001188237	Ref	ENGINE HARNESS	G
1	8220115	1	Terminal, Ring	
2	1001133956	1	Connector - 94 Position	
2	1001126351	1	Terminal	
2	1001126352	6	Terminal	
2	1001126384	21	Terminal	
2	1001126357	1	Plug, Terminal	
2	1001126356	65	Plug, Terminal	
3	1001133956	1	Connector - 60 Position	
3	1001126351	13	Terminal	
3	1001126384	17	Terminal	
3	1001126357	11	Plug, Terminal	
3	1001126356	19	Plug, Terminal	
4	4461095	3	Plug, Male - 3 Position	
4	4460944	6	Socket, Female	
4	4460466	3	Plug, Terminal	
4	4461070	3	Receptacle, Female - 3 Position	
4	4460943	9	Pin, Male	
5	4460043	1	Terminal, Ring	
6	1001117106	1	Terminal, Ring	
7	1001117107	1	Terminal, Ring	
8	4460703	1	Terminal, Ring	
9	8220164	1	Terminal, Ring	
10	4460313	2	Terminal, Ring	
11	1001116952	1	Plug, Male - 2 Position	
11	4460465	2	Socket, Female	
12	4460894	1	Plug, Male - 6 Position	
12	4460465	3	Socket, Female	
12	4460944	2	Socket, Female	
12	4460466	1	Plug, Terminal	
13	4460930	1	Plug, Male - 8 Position	
13	4460465	1	Socket, Female	
13	4460466	7	Plug, Terminal	
14	4460884	1	Plug, Male - 4 Position	
14	4460465	2	Socket, Female	
14	4460942	2	Socket, Female	
15	4460891	6	Plug, Male - 4 Position	
15	4460465	10	Socket, Female	
16	80484084	1	Plug, Male - 8 Position	
16	8229242	1	Fuse - 5Amp	
16	80983191	1	Fuse - 10Amp	
16	1001116728	4	Socket, Female	
16	1001116727	4	Plug, Terminal	
17	2902443	1	Receptacle Kit	
17	4461073	1	Cap, Dust	
17	4461071	6	Terminal	
18	1001142938	1	Plug, Male - 2 Position	
18	1001142941	2	Terminal	
19	1001133714	1	Connector - 4 Position	
19	1001133715	13	Terminal	

## SECTION 8 - ELECTRICAL

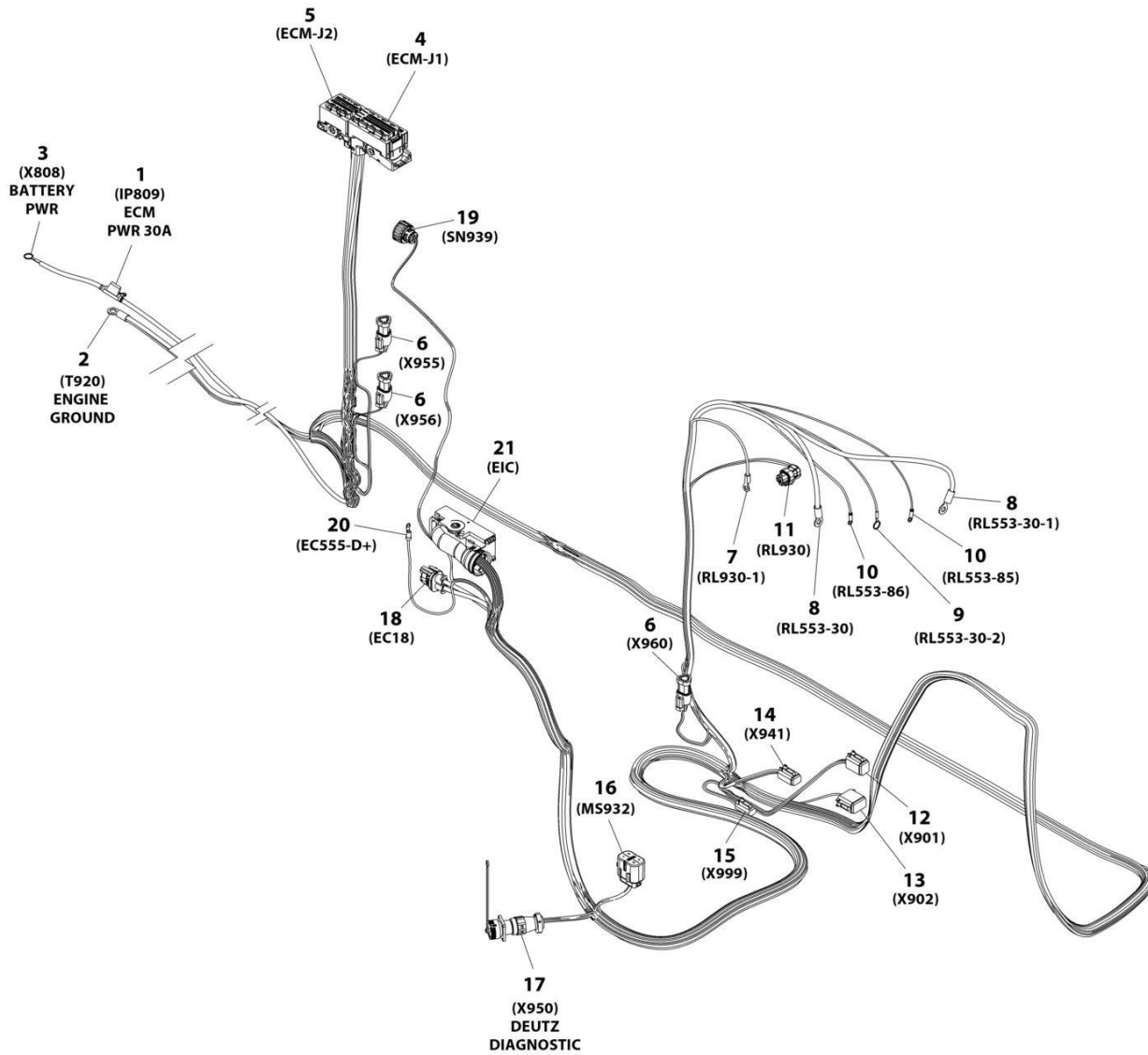
ITEM	PART NUMBER	QTY	DESCRIPTION	REV
19	1001135651	11	Plug, Terminal	
20	4460042	1	Terminal, Ring	
21	1001126362	1	Connector - 62 Position	
21	1001126363	35	Terminal	
21	1001126365	2	Terminal	
21	1001126391	20	Plug, Terminal	
21	4461008	4	Plug, Terminal	
21	1001151856	1	Elbow	





# SECTION 8 - ELECTRICAL

## FIGURE 8-46. ENGINE HARNESS - DEUTZ TD2.9L4 ENGINES (SN 0300241927 through 0300272446)



ART\_1001233895

## SECTION 8 - ELECTRICAL

**FIGURE 8-46. ENGINE HARNESS - DEUTZ TD2.9L4 ENGINES (SN 0300241927 through 0300272446)**

ITEM	PART NUMBER	QTY	DESCRIPTION	REV
	1001233895	Ref	ENGINE HARNESS	F
1	1001172064	1	Fuseholder with 30Amp Fuse	
1	1001172065	1	Fuse - 30A	
2	8220115	1	Terminal, Ring	
3	4460019	1	Terminal, Ring	
4	1001133956	1	Connector - 94 Position	
4	1001126351	2	Terminal	
4	1001126352	6	Terminal	
4	1001126384	21	Terminal	
4	1001126357	2	Plug, Terminal	
4	1001126356	63	Plug, Terminal	
5	1001133957	1	Connector - 60 Position	
5	1001126351	13	Terminal	
5	1001126384	17	Terminal	
5	1001126357	11	Plug, Terminal	
5	1001126356	19	Plug, Terminal	
6	4461095	3	Plug, Male - 3 Position	
6	4460944	6	Socket, Female	
6	4460466	3	Plug, Terminal	
6	4461070	3	Receptacle, Female - 3 Position	
6	4460943	9	Pin, Male	
7	4460043	1	Terminal, Ring	
8	1001117107	2	Terminal, Ring	
9	4460703	1	Terminal, Ring	
10	4460313	2	Terminal, Ring	
11	1001116952	1	Plug, Male - 2 Position	
11	4460465	2	Socket, Female	
12	4460894	1	Plug, Male - 6 Position	
12	4460465	3	Socket, Female	
12	4460944	2	Socket, Female	
12	4460466	1	Plug, Terminal	
13	4460930	1	Plug, Male - 8 Position	
13	4460465	1	Socket, Female	
13	4460466	7	Plug, Terminal	
14	4460884	1	Plug, Male - 4 Position (SN 0300241927 through 0300255066)	
14	1001220379	1	Plug, Male - 4 Position (SN 0300255067 through 0300272446)	
14	4460465	2	Socket, Female	
14	4460942	2	Socket, Female	
15	4460891	1	Plug, Male - 4 Position	
15	4460465	2	Socket, Female	
16	80484084	1	Plug, Male - 8 Position	
16	8229242	1	Fuse - 5Amp	
16	80983191	1	Fuse - 10Amp	
16	1001116728	4	Socket, Female	
16	1001116727	4	Plug, Terminal	
16	1001147264	1	Cap	
17	2902443	1	Receptacle Kit	
17	4461073	1	Cap, Dust	
17	4461071	6	Terminal	
18	1001142938	1	Plug, Male - 2 Position	

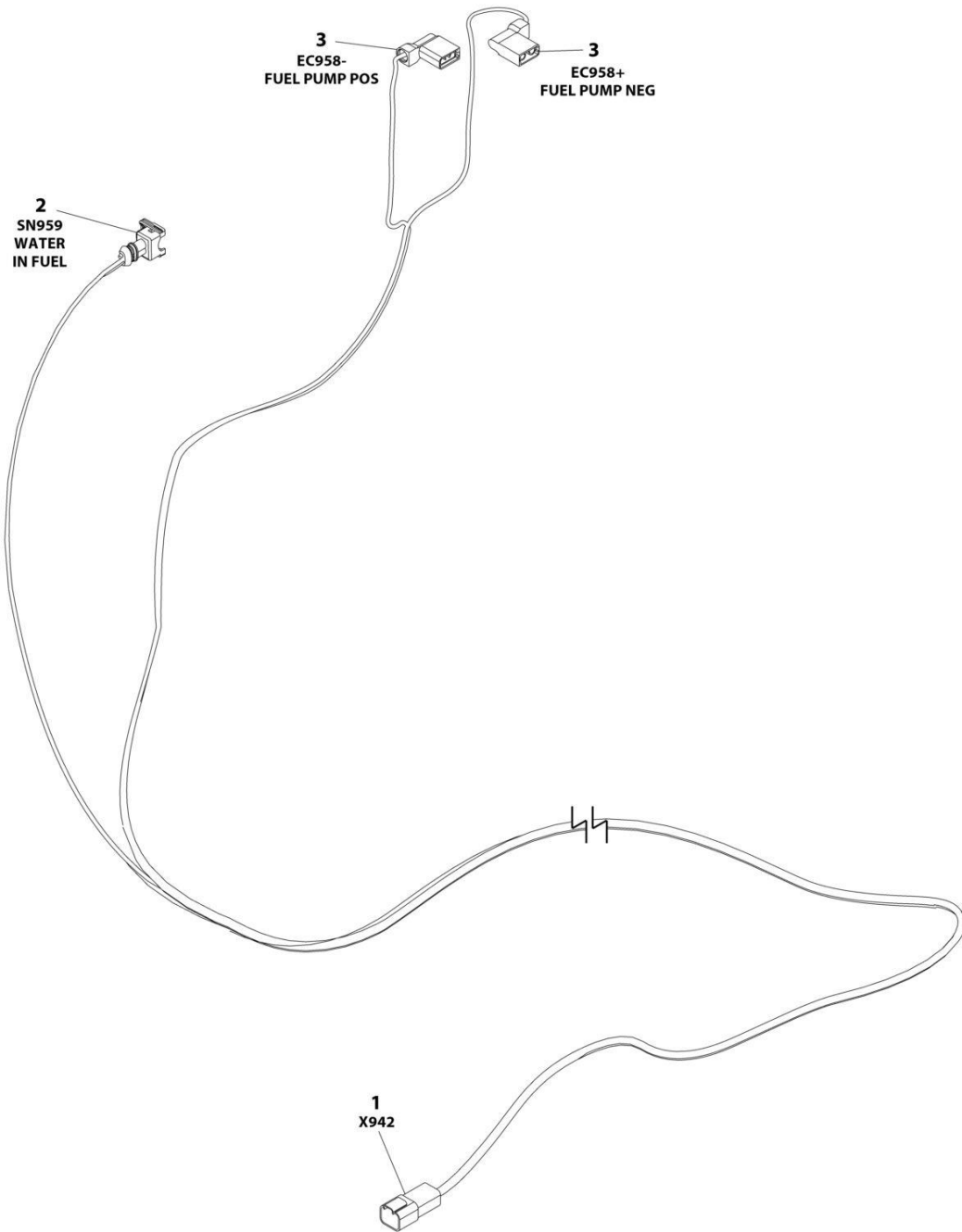
## SECTION 8 - ELECTRICAL

ITEM	PART NUMBER	QTY	DESCRIPTION	REV
18	1001142940	2	Terminal	
18	1001142941	2	Seal	
19	1001133714	1	Connector - 4 Position	
19	1001133715	13	Terminal	
19	1001135651	11	Plug, Terminal	
20	4460042	1	Terminal, Ring	
21	1001126362	1	Connector - 62 Position	
21	1001126363	35	Terminal	
21	1001126365	2	Terminal	
21	1001126391	20	Plug, Terminal	
21	4461008	4	Plug, Terminal	
21	1001151856	1	Elbow	



# SECTION 8 - ELECTRICAL

## FIGURE 8-47. FUEL PUMP HARNESS - DEUTZ TD2.9L4 ENGINE



ART\_1001190444

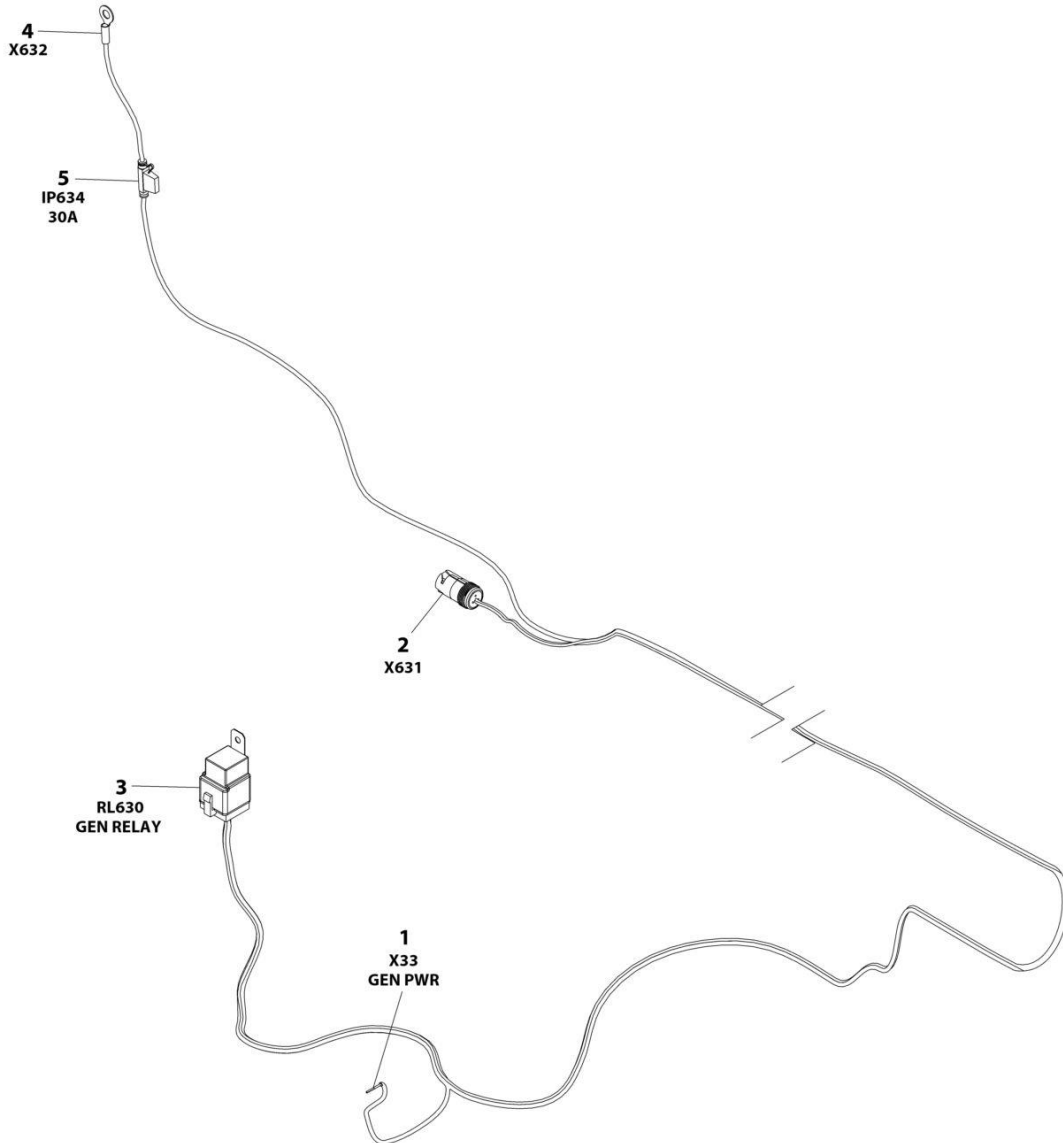
## SECTION 8 - ELECTRICAL

### FIGURE 8-47. FUEL PUMP HARNESS - DEUTZ TD2.9L4 ENGINE

ITEM	PART NUMBER	QTY	DESCRIPTION	REV
	1001190444	Ref	FUEL PUMP HARNESS	D
1	4460932	1	Receptacle, Female - 4 Position	
1	4460941	4	Pin, Male	
2	1001116983	1	Plug, Male - 2 Posiiton	
2	1001227507	2	Socket, Female	
2	4461054	2	Seal	
3	1001223045	2	Connector	

# SECTION 8 - ELECTRICAL

## FIGURE 8-48. GENERATOR HARNESS - 2500W



ART\_1001194114



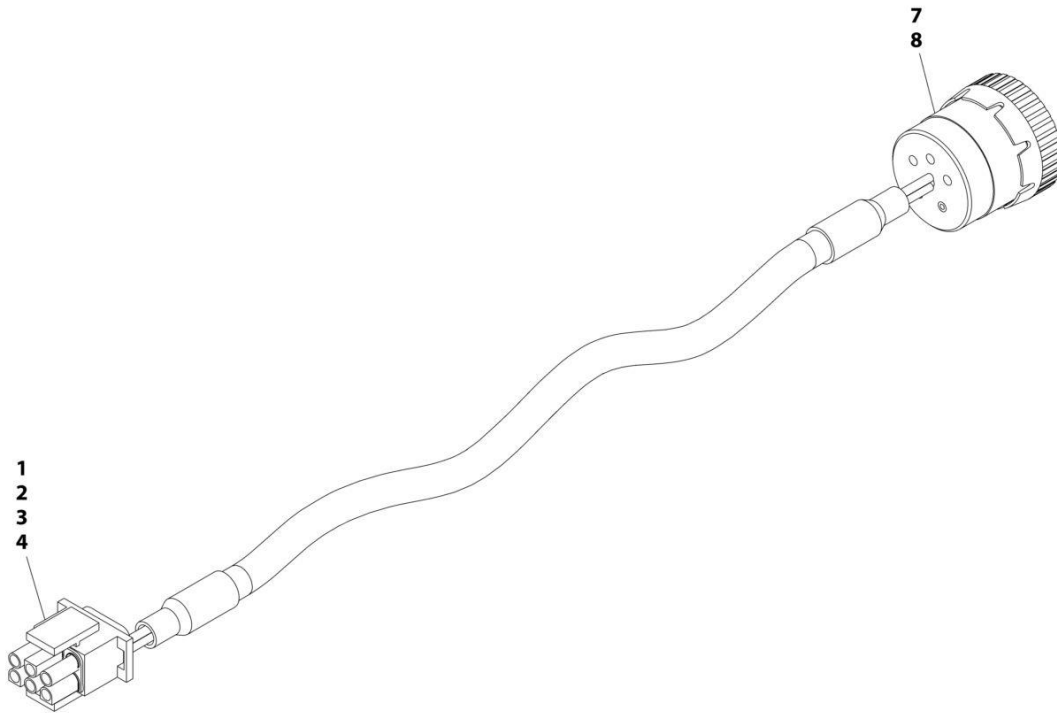
## SECTION 8 - ELECTRICAL

**FIGURE 8-48. GENERATOR HARNESS - 2500W**

ITEM	PART NUMBER	QTY	DESCRIPTION	REV
	1001194114	Ref	GENERATOR HARNESS	B
1	4460906	1	Socket, Female	
2	1001154726	1	Receptacle, Female - 3 Position	
2	4460464	2	Pin, Male	
2	4460466	1	Plug, Terminal	
3	1001117057	1	Connector, Relay (SN 0300236299 through 0300240644)	
3	1001120851	1	Connector, Relay (SN 0300240645 through 0300272446)	
3	1001116734	2	Terminal	
3	1001116732	2	Terminal	
3	3740080	1	Relay	
4	8220045	1	Terminal, Ring	
5	2400060	1	Fuseholder - 30Amp (Includes Cover)	
5	8229245	1	Fuse - 30Amp	

# SECTION 8 - ELECTRICAL

## FIGURE 8-49. GENERATOR HARNESS - 4000W



ART\_1001152532

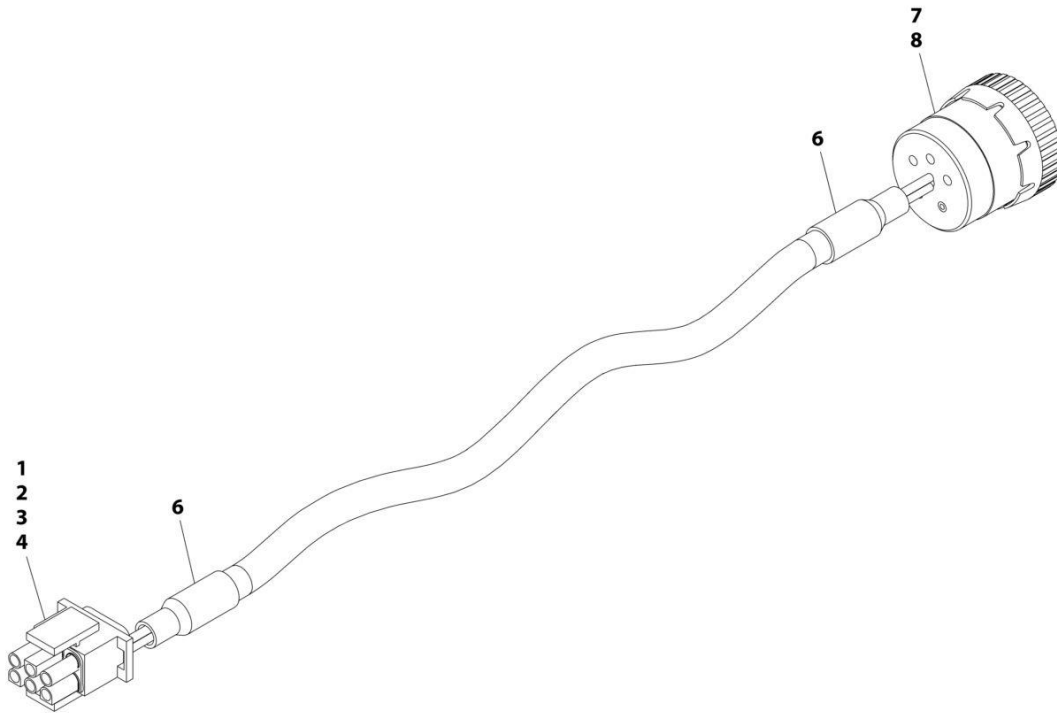
## SECTION 8 - ELECTRICAL

### FIGURE 8-49. GENERATOR HARNESS - 4000W

ITEM	PART NUMBER	QTY	DESCRIPTION	REV
	1001152532	Ref	GENERATOR HARNESS	A
1	4460225	1	Connector - 6 Position	
2	4460268	2	Socket, Female	
3	4460807	1	Seal	
4	4460808	1	Seal	
7	4460465	2	Socket, Female	
8	77363233	1	Connector - 6 Position	

# SECTION 8 - ELECTRICAL

## FIGURE 8-50. GENERATOR HARNESS - 7500W SKYPOWER



ART\_4922925

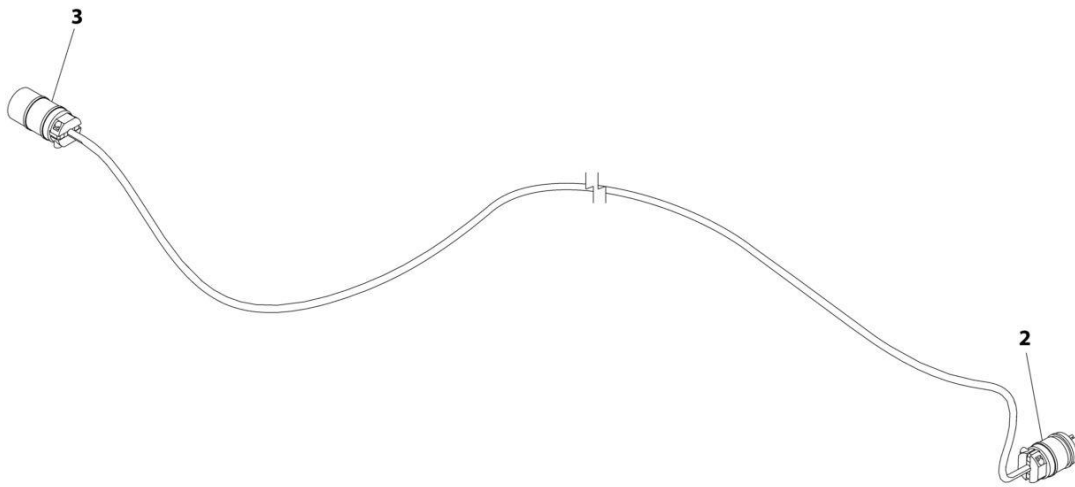
## SECTION 8 - ELECTRICAL

### FIGURE 8-50. GENERATOR HARNESS - 7500W SKYPOWER

ITEM	PART NUMBER	QTY	DESCRIPTION	REV
	4922925	Ref	GENERATOR TO CONTROL BOX HARNESS (7500W GENERATOR)	C
1	4460225	1	Plug, Male - 2 Position	
2	4460268	6	Socket, Female	
3	4460807	1	Seal	
4	4460808	1	Seal	
6	2820019	AR	Heat Shrink	
7	4460465	6	Socket, Female	
8	77363233	1	Connector - 6 Position	

# SECTION 8 - ELECTRICAL

FIGURE 8-51. GENERATOR RECEPTACLE BOX TO AC PLUG HARNESS (2500W GENERATOR)



ART\_4921827

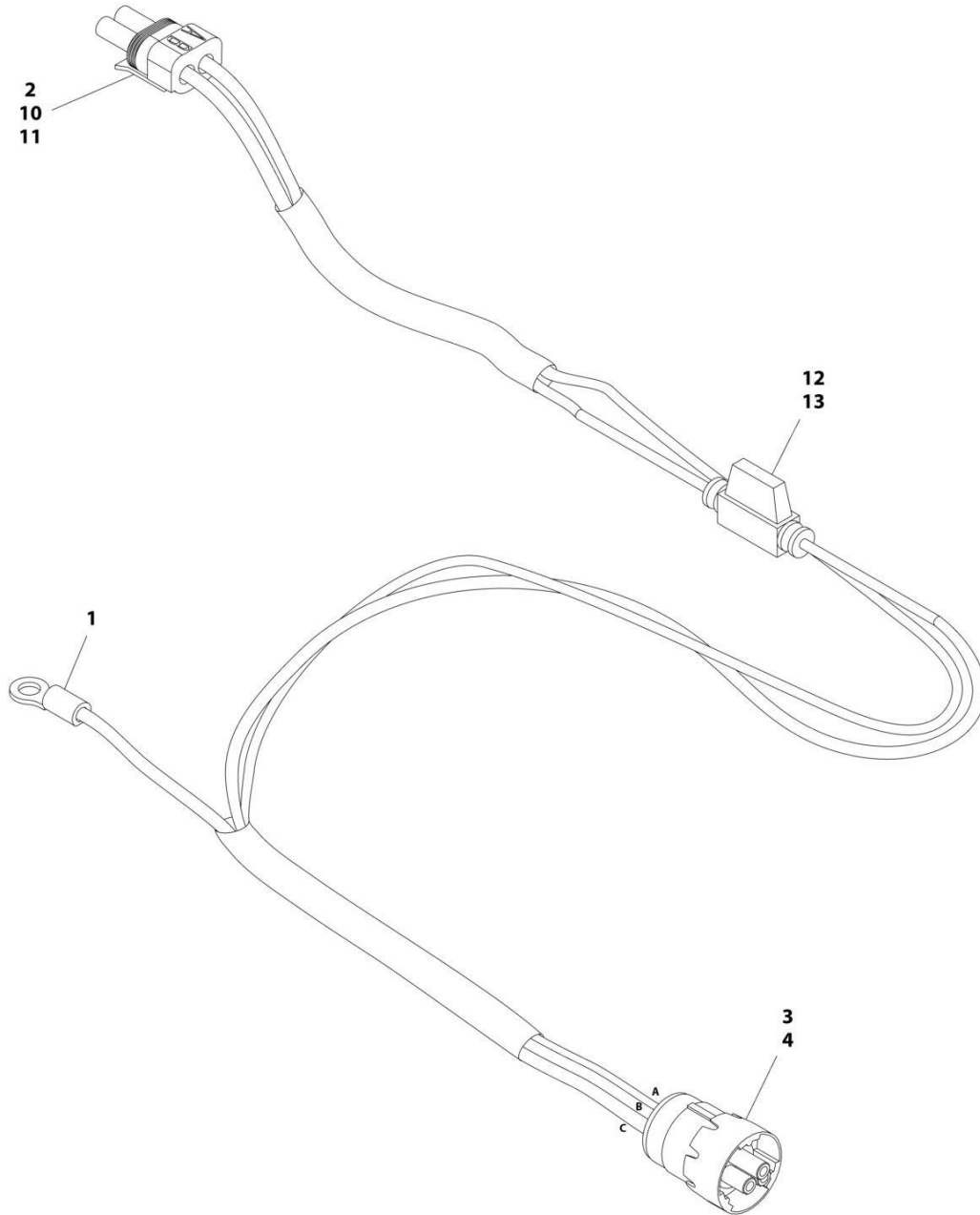
## SECTION 8 - ELECTRICAL

**FIGURE 8-51. GENERATOR RECEPTACLE BOX TO AC PLUG HARNESS (2500W GENERATOR)**

ITEM	PART NUMBER	QTY	DESCRIPTION	REV
	4921827	Ref	GENERATOR RECEPTACLE BOX TO AC PLUG HARNESS	1/A
2	4460205	1	Plug, Male	
3	4460134	1	Receptacle, Female	

# SECTION 8 - ELECTRICAL

**FIGURE 8-52. GENERATOR TO ENGINE HARNESS - 7500W SKYPOWER GENERATOR (DEUTZ D2011 ONLY)**



ART\_1001152429



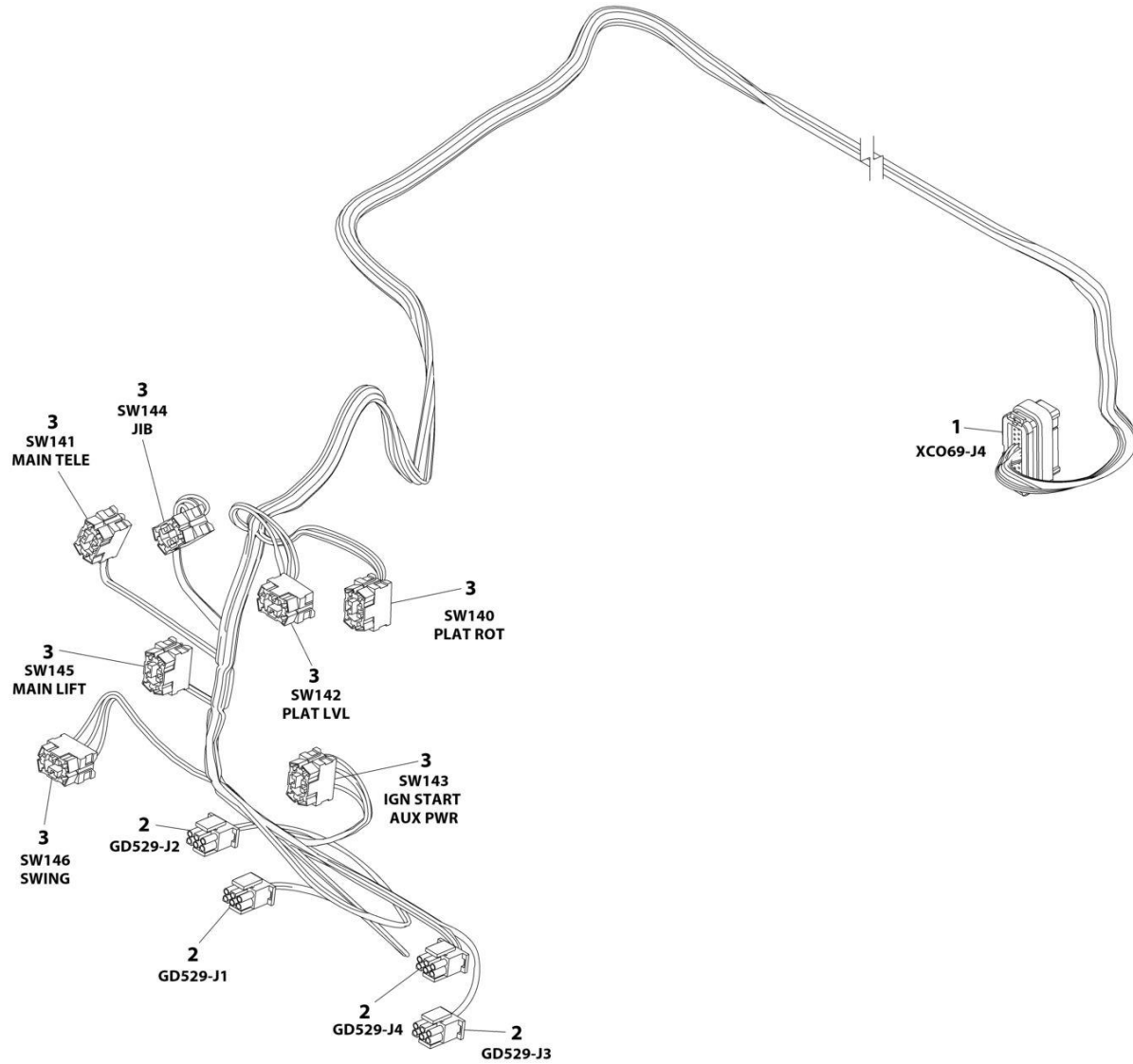
## SECTION 8 - ELECTRICAL

**FIGURE 8-52. GENERATOR TO ENGINE HARNESS - 7500W SKYPOWER GENERATOR (DEUTZ D2011 ONLY)**

ITEM	PART NUMBER	QTY	DESCRIPTION	REV
	1001152429	Ref	GENERATOR TO ENGINE HARNESS	C
1	4460043	1	Terminal, Ring	
2	4460742	1	Plug, Male - 2 Position	
3	4460967	1	Connector - 3 Position	
4	4460465	3	Socket, Female	
10	4460743	2	Terminal, Female	
11	4460458	2	Seal	
12	2400060	1	Fuseholder (Includes Cover)	
13	2400064	1	Fuse - 5Amp	

# SECTION 8 - ELECTRICAL

## FIGURE 8-53. GROUND CONTROL HARNESS



ART\_1001188644

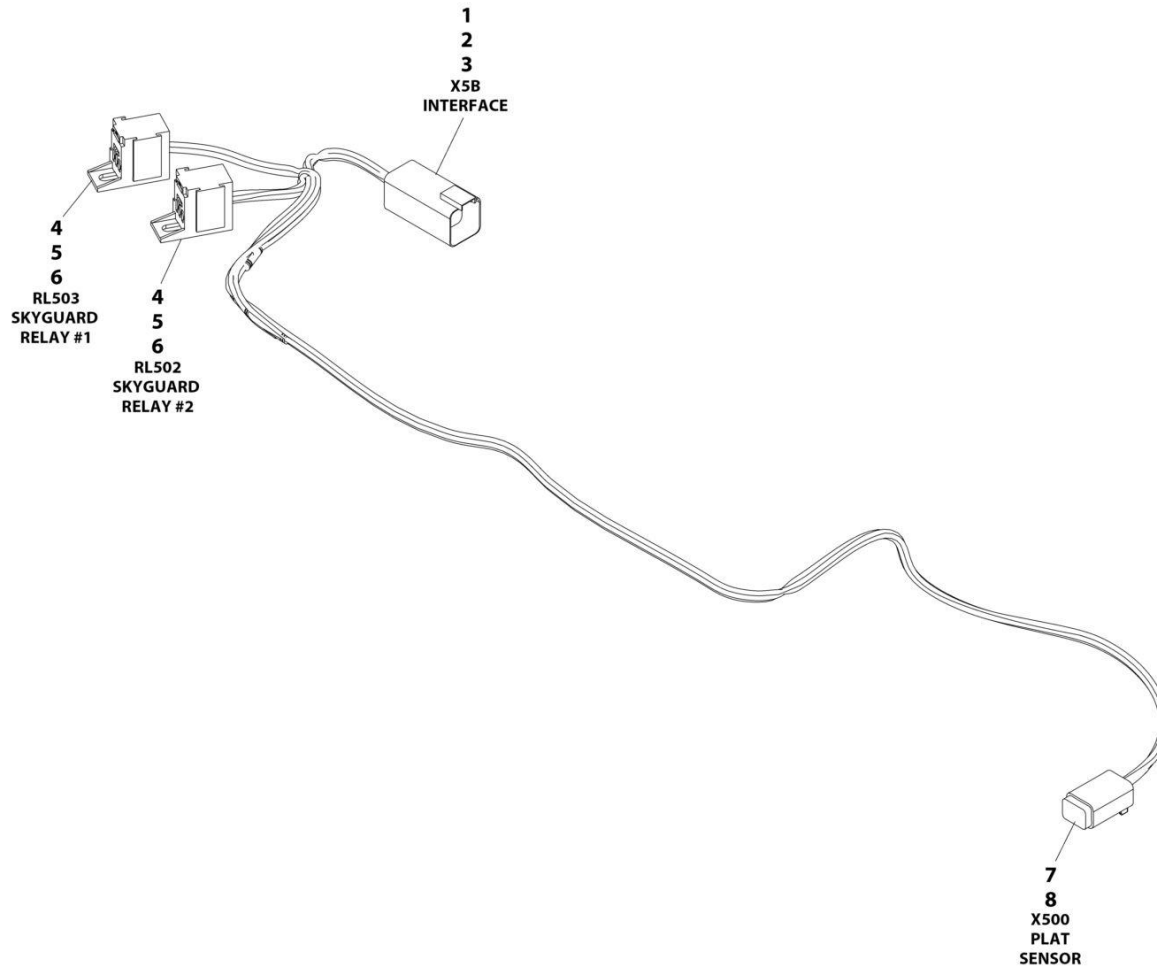
## SECTION 8 - ELECTRICAL

### FIGURE 8-53. GROUND CONTROL HARNESS

ITEM	PART NUMBER	QTY	DESCRIPTION	REV
	1001188644	Ref	GROUND CONTROL HARNESS	E
1	4460876	1	Connector - 35 Position	
1	4460871	25	Socket, Female	
1	4460905	10	Plug, Terminal	
2	4460225	4	Plug, Male - 6 Position	
2	4460226	10	Socket, Female	
3	4460418	7	Connector, Switch	
3	4460419	12	Terminal	
3	1001159186	15	Terminal	

# SECTION 8 - ELECTRICAL

## FIGURE 8-54. INTERFACE HARNESS - WITH 1 CELL LSS



ART\_1001225580

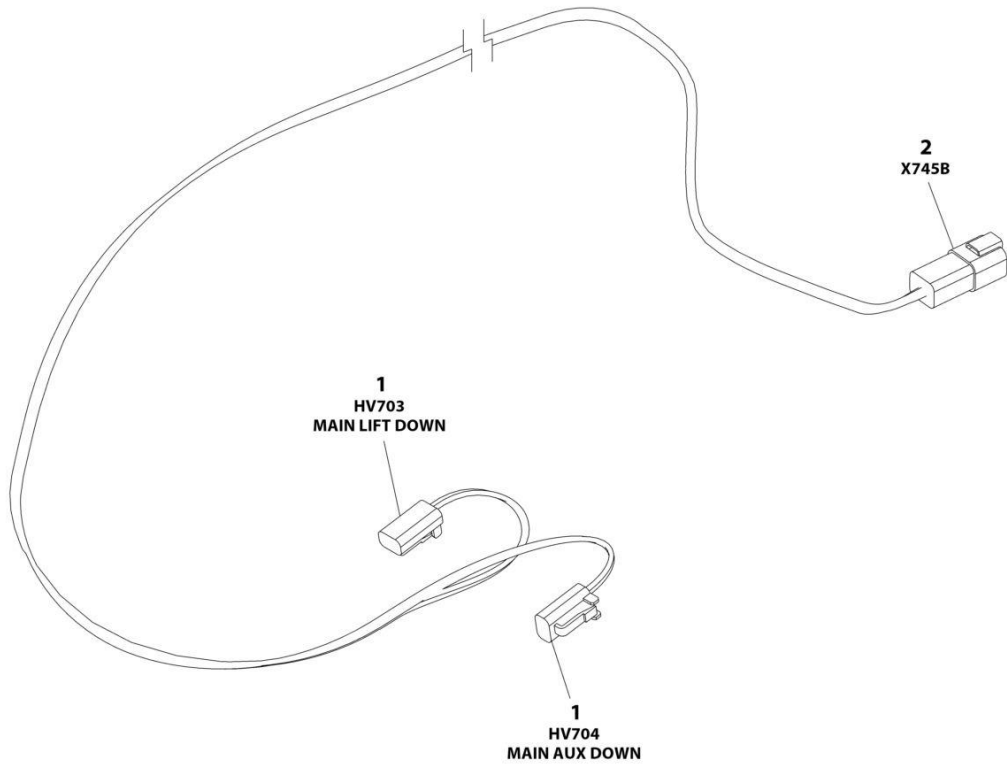
## SECTION 8 - ELECTRICAL

### FIGURE 8-54. INTERFACE HARNESS - WITH 1 CELL LSS

ITEM	PART NUMBER	QTY	DESCRIPTION	REV
	1001225580	Ref	INTERFACE HARNESS - WITH 1 CELL LSS	D
1	4460899	1	Connector	
2	4460464	4	Terminal	
3	4460466	2	Plug	
4	1001186432	2	Connector	
5	1001116720	4	Terminal	
6	1001118388	4	Terminal	
7	4460884	1	Connector	
8	4460465	4	Terminal	

# SECTION 8 - ELECTRICAL

## FIGURE 8-55. LIFT CYLINDER HARNESS



ART\_1001205923

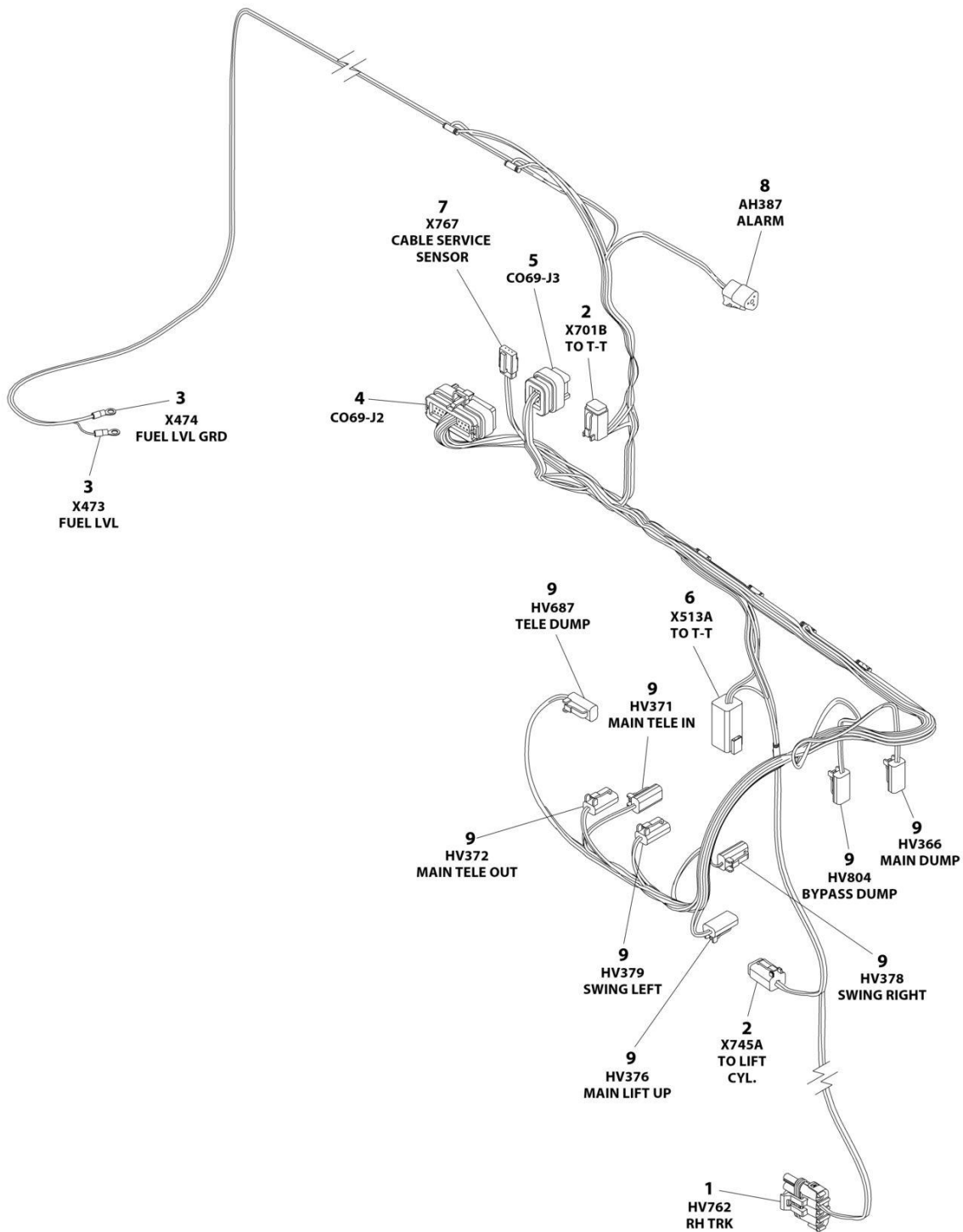
## SECTION 8 - ELECTRICAL

### FIGURE 8-55. LIFT CYLINDER HARNESS

ITEM	PART NUMBER	QTY	DESCRIPTION	REV
	1001205923	Ref	LIFT CYLINDER HARNESS	C
1	4460891	2	Plug, Male - 2 Position	
1	4460465	4	Socket, Female	
2	4460932	1	Receptacle, Female - 4 Position	
2	4460464	4	Pin, Male	

# SECTION 8 - ELECTRICAL

## FIGURE 8-56. MAIN VALVE HARNESS



ART\_1001197706



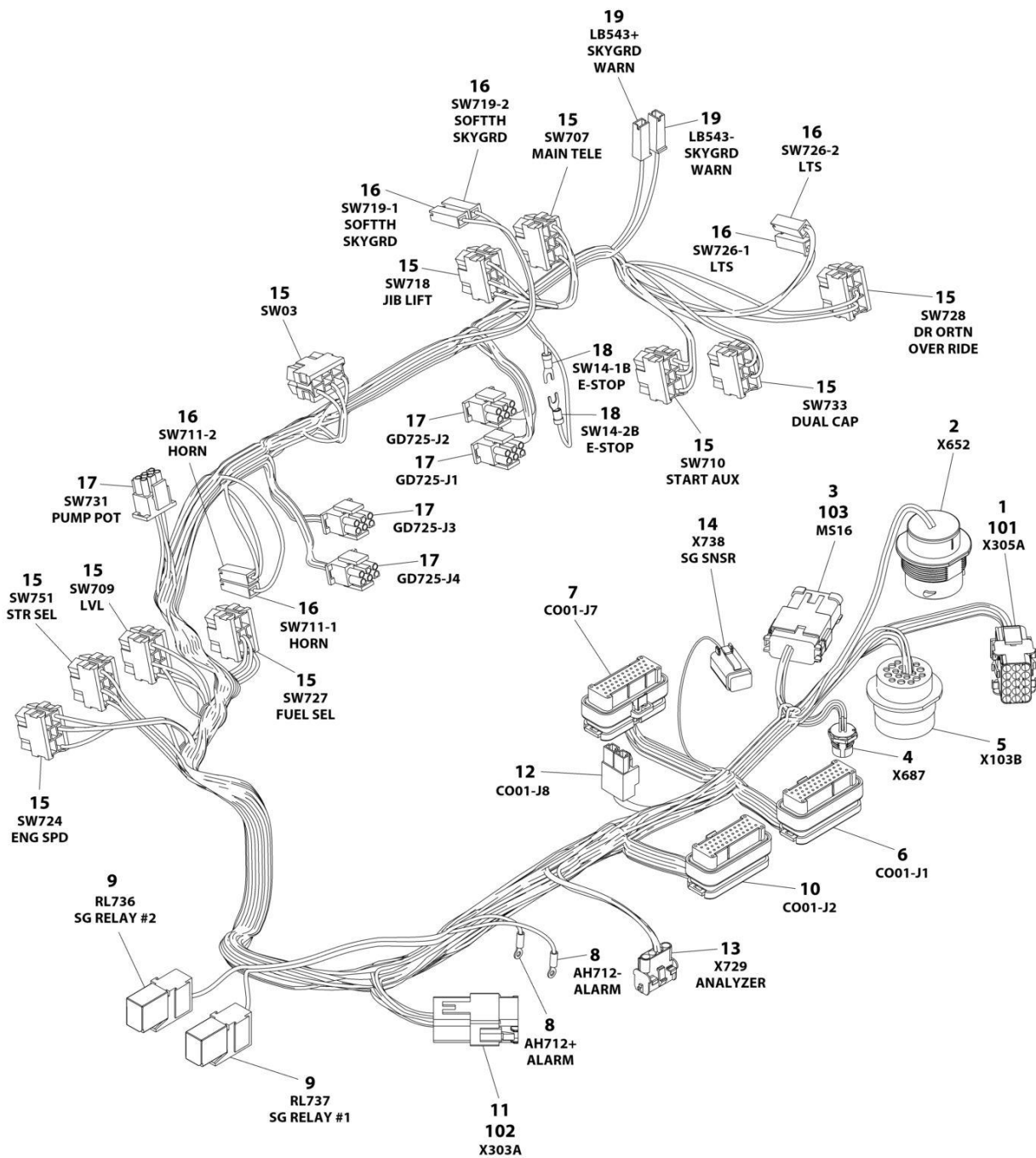
## SECTION 8 - ELECTRICAL

### FIGURE 8-56. MAIN VALVE HARNESS

ITEM	PART NUMBER	QTY	DESCRIPTION	REV
	1001197706	Ref	MAIN VALVE HARNESS	E
1	4460460	1	Receptacle, Female - 4 Position	
1	4460457	4	Terminal	
2	4460884	2	Plug, Male - 4 Position	
2	4460465	8	Socket, Female	
3	4460313	2	Terminal, Ring	
4	4460875	1	Connector - 35 Position	
4	4460871	22	Socket, Female	
4	4460905	13	Plug, Terminal	
5	4460872	1	Connector - 14 Position	
5	4460871	10	Socket, Female	
5	4460905	4	Plug, Terminal	
6	4460899	1	Receptacle, Female - 6 Position	
6	4460464	4	Pin, Male	
6	4460466	2	Plug, Terminal	
7	4460911	1	Plug, Male - 3 Position	
7	1001116694	3	Socket, Female	
8	4460539	1	Plug, Male - 3 Position	
8	4460465	3	Socket, Female	
9	4460891	8	Plug, Male - 2 Position	
9	4460465	16	Socket, Female	

# SECTION 8 - ELECTRICAL

FIGURE 8-57. PLATFORM CONSOLE HARNESS (SN 0300236299 through 0300259984)



ART\_1001196222

## SECTION 8 - ELECTRICAL

**FIGURE 8-57. PLATFORM CONSOLE HARNESS (SN 0300236299 through 0300259984)**

ITEM	PART NUMBER	QTY	DESCRIPTION	REV
	1001196222	Ref	PLATFORM CONSOLE HARNESS	I
1	4460434	1	Connector - 15 Position	
1	4460267	8	Pin, Male	
2	4460925	1	Connector - 21 Position	
2	1001116695	13	Pin, Male	
2	4460466	8	Plug, Terminal	
3	4460933	1	Plug, Male - 12 Position	
3	4460465	8	Socket, Female	
3	4460466	4	Plug, Terminal	
4	1001213447	1	Connector - 4 Position	
4	See Note	NSS	Terminal (Note: Purchase p/n 1001213447)	
5	4460866	1	Connector - 19 Position	
5	4460464	7	Pin, Male	
5	4460943	2	Pin, Male	
5	1001157891	2	Pin, Male	
5	4460466	8	Plug, Terminal	
6	4460874	1	Connector - 35 Position	
6	4460871	28	Socket, Female	
6	4460905	7	Plug, Terminal	
7	4460873	1	Connector - 35 Position	
7	4460871	24	Socket, Female	
7	4460905	11	Plug, Terminal	
8	1001098122	2	Terminal, Ring	
9	1001186431	2	Relay	
9	1001186432	2	Connector, Relay	
9	1001118384	3	Terminal	
9	1001118388	2	Terminal	
10	4460876	1	Connector - 35 Position	
10	4460871	27	Socket, Female	
10	4460905	8	Plug, Terminal	
11	4460970	1	Receptacle, Female - 12 Position	
11	1001116693	11	Pin, Male	
11	4460466	1	Plug, Terminal	
12	4460879	1	Plug, Male - 2 Position	
12	4460887	2	Terminal	
13	4460761	1	Receptacle, Female - 4 Position	
13	4460267	4	Pin, Male	
14	4460884	1	Plug, Male - 4 Position	
14	4460944	4	Socket, Female	
15	4460418	10	Connector - 6 Position	
15	4460419	20	Terminal	
15	1001159186	17	Terminal	
16	4460260	6	Housing, Terminal	
16	4460259	6	Terminal	
17	4460225	5	Plug, Male - 6 Position	
17	4460227	6	Pin, Male (Note: Used on Pump Potentiometer Connection Only)	
17	4460226	19	Socket, Female	
18	4460183	2	Terminal, Fork	
19	1001116705	2	Terminal	
101	4460708	1	Connector - 12 Position	

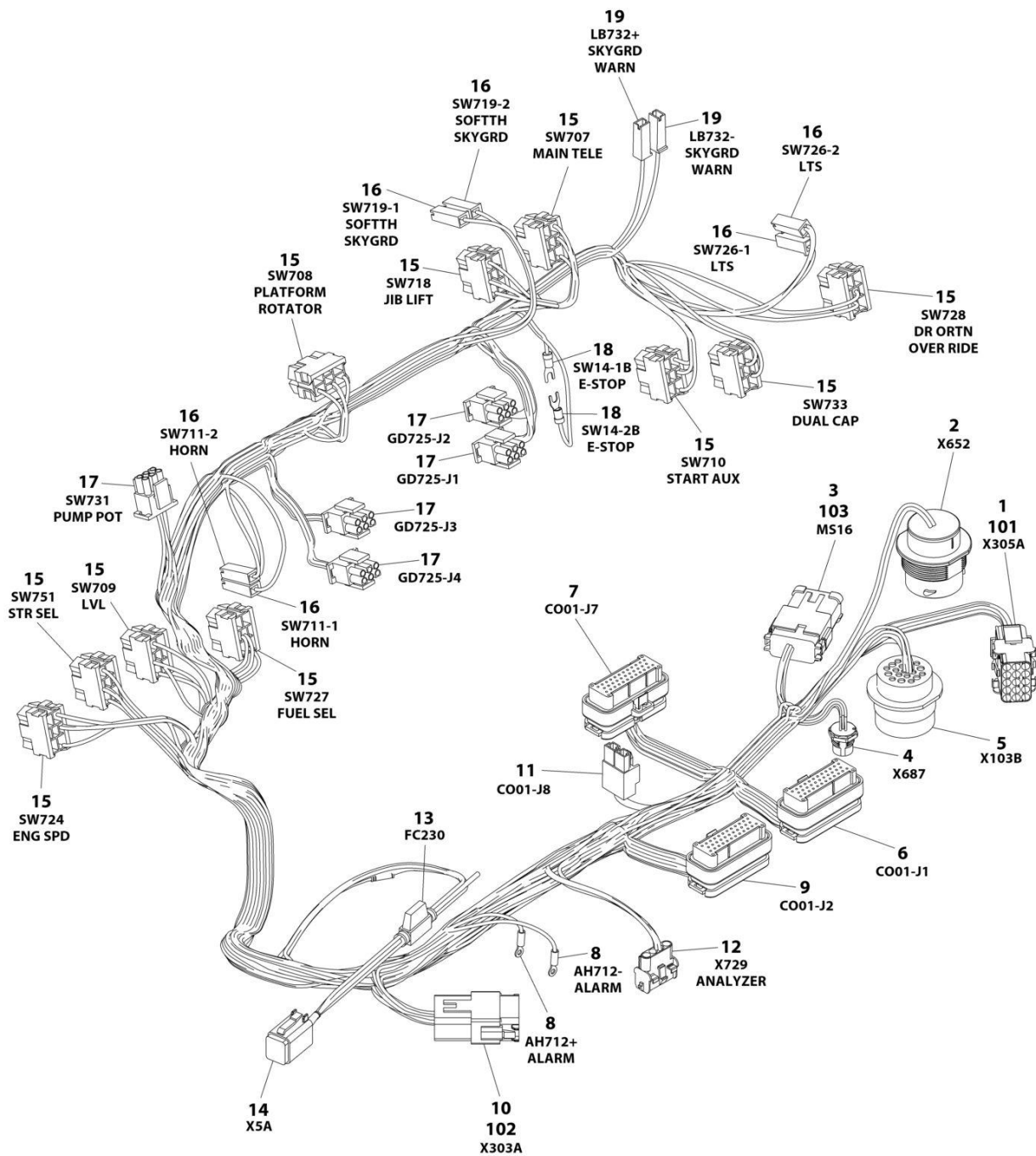
## SECTION 8 - ELECTRICAL

ITEM	PART NUMBER	QTY	DESCRIPTION	REV
102	4460933	1	Plug, Male - 12 Position	
103	1001125677	1	Connector, Bussbar	



# SECTION 8 - ELECTRICAL

FIGURE 8-58. PLATFORM CONSOLE HARNESS (SN 0300259985 through 0300272446)



ART\_1001243261

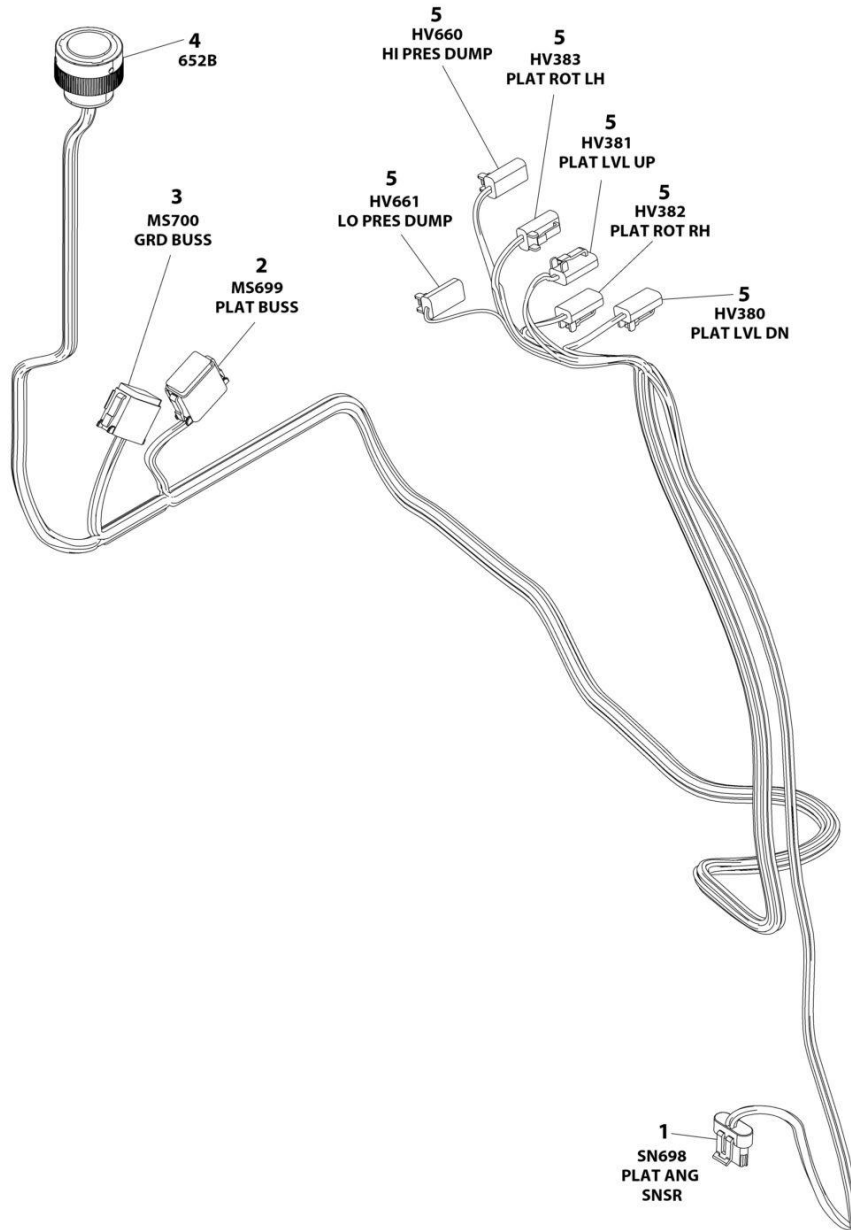
## SECTION 8 - ELECTRICAL

**FIGURE 8-58. PLATFORM CONSOLE HARNESS (SN 0300259985 through 0300272446)**

ITEM	PART NUMBER	QTY	DESCRIPTION	REV
	1001243261	Ref	PLATFORM CONSOLE HARNESS	A
1	4460434	1	Connector - 15 Position	
1	4460267	8	Pin, Male	
2	4460925	1	Connector - 21 Position	
2	1001116695	13	Pin, Male	
2	4460466	8	Plug, Terminal	
3	4460933	1	Plug, Male - 12 Position	
3	4460465	7	Socket, Female	
3	4460466	5	Plug, Terminal	
4	1001213447	1	Connector - 4 Position	
4	See Note	NSS	Terminal (Note: Purchase p/n 1001213447)	
5	4460866	1	Connector - 19 Position	
5	4460464	7	Pin, Male	
5	4460943	2	Pin, Male	
5	1001157891	2	Pin, Male	
5	4460466	8	Plug, Terminal	
6	4460874	1	Connector - 35 Position	
6	4460871	28	Socket, Female	
6	4460905	7	Plug, Terminal	
7	4460873	1	Connector - 35 Position	
7	4460871	24	Socket, Female	
7	4460905	11	Plug, Terminal	
8	1001098122	2	Terminal, Ring	
9	4460876	1	Connector - 35 Position	
9	4460871	29	Socket, Female	
9	4460905	6	Plug, Terminal	
10	4460970	1	Receptacle, Female - 12 Position	
10	1001116693	7	Pin, Male	
10	4460466	5	Plug, Terminal	
11	4460879	1	Plug, Male - 2 Position	
11	4460887	2	Terminal	
12	4460761	1	Receptacle, Female - 4 Position	
12	1001118378	4	Pin, Male	
13	2400060	1	Fuseholder (Includes Cover)	
13	8229242	1	Fuse - 5Amp	
14	4460884	1	Plug, Male - 4 Position	
14	4460944	6	Socket, Female	
15	4460418	10	Connector - 6 Position	
15	4460419	20	Terminal	
15	1001159186	17	Terminal	
16	4460260	6	Housing, Terminal	
16	4460259	6	Terminal	
17	4460225	5	Plug, Male - 6 Position	
17	4460227	6	Pin, Male (Note: Used on Pump Potentiometer Connection Only)	
17	4460226	19	Socket, Female	
18	4460183	2	Terminal, Fork	
19	1001116705	2	Terminal	
101	4460708	1	Connector - 12 Position	
102	4460933	1	Plug, Male - 12 Position	
103	1001125677	1	Connector, Bussbar	

# SECTION 8 - ELECTRICAL

## FIGURE 8-59. PLATFORM VALVE HARNESS (600SC)



ART\_1001191328



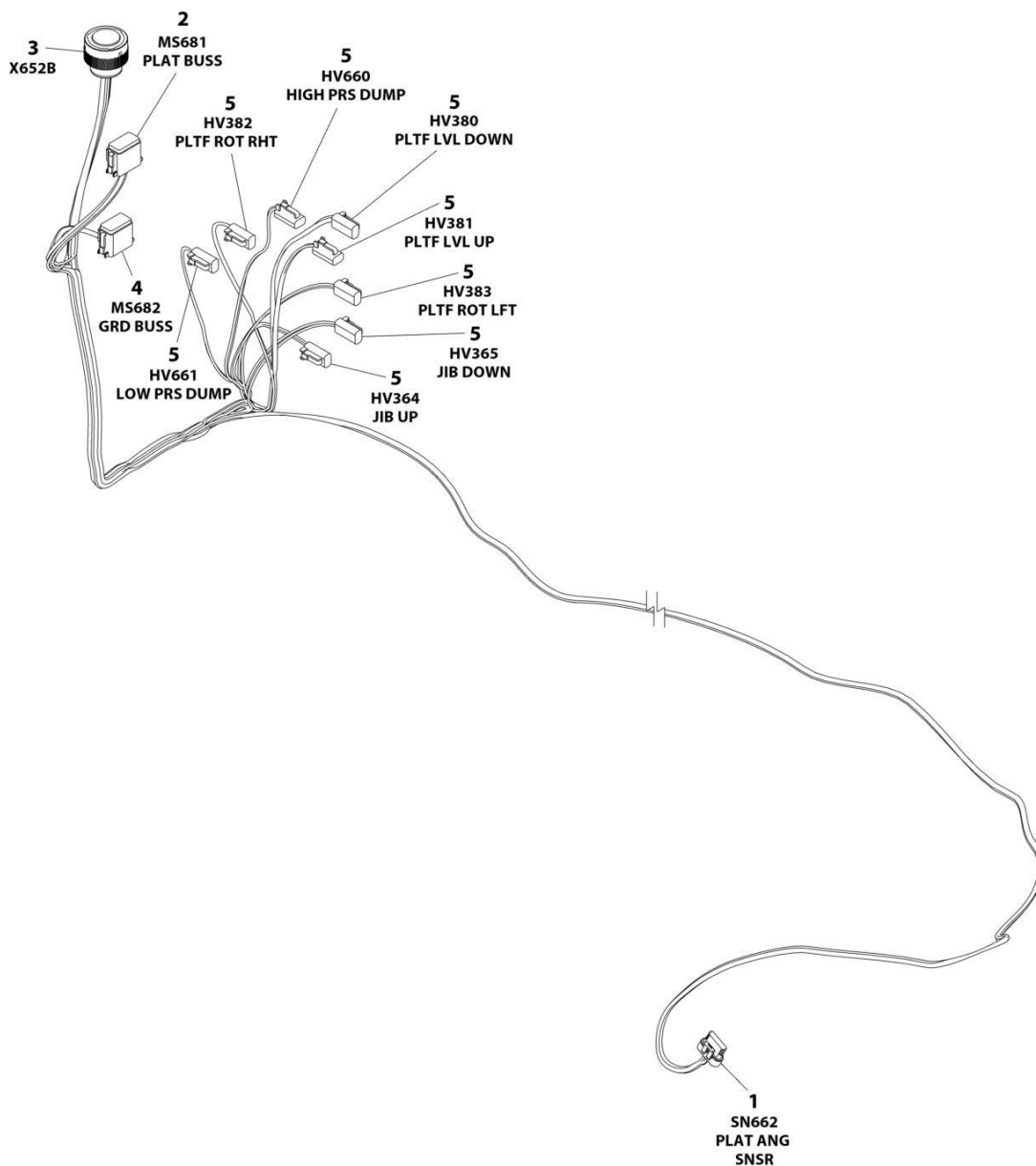
## SECTION 8 - ELECTRICAL

**FIGURE 8-59. PLATFORM VALVE HARNESS (600SC)**

ITEM	PART NUMBER	QTY	DESCRIPTION	REV
	1001191328	Ref	PLATFORM VALVE HARNESS	G
1	1001230931	1	Plug, Male - 6 Position	
1	1001116748	6	Terminal	
2	4460933	1	Plug, Male - 12 Position	
2	4460465	6	Socket, Female	
2	4460466	6	Plug, Terminal	
2	1001125677	1	Connector, Bussbar	
2	1001120328	1	Mount, Connector	
3	4460836	1	Plug, Male - 12 Posiiton	
3	4460465	7	Socket, Female	
3	4460466	5	Plug, Terminal	
3	4460837	1	Connector, Bussbar	
3	1001120328	1	Mount, Connector	
4	4460926	1	Connector - 21 Position	
4	4460465	11	Socket, Female	
4	4460466	10	Plug, Terminal	
5	4460891	6	Plug, Male - 2 Position	
5	4460465	12	Socket, Female	

# SECTION 8 - ELECTRICAL

## FIGURE 8-60. PLATFORM VALVE HARNESS (660SJC)



ART\_1001189111

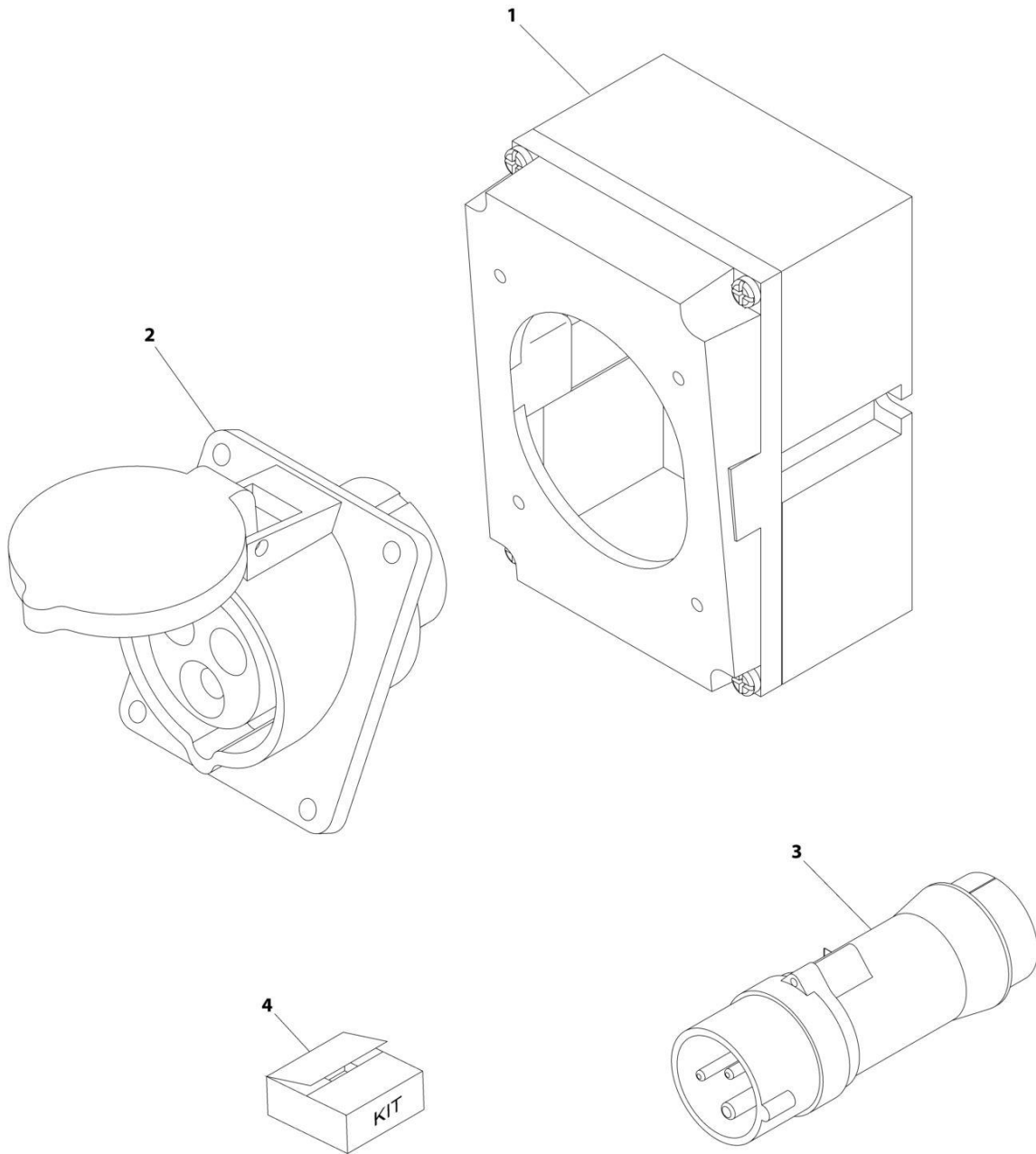
## SECTION 8 - ELECTRICAL

**FIGURE 8-60. PLATFORM VALVE HARNESS (660SJC)**

ITEM	PART NUMBER	QTY	DESCRIPTION	REV
	1001189111	Ref	PLATFORM VALVE HARNESS	K
1	1001230931	1	Plug, Male - 6 Position	
1	1001116748	6	Terminal	
2	4460933	1	Plug, Male - 12 Position	
2	4460465	6	Socket, Female	
2	4460466	6	Plug, Terminal	
2	1001125677	1	Connector, Bussbar	
3	4460926	1	Connector - 21 Position	
3	4460928	13	Socket, Female	
3	4460518	8	Plug, Terminal	
4	4460836	1	Plug, Male - 12 Position	
4	4460465	9	Socket, Female	
4	4460466	3	Plug, Terminal	
4	4460837	1	Connector, Bussbar	
4	1001120328	1	Clip, Mounting	
5	4460891	8	Plug, Male - 2 Position	
5	4460465	16	Socket, Female	

# SECTION 8 - ELECTRICAL

FIGURE 8-61. RECEPTACLE BOX KIT - 110V IEC YELLOW (CE SPEC)



ART\_0275216

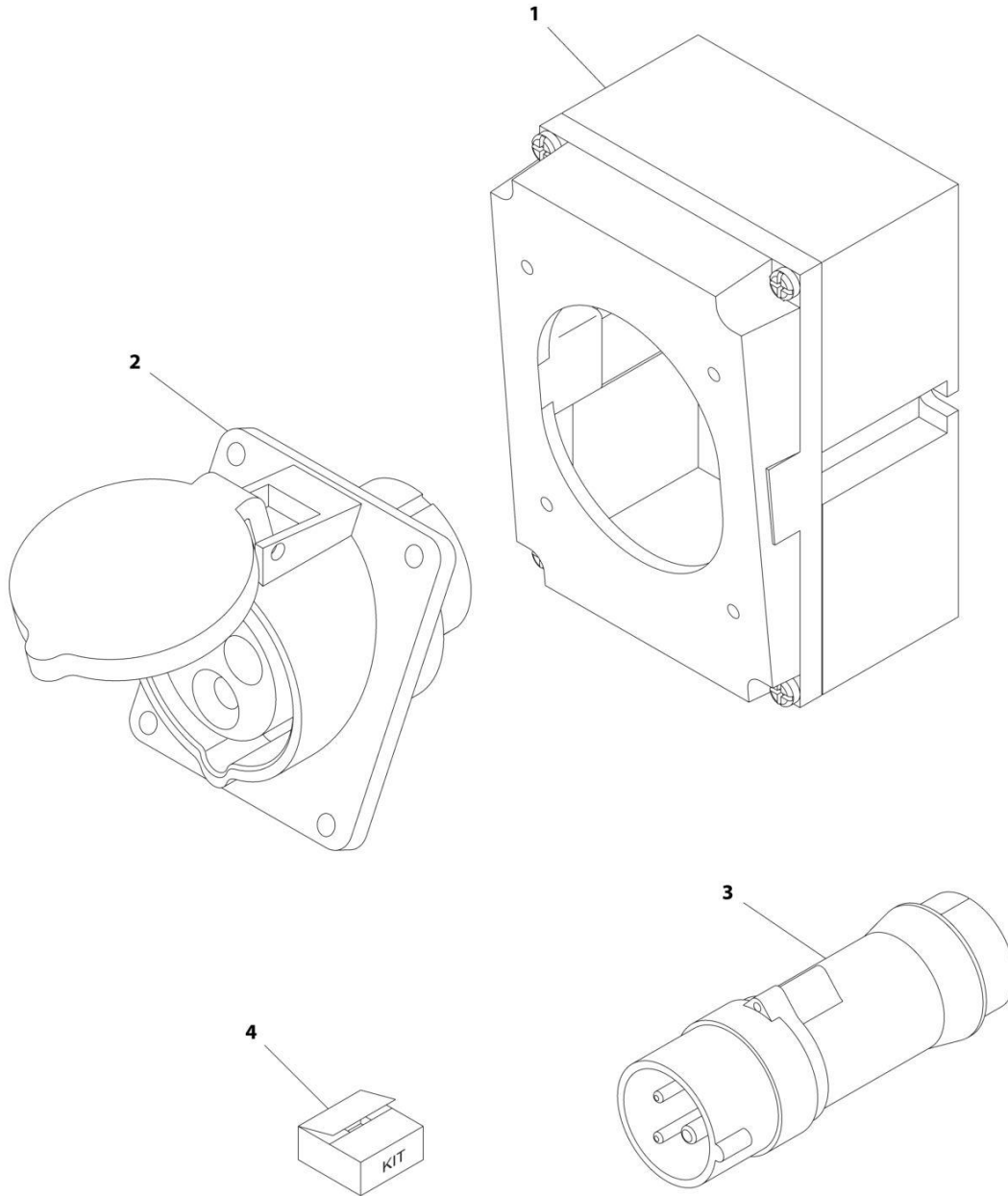
## SECTION 8 - ELECTRICAL

**FIGURE 8-61. RECEPTACLE BOX KIT - 110V IEC YELLOW (CE SPEC)**

ITEM	PART NUMBER	QTY	DESCRIPTION	REV
	0275216	Ref	RECEPTACLE BOX KIT - 110V IEC YELLOW	B
1	0861781	1	Box, Switch	
2	4461198	1	Receptacle	
3	4461196	1	Plug, Male	
4	1001100341	1	Plug and Socket Kit (Includes Items 1-3 and Female Plug p/n 4461197)	

# SECTION 8 - ELECTRICAL

FIGURE 8-62. RECEPTACLE BOX KIT - 220V IEC BLUE (CE SPEC)



ART\_0275217

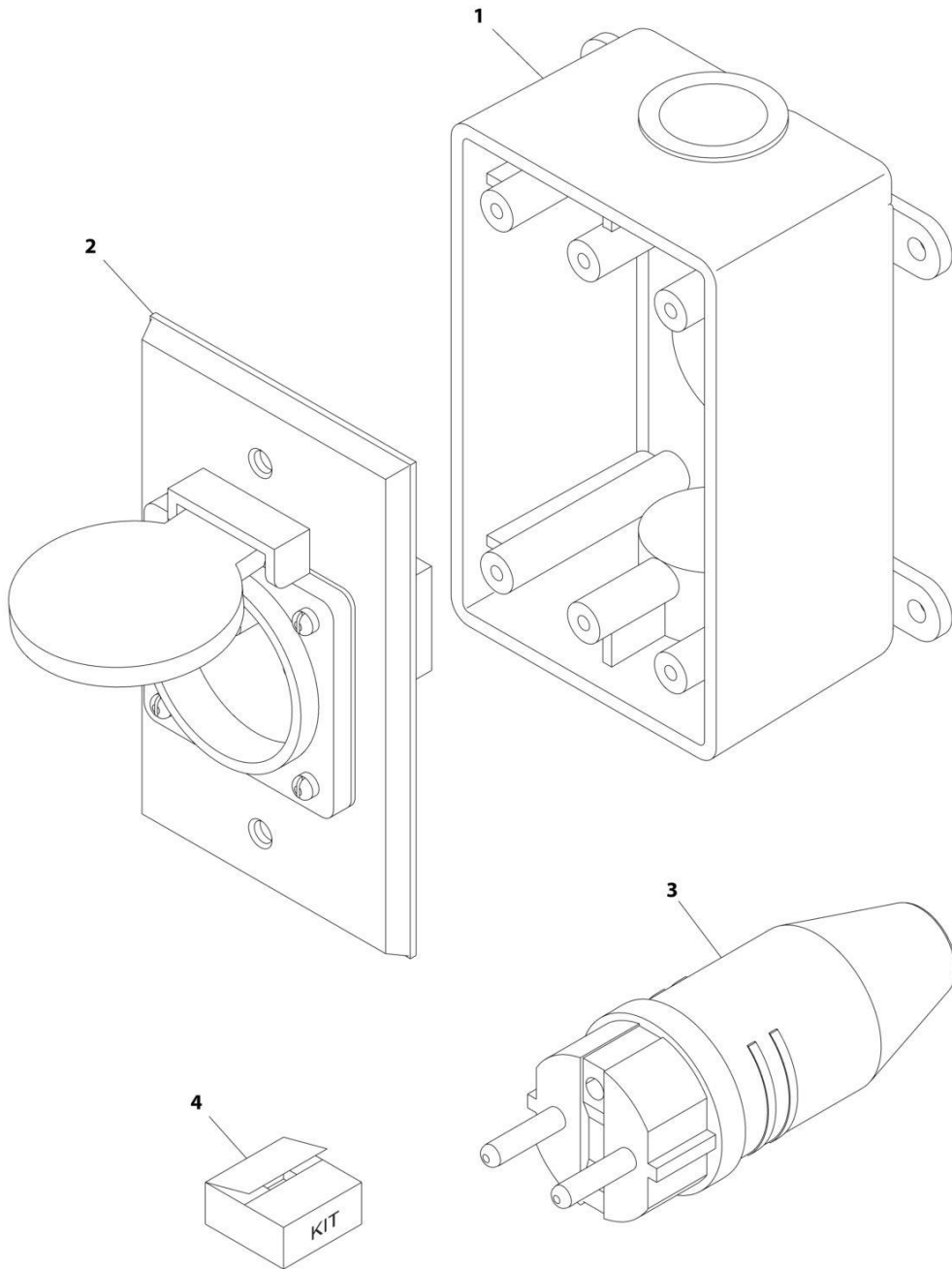
## SECTION 8 - ELECTRICAL

**FIGURE 8-62. RECEPTACLE BOX KIT - 220V IEC BLUE (CE SPEC)**

ITEM	PART NUMBER	QTY	DESCRIPTION	REV
	0275217	Ref	RECEPTACLE BOX KIT - 220V IEC BLUE	B
1	0861781	1	Box, Switch	
2	4461201	1	Receptacle	
3	4461199	1	Plug, Male	
4	1001100342	1	Plug and Socket Kit (Includes Items 1-3 and Female Plug p/n 4461200)	

# SECTION 8 - ELECTRICAL

FIGURE 8-63. RECEPTACLE BOX KIT - 220V CEE7 POST GROUND 2X4 BOX (CE SPEC)



ART\_0275452-C



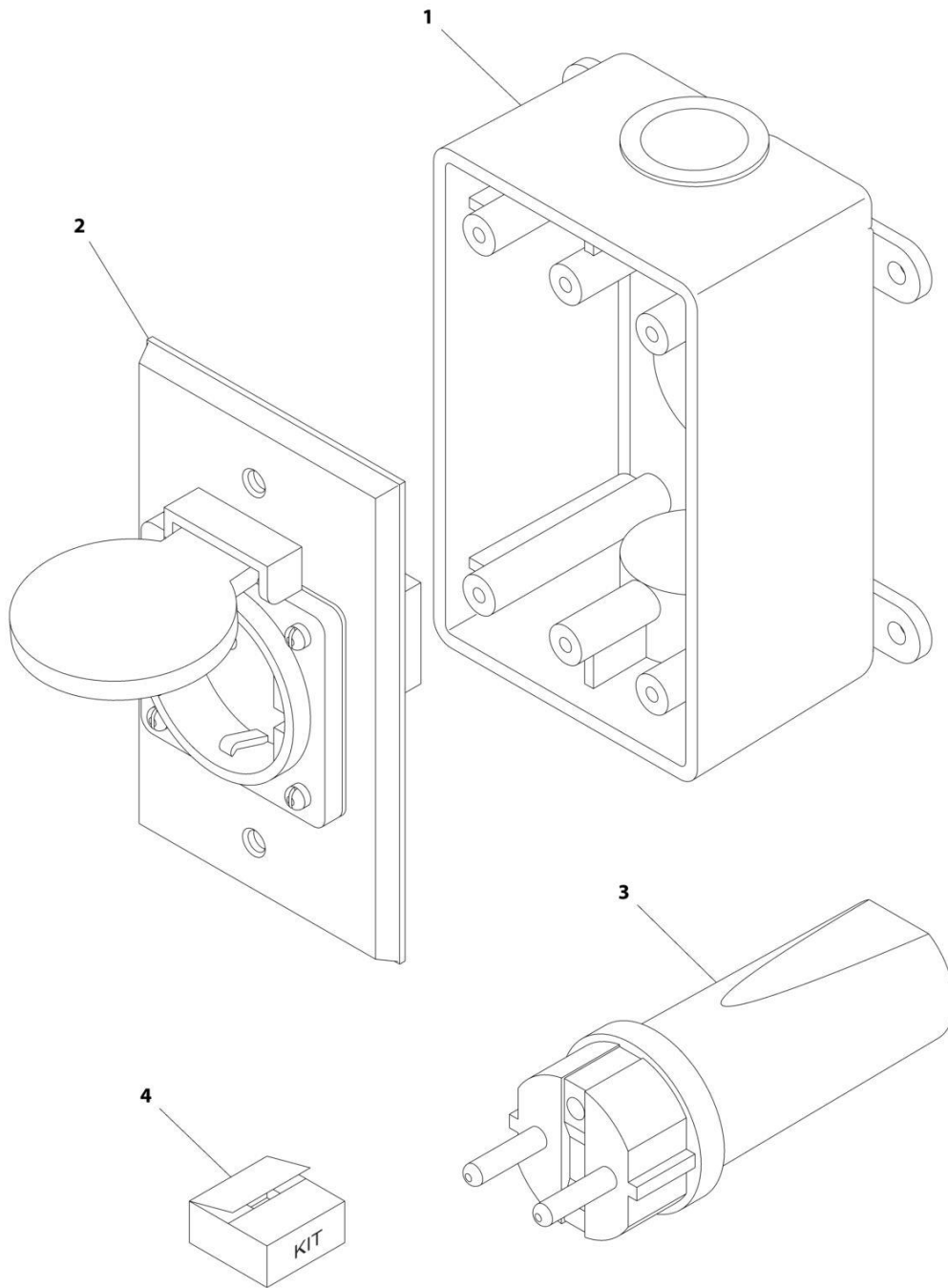
## SECTION 8 - ELECTRICAL

**FIGURE 8-63. RECEPTACLE BOX KIT - 220V CEE7 POST GROUND 2X4 BOX (CE SPEC)**

ITEM	PART NUMBER	QTY	DESCRIPTION	REV
	0275452	Ref	RECEPTACLE BOX KIT - 220V CEE7 POST GROUND 2IN X 4IN BOX	C
1	0861731	1	Box, Switch	
2	4461244	1	Receptacle	
3	4461205	1	Plug, Male	
4	1001100345	1	Plug and Socket Kit (Includes Items 1-3 and Female Plug p/n 4461203)	

# SECTION 8 - ELECTRICAL

FIGURE 8-64. RECEPTACLE BOX KIT - 220V CEE7 SIDE GROUND (CE SPEC)



ART\_0275453

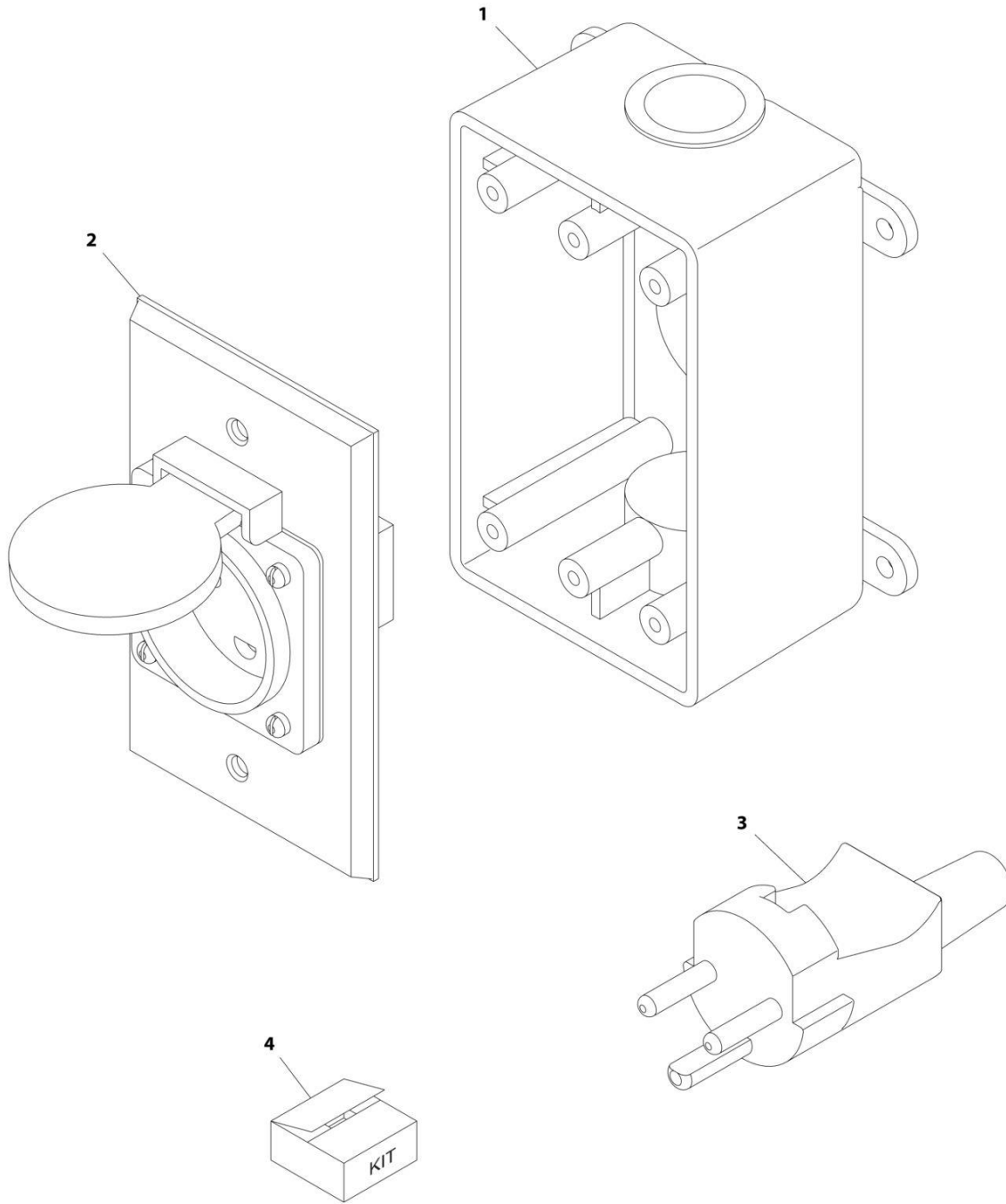
## SECTION 8 - ELECTRICAL

**FIGURE 8-64. RECEPTACLE BOX KIT - 220V CEE7 SIDE GROUND (CE SPEC)**

ITEM	PART NUMBER	QTY	DESCRIPTION	REV
	0275453	Ref	RECEPTACLE BOX KIT - 220V CEE7 SIDE GROUND	B
1	0861731	1	Box, Switch	
2	4461245	1	Receptacle	
3	4461205	1	Plug, Male	
4	1001100347	1	Plug and Socket Kit (Includes Items 1-3 and Female Plug p/n 4461206)	

# SECTION 8 - ELECTRICAL

FIGURE 8-65. RECEPTACLE BOX KIT - 220V AFSINT107 (CE SPEC)



ART\_0275454

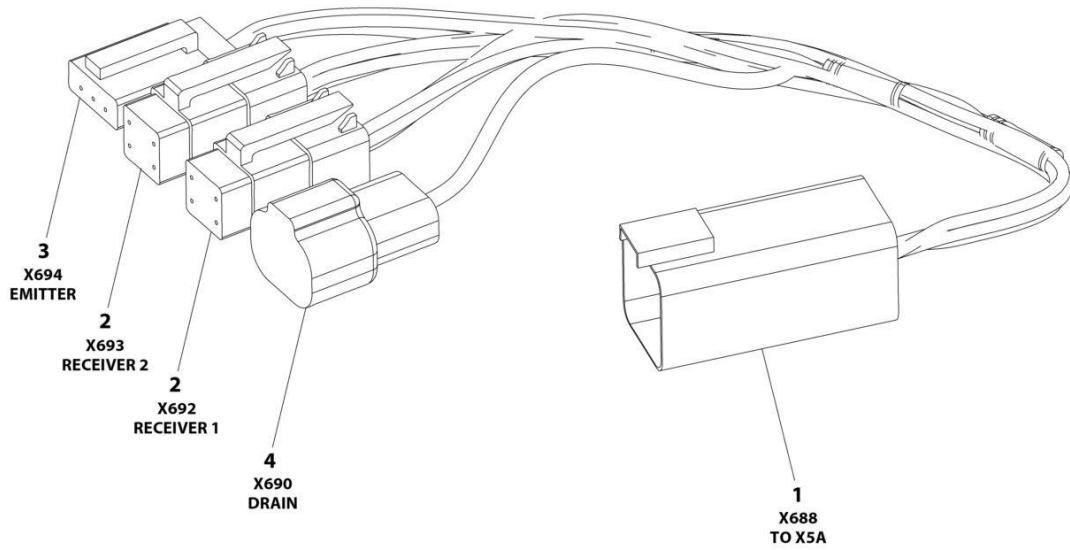
## SECTION 8 - ELECTRICAL

**FIGURE 8-65. RECEPTACLE BOX KIT - 220V AFSINT107 (CE SPEC)**

ITEM	PART NUMBER	QTY	DESCRIPTION	REV
	0275454	Ref	RECEPTACLE BOX KIT - 220V AFSINT 107	B
1	0861731	1	Box, Switch	
2	4461246	1	Receptacle	
3	4461249	1	Plug, Male	
4	1001100346	1	Plug and Socket Kit (Includes Items 1-3 and Female Plug p/n 4461250)	

# SECTION 8 - ELECTRICAL

## FIGURE 8-66. SKYEYE INTERMEDIATE HARNESS



ART\_1001237865

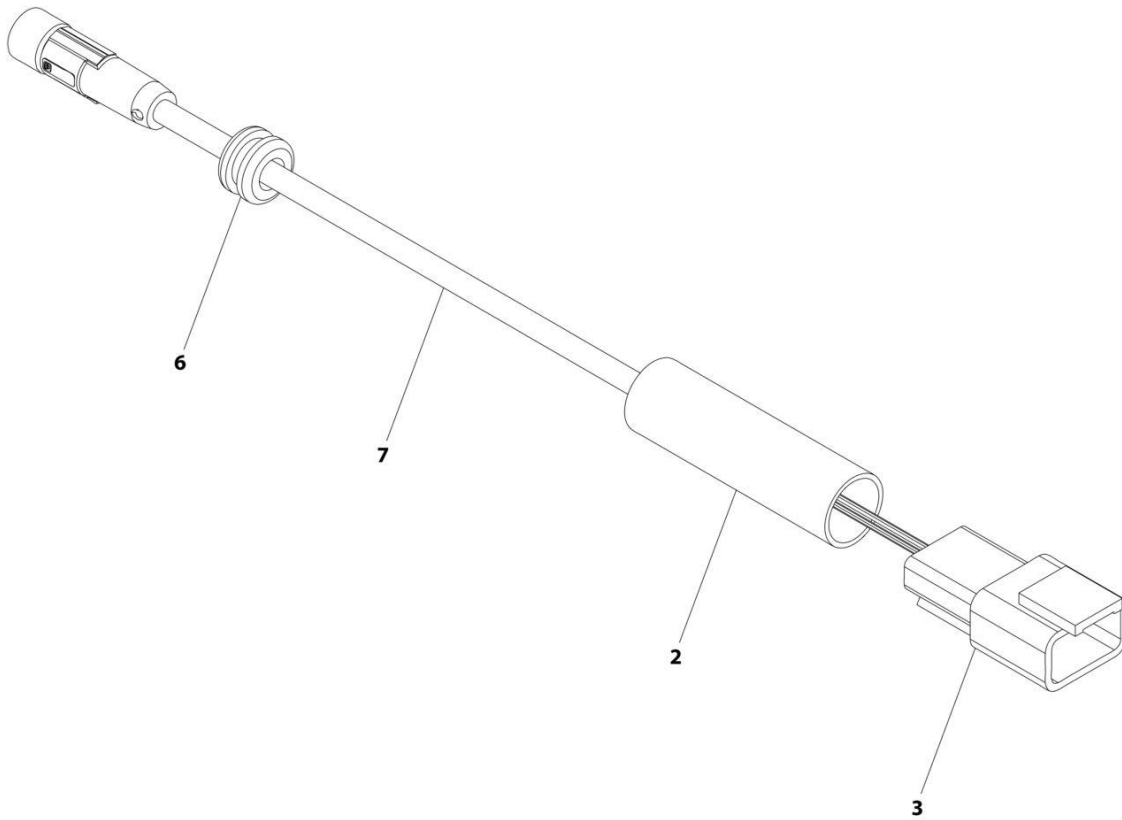
## SECTION 8 - ELECTRICAL

### FIGURE 8-66. SKYEYE INTERMEDIATE HARNESS

ITEM	PART NUMBER	QTY	DESCRIPTION	REV
	1001237865	Ref	SKYEYE INTERMEDIATE HARNESS	A
1	4460899	1	Connector - 6 Position	
1	4460943	4	Pin, Male	
1	4460466	2	Plug, Terminal	
2	4461077	2	Connector - 4 Position	
2	1001119619	8	Socket, Female	
3	4460911	1	Connector - 3 Position	
3	1001119619	3	Socket, Female	
4	1001187681	1	Connector - 2 Position	
4	4460941	1	Pin, Male	
4	4460466	1	Plug, Terminal	

# SECTION 8 - ELECTRICAL

## FIGURE 8-67. SKYEYE EMITTER HARNESS



ART\_1001237864



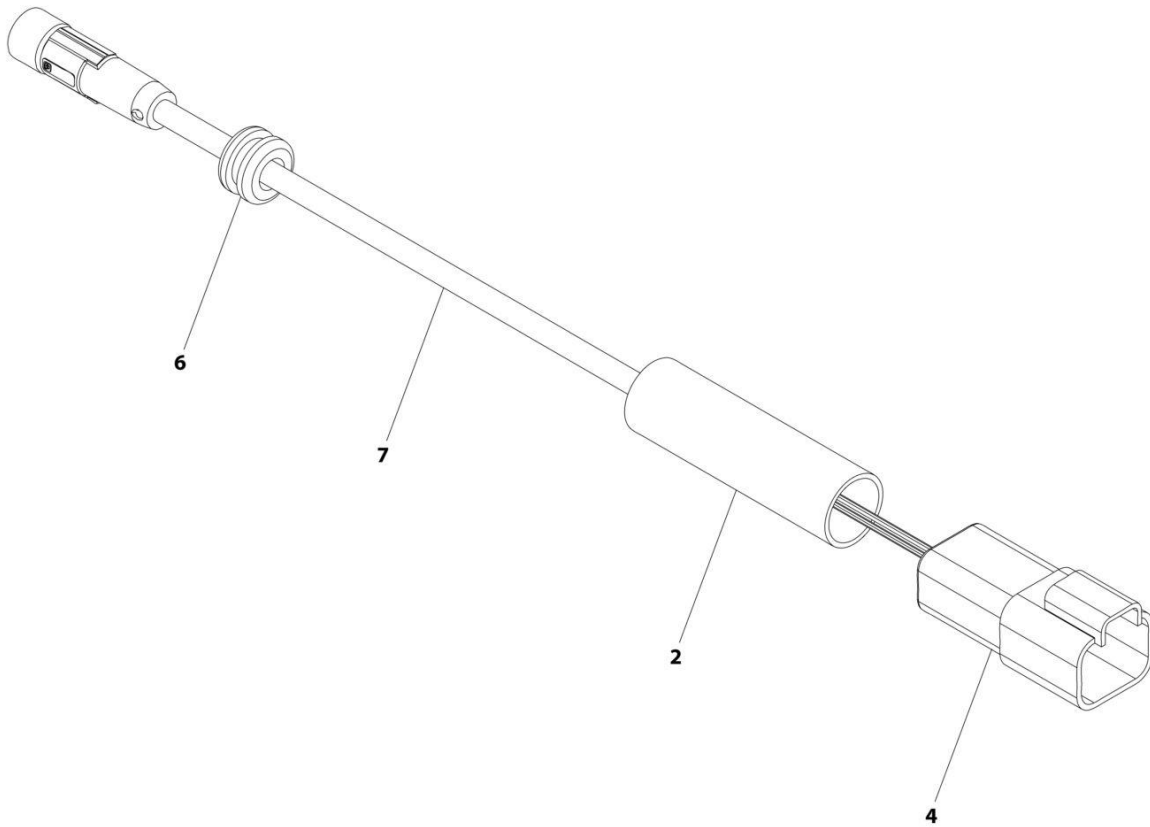
# SECTION 8 - ELECTRICAL

## FIGURE 8-67. SKYEYE EMITTER HARNESS

ITEM	PART NUMBER	QTY	DESCRIPTION	REV
	1001237864	Ref	SKYEYE EMITTER HARNESS	A
2	2820247	AR	Tubing, Heat Shrink	
3	4460910	1	Connector - 3 Position	
3	1001119620	3	Pin, Male	
6	1001227996	1	Grommet	
7	1001237862	1	Cable, M8 Female Cordset	

# SECTION 8 - ELECTRICAL

## FIGURE 8-68. 4. SKYEYE RECEIVER HARNESS



ART\_1001237863

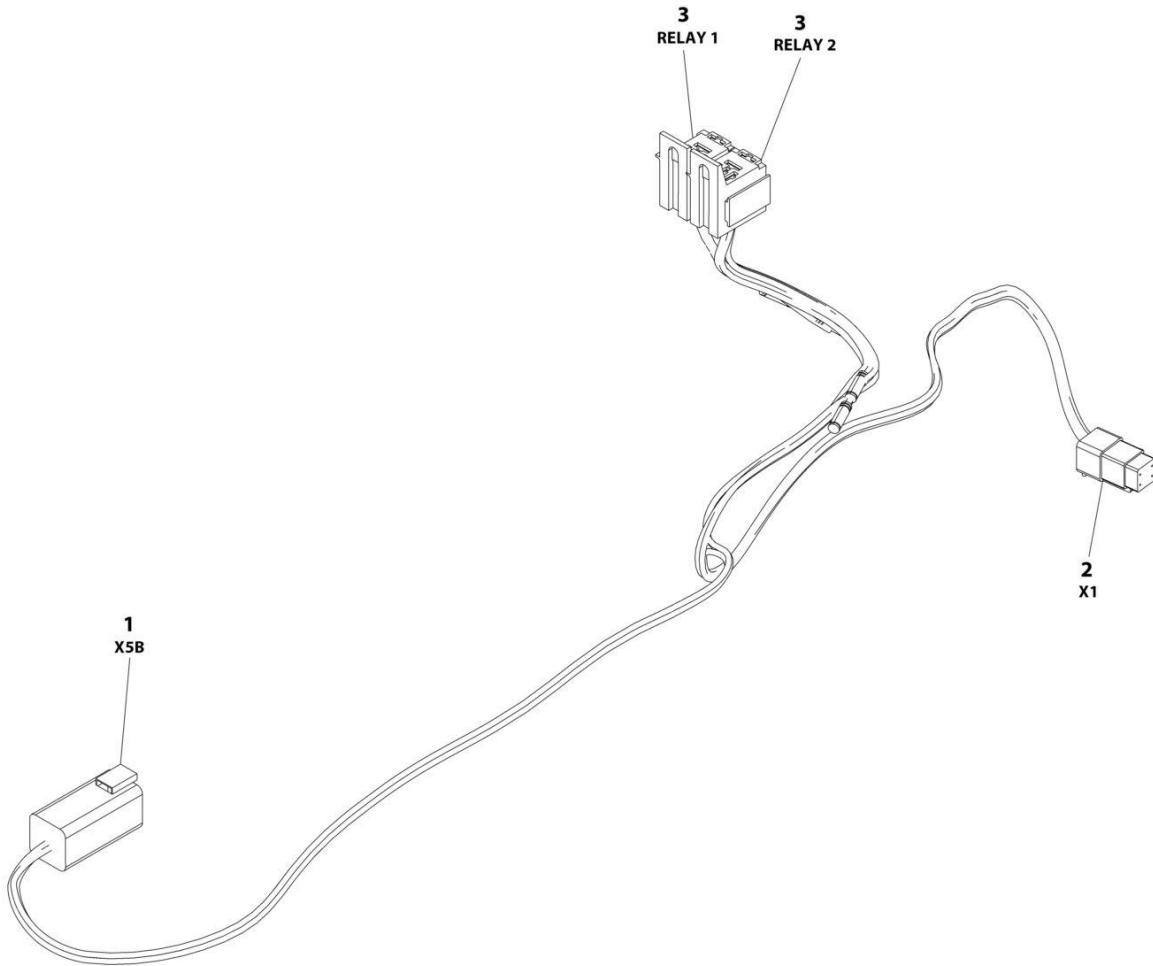
## SECTION 8 - ELECTRICAL

### FIGURE 8-68. 4. SKYEYE RECEIVER HARNESS

ITEM	PART NUMBER	QTY	DESCRIPTION	REV
	1001237863	Ref	SKYEYE RECEIVER HARNESS	A
2	2820247	AR	Tubing, Heat Shrink	
4	1001097051	1	Connector - 4 Position	
4	1001119620	4	Pin, Male	
6	1001227996	1	Grommet	
7	1001237862	1	Cable, M8 Female Cordset	

# SECTION 8 - ELECTRICAL

## FIGURE 8-69. SKYLINE HARNESS



ART\_1001238418

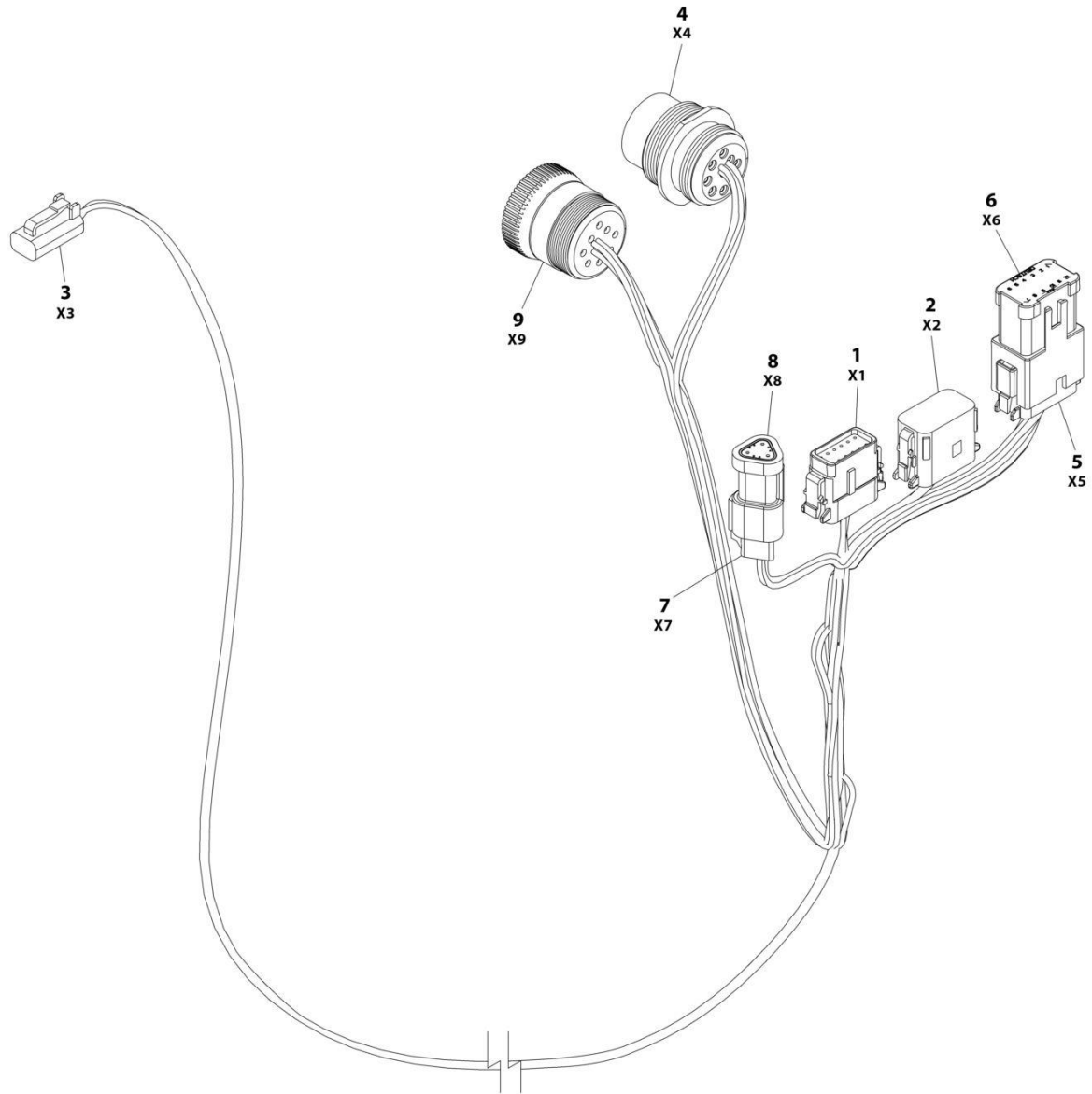
# SECTION 8 - ELECTRICAL

## FIGURE 8-69. SKYLINE HARNESS

ITEM	PART NUMBER	QTY	DESCRIPTION	REV
	1001238418	Ref	SKYLINE HARNESS	B
1	4460899	1	Connector - 6 Position	
1	4460464	4	Pin, Male	
1	4460466	2	Plug, Terminal	
2	4461077	1	Connector - 4 Position	
2	1001126009	4	Socket, Female	
3	1001186432	2	Plug, Relay	
3	1001118388	5	Terminal	
3	1001118384	3	Terminal	
3	3740086	2	Relay	

# SECTION 8 - ELECTRICAL

## FIGURE 8-70. STROBE LIGHT CONTROL HARNESS (BLUE LIGHT)



ART\_1001142736

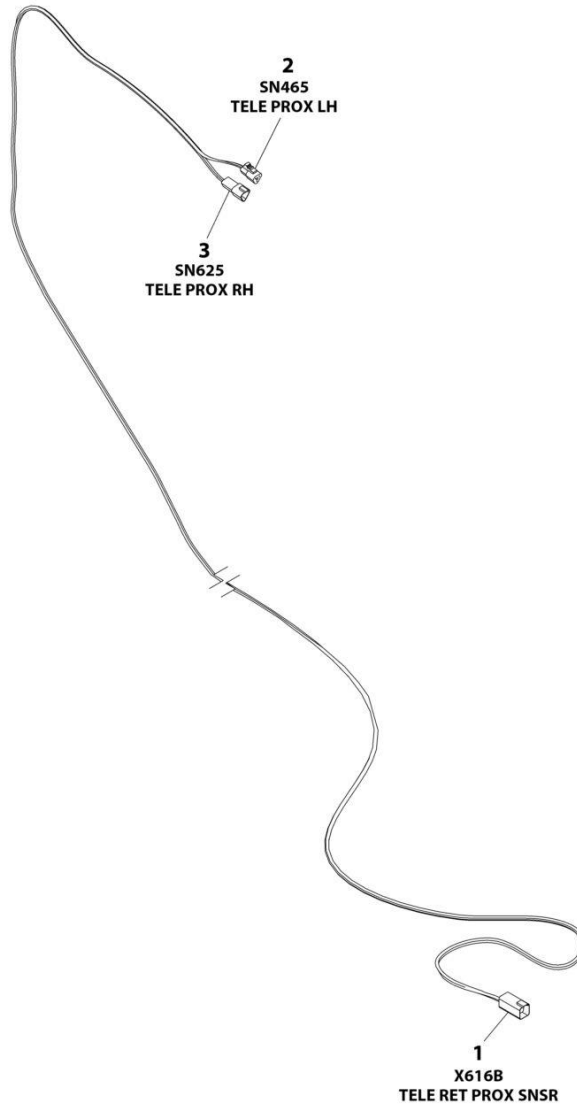
## SECTION 8 - ELECTRICAL

**FIGURE 8-70. STROBE LIGHT CONTROL HARNESS (BLUE LIGHT)**

ITEM	PART NUMBER	QTY	DESCRIPTION	REV
	1001142736	Ref	STROBE LIGHT HARNESS	F
1	1001116808	1	Plug, Male - 12 Position	
1	4460928	3	Socket, Female	
1	4460518	9	Plug, Terminal	
2	1001116774	1	Plug, Male - 12 Position	
2	4460928	3	Socket, Female	
2	4460518	9	Plug, Terminal	
3	4460891	1	Plug, Male - 2 Position	
3	4460465	2	Socket, Female	
4	1001112612	1	Connector - 9 Position	
4	4460464	6	Pin, Male	
4	4460466	3	Plug, Terminal	
5	4460933	1	Plug, Male - 12 Position	
5	4460465	12	Socket, Female	
6	1001119020	1	Bussbar - 12 Position	
7	4461095	1	Plug, Male - 3 Position	
7	4460465	3	Socket, Female	
8	4461070	1	Bussbar - 3 Position	
9	1001112796	1	Connector - 9 Position	
9	4460465	6	Socket, Female	
9	4460466	3	Plug, Terminal	

# SECTION 8 - ELECTRICAL

## FIGURE 8-71. TELE PROXIMITY HARNESS



ART\_1001189003



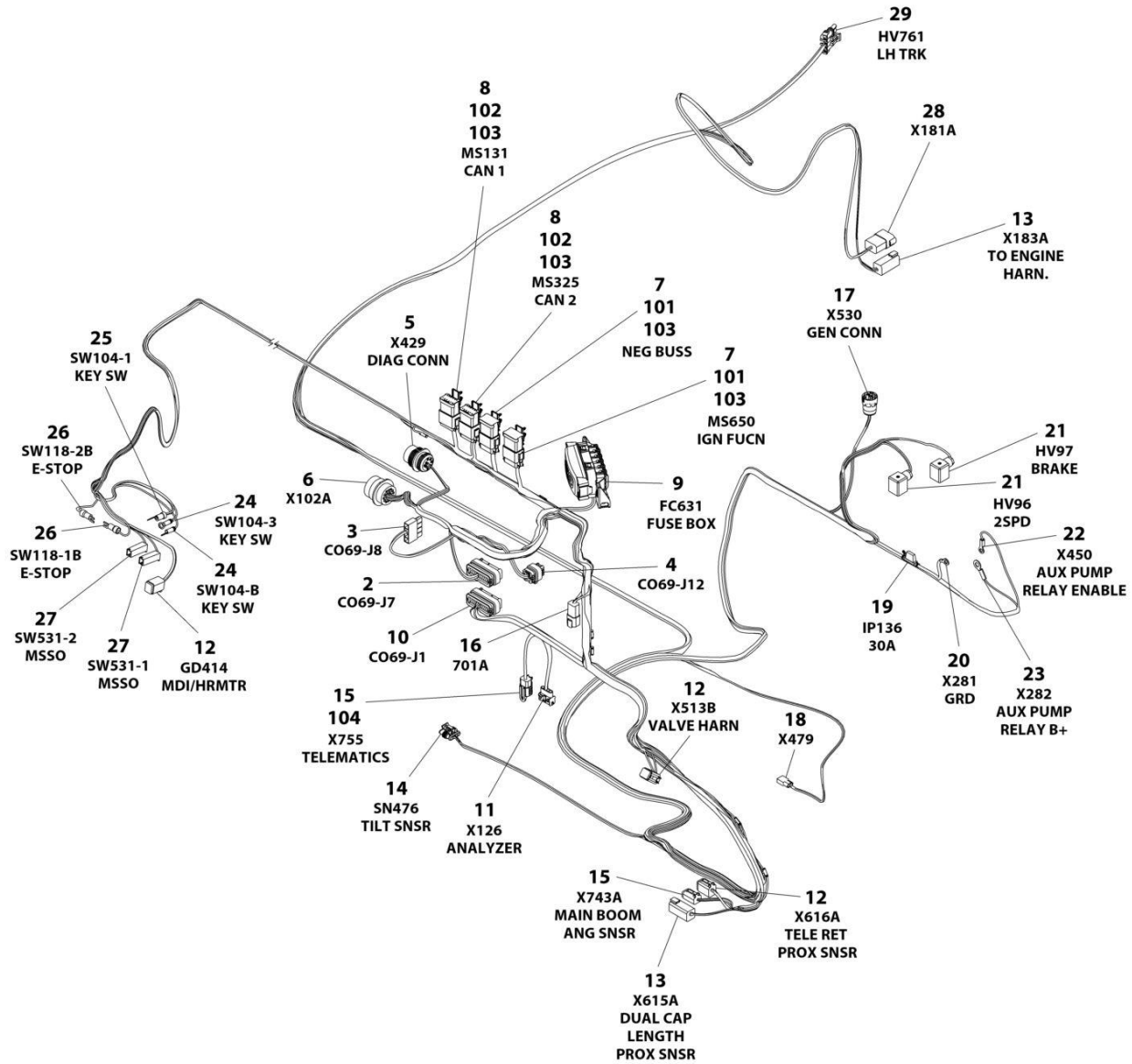
## SECTION 8 - ELECTRICAL

### FIGURE 8-71. TELE PROXIMITY HARNESS

ITEM	PART NUMBER	QTY	DESCRIPTION	REV
	1001189003	Ref	TELE PROXIMITY HARNESS	E
1	4460899	1	Receptacle, Female - 6 Position	
1	4460464	6	Pin, Male	
2	4460539	1	Plug, Male - 3 Position	
2	4460465	3	Socket, Female	
3	4460536	1	Receptacle, Female - 3 Position	
3	4460464	3	Pin, Male	

# SECTION 8 - ELECTRICAL

## FIGURE 8-72. TURNTABLE HARNESS



ART\_1001215304

# SECTION 8 - ELECTRICAL

## FIGURE 8-72. TURNTABLE HARNESS

ITEM	PART NUMBER	QTY	DESCRIPTION	REV
	1001215304	Ref	TURNTABLE HARNESS	D
2	4460873	1	Connector - 35 Position	
2	4460871	26	Socket, Female	
2	4460905	9	Plug, Terminal	
3	4460878	1	Plug, Male - 4 Position	
3	4460887	3	Socket, Female	
3	4461271	1	Socket, Female	
4	1001113961	1	Connector - 8 Position	
4	4460871	5	Socket, Female	
4	4460905	3	Plug, Terminal	
5	1001112612	1	Connector - 9 Position	
5	4460464	5	Pin, Male	
5	4460466	4	Plug, Terminal	
6	4460866	1	Connector - 19 Position	
6	4460464	7	Pin, Male	
6	4460508	2	Pin, Male	
6	4460943	2	Pin, Male	
6	4460466	7	Plug, Terminal	
7	4460836	2	Plug, Male - 12 Position	
7	4460465	12	Socket, Female	
7	4460466	12	Plug, Terminal	
8	4460933	2	Plug, Male - 12 Position	
8	4460944	14	Socket, Female	
8	4460466	10	Plug, Terminal	
9	1001185964	1	Box, Fuse Less Fuses	
9	1001196635	1	Fuse 3Amp	
9	8229242	3	Fuse 5Amp	
9	8229244	2	Fuse 15Amp	
9	1001095704	1	Relay	
9	1001129285	2	Diode	
9	1001116728	14	Terminal	
9	4460458	14	Seal, Terminal	
9	8220125	7	Terminal	
9	80963067	7	Seal, Terminal	
9	4460748	27	Plug, Terminal	
10	4460874	1	Connector - 35 Position	
10	4460871	18	Socket, Female	
10	4460905	17	Plug, Terminal	
11	1001119032	1	Receptacle, Female - 4 Position	
11	1001118378	4	Pin, Male	
12	4460894	3	Plug, Male - 6 Position	
12	4460465	10	Socket, Female	
12	4460464	2	Pin, Male	
12	4460466	6	Plug, Terminal	
13	4460899	2	Receptacle, Female - 6 Position	
13	4460464	8	Pin, Male	
14	1001103012	1	Plug, Male - 4 Position	
14	1001107854	4	Terminal	
14	1001104498	4	Seal, Terminal	
15	4460884	2	Plug, Male - 4 Position	

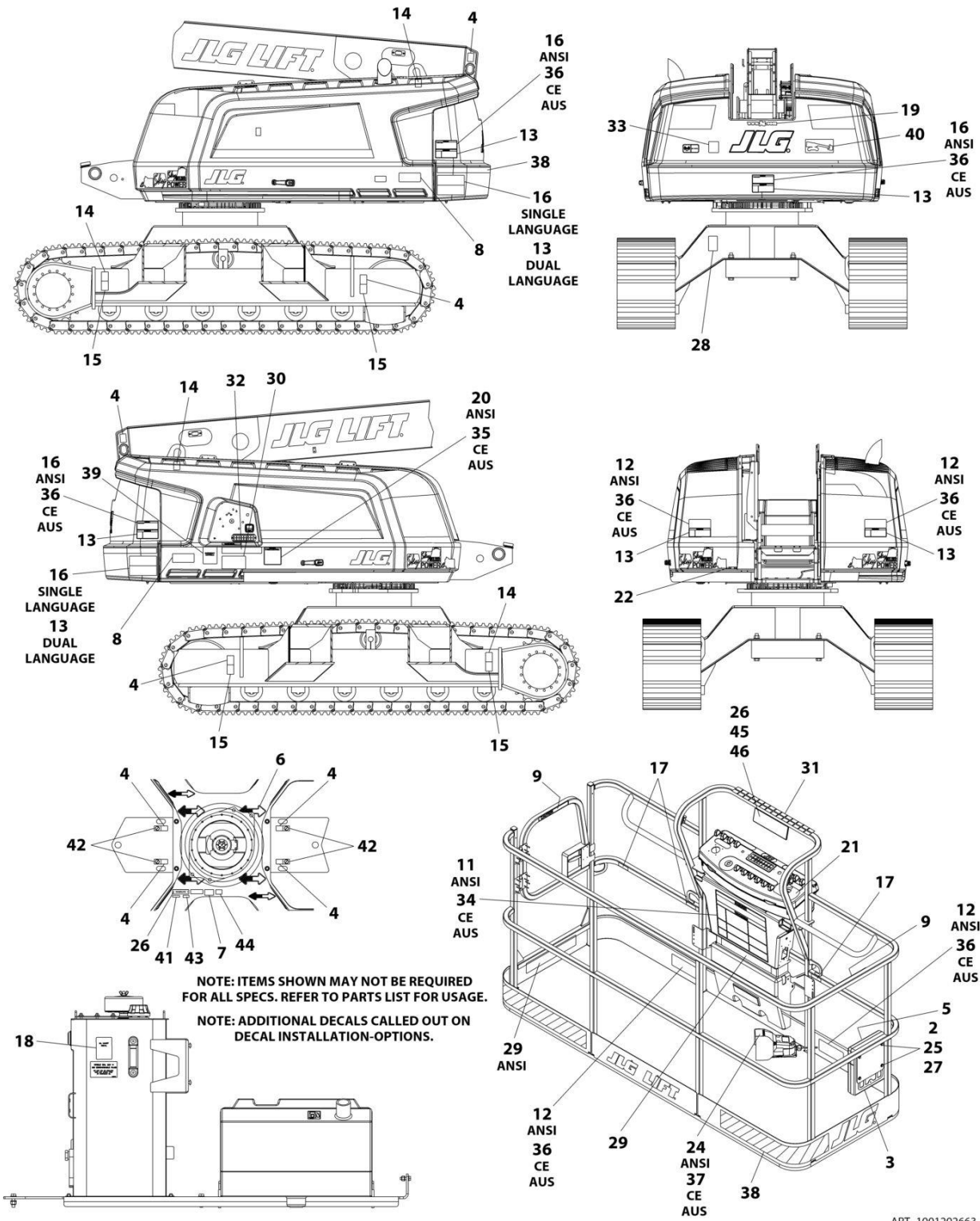
## SECTION 8 - ELECTRICAL

ITEM	PART NUMBER	QTY	DESCRIPTION	REV
15	4460465	8	Socket, Female	
16	4460932	1	Receptacle, Female - 4 Position	
16	4460464	4	Pin, Male	
17	4460967	1	Plug, Male - 3 Position	
17	4460465	3	Socket, Female	
18	4460424	1	Receptacle, Female - 2 Position	
18	4460226	6	Socket, Female	
19	1001172064	1	Fuseholder (Includes Cover)	
19	8229245	1	Fuse 30Amp <b>(SN 0300236299 through 0300246304)</b>	
19	1001172065	1	Fuse 30Amp <b>(SN 0300246304 through 0300272446)</b>	
20	4460312	1	Terminal, Ring	
21	4460880	2	Connector, DIN	
22	4460043	1	Terminal, Ring	
23	8220045	1	Terminal, Ring	
24	4460247	2	Terminal, Ring	
25	4460042	1	Terminal, Ring	
26	4460183	2	Terminal, Ring	
27	4460260	2	Cover, Terminal	
27	4460259	2	Terminal	
28	4460931	2	Receptacle, Female - 8 Position	
28	4460464	3	Pin, Male	
28	4460466	5	Plug, Terminal	
29	4460460	1	Receptacle, Female - 4 Position	
29	4460457	4	Terminal	
101	4460837	2	Connector, Bussbar	
102	1001125677	2	Connector, Bussbar	
103	1001121172	4	Mount, Connector	
104	1001192401	1	Cap, Dust	

**SECTION 9 - DECALS**

# SECTION 9 - DECALS

## FIGURE 9-1. DECAL INSTALLATION - 600SC (ANSI SPECS - ENGLISH LANGUAGE)



ART\_1001202663

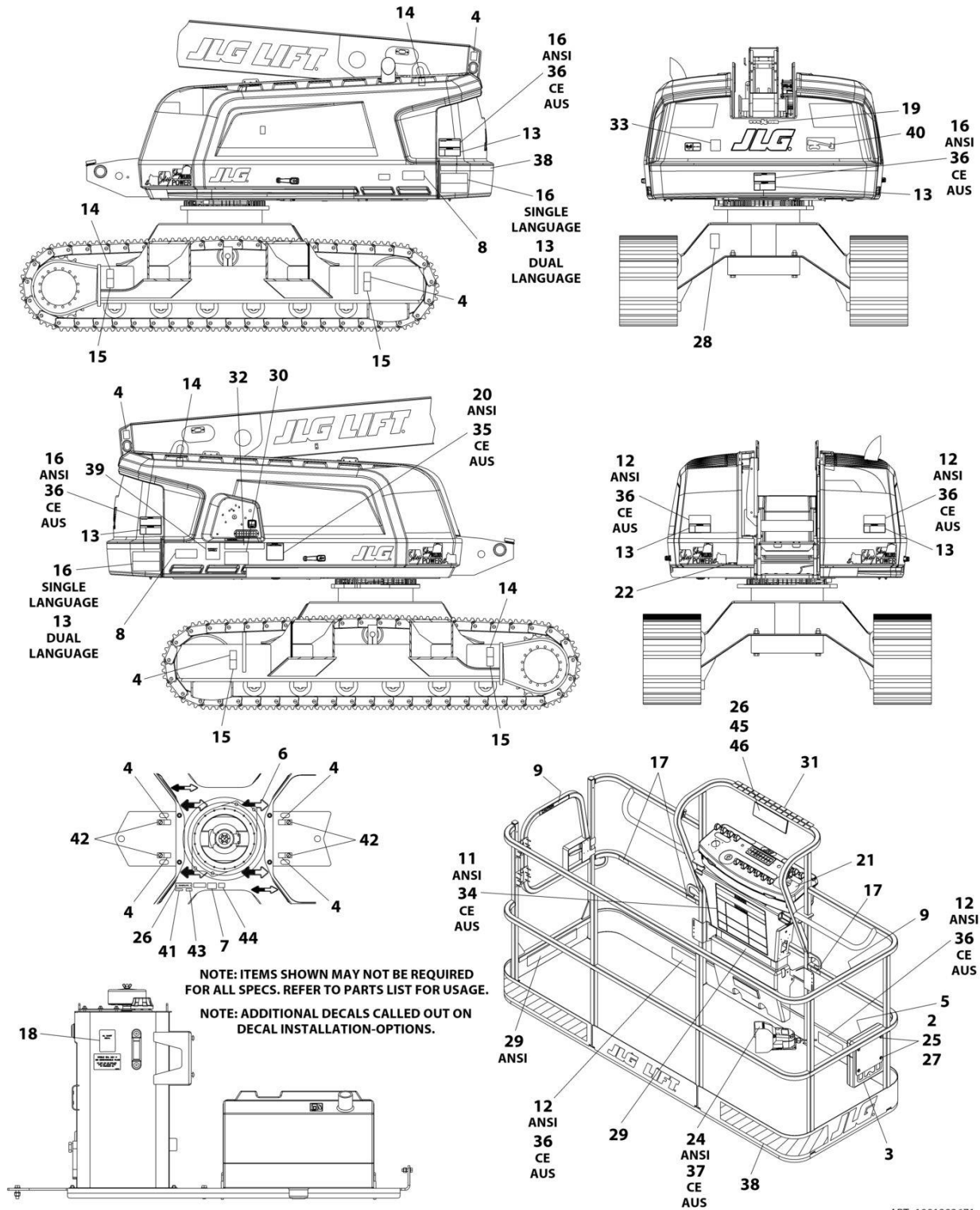
## SECTION 9 - DECALS

**FIGURE 9-1. DECAL INSTALLATION - 600SC (ANSI SPECS - ENGLISH LANGUAGE)**

ITEM	PART NUMBER	QTY	DESCRIPTION	REV
	1001202663	Ref	DECAL INSTALLATION	E
2	0700610	4	Bolt M6 x 20	
3	91403230	1	Box, Manual Storage	
4	1701499	4	Decal - No Tie Down/Lift	
5	1701509	1	Decal - Manual	
6	1701529	6	Decal - Arrow	
7	See Note	NSS	Decal - Bar Code (Note: Not Available for Purchase)	
8	1704434	2	Decal - 600SC	
9	1702868	2	Decal - No Hands	
11	1703797	1	Decal - Danger/Warning	
12	1703804	4	Decal - Warning/Crushing	
13	1703805	5	Decal - Electrocution	
14	1703811	4	Decal - Lifting Lug	
15	1703814	4	Decal - Tie Down	
16	1703953	3	Decal - Warning/Crushing	
17	1704277	3	Decal - Lanyard Attach Graphic	
18	1704412	1	Decal - Hydraulic Oil	
19	1704885	1	Decal - Website	
20	1705336	1	Decal - Danger/Warning	
21	1705351	1	Decal - Drive/Steer Instruction	
22	3251243	1	Decal - 120V/60Hz	
24	3252347	1	Nameplate - Footswitch	
25	3290605	4	Nut M6	
26	3820001	5	Rivet	
27	4811700	8	Washer M6	
28	1001131269	1	Decal - Patent	
29	1001171335	1	Decal - Warning Dual Capacity	
30	1001171336	1	Decal - Warning Dual Capacity	
31	1001225647	1	Decal - Legend	
32	1001174313	1	Decal - Legend	
40	1001228613	1	Decal - Lift Diagram	
41	1705514	1	Decal - CSA	
43	1001228370	1	Decal - Ices (Canada) <b>(SN 0300236299 through 0300241926)</b>	
43	1001223453	1	Decal - Ices (Canada) <b>(SN 0300241927 through 0300272446)</b>	
44	1001223055	1	Decal - Inspection	
45	3572044	1	Plate, Mounting	
46	1704468	1	Decal - Machine Motion Hazard	

# SECTION 9 - DECALS

## FIGURE 9-2. DECAL INSTALLATION - 600SC (BRAZIL SPECS - PORTUGUESE/SPANISH LANGUAGES)



ART\_1001202671



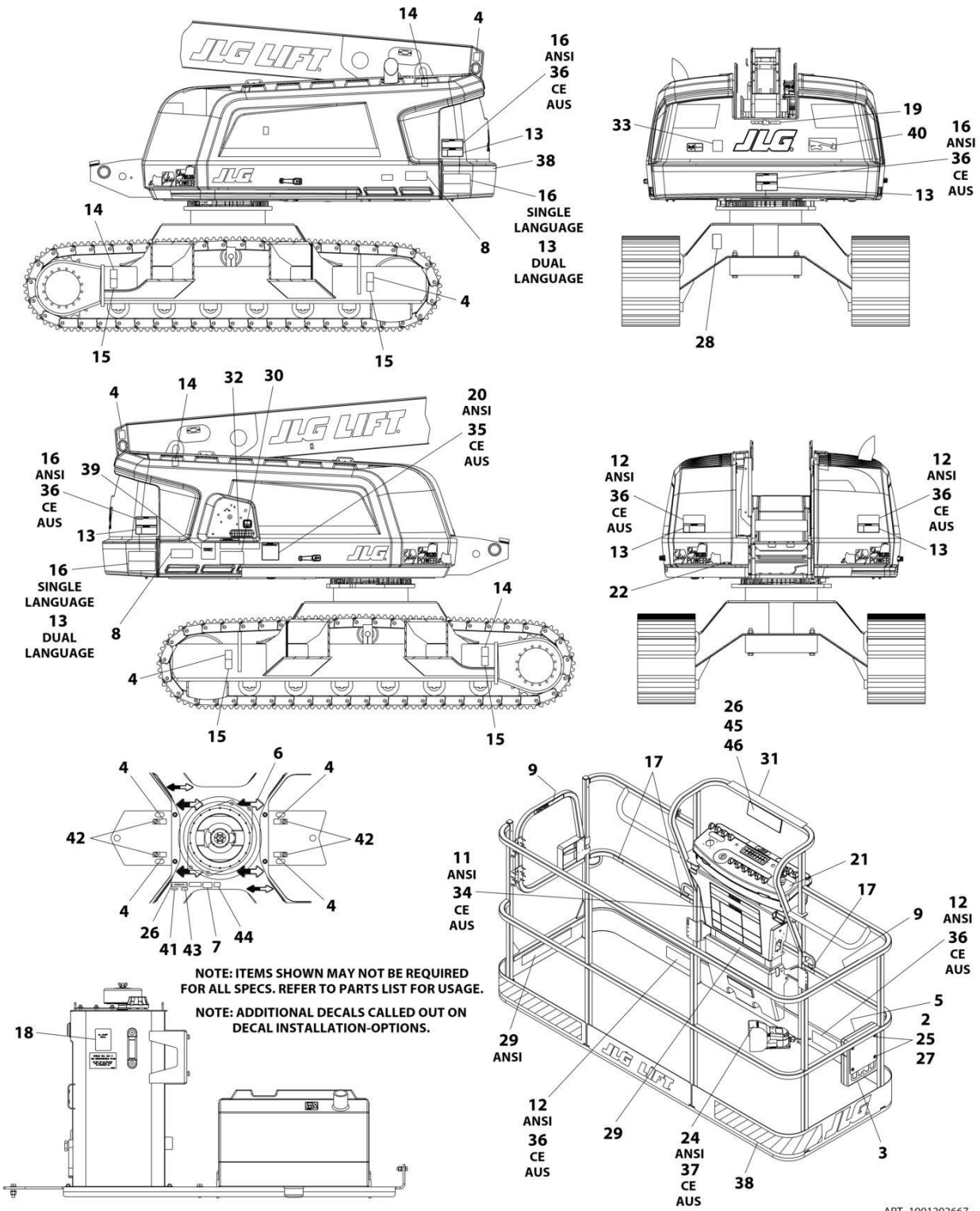
## SECTION 9 - DECALS

**FIGURE 9-2. DECAL INSTALLATION - 600SC (BRAZIL SPECS - PORTUGUESE/SPANISH LANGUAGES)**

ITEM	PART NUMBER	QTY	DESCRIPTION	REV
	1001202671	Ref	DECAL INSTALLATION	D
2	0700610	4	Bot M6 x 20	
3	91403230	1	Box, Manual Storage	
4	1701499	4	Decal - No Tie Down/Lift	
5	1701509	1	Decal - Manual	
6	1701529	6	Decal - Arrow	
7	See Note	NSS	Decal - Bar Code (Note: Not Available For Purchase)	
8	1704434	2	Decal - 600SC	
9	1704002	2	Decal - No Hands	
11	1703928	1	Decal - Danger/Warning	
12	1703952	4	Decal - Warning/Crushing	
13	1703940	5	Decal - Electrocution	
14	1703811	4	Decal - Lifting Lug	
15	1703814	4	Decal - Tie Down	
16	1703946	3	Decal - Warning/Crushing	
17	1704277	3	Decal - Lanyard Attach Graphic	
18	1704412	1	Decal - Hydraulic Oil	
19	1704885	1	Decal - Website	
20	1705349	1	Decal - Warning/Inspection	
21	1001113680	1	Decal - Drive/Steer Instruction	
22	3251243	1	Decal - 120V/60Hz	
24	1703985	1	Nameplate - Footswitch	
25	3290605	4	Nut M6	
26	3820001	5	Rivet	
27	4811700	8	Washer M6	
29	1001171359	2	Decal - Warning Dual Capacity	
30	1001171360	1	Decal - Warning Dual Capacity	
31	1001225647	1	Decal - Legend	
32	1001174313	1	Decal - Legend	
40	1001215615	1	Decal - Lift Diagram	
44	1001224052	1	Decal - Inspection	
45	1001093553	1	Plate, Mounting	
46	1001233313	1	Decal - Machine Motion Hazard	

# SECTION 9 - DECALS

## FIGURE 9-3. DECAL INSTALLATION - 600SC (CE SPECS - ENGLISH LANGUAGE)



ART\_1001202667

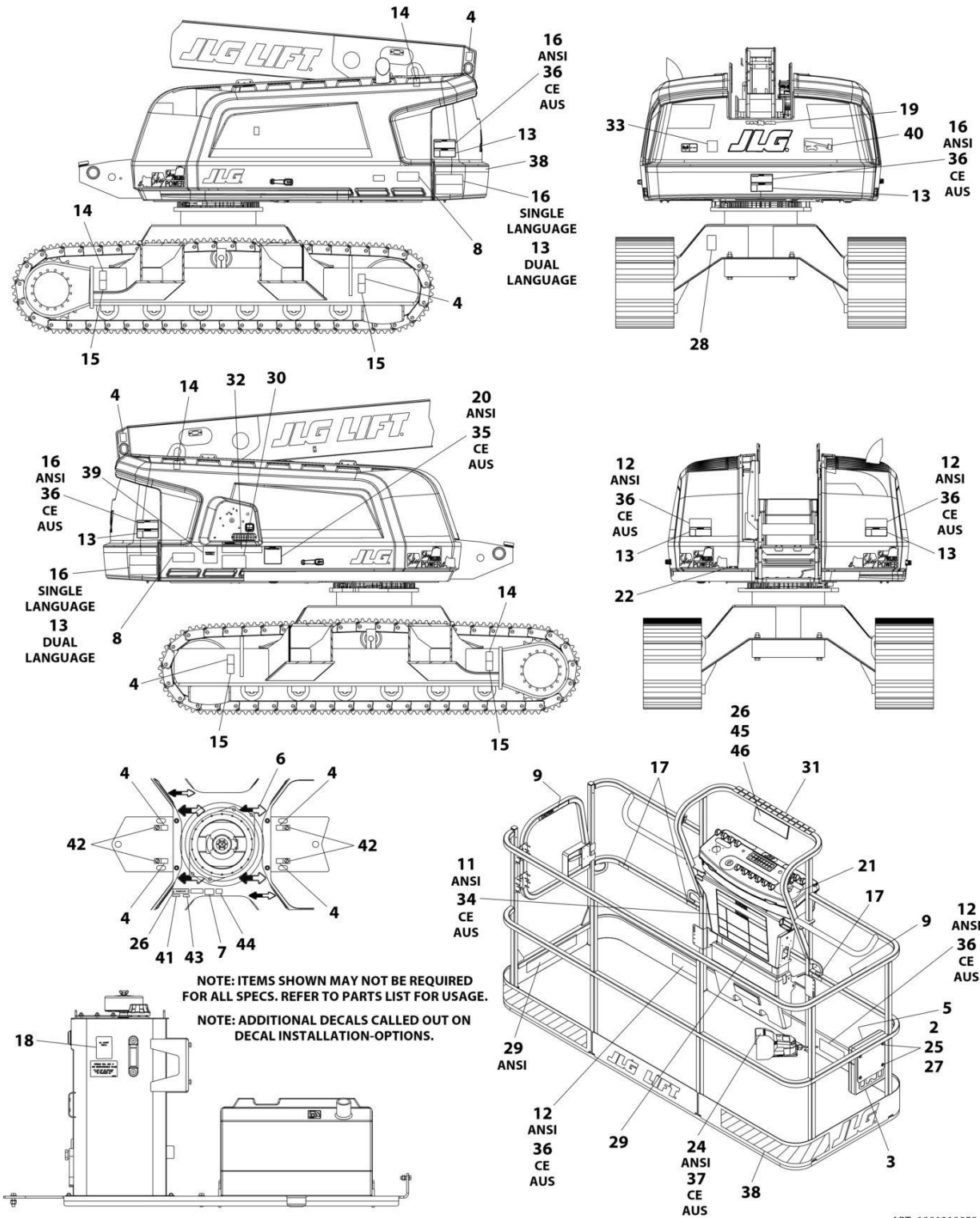
## SECTION 9 - DECALS

**FIGURE 9-3. DECAL INSTALLATION - 600SC (CE SPECS - ENGLISH LANGUAGE)**

ITEM	PART NUMBER	QTY	DESCRIPTION	REV
	1001202667	Ref	DECAL INSTALLATION	E
2	0700610	4	Bolt M6 x 20	
3	91403230	1	Box, Manual Storage	
4	1701499	4	Decal - No Tie Down/Lift	
5	1701509	1	Decal - Manual	
6	1701529	6	Decal - Arrow	
7	See Note	NSS	Decal - Bar Code (Note: Not Available For Purchase)	
8	1704434	2	Decal - 600SC	
13	1705961	5	Decal - Electrocution	
14	1703811	4	Decal - Lifting Lug	
15	1703814	4	Decal - Tie Down	
17	1704277	3	Decal - Lanyard Attach Graphic	
18	1704412	1	Decal - Hydraulic Oil	
25	3290605	4	Nut M6	
26	3820001	2	Rivet	
27	4811700	8	Washer M6	
29	1001185237	1	Decal - Warning Maximum Capacity	
30	1001185237	1	Decal - Warning Maximum Capacity	
34	1705921	1	Decal - Tipping/Electrocution	
35	1705822	1	Decal - Electrocution/Safety Manual	
36	1701518	7	Decal - Crushing	
37	1705828	1	Nameplate - Footswitch	
38	4420051	208 in/ 5.3m	Tape, Safety	
40	1001228613	1	Decal - Lift Diagram	
57	1001159323	2	Decal - JLG	
59	1702773	3	Decal - JLG	

# SECTION 9 - DECALS

## FIGURE 9-4. DECAL INSTALLATION - 600SC (CHINESE SPECS - ENGLISH/SIMPLIFIED CHINESE LANGUAGES)



ART\_1001218058

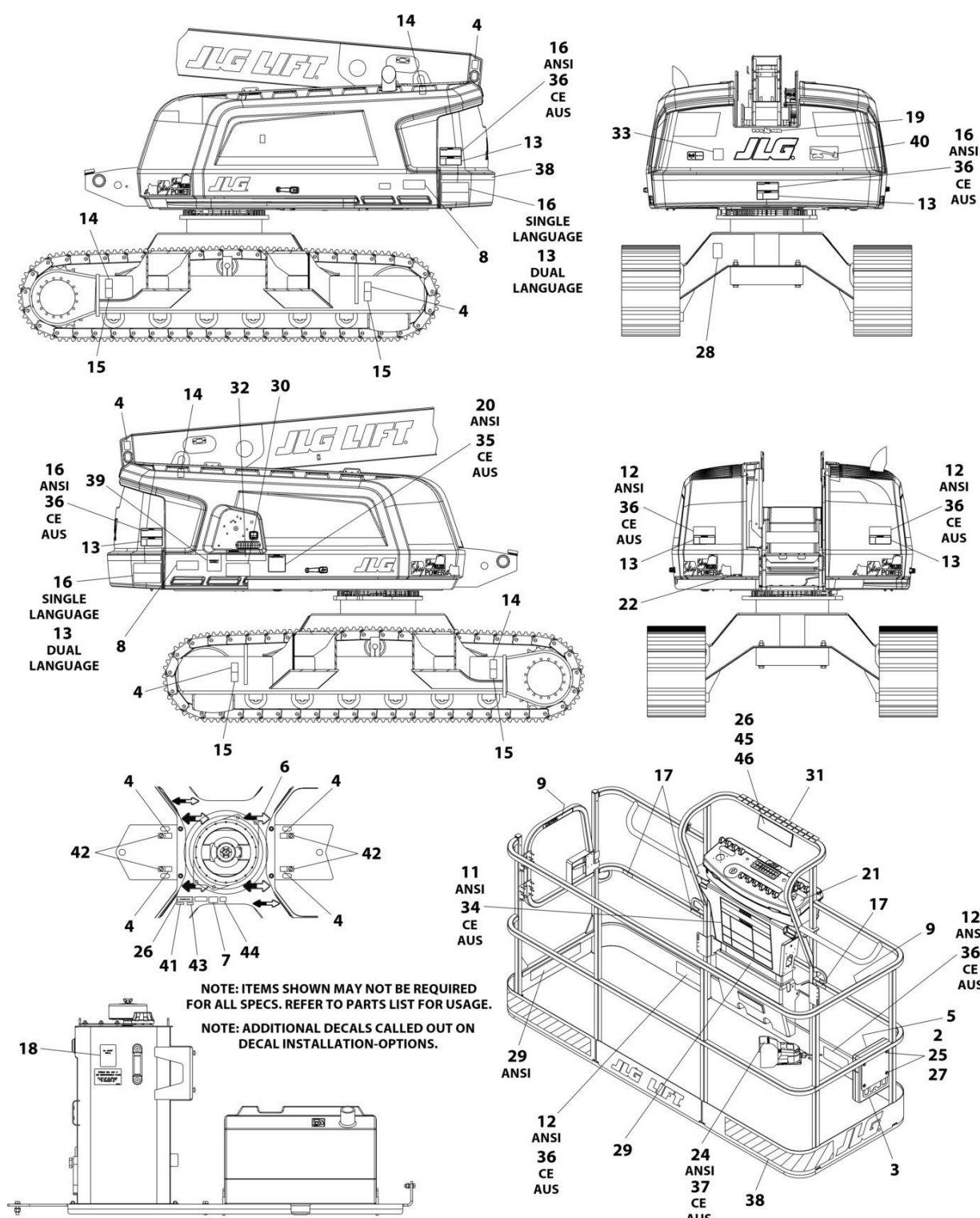
## SECTION 9 - DECALS

**FIGURE 9-4. DECAL INSTALLATION - 600SC (CHINESE SPECS - ENGLISH/SIMPLIFIED CHINESE LANGUAGES)**

ITEM	PART NUMBER	QTY	DESCRIPTION	REV
	1001218058	Ref	DECAL INSTALLATION	D
2	0700610	4	Bolt M6 x 20	
3	91403230	1	Box, Manual Storage	
4	1701499	4	Decal - No Tie Down/Lift	
5	1701509	1	Decal - Manual	
6	1701529	6	Decal - Arrow	
7	See Note	NSS	Decal - Bar Code (Note: Not Available for Purchase)	
8	1704434	2	Decal - 600SC	
9	1705968	2	Decal - No Hands	
11	1001116847	1	Decal - Warning	
12	1001116850	4	Decal - Warning/Crushing	
13	1703937	5	Decal - Electrocution	
14	1703811	4	Decal - Lifting Lug	
15	1703814	4	Decal - Tie Down	
16	1001116845	3	Decal - Warning/Crushing	
17	1704277	3	Decal - Lanyard Attach Graphic	
18	1704412	1	Decal - Hydraulic Oil	
19	1704885	1	Decal - Website	
20	1001116848	1	Decal - Warning Inspection	
21	1705430	1	Decal - Drive Steer	
22	3251243	1	Decal - 120V/60Hz	
24	1001116852	1	Nameplate - Footswitch	
25	3290605	4	Nut M6	
26	3820001	5	Rivet	
27	4811700	8	Washer M6	
29	1001216739	2	Decal - Warning Dual Capacity	
30	1001216740	1	Decal - Warning Dual Capacity	
31	1001225647	1	Decal - Legend	
32	1001174313	1	Decal - Legend	
38	4420051	208 in/ 5.3m	Tape, Safety	
40	1001228613	1	Decal - Lift Diagram	
44	1001224051	1	Decal - Inspection	
45	1001093553	1	Plate, Mounting	
46	1001116963	1	Decal - Machine Motion Hazard	

# SECTION 9 - DECALS

## FIGURE 9-5. DECAL INSTALLATION - 600SC (CHINESE SPECS - ENGLISH/TRADITIONAL CHINESE LANGUAGES)



ART\_1001202673

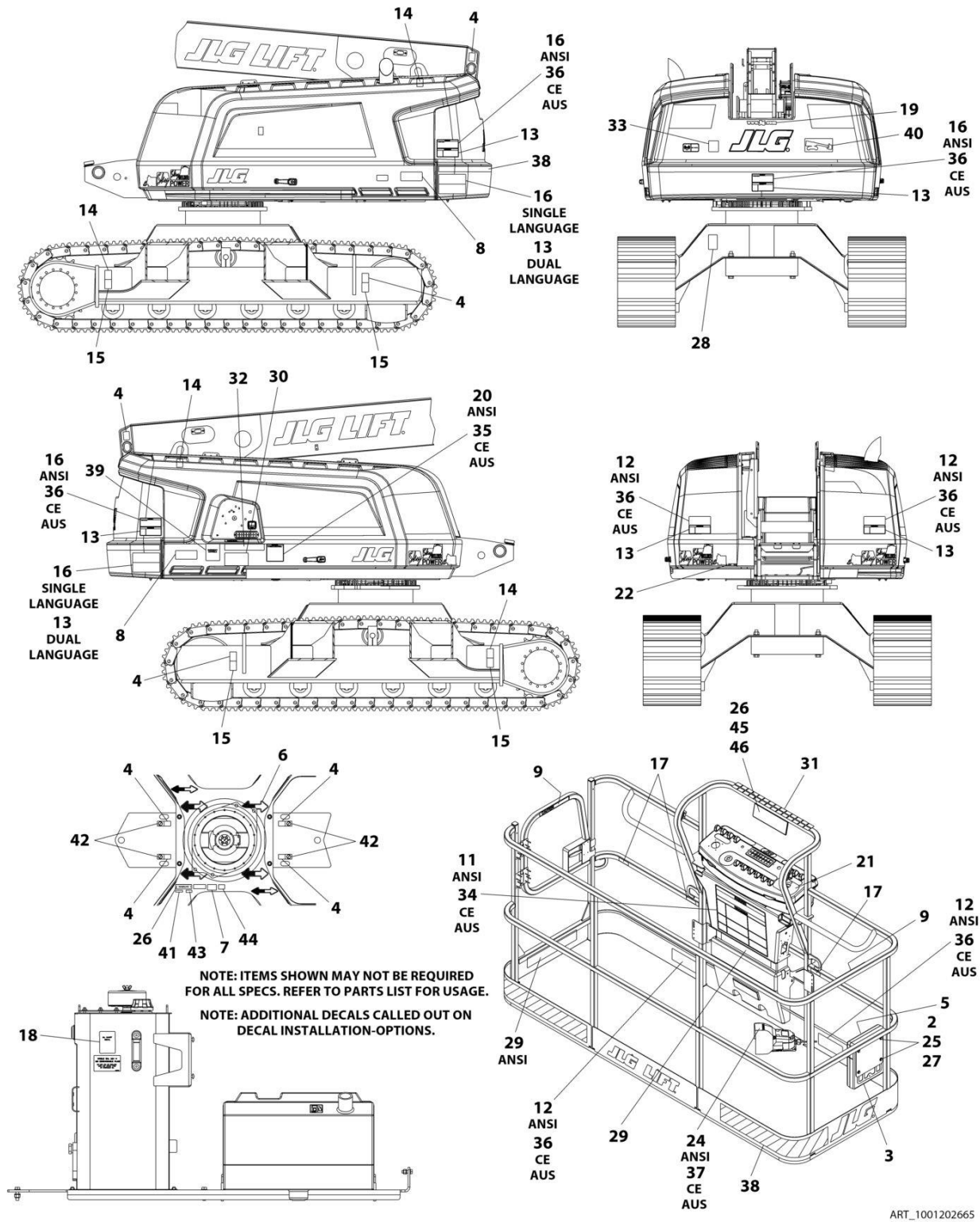
## SECTION 9 - DECALS

**FIGURE 9-5. DECAL INSTALLATION - 600SC (CHINESE SPECS - ENGLISH/TRADITIONAL CHINESE LANGUAGES)**

ITEM	PART NUMBER	QTY	DESCRIPTION	REV
	1001202673	Ref	DECAL INSTALLATION	D
2	0700610	4	Bolt M6 x 20	
3	91403230	1	Box, Manual Storage	
4	1701499	4	Decal - No Tie Down/Lift	
5	1701509	1	Decal - Manual	
6	1701529	6	Decal - Arrow	
7	See Note	NSS	Decal - Bar Code (Note: Not Available for Purchase)	
8	1704434	2	Decal - 600SC	
9	1001116846	2	Decal - No Hands	
11	1703925	1	Decal - Danger/Warning	
12	1703949	4	Decal - Crushing	
13	1001116851	5	Decal - Electrocuting	
14	1703811	4	Decal - Lifting Lug	
15	1703814	4	Decal - Tie Down	
16	1703943	3	Decal - Warning/Crushing	
17	1704277	3	Decal - Lanyard Attach Graphic	
18	1704412	1	Decal - Hydraulic Oil	
19	1704885	1	Decal - Website	
20	1001116849	1	Decal - Warning/Inspection	
21	1001116863	1	Decal - Drive/Steer Instruction	
22	3251243	1	Decal - 120V/60Hz	
24	1703982	1	Nameplate - Footswitch	
25	3290605	4	Nut M6	
26	3820001	5	Rivet	
27	4811700	8	Washer M6	
29	1001171355	2	Decal - Warning Dual Capacity	
30	1001171356	1	Decal - Warning Dual Capacity	
31	1001225647	1	Decal - Legend	
32	1001174313	1	Decal - Legend	
38	4420051	208 in/ 5.3m	Tape, Safety	
40	1001228613	1	Decal - Lift Diagram	
44	1001224050	1	Decal - Inspection	
45	1001093553	1	Plate, Mounting	
46	1001116964	1	Decal - Machine Motion Hazard	

# SECTION 9 - DECALS

FIGURE 9-6. DECAL INSTALLATION - 600SC (CSA SPECS - ENGLISH/FRENCH LANGUAGES)



ART\_1001202665



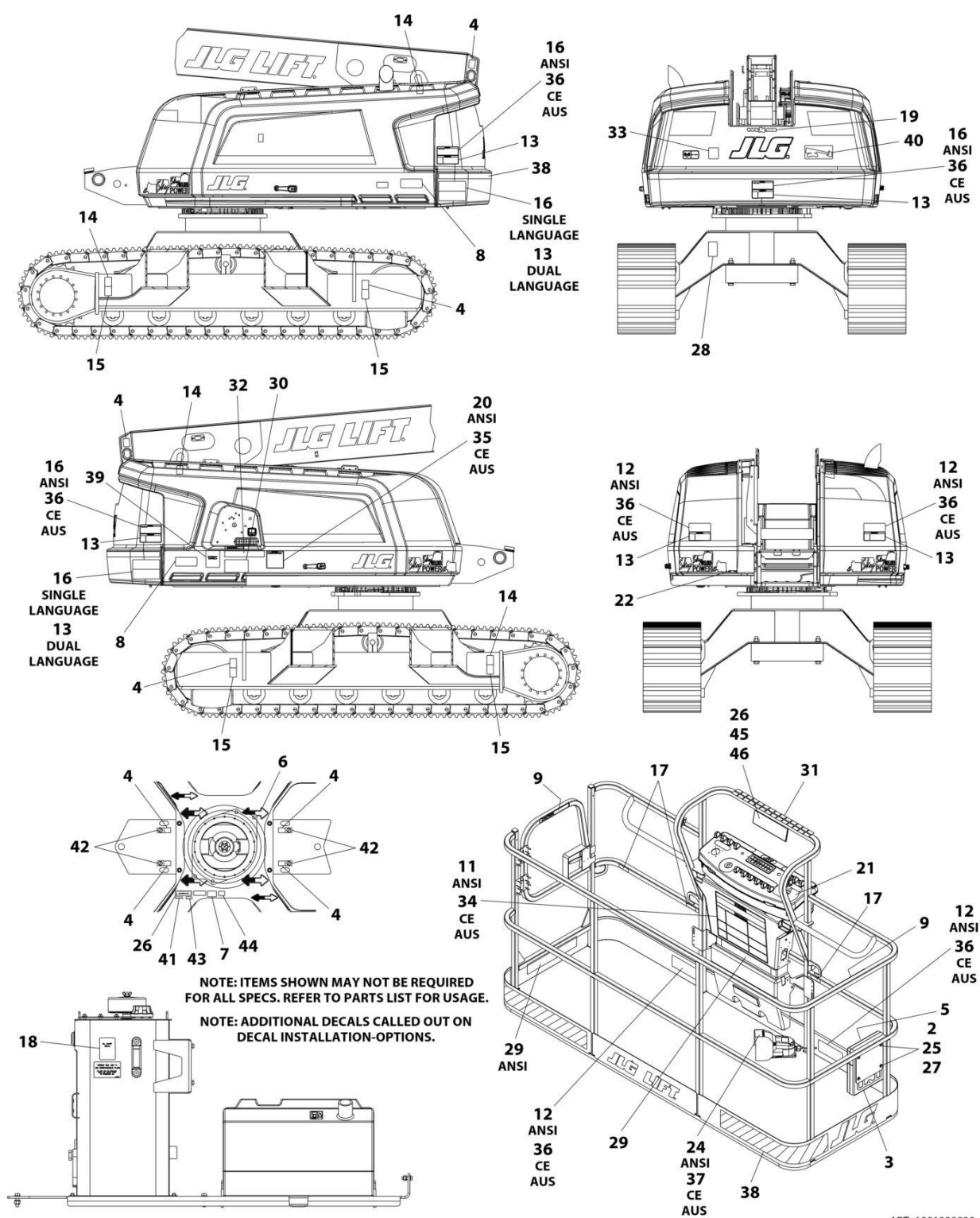
## SECTION 9 - DECALS

**FIGURE 9-6. DECAL INSTALLATION - 600SC (CSA SPECS - ENGLISH/FRENCH LANGUAGES)**

ITEM	PART NUMBER	QTY	DESCRIPTION	REV
	1001202665	Ref	DECAL INSTALLATION	E
2	0700610	4	Bolt M6 x 20	
3	91403230	1	Box, Manual Storage	
4	1701499	4	Decal - No Tie Down/Lift	
5	1701509	1	Decal - Manual	
6	1701529	6	Decal - Arrow	
7	See Note	NSS	Decal - Bar Code (Note: Not Available for Purchase)	
8	1704434	2	Decal - 600SC	
9	1704000	2	Decal - No Hands	
11	1703924	1	Decal - Danger/Warning	
12	1703948	4	Decal - Warning/Crushing	
13	1703936	5	Decal - Electrocution	
14	1703811	4	Decal - Lifting Lug	
15	1703814	4	Decal - Tie Down	
16	1703942	3	Decal - Crushing	
17	1704277	3	Decal - Lanyard Attach Graphic	
18	1704412	1	Decal - Hydraulic Oil	
19	1704885	1	Decal - Website	
20	1705347	1	Decal - Warning/Inspection	
21	1705429	1	Decal - Drive/Steer Instruction	
22	3251243	1	Decal - 120V/60Hz	
24	1703984	1	Nameplate - Footswitch	
25	3290605	4	Nut M6	
26	3820001	5	Rivet	
27	4811700	8	Washer M6	
28	1001131269	1	Decal - Patent	
29	1001171351	2	Decal - Warning Dual Capacity	
30	1001171352	1	Decal - Warning Dual Capacity	
31	1001225647	1	Decal - Legend	
32	1001174313	1	Decal - Legend	
40	1001228613	1	Decal - Lift Diagram	
41	1705514	1	Decal - CSA	
43	1001228370	1	Decal - Ices (Canada) <b>(SN 0300236299 through 0300241926)</b>	
43	1001223453	1	Decal - Ices (Canada) <b>(SN 0300241927 through 0300272446)</b>	
44	1001223971	1	Decal - Inspection	
45	1001093553	1	Plate, Mounting	
46	1001093684	1	Decal - Machine Motion Hazard	

# SECTION 9 - DECALS

## FIGURE 9-7. DECAL INSTALLATION - 600SC (JAPANESE SPECS - ENGLISH/JAPANESE LANGUAGES)



ART\_1001229929

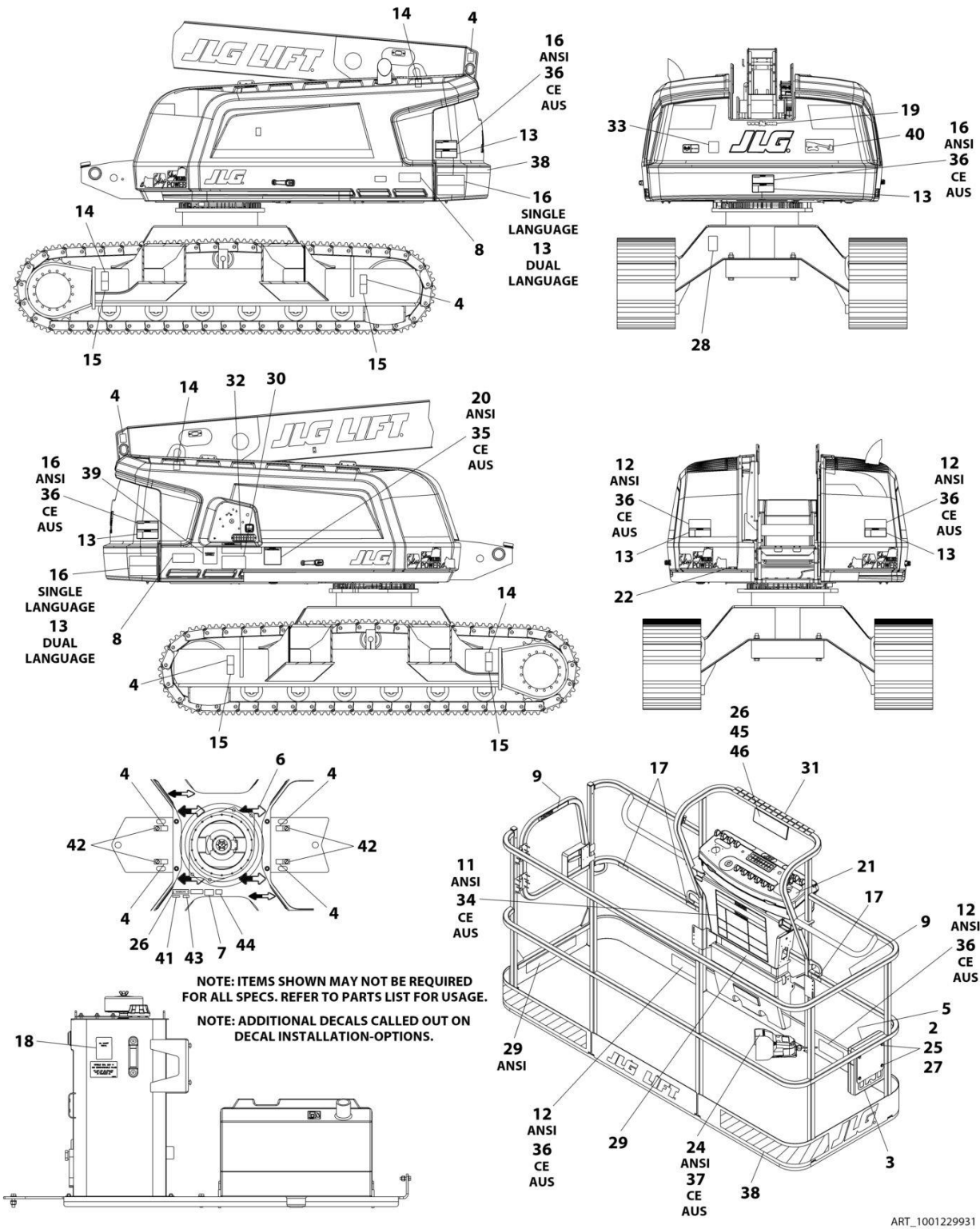
## SECTION 9 - DECALS

**FIGURE 9-7. DECAL INSTALLATION - 600SC (JAPANESE SPECS - ENGLISH/JAPANESE LANGUAGES)**

ITEM	PART NUMBER	QTY	DESCRIPTION	REV
	1001229929	Ref	DECAL INSTALLATION	B
2	0700610	4	Bolt M6 x 20	
3	91403230	1	Box, Manual Storage	
4	1701499	4	Decal - No Tie Down/Lift	
5	1701509	1	Decal - Manual	
6	1701529	6	Decal - Arrow	
7	See Note	NSS	Decal - Bar Code (Note: Not Available for Purchase)	
8	1704434	2	Decal - 600SC	
11	1703926	1	Decal - Danger/Warning	
12	1703950	4	Decal - Crushing	
13	1703938	5	Decal - Electrocution	
14	1703811	4	Decal - Lifting Lug	
15	1703814	4	Decal - Tie Down	
16	1703944	3	Decal - Warning/Crushing	
17	1704277	3	Decal - Lanyard Attach Graphic	
18	1704412	1	Decal - Hydraulic Oil	
19	1704885	1	Decal - Website	
20	1705344	1	Decal - Warning/Inspection	
21	1705426	1	Decal - Drive/Steer Instruction	
22	3251243	1	Decal - 120V/60Hz	
24	1703980	1	Nameplate - Footswitch	
25	3290605	4	Nut M6	
26	3820001	5	Rivet	
27	4811700	8	Washer M6	
29	1001171341	2	Decal - Warning Dual Capacity	
30	1001171342	1	Decal - Warning Dual Capacity	
31	1001225647	1	Decal - Legend	
32	1001174313	1	Decal - Legend	
40	1001228613	1	Decal - Lift Diagram	
44	1001224053	1	Decal - Inspection	
45	1001093553	1	Plate, Mounting	
46	1001215285	1	Decal - Machine Motion Hazard	

# SECTION 9 - DECALS

## FIGURE 9-8. DECAL INSTALLATION - 600SC (KOREAN SPECS - ENGLISH/KOREAN LANGUAGES)



ART\_1001229931

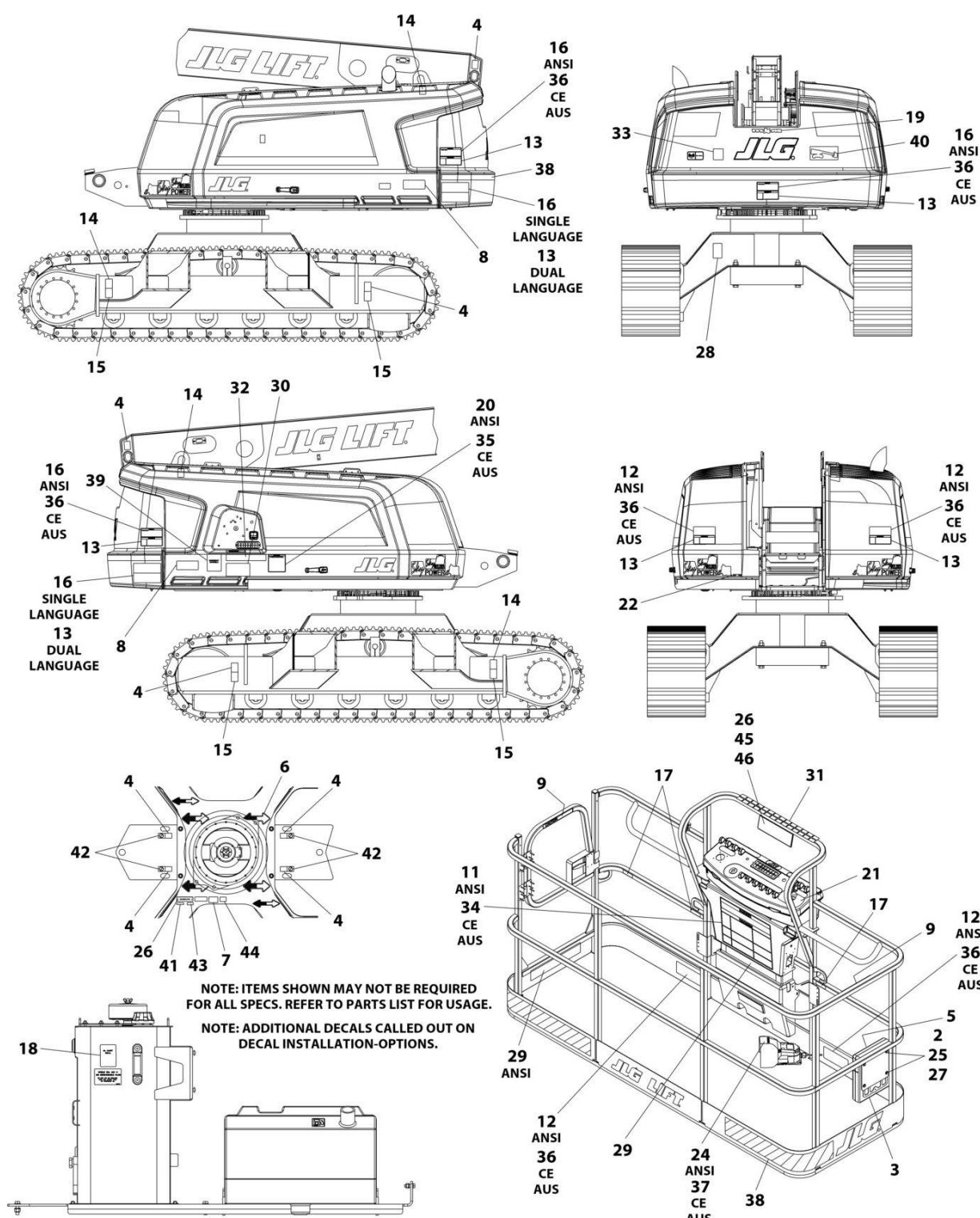
## SECTION 9 - DECALS

**FIGURE 9-8. DECAL INSTALLATION - 600SC (KOREAN SPECS - ENGLISH/KOREAN LANGUAGES)**

ITEM	PART NUMBER	QTY	DESCRIPTION	REV
	1001229931	Ref	DECAL INSTALLATION	B
2	0700610	4	Bolt M6 x 20	
3	91403230	1	Box, Manual Storage	
4	1701499	4	Decal - No Tie Down/Lift	
5	1701509	1	Decal - Manual	
6	1701529	4	Decal - Arrow	
7	See Note	1	Decal - Bar Code (Note: Not Available for Purchase)	
8	1704434	2	Decal - 600SC	
9	1705969	2	Decal - No Hands	
11	1703927	1	Decal - Danger/Warning	
12	1703951	4	Decal - Crushing	
13	1703939	5	Decal - Danger/Electrocution	
14	1703811	4	Decal - Lifting Lug	
15	1703814	4	Decal - Tie Down	
16	1703945	3	Decal - Warning/Crushing	
17	1704277	3	Decal - Lanyard Attach Graphic	
18	1704412	1	Decal - Hydraulic Oil	
19	1704885	1	Decal - Website	
20	1705345	1	Decal - Warning/Inspection	
21	1705427	1	Decal - Drive/Steer Instruction	
24	1703981	1	Nameplate - Footswitch	
25	3290605	4	Nut M6	
26	3820001	5	Rivet	
27	4811700	8	Washer M6	
29	1001171345	2	Decal - Warning Dual Capacity	
30	1001171346	1	Decal - Warning Dual Capacity	
31	1001225647	1	Decal - Legend	
32	1001174313	1	Decal - Legend	
40	1001228613	1	Decal - Crawler Lift Diagram	
44	1001224048	1	Decal - Inspection	
45	1001093553	1	Plate, Mounting	
46	1001215286	1	Decal - Machine Motion Hazard	

# SECTION 9 - DECALS

**FIGURE 9-9. DECAL INSTALLATION - 600SC (LATIN AMERICA SPECS - ENGLISH/SPANISH LANGUAGES)**



ART\_1001229933

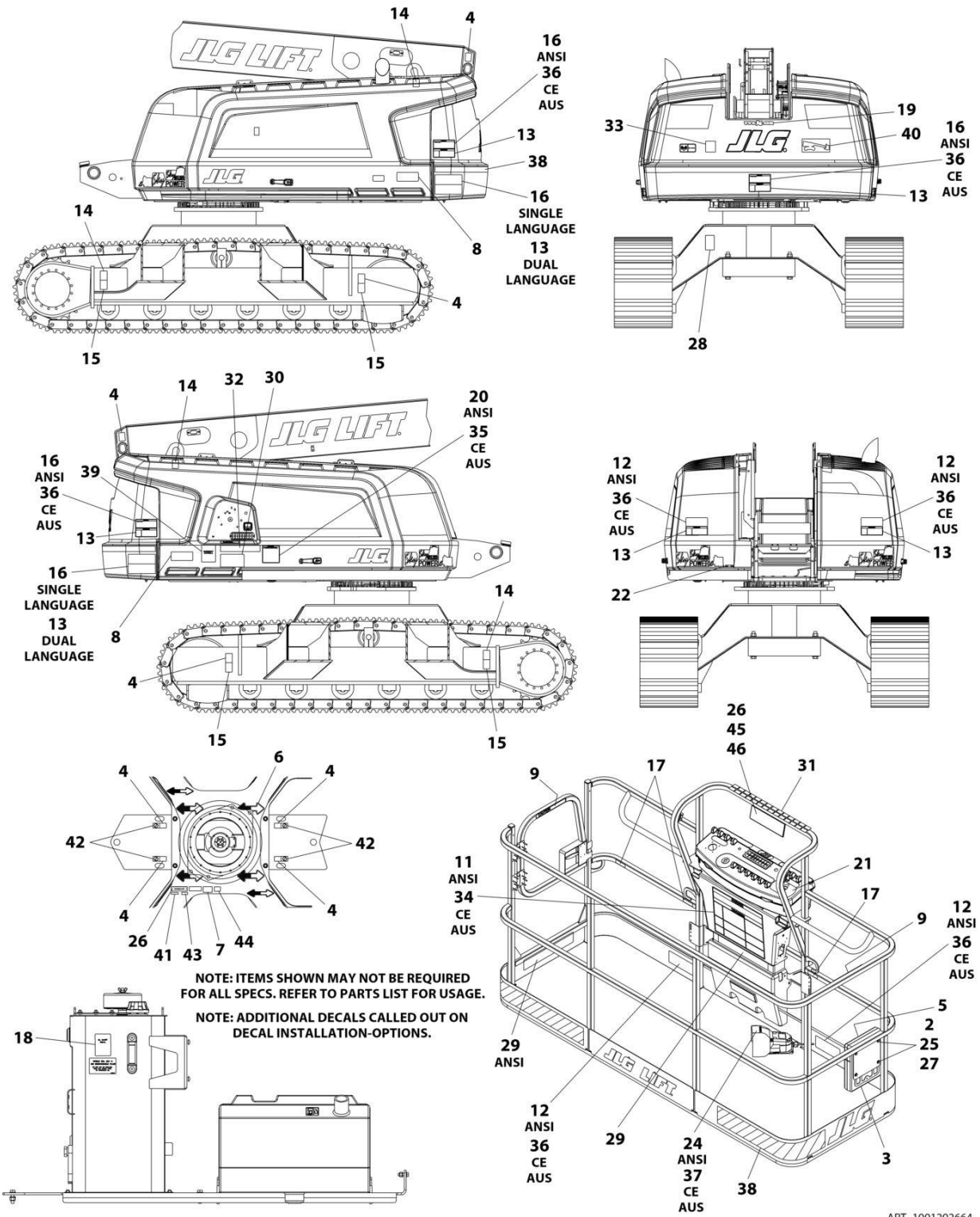
## SECTION 9 - DECALS

**FIGURE 9-9. DECAL INSTALLATION - 600SC (LATIN AMERICA SPECS - ENGLISH/SPANISH LANGUAGES)**

ITEM	PART NUMBER	QTY	DESCRIPTION	REV
	1001229933	Ref	DECAL INSTALLATION	B
2	0700610	4	Bolt M6 x 20	
3	91403230	1	Box, Manual Storage	
4	1701499	4	Decal - No Tie Down/Lift	
5	1701509	1	Decal - Manual	
6	1701529	6	Decal - Arrow	
7	See Note	NSS	Decal - Bar Code (Note: Not Available for Purchase)	
8	1704434	2	Decal - 600SC	
9	1704001	2	Decal - No Hands	
11	1703923	1	Decal - Danger/Warning	
12	1703947	4	Decal - Warning/Crushing	
13	1703935	5	Decal - Electrocution	
14	1703811	4	Decal - Lifting Lug	
15	1703814	4	Decal - Tie Down	
16	1703941	3	Decal - Warning/Crushing	
17	1704277	3	Decal - Lanyard Attach Graphic	
18	1704412	1	Decal - Hydraulic Oil	
19	1704885	1	Decal - Website	
20	1705917	1	Decal - Warning/Inspection	
21	1705910	1	Decal - Drive/Steer Instruction	
22	3251243	1	Decal - 120V/60Hz	
24	1703983	1	Nameplate - Footswitch	
25	3290605	4	Nut M6	
26	3820001	5	Rivet	
27	4811700	8	Washer M6	
29	1001171349	2	Decal - Warning Dual Capacity	
30	1001171350	1	Decal - Warning Dual Capacity	
31	1001225647	1	Decal - Legend	
32	1001174313	1	Decal - Legend	
40	1001228613	1	Decal - Lift Diagram	
44	1001224049	1	Decal - Inspection	
45	1001093553	1	Plate, Mounting	
46	1001233312	1	Decal - Machine Motion Hazard	

# SECTION 9 - DECALS

FIGURE 9-10. DECAL INSTALLATION - 660SJC (ANSI SPECS - ENGLISH LANGUAGE)



ART\_1001202664



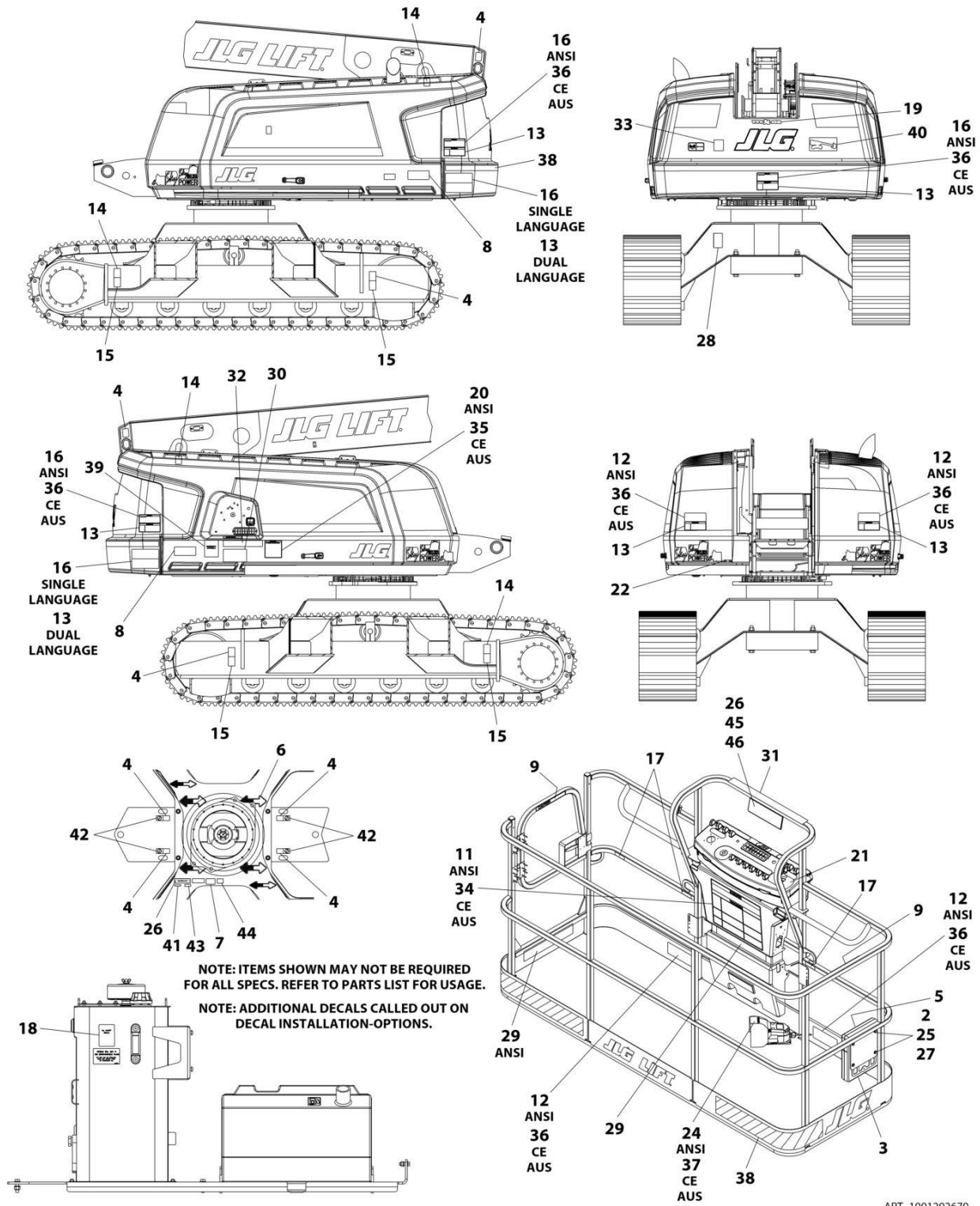
## SECTION 9 - DECALS

**FIGURE 9-10. DECAL INSTALLATION - 660SJC (ANSI SPECS - ENGLISH LANGUAGE)**

ITEM	PART NUMBER	QTY	DESCRIPTION	REV
	1001202664	Ref	DECAL INSTALLATION	E
2	0700610	4	Bolt M6 x 20	
3	91403230	1	Box, Manual Storage	
4	1701499	8	Decal - No Tie Down/Lift	
5	1701509	1	Decal - Manual	
6	1701529	6	Decal - Arrow	
7	See Note	NSS	Decal - Bar Code (Note: Not Available for Purchase)	
8	1703165	2	Decal - 660SJC	
9	1702868	2	Decal - No Hands	
11	1703797	1	Decal - Danger/Warning	
12	1703804	4	Decal - Warning/Crushing	
13	1703805	5	Decal - Electrocution	
14	1703811	4	Decal - Lifting Lug	
15	1703814	4	Decal - Tie Down	
16	1703953	3	Decal - Warning/Crushing	
17	1704277	3	Decal - Lanyard Attach Graphic	
18	1704412	1	Decal - Hydraulic Oil	
19	1704885	1	Decal - Website	
20	1705336	1	Decal - Danger/Warning	
21	1705351	1	Decal - Drive/Steer Instruction	
22	3251243	1	Decal - 120V/60Hz	
24	3252347	1	Nameplate - Footswitch	
25	3290605	4	Nut M6	
26	3820001	5	Rivet	
27	4811700	8	Washer M6	
28	1001131269	1	Decal - Patent	
29	1001194234	2	Decal - Warning Dual Capacity	
30	1001194235	1	Decal - Warning Dual Capacity	
31	1001225647	1	Decal - Legend	
32	1001174313	1	Decal - Legend	
40	1001228613	1	Decal - Lift Diagram	
41	1705514	1	Decal - CSA	
42	1704461	4	Decal - No Tie Down	
43	1001228370	1	Decal - Ices (Canada) <b>(SN 0300236299 through 0300241926)</b>	
43	1001223453	1	Decal - Ices (Canada) <b>(SN 0300241927 through 0300272446)</b>	
44	1001223055	1	Decal - Inspection	
45	3572044	1	Plate, Mounting	
46	1704468	1	Decal - Machine Motion Hazard	

# SECTION 9 - DECALS

## FIGURE 9-11. DECAL INSTALLATION - 660SJC (AUSTRALIAN SPECS - ENGLISH LANGUAGE)



ART\_1001202670

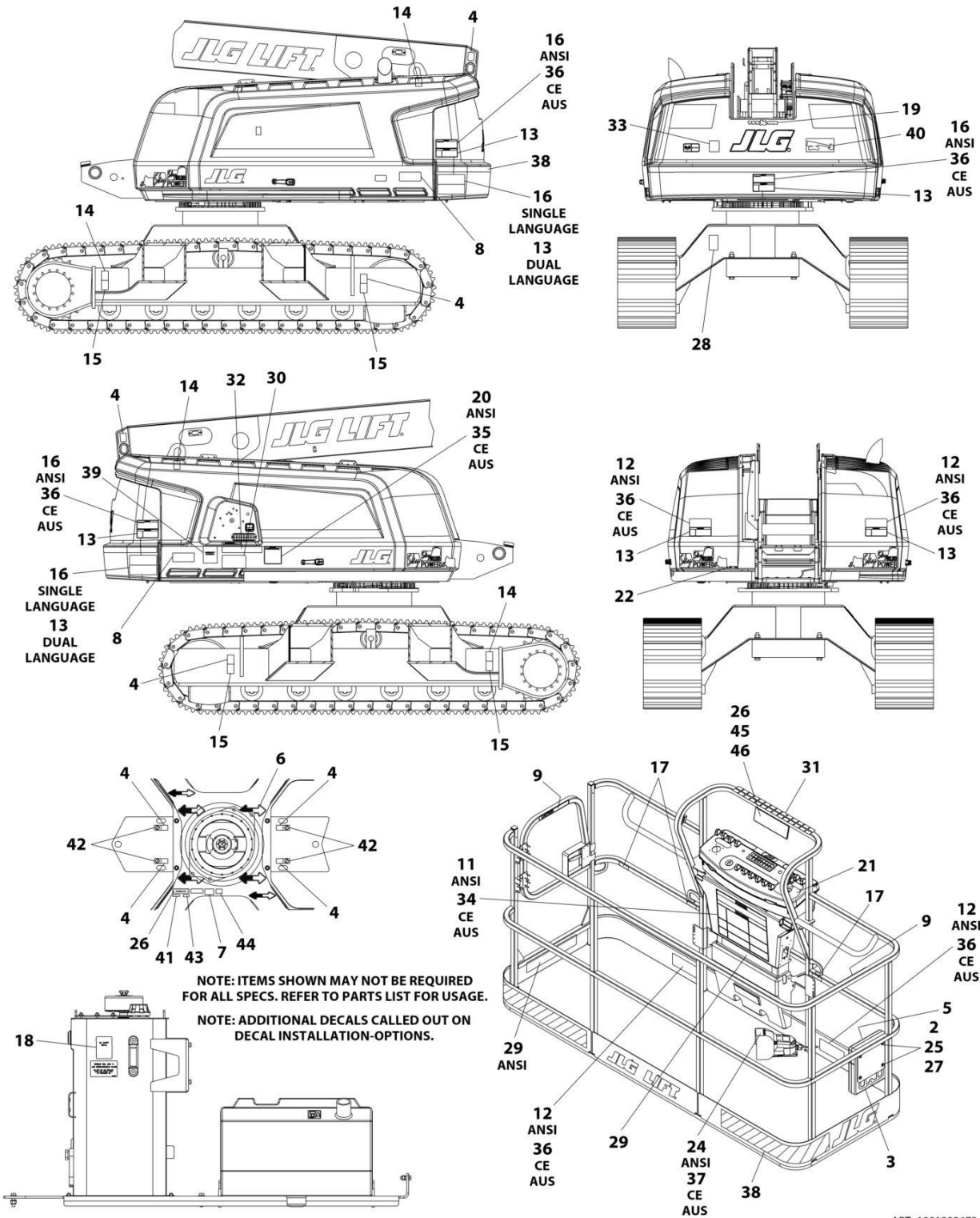
## SECTION 9 - DECALS

**FIGURE 9-11. DECAL INSTALLATION - 660SJC (AUSTRALIAN SPECS - ENGLISH LANGUAGE)**

ITEM	PART NUMBER	QTY	DESCRIPTION	REV
	1001202670	Ref	DECAL INSTALLATION	D
2	0700610	4	Bolt M6 x 20	
3	91403230	1	Box, Manual Storage	
4	1701499	8	Decal - No Tie Down/Lift	
5	1701509	1	Decal - Manual	
6	1701529	6	Decal - Arrow	
7	See Note	NSS	Decal - Bar Code (Note: Not Available for Purchase)	
8	1703165	2	Decal - 660SJC	
13	1705961	5	Decal - Electrocution	
14	1703811	4	Decal - Lifting Lug	
15	1703814	4	Decal - Tie Down	
17	1704277	3	Decal - Lanyard Attach Graphic	
18	1704412	1	Decal - Hydraulic Oil	
19	1704885	1	Decal - Website	
25	3290605	4	Nut M6	
26	3820001	2	Rivet	
27	4811700	8	Washer M6	
29	1001194236	1	Decal - Capacity	
30	1001194236	1	Decal - Capacity	
34	1705921	1	Decal - Tipping/Electrocution	
35	1705822	1	Decal - Electrocution/Safety Manual	
36	1701518	7	Decal - Crushing	
37	1705828	1	Nameplate - Footswitch	
38	4420051	208 in/ 5.3m	Tape, Safety	
39	1001112551	1	Decal - Emergency Controls	
40	1001228613	1	Decal - Lift Diagram	
42	1704461	4	Decal - No Tie Down	

# SECTION 9 - DECALS

FIGURE 9-12. DECAL INSTALLATION - 660SJC (BRAZIL SPECS - PORTUGUESE/SPANISH LANGUAGES)



ART\_1001202672

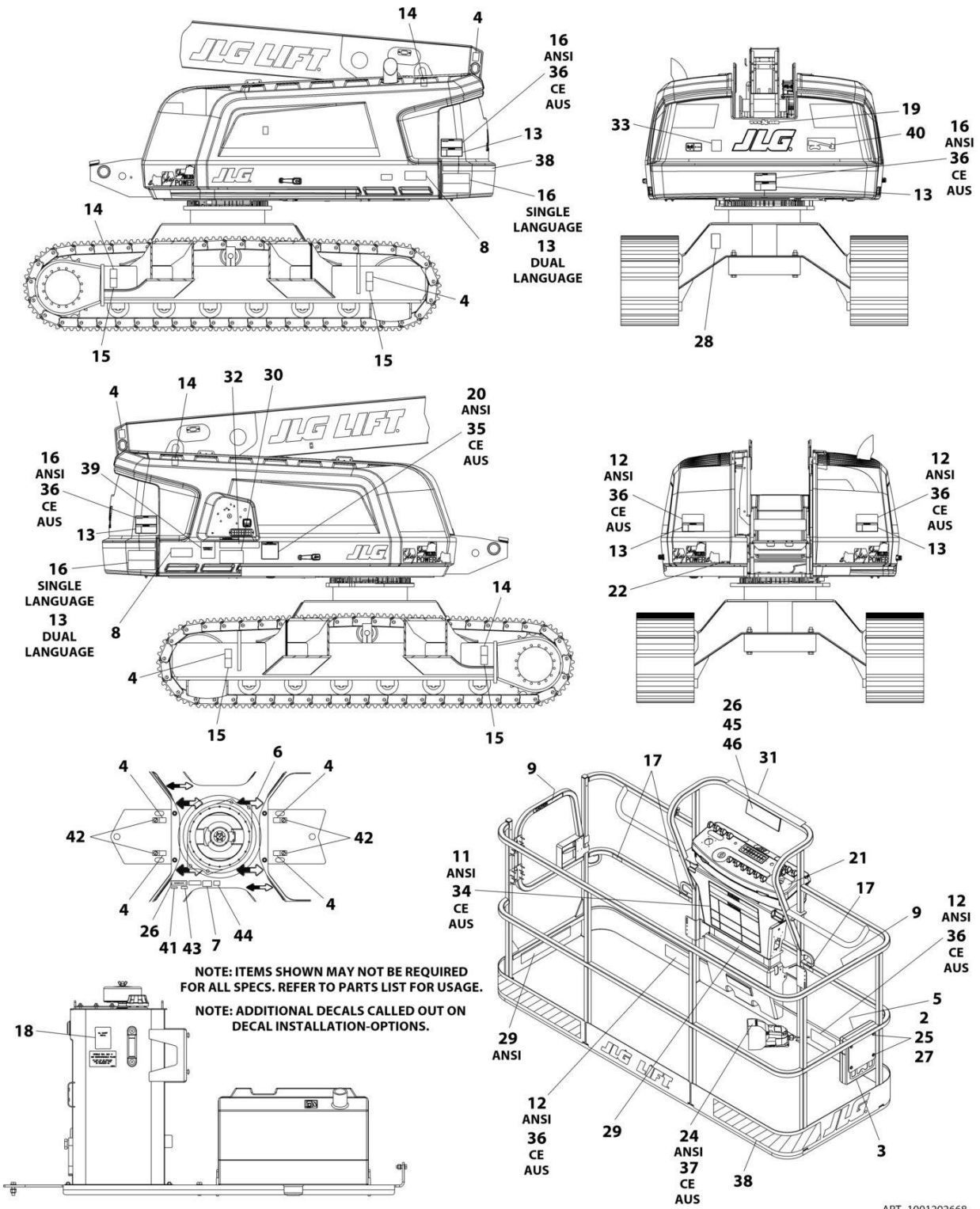
## SECTION 9 - DECALS

**FIGURE 9-12. DECAL INSTALLATION - 660SJC (BRAZIL SPECS - PORTUGUESE/SPANISH LANGUAGES)**

ITEM	PART NUMBER	QTY	DESCRIPTION	REV
	1001202672	Ref	DECAL INSTALLATION	D
2	0700610	4	Bolt M6 x 20	
3	91403230	1	Box, Manual Storage	
4	1701499	8	Decal - No Tie Down/Lift	
5	1701509	1	Decal - Manual	
6	1701529	6	Decal - Arrow	
7	See Note	NSS	Decal - Bar Code (Note: Not Available For Purchase)	
8	1703165	2	Decal - 660SJC	
9	1704002	2	Decal - No Hands	
11	1703928	1	Decal - Danger/Warning	
12	1703952	4	Decal - Warning/Crushing	
13	1703940	5	Decal - Electrocution	
14	1703811	4	Decal - Lifting Lug	
15	1703814	4	Decal - Tie Down	
16	1703946	3	Decal - Warning/Crushing	
17	1704277	3	Decal - Lanyard Attach Graphic	
18	1704412	1	Decal - Hydraulic Oil	
19	1704885	1	Decal - Website	
20	1705349	1	Decal - Warning/Inspection	
21	1001113680	1	Decal - Drive/Steer Instruction	
22	3251243	1	Decal - 120V/60Hz	
24	1703985	1	Nameplate - Footswitch	
25	3290605	4	Nut M6	
26	3820001	5	Rivet	
27	4811700	8	Washer M6	
29	1001216745	2	Decal - Warning Dual Capacity	
30	1001216746	1	Decal - Warning Dual Capacity	
31	1001225647	1	Decal - Legend	
32	1001174313	1	Decal - Legend	
40	1001228613	1	Decal - Lift Diagram	
42	1704461	4	Decal - No Tie Down	
44	1001224052	1	Decal - Inspection	
45	1001093553	1	Plate, Mounting	
46	1001233313	1	Decal - Machine Motion Hazard	

# SECTION 9 - DECALS

## FIGURE 9-13. DECAL INSTALLATION - 660SJC (CE SPECS - ENGLISH LANGUAGE)



ART\_1001202668

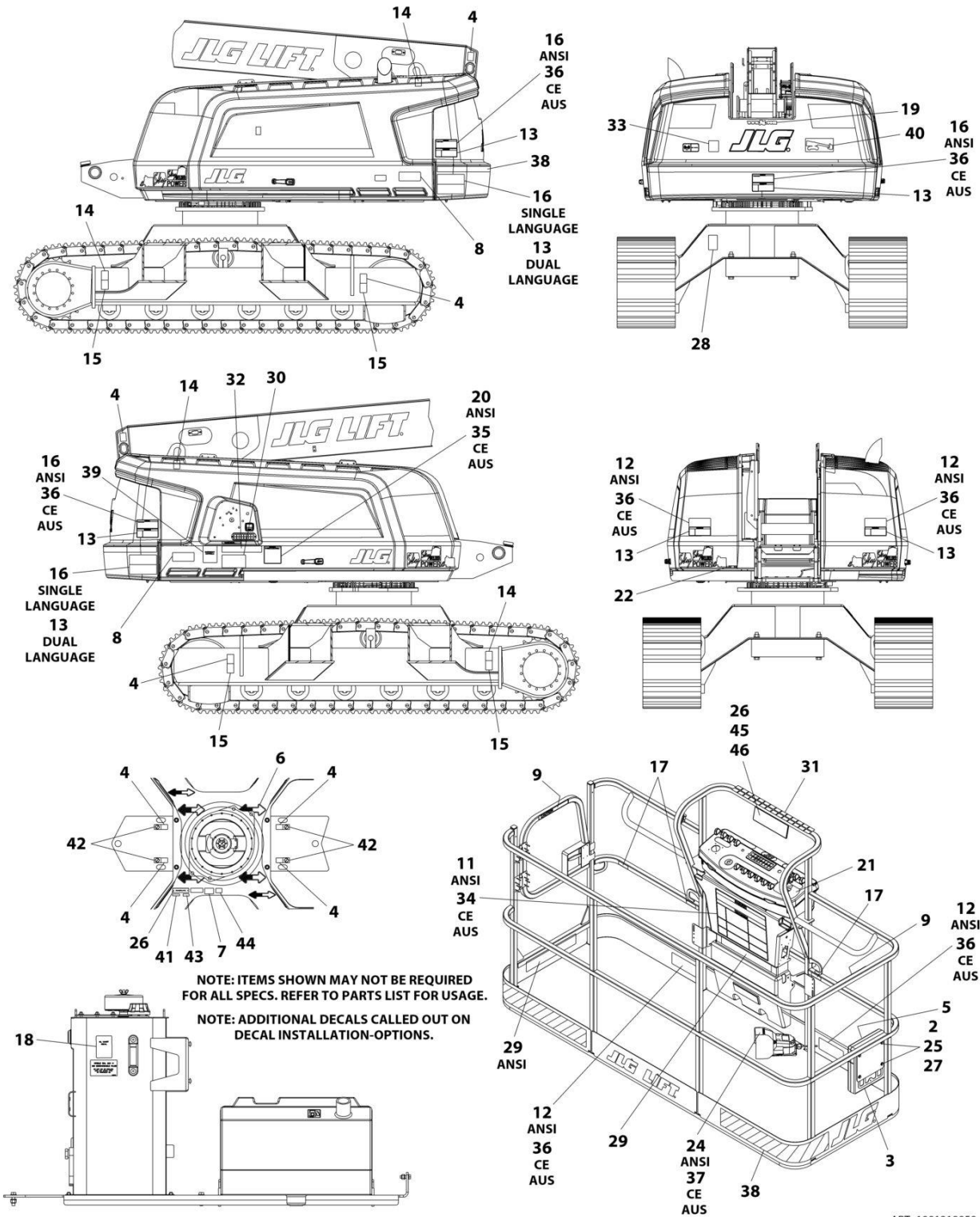
## SECTION 9 - DECALS

**FIGURE 9-13. DECAL INSTALLATION - 660SJC (CE SPECS - ENGLISH LANGUAGE)**

ITEM	PART NUMBER	QTY	DESCRIPTION	REV
	1001202668	Ref	DECAL INSTALLATION	D
2	0700610	4	Bolt M6 x 20	
3	91403230	1	Box, Manual Storage	
4	1701499	8	Decal - No Tie Down/Lift	
5	1701509	1	Decal - Manual	
6	1701529	6	Decal - Arrow	
7	See Note	NSS	Decal - Bar Code (Note: Not Available For Purchase)	
8	1703165	2	Decal - 660SJC	
13	1705961	5	Decal - Electrocution	
14	1703811	4	Decal - Lifting Lug	
15	1703814	4	Decal - Tie Down	
17	1704277	3	Decal - Lanyard Attach Graphic	
18	1704412	1	Decal - Hydraulic Oil	
25	3290605	4	Nut M6	
26	3820001	2	Rivet	
27	4811700	8	Washer M6	
29	1001194236	1	Decal - Capacity	
30	1001194236	1	Decal - Capacity	
34	1705921	1	Decal - Tipping/Electrocution	
35	1705822	1	Decal - Electrocution/Safety Manual	
36	1701518	7	Decal - Crushing	
37	1705828	1	Nameplate - Footswitch	
38	4420051	208 in/ 5.3m	Tape, Safety	
40	1001215615	1	Decal - Lift Diagram	
42	1704461	4	Decal - No Tie Down	
57	1001159323	2	Decal - JLG	
59	1702773	3	Decal - JLG	

# SECTION 9 - DECALS

## FIGURE 9-14. DECAL INSTALLATION - 660SJC (CHINESE SPECS - ENGLISH/SIMPLIFIED CHINESE LANGUAGES)



ART\_1001218059



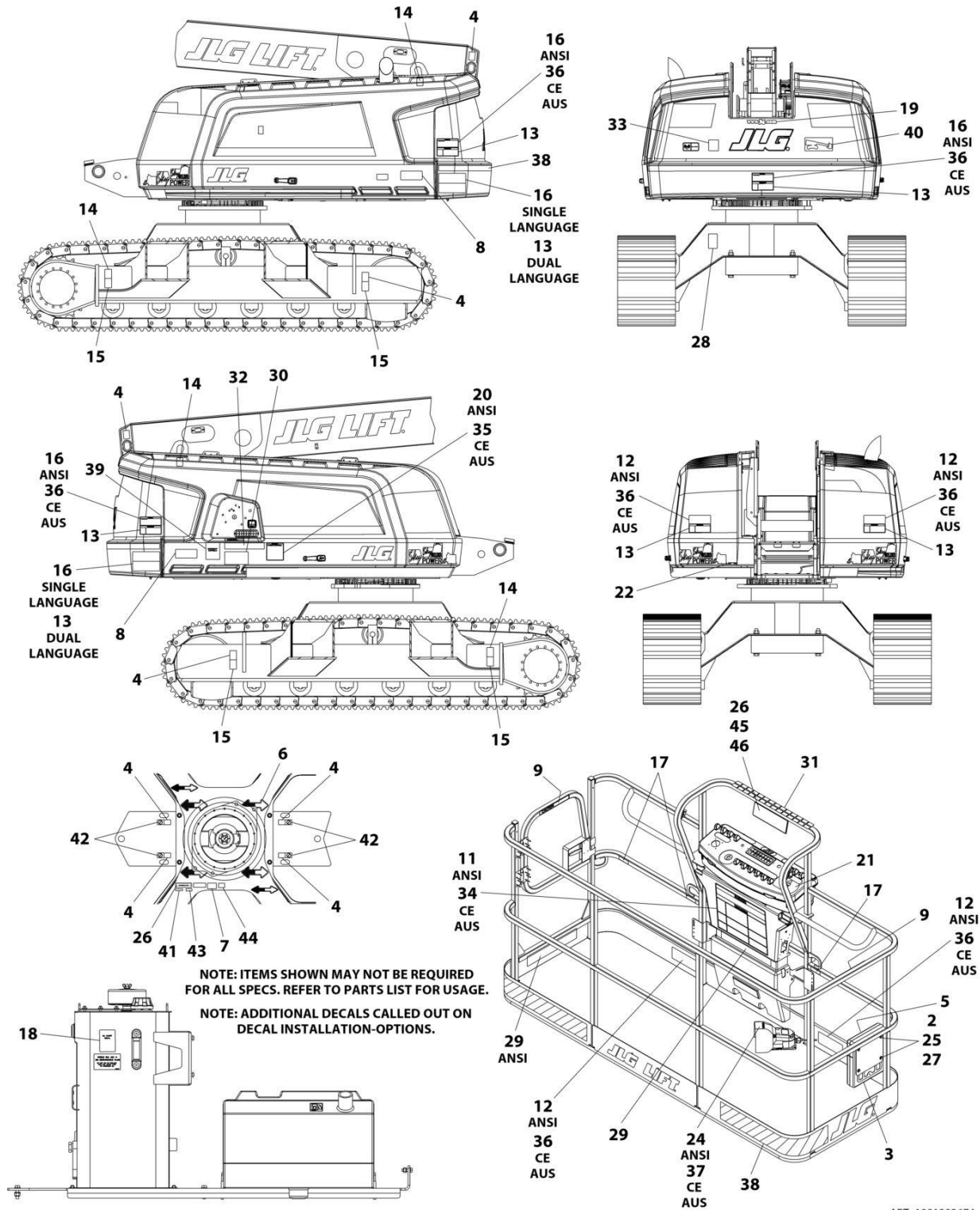
## SECTION 9 - DECALS

**FIGURE 9-14. DECAL INSTALLATION - 660SJC (CHINESE SPECS - ENGLISH/SIMPLIFIED CHINESE LANGUAGES)**

ITEM	PART NUMBER	QTY	DESCRIPTION	REV
	1001218059	Ref	DECAL INSTALLATION	D
2	0700610	4	Bolt M6 x 20	
3	91403230	1	Box, Manual Storage	
4	1701499	8	Decal - No Tie Down/Lift	
5	1701509	1	Decal - Manual	
6	1701529	6	Decal - Arrow	
7	See Note	NSS	Decal - Bar Code (Note: Not Available for Purchase)	
8	1703165	2	Decal - 660SJC	
9	1705968	2	Decal - No Hands	
11	1001116847	1	Decal - Warning	
12	1001116850	4	Decal - Warning/Crushing	
13	1703937	5	Decal - Electrocuting	
14	1703811	4	Decal - Lifting Lug	
15	1703814	4	Decal - Tie Down	
16	1001116845	3	Decal - Warning/Crushing	
17	1704277	3	Decal - Lanyard Attach Graphic	
18	1704412	1	Decal - Hydraulic Oil	
19	1704885	1	Decal - Website	
20	1001116848	1	Decal - Warning/Inspection	
21	1705430	1	Decal - Drive/Steer	
22	3251243	1	Decal - 120V/60Hz	
24	1001116852	1	Nameplate - Footswitch	
25	3290605	4	Nut M6	
26	3820001	5	Rivet	
27	4811700	8	Washer M6	
29	1001216741	2	Decal - Warning Dual Capacity	
30	1001216742	1	Decal - Warning Dual Capacity	
31	1001225647	1	Decal - Legend	
32	1001174313	1	Decal - Legend	
38	4420051	208 in/ 5.3m	Tape, Safety	
40	1001228613	1	Decal - Lift Diagram	
42	1704461	4	Decal - No Tie Down	
44	1001224051	1	Decal - Inspection	
45	1001093553	1	Plate, Mounting	
46	1001116963	1	Decal - Machine Motion Hazard	

# SECTION 9 - DECALS

FIGURE 9-15. DECAL INSTALLATION - 660SJC (CHINESE SPECS - ENGLISH/TRADITIONAL CHINESE LANGUAGES)



ART\_1001202674

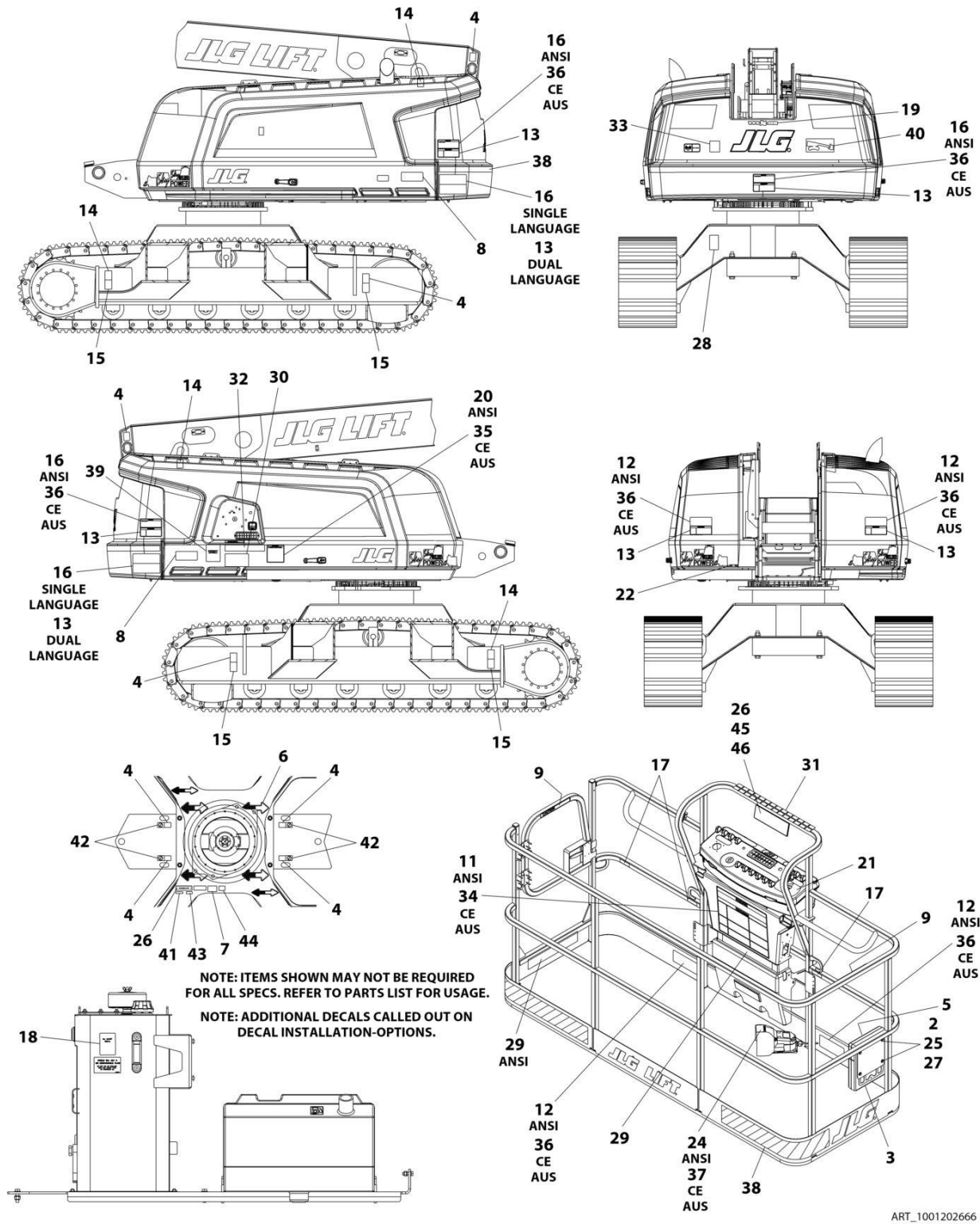
## SECTION 9 - DECALS

**FIGURE 9-15. DECAL INSTALLATION - 660SJC (CHINESE SPECS - ENGLISH/TRADITIONAL CHINESE LANGUAGES)**

ITEM	PART NUMBER	QTY	DESCRIPTION	REV
	1001202674	Ref	DECAL INSTALLATION	D
2	0700610	4	Bolt M6 x 20	
3	91403230	1	Box, Manual Storage	
4	1701499	8	Decal - No Tie Down/Lift	
5	1701509	1	Decal - Manual	
6	1701529	6	Decal - Arrow	
7	See Note	NSS	Decal - Bar Code (Note: Not Available for Purchase)	
8	1703165	2	660SJC	
9	1001116846	2	Decal - Caution/No Hands	
11	1703925	1	Decal - Danger/Warning	
12	1703949	4	Decal - Crushing	
13	1001116851	5	Decal - Electrocutation	
14	1703811	4	Decal - Lifting Lug	
15	1703814	8	Decal - Tie Down	
16	1703943	3	Decal - Warning/Crushing	
17	1704277	3	Decal - Lanyard Attach Graphic	
18	1704412	1	Decal - Hydraulic Oil	
19	1704885	1	Decal - Website	
20	1001116849	1	Decal - Warning/Inspection	
21	1001116863	1	Decal - Drive/Steer Instruction	
22	3251243	1	Decal - 120V/60Hz	
24	1703982	1	Nameplate - Footswitch	
25	3290605	4	Nut M6	
26	3820001	5	Rivet	
27	4811700	8	Washer M6	
29	1001216736	2	Decal - Warning Dual Capacity	
30	1001216737	1	Decal - Warning Dual Capacity	
31	1001225647	1	Decal - Legend	
32	1001174313	1	Decal - Legend	
38	4420051	208 in/ 5.3m	Tape, Safety	
40	1001228613	1	Decal - Lift Diagram	
42	1704461	4	Decal - No Tie Down	
44	1001224050	1	Decal - Inspection	
45	1001093553	1	Plate, Mounting	
46	1001116964	1	Decal - Machine Motion Hazard	

# SECTION 9 - DECALS

FIGURE 9-16. DECAL INSTALLATION - 660SJC (CSA SPECS - ENGLISH/FRENCH LANGUAGES)



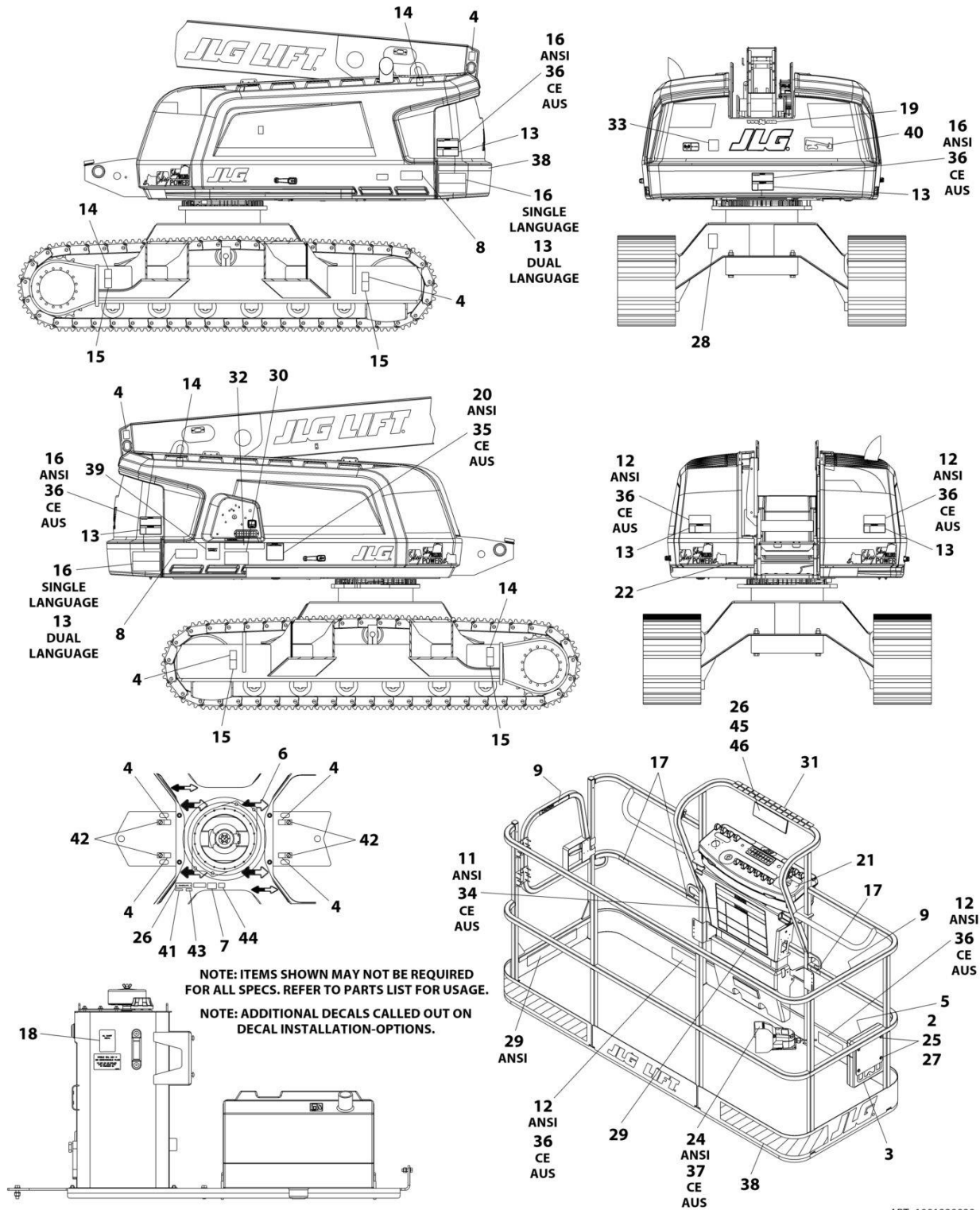
## SECTION 9 - DECALS

**FIGURE 9-16. DECAL INSTALLATION - 660SJC (CSA SPECS - ENGLISH/FRENCH LANGUAGES)**

ITEM	PART NUMBER	QTY	DESCRIPTION	REV
	1001202666	Ref	DECAL INSTALLATION	E
2	0700610	4	Bolt M6 x 20	
3	91403230	1	Box, Manual Storage	
4	1701499	8	Decal - No Tie Down/Lift	
5	1701509	1	Decal - Manual	
6	1701529	6	Decal - Arrow	
7	See Note	NSS	Decal - Bar Code (Note: Not Available For Purchase)	
8	1703165	2	Decal - 660SJC	
9	1704000	2	Decal - No Hands	
11	1703924	1	Decal - Danger/Warning	
12	1703948	4	Decal - Warning/Crushing	
13	1703936	5	Decal - Electrocution	
14	1703811	4	Decal - Lifting Lug	
15	1703814	4	Decal - Tie Down	
16	1703942	3	Decal - Crushing	
17	1704277	3	Decal - Lanyard Attach Graphic	
18	1704412	1	Decal - Hydraulic Oil	
19	1704885	1	Decal - Website	
20	1705347	1	Decal - Warning/Inspection	
21	1705429	1	Decal - Drive/Steer Instruction	
22	3251243	1	Decal - 120V/60Hz	
24	1703984	1	Nameplate - Footswitch	
25	3290605	4	Nut M6	
26	3820001	5	Rivet	
27	4811700	8	Washer M6	
28	1001131269	1	Decal - Patent	
29	1001216749	2	Decal - Warning Dual Capacity	
30	1001216750	1	Decal - Warning Dual Capacity	
31	1001225647	1	Decal - Legend	
32	1001174313	1	Decal - Legend	
40	1001228613	1	Decal - Lift Diagram	
41	1705514	1	Decal - CSA	
42	1704461	4	Decal - No Tie Down	
43	1001228370	1	Decal - Ices (Canada) <b>(SN 0300236299 through 0300241926)</b>	
43	1001223453	1	Decal - Ices (Canada) <b>(SN 0300241927 through 0300272446)</b>	
44	1001223971	1	Decal - Inspection	
45	1001093553	1	Plate, Mounting	
46	1001093684	1	Decal - Machine Motion Hazard	

# SECTION 9 - DECALS

FIGURE 9-17. DECAL INSTALLATION - 660SJC (JAPANESE SPECS - ENGLISH/JAPANESE LANGUAGES)



ART\_1001229930

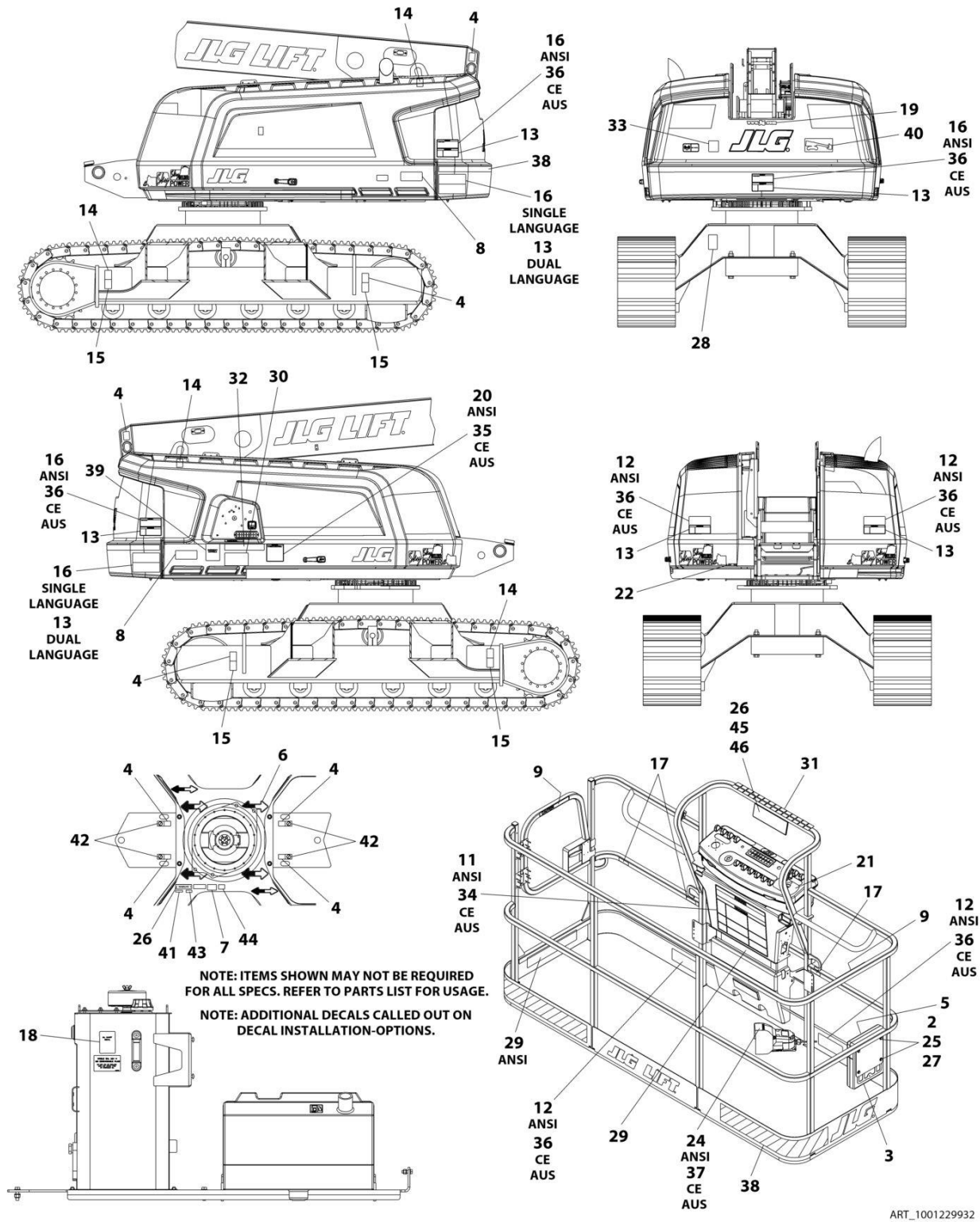
## SECTION 9 - DECALS

**FIGURE 9-17. DECAL INSTALLATION - 660SJC (JAPANESE SPECS - ENGLISH/JAPANESE LANGUAGES)**

ITEM	PART NUMBER	QTY	DESCRIPTION	REV
	1001229930	Ref	DECAL INSTALLATION	B
2	0700610	4	Bolt M6 x 20	
3	91403230	1	Box, Manual Storage	
4	1701499	8	Decal - No Tie Down/Lift	
5	1701509	1	Decal - Manual	
6	1701529	6	Decal - Arrow	
7	See Note	NSS	Decal - Bar Code (Note: Not Available for Purchase)	
8	1703165	2	Decal - 660SJC	
11	1703926	1	Decal - Danger/Warning	
12	1703950	4	Decal - Crushing	
13	1703938	5	Decal - Electrocution	
14	1703811	4	Decal - Lifting Lug	
15	1703814	4	Decal - Tie Down	
16	1703944	3	Decal - Warning/Crushing	
17	1704277	3	Decal - Lanyard Attach Graphic	
18	1704412	1	Decal - Hydraulic Oil	
19	1704885	1	Decal - Website	
20	1705344	1	Decal - Warning/Inspection	
21	1705426	1	Decal - Drive/Steer Instruction	
22	3251243	1	Decal - 120V/60Hz	
24	1703980	1	Nameplate - Footswitch	
25	3290605	4	Nut M6	
26	3820001	5	Rivet	
27	4811700	8	Washer M6	
29	1001216751	2	Decal - Warning Dual Capacity	
30	1001216752	1	Decal - Warning Dual Capacity	
31	1001225647	1	Decal - Legend	
32	1001174313	1	Decal - Legend	
40	1001228613	1	Decal - Lift Diagram	
42	1704461	4	Decal - No Tie Down	
44	1001224053	1	Decal - Inspection	
45	1001093553	1	Plate, Mounting	
46	1001215285	1	Decal - Machine Motion Hazard	

# SECTION 9 - DECALS

## FIGURE 9-18. DECAL INSTALLATION - 660SJC (KOREAN SPECS - ENGLISH/KOREAN LANGUAGES)



ART\_1001229932



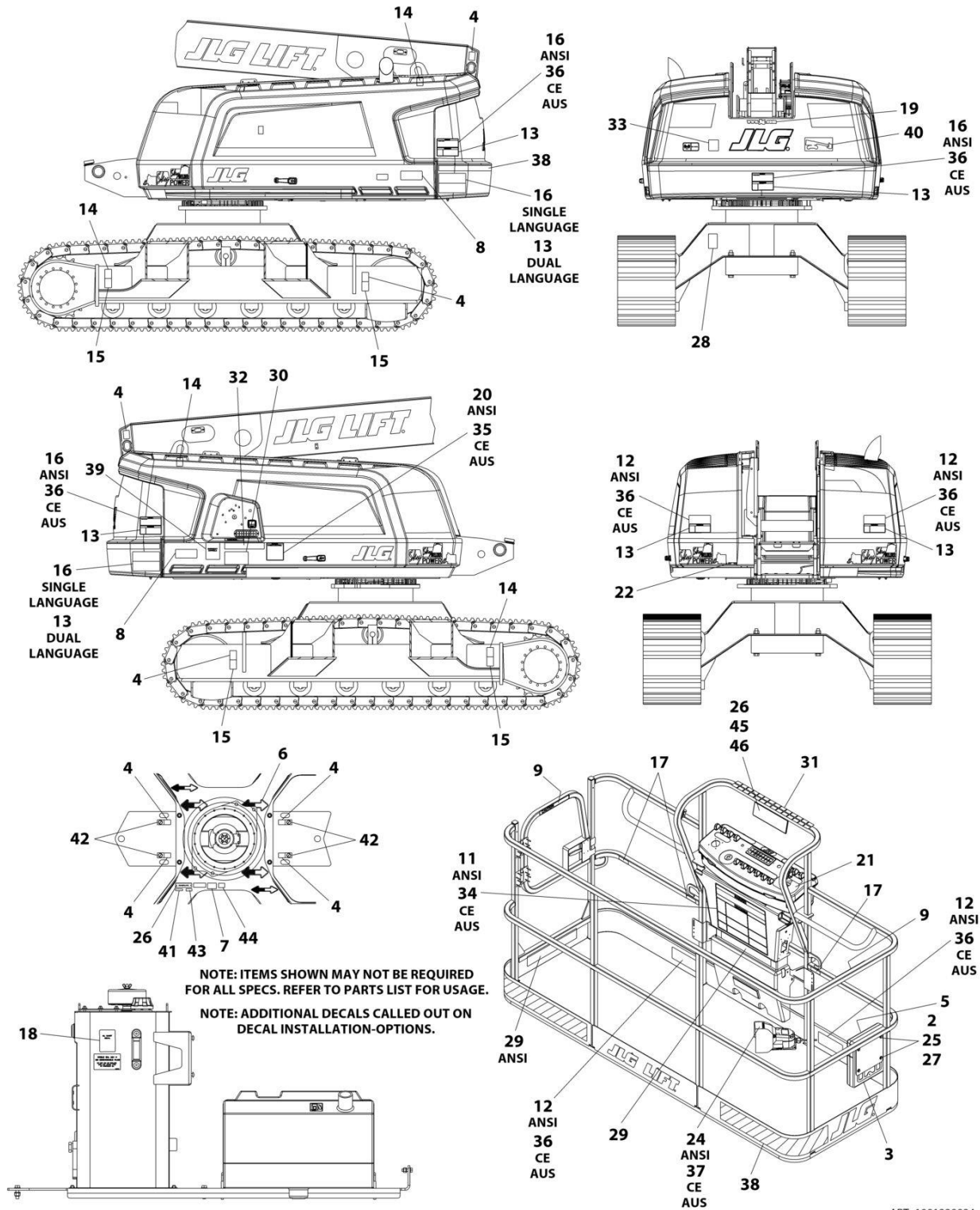
## SECTION 9 - DECALS

**FIGURE 9-18. DECAL INSTALLATION - 660SJC (KOREAN SPECS - ENGLISH/KOREAN LANGUAGES)**

ITEM	PART NUMBER	QTY	DESCRIPTION	REV
	1001229932	Ref	DECAL INSTALLATION	B
2	0700610	4	Bolt M6 x 20	
3	91403230	1	Box, Manual Storage	
4	1701499	8	Decal - No Tie Down/Lift	
5	1701509	1	Decal - Manual	
6	1701529	6	Decal - Arrow	
7	See Note	NSS	Decal - Bar Code (Note: Not Available for Purchase)	
8	1703165	2	Decal - 660SJC	
9	1705969	2	Decal - No Hands	
11	1703927	1	Decal - Danger/Warning	
12	1703951	4	Decal - Warning/Crushing	
13	1703939	5	Decal - Danger/Electrocution	
14	1703811	4	Decal - Lifting Lug	
15	1703814	4	Decal - Tie Down	
16	1703945	3	Decal - Warning/Crushing	
17	1704277	3	Decal - Lanyard Attach Graphic	
18	1704412	1	Decal - Hydraulic Oil	
19	1704885	1	Decal - Website	
20	1705345	1	Decal - Warning/Inspection	
21	1705427	1	Decal - Drive/Steer Instruction	
24	1703981	1	Nameplate - Footswitch	
25	3290605	4	Nut M6	
26	3820001	5	Rivet	
27	4811700	8	Washer M6	
29	1001216734	2	Decal - Warning Dual Capacity	
30	1001216735	1	Decal - Warning Dual Capacity	
31	1001225647	1	Decal - Legend	
32	1001174313	1	Decal - Legend	
40	1001228613	1	Decal - Lift Diagram	
42	1704461	4	Decal - No Tie Down	
44	1001224048	1	Decal - Inspection	
45	1001093553	1	Plate, Mounting	
46	1001215286	1	Decal - Machine Motion Hazard	

# SECTION 9 - DECALS

## FIGURE 9-19. DECAL INSTALLATION - 660SJC (LATIN AMERICA SPECS - ENGLISH/SPANISH LANGUAGES)



ART\_1001229934

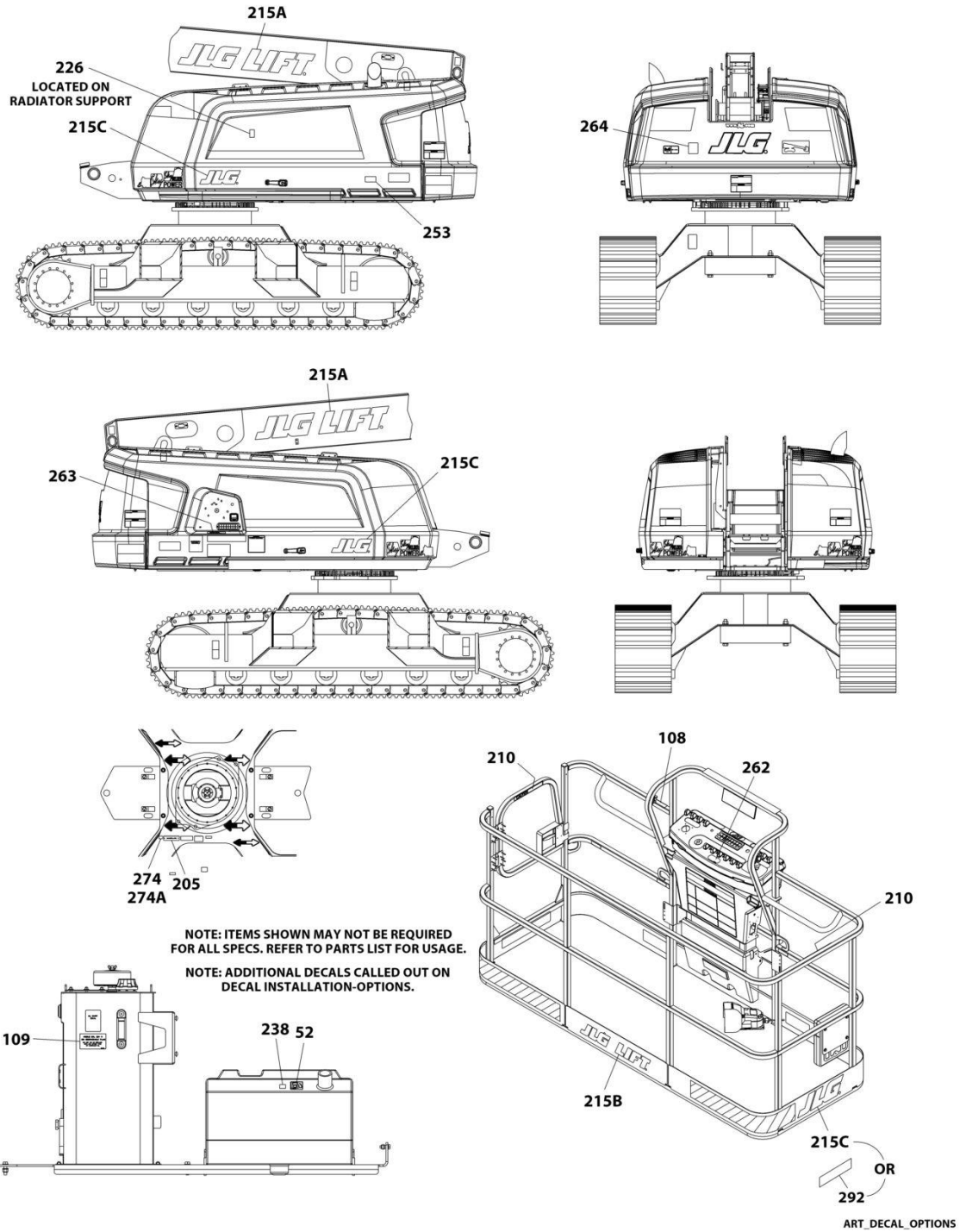
## SECTION 9 - DECALS

**FIGURE 9-19. DECAL INSTALLATION - 660SJC (LATIN AMERICA SPECS - ENGLISH/SPANISH LANGUAGES)**

ITEM	PART NUMBER	QTY	DESCRIPTION	REV
	1001229934	Ref	DECAL INSTALLATION	B
2	0700610	4	Bolt M6 x 20	
3	91403230	1	Box, Manual Storage	
4	1701499	8	Decal - No Tie Down/Lift	
5	1701509	1	Decal - Manual	
6	1701529	6	Decal - Arrow	
7	See Note	NSS	Decal - Bar Code (Note: Not Available for Purchase)	
8	1703165	2	Decal - 660SJC	
9	1704001	2	Decal - No Hands	
11	1703923	1	Decal - Danger/Warning	
12	1703947	4	Decal - Warning/Crushing	
13	1703935	5	Decal - Electrocution	
14	1703811	4	Decal - Lifting Lug	
15	1703814	4	Decal - Tie Down	
16	1703941	3	Decal - Warning/Crushing	
17	1704277	3	Decal - Lanyard Attach Graphic	
18	1704412	1	Decal - Hydraulic Oil	
19	1704885	1	Decal - Website	
20	1705917	1	Decal - Warning/Inspection	
21	1705910	1	Decal - Drive/Steer Instruction	
22	3251243	1	Decal - 120V/60Hz	
24	1703983	1	Nameplate - Footswitch	
25	3290605	4	Nut M6	
26	3820001	5	Rivet	
27	4811700	8	Washer M6	
29	1001216747	2	Decal - Warning Dual Capacity	
30	1001216748	1	Decal - Warning Dual Capacity	
31	1001225647	1	Decal - Legend	
32	1001174313	1	Decal - Legend	
40	1001228613	1	Decal - Lift Diagram	
42	1704461	4	Decal - No Tie Down	
44	1001224049	1	Decal - Inspection	
45	1001093553	1	Plate, Mounting	
46	1001233312	1	Decal - Machine Motion Hazard	

# SECTION 9 - DECALS

## FIGURE 9-20. DECAL INSTALLATION - OPTIONS



## SECTION 9 - DECALS

### FIGURE 9-20. DECAL INSTALLATION - OPTIONS

ITEM	PART NUMBER	QTY	DESCRIPTION	REV
	1001194233	Ref	DECAL INSTALLATION - REFERENCE CHART	K
	1001188600	Ref	DECAL INSTALLATION - OPTIONS	U
52	1701505	1	Decal - Diesel Fuel	
108	0256487	Ref	Proposition 65 Warning Decal Installation (Diesel Engines) <b>(SN 0300236299 through 0300248546)</b>	
108	1702962	1	Decal - Proposition 65	
108	1001231801	1	Decal - Proposition 65 Warning (Diesel Engines) <b>(SN 0300248547 through 0300272446)</b>	
109	1702788	1	Decal - Biodegradeable Hydraulic Fluid (All Specs except German Spec)	
109	1703479	1	Decal - Biodegradeable Hydraulic Fluid (German Spec)	
109	1704174	1	Decal - SYN Biodegradeable Hydraulic Fluid (All Specs except German Spec)	
109	1704175	1	Decal - SYN Biodegradeable Hydraulic Fluid (German Spec)	
205	See Note	NSS	Nameplate - Manufacturers Serial Number (Note: Not Available for Purchase)	
210		Ref	Decal - No Hands Options (Machines with Platform Mesh/Soft-Touch Options):	
210	1702868	2	Decal - No Hands (ANSI/ANSI Export/Australian/CE Specs) (English Language)	
210	1704002	2	Decal - No Hands (Brazil Specs) (Portuguese & Spanish Languages)	
210	1705968	2	Decal - No Hands (China Specs) (English & Simplified Chinese Languages)	
210	1001116846	2	Decal - No Hands (China Specs) (English & Traditional Chinese Languages)	
210	1704000	2	Decal - No Hands (CSA Specs) (English & French Languages)	
210	1705969	2	Decal - No Hands (Korean Specs) (English & Korean Languages)	
210	1704001	2	Decal - No Hands (Latin American Specs) (English & Spanish Languages)	
215	1001206816	1	Decal Installation - JLG Logo (Not Shown)	A
215A	1702861	2	Decal - JLG Lift	
215B	1702774	1	Decal - JLG Lift	
215C	1702773	AR	Decal - JLG	
226		Ref	Decal - Warning Explosion/Fire Options (Diesel Engine Machines Only):	
226	1704972	1	Decal - Warning Explosion/Fire (ANSI/ANSI Export and China Spec)	
226	1706098	1	Decal - Warning Explosion/Fire (Australian and CE Specs)	
226	1706059	1	Decal - Warning Explosion/Fire (Brazil Spec - Dual Language English/Portuguese)	
226	1706060	1	Decal - Warning Explosion/Fire (Chinese Spec - Dual Language English/Chinese)	
226	1706064	1	Decal - Warning Explosion/Fire (CSA Spec - Dual Language English/French)	
226	1706062	1	Decal - Warning Explosion/Fire (Japanese Spec - Dual Language English/Japanese)	
226	1706061	1	Decal - Warning Explosion/Fire (Korean Spec - Dual Language English/Korean)	
226	1706063	1	Decal - Warning Explosion/Fire (Latin American - Dual Language English/Spanish)	
238	1001125387	1	Decal - Ultra Low Sulfur Fuel (ANSI & CSA Specs)	
238	1001139654	1	Decal - Ultra Low Sulfur Fuel (ANSI Export HRC & Japanese)	

## SECTION 9 - DECALS

ITEM	PART NUMBER	QTY	DESCRIPTION	REV
253	1001143852	1	Specs) Decal - Emission Compliance (Machines with Diesel Engines) (ANSI Export, Australian, CE and China Specs) (Not Shown)	
262	1001141300	1	Decal - SkyGuard Override (Without Soft-Touch)	
262	1001141302	1	Decal - SkyGuard Override (With Soft-Touch)	
263	1001197408	1	Decal - MSSO (CE Specs)	
264	1001130492	1	Decal - Sound Power (Deutz D2011 Engines) (Australian and CE Specs)	
264	1705515	1	Decal - Sound Power (Deutz DT2.9L4 Engines) (Australian and CE Specs)	
274	1001214030	1	Decal - EAC Installation (CIS and Russia Specs)	
274A	1001173703	1	Decal - EAC	
292	1001171335	1	Decal - Dual Capacity (600lbs/272kg & 1000lbs/454kg) (ANSI Spec)	
292	1001194234	1	Decal - Max Capacity (550lbs/250kg & 750lbs/340kg) (ANSI Spec)	
292	1001171359	1	Decal - Dual Capacity (600lbs/272kg & 1000lbs/454kg) (Brazil Spec - Dual Language Portuguese/Spanish)	
292	1001216745	1	Decal - Dual Capacity (550lbs/250kg & 750lbs/340kg) (Brazil Spec - Dual Language Portuguese/Spanish)	
292	1001171355	1	Decal - Dual Capacity (600lbs/272kg & 1000lbs/454kg) (Chinese Spec - Dual Language Traditional English/Chinese)	
292	1001216736	1	Decal - Dual Capacity (550lbs/250kg & 750lbs/340kg) (Chinese Spec - Dual Language Traditional English/Chinese)	
292	1001216739	1	Decal - Dual Capacity (600lbs/272kg & 1000lbs/454kg) (Chinese Spec - Dual Language Simplified English/Chinese)	
292	1001216741	1	Decal - Dual Capacity (550lbs/250kg & 750lbs/340kg) (Chinese Spec - Dual Language Simplified English/Chinese)	
292	1001171351	1	Decal - Dual Capacity (600lbs/272kg & 1000lbs/454kg) (CSA Spec - Dual Language English/French)	
292	1001216749	1	Decal - Dual Capacity (550lbs/250kg & 750lbs/340kg) (CSA Spec - Dual Language English/French)	
292	1001171341	1	Decal - Dual Capacity (600lbs/272kg & 1000lbs/454kg) (Japanese Spec - Dual Language English/Japanese)	
292	1001216751	1	Decal - Dual Capacity (550lbs/250kg & 750lbs/340kg) (Japanese Spec - Dual Language English/Japanese)	
292	1001171345	1	Decal - Dual Capacity (600lbs/272kg & 1000lbs/454kg) (Korean Spec - Dual Language English/Korean)	
292	1001216734	1	Decal - Dual Capacity (550lbs/250kg & 750lbs/340kg) (Korean Spec - Dual Language English/Korean)	
292	1001171349	1	Decal - Dual Capacity (600lbs/272kg & 1000lbs/454kg) (Latin American - Dual Language English/Spanish)	
292	1001216747	1	Decal - Dual Capacity (550lbs/250kg & 750lbs/340kg) (Latin American - Dual Language English/Spanish)	

## **SECTION 10 - RECOMMENDED SERVICE PARTS STOCK**

## **SECTION 10 - RECOMMENDED SERVICE PARTS STOCK**

# SECTION 10 - RECOMMENDED SERVICE PARTS STOCK

## FIGURE 10-1. RECOMMENDED SERVICE PARTS STOCK

ITEM	PART NUMBER	QTY	DESCRIPTION	REV
		Ref	Note: The following list will service one machine (built to current production per date on the front cover) with emergency repair parts which can be installed in the field. Parts from the list should be replaced when inventory is depleted to keep service parts stock supplied. For further information, contact your JLG dealer or the JLG Industries Parts Department.	
		Ref	STANDARD PARTS	
	70010383	1	Element, Filter (Includes O-Ring)	
	70004653	1	Coil	
	80434249	1	Coil	
	70004595	1	Coil	
	70002386	1	Coil	
	70002814	12	Hydraulic Tank Service Kit	
	4360475	1	Switch, Mushroom	
	1001155045	1	Switch, Toggle	
	4360469	1	Switch, Key	
	2860030	1 Set	Key, Replacement	
	70004066	12	Element, Filter	
	70005683	1	Repair Section - Powertrack	
	70005335	12	Element, High Pressure Filter	
	70006122	1	Coil	
	4360407	1	Controller, Speed	
	4360387	1	Switch, Push Button	
	1001117174	1	Footswitch Assembly	
	1001159256	1	Switch, Toggle	
	1001161709	1	Switch, Toggle	
	1600359	1	Controller, Drive and Steer	
	1001129555	1	Controller, Lift and Swing	
	1001161710	1	Switch, Toggle	
	1001137673	1	Switch, SkyGuard	
	70006004	1	Coil	
	70005576	1	Coil	
	1001196635	2	Fuse 3Amp	
	8229242	2	Fuse 5Amp	
	8229244	2	Fuse 15Amp	
	1001095704	1	Relay	
	1001129285	2	Diode	
	8229245	2	Fuse 30Amp	
	1001186431	1	Relay	
		Ref	VARIABLE PARTS	
	4360517	1	Switch, Proximity	
	1001219601	1	Sensor	
	1001187200	1	Module, Ground Control	
	1001142683	1	Module (Used with Blue or Red Beacons)	
	3740067	1	Relay (Deutz D2011 Engines)	
	70004020	12	Element, AC Filter (Deutz D2011 Engines)	
	7016331	12	Element, Oil Filter (Deutz D2011 Engine)	
	7016328	12	Filter, Fuel (Deutz D2011 Engines)	
	7027795	1	Module, Engine Control (ECU) (Deutz D2011 Engines)	



## SECTION 10 - RECOMMENDED SERVICE PARTS STOCK

ITEM	PART NUMBER	QTY	DESCRIPTION	REV
	1001138228	1	Relay (Deutz TD2.9L4 Engines)	
	70005008	12	Element, AC Filter (Deutz TD2.9L4 Engines)	
	7016331	12	Filter, Oil (Deutz DT2.9L4 Engines)	
	70025153	12	Element, Fuel Filter (Deutz TD2.9L4 Engines)	
	70025161	12	Element, Fuel Filter (Deutz TD2.9L4 Engines)	
	70025210	1	Module, Engine Control (ECM/ECU) (Deutz TD2.9L4 Engines)	
	70006425	12	Element, Filter (Deutz TD2.9L4 Engines)	
	4360336	1	Switch, Toggle (Generator Options)	
	4360070	1	Circuit Breaker 15Amp (Machines with 4000W or 7500W Generator)	
	1001214831	1	Switch, Proximity (Boom)	
	1001170847	1	Sensor, Proximity	
	1001182570	1	Sensor, Proximity	
	1001211577	1	Sensor (Lower)	
	1001211578	1	Sensor (Upper) (600SC)	
	1001211579	1	Sensor (Upper) (660SJC)	
	2940074	1	Latch (Machines with Gate Entry Platform)	
	1001185726	1	Module, Platform	
	1001181045	1	Breaker, Circuit 16A (CE Specs Machines with Single Breaker Box)	
	1001152479	1	Breaker, Circuit 16A Double (CE Specs Machines with 3 Breaker Box)	
	1001152482	1	Breaker, Circuit 30mA (CE Specs Machines with 3 Breaker Box)	
	80983191	2	Fuse - 10Amp (Deutz TD2.9L4 Engines)	
	3740080	1	Relay (Machines with 2500W Generator)	
	2400064	2	Fuse 5A (Deutz D2011 Engine Machines with 7500W SkyPower Generator)	



**SECTION 11 - SPECIAL OPTIONS**

# SECTION 11 - SPECIAL OPTIONS

## FIGURE 11-1. SPECIAL OPTIONS

ITEM	PART NUMBER	QTY	DESCRIPTION	REV
	Note	Ref	Note: This list is to accommodate machines ordered with special equipment. Options may not be applicable to all models. For more specific parts information contact JLG Parts Department.	
		Ref	MISCELLANEOUS SPECIAL OPTIONS	
		Ref	Airline to Platform Installation Options:	
	1001192931	Ref	Airline Installation (600SC)	
	1001194110	Ref	Airline Installation (600SC Arctic Package)	
	1001193215	Ref	Airline Installation (660SJC)	
	1001194045	Ref	Airline Installation (660SJC Arctic Package)	
	1001194205	Ref	Airline Installation - Dual Lines (600SC) (ANSI, ANSI Export, China & CSA Specs)	
	1001235884	Ref	Air Intake Shutoff Valve (Deutz TD2.9L4 Engines)	
	1001205019	Ref	Arctic Package Installation Kit - With Deutz TD2.9L4 Engines and Without SkyPower (600S)	
	1001205018	Ref	Arctic Package Installation Kit - With Deutz TD2.9L4 Engines and With SkyPower (600SC)	
	1001205024	Ref	Arctic Package Installation Kit - With Deutz TD2.9L4 Engines and Without SkyPower (660SJC)	
	1001205023	Ref	Arctic Package Installation Kit - With Deutz TD2.9L4 Engines and With SkyPower (660SJC)	
	1001189169	Ref	Bellows Installation - Boom (600SC)	
	1001189170	Ref	Bellows Installation - Boom (660SJC)	
	1001236700	Ref	Boom Cable/Hose Protection Installation (600SC)	
	1001236701	Ref	Boom Cable/Hose Protection Installation (660SJC)	
	1001195235	Ref	Boom Wipers Installation	
		Ref	ClearSky Telematics (Factory Installed)	
	1001227404	Ref	ClearSky Telematics Installation - Canbus Connection (Factory Installed) (ANSI & CSA Specs)	
	1001228947	Ref	ClearSky Telematics Installation - Canbus Connection (Factory Installed) (ANSI Export and CE Specs)	
	1001229107	Ref	ClearSky Telematics Installation - 3 Wire Connection (Factory Installed) (ANSI & CSA Specs)	
	1001233237	Ref	ClearSky Telematics Installation - 3 Wire Connection (Factory Installed) (ANSI Export and CE Specs)	
	1001234099	Ref	ClearSky Telematics Kit (Dealer Installed) (CE Specs)	
		Ref	Cold Weather Package Installation Options:	
	1001192489	Ref	Cold Weather Package Installation (Deutz TD2011L04 Engine Machines)	
	1001192475	Ref	Cold Weather Package Installation (Deutz TD2.9L4 Engine Machines)	
		Ref	Decal Installations Options:	
	1001120992	Ref	Decal - ClearSky (ANSI Spec) (ANSI, ANSI Export, Australian, Brazilian, CE and CSA Specs Only)	
	0257195	Ref	Decal - Government Warranty	
	1001200131	Ref	Decal - Quick Reference (Danish) (Lomax Rentals)	
	1001200129	Ref	Decal - Quick Reference (Dutch) (Lomax Rentals)	
	1001181145	Ref	Decal - Quick Reference (English) (Lomax Rentals)	
	1001200128	Ref	Decal - Quick Reference (French) (Lomax Rentals)	
	1001200130	Ref	Decal - Quick Reference (German) (Lomax Rentals)	
	1001200134	Ref	Decal - Quick Reference (Norwegian) (Lomax Rentals)	
	1001200133	Ref	Decal - Quick Reference (Spanish) (Lomax Rentals)	

## SECTION 11 - SPECIAL OPTIONS

ITEM	PART NUMBER	QTY	DESCRIPTION	REV
	1001200132	Ref	Decal - Quick Reference (Swedish) (Lomax Rentals)	
		Ref	Decal Kits	
	1001238909	Ref	Platform Decal Kit	
	1001238908	Ref	Platform Console Box Decal Kit	
		Ref	Electrical Connector Kits	
	1001148902	Ref	Amp/Tyco Electrical Connector Kit	
	1001148903	Ref	Deutsch DT Electrical Connector Kit	
	1001148904	Ref	Deutsch HD Electrical Connector Kit	
	1001148905	Ref	Packard Electrical Connector Kit	
	1001148906	Ref	Various Electrical Connectors Kit	
	1001220390	Ref	Engine Block Heater Installation (Ford Engine Machines)	
	1001192610	Ref	Fan Grille Installation (Deutz D2011 Engines)	
	1001192482	Ref	Fan Grille Installation (Deutz DT2.9L4 Engines)	
		Ref	Filter Kits:	
		Ref	Combined Filter Kit (Hydraulic/Air and Fuel/Engine Oil)	
	1001238962	1	Deutz D2011 Engines	
	1001238961	1	Deutz TD2.9L4 Engines	
		Ref	Fluids	
		Ref	Coolant Options:	
	2300004	Ref	Machines without Arctic Package	
	2300041	Ref	Machines with Arctic Package	
	3020021	Ref	Engine Coupling Grease	
		Ref	Engine Oil Options:	
	3020016	Ref	Motor Oil (Deutz TD2011 Engine Machines without Arctic Package)	
	3020044	Ref	Motor Oil (Deutz TD2011 Engine Machines with Arctic Package)	
	1001136079	Ref	Motor Oil (Deutz T2.9L4 Engine Machines without Arctic Package)	
	1001136172	Ref	Motor Oil (Deutz T2.9L4 Engine Machines with Arctic Package)	
		Ref	Hydraulic Fluids:	
	2300014	Ref	Mobil 424	
	2300027	Ref	Mobil 224H Bio	
	2300029	Ref	Mobil EAL ISO 46 Bio	
	2300016	Ref	Mobil DTE 10 EXCEL 32	
	2300019	Ref	Quaker State Quintolubric 888-46 Fire Resistant	
	2300039	Ref	Exxon Univis Hvl 26 (Machines with Arctic Package)	
	1001117294	Ref	Footswitch Shield (Note: Move Decal to Shield)	
	1001202749	Ref	Fuel Cap Cover Installation (Black) (Note: Lock p/n 1001102157 must be Purchased Separately)	
	1001191395	Ref	Fuel Cap Cover Installation (Green) (Note: Lock p/n 1001102157 must be Purchased Separately)	
		Ref	Hood (Steel) Replacement Kit	
	1001126286	Ref	Deutz Engine Machines	
	1001148971	Ref	Lanyard (Bolt-On) Kit Installation	
		Ref	Light Options:	
	1001190717	Ref	Headlights & Taillights Installation	
	1001178951	Ref	Platform Mounted Strobe Light Installation	
	1001193521	Ref	Platform/Ground Dual Located Mounted Strobe Light Installation	
	1001120466	Ref	Platform Worklights Installation	
	1001183407	Ref	Low Temperature Cutout Installation (Russian Specs)	
	1001233035	Ref	Pinion Shield Installation	

## SECTION 11 - SPECIAL OPTIONS

ITEM	PART NUMBER	QTY	DESCRIPTION	REV
		Ref	Platform Console Cover Installations	
	1001195304	Ref	Platform Console Cover Installation (Clear Polycarbonate)	
	1001110974	Ref	Platform Console Cover Installation (Steel) (All Specs except Australian and CE Specs)	
	1001125230	Ref	Platform Console Cover Installation (Steel) (Chinese Specs)	
	1001125229	Ref	Platform Console Cover Installation (Steel) (Korean Specs)	
		Ref	Platform Entry Kit	
	1001142504	Ref	Kit, Replace Swing Gate with Drop Bar	
	1001142505	Ref	Kit, Replace Drop Bar with Swing Gate	
		Ref	Platform Extension (Top Rail)	
	0272733	Ref	36in x 72in Platforms	
	0272725	Ref	36in x 96in Platforms	
		Ref	Platform Mesh to Top Rail Add-on Kits:	
	1001214561	Ref	36in x 6ft (91.5cm x 1.83m) with Gate	
	1001214562	Ref	36in x 8ft (91.5cm x 2.44m) with Gate	
		Ref	Platform Mesh to Top Rail Installations	
	0273149	Ref	36in x 6ft (91.5cm x 1.83m)	
	0273145	Ref	36in x 8ft (91.5cm x 2.44m)	
	1580013	Ref	Platform Tray (Corner Mounted)	
	1001238903	Ref	Platform Valve Hose Kit - 600SC	
	1001238906	Ref	Platform Valve Hose Kit - 660SJC	
	1001101422	Ref	SkyGlazier Kit (Platform not Included)	
	1001137672	Ref	SkyGuard Installation Kit (Old Style Platform)	
	1001197016	Ref	SkyGuard Installation Kit (New Style Platform)	
	1001206311	Ref	SkyGuard Blue Beacon Installation Kit	
	1001217055	Ref	SkyPower Kit (Deutz TD2.9L4 Engine)	
	1001231235	Ref	SkyWelder Locking Bracket	
		Ref	Tools for Service	
	7002840	1	Anti-Rotation Pin Removal Tool	
	8896941	1	Wire Stripper	
	7002821	1	Wire Crimper (To install wire ends to wires)	
	7002823	1	Pin/Socket Extractor - Universal (To Remove Pins/Sockets from Connectors)	
	4460467	1	Extractor - 16-18 Gauge (For Removal of Pin/Sockets from Deutsch Connectors)	
	4460510	1	Extractor - 12-14 Gauge (For Removal of Pin/Sockets from Deutsch Connectors)	
	7002822	1	Screwdriver, Potentiometer (To Adjust Drive Controllers)	
	7016654	1	Screwdriver, Magnetic	
	7004275	1	Seal Installation Tool - 1in	
	7004276	1	Seal Installation Tool - 1-1/2in	
	7002826	1	Seal Installation Tool - 2in	
	7016655	1	Wire Rope Sheave Gauge	
	7016652	1	Huck Bolt Faster (For Small Huck Bolts Only)	
	1001137005	1	Software Cable Kit	
	2915096	Ref	Turntable Bearing Kit	
	1001238902	Ref	Upper Power Track Hose Kit - 600SC	
	1001238904	Ref	Upper Power Track Hose Kit - 660SJC	
	1001238901	Ref	Wear Pad Kit	
	1001238907	Ref	Wire Rope Kit	

**PART NUMBER INDEX**

# SECTION 11 - SPECIAL OPTIONS

0100009.....375, 379	0480124 .....267, 269	0701012.....100, 108, 123,	0760812 .... 103, 105, 509,
0100011.....35, 39, 41, 57,	0561508 .....318, 322	133, 149, 161, 181,	513, 517, 521, 525,
63, 65, 69, 71, 73, 75,	0630518 .... 411, 413, 415	193, 211	529, 531
100, 101, 103, 105,	0630534 .....427, 431	0701013.....318, 322	0760814 .... 156, 170, 188,
108, 111, 113, 123,	0630535 .....433, 435	0701014.....371, 373	202, 218, 267, 269,
125, 130, 133, 137,	0630568 .....375, 380	0701015 63, 65, 149, 161,	271, 331, 333, 507,
142, 149, 151, 156,	0630613 .63, 65, 100, 108	181, 193, 211	511, 515, 519, 523, 527
161, 165, 170, 181,	0641404 .... 375, 379, 409	0701016.....100, 108, 241	0760815 .....130, 142
183, 188, 193, 197,	0641405 .....409	0701018.....325	0760816 .... 130, 142, 158,
202, 211, 213, 218,	0641406 .....119, 369	0701019.....310, 314	172, 190, 204, 220
251, 257, 259, 261,	0641408 .....103, 105	0701022.....123, 133, 149,	0760822 .... 331, 507, 515,
263, 265, 267, 269,	0641409 .....111, 113	161, 181, 193, 211	519
271, 275, 279, 283,	0641414 .... 375, 379, 399,	0701024.....251	0760824 .....331
287, 291, 295, 299,	401, 403	0701028.....318, 322	0761009 39, 41, 318, 322,
303, 310, 314, 318,	0641416 .... 479, 483, 487,	0701029.....318, 322	331, 333, 335, 507,
322, 325, 331, 333,	491, 495, 497	0701032.....331	509, 511, 513, 515,
335, 341, 343, 345,	0641418 .... 351, 355, 357,	0701216.....101, 108	517, 519, 521, 523,
347, 351, 355, 357,	359, 361, 363, 367	0701217.....63, 65	525, 527, 529
359, 361, 363, 367,	0641424 .... 509, 513, 517,	0701220.....100, 101, 108,	0761010 .....318, 322
399, 401, 409, 411,	521, 525, 529	507, 509, 511, 513,	0761011 .....310, 318, 322
413, 415, 427, 433,	0641504 .....100	515, 517, 519, 521,	0761012 .... 267, 269, 318,
507, 509, 511, 513,	0641507 .....271	523, 525, 527, 529	322, 325
515, 517, 519, 521,	0641508 .....267, 269	0701221.....63, 65	0761014 .. 39, 41, 65, 111,
523, 525, 527, 529	0641606 .... 411, 413, 415	0701224.....142	113, 125, 137, 319,
0100019 47, 53, 271, 275,	0641607 .....63, 65, 272	0701618.....57	323, 325, 347
279, 283, 287, 291,	0641608 .....63, 65	0711015.....261	0761015 .... 100, 125, 130,
295, 299, 303	0641616 .... 283, 287, 299,	0711018.....123, 133, 149,	137, 142, 151, 156,
0100020.....123, 130, 133,	303	161, 181, 193, 211	165, 170, 183, 188,
142, 149, 156, 162,	0641618 .... 275, 279, 291,	0711020.....261	197, 202, 213, 218,
170, 181, 194, 211,	295	0711224.....130, 156, 170,	239, 241, 259, 261,
218, 243, 397, 479,	0641808 .... 125, 137, 151,	188, 202, 218, 259,	263, 265, 331
483, 487, 491, 495, 497	165, 183, 197, 213	261, 263, 265	0761016 .... 91, 93, 95, 97,
0100035.....375, 379, 509,	0641814 .... 125, 137, 151,	0711627.....130, 142, 151,	156, 170, 188, 202,
513, 517, 521, 525, 529	165, 183, 197, 213	156, 165, 170, 188,	218, 239, 243, 319, 323
0100038.....427, 433	0642012 .....407	202, 214, 218	0761017 .... 158, 172, 190,
0100048.....271, 283, 287,	0642212 .....407	0711635.....310, 314	204, 220, 319, 323
299, 303, 375, 379	0642684 .....345	0731005.....63, 65	0761210 .... 123, 133, 149,
0100071 .....403	0681608 .....345, 347	0741605.....156, 170, 188,	157, 162, 170, 181,
0100079.....279, 287, 295,	0682023 .....53	202, 218	189, 194, 202, 211, 219
303, 475, 477, 481,	0700408 .... 477, 479, 481,	0741607.....275, 279, 283,	0761212 .... 275, 279, 283,
485, 489, 493	483, 485, 487, 489,	287, 299, 303	287, 291, 295, 299,
0100081.....331, 375, 379,	491, 493, 495, 497	0760508.....61	303, 314
407	0700608 .....73, 75	0760512.....149, 161, 181,	0761214 .....57, 271
0140011.....375, 379	0700610 69, 71, 267, 269,	193, 211, 241	0761216 .....345, 347
0140043.....73, 75	371, 373, 625, 627,	0760606.....267, 269, 271,	0762016 .... 101, 108, 310,
0256487.....663	629, 631, 633, 635,	275, 279, 283, 287,	314
0257195.....670	637, 639, 641, 643,	291, 295, 299, 303	0770814 .....265
0272029.....35	645, 647, 649, 651,	0760608.....111, 119, 275,	0771414 .... 130, 142, 156,
0272254.....413	653, 655, 657, 659, 661	279, 283, 287, 291,	170, 188, 202, 218,
0272418.....407	0700612 .....371, 373	295, 299, 303, 555, 557	259, 263
0272435.....297, 305	0700614 .... 123, 133, 149,	0760610.....103, 105, 130,	0771415 .... 261, 265, 275,
0272521.....411	161, 181, 193, 211	142, 156, 170, 188,	279, 291, 295
0272589.....292, 300	0700615 .....113	202, 218, 275, 283,	0771416 .... 130, 142, 156,
0272725.....672	0700616 .....111	310, 314, 475, 503, 505	170, 188, 202, 218
0272733.....672	0700618 .... 477, 481, 485,	0760612 73, 75, 125, 137,	0771620 .....47
0273145.....672	489, 493	151, 165, 183, 197, 213	0772018 ..... 47, 123, 133,
0273149.....672	0700619 .73, 75, 103, 105	0760614.....91, 93, 95, 97,	149, 161, 181, 193, 211
0275216.....477, 599	0700818 .... 507, 509, 511,	158, 172, 190, 204,	0860038 .... 279, 287, 295,
0275217 .....481, 601	513, 515, 517, 519,	220, 253, 255, 318, 322	303, 475
0275452 .....485, 603	521, 523, 525, 527, 529	0760615 .....555	0861538 .....295, 303
0275453 .....489, 605	0700819 39, 41, 279, 287,	0760619.....156, 170, 188,	0861572 .....291, 299
0275454 .....493, 607	291, 295, 299, 303, 529	202, 218	0861731 .... 487, 491, 495,
0400075 .....69, 71	0700822 .... 507, 509, 511,	0760807 .....335	497, 603, 605, 607
0440162.....123, 133, 149,	513, 515, 517, 519,	0760810.....100, 108, 157,	0861781 .... 479, 483, 599,
161, 181, 193, 211	521, 523, 525, 527, 529	170, 189, 202, 219, 347	601
0440233.....53			0861880 .....533, 535



## SECTION 11 - SPECIAL OPTIONS

0902888 ....279, 287, 291, 295, 299, 303	1001113680.....627, 647	1001120851 .....571	1001136834.....156, 170, 188, 202, 218
0940102 .....407	1001113961 .....621	1001120992 .....670	1001136975.....123, 134, 149, 161, 181, 193, 211
0961845 ....351, 355, 357, 359, 361, 363, 367	1001116290.....111, 113	1001121172 .....622	1001137005.....672
0961893 .....427, 431	1001116693.....589, 593	1001125229 .....672	1001137032.....310
0961897 .....433	1001116694.....587	1001125230 .....672	1001137125.....341, 343
0961947 .....325, 329, 421	1001116695.....589, 593	1001125387 .....663	1001137276.....156, 171, 188, 202, 218
0961948 .....322, 423	1001116705.....589, 593	1001125492 .....47	1001137336.....251
0961951 ....130, 142, 156, 170, 188, 202, 218, 318, 322, 327	1001116720.....583	1001125677 .....590, 593, 595, 597, 622	1001137672.....672
0962033 .....318, 322	1001116727.....561, 565	1001126009 .....615	1001137673.....399, 401, 666
0962051 .....257	1001116728.....561, 565, 621	1001126286 .....671	1001138173.....130, 142
0962335 .....325	1001116732.....559, 571	1001126351 .....561, 565	1001138175.....130, 142
0962336 .....427, 431	1001116734.....559, 571	1001126352 .....561, 565	1001138228.....156, 171, 188, 202, 218, 667
0962423 ....310, 314, 318, 322, 425	1001116748.....541, 595, 597	1001126356 .....561, 565	1001138248.....130, 142, 158, 172, 190, 204, 220
0962449 .....267	1001116774.....617	1001126357 .....561, 565	1001138436.....318, 322
0962520 ....275, 279, 283, 287, 291, 295, 299, 303	1001116792.....509, 513, 517, 521, 525, 529	1001126362 .....562, 566	1001138459.....310, 314
1001026127 .....123, 133, 149, 161, 181, 193, 211	1001116808.....617	1001126363 .....562, 566	1001138494.....355, 357, 359, 361, 363, 367
1001080707 .....65	1001116845.....631, 651	1001126384 .....561, 565	1001138514.....355, 359, 363, 367
1001091102 .....503, 505	1001116846.....633, 653, 663	1001126391 .....562, 566	1001138565.....275
1001093553 .....627, 631, 633, 635, 637, 639, 641, 647, 651, 653, 655, 657, 659, 661	1001116847.....631, 651	1001128128 .....559	1001138566.....275, 280, 283, 287
1001093684 .....635, 655	1001116848.....631, 651	1001128527 .....415	1001138827.....156, 171, 218
1001095704 .....621, 666	1001116849.....633, 653	1001128556 .....415	1001138915.....433, 435
1001096070 .....275, 283, 535	1001116850.....631, 651	1001129285 .....621, 666	1001139078.....331
1001097051 .....613	1001116851.....633, 653	1001129555 .....666	1001139357 .....275, 280
1001097150 .....533, 535, 537, 539	1001116852.....631, 651	1001129858 .....279	1001139384.....103, 105, 111, 113
1001098122 .....397, 589, 593	1001116855.....633, 653	1001130220 ....73, 75, 91, 93, 95, 97, 119, 123, 133, 149, 161, 181, 193, 211, 275, 280, 283, 287, 292, 296, 299, 303, 310, 314	1001139654.....663
1001098764 .....157, 172, 189, 203, 219	1001116863.....633, 653	1001130492 .....664	1001139819.....130, 142
1001098828 .....347	1001116866.....561, 565	1001131269 .....625, 635, 643, 655	1001140312.....171, 203
1001099366 .....407	1001116883.....633, 653	100113245 .....433, 435, 437	1001140346.....287
1001099367 .....407	1001116893.....569	1001133714 .....561, 566	1001140347 .....283
1001099869 .....267	1001117025 .....559	1001133715 .....561, 566	1001140429.....351, 355, 357, 359, 361, 363, 367
1001100234 .....267	1001117057 .....571	1001133956 .....561, 565	1001140535.....156, 171
1001100321 .....267	1001117106.....561	1001133957 .....565	1001140564.....157, 171, 219
1001100341 .....599	1001117107.....561, 565	1001134488 .....156, 170, 218	1001141300.....664
1001100342 .....601	1001117140.....115	1001134543 .....47, 57	1001141302.....664
1001100345 .....603	1001117172.....397	1001135138 .....156, 170, 188, 202, 218	1001141304.....158, 172, 189, 203, 219
1001100346 .....607	1001117174.....375, 379, 397, 666	1001135488 .....318, 322	1001141814.....275, 291
1001100347 .....605	1001117294.....671	1001135651 .....562, 566	1001141995.....130, 142
1001101422 .....672	1001117307 .....108	1001135679 .....156, 170, 188, 202, 218	1001142501.....149, 161, 181, 193, 211
1001102978 .....257	1001117308.....156, 170, 188, 202, 218	1001136079 .....157, 189, 219, 671	1001142504.....672
1001103012 .....621	1001118282.....559	1001136172 .....170, 202, 671	1001142505.....672
1001104029 .....279, 287, 292, 296, 299, 303	1001118378.....593, 621	1001136356 .....279, 295	1001142643.....283, 288, 299, 304
1001104498 .....621	1001118384.....589, 615	1001136398 .....331	1001142646.....288, 304
1001106736 .....555, 557	1001118388.....583, 589, 615	1001136400 .....331	1001142683....91, 93, 95, 97, 666
1001107854 .....621	1001118972 65, 123, 133, 149, 161, 181, 193, 211	1001136402 .....331	1001142736....91, 93, 95, 97, 617
1001110872 .....499, 501	1001119020.....617	1001136461 .....331	1001142938.....561, 565
1001110873 .....279, 287, 296, 303, 475	1001119032.....621	1001136469 .....331	1001142940.....566
1001110974 .....672	1001119051.....123, 133, 149, 161, 181, 193, 211	1001136571 .....318, 322	1001142941.....561, 566
1001112551 .....645	1001119280.....267, 269, 271	1001136575 .....318, 322	1001143390.....130, 142
1001112612 .....617, 621	1001119455.....450, 458	1001136583 .....318, 322	
1001112796 .....617	1001119619.....609	1001136587 .....318, 322	
1001113047 .....111	1001119620.....611, 613	1001136590 .....319, 323	
	1001119727 .....251	1001136592 .....318, 322	
	1001120204.....511, 513		
	1001120205.....511, 513		
	1001120328.....399, 401, 409, 595, 597		
	1001120466.....671		

## SECTION 11 - SPECIAL OPTIONS

1001143645 .....507, 509, 511, 513, 515, 517, 519, 521, 523, 525, 527, 529	1001155094.....123, 133, 149, 161, 181, 193, 211	1001170035 .....157, 171, 189, 203, 219	1001177519.....433, 435
1001143713 .....318, 322	1001155441.....341, 343	1001170838 ..77, 79, 375, 380	1001177520.....433, 435
1001143852 .....664	1001155823.....149, 161, 181, 193, 211	1001170847 .....341, 343, 667	1001177521.....433, 435
1001144433 .....376, 401	1001157520.....296, 300, 304	1001171131 .....499	1001177522.....433, 435
1001144629 .....353, 357, 361, 365	1001157521.....292, 296, 300, 304	1001171335 .....625, 664	1001177844.....157, 171, 189, 203, 219
1001146220 ..77, 79, 376, 379	1001157525.....292, 299, 300	1001171336 .....625	1001178057.....63, 65, 67
1001146588 .....507, 509, 511, 513, 515, 517, 519, 521, 523, 525, 527, 529	1001157528.....292, 296, 300, 304	1001171341 .....637, 664	1001178951.....671
1001147264 .....565	1001157592.....296, 304	1001171342 .....637	1001179154.....280, 288, 296, 304
1001147812 .....130, 142	1001157891.....589, 593	1001171345 .....639, 664	1001179156.....125, 137, 151, 165, 183, 197, 213
1001147813 .....130, 142	1001158007.....292, 296, 300, 304	1001171346 .....639	1001179837 .....271
1001147823 .....130, 142, 145	1001158008.....280, 288, 292, 296, 300, 305	1001171349 .....641, 664	1001180001.....271
1001148138 .....272	1001158363.....280, 288	1001171350 .....641	1001180620.....157, 171, 189, 203, 219
1001148607 .....63	1001159118.....499, 501	1001171351 .....635, 664	1001180882.....319
1001148650 .....318, 322	1001159119.....499, 501	1001171352 .....635	1001180883.....310, 318
1001148675 .....499, 501	1001159120.....499, 501	1001171355 .....633, 664	1001180884.....310
1001148902 .....671	1001159121.....501	1001171356 .....633	1001180885.....314
1001148903 .....671	1001159186.....581, 589, 593	1001171359 .....627, 664	1001181045.....533, 535, 667
1001148904 .....671	1001159256.....375, 379, 666	1001171360 .....627	1001181145.....670
1001148905 .....671	1001159323.....629, 649	1001171482 .....77, 79	1001181243.....272
1001148906 .....671	1001161709.....375, 379, 666	1001172064 .....565, 622	1001181325.....73, 75
1001148971 .....671	1001161710.....383, 385, 387, 389, 666	1001172065 .....565, 622	1001181895.....171, 203
1001149452 .....239	1001164196.....125, 137, 151, 165, 183, 197, 213	1001172615 .....100, 108	1001181899.....158, 172, 189, 203, 219
1001149469 .....239	1001164726.....111, 113	1001172760 .....376, 380	1001181923.....507, 509, 511, 513, 515, 517, 519, 521, 523, 525, 527, 529
1001150918 .....133, 161, 193	1001165035.....123, 133, 149, 161, 181, 193, 211, 241	1001173529 .....77, 79	1001181960.....325
1001151192 .....331	1001166539.....376, 379, 393	1001173703 .....664	1001181962.....325
1001151393 .....81, 83, 85, 87	1001166716.....157, 171, 189, 203, 219	1001174040 .....347	1001182046.....325
1001151856 .....562, 566	1001166894.....257	1001174231 .....310, 314	1001182064.....325
1001152429 .....292, 296, 579	1001167042.....157, 171, 189, 203, 219	1001174250 .....310, 314	1001182138.....403
1001152456 .....280, 288	1001167164.....253, 255	1001174251 .....310, 314	1001182570.....341, 343, 667
1001152457 .....280, 288	1001167565.....347	1001174252 .....310, 314	1001182806.....119
1001152479 .....539, 667	1001167567.....347	1001174253 .....310, 314	1001183407.....671
1001152482 .....539, 667	1001167596.....347	1001174254 .....310, 314	1001183926.....310, 314
1001152483 .....537, 539	1001167962.....383	1001174256 .....310, 314	1001184327.....108, 115
1001152485 .....505, 537	1001167963.....383	1001174313 .....625, 627, 631, 633, 635, 637, 639, 641, 643, 647, 651, 653, 655, 657, 659, 661	1001184500.....310, 314, 425
1001152486 .....505, 539	1001168018.....131, 143, 157, 171, 189, 203, 219, 259, 261, 263, 265	1001174486 .....123, 133, 239	1001184619.....385
1001152489 .....157, 171, 188, 203, 219	1001168166.....131, 143, 157, 171, 189, 203, 219	1001174630 .....331	1001184620.....385
1001152520 .....292	1001168402.....347	1001174631 .....331	1001184621.....385
1001152525 .....280, 288, 292, 296, 300, 304	1001169046.....100, 111, 113	1001174632 .....331	1001184626.....371, 373
1001152530 .....280, 288	1001169054.....157, 171, 189, 203, 219	1001174636 .....331	1001184913.....319, 323
1001152532 .....276, 280, 284, 288, 573	1001169138.....157, 171, 189, 203, 219	1001174673 .....100, 103, 105, 331	1001184915.....319, 323
1001153197 .....280	1001169582.....55	1001175073 .....257	1001184917.....319, 323
1001153260 .....280, 288	100116967.....157, 171, 189, 203, 219	1001175346 .....433	1001184954.....310, 421
1001153398 .....318, 322	1001169967.....157, 171, 189, 203, 219	1001175568 .....149, 161, 181, 193, 211, 243	1001184957.....314, 423
1001154405 .....149, 161, 181, 193, 211, 241, 243		1001175850 .....318, 322, 433	1001185237.....629
1001154726 .....571		1001175852 .....433	1001185281.....376, 380
1001155043 .....77, 79		1001175998 .....319, 323	1001185709.....53
1001155044 ..77, 79, 325, 375, 379, 383, 385, 387, 389		1001175999 .....319, 323	1001185726.....375, 380, 667
1001155045 ..77, 79, 325, 375, 379, 666		1001176208 .....319, 323	1001185842.....47
		1001176212 .....319, 323	1001185964.....621
		1001176216 .....323	1001186186.....100
		1001176217 .....314, 322	1001186346.....69
		1001176339 .....433	1001186379.....355
		1001176469 .....83, 87	1001186382.....367
		1001176862 .....499	1001186383.....365
		1001177359 .....157, 171, 188, 203, 219	

## SECTION 11 - SPECIAL OPTIONS

1001186384.....353	1001189004.....549, 555, 557	1001191708 ..... 403	1001193757.....389
1001186426..... 157, 171, 189, 203, 219	1001189005.....541, 555, 557	1001191856 ..... 261	1001193758.....389
1001186431..... 401, 589, 666	1001189026.....131, 143, 157, 171, 189, 203, 219	1001192008 ..... 265	1001193760..... 100
1001186432..... 583, 589, 615	1001189067 ..... 100	1001192012 ..... 69, 71	1001193927..... 459
1001186517..... 399, 401	1001189111.....557, 597	1001192027 ..... 314	1001193928..... 459
1001186541..... 319, 323	1001189119.....63	1001192052 ..... 314	1001193930..... 459
1001186812..... 151, 156	1001189161.....131, 143	1001192108 ..... 73, 77	1001193932..... 459
1001186814..... 165, 170	1001189169.....670	1001192278 ..... 303	1001193933..... 459
1001186902..... 157, 171, 175	1001189170.....670	1001192279 ..... 287	1001193944..... 91
1001186980.....257	1001189171.....537	1001192280 ..... 271	1001194045.....670
1001186981.....257	1001189172.....537	1001192284 ..... 249	1001194110.....670
1001187022.....55	1001189227.....259, 263	1001192400..... 157, 171, 189, 203, 219	1001194114.....267, 269, 272, 571
1001187082..... 131, 143	1001189764.....65	1001192401 ..... 622	1001194197..... 487
1001187200...73, 75, 666	1001189800.....65	1001192442 ..... 263	1001194198.....491
1001187348..... 310, 327	1001189859.....319, 323	1001192443 ..... 259	1001194200.....495
1001187508.....399	1001189913.....157, 171, 189, 203, 219	1001192475 ..... 670	1001194203..... 479
1001187605.....341	1001189979.....157, 171, 189, 203, 219	1001192482 ..... 671	1001194204.....483
1001187606.....343	1001190143.....125, 137, 151, 165, 183, 197, 213	1001192483 ..... 295	1001194205.....670
1001187674.....405	1001190164.....157, 171, 219	1001192484 ..... 279	1001194233.....663
1001187681.....609	1001190286.....335, 339	1001192485 ..... 269	1001194234.....643, 664
1001187808..... 69, 71	1001190287.....333, 337	1001192486 ..... 291	1001194235.....643
1001187855..... 47, 50	1001190335.....65	1001192487 ..... 275	1001194236.....645, 649
1001187950..... 100, 101, 108	1001190338..... 100	1001192488 ..... 267	1001194365.....497
1001187951..... 100, 101, 108	1001190441.....485	1001192489 ..... 670	1001194888..... 113
1001188125.....53	1001190442.....157, 171, 189, 203, 219	1001192610 ..... 671	1001194956.....523
1001188171..... 151, 165, 183, 197, 213	1001190444.....149, 161, 181, 194, 211, 569	1001192641 ..... 450, 458	1001194957.....525
1001188187..... 101, 109	1001190476..... 100	1001192651 ..... 450, 458	1001194961.....527
1001188194..... 101, 108	1001190484.....489	1001192654 ..... 450, 458	1001194962.....529
1001188236..... 131, 143, 559	1001190485.....493	1001192655 ..... 450, 458	1001195225.....507, 515, 519
1001188237..... 157, 171, 189, 203, 561	1001190493.....477	1001192658 ..... 450	1001195226.....509, 517, 521
1001188257.....63	1001190495.....481	1001192673 ..... 451, 459	1001195227.....511
1001188302..... 333, 335	1001190580.....325, 329	1001192679 ..... 451, 459	1001195228.....513
1001188533..... 545, 555	1001190717.....671	1001192684 ..... 450	1001195229.....527
1001188534..... 547, 557	1001190756.....100, 108	1001192685 ..... 450	1001195235.....670
1001188535..... 131, 143, 157, 171, 189, 203, 219	1001190773.....475	1001192686 ..... 450	1001195236.....672
1001188600.....663	1001190774.....503	1001192687 ..... 450	1001195304.....672
1001188601..... 125, 137	1001190942.....157, 171, 189, 203, 219	1001192693 ..... 450, 458	1001195357.....527
1001188622.....347	1001190985.....347	1001192695 ..... 450, 458	1001195382.....425
1001188644..... 555, 557, 581	1001191020.....341, 343	1001192696 ..... 450, 458	1001195454.....101, 103
1001188664..... 69, 71	1001191025.....157, 171, 189, 203, 219	1001192698 ..... 450, 458	1001195455.....101, 105
1001188666..... 69, 71	1001191048.....319, 323	1001192699 ..... 450, 458	1001195504.....125, 137, 151, 165, 183, 197, 213
1001188667..... 123, 133	1001191115.....75, 79	1001192841 ..... 100	1001195505.....125, 137
1001188668..... 149, 161, 181, 193, 211	1001191126.....77, 79	1001192842 ..... 100, 108	1001195506.....151, 165, 183, 197, 213
1001188669..... 149, 161, 181, 193, 211	1001191156.....249	1001192910 ..... 310	1001195507.....125, 137, 151, 165, 183, 197, 213
1001188670..... 123, 133	1001191202.....319, 323	1001192929 ..... 459	1001195525.....511, 513
1001188844.....347	1001191205.....319, 323	1001192931 ..... 670	1001195535..... 108
1001188889.....399	1001191273.....125, 137	1001192991 ..... 310	1001195711.....131, 143
1001188972..... 133, 161, 193	1001191328.....555, 595	1001193018 .....477, 479, 481, 483, 485, 487, 489, 491, 493, 495, 497	1001195763.....249
1001189001.....347	1001191384.....318, 322	1001193167 .....267, 269, 272	1001195947.....383
1001189002.....347	1001191385.....318, 322	1001193168 ..... 103	1001196222.....376, 589
1001189003..... 555, 557, 619	1001191395.....671	1001193169 ..... 105	1001196366.....507, 515, 519
	1001191557.....89	1001193207 ..... 511	1001196367.....509, 517, 521
	1001191599.....209, 225	1001193208 ..... 513	1001196368.....507, 509, 515, 517, 519, 521
	1001191610.....131, 143, 157, 171, 189, 203, 219, 259, 261, 263, 265	1001193215 ..... 670	1001196382.....271, 276, 280, 284, 288, 292, 296, 299, 304
		1001193238 ..... 387	1001196458.....91, 95
		1001193239 ..... 389	
		1001193250 ..... 458, 460	
		1001193521 ..... 671	
		1001193756 ..... 387	

## SECTION 11 - SPECIAL OPTIONS

1001196563 .....	149	1001200731 .....	123, 133, 149, 161, 181, 193, 211	1001205019 .....	670	1001211586 .....	341
1001196564 .....	161	1001200745 .....	157, 171, 189, 203, 219	1001205023 .....	670	1001211587 .....	343
1001196565 .....	123	1001200793 .....	131, 143	1001205024 .....	670	1001211588 .....	341, 343
1001196566 .....	133	1001200910 .....	91, 93	1001205824 .....	451, 458	1001211752 .....	111
1001196568 .....	149, 151	1001200930 .....	83	1001205923 .....	555, 557, 585	1001211760 .....	111
1001196570 .....	161, 165	1001200931 .....	87	1001205957 .....	261	1001211761 .....	111
1001196571 .....	125, 130	1001200932 .....	83	1001205958 .....	487, 491, 495	1001211762 .....	108, 111
1001196572 .....	123, 125	1001200933 .....	87	1001206082 .....	543, 555, 557	1001211767 .....	113
1001196573 .....	137, 142	1001200979 .....	75, 557	1001206311 .....	672	1001211773 .....	113
1001196574 .....	133, 137	1001201090 .....	509, 513, 517, 521, 525, 529	1001206314 .....	100, 108	1001211774 .....	108, 113
1001196595 .....	39, 41, 43	1001201186 .....	450, 460	1001206476 .....	531	1001212192 .....	95
1001196607 .....	39, 333	1001201255 .....	450, 458	1001206816 .....	663	1001212223 .....	299, 303
1001196634 .....	162, 194, 247	1001201325 .....	63	1001206880 .....	100	1001212333 .....	108
1001196635 .....	621, 666	1001201342 .....	507, 509, 511, 513, 515, 517, 519, 521, 523, 525, 527, 529	1001206920 .....	345	1001213251 .....	63
1001196637 .....	557	1001201351 .....	347	1001207004 .....	95, 97	1001213447 .....	589, 593
1001196677 .....	17, 443, 460	1001201511 .....	333, 335	1001207105 .....	387	1001213543 .....	100
1001196734 .....	15, 441, 460	1001201843 .....	131, 143, 259	1001208874 .....	39, 41	1001213744 .....	100
1001196803 .....	39, 41	1001201844 .....	131, 143	1001208994 .....	347	1001213794 .....	100
1001197016 .....	672	1001202333 .....	111, 113	1001209016 .....	265	1001213814 .....	125, 137, 151, 165, 183, 197, 213
1001197070 .....	57	1001202663 .....	625	1001209432 .....	531	1001213882 .....	376, 380
1001197084 .....	57	1001202664 .....	643	1001209474 .....	531	1001214030 .....	664
1001197143 .....	41, 335	1001202665 .....	635	1001209664 .....	399, 401	1001214095 .....	507, 509, 515, 517, 519, 521
1001197149 .....	131, 143, 152, 166, 189, 203, 214	1001202666 .....	655	1001209948 .....	507, 509, 511, 513, 515, 517, 519, 521, 523, 525, 527, 529	1001214096 .....	507, 509, 515, 517, 519, 521
1001197176 .....	371, 375	1001202667 .....	629	1001209949 .....	507, 509, 511, 513, 515, 517, 519, 521, 523, 525, 527, 529	1001214149 .....	451, 459
1001197177 .....	371	1001202668 .....	649	1001209951 .....	507, 509, 511, 513, 515, 517, 519, 521, 523, 525, 527, 529	1001214408 .....	451, 459
1001197268 .....	253	1001202670 .....	645	1001209953 .....	507, 509, 511, 513, 515, 517, 519, 521, 523, 525, 527, 529	1001214561 .....	672
1001197269 .....	255	1001202671 .....	627	1001209957 .....	509, 513, 517, 521, 525, 529	1001214562 .....	672
1001197386 .....	253	1001202672 .....	647	1001210762 .....	100	1001214570 .....	531
1001197388 .....	253	1001202673 .....	633	1001211042 .....	151, 165, 213	1001214571 .....	531
1001197389 .....	253, 255	1001202674 .....	653	1001211049 .....	505	1001214683 .....	284, 300
1001197390 .....	255	1001202687 .....	347	1001211281 .....	451, 459	1001214831 .....	318, 322, 667
1001197392 .....	255	1001202688 .....	345	1001211282 .....	451, 459	1001215229 .....	375, 380
1001197408 .....	664	1001202749 .....	671	1001211283 .....	451, 459	1001215285 .....	637, 657
1001197461 .....	61	1001202936 .....	507, 509, 511, 513, 515, 517, 519, 521, 523, 525, 527, 529	1001211284 .....	451, 459	1001215286 .....	639, 659
1001197689 .....	61	1001203424 .....	451, 458	1001211286 .....	451, 459	1001215304 .....	555, 557, 621
1001197706 .....	555, 557, 587	1001203426 .....	459	1001211287 .....	451, 459	1001215321 .....	433, 435
1001197725 .....	131, 143, 157, 171, 189, 203, 219	1001203430 .....	450, 458	1001211288 .....	451, 459	1001215615 .....	627, 649
1001197881 .....	123, 133, 149, 161, 181, 193, 211	1001203432 .....	451, 459	1001211289 .....	451, 459	1001216015 .....	272
1001199035 .....	407	1001203628 .....	425	1001211291 .....	451, 459	1001216630 .....	345, 347
1001199302 .....	73, 555	1001203719 .....	319, 323, 555	1001211292 .....	451, 459	1001216734 .....	659, 664
1001199881 .....	507, 509, 511, 513, 515, 517, 519, 521, 523, 525, 527, 529	1001203885 .....	131, 143, 157, 171, 189, 203, 219	1001211577 .....	341, 343, 667	1001216735 .....	659
1001199883 .....	63, 65	1001204251 .....	105	1001211578 .....	341, 667	1001216736 .....	653, 664
1001199933 .....	63, 65	1001204303 .....	103	1001211579 .....	343, 667	1001216737 .....	653
1001200055 .....	81	1001204389 .....	451	1001211580 .....	341, 343	1001216739 .....	631, 664
1001200056 .....	85	1001204529 .....	333	1001211581 .....	341, 343	1001216740 .....	631
1001200057 .....	81	1001204645 .....	451, 458	1001211582 .....	341, 343	1001216741 .....	651, 664
1001200058 .....	85	1001204690 .....	507, 509, 511, 513, 515, 517, 519, 521, 523, 525, 527, 529	1001211583 .....	341	1001216742 .....	651
1001200128 .....	670	1001204715 .....	341, 343	1001211584 .....	343	1001216745 .....	647, 664
1001200129 .....	670	1001204725 .....	347	1001211585 .....	341, 343, 511	1001216746 .....	647
1001200130 .....	670	1001204902 .....	241	1001211586 .....	341, 343,	1001216747 .....	661, 664
1001200131 .....	670	1001204939 .....	341, 343	1001211587 .....	341, 343,	1001216748 .....	661
1001200132 .....	671	1001205018 .....	670	1001211588 .....	341, 343,	1001216749 .....	655, 664
1001200133 .....	670			1001211589 .....	341, 343,	1001216750 .....	655
1001200134 .....	670			1001211590 .....	341, 343,	1001216751 .....	657, 664
1001200216 .....	125, 137, 151, 165, 183, 197, 213			1001211591 .....	341, 343,	1001216752 .....	657
1001200435 .....	131, 143			1001211592 .....	341, 343,	1001217055 .....	672
1001200491 .....	347			1001211593 .....	341	1001218037 .....	425
1001200494 .....	347			1001211594 .....	343	1001218058 .....	631

## SECTION 11 - SPECIAL OPTIONS

1001219138 .....108	1001227987 ..... 405	1001231711 ..... 119	1001238477 .....409
1001219601 ...73, 75, 666	1001227996 .....611, 613	1001231801 ..... 663	1001238495 .....401
1001220379 .....565	1001228013 .....325, 431	1001231805 ..... 157, 171, 189, 203, 219	1001238559 .....409
1001220390 .....671	1001228079 .....319, 323, 435	1001231846 ..... 555	1001238663 ..... 71
1001220638 .....117	1001228177 .....310, 314	1001231956 ..... 325, 427	1001238824 .....409
1001220903 ..... 450, 458	1001228186 .....523	1001231963 .....427, 431	1001238901 .....672
1001220912 ..... 451, 459	1001228187 .....525	1001232117 ..... 421	1001238902 .....672
1001220941 .....450	1001228188 .....523, 525	1001232164 ..... 405	1001238903 .....672
1001221016 .....459	1001228215 .....351	1001232165 ..... 405	1001238904 .....672
1001221203 .....251	1001228224 .....405	1001232642 ..... 409	1001238906 .....672
1001221207 .....251	1001228225 .....405	1001232650 ..... 409	1001238907 .....672
1001221212 .....251	1001228226 .....450, 458	1001232667 ..... 409	1001238908 .....671
1001221217 .....251	1001228243 .....361	1001232842 ..... 162, 194, 247	1001238909 .....671
1001221427 .....251	1001228370 .....625, 635, 643, 655	1001232948 ..... 451, 459	1001238954 .....63
1001222522 .....459	1001228375 .....363	1001233035 ..... 671	1001238961 ..... 671
1001222817 ..... 243, 245	1001228376 .....357	1001233237 ..... 670	1001238962 .....671
1001223045 .....569	1001228377 .....359	1001233312 ..... 641, 661	1001239207 .....151, 165, 213
1001223055 ..... 625, 643	1001228406 .. 63, 65, 239, 241, 243	1001233313 ..... 627, 647	1001239710 .....261
1001223254 ..... 158, 172, 189, 203, 219	1001228613 .....625, 629, 631, 633, 635, 637, 639, 641, 643, 645, 647, 651, 653, 655, 657, 659, 661	1001233429 ..... 253	1001239715 .....261
1001223255 ..... 158, 172, 189, 203, 219	1001228809 .....511, 513	1001233450 ..... 126, 138, 152, 166, 184, 198, 214	1001239716 .....267, 269
1001223256 ..... 158, 172, 189, 203, 219	1001228947 .....670	1001233763 ..... 162, 194, 247	1001241965 .....409
1001223257 ..... 158, 172, 189, 203, 219	1001228988 .....415	1001233895 ..... 157, 171, 189, 203, 219, 565	1001242907 .....551
1001223453 ..... 625, 635, 643, 655	1001229020 .....407	1001234099 ..... 670	1001242908 .....553
1001223591 ..... 189, 203, 207	1001229082 .....407	1001234281 ..... 255	1001243171 .....100, 108
1001223971 ..... 635, 655	1001229091 .....157, 171, 189, 203, 219	1001234283 ..... 255	1001243261 .....380, 593
1001224048 ..... 639, 659	1001229107 .....670	1001234299 ..... 255	1001243414 .....100, 108
1001224049 ..... 641, 661	1001229337 .....451, 459	1001234370 ..... 253	1001243455 .....373
1001224050 ..... 633, 653	1001229341 .....405	1001234371 ..... 253	1001243460 .....373, 379
1001224051 ..... 631, 651	1001229572 .....65	1001234396 ..... 131, 143	1001243464 .....93
1001224052 ..... 627, 647	1001229637 .....507, 509, 511, 513, 515, 517, 519, 521, 523, 525, 527, 529	1001235011 ..... 409	1001243465 .....97
1001224053 ..... 637, 657	1001229929 ..... 637	1001235013 ..... 409	1001243522 .....100, 108
1001224473 .....243	1001229930 .....657	1001235110 ..... 126, 138, 152, 166, 184, 198, 214	1001243654 ..... 101
1001224967 ..... 239, 241, 243	1001229931 .....639	1001235458 .....214, 219, 223	1001243682 ..... 119
1001225054 .....239	1001229932 .....659	1001235472 ..... 211	1001243895 .....247
1001225346 .....531	1001229933 .....641	1001235473 ..... 211, 213	1001247386 ..... 119
1001225430 .....207	1001229934 .....661	1001235474 ..... 213, 218	1001247468 .....347
1001225432 .....208	1001230009 .....460	1001235487 ..... 451, 459	1001251079 .....319, 323, 437
1001225580 ..... 401, 583	1001230217 .....451, 459	1001235513 ..... 345	1001255133 .....347
1001225647 ..... 625, 627, 631, 633, 635, 637, 639, 641, 643, 647, 651, 653, 655, 657, 659, 661	1001230313 .....451, 459	1001235532 ..... 149, 162, 181, 194, 211	1060343 .....296, 304
1001226098 ..... 175, 223	1001230635 .....157, 171, 188, 203, 218	1001235699 ..... 123, 134	1060626 ..... 133, 161, 193
1001226304 .....529	1001230931 .....541, 595, 597	1001235884 ..... 670	1060908 ..... 533, 535, 537, 539
1001226400 ..... 545, 547	1001230952 .....299	1001236121 ..... 257	1060918 .....397
1001226531 .....531	1001230953 .....283	1001236303 ..... 71	10702077 .. 292, 296, 300, 304
1001226872 .....351	1001231235 .....672	1001236304 ..... 531	10702082 .. 292, 296, 300, 304
1001227059 ..... 157, 171	1001231301 .....181	1001236504 ..... 531	1120555 ..... 407
1001227075 .....529	1001231302 .....181, 183	1001236505 ..... 531	1260017 .....55
1001227367 ..... 103, 105	1001231303 .....193	1001236552 ..... 409	1320041 .... 475, 503, 505, 555
1001227404 .....670	1001231305 .....193, 197	1001236700 ..... 670	1320043 .....555
1001227507 .....569	1001231307 .....197, 202	1001236701 ..... 670	1320061 .... 133, 149, 161, 181, 193, 211, 276, 280, 283, 288, 292, 296, 299, 304
1001227527 ..... 555, 557	1001231308 .....183, 188	1001237862 .....611, 613	1320176 .....249
1001227633 .....405	1001231310 .....100	1001237863 ..... 405, 613	1320202 .... 158, 172, 189, 203, 219
1001227634 .....405	1001231649 .....190, 204, 251	1001237865 ..... 405, 609	1320302 .... 411, 413, 415
1001227792 ..... 341, 343	1001231690 .....183, 197	1001237894 ..... 115	1321384 .....103, 105
1001227887 .....101		1001237895 ..... 115	1380147 .....257
1001227888 .....108		1001238319 ..... 405	14403323 .....15, 17
1001227985 .....405		1001238418 ..... 409, 615	14403364 .....441, 443
		1001238421 ..... 347	1580012 .....369
		1001238472 ..... 409	

## SECTION 11 - SPECIAL OPTIONS

1580013.....	672	1703928 .....	627, 647	1705375.....	297, 305, 415	2220578 ....	125, 137, 151,
1600359.....	375, 379, 391,	1703935 .....	641, 661	1705387.....	279, 287, 297,	165, 183, 197, 213	
666		1703936 .....	635, 655	305		2220582 .....	450, 458
1670603.....	497	1703937 .....	631, 651	1705426.....	637, 657	2220603 .....	450, 458
1670829.77, 79, 375, 379		1703938 .....	637, 657	1705427.....	639, 659	2220618 .....	450, 458
1671092.....	296, 304, 523,	1703939 .....	639, 659	1705429.....	635, 655	2220637 .....	450, 458
525, 527, 529		1703940 .....	627, 647	1705430.....	631, 651	2220695 ....	125, 137, 152,
1671093.....	413, 523, 525,	1703941 .....	641, 661	1705460.....	292, 297, 300,	166, 183, 197, 214	
527, 529		1703942 .....	635, 655	305		2220700 ....	125, 137, 151,
1683053.....	427	1703943 .....	633, 653	1705461.....	292, 300	165, 183, 197, 213	
1683057.....	433	1703944 .....	637, 657	1705489.....	275, 283, 292,	2220733 .....	450, 458
1684089.....	427	1703945 .....	639, 659	300		2220738 ....	125, 137, 151,
1684090.....	427	1703946 .....	627, 647	1705514.....	625, 635, 643,	165, 183, 197, 213,	
1701499.....	625, 627, 629,	1703947 .....	641, 661	655		450, 458	
631, 633, 635, 637,		1703948 .....	635, 655	1705515.....	664	2220775 .....	450, 458
639, 641, 643, 645,		1703949 .....	633, 653	1705822.....	629, 645, 649	2220816 .....	243
647, 649, 651, 653,		1703950 .....	637, 657	1705828.....	629, 645, 649	2220852 .....	450, 458
655, 657, 659, 661		1703951 .....	639, 659	1705910.....	641, 661	2220865 .....	450, 458
1701505.....	123, 133, 149,	1703952 .....	627, 647	1705917.....	641, 661	2220883 ....	421, 423, 427,
161, 181, 193, 211, 663		1703953 .....	625, 643	1705921.....	629, 645, 649	428, 431, 437	
1701509.....	407, 625, 627,	1703980 .....	637, 657	1705961.....	629, 645, 649	2220885 ....	427, 428, 431,
629, 631, 633, 635,		1703981 .....	639, 659	1705968.....	631, 651, 663	433, 435, 437	
637, 639, 641, 643,		1703982 .....	633, 653	1705969.....	639, 659, 663	2220906 .....	450, 458
645, 647, 649, 651,		1703983 .....	641, 661	1706059.....	663	2220940 .....	450, 458
653, 655, 657, 659, 661		1703984 .....	635, 655	1706060.....	663	2220946 ....	125, 137, 151,
1701518.....	629, 645, 649	1703985 .....	627, 647	1706061.....	663	165, 183, 197, 213	
1701529.....	625, 627, 629,	1704000 ....	635, 655, 663	1706062.....	663	2220947 ....	125, 137, 151,
631, 633, 635, 637,		1704001 ....	641, 661, 663	1706063.....	663	165, 183, 197, 213,	
639, 641, 643, 645,		1704002 ....	627, 647, 663	1706064.....	663	450, 458	
647, 649, 651, 653,		1704174 .....	663	1706098.....	663	2220999 .....	450, 458
655, 657, 659, 661		1704175 .....	663	2030010.....	411, 413, 415	2221048 .....	458
1702566.....	375, 379	1704260 .....	375, 379	2060025.....	130, 142	2221086 .....	450, 458
1702567.....	375, 379	1704277 ....	625, 627, 629,	2080040.....	353, 357, 361,	2221176 ....	123, 133, 134
1702773.....	629, 649, 663	631, 633, 635, 637,		365		2221345 .....	451, 459
1702774.....	663	639, 641, 643, 645,		2080044.....	509, 513, 517,	2230027 ....	125, 137, 151,
1702788.....	663	647, 649, 651, 653,		521, 525, 529		165, 183, 197, 213	
1702861.....	663	655, 657, 659, 661		2111212.....	450, 458	2300004 ....	157, 189, 219,
1702868.....	415, 625, 643,	1704412 ....	625, 627, 629,	2131212.....	125, 137, 151,	671	
663		631, 633, 635, 637,		165, 183, 197, 213		2300014 .....	671
1702941.....	133, 161, 193	639, 641, 643, 645,		2151212.....	441, 443	2300016 .....	671
1702942.....	133, 161, 193	647, 649, 651, 653,		2170112.....	450, 458	2300019 .....	671
1702943.....	133, 161, 193	655, 657, 659, 661		2180348.....	123, 133	2300027 .....	671
1702962.....	663	1704434 ....	625, 627, 629,	2180832.....	149, 162, 181,	2300029 .....	671
1703162.....	130, 142, 156,	631, 633, 635, 637,		194, 211, 243		2300039 .....	671
170, 188, 202, 218		639, 641		2220124.....	53	2300041 ....	170, 202, 671
1703165.....	643, 645, 647,	1704460 .....	375, 379	2220238.....	451, 459	2400060 ....	162, 194, 247,
649, 651, 653, 655,		1704461 ....	643, 645, 647,	2220313.....	123, 134, 149,	571, 579, 593	
657, 659, 661		649, 651, 653, 655,		162, 181, 194, 211		2400064 .....	579, 667
1703479.....	663	657, 659, 661		2220315.....	130, 142	2420203 .....	269, 271
1703797.....	625, 643	1704468 .....	625, 643	2220366.....	450, 458	2460048 .....	291, 295
1703804.....	625, 643	1704885 ....	625, 627, 631,	2220371.....	450, 458	2460055 .....	269
1703805.....	625, 643	633, 635, 637, 639,		2220372.....	450, 458	2540020 ....	89, 91, 93, 95,
1703811.....	625, 627, 629,	641, 643, 645, 647,		2220373.....	450, 458	97	
631, 633, 635, 637,		651, 653, 655, 657,		2220375.....	450, 458	2560136 .....	375, 379
639, 641, 643, 645,		659, 661		2220380.....	450, 458	2560187 ....	103, 105, 111,
647, 649, 651, 653,		1704972 .....	663	2220415.....	450, 458	113	
655, 657, 659, 661		1705305 .....	415	2220451.....	125, 130, 137,	2580024 ....	133, 161, 193
1703814.....	625, 627, 629,	1705325 .....	477, 479	142, 151, 165, 183,		2580062 .....	142
631, 633, 635, 637,		1705336 .....	625, 643	197, 213, 450, 458		2600066 .....	559
639, 641, 643, 645,		1705344 .....	637, 657	2220466.....	450, 458	2600281 ....	353, 357, 361,
647, 649, 651, 653,		1705345 .....	639, 659	2220472.....	458	365	
655, 657, 659, 661		1705347 .....	635, 655	2220473.....	458	2720015 ....	157, 171, 189,
1703923.....	641, 661	1705349 .....	627, 647	2220498.....	450, 458	203, 219	
1703924.....	635, 655	1705351 .....	625, 643	2220502.....	450, 458	2720058 ....	123, 133, 239
1703925.....	633, 653	1705358 .....	407	2220518.....	125, 137, 151,	2720398 .....	130, 142
1703926.....	637, 657	1705374 ....	279, 287, 499,	165, 183, 197, 213		2820019 .....	575
1703927.....	639, 659	501					

# SECTION 11 - SPECIAL OPTIONS

2820031 ....267, 269, 271, 275, 279, 283, 287, 291, 295, 299, 303	625, 627, 629, 631, 633, 635, 637, 639, 641, 643, 645, 647, 649, 651, 653, 655,657, 659, 661	3312005..... 407	3600363 .... 125, 137, 151, 165, 183, 197, 213, 231
2820035 .....247	3290606 .... 355, 359, 363, 367	3312205..... 407	3740067 69, 71, 130, 142, 666
2820247 ..... 611, 613	3290805 .... 39, 41, 69, 71, 103, 105, 111, 113, 130, 142, 156, 170, 188, 202, 218, 267, 269, 271, 279, 287, 291, 295, 299, 303, 331, 333, 335, 341, 343, 507, 509, 511, 513, 515, 517, 519, 521, 523, 525, 527, 529, 531	3331211.....130, 142, 156, 170, 188, 202, 218, 259, 261, 263, 265	3740080 .....571, 667
2840016 .....257	3290806 ..... 347	3331611.....130, 142, 152, 156, 166, 170, 188, 202, 214, 218	3740086 ..... 615
2860030 ....81, 83, 85, 87, 666	3291001 ..... 63, 156, 170, 188, 202, 218, 318, 322, 347	3340787..... 331	3760132 .....433, 435
2900792 ....421, 423, 427, 428, 431	3291005 .... 39, 41, 63, 65, 91, 93, 95, 97, 100, 103, 105, 108, 113, 123, 125, 130, 133, 137, 142, 149, 151, 157, 161, 165, 171, 181, 183, 189, 193, 197, 203, 211, 213, 219, 239, 241, 243, 259, 261, 263, 265, 310, 314, 325, 331, 347, 371, 373	3340938..... 35	3760170 ..... 55
2901303 ..... 427, 431	3291007 ..... 267, 269, 271	3340956..... 407	3760356 .....433, 435
2902065 .... 130, 142, 156, 170, 188, 202, 218, 229	3291201 .... 271, 275, 279, 283, 287, 291, 296, 299, 303, 347	3380434 ..... 371, 373	3760368 .....427
2902212 .....407	3291205 63, 65, 100, 101, 108, 257, 345, 347, 507, 509, 511, 513, 515, 517, 519, 521, 523, 525, 527, 529	3421565..... 55	3760369 ..... 433
2902217 ..... 411, 413	3291601 ..... 47, 318, 322	3421627 ..... 55	3790012 .... 325, 375, 379, 383, 385, 387, 389
2902443 ....559, 561, 565	3291605 .....310, 314	3422417 ..... 318, 322	3790045 .... 126, 138, 152, 166, 183, 197, 214
2902549 ..... 503, 533	3292001 .....318, 322	3422424 ..... 318, 322	3790152 .... 125, 137, 151, 165, 183, 197, 213
2915096 .....672	3300151 .... 351, 355, 357, 359, 361, 363, 367, 411, 413, 415	3422532.....125, 137, 151, 165, 183, 197, 213	3820001 .... 625, 627, 629, 631, 633, 635, 637, 639, 641, 643, 645, 647, 649, 651, 653, 655, 657, 659, 661
2920028 ..... 376, 379	3300243 .....345	3422582 ..... 310	3820020 .... 353, 357, 361, 365
2920029 ..... 376, 379	3300353 .....375, 379	3422793 ..... 314	3841143 .... 123, 133, 149, 161, 181, 193, 211, 310, 318, 322, 325, 347
2920161 .....89	3300396 .... 280, 288, 292, 296, 300, 304	3422860..... 325	3841203 .....314
2940045 .....111	3300408 .....77, 79	3422867 ..... 325	3841287 .....310, 314
2940074 ....353, 357, 361, 365, 667	3300430 ..... 399, 401, 403	3430616 ..... 375, 380	3841340 .... 507, 511, 515, 519, 523, 527
2940173 .... 103, 105, 111, 113	3311001 .... 269, 271, 280, 288, 292, 296, 300, 304	3430820 ..... 257	3900267 .....280, 288
3020016 ..... 130, 671	3311005 .... 375, 379, 411, 413, 415	3450404 ..... 257	3900283 ..... 345
3020021 .....671	3311405 .... 119, 409, 479, 483, 487, 491, 495, 497, 531	3460334 ..... 407	3900300 .....280, 288
3020044 ..... 142, 671	3311501 ..... 100	3470003 ..... 375, 380	3900349 .....376, 379
3251102 ....267, 269, 271, 275, 279, 283, 287	3311601 .... 100, 108, 375, 380, 409	3480205 ..... 433	3900357 .....130, 142
3251242 ....483, 487, 491, 495, 497	3311605 .... 411, 413, 415	3480210 ..... 427	3900363 .....111, 113
3251243 ....269, 271, 279, 287, 297, 305, 625, 627, 631, 633, 635, 637, 641, 643, 647, 651, 653, 655, 657, 661		3520028 ..... 271	3900364 ..... 100
3252347 ..... 625, 643		3520034.....509, 513, 517, 521, 525, 529	3910606 .... 279, 287, 296, 303, 499, 501
3252507 ....267, 481, 485, 489, 493		3520054.....130, 142, 156, 170, 188, 202, 218, 375, 379	3910610 ..... 475
3252764 ....291, 295, 299, 303		3520071 ..... 407	3910804 .... 81, 83, 85, 87
3271601 ..... 100, 108		3520072.....351, 353, 355, 357, 359, 361, 363, 365, 367	3911018 77, 79, 375, 379
3290301 .....257		3520182 ..... 403	3931408 .....399, 401
3290405 .... 477, 479, 481, 483, 485, 487, 489, 491, 493, 495, 497, 503, 505		3520189 ..... 292, 300	3931424 .....399
3290501 .... 149, 161, 181, 193, 211		3520192 ..... 292, 300	3931464 .....433, 435
3290505 ....61, 89, 91, 93, 95, 97, 149, 161, 181, 193, 211, 241, 267, 279, 287, 291, 295, 299, 303		3520198.....351, 353, 355, 357, 359, 361, 363, 365, 367	3931508 .....433, 435
3290601 .... 103, 105, 111, 113		3520205 ..... 433	3931512 .... 156, 170, 188, 202, 218
3290605 ....69, 71, 73, 75, 100, 111, 125, 130, 137, 142, 151, 156, 165, 170, 183, 188, 197, 202, 213, 218, 253, 255, 275, 283, 371, 373, 475, 477, 481, 485, 489, 493, 503, 505, 555, 557,		3520210 ..... 427	3931516 ..... 427
		3520208 ..... 271	3931618 .... 125, 137, 151, 165, 183, 197, 213
		3520034.....509, 513, 517, 521, 525, 529	3931620 .... 125, 137, 151, 165, 183, 197, 213, 433, 435
		3520054.....130, 142, 156, 170, 188, 202, 218, 375, 379	3931628 .... 156, 170, 188, 202, 218
		3520071 ..... 407	3960158 .....433, 435
		3520072.....351, 353, 355, 357, 359, 361, 363, 365, 367	3960361 .....433, 435
		3520182 ..... 403	3960407 .....130, 142
		3520189 ..... 292, 300	3960422 .... 279, 287, 296, 303, 475, 499, 501
		3520192 ..... 292, 300	3960469 .... 125, 137, 151, 165, 183, 197, 213
		3520198.....351, 353, 355, 357, 359, 361, 363, 365, 367	3980007 ..... 133, 161, 193
		3520205 ..... 433	4010303 .....341, 343
		3520210 ..... 427	4010308 .....257
		3520034.....509, 513, 517, 521, 525, 529	
		3520054.....130, 142, 156, 170, 188, 202, 218, 375, 379	
		3520071 ..... 407	
		3520072.....351, 353, 355, 357, 359, 361, 363, 365, 367	
		3520182 ..... 403	
		3520189 ..... 292, 300	
		3520192 ..... 292, 300	
		3520198.....351, 353, 355, 357, 359, 361, 363, 365, 367	
		3520205 ..... 433	
		3520210 ..... 427	

## SECTION 11 - SPECIAL OPTIONS

4010405.....503, 505	4460027 .....269, 271	4460473.....543, 545, 547	4460943 .... 559, 561, 565,
4010510.....89, 91, 93, 95,	4460042 .... 559, 562, 566,	4460496.....376, 379, 555,	589, 593, 609, 621
97	622	557	4460944 .... 559, 561, 565,
4010618.....355, 359, 363,	4460043 .... 247, 561, 565,	4460497.....376, 379, 555,	589, 593, 621
367	579, 622	557	4460956 .....533, 535
4031505..... 405	4460071 .... 279, 287, 296,	4460508.....405, 543, 621	4460957 .....533, 535
4031516..... 409	303, 397, 475	4460509.....543, 545, 547	4460958 .....501
4031608..... 267	4460134 .....577	4460510..... 672	4460959 .... 523, 525, 527,
4031914.....156, 170, 188,	4460142 .....559	4460518.....597, 617	529
202, 218	4460183 .... 589, 593, 622	4460536.....549, 551, 619	4460960 .... 523, 525, 527,
4032014.....156, 170, 188,	4460190 .....269, 271	4460539.....549, 551, 587,	529
202, 218, 318, 322	4460205 .....475, 577	619	4460962 .....413
4032015.....275, 279, 292,	4460224 .... 283, 375, 379	4460612.....499, 501	4460963 .....296, 304
296	4460225 .... 573, 575, 581,	4460662.....485, 487, 489,	4460967 .... 280, 579, 622
4032020.....318, 322	589, 593	491, 493, 495, 497	4460968 .... 267, 477, 479,
4060802.....267, 269, 271,	4460226 .... 375, 379, 394,	4460703.....561, 565	481, 483
275, 279, 283, 287,	397, 581, 589, 593, 622	4460708.....589, 593	4460970 .....589, 593
292, 296, 299, 303	4460227 .....589, 593	4460722..... 247	4461005 .....559
4060805..... 323	4460234 .....375, 379	4460742..... 579	4461006 .....559
4060906.....77, 79	4460247 .....622	4460743..... 579	4461008 .... 559, 562, 566
4061032.....125, 137, 151,	4460259 .... 589, 593, 622	4460748..... 621	4461052 .....559
165, 183, 197, 213	4460260 .... 589, 593, 622	4460761.....589, 593	4461053 .....559
4070895.....318, 322	4460265 .....394	4460806.....487, 491	4461054 .....559, 569
4070896.....318, 322	4460267 .....589, 593	4460807.....573, 575	4461060 .....559
4070939.....318, 322	4460268 .....573, 575	4460808.....573, 575	4461070 .... 559, 561, 565,
4070940.....318, 322	4460294 .....283	4460836.....595, 597, 621	617
4092009.....318, 322	4460312 .....559, 622	4460837.....595, 597, 622	4461071 .....561, 565
4100100..... 427	4460313 .... 559, 561, 565,	4460865.....543, 545, 547	4461073 .... 559, 561, 565
4160149.....318, 322	587	4460866.....543, 589, 593,	4461077 .....609, 615
4240018.....499, 501, 507,	4460315 .....475	621	4461095 .... 559, 561, 565,
509, 511, 513, 515,	4460346 .... 279, 287, 296,	4460871.....391, 581, 587,	617
517, 519, 521, 523,	303, 475	589, 593, 621	4461196 .....599
525, 527, 529	4460384 .....497	4460872..... 587	4461198 .....479, 599
4240033.....341, 343, 399,	4460418 .... 581, 589, 593	4460873.....589, 593, 621	4461199 .....601
401, 405, 409	4460419 .... 581, 589, 593	4460874.....589, 593, 621	4461201 .....483, 601
4240099.....89, 123, 125,	4460424 .....622	4460875..... 587	4461205 .....603, 605
133, 137, 149, 151,	4460425 .... 280, 288, 292,	4460876.....581, 589, 593	4461244 .....487, 603
158, 161, 162, 165,	296, 300, 304, 499, 501	4460878..... 621	4461245 .....491, 605
172, 181, 183, 189,	4460426 .... 280, 288, 292,	4460879.....589, 593	4461246 .....495, 607
193, 194, 197, 203,	296, 300, 304	4460880..... 622	4461249 .....607
211, 213, 219, 247,	4460428 .....375, 379	4460884.....561, 565, 583,	4461271 .....621
411, 413, 507, 511,	4460434 .....589, 593	587, 589, 593, 621	4530028 .... 411, 413, 417
515, 519, 523, 527,	4460457 .....587, 622	4460887.....589, 593, 621	4640464 .....549, 551
555, 557	4460458 .....579, 621	4460891...89, 91, 95, 561,	4640509 .... 427, 428, 431
4240149..... 407	4460460 .....587, 622	565, 585, 587, 595,	4640932 .....423
4280295..... 63	4460464 .... 91, 93, 95, 97,	597, 617	4640999 .....421, 423
4360070.....280, 288, 292,	397, 541, 543, 551,	4460894.....549, 553, 559,	4641317 .....39, 41
296, 300, 304, 667	571, 583, 585, 587,	561, 565, 621	4641390 .....425
4360336.....267, 269, 271,	589, 593, 615, 617,	4460897.....91, 93, 95, 97	4711000 .... 280, 288, 292,
275, 279, 283, 287,	619, 621, 622	4460899.....551, 583, 587,	296, 300, 304
292, 296, 299, 303, 667	4460465 .. 89, 91, 95, 280,	609, 615, 619, 621	4711400 .... 119, 351, 355,
4360387 83, 87, 375, 379,	543, 545, 547, 549,	4460905.....581, 587, 589,	357, 359, 361, 363,
666	551, 553, 559, 561,	593, 621	367, 399, 401, 403,
4360407.....375, 379, 666	565, 573, 575, 579,	4460906..... 571	409, 479, 483, 487,
4360469.....81, 83, 85, 87,	583, 585, 587, 589,	4460910..... 611	491, 495, 497
666	593, 595, 597, 617,	4460911.....587, 609	4711500 .... 156, 170, 188,
4360475 77, 79, 375, 379,	619, 621, 622	4460925.....589, 593	202, 218
666	4460466 .... 405, 543, 545,	4460926.....595, 597	4711600 63, 65, 100, 108,
4360517.....61, 666	547, 559, 561, 565,	4460928.....597, 617	272, 345, 375, 380
4360542.....269, 271	571, 583, 587, 589,	4460930.....559, 561, 565	4712000 .....407
4420014..... 407	593, 595, 597, 609,	4460931..... 622	4712200 .....407
4420037.....411, 413, 415	615, 617, 621, 622	4460932.....541, 569, 585,	4740362 .....371, 373
4420051.....629, 631, 633,	4460467 .....672	622	4740397 77, 79, 325, 375,
645, 649, 651, 653	4460470 .... 375, 379, 555,	4460933.....589, 590, 593,	379, 385, 389
4420060..... 267	557	595, 597, 617, 621	4740439 .....325
4420066..... 407	4460471 .... 375, 379, 555,	4460941.....569, 609	4751000 63, 65, 269, 271,
4460019..... 565	557	4460942.....405, 561, 565	411, 413, 415



## SECTION 11 - SPECIAL OPTIONS

4751400 .... 103, 105, 111, 113, 369, 375, 379, 403, 411, 413, 415, 531	519, 521, 523, 525, 527, 529	283, 288, 292, 296, 299, 304	70002291 .....300, 304
4751500 .....271	4812002 63, 65, 100, 103, 105, 108, 123, 125,	5251014. 73, 75, 100, 108	70002297 .. 291, 295, 299, 304
4751600 ..... 411, 413, 415	133, 137, 149, 151,	5251016..... 347	7000230 ..... 50
4760600 .....475	161, 165, 181, 183,	5260800..... 251	70002335 ..... 421
4761400 .....369	193, 197, 211, 213	5261000..... 73, 75	70002366 ..... 421
4811400 ....257, 477, 479, 481, 483, 485, 487, 489, 491, 493, 495, 497	4812100 ..57, 63, 65, 100, 101, 108, 109, 123, 133, 149, 162, 181, 194, 211, 257, 347, 507, 509, 511, 513, 515, 517, 519, 521, 523, 525, 527, 529	5261018..... 73, 75	70002381 ..... 421
4811600 ....61, 89, 91, 93, 95, 97, 149, 161, 181, 193, 211, 241, 267	4812300 .... 130, 142, 156, 170, 188, 202, 218	5281918....507, 509, 511, 513, 515, 517, 519, 521, 523, 525, 527, 529	70002386 ..... 666
4811602 ....279, 287, 292, 296, 299, 303	4812500 ..... 101, 108, 109	70000044..... 145	70002410 ..... 423
4811700 ....69, 71, 73, 75, 91, 93, 95, 97, 111, 113, 119, 123, 125, 130, 133, 137, 142, 149, 151, 156, 161, 165, 170, 181, 183, 188, 193, 197, 202, 211, 213, 218, 267, 269, 271, 275, 279, 283, 287, 292, 296, 299, 303, 310, 314, 355, 359, 363, 367, 475, 477, 481, 485, 489, 493, 503, 505, 509, 513, 517, 521, 525, 529, 555, 557, 625, 627, 629, 631, 633, 635, 637, 639, 641, 643, 645, 647, 649, 651, 653, 655, 657, 659, 661	4844816 .....325	70000123..... 267	70002415 ..... 146
4811702 .... 103, 105, 125, 137, 151, 165, 183, 197, 213, 253, 255, 371, 373	4846573 ..... 345	70000342..... 327, 329	70002416 ..... 146
4811900 39, 41, 111, 113, 130, 142, 156, 170, 188, 202, 218, 267, 269, 271, 279, 287, 292, 296, 299, 303, 331, 333, 335, 341, 343, 347, 507, 509, 511, 513, 515, 517, 519, 521, 523, 525, 527, 529, 531	4846627 .... 411, 413, 415	70000345...146, 177, 209, 225	7000246 ..... 50
4811902 69, 71, 100, 103, 105, 108, 157, 171, 189, 203, 219, 267, 269	4871700 ....267, 269, 275, 279, 283, 287, 292, 296, 299, 303	70000619...291, 295, 299, 303	70002460 .. 291, 295, 300, 304
4812000 ....39, 41, 63, 65, 100, 103, 105, 108, 111, 113, 123, 125, 130, 133, 137, 142, 149, 151, 156, 161, 165, 170, 181, 183, 188, 193, 197, 202, 211, 213, 218, 239, 241, 243, 251, 259, 261, 263, 265, 267, 269, 271, 310, 314, 318, 322, 333, 335, 347, 371, 373, 507,509, 511, 513, 515, 517,	4891600 .....345, 347	70000699..... 425	7000247 ..... 50
	4892000 ..... 53	70000793..... 229	7000248 ..... 50
	4892600 ..... 345	70000800..... 146	7000253 ..... 50
	4892600001 ..... 347	70000863...291, 295, 299, 303	7000255 ..... 50
	4920385 .....251	70000912..... 145	7000257 ..... 50
	4921827 .....577	70000913..... 145	7000263 ..... 50
	4922641 .... 267, 269, 271, 276, 280, 284, 288, 292, 296, 299, 304	70000914..... 145	70002718 .. 146, 175, 207, 223
	4922925 .... 292, 296, 299, 304, 575	70000915..... 145	70002758 ..... 44
	4923379 .....131, 143	70000916..... 145	70002759 ..... 44
	5240800 ..... 265	70000917..... 145	70002814 .....67, 666
	5241000 .... 100, 111, 113, 125, 131, 137, 143, 151, 157, 165, 172, 183, 189, 197, 204, 213, 219, 261, 275, 279, 283, 287, 292, 296, 299, 303, 318, 322, 331	70000918..... 145	70002838 ..... 67
	5241200 .... 130, 142, 156, 170, 188, 202, 218, 259, 261, 263, 265, 271, 275, 279, 283, 287, 292, 296, 299, 303, 345, 347	70000919..... 145	70002839 ..... 67
	5241400 .... 130, 142, 156, 170, 188, 202, 218, 259, 261, 263, 265, 275, 279, 292, 296	70001002..... 145	70002902 ..... 397
	5241600 .....47, 57	70001100...291, 295, 299, 303	70002903 ..... 397
	5242000 ..... 47	70001181 ..... 146	70002904 ..... 397
	5250810 .... 103, 105, 156, 170, 218, 333, 335	70001384...291, 295, 299, 303	70002905 ..... 397
	5250812 .... 100, 341, 343	70001435..... 145	70003019 ..... 43, 337, 339
	5250813 ..... 251	70001696..... 291, 295	70003027 ..... 43, 337, 339
	5250816 .....188, 202	70001697..... 327, 329	70003085 ..... 421
	5251008 ..... 341, 343, 347	7000180 ..... 208	70003136 ..... 145
	5251009 ..... 39, 41, 69, 71	70001835..... 145	70003464 ..... 145
	5251012 ..... 65, 123, 133, 149, 158, 161, 172, 181, 190, 193, 204, 211, 220, 276, 280,	70001836..... 145	70003465 ..... 145
		70001837..... 145	70003466 ..... 145
		70001841..... 145	70003472 ..... 145
		70001844..... 146	70003475 ..... 145
		70001850..... 145	70003478 ..... 145
		70001866..... 145	70003631 .. 291, 295, 299, 304
		70001868..... 145	70003636 ..... 427
		70001870...145, 175, 207, 223	70003708 .. 275, 279, 283, 287, 291, 295, 300, 304
		70001871 ..... 145	70003709 .. 275, 279, 283, 287, 291, 295, 300, 304
		70001872 ..... 146	70003784 ..... 375, 379
		70001953..... 291, 295	70003926 ... 433, 435, 437
		70001966...275, 279, 283, 287, 291, 295, 300, 304	70003928 ... 433, 435, 437
		70001973...291, 295, 300, 304	70003929 ... 433, 435, 437
		70001974...291, 295, 300, 304	70003930 ... 433, 435, 437
		70002066..... 50	70003982 ... 433, 435, 437
		70002088..... 291, 295	70003998 ..... 69, 71
		70002112..... 67	70004020 ... 130, 142, 666
		7000217..... 50	70004037 ..... 50
		70002200..... 145	70004039 ..... 50
		70002234..... 145	70004040 ..... 50
		7000228..... 50	70004041 ..... 50
		7000229..... 50	70004042 ..... 50
			70004043 ..... 50
			70004044 ..... 50
			70004045 ..... 50
			70004047 ..... 51
			70004051 ..... 43, 44

## SECTION 11 - SPECIAL OPTIONS

70004052.....43, 44, 337, 339	70004677 .....275	70005684 ..... 331	70006264 ... 175, 207, 223
70004053.....337, 339	70004678 .. 275, 280, 283, 288	70005693 .....421	70006265 ... 175, 207, 223
70004055.....43	70004679 .. 275, 280, 283, 288	70005694 .....421	70006266 ... 175, 207, 223
70004056.....145	70004680 .. 275, 280, 283, 288	70005695 .....421	70006304 .....50, 51
70004058.....145	70004681 .....275, 283	70005696 .....421	70006305 .....51
70004060.....145	70004682 .. 275, 280, 283, 288	70005697 .....421	70006306 .....51
70004064.....239	70004683 .....275, 283	70005698 .....423	70006307 .....51
70004065.....239	70004684 .....280	70005699 .....423	70006308 .....51
70004066.....239, 666	70004685 .....280, 288	70005700 .....423	70006309 .....51
70004067.....239	70004686 .....283	70005701 .....423	70006310 .....51
70004068.....239	70004687 .....288	70005702 .....423	70006313 .....51
70004069.....239	70004752 .....393	70005703 .....423	70006314 .....65
70004070.....239	70004753 .....393	70005708 .....67	70006356 .. 125, 137, 151, 165, 183, 197, 213
70004092...275, 279, 283, 287, 300, 304	70004754 .....393	70005839 .....437	70006357 .....44
70004094.....300, 304	70004755 .....393	70005916 .....146	70006403 .....245
70004098...280, 288, 300, 304	70004756 .....393	70005917 .....146	70006404 .....245
70004099...283, 287, 300, 304	70004757 .....393	70005920 ....175, 207, 223	70006405 .....245
70004155...433, 435, 437	70004758 .....393	70005922 ....175, 207, 223	70006406 .....245
70004169.....291, 295	70004759 .....393	70005923 ....176, 208, 224	70006407 .....245
70004171...275, 279, 291, 295	70004760 .....393	70005924 ....176, 208, 224	70006408 .....245
70004186...427, 431, 433, 435, 437	70004761 .....393	70005925 .....176, 224	70006409 .....245
70004199.....67	70004762 .....393	70005926 ....176, 208, 224	70006410 .....245
70004237.....423	70004763 .....393	70005927 .....176, 224	70006425 .....667
70004272.....145	70004764 .....393	70005928 ....176, 208, 224	70006438 .....435
70004276....177, 209, 225	70004765 .....393	70005929 .....208, 224	70006439 .....435
70004277....177, 209, 225	70004766 .....393	70005930 .....176, 224	70006440 .....435
70004280...146, 175, 207, 223	70004767 .....393	70005931 ....176, 208, 224	70006441 .....435
70004282....177, 209, 225	70004768 .....393	70005932 ....177, 209, 225	70006552 .. 275, 280, 283, 287
70004287.....145	70004769 .....393	70005933 ....177, 209, 225	70006553 .. 275, 280, 283, 287
70004289.....146	70004770 .....393	70005934 ....177, 209, 225	70006649 .....431
70004414.....63	70004771 .....393	70005937 .....177, 225	70006650 .....431
70004501....176, 208, 224	70004772 .....393	70005938 ....175, 207, 223	70006652 .....209
70004504.....177, 225	70004773 .....393	70005942 ....175, 207, 223	70006653 .....209
70004505....175, 207, 223	70004774 .....394	70005947 .....43	70006655 .....209
70004506....175, 207, 223	70004775 .....394	70005951 .....337, 339	70006731 .....437
70004507....175, 207, 223	70004795 .....67	70005952 ....43, 337, 339	70006734 .....431
70004508....175, 207, 223	70005008 .. 157, 171, 189, 203, 219, 667	70006003 .....425	70006735 .....431
70004509....175, 207, 223	70005172 ... 175, 207, 223	70006004 .....425, 666	70006736 .....431
70004510....175, 207, 223	70005173 ... 175, 207, 223	70006005 .....425	70006900 .....427
70004511.....208	70005177 ... 176, 208, 224	70006006 .....425	70006930 .....427
70004513....176, 208, 224	70005181 ... 176, 208, 224	70006093 .....299, 304	70006931 .....427
70004584.....43	70005184 ... 176, 208, 224	70006094 .....300, 304	70006932 .....427
70004594.....43	70005188 ... 177, 208, 225	70006095 .....300, 304	70006933 .....427
70004595.....43, 666	70005189 ... 177, 208, 225	70006096 .....300, 304	70006934 .....428
70004596.....43	70005191 ... 177, 209, 225	70006097 .....300, 304	70006941 ... 175, 207, 223
70004597.....43	70005200 .....339	70006109 .....43	7000695 .....146
70004598.....43	70005203 .....50	70006110 .....43	70006978 .....437
70004602.....43	70005335 ... 333, 335, 666	70006111 .....43	70006979 .....437
70004607.....43	70005527 ... 178, 209, 226	70006112 .....43	70006980 .....437
70004613.....339	70005563 .....425	70006113 .....43	70006981 .....437
70004617.....44	70005570 .....425	70006114 .....43	70006982 .....437
70004653.....43, 44, 337, 339, 666	70005571 .....425	70006115 .....43	70006983 .....437
70004656.....43	70005572 .....425	70006116 .....43, 337, 339	70007603 .....176
70004657.....43	70005575 .....425	70006117 .....43	70010383 .....39, 41, 666
70004661.....43	70005576 .....425, 666	70006118 .....43	7001268 .....232, 236
70004662.....43	70005595 .....437	70006119 .....44	7001481 .....233, 236
70004668.....43	70005627 .....337, 339	70006120 .....44	7001485 .....231, 235
70004676...275, 279, 283, 287	70005647 ... 177, 209, 225	70006121 .....337, 339	7001909 .....50
	70005648 ... 177, 209, 225	70006122 ....337, 339, 666	7001911 .....50
	70005671 .....327	70006123 .....337, 339	7001912 .....50
	70005682 .....333, 335	70006124 .....337, 339	7001931 .....50
	70005683 .....331, 666	70006125 .....337, 339	7001985 .....50
		70006126 .....337, 339	70022564 .....423
		70006144 .....207	70023369 .....423
		70006260 .....425	70023859 .....43
		70006261 .....425	

## SECTION 11 - SPECIAL OPTIONS

70023860 .....	43, 339	70025176 .....	175, 223	7012925 .....	425	7021272 .....	232, 236
70023862 .....	337, 339	70025178 .....	176, 224	7012941 .....	39, 41	7021273 .....	232, 236
70024457 .....	43	70025179 ..	176, 177, 208, 209, 224, 225	7012944 .....	39, 41	7021274 .....	232, 236
70024484 ...	177, 209, 225	70025180 ...	176, 208, 224	7012967 .....	425	7021275 .....	232, 236
70024488 ...	175, 207, 223	70025181 ...	175, 207, 223	7016319 .....	89	7021276 .....	232, 236
70024494 ...	175, 207, 223	70025182 ...	176, 208, 224	7016328 .....	145, 666	7021277 .....	232, 236
70024502 ...	176, 208, 224	70025183 ...	176, 208, 224	7016331 .....	145, 175, 207, 223, 666, 667	7021278 .....	232, 236
70024504 ..	176, 177, 224, 225	70025184 ...	176, 208, 224	7016372 .....	89	7021279 .....	232, 236
70024507 ...	177, 209, 225	70025185 ...	176, 208, 224	7016652 .....	672	7021280 .....	233, 237
70024509 ...	177, 209, 225	70025192 ...	177, 209, 225	7016654 .....	672	7021281 .....	232, 236
70024513 ...	176, 207, 224	70025200 ...	176, 208, 224	7016655 .....	672	7021283 .....	232, 236
70024517 ...	175, 207, 223	70025203 ...	176, 208, 224	7017023 .....	50	7021285 .....	232
70024904 ...	175, 207, 223	70025203 ...	176, 208, 224	7017070 .....	50	7021289 .....	232, 236
70024905 ...	175, 207, 223	70025210 ..	176, 208, 224, 667	7017072 .....	50	7021296 .....	233, 237
70024906 ...	175, 207, 223	70025212 ...	177, 209, 225	7017080 .....	50	7021297 .....	237
70024910 .....	176, 224	70025231 ...	177, 209, 225	7017082 .....	51	7021298 .....	237
70024912 .....	177	70025233 ...	177, 209, 225	7017085 .....	50	7021299 .....	237
70024914 .....	177, 225	70025235 ...	176, 208, 224	7017142 .....	327, 329	7022190 .....	232, 236
70024915 ...	177, 209, 225	70025239 ...	176, 208, 224	7017159 .....	327, 329	7022321 .....	231, 235
70024917 ...	177, 209, 225	70025240 ...	176, 208, 224	7017162 .....	327, 329	7022330 .....	231, 235
70024918 ...	177, 209, 225	70025242 .....	177, 225	7017163 .....	327, 329	7022331 .....	231, 235
70024920 ..	176, 177, 208, 209, 224, 225	70025245 .....	177, 225	7017164 .....	327, 329	7022332 .....	231, 235
70024922 ...	177, 209, 225	70025246 .....	177, 225	7017172 .....	327, 329	7022333 .....	231, 235
70024924 ...	175, 207, 223	70025477 ...	177, 209, 225	7017192 .....	327, 329	7022334 .....	231, 235
70024925 ...	175, 207, 223	70025580 .....	425	7017195 .....	327, 329	7022335 .....	231, 235
70024961 ...	176, 207, 224	70025582 .....	425	7017467 .....	425	7022336 .....	231, 235
70025076 .....	175, 223	70025619 .....	425	7017496 .....	425	7022337 .....	231, 235
70025077 ...	177, 209, 225	70025660 ...	175, 207, 223	7019680 .....	269, 271	7022338 .....	231, 235
70025082 ..	145, 146, 175, 207, 223	70025733 ...	177, 209, 225	7020043 .....	63	7022340 .....	231, 235
70025084 ...	176, 208, 224	70025752 .....	146	7020108 .....	267, 269, 271	7022342 .....	231, 235
70025091 .....	175, 223	70025753 .....	146	7020109 .....	267, 269, 271	7022343 .....	231
70025101 ...	176, 208, 224	70025768 .....	176, 224	7020110 .....	267, 269, 271	7022344 .....	231
70025107 ...	176, 208, 224	70025877 ..	177, 178, 225, 226	7020111 .....	267, 269, 271	7022345 .....	232, 236
70025109 ...	176, 208, 224	70026164 .....	425	7020175 ..	77, 79, 375, 379	7022346 .....	232, 236
70025111 ...	175, 207, 223	70026210 ...	177, 209, 225	7020176 ..	77, 79, 375, 379	7022347 .....	232, 236
70025112 ...	176, 208, 224	70026995 ...	177, 209, 225	7020190 .....	267, 269, 271	7022348 .....	232, 236
70025115 ...	176, 208, 224	70028185 ...	175, 207, 223	7020403 .....	145	7022349 .....	232
70025120 ...	177, 209, 225	7002821 .....	672	7020408 .....	145	7022350 .....	232
70025124 ...	176, 208, 224	7002822 .....	672	7020465 .....	145, 175, 207, 223	7022351 .....	232, 236
70025130 ...	177, 209, 225	7002823 .....	672	7020468 .....	145	7022352 .....	233
70025131 .....	177, 225	7002826 .....	672	7020471 .....	146	7022353 .....	233
70025132 ...	177, 209, 225	7002840 .....	672	7020479 .....	145	7022354 .....	235
70025133 ...	176, 208, 224	70028538 .....	208, 209	7020492 .....	176, 208, 224	7022355 .....	235
70025135 ...	175, 207, 223	70028802 .....	208	7021229 .....	233	7022357 .....	235
70025137 .....	175, 223	7003974 .....	391	7021236 .....	231, 235	7022358 .....	237
70025139 ...	175, 207, 223	7004275 .....	672	7021237 .....	231	7022359 .....	236
70025140 ...	175, 207, 223	7004276 .....	672	7021238 .....	231, 235	7022524 .....	337, 339
70025142 .....	208	70050795 .....	437	7021239 .....	231, 235	7022527 .....	43
70025144 ...	175, 207, 223	7005889 .....	51	7021240 .....	231	7022693 .....	19
70025145 ...	175, 207, 223	7005891 .....	51	7021243 .....	231, 235	7022832 .....	391
70025146 ...	175, 207, 223	7007289 .....	233, 237	7021248 .....	231, 235	7022833 .....	391
70025148 ...	176, 208, 224	7007412 .....	232, 236	7021249 .....	231, 235	7022834 .....	391
70025149 .....	177, 225	7007419 .....	231, 235, 237	7021250 .....	231, 235	7022835 .....	391
70025151 ...	176, 208, 224	7007470 ....	231, 232, 235, 236	7021251 .....	231, 235	7022836 .....	391
70025152 ...	175, 207, 223	7007633 .....	50	7021253 .....	231, 235	7022837 .....	391
70025153 ...	176, 224, 667	7010474 .....	50	7021255 .....	231, 232, 235, 236	7022838 .....	391
70025154 ...	175, 207, 223	7010492 .....	50	7021256 .....	237	7022839 .....	391
70025155 ...	177, 208, 225	7010543 .....	39, 41	7021257 .....	231, 235	7023821 .....	44
70025158 ...	176, 208, 224	7011112 .....	421, 423	7021259 .....	231, 235	7023996 .....	231, 235
70025160 .....	176, 224	70124410 .....	146	7021260 .....	235	7023997 .....	231, 235
70025161 ...	176, 224, 667	70124440 .....	146	7021265 .....	232, 236	7023998 .....	231, 235
70025164 ...	177, 209, 225	7012513 .....	267, 269, 271	7021267 .....	231, 235	7023999 .....	231
70025174 .....	176, 224	7012514 .....	267, 269, 271	7021269 .....	236	7024100 .....	51
70025175 ...	176, 208, 224	7012558 .....	269, 271	7021271 .....	232, 236	7024441 .....	67
						7024462 .....	417
						7024463 .....	417

## SECTION 11 - SPECIAL OPTIONS

7024467.....	417	7300435 ....	130, 142, 156,	80214172.....	20	83201147.....	17
7024469.....	417	170, 188, 202, 218		80214308.....	19	83304173.....	67
7024470.....	417	77133137..	507, 509, 511,	80214312.....	19	83604107.....	29
7024471.....	417	513, 515, 517, 519,		80214325.....	19	83694007.....	29
7024472.....	417	521, 523, 525, 527, 529		80214326.....	19	83694009.....	29
7024473.....	417	77363233.....	573, 575	80214329.....	19	83694010.....	29
7024474.....	417	80211039.....	15, 17	80214332.....	19	83694040.....	29
7024475.....	417	80211154.....	17	80214333.....	19	83694045.....	33
7024478.....	417	80213004.....	15, 17, 23	80214334.....	19	83694046.....	33
7024485.....	291, 295	80213005.....	15, 17, 25	80214337.....	19	83694047.....	33
7024488.....	291, 295, 299,	80213011.....	15, 17	80214361.....	27	83694108.....	29
303		80213016.....	27	80214362.....	27	83953053.....	441, 443
7024489.....	291, 295, 299,	80213040.....	15, 17, 29	80214363.....	27	8405007 ....	156, 170, 188,
303		80213041.....	15, 17, 31	80214364.....	27	202, 218	
7024579.....	146, 175, 207,	80213042.....	15, 17, 33	80214365.....	27	8405009 ....	156, 170, 188,
223		80213044.....	15, 17	80214366.....	27	202, 218	
7024598.....	257	80213060.....	15, 17	80214367.....	27	8405104 ....	156, 170, 188,
7024704.....	50	80213115.....	59	80214368.....	27	202, 218	
7024743.....	50	80213116.....	59	80214369.....	27	8405203.....	130, 142
7024763.....	50	80213117.....	15, 17, 27	80214370.....	27	8405204.....	130, 142
7024784.....	51	80213119.....	441, 443	80214371.....	20	8406003.....	341, 343
7024800.....	232, 236	80213121.....	15, 17, 19	80214372.....	20	8406109 ....	130, 142, 156,
7024801.....	232, 236	80214001.....	23	80214373.....	20	170, 188, 202, 218	
7024802.....	237	80214002.....	23	80214374.....	20	8406110 ....	91, 93, 95, 97,
7024803.....	237	80214003.....	23	80214375.....	19	123, 133	
7024804.....	232, 236	80214004.....	29	80214376.....	19	8410011 ....	156, 170, 188,
7024805.....	231, 235	80214005.....	23	80214377.....	19	202, 218	
7026188.....	291, 295	80214006.....	23	80214378.....	20	84718465.....	441, 443
7026199.....	271	80214007.....	23	80214379.....	20	84718604.....	441, 443
7026597.....	291, 295, 300,	80214008.....	23	80216028.....	15, 17	84719727.....	441, 443
304		80214009.....	25	80434249.....	43, 666	84719728.....	441, 443
7026626.....	291, 295, 300,	80214010.....	25, 31	80484084.....	561, 565	88201065.....	15, 17
304		80214011.....	25, 31	80613008.....	15, 17, 33	88341012.....	15, 17
7027236.....	145	80214012.....	25	80613009.....	15, 17, 33	88411013.....	531
7027276.....	145	80214013.....	25	80614008.....	33	88501016.....	17
7027773.....	417	80214014.....	25	80633030.....	450, 458	88521212.....	15, 17
7027774.....	417	80214015.....	25	80683015.....	15, 17	88551013.....	15, 17
7027775.....	417	80214017.....	25	80914076.....	19	88662301.....	441, 443
7027776.....	417	80214018.....	25	80963067.....	621	88662329.....	441, 443
7027777.....	417	80214019.....	25	80983191 ....	561, 565, 667	88662332.....	441, 443
7027778.....	417	80214020.....	25	8220045.....	559, 571, 622	88662354.....	441, 443
7027779.....	417	80214021.....	25	8220115.....	561, 565	88662446.....	441, 443
7027780.....	417	80214022.....	25	8220125.....	621	88662448.....	441, 443
7027790.....	145	80214023.....	29	8220164.....	559, 561	8896941.....	672
7027791.....	145	80214024.....	29	8229242.....	561, 565, 593,	90027187.....	441, 443
7027792.....	145	80214026.....	29	621, 666		90027472.....	15, 17
7027795.....	146, 666	80214027.....	29	8229244.....	621, 666	90027475.....	17
7027796.....	146	80214028.....	29	8229245.....	571, 622, 666	91203039.....	347
7027799.....	291, 295, 300,	80214029.....	29	8310129.....	407	91401281.....	69
304		80214030.....	29	83191002.....	15, 17	91403230 ..	625, 627, 629,
7027887.....	267, 269, 271	80214031.....	31	83191056.....	15, 17	631, 633, 635, 637,	
7274000040 .....	276, 280,	80214033.....	31	83191058.....	15, 17	639, 641, 643, 645,	
284, 288, 292, 296,		80214034.....	31	83201001.....	15, 17	647, 649, 651, 653,	
300, 304		80214171.....	20	83201047.....	17	655, 657, 659, 661	





3121777



An Oshkosh Corporation Company

**Corporate Office**  
**JLG Industries, Inc.**  
**1 JLG Drive**  
**McConnellsburg, PA 17233-9533 USA**  
**☎ (717) 485-5161 (Corporate)**  
**☎ (877) 554-5438 (Customer Support)**  
**📠 (717) 485-6417**

**Visit our website for JLG Worldwide Locations.**  
**[www.jlg.com](http://www.jlg.com)**