



Illustrated Parts Manual

***Model
H340AJ***

SN 0300000100 to
SN 0300272288

P/N
3121635

January 2, 2020 - Rev M

ANSI

CE



AS/NZS



An Oshkosh Corporation Company

REVISION LOG

June 1, 2015 - A - Original Issue Of Manual (Edited to B/M 1001160593 Revision J)
July 25, 2016 - B - Revised Manual (Edited to B/M 1001160593 Revision S)
September 12, 2016 - C - Revised Manual (Edited to B/M 1001160593 Revision S)
December 31, 2016 - D - Revised Manual (Edited to B/M 1001160593 Revision T)
March 16, 2017 - E - Revised Manual (Edited to B/M 1001160593 Revision X)
June 26, 2017 - F - Revised Manual (Edited to B/M 1001160593 Revision X)
September 22, 2017 - G - Revised Manual (Edited to B/M 1001160593 Revision AA)
December 15, 2017 - H - Revised Manual (Edited to B/M 1001160593 Revision AB)
March 15, 2018 - I - Revised Manual (Edited to B/M 1001160593 Revision AC)
June 15, 2018 - J - Revised Manual (Edited to B/M 1001160593 Revision AD)
September 5, 2018 - K - Revised Manual (Edited to B/M 1001160593 Revision AF)
January 15, 2019 - L - Revised Manual (Edited to B/M 1001160593 Revision AG) (Revision 1)
January 2, 2020 - M - Revised Manual (Edited to B/M 1001160593 Revision AI)

GENERAL INFORMATION

SECTION 6 CYLINDER

FIGURE 6-3. LIFT CYLINDER ASSEMBLY

PG# Model Designation Manual #

SECTION 6 CYLINDER

FIGURE 6-3. LIFT CYLINDER ASSEMBLY

ITEM #	PART NUMBER	QTY.	DESCRIPTION	REV.
	1001140104	Ref.	LIFT CYLINDER ASSEMBLY	B
1	0100011	AR	Compound, Locking	
2	0630535	3	Capscrew 1/4-20 x 1-1/8	
3	0791003	1	Screw #10-24 x 3/8	
4	0961897	1	Bushing, Tapered	
5	1320136	1	Clamp, Cable	
6	1683063	1	Head	
7	2220883	1	Plug, O-Ring	
8	2220885	2	Plug, O-Ring	
9	2220886	1	Plug, O-Ring	
10	3020039	AR	Lubricant	
11	3480282	1	Piston	
12	3760371	1	Ring, Washer	
13	3931420	8	Capscrew 1/4-20 x 1-1/4	
14	3931824	8	Capscrew 1/2-13 x 1-1/2	
15	3951003	1	Setscrew #10-24 x 3/8	
16	4100099	1	Spacer	
17	4640999	1	Cartridge, Holding Valve (Non Vented)	
17	2900792	1	Kit, Seal - 4640999 Cartridge Valve	
18	4641248	1	Cartridge, Counterbalance Valve (Non Vented)	
18	70004186	1	Kit, Seal - 4641248 Cartridge Valve	
19	100117991	1	Sensor, Cylinder Length	
20	1001118070	1	Cap, Retainer	
21	1001118084	1	Barrel	
21A	0961950	2	Bushing	
22	1001118066	1	Rod	
22A	0961950	2	Bushing	
100	1001139996	1	Kit, Seal (Includes Items 101-109)	
101	See Note	2	Ring, Wear (Note: Use p/n 1001139996)	
102	See Note	1	Ring, Back-Up (Note: Use p/n 1001139996)	
103	See Note	2	Ring, Lock (Note: Use p/n 1001139996)	
104	See Note	2	Ring, Back-Up (Note: Use p/n 1001139996)	
105	See Note	2	O-Ring (Note: Use p/n 1001139996)	
106	See Note	1	O-Ring (Note: Use p/n 1001139996)	
107	See Note	1	Seal (Note: Use p/n 1001139996)	
108	See Note	1	Wiper, Rod (Note: Use p/n 1001139996)	
109	See Note	2	Seal (Note: Use p/n 1001139996)	
200	1001119105	1	Kit, Sensor Magnet (Includes Items 201-203)	
201	See Note	NSS	Sieve, Spacer (Note: Use p/n 1001119105)	
202	1001118066	1	Magnet, Sensor	
203	1001118069	1	Ring, Internal Retaining	

Manual # Model Designation PG#

1) MACHINE IDENTIFICATION

Machines are identified by model and in some cases a combination of models, serial number (SN) or regional standard (i.e ANSI, CE, CSA). Components may also be identified by SN or manufacturer. Common components that may be identified by these characteristics are engines and hydraulic components.

2) PARTS MANUAL ORGANIZATION

Product information in this manual is organized under section titles. Frame, Cylinder, Hydraulic and Electrical are a few examples. Each section is organized by figure and page number. The information within the figure is then organized by item number, part number, description and corresponding illustration(s).

3) TABLE OF CONTENTS

A table of contents is found toward the beginning of the manual. Figure number, description and page number are provided for quick reference to the page containing the related information.

4) RECOMMENDED SPARE PARTS

The Recommended Spare Parts, located near the end of the manual, reference most frequently used maintenance parts.

5) PART NUMBER INDEX

A numerical index listing all part numbers and the corresponding page number(s) appears at the back of the manual.

GENERAL INFORMATION

6) NON-SERVICE PARTS

In some instances, it is necessary to display non-service parts, assemblies or installations. In the case of assemblies & installations there will be a Ref in the Qty column. In the case of parts that are not available for service within assemblies or components, there will be a NSS (Not Sold Separately) or NLA (No Longer Available) listed in the Qty column of the manual.

7) PARTS LIST ITEM NUMBERS

Numbers shown in the Item# column correspond to numbers used in the associated illustration(s). Item numbers which are missing from the sequence in the parts list are not used on that page.

8) INDENTED PART DESCRIPTION

An indented part description is included in the item under which it is indented.

9) ABBREVIATIONS & SYMBOLS

AC.....	Alter nating Current	LCD.....	Liquid Cr ystal Displa y
ADE.....	Adv anced Design Electronics	LED.....	Light Em itting Diodes
ANSI.....	Amer ican Nat ional Standards Institute	LH.....	Left Hand
AR.....	As Required	LSS.....	Load Sensing System
ASSY.....	Assemb ly	M(m).....	Metric/Meter
AUX.....	A uxiliary	MM (mm).....	Milimeter
AWG.....	Am erican Wire Gauge	mA.....	Miliamps
B/M.....	Bill of Material	NLA.....	No Lo nger Available
CE.....	European Conf ormity	NPT.....	National Pipe Threads
CCW.....	Counter Cloc kwise	NSS.....	Not So ld Separately
cm.....	Centimet er	OD.....	O utside Diameter
CW.....	Cloc kwise	ORB.....	O-Ring Bos s
CSA.....	Canadian Standards Association	ORFS.....	O-Ring Face Seal
CYL.....	Cylinder	OZ (oz).....	O unces
DIA.....	Diameter	PG.....	P age
DC.....	Direct Current	P/N.....	P art Number
EMS.....	Emergency S top	qt.....	Q uarts
ENG.....	Engine	QTY.....	Q uantity
FT (ft).....	Feet	REF.....	Ref erence
GA(Ga).....	Gauge	REV.....	Re vision Level
HYD.....	Hydraulic	RH.....	Right Hand
HZ.....	Her tz	SAE.....	Societ y of Automotive E ngineers
ID.....	Inside Diameter	SN.....	Ser ial Number
in.....	inches	SPEC(S).....	Specifications
ISO.....	I nternational Organization for Standards	T/T.....	T urntable
JIC.....	Joint Indust ry Council	UGM.....	Univ ersal G round Module
KG.....	Kilog ram	V.....	Volts
L.....	Liter	W.....	Watts
LB.....	P ounds	#.....	Number

10) ILLUSTRATION REFERENCE LETTERS

When necessary, illustrations may contain reference letters that are intended to track information (i. e. hoses, harnesses) from one point to another or to track visual enlargement of components to show details that may be located in a nother area on the illustration.

Note: Due to continuous product improvements, JLG Industries, Inc. reserves the right to make specification changes without prior notification. Contact JLG Industries, Inc. for updated information.

TABLE OF CONTENTS

SECTION 1 - FRAME.....	11
FIGURE 1-1. STEERING INSTALLATION	12
FIGURE 1-2. OSCILLATING AXLE INSTALLATION.....	14
FIGURE 1-3. CONTROL VALVES INSTALLATION - FRAME	16
FIGURE 1-4. OSCILLATING AXLE VALVE ASSEMBLY	18
FIGURE 1-5. DRIVE INSTALLATION.....	20
FIGURE 1-6. DRIVE MOTOR ASSEMBLY	22
FIGURE 1-7. DRIVE HUB ASSEMBLY (Prior to SN 0300256756)	24
FIGURE 1-8. DRIVE HUB ASSEMBLY (SN 0300256756 through 0300272288).....	26
FIGURE 1-9. TIRE AND WHEEL INSTALLATION - 7X18 SOLID	28
FIGURE 1-10. TIRE AND WHEEL INSTALLATION - 7X18 SOLID NON-MARKING	30
FIGURE 1-11. TIRE AND WHEEL INSTALLATION - 9X20 FOAM-FILLED.....	32
FIGURE 1-12. TIRE AND WHEEL INSTALLATION - 9X20 FOAM-FILLED NON-MARKING	34
FIGURE 1-13. TIRE AND WHEEL INSTALLATION - 9X20 PNEUMATIC.....	36
FIGURE 1-14. TIRE AND WHEEL INSTALLATION - 9X20 PNEUMATIC WITH TIRE SEALANT	38
FIGURE 1-15. TIRE AND WHEEL INSTALLATION - 9X20 PNEUMATIC NON-MARKING.....	40
FIGURE 1-16. TIRE AND WHEELS INSTALLATION - 9X20 PNEUMATIC NON-MARKING WITH TIRE SEALANT.....	42
FIGURE 1-17. BATTERIES INSTALLATION.....	44
FIGURE 1-18. ELECTRICAL PLATE ASSEMBLY	46
FIGURE 1-19. FRAME SHIELDS INSTALLATION.....	48
SECTION 2 - TURNTABLE	51
FIGURE 2-1. CONTROL VALVE INSTALLATION - TURNTABLE	52
FIGURE 2-2. MAIN CONTROL VALVE ASSEMBLY.....	54
FIGURE 2-3. SWING DRIVE INSTALLATION	56
FIGURE 2-4. SWING MOTOR ASSEMBLY	58
FIGURE 2-5. SWING BEARING ASSEMBLY	60
FIGURE 2-6. TANKS AND PUMP ASSEMBLY.....	62
FIGURE 2-7. HYDRAULIC PUMP MOTOR ASSEMBLY	64
FIGURE 2-8. GROUND CONTROLS INSTALLATION - ALL SPECS EXCEPT CE SPECS.....	66
FIGURE 2-9. GROUND CONTROLS ASSEMBLY - ALL SPECS EXCEPT CE SPECS	68
FIGURE 2-10. GROUND CONTROL INSTALLATION - CE SPEC	70
FIGURE 2-11. GROUND CONTROL ASSEMBLY - CE SPEC	72
FIGURE 2-12. BATTERY CHARGER INSTALLATION - 110V PLUG.....	74
FIGURE 2-13. BATTERY CHARGER INSTALLATION - LOCALLY SUPPLIED PLUG.....	76
FIGURE 2-14. BATTERY CHARGER ASSEMBLY (Prior to SN 0300209405).....	78
FIGURE 2-15. BATTERY CHARGER ASSEMBLY (SN 0300209405 through 0300272288).....	80
FIGURE 2-16. ELECTRICAL COMPONENTS INSTALLATION.....	82
FIGURE 2-17. BEACON LIGHT INSTALLATION - AMBER (OPTIONAL).....	86
FIGURE 2-18. BEACON LIGHT INSTALLATION - BLUE (Prior to SN 0300257126).....	88
FIGURE 2-19. BEACON LIGHT INSTALLATION - BLUE (SN 0300257126 through 0300272288).....	90
FIGURE 2-20. BEACON LIGHT INSTALLATION - RED (Prior to SN 0300257126).....	92
FIGURE 2-21. BEACON LIGHT INSTALLATION - RED (SN 0300257126 through 0300272288).....	94
FIGURE 2-22. WHITE NOISE ALARM INSTALLATION.....	96
FIGURE 2-23. HOODS INSTALLATION	98
FIGURE 2-24. HOOD ASSEMBLY - TANK SIDE.....	102
FIGURE 2-25. HOOD ASSEMBLY - ENGINE SIDE.....	104
SECTION 3 - ENGINE	107
FIGURE 3-1. KUBOTA ENGINE INSTALLATION	108
FIGURE 3-2. KUBOTA ENGINE AND GENERATOR SUB-ASSEMBLY (Prior to SN 0300255947).....	112
FIGURE 3-3. KUBOTA ENGINE AND GENERATOR SUB-ASSEMBLY (SN 0300255947 through 0300272288)	114
FIGURE 3-4. KUBOTA ENGINE ASSEMBLY (Prior to SN 0300255947).....	116
FIGURE 3-5. KUBOTA ENGINE ASSEMBLY (SN 0300255947 through 0300272288)	120
FIGURE 3-6. KUBOTA ENGINE COMPONENTS (Prior to SN 0300255947)	124
FIGURE 3-7. KUBOTA ENGINE COMPONENTS (SN 0300255947 through 0300272288).....	128
FIGURE 3-8. ENGINE COUPLING ASSEMBLY	132
FIGURE 3-9. GENERATOR ASSEMBLY	134
FIGURE 3-10. CATALYTIC MUFFLER INSTALLATION - OPTIONAL.....	136
SECTION 4 - BOOM	139
FIGURE 4-1. BOOM AND CYLINDERS INSTALLATION - WITHOUT ARCTIC PACKAGE (Prior to SN 0300209405).....	140

TABLE OF CONTENTS

FIGURE 4-2. BOOM AND CYLINDERS INSTALLATION - WITHOUT ARCTIC PACKAGE (SN 0300209405 through 0300272288)	142
FIGURE 4-3. BOOM AND CYLINDERS INSTALLATION - WITH ARCTIC PACKAGE	144
FIGURE 4-4. TOWER BOOM ASSEMBLY	146
FIGURE 4-5. MAIN BOOM ASSEMBLY	148
FIGURE 4-6. MAIN BOOM ASSEMBLY	150
FIGURE 4-7. JIB ASSEMBLY - WITHOUT ARCTIC PACKAGE (Prior to SN 0300209405)	152
FIGURE 4-8. JIB ASSEMBLY - WITHOUT ARCTIC PACKAGE (SN 0300209405 through 0300272288)	154
FIGURE 4-9. JIB ASSEMBLY - WITH ARCTIC PACKAGE	156
FIGURE 4-10. PLATFORM ROTATOR ASSEMBLY - WITHOUT ARCTIC PACKAGE	158
FIGURE 4-11. PLATFORM ROTATOR ASSEMBLY - WITH ARCTIC PACKAGE	160
FIGURE 4-12. PLATFORM SUPPORT INSTALLATION - WITHOUT LSS	162
FIGURE 4-13. PLATFORM SUPPORT INSTALLATION - WITH 4 CELL LSS	164
FIGURE 4-14. PLATFORM SUPPORT INSTALLATION - WITH 1 CELL LSS	166
FIGURE 4-15. POWER TRACK INSTALLATION	168
FIGURE 4-16. CONTROL VALVES INSTALLATION - BOOM	170
FIGURE 4-17. FLY BOOM VALVE ASSEMBLY	172
FIGURE 4-18. BOOM UPRIGHT VALVE ASSEMBLY	174
 SECTION 5 - PLATFORM	 177
FIGURE 5-1. PLATFORM ASSEMBLY - 30IN X 4FT (76CM X 1.22M) - GATE ENTRY	178
FIGURE 5-2. PLATFORM ASSEMBLY - 30IN X 5FT (76CM X 1.52M) - GATE ENTRY	180
FIGURE 5-3. PLATFORM ASSEMBLY - 30IN X 4FT (76CM X 1.22M) - DROP BAR ENTRY	182
FIGURE 5-4. PLATFORM ASSEMBLY - 30IN X 5FT (76CM X 1.52M) - DROP BAR ENTRY	184
FIGURE 5-5. PLATFORM ASSEMBLY - 30IN X 3FT (76CM X 91.5CM) - WITH DROP BAR	186
FIGURE 5-6. TRAY INSTALLATION	188
FIGURE 5-7. CONSOLE AND FOOTSWITCH INSTALLATION WITHOUT LSS OR WITH 4 CELL LSS - WITHOUT SKYGUARD	190
FIGURE 5-8. CONSOLE AND FOOTSWITCH INSTALLATION WITHOUT LSS OR WITH 4 CELL LSS - WITH SKYGUARD	192
FIGURE 5-9. CONSOLE AND FOOTSWITCH INSTALLATION WITH 1 CELL LSS - WITH SKYGUARD (Prior to SN 0300257126)	194
FIGURE 5-10. CONSOLE AND FOOTSWITCH INSTALLATION WITH 1 CELL LSS - WITH SKYGUARD (SN 0300257126 through 0300272288)	196
FIGURE 5-11. CONSOLE ASSEMBLY WITHOUT LSS OR WITH 4 CELL LSS - WITHOUT SKYGUARD (Prior to SN 0300222893)	198
FIGURE 5-12. CONSOLE ASSEMBLY WITHOUT LSS OR WITH 4 CELL LSS - WITHOUT SKYGUARD (SN 0300222893 through 0300272288)	202
FIGURE 5-13. CONSOLE ASSEMBLY WITHOUT LSS OR WITH 4 CELL LSS - WITH SKYGUARD (Prior to SN 0300222893)	206
FIGURE 5-14. CONSOLE ASSEMBLY WITHOUT LSS OR WITH 4 CELL LSS - WITH SKYGUARD (SN 0300222893 through 0300272288)	210
FIGURE 5-15. CONSOLE AND FOOTSWITCH ASSEMBLY WITH 1 CELL LSS - WITH SKYGUARD (Prior to SN 0300257126)	214
FIGURE 5-16. CONSOLE AND FOOTSWITCH ASSEMBLY WITH 1 CELL LSS - WITH SKYGUARD (SN 0300257126 through 0300272288)	218
FIGURE 5-17. DRIVE/STEER CONTROLLER ASSEMBLY	222
FIGURE 5-18. LIFT/SWING CONTROLLER ASSEMBLY	224
FIGURE 5-19. SKYGUARD SYSTEM INSTALLATION (Prior to SN 0300257126)	228
FIGURE 5-20. SKYGUARD SYSTEM INSTALLATION (SN 0300257126 through 0300272288)	230
FIGURE 5-21. CROSS RAIL INSTALLATION	232
FIGURE 5-22. SKYEYE INSTALLATION	234
FIGURE 5-23. SKYLINE INSTALLATION	236
FIGURE 5-24. SKYLINE HARNESS	238
FIGURE 5-25. SKYEYE INTERMEDIATE HARNESS	240
FIGURE 5-26. SKYEYE RECEIVER HARNESS	242
FIGURE 5-27. SKYEYE EMITTER HARNESS	244
 SECTION 6 - CYLINDER	 247
FIGURE 6-1. AXLE LOCKOUT CYLINDER ASSEMBLY	248
FIGURE 6-2. LEVEL (PLATFORM SLAVE) CYLINDER ASSEMBLY (Prior to SN 0300240098)	250
FIGURE 6-3. LEVEL (PLATFORM SLAVE) CYLINDER ASSEMBLY (SN 0300238046 through 0300272288)	252
FIGURE 6-4. LIFT (JIB) CYLINDER ASSEMBLY	254
FIGURE 6-5. LIFT (MAIN BOOM) CYLINDER ASSEMBLY	256
FIGURE 6-6. LIFT (TOWER BOOM) CYLINDER ASSEMBLY	258
FIGURE 6-7. MASTER CYLINDER ASSEMBLY	260
FIGURE 6-8. STEER CYLINDER ASSEMBLY	262

TABLE OF CONTENTS

FIGURE 6-9. TELESCOPE CYLINDER ASSEMBLY	264
SECTION 7 - HYDRAULIC	267
FIGURE 7-1. HYDRAULIC SYSTEM INSTALLATION - WITHOUT ARCTIC PACKAGE	268
FIGURE 7-2. HYDRAULIC DIAGRAM LIST	274
SECTION 8 - ELECTRICAL	275
FIGURE 8-1. ELECTRICAL DIAGRAM LIST	276
FIGURE 8-2. AC BOX AT PLATFORM INSTALLATION - LOCALLY SUPPLIED COMPONENTS (ANSI EXPORT AND AUSTRALIAN SPECS)	278
FIGURE 8-3. AC BOX AT PLATFORM INSTALLATION - LOCALLY SUPPLIED (CE SPEC)	280
FIGURE 8-4. AC BOX AT PLATFORM INSTALLATION - 110V (ANSI, ANSI EXPORT, CSA AND JAPANESE SPECS)	282
FIGURE 8-5. AC BOX AT PLATFORM INSTALLATION - 110V IEC YELLOW (CE SPEC)	284
FIGURE 8-6. AC BOX AT PLATFORM INSTALLATION - 220V (CSA SPEC)	286
FIGURE 8-7. AC BOX AT PLATFORM INSTALLATION - 220V IEC BLUE (CE SPEC)	288
FIGURE 8-8. AC BOX AT PLATFORM INSTALLATION - 220V CEE7 POST GROUND WITH 70MM X 70MM BOX (CE SPEC)	290
FIGURE 8-9. AC BOX AT PLATFORM INSTALLATION - 220V CEE7 SIDE GROUND WITH 70MM X 70MM BOX (CE SPEC)	292
FIGURE 8-10. AC BOX AT PLATFORM INSTALLATION - 220V CEE7 POST GROUND WITH 2IN X 4IN BOX (CE SPEC)	294
FIGURE 8-11. AC BOX AT PLATFORM INSTALLATION - 220V CEE7 SIDE GROUND WITH 2IN X 4IN BOX (CE SPEC)	296
FIGURE 8-12. AC BOX AT PLATFORM INSTALLATION - 220V AFSINT 107 KEYED GROUND WITH 2IN X 4IN BOX (CE SPEC)	298
FIGURE 8-13. AC POWER TO PLATFORM CABLE - MAIN BOOM (WITHOUT ARCTIC PACKAGE)	300
FIGURE 8-14. AC POWER TO PLATFORM CABLE - MAIN BOOM (WITH ARCTIC PACKAGE)	302
FIGURE 8-15. AC POWER TO PLATFORM CABLE - TOWER BOOM (WITHOUT ARCTIC PACKAGE)	304
FIGURE 8-16. AC POWER TO PLATFORM CABLE - TOWER BOOM (WITH ARCTIC PACKAGE)	306
FIGURE 8-17. BOOM CABLES, HARNESES AND CLAMPS INSTALLATION - WITHOUT ARCTIC PACKAGE	308
FIGURE 8-18. BOOM CABLES, HARNESES AND CLAMPS INSTALLATION - WITH ARCTIC PACKAGE	312
FIGURE 8-19. BOOM HARNESS - MAIN	316
FIGURE 8-20. BOOM HARNESS - TOWER	318
FIGURE 8-21. BREAKER BOX KIT (CE SPEC)	320
FIGURE 8-22. CHARGER HARNESS	322
FIGURE 8-23. DRIVE CABLES INSTALLATION	324
FIGURE 8-24. DRIVE HARNESS - REAR RIGHT	326
FIGURE 8-25. DRIVE HARNESS - REAR LEFT	328
FIGURE 8-26. DRIVE HARNESS - FRONT WITH STEER	330
FIGURE 8-27. DRIVE HARNESS - FRONT WITHOUT STEER	332
FIGURE 8-28. ENGINE CABLES INSTALLATION	334
FIGURE 8-29. ENGINE HARNESS	336
FIGURE 8-30. GENERATOR HARNESS	338
FIGURE 8-31. GROUND CONTROL HARNESS	340
FIGURE 8-32. GROUND TO PLATFORM CABLE - MAIN BOOM (WITHOUT ARCTIC PACKAGE)	342
FIGURE 8-33. GROUND TO PLATFORM CABLE - MAIN BOOM (WITH ARCTIC PACKAGE)	344
FIGURE 8-34. GROUND TO PLATFORM CABLE - TOWER BOOM (WITHOUT ARCTIC PACKAGE)	346
FIGURE 8-35. GROUND TO PLATFORM CABLE - TOWER BOOM (WITH ARCTIC PACKAGE)	348
FIGURE 8-36. LSS HARNESS	350
FIGURE 8-37. PLATFORM CONSOLE HARNESS - WITHOUT SKYGUARD	352
FIGURE 8-38. PLATFORM CONSOLE HARNESS - WITH SKYGUARD	354
FIGURE 8-39. GENERATOR TO PLATFORM HARNESS - WITH SKYGUARD	356
FIGURE 8-40. PLATFORM TO BOOM VALVE HARNESS	358
FIGURE 8-41. RECEPTACLE BOX KIT - 110V IEC YELLOW (CE SPEC)	360
FIGURE 8-42. RECEPTACLE BOX KIT - 220V IEC BLUE (CE SPEC)	362
FIGURE 8-43. RECEPTACLE BOX KIT - 220V CEE7 POST GROUND 70MMX70MM BOX (CE SPEC)	364
FIGURE 8-44. RECEPTACLE BOX KIT - 220V CEE7 SIDE GROUND 70MMX70MM BOX (CE SPEC)	366
FIGURE 8-45. RECEPTACLE BOX KIT - 220V CEE7 POST GROUND 2IN X 4IN BOX (CE SPEC)	368
FIGURE 8-46. RECEPTACLE BOX KIT - 220V CEE7 SIDE GROUND 2IN X 4IN BOX (CE SPEC)	370
FIGURE 8-47. RECEPTACLE BOX KIT - 220V AFSINT 107 (CE SPEC)	372
FIGURE 8-48. STROBE LIGHT HARNESS (BLUE AND RED LIGHTS)	374
FIGURE 8-49. STROBE EXTENSION HARNESS (BLUE AND RED LIGHTS)	376
FIGURE 8-50. TRACTION HARNESS	378
FIGURE 8-51. TURNTABLE HARNESS	380
FIGURE 8-52. VALVE HARNESS	384
SECTION 9 - DECALS	387

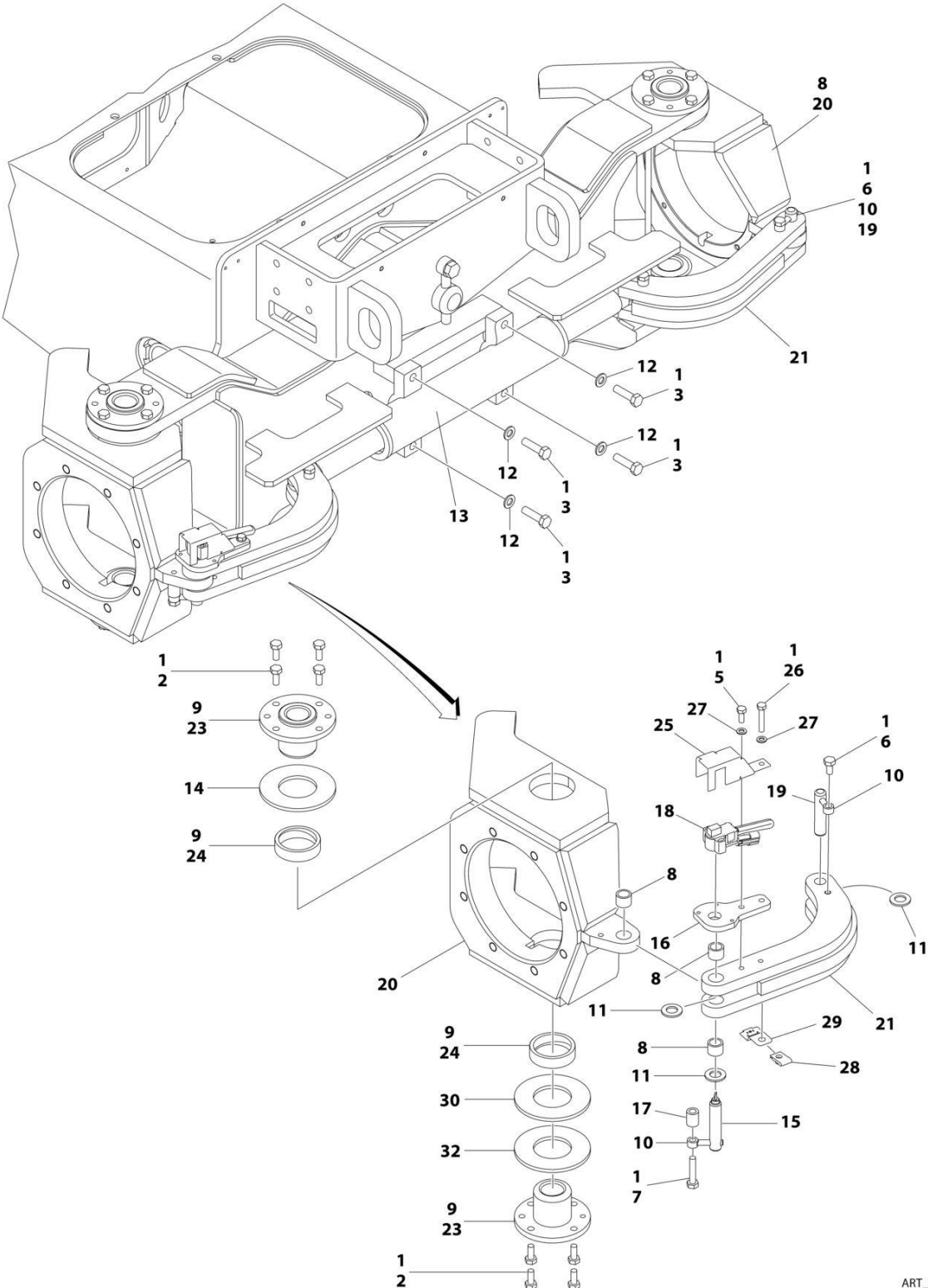
TABLE OF CONTENTS

FIGURE 9-1. DECALS INSTALLATION - ANSI AND ANSI EXPORT SPECS (ENGLISH).....	388
FIGURE 9-2. DECALS INSTALLATION - AUSTRALIAN SPEC (ENGLISH)	390
FIGURE 9-3. DECALS INSTALLATION - BRAZIL SPEC (PORTUGUESE/SPANISH)	392
FIGURE 9-4. DECALS INSTALLATION - CE SPECS (ENGLISH)	394
FIGURE 9-5. DECALS INSTALLATION - CSA SPEC (FRENCH/ENGLISH).....	396
FIGURE 9-6. DECALS INSTALLATION - CHINESE SPEC (CHINESE/ENGLISH)	398
FIGURE 9-7. DECALS INSTALLATION - JAPANESE SPEC (JAPANESE/ENGLISH).....	400
FIGURE 9-8. DECALS INSTALLATION - KOREAN SPEC (KOREAN/ENGLISH).....	402
FIGURE 9-9. DECALS INSTALLATION - LATIN AMERICA SPEC (SPANISH/ENGLISH).....	404
FIGURE 9-10. OPTIONAL DECALS INSTALLATION.....	406
SECTION 10 - RECOMMENDED SERVICE PARTS STOCK	409
FIGURE 10-1. RECOMMENDED SERVICE PARTS STOCK.....	410
SECTION 11 - SPECIAL OPTIONS	413
FIGURE 11-1. SPECIAL OPTIONS	414
PART NUMBER INDEX.....	417

SECTION 1 - FRAME

SECTION 1 - FRAME

FIGURE 1-1. STEERING INSTALLATION



ART_1001161115

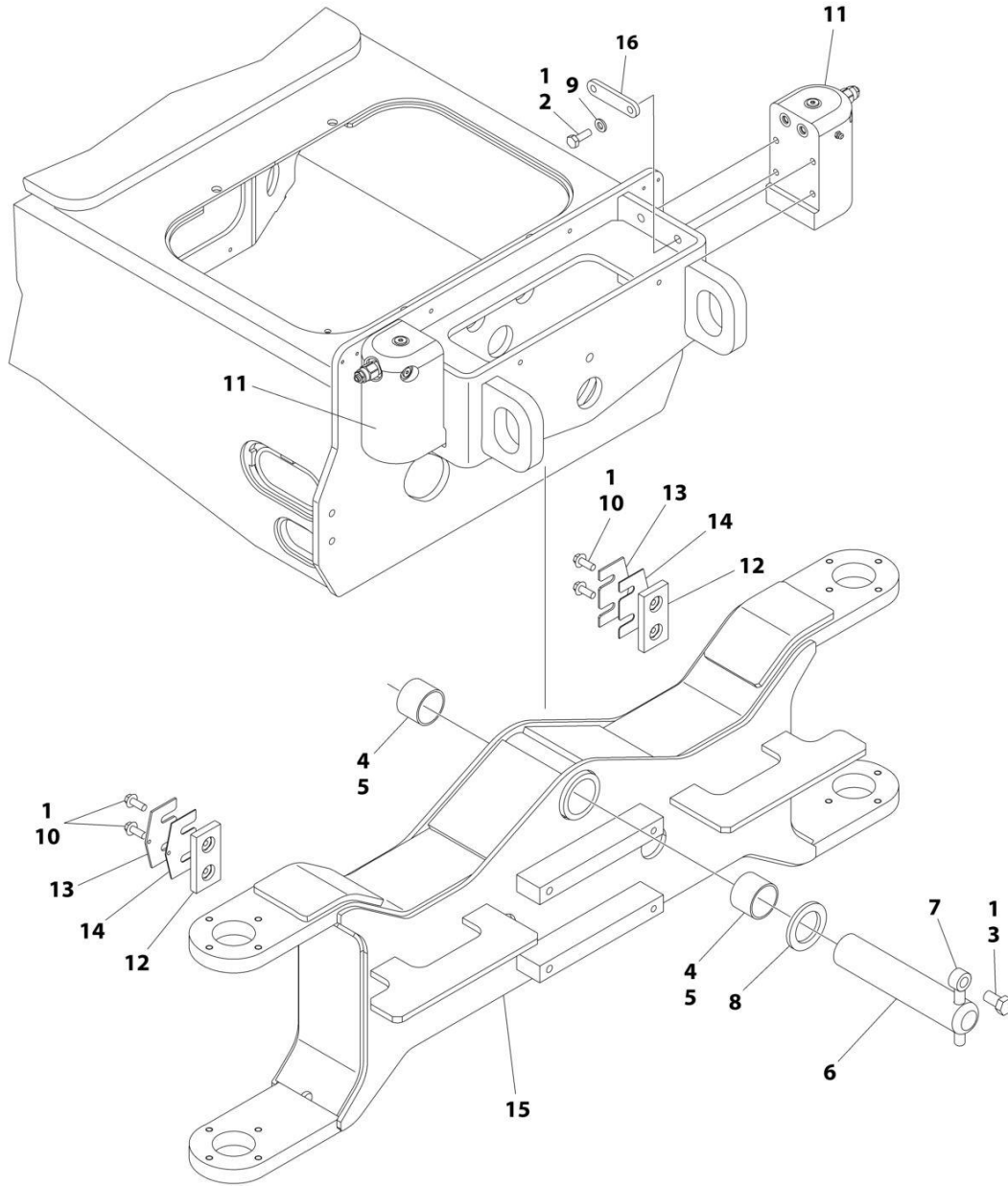
SECTION 1 - FRAME

FIGURE 1-1. STEERING INSTALLATION

ITEM	PART NUMBER	QTY	DESCRIPTION	REV
	1001161115	Ref	STEERING INSTALLATION	I
1	0100011	AR	Compound, Locking	
2	0701012	16	Bolt M10 X 25	
3	0701217	4	Bolt M12 X 45	
5	0760810	1	Bolt M8 X 20	
6	0761010	3	Bolt M10 X 20	
7	0761018	1	Bolt M10 X 50	
8	0962140	6	Bearing	
9	3020029	2	Lubricant	
10	3841520	4	Keeper, Pin	
11	4740086	5	Washer, Thrust	
12	4812100	4	Washer M12	
13	1001116788	1	Steer Cylinder Assembly (See CYLINDER SECTION for Breakdown)	
14	4740505	2	Washer, Thrust	
15	1001161110	1	Pin, Sensor	
16	1001161113	1	Bracket, Sensor Pin	
17	1001161114	1	Spacer	
18	1001161117	1	Switch, Rotary Angle Sensor	
18	4460536	1	Receptacle, Female - 3 Position	
18	4460464	1	Pin, Male	
19	1001168669	3	Pin	
20	1001169015	2	Spindle	
21	1001169028	2	Link, Tie Rod	
23	1001169030	4	Kingpin	
24	1001169129	4	Bearing	
25	1001188866	1	Bracket, Sensor	
26	0760818	1	Bolt M8 x 50	
27	4811900	2	Washer M8	
28	1001149160	1	Nut, Tinnerman M8	
29	1001155967	1	Holder, Connector	
30	1001208285	2	Washer	
31	4240018	2	Tie-Strap (Not Shown) (SN 0300236472 through 0300272288)	
32	1001164885	AR	Washer, Shim	

SECTION 1 - FRAME

FIGURE 1-2. OSCILLATING AXLE INSTALLATION



ART_1001169213

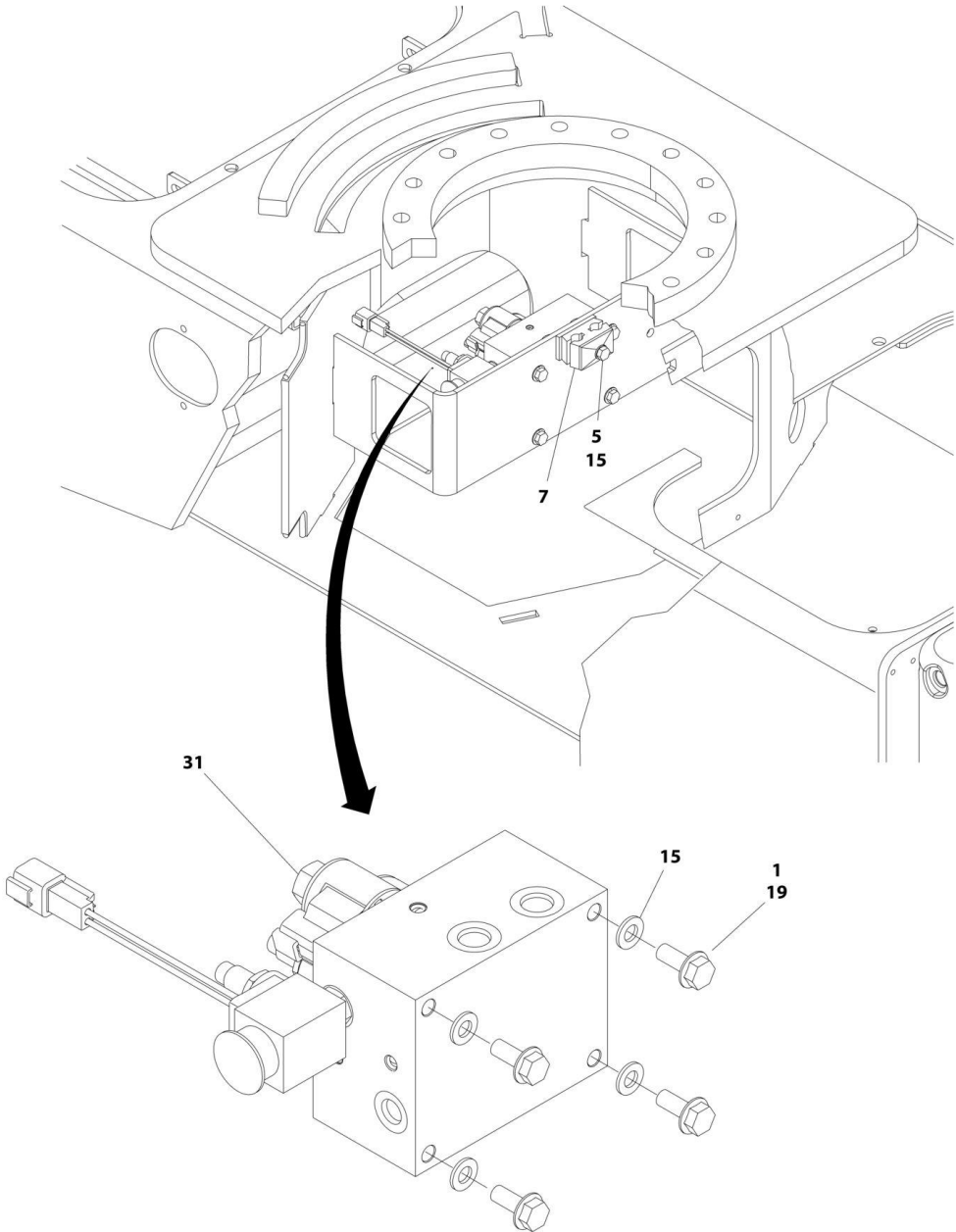
SECTION 1 - FRAME

FIGURE 1-2. OSCILLATING AXLE INSTALLATION

ITEM	PART NUMBER	QTY	DESCRIPTION	REV
	1001169213	Ref	OSCILLATING AXLE INSTALLATION	C
1	0100011	AR	Compound, Locking	
2	0761015	1	Bolt M10 x 35	
3	0761614	1	Bolt M16 x 30	
4	0961950	2	Bushing	
5	3020029	AR	Lubricant	
6	3422592	1	Pin, Axle Pivot	
7	3841258	1	Keeper, Pin	
8	4740158	1	Thrustwasher	
9	5241000	8	Washer M10	
10	5251012	4	Bolt M10 x 25	
11	1001116361	2	Lockout Cylinder Assembly (See CYLINDER SECTION for Breakdown)	
12	1001118511	2	Pad, Wear	
13	1001118518	2	Shim 11Ga	
14	1001118519	4	Shim 16Ga	
15	1001169027	1	Axle	
16	1001210981	4	Shim	

SECTION 1 - FRAME

FIGURE 1-3. CONTROL VALVES INSTALLATION - FRAME



ART_1001167238_1OF3

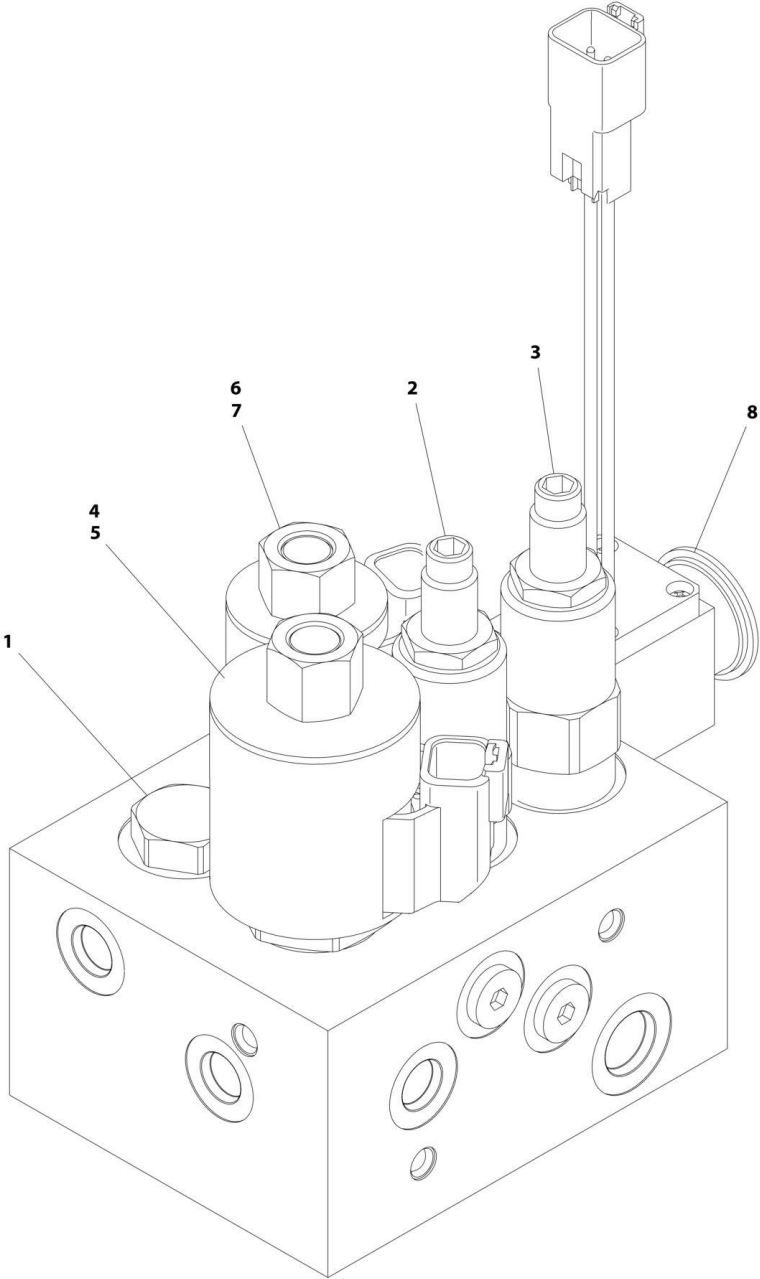
SECTION 1 - FRAME

FIGURE 1-3. CONTROL VALVES INSTALLATION - FRAME

ITEM	PART NUMBER	QTY	DESCRIPTION	REV
	1001167238	Ref	CONTROL VALVES INSTALLATION - FRAME	I
1	0100011	AR	Compound, Locking	
5	0700815	1	Bolt M8 x 35	
7	1320159	1	Clamp	
15	4811900	5	Washer M8	
19	5250810	14	Bolt M8 X 20	
31	1001165144	1	Oscillating Axle Valve Assembly (See OSCILLATING AXLE VALVE ASSEMBLY for Breakdown)	

SECTION 1 - FRAME

FIGURE 1-4. OSCILLATING AXLE VALVE ASSEMBLY



ART_1001165144

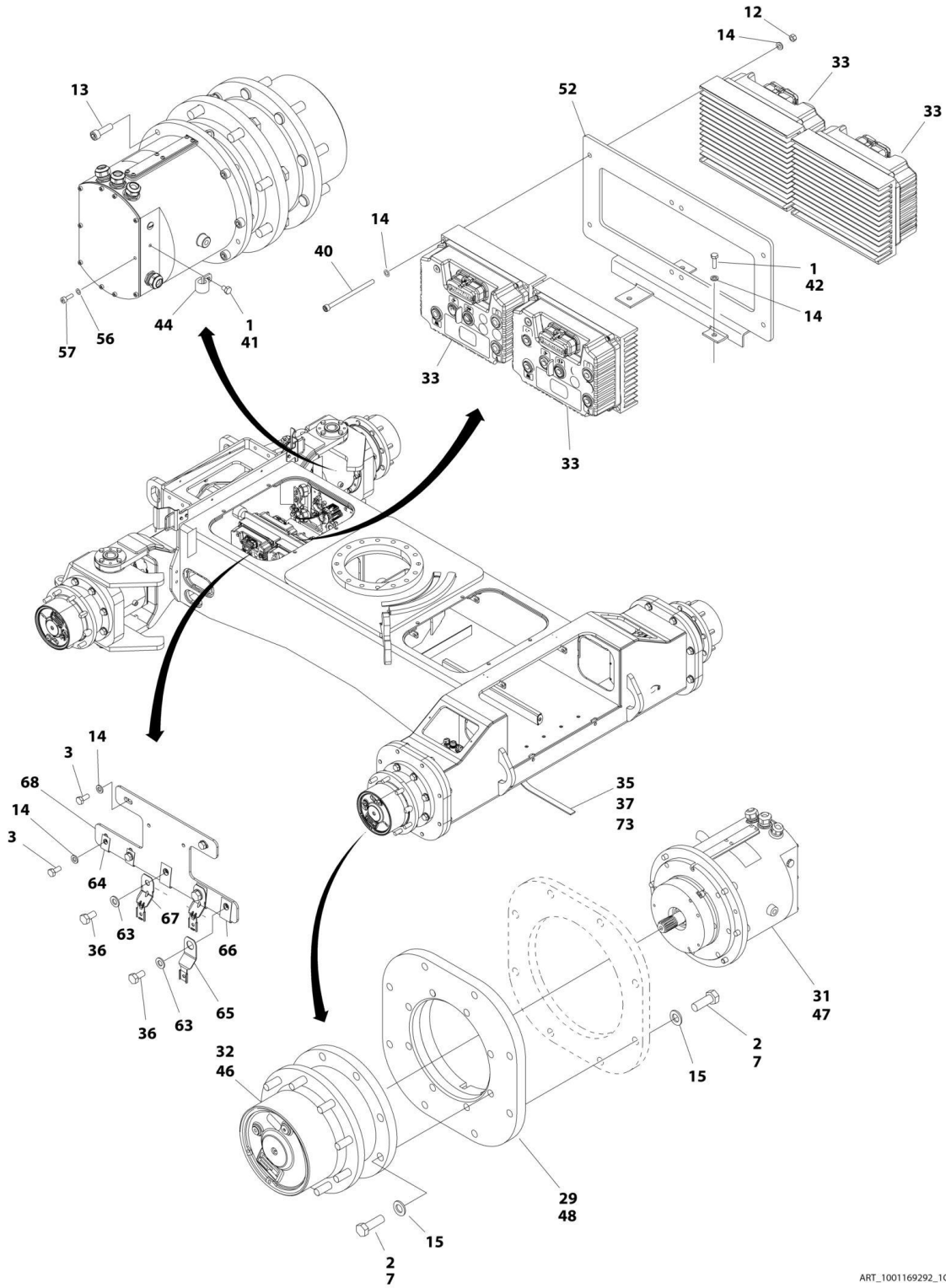
SECTION 1 - FRAME

FIGURE 1-4. OSCILLATING AXLE VALVE ASSEMBLY

ITEM	PART NUMBER	QTY	DESCRIPTION	REV
	1001165144	Ref	OSCILLATING AXLE VALVE ASSEMBLY	D
1	4641129	1	Cartridge, Check Valve	
1	7012540	1	Seal Kit - 4641129 Valve	
2	70004787	1	Cartridge, Valve	
2	7021653	1	Seal Kit - 70004787 Valve	
3	70004788	1	Cartridge, Relief Valve	
3	7012998	1	Seal Kit - 70004788 Valve	
4	7017455	1	Cartridge, Valve Less Coil (Primary Axle Release)	
4	7017463	1	Seal Kit - 7017455 Valve	
5	70050516	1	Coil	
6	7017408	1	Cartridge, Valve Less Coil (Secondary Axle Release)	
6	7012907	1	Seal Kit - 7017408 Valve	
7	70002963	1	Coil	
8	70004789	1	Switch, Pressure	

SECTION 1 - FRAME

FIGURE 1-5. DRIVE INSTALLATION



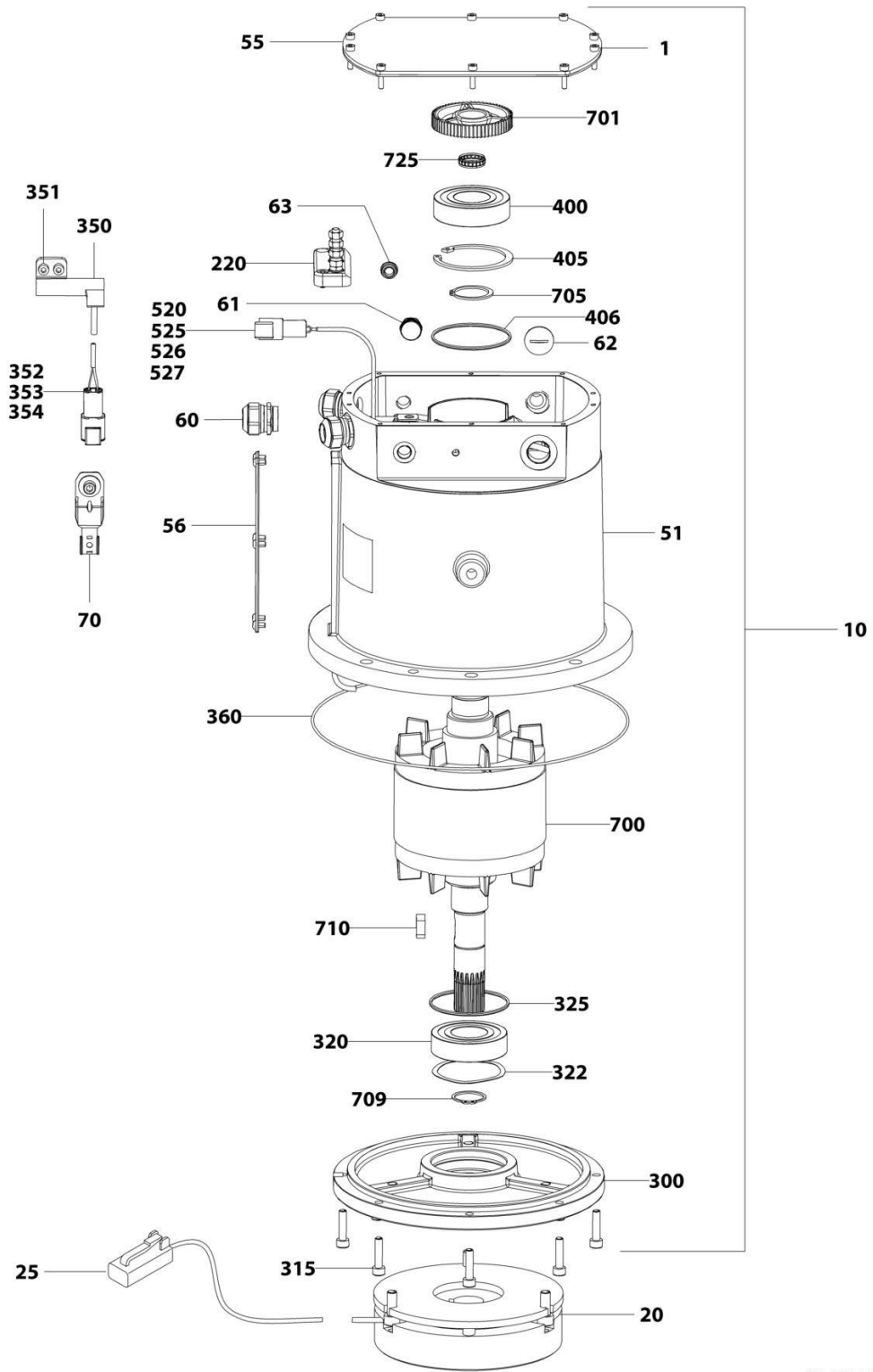
ART_1001169292_1OF2

FIGURE 1-5. DRIVE INSTALLATION

ITEM	PART NUMBER	QTY	DESCRIPTION	REV
	1001169292	Ref	DRIVE INSTALLATION	R
1	0100011	AR	Compound, Locking	
2	0100019	AR	Compound, Locking	
3	0760607	2	Bolt M6 x 14	
3	0760610	2	Bolt M6 x 20	
7	0771618	48	Bolt M16 x 50	
12	3290601	8	Nut M6	
13	4032009	24	Capscrew M10 x 25	
14	4811700	30	Washer M6	
15	5241600	48	Washer M16	
29	1001168400	2	Flange	
31	1001169683	4	Drive Motor Assembly (See DRIVE MOTOR ASSEMBLY for Breakdown)	
32	1001200348	4	Drive Hub Assembly (See DRIVE HUB ASSEMBLY for Breakdown) (Prior to SN 0300256756)	
32	1001242519	4	Drive Hub Assembly (See DRIVE HUB ASSEMBLY for Breakdown) (SN 0300256756 through 0300272288)	
33	1001170140	4	Module, Drive	
35	4240084	1	Strap, Anti-Static	
36	0760808	AR	Bolt M8 x 16	
37	4811902	1	Washer M8	
40	5271723	8	Capscrew M6 x 100	
41	0760605	4	Bolt M6 X 10	
42	0760610	4	Bolt M6 x 20	
44	1320041	2	Clamp	
46	3020008	AR	Lubricant 80W-90	
47	3020037	AR	Lubricant	
48	3020039	AR	Lubricant	
52	1001179948	1	Plate, Mounting	
56	4811400	1	Washer M4	
57	4031507	1	Capscrew M4 x 16	
63	4811900	5	Washer M8	
64	1001130220	6	Nut, Tinnerman M6	
65	1001141581	1	Mount, Connector	
66	1001149160	3	Nut, Tinnerman M8	
67	1001155743	2	Holder	
68	1001197294	1	Plate	
73	4191707	1	Screw M6 x 16	

SECTION 1 - FRAME

FIGURE 1-6. DRIVE MOTOR ASSEMBLY



ART_1001169683

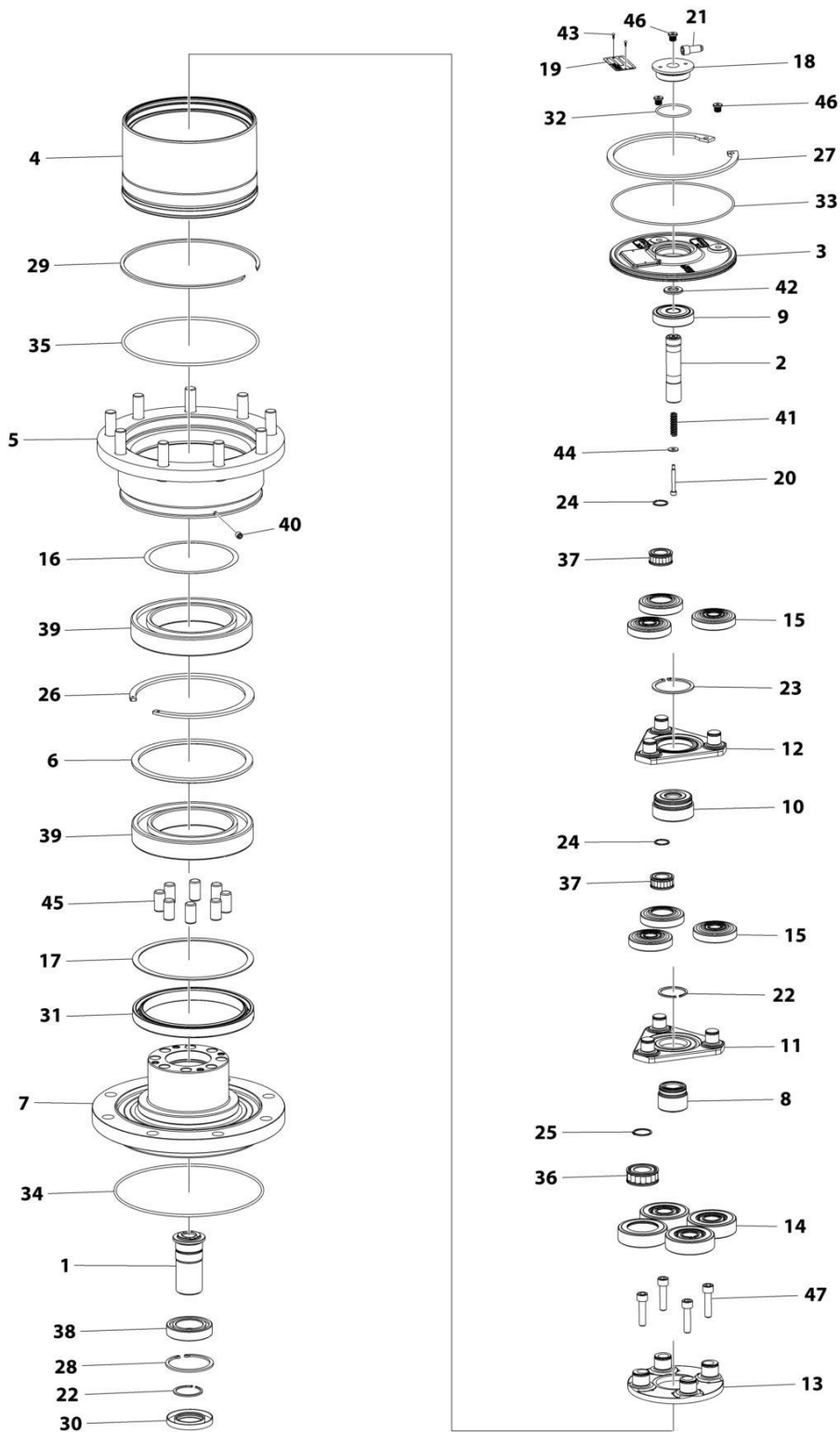
SECTION 1 - FRAME

FIGURE 1-6. DRIVE MOTOR ASSEMBLY

ITEM	PART NUMBER	QTY	DESCRIPTION	REV
	1001169683	Ref	DRIVE MOTOR ASSEMBLY	H
1	4031507	10	Capscrew M4 x 16	
10	70004797	1	Motor, Replacement without Brake (Includes Items 51-63, 220-325 & 360-725)	
20	70004798	1	Brake Assembly	
25	4461290	1	Plug, Male - 2 Position	
25	4460516	1	Pin, Male	
51	See Note	1	Stator (Note: Not Available - Use p/n 70004797)	
55	70004799	1	Cover, End	
56	70004800	1	Cover, Access	
60	70004801	4	Connector, Strain Relief	
61	70004802	1	Plug, Pressure	
62	70004803	1	Plug	
63	70004804	1	Plug	
70	70004805	3	Clip, Mounting	
220	70004806	1	Board, Terminal	
300	70004807	1	Cap, End	
315	70004808	6	Capscrew M6 x 25	
320	70004809	1	Bearing, Ball	
322	70004810	1	Washer, Wavy	
325	70004811	1	O-Ring	
350	70004812	1	Sensor, Speed	
351	70004813	2	Capscrew M5 x 16	
352	4460516	4	Pin, Male	
353	See Note	1	Lock, Wedge (Note: Include in Item 354 - Use p/n 4461076)	
354	4461076	1	Receptacle, Female - 4 Position	
360	70004814	1	O-Ring	
400	70004809	1	Bearing, Ball	
405	70004815	1	Circle-Clip	
406	70004811	1	O-Ring	
520	70004816	1	Sensor, Temperature	
525	4460516	1	Pin, Male	
526	See Note	1	Lock, Wedge (Note: Included with Item 527 - Use p/n 70004827)	
527	70004827	1	Receptacle, Female - 2 Position	
700	70004817	1	Armature	
701	70004818	1	Wheel, Sensor	
705	70004819	1	Circle-Clip	
709	70004820	1	Circle-Clip	
710	70004821	1	Key	
725	70004822	1	Ring, Tolerance	

SECTION 1 - FRAME

FIGURE 1-7. DRIVE HUB ASSEMBLY (Prior to SN 0300256756)



ART_1001200348

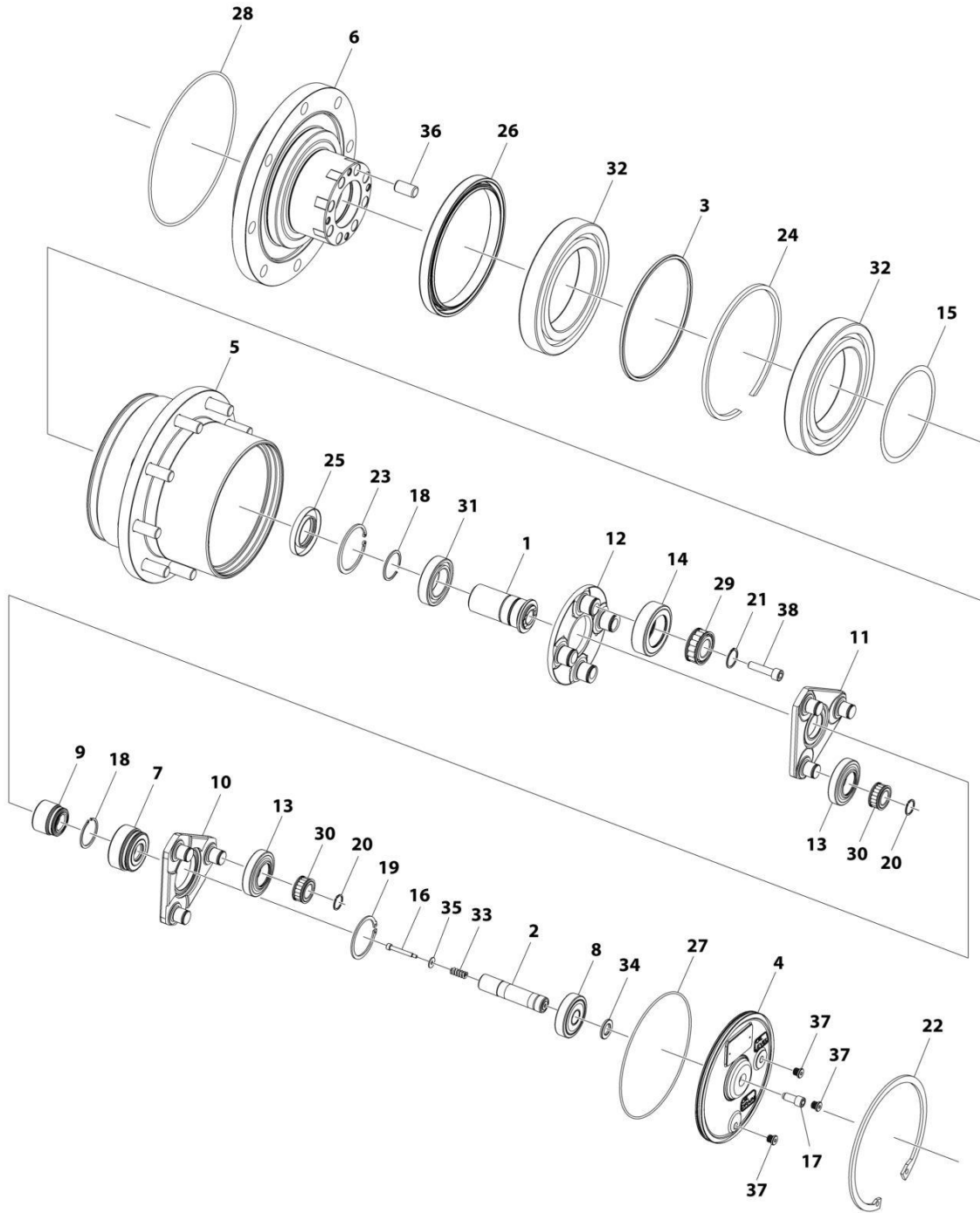
SECTION 1 - FRAME

FIGURE 1-7. DRIVE HUB ASSEMBLY (Prior to SN 0300256756)

ITEM	PART NUMBER	QTY	DESCRIPTION	REV
	1001200348	Ref	DRIVE HUB ASSEMBLY	D
1	70005063	1	Shaft, Input	
2	70005062	1	Shaft, Internal	
3	70005060	1	Cover	
4	70005059	1	Gear, Ring	
5	70006133	1	Housing W/Studs	
6	70005058	1	Spacer	
7	70006132	1	Spindle	
8	70005055	1	Gear, Sun (Power)	
9	70005054	1	Gear, Sun (Fast)	
10	70005053	1	Gear, Sun (Intermediate)	
11	70005051	1	Carrier, Planet (Intermediate)	
12	70005050	1	Carrier, Planet (Fast)	
13	70005561	1	Carrier, Power Stage Planetary	
14	70005049	4	Gear, Planet (Power)	
15	70005048	6	Gear, Planet (Fast)	
16	70005047	1	Shim	
17	70006131	1	Spacer	
18	70005046	1	Cap, Disengage	
19	See Note	NSS	Nameplate (Note: Not Available for Purchase)	
20	70005045	1	Screw	
21	70005044	1	Screw M10 x 1 (Disengage)	
22	70005043	2	Ring, Snap	
23	70005042	1	Ring, Snap	
24	70005041	6	Ring, Snap	
25	70005040	4	Ring, Snap	
26	70005039	1	Ring, Snap	
27	70005038	1	Ring, Snap	
28	70005037	1	Ring, Snap	
29	70005036	1	Ring, Snap	
30	70005035	1	Ring, Sealing	
31	70006130	1	Ring, Sealing	
32	70005033	1	O-Ring	
33	70005032	1	O-Ring	
34	70005031	1	O-Ring	
35	70005030	1	O-Ring	
36	70005029	4	Bearing, Roller	
37	70005028	1	Bearing, Roller	
38	70005027	1	Bearing, Ball	
39	70005026	2	Bearing, Ball	
40	70006129	2	Screw	
41	70005025	1	Spring	
42	70005024	1	Washer	
43	70005023	2	Rivet, Brass	
44	70005022	1	Washer	
45	70005560	8	Pin, Dowel	
46	70005020	3	Plug W/Washer	
47	70005019	4	Screw	

SECTION 1 - FRAME

FIGURE 1-8. DRIVE HUB ASSEMBLY (SN 0300256756 through 0300272288)



ART_1001242519

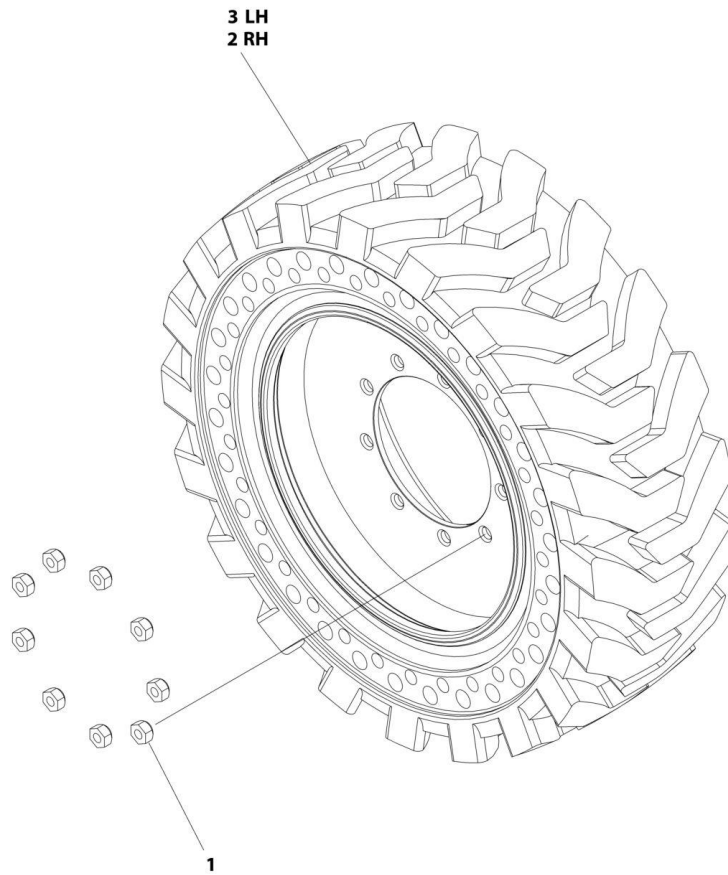
SECTION 1 - FRAME

FIGURE 1-8. DRIVE HUB ASSEMBLY (SN 0300256756 through 0300272288)

ITEM	PART NUMBER	QTY	DESCRIPTION	REV
	1001242519	Ref	HUB ASSEMBLY	A
1	70005063	1	Shaft, Input	
2	70005062	1	Shaft, Internal	
3	70007221	1	Spacer	
4	70007220	1	Cover	
5	See Note	NSS	Body, Wheel	
6	70007219	1	Spindle	
7	70007218	1	Sun Gear (Intermediate Stage)	
8	70007217	1	Sun Gear (Fast Stage)	
9	70007216	1	Sun Gear (Power Stage)	
10	70007215	1	Carrier (Fast Stage)	
11	70007214	1	Carrier (Intermediate Stage)	
12	70007213	1	Carrier (Power Stage)	
13	70007212	6	Planet Gear (Fast Stage)	
14	70007211	4	Planet Gear (Power Stage)	
15	70005047	1	Shim	
16	70005045	1	Screw M4	
17	70005044	1	Screw M10 x 1	
18	70005043	2	Ring, Retaining	
19	70005042	1	Ring, Retaining	
20	70005041	6	Ring, Retaining	
21	70005040	4	Ring, Retaining	
22	70005038	1	Ring, Retaining	
23	70005037	1	Ring, Retaining	
24	70007210	1	Ring, Retaining	
25	70005035	1	Seal	
26	70007209	1	Seal	
27	70005032	1	O-Ring	
28	70005031	1	O-Ring	
29	70005029	4	Bearing, Roller	
30	70005028	6	Bearing, Roller	
31	70005027	1	Bearing, Ball	
32	70007208	2	Bearing, Ball	
33	70005025	1	Spring	
34	70005024	1	Washer	
35	70005022	1	Washer M5	
36	70005560	8	Pin	
37	70005020	3	Plug M10	
38	70005019	4	Capscrew M10 x 40	

SECTION 1 - FRAME

FIGURE 1-9. TIRE AND WHEEL INSTALLATION - 7X18 SOLID



ART_100118641

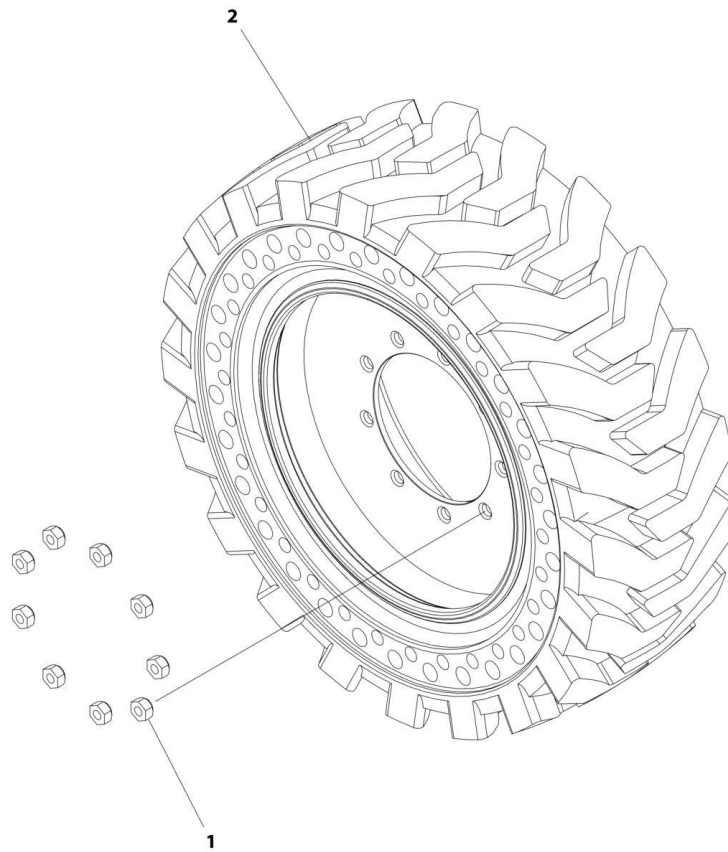
SECTION 1 - FRAME

FIGURE 1-9. TIRE AND WHEEL INSTALLATION - 7X18 SOLID

ITEM	PART NUMBER	QTY	DESCRIPTION	REV
	1001118641	Ref	TIRE AND WHEEL INSTALLATION - 7x18 SOLID (AVAILABLE ON ALL SPECS)	C
		Ref	Note: Due to critical stability weights, only replace tire & wheel assemblies with like components.	
1	3300106	36	Lugnut (9 per Wheel)	
2	1001118649	2	Tire & Wheel Assembly - 7 x 18 Solid Right Side (Note: No Serviceable Parts - Replace Complete Sets per Axle)	
3	1001121678	2	Tire & Wheel Assembly - 7 x 18 Solid Left Side (Note: No Serviceable Parts - Replace Complete Sets per Axle)	

SECTION 1 - FRAME

FIGURE 1-10. TIRE AND WHEEL INSTALLATION - 7X18 SOLID NON-MARKING



ART_100118644

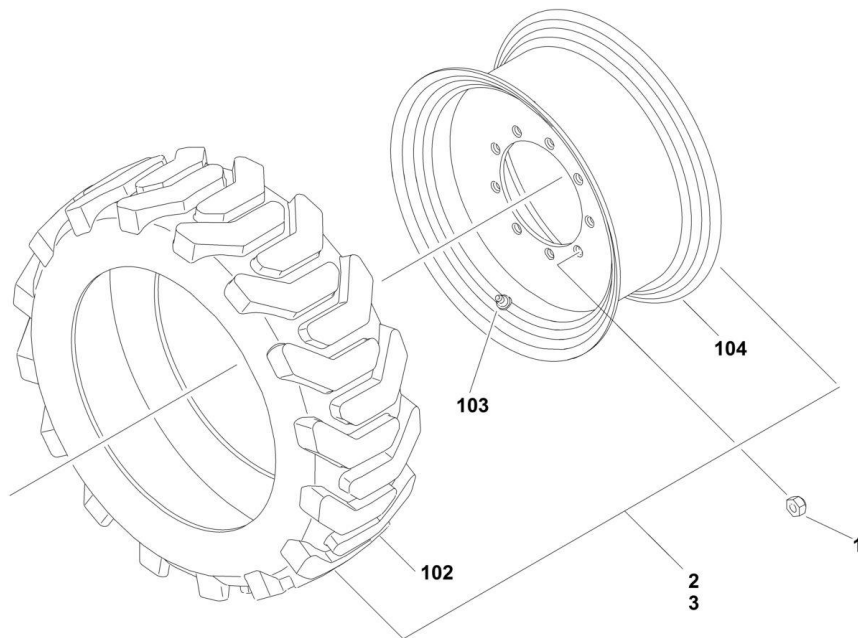
SECTION 1 - FRAME

FIGURE 1-10. TIRE AND WHEEL INSTALLATION - 7X18 SOLID NON-MARKING

ITEM	PART NUMBER	QTY	DESCRIPTION	REV
	1001118644	Ref	TIRE AND WHEEL INSTALLATION - 7x18 SOLID NON-MARKING (AVAILABLE ON ALL SPECS)	B
		Ref	Note: Due to critical stability weights, only replace tire & wheel assemblies with like components.	
1	3300106	36	Lugnut (9 per Wheel)	
2	1001118654	4	Tire & Wheel Assembly - 7 x 18 Solid (Note: No Serviceable Parts - Replace Complete Sets per Axle)	

SECTION 1 - FRAME

FIGURE 1-11. TIRE AND WHEEL INSTALLATION - 9X20 FOAM-FILLED



ART_1001115773

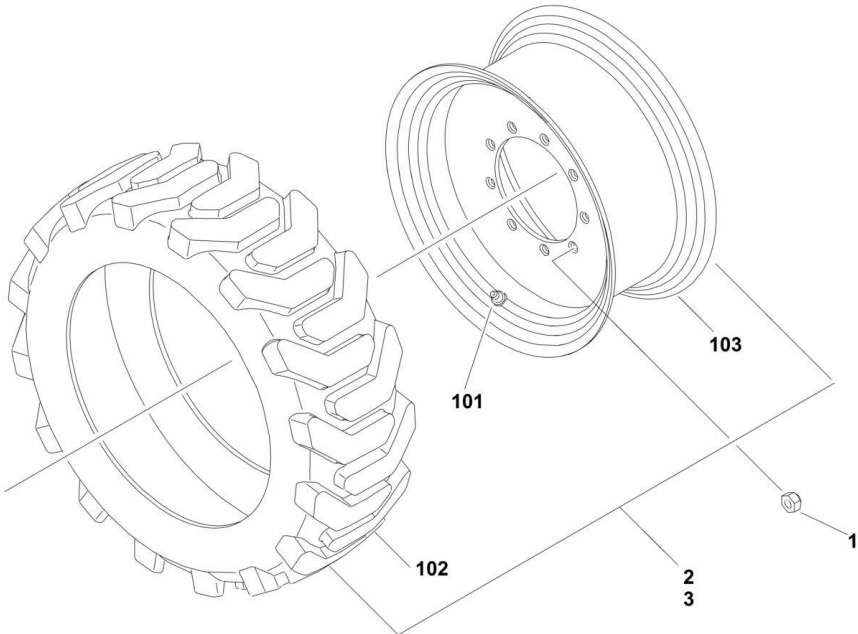
SECTION 1 - FRAME

FIGURE 1-11. TIRE AND WHEEL INSTALLATION - 9X20 FOAM-FILLED

ITEM	PART NUMBER	QTY	DESCRIPTION	REV
	1001115773	Ref	TIRE AND WHEEL INSTALLATION - 9 x 20 FOAMED-FILLED (AVAILABLE ON ALL SPECS)	B
		Ref	Note: Due to critical stability weights, only replace tire & wheel assemblies with like components.	
1	3300106	36	Lugnut (9 per Wheel)	
2	1001117131	2	Tire & Wheel Assembly - 9 x 20 Foam-Filled Left Side	D
3	1001117132	2	Tire & Wheel Assembly - 9 x 20 Foam-Filled Right Side	D
		Ref	Note: Assemblies may require ballast/foam filling to manufacture's specifications prior to installing on a machine. Refer to Operation and Safety or Service and Maintenance Manuals. Purchase individual tire and/or rim only if able to foam fill tire and wheel assembly, otherwise, purchase complete assembly.	
102	4520605	4	Tire - IN265/50D20	
103	4640113	4	Valve, Air	
104	1001117129	4	Rim for 9X20 (Use with IN265/50D20 Tires)	

SECTION 1 - FRAME

FIGURE 1-12. TIRE AND WHEEL INSTALLATION - 9X20 FOAM-FILLED NON-MARKING



ART_100118642

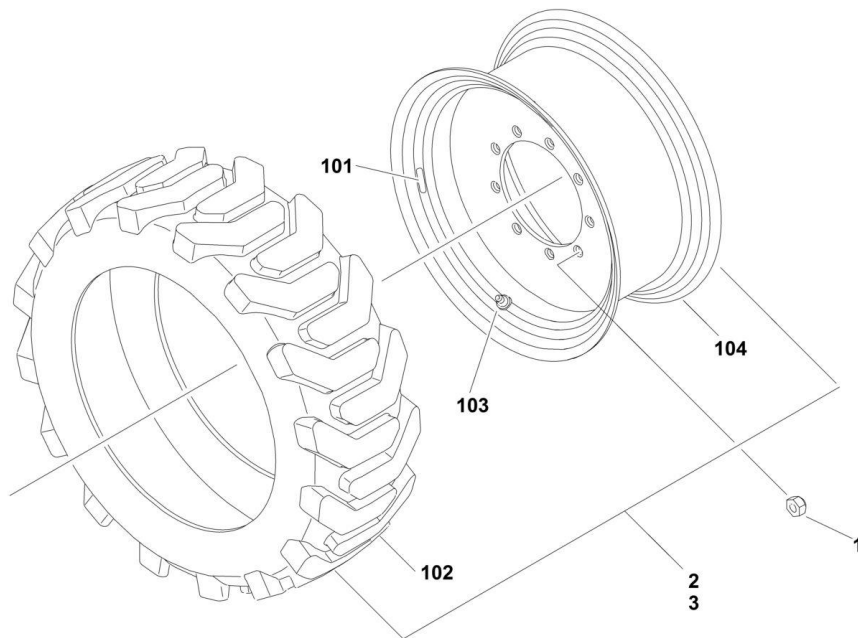
SECTION 1 - FRAME

FIGURE 1-12. TIRE AND WHEEL INSTALLATION - 9X20 FOAM-FILLED NON-MARKING

ITEM	PART NUMBER	QTY	DESCRIPTION	REV
	1001118642	Ref	TIRE AND WHEEL INSTALLATION - 9 x 20 FOAM-FILLED NON-MARKING (AVAILABLE ON ALL SPECS)	B
		Ref	Note: Due to critical stability weights, only replace tire & wheel assemblies with like components.	
1	3300106	36	Lugnut (9 per Wheel)	
2	1001118650	2	Tire and Wheel Assembly - 9 x 20 Foam-Filled Non-Marking Right Side	C
3	1001118651	2	Tire and Wheel Assembly - 9 x 20 Foam-Filled Non-Marking Left Side	C
		Ref	Note: Assemblies may require ballast/foam filling to manufacturer's specifications prior to installing on a machine. Refer to Operation and Safety or Service and Maintenance Manuals. Purchase individual tire and/or rim only if able to foam fill tire and wheel assembly, otherwise, purchase complete assembly.	
101	4640113	4	Valve, Air	
102	1001118660	4	Tire - IN265/50D20 Non-Marking	
103	1001117129	4	Rim for 20 x 9 (Use with IN265/50D20 Tires)	

SECTION 1 - FRAME

FIGURE 1-13. TIRE AND WHEEL INSTALLATION - 9X20 PNEUMATIC



ART_100118640

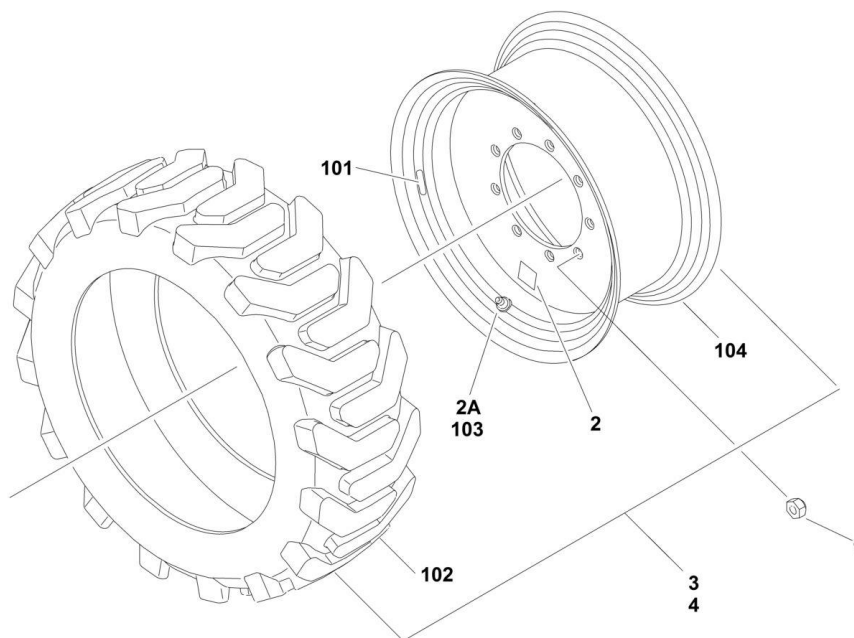
SECTION 1 - FRAME

FIGURE 1-13. TIRE AND WHEEL INSTALLATION - 9X20 PNEUMATIC

ITEM	PART NUMBER	QTY	DESCRIPTION	REV
	1001118640	Ref	TIRE AND WHEEL INSTALLATION -9 x 20 PNEUMATIC (ALL SPECS EXCEPT AUSTRALIAN & CE SPECS)	B
		Ref	Note: Due to critical stability weights, only replace tire & wheel assemblies with like components.	
1	3300106	36	Lugnut (9 per Wheel)	
2	1001118647	2	Tire and Wheel Assembly - 9 x 20 Pneumatic Right Side	B
3	1001118648	2	Tire and Wheel Assembly - 9 x 20 Pneumatic Left Side	B
101	1706846	4	Decal - 75PSI	
102	4520605	4	Tire - IN265/50D20	
103	4640113	4	Valve, Air	
104	1001117129	4	Rim for 20 x 9 (Use with IN265/50D20 Tires)	

SECTION 1 - FRAME

FIGURE 1-14. TIRE AND WHEEL INSTALLATION - 9X20 PNEUMATIC WITH TIRE SEALANT



ART_1001120027

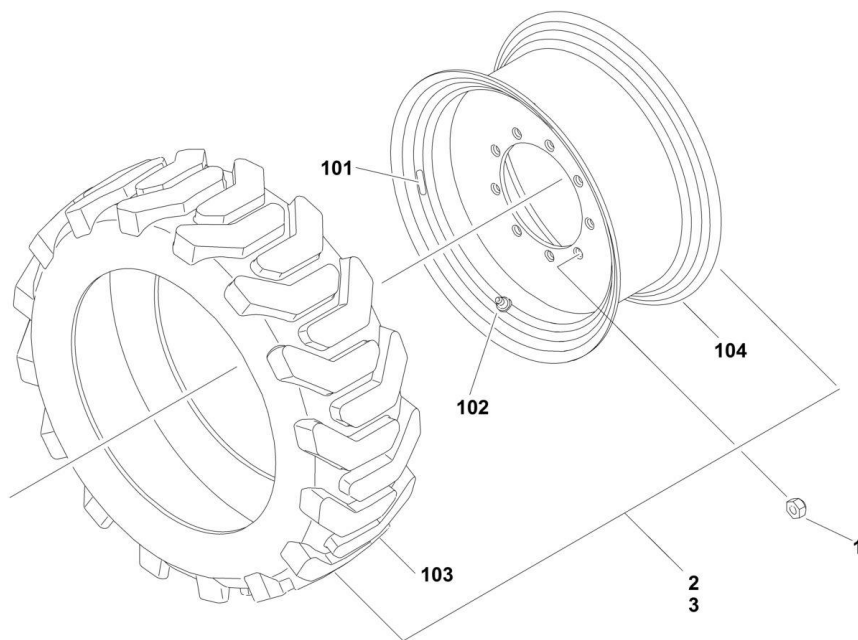
SECTION 1 - FRAME

FIGURE 1-14. TIRE AND WHEEL INSTALLATION - 9X20 PNEUMATIC WITH TIRE SEALANT

ITEM	PART NUMBER	QTY	DESCRIPTION	REV
	1001120027	Ref	TIRE AND WHEEL INSTALLATION - 9X20 PNEUMATIC WITH TIRE SEALANT (AVAILABLE ON ANSI SPEC ONLY)	B
		Ref	Note: Due to critical stability weights, only replace tire & wheel assemblies with like components.	
1	3300106	36	Lugnut (9 per Wheel)	
2	2902203	1	Decal Kit - Required on Tires with Sealant (Includes qty 5 Decals and qty 4 Green Valve Stem Caps)	
2A	1120552	1	Cap, Valve Stem (Green) (Tires with Sealant Only)	
3	1001118647	2	Tire & Wheel Assembly - 9 x 20 Pneumatic Right Side	B
4	1001118648	2	Tire & Wheel Assembly - 9 x 20 Pneumatic Left Side	B
101	1706846	4	Decal - 75PSI	
102	4520605	4	Tire - IN265/50D20	
103	4640113	4	Valve, Air	
104	1001117129	4	Rim for 20 x 9 (Use with IN265/50D20 Tires)	

SECTION 1 - FRAME

FIGURE 1-15. TIRE AND WHEEL INSTALLATION - 9X20 PNEUMATIC NON-MARKING



ART_100118643

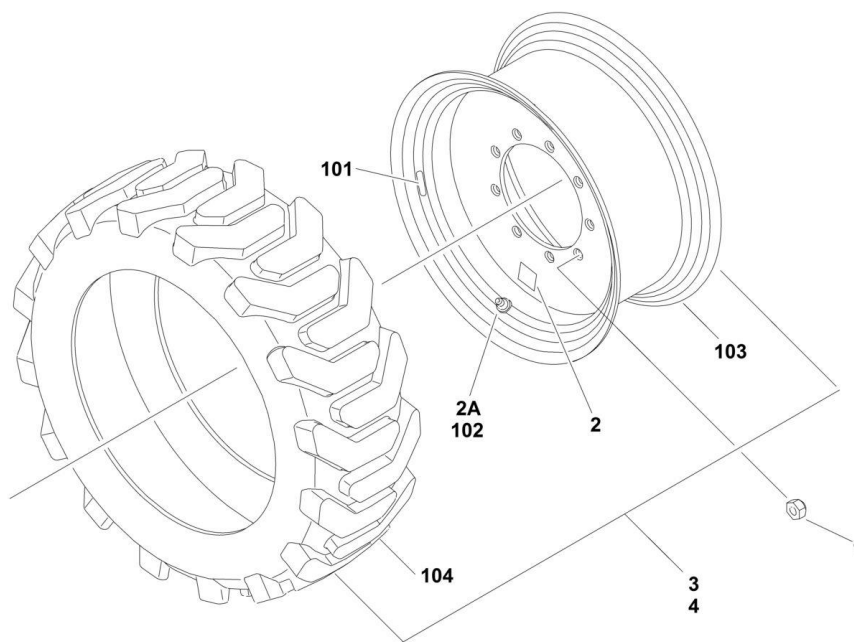
SECTION 1 - FRAME

FIGURE 1-15. TIRE AND WHEEL INSTALLATION - 9X20 PNEUMATIC NON-MARKING

ITEM	PART NUMBER	QTY	DESCRIPTION	REV
	1001118643	Ref	TIRE AND WHEEL INSTALLATION - 9 x 20 PNEUMATIC NON-MARKING (AVAILABLE ON ALL SPECS EXCEPT AUSTRALIN & CE SPECS)	B
		Ref	Note: Due to critical stability weights, only replace tire & wheel assemblies with like components.	
1	3300106	36	Lugnut (9 per Wheel)	
2	1001118652	2	Tire & Wheel Assembly - 9 x 20 Pneumatic Non-Marking Right Side	B
3	1001118653	2	Tire & Wheel Assembly - 9 x 20 Pneumatic Non-Marking Left Side	B
101	1706846	4	Decal - 75PSI	
102	4640113	4	Valve, Air	
103	1001117129	4	Rim for 20 x 9 (Use with IN265/50D20 Tires)	
104	1001118660	4	Tire - IN265/50D20 Non-Marking	

SECTION 1 - FRAME

FIGURE 1-16. TIRE AND WHEELS INSTALLATION - 9X20 PNEUMATIC NON-MARKING WITH TIRE SEALANT



ART_1001120036

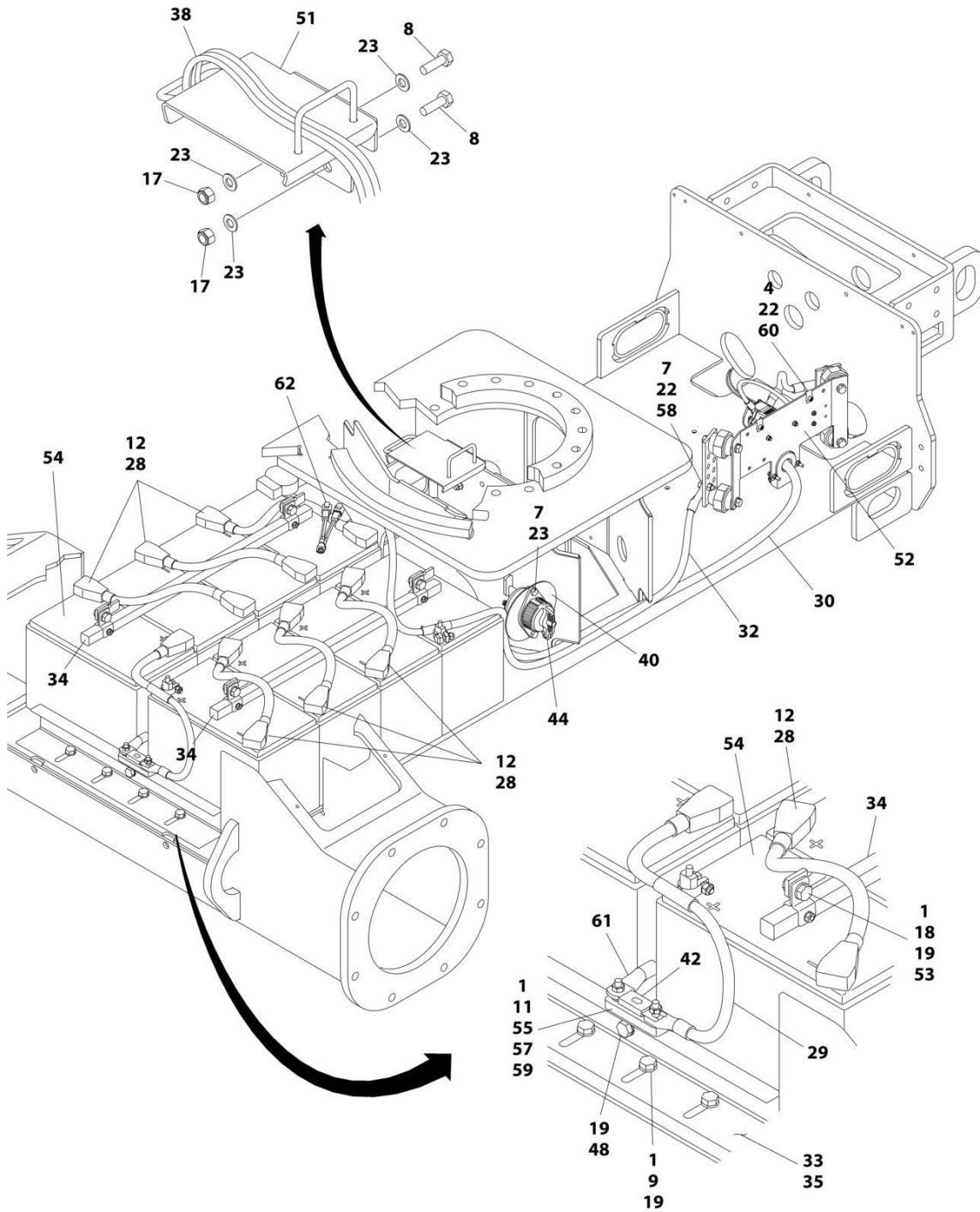
SECTION 1 - FRAME

FIGURE 1-16. TIRE AND WHEELS INSTALLATION - 9X20 PNEUMATIC NON-MARKING WITH TIRE SEALANT

ITEM	PART NUMBER	QTY	DESCRIPTION	REV
	1001120036	Ref	TIRE AND WHEEL INSTALLATION - 9 x 20 PNEUMATIC NON-MARKING WITH TIRE SEALANT (AVAILABLE ON ANSI SPEC ONLY)	B
		Ref	Note: Due to critical stability weights, only replace tire & wheel assemblies with like components.	
1	3300106	36	Lugnut (9 per Wheel)	
2	2902203	1	Decal Kit - Required on Tires with Sealant (Includes qty 5 Decals and qty 4 Green Valve Stem Caps)	
2A	1120552	1	Cap, Valve Stem (Green) (Tires with Sealant Only)	
3	1001118652	2	Tire & Wheel Assembly - 9 x 20 Pneumatic Non-Marking Right Side	A
4	1001118653	2	Tire & Wheel Assembly - 9 x 20 Pneumatic Non-Marking Left Side	A
101	1706846	4	Decal - 75PSI	
102	4640113	4	Valve, Air	
103	1001117129	4	Rim for 20 x 9 (Use with IN265/50D20 Tires)	
104	1001118660	4	Tire - IN265/50D20 Non-Marking	

SECTION 1 - FRAME

FIGURE 1-17. BATTERIES INSTALLATION



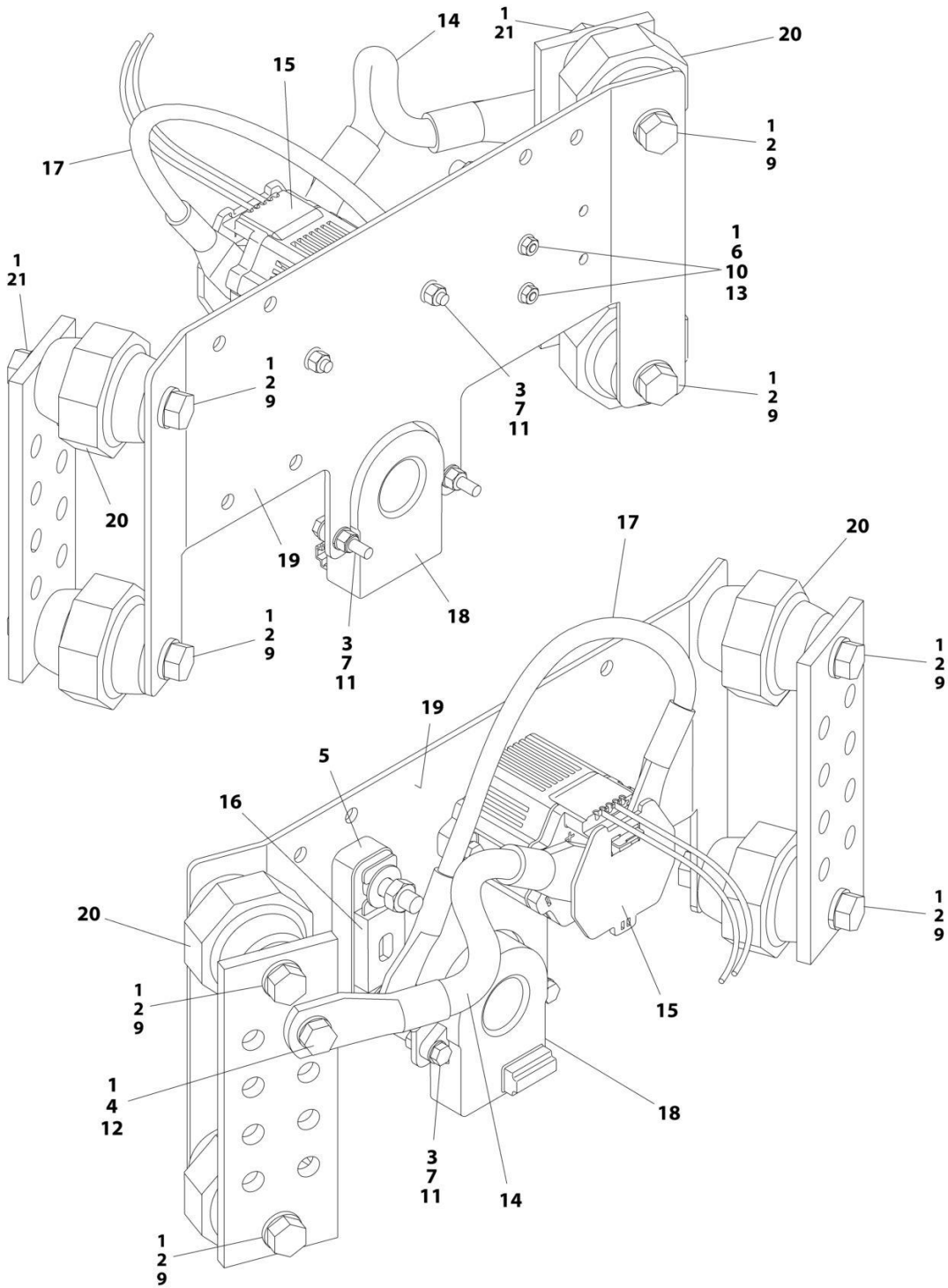
ART_1001162045

FIGURE 1-17. BATTERIES INSTALLATION

ITEM	PART NUMBER	QTY	DESCRIPTION	REV
	1001162045	Ref	BATTERIES INSTALLATION	I
1	0100011	AR	Compound, Locking	
4	0700610	2	Bolt M6 X 20	
7	0760808	4	Bolt M8 X 16	
8	0760812	2	Bolt M8 X 25	
9	0761010	4	Bolt M10 X 20	
11	2400044	1	Block, Fuse Mounting	
12	0100051	AR	Grease, Terminal	
17	3290805	2	Nut M8	
18	3291001	4	Nut M10	
19	4812000	13	Washer M10	
22	4811700	2	Washer M6	
23	4811900	6	Washer M8	
28	1001161935	6	Cable, Battery (Battery – to Battery +)	
29	1001161936	1	Cable, Battery (Battery + to Fuse)	
30	1001161937	1	Cable, Battery (Fuse to Contactor)	
32	1001161947	1	Cable, Battery (Battery – to Bussbar)	
33	1001162046	1	Support, Stop	
34	1001162047	2	Holddown Assembly - Battery	
34	1001162048	2	Rod, Holddown (1 per Assembly)	
34	1001162049	4	Bracket, Holddown (2 per Assembly)	
35	1001162050	2	Liner, Tray	
38	1001167538	1	Harness, Battery Charger (See ELECTRICAL SECTION for Breakdown)	
40	1001170102	1	Plate, Disconnect Cover	
42	1001170365	1	Fuse, 400 Amp	
44	1001170483	1	Switch, Battery Disconnect	
48	0761020	1	Bolt M10 X 60	
51	1001171777	1	Mount, Cable Routing	
52	1001184133	1	Electrical Plate Assembly (See ELECTRICAL PLATE ASSEMBLY for Breakdown)	
53	0761012	4	Bolt M10 X 25	
54	0400209	8	Battery	
55	3290401	2	Nut M4	
57	4811400	2	Washer M4	
58	4831900	1	Washer M8	
59	8310612	2	Screw M4 X 20	
60	1001130220	2	Nut, Tinnerman M6	
61	1001184022	1	Cable, Battery (Fuse to Disconnect)	
62	1001225131	2	Harness, Temp Sensor (SN 0300236472 through 0300272288)	
62	1001102771	1	Sensor, Temperature	
62	4460897	1	Connector - 2 Position	
62	4460464	2	Pin, Male	

SECTION 1 - FRAME

FIGURE 1-18. ELECTRICAL PLATE ASSEMBLY



ART_1001184133

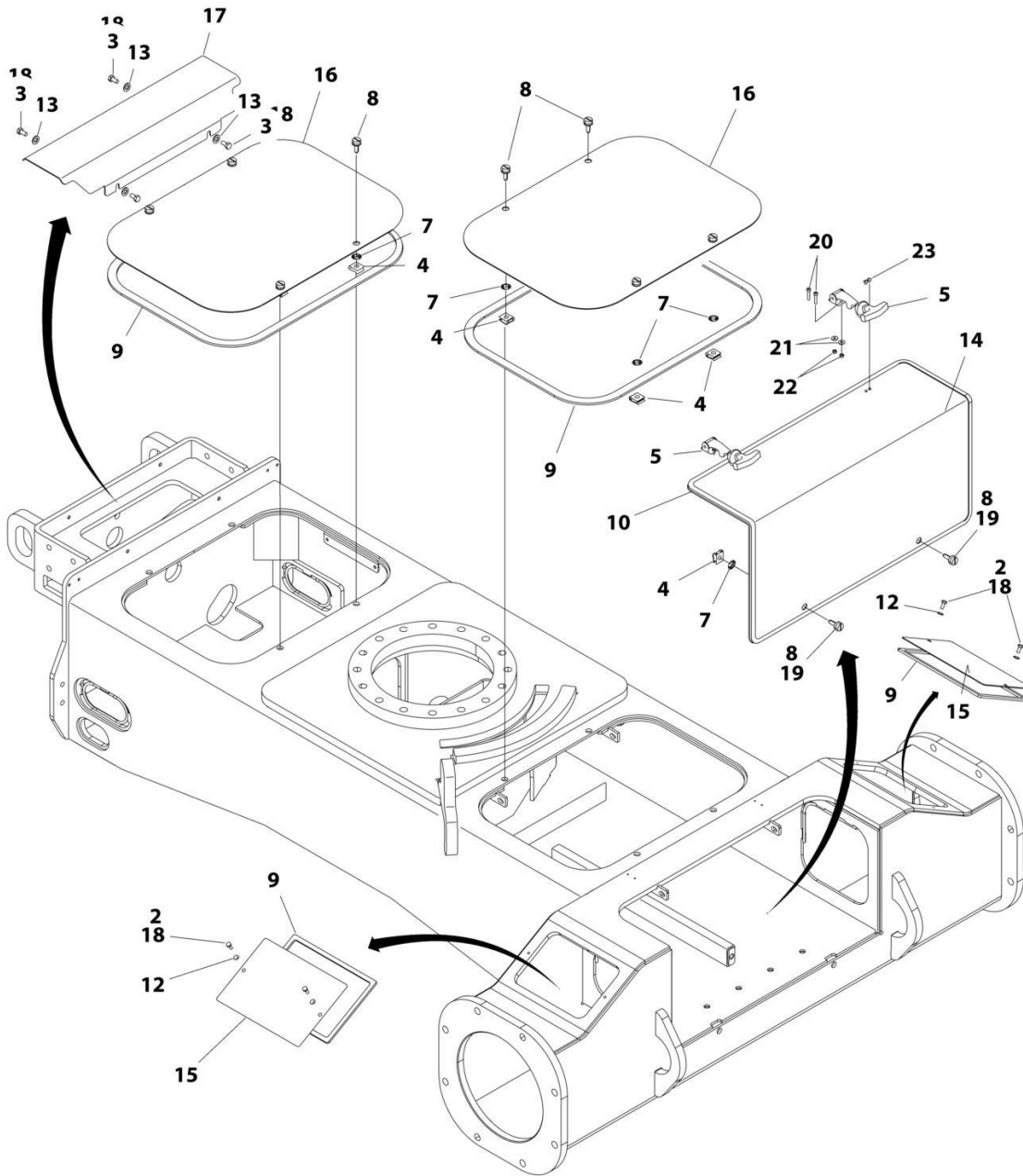
SECTION 1 - FRAME

FIGURE 1-18. ELECTRICAL PLATE ASSEMBLY

ITEM	PART NUMBER	QTY	DESCRIPTION	REV
	1001184133	Ref	ELECTRICAL PLATE ASSEMBLY	F
1	0100011	AR	Compound, Locking	
2	0641606	8	Bolt 3/8-16 x 3/4	
3	0760512	4	Bolt M5 x 25	
4	0760808	1	Bolt M8 x 16	
5	2400044	1	Block, Fuse Mounting	
6	3290401	2	Nut M4	
7	3290505	4	Nut M5	
9	4761600	8	Washer 3/8	
10	4811400	2	Washer M4	
11	4811600	6	Washer M5	
12	4831900	1	Washer M8	
13	8310612	2	Screw M4 x 20	
14	1001161938	1	Cable, Battery (Fuse to Bussbar)	
15	1001170367	1	Contactor	
16	1001170484	1	Fuse 125 Amp	
17	1001170861	1	Cable, Battery (Contactor to Fuse)	
18	1001183548	1	Sensor, Current	
19	1001184135	1	Plate	
20	1001184137	2	Bussbar Assembly	
21	0641608	4	Bolt 3/8-16 x 1	

SECTION 1 - FRAME

FIGURE 1-19. FRAME SHIELDS INSTALLATION



ART_1001161872

SECTION 1 - FRAME

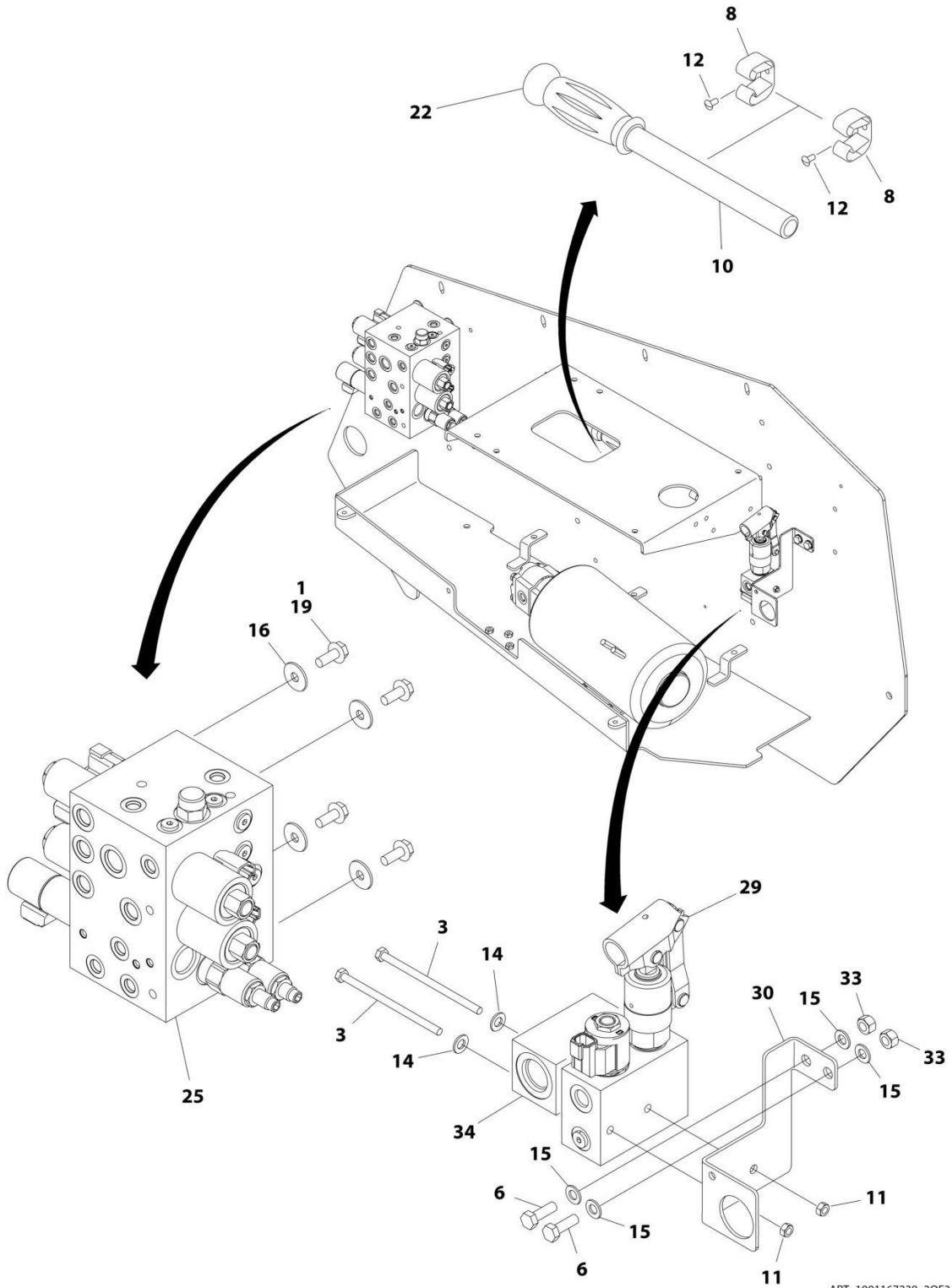
FIGURE 1-19. FRAME SHIELDS INSTALLATION

ITEM	PART NUMBER	QTY	DESCRIPTION	REV
	1001161872	Ref	FRAME SHIELDS INSTALLATION	E
2	0760607	4	Bolt M6 X 14	
3	0760808	4	Bolt M8 X 16	
4	1380138	10	Clip	
5	2940095	2	Latch, Rubber Tee	
7	3760308	10	Retainer	
8	3900174	10	Screw, Thumb	
9	3960417	18.7 ft /5.7m	Seal (Prior to SN 0300222893)	
9	1001113047	18.7 ft /5.7m	Seal (SN 0300222893 through 0300272288)	
10	3960447	7.8 ft /2.4m	Seal	
12	4811700	4	Washer M6	
13	4812000	4	Washer M10	
14	1001161873	1	Cover, Rear Axle	
15	1001161874	2	Cover, Rear Motor	
16	1001161876	2	Cover, Battery	
17	1001161878	1	Cover, Front Frame	
18	0100011	AR	Compound, Locking	
19	1001112496	2	Screw, Thumb (Prior to SN 0300222893)	
20	5271609	4	Capscrew M5 x 25	
21	4811602	4	Washer M5	
22	3290505	4	Nut M5	
23	3820019	4	Rivet	

SECTION 2 - TURNTABLE

SECTION 2 - TURNTABLE

FIGURE 2-1. CONTROL VALVE INSTALLATION - TURNTABLE



ART_1001167238_20F3

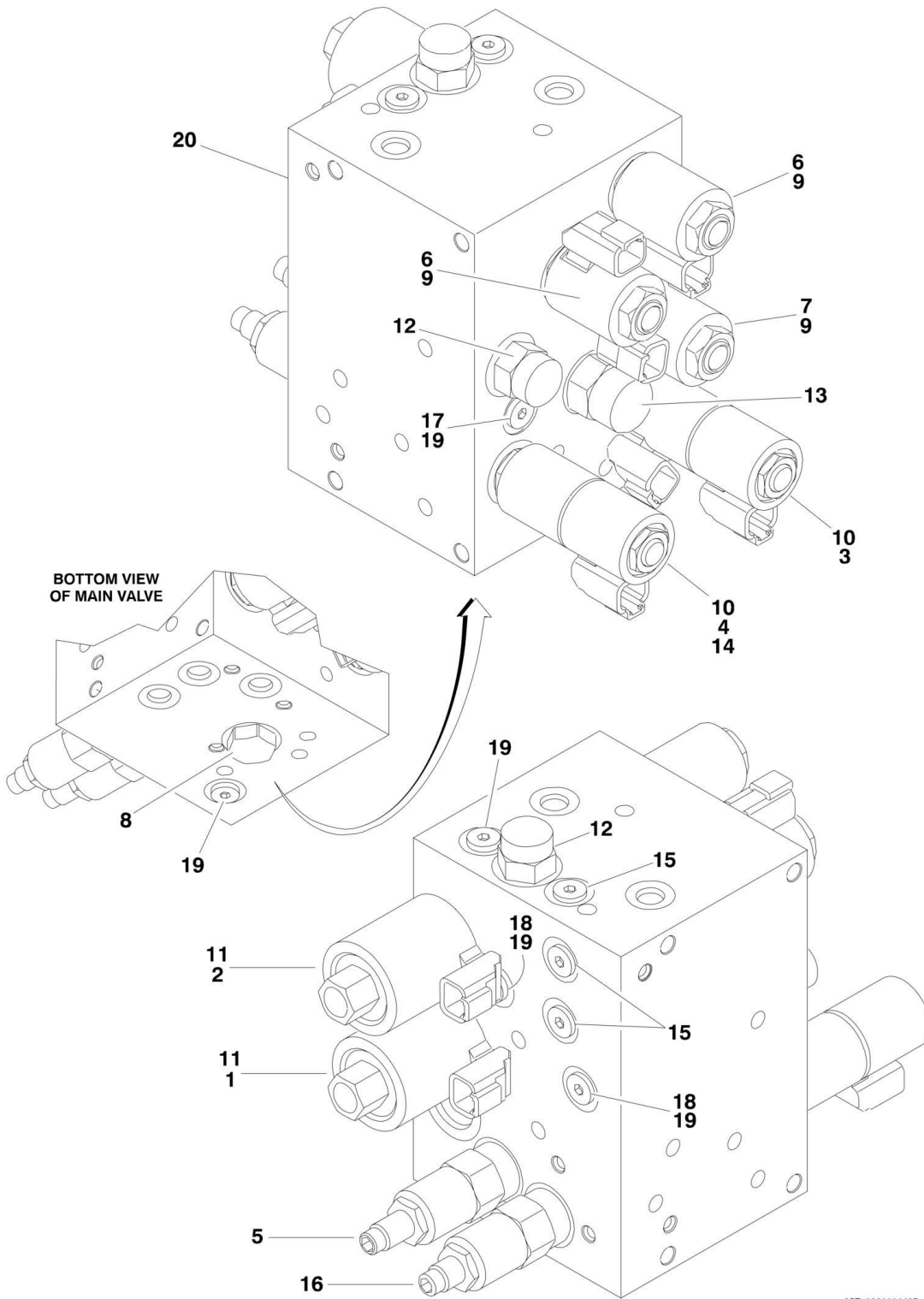
SECTION 2 - TURNTABLE

FIGURE 2-1. CONTROL VALVE INSTALLATION - TURNTABLE

ITEM	PART NUMBER	QTY	DESCRIPTION	REV
	1001167238	Ref	CONTROL VALVES INSTALLATION - TURNTABLE	I
1	0100011	AR	Compound, Locking	
3	0700628	2	Bolt M6 X 110	
6	0760812	2	Bolt M8 X 25	
8	1380136	2	Clip, Gripper	
10	2560122	1	Handle, Pump	
11	3290601	2	Nut M6	
12	3820020	2	Rivet	
14	4811700	2	Washer M6	
15	4811900	5	Washer M8	
16	4811902	4	Washer M8	
19	5250810	14	Bolt M8 X 20	
22	1001114761	1	Grip, Handle	
25	1001116487	1	Main Control Valve Assembly (See MAIN CONTROL VALVE ASSEMBLY for Breakdown)	
29	1001210829	1	Manual Pump Assembly	
29	70005722	1	Cartridge, Hand Pump	
29	7017496	1	Seal Kit - Hand Pump	
29	7017467	1	Cartridge, Solenoid Valve Less Coil	
29	7012967	1	Seal Kit - Cartridge	
29	70002386	1	Coil	
30	1001162614	1	Bracket	
33	3290805	2	Nut M8	
34	1001183406	1	Valve, Junction	

SECTION 2 - TURNTABLE

FIGURE 2-2. MAIN CONTROL VALVE ASSEMBLY



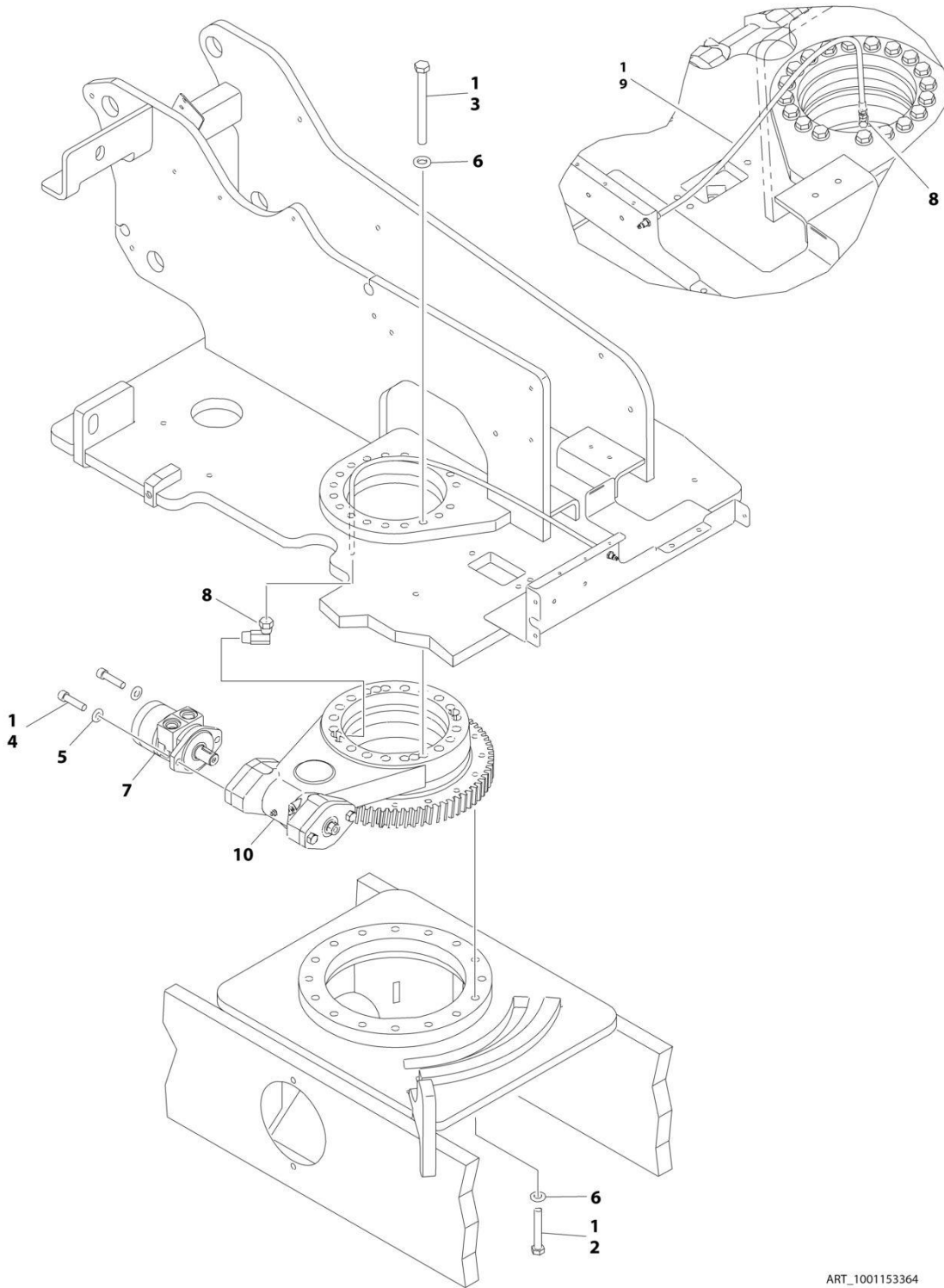
SECTION 2 - TURNTABLE

FIGURE 2-2. MAIN CONTROL VALVE ASSEMBLY

ITEM	PART NUMBER	QTY	DESCRIPTION	REV
	1001116487	Ref	MAIN VALVE ASSEMBLY	1
1	70002964	1	Cartridge, Solenoid Valve with Relief (without Coil)	
1	7017496	1	Seal Kit - 70002964 Cartridge	
2	70002965	1	Cartridge, Solenoid Valve with Relief (without Coil)	
2	7017496	1	Seal Kit - 70002965 Cartridge	
3	70002966	1	Cartridge, Solenoid Valve (without Coil) (Swing)	
3	70002967	1	Seal Kit - 70002966 Cartridge	
4	70002966	1	Cartridge, Solenoid Valve (without Coil) (Steer)	
4	70002967	1	Seal Kit - 70002966 Cartridge	
5	70002968	1	Cartridge, Relief Valve	
5	7012998	1	Seal Kit - 70002968 Cartridge	
6	70002969	2	Cartridge, Solenoid Valve (without Coil) (Upper and Lower Lift)	
6	7010543	2	Seal Kit - Cartridge	
7	70002970	1	Cartridge, Solenoid Valve (without Coil) (Flow Control)	
7	7010543	1	Seal Kit - 70002970 Cartridge	
8	10837580	1	Cartridge, Shuttle Valve	
8	7010543	1	Seal Kit - 108377580 Cartridge	
9	70002971	3	Coil	
10	70002386	4	Coil	
11	70003788	2	Coil	
12	70002972	2	Cartridge, Pressure Compensator Valve	
12	7010543	2	Seal Kit - 70002972 Cartridge	
13	70002973	1	Cartridge, Pressure Compensator Valve	
13	7010543	1	Seal Kit - 70002973 Cartridge	
14	70002974	1	Disc, Check Valve	
15	70003757	3	Cartridge, Check Valve	
15	70002976	3	Seal Kit - 70003757 Cartridges	
16	70002977	1	Cartridge, Crossover Relief	
16	7021653	1	Seal Kit - 70002977 Cartridge	
17	See Note	1	Orifice .060 (Note: Not Available for Purchase)	
18	See Note	2	Orifice .100 (Note: Not Available for Purchase)	
19	7017406	5	Plug	
20	See Note	1	Block (Note: Not Available for Purchase)	

SECTION 2 - TURNTABLE

FIGURE 2-3. SWING DRIVE INSTALLATION



ART_1001153364

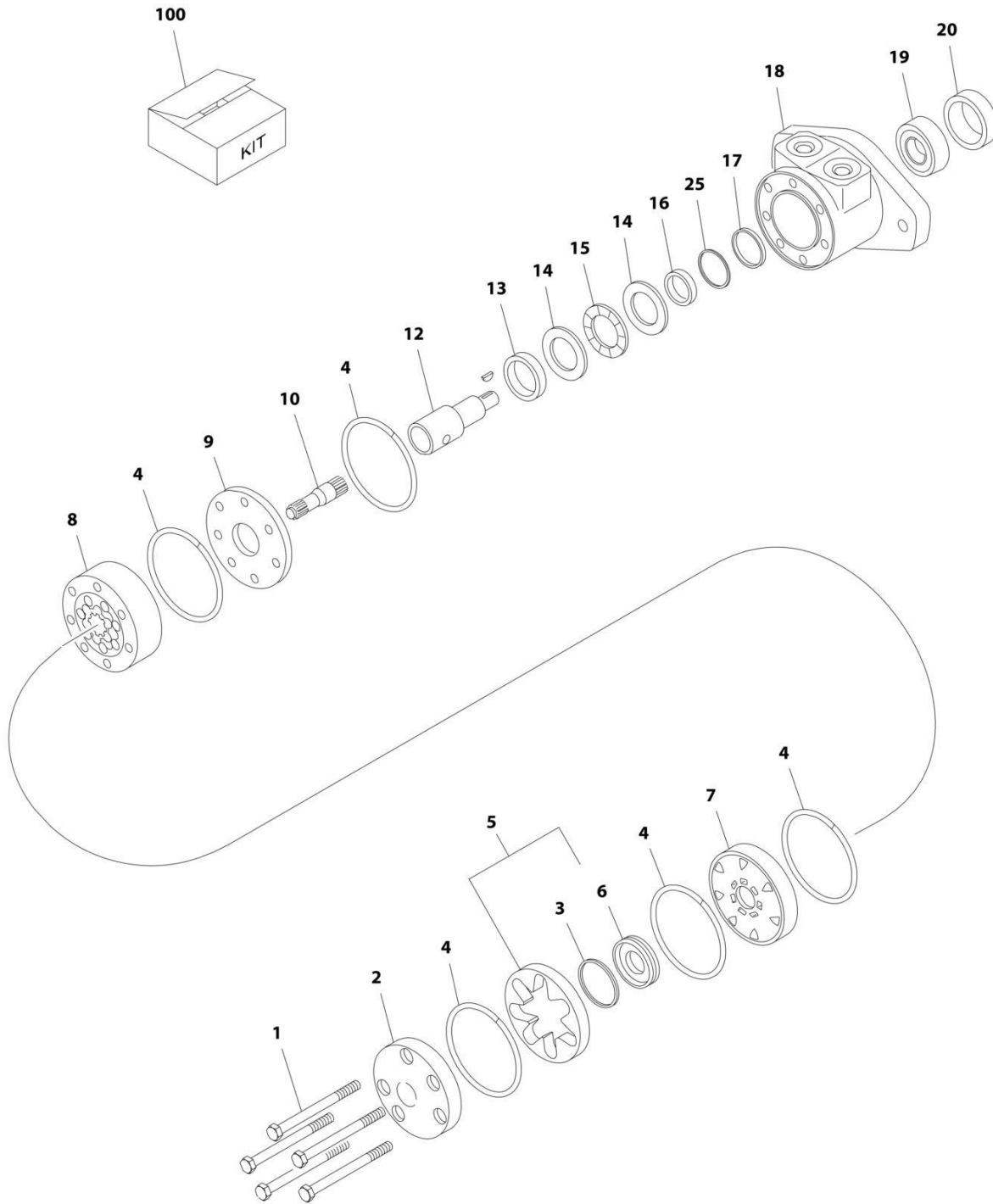
SECTION 2 - TURNTABLE

FIGURE 2-3. SWING DRIVE INSTALLATION

ITEM	PART NUMBER	QTY	DESCRIPTION	REV
	1001153364	Ref	SWING DRIVE INSTALLATION	C
1	0100019	AR	Compound, Locking	
2	0711426	16	Bolt M14 x 90 Grade 10.9	
3	0711432	19	Bolt M14 x 150 Grade 10.9	
4	3931832	2	Capscrew 1/2-13 x 2	
5	4740171	2	Washer 1/2	
6	5241400	2	Washer M14	
7	1001107781	1	Swing Motor Assembly (See Separate Breakdown in this Section)	
8	2220124	1	Fitting, Adapter NPT	
9	1001118961	1	Hose, Remote Grease Line (Includes Grease Fitting)	
10	1001153015	1	Swing Bearing and Rotation Box Assembly (See Separate Breakdown in this Section)	

SECTION 2 - TURNTABLE

FIGURE 2-4. SWING MOTOR ASSEMBLY



ART_1001107781

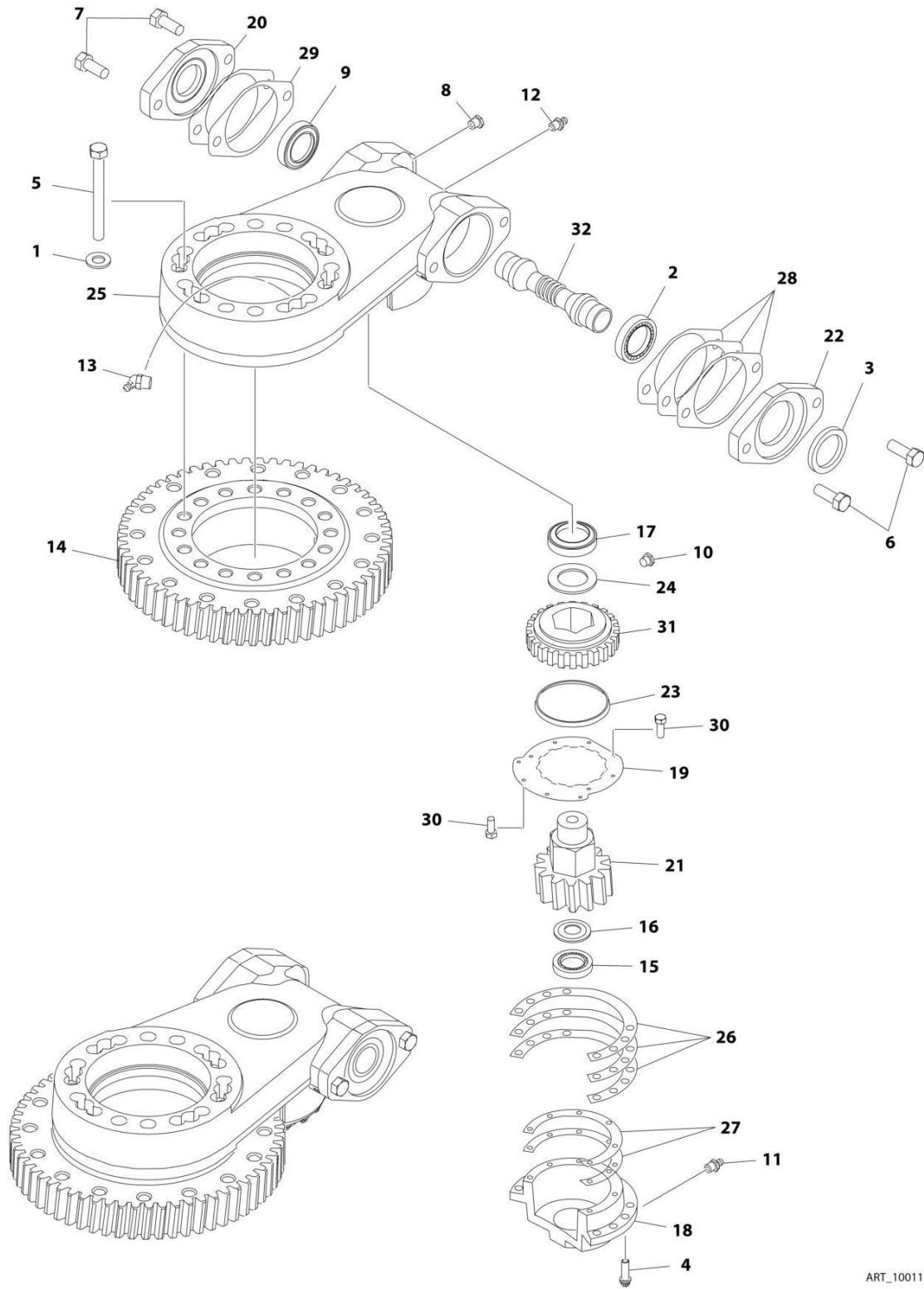
SECTION 2 - TURNTABLE

FIGURE 2-4. SWING MOTOR ASSEMBLY

ITEM	PART NUMBER	QTY	DESCRIPTION	REV
	1001107781	Ref	SWING MOTOR ASSEMBLY	A
1	70002311	5	Bolt	
2	7004035	1	Cover, End	
3	See Note	1	Seal, Commutator (Note: Use p/n 7024389)	
4	See Note	5	Seal, Ring (Note: Use p/n 7024389)	
5	7024453	1	Commutator and Ring Assembly	
6	See Note	1	Ring (Note: Use p/n 7024453)	
7	7024379	1	Manifold	
8	70002312	1	Rotor Set	
9	7024380	1	Plate, Wear	
10	70002313	1	Link, Drive	
12	70000088	1	Shaft, Coupling	
12	70000089	1	Key, Woodruff	
13	7024381	1	Bushing, Bronze	
14	7004043	2	Washer, Thrust	
15	7004044	1	Bearing, Thrust	
16	See Note	1	Seal, Inner (Note: Use p/n 7024389)	
17	See Note	1	Washer, Back-up (Note: Use p/n 7024389)	
18	See Note	1	Housing (Note: Not Available - Purchase Complete Assembly)	
19	7024390	1	Bearing	
20	See Note	1	Seal (Note: Use p/n 7024389)	
25	See Note	1	Washer, Back-up (Note: Use p/n 7024389)	
100	7024389	1	Seal Kit (Includes Items 3, 4, 16, 17, 20 & 25)	

SECTION 2 - TURNTABLE

FIGURE 2-5. SWING BEARING ASSEMBLY



ART_1001153015

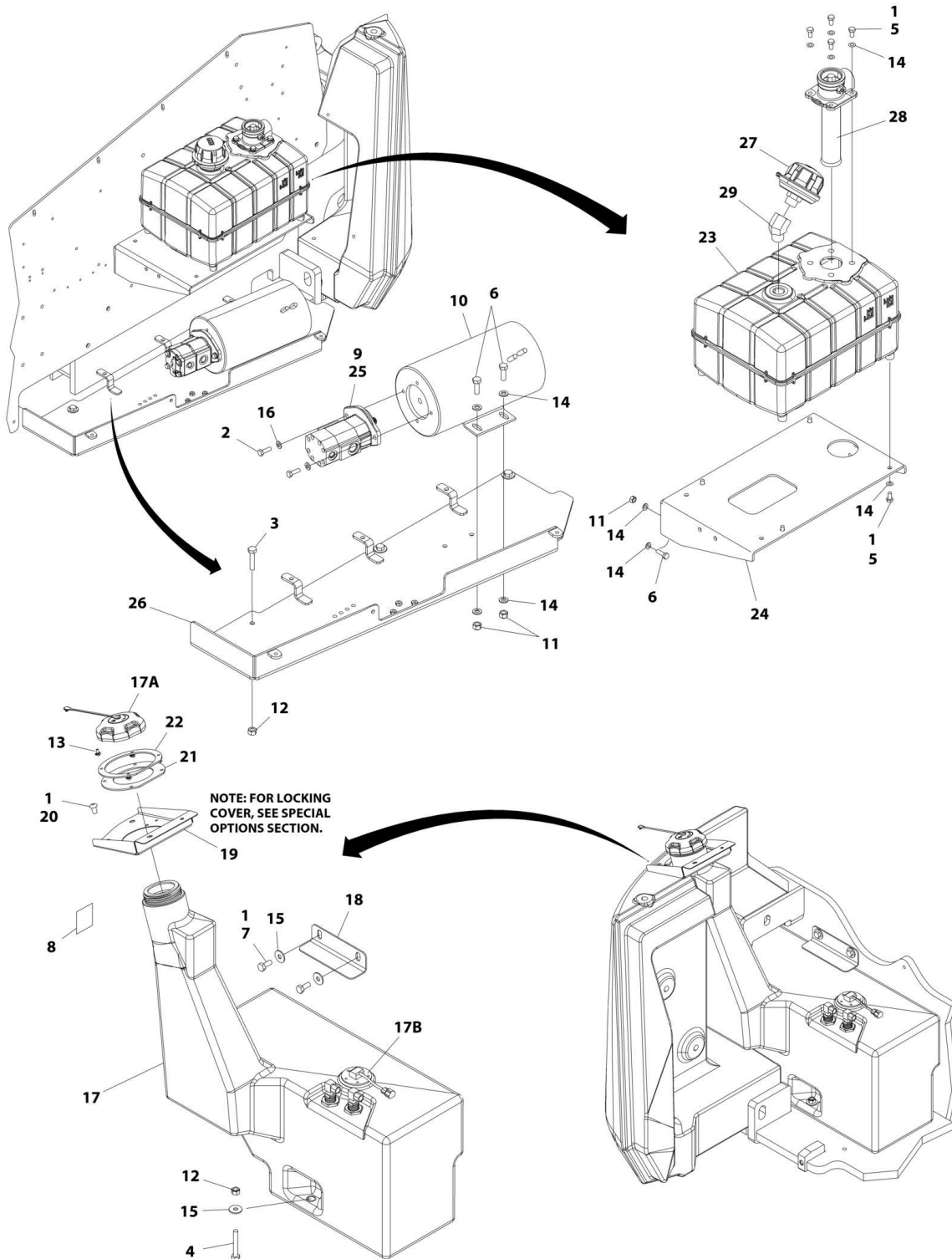
SECTION 2 - TURNTABLE

FIGURE 2-5. SWING BEARING ASSEMBLY

ITEM	PART NUMBER	QTY	DESCRIPTION	REV
	1001153015	Ref	SWING BEARING ASSEMBLY	B
1	7026041	2	Washer 5/16	
2	70002643	2	Cup, Bearing	
2	70002644	2	Cone, Bearing	
3	70002645	1	Seal	
4	70002646	8	Bolt 5/16 x 7/8	
5	70003138	2	Bolt 5/16 x 2-1/2	
6	70002647	2	Bolt 1/2 x 1	
7	70002648	2	Bolt 1/2 x 1-1/4	
8	70002649	1	Vent, Pressure	
9	70002650	1	Seal	
10	70003139	1	Plug 1/4	
11	70002651	1	Fitting, Grease 1/4	
12	70002652	1	Fitting, Grease 1/8 Straight	
13	7027359	1	Fitting, Grease 1/8 90	
14	1001160531	1	Turntable Bearing Kit (Includes Bearing and Hardware (was p/n 1001143932 & 70003140)	
15	70002656	1	Cup, Bearing	
15	70002657	1	Cone, Bearing	
16	70002658	1	Ring, Grease	
17	7026048	1	Cup, Bearing	
17	7026049	1	Cone, Bearing	
18	70002659	1	Cap, Gear	
19	70003141	1	Plate, Cover	
20	70002661	1	Cap, Worm	
21	70003142	1	Pinion, Output	
22	70002663	1	Adapter, Motor	
23	70002664	1	Seal, Face	
24	7026052	1	Spacer, Washer	
25	See Note	1	Housing (Note: Not Available - Purchase Complete Assembly)	
26	70002665	1	Shim .0075 Natural	
26	70002666	1	Shim .005 Blue	
26	70002667	1	Shim .003 Green	
27	70002668	1	Shim .005 Blue	
27	70002669	1	Shim .020 Yellow	
28	7027352	1	Gasket .010 Brown	
28	7027351	1	Gasket .0075 Clear	
28	7027350	1	Gasket .005 Blue	
29	7027353	1	Gasket .020 Yellow	
30	70000681	10	Bolt #6 x 3/8	
31	70002670	1	Gear, Worm	
32	70002671	1	Shaft, Worm	

SECTION 2 - TURNTABLE

FIGURE 2-6. TANKS AND PUMP ASSEMBLY



ART_1001169196

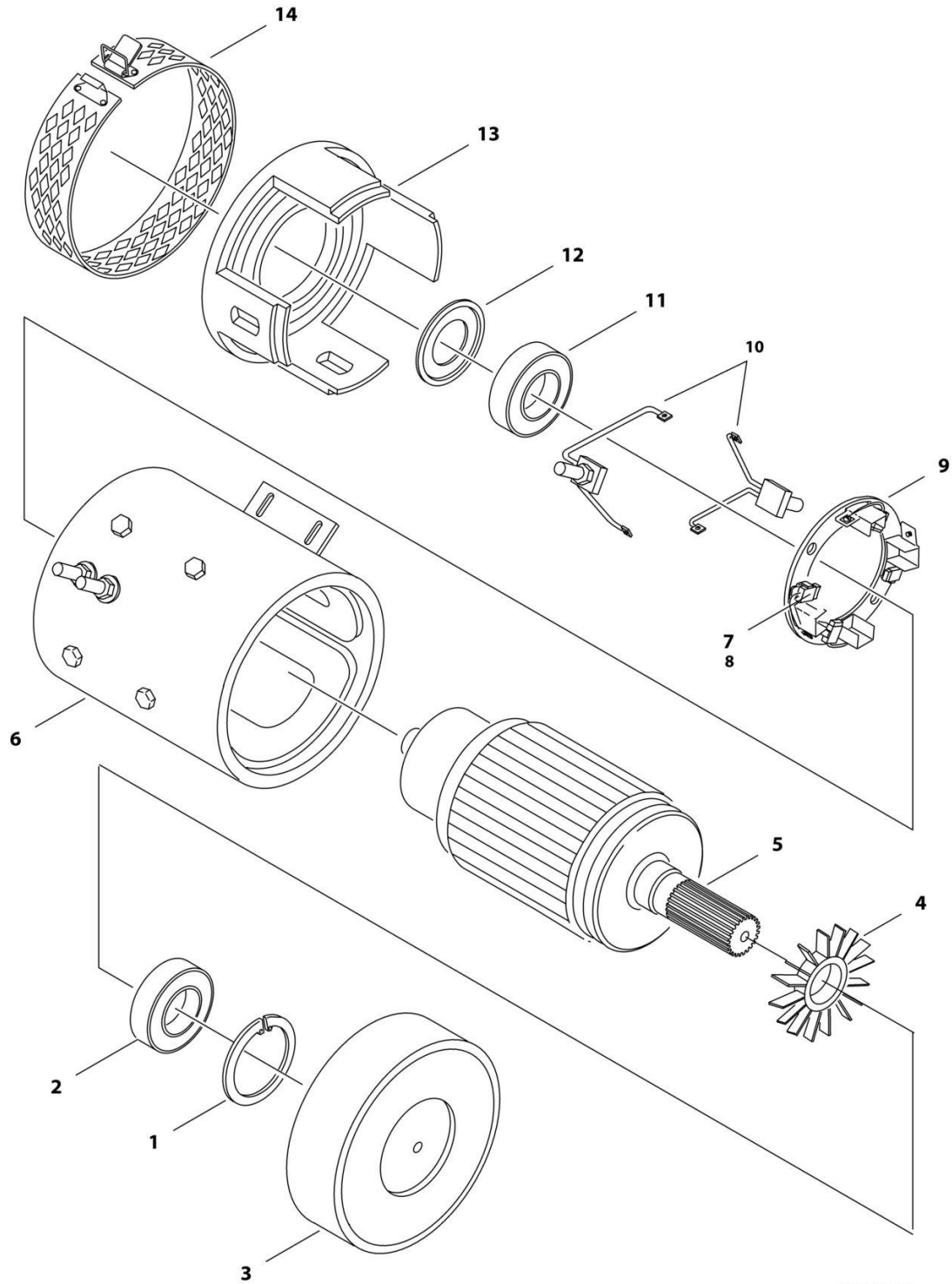
SECTION 2 - TURNTABLE

FIGURE 2-6. TANKS AND PUMP ASSEMBLY

ITEM	PART NUMBER	QTY	DESCRIPTION	REV
	1001169196	Ref	TANKS AND PUMP INSTALLATION	H
1	0100011	AR	Compound, Locking	
2	0700812	2	Bolt M8 X 25	
3	0701018	3	Bolt M10 X 50	
4	0701022	1	Bolt M10 X 70	
5	0760808	8	Bolt M8 X 16	
6	0760812	8	Bolt M8 X 25	
7	0761012	2	Bolt M10 X 25	
8	1701505	1	Decal - Diesel Fuel	
9	3020037	AR	Lubricant, Coupling	
10	3160252	1	Hydraulic Pump Motor Assembly (See HYDRAULIC PUMP MOTOR ASSEMBLY for Breakdown)	
11	3290805	8	Nut M8	
12	3291005	4	Nut M10	
13	3820032	4	Rivet	
14	4811900	24	Washer M8	
15	4812002	9	Washer M10	
16	4891500	2	Washer 5/16	
17	1001117897	1	Fuel Tank Assembly (Note: Parts listed below are the only service parts available. For any other parts, source locally or purchase complete tank p/n 1001117897)	
17A	1001128798	1	Cap, Fill	
17B	1001118262	1	Sender (Includes Seal - Seal Not Sold Separately)	
17B	0721004	5	Screw #10-24 x 1/2	
18	1001118509	1	Support, Tank	
19	1001118510	1	Shield, Tank Neck	
20	1001119527	2	Screw M10 X 12	
21	1001128781	1	Seal, Tank Neck	
22	1001128782	1	Ring, Tank Neck	
23	1001162117	1	Tank, Hydraulic	
24	1001162748	1	Bracket, Tank	
25	1001205844	1	Hydraulic Pump Assembly (Note: Seal Kit is only replacement part. For all other components, replace complete assembly)	
25	70005818	1	Seal Kit - 1001205844 Pump	
26	1001169195	1	Shield	
27	1001178594	1	Filler/Air Breather Filter	
28	1001178731	1	Filter, Oil Return	
28	1001178595	1	Element, Filter	
29	1001205158	1	Fitting, 45 NPT	

SECTION 2 - TURNTABLE

FIGURE 2-7. HYDRAULIC PUMP MOTOR ASSEMBLY



ART_3160252

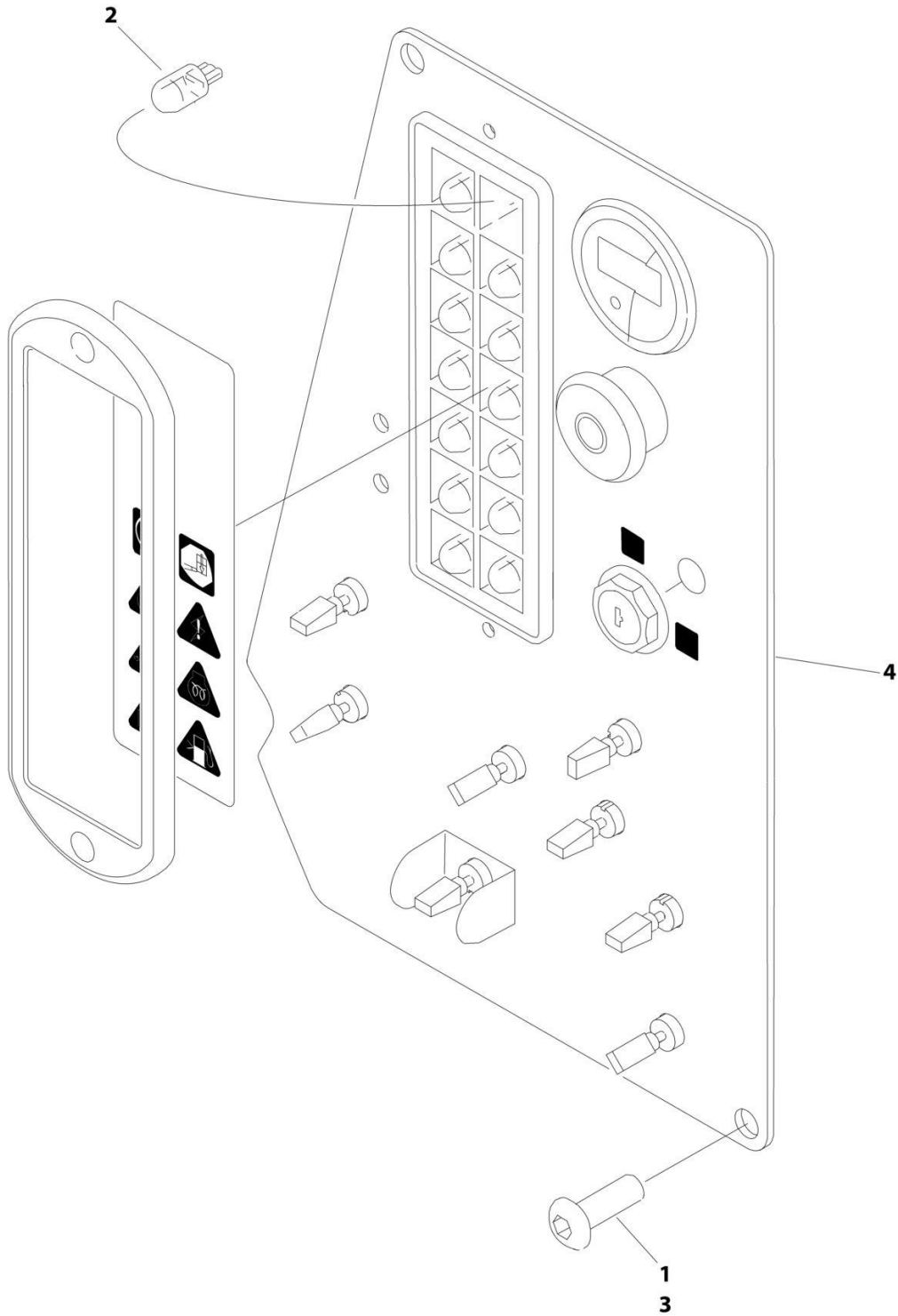
SECTION 2 - TURNTABLE

FIGURE 2-7. HYDRAULIC PUMP MOTOR ASSEMBLY

ITEM	PART NUMBER	QTY	DESCRIPTION	REV
	3160252	Ref	HYDRAULIC PUMP MOTOR ASSEMBLY	C
1	7020291	1	Ring, Retaining	
2	7020292	1	Bearing (Shaft End)	
3	7020293	1	Endhead, Shaft	
4	7020294	1	Fan	
5	7020295	1	Armature Assembly	
6	7020296	1	Field Coil/Case Kit	
7	7012548	8	Spring, Brush	
8	7020297	8	Brush	
9	7020298	1	Box Assembly - Brush	
10	7020299	1	Lead Kit, Brush Wire	
11	7012545	1	Bearing (Commutator End)	
12	7012549	1	Washer	
13	7023200	1	Endhead, Commutator	
14	7023272	1	Headband Assembly	

SECTION 2 - TURNTABLE

FIGURE 2-8. GROUND CONTROLS INSTALLATION - ALL SPECS EXCEPT CE SPECS



ART_1001182731

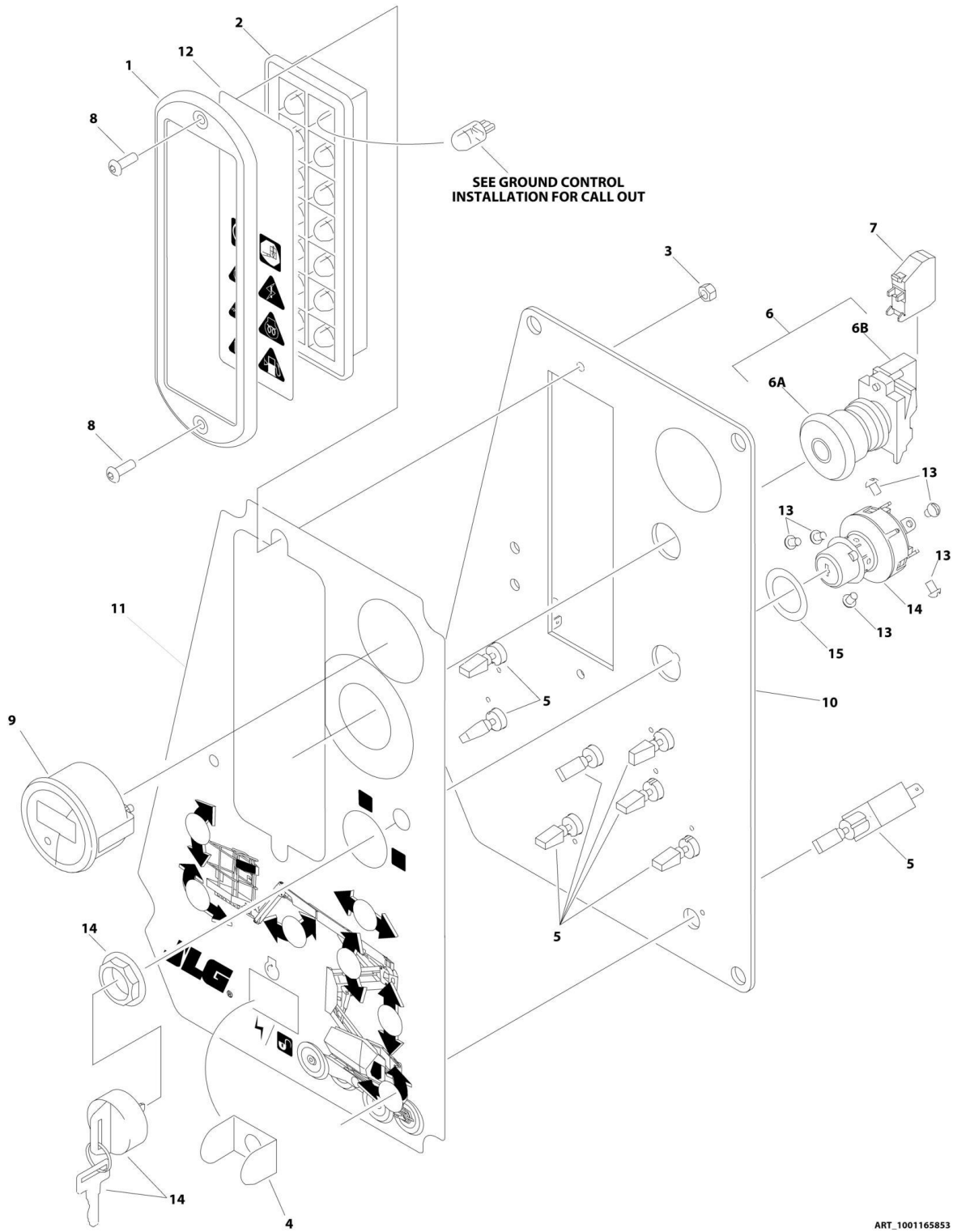
SECTION 2 - TURNTABLE

FIGURE 2-8. GROUND CONTROLS INSTALLATION - ALL SPECS EXCEPT CE SPECS

ITEM	PART NUMBER	QTY	DESCRIPTION	REV
	1001182731	Ref	GROUND CONTROLS INSTALLATION - ALL SPECS EXCEPT CE SPECS	A
1	0100011	AR	Compound, Locking	
2	2920129	8	Bulb, Light	
3	1001119527	4	Screw M10 x 16	
4	1001165853	1	Ground Control Assembly - All Specs except CE Spec (See GROUND CONTROL ASSEMBLY - ALL SPECS EXCEPT CE SPEC for Breakdown)	

SECTION 2 - TURNTABLE

FIGURE 2-9. GROUND CONTROLS ASSEMBLY - ALL SPECS EXCEPT CE SPECS



ART_1001165853

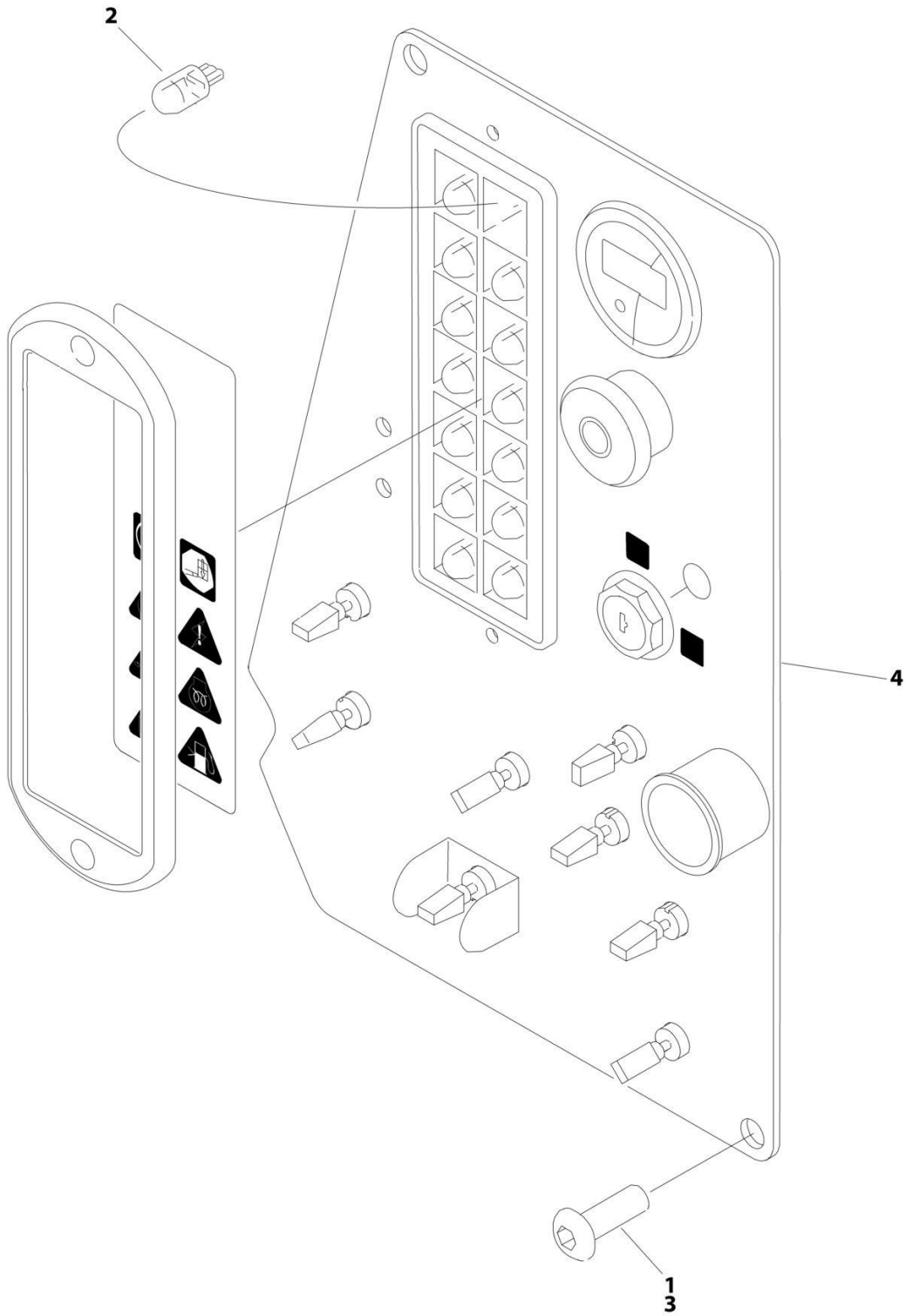
SECTION 2 - TURNTABLE

FIGURE 2-9. GROUND CONTROLS ASSEMBLY - ALL SPECS EXCEPT CE SPECS

ITEM	PART NUMBER	QTY	DESCRIPTION	REV
	1001165853	Ref	GROUND CONTROL ASSEMBLY - ALL SPECS EXCEPT CE SPEC	D
1	1670829	1	Bezel	
2	2760105	1	Housing, Display Light	
3	3290505	2	Nut M5	
4	4060906	1	Guard, Switch	
5	4360328	8	Switch, Toggle	
6	4360475	1	Switch, Emergency Stop	
6A	7020175	1	Cap	
6B	7020176	1	Block, Switch Contact	
7	4360476	1	Block, Switch Contact	
8	1001099125	2	Screw M5 X 16 Grade 10.9	
9	1001109503	1	Gauge	
10	1001165851	1	Panel	
11	1001165852	1	Decal - Ground Control	
12	1001169089	1	Decal - Ground Control	
13	3910804	6	Screw #8-32 X 1/4	
14	4360469	1	Switch, Key	
14	2860030	1	Key, Replacement	
15	1001151393	1	Shim	

SECTION 2 - TURNTABLE

FIGURE 2-10. GROUND CONTROL INSTALLATION - CE SPEC



ART_1001182732

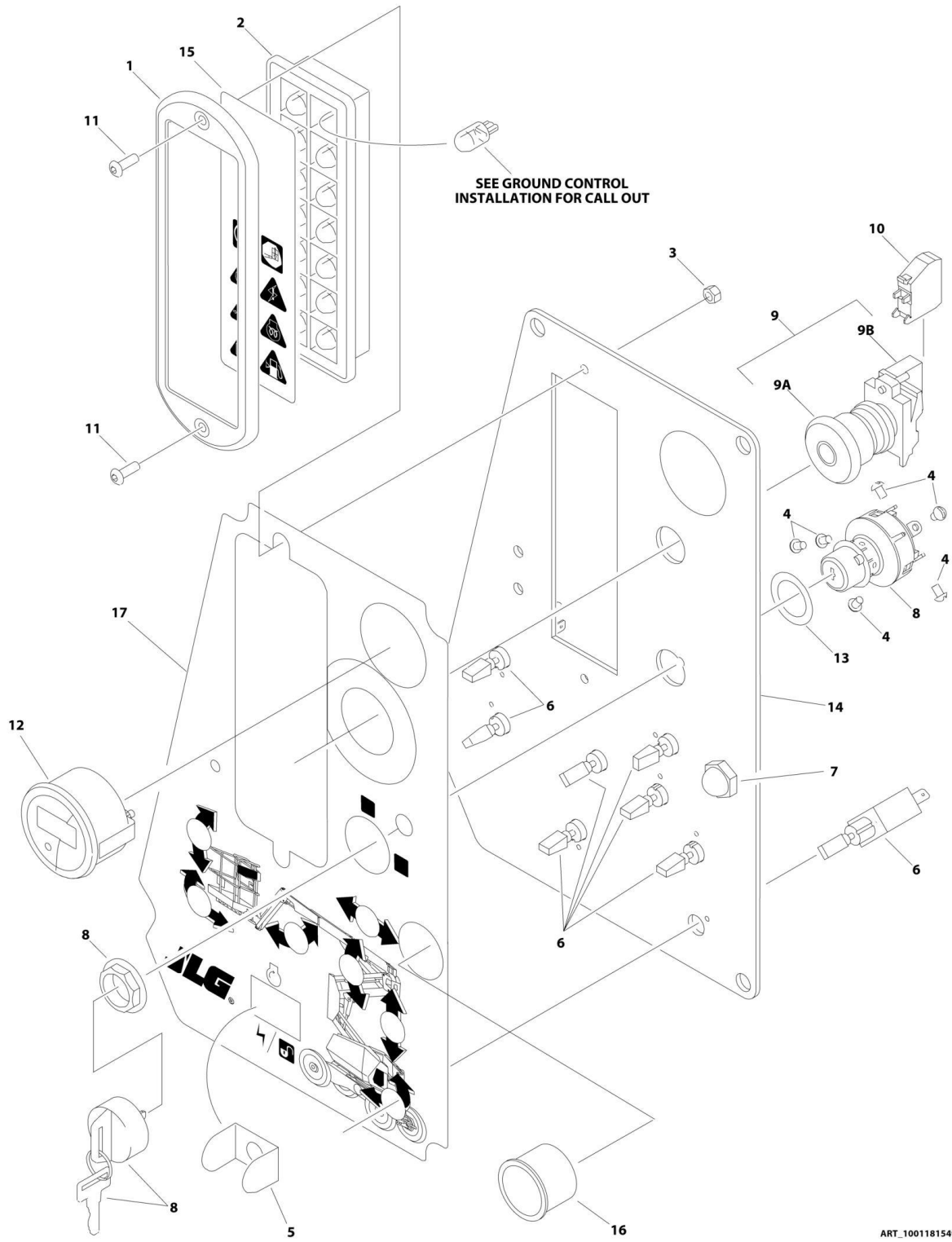
SECTION 2 - TURNTABLE

FIGURE 2-10. GROUND CONTROL INSTALLATION - CE SPEC

ITEM	PART NUMBER	QTY	DESCRIPTION	REV
	1001182732	Ref	GROUND CONTROLS INSTALLATION - CE SPEC	A
1	0100011	AR	Compound, Locking	
2	2920129	8	Bulb, Light	
3	1001119527	4	Screw M10 x 16	
4	1001181549	1	Ground Control Assembly - CE Spec (See GROUND CONTROL ASSEMBLY - CE SPEC for Breakdown)	

SECTION 2 - TURNTABLE

FIGURE 2-11. GROUND CONTROL ASSEMBLY - CE SPEC



ART_1001181549

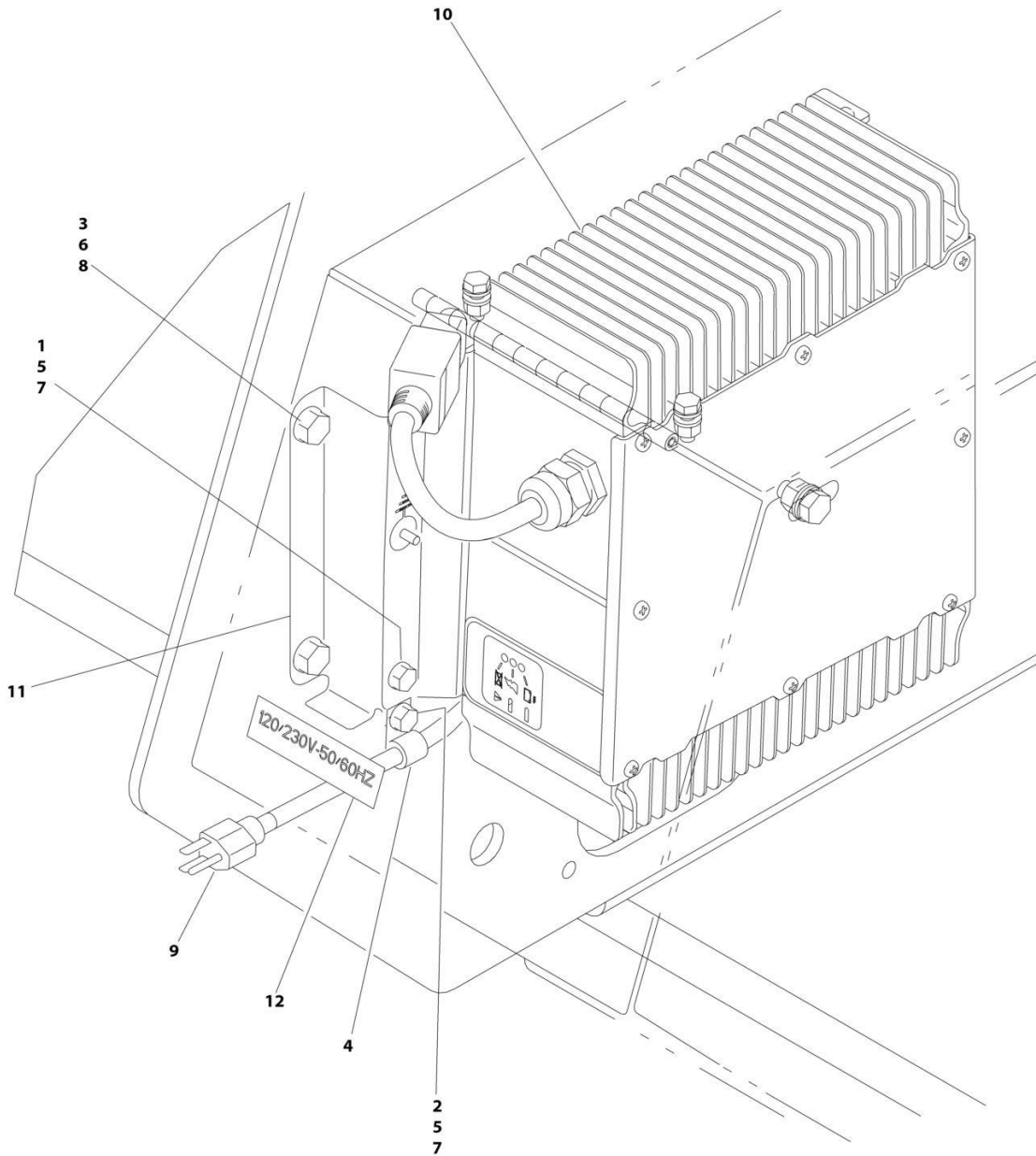
SECTION 2 - TURNTABLE

FIGURE 2-11. GROUND CONTROL ASSEMBLY - CE SPEC

ITEM	PART NUMBER	QTY	DESCRIPTION	REV
	1001181549	Ref	GROUND CONTROL ASSEMBLY - CE SPEC,	B
1	1670829	1	Bezel	
2	2760105	1	Housing, Display Light	
3	3290505	2	Nut M5	
4	3910804	6	Screw #8-32 X 1/4	
5	4060906	1	Guard, Switch	
6	4360328	8	Switch, Toggle	
7	4360387	1	Switch, Push Button	
8	4360469	1	Switch, Key	
8	2860030	1	Key, Replacement	
9	4360475	1	Switch, Emergency Stop	
9A	7020175	1	Cap	
9B	7020176	1	Block, Switch Contact	
10	4360476	1	Block, Switch Contact	
11	1001099125	2	Screw M5 X 16 Grade 10.9	
12	1001109503	1	Gauge	
13	1001151393	1	Shim	
14	1001165851	1	Panel	
15	1001169089	1	Decal - Ground Control	
16	1001176469	1	Shroud, Switch	
17	1001181548	1	Decal - MSSO	

SECTION 2 - TURNTABLE

FIGURE 2-12. BATTERY CHARGER INSTALLATION - 110V PLUG



ART_1001174019

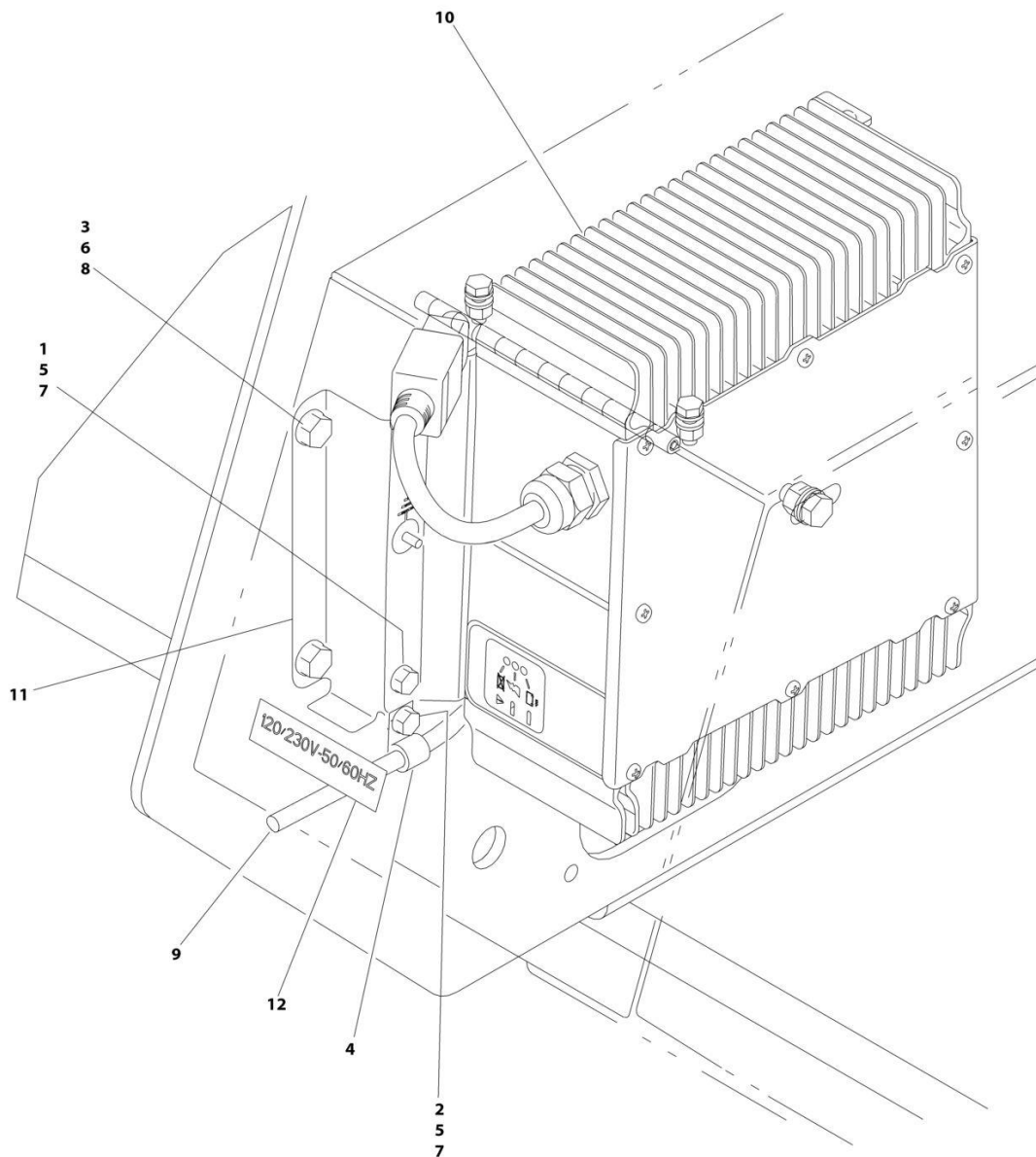
SECTION 2 - TURNTABLE

FIGURE 2-12. BATTERY CHARGER INSTALLATION - 110V PLUG

ITEM	PART NUMBER	QTY	DESCRIPTION	REV
	1001174019	Ref	BATTERY CHARGER INSTALLATION - 110V PLUG	C
1	0760608	4	Bolt M6 x 16	
2	0760610	1	Bolt M6 x 20	
3	0760812	4	Bolt M8 x 25	
4	1321293	1	Clamp	
5	3290605	5	Nut M6	
6	3290805	4	Nut M8	
7	4811700	10	Washer M6	
8	4811900	8	Washer M8	
9	1001103257	1	Cable, AC Battery Charger Input	
10	1001152650	1	Battery Charger Assembly (See BATTERY CHARGER ASSEMBLY for Breakdown) (Prior to SN 0300209405)	
10	1001197707	1	Battery Charger Assembly (See BATTERY CHARGER ASSEMBLY for Breakdown) (SN 0300209405 through 0300272288)	
11	1001169420	2	Plate	
12	1001186845	1	Decal - 120/230V - 50/60Hz	

SECTION 2 - TURNTABLE

FIGURE 2-13. BATTERY CHARGER INSTALLATION - LOCALLY SUPPLIED PLUG



ART_1001174020

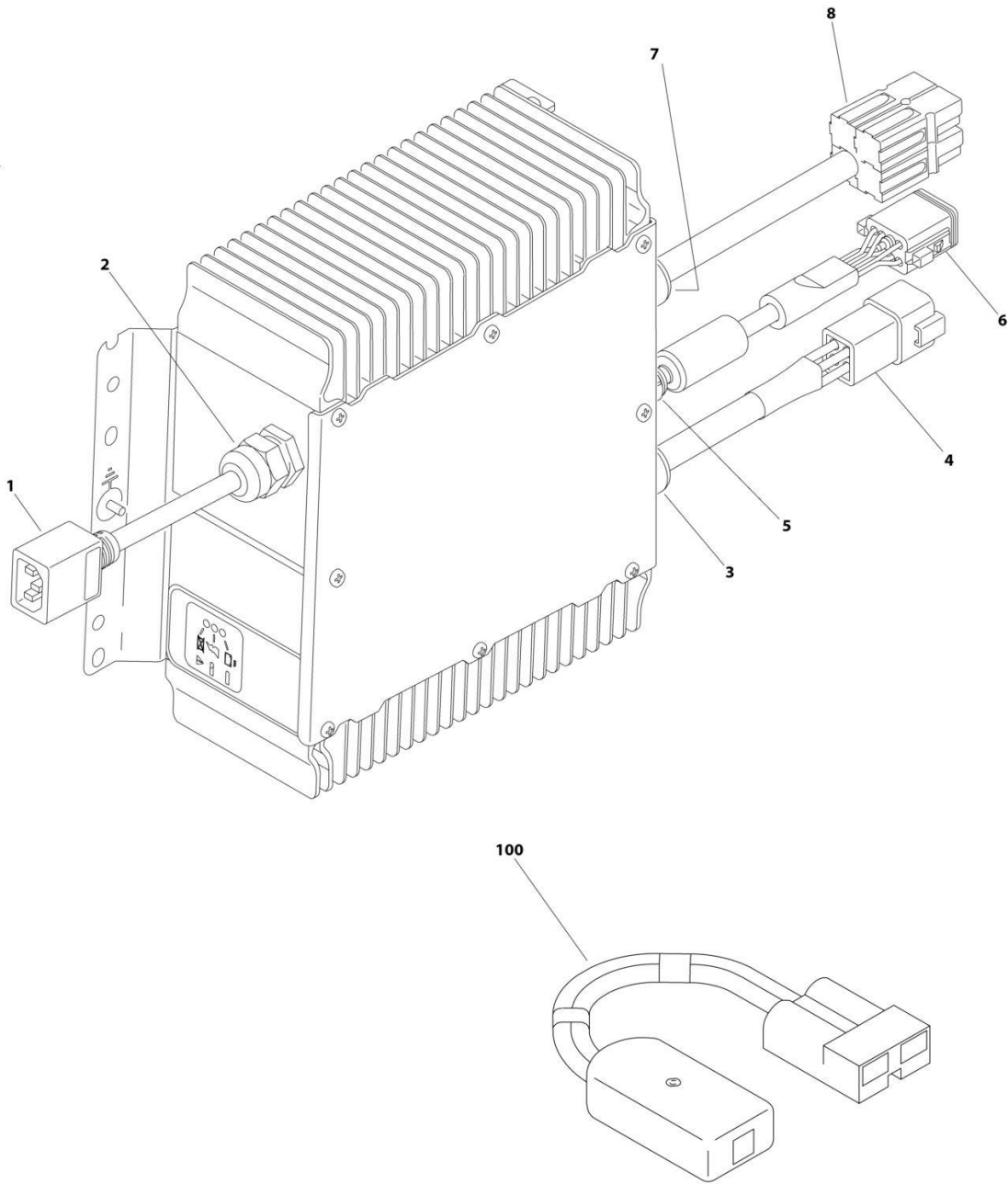
SECTION 2 - TURNTABLE

FIGURE 2-13. BATTERY CHARGER INSTALLATION - LOCALLY SUPPLIED PLUG

ITEM	PART NUMBER	QTY	DESCRIPTION	REV
	1001174020	Ref	BATTERY CHARGER INSTALLATION - LOCALLY SUPPLIED PLUG	C
1	0760608	4	Bolt M6 x 16	
2	0760610	1	Bolt M6 x 20	
3	0760812	4	Bolt M8 x 25	
4	1321293	1	Clamp	
5	3290605	5	Nut M6	
6	3290805	4	Nut M8	
7	4811700	10	Washer M6	
8	4811900	8	Washer M8	
9	1001103258	1	Cable, AC Input Charger	
10	1001152650	1	Battery Charger Assembly (See BATTERY CHARGER ASSEMBLY for Breakdown) (Prior to SN 0300209405)	
10	1001197707	1	Battery Charger Assembly (See BATTERY CHARGER ASSEMBLY for Breakdown) (SN 0300209405 through 0300272288)	
11	1001169420	2	Plate	
12	1001186845	1	Decal - 120/230V - 50/60Hz	

SECTION 2 - TURNTABLE

FIGURE 2-14. BATTERY CHARGER ASSEMBLY (Prior to SN 0300209405)



ART_1001152650

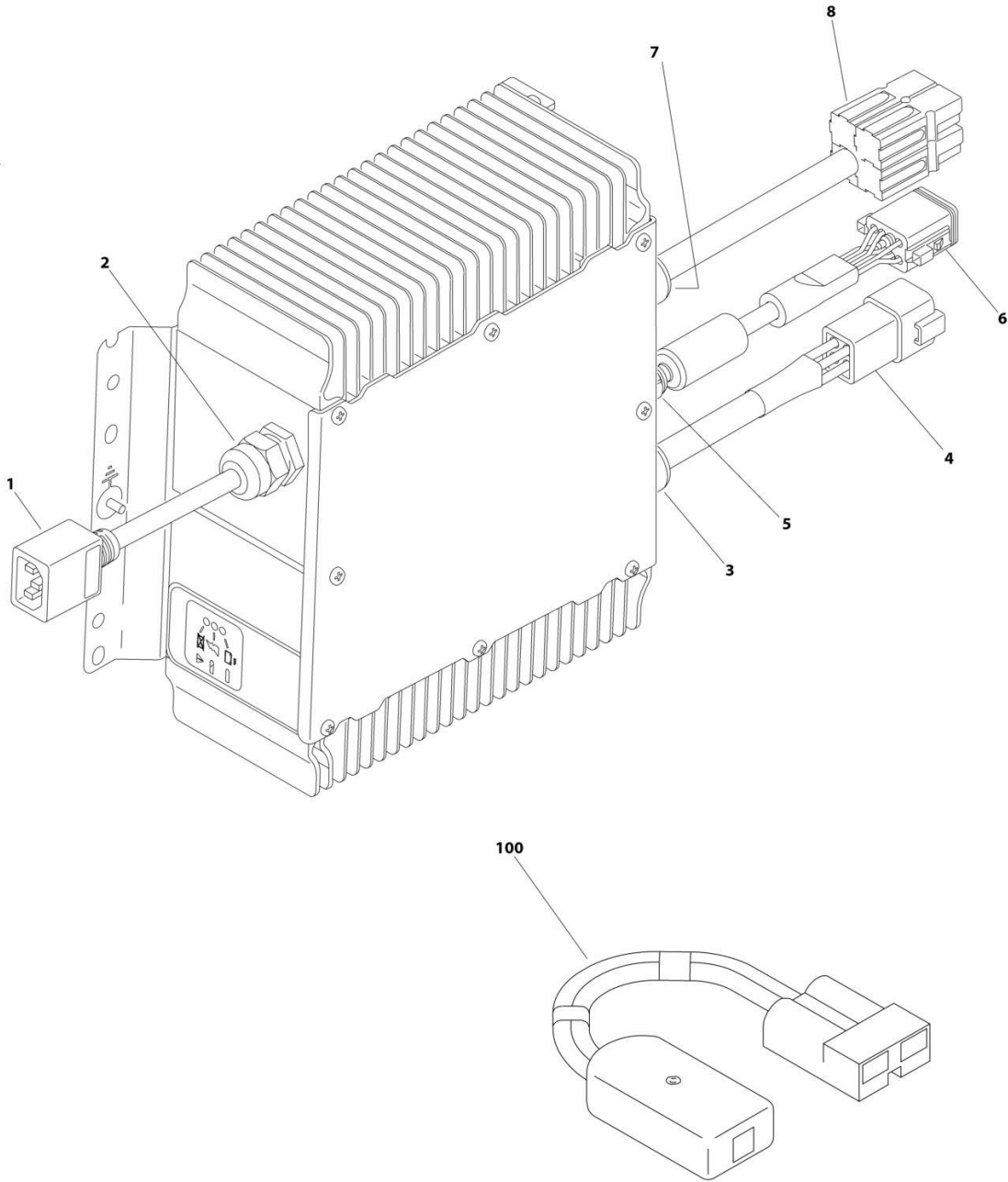
SECTION 2 - TURNTABLE

FIGURE 2-14. BATTERY CHARGER ASSEMBLY (Prior to SN 0300209405)

ITEM	PART NUMBER	QTY	DESCRIPTION	REV
	1001152650	Ref	BATTERY CHARGER ASSEMBLY (Prior to SN 0300209405)	F
1	See Note	1	Harness with Connector (Note: Not Available for Purchase)	
2	See Note	1	Connector, Strain Relief (Note: Not Available for Purchase)	
3	See Note	1	Connector, Strain Relief (Note: Not Available for Purchase)	
4	1001116811	1	Receptacle, Female - 4 Position	
5	See Note	1	Connector, Strain Relief (Note: Not Available for Purchase)	
6	4460930	1	Plug, Male - 8 Position	
7	See Note	1	Connector, Strain Relief (Note: Not Available for Purchase)	
8	See Note	1	Connector - 4 Position	
100	2915230	1	BATTERY CHARGER REPROGRAM CONTROLLER KIT (Includes Controller, Software and Instructions)	

SECTION 2 - TURNTABLE

FIGURE 2-15. BATTERY CHARGER ASSEMBLY (SN 0300209405 through 0300272288)



ART_1001197707

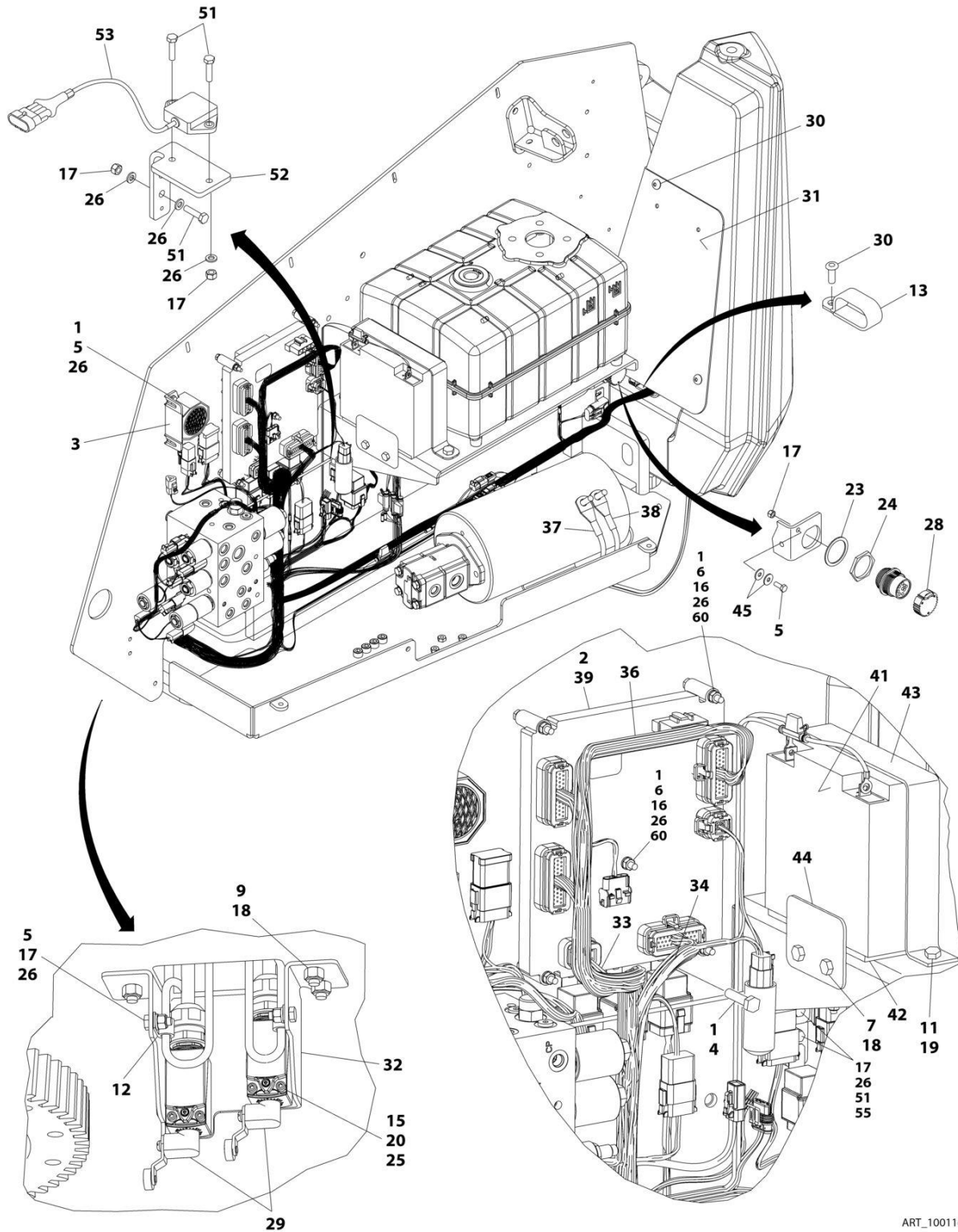
SECTION 2 - TURNTABLE

FIGURE 2-15. BATTERY CHARGER ASSEMBLY (SN 0300209405 through 0300272288)

ITEM	PART NUMBER	QTY	DESCRIPTION	REV
	1001197707	Ref	BATTERY CHARGER ASSEMBLY	C
1	See Note	1	Harness with Connector (Note: Not Available for Purchase)	
2	See Note	1	Connector, Strain Relief (Note: Not Available for Purchase)	
3	See Note	1	Connector, Strain Relief (Note: Not Available for Purchase)	
4	1001116811	1	Receptacle, Female - 4 Position	
5	See Note	1	Connector, Strain Relief (Note: Not Available for Purchase)	
6	4460930	1	Plug, Male - 8 Position	
7	See Note	1	Connector, Strain Relief (Note: Not Available for Purchase)	
8	See Note	1	Connector - 4 Position	
100	2915230	1	BATTERY CHARGER REPROGRAM CONTROLLER KIT (Includes Controller, Software and Instructions)	

SECTION 2 - TURNTABLE

FIGURE 2-16. ELECTRICAL COMPONENTS INSTALLATION



ART_1001168033

SECTION 2 - TURNTABLE

FIGURE 2-16. ELECTRICAL COMPONENTS INSTALLATION

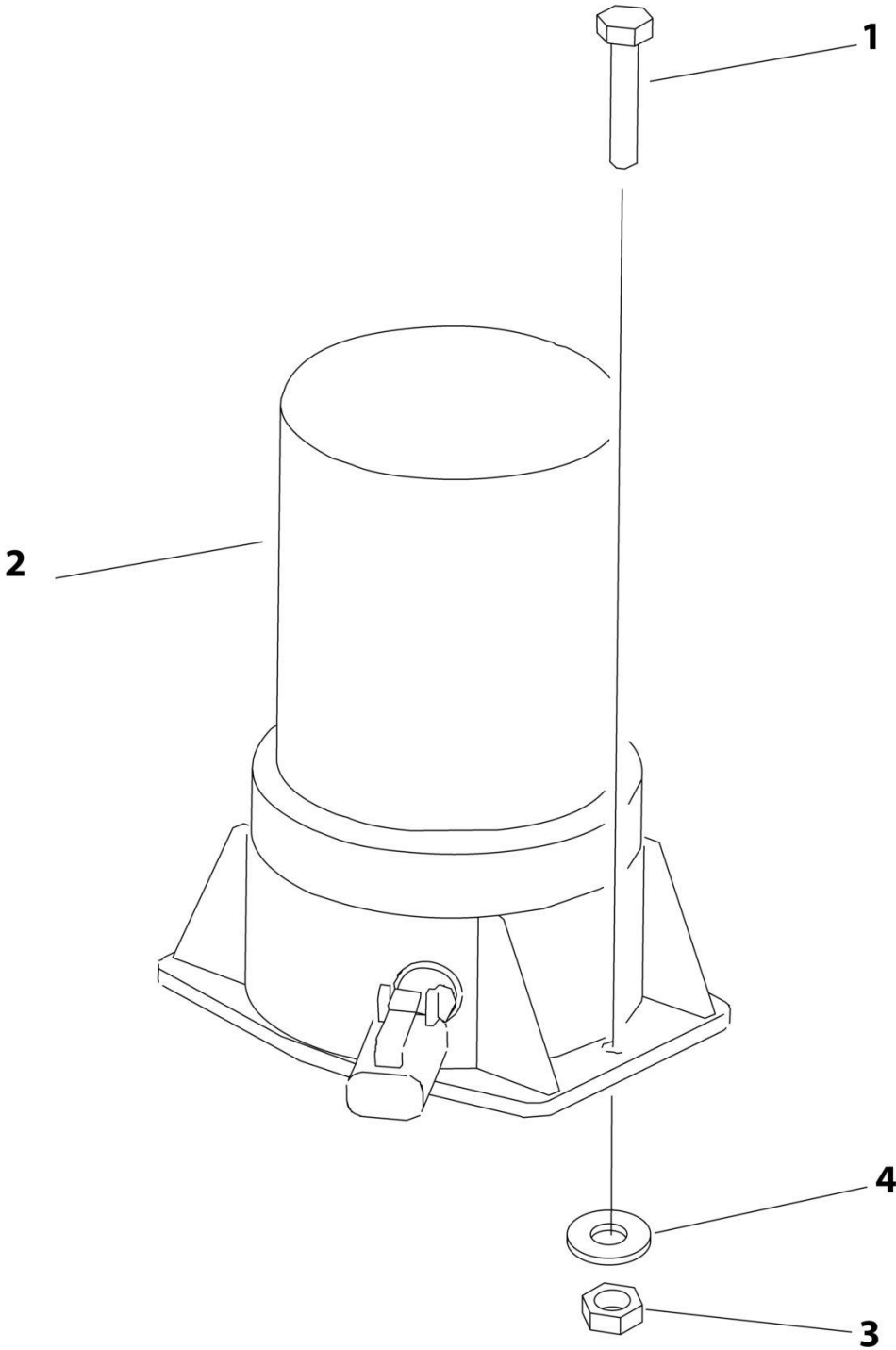
ITEM	PART NUMBER	QTY	DESCRIPTION	REV
	1001168033	Ref	ELECTRICAL COMPONENTS INSTALLATION	J
1	0100011	AR	Compound, Locking	
2	0100048	AR	Grease, Terminal	
3	0140043	1	Alarm	
4	0760505	3	Bolt M5 X 10	
5	0760608	6	Bolt M6 X 16	
6	0760621	5	Bolt M6 X 65	
7	0760810	2	Bolt M8 X 20	
9	0760816	3	Bolt M8 X 40	
11	0761014	2	Bolt M10 X 30	
12	1321293	2	Clamp	
13	1321716	1	Clamp	
15	3290405	4	Nut M4	
16	3290601	10	Nut M6 (Prior to SN 0300236472)	
17	3290605	8	Nut M6	
18	3290805	5	Nut M8	
19	3291005	2	Nut M10	
20	4031512	4	Capscrew M4 X 40	
21	4240032	4	Tie-Strap (Not Shown)	
22	4460234	2	Mount, Tie-Strap (Not Shown)	
23	4460496	1	Washer	
24	4460497	1	Nut	
25	4811400	4	Washer M4	
26	4811700	AR	Washer M6	
28	1001106736	1	Cap, Dust	
29	1001119176	2	Switch, Limit	
29	1001129407	1	Receptacle, Female - 4 Position	
29	4460464	4	Pin, Male	
30	1001119527	3	Screw M10 X 12	
31	1001125291	1	Shield	
32	1001141710	1	Plate	
33	1001165795	1	Valve Harness Assembly (See ELECTRICAL SECTION for Breakdown)	
34	1001165848	1	Ground Control Harness (See ELECTRICAL SECTION for Breakdown)	
36	1001165923	1	Turntable Harness Assembly (See ELECTRICAL SECTION for Breakdown)	
37	1001168662	1	Cable, Pump Motor (+)	
38	1001168663	1	Cable, Pump Motor (-)	
39	1001183213	1	Module, UGM	
41	1001172394	1	Battery	
42	1001172395	1	Insulation	
43	1001172396	1	Strap, Battery	
44	1001172541	1	Bracket	
45	4811702	AR	Washer M6	
51	0760612	4	Bolt M6 X 25	
52	1001180464	1	Plate, Mounting	
53	1001181325	1	Sensor (Prior to SN 0300236472)	
53	1001219601	1	Sensor (SN 0300236472 through 0300272288)	
54	1001197941	2	Ferrite (Not Shown - Located on Items 37 & 38) (Prior to SN	

SECTION 2 - TURNTABLE

ITEM	PART NUMBER	QTY	DESCRIPTION	REV
55	1001201939	1	0300222893) Bracket	
56	1001197941	1	Ferrite (Not Shown - Located on Pump Cables B+ and B-) (SN 0300236472 through 0300272288)	
57	4240018	AR	Tie-Strap (Not Shown) (SN 0300236472 through 0300272288)	
58	1001197942	1	Ferrite (Not Shown - Located on Item 34) (SN 0300236472 through 0300272288)	
59	1001197943	1	Ferrite (Not Shown - Located on Item 36) (SN 0300236472 through 0300272288)	
60	1001203719	5	Nut M6 (SN 0300236472 through 0300272288)	

SECTION 2 - TURNTABLE

FIGURE 2-17. BEACON LIGHT INSTALLATION - AMBER (OPTIONAL)



ART_1001172773

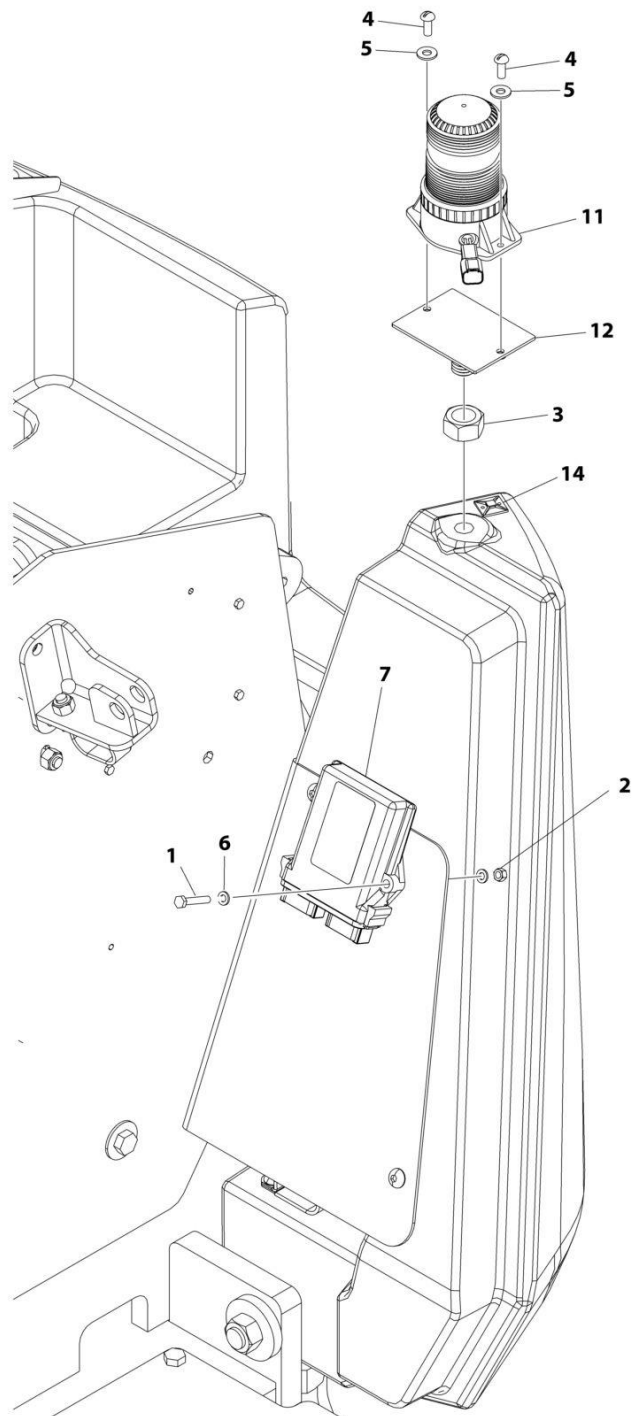
SECTION 2 - TURNTABLE

FIGURE 2-17. BEACON LIGHT INSTALLATION - AMBER (OPTIONAL)

ITEM	PART NUMBER	QTY	DESCRIPTION	REV
	1001172773	Ref	STROBE LIGHT INSTALLATION - AMBER (OPTIONAL)	A
1	0760410	2	Bolt M4 X 20	
2	2920161	1	Strobe Light Assembly	
2	7016319	1	Bulb	
2	7016372	1	Lens	
2	4460891	1	Plug, Male - 2 Position	
2	4460465	1	Socket, Female	
3	3290405	2	Nut M4	
4	1001091102	4	Washer M4	

SECTION 2 - TURNTABLE

FIGURE 2-18. BEACON LIGHT INSTALLATION - BLUE (Prior to SN 0300257126)



ART_1001207139

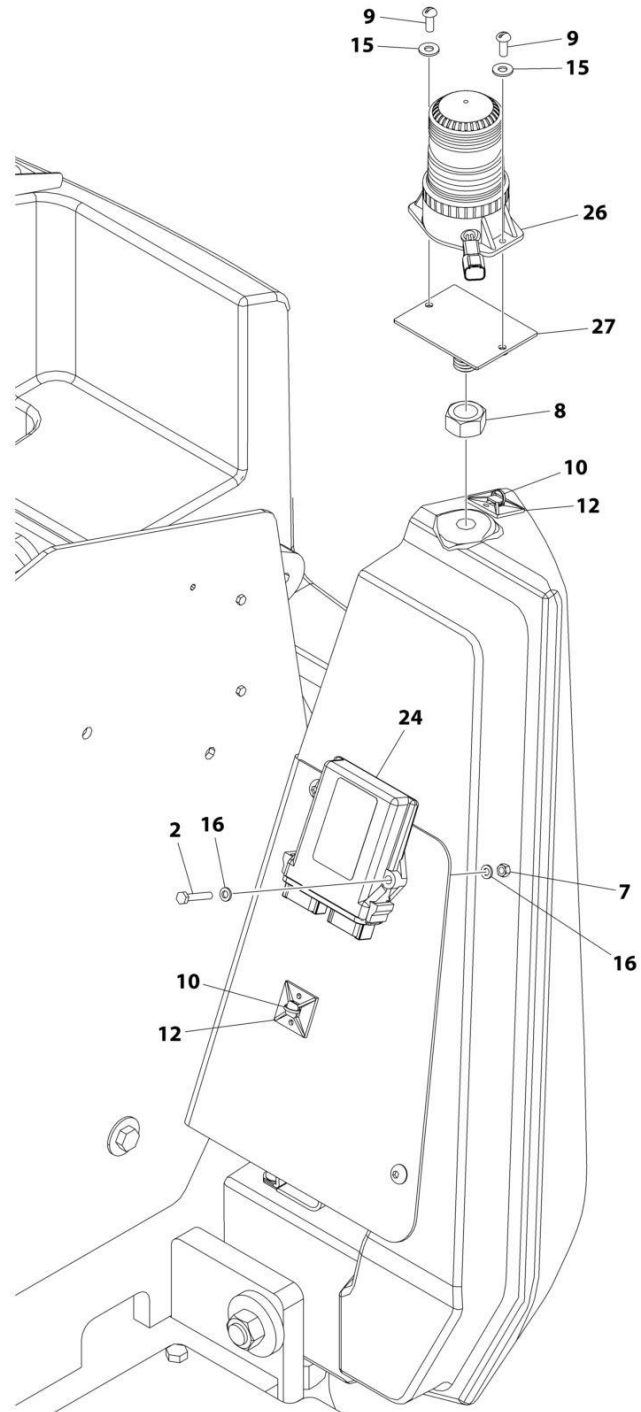
SECTION 2 - TURNTABLE

FIGURE 2-18. BEACON LIGHT INSTALLATION - BLUE (Prior to SN 0300257126)

ITEM	PART NUMBER	QTY	DESCRIPTION	REV
	1001207139	Ref	BEACON LIGHT INSTALLATION - BLUE	F
1	0700615	2	Bolt M6 X 35	
2	3290607	2	Nut M6	
3	3292001	1	Nut M20	
4	3900085	2	Screw #10 x 1/2	
5	4751000	2	Washer #10	
6	4811700	4	Washer M6	
7	1001142683	1	Module, Beacon Light	
8	1001142736	1	Beacon Control Light Harness (Not Shown - See ELECTRICAL SECTION for Breakdown)	
9	1001159027	1	Beacon Light Extension Harness (Not Shown - See ELECTRICAL SECTION for Breakdown) (Prior to SN 0300234421)	
11	1001200910	1	Light, Beacon	
11	4460897	1	Receptacle, Female - 2 Position	
11	4460943	2	Pin, Male	
12	1001207227	1	Mount	
13	4240032	3	Tie-Strap (Not Shown) (SN 0300234421 through 0300272288)	
14	4460488	3	Base, Mounting (SN 0300234421 through 0300272288)	

SECTION 2 - TURNTABLE

FIGURE 2-19. BEACON LIGHT INSTALLATION - BLUE (SN 0300257126 through 0300272288)



ART_1001242849

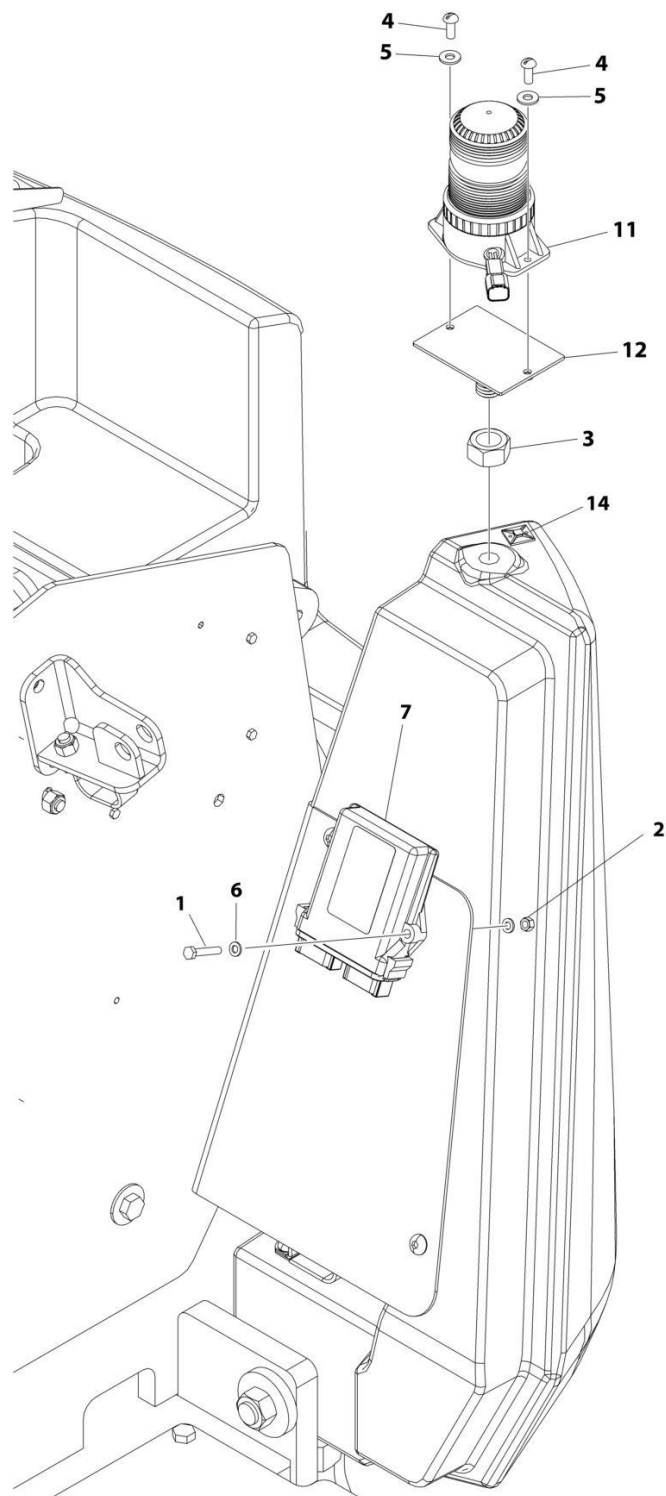
SECTION 2 - TURNTABLE

FIGURE 2-19. BEACON LIGHT INSTALLATION - BLUE (SN 0300257126 through 0300272288)

ITEM	PART NUMBER	QTY	DESCRIPTION	REV
	1001242849	Ref	BEACON LIGHT INSTALLATION - BLUE	B
2	0700615	2	Bolt M6 x 35	
7	3290607	2	Nut M6	
8	3292001	1	Nut M20	
9	3900085	2	Screw #10 x 1/2	
10	4240032	3	Tie-Strap	
12	4460488	3	Base, Mounting	
15	4751000	2	Washer #10	
16	4811700	4	Washer M6	
24	1001142683	1	Module, Beacon Control	
26	1001200910	1	Light, Strobe	
26	7028909	1	Connector - 2 Position	
26	4460943	2	Pin, Male	
27	1001207227	1	Mount	
28	1001142736	1	Strobe Light Control Harness (Not Shown - See Separate Breakdown in ELECTRICAL SECTION)	

SECTION 2 - TURNTABLE

FIGURE 2-20. BEACON LIGHT INSTALLATION - RED (Prior to SN 0300257126)



ART_1001209878

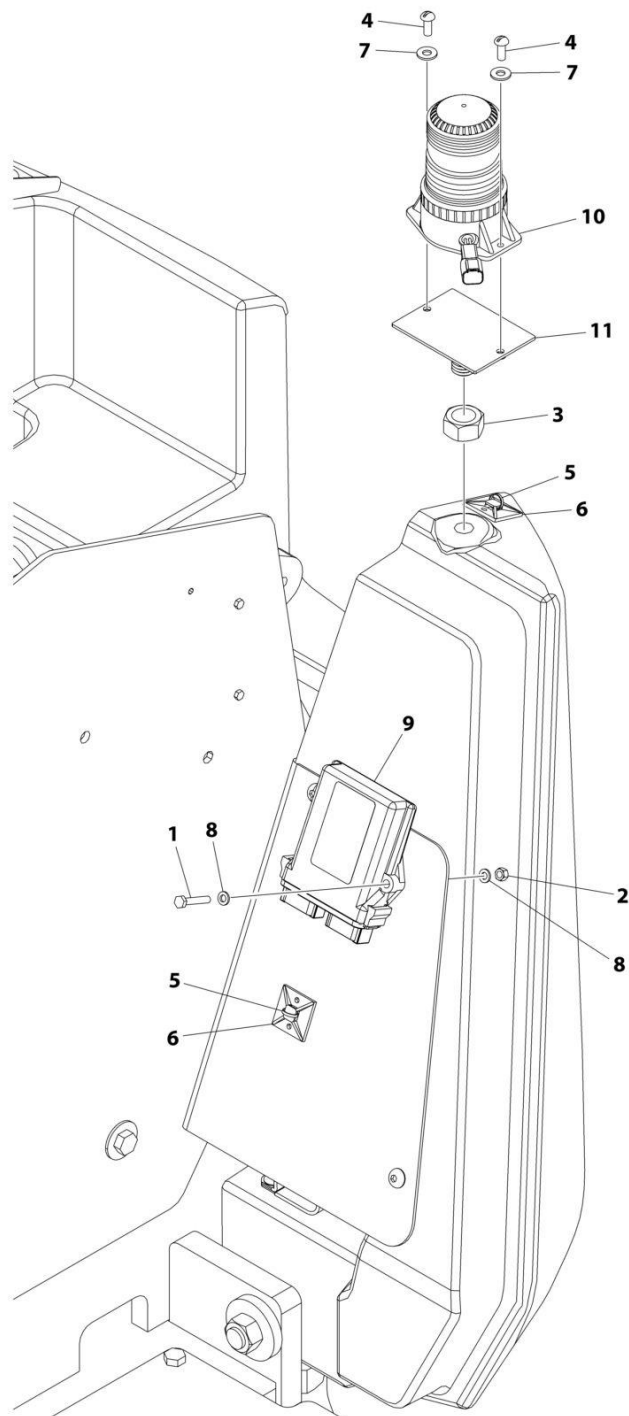
SECTION 2 - TURNTABLE

FIGURE 2-20. BEACON LIGHT INSTALLATION - RED (Prior to SN 0300257126)

ITEM	PART NUMBER	QTY	DESCRIPTION	REV
	1001209878	Ref	BEACON LIGHT INSTALLATION - RED	F
1	0700615	2	Bolt M6 X 35	
2	3290607	2	Nut M6	
3	3292001	1	Nut M20	
4	3900085	2	Screw #10 x 1/2	
5	4751000	2	Washer #10	
6	4811700	4	Washer M6	
7	1001142683	1	Module, Beacon Light	
8	1001142736	1	Beacon Control Light Harness (Not Shown - See ELECTRICAL SECTION for Breakdown)	
9	1001159027	1	Beacon Light Extension Harness (Not Shown - See ELECTRICAL SECTION for Breakdown) (Prior to SN 0300234421)	
11	1001207004	1	Light, Beacon	
11	4460897	1	Receptacle, Female - 2 Position	
11	4460943	2	Pin, Male	
12	1001207227	1	Mount	
13	4240032	3	Tie-Strap (Not Shown) (SN 0300234421 through 0300257126)	
14	4460488	3	Base, Mounting (SN 0300234421 through 0300257126)	

SECTION 2 - TURNTABLE

FIGURE 2-21. BEACON LIGHT INSTALLATION - RED (SN 0300257126 through 0300272288)



ART_1001242850

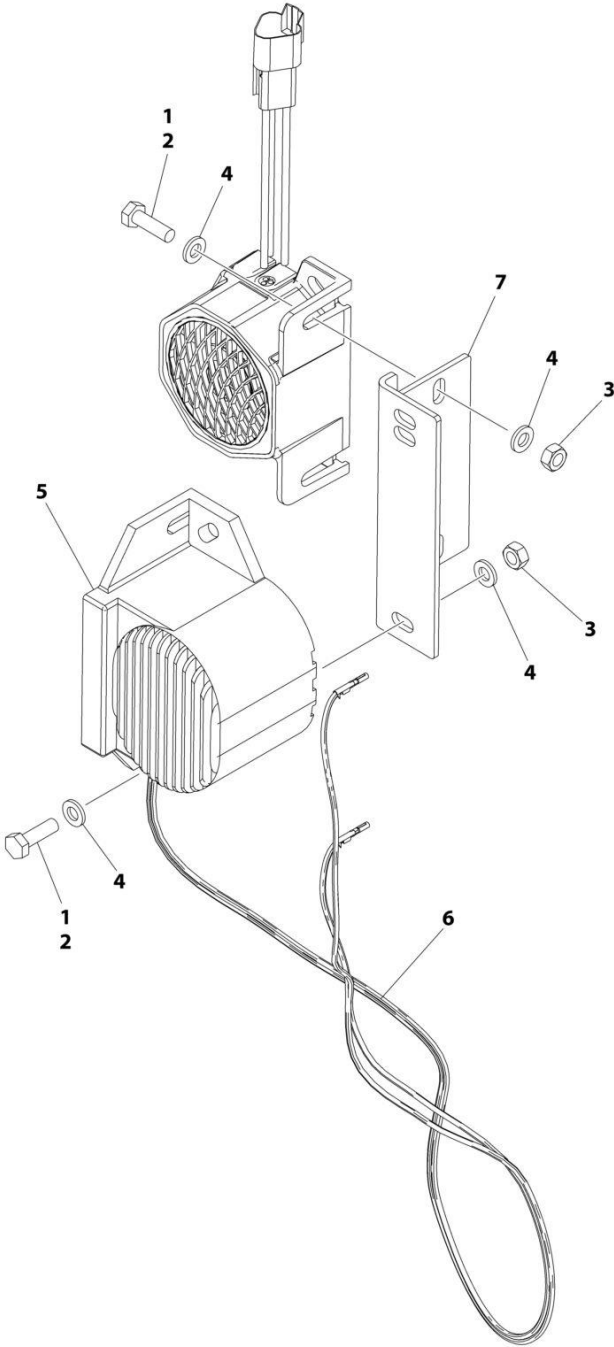
SECTION 2 - TURNTABLE

FIGURE 2-21. BEACON LIGHT INSTALLATION - RED (SN 0300257126 through 0300272288)

ITEM	PART NUMBER	QTY	DESCRIPTION	REV
	1001242850	Ref	BEACON LIGHT INSTALLATION - RED	A
1	0700615	2	Bolt M6 x 35	
2	3290607	2	Nut M6	
3	3292001	1	Nut M20	
4	3900085	2	Screw #10 x 1/2	
5	4240032	3	Tie-Strap	
6	4460488	3	Base, Mounting	
7	4751000	2	Washer #10	
8	4811700	4	Washer M6	
9	1001142683	1	Module, Beacon Control	
10	1001207004	1	Light, Strobe	
10	7028909	1	Connector - 2 Position	
10	4460943	2	Pin, Male	
11	1001207227	1	Mount	
12	1001142736	1	Strobe Light Control Harness (Not Shown - See Separate Breakdown in ELECTRICAL SECTION)	

SECTION 2 - TURNTABLE

FIGURE 2-22. WHITE NOISE ALARM INSTALLATION



ART_1001212041

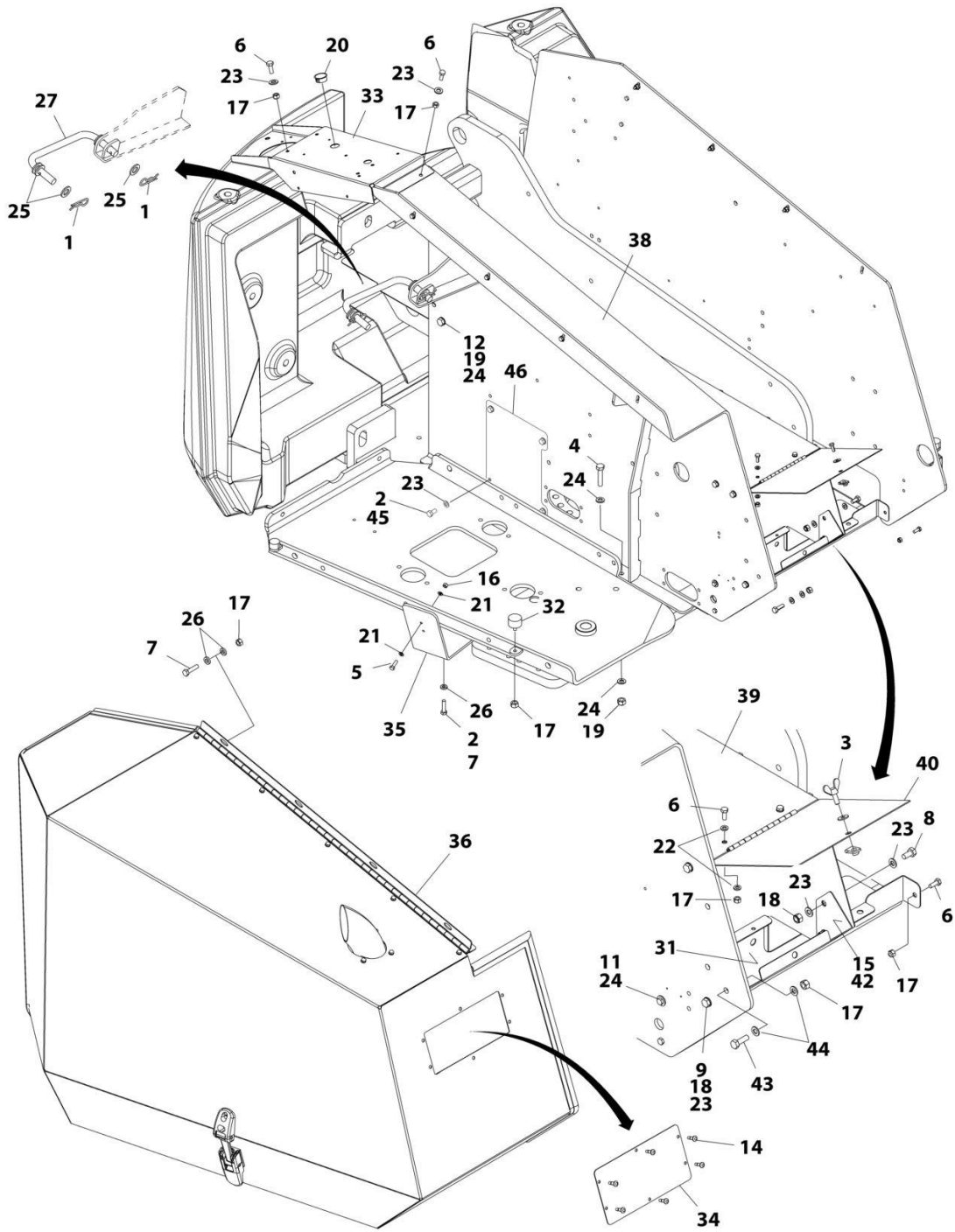
SECTION 2 - TURNTABLE

FIGURE 2-22. WHITE NOISE ALARM INSTALLATION

ITEM	PART NUMBER	QTY	DESCRIPTION	REV
	1001212041	Ref	WHITE NOISE ALARM INSTALLATION	B
1	0100011	AR	Compound, Locking	
2	0760610	4	Bolt M6 x 20	
3	3290601	4	Nut M6	
4	4811700	8	Washer M6	
5	1001182806	1	Alarm	
6	1001190663	1	White Noise Alarm Harness	
6	4460891	1	Connector - 2 Position	
6	4460465	2	Socket, Female	
6	4460871	2	Socket, Female	
7	1001231886	1	Plate	

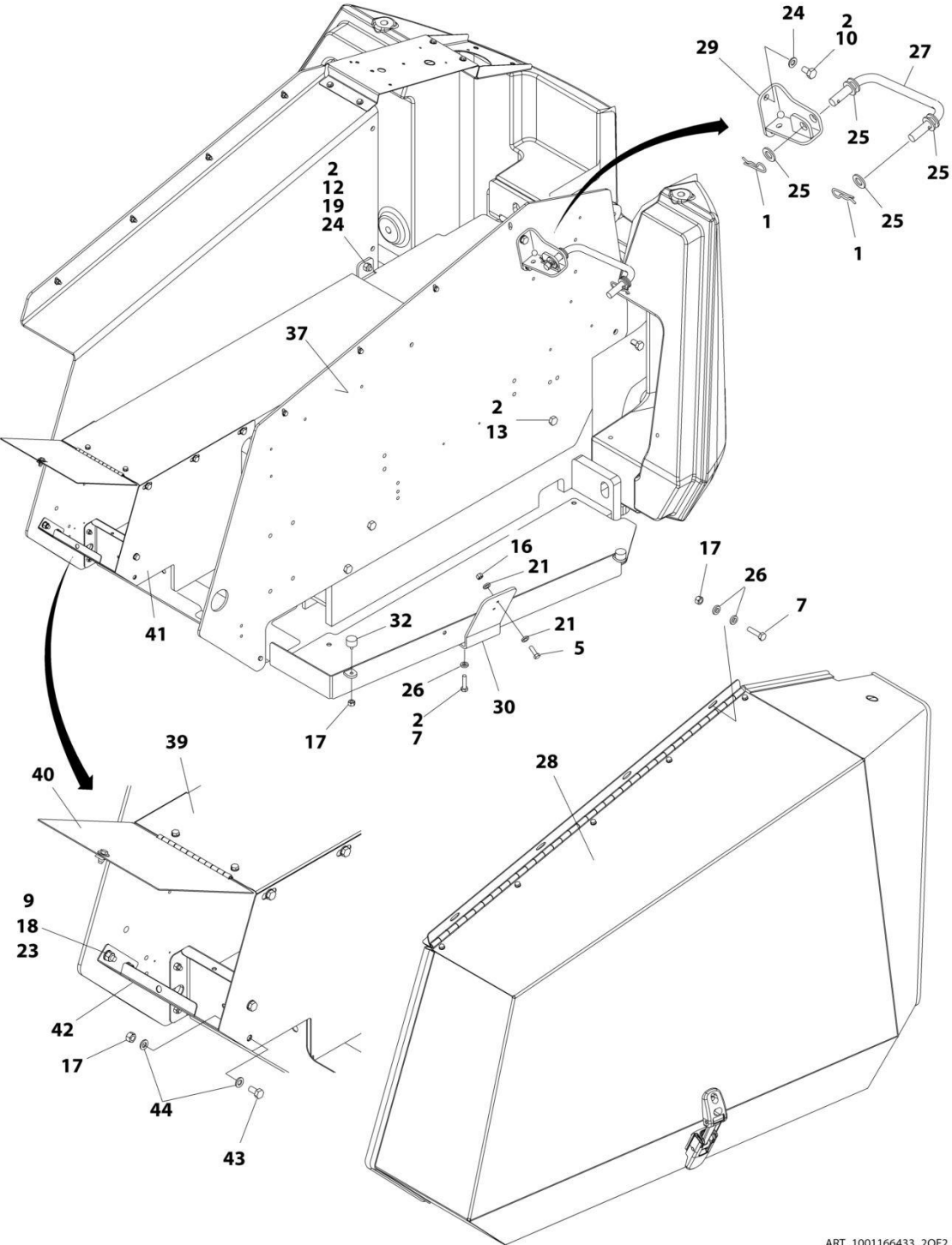
SECTION 2 - TURNTABLE

FIGURE 2-23. HOODS INSTALLATION



ART_1001166433_10F2

SECTION 2 - TURNTABLE



ART_1001166433_20F2

SECTION 2 - TURNTABLE

FIGURE 2-23. HOODS INSTALLATION

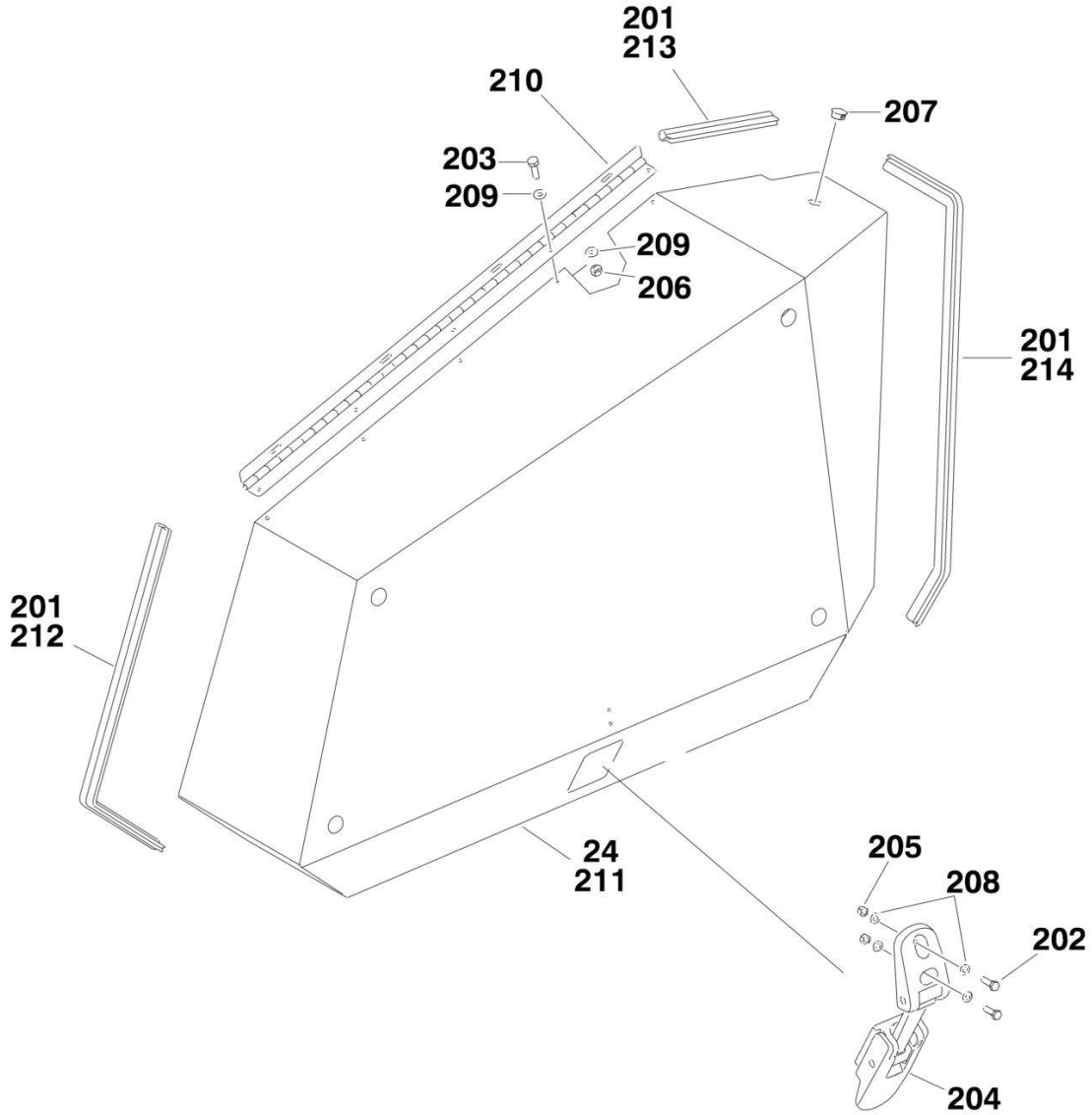
ITEM	PART NUMBER	QTY	DESCRIPTION	REV
	1001166433	Ref	HOODS INSTALLATION	H
1	80325	4	Hairpin	
2	0100011	AR	Compound, Locking	
3	0641506	1	Bolt 5/16-18 X 3/4	
3	0700608	1	Bolt M6 x 16	
3	1001204948	1	Wing-Bolt M6	
4	0701019	2	Bolt M10 x 55	
5	0760508	4	Bolt M5 X 16	
6	0760608	8	Bolt M6 X 16	
7	0760612	14	Bolt M6 X 25	
8	0760808	5	Bolt M8 X 16	
9	0760812	4	Bolt M8 X 25	
10	0761009	2	Bolt M10 x 18	
11	0761011	3	Bolt M10 X 22	
12	0761014	1	Bolt M10 X 30	
13	0761210	4	Bolt M12 X 20	
14	2080040	6	Huck, Fastener	
15	2080050	1	Rivnut	
15	1001130220	1	Nut, Tinnerman	
16	3290505	4	Nut M5	
17	3290605	21	Nut M6	
18	3290805	9	Nut M8	
19	3291005	3	Nut M10	
20	3520030	1	Plug	
21	4811600	8	Washer M5	
22	4811700	4	Washer M6	
23	4811900	26	Washer M8	
24	4812000	10	Washer M10	
25	4812300	8	Washer M16	
26	5240600	22	Washer M6	
27	1001117282	2	Rod, Prop	
28	1001118361	1	Hood Assembly - Tank Side (See HOOD ASSEMBLY - TANK SIDE for Breakdown)	
29	1001119080	1	Bracket	
30	1001119083	1	Mount, Latch	
31	1001119085	1	Tray	
32	1001119092	4	Bumper	
33	1001119103	1	Panel, Filler	
34	1001137451	1	Panel	
35	1001146824	1	Mount, Latch	
36	1001147441	1	Hood Assembly - Engine Side (See HOOD ASSEMBLY - ENGINE SIDE for Breakdown)	
37	1001161537	1	Plate, Hood	
38	1001168234	1	Mount	
39	1001169415	1	Plate, Cover	
40	1001169417	1	Plate, Cover	
41	1001169418	1	Plate, Cover	
42	1001169419	1	Plate, Cover	
43	0760610	1	Bolt M6 X 20	
44	4811702	2	Washer M6	

SECTION 2 - TURNTABLE

ITEM	PART NUMBER	QTY	DESCRIPTION	REV
45	0700808	4	Bolt M8 x 16	
46	1001207961	1	Plate	

SECTION 2 - TURNTABLE

FIGURE 2-24. HOOD ASSEMBLY - TANK SIDE



NOTE: REPLACEMENT DECALS MUST BE ORDERED SEPERATELY - SEE DECALS SECTION FOR BREAKDOWN

ART_1001118361

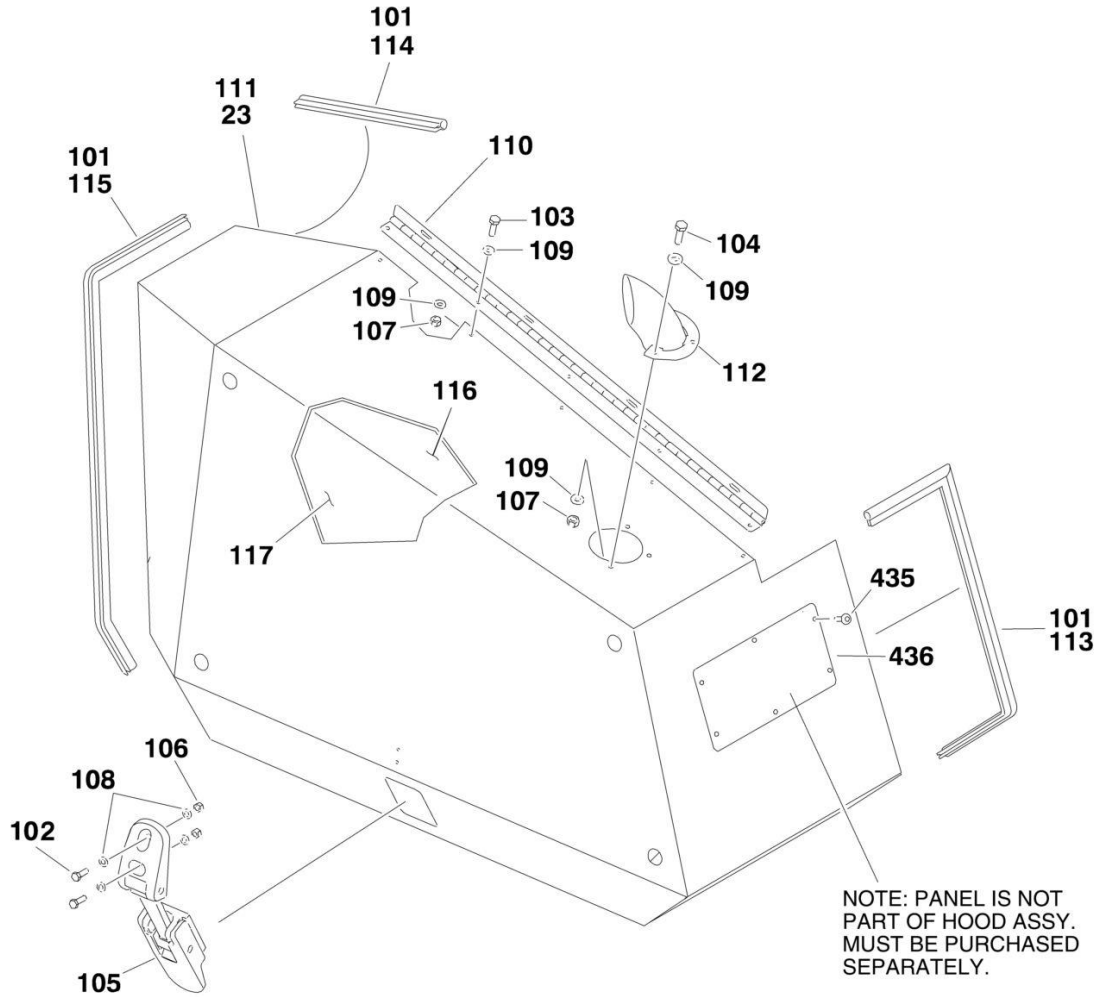
SECTION 2 - TURNTABLE

FIGURE 2-24. HOOD ASSEMBLY - TANK SIDE

ITEM	PART NUMBER	QTY	DESCRIPTION	REV
	1001118361	Ref	HOOD ASSEMBLY - TANK SIDE	B
201	0100081	AR	Adhesive	
202	0760508	2	Bolt M5 x 16	
203	0760608	5	Bolt M6 x 16	
204	2940109	1	Latch	
205	8290505	2	Nut M5	
206	8290605	5	Nut M6	
207	3520030	1	Plug, Hole	
208	4811600	4	Washer M5	
209	4811700	10	Washer M6	
210	1001117281	1	Hinge	
211	See Note	NSS	Hood, Replacement (Note: Use p/n 1001118361)	
212	1001119089	1	Seal	
213	1001119090	1	Seal	
214	1001119091	1	Seal	

SECTION 2 - TURNTABLE

FIGURE 2-25. HOOD ASSEMBLY - ENGINE SIDE



NOTE: REPLACEMENT DECALS MUST BE ORDERED SEPERATELY-SEE DECALS SECTION FOR BREAKDOWN

ART_1001147441

SECTION 2 - TURNTABLE

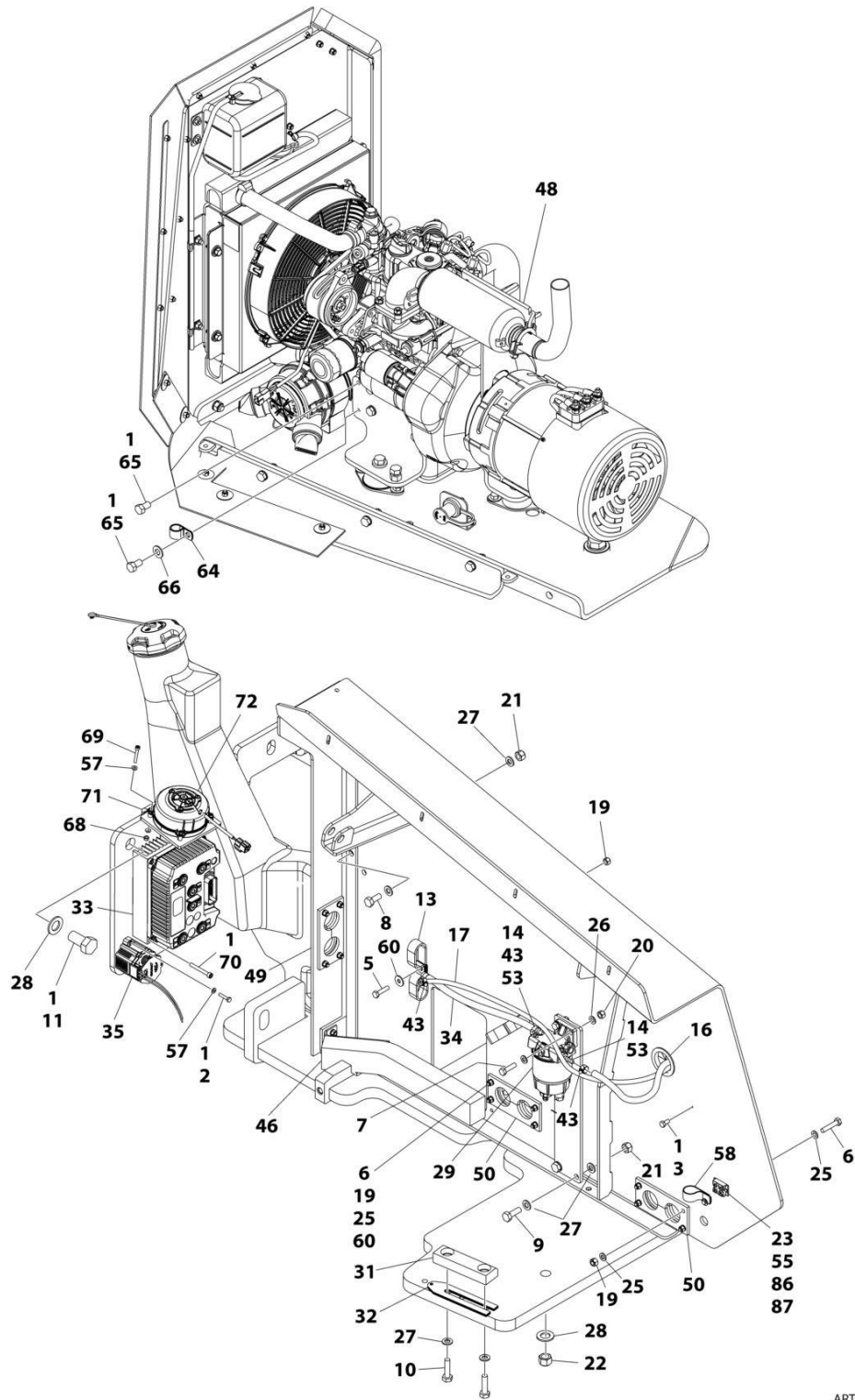
FIGURE 2-25. HOOD ASSEMBLY - ENGINE SIDE

ITEM	PART NUMBER	QTY	DESCRIPTION	REV
	1001147441	Ref	HOOD ASSEMBLY - ENGINE SIDE	A
101	0100081	AR	Adhesive	
102	0760508	2	Bolt M5 x 16	
103	0760608	5	Bolt M6 x 16	
104	0760610	3	Bolt M6 x 20	
105	2940109	1	Latch	
106	8290505	2	Nut M5	
107	8290605	8	Nut M6	
108	4811600	4	Washer M5	
109	4811700	16	Washer M6	
110	1001117281	1	Hinge	
111	See Note	NSS	Hood, Replacement (Note: Use p/n 1001147441)	
112	1001119077	1	Pipe, Exhaust	
113	1001119086	1	Seal	
114	1001119087	1	Seal	
115	1001119088	1	Seal	
116	1001147440	1	Insulate, Heat Shield	
117	1001120749	1	Insulate, Heat Shield	
435	2080040	10	Fastener, Huck	
436	1001137451	1	Panel (Note: Not Part of Hood Assembly. Must be Purchased separately.)	

SECTION 3 - ENGINE

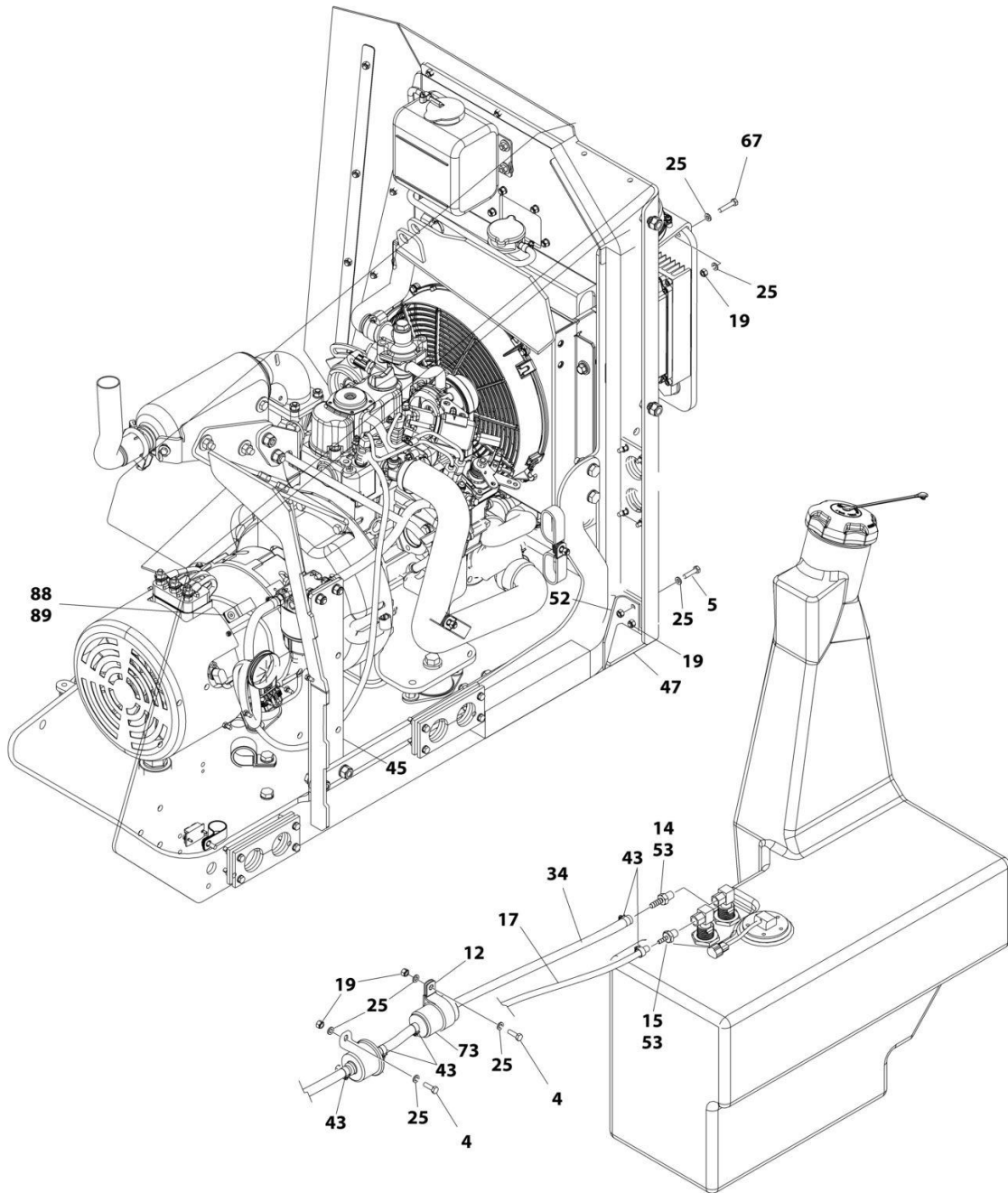
SECTION 3 - ENGINE

FIGURE 3-1. KUBOTA ENGINE INSTALLATION



ART_1001168098_10F3

SECTION 3 - ENGINE



ART_1001168098_2OF3

SECTION 3 - ENGINE

FIGURE 3-1. KUBOTA ENGINE INSTALLATION

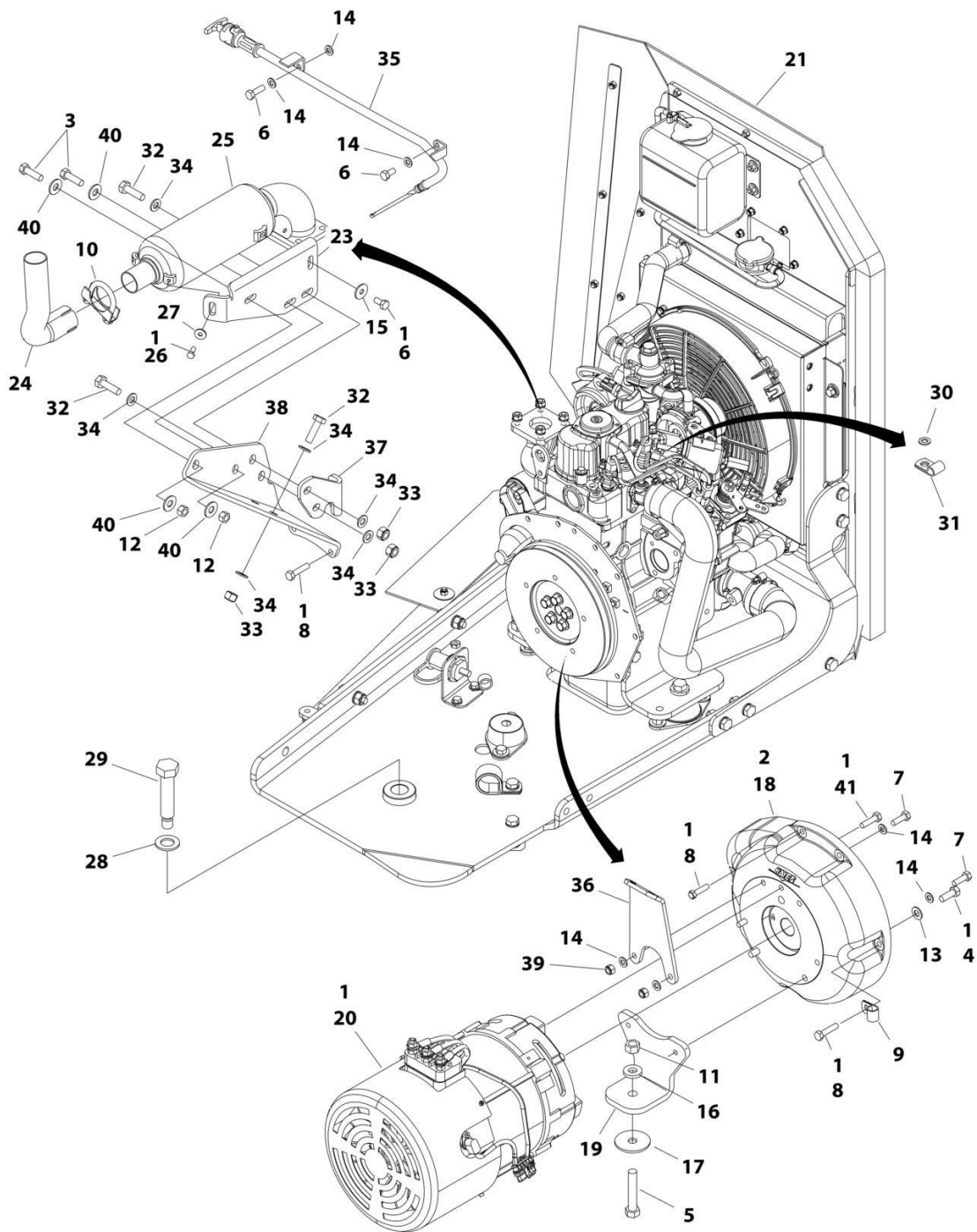
ITEM	PART NUMBER	QTY	DESCRIPTION	REV
	1001168098	Ref	KUBOTA ENGINE INSTALLATION	K
1	0100011	AR	Compound, Locking	
2	0760410	2	Bolt M4 X 20	
3	0760505	5	Bolt M5 X 10	
4	0760610	3	Bolt M6 X 20	
5	0760612	4	Bolt M6 X 25	
6	0760614	12	Bolt M6 X 30	
7	0760814	2	Bolt M8 X 30	
8	0761012	2	Bolt M10 X 25	
9	0761014	2	Bolt M10 X 30	
10	0761016	2	Bolt M10 X 40	
11	0762016	2	Bolt M20 x 40mm	
12	1320265	1	Clamp	
13	1321716	4	Clamp, Double	
14	2180348	3	Fitting NPT X BARB	
15	2180666	1	Fitting NPT X BARB	
16	2540045	1	Grommet	
17	2720271	70 in/1.6m	Hose	
19	3290605	21	Nut M6	
20	3290805	2	Nut M8	
21	3291005	4	Nut M10	
22	3291605	1	Nut M16	
23	0760306	2	Capscrew M3 X 12	
25	4811700	38	Washer M6	
26	4811900	4	Washer M8	
27	4812000	AR	Washer M10	
28	4812500	3	Washer M20	
29	1001190609	1	Fuel Filter/Water Separator Assembly	
29	70005293	1	Head, Mounting	
29	70005294	1	Plug, Vent	
29	70005296	1	Element & Gasket Kit (Includes Element, Head Gasket & Bowl O-Ring)	
29	70005295	1	Gasket, Head	
29	70005297	1	O-Ring, Bowl	
29	70002901	1	Bowl Kit - Water Separator (Includes Bowl, Drain & Plug)	
29	70004070	1	Drain, Self-Vented	
29	70004069	1	Plug, Drain	
31	1001120087	1	Pad, Wear	
32	1001120090	AR	Shim M1.5	
33	1001155934	1	Controller, Generator	
34	2720058	45 in/ 1.2m	Hose	
35	1001159665	1	Relay, Contactor	
42	1001168237	1	Plate, Mounting	
43	1320022	10	Clamp	
45	1001168236	1	Plate, Mounting	
46	1001168242	1	Seal, Foam	
47	1001168240	1	Shield, Rubber	
48	1001168216	1	Engine and Generator Assembly (See ENGINE AND GENERATOR ASSEMBLY for Breakdown) (Prior to SN	

SECTION 3 - ENGINE

ITEM	PART NUMBER	QTY	DESCRIPTION	REV
48	1001238241	1	0300255947) Engine and Generator Assembly (See ENGINE AND GENERATOR ASSEMBLY for Breakdown) (SN 0300255947 through 0300272288)	
49	1001168239	1	Bracket, Mounting	
50	1001168244	6	Shield, Cable	
52	1001168241	1	Bracket, Mounting	
53	0100020	AR	Sealant	
54	4240018	AR	Tie-Strap (Not Shown)	
55	1001159754	1	Module, Diode	
57	4811400	10	Washer M4	
58	1320130	1	Clamp	
60	4811702	2	Washer M6	
61	0100083	1	Grease, Terminal	
64	91043147	1	Support	
65	0641605	2	Bolt 3/8-16 X 5/8	
66	4711600	1	Washer 3/8	
67	0700614	2	Bolt M6 X 30	
68	3290405	4	Nut M4	
69	4031510	4	Capscrew M4 X 30	
70	4031714	4	Capscrew M6 X 50	
71	1001189105	1	Bracket	
72	1001189108	1	Fan, Controller Cooling	
73	1001190545	1	Strainer, Fuel	
86	3290301	2	Nut M3	
87	1001110544	2	Washer M3	
88	8406201	1	Clip	
89	1001091102	1	Washer M4	

SECTION 3 - ENGINE

FIGURE 3-2. KUBOTA ENGINE AND GENERATOR SUB-ASSEMBLY (Prior to SN 0300255947)



ART_1001168216

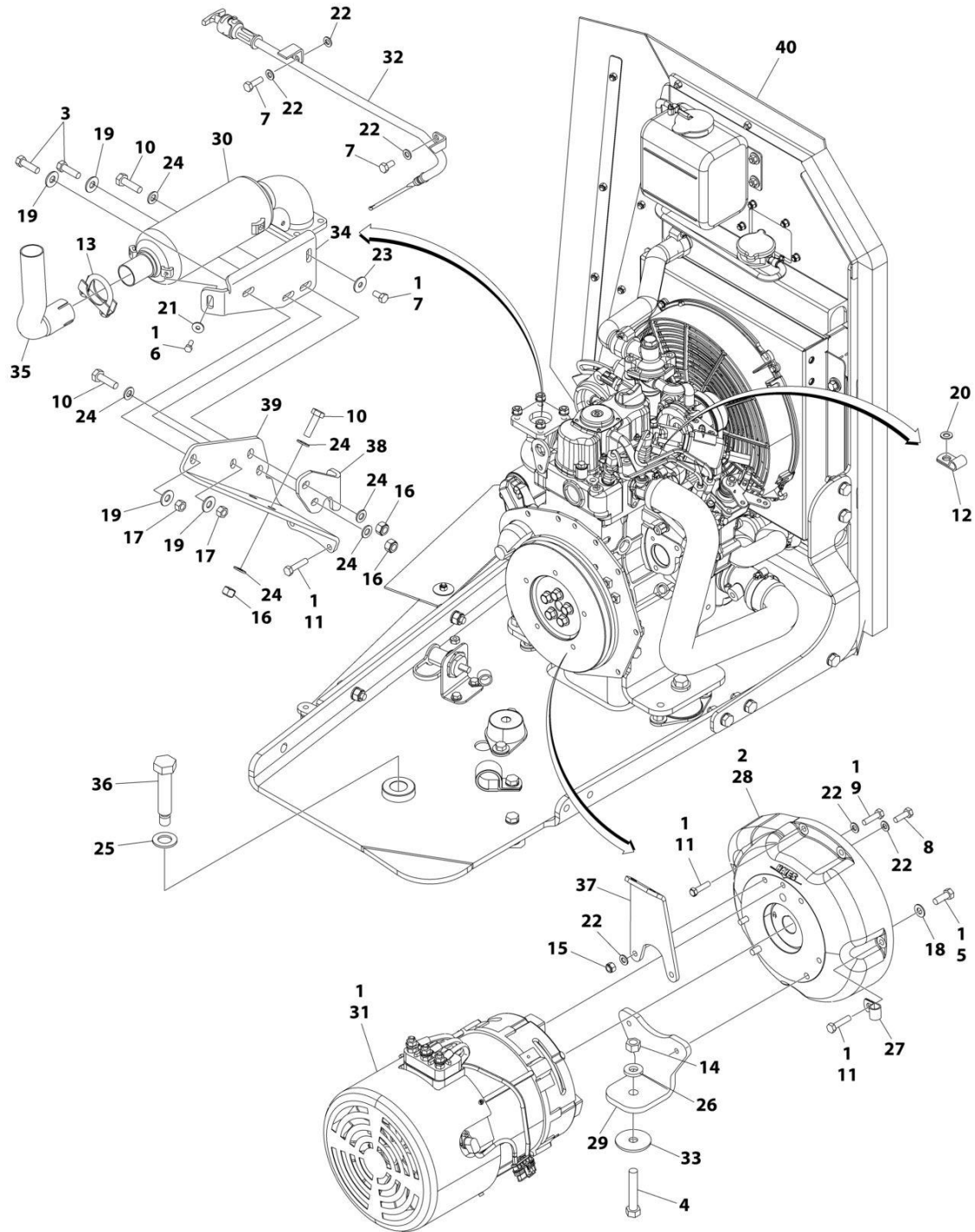
SECTION 3 - ENGINE

FIGURE 3-2. KUBOTA ENGINE AND GENERATOR SUB-ASSEMBLY (Prior to SN 0300255947)

ITEM	PART NUMBER	QTY	DESCRIPTION	REV
	1001168216	Ref	ENGINE AND GENERATOR SUB-ASSEMBLY	L
1	0100011	AR	Compound, Locking	
2	0100019	AR	Compound, Locking (Not Shown)	
3	0641610	2	Bolt 3/8-16 X 1-1/4	
4	0681608	2	Bolt 3/8-16 X 1 (Grade 8)	
5	0641822	1	Bolt 1/2-13 X 2-3/4	
6	0760808	2	Bolt M8 X 16	
7	0760812	4	Bolt M8 X 25	
8	0770815	3	Bolt M8 X 35 Grade 10.5	
9	85941016	1	Clamp	
10	1320274	1	Clamp	
11	3271801	1	Nut 1/2-13	
12	3311605	2	Nut 3/8-16	
13	4711600	2	Washer 3/8	
14	4811900	10	Washer M8	
15	4811902	1	Washer M8	
16	4891800	1	Washer 1/2	
17	1001168018	1	Washer	
18	1001157406	1	Engine Coupling Assembly (See ENGINE COUPLING ASSEMBLY for Breakdown)	
19	1001157903	1	Mount, Rear Engine	
20	1001165751	1	Generator Assembly (See GENERATOR ASSEMBLY for breakdown)	
21	1001168221	1	Engine Assembly without Generator (See ENGINE ASSEMBLY WITHOUT GENERATOR for Breakdown)	
23	1001168232	1	Bracket	
24	1001168233	1	Pipe, Exhaust	
25	1001162823	1	Muffler, Standard (Note: See separate figure for Optional Catalytic Muffler)	
26	0760608	1	Bolt M6 X 16	
27	4811702	1	Washer M6	
28	4812500	1	Washer M20	
29	1001176304	1	Bolt 2 x 80	
30	4811600	1	Washer M5	
31	1320136	1	Clamp	
32	0761015	4	Bolt M10 x 35	
33	3291005	4	Nut M10	
34	4812000	8	Washer M10	
35	1001167516	1	Dipstick	
36	1001189794	1	Bracket	
37	1001189795	1	Bracket	
38	1001189868	1	Bracket	
39	3290805	2	Nut M8	
40	4751600	4	Washer 3/8	
41	0760814	2	Bolt M8 x 30	

SECTION 3 - ENGINE

FIGURE 3-3. KUBOTA ENGINE AND GENERATOR SUB-ASSEMBLY (SN 0300255947 through 0300272288)



ART_1001238241

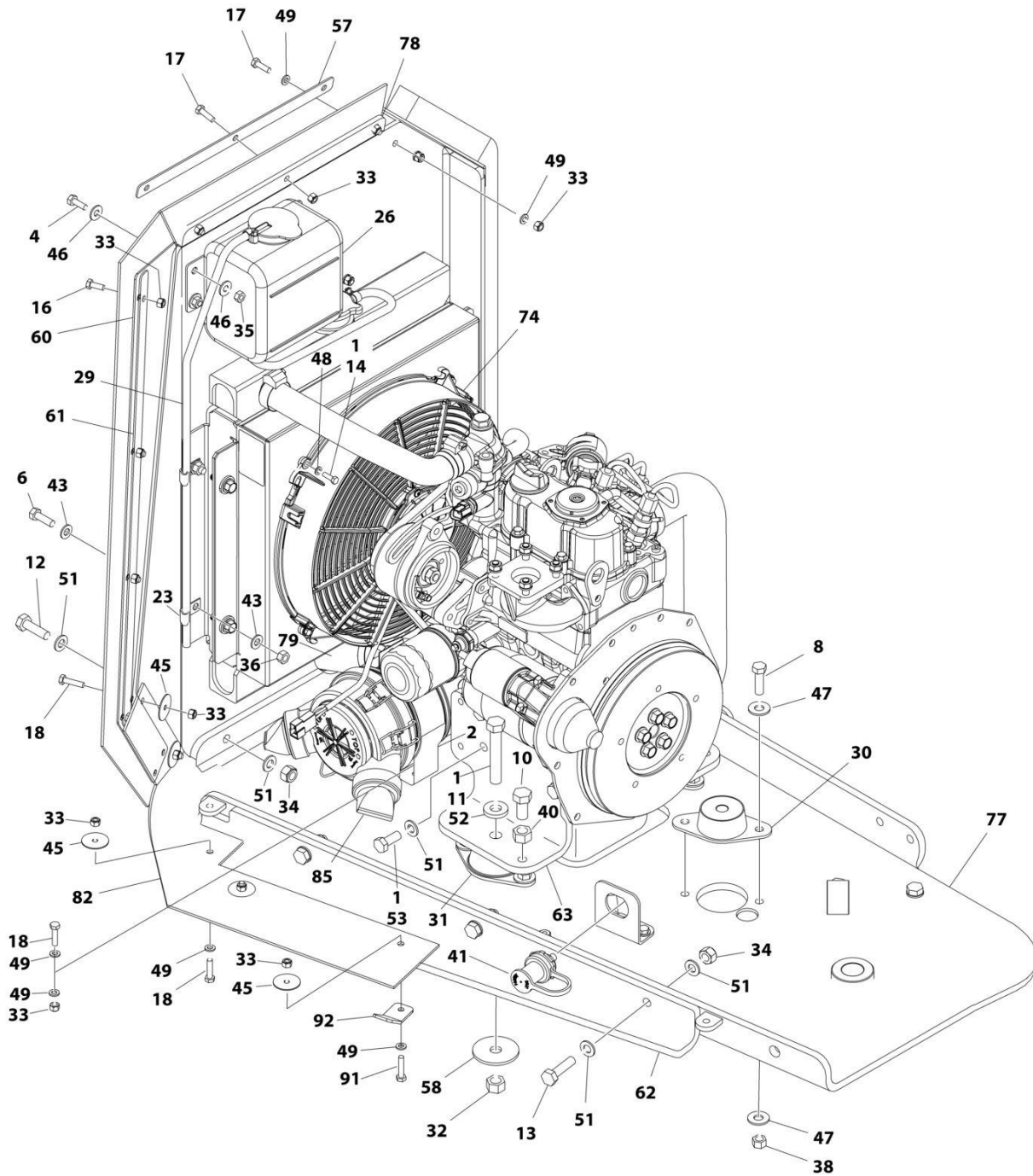
SECTION 3 - ENGINE

FIGURE 3-3. KUBOTA ENGINE AND GENERATOR SUB-ASSEMBLY (SN 0300255947 through 0300272288)

ITEM	PART NUMBER	QTY	DESCRIPTION	REV
	1001238241	Ref	KUBOTA ENGINE AND GENERATOR SUB-ASSEMBLY	A
1	0100011	AR	Compound, Locking	
2	0100019	AR	Compound, Locking (Not Shown)	
3	0641610	2	Bolt 3/8-16 X 1-1/4	
4	0641822	1	Bolt 1/2-13 X 2-3/4	
5	0681608	2	Bolt 3/8-16 X 1 (Grade 8)	
6	0760608	1	Bolt M6 X 16	
7	0760808	2	Bolt M8 X 16	
8	0760812	4	Bolt M8 X 25	
9	0760814	2	Bolt M8 x 30	
10	0761015	4	Bolt M10 x 35	
11	0770815	3	Bolt M8 X 35 Grade 10.5	
12	1320136	1	Clamp	
13	1320274	1	Clamp	
14	3271801	1	Nut 1/2-13	
15	3290805	2	Nut M8	
16	3291005	4	Nut M10	
17	3311605	2	Nut 3/8-16	
18	4711600	2	Washer 3/8	
19	4751600	4	Washer 3/8	
20	4811600	1	Washer M5	
21	4811702	1	Washer M6	
22	4811900	10	Washer M8	
23	4811902	1	Washer M8	
24	4812000	8	Washer M10	
25	4812500	1	Washer M20	
26	4891800	1	Washer 1/2	
27	85941016	1	Clamp	
28	1001157406	1	Engine Coupling Assembly (See ENGINE COUPLING ASSEMBLY for Breakdown)	
29	1001157903	1	Mount, Rear Engine	
30	1001162823	1	Muffler, Standard	
31	1001165751	1	Generator Assembly (See GENERATOR ASSEMBLY for breakdown)	
32	1001167516	1	Dipstick	
33	1001168018	1	Washer	
34	1001168232	1	Bracket	
35	1001168233	1	Pipe, Exhaust	
36	1001176304	1	Bolt 2 x 80	
37	1001189794	1	Bracket	
38	1001189795	1	Bracket	
39	1001189868	1	Bracket	
40	1001238239	1	Engine Assembly without Generator (See ENGINE ASSEMBLY WITHOUT GENERATOR for Breakdown)	

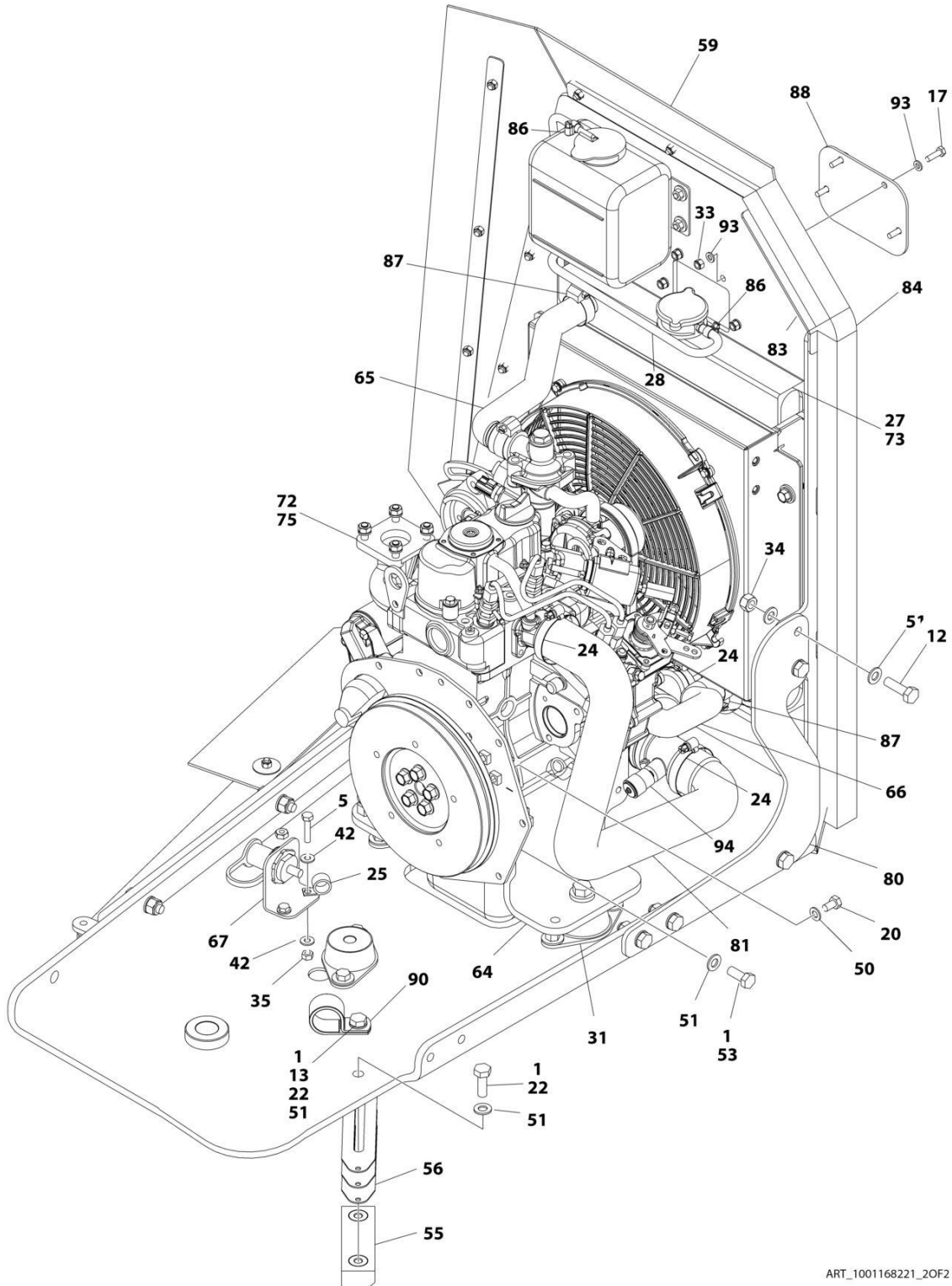
SECTION 3 - ENGINE

FIGURE 3-4. KUBOTA ENGINE ASSEMBLY (Prior to SN 0300255947)



ART_1001168221_10F2

SECTION 3 - ENGINE



ART_1001168221_2OF2

SECTION 3 - ENGINE

FIGURE 3-4. KUBOTA ENGINE ASSEMBLY (Prior to SN 0300255947)

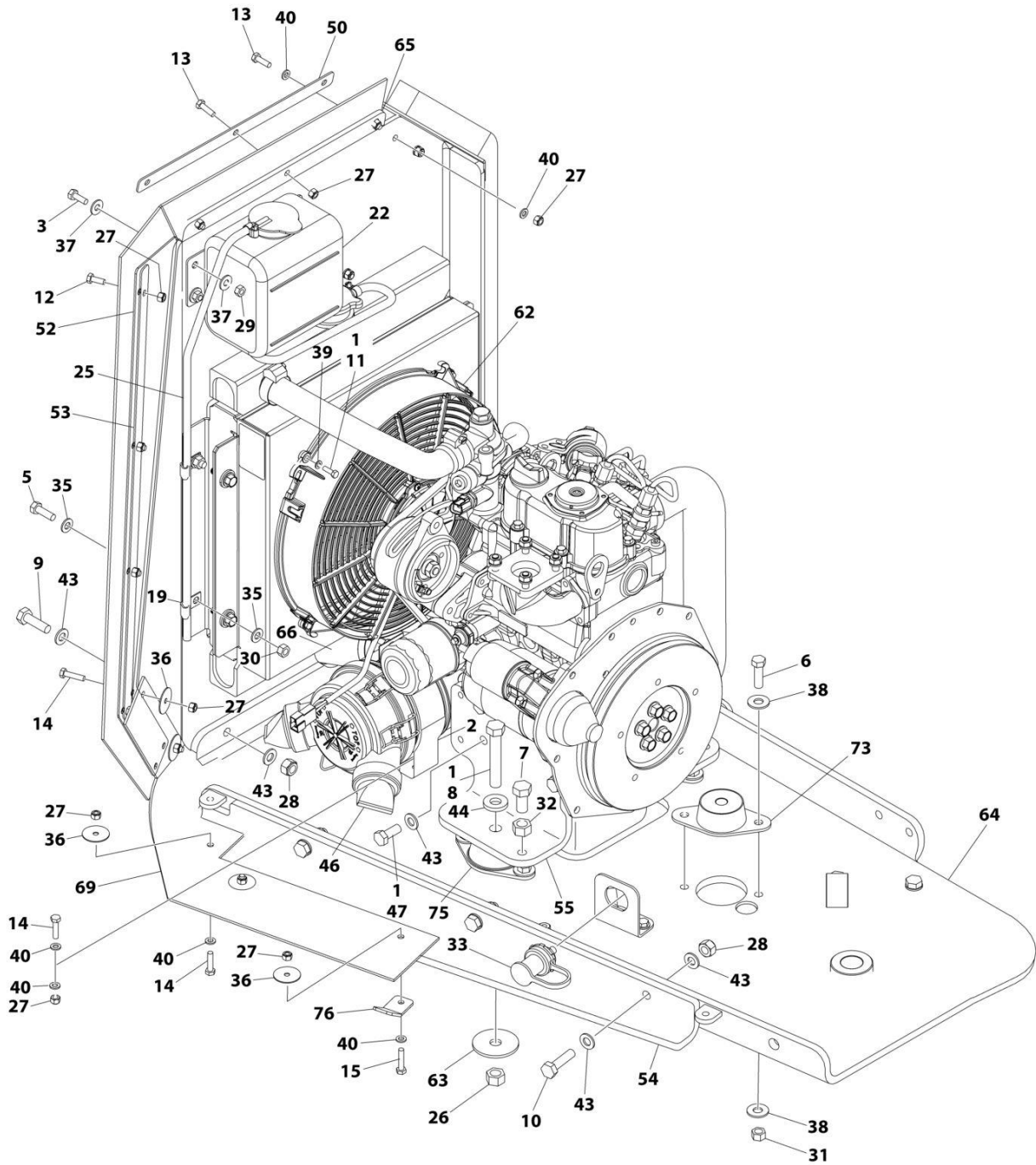
ITEM	PART NUMBER	QTY	DESCRIPTION	REV
	1001168221	Ref	KUBOTA ENGINE ASSEMBLY	L
1	0100011	AR	Compound, Locking	
2	0340045	1	Band, Mounting	
4	0641406	4	Bolt 1/4-20 X 3/4	
5	0641410	2	Bolt 1/4-20 X 1-1/4	
6	0641508	4	Bolt 5/16-18 X 1	
7	0641520	1	Bolt 5/16-18 X 2-1/2	
8	0641610	6	Bolt 3/8-16 X 1-1/4	
10	0641808	1	Bolt 1/2-13 X 1	
11	0641824	2	Bolt 1/2-13 X 3	
12	0701015	5	Bolt M10 X 35	
13	0701016	4	Bolt M10 X 40	
14	0760508	4	Bolt M5 X 16	
16	0760608	5	Bolt M6 X 16	
17	0760610	12	Bolt M6 X 20	
18	0760612	5	Bolt M6 X 25	
20	0760807	2	Bolt M8 X 14	
22	0761014	1	Bolt M10 X 30	
23	1320222	2	Clamp	
24	1321682	3	Clamp	
25	1320224	1	Clamp	
26	1580011	1	Tank, Overflow	
27	2300004	AR	Coolant	
28	2720058	20 in/ 51cm	Hose	
29	2720271	29 in/ 74cm	Hose	
30	1001170571	1	Mount, Motor	
31	1001187235	2	Mount, Motor	
32	3271801	2	Nut 1/2-13	
33	3290605	24	Nut M6	
34	3291005	10	Nut M10	
35	3311405	6	Nut 1/4-20	
36	3311501	4	Nut 5/16-18	
37	3311505	2	Nut 5/16-18	
38	3311605	6	Nut 3/8-16	
40	3311801	1	Nut 1/2-13	
41	4460611	1	Terminal, Battery	
42	4711400	4	Washer 1/4	
43	4711500	8	Washer 5/16	
45	4740362	5	Washer 1/4	
46	4751400	8	Washer 1/4	
47	4751600	12	Washer 3/8	
48	4811600	4	Washer M5	
49	4811700	11	Washer M6	
50	4811900	2	Washer M8	
51	4812000	30	Washer M10	
52	4891800	2	Washer 1/2	
53	1001118746	8	Bolt M10 X 25	
55	1001120087	1	Pad, Wear	

SECTION 3 - ENGINE

ITEM	PART NUMBER	QTY	DESCRIPTION	REV
56	1001120090	3	Shim M1.5	
57	1001123018	1	Plate, Support	
58	1001168018	2	Washer	
59	1001147365	1	Seal	
60	1001147642	1	Plate, Support	
61	1001147643	1	Plate, Support	
62	1001148975	1	Plate	
63	1001156603	1	Bracket, Engine Mounting (LH)	
64	1001156604	1	Bracket, Engine Mounting (RH)	
65	1001158075	1	Hose, Radiator (Top)	
66	1001158076	1	Hose, Radiator (Bottom)	
67	1001158314	1	Mount, Battery Post	
72	1001159301	AR	Oil, Engine	
73	1001159664	1	Radiator	
73	70004796	1	Cap, Radiator	
74	1001163363	1	Fan	
75	1001166467	1	Engine, Kubota (See KUBOTA ENGINE COMPONENTS for Breakdown)	
77	1001168222	1	Tray	
78	1001168224	1	Mount, Radiator	
79	1001168225	1	Hose	
80	1001168226	1	Gusset	
81	1001168227	1	Hose	
82	1001168228	1	Shield, Rubber	
83	1001168229	1	Bracket	
84	1001168230	1	Seal	
85	1001118280	1	Air Filter Assembly	
85	7015004	1	Element, Air Filter	
85	1340069	1	Valve, Vacuum	
85	7015005	1	Cover	
86	1320022	3	Clamp	
87	8405102	4	Clamp	
88	1001168238	1	Plate	
90	85031405	1	Clamp (Prior to SN 0300222893)	
91	0760613	2	Bolt M6 X 28	
92	1001202223	2	Bracket	
93	4811702	8	Washer M8	
94	1001170981	1	Indicator, Air Intake Restriction (SN 0300236472 through 0300255947)	

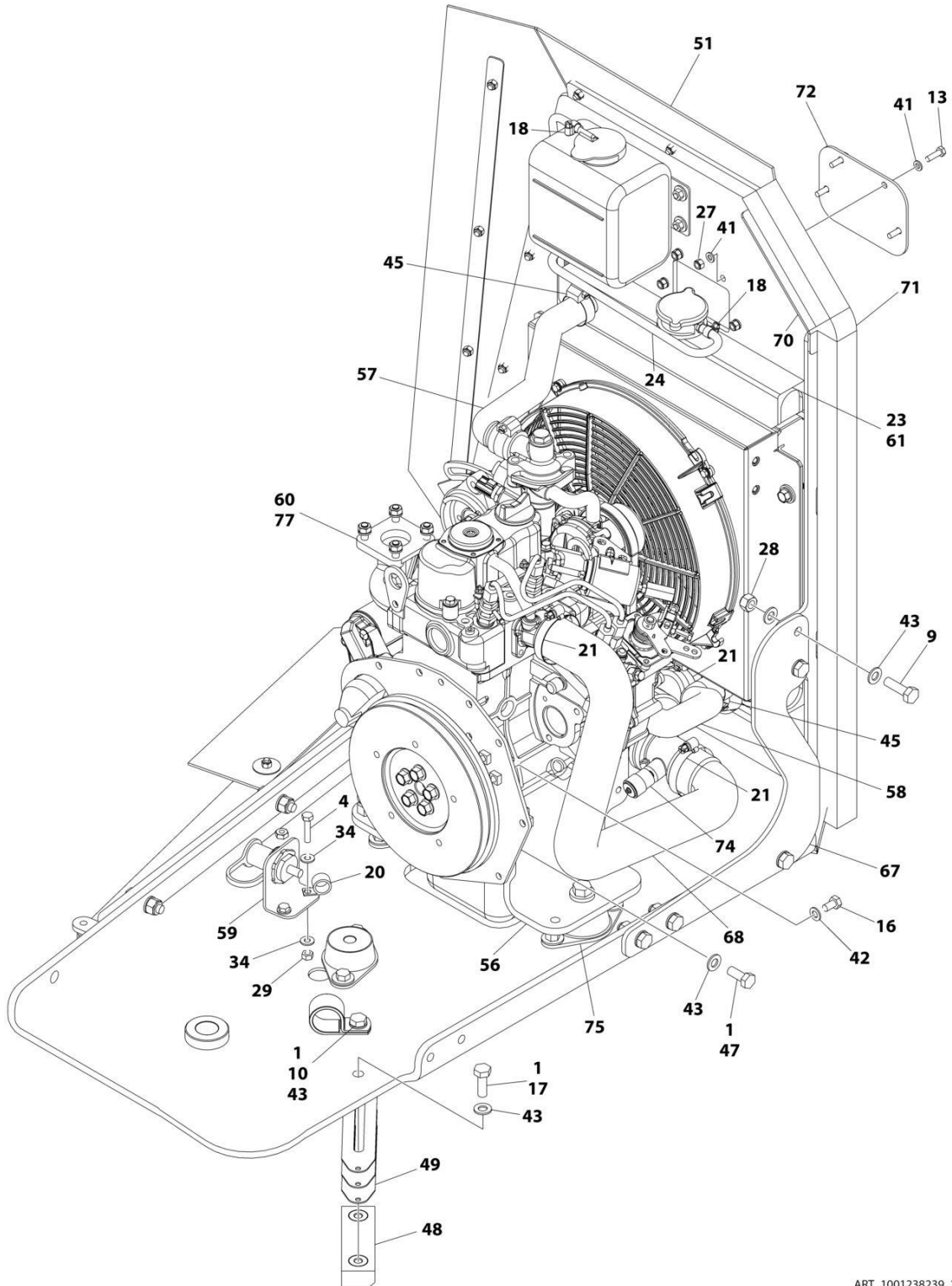
SECTION 3 - ENGINE

FIGURE 3-5. KUBOTA ENGINE ASSEMBLY (SN 0300255947 through 0300272288)



ART_1001238239_10F2

SECTION 3 - ENGINE



ART_1001238239_2OF2

SECTION 3 - ENGINE

FIGURE 3-5. KUBOTA ENGINE ASSEMBLY (SN 0300255947 through 0300272288)

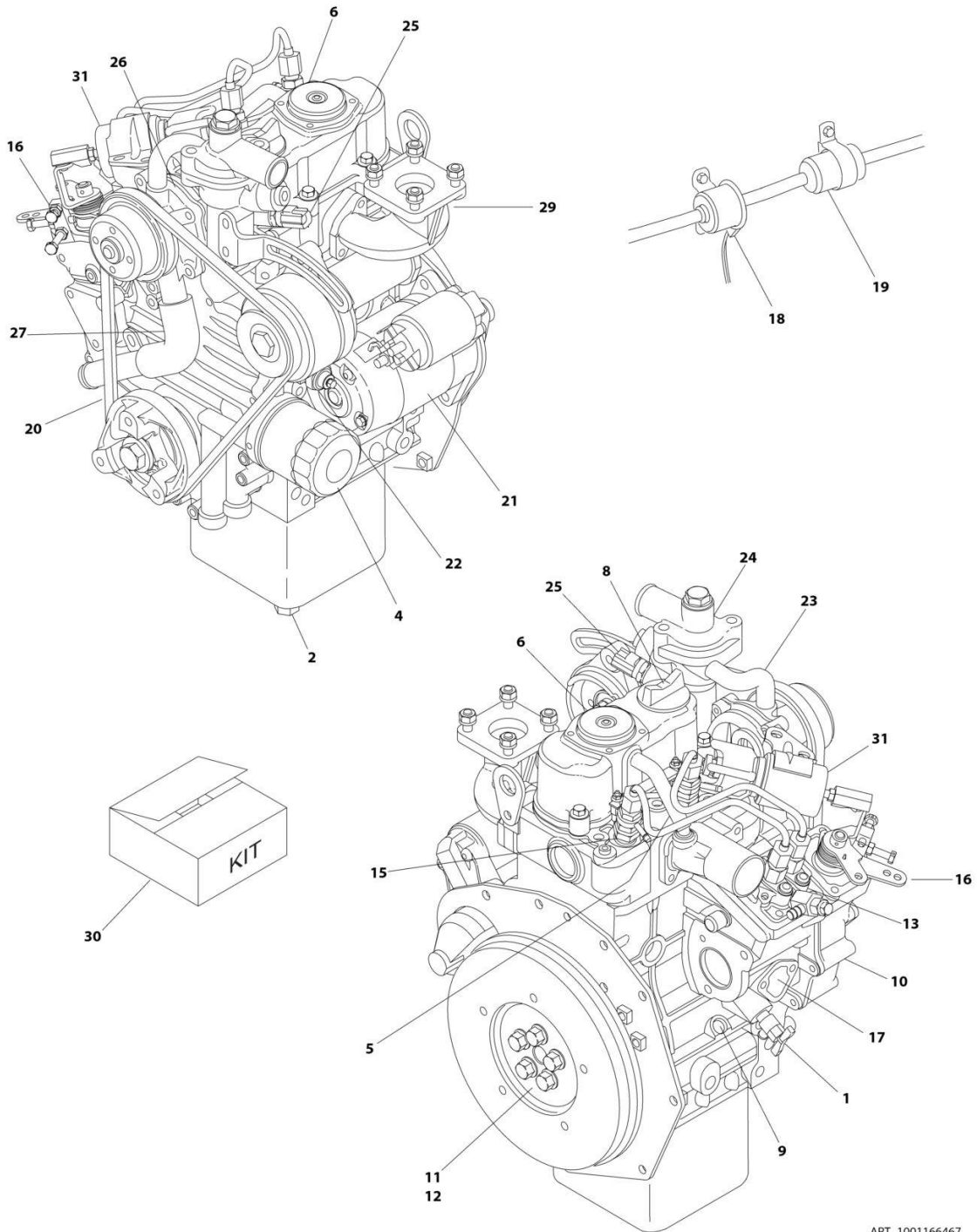
ITEM	PART NUMBER	QTY	DESCRIPTION	REV
	1001238239	Ref	KUBOTA ENGINE ASSEMBLY	A
1	0100011	AR	Compound, Locking	
2	0340045	1	Band, Mounting	
3	0641406	4	Bolt 1/4-20 X 3/4	
4	0641410	2	Bolt 1/4-20 X 1-1/4	
5	0641508	4	Bolt 5/16-18 X 1	
6	0641610	6	Bolt 3/8-16 X 1-1/4	
7	0641808	1	Bolt 1/2-13 X 1	
8	0641824	2	Bolt 1/2-13 X 3	
9	0701015	5	Bolt M10 X 35	
10	0701016	4	Bolt M10 X 40	
11	0760508	4	Bolt M5 X 16	
12	0760608	5	Bolt M6 X 16	
13	0760610	12	Bolt M6 X 20	
14	0760612	5	Bolt M6 X 25	
15	0760613	2	Bolt M6 X 28	
16	0760807	2	Bolt M8 X 14	
17	0761014	1	Bolt M10 X 30	
18	1320022	3	Clamp	
19	1320222	2	Clamp	
20	1320224	1	Clamp	
21	1321682	3	Clamp	
22	1580011	1	Tank, Overflow	
23	2300004	AR	Coolant	
24	2720058	20 in/ 51cm	Hose	
25	2720271	29 in/ 74cm	Hose	
26	3271801	2	Nut 1/2-13	
27	3290605	24	Nut M6	
28	3291005	10	Nut M10	
29	3311405	6	Nut 1/4-20	
30	3311501	4	Nut 5/16-18	
31	3311605	6	Nut 3/8-16	
32	3311801	1	Nut 1/2-13	
33	4460611	1	Terminal, Battery	
34	4711400	4	Washer 1/4	
35	4711500	8	Washer 5/16	
36	4740362	5	Washer 1/4	
37	4751400	8	Washer 1/4	
38	4751600	12	Washer 3/8	
39	4811600	4	Washer M5	
40	4811700	11	Washer M6	
41	4811702	8	Washer M8	
42	4811900	2	Washer M8	
43	4812000	30	Washer M10	
44	4891800	2	Washer 1/2	
45	8405102	4	Clamp	
46	1001118280	1	Air Filter Assembly	
46	7015004	1	Element, Air Filter	

SECTION 3 - ENGINE

ITEM	PART NUMBER	QTY	DESCRIPTION	REV
46	1340069	1	Valve, Vacuum	
46	7015005	1	Cover	
47	1001118746	8	Bolt M10 X 25	
48	1001120087	1	Pad, Wear	
49	1001120090	3	Shim M1.5	
50	1001123018	1	Plate, Support	
51	1001147365	1	Seal	
52	1001147642	1	Plate, Support	
53	1001147643	1	Plate, Support	
54	1001148975	1	Plate	
55	1001156603	1	Bracket, Engine Mounting (LH)	
56	1001156604	1	Bracket, Engine Mounting (RH)	
57	1001158075	1	Hose, Radiator (Top)	
58	1001158076	1	Hose, Radiator (Bottom)	
59	1001158314	1	Mount, Battery Post	
60	1001159301	AR	Oil, Engine	
61	1001159664	1	Radiator	
61	70004796	1	Cap, Radiator	
62	1001163363	1	Fan	
63	1001168018	2	Washer	
64	1001168222	1	Tray	
65	1001168224	1	Mount, Radiator	
66	1001168225	1	Hose	
67	1001168226	1	Gusset	
68	1001168227	1	Hose	
69	1001168228	1	Shield, Rubber	
70	1001168229	1	Bracket	
71	1001168230	1	Seal	
72	1001168238	1	Plate	
73	1001170571	1	Mount, Motor	
74	1001170981	1	Indicator, Air Intake Restriction	
75	1001187235	2	Mount, Motor	
76	1001202223	2	Bracket	
77	1001238238	1	Engine, Kubota (See KUBOTA ENGINE COMPONENTS for Breakdown)	

SECTION 3 - ENGINE

FIGURE 3-6. KUBOTA ENGINE COMPONENTS (Prior to SN 0300255947)



ART_1001166467

SECTION 3 - ENGINE

FIGURE 3-6. KUBOTA ENGINE COMPONENTS (Prior to SN 0300255947)

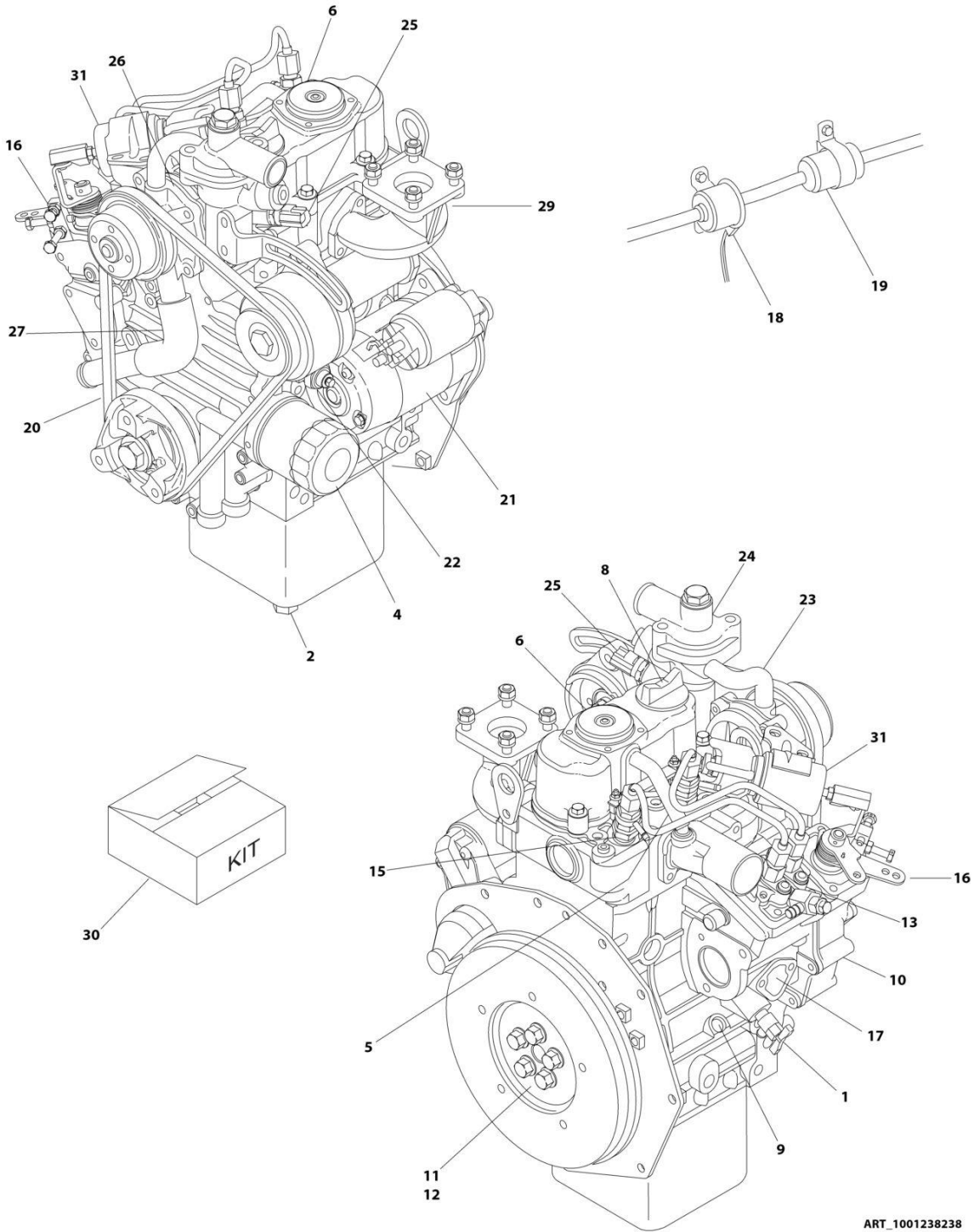
ITEM	PART NUMBER	QTY	DESCRIPTION	REV
	1001166467	Ref	KUBOTA ENGINE COMPONENTS	E
1	70004524	1	Valve, Drain	
2	7023154	1	Plug, Drain	
2	70002315	1	Gasket, Oil Pan Drain	
3	70004828	1	Gasket, Cylinder Head (Not Shown)	
4	7017980	1	Filter, Oil	
4	7017914	1	Fitting, Oil Filter	
5	70004829	1	Pipe (Inserts into Valve Cover)	
5	70004832	1	Tube, Breather	
5	70004855	1	Pipe (Inserts into Inlet Manifold)	
6	70003060	1	Valve, Breather Compensation	
6	70003061	1	Cover, Breather	
6	7017934	4	Screw	
7	70004830	1	Gasket, Cylinder Head (Not Shown)	
8	70002318	1	Cap, Oil Fill	
8	70004311	1	O-Ring, Oil Filler Cap	
9	1001167516	1	Dipstick	
10	70004294	1	Pump, Oil	
10	70004295	1	Gasket, Oil Pump	
10	70004296	1	Key, Oil Pump Shaft	
11	7017982	1	Gasket, Rear Bearing Case	
11	7017983	1	Seal, Rear Main	
11	7017984	1	Gasket, Rear Case	
12	70004833	1	Flywheel Assembly (Includes Ring Gear)	
12	70004297	1	Ring Gear	
12	70004834	5	Bolt, Flywheel	
13	70004836	1	Injection Pump Assembly	
13	70004837	AR	Shim .175mm	
13	70004838	AR	Shim .200mm	
13	70004839	AR	Shim .250mm	
13	70004840	AR	Shim .300mm	
13	70004841	AR	Shim .350mm	
14	7017988	1	Gasket, Speed Control Plate (Not Shown)	
15	70004540	2	Nut	
15	7023167	2	Gasket, Nozzle	
15	7023168	2	Seal, Nozzle Heat	
15	70004539	1	Pipe, Overflow (Includes Clips)	
15	70004537	1	Screw, Air Bleeder	
15	70004538	1	Gasket, Bleeder Screw	
15	70004398	2	Glow Plug	
16	70004843	1	Spring, Start	
16	70004844	1	Spring	
16	70004846	1	Spring, Governer	
16	70004847	1	Fork Assembly	
17	70004849	1	Pump, Fuel	
17	7017995	1	Gasket, Fuel Pump	
17	70004848	2	Bolt, Fuel Pump	
18	70005228	1	Pump, Electric Fuel	
19	7017992	1	Filter, Inline Fuel	
20	7023107	1	V-Belt	

SECTION 3 - ENGINE

ITEM	PART NUMBER	QTY	DESCRIPTION	REV
21	70006008	1	Starter	
21	70004305	1	Switch, Starter	
22	7017901	1	Switch, Oil	
23	70004829	1	Pipe, Water Return (Short)	
23	70004851	1	Pipe, Water Return (Long)	
24	70004852	1	Cover, Thermostat/Water Outlet	
24	7023170	1	Thermostat	
24	7023114	1	Gasket, Thermostat	
24	70004306	1	Gasket, Water Flange to Cylinder Head	
25	70003064	1	Sensor, Water Temperature	
25	70003063	1	Seal, Water Temperature Sensor	
26	70004853	1	Pump, Water	
26	70004854	1	Gasket, Water Pump to Block	
27	70004912	1	Hose	
27	70004913	2	Clamp, Band	
28	70004856	1	Gasket, Inlet Manifold (Not Shown)	
29	7023124	1	Gasket, Exhaust Manifold to Muffler	
29	70004859	4	Stud (Manifold to Muffler)	
29	70004857	1	Gasket, Exhaust (Manifold to Cylinder Head)	
29	70004858	4	Stud (Manifold to Cylinder Head)	
30	70004860	1	Gasket Kit - Upper	
30	70004861	1	Gasket Kit - Lower	
31	70006007	1	Solenoid, Stop	

SECTION 3 - ENGINE

FIGURE 3-7. KUBOTA ENGINE COMPONENTS (SN 0300255947 through 0300272288)



ART_1001238238

SECTION 3 - ENGINE

FIGURE 3-7. KUBOTA ENGINE COMPONENTS (SN 0300255947 through 0300272288)

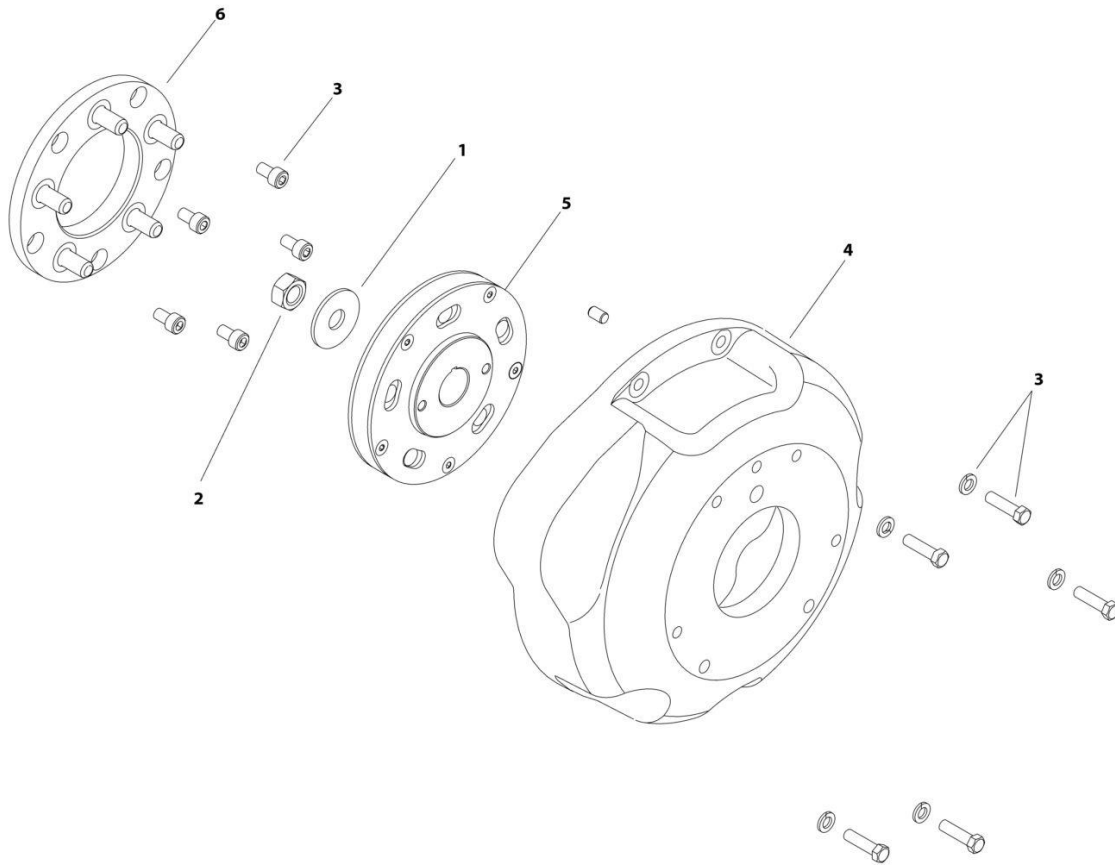
ITEM	PART NUMBER	QTY	DESCRIPTION	REV
	1001238238	Ref	KUBOTA ENGINE COMPONENTS	A
1	70004524	1	Valve, Drain	
2	7023154	1	Plug, Drain	
2	70002315	1	Gasket, Oil Pan Drain	
3	70004828	1	Gasket, Cylinder Head (Not Shown)	
4	7017980	1	Filter, Oil	
4	7017914	1	Fitting, Oil Filter	
5	70004829	1	Pipe (Inserts into Valve Cover)	
5	70004832	1	Tube, Breather	
5	70004855	1	Pipe (Inserts into Inlet Manifold)	
6	70003060	1	Valve, Breather Compensation	
6	70003061	1	Cover, Breather	
6	7017934	4	Screw	
7	70004830	1	Gasket, Cylinder Head (Not Shown)	
8	70002318	1	Cap, Oil Fill	
8	70004311	1	O-Ring, Oil Filler Cap	
9	1001167516	1	Dipstick	
10	70004294	1	Pump, Oil	
10	70004295	1	Gasket, Oil Pump	
10	70004296	1	Key, Oil Pump Shaft	
11	7017982	1	Gasket, Rear Bearing Case	
11	7017983	1	Seal, Rear Main	
11	7017984	1	Gasket, Rear Case	
12	70004833	1	Flywheel Assembly (Includes Ring Gear)	
12	70004297	1	Ring Gear	
12	70004834	5	Bolt, Flywheel	
13	70004836	1	Injection Pump Assembly	
13	70004837	AR	Shim .175mm	
13	70004838	AR	Shim .200mm	
13	70004839	AR	Shim .250mm	
13	70004840	AR	Shim .300mm	
13	70004841	AR	Shim .350mm	
14	7017988	1	Gasket, Speed Control Plate (Not Shown)	
15	70004540	2	Nut	
15	7023167	2	Gasket, Nozzle	
15	7023168	2	Seal, Nozzle Heat	
15	70004539	1	Pipe, Overflow (Includes Clips)	
15	70004537	1	Screw, Air Bleeder	
15	70004538	1	Gasket, Bleeder Screw	
15	70004398	2	Glow Plug	
16	70004843	1	Spring, Start	
16	70004844	1	Spring	
16	70004846	1	Spring, Governor	
16	70004847	1	Fork Assembly	
17	70004849	1	Pump, Fuel	
17	7017995	1	Gasket, Fuel Pump	
17	70004848	2	Bolt, Fuel Pump	
18	70005228	1	Pump, Electric Fuel	
19	7017992	1	Filter, Inline Fuel	
20	7023107	1	V-Belt	

SECTION 3 - ENGINE

ITEM	PART NUMBER	QTY	DESCRIPTION	REV
21	70006008	1	Starter	
21	70004305	1	Switch, Starter	
22	7017901	1	Switch, Oil	
23	70004829	1	Pipe, Water Return (Short)	
23	70004851	1	Pipe, Water Return (Long)	
24	70004852	1	Cover, Thermostat/Water Outlet	
24	7023170	1	Thermostat	
24	7023114	1	Gasket, Thermostat	
24	70004306	1	Gasket, Water Flange to Cylinder Head	
25	70003064	1	Sensor, Water Temperature	
25	70003063	1	Seal, Water Temperature Sensor	
26	70004853	1	Pump, Water	
26	70004854	1	Gasket, Water Pump to Block	
27	70004912	1	Hose	
27	70004913	2	Clamp, Band	
28	70004856	1	Gasket, Inlet Manifold (Not Shown)	
29	7023124	1	Gasket, Exhaust Manifold to Muffler	
29	70004859	4	Stud (Manifold to Muffler)	
29	70004857	1	Gasket, Exhaust (Manifold to Cylinder Head)	
29	70004858	4	Stud (Manifold to Cylinder Head)	
30	70004860	1	Gasket Kit - Upper	
30	70004861	1	Gasket Kit - Lower	
31	70006007	1	Solenoid, Stop	

SECTION 3 - ENGINE

FIGURE 3-8. ENGINE COUPLING ASSEMBLY



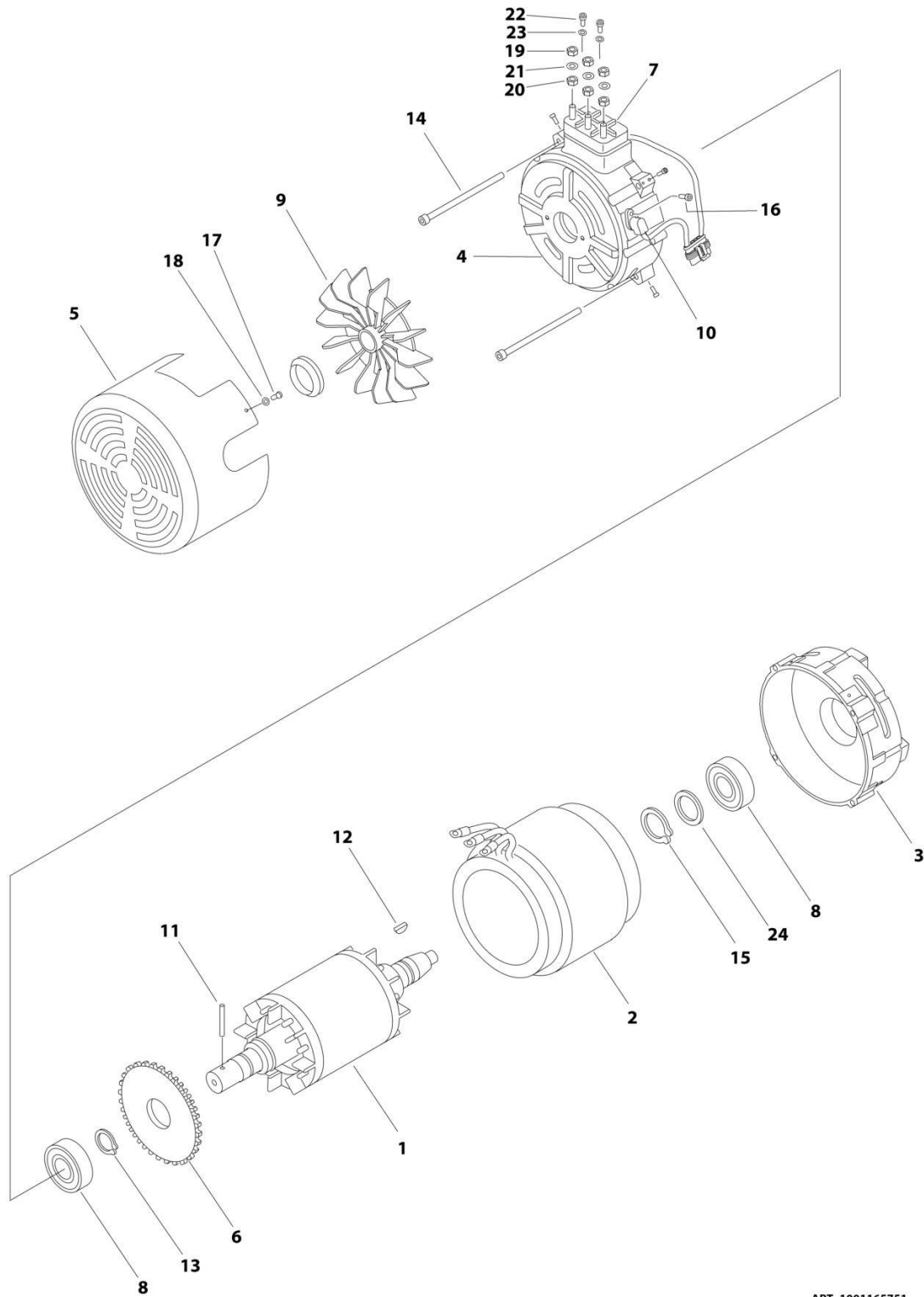
ART_1001157406

FIGURE 3-8. ENGINE COUPLING ASSEMBLY

ITEM	PART NUMBER	QTY	DESCRIPTION	REV
	1001157406	Ref	ENGINE COUPLING ASSEMBLY	B
1	See Note	1	Washer M14 (Note: Not Available - Purchase Locally)	
2	See Note	1	Nut M14 (Note: Not Available - Purchase Locally)	
3	70004790	1	Bolt Kit (Includes qty 5 each of M8 Lockwashers, 16mm Length Capscrews & 30mm Length Capscrews)	
4	70004791	1	Cover, Coupling	
5	70004792	1	Hub Coupling Assembly	
6	70004793	1	Plate, Mounting	

SECTION 3 - ENGINE

FIGURE 3-9. GENERATOR ASSEMBLY



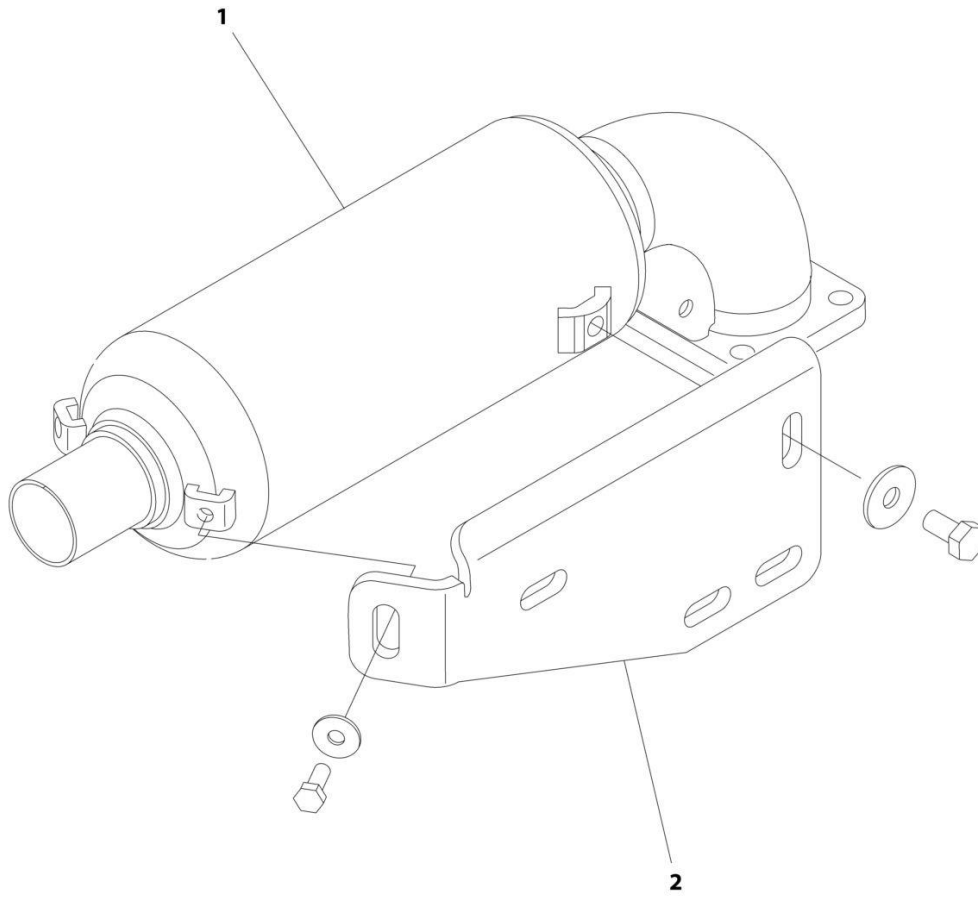
ART_1001165751

FIGURE 3-9. GENERATOR ASSEMBLY

ITEM	PART NUMBER	QTY	DESCRIPTION	REV
	1001165751	Ref	GENERATOR ASSEMBLY	C
1	70004984	1	Rotor	
2	70004985	1	Stator	
3	70004986	1	Flange	
4	70004987	1	Flange	
5	70004988	1	Cover, Fan	
6	70004989	1	Wheel, Impulse	
7	70004990	1	Block, Terminal	
8	70004991	1	Bearing	
9	70004992	1	Fan with Lock Ring	
10	70004993	1	Sensor	
11	70004994	1	Rollpin	
12	70004995	1	Key	
13	70004996	1	Ring, Retaining	
14	70004997	4	Screw M8 x 150	
15	70004998	1	Ring, Retaining	
16	70004999	1	Screw M6 x 16	
17	70005000	4	Screw M5 x 8	
18	70005001	4	Washer M5	
19	70005002	3	Nut M8	
20	70005003	3	Nut M8	
21	70005004	3	Spacer	
22	70005005	2	Screw M8 x 16	
23	70005006	2	Washer	
24	70005007	1	Ring	

SECTION 3 - ENGINE

FIGURE 3-10. CATALYTIC MUFFLER INSTALLATION - OPTIONAL



ART_1001169719

SECTION 3 - ENGINE

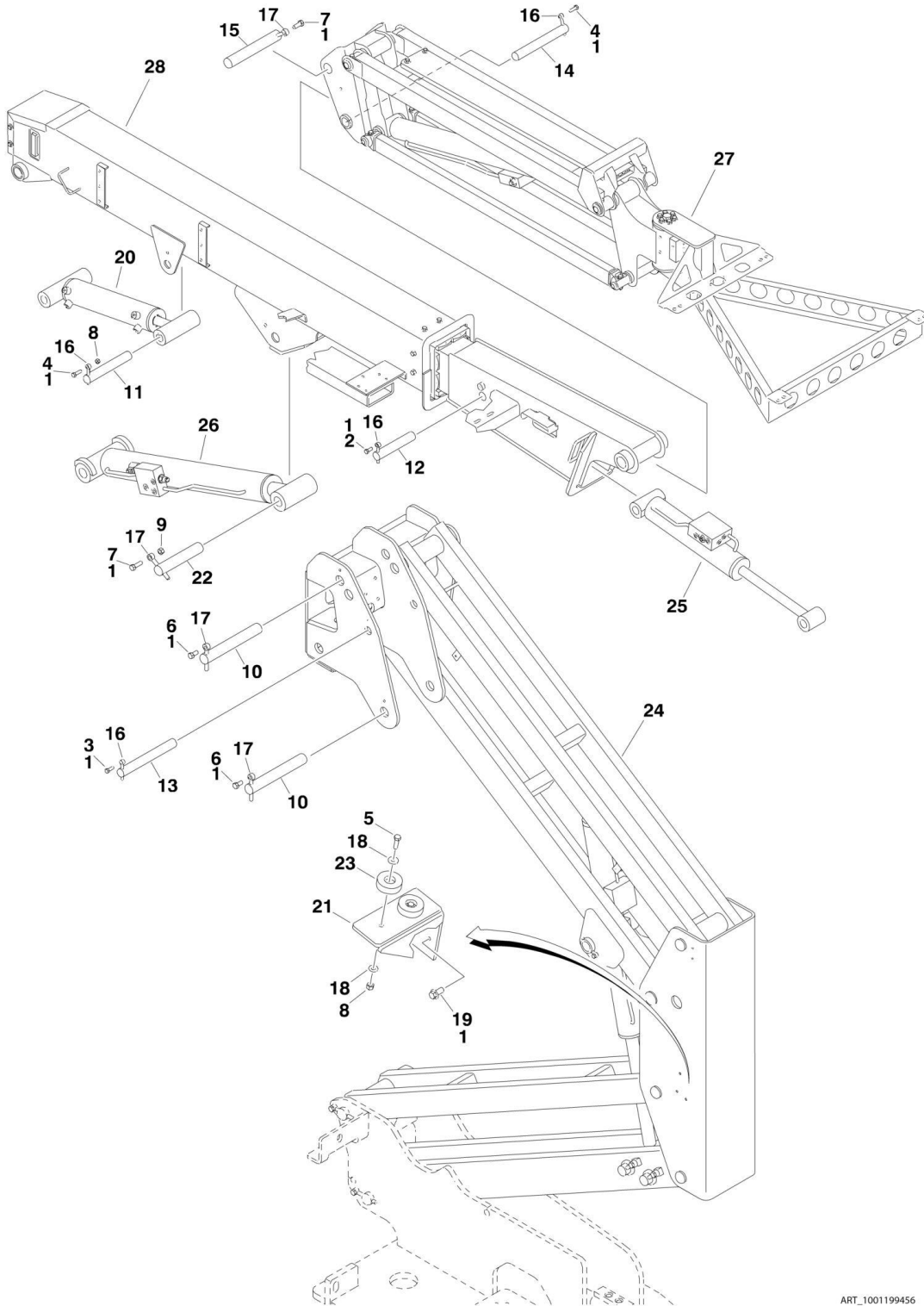
FIGURE 3-10. CATALYTIC MUFFLER INSTALLATION - OPTIONAL

ITEM	PART NUMBER	QTY	DESCRIPTION	REV
	1001169719	Ref	CATALYTIC MUFFLER INSTALLATION - OPTIONAL	B
1	1001171823	1	Muffler, Spark Arresting/Catalytic	
2	1001171914	1	Bracket	

SECTION 4 - BOOM

SECTION 4 - BOOM

FIGURE 4-1. BOOM AND CYLINDERS INSTALLATION - WITHOUT ARCTIC PACKAGE (Prior to SN 0300209405)



ART_1001199456

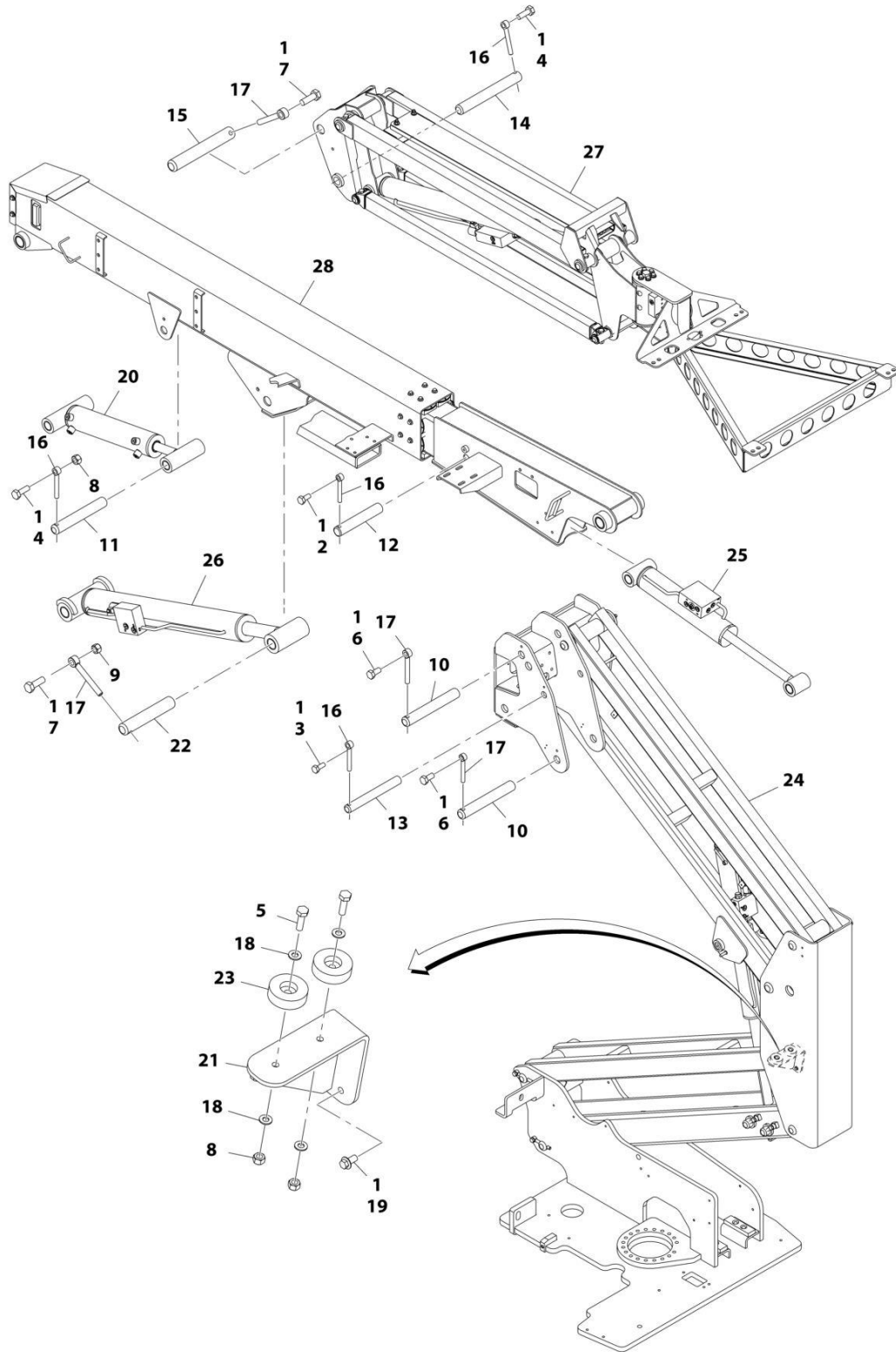
SECTION 4 - BOOM

FIGURE 4-1. BOOM AND CYLINDERS INSTALLATION - WITHOUT ARCTIC PACKAGE (Prior to SN 0300209405)

ITEM	PART NUMBER	QTY	DESCRIPTION	REV
	1001199456	Ref	BOOM AND CYLINDERS INSTALLATION - WITHOUT ARCTIC PACKAGE (Prior to SN 0300209405)	A
1	0100011	AR	Compound, Locking	
2	0761011	1	Bolt M10 x 22	
3	0761012	1	Bolt M10 x 25	
4	0761014	2	Bolt M10 x 30	
5	0761015	2	Bolt M10 x 35	
6	0761212	2	Bolt M12 x 25	
7	0761215	2	Bolt M12 x 35	
8	3291005	3	Nut M10	
9	3291205	1	Nut M12	
10	3422576	2	Pin	
11	3422582	1	Pin	
12	3422709	1	Pin	
13	3422790	1	Pin	
14	3422792	1	Pin	
15	3422814	1	Pin	
16	3841143	4	Keeper, Pin	
17	3841203	4	Keeper, Pin	
18	4812000	4	Washer M10	
19	5251010	3	Bolt M10 x 20	
20	1001120976	1	Master Cylinder Assembly (See CYLINDER SECTION for Breakdown)	
21	1001125235	1	Rest, Boom	
22	1001109528	1	Pin	
23	1001112607	2	Pad, Boom Rest	
24	1001115672	1	Tower Boom Assembly (See TOWER BOOM ASSEMBLY for Breakdown)	
25	1001117375	NLA	Level Cylinder Assembly - Platform (Slave) (Note: Use PN 1001225990) (See CYLINDER SECTION for Breakdown)	
26	1001117640	1	Lift Cylinder Assembly - Main Boom (See CYLINDER SECTION for Breakdown)	
27	1001199412	1	Jib Assembly (See JIB ASSEMBLY - WITHOUT ARCTIC PACKAGE for Breakdown)	
28	1001199413	1	Main Boom Assembly (See MAIN BOOM ASSEMBLY for Breakdown)	

SECTION 4 - BOOM

FIGURE 4-2. BOOM AND CYLINDERS INSTALLATION - WITHOUT ARCTIC PACKAGE (SN 0300209405 through 0300272288)



ART_1001115766

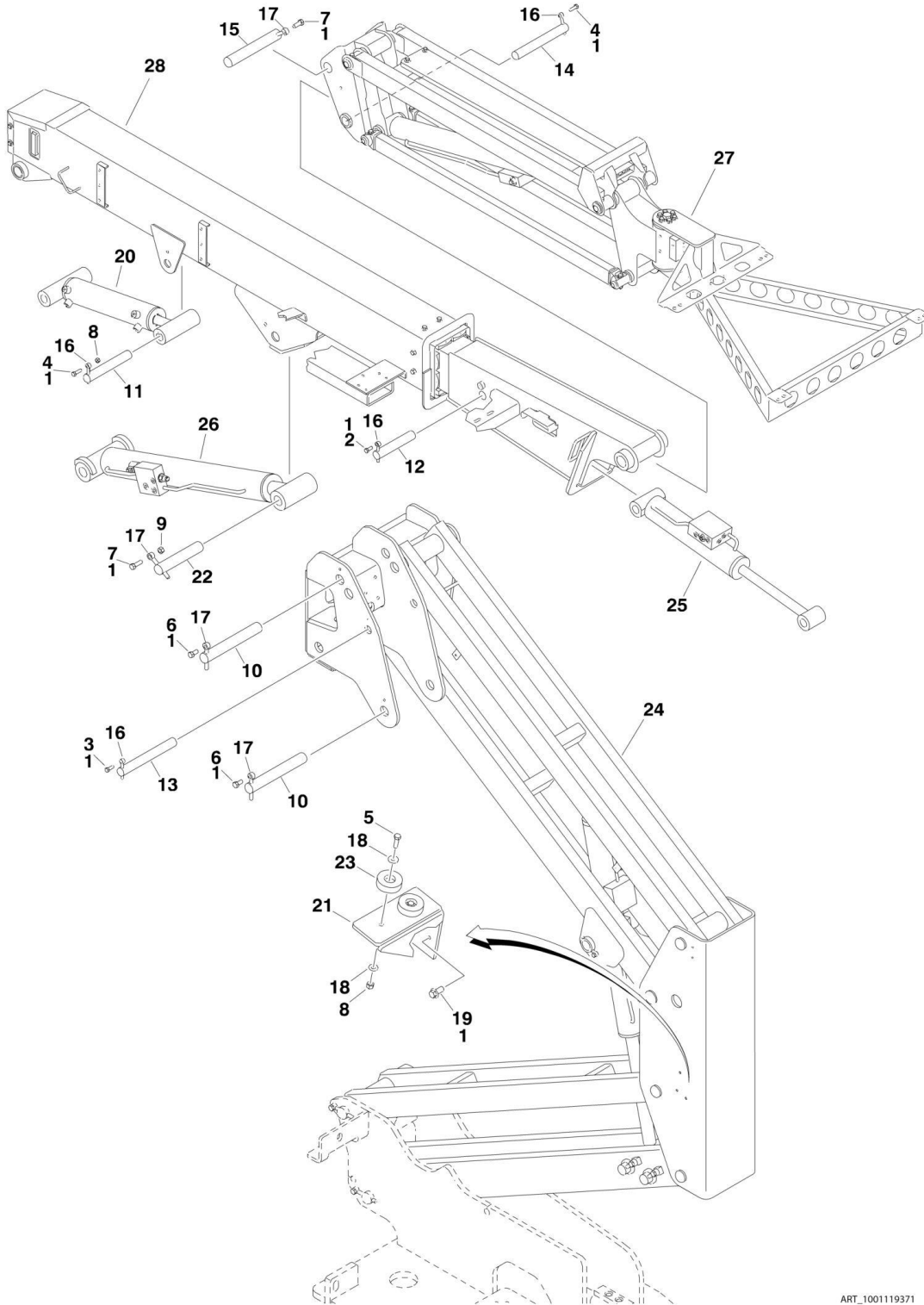
SECTION 4 - BOOM

FIGURE 4-2. BOOM AND CYLINDERS INSTALLATION - WITHOUT ARCTIC PACKAGE (SN 0300209405 through 0300272288)

ITEM	PART NUMBER	QTY	DESCRIPTION	REV
	1001115766	Ref	BOOM AND CYLINDERS INSTALLATION - WITHOUT ARCTIC PACKAGE (SN 0300209405 through 0300272288)	D
1	0100011	AR	Compound, Locking	
2	0761011	1	Bolt M10 x 22	
3	0761012	1	Bolt M10 x 25	
4	0761014	2	Bolt M10 x 30	
5	0761015	2	Bolt M10 x 35	
6	0761212	2	Bolt M12 x 25	
7	0761215	2	Bolt M12 x 35	
8	3291005	3	Nut M10	
9	3291205	1	Nut M12	
10	3422576	2	Pin	
11	3422582	1	Pin	
12	3422709	1	Pin	
13	3422790	1	Pin	
14	3422792	1	Pin	
15	3422814	1	Pin	
16	3841143	4	Keeper, Pin	
17	3841203	4	Keeper, Pin	
18	4812000	4	Washer M10	
19	5251010	3	Bolt M10 x 20	
20	1001120976	1	Master Cylinder Assembly (See CYLINDER SECTION for Breakdown)	
21	1001125235	1	Rest, Boom	
22	1001109528	1	Pin	
23	1001112607	2	Pad, Boom Rest	
24	1001115672	1	Tower Boom Assembly (See TOWER BOOM ASSEMBLY for Breakdown)	
25	1001117375	1	Level Cylinder Assembly - Platform (Slave) (See CYLINDER SECTION for Breakdown) (SN 0300209405 through 0300240098)	
25	1001225990	1	Level Cylinder Assembly - Platform (Slave) (See CYLINDER SECTION for Breakdown) (SN 0300240098 through 0300272288)	
26	1001117640	1	Lift Cylinder Assembly - Main Boom (See CYLINDER SECTION for Breakdown)	
27	1001117884	1	Jib Assembly (See JIB ASSEMBLY - WITHOUT ARCTIC PACKAGE for Breakdown)	
28	1001117885	1	Main Boom Assembly (See MAIN BOOM ASSEMBLY for Breakdown)	

SECTION 4 - BOOM

FIGURE 4-3. BOOM AND CYLINDERS INSTALLATION - WITH ARCTIC PACKAGE



ART_1001119371

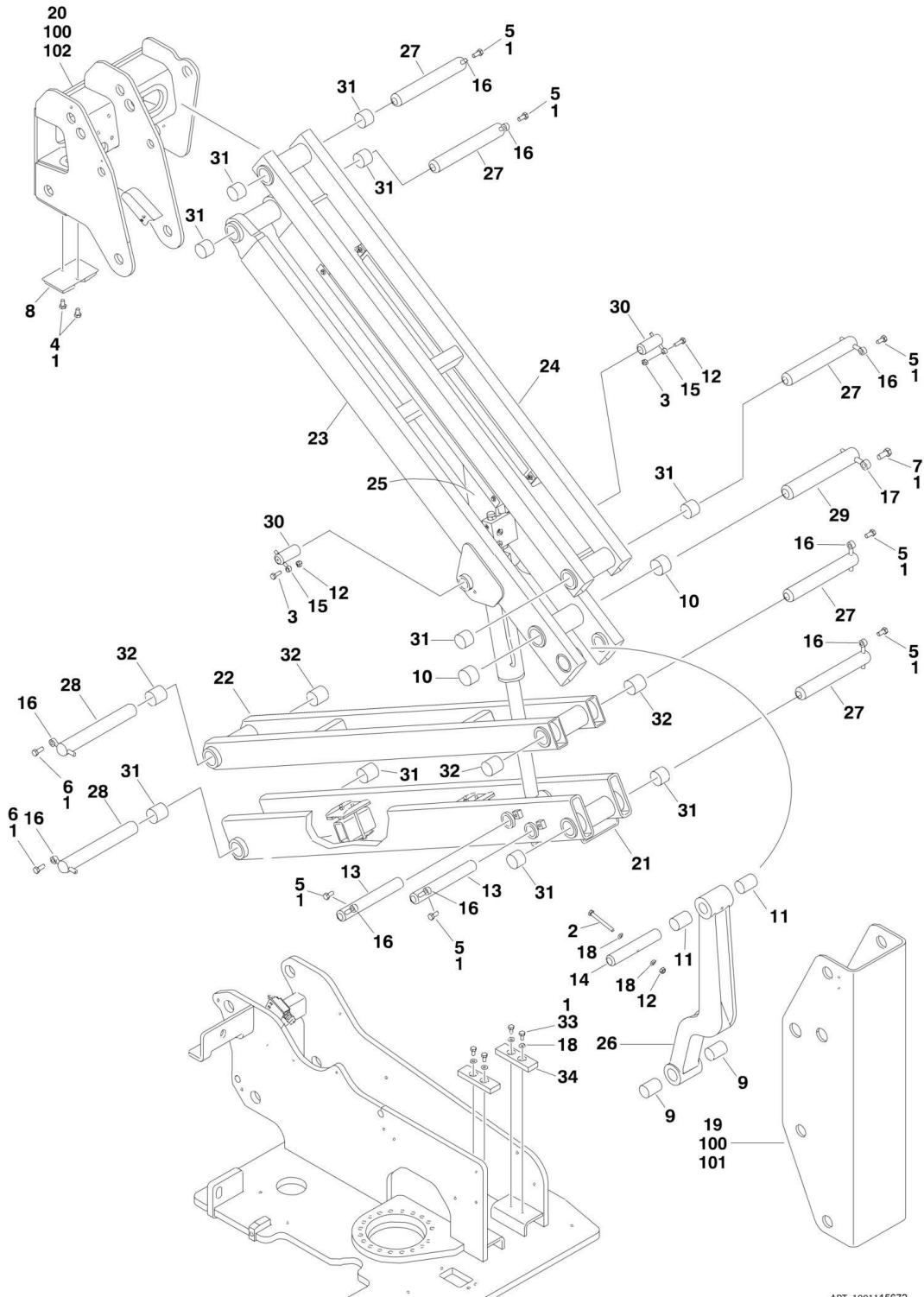
SECTION 4 - BOOM

FIGURE 4-3. BOOM AND CYLINDERS INSTALLATION - WITH ARCTIC PACKAGE

ITEM	PART NUMBER	QTY	DESCRIPTION	REV
	1001119371	Ref	BOOM AND CYLINDERS INSTALLATION - WITH ARCTIC PACKAGE	D
1	0100011	AR	Compound, Locking	
2	0761011	1	Bolt M10 x 22	
3	0761012	1	Bolt M10 x 25	
4	0761014	2	Bolt M10 x 30	
5	0761015	2	Bolt M10 x 35	
6	0761212	2	Bolt M12 x 25	
7	0761215	2	Bolt M12 x 35	
8	3291005	3	Nut M10	
9	3291205	1	Nut M12	
10	3422576	2	Pin	
11	3422582	1	Pin	
12	3422709	1	Pin	
13	3422790	1	Pin	
14	3422792	1	Pin	
15	3422814	1	Pin	
16	3841143	4	Keeper, Pin	
17	3841203	4	Keeper, Pin	
18	4812000	4	Washer M10	
19	5251010	3	Bolt M10 x 20	
20	1001120976	1	Master Cylinder Assembly (See CYLINDER SECTION for Breakdown)	
21	1001125235	1	Rest, Boom	
22	1001109528	1	Pin	
23	1001112607	2	Pad, Boom Rest	
24	1001115672	1	Tower Boom Assembly (See TOWER BOOM ASSEMBLY for Breakdown)	
25	1001117375	1	Level Cylinder Assembly - Platform (Slave) (See CYLINDER SECTION for Breakdown) (Prior to SN 0300240098)	
25	1001225990	1	Level Cylinder Assembly - Platform (Slave) (See CYLINDER SECTION for Breakdown) (SN 0300240098 through 0300272288)	
26	1001117640	1	Lift Cylinder Assembly - Main Boom (See CYLINDER SECTION for Breakdown)	
27	1001119370	1	Jib Assembly (See JIB ASSEMBLY - WITH ARCTIC PACKAGE for Breakdown)	
28	1001199413	1	Main Boom Assembly (See MAIN BOOM ASSEMBLY for Breakdown)	

SECTION 4 - BOOM

FIGURE 4-4. TOWER BOOM ASSEMBLY



ART_1001115672

SECTION 4 - BOOM

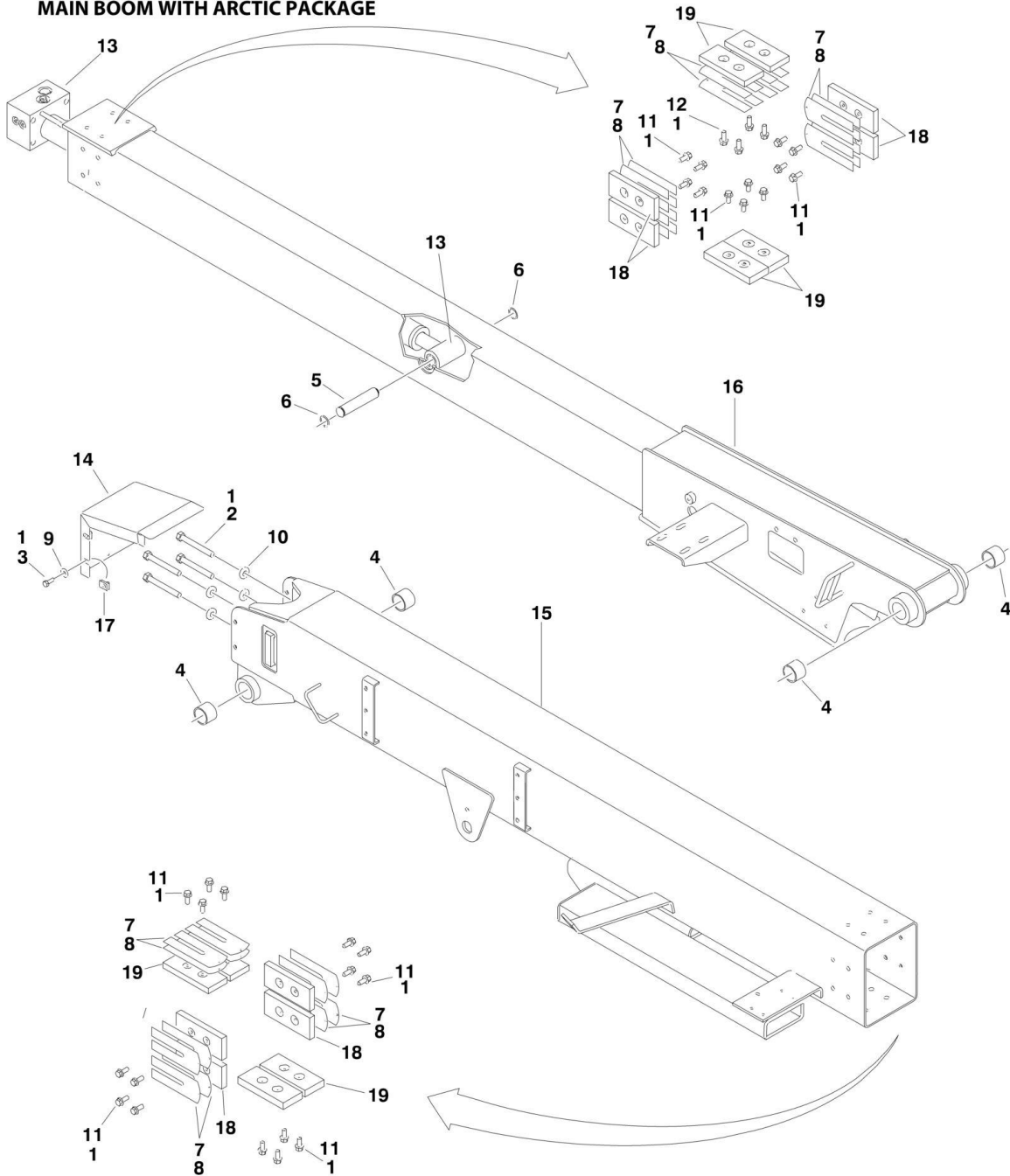
FIGURE 4-4. TOWER BOOM ASSEMBLY

ITEM	PART NUMBER	QTY	DESCRIPTION	REV
	1001115672	Ref	TOWER BOOM ASSEMBLY	D
1	0100011	AR	Compound, Locking	
2	0701027	1	Bolt M10 x 100	
3	0761015	2	Bolt M10 x 35	
4	0761210	2	Bolt M12 x 20	
5	0761212	7	Bolt M12 x 25	
6	0761214	2	Bolt M12 x 30	
7	0761615	2	Bolt M16 x 35	
8	0940048	1	Bumper	
9	0961948	2	Bearing	
10	0962224	2	Bearing	
11	0962259	2	Bearing	
12	3291005	3	Nut M10	
13	3422787	2	Pin	
14	3422788	1	Pin	
15	3841143	2	Keeper, Pin	
16	3841203	9	Keeper, Pin	
17	3841258	1	Keeper, Pin	
18	4812000	6	Washer M10	
19	1001115649	1	Upright (Bottom) (Prior to SN 0300234421)	
20	1001115650	1	Upright (Top) (Prior to SN 0300234421)	
21	1001115657	1	Link, Lower Boom (Bottom)	
22	1001115661	1	Link, Lower Boom (Top)	
23	1001115663	1	Link, Mid Boom (Bottom)	
24	1001115669	1	Link, Mid Boom (Top)	
25	1001122527	1	Lift Cylinder Assembly - Tower Boom (See CYLINDER SECTION for Breakdown)	
26	1001115870	1	Link, Timing	
27	1001116546	5	Pin	
28	1001116547	2	Pin	
29	1001116548	1	Pin	
30	1001116549	2	Pin	
31	1001118665	10	Bearing	
32	1001118666	4	Bearing	
33	0761010	4	Bolt M10 x 20	
34	3340758	2	Pad, Wear	
100	1001231153	1	Lower Upright Boom Kit (SN 0300234421 through 0300272288)	
101	1001115649	1	Upright, Lower	
102	1001115650	1	Upright, Upper	

SECTION 4 - BOOM

FIGURE 4-5. MAIN BOOM ASSEMBLY

USAGE CHART:
MAIN BOOM WITHOUT ARCTIC PACKAGE
(PRIOR TO SN 0300209405)
MAIN BOOM WITH ARCTIC PACKAGE



ART_1001199413

SECTION 4 - BOOM

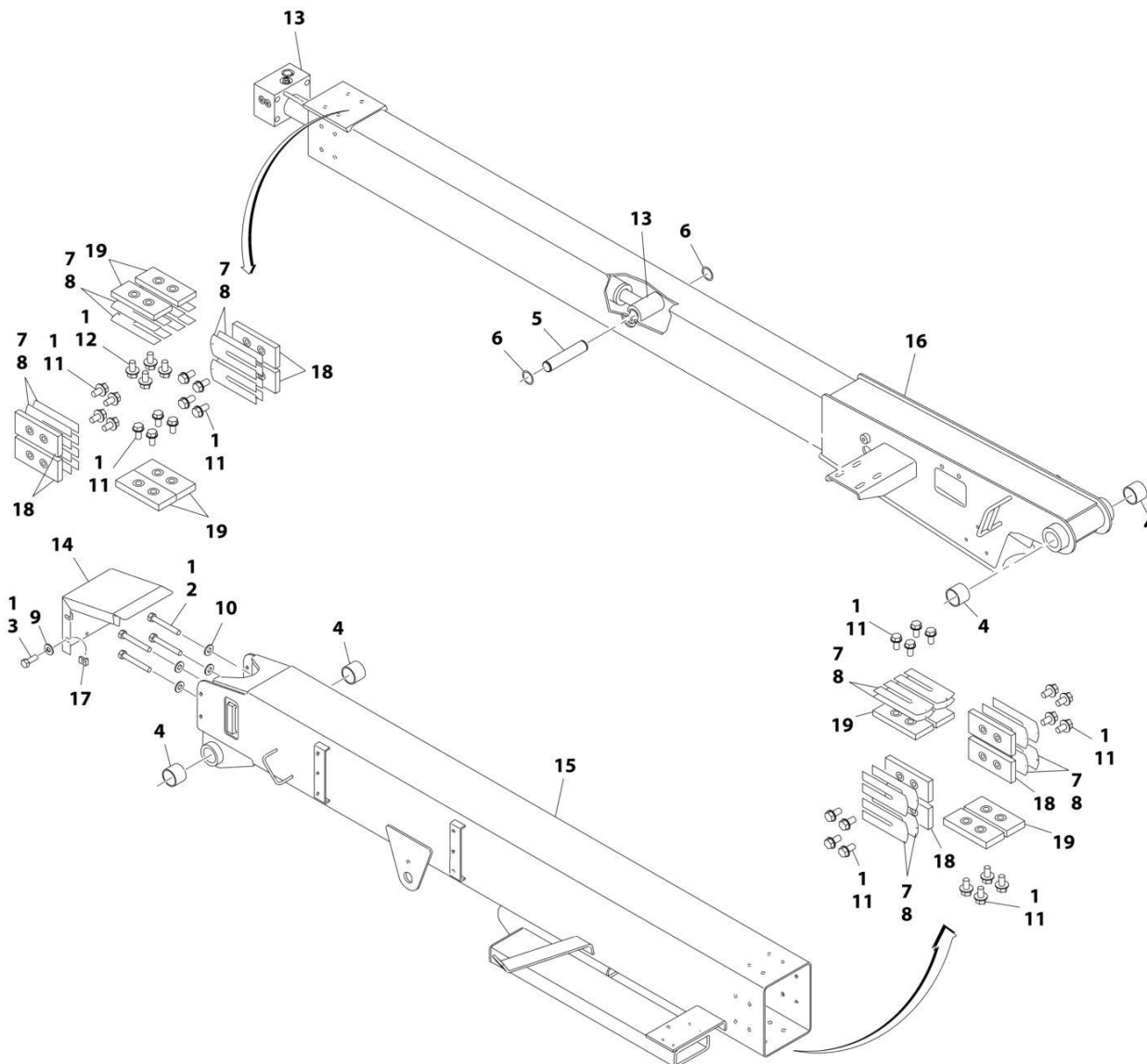
FIGURE 4-5. MAIN BOOM ASSEMBLY

ITEM	PART NUMBER	QTY	DESCRIPTION	REV
		Ref	Usage Chart:	
		Ref	Main Boom without Arctic Package (Prior to SN 0300209405)	
		Ref	Main Boom with Arctic Package	
	1001199413	Ref	MAIN BOOM ASSEMBLY	A
1	0100011	AR	Compound, Locking	
2	0711227	4	Bolt M12 x 100 Grade 10.9	
3	0760812	4	Bolt M8 x 25	
4	0961948	4	Bushing	
5	3422745	1	Pin	
6	3760115	2	Ring, Retaining	
7	4070897	16	Shim 18Ga	
8	4070898	12	Shim 11Ga	
9	4811902	4	Washer M8	
10	5241200	4	Washer M12	
11	5251010	28	Bolt M10 x 20	
12	5251012	4	Bolt M10 x 25	
13	1001199461	1	Telescope Cylinder Assembly (See CYLINDER SECTION for Breakdown)	
14	1001108290	1	Cover, Boom End	
15	1001116876	1	Boom, Base	
16	1001116877	1	Boom, Fly	
17	1001118274	4	Retainer M8	
18	1001118287	8	Pad, Wear	
19	1001118288	8	Pad, Wear	

SECTION 4 - BOOM

FIGURE 4-6. MAIN BOOM ASSEMBLY

USAGE CHART:
MAIN BOOM WITHOUT ARCTIC PACKAGE
(SN 0300209405 TO 0300272288)



ART_1001117885

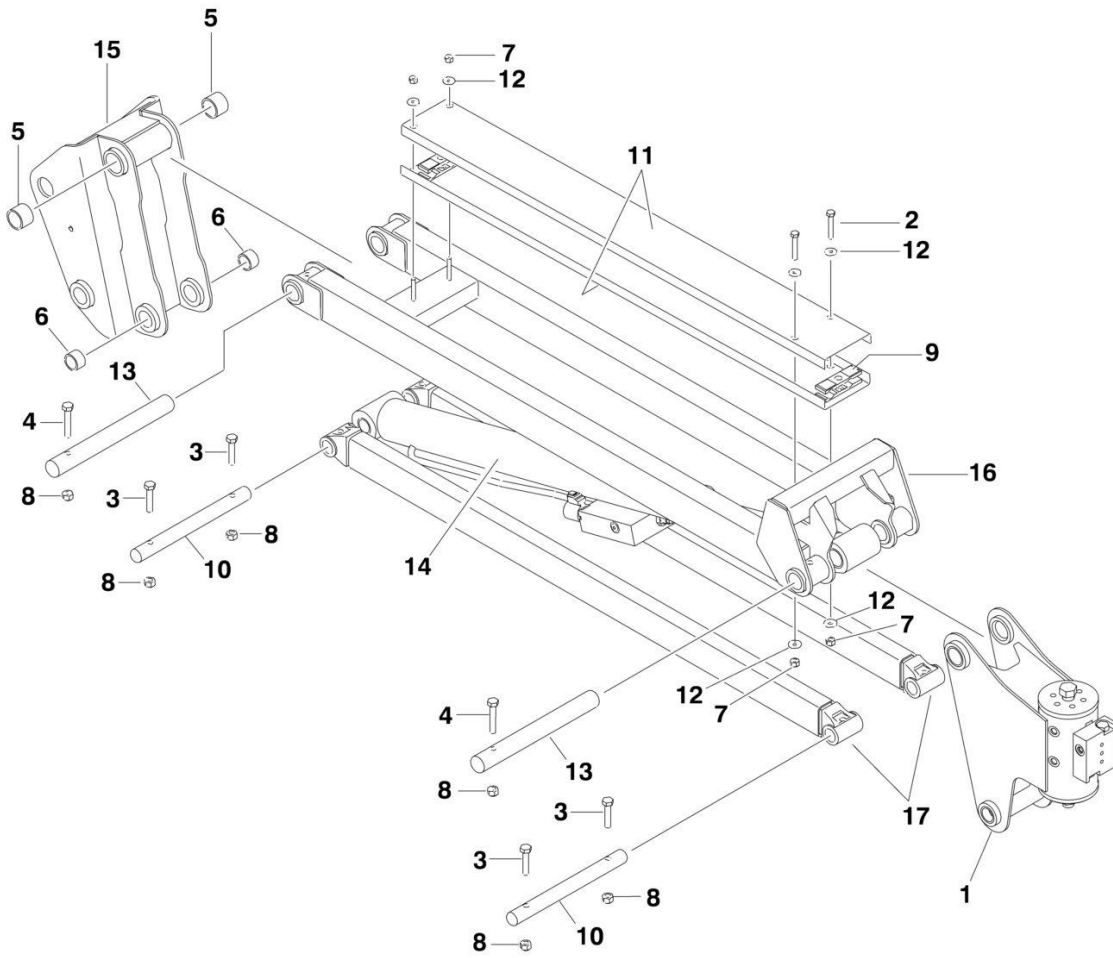
SECTION 4 - BOOM

FIGURE 4-6. MAIN BOOM ASSEMBLY

ITEM	PART NUMBER	QTY	DESCRIPTION	REV
		Ref	Usage Chart:	
		Ref	Main Boom without Arctic Package (SN 0300209405 through 0300272288)	
	1001117885	Ref	MAIN BOOM ASSEMBLY	C
1	0100011	AR	Compound, Locking	
2	0711227	4	Bolt M12 x 100 Grade 10.9	
3	0760812	4	Bolt M8 x 25	
4	0961948	4	Bushing	
5	3422745	1	Pin	
6	3760115	2	Ring, Retaining	
7	4070897	16	Shim 18Ga	
8	4070898	12	Shim 11Ga	
9	4811902	4	Washer M8	
10	5241200	4	Washer M12	
11	5251010	28	Bolt M10 x 20	
12	5251012	4	Bolt M10 x 25	
13	1001120974	1	Telescope Cylinder Assembly (See CYLINDER SECTION for Breakdown)	
14	1001108290	1	Cover, Boom End	
15	1001116876	1	Boom, Base	
16	1001116877	1	Boom, Fly	
17	1001118274	4	Nut, Retainer M8	
18	1001118287	8	Pad, Wear	
19	1001118288	8	Pad, Wear	

SECTION 4 - BOOM

FIGURE 4-7. JIB ASSEMBLY - WITHOUT ARCTIC PACKAGE (Prior to SN 0300209405)



ART_1001199412

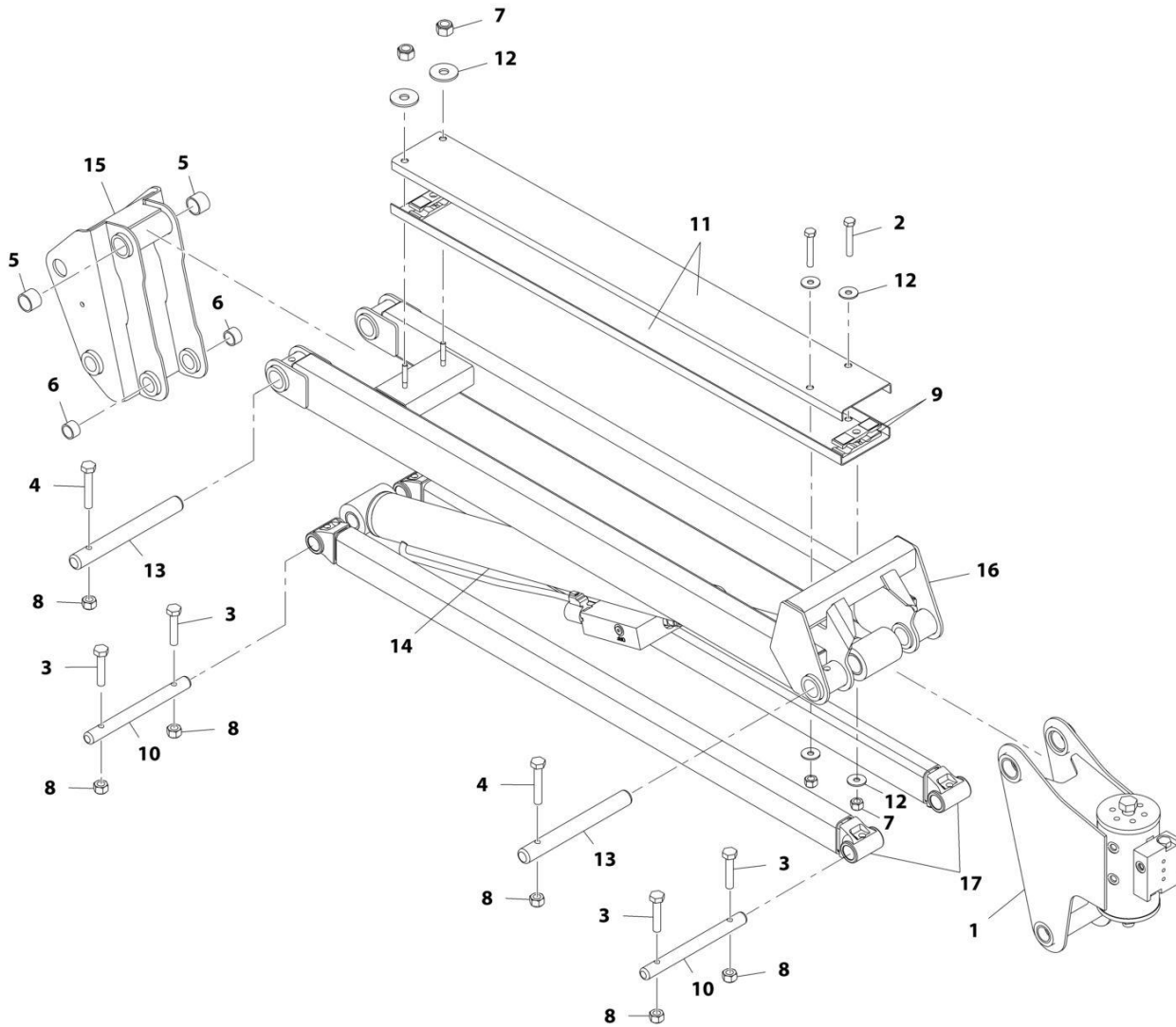
SECTION 4 - BOOM

FIGURE 4-7. JIB ASSEMBLY - WITHOUT ARCTIC PACKAGE (Prior to SN 0300209405)

ITEM	PART NUMBER	QTY	DESCRIPTION	REV
	1001199412	Ref	JIB ASSEMBLY - WITHOUT ARCTIC PACKAGE (Prior to SN 0300209405)	B
1	0060044	1	Platform Rotator Assembly (See PLATFORM ROTATOR ASSEMBLY WITHOUT ARCTIC PACKAGE for Breakdown)	
2	0700818	2	Bolt M8 x 50	
3	0701018	4	Bolt M10 x 50	
4	0701020	2	Bolt M10 x 60	
5	0961951	2	Bushing	
6	0962292	2	Bushing	
7	3290805	4	Nut M8	
8	3291005	6	Nut M10	
9	3340860	4	Pad, Rubber	
10	3422791	2	Pin	
11	3572551	2	Channel, Hose Carrier	
12	4811902	6	Washer M8	
13	1001116550	2	Pin	
14	1001199460	1	Lift Cylinder Assembly - Jib (See CYLINDER SECTION for Breakdown)	
15	1001118394	1	Pivot, Jib	
16	1001118482	1	Link, Jib (Top)	
17	1001118516	NLA	Link, Jib (Bottom) (Use p/n 1001094670)	

SECTION 4 - BOOM

FIGURE 4-8. JIB ASSEMBLY - WITHOUT ARCTIC PACKAGE (SN 0300209405 through 0300272288)



ART_1001117884

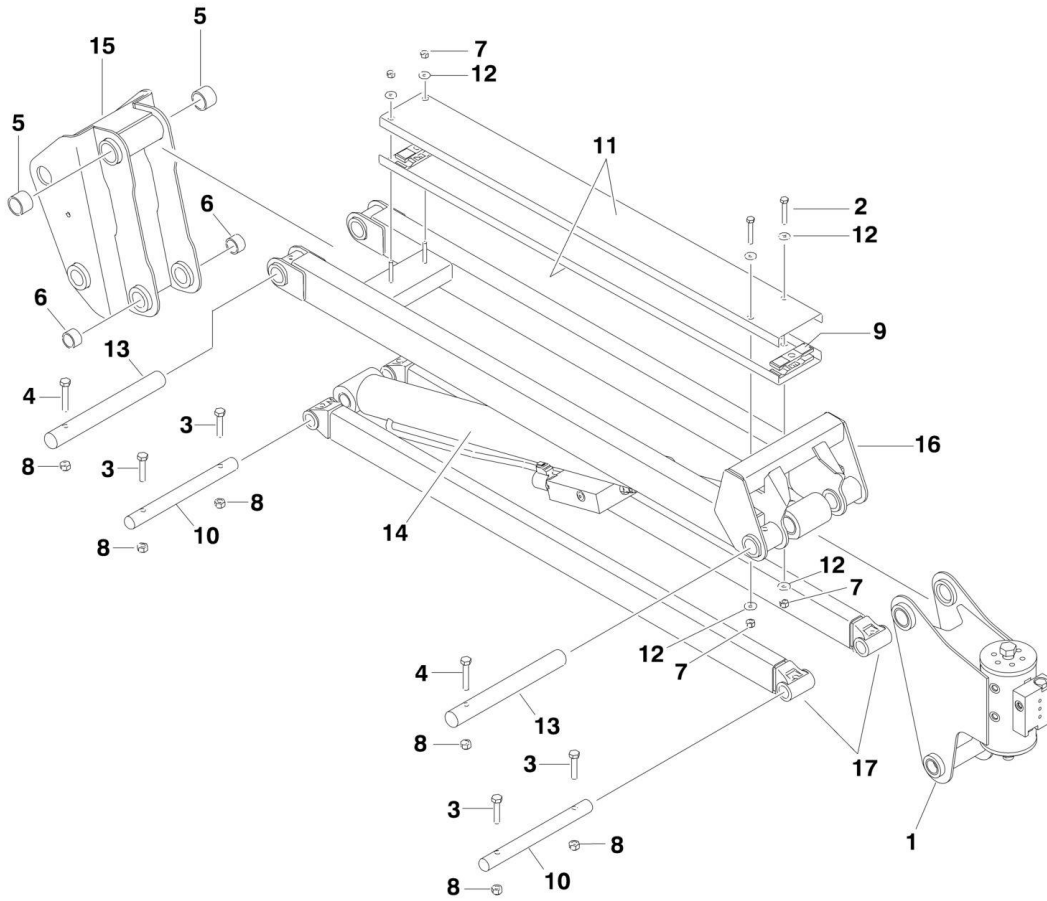
SECTION 4 - BOOM

FIGURE 4-8. JIB ASSEMBLY - WITHOUT ARCTIC PACKAGE (SN 0300209405 through 0300272288)

ITEM	PART NUMBER	QTY	DESCRIPTION	REV
	1001117884	Ref	JIB ASSEMBLY - WITHOUT ARCTIC PACKAGE (SN 0300209405 through 0300272288)	C
1	0060044	1	Platform Rotator Assembly (See PLATFORM ROTATOR ASSEMBLY WITHOUT ARCTIC PACKAGE for Breakdown)	
2	0700818	2	Bolt M8 x 50	
3	0701018	4	Bolt M10 x 50	
4	0701020	2	Bolt M10 x 60	
5	0961951	2	Bushing	
6	0962292	2	Bushing	
7	3290805	4	Nut M8	
8	3291005	6	Nut M10	
9	3340860	4	Pad, Rubber	
10	3422791	2	Pin	
11	3572551	2	Channel, Hose Carrier	
12	4811902	6	Washer M8	
13	1001116550	2	Pin	
14	1001123004	1	Lift Cylinder Assembly - Jib (See CYLINDER SECTION for Breakdown)	
15	1001118394	1	Pivot, Jib	
16	1001118482	1	Link, Jib (Top)	
17	1001118516	NLA	Link, Jib (Bottom) (Use p/n 1001094670) (SN 0300209405 through 0300222892)	
17	1001094670	2	Link, Jib (Bottom) (SN 0300222893 through 0300272288)	

SECTION 4 - BOOM

FIGURE 4-9. JIB ASSEMBLY - WITH ARCTIC PACKAGE



ART_1001119370

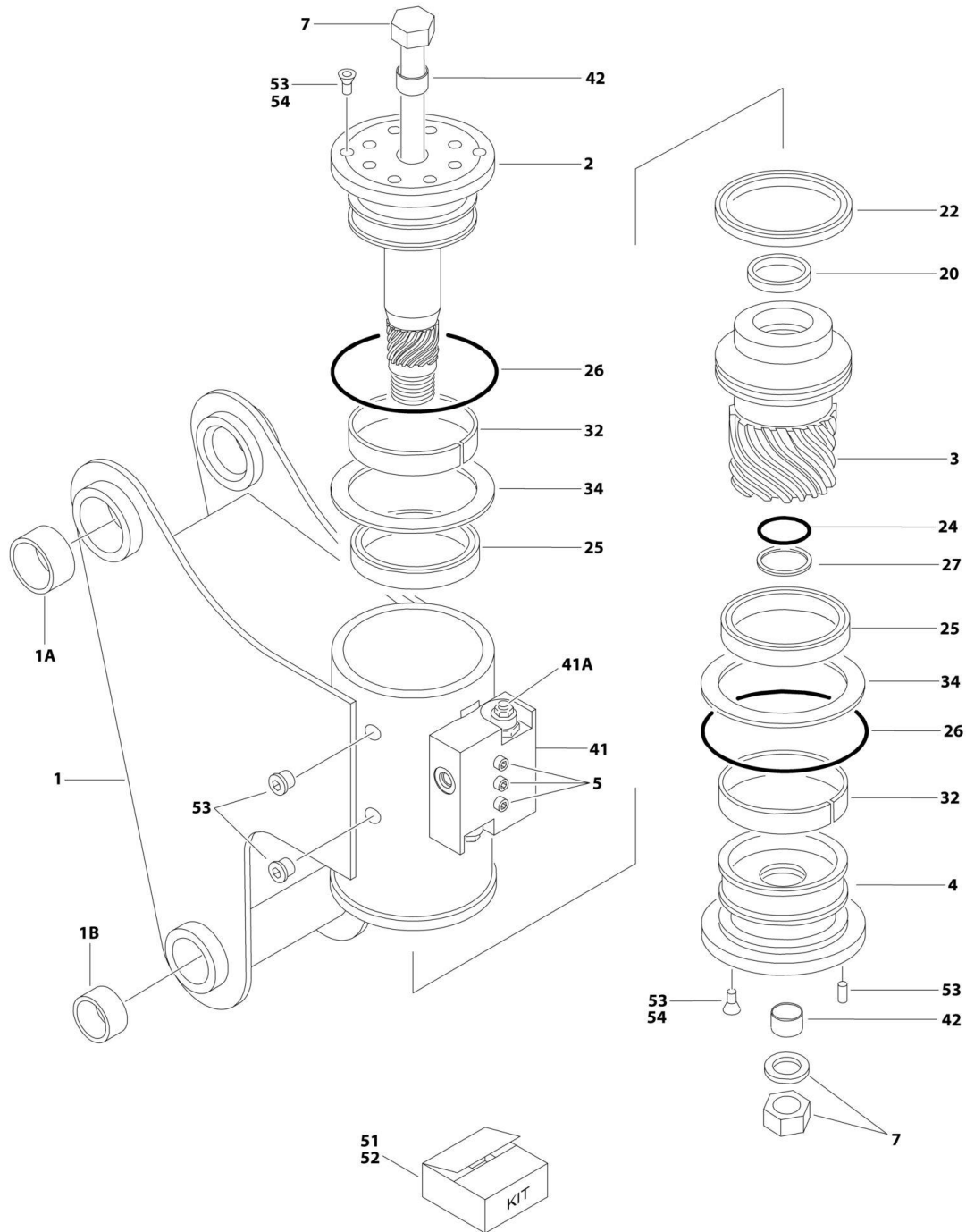
SECTION 4 - BOOM

FIGURE 4-9. JIB ASSEMBLY - WITH ARCTIC PACKAGE

ITEM	PART NUMBER	QTY	DESCRIPTION	REV
	1001119370	Ref	JIB ASSEMBLY - WITH ARCTIC PACKAGE	C
1	1001119369	1	Platform Rotator Assembly (See PLATFORM ROTATOR ASSEMBLY WITH ARCTIC PACKAGE for Breakdown)	
2	0700818	2	Bolt M8 x 50	
3	0701018	4	Bolt M10 x 50	
4	0701020	2	Bolt M10 x 60	
5	0961951	2	Bushing	
6	0962292	2	Bushing	
7	3290805	4	Nut M8	
8	3291005	6	Nut M10	
9	3340860	4	Pad, Rubber	
10	3422791	2	Pin	
11	3572551	2	Channel, Hose Carrier	
12	4811902	6	Washer M8	
13	1001116550	2	Pin	
14	1001123004	1	Lift Cylinder Assembly - Jib (See CYLINDER SECTION for Breakdown)	
15	1001118394	1	Pivot, Jib	
16	1001118482	1	Link, Jib (Top)	
17	1001118516	NLA	Link, Jib (Bottom) (Use p/n 1001094670) (Prior to SN 0300222893)	
17	1001094670	2	Link, Jib (Bottom) (SN 0300222893 through 0300272288)	

SECTION 4 - BOOM

FIGURE 4-10. PLATFORM ROTATOR ASSEMBLY - WITHOUT ARCTIC PACKAGE



ART_0060044

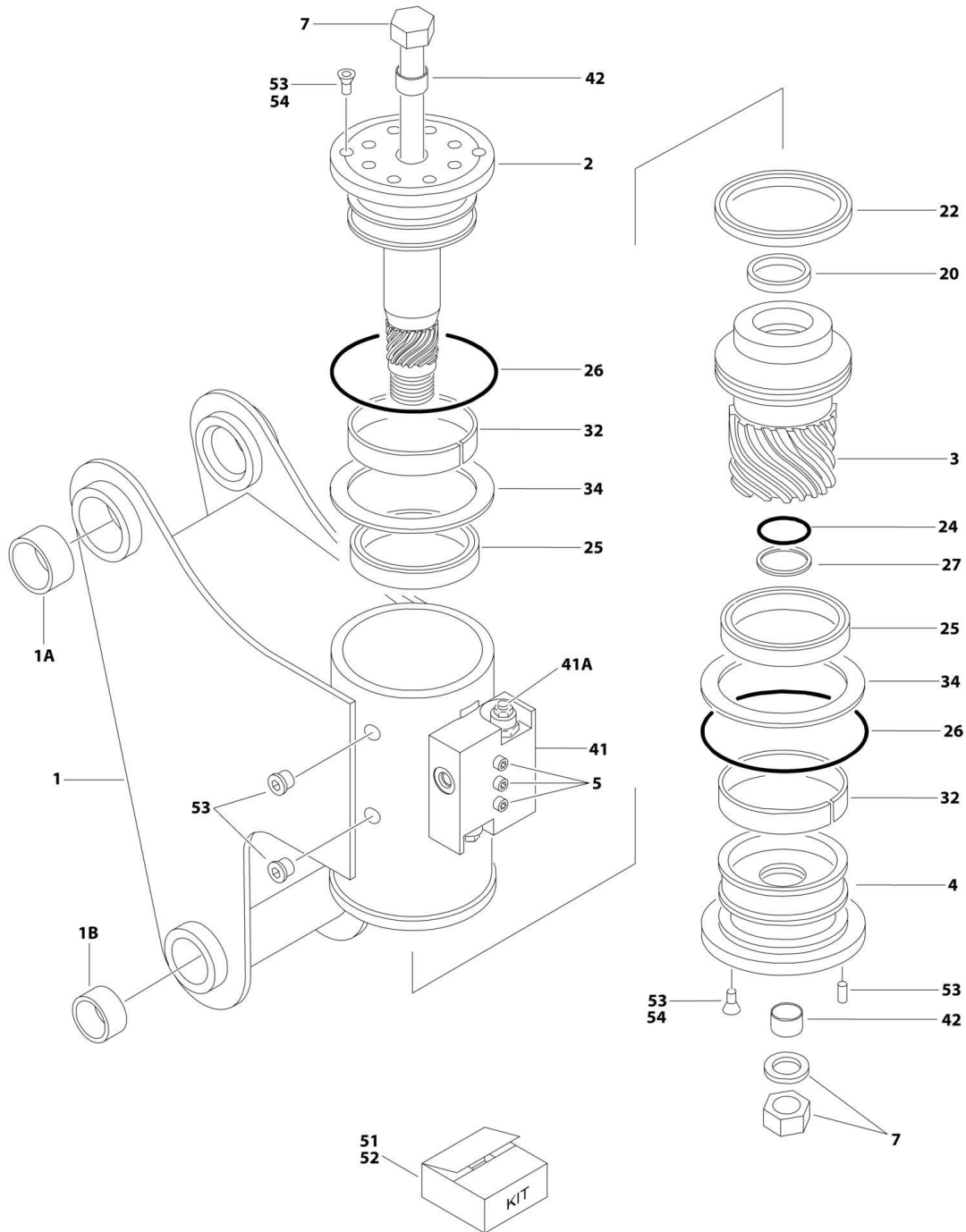
SECTION 4 - BOOM

FIGURE 4-10. PLATFORM ROTATOR ASSEMBLY - WITHOUT ARCTIC PACKAGE

ITEM	PART NUMBER	QTY	DESCRIPTION	REV
	0060044	Ref	PLATFORM ROTATOR ASSEMBLY - WITHOUT ARCTIC PACKAGE	D
1	See Note	1	Case/Bracket Weldment (Note: Not Available - Purchase Complete Assembly)	
1A	0962257	2	Bushing	
1B	0961947	2	Bushing	
2	7017120	1	Shaft (Rotator with Helac Control #25928)	
2	7017196	1	Shaft (Rotator with Helac Control #26962)	
3	7017121	1	Piston Sleeve (Rotator with Helac Control #25928)	
3	7027900	1	Piston Sleeve (Rotator with Helac Control #26962)	
4	See Note	1	Cap, End (Rotator with Helac Control #25928) (Note: Use p/n 0060044)	
4	7027901	1	Cap, End (Rotator with Helac Control #26962)	
5	See Note	3	Capscrew, 1/4 x 1-1/2, Grade 8 (Note: Not Available - Purchase Locally)	
7	7017126	1	Tie Rod Assembly	
20	See Note	1	Seal, Rod (Note: Use Item 52)	
22	See Note	1	Seal, Piston (Note: Use Item 52)	
24	See Note	1	Seal, Cap (Note: Use Item 52)	
25	See Note	1	Packing, Bearing (Note: Use Item 52)	
26	See Note	2	Seal (Note: Use Item 52)	
27	See Note	1	Ring, Back-Up Cap (Note: Use Item 52)	
32	See Note	2	Bearing, Shaft (Note: Use Item 51)	
34	See Note	2	Washer, Thrust (Note: Use Item 51)	
41	7017172	1	Counterbalance Valve Assembly (Helac p/n 24327, 26553 or 26554 Stamped Beside Mounting Screws)	
41A	7011323	2	Valve, Cartridge (Helac p/n 24327 Valve)	
41A	2900770	2	Seal Kit - 7011323 Cartridge (1 Per Assembly)	
41A	7017192	2	Valve Cartridge (Helac p/n 26553 or 26554) (No Seal Kit Available)	
42	70004323	2	Bushing, Shaft	
51	7017122	1	Bearing Kit (Includes Items 32-34)	
52	7017127	1	Seal Kit - Standard (Includes Items 20, 22, 24, 25, 26 & 27)	
52	70000341	1	Seal Kit - Low Temperature (Includes Items 20, 22, 24, 25, 26 & 27)	
53	7017123	1	Hardware Kit	
54	70001697	4	Screw 1/4-20 x 3/8 Grade 8	

SECTION 4 - BOOM

FIGURE 4-11. PLATFORM ROTATOR ASSEMBLY - WITH ARCTIC PACKAGE



ART_1001119369

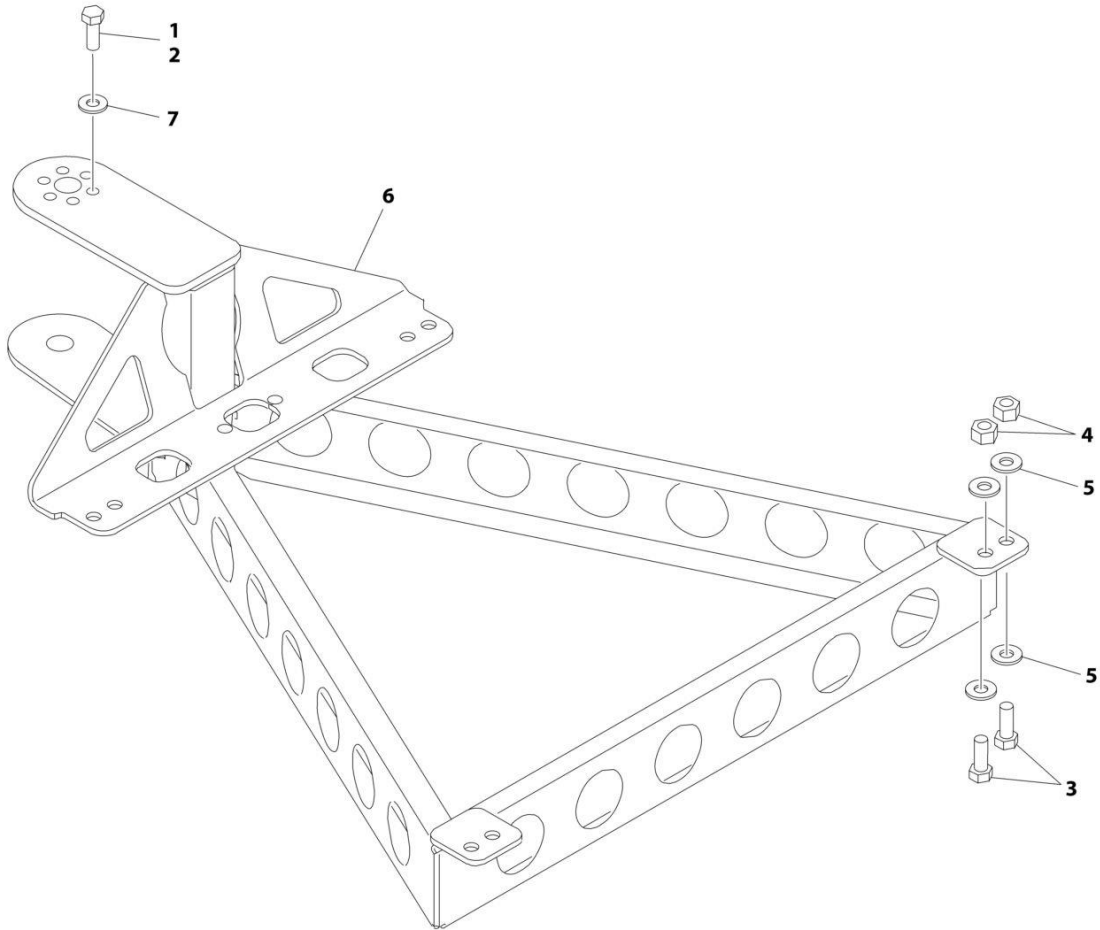
SECTION 4 - BOOM

FIGURE 4-11. PLATFORM ROTATOR ASSEMBLY - WITH ARCTIC PACKAGE

ITEM	PART NUMBER	QTY	DESCRIPTION	REV
	1001119369	Ref	PLATFORM ROTATOR ASSEMBLY - WITH ARCTIC PACKAGE	B
1	See Note	1	Case/Bracket Weldment (Note: Not Available - Purchase Complete Assembly)	
1A	0962257	2	Bushing	
1B	0961947	2	Bushing	
2	7017196	1	Shaft	
3	7027900	1	Piston Sleeve	
4	7027901	1	Cap, End	
5	See Note	3	Capscrew, 1/4 x 1-1/2, Grade 8 (Note: Not Available - Purchase Locally)	
7	7017126	1	Tie Rod Assembly	
20	See Note	1	Seal, Rod (Note: Use Item 52)	
22	See Note	1	Seal, Piston (Note: Use Item 52)	
24	See Note	1	Seal, Cap (Note: Use Item 52)	
25	See Note	1	Packing, Bearing (Note: Use Item 52)	
26	See Note	2	Seal (Note: Use Item 52)	
27	See Note	1	Ring, Back-Up Cap (Note: Use Item 52)	
32	See Note	2	Bearing, Shaft (Note: Use Item 51)	
34	See Note	2	Washer, Thrust (Note: Use Item 51)	
41	7017172	1	Counterbalance Valve Assembly	
41A	7017192	2	Valve Cartridge (No Seal Kit Available)	
42	70004323	2	Bushing, Shaft	
51	7017122	1	Bearing Kit (Includes Items 32-34)	
52	70004322	1	Seal Kit (Includes Items 20, 22, 24, 25, 26 & 27)	
53	7017123	1	Hardware Kit	
54	70001697	4	Screw 1/4-20 x 3/8 Grade 8	

SECTION 4 - BOOM

FIGURE 4-12. PLATFORM SUPPORT INSTALLATION - WITHOUT LSS



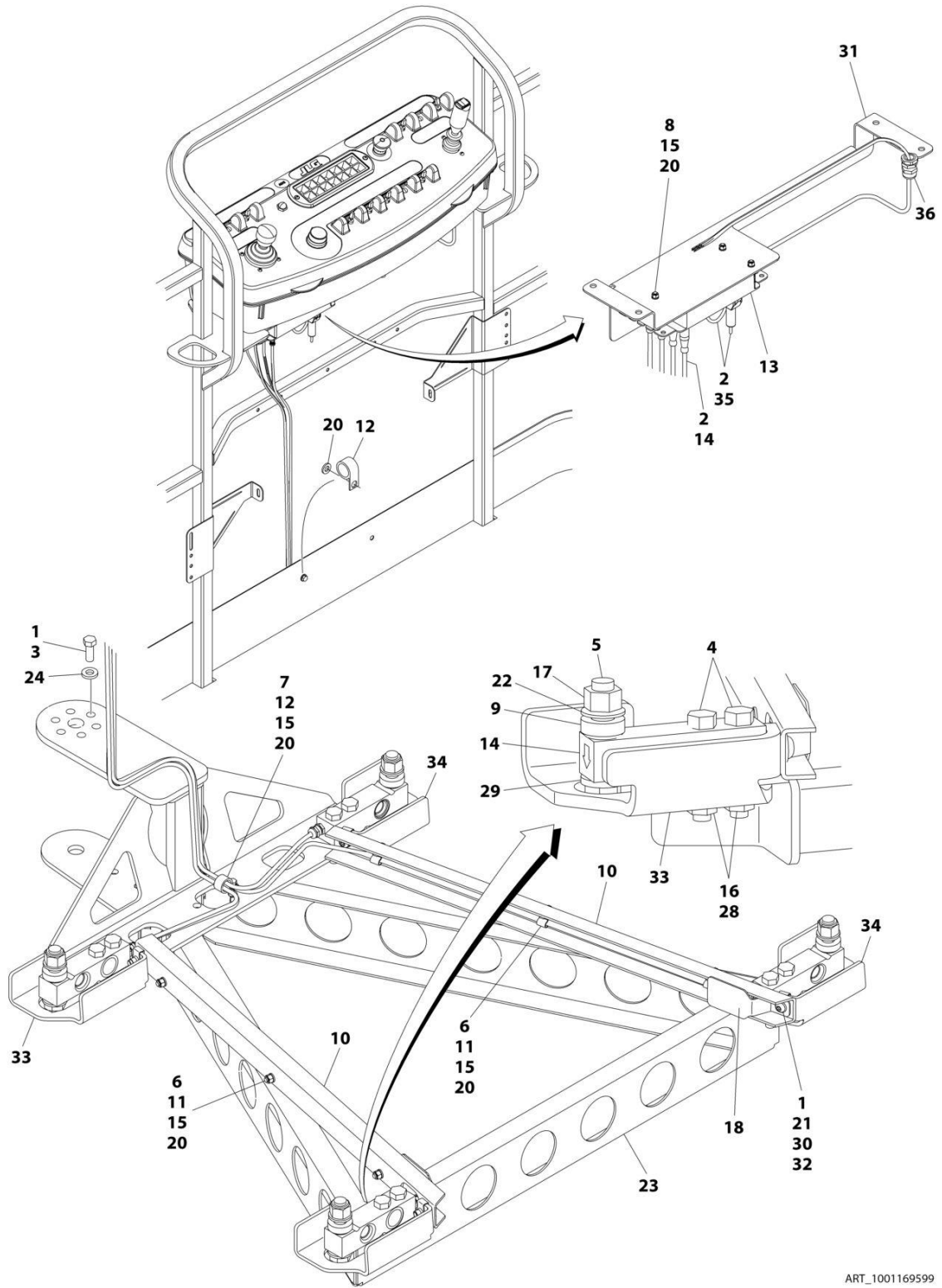
ART_1001115834

FIGURE 4-12. PLATFORM SUPPORT INSTALLATION - WITHOUT LSS

ITEM	PART NUMBER	QTY	DESCRIPTION	REV
	1001115834	Ref	PLATFORM SUPPORT INSTALLATION - WITHOUT LSS	B
1	0100011	AR	Compound, Locking	
2	0681608	6	Bolt 3/8-16 x 1 Grade 8	
3	0761015	8	Bolt M10 x 35 (Prior to SN 0300240098)	
3	0761215	8	Bolt M12 x 35 (SN 0300240098 through 0300272288)	
4	3291005	8	Nut M10 (Prior to SN 0300240098)	
4	3291205	8	Nut M12 (SN 0300240098 through 0300272288)	
5	4812000	16	Washer M10 (Prior to SN 0300240098)	
5	5241200	16	Washer M12 (SN 0300240098 through 0300272288)	
6	4846608	1	Support, Platform	
7	4891600	6	Washer 3/8	

SECTION 4 - BOOM

FIGURE 4-13. PLATFORM SUPPORT INSTALLATION - WITH 4 CELL LSS



ART_1001169599

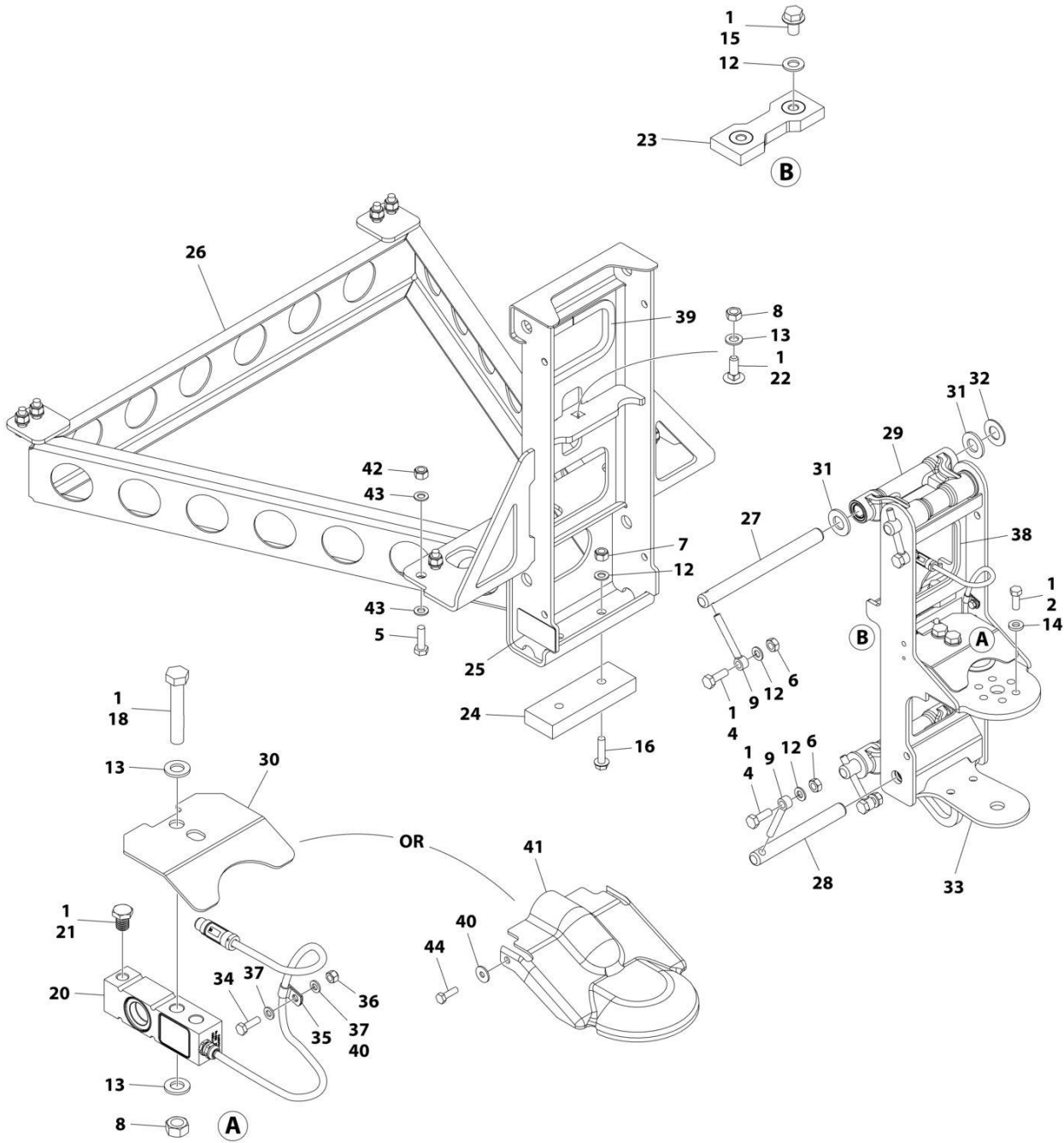
SECTION 4 - BOOM

FIGURE 4-13. PLATFORM SUPPORT INSTALLATION - WITH 4 CELL LSS

ITEM	PART NUMBER	QTY	DESCRIPTION	REV
	1001169599	Ref	PLATFORM SUPPORT INSTALLATION - WITH 4 CELL LSS	B
1	0100011	AR	Compound, Locking	
2	0100048	AR	Grease, Terminal	
3	0681608	6	Bolt 3/8 x 1	
4	0701222	8	Bolt M12 x 70	
5	0701624	4	Bolt M16 x 80	
6	0760608	6	Bolt M6 x 16	
7	0760610	1	Bolt M6 x 20	
8	0760618	3	Bolt M6 x 50	
9	0962450	4	Spacer	
10	1271538	2	Channel	
11	1320136	6	Clamp	
12	1320224	2	Clamp	
13	1600387	1	Module, Controller - LSS (Note: Re-calibration Required when Replaced)	
14	2420202	4	Cell, Load	
15	3290605	10	Nut M6	
16	3291205	8	Nut M12	
17	3291605	4	Nut M16	
18	4061054	2	Shield	
19	4240033	AR	Tie-Strap (Not Shown)	
20	4811700	15	Washer M6	
21	4811900	4	Washer M8	
22	4812300	4	Washer M16	
23	4846608	1	Support, Platform	
24	4891600	6	Washer 3/8	
28	5241200	8	Washer M12	
29	5241600	4	Washer M16	
30	8310643	4	Screw M8 x 25 Grade 10.9	
31	1001113483	1	Bracket	
32	1001118274	4	Nut, Tinnerman M8	
33	1001118909	2	Guard	
34	1001118910	2	Guard	
35	1001169598	1	LSS Harness (See ELECTRICAL SECTION for Breakdown)	
36	4460428	1	Connector, Strain Relief	

SECTION 4 - BOOM

FIGURE 4-14. PLATFORM SUPPORT INSTALLATION - WITH 1 CELL LSS



ART_1001217227

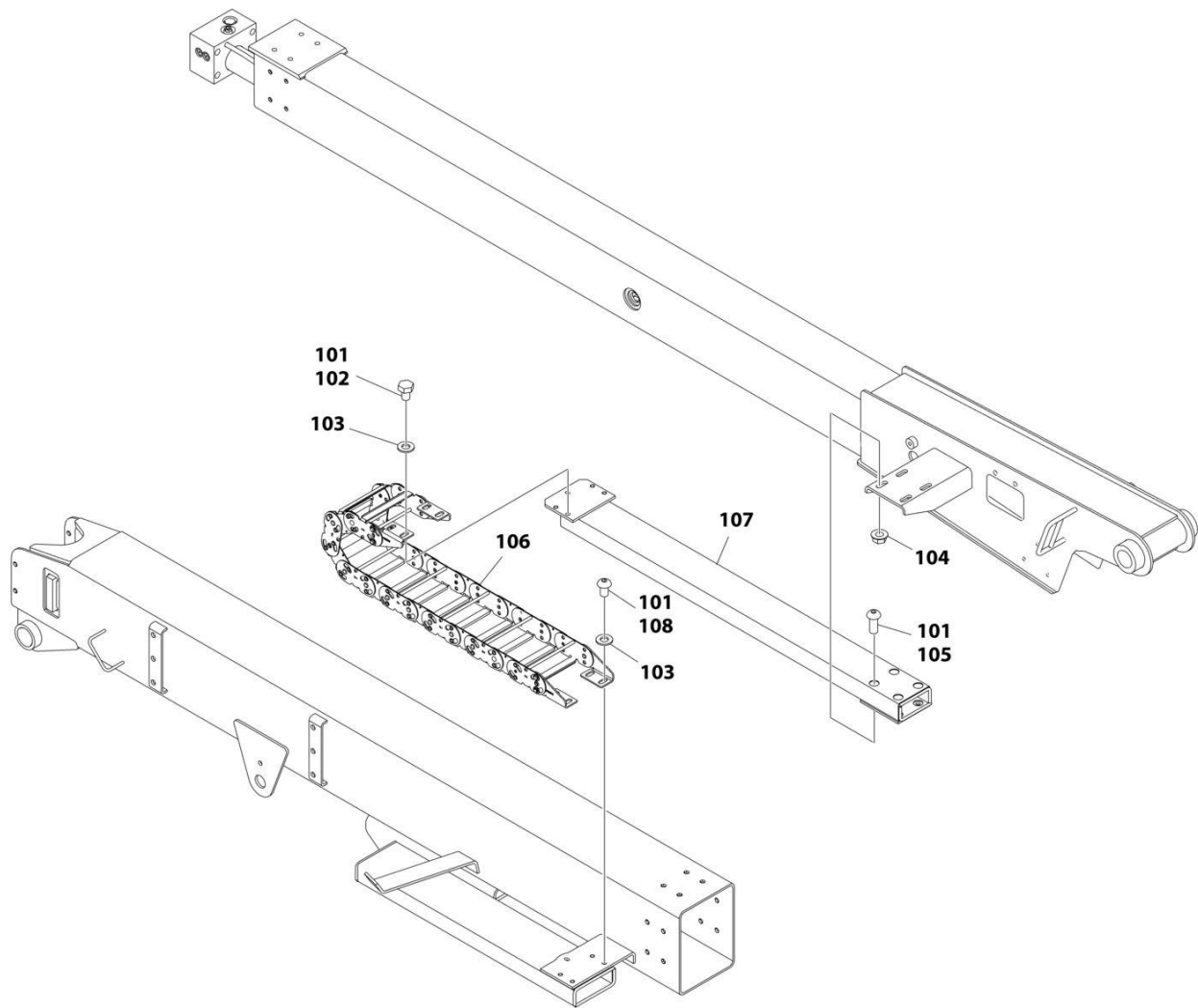
SECTION 4 - BOOM

FIGURE 4-14. PLATFORM SUPPORT INSTALLATION - WITH 1 CELL LSS

ITEM	PART NUMBER	QTY	DESCRIPTION	REV
	1001217227	Ref	PLATFORM SUPPORT INSTALLATION - WITH 1 CELL LSS	E
1	0100011	AR	Compound, Locking	
2	0681608	6	Bolt 3/8 x 1	
4	0761014	4	Bolt M10 x 30	
5	0761015	8	Bolt M10 x 35 (Prior to SN 0300240098)	
5	0761215	8	Bolt M12 x 35 (SN 0300240098 through 0300272288)	
6	3291001	4	Nut M10	
7	3291005	AR	Nut M10	
8	3291201	3	Nut M12	
9	3841143	4	Keeper, Pin	
12	4812000	AR	Washer M10	
13	4812100	5	Washer M12	
14	4891600	6	Washer 3/8	
15	5251008	2	Bolt M10 x 16	
16	5251016	2	Bolt M10 x 40	
18	1001098828	2	Bolt M12 x 70 Grade 10.9	
20	1001172663	1	Gauge, Load Sensing	
21	1001188622	1	Screw	
22	1001188844	1	Bolt M12 x 35	
23	1001190985	1	Pad, Wear	
24	1001200491	1	Pad, Wear	
25	1001216630	2	Decal - Tie Down/No Lift	
26	1001217228	1	Platform Support	
27	1001217242	2	Pin	
28	1001217243	2	Pin	
29	1001217244	2	Link	
30	1001217250	1	Plate (Prior to SN 0300236472)	
31	1001217253	8	Bearing, Thrust	
32	1001217254	4	Bearing, Thrust	
33	1001217267	1	Support	
34	0760610	AR	Bolt M6 x 20	
35	1320136	1	Clamp	
36	3290605	1	Nut M6	
37	4811700	2	Washer M6 (Prior to SN 0300236472)	
38	4060804	14.4 in/ 36.5cm	Shield	
39	4060805	15.9 in/ 40.5cm	Shield	
40	4811702	3	Washer M6 (SN 0300236472 through 0300272288)	
41	1001228627	1	Cover (SN 0300236472 through 0300272288)	
42	3291205	AR	Nut M12 (SN 0300240098 through 0300272288)	
43	5241200	AR	Washer M12 (SN 0300240098 through 0300272288)	
44	0760606	AR	Bolt M6 x 12 (SN 0300240098 through 0300272288)	

SECTION 4 - BOOM

FIGURE 4-15. POWER TRACK INSTALLATION



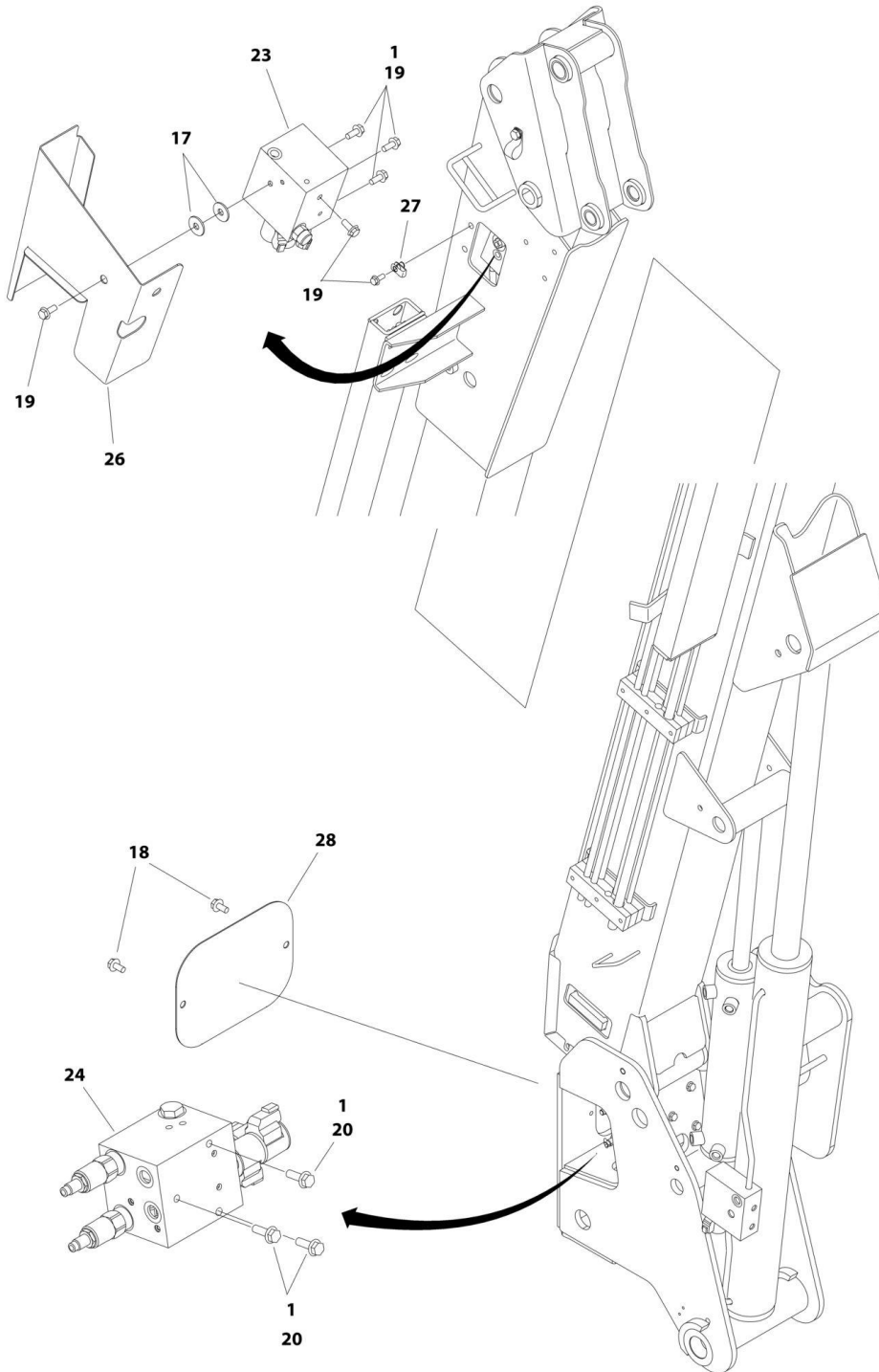
ART_1001119504

FIGURE 4-15. POWER TRACK INSTALLATION

ITEM	PART NUMBER	QTY	DESCRIPTION	REV
	1001119504	Ref	POWER TRACK INSTALLATION	C
101	0100011	AR	Compound, Locking	
102	0761007	4	Bolt M10 x 14	
103	4812000	8	Washer M10	
104	5221000	4	Nut M10 Grade 10.9	
105	8310668	4	Screw M10 x 25 Grade 10.9	
106	1001099834	1	Carrier, Power Track (Prior to SN 0300230169)	
106	70001996	1	Repair Kit (Includes 4 Link Section of Track)	
106	70001998	1	Bracket Kit (Includes 4 Mounting Feet and Hardware to Attach to Track)	
106	1001224891	1	Carrier, Power Track (SN 0300230169 through 0300272288)	
106	70006269	1	Repair Kit (Includes 10 Link Section of Track)	
106	70006280	1	Bracket Kit (Includes 4 Mounting Feet and Hardware to Attach to Track)	
107	1001119513	1	Tube, Support	
108	1001119527	4	Screw M10 x 16	

SECTION 4 - BOOM

FIGURE 4-16. CONTROL VALVES INSTALLATION - BOOM



ART_1001167238_30F3

SECTION 4 - BOOM

FIGURE 4-16. CONTROL VALVES INSTALLATION - BOOM

ITEM	PART NUMBER	QTY	DESCRIPTION	REV
	1001167238	Ref	CONTROL VALVES INSTALLATION - BOOM	I
1	0100011	AR	Compound, Locking	
17	4812002	2	Washer M10	
18	5250808	2	Bolt M8 X 16	
19	5250810	14	Bolt M8 X 20	
20	5250812	3	Bolt M8 X 25	
23	1001116228	1	Fly Boom Valve Assembly (See FLY BOOM VALVE ASSEMBLY for Breakdown)	
24	1001136244	1	Boom Upright Valve Assembly (See BOOM UPRIGHT VALVE ASSEMBLY for Breakdown)	
26	1001116835	1	Shield	
27	1001118274	1	Nut M8	
28	1001118595	1	Cover	

SECTION 4 - BOOM

FIGURE 4-17. FLY BOOM VALVE ASSEMBLY

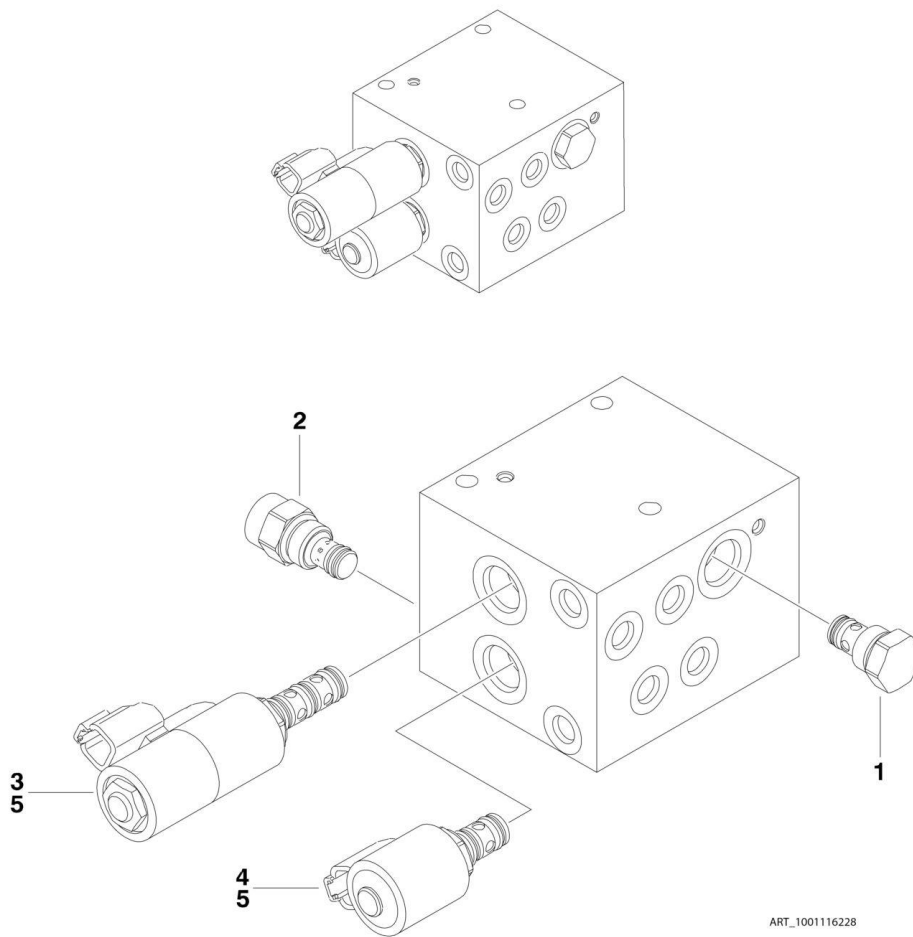
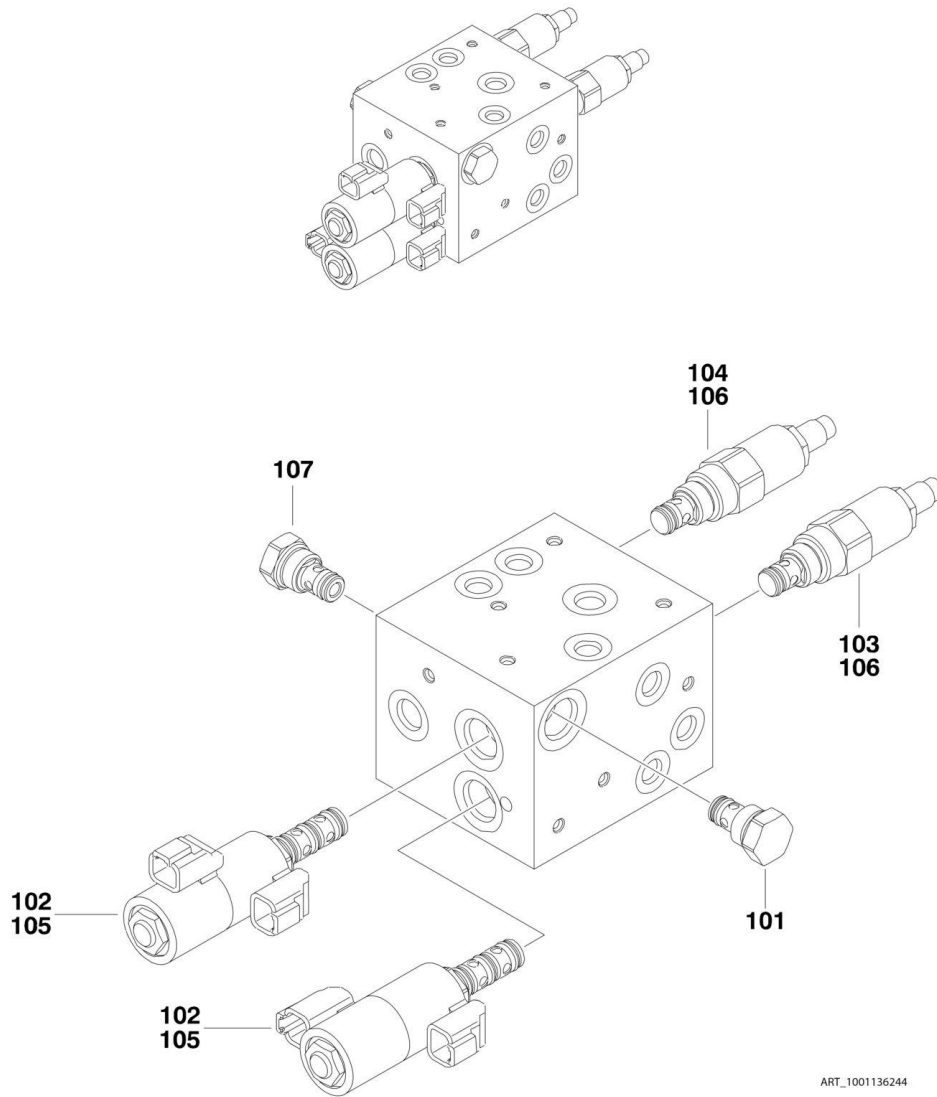


FIGURE 4-17. FLY BOOM VALVE ASSEMBLY

ITEM	PART NUMBER	QTY	DESCRIPTION	REV
	1001116228	Ref	FLY BOOM VALVE ASSEMBLY	D
1	7012955	1	Cartridge, Check Valve	
1	7012967	1	Seal Kit - 7012955 Cartridge	
2	7023970	1	Cartridge, Flow Regulator	
2	7012953	1	Seal Kit - 7023970 Cartridge	
3	7017452	1	Cartridge, Solenoid Valve (without Coil) (Rotate)	
3	7017402	1	Seal Kit - 7017452 Cartridge	
4	7012941	1	Cartridge, Solenoid Valve (without Coil) (Jib)	
4	7010543	1	Seal Kit - 7012941 Cartridge	
5	70002386	3	Coil	

SECTION 4 - BOOM

FIGURE 4-18. BOOM UPRIGHT VALVE ASSEMBLY



ART_1001136244

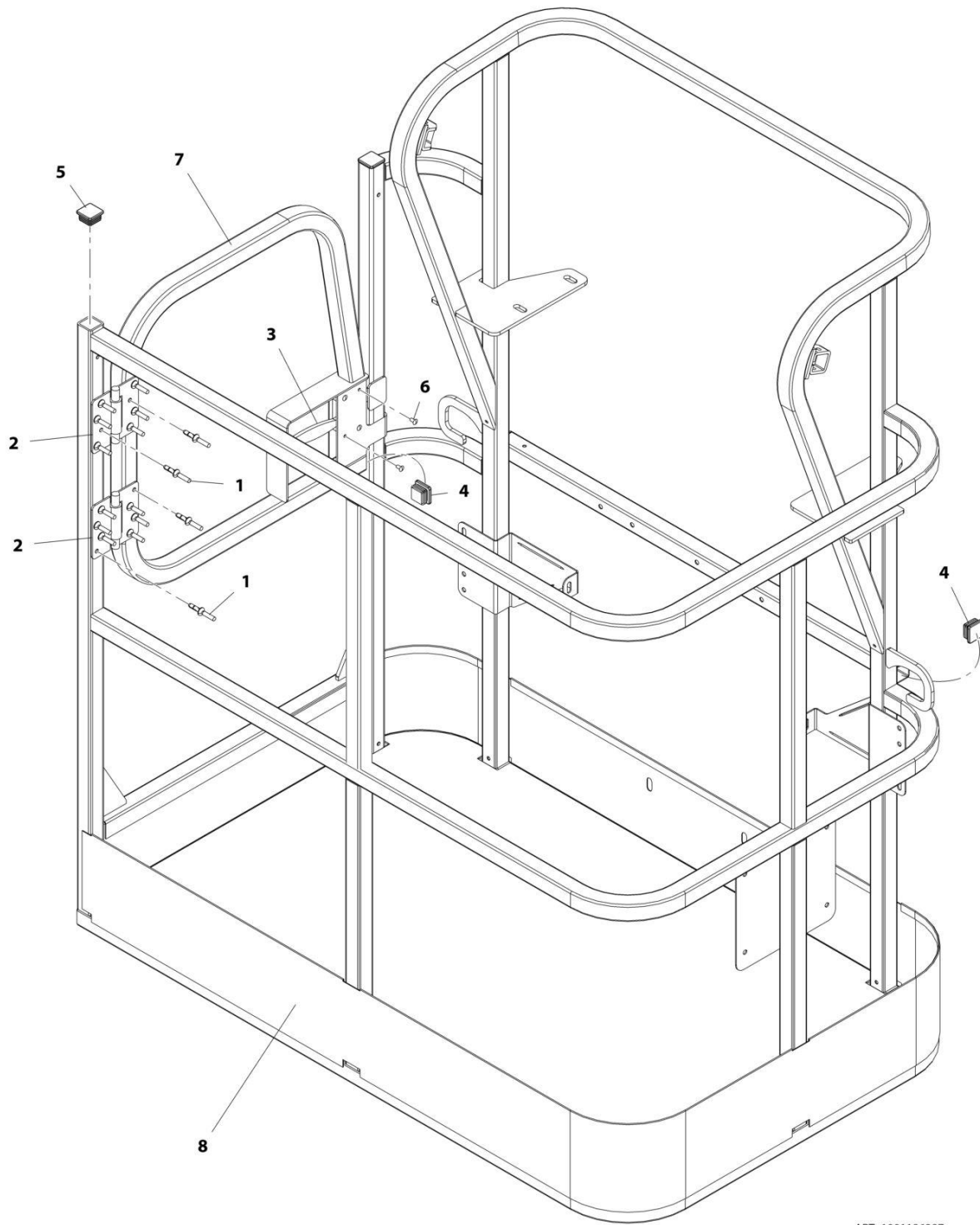
FIGURE 4-18. BOOM UPRIGHT VALVE ASSEMBLY

ITEM	PART NUMBER	QTY	DESCRIPTION	REV
	1001136244	Ref	BOOM UPRIGHT VALVE ASSEMBLY	C
101	7012955	2	Cartridge, Check Valve	
101	7012967	2	Seal Kit - 7012955 Cartridge	
102	7017452	2	Cartridge, Solenoid Valve (without Coil) (Telescope / Platform Level)	
102	7017402	2	Seal Kit - 7017452 Cartridge	
103	7017427	1	Cartridge, Relief	
103	7012998	1	Seal Kit - 7017427 Cartridge	
104	70002954	1	Cartridge, Relief	
104	7012998	1	Seal Kit - 70002954 Cartridge	
105	70002386	4	Coil	
106	70004982	2	Orifice	
107	7017498	1	Piston, Pilot	

SECTION 5 - PLATFORM

SECTION 5 - PLATFORM

FIGURE 5-1. PLATFORM ASSEMBLY - 30IN X 4FT (76CM X 1.22M) - GATE ENTRY



ART_1001186387

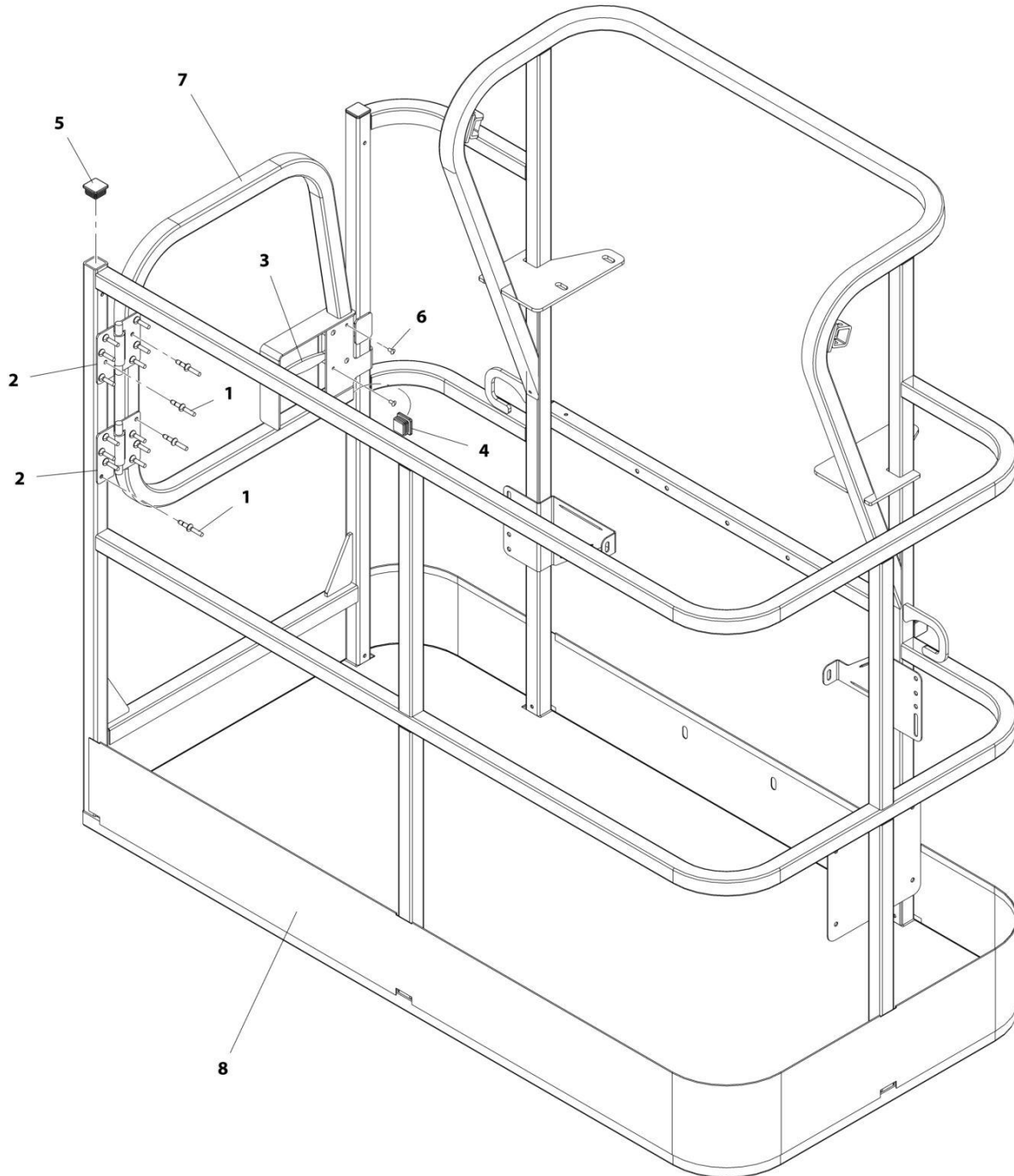
SECTION 5 - PLATFORM

FIGURE 5-1. PLATFORM ASSEMBLY - 30IN X 4FT (76CM X 1.22M) - GATE ENTRY

ITEM	PART NUMBER	QTY	DESCRIPTION	REV
	1001186387	Ref	PLATFORM ASSEMBLY - 30IN x 4FT (76CM X 1.22M) - SIDE GATE ENTRY	B
		Ref	Note: Platform and Mesh must be ordered separately for Platforms with Mesh. See SPECIAL OPTIONS SECTION for Mesh Installations.	
		Ref	Note: Replacement Decals Must be Ordered Separately - See DECALS SECTION.	
1	2080040	16	Fastener, Huck	
2	2600281	2	Hinge, Self-Closing	
3	2940074	1	Latch	
4	3520072	3	Cap, Plug	
5	3520198	2	Cap, Plug	
6	3820020	4	Rivet	
7	1001144629	1	Gate	
8	See Note	1	Platform (Note: Not Available - Purchase Platform Assembly)	

SECTION 5 - PLATFORM

FIGURE 5-2. PLATFORM ASSEMBLY - 30IN X 5FT (76CM X 1.52M) - GATE ENTRY



ART_1001186386

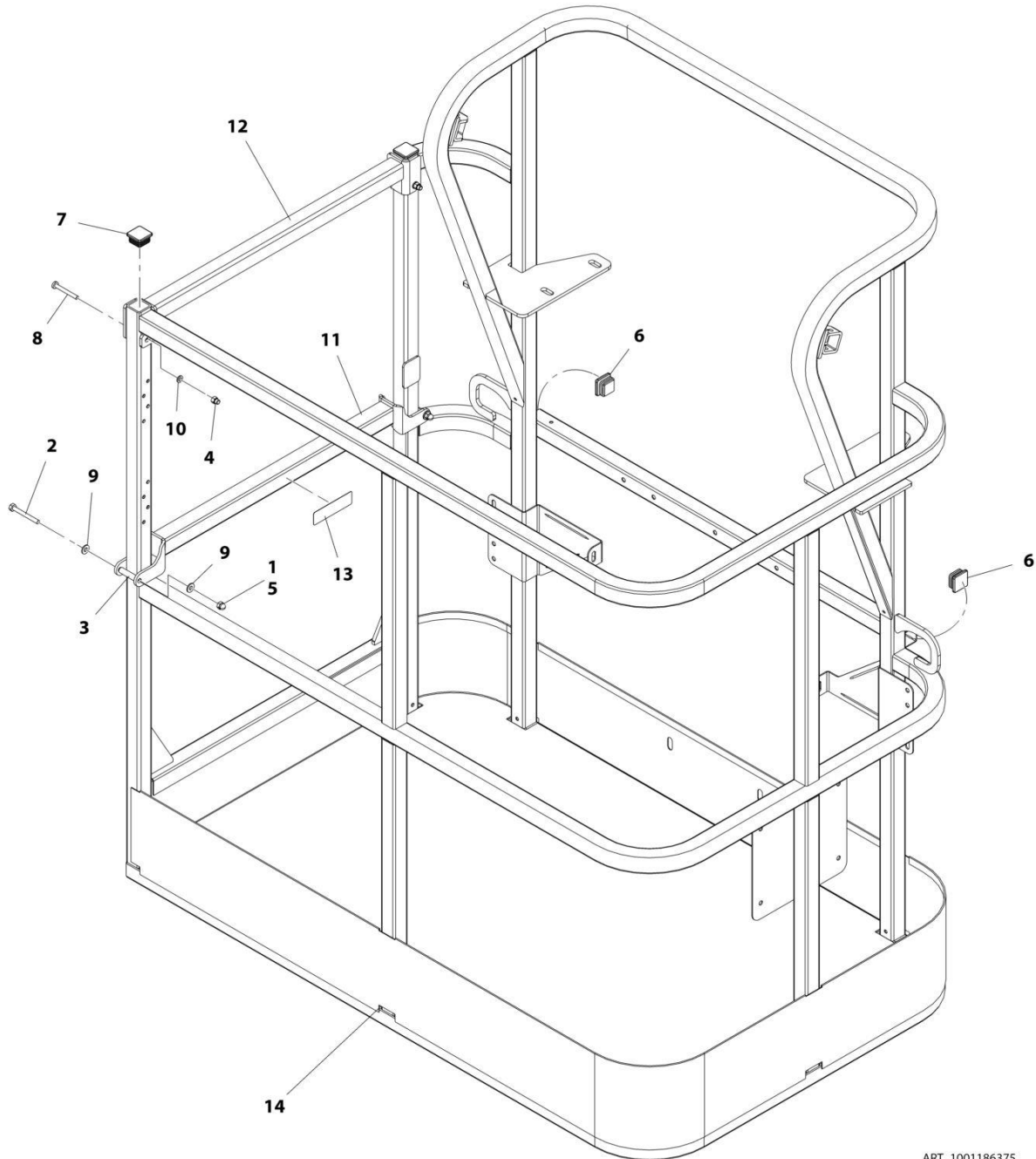
SECTION 5 - PLATFORM

FIGURE 5-2. PLATFORM ASSEMBLY - 30IN X 5FT (76CM X 1.52M) - GATE ENTRY

ITEM	PART NUMBER	QTY	DESCRIPTION	REV
	1001186386	Ref	PLATFORM ASSEMBLY - 30IN x 5FT (76CM X 1.52M) - SIDE GATE ENTRY	B
		Ref	Note: Platform and Mesh must be ordered separately for Platforms with Mesh. See SPECIAL OPTIONS SECTION for Mesh Installations.	
		Ref	Note: Replacement Decals Must be Ordered Separately - See DECALS SECTION.	
1	2080040	16	Fastener, Huck	
2	2600281	2	Hinge, Self-Closing	
3	2940074	1	Latch	
4	3520072	3	Cap, Plug	
5	3520198	2	Cap, Plug	
6	3820020	4	Rivet	
7	1001144629	1	Gate	
8	See Note	1	Platform (Note: Not Available - Purchase Platform Assembly)	

SECTION 5 - PLATFORM

FIGURE 5-3. PLATFORM ASSEMBLY - 30IN X 4FT (76CM X 1.22M) - DROP BAR ENTRY



ART_1001186375

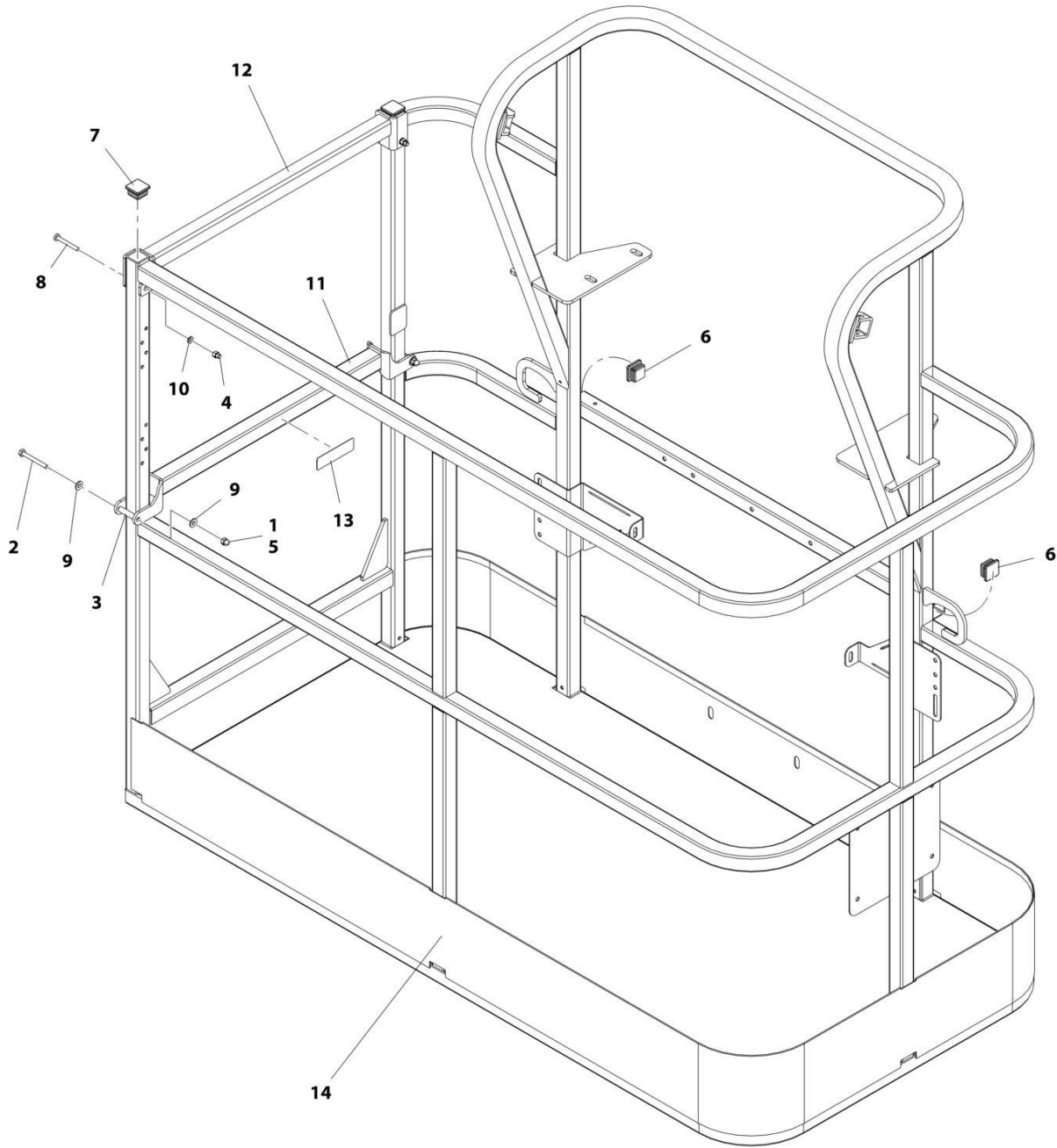
SECTION 5 - PLATFORM

FIGURE 5-3. PLATFORM ASSEMBLY - 30IN X 4FT (76CM X 1.22M) - DROP BAR ENTRY

ITEM	PART NUMBER	QTY	DESCRIPTION	REV
	1001186375	Ref	PLATFORM ASSEMBLY - 30IN x 4FT (76CM X 1.22M) - WITH DROP BAR	B
		Ref	Note: Platform and Mesh must be ordered separately for Platforms with Mesh. See SPECIAL OPTIONS SECTION for Mesh Installations.	
		Ref	Note: Replacement Decals Must be Ordered Separately - See DECALS SECTION.	
1	0100011	AR	Compound, Locking	
2	0641418	2	Bolt, 1/4-20 X 2-1/4	
3	0961845	2	Bushing	
4	3290606	2	Nut, M6 X 1	
5	3300151	2	Nut, Acorn 1/4-20	
6	3520072	2	Cap, Plug	
7	3520198	2	Cap, Plug	
8	4010618	2	Screw, M6 X 50mm	
9	4711400	4	Washer, 1/4	
10	4811700	2	Washer, M6	
11	1001138494	1	Bar, Drop	
12	1001138514	1	Rail (Top)	
13	1001140429	1	Decal - Drop Bar	
14	See Note	1	Platform (Note: Not Available - Purchase Platform Assembly)	

SECTION 5 - PLATFORM

FIGURE 5-4. PLATFORM ASSEMBLY - 30IN X 5FT (76CM X 1.52M) - DROP BAR ENTRY



ART_1001186377

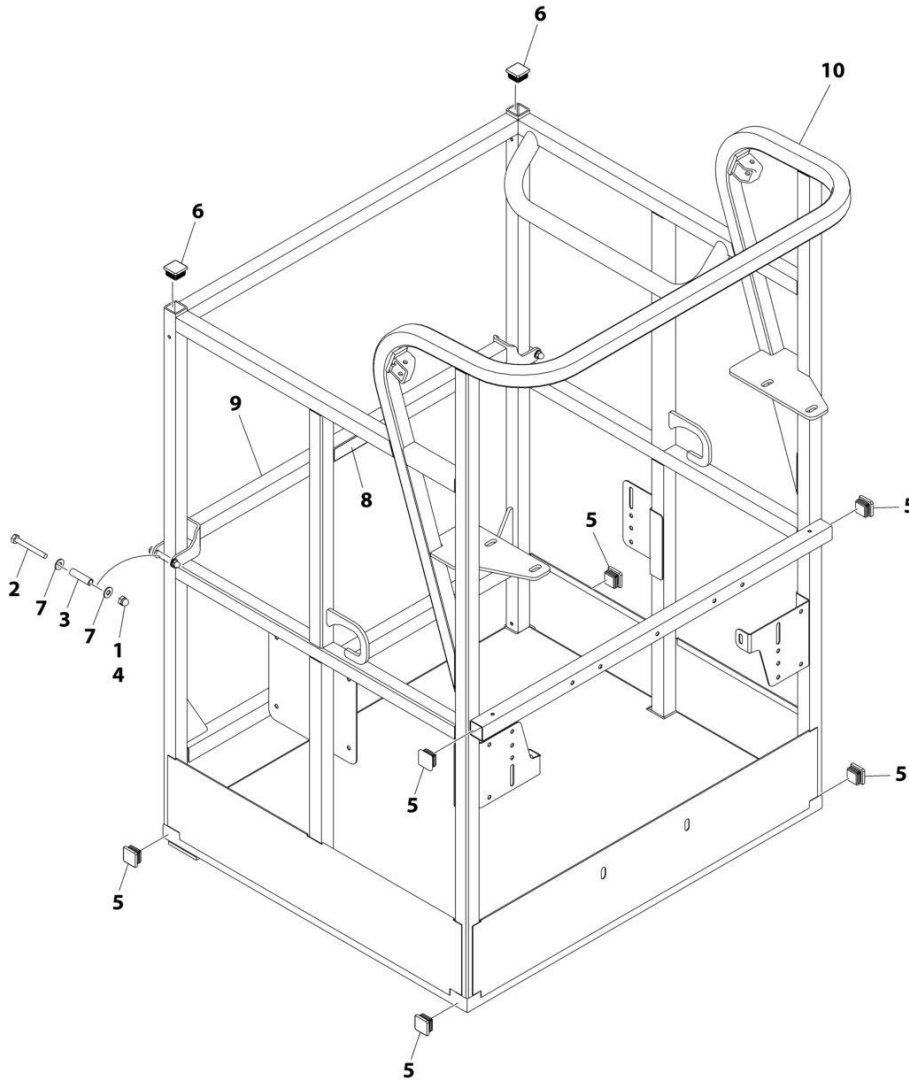
SECTION 5 - PLATFORM

FIGURE 5-4. PLATFORM ASSEMBLY - 30IN X 5FT (76CM X 1.52M) - DROP BAR ENTRY

ITEM	PART NUMBER	QTY	DESCRIPTION	REV
	1001186377	Ref	PLATFORM ASSEMBLY - 30IN x 5FT (76CM X 1.52M) - WITH DROP BAR	C
		Ref	Note: Platform and Mesh must be ordered separately for Platforms with Mesh. See SPECIAL OPTIONS SECTION for Mesh Installations.	
		Ref	Note: Replacement Decals Must be Ordered Separately - See DECALS SECTION.	
1	0100011	AR	Compound, Locking	
2	0641418	2	Bolt, 1/4-20 X 2-1/4	
2	0641420	2	Bolt, 1/4-20 X 2-1/2	
3	0961845	2	Bushing	
4	3290606	2	Nut, M6 X 1	
5	3300151	2	Nut, Acorn 1/4-20	
6	3520072	2	Cap, Plug	
7	3520198	2	Cap, Plug	
8	4010618	2	Screw, M6 X 50mm	
9	4711400	4	Washer, 1/4	
10	4811700	2	Washer, M6	
11	1001138494	1	Bar, Drop	
12	1001138514	1	Rail (Top)	
13	1001140429	1	Decal - Drop Bar	
14	See Note	1	Platform (Note: Not Available - Purchase Platform Assembly)	

SECTION 5 - PLATFORM

FIGURE 5-5. PLATFORM ASSEMBLY - 30IN X 3FT (76CM X 91.5CM) - WITH DROP BAR



ART_1001228215

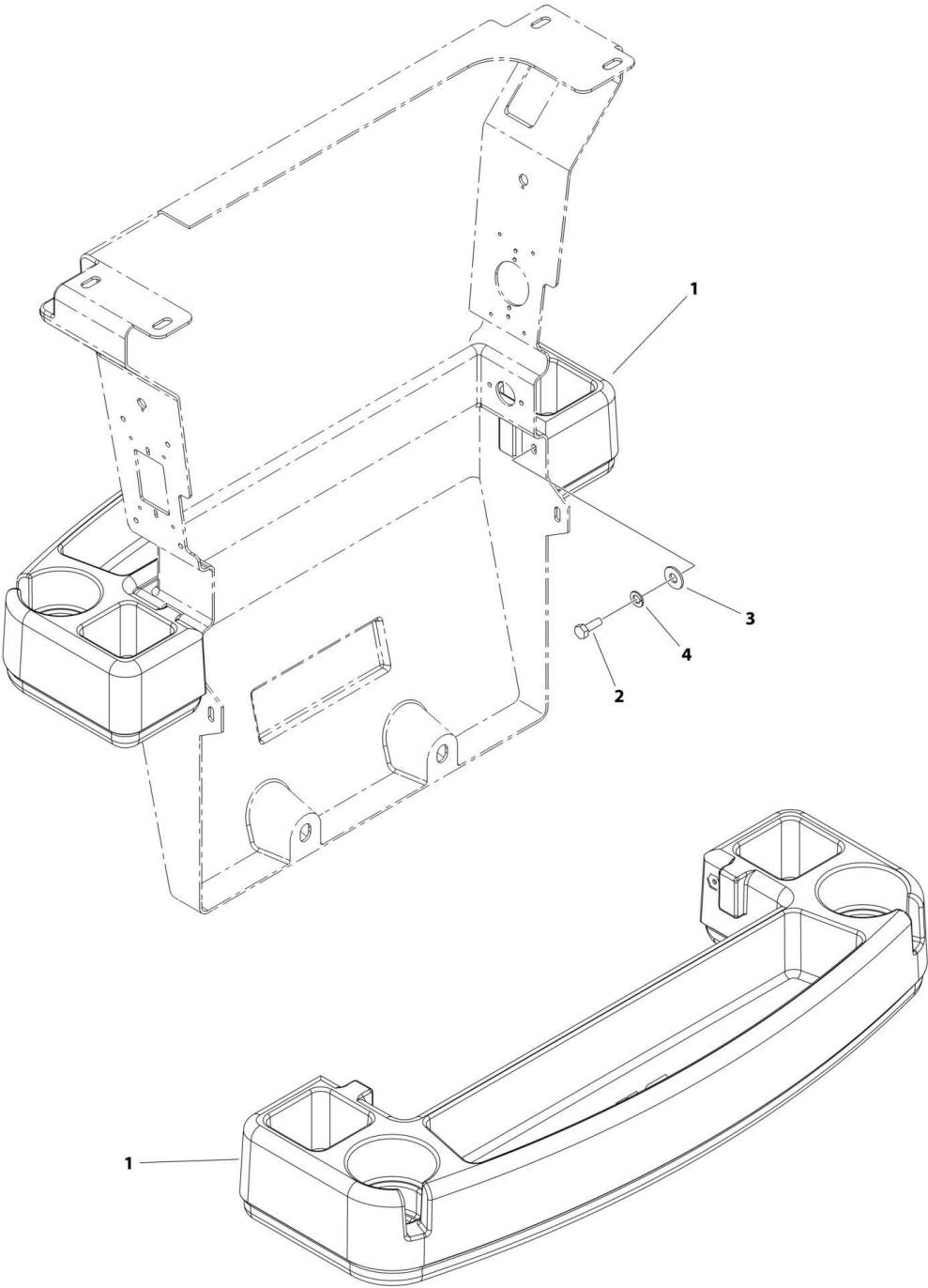
SECTION 5 - PLATFORM

FIGURE 5-5. PLATFORM ASSEMBLY - 30IN X 3FT (76CM X 91.5CM) - WITH DROP BAR

ITEM	PART NUMBER	QTY	DESCRIPTION	REV
	1001228215	Ref	PLATFORM ASSEMBLY	A
	See Note	Ref	Note: Platform and Mesh must be ordered separately for Platforms with Mesh. See SPECIAL OPTIONS SECTION for Mesh Installations.	
	See Note	Ref	Note: Replacement Decals Must be Ordered Separately - See DECAL SECTION.	
1	0100011	AR	Compound, Locking	
2	0641418	2	Bolt 1/4 x 2-1/4	
3	0961845	2	Bushing	
4	3300151	2	Nut 1/4	
5	3520072	6	Cap, Plug	
6	3520198	2	Cap, Plug	
7	4711400	4	Washer 1/4	
8	1001140429	1	Decal - Drop Bar	
9	1001226872	1	Bar, Drop	
10	See Note	NSS	Platform (Note: Not Available - Purchase Platform Assembly)	

SECTION 5 - PLATFORM

FIGURE 5-6. TRAY INSTALLATION



ART_1580012

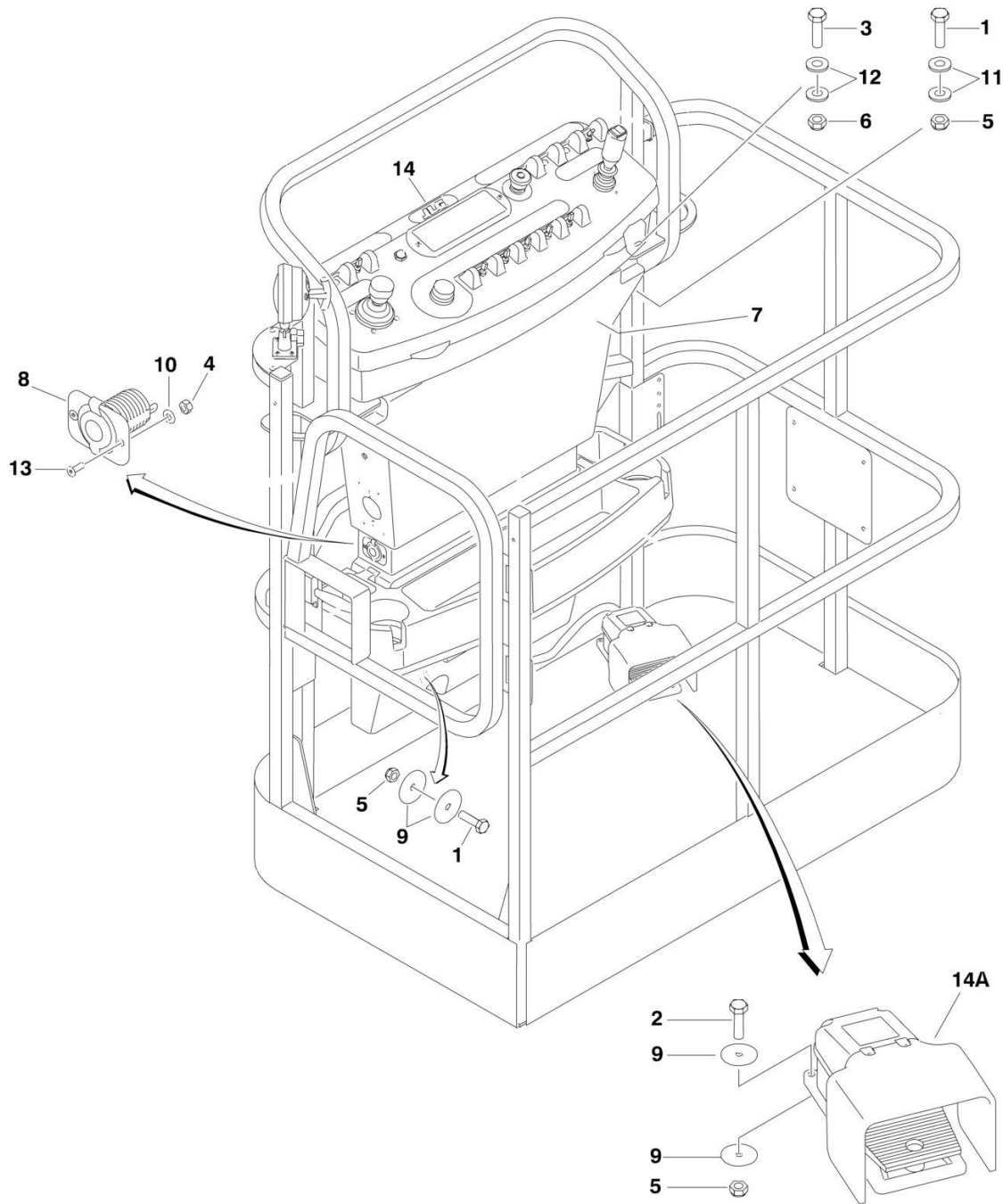
SECTION 5 - PLATFORM

FIGURE 5-6. TRAY INSTALLATION

ITEM	PART NUMBER	QTY	DESCRIPTION	REV
	1580012	Ref	TRAY INSTALLATION	C
1	See Note	NSS	Tray, Storage - Center (Note: Purchase p/n 1580012)	
2	0641406	2	Bolt 1/4-20 x 3/4	
3	4751400	2	Washer 1/4	
4	4761400	2	Washer 1/4	

SECTION 5 - PLATFORM

FIGURE 5-7. CONSOLE AND FOOTSWITCH INSTALLATION WITHOUT LSS OR WITH 4 CELL LSS - WITHOUT SKYGUARD



ART_1001169090

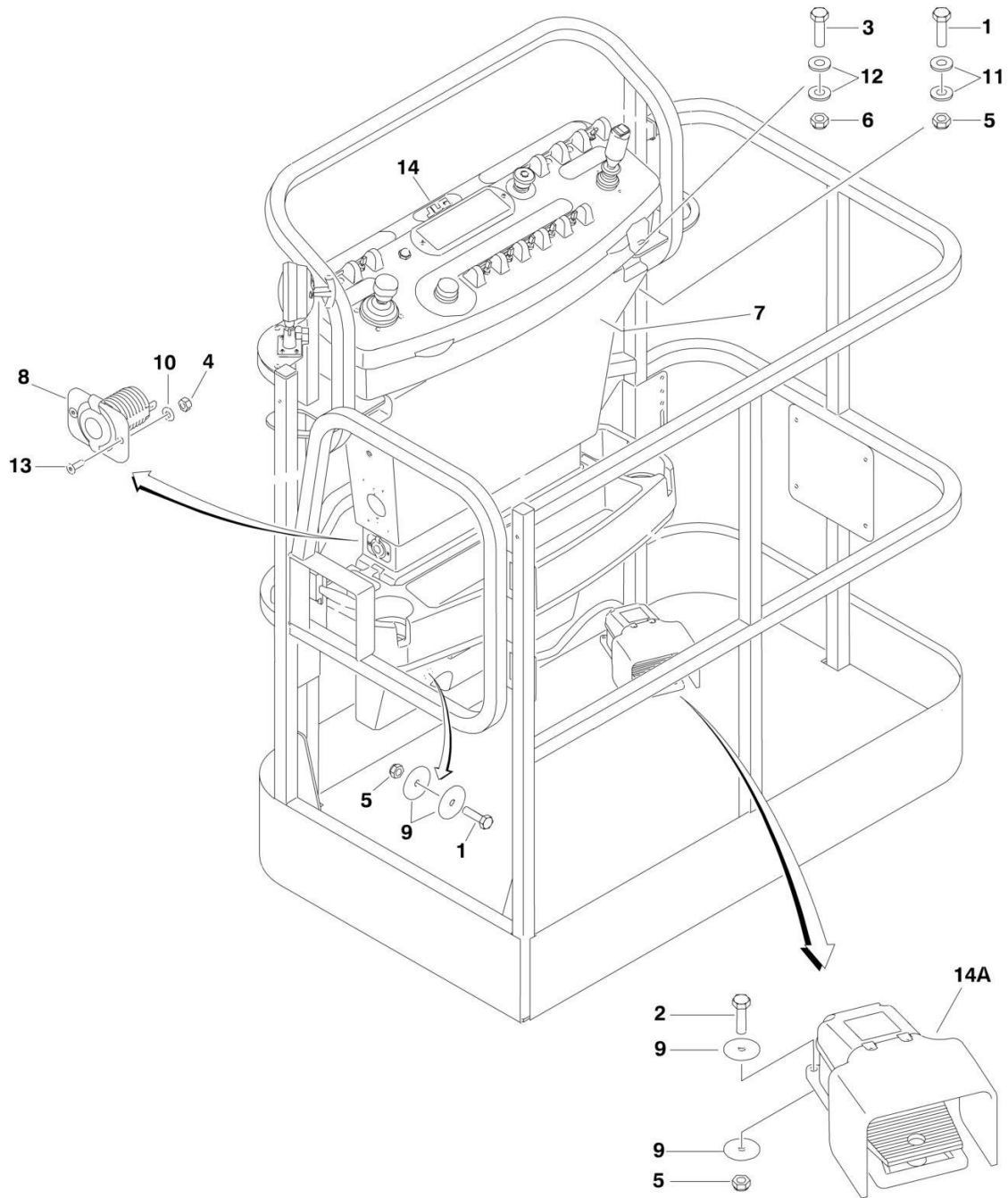
SECTION 5 - PLATFORM

FIGURE 5-7. CONSOLE AND FOOTSWITCH INSTALLATION WITHOUT LSS OR WITH 4 CELL LSS - WITHOUT SKYGUARD

ITEM	PART NUMBER	QTY	DESCRIPTION	REV
	1001169090	Ref	CONSOLE AND FOOTSWITCH INSTALLATION WITHOUT LSS OR WITH 4 CELL LSS - WITHOUT SKYGUARD	B
1	0760608	4	Bolt M6 x 16	
2	0760614	4	Bolt M6 x 30	
3	0761015	4	Bolt M10 x 35	
4	3290405	2	Nut M4	
5	3290605	8	Nut M6	
6	3291005	4	Nut M10	
7	3380434	1	Panel, Pedestal	
8	4461012	1	Receptacle, 12V	
9	4740362	8	Washer 1/4	
10	4811400	2	Washer M4	
11	4811702	4	Washer M6	
12	4812002	8	Washer M10	
13	1001097244	2	Capscrew M4 x 12	
14	1001169091	1	Console Assembly without LSS or with 4 CELL LSS (See CONSOLE ASSEMBLY WITHOUT LSS OR WITH 4 CELL LSS - WITH SKYGUARD for Breakdown) (Prior to SN 0300222893)	
14	1001208965	1	Console Assembly without LSS or with 4 CELL LSS (See CONSOLE ASSEMBLY WITHOUT LSS OR WITH 4 CELL LSS - WITH SKYGUARD for Breakdown) (SN 0300222893 through 0300272288)	
14A	1001117174	1	Footswitch Assembly	B
14A	1001117172	1	Footswitch Less Cable	
14A	70002902	1	Block, Contact	
14A	70002903	1	Gasket	
14A	70002905	1	Cover	
14A	70002904	1	Bolt Replacement Kit	
14A	1060918	7.5 ft/ 2.3m	Cable, Electrical - 18/3	
14A	4460071	1	Connector, Strain Relief	
14A	4460226	2	Socket, Female	
14A	4460464	1	Pin, Male	

SECTION 5 - PLATFORM

FIGURE 5-8. CONSOLE AND FOOTSWITCH INSTALLATION WITHOUT LSS OR WITH 4 CELL LSS - WITH SKYGUARD



ART_1001186889

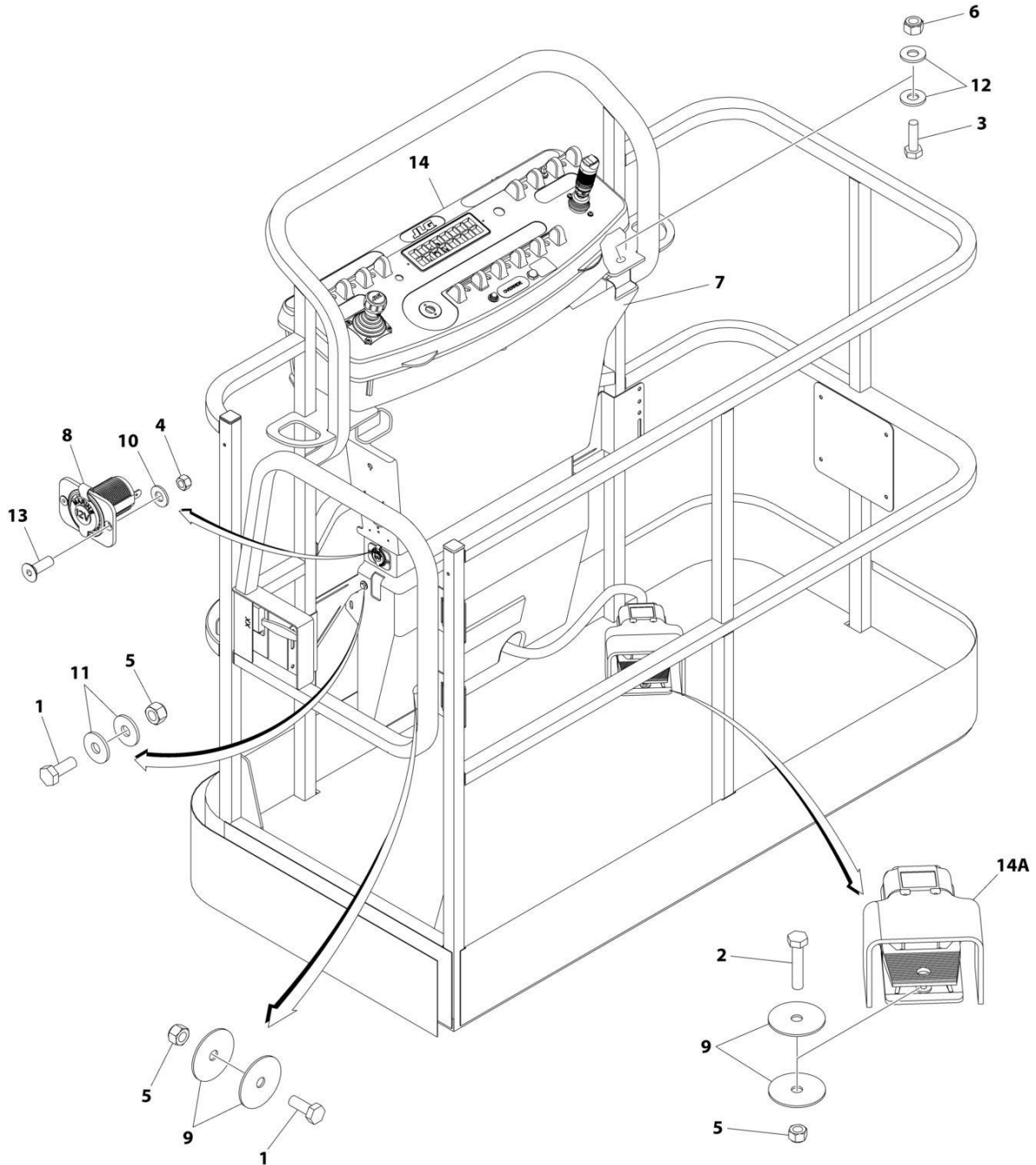
SECTION 5 - PLATFORM

FIGURE 5-8. CONSOLE AND FOOTSWITCH INSTALLATION WITHOUT LSS OR WITH 4 CELL LSS - WITH SKYGUARD

ITEM	PART NUMBER	QTY	DESCRIPTION	REV
	1001186889	Ref	CONSOLE AND FOOTSWITCH INSTALLATION WITHOUT LSS OR WITH 4 CELL LSS - WITH SKYGUARD	C
1	0760608	4	Bolt M6 x 16	
2	0760614	4	Bolt M6 x 30	
3	0761015	4	Bolt M10 x 35	
4	3290405	2	Nut M4	
5	3290605	8	Nut M6	
6	3291005	4	Nut M10	
7	3380434	1	Panel, Pedestal	
8	4461012	1	Receptacle, 12V	
9	4740362	8	Washer 1/4	
10	4811400	2	Washer M4	
11	4811702	4	Washer M6	
12	4812002	8	Washer M10	
13	1001097244	2	Capscrew M4 x 12	
14	1001186894	1	Console Assembly without LSS or with 4 CELL LSS (See CONSOLE ASSEMBLY WITHOUT LSS OR WITH 4 CELL LSS - WITH SKYGUARD for Breakdown) (Prior to SN 0300222893)	
14	1001208966	1	Console Assembly without LSS or with 4 CELL LSS (See CONSOLE ASSEMBLY WITHOUT LSS OR WITH 4 CELL LSS - WITH SKYGUARD for Breakdown) (SN 0300222893 through 0300272288)	
14A	1001117174	1	Footswitch Assembly	B
14A	1001117172	1	Footswitch Less Cable	
14A	70002902	1	Block, Contact	
14A	70002903	1	Gasket	
14A	70002905	1	Cover	
14A	70002904	1	Bolt Replacement Kit	
14A	1060918	7.5 ft/ 2.3m	Cable, Electrical - 18/3	
14A	4460071	1	Connector, Strain Relief	
14A	4460226	2	Socket, Female	
14A	4460464	1	Pin, Male	

SECTION 5 - PLATFORM

FIGURE 5-9. CONSOLE AND FOOTSWITCH INSTALLATION WITH 1 CELL LSS - WITH SKYGUARD
(Prior to SN 0300257126)



ART_1001220656

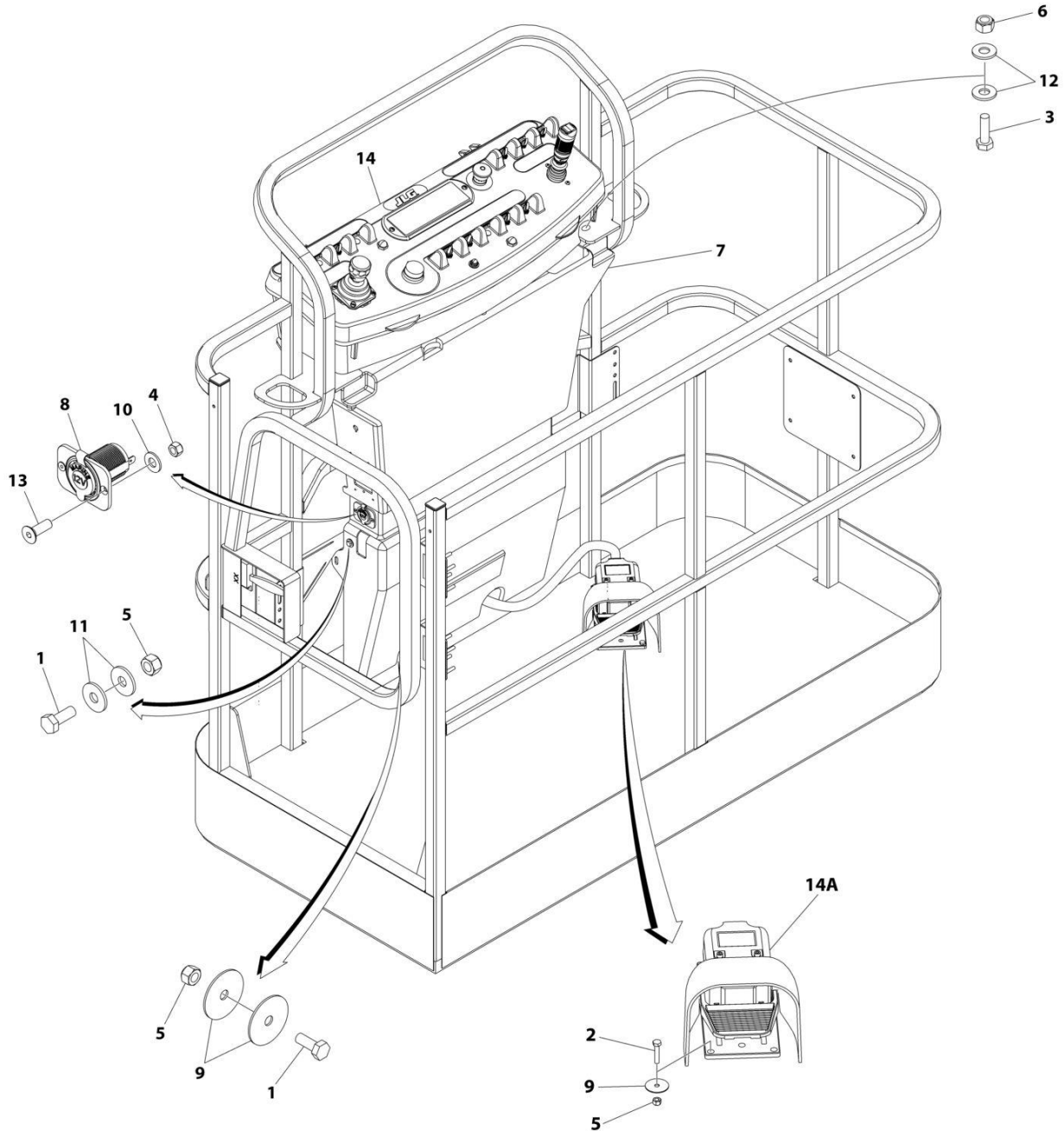
SECTION 5 - PLATFORM

**FIGURE 5-9. CONSOLE AND FOOTSWITCH INSTALLATION WITH 1 CELL LSS - WITH SKYGUARD
(Prior to SN 0300257126)**

ITEM	PART NUMBER	QTY	DESCRIPTION	REV
	1001220656	Ref	CONSOLE AND FOOTSWITCH INSTALLATION WITH 1 CELL LSS - WITH SKYGUARD	B
1	0760608	4	Bolt M6 x 16	
2	0760614	4	Bolt M6 x 30	
3	0761015	4	Bolt M10 x 35	
4	3290405	2	Nut M4	
5	3290605	8	Nut M6	
6	3291005	4	Nut M10	
7	3380434	1	Panel, Pedestal	
8	4461012	1	Receptacle, 12V	
9	4740362	8	Washer 1/4	
10	4811400	2	Washer M4	
11	4811702	4	Washer M6	
12	4812002	8	Washer M10	
13	1001097244	2	Capscrew M4 x 12	
14	1001219788	1	Console and Footswitch Assembly with 1 CELL LSS (See CONSOLE ASSEMBLY with 1 CELL LSS - WITH SKYGUARD for Breakdown)	
14A	1001117174	1	Footswitch Assembly	B
14A	1001117172	1	Footswitch Less Cable	
14A	70002902	1	Block, Contact	
14A	70002903	1	Gasket	
14A	70002905	1	Cover	
14A	70002904	1	Bolt Replacement Kit	
14A	1060918	7.5 ft/ 2.3m	Cable, Electrical - 18/3	
14A	4460071	1	Connector, Strain Relief	
14A	4460226	2	Socket, Female	
14A	4460464	1	Pin, Male	

SECTION 5 - PLATFORM

FIGURE 5-10. CONSOLE AND FOOTSWITCH INSTALLATION WITH 1 CELL LSS - WITH SKYGUARD
(SN 0300257126 through 0300272288)



ART_1001243452

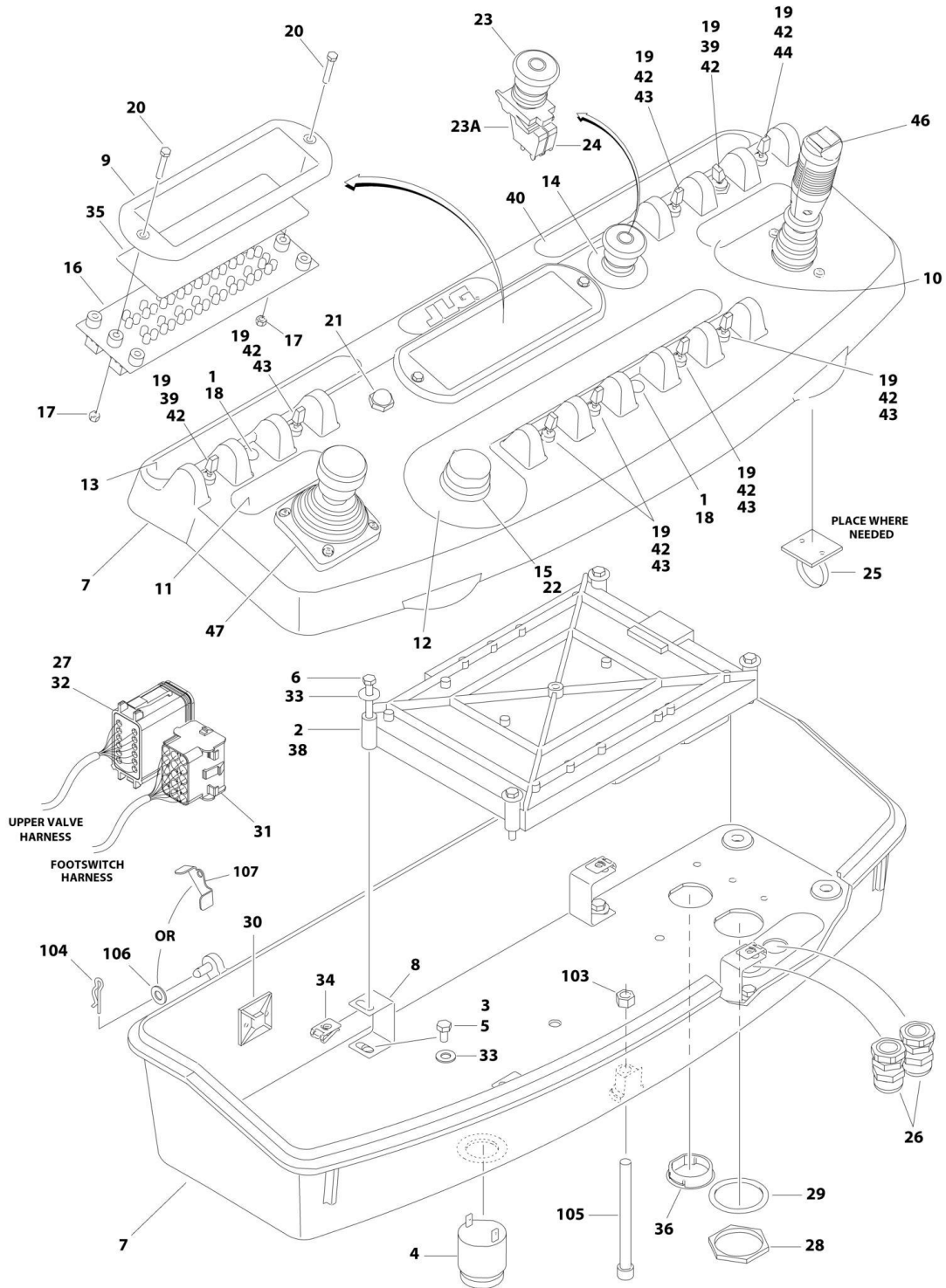
SECTION 5 - PLATFORM

**FIGURE 5-10. CONSOLE AND FOOTSWITCH INSTALLATION WITH 1 CELL LSS - WITH SKYGUARD
(SN 0300257126 through 0300272288)**

ITEM	PART NUMBER	QTY	DESCRIPTION	REV
	1001243452	Ref	CONSOLE AND FOOTSWITCH INSTALLATION WITH 1 CELL LSS - WITH SKYGUARD	A
1	0700610	4	Bolt M6 x 16	
2	0760614	4	Bolt M6 x 30	
3	0761015	4	Bolt M10 x 35	
4	3290405	2	Nut M4	
5	3290605	8	Nut M6	
6	3291005	4	Nut M10	
7	3380434	1	Panel, Pedestal	
8	4461012	1	Receptacle, 12V	
9	4740362	8	Washer 1/4	
10	4811400	2	Washer M4	
11	4811702	4	Washer M6	
12	4812002	8	Washer M10	
13	1001097244	2	Capscrew M4 x 12	
14	1001243453	1	Console and Footswitch Assembly with 1 CELL LSS (See CONSOLE ASSEMBLY with 1 CELL LSS - WITH SKYGUARD for Breakdown)	
14A	1001117174	1	Footswitch Assembly	B
14A	1001117172	1	Footswitch Less Cable	
14A	70002902	1	Block, Contact	
14A	70002903	1	Gasket	
14A	70002905	1	Cover	
14A	70002904	1	Bolt Replacement Kit	
14A	1060918	7.5 ft/ 2.3m	Cable, Electrical - 18/3	
14A	4460071	1	Connector, Strain Relief	
14A	4460226	2	Socket, Female	
14A	4460464	1	Pin, Male	

SECTION 5 - PLATFORM

**FIGURE 5-11. CONSOLE ASSEMBLY WITHOUT LSS OR WITH 4 CELL LSS - WITHOUT SKYGUARD
(Prior to SN 0300222893)**



ART_1001169091

SECTION 5 - PLATFORM

**FIGURE 5-11. CONSOLE ASSEMBLY WITHOUT LSS OR WITH 4 CELL LSS - WITHOUT SKYGUARD
(Prior to SN 0300222893)**

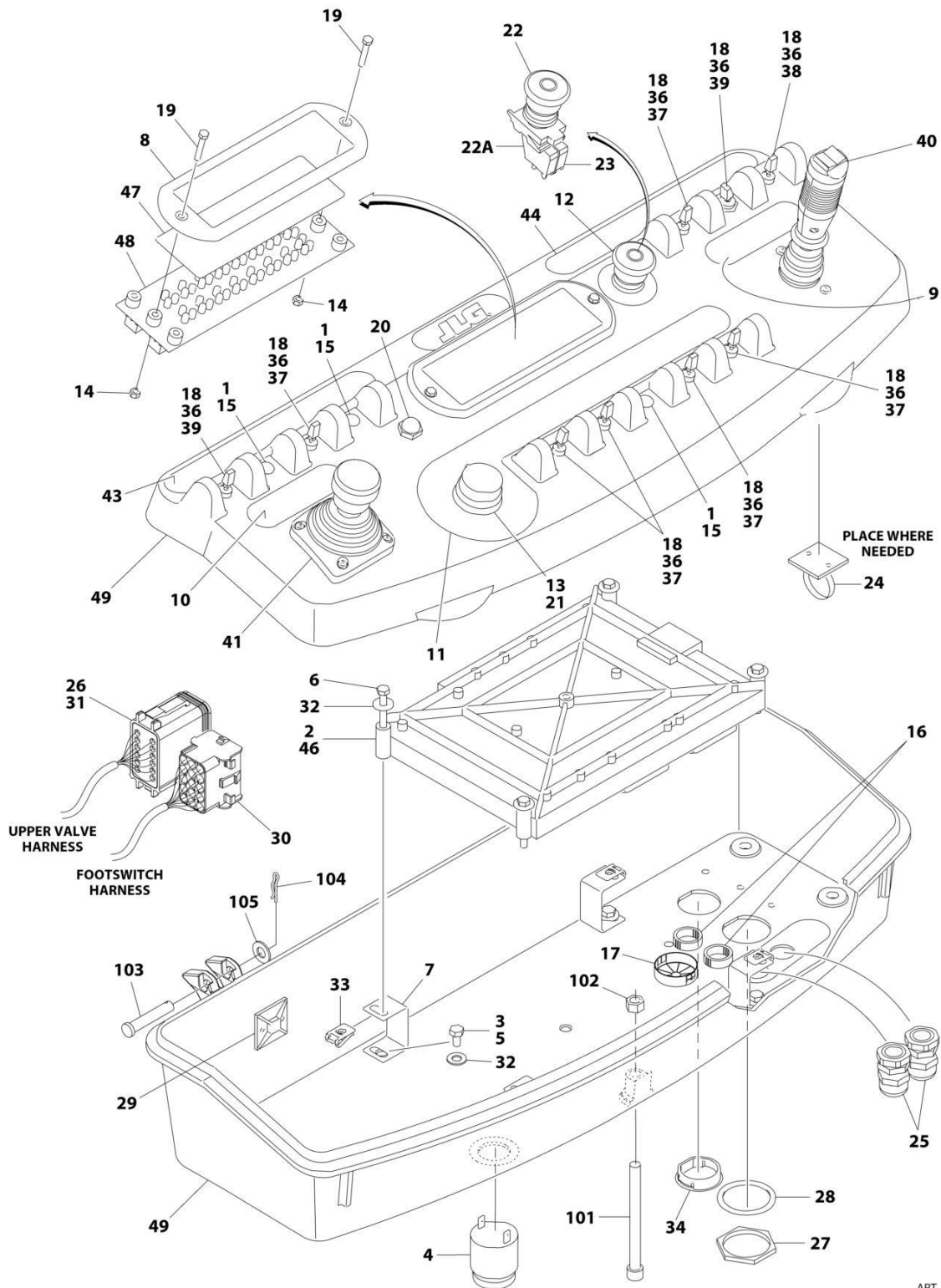
ITEM	PART NUMBER	QTY	DESCRIPTION	REV
	1001169091	Ref	CONSOLE ASSEMBLY WITHOUT LSS OR WITH 4 CELL LSS - WITHOUT SKYGUARD (Prior to SN 0300222893)	E
1	0100009	AR	Sealant	
2	0100048	AR	Grease, Dielectric	
3	0100081	AR	Adhesive	
4	0140011	1	Alarm	
5	0641404	4	Bolt 1/4 x 1/2	
6	0700617	4	Bolt M6 x 45	
7	0861441	1	Box, Console (See Items 103-106 for Breakdown)	
8	0902751	4	Bracket, Support	
9	1671176	1	Bezel	
10	1702565	1	Decal (Drive and Steer)	
11	1702566	1	Decal (Lift and Swing)	
12	1702567	1	Decal (Function Speed)	
13	1001169092	1	Decal (Horn)	
14	1704260	1	Decal (EMS)	
15	2560136	1	Handle, Knob	
16	1001170838	1	Panel, LED	
17	3311005	2	Nut #10-24	
18	3520028	3	Plug, Hole	
19	3790012	9	O-Ring	
20	3911018	2	Bolt #10 x 1-1/8	
21	4360387	1	Switch, Pushbutton	
22	4360407	1	Controller, Speed	
22	4460224	1	Receptacle, Female - 6 Position	
22	4460226	6	Socket, Female	
22	See Note	NSS	Gasket "Top Hat" (Included with Switch) (Note: Not Available - Purchase Complete Controller.)	
22	70003784	1	Seal	
23	4360475	1	Switch, Emergency Stop	
23	7020175	1	Cap, Red	
23A	7020176	1	Contact Block	
24	4360476	1	Block, Contact	
25	4460234	3	Base, Mounting	
26	4460428	2	Connector, Strain Relief	
27	4460466	7	Seal, Plug	
28	4460470	1	Nut	
29	4460471	1	Washer	
30	4460488	1	Base, Mounting	
31	4460708	1	Receptacle, Female 15 Position	
32	4460933	1	Plug, Male 12 Position	
33	4751400	8	Washer 1/4	
34	8305919	4	Retainer M6	
35	1001170083	1	Decal (Display)	
36	1001110434	1	Plug, Hole	
37	1001117174	1	Footswitch Assembly (Not Shown - See CONSOLE INSTALLATION for Breakdown)	
38	1001169594	1	Module, Platform (Note: Re-calibration Required when Replaced)	
39	1001161710	2	Switch, Toggle	

SECTION 5 - PLATFORM

ITEM	PART NUMBER	QTY	DESCRIPTION	REV
40	1001169093	1	Decal (Stop)	
41	1001168701	1	Platform Console Harness Assembly (Not Shown - See ELECTRICAL SECTION for Breakdown)	
42	1001155044	9	Nut 15/32	
43	1001155045	6	Switch, Toggle	
44	1001159256	1	Switch, Toggle	
45	1001169422	1	Platform to Boom Valves Harness Assembly (Not Shown - See ELECTRICAL SECTION for Breakdown)	
46	1001166538	NLA	Drive/Steer Controller Assembly (Use p/n 1001129555) (See DRIVE/STEER ASSEMBLY for Breakdown)	
47	1001166539	NLA	Lift/Swing Controller Assembly (Use p/n 1001212415) (See LIFT/SWING ASSEMBLY for Breakdown)	
	0861441	Ref	CONSOLE BOX ASSEMBLY	H
103	3311601	1	Nut 3/8	
104	3470003	2	Pin, Cotter	
105	0630568	1	Capscrew 3/8 x 4-1/2	
106	4711500	2	Washer 5/16	
107	1001200575	2	Bracket, Stop	

SECTION 5 - PLATFORM

FIGURE 5-12. CONSOLE ASSEMBLY WITHOUT LSS OR WITH 4 CELL LSS - WITHOUT SKYGUARD
(SN 0300222893 through 0300272288)



ART_1001208965

SECTION 5 - PLATFORM

**FIGURE 5-12. CONSOLE ASSEMBLY WITHOUT LSS OR WITH 4 CELL LSS - WITHOUT SKYGUARD
(SN 0300222893 through 0300272288)**

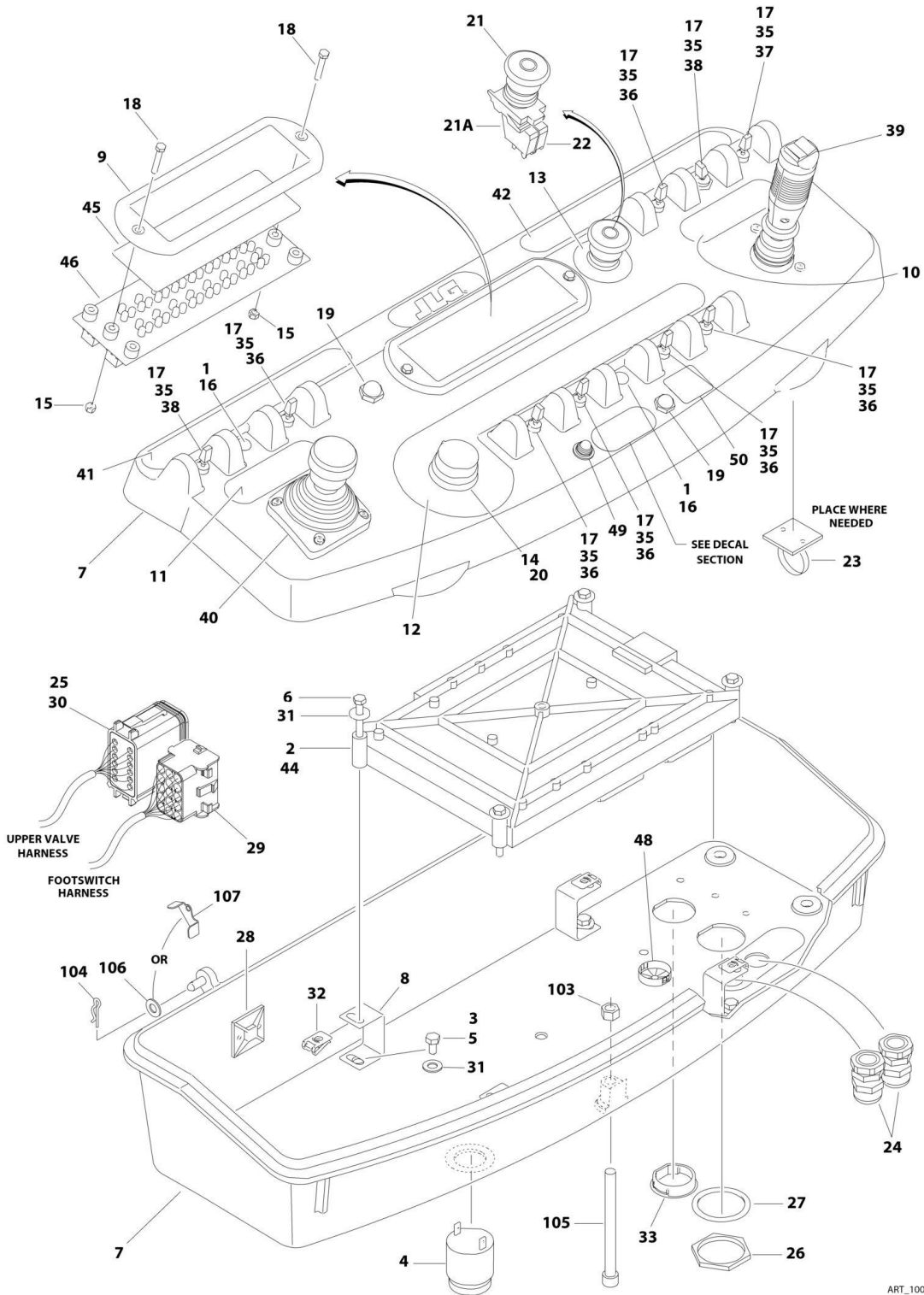
ITEM	PART NUMBER	QTY	DESCRIPTION	REV
	1001208965	Ref	CONSOLE ASSEMBLY WITHOUT LSS OR WITH 4 CELL LSS - WITHOUT SKYGUARD (SN 0300222893 through 0300272288)	A
1	0100009	AR	Sealant	
2	0100048	AR	Grease, Dielectric	
3	0100081	AR	Adhesive	
4	0140011	1	Alarm	
5	0641404	4	Bolt 1/4 x 1/2	
6	0700617	4	Bolt M6 x 45	
7	0902751	4	Bracket, Support	
8	1671176	1	Bezel	
9	1702565	1	Decal (Drive and Steer)	
10	1702566	1	Decal (Lift and Swing)	
11	1702567	1	Decal (Function Speed)	
12	1704260	1	Decal (EMS)	
13	2560136	1	Handle, Knob	
14	3311005	2	Nut #10-24	
15	3520028	3	Plug, Hole	
16	3520033	2	Plug, Hole	
17	3520035	1	Plug, Hole	
18	3790012	9	O-Ring	
19	3911018	2	Bolt #10 x 1-1/8	
20	4360387	1	Switch, Pushbutton	
21	4360407	1	Controller, Speed	
21	4460224	1	Receptacle, Female - 6 Position	
21	4460226	6	Socket, Female	
21	See Note	NSS	Gasket "Top Hat"(Included with Switch) (Note: Not Available - Purchase Complete Controller.)	
21	70003784	1	Seal	
22	4360475	1	Switch, Emergency Stop	
22	7020175	1	Cap, Red	
22A	7020176	1	Contact Block	
23	4360476	1	Block, Contact	
24	4460234	3	Base, Mounting	
25	4460428	2	Connector, Strain Relief	
26	4460466	7	Seal, Plug	
27	4460470	1	Nut	
28	4460471	1	Washer	
29	4460488	1	Base, Mounting	
30	4460708	1	Receptacle, Female 15 Position	
31	4460933	1	Plug, Male 12 Position	
32	4751400	8	Washer 1/4	
33	8305919	4	Retainer M6	
34	1001110434	1	Plug, Hole	
35	1001117174	1	Footswitch Assembly (Not Shown - See CONSOLE INSTALLATION for Breakdown)	
36	1001155044	9	Nut 15/32	
37	1001155045	6	Switch, Toggle	
38	1001159256	1	Switch, Toggle	
39	1001161710	2	Switch, Toggle	

SECTION 5 - PLATFORM

ITEM	PART NUMBER	QTY	DESCRIPTION	REV
40	1001166538	NLA	Drive/Steer Controller Assembly (Use p/n 1001129555) (See DRIVE/STEER ASSEMBLY for Breakdown)	
41	1001166539	NLA	Lift/Swing Controller Assembly (Use p/n 1001212415) (See LIFT/SWING ASSEMBLY for Breakdown)	
42	1001168701	1	Platform Console Harness Assembly (Not Shown - See ELECTRICAL SECTION for Breakdown)	
43	1001169092	1	Decal (Horn)	
44	1001169093	1	Decal (Stop)	
45	1001169422	1	Platform to Boom Valves Harness Assembly (Not Shown - See ELECTRICAL SECTION for Breakdown)	
46	1001169594	1	Module, Platform (Note: Re-calibration Required when Replaced)	
47	1001170083	1	Decal (Display)	
48	1001170838	1	Panel, LED	
49	1001201886	1	Box, Console (See Items 101-105 for Breakdown)	
	1001201886	Ref	CONSOLE BOX ASSEMBLY	B
101	0630568	1	Capscrew 3/8 x 4-1/2	
102	3311601	1	Nut 3/8	
103	3430616	2	Pin	
104	3470003	2	Pin, Cotter	
105	4711600	2	Washer 3/8	

SECTION 5 - PLATFORM

FIGURE 5-13. CONSOLE ASSEMBLY WITHOUT LSS OR WITH 4 CELL LSS - WITH SKYGUARD (Prior to SN 030022893)



ART_1001186894

SECTION 5 - PLATFORM

FIGURE 5-13. CONSOLE ASSEMBLY WITHOUT LSS OR WITH 4 CELL LSS - WITH SKYGUARD (Prior to SN 0300222893)

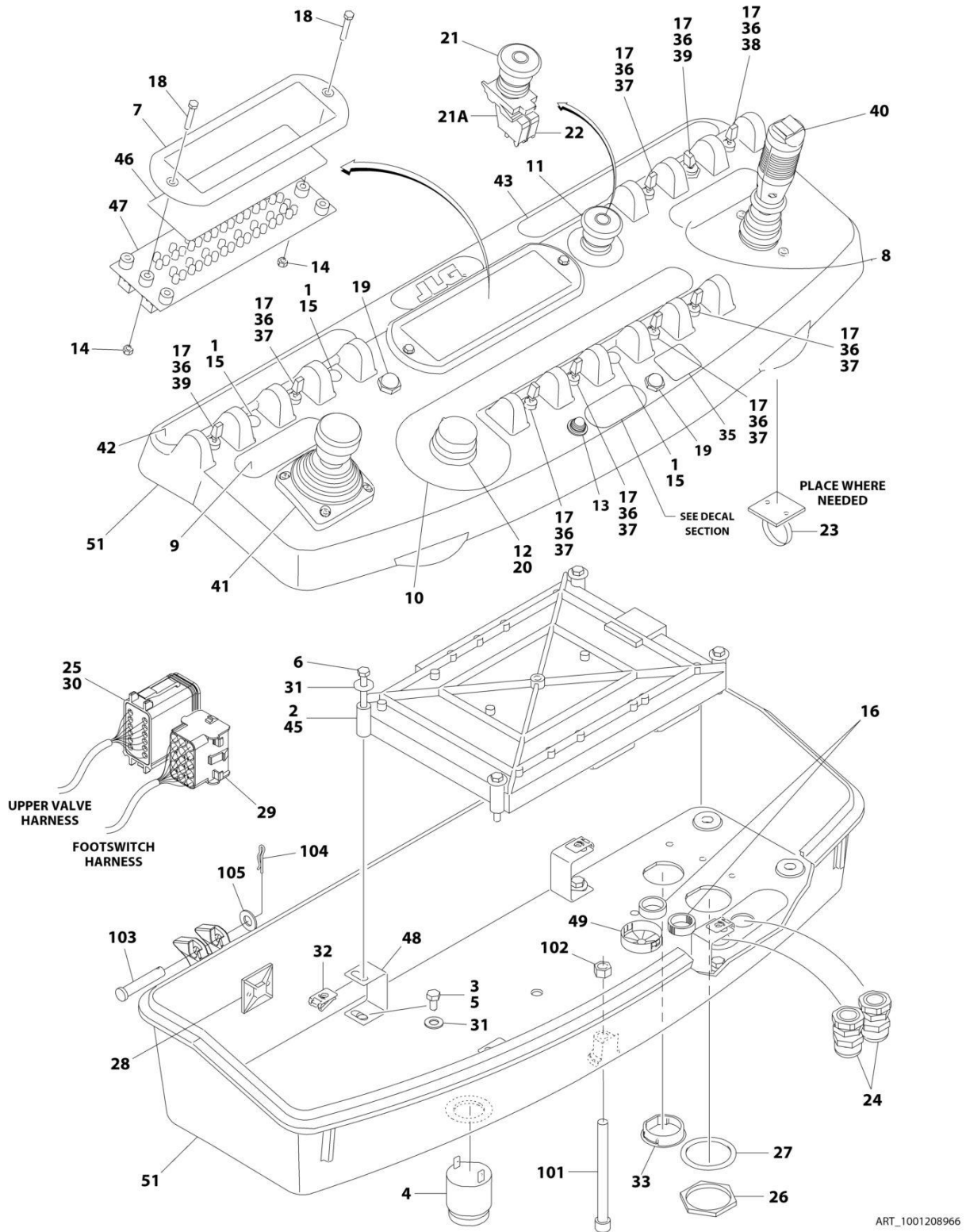
ITEM	PART NUMBER	QTY	DESCRIPTION	REV
	1001186894	Ref	CONSOLE ASSEMBLY WITHOUT LSS OR WITH 4 CELL LSS - WITH SKYGUARD (Prior to SN 0300222893)	D
1	0100009	AR	Sealant	
2	0100048	AR	Grease, Dielectric	
3	0100081	AR	Adhesive	
4	0140011	1	Alarm	
5	0641404	4	Bolt 1/4-2C x 1/2	
6	0700617	4	Bolt M6 x 45	
7	1001190017	1	Box, Console (See Items 103-106 for Breakdown)	
8	1001172760	4	Bracket	
9	1671176	1	Bezel	
10	1702565	1	Decal (Drive and Steer)	
11	1702566	1	Decal (Lift and Swing)	
12	1702567	1	Decal (Function Speed)	
13	1704260	1	Decal (EMS)	
14	2560136	1	Handle, Knob	
15	3311005	2	Nut #10-24	
16	3520028	3	Plug, Hole	
17	3790012	9	O-Ring	
18	3911018	2	Bolt #10-24 x 1-1/8	
19	4360387	2	Switch, Pushbutton	
20	4360407	1	Controller, Speed	
20	4460224	1	Receptacle, Female - 6 Position	
20	4460226	1	Socket, Female	
20	See Note	NSS	Gasket "Top Hat" (Included with Switch) (Note: Not Available - Purchase Complete Controller.)	
20	70003784	1	Seal	
21	4360475	1	Switch, Emergency Stop	
21	7020175	1	Cap, Red	
21A	7020176	1	Contact Block	
22	4360476	1	Block, Contact	
23	4460234	3	Base, Mounting	
24	4460428	2	Connector, Strain Relief	
25	4460466	7	Seal, Plug	
26	4460470	1	Nut	
27	4460471	1	Washer	
28	4460488	1	Base, Mounting	
29	4460708	1	Receptacle, Female 15 Position	
30	4460933	1	Plug, Male 12 Position	
31	4751400	8	Washer 1/4	
32	8305919	4	Retainer M6	
33	1001110434	1	Plug, Hole	
34	1001117174	1	Footswitch Assembly (Not Shown - See CONSOLE INSTALLATION for Breakdown)	
35	1001155044	9	Nut 15/32-32	
36	1001155045	6	Switch, Toggle	
37	1001159256	1	Switch, Toggle	
38	1001161710	2	Switch, Toggle	
39	1001166538	NLA	Drive/Steer Controller Assembly (Use p/n 1001212415) (See DRIVE/STEER ASSEMBLY for Breakdown)	

SECTION 5 - PLATFORM

ITEM	PART NUMBER	QTY	DESCRIPTION	REV
40	1001166539	NLA	Lift/Swing Controller Assembly (Use p/n 1001129555) (See LIFT/SWING ASSEMBLY for Breakdown)	
41	1001169092	1	Decal (Horn)	
42	1001169093	1	Decal (Stop)	
43	1001169422	1	Platform to Boom Valves Harness Assembly (Not Shown - See ELECTRICAL SECTION for Breakdown)	
44	1001169594	1	Module, Platform (Note: Re-calibration Required when Replaced)	
45	1001170083	1	Decal (Display)	
46	1001170838	1	Panel, LED	
47	1001186228	1	Platform Console Harness Assembly (Not Shown - See ELECTRICAL SECTION for Breakdown)	
48	1001185281	1	Plug	
49	2920028	1	Lamp, Indicator	
50	1001144433	1	Decal (No Weight)	
	1001190017	Ref	CONSOLE BOX ASSEMBLY	D
103	3311601	1	Nut 3/8-16	
104	3470003	2	Pin, Cotter	
105	0630568	1	Capscrew 3/8-16 x 4-1/2	
106	4711500	2	Washer 5/16	
107	1001200575	2	Bracket, Stop	

SECTION 5 - PLATFORM

FIGURE 5-14. CONSOLE ASSEMBLY WITHOUT LSS OR WITH 4 CELL LSS - WITH SKYGUARD (SN 0300222893 through 0300272288)



ART_1001208966

SECTION 5 - PLATFORM

FIGURE 5-14. CONSOLE ASSEMBLY WITHOUT LSS OR WITH 4 CELL LSS - WITH SKYGUARD (SN 0300222893 through 0300272288)

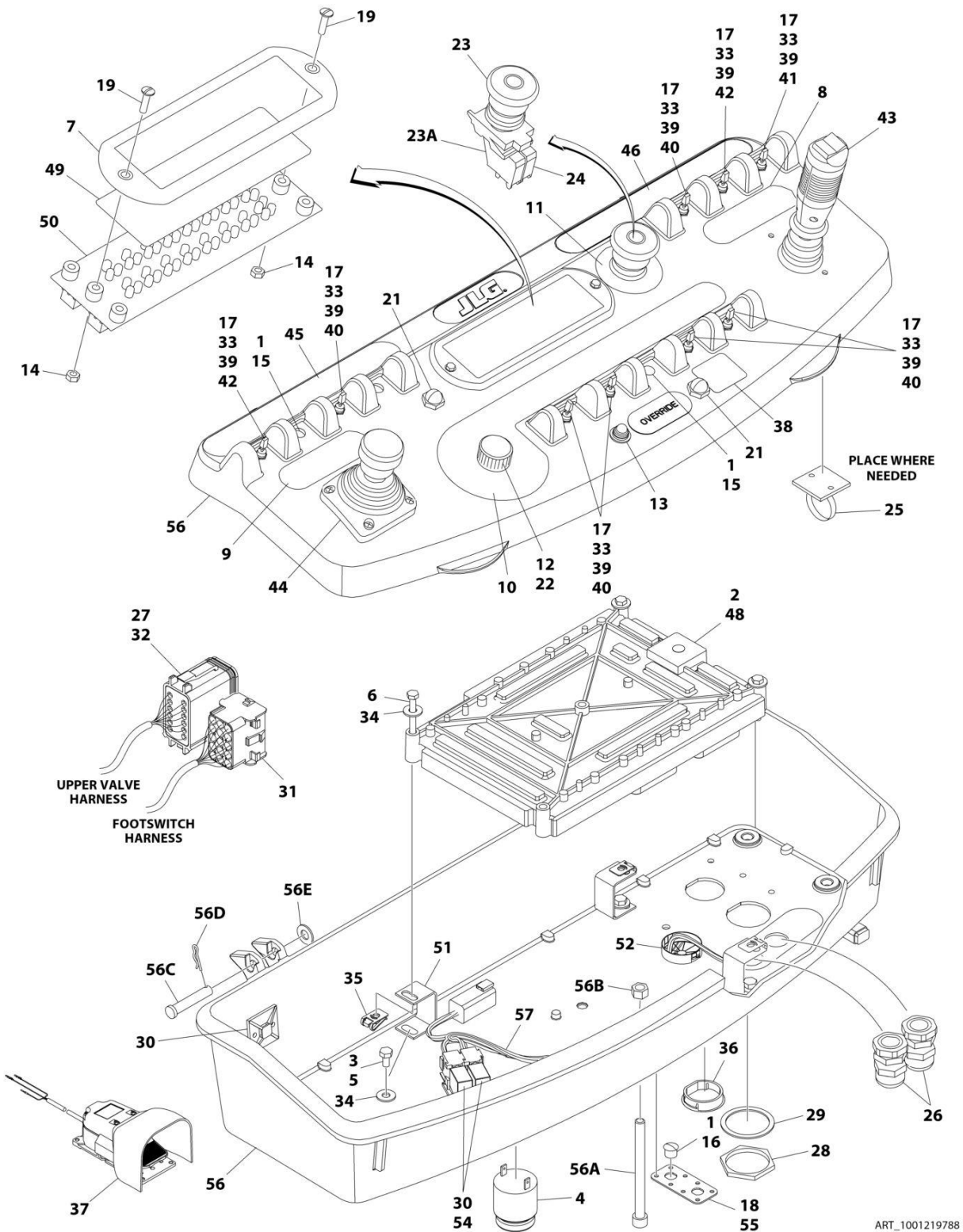
ITEM	PART NUMBER	QTY	DESCRIPTION	REV
	1001208966	Ref	CONSOLE ASSEMBLY WITHOUT LSS OR WITH 4 CELL LSS - WITH SKYGUARD (SN 0300222893 through 0300272288)	A
1	0100009	AR	Sealant	
2	0100048	AR	Grease, Dielectric	
3	0100081	AR	Adhesive	
4	0140011	1	Alarm	
5	0641404	4	Bolt 1/4 x 1/2	
6	0700617	4	Bolt M6 x 45	
7	1671176	1	Bezel	
8	1702565	1	Decal (Drive and Steer)	
9	1702566	1	Decal (Lift and Swing)	
10	1702567	1	Decal (Function Speed)	
11	1704260	1	Decal (EMS)	
12	2560136	1	Handle, Knob	
13	2920028	1	Lamp, Indicator	
14	3311005	2	Nut #10-24	
15	3520028	3	Plug, Hole	
16	3520033	2	Plug, Hole	
17	3790012	9	O-Ring	
18	3911018	2	Bolt #10 x 1-1/8	
19	4360387	2	Switch, Pushbutton	
20	4360407	1	Controller, Speed	
20	4460224	1	Receptacle, Female - 6 Position	
20	4460226	6	Socket, Female	
20	See Note	NSS	Gasket "Top Hat" (Included with Switch) (Note: Not Available - Purchase Complete Controller.)	
20	70003784	1	Seal	
21	4360475	1	Switch, Emergency Stop	
21	7020175	1	Cap, Red	
21A	7020176	1	Contact Block	
22	4360476	1	Block, Contact	
23	4460234	3	Base, Mounting	
24	4460428	2	Connector, Strain Relief	
25	4460466	7	Seal, Plug	
26	4460470	1	Nut	
27	4460471	1	Washer	
28	4460488	1	Base, Mounting	
29	4460708	1	Receptacle, Female 15 Position	
30	4460933	1	Plug, Male 12 Position	
31	4751400	8	Washer 1/4	
32	8305919	4	Retainer M6	
33	1001110434	1	Plug, Hole	
34	1001117174	1	Footswitch Assembly (Not Shown - See CONSOLE INSTALLATION for Breakdown)	
35	1001144433	1	Decal (No Weight)	
36	1001155044	9	Nut 15/32	
37	1001155045	6	Switch, Toggle	
38	1001159256	1	Switch, Toggle	
39	1001161710	2	Switch, Toggle	

SECTION 5 - PLATFORM

ITEM	PART NUMBER	QTY	DESCRIPTION	REV
40	1001166538	NLA	Drive/Steer Controller Assembly (Use p/n 1001129555) (See DRIVE/STEER ASSEMBLY for Breakdown)	
41	1001166539	NLA	Lift/Swing Controller Assembly (Use p/n 1001212415) (See LIFT/SWING ASSEMBLY for Breakdown)	
42	1001169092	1	Decal (Horn)	
43	1001169093	1	Decal (Stop)	
44	1001169422	1	Platform to Boom Valves Harness Assembly (Not Shown - See ELECTRICAL SECTION for Breakdown)	
45	1001169594	1	Module, Platform (Note: Re-calibration Required when Replaced)	
46	1001170083	1	Decal (Display)	
47	1001170838	1	Panel, LED	
48	1001172760	4	Bracket, Support	
49	1001185281	1	Plug, Hole	
50	1001186228	1	Platform Console Harness Assembly (Not Shown - See ELECTRICAL SECTION for Breakdown)	
51	1001201887	1	Box, Console (See Items 101-105 for Breakdown)	
	1001201887	Ref	CONSOLE BOX ASSEMBLY	B
101	0630568	1	Capscrew 3/8 x 4-1/2	
102	3311601	1	Nut 3/8	
103	3430616	2	Pin	
104	3470003	2	Pin, Cotter	
105	4711600	2	Washer 3/8	

SECTION 5 - PLATFORM

**FIGURE 5-15. CONSOLE AND FOOTSWITCH ASSEMBLY WITH 1 CELL LSS - WITH SKYGUARD
(Prior to SN 0300257126)**



SECTION 5 - PLATFORM

**FIGURE 5-15. CONSOLE AND FOOTSWITCH ASSEMBLY WITH 1 CELL LSS - WITH SKYGUARD
(Prior to SN 0300257126)**

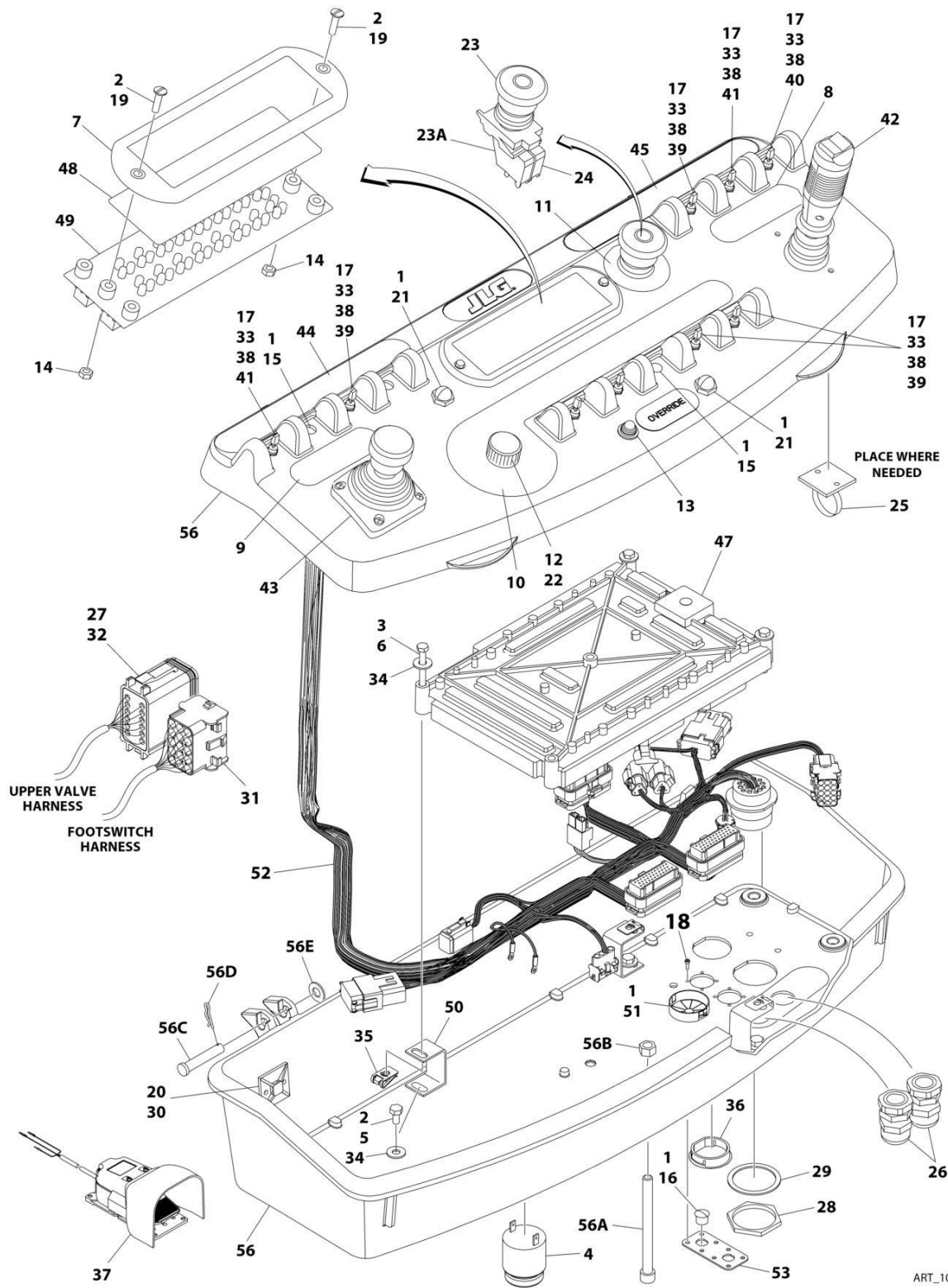
ITEM	PART NUMBER	QTY	DESCRIPTION	REV
	1001219788	Ref	CONSOLE AND FOOTSWITCH ASSEMBLY WITH 1 CELL LSS - WITH SKYGUARD	D
1	0100009	AR	Sealant	
2	0100048	AR	Grease, Dielectric	
3	0100035	1	Compound, Locking	
4	0140011	1	Alarm	
5	0641404	4	Bolt 1/4 x 1/2	
6	0700617	4	Bolt M6 x 45	
7	1671176	1	Bezel	
8	1702565	1	Decal (Drive and Steer)	
9	1702566	1	Decal (Lift and Swing)	
10	1702567	1	Decal (Function Speed)	
11	1704260	1	Decal (EMS)	
12	2560136	1	Handle, Knob	
13	2920028	1	Lamp, Indicator	
14	3311005	2	Nut #10-24	
15	3520028	3	Plug, Hole	
16	3520054	1	Plug, Hole	
17	3790012	9	O-Ring	
18	3900349	8	Capscrew M2.5	
19	3911018	2	Bolt #10 x 1-1/8	
20	4240032	AR	Tie-Strap (Not Shown)	
21	4360387	2	Switch, Pushbutton	
22	4360407	1	Controller, Speed	
22	4460224	1	Receptacle, Female - 6 Position	
22	4460226	6	Socket, Female	
22	See Note	NSS	Gasket "Top Hat" (Included with Switch) (Note: Not Available - Purchase Complete Controller.)	
22	70003784	1	Seal	
23	4360475	1	Switch, Emergency Stop	
23	7020175	1	Cap, Red	
23A	7020176	1	Contact Block	
24	4360476	1	Block, Contact	
25	4460234	3	Base, Mounting	
26	4460428	2	Connector, Strain Relief	
27	4460466	7	Seal, Plug	
28	4460470	1	Nut	
29	4460471	1	Washer	
30	4460488	2	Base, Mounting	
31	4460708	1	Receptacle, Female 15 Position	
32	4460933	1	Plug, Male - 12 Position	
33	4740397	9	Spacer	
34	4751400	8	Washer 1/4	
35	8305919	4	Retainer M6	
36	1001110434	1	Plug, Hole	
37	1001117174	1	Footswitch Assembly (Not Shown - See CONSOLE INSTALLATION for Breakdown)	
38	1001144433	1	Decal (No Weight)	
39	1001155044	9	Nut 15/32	

SECTION 5 - PLATFORM

ITEM	PART NUMBER	QTY	DESCRIPTION	REV
40	1001155045	6	Switch, Toggle	
41	1001159256	1	Switch, Toggle	
42	1001161710	2	Switch, Toggle	
43	1001166538	NLA	Drive/Steer Controller Assembly (Use p/n 1001212415) (See DRIVE/STEER ASSEMBLY for Breakdown)	
44	1001166539	NLA	Lift/Swing Controller Assembly (Use p/n 1001129555) (See LIFT/SWING ASSEMBLY for Breakdown)	
45	1001169092	1	Decal (Horn)	
46	1001169093	1	Decal (Stop)	
47	1001169422	1	Platform to Boom Valves Harness Assembly (Not Shown - See Separate Breakdown in ELECTRICAL SECTION)	
48	1001169594	1	Module, Platform (Note: Re-calibration Required when Replaced)	
49	1001170083	1	Decal (Display)	
50	1001170838	1	Panel, LED	
51	1001172760	4	Bracket, Support	
52	1001185281	1	Plug, Hole	
53	1001186228	1	Platform Console Harness Assembly (Not Shown - See Separate Breakdown in ELECTRICAL SECTION)	
54	1001186431	2	Relay	
55	1001213882	1	Mount	
56	1001218068	1	Box, Console	
56A	0630568	1	Capscrew 3/8 x 4-1/2	
56B	3311601	1	Nut 3/8	
56C	3430616	2	Pin	
56D	3470003	2	Pin, Cotter	
56E	4711600	2	Washer 3/8	
57	1001225580	1	Generator to Platform Harness (Not Shown - See Separate Breakdown in ELECTRICAL SECTION)	

SECTION 5 - PLATFORM

FIGURE 5-16. CONSOLE AND FOOTSWITCH ASSEMBLY WITH 1 CELL LSS - WITH SKYGUARD (SN 0300257126 through 0300272288)



ART_1001243453

SECTION 5 - PLATFORM

FIGURE 5-16. CONSOLE AND FOOTSWITCH ASSEMBLY WITH 1 CELL LSS - WITH SKYGUARD (SN 0300257126 through 0300272288)

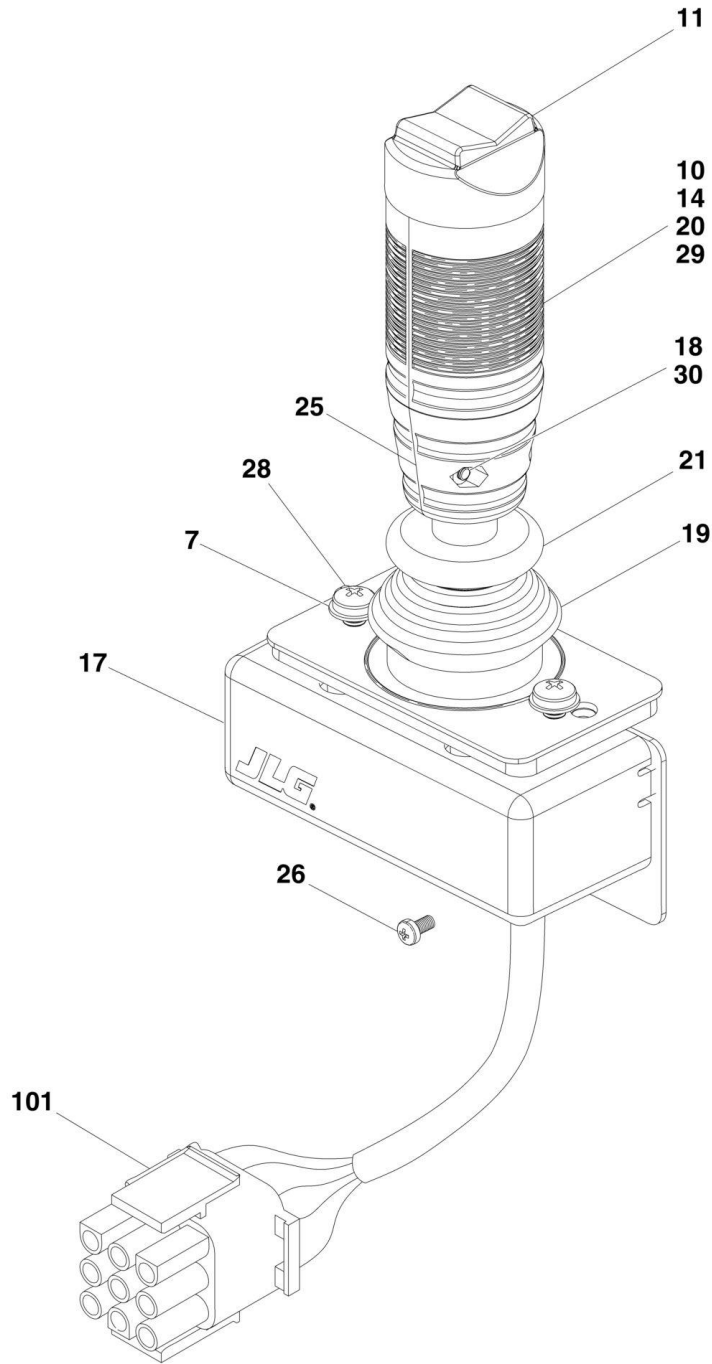
ITEM	PART NUMBER	QTY	DESCRIPTION	REV
	1001243453	Ref	CONSOLE AND FOOTSWITCH ASSEMBLY WITH 1 CELL LSS - WITH SKYGUARD	A
1	0100009	AR	Sealant	
2	0100048	AR	Grease, Dielectric	
3	0100035	1	Compound, Locking	
4	0140011	1	Alarm	
5	0641404	4	Bolt 1/4 x 1/2	
6	0700617	4	Bolt M6 x 45	
7	1671176	1	Bezel	
8	1702565	1	Decal (Drive and Steer)	
9	1702566	1	Decal (Lift and Swing)	
10	1702567	1	Decal (Function Speed)	
11	1704260	1	Decal (EMS)	
12	2560136	1	Handle, Knob	
13	2920028	1	Lamp, Indicator	
14	3311005	2	Nut #10-24	
15	3520028	3	Plug, Hole	
16	3520054	1	Plug, Hole	
17	3790012	9	O-Ring	
18	3900349	8	Capscrew M2.5	
19	3911018	2	Bolt #10 x 1-1/8	
20	4240032	AR	Tie-Strap (Not Shown)	
21	4360387	2	Switch, Pushbutton	
22	4360407	1	Controller, Speed	
22	4460224	1	Receptacle, Female - 6 Position	
22	4460226	6	Socket, Female	
22	See Note	NSS	Gasket "Top Hat" (Included with Switch) (Note: Not Available - Purchase Complete Controller.)	
22	70003784	1	Seal	
23	4360475	1	Switch, Emergency Stop	
23	7020175	1	Cap, Red	
23A	7020176	1	Contact Block	
24	4360476	1	Block, Contact	
25	4460234	3	Base, Mounting	
26	4460428	2	Connector, Strain Relief	
27	4460466	7	Seal, Plug	
28	4460470	1	Nut	
29	4460471	1	Washer	
30	4460488	2	Base, Mounting	
31	4460708	1	Receptacle, Female 15 Position	
32	4460933	1	Plug, Male - 12 Position	
33	4740397	9	Spacer	
34	4751400	8	Washer 1/4	
35	8305919	4	Retainer M6	
36	1001110434	1	Plug, Hole	
37	1001117174	1	Footswitch Assembly (Not Shown - See CONSOLE INSTALLATION for Breakdown)	
38	1001155044	9	Nut 15/32	
39	1001155045	6	Switch, Toggle	

SECTION 5 - PLATFORM

ITEM	PART NUMBER	QTY	DESCRIPTION	REV
40	1001159256	1	Switch, Toggle	
41	1001161710	2	Switch, Toggle	
42	1001166538	NLA	Drive/Steer Controller Assembly (Use p/n 1001212415) (See DRIVE/STEER ASSEMBLY for Breakdown)	
43	1001166539	NLA	Lift/Swing Controller Assembly (Use p/n 1001129555) (See LIFT/SWING ASSEMBLY for Breakdown)	
44	1001169092	1	Decal (Horn)	
45	1001169093	1	Decal (Stop)	
46	1001169422	1	Platform to Boom Valves Harness Assembly (Not Shown - See Separate Breakdown in ELECTRICAL SECTION)	
47	1001169594	1	Module, Platform (Note: Re-calibration Required when Replaced)	
48	1001170083	1	Decal (Display)	
49	1001170838	1	Panel, LED	
50	1001172760	4	Bracket, Support	
51	1001185281	1	Plug, Hole	
52	1001186228	1	Platform Console Harness Assembly (Not Shown - See Separate Breakdown in ELECTRICAL SECTION)	
53	1001213882	1	Mount	
56	1001218068	1	Box, Console	
56A	0630568	1	Capscrew 3/8 x 4-1/2	
56B	3311601	1	Nut 3/8	
56C	3430616	2	Pin	
56D	3470003	2	Pin, Cotter	
56E	4711600	2	Washer 3/8	

SECTION 5 - PLATFORM

FIGURE 5-17. DRIVE/STEER CONTROLLER ASSEMBLY



ART_1001166538

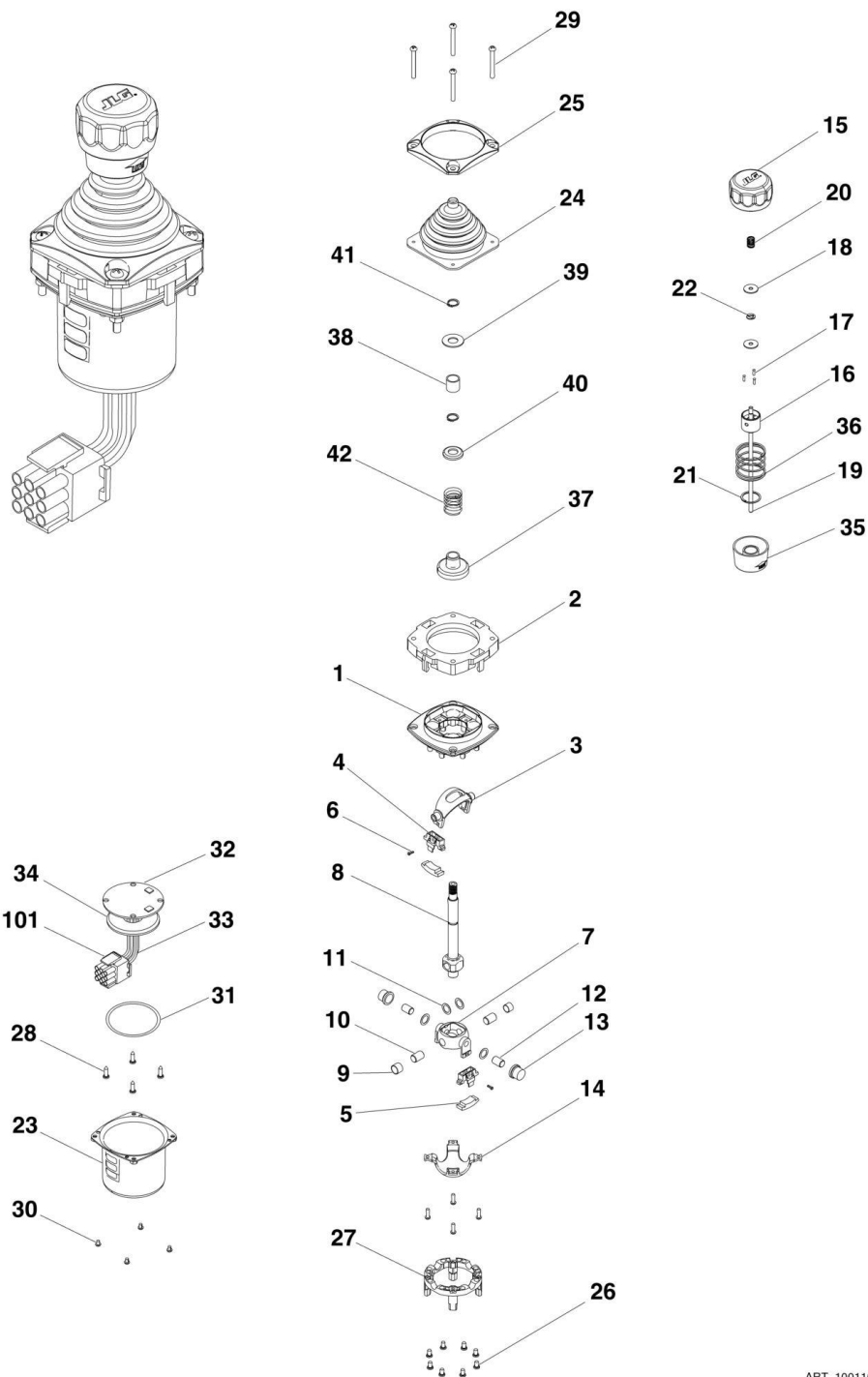
SECTION 5 - PLATFORM

FIGURE 5-17. DRIVE/STEER CONTROLLER ASSEMBLY

ITEM	PART NUMBER	QTY	DESCRIPTION	REV
	1001166538	Ref	CONTROLLER ASSEMBLY - DRIVE AND STEER	G
		Ref	Note: For Replacement, Use p/n 1001212415.	
7	70004738	2	Washer	
10	70004739	1	Roller	
11	70004740	1	Boot, Switch	
14	70004741	2	Half, Handle	
17	70004742	1	Enclosure	
18	70004743	4	Nut	
19	70004744	NLA	Boot, Controller (Use p/n 70005230 Boot/Base Assembly)	
20	70004745	NLA	Tube, Locking (Use p/n 70005230 Boot/Base Assembly)	
21	70004746	NLA	Disc, Locking (Use p/n 70005230 Boot/Base Assembly)	
25	70004747	2	Seal, Rope	
26	70004748	1	Screw, M3 x 6mm	
28	70004749	2	Screw, M5 x 20mm	
29	70004750	1	Pin, Dowel	
30	70004751	4	Screw, M3 x 16mm	
100	4460265	1	Connector - 9 Position	
101	4460226	7	Socket, Female	

SECTION 5 - PLATFORM

FIGURE 5-18. LIFT/SWING CONTROLLER ASSEMBLY



ART_1001166539

SECTION 5 - PLATFORM

FIGURE 5-18. LIFT/SWING CONTROLLER ASSEMBLY

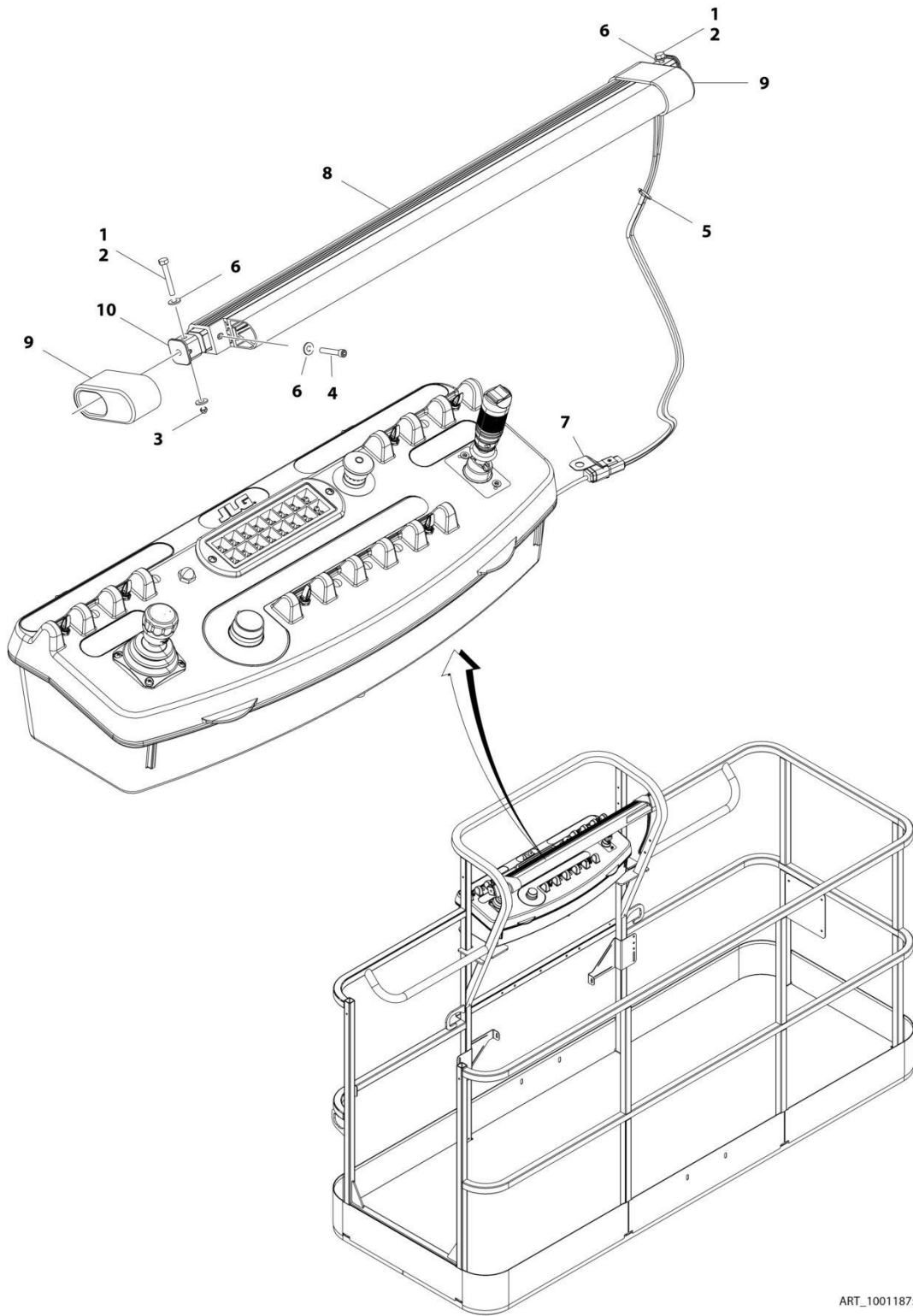
ITEM	PART NUMBER	QTY	DESCRIPTION	REV
	1001166539	Ref	CONTROLLER ASSEMBLY - LIFT AND SWING	D
		Ref	Note: For Replacement, Use p/n 1001129555.	
1	See Note	1	Main Cast Body (Note: Not Available - Purchase Complete Assembly)	
2	70004752	1	Adapter	
3	See Note	1	Pivot Arm, Plastic (Note: Not Available - Purchase Complete Assembly)	
4	See Note	2	Holder, Magnet (Note: Not Available - Purchase Complete Assembly)	
5	See Note	2	Arc, Magnet (Note: Not Available - Purchase Complete Assembly)	
6	See Note	2	Screw (Note: Not Available for Purchase)	
7	See Note	1	Pivot Arm, Cast (Note: Not Available - Purchase Complete Assembly)	
8	See Note	1	Shaft, Main (Note: Not Available - Purchase Complete Assembly)	
9	See Note	2	Bearing (Note: Not Available - Purchase Complete Assembly)	
10	See Note	2	Pin (Note: Not Available - Purchase Complete Assembly)	
11	See Note	4	Shim (Note: Not Available - Purchase Complete Assembly)	
12	See Note	2	Pin (Note: Not Available - Purchase Complete Assembly)	
13	See Note	2	Bearing (Note: Not Available - Purchase Complete Assembly)	
14	See Note	1	Dome, Centering (Note: Not Available - Purchase Complete Assembly)	
15	70004753	1	Cap	
16	70004754	1	Insert, Cap	
17	70004755	3	Pin	
18	70004756	2	Washer	
19	70004757	1	Pin, Centering	
20	70004758	1	Spring	
21	70004759	1	Ring, Retaining	
22	70004760	1	E-Ring	
23	70004761	1	Can, Enclosure	
24	70004762	1	Boot	
25	70004763	1	Bezel	
26	See Note	8	Screw (Note: Not Available for Purchase)	
27	See Note	1	Base Mounting (Note: Not Available - Purchase Complete Assembly)	
28	See Note	4	Screw (Note: Not Available for Purchase)	
29	70004764	4	Screw	
30	70004765	4	Screw	
31	70004766	1	O-Ring	
32	See Note	1	Plate (Note: Not Available - Purchase Complete Assembly)	
33	See Note	1	Harness (Note: Not Available - Purchase Complete Assembly)	
34	70004767	1	Grommet, Rubber	
35	70004768	1	Housing	
36	70004769	1	Spring	
37	70004770	1	Stopper	
38	70004771	1	Spacer	
9	70004772	1	Washer	
40	70004773	1	Disc	
41	70004774	2	Ring, Retaining	
42	70004775	1	Spring	

SECTION 5 - PLATFORM

ITEM	PART NUMBER	QTY	DESCRIPTION	REV
100	4460265	1	Connector - 9 Position	
101	4460226	6	Socket, Female	

SECTION 5 - PLATFORM

FIGURE 5-19. SKYGUARD SYSTEM INSTALLATION (Prior to SN 0300257126)



ART_1001187508

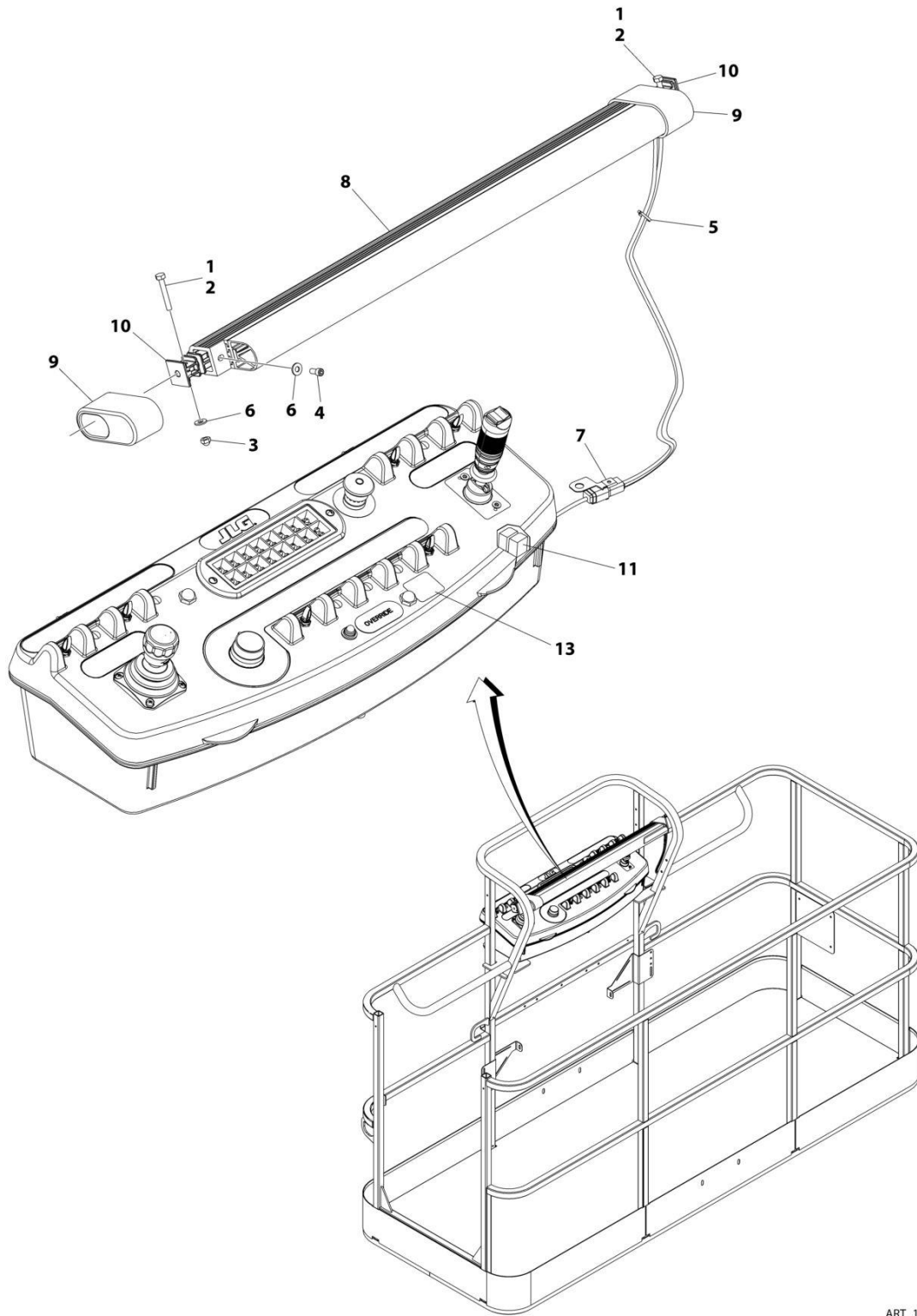
SECTION 5 - PLATFORM

FIGURE 5-19. SKYGUARD SYSTEM INSTALLATION (Prior to SN 0300257126)

ITEM	PART NUMBER	QTY	DESCRIPTION	REV
	1001187508	Ref	SKYGUARD SYSTEM INSTALLATION	B
1	0100011	AR	Compound, Locking	
2	0641414	2	Bolt 1/4 X 1-3/4	
3	3300430	2	Nut 1/4	
4	3931424	2	Capscrew 1/4 X 1-1/2 (Prior to SN 0300246422)	
4	3931408	2	Capscrew 1/4 x 1/2 (SN 0300246422 through 0300272288)	
5	4240033	AR	Tie-Strap	
6	4711400	AR	Washer 1/4	
7	1001120328	1	Mount	
8	1001137673	1	Switch, SkyGuard Assembly	
9	1001186517	2	Cover, Platform Sensor	
10	1001188889	2	Support, Block (Prior to SN 0300246422)	
10	1001209664	2	Support, Block (SN 0300246422 through 0300272288)	

SECTION 5 - PLATFORM

FIGURE 5-20. SKYGUARD SYSTEM INSTALLATION (SN 0300257126 through 0300272288)



ART_1001238495

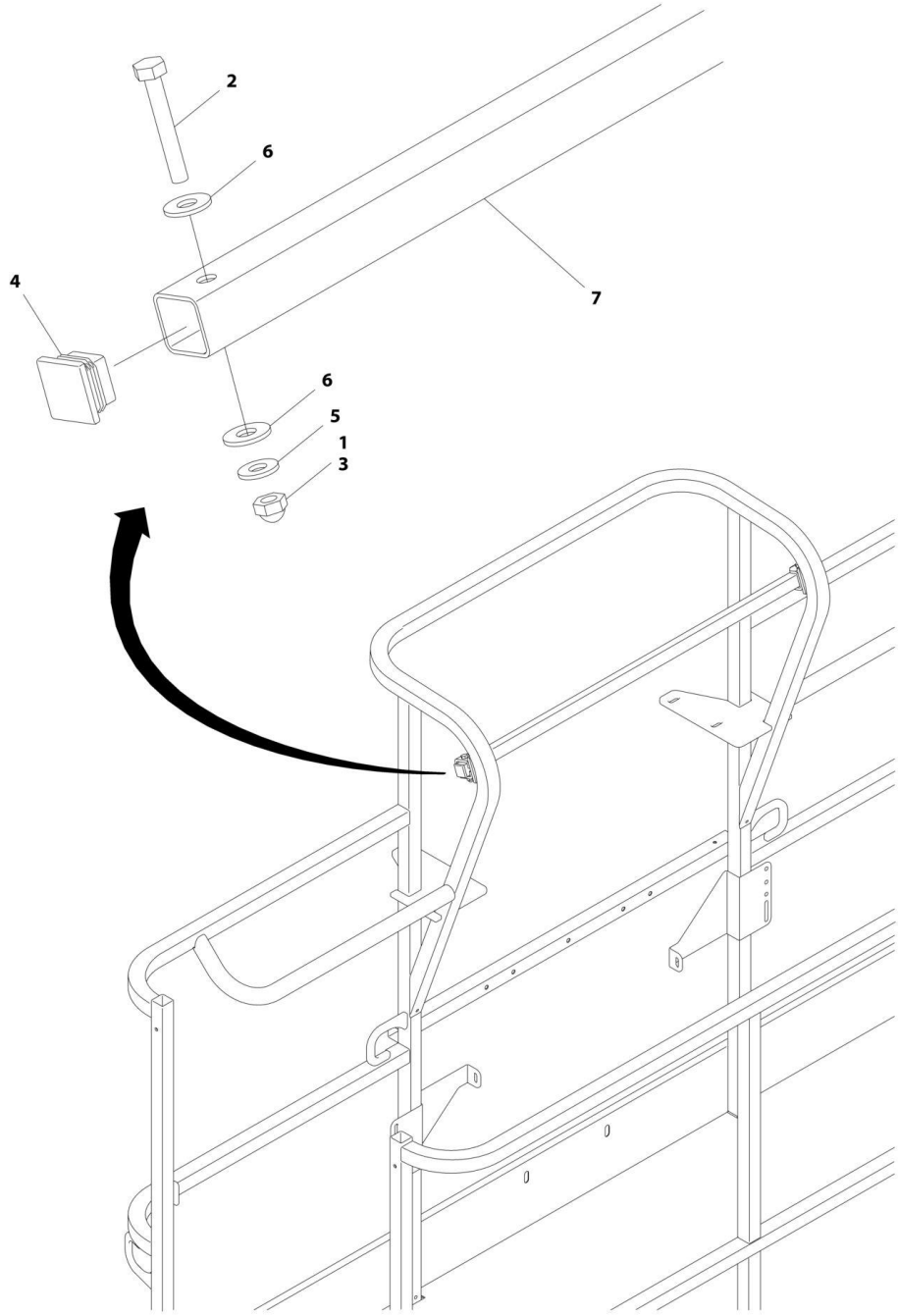
SECTION 5 - PLATFORM

FIGURE 5-20. SKYGUARD SYSTEM INSTALLATION (SN 0300257126 through 0300272288)

ITEM	PART NUMBER	QTY	DESCRIPTION	REV
	1001238495	Ref	SKYGUARD BAR INSTALLATION	A
1	0100011	AR	Compound, Locking	
2	0641414	2	Bolt 1/4 x 1-3/4	
3	3300430	2	Nut 1/4	
4	3931408	2	Capscrew 1/4 x 1/2	
5	4240033	8	Tie-Strap	
6	4711400	6	Washer 1/4	
7	1001120328	1	Mount	
8	1001137673	1	SkyGuard Switch Assembly	
9	1001186517	2	Cover, Platform Sensor	
10	1001209664	2	Support, Block	
11	1001186431	2	Relay	
12	1001225580	1	Interface Harness Assembly (Not Shown - Located Inside Console Box) (See Separate Breakdown in ELECTRICAL SECTION)	
13	1001144433	1	Decal - No Weight SkyGuard	

SECTION 5 - PLATFORM

FIGURE 5-21. CROSS RAIL INSTALLATION



ART_1001182138

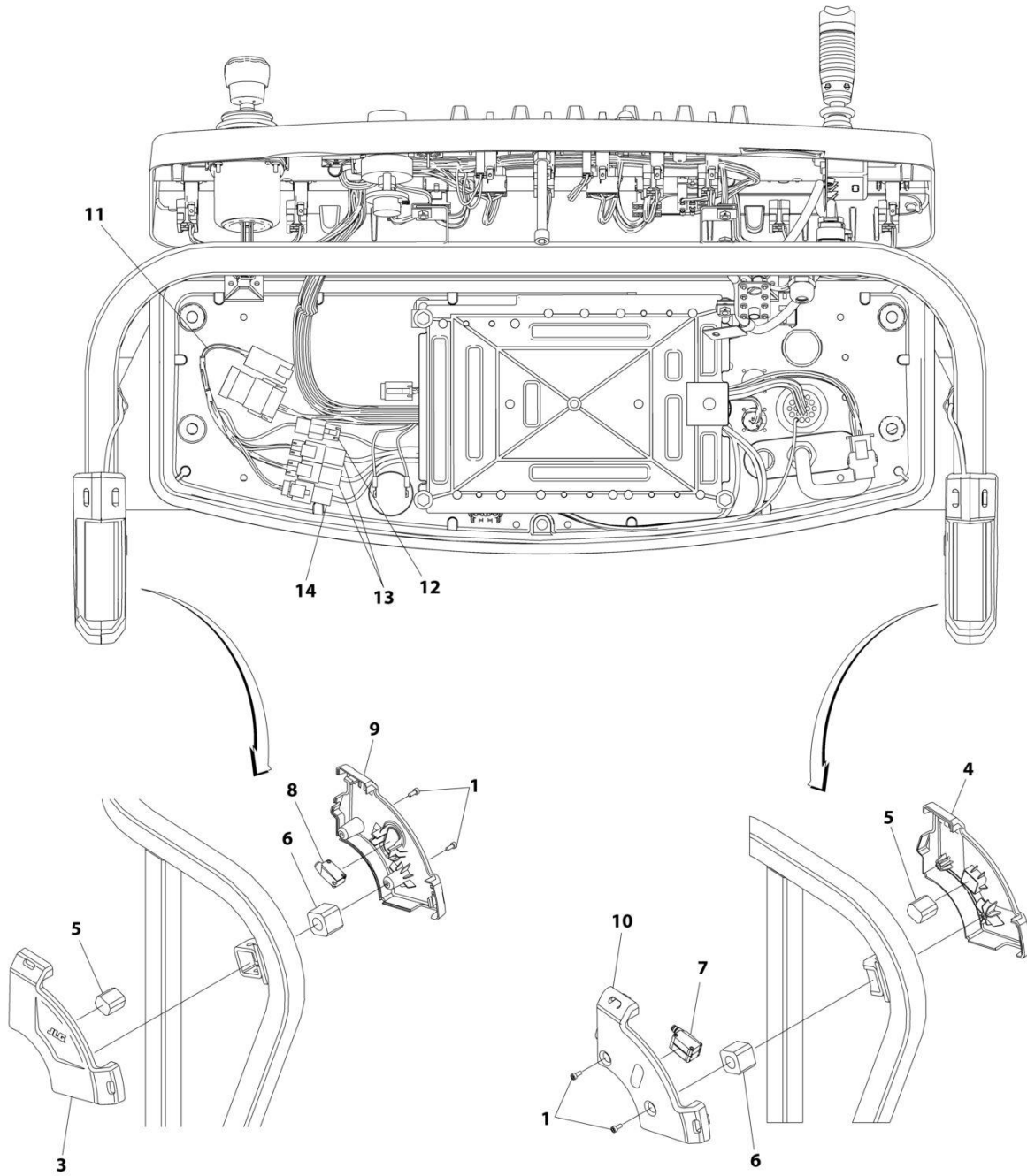
SECTION 5 - PLATFORM

FIGURE 5-21. CROSS RAIL INSTALLATION

ITEM	PART NUMBER	QTY	DESCRIPTION	REV
	1001182138	Ref	CROSS RAIL INSTALLATION	A
1	0100071	AR	Compound, Locking	
2	0641414	2	Bolt 1/4 X 1-3/4	
3	3300430	2	Nut 1/4	
4	3520182	2	Plug	
5	4711400	2	Washer 1/4	
6	4751400	4	Washer 1/4	
7	1001191708	1	Bar	

SECTION 5 - PLATFORM

FIGURE 5-22. SKYEYE INSTALLATION



ART_1001229341

SECTION 5 - PLATFORM

FIGURE 5-22. SKYEYE INSTALLATION

ITEM	PART NUMBER	QTY	DESCRIPTION	REV
	1001229341	Ref	SKYEYE INSTALLATION	A
1	4031505	4	Bolt M4 x 10	
2	4240033	AR	Tie-Strap (Not Shown)	
3	1001227633	1	Housing, LH Outer	
4	1001227634	1	Housing, RH Outer	
5	1001227985	2	Shim	
6	1001227987	2	Shim	
7	1001228224	2	Sensor, Receiver	
8	1001228225	1	Sensor, Emitter	
9	1001232164	1	Housing, LH Inner	
10	1001232165	1	Housing, RH Inner	
11	1001237865	1	Harness, Skyeeye Intermediate (See Separate Breakdown in ELECTRICAL SECTION)	
12	1001238319	1	Harness, Skyeeye Drain Jumper	
12	1001187674	1	Plug, Male - 2 Position	
12	4460942	1	Terminal	
12	4460466	1	Plug, Terminal	
12	4460508	1	Pin, Male	
13	1001237863	2	Harness, Skyeeye Receiver (See Separate Breakdown in ELECTRICAL SECTION)	
14	1001237864	1	Harness, Skyeeye Emitter (See Separate Breakdown in ELECTRICAL SECTION)	

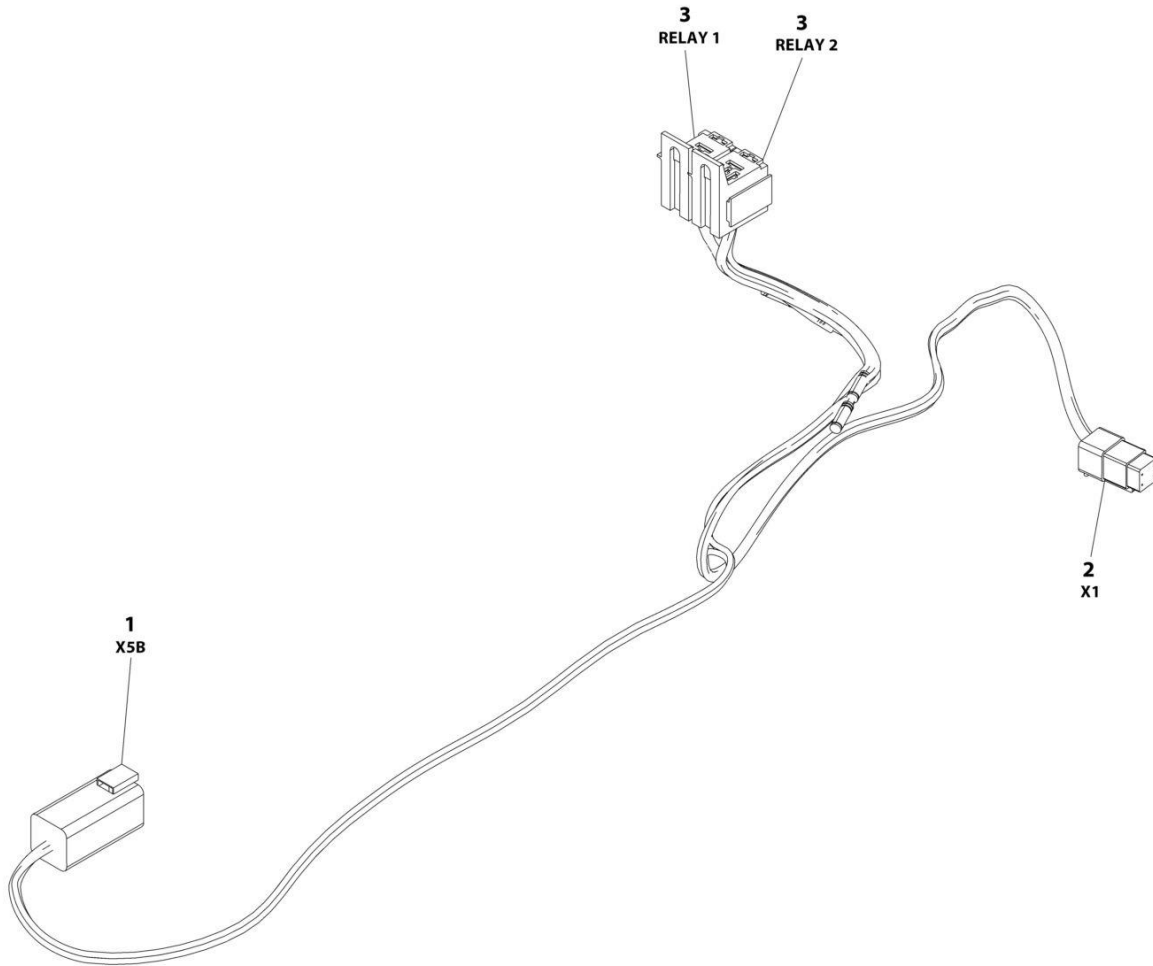
SECTION 5 - PLATFORM

FIGURE 5-23. SKYLINE INSTALLATION

ITEM	PART NUMBER	QTY	DESCRIPTION	REV
	1001238559	Ref	SKYLINE INSTALLATION	c
1	0641404	2	Bolt 1/4 x 1/2	
2	0641405	2	Bolt 1/4 x 5/8	
3	3311405	2	Nut 1/4	
4	3311601	2	Nut 3/8	
5	4031516	2	Capscrew M4 x 60	
6	4240033	AR	Tie-Strap (Not Shown)	
7	4711400	4	Washer 1/4	
8	1001120328	1	Mount	
9	1001232642	1	Bracket	
10	1001232650	1	Magnet	
11	1001232667	1	Sensor, Proximity	
12	1001235011	1	Nut	
13	1001235013	1	Washer	
14	1001236552	1	Block	
15	1001238418	1	Harness, Skyline (See Separate Breakdown in ELECTRICAL SECTION)	
16	1001238472	1	Mount	
17	1001238477	1	Housing, LH	
18	1001241965	1	Housing, RH	
19	1001238824	1	Rope	
20	0100011	AR	Compound, Locking	

SECTION 5 - PLATFORM

FIGURE 5-24. SKYLINE HARNESS



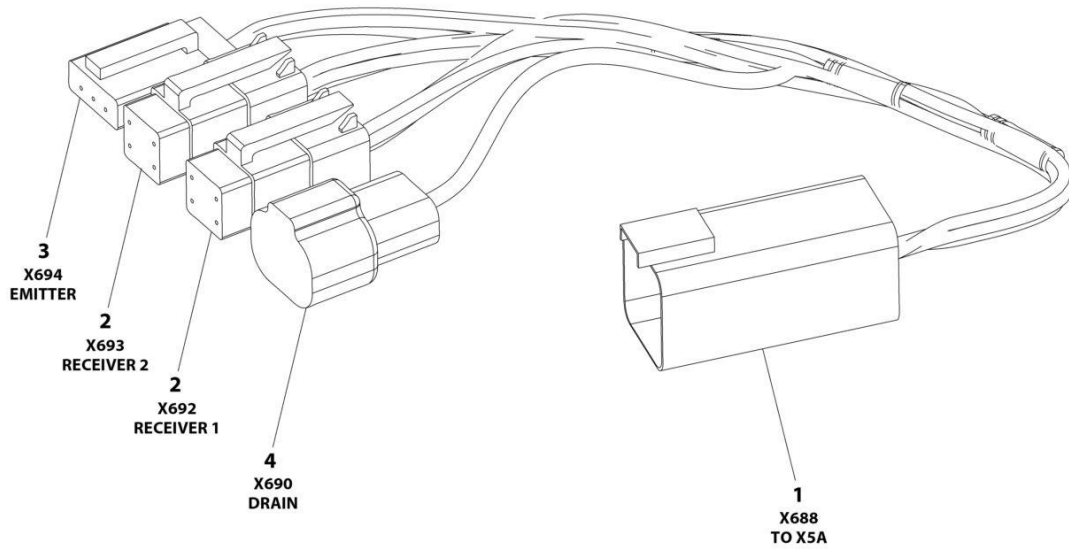
ART_1001238418

FIGURE 5-24. SKYLINE HARNESS

ITEM	PART NUMBER	QTY	DESCRIPTION	REV
	1001238418	Ref	SKYLINE HARNESS	B
1	4460899	1	Connector - 6 Position	
1	4460464	4	Pin, Male	
1	4460466	2	Plug, Terminal	
2	4461077	1	Connector - 4 Position	
2	1001126009	4	Socket, Female	
3	1001186432	2	Plug, Relay	
3	1001118388	5	Terminal	
3	1001118384	3	Terminal	
3	3740086	2	Relay	

SECTION 5 - PLATFORM

FIGURE 5-25. SKYEYE INTERMEDIATE HARNESS



ART_1001237865

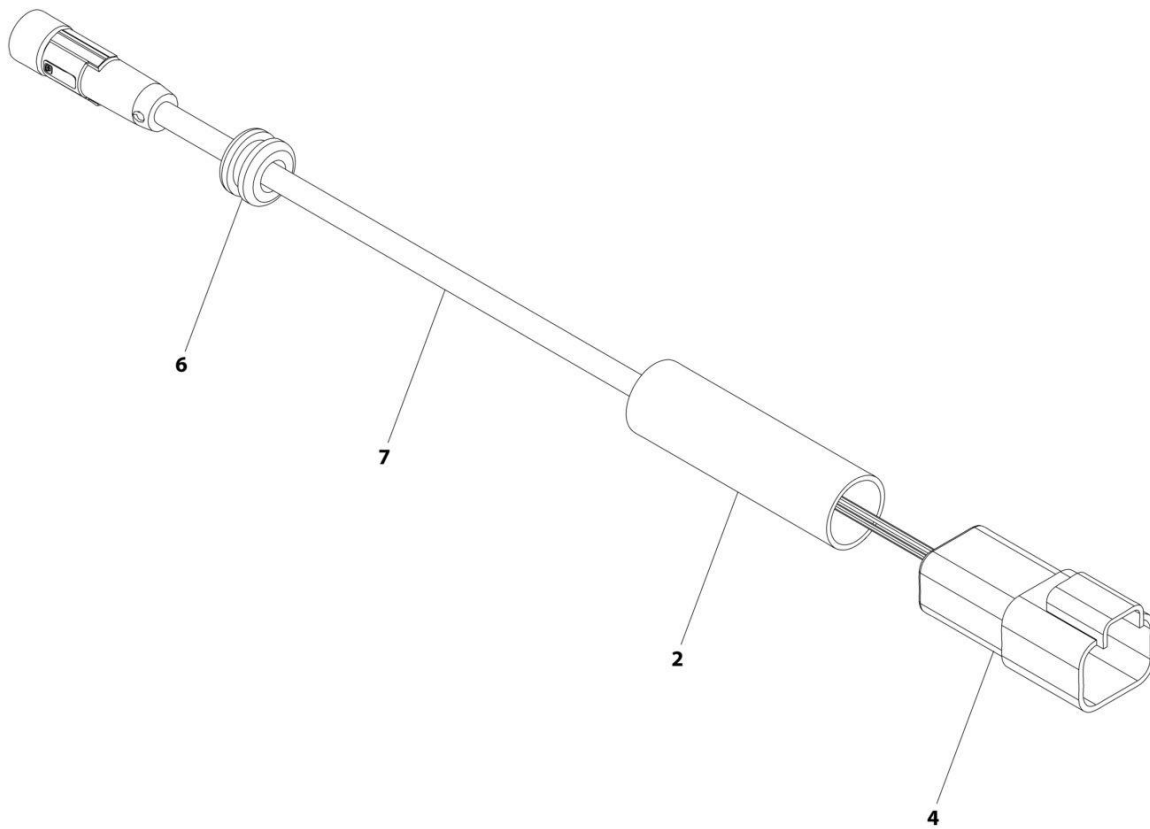
SECTION 5 - PLATFORM

FIGURE 5-25. SKYEYE INTERMEDIATE HARNESS

ITEM	PART NUMBER	QTY	DESCRIPTION	REV
	1001237865	Ref	SKYEYE INTERMEDIATE HARNESS	A
1	4460899	1	Connector - 6 Position	
1	4460943	4	Pin, Male	
1	4460466	2	Plug, Terminal	
2	4461077	2	Connector - 4 Position	
2	1001119619	8	Socket, Female	
3	4460911	1	Connector - 3 Position	
3	1001119619	3	Socket, Female	
4	1001187681	1	Connector - 2 Position	
4	4460941	1	Pin, Male	
4	4460466	1	Plug, Terminal	

SECTION 5 - PLATFORM

FIGURE 5-26. SKYEYE RECEIVER HARNESS



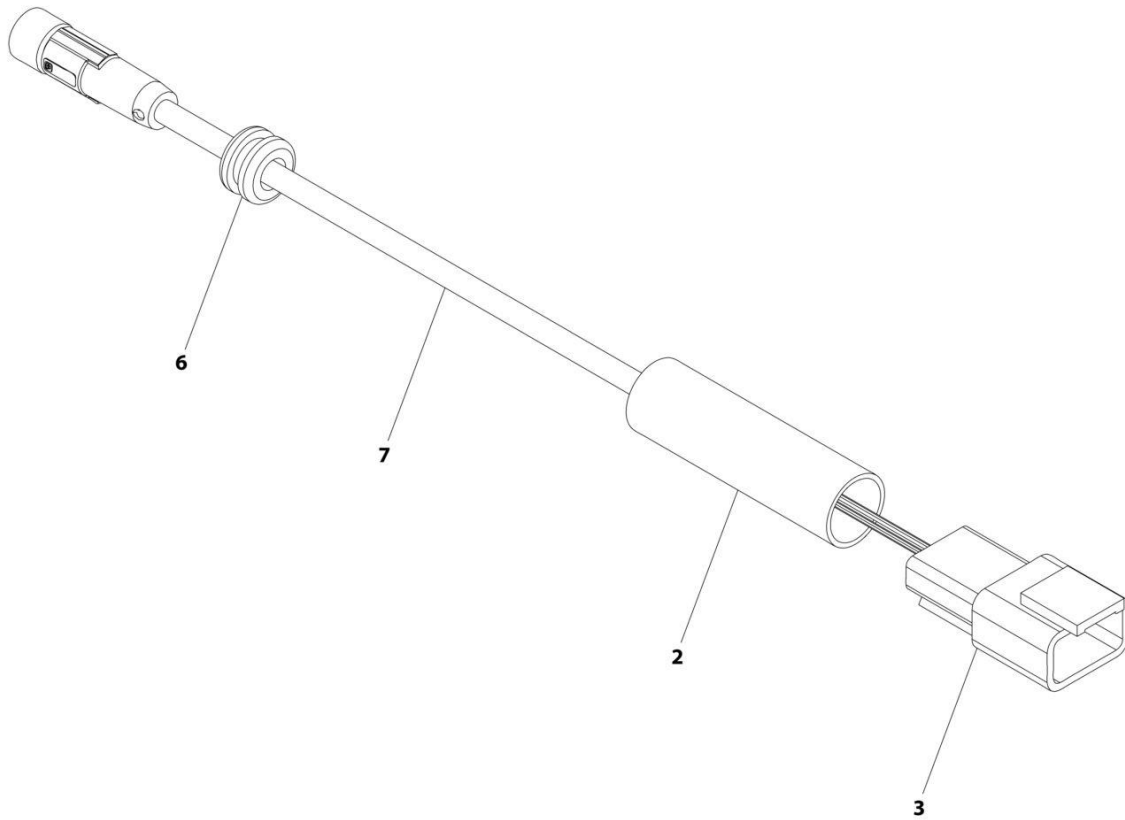
ART_1001237863

FIGURE 5-26. SKYEYE RECEIVER HARNESS

ITEM	PART NUMBER	QTY	DESCRIPTION	REV
	1001237863	Ref	SKYEYE RECEIVER HARNESS	A
2	2820247	AR	Tubing, Heat Shrink	
4	1001097051	1	Connector - 4 Position	
4	1001119620	4	Pin, Male	
6	1001227996	1	Grommet	
7	1001237862	1	Cable, M8 Female Cordset	

SECTION 5 - PLATFORM

FIGURE 5-27. SKYEYE EMITTER HARNESS



ART_1001237864

SECTION 5 - PLATFORM

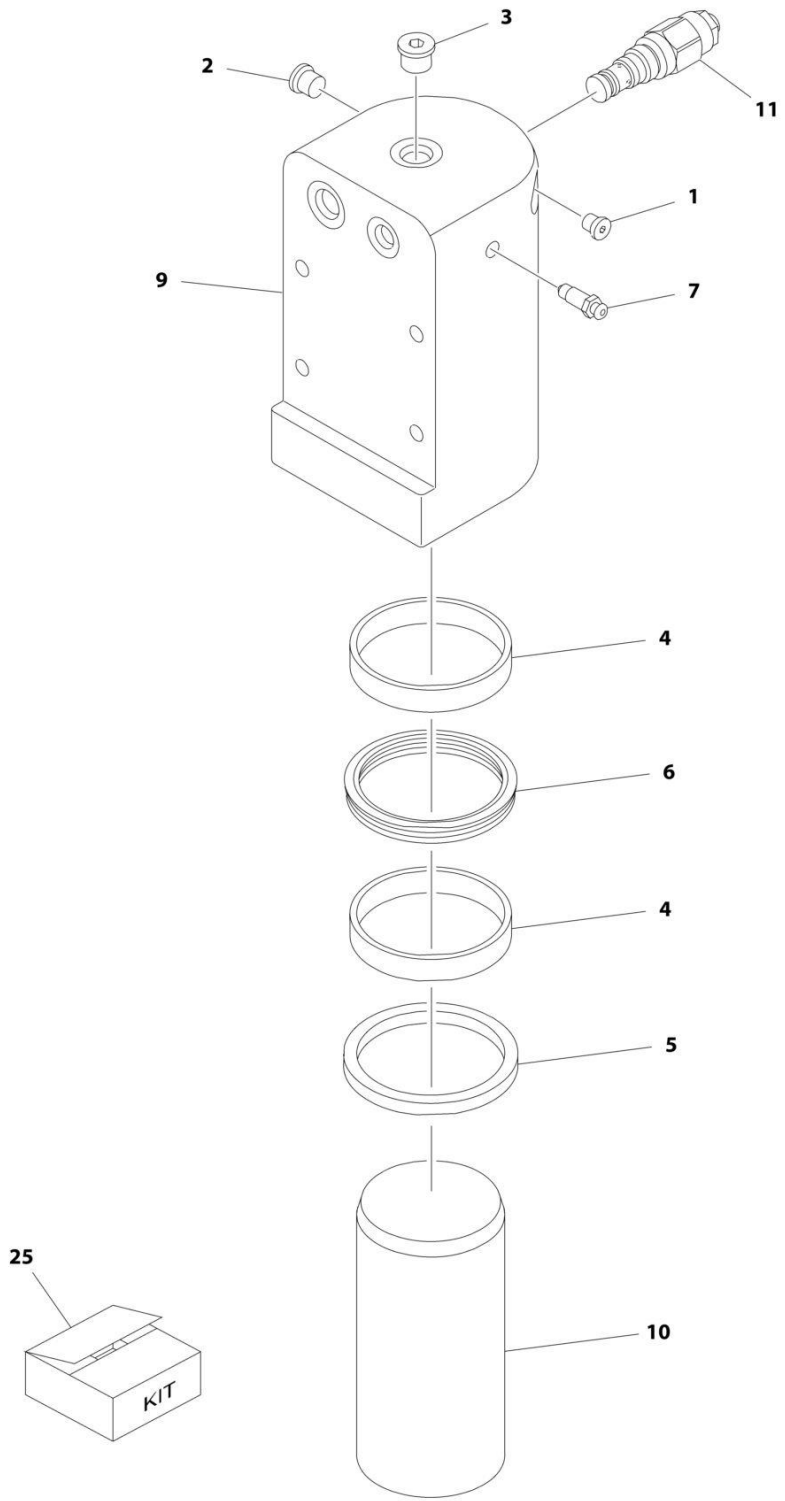
FIGURE 5-27. SKYEYE EMITTER HARNESS

ITEM	PART NUMBER	QTY	DESCRIPTION	REV
	1001237864	Ref	SKYEYE EMITTER HARNESS	A
2	2820247	AR	Tubing, Heat Shrink	
3	4460910	1	Connector - 3 Position	
3	1001119620	3	Pin, Male	
6	1001227996	1	Grommet	
7	1001237862	1	Cable, M8 Female Cordset	

SECTION 6 - CYLINDER

SECTION 6 - CYLINDER

FIGURE 6-1. AXLE LOCKOUT CYLINDER ASSEMBLY



ART_1001116361

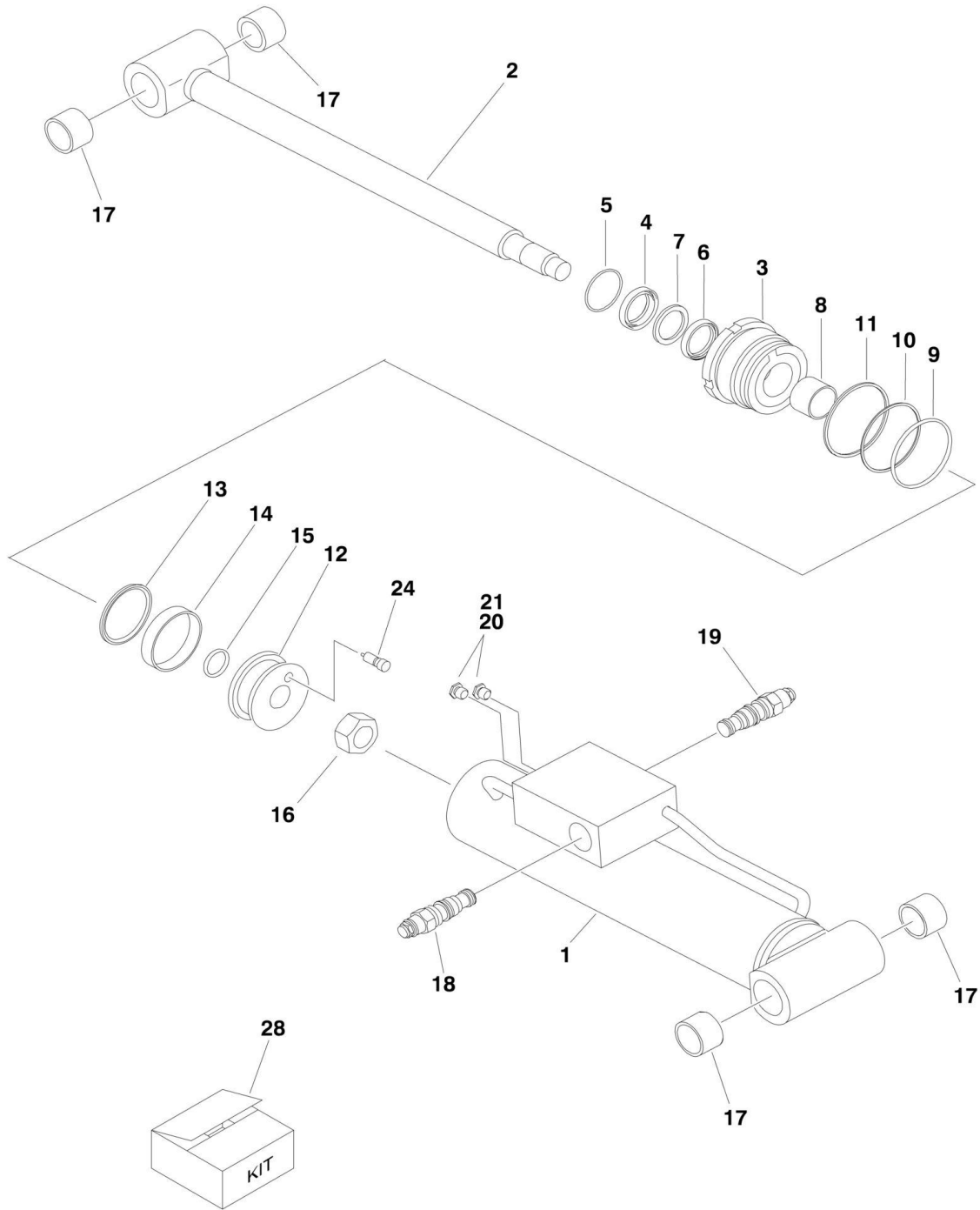
SECTION 6 - CYLINDER

FIGURE 6-1. AXLE LOCKOUT CYLINDER ASSEMBLY

ITEM	PART NUMBER	QTY	DESCRIPTION	REV
	1001116361	Ref	AXLE LOCKOUT CYLINDER ASSEMBLY	G
1	2220881	1	Plug, O-Ring	
2	2220883	1	Plug, O-Ring	
3	2220885	1	Plug, O-Ring	
4	See Note	NSS	Ring, Wear (Note: Use Item 25)	
5	See Note	NSS	Wiper (Note: Use Item 25)	
6	See Note	NSS	Seal, Rod (Note: Use Item 25)	
7	4640858	1	Bleeder	
9	1001117365	1	Barrel	
10	1001117366	1	Rod	
11	1001117372	1	Cartridge, Valve	
11	70002842	1	Seal Kit - 1001117372 Valve	
25	1001116378	1	Seal Kit (Includes Items 4-6)	

SECTION 6 - CYLINDER

FIGURE 6-2. LEVEL (PLATFORM SLAVE) CYLINDER ASSEMBLY (Prior to SN 0300240098)



ART_1001117375

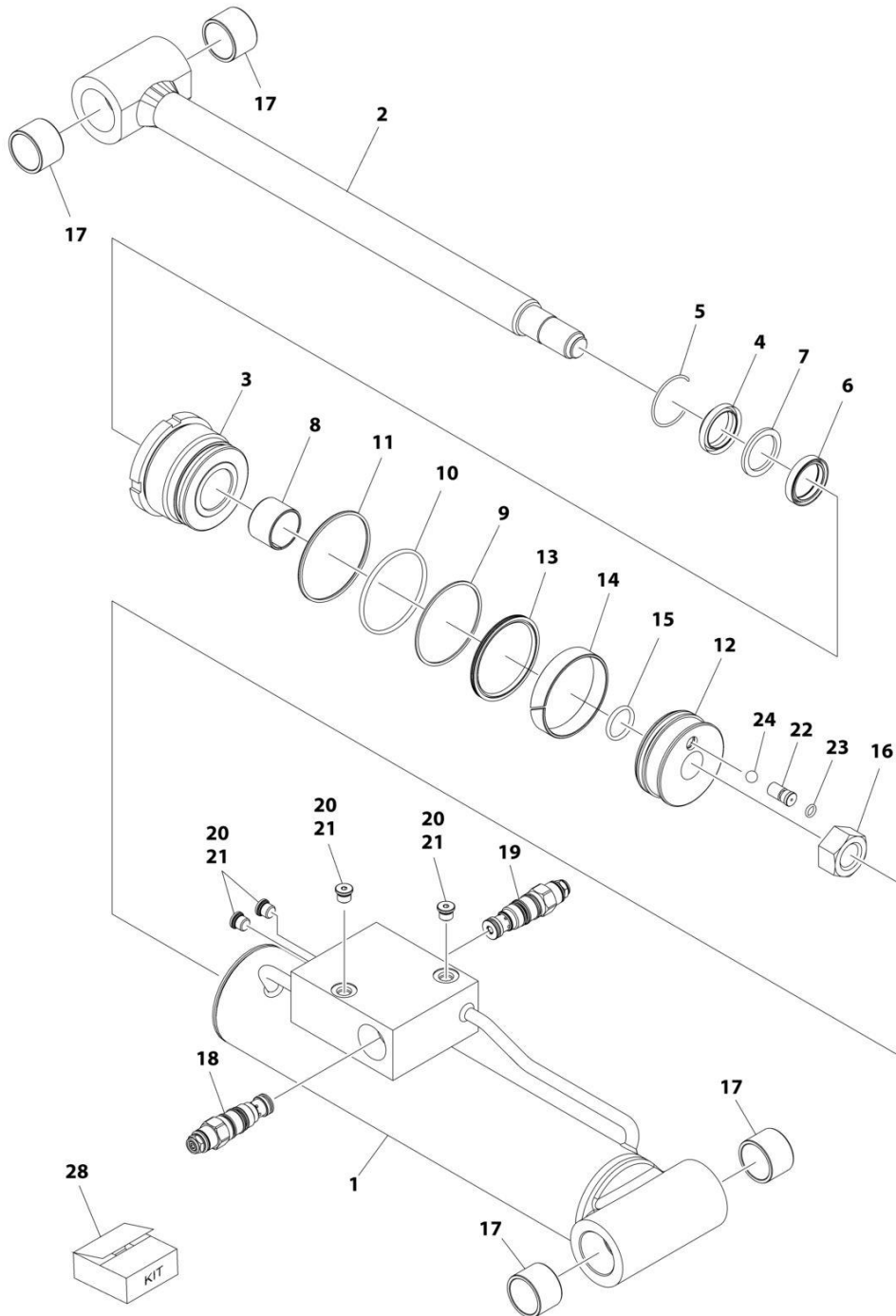
SECTION 6 - CYLINDER

FIGURE 6-2. LEVEL (PLATFORM SLAVE) CYLINDER ASSEMBLY (Prior to SN 0300240098)

ITEM	PART NUMBER	QTY	DESCRIPTION	REV
	1001117375	Ref	LEVEL (PLATFORM SLAVE) CYLINDER ASSEMBLY (Prior to SN 0300240098)	E
1	70003131	1	Barrel	
2	70003132	1	Rod	
3	70003085	1	Head	
4	See Note	NSS	Wiper (Note: Use Item 28)	
5	70002366	1	Ring, Retaining	
6	See Note	NSS	Seal, Rod (Note: Use Item 28)	
7	See Note	NSS	Ring, Back-up (Note: Use Item 28)	
8	70002352	1	Bearing	
9	See Note	NSS	O-Ring (Note: Use Item 28)	
10	See Note	NSS	Ring, Back-up (Note: Use Item 28)	
11	See Note	NSS	O-Ring (Note: Use Item 28)	
12	70003133	1	Piston	
13	See Note	NSS	Seal, Piston (Note: Use Item 28)	
14	See Note	NSS	Ring, Wear (Note: Use Item 28)	
15	See Note	NSS	O-Ring (Note: Use Item 28)	
16	70002335	1	Nut	
17	0961951	4	Bushing, Garmax (was p/n 70003087)	
18	70002413	1	Cartridge, Valve	
18	2900770	1	Seal Kit - 70002413 Valve	
19	70002388	1	Cartridge, Valve	
19	2900770	1	Seal Kit - 70002388 Valve	
20	70023370	2	Plug	
21	See Note	2	O-Ring (Note: Not Available - Purchase Locally)	
24	70002357	1	Valve, Phase	
28	70003134	1	Seal Kit (Includes Items 4, 6, 7, 9, 10, 11, 13, 14 & 15)	
100		Ref	REPAIR TOOLS (NOT SHOWN)	
100	70003089	1	Press, Wiper	
100	70003090	1	Press, Bushing (Use with Rod Bearing)	
100	70003091	1	Tool, Bushing Removal (Use with Rod Bearing)	
100	70003092	1	Tool, Head Seal Protection	
100	70003081	1	Tool, Piston Seal Protection	
100	70003093	1	Press, Bushing (Use with Pin Mounting Bushings)	
100	70003094	1	Tool, Bushing Removal (Use with Pin Mounting Bushings)	

SECTION 6 - CYLINDER

FIGURE 6-3. LEVEL (PLATFORM SLAVE) CYLINDER ASSEMBLY (SN 0300238046 through 0300272288)



ART_1001225990

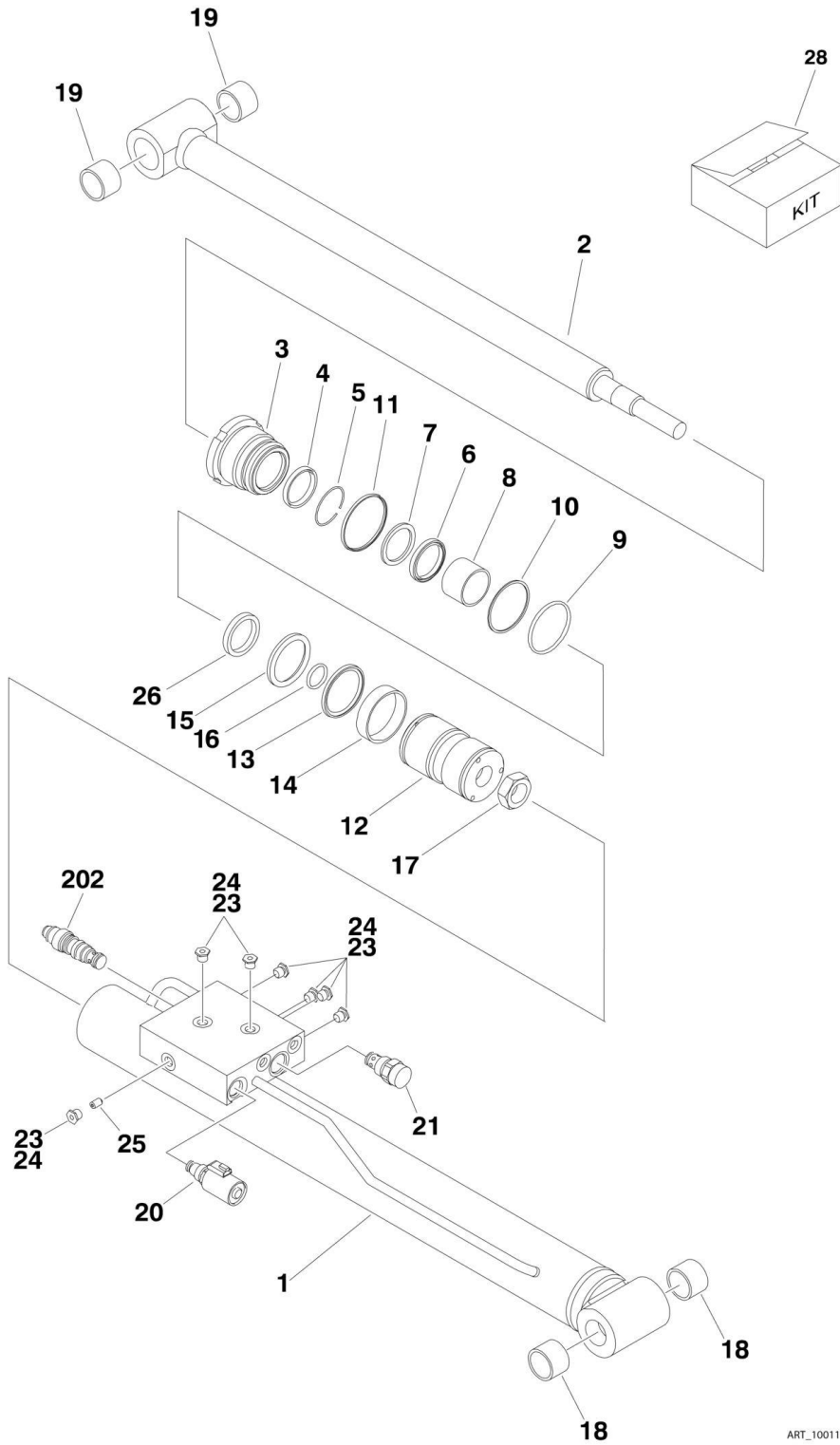
SECTION 6 - CYLINDER

FIGURE 6-3. LEVEL (PLATFORM SLAVE) CYLINDER ASSEMBLY (SN 0300238046 through 0300272288)

ITEM	PART NUMBER	QTY	DESCRIPTION	REV
	1001225990	Ref	LEVEL (PLATFORM SLAVE) CYLINDER ASSEMBLY (SN 0300238046 through 0300272288)	A
1	70003131	1	Barrel	
2	70003132	1	Rod	
3	70003085	1	Head	
4	See Note	NSS	Wiper (Note: Use Item 28)	
5	70002366	1	Ring, Retaining	
6	See Note	NSS	Seal, Rod (Note: Use Item 28)	
7	See Note	NSS	Ring, Back-up (Note: Use Item 28)	
8	70005695	1	Bearing	
9	See Note	NSS	O-Ring (Note: Use Item 28)	
10	See Note	NSS	Ring, Back-up (Note: Use Item 28)	
11	See Note	NSS	O-Ring (Note: Use Item 28)	
12	70003133	1	Piston	
13	See Note	NSS	Seal, Piston (Note: Use Item 28)	
14	See Note	NSS	Ring, Wear (Note: Use Item 28)	
15	See Note	NSS	O-Ring (Note: Use Item 28)	
16	70002335	1	Nut	
17	0961951	4	Bushing, Garmax	
18	70002413	1	Cartridge, Valve	
18	2900770	1	Seal Kit - 70002413 Valve	
19	1001168210	1	Cartridge, Valve	
19	2900770	1	Seal Kit - 1001168210 Valve	
20	2220883	4	Plug	
21	See Note	NSS	O-Ring (Note: Not Available - Purchase Locally)	
22	70005973	1	Valve Seat	
23	70005974	1	O-Ring	
24	70006353	1	Steel Ball	
28	70003134	1	Seal Kit (Includes Items 4, 6, 7, 9, 10, 11, 13, 14 & 15)	
100		Ref	REPAIR TOOLS (NOT SHOWN)	
100	70003089	1	Press, Wiper	
100	70003090	1	Press, Bushing (Use with Rod Bearing)	
100	70003091	1	Tool, Bushing Removal (Use with Rod Bearing)	
100	70003092	1	Tool, Head Seal Protection	
100	70003081	1	Tool, Piston Seal Protection	
100	70003093	1	Press, Bushing (Use with Pin Mounting Bushings)	
100	70003094	1	Tool, Bushing Removal (Use with Pin Mounting Bushings)	

SECTION 6 - CYLINDER

FIGURE 6-4. LIFT (JIB) CYLINDER ASSEMBLY



ART_1001123004

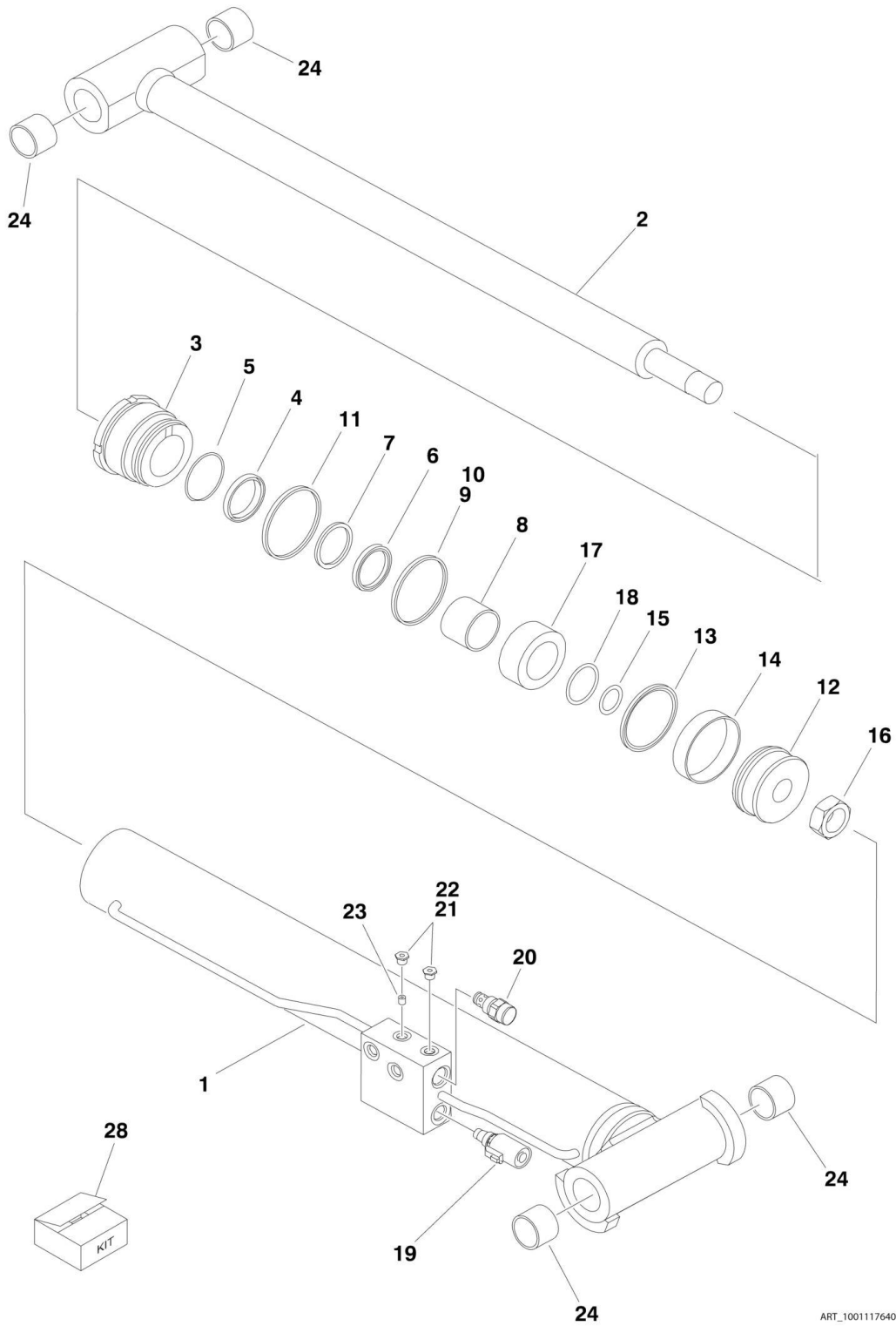
SECTION 6 - CYLINDER

FIGURE 6-4. LIFT (JIB) CYLINDER ASSEMBLY

ITEM	PART NUMBER	QTY	DESCRIPTION	REV
	1001123004	Ref	JIB LIFT CYLINDER ASSEMBLY	D
1	70003122	1	Barrel	
2	70002375	1	Rod	
3	70003123	1	Head	
4	See Note	NSS	Wiper (Note: Use Item 28)	
5	70002373	1	Ring, Retaining	
6	See Note	NSS	Seal, Rod (Note: Use Item 28)	
7	See Note	NSS	Ring, Back-up (Note: Use Item 28)	
8	70002372	1	Bearing	
9	See Note	NSS	O-Ring (Note: Use Item 28)	
10	See Note	NSS	Ring, Back-up (Note: Use Item 28)	
11	See Note	NSS	O-Ring (Note: Use Item 28)	
12	70003124	1	Piston	
13	70003125	1	Seal, Piston	
14	See Note	NSS	Ring, Wear (Note: Use Item 28)	
15	See Note	NSS	O-Ring (Note: Use Item 28)	
16	See Note	NSS	Ring, Piston (Note: Use Item 28)	
17	70002335	1	Nut	
18	70003118	2	Bushing	
19	0961951	2	Bushing, Garmax (was p/n 70003087)	
20	7024884	1	Cartridge, Solenoid Valve	
20	7012967	1	Seal Kit - 7024884 Valve	
20	70002386	1	Coil	
21	70003076	1	Cartridge, Check Valve	
21	7017496	1	Seal Kit - 70003076 Valve	
23	70023370	7	Plug	
24	See Note	7	O-Ring (Note: Not Available - Purchase Locally)	
25	70002334	1	Orifice	
26	70003453	1	Spacer	
28	70003125	1	Seal Kit (Includes Items 4, 6, 7, 9, 10, 11, 13, 14, 15 & 16)	
100		Ref	REPAIR TOOLS (NOT SHOWN)	
100	70003126	1	Press, Wiper	
100	70003127	1	Press, Bushing (Use with Rod Bearing)	
100	70003128	1	Tool, Bushing Removal (Use with Rod Bearing)	
100	70003129	1	Tool, Head Seal Protection	
100	70003130	1	Tool, Piston Seal Protection	
100	70003093	1	Press, Bushing (Use with Pin Mounting Bushings)	
100	70003094	1	Tool, Bushing Removal (Use with Pin Mounting Bushings)	
	1001199460	Ref	JIB LIFT CYLINDER ASSEMBLY	A
202	1001199306	1	Cartridge, Counter Balance Valve	
202	2900770	1	Seal Kit - 1001199306 Valve	

SECTION 6 - CYLINDER

FIGURE 6-5. LIFT (MAIN BOOM) CYLINDER ASSEMBLY



ART_1001117640

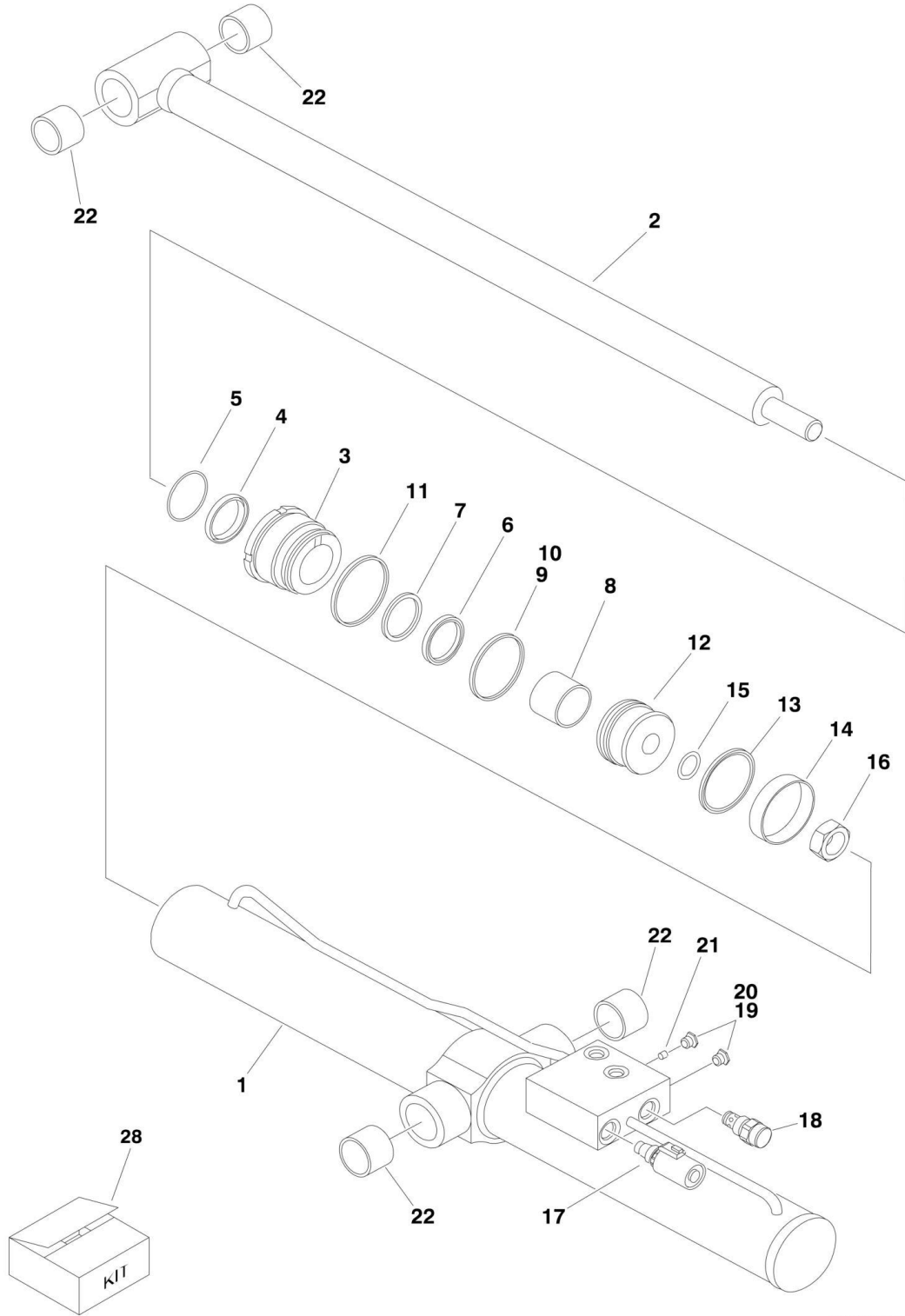
SECTION 6 - CYLINDER

FIGURE 6-5. LIFT (MAIN BOOM) CYLINDER ASSEMBLY

ITEM	PART NUMBER	QTY	DESCRIPTION	REV
	1001117640	Ref	MAIN BOOM LIFT CYLINDER ASSEMBLY	H
1	70003103	1	Barrel	
2	70003104	1	Rod	
3	70003105	1	Head	
4	See Note	NSS	Wiper (Note: Use Item 28)	
5	70002412	1	Ring, Retaining	
6	See Note	NSS	Seal, Rod (Note: Use Item 28)	
7	See Note	NSS	Ring, Back-up (Note: Use Item 28)	
8	70022565	1	Bearing	
9	See Note	NSS	O-Ring (Note: Use Item 28)	
10	See Note	NSS	Ring, Back-up (Note: Use Item 28)	
11	See Note	NSS	O-Ring (Note: Use Item 28)	
12	70003106	1	Piston	
13	See Note	NSS	Seal, Piston (Note: Use Item 28)	
14	See Note	NSS	Ring, Wear (Note: Use Item 28)	
15	See Note	NSS	O-Ring (Note: Use Item 28)	
16	70002335	1	Nut	
17	70002344	1	Spacer	
18	See Note	NSS	O-Ring (Note: Use Item 28)	
19	7024884	1	Cartridge, Solenoid Valve	
19	7012967	1	Seal Kit - 7024884 Valve	
19	70002386	1	Coil	
20	70003076	1	Cartridge, Check Valve	
20	7017496	1	Seal Kit - 70003076 Valve	
21	70023370	7	Plug	
22	See Note	7	O-Ring (Note: Not Available - Purchase Locally)	
23	70002334	1	Orifice	
24	0961948	2	Bushing, Garmax (was p/n 70003107)	
28	70003108	1	Seal Kit (Includes Items 4, 6, 7, 9, 10, 11, 13, 14, 15 & 18)	
100		Ref	REPAIR TOOLS (NOT SHOWN)	
100	70003109	1	Press, Wiper	
100	70003110	1	Press, Bushing (Use with Rod Bearing)	
100	70003111	1	Tool, Bushing Removal (Use with Rod Bearing)	
100	70003112	1	Tool, Head Seal Protection	
100	70003113	1	Tool, Piston Seal Protection	
100	70003082	1	Press, Bushing (Use with Pin Mounting Bushings)	
100	70003083	1	Tool, Bushing Removal (Use with Pin Mounting Bushings)	

SECTION 6 - CYLINDER

FIGURE 6-6. LIFT (TOWER BOOM) CYLINDER ASSEMBLY



ART_1001122527

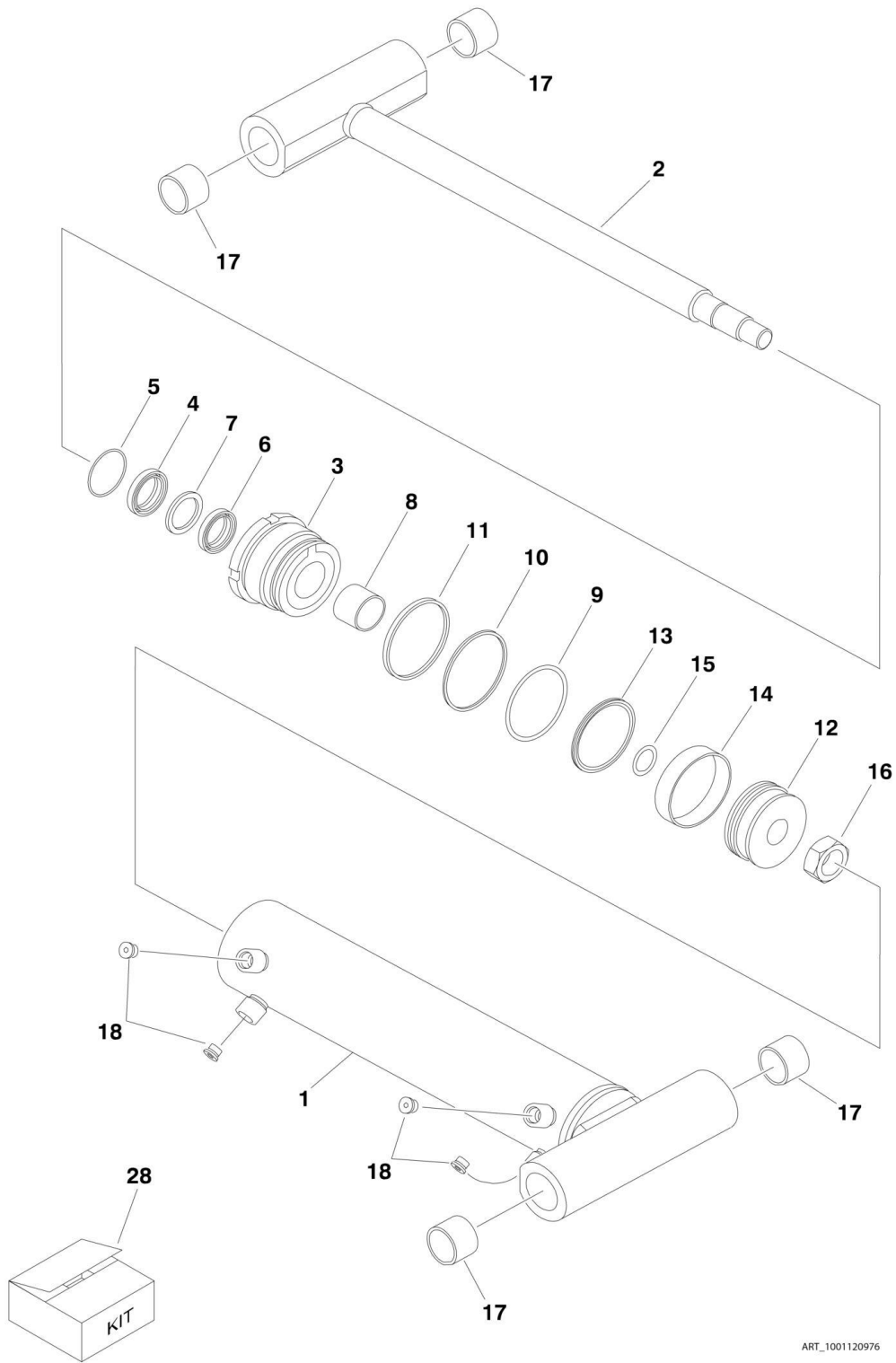
SECTION 6 - CYLINDER

FIGURE 6-6. LIFT (TOWER BOOM) CYLINDER ASSEMBLY

ITEM	PART NUMBER	QTY	DESCRIPTION	REV
	1001122527	Ref	TOWER BOOM LIFT CYLINDER ASSEMBLY	D
1	70003071	1	Barrel	
2	70003072	1	Rod	
3	70003073	1	Head	
4	See Note	NSS	Wiper (Note: Use Item 28)	
5	70002410	1	Ring, Retaining	
6	See Note	NSS	Seal, Rod (Note: Use Item 28)	
7	See Note	NSS	Ring, Back-up (Note: Use Item 28)	
8	70002337	1	Bearing	
9	See Note	NSS	O-Ring (Note: Use Item 28)	
10	See Note	NSS	Ring, Back-up (Note: Use Item 28)	
11	See Note	NSS	O-Ring (Note: Use Item 28)	
12	70003074	1	Piston	
13	See Note	NSS	Seal, Piston (Note: Use Item 28)	
14	See Note	NSS	Ring, Wear (Note: Use Item 28)	
15	See Note	NSS	O-Ring (Note: Use Item 28)	
16	70002335	1	Nut	
17	7024884	1	Cartridge, Solenoid Valve	
17	7012967	1	Seal Kit - 7024884 Valve	
17	70002386	1	Coil	
18	70003076	1	Cartridge, Check Valve	
18	7017496	1	Seal Kit - 70003076 Valve	
19	70023370	2	Plug	
20	See Note	2	O-Ring (Note: Not Available - Purchase Locally)	
21	70002334	1	Orifice	
22	0961948	4	Bushing, Garmax (was p/n 70003107)	
28	70003075	1	Seal Kit (Includes Items 4, 6, 7, 9, 10, 11, 13, 14 & 15)	
100		Ref	REPAIR TOOLS (NOT SHOWN)	
100	70003077	1	Press, Wiper	
100	70003078	1	Press, Bushing (Use with Rod Bearing)	
100	70003079	1	Tool, Bushing Removal (Use with Rod Bearing)	
100	70003080	1	Tool, Head Seal Protection	
100	70003081	1	Tool, Piston Seal Protection	
100	70003082	1	Press, Bushing (Use with Pin Mounting Bushings)	
100	70003083	1	Tool, Bushing Removal (Use with Pin Mounting Bushings)	

SECTION 6 - CYLINDER

FIGURE 6-7. MASTER CYLINDER ASSEMBLY



ART_1001120976

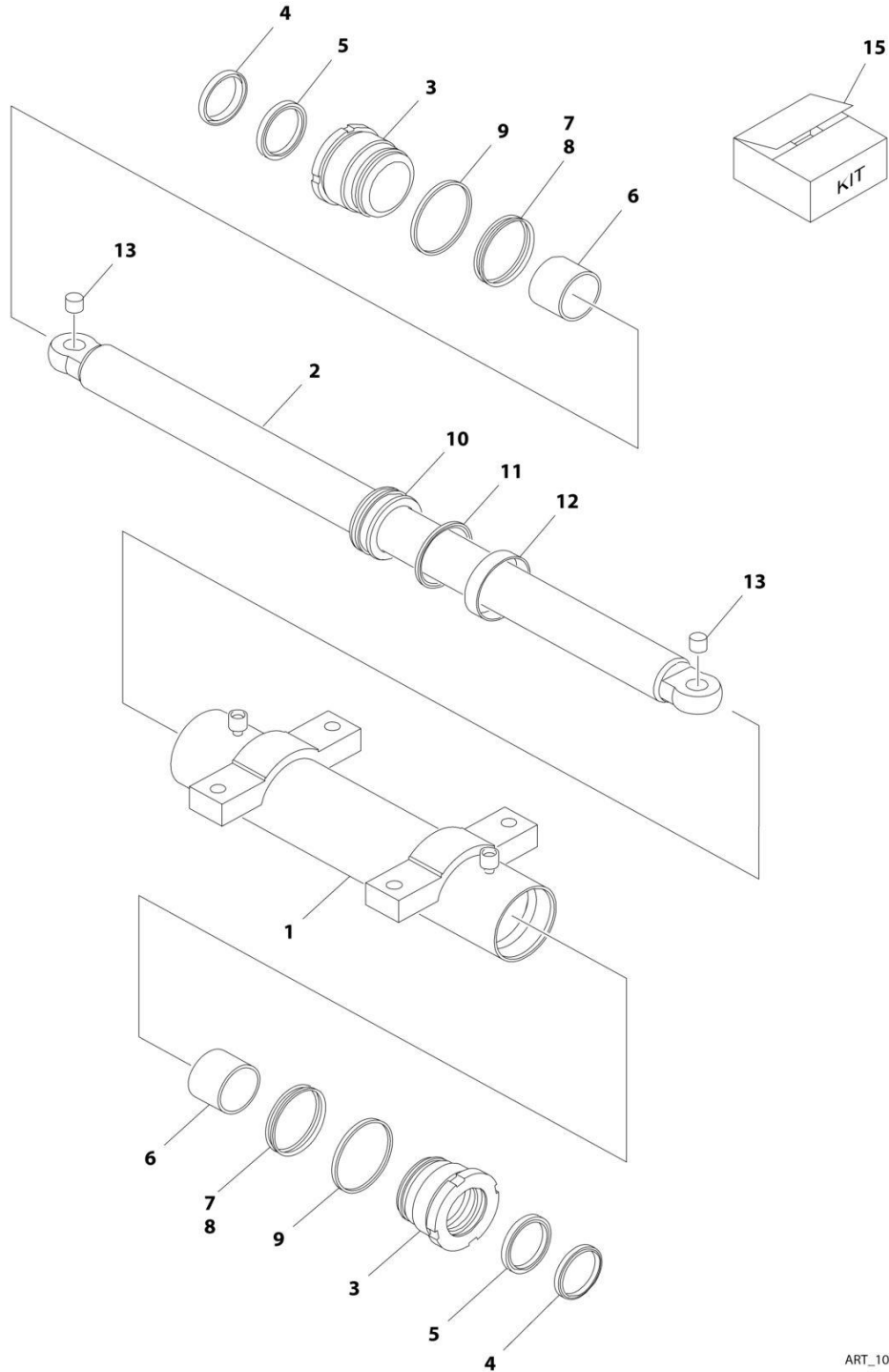
SECTION 6 - CYLINDER

FIGURE 6-7. MASTER CYLINDER ASSEMBLY

ITEM	PART NUMBER	QTY	DESCRIPTION	REV
	1001120976	Ref	MASTER CYLINDER ASSEMBLY	B
1	70003084	1	Barrel	
2	70002354	1	Rod	
3	70003085	1	Head	
4	See Note	NSS	Wiper (Note: Use Item 28)	
5	70002366	1	Ring, Retaining	
6	See Note	NSS	Seal, Rod (Note: Use Item 28)	
7	See Note	NSS	Ring, Back-up (Note: Use Item 28)	
8	70002352	1	Bearing	
9	See Note	NSS	O-Ring (Note: Use Item 28)	
10	See Note	NSS	Ring, Back-up (Note: Use Item 28)	
11	See Note	NSS	O-Ring (Note: Use Item 28)	
12	70003086	1	Piston	
13	See Note	NSS	Seal, Piston (Note: Use Item 28)	
14	See Note	NSS	Ring, Wear (Note: Use Item 28)	
15	See Note	NSS	O-Ring (Note: Use Item 28)	
16	70002335	1	Nut	
17	0961951	4	Bushing, Garmax (was p/n 70003087)	
18	70023371	4	Plug	
28	70003088	1	Seal Kit (Includes Items 4, 6, 7, 9, 10, 11, 13, 14 & 15)	
100		Ref	REPAIR TOOLS (NOT SHOWN)	
100	70003089	1	Press, Wiper	
100	70003090	1	Press, Bushing (Use with Rod Bearing)	
100	70003091	1	Tool, Bushing Removal (Use with Rod Bearing)	
100	70003092	1	Tool, Head Seal Protection	
100	70003081	1	Tool, Piston Seal Protection	
100	70003093	1	Press, Bushing (Use with Pin Mounting Bushings)	
100	70003094	1	Tool, Bushing Removal (Use with Pin Mounting Bushings)	

SECTION 6 - CYLINDER

FIGURE 6-8. STEER CYLINDER ASSEMBLY



ART_1001116788

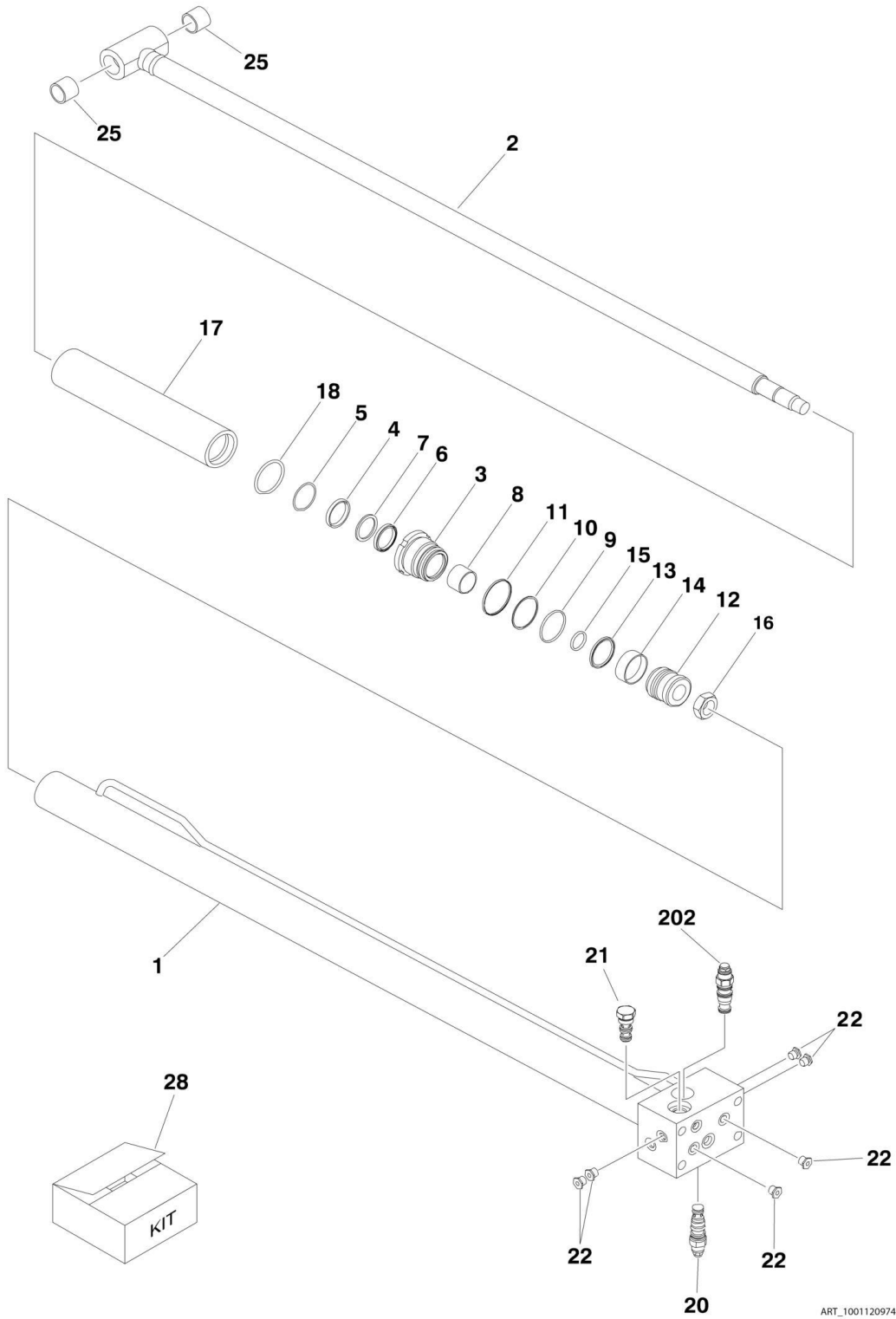
SECTION 6 - CYLINDER

FIGURE 6-8. STEER CYLINDER ASSEMBLY

ITEM	PART NUMBER	QTY	DESCRIPTION	REV
	1001116788	Ref	STEER CYLINDER ASSEMBLY	C
1	70003095	1	Barrel	
2	70003096	1	Rod	
3	70003098	2	Head	
4	See Note	NSS	Wiper (Note: Use Item 15)	
5	See Note	NSS	Seal, Rod (Note: Use Item 15)	
6	70002337	2	Bearing	
7	See Note	NSS	O-Ring (Note: Use Item 15)	
8	See Note	NSS	Ring, Back-up (Note: Use Item 15)	
9	See Note	NSS	O-Ring (Note: Use Item 15)	
10	70003097	1	Piston	
11	See Note	NSS	Seal, Piston (Note: Use Item 15)	
12	See Note	NSS	Ring, Wear (Note: Use Item 15)	
13	70002380	4	Bushing, Garmax	
15	70003099	1	Seal Kit (Includes Items 4, 5, 7, 8, 9, 11 & 12)	
100		Ref	REPAIR TOOLS (NOT SHOWN)	
100	70003077	1	Press, Wiper	
100	70003078	1	Press, Bushing (Use with Rod Bearing)	
100	70003079	1	Tool, Bushing Removal (Use with Rod Bearing)	
100	70003080	1	Tool, Head Seal Protection	
100	70003100	1	Tool, Piston Seal Protection	
100	70003101	1	Press, Bushing (Use with Pin Mounting Bushings)	
100	70003102	1	Tool, Bushing Removal (Use with Pin Mounting Bushings)	

SECTION 6 - CYLINDER

FIGURE 6-9. TELESCOPE CYLINDER ASSEMBLY



ART_1001120974

SECTION 6 - CYLINDER

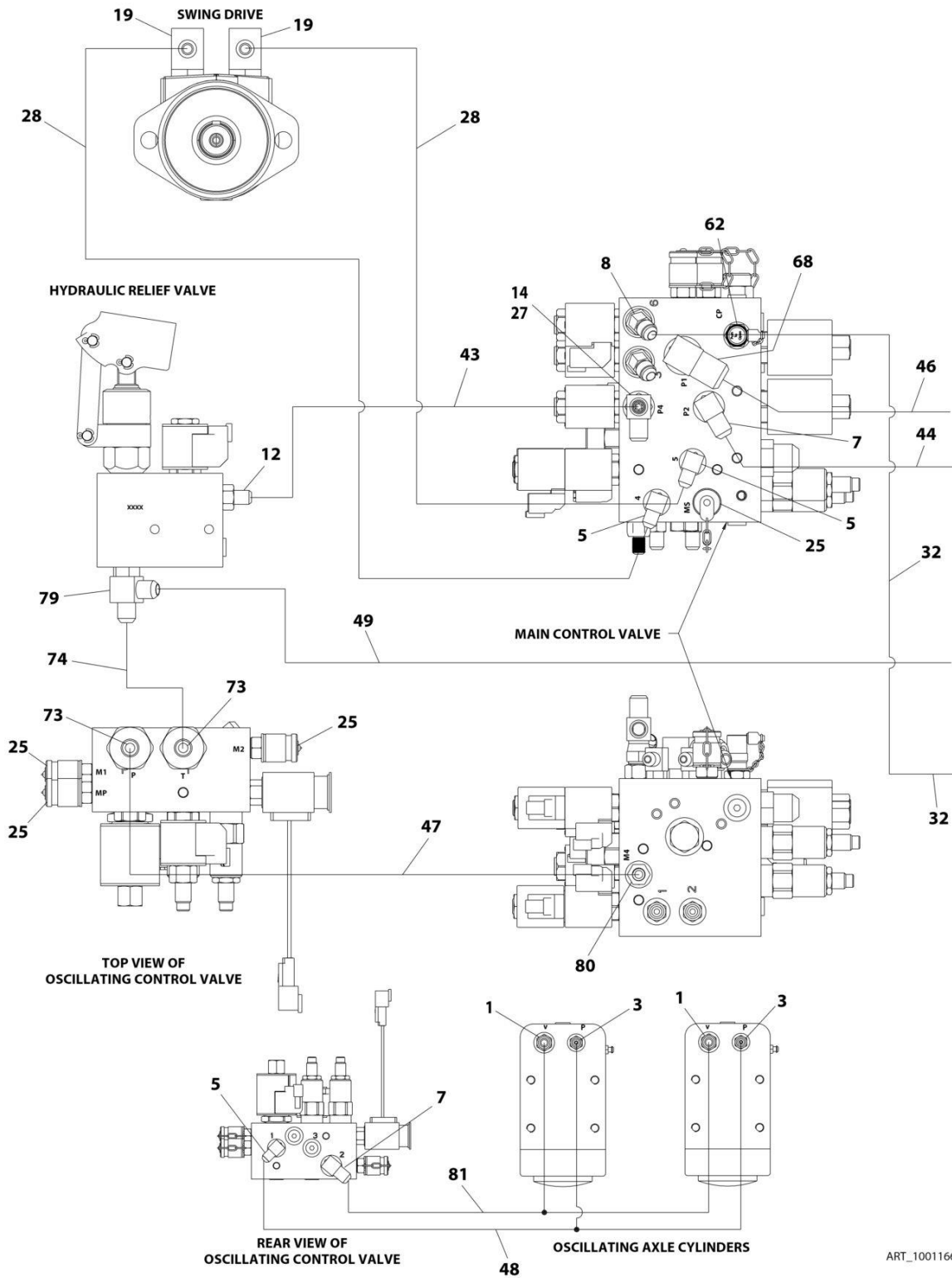
FIGURE 6-9. TELESCOPE CYLINDER ASSEMBLY

ITEM	PART NUMBER	QTY	DESCRIPTION	REV
	1001120974	Ref	TELESCOPE CYLINDER ASSEMBLY	C
1	70003114	1	Barrel	
2	70003115	1	Rod	
3	70003116	1	Head	
4	See Note	NSS	Wiper (Note: Use Item 28)	
5	70002366	1	Ring, Retaining	
6	See Note	NSS	Seal, Rod (Note: Use Item 28)	
7	See Note	NSS	Ring, Back-up (Note: Use Item 28)	
8	70002352	1	Bearing	
9	See Note	NSS	O-Ring (Note: Use Item 28)	
10	See Note	NSS	Ring, Back-up (Note: Use Item 28)	
11	See Note	NSS	O-Ring (Note: Use Item 28)	
12	70003117	1	Piston	
13	See Note	NSS	Seal, Piston (Note: Use Item 28)	
14	See Note	NSS	Ring, Wear (Note: Use Item 28)	
15	See Note	NSS	O-Ring (Note: Use Item 28)	
16	70002335	1	Nut	
17	70002364	1	Spacer	
18	See Note	NSS	O-Ring (Note: Use Item 28)	
20	70002389	1	Cartridge, Counterbalance Valve	
20	2900770	1	Seal Kit - 70002389 Valve	
21	10837580	1	Cartridge, Load Shuttle Valve	
21	7010543	1	Seal Kit - 10837580 Valve	
22	70023370	6	Plug	
25	70003118	2	Bushing	
28	70003119	1	Seal Kit (Includes Items 4, 6, 7, 9, 10, 11, 13, 14, 15 & 18)	
100		Ref	REPAIR TOOLS (NOT SHOWN)	
100	70003089	1	Press, Wiper	
100	70003090	1	Press, Bushing (Use with Rod Bearing)	
100	70003091	1	Tool, Bushing Removal (Use with Rod Bearing)	
100	70003092	1	Tool, Head Seal Protection	
100	70003120	1	Press, Bushing (Use with Pin Mounting Bushings)	
100	70003121	1	Tool, Bushing Removal (Use with Pin Mounting Bushings)	
	1001199461	Ref	TELESCOPE CYLINDER ASSEMBLY	A
202	1001199306	1	Cartridge, Counter Balance Valve	
202	2900770	1	Seal Kit - 1001199306 Valve	

SECTION 7 - HYDRAULIC

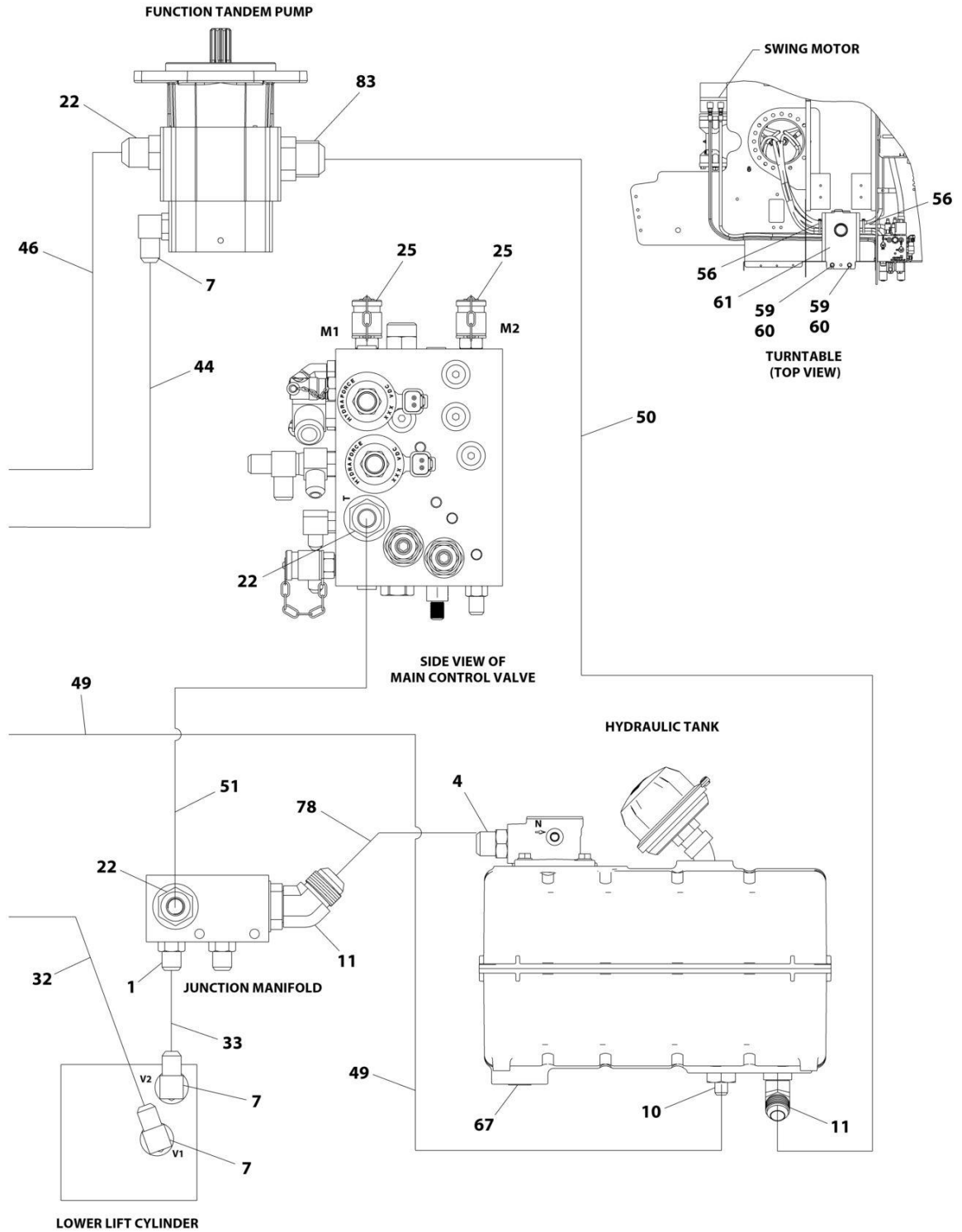
SECTION 7 - HYDRAULIC

FIGURE 7-1. HYDRAULIC SYSTEM INSTALLATION - WITHOUT ARCTIC PACKAGE



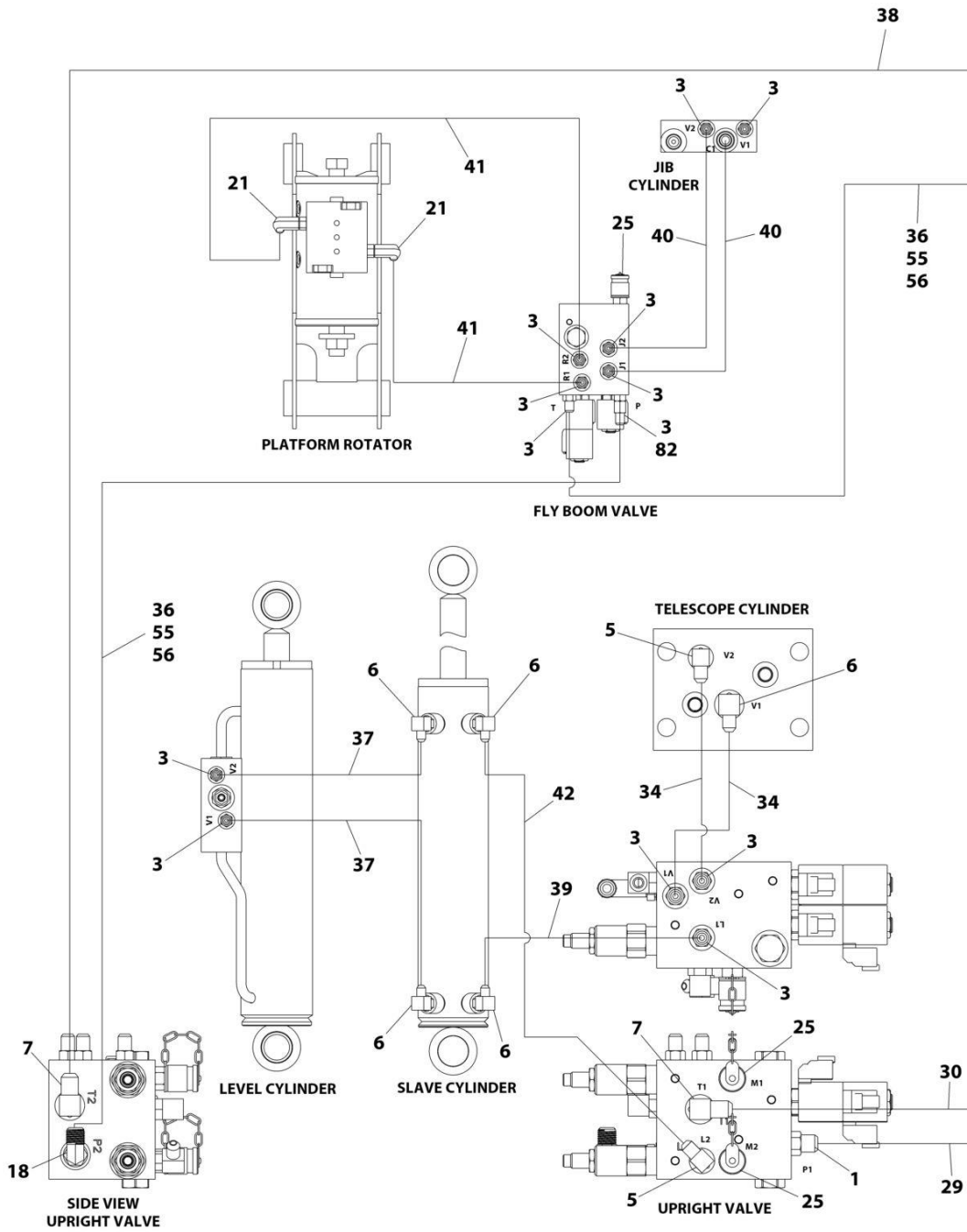
ART_1001166848_1OF4

SECTION 7 - HYDRAULIC



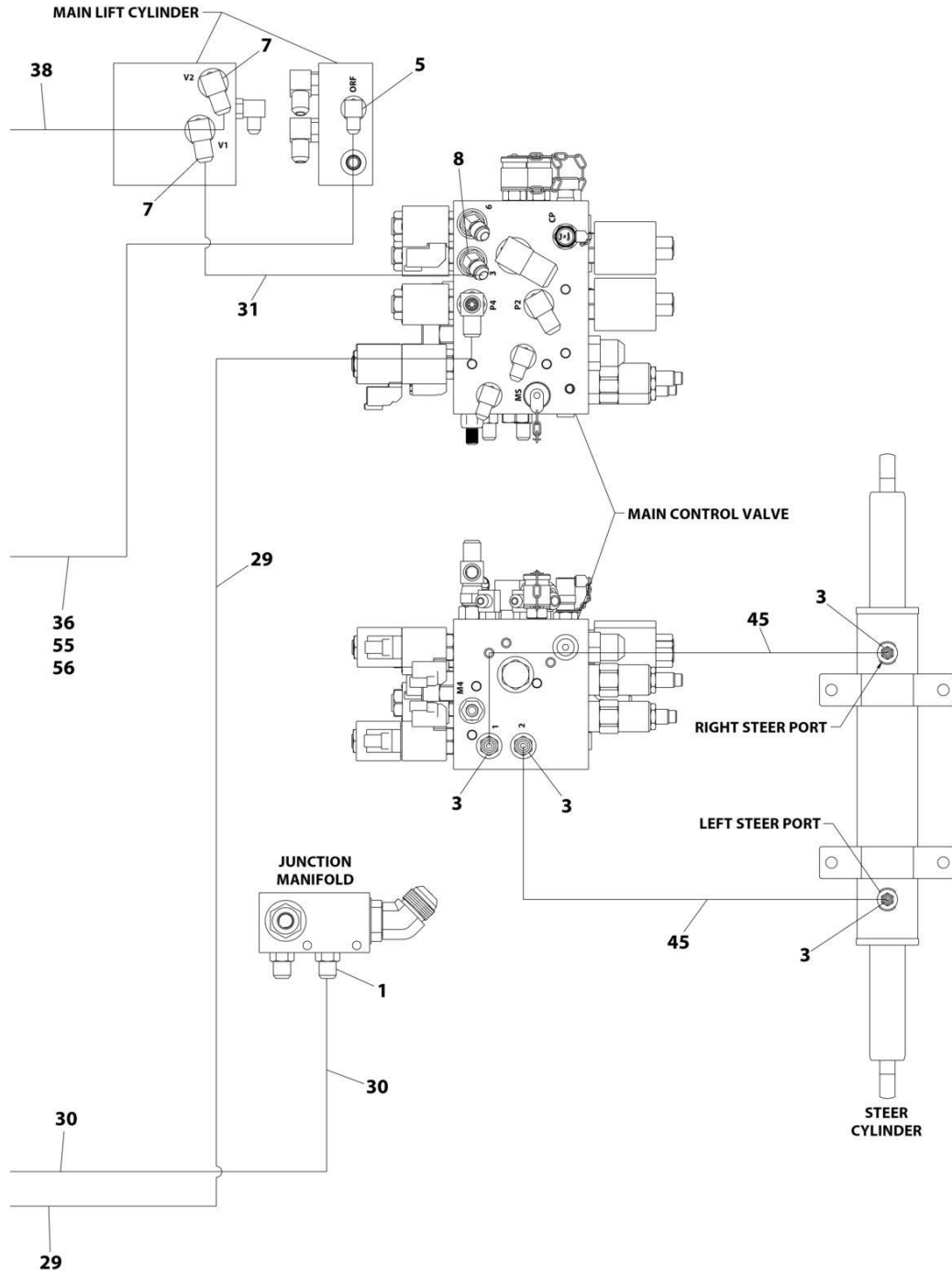
ART_1001166848_2OF4

SECTION 7 - HYDRAULIC



ART_1001166848_3OF4

SECTION 7 - HYDRAULIC



ART_1001166848_40F4

SECTION 7 - HYDRAULIC

FIGURE 7-1. HYDRAULIC SYSTEM INSTALLATION - WITHOUT ARCTIC PACKAGE

ITEM	PART NUMBER	QTY	DESCRIPTION	REV
	1001166848	Ref	HYDRAULIC SYSTEM INSTALLATION - WITHOUT ARCTIC PACKAGE	M
1	2220371	5	Fitting, Straight JIC/ORB	
3	2220415	19	Fitting, Straight JIC/ORB	
4	2220451	1	Fitting, Straight JIC/ORB	
5	2220466	6	Fitting, 90 JIC/ORB	
6	2220472	5	Fitting, 90 JIC/ORB	
7	2220473	9	Fitting, 90 JIC/ORB	
8	2220501	2	Fitting, 45 JIC/ORB	
10	2220577	1	Fitting, Straight JIC/ORB	
11	2220498	2	Fitting, 45 JIC/ORB	
12	2220582	1	Fitting, Straight JIC/ORB	
14	2220635	1	Fitting, Tee JIC/FSJIC/JIC	
18	2220819	1	Fitting, 90 JIC/ORB	
19	2220828	2	Fitting, 90 JIC/ORB	
21	2220940	2	Fitting, 90 JIC/ORB	
22	2220947	3	Fitting, Straight JIC/ORB	
25	2221086	9	Fitting, Test Port	
27	80233041	1	Fitting, Check	
28	1001119525	2	Hose	
29	1001119572	1	Hose	
30	1001119577	1	Hose	
31	1001119593	1	Hose	
32	1001119594	1	Hose	
33	1001119595	1	Hose	
34	1001119596	2	Hose	
35	1001119597	1	Hose	
36	1001119598	1	Hose	
37	1001119600	2	Hose	
38	1001119602	1	Hose	
39	1001119603	1	Hose	
40	1001119604	2	Hose	
41	1001119605	2	Hose	
42	1001121966	1	Hose	
43	1001127705	1	Hose	
44	1001167206	1	Hose	
45	1001167207	2	Hose	
46	1001167208	1	Hose	
47	1001167210	1	Hose	
48	1001168702	1	Hose	
49	1001172556	1	Hose	
50	1001172557	1	Hose	
51	1001172558	1	Hose	
55	4100066	1	Sleeve, Hose Wrap	
56	4240018	AR	Tie-Strap	
59	5250810	2	Bolt M8 X 20	
60	8310686	2	Retainer M8	
61	1001121221	1	Cover, Tray	
62	1001119455	1	Valve, Oil Sampling	
67	2220887	1	Plug ORB	

SECTION 7 - HYDRAULIC

ITEM	PART NUMBER	QTY	DESCRIPTION	REV
68	2221042	1	Fitting, 90 JIC/ORB	
73	1001152155	2	Fitting, Straight JIC/ORB	
74	1001178795	1	Hose	
78	1001183675	1	Hose	
79	2220606	1	Fitting, Tee JIC/ORB/JIC	
80	1001189611	1	Valve, Check	
81	1001197509	1	Hose	
82	2220914	1	Orifice	
83	2220408	1	Fitting, Straight JIC/ORB	

SECTION 7 - HYDRAULIC

FIGURE 7-2. HYDRAULIC DIAGRAM LIST

ITEM	PART NUMBER	QTY	DESCRIPTION	REV
		Ref	Note: Diagrams not shown are available from JLG Service/Parts Departments. Schematics are shown in the Service and Maintenance Manual.	
		Ref	HYDRAULIC DIAGRAM LIST	
		Ref	Hydraulic Diagram Installation	
	1001166848	Ref	Hydraulic System Installation - Without Arctic Package	
	1001169718	Ref	Hydraulic System Installation - With Arctic Package	
	1001169204	Ref	Hydraulic Schematic	

SECTION 8 - ELECTRICAL

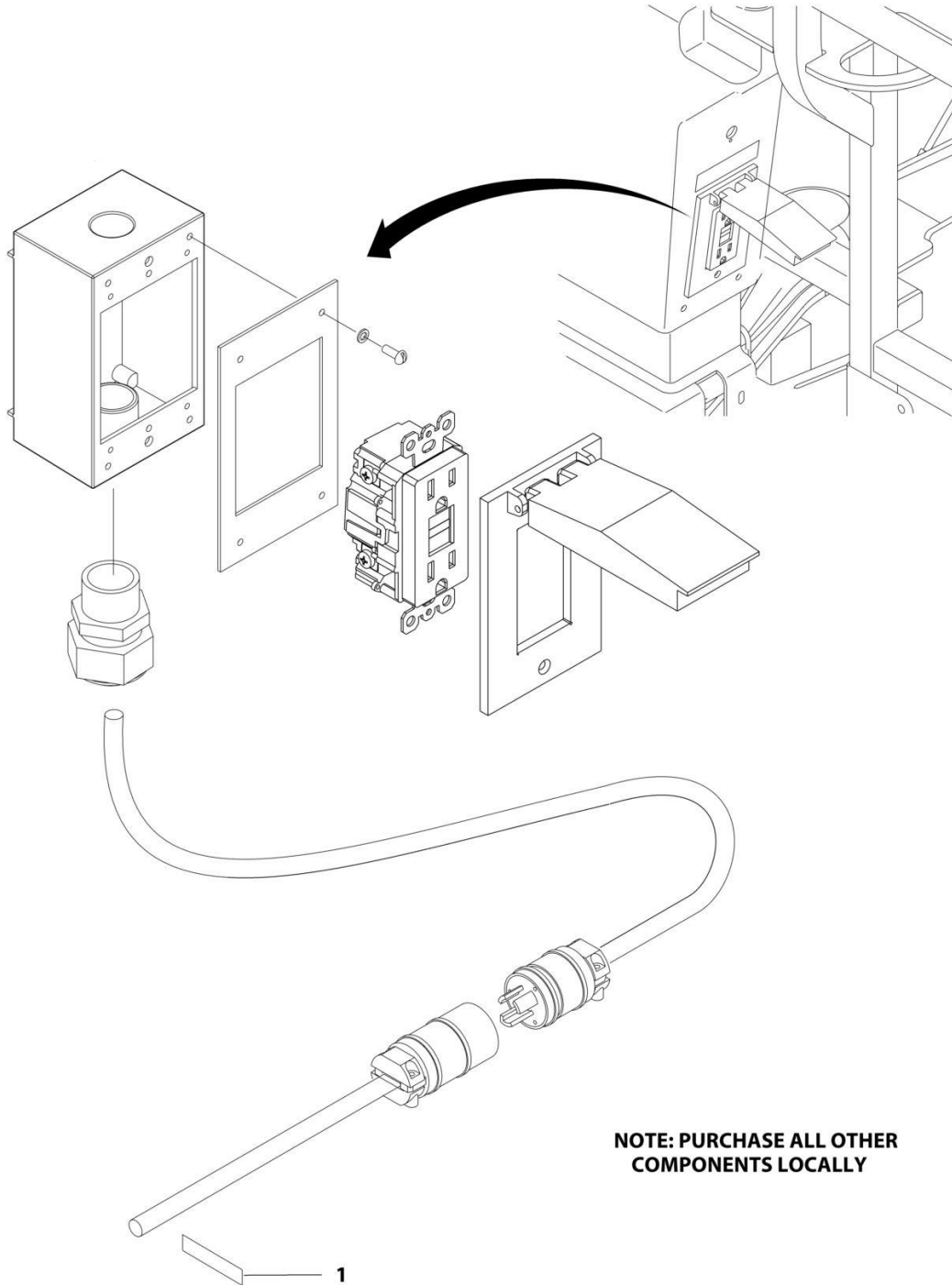
SECTION 8 - ELECTRICAL

FIGURE 8-1. ELECTRICAL DIAGRAM LIST

ITEM	PART NUMBER	QTY	DESCRIPTION	REV
		Ref	Note: Diagrams not shown are available from the JLG Service Department. Schematics shown in the Service and Maintenance Manual.	
	1001156395	Ref	ELECTRICAL DIAGRAM LIST	
		Ref	Electrical Schematic	

SECTION 8 - ELECTRICAL

FIGURE 8-2. AC BOX AT PLATFORM INSTALLATION - LOCALLY SUPPLIED COMPONENTS (ANSI EXPORT AND AUSTRALIAN SPECS)



**NOTE: PURCHASE ALL OTHER
COMPONENTS LOCALLY**

ART_1001119870

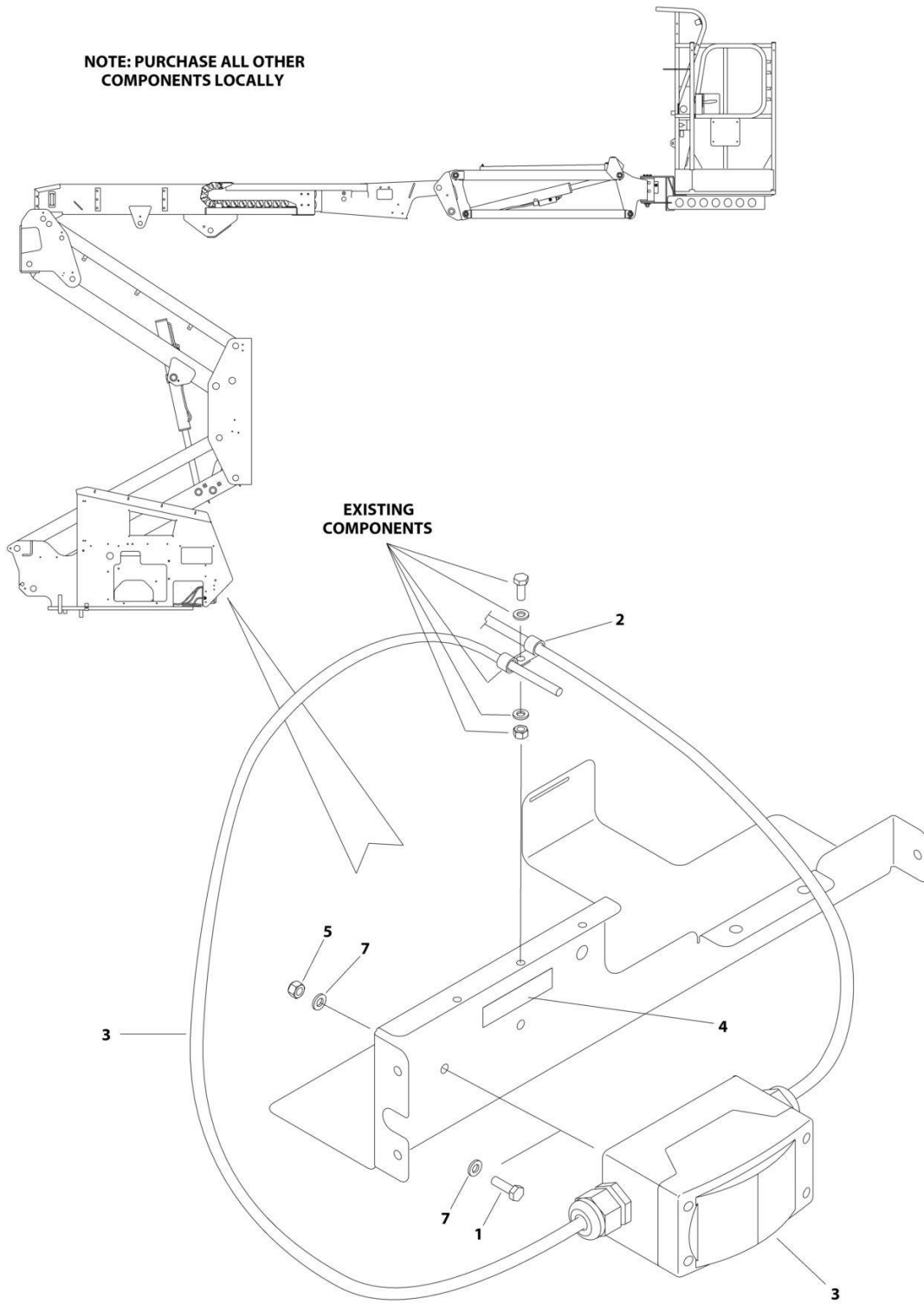
SECTION 8 - ELECTRICAL

FIGURE 8-2. AC BOX AT PLATFORM INSTALLATION - LOCALLY SUPPLIED COMPONENTS (ANSI EXPORT AND AUSTRALIAN SPECS)

ITEM	PART NUMBER	QTY	DESCRIPTION	REV
	1001119870	Ref	AC BOX AT PLATFORM INSTALLATION - LOCALLY SUPPLIED COMPONENTS	A
1	3251243	1	Decal - 120V-60Hz	

SECTION 8 - ELECTRICAL

FIGURE 8-3. AC BOX AT PLATFORM INSTALLATION - LOCALLY SUPPLIED (CE SPEC)



ART_1001130588

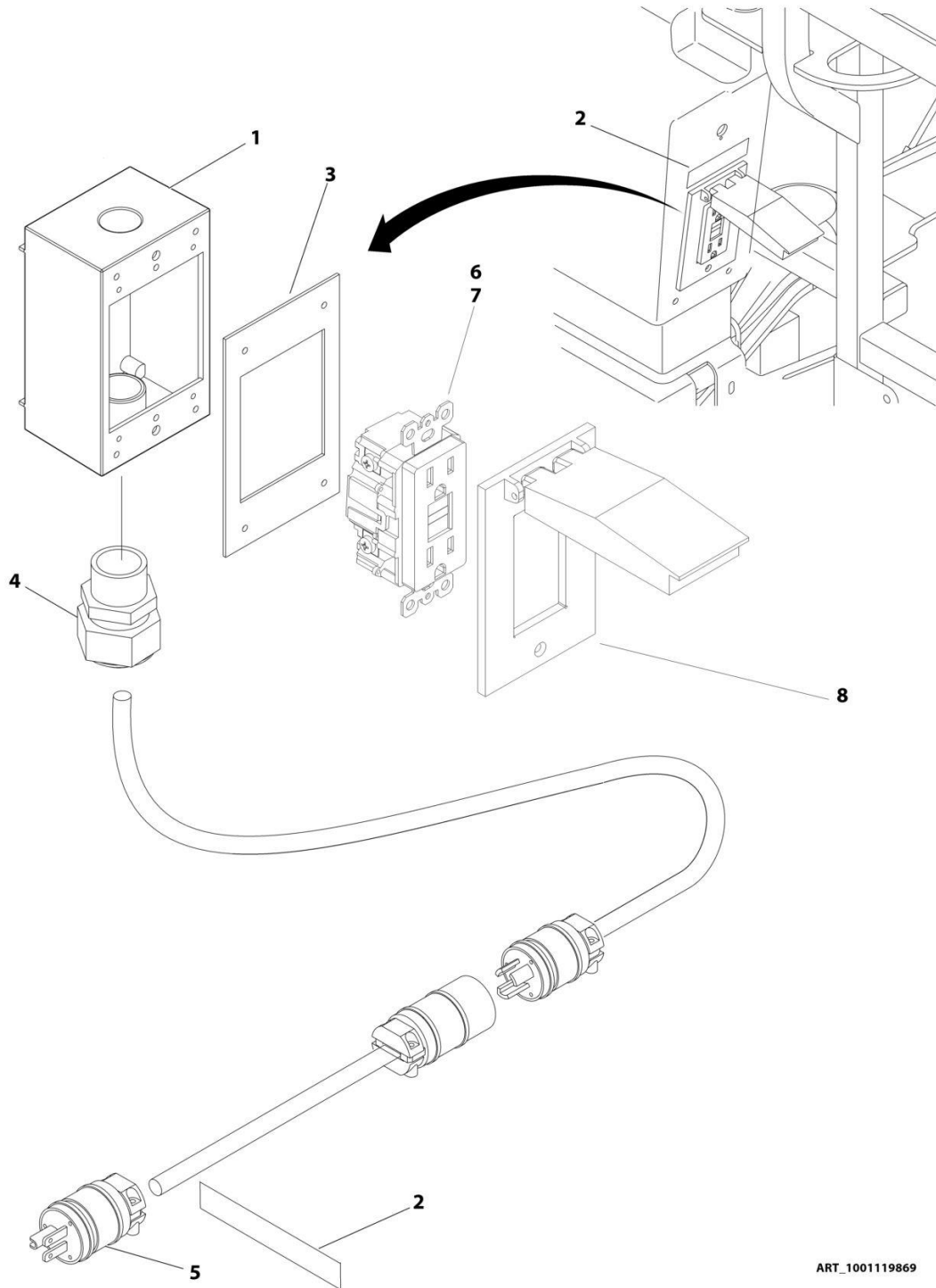
SECTION 8 - ELECTRICAL

FIGURE 8-3. AC BOX AT PLATFORM INSTALLATION - LOCALLY SUPPLIED (CE SPEC)

ITEM	PART NUMBER	QTY	DESCRIPTION	REV
	1001130588	Ref	AC BOX AT PLATFORM INSTALLATION - LOCALLY SUPPLIED COMPONENTS	A
1	0760610	2	Bolt M6 x 20	
2	1320043	1	Clamp	
3	2902549	1	Breaker Box Kit (See Separate Breakdown in this Section)	
4	3252507	1	Decal - 220V - 50/60Hz	
5	3290605	2	Nut M6	
6	4460121	3	Cap, Wire (Not Shown - Located inside Receptacle Box)	
7	4811700	4	Washer M6	

SECTION 8 - ELECTRICAL

FIGURE 8-4. AC BOX AT PLATFORM INSTALLATION - 110V (ANSI, ANSI EXPORT, CSA AND JAPANESE SPECS)



ART_100119869

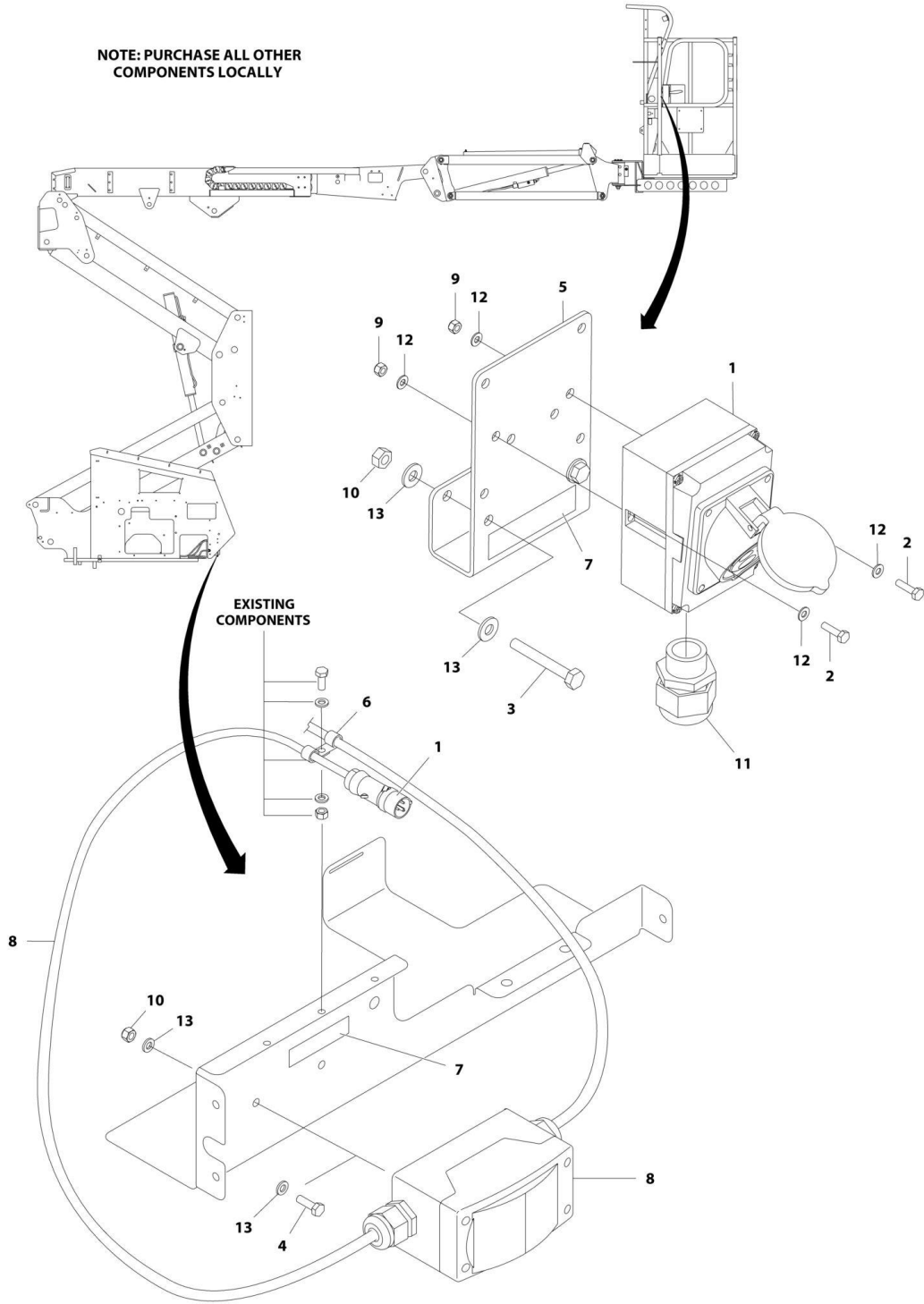
SECTION 8 - ELECTRICAL

FIGURE 8-4. AC BOX AT PLATFORM INSTALLATION - 110V (ANSI, ANSI EXPORT, CSA AND JAPANESE SPECS)

ITEM	PART NUMBER	QTY	DESCRIPTION	REV
	1001119869	Ref	AC BOX AT PLATFORM INSTALLATION - 110V	A
1	0860038	1	Box, Switch	
2	3251243	2	Decal - 120V - 60Hz	
3	3960422	1	Gasket	
4	4460071	1	Connector, Strain Relief	
5	4460205	1	Plug, Male	
6	4460315	3	Terminal, Spade	
7	4460346	1	Receptacle	
8	1001110873	1	Shield, Cover	

SECTION 8 - ELECTRICAL

FIGURE 8-5. AC BOX AT PLATFORM INSTALLATION - 110V IEC YELLOW (CE SPEC)



ART_100119875

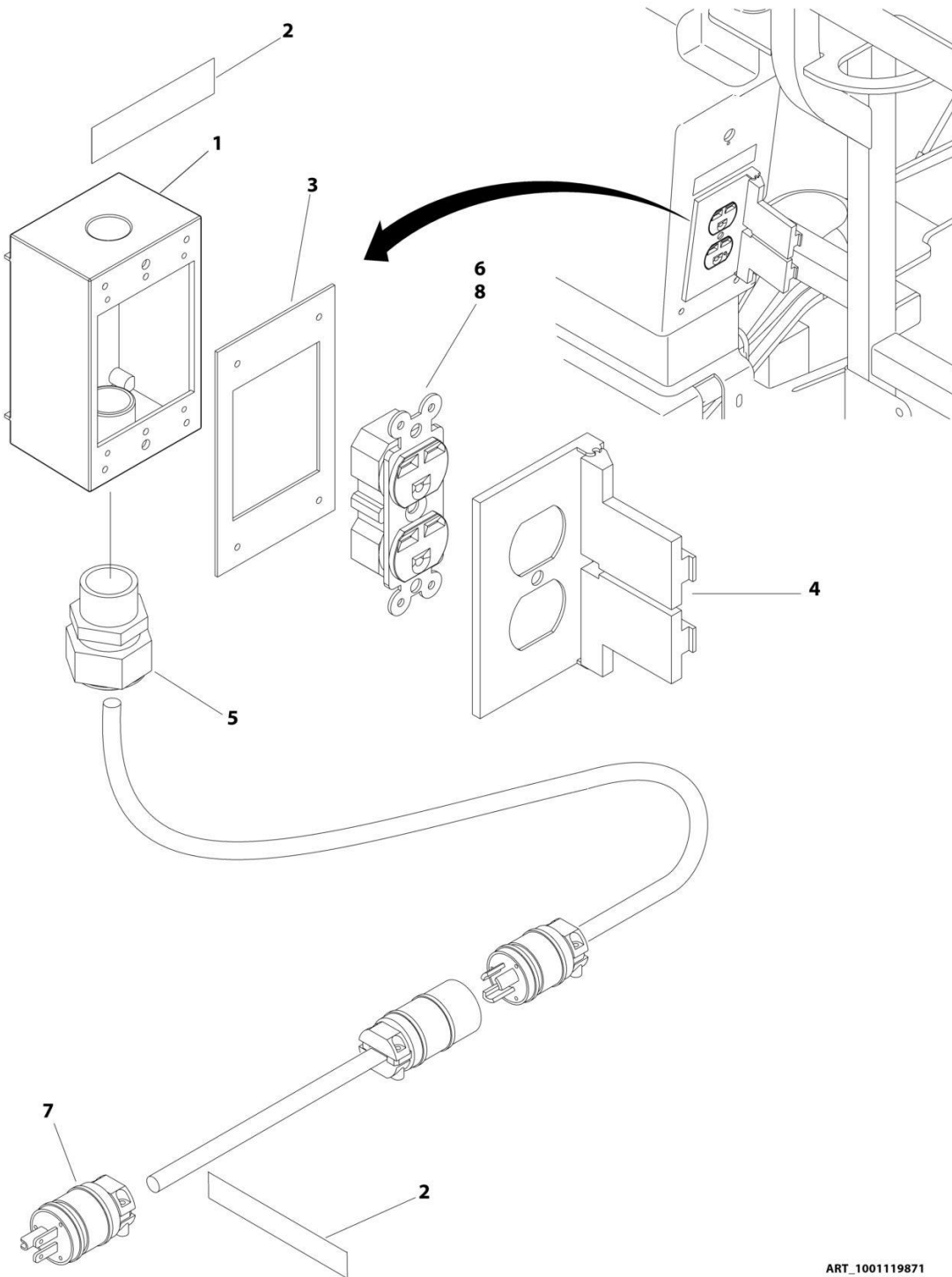
SECTION 8 - ELECTRICAL

FIGURE 8-5. AC BOX AT PLATFORM INSTALLATION - 110V IEC YELLOW (CE SPEC)

ITEM	PART NUMBER	QTY	DESCRIPTION	REV
	1001119875	Ref	AC BOX AT PLATFORM INSTALLATION - 110V IEC YELLOW	B
1	0275216	1	Receptacle Box Kit (See Separate Breakdown in this Section)	
2	0700408	2	Bolt M4 x 16	
3	0700618	2	Bolt M6 x 50	
4	0760610	2	Bolt M6 x 20	
5	1001193018	1	Bracket	
6	1320043	1	Clamp	
7	1705325	2	Decal - 120V - 50Hz	
8	2902549	1	Breaker Box Kit (See Separate Breakdown in this Section)	
9	3290405	2	Nut M4	
10	3290605	4	Nut M6	
11	4460968	1	Connector, Strain Relief	
12	4811400	4	Washer M4	
13	4811700	8	Washer M6	

SECTION 8 - ELECTRICAL

FIGURE 8-6. AC BOX AT PLATFORM INSTALLATION - 220V (CSA SPEC)



ART_100119871

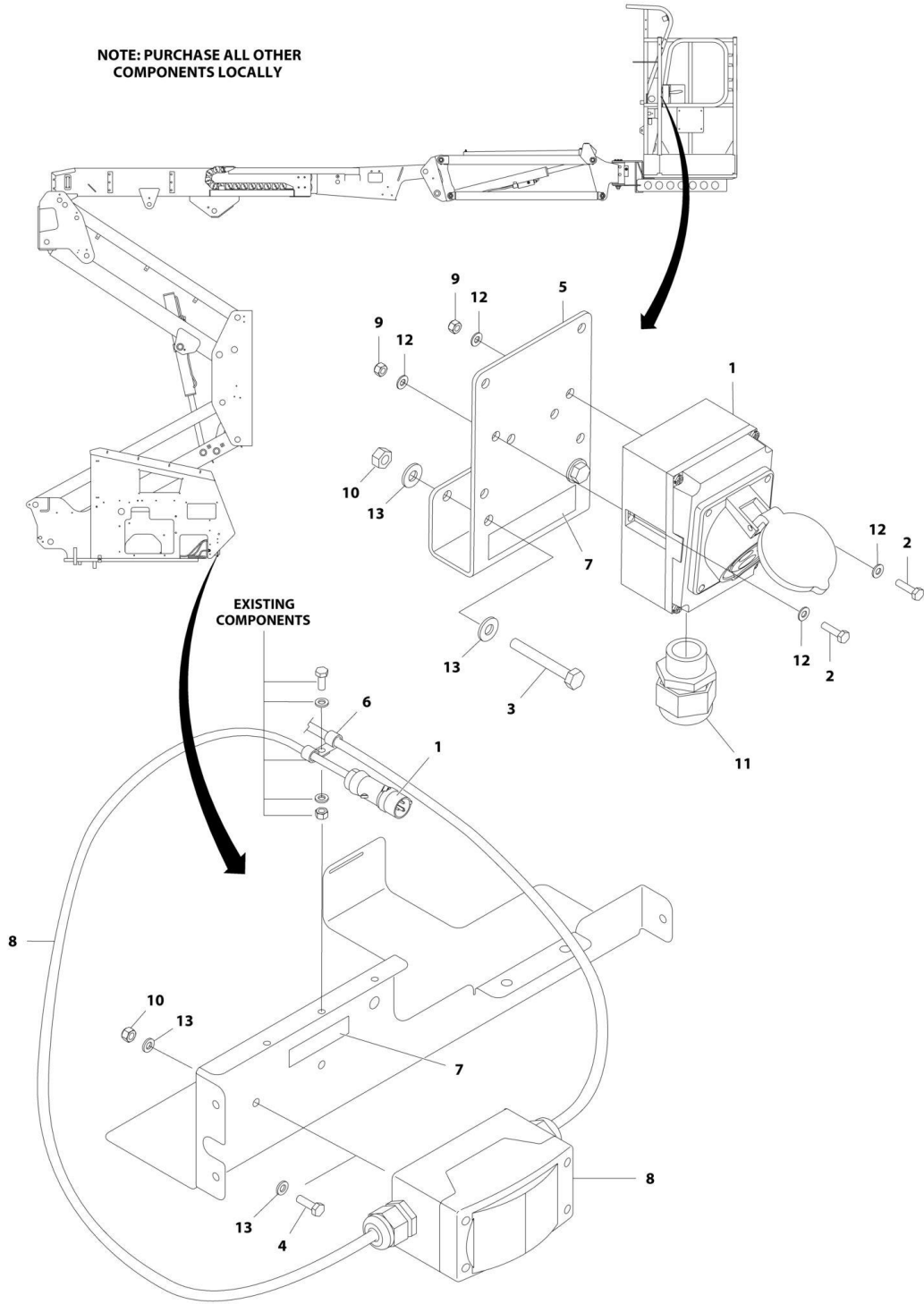
SECTION 8 - ELECTRICAL

FIGURE 8-6. AC BOX AT PLATFORM INSTALLATION - 220V (CSA SPEC)

ITEM	PART NUMBER	QTY	DESCRIPTION	REV
	1001119871	Ref	AC BOX AT PLATFORM INSTALLATION - 220V	A
1	0860038	1	Box, Switch	
2	3252507	2	Decal - 220V - 50/60Hz	
3	3960422	1	Gasket	
4	4060092	1	Shield, Weather	
5	4460071	1	Connector, Strain Relief	
6	4460125	1	Receptacle	
7	4460233	1	Plug, Male	
8	4460315	3	Terminal, Spade	

SECTION 8 - ELECTRICAL

FIGURE 8-7. AC BOX AT PLATFORM INSTALLATION - 220V IEC BLUE (CE SPEC)



ART_100119876

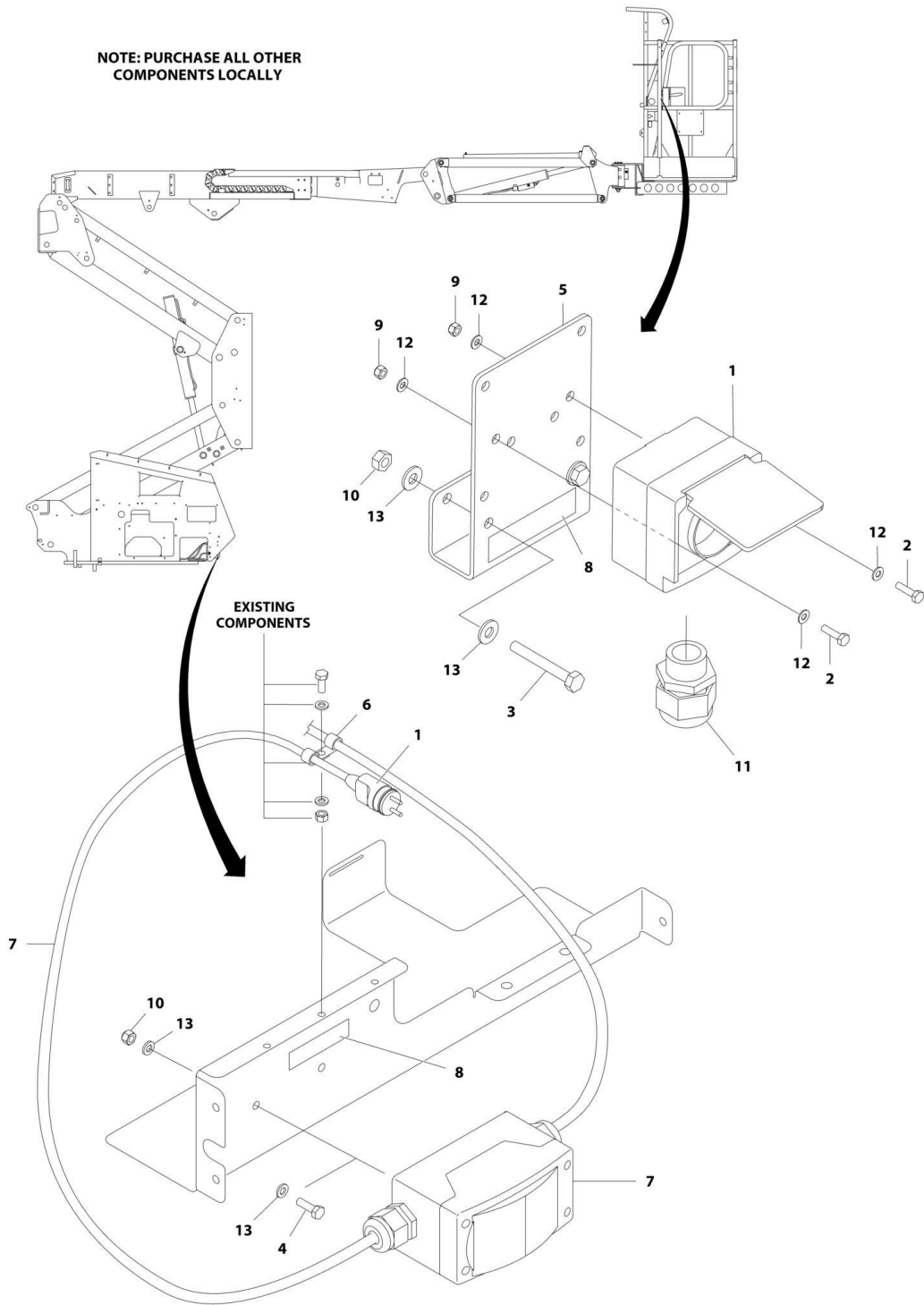
SECTION 8 - ELECTRICAL

FIGURE 8-7. AC BOX AT PLATFORM INSTALLATION - 220V IEC BLUE (CE SPEC)

ITEM	PART NUMBER	QTY	DESCRIPTION	REV
	1001119876	Ref	AC BOX AT PLATFORM INSTALLATION - 220V IEC BLUE	B
1	0275217	1	Receptacle Box Kit (See Separate Breakdown in this Section)	
2	0700408	2	Bolt M4 x 16	
3	0700618	2	Bolt M6 x 50	
4	0760610	2	Bolt M6 x 20	
5	1001193018	1	Bracket	
6	1320043	1	Clamp	
7	3252507	2	Decal - 220V - 50/60Hz	
8	2902549	1	Breaker Box Kit (See Separate Breakdown in this Section)	
9	3290405	2	Nut M4	
10	3290605	4	Nut M6	
11	4460968	1	Connector, Strain Relief	
12	4811400	4	Washer M4	
13	4811700	8	Washer M6	

SECTION 8 - ELECTRICAL

FIGURE 8-8. AC BOX AT PLATFORM INSTALLATION - 220V CEE7 POST GROUND WITH 70MM X 70MM BOX (CE SPEC)



ART_1001115788

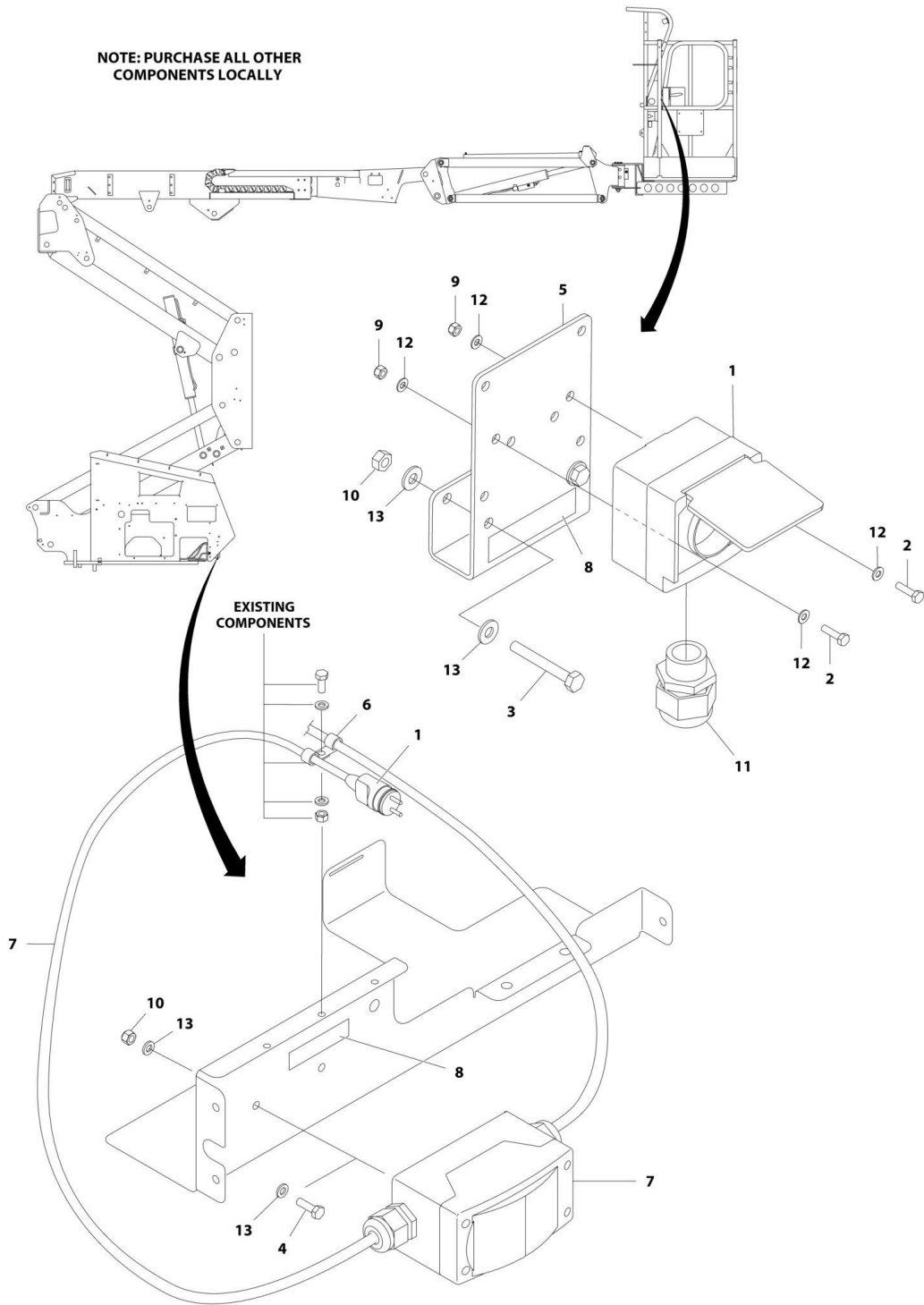
SECTION 8 - ELECTRICAL

FIGURE 8-8. AC BOX AT PLATFORM INSTALLATION - 220V CEE7 POST GROUND WITH 70MM X 70MM BOX (CE SPEC)

ITEM	PART NUMBER	QTY	DESCRIPTION	REV
	1001115788	Ref	AC BOX AT PLATFORM INSTALLATION - 220V CEE7 POST GROUND WITH 70MM X 70MM BOX (CE SPEC)	B
1	0275218	1	Receptacle Box Kit (See RECEPTACLE BOX KIT- 220V CEE7 POST GROUND WITH 70MM X 70MM BOX (CE SPEC) for Breakdown)	
2	0700408	2	Bolt, M4 x 16	
3	0700618	2	Bolt M6 x 50	
4	0760610	2	Bolt M6 x 20	
5	1001193018	1	Bracket	
6	1320043	1	Clamp	
7	2902549	1	Breaker Box Kit (See BREAKER BOX KIT - CE SPEC for Breakdown)	
8	3252507	2	Decal - 220V - 50/60Hz	
9	3290405	2	Nut M4	
10	3290605	4	Nut M6	
11	4460968	1	Connector, Strain Relief	
12	4811400	4	Washer, 4mm	
13	4811700	8	Washer M6	

SECTION 8 - ELECTRICAL

FIGURE 8-9. AC BOX AT PLATFORM INSTALLATION - 220V CEE7 SIDE GROUND WITH 70MM X 70MM BOX (CE SPEC)



ART_100119877

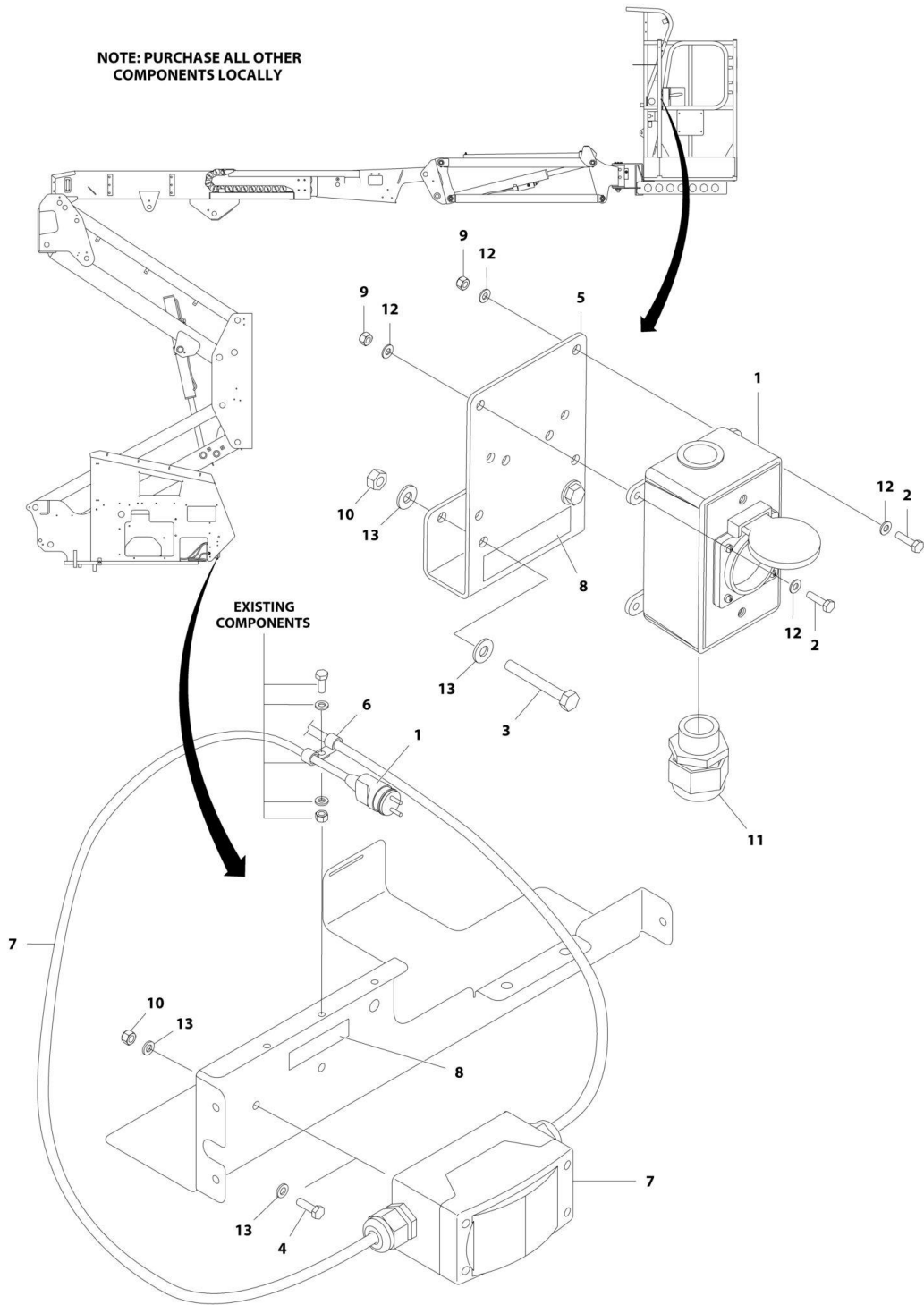
SECTION 8 - ELECTRICAL

FIGURE 8-9. AC BOX AT PLATFORM INSTALLATION - 220V CEE7 SIDE GROUND WITH 70MM X 70MM BOX (CE SPEC)

ITEM	PART NUMBER	QTY	DESCRIPTION	REV
	1001119877	Ref	AC BOX AT PLATFORM INSTALLATION - 220V CEE7 SIDE GROUND WITH 70MM X 70MM BOX	B
1	0275219	1	Receptacle Box Kit (See Separate Breakdown in this Section)	
2	0700408	2	Bolt M4 x 16	
3	0700618	2	Bolt M6 x 50	
4	0760610	2	Bolt M6 x 20	
5	1001193018	1	Bracket	
6	1320043	1	Clamp	
7	2902549	1	Breaker Box Kit (See Separate Breakdown in this Section)	
8	3252507	2	Decal - 220V - 50/60Hz	
9	3290405	2	Nut M4	
10	3290605	4	Nut M6	
11	4460968	1	Connector, Strain Relief	
12	4811400	4	Washer M4	
13	4811700	8	Washer M6	

SECTION 8 - ELECTRICAL

FIGURE 8-10. AC BOX AT PLATFORM INSTALLATION - 220V CEE7 POST GROUND WITH 2IN X 4IN BOX (CE SPEC)



ART_100119872

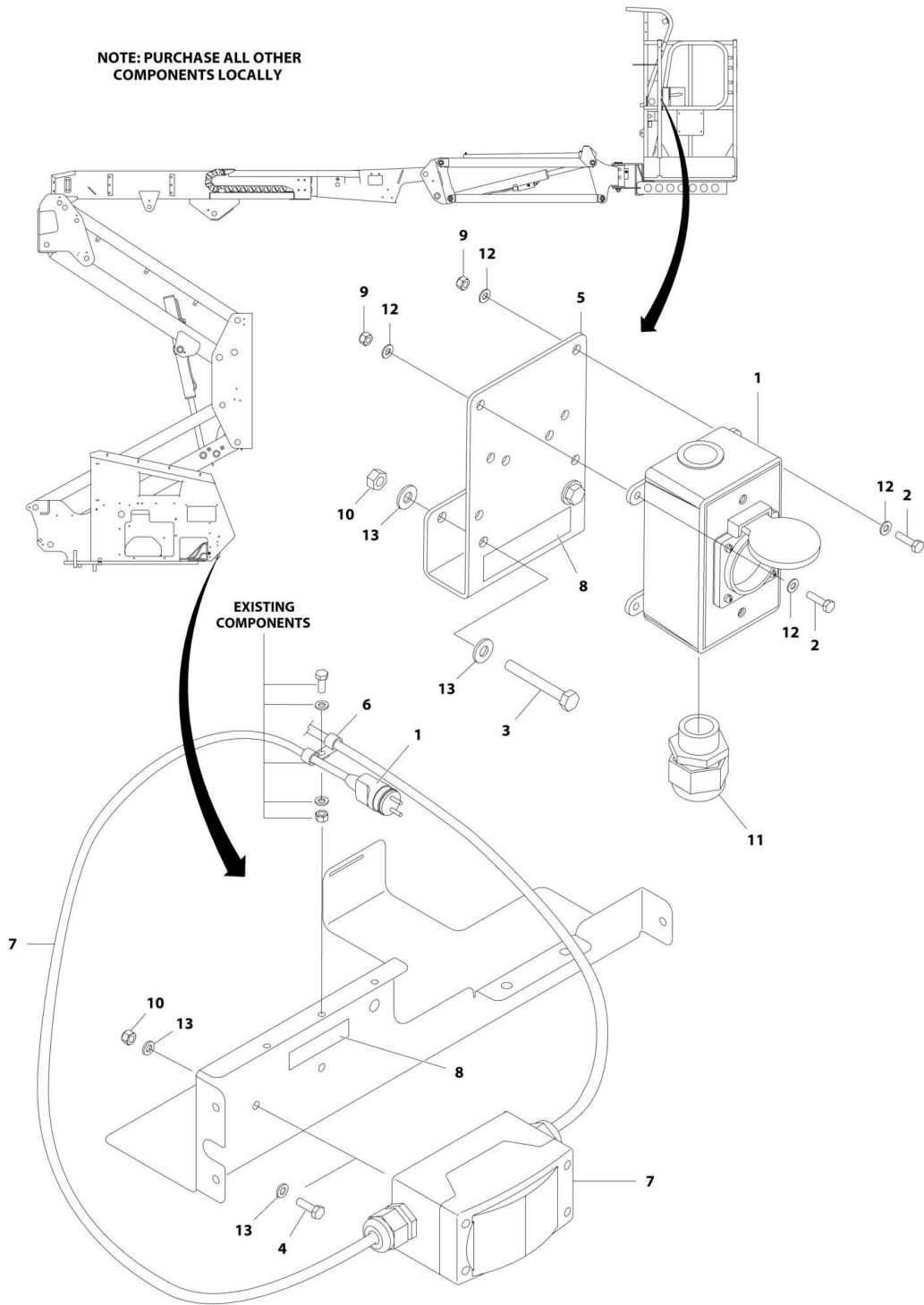
SECTION 8 - ELECTRICAL

FIGURE 8-10. AC BOX AT PLATFORM INSTALLATION - 220V CEE7 POST GROUND WITH 2IN X 4IN BOX (CE SPEC)

ITEM	PART NUMBER	QTY	DESCRIPTION	REV
	1001119872	Ref	AC BOX AT PLATFORM INSTALLATION - 220V CEE7 POST GROUND WITH 2IN X 4IN BOX	C
1	0275452	1	Receptacle Box Kit (See Separate Breakdown in this Section)	
2	0700408	4	Bolt M4 x 16	
3	0700618	2	Bolt M6 x 50	
4	0760610	2	Bolt M6 x 20	
5	1001193018	1	Bracket	
6	1320043	1	Clamp	
7	2902549	1	Breaker Box Kit (See Separate Breakdown in this Section)	
8	3252507	2	Decal - 220V - 50/60Hz	
9	3290405	4	Nut M4	
10	3290605	4	Nut M6	
11	4460662	1	Connector, Strain Relief	
12	4811400	8	Washer M4	
13	4811700	8	Washer M6	

SECTION 8 - ELECTRICAL

FIGURE 8-11. AC BOX AT PLATFORM INSTALLATION - 220V CEE7 SIDE GROUND WITH 2IN X 4IN BOX (CE SPEC)



ART_100119873

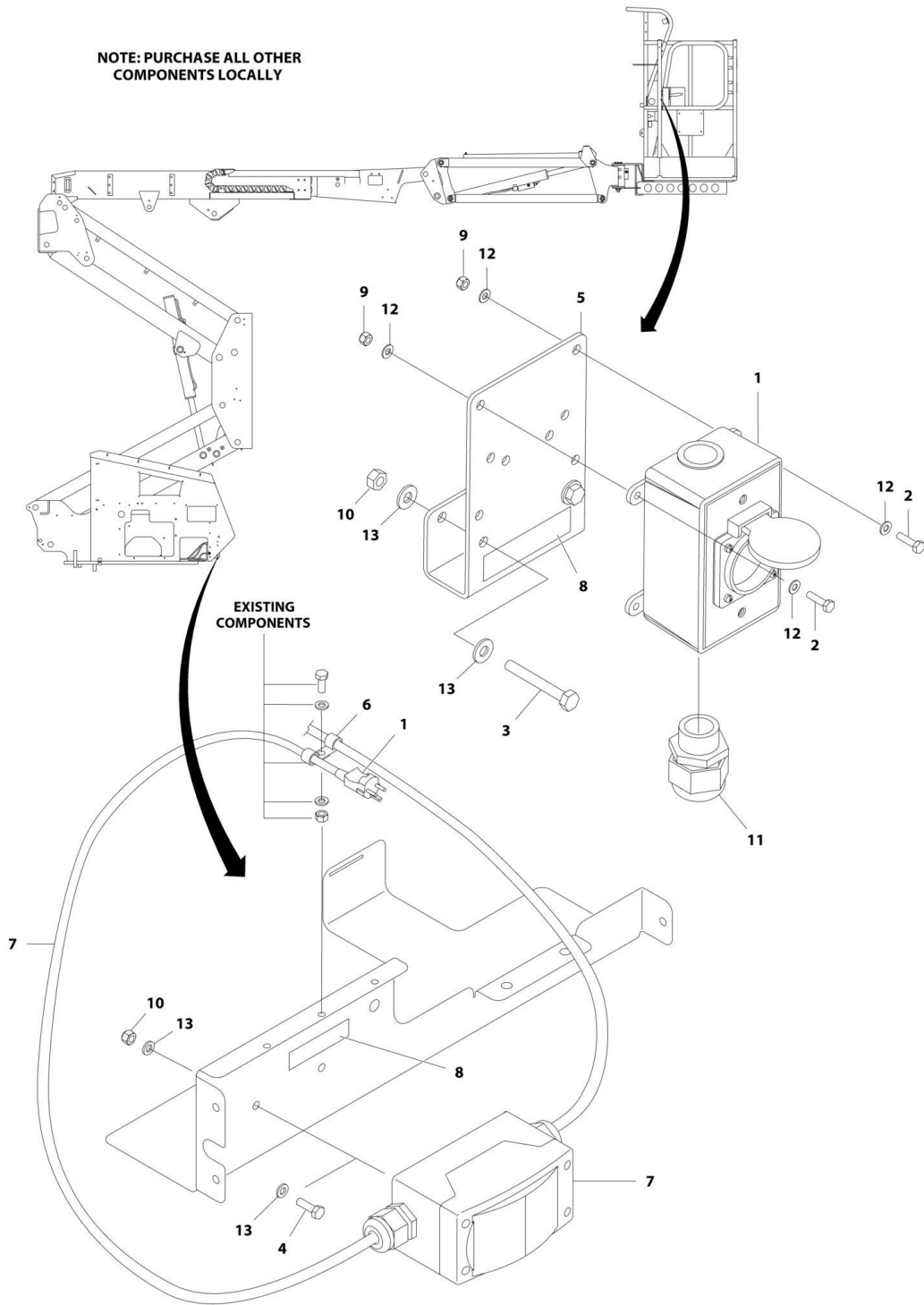
SECTION 8 - ELECTRICAL

FIGURE 8-11. AC BOX AT PLATFORM INSTALLATION - 220V CEE7 SIDE GROUND WITH 2IN X 4IN BOX (CE SPEC)

ITEM	PART NUMBER	QTY	DESCRIPTION	REV
	1001119873	Ref	AC BOX AT PLATFORM INSTALLATION - 220V CEE7 SIDE GROUND WITH 2IN X 4IN BOX	B
1	0275453	1	Receptacle Box Kit (See Separate Breakdown in this Section)	
2	0700408	4	Bolt, M4 x 16	
3	0700618	2	Bolt M6 x 50	
4	0760610	2	Bolt M6 x 20	
5	1001193018	1	Bracket	
6	1320043	1	Clamp	
7	2902549	1	Breaker Box Kit (See Separate Breakdown in this Section)	
8	3252507	2	Decal - 220V - 50/60Hz	
9	3290405	4	Nut M4	
10	3290605	4	Nut M6	
11	4460968	1	Connector, Strain Relief	
12	4811400	8	Washer M4	
13	4811700	8	Washer M6	

SECTION 8 - ELECTRICAL

FIGURE 8-12. AC BOX AT PLATFORM INSTALLATION - 220V AFSINT 107 KEYED GROUND WITH 2IN X 4IN BOX (CE SPEC)



ART_100119874

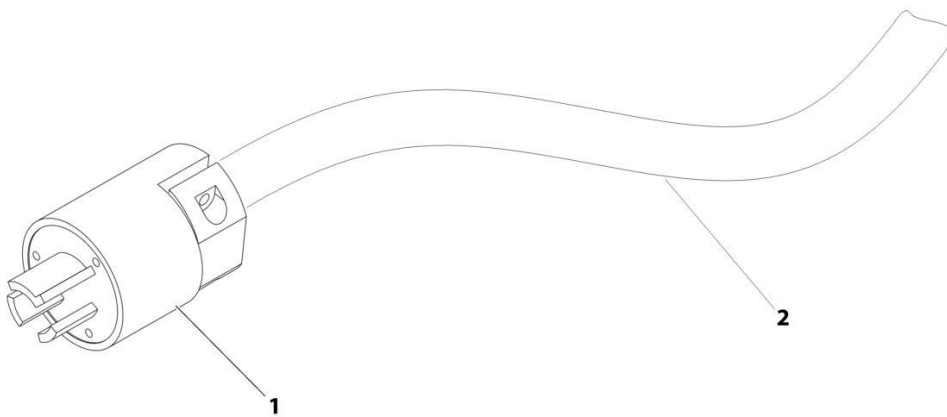
SECTION 8 - ELECTRICAL

FIGURE 8-12. AC BOX AT PLATFORM INSTALLATION - 220V AFSINT 107 KEYED GROUND WITH 2IN X 4IN BOX (CE SPEC)

ITEM	PART NUMBER	QTY	DESCRIPTION	REV
	1001119874	Ref	AC BOX AT PLATFORM INSTALLATION - 220V AFSINT 107 KEYED GROUND WITH 2IN X 4IN BOX	C
1	0275454	1	Receptacle Box Kit (See Separate Breakdown in this Section)	
2	0700408	4	Bolt M4 x 16	
3	0700618	2	Bolt M6 x 50	
4	0760610	2	Bolt M6 x 20	
5	1001193018	1	Bracket	
6	1320043	1	Clamp	
7	2902549	1	Breaker Box Kit (See Separate Breakdown in this Section)	
8	3252507	2	Decal - 220V - 50/60Hz	
9	3290405	4	Nut M4	
10	3290605	4	Nut M6	
11	4460662	1	Connector, Strain Relief	
12	4811400	8	Washer M4	
13	4811700	8	Washer M6	

SECTION 8 - ELECTRICAL

FIGURE 8-13. AC POWER TO PLATFORM CABLE - MAIN BOOM (WITHOUT ARTIC PACKAGE)



ART_1001119140

SECTION 8 - ELECTRICAL

FIGURE 8-13. AC POWER TO PLATFORM CABLE - MAIN BOOM (WITHOUT ARTIC PACKAGE)

ITEM	PART NUMBER	QTY	DESCRIPTION	REV
	1001119140	Ref	AC POWER TO PLATFORM CABLE - MAIN BOOM (WITHOUT ARCTIC PACKAGE)	C
1	1001120204	1	Plug, Male	
2	4923505	1	Cable 14/3	

SECTION 8 - ELECTRICAL

FIGURE 8-14. AC POWER TO PLATFORM CABLE - MAIN BOOM (WITH ARCTIC PACKAGE)



ART_1001119955

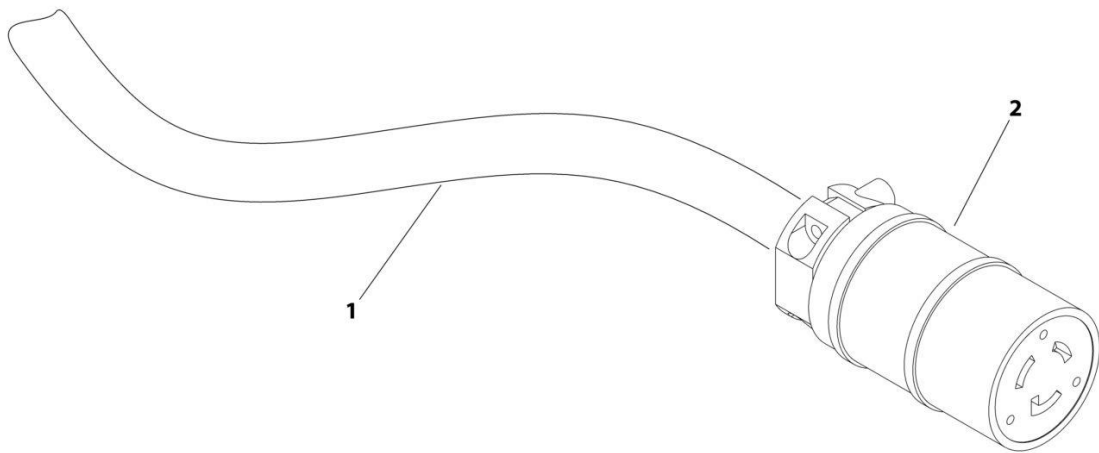
SECTION 8 - ELECTRICAL

FIGURE 8-14. AC POWER TO PLATFORM CABLE - MAIN BOOM (WITH ARCTIC PACKAGE)

ITEM	PART NUMBER	QTY	DESCRIPTION	REV
	1001119955	Ref	AC POWER TO PLATFORM CABLE - MAIN BOOM (WITH ARCTIC PACKAGE)	B
1	1001120204	1	Plug, Male	
2	4923463	1	Cable 12/3	

SECTION 8 - ELECTRICAL

FIGURE 8-15. AC POWER TO PLATFORM CABLE - TOWER BOOM (WITHOUT ARTIC PACKAGE)



ART_100119139

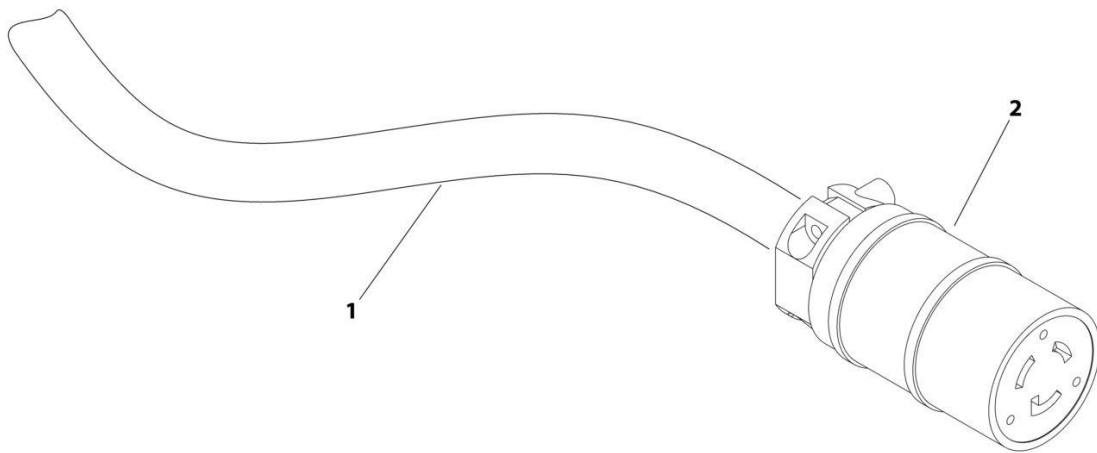
SECTION 8 - ELECTRICAL

FIGURE 8-15. AC POWER TO PLATFORM CABLE - TOWER BOOM (WITHOUT ARTIC PACKAGE)

ITEM	PART NUMBER	QTY	DESCRIPTION	REV
	1001119139	Ref	AC POWER TO PLATFORM CABLE - TOWER BOOM (WITHOUT ARTIC PACKAGE)	B
1	1001120205	1	Connector, Female	
2	4923505	1	Cable 14/3	

SECTION 8 - ELECTRICAL

FIGURE 8-16. AC POWER TO PLATFORM CABLE - TOWER BOOM (WITH ARTIC PACKAGE)



ART_100119956

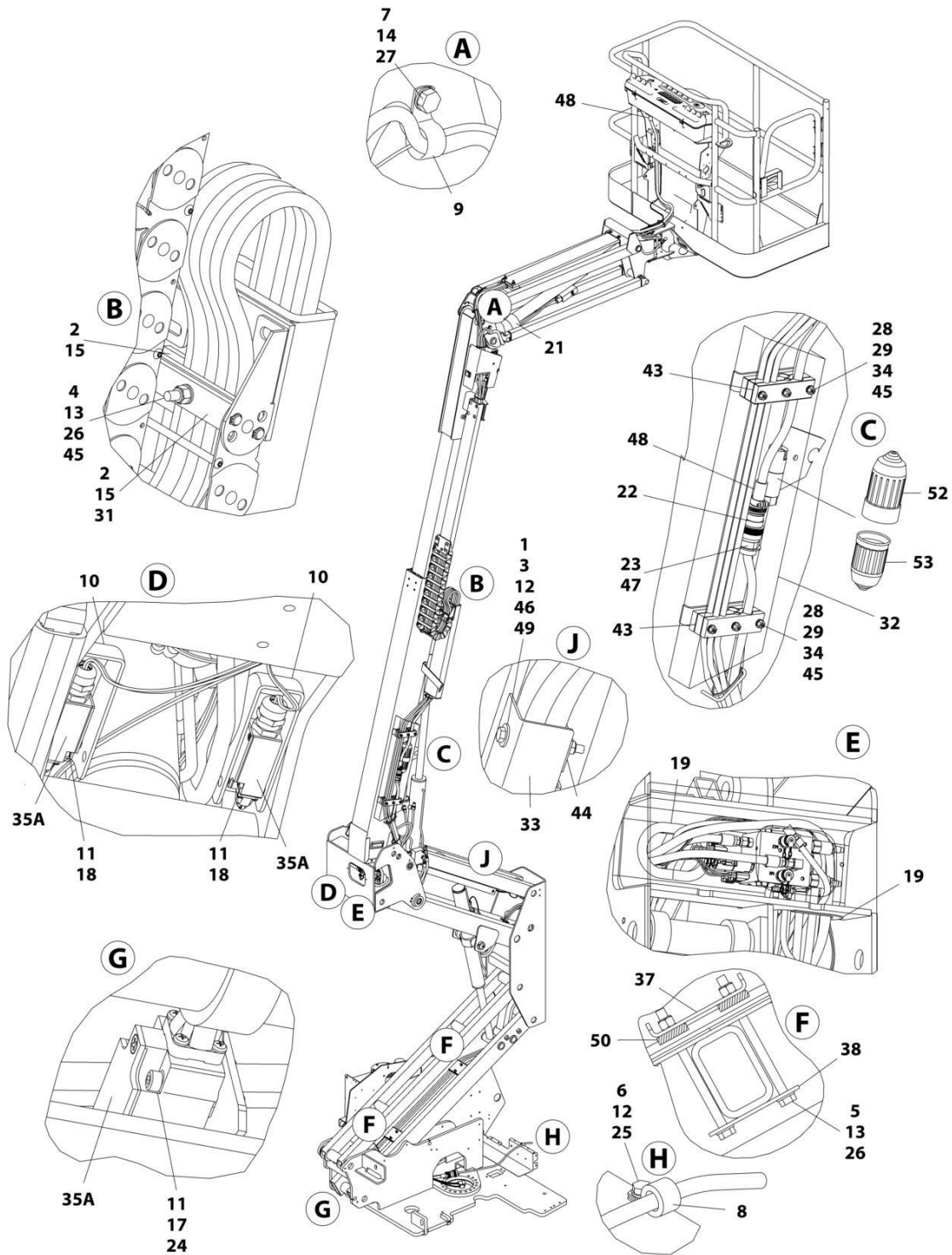
SECTION 8 - ELECTRICAL

FIGURE 8-16. AC POWER TO PLATFORM CABLE - TOWER BOOM (WITH ARTIC PACKAGE)

ITEM	PART NUMBER	QTY	DESCRIPTION	REV
	1001119956	Ref	AC POWER TO PLATFORM CABLE - TOWER BOOM (WITH ARTIC PACKAGE)	A
1	1001120205	1	Connector, Female	
2	4923463	1	Cable 12/3	

SECTION 8 - ELECTRICAL

FIGURE 8-17. BOOM CABLES, HARNESSES AND CLAMPS INSTALLATION - WITHOUT ARCTIC PACKAGE



ART_1001115784

SECTION 8 - ELECTRICAL

FIGURE 8-17. BOOM CABLES, HARNESSSES AND CLAMPS INSTALLATION - WITHOUT ARCTIC PACKAGE

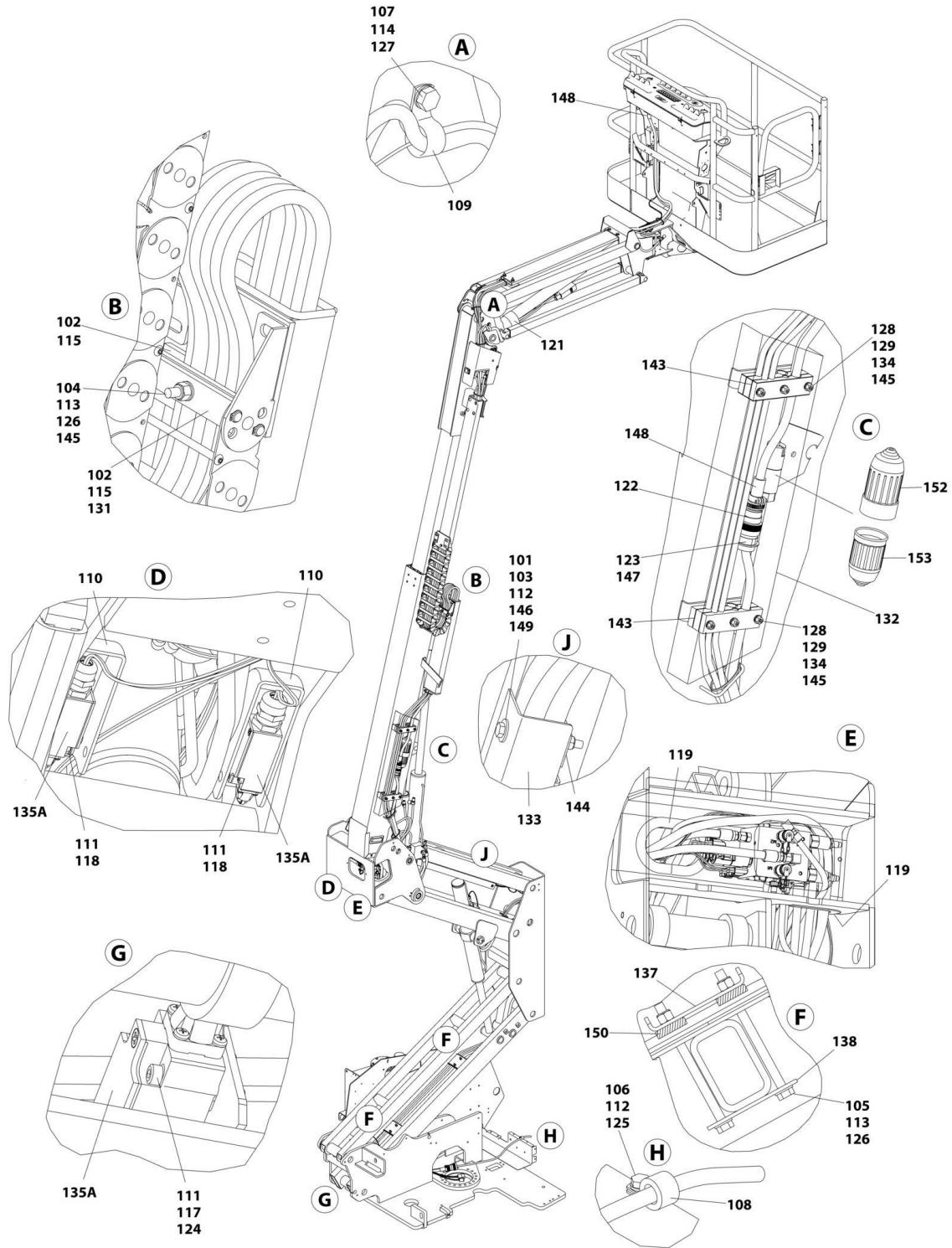
ITEM	PART NUMBER	QTY	DESCRIPTION	REV
	1001115784	Ref	BOOM CABLES, HARNESSSES AND CLAMPS INSTALLATION - WITHOUT ARCTIC PACKAGE	G
1	0100011	AR	Compound, Locking	
2	0100081	1	Adhesive	
3	0760621	4	Bolt M6 x 65	
4	0700820	2	Bolt M8 x 60	
5	0700829	4	Bolt M8 x 120	
6	0760608	1	Bolt M6 x 16 (Not Shown - Use with Item 8)	
7	0761012	1	Bolt M10 x 25	
8	1320043	1	Clamp (Not Shown - Located at Rear of T/T)	
9	1320130	1	Clamp	
10	1670899	2	Cover, Switch	
11	3290405	6	Nut M4	
12	3290605	5	Nut M6	
13	3290805	6	Nut M8	
14	3291005	1	Nut M10	
15	3340939	4	Pad, Rubber	
17	4031510	2	Capscrew M4 x 30	
18	4031512	4	Capscrew M4 x 40	
19	4060808	1.8 ft /55cm	Flex-Trim	
20	4240018	AR	Tie-Strap (Not Shown)	
21	4240156	1	Strap, Cinch	
22	4460865	1	Connector - 19 Position	
23	4460866	1	Connector - 19 Position	
24	4811400	2	Washer M4	
25	4811700	2	Washer M6 (Not Shown - Use with Item 8)	
26	4811900	8	Washer M8	
27	4812000	2	Washer M10	
28	5260800	6	Nut M8	
29	5281920	6	Screw M8 x 80	
31	1001106757	2	Plate	
32	1001107152	1	Plate	
33	1001116433	2	Guard, Hose	
34	1001118274	6	Nut M8	
35	1001118292	1	Tower Boom Harness Assembly (Not Shown - See BOOM HARNESS - LIMIT SWITCHES AND UPRIGHT VALVE for Breakdown)	
35A	4360548	3	Switch, Limit	
37	1001118592	2	Plate, Hose Clamp	
38	1001118593	2	Plate, Hose Clamp	
39	1001119018	1	Ground to Platform Cable - Main (Not Shown - See GROUND TO PLATFORM CABLE - MAIN BOOM (WITHOUT ARCTIC PACKAGE) for Breakdown)	
40	1001119019	1	Ground to Platform Cable - Tower (Not Shown - See GROUND TO PLATFORM CABLE - TOWER BOOM (WITHOUT ARCTIC PACKAGE) for Breakdown)	
41	1001119139	1	AC Power to Platform Cable - Tower Boom (Not Shown - See AC POWER TO PLATFORM CABLE - TOWER BOOM (WITHOUT ARCTIC PACKAGE) (50Hz) for Breakdown)	
42	1001119140	1	AC Power to Platform Cable - Main Boom (Not Shown - See AC	

SECTION 8 - ELECTRICAL

ITEM	PART NUMBER	QTY	DESCRIPTION	REV
			POWER TO PLATFORM CABLE - MAIN BOOM (WITHOUT ARCTIC PACKAGE) (50Hz) for Breakdown)	
43	1001119194	2	Clamp	
44	1001119197	4	Clamp	
45	1001119228	8	Nut M8	
46	0760605	2	Bolt M6 x 10	
47	2820031	AR	Heat Shrink	
48	4460473	1	Clamp, Cable	
49	4811702	10	Washer M6	
50	3340901	4	Pad, Rubber	
51	1001140524	1	Main Boom Harness Assembly (Not Shown - See BOOM HARNESS - MAIN for Breakdown)	
52	1671092	1	Cover, Connection	
53	1671093	1	Cover, Plug	

SECTION 8 - ELECTRICAL

FIGURE 8-18. BOOM CABLES, HARNESSES AND CLAMPS INSTALLATION - WITH ARCTIC PACKAGE



ART_1001119937

SECTION 8 - ELECTRICAL

FIGURE 8-18. BOOM CABLES, HARNESSES AND CLAMPS INSTALLATION - WITH ARCTIC PACKAGE

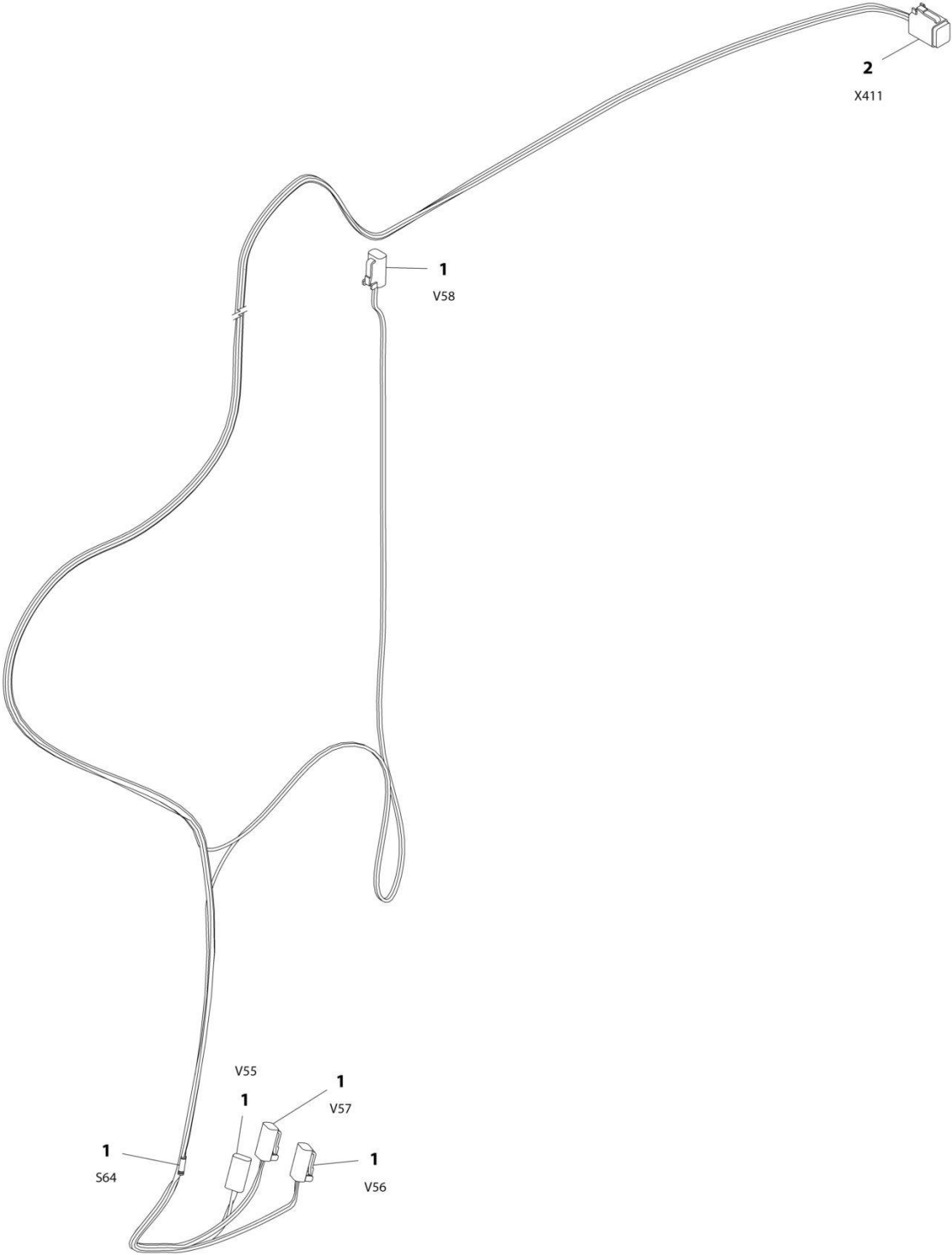
ITEM	PART NUMBER	QTY	DESCRIPTION	REV
	1001119937	Ref	LIMIT SWITCHES, CABLES AND CLAMPS INSTALLATION - WITH ARCTIC PACKAGE	F
101	0100011	AR	Compound, Locking	
102	0100081	1	Adhesive	
103	0760621	4	Bolt M6 x 65	
104	0700820	2	Bolt M8 x 60	
105	0700829	4	Bolt M8 x 120	
106	0760608	1	Bolt M6 x 16 (Not Shown - Use with Item 8)	
107	0761012	1	Bolt M10 x 25	
108	1320041	1	Clamp	
109	1320130	1	Clamp	
110	1670899	2	Cover, Switch	
111	3290405	6	Nut M4	
112	3290605	5	Nut M6	
113	3290805	6	Nut M8	
114	3291005	1	Nut M10	
115	3340939	4	Pad, Rubber	
117	4031510	2	Capscrew M4 x 30	
118	4031512	4	Capscrew M4 x 40	
119	4060808	1.8 ft /55cm	Flex-Trim	
120	4240018	AR	Tie-Strap (Not Shown)	
121	4240156	1	Strap, Cinch	
122	4460865	1	Connector - 19 Position	
123	4460866	1	Connector - 19 Position	
124	4811400	2	Washer M4	
125	4811700	2	Washer M6 (Not Shown - Use with Item 8)	
126	4811900	8	Washer M8	
127	4812000	2	Washer M10	
128	5260800	6	Nut M8	
129	5281920	6	Screw M8 x 80	
131	1001106757	2	Plate	
132	1001107152	1	Plate	
133	1001116433	2	Guard, Hose	
134	1001118274	6	Nut M8	
135	1001118292	1	Tower Boom Harness Assembly (Not Shown - See BOOM HARNESS ASSEMBLY - TOWER for Breakdown)	
135A	4360548	3	Switch, Limit	
137	1001118592	2	Plate, Hose Clamp	
138	1001118593	2	Plate, Hose Clamp	
139	1001119953	1	Ground to Platform Cable - Main (Not Shown - See GROUND TO PLATFORM CABLE - MAIN for Breakdown)	
140	1001119954	1	Ground to Platform Cable - Tower (Not Shown - See GROUND TO PLATFORM CABLE - TOWER for Breakdown)	
141	1001119955	1	AC Power to Platform Cable - Main Boom (Not Shown - See AC POWER TO PLATFORM CABLE - MAIN BOOM for Breakdown)	
142	1001119956	1	AC Power to Platform Cable - Tower Boom (Not Shown - See AC POWER TO PLATFORM CABLE - TOWER BOOM for Breakdown)	
143	1001119195	2	Clamp	

SECTION 8 - ELECTRICAL

ITEM	PART NUMBER	QTY	DESCRIPTION	REV
144	1001119197	4	Clamp	
145	1001119228	8	Nut M8	
146	0760605	2	Bolt M6 x 10	
147	2820031	AR	Heat Shrink	
148	4460473	1	Clamp, Cable	
149	4811702	10	Washer M6	
150	3340901	4	Pad, Rubber	
151	1001140524	1	Main Boom Harness Assembly (Not Shown - See BOOM HARNESS ASSEMBLY - MAIN for Breakdown)	
152	1671092	1	Cover, Connection	
153	1671093	1	Cover, Plug	

SECTION 8 - ELECTRICAL

FIGURE 8-19. BOOM HARNESS - MAIN



ART_1001140524

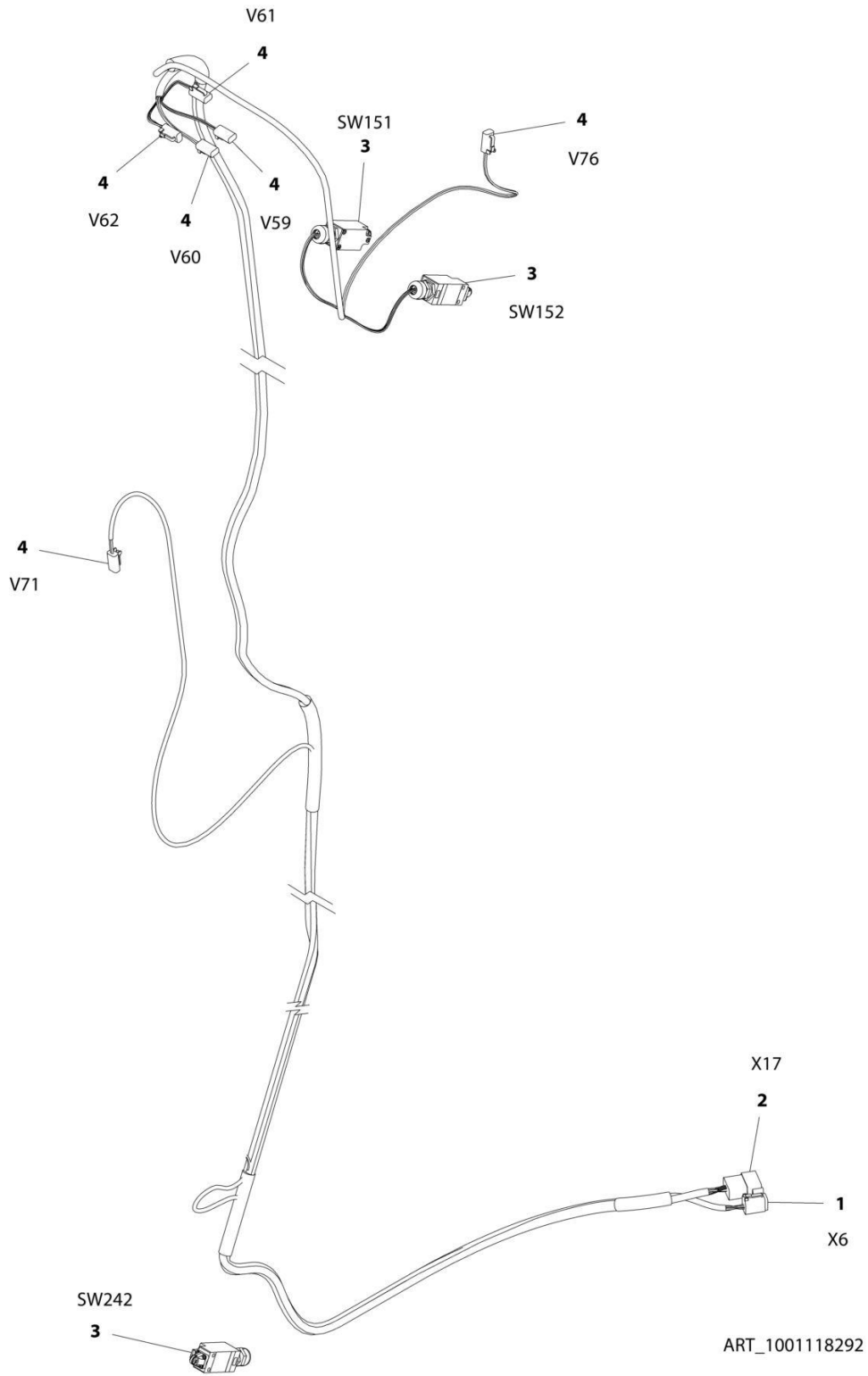
SECTION 8 - ELECTRICAL

FIGURE 8-19. BOOM HARNESS - MAIN

ITEM	PART NUMBER	QTY	DESCRIPTION	REV
	1001140524	Ref	BOOM HARNESS - MAIN	A
1	4460891	4	Plug, Male - 2 Position	
1	4460465	8	Socket, Female	
2	4460894	1	Plug, Male - 6 Position	
2	4460465	5	Socket, Female	
2	4460466	1	Plug, Terminal	

SECTION 8 - ELECTRICAL

FIGURE 8-20. BOOM HARNESS - TOWER



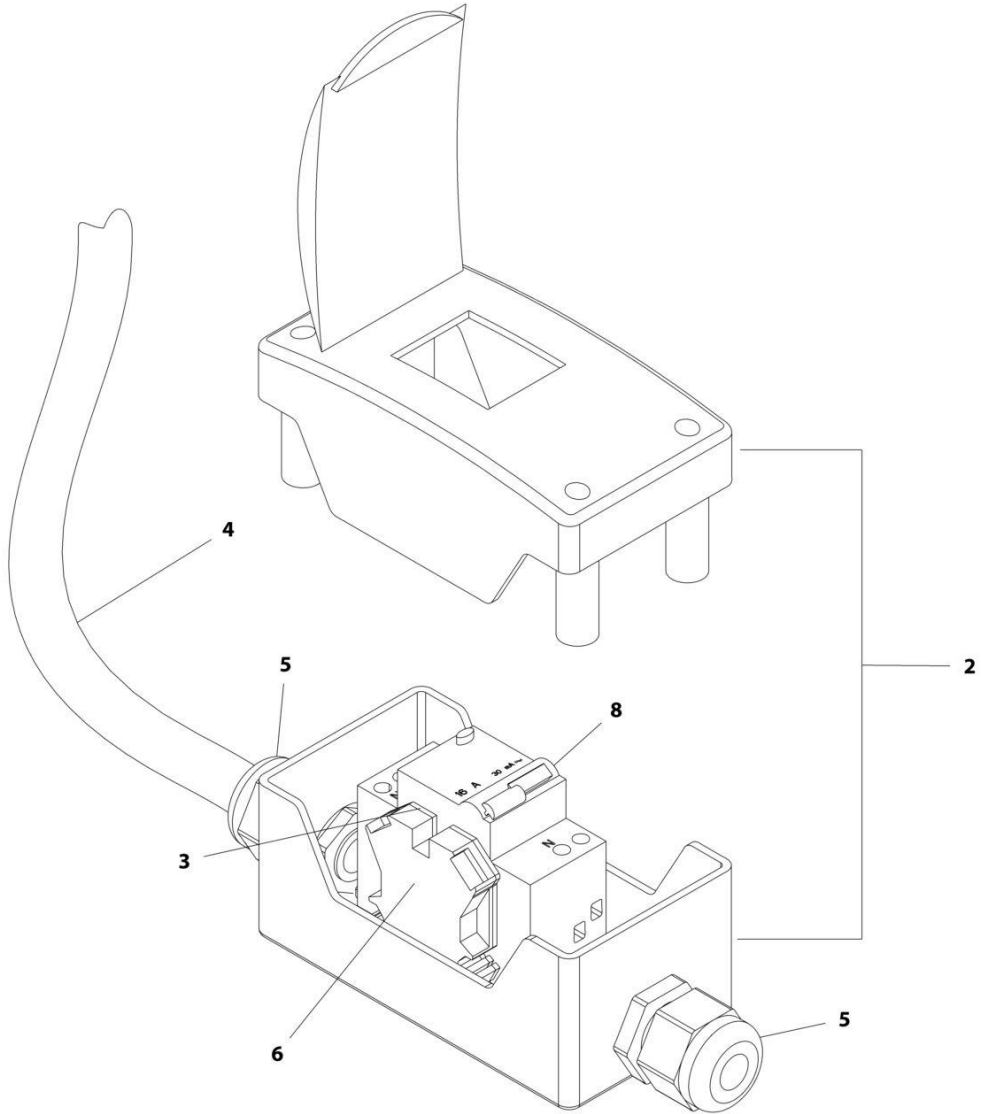
SECTION 8 - ELECTRICAL

FIGURE 8-20. BOOM HARNESS - TOWER

ITEM	PART NUMBER	QTY	DESCRIPTION	REV
	1001118292	Ref	BOOM HARNESS - TOWER	D
1	4460894	1	Plug, Male - 6 Position	
1	4460465	6	Socket, Female	
2	4460970	1	Receptacle, Female - 12 Position	
2	4460464	9	Pin, Male	
2	4460466	3	Plug, Terminal	
3	4360548	3	Switch, Limit	
3	4460968	3	Connector, Strain Relief	
3	0962449	3	Bushing	
4	4460891	6	Plug, Male - 2 Position	
4	4460465	12	Socket, Female	

SECTION 8 - ELECTRICAL

FIGURE 8-21. BREAKER BOX KIT (CE SPEC)



ART_2902549

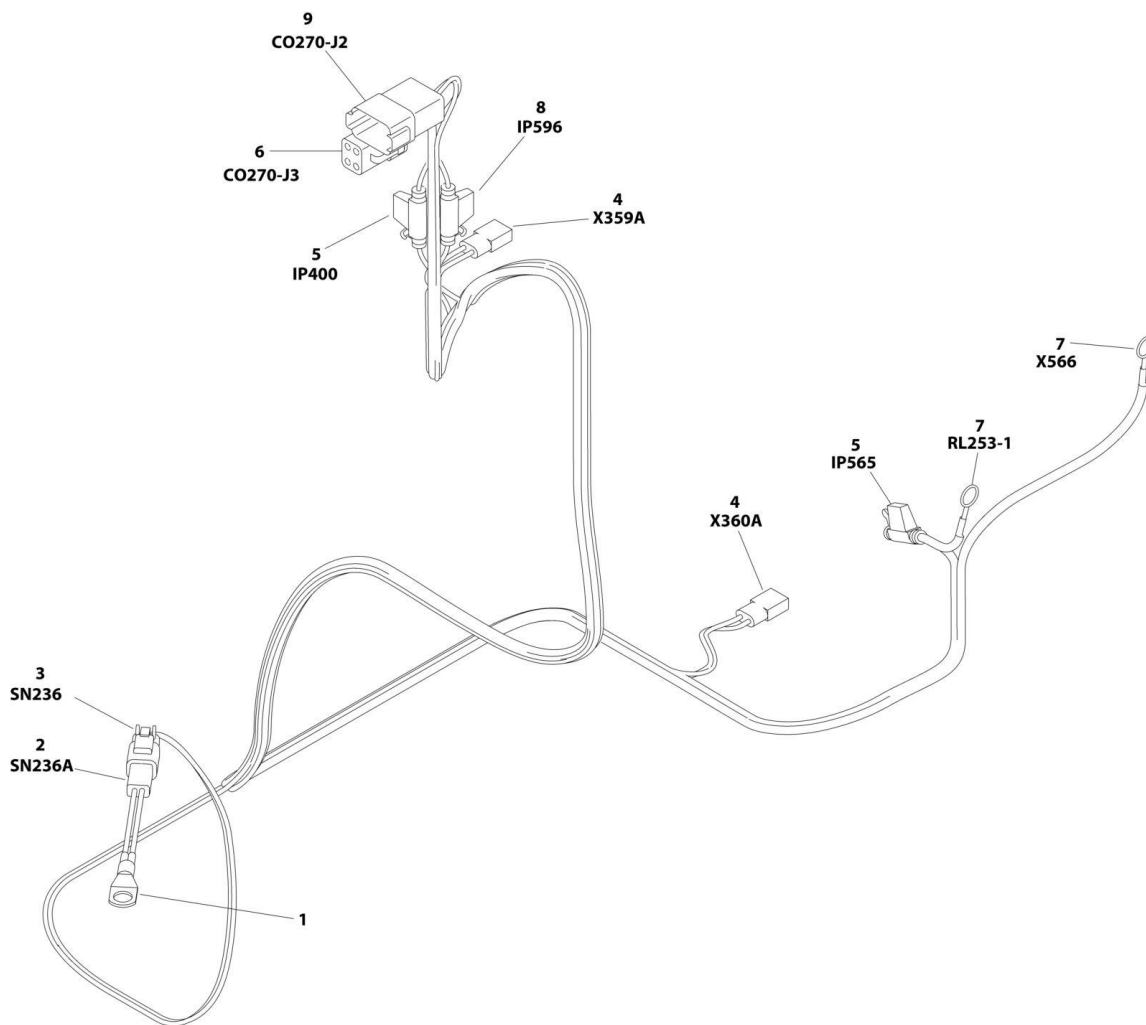
SECTION 8 - ELECTRICAL

FIGURE 8-21. BREAKER BOX KIT (CE SPEC)

ITEM	PART NUMBER	QTY	DESCRIPTION	REV
	2902549	Ref	BOX AND BREAKER KIT	F
2	0861880	1	Box	
3	4460956	1	Barrier, Terminal	
4	1060908	6 ft/1.8m	Cable, 12/3	
5	1001097150	2	Connector, Strain Relief	
6	4460957	1	Block, Terminal	
8	1001109475	NLA	Breaker 16Amp (Use p/n 1001181045) (Prior to SN 0300209405)	
8	1001109482	NLA	Breaker 30mAmp (Use p/n 1001181045) (Prior to SN 0300209405)	
8	1001181045	1	Breaker, Combination 16Amp/30mAmp (SN 0300209405 through 0300272288)	

SECTION 8 - ELECTRICAL

FIGURE 8-22. CHARGER HARNESS



ART_1001167538

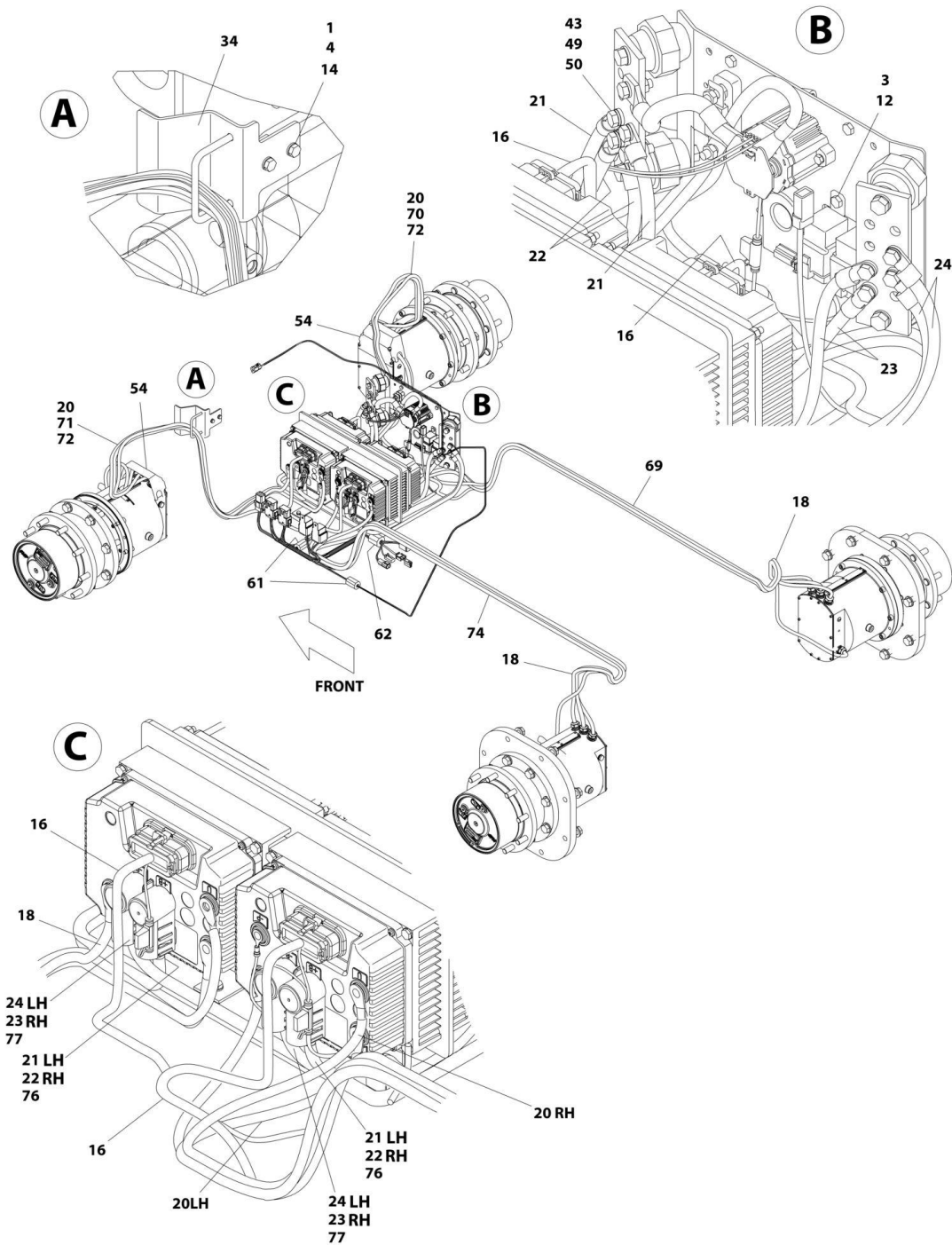
SECTION 8 - ELECTRICAL

FIGURE 8-22. CHARGER HARNESS

ITEM	PART NUMBER	QTY	DESCRIPTION	REV
	1001167538	Ref	CHARGER HARNESS	F
1	1001102771	1	Sensor, Temperature (Prior to SN 0300236742)	
2	4460897	1	Connector - 2 Position (Prior to SN 0300236742)	
2	4460464	2	Pin, Male (Prior to SN 0300236742)	
3	4460891	1	Connector - 2 Position	
3	4460465	2	Socket, Female	
4	4460424	2	Connector - 2 Position	
4	4460268	4	Socket, Female	
5	1001170763	2	Fuseholder Less Fuse	
5	1001170762	2	Fuse 30Amp	
6	1001116810	1	Connector - 4 Position	
6	4460509	4	Terminal	
7	4460019	2	Ring, Terminal	
8	2400060	1	Fuseholder Less Fuse	
8	1001186489	1	Fuse 2Amp	
9	4460931	1	Connector - 8 Position	
9	4460464	2	Pin, Male	
9	4460466	6	Plug, Terminal	

SECTION 8 - ELECTRICAL

FIGURE 8-23. DRIVE CABLES INSTALLATION



ART_1001169292_2OF2

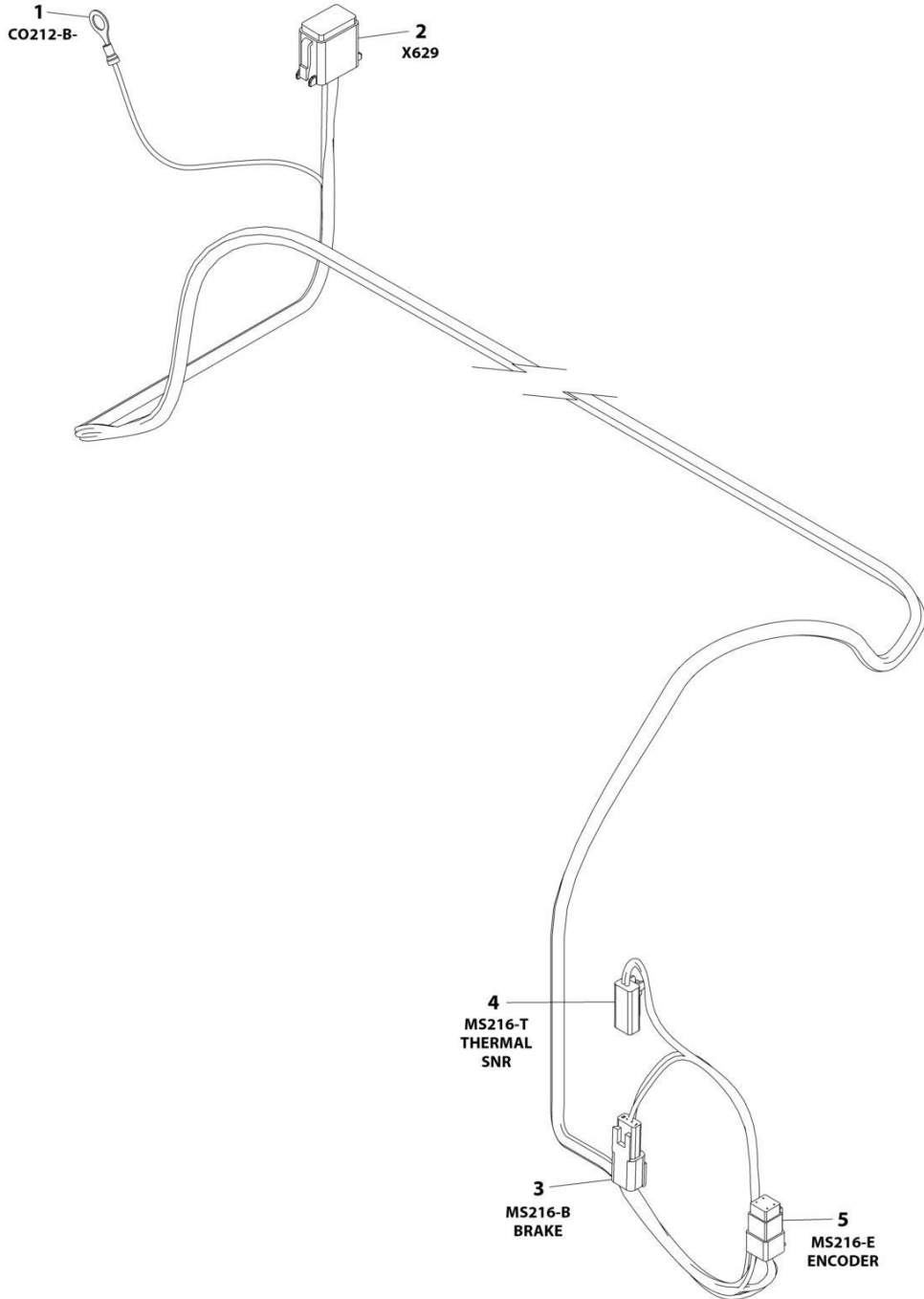
SECTION 8 - ELECTRICAL

FIGURE 8-23. DRIVE CABLES INSTALLATION

ITEM	PART NUMBER	QTY	DESCRIPTION	REV
	1001169292	Ref	DRIVE CABLES INSTALLATION	R
1	0100011	AR	Compound, Locking	
3	0760607	2	Bolt M6 x 14	
4	0760608	4	Bolt M6 x 16	
12	3290601	10	Nut M6	
14	4811700	4	Washer M6	
16	1001161871	1	Harness, Traction (See TRACTION HARNESS for Breakdown)	
18	1001161891	2	Cable, Rear Drive	
20	1001161924	2	Cable, Front Drive	
21	1001161943	1	Cable, Bussbar to Controller B+ (Operators LH Side)	
22	1001161944	2	Cable, Bussbar to Controller B+ (Operators RH Side)	
23	1001161948	2	Cable, Bussbar B- to Controller B- (Operators RH Side)	
24	1001161949	1	Cable, Bussbar B- to Controller B- (Operators LH Side)	
34	1001171301	2	Bracket	
36	0760808	AR	Bolt M8 x 16	
50	4831900	8	Washer M8	
54	1001184793	2	Bracket	
58	1001193549	1	Cable, Bussbar to Controller B+ (Operators LH Side)	
59	1001193550	1	Cable, Bussbar to Controller B+ (Operators LH Side)	
61	1001197942	AR	Ferrite	
62	1001197943	1	Ferrite (Prior to SN 0300236472)	
69	1001190529	1	Harness, Rear Right Drive (See DRIVE HARNESS - REAR RIGHT for Breakdown) (SN 0300209405 through 0300272288)	
70	1001190530	1	Harness, Front Drive with Steer (See DRIVE HARNESS - FRONT WITH STEER for Breakdown) (SN 0300209405 through 0300272288)	
71	1001190531	1	Harness, Front Drive without Steer (See DRIVE HARNESS - FRONT WITHOUT STEER for Breakdown) (SN 0300209405 through 0300272288)	
72	4240018	AR	Tie-Strap	
74	1001211947	1	Harness, Rear Left Drive (See DRIVE HARNESS - REAR LEFT for Breakdown) (SN 0300209405 through 0300272288)	
76	1001225558	4	Boot, Red (SN 0300236472 through 0300272288)	
77	1001225557	4	Boot, Black (SN 0300236472 through 0300272288)	

SECTION 8 - ELECTRICAL

FIGURE 8-24. DRIVE HARNESS - REAR RIGHT



ART_1001190529

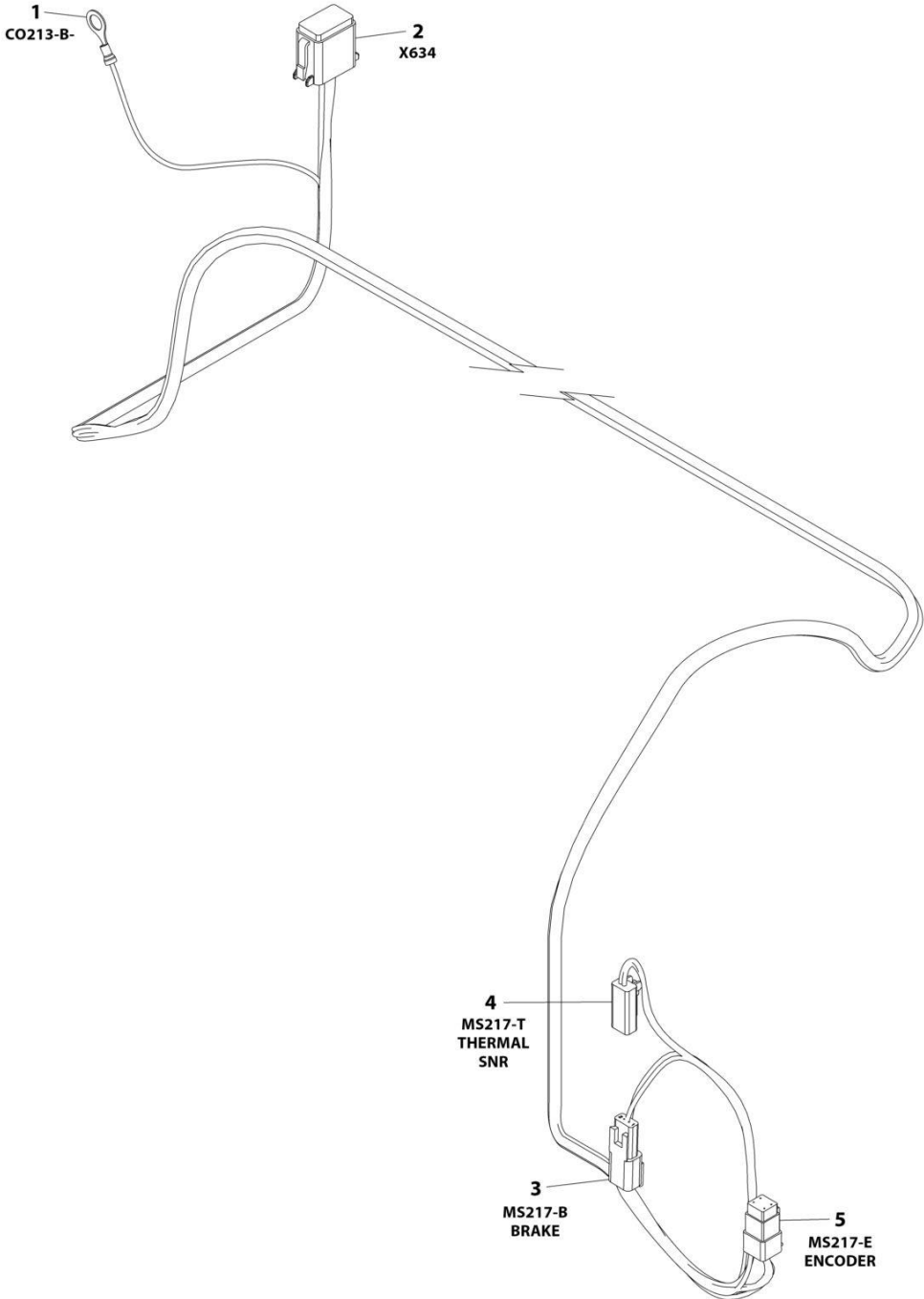
SECTION 8 - ELECTRICAL

FIGURE 8-24. DRIVE HARNESS - REAR RIGHT

ITEM	PART NUMBER	QTY	DESCRIPTION	REV
	1001190529	Ref	DRIVE HARNESS - REAR RIGHT	F
1	4460702	1	Terminal, Ring	
2	4460930	1	Plug, Male - 8 Position	
2	4460465	8	Socket, Female	
3	1001153612	1	Receptacle, Female - 2 Position	
3	4460929	2	Pin, Male	
4	4461290	1	Plug, Male - 2 Position	
4	4460928	2	Socket, Female	
5	4461077	1	Plug, Male - 4 Position	
5	4460928	4	Socket, Female	

SECTION 8 - ELECTRICAL

FIGURE 8-25. DRIVE HARNESS - REAR LEFT



ART_1001211947

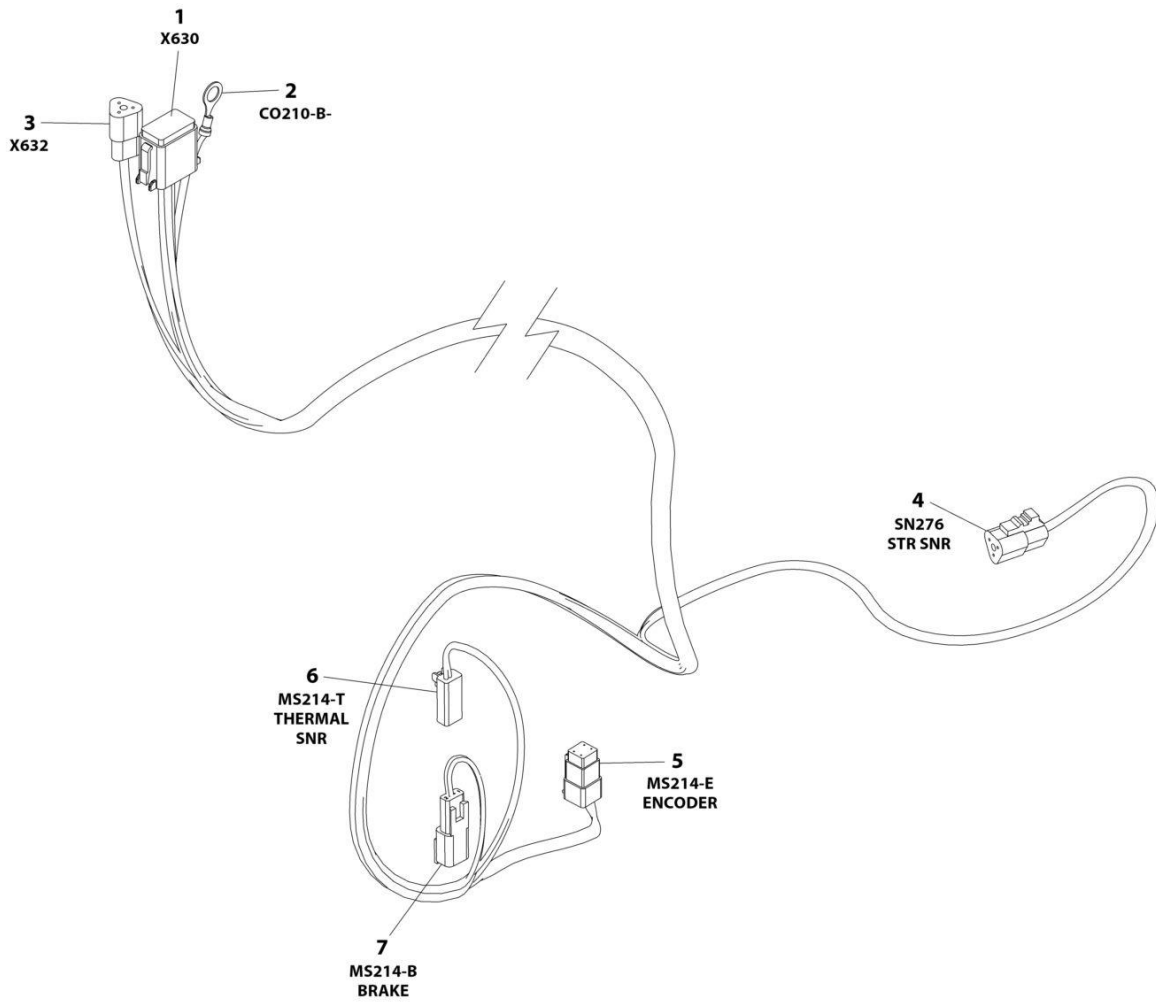
SECTION 8 - ELECTRICAL

FIGURE 8-25. DRIVE HARNESS - REAR LEFT

ITEM	PART NUMBER	QTY	DESCRIPTION	REV
	1001211947	Ref	DRIVE HARNESS - REAR LEFT	B
1	4460702	1	Terminal, Ring	
2	4460930	1	Plug, Male - 8 Position	
2	4460465	8	Socket, Female	
3	1001153612	1	Receptacle, Female - 2 Position	
3	4460929	2	Pin, Male	
4	4461290	1	Plug, Male - 2 Position	
4	4460928	2	Socket, Female	
5	4461077	1	Plug, Male - 4 Position	
5	4460928	4	Socket, Female	

SECTION 8 - ELECTRICAL

FIGURE 8-26. DRIVE HARNESS - FRONT WITH STEER



ART_1001190530

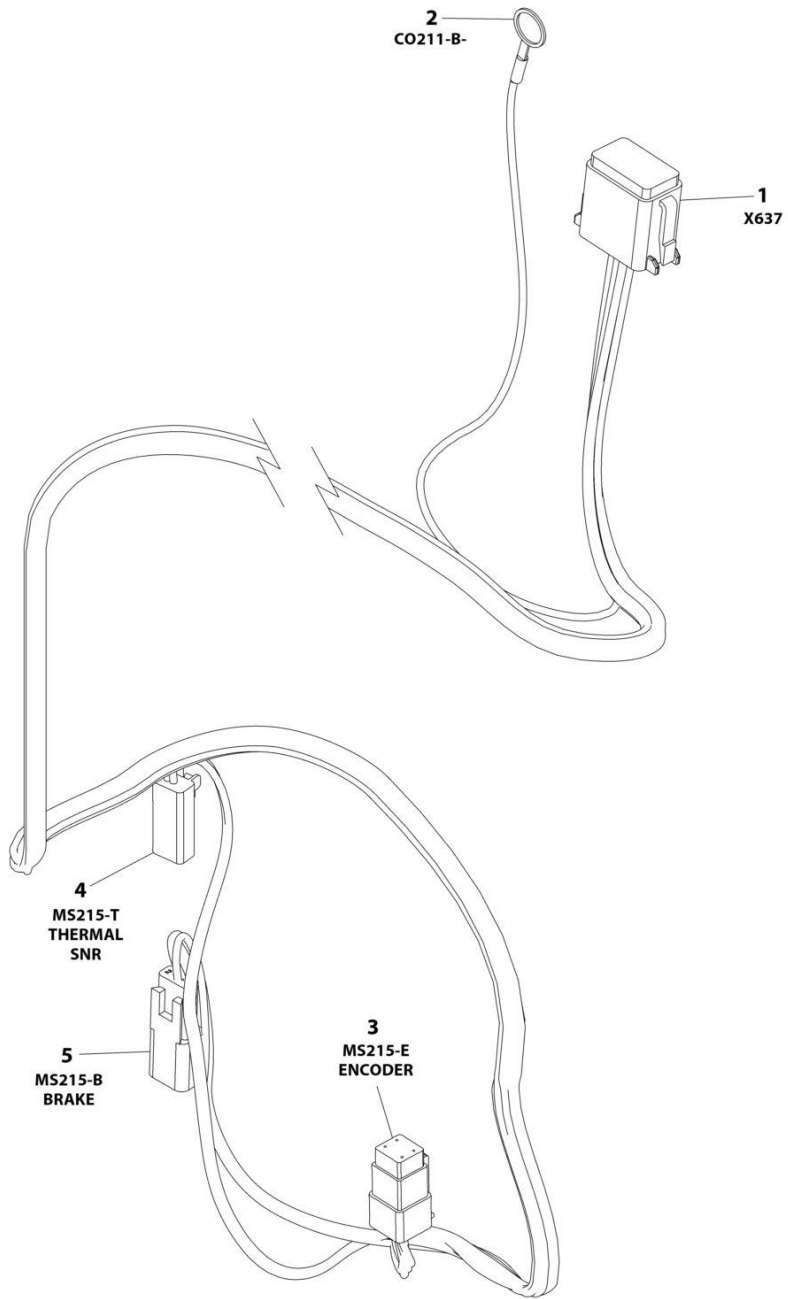
SECTION 8 - ELECTRICAL

FIGURE 8-26. DRIVE HARNESS - FRONT WITH STEER

ITEM	PART NUMBER	QTY	DESCRIPTION	REV
	1001190530	Ref	DRIVE HARNESS - FRONT WITH STEER	E
1	4460930	1	Plug, Male - 8 Position	
1	4460465	8	Socket, Female	
2	4460702	1	Terminal, Ring	
3	4460539	2	Plug, Male - 3 Position	
3	4460465	4	Socket, Female	
4	4460539	2	Plug, Male - 3 Position	
4	4460944	4	Socket, Female	
5	4461077	1	Plug, Male - 4 Position	
5	4460928	4	Socket, Female	
6	4461290	1	Plug, Male - 2 Position	
6	4460928	2	Socket, Female	
7	1001153612	1	Receptacle, Female - 2 Position	
7	4460929	2	Pin, Male	

SECTION 8 - ELECTRICAL

FIGURE 8-27. DRIVE HARNESS - FRONT WITHOUT STEER



ART_1001190531

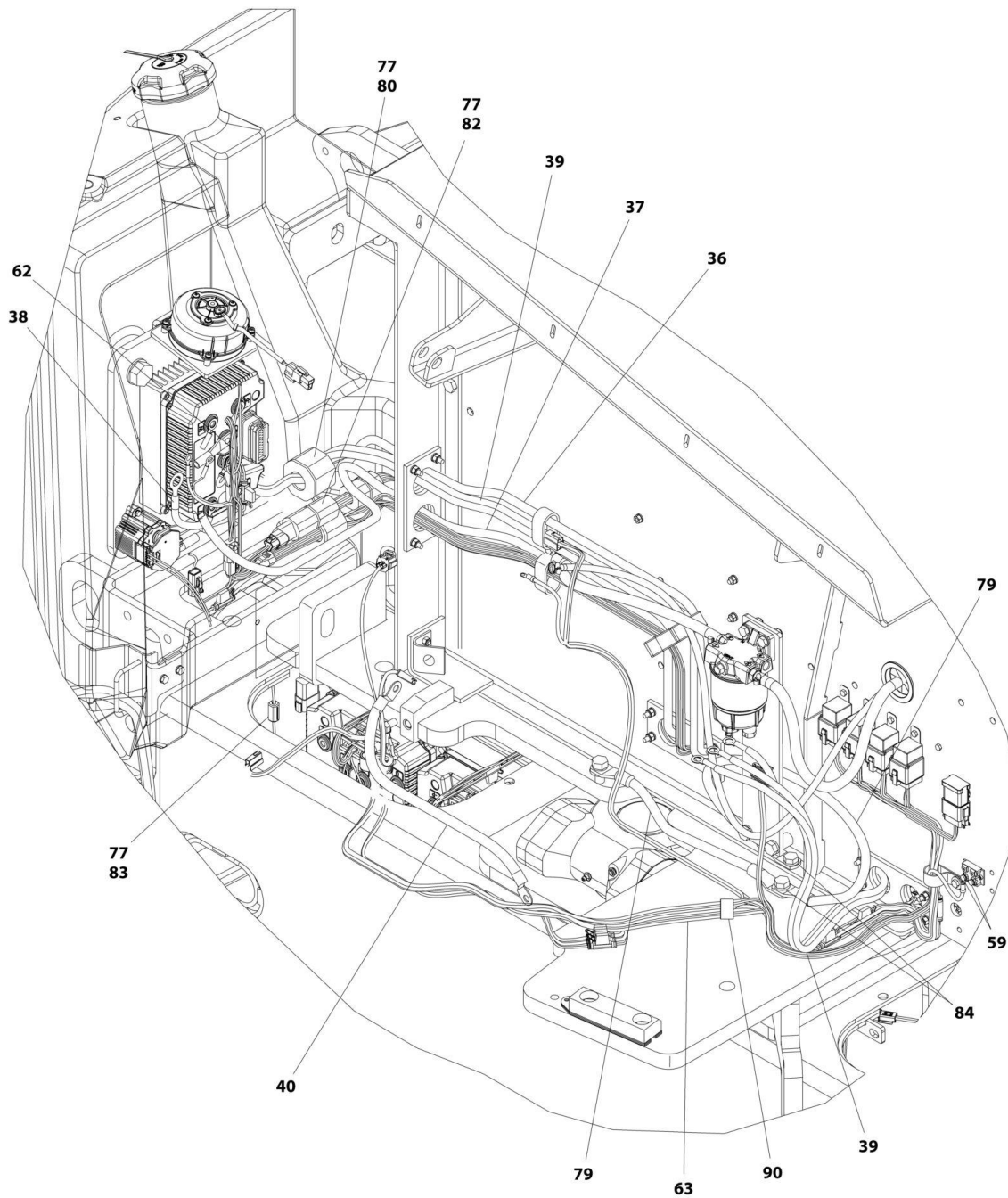
SECTION 8 - ELECTRICAL

FIGURE 8-27. DRIVE HARNESS - FRONT WITHOUT STEER

ITEM	PART NUMBER	QTY	DESCRIPTION	REV
	1001190531	Ref	DRIVE HARNESS - FRONT WITHOUT STEER	F
1	4460930	1	Plug, Male - 8 Position	
1	4460465	8	Socket, Female	
2	4460702	1	Terminal, Ring	
3	4461077	1	Plug, Male - 4 Position	
3	4460928	4	Socket, Female	
4	4461290	1	Plug, Male - 2 Position	
4	4460928	2	Socket, Female	
5	1001153612	1	Receptacle, Female - 2 Position	
5	4460929	2	Pin, Male	

SECTION 8 - ELECTRICAL

FIGURE 8-28. ENGINE CABLES INSTALLATION



ART_1001168098_30F3

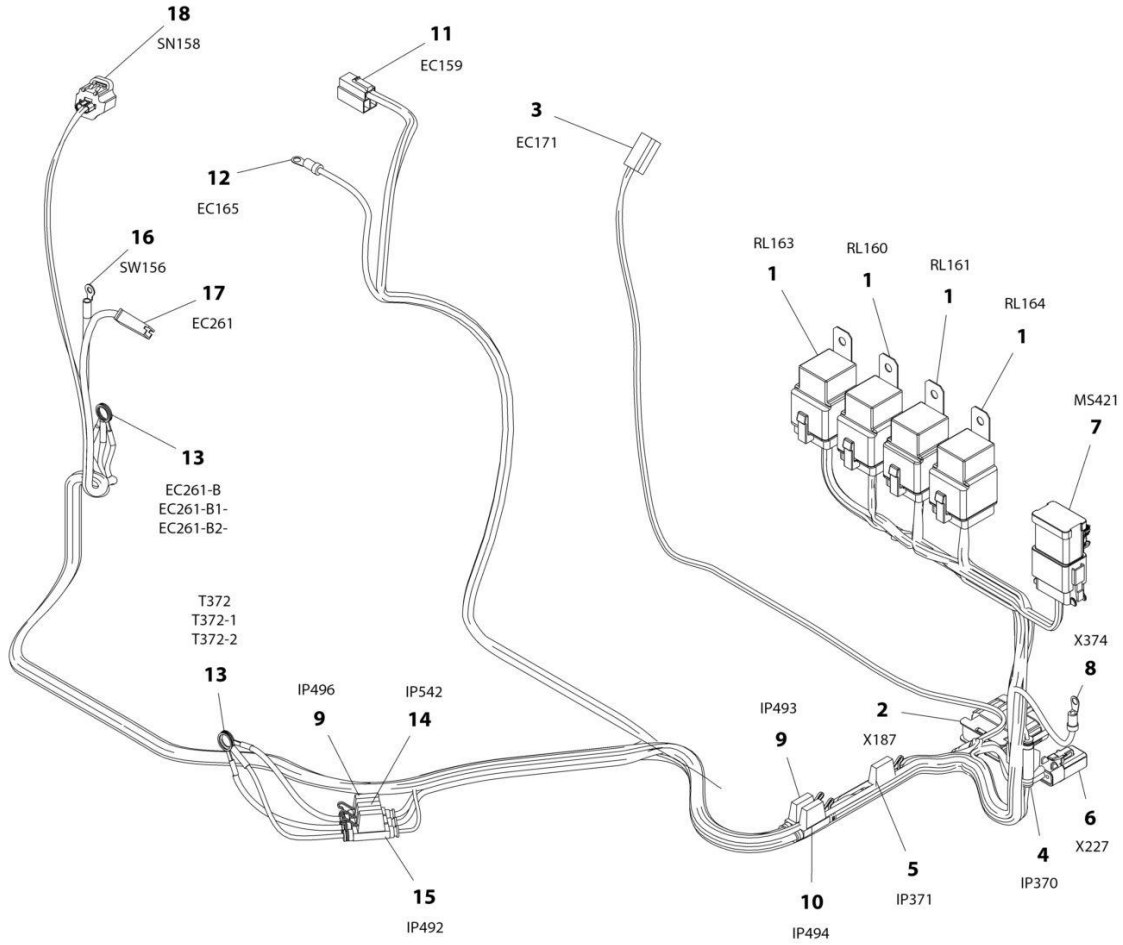
SECTION 8 - ELECTRICAL

FIGURE 8-28. ENGINE CABLES INSTALLATION

ITEM	PART NUMBER	QTY	DESCRIPTION	REV
	1001168098	Ref	ENGINE CABLES INSTALLATION	1
1	0100011	AR	Compound, Locking	
36	1001164412	1	Cable, Drive Controller Positive to Zapi Controller	
37	1001164418	1	Cable, Drive Controller Negative to Zapi Controller	
38	1001164494	1	Cable, Controller to Zapi Controller	
39	1001164495	1	Cable, Generator	
40	1001164654	1	Cable, Positive Jumper	
59	4010403	2	Screw M4 X 6	
61	0100083	1	Grease, Terminal (Not Shown)	
62	1001177378	1	Generator Harness Assembly (See GENERATOR HARNESS ASSEMBLY for Breakdown)	
63	1001177433	1	Engine Harness Assembly (See ENGINE HARNESS ASSEMBLY for Breakdown)	
74	0760808	2	Bolt M8 x 16 (Not Shown - Attaches Item 37 at Frame Module and Item 79 to Engine)	
75	4831900	2	Washer M8 (Not Shown - Attaches Item 37 at Frame Module and Item 79 to Engine)	
76	0641808	1	Bolt 1/2 x 1	
77	4240033	AR	Tie-Strap (Not Shown)	
78	4761600	1	Washer 3/8	
79	1001197652	1	Strap, Ground	
80	1001197941	1	Ferrite	
83	1001197944	1	Ferrite	
84	4872000	2	Washer M10	
85	4792000	1	Washer 5/8 (Not Shown - Use with Item 74)	
90	85031405	1	Support	

SECTION 8 - ELECTRICAL

FIGURE 8-29. ENGINE HARNESS



ART_1001177433

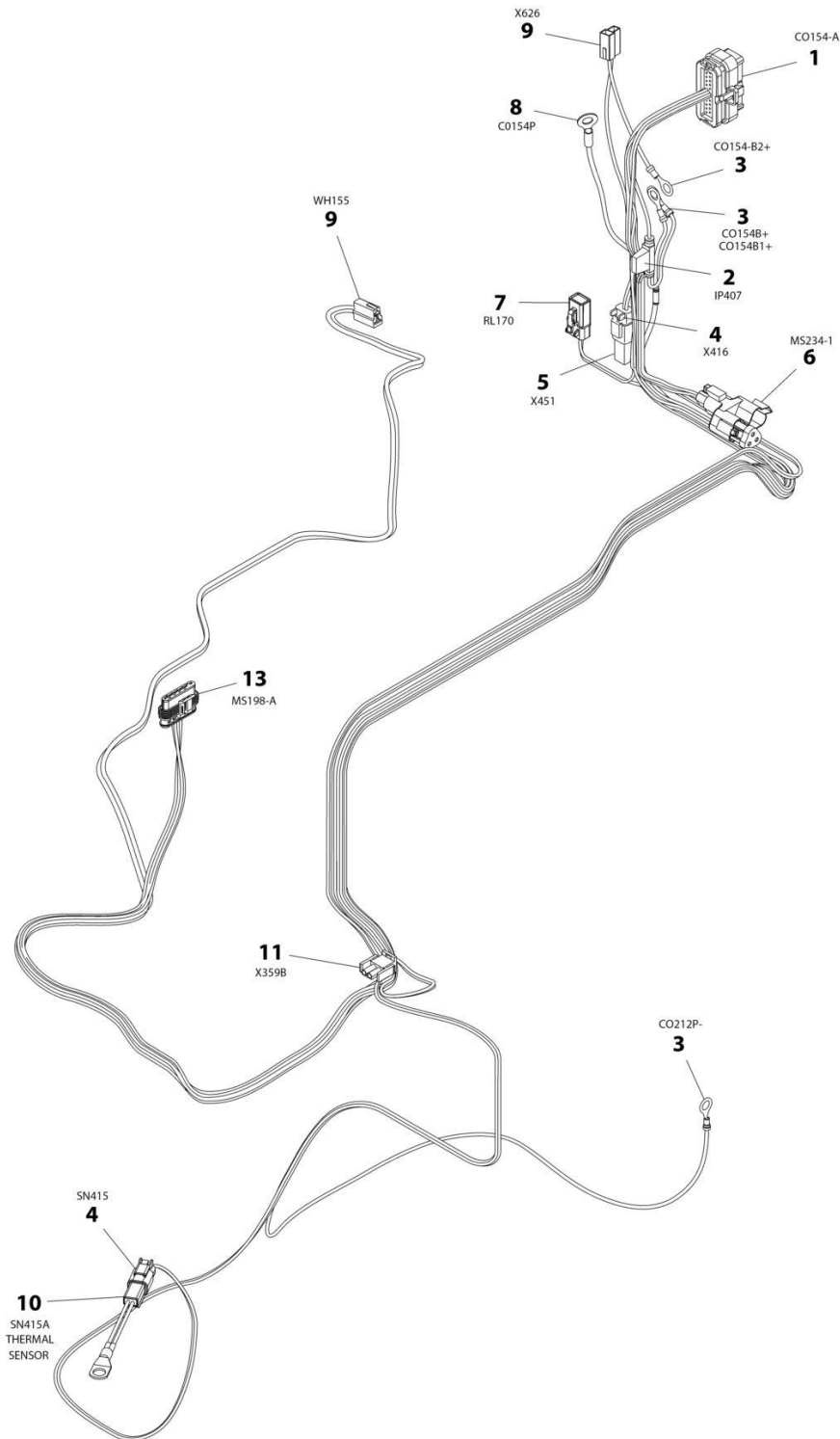
SECTION 8 - ELECTRICAL

FIGURE 8-29. ENGINE HARNESS

ITEM	PART NUMBER	QTY	DESCRIPTION	REV
	1001177433	Ref	ENGINE HARNESS	F
1	1001118282	5	Plug, Male - 5 Position	
1	1001116734	6	Terminal, Female	
1	1001116733	2	Terminal, Female	
1	1001116732	8	Terminal, Female	
2	4461109	1	Plug, Male - 16 Position	
2	4461111	9	Pin, Male	
2	4461222	7	Plug, Terminal	
3	1001118744	1	Receptacle, Female - 2 Position	
3	1001116720	2	Terminal	
4	2400060	1	Fuseholder with Cover	
4	See Note	1	Fuse - 10Amp (Note: Not Available Purchase Locally)	
5	2400060	1	Fuseholder with Cover	
5	See Note	1	Fuse - 3Amp (Note: Not Available Purchase Locally)	
6	4461018	2	Connector - 2 Position	
6	4460509	1	Socket, Female	
7	4460836	5	Connector - 12 Position	
7	4460465	7	Socket, Female	
7	4460466	1	Plug, Terminal	
7	4460837	1	Connector, Bussbar	
7	1001121172	1	Bracket, Mounting	
8	4460142	1	Terminal, Ring	
9	2400066	2	Fuseholder with Cover	
9	8229245	2	Fuse 30Amp	
10	2400066	1	Fuseholder with Cover	
10	8229247	1	Fuse 25Amp	
11	1001172074	1	Connector - 3 Position	
11	1001125033	2	Terminal	
11	1001118745	1	Terminal	
12	4460142	1	Terminal, Ring	
13	4460019	6	Terminal, Ring	
14	2400066	1	Fuseholder with Cover	
14	8229246	1	Fuse - 20Amp	
15	2400066	1	Fuseholder with Cover	
15	See Note	1	Fuse - 2Amp	
16	8220007	1	Terminal, Ring	
17	4460260	1	Housing, Terminal	
17	4460259	1	Terminal	
18	1001118657	1	Connector - 2 Position	
18	1001118658	2	Terminal	

SECTION 8 - ELECTRICAL

FIGURE 8-30. GENERATOR HARNESS



ART_1001177378

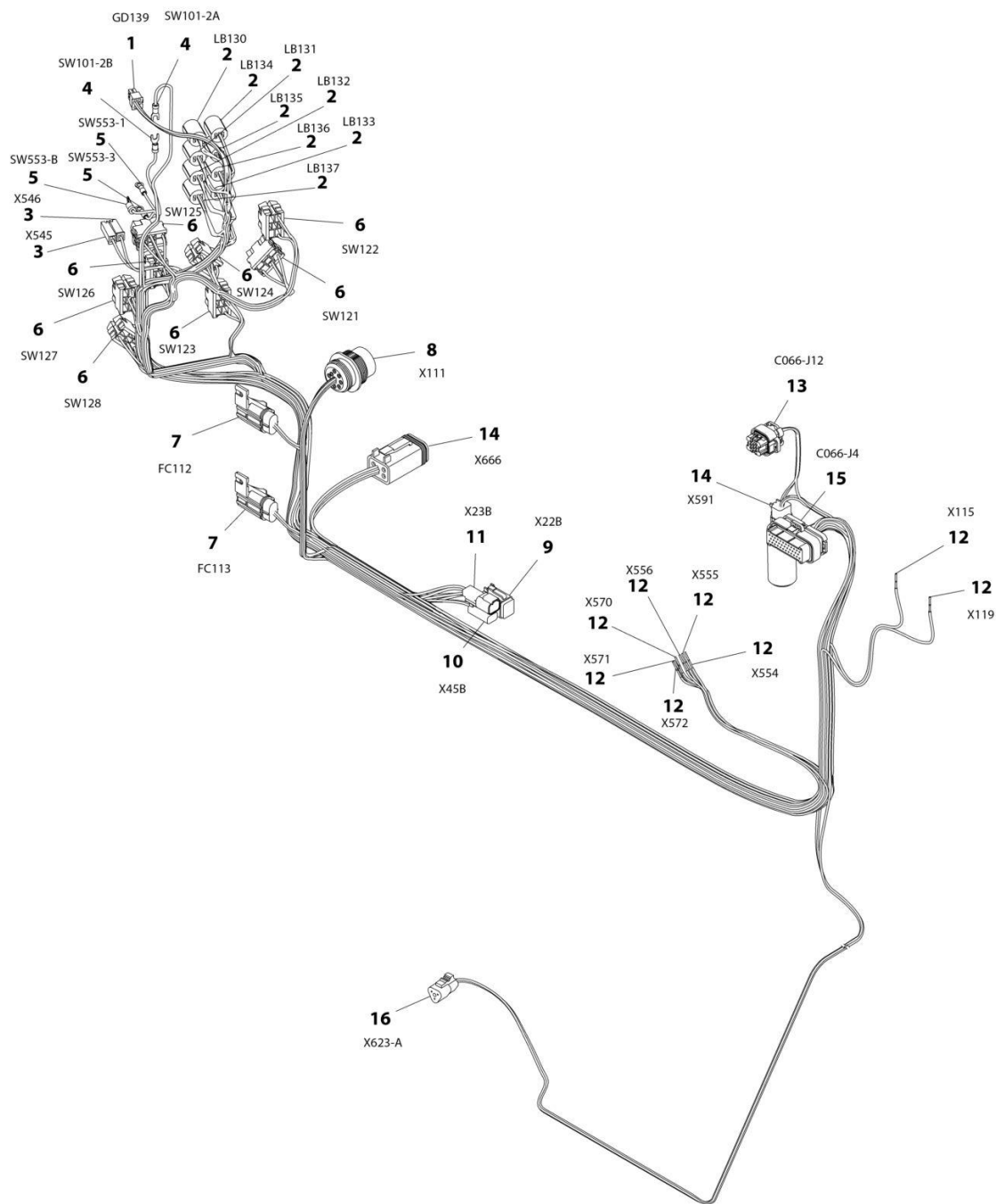
SECTION 8 - ELECTRICAL

FIGURE 8-30. GENERATOR HARNESS

ITEM	PART NUMBER	QTY	DESCRIPTION	REV
	1001177378	Ref	GENERATOR HARNESS	H
1	4460873	1	Connector - 35 Position	
1	4460871	12	Socket, Female	
1	4460905	23	Plug, Terminal	
2	2400060	1	Fuseholder	
2	1001170760	1	Fuse 10Amp	
3	4460670	5	Terminal, Ring	
4	4460891	2	Plug, Male - 2 Position	
4	4460465	4	Socket, Female	
5	4460897	1	Receptacle, Female	
5	See Note	1	Resistor 10K Ohm 1/4Watt (Note: Not Available - Purchase Locally)	
5	1001135350	1	Cap, Heat Shrink	
6	1001116812	1	Plug, Male - 3 Position	
6	4460944	3	Socket, Female	
6	4460945	1	Receptacle, 3 Way (Prior to SN 0300226326)	
6	1001220644	1	Harness, Jumper (SN 0300226326 through 0300272288)	
6	1001116815	1	Plug, Bussbar - 3 Position (Prior to SN 0300226326)	
6	1001186231	1	Connector, Fuse/Resistor (SN 0300226326 through 0300272288)	
7	4461290	1	Plug, Male - 2 Position	
7	1001126008	2	Terminal	
8	8220045	1	Terminal, Ring	
9	4460994	2	Receptacle, Female - 2 Position	
9	1001116723	4	Terminal, Female	
10	4460897	1	Receptacle, Female - 2 Position (Prior to SN 0300236472)	
10	4460464	2	Pin, Male (Prior to SN 0300236472)	
10	1001102771	1	Sensor, Thermal Less Receptacle & Pins (Prior to SN 0300236472)	
11	4460320	1	Plug, Male - 2 Position	
11	4460267	2	Pin, Male	
13	4461117	1	Connector - 6 Position	
13	1001107854	6	Socket, Female	

SECTION 8 - ELECTRICAL

FIGURE 8-31. GROUND CONTROL HARNESS



ART_1001165848

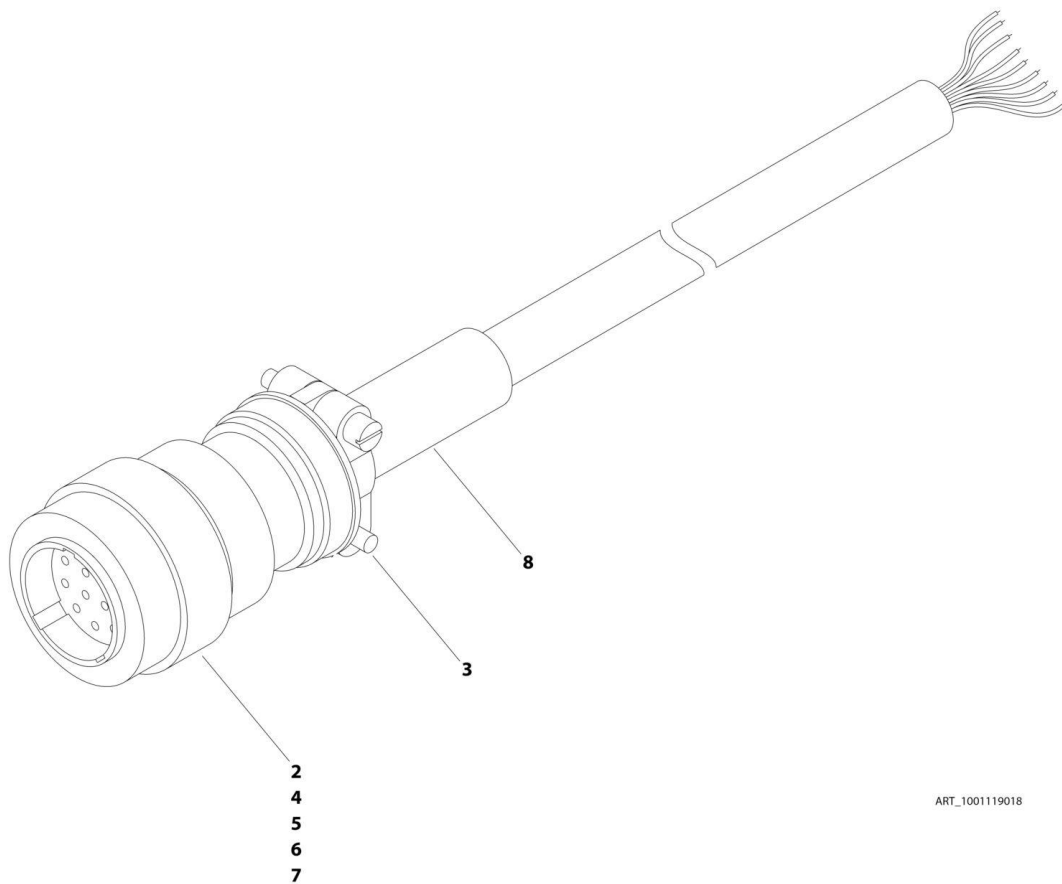
SECTION 8 - ELECTRICAL

FIGURE 8-31. GROUND CONTROL HARNESS

ITEM	PART NUMBER	QTY	DESCRIPTION	REV
	1001165848	Ref	GROUND CONTROL HARNESS	H
1	4460868	1	Connector - 6 Position	
1	4460877	4	Terminal	
2	4120035	8	Socket, Light	
2	4460634	9	Terminal - 16Ga	
2	4460635	14	Terminal - 12Ga	
3	4460260	2	Housing, Terminal	
3	4460259	2	Terminal	
4	4460115	2	Terminal, Fork	
5	4460313	2	Terminal, Ring	
5	4460042	1	Terminal, Ring	
6	4460418	8	Connector - 3 Position	
6	4460419	31	Terminal	
7	1001117078	2	Fuse Assembly (Includes Fuse, Holder, Cover)	
7	See Note	2	Fuse - 5Amp ATO (Note: Not Available - Purchase p/n 1001117078)	
7	4460419	4	Terminal	
8	1001112612	1	Connector - 9 Position	
8	4460464	3	Pin, Male	
8	4460943	3	Pin, Male	
8	4460466	1	Plug, Terminal	
8	4460497	1	Nut	
8	4460496	1	Washer	
9	4460894	1	Connector - 6 Position	
9	4460465	3	Socket, Female	
9	4460466	3	Plug, Terminal	
10	4460891	1	Connector - 2 Position	
10	4460465	2	Socket, Female	
11	4460897	1	Connector - 2 Position	
11	4460464	2	Pin, Male	
12	4460465	8	Socket, Female	
13	1001113961	1	Connector - 8 Position	
13	4460905	5	Plug, Terminal	
13	4460871	3	Socket, Female	
14	4460884	2	Connector - 4 Position	
14	4460465	4	Socket, Female	
14	4460944	4	Socket, Female	
15	4460876	1	Connector - 35 Position	
15	4460871	26	Socket, Female	
15	4460905	9	Plug, Terminal	
16	4460539	1	Connector - 3 Position	
16	4460944	3	Socket, Female	

SECTION 8 - ELECTRICAL

FIGURE 8-32. GROUND TO PLATFORM CABLE - MAIN BOOM (WITHOUT ARCTIC PACKAGE)



ART_100119018

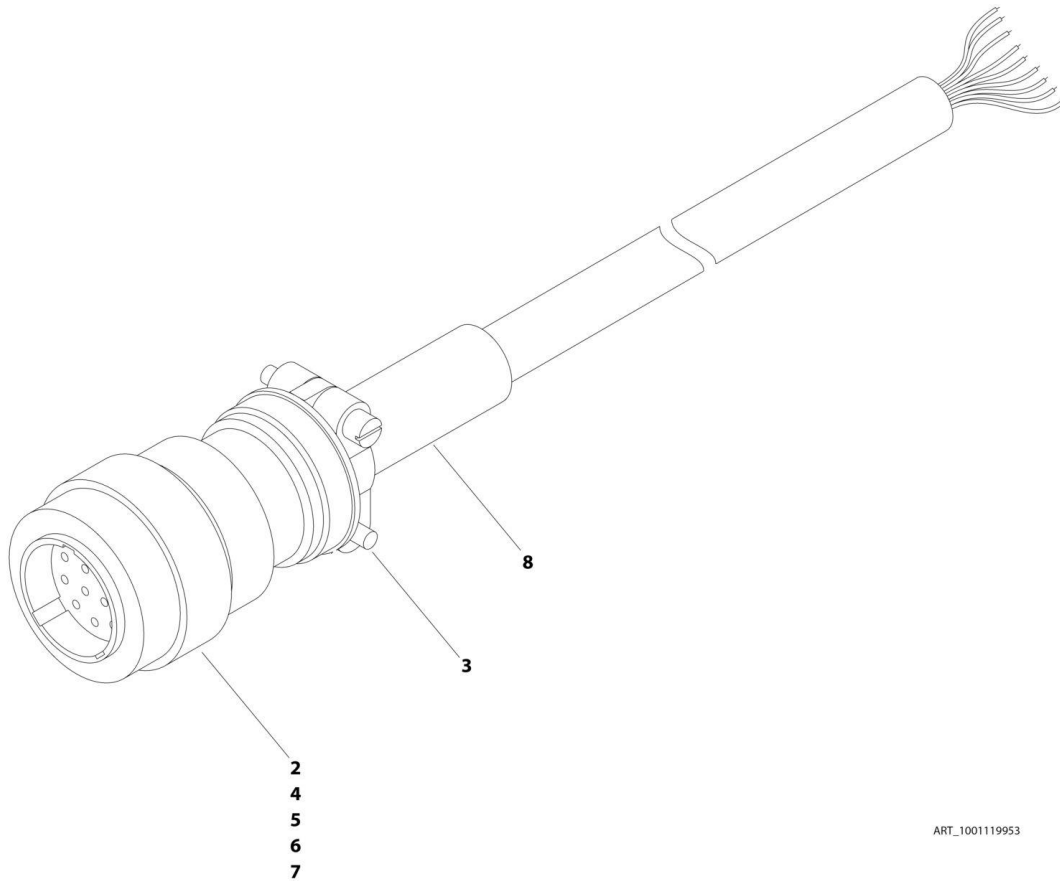
SECTION 8 - ELECTRICAL

FIGURE 8-32. GROUND TO PLATFORM CABLE - MAIN BOOM (WITHOUT ARCTIC PACKAGE)

ITEM	PART NUMBER	QTY	DESCRIPTION	REV
	1001119018	Ref	GROUND TO PLATFORM CABLE - MAIN BOOM (WITHOUT ARCTIC PACKAGE)	C
2	4460865	1	Connector - 19 Position	
3	4460473	1	Clamp, Cable	
4	4460465	22	Socket, Female	
5	4460509	8	Socket, Female	
6	4460466	4	Plug, Terminal	
7	2820118	AR	Heat Shrink	
8	1001226400	1	Heat Shrink	

SECTION 8 - ELECTRICAL

FIGURE 8-33. GROUND TO PLATFORM CABLE - MAIN BOOM (WITH ARCTIC PACKAGE)



ART_1001119953

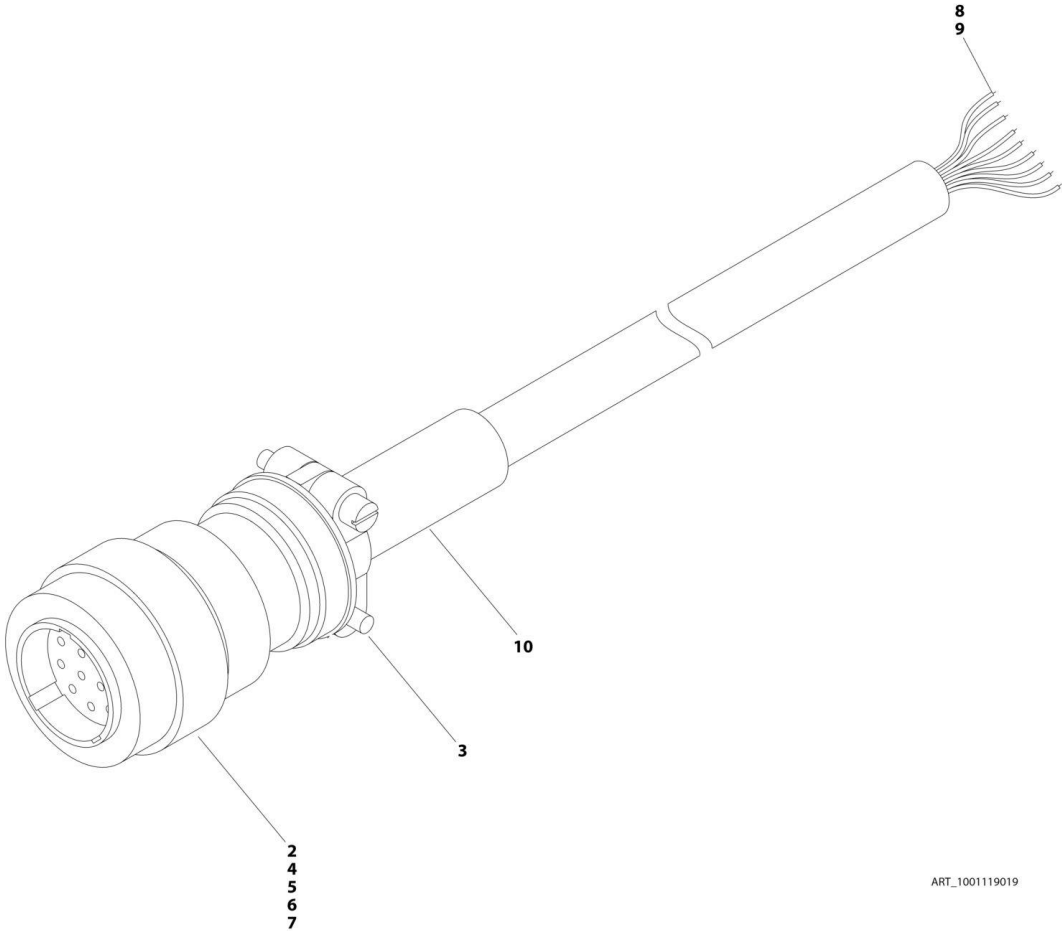
SECTION 8 - ELECTRICAL

FIGURE 8-33. GROUND TO PLATFORM CABLE - MAIN BOOM (WITH ARCTIC PACKAGE)

ITEM	PART NUMBER	QTY	DESCRIPTION	REV
	1001119953	Ref	GROUND TO PLATFORM CABLE - MAIN BOOM (WITH ARCTIC PACKAGE)	D
2	4460865	1	Connector - 19 Position	
3	4460473	1	Clamp, Cable	
4	4460465	22	Socket, Female	
5	4460509	8	Socket, Female	
6	4460466	4	Plug, Terminal	
7	2820118	AR	Heat Shrink	
8	1001226400	1	Heat Shrink	

SECTION 8 - ELECTRICAL

FIGURE 8-34. GROUND TO PLATFORM CABLE - TOWER BOOM (WITHOUT ARCTIC PACKAGE)



ART_1001119019

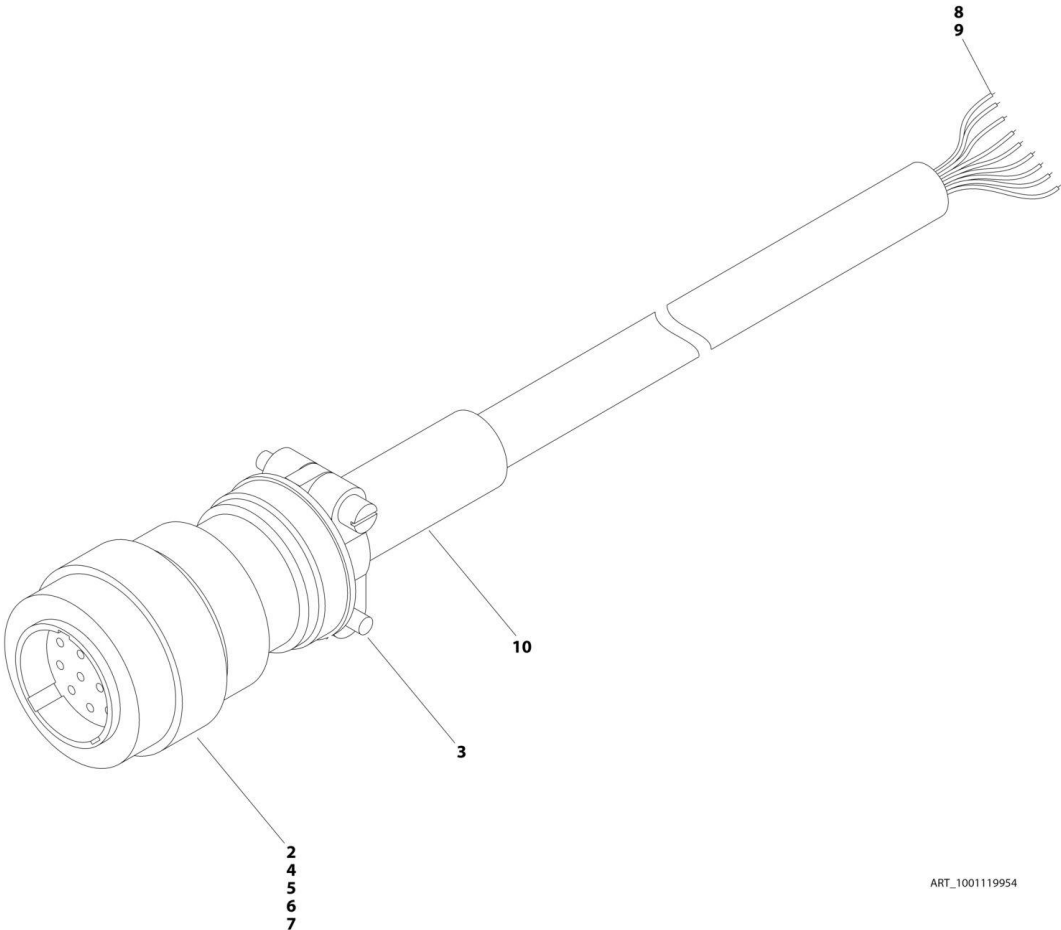
SECTION 8 - ELECTRICAL

FIGURE 8-34. GROUND TO PLATFORM CABLE - TOWER BOOM (WITHOUT ARCTIC PACKAGE)

ITEM	PART NUMBER	QTY	DESCRIPTION	REV
	1001119019	Ref	GROUND TO PLATFORM CABLE - TOWER BOOM (WITHOUT ARCTIC PACKAGE)	B
2	4460865	1	Connector - 19 Position	
3	4460473	1	Clamp, Cable	
4	4460465	11	Socket, Female	
5	4460509	4	Socket, Female	
6	4460466	4	Plug, Terminal	
7	2820118	AR	Heat Shrink	
8	4460464	11	Pin, Male	
9	4460508	4	Pin, Male	
10	1001226400	1	Heat Shrink	

SECTION 8 - ELECTRICAL

FIGURE 8-35. GROUND TO PLATFORM CABLE - TOWER BOOM (WITH ARCTIC PACKAGE)



ART_1001119954

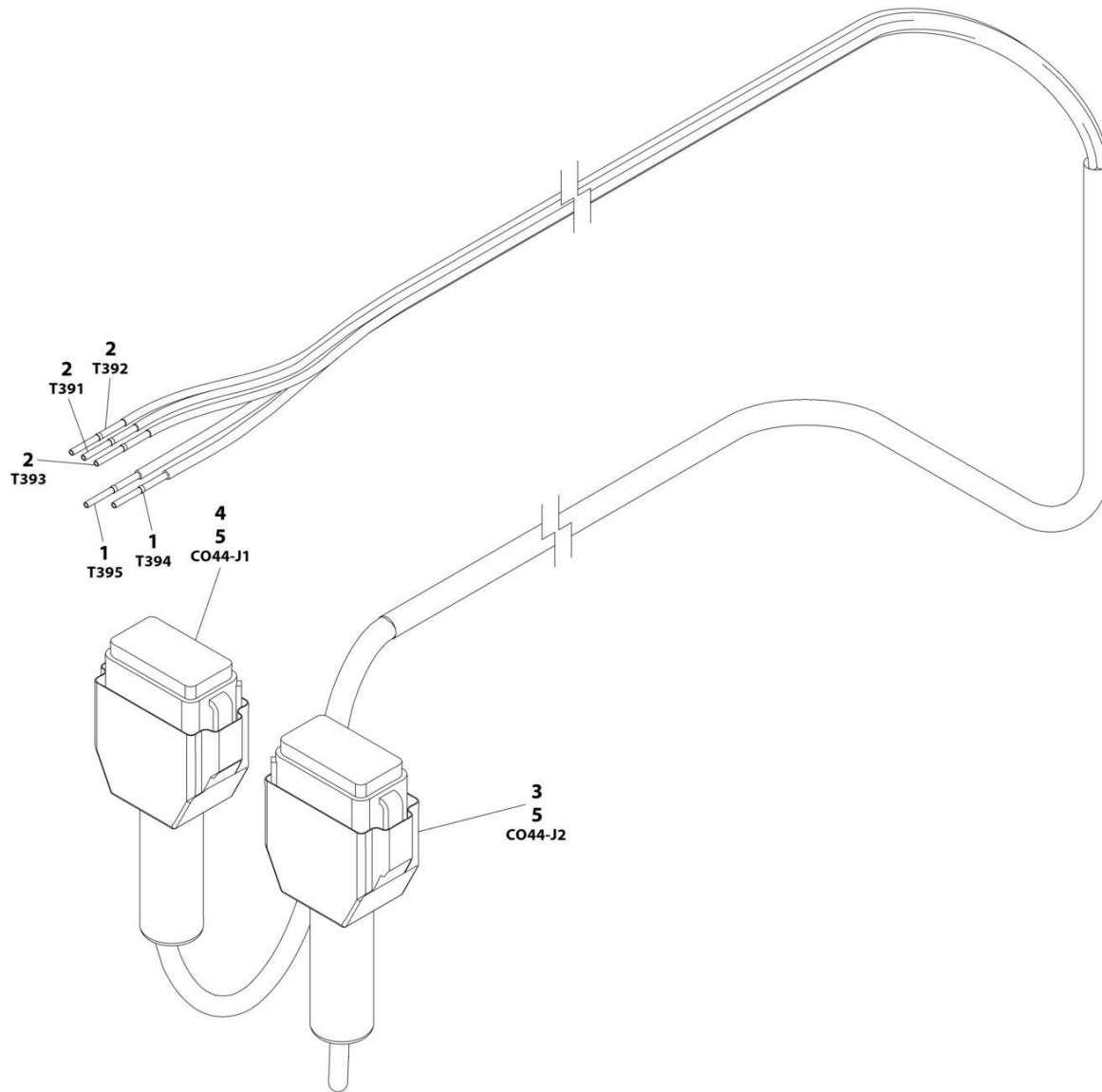
SECTION 8 - ELECTRICAL

FIGURE 8-35. GROUND TO PLATFORM CABLE - TOWER BOOM (WITH ARCTIC PACKAGE)

ITEM	PART NUMBER	QTY	DESCRIPTION	REV
	1001119954	Ref	GROUND TO PLATFORM CABLE - TOWER BOOM (WITH ARCTIC PACKAGE)	C
2	4460865	1	Connector - 19 Position	
3	4460473	1	Clamp, Cable	
4	4460465	11	Socket, Female	
5	4460509	4	Socket, Female	
6	4460466	4	Plug, Terminal	
7	2820118	AR	Heat Shrink	
8	4460464	11	Pin, Male	
9	4460508	4	Pin, Male	
10	1001226400	1	Heat Shrink	

SECTION 8 - ELECTRICAL

FIGURE 8-36. LSS HARNESS



ART_1001169598

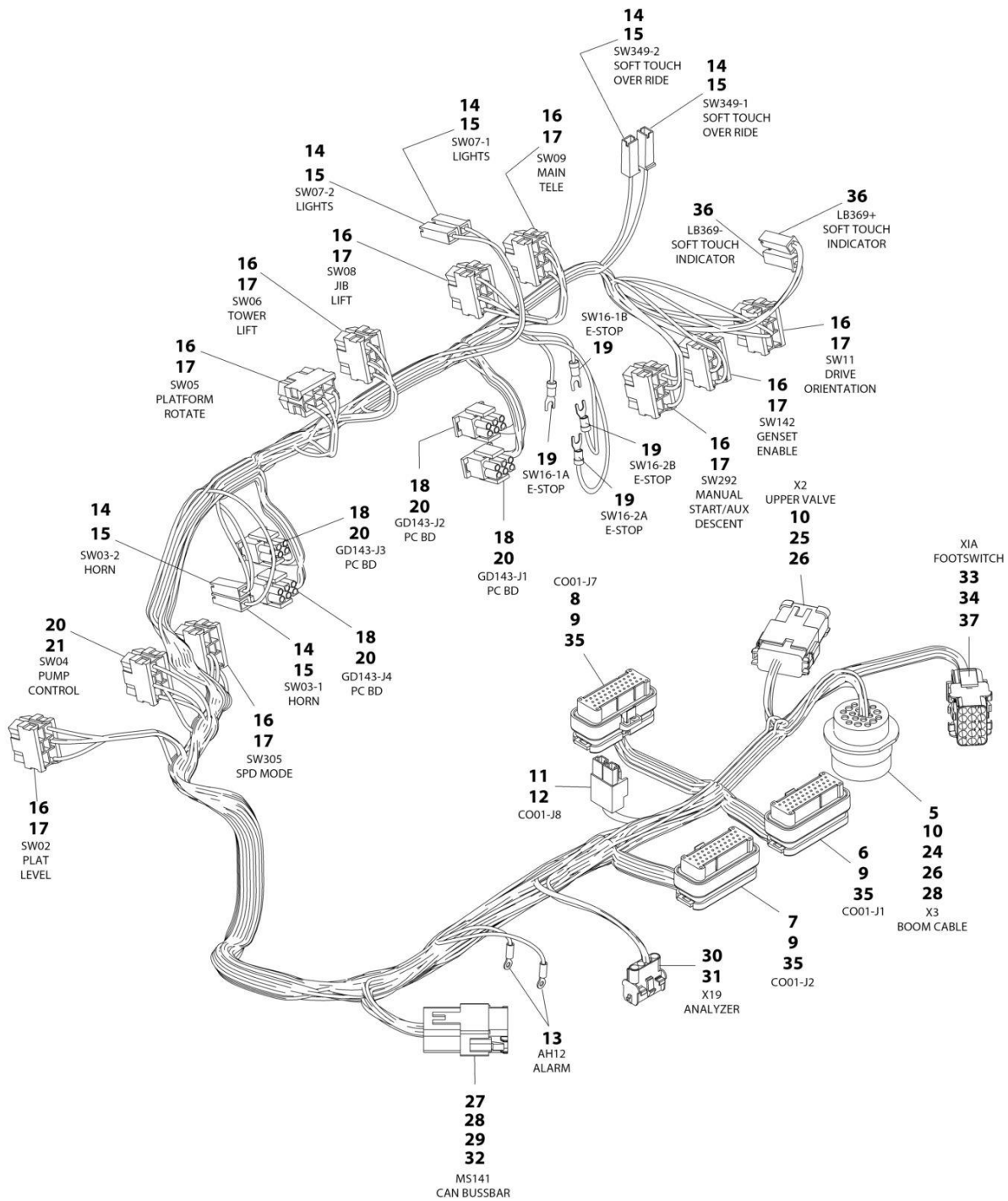
SECTION 8 - ELECTRICAL

FIGURE 8-36. LSS HARNESS

ITEM	PART NUMBER	QTY	DESCRIPTION	REV
	1001169598	Ref	LSS HARNESS	C
1	4460465	2	Socket, Female	
2	4460944	3	Socket, Female	
3	4460836	1	Connector - 12 Position	
3	4460944	3	Socket, Female	
3	4460466	9	Plug, Terminal	
3	1001174455	1	Boot	
4	4460933	1	Connector - 12 Position	
4	4460465	2	Socket, Female	
4	4460466	10	Plug, Terminal	
4	1001174455	1	Boot	
5	2820030	AR	Heat Shrink	

SECTION 8 - ELECTRICAL

FIGURE 8-37. PLATFORM CONSOLE HARNESS - WITHOUT SKYGUARD



ART_1001168701

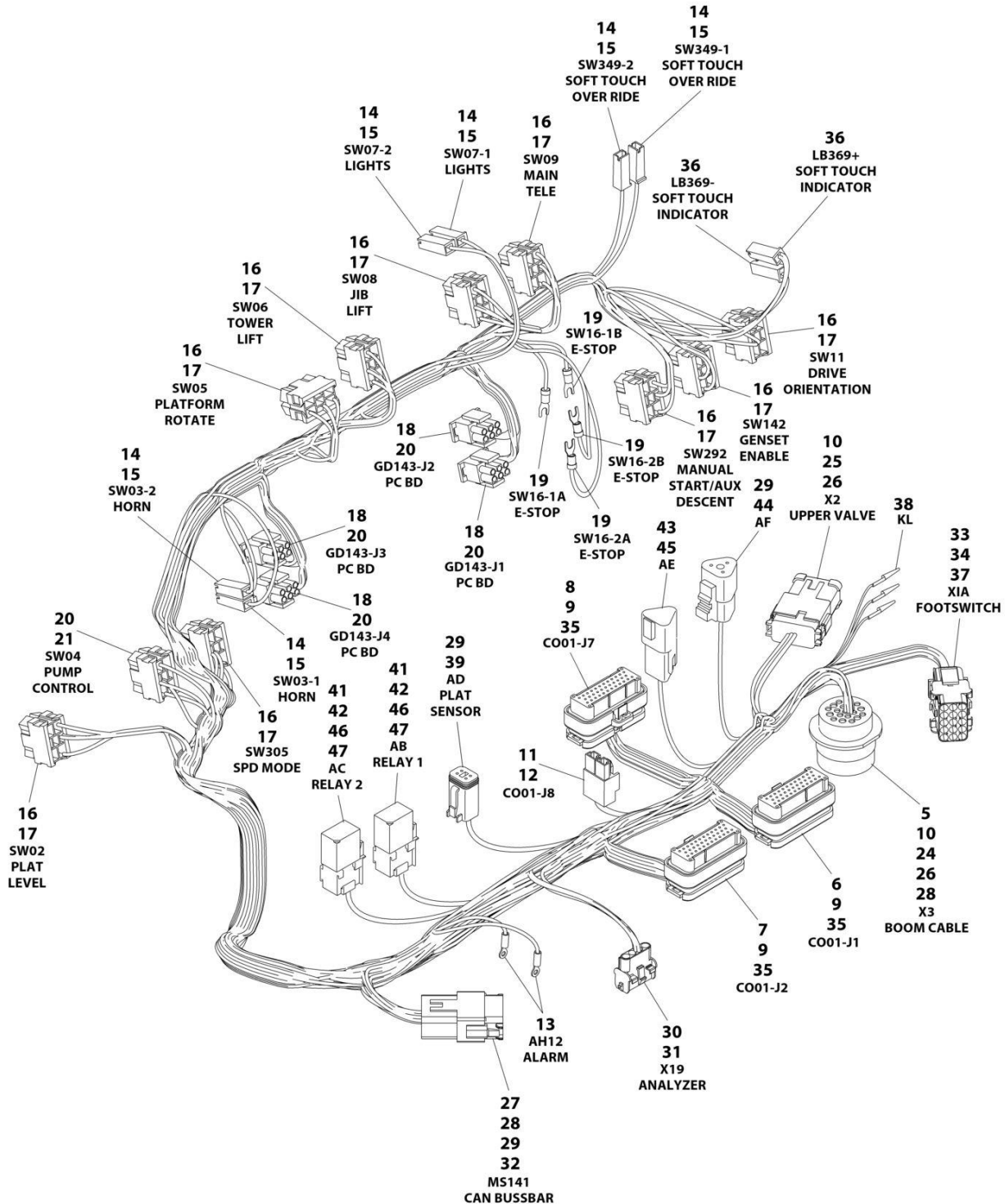
SECTION 8 - ELECTRICAL

FIGURE 8-37. PLATFORM CONSOLE HARNESS - WITHOUT SKYGUARD

ITEM	PART NUMBER	QTY	DESCRIPTION	REV
	1001168701	Ref	PLATFORM CONSOLE HARNESS - WITHOUT SKYGUARD	D
5	4460866	1	Connector - 19 Position	
6	4460874	1	Connector - 35 Position (Natural)	
7	4460875	1	Connector - 35 Position (Gray)	
8	4460876	1	Connector - 35 Position (Blue)	
9	4460871	71	Socket, Female	
10	4460464	14	Pin, Male	
11	4460879	1	Connector - 2 Position	
12	4460887	2	Terminal	
13	1001098122	2	Terminal, Ring	
14	4460260	6	Connector - 1 Position	
15	4460259	6	Terminal	
16	4460418	9	Connector - 6 Position	
17	4460419	24	Terminal	
18	4460226	16	Socket, Female	
19	4460888	4	Terminal, Fork	
20	4460225	5	Connector - 6 Position	
21	4460227	5	Pin, Male	
22	2820118	AR	Heat Shrink	
23	2820019	AR	Heat Shrink	
24	4460508	2	Pin, Male	
25	4460970	1	Connector - 12 Position	
26	4460943	6	Pin, Male	
27	4460933	1	Connector - 12 Position	
28	4460466	12	Plug, Terminal	
29	4460944	9	Socket, Female	
30	4460761	1	Connector - 4 Position	
31	4460227	4	Pin, Male	
32	1001119020	1	Connector - 12 Position Bussbar	
33	4460434	1	Connector - 15 Position	
34	4460227	10	Pin, Male	
35	4460905	35	Plug, Terminal	
36	4460016	2	Terminal	

SECTION 8 - ELECTRICAL

FIGURE 8-38. PLATFORM CONSOLE HARNESS - WITH SKYGUARD



ART_1001186228

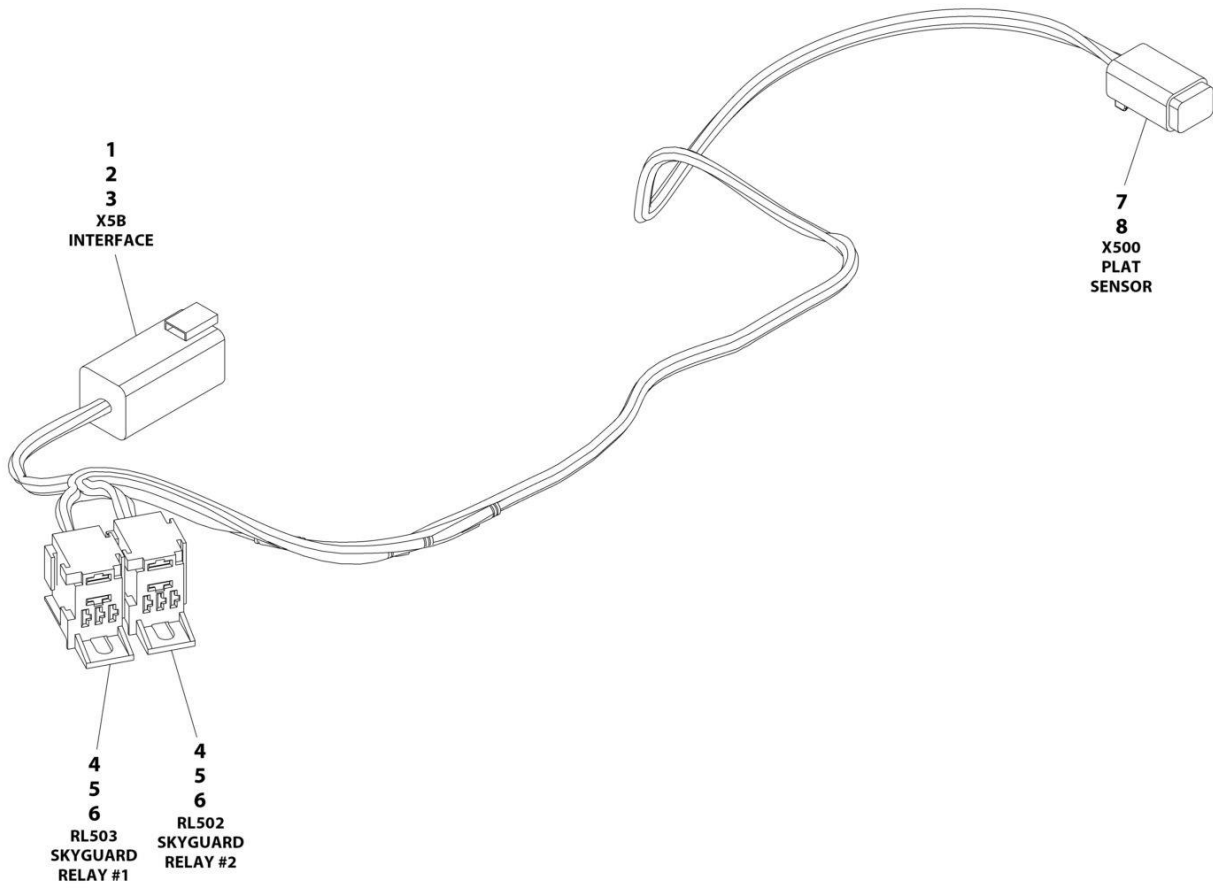
SECTION 8 - ELECTRICAL

FIGURE 8-38. PLATFORM CONSOLE HARNESS - WITH SKYGUARD

ITEM	PART NUMBER	QTY	DESCRIPTION	REV
	1001186228	Ref	PLATFORM CONSOLE HARNESS	B
5	4460866	1	Connector - 19 Position	
6	4460874	1	Connector - 35 Position (Natural)	
7	4460875	1	Connector - 35 Position (Gray)	
8	4460876	1	Connector - 35 Position (Blue)	
9	4460871	71	Socket, Female	
10	4460464	14	Pin, Male	
11	4460879	1	Connector - 2 Position	
12	4460887	2	Terminal	
13	1001098122	2	Terminal, Ring	
14	4460260	6	Connector - 1 Position	
15	4460259	6	Terminal	
16	4460418	9	Connector - 6 Position	
17	4460419	24	Terminal	
18	4460226	16	Socket, Female	
19	4460888	4	Terminal, Fork	
20	4460225	5	Connector - 6 Position	
21	4460227	5	Pin, Male	
22	2820118	AR	Heat Shrink (Not Shown)	
23	2820019	AR	Heat Shrink (Not Shown)	
24	4460508	2	Pin, Male	
25	4460970	1	Connector - 12 Position	
26	4460943	6	Pin, Male	
27	4460933	1	Connector - 12 Position	
28	4460466	12	Plug, Terminal	
29	4460944	9	Socket, Female	
30	4460761	1	Connector - 4 Position	
31	4460227	4	Pin, Male	
32	1001119020	1	Connector - 12 Position Bussbar	
33	4460434	1	Connector - 15 Position	
34	4460227	10	Pin, Male	
35	4460905	35	Plug, Terminal	
36	4460016	2	Terminal	
37	4460267	1	Pin, Male	
38	4460226	3	Socket, Female	
39	4460884	1	Connector - 4 Position	
41	1001116720	4	Terminal	
42	1001118388	4	Terminal	
43	4460536	1	Connector - 3 Position	
44	4460539	1	Connector - 3 Position	
45	4460943	3	Pin, Male	
46	1001186431	2	Relay	
47	1001186432	2	Holder, Relay	

SECTION 8 - ELECTRICAL

FIGURE 8-39. GENERATOR TO PLATFORM HARNESS - WITH SKYGUARD



ART_1001225580

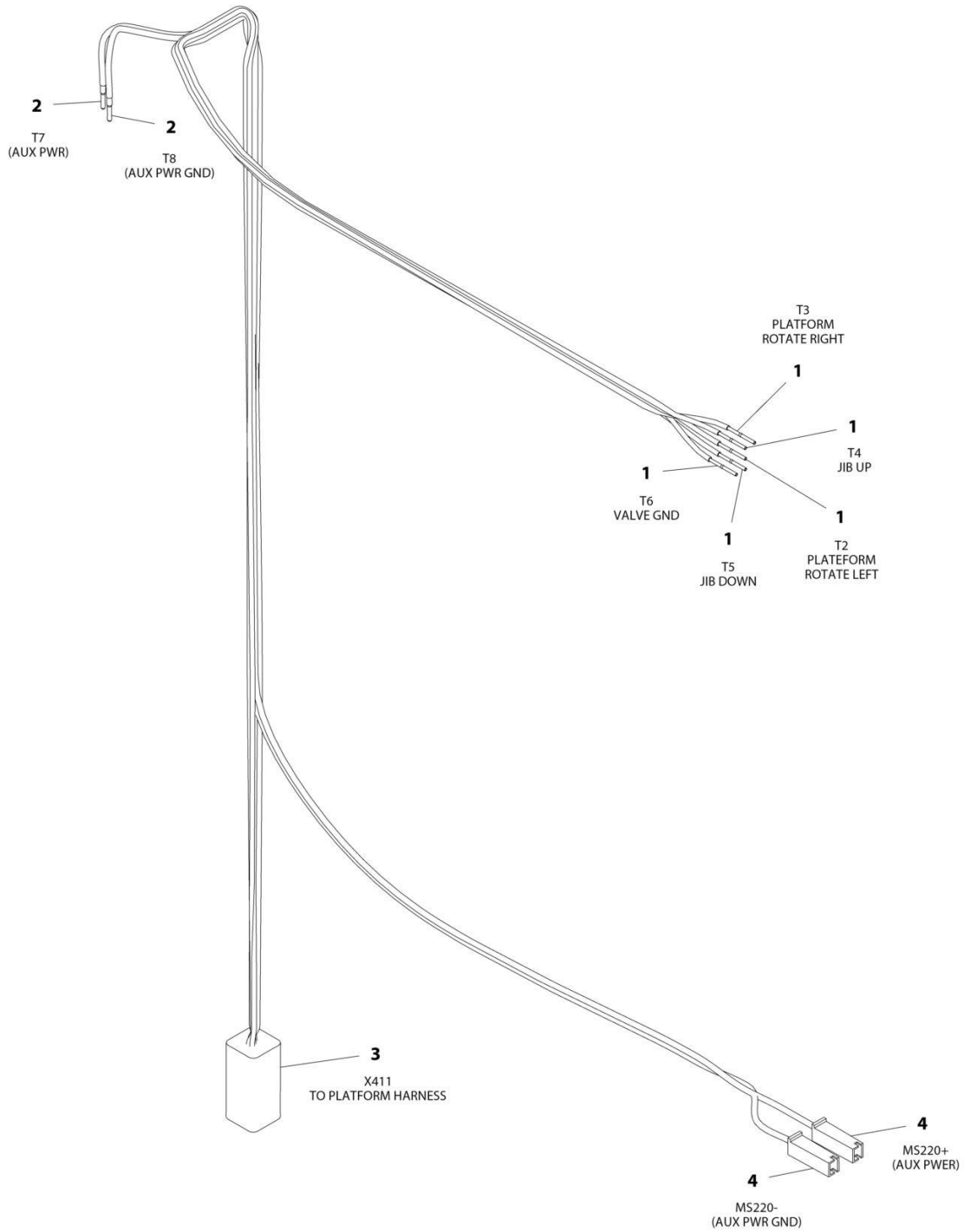
SECTION 8 - ELECTRICAL

FIGURE 8-39. GENERATOR TO PLATFORM HARNESS - WITH SKYGUARD

ITEM	PART NUMBER	QTY	DESCRIPTION	REV
	1001225580	Ref	GENERATOR TO PLATFORM HARNESS - WITH SKYGUARD	C
1	4460899	1	Connector	
2	4460464	4	Terminal	
3	4460466	2	Plug	
4	1001186432	2	Connector	
5	1001116720	4	Terminal	
6	1001118388	4	Terminal	
7	4460844	1	Connector	
8	4460465	4	Terminal	

SECTION 8 - ELECTRICAL

FIGURE 8-40. PLATFORM TO BOOM VALVE HARNESS



ART_1001169422

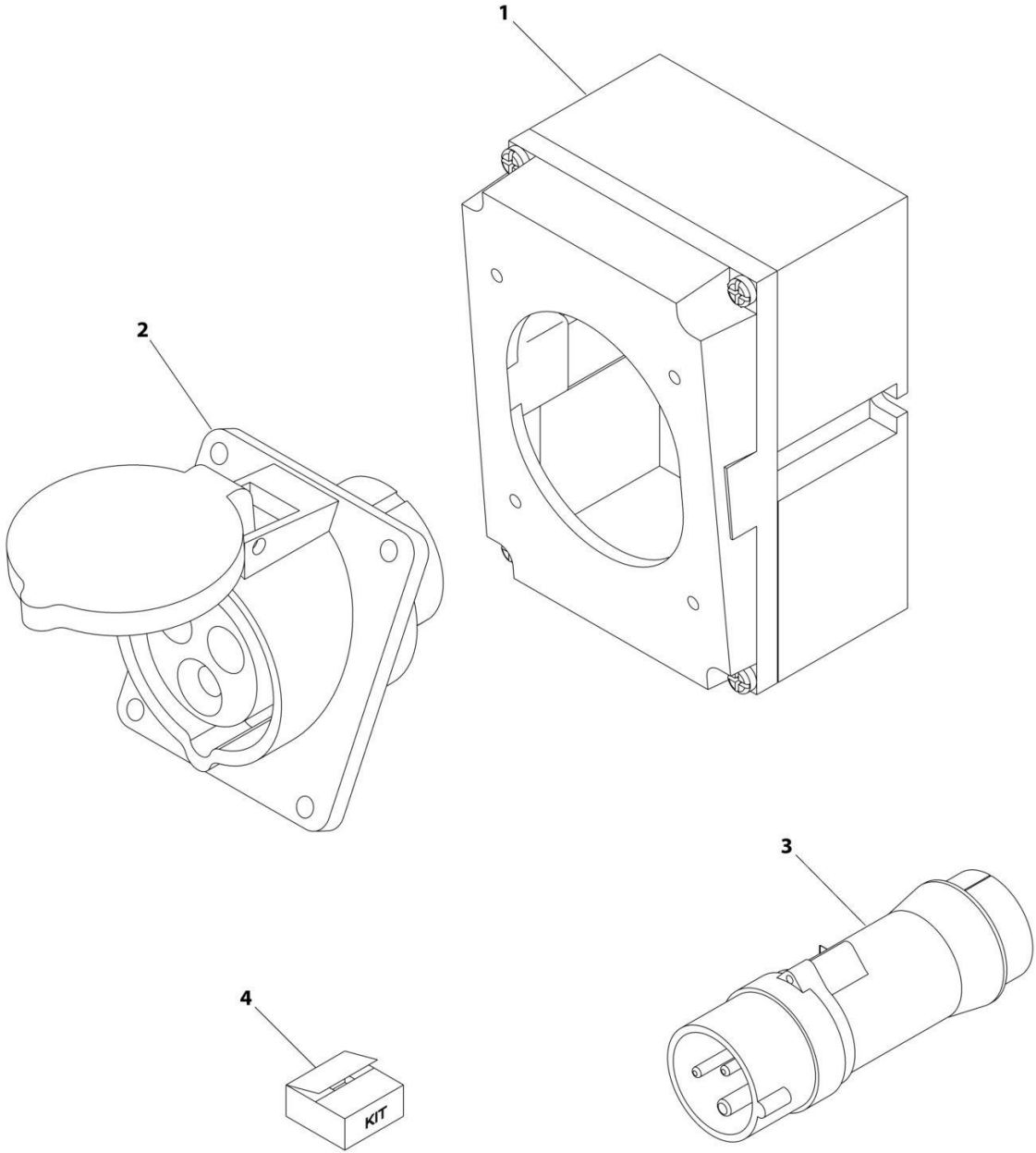
SECTION 8 - ELECTRICAL

FIGURE 8-40. PLATFORM TO BOOM VALVE HARNESS

ITEM	PART NUMBER	QTY	DESCRIPTION	REV
	1001169422	Ref	PLATFORM TO BOOM VALVE HARNESS	A
1	4460465	5	Socket, Female	
2	4460508	2	Pin, Male	
3	4460899	1	Connector - 6 Position	
3	4460464	5	Pin, Male	
3	4460466	1	Plug, Terminal	
4	4460260	2	Connector - 1 Position	
4	4460259	2	Terminal	

SECTION 8 - ELECTRICAL

FIGURE 8-41. RECEPTACLE BOX KIT - 110V IEC YELLOW (CE SPEC)



ART_0275216

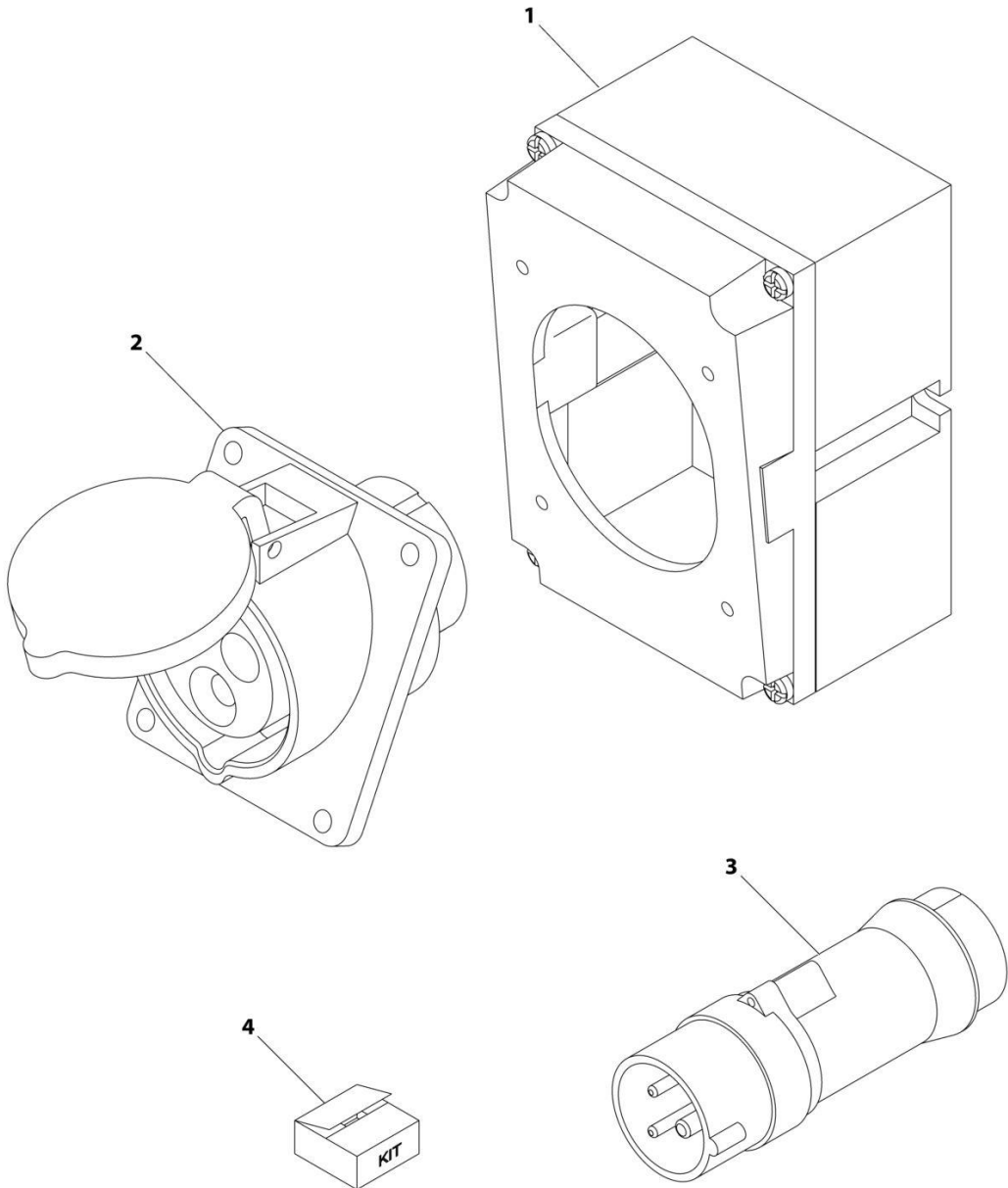
SECTION 8 - ELECTRICAL

FIGURE 8-41. RECEPTACLE BOX KIT - 110V IEC YELLOW (CE SPEC)

ITEM	PART NUMBER	QTY	DESCRIPTION	REV
	0275216	Ref	RECEPTACLE BOX KIT - 110V IEC YELLOW (CE SPEC)	B
1	0861781	1	Box, Switch	
2	4461198	1	Receptacle	
3	4461196	1	Plug, Male	
4	1001100341	1	Plug and Socket Kit (Includes Items 1-3 and Female Plug p/n 4461197)	

SECTION 8 - ELECTRICAL

FIGURE 8-42. RECEPTACLE BOX KIT - 220V IEC BLUE (CE SPEC)



ART_0275217

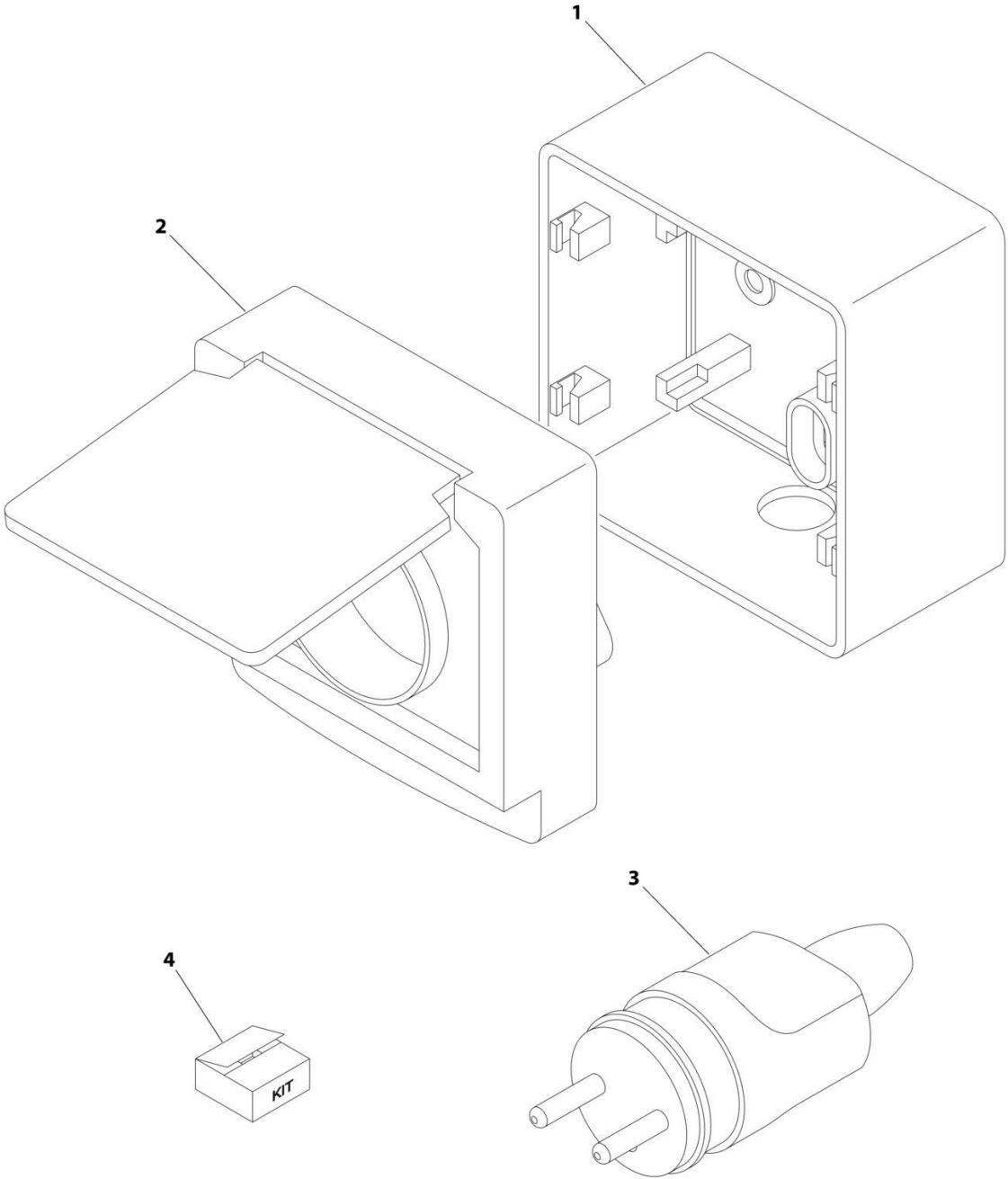
SECTION 8 - ELECTRICAL

FIGURE 8-42. RECEPTACLE BOX KIT - 220V IEC BLUE (CE SPEC)

ITEM	PART NUMBER	QTY	DESCRIPTION	REV
	0275217	Ref	RECEPTACLE BOX KIT - 220V IEC BLUE (CE SPEC)	B
1	0861781	1	Box, Switch	
2	4461201	1	Receptacle	
3	4461199	1	Plug, Male	
4	1001100342	1	Plug and Socket Kit (Includes Items 1-3 and Female Plug p/n 4461200)	

SECTION 8 - ELECTRICAL

FIGURE 8-43. RECEPTACLE BOX KIT - 220V CEE7 POST GROUND 70MMX70MM BOX (CE SPEC)



ART_0275218

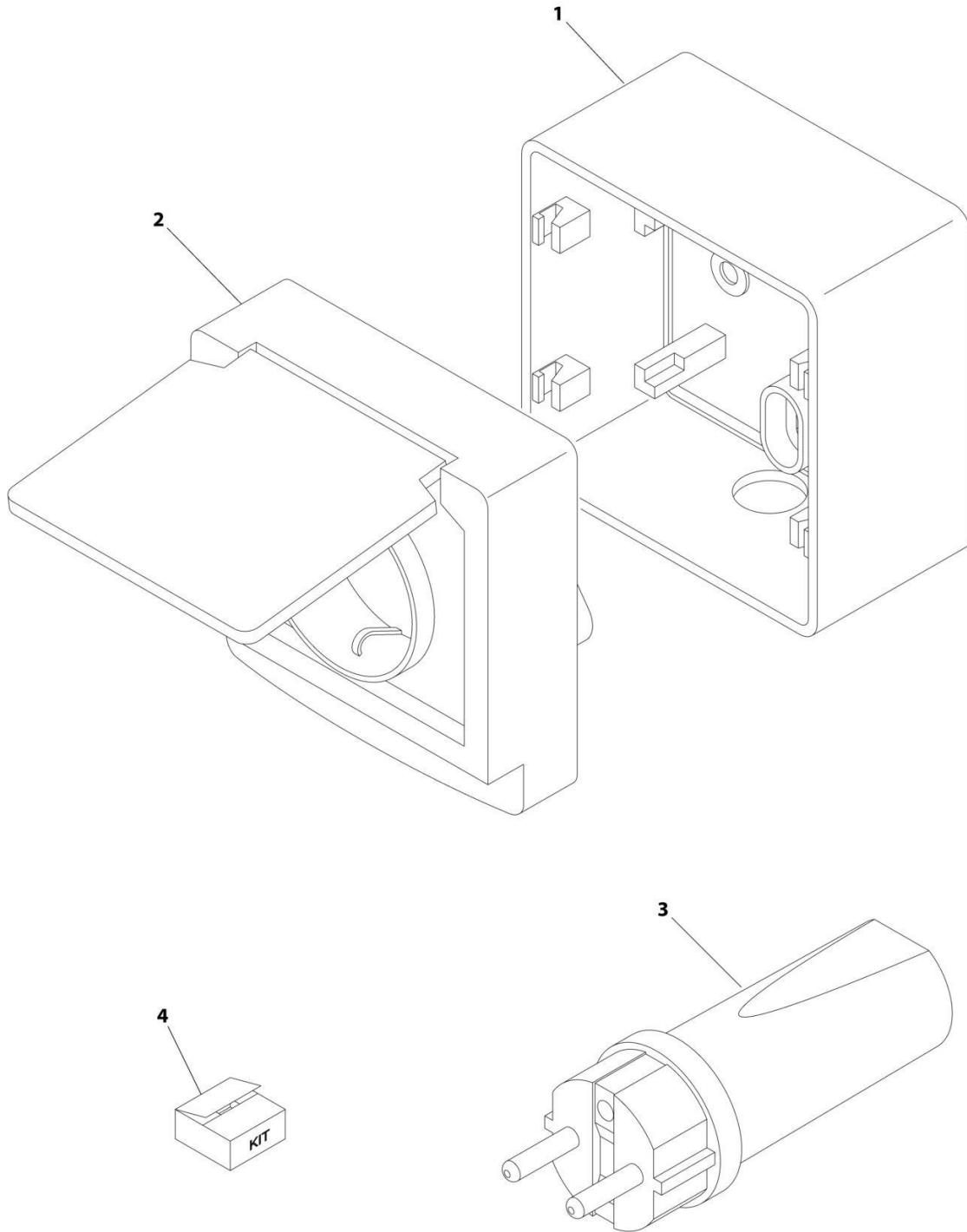
SECTION 8 - ELECTRICAL

FIGURE 8-43. RECEPTACLE BOX KIT - 220V CEE7 POST GROUND 70MMX70MM BOX (CE SPEC)

ITEM	PART NUMBER	QTY	DESCRIPTION	REV
	0275218	Ref	RECEPTACLE BOX KIT - 220V CEE7 POST GROUND 70MM X 70MM BOX (CE SPEC)	C
1	1001141967	1	Box, Switch	
2	1001141968	1	Receptacle	
3	4461205	1	Plug, Male	
4	1001141971	1	Plug and Socket Kit (Includes Items 1-3 and Female Plug p/n 4461206)	

SECTION 8 - ELECTRICAL

FIGURE 8-44. RECEPTACLE BOX KIT - 220V CEE7 SIDE GROUND 70MMX70MM BOX (CE SPEC)



ART_0275219

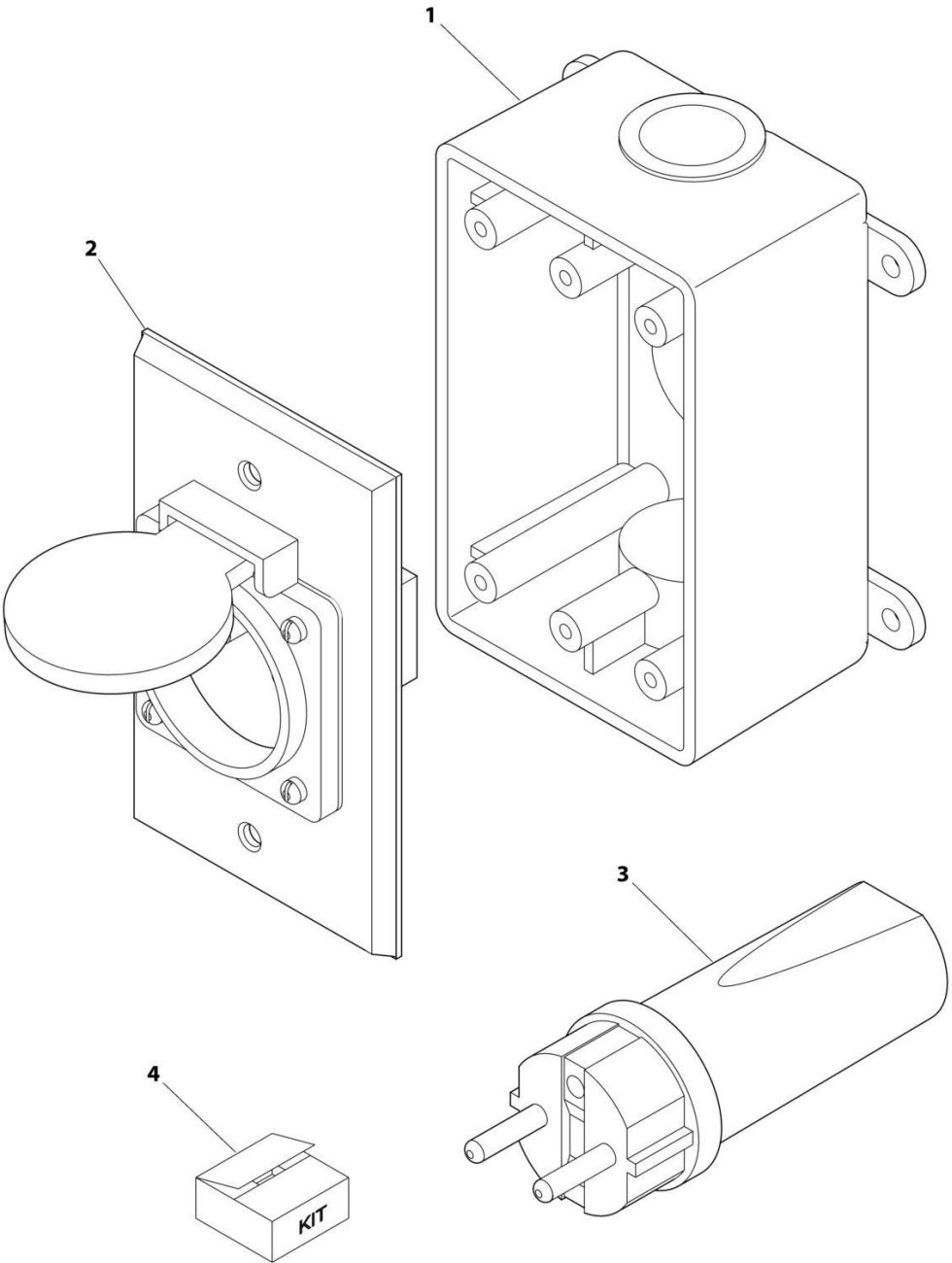
SECTION 8 - ELECTRICAL

FIGURE 8-44. RECEPTACLE BOX KIT - 220V CEE7 SIDE GROUND 70MMX70MM BOX (CE SPEC)

ITEM	PART NUMBER	QTY	DESCRIPTION	REV
	0275219	Ref	RECEPTACLE BOX KIT - 220V CEE7 SIDE GROUND 70MM X 70MM BOX (CE SPEC)	B
1	1001141967	1	Box, Switch	
2	1001141969	1	Receptacle	
3	4461205	1	Plug, Male	
4	1001141970	1	Plug and Socket Kit (Includes Items 1-3 and Female Plug p/n 4461206)	

SECTION 8 - ELECTRICAL

FIGURE 8-45. RECEPTACLE BOX KIT - 220V CEE7 POST GROUND 2IN X 4IN BOX (CE SPEC)



ART_0275452

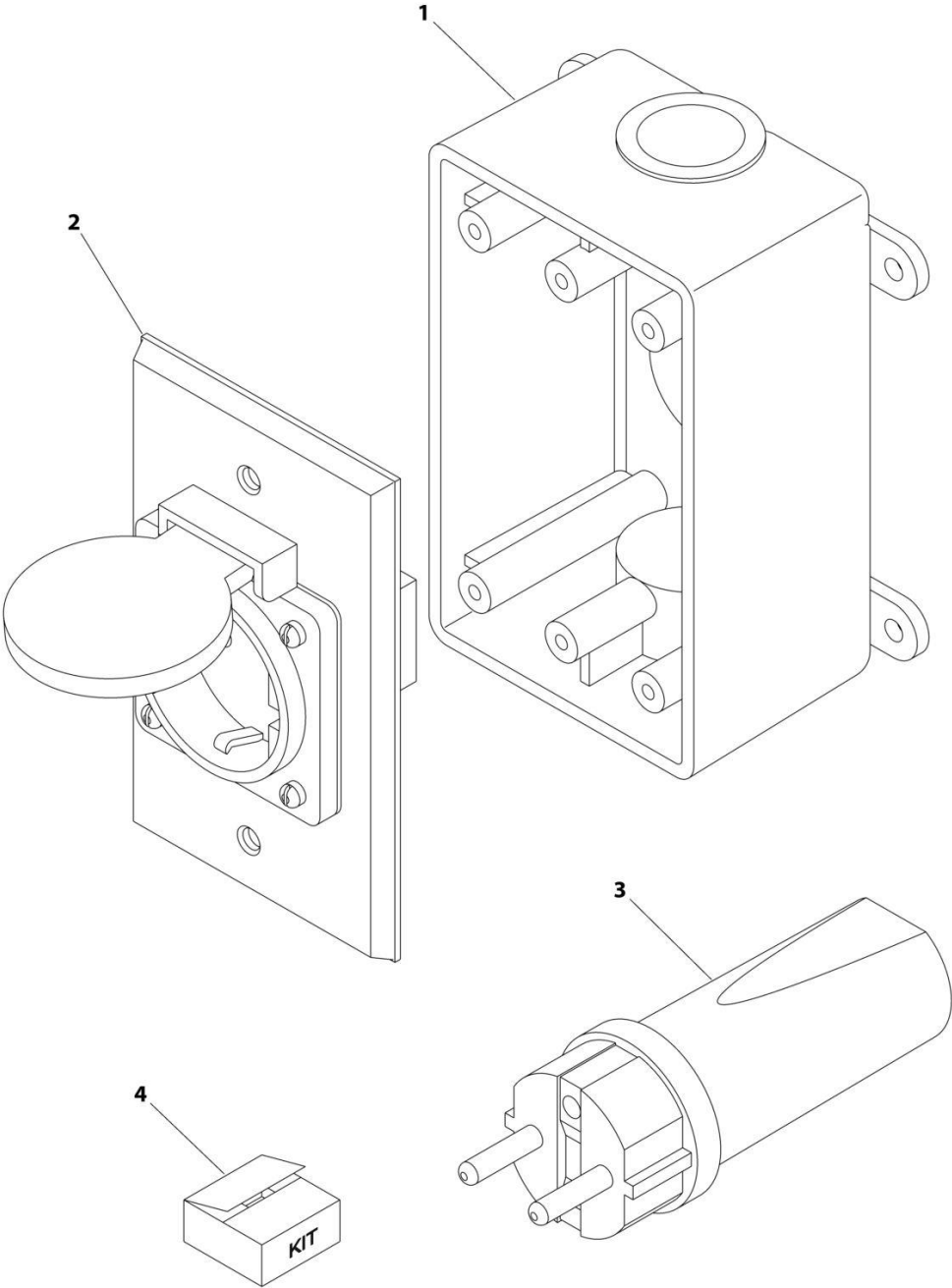
SECTION 8 - ELECTRICAL

FIGURE 8-45. RECEPTACLE BOX KIT - 220V CEE7 POST GROUND 2IN X 4IN BOX (CE SPEC)

ITEM	PART NUMBER	QTY	DESCRIPTION	REV
	0275452	Ref	RECEPTACLE BOX KIT - 220V CEE7 POST GROUND 2IN X 4IN BOX (CE SPEC)	C
1	0861731	1	Box, Switch	
2	4461244	1	Receptacle	
3	4461205	1	Plug, Male	
4	1001100345	1	Plug and Socket Kit (Includes Items 1-3 and Female Plug p/n 4461206)	

SECTION 8 - ELECTRICAL

FIGURE 8-46. RECEPTACLE BOX KIT - 220V CEE7 SIDE GROUND 2IN X 4IN BOX (CE SPEC)



ART_0275453

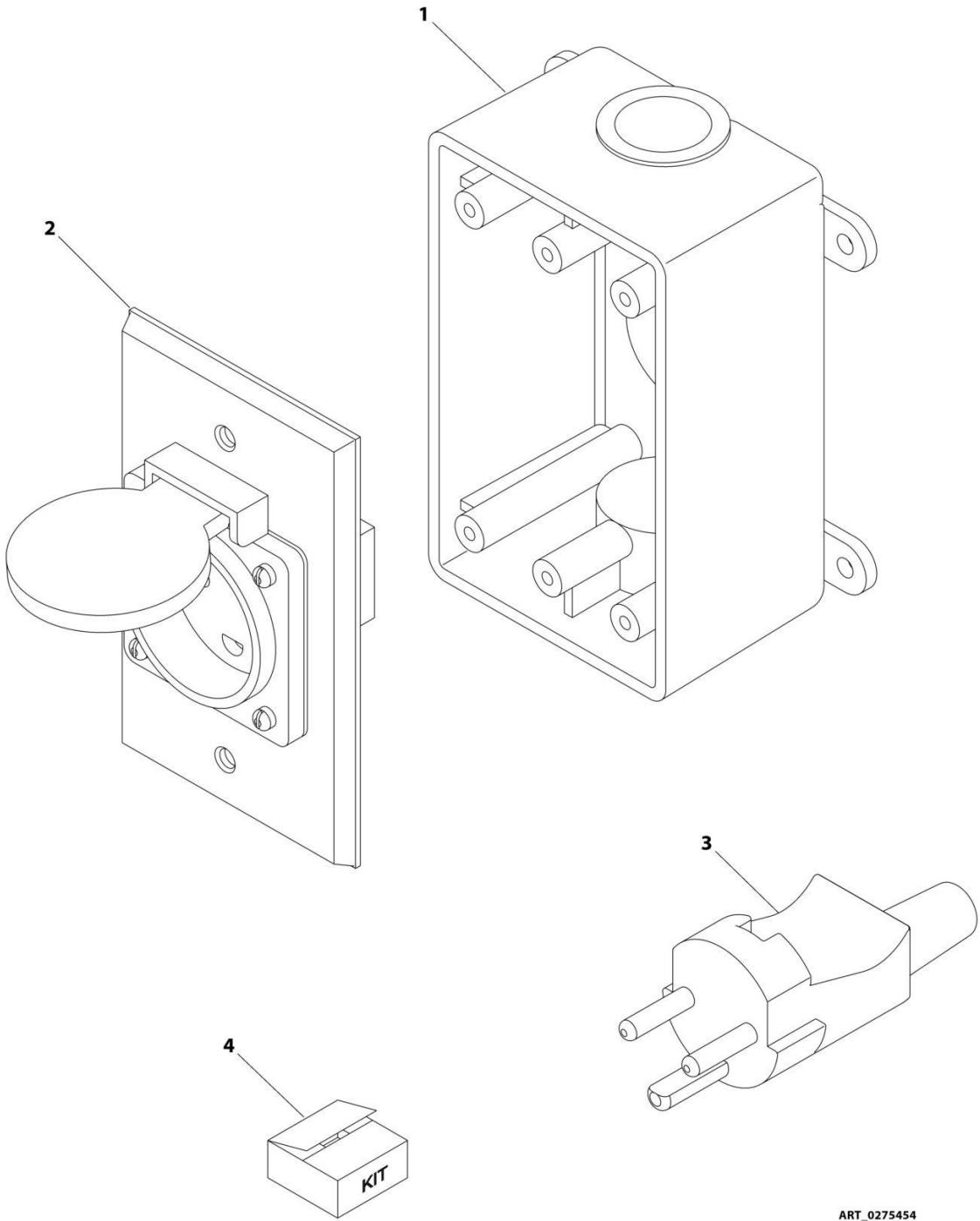
SECTION 8 - ELECTRICAL

FIGURE 8-46. RECEPTACLE BOX KIT - 220V CEE7 SIDE GROUND 2IN X 4IN BOX (CE SPEC)

ITEM	PART NUMBER	QTY	DESCRIPTION	REV
	0275453	Ref	RECEPTACLE BOX KIT - 220V CEE7 SIDE GROUND 2IN X 4IN BOX (CE SPEC)	B
1	0861731	1	Box, Switch	
2	4461245	1	Receptacle	
3	4461205	1	Plug, Male	
4	1001100347	1	Plug and Socket Kit (Includes Items 1-3 and Female Plug p/n 4461206)	

SECTION 8 - ELECTRICAL

FIGURE 8-47. RECEPTACLE BOX KIT - 220V AFSINT 107 (CE SPEC)



ART_0275454

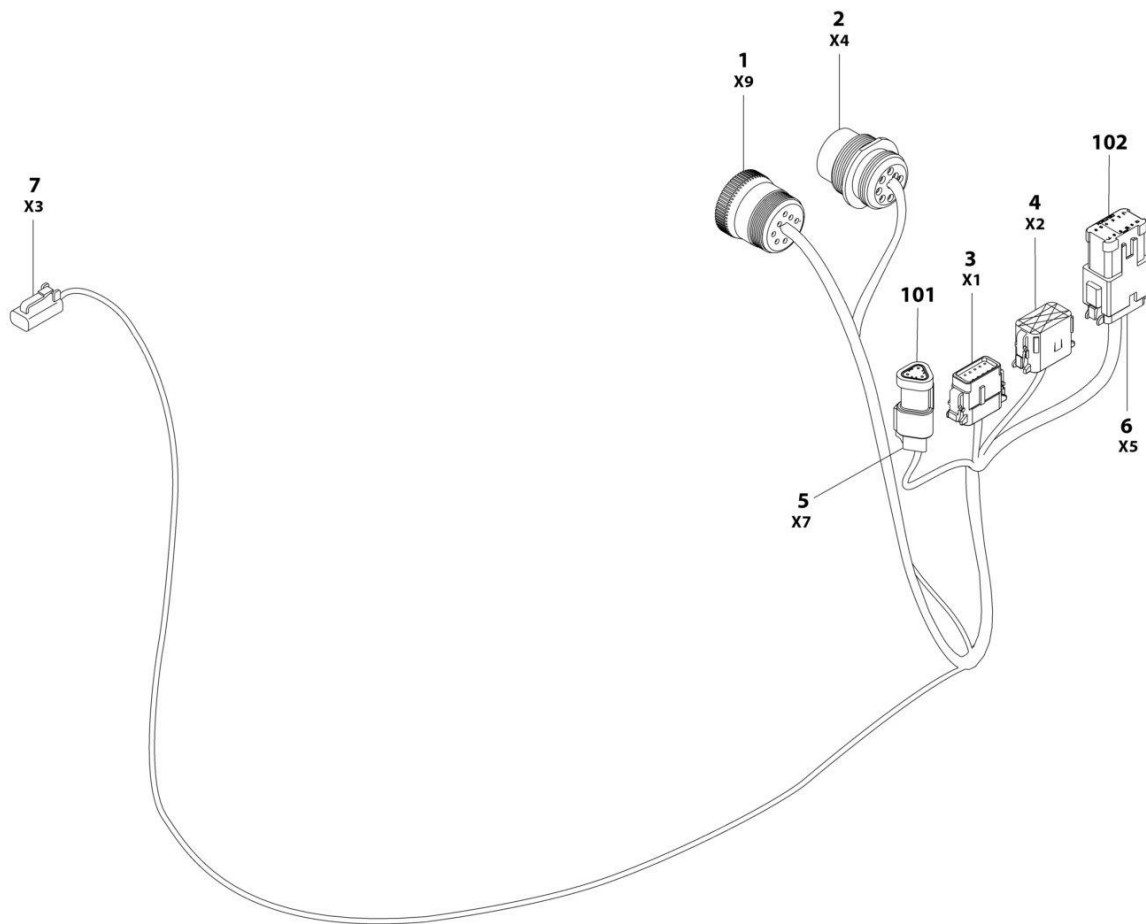
SECTION 8 - ELECTRICAL

FIGURE 8-47. RECEPTACLE BOX KIT - 220V AFSINT 107 (CE SPEC)

ITEM	PART NUMBER	QTY	DESCRIPTION	REV
	0275454	Ref	RECEPTACLE BOX KIT - 220V AFSINT 107 (CE SPEC)	B
1	0861731	1	Box, Switch	
2	4461246	1	Receptacle	
3	4461249	1	Plug, Male	
4	1001100346	1	Plug and Socket Kit (Includes Items 1-3 and Female Plug p/n 4461250)	

SECTION 8 - ELECTRICAL

FIGURE 8-48. STROBE LIGHT HARNESS (BLUE AND RED LIGHTS)



ART_1001142736

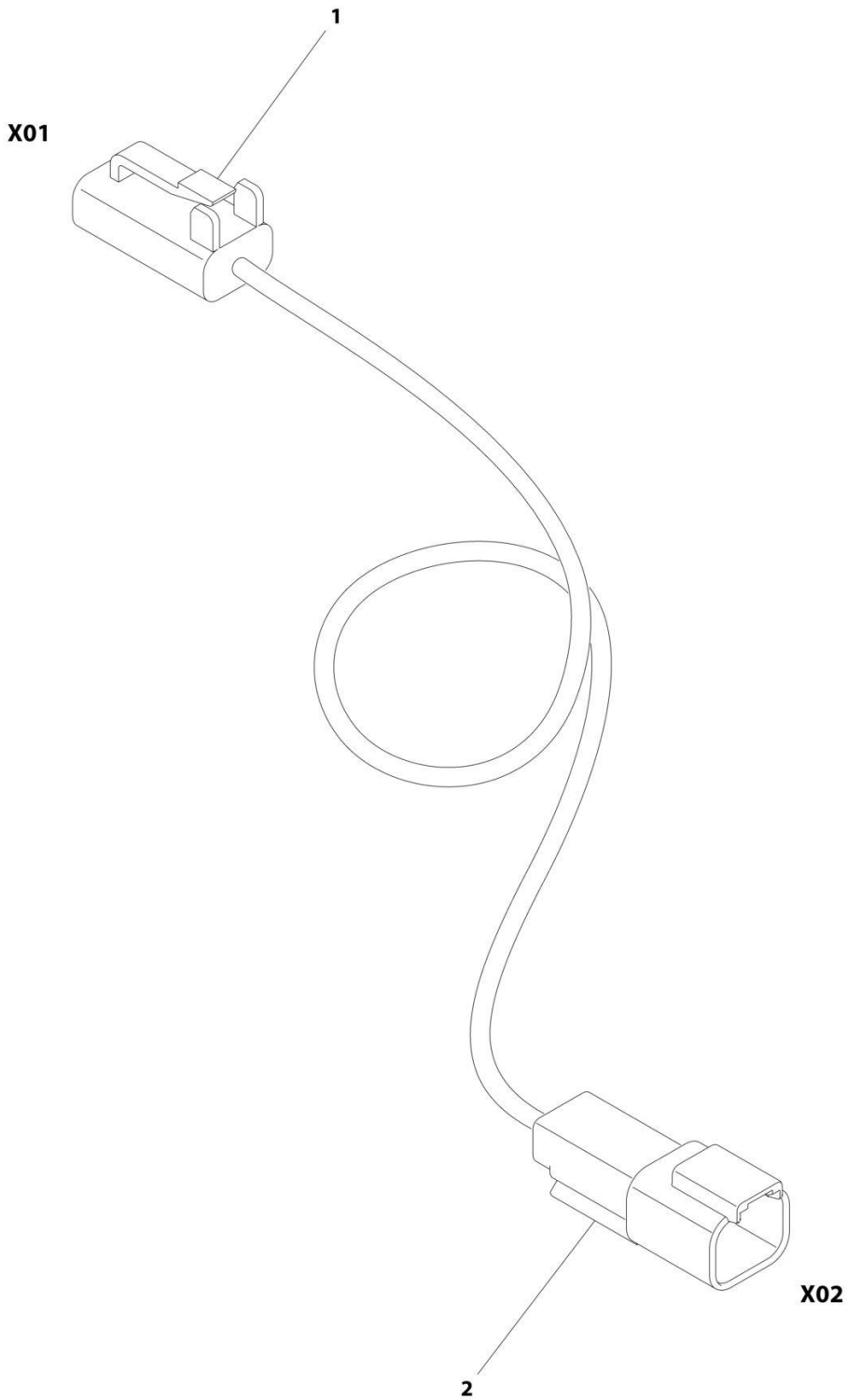
SECTION 8 - ELECTRICAL

FIGURE 8-48. STROBE LIGHT HARNESS (BLUE AND RED LIGHTS)

ITEM	PART NUMBER	QTY	DESCRIPTION	REV
	1001142736	Ref	STROBE LIGHT HARNESS (BLUE AND RED LIGHTS)	F
1	1001112796	1	Connector - 9 Position	
1	4460465	6	Socket, Female	
1	4460466	3	Plug, Socket	
2	1001112612	1	Connector - 9 Position	
2	4460464	6	Pin, Male	
2	4460466	3	Plug, Socket	
3	1001116808	1	Connector - 12 Position	
3	4460928	3	Socket, Female	
3	4460518	9	Plug, Socket	
4	1001116774	1	Connector - 12 Position	
4	4460928	3	Socket, Female	
4	4460518	9	Plug, Socket	
5	4461095	1	Connector - 3 Position	
5	4460465	3	Socket, Female	
6	4460933	1	Connector - 12 Position	
6	4460465	12	Socket, Female	
7	4460891	1	Connector - 2 Position	
7	4460465	2	Socket, Female	
101	4461070	1	Connector - 3 Position	
102	1001119020	1	Connector, Female Bussbar - 12 Position	

SECTION 8 - ELECTRICAL

FIGURE 8-49. STROBE EXTENSION HARNESS (BLUE AND RED LIGHTS)



ART_1001159027

SECTION 8 - ELECTRICAL

FIGURE 8-49. STROBE EXTENSION HARNESS (BLUE AND RED LIGHTS)

ITEM	PART NUMBER	QTY	DESCRIPTION	REV
	1001159027	Ref	STROBE EXTENSION HARNESS (BLUE AND RED LIGHTS)	B
1	4460891	1	Plug, Male -2 Position	
1	4460465	2	Socket, Female	
2	4460897	1	Receptacle, Female	
2	4460464	2	Pin, Male	

SECTION 8 - ELECTRICAL

FIGURE 8-50. TRACTION HARNESS

ITEM	PART NUMBER	QTY	DESCRIPTION	REV
	1001161871	Ref	TRACTION HARNESS	J
1	4460873	4	Connector - 35 Position	
1	4460871	60	Socket, Female	
1	4460905	80	Plug, Terminal	
2	4460703	5	Terminal, Ring	
3	4460670	5	Terminal, Ring	
4	2400060	9	Fuseholder with Cover	
4	1001170760	9	Fuse 10Amp	
6	4460931	4	Receptacle, Female - 8 Position	
6	4460464	32	Pin, Male	
7	4460536	2	Receptacle, Female - 3 Position	
7	4460464	6	Pin, Male	
8	4460994	1	Receptacle, Female - 2 Position	
8	1001116723	2	Terminal	
9	1001171295	2	Relay	
9	4460374	2	Plug, Relay	
9	4460375	8	Terminal	
10	4460894	1	Plug, Male - 6 Position	
10	4460465	5	Socket, Female	
10	4460466	1	Plug, Terminal	
11	4460933	2	Plug, Male - 12 Position	
11	4460944	24	Socket, Female	
11	1001119020	2	Bussbar - 12 Position	
12	4460897	1	Receptacle, Female - 2 Position	
12	4460464	2	Pin, Male	
13	4460891	1	Plug, Male - 2 Position	
13	4460465	1	Socket, Female	
13	4460466	1	Plug, Terminal	
14	1001126245	1	Receptacle, Female - 2 Position	
14	1001126008	2	Terminal	
15	1001183402	1	Connector - 4 Position	
15	1001183405	4	Terminal	
16	4460851	1	Plug, Male - 12 Position	
16	4460465	6	Socket, Female	
16	4460942	1	Socket, Female	
16	4460466	1	Plug, Terminal	
16	4460852	1	Bussbar - 12 Position	
17	4460320	1	Plug, Male - 2 Position	
17	4460267	2	Terminal	
18	4460539	1	Plug, Male - 3 Position	
18	4460944	3	Socket, Female	

SECTION 8 - ELECTRICAL

FIGURE 8-51. TURNTABLE HARNESS

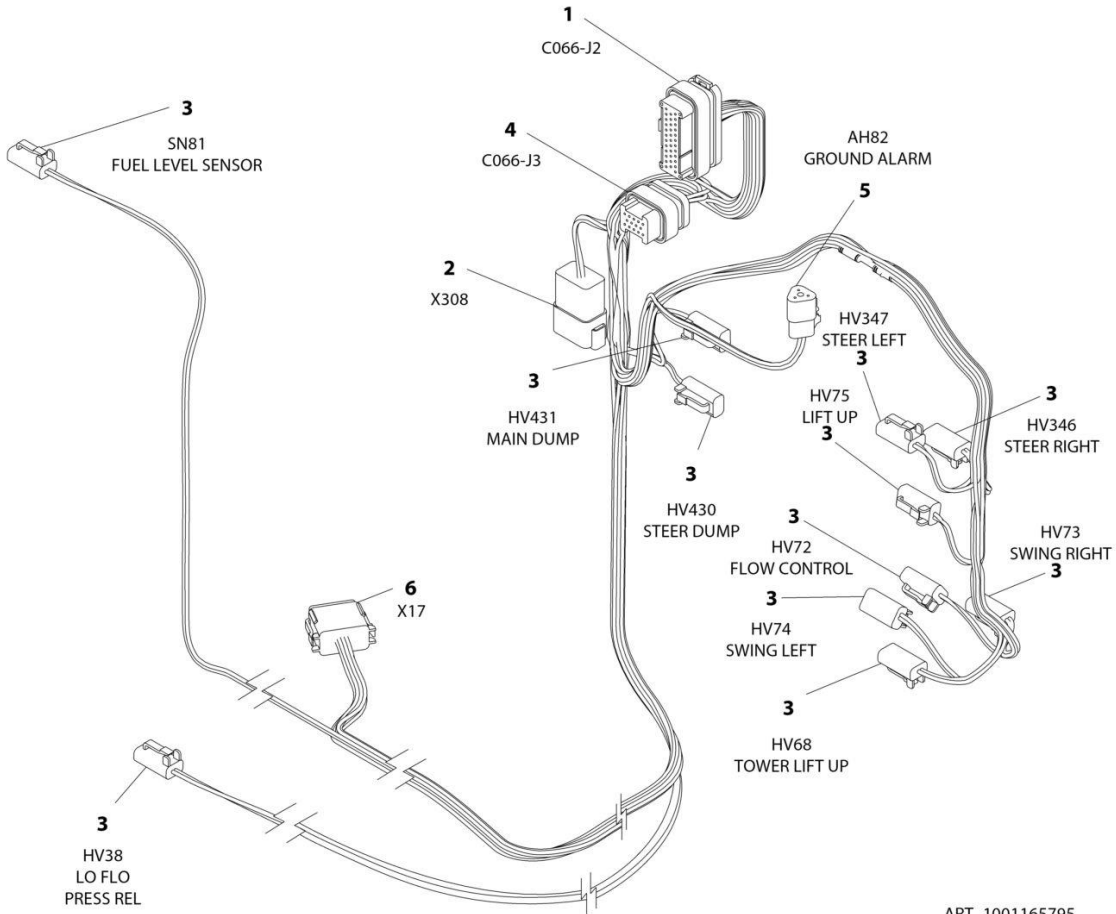
ITEM	PART NUMBER	QTY	DESCRIPTION	REV
	1001165923	Ref	TURNTABLE HARNESS	H
1	4460873	1	Connector - 35 Position (Black)	
1	4460871	24	Socket, Female	
1	4460905	11	Plug, Terminal	
2	4460878	1	Connector - 4 Position	
2	4460887	4	Terminal	
3	2400066	2	Fuseholder Less Fuse	
3	8229244	2	Fuse 15Amp	
4	4460874	1	Connector - 35 Position (Natural)	
4	4460871	20	Socket, Female	
4	4460905	15	Plug, Terminal	
5	4460761	1	Connector - 4 Position	
5	4460227	4	Pin, Male	
6	4460894	1	Connector - 6 Position	
6	4460465	4	Socket, Female	
6	4460466	2	Plug, Terminal	
6	4460892	1	Connector - 6 Position Bussbar	
6	1001121172	1	Mount, Terminal	
7	4460836	1	Connector - 12 Position	
7	4460465	5	Socket, Female	
7	4460466	7	Plug, Terminal	
7	4460837	1	Connector - 12 Position Bussbar	
7	1001121172	1	Mount, Terminal	
8	1001172064	1	Fuseholder Less Fuse	
8	1001172227	1	Fuse 40Amp ATO	
9	2400066	1	Fuseholder Less Fuse	
9	2400065	1	Fuse 30 Amp	
10	2400066	1	Fuseholder Less Fuse	
10	2400064	1	Fuse 5Amp	
11	3990010	2	Diode 6Amp	
12	4460312	1	Ring, Terminal	
12	1001176230	1	Boot, Battery	
13	4461018	1	Connector - 2 Position	
13	4460509	2	Socket, Female	
14	1001117025	3	Connector - 5 Position Relay	
14	1001116734	4	Terminal, Female	
14	1001116732	6	Terminal, Female	
14	1001116733	2	Terminal, Female	
15	4460930	1	Connector - 8 Position	
15	4460465	3	Socket, Female	
15	4460466	3	Plug, Terminal	
16	1001184846	2	Connector - 10 Position Bussbar	
16	4460509	15	Socket, Female	
16	4460466	5	Plug, Terminal	
17	4460312	1	Ring, Terminal	
17	1001176229	1	Boot, Battery	
18	1001103012	1	Connector - 4 Position	
18	1001107854	1	Socket, Female	
19	4460933	2	Connector - 12 Position	
19	4460465	14	Socket, Female	

SECTION 8 - ELECTRICAL

ITEM	PART NUMBER	QTY	DESCRIPTION	REV
19	4460466	10	Plug, Terminal	
19	1001119020	2	Connector, Bussbar	
19	1001155967	2	Bracket, Mounting	
20	4460897	3	Connector - 2 Position	
20	4460464	6	Pin, Male	
21	4460899	3	Connector - 6 Position	
21	4460464	14	Pin, Male	
21	4460466	4	Plug, Terminal	
22	2400060	1	Fuseholder Less Fuse	
22	See Note	1	Fuse 10Amp (Note: Not Available - Purchase Locally)	
23	4460891	5	Connector - 2 Position	
23	4460465	10	Socket, Female	
24	4460884	2	Connector - 4 Position	
24	4460465	7	Socket, Female	
24	4460466	1	Plug, Terminal	
25	4461110	1	Connector - 16 Position	
25	4461112	9	Terminal, Female	
25	4461222	7	Plug, Terminal	
26	4461017	1	Connector - 2 Position	
26	4460508	2	Pin, Male	
27	4460142	3	Ring, Terminal	
28	1001151788	1	Connector - 4 Position	
28	1001151824	2	Terminal	
29	4460866	1	Connector - 19 Position	
29	4460943	3	Pin, Male	
29	4460508	4	Pin, Male	
29	4460464	4	Pin, Male	
29	4460466	8	Plug, Terminal	

SECTION 8 - ELECTRICAL

FIGURE 8-52. VALVE HARNESS



SECTION 8 - ELECTRICAL

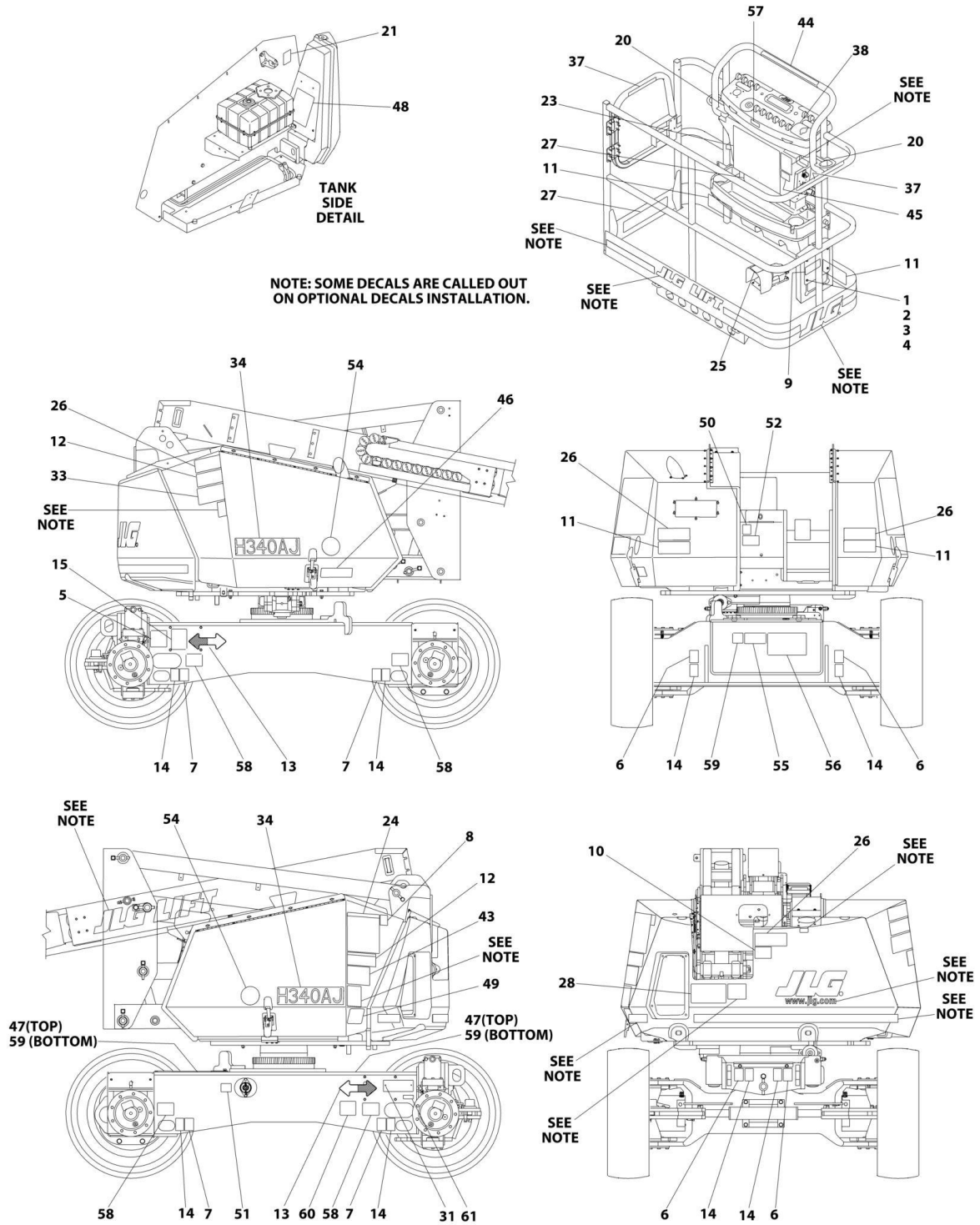
FIGURE 8-52. VALVE HARNESS

ITEM	PART NUMBER	QTY	DESCRIPTION	REV
	1001165795	Ref	VALVE HARNESS	E
1	4460875	1	Connector - 35 Position	
1	4460871	24	Socket, Female	
1	4460905	11	Plug, Terminal	
2	4460931	1	Connector - 8 Position	
2	4460464	3	Pin, Male	
2	4460466	5	Plug, Terminal	
3	4460891	11	Connector - 2 Position	
3	4460465	22	Socket, Female	
4	4460872	1	Connector - 14 Position	
4	4460871	7	Socket, Female	
4	4460905	7	Plug, Terminal	
5	4460539	1	Connector - 3 Position	
5	4460465	3	Socket, Female	
6	4460933	1	Connector - 12 Position	
6	4460465	9	Socket, Female	
6	4460466	3	Plug, Terminal	

SECTION 9 - DECALS

SECTION 9 - DECALS

FIGURE 9-1. DECALS INSTALLATION - ANSI AND ANSI EXPORT SPECS (ENGLISH)



ART_1001169310

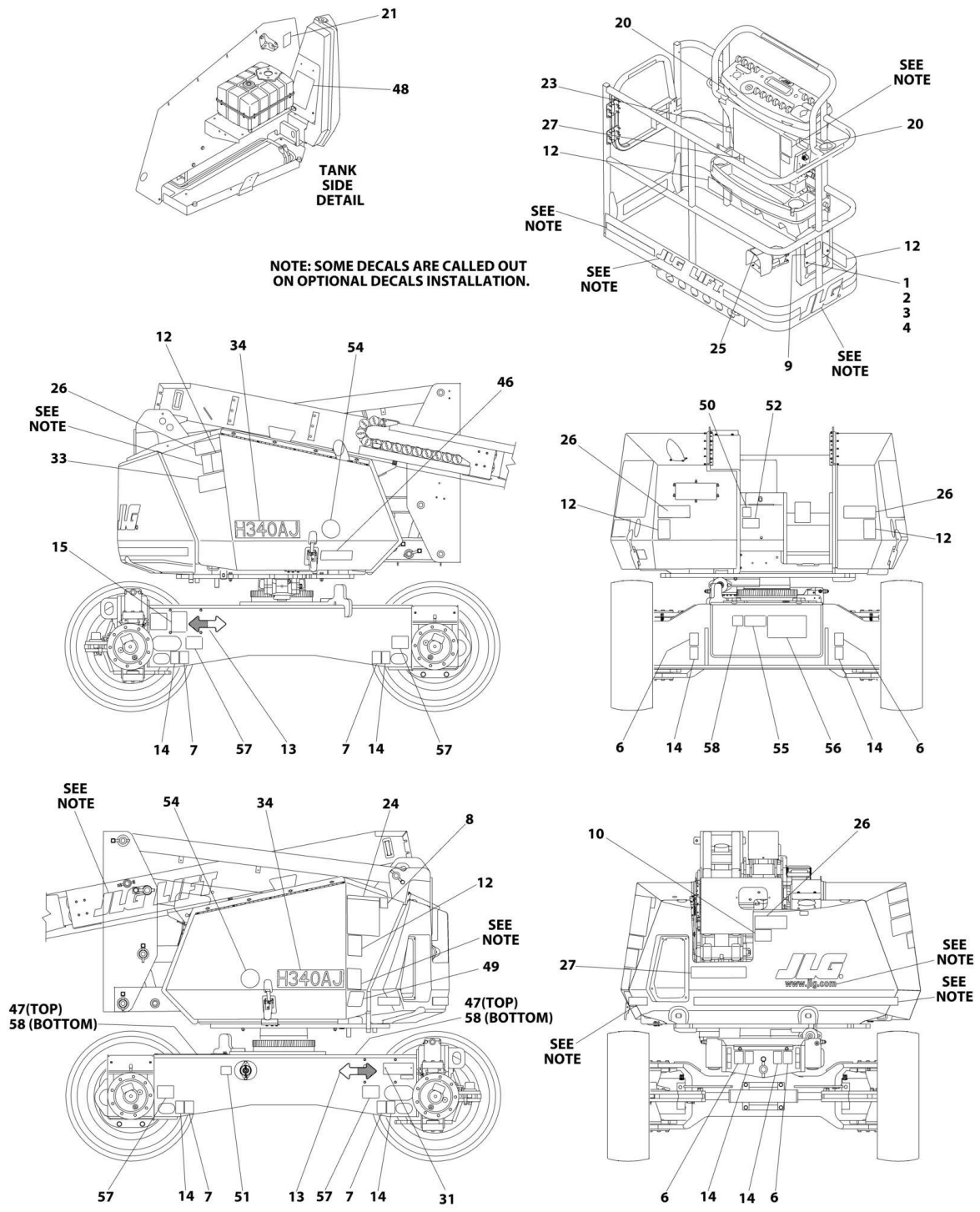
SECTION 9 - DECALS

FIGURE 9-1. DECALS INSTALLATION - ANSI AND ANSI EXPORT SPECS (ENGLISH)

ITEM	PART NUMBER	QTY	DESCRIPTION	REV
	1001169310	Ref	DECALS INSTALLATION - ANSI AND ANSI EXPORT SPECS (ENGLISH)	H
1	0760610	4	Bolt M6 x 20	
2	4811700	8	Washer M6	
3	3290605	4	Nut M6	
4	0860520	1	Box, Manual Storage	
5	1001131269	1	Decal - Patent	
6	1701500	4	Decal - Lift	
7	1701499	4	Decal - No Tie-Down/No Lift	
8	1701504	1	Decal - Hydraulic Oil	
9	1701509	1	Decal - Manual	
10	1702391	1	Decal - Crushing	
11	1703804	4	Decal - Warning Crushing	
12	1703953	2	Decal - Warning Crushing	
13	1701642	2	Decal - Arrow	
14	1702300	8	Decal - Tie-Down	
15	See Note	1	Decal - Bar Code (Note: Not Available for Purchase)	
20	1704277	2	Decal - Lanyard Attach	
21	1704412	1	Decal - Hydraulic Oil	
23	1703797	1	Decal - Danger/Warning	
24	1703798	1	Decal - Danger/Warning	
25	3252347	1	Nameplate - Footswitch	
26	1703805	4	Decal - Electrocution	
27	1001121801	2	Decal - Maximum Capacity 500LBS/227KG	
28	1001121814	1	Decal - Warning Maximum Capacity 500LBS/227KG	
31	2080057	2	Fastener	
33	1001119576	1	Decal - Lift Diagram	
34	1001170058	2	Decal - H340AJ	
37	1702868	2	Decal - No Hands	
38	1705351	1	Decal - Drive/Steer Instructions	
43	1001170056	1	Decal - Legend	
44	1001170057	1	Decal - Legend	
45	1001120002	1	Decal - No Pipe Racks	
46	1001119981	1	Decal - Manual Turntable Rotate	
47	1701529	2	Decal - Arrow	
48	1001127549	1	Decal - Manual Descent	
49	1001127588	1	Decal - Manual Descent	
50	1701644	1	Decal - Battery Charger	
51	1702155	1	Decal - Battery Disconnect	
52	1705929	1	Decal - Charger	
54	1001174449	2	Decal - Hybrid	
55	1001170676	1	Decal - Tip Over	
56	1001170061	1	Decal - Cable Routing	
57	1705514	1	Decal - CSA	
58	1001182809	4	Decal - Tire Load	
59	1001125483	3	Decal - Pressure Wash	
60	1001223055	1	Decal - Yearly Inspection (SN 0300234421 through 0300272288)	
61	1001228370	1	Decal - CSA Ices (SN 0300234421 through 0300272288)	

SECTION 9 - DECALS

FIGURE 9-2. DECALS INSTALLATION - AUSTRALIAN SPEC (ENGLISH)



ART_1001169311

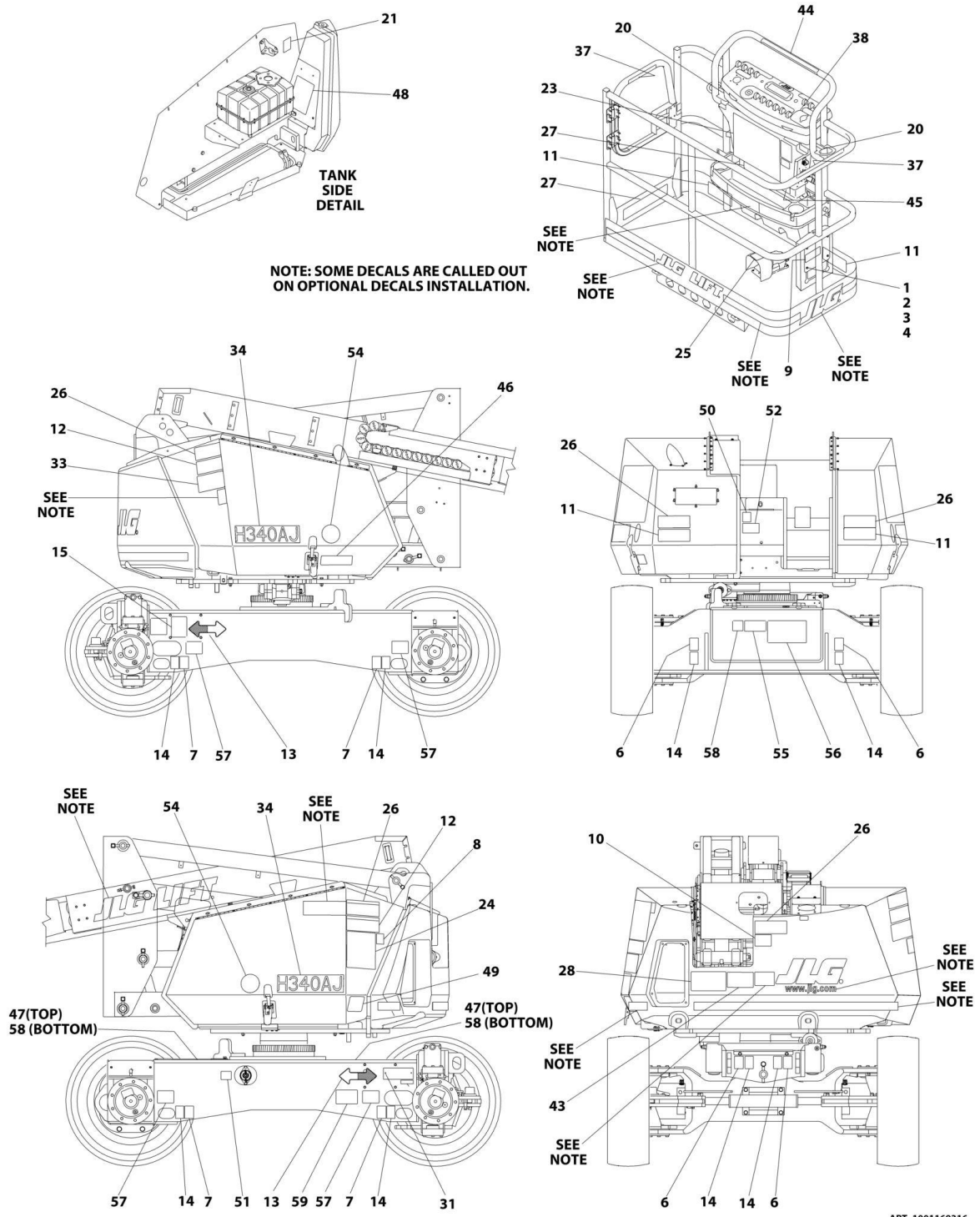
SECTION 9 - DECALS

FIGURE 9-2. DECALS INSTALLATION - AUSTRALIAN SPEC (ENGLISH)

ITEM	PART NUMBER	QTY	DESCRIPTION	REV
	1001169311	Ref	DECALS INSTALLATION - AUSTRALIAN SPEC (ENGLISH)	F
1	0760610	4	Bolt M6 x 20	
2	4811700	8	Washer M6	
3	3290605	4	Nut M6	
4	0860520	1	Box, Manual Storage	
6	1701500	4	Decal - Lift	
7	1701499	4	Decal - No Tie-Down/No Lift	
8	1701504	1	Decal - Hydraulic Oil	
9	1701509	1	Decal - Manual	
10	1701517	1	Decal - Crushing	
12	1701518	6	Decal - Crushing	
13	1701642	2	Decal - Arrow	
14	1702300	8	Decal - Tie-Down	
15	See Note	1	Decal - Bar Code (Note: Not Available for Purchase)	
20	1704277	2	Decal - Lanyard Attach	
21	1704412	1	Decal - Hydraulic Oil	
23	1705921	1	Decal - Tipping/Electrocution	
24	1705822	1	Decal - Electrocution/Safety Manual	
25	1705828	1	Decal - Footswitch	
26	1705961	4	Decal - Electrocution	
27	1705978	2	Decal - Capacity 230KG	
31	2080057	2	Fastener	
33	1001119576	1	Decal - Lift Diagram	
34	1001170058	2	Decal - H340AJ	
46	1001119981	1	Decal - Manual Turntable Rotate	
47	1701529	2	Decal - Arrow	
48	1001127549	1	Decal - Manual Descent	
49	1001127588	1	Decal - Manual Descent	
50	1701644	1	Decal - Battery Charger	
51	1702155	1	Decal - Battery Disconnect	
52	1706077	1	Decal - Battery Charger	
54	1001174449	2	Decal - Hybrid	
55	1001170060	1	Decal - Tip Over	
56	1001170061	1	Decal - Cable Routing	
57	1001182809	4	Decal - Tire Load	
58	1001125483	3	Decal - Pressure Wash	

SECTION 9 - DECALS

FIGURE 9-3. DECALS INSTALLATION - BRAZIL SPEC (PORTUGUESE/SPANISH)



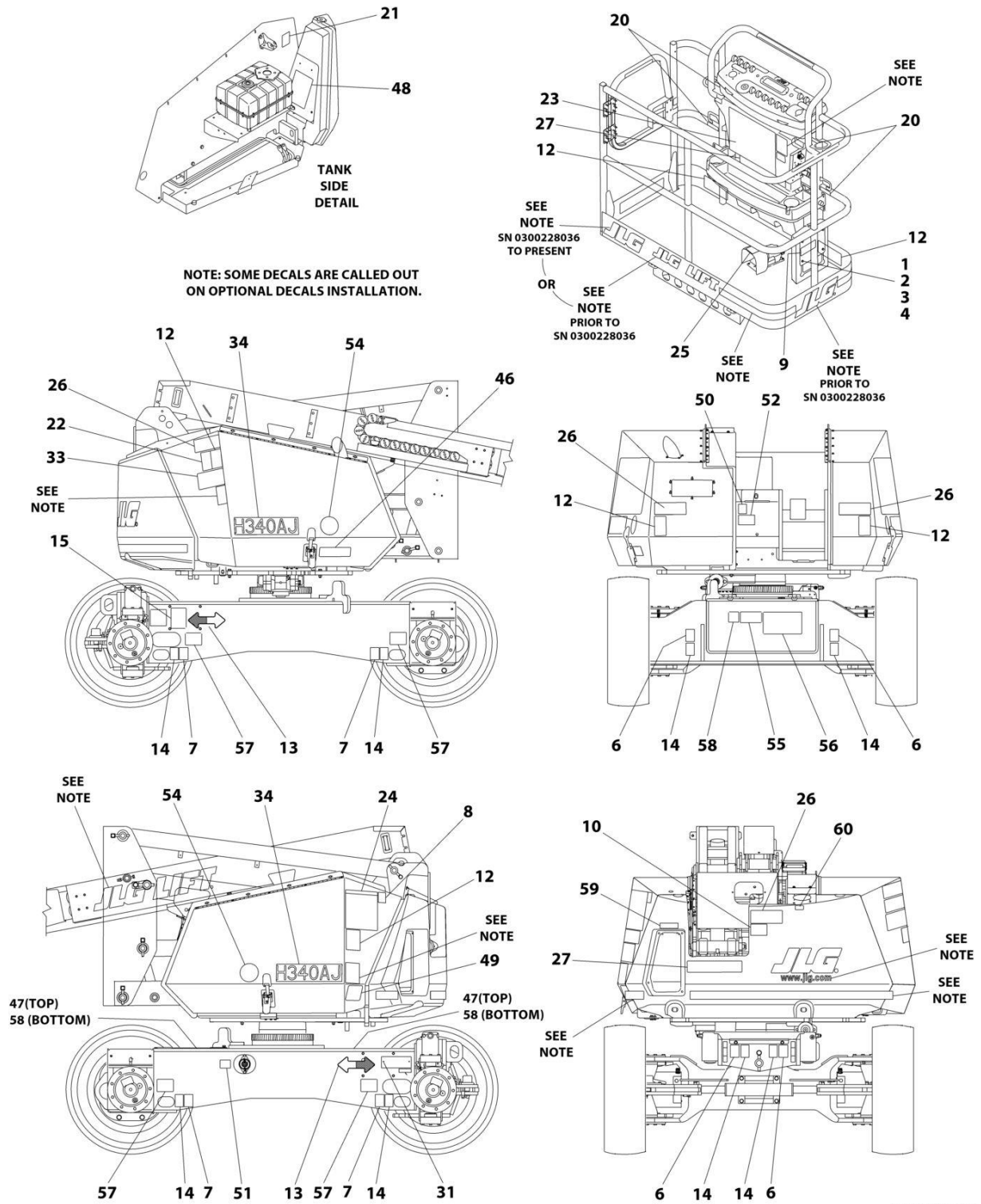
SECTION 9 - DECALS

FIGURE 9-3. DECALS INSTALLATION - BRAZIL SPEC (PORTUGUESE/SPANISH)

ITEM	PART NUMBER	QTY	DESCRIPTION	REV
	1001169316	Ref	DECALS INSTALLATION - BRAZIL SPEC (PORTUGUESE/SPANISH)	G
1	0760610	4	Bolt M6 x 20	
2	4811700	8	Washer M6	
3	3290605	4	Nut M6	
4	0860520	1	Box, Manual Storage	
6	1701500	4	Decal - Lift	
7	1701499	4	Decal - No Tie-Down/No Lift	
8	1701504	1	Decal - Hydraulic Oil	
9	1701509	1	Decal - Manual	
10	1001113170	1	Decal - Crushing	
11	1703952	1	Decal - Crushing	
12	1703946	2	Decal - Crushing	
13	1701642	2	Decal - Arrow	
14	1702300	8	Decal - Tie-Down	
15	See Note	1	Decal - Bar Code (Note: Not Available for Purchase)	
20	1704277	2	Decal - Lanyard Attach	
21	1704412	1	Decal - Hydraulic Oil	
23	1703928	1	Decal - Warning	
24	1705349	1	Decal - Warning Inspection	
25	1703985	1	Decal - Footswitch	
26	1703940	5	Decal - Electrocution	
27	1001121920	2	Decal - Warning Maximum Capacity	
28	1001121923	1	Decal - Warning Maximum Capacity	
31	2080057	2	Fastener	
33	1001119576	1	Decal - Lift Diagram	
34	1001170058	2	Decal - H340AJ	
37	1704002	2	Decal - No Hands	
38	1001113680	1	Decal - Drive/Steer Instructions	
43	1001170056	1	Decal - Legend	
44	1001170057	1	Decal - Legend	
45	1001120282	1	Decal - No Pipe Racks	
46	1001119981	1	Decal - Manual Turntable Rotate	
47	1701529	2	Decal - Arrow	
48	1001127549	1	Decal - Manual Descent	
49	1001127588	1	Decal - Manual Descent	
50	1701644	1	Decal - Battery Charger	
51	1702155	1	Decal - Battery Disconnect	
52	1706089	1	Decal - Battery Charging Instructions	
54	1001174449	2	Decal - Hybrid	
55	1001170670	1	Decal - Warning Tip Over	
56	1001170061	1	Decal - Cable Routing	
57	1001182809	4	Decal - Tire Load	
58	1001125483	3	Decal - Pressure Wash	
59	1001224052	1	Decal - Yearly Inspection (SN 0300234421 through 0300272288)	

SECTION 9 - DECALS

FIGURE 9-4. DECALS INSTALLATION - CE SPECS (ENGLISH)



ART_1001169317

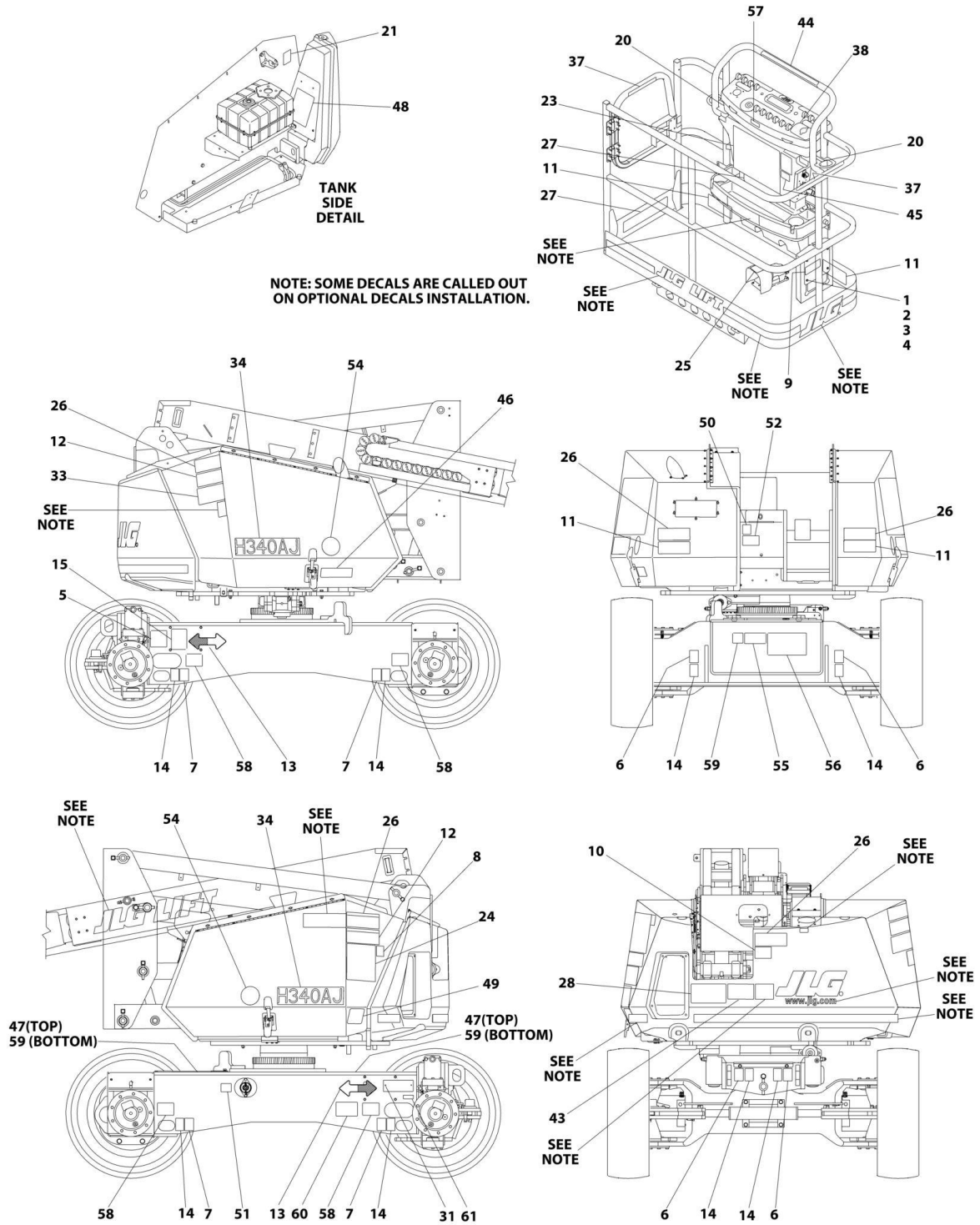
SECTION 9 - DECALS

FIGURE 9-4. DECALS INSTALLATION - CE SPECS (ENGLISH)

ITEM	PART NUMBER	QTY	DESCRIPTION	REV
	1001169317	Ref	DECALS INSTALLATION - CE SPEC (ENGLISH)	H
1	0760610	4	Bolt M6 x 20	
2	4811700	8	Washer M6	
3	3290605	4	Nut M6	
4	0860520	1	Box, Manual Storage	
6	1701500	4	Decal - Lift	
7	1701499	4	Decal - No Tie-Down/No Lift	
8	1701504	1	Decal - Hydraulic Oil	
9	1701509	1	Decal - Manual	
10	1701517	1	Decal - Crushing	
12	1701518	6	Decal - Crushing	
13	1701642	2	Decal - Arrow	
14	1702300	8	Decal - Tie-Down	
15	See Note	1	Decal - Bar Code (Note: Not Available for Purchase)	
20	1704277	2	Decal - Lanyard Attach	
21	1704412	1	Decal - Hydraulic Oil	
22	1001170059	1	Decal - Sound Power	
23	1705921	1	Decal - Tipping/Electrocution	
24	1705822	1	Decal - Electrocution/Safety Manual	
25	1705828	1	Decal - Footswitch	
26	1705961	4	Decal - Electrocution	
27	1705978	2	Decal - Capacity 230KG	
31	2080057	2	Fastener	
33	1001119576	1	Decal - Lift Diagram	
34	1001170058	2	Decal - H340AJ	
46	1001119981	1	Decal - Manual Turntable Rotate	
47	1701529	2	Decal - Arrow	
48	1001127549	1	Decal - Manual Descent	
49	1001127588	1	Decal - Manual Descent	
50	1701644	1	Decal - Battery Charger	
51	1702155	1	Decal - Battery Disconnect	
52	1706077	1	Decal - Battery Charger	
54	1001174449	2	Decal - Hybrid	
55	1001170060	1	Decal - Tip Over	
56	1001170061	1	Decal - Cable Routing	
57	1001182809	4	Decal - Tire Load	
58	1001125483	3	Decal - Pressure Wash	
59	1001189882	1	Decal - MSSO	
60	1001139654	1	Decal - Ultra Low Sulphur Diesel Fuel	

SECTION 9 - DECALS

FIGURE 9-5. DECALS INSTALLATION - CSA SPEC (FRENCH/ENGLISH)



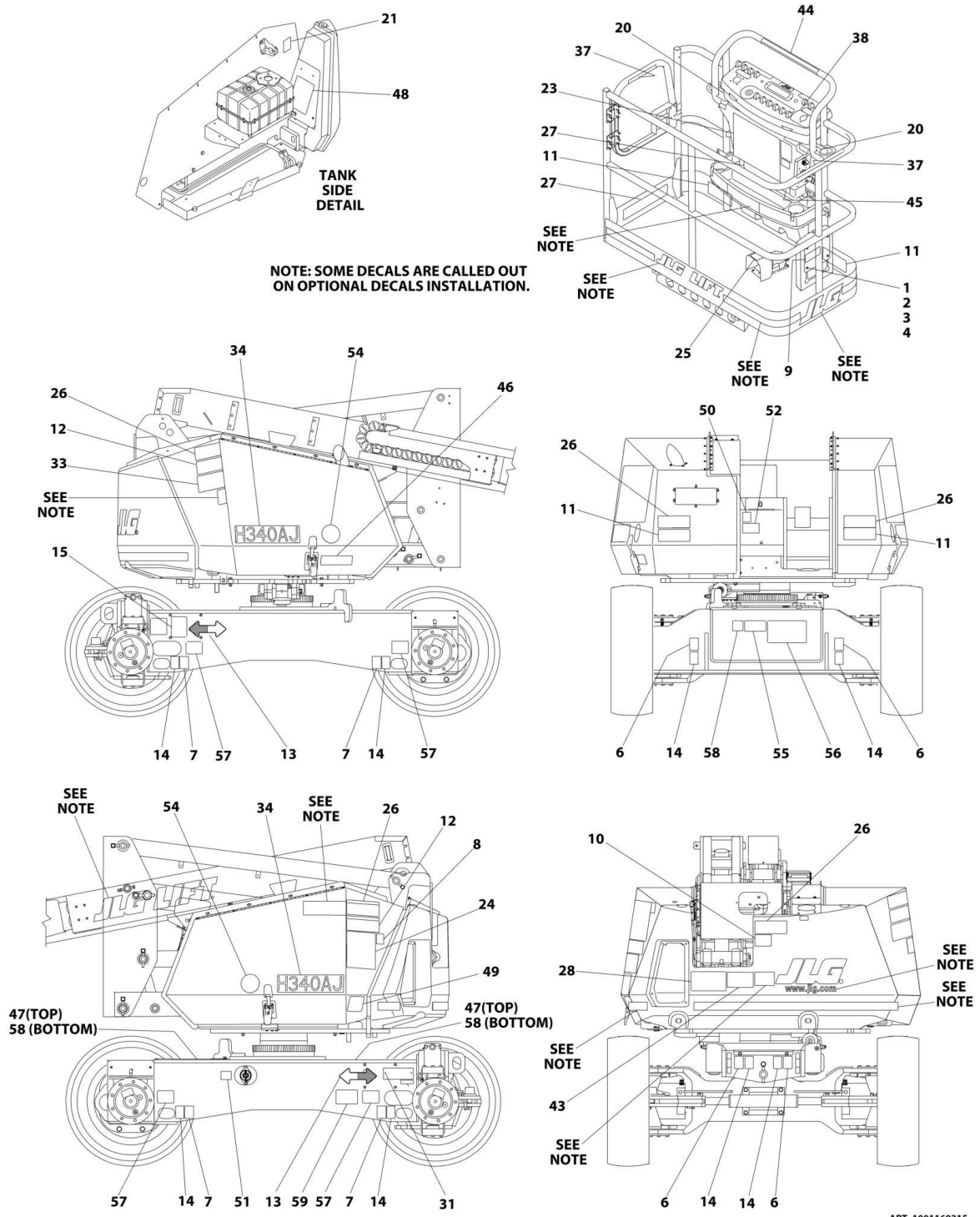
SECTION 9 - DECALS

FIGURE 9-5. DECALS INSTALLATION - CSA SPEC (FRENCH/ENGLISH)

ITEM	PART NUMBER	QTY	DESCRIPTION	REV
	1001169314	Ref	DECALS INSTALLATION - CSA SPEC (FRENCH/ENGLISH)	H
1	0760610	4	Bolt M6 x 20	
2	4811700	8	Washer M6	
3	3290605	4	Nut M6	
4	0860520	1	Box, Manual Storage	
5	1001131269	1	Decal - Patent	
6	1701500	4	Decal - Lift	
7	1701499	4	Decal - No Tie-Down/No Lift	
8	1701504	1	Decal - Hydraulic Oil	
9	1701509	1	Decal - Manual	
10	1001113169	1	Decal - Crushing	
11	1703948	4	Decal - Warning Crushing	
12	1703942	2	Decal - Crushing	
13	1701642	2	Decal - Arrow	
14	1702300	8	Decal - Tie-Down	
15	See Note	1	Decal - Bar Code (Note: Not Available for Purchase)	
20	1704277	2	Decal - Lanyard Attach	
21	1704412	1	Decal - Hydraulic Oil	
23	1703924	1	Decal - Warning/Danger	
24	1705347	1	Decal - Warning Inspection	
25	1703984	1	Decal - Footswitch	
26	1703936	5	Decal - Electrocution	
27	1001121803	2	Decal - Warning Maximum Capacity	
28	1001121816	1	Decal - Warning Maximum Capacity	
31	2080057	2	Fastener	
33	1001119576	1	Decal - Lift Diagram	
34	1001170058	2	Decal - H340AJ	
37	1704000	2	Decal - No Hands	
38	1705429	1	Decal - Drive/Steer Instructions	
43	1001170056	1	Decal - Legend	
44	1001170057	1	Decal - Legend	
45	1001120004	1	Decal - No Pipe Racks	
46	1001119981	1	Decal - Manual Turntable Rotate	
47	1701529	2	Decal - Arrow	
48	1001127549	1	Decal - Manual Descent	
49	1001127588	1	Decal - Manual Descent	
50	1701644	1	Decal - Battery Charger	
51	1702155	1	Decal - Battery Disconnect	
52	1706097	1	Decal - Battery Charging Instructions	
54	1001174449	2	Decal - Hybrid	
55	1001170672	1	Decal - Warning Tip Over	
56	1001170061	1	Decal - Cable Routing	
57	1705514	1	CSA Spec Decals (English/French)	
58	1001182809	4	Decal - Tire Load	
59	1001125483	3	Decal - Pressure Wash	
60	1001223971	1	Decal - Yearly Inspection (SN 0300234421 through 0300272288)	
61	1001228370	1	Decal - CSA Ices (SN 0300234421 through 0300272288)	

SECTION 9 - DECALS

FIGURE 9-6. DECALS INSTALLATION - CHINESE SPEC (CHINESE/ENGLISH)



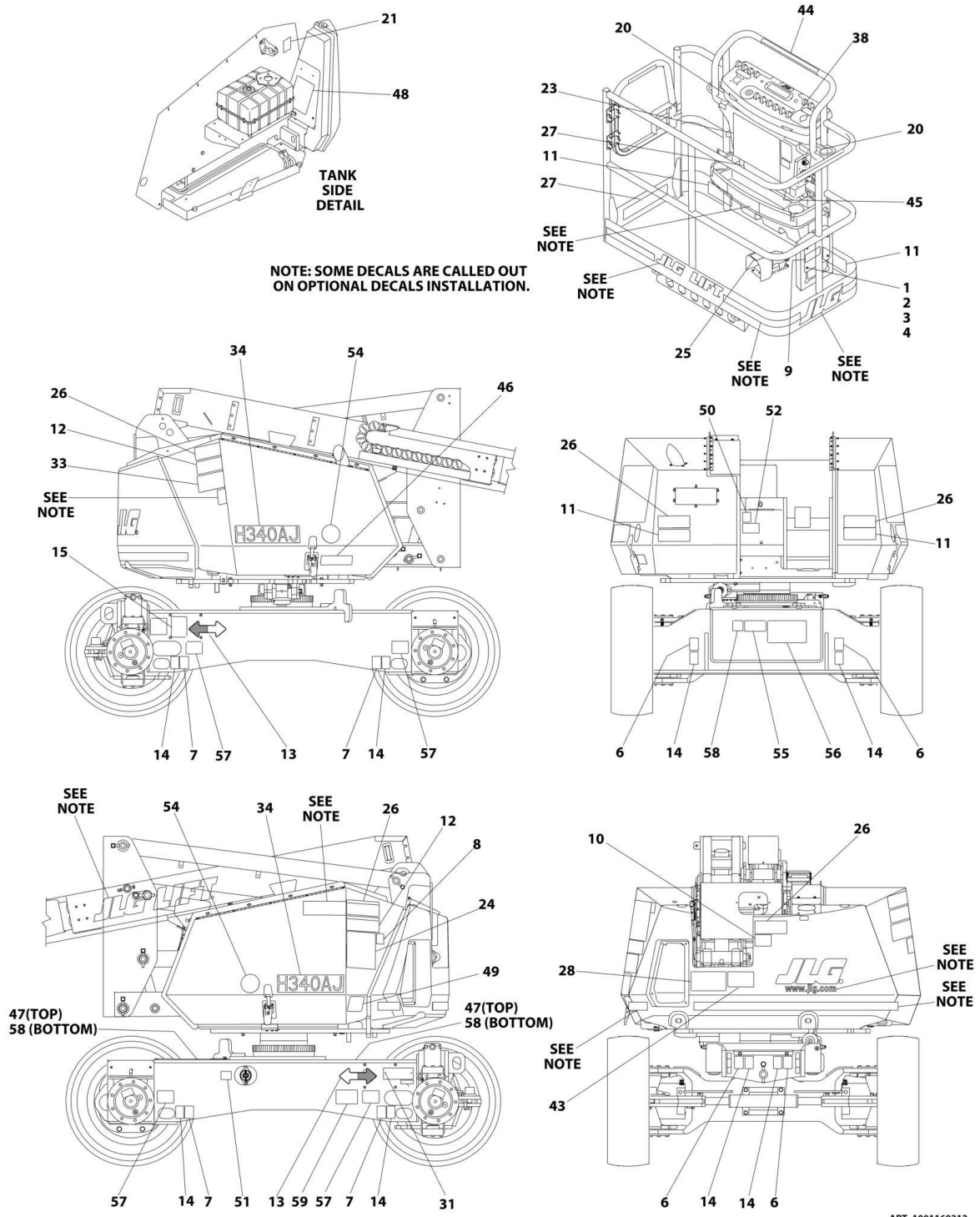
SECTION 9 - DECALS

FIGURE 9-6. DECALS INSTALLATION - CHINESE SPEC (CHINESE/ENGLISH)

ITEM	PART NUMBER	QTY	DESCRIPTION	REV
	1001169315	Ref	DECALS INSTALLATION - CHINESE SPEC (CHINESE/ENGLISH)	F
1	0760610	4	Bolt M6 x 20	
2	4811700	8	Washer M6	
3	3290605	4	Nut M6	
4	0860520	1	Box, Manual Storage	
6	1701500	4	Decal - Lift	
7	1701499	4	Decal - No Tie-Down/No Lift	
8	1701504	1	Decal - Hydraulic Oil	
9	1701509	1	Decal - Manual	
10	1001113168	1	Decal - Crushing	
11	1703949	4	Decal - Crushing	
12	1703943	2	Decal - Crushing	
13	1701642	2	Decal - Arrow	
14	1702300	8	Decal - Tie-Down	
15	See Note	1	Decal - Bar Code (Note: Not Available for Purchase)	
20	1704277	2	Decal - Lanyard Attach	
21	1704412	1	Decal - Hydraulic Oil	
23	1703925	1	Decal - Warning	
24	1705348	1	Decal - Warning Inspection	
25	1703982	1	Decal - Footswitch	
26	1703937	5	Decal - Electrocution	
27	1001121810	2	Decal - Warning Maximum Capacity	
28	1001121823	1	Decal - Warning Maximum Capacity	
31	2080057	2	Fastener	
33	1001119576	1	Decal - Lift Diagram	
34	1001170058	2	Decal - H340AJ	
37	1705968	1	Decal - No Hands	
38	1705430	1	Decal - Drive/Steer Instructions	
43	1001170056	1	Decal - Legend	
44	1001170057	1	Decal - Legend	
45	1001120281	1	Decal - No Pipe Racks	
46	1001119981	1	Decal - Manual Turntable Rotate	
47	1701529	2	Decal - Arrow	
48	1001127549	1	Decal - Manual Descent	
49	1001127588	1	Decal - Manual Descent	
50	1701644	1	Decal - Battery Charger	
51	1702155	1	Decal - Battery Disconnect	
52	1706093	1	Decal - Battery Charging Instructions	
54	1001174449	2	Decal - Hybrid	
55	1001170671	1	Decal - Warning Tip Over	
56	1001170061	1	Decal - Cable Routing	
57	1001182809	4	Decal - Tire Load	
58	1001125483	3	Decal - Pressure Wash	
59	1001224050	1	Decal - Yearly Inspection (SN 0300234421 through 0300272288)	

SECTION 9 - DECALS

FIGURE 9-7. DECALS INSTALLATION - JAPANESE SPEC (JAPANESE/ENGLISH)



ART_1001169312

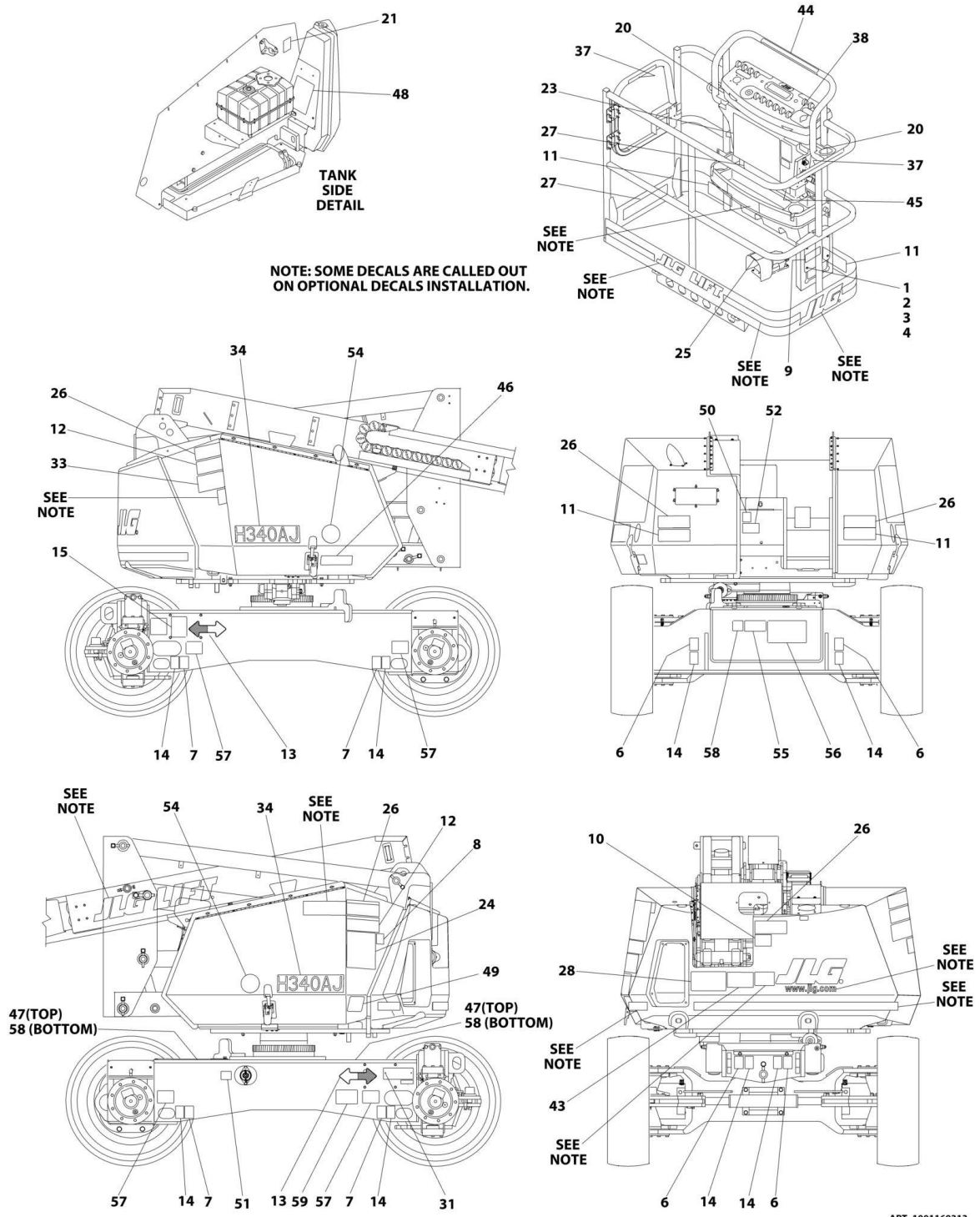
SECTION 9 - DECALS

FIGURE 9-7. DECALS INSTALLATION - JAPANESE SPEC (JAPANESE/ENGLISH)

ITEM	PART NUMBER	QTY	DESCRIPTION	REV
	1001169312	Ref	DECALS INSTALLATION - JAPANESE SPEC (JAPANESE/ENGLISH)	F
1	0760610	4	Bolt M6 x 20	
2	4811700	8	Washer M6	
3	3290605	4	Nut M6	
4	0860520	1	Box, Manual Storage	
6	1701500	4	Decal - Lift	
7	1701499	4	Decal - No Tie-Down/No Lift	
8	1701504	1	Decal - Hydraulic Oil	
9	1701509	1	Decal - Manual	
10	1001113166	1	Decal - Crushing	
11	1703950	4	Decal - Crushing	
12	1703944	2	Decal - Warning Crushing	
13	1701642	2	Decal - Arrow	
14	1702300	8	Decal - Tie-Down	
15	See Note	1	Decal - Bar Code (Note: Not Available for Purchase)	
20	1704277	2	Decal - Lanyard Attach	
21	1704412	1	Decal - Hydraulic Oil	
23	1703926	1	Decal - Danger/Warning	
24	1705344	1	Decal - Warning Inspection	
25	1703980	1	Decal - Footswitch	
26	1703938	5	Decal - Electrocution	
27	1001121808	2	Decal - Warning Maximum Capacity	
28	1001121821	1	Decal - Warning Maximum Capacity	
31	2080057	2	Fastener	
33	1001119576	1	Decal - Lift Diagram	
34	1001170058	2	Decal - H340AJ	
38	1705426	1	Decal - Drive/Steer Instruction	
43	1001170056	1	Decal - Legend	
44	1001170057	1	Decal - Legend	
45	1001120279	1	Decal - No Pipe Racks	
46	1001119981	1	Decal - Manual Turntable Rotate	
47	1701529	2	Decal - Arrow	
48	1001127549	1	Decal - Manual Descent	
49	1001127588	1	Decal - Manual Descent	
50	1701644	1	Decal - Battery Charger	
51	1702155	1	Decal - Battery Disconnect	
52	1706077	1	Decal - Battery Charger	
54	1001174449	2	Decal - Hybrid	
55	1001170674	1	Decal - Tip Over	
56	1001170061	1	Decal - Cable Routing	
57	1001182809	4	Decal - Tire Load	
58	1001125483	3	Decal - Pressure Wash	
59	1001224053	1	Decal - Yearly Inspection (SN 0300234421 through 0300272288)	

SECTION 9 - DECALS

FIGURE 9-8. DECALS INSTALLATION - KOREAN SPEC (KOREAN/ENGLISH)



ART_1001169313

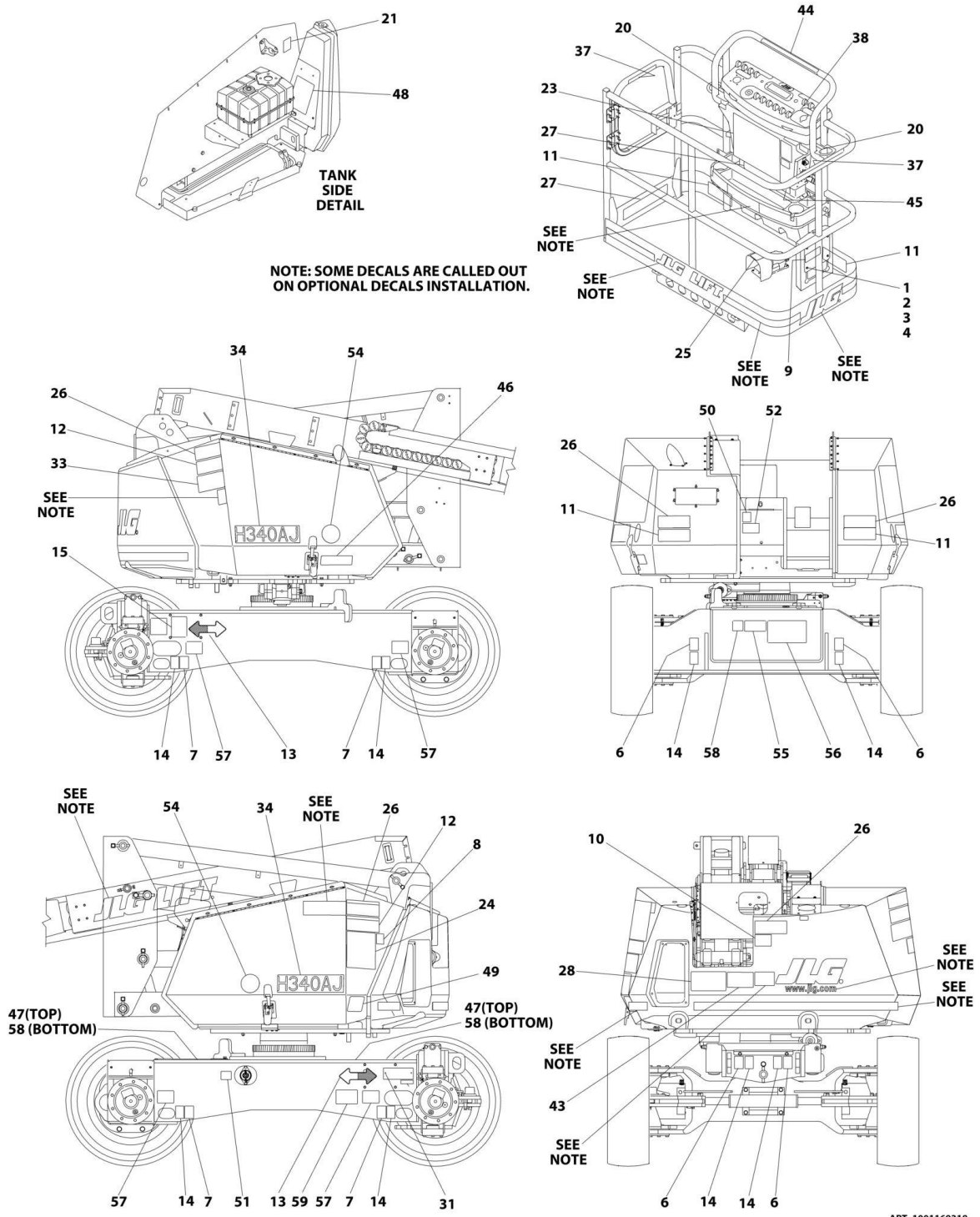
SECTION 9 - DECALS

FIGURE 9-8. DECALS INSTALLATION - KOREAN SPEC (KOREAN/ENGLISH)

ITEM	PART NUMBER	QTY	DESCRIPTION	REV
	1001169313	Ref	DECALS INSTALLATION - KOREAN SPEC (KOREAN/ENGLISH)	F
1	0760610	4	Bolt M6 x 20	
2	4811700	8	Washer M6	
3	3290605	4	Nut M6	
4	0860520	1	Box, Manual Storage	
6	1701500	4	Decal - Lift	
7	1701499	4	Decal - No Tie-Down/No Lift	
8	1701504	1	Decal - Hydraulic Oil	
9	1701509	1	Decal - Manual	
10	1001113509	1	Decal - Crushing	
11	1703951	4	Decal - Crushing	
12	1703945	2	Decal - Crushing	
13	1701642	2	Decal - Arrow	
14	1702300	8	Decal - Tie-Down	
15	See Note	1	Decal - Bar Code (Note: Not Available for Purchase)	
20	1704277	2	Decal - Lanyard Attach	
21	1704412	1	Decal - Hydraulic Oil	
23	1703927	1	Decal - Warning/Danger	
24	1705345	1	Decal - Warning Inspection	
25	1703981	1	Decal - Footswitch	
26	1703939	5	Decal - Danger Electrocution	
27	1001121918	2	Decal - Warning Maximum Capacity	
28	1001121921	1	Decal - Warning Maximum Capacity	
31	2080057	2	Fastener	
33	1001119576	1	Decal - Lift Diagram	
34	1001170058	2	Decal - H340AJ	
37	1705969	2	Decal - No Hands	
38	1705427	1	Decal - Drive/Steer Instructions	
43	1001170056	1	Decal - Legend	
44	1001170057	1	Decal - Legend	
45	1001120280	1	Decal - No Pipe Racks	
46	1001119981	1	Decal - Manual Turntable Rotate	
47	1701529	2	Decal - Arrow	
48	1001127549	1	Decal - Manual Descent	
49	1001127588	1	Decal - Manual Descent	
50	1701644	1	Decal - Battery Charger	
51	1702155	1	Decal - Battery Disconnect	
52	1001171296	1	Decal - Charger	
54	1001174449	2	Decal - Hybrid	
55	1001170673	1	Decal - Warning Tip Over	
56	1001170061	1	Decal - Cable Routing	
57	1001182809	4	Decal - Tire Load	
58	1001125483	3	Decal - Pressure Wash	
59	1001224048	1	Decal - Yearly Inspection (SN 0300234421 through 0300272288)	

SECTION 9 - DECALS

FIGURE 9-9. DECALS INSTALLATION - LATIN AMERICA SPEC (SPANISH/ENGLISH)



ART_1001169318

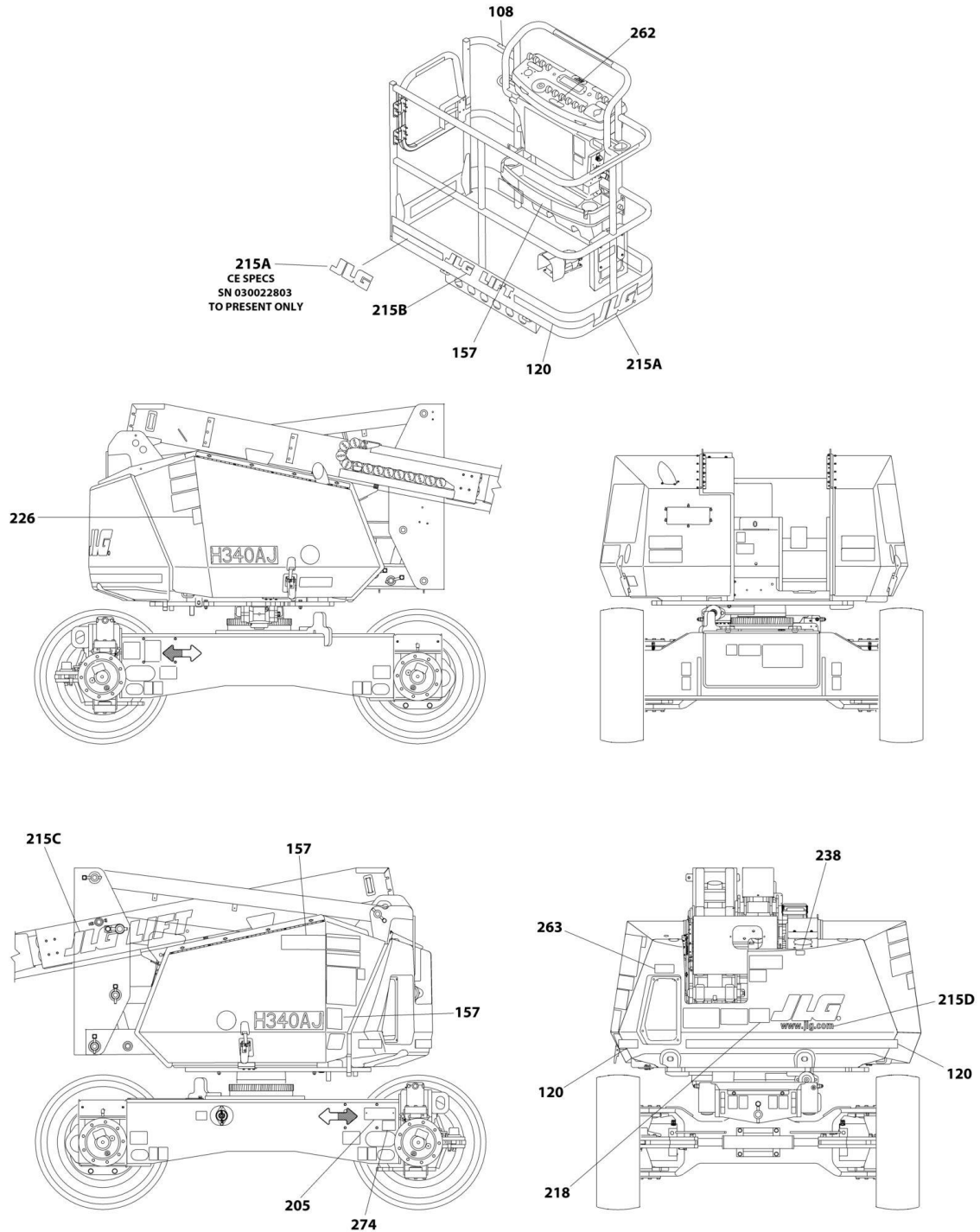
SECTION 9 - DECALS

FIGURE 9-9. DECALS INSTALLATION - LATIN AMERICA SPEC (SPANISH/ENGLISH)

ITEM	PART NUMBER	QTY	DESCRIPTION	REV
	1001169318	Ref	DECALS INSTALLATION - LATIN AMERICA SPEC (SPANISH/ENGLISH)	F
1	0760610	4	Bolt M6 x 20	
2	4811700	8	Washer M6	
3	3290605	4	Nut M6	
4	0860520	1	Box, Manual Storage	
6	1701500	4	Decal - Lift	
7	1701499	4	Decal - No Tie-Down/No Lift	
8	1701504	1	Decal - Hydraulic Oil	
9	1701509	1	Decal - Manual	
10	1001113171	1	Decal - Crushing	
11	1703947	4	Decal - Crushing	
12	1703941	2	Decal - Crushing	
13	1701642	2	Decal - Arrow	
14	1702300	8	Decal - Tie-Down	
15	See Note	1	Decal - Bar Code (Note: Not Available for Purchase)	
20	1704277	2	Decal - Lanyard Attach	
21	1704412	1	Decal - Hydraulic Oil	
23	1703923	1	Decal - Warning/Danger	
24	1705917	1	Decal - Warning Inspection	
25	1703983	1	Decal - Footswitch	
26	1703935	5	Decal - Electrocution	
27	1001121805	2	Decal - Warning Maximum Capacity	
28	1001121818	1	Decal - Warning Maximum Capacity	
31	2080057	2	Fastener	
33	1001119576	1	Decal - Lift Diagram	
34	1001170058	2	Decal - H340AJ	
37	1704001	2	Decal - No Hands	
38	1705910	1	Decal - Drive/Steer Instructions	
43	1001170056	1	Decal - Legend	
44	1001170057	1	Decal - Legend	
45	1001120283	1	Decal - No Pipe Racks	
46	1001119981	1	Decal - Manual Turntable Rotate	
47	1701529	2	Decal - Arrow	
48	1001127549	1	Decal - Manual Descent	
49	1001127588	1	Decal - Manual Descent	
50	1701644	1	Decal - Battery Charger	
51	1702155	1	Decal - Battery Disconnect	
52	1706085	1	Decal - Battery Charging Instructions	
54	1001174449	2	Decal - Hybrid	
55	1001170669	1	Decal - Warning Tip Over	
56	1001170061	1	Decal - Cable Routing	
57	1001182809	4	Decal - Tire Load	
58	1001125483	3	Decal - Pressure Wash	
59	1001224049	1	Decal - Yearly Inspection (SN 0300234421 through 0300272288)	

SECTION 9 - DECALS

FIGURE 9-10. OPTIONAL DECALS INSTALLATION



ART_DECAL_OPTIONS

SECTION 9 - DECALS

FIGURE 9-10. OPTIONAL DECALS INSTALLATION

ITEM	PART NUMBER	QTY	DESCRIPTION	REV
		Ref	OPTIONAL DECALS INSTALLATION	
108	1702962	1	Decal - Warning Proposition 65 (ANSI Spec) (Prior to SN 0300271932)	
108	1001231801	1	Decal - Warning Proposition 65 (ANSI Spec) (SN 0300271932 through 0300272288)	
120	4420051	AR	Tape, Safety	
157	1704286	2	Decal - Generator Warning (ANSI & ANSI Export Specs)	
157	1001093687	2	Decal - Generator Warning (Australian & CE Specs)	
157	1704373	2	Decal - Generator Warning (Brazil Specs)	
157	1704368	2	Decal - Generator Warning (CSA Specs)	
157	1704372	2	Decal - Generator Warning (Chinese Specs)	
157	1704369	2	Decal - Generator Warning (Japanese Specs)	
157	1704370	2	Decal - Generator Warning (Korean Specs)	
157	1704371	2	Decal - Generator Warning (Latin America Specs)	
205	See Note	1	Nameplate - Manufacturers Serial Number (Note: Not Available for Purchase)	
215	1001110613	Ref	JLG Logo Installation	B
215A	1702773	1	Decal - JLG	
215B	1702774	1	Decal - JLG Lift (3in) (All Specs except CE Specs)	
215B	1702774	1	Decal - JLG Lift (3in) (CE Specs) (SN 0300228036 through 0300272288)	
215C	1702860	1	Decal - JLG Lift (5in)	
215D	1704885	1	Decal - Website	
218	3251813	1	Decal - USA (ANSI, ANSI Export & CSA Specs)	
226	1704972	1	Decal - Warning Explosion/Fire (ANSI Spec)	
226	1706098	1	Decal - Warning Explosion/Fire (Australian & CE Spec)	
226	1706059	1	Decal - Warning Explosion/Fire (Brazil Spec)	
226	1706064	1	Decal - Warning Explosion/Fire (CSA Spec)	
226	1706060	1	Decal - Warning Explosion/Fire (Chinese Spec)	
226	1706062	1	Decal - Warning Explosion/Fire (Japanese Spec)	
226	1706061	1	Decal - Warning Explosion/Fire (Korean Spec)	
226	1706063	1	Decal - Warning Explosion/Fire (Latin America Spec)	
238	1001108923	1	Decal - Low Sulfur Fuel Spec (ANSI & CSA Specs Only)	
262	1001141300	1	Decal - SkyGuard Override	
263	1001189882	1	Decal - MSSO	
274	1001214029	Ref	EAC Decal Installation (Russia/CIS Specs)	
274	1001173703	1	Decal - EAC	

SECTION 10 - RECOMMENDED SERVICE PARTS STOCK

SECTION 10 - RECOMMENDED SERVICE PARTS STOCK

SECTION 10 - RECOMMENDED SERVICE PARTS STOCK

FIGURE 10-1. RECOMMENDED SERVICE PARTS STOCK

ITEM	PART NUMBER	QTY	DESCRIPTION	REV
		Ref	Note: The following list will service one machine (built to current production per date on the front cover) with emergency repair parts which can be installed in the field. Parts from the list should be replaced when inventory is depleted to keep service parts stock supplied. For further information, contact your JLG dealer or the JLG Industries Parts Department.	
		Ref	STANDARD PARTS	
	70050516	1	Coil	
	70002963	1	Coil	
	1001170365	2	Fuse 400Amp	
	1001170484	2	Fuse 125Amp	
	1001170367	1	Contactora	
	70002971	1	Coil	
	70002386	1	Coil	
	70003788	1	Coil	
	1001178594	1	Filler/Air Breather Filter	
	1001178595	4	Element, Filter	
	4360328	1	Switch, Toggle	
	4360475	1	Switch, Emergency Stop	
	4360469	1	Switch, Key	
	2860030	1	Key, Replacement	
	1001219601	1	Sensor	
	1001159665	1	Relay, Contactora	
	1001190545	4	Strainer, Fuel	
	7015004	12	Element, Air Filter	
	7017980	12	Filter, Oil	
	7017992	12	Filter, Inline	
	4360407	1	Switch, Potentiometer	
	1001161710	1	Switch, Toggle	
	1001155045	1	Switch, Toggle	
	1001159256	1	Switch, Toggle	
	1001212415	1	Controller Assembly (Drive and Steer)	
	1001129555	1	Controller Assembly (Lift and Swing)	
	4360387	1	Switch, Toggle (Soft Touch Option)	
	1001170762	2	Fuse 30Amp	
	1001186489	2	Fuse 2Amp	
	1001170760	2	Fuse 10Amp	
	1001186431	1	Relay	
	1001171295	1	Relay	
	1001170760	2	Fuse 10Amp	
	1001170761	2	Fuse 20Amp	
	8229244	2	Fuse 15Amp	
	1001172227	2	Fuse 40Amp	
	2400065	2	Fuse 30Amp	
	2400064	2	Fuse 5Amp	
	3990010	2	Diode 6Amp	
		Ref	VARIABLE PARTS	
	1001170140	1	Module, Drive	
	1001119176	1	Switch, Limit	

SECTION 10 - RECOMMENDED SERVICE PARTS STOCK

ITEM	PART NUMBER	QTY	DESCRIPTION	REV
	1001183213	1	Module, UGM	
	1001142683	1	Module, Beacon Light (With SkyGuard)	
	1001155934	1	Module, Engine Controller	
	1001159754	1	Module, Diode	
	2940074	1	Latch (Machines with Gate)	
	1001169594	1	Module, Platform	
	1001137673	1	Switch, SkyGuard	
	1001109475	1	Breaker, 16Amp (CE Spec Only)	
	1001109482	1	Breaker, 30mA (CE Spec Only)	
	4360548	1	Switch, Limit	

SECTION 11 - SPECIAL OPTIONS

SECTION 11 - SPECIAL OPTIONS

FIGURE 11-1. SPECIAL OPTIONS

ITEM	PART NUMBER	QTY	DESCRIPTION	REV
		Ref	Note: This list is to accommodate machines ordered with special equipment. Options may not be applicable to all models. For more specific parts information contact JLG Parts Department.	
		Ref	MISCELLANEOUS SPECIAL OPTIONS	
	1001119028	Ref	Airline Installation (Machines without Arctic Package)	
	1001119378	Ref	Airline Installation (Machines with Arctic Package)	
	1001212041	Ref	Alarm (White Noise) Installation	
	1001119803	Ref	Bellows Installation (Boom & Chassis)	
	1001119962	Ref	Boom Wipers Installation	
	1001116419	Ref	Cable Carrier Tray Installation (Prior to SN 0300226326)	
	1001172045	Ref	Cable Carrier Tray Installation (SN 0300226326 through 0300272288)	
		Ref	ClearSky Telematics (Factory Installed)	
	1001169727	Ref	ClearSky (Telematics) Installation (Factory Installed) (ANSI Specs) Note: Refer to Manual Supplement p/n 3128499 for available replacement parts. (Prior to SN 0300234421)	
	1001169731	Ref	ClearSky (Telematics) Installation (Factory Installed) (Australian Specs) Note: Refer to Manual Supplement p/n 3128499 for available replacement parts. (Prior to SN 0300234421)	
	1001169729	Ref	ClearSky (Telematics) Installation (Factory Installed) (Brazil & New Zealand Specs) Note: Refer to Manual Supplement p/n 3128499 for available replacement parts. (Prior to SN 0300234421)	
	1001169728	Ref	ClearSky (Telematics) Installation (Factory Installed) (CSA Specs) Note: Refer to Manual Supplement p/n 3128499 for available replacement parts. (Prior to SN 0300234421)	
	1001227454	Ref	ClearSky (Telematics) Installation (Factory Installed) - Canbus Connection (ANSI and CSA Specs) (SN 0300243877 through 0300272288)	
	1001228956	Ref	ClearSky (Telematics) Installation (Factory Installed) - Canbus Connection (ANSI Export and CE Specs)ClearSky (Telematics) Installation (Factory Installed) - Canbus Connection (Australian Specs) (SN 0300243877 through 0300272288)	
	1001246486	Ref	ClearSky (Telematics) Installation (Factory Installed) - Canbus Connection (Australian Specs)	
	1001246487	Ref	ClearSky (Telematics) Installation (Factory Installed) - Canbus Connection (China Specs)	
	1001229107	Ref	3 Wire Connection (ANSI and CSA Specs) (SN 0300234421 through 0300272288)	
	1001233237	Ref	3 Wire Connection (ANSI Export and CE Specs) (SN 0300240098 through 0300272288)	
	1001169720	Ref	Cold Weather Package without Arctic Package	
	1001169721	Ref	Cold Weather Package with Arctic Package	
	1001169732	Ref	Cribbing Switch Installation (ANSI and CSA Specs)	
	1001196702	Ref	Decals - Blueline Rentals	
	1001154500	Ref	Decals - Boels Rentals	
	1001119459	Ref	Decals - ClearSky (Australian and China Specs)	
	1001214029	Ref	Decals - EAC (Russia/CIS Specs)	
	1001120224	Ref	Decals - Head & Engquist (H&E) Equipment	
	1001231541	1	Decal - Herc Rentals	
	1001120221	Ref	Decals - Hertz Rentals	
	1001231540	1	Decals - Hertz Rentals (Canada)	
	1001140650	Ref	Decals - Leavitt	

SECTION 11 - SPECIAL OPTIONS

ITEM	PART NUMBER	QTY	DESCRIPTION	REV
	1001120222	Ref	Decals - National Equipment Services (NES)	
	1001120223	Ref	Decals - RSC Equipment Rental	
	1001197845	Ref	Decals - Sunbelt Rentals	
	1001120219	Ref	Decals - United Rentals	
	1001148902	Ref	Electrical Connector Kit - Amp/Tyco Electrical Connectors	
	1001148903	Ref	Electrical Connector Kit - Deutsch DT Electrical Connectors	
	1001148904	Ref	Electrical Connector Kit - Deutsch HD Electrical Connectors	
	1001148905	Ref	Electrical Connector Kit - Packard Electrical Connectors	
	1001148906	Ref	Electrical Connector Kit - Various Electrical Connectors	
	1001117294	Ref	Footswitch Shield Installation	
		Ref	Fluids:	
	2300004	Ref	Coolant, Engine	
	2300028	Ref	Hydraulic Fluid - Mobil DTE 10 (Excel 15)	
	2300016	Ref	Hydraulic Fluid - Mobil DTE 10 (Excel 32)	
	2300029	Ref	Hydraulic Fluid - Mobil EAL EnviroSyn H46 Bio	
	2300019	Ref	Hydraulic Fluid - Qunintolubric 888-46 (Fire Resistant)	
	2300039	Ref	Hydraulic Fluid - Exxon Univilis HVI 26 (Use with Arctic Package)	
	3020029	Ref	Lubricant (Axle Pivot Pin and Kingpins)	
	3020037	Ref	Lubricant (Drive Motor Shaft and Engine Pump Coupling)	
	3020008	Ref	Lubricant, Gear 80W-90 (Drive Hub)	
	3020039	Ref	Lubricant (Spindle Surface)	
	1001159301	Ref	Oil, Engine 10-30	
	1001173467	Ref	Fuel Cap Cover (Lockable) Installation (Prior to SN 0300224589)	
	1001209659	Ref	Fuel Cap Cover (Lockable) (Black)	
	1001209658	Ref	Fuel Cap Cover (Lockable) (Green)	
	1001120103	Ref	Ground Control Cover Installation	
	1001173326	Ref	Hot Weather Package	
	1001173325	Ref	Fan and Filter Installation	
	1001173331	Ref	Filter, Air	
	1001173140	Ref	Inverter Installation - 110V-50Hz (ANSI Export and Australian Spec)	
	1001169725	Ref	Inverter Installation - 120V-50/60Hz (ANSI, ANSI Export, CSA and Japanese Spec)	
	1001173139	Ref	Inverter Installation - 230V-50Hz (CE Spec)	
	1001169724	Ref	Inverter Installation - 240V-50Hz (ANSI Export and CSA Spec)	
	1001169723	Ref	Lights Installation - Chassis Worklights	
	1001170104	Ref	Lights Installation - Headlights and Taillights	
	1001120466	Ref	Lights Installation - Platform Worklights	
	1001183407	Ref	Low Temperature Cutout Installation (Russian Specs)	
	0274661	Ref	Pipe Rack Installation (Australian Specs)	
	1001195304	Ref	Platform Console Cover Installation	
	1580013	Ref	Platform Corner Storage Tray	
	1001142504	Ref	Platform Entry Kit - Drop Bar (Replaces Swing Gate with Drop Bar)	
	1001142505	Ref	Platform Entry Kit - Swing Gate (Replaces Drop Bar with Swing Gate)	
	1001140318	Ref	Platform Mesh to Midrail Installation - 30in x 48in Platforms	
	1001214478	Ref	Platform Mesh to Midrail Add-on Kit - 30in x 48in Platforms	
	1001140315	Ref	Platform Mesh to Midrail Installation - 30in x 60in Platforms	
	1001214515	Ref	Platform Mesh to Midrail Add-on Kit - 30in x 60in Platforms	
	0273147	Ref	Platform Mesh to Toprail Installation - 30in x 48in Platforms	
	0273146	Ref	Platform Mesh to Toprail Installation - 30in x 60in Platforms	
	1001103558	Ref	Platform Rail Extension Installation (30in x 60in Platforms)	

SECTION 11 - SPECIAL OPTIONS

ITEM	PART NUMBER	QTY	DESCRIPTION	REV
	1001209059	Ref	Platform Work Surface	
	1001169726	Ref	Security Lock (Programmable) Installation	
	1001209565	Ref	Service Kit - Upper Power Track Hose	
		Ref	SkyGuard Component Options:	
	1001203510	Ref	SkyGuard Complete Add-on Kit (Without Strobe Light)	
	1001207138	Ref	SkyGuard Complete Add-on Kit (Blue Strobe Light)	
	1001210035	Ref	SkyGuard Complete Add-on Kit (Red Strobe Light)	
	1001149565	Ref	SkyGuard Platform Sensor Kit	
	1001137440	1	SkyGuard Sensor Harness	
	1001186431	2	Relay	
	1001207140	Ref	SkyGuard Strobe Light Kit (Blue)	
	1001210034	Ref	SkyGuard Strobe Light Kit (Red)	
	1001200291	Ref	Telematics (Customer Supplies)	
	1001210089	Ref	Telematics (Caterpillar)	
	1001228363	Ref	Telematics (Herc)	
	1001209282	Ref	Telematics (Loxam)	
	1001210090	Ref	Telematics (Riwal)	
	1001195610	Ref	Telematics (United Rentals)	
	1001228589	Ref	Telematics Canbus Installation (Customer Supplies)	
	2901443	Ref	Tools - Analyzer Kit	
	1001137005	Ref	Tools - Cable Kit, Software	
	7002821	Ref	Tools - Crimper, Wire	
	4460510	Ref	Tools - Pin Extractor - 12-14 Gauge (For Removal of Pin/Sockets from Deutsch Connectors)	
	4460467	Ref	Tools - Pin Extractor - 16-18 Gauge (For Removal of Pin/Sockets from Deutsch Connectors)	
	7002823	Ref	Tools - Pin Extractor - Universal (For Electrical Connectors with Pins and Sockets)	
	7002822	Ref	Tools - Screwdriver, Potentiometer	
	7016654	Ref	Tools - Screwdriver, Magnetic	
	7004275	Ref	Tools - Seal Tool 1in (For Cylinders)	
	7004276	Ref	Tools - Seal Tool 1-1/2in (For Cylinders)	
	7002828	Ref	Tools - Stripper, Wire	

PART NUMBER INDEX

SECTION 11 - SPECIAL OPTIONS

0060044.....153, 155, 159	0700617 ... 199, 203, 207, 211, 215, 219	0761009 100	1001100347.....371
0100009....199, 203, 207, 211, 215, 219	0700618 ... 285, 289, 291, 293, 295, 297, 299	0761010 13, 45, 147	1001102771.45, 323, 339
0100011....13, 15, 17, 21, 45, 47, 49, 53, 63, 67, 71, 83, 97, 100, 110, 113, 115, 118, 122, 141, 143, 145, 147, 149, 151, 163, 165, 167, 169, 171, 183, 185, 187, 229, 231, 237, 309, 313, 325, 335	0700628 53	0761011 ... 100, 141, 143, 145	1001103012.....381
0100019.21, 57, 113, 115	0700808 101	076101245, 63, 110, 141, 143, 145, 309, 313	1001103257.....75
0100020.....111	0700812 63	0761014 83, 100, 110, 118, 122, 141, 143, 145, 167	1001103258.....77
0100035.....215, 219	0700815 17	0761015 15, 113, 115, 141, 143, 145, 147, 163, 167, 191, 193, 195, 197	1001103558.....415
0100048.....83, 165, 199, 203, 207, 211, 215, 219	0700818 153, 155, 157	0761016 110	1001106736.....83
0100051.....45	0700820 309, 313	0761018 13	1001106757.....309, 313
0100071233	0700829 309, 313	0761020 45	1001107152.....309, 313
0100081 103, 105, 199, 203, 207, 211, 309, 313	0701012 13	0761210 100, 147	1001107781.....57, 59
0100083.....111, 335	0701015 118, 122	0761212 ... 141, 143, 145, 147	1001107854.....339, 381
0140011199, 203, 207, 211, 215, 219	0701016 118, 122	0761214 147	1001108290.....149, 151
0140043.....83	0701018 63, 153, 155, 157	0761215 ... 141, 143, 145, 163, 167	1001108923.....407
0273146.....415	0701019 100	0761614 15	1001109475.....321, 411
0273147.....415	0701020 ... 153, 155, 157	0761615 147	1001109482.....321, 411
0274661415	0701022 63	0762016 110	1001109503.....69, 73
0275216.....285, 361	0701027 147	0770815 113, 115	1001109528.....141, 143, 145
0275217.....289, 363	0701217 13	0771618 21	1001110434.....199, 203, 207, 211, 215, 219
0275218.....291, 365	0701222 165	0860038 283, 287	1001110544.....111
0275219.....293, 367	0701624 165	0860520 ... 389, 391, 393, 395, 397, 399, 401, 403, 405	1001110613.....407
0275452.....295, 369	0711227 149, 151	0861441 199, 200	1001110873.....283
0275453.....297, 371	0711426 57	0861731 369, 371, 373	1001112496.....49
0275454.....299, 373	0711432 57	0861781 361, 363	1001112607.....141, 143, 145
0340045.....118, 122	0721004 63	0861880 321	1001112612.....341, 375
0400209.....45	0760306 110	0902751 199, 203	1001112796.....375
0630568....200, 204, 208, 212, 216, 220	0760410 87, 110	0940048 147	1001113047.....49
0641404199, 203, 207, 211, 215, 219, 237	0760505 83, 110	0961845 183, 185, 187	1001113166.....401
0641405.....237	0760508 ... 100, 103, 105, 118, 122	0961947 159, 161	1001113168.....399
0641406....118, 122, 189	0760512 47	0961948 ... 147, 149, 151, 257, 259	1001113169.....397
0641410.....118, 122	0760605 21, 310, 314	0961950 15	1001113170.....393
0641414....229, 231, 233	0760606 167	0961951 ... 153, 155, 157, 251, 253, 255, 261	1001113171.....405
0641418....183, 185, 187	0760607 21, 49, 325	0962140 13	1001113483.....165
0641420.....185	0760608 .75, 77, 83, 100, 103, 105, 113, 115, 118, 122, 165, 191, 193, 195, 309, 313, 325	0962224 147	1001113509.....403
0641506.....100	0760610 ... 21, 75, 77, 97, 100, 105, 110, 118, 122, 165, 167, 281, 285, 289, 291, 293, 295, 297, 299, 389, 391, 393, 395, 397, 399, 401, 403, 405	0962257 159, 161	1001113680.....393
0641508.....118, 122	0760612 83, 100, 110, 118, 122	0962259 147	1001113961.....341
0641520.....118	0760613 119, 122	0962292 153, 155, 157	1001114761.....53
0641605.....111	0760614 ... 110, 191, 193, 195, 197	0962449 319	1001115649.....147
0641606.....47	0760618 165	0962450 165	1001115650.....147
0641608.....47	0760621 83, 309, 313	1001091102 87, 111	1001115657.....147
0641610....113, 115, 118, 122	0760807 118, 122	1001093687 407	1001115661.....147
0641808....118, 122, 335	0760808 ... 21, 45, 47, 49, 63, 100, 113, 115, 325, 335	1001094670 155, 157	1001115663.....147
0641822.....113, 115	0760810 13, 83	1001097051 243	1001115669.....147
0641824.....118, 122	0760812 ... 45, 53, 63, 75, 77, 100, 113, 115, 149, 151	1001097150 321	1001115672.....141, 143, 145, 147
0681608....113, 115, 163, 165, 167	0760814 110, 113, 115	1001097244 191, 193, 195, 197	1001115766.....143
0700408....285, 289, 291, 293, 295, 297, 299	0760816 83	1001098122 353, 355	1001115773.....33
0700608.....100	0760818 13	1001098828 167	1001115784.....309
0700610.....45, 197	0761007 169	1001099125 69, 73	1001115788.....291
0700614.....111		1001099834 169	1001115834.....163
0700615....89, 91, 93, 95		1001100341 361	1001115870.....147
		1001100342 363	1001116228.....171, 173
		1001100345 369	1001116361.....15, 249
		1001100346 373	1001116378.....249
			1001116419.....414
			1001116433.....309, 313
			1001116487.....53, 55
			1001116546.....147
			1001116547.....147
			1001116548.....147
			1001116549.....147
			1001116550.....153, 155, 157

SECTION 11 - SPECIAL OPTIONS

1001116720 337, 355, 357	1001118640..... 37	1001119596..... 272	1001121818 405
1001116723 339, 379	1001118641..... 29	1001119597 272	1001121821 401
1001116732 337, 381	1001118642..... 35	1001119598 272	1001121823 399
1001116733 337, 381	1001118643..... 41	1001119600 272	1001121918 403
1001116734 337, 381	1001118644..... 31	1001119602 272	1001121920 393
1001116774 375	1001118647..... 37, 39	1001119603 272	1001121921 403
1001116788 13, 263	1001118648..... 37, 39	1001119604 272	1001121923 393
1001116808 375	1001118649..... 29	1001119605 272	1001121966 272
1001116810 323	1001118650..... 35	1001119619 241	1001122527 147, 259
1001116811 79, 81	1001118651..... 35	1001119620 243, 245	1001123004 155, 157, 255
1001116812 339	1001118652..... 41, 43	1001119803 414	1001123018 119, 123
1001116815 339	1001118653..... 41, 43	1001119869 283	1001125033 337
1001116835 171	1001118654..... 31	1001119870 279	1001125235 141, 143, 145
1001116876 149, 151	1001118657..... 337	1001119871 287	1001125291 83
1001116877 149, 151	1001118658..... 337	1001119872 295	1001125483 389, 391, 393, 395, 397, 399, 401, 403, 405
1001117025 381	1001118660..... 35, 41, 43	1001119873 297	1001126008 339, 379
1001117078 341	1001118665..... 147	1001119874 299	1001126009 239
1001117129 ... 33, 35, 37, 39, 41, 43	1001118666..... 147	1001119875 285	1001126245 379
1001117131 33	1001118744..... 337	1001119876 289	1001127549 389, 391, 393, 395, 397, 399, 401, 403, 405
1001117132 33	1001118745..... 337	1001119877 293	1001127588 389, 391, 393, 395, 397, 399, 401, 403, 405
1001117172 191, 193, 195, 197	1001118746..... 118, 123	1001119937 313	1001127705 272
1001117174 191, 193, 195, 197, 199, 203, 207, 211, 215, 219	1001118909..... 165	1001119953 313, 345	1001128781 63
1001117281 103, 105	1001118910..... 165	1001119954 313, 349	1001128782 63
1001117282 100	1001118961..... 57	1001119955 303, 313	1001128798 63
1001117294 415	1001119018..... 309, 343	1001119956 307, 313	1001129407 83
1001117365 249	1001119019..... 309, 347	1001119962 414	1001129555 410
1001117366 249	1001119020..... 353, 355, 375, 379, 382	1001119981 389, 391, 393, 395, 397, 399, 401, 403, 405	1001130220 .. 21, 45, 100
1001117372 249	1001119028..... 414	1001120002 389	1001130588 281
1001117375 141, 143, 145, 251	1001119077..... 105	1001120004 397	1001131269 389, 397
1001117640 141, 143, 145, 257	1001119080..... 100	1001120027 39	1001135350 339
1001117884 143, 155	1001119083..... 100	1001120036 43	1001136244 171, 175
1001117885 143, 151	1001119085..... 100	1001120087 110, 118, 123	1001137005 416
1001117897 63	1001119086..... 105	1001120090 110, 119, 123	1001137440 416
1001118262 63	1001119087..... 105	1001120103 415	1001137451 100, 105
1001118274 149, 151, 165, 171, 309, 313	1001119088..... 105	1001120204 301, 303	1001137673 229, 231, 411
1001118280 119, 122	1001119089..... 103	1001120205 305, 307	1001138494 183, 185
1001118282 337	1001119090..... 103	1001120219 415	1001138514 183, 185
1001118287 149, 151	1001119091..... 103	1001120221 414	1001139654 395
1001118288 149, 151	1001119092..... 100	1001120222 415	1001140315 415
1001118292 309, 313, 319	1001119103..... 100	1001120223 415	1001140318 415
1001118361 100, 103	1001119139..... 305, 309	1001120224 414	1001140429 183, 185, 187
1001118384 239	1001119140..... 301, 309	1001120229 401	1001140524 310, 314, 317
1001118388 239, 355, 357	1001119176..... 83, 410	1001120279 403	1001140650 414
1001118394 153, 155, 157	1001119194..... 310	1001120280 403	1001141300 407
1001118482 153, 155, 157	1001119195..... 313	1001120281 399	1001141581 21
1001118509 63	1001119197..... 310, 314	1001120282 393	1001141710 83
1001118510 63	1001119228..... 310, 314	1001120283 405	1001141967 365, 367
1001118511 15	1001119369..... 157, 161	1001120287 393	1001141968 365
1001118516 153, 155, 157	1001119370..... 145, 157	1001120288 405	1001141969 367
1001118518 15	1001119371..... 145	1001120328 229, 231, 237	1001141970 367
1001118519 15	1001119378..... 414	1001120466 415	1001141971 365
1001118592 309, 313	1001119455..... 272	1001120749 105	1001142504 415
1001118593 309, 313	1001119459..... 414	1001120974 151, 265	1001142505 415
1001118595 171	1001119504..... 169	1001120976 141, 143, 145, 261	1001142683 ... 89, 91, 93, 95, 411
	1001119513..... 169	1001121172 337, 381	
	1001119525..... 272	1001121221 272	
	1001119527..... 63, 67, 71, 83, 169	1001121678 29	
	1001119572..... 272	1001121801 389	
	1001119576..... 389, 391, 393, 395, 397, 399, 401, 403, 405	1001121803 397	
	1001119577..... 272	1001121805 405	
	1001119593..... 272	1001121808 401	
	1001119594..... 272	1001121810 399	
	1001119595..... 272	1001121814 389	
		1001121816 397	

SECTION 11 - SPECIAL OPTIONS

1001142736.....89, 91, 93, 95, 375	1001161878..... 49	1001168230 119, 123	1001169729.....414
1001144433.....208, 211, 215, 231	1001161891 325	1001168232 113, 115	1001169731.....414
1001144629..... 179, 181	1001161924 325	1001168233 113, 115	1001169732.....414
1001146824.....100	1001161935 45	1001168234 100	1001170056..... 389, 393, 397, 399, 401, 403, 405
1001147365..... 119, 123	1001161936 45	1001168236 110	1001170057..... 389, 393, 397, 399, 401, 403, 405
1001147440.....105	1001161937 45	1001168237 110	1001170058..... 389, 391, 393, 395, 397, 399, 401, 403, 405
1001147441..... 100, 105	1001161938 47	1001168238 119, 123	1001170059..... 395
1001147642..... 119, 123	1001161943 325	1001168239 111	1001170060..... 391, 395
1001147643..... 119, 123	1001161944 325	1001168240 110	1001170061..... 389, 391, 393, 395, 397, 399, 401, 403, 405
1001148902.....415	1001161947 45	1001168241 111	1001170062..... 389, 391, 393, 395, 397, 399, 401, 403, 405
1001148903.....415	1001161948 325	1001168242 110	1001170063..... 199, 204, 208, 212, 216, 220
1001148904.....415	1001161949 325	1001168244 111	1001170102..... 45
1001148905.....415	1001162045 45	1001168400 21	1001170104..... 415
1001148906.....415	1001162046 45	1001168662 83	1001170140..... 21, 410
1001148975..... 119, 123	1001162047 45	1001168663 83	1001170365..... 45, 410
1001149160..... 13, 21	1001162048 45	1001168669 13	1001170367..... 47, 410
1001149565.....416	1001162049 45	1001168701 200, 204, 353	1001170483..... 45
1001151393..... 69, 73	1001162050 45	1001168702 272	1001170484..... 47, 410
1001151788.....382	1001162117 63	1001169015 13	1001170571..... 118, 123
1001151824.....382	1001162614 53	1001169027 15	1001170669..... 405
1001152155.....273	1001162748 63	1001169028 13	1001170670..... 393
1001152650.....75, 77, 79	1001162823 113, 115	1001169030 13	1001170671..... 399
1001153015.....57, 61	1001163363 119, 123	1001169089 69, 73	1001170672..... 397
1001153364.....57	1001164412 335	1001169090 191	1001170673..... 403
1001153612..... 327, 329, 331, 333	1001164418 335	1001169091 191, 199	1001170674..... 401
1001154500.....414	1001164494 335	1001169092 199, 204, 208, 212, 216, 220	1001170676..... 389
1001155044.....200, 203, 207, 211, 215, 219	1001164495 335	1001169093 200, 204, 208, 212, 216, 220	1001170760..... 339, 379, 410
1001155045.....200, 203, 207, 211, 216, 219, 410	1001164654 335	1001169099 200, 204, 208, 212, 216, 220	1001170761..... 410
1001155743.....21	1001164885 13	1001169129 13	1001170762..... 323, 410
1001155934..... 110, 411	1001165144 17, 19	1001169195 63	1001170763..... 323
1001155967..... 13, 382	1001165751 113, 115, 135	1001169196 63	1001170838..... 199, 204, 208, 212, 216, 220
1001156395.....276	1001165795 83, 385	1001169204 274	1001170861..... 47
1001156603..... 119, 123	1001165848 83, 341	1001169213 15	1001170981..... 119, 123
1001156604..... 119, 123	1001165851 69, 73	1001169292 21, 325	1001171295..... 379, 410
1001157406..... 113, 115, 133	1001165852 69	1001169310 389	1001171296..... 403
1001157903..... 113, 115	1001165853 67, 69	1001169311 391	1001171301..... 325
1001158075..... 119, 123	1001165923 83, 381	1001169312 401	1001171777..... 45
1001158076..... 119, 123	1001166433 100	1001169313 403	1001171823..... 137
1001158314..... 119, 123	1001166467 119, 125	1001169314 397	1001171914..... 137
1001159027.....89, 93, 377	1001166538 200, 204, 207, 212, 216, 220, 223	1001169315 399	1001172045..... 414
1001159256.....200, 203, 207, 211, 216, 220, 410	1001166539 200, 204, 208, 212, 216, 220, 225	1001169316 393	1001172064..... 381
1001159301..... 119, 123, 415	1001166848 272, 274	1001169317 395	1001172074..... 337
1001159664..... 119, 123	1001167206 272	1001169318 405	1001172227..... 381, 410
1001159665..... 110, 410	1001167207 272	1001169415 100	1001172394..... 83
1001159754..... 111, 411	1001167208 272	1001169417 100	1001172395..... 83
1001160531.....61	1001167209 272	1001169418 100	1001172396..... 83
1001161110..... 13	1001167210 272	1001169419 100	1001172541..... 83
1001161113..... 13	1001167238 .. 17, 53, 171	1001169420 75, 77	1001172556..... 272
1001161114..... 13	1001167516 113, 115, 125, 129	1001169422 200, 204, 208, 212, 216, 220, 359	1001172557..... 272
1001161115..... 13	1001167538 45, 323	1001169594 199, 204, 208, 212, 216, 220, 411	1001172558..... 272
1001161117..... 13	1001168018 113, 115, 119, 123	1001169598 165, 351	1001172663..... 167
1001161537.....100	1001168033 83	1001169599 165	1001172760..... 207, 212, 216, 220
1001161710..... 199, 203, 207, 211, 216, 220, 410	1001168098 110, 335	1001169683 21, 23	1001172773..... 87
1001161871..... 325, 379	1001168210 253	1001169718 274	1001173139..... 415
1001161872.....49	1001168216 110, 113	1001169719 137	1001173140..... 415
1001161873.....49	1001168221 113, 118	1001169720 414	1001173325..... 415
1001161874.....49	1001168222 119, 123	1001169721 414	1001173326..... 415
1001161876.....49	1001168224 119, 123	1001169723 415	1001173331..... 415
	1001168225 119, 123	1001169724 415	
	1001168226 119, 123	1001169725 415	
	1001168227 119, 123	1001169726 416	
	1001168228 119, 123	1001169727 414	
	1001168229 119, 123	1001169728 414	

SECTION 11 - SPECIAL OPTIONS

1001173467 415	1001188844..... 167	1001209282..... 416	1001229341 235
1001173703 407	1001188866..... 13	1001209565..... 416	1001231153 147
1001174019 75	1001188889..... 229	1001209658..... 415	1001231540 414
1001174020 77	1001189105..... 111	1001209659..... 415	1001231541 414
1001174449 389, 391, 393, 395, 397, 399, 401, 403, 405	1001189108..... 111	1001209664..... 229, 231	1001231801 407
1001174455 351	1001189611..... 273	1001209878..... 93	1001231886 97
1001176229 381	1001189794..... 113, 115	1001210034..... 416	1001232164 235
1001176230 381	1001189795..... 113, 115	1001210035..... 416	1001232165 235
1001176304 113, 115	1001189868..... 113, 115	1001210089..... 416	1001232642 237
1001176469 73	1001189882..... 395, 407	1001210090..... 416	1001232650 237
1001177378 335, 339	1001190017..... 207, 208	1001210829..... 53	1001232667 237
1001177433 335, 337	1001190529..... 325, 327	1001210981..... 15	1001233237 414
1001178594 63, 410	1001190530..... 325, 331	1001211947 325, 329	1001235011 237
1001178595 63, 410	1001190531..... 325, 333	1001212041..... 97, 414	1001235013 237
1001178731 63	1001190545..... 111, 410	1001212415..... 410	1001236552 237
1001178795 273	1001190609..... 110	1001213882..... 216, 220	1001237862 243, 245
1001179948 21	1001190663..... 97	1001214029..... 407, 414	1001237863 235, 243
1001180464 83	1001190985..... 167	1001214478..... 415	1001237864 235, 245
1001181045 321	1001191708..... 233	1001214515..... 415	1001237865 235, 241
1001181325 83	1001193018..... 285, 289, 291, 293, 295, 297, 299	1001216630..... 167	1001238238 123, 129
1001181548 73	1001193549..... 325	1001217227..... 167	1001238239 115, 122
1001181549 71, 73	1001193550..... 325	1001217228..... 167	1001238241 111, 115
1001182138 233	1001195304..... 415	1001217242..... 167	1001238319 235
1001182731 67	1001195610..... 416	1001217243..... 167	1001238418 237, 239
1001182732 71	1001196702..... 414	1001217244..... 167	1001238472 237
1001182806 97	1001197294..... 21	1001217250..... 167	1001238477 237
1001182809 389, 391, 393, 395, 397, 399, 401, 403, 405	1001197294..... 21	1001217253..... 167	1001238495 231
1001183213 83, 411	1001197509..... 273	1001217254..... 167	1001238559 237
1001183402 379	1001197652..... 335	1001217267..... 167	1001238824 237
1001183405 379	1001197707..... 75, 77, 81	1001218068..... 216, 220	1001241965 237
1001183406 53	1001197845..... 415	1001219601..... 83, 410	1001242519 21, 27
1001183407 415	1001197941..... 83, 84, 335	1001219788..... 195, 215	1001242849 91
1001183548 47	1001197942..... 84, 325	1001220644..... 339	1001242850 95
1001183675 273	1001197943..... 84, 325	1001220656..... 195	1001243452 197
1001184022 45	1001197944..... 335	1001223055..... 389	1001243453 197, 219
1001184133 45, 47	1001199306..... 255, 265	1001223971 397	1001246486 414
1001184135 47	1001199412..... 141, 153	1001224048..... 403	1001246487 414
1001184137 47	1001199413..... 141, 145, 149	1001224049..... 405	1060908 321
1001184793 325	1001199456..... 141	1001224050..... 399	1060918... 191, 193, 195, 197
1001184846 381	1001199460..... 153, 255	1001224052..... 393	10837580 55, 265
1001185281 208, 212, 216, 220	1001199461..... 149, 265	1001224053..... 401	1120552 39, 43
1001186228 208, 212, 216, 220, 355	1001200291..... 416	1001224891..... 169	1271538 165
1001186231 339	1001200348..... 21, 25	1001225131..... 45	1320022 110, 119, 122
1001186375 183	1001200491..... 167	1001225557 325	1320041 21, 313
1001186377 185	1001200575..... 200, 208	1001225558 325	1320043 ... 281, 285, 289, 291, 293, 295, 297, 299, 309
1001186386 181	1001200910..... 89, 91	1001225580..... 216, 231, 357	1320130 111, 309, 313
1001186387 179	1001201886..... 204	1001225990..... 143, 145, 253	1320136 ... 113, 115, 165, 167
1001186431 216, 231, 355, 410, 416	1001201887..... 212	1001226400..... 343, 345, 347, 349	1320159 17
1001186432 239, 355, 357	1001201939..... 84	1001226872 187	1320222 118, 122
1001186489 323, 410	1001202223..... 119, 123	1001227454 414	1320224 118, 122, 165
1001186517 229, 231	1001203510..... 416	1001227633..... 235	1320265 110
1001186845 75, 77	1001203719..... 84	1001227634..... 235	1320274 113, 115
1001186889 193	1001204948..... 100	1001227985..... 235	1321293 75, 77, 83
1001186894 193, 207	1001205158..... 63	1001227987..... 235	1321682 118, 122
1001187235 118, 123	1001205844..... 63	1001227996..... 243, 245	1321716 83, 110
1001187508 229	1001207004..... 93, 95	1001228215 187	1340069 119, 123
1001187674 235	1001207138..... 416	1001228224 235	1380136 53
1001187681 241	1001207139..... 89	1001228225 235	1380138 49
1001188622 167	1001207140..... 416	1001228363..... 416	1580011 118, 122
	1001207227..... 89, 91, 93, 95	1001228370..... 389, 397	1580012 189
	1001207961..... 101	1001228589..... 416	1580013 415
	1001208285..... 13	1001228627..... 167	1600387 165
	1001208965..... 191, 203	1001228956..... 414	1670829 69, 73
	1001208966..... 193, 211	1001229107 414	
	1001209059..... 416		

SECTION 11 - SPECIAL OPTIONS

1670899.....309, 313	1703945 403	1706097 397	2902203.....39, 43
1671092.....310, 314	1703946 393	1706098 407	2902549....281, 285, 289,
1671093.....310, 314	1703947 405	1706846 37, 39, 41, 43	291, 293, 295, 297,
1671176....199, 203, 207,	1703948 397	2080040 ... 100, 105, 179,	299, 321
211, 215, 219	1703949 399	181	2915230.....79, 81
1701499....389, 391, 393,	1703950 401	2080050 100	2920028....208, 211, 215,
395, 397, 399, 401,	1703951 403	2080057 ... 389, 391, 393,	219
403, 405	1703952 393	395, 397, 399, 401,	2920129.....67, 71
1701500....389, 391, 393,	1703953 389	403, 405	2920161.....87
395, 397, 399, 401,	1703980 401	2180348 110	2940074....179, 181, 411
403, 405	1703981 403	2180666 110	2940095.....49
1701504....389, 391, 393,	1703982 399	2220124 57	2940109.....103, 105
395, 397, 399, 401,	1703983 405	2220371 272	3020008.....21, 415
403, 405	1703984 397	2220408 273	3020029.....13, 15, 415
1701505.....63	1703985 393	2220415 272	3020037.....21, 63, 415
1701509....389, 391, 393,	1704000 397	2220451 272	3020039.....21, 415
395, 397, 399, 401,	1704001 405	2220466 272	3160252.....63, 65
403, 405	1704002 393	2220472 272	3251243.....279, 283
1701517 391, 395	1704260 ... 199, 203, 207,	2220473 272	3251813.....407
1701518 391, 395	211, 215, 219	2220498 272	3252347 389
1701529....389, 391, 393,	1704277 ... 389, 391, 393,	2220501 272	3252507....281, 287, 289,
395, 397, 399, 401,	395, 397, 399, 401,	2220577 272	291, 293, 295, 297, 299
403, 405	403, 405	2220582 272	3271801....113, 115, 118,
1701642....389, 391, 393,	1704286 407	2220606 273	122
395, 397, 399, 401,	1704368 407	2220635 272	3290301.....111
403, 405	1704369 407	2220819 272	3290401.....45, 47
1701644....389, 391, 393,	1704370 407	2220828 272	3290405 83, 87, 111, 191,
395, 397, 399, 401,	1704371 407	2220881 249	193, 195, 197, 285,
403, 405	1704372 407	2220883 249, 253	289, 291, 293, 295,
1702155....389, 391, 393,	1704373 407	2220885 249	297, 299, 309, 313
395, 397, 399, 401,	1704412 ... 389, 391, 393,	2220887 272	3290505....47, 49, 69, 73,
403, 405	395, 397, 399, 401,	2220914 273	100
1702300....389, 391, 393,	403, 405	2220940 272	3290601....21, 53, 83, 97,
395, 397, 399, 401,	1704885 407	2220947 272	325
403, 405	1704972 407	2221042 273	3290605..75, 77, 83, 100,
1702391 389	1705325 285	2221086 272	110, 118, 122, 165,
1702565....199, 203, 207,	1705344 401	2300004 118, 122, 415	167, 191, 193, 195,
211, 215, 219	1705345 403	2300016 415	197, 281, 285, 289,
1702566....199, 203, 207,	1705347 397	2300019 415	291, 293, 295, 297,
211, 215, 219	1705348 399	2300028 415	299, 309, 313, 389,
1702567....199, 203, 207,	1705349 393	2300029 415	391, 393, 395, 397,
211, 215, 219	1705351 389	2300039 415	399, 401, 403, 405
1702773 407	1705426 401	2400044 45, 47	3290606.....183, 185
1702774 407	1705427 403	2400060 ... 323, 337, 339,	3290607....89, 91, 93, 95
1702860 407	1705429 397	379, 382	3290805....45, 53, 63, 75,
1702868 389	1705430 399	2400064 381, 410	77, 83, 100, 110, 113,
1702962 407	1705514 389, 397	2400065 381, 410	115, 153, 155, 157,
1703797 389	1705822 391, 395	2400066 337, 381	309, 313
1703798 389	1705828 391, 395	2420202 165	3291001.....45, 167
1703804 389	1705910 405	2540045 110	3291005 63, 83, 100, 110,
1703805 389	1705917 405	2560122 53	113, 115, 118, 122,
1703923 405	1705921 391, 395	2560136 ... 199, 203, 207,	141, 143, 145, 147,
1703924 397	1705929 389	211, 215, 219	153, 155, 157, 163,
1703925 399	1705961 391, 395	2600281 179, 181	167, 191, 193, 195,
1703926 401	1705968 399	2720058 110, 118, 122	197, 309, 313
1703927 403	1705969 403	2720271 110, 118, 122	3291201.....167
1703928 393	1705978 391, 395	2760105 69, 73	3291205....141, 143, 145,
1703935 405	1706059 407	2820019 353, 355	163, 165, 167
1703936 397	1706060 407	2820030 351	3291605.....110, 165
1703937 399	1706061 407	2820031 310, 314	3292001....89, 91, 93, 95
1703938 401	1706062 407	2820118 ... 343, 345, 347,	3300106....29, 31, 33, 35,
1703939 403	1706063 407	349, 353, 355	37, 39, 41, 43
1703940 393	1706064 407	2820247 243, 245	3300151....183, 185, 187
1703941 405	1706077 391, 395, 401	2860030 69, 73, 410	3300430....229, 231, 233
1703942 397	1706085 405	2900770 ... 159, 251, 253,	3311005....199, 203, 207,
1703943 399	1706089 393	255, 265	211, 215, 219
1703944 401	1706093 399	2901443 416	3311405....118, 122, 237

SECTION 11 - SPECIAL OPTIONS

3311501 118, 122	4010403 335	4460267.....339, 355, 379	4460836 337, 351, 381
3311505 118	4010618 183, 185	4460268.....323	4460837 337, 381
3311601 ... 200, 204, 208, 212, 216, 220, 237	4031505 235	4460312.....381	4460844 357
3311605 ... 113, 115, 118, 122	4031507 21, 23	4460313.....341	4460851 379
3311801 118, 122	4031510 111, 309, 313	4460315.....283, 287	4460852 379
3340758 147	4031512 83, 309, 313	4460320.....339, 379	4460865 ... 309, 313, 343, 345, 347, 349
3340860 153, 155, 157	4031516 237	4460346.....283	4460866 ... 309, 313, 353, 355, 382
3340901 310, 314	4031714 111	4460374.....379	4460868 341
3340939 309, 313	4032009 21	4460418.....341, 353, 355	4460871 97, 339, 341, 353, 355, 379, 381, 385
3380434 ... 191, 193, 195, 197	4060092 287	4460419.....341, 353, 355	4460872 385
3422576 141, 143, 145	4060804 167	4460424.....323	4460873 339, 379, 381
3422582 141, 143, 145	4060805 167	4460428.... 165, 199, 203, 207, 211, 215, 219	4460874 353, 355, 381
3422592 15	4060808 309, 313	4460434.....353, 355	4460875 353, 355, 385
3422709 141, 143, 145	4060906 69, 73	4460464... 13, 45, 83, 191, 193, 195, 197, 239, 319, 323, 339, 341, 347, 349, 353, 355, 357, 359, 375, 377, 379, 382, 385	4460876 341, 353, 355
3422745 149, 151	4061054 165	4460465 87, 97, 317, 319, 323, 327, 329, 331, 333, 337, 339, 341, 343, 345, 347, 349, 351, 357, 359, 375, 377, 379, 381, 382, 385	4460877 341
3422787 147	4070897 149, 151	4460466.... 199, 203, 207, 211, 215, 219, 235, 239, 241, 317, 319, 323, 337, 341, 343, 345, 347, 349, 351, 353, 355, 357, 359, 375, 379, 381, 382, 385	4460878 381
3422788 147	4070898 149, 151	4460467.....416	4460879 353, 355
3422790 141, 143, 145	4100066 272	4460470.... 199, 203, 207, 211, 215, 219	4460884 341, 355, 382
3422791 153, 155, 157	4120035 341	4460471 199, 203, 207, 211, 215, 219	4460887 353, 355, 381
3422792 141, 143, 145	4191707 21	4460473....310, 314, 343, 345, 347, 349	4460888 353, 355
3422814 141, 143, 145	4240018 13, 84, 111, 272, 309, 313, 325	4460477.....83, 341	4460891 87, 97, 317, 319, 323, 339, 341, 375, 377, 379, 382, 385
3430616 ... 204, 212, 216, 220	4240032 ... 83, 89, 91, 93, 95, 215, 219	4460497.....83, 341	4460892 381
3470003 ... 200, 204, 208, 212, 216, 220	4240033 ... 165, 229, 231, 235, 237, 335	4460508....235, 347, 349, 353, 355, 359, 382	4460894 ... 317, 319, 341, 379, 381
3520028 ... 199, 203, 207, 211, 215, 219	4240084 21	4460509....323, 337, 343, 345, 347, 349, 381	4460897 . 45, 89, 93, 323, 339, 341, 377, 379, 382
3520030 100, 103	4240156 309, 313	4460510.....416	4460899 ... 239, 241, 357, 359, 382
3520033 203, 211	4360328 69, 73, 410	4460516.....23	4460905 ... 339, 341, 353, 355, 379, 381, 385
3520035 203	4360387 73, 199, 203, 207, 211, 215, 219, 410	4460518.....375	4460910 245
3520054 215, 219	4360407 ... 199, 203, 207, 211, 215, 219, 410	4460536..... 13, 355, 379	4460911 241
3520072 ... 179, 181, 183, 185, 187	4360469 69, 73, 410	4460539....331, 341, 355, 379, 385	4460928 ... 327, 329, 331, 333, 375
3520182 233	4360475 69, 73, 199, 203, 207, 211, 215, 219, 410	4460611 118, 122	4460929 ... 327, 329, 331, 333
3520198 ... 179, 181, 183, 185, 187	4360476 69, 73, 199, 203, 207, 211, 215, 219	4460634.....341	4460930 79, 81, 327, 329, 331, 333, 381
3572551 153, 155, 157	4360548 ... 309, 313, 319, 411	4460635.....341	4460931 323, 379, 385
3740086 239	4420051 407	4460662.....295, 299	4460933 ... 199, 203, 207, 211, 215, 219, 351, 353, 355, 375, 379, 381, 385
3760115 149, 151	4460016 353, 355	4460670.....339, 379	4460941 241
3760308 49	4460019 323, 337	4460702....327, 329, 331, 333	4460942 235, 379
3790012 ... 199, 203, 207, 211, 215, 219	4460042 341	4460703.....379	4460943 ... 89, 91, 93, 95, 241, 341, 353, 355, 382
3820019 49	4460071 ... 191, 193, 195, 197, 283, 287	4460708.... 199, 203, 207, 211, 215, 219	4460944 ... 331, 339, 341, 351, 353, 355, 379
3820020 53, 179, 181	4460115 341	4460761.....353, 355, 381	4460945 339
3820032 63	4460121 281		4460956 321
3841143 ... 141, 143, 145, 147, 167	4460125 287		4460957 321
3841203 ... 141, 143, 145, 147	4460142 337, 382		4460968 ... 285, 289, 291, 293, 297, 319
3841258 15, 147	4460205 283		4460970 319, 353, 355
3841520 13	4460224 ... 199, 203, 207, 211, 215, 219		4460994 339, 379
3900085 89, 91, 93, 95	4460225 353, 355		4461012 ... 191, 193, 195, 197
3900174 49	4460226 ... 191, 193, 195, 197, 199, 203, 207, 211, 215, 219, 223, 226, 353, 355		4461017 382
3900349 215, 219	4460227 353, 355, 381		4461018 337, 381
3910804 69, 73	4460233 287		4461070 375
3911018 ... 199, 203, 207, 211, 215, 219	4460234 83, 199, 203, 207, 211, 215, 219		4461076 23
3931408 229, 231	4460259 ... 337, 341, 353, 355, 359		
3931424 229	4460260 ... 337, 341, 353, 355, 359		
3931832 57	4460265 223, 226		
3960417 49			
3960422 283, 287			
3960447 49			
3990010 381, 410			

SECTION 11 - SPECIAL OPTIONS

4461077.....239, 241, 327, 329, 331, 333	4811702..... 83, 100, 111, 113, 115, 119, 122, 167, 191, 193, 195, 197, 310, 314	70002364.....265	70003071.....259
4461095.....375	4811900... 13, 17, 21, 45, 53, 63, 75, 77, 100, 110, 113, 115, 118, 122, 165, 309, 313	70002366 . 251, 253, 261, 265	70003072.....259
4461109.....337	481190221, 53, 113, 115, 149, 151, 153, 155, 157	70002372.....255	70003073.....259
4461110.....382	481200045, 49, 100, 110, 113, 115, 118, 122, 141, 143, 145, 147, 163, 167, 169, 309, 313	70002373.....255	70003074.....259
4461111.....337	4812002..... 63, 171, 191, 193, 195, 197	70002375.....255	70003075.....259
4461112.....382	4812100..... 13, 167	70002380.....263	70003076...255, 257, 259
4461117.....339	4812300..... 100, 165	70002386..... 53, 55, 173, 175, 255, 257, 259, 410	70003077.....259, 263
4461196.....361	4812500.... 110, 113, 115	70002388.....251	70003078.....259, 263
4461198.....361	4831900.45, 47, 325, 335	70002389.....265	70003079.....259, 263
4461199.....363	4846608..... 163, 165	70002410.....259	70003080.....259, 263
4461201.....363	4872000.....335	70002412.....257	70003081..251, 253, 259, 261
4461205....365, 367, 369, 371	4891500.....63	70002413.....251, 253	70003082.....257, 259
4461222.....337, 382	4891600.... 163, 165, 167	70002643.....61	70003083.....257, 259
4461244.....369	4891800... 113, 115, 118, 122	70002644.....61	70003084.....261
4461245.....371	4923463..... 303, 307	70002645.....61	70003085...251, 253, 261
4461246.....373	4923505..... 301, 305	70002646.....61	70003086.....261
4461249.....373	5221000.....169	70002647.....61	70003088.....261
4461290.....23, 327, 329, 331, 333, 339	5240600.....100	70002648.....61	70003089..251, 253, 261, 265
4520605.....33, 37, 39	5241000.....15	70002649.....61	70003090..251, 253, 261, 265
4640113....33, 35, 37, 39, 41, 43	5241200... 149, 151, 163, 165, 167	70002650.....61	70003091..251, 253, 261, 265
4640858.....249	5241400.....57	70002651.....61	70003092..251, 253, 261, 265
4641129.....19	5241600.....21, 165	70002652.....61	70003093..251, 253, 255, 261
4711400.... 118, 122, 183, 185, 187, 229, 231, 233, 237	5250808.....171	70002656.....61	70003094..251, 253, 255, 261
4711500.... 118, 122, 200, 208	5250810.17, 53, 171, 272	70002657.....61	70003095.....263
4711600.... 111, 113, 115, 204, 212, 216, 220	5250812.....171	70002658.....61	70003096.....263
4740086.....13	5251008.....167	70002659.....61	70003097.....263
4740158.....15	5251010... 141, 143, 145, 149, 151	70002661.....61	70003098.....263
4740171.....57	5251012..... 15, 149, 151	70002663.....61	70003099.....263
4740362.... 118, 122, 191, 193, 195, 197	5251016.....167	70002664.....61	70003100.....263
4740397.....215, 219	5260800..... 309, 313	70002665.....61	70003101.....263
4740505.....13	5271609.....49	70002666.....61	70003102.....263
4751000....89, 91, 93, 95	5271723.....21	70002667.....61	70003103.....257
4751400.... 118, 122, 189, 199, 203, 207, 211, 215, 219, 233	5281920..... 309, 313	70002668.....61	70003104.....257
4751600.... 113, 115, 118, 122	70000088.....59	70002669.....61	70003105.....257
4761400.....189	70000089.....59	70002670.....61	70003106.....257
4761600.....47, 335	70000341.....159	70002671.....61	70003108.....257
4792000.....335	70000681.....61	70002842.....249	70003109.....257
4811400....21, 45, 47, 83, 111, 191, 193, 195, 197, 285, 289, 291, 293, 295, 297, 299, 309, 313	70001697.....159, 161	70002901.....110	70003110.....257
4811600....47, 100, 103, 105, 113, 115, 118, 122	70001996.....169	70002902 . 191, 193, 195, 197	70003111.....257
4811602.....49	70001998.....169	70002903 . 191, 193, 195, 197	70003112.....257
4811700....21, 45, 49, 53, 75, 77, 83, 89, 91, 93, 95, 97, 100, 103, 105, 110, 118, 122, 165, 167, 183, 185, 281, 285, 289, 291, 293, 295, 297, 299, 309, 313, 325, 389, 391, 393, 395, 397, 399, 401, 403, 405	70002311.....59	70002904 . 191, 193, 195, 197	70003113.....257
	70002312.....59	70002905 . 191, 193, 195, 197	70003114.....265
	70002313.....59	70002954.....175	70003115.....265
	70002315.....125, 129	70002963.....19, 410	70003116.....265
	70002318.....125, 129	70002964.....55	70003117.....265
	70002334..255, 257, 259	70002965.....55	70003118.....255, 265
	70002335.251, 253, 255, 257, 259, 261, 265	70002966.....55	70003119.....265
	70002337.....259, 263	70002967.....55	70003120.....265
	70002344.....257	70002968.....55	70003121.....265
	70002352..251, 261, 265	70002969.....55	70003122.....255
	70002354.....261	70002970.....55	70003123.....255
	70002357.....251	70002971.....55, 410	70003124.....255
		70002972.....55	70003125.....255
		70002973.....55	70003126.....255
		70002974.....55	70003127.....255
		70002976.....55	70003128.....255
		70002977.....55	70003129.....255
		70003060.....125, 129	70003130.....255
		70003061.....125, 129	70003131.....251, 253
		70003063.....126, 130	70003132.....251, 253
		70003064.....126, 130	

SECTION 11 - SPECIAL OPTIONS

70003133	251, 253	70004788	19	70004984	135	70005296	110
70003134	251, 253	70004789	19	70004985	135	70005297	110
70003138	61	70004790	133	70004986	135	70005560	25, 27
70003139	61	70004791	133	70004987	135	70005561	25
70003141	61	70004792	133	70004988	135	70005695	253
70003142	61	70004793	133	70004989	135	70005722	53
70003453	255	70004796	119, 123	70004990	135	70005818	63
70003757	55	70004797	23	70004991	135	70005973	253
70003784	199, 203, 207, 211, 215, 219	70004798	23	70004992	135	70005974	253
70003788	55, 410	70004799	23	70004993	135	70006007	126, 130
70004069	110	70004800	23	70004994	135	70006008	126, 130
70004070	110	70004801	23	70004995	135	70006129	25
70004294	125, 129	70004802	23	70004996	135	70006130	25
70004295	125, 129	70004803	23	70004997	135	70006131	25
70004296	125, 129	70004804	23	70004998	135	70006132	25
70004297	125, 129	70004805	23	70004999	135	70006133	25
70004305	126, 130	70004806	23	70005000	135	70006269	169
70004306	126, 130	70004807	23	70005001	135	70006280	169
70004311	125, 129	70004808	23	70005002	135	70006353	253
70004322	161	70004809	23	70005003	135	70007208	27
70004323	159, 161	70004810	23	70005004	135	70007209	27
70004398	125, 129	70004811	23	70005005	135	70007210	27
70004524	125, 129	70004812	23	70005006	135	70007211	27
70004537	125, 129	70004813	23	70005007	135	70007212	27
70004538	125, 129	70004814	23	70005019	25, 27	70007213	27
70004539	125, 129	70004815	23	70005020	25, 27	70007214	27
70004540	125, 129	70004816	23	70005022	25, 27	70007215	27
70004738	223	70004817	23	70005023	25	70007216	27
70004739	223	70004818	23	70005024	25, 27	70007217	27
70004740	223	70004819	23	70005025	25, 27	70007218	27
70004741	223	70004820	23	70005026	25	70007219	27
70004742	223	70004821	23	70005027	25, 27	70007220	27
70004743	223	70004822	23	70005028	25, 27	70007221	27
70004744	223	70004827	23	70005029	25, 27	70022565	257
70004745	223	70004828	125, 129	70005030	25	70023370	251, 255, 257, 259, 265
70004746	223	70004829	125, 126, 129, 130	70005031	25, 27	70023371	261
70004747	223	70004830	125, 129	70005032	25, 27	7002821	416
70004748	223	70004832	125, 129	70005033	25	7002822	416
70004749	223	70004833	125, 129	70005035	25, 27	7002823	416
70004750	223	70004834	125, 129	70005036	25	7002828	416
70004751	223	70004836	125, 129	70005037	25, 27	7004035	59
70004752	225	70004837	125, 129	70005038	25, 27	7004043	59
70004753	225	70004838	125, 129	70005039	25	7004044	59
70004754	225	70004839	125, 129	70005040	25, 27	7004275	416
70004755	225	70004840	125, 129	70005041	25, 27	7004276	416
70004756	225	70004841	125, 129	70005042	25, 27	70050516	19, 410
70004757	225	70004843	125, 129	70005043	25, 27	7010543	55, 173, 265
70004758	225	70004844	125, 129	70005044	25, 27	7011323	159
70004759	225	70004846	125, 129	70005045	25, 27	7012540	19
70004760	225	70004847	125, 129	70005046	25	7012545	65
70004761	225	70004848	125, 129	70005047	25, 27	7012548	65
70004762	225	70004849	125, 129	70005048	25	7012549	65
70004763	225	70004851	126, 130	70005049	25	7012907	19
70004764	225	70004852	126, 130	70005050	25	7012941	173
70004765	225	70004853	126, 130	70005051	25	7012953	173
70004766	225	70004854	126, 130	70005053	25	7012955	173, 175
70004767	225	70004855	125, 129	70005054	25	7012967	53, 173, 175, 255, 257, 259
70004768	225	70004857	126, 130	70005055	25	7012998	19, 55, 175
70004769	225	70004856	126, 130	70005058	25	7015004	119, 122, 410
70004770	225	70004857	126, 130	70005059	25	7015005	119, 123
70004771	225	70004858	126, 130	70005060	25	7016319	87
70004772	225	70004859	126, 130	70005062	25, 27	7016372	87
70004773	225	70004860	126, 130	70005063	25, 27	7016654	416
70004774	225	70004861	126, 130	70005066	125, 129	7017120	159
70004775	225	70004912	126, 130	70005067	110	7017121	159
70004787	19	70004913	126, 130	70005068	110		
		70004982	175	70005069	110		

SECTION 11 - SPECIAL OPTIONS

7017122.....	159, 161	7017983.....	125, 129	7023167.....	125, 129	7027901.....	159, 161
7017123.....	159, 161	7017984.....	125, 129	7023168.....	125, 129	7028909.....	91, 95
7017126.....	159, 161	7017988.....	125, 129	7023170.....	126, 130	80233041.....	272
7017127.....	159	7017992....	125, 129, 410	7023200.....	65	80325.....	100
7017172.....	159, 161	7017995.....	125, 129	7023272.....	65	8220007.....	337
7017192.....	159, 161	7020175	69, 73, 199, 203, 207, 211, 215, 219	7023970.....	173	8220045.....	339
7017196.....	159, 161	7020176	69, 73, 199, 203, 207, 211, 215, 219	7024379.....	59	8229244.....	381, 410
7017402.....	173, 175	7020291.....	65	7024380.....	59	8229245.....	337
7017406.....	55	7020292.....	65	7024381.....	59	8229246.....	337
7017408.....	19	7020293.....	65	7024389.....	59	8229247.....	337
7017427.....	175	7020294.....	65	7024390.....	59	8290505.....	103, 105
7017452.....	173, 175	7020295.....	65	7024453.....	59	8290605.....	103, 105
7017455.....	19	7020296.....	65	7024884....	255, 257, 259	8305919....	199, 203, 207, 211, 215, 219
7017463.....	19	7020297.....	65	7026041.....	61	8310612.....	45, 47
7017467.....	53	7020298.....	65	7026048.....	61	8310643.....	165
7017496	53, 55, 255, 257, 259	7020299.....	65	7026049.....	61	8310668.....	169
7017498.....	175	7021653.....	19, 55	7026052.....	61	8310686.....	272
7017901.....	126, 130	7023107.....	125, 129	7027350.....	61	8405102.....	119, 122
7017914.....	125, 129	7023114.....	126, 130	7027351.....	61	8406201.....	111
7017934.....	125, 129	7023124.....	126, 130	7027352.....	61	85031405.....	119, 335
7017980.....	125, 129, 410	7023154.....	125, 129	7027353.....	61	85941016.....	113, 115
7017982.....	125, 129			7027359.....	61	91043147.....	111
				7027900.....	159, 161		



3121635



An Oshkosh Corporation Company

Corporate Office
JLG Industries, Inc.
1 JLG Drive
McConnellsburg, PA 17233-9533 USA
☎ (717) 485-5161 (Corporate)
☎ (877) 554-5438 (Customer Support)
📠 (717) 485-6417

Visit our website for JLG Worldwide Locations.
www.jlg.com