



Illustrated Parts Manual

Model EC450AJ

PRIOR TO
SN C300000326

P/N
31217105

January 1, 2022 - Rev D



An Oshkosh Corporation Company

REVISION LOG

July 30, 2019 - A - Original Issue of Manual (1001250808 Rev A)

September 30, 2020 - B - Revised Manual (Edited to B/M 1001250808 Rev F)

May 31, 2021 - C - Revised Manual (Edited to B/M 1001250808 Rev F)

January 1, 2022 - D - Revised Manual (Edited to B/M 1001250808 Rev F)

GENERAL INFORMATION

SECTION 6 CYLINDER

FIGURE 6-3. LIFT CYLINDER ASSEMBLY

PG# Model Designation Manual #

SECTION 6 CYLINDER

FIGURE 6-3. LIFT CYLINDER ASSEMBLY

ITEM #	PART NUMBER	QTY.	DESCRIPTION	REV.
	1001140104	Ref	LIFT CYLINDER ASSEMBLY	B
1	0100011	AR	Compound, Locking	
2	0630535	3	Capscrew 1/4-20 x 1-1/8	
3	0791003	1	Screw #10-24 x 3/8	
4	0961897	1	Bushing, Tapered	
5	1320136	1	Clamp, Cable	
6	1683063	1	Head	
7	2220883	1	Plug, O-Ring	
8	2220885	2	Plug, O-Ring	
9	2220886	1	Plug, O-Ring	
10	3020039	AR	Lubricant	
11	3480282	1	Piston	
12	3760371	1	Ring, Washer	
13	3931420	8	Capscrew 1/4-20 x 1-1/4	
14	3931824	8	Capscrew 1/2-13 x 1-1/2	
15	3951003	1	Setscrew #10-24 x 3/8	
16	4100099	1	Spacer	
17	4640999	1	Cartridge, Holding Valve (Non Vented)	
17	2900792		Kit, Seal - 4640999 Cartridge Valve	
18	4641248	1	Cartridge, Counterbalance Valve (Non Vented)	
18	70004186		Kit, Seal - 4641248 Cartridge Valve	
19	1001117991	1	Sensor, Cylinder Length	
20	1001118070	1	Cap, Retainer	
21	1001118084	1	Barrel	
21A	0961950	2	Bushing	
22	1001118086	1	Rod	
22A	0961950	2	Bushing	
100	1001139996	1	Kit, Seal (Includes Items 101-109)	
101	See Note	2	Ring, Wear (Note: Use p/n 1001139996)	
102	See Note	1	Ring, Back-Up (Note: Use p/n 1001139996)	
103	See Note	2	Ring, Lock (Note: Use p/n 1001139996)	
104	See Note	2	Ring, Back-Up (Note: Use p/n 1001139996)	
105	See Note	2	O-Ring (Note: Use p/n 1001139996)	
106	See Note	1	O-Ring (Note: Use p/n 1001139996)	
107	See Note	1	Seal (Note: Use p/n 1001139996)	
108	See Note	1	Wiper, Rod (Note: Use p/n 1001139996)	
109	See Note	2	Seal (Note: Use p/n 1001139996)	
200	1001119105	1	Kit, Sensor Magnet (Includes Items 201-203)	
201	See Note	NSS	Sleeve, Spacer (Note: Use p/n 1001119105)	
202	1001118066	1	Magnet, Sensor	
203	1001118069	1	Ring, Internal Retaining	

Manual # Model Designation PG#

1) MACHINE IDENTIFICATION

Machines are identified by model and in some cases a combination of models, serial number (SN) or regional standard (i.e. ANSI, CE, CSA). Components may also be identified by SN or manufacturer. Common components that may be identified by these characteristics are engines and hydraulic components.

2) PARTS MANUAL ORGANIZATION

Product information in this manual is organized under section titles. Frame, Cylinder, Hydraulic and Electrical are a few examples. Each section is organized by figure and page number. The information within the Figure is then organized by item number, part number, description and corresponding illustration(s).

3) TABLE OF CONTENTS

A table of contents is found toward the beginning of the manual. Figure number, description and page number are provided for quick reference to the page containing the related information.

4) RECOMMENDED SPARE PARTS

The Recommended Spare Parts, located near the end of the manual, reference most frequently used maintenance parts.

5) PART NUMBER INDEX

A numerical index listing all part numbers and the corresponding page number(s) appears at the back of the manual.

GENERAL INFORMATION

6) NON-SERVICED PARTS

In some instances, it is necessary to display non-serviced parts, assemblies or installations. In the case of assemblies and installations there will be a Ref in the Qty column. In case of parts that are not available for service within assemblies or components, there will be a NSS (Not Sold Separately) or NLA (No Longer Available) listed in the Qty. column of the manual.

7) PARTS LIST ITEM NUMBERS

Numbers shown in the item# column correspond to numbers used in the associated illustration (s). Item numbers which are missing from the sequence in the parts list are not used on that page

8) INDENTED PARTS DESCRIPTION

An indented part description is included in the item under which it is indented.

9) ABBREVIATION AND SYMBOLS

AC.....	.. Alternating Current	LCD Liquid Crystal Display
ADE.....	.. Advanced Design Electronics	LED Light Emitting Diodes
ANSI American National Standards Institute	LH.....	.. Left Hand
AR.....	.. As Required	LSS Load Sensing System
ASSY Assembly	M(m).....	.. Metric/Meter
AUX.....	.. Auxiliary	MM (mm) Milimeter
AWG.....	.. American Wire Gauge	mA.....	.. Milliamps
B/M.....	.. Bill of Material	NLA.....	.. No Longer Available
CE.....	.. European Conformity	NPT National Pipe Threads
CCW Counter Clockwise	NSS Not Sold Separately
cm.....	.. Centimeter	OD.....	.. Outside Diameter
CW Clockwise	ORB.....	.. O-Ring Boss
CSA.....	.. Canadian Standards Association	ORFS O-Ring Face Seal
CYL.....	.. Cylinder	OZ (oz) Ounces
DIA Diameter	PG Page
DC.....	.. Direct Current	P/N.....	.. Part Number
EMS Emergency Stop	qt.....	.. Quarts
ENG Engine	QTY.....	.. Quantity
FT (ft).....	.. Feet	REF Reference
GA (Ga).....	.. Gauge	REV Revision Level
HYD Hydraulic	RH.....	.. Right Hand
Hz.....	.. Hertz	SAE.....	.. Society of Automotive Engineers
ID.....	.. Inside Diameter	SN.....	.. Serial Number
in.....	.. inches	SPEC(S).....	.. Specifications
ISO.....	.. International Organization for Standards	T/T.....	.. Turntable
JIC.....	.. Joint Industry Council	UGM Universal Ground Module
KG Kilogram	V.....	.. Volts
L.....	.. Liter	W.....	.. Watts
LB Pounds	#.....	.. Number

10) ILLUSTRATION REFERENCE LETTERS

When necessary, illustrations may contain reference letters that are intended to track information (i. e. hoses, harnesses) from one point to another or to track visual enlargement of components to show details that may be located in another area on the illustration.

Note: Due to continuous product improvements, JLG Industries, Inc. reserves the right to make specification changes without prior notification. Contact JLG Industries, Inc. for updated information.

TABLE OF CONTENTS

SECTION 1 - FRAME.....	11
FIGURE 1-1. AXLE INSTALLATION	12
FIGURE 1-2. STEER INSTALLATION.....	14
FIGURE 1-3. WHEEL DRIVE INSTALLATION (2WD).....	16
FIGURE 1-4. HUB - SPINDLE ASSEMBLY.....	18
FIGURE 1-5. DRIVE MOTOR ASSEMBLY	20
FIGURE 1-6. BATTERY INSTALLATION.....	22
FIGURE 1-7. FRAME SHIELD INSTALLATION	26
FIGURE 1-8. TIRE AND WHEEL INSTALLATION - 33 X 12-20 SOLID NON-MARKING.....	28
FIGURE 1-9. TIRE AND WHEEL INSTALLATION - 315/55 D20 FOAM FILLED.....	30
FIGURE 1-10. TIRE AND WHEEL INSTALLATION - 315/55 D20 FOAM FILLED NON-MARKING	32
FIGURE 1-11. CONTROL VALVES INSTALLATION - FRAME MOUNTED	34
FIGURE 1-12. OSCILLATING AXLE VALVE ASSEMBLY	36
SECTION 2 - TURNTABLE.....	39
FIGURE 2-1. CONTROL VALVES INSTALLATION - TURNTABLE MOUNTED.....	40
FIGURE 2-2. MAIN VALVE ASSEMBLY	42
FIGURE 2-3. AUXILIARY PUMP ASSEMBLY.....	44
FIGURE 2-4. ENCLOSURE INSTALLATION	46
FIGURE 2-5. SWING DRIVE AND TURNTABLE BEARING INSTALLATION.....	48
FIGURE 2-6. SWING MOTOR ASSEMBLY	50
FIGURE 2-7. TURNTABLE BEARING ASSEMBLY	52
FIGURE 2-8. TURNTABLE COVERS INSTALLATION	54
FIGURE 2-9. TURNTABLE LOCK INSTALLATION.....	56
FIGURE 2-10. TANK AND PUMPS INSTALLATION.....	58
FIGURE 2-11. HYDRAULIC TANK INSTALLATION	60
FIGURE 2-12. MOTOR ASSEMBLY	62
FIGURE 2-13. DRIVE ORIENTATION INSTALLATION	64
FIGURE 2-14. GROUND CONTROL ASSEMBLY	66
FIGURE 2-15. GROUND CONTROL ASSEMBLY (ANSI, AUSTRALIAN AND CSA SPECS)	68
FIGURE 2-16. GROUND CONTROL ASSEMBLY - WITH 4 INCH DISPLAY (CE SPECS).....	70
FIGURE 2-17. LIGHT PANEL INSTALLATION – GROUND CONTROL.....	72
FIGURE 2-18. LIGHT PANEL INSTALLATION – GROUND CONTROL (CE SPECS ONLY).....	74
FIGURE 2-19. ELECTRICAL SYSTEM INSTALLATION.....	76
FIGURE 2-20. BATTERY CHARGER INSTALLATION – WITH NO PLUG	80
FIGURE 2-21. BATTERY CHARGER INSTALLATION - 110V (ANSI AND CSA SPECS).....	82
FIGURE 2-22. BATTERY CHARGER INSTALLATION - 220V (AUSTRALIAN SPECS).....	84
FIGURE 2-23. BATTERY CHARGER INSTALLATION	86
FIGURE 2-24. BATTERY CHARGER INSTALLATION – WITH 110 IEC PLUG (YELLOW) (CE SPECS).....	88
FIGURE 2-25. BATTERY CHARGER INSTALLATION (CEE7) (CE SPECS)	90
FIGURE 2-26. BATTERY CHARGER INSTALLATION (ASFINT KEYED GRD) (CE SPECS).....	92
FIGURE 2-27. BATTERY AND CABLE INSTALLATION.....	94
FIGURE 2-28. ALARM WHITE NOISE INSTALLATION.....	96
FIGURE 2-29. BEACON LIGHT INSTALLATION - AMBER	98
FIGURE 2-30. BEACON LIGHT INSTALLATION - BLUE	100
FIGURE 2-31. BEACON LIGHT INSTALLATION - RED	102
FIGURE 2-32. HOODS INSTALLATION	104
FIGURE 2-33. HOOD ASSEMBLY - TANK SIDE.....	108
FIGURE 2-34. HOOD ASSEMBLY - ENGINE SIDE.....	110
FIGURE 2-35. COVERS INSTALLATION - COUNTERWEIGHT	112
SECTION 3 - BOOM.....	115
FIGURE 3-1. CYLINDERS INSTALLATION (Prior to SN C300000243).....	116
FIGURE 3-2. CYLINDERS INSTALLATION (SN C300000243 through C300000325).....	118
FIGURE 3-3. BOOM INSTALLATION - WITHOUT AIRLINES	120
FIGURE 3-4. BOOM INSTALLATION - WITH AIRLINE	122
FIGURE 3-5. BOOM AIRLINE INSTALLATION.....	124
FIGURE 3-6. AIRLINE FITTINGS INSTALLATION	126
FIGURE 3-7. MAIN BOOM INSTALLATION.....	128
FIGURE 3-8. MAIN BOOM ASSEMBLY.....	130
FIGURE 3-9. TOWER BOOM ASSEMBLY	132
FIGURE 3-10. JIB INSTALLATION	134
FIGURE 3-11. ROTATOR ASSEMBLY	136

TABLE OF CONTENTS

FIGURE 3-12. PLATFORM SUPPORT INSTALLATION - WITH 1 CELL LSS	138
FIGURE 3-13. BOOM VALVES INSTALLATION	140
FIGURE 3-14. BOOM VALVE ASSEMBLY	142
FIGURE 3-15. UPRIGHT VALVE ASSEMBLY	144
SECTION 4 - PLATFORM	147
FIGURE 4-1. PLATFORM ASSEMBLY - 30IN X 4FT (76CM X 1.22M) - SIDE GATE ENTRY	148
FIGURE 4-2. PLATFORM ASSEMBLY - 30IN X 5FT (76CM X 1.52M) - SIDE GATE ENTRY	150
FIGURE 4-3. PLATFORM ASSEMBLY - 30IN X 6FT (76CM X 1.83M) - SIDE GATE ENTRY	152
FIGURE 4-4. PLATFORM ASSEMBLY - 30IN X 3FT (76CM X .91M) - DROP BAR ENTRY	154
FIGURE 4-5. PLATFORM ASSEMBLY - 30IN X 4FT (76CM X 1.22M) - WITH DROP BAR	156
FIGURE 4-6. PLATFORM ASSEMBLY - 30IN X 5FT (76CM X 1.52M) - WITH DROP BAR	158
FIGURE 4-7. PLATFORM ASSEMBLY - 30IN X 6FT (76CM X 1.83M) - WITH DROP BAR	160
FIGURE 4-8. CONSOLE BOX INSTALLATION - WITH SKYGUARD	162
FIGURE 4-9. PLATFORM CONSOLE BOX ASSEMBLY - WITH SKYGUARD	164
FIGURE 4-10. LIGHT PANEL INSTALLATION - PLATFORM CONTROL	168
FIGURE 4-11. LIGHT PANEL INSTALLATION - PLATFORM CONTROL (CE SPECS ONLY)	170
FIGURE 4-12. CONTROLLER ASSEMBLY - DRIVE AND STEER	172
FIGURE 4-13. CONTROLLER ASSEMBLY - LIFT AND SWING	174
FIGURE 4-14. FOOTSWITCH ASSEMBLY	178
FIGURE 4-15. PLATFORM CHARGER (12V)	180
FIGURE 4-16. PLATFORM CHARGER (USB)	182
FIGURE 4-17. TRAY ASSEMBLY	184
FIGURE 4-18. SKYEYE INSTALLATION	186
FIGURE 4-19. SKYGUARD BAR INSTALLATION	188
FIGURE 4-20. SKYLINE INSTALLATION	190
FIGURE 4-21. PIPE RACK INSTALLATION	192
SECTION 5 - CYLINDER	195
FIGURE 5-1. AXLE LOCKOUT CYLINDER ASSEMBLY	196
FIGURE 5-2. LEVEL (PLATFORM SLAVE) CYLINDER ASSEMBLY	198
FIGURE 5-3. LIFT CYLINDER ASSEMBLY - JIB	200
FIGURE 5-4. LIFT CYLINDER ASSEMBLY - MAIN BOOM (Prior to SN C300000243)	202
FIGURE 5-5. LIFT CYLINDER ASSEMBLY - MAIN BOOM (SN C300000243 through C300000325)	204
FIGURE 5-6. LIFT CYLINDER ASSEMBLY - TOWER BOOM (Prior to SN C300000243)	206
FIGURE 5-7. LIFT CYLINDER ASSEMBLY - TOWER BOOM (SN C300000243 through C300000325)	208
FIGURE 5-8. MASTER CYLINDER ASSEMBLY	210
FIGURE 5-9. STEER CYLINDER ASSEMBLY	212
FIGURE 5-10. TELESCOPE CYLINDER ASSEMBLY (Prior to SN C300000243)	214
FIGURE 5-11. TELESCOPE CYLINDER ASSEMBLY (SN C300000243 through C300000325)	216
SECTION 6 - HYDRAULIC	219
FIGURE 6-1. BOOM HYDRAULIC SYSTEM INSTALLATION	220
FIGURE 6-2. CHASSIS HYDRAULIC SYSTEM INSTALLATION	224
SECTION 7 - ELECTRICAL	227
FIGURE 7-1. BEACON LIGHT HARNESS	228
FIGURE 7-2. BMS HARNESS	230
FIGURE 7-3. BOOM CABLES AND CLAMPS	232
FIGURE 7-4. BOOM HARNESS - MAIN BOOM	236
FIGURE 7-5. BOOM HARNESS - MAIN BOOM AC CABLE	238
FIGURE 7-6. BOOM HARNESS - TOWER BOOM	240
FIGURE 7-7. BOOM HARNESS - TOWER BOOM AC CABLE	242
FIGURE 7-8. BOOM VALVE HARNESS	244
FIGURE 7-9. CHASSIS HARNESS ASSEMBLY	246
FIGURE 7-10. CONTROLLER BRACKET ASSEMBLY	252
FIGURE 7-11. DISPLAY ADAPTER HARNESS	254
FIGURE 7-12. DRIVE MOTOR HARNESS (RIGHT REAR)	256
FIGURE 7-13. DRIVE MOTOR HARNESS (LEFT REAR)	258
FIGURE 7-14. FUSE PLATE ASSEMBLY	260
FIGURE 7-15. GROUND CONTROL PANEL HARNESS	262
FIGURE 7-16. PLATFORM TO BOOM HARNESS	264
FIGURE 7-17. PLATFORM CONSOLE BOX HARNESS	266

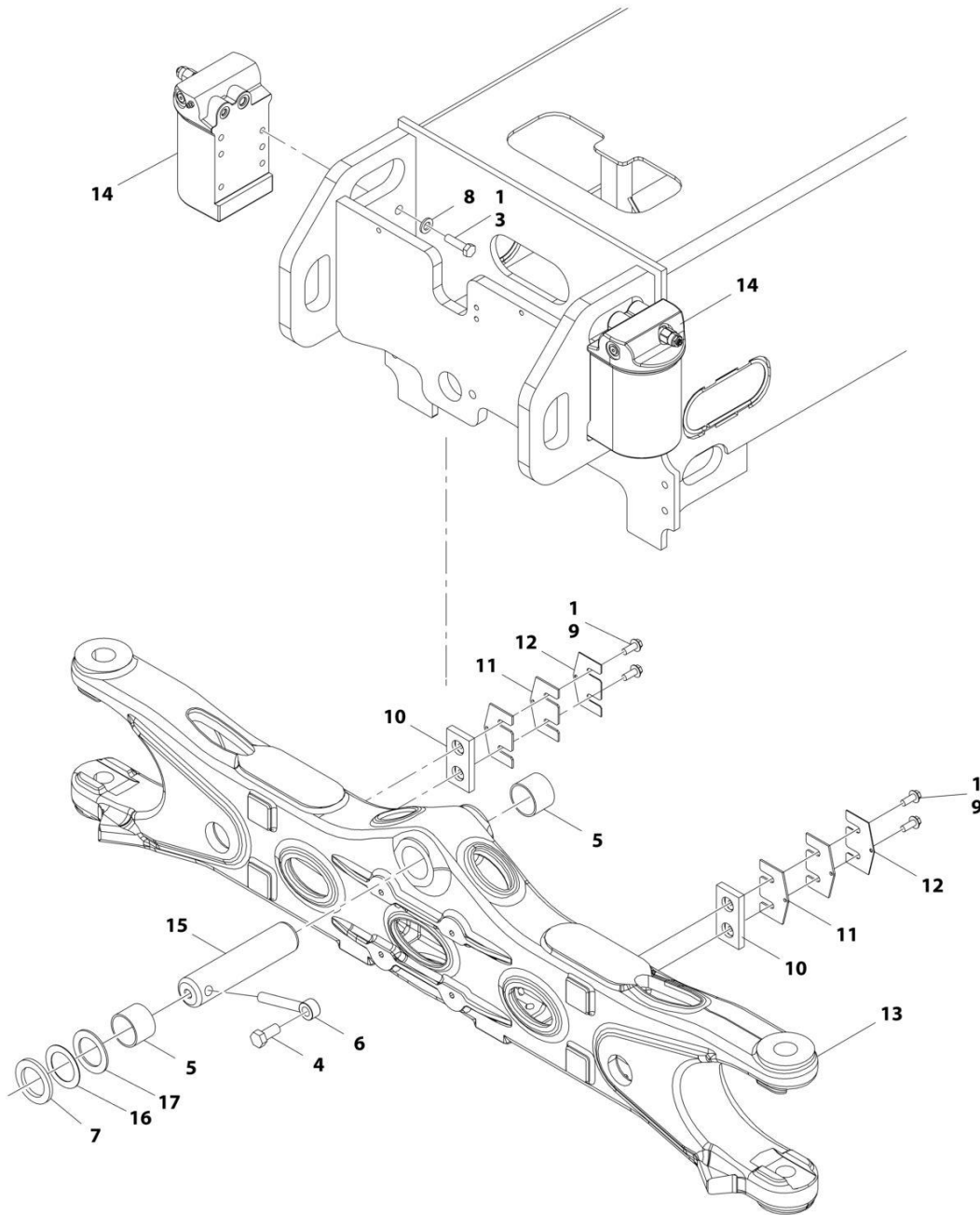
TABLE OF CONTENTS

FIGURE 7-18. PLATFORM INTERFACE HARNESS	270
FIGURE 7-19. PLATFORM VALVE HARNESS	272
FIGURE 7-20. STEER SENSOR HARNESS	274
FIGURE 7-21. SKYEYE INTERMEDIATE HARNESS	276
FIGURE 7-22. SKYEYE RECEIVER HARNESS	278
FIGURE 7-23. SKYEYE EMITTER HARNESS	280
FIGURE 7-24. SKYLINE HARNESS	282
FIGURE 7-25. TRACTION HARNESS	284
FIGURE 7-26. VALVE HARNESS - MAIN	286
FIGURE 7-27. WHEEL DRIVE ELECTRICAL HARNESS INSTALLATION (2WD)	288
SECTION 8 - DECALS	291
FIGURE 8-1. DECAL INSTALLATION - ANSI SPECS	292
FIGURE 8-2. DECAL INSTALLATION - AUSTRALIAN SPECS	294
FIGURE 8-3. DECAL INSTALLATION - CE SPECS	296
FIGURE 8-4. DECAL INSTALLATION - CSA SPECS	298
FIGURE 8-5. DECAL INSTALLATION - OPTIONS	300
SECTION 9 - RECOMMENED SERVICE PARTS STOCK	303
FIGURE 9-1. RECOMMENDED SERVICE PARTS STOCK	304
SECTION 10 - SPECIAL OPTIONS	305
FIGURE 10-1. SPECIAL OPTIONS	306
PART NUMBER INDEX	309

SECTION 1 - FRAME

SECTION 1 - FRAME

FIGURE 1-1. AXLE INSTALLATION



ART_1001164093

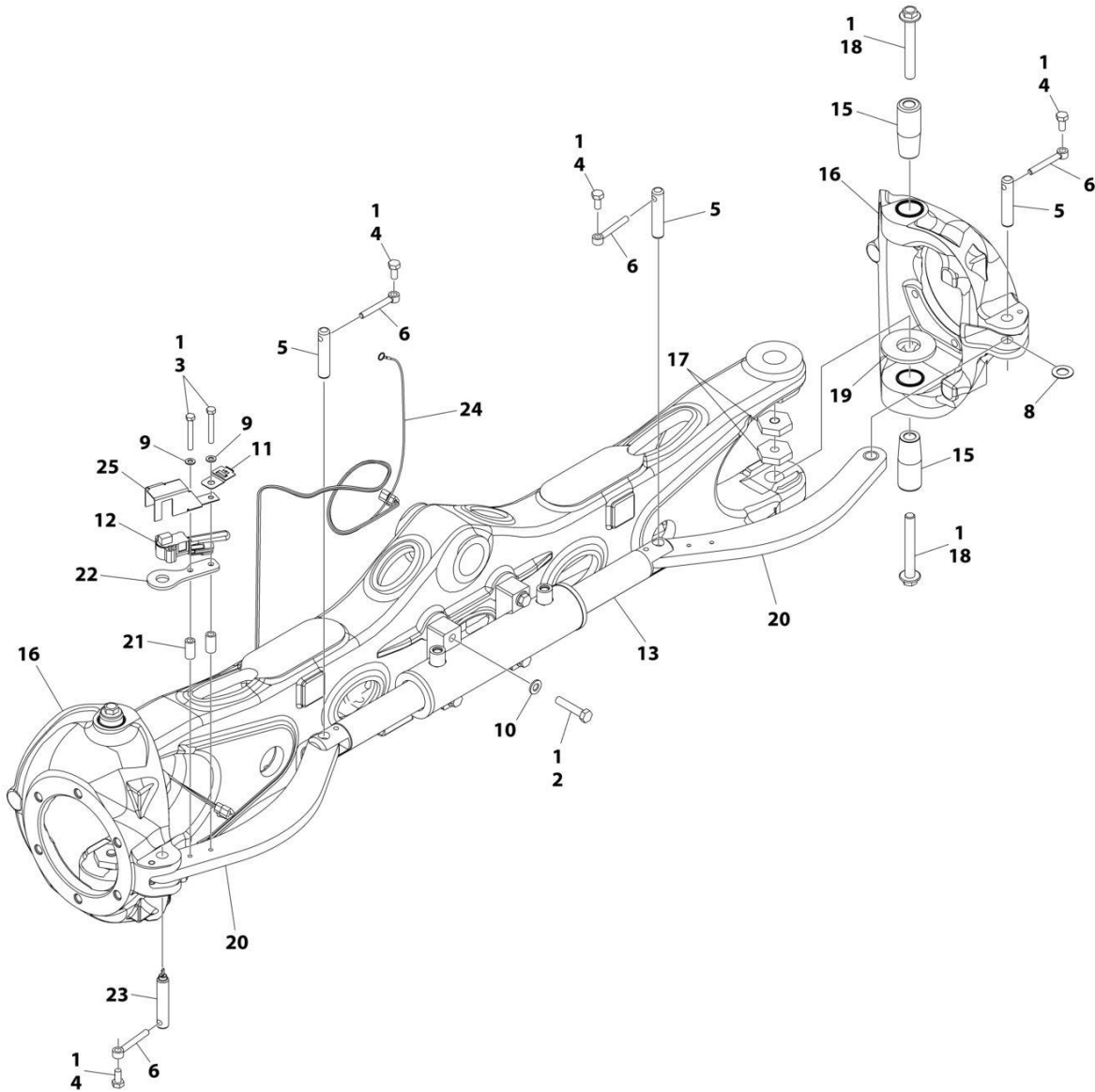
SECTION 1 - FRAME

FIGURE 1-1. AXLE INSTALLATION

ITEM	PART NUMBER	QTY	DESCRIPTION	REV
	1001164093	Ref	AXLE INSTALLATION	D
1	0100011	AR	Compound, Locking	
3	0701217	8	Bolt M12 x 45	
4	0761615	1	Bolt M16 x 35	
5	0961950	2	Bearing	
6	3841258	1	Keeper, Pin	
7	4740158	AR	Washer	
8	5241200	8	Washer M12	
9	5251012	4	Bolt M10 x 25	
10	1001118511	2	Pad, Wear	
11	1001118518	4	Shim 11Ga	
12	1001118519	2	Shim 16Ga	
13	1001162995	1	Axle	
14	1001163580	2	Axle Lockout Cylinder Assembly (See Separate Breakdown in CYLINDER SECTION)	
15	1001185030	1	Pin	
16	4071101	AR	Shim	
17	4740229	AR	Washer	

SECTION 1 - FRAME

FIGURE 1-2. STEER INSTALLATION



ART_1001250343

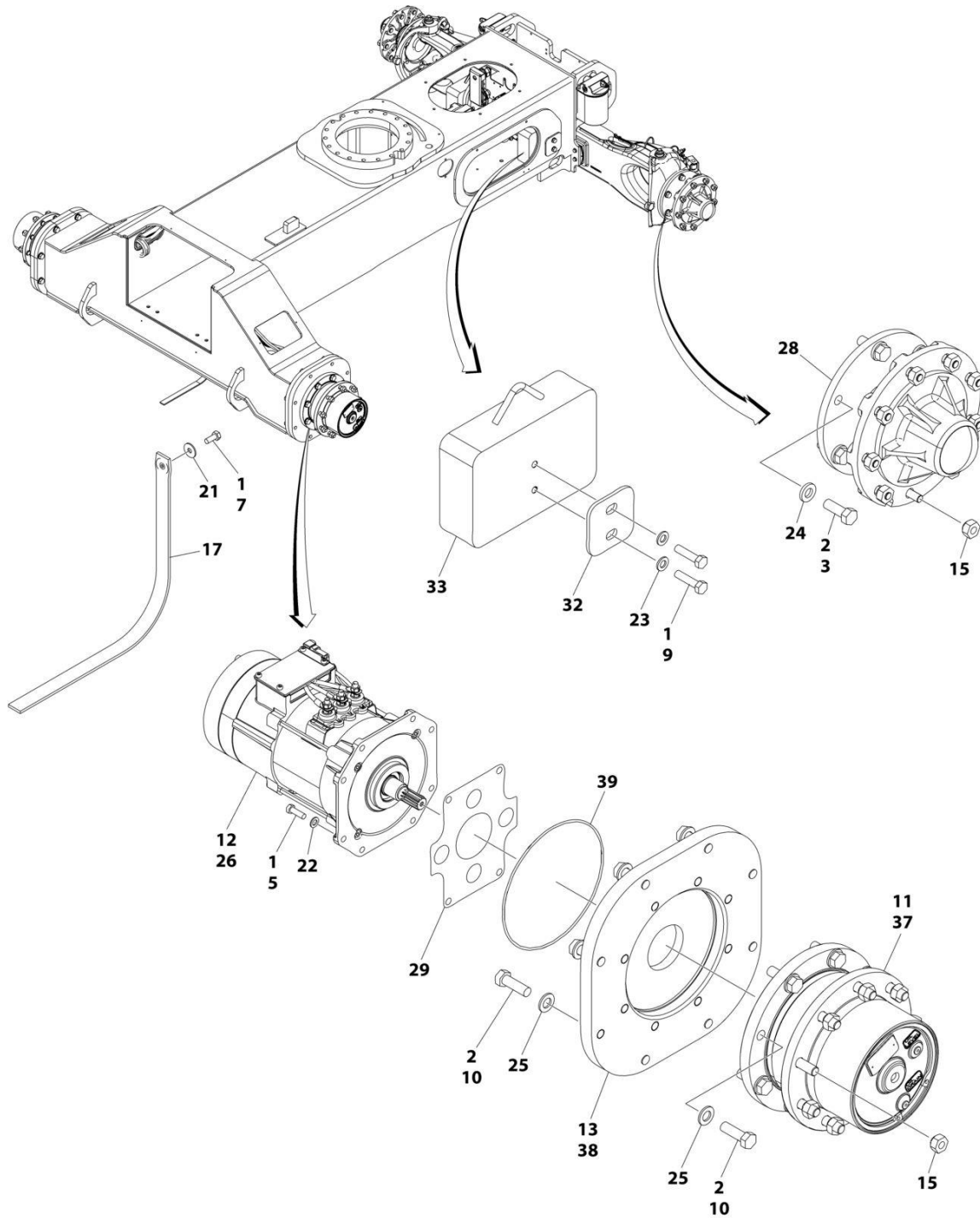
SECTION 1 - FRAME

FIGURE 1-2. STEER INSTALLATION

ITEM	PART NUMBER	QTY	DESCRIPTION	REV
	1001250343	Ref	STEER INSTALLATION	C
1	0100011	AR	Compound, Locking	
2	0711220	4	Bolt M12 x 60 Grade 10.9	
3	0760820	2	Bolt M8 x 60	
4	0761011	4	Bolt M10 x 22	
5	3423304	3	Pin	
6	3841143	4	Keeper, Pin	
8	4740086	4	Washer	
9	4811900	2	Washer M8	
10	5241200	4	Washer M12	
11	1001155967	1	Holder	
12	1001161117	1	Switch, Rotary Angle Sensor	
13	1001163178	1	Steer Cylinder Assembly (See Separate Breakdown in CYLINDER Section)	
15	1001163405	4	Kingpin	
16	1001163715	2	Spindle	
17	1001176848	4	Nut M16	
18	1001190368	4	Bolt M16 x 120	
19	1001233139	2	Bearing, Thrust	
20	1001250344	2	Link	
20	1001164209	4	Bearing	
21	1001250346	2	Spacer	
22	1001250347	1	Plate	
23	1001251408	1	Pin	
24	1001255829	1	Harness, Steer Sensor (See Separate Breakdown in ELECTRICAL Section)	
25	1001256076	1	Bracket	

SECTION 1 - FRAME

FIGURE 1-3. WHEEL DRIVE INSTALLATION (2WD)



ART_1001250422_10F2

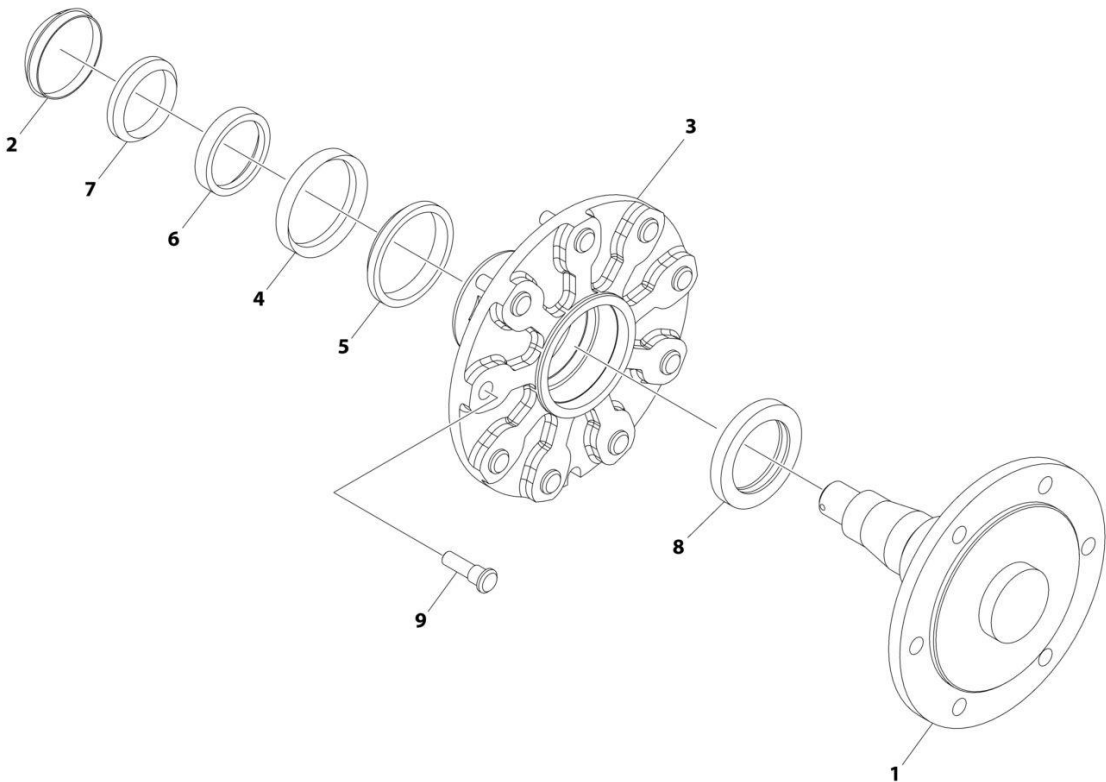
SECTION 1 - FRAME

FIGURE 1-3. WHEEL DRIVE INSTALLATION (2WD)

ITEM	PART NUMBER	QTY	DESCRIPTION	REV
	1001250422	Ref	WHEEL DRIVE INSTALLATION (2WD)	C
1	0100011	AR	Compound, Locking	
2	0100019	AR	Compound, Locking	
3	0682014	12	Bolt 5/8 x 1-3/4 Grade 8	
5	0711014	8	Bolt M10 x 30	
7	0760810	1	Bolt M8 x 20	
9	0761218	4	Bolt M12 x 50	
10	0771618	32	Bolt M16 x 50	
11	3020008	AR	Lubricant	
12	3020037	AR	Lube	
13	3020039	AR	Lubricant, Moly	
15	3300106	36	Lugnut	
17	4240084	1	Strap, Anti-Static	
21	4811902	1	Washer M8	
22	4812000	8	Washer M10	
23	4812100	4	Washer M12	
24	4892000	12	Washer 5/8	
25	5241600	32	Washer M16	
26	1001184855	2	Drive Motor/Brake Assembly	
26	1001184206	2	Drive Motor Assembly (See Separate Breakdown in this Section)	
26	1001184853	2	Drive Brake Assembly	
26	4031920	3	Capscrew M8 x 80	
26	4811900	3	Washer M8	
28	1001214174	2	Hub - Spindle Assembly (See Separate Breakdown in this Section)	
29	1001220271	2	Seal	
32	1001246540	2	Plate	
33	1001246544	2	Weight, Ballast	
37	1001254641	2	Drive Hub Assembly	
38	1001254648	2	Drive Flange	
39	1001254877	2	O-Ring	

SECTION 1 - FRAME

FIGURE 1-4. HUB - SPINDLE ASSEMBLY



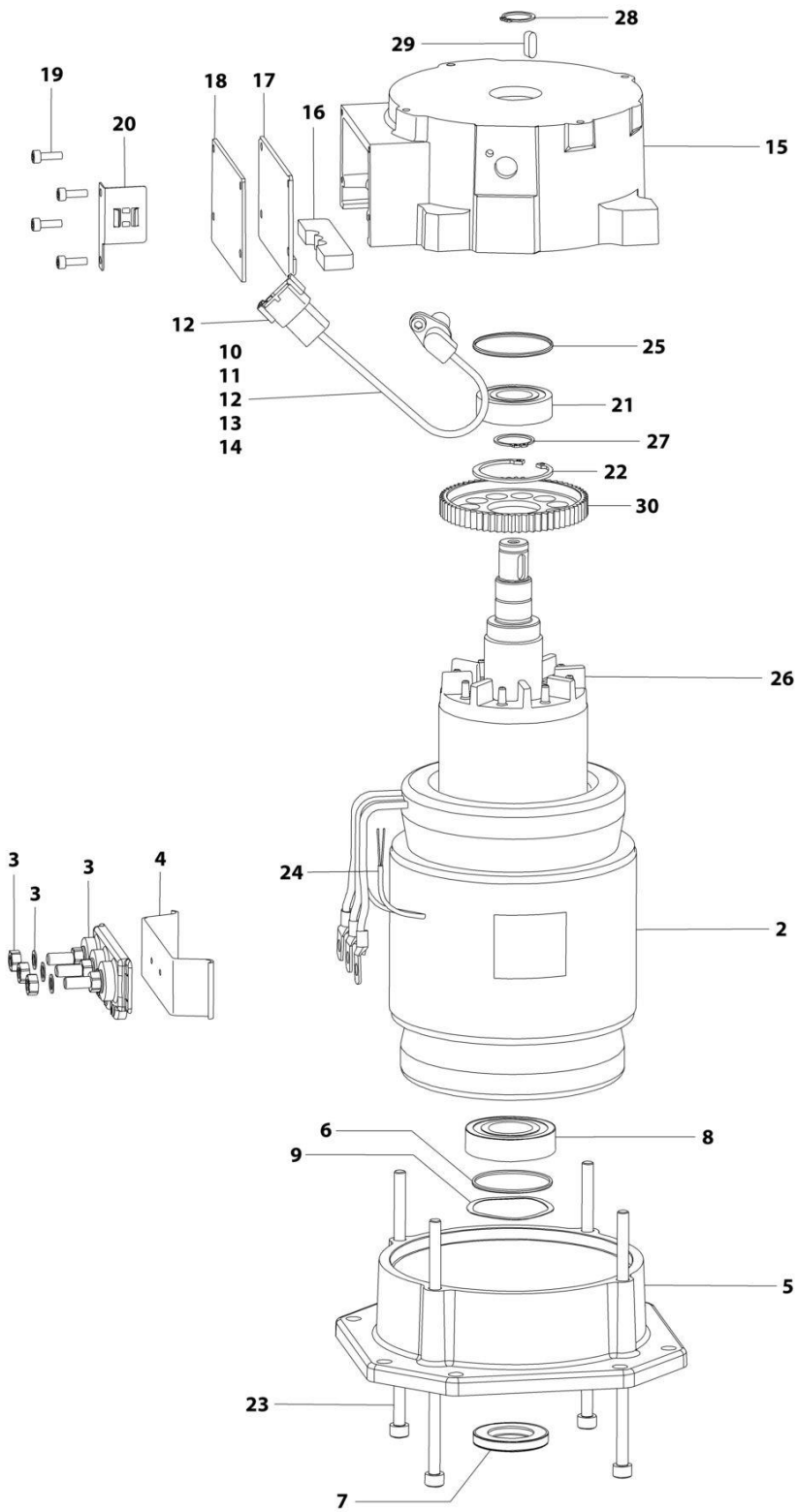
ART_1001214174

FIGURE 1-4. HUB - SPINDLE ASSEMBLY

ITEM	PART NUMBER	QTY	DESCRIPTION	REV
	1001214174	Ref	HUB - SPINDLE ASSEMBLY (2WD)	C
1	See Note	NSS	Spindle, Adapter (Note: Not Available for Purchase)	
2	7020033	1	Cap, Dust	
3	7020035	1	Hub, Casting	
4	7020036	1	Cup, Bearing	
5	7020037	1	Cone, Bearing	
6	7020038	1	Cup, Bearing	
7	7020039	1	Cone, Bearing	
8	7020040	1	Seal	
9	7020041	9	Stud	

SECTION 1 - FRAME

FIGURE 1-5. DRIVE MOTOR ASSEMBLY



ART_1001184206

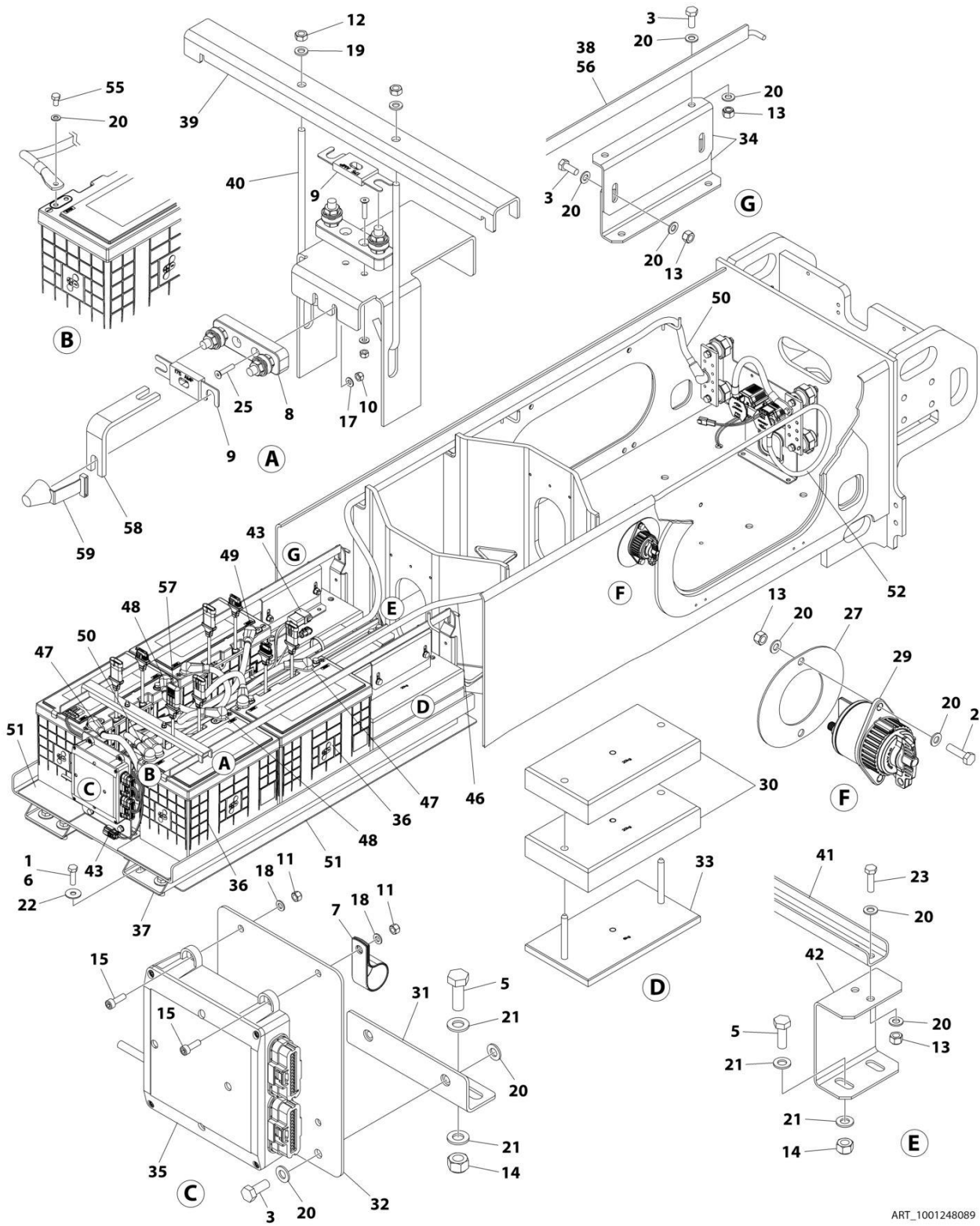
SECTION 1 - FRAME

FIGURE 1-5. DRIVE MOTOR ASSEMBLY

ITEM	PART NUMBER	QTY	DESCRIPTION	REV
	1001184206	Ref	DRIVE MOTOR ASSEMBLY	F
2	70005385	1	Stator	
3	70005685	1	Board, Terminal	
3	70005387	3	Nut M8	
3	70005388	3	Washer M8	
3	70005390	2	Screw M5 x 14	
4	70005389	1	Base, Terminal	
5	70005391	1	Plate, Drive End	
6	70004811	1	O-Ring	
7	70005392	1	Seal, Shaft	
8	70004809	1	Bearing	
9	70005393	1	Washer, Wavy	
10	70005394	1	Sensor (Includes Items 11-14)	
11	70005395	1	Screw M8 x 16	
12	70005397	1	Connector	
13	70005396	1	Wedge	
14	4460516	4	Pin, Male	
15	70005686	1	Shield, End	
16	70005687	1	Seal	
17	70005400	1	Seal	
18	70005401	1	Cover	
19	70005402	4	Screw M5 x 16	
20	70005403	1	Plate, Retaining	
21	70005404	1	Bearing	
22	70005405	1	Clip, Retainer	
23	70005406	4	Screw M8 x 180	
24	70005407	1	Temperature, Sensor	
25	70005408	1	O-Ring	
26	70005688	1	Rotor	
27	70004820	1	Clip, Retainer	
28	70005410	1	Clip, Retainer	
29	70005689	1	Key	
30	70005412	1	Gear	

SECTION 1 - FRAME

FIGURE 1-6. BATTERY INSTALLATION



ART_1001248089

FIGURE 1-6. BATTERY INSTALLATION

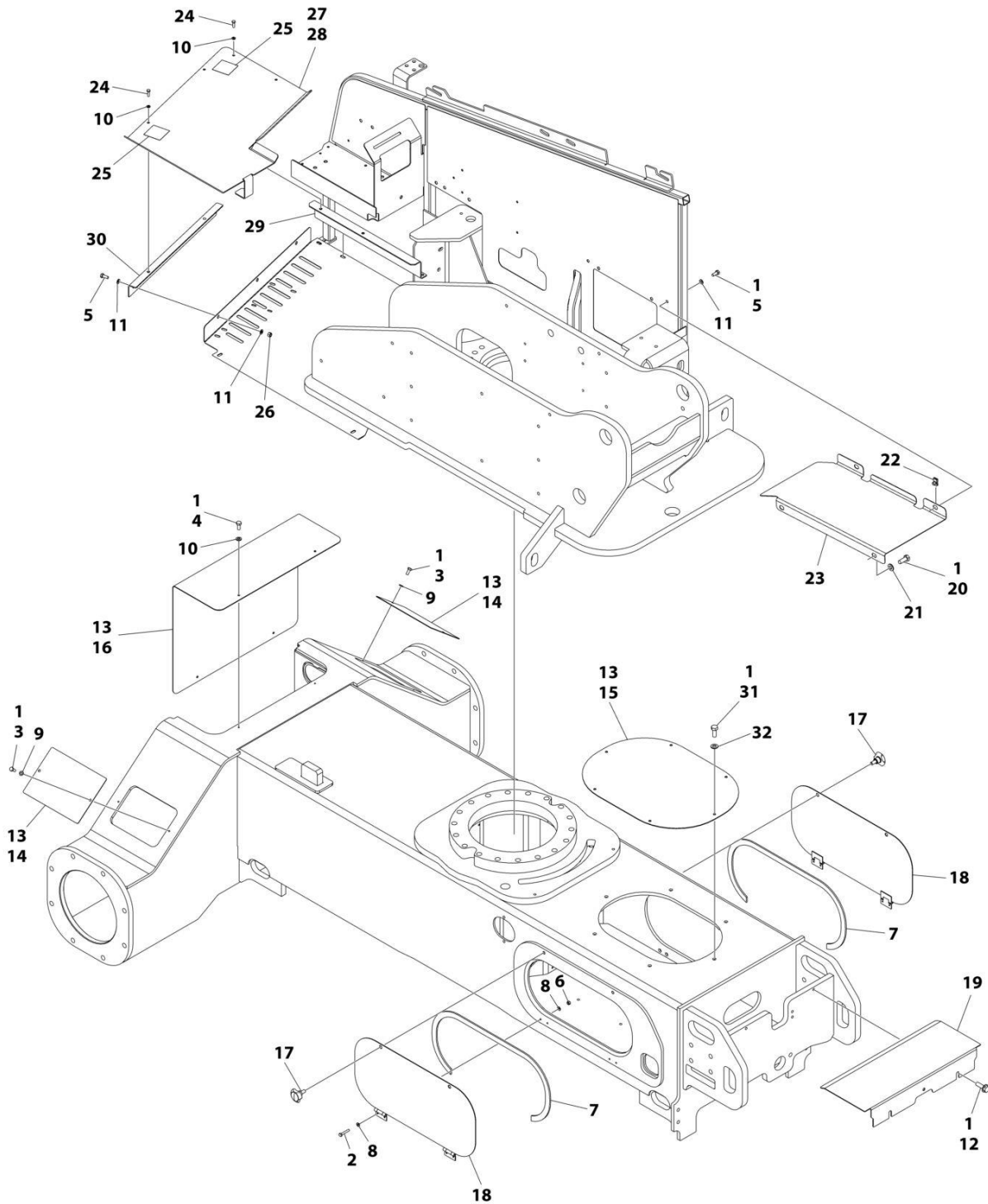
ITEM	PART NUMBER	QTY	DESCRIPTION	REV
	1001248089	Ref	BATTERY INSTALLATION	E
1	0100011	AR	Compound, Locking	
2	0700814	2	Bolt M8 x 30	
3	0760810	10	Bolt M8 x 20	
5	0761014	4	Bolt M10 x 30	
6	0761216	4	Bolt M12 x 40	
7	1321140	1	Clamp	
8	2400044	2	Fuse, Mounting Block	
9	2400069	2	Fuse, 175 AMP	
10	3290405	4	Nut M4	
11	3290505	4	Nut M5	
12	3290601	2	Nut M6	
13	3290805	12	Nut M8	
14	3291005	4	Nut M10	
15	4031607	4	Bolt M5 x 16	
16	4240018	1	Tie-Strap (Not Shown)	
17	4811400	4	Washer M4	
18	4811600	4	Washer M5	
19	4811700	2	Washer M6	
20	4811900	28	Washer M8	
21	4812000	8	Washer M10	
22	4812102	4	Washer M12	
23	0760814	2	Bolt M8 x 30	
25	8310612	4	Bolt M4 x 20	
27	1001170102	1	Plate, Disconnect Cover	
29	1001170483	1	Switch, Disconnect	
30	1001239209	8	Weight, Battery Ballast	
31	1001258143	1	Plate	
32	1001239217	1	Plate	
33	1001239289	4	Weight, Battery Ballast Base	
34	1001248054	4	Bracket	
35	1001263937	1	Battery, Management System	
36	1001248119	4	Battery	
37	1001248164	1	Plate	
38	1001248173	2	Bracket	
39	1001248174	1	Bracket	
40	1001248177	2	Bolt	
41	1001248192	1	Bracket	
42	1001248206	1	Bracket	
43	1001262599	1	Harness, BMS (See Separate Breakdown in ELECTRICAL Section)	
46	1001255014	1	Cable (Contactor to Battery Disconnect)	
47	1001255015	2	Cable (Battery Positive)	
48	1001255016	2	Cable (Battery Positive to Negative)	
49	1001255017	1	Cable (Battery Negative)	
50	1001255018	1	Cable (Battery Negative to Buss-Bar)	
51	1001256301	2	Pad, Battery	
52	1001262434	1	Cable (Battery Disconnect to Contactor)	
55	0760807	2	Bolt M8 x 14	
56	3960417	4 ft /2m	Seal	

SECTION 1 - FRAME

ITEM	PART NUMBER	QTY	DESCRIPTION	REV
57	1001258655	1	Connector	
58	1001261256	1	Plate	
59	1001260661	1	Cover, Fuse	

SECTION 1 - FRAME

FIGURE 1-7. FRAME SHIELD INSTALLATION



ART_1001250947

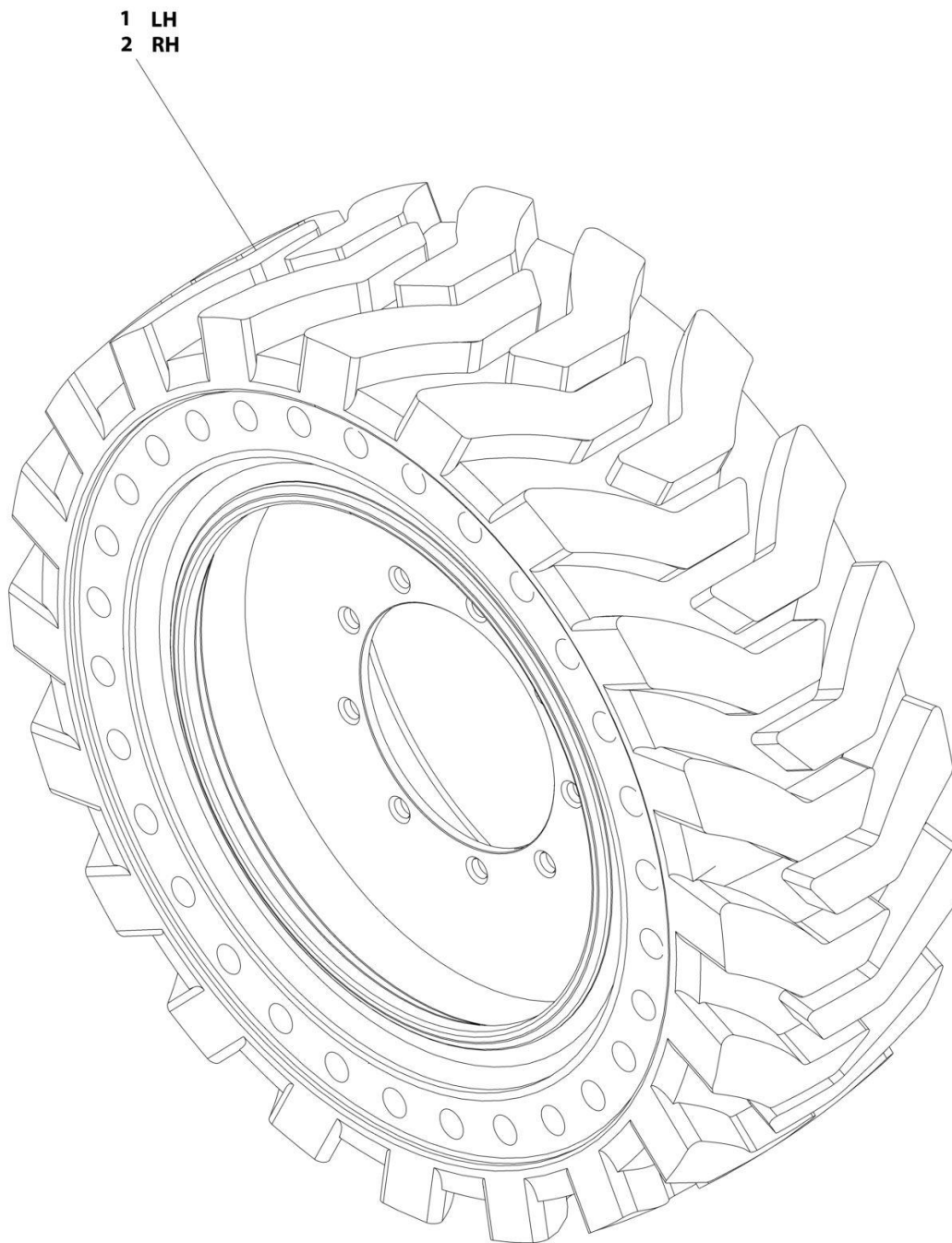
SECTION 1 - FRAME

FIGURE 1-7. FRAME SHIELD INSTALLATION

ITEM	PART NUMBER	QTY	DESCRIPTION	REV
	1001250947	Ref	FRAME SHIELD INSTALLATION	D
1	0100011	AR	Compound, Locking	
2	0760412	8	Bolt M4x 25	
3	0760506	4	Bolt M5 x 12	
4	0760607	4	Bolt M6 x 14	
5	0760810	5	Bolt M8 x 20	
6	3290405	8	Nut M4	
7	3960417	6.9ft /2.1m	Seal	
8	4811400	16	Washer M4	
9	4811600	4	Washer M5	
10	4811700	8	Washer M6	
11	4811900	8	Washer M8	
12	5250812	2	Bolt M8 x 25	
13	1001113047	19 ft/ 5.8m	Seal	
14	1001161874	2	Cover, Rear Frame	
15	1001250605	1	Plate	
16	1001250979	1	Cover, Rear Axle	
17	1001255664	4	Screw	
18	1001255666	2	Cover	
19	1001256266	1	Cover, Front Frame	
20	0761214	2	Bolt M12 x 30	
21	4812100	2	Washer M12	
22	8310686	2	Nut, Retainer M8	
23	1001210086	1	Cover	
24	0760610	4	Bolt M6 x 20	
25	1701691	2	Decal - Stop	
26	3290805	3	Nut M8	
27	1001008999	2.5 ft/ 0.76m	Trim-Edge	
28	1001257691	1	Cover	
29	1001257969	1	Bracket	
30	1001257970	1	Bracket	
31	0761011	6	Bolt M10 x 22	
32	4812000	6	Washer M10	

SECTION 1 - FRAME

FIGURE 1-8. TIRE AND WHEEL INSTALLATION - 33 X 12-20 SOLID NON-MARKING



ART_1001169062

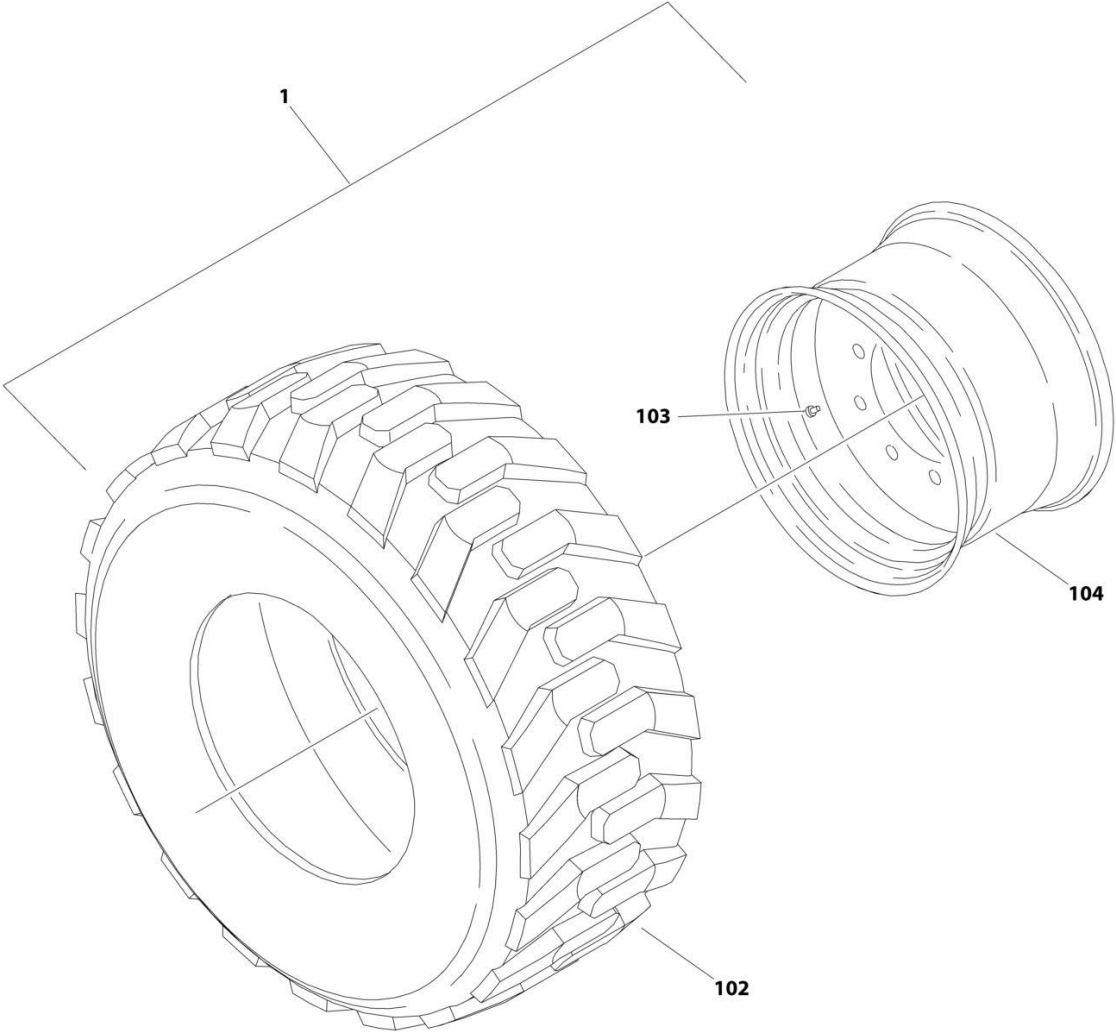
SECTION 1 - FRAME

FIGURE 1-8. TIRE AND WHEEL INSTALLATION - 33 X 12-20 SOLID NON-MARKING

ITEM	PART NUMBER	QTY	DESCRIPTION	REV
	1001169062	Ref	TIRE AND WHEEL INSTALLATION - 33 X 12-20 SOLID NON-MARKING	A
		Ref	Note: Due to critical stable weights, only replace tire and wheel assemblies with like components.	
1	1001170098	2	Tire and Wheel Assembly - 33 x 12-20 Solid Non-Marking (LH Side)	
2	1001170099	2	Tire and Wheel Assembly - 33 x 12-20 Solid Non-Marking (RH Side)	

SECTION 1 - FRAME

FIGURE 1-9. TIRE AND WHEEL INSTALLATION - 315/55 D20 FOAM FILLED



ART_1001166157

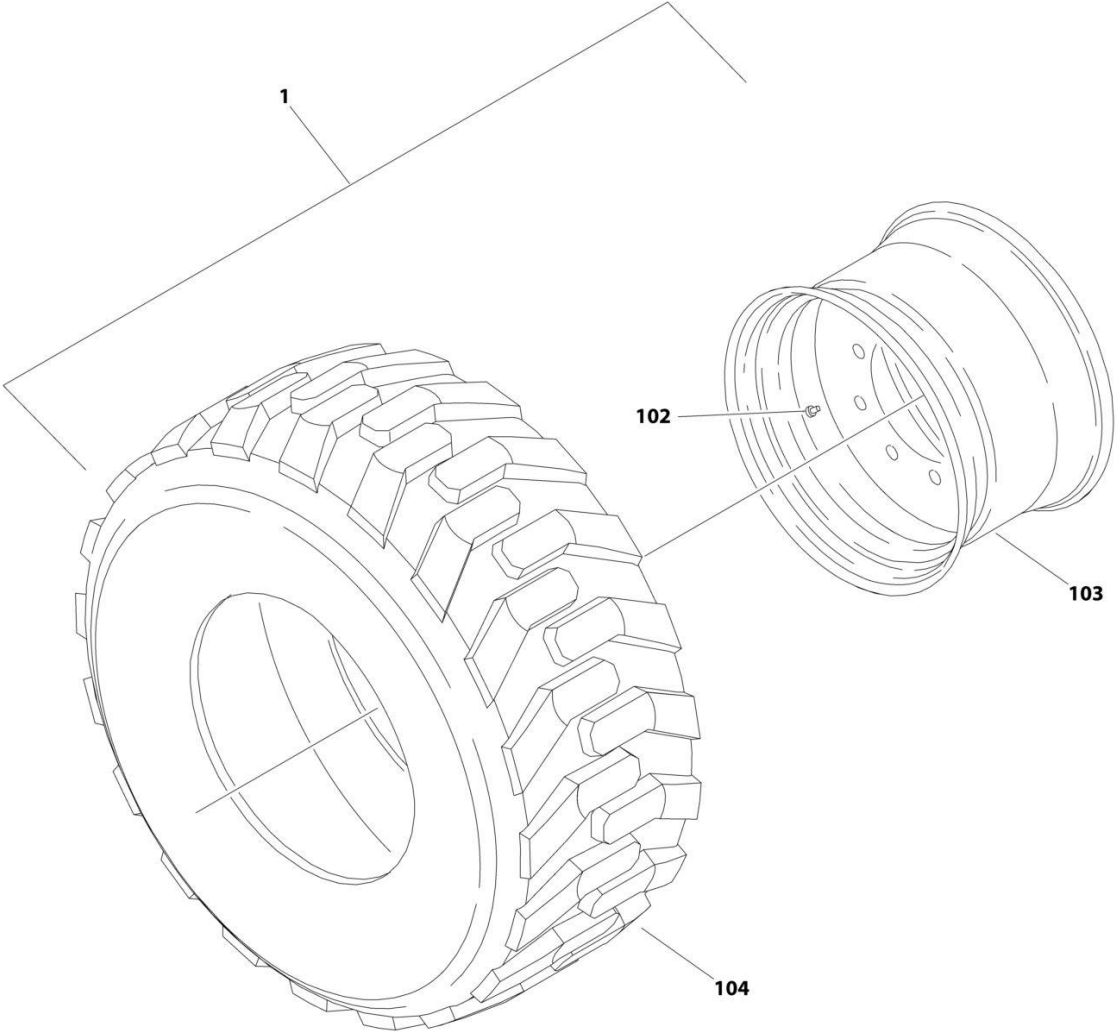
SECTION 1 - FRAME

FIGURE 1-9. TIRE AND WHEEL INSTALLATION - 315/55 D20 FOAM FILLED

ITEM	PART NUMBER	QTY	DESCRIPTION	REV
	1001166157	Ref	TIRE AND WHEEL INSTALLATION - 315/55 D20 FOAM FILLED	A
		Ref	Note: Assemblies may require ballast/foam filling to manufacturer's specifications prior to installing on a machine. Refer to Operation and Safety or Service and Maintenance Manuals. Purchase individual tire and/or rim only if able to foam fill tire and wheel assembly, otherwise, purchase complete assembly.	
1	1001166155	2	Tire and Wheel Assembly (LH Side)	I
1	1001166156	2	Tire and Wheel Assembly (RH Side)	I
102	4520608	4	Tire IN315/55/D20	
103	4641122	4	Valve, Stem	
104	1001166153	4	Rim, Wheel	

SECTION 1 - FRAME

FIGURE 1-10. TIRE AND WHEEL INSTALLATION - 315/55 D20 FOAM FILLED NON-MARKING



ART_1001169058

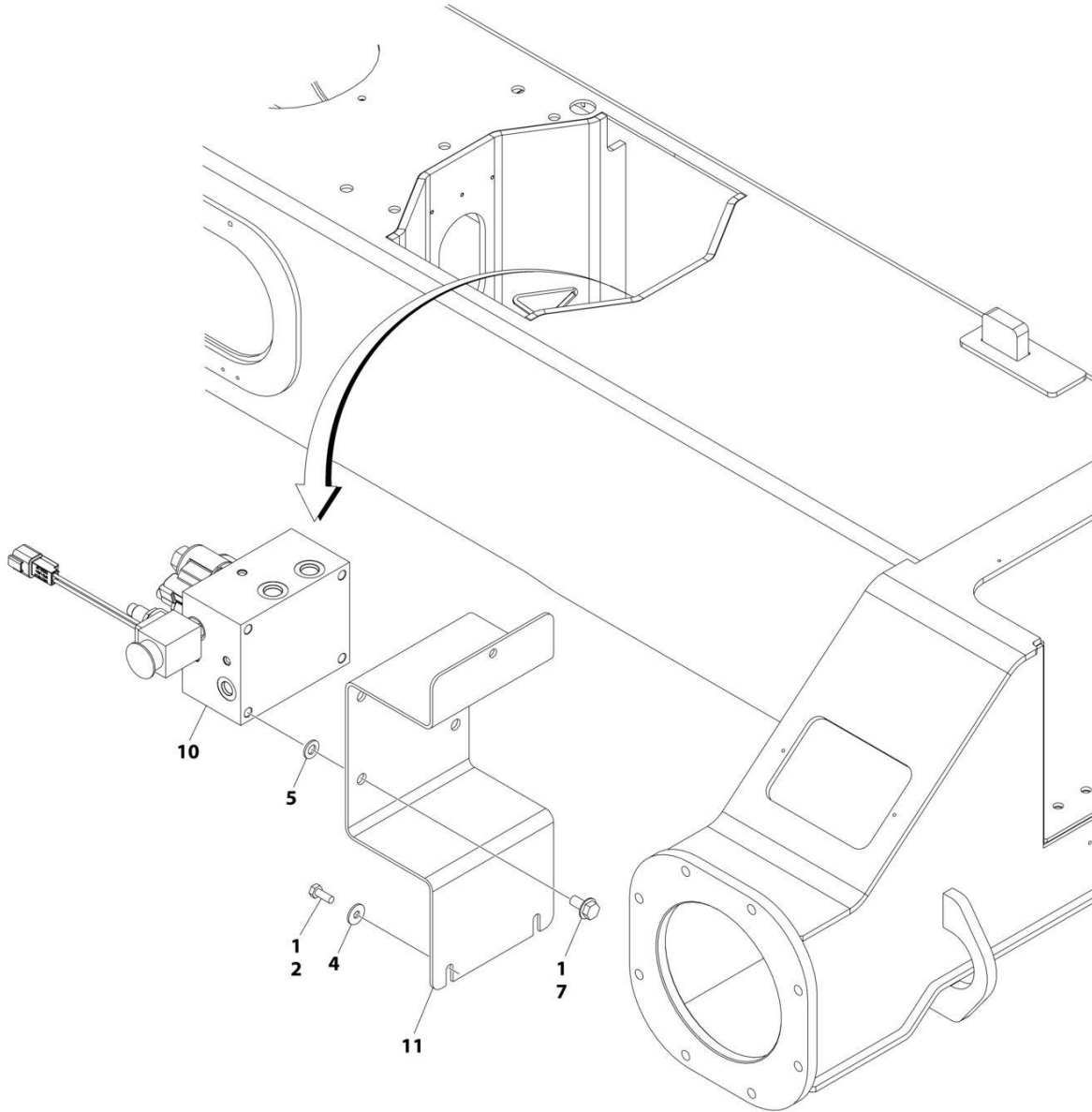
SECTION 1 - FRAME

FIGURE 1-10. TIRE AND WHEEL INSTALLATION - 315/55 D20 FOAM FILLED NON-MARKING

ITEM	PART NUMBER	QTY	DESCRIPTION	REV
	1001169058	Ref	TIRE AND WHEEL INSTALLATION - 315/55 D20 FOAM FILLED NON-MARKING	A
		Ref	Note: Assemblies may require ballast/foam filling to manufacturer's specifications prior to installing on a machine. Refer to Operation and Safety or Service and Maintenance Manuals. Purchase individual tire and/or rim only if able to foam fill tire and wheel assembly, otherwise, purchase complete assembly.	
1	1001170459	2	Tire and Wheel Assembly (RH Side)	F
1	1001170460	2	Tire and Wheel Assembly (LH Side)	F
102	4641122	4	Valve, Stem	
103	1001166153	4	Rim, Wheel	
104	1001170458	4	Tire 315/55 D20 Non Marking	

SECTION 1 - FRAME

FIGURE 1-11. CONTROL VALVES INSTALLATION - FRAME MOUNTED



ART_1001250971_10F2

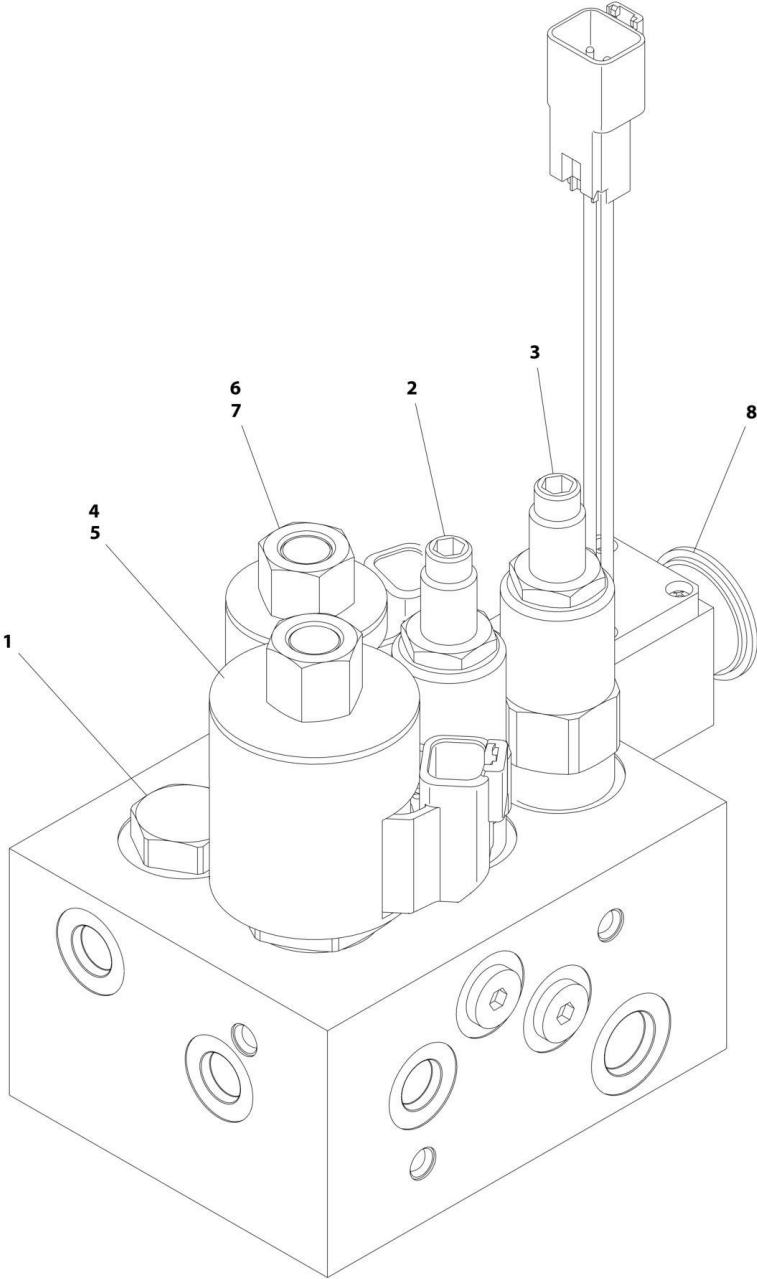
SECTION 1 - FRAME

FIGURE 1-11. CONTROL VALVES INSTALLATION - FRAME MOUNTED

ITEM	PART NUMBER	QTY	DESCRIPTION	REV
	1001250971	Ref	CONTROL VALVES INSTALLATION - FRAME MOUNTED	B
1	0100011	AR	Compound, Locking	
2	0760608	3	Bolt M6 x16	
4	4811702	3	Washer M6	
5	4811900	4	Washer M8	
7	5250808	4	Bolt M8 x 16	
10	1001165144	1	Oscillating Axle Valve Assembly (See Separate Breakdown in this Section)	
11	1001178634	1	Bracket	

SECTION 1 - FRAME

FIGURE 1-12. OSCILLATING AXLE VALVE ASSEMBLY



ART_1001165144

SECTION 1 - FRAME

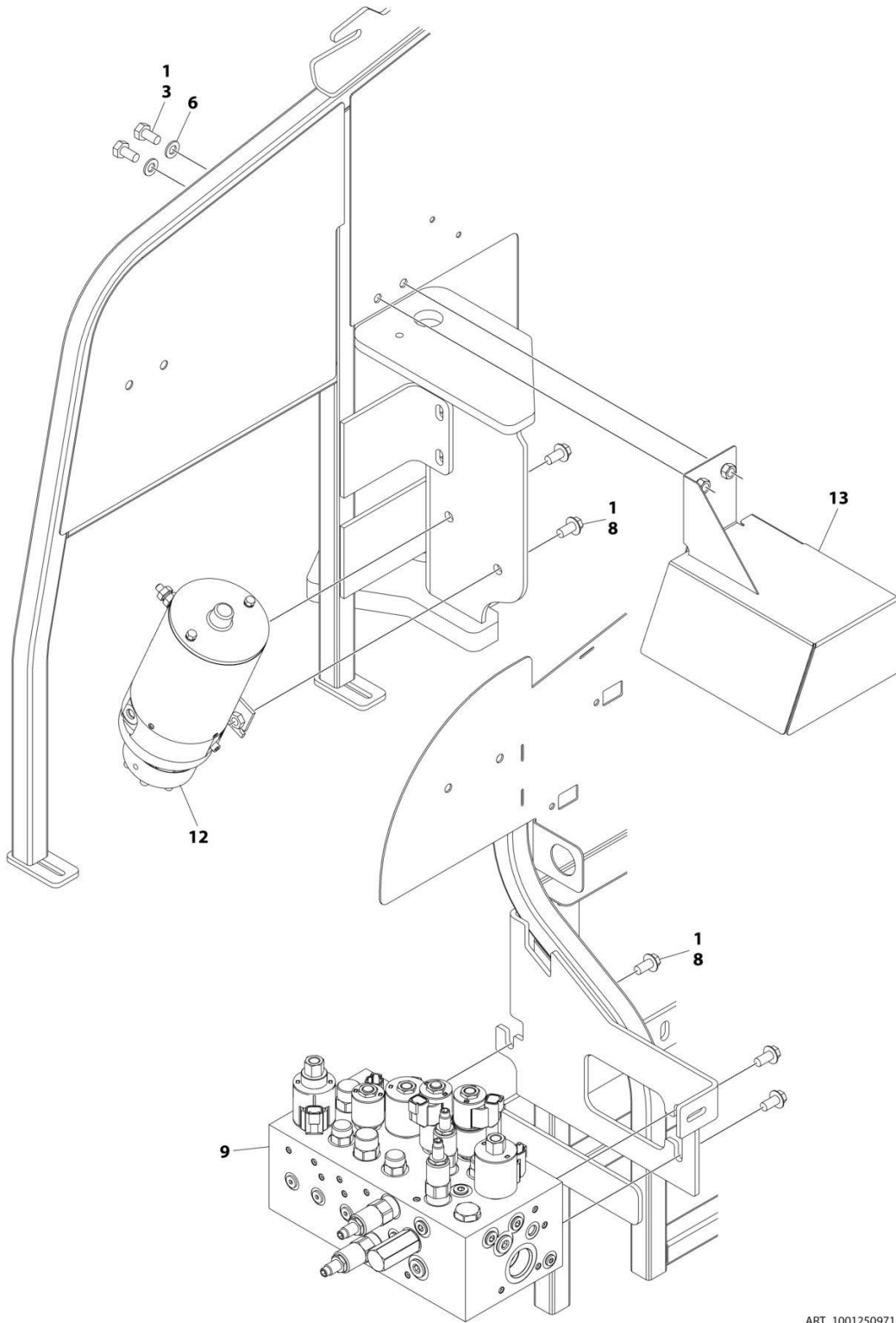
FIGURE 1-12. OSCILLATING AXLE VALVE ASSEMBLY

ITEM	PART NUMBER	QTY	DESCRIPTION	REV
	1001165144	Ref	OSCILLATING AXLE VALVE ASSEMBLY	D
1	4641129	1	Cartridge, Check Valve	
1	7012540	1	Seal Kit - 4641129 Valve	
2	70004787	1	Cartridge, Valve	
2	7021653	1	Seal Kit - 70004787 Valve	
3	70004788	1	Cartridge, Relief Valve	
3	7012998	1	Seal Kit - 70004788 Valve	
4	7017455	1	Cartridge, Valve Less Coil (Primary Axle Release)	
4	7017463	1	Seal Kit - 7017455 Valve	
5	70050516	1	Coil	
6	7017408	1	Cartridge, Valve Less Coil (Secondary Axle Release)	
6	7012907	1	Seal Kit - 7017408 Valve	
7	70002963	1	Coil	
8	70004789	1	Switch, Pressure	

SECTION 2 - TURNTABLE

SECTION 2 - TURNTABLE

FIGURE 2-1. CONTROL VALVES INSTALLATION - TURNTABLE MOUNTED



ART_1001250971_2OF2

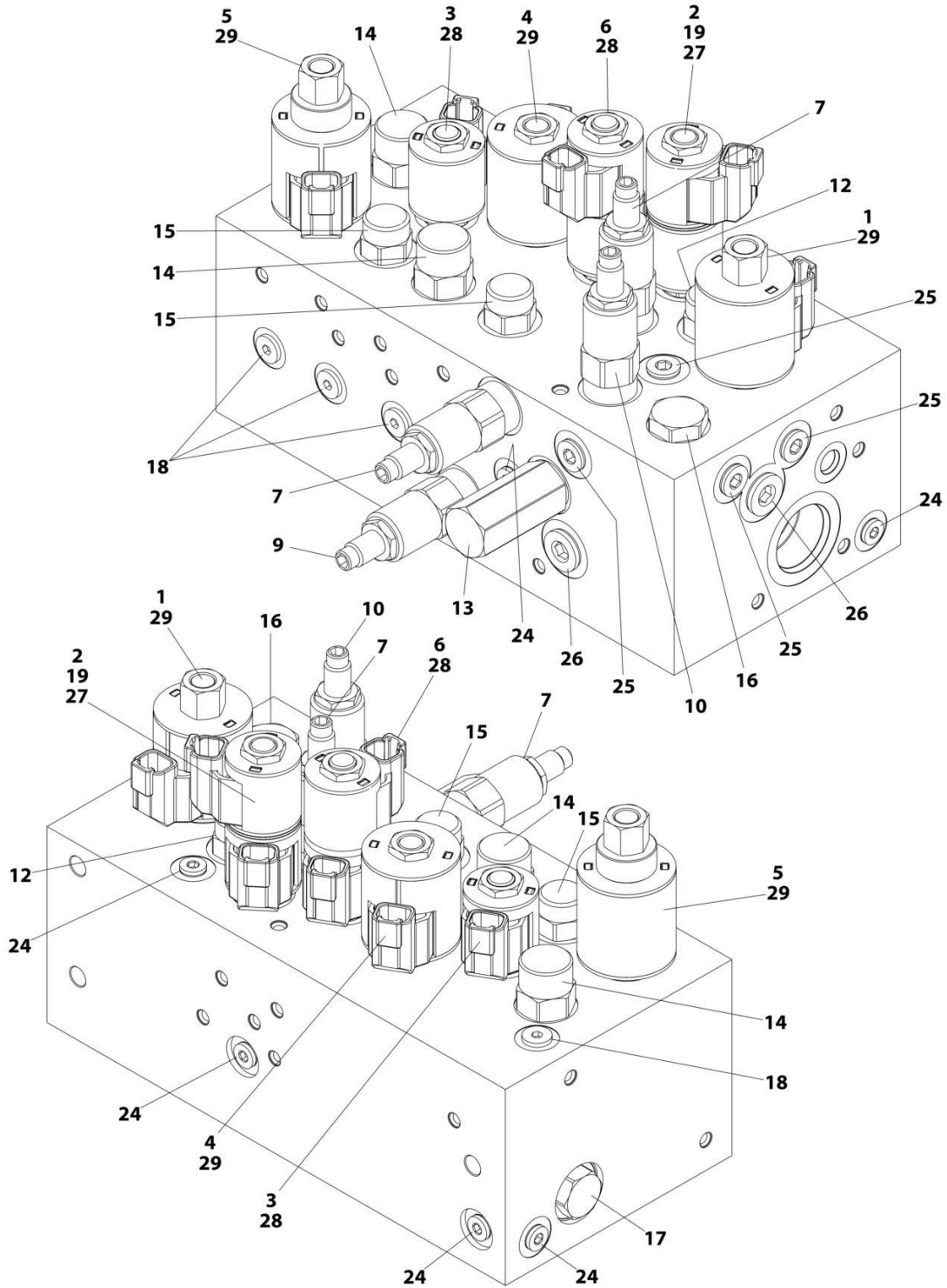
SECTION 2 - TURNTABLE

FIGURE 2-1. CONTROL VALVES INSTALLATION - TURNTABLE MOUNTED

ITEM	PART NUMBER	QTY	DESCRIPTION	REV
	1001250971	Ref	CONTROL VALVES INSTALLATION - TURNTABLE MOUNTED	B
1	0100011	AR	Compound, Locking	
3	0761010	2	Bolt M10 x 20	
6	4812000	2	Washer M10	
8	5251010	5	Bolt M10 x 20	
9	1001162534	1	Main Valve Assembly (See Separate Breakdown in this Section)	
12	1001185821	1	Auxiliary Pump Assembly (See Separate Breakdown in this Section)	
13	1001234295	1	Cover	

SECTION 2 - TURNTABLE

FIGURE 2-2. MAIN VALVE ASSEMBLY



ART_1001162534

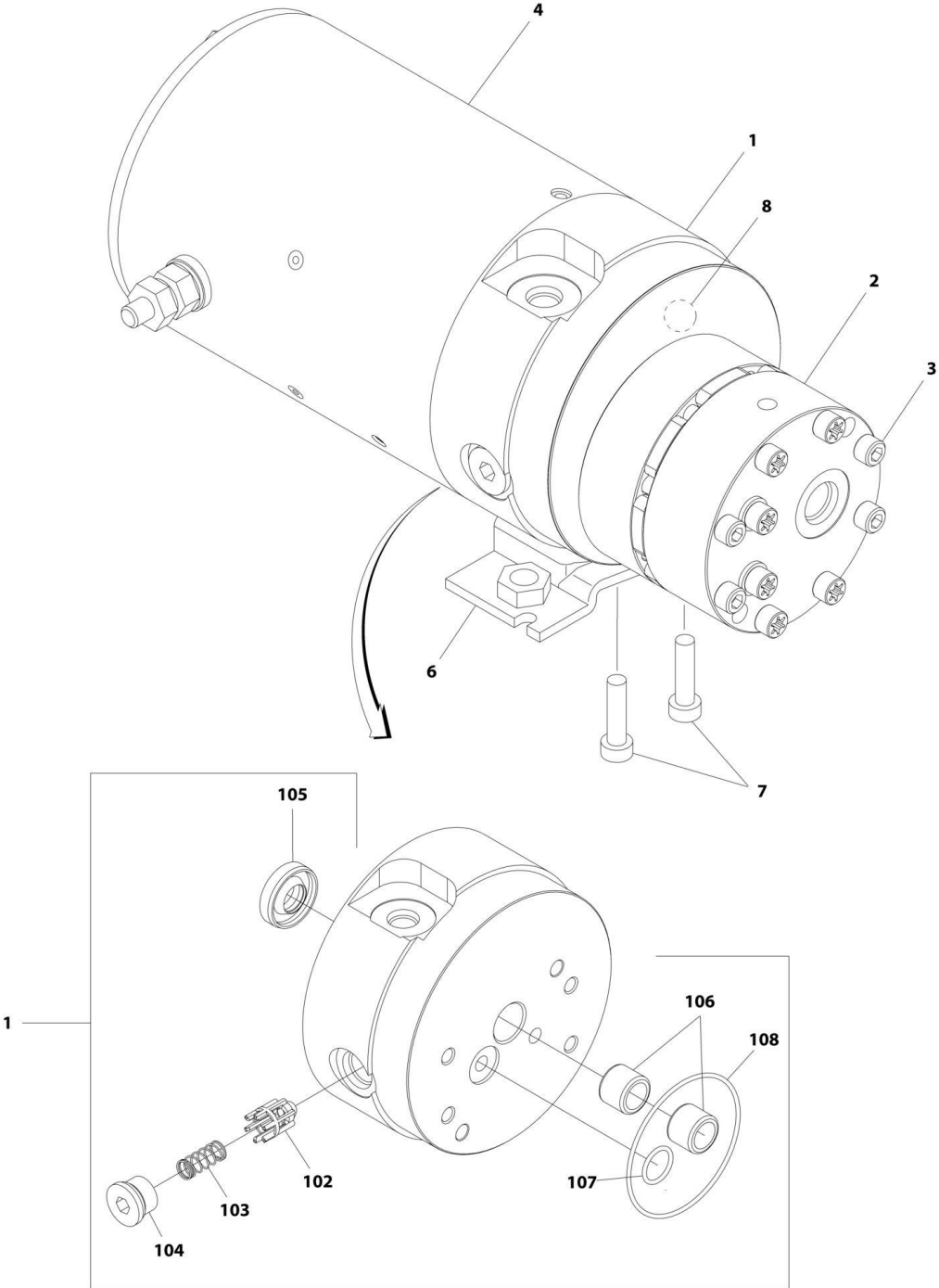
SECTION 2 - TURNTABLE

FIGURE 2-2. MAIN VALVE ASSEMBLY

ITEM	PART NUMBER	QTY	DESCRIPTION	REV
	1001162534	Ref	MAIN VALVE ASSEMBLY	F
1	70005069	1	Cartridge, Solenoid Less Coil (Main Dump)	
1	7022399	1	Seal Kit - 70005069 Valve	
1	70003977	1	Nut, Coil	
2	70005217	1	Cartridge, Solenoid Less Coil (Steer)	
2	70005071	1	Seal Kit - 70005217 Valve	
2	7022390	1	Nut, Coil	
3	70005094	1	Cartridge, Solenoid Less Coil (Main Lift Up)	
3	7023936	1	Seal Kit - 70005094 Valve	
3	7022390	1	Nut, Coil	
4	70005076	1	Cartridge, Solenoid Less Coil (Tower Lift Up)	
4	7022399	1	Seal Kit - 70005076 Valve	
4	7022390	1	Nut, Coil	
5	70005095	1	Cartridge, Solenoid Less Coil (Flow Control)	
5	7022399	1	Seal Kit - 70005095 Valve	
5	70003977	1	Nut, Coil	
6	70005096	1	Cartridge, Solenoid Less Coil (Swing)	
6	70005071	1	Seal Kit - 70005096 Valve	
7	70005097	1	Cartridge, Solenoid Less Coil	
7	70005082	2	Seal Kit - 70005097 Valve	
9	70005098	1	Cartridge, Relief Valve	
9	7023936	1	Seal Kit - 70005098 Valve	
10	70005080	1	Cartridge, Relief Valve	
10	7022399	1	Seal Kit - 70005080 Valve	
12	70005218	1	Cartridge, Valve	
12	70005082	1	Seal Kit - 70005218 Valve	
13	70005084	1	Cartridge, Valve	
13	70005085	1	Seal Kit - 70005084 Valve	
14	70005099	2	Cartridge, Valve	
14	70005087	2	Seal Kit - 70005099 Valve	
15	70005088	2	Cartridge, Valve	
15	7023900	2	Seal Kit - 70005088 Valve	
16	70005100	1	Cartridge, Check Valve	
16	7022399	1	Seal Kit - 70005100 Valve	
17	70005089	1	Cartridge, Check Valve	
17	7023936	1	Seal Kit - 70005089 Valve	
18	70005090	5	Cartridge, Check Valve	
18	70005092	5	Seal Kit - 70005092 Valve	
19	See Note	1	Disc, Check Valve (Note: Not Available for Purchase)	
24	91164059	7	Plug	
25	91164079	4	Plug	
26	91164057	2	Plug	
27	70005219	2	Coil	
28	70002386	3	Coil	
29	70003788	3	Coil	

SECTION 2 - TURNTABLE

FIGURE 2-3. AUXILIARY PUMP ASSEMBLY



ART_1001185821

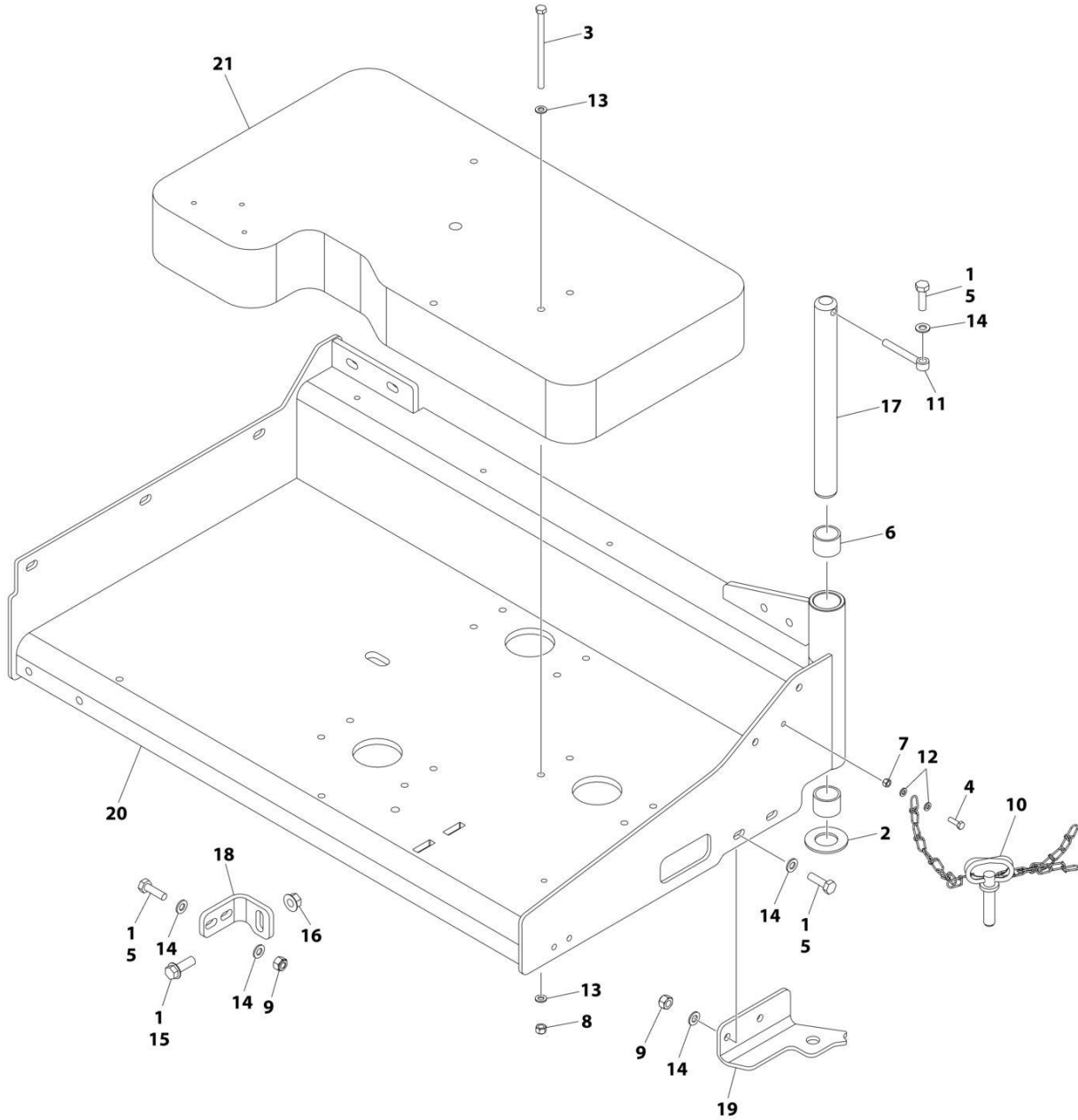
SECTION 2 - TURNTABLE

FIGURE 2-3. AUXILIARY PUMP ASSEMBLY

ITEM	PART NUMBER	QTY	DESCRIPTION	REV
	1001185821	Ref	AUXILIARY PUMP ASSEMBLY	B
1	70005065	1	Base Assembly (See Items 102-108 for Breakdown)	
2	70005066	1	Pump Assembly (Note: No Seal Kit or Internal Components are Available - Purchase Complete Pump Assembly)	
3	70005067	4	Capscrew 1/4 x 2-3/4	
4	70004013	1	Motor Assembly (Note: No Internal Components are Available - Purchase Complete Motor Assembly)	
6	70004014	1	Bracket	
7	70004000	2	Capscrew 3/8 x 1	
8	70005068	1	Relief Valve Assembly	
	70005065	Ref	BASE ASSEMBLY	
102	See Note	NSS	Poppet, Check (Note: Use p/n 70005065)	
103	See Note	NSS	Spring (Note: Use p/n 70005065)	
104	See Note	NSS	Plug (Note: Use p/n 70005065)	
105	7026330	1	Seal, Shaft	
106	70005139	2	Bearing	
107	70003612	1	O-Ring	
108	70004267	1	O-Ring	

SECTION 2 - TURNTABLE

FIGURE 2-4. ENCLOSURE INSTALLATION



ART_1001250951

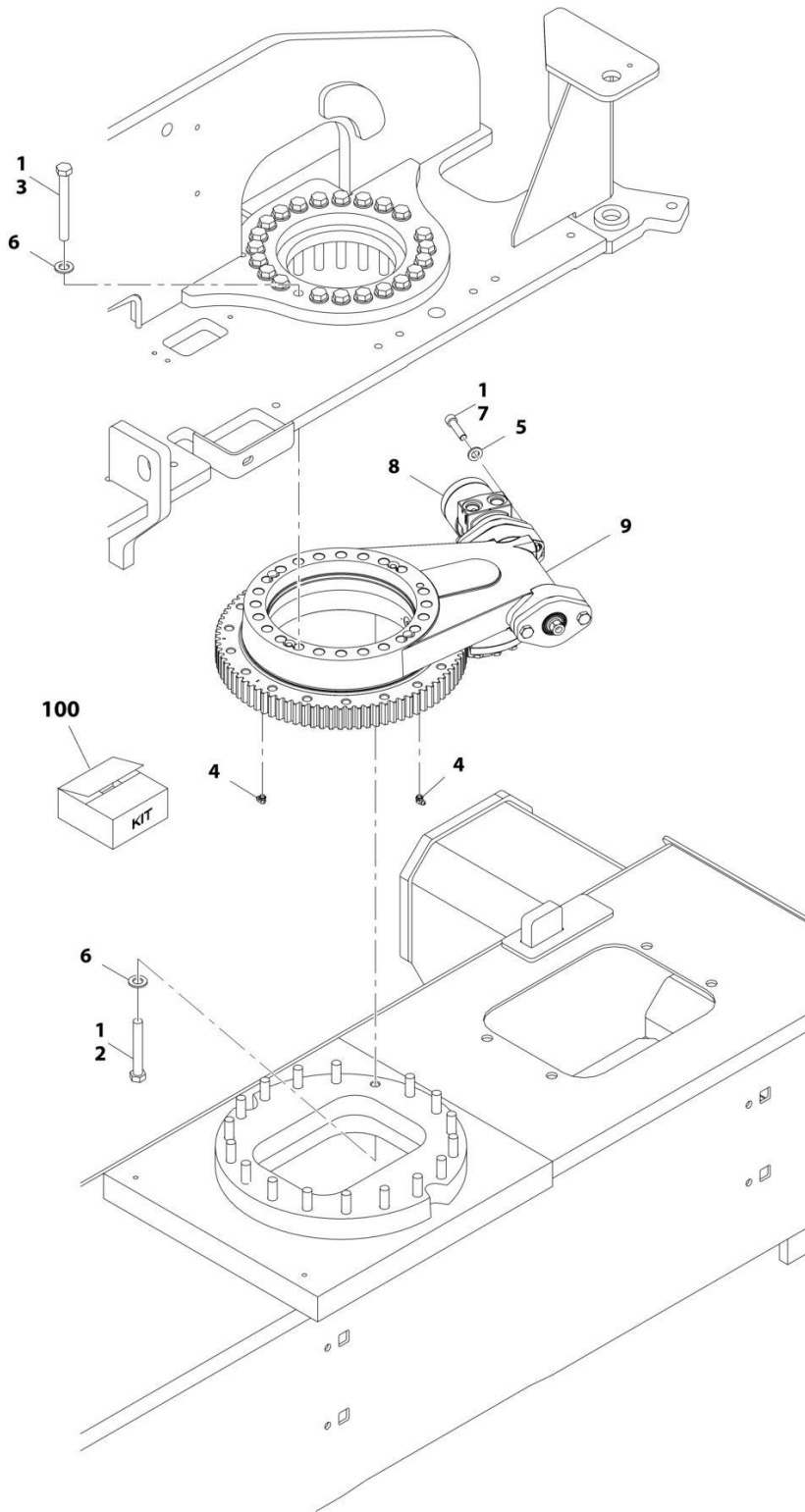
SECTION 2 - TURNTABLE

FIGURE 2-4. ENCLOSURE INSTALLATION

ITEM	PART NUMBER	QTY	DESCRIPTION	REV
	1001250951	Ref	ENCLOSURE INSTALLATION	A
1	0100011	AR	Compound, Locking	
2	0440162	1	Bearing	
3	0700830	4	Bolt M8 x 130	
4	0760610	1	Bolt M6 x 20	
5	0761015	5	Bolt M10 x 35	
6	0961951	2	Bushing	
7	3290605	1	Nut M6	
8	3290805	4	Nut M8	
9	3291005	4	Nut M10	
10	3422532	1	Pin	
11	3841143	1	Keeper, Pin	
12	4811700	2	Washer M6	
13	4811900	8	Washer M8	
14	4812000	9	Washer M10	
15	5251215	1	Bolt M12 x 35	
16	5261200	1	Nut M12	
17	1001135196	1	Pin	
18	1001167512	1	Bracket	
19	1001169823	1	Plate	
20	1001176699	1	Support	
21	1001250967	1	Weight, Ballast	

SECTION 2 - TURNTABLE

FIGURE 2-5. SWING DRIVE AND TURNTABLE BEARING INSTALLATION



ART_1001165946

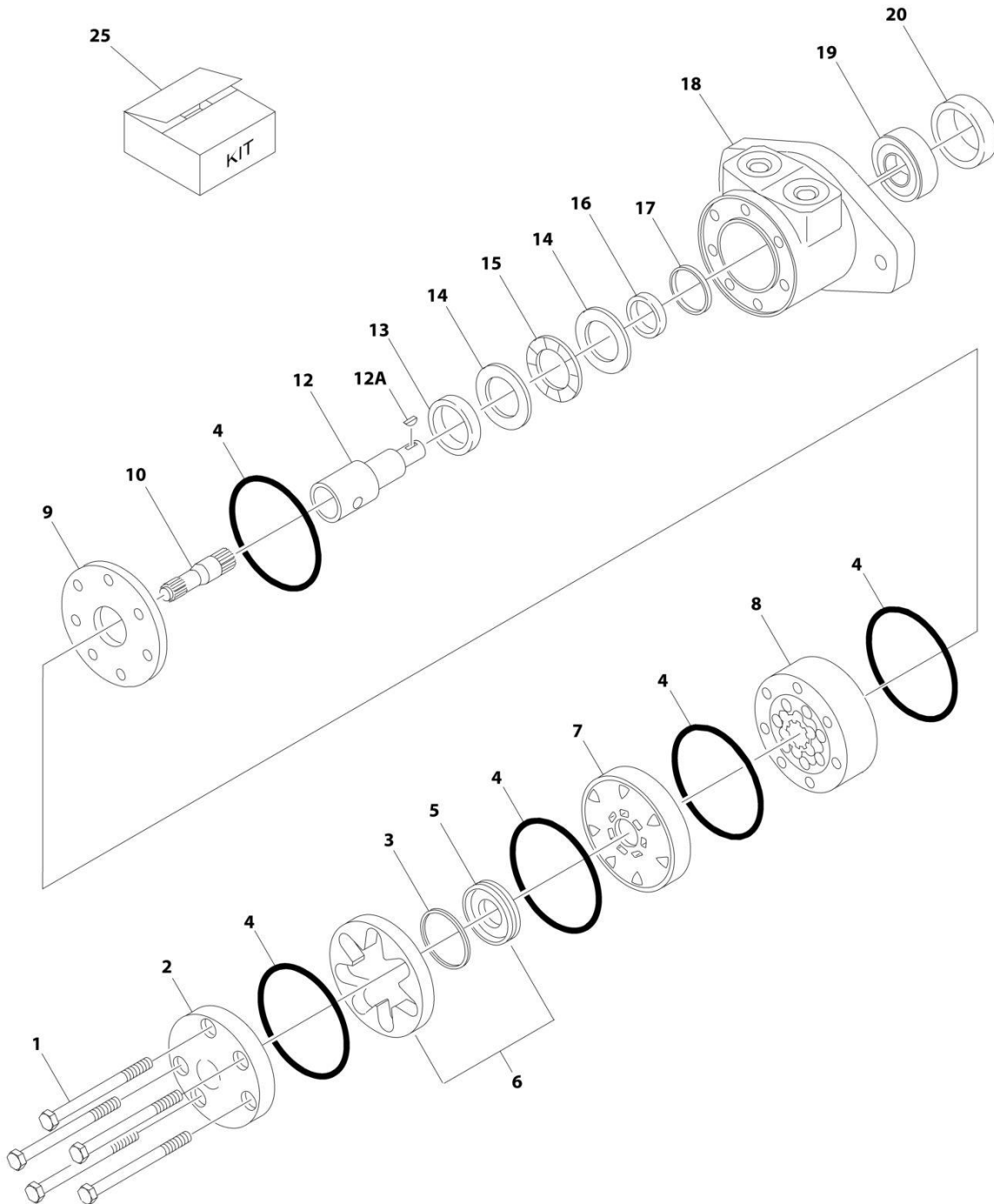
SECTION 2 - TURNTABLE

FIGURE 2-5. SWING DRIVE AND TURNTABLE BEARING INSTALLATION

ITEM	PART NUMBER	QTY	DESCRIPTION	REV
	1001165946	Ref	SWING DRIVE AND TURNTABLE BEARING INSTALLATION	B
1	0100019	AR	Compound, Locking	
2	0711628	18	Bolt M16 x 110 Grade 10.9	
3	0711631	23	Bolt M16 x 140	
4	2160001	2	Fitting, Grease 90	
5	5241200	2	Washer M12	
6	5241600	41	Washer M16	
7	5272114	2	Capscrew M12 x 50 Grade 12.9	
8	1001104850	1	Swing Motor Assembly (See Separate Breakdown in this Section)	
9	1001133972	1	Turntable Bearing Assembly (See Separate Breakdown in this Section)	
100	1001206436	1	Turntable Bearing Kit (Includes Items 2-7 & 9)	

SECTION 2 - TURNTABLE

FIGURE 2-6. SWING MOTOR ASSEMBLY



ART_1001104850

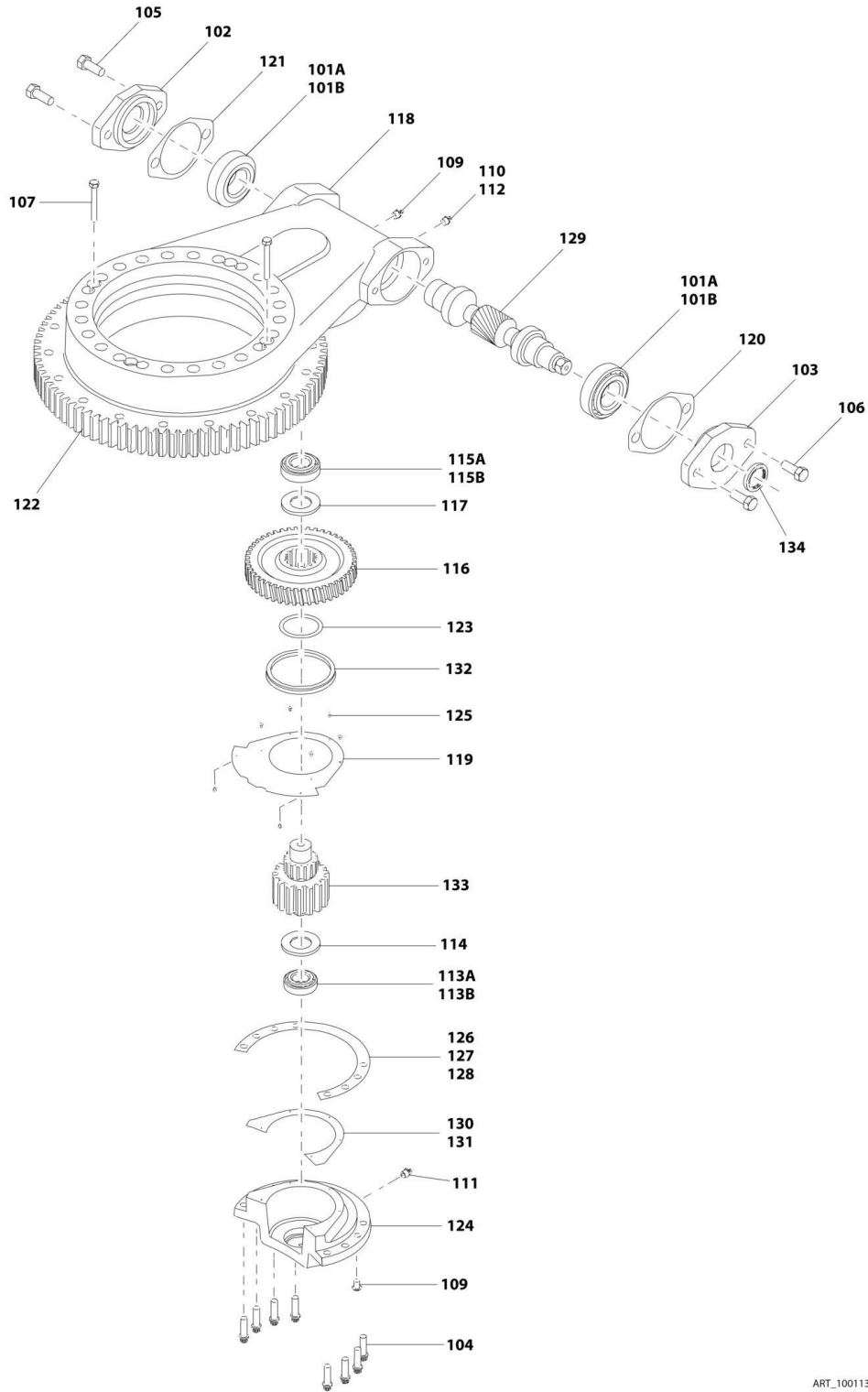
SECTION 2 - TURNTABLE

FIGURE 2-6. SWING MOTOR ASSEMBLY

ITEM	PART NUMBER	QTY	DESCRIPTION	REV
	1001104850	Ref	SWING MOTOR ASSEMBLY	A
1	See Note	5	Bolt (Note: Not Available for Purchase)	
2	7004035	1	Cover, End	
3	7023318	1	Seal, Commutator	
4	7004036	5	O-Ring	
5	See Note	NSS	Commutator (Note: Use Item 6)	
6	7024453	1	Commutator and Ring Assembly (Includes Item 5)	
7	7024379	1	Manifold	
8	70002206	1	Rotor Set	
9	7024380	1	Plate, Wear	
10	70002207	1	Link, Drive	
12	70000088	1	Shaft, Coupling	
12A	70000089	1	Key	
13	7024381	1	Bushing, Inner	
14	7004043	1	Thrustwasher	
15	7004044	1	Bearing, Thrust	
16	7004049	1	Seal, Inner Shaft	
17	7004045	1	Ring, Back-up	
18	See Note	NSS	Housing (Note: Not Available - Purchase Complete Motor)	
19	7024390	1	Bearing	
20	7004047	1	Seal, Outer Shaft	
25	7024389	1	Seal Kit (Includes Items 3, 4, 16, 17 & 20)	

SECTION 2 - TURNTABLE

FIGURE 2-7. TURNTABLE BEARING ASSEMBLY



ART_1001133972

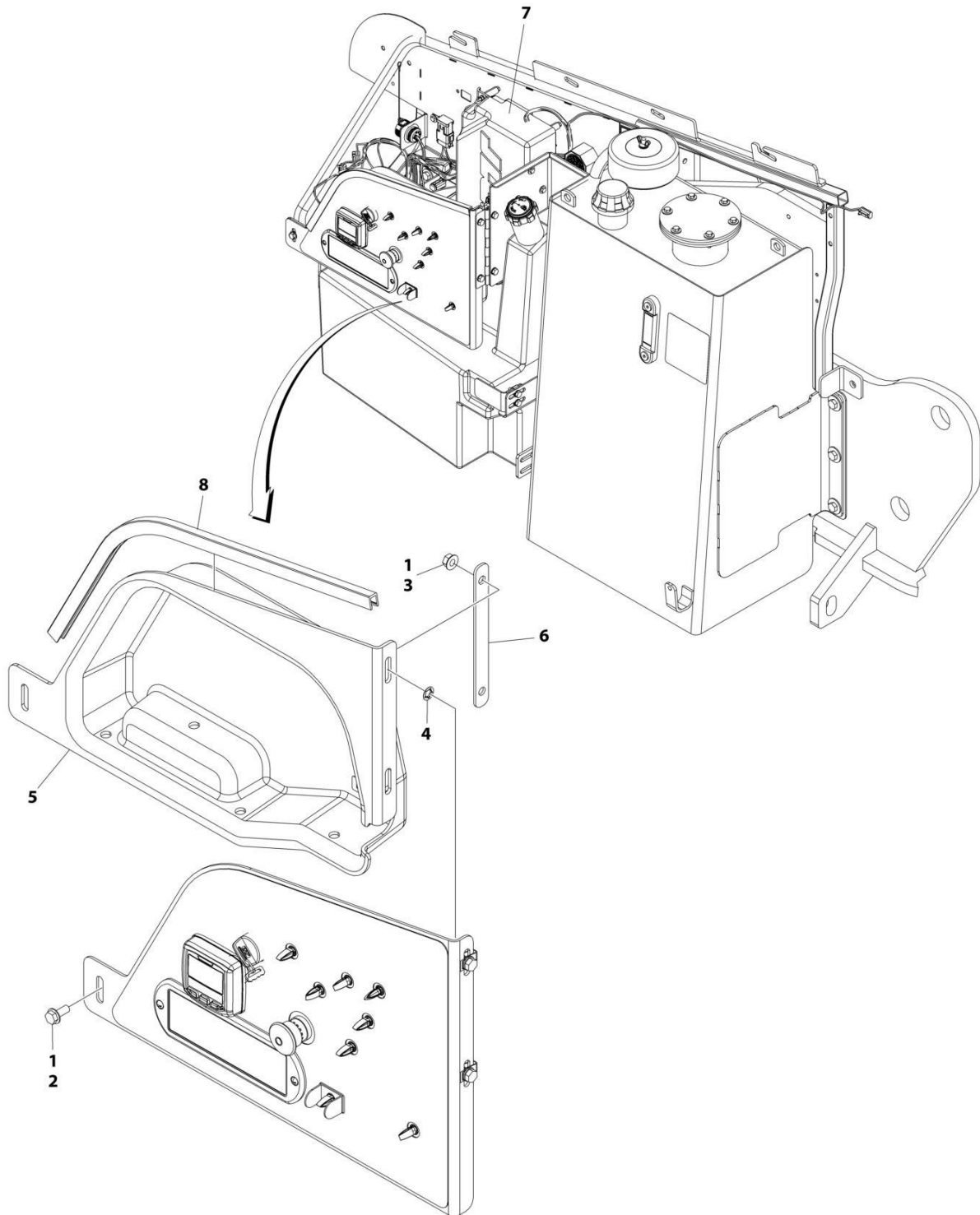
SECTION 2 - TURNTABLE

FIGURE 2-7. TURNTABLE BEARING ASSEMBLY

ITEM	PART NUMBER	QTY	DESCRIPTION	REV
	1001133972	Ref	TURNTABLE BEARING ASSEMBLY	D
101A	7026042	2	Cup, Bearing	
101B	7026043	2	Cone, Bearing	
102	7027356	1	Adapter, Motor	
103	7027354	1	Cap, Worm	
104	70004249	8	Bolt M10 x 35 Grade 10.9	
105	70004250	2	Bolt M12 x 30 Grade 10.9	
106	70004251	2	Bolt M12 x 40 Grade 10.9	
107	70004252	2	Bolt M8 x 65mm	
109	70000865	1	Plug	
110	70002649	1	Vent, Pressure	
111	70002651	1	Fitting, Grease	
112	7026044	1	Bushing, Reducer	
113A	7026045	1	Cup, Bearing	
113B	7026047	1	Cone, Bearing	
114	7026046	1	Ring, Grease	
115A	7026048	1	Cup, Bearing	
115B	7026049	1	Cone, Bearing	
116	7026050	1	Worm-Gear	
117	7026052	1	Spacer, Washer	
118	See Note	1	Housing (Note: Not Available - Purchase Complete Assembly)	
119	7026053	1	Cover, Gear	
120	7027350	AR	Shim, Blue (.005in)	
120	7027351	AR	Shim, Clear (.0075in)	
120	7027352	AR	Shim, Brown (.010in)	
121	7027353		Shim, Yellow (.020in)	
122	70004253	1	Bearing, Turntable	
123	70004254	1	O-Ring	
124	70004255	1	Cap, Gear	
125	70004256	8	Bolt M4 x 8	
126	70004257	AR	Shim, Green (.003)	
127	70004258	AR	Shim, Blue (.005)	
128	70004259	AR	Shim, Natural (.0075)	
129	7026057	1	Gear, Worm	
130	70004260	AR	Shim, Blue (.005)	
131	70004261	AR	Shim, Yellow (.020)	
132	70004262	1	Seal, Oil	
133	7026051	1	Pinion, Output	
134	70004263	1	Seal, Oil	

SECTION 2 - TURNTABLE

FIGURE 2-8. TURNTABLE COVERS INSTALLATION



ART_1001219129

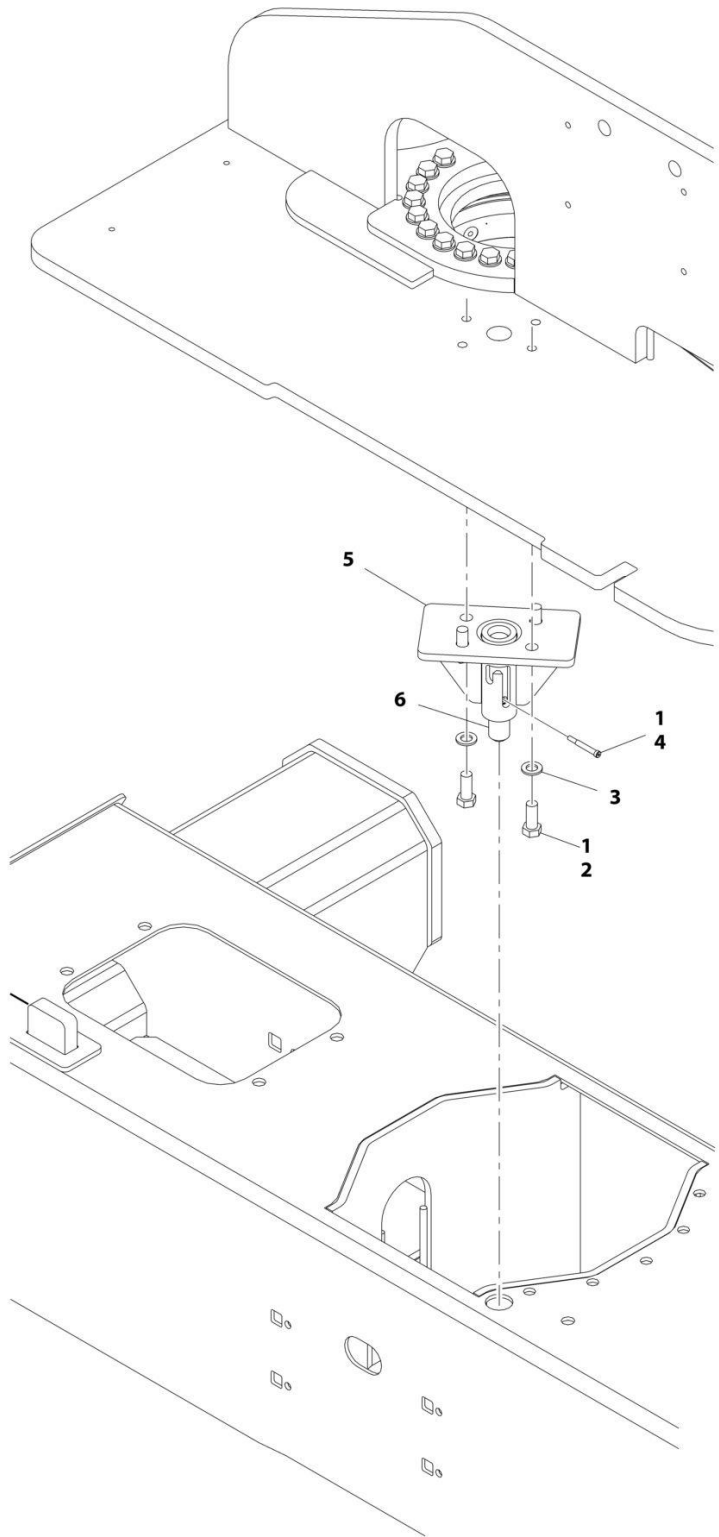
SECTION 2 - TURNTABLE

FIGURE 2-8. TURNTABLE COVERS INSTALLATION

ITEM	PART NUMBER	QTY	DESCRIPTION	REV
	1001219129	Ref	TURNTABLE COVERS INSTALLATION	A
1	0100011	AR	Compound, Locking	
2	5250812	1	Bolt M8 x 25	
3	5260800	2	Nut M8	
4	1001119228	2	Nut M8	
5	1001218533	1	Cover	
6	1001218535	1	Plate, Mounting	
7	1001218537	1	Cover	
8	4060806	2 ft/0.6m	Shield, Flex	

SECTION 2 - TURNTABLE

FIGURE 2-9. TURNTABLE LOCK INSTALLATION



ART_1001177820

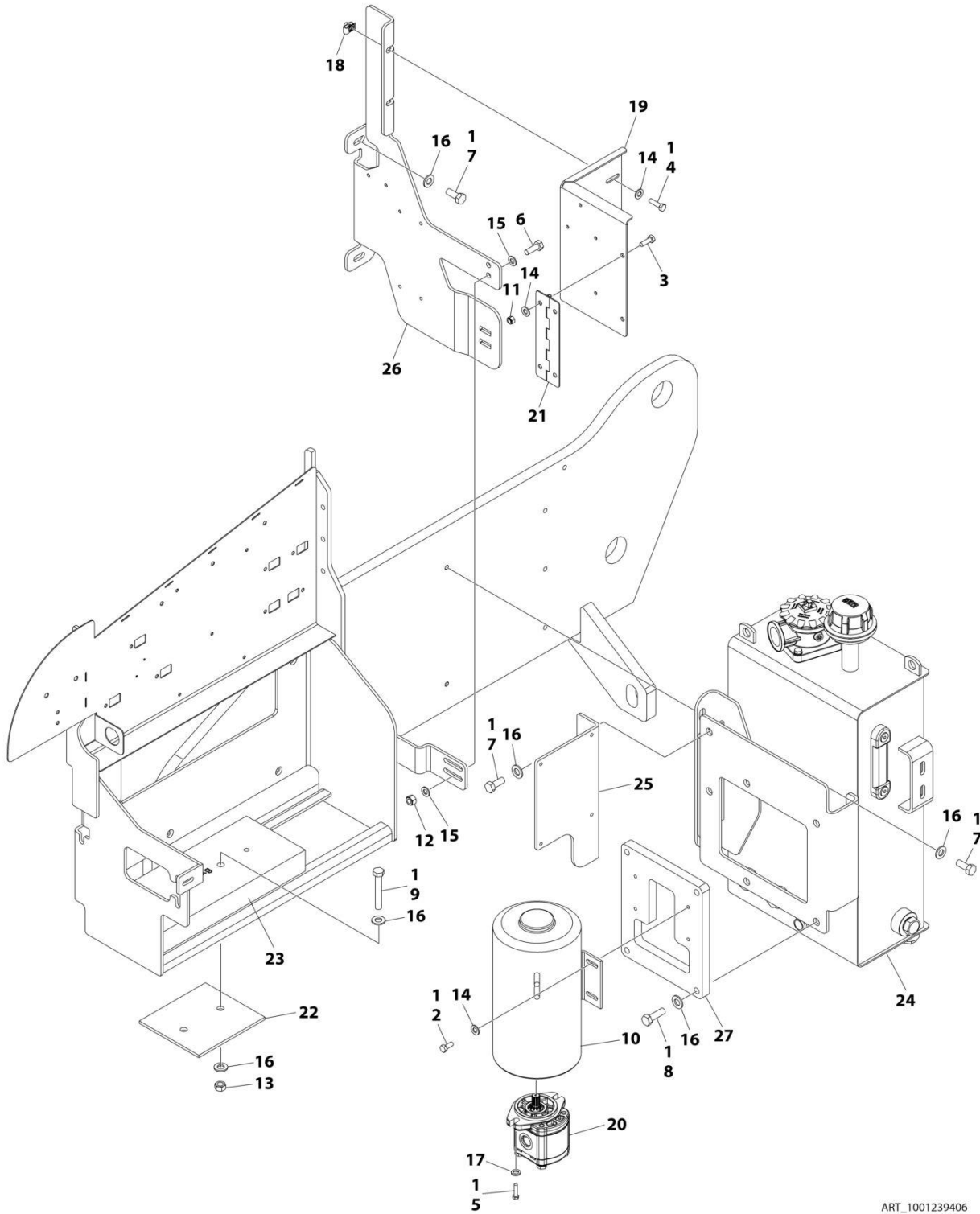
SECTION 2 - TURNTABLE

FIGURE 2-9. TURNTABLE LOCK INSTALLATION

ITEM	PART NUMBER	QTY	DESCRIPTION	REV
	1001177820	Ref	TURNTABLE LOCK INSTALLATION	B
1	0100011	AR	Compound, Locking	
2	0701616	4	Bolt M16 x 40	
3	4812300	4	Washer M16	
4	1001157466	1	Bolt M10 x 30	
5	1001177821	1	Support, Lock	
6	1001177834	1	Pin, Lock	
7	1001223118	1	Decal – Lift Diagram (Not Shown)	

SECTION 2 - TURNTABLE

FIGURE 2-10. TANK AND PUMPS INSTALLATION



ART_1001239406

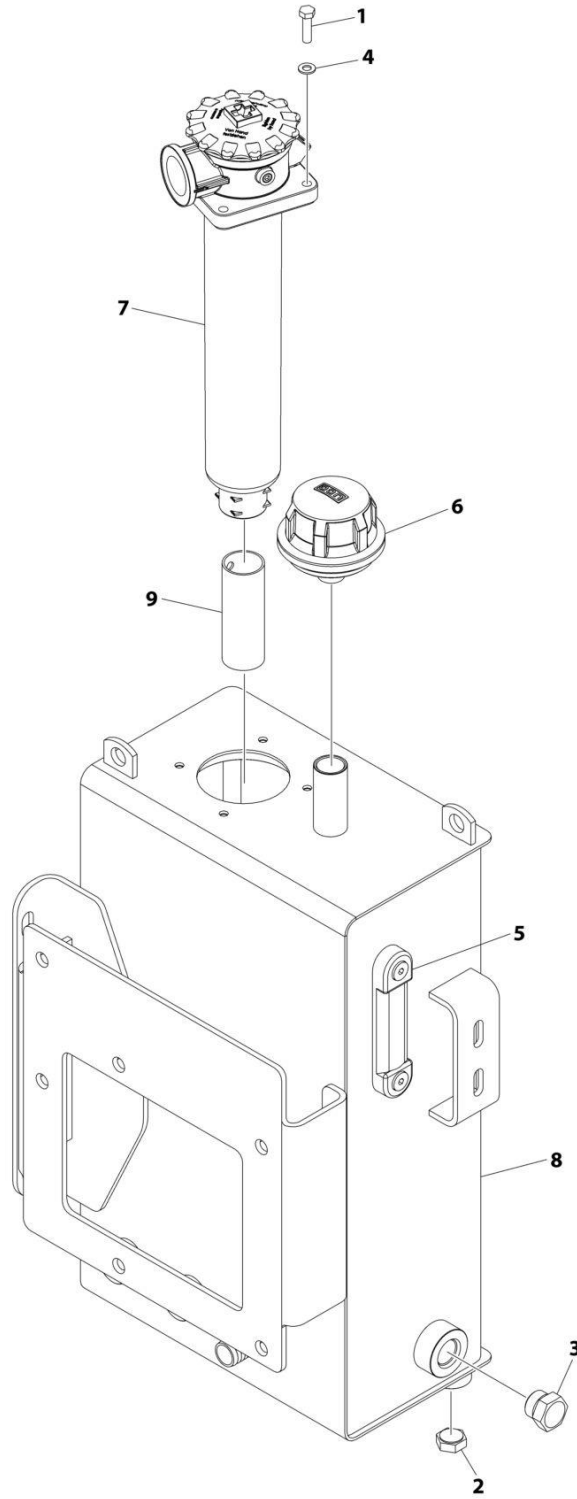
SECTION 2 - TURNTABLE

FIGURE 2-10. TANK AND PUMPS INSTALLATION

ITEM	PART NUMBER	QTY	DESCRIPTION	REV
	1001239406	Ref	TANK AND PUMPS INSTALLATION	A
1	0100011	AR	Compound, Locking	
2	0760810	4	Bolt M8 x 20	
3	0760812	2	Bolt M8 x 25	
4	0760814	2	Bolt M8 x 30	
5	0760815	2	Bolt M8 x 35	
6	0761014	2	Bolt M10 x 30	
7	0761214	8	Bolt M12 x 30	
8	0761216	4	Bolt M12 x 40	
9	0761224	2	Bolt M12 x 80	
10	3160252	1	Electricity Motor Assembly (See Separate Breakdown in this Section)	
11	3290805	2	Nut M8	
12	3291005	2	Nut M10	
13	3291201	2	Nut M12	
14	4811900	10	Washer M8	
15	4812000	4	Washer M10	
16	4812100	16	Washer M12	
17	5240800	2	Washer M8	
18	1001118274	2	Nut M8	
19	1001169898	1	Support, Ground Control	
20	1001174535	1	Gear Pump Assembly	
21	1001179339	1	Hinge	
22	1001246539	1	Plate	
23	1001246543	1	Weight, Ballast	
24	1001248813	1	Hydraulic Tank Installation (See Separate Breakdown in this Section)	
25	1001249329	1	Bracket	
26	1001249857	1	Bracket	
27	1001252533	1	Plate	

SECTION 2 - TURNTABLE

FIGURE 2-11. HYDRAULIC TANK INSTALLATION



ART_1001248813

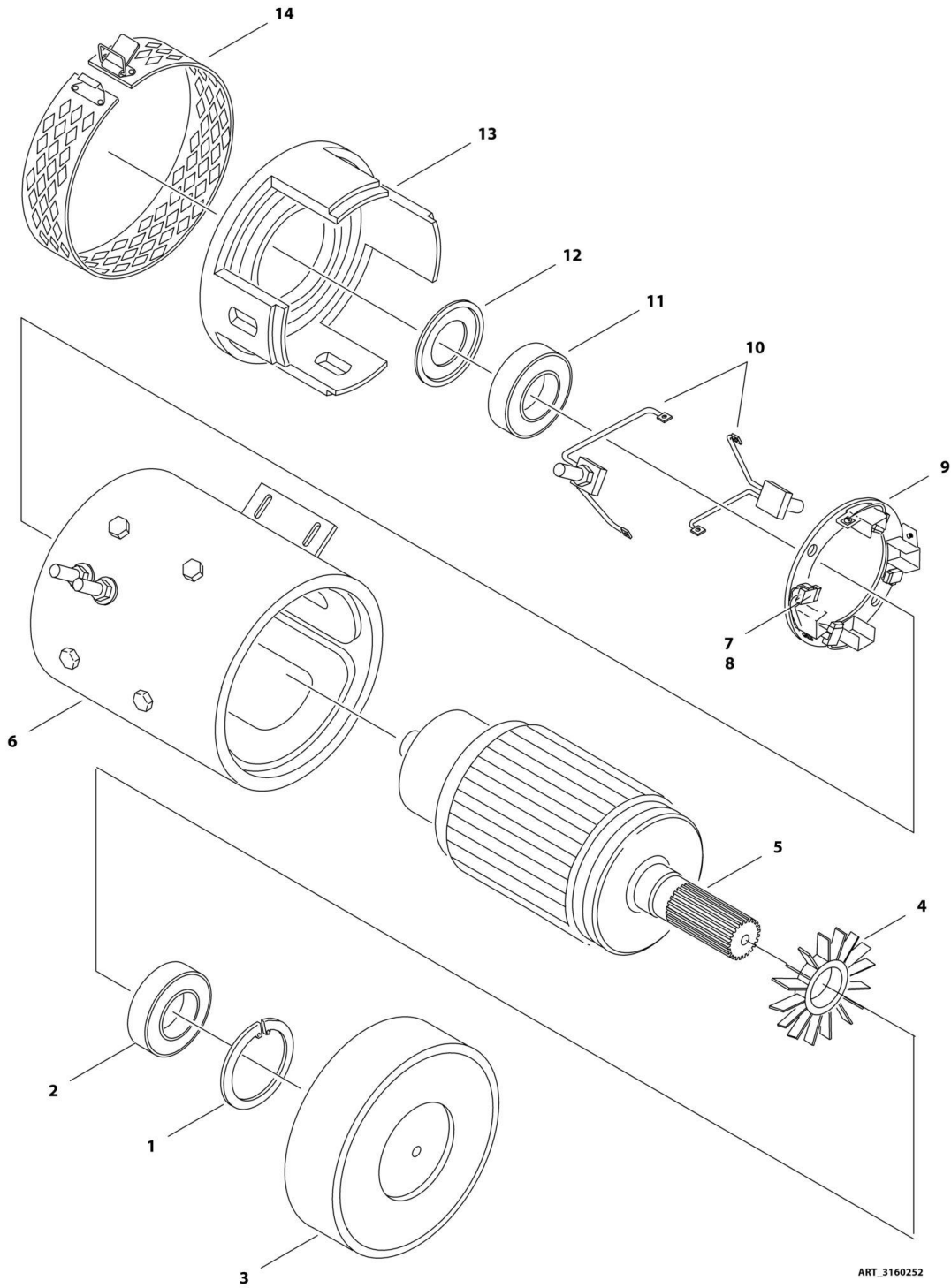
SECTION 2 - TURNTABLE

FIGURE 2-11. HYDRAULIC TANK INSTALLATION

ITEM	PART NUMBER	QTY	DESCRIPTION	REV
	1001248813	Ref	HYDRAULIC TANK INSTALLATION	B
1	0700814	4	Bolt M8 x 30	
2	2220239	1	Plug, ORB	
3	2220240	1	Plug, ORB	
4	4811900	4	Washer M8	
5	7024441	1	Gauge, Sight	
6	1001127152	1	Breather Cap (Vented)	
7	1001162661	1	Filter, Hydraulic	
7	1001162663	1	Element, Filter	
7	1001162667	1	Pipe, Filter Return	
8	1001248401	1	Hydraulic Tank Assembly	
9	1001249615	1	Pipe, Return	

SECTION 2 - TURNTABLE

FIGURE 2-12. MOTOR ASSEMBLY



ART_3160252

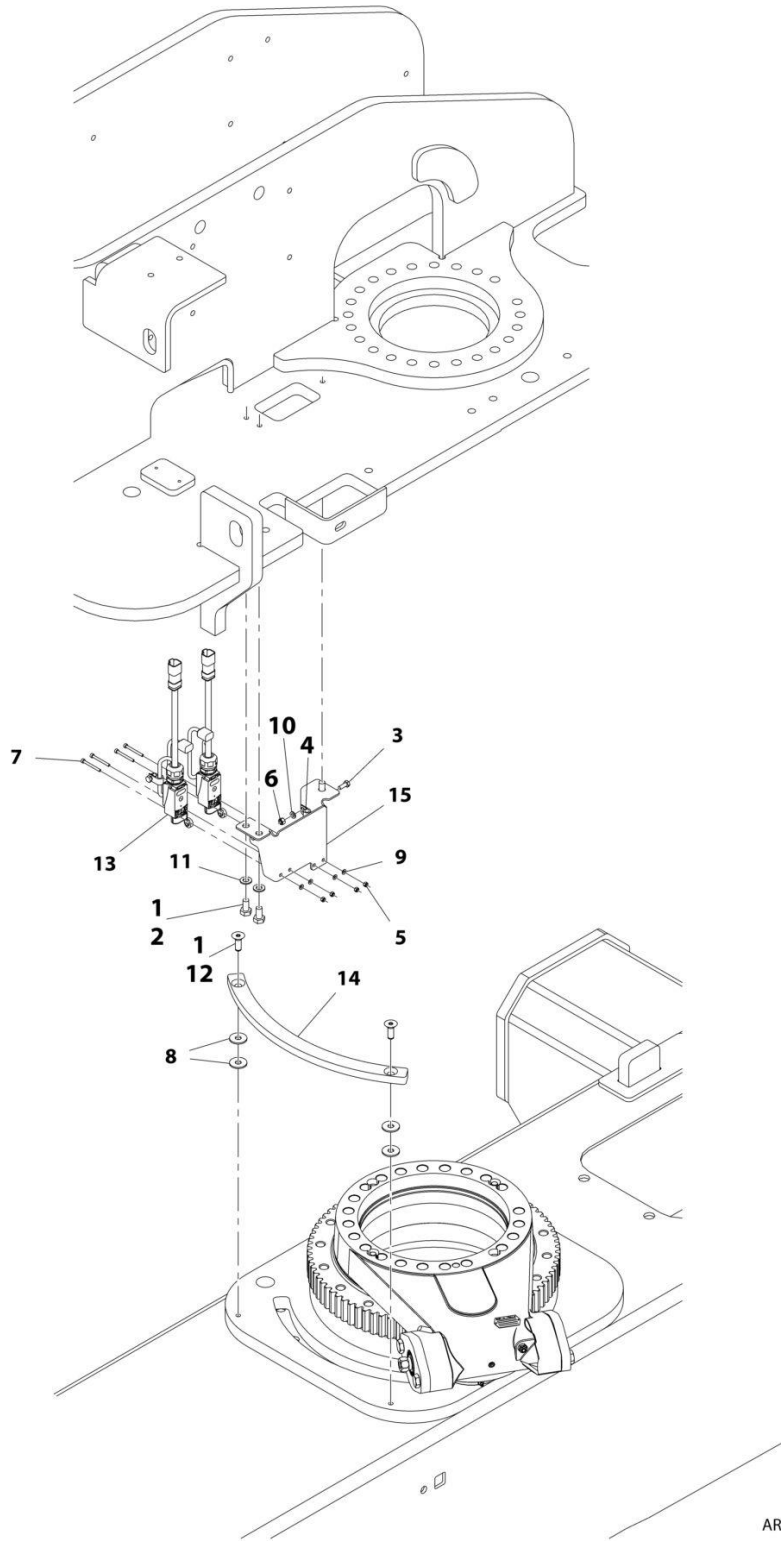
SECTION 2 - TURNTABLE

FIGURE 2-12. MOTOR ASSEMBLY

ITEM	PART NUMBER	QTY	DESCRIPTION	REV
	3160252	Ref	MOTOR ASSEMBLY	C
1	7020291	1	Ring, Retaining	
2	7020292	1	Bearing (Shaft End)	
3	7020293	1	Endhead, Shaft	
4	7020294	1	Fan	
5	7020295	1	Armature Assembly	
6	7020296	1	Field Coil/Case Kit	
7	7012548	8	Spring, Brush	
8	7020297	8	Brush	
9	7020298	1	Box Assembly - Brush	
10	7020299	1	Lead Kit, Brush Wire	
11	7012545	1	Bearing (Commutator End)	
12	7012549	1	Washer	
13	7023200	1	Endhead, Commutator	
14	7023272	1	Headband Assembly	

SECTION 2 - TURNTABLE

FIGURE 2-13. DRIVE ORIENTATION INSTALLATION



ART_1001166767

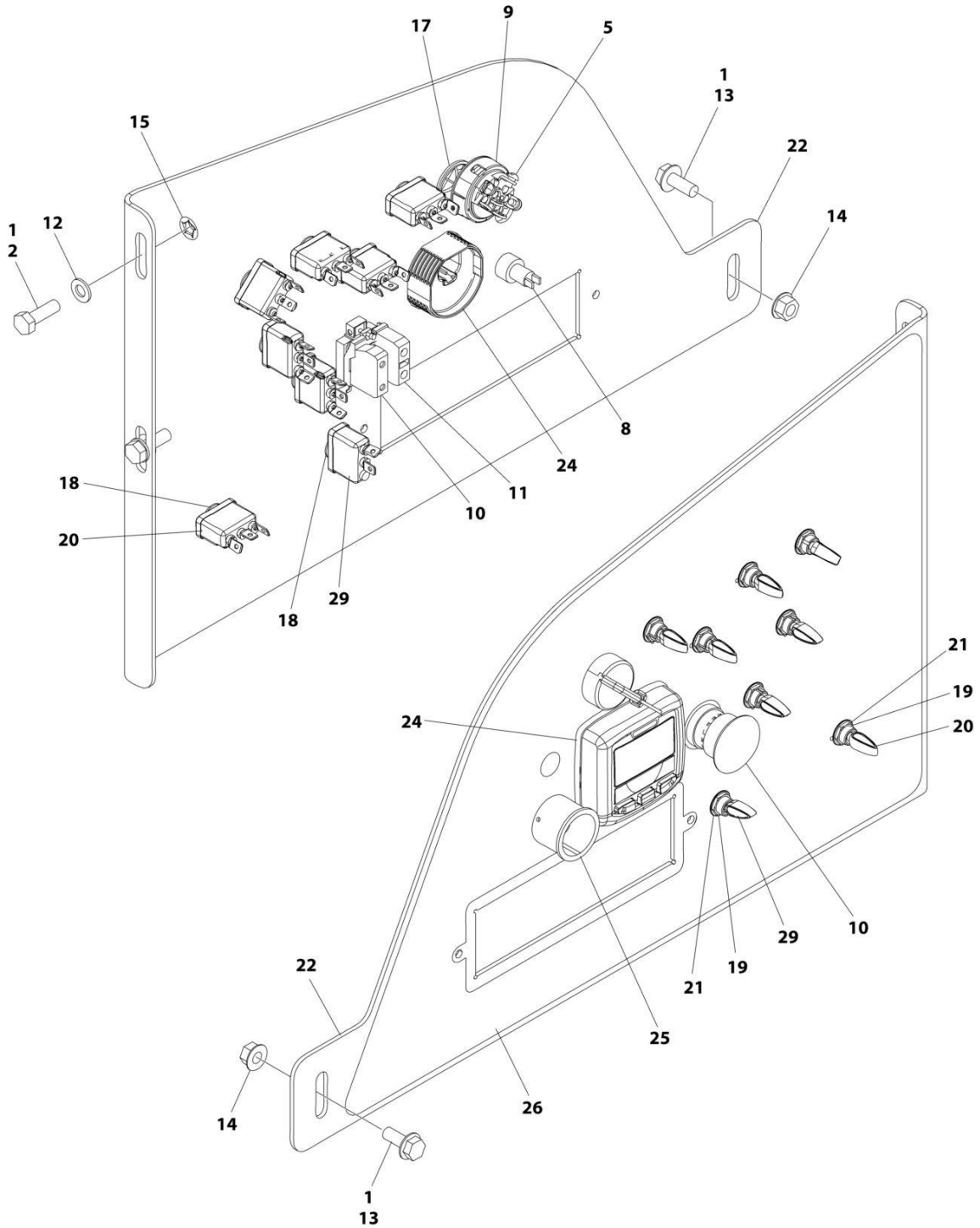
SECTION 2 - TURNTABLE

FIGURE 2-13. DRIVE ORIENTATION INSTALLATION

ITEM	PART NUMBER	QTY	DESCRIPTION	REV
	1001166767	Ref	DRIVE ORIENTATION INSTALLATION	F
1	0100011	AR	Compound, Locking	
2	0761010	3	Bolt M10 x 20	
3	0760608	2	Bolt M6 x 16	
4	1321293	2	Clamp, Cable	
5	3290405	4	Nut M4	
6	3290605	2	Nut M6	
7	4031512	4	Capscrew M4 x 40	
8	4812002	4	Washer M10	
9	4811400	4	Washer M4	
10	4811700	2	Washer M6	
11	4812000	3	Washer M10	
12	8310614	2	Screw M10 x 30	
13	1001119176	2	Switch, Limit	
13	1001129407	1	Receptacle, Female - 4 Position	
13	4460464	4	Pin, Male	
14	1001162106	1	Cam	
15	1001166768	1	Bracket	
16	8881800	AR	Tie-Strap (Not Shown)	

SECTION 2 - TURNTABLE

FIGURE 2-14. GROUND CONTROL ASSEMBLY



ART_1001250486

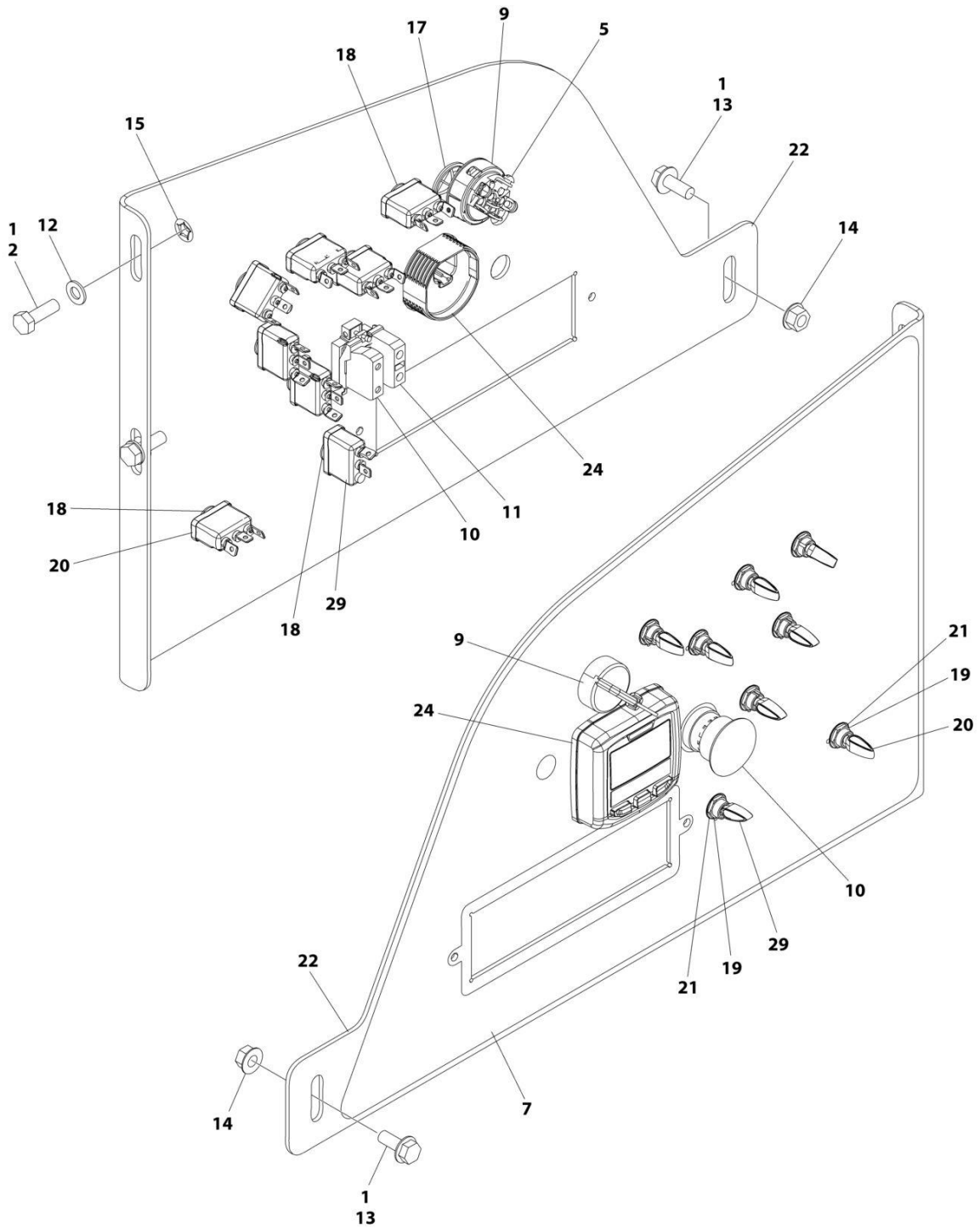
SECTION 2 - TURNTABLE

FIGURE 2-14. GROUND CONTROL ASSEMBLY

ITEM	PART NUMBER	QTY	DESCRIPTION	REV
	1001250486	Ref	GROUND CONTROL ASSEMBLY	D
1	0100011	AR	Compound, Locking	
2	0760812	2	Bolt M8 x 25	
5	3910804	3	Screw M8 x 1/4	
8	4360387	1	Switch, Push Button	
9	4360469	1	Switch, Key	
9	2860030	1	Key, Replacement	
10	4360475	1	Switch, Emergency	
10	7020175	1	Cap	
10	7020176	1	Block, Contact	
11	4360476	1	Block, Contact	
12	4811900	2	Washer M8	
13	5250810	1	Bolt M8 x 20	
14	5260800	1	Nut M8	
15	1001119228	2	Nut M8	
17	1001151393	1	Shim .063	
18	1001155043	8	Washer	
19	1001155044	8	Nut	
20	1001155045	7	Switch, Toggle	
21	1001162807	8	Washer	
22	1001264735	1	Panel, Ground Control	
24	1001171482	1	Gauge, Display	
25	1001176469	1	Shroud, Switch	
26	1001265288	1	Decal - Ground Control	
29	1001159256	1	Switch, Toggle	

SECTION 2 - TURNTABLE

FIGURE 2-15. GROUND CONTROL ASSEMBLY (ANSI, AUSTRALIAN AND CSA SPECS)



ART_1001258966

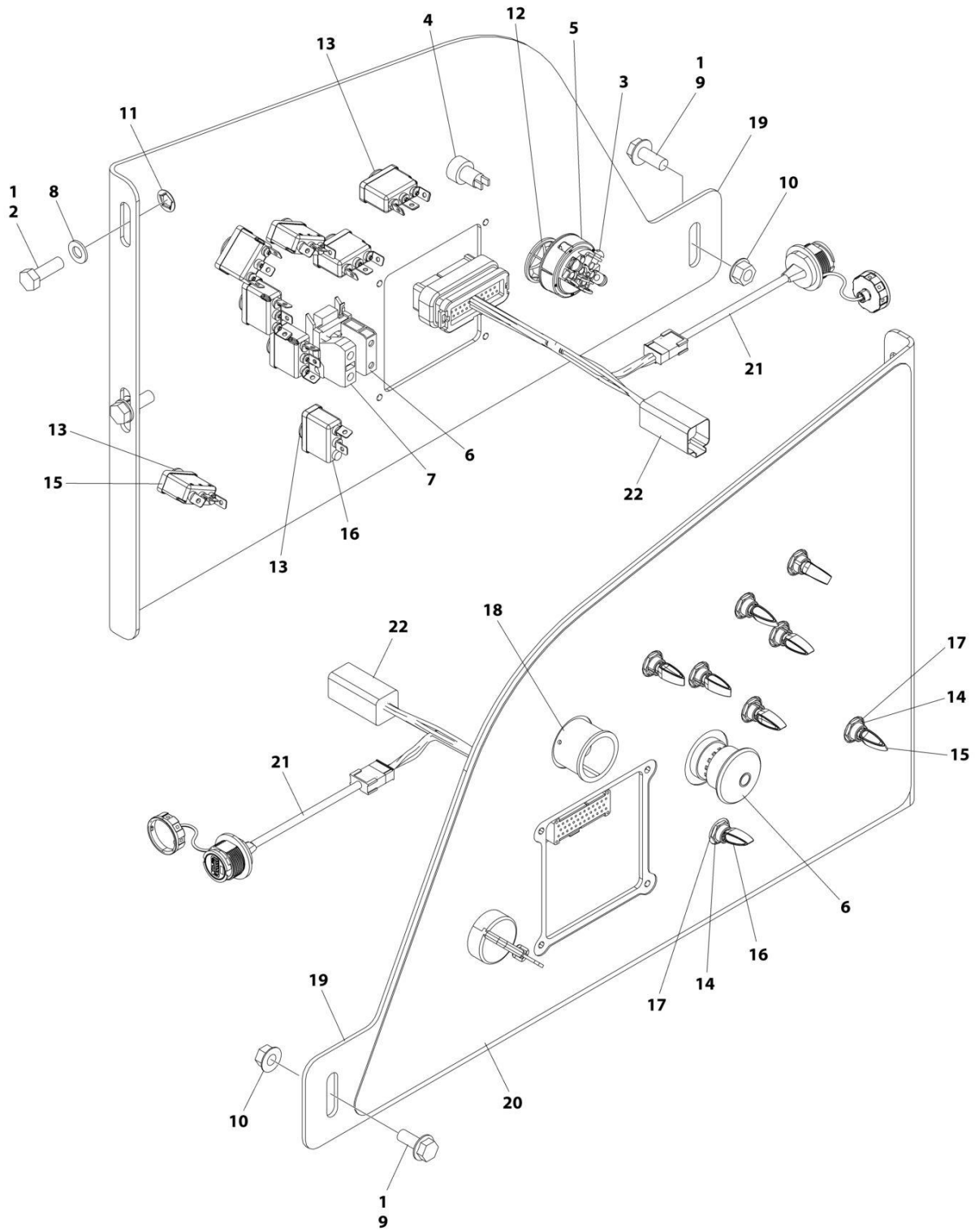
SECTION 2 - TURNTABLE

FIGURE 2-15. GROUND CONTROL ASSEMBLY (ANSI, AUSTRALIAN AND CSA SPECS)

ITEM	PART NUMBER	QTY	DESCRIPTION	REV
	1001258966	Ref	GROUND CONTROL ASSEMBLY	C
1	0100011	AR	Compound, Locking	
2	0760812	2	Bolt M8 x 25	
5	3910804	3	Screw M8 x 1/4	
7	1001265289	1	Decal - Ground Control	
9	4360469	1	Switch, Key	
9	2860030	1	Key, Replacement	
10	4360475	1	Switch, Emergency	
10	7020175	1	Cap	
10	7020176	1	Block, Contact	
11	4360476	1	Block, Contact	
12	4811900	2	Washer M8	
13	5250810	1	Bolt M8 x 20	
14	5260800	1	Nut M8	
15	1001119228	2	Nut M8	
17	1001151393	1	Shim .063	
18	1001155043	8	Washer	
19	1001155044	8	Nut	
20	1001155045	7	Switch, Toggle	
21	1001162807	8	Washer	
22	1001264735	1	Panel, Ground Control	
24	1001171482	1	Gauge, Display	
29	1001159256	1	Switch, Toggle	

SECTION 2 - TURNTABLE

FIGURE 2-16. GROUND CONTROL ASSEMBLY - WITH 4 INCH DISPLAY (CE SPECS)



ART_1001260297

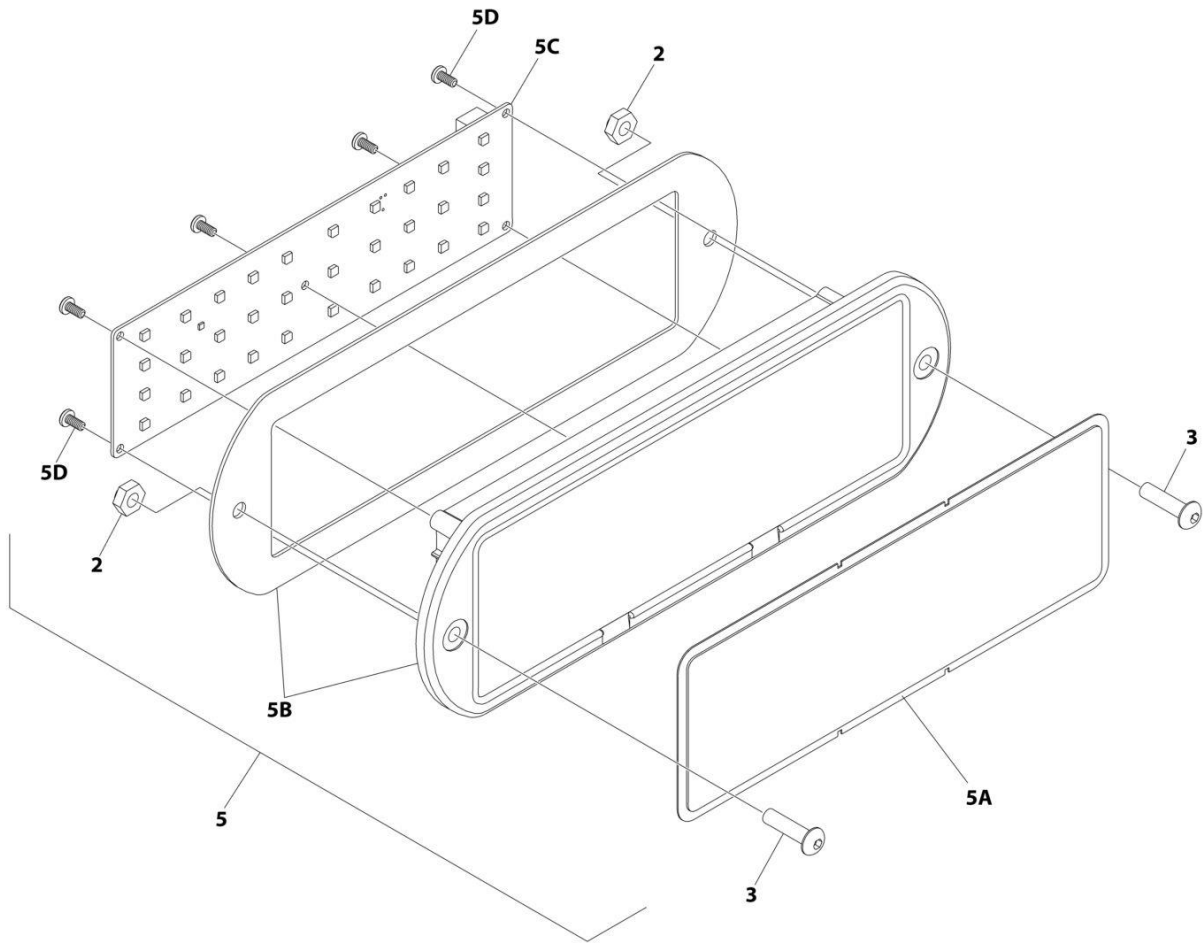
SECTION 2 - TURNTABLE

FIGURE 2-16. GROUND CONTROL ASSEMBLY - WITH 4 INCH DISPLAY (CE SPECS)

ITEM	PART NUMBER	QTY	DESCRIPTION	REV
	1001260297	Ref	GROUND CONTROL ASSEMBLY	A
1	0100011	AR	Compound, Locking	
2	0760812	2	Bolt M8 x 25	
3	3910804	3	Screw M8 x 1/4	
4	4360387	1	Switch, Push Button	
5	4360469	1	Switch, Key	
5	2860030	1	Key, Replacement	
6	4360475	1	Switch, Emergency	
6	7020175	1	Cap	
6	7020176	1	Block, Contact	
7	4360476	1	Block, Contact	
8	4811900	2	Washer M8	
9	5250810	1	Bolt M8 x 20	
10	5260800	1	Nut M8	
11	1001119228	2	Nut M8	
12	1001151393	1	Shim .063	
13	1001155043	8	Washer M8	
14	1001155044	8	Nut	
15	1001155045	7	Switch, Toggle	
16	1001159256	1	Switch, Toggle	
17	1001162807	8	Washer	
18	1001176469	1	Shroud, Switch	
19	1001260298	1	Panel, Ground Control	
20	1001260299	1	Decal - Ground Control	
21	1001246823	1	USB Receptacle	
22	1001265415	1	Harness, Display Adapter (See Separate Breakdown in ELECTRICAL Section)	

SECTION 2 - TURNTABLE

FIGURE 2-17. LIGHT PANEL INSTALLATION – GROUND CONTROL



ART_1001259504_10F2

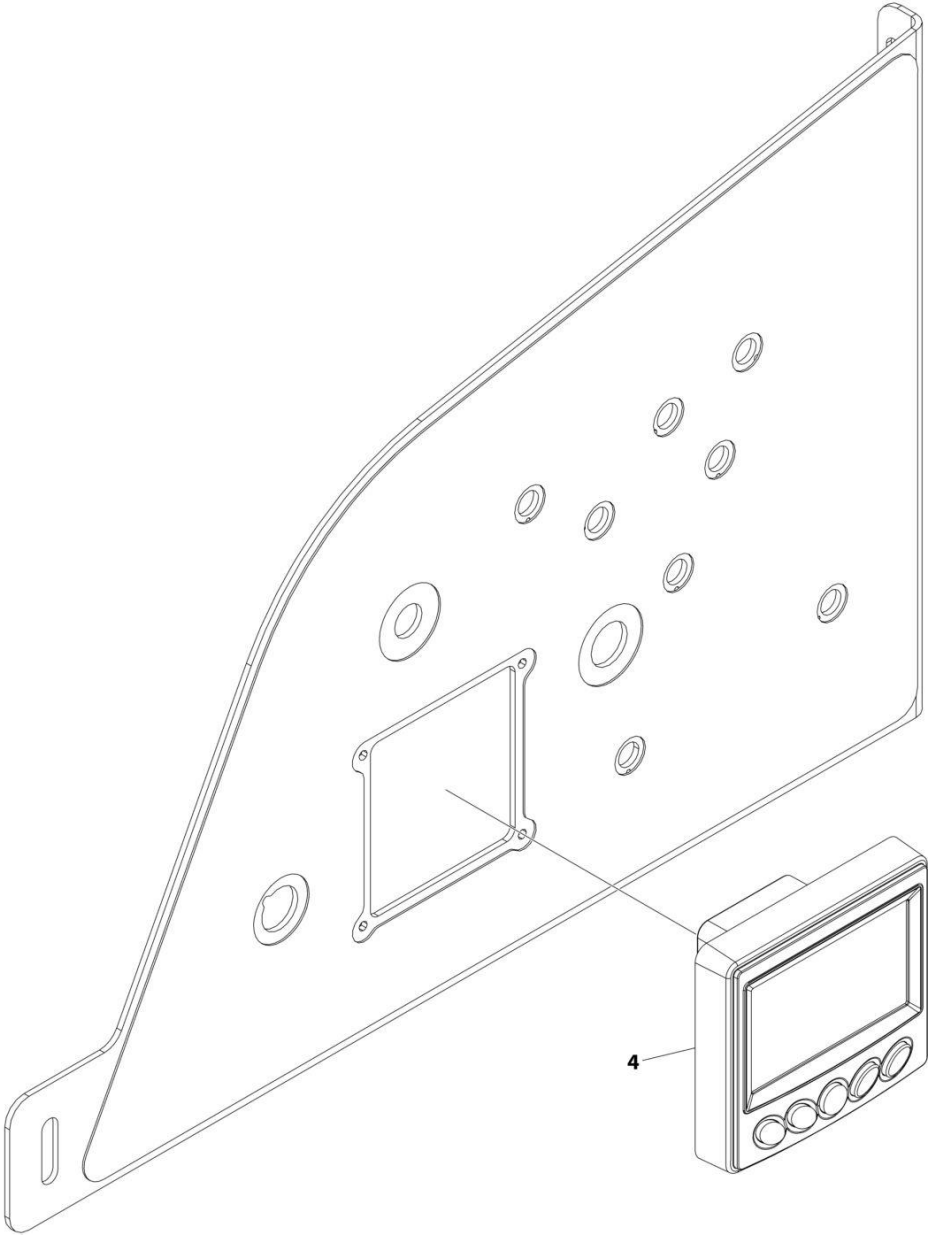
SECTION 2 - TURNTABLE

FIGURE 2-17. LIGHT PANEL INSTALLATION – GROUND CONTROL

ITEM	PART NUMBER	QTY	DESCRIPTION	REV
	1001259504	Ref	LIGHT PANEL INSTALLATION - GROUND CONTROL	A
2	3300408	2	Nut, Nylon Insert	
3	0630518	2	Screw #10 x 3/4	
5	1001259492	1	Light Panel Assembly	A
5A	1001245162	1	Lens	
5B	1001259476	1	Bezel (Includes Gasket)	
5C	1001187807	1	Panel, LED Light	
5D		Ref	Screw	

SECTION 2 - TURNTABLE

FIGURE 2-18. LIGHT PANEL INSTALLATION – GROUND CONTROL (CE SPECS ONLY)



ART_1001265145_10F2

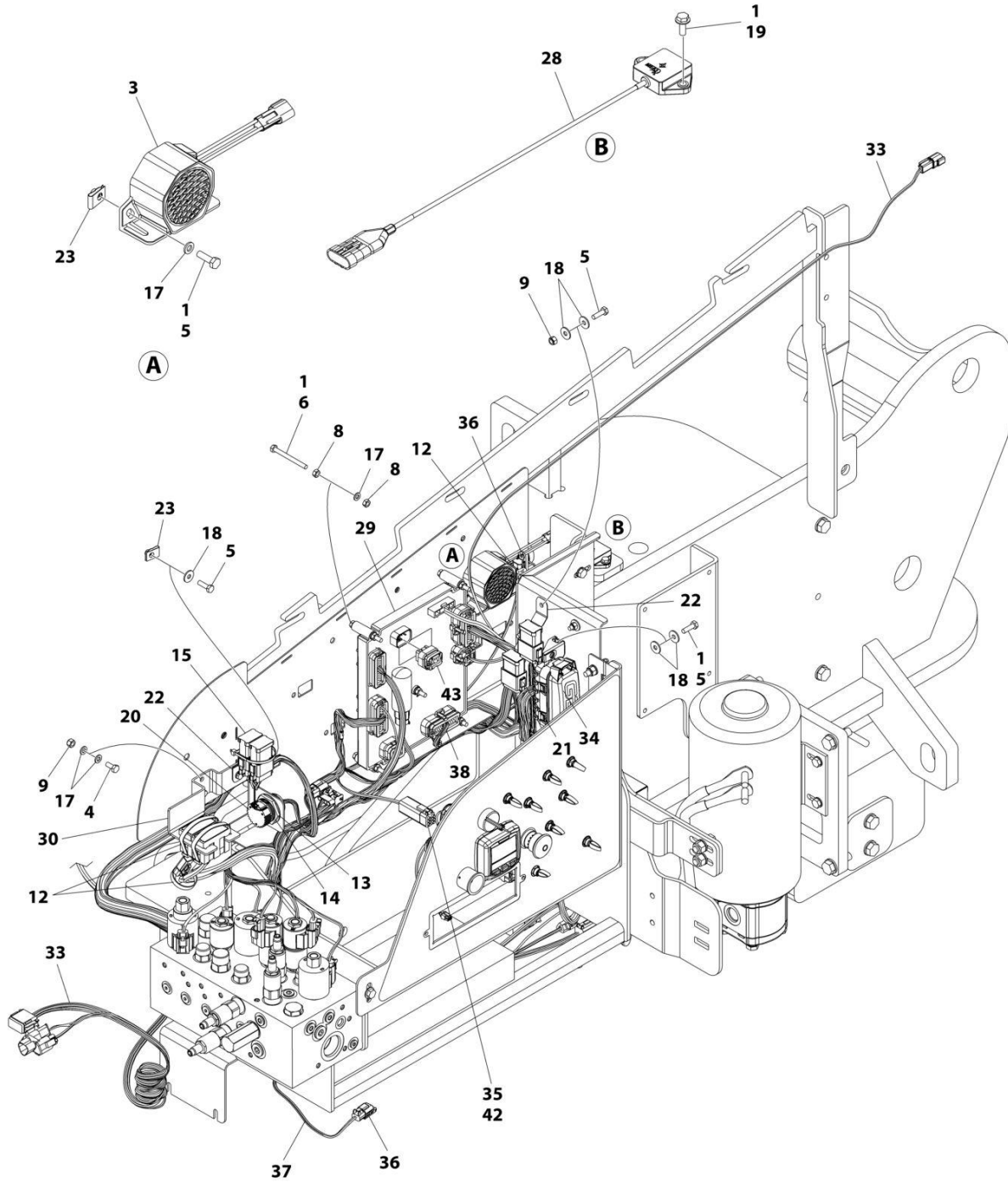
SECTION 2 - TURNTABLE

FIGURE 2-18. LIGHT PANEL INSTALLATION – GROUND CONTROL (CE SPECS ONLY)

ITEM	PART NUMBER	QTY	DESCRIPTION	REV
4	1001265145 1001265029	Ref 1	LIGHT PANEL INSTALLATION - GROUND CONTROL Light Panel Assembly (4inch Display)	A

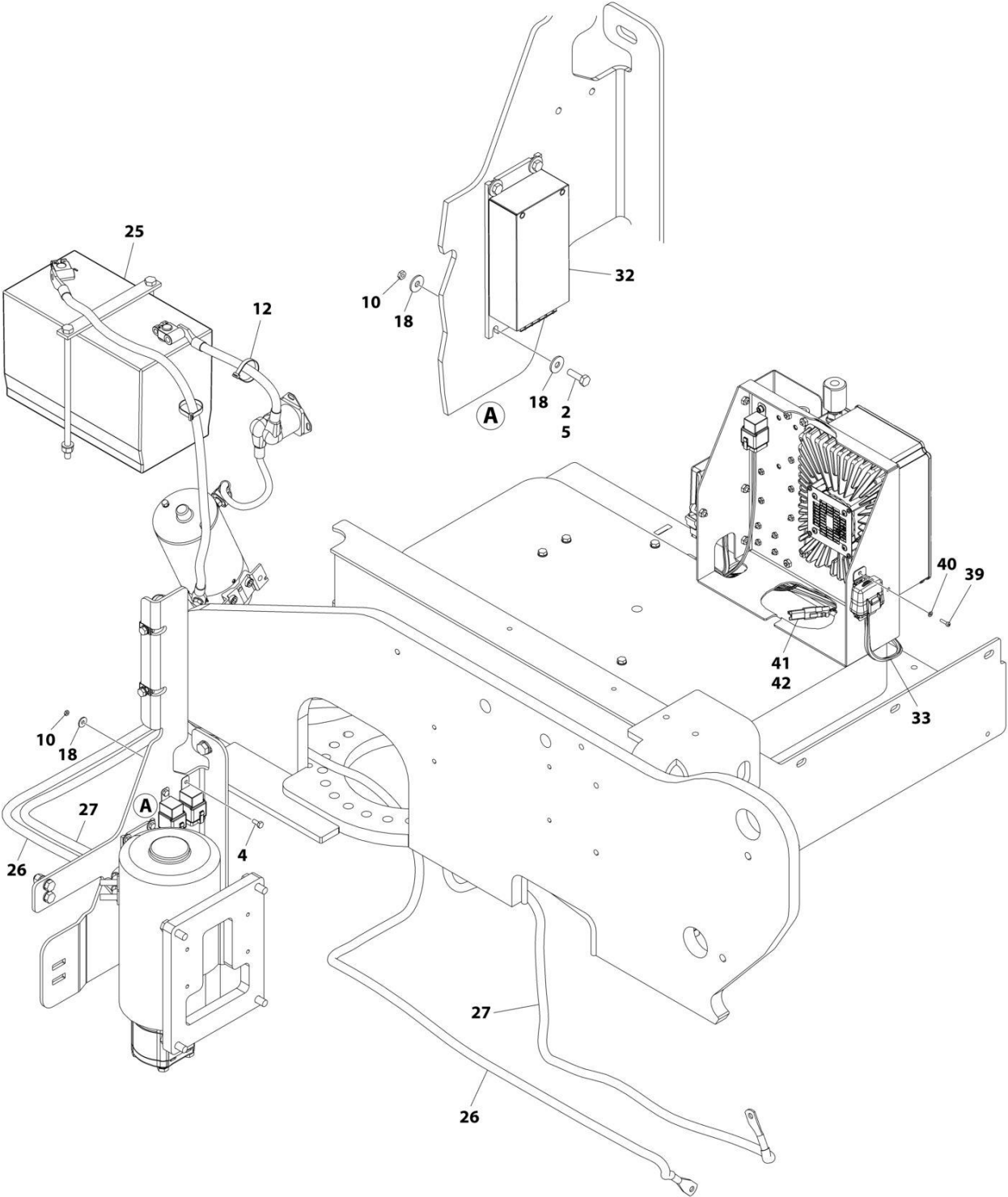
SECTION 2 - TURNTABLE

FIGURE 2-19. ELECTRICAL SYSTEM INSTALLATION



ART_1001250946_G_10F2

SECTION 2 - TURNTABLE



ART_1001250946_G_20F2

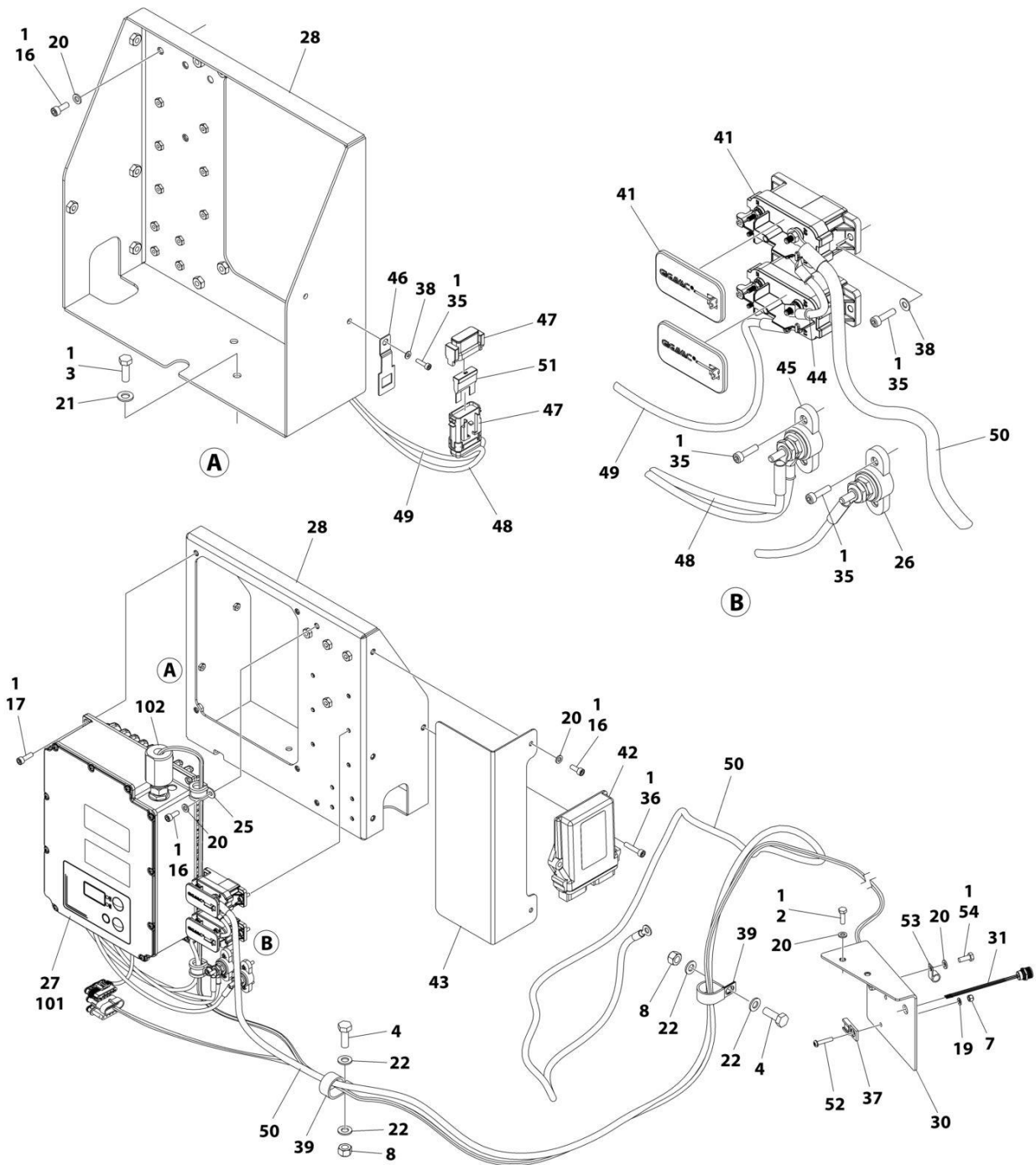
SECTION 2 - TURNTABLE

FIGURE 2-19. ELECTRICAL SYSTEM INSTALLATION

ITEM	PART NUMBER	QTY	DESCRIPTION	REV
	1001250946	Ref	ELECTRICAL SYSTEM INSTALLATION	G
1	0100011	AR	Compound, Locking	
2	0100083	AR	Grease	
3	0140043	1	Alarm	
3	4460536	1	Receptacle, Female - 3 Position	
3	4460943	3	Pin, Male	
4	0760607	5	Bolt M6 x 14	
4	0760608	5	Bolt M6 x 16	
5	0760610	12	Bolt M6 x 20	
6	0760621	5	Bolt M6 x 65	
8	3290601	10	Nut M6	
9	3290605	6	Nut M6	
10	3310601	6	Nut #6	
12	4240018	6	Tie-Strap	
13	4460496	1	Washer, Terminal	
14	4460497	1	Nut, Terminal	
15	4460837	2	Bussbar - 12 Position	
17	4811700	18	Washer M6	
18	4811702	21	Washer M6	
19	5250608	2	Bolt M6 x 16	
20	1001106736	1	Cap, Dust	
21	1001119020	2	Bussbar - 12 Position	
22	1001120328	3	Mount	
23	1001130220	3	Nut, Tinnerman M6	
25	1001166316	1	Battery Installation (See Separate Breakdown in this Section)	
26	1001256850	1	Cable, Pump Motor (Positive)	
27	1001256851	1	Cable, Pump Motor (Negative)	
28	1001219601	1	Sensor	
29	1001284340	1	Control, Module	
30	1001201939	1	Bracket	
32	1001249405	1	Electrical Converter Assembly	
33	1001262597	1	Harness, Chassis (See Separate Breakdown in ELECTRICAL Section) (Prior to SN C300000468)	
33	1001286738	1	Harness, Chassis (See Separate Breakdown in ELECTRICAL Section) (SN C300000468 to Present)	
34	1001263849	1	Decal - Fuse Box	
35	4460894	1	Plug, Male - 6 Position	
36	1001144295	2	Cap	
37	1001244294	1	Harness, Main Valve (See Separate Breakdown in ELECTRICAL Section)	
38	1001244295	1	Harness, Ground Control (See Separate Breakdown in ELECTRICAL Section)	
39	4031507	1	Bolt M4 x 16	
40	4811400	1	Washer M4	
41	4460536	1	Connector - 3 Position	
42	4460466	9	Plug, Terminal	
43	1001246859	1	Connector - 14 Position	

SECTION 2 - TURNTABLE

FIGURE 2-20. BATTERY CHARGER INSTALLATION – WITH NO PLUG



ART_1001262066

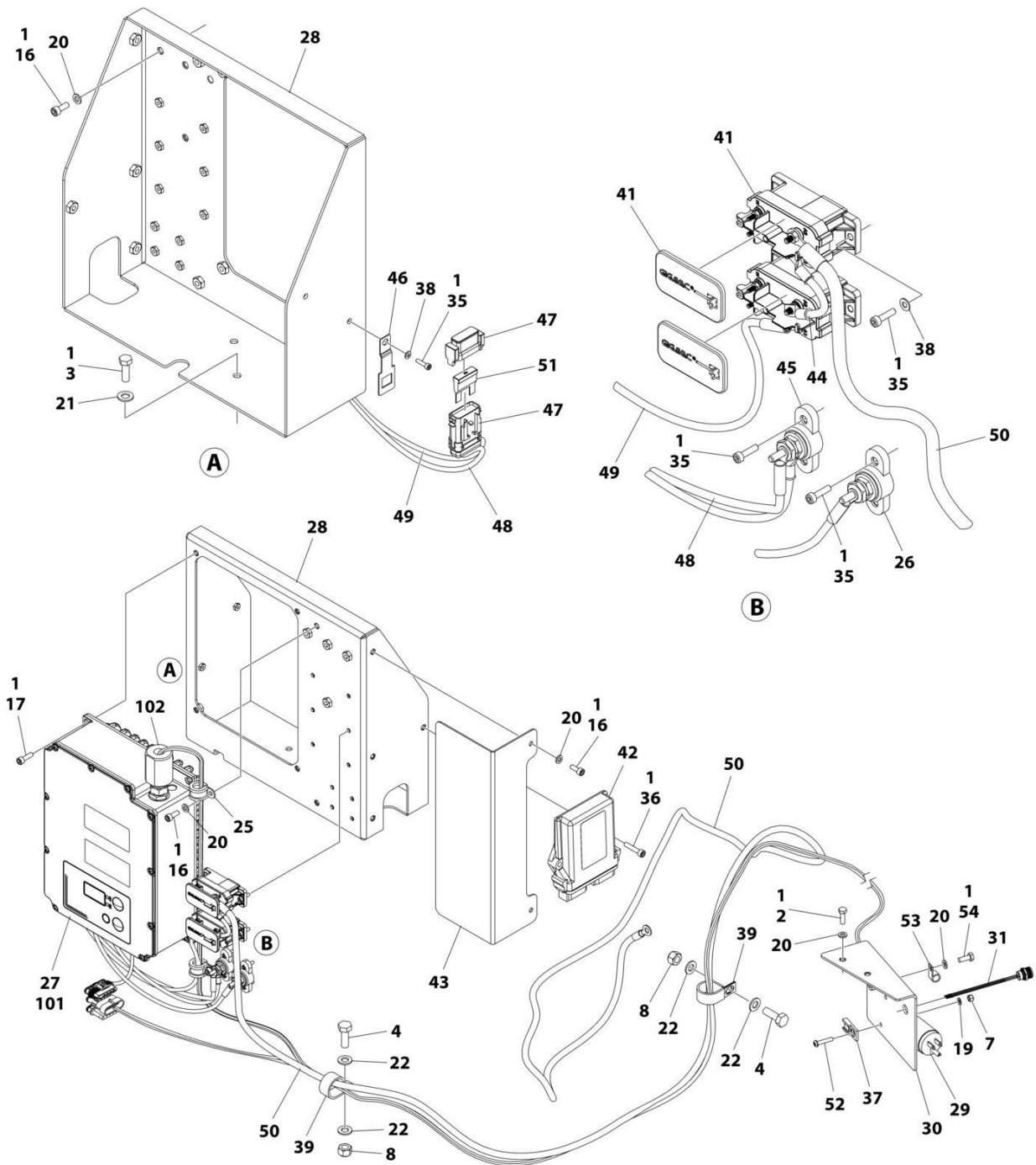
SECTION 2 - TURNTABLE

FIGURE 2-20. BATTERY CHARGER INSTALLATION – WITH NO PLUG

ITEM	PART NUMBER	QTY	DESCRIPTION	REV
	1001262066	Ref	BATTERY CHARGER INSTALLATION	B
1	0100011	AR	Compound, Locking	
2	0760610	2	Bolt M6 x 20	
3	0760812	3	Bolt M8 x 25	
4	0761014	2	Bolt M10 x 30	
7	3290505	1	Nut M5	
8	3291005	2	Nut M10	
16	4031707	5	Bolt M6 x 16	
17	4031708	4	Bolt M6 x 20	
19	4811600	1	Washer M5	
20	4811700	8	Washer M6	
21	4811900	3	Washer M8	
22	4812000	4	Washer M10	
25	1001170231	2	Clamp	
26	1001241501	1	Terminal	
27	1001270414	1	Battery Charger Installation (See Items 101 & 102 for Breakdown)	
28	1001247677	1	Bracket	
30	1001251130	1	Bracket	
31	1001263993	1	Light, Indicator	
35	4031507	9	Bolt M4 x 16	
36	4031710	2	Bolt M6 x 30	
37	4460914	1	Mount, Terminal	
38	4811400	5	Washer M4	
39	1001009205	2	Clip	
41	1001222365	2	Relay	
42	1001257445	1	Module, Control	
43	1001257572	1	Cover	
44	1001260534	1	Cable (Charger Relay Jumper)	
45	1001262387	1	Terminal	
46	1001262467	1	Clip	
47	1001262473	1	Holder, Fuse	
48	1001262979	1	Cable (Stud to Relay)	
49	1001262980	1	Cable (Fuse to Relay)	
50	1001265843	1	Cable (Battery Disconnect to Charger Relay)	
51	1001262472	1	Fuse, 60Amp	
52	8310559	1	Screw M5 x 25	
53	1320043	1	Clamp	
54	0760608	1	Bolt M6 x 16	
	1001270414	Ref	Battery Charger Installation	
101	1001247270	1	Charger, Battery	
102	1001270412	1	Connector	

SECTION 2 - TURNTABLE

FIGURE 2-21. BATTERY CHARGER INSTALLATION - 110V (ANSI AND CSA SPECS)



ART_1001262064

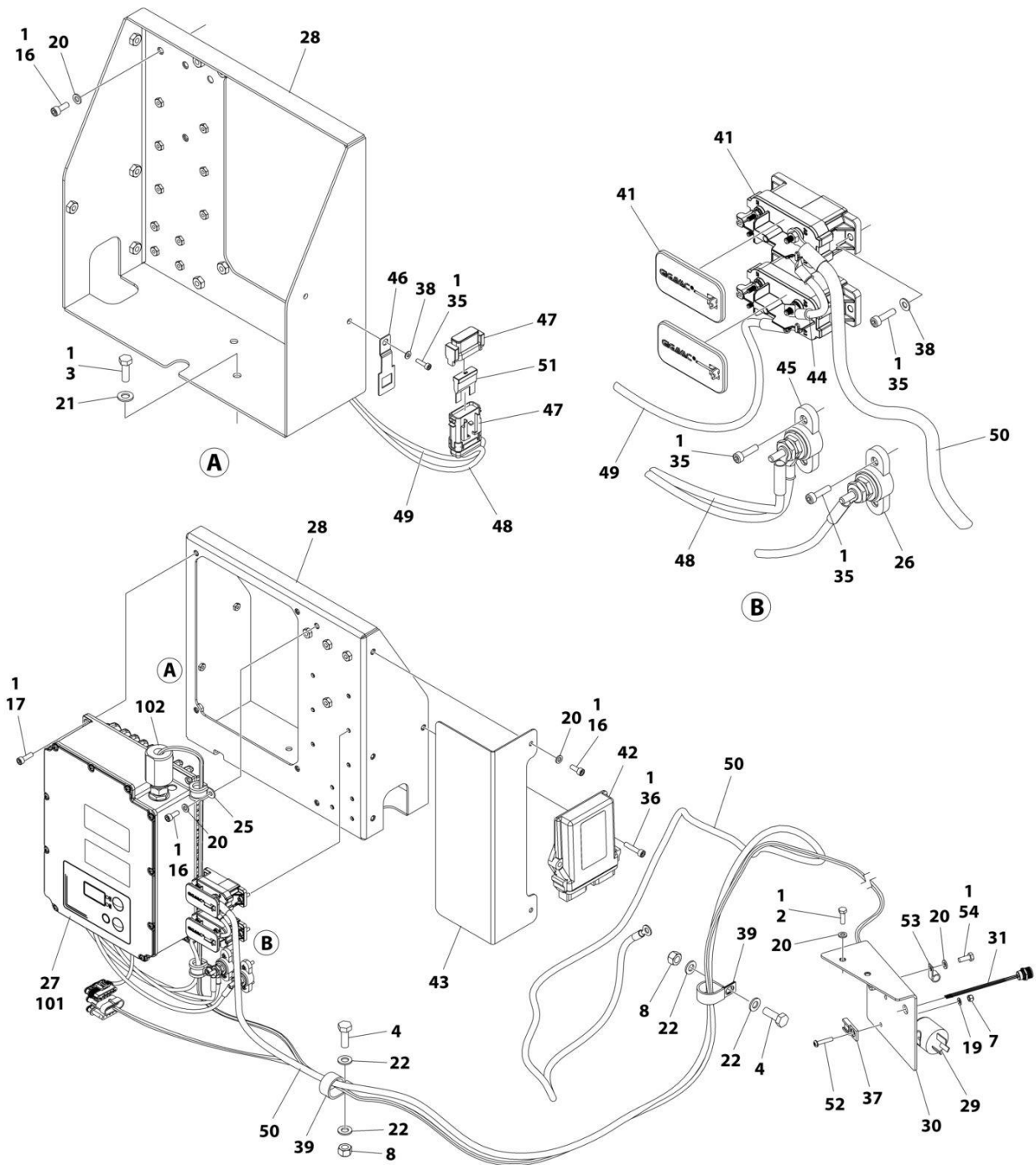
SECTION 2 - TURNTABLE

FIGURE 2-21. BATTERY CHARGER INSTALLATION - 110V (ANSI AND CSA SPECS)

ITEM	PART NUMBER	QTY	DESCRIPTION	REV
	1001262064	Ref	BATTERY CHARGER INSTALLATION	B
1	0100011	AR	Compound, Locking	
2	0760610	2	Bolt M6 x 20	
3	0760812	3	Bolt M8 x 25	
4	0761014	2	Bolt M10 x 30	
7	3290505	1	Nut M5	
8	3291005	2	Nut M10	
16	4031707	5	Bolt M6 x 16	
17	4031708	4	Bolt M6 x 20	
19	4811600	1	Washer M5	
20	4811700	8	Washer M6	
21	4811900	3	Washer M8	
22	4812000	4	Washer M10	
25	1001170231	2	Clamp	
26	1001241501	1	Terminal	
27	1001270414	1	Battery Charger Installation (See Items 101 & 102 for Breakdown)	
28	1001247677	1	Bracket	
29	4460138	1	Plug, Male	
30	1001251130	1	Bracket	
31	1001263993	1	Light, Indicator	
35	4031507	9	Bolt M4 x 16	
36	4031710	2	Bolt M6 x 30	
37	4460914	1	Mount, Terminal	
38	4811400	5	Washer M4	
39	1001009205	2	Clip	
41	1001222365	2	Relay	
42	1001257445	1	Module, Control	
43	1001257572	1	Cover	
44	1001260534	1	Cable (Charger Relay Jumper)	
45	1001262387	1	Terminal	
46	1001262467	1	Clip	
47	1001262473	1	Holder, Fuse	
48	1001262979	1	Cable (Stud to Relay)	
49	1001262980	1	Cable (Fuse to Relay)	
50	1001265843	1	Cable (Battery Disconnect to Charger Relay)	
51	1001262472	1	Fuse, 60Amp	
52	8310559	1	Screw M5 x 25	
53	1320043	1	Clamp	
54	0760608	1	Bolt M6 x 16	
	1001270414	Ref	Battery Charger Installation	A
101	1001247270	1	Charger, Battery	
102	1001270412	1	Connector	

SECTION 2 - TURNTABLE

FIGURE 2-22. BATTERY CHARGER INSTALLATION - 220V (AUSTRALIAN SPECS)



ART_1001262065

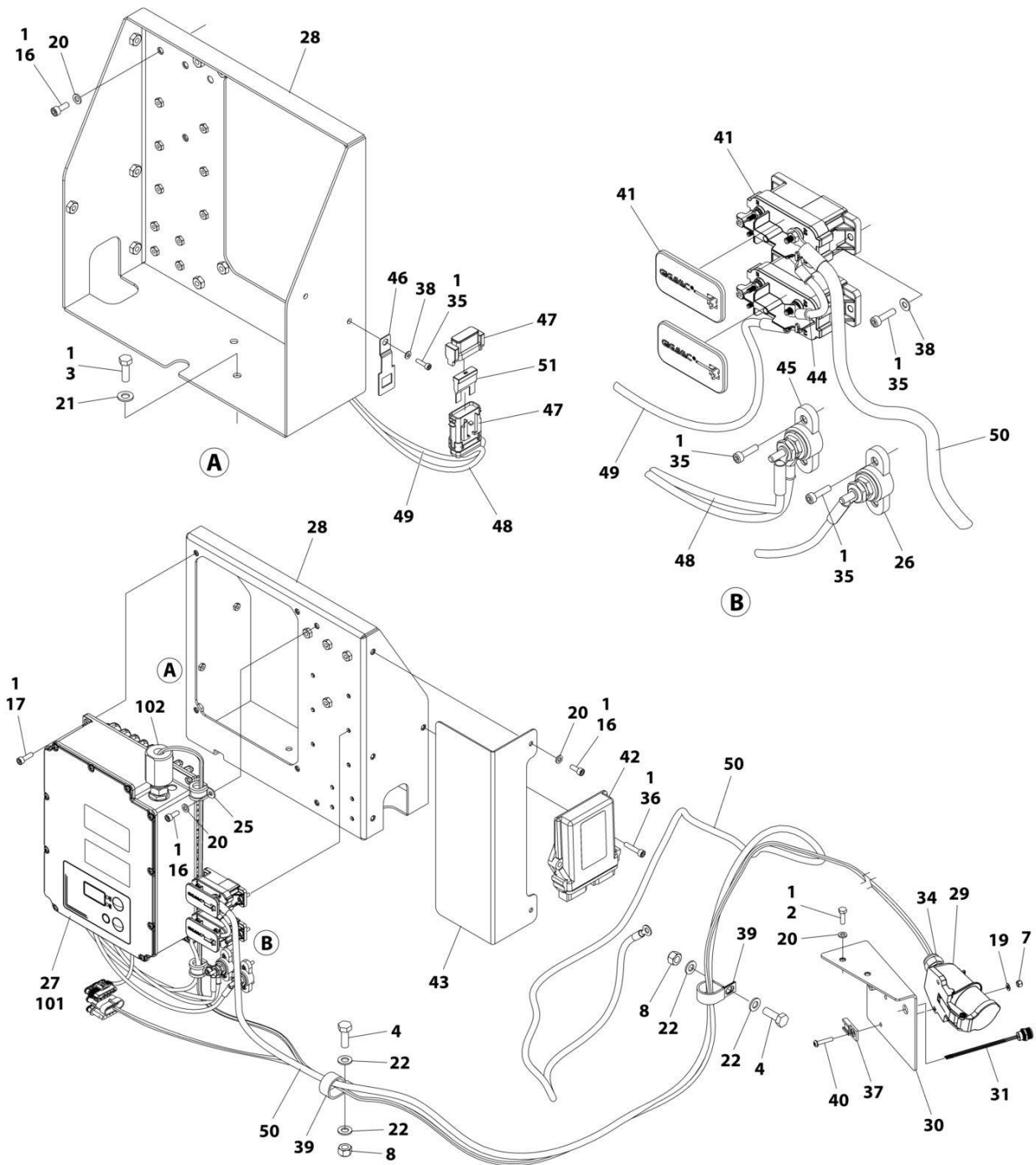
SECTION 2 - TURNTABLE

FIGURE 2-22. BATTERY CHARGER INSTALLATION - 220V (AUSTRALIAN SPECS)

ITEM	PART NUMBER	QTY	DESCRIPTION	REV
	1001262065	Ref	BATTERY CHARGER INSTALLATION	B
1	0100011	AR	Compound, Locking	
2	0760610	2	Bolt M6 x 20	
3	0760812	3	Bolt M8 x 25	
4	0761014	2	Bolt M10 x 30	
7	3290505	1	Nut M5	
8	3291005	2	Nut M10	
16	4031707	5	Bolt M6 x 16	
17	4031708	4	Bolt M6 x 20	
19	4811600	1	Washer M5	
20	4811700	8	Washer M6	
21	4811900	3	Washer M8	
22	4812000	4	Washer M10	
25	1001170231	2	Clamp	
26	1001241501	1	Terminal	
27	1001270414	1	Battery Charger Installation (See Items 101 & 102 for Breakdown)	
28	1001247677	1	Bracket	
29	4460805	1	Plug, Male	
30	1001251130	1	Bracket	
31	1001263993	1	Light, Indicator	
35	4031507	9	Bolt M4 x 16	
36	4031710	2	Bolt M6 x 30	
37	4460914	1	Mount, Terminal	
38	4811400	5	Washer M4	
39	1001009205	2	Clip	
41	1001222365	2	Relay	
42	1001257445	1	Module, Control	
43	1001257572	1	Cover	
44	1001260534	1	Cable (Charger Relay Jumper)	
45	1001262387	1	Terminal	
46	1001262467	1	Clip	
47	1001262473	1	Holder, Fuse	
48	1001262979	1	Cable (Stud to Relay)	
49	1001262980	1	Cable (Fuse to Relay)	
50	1001265843	1	Cable (Battery Disconnect to Charger Relay)	
51	1001262472	1	Fuse, 60Amp	
52	8310559	1	Screw M5 x 25	
53	1320043	1	Clamp	
54	0760608	1	Bolt M6 x 16	
	1001270414	Ref	Battery Charger Installation	A
101	1001247270	1	Charger, Battery	
102	1001270412	1	Connector	

SECTION 2 - TURNTABLE

FIGURE 2-23. BATTERY CHARGER INSTALLATION



ART_1001250950

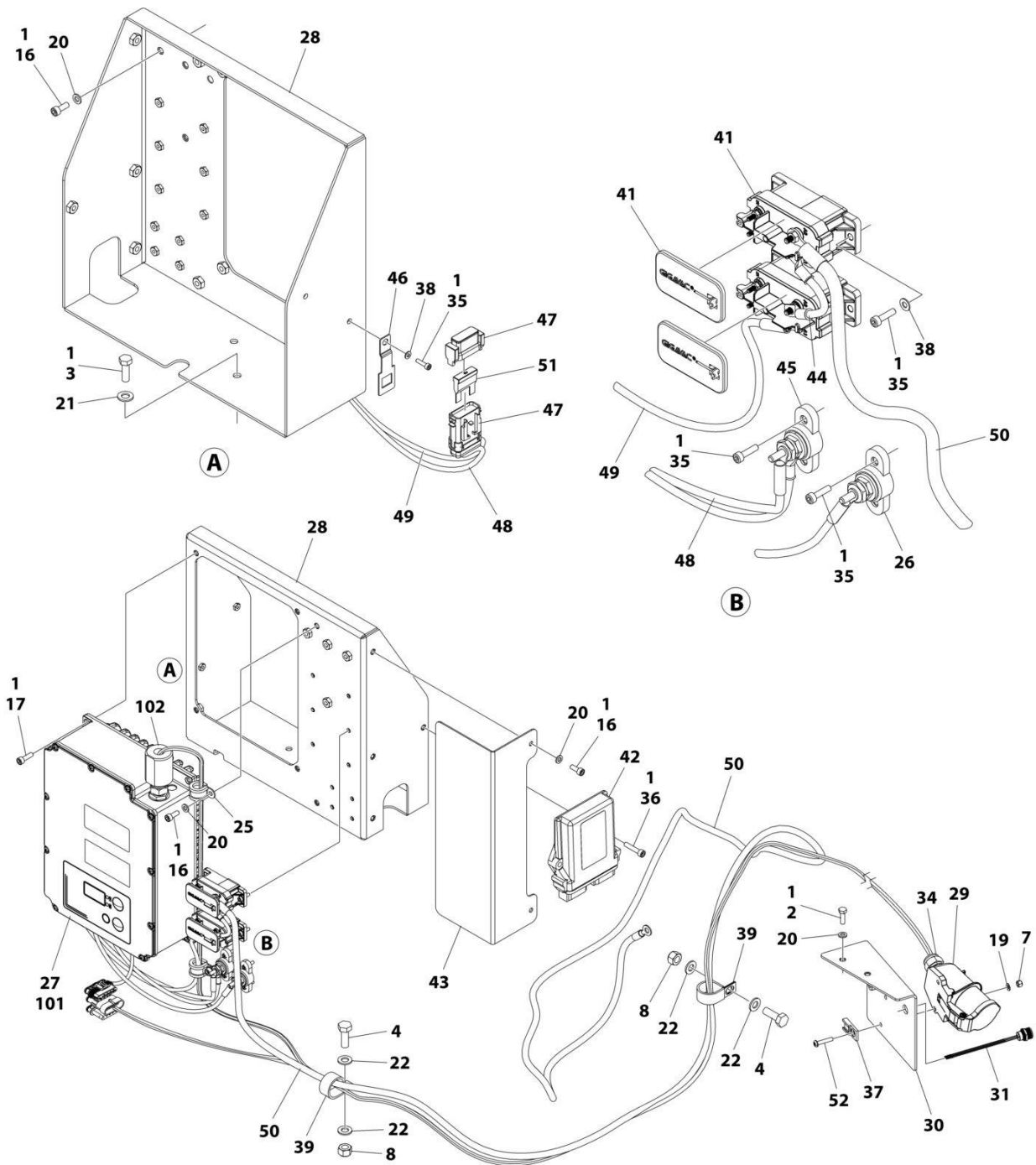
SECTION 2 - TURNTABLE

FIGURE 2-23. BATTERY CHARGER INSTALLATION

ITEM	PART NUMBER	QTY	DESCRIPTION	REV
	1001250950	Ref	BATTERY CHARGER INSTALLATION	C
1	0100011	AR	Compound, Locking	
2	0760610	2	Bolt M6 x 20	
3	0760812	3	Bolt M8 x 25	
4	0761014	2	Bolt M10 x 30	
7	3290505	2	Nut M5	
8	3291005	2	Nut M10	
16	4031707	5	Bolt M6 x 16	
17	4031708	4	Bolt M6 x 20	
19	4811600	2	Washer M5	
20	4811700	7	Washer M6	
21	4811900	3	Washer M8	
22	4812000	4	Washer M10	
25	1001170231	2	Clamp	
26	1001241501	1	Terminal	
27	1001270414	1	Battery Charger Installation (See Items 101 & 102 for Breakdown)	
28	1001247677	1	Bracket	
29	1001249236	1	Connector	
30	1001251130	1	Bracket	
31	1001263993	1	Light, Indicator	
34	E900051	1	Connector, Strain Relief	
35	4031507	9	Bolt M4 x 16	
36	4031710	2	Bolt M6 x 30	
37	4460914	1	Mount, Terminal	
38	4811400	5	Washer M4	
39	1001009205	2	Clip	
40	8310559	2	Screw M5 x 25	
41	1001222365	2	Relay	
42	1001257445	1	Module, Control	
43	1001257572	1	Cover	
44	1001260534	1	Cable (Charger Relay Jumper)	
45	1001262387	1	Terminal	
46	1001262467	1	Clip	
47	1001262473	1	Holder, Fuse	
48	1001262979	1	Cable (Stud to Relay)	
49	1001262980	1	Cable (Fuse to Relay)	
50	1001265843	1	Cable (Battery Disconnect to Charger Relay)	
51	1001262472	1	Fuse, 60Amp	
	1001270414	Ref	Battery Charger Installation	A
101	1001247270	1	Charger, Battery	
102	1001270412	1	Connector	

SECTION 2 - TURNTABLE

FIGURE 2-24. BATTERY CHARGER INSTALLATION – WITH 110 IEC PLUG (YELLOW) (CE SPECS)



ART_1001262061

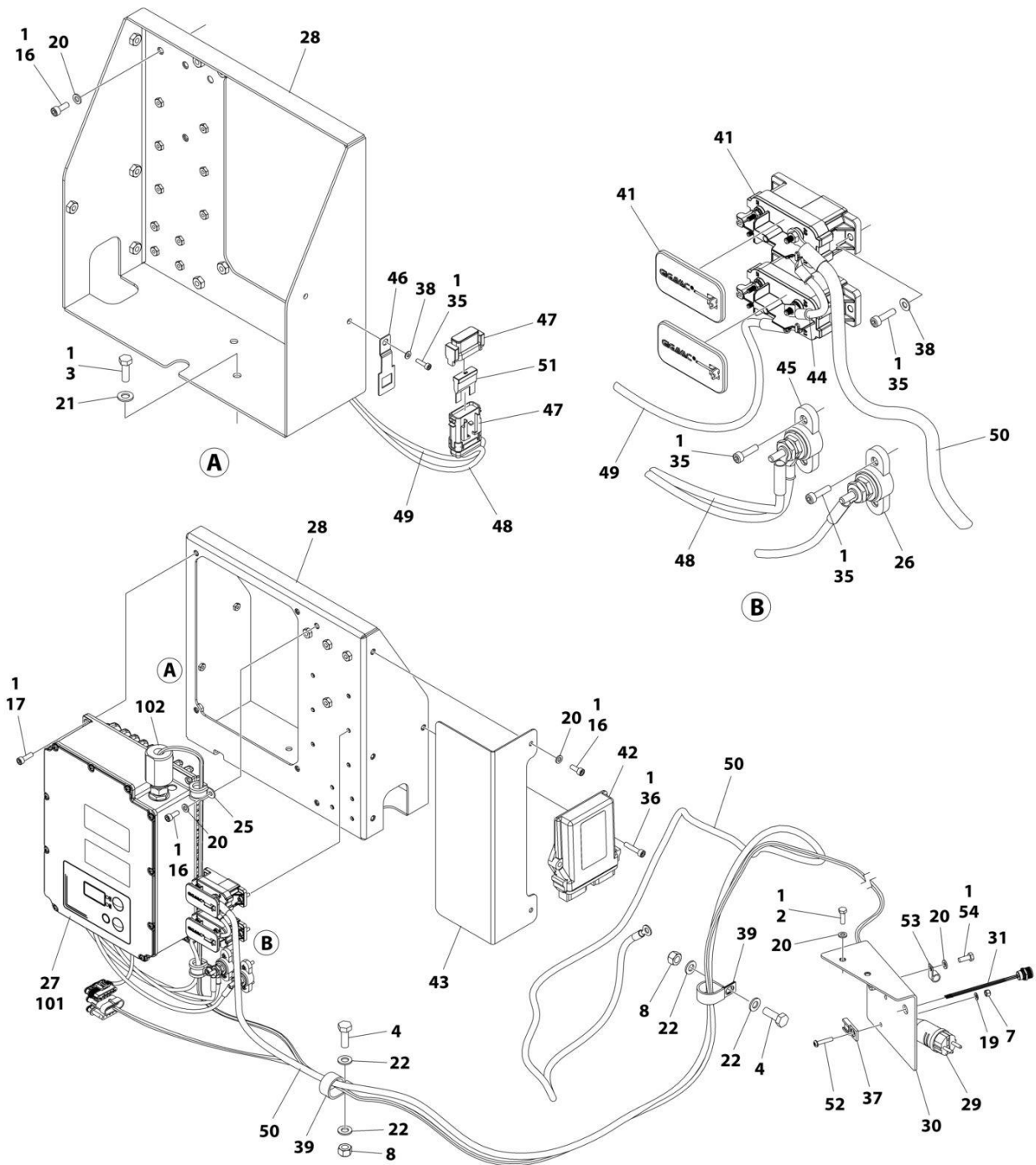
SECTION 2 - TURNTABLE

FIGURE 2-24. BATTERY CHARGER INSTALLATION – WITH 110 IEC PLUG (YELLOW) (CE SPECS)

ITEM	PART NUMBER	QTY	DESCRIPTION	REV
	1001262061	Ref	BATTERY CHARGER INSTALLATION	B
1	0100011	AR	Compound, Locking	
2	0760610	2	Bolt M6 x 20	
3	0760812	3	Bolt M8 x 25	
4	0761014	2	Bolt M10 x 30	
7	3290505	2	Nut M5	
8	3291005	2	Nut M10	
16	4031707	5	Bolt M6 x 16	
17	4031708	4	Bolt M6 x 20	
19	4811600	2	Washer M5	
20	4811700	7	Washer M6	
21	4811900	3	Washer M8	
22	4812000	4	Washer M10	
25	1001170231	2	Clamp	
26	1001241501	1	Terminal	
27	1001270414	1	Battery Charger Installation (See Items 101 & 102 for Breakdown)	
28	1001247677	1	Bracket	
29	1001262067	1	Connector	
30	1001251130	1	Bracket	
31	1001263993	1	Light, Indicator	
34	E900051	1	Gland, Cable M20	
35	4031507	9	Bolt M4 x 16	
36	4031710	2	Bolt M6 x 30	
37	4460914	1	Mount, Terminal	
38	4811400	5	Washer M4	
39	1001009205	2	Clip	
41	1001222365	2	Relay	
42	1001257445	1	Module, Control	
43	1001257572	1	Cover	
44	1001260534	1	Cable (Charger Relay Jumper)	
45	1001262387	1	Terminal	
46	1001262467	1	Clip	
47	1001262473	1	Holder, Fuse	
48	1001262979	1	Cable (Stud to Relay)	
49	1001262980	1	Cable (Fuse to Relay)	
50	1001265843	1	Cable (Battery Disconnect to Charger Relay)	
51	1001262472	1	Fuse, 60Amp	
52	8310559	2	Screw M5 x 25	
	1001270414	Ref	Battery Charger Installation	A
101	1001247270	1	Charger, Battery	
102	1001270412	1	Connector	

SECTION 2 - TURNTABLE

FIGURE 2-25. BATTERY CHARGER INSTALLATION (CEE7) (CE SPECS)



ART_1001262062

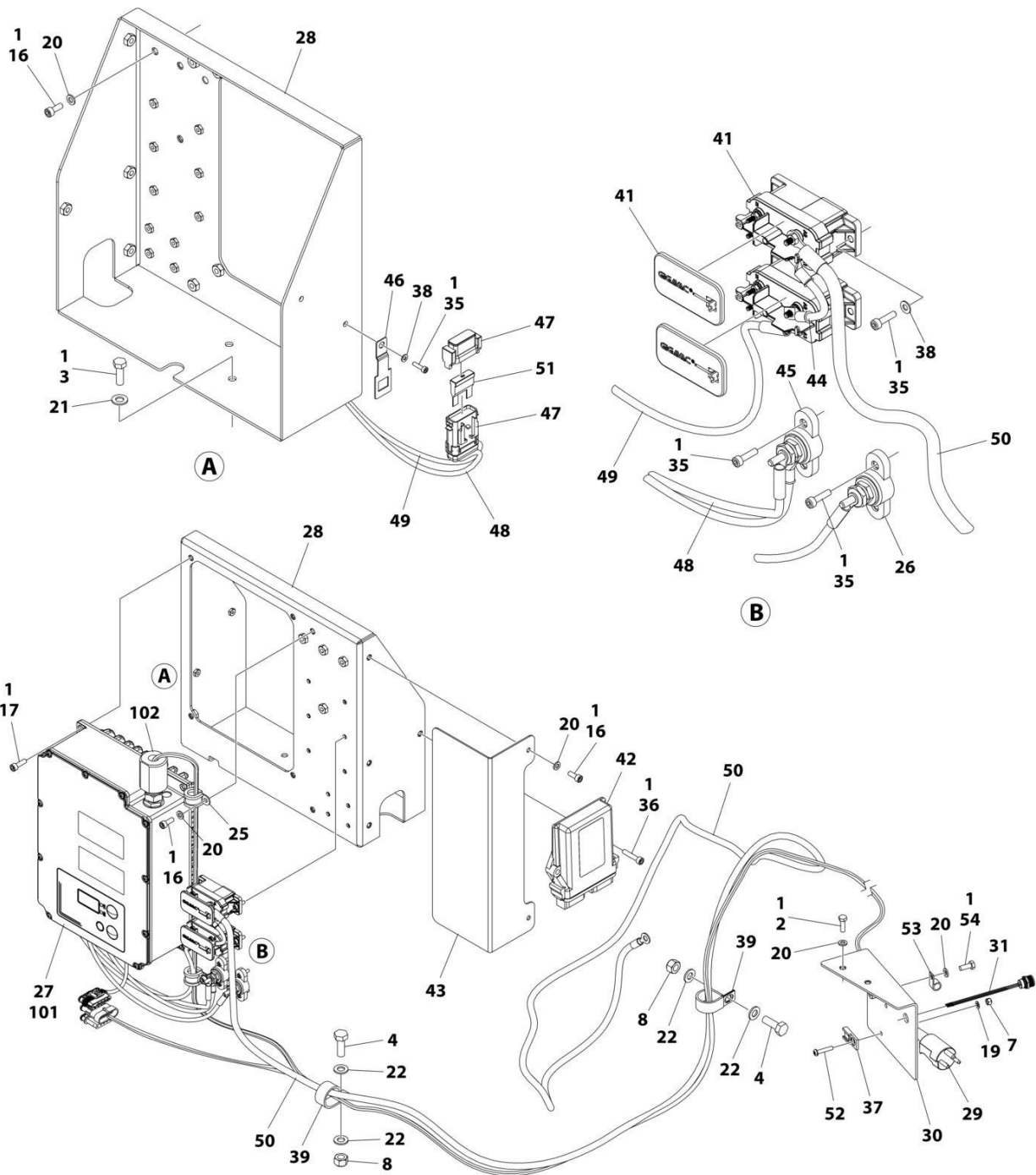
SECTION 2 - TURNTABLE

FIGURE 2-25. BATTERY CHARGER INSTALLATION (CEE7) (CE SPECS)

ITEM	PART NUMBER	QTY	DESCRIPTION	REV
	1001262062	Ref	BATTERY CHARGER INSTALLATION	B
1	0100011	AR	Compound, Locking	
2	0760610	2	Bolt M6 x 20	
3	0760812	3	Bolt M8 x 25	
4	0761014	2	Bolt M10 x 30	
7	3290505	2	Nut M5	
8	3291005	2	Nut M10	
16	4031707	5	Bolt M6 x 16	
17	4031708	4	Bolt M6 x 20	
19	4811600	1	Washer M5	
20	4811700	8	Washer M6	
21	4811900	3	Washer M8	
22	4812000	4	Washer M10	
25	1001170231	2	Clamp	
26	1001241501	1	Terminal	
27	1001270414	1	Battery Charger Installation (See Items 101 & 102 for Breakdown)	
28	1001247677	1	Bracket	
29	4461205	1	Plug, Male	
30	1001251130	1	Bracket	
31	1001263993	1	Light, Indicator	
35	4031507	9	Bolt M4 x 16	
36	4031710	2	Bolt M6 x 30	
37	4460914	1	Mount, Terminal	
38	4811400	5	Washer M4	
39	1001009205	2	Clip	
41	1001222365	2	Relay	
42	1001257445	1	Module, Control	
43	1001257572	1	Cover	
44	1001260534	1	Cable (Charger Relay Jumper)	
45	1001262387	1	Terminal	
46	1001262467	1	Clip	
47	1001262473	1	Holder, Fuse	
48	1001262979	1	Cable (Stud to Relay)	
49	1001262980	1	Cable (Fuse to Relay)	
50	1001265843	1	Cable (Battery Disconnect to Charger Relay)	
51	1001262472	1	Fuse, 60Amp	
52	8310559	1	Screw M5 x 25	
53	1320043	1	Clamp	
54	0760608	1	Bolt M6 x 16	
	1001270414	Ref	Battery Charger Installation	A
101	1001247270	1	Charger, Battery	
102	1001270412	1	Connector	

SECTION 2 - TURNTABLE

FIGURE 2-26. BATTERY CHARGER INSTALLATION (ASFINT KEYED GRD) (CE SPECS)



ART_1001262063

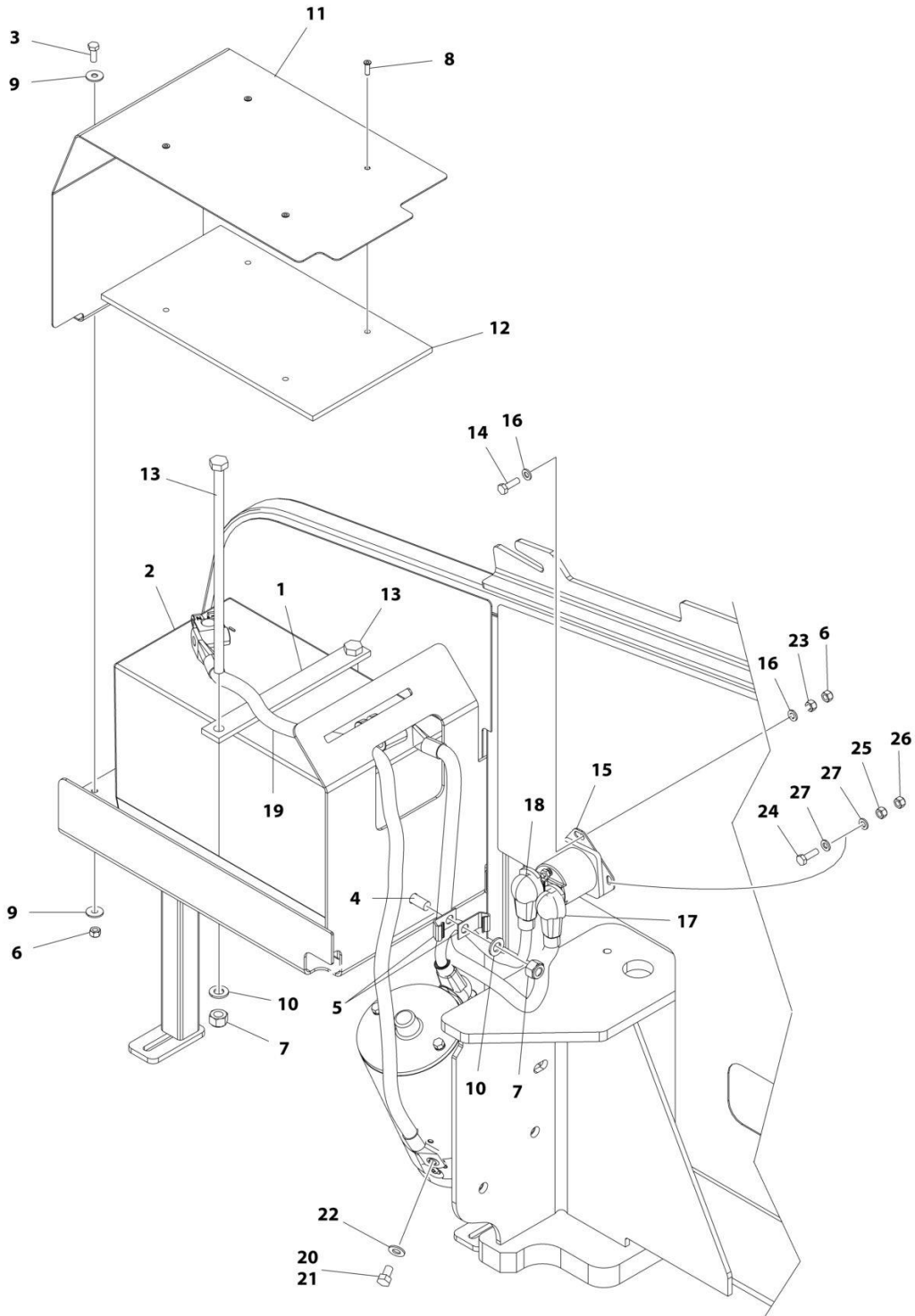
SECTION 2 - TURNTABLE

FIGURE 2-26. BATTERY CHARGER INSTALLATION (ASFINT KEYED GRD) (CE SPECS)

ITEM	PART NUMBER	QTY	DESCRIPTION	REV
	1001262063	Ref	BATTERY CHARGER INSTALLATION	B
1	0100011	AR	Compound, Locking	
2	0760610	2	Bolt M6 x 20	
3	0760812	3	Bolt M8 x 25	
4	0761014	2	Bolt M10 x 30	
7	3290505	1	Nut M5	
8	3291005	2	Nut M10	
16	4031707	5	Bolt M6 x 16	
17	4031708	4	Bolt M6 x 20	
19	4811600	1	Washer M5	
20	4811700	8	Washer M6	
21	4811900	3	Washer M8	
22	4812000	4	Washer M10	
25	1001170231	2	Clamp	
26	1001241501	1	Terminal	
27	1001270414	1	Battery Charger Installation (See Items 101 & 102 for Breakdown)	
28	1001247677	1	Bracket	
29	4461205	1	Plug, Male	
30	1001251130	1	Bracket	
31	1001263993	1	Light, Indicator	
35	4031507	9	Bolt M4 x 16	
36	4031710	2	Bolt M6 x 30	
37	4460914	1	Mount, Terminal	
38	4811400	5	Washer M4	
39	1001009205	2	Clip	
41	1001222365	2	Relay	
42	1001257445	1	Module, Control	
43	1001257572	1	Cover	
44	1001260534	1	Cable (Charger Relay Jumper)	
45	1001262387	1	Terminal	
46	1001262467	1	Clip	
47	1001262473	1	Holder, Fuse	
48	1001262979	1	Cable (Stud to Relay)	
49	1001262980	1	Cable (Fuse to Relay)	
50	1001265843	1	Cable (Battery Disconnect to Charger Relay)	
51	1001262472	1	Fuse, 60Amp	
52	8310559	1	Screw M5 x 25	
53	1320043	1	Clamp	
54	0760608	1	Bolt M6 x 16	
	1001270414	Ref	Battery Charger Installation	A
101	1001247270	1	Charger, Battery	
102	1001270412	1	Connector	

SECTION 2 - TURNTABLE

FIGURE 2-27. BATTERY AND CABLE INSTALLATION



ART_1001166316

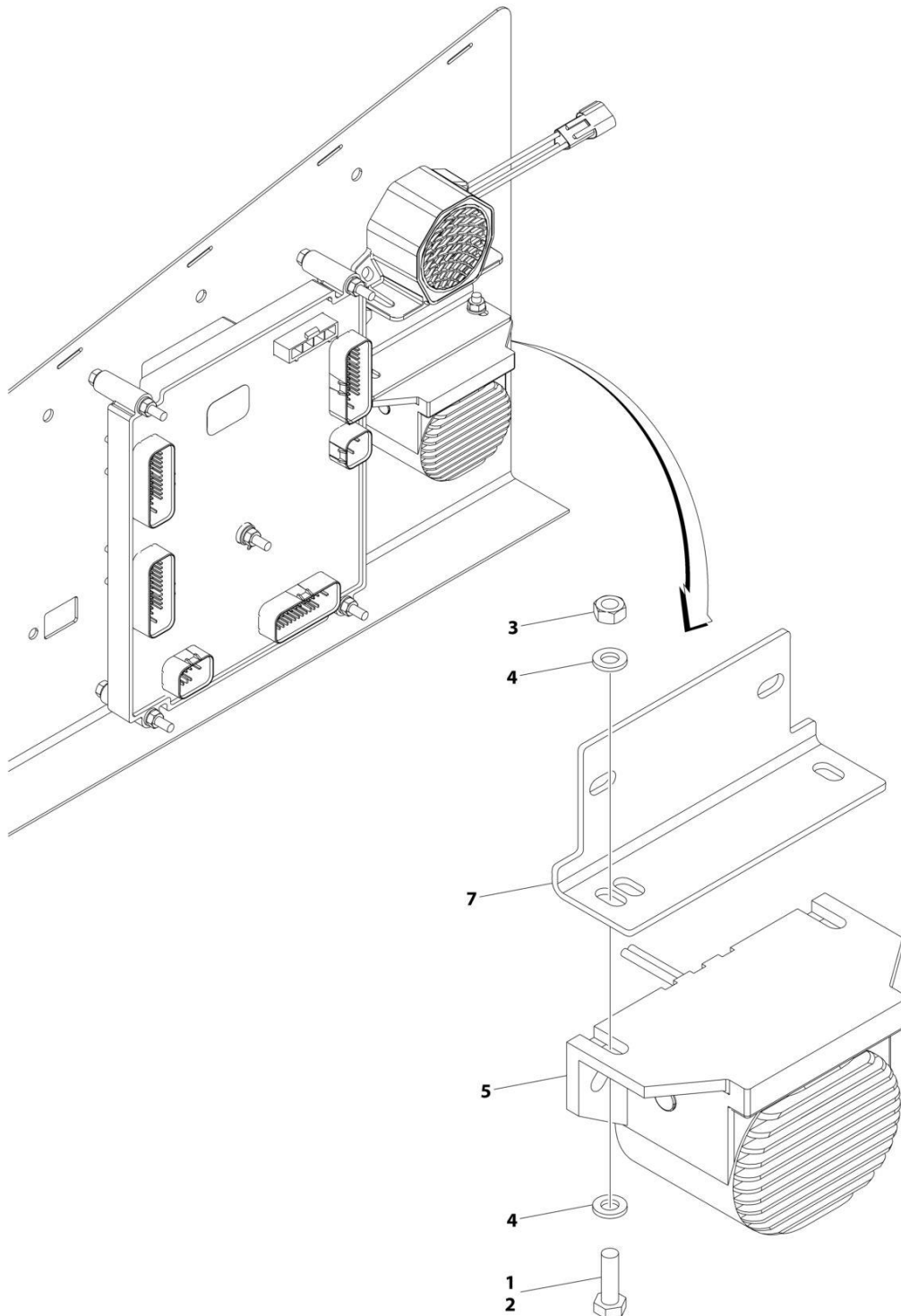
SECTION 2 - TURNTABLE

FIGURE 2-27. BATTERY AND CABLE INSTALLATION

ITEM	PART NUMBER	QTY	DESCRIPTION	REV
	1001166316	Ref	BATTERY AND CABLE INSTALLATION	G
1	0361810	1	Bar, Hold-down	
2	0400075	1	Battery	
3	0760610	2	Bolt M6 x 20	
4	0761012	1	Bolt M10 x 25	
5	1320223	2	J-Clip	
6	3290605	3	Nut M6	
7	3291005	3	Nut M10	
8	3820032	4	Rivet	
9	4811702	4	Washer M6	
10	4812000	4	Washer M10	
11	1001117240	1	Cover	
12	1001119278	1	Insulation	
13	1001119280	2	Bolt M16 x 260	
14	0760612	1	Bolt M6 x 25	
15	3740067	1	Relay	
15	3300220	2	Nut 3/8	
15	1001111424	2	Washer 3/8	
15	3321001	1	Nut #10	
15	4761000	1	Washer #10	
16	4811700	2	Washer M6	
17	1001171678	1	Cable, Battery (Positive + to Aux Relay)	
18	1001171679	1	Cable, Battery (Aux Relay to Aux Pump)	
19	1001171680	1	Cable, Battery (Negative – to Aux Pump)	
20	0100011	AR	Compound, Locking	
21	0641504	1	Bolt 5/16 x 1/2	
22	4711500	1	Washer 5/16	
23	3290601	2	Nut M6	
24	0760512	1	Bolt M5 x 25	
25	3290501	1	Nut M5	
26	3290505	1	Nut M5	
27	4811600	2	Washer M5	

SECTION 2 - TURNTABLE

FIGURE 2-28. ALARM WHITE NOISE INSTALLATION



ART_1001209617

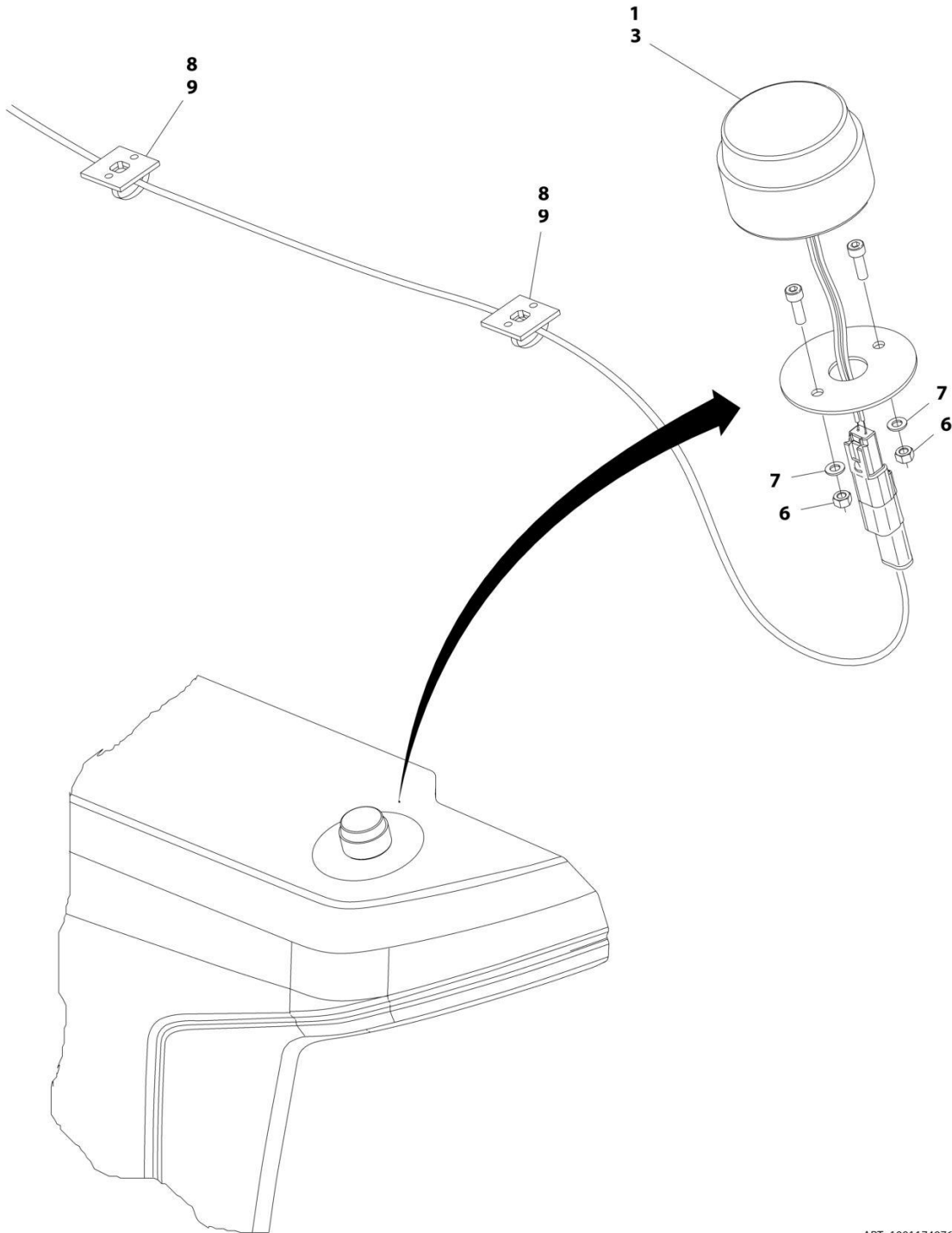
SECTION 2 - TURNTABLE

FIGURE 2-28. ALARM WHITE NOISE INSTALLATION

ITEM	PART NUMBER	QTY	DESCRIPTION	REV
	1001209617	Ref	WHITE NOISE AMBIENT ALARM INSTALLATION	C
1	0100011	AR	Compound, Locking	
2	0760610	2	Bolt M6 x 20	
3	3290601	2	Nut M6	
4	4811700	4	Washer M6	
5	1001182806	1	Alarm	
6	1001190663	1	Harness, Jumper (Not Shown)	
6	4460891	1	Connector – 2 Position	
6	4460465	2	Socket, Female	
6	4460871	2	Socket, Female	
7	1001231886	1	Plate	

SECTION 2 - TURNTABLE

FIGURE 2-29. BEACON LIGHT INSTALLATION - AMBER



ART_1001174976

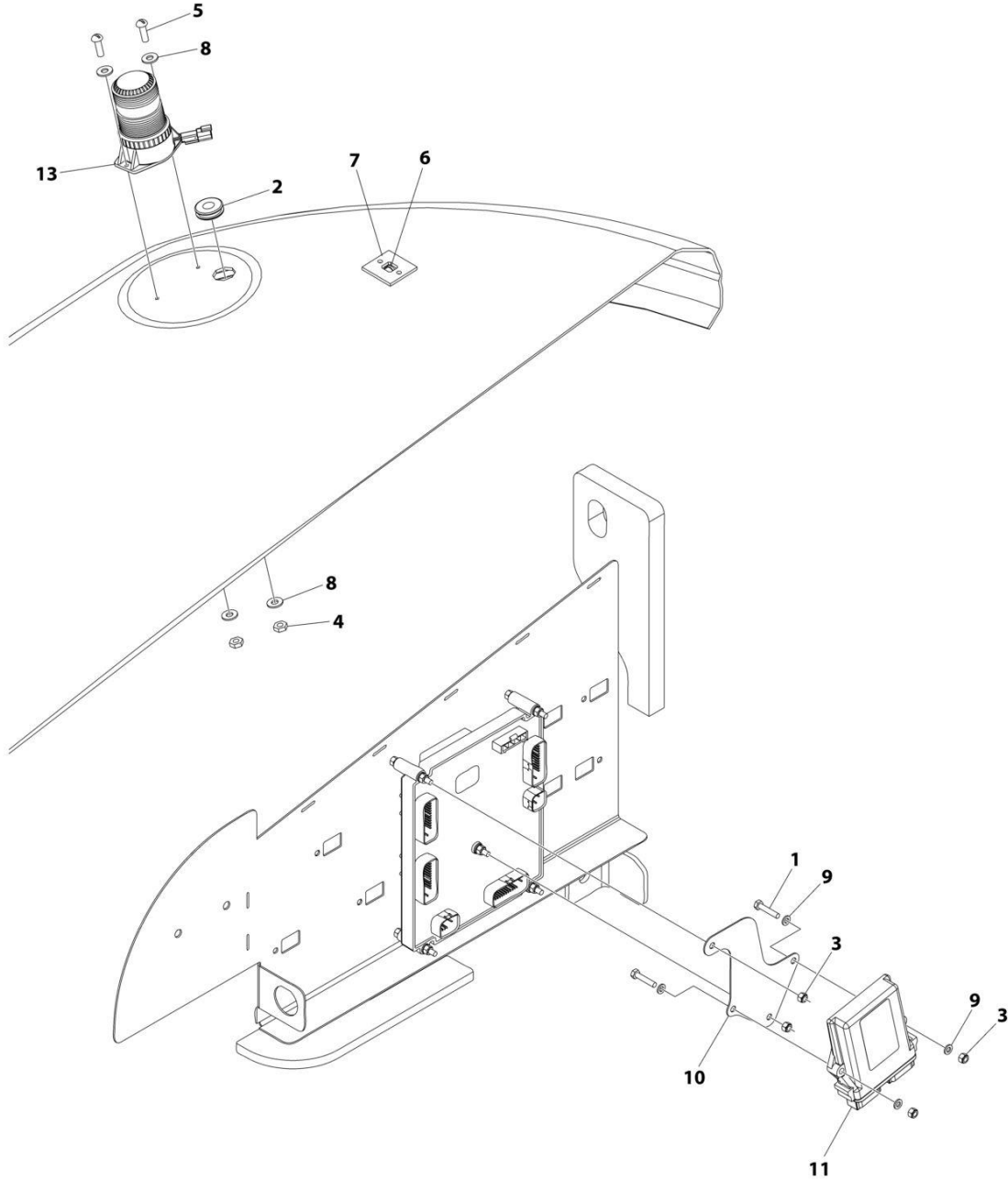
SECTION 2 - TURNTABLE

FIGURE 2-29. BEACON LIGHT INSTALLATION - AMBER

ITEM	PART NUMBER	QTY	DESCRIPTION	REV
	1001174976	Ref	BEACON LIGHT INSTALLATION - AMBER	D
1	0100048	AR	Compound, Silicone	
3	1001181405	1	Lamp, Strobe	
3	4460897	1	Receptacle, Female - 2 Position	
3	4460464	2	Pin, Male	
6	3290505	2	Nut M5	
7	4811600	2	Washer M5	
8	4240032	AR	Tie-Strap	
9	4460234	2	Mount, Tie-Strap	

SECTION 2 - TURNTABLE

FIGURE 2-30. BEACON LIGHT INSTALLATION - BLUE



ART_1001242855

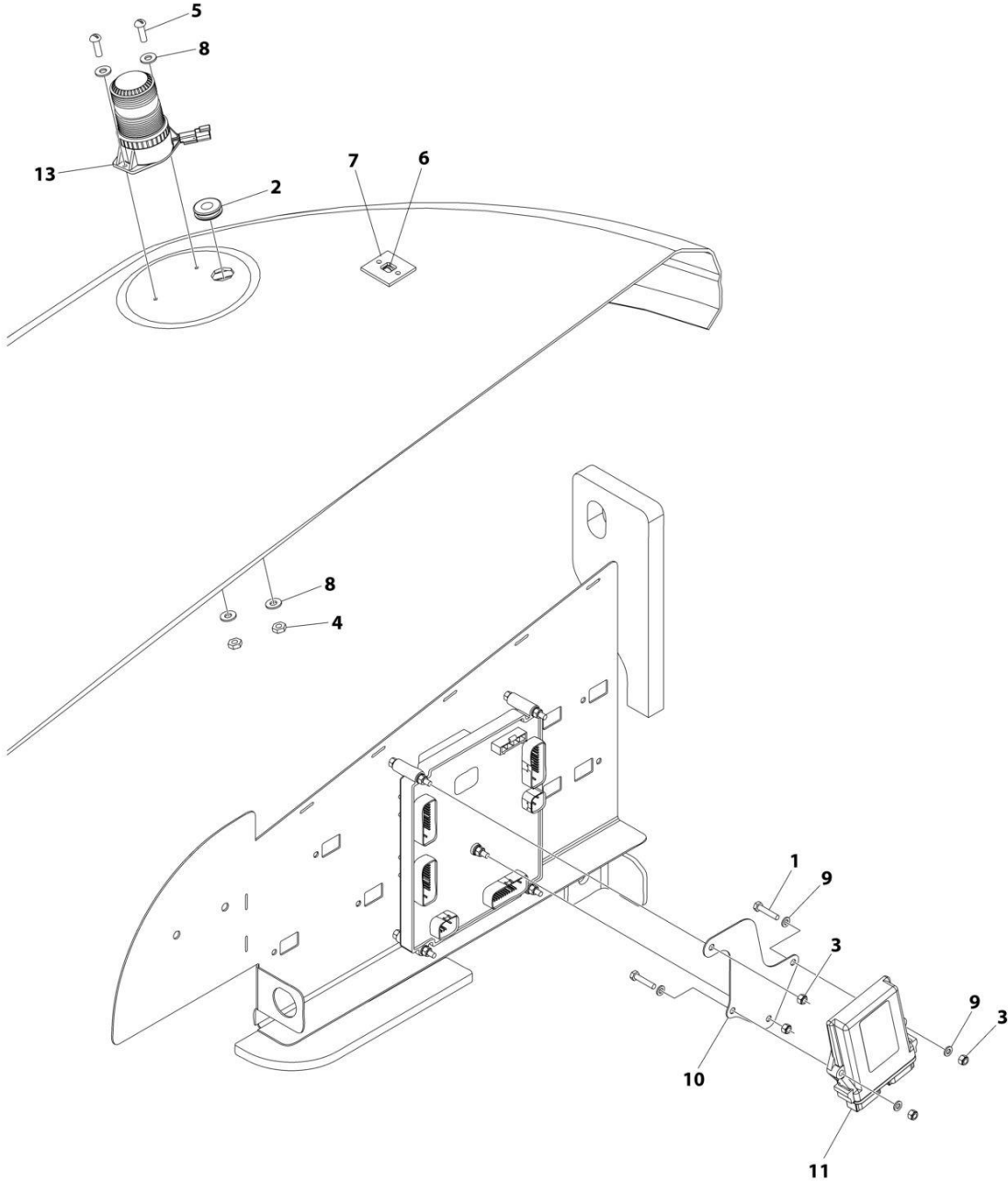
SECTION 2 - TURNTABLE

FIGURE 2-30. BEACON LIGHT INSTALLATION - BLUE

ITEM	PART NUMBER	QTY	DESCRIPTION	REV
	1001242855	Ref	BEACON LIGHT INSTALLATION - BLUE	A
1	0760614	2	Bolt M6 x 30	
2	2540020	1	Grommet	
3	3290605	4	Nut M6	
4	3311005	2	Nut #10	
5	3911010	2	Screw #10 x 5/8	
6	4240032	AR	Tie-Strap	
7	4460488	AR	Terminal, Mounting	
8	4711000	4	Washer #10	
9	4811700	4	Washer M6	
10	1001100433	1	Mount, Module	
11	1001142683	1	Module, Control	
12	1001142736	1	Beacon Harness (Not Shown - See Separate Breakdown in ELECTRICAL SECTION)	
13	1001200910	1	Light, Beacon	
13	4460897	1	Receptacle, Female - 2 Position	
13	4460943	2	Pin, Male	

SECTION 2 - TURNTABLE

FIGURE 2-31. BEACON LIGHT INSTALLATION - RED



ART_1001242856

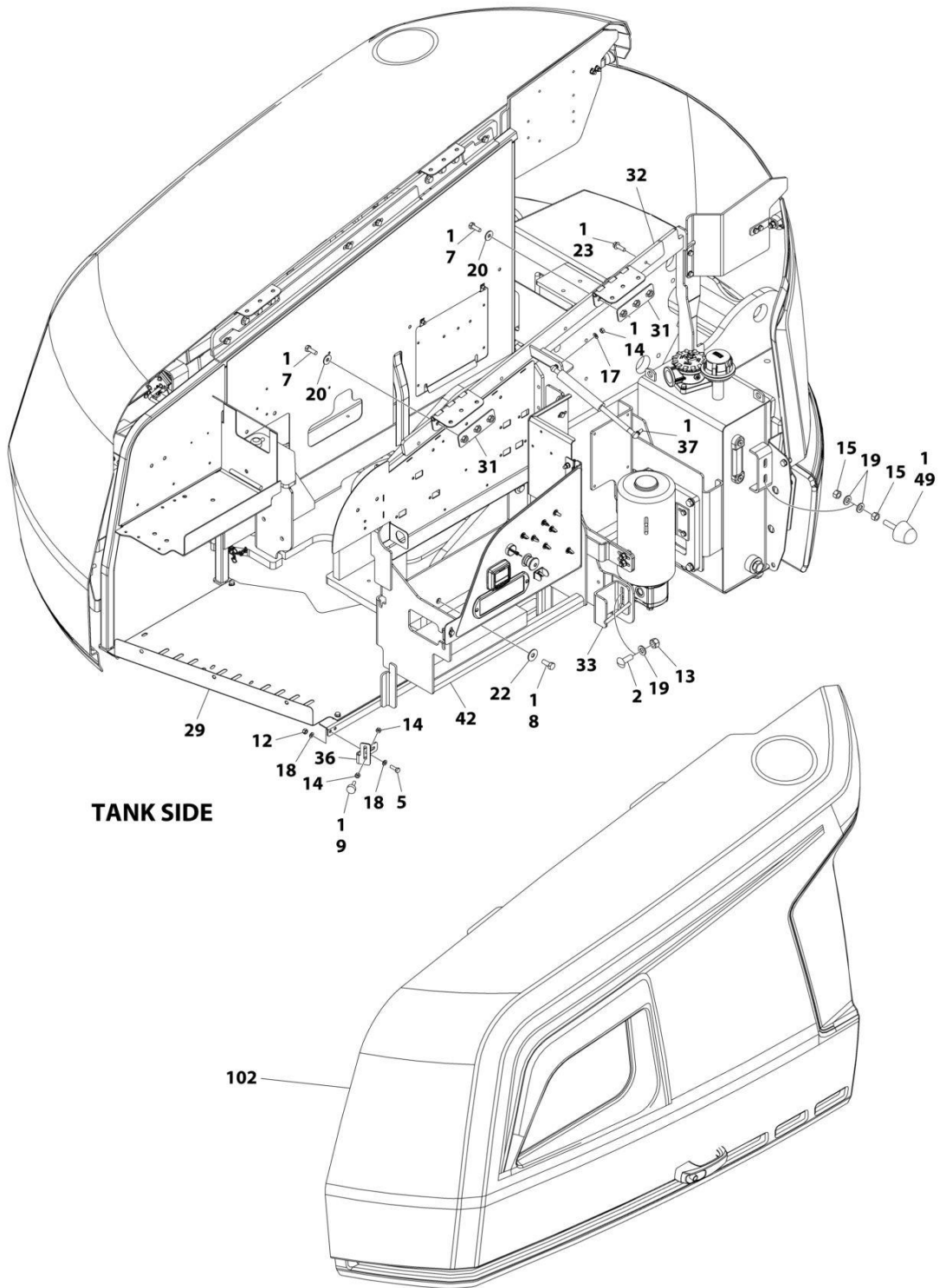
SECTION 2 - TURNTABLE

FIGURE 2-31. BEACON LIGHT INSTALLATION - RED

ITEM	PART NUMBER	QTY	DESCRIPTION	REV
	1001242856	Ref	BEACON LIGHT INSTALLATION - RED	A
1	0760614	2	Bolt M6 x 30	
2	2540020	1	Grommet	
3	3290605	4	Nut M6	
4	3311005	2	Nut #10	
5	3911010	2	Screw #10 x 5/8	
6	4240032	AR	Tie-Strap	
7	4460488	AR	Terminal, Mounting	
8	4711000	4	Washer #10	
9	4811700	4	Washer M6	
10	1001100433	1	Mount, Module	
11	1001142683	1	Module, Control	
12	1001142736	1	Beacon Harness (Not Shown - See Separate Breakdown in ELECTRICAL Section)	
13	1001207004	1	Light, Beacon	
13	4460897	1	Receptacle, Female - 2 Position	
13	4460943	2	Pin, Male	

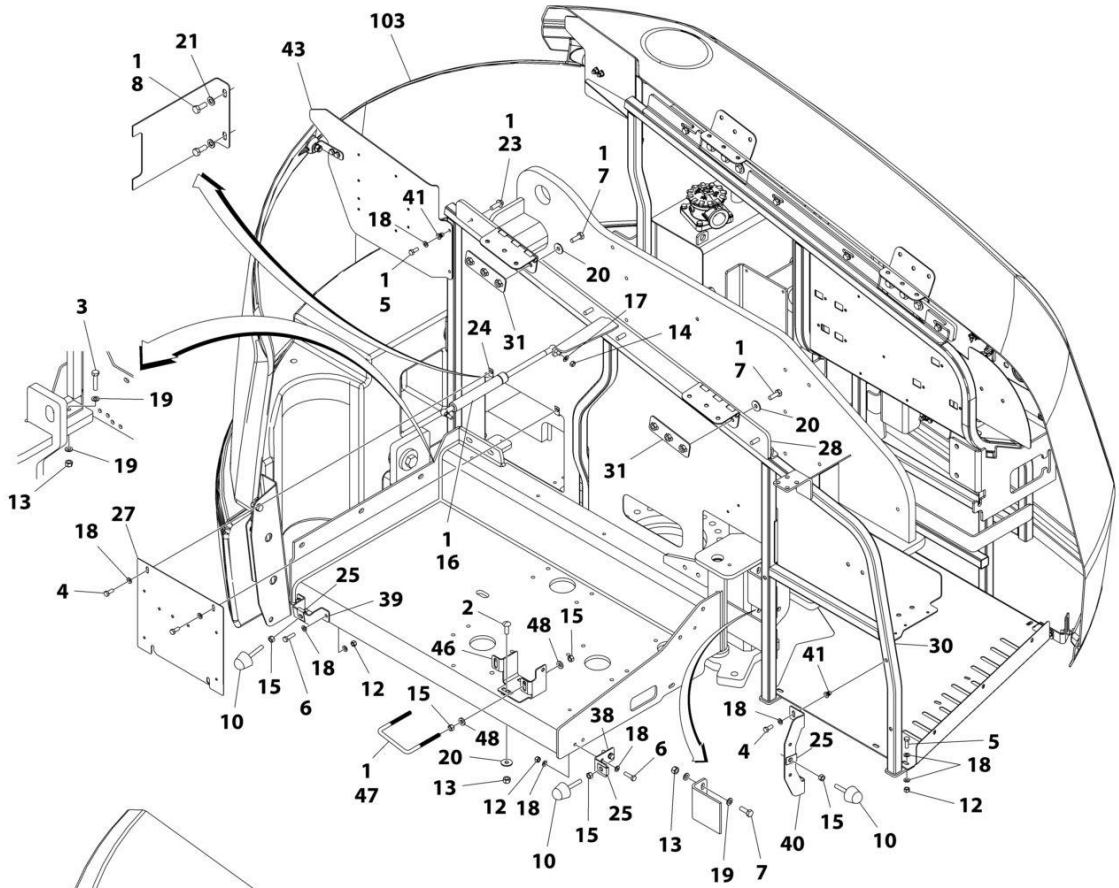
SECTION 2 - TURNTABLE

FIGURE 2-32. HOODS INSTALLATION

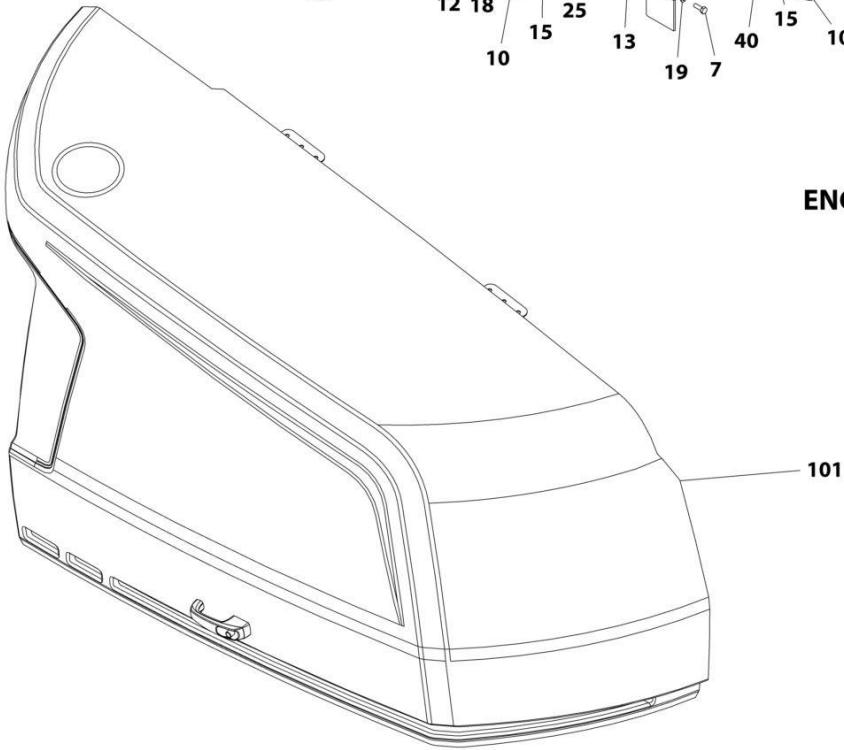


ART_1001254663_1OF2

SECTION 2 - TURNTABLE



ENGINE SIDE



ART_1001254663_20F2

SECTION 2 - TURNTABLE

FIGURE 2-32. HOODS INSTALLATION

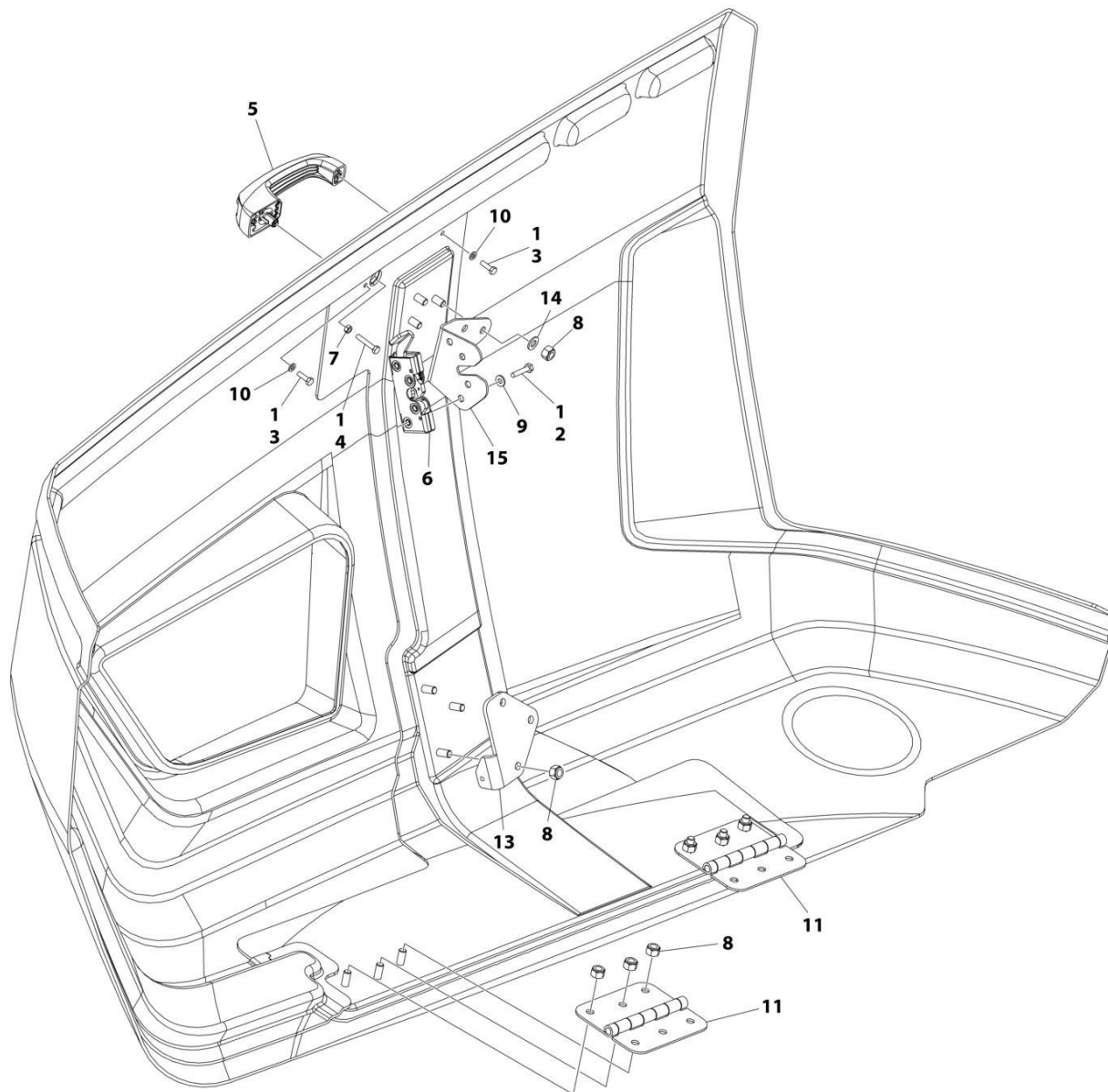
ITEM	PART NUMBER	QTY	DESCRIPTION	REV
	1001254663	Ref	HOODS INSTALLATION	D
1	0100011	AR	Compound, Locking	
2	0630613	4	Bolt M10 x 30	
3	0701018	5	Bolt M10 x 50	
4	0760810	4	Bolt M8 x 20	
5	0760812	4	Bolt M8 x 25	
6	0760814	8	Bolt M8 x 30	
7	0761014	14	Bolt M10 x 30	
8	0761214	6	Bolt M12 x 30	
9	0940049	1	Bumper	
10	0940071	3	Bumper	
11	1701691	2	Decal - No Step	
12	3290805	10	Nut M8	
13	3291005	11	Nut M10	
14	3311501	4	Nut 5/16	
15	3311601	9	Nut 3/8	
16	4160182	1	Spring, Gas	
17	4711500	2	Washer 5/16	
18	4811900	26	Washer M8	
19	4812000	18	Washer M10	
20	4812002	14	Washer M10	
21	4812100	2	Washer M12	
22	4812102	4	Washer M12	
23	5251014	8	Bolt M10 x 30	
24	8310686	2	Nut, Retainer M8	
25	88662523	3	Nut, Tinnerman	
26	1001118274	3	Nut M8	
27	1001167149	1	Panel, Filler	
28	1001167159	1	Mount	
29	1001167163	1	Tray	
30	1001167169	1	Mount	
31	1001169046	4	Nut	
32	1001170018	1	Mount	
33	1001170022	1	Mount	
35	1001171216	1	Cover	
36	1001179904	1	Mount	
37	1001182169	1	Spring, Gas	
38	1001182875	1	Mount	
39	1001182877	1	Mount	
40	1001182879	1	Mount	
41	1001191832	4	Rivnut M8	
42	1001211716	1	Support, Hood	
43	1001211717	1	Panel, Filler	
46	1001250291	1	Bracket	
47	1001243414	1	U-Bolt 3/8	
48	4891600	4	Washer 3/8	
49	1001264238	1	Bumper	
100	1001249433	1	Hood Kit (Includes Items 101-103)	
101	1001249434	1	Hood Assembly - Engine Side (See Separate Breakdown in this Section)	

SECTION 2 - TURNTABLE

ITEM	PART NUMBER	QTY	DESCRIPTION	REV
102	1001241296	1	Hood Assembly - Tank Side (See Separate Breakdown in this Section)	
103	1001241299	1	Hood Assembly - Front	

SECTION 2 - TURNTABLE

FIGURE 2-33. HOOD ASSEMBLY - TANK SIDE



NOTE: REPLACEMENT DECALS MUST BE ORDERED SEPARATELY - SEE DECAL SECTION.

ART_1001241296

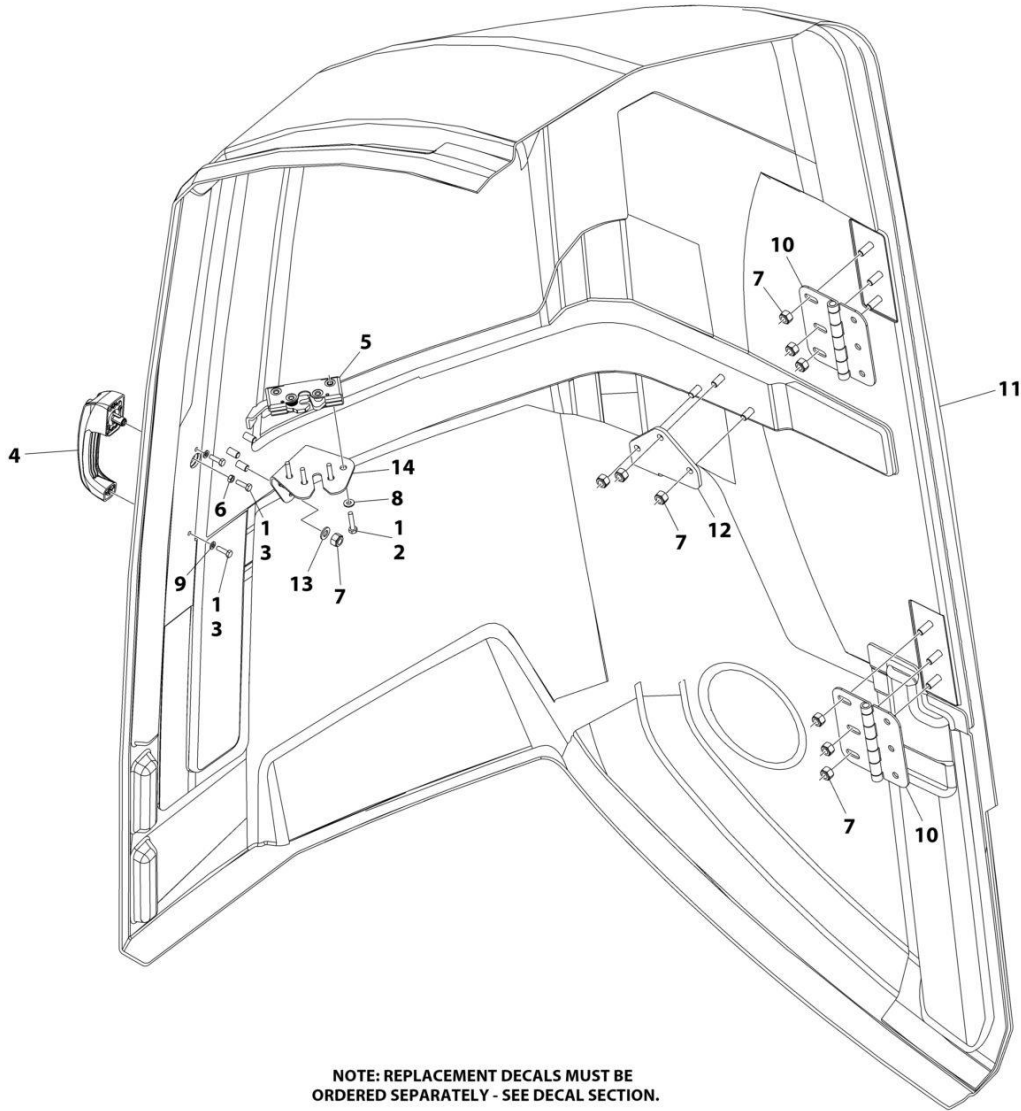
SECTION 2 - TURNTABLE

FIGURE 2-33. HOOD ASSEMBLY - TANK SIDE

ITEM	PART NUMBER	QTY	DESCRIPTION	REV
	1001241296	Ref	HOOD ASSEMBLY - TANK SIDE	C
1	0100011	AR	Compound, Locking	
2	0641410	4	Bolt 1/4 x 1-1/4	
3	0760610	2	Bolt M6 x 20	
4	0760615	1	Bolt M6 x 35	
5	2560187	1	Handle	
6	2940173	1	Latch	
7	3290601	1	Nut M6	
8	3291005	12	Nut M10	
9	4711400	4	Washer 1/4	
10	4811700	2	Washer M6	
11	1001259230	2	Hinge	
13	1001170475	1	Bracket	
14	4812000	3	Washer M10	
15	1001203322	1	Support	

SECTION 2 - TURNTABLE

FIGURE 2-34. HOOD ASSEMBLY - ENGINE SIDE



NOTE: REPLACEMENT DECALS MUST BE ORDERED SEPARATELY - SEE DECAL SECTION.

ART_1001249434

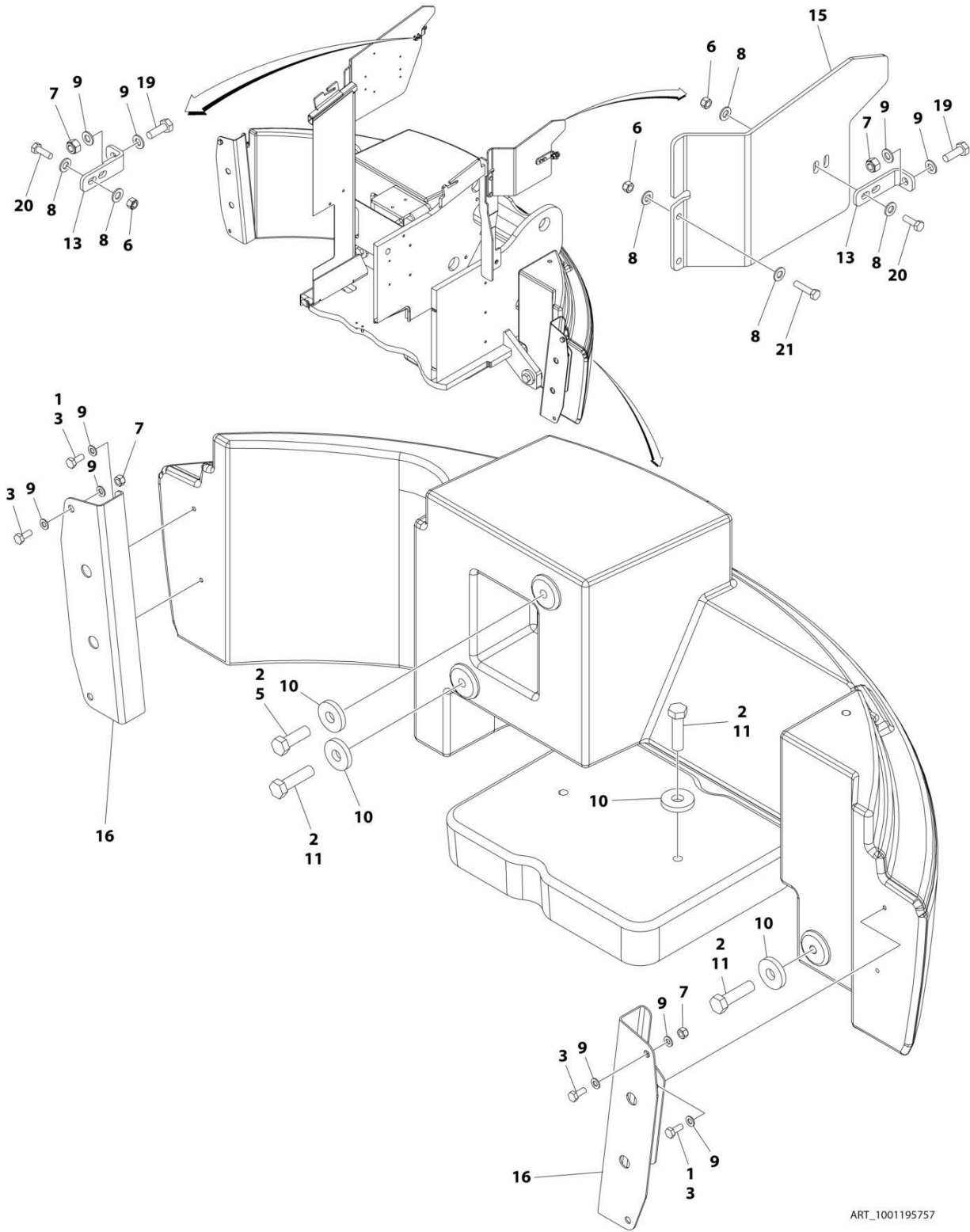
SECTION 2 - TURNTABLE

FIGURE 2-34. HOOD ASSEMBLY - ENGINE SIDE

ITEM	PART NUMBER	QTY	DESCRIPTION	REV
	1001249434	Ref	HOOD ASSEMBLY - ENGINE SIDE	B
1	0100011	AR	Compound, Locking	
2	0641410	4	Bolt 1/4 x 1-1/4	
3	0760610	3	Bolt M6 x 20	
4	2560187	1	Handle	
5	2940173	1	Latch	
6	3290601	1	Nut M6	
7	3291005	12	Nut M10	
8	4711400	4	Washer 1/4	
9	4811700	2	Washer M6	
10	1001259230	2	Hinge	
12	1001178228	1	Bracket	
13	4812000	3	Washer M10	
14	1001202830	1	Support	

SECTION 2 - TURNTABLE

FIGURE 2-35. COVERS INSTALLATION - COUNTERWEIGHT



ART_1001195757

SECTION 2 - TURNTABLE

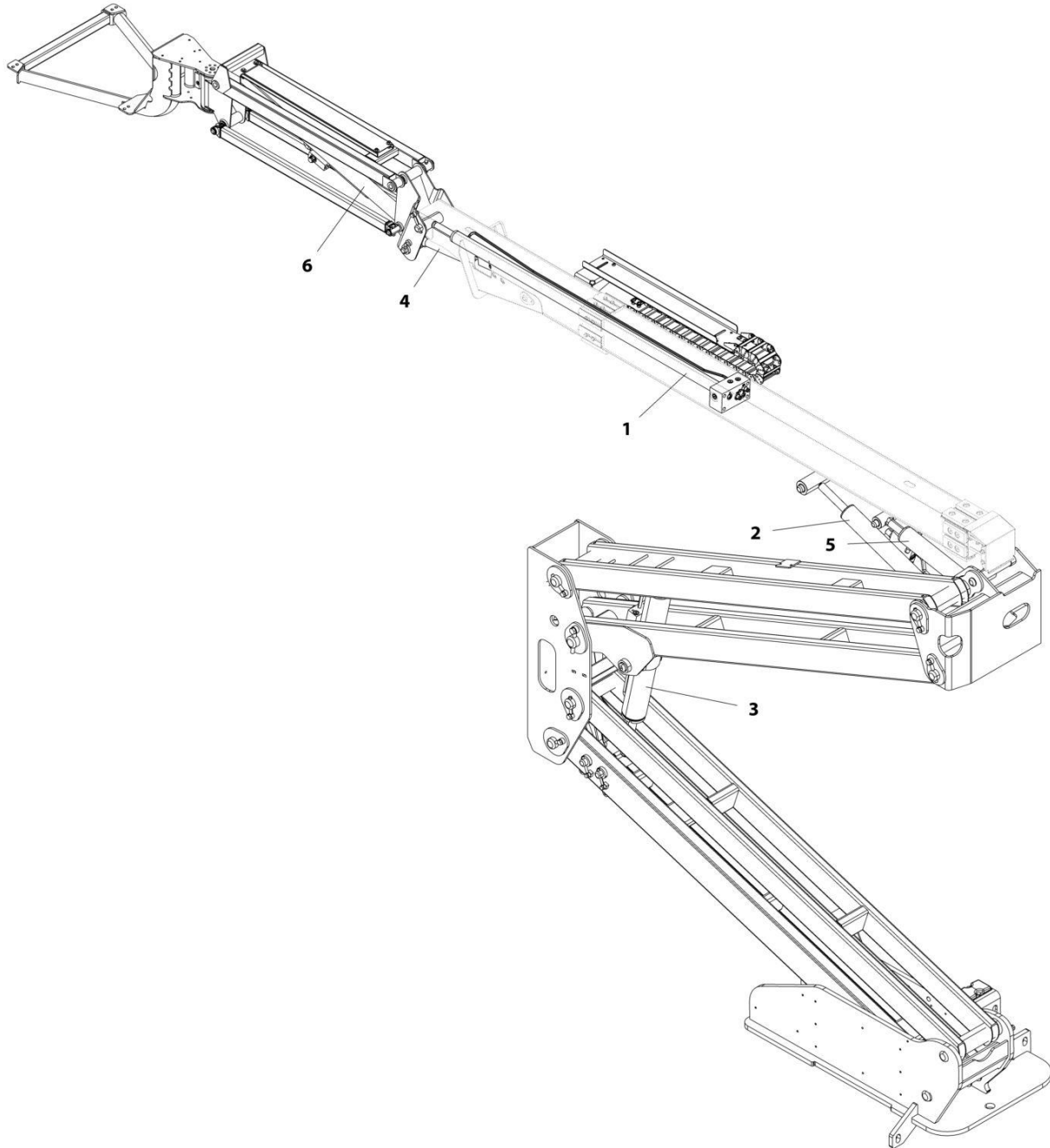
FIGURE 2-35. COVERS INSTALLATION - COUNTERWEIGHT

ITEM	PART NUMBER	QTY	DESCRIPTION	REV
	1001195757	Ref	COVERS INSTALLATION - COUNTERWEIGHT	E
1	0100011	AR	Compound, Locking	
2	0100019	AR	Compound, Locking	
3	0701012	6	Bolt M10 x 25	
5	0762020	1	Bolt M20 x 60	
6	3290805	6	Nut M8	
7	3291005	4	Nut M10	
8	4811900	12	Washer M8	
9	4812000	12	Washer M10	
10	1001119051	5	Washer	
11	1001119057	4	Bolt M20 x 75	
13	1001167825	2	Mount	
15	1001212728	1	Support	
16	1001170131	2	Bracket	
19	0701014	AR	Bolt M10 x 30	
20	0760812	AR	Bolt M8 x 25	
21	0760815	2	Bolt M8 x 35	

SECTION 3 - BOOM

SECTION 3 - BOOM

FIGURE 3-1. CYLINDERS INSTALLATION (Prior to SN C30000243)



ART_1001163857

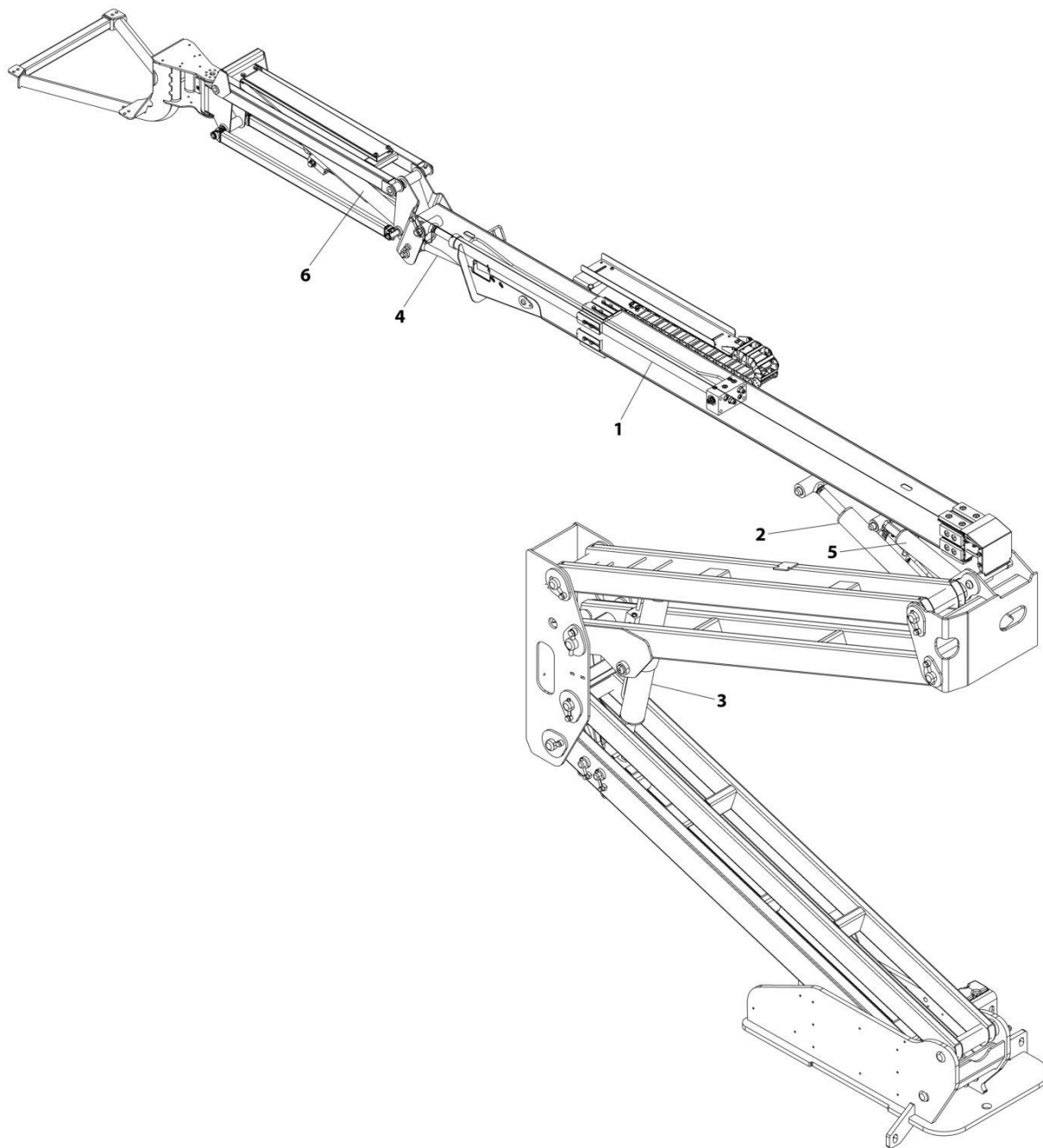
SECTION 3 - BOOM

FIGURE 3-1. CYLINDERS INSTALLATION (Prior to SN C30000243)

ITEM	PART NUMBER	QTY	DESCRIPTION	REV
	1001163857	Ref	CYLINDERS INSTALLATION	C
1	1001161713	1	Telescope Cylinder Assembly (See Separate Breakdown in CYLINDER SECTION)	
2	1001217676	1	Lift Cylinder Assembly - Main Boom (See Separate Breakdown in CYLINDER SECTION)	
3	1001161715	1	Lift Cylinder Assembly - Tower Boom (See Separate Breakdown in CYLINDER SECTION)	
4	1001161716	1	Level (Platform Slave) Cylinder Assembly (See Separate Breakdown in CYLINDER SECTION)	
5	1001161717	1	Master Cylinder Assembly (See Separate Breakdown in CYLINDER SECTION)	
6	1001163767	1	Lift Cylinder Assembly - Jib (See Separate Breakdown in CYLINDER SECTION)	

SECTION 3 - BOOM

FIGURE 3-2. CYLINDERS INSTALLATION (SN C30000243 through C30000325)



ART_1001163857_D

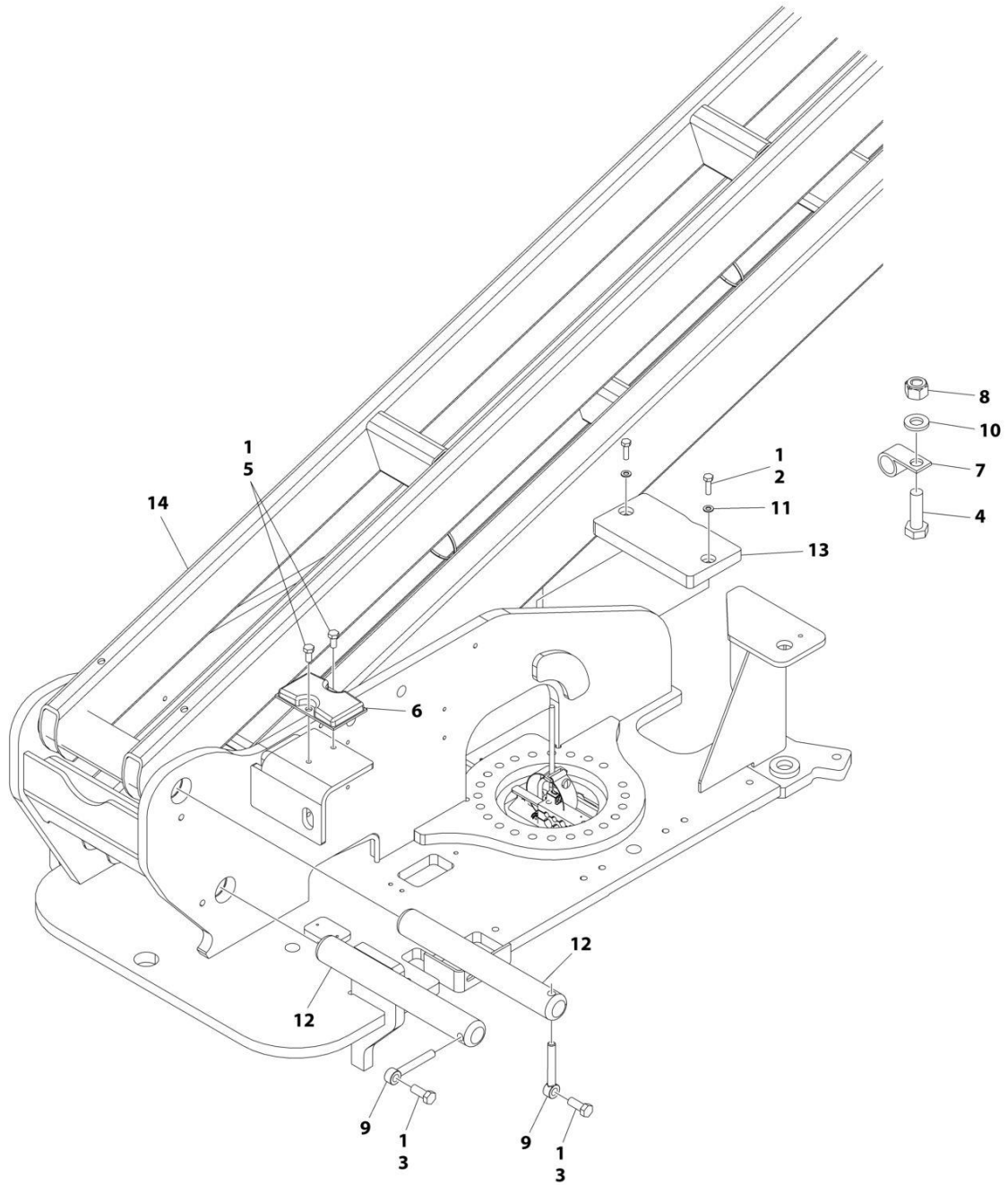
SECTION 3 - BOOM

FIGURE 3-2. CYLINDERS INSTALLATION (SN C300000243 through C300000325)

ITEM	PART NUMBER	QTY	DESCRIPTION	REV
	1001163857	Ref	CYLINDERS INSTALLATION	D
1	1001254743	1	Telescope Cylinder Assembly (See Separate Breakdown in CYLINDER Section)	
2	1001254742	1	Lift Cylinder Assembly - Main Boom (See Separate Breakdown in CYLINDER Section)	
3	1001254716	1	Lift Cylinder Assembly - Tower Boom (See Separate Breakdown in CYLINDER Section)	
4	1001161716	1	Level (Platform Slave) Cylinder Assembly (See Separate Breakdown in CYLINDER Section)	
5	1001161717	1	Master Cylinder Assembly (See Separate Breakdown in CYLINDER Section)	
6	1001163767	1	Lift Cylinder Assembly - Jib (See Separate Breakdown in CYLINDER Section)	

SECTION 3 - BOOM

FIGURE 3-3. BOOM INSTALLATION - WITHOUT AIRLINES



ART_1001255029

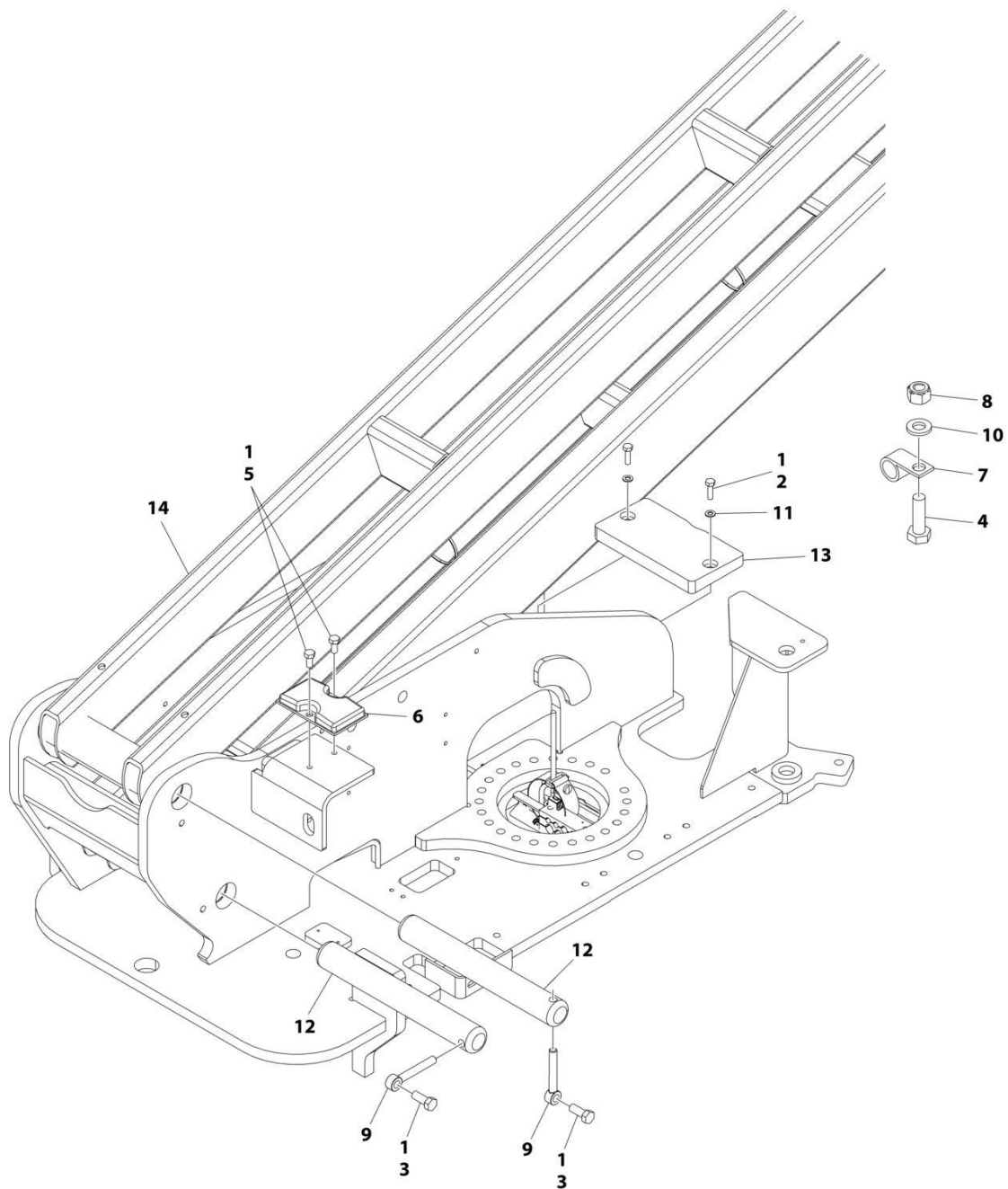
SECTION 3 - BOOM

FIGURE 3-3. BOOM INSTALLATION - WITHOUT AIRLINES

ITEM	PART NUMBER	QTY	DESCRIPTION	REV
	1001255029	Ref	BOOM INSTALLATION	C
1	0100011	AR	Compound, Locking	
2	0701015	2	Bolt M10 x 35	
3	0701616	2	Bolt M16 x 40	
4	0760610	1	Bolt M6 x 20	
5	0761212	2	Bolt M12 x 25	
6	0940048	1	Bumper	
7	1320043	1	Clamp without Liner	
7	1001170231	1	Clamp with Liner	
8	3290605	1	Nut M6	
9	3841258	2	Keeper, Pin	
10	4811700	1	Washer M6	
11	4812000	2	Washer M10	
12	1001169249	2	Pin	
13	1001180056	1	Pad, Wear	
14	1001255037	1	Boom Components Installation (Includes Items 101-106)	B
101	1001163857	1	Cylinder Installation (Not Shown - See Separate Breakdown in This Section)	
103	1001255045	1	Main Boom Installation (Not Shown - See Separate Breakdown in This Section)	
104	1001255047	1	Boom Valves Installation (Not Shown - See Separate Breakdown in This Section)	
105	1001255048	1	Boom Hydraulics Installation (Not Shown - See Separate Breakdown in HYDRAULICS SECTION)	
106	1001255050	1	Cables and Clamps Installation (Not Shown - See Separate Breakdown in ELECTRICAL SECTION)	

SECTION 3 - BOOM

FIGURE 3-4. BOOM INSTALLATION - WITH AIRLINE



ART_1001255031

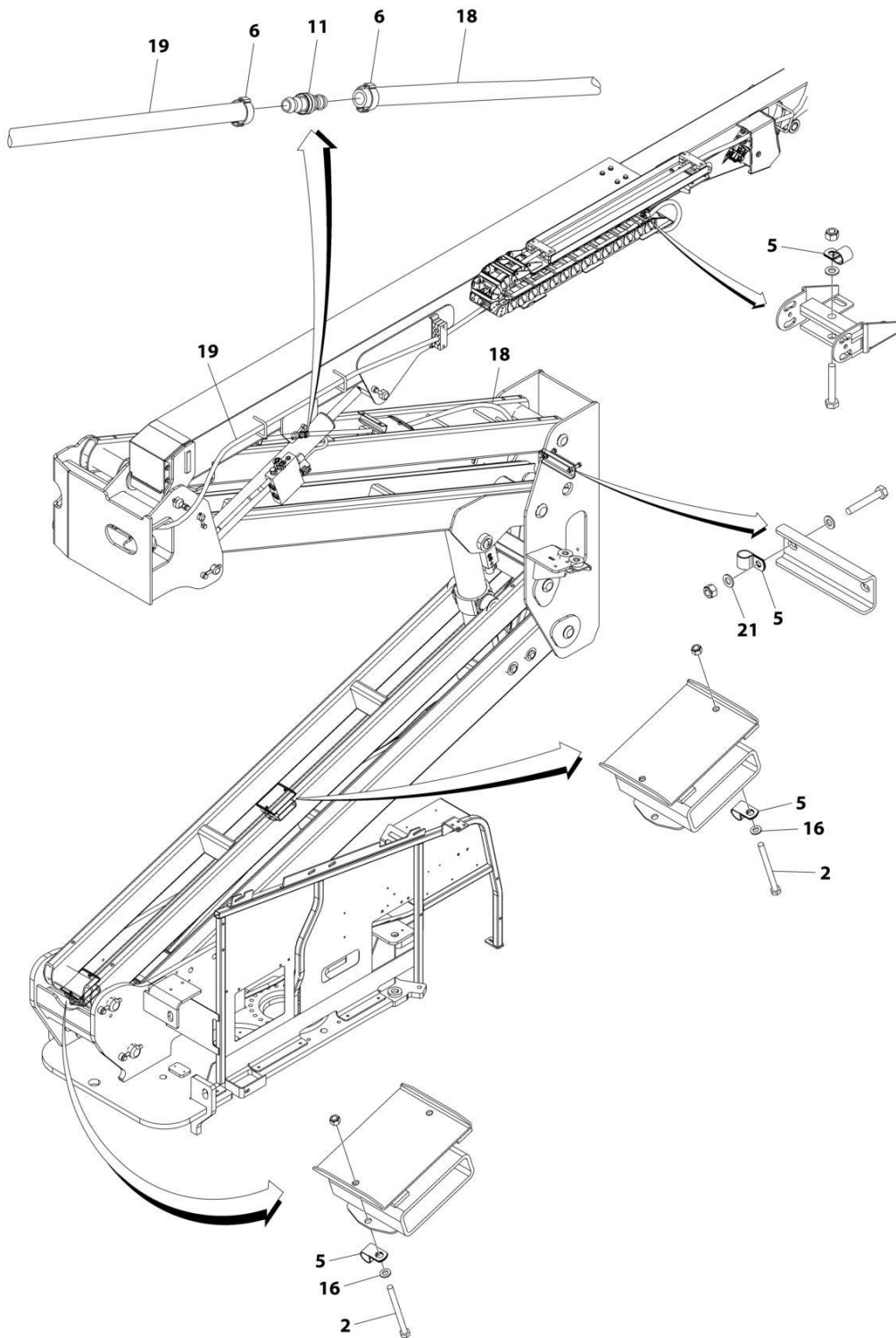
SECTION 3 - BOOM

FIGURE 3-4. BOOM INSTALLATION - WITH AIRLINE

ITEM	PART NUMBER	QTY	DESCRIPTION	REV
	1001255031	Ref	BOOM INSTALLATION - WITH AIRLINE	C
1	0100011	AR	Compound, Locking	
2	0701015	2	Bolt M10 x 35	
3	0701616	2	Bolt M16 x 40	
4	0760610	1	Bolt M6 x 20	
5	0761212	2	Bolt M12 x 25	
6	0940048	1	Bumper	
7	1320043	1	Clamp without Liner	
7	1001170231	1	Clamp with Liner	
8	3290605	1	Nut M6	
9	3841258	2	Keeper, Pin	
10	4811700	1	Washer M6	
11	4812000	2	Washer M10	
12	1001169249	2	Pin	
13	1001180056	1	Pad, Wear	
14	1001255039	1	Boom Components Installation (Includes Items 101-106)	B
15	1001255219	1	Airline Fittings Installation (Not Shown - See Separate Breakdown in This Section)	
101	1001163857	1	Cylinder Installation (Not Shown - See Separate Breakdown in This Section)	
103	1001255045	1	Main Boom Installation (Not Shown - See Separate Breakdown in This Section)	
104	1001255047	1	Boom Valves Installation (Not Shown - See Separate Breakdown in This Section)	
105	1001255048	1	Boom Hydraulics Installation (Not Shown - See Separate Breakdown in HYDRAULICS SECTION)	
106	1001255050	1	Cables and Clamps Installation (Not Shown - See Separate Breakdown in ELECTRICAL SECTION)	
107	1001255051	1	Boom Airline Installation (Not Shown - See Separate Breakdown in This Section)	

SECTION 3 - BOOM

FIGURE 3-5. BOOM AIRLINE INSTALLATION



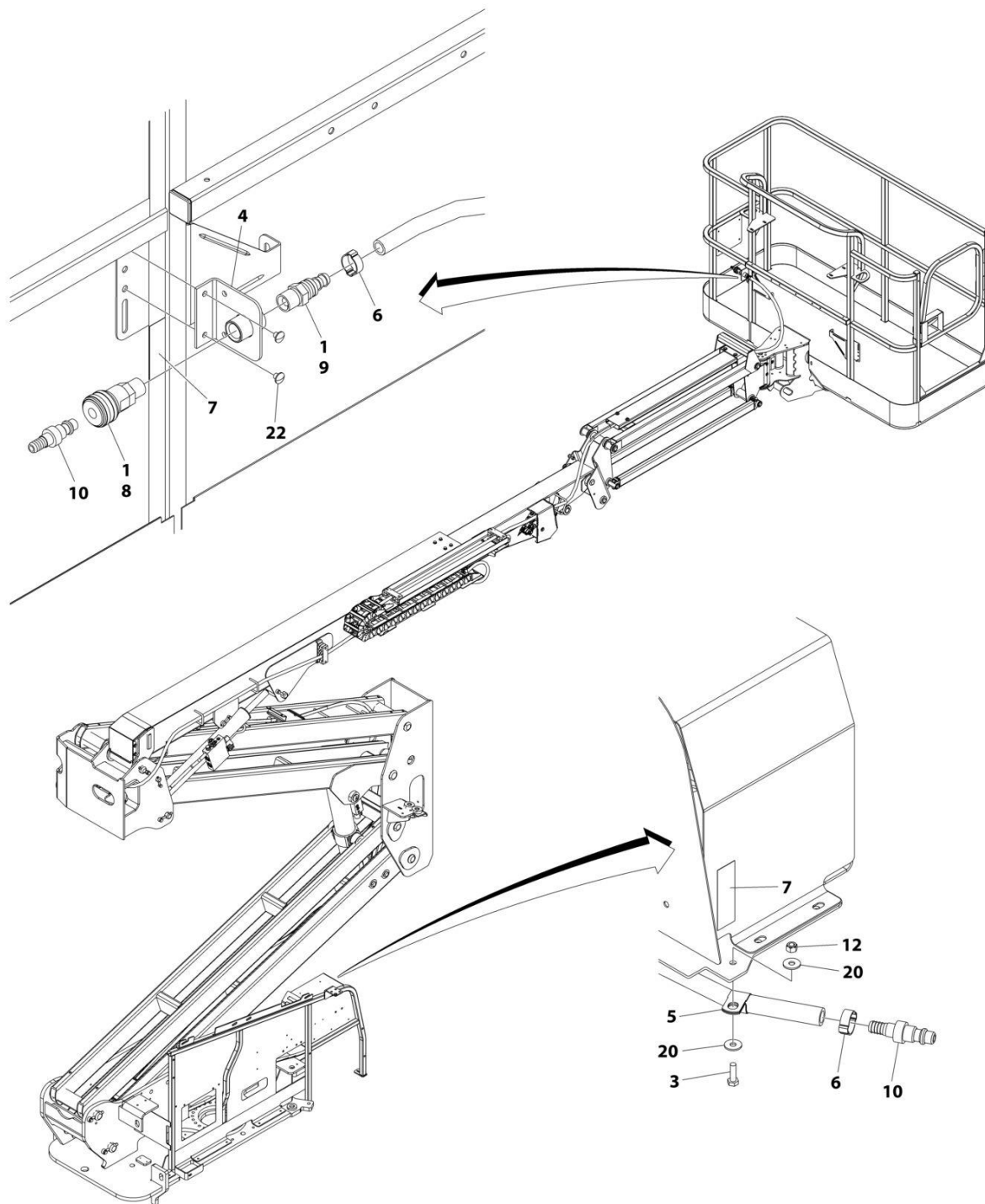
ART_1001255051

FIGURE 3-5. BOOM AIRLINE INSTALLATION

ITEM	PART NUMBER	QTY	DESCRIPTION	REV
	1001255051	Ref	BOOM AIRLINE INSTALLATION	A
2	0700828	2	Bolt M8 x 110	
5	8406105	4	Clip	
6	1320177	2	Clamp	
11	2221037	1	Fitting, Barbed	
16	4811900	2	Washer M8	
18	1001173586	1	Hose	
19	1001173587	1	Hose	
21	4812000	1	Washer M10	

SECTION 3 - BOOM

FIGURE 3-6. AIRLINE FITTINGS INSTALLATION



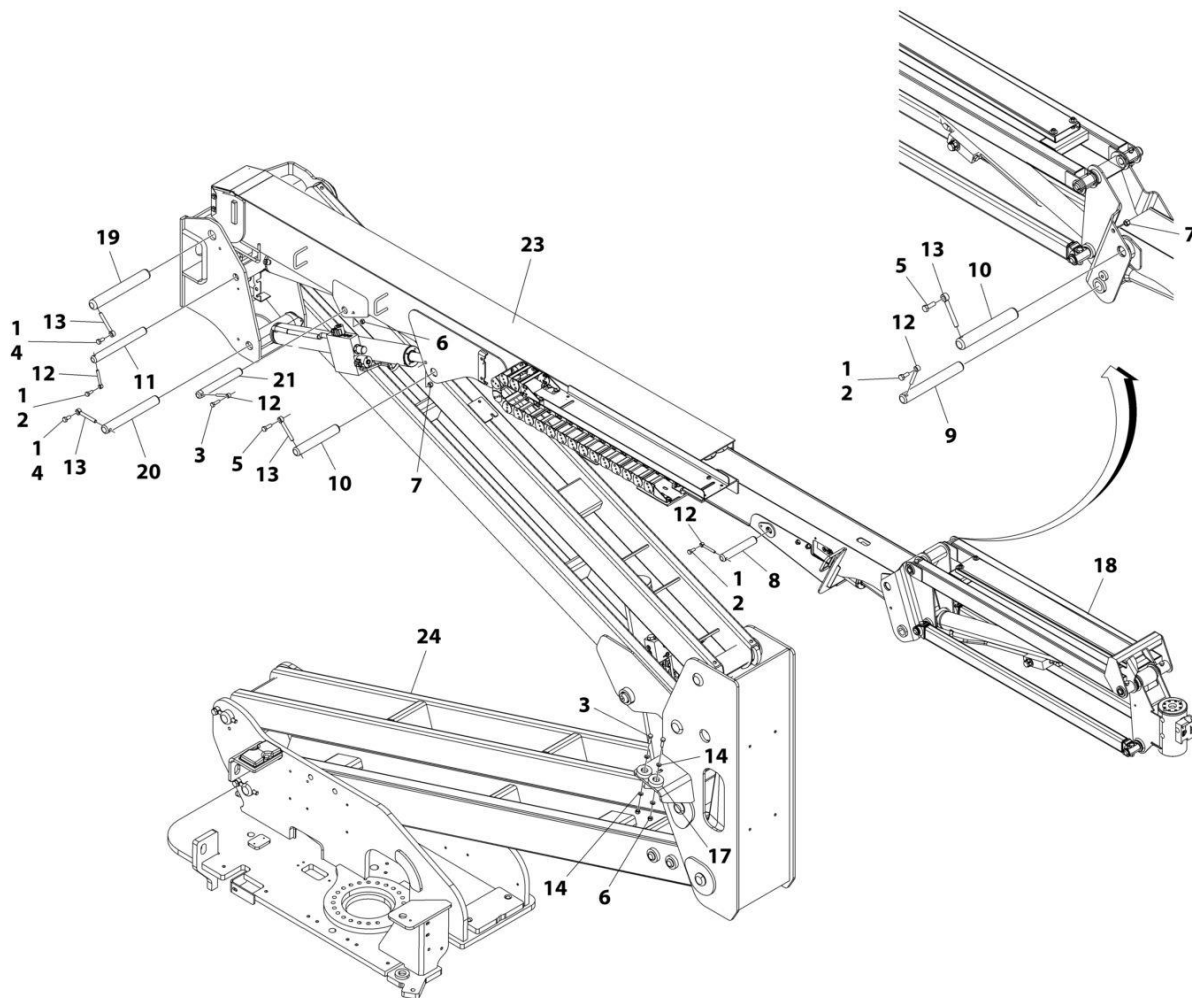
ART_1001255219

FIGURE 3-6. AIRLINE FITTINGS INSTALLATION

ITEM	PART NUMBER	QTY	DESCRIPTION	REV
	1001255219	Ref	AIRLINE FITTINGS INSTALLATION	A
1	0100020	AR	Sealant, Pipe	
3	0760610	1	Bolt M6 x 20	
4	0902317	1	Bracket	
5	8406105	1	Clip	
6	1320177	2	Clamp	
7	1704125	2	Decal - Airline	
8	2220747	1	Fitting, Socket	
9	2220750	1	Fitting, Socketless	
10	2220829	2	Fitting, Plug Stem	
12	3290605	1	Nut M6	
20	4811702	2	Washer M6	
22	2080040	2	Fastener	

SECTION 3 - BOOM

FIGURE 3-7. MAIN BOOM INSTALLATION



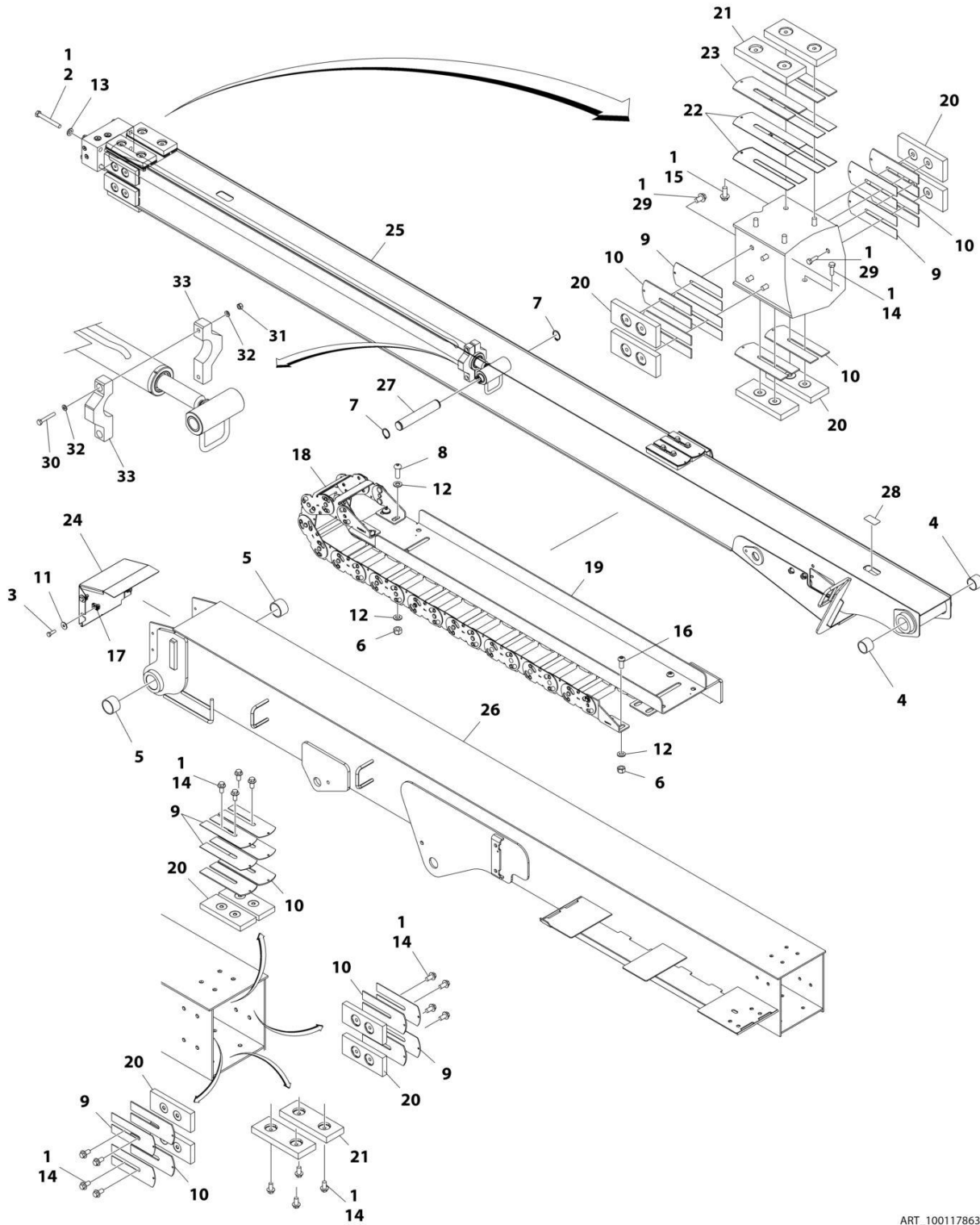
ART_1001255045

FIGURE 3-7. MAIN BOOM INSTALLATION

ITEM	PART NUMBER	QTY	DESCRIPTION	REV
	1001255045	Ref	MAIN BOOM INSTALLATION	A
1	0100011	AR	Compound, Locking	
2	0761012	3	Bolt M10 x 25	
3	0761015	3	Bolt M10 x 35	
4	0761212	2	Bolt M12 x 25	
5	0761215	3	Bolt M12 x 35	
6	3291005	3	Nut M10	
7	3291205	2	Nut M12	
8	3422755	1	Pin	
9	3422792	1	Pin	
10	3422793	2	Pin	
11	3422806	1	Pin	
12	3841143	4	Keeper, Pin	
13	3841203	4	Keeper, Pin	
14	4812000	4	Washer M10	
17	1001112607	2	Block, Boom Rest	
18	1001164017	1	Jib Installation (See Separate Breakdown in This Section)	
19	1001169246	1	Pin	
20	1001169247	1	Pin	
21	3423038	1	Pin	
23	1001178636	1	Main Boom Assembly (See Separate Breakdown in This Section)	
24	1001255053	1	Tower Boom Assembly (See Separate Breakdown in This Section)	

SECTION 3 - BOOM

FIGURE 3-8. MAIN BOOM ASSEMBLY



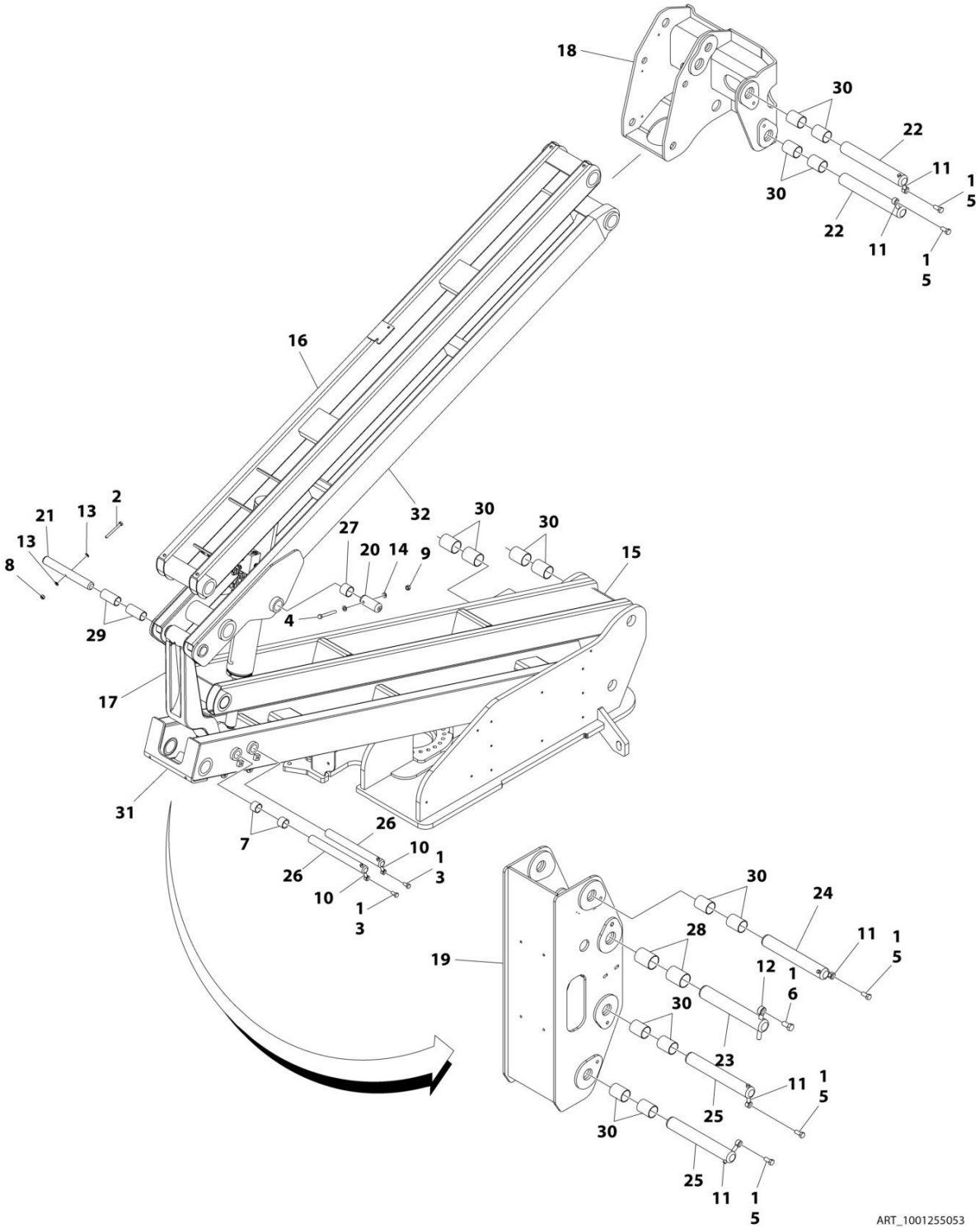
ART_1001178636

FIGURE 3-8. MAIN BOOM ASSEMBLY

ITEM	PART NUMBER	QTY	DESCRIPTION	REV
	1001178636	Ref	MAIN BOOM ASSEMBLY	D
1	0100011	AR	Compound, Locking	
2	0711227	4	Bolt M12 x 100	
3	0760812	4	Bolt M8 x 25	
4	0961948	2	Bearing	
5	0961949	2	Bearing	
6	3291005	10	Nut M10	
7	3760115	2	Ring, Retaining	
8	3900351	4	Screw M10 x 30	
9	4070897	12	Shim	
10	4070898	12	Shim	
11	4811902	4	Washer M8	
12	4812000	18	Washer M10	
13	5241200	4	Washer M12	
14	5251010	20	Bolt M10 x 20	
15	5251012	4	Bolt M10 x 25	
16	8310668	6	Screw M10 x 25	
17	1001118274	4	Nut M8	
18	1001224889	1	Powertrack Assembly	
18	70006256	1	Link, Repair	
18	70006271	1	Feet, Mounting	
19	1001166651	1	Tube, Carrier	
20	1001169304	12	Pad, Wear	
21	1001169305	4	Pad, Wear	
22	1001169402	4	Shim	
23	1001169403	2	Shim	
24	1001170226	1	Cover, Boom End	
25	1001177896	1	Fly, Boom	
26	1001177897	1	Base, Boom	
27	1001180540	1	Pin	
28	1670836	1	Cover	
29	5251009	8	Bolt M10 x 18	
30	0700616	2	Bolt M6 x 40	
31	3290605	2	Nut M6	
32	4811700	4	Washer M6	
33	1001270208	2	Support	

SECTION 3 - BOOM

FIGURE 3-9. TOWER BOOM ASSEMBLY



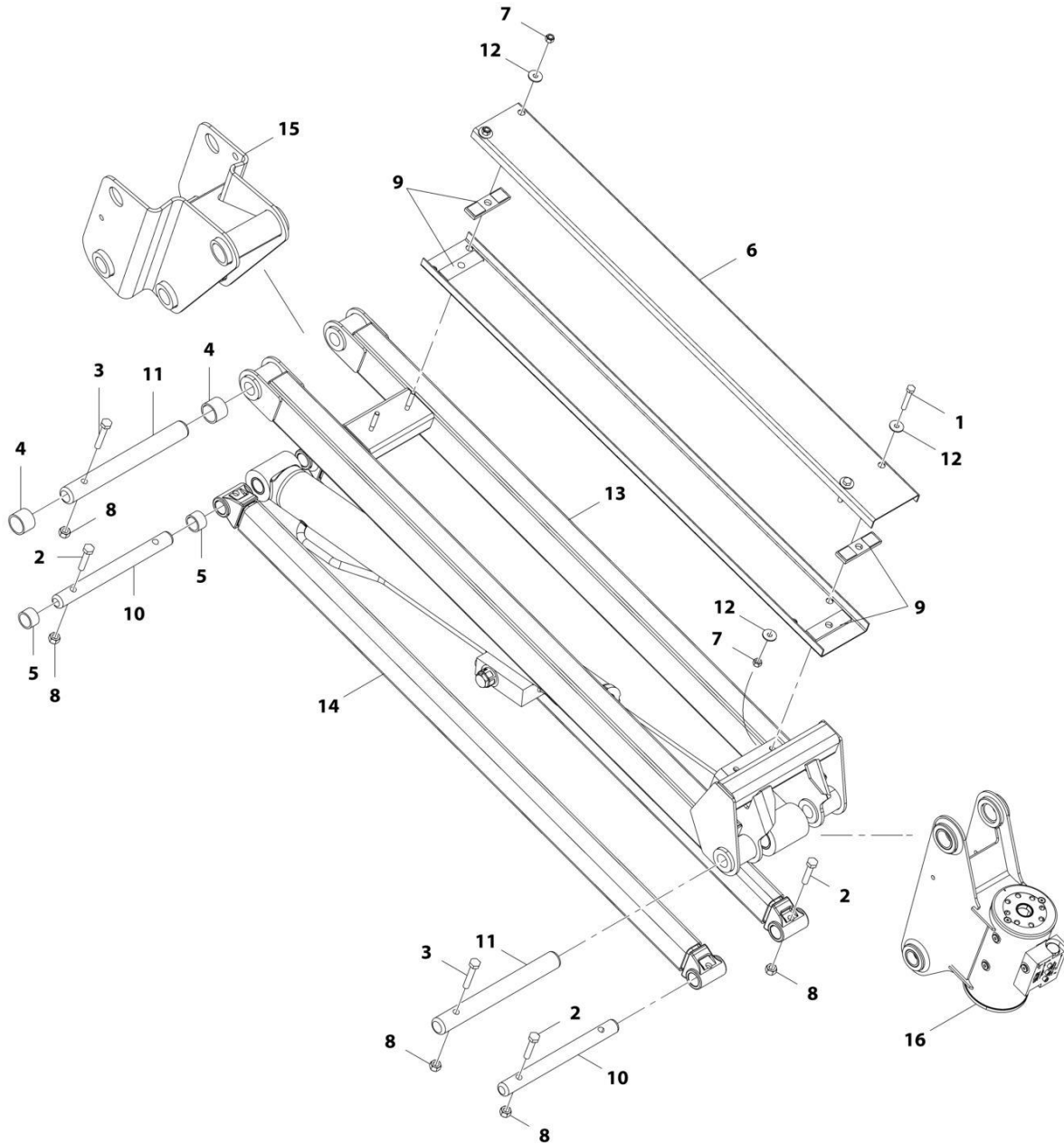
ART_1001255053

FIGURE 3-9. TOWER BOOM ASSEMBLY

ITEM	PART NUMBER	QTY	DESCRIPTION	REV
	1001255053	Ref	TOWER BOOM ASSEMBLY	A
1	0100011	AR	Compound, Locking	
2	0701027	1	Bolt M10 x 100	
3	0761212	2	Bolt M12 x 25	
4	0761227	2	Bolt M12 x 100	
5	0761615	5	Bolt M16 x 35	
6	0762016	1	Bolt M20 x 40	
7	0961948	2	Bearing	
8	3291005	1	Nut M10	
9	3291205	2	Nut M12	
10	3841203	2	Keeper, Pin	
11	3841258	5	Keeper, Pin	
12	3841287	1	Keeper, Pin	
13	4812000	4	Washer M10	
14	4812100	4	Washer M12	
15	1001160859	1	Link, Lower Tower Boom	
16	1001160872	1	Link, Upper Tower Boom	
17	1001166096	1	Link, Timing	
18	1001166852	1	Upright, Upper	
19	1001166853	1	Upright, Lower	
20	1001169240	2	Pin	
21	1001169241	1	Pin	
22	1001169242	2	Pin	
23	1001169295	1	Pin	
24	1001169296	1	Pin	
25	1001169297	2	Pin	
26	1001169298	2	Pin	
27	1001169299	2	Bearing	
28	1001169300	2	Bearing	
29	1001169301	2	Bearing	
30	1001169302	14	Bearing	
31	1001178133	1	Tower Boom (Lower)	
32	1001178135	1	Tower, Boom (Upper)	

SECTION 3 - BOOM

FIGURE 3-10. JIB INSTALLATION



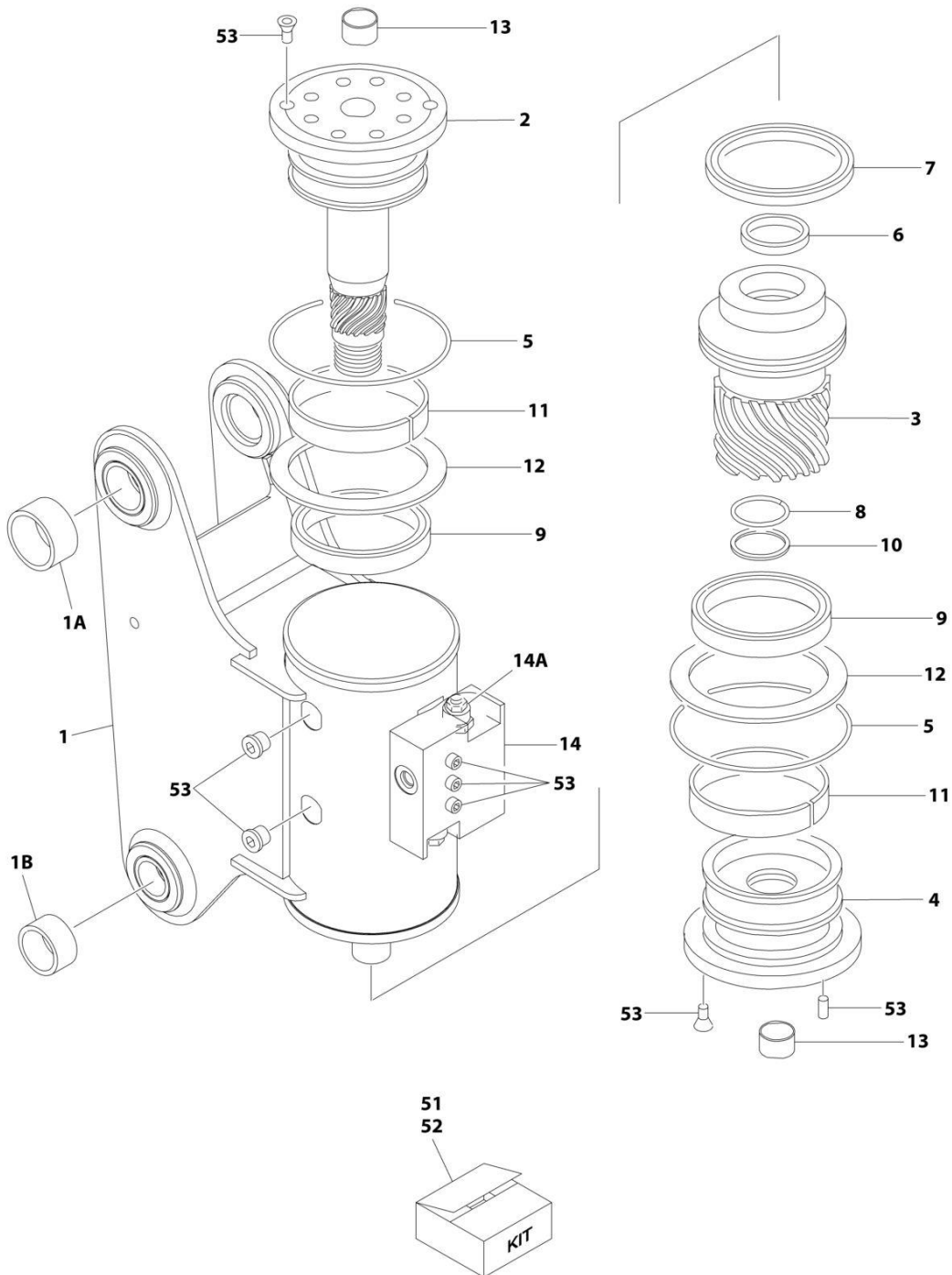
ART_1001164017

FIGURE 3-10. JIB INSTALLATION

ITEM	PART NUMBER	QTY	DESCRIPTION	REV
	1001164017	Ref	JIB INSTALLATION	D
1	0700820	2	Bolt M8 x 60	
2	0701019	4	Bolt M8 x 55	
3	0701020	2	Bolt M10 x 60	
4	0961951	2	Bushing	
5	0962292	2	Bearing	
6	3572551	2	Channel	
7	3290805	4	Nut M8	
8	3291005	6	Nut M10	
9	3340860	4	Pad, Rubber	
10	3422791	2	Pin	
11	1001116550	2	Pin	
12	4811902	6	Washer M8	
13	1001183171	1	Link (Upper)	
14	4846689	2	Link (Lower)	
15	1001163937	1	Pivot	
16	1001217779	1	Rotator Assembly (See Separate Breakdown in this Section)	

SECTION 3 - BOOM

FIGURE 3-11. ROTATOR ASSEMBLY



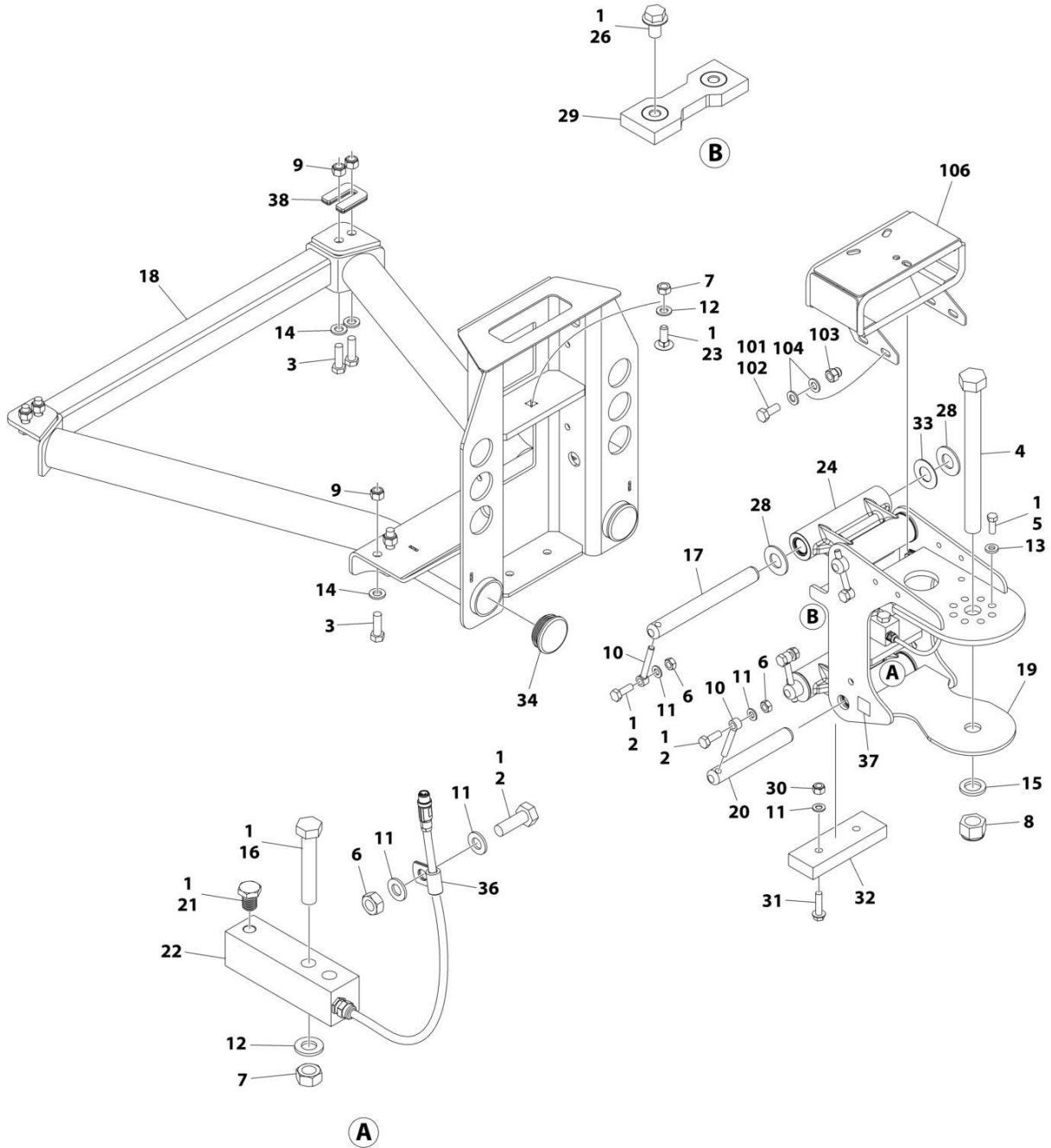
ART_1001217779

FIGURE 3-11. ROTATOR ASSEMBLY

ITEM	PART NUMBER	QTY	DESCRIPTION	REV
	1001217779	Ref	ROTATOR ASSEMBLY	B
1	See Note	NSS	Housing (Note: Purchase Complete Assembly)	
1A	0962257	2	Bushing	
1B	0961947	2	Bushing	
2	7017162	1	Shaft	
3	7017163	1	Piston	
4	7017164	1	Cap, End	
5	See Note	NSS	O-Ring (Note: Use p/n 70000342)	
6	See Note	NSS	Seal, Rod (Note: Purchase p/n 70000342)	
7	See Note	NSS	Seal, Piston (Note: Purchase p/n 70000342)	
8	See Note	NSS	Seal, Cap (Note: Purchase p/n 70000342)	
9	See Note	NSS	Packing, Bearing (Note: Purchase p/n 70000342)	
10	See Note	NSS	Ring, Back-up (Note: Purchase p/n 70000342)	
11	See Note	NSS	Bearing, Shaft (Note: Purchase p/n 7017159)	
12	See Note	NSS	Washer, Thrust (Note: Purchase p/n 7017159)	
13	7017195	2	Bushing	
14	7017172	1	Counterbalance Valve Assembly	
14A	7017192	2	Valve Cartridge (No Seal Kit Available)	
51	70000342	1	Seal Kit (Includes Items 5-10)	
52	7017159	1	Bearing Kit (Includes Items 11 & 12)	
53	7017142	1	Hardware Kit	

SECTION 3 - BOOM

FIGURE 3-12. PLATFORM SUPPORT INSTALLATION - WITH 1 CELL LSS



ART_1001167596_N

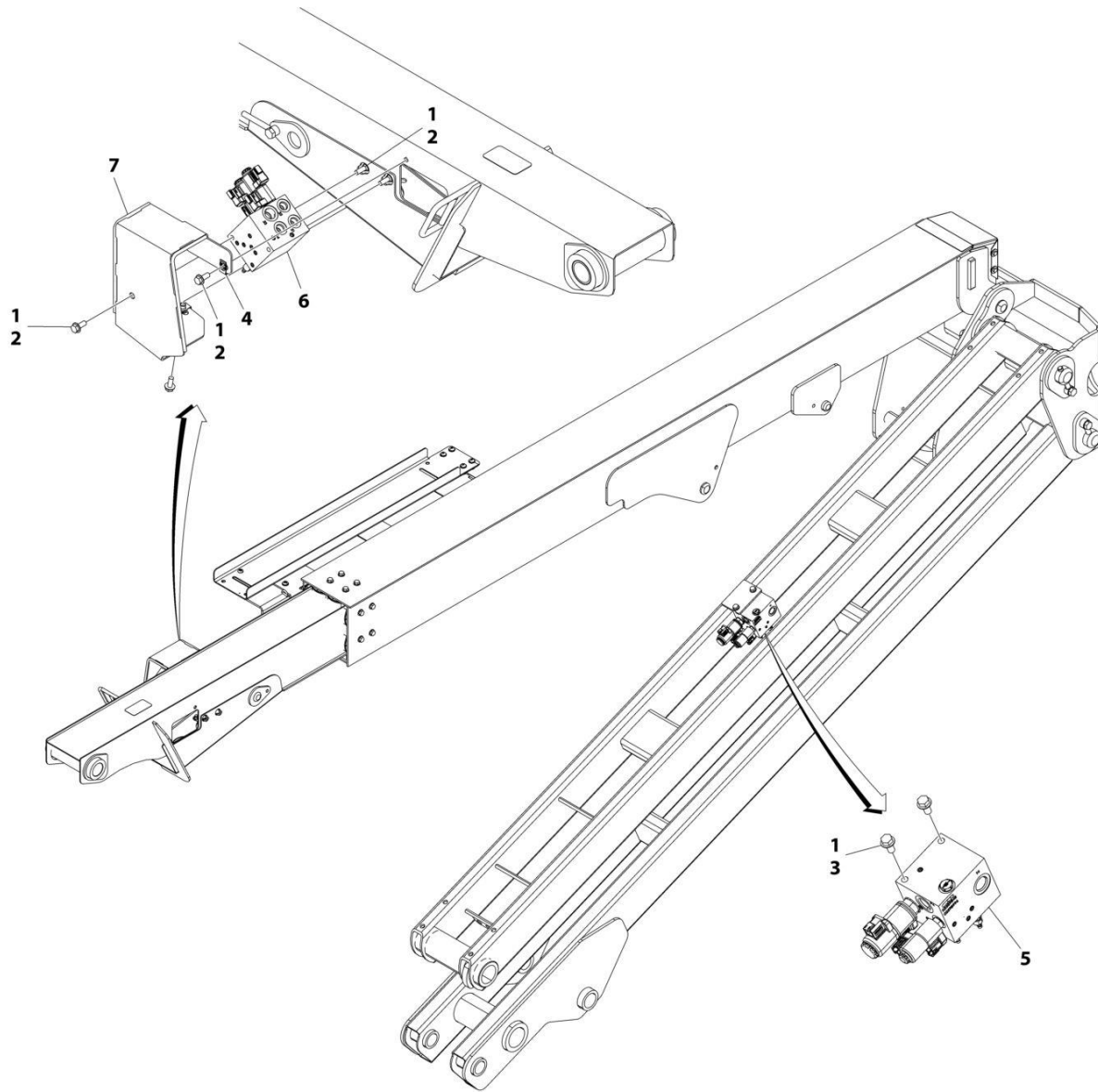
SECTION 3 - BOOM

FIGURE 3-12. PLATFORM SUPPORT INSTALLATION - WITH 1 CELL LSS

ITEM	PART NUMBER	QTY	DESCRIPTION	REV
	1001167596	Ref	PLATFORM SUPPORT INSTALLATION	N
1	0100011	AR	Compound, Locking	
2	0761014	5	Bolt M10 x 30	
3	0761216	8	Bolt M12 x 40	
4	1001255133	1	Bolt 1 x 11	
5	0681608	8	Bolt 3/8 x 1	
6	3291001	5	Nut M10	
7	3291201	3	Nut M12	
8	1001174040	1	Nut 1	
9	3291205	8	Nut M12	
10	3841143	4	Keeper, Pin	
11	4812000	8	Washer M10	
12	4812100	3	Washer M12	
13	4891600	8	Washer 3/8	
14	5241200	8	Washer M12	
15	4892600001	1	Washer 1	
16	1001098828	2	Bolt M12 x 70 Grade 10.9	
17	1001167565	2	Pin	
18	1001200494	1	Support, Platform	
19	1001167567	1	Support, Rotator	
20	1001168402	2	Pin	
21	1001188622	1	Screw	
22	1001247468	1	Loadcell	
23	1001188844	1	Bolt M12 x 35	
24	1001201351	2	Link	
24	1001187382	4	Bearing	
24	1001187383	4	Seal	
26	5251008	2	Bolt M10 x 16	
28	1001189002	8	Bearing	
29	1001190985	1	Pad, Wear	
30	3291005	2	Nut M10	
31	5251016	2	Bolt M10 x 40	
32	1001200491	1	Pad, Wear	
33	1001189001	4	Bearing	
34	1001204725	2	Plug	
36	91203039	1	Clamp	
37	1001216630	2	Decal - Tie Down/No Lift	
38	1001238421	Ref	Kit, Platform Leveling (Not Shown)	
	1001202687	Ref	VALVE MOUNT INSTALLATION	B
101	0100011	AR	Compound, Locking	
102	0760810	4	Bolt M8 x 20	
103	3290806	4	Nut M8	
104	4811900	8	Washer M8	
106	1001208994	1	Mount, Valve	

SECTION 3 - BOOM

FIGURE 3-13. BOOM VALVES INSTALLATION



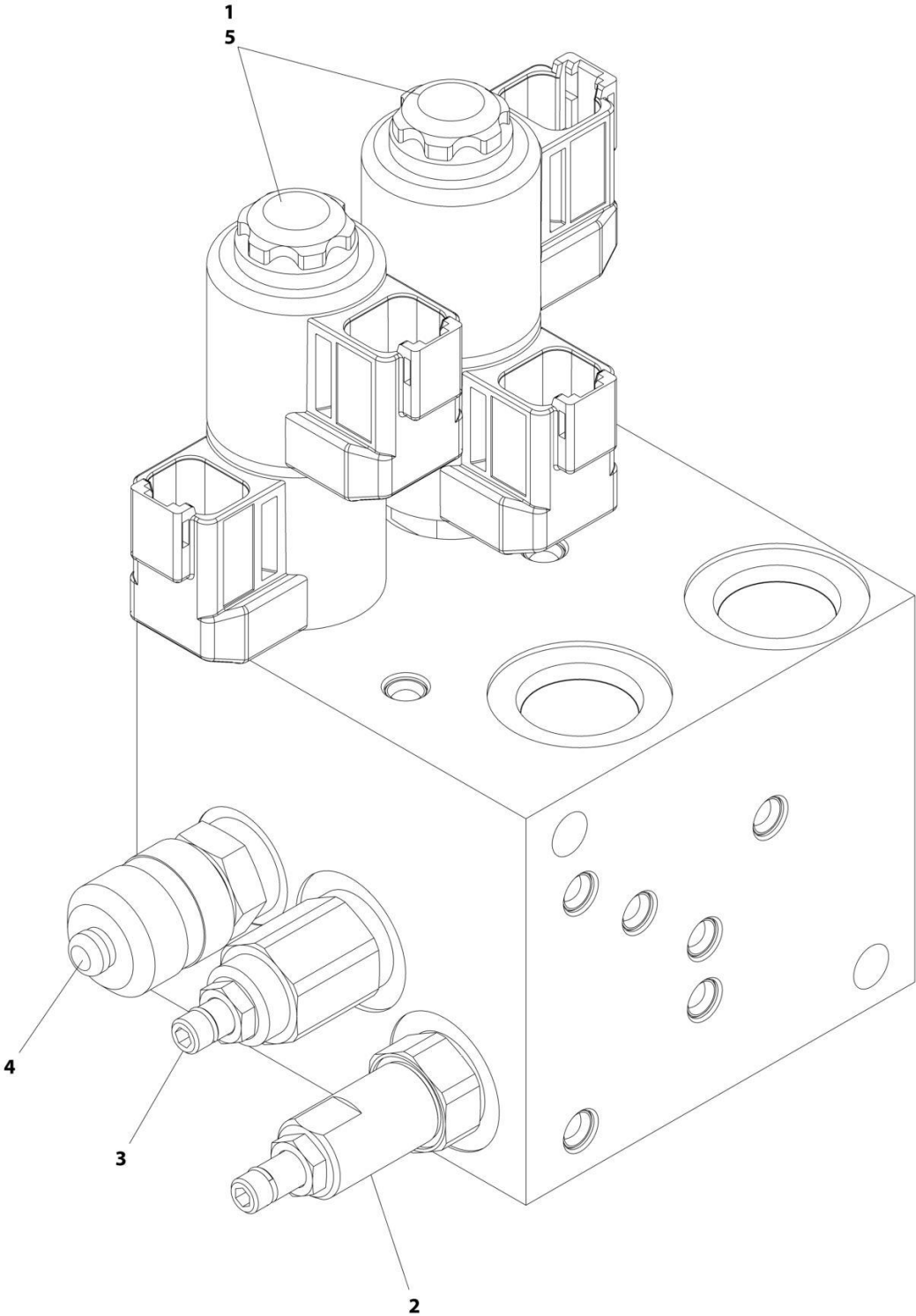
ART_1001255047

FIGURE 3-13. BOOM VALVES INSTALLATION

ITEM	PART NUMBER	QTY	DESCRIPTION	REV
	1001255047	Ref	BOOM VALVES INSTALLATION	A
1	0100011	AR	Compound, Locking	
2	5250810	5	Bolt M8 x 20	
3	5251010	2	Bolt M10 x 20	
4	1001118274	2	Nut M8	
5	1001162535	1	Upright Valve Assembly (See Separate Breakdown in this Section)	
6	1001162536	1	Boom Valve Assembly (See Separate Breakdown in this Section)	
7	1001170375	1	Shield	

SECTION 3 - BOOM

FIGURE 3-14. BOOM VALVE ASSEMBLY



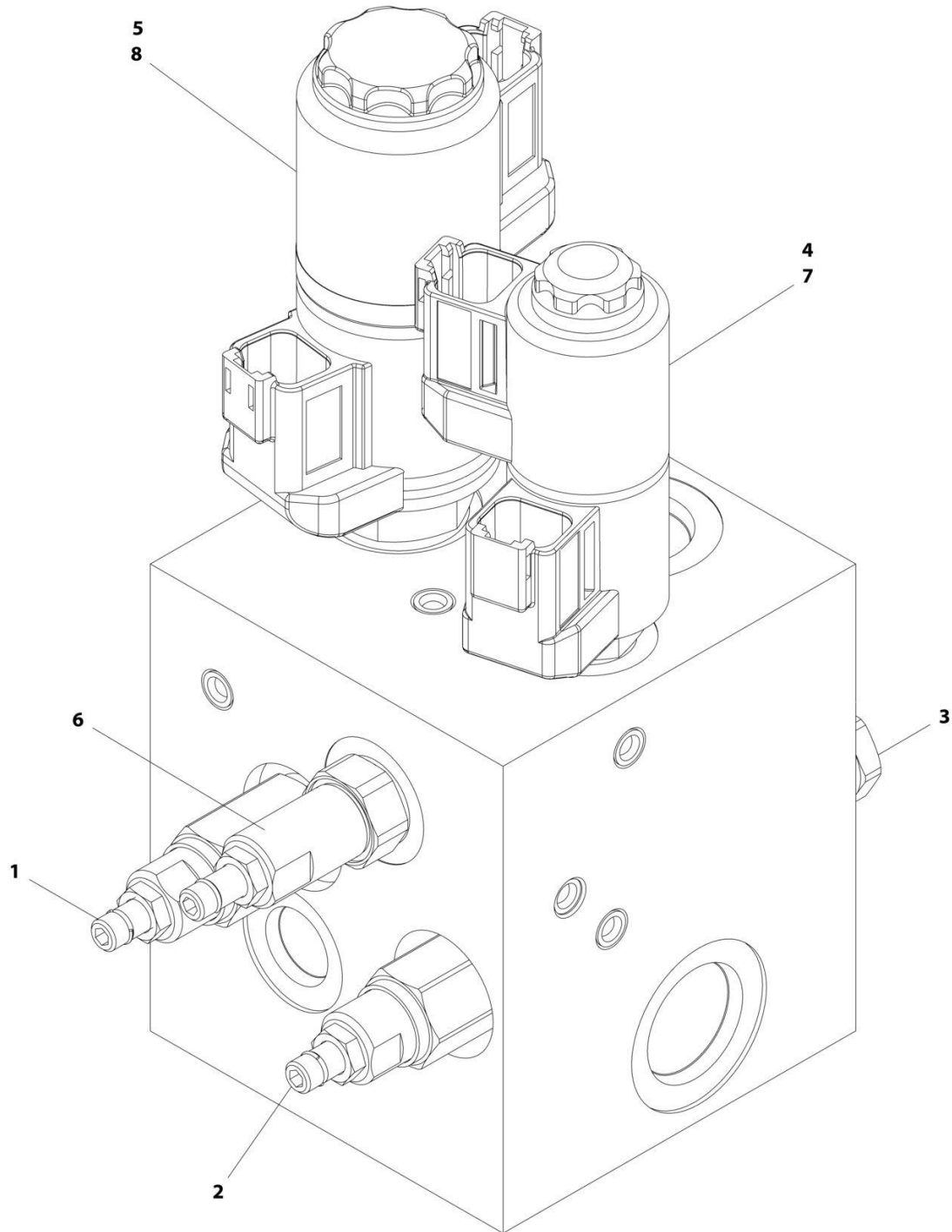
ART_1001162536

FIGURE 3-14. BOOM VALVE ASSEMBLY

ITEM	PART NUMBER	QTY	DESCRIPTION	REV
	1001162536	Ref	BOOM VALVE ASSEMBLY	F
1	70005243	2	Cartridge, Solenoid Valve Less Coil	
1	70004869	2	Seal Kit - 70005243 Valve	
2	70004873	1	Cartridge, Valve	
2	70004867	1	Seal Kit - 70004873 Valve	
3	70006970	1	Cartridge, Valve	
3	70004867	1	Seal Kit - 70006970 Valve	
4	2221086	1	Fitting, Test	
5	70004871	4	Coil	

SECTION 3 - BOOM

FIGURE 3-15. UPRIGHT VALVE ASSEMBLY



ART_1001162535

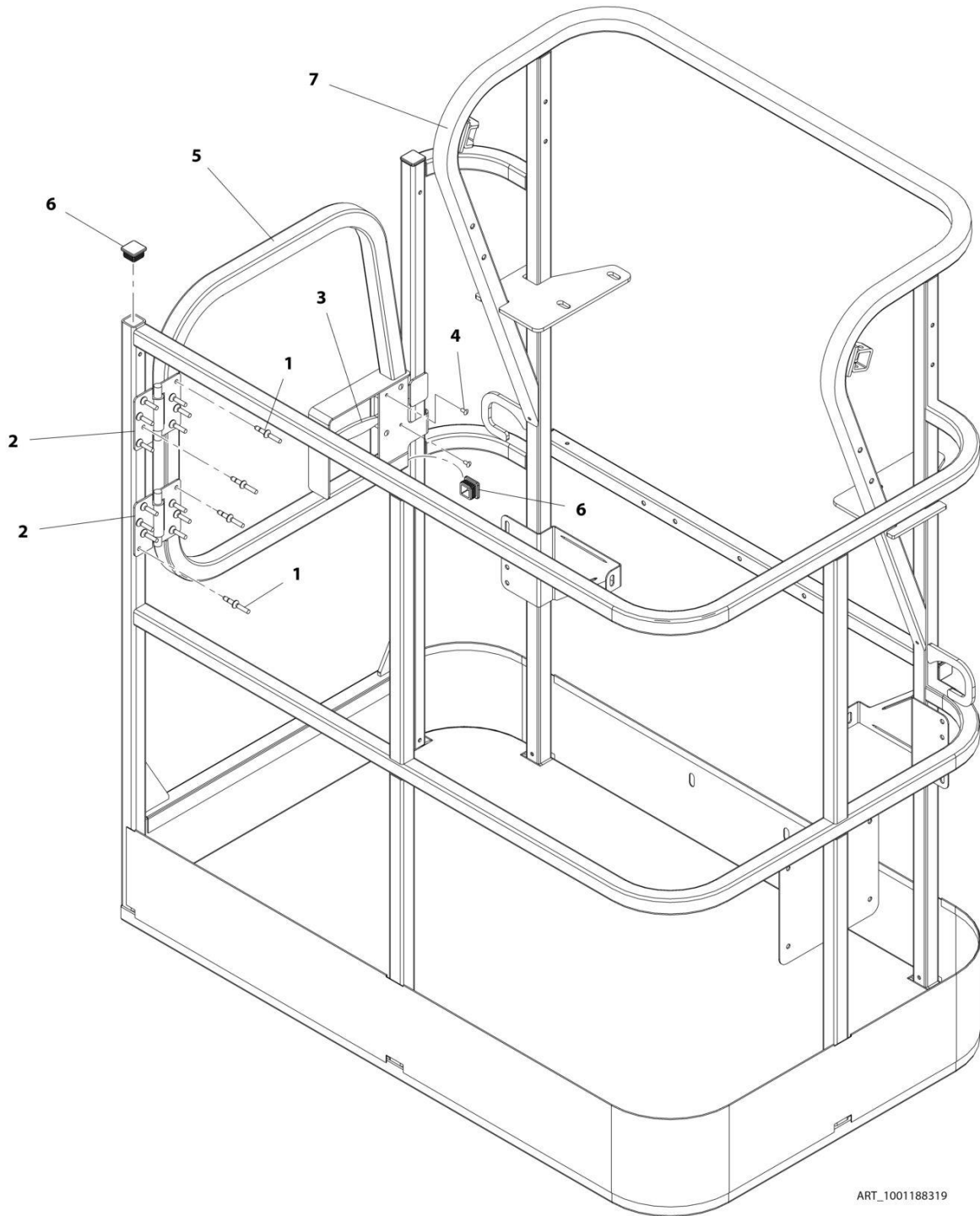
FIGURE 3-15. UPRIGHT VALVE ASSEMBLY

ITEM	PART NUMBER	QTY	DESCRIPTION	REV
	1001162535	Ref	UPRIGHT VALVE ASSEMBLY	D
1	70004864	1	Cartridge, Valve	
1	70004875	1	Seal Kit - 70004864 Valve	
2	70004865	1	Cartridge, Valve	
2	70004875	1	Seal Kit - 70004865 Valve	
3	70004866	1	Cartridge, Relief Valve	
3	70004867	1	Seal Kit - 70004866 Valve	
4	70004868	1	Cartridge, Solenoid Valve Less Coil	
4	70004869	1	Seal Kit - 70004868 Valve	
5	7027625	1	Cartridge, Solenoid Valve Less Coil	
5	70000100	1	Seal Kit - 7027625 Valve	
6	70006660	1	Cartridge, Valve	
6	70004867	1	Seal Kit - 70006660 Valve	
7	70004871	2	Coil	
8	7027628	2	Coil	

SECTION 4 - PLATFORM

SECTION 4 - PLATFORM

FIGURE 4-1. PLATFORM ASSEMBLY - 30IN X 4FT (76CM X 1.22M) - SIDE GATE ENTRY



ART_1001188319

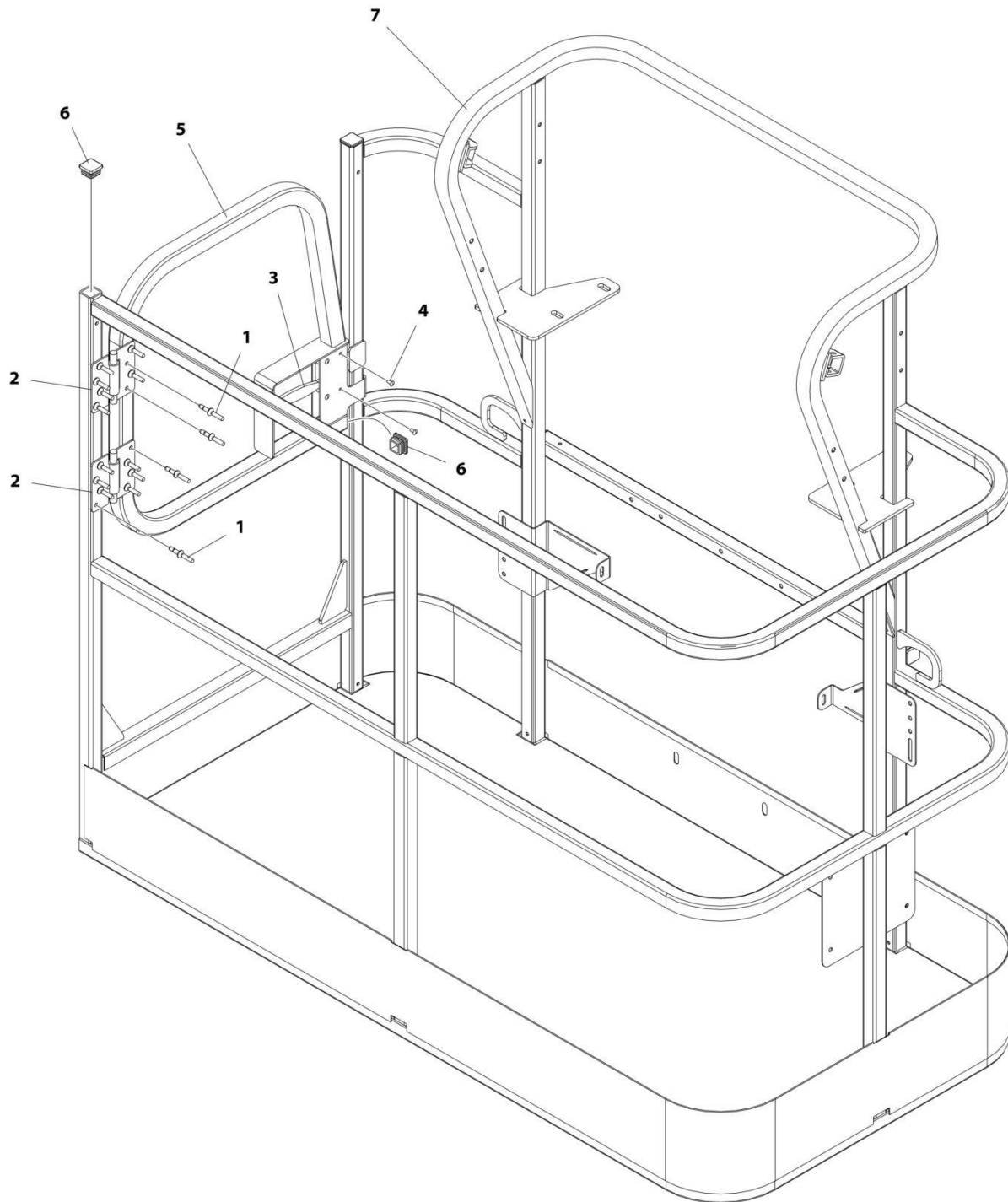
SECTION 4 - PLATFORM

FIGURE 4-1. PLATFORM ASSEMBLY - 30IN X 4FT (76CM X 1.22M) - SIDE GATE ENTRY

ITEM	PART NUMBER	QTY	DESCRIPTION	REV
	1001188319	Ref	PLATFORM ASSEMBLY	D
	See Note	Ref	Note: Platform and Mesh must be ordered separately for Platforms with Mesh. See SPECIAL OPTIONS SECTION for Mesh Installations.	
	See Note	Ref	Note: Replacement Decals Must be Ordered Separately - See DECALS SECTION.	
1	2080040	16	Fastener, Huck	
2	2600281	2	Hinge, Self-Closing	
3	2940074	1	Latch	
4	3820020	4	Rivet	
5	1001144629	1	Gate, Weldment	
6	1001145781	5	Cap, Plug	
7	See Note	NSS	Platform (Note: Not Available - Purchase Platform Assembly)	

SECTION 4 - PLATFORM

FIGURE 4-2. PLATFORM ASSEMBLY - 30IN X 5FT (76CM X 1.52M) - SIDE GATE ENTRY



ART_1001188315

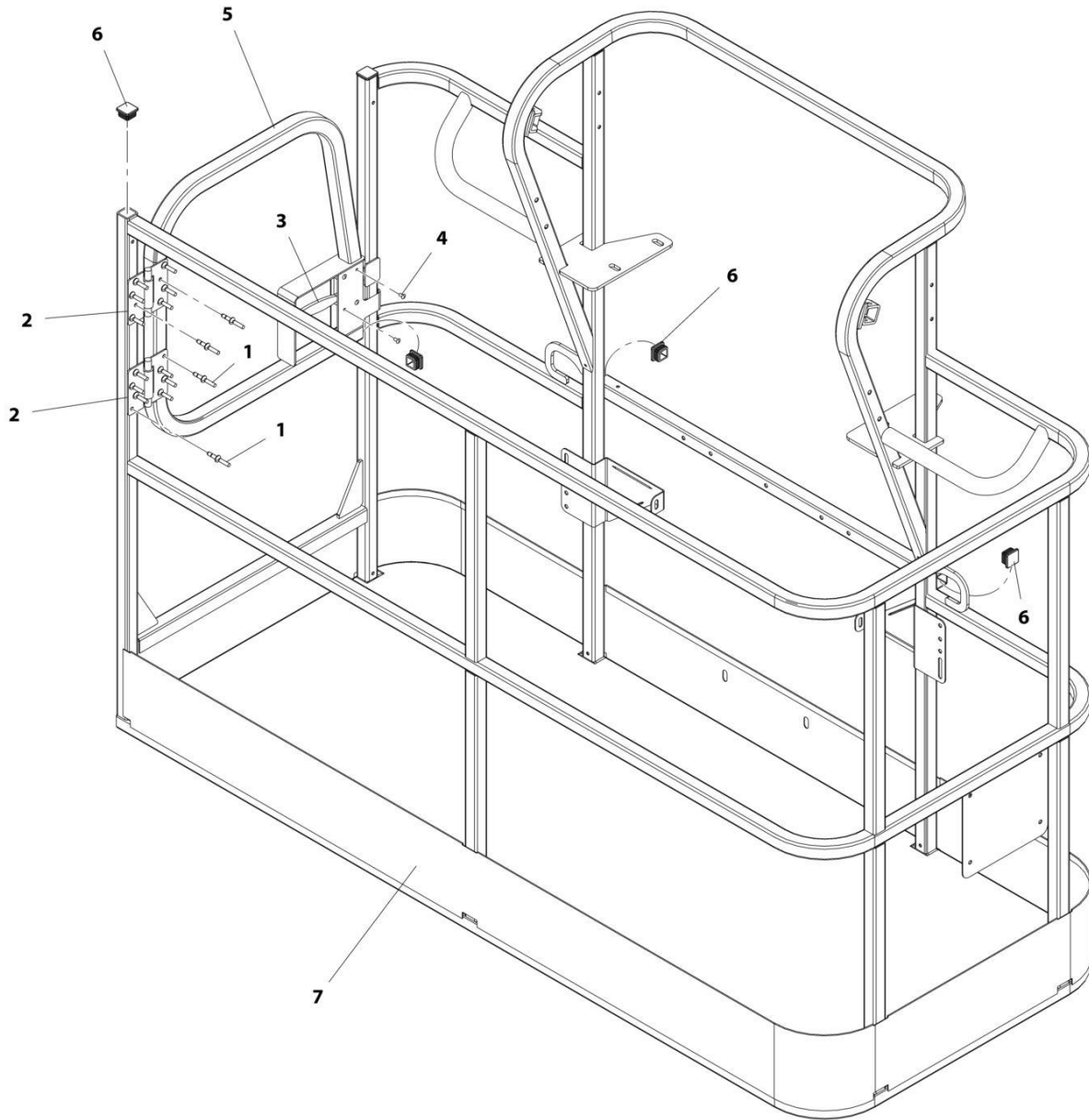
SECTION 4 - PLATFORM

FIGURE 4-2. PLATFORM ASSEMBLY - 30IN X 5FT (76CM X 1.52M) - SIDE GATE ENTRY

ITEM	PART NUMBER	QTY	DESCRIPTION	REV
	1001188315	Ref	PLATFORM ASSEMBLY	E
	See Note	Ref	Note: Platform and Mesh must be ordered separately for Platforms with Mesh. See SPECIAL OPTIONS SECTION for Mesh Installations.	
	See Note	Ref	Note: Replacement Decals Must be Ordered Separately - See DECALS SECTION.	
1	2080040	16	Fastener, Huck	
2	2600281	2	Hinge	
3	2940074	1	Latch	
4	3820020	4	Rivet	
5	1001144629	1	Gate	
6	1001145781	5	Plug	
7	See Note	NSS	Platform (Note: Not Available - Purchase Platform Assembly)	

SECTION 4 - PLATFORM

FIGURE 4-3. PLATFORM ASSEMBLY - 30IN X 6FT (76CM X 1.83M) - SIDE GATE ENTRY



ART_1001188312

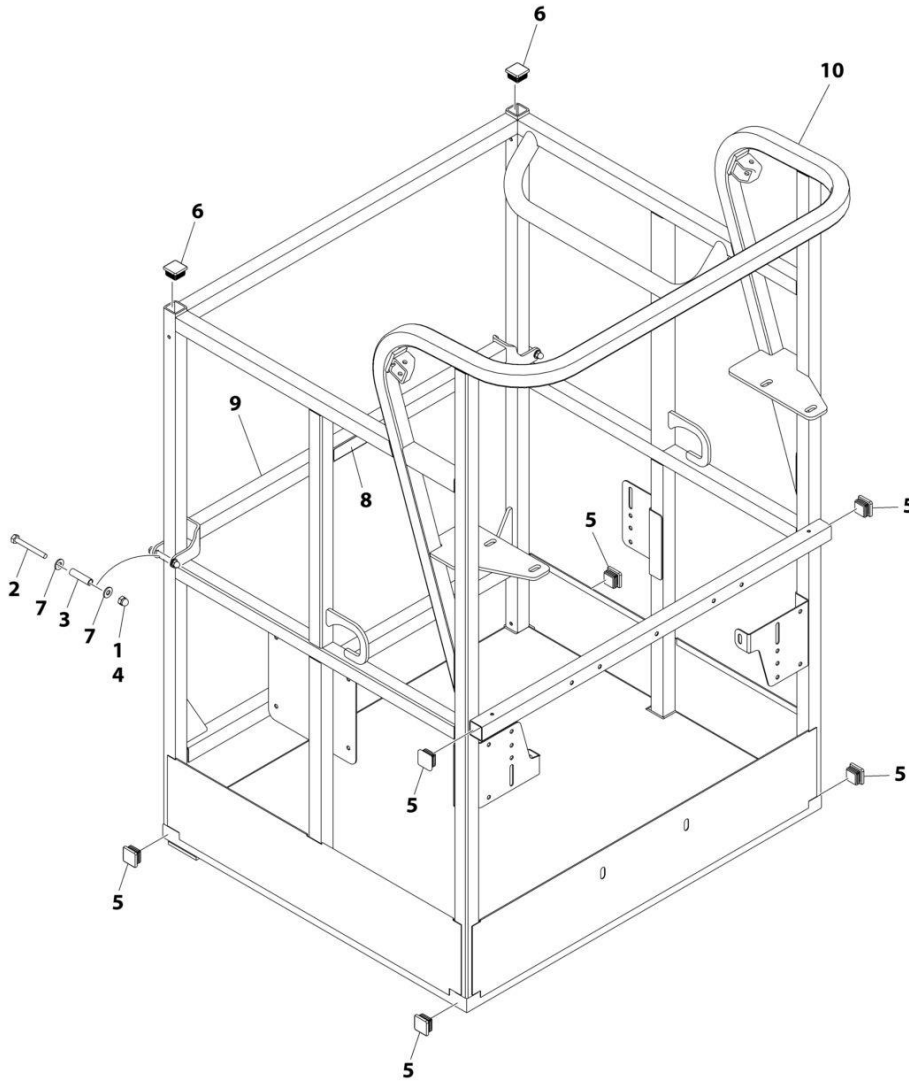
SECTION 4 - PLATFORM

FIGURE 4-3. PLATFORM ASSEMBLY - 30IN X 6FT (76CM X 1.83M) - SIDE GATE ENTRY

ITEM	PART NUMBER	QTY	DESCRIPTION	REV
	1001188312	Ref	PLATFORM ASSEMBLY	F
	See Note	Ref	Note: Platform and Mesh must be ordered separately for Platforms with Mesh. See SPECIAL OPTIONS SECTION for Mesh Installations.	
	See Note	Ref	Note: Replacement Decals Must be Ordered Separately - See DECALS SECTION.	
1	2080040	16	Fastener, Huck	
2	2600281	2	Hinge, Self-Closing	
3	2940074	1	Latch	
4	3820020	4	Rivet	
5	1001144629	1	Gate, Weldment	
6	1001145781	5	Cap, Plug	
7	See Note	NSS	Platform (Note: Not Available - Purchase Platform Assembly)	

SECTION 4 - PLATFORM

FIGURE 4-4. PLATFORM ASSEMBLY - 30IN X 3FT (76CM X .91M) - DROP BAR ENTRY



ART_1001228215

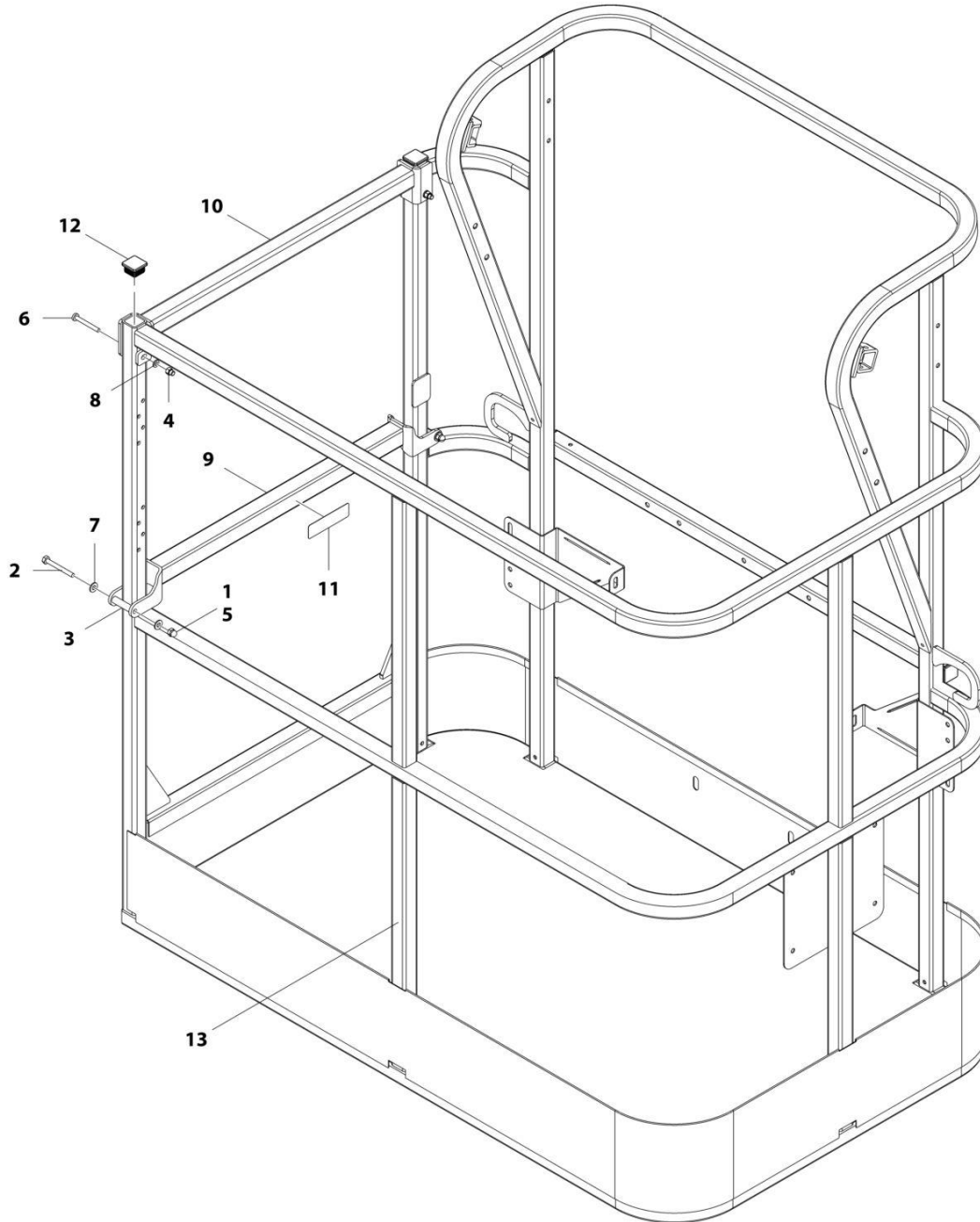
SECTION 4 - PLATFORM

FIGURE 4-4. PLATFORM ASSEMBLY - 30IN X 3FT (76CM X .91M) - DROP BAR ENTRY

ITEM	PART NUMBER	QTY	DESCRIPTION	REV
	1001228215	Ref	PLATFORM ASSEMBLY	A
	See Note	Ref	Note: Platform and Mesh must be ordered separately for Platforms with Mesh. See SPECIAL OPTIONS SECTION for Mesh Installations.	
	See Note	Ref	Note: Replacement Decals Must be Ordered Separately - See DECAL SECTION.	
1	0100011	AR	Compound, Locking	
2	0641418	2	Bolt 1/4 x 2-1/4	
3	0961845	2	Bushing	
4	3300151	2	Nut 1/4	
5	3520072	6	Cap, Plug	
6	3520198	2	Cap, Plug	
7	4711400	4	Washer 1/4	
8	1001140429	1	Decal - Drop Bar	
9	1001226872	1	Bar, Drop	
10	See Note	NSS	Platform (Note: Not Available - Purchase Platform Assembly)	

SECTION 4 - PLATFORM

FIGURE 4-5. PLATFORM ASSEMBLY - 30IN X 4FT (76CM X 1.22M) - WITH DROP BAR



ART_1001188318

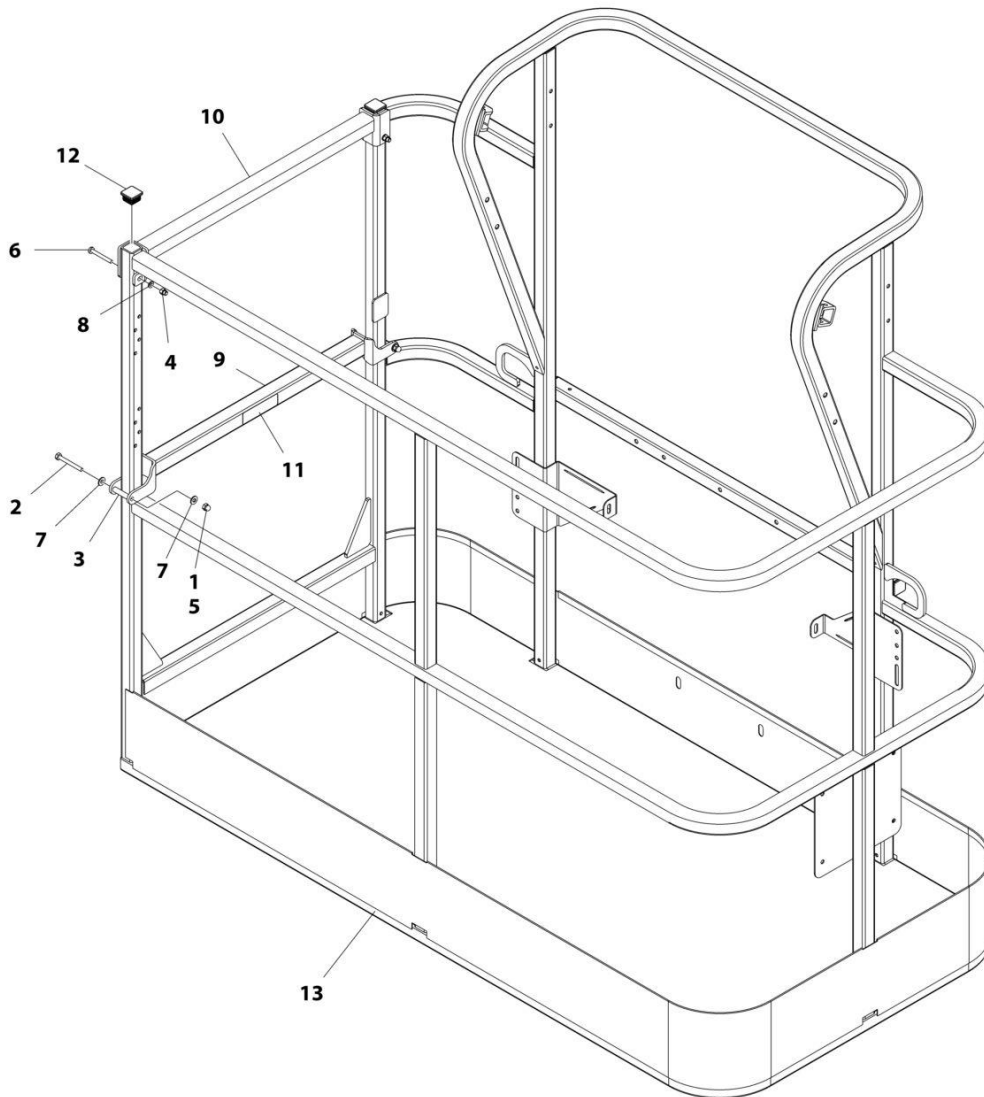
SECTION 4 - PLATFORM

FIGURE 4-5. PLATFORM ASSEMBLY - 30IN X 4FT (76CM X 1.22M) - WITH DROP BAR

ITEM	PART NUMBER	QTY	DESCRIPTION	REV
	1001188318	Ref	PLATFORM ASSEMBLY	C
	See Note	Ref	Note: Platform and Mesh must be ordered separately for Platforms with Mesh. See SPECIAL OPTIONS SECTION for Mesh Installations.	
	See Note	Ref	Note: Replacement Decals Must be Ordered Separately - See DECALS SECTION.	
1	0100011	AR	Compound, Locking	
2	0641418	2	Bolt 1/4 x 2-1/4	
3	0961845	2	Bushing	
4	3290606	2	Nut M6	
5	3300151	2	Nut 1/4	
6	4010618	2	Screw M6 x 50	
7	4711400	4	Washer 1/4	
8	4811700	2	Washer M6	
9	1001138494	1	Bar, Drop	
10	1001138514	1	Rail (Top)	
11	1001140429	1	Decal - Drop Bar	
12	1001145781	4	Cap, Plug	
13	See Note	NSS	Platform (Note: Not Available - Purchase Platform Assembly)	

SECTION 4 - PLATFORM

FIGURE 4-6. PLATFORM ASSEMBLY - 30IN X 5FT (76CM X 1.52M) - WITH DROP BAR



ART_1001188314

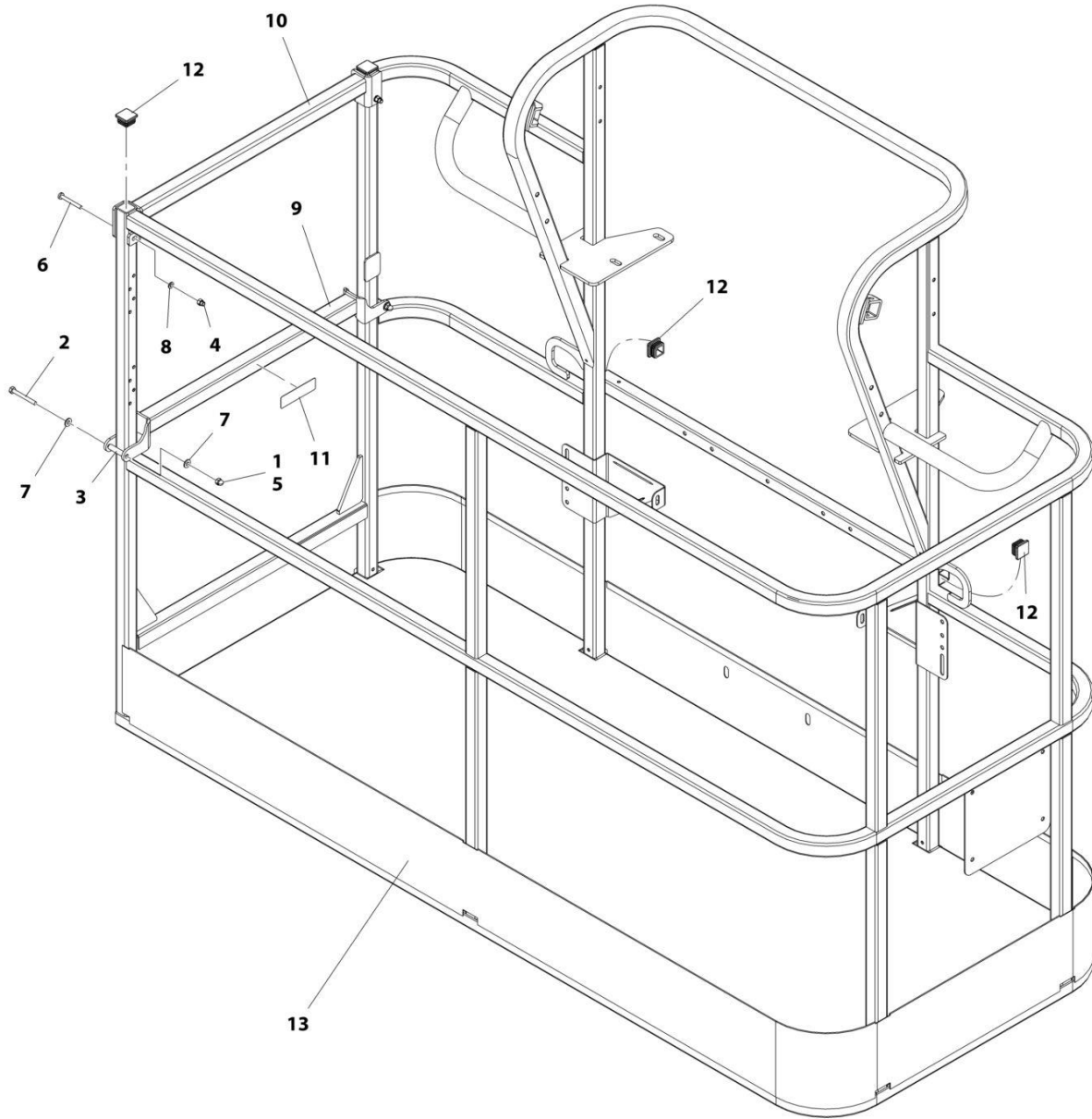
SECTION 4 - PLATFORM

FIGURE 4-6. PLATFORM ASSEMBLY - 30IN X 5FT (76CM X 1.52M) - WITH DROP BAR

ITEM	PART NUMBER	QTY	DESCRIPTION	REV
	1001188314	Ref	PLATFORM ASSEMBLY	C
	See Note	Ref	Note: Platform and Mesh must be ordered separately for Platforms with Mesh. See SPECIAL OPTIONS SECTION for Mesh Installations.	
	See Note	Ref	Note: Replacement Decals Must be Ordered Separately - See DECALS SECTION.	
1	0100011	AR	Compound, Locking	
2	0641418	2	Bolt 1/4 x 2-1/4	
3	0961845	2	Bushing	
4	3290606	2	Nut M6	
5	3300151	2	Nut 1/4	
6	4010618	2	Screw M6 x 50	
7	4711400	4	Washer 1/4	
8	4811700	2	Washer M6	
9	1001138494	1	Bar, Drop	
10	1001138514	1	Rail (Top)	
11	1001140429	1	Decal - Drop Bar	
12	1001145781	4	Plug	
13	See Note	NSS	Platform (Note: Not Available - Purchase Platform Assembly)	

SECTION 4 - PLATFORM

FIGURE 4-7. PLATFORM ASSEMBLY - 30IN X 6FT (76CM X 1.83M) - WITH DROP BAR



ART_1001188311

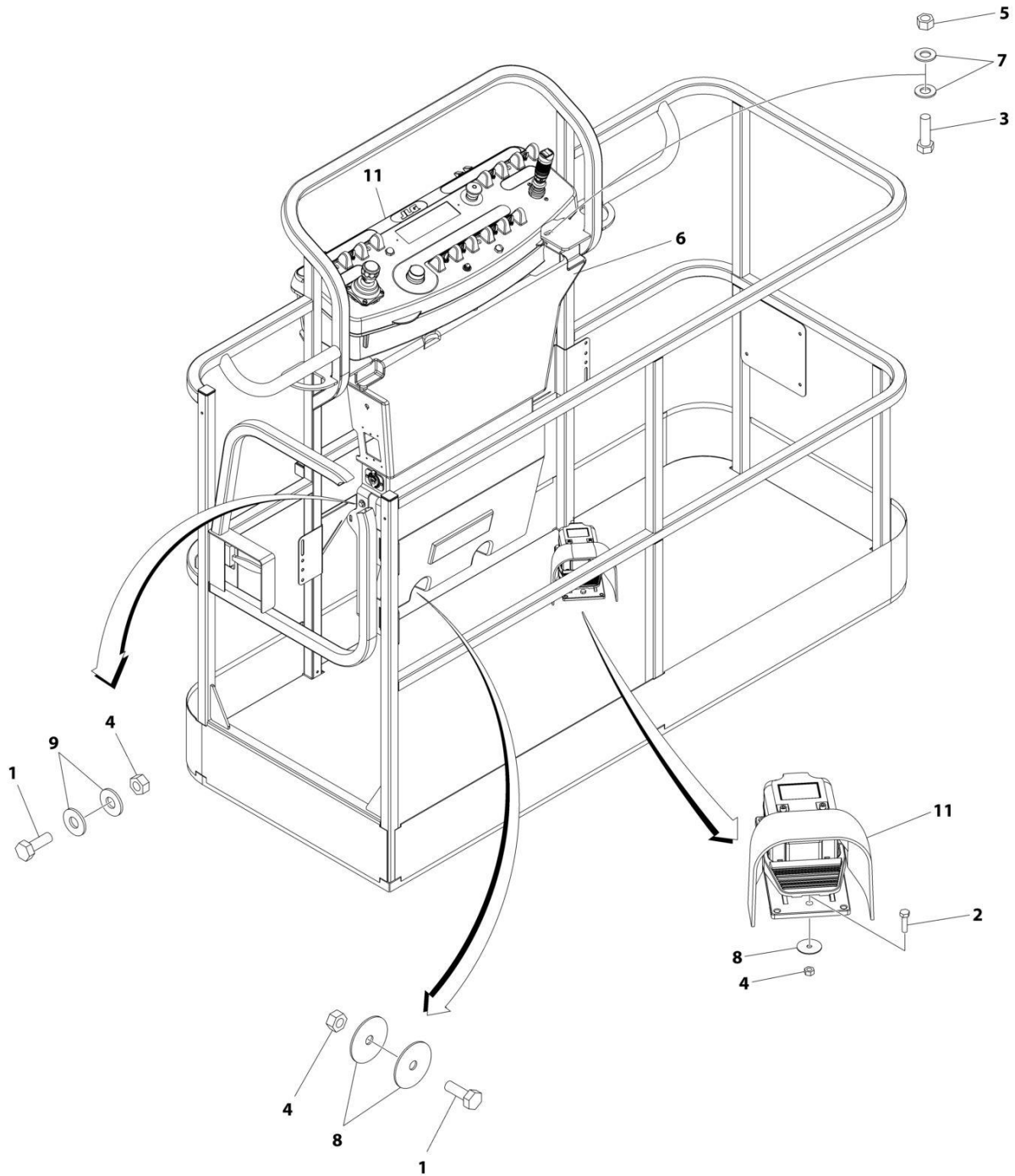
SECTION 4 - PLATFORM

FIGURE 4-7. PLATFORM ASSEMBLY - 30IN X 6FT (76CM X 1.83M) - WITH DROP BAR

ITEM	PART NUMBER	QTY	DESCRIPTION	REV
	1001188311	Ref	PLATFORM ASSEMBLY	D
	See Note	Ref	Note: Platform and Mesh must be ordered separately for Platforms with Mesh. See SPECIAL OPTIONS SECTION for Mesh Installations.	
	See Note	Ref	Note: Replacement Decals Must be Ordered Separately - See DECALS SECTION.	
1	0100011	AR	Compound, Locking	
2	0641418	2	Bolt 1/4 x 2-1/4	
3	0961845	2	Bushing	
4	3290606	2	Nut M6	
5	3300151	2	Nut 1/4	
6	4010618	2	Screw M6 x 50	
7	4711400	4	Washer 1/4	
8	4811700	2	Washer M6	
9	1001138494	1	Bar, Drop	
10	1001138514	1	Rail (Top)	
11	1001140429	1	Decal - Drop Bar	
12	1001145781	4	Cap, Plug	
13	See Note	NSS	Platform (Note: Not Available - Purchase Platform Assembly)	

SECTION 4 - PLATFORM

FIGURE 4-8. CONSOLE BOX INSTALLATION - WITH SKYGUARD



ART_1001264863

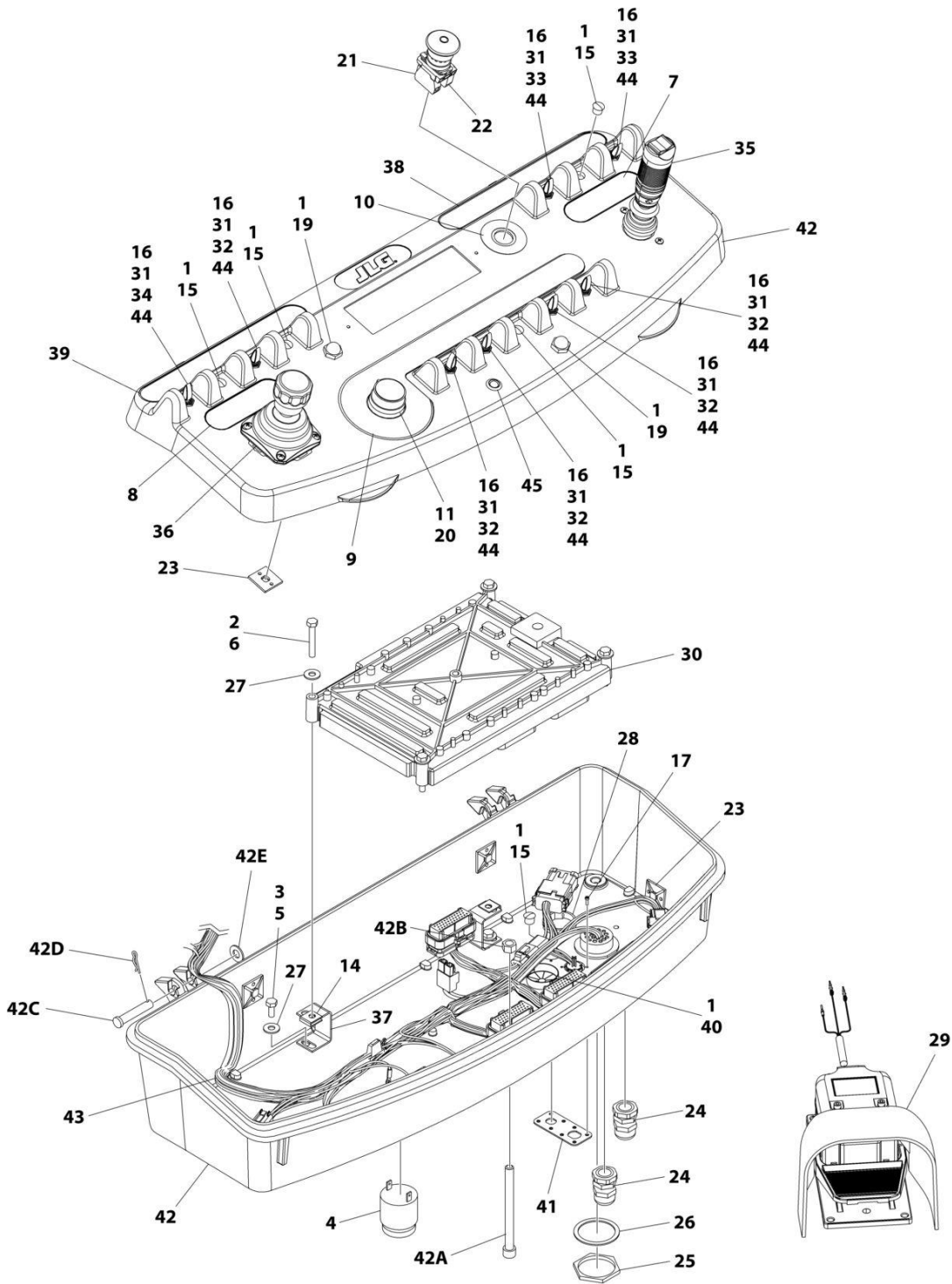
SECTION 4 - PLATFORM

FIGURE 4-8. CONSOLE BOX INSTALLATION - WITH SKYGUARD

ITEM	PART NUMBER	QTY	DESCRIPTION	REV
	1001264863	Ref	CONSOLE AND FOOTSWITCH INSTALLATION	A
1	0641406	4	Bolt 1/4 x 3/4	
2	0641408	3	Bolt 1/4 x 1	
3	0641610	4	Bolt 3/8 x 1-1/4	
4	3311405	7	Nut 1/4	
5	3311605	4	Nut 3/8	
6	3380434	1	Panel	
7	4711600	8	Washer 3/8	
8	4740362	7	Washer, Fender	
9	4751400	4	Washer 1/4	
10	1001169422	1	Platform to Boom Harness (Not Shown - See Separate Breakdown in ELECTRICAL Section)	
11	1001265027	1	Console and Footswitch Assembly (See Separate Breakdown in this Section)	
12	1001265414	1	Platform Valve Harness (Not Shown - See Separate Breakdown in ELECTRICAL Section)	

SECTION 4 - PLATFORM

FIGURE 4-9. PLATFORM CONSOLE BOX ASSEMBLY - WITH SKYGUARD



ART_1001265027

SECTION 4 - PLATFORM

FIGURE 4-9. PLATFORM CONSOLE BOX ASSEMBLY - WITH SKYGUARD

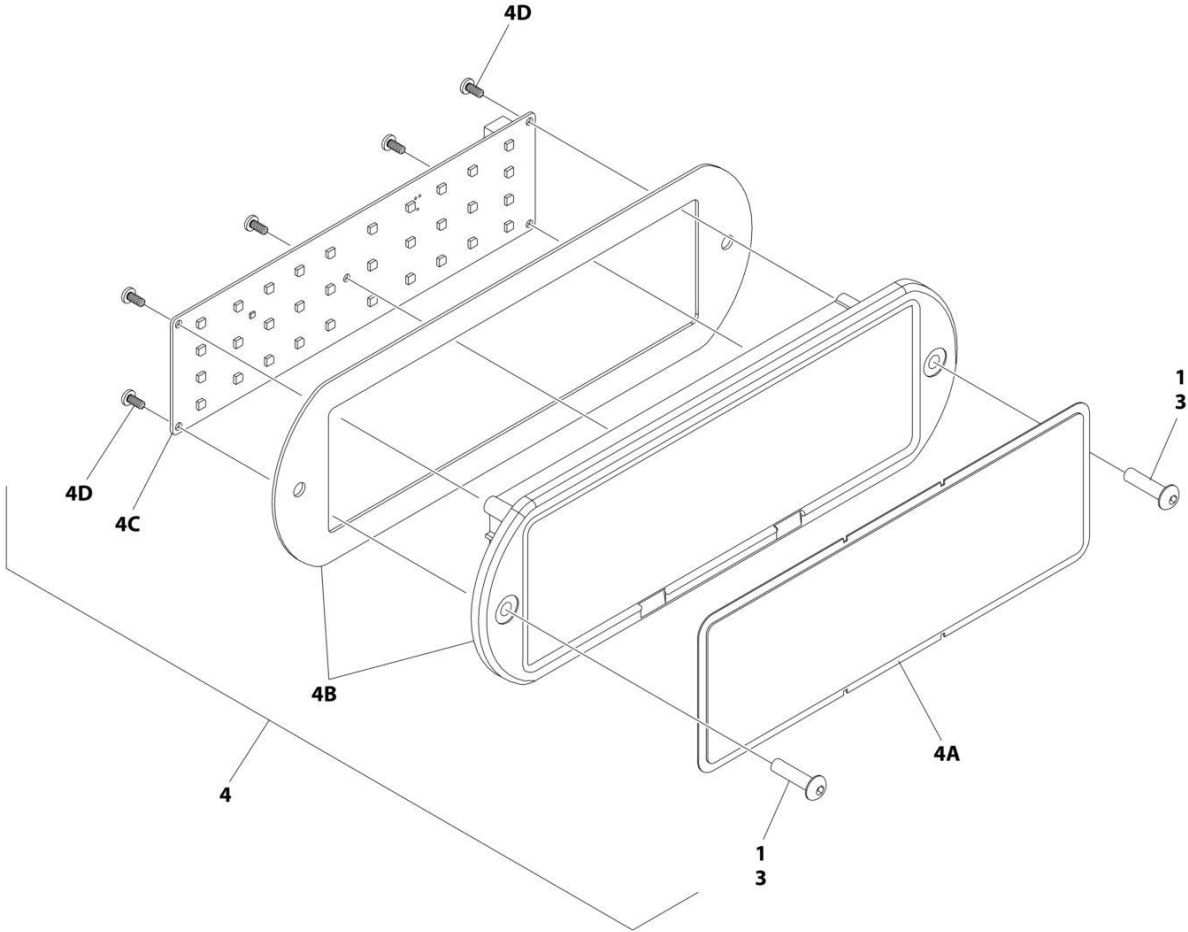
ITEM	PART NUMBER	QTY	DESCRIPTION	REV
	1001265027	Ref	PLATFORM CONSOLE BOX ASSEMBLY	D
1	0100009	AR	Sealant	
2	0100048	AR	Grease, Dielectric	
3	0100035	AR	Compound, Locking	
4	0140011	1	Alarm	
5	0641405	4	Bolt 1/4 x 5/8	
6	0641414	4	Bolt 1/4 x 1-3/4	
7	1702565	1	Decal - Drive and Steer	
8	1702566	1	Decal - Lift and Swing	
9	1702567	1	Decal - Function Speed	
10	1704260	1	Decal - EMS	
11	2560136	1	Handle, Knob	
14	3300353	4	Nut	
15	3520054	5	Plug	
16	3790012	8	O-Ring	
17	3900349	8	Screw	
18	4240099	AR	Tie-Strap (Not Shown)	
19	4360387	2	Switch, Pushbutton	
20	4360407	1	Switch, Potentiometer	
21	1001274559	1	Switch, Emergency	
21	7020175	1	Cap, Red	
21	7020176	1	Contact Block	
22	4360476	1	Block, Contact	
23	4460234	8	Terminal	
24	4460428	2	Connector, Strain Relief	
25	4460470	1	Nut	
26	4460471	1	Washer	
27	4751400	8	Washer 1/4	
28	1001110434	1	Plug	
29	1001117174	1	Footswitch Assembly (See Separate Breakdown in this Section)	
30	1001118412	1	Module, Control (Note: Recalibration Required when Replaced) (Prior to SN C300000159)	
30	1001169594	1	Module, Control (Note: Recalibration Required when Replaced) (SN C300000159 to Present)	
31	1001155044	8	Nut 15/32	
32	1001155045	5	Switch, Toggle	
33	1001159256	2	Switch, Toggle	
34	1001161710	1	Switch, Toggle	
35	1001166538	NLA	Controller Assembly (Drive and Steer) (Use p/n 1001212415) (See Separate Breakdown in this Section)	
36	1001166539	NLA	Controller Assembly (Lift and Swing) (Use p/n 1001129555 as Replacement) (See Separate Breakdown in this Section)	
37	1001172760	4	Bracket	
38	1001257868	1	Decal - Stop	
39	1001169092	1	Decal - Horn	
40	1001185281	1	Plug	
41	1001213882	1	Connector, Mounting	
42	1001215228	1	Platform Console Box	
42A	0630568	1	Capscrew 3/8 x 4-1/2	
42B	3311601	1	Nut 3/8	

SECTION 4 - PLATFORM

ITEM	PART NUMBER	QTY	DESCRIPTION	REV
42C	3430616	2	Pin, Clevis	
42D	3470003	2	Hairpin	
42E	4711600	2	Washer 3/8	
43	1001238254	1	Harness, Platform Console Box (See Separate Breakdown in ELECTRICAL Section)	
44	4740397	8	Washer	
45	1001206532	1	Lamp, LED Indicator (Yellow)	

SECTION 4 - PLATFORM

FIGURE 4-10. LIGHT PANEL INSTALLATION - PLATFORM CONTROL



ART_1001259504_20F2

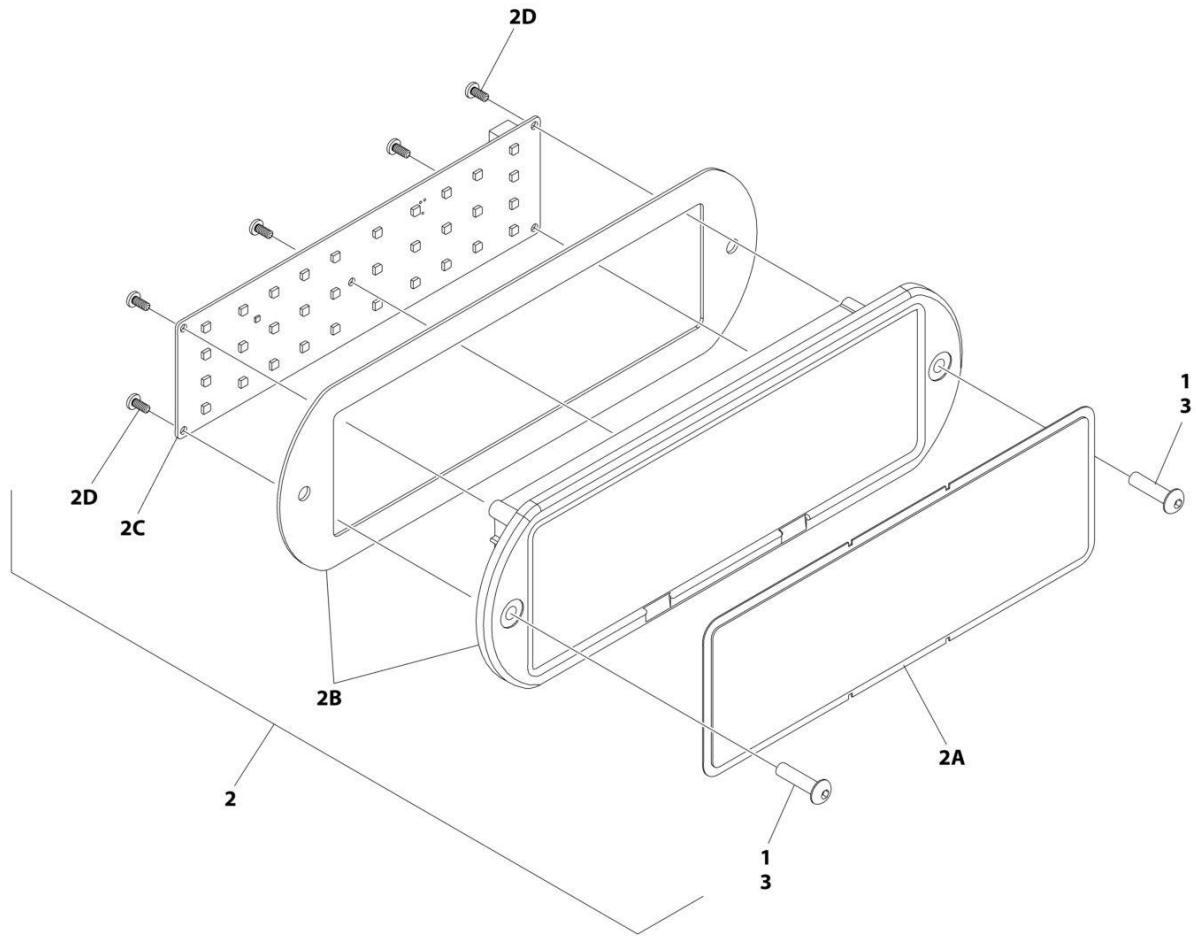
SECTION 4 - PLATFORM

FIGURE 4-10. LIGHT PANEL INSTALLATION - PLATFORM CONTROL

ITEM	PART NUMBER	QTY	DESCRIPTION	REV
	1001259504	Ref	LIGHT PANEL INSTALLATION - PLATFORM CONTROL	A
1	0100035	AR	Compound, Locking	
3	0630518	2	Screw #10 x 3/4	
4	1001259491	1	Light Panel Electrical Assembly	A
4A	1001245164	1	Overlay	
4B	1001259477	1	Housing (Includes Gasket)	
4C	1001187807	1	Panel, LED Light	
4D		Ref	Screw #10 x 3/4	

SECTION 4 - PLATFORM

FIGURE 4-11. LIGHT PANEL INSTALLATION - PLATFORM CONTROL (CE SPECS ONLY)



ART_1001265145_20F2

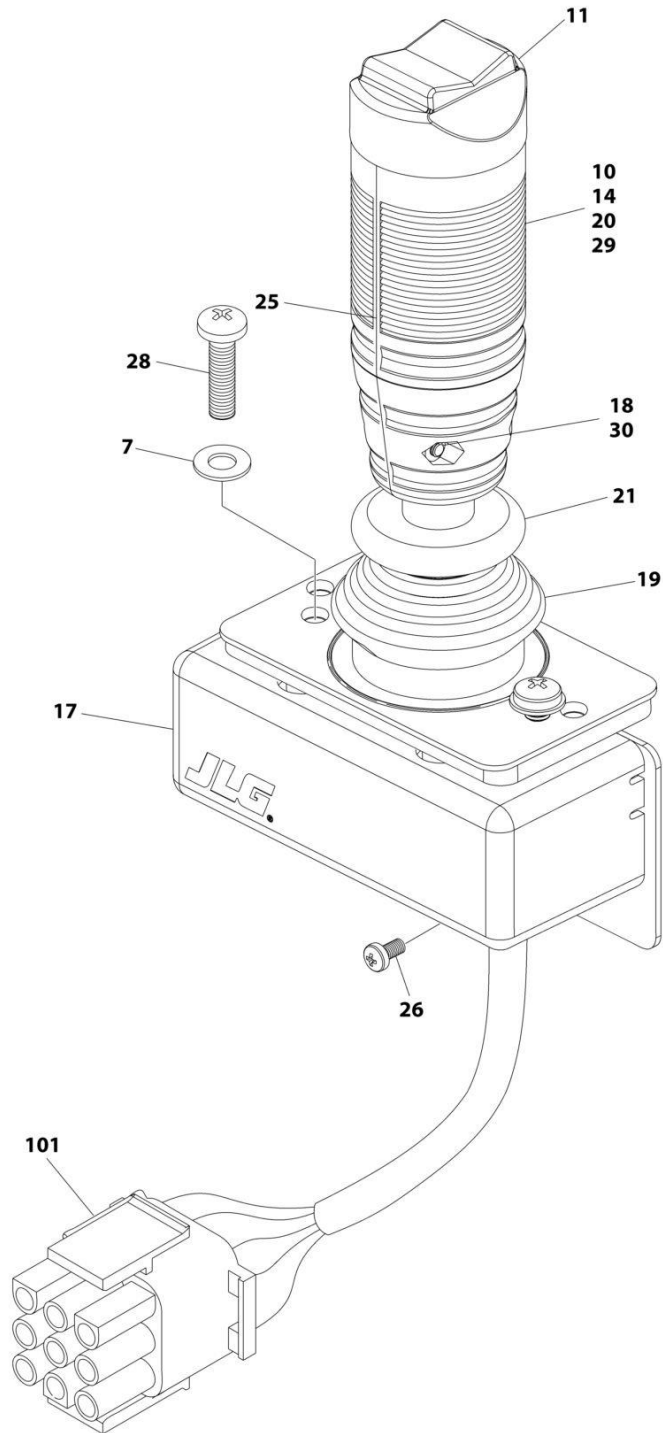
SECTION 4 - PLATFORM

FIGURE 4-11. LIGHT PANEL INSTALLATION - PLATFORM CONTROL (CE SPECS ONLY)

ITEM	PART NUMBER	QTY	DESCRIPTION	REV
	1001265145	Ref	LIGHT PANEL INSTALLATION - PLATFORM CONTROL	A
1	0100035	AR	Compound, Locking	
2	1001259491	1	Light Panel Electrical Assembly	A
2A	1001245164	1	Overlay	
2B	1001259477	1	Housing (Includes Gasket)	
2C	1001187807	1	Panel, LED Light	
2D		Ref	Screw	
3	0630518	2	Screw #10 x 3/4	

SECTION 4 - PLATFORM

FIGURE 4-12. CONTROLLER ASSEMBLY - DRIVE AND STEER



ART_1001166538

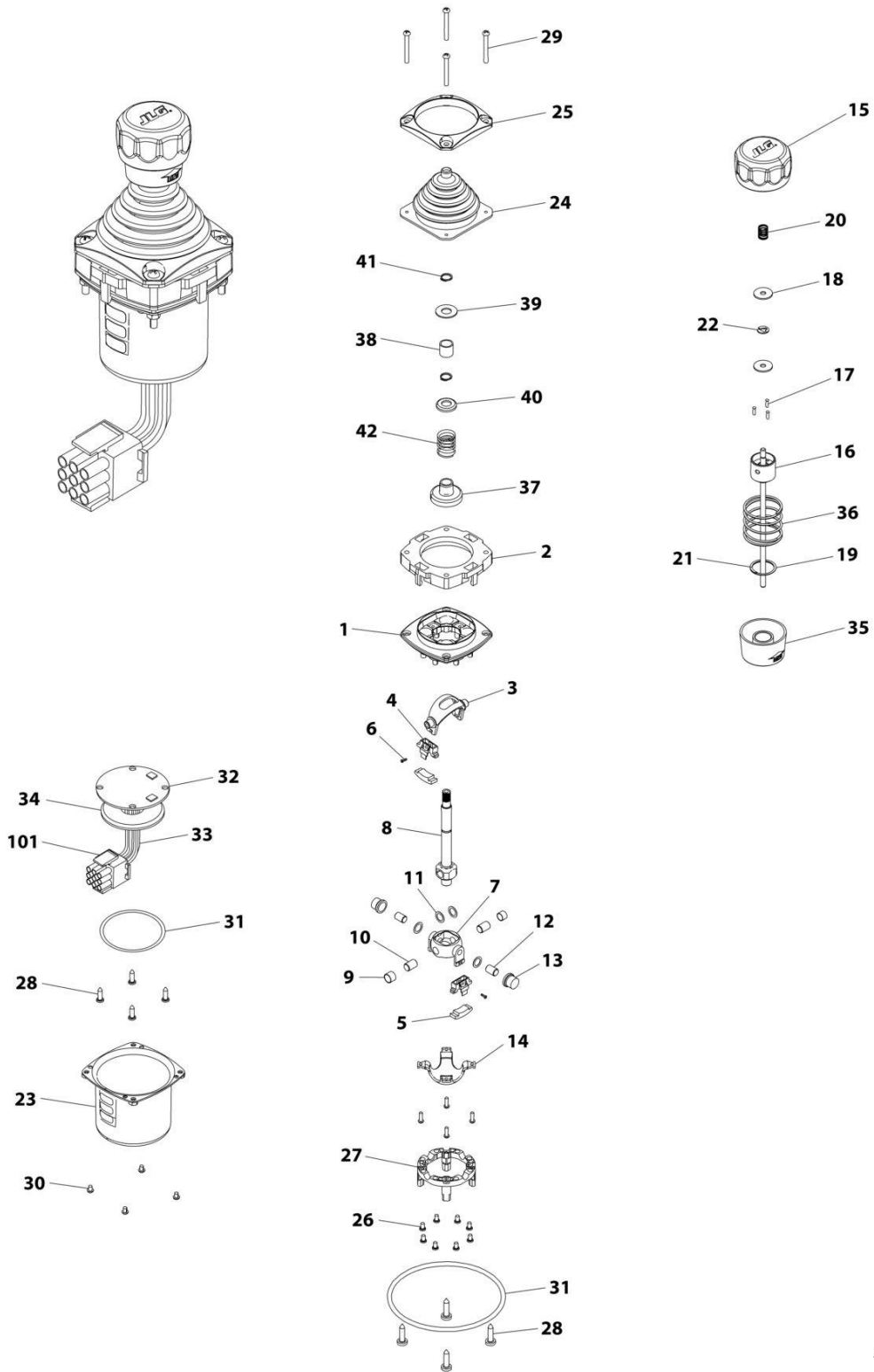
SECTION 4 - PLATFORM

FIGURE 4-12. CONTROLLER ASSEMBLY - DRIVE AND STEER

ITEM	PART NUMBER	QTY	DESCRIPTION	REV
	1001166538	Ref	CONTROLLER ASSEMBLY - DRIVE AND STEER	G
		Ref	Note: For Replacement, Use p/n 1001212415.	
7	70004738	2	Washer	
10	70004739	1	Roller	
11	70004740	1	Boot, Switch	
14	70004741	2	Half, Handle	
17	70004742	1	Enclosure	
18	70004743	4	Nut	
19	70004744	NLA	Boot, Controller (Use p/n 70005230 Boot/Base Assembly)	
20	70004745	NLA	Tube, Locking (Use p/n 70005230 Boot/Base Assembly)	
21	70004746	NLA	Disc, Locking (Use p/n 70005230 Boot/Base Assembly)	
25	70004747	2	Seal, Rope	
26	70004748	1	Screw M3 x 6	
28	70004749	2	Screw M5 x 20	
29	70004750	1	Pin, Dowel	
30	70004751	4	Screw M3 x 16	
101	4460265	1	Connector - 9 Position	
101	4460226	7	Socket, Female	

SECTION 4 - PLATFORM

FIGURE 4-13. CONTROLLER ASSEMBLY - LIFT AND SWING



ART_1001166539

SECTION 4 - PLATFORM

FIGURE 4-13. CONTROLLER ASSEMBLY - LIFT AND SWING

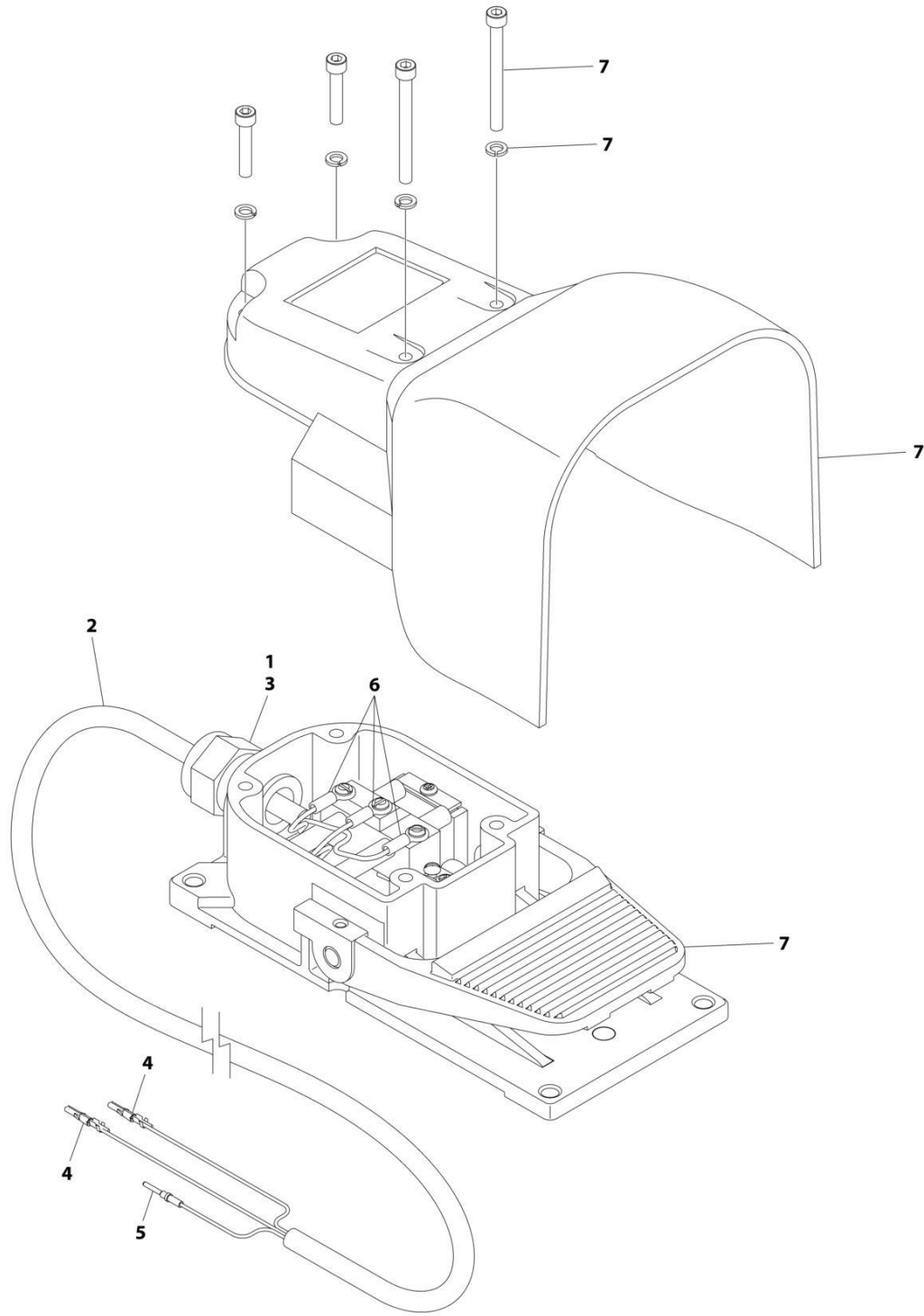
ITEM	PART NUMBER	QTY	DESCRIPTION	REV
	1001166539	Ref	CONTROLLER ASSEMBLY	E
		Ref	Note: Original Equipment Controller May Have Been Replaced with Service Replacement Controller. Visually Identify Controller Before Ordering Parts.	
		Ref	Note: For Replacement, Use p/n 1001129555	
1	See Note	NSS	Main Cast Body (Note: Not Available - Purchase Complete Assembly)	
2	70004752	1	Adapter	
3	See Note	NSS	Pivot Arm, Plastic (Note: Not Available - Purchase Complete Assembly)	
4	See Note	NSS	Holder, Magnet (Note: Not Available - Purchase Complete Assembly)	
5	See Note	NSS	Arc, Magnet (Note: Not Available - Purchase Complete Assembly)	
6	See Note	NSS	Screw (Note: Not Available for Purchase)	
7	See Note	NSS	Pivot Arm, Cast (Note: Not Available - Purchase Complete Assembly)	
8	See Note	NSS	Shaft, Main (Note: Not Available - Purchase Complete Assembly)	
9	See Note	NSS	Bearing (Note: Not Available - Purchase Complete Assembly)	
10	See Note	NSS	Pin (Note: Not Available - Purchase Complete Assembly)	
11	See Note	NSS	Shim (Note: Not Available - Purchase Complete Assembly)	
12	See Note	NSS	Pin (Note: Not Available - Purchase Complete Assembly)	
13	See Note	NSS	Bearing (Note: Not Available - Purchase Complete Assembly)	
14	See Note	NSS	Dome, Centering (Note: Not Available - Purchase Complete Assembly)	
15	70004753	1	Cap	
16	70004754	1	Insert, Cap	
17	70004755	3	Pin	
18	70004756	2	Washer	
19	70004757	1	Pin, Centering	
20	70004758	1	Spring	
21	70004759	1	Ring, Retaining	
22	70004760	1	E-Ring	
23	70004761	1	Can, Enclosure	
24	70004762	1	Boot	
25	70004763	1	Bezel	
26	See Note	NSS	Screw (Note: Not Available for Purchase)	
27	See Note	NSS	Base Mounting (Note: Not Available - Purchase Complete Assembly)	
28	See Note	NSS	Screw (Note: Not Available for Purchase)	
29	70004764	4	Screw	
30	70004765	4	Screw	
31	70004766	1	O-Ring	
32	See Note	NSS	Plate (Note: Not Available - Purchase Complete Assembly)	
33	See Note	NSS	Harness (Note: Not Available - Purchase Complete Assembly)	
34	70004767	1	Grommet, Rubber	
35	70004768	1	Housing	
36	70004769	1	Spring	
37	70004770	1	Stopper	
38	70004771	1	Spacer	
39	70004772	1	Washer	
40	70004773	1	Disc	

SECTION 4 - PLATFORM

ITEM	PART NUMBER	QTY	DESCRIPTION	REV
41	70004774	2	Ring, Retaining	
42	70004775	1	Spring	
101	4460265	1	Connector - 9 Position	
101	4460226	6	Socket, Female	

SECTION 4 - PLATFORM

FIGURE 4-14. FOOTSWITCH ASSEMBLY



ART_1001117174

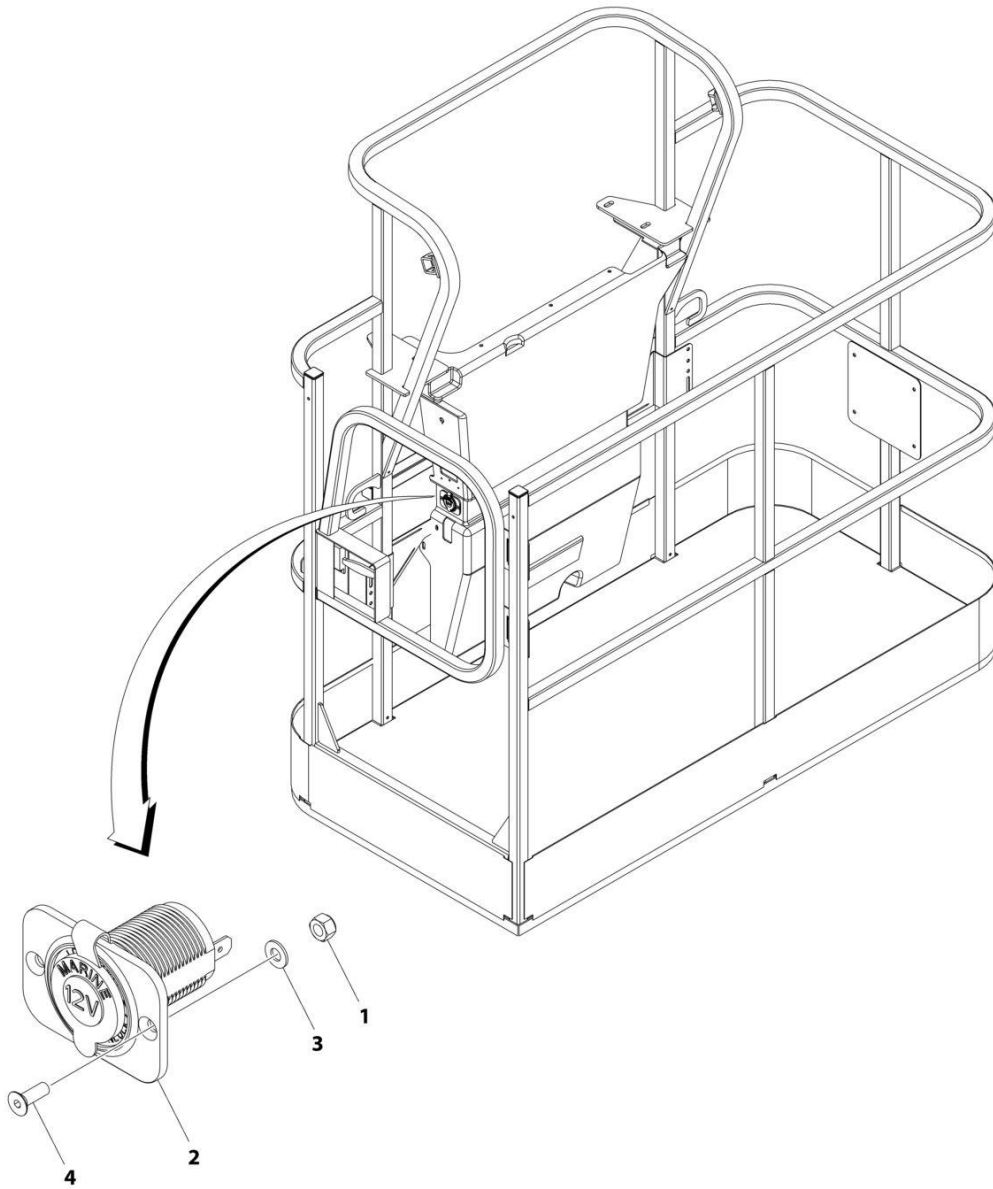
SECTION 4 - PLATFORM

FIGURE 4-14. FOOTSWITCH ASSEMBLY

ITEM	PART NUMBER	QTY	DESCRIPTION	REV
	1001117174	Ref	FOOTSWITCH ASSEMBLY	C
1	0100020	AR	Sealant	
2	1060918	7.5 ft/ 2.3m	Cable, Electrical - 18/3	
3	4460071	1	Connector, Strain Relief	
4	4460226	2	Socket, Female	
5	4460464	1	Pin, Male	
6	1001098122	3	Terminal	
7	1001117172	1	Footswitch	
7	70002902	1	Switch, 20Amp	
7	70002903	1	Gasket	
7	70002905	1	Cover	
7	70002904	1	Kit, Replacement Bolt	

SECTION 4 - PLATFORM

FIGURE 4-15. PLATFORM CHARGER (12V)



ART_1001263608

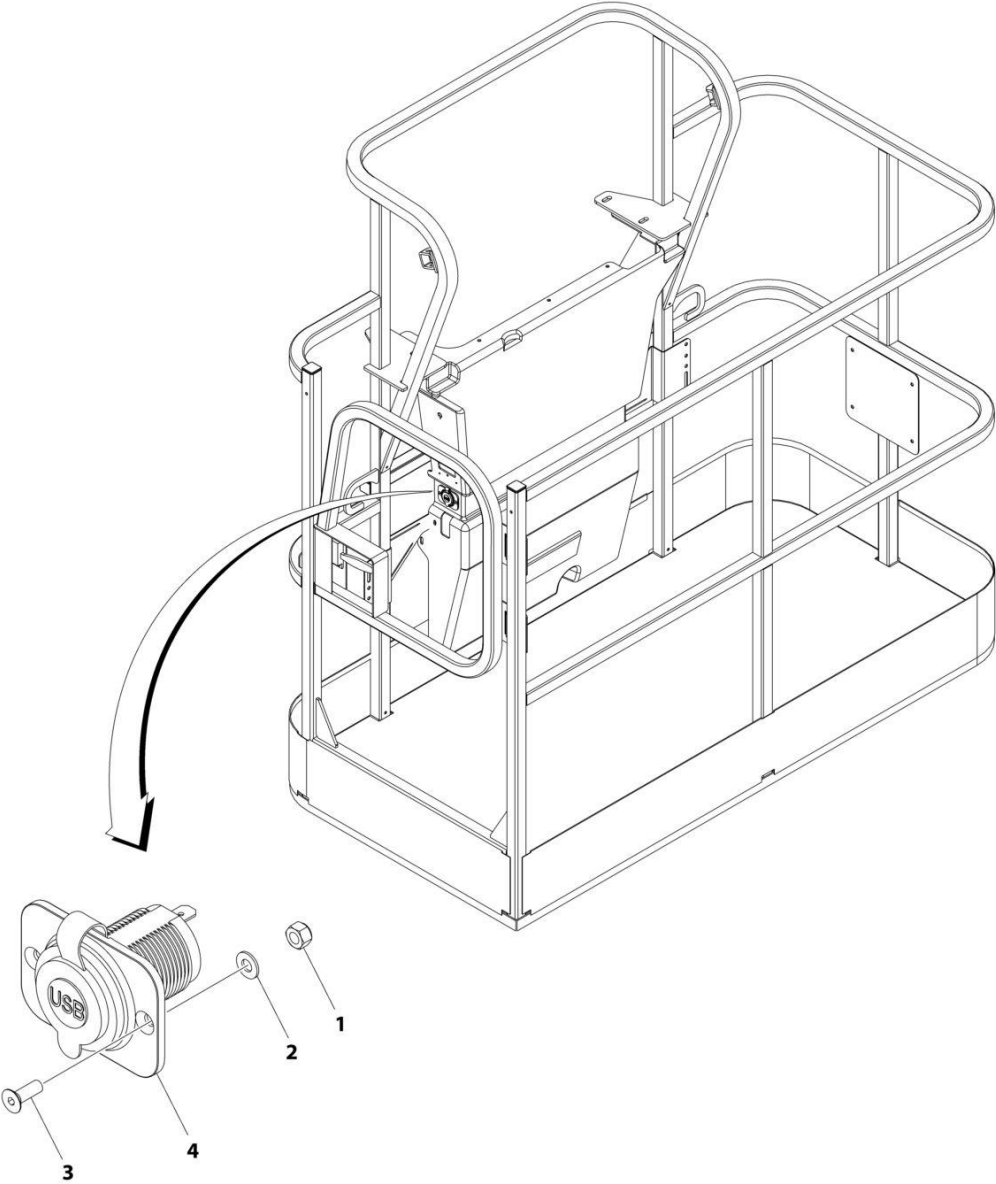
SECTION 4 - PLATFORM

FIGURE 4-15. PLATFORM CHARGER (12V)

ITEM	PART NUMBER	QTY	DESCRIPTION	REV
	1001263608	Ref	PLATFORM CHARGER (12V)	A
1	3290405	2	Nut M4	
2	4461012	1	Receptacle, 12V	
3	4811400	2	Washer M4	
4	1001097244	2	Capscrew M4 x 12	

SECTION 4 - PLATFORM

FIGURE 4-16. PLATFORM CHARGER (USB)



ART_1001263609

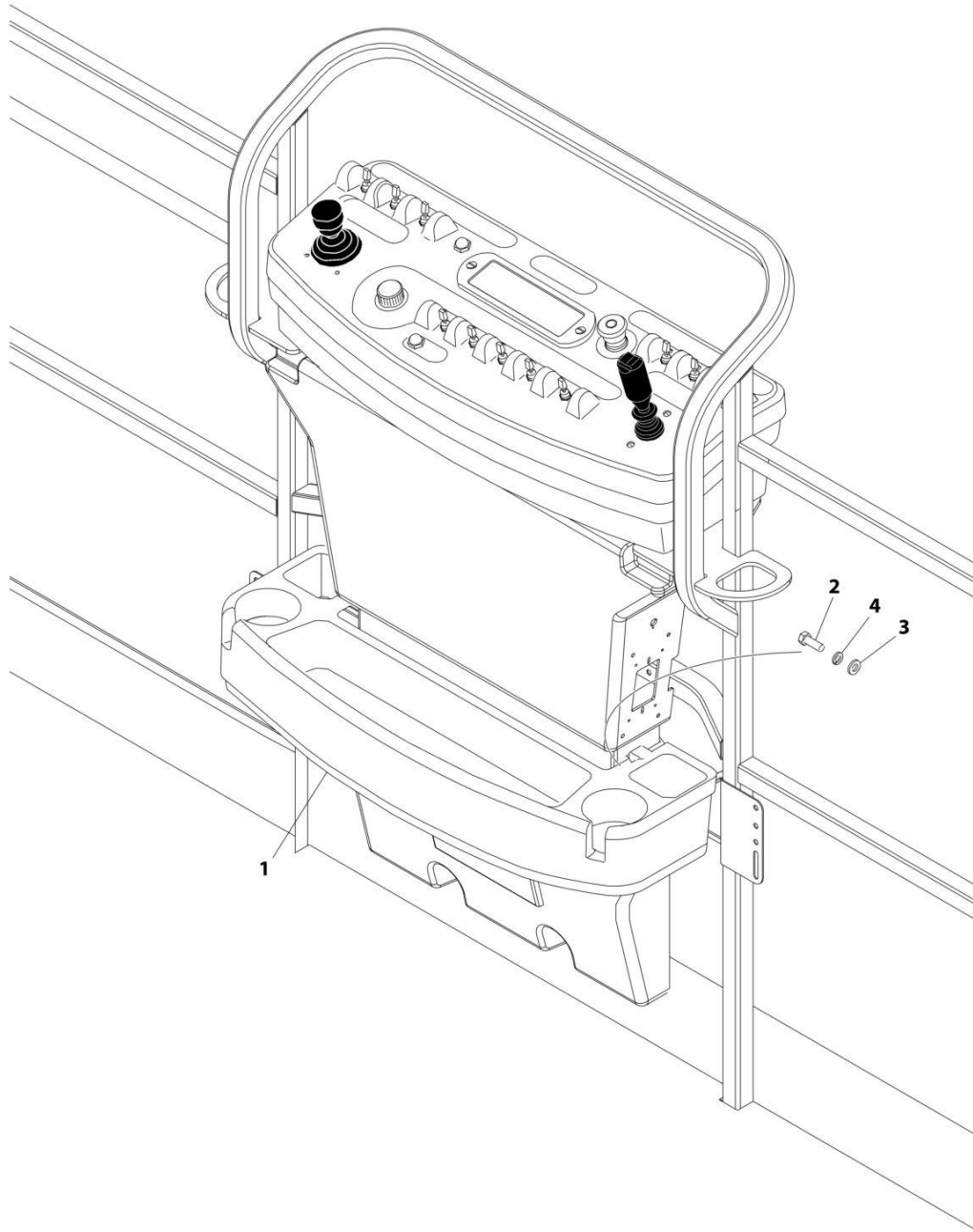
SECTION 4 - PLATFORM

FIGURE 4-16. PLATFORM CHARGER (USB)

ITEM	PART NUMBER	QTY	DESCRIPTION	REV
	1001263609	Ref	PLATFORM CHARGER (USB)	A
1	3290405	2	Nut M4	
2	4811400	2	Washer M4	
3	1001097244	2	Capscrew M4 x 12	
4	1001210636	1	Receptacle, USB	

SECTION 4 - PLATFORM

FIGURE 4-17. TRAY ASSEMBLY



ART_1580012

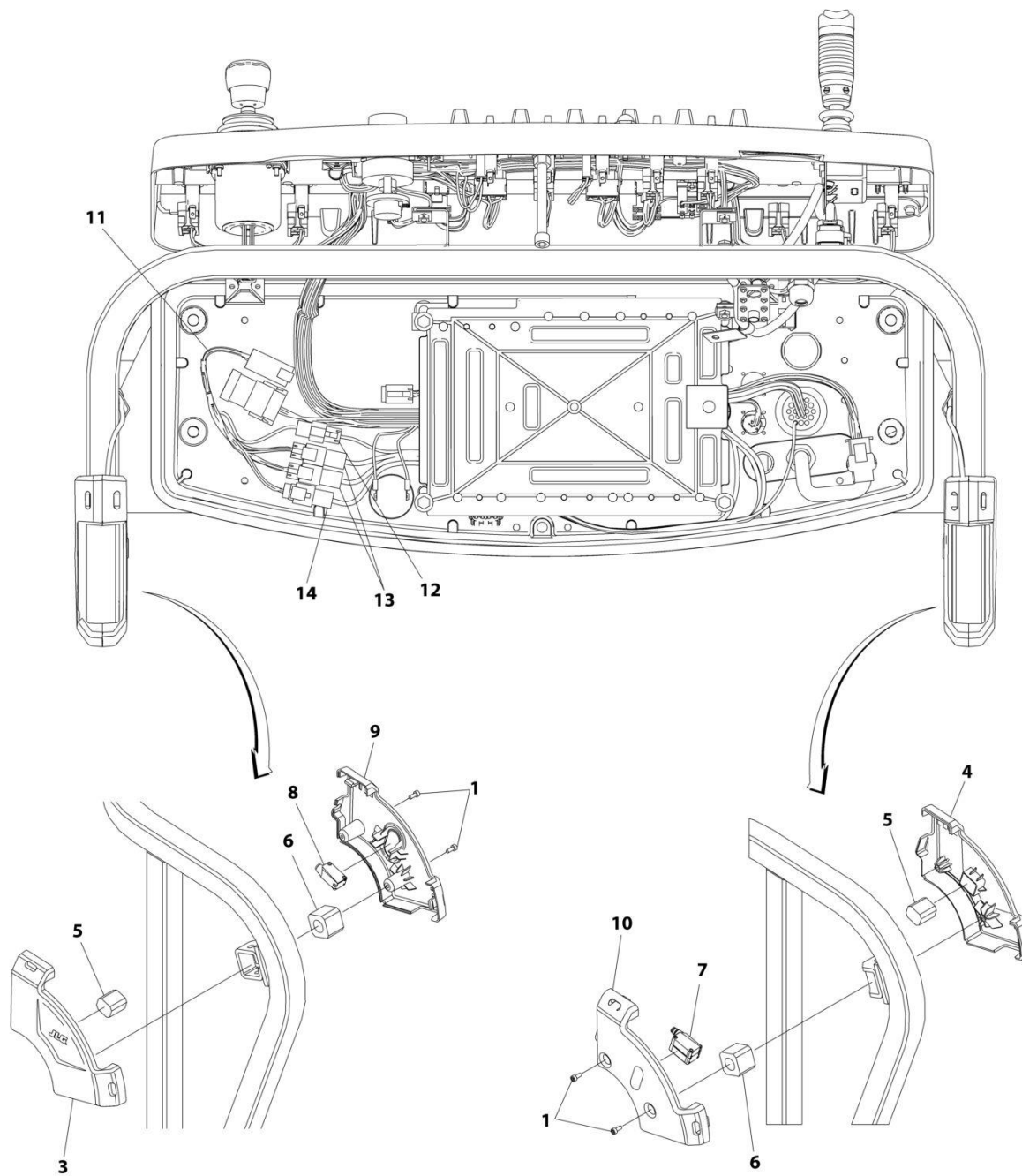
SECTION 4 - PLATFORM

FIGURE 4-17. TRAY ASSEMBLY

ITEM	PART NUMBER	QTY	DESCRIPTION	REV
	1580012	Ref	TRAY ASSEMBLY	C
1	See Note	NSS	Tray, Storage (Center) (Note: Purchase p/n 1580012)	
2	0641406	2	Bolt 1/4 x 3/4	
3	4751400	2	Washer 1/4	
4	4761400	2	Washer 1/4	

SECTION 4 - PLATFORM

FIGURE 4-18. SKYEYE INSTALLATION



ART_1001229341

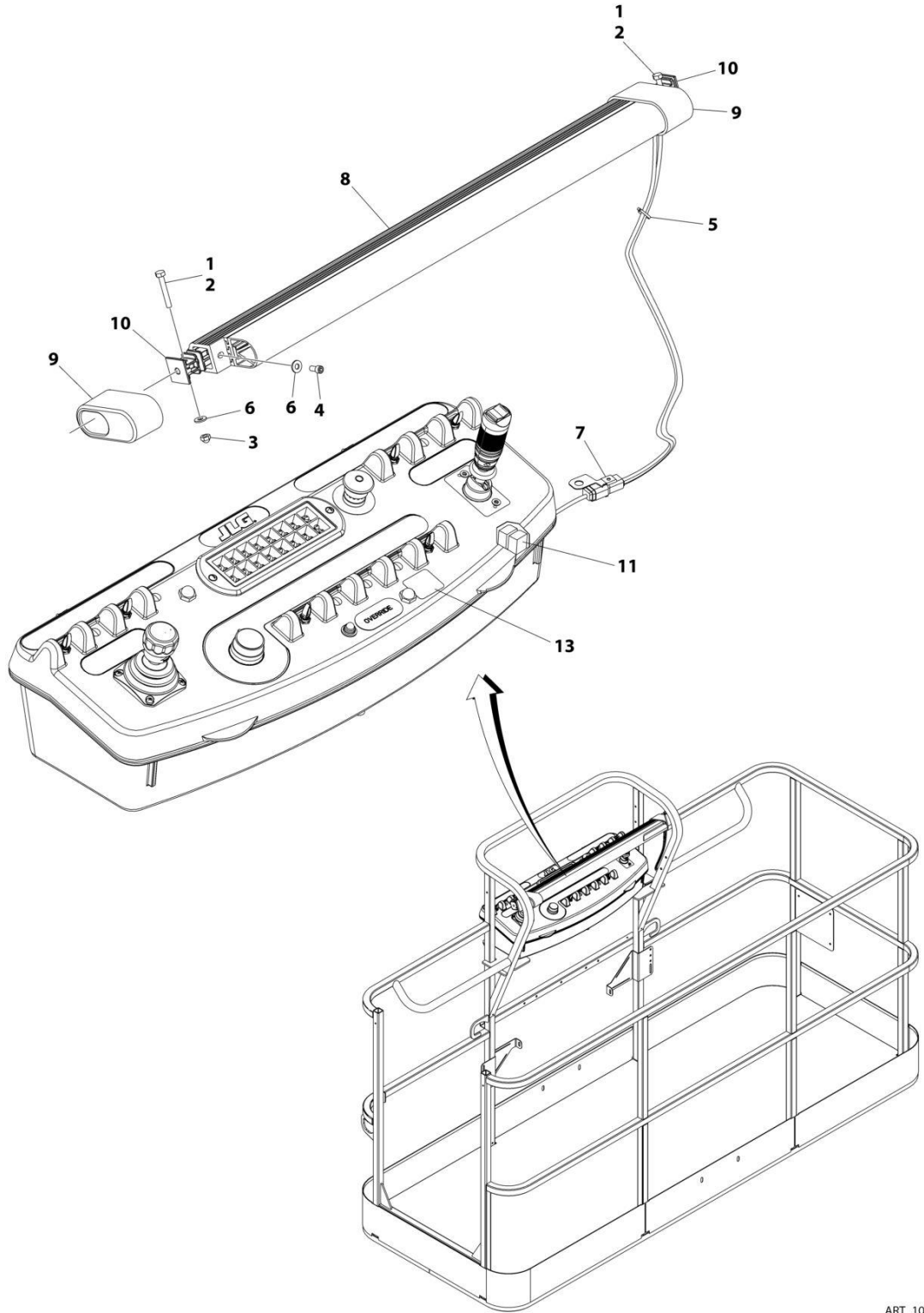
SECTION 4 - PLATFORM

FIGURE 4-18. SKYEYE INSTALLATION

ITEM	PART NUMBER	QTY	DESCRIPTION	REV
	1001229341	Ref	SKYEYE INSTALLATION	B
1	4031505	4	Bolt M4 x 10	
2	4240033	AR	Tie-Strap (Not Shown)	
3	1001227633	1	Housing, LH Outer	
4	1001227634	1	Housing, RH Outer	
5	1001227985	2	Shim	
6	1001227987	2	Shim	
7	1001228224	2	Sensor, Receiver	
8	1001228225	1	Sensor, Emitter	
9	1001232164	1	Housing, LH Inner	
10	1001232165	1	Housing, RH Inner	
11	1001237865	1	Harness, Skyeeye Intermediate (See Separate Breakdown in ELECTRICAL Section)	
12	1001238319	NLA	Harness, Skyeeye Drain Jumper	
12	1001187674	1	Plug, Male - 2 Position	
12	4460942	1	Terminal	
12	4460466	1	Plug, Terminal	
12	4460508	1	Pin, Male	
13	1001237863	2	Harness, Skyeeye Receiver (See Separate Breakdown in ELECTRICAL Section)	
14	1001237864	1	Harness, Skyeeye Emitter (See Separate Breakdown in ELECTRICAL Section)	

SECTION 4 - PLATFORM

FIGURE 4-19. SKYGUARD BAR INSTALLATION



ART_1001238495

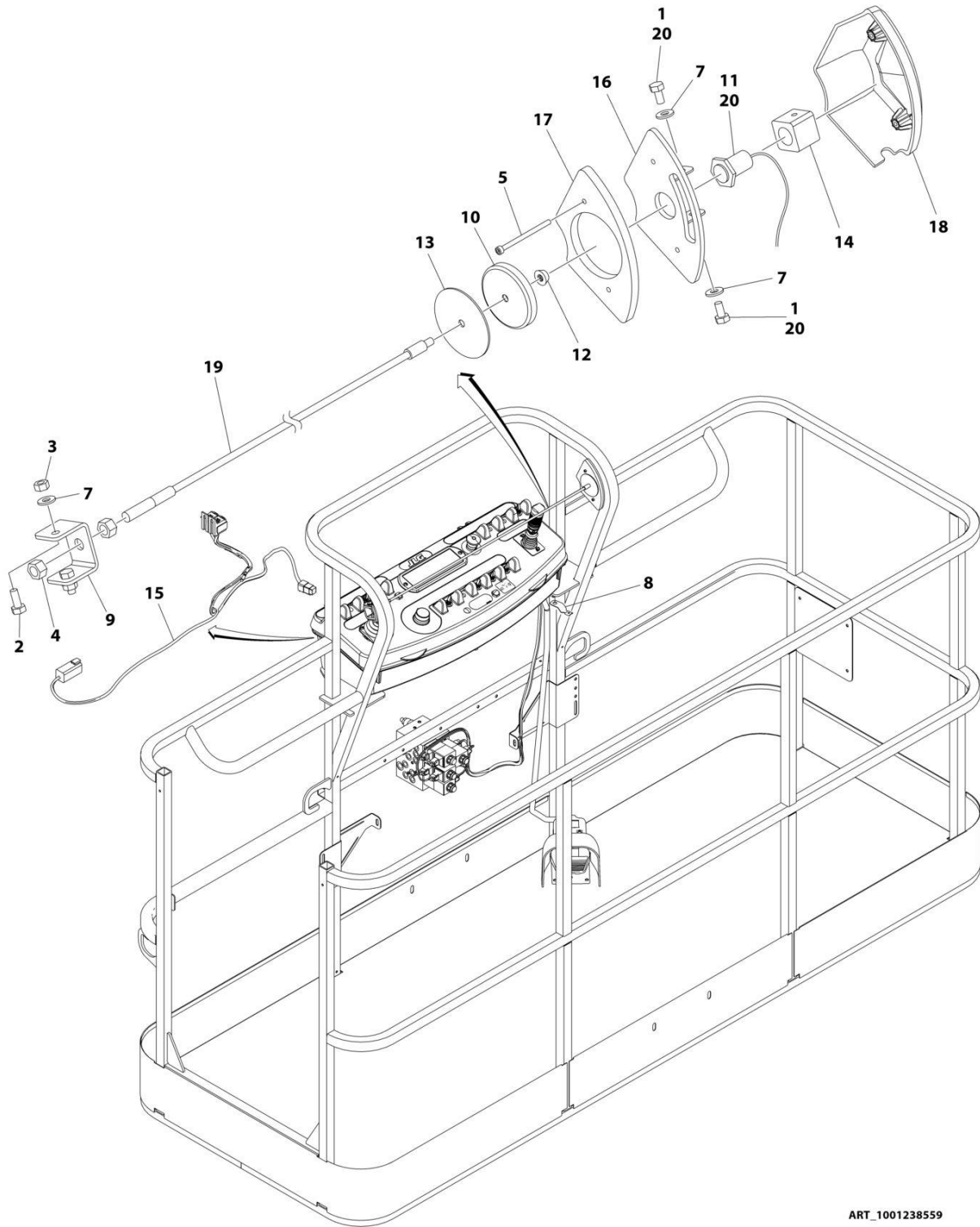
SECTION 4 - PLATFORM

FIGURE 4-19. SKYGUARD BAR INSTALLATION

ITEM	PART NUMBER	QTY	DESCRIPTION	REV
	1001238495	Ref	SKYGUARD BAR INSTALLATION	A
1	0100011	AR	Compound, Locking	
2	0641414	2	Bolt 1/4 x 1-3/4	
3	3300430	2	Nut 1/4	
4	3931408	2	Capscrew 1/4 x 1/2	
5	4240033	8	Tie-Strap	
6	4711400	6	Washer 1/4	
7	1001120328	1	Mount	
8	1001137673	1	SkyGuard Switch Assembly	
9	1001186517	2	Cover, Platform Sensor	
10	1001209664	2	Support, Block	
11	1001186431	2	Relay	
12	1001225580	1	Interface Harness Assembly (Not Shown - Located Inside Console Box) (See Separate Breakdown in ELECTRICAL Section)	
13	1001144433	1	Decal - No Weight SkyGuard	

SECTION 4 - PLATFORM

FIGURE 4-20. SKYLINE INSTALLATION



ART_1001238559

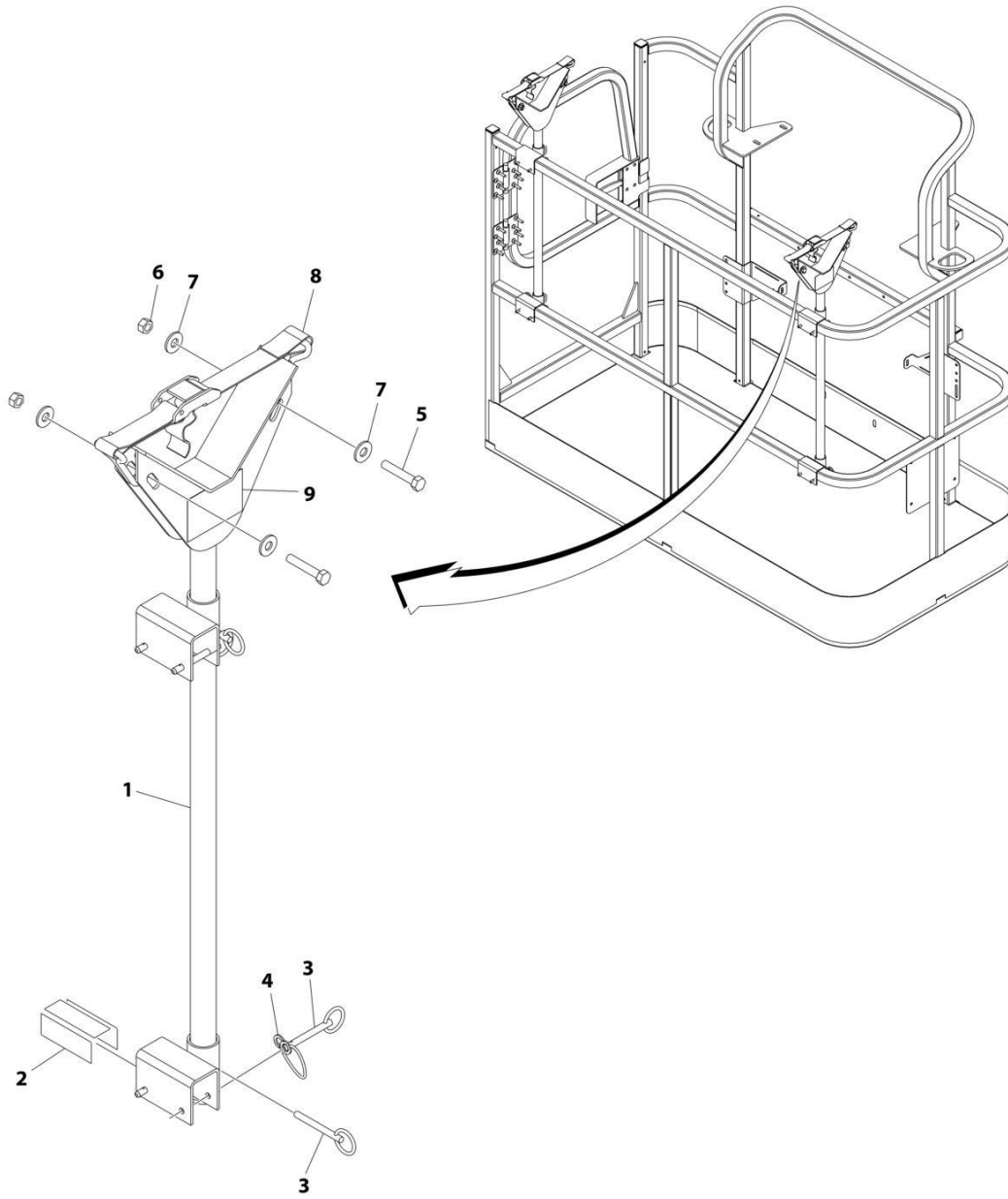
SECTION 4 - PLATFORM

FIGURE 4-20. SKYLINE INSTALLATION

ITEM	PART NUMBER	QTY	DESCRIPTION	REV
	1001238559	Ref	SKYLINE INSTALLATION	B
1	0641404	2	Bolt 1/4 x 1/2	
2	0641405	2	Bolt 1/4 x 5/8	
3	3311405	2	Nut 1/4	
4	3311601	2	Nut 3/8	
5	4031516	2	Capscrew M4 x 60	
6	4240033	AR	Tie-Strap (Not Shown)	
7	4711400	4	Washer 1/4	
8	1001120328	1	Mount	
9	1001232642	1	Bracket	
10	1001232650	1	Magnet	
11	1001232667	1	Sensor, Proximity	
12	1001235011	1	Nut	
13	1001235013	1	Washer	
14	1001236552	1	Block	
15	1001238418	1	Harness, Skyline (See Separate Breakdown in ELECTRICAL Section)	
16	1001238472	1	Mount	
17	1001238477	1	Housing, LH	
18	1001241965	1	Housing, RH	
19	1001238824	1	Rope	
20	0100011	AR	Compound, Locking	

SECTION 4 - PLATFORM

FIGURE 4-21. PIPE RACK INSTALLATION



ART_0257728

SECTION 4 - PLATFORM

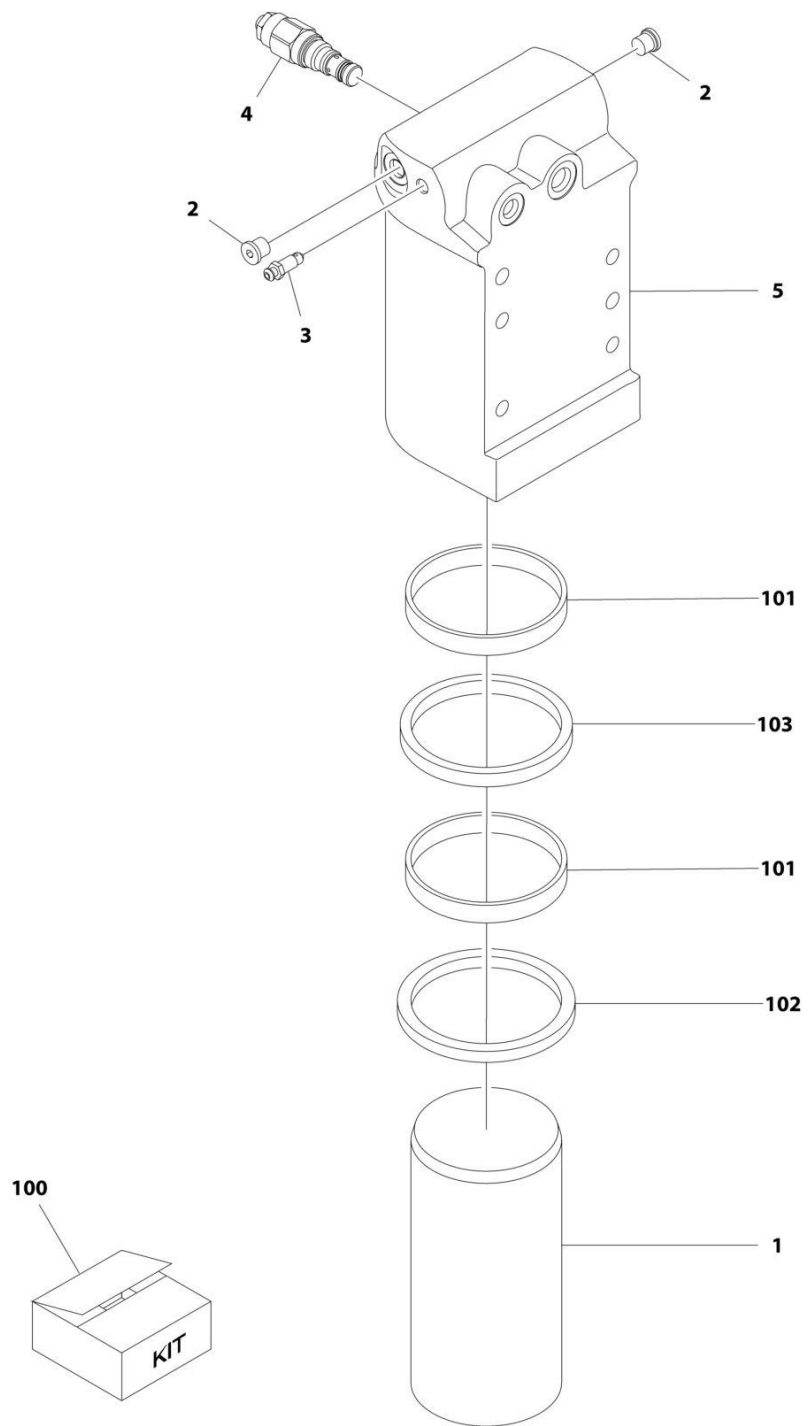
FIGURE 4-21. PIPE RACK INSTALLATION

ITEM	PART NUMBER	QTY	DESCRIPTION	REV
	0257728	Ref	PIPE RACK INSTALLATION	3/E
1	4845582	2	Rack, Pipe	
2	4420062	AR	Tape	
3	3422661	10	Pin	
4	1060379	4	Lanyard	
5	0641514	4	Bolt 5/16 x 1-3/4	
6	3311505	4	Nut 5/16	
7	4751500	8	Washer 5/16	
8	0480100	2	Tie-Down	
11	1001252946	2	Decal - Tube Rack Cap (1)	
12	1001252947	2	Decal - Tube Rack Cap (2)	

SECTION 5 - CYLINDER

SECTION 5 - CYLINDER

FIGURE 5-1. AXLE LOCKOUT CYLINDER ASSEMBLY



ART_1001163580

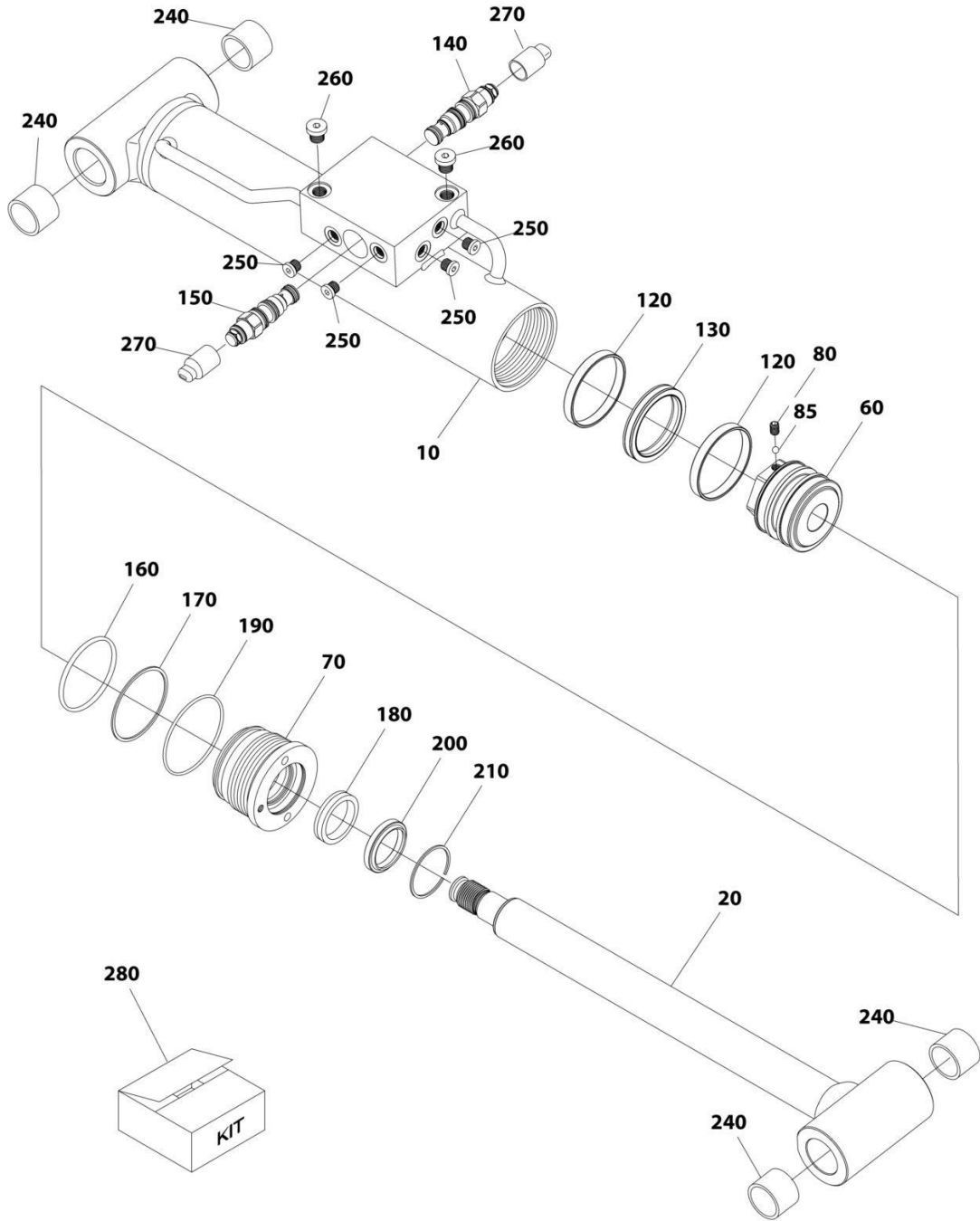
SECTION 5 - CYLINDER

FIGURE 5-1. AXLE LOCKOUT CYLINDER ASSEMBLY

ITEM	PART NUMBER	QTY	DESCRIPTION	REV
	1001163580	Ref	AXLE LOCKOUT CYLINDER ASSEMBLY	I
		Ref	Note: Original Cylinder May Have Been Replaced with Service Replacement. Identify PN Stamped on Cylinder Before Ordering Parts.	
1	1684290	1	Rod	
2	2220883	2	Plug #4	
3	4640858	1	Valve, Bleeder	
4	1001117372	1	Cartridge, Valve	
4	70002842	1	Seal Kit - 1001117372 Valve	
5	1001164817	1	Barrel	
100	2902266	NLA	Seal Kit - 1001163590 Cylinder (Includes Items 101-103)	
101	See Note	NSS	Ring, Wear (Note: Use Item 100)	
102	See Note	NSS	Seal (Note: Use Item 100)	
103	See Note	NSS	Wiper (Note: Use Item 100)	

SECTION 5 - CYLINDER

FIGURE 5-2. LEVEL (PLATFORM SLAVE) CYLINDER ASSEMBLY



ART_1001161716

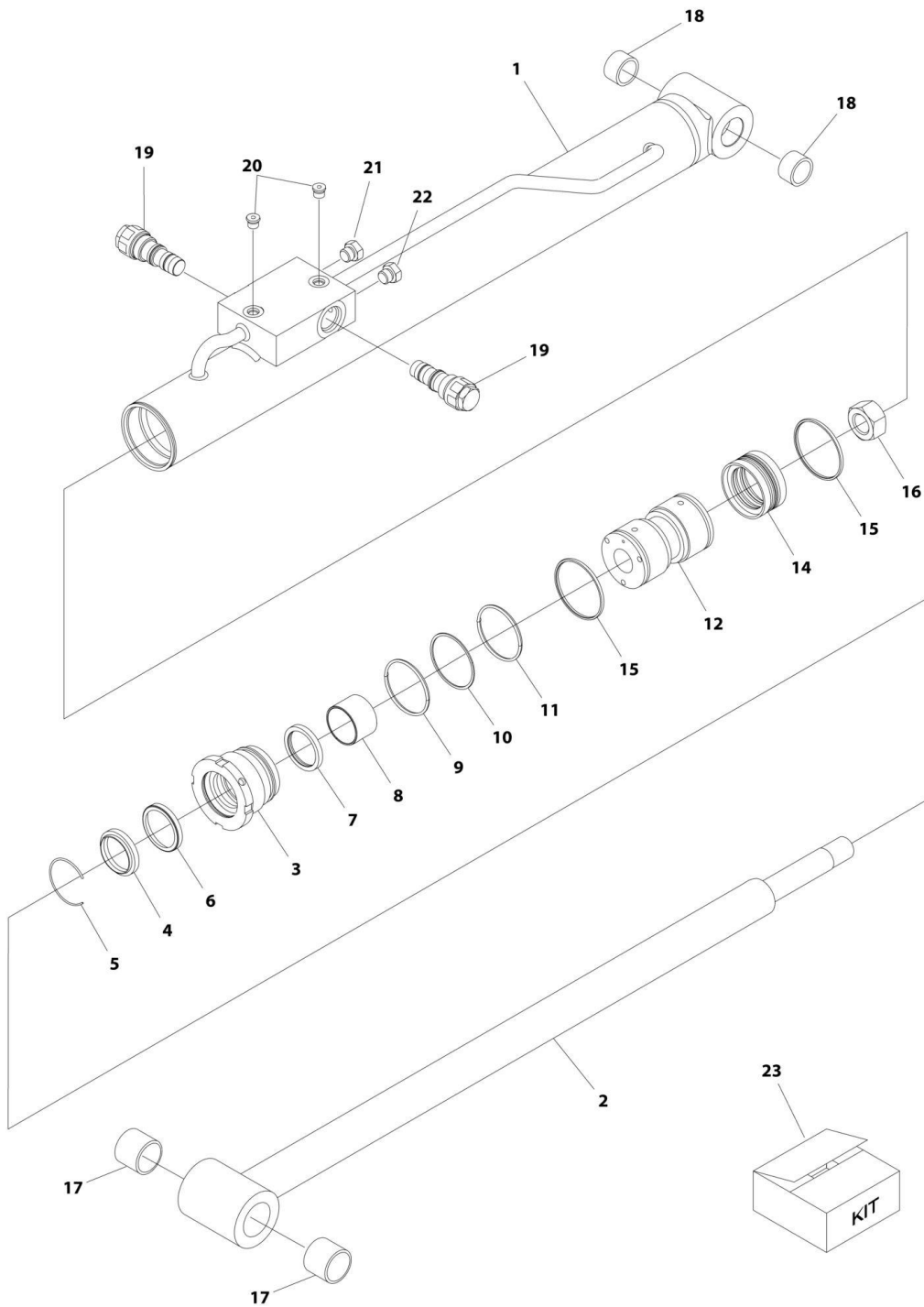
SECTION 5 - CYLINDER

FIGURE 5-2. LEVEL (PLATFORM SLAVE) CYLINDER ASSEMBLY

ITEM	PART NUMBER	QTY	DESCRIPTION	REV
	1001161716	Ref	LEVEL (PLATFORM SLAVE) CYLINDER ASSEMBLY	D
		Ref	Note: Original Cylinder May Have Been Replaced with Service Replacement. Identify PN Stamped on Cylinder Before Ordering Parts.	
10	70005010	1	Barrel	
20	70005011	1	Rod	
60	70005012	1	Piston	
70	70003837	1	Head	
80	70005013	1	Setscrew	
85	70005014	1	Ball	
120	See Note	NSS	Ring, Bearing (Note: Use Item 280)	
130	See Note	NSS	Seal, Piston (Note: Use Item 280)	
140	70002413	1	Cartridge, Valve	
140	2900770	1	Seal Kit - 70002413 Valve	
150	1001168210	1	Cartridge, Valve	
150	2900770	1	Seal Kit - 1001168210 Valve	
160	See Note	NSS	O-Ring (Note: Use Item 280)	
170	See Note	NSS	Seal (Note: Use Item 280)	
180	See Note	NSS	Seal (Note: Use Item 280)	
190	See Note	NSS	O-Ring (Note: Use Item 280)	
200	See Note	NSS	Wiper (Note: Use Item 280)	
210	70003838	1	Ring, Retaining	
240	0961951	4	Bushing	
250	70025619	4	Plug 7/16	
260	70024262	2	Plug 1/4	
270	See Note	2	Plug, Shipping (Note: Not Available for Purchase)	
280	70005016	1	Seal Kit - 1001161716 Cylinder (Includes Items 120 ,130 & 160-200)	

SECTION 5 - CYLINDER

FIGURE 5-3. LIFT CYLINDER ASSEMBLY - JIB



ART_1001163767

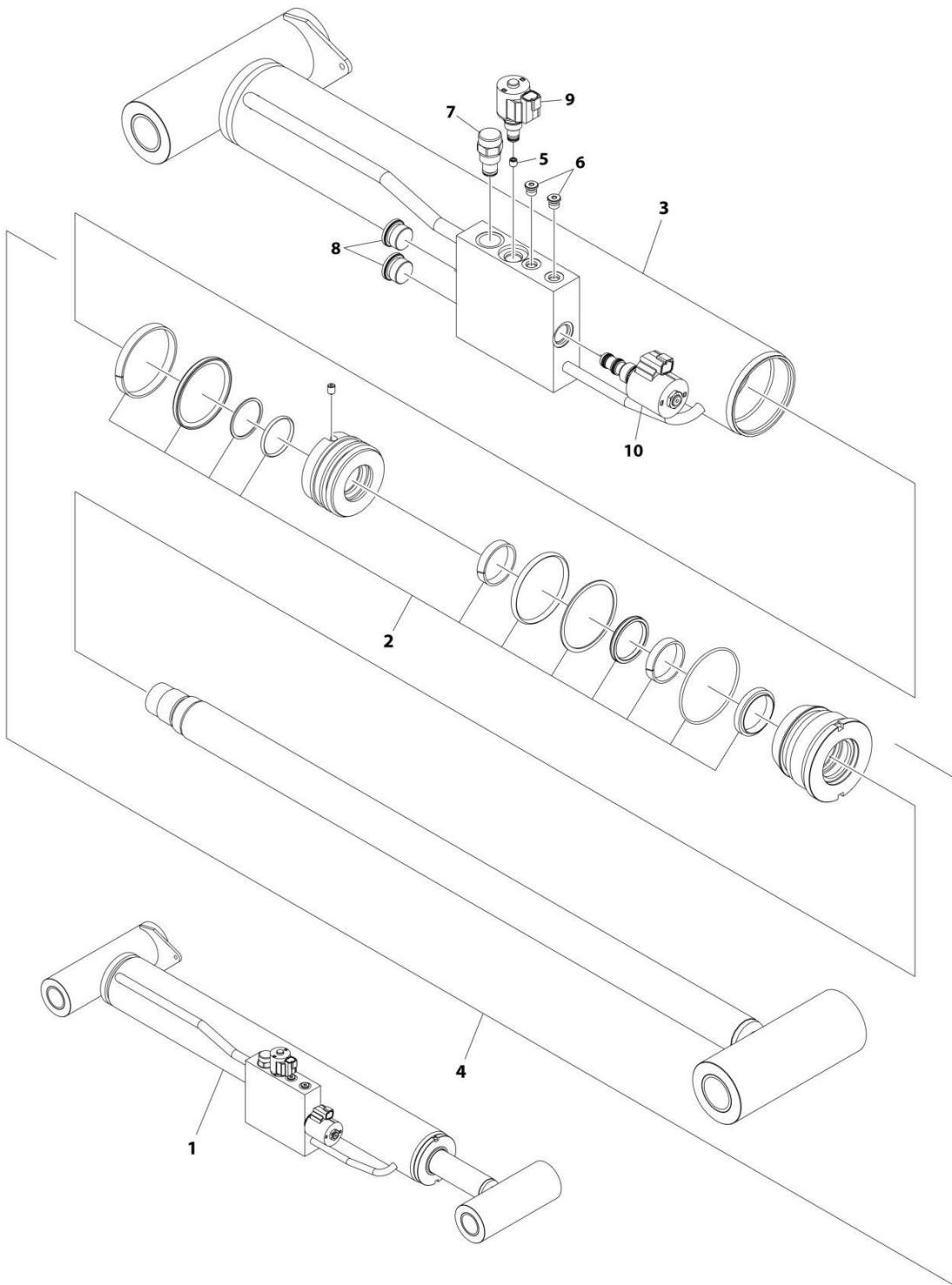
SECTION 5 - CYLINDER

FIGURE 5-3. LIFT CYLINDER ASSEMBLY - JIB

ITEM	PART NUMBER	QTY	DESCRIPTION	REV
	1001163767	Ref	LIFT CYLINDER ASSEMBLY - JIB	B
		Ref	Note: Original Cylinder May Have Been Replaced with Service Replacement. Identify PN Stamped on Cylinder Before Ordering Parts.	
1	70005155	1	Barrel	
2	70005156	1	Rod	
3	70005157	1	Head	
4	See Note	NSS	Wiper (Note: Use Item 23)	
5	70002373	1	Ring, Retaining	
6	See Note	NSS	Seal, Rod (Note: Use Item 23)	
7	See Note	NSS	Ring, Back-up (Note: Use Item 23)	
8	70005143	1	Bearing, Dry	
9	See Note	NSS	O-Ring (Note: Use Item 23)	
10	See Note	NSS	Ring, Back-up (Note: Use Item 23)	
11	See Note	NSS	O-Ring (Note: Use Item 23)	
12	70002371	1	Piston	
13	See Note	NSS	O-Ring (Note: Use Item 23)	
14	See Note	NSS	Seal, Piston (Note: Use Item 23)	
15	See Note	NSS	Ring, Piston (Note: Use Item 23)	
16	70002335	2	Nut	
17	70005158	2	Bushing	
18	70005159	2	Bushing	
19	4640509	2	Cartridge, Valve	
19	2900792	2	Seal Kit - 4640509 Valve	
20	70023370	2	Plug 7/16	
21	See Note	1	Plug 7/16 (Note: Not Available for Purchase)	
22	See Note	1	Plug 9/16 (Note: Not Available for Purchase)	
23	70005160	1	Seal Kit - 1001163767 Cylinder (Includes Items 4, 6, 7, 9-11 & 13-15)	

SECTION 5 - CYLINDER

FIGURE 5-4. LIFT CYLINDER ASSEMBLY - MAIN BOOM (Prior to SN C30000243)



ART_1001217676

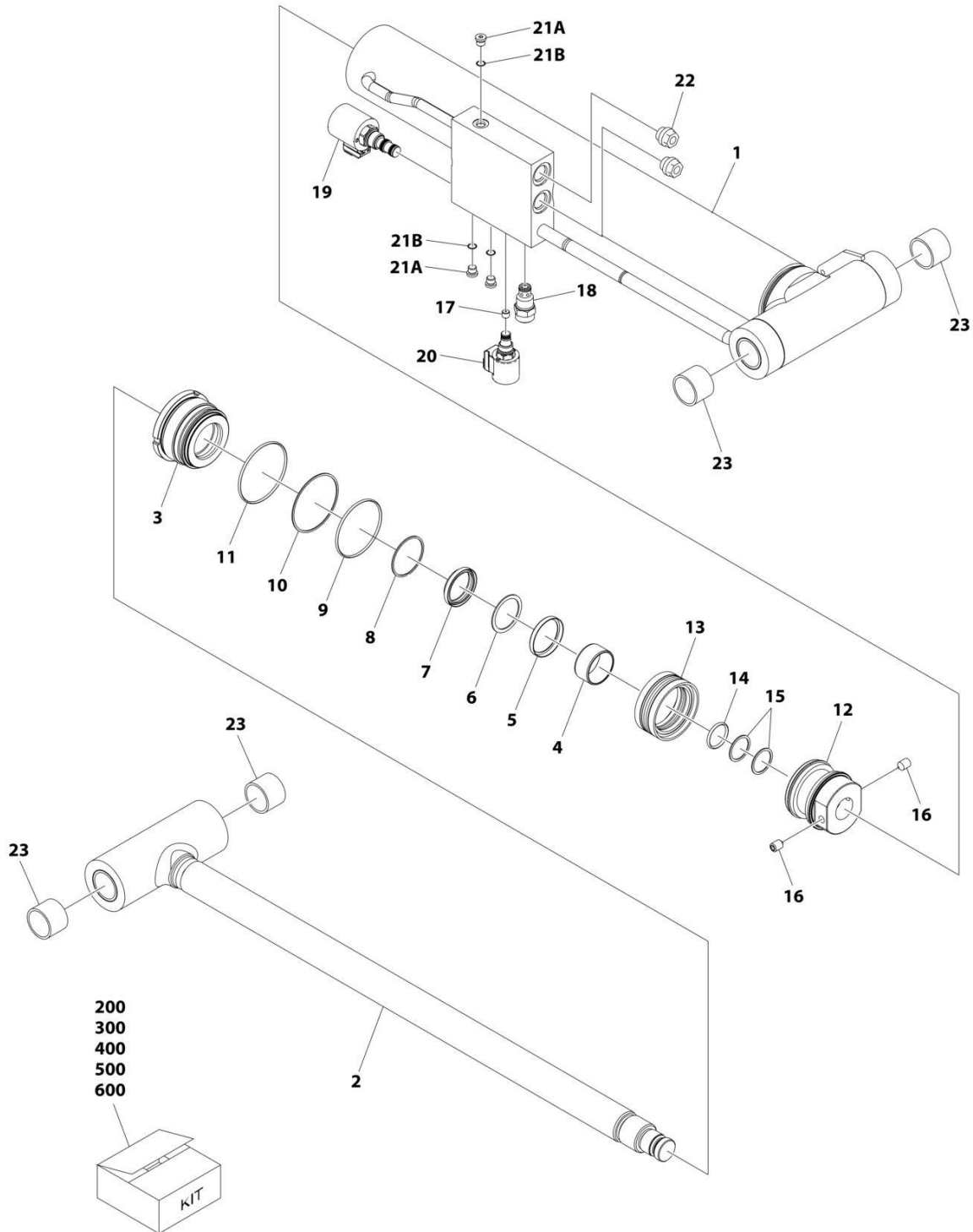
SECTION 5 - CYLINDER

FIGURE 5-4. LIFT CYLINDER ASSEMBLY - MAIN BOOM (Prior to SN C30000243)

ITEM	PART NUMBER	QTY	DESCRIPTION	REV
1	1001217676	Ref	LIFT CYLINDER ASSEMBLY - MAIN BOOM	D
		Ref	Note: Original Cylinder May Have Been Replaced with Service Replacement. Identify PN Stamped on Cylinder Before Ordering Parts.	
2	70004963	1	Seal Kit - 1001217676 Cylinder (Part of Item 4)	
3	70004962	NSS	Barrel (Includes Bushings) (Note: Not Available for Purchase)	
3	0961948	2	Bushing	
4	70004961	1	Rod Assembly (Includes Seal Kit and Bushings)	
4	0961948	2	Bushing	
5	2180736	1	Orifice	
6	2220883	3	Plug #4	
7	4641390	1	Cartridge, Check Valve	
7	7017496	1	Seal Kit - 4641390 Valve	
8	See Note	NSS	Plug, Shipping (Note: Not Available for Purchase)	
9	1001164709	1	Cartridge, Solenoid Valve (Includes Coil)	
9	7017467	1	Cartridge, Solenoid Valve Less Coil	
9	7012998	1	Seal Kit - 1001164709 & 7017467 Valve	
9	70002386	1	Coil	
10	1001206625	1	Cartridge, Solenoid Valve (Includes Coil)	
10	70006104	1	Cartridge, Solenoid Valve Less Coil	
10	70006105	1	Seal Kit - 1001206625 & 70006104 Valves	
10	70003788	1	Coil	
10	7022390	1	Nut, Coil	

SECTION 5 - CYLINDER

FIGURE 5-5. LIFT CYLINDER ASSEMBLY - MAIN BOOM (SN C30000243 through C30000325)



ART_1001254742

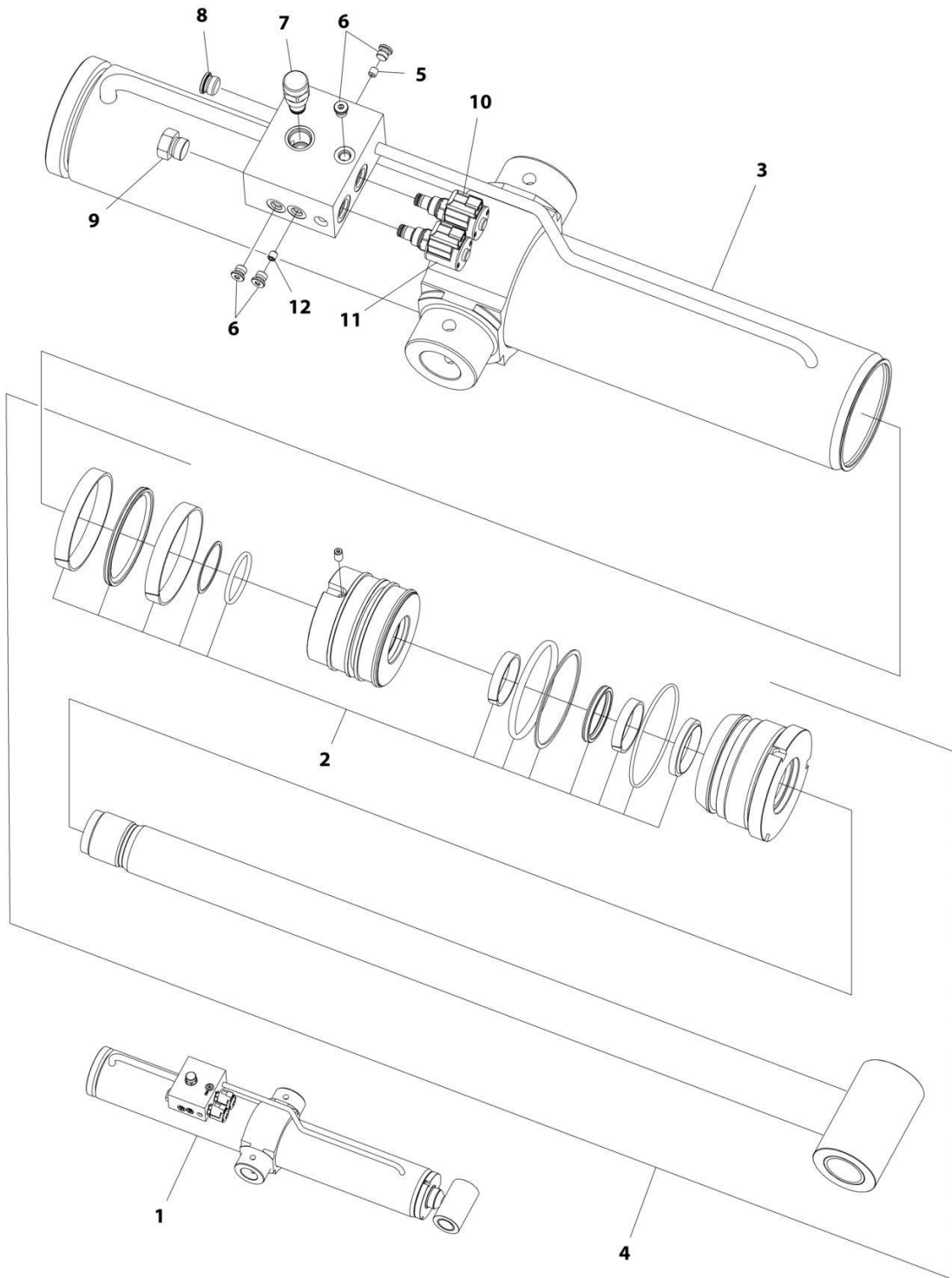
SECTION 5 - CYLINDER

FIGURE 5-5. LIFT CYLINDER ASSEMBLY - MAIN BOOM (SN C300000243 through C300000325)

ITEM	PART NUMBER	QTY	DESCRIPTION	REV
	1001254742	Ref	LIFT CYLINDER ASSEMBLY	B
		Ref	Note: Original Cylinder May Have Been Replaced with Service Replacement. Identify PN Stamped on Cylinder Before Ordering Parts.	
1	See Note	NSS	Barrel (Note: Use PN 1001254742)	
2	See Note	NSS	Rod (Note: Use Item 200)	
3	See Note	NSS	Head (Note: Use Item 300)	
4	See Note	NSS	Ring, Wear (Note: Use Item 300)	
5	See Note	NSS	Seal (Note: Use Item 400)	
6	See Note	NSS	Ring, Back-up (Note: Use Item 400)	
7	See Note	NSS	Wiper (Note: Use Item 400)	
8	See Note	NSS	Ring, Retaining (Note: Use Item 400)	
9	See Note	NSS	O-Ring (Note: Use Item 400)	
10	See Note	NSS	Ring, Back-up (Note: Use Item 400)	
11	See Note	NSS	O-Ring (Note: Use Item 400)	
12	See Note	NSS	Piston (Note: Use Item 500)	
13	See Note	NSS	Seal (Note: Use Item 400)	
14	See Note	NSS	O-Ring (Note: Use Item 400)	
15	See Note	NSS	Ring, Back-up (Note: Use Item 400)	
16	See Note	NSS	Set Screw (Note: Use Item 500)	
17	See Note	NSS	Orifice (Note: Use PN 1001254742)	
18	4641390	1	Cartridge, Check Valve	
18	7017496	1	Seal Kit - 4641390 Valve	
19	1001206625	1	Cartridge, Solenoid Valve (Includes Coil)	
19	70006104	1	Cartridge, Solenoid Valve Less Coil	
19	70006105	1	Seal Kit - 1001206625 & 70006104 Valves	
19	70003788	1	Coil	
19	7022390	1	Nut, Coil	
20	1001164709	1	Cartridge, Solenoid Valve (Includes Coil)	
20	7017467	1	Cartridge, Solenoid Valve Less Coil	
20	7012998	1	Seal Kit - 1001164709 & 7017467 Valve	
20	70002386	1	Coil	
21A	See Note	NSS	Plug (Note: Use Item 600)	
21B	See Note	NSS	O-Ring (Note: Use Item 600)	
22	See Note	NSS	Dust Cap (Note: Shipping Use Only)	
23	0961948	4	Bushing	
200	70007891	1	Rod Kit (Includes Items 2 & 23)	
300	70007892	1	Head Kit (Includes Items 3 & 4)	
400	70007893	1	Seal Kit (Includes Items 5-11 & 13-15)	
500	70007894	1	Piston Kit (Includes Items 12 & 16)	
600	70007895	1	Plug Kit (Includes Items 21A & 21B)	

SECTION 5 - CYLINDER

FIGURE 5-6. LIFT CYLINDER ASSEMBLY - TOWER BOOM (Prior to SN C30000243)



ART_1001161715

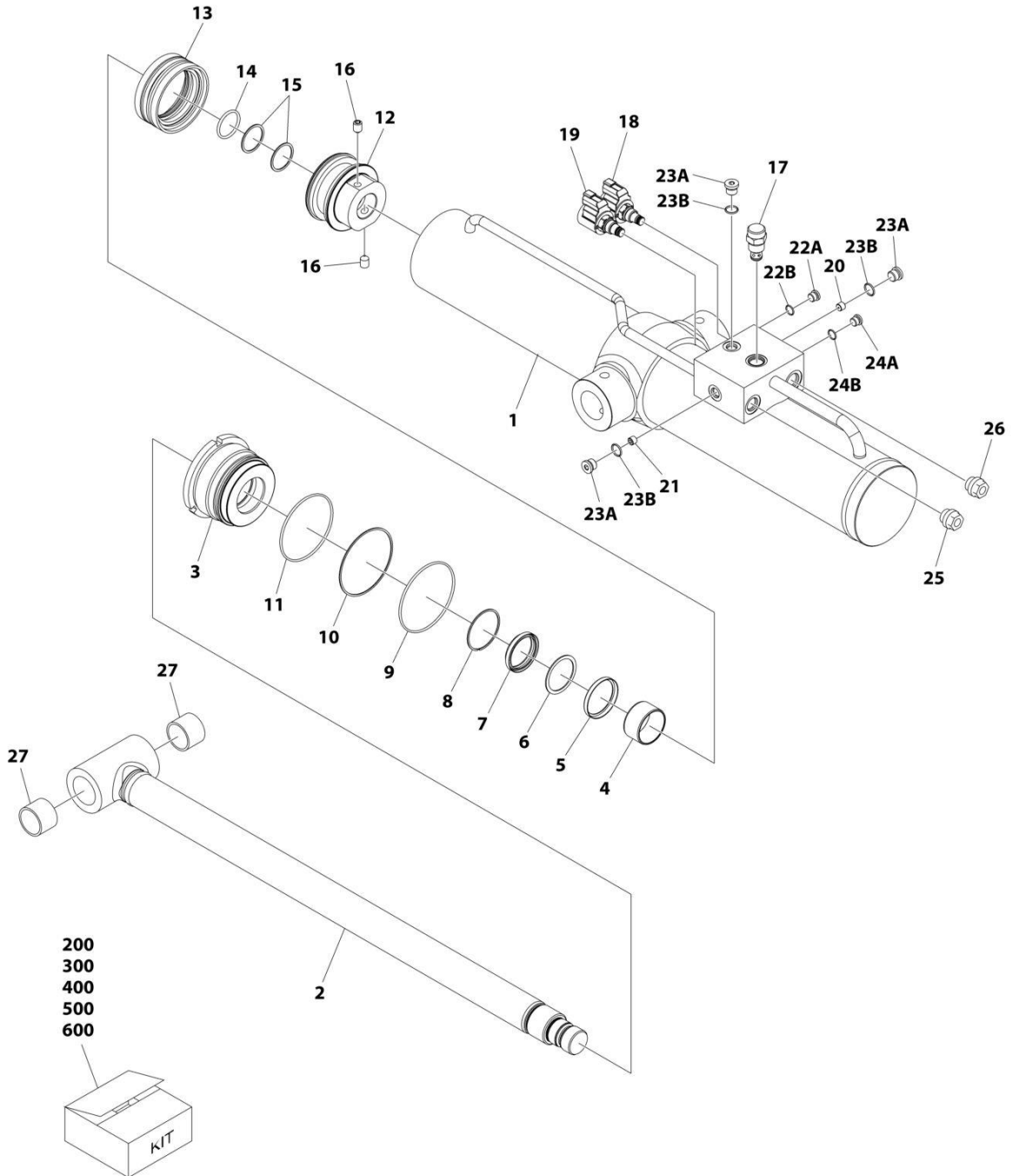
SECTION 5 - CYLINDER

FIGURE 5-6. LIFT CYLINDER ASSEMBLY - TOWER BOOM (Prior to SN C300000243)

ITEM	PART NUMBER	QTY	DESCRIPTION	REV
1	1001161715	1	LIFT CYLINDER ASSEMBLY - TOWER BOOM	H
		Ref	Note: Original Cylinder May Have Been Replaced with Service Replacement. Identify PN Stamped on Cylinder Before Ordering Parts.	
2	70004966	1	Seal Kit - 1001161715 Cylinder	
3	70004965	1	Barrel	
4	70004964	1	Rod Assembly (Includes Seal Kit and Bushings)	
4	0961948	2	Bushing	
5	70005578	1	Plug, Orifice	
6	2220883	4	Plug #4	
7	4641390	1	Cartridge, Check Valve	
7	7017496	1	Seal Kit - 4641390 Valve	
8	2220886	1	Plug #8	
9	See Note	1	Plug, Shipping (Note: Not Available for Purchase)	
10	1001166208	1	Cartridge, Solenoid Valve (Includes Coil)	
10	7024884	1	Cartridge, Solenoid Valve Less Coil	
10	7012967	1	Seal Kit - 1001166208 & 7024884 Valves	
10	70002386	1	Coil	
11	1001164709	1	Cartridge, Solenoid Valve (Includes Coil)	
11	7017467	1	Cartridge, Solenoid Valve Less Coil	
11	7012998	1	Seal Kit - 1001164709 & 7017467 Valves	
11	70002386	1	Coil	
12	70005577	1	Plug, Orifice	

SECTION 5 - CYLINDER

FIGURE 5-7. LIFT CYLINDER ASSEMBLY - TOWER BOOM (SN C300000243 through C300000325)



ART_1001254716

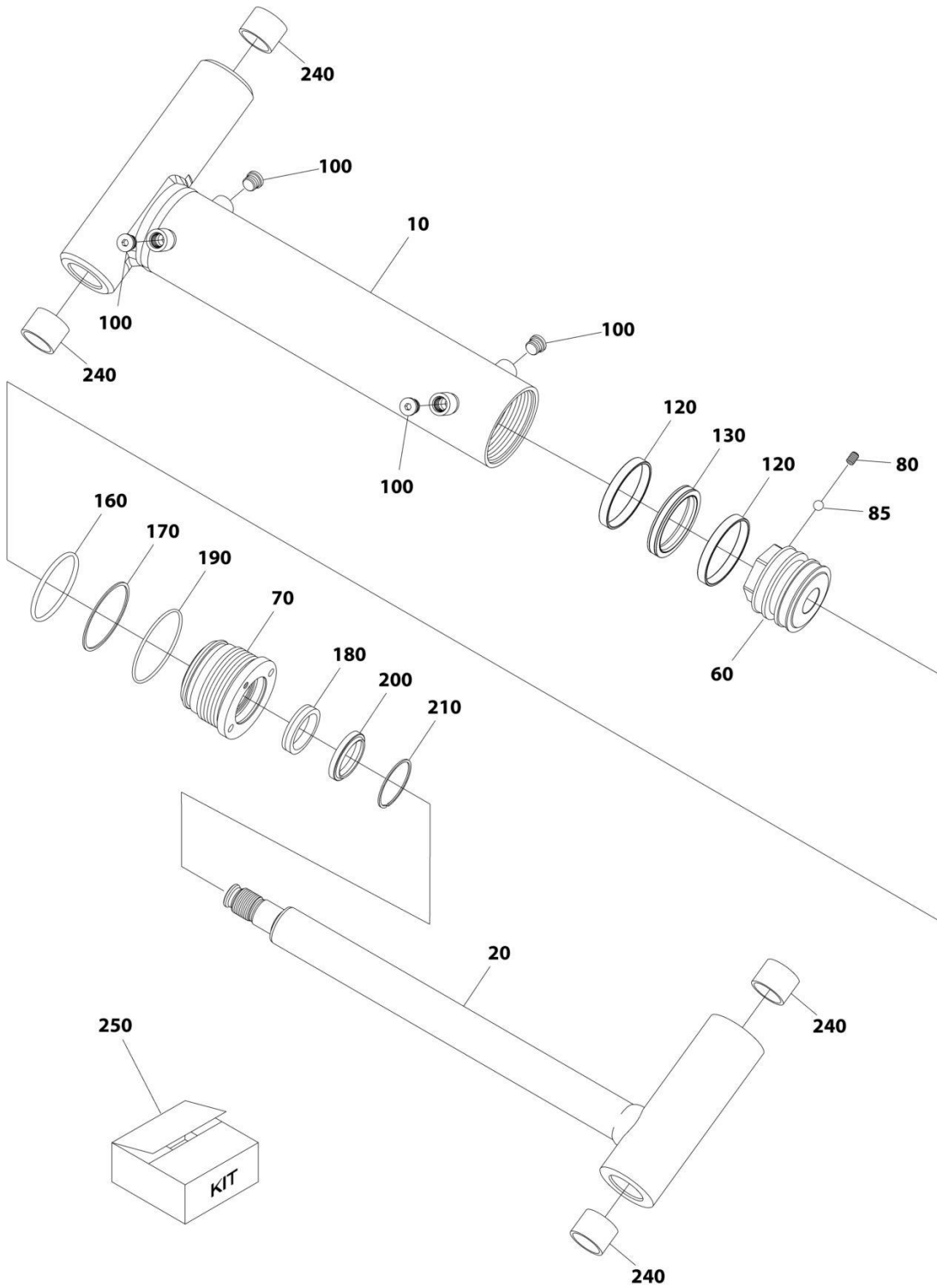
SECTION 5 - CYLINDER

FIGURE 5-7. LIFT CYLINDER ASSEMBLY - TOWER BOOM (SN C300000243 through C300000325)

ITEM	PART NUMBER	QTY	DESCRIPTION	REV
	1001254716	Ref	LIFT CYLINDER ASSEMBLY - TOWER BOOM	B
		Ref	Note: Original Cylinder May Have Been Replaced with Service Replacement. Identify PN Stamped on Cylinder Before Ordering Parts.	
1	See Note	NSS	Barrel (Note: Use PN 1001254716)	
2	See Note	NSS	Rod (Note: Use Item 200)	
3	See Note	NSS	Head (Note: Use Item 300)	
4	See Note	NSS	Ring, Wear (Note: Use Item 300)	
5	See Note	NSS	Seal (Note: Use Item 400)	
6	See Note	NSS	Ring, Back-up (Note: Use Item 400)	
7	See Note	NSS	Wiper (Note: Use Item 400)	
8	See Note	NSS	Ring, Retaining (Note: Use Item 400)	
9	See Note	NSS	O-Ring (Note: Use Item 400)	
10	See Note	NSS	Ring, Back-up (Note: Use Item 400)	
11	See Note	NSS	O-Ring (Note: Use Item 400)	
12	See Note	NSS	Piston (Note: Use Item 500)	
13	See Note	NSS	Seal (Note: Use Item 400)	
14	See Note	NSS	O-Ring (Note: Use Item 400)	
15	See Note	NSS	Ring, Back-up (Note: Use Item 400)	
16	See Note	NSS	Set Screw (Note: Use Item 500)	
17	4641390	1	Cartridge, Counterbalance Valve	
17	7017496	1	Seal Kit - 4641390 Valve	
18	1001164709	1	Cartridge, Solenoid Valve	
18	7012967	1	Seal Kit - 1001164709 Valve	
18	70002386	1	Coil	
19	1001166208	1	Cartridge, Solenoid Valve	
19	7012967	1	Seal Kit - 1001166208 Valve	
19	70002386	1	Coil	
20	See Note	NSS	Orifice (Note: Use PN 1001254716)	
21	See Note	NSS	Orifice (Note: Use PN 1001254716)	
22A	See Note	NSS	Plug (Note: Use Item 600)	
22B	See Note	NSS	O-Ring (Note: Use Item 600)	
23A	See Note	NSS	Plug (Note: Use Item 600)	
23B	See Note	NSS	O-Ring (Note: Use Item 600)	
24A	See Note	NSS	Plug (Note: Use Item 600)	
24B	See Note	NSS	O-Ring (Note: Use Item 600)	
25	See Note	NSS	Dust Cap (Note: Shipping Use Only)	
26	See Note	NSS	Dust Cap (Note: Shipping Use Only)	
27	0961948	2	Bushing (Note: Use Item 200)	
200	70007886	1	Rod Kit (Includes Items 2 & 27)	
300	70007887	1	Head Kit (Includes Items 3 & 4)	
400	70007888	1	Seal Kit (Includes Items 5-11 & 13-15)	
500	70007889	1	Piston Kit (Includes Items 12 & 16)	
600	70007890	1	Plug Kit (Includes Items 22A-24B)	

SECTION 5 - CYLINDER

FIGURE 5-8. MASTER CYLINDER ASSEMBLY



ART_1001161717

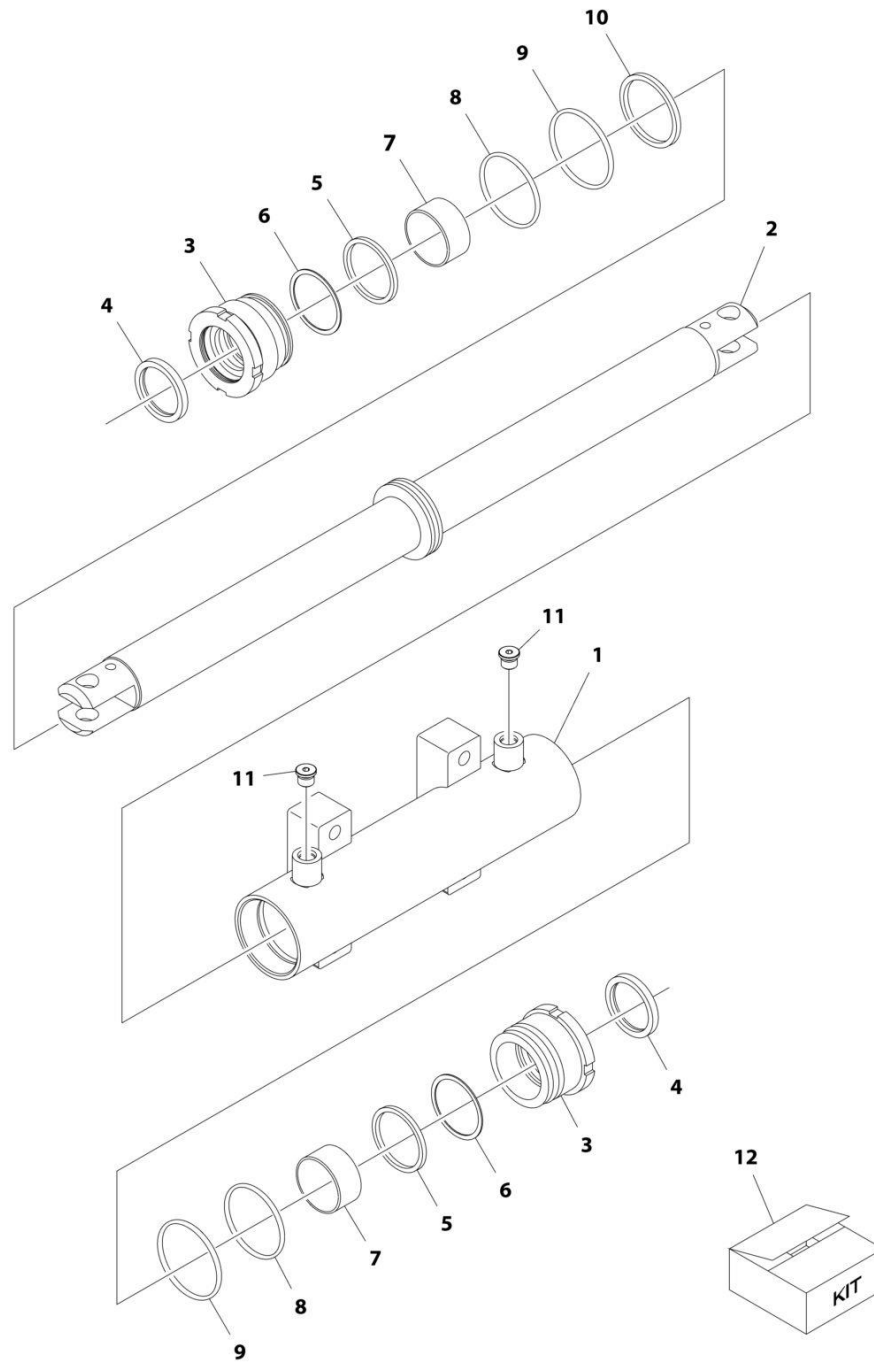
SECTION 5 - CYLINDER

FIGURE 5-8. MASTER CYLINDER ASSEMBLY

ITEM	PART NUMBER	QTY	DESCRIPTION	REV
	1001161717	Ref	MASTER CYLINDER ASSEMBLY	D
		Ref	Note: Original Cylinder May Have Been Replaced with Service Replacement. Identify PN Stamped on Cylinder Before Ordering Parts.	
10	70005017	1	Barrel	
20	70005018	1	Rod	
60	70005012	1	Piston	
70	70003837	1	Head	
80	70005013	1	Setscrew	
85	70005014	1	Ball	
100	70025959	4	Plug 9/16	
120	See Note	NSS	Ring, Piston (Note: Use Item 250)	
130	See Note	NSS	Seal (Note: Use Item 250)	
160	See Note	NSS	O-Ring (Note: Use Item 250)	
170	See Note	NSS	Ring (Note: Use Item 250)	
180	See Note	NSS	Seal (Note: Use Item 250)	
190	See Note	NSS	O-Ring (Note: Use Item 250)	
200	See Note	NSS	Wiper (Note: Use Item 250)	
210	70003838	1	Ring, Retaining	
240	0961951	4	Bushing	
250	70005016	1	Seal Kit - 1001161717 Cylinder (Includes Items 120-200)	

SECTION 5 - CYLINDER

FIGURE 5-9. STEER CYLINDER ASSEMBLY



ART_1001163178

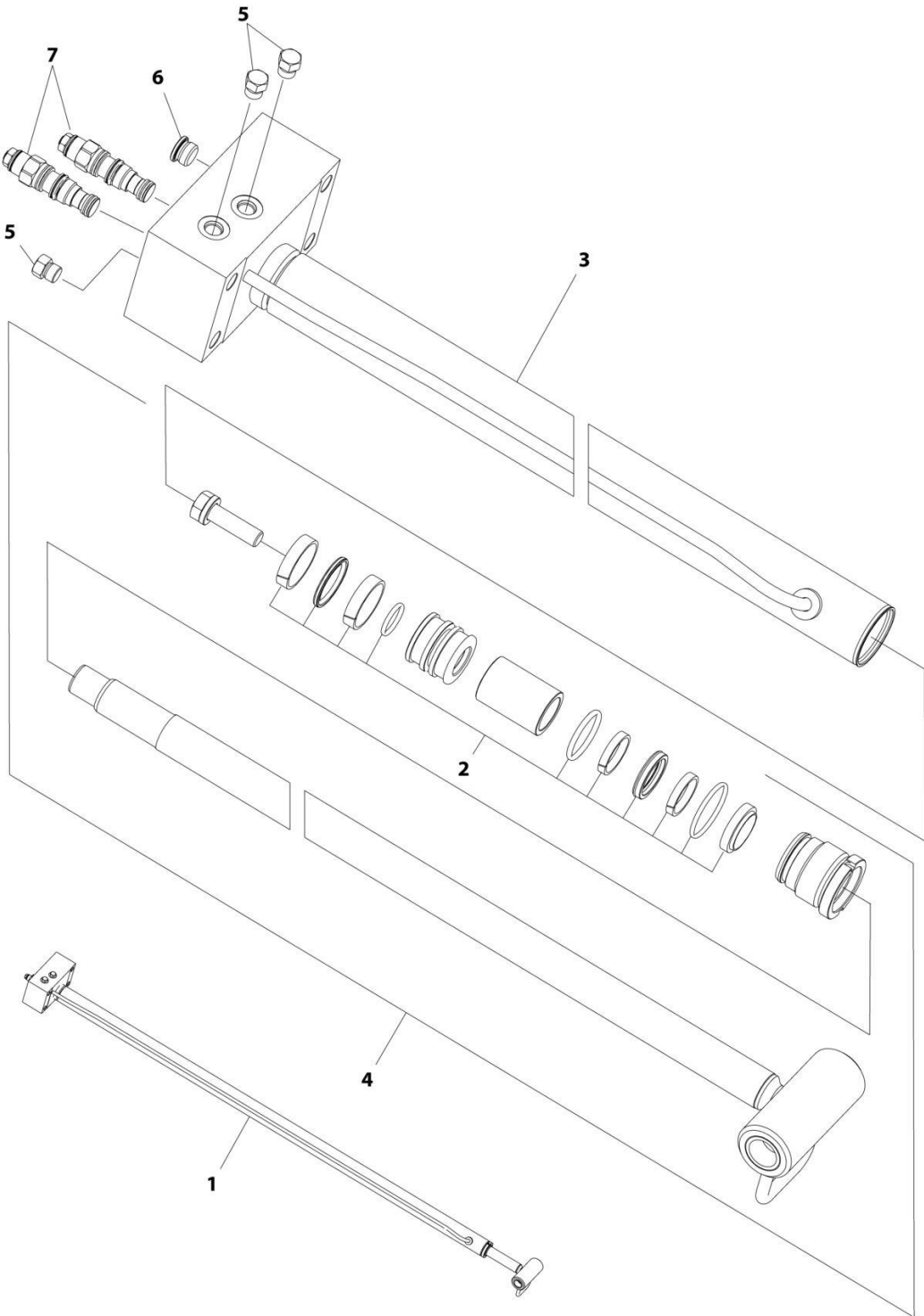
SECTION 5 - CYLINDER

FIGURE 5-9. STEER CYLINDER ASSEMBLY

ITEM	PART NUMBER	QTY	DESCRIPTION	REV
	1001163178	Ref	STEER CYLINDER ASSEMBLY	E
		Ref	Note: Original Cylinder May Have Been Replaced with Service Replacement. Identify PN Stamped on Cylinder Before Ordering Parts.	
1	70005150	1	Barrel	
2	70005151	1	Rod	
3	70005152	2	Head	
4	See Note	NSS	Wiper (Note: Use Item 12)	
5	See Note	NSS	Seal, Rod (Note: Use Item 12)	
6	See Note	NSS	Ring, Back-up (Note: Use Item 12)	
7	70005153	2	Bearing, Dry	
8	See Note	NSS	O-Ring (Note: Use Item 12)	
9	See Note	NSS	O-Ring (Note: Use Item 12)	
10	See Note	NSS	Seal, Piston (Note: Use Item 12)	
11	See Note	2	Plug 9/16 (Note: Not Available for Purchase)	
12	70005154	1	Seal Kit - 1001163178 Cylinder (Includes Items 4-6 & 8-10)	

SECTION 5 - CYLINDER

FIGURE 5-10. TELESCOPE CYLINDER ASSEMBLY (Prior to SN C30000243)



ART_1001161713

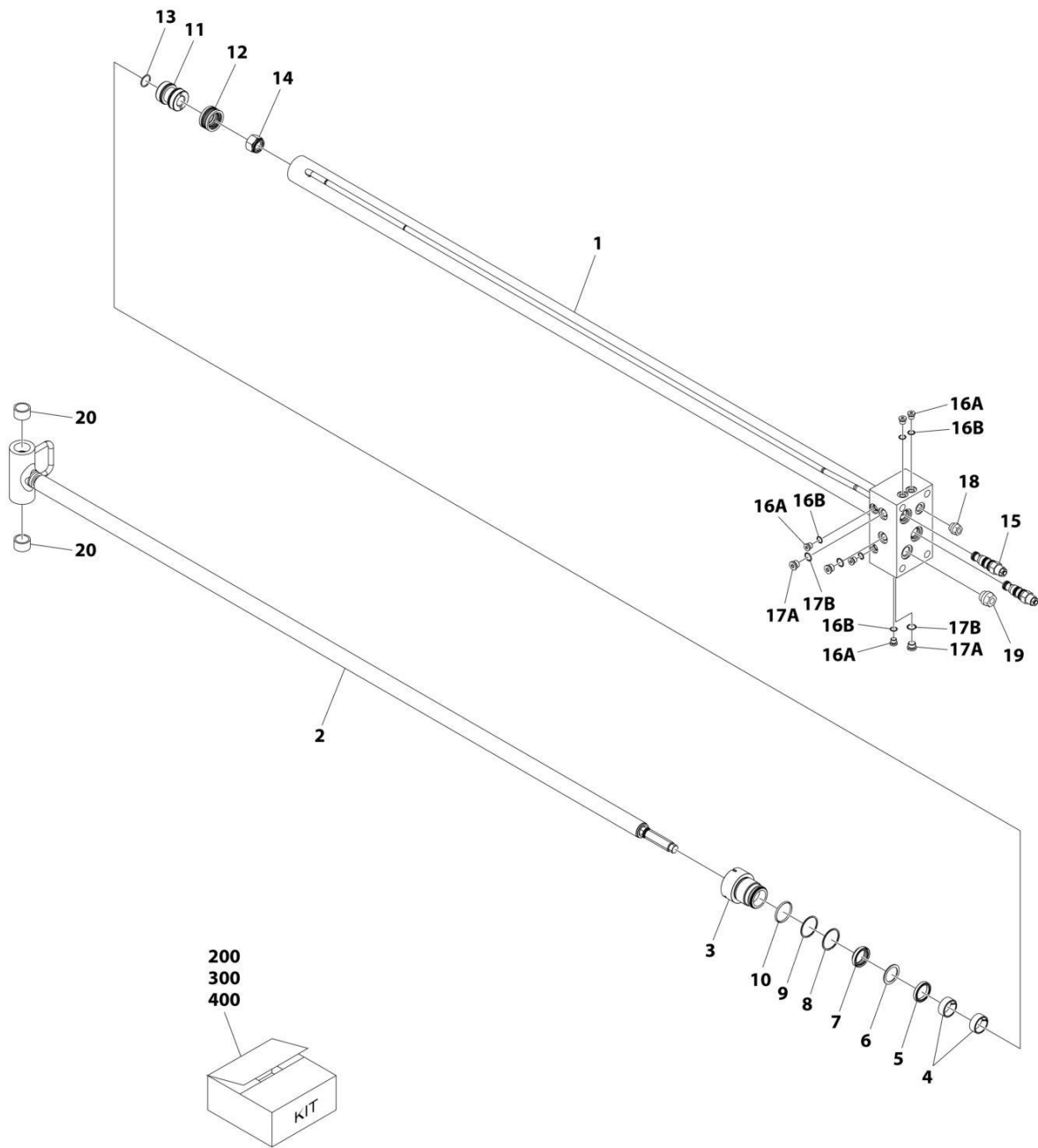
SECTION 5 - CYLINDER

FIGURE 5-10. TELESCOPE CYLINDER ASSEMBLY (Prior to SN C300000243)

ITEM	PART NUMBER	QTY	DESCRIPTION	REV
1	1001161713	Ref Ref	TELESCOPE CYLINDER ASSEMBLY Note: Original Cylinder May Have Been Replaced with Service Replacement. Identify PN Stamped on Cylinder Before Ordering Parts.	E
2	70004957	1	Seal Kit - 1001161713 Cylinder (Part of Item 4)	
3	70004956	1	Barrel	
4	70004955	1	Rod Assembly (Includes Seal Kit and Bushings)	
4	0962292	2	Bushing	
5	2220237	3	Plug #6	
6	2220886	1	Plug #8	
7	4640771	2	Cartridge, Valve	
7	2900770	2	Seal Kit - 4640771 Valve	

SECTION 5 - CYLINDER

FIGURE 5-11. TELESCOPE CYLINDER ASSEMBLY (SN C300000243 through C300000325)



ART_1001254743

SECTION 5 - CYLINDER

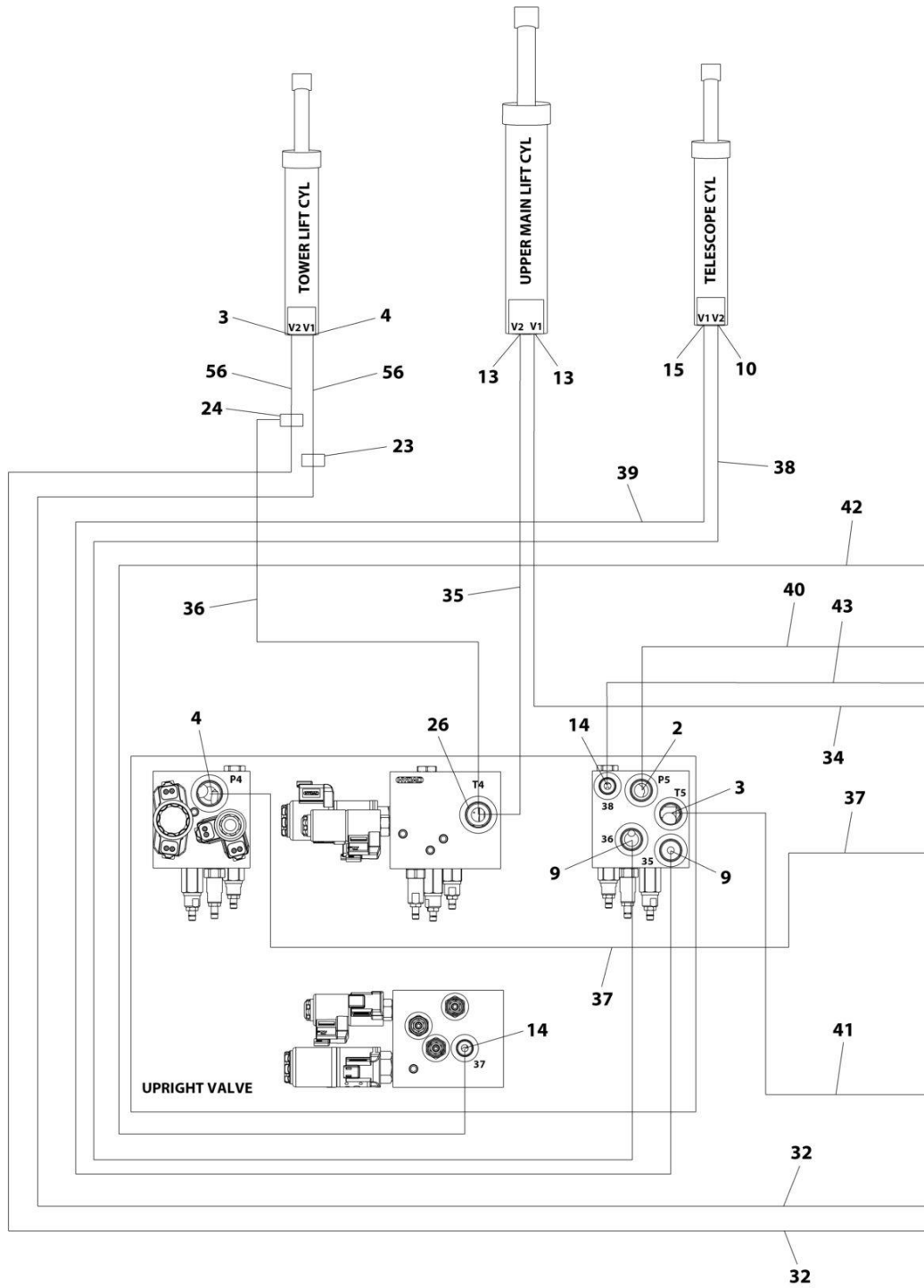
FIGURE 5-11. TELESCOPE CYLINDER ASSEMBLY (SN C300000243 through C300000325)

ITEM	PART NUMBER	QTY	DESCRIPTION	REV
	1001254743	Ref	TELESCOPE CYLINDER ASSEMBLY	B
		Ref	Note: Original Cylinder May Have Been Replaced with Service Replacement. Identify PN Stamped on Cylinder Before Ordering Parts.	
1	See Note	NSS	Barrel (Note: Use PN 1001254743)	
2	See Note	NSS	Rod (Note: Use Item 200)	
3	70007896	1	Head	
4	See Note	1	Seal (Note: Use Item 300)	
5	See Note	1	Ring, Back-up (Note: Use Item 300)	
6	See Note	2	Ring, Wear (Note: Use Item 300)	
7	See Note	1	Wiper (Note: Use Item 300)	
8	See Note	1	Ring, Retaining (Note: Use Item 300)	
9	See Note	1	O-Ring (Note: Use Item 300)	
10	See Note	1	Ring, Back-up (Note: Use Item 300)	
11	70007897	1	Piston	
12	See Note	1	Seal (Note: Use Item 300)	
13	See Note	1	O-Ring (Note: Use Item 300)	
14	70007360	1	Nut	
15	4640771	2	Cartridge, Valve	
15	2900770	2	Seal Kit - 4640771 Valve	
16A	See Note	5	Plug (Note: Use Item 400)	
16B	See Note	5	O-Ring (Note: Use Item 400)	
17A	See Note	3	Plug (Note: Use Item 400)	
17B	See Note	3	O-Ring (Note: Use Item 400)	
18	See Note	1	Dust Cap (Note: Shipping Use Only)	
19	See Note	1	Dust Cap (Note: Shipping Use Only)	
20	0962292	2	Bushing	
200	70007898	1	Rod Kit (Includes Items 2 & 20)	
300	70007899	1	Seal Kit (Includes Items 4-10 & 12-13)	
400	70007900	1	Plug Kit (Includes Items 16A-17B)	

SECTION 6 - HYDRAULIC

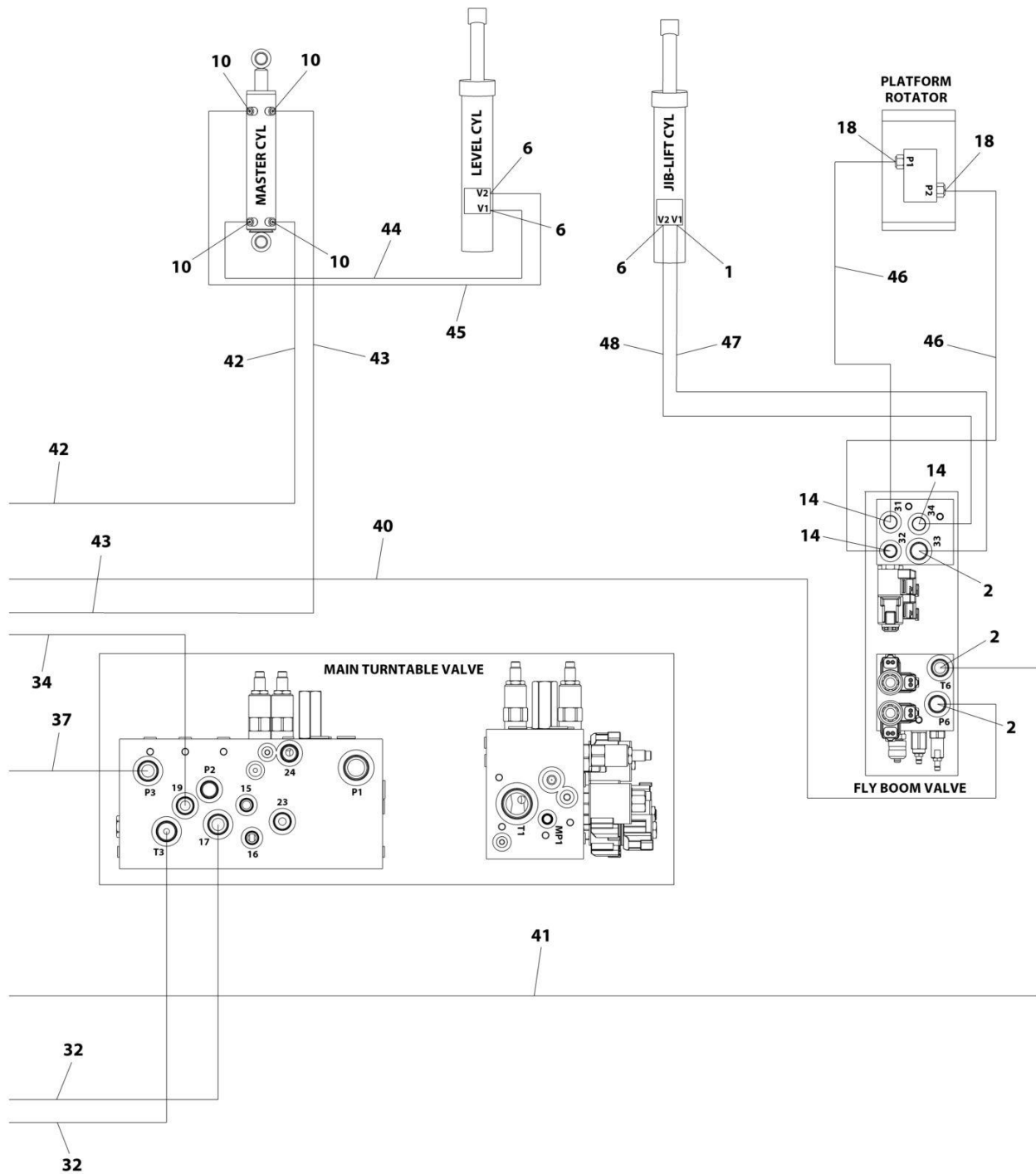
SECTION 6 - HYDRAULIC

FIGURE 6-1. BOOM HYDRAULIC SYSTEM INSTALLATION



ART_1001255048_10F2

SECTION 6 - HYDRAULIC



ART_1001255048_2OF2

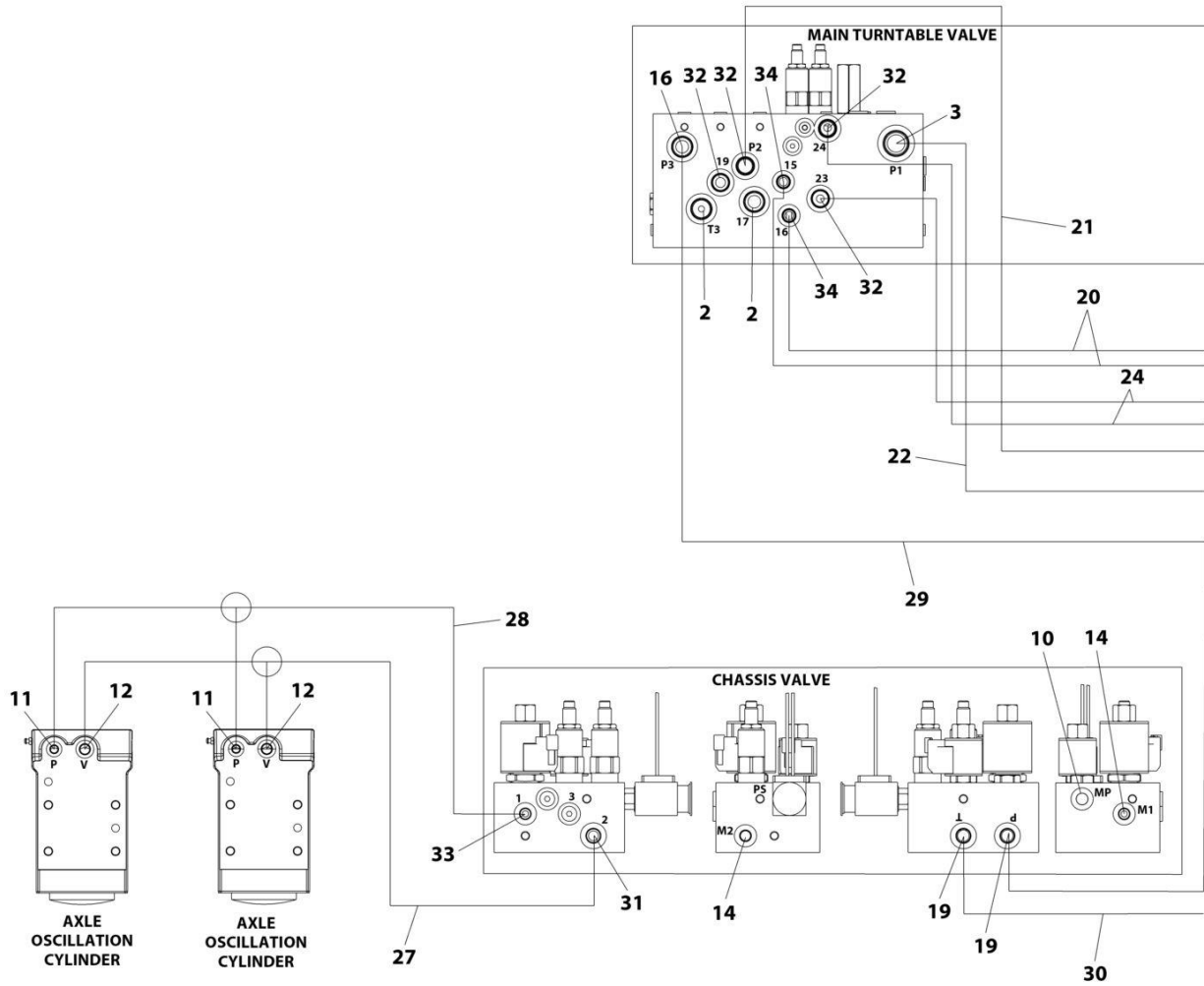
SECTION 6 - HYDRAULIC

FIGURE 6-1. BOOM HYDRAULIC SYSTEM INSTALLATION

ITEM	PART NUMBER	QTY	DESCRIPTION	REV
	1001255048	Ref	BOOM HYDRAULIC SYSTEM INSTALLATION	A
1	2220371	1	Fitting, Straight JIC/ORB	
2	2220372	4	Fitting, Straight JIC/ORB	
3	2220373	2	Fitting, Straight JIC/ORB	
4	2220374	2	Fitting, Straight JIC/ORB	
6	2220415	3	Fitting, Straight JIC/ORB	
9	2220468	2	Fitting, Straight JIC/ORB	
10	2220472	5	Fitting, 90 JIC/ORB	
13	2220577	2	Fitting, Straight JIC/ORB	
14	2220582	5	Fitting, Straight JIC/ORB	
15	2220628	1	Fitting, 90 JIC/ORB	
18	2220940	2	Fitting, Elbow	
23	2230025	1	Fitting, Straight JIC/ORB	
24	8760477	1	Fitting, Tee JIC/JIC/JIC	
26	8770289	1	Fitting, Tee JIC/ORB/JIC	
32	1001173006	2	Hose	
34	1001173034	1	Hose	
35	1001173035	1	Hose	
36	1001173036	1	Hose	
37	1001173037	1	Hose	
38	1001173038	1	Hose	
39	1001173039	1	Hose	
40	1001173040	1	Hose	
41	1001173041	1	Hose	
42	1001173042	1	Hose	
43	1001173043	1	Hose	
44	1001173044	1	Hose	
45	1001173045	1	Hose	
46	1001173046	1	Hose	
47	1001173048	1	Hose	
48	1001173049	1	Hose	
56	1001180035	2	Hose	
57	4240018	12	Tie-Strap (Not Shown)	

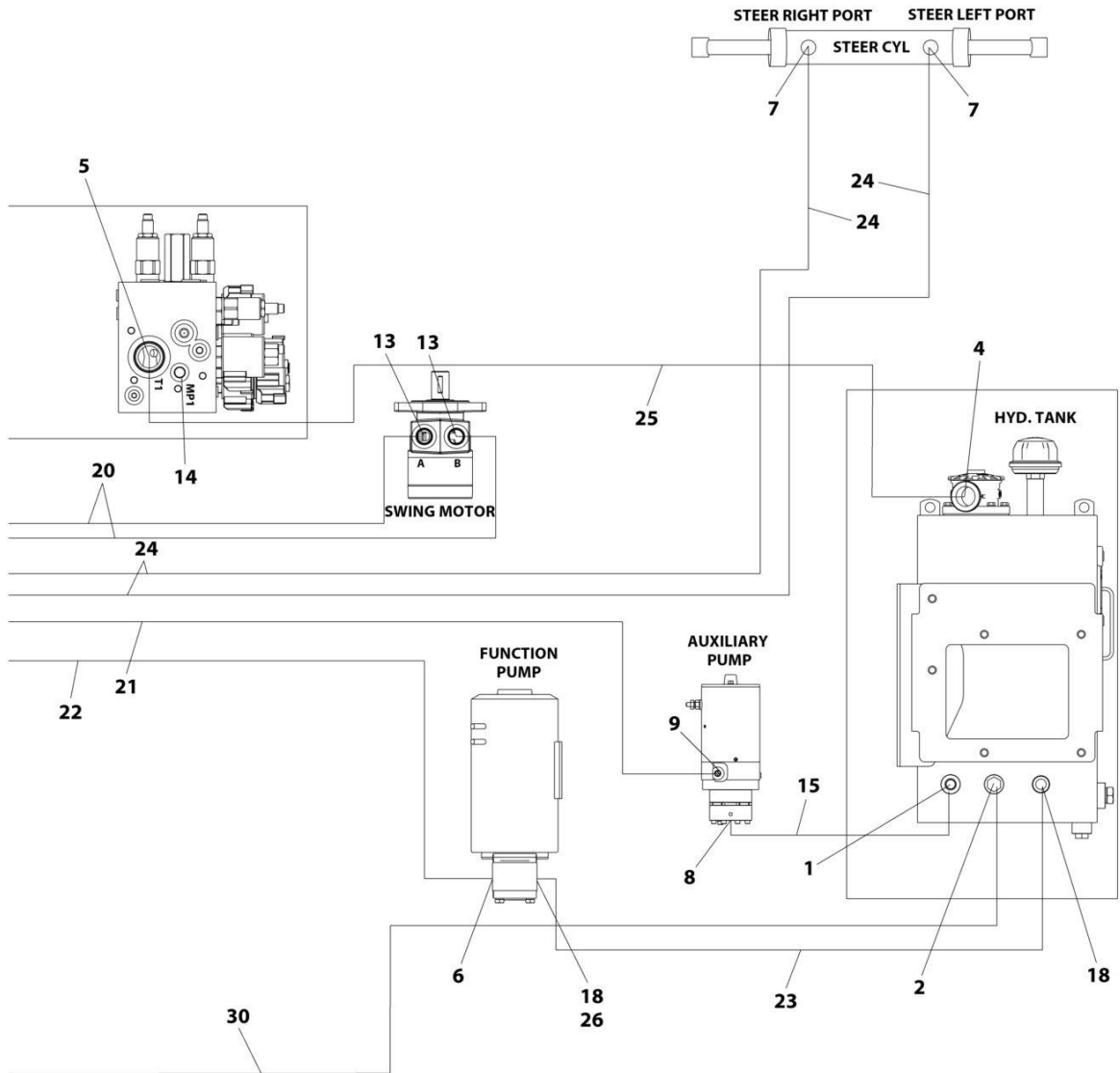
SECTION 6 - HYDRAULIC

FIGURE 6-2. CHASSIS HYDRAULIC SYSTEM INSTALLATION



ART_1001250949_1OF2

SECTION 6 - HYDRAULIC



ART_1001250949_2OF2

SECTION 6 - HYDRAULIC

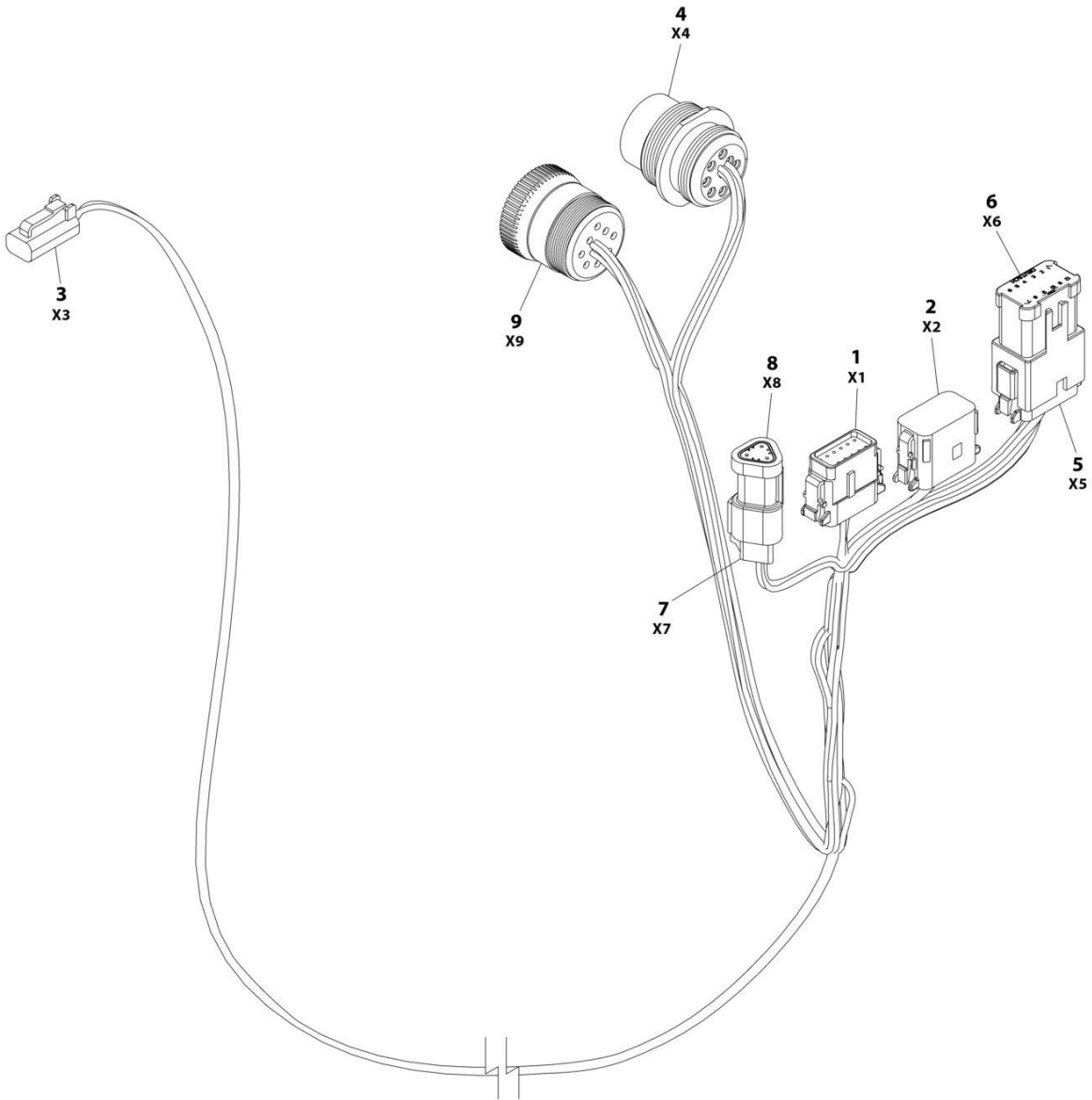
FIGURE 6-2. CHASSIS HYDRAULIC SYSTEM INSTALLATION

ITEM	PART NUMBER	QTY	DESCRIPTION	REV
	1001250949	Ref	CHASSIS HYDRAULIC SYSTEM INSTALLATION	C
1	2220373	1	Fitting, Straight JIC/ORB	
2	2220374	3	Fitting, Straight JIC/ORB	
3	2220375	1	Fitting, Straight JIC/ORB	
4	2220435	1	Fitting, Straight JIC/ORB	
5	2220465	1	Fitting, 90 JIC/ORB	
6	2220499	1	Fitting, 45 JIC/ORB	
7	2220501	2	Fitting, 45 JIC/ORB	
8	2220600	1	Fitting, Straight JIC/ORB	
9	2220603	1	Fitting, Straight JIC/ORB	
10	2220883	1	Plug #4	
11	2220923	2	Fitting, Straight JIC/ORB	
12	2220998	2	Fitting, Straight JIC/ORB	
13	2221033	2	Fitting, Straight JIC/ORB	
14	2221086	3	Fitting, Diagnostic	
15	2752519	1	Hose	
16	8760554	1	Fitting, Tee JIC/ORB/JIC	
18	1001143501	2	Clamp	
19	1001152155	2	Adapter JIC/ORB	
20	1001173027	2	Hose	
21	1001173028	1	Hose	
22	1001177507	1	Hose	
23	1001177511	1	Hose	
24	1001177515	2	Hose	
25	1001178003	1	Tube	
26	1001182142	1	Fitting, Barbed	
27	1001205950	1	Hose	
28	1001205951	1	Hose	
29	1001205952	1	Hose	
30	1001205953	1	Hose	
31	2220371	1	Fitting, Straight JIC/ORB	
32	2220372	4	Fitting, Straight JIC/ORB	
33	2220415	1	Fitting, Straight JIC/ORB	
34	2220582	2	Fitting, Straight JIC/ORB	
35	4240018	5	Tie-Strap (Not Shown)	

SECTION 7 - ELECTRICAL

SECTION 7 - ELECTRICAL

FIGURE 7-1. BEACON LIGHT HARNESS



ART_1001142736

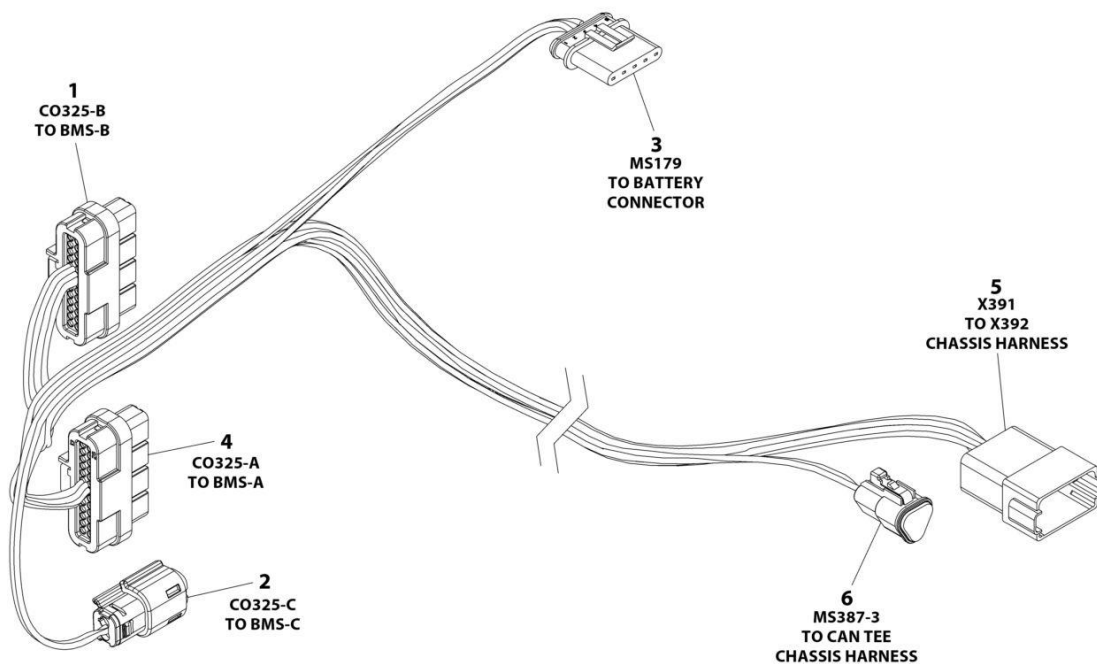
SECTION 7 - ELECTRICAL

FIGURE 7-1. BEACON LIGHT HARNESS

ITEM	PART NUMBER	QTY	DESCRIPTION	REV
	1001142736	Ref	STROBE LIGHT HARNESS	F
1	1001116808	1	Plug, Male - 12 Position	
1	4460928	3	Socket, Female	
1	4460518	9	Plug, Terminal	
2	1001116774	1	Plug, Male - 12 Position	
2	4460928	3	Socket, Female	
2	4460518	9	Plug, Terminal	
3	4460891	1	Plug, Male - 2 Position	
3	4460465	2	Socket, Female	
4	1001112612	1	Connector - 9 Position	
4	4460464	6	Pin, Male	
4	4460466	3	Plug, Terminal	
5	4460933	1	Plug, Male - 12 Position	
5	4460465	12	Socket, Female	
6	1001119020	1	Bussbar - 12 Position	
7	4461095	1	Plug, Male - 3 Position	
7	4460465	3	Socket, Female	
8	4461070	1	Bussbar - 3 Position	
9	1001112796	1	Connector - 9 Position	
9	4460465	6	Socket, Female	
9	4460466	3	Plug, Terminal	

SECTION 7 - ELECTRICAL

FIGURE 7-2. BMS HARNESS



ART_1001262599

SECTION 7 - ELECTRICAL

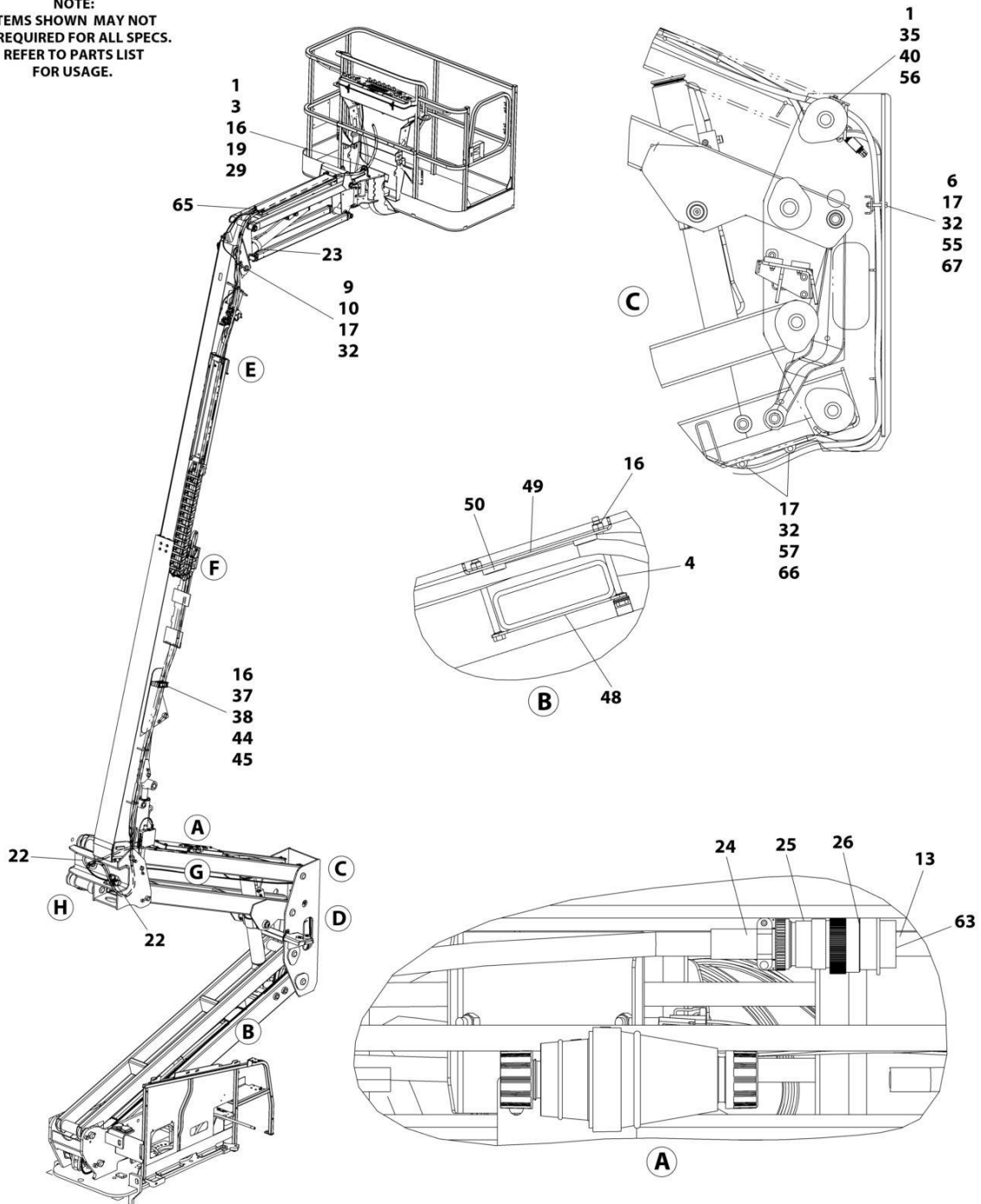
FIGURE 7-2. BMS HARNESS

ITEM	PART NUMBER	QTY	DESCRIPTION	REV
	1001262599	Ref	BMS HARNESS	A
1	1001249069	1	Connector – 26 Position	
1	1001248223	13	Socket, Female	
1	1001248224	13	Plug, Terminal	
2	1001255775	1	Connector – 2 Position	
2	1001255776	2	Socket, Female	
3	4461128	1	Connector – 5 Position	
3	183035-1	5	Socket, Female	
3	1001197457	5	Seal, Terminal	
4	1001249069	1	Connector – 26 Position	
4	1001248223	6	Socket, Female	
4	1001248224	20	Plug, Terminal	
5	4460970	1	Receptacle, Female - 12 Position	
5	4460464	9	Pin, Male	
5	4460466	3	Plug, Terminal	
6	1001116812	1	Connector – 3 Position	
6	4460944	2	Socket, Female	
6	4460466	1	Plug, Terminal	

SECTION 7 - ELECTRICAL

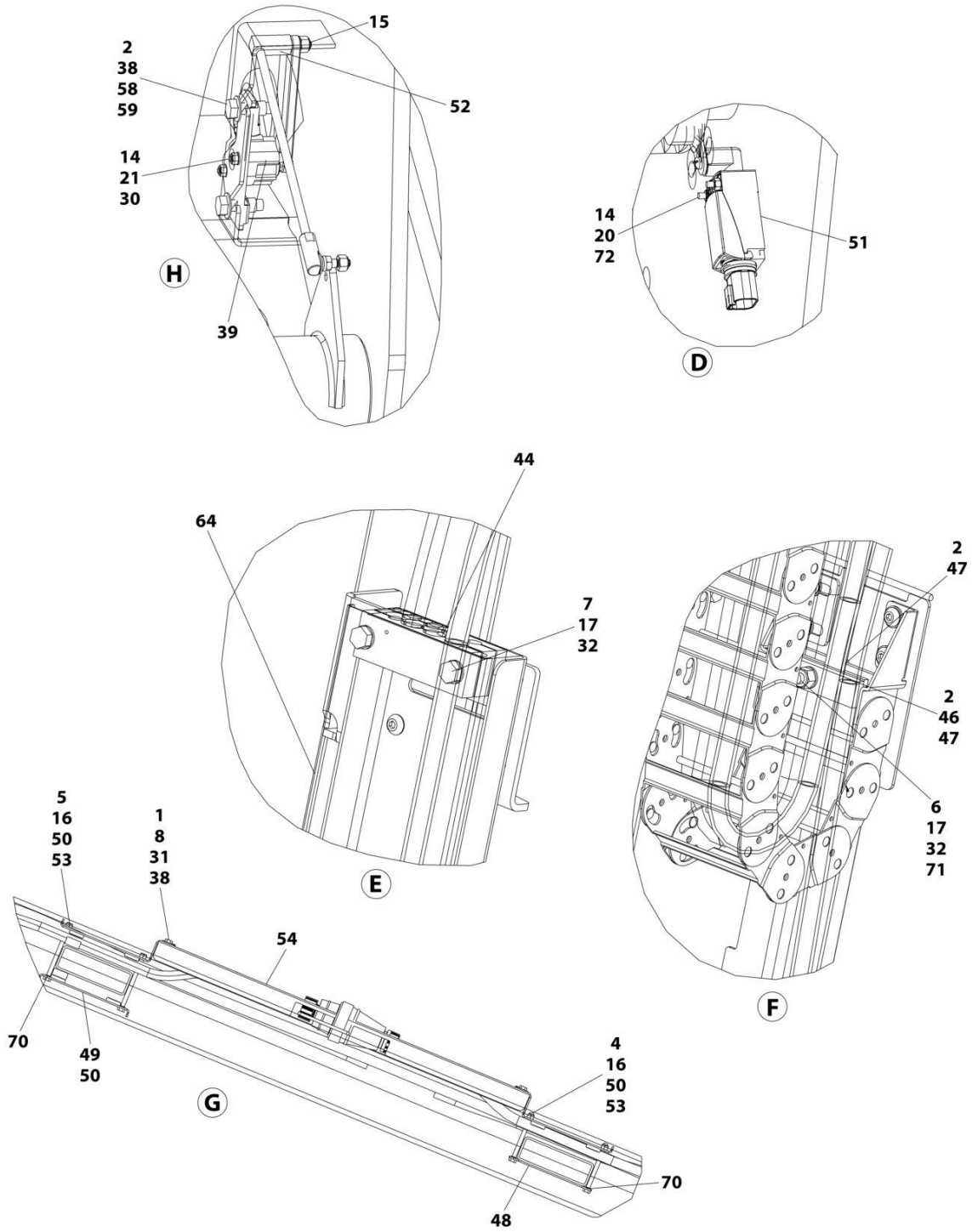
FIGURE 7-3. BOOM CABLES AND CLAMPS

NOTE:
ITEMS SHOWN MAY NOT
BE REQUIRED FOR ALL SPECS.
REFER TO PARTS LIST
FOR USAGE.



ART_1001255050_10F2

SECTION 7 - ELECTRICAL



ART_1001255050_20F2

SECTION 7 - ELECTRICAL

FIGURE 7-3. BOOM CABLES AND CLAMPS

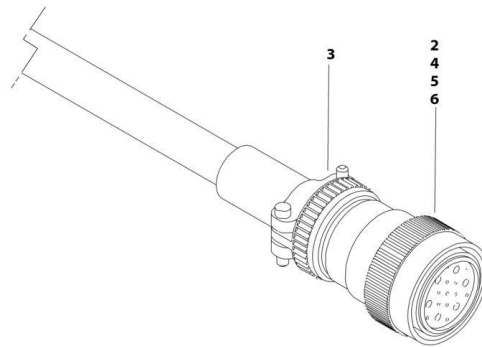
ITEM	PART NUMBER	QTY	DESCRIPTION	REV
	1001179228	Ref	BOOM CABLES AND CLAMPS INSTALLATION - REFERENCE CHART	O
	1001255050	Ref	BOOM CABLES AND CLAMPS INSTALLATION	B
1	0100011	AR	Compound, Locking	
2	0100081	AR	Adhesive	
3	0760814	2	Bolt M8 x 30	
4	0700827	6	Bolt M8 x 100	
5	0700828	2	Bolt M8 x 110	
6	0701021	3	Bolt M10 x 65	
7	0701024	4	Bolt M10 x 80	
8	0760812	4	Bolt M8 x 25	
9	0761012	1	Bolt M10 x 25	
10	1320130	1	Clamp	
13	2820031	AR	Heat Shrink	
14	3290405	4	Nut M4	
15	3290605	2	Nut M6	
16	3290805	12	Nut M8	
17	3291005	10	Nut M10	
19	3841340	1	Loop, Hose	
20	4010418	2	Screw M4 x 50	
21	4031511	2	Capscrew M4 x 35	
22	4060808	27.5 in /8.38m	Flex-Trim	
23	4240156	2	Strap, Clinch	
24	4460473	1	Clamp, Cable	
25	4460865	1	Connector - 19 Position	
26	4460866	1	Connector - 19 Position	
29	4811900	4	Washer M8	
30	4811400	2	Washer M4	
31	4811902	4	Washer M8	
32	4812000	13	Washer M10	
33	1001176951	1	Harness, Tower Boom (Not Shown - See Separate Breakdown in This Section)	
34	1001174749	1	Harness, Tower Boom AC Cable (Not Shown - See Separate Breakdown in This Section)	
35	5251014	2	Bolt M10 x 30	
36	8881800	AR	Tie-Strap (Not Shown)	
37	5281920	2	Screw M8 x 80	
38	1001118274	8	Nut M8	
39	1001118971	1	Sensor, Angle	
40	1001118972	2	Nut M10	
41	1001164730	1	Harness, Main Boom (Not Shown - See Separate Breakdown in This Section)	
42	1001164731	1	Harness, Main Boom AC Cable (Not Shown - See Separate Breakdown in This Section)	
43	1001164738	1	Harness, Boom Valve (Not Shown - See Separate Breakdown in This Section)	
44	1001166656	3	Block, Clamping	
45	1001166662	1	Plate	
46	1001168472	1	Plate, Clamping	
47	1001168473	2	Clamp, Rubber	

SECTION 7 - ELECTRICAL

ITEM	PART NUMBER	QTY	DESCRIPTION	REV
48	1001171553	3	Plate, Clamping	
49	1001171555	3	Plate, Clamping	
50	1001171559	10	Pad	
51	1001172271	1	Switch, Limit	
52	1001238466	1	Link, Sensor (Note: Sold as Assembly Only)	
53	1001178448	2	Plate, Clamping	
54	1001178449	1	Cover	
55	1001178644	1	Plate	
56	1001178958	NLA	Bracket (Use PN 1001260306)	
56	1001260306	1	Bracket	
57	1001182561	2	Roller	
58	5250812	2	Bolt M8 x 25	
59	1001179266	1	Plate, Mounting	
63	4460466	AR	Plug, Terminal	
64	1001181621	1	Cover	
65	1001181923	1	Shield, Hose	
66	1001119280	2	Bolt M10 x 260	
67	1001185747	2	Pad	
70	1001119228	8	Nut M8	
71	8310070	1	Pushnut 3/8	
72	4750800	AR	Washer #8	

SECTION 7 - ELECTRICAL

FIGURE 7-4. BOOM HARNESS - MAIN BOOM



ART_1001164730

SECTION 7 - ELECTRICAL

FIGURE 7-4. BOOM HARNESS - MAIN BOOM

ITEM	PART NUMBER	QTY	DESCRIPTION	REV
	1001164730	Ref	BOOM HARNESS - MAIN BOOM	D
2	4460865	1	Connector - 19 Position	
3	4460473	1	Clamp	
4	4460465	20	Socket, Female	
5	4460509	8	Socket, Female	
6	4460466	5	Plug, Socket	

SECTION 7 - ELECTRICAL

FIGURE 7-5. BOOM HARNESS - MAIN BOOM AC CABLE



ART_1001164731

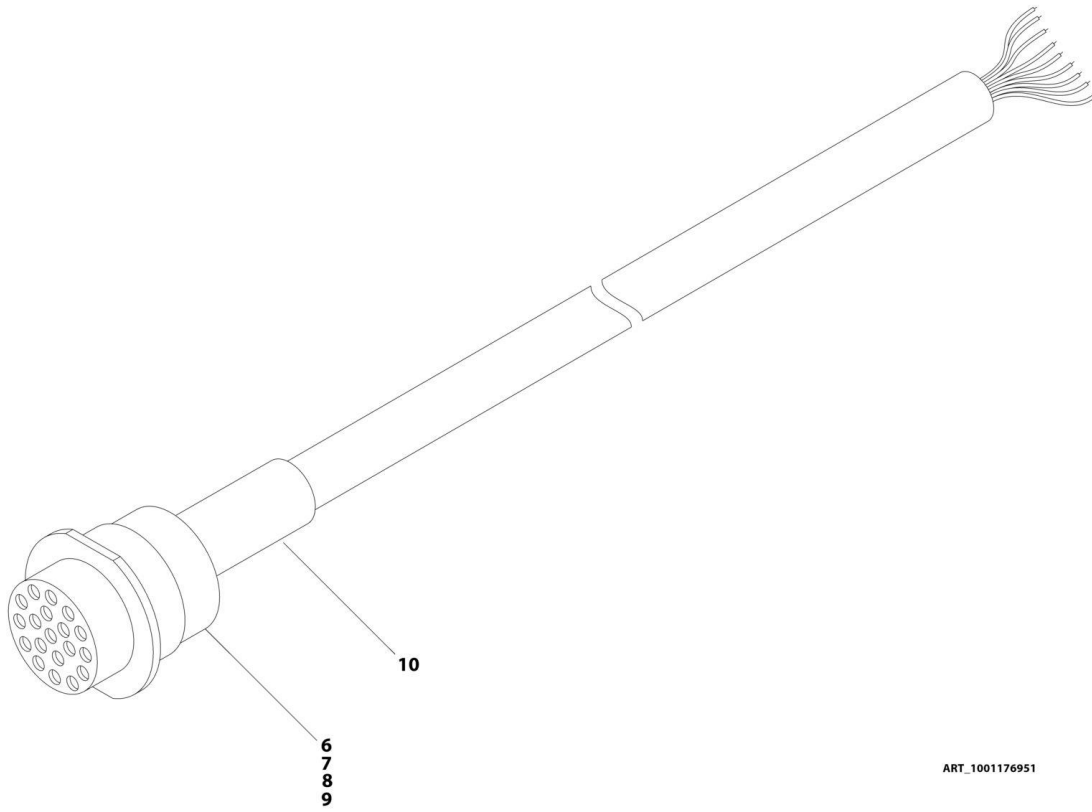
SECTION 7 - ELECTRICAL

FIGURE 7-5. BOOM HARNESS - MAIN BOOM AC CABLE

ITEM	PART NUMBER	QTY	DESCRIPTION	REV
	1001164731	Ref	BOOM HARNESS - MAIN BOOM AC CABLE	C
1	1001120204	1	Plug, Male	
4	1060461	494 in/ 12.6m	Cable, Electrical - 12/3	

SECTION 7 - ELECTRICAL

FIGURE 7-6. BOOM HARNESS - TOWER BOOM



ART_1001176951

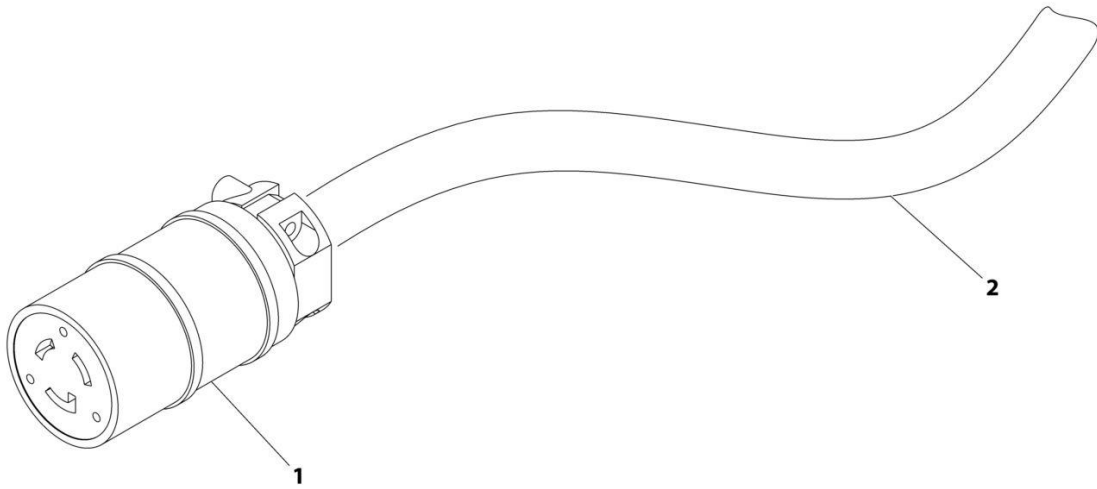
SECTION 7 - ELECTRICAL

FIGURE 7-6. BOOM HARNESS - TOWER BOOM

ITEM	PART NUMBER	QTY	DESCRIPTION	REV
	1001176951	Ref	BOOM HARNESS - TOWER BOOM	E
6	4460466	5	Plug, Terminal	
7	4460464	20	Pin, Male	
8	4460508	8	Pin, Male	
9	4460866	1	Connector - 19 Position	
10	2820031	AR	Heat Shrink	

SECTION 7 - ELECTRICAL

FIGURE 7-7. BOOM HARNESS - TOWER BOOM AC CABLE



ART_1001174749

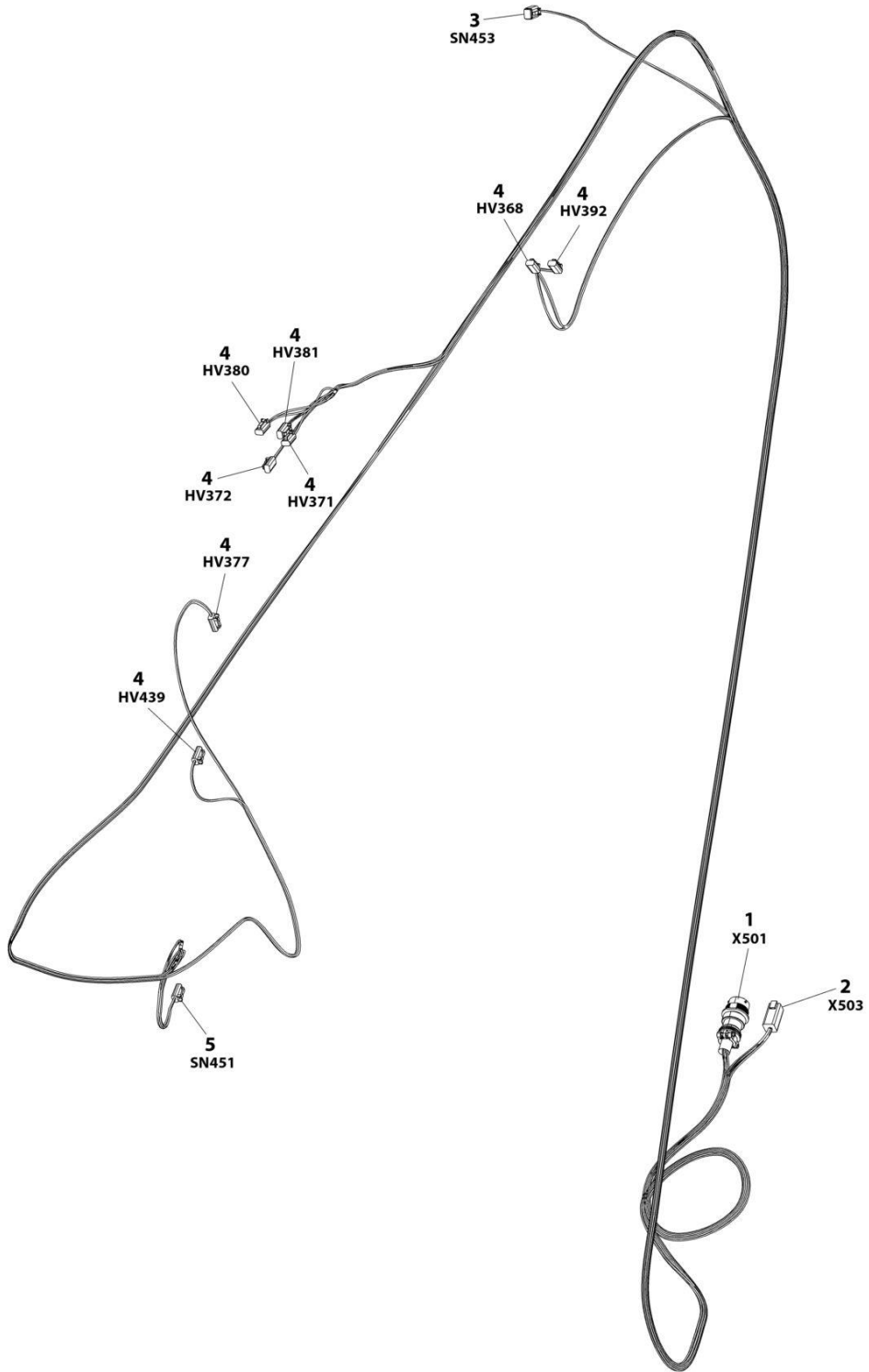
SECTION 7 - ELECTRICAL

FIGURE 7-7. BOOM HARNESS - TOWER BOOM AC CABLE

ITEM	PART NUMBER	QTY	DESCRIPTION	REV
	1001174749	Ref	BOOM HARNESS - TOWER BOOM AC CABLE	C
1	1001120205	1	Connector, Female	
2	1060461	28 ft/ 8.5m	Electrical Cable, 12/3	

SECTION 7 - ELECTRICAL

FIGURE 7-8. BOOM VALVE HARNESS



ART_1001164738

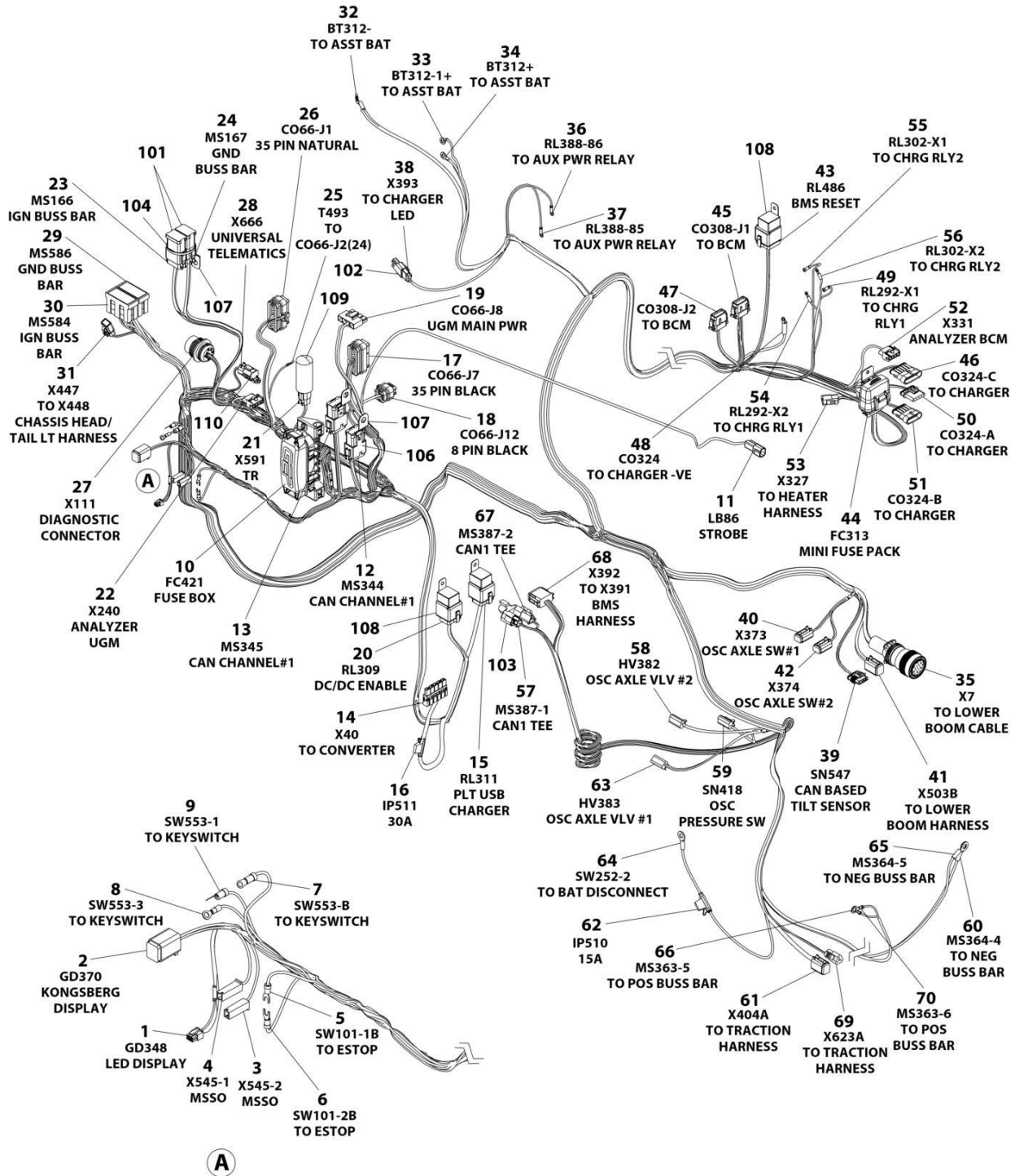
SECTION 7 - ELECTRICAL

FIGURE 7-8. BOOM VALVE HARNESS

ITEM	PART NUMBER	QTY	DESCRIPTION	REV
	1001164738	Ref	BOOM VALVE HARNESS	1
1	1001156541	1	Connector - 19 Position	
1	4460464	13	Pin, Male	
1	4460466	1	Plug, Terminal	
2	4460899	1	Connector - 6 Position	
2	4460464	6	Pin, Male	
3	4460884	1	Plug, Male - 4 Position	
3	4460465	2	Socket, Female	
3	4460466	2	Plug, Terminal	
4	4460891	8	Plug, Male - 2 Position	
4	4460465	16	Socket, Female	
5	1001230931	1	Plug, Male - 6 Position	
5	1001116748	6	Terminal	

SECTION 7 - ELECTRICAL

FIGURE 7-9. CHASSIS HARNESS ASSEMBLY



ART_1001262597

SECTION 7 - ELECTRICAL

FIGURE 7-9. CHASSIS HARNESS ASSEMBLY

ITEM	PART NUMBER	QTY	DESCRIPTION	REV
	1001262597	Ref	CHASSIS HARNESS ASSEMBLY	B
1	1001237667	1	Plug, Male - 6 Position	
1	1001237668	5	Terminal	
2	4460894	1	Plug, Male - 6 Position	
2	4460465	4	Socket, Female	
2	4460466	2	Plug, Terminal	
3	4460260	1	Terminal, Housing	
3	4460259	1	Terminal	
4	4460260	1	Terminal, Housing	
4	4460259	1	Terminal	
5	4460115	1	Terminal, Fork	
6	4460115	1	Terminal, Fork	
7	4460042	1	Terminal, Ring	
8	4460313	1	Terminal, Ring	
9	4460042	1	Terminal, Ring	
10	1001185964	1	Fuse Box Assembly	
10	4460746	13	Terminal, Female	
10	1001234800	12	Terminal, Female	
10	4460748	14	Plug, Terminal	
10	8220125	8	Terminal, Female	
10	1001116747	2	Terminal, Female	
10	4460458	24	Seal, Terminal	
10	80963067	8	Seal (Blue)	
10	8220079	2	Seal, Terminal	
10	4460789	2	Seal, Terminal	
11	4460897	1	Connector - 2 Position	
11	4460464	2	Pin, Male	
12	4460933	1	Connector - 12 Position	
12	4460465	8	Socket, Female	
12	4460466	4	Plug, Terminal	
13	4460933	1	Connector - 12 Position	
13	4460465	12	Socket, Female	
14	1001117012	1	Connector - 5 Position	
14	1001155021	4	Terminal (Gold)	
14	4461271	1	Terminal	
15	4460374	1	Plug, Relay	
15	1001116733	2	Female, Terminal	
15	1001116732	2	Female, Terminal	
15	1001128128	1	Plug, Terminal	
16	2400066	1	Holder, Fuse	
16	8229245	1	Fuse 30Amp	
17	4460873	1	Connector - 35 Position	
17	4460871	24	Socket, Female	
17	4460905	11	Plug, Terminal	
18	1001113961	1	Connector - 8 Position	
18	4460871	3	Socket, Female	
18	4460905	5	Plug, Terminal	
19	4460878	1	Plug, Male - 4 Position	
19	4460887	2	Terminal	
20	4460374	1	Plug, Relay	

SECTION 7 - ELECTRICAL

ITEM	PART NUMBER	QTY	DESCRIPTION	REV
20	1001116733	2	Female, Terminal	
20	1001116732	2	Female, Terminal	
20	1001128128	1	Plug, Terminal	
21	4460884	1	Plug, Male - 4 Position	
21	4460944	4	Socket, Female	
22	4460761	1	Connector - 4 Position	
22	4460227	4	Pin, Male	
23	4460836	1	Connector - 12 Position	
23	4460465	4	Socket, Female	
23	4460466	8	Plug, Terminal	
24	4460836	1	Connector - 12 Position	
24	4460465	7	Socket, Female	
23	4460942	1	Terminal	
24	4460466	4	Plug, Terminal	
25	4460871	1	Socket, Female	
26	4460874	1	Connector - 35 Position	
26	4460871	13	Socket, Female	
26	4460905	22	Plug, Terminal	
27	1001112612	1	Connector - 9 Position	
27	4460943	2	Pin, Male	
27	4460464	3	Pin, Male	
27	4460466	4	Plug, Terminal	
28	4460884	1	Plug, Male - 4 Position	
28	4460465	4	Socket, Female	
29	1001184846	1	Connector - 10 Position	
29	4460509	8	Socket, Female	
29	4460466	2	Plug, Terminal	
30	1001184846	1	Connector - 10 Position	
30	4460509	6	Socket, Female	
30	4460466	4	Plug, Terminal	
31	4461018	1	Connector - 2 Position	
31	4460509	2	Socket, Female	
32	1001117108	1	Terminal, Ring	
33	4460312	1	Terminal, Ring	
34	4460312	1	Terminal, Ring	
35	4460865	1	Connector - 19 Position	
35	4460943	2	Pin, Male	
35	4460464	4	Pin, Male	
35	4460508	4	Pin, Male	
35	4460466	9	Plug, Terminal	
35	4460473	1	Clamp	
36	4460247	1	Terminal, Ring	
37	4460247	1	Terminal, Ring	
38	4460911	1	Connector - 3 Position	
38	4460918	3	Socket, Female	
39	1001103012	1	Connector - 4 Position	
39	1001107854	4	Socket, Female	
40	4460884	1	Plug, Male - 4 Position	
40	4460465	2	Socket, Female	
40	4460466	2	Plug, Terminal	
41	4460894	1	Plug, Male - 6 Position	

SECTION 7 - ELECTRICAL

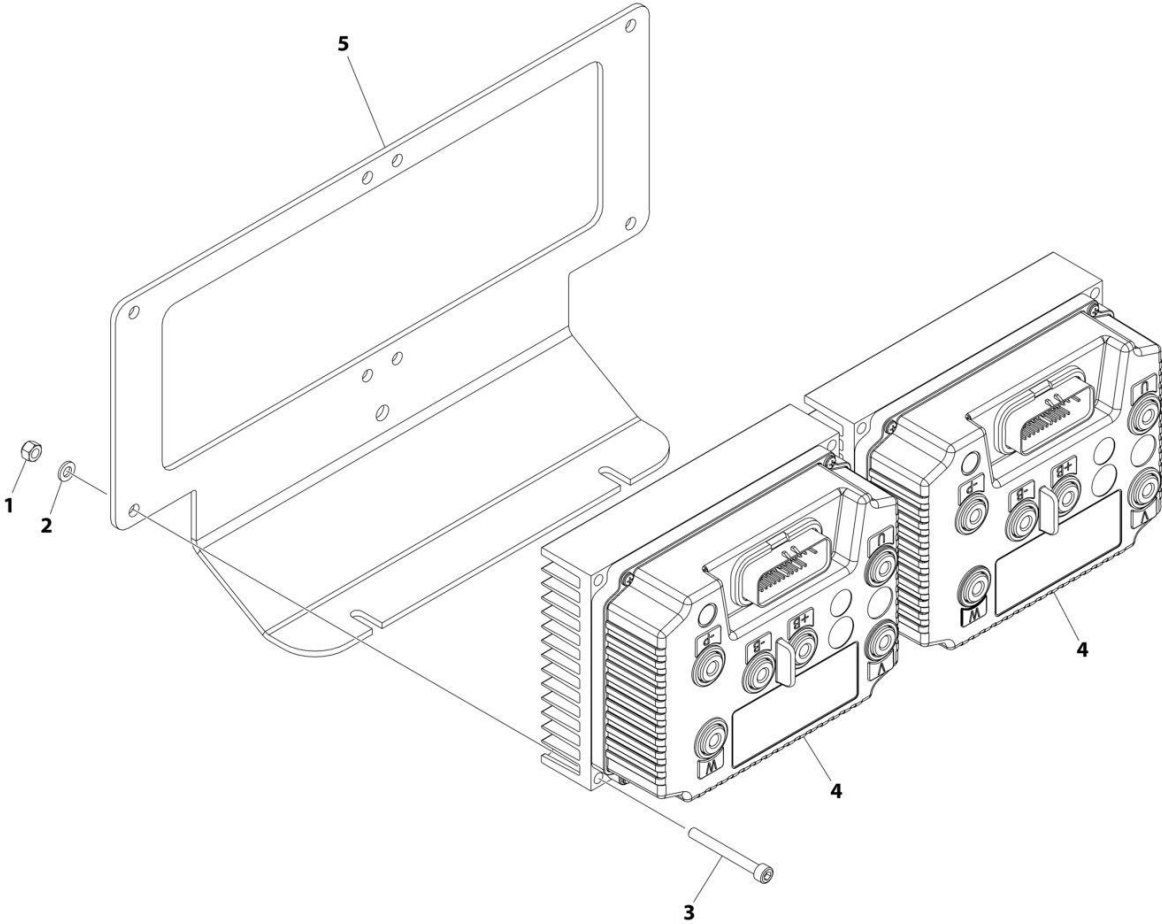
ITEM	PART NUMBER	QTY	DESCRIPTION	REV
41	4460465	6	Socket, Female	
42	4460884	1	Plug, Male - 4 Position	
42	4460465	2	Socket, Female	
42	4460466	2	Plug, Terminal	
43	4460374	1	Plug, Relay	
43	1001116733	2	Female, Terminal	
43	1001116732	2	Female, Terminal	
43	1001128128	1	Plug, Terminal	
44	1001260788	1	Holder, Fuse and Relay	
44	4460746	12	Terminal, Female	
45	4460908	1	Connector - 12 Position	
45	1001126008	10	Socket, Female	
45	4460518	2	Plug, Terminal	
46	4461228	1	Plug, Male - 6 Position	
46	1001104497	4	Socket, Female	
46	1001116698	2	Plug, Terminal	
47	4460909	1	Connector - 12 Position	
47	1001126008	2	Socket, Female	
47	1001126009	2	Socket, Female	
47	4460518	8	Plug, Terminal	
48	8220022	1	Terminal, Ring	
49	1001098122	1	Terminal, Ring	
50	4461128	1	Connector - 5 Position	
50	1001107854	3	Socket, Female	
50	1001116698	2	Plug, Terminal	
51	4461229	1	Connector - 5 Position	
51	1001104497	2	Socket, Female	
51	1001116698	3	Plug, Terminal	
52	4460761	1	Connector - 4 Position	
52	4460227	4	Pin, Male	
53	4460539	1	Connector - 3 Position	
53	4460465	3	Socket, Female	
54	1001098122	1	Terminal, Ring	
55	1001098122	1	Terminal, Ring	
56	1001098122	1	Terminal, Ring	
57	1001116812	1	Connector - 3 Position	
57	4460944	2	Socket, Female	
57	4460466	1	Plug, Terminal	
58	4460891	1	Connector - 2 Position	
58	4460465	2	Socket, Female	
59	4460891	1	Connector - 2 Position	
59	4460465	2	Socket, Female	
60	8220045	1	Terminal, Ring	
61	4460894	1	Plug, Male - 6 Position	
61	4460465	6	Socket, Female	
62	1001170763	1	Fuseholder - 20Amp (Includes Cover)	
62	8229244	1	Fuse 15Amp	
63	4460891	1	Connector - 2 Position	
63	4460465	2	Socket, Female	
64	8220045	1	Terminal, Ring	
65	8220045	1	Terminal, Ring	

SECTION 7 - ELECTRICAL

ITEM	PART NUMBER	QTY	DESCRIPTION	REV
66	4460670	1	Terminal, Ring	
67	4460966	1	Connector - 3 Position	
67	4460944	2	Socket, Female	
67	4460466	1	Plug, Terminal	
68	4460933	1	Connector - 12 Position	
68	4460465	9	Socket, Female	
68	4460466	3	Plug, Terminal	
69	4460539	1	Connector - 3 Position	
69	4460944	3	Socket, Female	
101	4460837	2	Bussbar - 12 Position	
102	4460910	1	Connector - 3 Position	
103	4460945	1	Receptacle, 3 Way	
104	1001008559	1	Tie-Strap	
105	4460966	1	Connector - 3 Position	
106	1001125677	2	Connector, Bussbar - 12 Position	
107	1001120328	3	Clip, Mounting	
108	1001171295	3	Relay	
109	1001186231	1	Connector - 5 Position	
110	1001192401	1	Dust Cap	

SECTION 7 - ELECTRICAL

FIGURE 7-10. CONTROLLER BRACKET ASSEMBLY



ART_1001250432

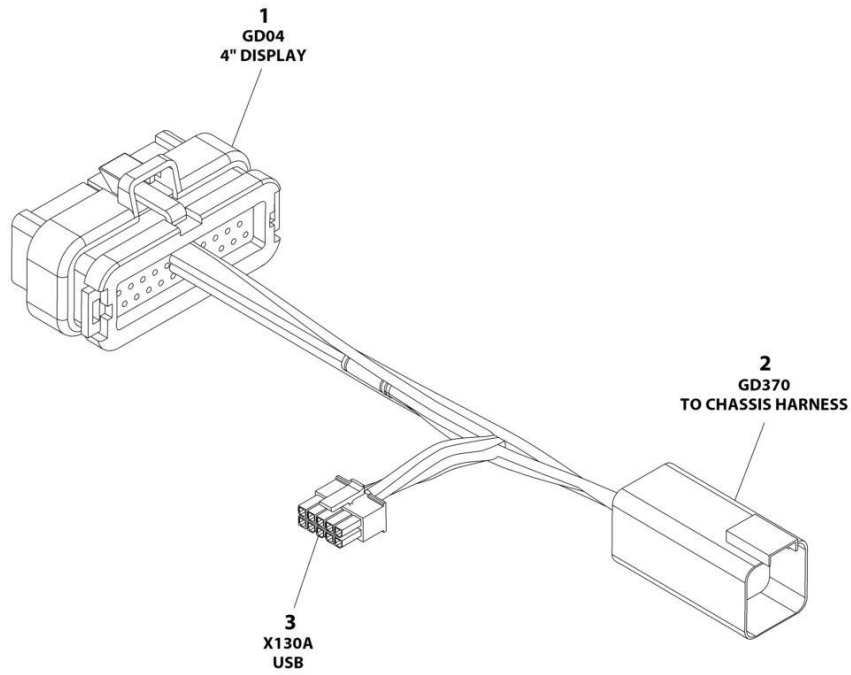
SECTION 7 - ELECTRICAL

FIGURE 7-10. CONTROLLER BRACKET ASSEMBLY

ITEM	PART NUMBER	QTY	DESCRIPTION	REV
	1001250432	Ref	CONTROLLER BRACKET ASSEMBLY	A
1	3290605	8	Nut M6	
2	4811700	8	Washer M6	
3	1001118878	8	Bolt M6 x 55	
4	1001170140	2	Controller, Drive	
5	1001209640	1	Bracket	

SECTION 7 - ELECTRICAL

FIGURE 7-11. DISPLAY ADAPTER HARNESS



ART_1001265415

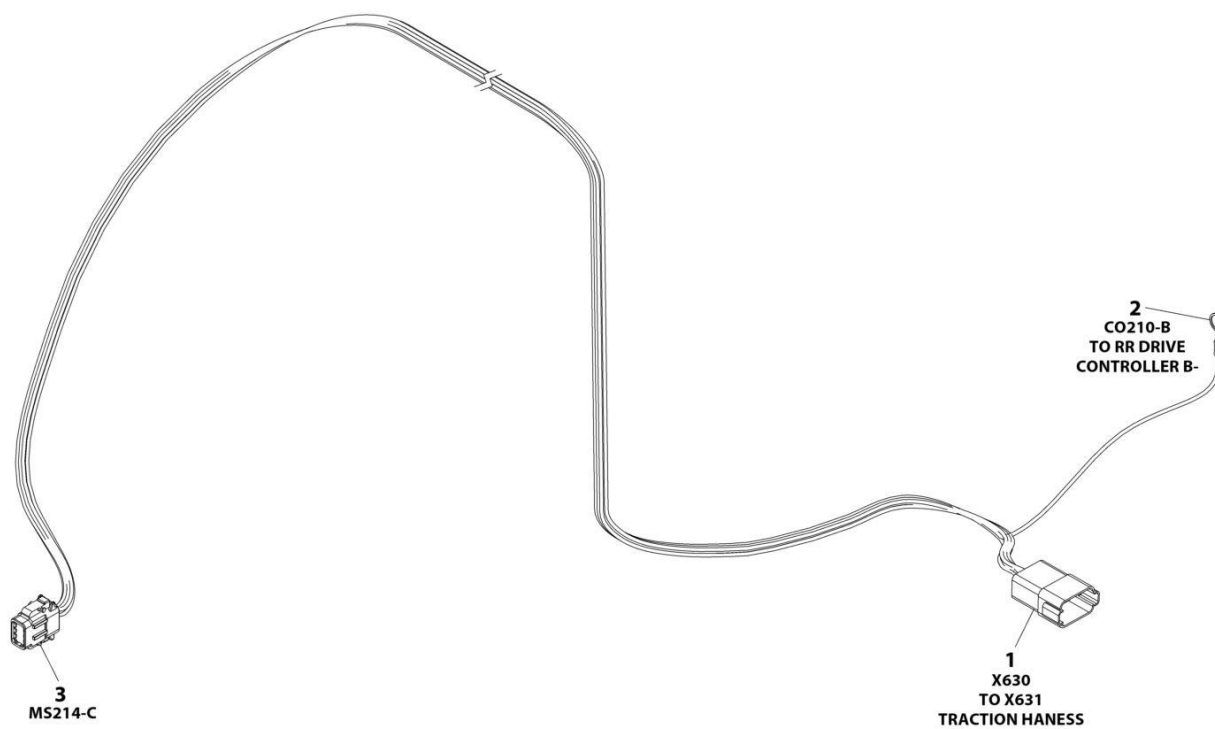
SECTION 7 - ELECTRICAL

FIGURE 7-11. DISPLAY ADAPTER HARNESS

ITEM	PART NUMBER	QTY	DESCRIPTION	REV
	1001265415	Ref	DISPLAY ADAPTER HARNESS	A
1	4460873	1	Connector - 35 Position	
1	4460871	10	Socket, Female	
1	4460905	25	Plug, Terminal	
2	4460899	1	Connector - 6 Position	
2	4460464	4	Pin, Male	
2	4460466	2	Plug, Terminal	
3	1001150735	1	Connector - 10 Position	
3	1001150889	5	Socket, Female	

SECTION 7 - ELECTRICAL

FIGURE 7-12. DRIVE MOTOR HARNESS (RIGHT REAR)



ART_1001265228

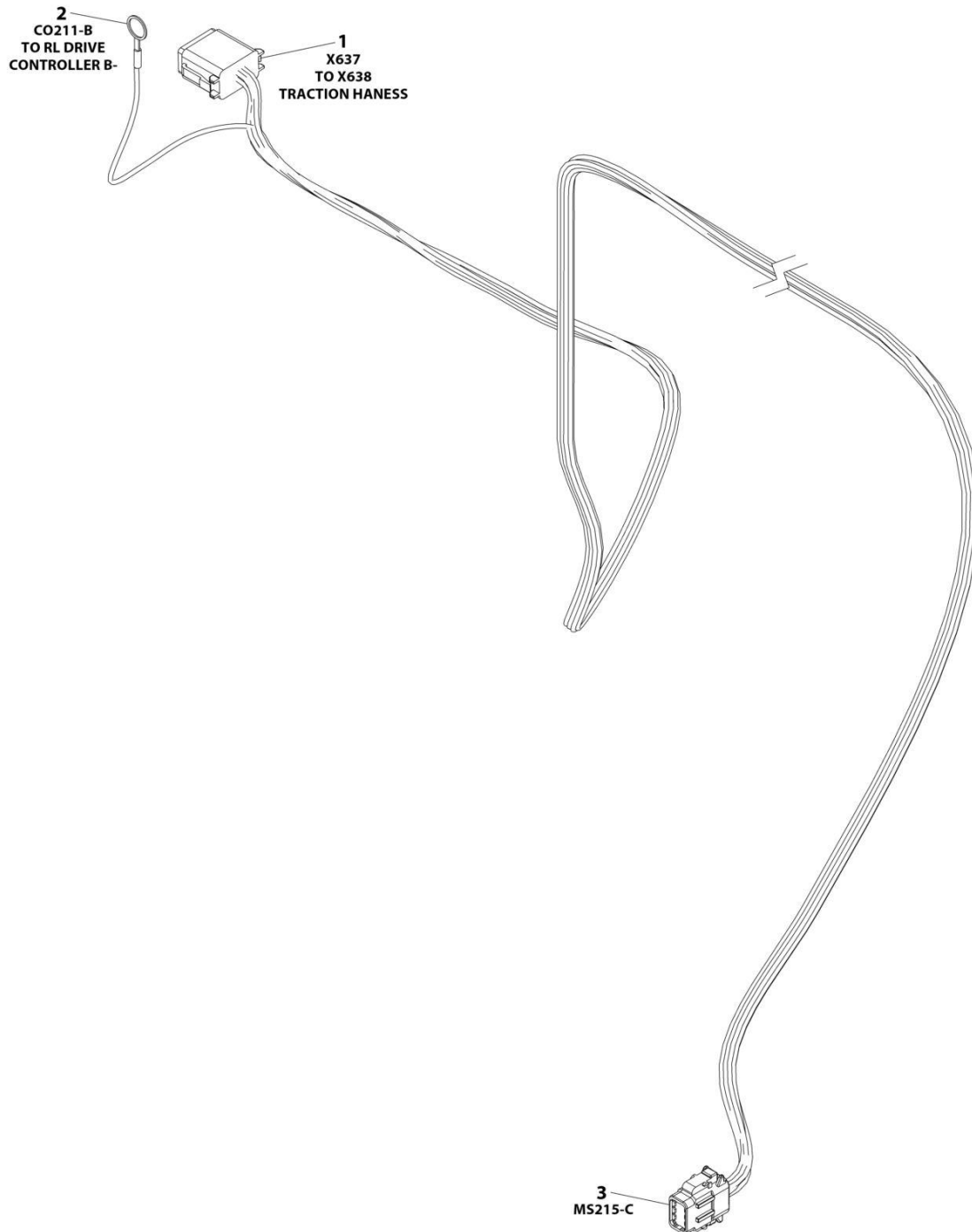
SECTION 7 - ELECTRICAL

FIGURE 7-12. DRIVE MOTOR HARNESS (RIGHT REAR)

ITEM	PART NUMBER	QTY	DESCRIPTION	REV
	1001265228	Ref	DRIVE MOTOR HARNESS (RIGHT REAR)	A
1	4460931	1	Connector - 8 Position	
1	4460464	8	Pin, Male	
2	4460703	1	Terminal, Ring	
3	1001190577	1	Connector - 8 Position	
3	1001126008	8	Socket, Female	

SECTION 7 - ELECTRICAL

FIGURE 7-13. DRIVE MOTOR HARNESS (LEFT REAR)



ART_1001265227

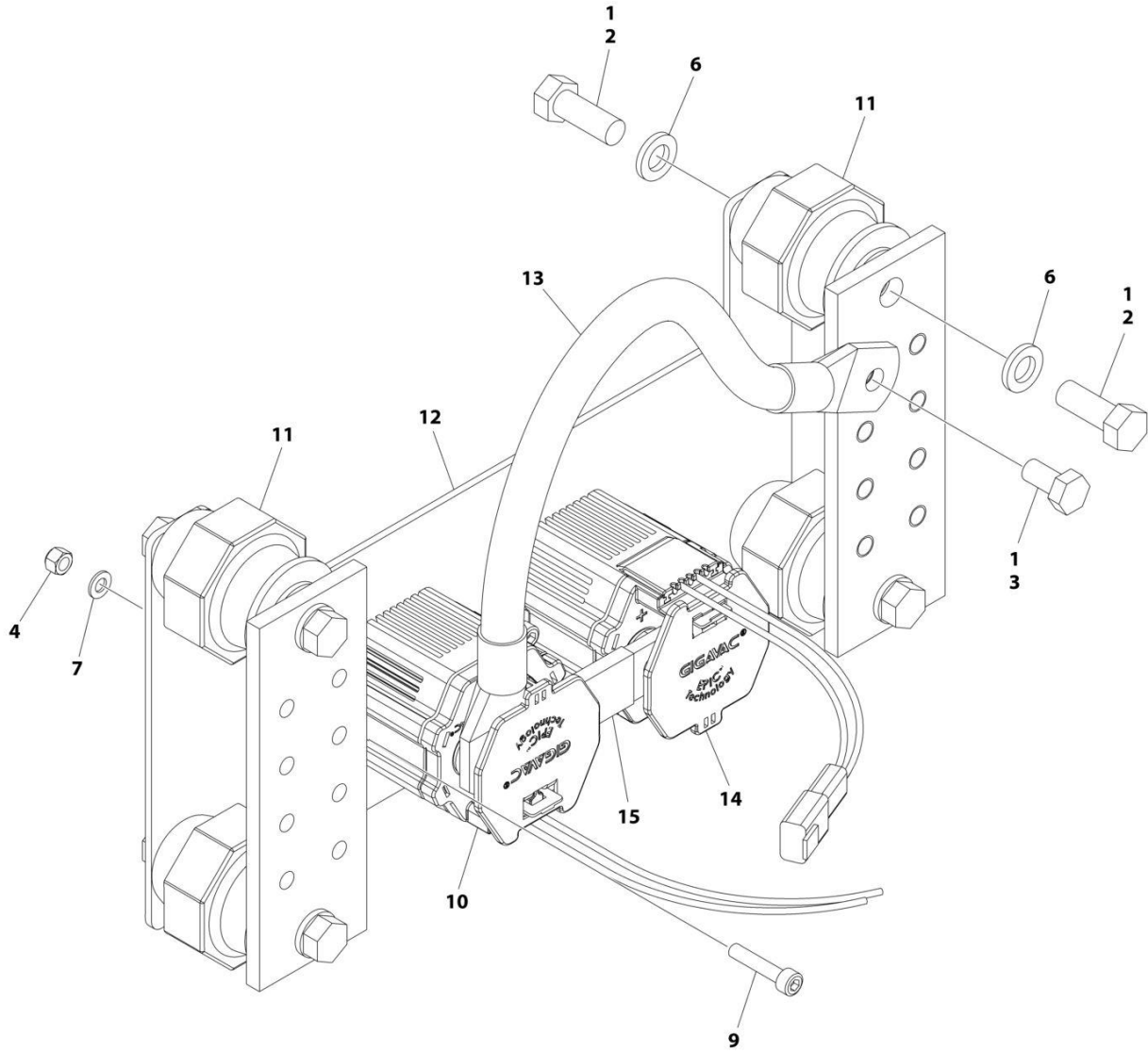
SECTION 7 - ELECTRICAL

FIGURE 7-13. DRIVE MOTOR HARNESS (LEFT REAR)

ITEM	PART NUMBER	QTY	DESCRIPTION	REV
	1001265227	Ref	DRIVE MOTOR HARNESS (LEFT REAR)	A
1	4460930	1	Connector - 8 Position	
1	4460465	8	Socket, Female	
2	4460703	1	Terminal, Ring	
3	1001190577	1	Connector - 8 Position	
3	1001126008	8	Socket, Female	

SECTION 7 - ELECTRICAL

FIGURE 7-14. FUSE PLATE ASSEMBLY



ART_1001250518

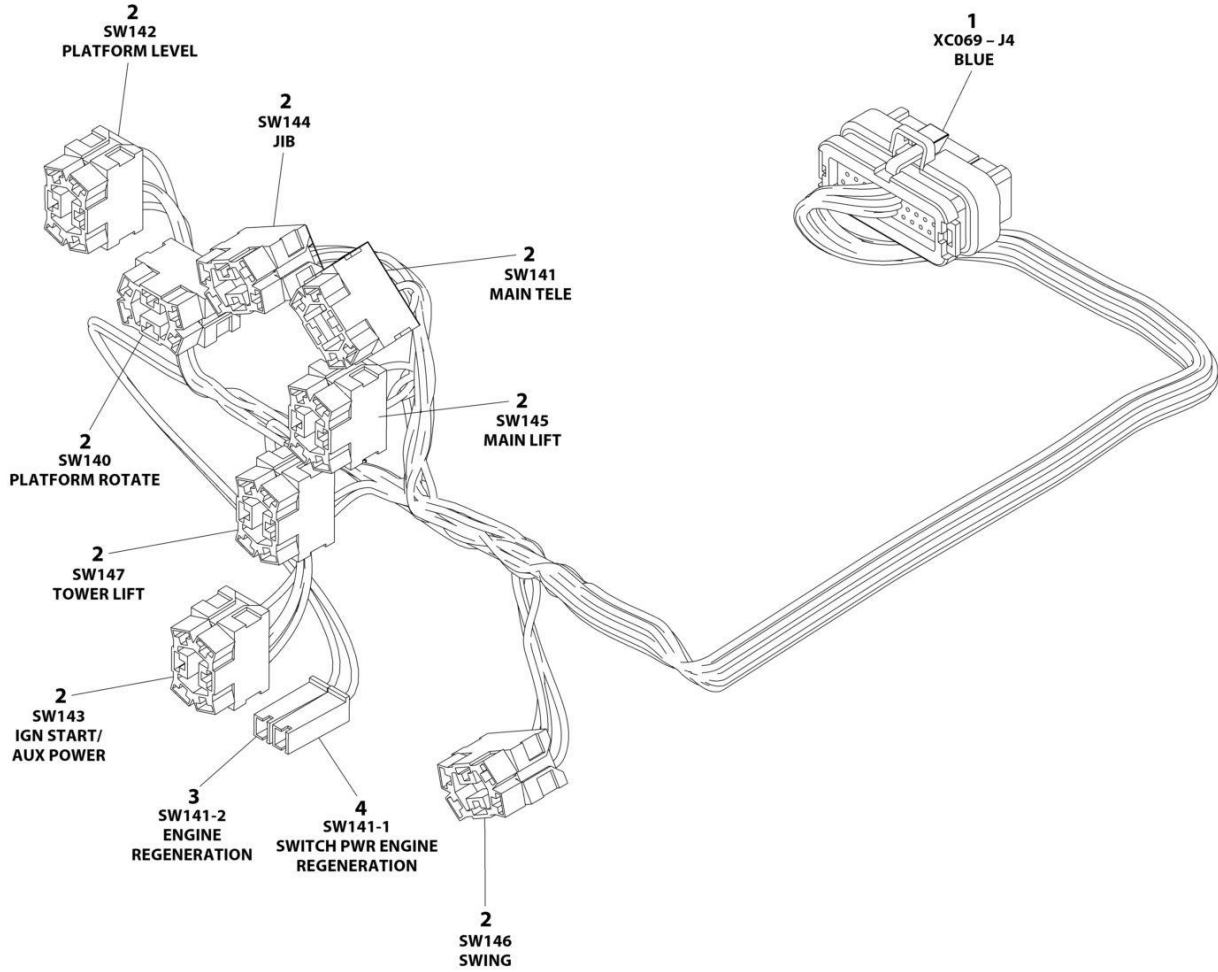
SECTION 7 - ELECTRICAL

FIGURE 7-14. FUSE PLATE ASSEMBLY

ITEM	PART NUMBER	QTY	DESCRIPTION	REV
	1001250518	Ref	FUSE PLATE ASSEMBLY	D
1	0100011	AR	Compound, Locking	
2	0641608	8	Bolt 3/8 x 1	
3	0760812	1	Bolt M8 x 25	
3	0760808	1	Bolt M8 x 16	
4	3290505	4	Nut M5	
6	4761600	8	Washer 3/8	
7	4811600	4	Washer M5	
9	5271609	4	Bolt M5 x 25	
10	1001170367	1	Relay	
11	1001184137	2	Electrical Assembly, Buss Bar	
12	1001250517	1	Plate	
13	1001257316	1	Cable, 4/0 AWG	
13	1001255013	1	Cable, 2/0 AWG	
14	1001248504	1	Relay, 12V	
15	1001261257	1	Plate	

SECTION 7 - ELECTRICAL

FIGURE 7-15. GROUND CONTROL PANEL HARNESS



ART_1001244295

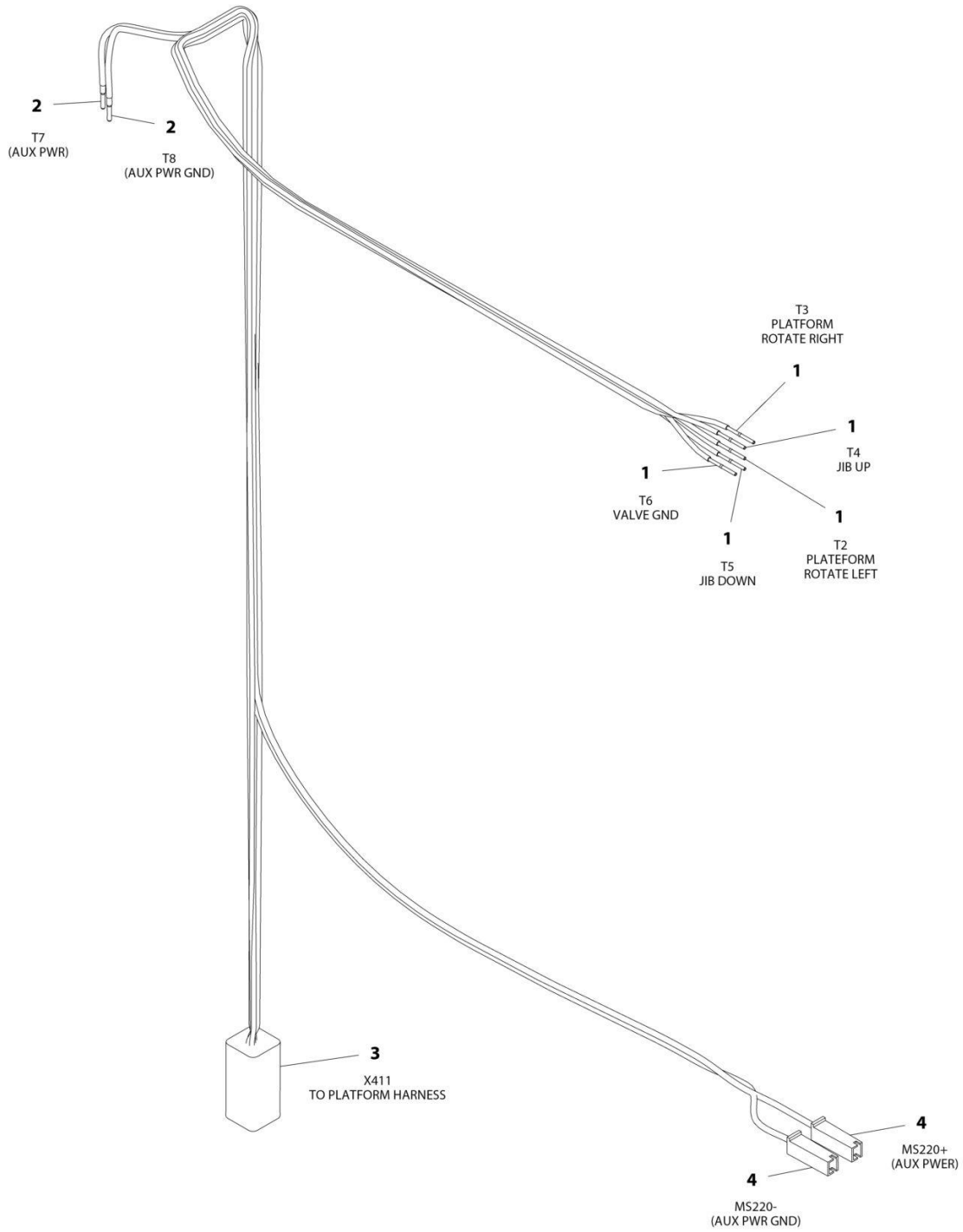
SECTION 7 - ELECTRICAL

FIGURE 7-15. GROUND CONTROL PANEL HARNESS

ITEM	PART NUMBER	QTY	DESCRIPTION	REV
	1001244295	Ref	GROUND CONTROL PANEL HARNESS	C
1	4460876	1	Connector - 35 Position	
1	4460871	18	Socket, Female	
1	4460905	17	Plug, Terminal	
2	4460418	8	Connector - 6 Position	
2	4460419	16	Terminal	
2	1001159186	16	Terminal	
3	4460260	2	Housing, Terminal	
3	4460259	2	Terminal	
4	4460260	1	Terminal, Housing	
4	4460259	1	Terminal	

SECTION 7 - ELECTRICAL

FIGURE 7-16. PLATFORM TO BOOM HARNESS



ART_1001169422

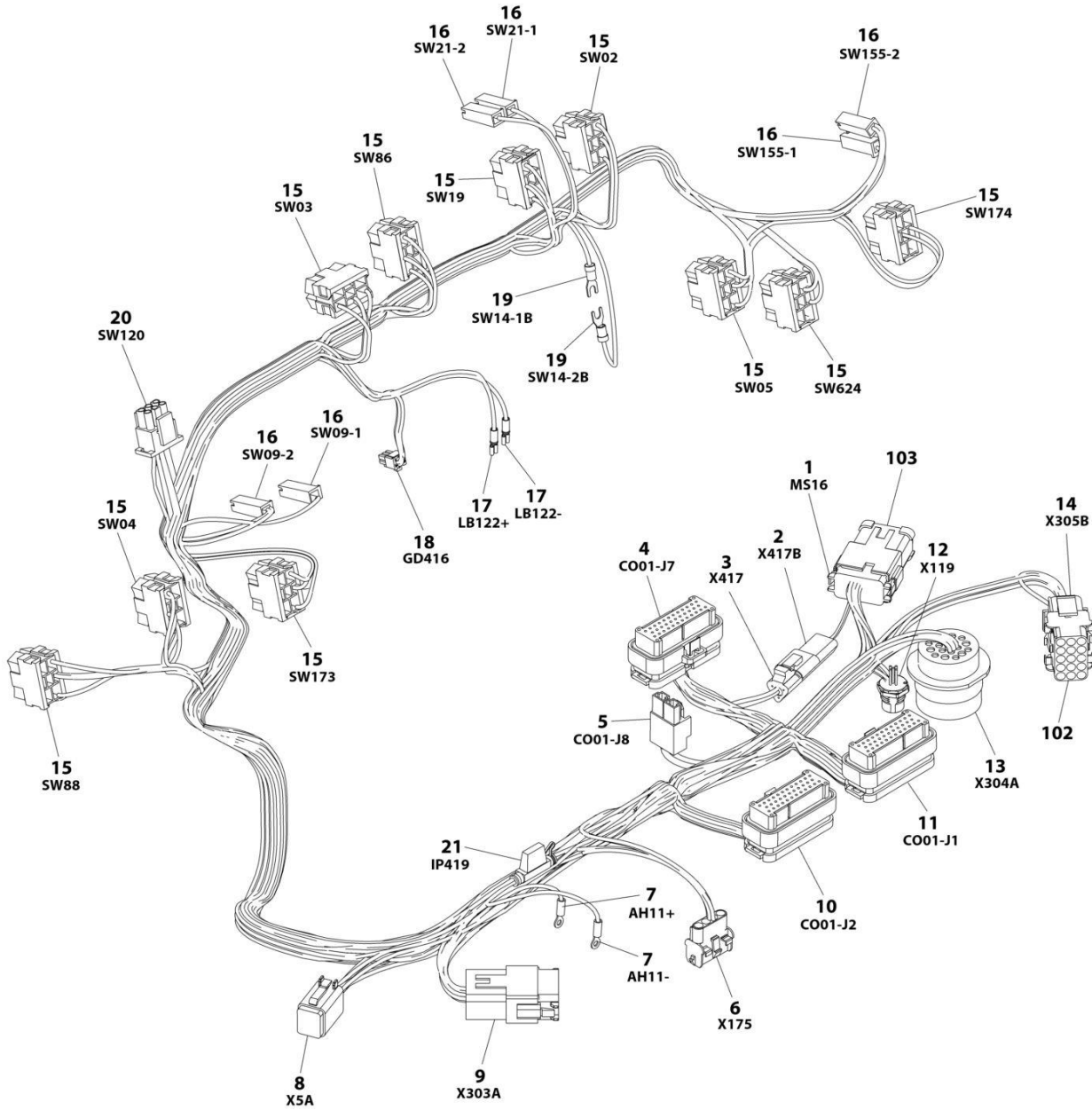
SECTION 7 - ELECTRICAL

FIGURE 7-16. PLATFORM TO BOOM HARNESS

ITEM	PART NUMBER	QTY	DESCRIPTION	REV
	1001169422	Ref	PLATFORM TO BOOM HARNESS	A
1	4460465	5	Socket, Female	
2	4460508	2	Pin, Male	
3	4460899	1	Connector - 6 Position	
3	4460464	5	Pin, Male	
3	4460466	1	Plug, Terminal	
4	4460260	2	Connector - 1 Position	
4	4460259	2	Terminal	

SECTION 7 - ELECTRICAL

FIGURE 7-17. PLATFORM CONSOLE BOX HARNESS



ART_1001238254

SECTION 7 - ELECTRICAL

FIGURE 7-17. PLATFORM CONSOLE BOX HARNESS

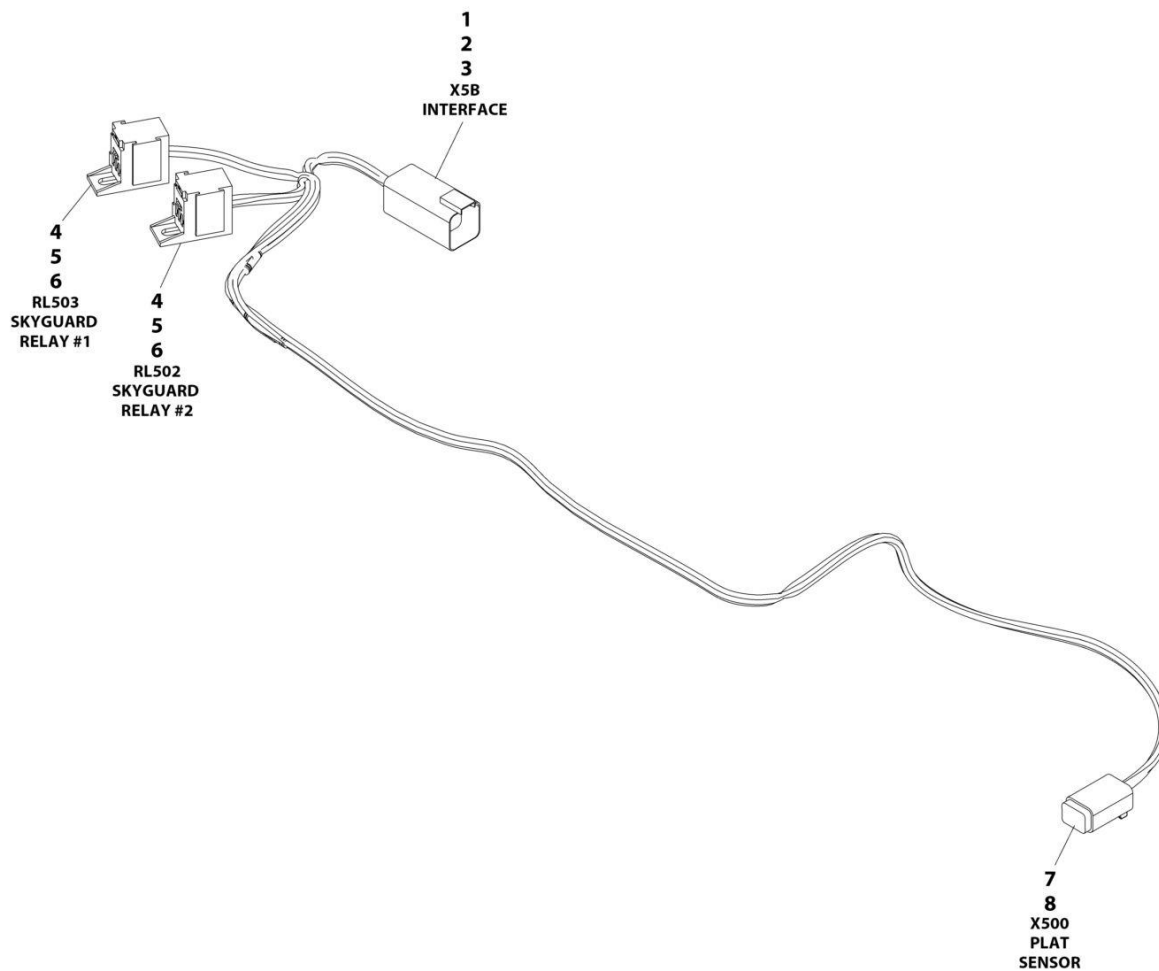
ITEM	PART NUMBER	QTY	DESCRIPTION	REV
	1001238254	Ref	PLATFORM CONSOLE BOX HARNESS	H
1	4460933	1	Plug, Male - 12 Position	
1	4460465	10	Socket, Female	
1	4460466	2	Plug, Terminal	
2	4460536	1	Receptacle, Female - 3 Position	
2	4460464	2	Pin, Male	
2	4460466	1	Plug, Terminal	
3	4460539	1	Plug, Male - 3 Position	
3	4460465	2	Socket, Female	
3	4460466	1	Plug, Terminal	
4	4460873	1	Connector - 35 Position	
4	4460871	21	Socket, Female	
4	4460905	14	Plug, Terminal	
5	4460879	1	Plug, Male - 2 Position	
5	4460887	2	Terminal	
6	4460761	1	Receptacle, Female - 4 Position	
6	4460267	4	Pin, Male	
7	1001098122	2	Terminal, Ring	
8	4460894	1	Plug, Male - 6 Position	
8	4460465	6	Socket, Female	
9	4460970	1	Receptacle, Female - 12 Position	
9	1001116693	9	Pin, Male	
9	4460466	1	Plug, Terminal	
9	4460464	2	Pin, Male	
10	4460875	1	Connector - 35 Position	
10	4460871	12	Socket, Female	
10	4460905	23	Plug, Terminal	
11	4460874	1	Connector - 35 Position	
11	4460871	27	Socket, Female	
11	4460905	8	Plug, Terminal	
12	1001213447	1	Connector - 4 Position	
12	See Note	NSS	Terminal (Note: Purchase p/n 1001213447)	
13	4460866	1	Connector - 19 Position	
13	4460464	5	Pin, Male	
13	4460466	11	Plug, Terminal	
13	4460508	1	Pin, Male	
14	4460434	1	Connector - 15 Position	
14	4460267	8	Pin, Male	
15	4460418	10	Connector - 6 Position	
15	4460419	45	Terminal	
16	4460260	6	Housing, Terminal	
16	4460259	8	Terminal	
17	1001271497	2	Terminal	
18	1001237667	1	Plug, Male - 6 Position	
18	1001237668	4	Terminal	
19	4460183	2	Terminal, Fork	
20	4460225	1	Plug, Male - 6 Position	
20	4460227	6	Pin, Male (Note: Used on Pump Potentiometer Connection Only)	
21	2400060	1	Fuse Holder	
102	4460708	1	Connector, Bussbar - 15 Position	

SECTION 7 - ELECTRICAL

ITEM	PART NUMBER	QTY	DESCRIPTION	REV
103	1001125677	1	Connector, Bussbar - 12 Posititon	

SECTION 7 - ELECTRICAL

FIGURE 7-18. PLATFORM INTERFACE HARNESS



ART_1001225580_E

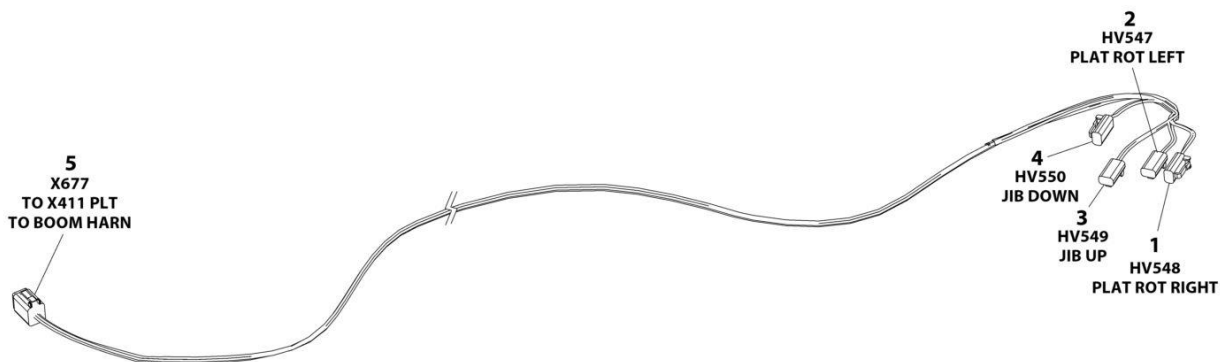
SECTION 7 - ELECTRICAL

FIGURE 7-18. PLATFORM INTERFACE HARNESS

ITEM	PART NUMBER	QTY	DESCRIPTION	REV
	1001225580	Ref	PLATFORM INTERFACE HARNESS - WITH 1 CELL LSS	E
1	4460899	1	Connector	
2	4460464	4	Terminal	
3	4460466	2	Plug	
4	1001186432	2	Connector	
5	1001253375	4	Terminal	
6	1001104519	4	Terminal	
7	4460884	1	Connector	
8	4460465	4	Terminal	

SECTION 7 - ELECTRICAL

FIGURE 7-19. PLATFORM VALVE HARNESS



ART_1001265414

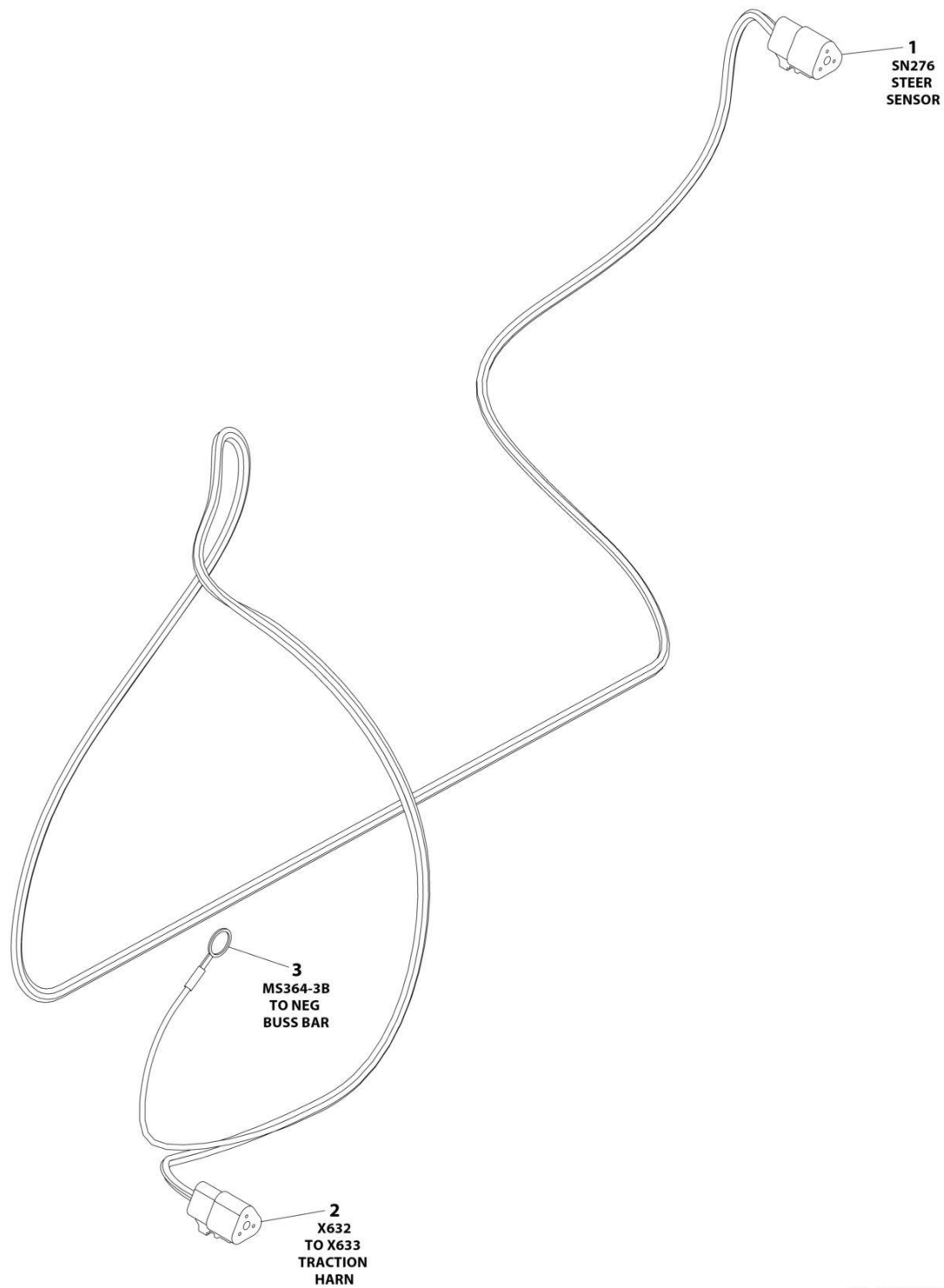
SECTION 7 - ELECTRICAL

FIGURE 7-19. PLATFORM VALVE HARNESS

ITEM	PART NUMBER	QTY	DESCRIPTION	REV
	1001265414	Ref	INTERFACE HARNESS - WITH 1 CELL LSS	A
1	4460891	1	Connector - 2 Position	
1	4460465	2	Socket, Female	
2	4460891	1	Connector - 2 Position	
2	4460465	2	Socket, Female	
3	4460891	1	Connector - 2 Position	
3	4460465	2	Socket, Female	
4	4460891	1	Connector - 2 Position	
4	4460465	2	Socket, Female	
5	4460894	1	Plug, Male - 6 Position	
5	4460465	5	Socket, Female	

SECTION 7 - ELECTRICAL

FIGURE 7-20. STEER SENSOR HARNESS



ART_1001255829

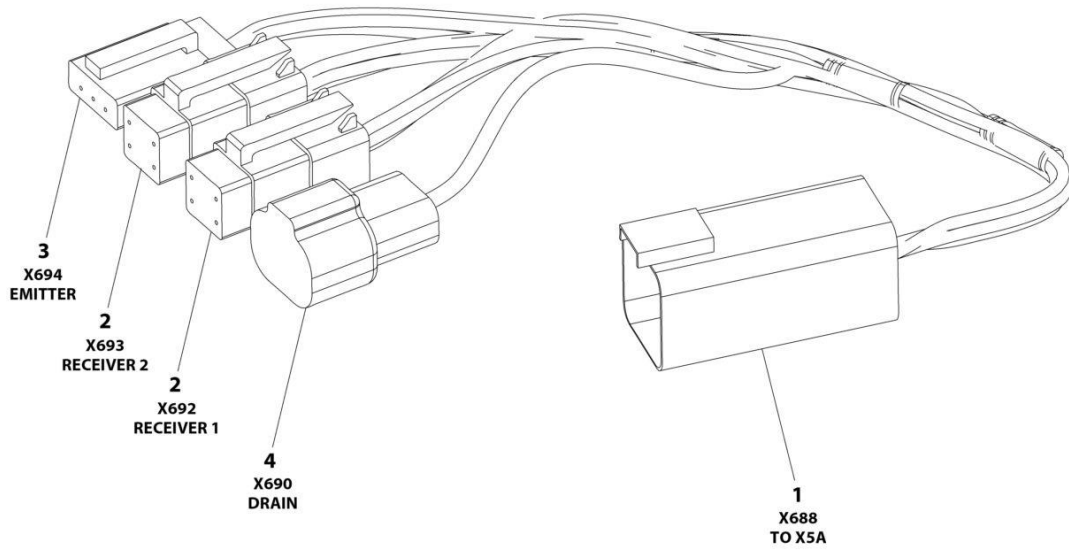
SECTION 7 - ELECTRICAL

FIGURE 7-20. STEER SENSOR HARNESS

ITEM	PART NUMBER	QTY	DESCRIPTION	REV
	1001255829	Ref	STEER SENSOR HARNESS	B
1	4460539	1	Plug, Male - 3 Position	
1	4460944	3	Socket, Female	
2	4460539	1	Plug, Male - 3 Position	
2	4460465	3	Socket, Female	
3	4460703	1	Terminal, Ring	

SECTION 7 - ELECTRICAL

FIGURE 7-21. SKYEYE INTERMEDIATE HARNESS



ART_1001237865

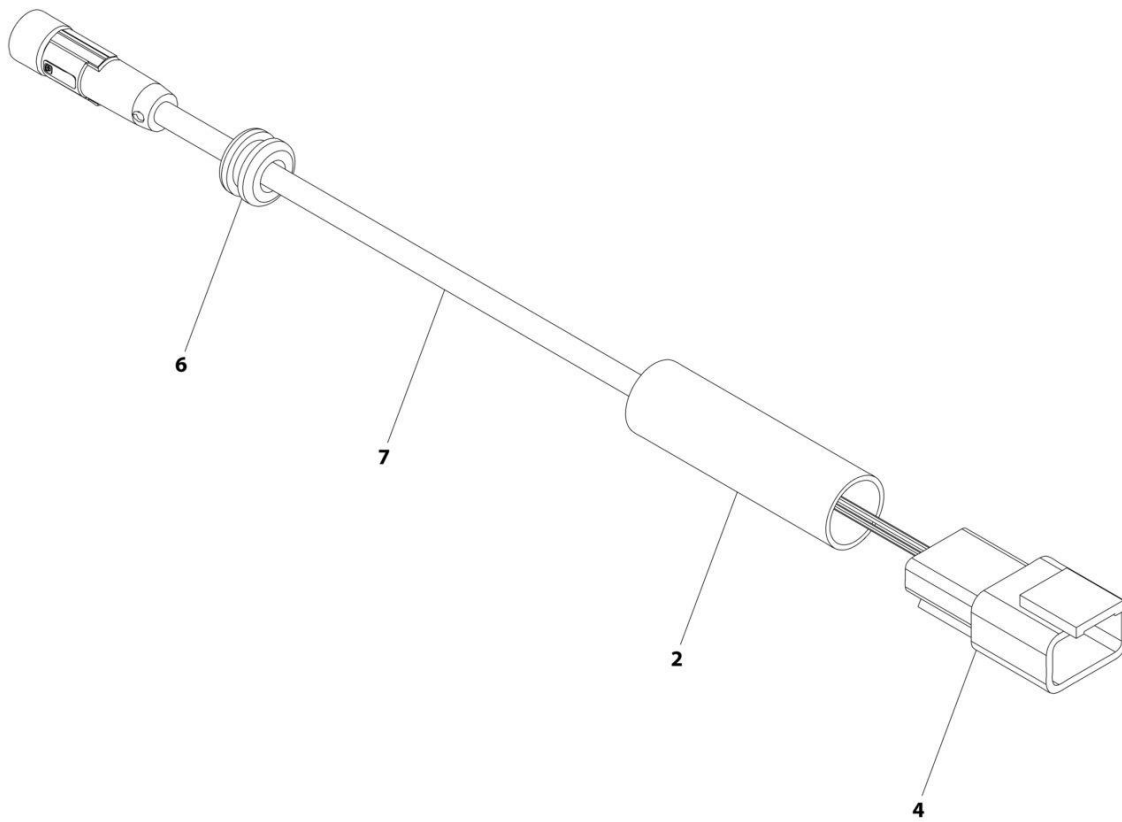
SECTION 7 - ELECTRICAL

FIGURE 7-21. SKYEYE INTERMEDIATE HARNESS

ITEM	PART NUMBER	QTY	DESCRIPTION	REV
	1001237865	Ref	SKYEYE INTERMEDIATE HARNESS	A
1	4460899	1	Connector - 6 Position	
1	4460943	4	Pin, Male	
1	4460466	2	Plug, Terminal	
2	4461077	2	Connector - 4 Position	
2	1001119619	8	Socket, Female	
3	4460911	1	Connector - 3 Position	
3	1001119619	3	Socket, Female	
4	1001187681	1	Connector - 2 Position	
4	4460941	1	Pin, Male	
4	4460466	1	Plug, Terminal	

SECTION 7 - ELECTRICAL

FIGURE 7-22. SKYEYE RECEIVER HARNESS



ART_1001237863_B

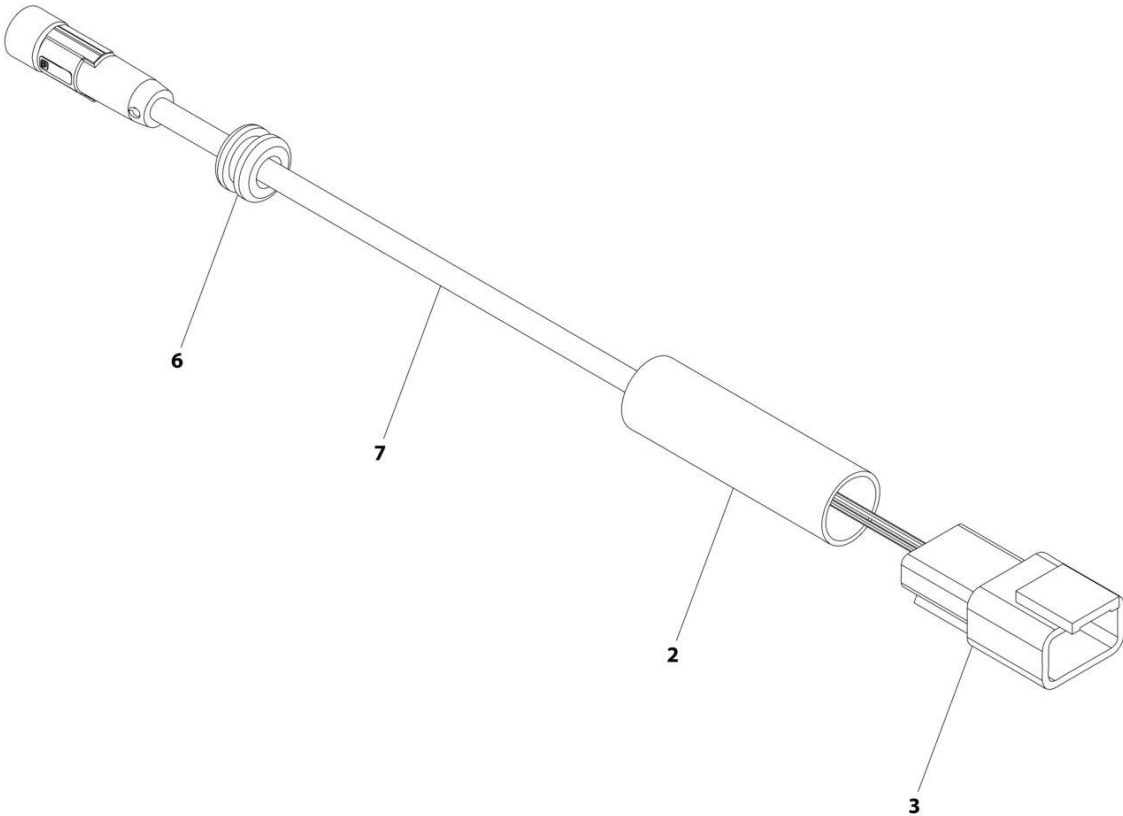
SECTION 7 - ELECTRICAL

FIGURE 7-22. SKYEYE RECEIVER HARNESS

ITEM	PART NUMBER	QTY	DESCRIPTION	REV
	1001237863	Ref	SKYEYE RECEIVER HARNESS	B
2	2820247	AR	Tubing, Heat Shrink	
4	1001097051	1	Connector - 4 Position	
4	1001119620	4	Pin, Male	
6	1001227996	1	Grommet	
7	1001258495	1	Cable, M8 Female Cordset	

SECTION 7 - ELECTRICAL

FIGURE 7-23. SKYEYE EMITTER HARNESS



ART_1001237864_B

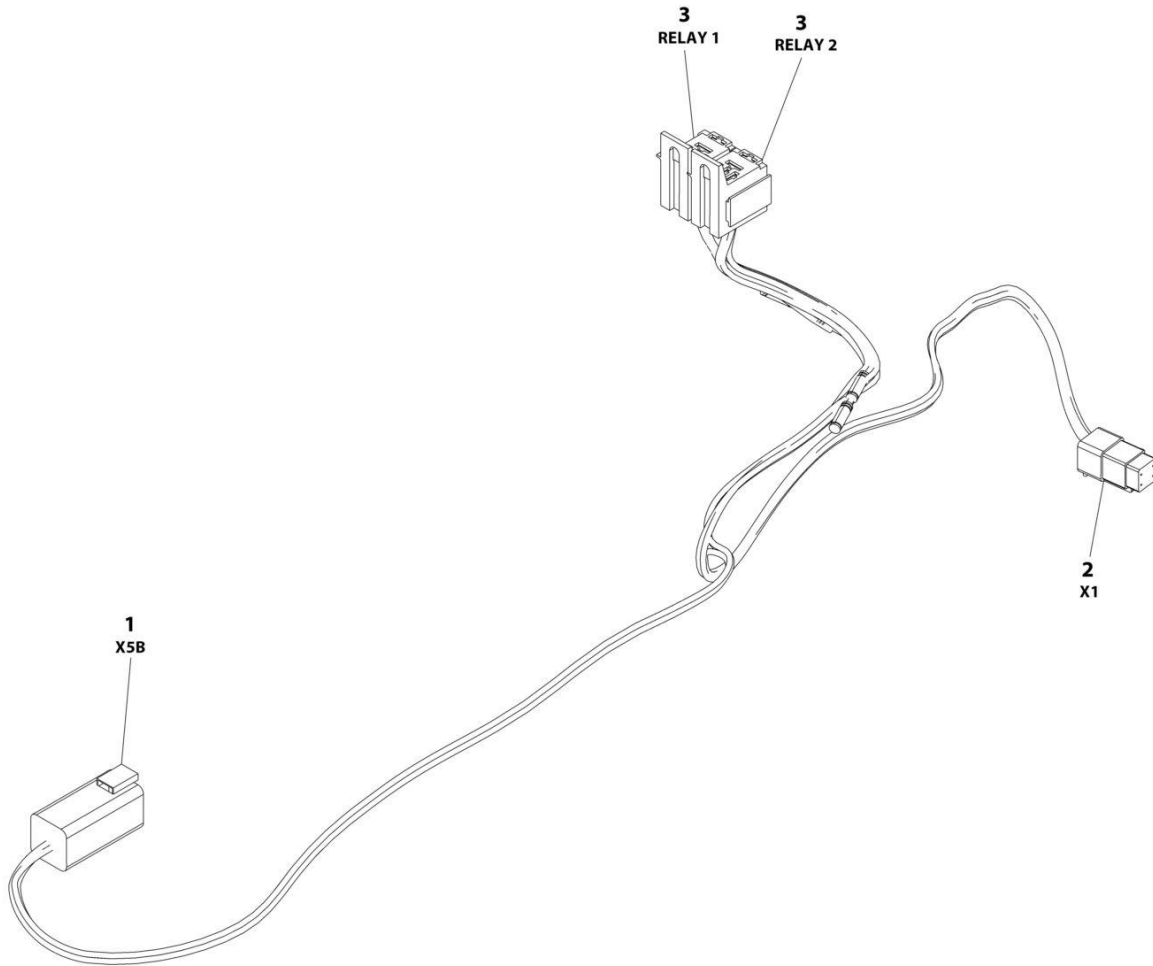
SECTION 7 - ELECTRICAL

FIGURE 7-23. SKYEYE EMITTER HARNESS

ITEM	PART NUMBER	QTY	DESCRIPTION	REV
	1001237864	Ref	SKYEYE EMITTER HARNESS	B
2	2820247	AR	Tubing, Heat Shrink	
3	4460910	1	Connector - 3 Position	
3	1001119620	3	Pin, Male	
6	1001227996	1	Grommet	
7	1001258495	1	Cable, M8 Female Cordset	

SECTION 7 - ELECTRICAL

FIGURE 7-24. SKYLINE HARNESS



ART_1001238418

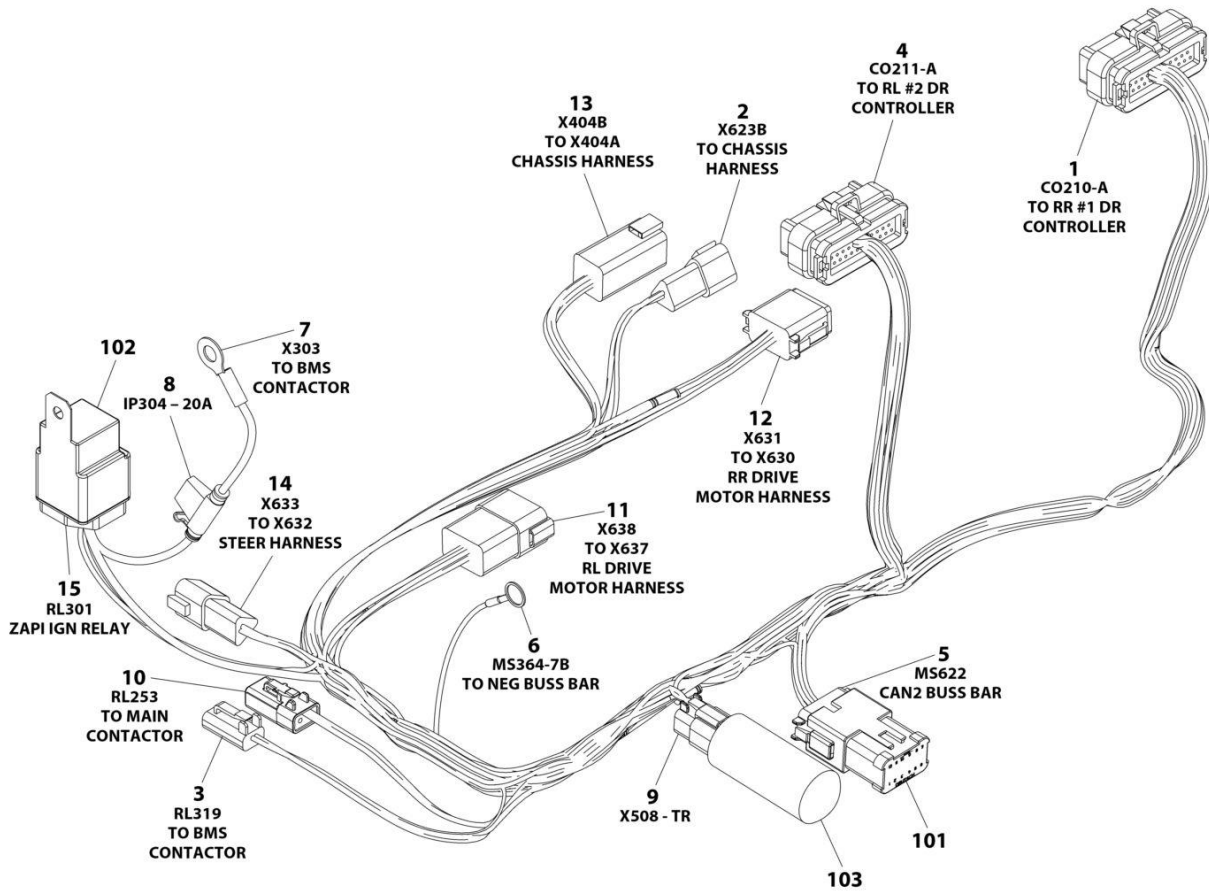
SECTION 7 - ELECTRICAL

FIGURE 7-24. SKYLINE HARNESS

ITEM	PART NUMBER	QTY	DESCRIPTION	REV
	1001238418	Ref	SKYLINE HARNESS	B
1	4460899	1	Connector - 6 Position	
1	4460464	4	Pin, Male	
1	4460466	2	Plug, Terminal	
2	4461077	1	Connector - 4 Position	
2	1001126009	4	Socket, Female	
3	1001186432	2	Plug, Relay	
3	1001118388	5	Terminal	
3	1001118384	3	Terminal	
3	3740086	2	Relay	

SECTION 7 - ELECTRICAL

FIGURE 7-25. TRACTION HARNESS



ART_1001262598

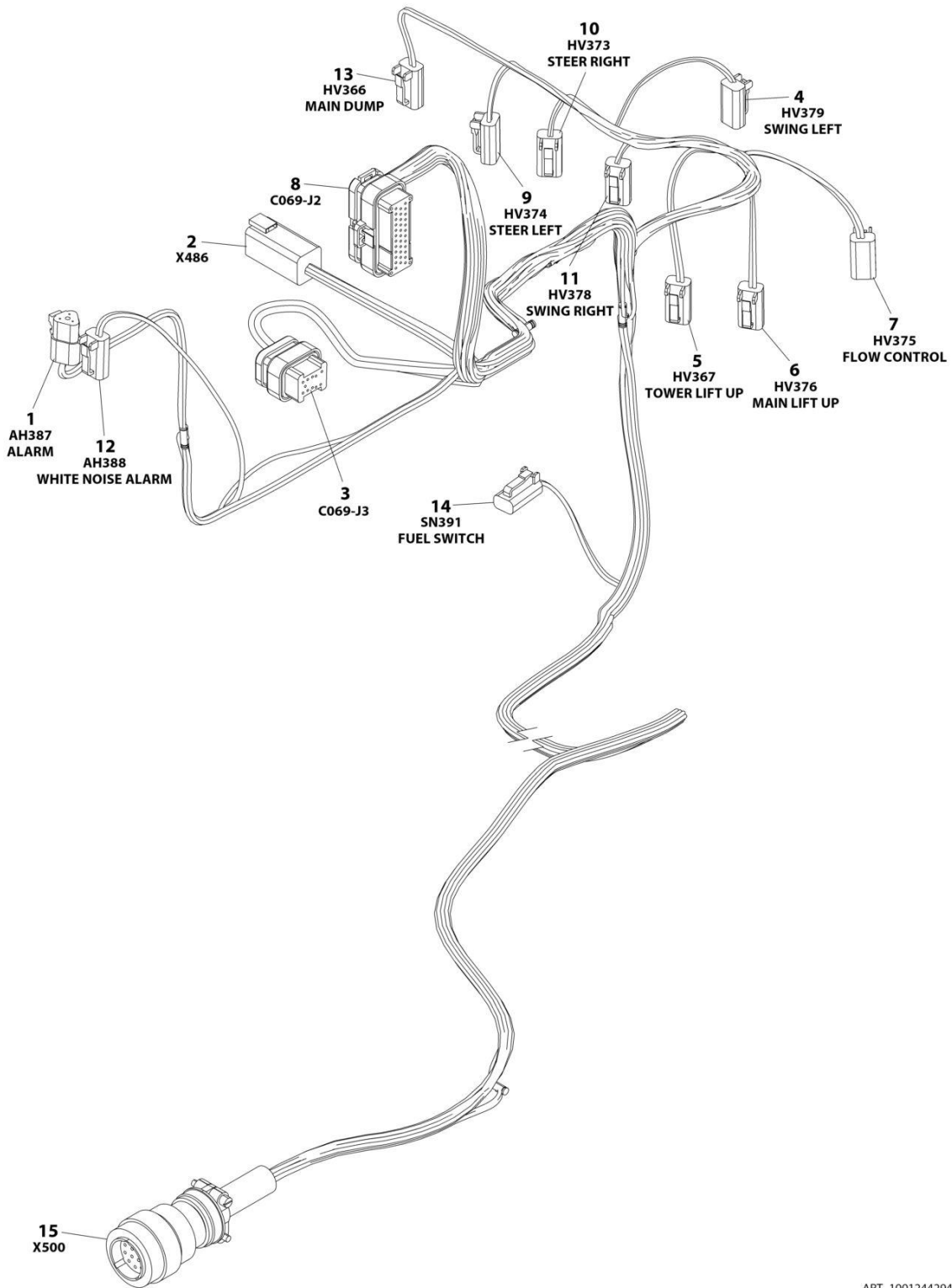
SECTION 7 - ELECTRICAL

FIGURE 7-25. TRACTION HARNESS

ITEM	PART NUMBER	QTY	DESCRIPTION	REV
	1001262598	Ref	TRACTION HARNESS	A
1	4460873	1	Connector - 35 Position	
1	4460871	16	Terminal, Female	
1	4460905	19	Seal, Terminal	
2	4460536	1	Receptacle, Female - 3 Position	
2	4460943	3	Pin, Male	
3	4460891	1	Connector - 2 Position	
3	4460465	2	Socket, Female	
4	4460873	1	Connector - 35 Position	
4	4460871	14	Socket, Female	
4	4460905	21	Plug, Terminal	
5	4460933	1	Connector - 12 Position	
5	4460944	8	Socket, Female (Gold)	
5	4460466	4	Plug, Terminal	
6	4460703	1	Terminal, Ring	
7	8220045	1	Terminal, Ring	
8	1001170763	1	Fuseholder - 20Amp (Includes Cover)	
8	1001170761	1	Fuse - 20Amp	
9	4460884	1	Connector - 4 Position	
9	4460944	4	Socket, Female	
10	1001126245	1	Connector - 2 Position	
10	1001126008	2	Terminal	
11	4460931	1	Connector - 8 Position	
11	4460464	8	Pin, Male	
12	4460930	1	Connector - 8 Position	
12	4460465	8	Socket, Female	
13	4460899	1	Connector - 6 Position	
13	4460464	6	Pin, Male	
14	4460536	1	Connector - 3 Position	
14	4460464	3	Pin, Male	
15	4460374	1	Plug, Relay	
15	1001116734	2	Female, Terminal	
15	1001116732	2	Female, Terminal	
15	1001128128	1	Plug, Terminal	
101	1001119020	1	Connector - 12 Position Bussbar	
102	1001171295	1	Relay	
103	1001186231	1	Connector - 5 Position	

SECTION 7 - ELECTRICAL

FIGURE 7-26. VALVE HARNESS - MAIN



ART_1001244294

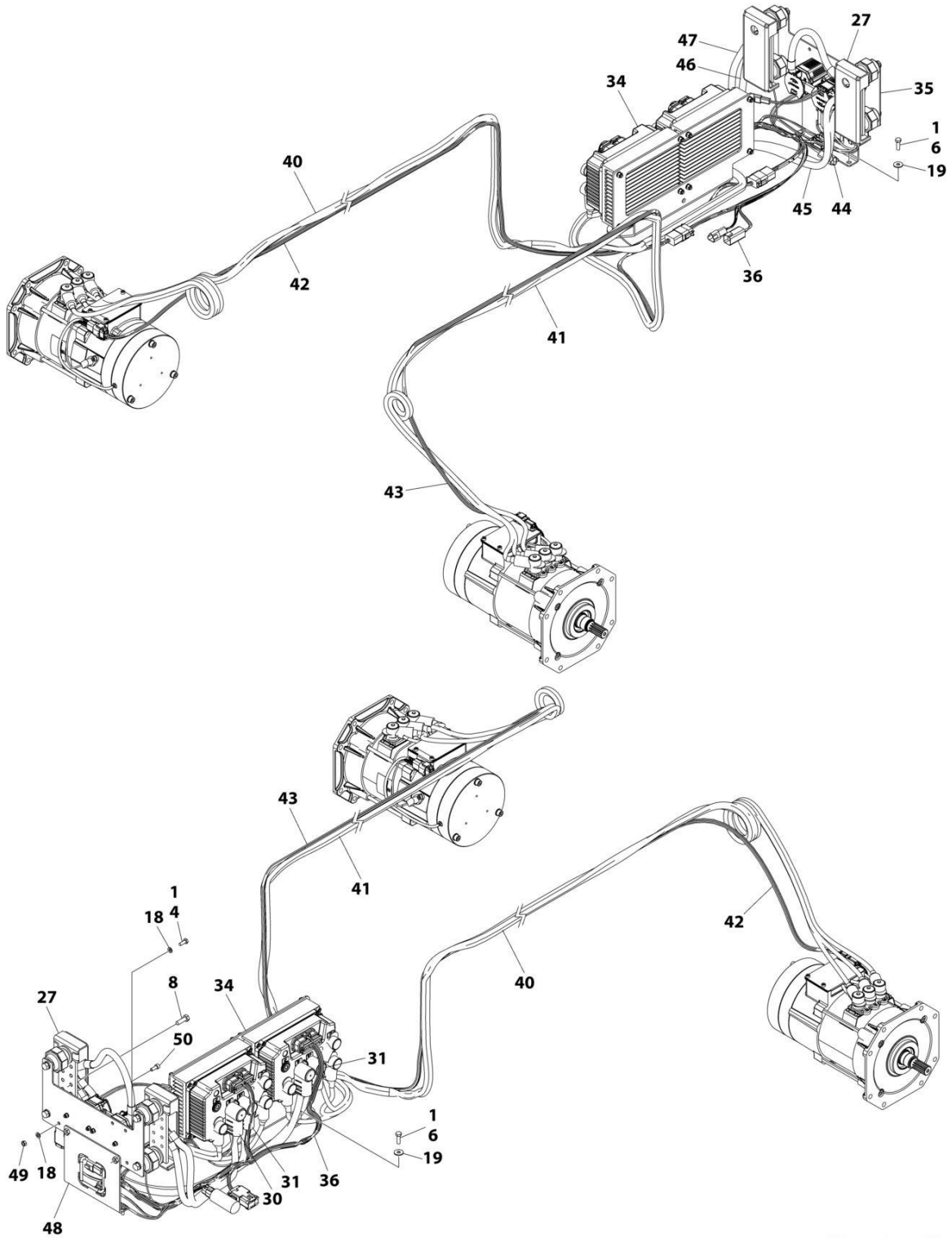
SECTION 7 - ELECTRICAL

FIGURE 7-26. VALVE HARNESS - MAIN

ITEM	PART NUMBER	QTY	DESCRIPTION	REV
	1001244294	Ref	TRACTION HARNESS	B
1	4460539	1	Plug, Male - 3 Position	
1	4460465	3	Socket, Female	
2	4460899	1	Connector - 6 Position	
2	4460464	4	Pin, Male	
2	4460466	2	Plug, Terminal	
3	4460872	1	Connector - 14 Position	
3	4460871	9	Terminal, Female	
3	4460905	5	Seal, Terminal	
4	4460891	1	Connector - 2 Position	
4	4460465	2	Socket, Female	
5	4460891	1	Connector - 2 Position	
5	4460465	2	Socket, Female	
6	4460891	1	Connector - 2 Position	
6	4460465	2	Socket, Female	
7	4460891	1	Connector - 2 Position	
7	4460465	2	Socket, Female	
8	4460875	1	Connector - 35 Position	
8	4460871	26	Socket, Female	
8	4460905	9	Plug, Terminal	
9	4460891	1	Plug, Male - 2 Position	
9	4460465	2	Socket, Female	
10	4460891	1	Connector - 2 Position	
10	4460465	2	Socket, Female	
11	4460891	1	Connector - 2 Position	
11	4460465	2	Socket, Female	
12	4460891	1	Connector - 2 Position	
12	4460465	2	Socket, Female	
13	4460891	1	Connector - 2 Position	
13	4460465	2	Socket, Female	
14	4460424	1	Connector - 2 Position	
14	4460268	2	Socket, Female	
15	4460754	1	Connector - 14 Position	
15	4460465	13	Socket, Female	
15	4460466	1	Plug, Terminal	

SECTION 7 - ELECTRICAL

FIGURE 7-27. WHEEL DRIVE ELECTRICAL HARNESS INSTALLATION (2WD)



ART_1001250422_20F2

SECTION 7 - ELECTRICAL

FIGURE 7-27. WHEEL DRIVE ELECTRICAL HARNESS INSTALLATION (2WD)

ITEM	PART NUMBER	QTY	DESCRIPTION	REV
	1001250422	Ref	WHEEL DRIVE ELECTRICAL HARNESS INSTALLATION	C
1	0100011	AR	Compound, Locking	
4	0760608	2	Bolt M6 x 16	
6	0760610	4	Bolt M6 x 20	
8	0760812	7	Bolt M8 x 25	
8	0760808	7	Bolt M8 x 16	
16	4240018	AR	Tie-Strap (Not Shown)	
18	4811700	3	Washer M6	
19	4811702	4	Washer M6	
27	1001188680	2	Cover	
30	1001225557	2	Boot, Terminal (Black)	
31	1001225558	2	Boot, Terminal (Red)	
34	1001250432	1	Bracket, Controller Assembly (See Separate Breakdown in this Section)	
35	1001250518	1	Plate, Fuse Assembly (See Separate Breakdown in this Section)	
36	1001262598	1	Harness, Traction (See Separate Breakdown in this Section)	
40	1001265229	1	Cable, Motor (RL)	
41	1001265230	1	Cable, Motor (RR)	
42	1001265227	1	Harness, Drive Motor (RL) (See Separate Breakdown in this Section)	
43	1001265228	1	Harness, Drive Motor (RR) (See Separate Breakdown in this Section)	
44	1001256686	1	Cable, + ve to ZAPI Rear Right	
45	1001256687	1	Cable, + ve to ZAPI Rear Left	
46	1001256688	1	Cable, - ve to ZAPI Rear Right	
47	1001256689	1	Cable, - ve to ZAPI Rear Left	
48	1001256690	1	Mount	
49	3290601	1	Nut M6	
50	4031707	1	Bolt M6 x 16	

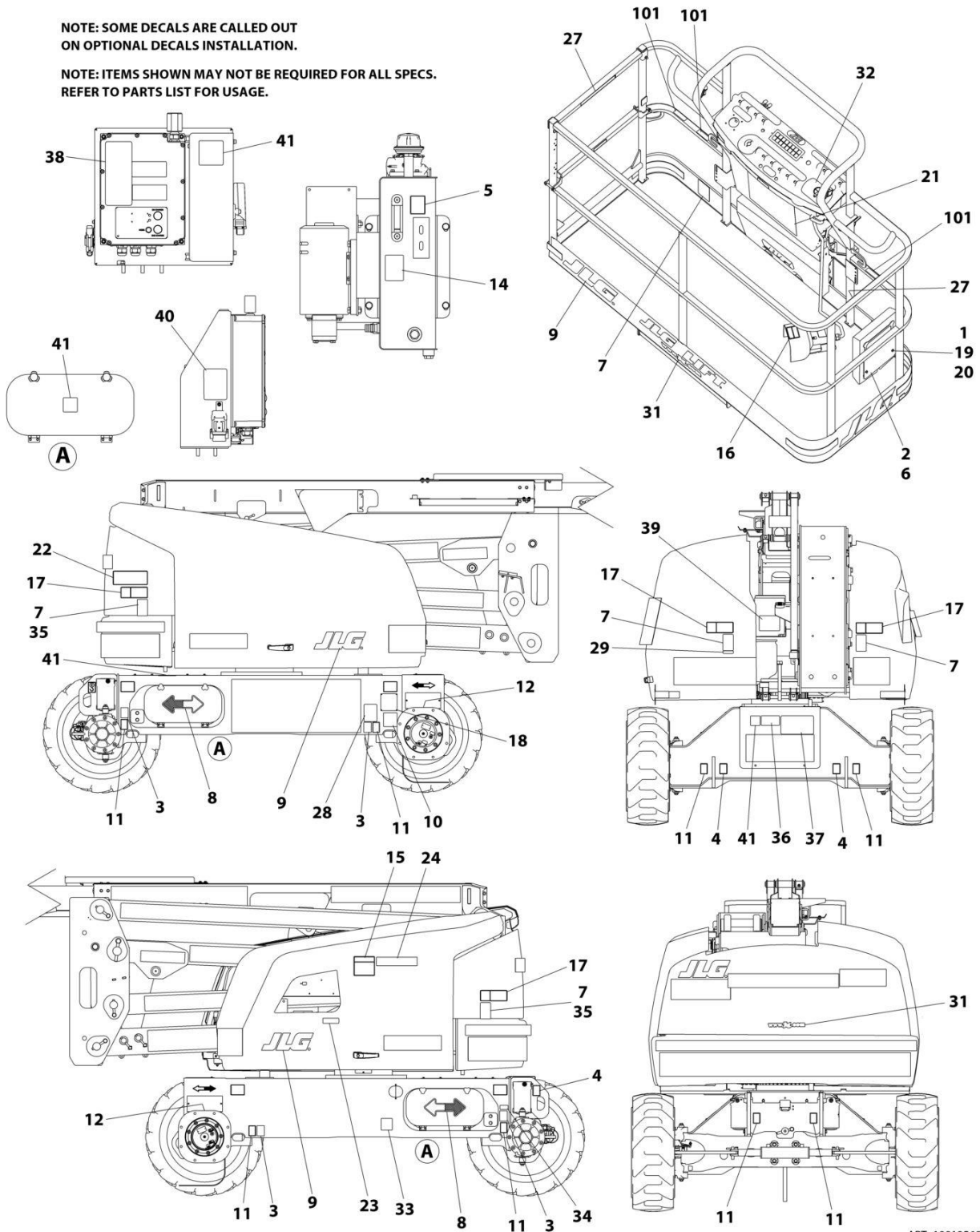
SECTION 8 - DECALS

SECTION 8 - DECALS

FIGURE 8-1. DECAL INSTALLATION - ANSI SPECS

NOTE: SOME DECALS ARE CALLED OUT ON OPTIONAL DECALS INSTALLATION.

NOTE: ITEMS SHOWN MAY NOT BE REQUIRED FOR ALL SPECS. REFER TO PARTS LIST FOR USAGE.



ART_1001256805

SECTION 8 - DECALS

FIGURE 8-1. DECAL INSTALLATION - ANSI SPECS

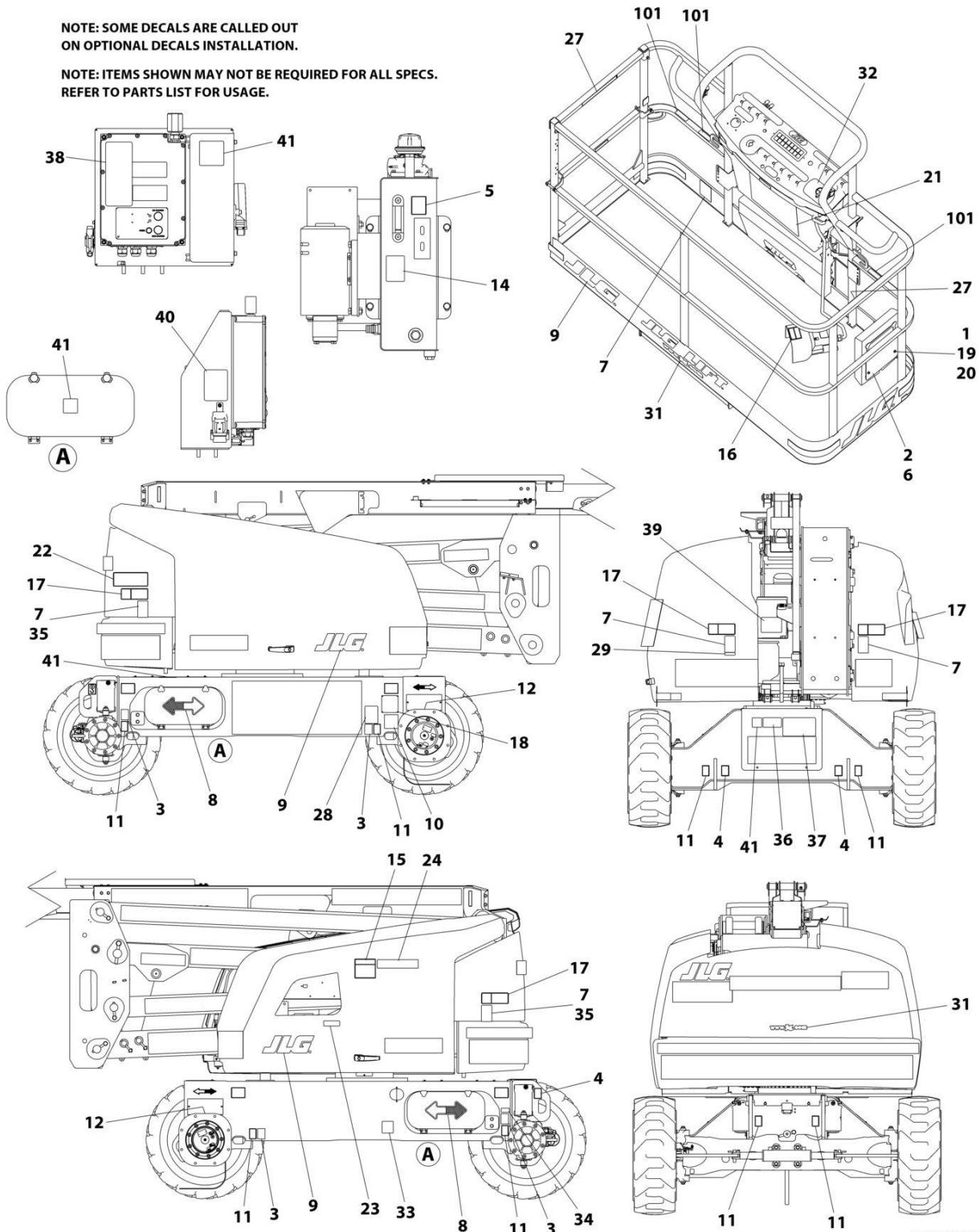
ITEM	PART NUMBER	QTY	DESCRIPTION	REV
	1001253598	Ref	DECAL INSTALLATION - REFERENCE CHART	F
	1001256805	Ref	DECAL INSTALLATION	E
1	0760610	4	Bolt M6 x 20	
2	0860520	1	Box, Manual Storage	
3	1701499	4	Decal - Tie Down /Lift	
4	1701500	4	Decal - Tie Down /Lift	
5	1701504	1	Decal - Hydraulic Oil	
6	1701509	1	Decal - Manual	
7	1703804	4	Decal - Warning/Crushing	
8	1701529	2	Decal - Arrow	
10	See Note	NSS	Decal - Bar Code (Note: Not Available for Purchase)	
11	1702300	8	Decal - Tie Down /Lift	
12	1703687	2	Decal - Arrow	
14	1704412	1	Decal - Hydraulic Fluid	
15	1705336	1	Decal - Warning Inspection	
16	3252347	1	Decal - Footswitch	
17	1703805	4	Decal - Danger Electrocution	
18	2080057	4	Fastener	
19	3290605	4	Nut M6	
20	4811700	8	Washer M6	
21	1703797	1	Decal - Danger/Warning (Platform)	
22	1001172217	1	Decal - Lift Diagram	
24	1001255511	2	Decal - Max Capacity	
27	1702868	2	Decal - No Hands	
28	1001131269	1	Decal - Patent	
29	3251243	1	Decal - 120V	
31	1704885	2	Decal - Website	
32	1705351	1	Decal - Drive/Steer Instructions	
33	1001223055	1	Decal - Yearly Inspection	
34	1001223453	1	Decal - Ices	
35	1703953	2	Decal - Warning/Crushing	
36	1001260939	1	Decal - Warning Tip Over Hazard	
37	1001260941	1	Decal- Cable Routing	
38	1001262795	1	Decal - Led Indicator	
39	1001262796	1	Decal - Led Indicator	
40	1001263924	1	Decal - Fuse Boxes	
41	1001125483	5	Decal - Pressure Wash	
100	1001232026	1	Decal Kit - Platform Lanyard (Not Shown)	
101	1704277	3	Decal - Attach Lanyard Here	

SECTION 8 - DECALS

FIGURE 8-2. DECAL INSTALLATION - AUSTRALIAN SPECS

NOTE: SOME DECALS ARE CALLED OUT ON OPTIONAL DECALS INSTALLATION.

NOTE: ITEMS SHOWN MAY NOT BE REQUIRED FOR ALL SPECS. REFER TO PARTS LIST FOR USAGE.



ART_1001258628

SECTION 8 - DECALS

FIGURE 8-2. DECAL INSTALLATION - AUSTRALIAN SPECS

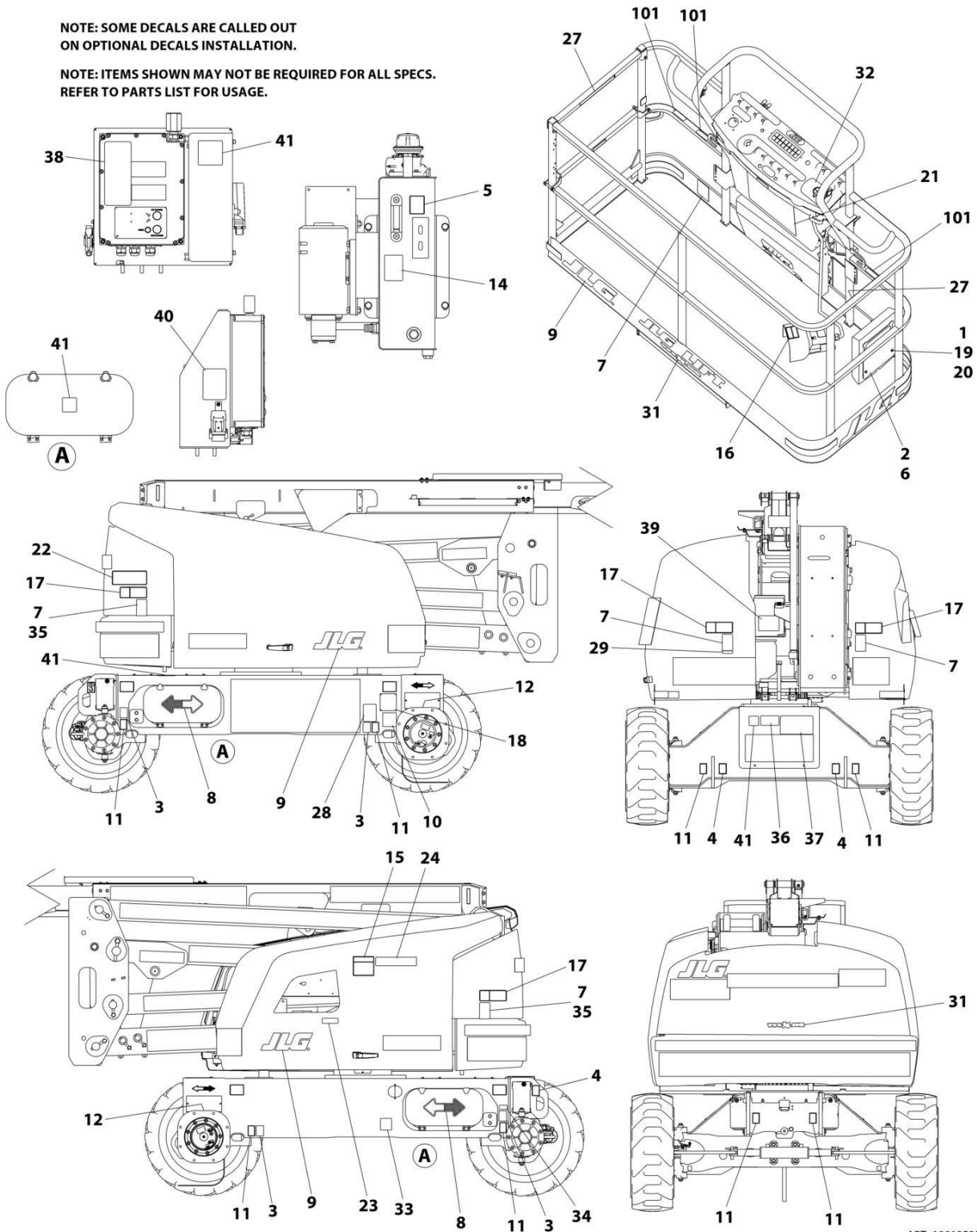
ITEM	PART NUMBER	QTY	DESCRIPTION	REV
	1001253598	Ref	DECAL INSTALLATION - REFERENCE CHART	F
	1001258628	Ref	DECAL INSTALLATION	E
1	0760610	4	Bolt M6 x 20	
2	0860520	1	Box, Manual Storage	
3	1701499	4	Decal - Tie Down /Lift	
4	1701500	4	Decal - Tie Down /Lift	
5	1701504	1	Decal - Hydraulic Oil	
6	1701509	1	Decal - Manual	
7	1701518	6	Decal - Warning/Crushing	
8	1701529	2	Decal - Arrow	
10	See Note	NSS	Decal - Bar Code (Note: Not Available for Purchase)	
11	1702300	8	Decal - Tie Down /Lift	
12	1703687	2	Decal - Arrow	
14	1704412	1	Decal - Hydraulic Fluid	
15	1705822	1	Decal - Electrocutation/Safety Manual	
16	1705828	1	Decal - Footswitch	
17	1705961	4	Decal - Danger Electrocutation	
18	2080057	4	Fastener	
19	3290605	4	Nut M6	
20	4811700	8	Washer M6	
21	1001162429	1	Decal - Tipping/Electrocutation	
22	1001172217	1	Decal - Lift Diagram (Without Turntable Lock)	
23	1001112551	1	Decal - Emergency Controls	
24	1001190913	1	Decal - Max Capacity	
31	1704885	2	Decal - Website	
36	1001260939	1	Decal - Warning Tip Over Hazard	
37	1001260941	1	Decal- Cable Routing	
38	1001262795	1	Decal - Led Indicator	
39	1001262796	1	Decal - Led Indicator	
40	1001263924	1	Decal - Fuse Boxes	
41	1001125483	5	Decal - Pressure Wash	
100	1001232026	1	Decal Kit - Platform Lanyard (Not Shown)	
101	1704277	3	Decal - Attach Lanyard Here	

SECTION 8 - DECALS

FIGURE 8-3. DECAL INSTALLATION – CE SPECS

NOTE: SOME DECALS ARE CALLED OUT ON OPTIONAL DECALS INSTALLATION.

NOTE: ITEMS SHOWN MAY NOT BE REQUIRED FOR ALL SPECS. REFER TO PARTS LIST FOR USAGE.



ART_1001253599

SECTION 8 - DECALS

FIGURE 8-3. DECAL INSTALLATION – CE SPECS

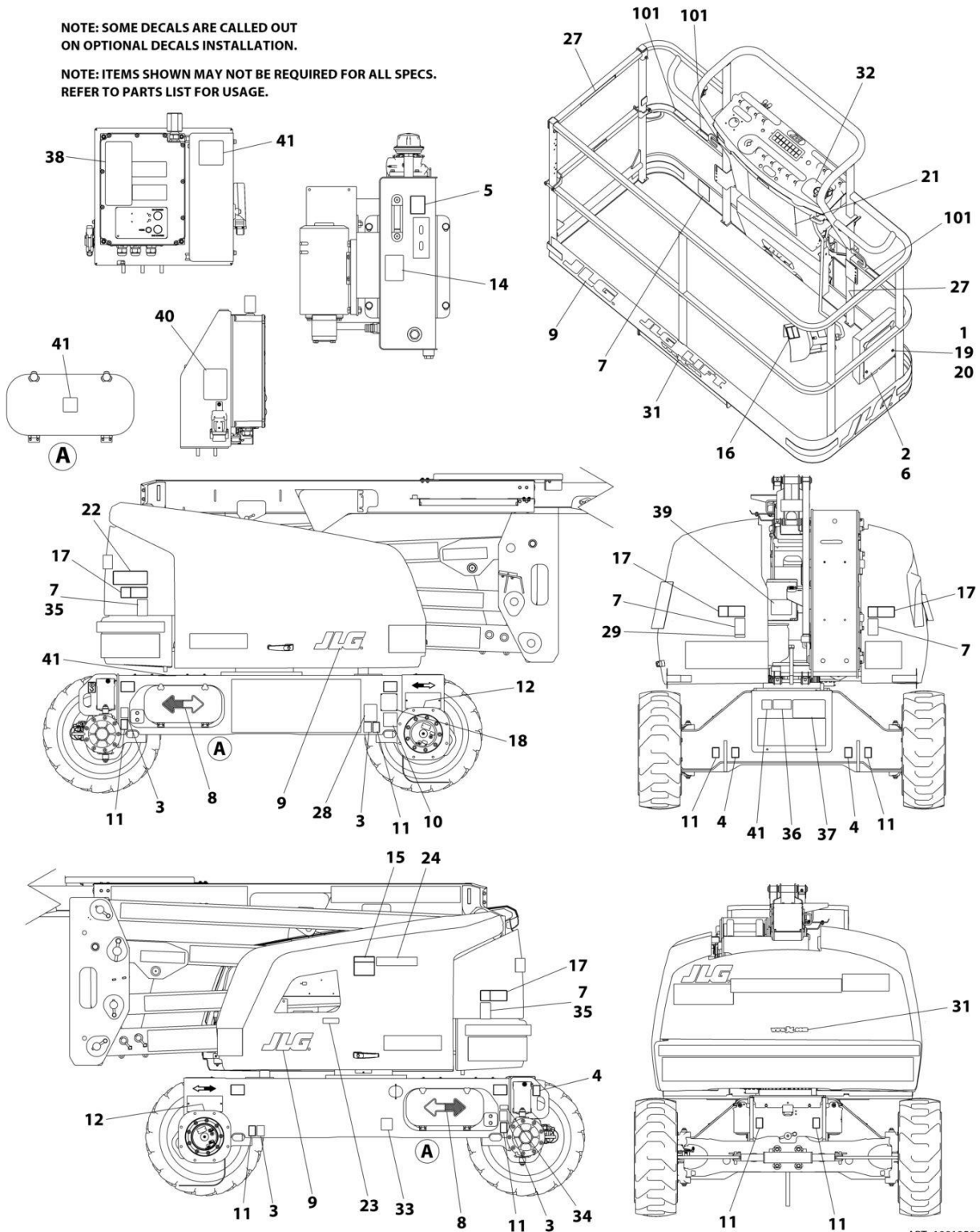
ITEM	PART NUMBER	QTY	DESCRIPTION	REV
	1001253598	Ref	DECAL INSTALLATION - REFERENCE CHART	F
	1001253599	Ref	DECAL INSTALLATION	H
1	0760610	4	Bolt M6 x 20	
2	0860520	1	Box, Manual Storage	
3	1701499	4	Decal - Tie Down /Lift	
4	1701500	4	Decal - Tie Down /Lift	
5	1701504	1	Decal - Hydraulic Oil	
6	1701509	1	Decal - Manual	
7	1701518	6	Decal - Warning/Crushing	
8	1701529	2	Decal - Arrow	
9	1702773	3	Decal - JLG	
10	See Note	NSS	Decal - Bar Code (Note: Not Available for Purchase)	
11	1702300	8	Decal - Tie Down /Lift	
12	1703687	2	Decal - Arrow	
14	1704412	1	Decal - Hydraulic Fluid	
15	1705822	1	Decal - Electrocutation/Safety Manual	
16	1705828	1	Decal - Footswitch	
17	1705961	4	Decal - Danger Electrocutation	
18	2080057	4	Fastener	
19	3290605	4	Nut M6	
20	4811700	8	Washer M6	
21	1001162429	1	Decal - Tipping/Electrocutation	
22	1001172217	1	Decal - Lift Diagram (Without Turntable Lock)	
23	1001189882	1	Decal - MSSO	
24	1001190913	1	Decal - Max Capacity	
36	1001260939	1	Decal - Warning Tip Over Hazard	
37	1001260941	1	Decal- Cable Routing	
38	1001262795	1	Decal - Led Indicator	
39	1001262796	1	Decal - Led Indicator	
40	1001263924	1	Decal - Fuse Boxes	
41	1001125483	5	Decal - Pressure Wash	
100	1001232026	1	Decal Kit - Platform Lanyard (Not Shown)	
101	1704277	3	Decal - Attach Lanyard Here	

SECTION 8 - DECALS

FIGURE 8-4. DECAL INSTALLATION - CSA SPECS

NOTE: SOME DECALS ARE CALLED OUT ON OPTIONAL DECALS INSTALLATION.

NOTE: ITEMS SHOWN MAY NOT BE REQUIRED FOR ALL SPECS. REFER TO PARTS LIST FOR USAGE.



ART_1001258641

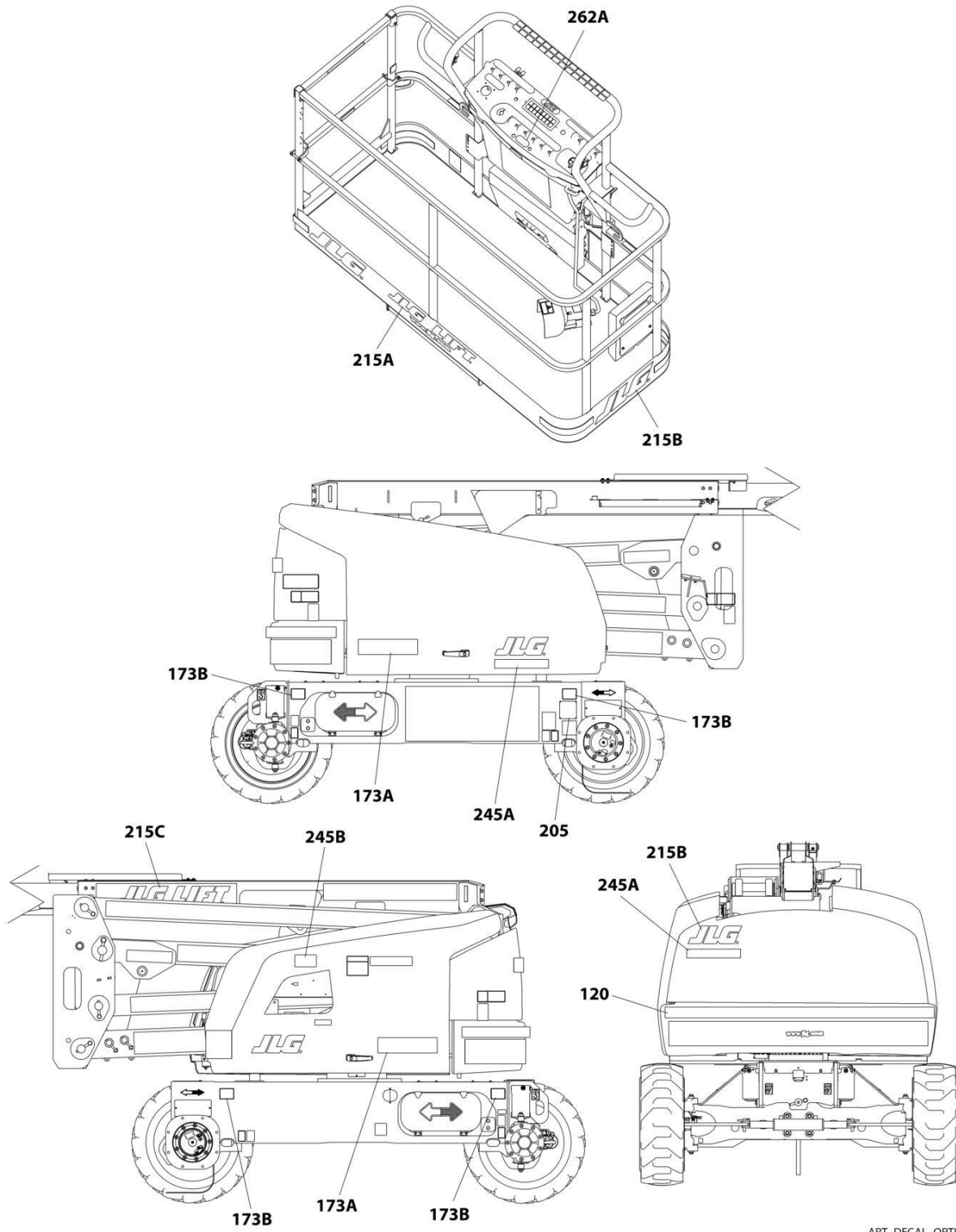
SECTION 8 - DECALS

FIGURE 8-4. DECAL INSTALLATION - CSA SPECS

ITEM	PART NUMBER	QTY	DESCRIPTION	REV
	1001253598	Ref	DECAL INSTALLATION - REFERENCE CHART	F
	1001258641	Ref	DECAL INSTALLATION	E
1	0760610	4	Bolt M6 x 20	
2	0860520	1	Box, Manual Storage	
3	1701499	4	Decal - Tie Down /Lift	
4	1701500	4	Decal - Tie Down /Lift	
5	1701504	1	Decal - Hydraulic Oil	
6	1701509	1	Decal - Manual	
7	1703948	4	Decal - Warning/Crushing	
8	1701529	2	Decal - Arrow	
10	See Note	NSS	Decal - Bar Code (Note: Not Available for Purchase)	
11	1702300	8	Decal - Tie Down /Lift	
12	1703687	2	Decal - Arrow	
14	1704412	1	Decal - Hydraulic Fluid	
15	1705347	1	Decal - Warning Inspection	
16	1703984	1	Decal - Footswitch	
17	1703936	4	Decal - Danger Electrocution	
18	2080057	4	Fastener	
19	3290605	4	Nut M6	
20	4811700	8	Washer M6	
21	1703924	1	Decal - Danger/Warning (Platform)	
22	1001172217	1	Decal - Lift Diagram	
24	1001255512	2	Decal - Max Capacity	
27	1704000	2	Decal - No Hands	
28	1001131269	1	Decal - Patent	
29	3251243	1	Decal - 120V	
31	1704885	2	Decal - Website	
32	1705429	1	Decal - Drive/Steer Instructions	
33	1001223971	1	Decal - Yearly Inspection	
34	1001223453	1	Decal - Ices	
35	1703942	2	Decal - Warning/Crushing	
36	1001260939	1	Decal - Warning Tip Over Hazard	
37	1001260941	1	Decal- Cable Routing	
38	1001262795	1	Decal - Led Indicator	
39	1001262796	1	Decal - Led Indicator	
40	1001263924	1	Decal - Fuse Boxes	
41	1001125483	5	Decal - Pressure Wash	
100	1001232026	1	Decal Kit - Platform Lanyard (Not Shown)	
101	1704277	3	Decal - Attach Lanyard Here	

SECTION 8 - DECALS

FIGURE 8-5. DECAL INSTALLATION - OPTIONS



ART_DECAL_OPTIONS

SECTION 8 - DECALS

FIGURE 8-5. DECAL INSTALLATION - OPTIONS

ITEM	PART NUMBER	QTY	DESCRIPTION	REV
	1001253598	Ref	DECAL INSTALLATION - REFERENCE CHART	E
	1001250808	Ref	DECAL INSTALLATION - OPTIONS	C
120	1001188883	Ref	Warning Stripes Installation	A
120	4420051	21.5 ft/ 6.55m	Tape, Safety	
173	1001255761	Ref	Model Decal Installation	A
173A	1001258490	1	Decal - EC450AJ	
173B	1704752	4	Decal - Max Tire Load	
205	See Note	1	Nameplate - Manufacturers Serial Number (Note: Not Available for Purchase)	
215	1001243697	Ref	JLG Logo Installation (CE Specs)	A
215	1001243698	Ref	JLG Logo Installation (ANSI, CSA and Australian Specs)	A
215A	1702774	1	Decal - JLG Lift (All Specs Except CE Specs)	
215B	1702773	AR	Decal - JLG (All Specs)	
215C	1702860	1	Decal - JLG Lift (All Specs Except CE Specs)	
245	1001127096	Ref	Decal - ClearSky	
245A	1001116208	2	Decal - ClearSky	
245B	1001120989	1	Decal - Radio Frequency	
262A	1001141300	1	Decal - SkyGuard Override	

SECTION 9 - RECOMMENED SERVICE PARTS STOCK

SECTION 9 - RECOMMENED SERVICE PARTS STOCK

SECTION 9 - RECOMMENDED SERVICE PARTS STOCK

FIGURE 9-1. RECOMMENDED SERVICE PARTS STOCK

ITEM	PART NUMBER	QTY	DESCRIPTION	REV
		Ref	Note: The following list will service one machine (built to current production per date on the front cover) with emergency repair parts which can be installed in the field. Parts from the list should be replaced when inventory is depleted to keep service parts stock supplied. For further information, contact your JLG dealer or the JLG Industries Parts Department.	
		Ref	STANDARD PARTS	
	70050516	1	Coil	
	70002963	1	Coil	
	70005219	1	Coil	
	70002386	1	Coil	
	70003788	1	Coil	
	70004871	1	Coil	
	7027628	1	Coil	
	1001212415	1	Controller Assembly (Drive and Steer)	
	1001129555	1	Controller Assembly (Lift and Swing)	
	1001162663	1	Element, Filter Hydraulic	
	8229244	1	Fuse - 15Amp	
	1001170761	1	Fuse - 20Amp	
	8229245	1	Fuse - 30Amp	
	1001262472	1	Fuse - 60Amp	
	2400069	1	Fuse - 175Amp	
	2860030	1	Key, Replacement	
	1001222365	1	Relay	
	3740067	1	Relay	
	1001186431	1	Relay	
	3740086	1	Relay	
	4360387	1	Switch, Push Button	
	4360475	1	Switch, Emergency Stop	
	4360476	1	Switch, Contact Block	
	4360407	1	Switch, Potentiometer	
	1001155045	1	Switch, Toggle	
	1001159256	1	Switch, Toggle	
	1001161710	1	Switch, Toggle	
	1001172271	1	Switch, Limit	
		Ref	VARIABLE PARTS	
	2940074	1	Latch (Machines with Gate)	
	1001183213	1	Module, Ground Control	
	1001118412	1	Module, Platform Control	
	1001142683	1	Module, Control (Beacon Light)	
	1001171295	1	Relay, 50Amp (Battery Charger)	
	1001170367	1	Relay, 48Volt	
	1001119176	1	Switch, Limit (Drive Orientation)	
	1001137673	1	Switch, SkyGuard Assembly	

SECTION 10 - SPECIAL OPTIONS

SECTION 10 - SPECIAL OPTIONS

FIGURE 10-1. SPECIAL OPTIONS

ITEM	PART NUMBER	QTY	DESCRIPTION	REV
	See Note	Ref	Note: This list is to accommodate machines ordered with special equipment. Options may not be applicable to all models. For more specific parts information contact JLG Parts Department.	
		Ref	MISCELLANEOUS SPECIAL OPTIONS	
	1001241254	Ref	Boom Angle Sensor Offset Link Kit	
	1001206438	Ref	Boom Wear Pad Kit	
	1001236123	Ref	Boom Wiper Cover Installation	
		Ref	ClearSky (Telematics) Installations (Dealer Installed)	
	1001242639	Ref	ClearSky (Telematics) Access Control Installation Kit (Dealer Installed) (ANSI, ANSI Export, CSA, CE Specs)	
	1001243183	Ref	ClearSky (Telematics) Added-on Kit (Dealer Installed) (ANSI, ANSI Export & CSA Specs)	
	1001246142	Ref	ClearSky (Telematics) Service Kit (Dealer Installed) (Australian Specs)	
	1001243184	Ref	ClearSky (Telematics) Added-on Kit (Dealer Installed) (CE Specs)	
		Ref	ClearSky Telematics (Factory Installed)	
	1001227278	Ref	ClearSky (Telematics) Installation (Factory Installed) Canbus Connection (ANSI and CSA Specs)	
	1001246433	Ref	ClearSky (Telematics) Installation (Factory Installed) 3-Wire Connection (Australian Specs)	
	1001228960	Ref	ClearSky (Telematics) Installation (Factory Installed) Canbus Connection (CE Specs)	
	1001261106	Ref	Cold Weather Package - Batteries	
	1001196012	Ref	Cylinder Bellows Installation	
	1001241342	Ref	Decal Kit - Platform Console Box	
	1001241333	Ref	Decal Kit - Platform	
	1001148902	Ref	Electrical Connector Kit - Amp/Tyco Electrical Connectors	
	1001148903	Ref	Electrical Connector Kit - Deutsch DT Electrical Connectors	
	1001148904	Ref	Electrical Connector Kit - Deutsch HD Electrical Connectors	
	1001148905	Ref	Electrical Connector Kit - Packard Electrical Connectors	
	1001148906	Ref	Electrical Connector Kit - Various Electrical Connectors	
	1001246867	Ref	Enhanced Detection System (EDS) Level 1 (2-Bar) Installation Kit	
	1001246860	Ref	Enhanced Detection System (EDS) Level 2 (3-Bar) Installation Kit	
	1001220003	Ref	Ground Control and UGM Covers Kit	
	1001241397	Ref	Hostile Environment Kit (Includes Cylinder Bellows, Platform Console Cover and Boom Wiper)	
	1001274480	Ref	Hydraulic Tank Heater Installation	
	1001172001	Ref	Lights Installation - Headlights and Taillights	
	1001120466	Ref	Lights Installation - Platform Worklights	
	1580013	Ref	Platform Corner Storage Tray	
	1001214478	Ref	Platform Mesh to Mid Rail Kit - 30in x 48in Platforms (Use on Platform p/n 1001186387)	
	1001214515	Ref	Platform Mesh to Mid Rail Kit - 30in x 60in Platforms (Use on Platform p/n 1001186386)	
	1001214552	Ref	Platform Mesh to Top Rail Kit - 30in x 48in Platforms (Use on Platform p/n 1001186387)	
	1001214559	Ref	Platform Mesh to Top Rail Kit - 30in x 60in Platforms (Use on Platform p/n 1001186386)	
	1001214560	Ref	Platform Mesh to Top Rail Kit - 30in x 72in Platforms (Use on Platform p/n 1001186385)	
	1001239575	Ref	Platform Valve Hose Kit	

SECTION 10 - SPECIAL OPTIONS

ITEM	PART NUMBER	QTY	DESCRIPTION	REV
	1001250035	Ref	Platform Sensor Retrofit Kit	
	1001209059	Ref	Platform Work Surface Installation	
	1001241547	Ref	SkyEye LH Housing Retrofit Kit	
	1001241548	Ref	SkyEye RH Housing Retrofit Kit	
	1001247073	Ref	SkyEye Retrofit Kit	
	1001249052	Ref	SkyGuard Retrofit Kit	
	1001250595	Ref	SkyGuard 6 Pin Retrofit Kit	
	1001203510	Ref	SkyGuard Platform Sensor Kit	
	1001203511	Ref	SkyGuard Beacon Kit (Blue Light)	
	1001210036	Ref	SkyGuard Beacon Kit (Red Light)	
	1001232643	Ref	SkyLine Kit	
	1001252033	Ref	SkySense Enhanced Detection System (EDS) Level 1 (2-Bar) Add-on Kit (Dealer Installed)	
	1001252034	Ref	SkySense Enhanced Detection System (EDS) Level 2 (3-Bar) Add-on Kit (Dealer Installed)	
	2901443	Ref	Tools - Analyzer Kit	
	1001249695	Ref	Tools - Analyzer and Cable Kit	
	1001249941	Ref	Tools - Analyzer and Cable Kit (Battery Powered)	
	1001137005	Ref	Tools - Cable Kit, Software (Not Shown)	
	7002821	Ref	Tools - Crimper, Wire	
	7002823	Ref	Tools - Pin Extractor - Universal (For Electrical Connectors with Pins and Sockets)	
	4460510	Ref	Tools - Pin Extractor - 12-14 Gauge (For Removal of Pin/Sockets from Deutsch Connectors)	
	4460467	Ref	Tools - Pin Extractor - 16-18 Gauge (For Removal of Pin/Sockets from Deutsch Connectors)	
	7016654	Ref	Tools - Screwdriver, Magnetic	
	7002822	Ref	Tools - Screwdriver, Potentiometer	
	7004275	Ref	Tools - Seal Tool 1in (For Cylinders)	
	7004276	Ref	Tools - Seal Tool 1-1/2in (For Cylinders)	
	7002828	Ref	Tools - Stripper, Wire	
	1001257686	Ref	Traction Module Cooling Installation	
	1001239574	Ref	Upper Power Track Hose Kit	
	1001262959	Ref	Voltage Regulator Relocation Kit	

PART NUMBER INDEX

SECTION 10 - SPECIAL OPTIONS

0100009.....165	0760607 27, 78	1001098122 179, 249,	1001125483.....293, 295,
0100011....13, 15, 17, 23,	0760608... 35, 65, 78, 81,	267	297, 299
27, 35, 41, 47, 55, 57,	83, 85, 91, 93, 289	1001098828 139	1001125677.....250, 268
59, 65, 67, 69, 71, 78,	0760610... 27, 47, 78, 81,	1001100433 101, 103	1001126008.....249, 257,
81, 83, 85, 87, 89, 91,	83, 85, 87, 89, 91, 93,	1001103012 248	259, 285
93, 95, 97, 106, 109,	95, 97, 109, 111, 121,	1001104497 249	1001126009.....249, 283
111, 113, 121, 123,	123, 127, 289, 293,	1001104519 271	1001126245.....285
129, 131, 133, 139,	295, 297, 299	1001104850 49, 51	1001127096.....301
141, 155, 157, 159,	0760612 95	1001106736 78	1001127152.....61
161, 189, 191, 234,	0760614 101, 103	1001107854 248, 249	1001128128.....247, 248,
261, 289	0760615 109	1001110434 165	249, 285
0100019.....17, 49, 113	0760621 78	1001111424 95	1001129407.....65
0100020.....127, 179	0760807 23	1001112551 295	1001129555.....304
0100035.....165, 169, 171	0760808 261, 289	1001112607 129	1001130220.....78
0100048.....99, 165	0760810... 17, 23, 27, 59,	1001112612 229, 248	1001131269.....293, 299
0100081.....234	106, 139	1001112796 229	1001133972.....49, 53
0100083.....78	0760812... 59, 67, 69, 71,	1001113047 27	1001135196.....47
0140011.....165	81, 83, 85, 87, 89, 91,	1001113961 247	1001137005.....307
0140043.....78	93, 106, 113, 131, 234,	1001116208 301	1001137673.....189, 304
0257728.....193	261, 289	1001116550 135	1001138494.....157, 159,
0361810.....95	0760814...23, 59, 106, 234	1001116693 267	161
0400075.....95	0760815 59, 113	1001116698 249	1001138514.....157, 159,
0440162.....47	0760820 15	1001116732 247, 248,	161
0480100.....193	0761010 41, 65	249, 285	1001140429.....155, 157,
0630518.....73, 169, 171	0761011 15, 27	1001116733 247, 248,	159, 161
0630568.....165	0761012 95, 129, 234	249	1001141300.....301
0630613.....106	0761014... 23, 59, 81, 83,	1001116734 285	1001142683.....101, 103,
0641404.....191	85, 87, 89, 91, 93, 106,	1001116747 247	304
0641405.....165, 191	139	1001116748 245	1001142736.....101, 103,
0641406.....163, 185	0761015 47, 129	1001116774 229	229
0641408.....163	0761212... 121, 123, 129,	1001116808 229	1001143501.....226
0641410.....109, 111	133	1001116812 231, 249	1001144295.....78
0641414.....165, 189	0761214 27, 59, 106	1001117012 247	1001144433.....189
0641418...155, 157, 159,	0761215 129	1001117108 248	1001144629.....149, 151,
161	0761216 23, 59, 139	1001117172 179	153
0641504.....95	0761218 17	1001117174 165, 179	1001145781.....149, 151,
0641514.....193	0761224 59	1001117240 95	153, 157, 159, 161
0641608.....261	0761227 133	1001117372 197	1001148902.....306
0641610.....163	0761615 13, 133	1001118274...59, 106, 131,	1001148903.....306
0681608.....139	0762016 133	141, 234	1001148904.....306
0682014.....17	0762020 113	1001118384 283	1001148905.....306
0700616.....131	0771618 17	1001118388 283	1001148906.....306
0700814.....23, 61	0860520... 293, 295, 297,	1001118412 165, 304	1001150735.....255
0700820.....135	299	1001118511 13	1001150889.....255
0700827.....234	0902317 127	1001118518 13	1001151393.....67, 69, 71
0700828.....125, 234	0940048 121, 123	1001118519 13	1001152155.....226
0700830.....47	0940049 106	1001118878 253	1001155021.....247
0701012.....113	0940071 106	1001118971 234	1001155043.....67, 69, 71
0701014.....113	0961845... 155, 157, 159,	1001118972 234	1001155044.....67, 69, 71,
0701015.....121, 123	161	1001119020...78, 229, 285	165
0701018.....106	0961947 137	1001119051 113	1001155045.....67, 69, 71,
0701019.....135	0961948... 131, 133, 203,	1001119057 113	165, 304
0701020.....135	205, 207, 209	1001119176 65, 304	1001155967.....15
0701021.....234	0961949 131	1001119228...55, 67, 69,	1001156541.....245
0701024.....234	0961950 13	71, 235	1001157466.....57
0701027.....133	0961951 47, 135, 199,	1001119278 95	1001159186.....263
0701217.....13	211	1001119280 95, 235	1001159256...67, 69, 71,
0701616.....57, 121, 123	0962257 137	1001119619 277	165, 304
0711014.....17	0962292... 135, 215, 217	1001119620 279, 281	1001160859.....133
0711220.....15	1001008559 250	1001120204 239	1001160872.....133
0711227.....131	1001008999 27	1001120205 243	1001161117.....15
0711628.....49	1001009205... 81, 83, 85,	1001120328...78, 189, 191,	1001161710.....165, 304
0711631.....49	87, 89, 91, 93	250	1001161713.....117, 215
0760412.....27	1001097051 279	1001120466 306	1001161715.....117, 207
0760506.....27	1001097244 181, 183	1001120989 301	1001161716.....117, 119,
0760512.....95			199

SECTION 10 - SPECIAL OPTIONS

1001161717 117, 119, 211	1001169241..... 133	1001173043.....222	1001187382 139
1001161874 27	1001169242..... 133	1001173044.....222	1001187383 139
1001162106 65	1001169246..... 129	1001173045.....222	1001187674 187
1001162429 295, 297	1001169247..... 129	1001173046.....222	1001187681 277
1001162534 41, 43	1001169249..... 121, 123	1001173048.....222	1001187807 73, 169, 171
1001162535 141, 145	1001169295..... 133	1001173049.....222	1001188311 161
1001162536 141, 143	1001169296..... 133	1001173586.....125	1001188312 153
1001162661 61	1001169297..... 133	1001173587.....125	1001188314 159
1001162663 61, 304	1001169298..... 133	1001174040.....139	1001188315 151
1001162667 61	1001169299..... 133	1001174535.....59	1001188318 157
1001162807 67, 69, 71	1001169300..... 133	1001174749.....234, 243	1001188319 149
1001162995 13	1001169301..... 133	1001174976.....99	1001188622 139
1001163178 15, 213	1001169302..... 133	1001176469.....67, 71	1001188680 289
1001163405 15	1001169304..... 131	1001176699.....47	1001188844 139
1001163580 13, 197	1001169305..... 131	1001176848.....15	1001188883 301
1001163715 15	1001169402..... 131	1001176951.....234, 241	1001189001 139
1001163767 117, 119, 201	1001169403..... 131	1001177507.....226	1001189002 139
1001163857 117, 119, 121, 123	1001169422..... 163, 265	1001177511.....226	1001189882 297
1001163937 135	1001169594..... 165	1001177515.....226	1001190368 15
1001164017 129, 135	1001169823..... 47	1001177820.....57	1001190577 257, 259
1001164093 13	1001169898..... 59	1001177821.....57	1001190663 97
1001164209 15	1001170018..... 106	1001177834.....57	1001190913 295, 297
1001164709 203, 205, 207, 209	1001170022..... 106	1001177896.....131	1001190985 139
1001164730 234, 237	1001170098..... 29	1001177897 131	1001191832 106
1001164731 234, 239	1001170099..... 29	1001178003.....226	1001192401 250
1001164738 234, 245	1001170102..... 23	1001178133.....133	1001195757 113
1001164817 197	1001170131..... 113	1001178135.....133	1001196012 306
1001165144 35, 37	1001170140.....253	1001178228.....111	1001197457 231
1001165946 49	1001170226..... 131	1001178448.....235	1001200491 139
1001166096 133	1001170231.... 81, 83, 85, 87, 89, 91, 93, 121, 123	1001178449.....235	1001200494 139
1001166153 31, 33	1001170367..... 261, 304	1001178634.....35	1001200910 101
1001166155 31	1001170375..... 141	1001178636.....129, 131	1001201351 139
1001166156 31	1001170458..... 33	1001178644.....235	1001201939 78
1001166157 31	1001170459..... 33	1001178958.....235	1001202687 139
1001166208 207, 209	1001170460..... 33	1001179228.....234	1001202830 111
1001166316 78, 95	1001170475..... 109	1001179266.....235	1001203322 109
1001166538 165, 173	1001170483..... 23	1001179339.....59	1001203510 307
1001166539 165, 175	1001170761.....285, 304	1001179904.....106	1001203511 307
1001166651 131	1001170763.....249, 285	1001180035.....222	1001204725 139
1001166656 234	1001171216..... 106	1001180056.....121, 123	1001205950 226
1001166662 234	1001171295.....250, 285, 304	1001180540.....131	1001205951 226
1001166767 65	1001171482..... 67, 69	1001181405.....99	1001205952 226
1001166768 65	1001171553.....235	1001181621.....235	1001205953 226
1001166852 133	1001171555.....235	1001181923.....235	1001206436 49
1001166853 133	1001171559.....235	1001182142.....226	1001206438 306
1001167149 106	1001171678..... 95	1001182169.....106	1001206532 166
1001167159 106	1001171679..... 95	1001182561.....235	1001206625 203, 205
1001167163 106	1001171679..... 95	1001182806.....97	1001207004 103
1001167169 106	1001171680..... 95	1001182875.....106	1001208994 139
1001167512 47	1001172001.....306	1001182877.....106	1001209059 307
1001167565 139	1001172217.....293, 295, 297, 299	1001182879.....106	1001209617 97
1001167567 139	1001172271.....235, 304	1001183171.....135	1001209640 253
1001167596 139	1001172760..... 165	1001183213.....304	1001209664 189
1001167825 113	1001173006..... 222	1001184137.....261	1001210036 307
1001168210 199	1001173027.....226	1001184206.....17, 21	1001210086 27
1001168402 139	1001173028.....226	1001184846.....248	1001210636 183
1001168472 234	1001173034..... 222	1001184853.....17	1001211716 106
1001168473 234	1001173035..... 222	1001184855.....17	1001211717 106
1001169046 106	1001173036..... 222	1001185030.....13	1001212415 304
1001169058 33	1001173037..... 222	1001185281.....165	1001212728 113
1001169062 29	1001173038..... 222	1001185747.....235	1001213447 267
1001169092 165	1001173039..... 222	1001185821.....41, 45	1001213882 165
1001169240 133	1001173040..... 222	1001185964.....247	1001214174 17, 19
	1001173041..... 222	1001186231.....250, 285	1001214478 306
	1001173042..... 222	1001186431.....189, 304	1001214515 306
		1001186432.....271, 283	1001214552 306
		1001186517 189	1001214559 306

SECTION 10 - SPECIAL OPTIONS

1001214560.....	306	1001239217.....	23	1001249857.....	59	1001255664.....	27
1001215228.....	165	1001239289.....	23	1001249941.....	307	1001255666.....	27
1001216630.....	139	1001239406.....	59	1001250035.....	307	1001255761.....	301
1001217676.....	117, 203	1001239574.....	307	1001250291.....	106	1001255775.....	231
1001217779.....	135, 137	1001239575.....	306	1001250343.....	15	1001255776.....	231
1001218533.....	55	1001241254.....	306	1001250344.....	15	1001255829.....	15, 275
1001218535.....	55	1001241296.....	107, 109	1001250346.....	15	1001256076.....	15
1001218537.....	55	1001241299.....	107	1001250347.....	15	1001256266.....	27
1001219129.....	55	1001241333.....	306	1001250422.....	17, 289	1001256301.....	23
1001219601.....	78	1001241342.....	306	1001250432.....	253, 289	1001256686.....	289
1001220003.....	306	1001241397.....	306	1001250486.....	67	1001256687.....	289
1001220271.....	17	1001241501.....	81, 83, 85, 87, 89, 91, 93	1001250517.....	261	1001256688.....	289
1001222365.....	81, 83, 85, 87, 89, 91, 93, 304	1001241547.....	307	1001250518.....	261, 289	1001256689.....	289
1001223055.....	293	1001241548.....	307	1001250595.....	307	1001256690.....	289
1001223118.....	57	1001241965.....	191	1001250605.....	27	1001256805.....	293
1001223453.....	293, 299	1001242639.....	306	1001250808.....	301	1001256850.....	78
1001223971.....	299	1001242855.....	101	1001250946.....	78	1001256851.....	78
1001224889.....	131	1001242856.....	103	1001250947.....	27	1001257316.....	261
1001225557.....	289	1001242856.....	103	1001250949.....	226	1001257445.....	81, 83, 85, 87, 89, 91, 93
1001225558.....	289	1001243183.....	306	1001250950.....	87	1001257572.....	81, 83, 85, 87, 89, 91, 93
1001225580.....	189, 271	1001243184.....	306	1001250951.....	47	1001257686.....	307
1001226872.....	155	1001243414.....	106	1001250967.....	47	1001257691.....	27
1001227278.....	306	1001243697.....	301	1001250971.....	35, 41	1001257868.....	165
1001227633.....	187	1001243698.....	301	1001250979.....	27	1001257969.....	27
1001227634.....	187	1001244294.....	78, 287	1001251130.....	81, 83, 85, 87, 89, 91, 93	1001257970.....	27
1001227985.....	187	1001244295.....	78, 263	1001251408.....	15	1001258143.....	23
1001227987.....	187	1001245162.....	73	1001252033.....	307	1001258490.....	301
1001227996.....	279, 281	1001245164.....	169, 171	1001252034.....	307	1001258495.....	279, 281
1001228215.....	155	1001246142.....	306	1001252533.....	59	1001258628.....	295
1001228224.....	187	1001246433.....	306	1001252946.....	193	1001258641.....	299
1001228225.....	187	1001246539.....	59	1001252947.....	193	1001258655.....	24
1001228960.....	306	1001246540.....	17	1001253375.....	271	1001258966.....	69
1001229341.....	187	1001246543.....	59	1001253598.....	293, 295, 297, 299, 301	1001259230.....	109, 111
1001229341.....	187	1001246544.....	17	1001253599.....	297	1001259476.....	73
1001230931.....	245	1001246823.....	71	1001254641.....	17	1001259477.....	169, 171
1001231886.....	97	1001246859.....	78	1001254648.....	17	1001259491.....	169, 171
1001232026.....	293, 295, 297, 299	1001246860.....	306	1001254663.....	106	1001259492.....	73
1001232164.....	187	1001246867.....	306	1001254716.....	119, 209	1001259504.....	73, 169
1001232165.....	187	1001247073.....	307	1001254742.....	119, 205	1001260297.....	71
1001232642.....	191	1001247270.....	81, 83, 85, 87, 89, 91, 93	1001254743.....	119, 217	1001260298.....	71
1001232643.....	307	1001247468.....	139	1001254877.....	17	1001260299.....	71
1001232650.....	191	1001247677.....	81, 83, 85, 87, 89, 91, 93	1001255013.....	261	1001260306.....	235
1001232667.....	191	1001248054.....	23	1001255014.....	23	1001260534.....	81, 83, 85, 87, 89, 91, 93
1001233139.....	15	1001248089.....	23	1001255015.....	23	1001260661.....	24
1001234295.....	41	1001248119.....	23	1001255016.....	23	1001260788.....	249
1001234800.....	247	1001248164.....	23	1001255017.....	23	1001260939.....	293, 295, 297, 299
1001235011.....	191	1001248173.....	23	1001255018.....	23	1001260941.....	293, 295, 297, 299
1001235013.....	191	1001248174.....	23	1001255029.....	121	1001261106.....	306
1001236123.....	306	1001248177.....	23	1001255031.....	123	1001261256.....	24
1001236552.....	191	1001248192.....	23	1001255037.....	121	1001261257.....	261
1001237667.....	247, 267	1001248206.....	23	1001255039.....	123	1001262061.....	89
1001237668.....	247, 267	1001248223.....	231	1001255045.....	121, 123, 129	1001262062.....	91
1001237863.....	187, 279	1001248224.....	231	1001255047.....	121, 123, 141	1001262063.....	93
1001237864.....	187, 281	1001248401.....	61	1001255048.....	121, 123, 222	1001262064.....	83
1001237865.....	187, 277	1001248504.....	261	1001255050.....	121, 123, 234	1001262065.....	85
1001238254.....	166, 267	1001248813.....	59, 61	1001255051.....	123, 125	1001262066.....	81
1001238319.....	187	1001249052.....	307	1001255053.....	129, 133	1001262067.....	89
1001238418.....	191, 283	1001249069.....	231	1001255133.....	139	1001262387.....	81, 83, 85, 87, 89, 91, 93
1001238421.....	139	1001249236.....	87	1001255219.....	123, 127	1001262434.....	23
1001238466.....	235	1001249329.....	59	1001255511.....	293	1001262467.....	81, 83, 85, 87, 89, 91, 93
1001238472.....	191	1001249405.....	78	1001255512.....	299		
1001238477.....	191	1001249433.....	106				
1001238495.....	189	1001249434.....	106, 111				
1001238559.....	191	1001249615.....	61				
1001238824.....	191	1001249695.....	307				
1001239209.....	23						

SECTION 10 - SPECIAL OPTIONS

1001262472 ... 81, 83, 85, 87, 89, 91, 93, 304	1701500 ... 293, 295, 297, 299	2220501 226	3291205 129, 133, 139
1001262473 ... 81, 83, 85, 87, 89, 91, 93	1701504 ... 293, 295, 297, 299	2220577 222	3300106 17
1001262597 78, 247	1701509 ... 293, 295, 297, 299	2220582 222, 226	3300151 ... 155, 157, 159, 161
1001262598 285, 289	1701518 295, 297	2220600 226	3300220 95
1001262599 23, 231	1701529 ... 293, 295, 297, 299	2220603 226	3300353 165
1001262795 293, 295, 297, 299	1701691 27, 106	2220628 222	3300408 73
1001262796 293, 295, 297, 299	1702300 ... 293, 295, 297, 299	2220747 127	3300430 189
1001262959 307	1702565 165	2220750 127	3310601 78
1001262979 ... 81, 83, 85, 87, 89, 91, 93	1702566 165	2220829 127	3311005 101, 103
1001262980 ... 81, 83, 85, 87, 89, 91, 93	1702567 165	2220883 197, 203, 207, 226	3311405 163, 191
1001263608 181	1702773 297, 301	2220886 207, 215	3311501 106
1001263609 183	1702774 301	2220923 226	3311505 193
1001263849 78	1702860 301	2220940 222	3311601 106, 165, 191
1001263924 293, 295, 297, 299	1702868 293	2220998 226	3311605 163
1001263937 23	1703687 ... 293, 295, 297, 299	2221033 226	3321001 95
1001263993 ... 81, 83, 85, 87, 89, 91, 93	1703797 293	2221037 125	3340860 135
1001264238 106	1703804 293	2221086 143, 226	3380434 163
1001264735 67, 69	1703805 293	2230025 222	3422532 47
1001264863 163	1703924 299	2400044 23	3422661 193
1001265027 163, 165	1703936 299	2400060 267	3422755 129
1001265029 75	1703942 299	2400066 247	3422791 135
1001265145 75, 171	1703948 299	2400069 23, 304	3422792 129
1001265227 259, 289	1703953 293	2540020 101, 103	3422793 129
1001265228 257, 289	1703984 299	2560136 165	3422806 129
1001265229 289	1704000 299	2560187 109, 111	3423038 129
1001265230 289	1704125 127	2600281 149, 151, 153	3423304 15
1001265288 67	1704260 165	2752519 226	3430616 166
1001265289 69	1704277 ... 293, 295, 297, 299	2820031 234, 241	3470003 166
1001265414 163, 273	1704412 ... 293, 295, 297, 299	2820247 279, 281	3520054 165
1001265415 71, 255	1704752 301	2860030 ... 67, 69, 71, 304	3520072 155
1001265843 ... 81, 83, 85, 87, 89, 91, 93	1704885 293, 295, 299	2900770 199, 215, 217	3520198 155
1001270208 131	1705336 293	2900792 201	3572551 135
1001270412 ... 81, 83, 85, 87, 89, 91, 93	1705347 299	2901443 307	3740067 95, 304
1001270414 ... 81, 83, 85, 87, 89, 91, 93	1705351 293	2902266 197	3740086 283, 304
1001271497 267	1705429 299	2940074 149, 151, 153, 304	3760115 131
1001274480 306	1705822 295, 297	2940173 109, 111	3790012 165
1001274559 165	1705828 295, 297	3020008 17	3820020 149, 151, 153
1001284340 78	1705961 295, 297	3020037 17	3820032 95
1001286738 78	183035-1 231	3020039 17	3841143.15, 47, 129, 139
1060379 193	2080040 ... 127, 149, 151, 153	3160252 59, 63	3841203 129, 133
1060461 239, 243	2080057 ... 293, 295, 297, 299	3251243 293, 299	3841258 13, 121, 123, 133
1060918 179	2160001 49	3252347 293	3841287 133
1320043 ... 81, 83, 85, 91, 93, 121, 123	2180736 203	3290405.. 23, 27, 65, 181, 183, 234	3841340 234
1320130 234	2220237 215	3290501 95	3900349 165
1320177 125, 127	2220239 61	3290505 23, 81, 83, 85, 87, 89, 91, 93, 95, 99, 261	3900351 131
1320223 95	2220240 61	3290601 23, 78, 95, 97, 109, 111, 289	3910804 67, 69, 71
1321140 23	2220371 222, 226	3290605 47, 65, 78, 95, 101, 103, 121, 123, 127, 131, 234, 253, 293, 295, 297, 299	3911010 101, 103
1321293 65	2220372 222, 226	3290606 157, 159, 161	3931408 189
1580012 185	2220373 222, 226	3290805 23, 27, 47, 59, 106, 113, 135, 234	3960417 23, 27
1580013 306	2220374 222, 226	3290806 139	4010418 234
1670836 131	2220375 226	3291001 139	4010618 157, 159, 161
1684290 197	2220415 222, 226	3291005 23, 47, 59, 81, 83, 85, 87, 89, 91, 93, 95, 106, 109, 111, 113, 129, 131, 133, 135, 139, 234	4031505 187
1701499 ... 293, 295, 297, 299	2220435 226	3291005 23, 47, 59, 81, 83, 85, 87, 89, 91, 93, 95, 106, 109, 111, 113, 129, 131, 133, 135, 139, 234	4031507 ... 78, 81, 83, 85, 87, 89, 91, 93
	2220465 226	3291201 59, 139	4031511 234
	2220468 222		4031512 65
	2220472 222		4031516 191
	2220499 226		4031607 23
			4031707 ... 81, 83, 85, 87, 89, 91, 93, 289
			4031708 ... 81, 83, 85, 87, 89, 91, 93
			4031710 ... 81, 83, 85, 87, 89, 91, 93
			4031920 17

SECTION 10 - SPECIAL OPTIONS

4060806.....55	4460508 ... 187, 241, 248, 265, 267	4461012 181	4845582.....193
4060808.....234	4460509 237, 248	4461018 248	4846689.....135
4070897.....131	4460510 307	4461070 229	4891600..... 106, 139
4070898.....131	4460516 21	4461077 277, 283	4892000..... 17
4071101.....13	4460518 229, 249	4461095 229	4892600001.....139
4160182.....106	4460536 78, 267, 285	4461128 231, 249	5240800.....59
4240018 23, 78, 222, 226, 289	4460539 ... 249, 250, 267, 275, 287	4461205 91, 93	5241200..13, 15, 49, 131, 139
4240032.....99, 101, 103	4460670 250	4461228 249	5241600..... 17, 49
4240033.....187, 189, 191	4460703 ... 257, 259, 275, 285	4461271 247	5250608.....78
4240084.....17	4460708 267	4520608 31	5250808.....35
4240099.....165	4460746 247, 249	4640509 201	5250810...67, 69, 71, 141
4240156.....234	4460748 247	4640771 215, 217	5250812.....27, 55, 235
4360387.67, 71, 165, 304	4460754 287	4640858 197	5251008.....139
4360407.....165, 304	4460761 248, 249, 267	4641122 31, 33	5251009.....131
4360469.....67, 69, 71	4460789 247	4641129 37	5251010..... 41, 131, 141
4360475...67, 69, 71, 304	4460805 85	4641390 ... 203, 205, 207, 209	5251012..... 13, 131
4360476..67, 69, 71, 165, 304	4460836 248	4711000 101, 103	5251014..... 106, 234
4420051301	4460837 78, 250	4711400 ... 109, 111, 155, 157, 159, 161, 189, 191	5251016.....139
4420062.....193	4460865 ... 234, 237, 248	4711500 95, 106	5251215.....47
4460042.....247	4460866 ... 234, 241, 267	4711600 163, 166	5260800....55, 67, 69, 71
4460071.....179	4460871 97, 247, 248, 255, 263, 267, 285, 287	4740086 15	5261200.....47
4460115.....247	4460872 287	4740158 13	5271609.....261
4460138.....83	4460873 ... 247, 255, 267, 285	4740229 13	5272114.....49
4460183.....267	4460874 248, 267	4740362 163	5281920.....234
4460225.....267	4460875 267, 287	4740397 166	70000088.....51
4460226....173, 176, 179	4460876 263	4750800 235	70000089.....51
4460227248, 249, 267	4460878 247	4751400 163, 165, 185	70000100.....145
4460234.....99, 165	4460879 267	4751500 193	70000342.....137
4460247.....248	4460884 ... 245, 248, 249, 271, 285	4761000 95	70000865.....53
4460259....247, 263, 265, 267	4460887 247, 267	4761400 185	70002206.....51
4460260....247, 263, 265, 267	4460891 97, 229, 245, 249, 273, 285, 287	4761600 261	70002207.....51
4460265..... 173, 176	4460894 78, 247, 248, 249, 267, 273	4811400 ... 23, 27, 65, 78, 81, 83, 85, 87, 89, 91, 93, 181, 183, 234	70002335.....201
4460267.....267	4460897 99, 101, 103, 247	4811700 ... 23, 27, 47, 65, 78, 81, 83, 85, 87, 89, 91, 93, 95, 97, 101, 103, 109, 111, 121, 123, 131, 157, 159, 161, 253, 289, 293, 295, 297, 299	70002371.....201
4460268.....287	4460899 ... 245, 255, 265, 271, 277, 283, 285, 287	4811702 . 35, 78, 95, 127, 289	70002373.....201
4460312.....248	4460905 ... 247, 248, 255, 263, 267, 285, 287	4811900 ... 15, 17, 23, 27, 35, 47, 59, 61, 67, 69, 71, 81, 83, 85, 87, 89, 91, 93, 106, 113, 125, 139, 234	70002386.... 43, 203, 205, 207, 209, 304
4460313.....247	4460908 249	4812000 ... 17, 23, 27, 41, 47, 59, 65, 81, 83, 85, 87, 89, 91, 93, 95, 106, 109, 111, 113, 121, 123, 125, 129, 131, 133, 139, 234	70002413.....199
4460374....247, 249, 285	4460909 249	4812002 65, 106	70002649.....53
4460418.....263, 267	4460910 250, 281	4812100 . 17, 27, 59, 106, 133, 139	70002651.....53
4460419.....263, 267	4460911 248, 277	4812102 23, 106	70002842.....197
4460424.....287	4460914... 81, 83, 85, 87, 89, 91, 93	4812300 57	70002902.....179
4460428.....165	4460918 248		70002903.....179
4460434.....267	4460928 229		70002904.....179
4460458.....247	4460930 259, 285		70002905.....179
4460464 65, 99, 179, 229, 231, 241, 245, 247, 248, 255, 257, 265, 267, 271, 283, 285, 287	4460931 257, 285		70002963..... 37, 304
4460465.....97, 229, 237, 245, 247, 248, 249, 250, 259, 265, 267, 271, 273, 275, 285, 287	4460933 ... 229, 247, 250, 267, 285		70003612..... 45
4460466.....78, 187, 229, 231, 235, 237, 241, 245, 247, 248, 249, 250, 255, 265, 267, 271, 277, 283, 285, 287	4460941 277		70003788.... 43, 203, 205, 304
4460467.....307	4460942 187, 248		70003837..... 199, 211
4460470.....165	4460943 78, 101, 103, 248, 277, 285		70003838..... 199, 211
4460471.....165	4460944 ... 231, 248, 249, 250, 275, 285		70003977.....43
4460473....234, 237, 248	4460945 250		70004000.....45
4460488..... 101, 103	4460966 250		70004013.....45
4460496.....78	4460970 231, 267		70004014.....45
4460497.....78			70004249.....53

SECTION 10 - SPECIAL OPTIONS

70004261	53	70005011	199	70005408.....	21	7017408.....	37
70004262	53	70005012	199, 211	70005410.....	21	7017455.....	37
70004263	53	70005013	199, 211	70005412.....	21	7017463.....	37
70004267	45	70005014	199, 211	70005577.....	207	7017467 ...	203, 205, 207
70004738	173	70005016	199, 211	70005578.....	207	7017496 ...	203, 205, 207,
70004739	173	70005017	211	70005685.....	21	209	
70004740	173	70005018	211	70005686.....	21	7020033.....	19
70004741	173	70005065	45	70005687.....	21	7020035.....	19
70004742	173	70005066	45	70005688.....	21	7020036.....	19
70004743	173	70005067	45	70005689.....	21	7020037.....	19
70004744	173	70005068	45	70006104.....	203, 205	7020038.....	19
70004745	173	70005069	43	70006105.....	203, 205	7020039.....	19
70004746	173	70005071	43	70006256.....	131	7020040.....	19
70004747	173	70005076	43	70006271.....	131	7020041.....	19
70004748	173	70005080	43	70006660.....	145	7020175 ..	.67, 69, 71, 165
70004749	173	70005082	43	70006970.....	143	7020176 ..	.67, 69, 71, 165
70004750	173	70005084	43	70007360.....	217	7020291.....	63
70004751	173	70005085	43	70007886.....	209	7020292.....	63
70004752	175	70005087	43	70007887.....	209	7020293.....	63
70004753	175	70005088	43	70007888.....	209	7020294.....	63
70004754	175	70005089	43	70007889.....	209	7020295.....	63
70004755	175	70005090	43	70007890.....	209	7020296.....	63
70004756	175	70005092	43	70007891.....	205	7020297.....	63
70004757	175	70005094	43	70007892.....	205	7020298.....	63
70004758	175	70005095	43	70007893.....	205	7020299.....	63
70004759	175	70005096	43	70007894.....	205	7021653.....	37
70004760	175	70005097	43	70007895.....	205	7022390 ...	43, 203, 205
70004761	175	70005098	43	70007896.....	217	7022399.....	43
70004762	175	70005099	43	70007897.....	217	7023200.....	63
70004763	175	70005100	43	70007898.....	217	7023272.....	63
70004764	175	70005139	45	70007899.....	217	7023318.....	51
70004765	175	70005143	201	70007900.....	217	7023900.....	43
70004766	175	70005150	213	70023370.....	201	7023936.....	43
70004767	175	70005151	213	70024262.....	199	7024379.....	51
70004768	175	70005152	213	70025619.....	199	7024380.....	51
70004769	175	70005153	213	70025959.....	211	7024381.....	51
70004770	175	70005154	213	7002821.....	307	7024389.....	51
70004771	175	70005155	201	7002822.....	307	7024390.....	51
70004772	175	70005156	201	7002823.....	307	7024441.....	61
70004773	175	70005157	201	7002828.....	307	7024453.....	51
70004774	176	70005158	201	7004035.....	51	7024884.....	207
70004775	176	70005159	201	7004036.....	51	7026042.....	53
70004787	37	70005160	201	7004043.....	51	7026043.....	53
70004788	37	70005217	43	7004044.....	51	7026044.....	53
70004789	37	70005218	43	7004045.....	51	7026045.....	53
70004809	21	70005219	43, 304	7004047.....	51	7026046.....	53
70004811	21	70005243	143	7004049.....	51	7026047.....	53
70004820	21	70005385	21	7004275.....	307	7026048.....	53
70004864	145	70005387	21	7004276.....	307	7026049.....	53
70004865	145	70005388	21	70050516.....	37, 304	7026050.....	53
70004866	145	70005389	21	7012540.....	37	7026051.....	53
70004867	143, 145	70005390	21	7012545.....	63	7026052.....	53
70004868	145	70005391	21	7012548.....	63	7026053.....	53
70004869	143, 145	70005392	21	7012549.....	63	7026057.....	53
70004871 ..	143, 145, 304	70005393	21	7012907.....	37	7026330.....	45
70004873	143	70005394	21	7012967.....	207, 209	7027350.....	53
70004875	145	70005395	21	7012998.....	37, 203, 205,	7027351.....	53
70004955	215	70005396	21	207		7027352.....	53
70004956	215	70005397	21	7016654.....	307	7027353.....	53
70004957	215	70005400	21	7017142.....	137	7027354.....	53
70004961	203	70005401	21	7017159.....	137	7027356.....	53
70004962	203	70005402	21	7017162.....	137	7027625.....	145
70004963	203	70005403	21	7017163.....	137	7027628.....	145, 304
70004964	207	70005404	21	7017164.....	137	80963067	247
70004965	207	70005405	21	7017172.....	137	8220022.....	249
70004966	207	70005406	21	7017192.....	137	8220045.....	249, 285
70005010	199	70005407	21	7017195.....	137	8220079.....	247

SECTION 10 - SPECIAL OPTIONS

8220125.....	247	8310612.....	23	8760554.....	226	91164079.....	43
8229244.....	249, 304	8310614.....	65	8770289.....	222	91203039.....	139
8229245.....	247, 304	8310668.....	131	88662523.....	106	E900051.....	87, 89
8310070.....	235	8310686.....	27, 106	8881800.....	65, 234		
8310559.....	81, 83, 85, 87, 89, 91, 93	8406105.....	125, 127	91164057.....	43		
		8760477.....	222	91164059.....	43		



An Oshkosh Corporation Company

Corporate Office
JLG Industries, Inc.
1 JLG Drive
McConnellsburg, PA 17233-9533 USA
☎ (717) 485-5161 (Corporate)
☎ (877) 554-5438 (Customer Support)
☎ (717) 485-6417

Visit our website for JLG Worldwide Locations.
www.jlg.com