



---

# Illustrated Parts Manual

## *Model EC520AJ*

PRIOR TO  
SN C300000330

P/N  
31217108

January 1, 2022 - Rev D



---

An Oshkosh Corporation Company



## REVISION LOG

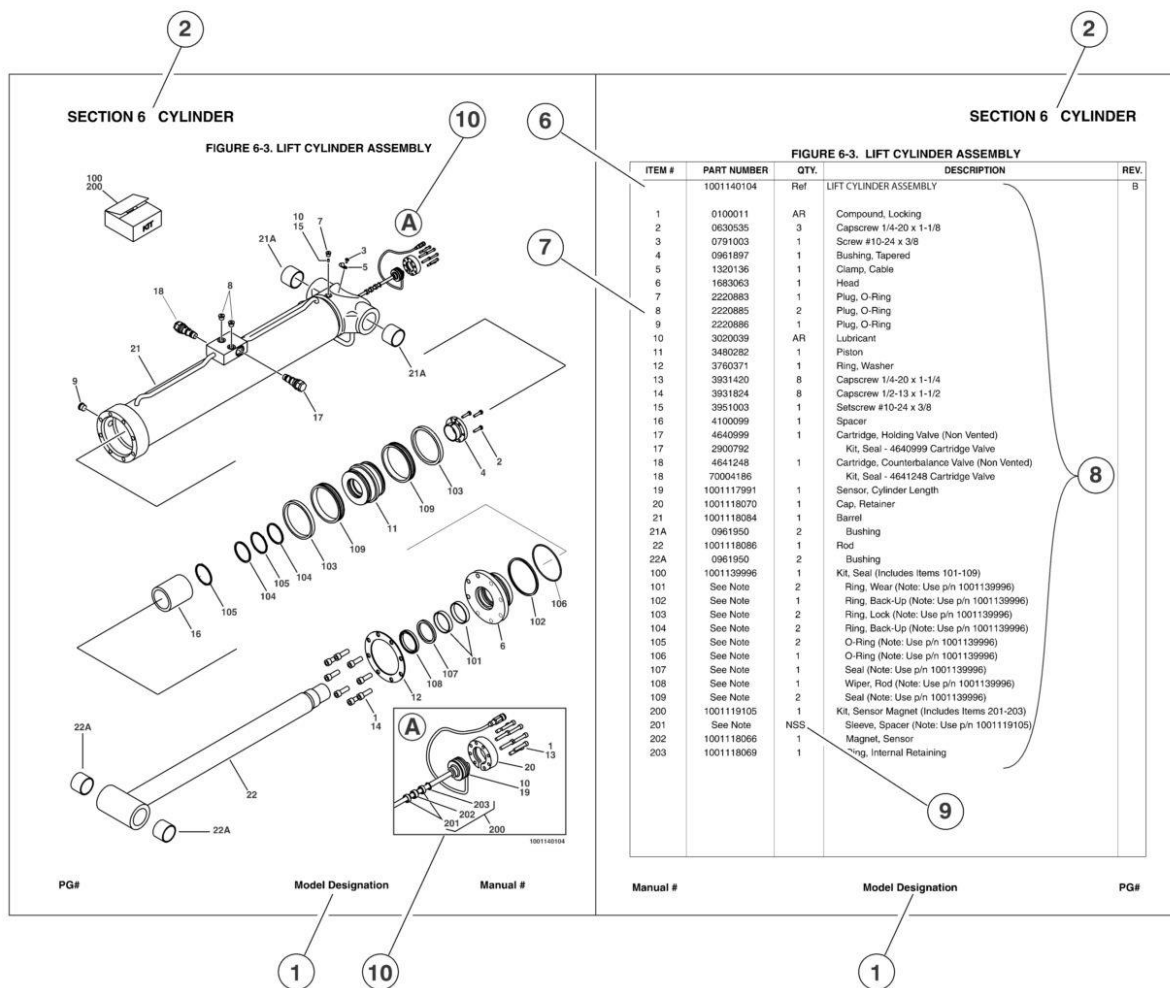
July 30, 2019 - A - Original Issue of Manual (1001250808 Rev A)

September 30, 2020 - B - Revised Manual (Edited to B/M 1001250808 Rev F)

May 31, 2021 - C - Revised Manual (Edited to B/M 1001250808 Rev F)

January 1, 2022 - D - Revised Manual (Edited to B/M 1001250808 Rev F)

# GENERAL INFORMATION



## 1) MACHINE IDENTIFICATION

Machines are identified by model and in some cases a combination of models, serial number (SN) or regional standard (i.e. ANSI, CE, CSA). Components may also be identified by SN or manufacturer. Common components that may be identified by these characteristics are engines and hydraulic components.

## 2) PARTS MANUAL ORGANIZATION

Product information in this manual is organized under section titles. Frame, Cylinder, Hydraulic and Electrical are a few examples. Each section is organized by figure and page number. The information within the Figure is then organized by item number, part number, description and corresponding illustration (s).

## 3) TABLE OF CONTENTS

A table of contents is found toward the beginning of the manual. Figure number, description and page number are provided for quick reference to the page containing the related information.

## 4) RECOMMENDED SPARE PARTS

The Recommended Spare Parts, located near the end of the manual, reference most frequently used maintenance parts.

## 5) PART NUMBER INDEX

A numerical index listing all part numbers and the corresponding page number(s) appears at the back of the manual.



## GENERAL INFORMATION

### 6) NON-SERVICED PARTS

In some instances, it is necessary to display non-serviced parts, assemblies or installations. In the case of assemblies and installations there will be a Ref in the Qty column. In case of parts that are not available for service within assemblies or components, there will be a NSS (Not Sold Separately) or NLA (No Longer Available) listed in the Qty. column of the manual.

### 7) PARTS LIST ITEM NUMBERS

Numbers shown in the item# column correspond to numbers used in the associated illustration (s). Item numbers which are missing from the sequence in the parts list are not used on that page

### 8) INDENTED PARTS DESCRIPTION

An indented part description is included in the item under which it is indented.

### 9) ABBREVIATION AND SYMBOLS

AC.....	.. Alternating Current	LCD.....	.. Liquid Crystal Display
ADE.....	.. Advanced Design Electronics	LED.....	.. Light Emitting Diodes
ANSI.....	.. American National Standards Institute	LH.....	.. Left Hand
AR.....	.. As Required	LSS.....	.. Load Sensing System
ASSY.....	.. Assembly	M(m).....	.. Metric/Meter
AUX.....	.. Auxiliary	MM (mm).....	.. Milimeter
AWG.....	.. American Wire Gauge	mA.....	.. Milliamps
B/M.....	.. Bill of Material	NLA.....	.. No Longer Available
CE.....	.. European Conformity	NPT.....	.. National Pipe Threads
CCW.....	.. Counter Clockwise	NSS.....	.. Not Sold Separately
cm.....	.. Centimeter	OD.....	.. Outside Diameter
CW.....	.. Clockwise	ORB.....	.. O-Ring Boss
CSA.....	.. Canadian Standards Association	ORFS.....	.. O-Ring Face Seal
CYL.....	.. Cylinder	OZ (oz).....	.. Ounces
DIA.....	.. Diameter	PG.....	.. Page
DC.....	.. Direct Current	P/N.....	.. Part Number
EMS.....	.. Emergency Stop	qt.....	.. Quarts
ENG.....	.. Engine	QTY.....	.. Quantity
FT (ft).....	.. Feet	REF.....	.. Reference
GA (Ga).....	.. Gauge	REV.....	.. Revision Level
HYD.....	.. Hydraulic	RH.....	.. Right Hand
Hz.....	.. Hertz	SAE.....	.. Society of Automotive Engineers
ID.....	.. Inside Diameter	SN.....	.. Serial Number
in.....	.. inches	SPEC(S).....	.. Specifications
ISO.....	.. International Organization for Standards	T/T.....	.. Turntable
JIC.....	.. Joint Industry Council	UGM.....	.. Universal Ground Module
KG.....	.. Kilogram	V.....	.. Volts
L.....	.. Liter	W.....	.. Watts
LB.....	.. Pounds	#.....	.. Number

### 10) ILLUSTRATION REFERENCE LETTERS

When necessary, illustrations may contain reference letters that are intended to track information (i. e. hoses, harnesses) from one point to another or to track visual enlargement of components to show details that may be located in another area on the illustration.

*Note: Due to continuous product improvements, JLG Industries, Inc. reserves the right to make specification changes without prior notification. Contact JLG Industries, Inc. for updated information.*



# TABLE OF CONTENTS

SECTION 1 - FRAME.....	11
FIGURE 1-1. AXLE INSTALLATION .....	12
FIGURE 1-2. STEER INSTALLATION.....	14
FIGURE 1-3. WHEEL DRIVE INSTALLATION (2WD).....	16
FIGURE 1-4. HUB - SPINDLE ASSEMBLY.....	18
FIGURE 1-5. DRIVE MOTOR ASSEMBLY .....	20
FIGURE 1-6. BATTERY INSTALLATION.....	22
FIGURE 1-7. FRAME SHIELD INSTALLATION .....	26
FIGURE 1-8. TIRE AND WHEEL INSTALLATION - 33 X 12-20 SOLID NON-MARKING.....	28
FIGURE 1-9. TIRE AND WHEEL INSTALLATION - 315/55 D20 FOAM FILLED.....	30
FIGURE 1-10. TIRE AND WHEEL INSTALLATION - 315/55 D20 FOAM FILLED NON-MARKING .....	32
FIGURE 1-11. CONTROL VALVES INSTALLATION - FRAME MOUNTED .....	34
FIGURE 1-12. OSCILLATING AXLE VALVE ASSEMBLY .....	36
SECTION 2 - TURNTABLE.....	39
FIGURE 2-1. CONTROL VALVES INSTALLATION - TURNTABLE MOUNTED.....	40
FIGURE 2-2. MAIN VALVE ASSEMBLY .....	42
FIGURE 2-3. AUXILIARY PUMP ASSEMBLY.....	44
FIGURE 2-4. ENCLOSURE INSTALLATION .....	46
FIGURE 2-5. SWING DRIVE AND TURNTABLE BEARING INSTALLATION.....	48
FIGURE 2-6. SWING MOTOR ASSEMBLY .....	50
FIGURE 2-7. TURNTABLE BEARING ASSEMBLY .....	52
FIGURE 2-8. TURNTABLE COVERS INSTALLATION .....	54
FIGURE 2-9. TURNTABLE LOCK INSTALLATION.....	56
FIGURE 2-10. TANK AND PUMPS INSTALLATION.....	58
FIGURE 2-11. HYDRAULIC TANK INSTALLATION .....	60
FIGURE 2-12. MOTOR ASSEMBLY .....	62
FIGURE 2-13. DRIVE ORIENTATION INSTALLATION .....	64
FIGURE 2-14. GROUND CONTROL ASSEMBLY .....	66
FIGURE 2-15. GROUND CONTROL ASSEMBLY (ANSI, AUSTRALIAN AND CSA SPECS) .....	68
FIGURE 2-16. GROUND CONTROL ASSEMBLY - WITH 4 INCH DISPLAY (CE SPECS).....	70
FIGURE 2-17. LIGHT PANEL INSTALLATION – GROUND CONTROL.....	72
FIGURE 2-18. LIGHT PANEL INSTALLATION – GROUND CONTROL (CE SPECS ONLY).....	74
FIGURE 2-19. ELECTRICAL SYSTEM INSTALLATION.....	76
FIGURE 2-20. BATTERY CHARGER INSTALLATION – WITH NO PLUG .....	80
FIGURE 2-21. BATTERY CHARGER INSTALLATION - 220V (AUSTRALIAN SPECS).....	82
FIGURE 2-22. BATTERY CHARGER INSTALLATION – WITH 230 IEC PLUG (CE SPECS).....	84
FIGURE 2-23. BATTERY CHARGER INSTALLATION – WITH 110 IEC PLUG (YELLOW) (CE SPECS).....	86
FIGURE 2-24. BATTERY CHARGER INSTALLATION (CEE7) (CE SPECS).....	88
FIGURE 2-25. BATTERY CHARGER INSTALLATION (ASFINT KEYED GRD) (CE SPECS).....	90
FIGURE 2-26. BATTERY CHARGER INSTALLATION - 110V (ANSI AND CSA SPECS).....	92
FIGURE 2-27. BATTERY AND CABLE INSTALLATION.....	94
FIGURE 2-28. ALARM WHITE NOISE INSTALLATION.....	96
FIGURE 2-29. BEACON LIGHT INSTALLATION - AMBER .....	98
FIGURE 2-30. BEACON LIGHT INSTALLATION - BLUE .....	100
FIGURE 2-31. BEACON LIGHT INSTALLATION - RED .....	102
FIGURE 2-32. HOODS INSTALLATION .....	104
FIGURE 2-33. HOOD ASSEMBLY - TANK SIDE.....	108
FIGURE 2-34. HOOD ASSEMBLY - ENGINE SIDE.....	110
FIGURE 2-35. COVERS INSTALLATION - COUNTERWEIGHT .....	112
SECTION 3 - BOOM.....	115
FIGURE 3-1. CYLINDERS INSTALLATION (Prior to SN C300000204).....	116
FIGURE 3-2. CYLINDERS INSTALLATION (SN C300000204 through C300000329).....	118
FIGURE 3-3. BOOM INSTALLATION - WITHOUT AIRLINES .....	120
FIGURE 3-4. BOOM INSTALLATION - WITH AIRLINE .....	122
FIGURE 3-5. BOOM AIRLINE INSTALLATION.....	124
FIGURE 3-6. AIRLINE FITTINGS INSTALLATION .....	126
FIGURE 3-7. MAIN BOOM INSTALLATION.....	128
FIGURE 3-8. MAIN BOOM ASSEMBLY.....	130
FIGURE 3-9. TOWER BOOM ASSEMBLY .....	132
FIGURE 3-10. JIB INSTALLATION .....	134
FIGURE 3-11. ROTATOR ASSEMBLY .....	136

# TABLE OF CONTENTS

FIGURE 3-12. PLATFORM SUPPORT INSTALLATION - WITH 1 CELL LSS .....	138
FIGURE 3-13. BOOM VALVES INSTALLATION .....	140
FIGURE 3-14. BOOM VALVE ASSEMBLY .....	142
FIGURE 3-15. UPRIGHT VALVE ASSEMBLY .....	144
<b>SECTION 4 - PLATFORM .....</b>	<b>147</b>
FIGURE 4-1. PLATFORM ASSEMBLY - 30IN X 4FT (76CM X 1.22M) - SIDE GATE ENTRY .....	148
FIGURE 4-2. PLATFORM ASSEMBLY - 30IN X 5FT (76CM X 1.52M) - SIDE GATE ENTRY .....	150
FIGURE 4-3. PLATFORM ASSEMBLY - 30IN X 6FT (76CM X 1.83M) - SIDE GATE ENTRY .....	152
FIGURE 4-4. PLATFORM ASSEMBLY - 30IN X 3FT (76CM X .91M) - DROP BAR ENTRY .....	154
FIGURE 4-5. PLATFORM ASSEMBLY - 30IN X 4FT (76CM X 1.22M) - WITH DROP BAR .....	156
FIGURE 4-6. PLATFORM ASSEMBLY - 30IN X 5FT (76CM X 1.52M) - WITH DROP BAR .....	158
FIGURE 4-7. PLATFORM ASSEMBLY - 30IN X 6FT (76CM X 1.83M) - WITH DROP BAR .....	160
FIGURE 4-8. CONSOLE BOX INSTALLATION - WITH SKYGUARD .....	162
FIGURE 4-9. PLATFORM CONSOLE BOX ASSEMBLY - WITH SKYGUARD .....	164
FIGURE 4-10. LIGHT PANEL INSTALLATION - PLATFORM CONTROL .....	168
FIGURE 4-11. LIGHT PANEL INSTALLATION - PLATFORM CONTROL (CE SPECS ONLY) .....	170
FIGURE 4-12. CONTROLLER ASSEMBLY - DRIVE AND STEER .....	172
FIGURE 4-13. CONTROLLER ASSEMBLY - LIFT AND SWING .....	174
FIGURE 4-14. FOOTSWITCH ASSEMBLY .....	178
FIGURE 4-15. PLATFORM CHARGER (12V) .....	180
FIGURE 4-16. PLATFORM CHARGER (USB) .....	182
FIGURE 4-17. TRAY ASSEMBLY .....	184
FIGURE 4-18. SKYEYE INSTALLATION .....	186
FIGURE 4-19. SKYGUARD BAR INSTALLATION .....	188
FIGURE 4-20. SKYLINE INSTALLATION .....	190
FIGURE 4-21. PIPE RACK INSTALLATION .....	192
<b>SECTION 5 - CYLINDER .....</b>	<b>195</b>
FIGURE 5-1. AXLE LOCKOUT CYLINDER ASSEMBLY .....	196
FIGURE 5-2. LEVEL (PLATFORM SLAVE) CYLINDER ASSEMBLY .....	198
FIGURE 5-3. LIFT CYLINDER ASSEMBLY - JIB .....	200
FIGURE 5-4. LIFT CYLINDER ASSEMBLY - MAIN BOOM (Prior to SN C300000204) .....	202
FIGURE 5-5. LIFT CYLINDER ASSEMBLY - MAIN BOOM (SN C300000204 through C300000329) .....	204
FIGURE 5-6. LIFT CYLINDER ASSEMBLY - TOWER BOOM (Prior to SN C300000204) .....	206
FIGURE 5-7. LIFT CYLINDER ASSEMBLY - TOWER BOOM (SN C300000204 through C300000329) .....	208
FIGURE 5-8. MASTER CYLINDER ASSEMBLY .....	210
FIGURE 5-9. STEER CYLINDER ASSEMBLY .....	212
FIGURE 5-10. TELESCOPE CYLINDER ASSEMBLY (Prior to SN C300000204) .....	214
FIGURE 5-11. TELESCOPE CYLINDER ASSEMBLY (SN C300000204 through C300000329) .....	216
<b>SECTION 6 - HYDRAULIC .....</b>	<b>219</b>
FIGURE 6-1. BOOM HYDRAULIC SYSTEM INSTALLATION .....	220
FIGURE 6-2. CHASSIS HYDRAULIC SYSTEM INSTALLATION .....	224
<b>SECTION 7 - ELECTRICAL .....</b>	<b>227</b>
FIGURE 7-1. BEACON LIGHT HARNESS .....	228
FIGURE 7-2. BMS HARNESS .....	230
FIGURE 7-3. BOOM CABLES AND CLAMPS (Prior to SN C300000185) .....	232
FIGURE 7-4. BOOM CABLES AND CLAMPS (SN C300000185 through C300000329) .....	236
FIGURE 7-5. BOOM HARNESS - MAIN BOOM .....	240
FIGURE 7-6. BOOM HARNESS - MAIN BOOM AC CABLE .....	242
FIGURE 7-7. BOOM HARNESS - TOWER BOOM .....	244
FIGURE 7-8. BOOM HARNESS - TOWER BOOM AC CABLE .....	246
FIGURE 7-9. BOOM VALVE HARNESS .....	248
FIGURE 7-10. CHASSIS HARNESS ASSEMBLY .....	250
FIGURE 7-11. CONTROLLER BRACKET ASSEMBLY .....	256
FIGURE 7-12. DISPLAY ADAPTER HARNESS .....	258
FIGURE 7-13. DRIVE MOTOR HARNESS (RIGHT REAR) .....	260
FIGURE 7-14. DRIVE MOTOR HARNESS (LEFT REAR) .....	262
FIGURE 7-15. FUSE PLATE ASSEMBLY .....	264
FIGURE 7-16. GROUND CONTROL HARNESS .....	266
FIGURE 7-17. PLATFORM TO BOOM HARNESS .....	268

# TABLE OF CONTENTS

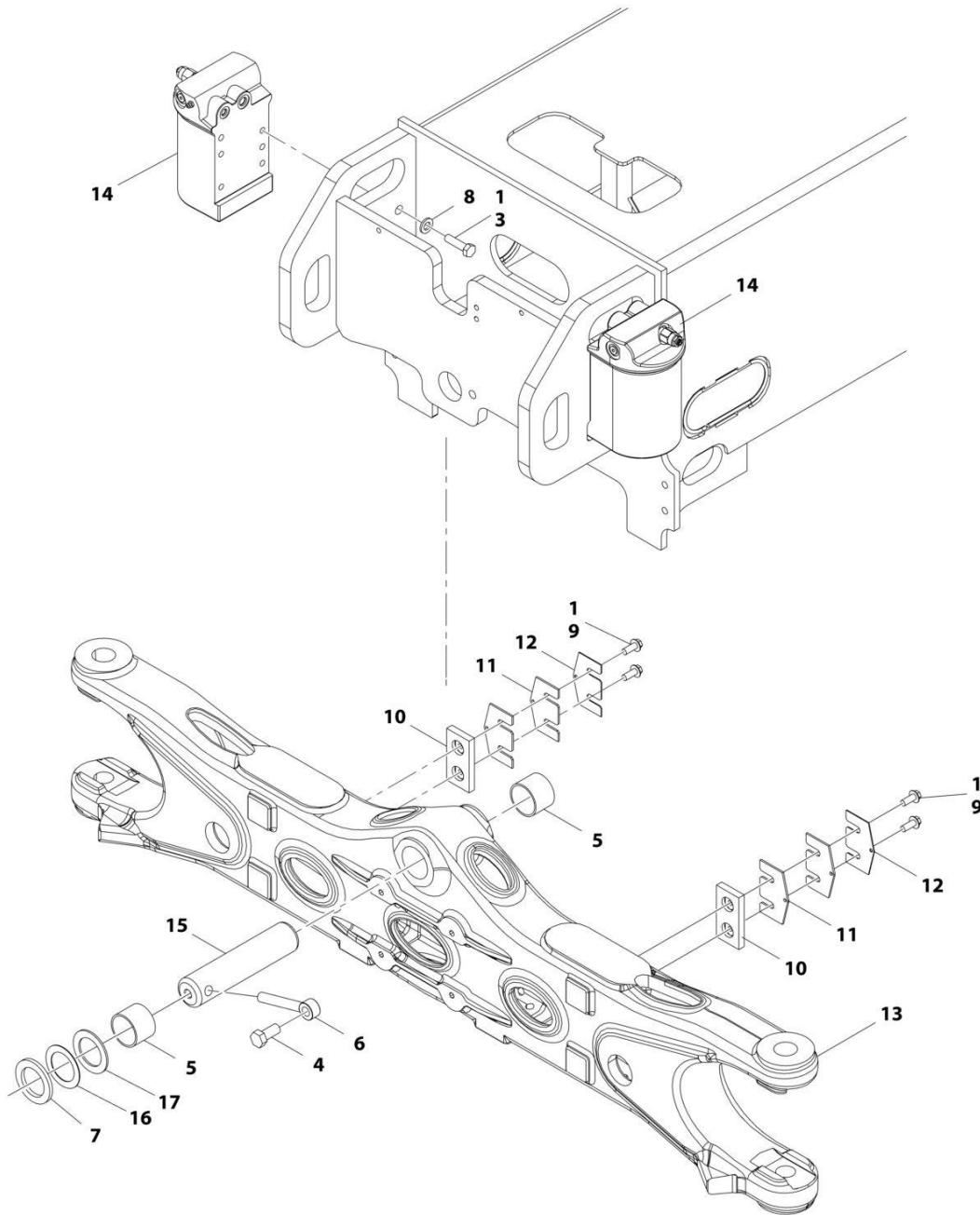
FIGURE 7-18. PLATFORM CONSOLE BOX HARNESS .....	270
FIGURE 7-19. PLATFORM INTERFACE HARNESS .....	274
FIGURE 7-20. PLATFORM VALVE HARNESS.....	276
FIGURE 7-21. STEER SENSOR HARNESS.....	278
FIGURE 7-22. SKYEYE INTERMEDIATE HARNESS.....	280
FIGURE 7-23. SKYEYE RECEIVER HARNESS .....	282
FIGURE 7-24. SKYEYE EMITTER HARNESS.....	284
FIGURE 7-25. SKYLINE HARNESS.....	286
FIGURE 7-26. TRACTION HARNESS .....	288
FIGURE 7-27. VALVE HARNESS - MAIN VALVE.....	290
FIGURE 7-28. WHEEL DRIVE ELECTRICAL HARNESS INSTALLATION (2WD) .....	292
SECTION 8 - DECALS.....	295
FIGURE 8-1. DECAL INSTALLATION - AUSTRALIAN SPECS.....	296
FIGURE 8-2. DECAL INSTALLATION - CE SPECS .....	298
FIGURE 8-3. DECAL INSTALLATION - OPTIONS .....	300
SECTION 9 - RECOMMENDED SERVICE PARTS STOCK .....	303
FIGURE 9-1. RECOMMENDED SERVICE PARTS STOCK .....	304
SECTION 10 - SPECIAL OPTIONS.....	305
FIGURE 10-1. SPECIAL OPTIONS.....	306
PART NUMBER INDEX.....	309



**SECTION 1 - FRAME**

# SECTION 1 - FRAME

## FIGURE 1-1. AXLE INSTALLATION



ART\_1001164093



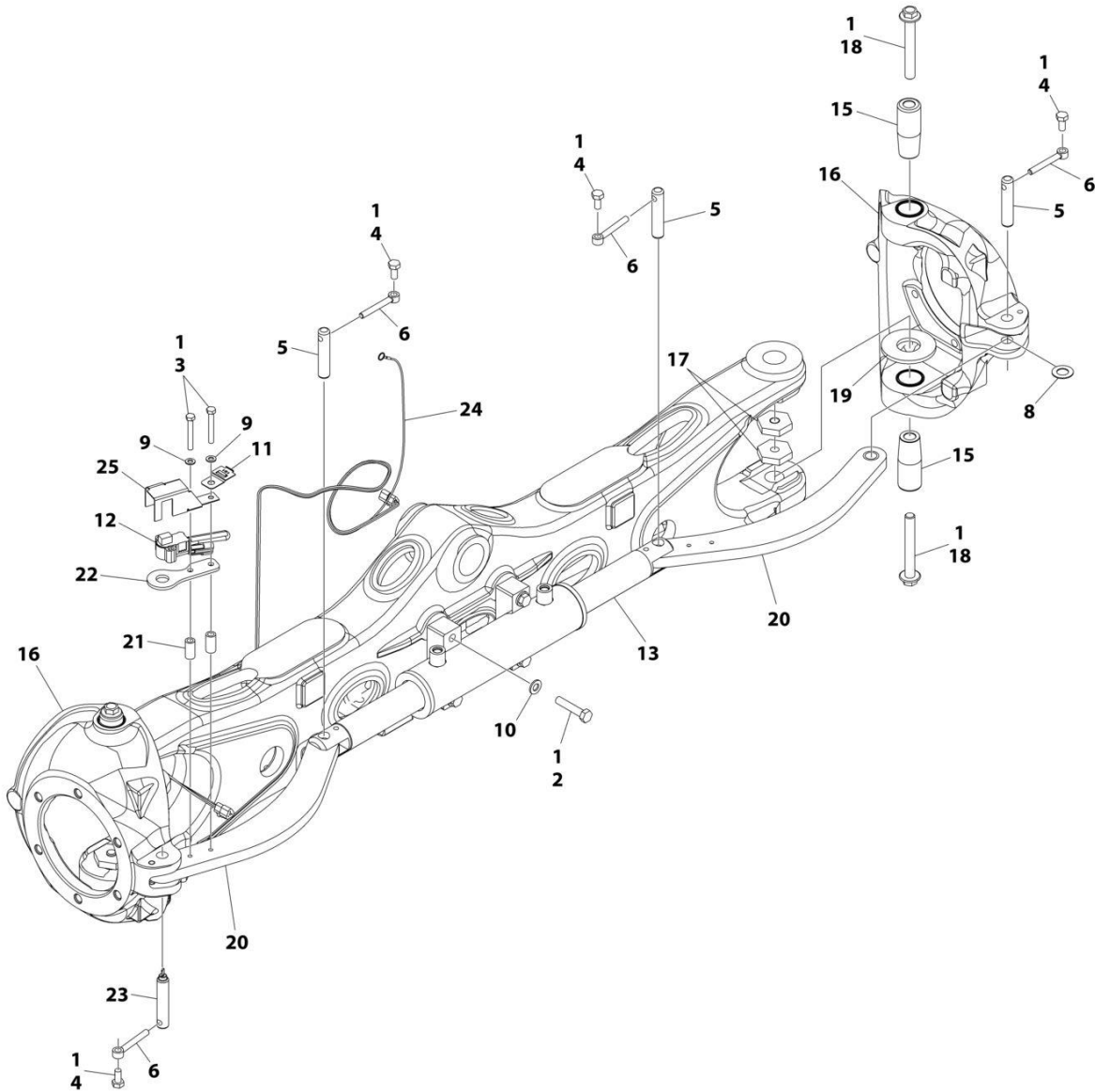
# SECTION 1 - FRAME

## FIGURE 1-1. AXLE INSTALLATION

ITEM	PART NUMBER	QTY	DESCRIPTION	REV
	1001164093	Ref	AXLE INSTALLATION	D
1	0100011	AR	Compound, Locking	
3	0701217	8	Bolt M12 x 45	
4	0761615	1	Bolt M16 x 35	
5	0961950	2	Bearing	
6	3841258	1	Keeper, Pin	
7	4740158	AR	Washer	
8	5241200	8	Washer M12	
9	5251012	4	Bolt M10 x 25	
10	1001118511	2	Pad, Wear	
11	1001118518	4	Shim 11Ga	
12	1001118519	2	Shim 16Ga	
13	1001162995	1	Axle	
14	1001163580	2	Axle Lockout Cylinder Assembly (See Separate Breakdown in CYLINDER SECTION)	
15	1001185030	1	Pin	
16	4071101	AR	Shim	
17	4740229	AR	Washer	

# SECTION 1 - FRAME

## FIGURE 1-2. STEER INSTALLATION



ART\_1001250343

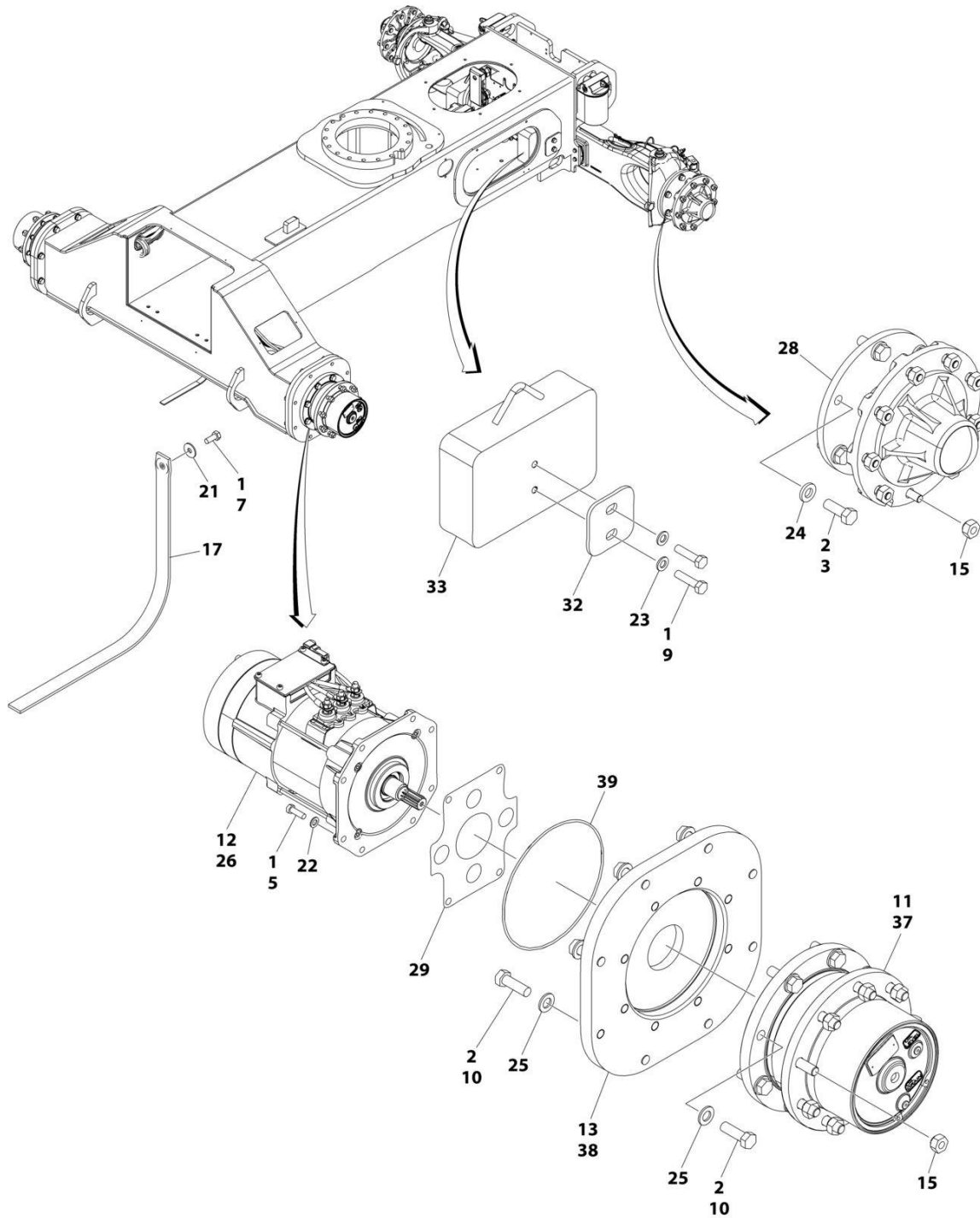
# SECTION 1 - FRAME

## FIGURE 1-2. STEER INSTALLATION

ITEM	PART NUMBER	QTY	DESCRIPTION	REV
	1001250343	Ref	STEER INSTALLATION	C
1	0100011	AR	Compound, Locking	
2	0711220	4	Bolt M12 x 60 Grade 10.9	
3	0760820	2	Bolt M8 x 60	
4	0761011	4	Bolt M10 x 22	
5	3423304	3	Pin	
6	3841143	4	Keeper, Pin	
8	4740086	4	Washer	
9	4811900	2	Washer M8	
10	5241200	4	Washer M12	
11	1001155967	1	Holder	
12	1001161117	1	Switch, Rotary Angle Sensor	
13	1001163178	1	Steer Cylinder Assembly (See Separate Breakdown in CYLINDER Section)	
15	1001163405	4	Kingpin	
16	1001163715	2	Spindle	
17	1001176848	4	Nut M16	
18	1001190368	4	Bolt M16 x 120	
19	1001233139	2	Bearing, Thrust	
20	1001250344	2	Link	
20	1001164209	4	Bearing	
21	1001250346	2	Spacer	
22	1001250347	1	Plate	
23	1001251408	1	Pin	
24	1001255829	1	Harness, Steer Sensor (See Separate Breakdown in ELECTRICAL Section)	
25	1001256076	1	Bracket	

# SECTION 1 - FRAME

## FIGURE 1-3. WHEEL DRIVE INSTALLATION (2WD)



ART\_1001250422\_10F2

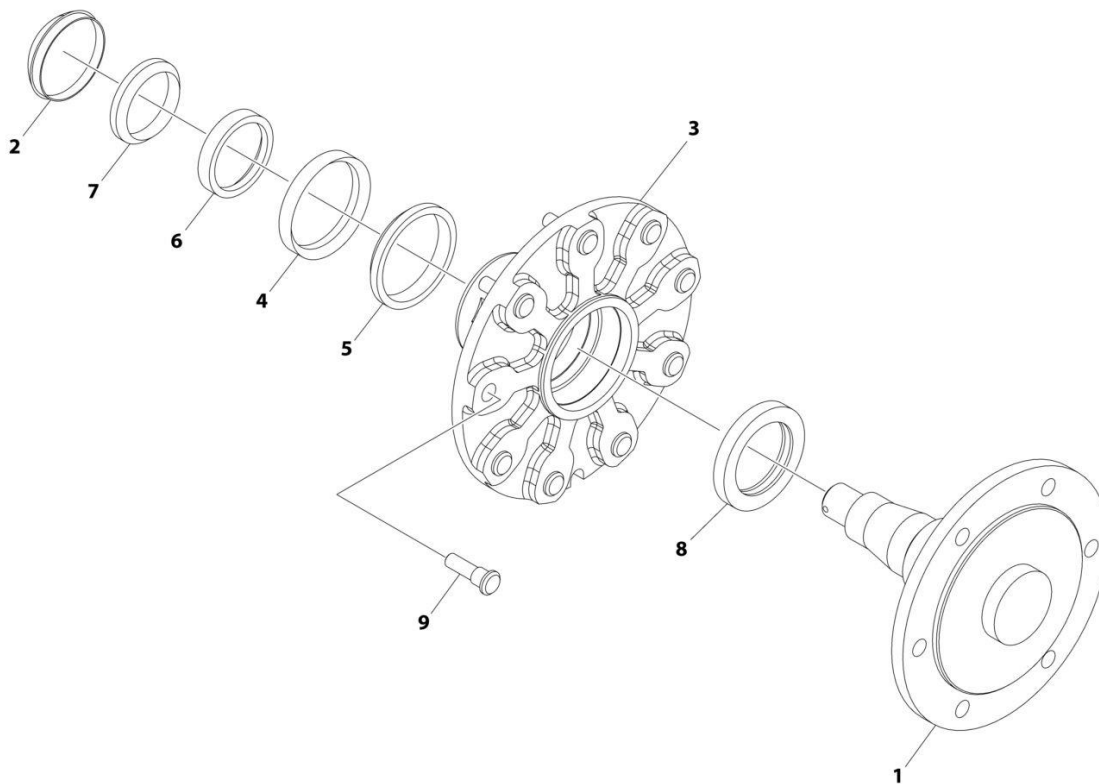
## SECTION 1 - FRAME

**FIGURE 1-3. WHEEL DRIVE INSTALLATION (2WD)**

ITEM	PART NUMBER	QTY	DESCRIPTION	REV
	1001250422	Ref	WHEEL DRIVE INSTALLATION (2WD)	C
1	0100011	AR	Compound, Locking	
2	0100019	AR	Compound, Locking	
3	0682014	12	Bolt 5/8 x 1-3/4 Grade 8	
5	0711014	8	Bolt M10 x 30	
7	0760810	1	Bolt M8 x 20	
9	0761218	4	Bolt M12 x 50	
10	0771618	32	Bolt M16 x 50	
11	3020008	AR	Lubricant	
12	3020037	AR	Lube	
13	3020039	AR	Lubricant, Moly	
15	3300106	36	Lugnut	
17	4240084	1	Strap, Anti-Static	
21	4811902	1	Washer M8	
22	4812000	8	Washer M10	
23	4812100	4	Washer M12	
24	4892000	12	Washer 5/8	
25	5241600	32	Washer M16	
26	1001184855	2	Drive Motor/Brake Assembly	
26	1001184206	2	Drive Motor Assembly (See Separate Breakdown in this Section)	
26	1001184853	2	Drive Brake Assembly	
26	4031920	3	Capscrew M8 x 80	
26	4811900	3	Washer M8	
28	1001214174	2	Hub - Spindle Assembly (See Separate Breakdown in this Section)	
29	1001220271	2	Seal	
32	1001246540	2	Plate	
33	1001246544	2	Weight, Ballast	
37	1001254641	2	Drive Hub Assembly	
38	1001254648	2	Drive Flange	
39	1001254877	2	O-Ring	

# SECTION 1 - FRAME

## FIGURE 1-4. HUB - SPINDLE ASSEMBLY



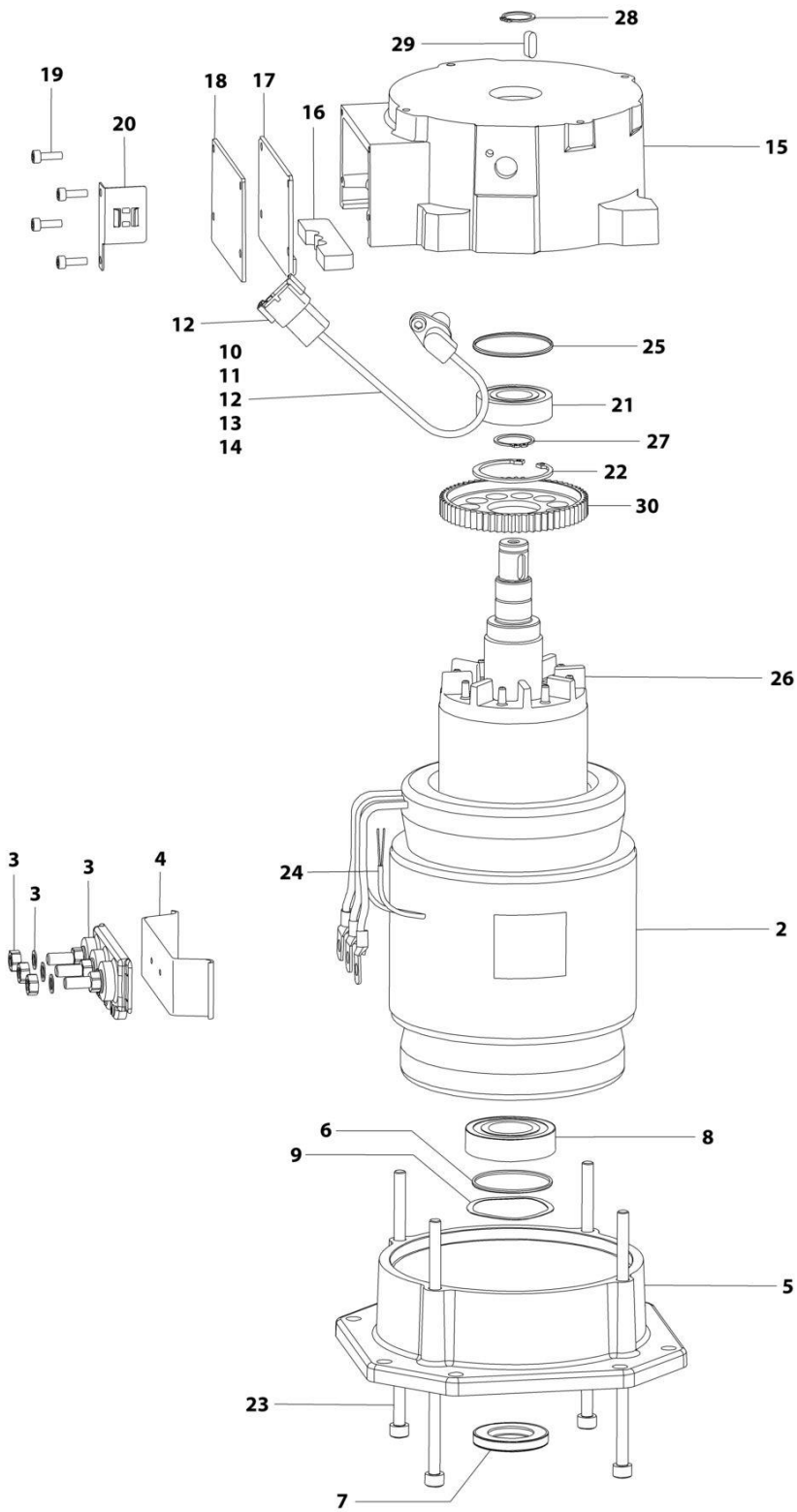
ART\_1001214174

FIGURE 1-4. HUB - SPINDLE ASSEMBLY

ITEM	PART NUMBER	QTY	DESCRIPTION	REV
	1001214174	Ref	HUB - SPINDLE ASSEMBLY (2WD)	C
1	See Note	NSS	Spindle, Adapter (Note: Not Available for Purchase)	
2	7020033	1	Cap, Dust	
3	7020035	1	Hub, Casting	
4	7020036	1	Cup, Bearing	
5	7020037	1	Cone, Bearing	
6	7020038	1	Cup, Bearing	
7	7020039	1	Cone, Bearing	
8	7020040	1	Seal	
9	7020041	9	Stud	

# SECTION 1 - FRAME

## FIGURE 1-5. DRIVE MOTOR ASSEMBLY



ART\_1001184206



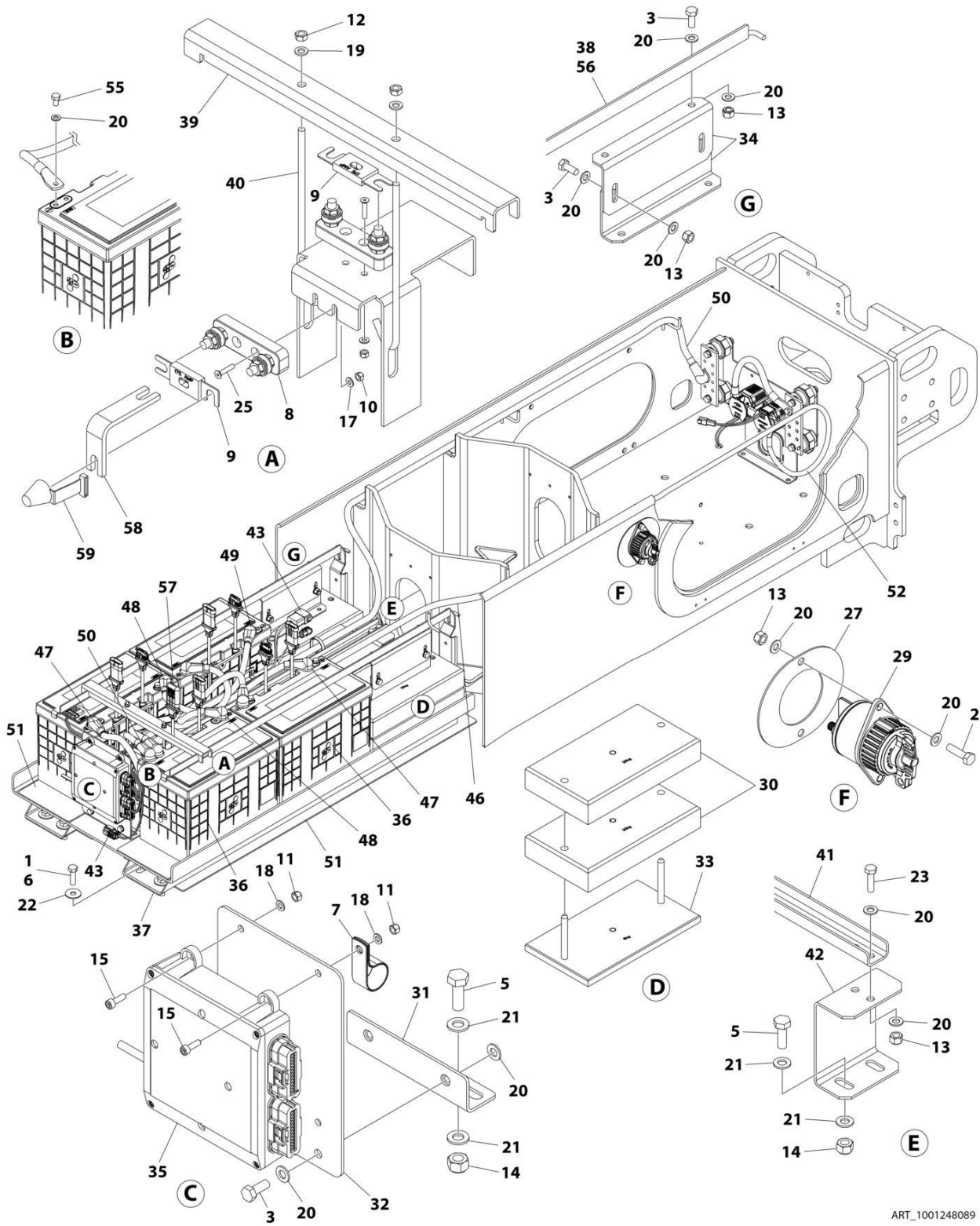
# SECTION 1 - FRAME

## FIGURE 1-5. DRIVE MOTOR ASSEMBLY

ITEM	PART NUMBER	QTY	DESCRIPTION	REV
	1001184206	Ref	DRIVE MOTOR ASSEMBLY	F
2	70005385	1	Stator	
3	70005685	1	Board, Terminal	
3	70005387	3	Nut M8	
3	70005388	3	Washer M8	
3	70005390	2	Screw M5 x 14	
4	70005389	1	Base, Terminal	
5	70005391	1	Plate, Drive End	
6	70004811	1	O-Ring	
7	70005392	1	Seal, Shaft	
8	70004809	1	Bearing	
9	70005393	1	Washer, Wavy	
10	70005394	1	Sensor (Includes Items 11-14)	
11	70005395	1	Screw M8 x 16	
12	70005397	1	Connector	
13	70005396	1	Wedge	
14	4460516	4	Pin, Male	
15	70005686	1	Shield, End	
16	70005687	1	Seal	
17	70005400	1	Seal	
18	70005401	1	Cover	
19	70005402	4	Screw M5 x 16	
20	70005403	1	Plate, Retaining	
21	70005404	1	Bearing	
22	70005405	1	Clip, Retainer	
23	70005406	4	Screw M8 x 180	
24	70005407	1	Temperature, Sensor	
25	70005408	1	O-Ring	
26	70005688	1	Rotor	
27	70004820	1	Clip, Retainer	
28	70005410	1	Clip, Retainer	
29	70005689	1	Key	
30	70005412	1	Gear	

# SECTION 1 - FRAME

## FIGURE 1-6. BATTERY INSTALLATION



ART\_1001248089

# SECTION 1 - FRAME

## FIGURE 1-6. BATTERY INSTALLATION

ITEM	PART NUMBER	QTY	DESCRIPTION	REV
	1001248089	Ref	BATTERY INSTALLATION	E
1	0100011	AR	Compound, Locking	
2	0700814	2	Bolt M8 x 30	
3	0760810	10	Bolt M8 x 20	
5	0761014	4	Bolt M10 x 30	
6	0761216	4	Bolt M12 x 40	
7	1321140	1	Clamp	
8	2400044	2	Fuse, Mounting Block	
9	2400069	2	Fuse, 175 AMP	
10	3290405	4	Nut M4	
11	3290505	4	Nut M5	
12	3290601	2	Nut M6	
13	3290805	12	Nut M8	
14	3291005	4	Nut M10	
15	4031607	4	Bolt M5 x 16	
16	4240018	1	Tie-Strap (Not Shown)	
17	4811400	4	Washer M4	
18	4811600	4	Washer M5	
19	4811700	2	Washer M6	
20	4811900	28	Washer M8	
21	4812000	8	Washer M10	
22	4812102	4	Washer M12	
23	0760814	2	Bolt M8 x 30	
25	8310612	4	Bolt M4 x 20	
27	1001170102	1	Plate, Disconnect Cover	
29	1001170483	1	Switch, Disconnect	
30	1001239209	8	Weight, Battery Ballast	
31	1001258143	1	Plate	
32	1001239217	1	Plate	
33	1001239289	4	Weight, Battery Ballast Base	
34	1001248054	4	Bracket	
35	1001263937	1	Battery, Management System	
36	1001248119	4	Battery	
37	1001248164	1	Plate	
38	1001248173	2	Bracket	
39	1001248174	1	Bracket	
40	1001248177	2	Bolt	
41	1001248192	1	Bracket	
42	1001248206	1	Bracket	
43	1001262599	1	Harness, BMS (See Separate Breakdown in ELECTRICAL Section)	
46	1001255014	1	Cable (Contactor to Battery Disconnect)	
47	1001255015	2	Cable (Battery Positive)	
48	1001255016	2	Cable (Battery Positive to Negative)	
49	1001255017	1	Cable (Battery Negative)	
50	1001255018	1	Cable (Battery Negative to Buss-Bar)	
51	1001256301	2	Pad, Battery	
52	1001262434	1	Cable (Battery Disconnect to Contactor)	
55	0760807	2	Bolt M8 x 14	
56	3960417	4 ft /2m	Seal	

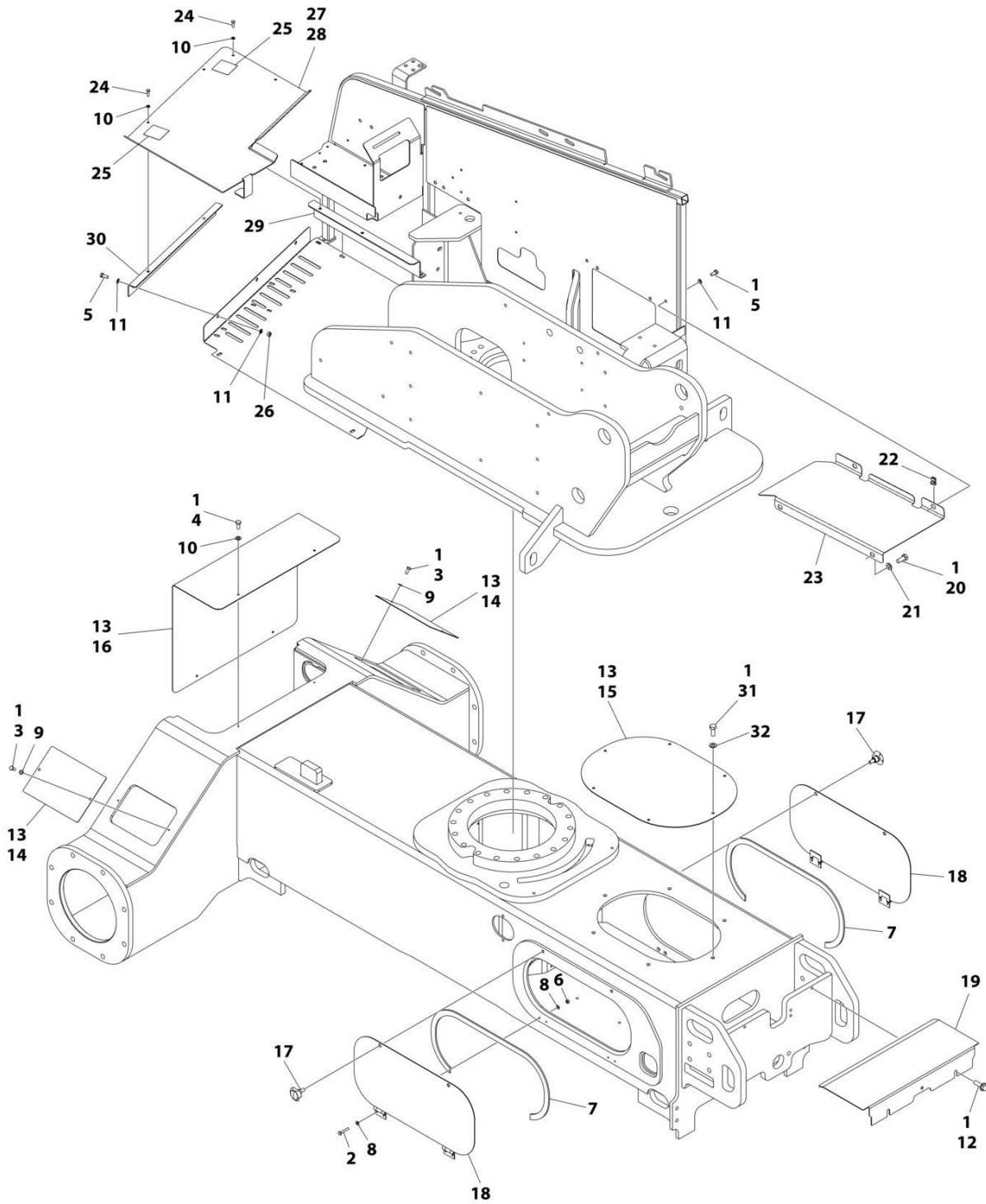
## SECTION 1 - FRAME

ITEM	PART NUMBER	QTY	DESCRIPTION	REV
57	1001258655	1	Connector	
58	1001261256	1	Plate	
59	1001260661	1	Cover, Fuse	



# SECTION 1 - FRAME

## FIGURE 1-7. FRAME SHIELD INSTALLATION



ART\_1001250947

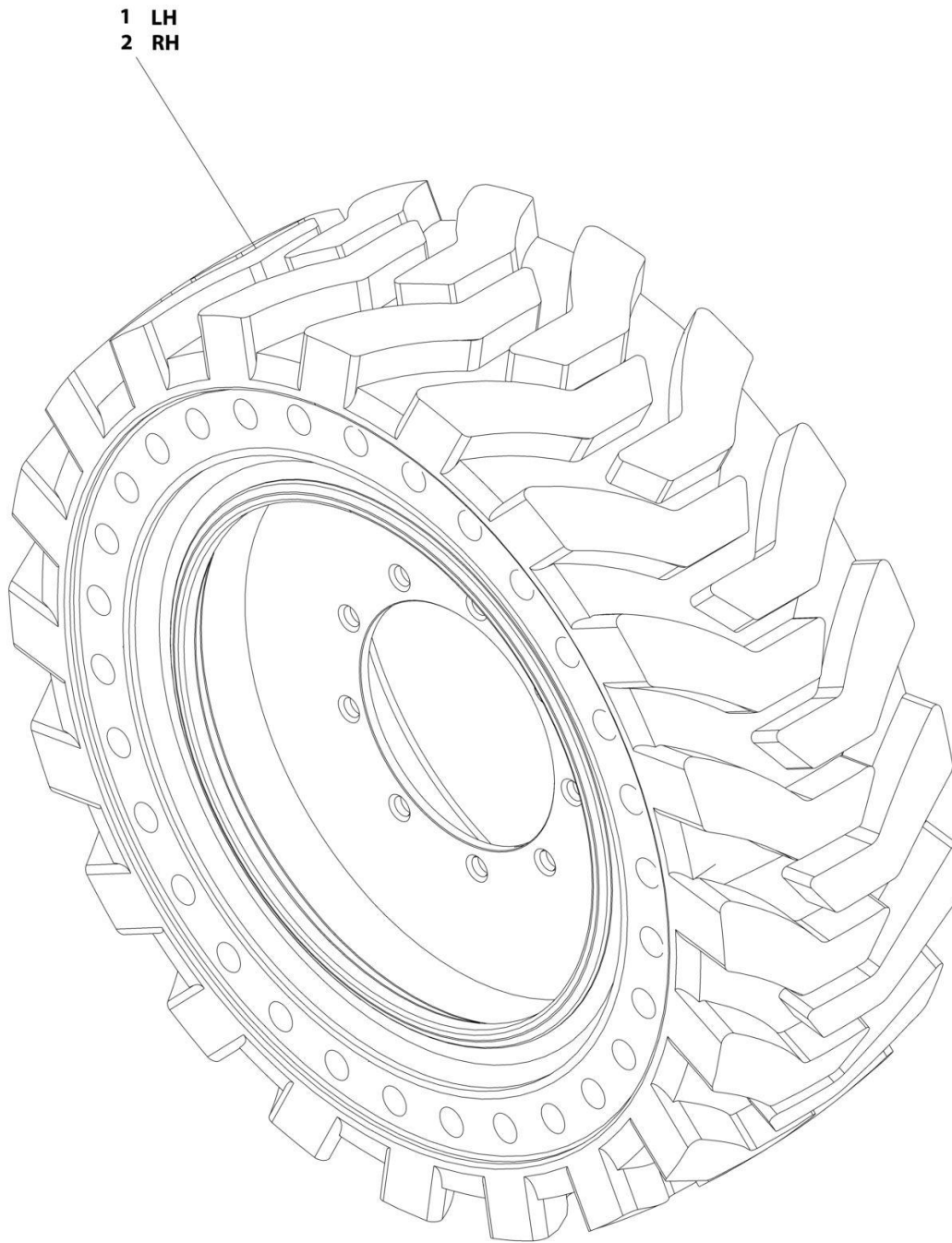
# SECTION 1 - FRAME

## FIGURE 1-7. FRAME SHIELD INSTALLATION

ITEM	PART NUMBER	QTY	DESCRIPTION	REV
	1001250947	Ref	FRAME SHIELD INSTALLATION	D
1	0100011	AR	Compound, Locking	
2	0760412	8	Bolt M4x 25	
3	0760506	4	Bolt M5 x 12	
4	0760607	4	Bolt M6 x 14	
5	0760810	5	Bolt M8 x 20	
6	3290405	8	Nut M4	
7	3960417	6.9ft /2.1m	Seal	
8	4811400	16	Washer M4	
9	4811600	4	Washer M5	
10	4811700	8	Washer M6	
11	4811900	8	Washer M8	
12	5250812	2	Bolt M8 x 25	
13	1001113047	19 ft/ 5.8m	Seal	
14	1001161874	2	Cover, Rear Frame	
15	1001250605	1	Plate	
16	1001250979	1	Cover, Rear Axle	
17	1001255664	4	Screw	
18	1001255666	2	Cover	
19	1001256266	1	Cover, Front Frame	
20	0761214	2	Bolt M12 x 30	
21	4812100	2	Washer M12	
22	8310686	2	Nut, Retainer M8	
23	1001210086	1	Cover	
24	0760610	4	Bolt M6 x 20	
25	1701691	2	Decal - Stop	
26	3290805	3	Nut M8	
27	1001008999	2.5 ft/ 0.76m	Trim-Edge	
28	1001257691	1	Cover	
29	1001257969	1	Bracket	
30	1001257970	1	Bracket	
31	0761011	6	Bolt M10 x 22	
32	4812000	6	Washer M10	

# SECTION 1 - FRAME

FIGURE 1-8. TIRE AND WHEEL INSTALLATION - 33 X 12-20 SOLID NON-MARKING



ART\_1001169062



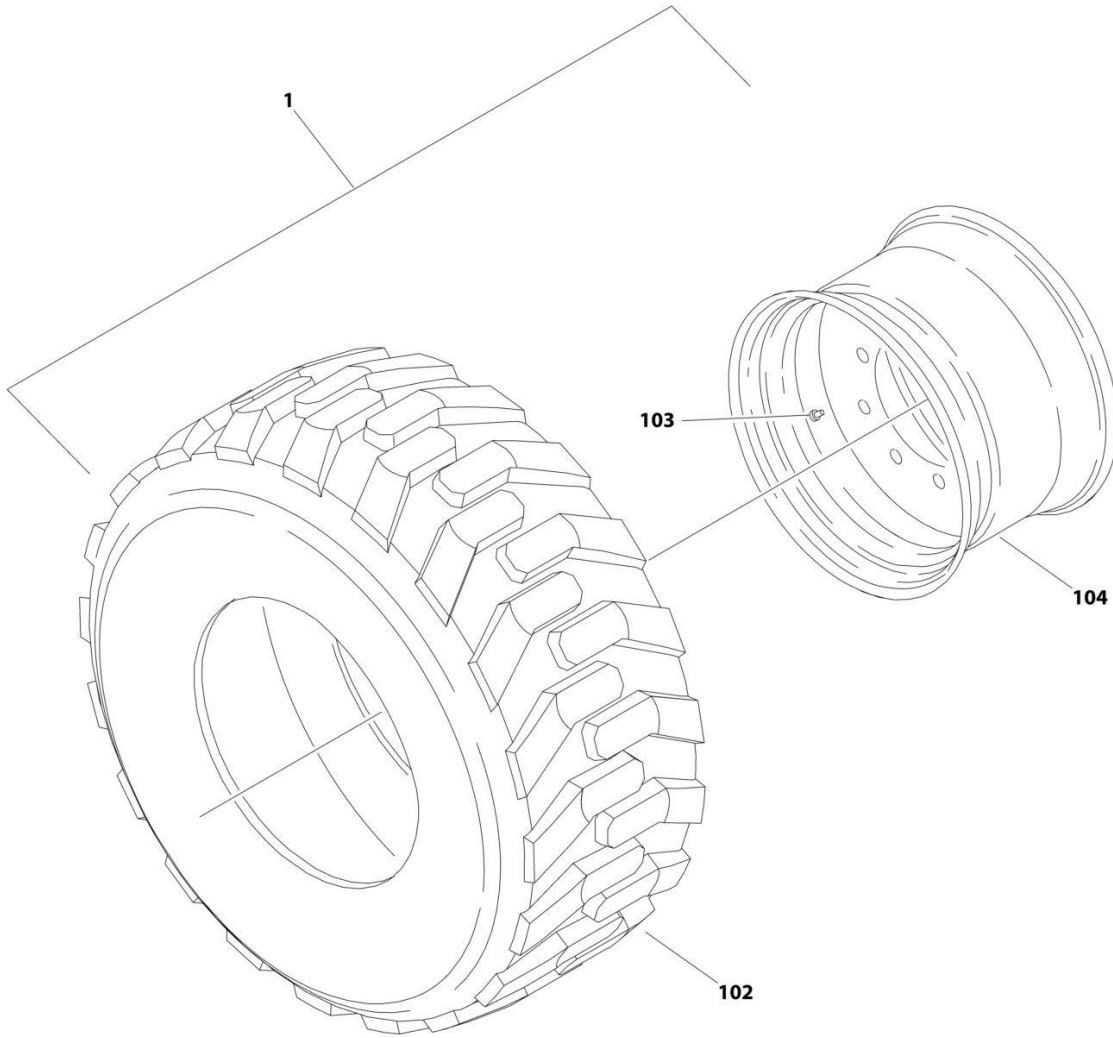
## SECTION 1 - FRAME

**FIGURE 1-8. TIRE AND WHEEL INSTALLATION - 33 X 12-20 SOLID NON-MARKING**

ITEM	PART NUMBER	QTY	DESCRIPTION	REV
	1001169062	Ref	TIRE AND WHEEL INSTALLATION - 33 X 12-20 SOLID NON-MARKING	A
		Ref	Note: Due to critical stable weights, only replace tire and wheel assemblies with like components.	
1	1001170098	2	Tire and Wheel Assembly - 33 x 12-20 Solid Non-Marking (LH Side)	
2	1001170099	2	Tire and Wheel Assembly - 33 x 12-20 Solid Non-Marking (RH Side)	

# SECTION 1 - FRAME

FIGURE 1-9. TIRE AND WHEEL INSTALLATION - 315/55 D20 FOAM FILLED



ART\_1001166157

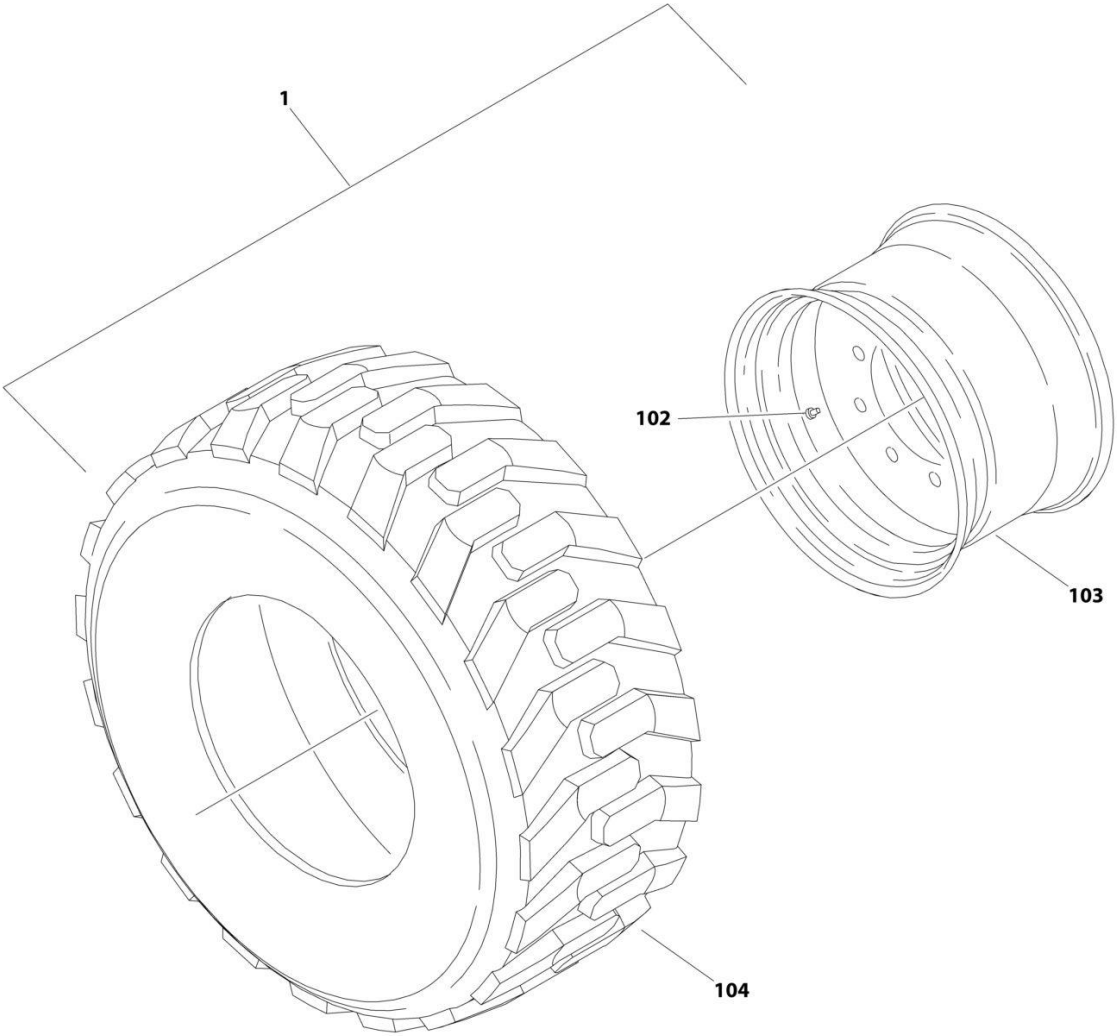
## SECTION 1 - FRAME

**FIGURE 1-9. TIRE AND WHEEL INSTALLATION - 315/55 D20 FOAM FILLED**

ITEM	PART NUMBER	QTY	DESCRIPTION	REV
	1001166157	Ref Ref	TIRE AND WHEEL INSTALLATION - 315/55 D20 FOAM FILLED  Note: Assemblies may require ballast/foam filling to manufacturer's specifications prior to installing on a machine. Refer to Operation and Safety or Service and Maintenance Manuals. Purchase individual tire and/or rim only if able to foam fill tire and wheel assembly, otherwise, purchase complete assembly.	A
1	1001166155	2	Tire and Wheel Assembly (LH Side)	I
1	1001166156	2	Tire and Wheel Assembly (RH Side)	I
102	4520608	4	Tire IN315/55/D20	
103	4641122	4	Valve, Stem	
104	1001166153	4	Rim, Wheel	

**SECTION 1 - FRAME**

**FIGURE 1-10. TIRE AND WHEEL INSTALLATION - 315/55 D20 FOAM FILLED NON-MARKING**



ART\_1001169058

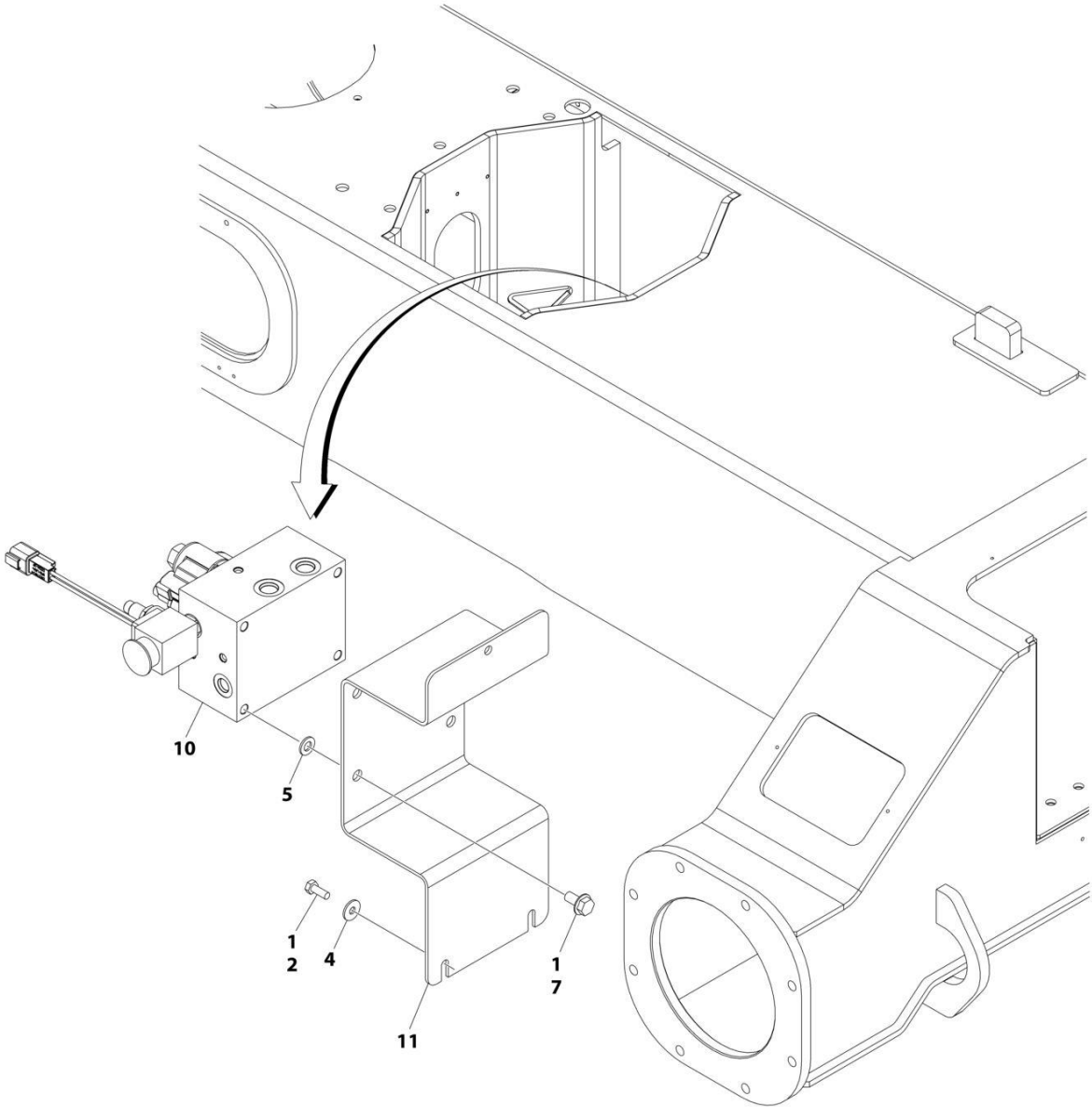
## SECTION 1 - FRAME

**FIGURE 1-10. TIRE AND WHEEL INSTALLATION - 315/55 D20 FOAM FILLED NON-MARKING**

ITEM	PART NUMBER	QTY	DESCRIPTION	REV
	1001169058	Ref	TIRE AND WHEEL INSTALLATION - 315/55 D20 FOAM FILLED NON-MARKING	A
		Ref	Note: Assemblies may require ballast/foam filling to manufacturer's specifications prior to installing on a machine. Refer to Operation and Safety or Service and Maintenance Manuals. Purchase individual tire and/or rim only if able to foam fill tire and wheel assembly, otherwise, purchase complete assembly.	
1	1001170459	2	Tire and Wheel Assembly (RH Side)	F
1	1001170460	2	Tire and Wheel Assembly (LH Side)	F
102	4641122	4	Valve, Stem	
103	1001166153	4	Rim, Wheel	
104	1001170458	4	Tire 315/55 D20 Non Marking	

# SECTION 1 - FRAME

## FIGURE 1-11. CONTROL VALVES INSTALLATION - FRAME MOUNTED



ART\_1001250971\_10F2

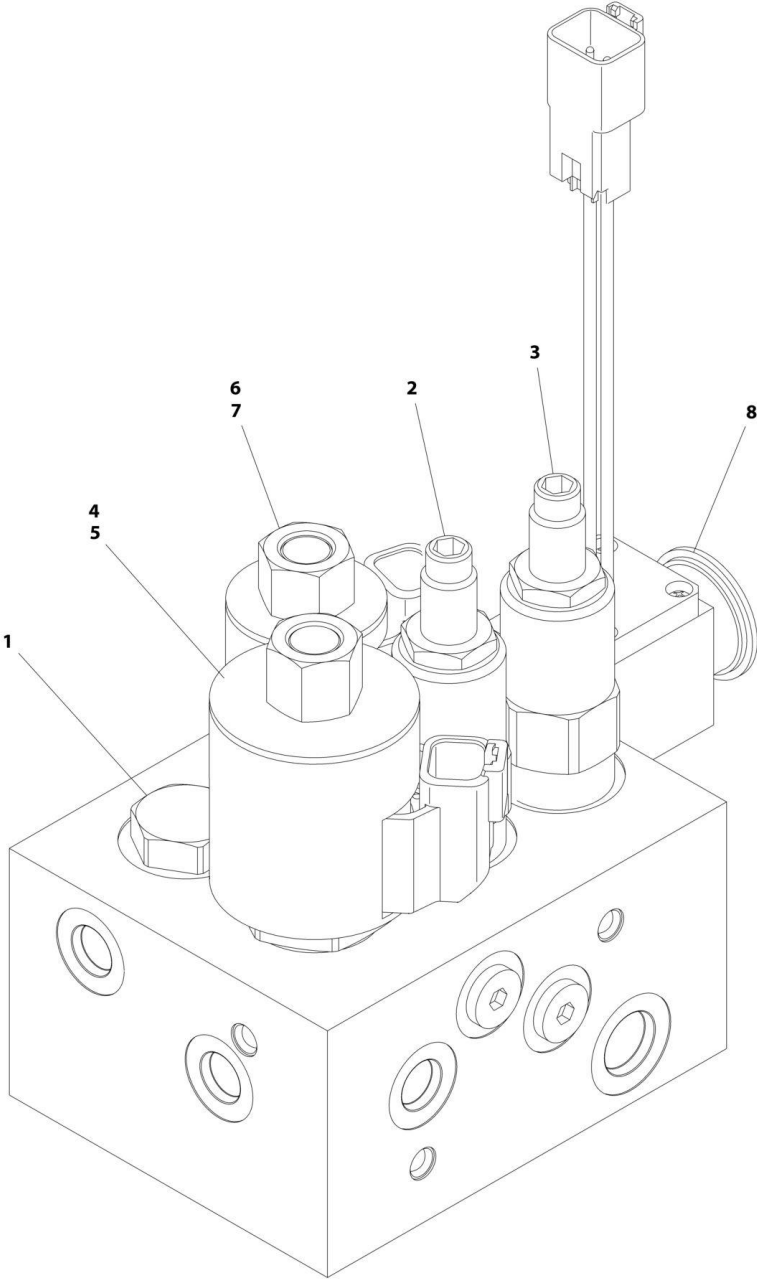
## SECTION 1 - FRAME

### FIGURE 1-11. CONTROL VALVES INSTALLATION - FRAME MOUNTED

ITEM	PART NUMBER	QTY	DESCRIPTION	REV
	1001250971	Ref	CONTROL VALVES INSTALLATION - FRAME MOUNTED	B
1	0100011	AR	Compound, Locking	
2	0760608	3	Bolt M6 x16	
4	4811702	3	Washer M6	
5	4811900	4	Washer M8	
7	5250808	4	Bolt M8 x 16	
10	1001165144	1	Oscillating Axle Valve Assembly (See Separate Breakdown in this Section)	
11	1001178634	1	Bracket	

**SECTION 1 - FRAME**

**FIGURE 1-12. OSCILLATING AXLE VALVE ASSEMBLY**



ART\_1001165144



## SECTION 1 - FRAME

**FIGURE 1-12. OSCILLATING AXLE VALVE ASSEMBLY**

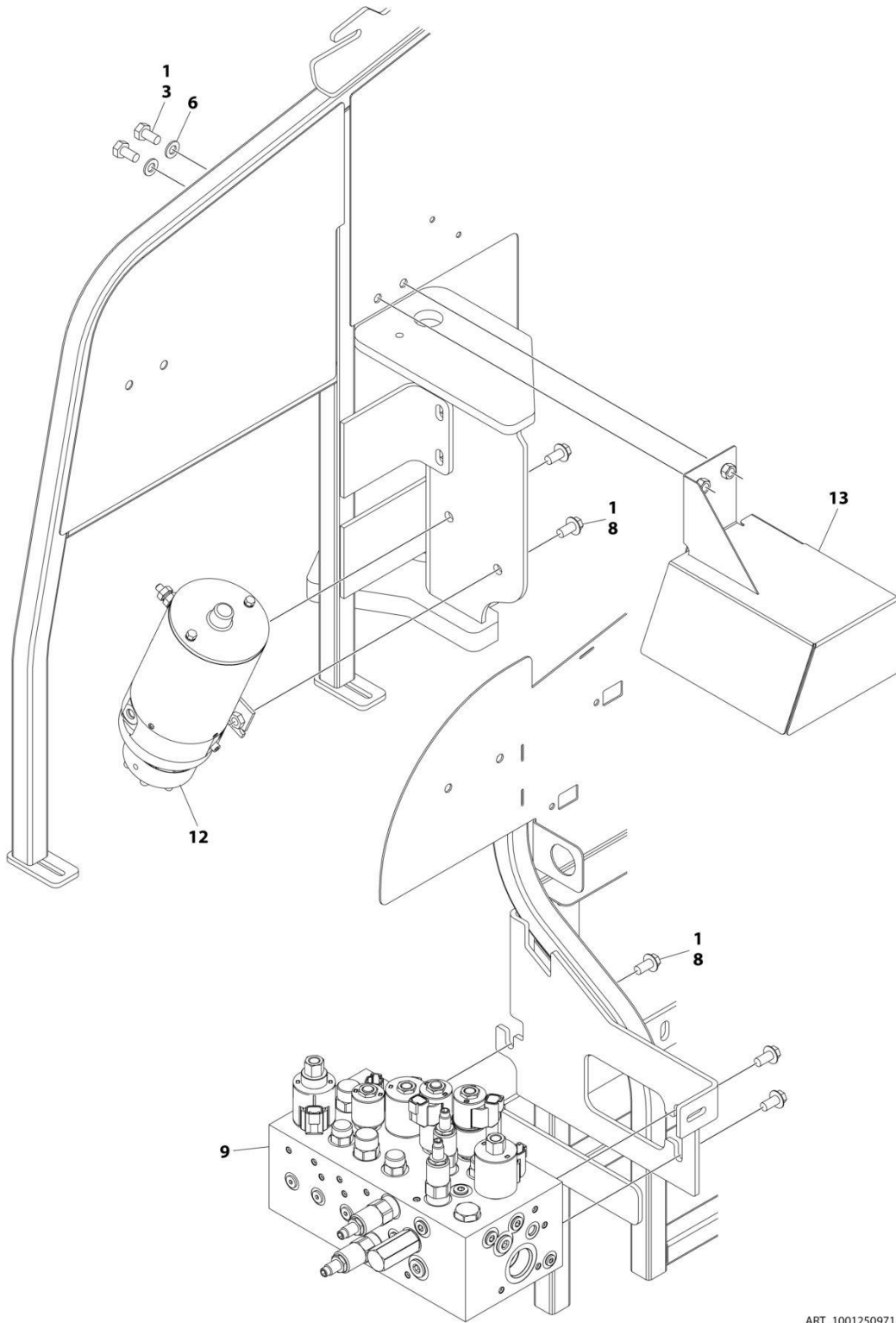
ITEM	PART NUMBER	QTY	DESCRIPTION	REV
	1001165144	Ref	OSCILLATING AXLE VALVE ASSEMBLY	D
1	4641129	1	Cartridge, Check Valve	
1	7012540	1	Seal Kit - 4641129 Valve	
2	70004787	1	Cartridge, Valve	
2	7021653	1	Seal Kit - 70004787 Valve	
3	70004788	1	Cartridge, Relief Valve	
3	7012998	1	Seal Kit - 70004788 Valve	
4	7017455	1	Cartridge, Valve Less Coil (Primary Axle Release)	
4	7017463	1	Seal Kit - 7017455 Valve	
5	70050516	1	Coil	
6	7017408	1	Cartridge, Valve Less Coil (Secondary Axle Release)	
6	7012907	1	Seal Kit - 7017408 Valve	
7	70002963	1	Coil	
8	70004789	1	Switch, Pressure	



**SECTION 2 - TURNTABLE**

# SECTION 2 - TURNTABLE

## FIGURE 2-1. CONTROL VALVES INSTALLATION - TURNTABLE MOUNTED



ART\_1001250971\_2OF2

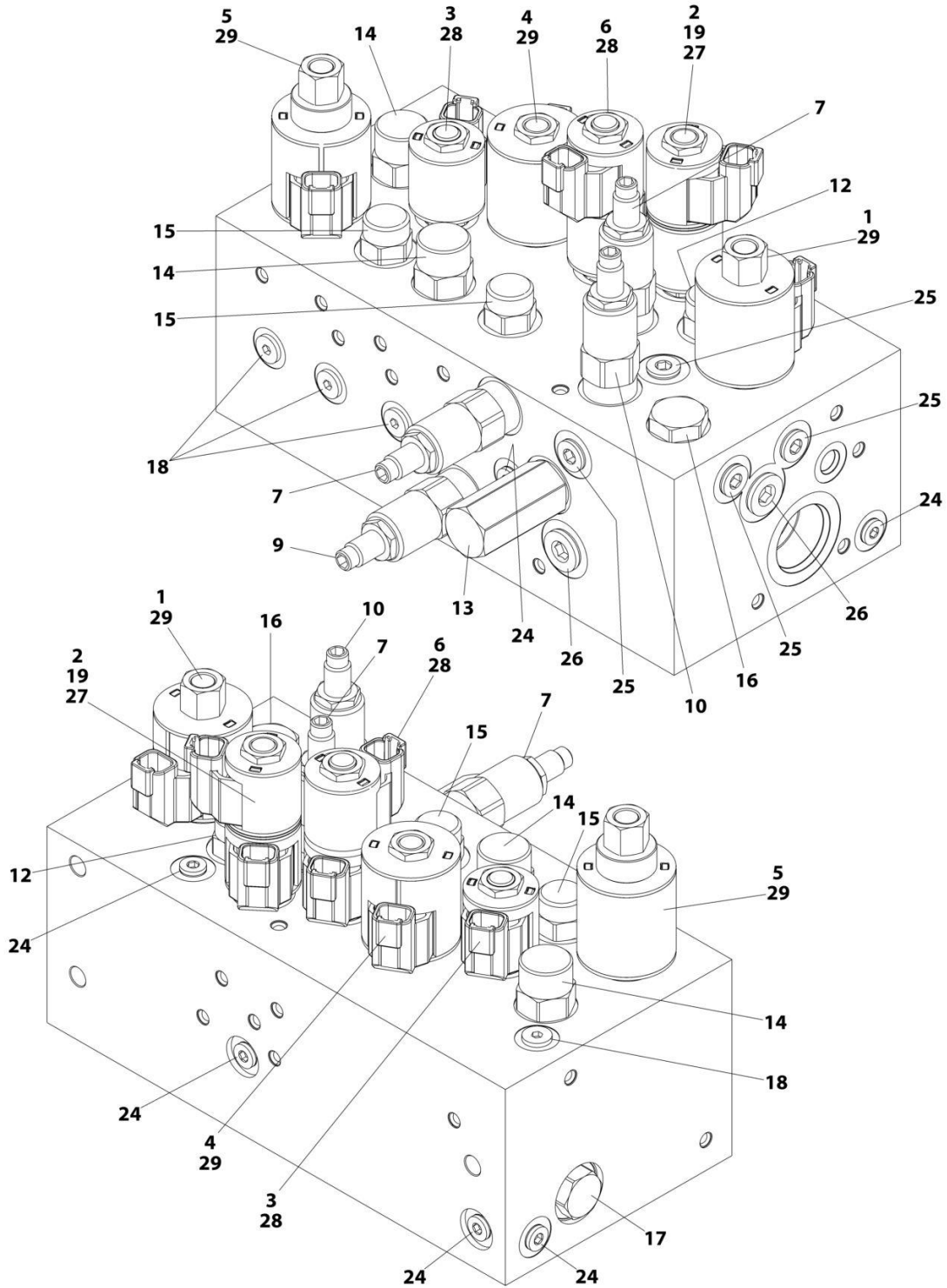
# SECTION 2 - TURNTABLE

## FIGURE 2-1. CONTROL VALVES INSTALLATION - TURNTABLE MOUNTED

ITEM	PART NUMBER	QTY	DESCRIPTION	REV
	1001250971	Ref	CONTROL VALVES INSTALLATION - TURNTABLE MOUNTED	B
1	0100011	AR	Compound, Locking	
3	0761010	2	Bolt M10 x 20	
6	4812000	2	Washer M10	
8	5251010	5	Bolt M10 x 20	
9	1001162534	1	Main Valve Assembly (See Separate Breakdown in this Section)	
12	1001185821	1	Auxiliary Pump Assembly (See Separate Breakdown in this Section)	
13	1001234295	1	Cover	

# SECTION 2 - TURNTABLE

## FIGURE 2-2. MAIN VALVE ASSEMBLY



ART\_1001162534

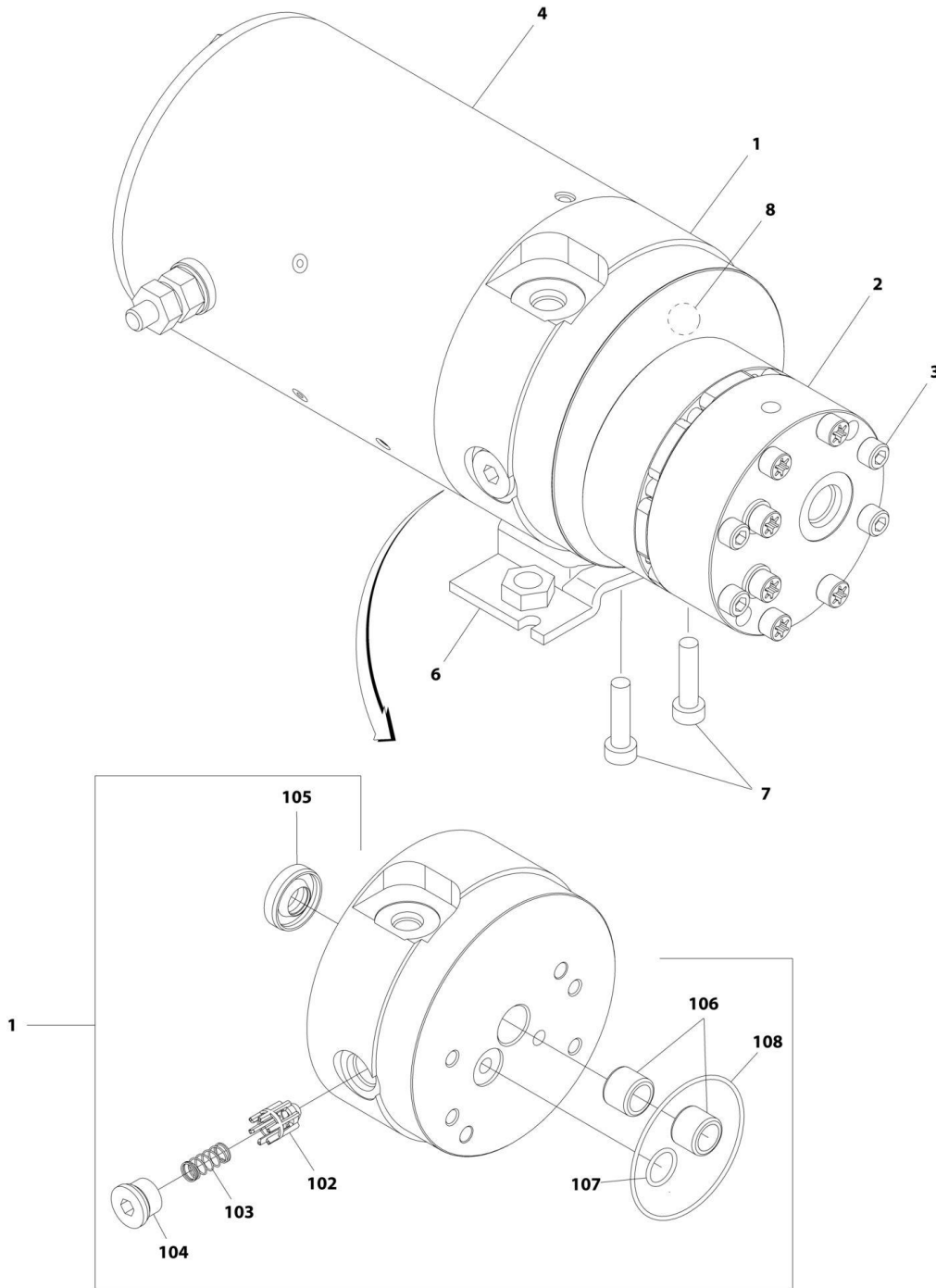
## SECTION 2 - TURNTABLE

### FIGURE 2-2. MAIN VALVE ASSEMBLY

ITEM	PART NUMBER	QTY	DESCRIPTION	REV
	1001162534	Ref	MAIN VALVE ASSEMBLY	F
1	70005069	1	Cartridge, Solenoid Less Coil (Main Dump)	
1	7022399	1	Seal Kit - 70005069 Valve	
1	70003977	1	Nut, Coil	
2	70005217	1	Cartridge, Solenoid Less Coil (Steer)	
2	70005071	1	Seal Kit - 70005217 Valve	
2	7022390	1	Nut, Coil	
3	70005094	1	Cartridge, Solenoid Less Coil (Main Lift Up)	
3	7023936	1	Seal Kit - 70005094 Valve	
3	7022390	1	Nut, Coil	
4	70005076	1	Cartridge, Solenoid Less Coil (Tower Lift Up)	
4	7022399	1	Seal Kit - 70005076 Valve	
4	7022390	1	Nut, Coil	
5	70005095	1	Cartridge, Solenoid Less Coil (Flow Control)	
5	7022399	1	Seal Kit - 70005095 Valve	
5	70003977	1	Nut, Coil	
6	70005096	1	Cartridge, Solenoid Less Coil (Swing)	
6	70005071	1	Seal Kit - 70005096 Valve	
7	70005097	1	Cartridge, Solenoid Less Coil	
7	70005082	2	Seal Kit - 70005097 Valve	
9	70005098	1	Cartridge, Relief Valve	
9	7023936	1	Seal Kit - 70005098 Valve	
10	70005080	1	Cartridge, Relief Valve	
10	7022399	1	Seal Kit - 70005080 Valve	
12	70005218	1	Cartridge, Valve	
12	70005082	1	Seal Kit - 70005218 Valve	
13	70005084	1	Cartridge, Valve	
13	70005085	1	Seal Kit - 70005084 Valve	
14	70005099	2	Cartridge, Valve	
14	70005087	2	Seal Kit - 70005099 Valve	
15	70005088	2	Cartridge, Valve	
15	7023900	2	Seal Kit - 70005088 Valve	
16	70005100	1	Cartridge, Check Valve	
16	7022399	1	Seal Kit - 70005100 Valve	
17	70005089	1	Cartridge, Check Valve	
17	7023936	1	Seal Kit - 70005089 Valve	
18	70005090	5	Cartridge, Check Valve	
18	70005092	5	Seal Kit - 70005092 Valve	
19	See Note	1	Disc, Check Valve (Note: Not Available for Purchase)	
24	91164059	7	Plug	
25	91164079	4	Plug	
26	91164057	2	Plug	
27	70005219	2	Coil	
28	70002386	3	Coil	
29	70003788	3	Coil	

# SECTION 2 - TURNTABLE

## FIGURE 2-3. AUXILIARY PUMP ASSEMBLY



ART\_1001185821



**SECTION 2 - TURNTABLE**

**FIGURE 2-3. AUXILIARY PUMP ASSEMBLY**

ITEM	PART NUMBER	QTY	DESCRIPTION	REV
	1001185821	Ref	AUXILIARY PUMP ASSEMBLY	B
1	70005065	1	Base Assembly (See Items 102-108 for Breakdown)	
2	70005066	1	Pump Assembly (Note: No Seal Kit or Internal Components are Available - Purchase Complete Pump Assembly)	
3	70005067	4	Capscrew 1/4 x 2-3/4	
4	70004013	1	Motor Assembly (Note: No Internal Components are Available - Purchase Complete Motor Assembly)	
6	70004014	1	Bracket	
7	70004000	2	Capscrew 3/8 x 1	
8	70005068	1	Relief Valve Assembly	
	70005065	Ref	BASE ASSEMBLY	
102	See Note	NSS	Poppet, Check (Note: Use p/n 70005065)	
103	See Note	NSS	Spring (Note: Use p/n 70005065)	
104	See Note	NSS	Plug (Note: Use p/n 70005065)	
105	7026330	1	Seal, Shaft	
106	70005139	2	Bearing	
107	70003612	1	O-Ring	
108	70004267	1	O-Ring	



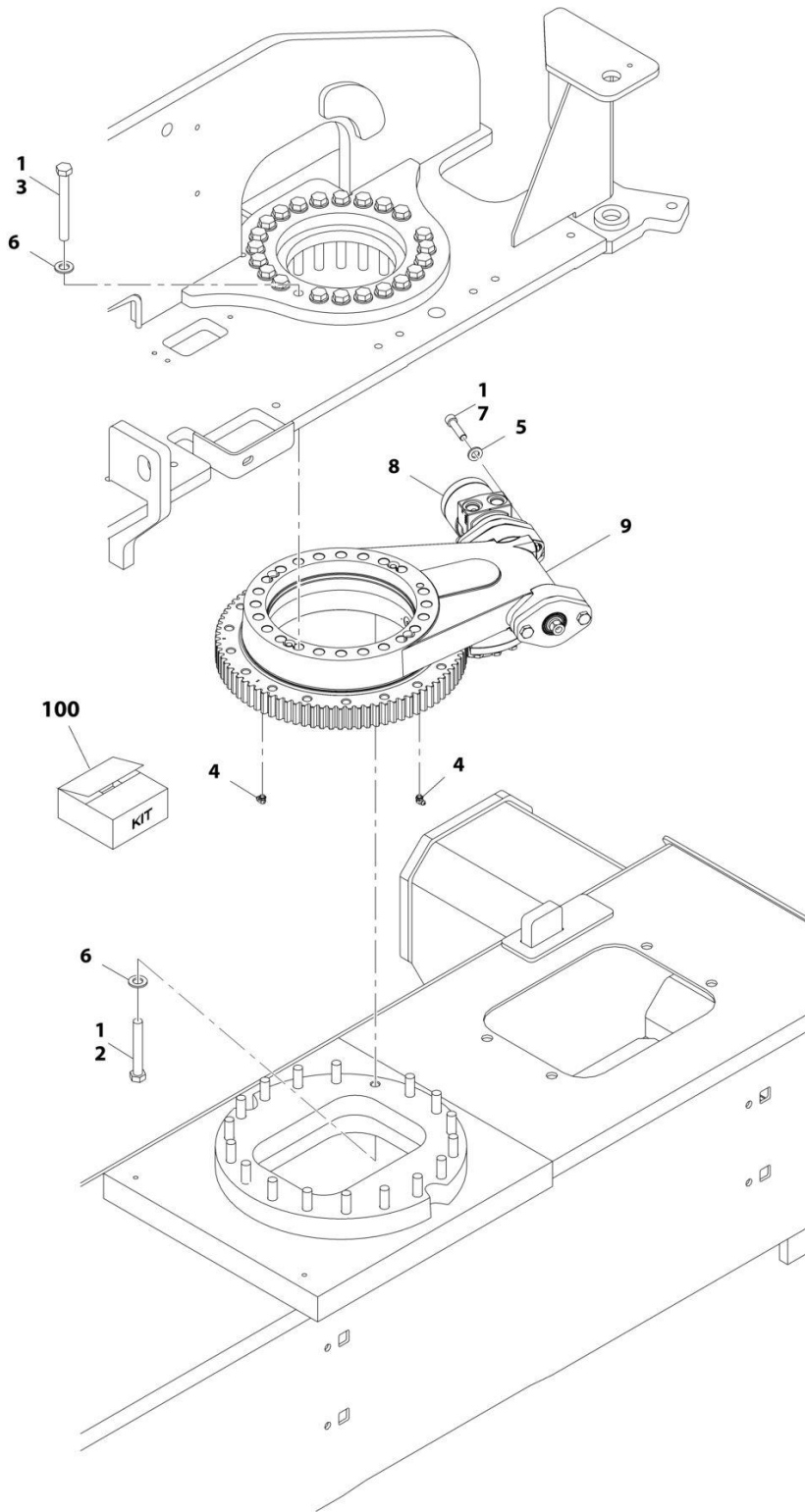
**SECTION 2 - TURNTABLE**

**FIGURE 2-4. ENCLOSURE INSTALLATION**

ITEM	PART NUMBER	QTY	DESCRIPTION	REV
	1001250951	Ref	ENCLOSURE INSTALLATION	A
1	0100011	AR	Compound, Locking	
2	0440162	1	Bearing	
3	0700830	4	Bolt M8 x 130	
4	0760610	1	Bolt M6 x 20	
5	0761015	5	Bolt M10 x 35	
6	0961951	2	Bushing	
7	3290605	1	Nut M6	
8	3290805	4	Nut M8	
9	3291005	4	Nut M10	
10	3422532	1	Pin	
11	3841143	1	Keeper, Pin	
12	4811700	2	Washer M6	
13	4811900	8	Washer M8	
14	4812000	9	Washer M10	
15	5251215	1	Bolt M12 x 35	
16	5261200	1	Nut M12	
17	1001135196	1	Pin	
18	1001167512	1	Bracket	
19	1001169823	1	Plate	
20	1001176699	1	Support	
21	1001250967	1	Weight, Ballast	

# SECTION 2 - TURNTABLE

## FIGURE 2-5. SWING DRIVE AND TURNTABLE BEARING INSTALLATION



ART\_1001165946

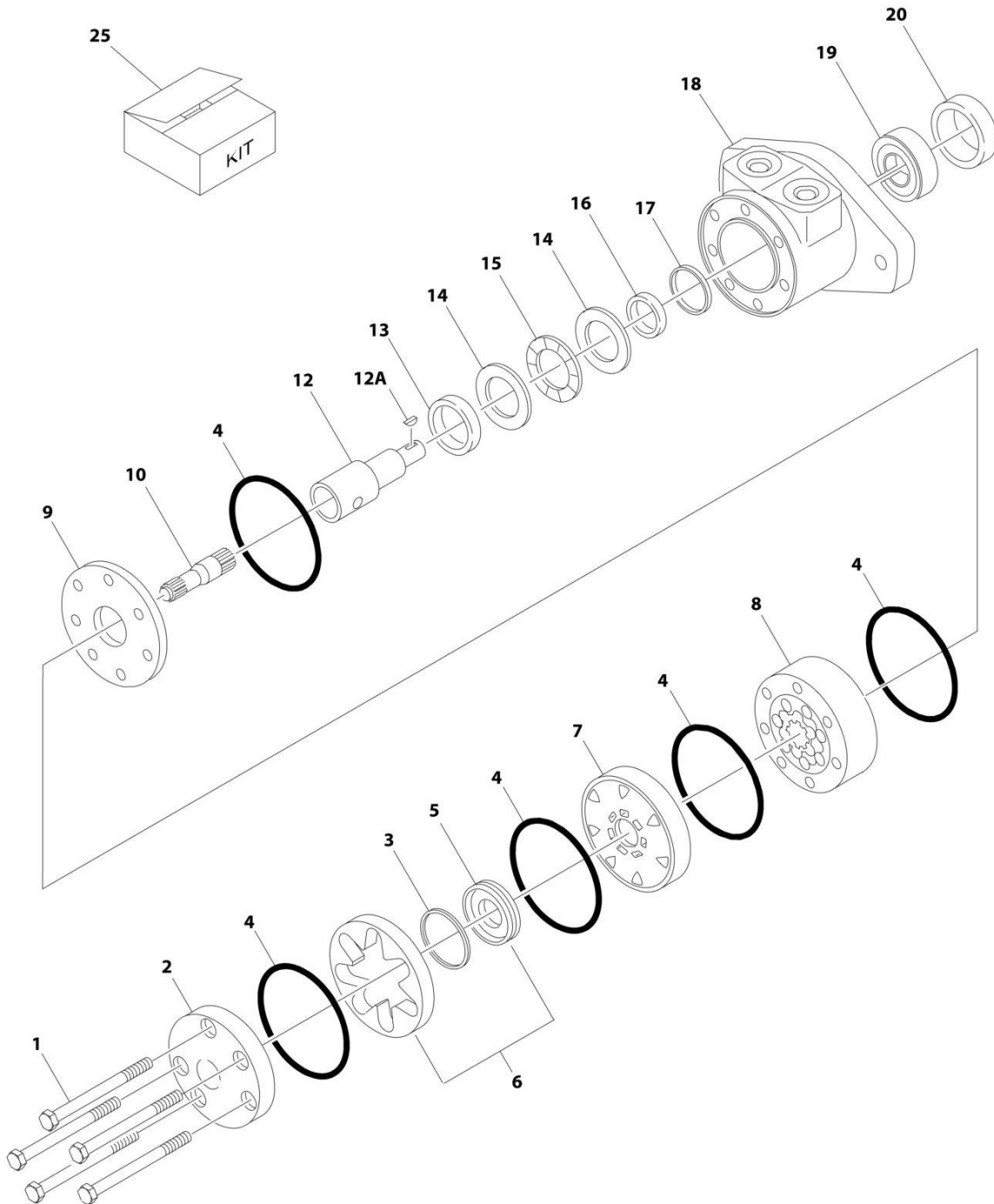
## SECTION 2 - TURNTABLE

**FIGURE 2-5. SWING DRIVE AND TURNTABLE BEARING INSTALLATION**

ITEM	PART NUMBER	QTY	DESCRIPTION	REV
	1001165946	Ref	SWING DRIVE AND TURNTABLE BEARING INSTALLATION	B
1	0100019	AR	Compound, Locking	
2	0711628	18	Bolt M16 x 110 Grade 10.9	
3	0711631	23	Bolt M16 x 140	
4	2160001	2	Fitting, Grease 90	
5	5241200	2	Washer M12	
6	5241600	41	Washer M16	
7	5272114	2	Capscrew M12 x 50 Grade 12.9	
8	1001104850	1	Swing Motor Assembly (See Separate Breakdown in this Section)	
9	1001133972	1	Turntable Bearing Assembly (See Separate Breakdown in this Section)	
100	1001206436	1	Turntable Bearing Kit (Includes Items 2-7 & 9)	

# SECTION 2 - TURNTABLE

## FIGURE 2-6. SWING MOTOR ASSEMBLY



ART\_1001104850

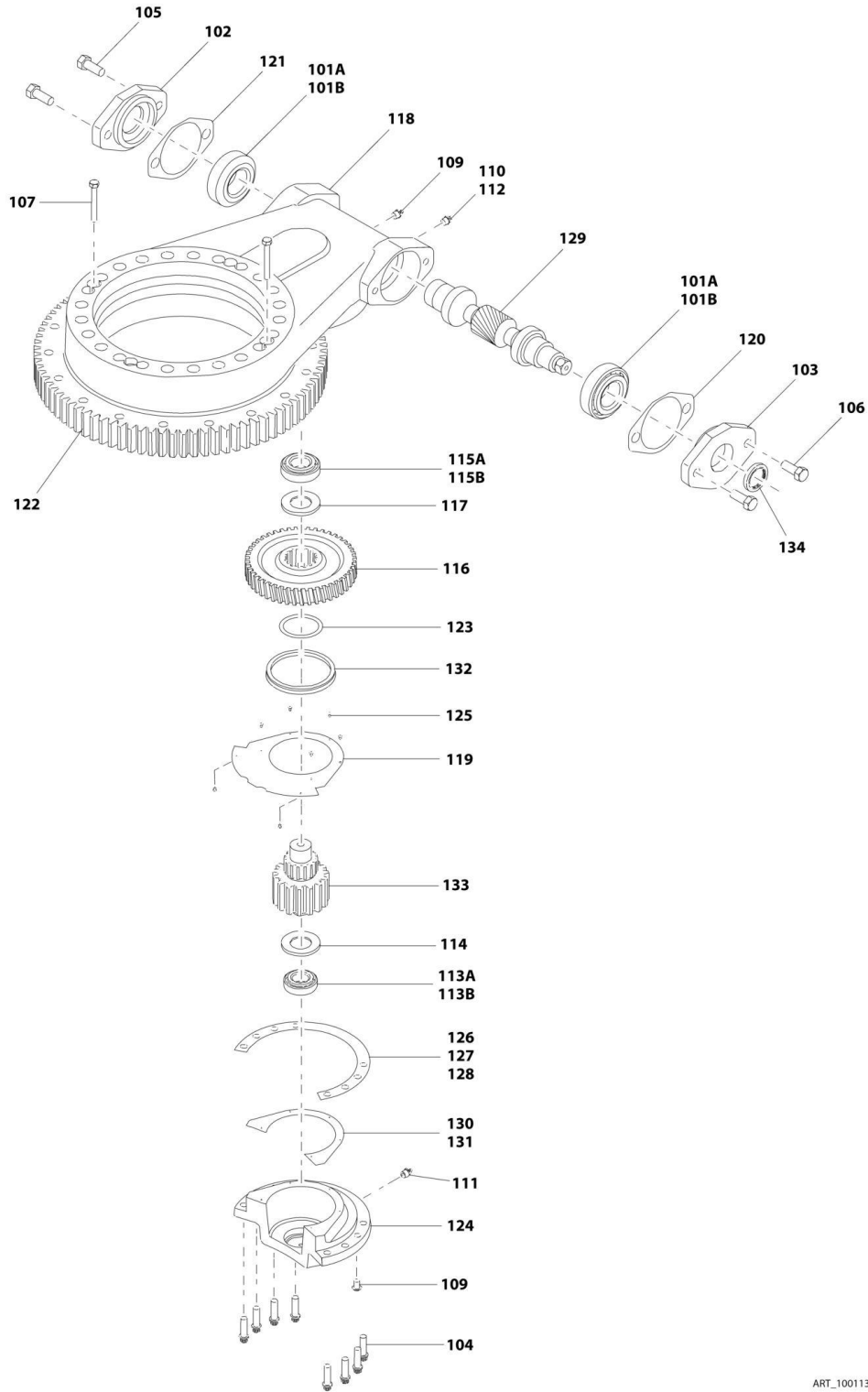
**SECTION 2 - TURNTABLE**

**FIGURE 2-6. SWING MOTOR ASSEMBLY**

ITEM	PART NUMBER	QTY	DESCRIPTION	REV
	1001104850	Ref	SWING MOTOR ASSEMBLY	A
1	See Note	5	Bolt (Note: Not Available for Purchase)	
2	7004035	1	Cover, End	
3	7023318	1	Seal, Commutator	
4	7004036	5	O-Ring	
5	See Note	NSS	Commutator (Note: Use Item 6)	
6	7024453	1	Commutator and Ring Assembly (Includes Item 5)	
7	7024379	1	Manifold	
8	70002206	1	Rotor Set	
9	7024380	1	Plate, Wear	
10	70002207	1	Link, Drive	
12	70000088	1	Shaft, Coupling	
12A	70000089	1	Key	
13	7024381	1	Bushing, Inner	
14	7004043	1	Thrustwasher	
15	7004044	1	Bearing, Thrust	
16	7004049	1	Seal, Inner Shaft	
17	7004045	1	Ring, Back-up	
18	See Note	NSS	Housing (Note: Not Available - Purchase Complete Motor)	
19	7024390	1	Bearing	
20	7004047	1	Seal, Outer Shaft	
25	7024389	1	Seal Kit (Includes Items 3, 4, 16, 17 & 20)	

# SECTION 2 - TURNTABLE

## FIGURE 2-7. TURNTABLE BEARING ASSEMBLY



ART\_1001133972



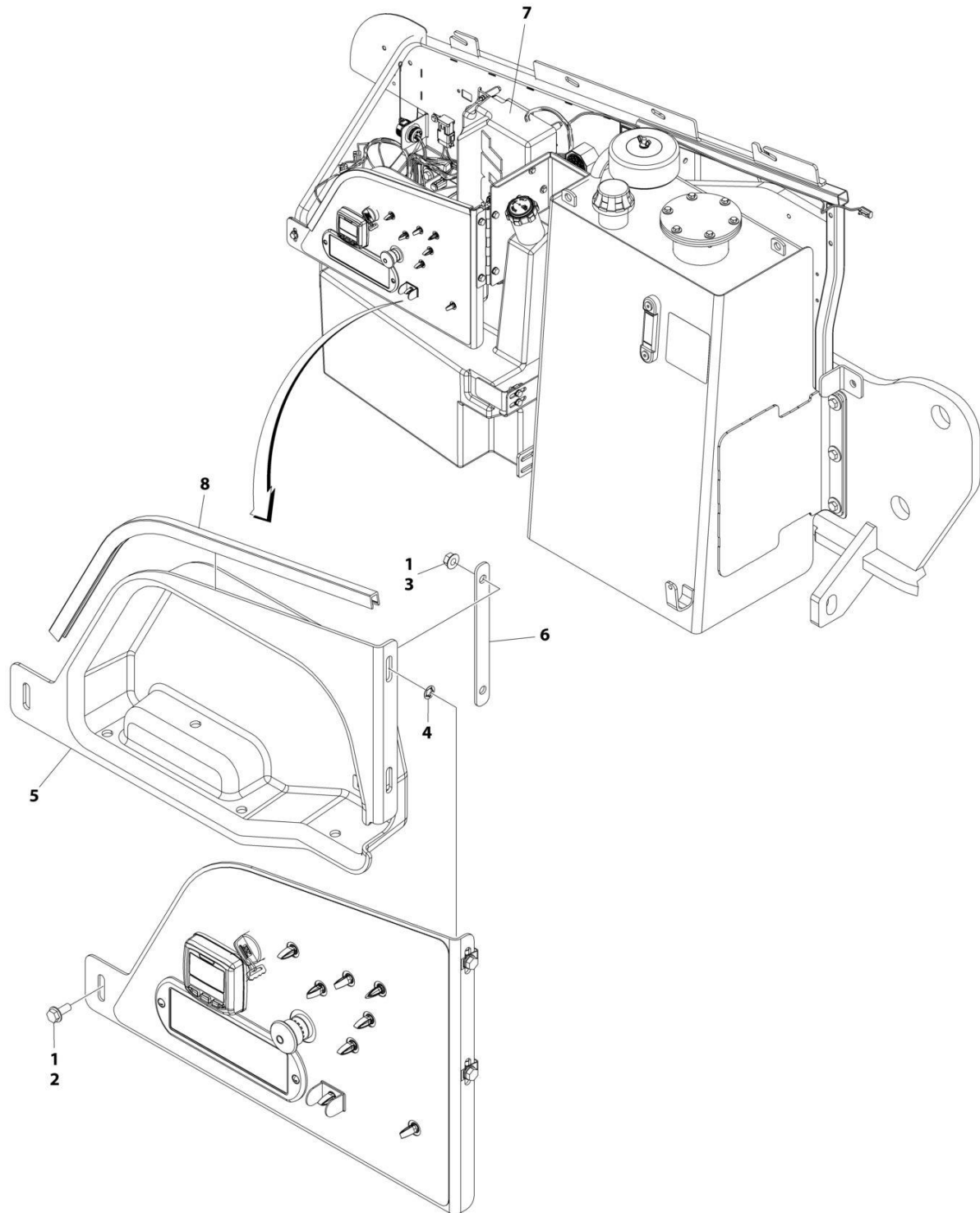
## SECTION 2 - TURNTABLE

**FIGURE 2-7. TURNTABLE BEARING ASSEMBLY**

ITEM	PART NUMBER	QTY	DESCRIPTION	REV
	1001133972	Ref	TURNTABLE BEARING ASSEMBLY	D
101A	7026042	2	Cup, Bearing	
101B	7026043	2	Cone, Bearing	
102	7027356	1	Adapter, Motor	
103	7027354	1	Cap, Worm	
104	70004249	8	Bolt M10 x 35 Grade 10.9	
105	70004250	2	Bolt M12 x 30 Grade 10.9	
106	70004251	2	Bolt M12 x 40 Grade 10.9	
107	70004252	2	Bolt M8 x 65mm	
109	70000865	1	Plug	
110	70002649	1	Vent, Pressure	
111	70002651	1	Fitting, Grease	
112	7026044	1	Bushing, Reducer	
113A	7026045	1	Cup, Bearing	
113B	7026047	1	Cone, Bearing	
114	7026046	1	Ring, Grease	
115A	7026048	1	Cup, Bearing	
115B	7026049	1	Cone, Bearing	
116	7026050	1	Worm-Gear	
117	7026052	1	Spacer, Washer	
118	See Note	1	Housing (Note: Not Available - Purchase Complete Assembly)	
119	7026053	1	Cover, Gear	
120	7027350	AR	Shim, Blue (.005in)	
120	7027351	AR	Shim, Clear (.0075in)	
120	7027352	AR	Shim, Brown (.010in)	
121	7027353		Shim, Yellow (.020in)	
122	70004253	1	Bearing, Turntable	
123	70004254	1	O-Ring	
124	70004255	1	Cap, Gear	
125	70004256	8	Bolt M4 x 8	
126	70004257	AR	Shim, Green (.003)	
127	70004258	AR	Shim, Blue (.005)	
128	70004259	AR	Shim, Natural (.0075)	
129	7026057	1	Gear, Worm	
130	70004260	AR	Shim, Blue (.005)	
131	70004261	AR	Shim, Yellow (.020)	
132	70004262	1	Seal, Oil	
133	7026051	1	Pinion, Output	
134	70004263	1	Seal, Oil	

# SECTION 2 - TURNTABLE

## FIGURE 2-8. TURNTABLE COVERS INSTALLATION



ART\_1001219129

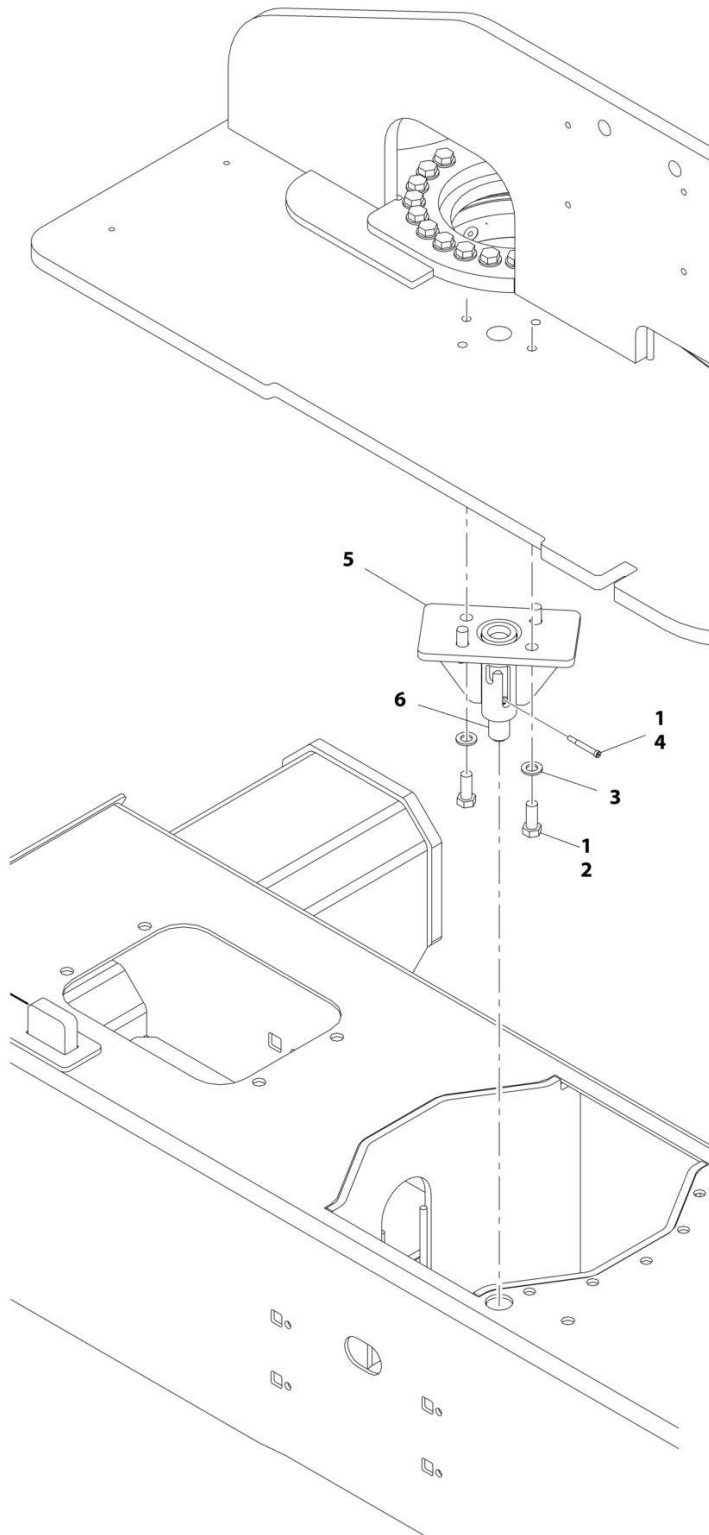
**SECTION 2 - TURNTABLE**

**FIGURE 2-8. TURNTABLE COVERS INSTALLATION**

<b>ITEM</b>	<b>PART NUMBER</b>	<b>QTY</b>	<b>DESCRIPTION</b>	<b>REV</b>
	1001219129	Ref	TURNTABLE COVERS INSTALLATION	A
1	0100011	AR	Compound, Locking	
2	5250812	1	Bolt M8 x 25	
3	5260800	2	Nut M8	
4	1001119228	2	Nut M8	
5	1001218533	1	Cover	
6	1001218535	1	Plate, Mounting	
7	1001218537	1	Cover	
8	4060806	2 ft/0.6m	Shield, Flex	

## SECTION 2 - TURNTABLE

FIGURE 2-9. TURNTABLE LOCK INSTALLATION



ART\_1001177820

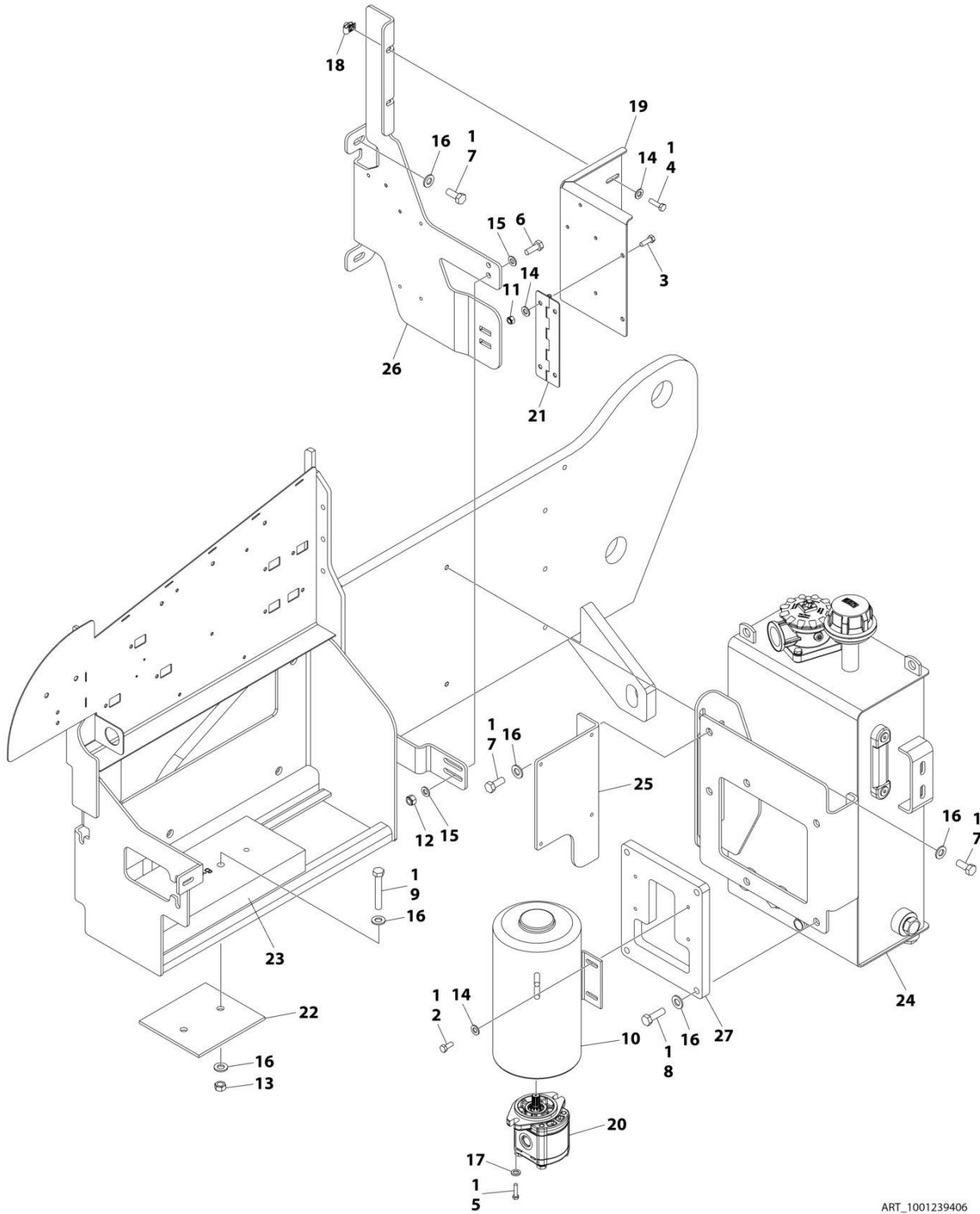
**SECTION 2 - TURNTABLE**

**FIGURE 2-9. TURNTABLE LOCK INSTALLATION**

<b>ITEM</b>	<b>PART NUMBER</b>	<b>QTY</b>	<b>DESCRIPTION</b>	<b>REV</b>
	1001177820	Ref	TURNTABLE LOCK INSTALLATION	B
1	0100011	AR	Compound, Locking	
2	0701616	4	Bolt M16 x 40	
3	4812300	4	Washer M16	
4	1001157466	1	Bolt M10 x 30	
5	1001177821	1	Support, Lock	
6	1001177834	1	Pin, Lock	
7	1001223118	1	Decal – Lift Diagram (Not Shown)	

# SECTION 2 - TURNTABLE

## FIGURE 2-10. TANK AND PUMPS INSTALLATION



ART\_1001239406

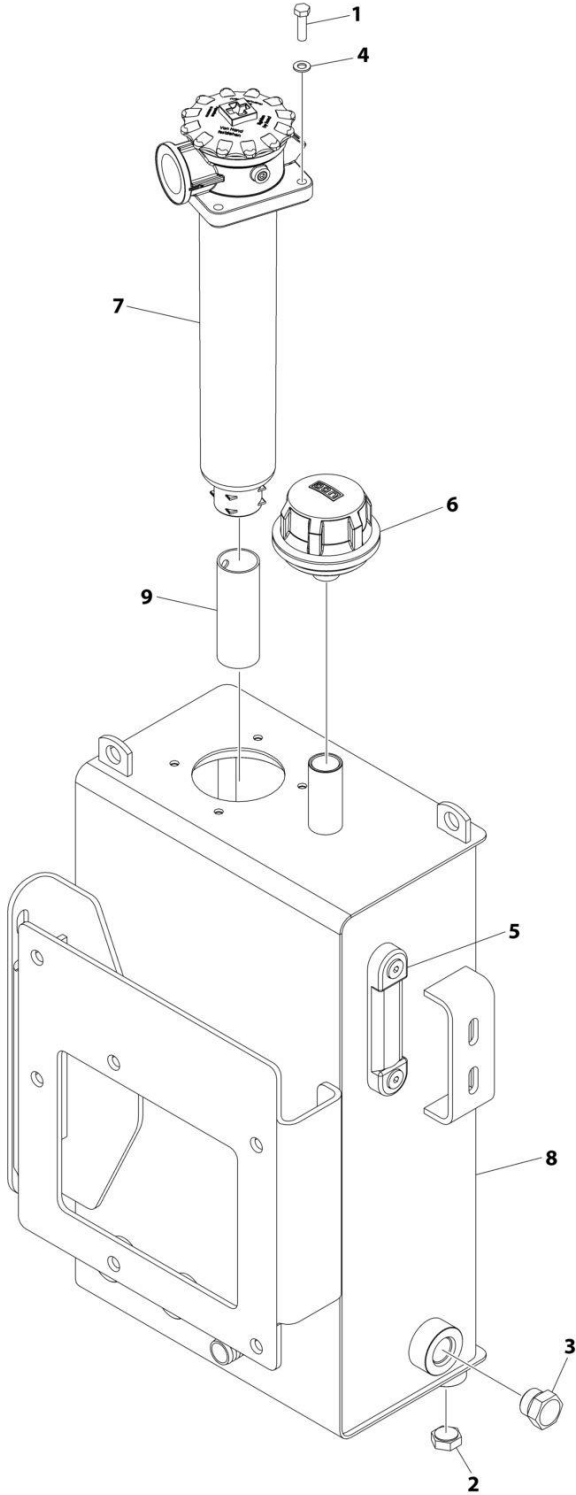
## SECTION 2 - TURNTABLE

**FIGURE 2-10. TANK AND PUMPS INSTALLATION**

ITEM	PART NUMBER	QTY	DESCRIPTION	REV
	1001239406	Ref	TANK AND PUMPS INSTALLATION	A
1	0100011	AR	Compound, Locking	
2	0760810	4	Bolt M8 x 20	
3	0760812	2	Bolt M8 x 25	
4	0760814	2	Bolt M8 x 30	
5	0760815	2	Bolt M8 x 35	
6	0761014	2	Bolt M10 x 30	
7	0761214	8	Bolt M12 x 30	
8	0761216	4	Bolt M12 x 40	
9	0761224	2	Bolt M12 x 80	
10	3160252	1	Electricity Motor Assembly (See Separate Breakdown in this Section)	
11	3290805	2	Nut M8	
12	3291005	2	Nut M10	
13	3291201	2	Nut M12	
14	4811900	10	Washer M8	
15	4812000	4	Washer M10	
16	4812100	16	Washer M12	
17	5240800	2	Washer M8	
18	1001118274	2	Nut M8	
19	1001169898	1	Support, Ground Control	
20	1001174535	1	Gear Pump Assembly	
21	1001179339	1	Hinge	
22	1001246539	1	Plate	
23	1001246543	1	Weight, Ballast	
24	1001248813	1	Hydraulic Tank Installation (See Separate Breakdown in this Section)	
25	1001249329	1	Bracket	
26	1001249857	1	Bracket	
27	1001252533	1	Plate	

**SECTION 2 - TURNTABLE**

**FIGURE 2-11. HYDRAULIC TANK INSTALLATION**



ART\_1001248813



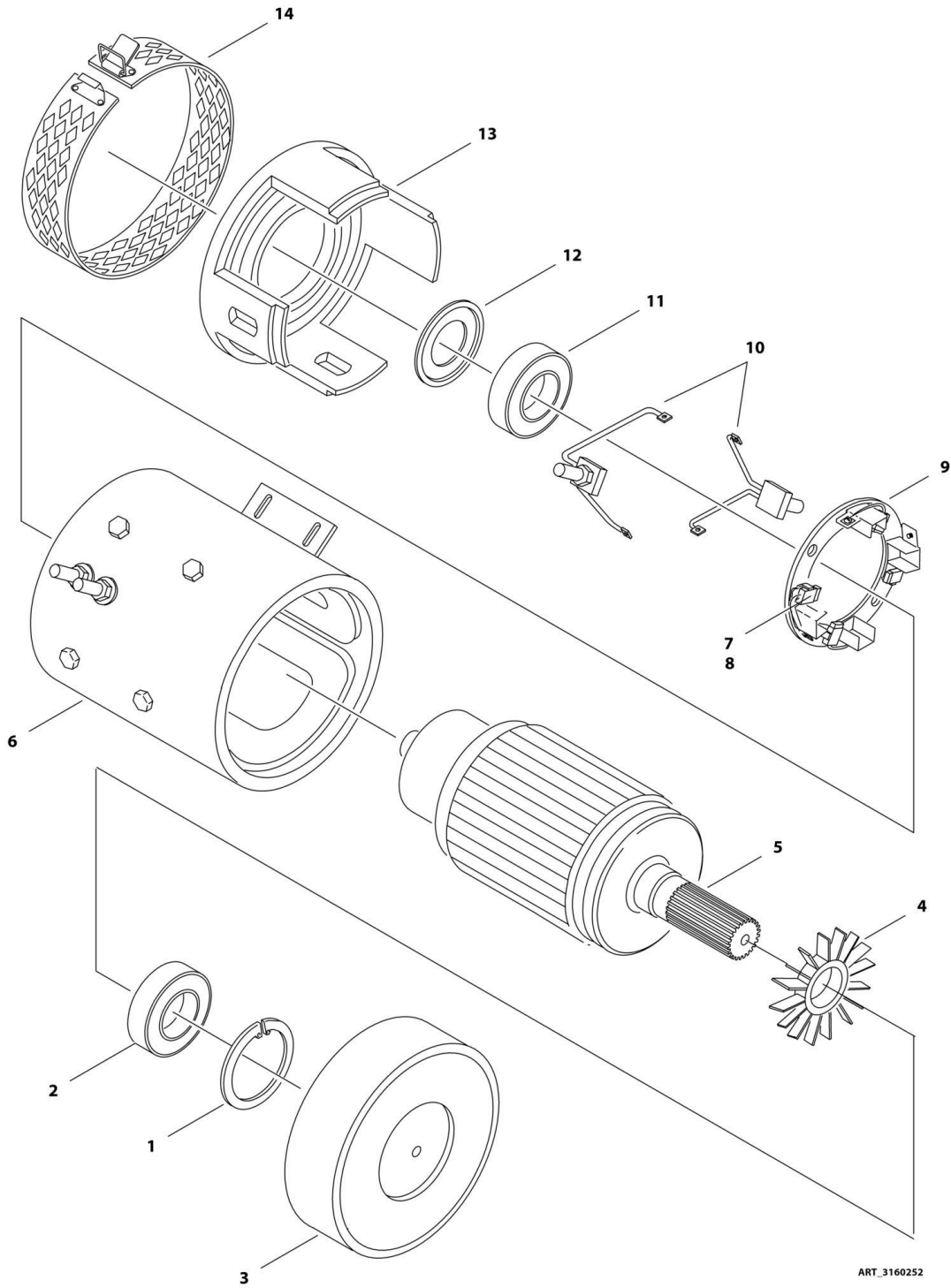
**SECTION 2 - TURNTABLE**

**FIGURE 2-11. HYDRAULIC TANK INSTALLATION**

<b>ITEM</b>	<b>PART NUMBER</b>	<b>QTY</b>	<b>DESCRIPTION</b>	<b>REV</b>
	1001248813	Ref	HYDRAULIC TANK INSTALLATION	B
1	0700814	4	Bolt M8 x 30	
2	2220239	1	Plug, ORB	
3	2220240	1	Plug, ORB	
4	4811900	4	Washer M8	
5	7024441	1	Gauge, Sight	
6	1001127152	1	Breather Cap (Vented)	
7	1001162661	1	Filter, Hydraulic	
7	1001162663	1	Element, Filter	
7	1001162667	1	Pipe, Filter Return	
8	1001248401	1	Hydraulic Tank Assembly	
9	1001249615	1	Pipe, Return	

# SECTION 2 - TURNTABLE

## FIGURE 2-12. MOTOR ASSEMBLY



ART\_3160252

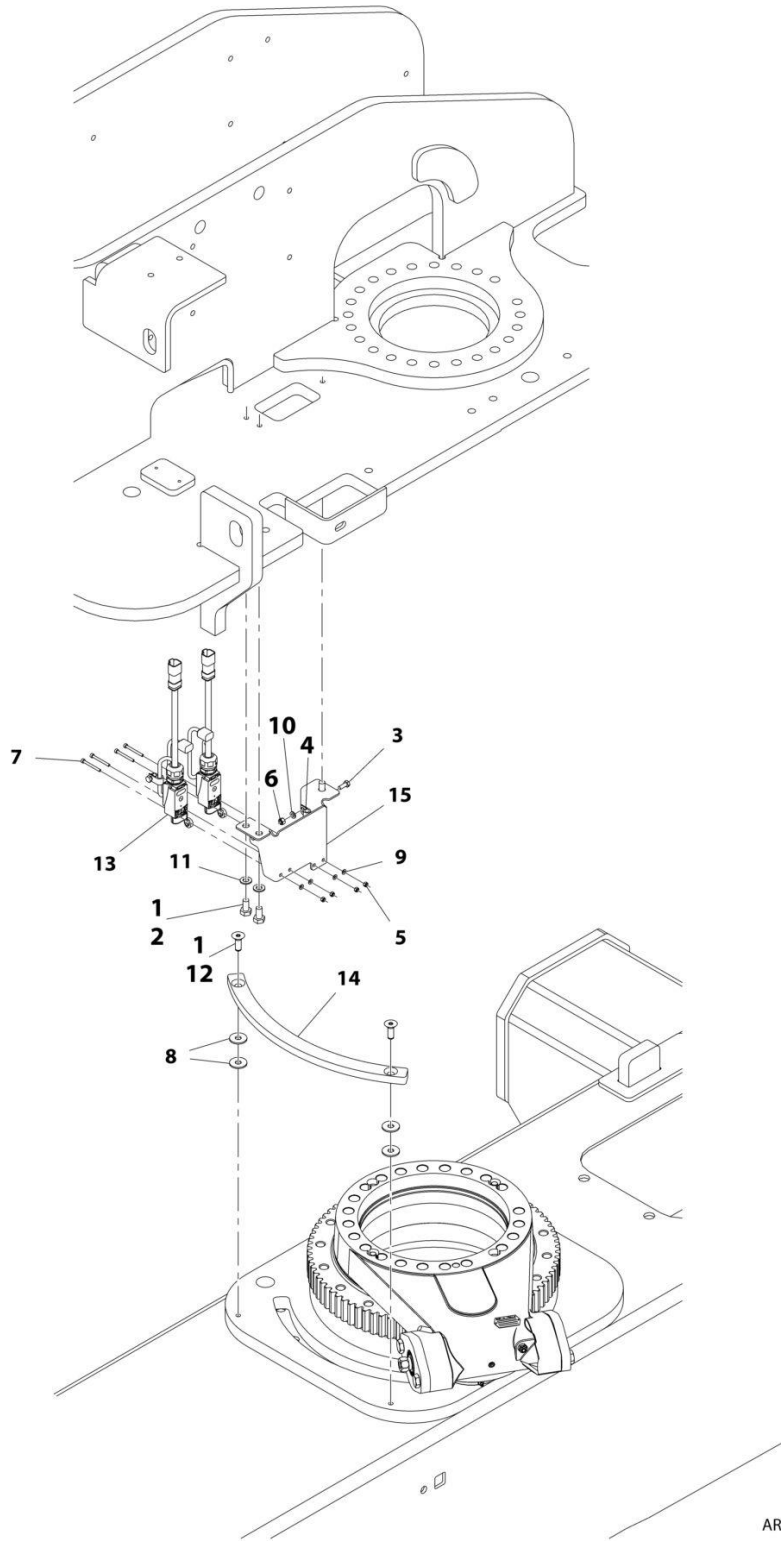
**SECTION 2 - TURNTABLE**

**FIGURE 2-12. MOTOR ASSEMBLY**

<b>ITEM</b>	<b>PART NUMBER</b>	<b>QTY</b>	<b>DESCRIPTION</b>	<b>REV</b>
	3160252	Ref	MOTOR ASSEMBLY	C
1	7020291	1	Ring, Retaining	
2	7020292	1	Bearing (Shaft End)	
3	7020293	1	Endhead, Shaft	
4	7020294	1	Fan	
5	7020295	1	Armature Assembly	
6	7020296	1	Field Coil/Case Kit	
7	7012548	8	Spring, Brush	
8	7020297	8	Brush	
9	7020298	1	Box Assembly - Brush	
10	7020299	1	Lead Kit, Brush Wire	
11	7012545	1	Bearing (Commutator End)	
12	7012549	1	Washer	
13	7023200	1	Endhead, Commutator	
14	7023272	1	Headband Assembly	

# SECTION 2 - TURNTABLE

## FIGURE 2-13. DRIVE ORIENTATION INSTALLATION



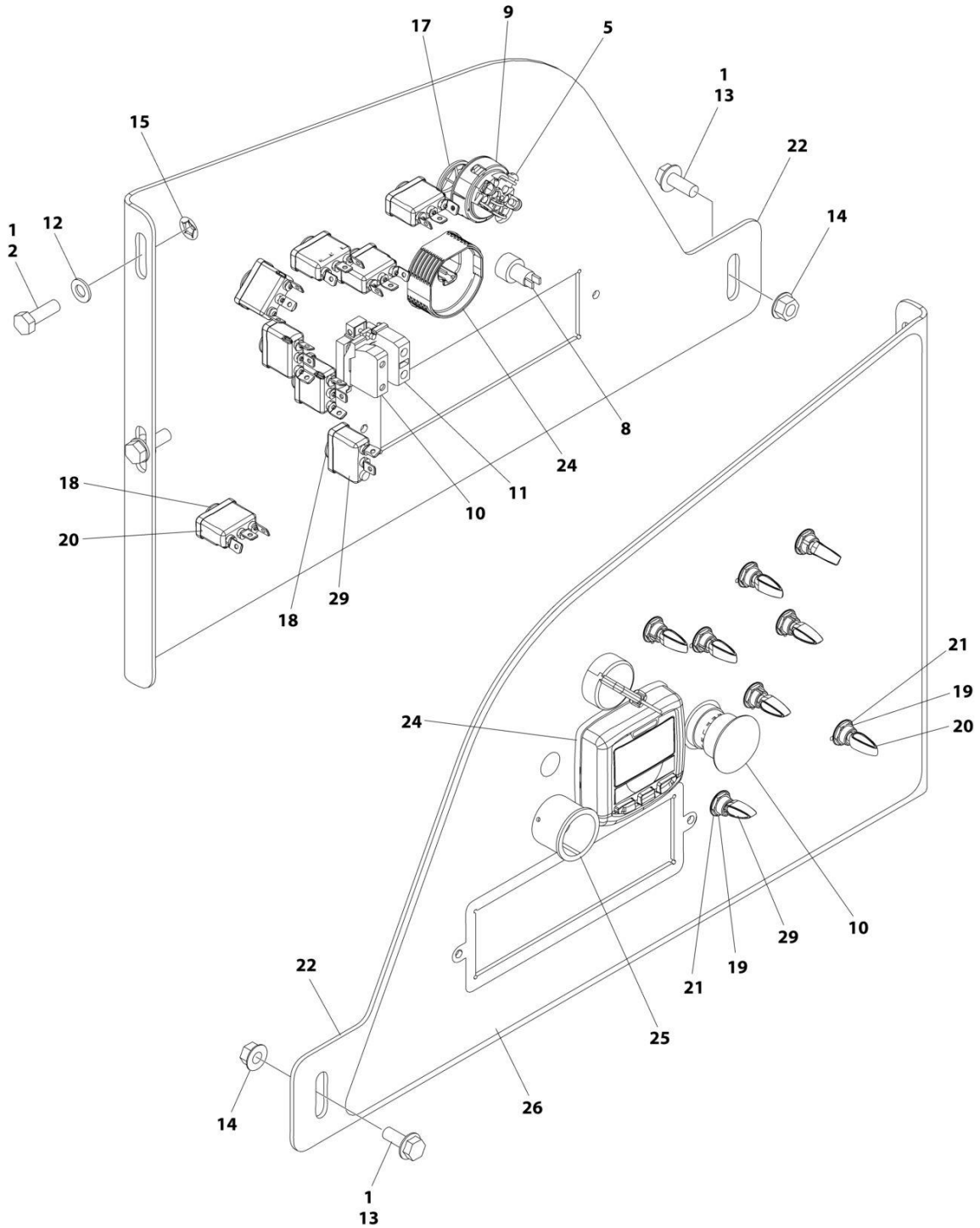
**SECTION 2 - TURNTABLE**

**FIGURE 2-13. DRIVE ORIENTATION INSTALLATION**

ITEM	PART NUMBER	QTY	DESCRIPTION	REV
	1001166767	Ref	DRIVE ORIENTATION INSTALLATION	F
1	0100011	AR	Compound, Locking	
2	0761010	3	Bolt M10 x 20	
3	0760608	2	Bolt M6 x 16	
4	1321293	2	Clamp, Cable	
5	3290405	4	Nut M4	
6	3290605	2	Nut M6	
7	4031512	4	Capscrew M4 x 40	
8	4812002	4	Washer M10	
9	4811400	4	Washer M4	
10	4811700	2	Washer M6	
11	4812000	3	Washer M10	
12	8310614	2	Screw M10 x 30	
13	1001119176	2	Switch, Limit	
13	1001129407	1	Receptacle, Female - 4 Position	
13	4460464	4	Pin, Male	
14	1001162106	1	Cam	
15	1001166768	1	Bracket	
16	8881800	AR	Tie-Strap (Not Shown)	

# SECTION 2 - TURNTABLE

## FIGURE 2-14. GROUND CONTROL ASSEMBLY



ART\_1001250486

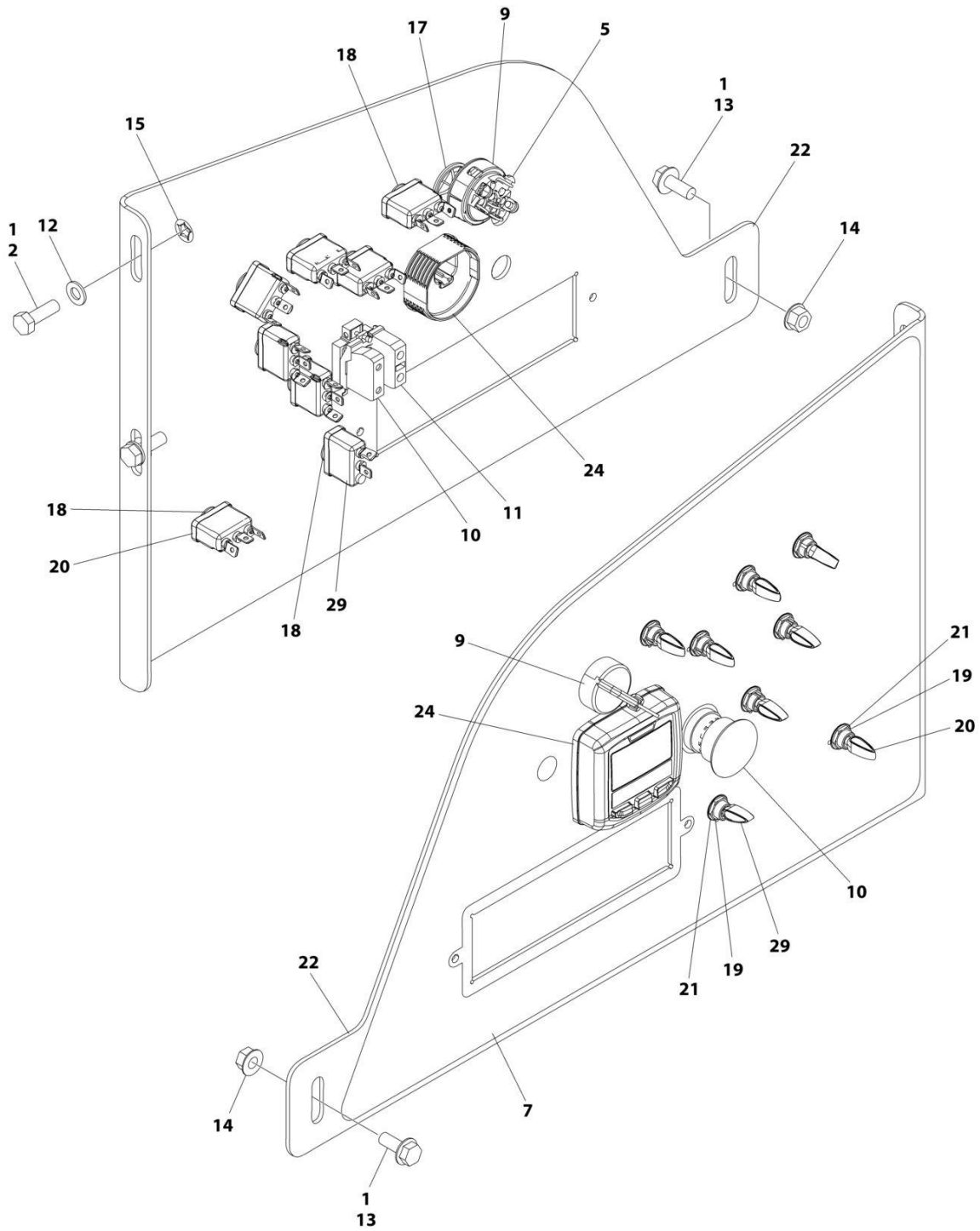
**SECTION 2 - TURNTABLE**

**FIGURE 2-14. GROUND CONTROL ASSEMBLY**

ITEM	PART NUMBER	QTY	DESCRIPTION	REV
	1001250486	Ref	GROUND CONTROL ASSEMBLY	D
1	0100011	AR	Compound, Locking	
2	0760812	2	Bolt M8 x 25	
5	3910804	3	Screw M8 x 1/4	
8	4360387	1	Switch, Push Button	
9	4360469	1	Switch, Key	
9	2860030	1	Key, Replacement	
10	4360475	1	Switch, Emergency	
10	7020175	1	Cap	
10	7020176	1	Block, Contact	
11	4360476	1	Block, Contact	
12	4811900	2	Washer M8	
13	5250810	1	Bolt M8 x 20	
14	5260800	1	Nut M8	
15	1001119228	2	Nut M8	
17	1001151393	1	Shim .063	
18	1001155043	8	Washer	
19	1001155044	8	Nut	
20	1001155045	7	Switch, Toggle	
21	1001162807	8	Washer	
22	1001264735	1	Panel, Ground Control	
24	1001171482	1	Gauge, Display	
25	1001176469	1	Shroud, Switch	
26	1001265288	1	Decal - Ground Control	
29	1001159256	1	Switch, Toggle	

# SECTION 2 - TURNTABLE

FIGURE 2-15. GROUND CONTROL ASSEMBLY (ANSI, AUSTRALIAN AND CSA SPECS)



ART\_1001258966



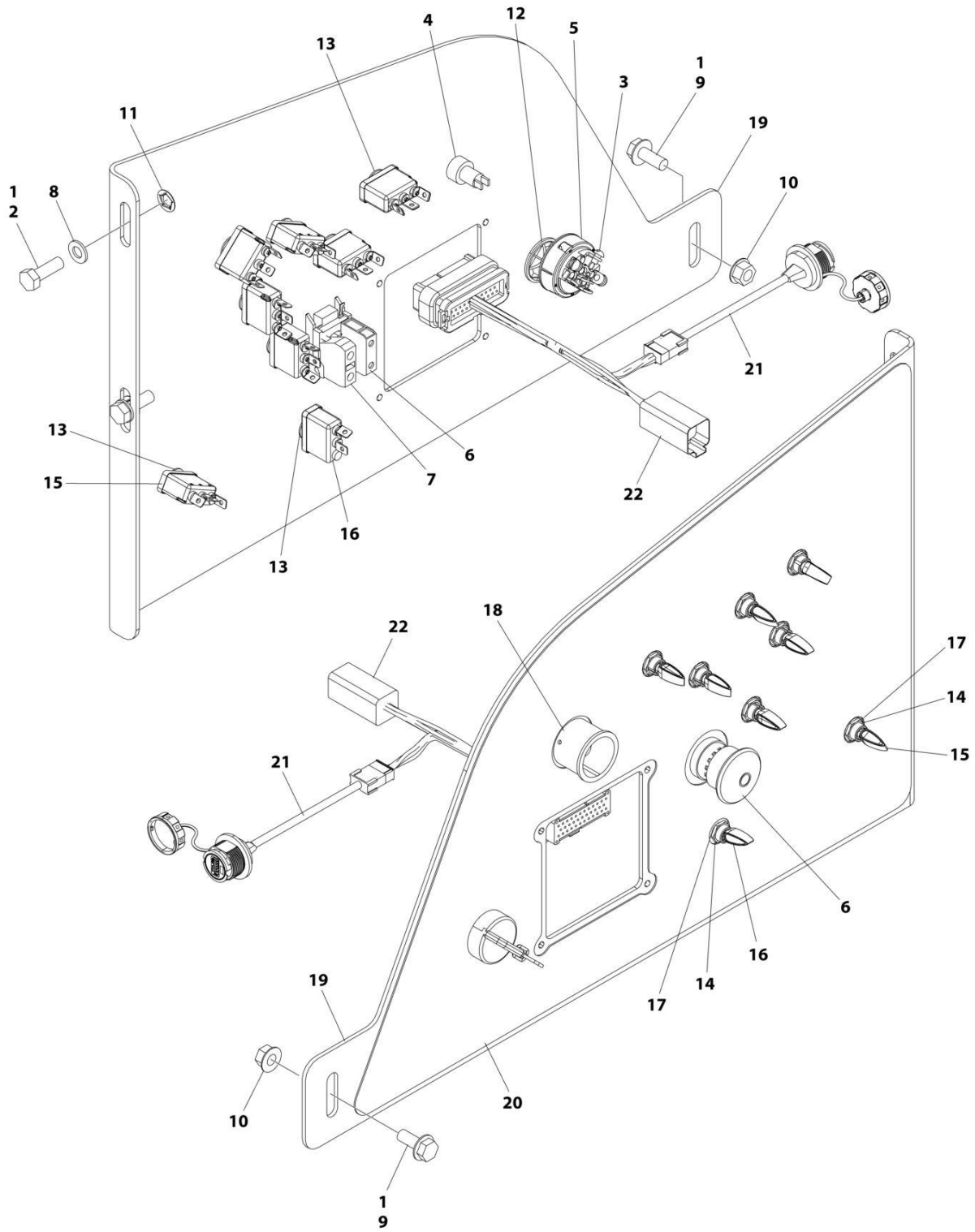
# SECTION 2 - TURNTABLE

**FIGURE 2-15. GROUND CONTROL ASSEMBLY (ANSI, AUSTRALIAN AND CSA SPECS)**

ITEM	PART NUMBER	QTY	DESCRIPTION	REV
	1001258966	Ref	GROUND CONTROL ASSEMBLY	C
1	0100011	AR	Compound, Locking	
2	0760812	2	Bolt M8 x 25	
5	3910804	3	Screw M8 x 1/4	
7	1001265289	1	Decal - Ground Control	
9	4360469	1	Switch, Key	
9	2860030	1	Key, Replacement	
10	4360475	1	Switch, Emergency	
10	7020175	1	Cap	
10	7020176	1	Block, Contact	
11	4360476	1	Block, Contact	
12	4811900	2	Washer M8	
13	5250810	1	Bolt M8 x 20	
14	5260800	1	Nut M8	
15	1001119228	2	Nut M8	
17	1001151393	1	Shim .063	
18	1001155043	8	Washer	
19	1001155044	8	Nut	
20	1001155045	7	Switch, Toggle	
21	1001162807	8	Washer	
22	1001264735	1	Panel, Ground Control	
24	1001171482	1	Gauge, Display	
29	1001159256	1	Switch, Toggle	

# SECTION 2 - TURNTABLE

## FIGURE 2-16. GROUND CONTROL ASSEMBLY - WITH 4 INCH DISPLAY (CE SPECS)



ART\_1001260297

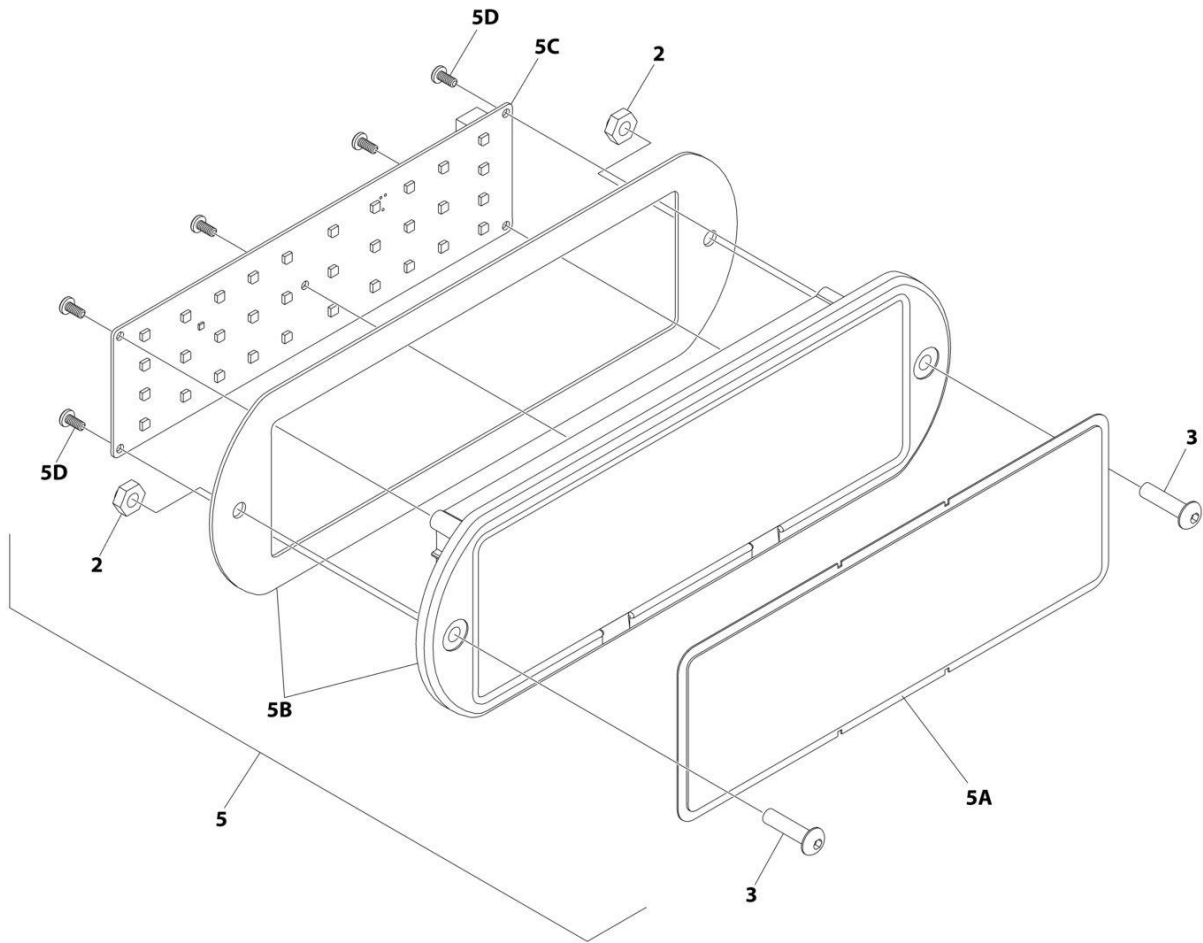
## SECTION 2 - TURNTABLE

**FIGURE 2-16. GROUND CONTROL ASSEMBLY - WITH 4 INCH DISPLAY (CE SPECS)**

ITEM	PART NUMBER	QTY	DESCRIPTION	REV
	1001260297	Ref	GROUND CONTROL ASSEMBLY	A
1	0100011	AR	Compound, Locking	
2	0760812	2	Bolt M8 x 25	
3	3910804	3	Screw M8 x 1/4	
4	4360387	1	Switch, Push Button	
5	4360469	1	Switch, Key	
5	2860030	1	Key, Replacement	
6	4360475	1	Switch, Emergency	
6	7020175	1	Cap	
6	7020176	1	Block, Contact	
7	4360476	1	Block, Contact	
8	4811900	2	Washer M8	
9	5250810	1	Bolt M8 x 20	
10	5260800	1	Nut M8	
11	1001119228	2	Nut M8	
12	1001151393	1	Shim .063	
13	1001155043	8	Washer M8	
14	1001155044	8	Nut	
15	1001155045	7	Switch, Toggle	
16	1001159256	1	Switch, Toggle	
17	1001162807	8	Washer	
18	1001176469	1	Shroud, Switch	
19	1001260298	1	Panel, Ground Control	
20	1001260299	1	Decal - Ground Control	
21	1001246823	1	USB Receptacle	
22	1001265415	1	Harness, Display Adapter (See Separate Breakdown in ELECTRICAL Section)	

# SECTION 2 - TURNTABLE

## FIGURE 2-17. LIGHT PANEL INSTALLATION – GROUND CONTROL



ART\_1001259504\_10F2

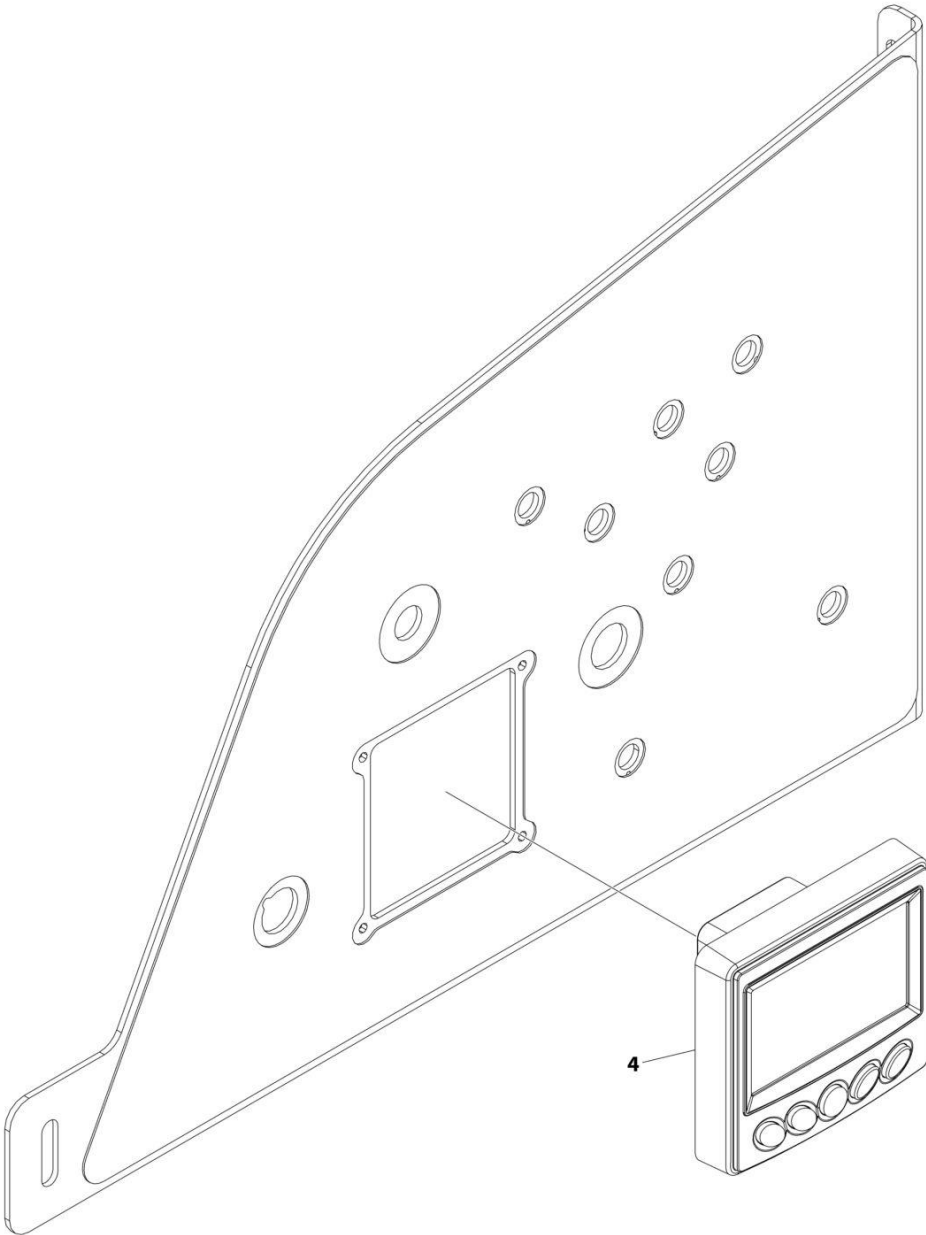
**SECTION 2 - TURNTABLE**

**FIGURE 2-17. LIGHT PANEL INSTALLATION – GROUND CONTROL**

<b>ITEM</b>	<b>PART NUMBER</b>	<b>QTY</b>	<b>DESCRIPTION</b>	<b>REV</b>
	1001259504	Ref	LIGHT PANEL INSTALLATION - GROUND CONTROL	A
2	3300408	2	Nut, Nylon Insert	
3	0630518	2	Screw #10 x 3/4	
5	1001259492	1	Light Panel Assembly	A
5A	1001245162	1	Lens	
5B	1001259476	1	Bezel (Includes Gasket)	
5C	1001187807	1	Panel, LED Light	
5D		Ref	Screw	

**SECTION 2 - TURNTABLE**

**FIGURE 2-18. LIGHT PANEL INSTALLATION – GROUND CONTROL (CE SPECS ONLY)**



ART\_1001265145\_10F2

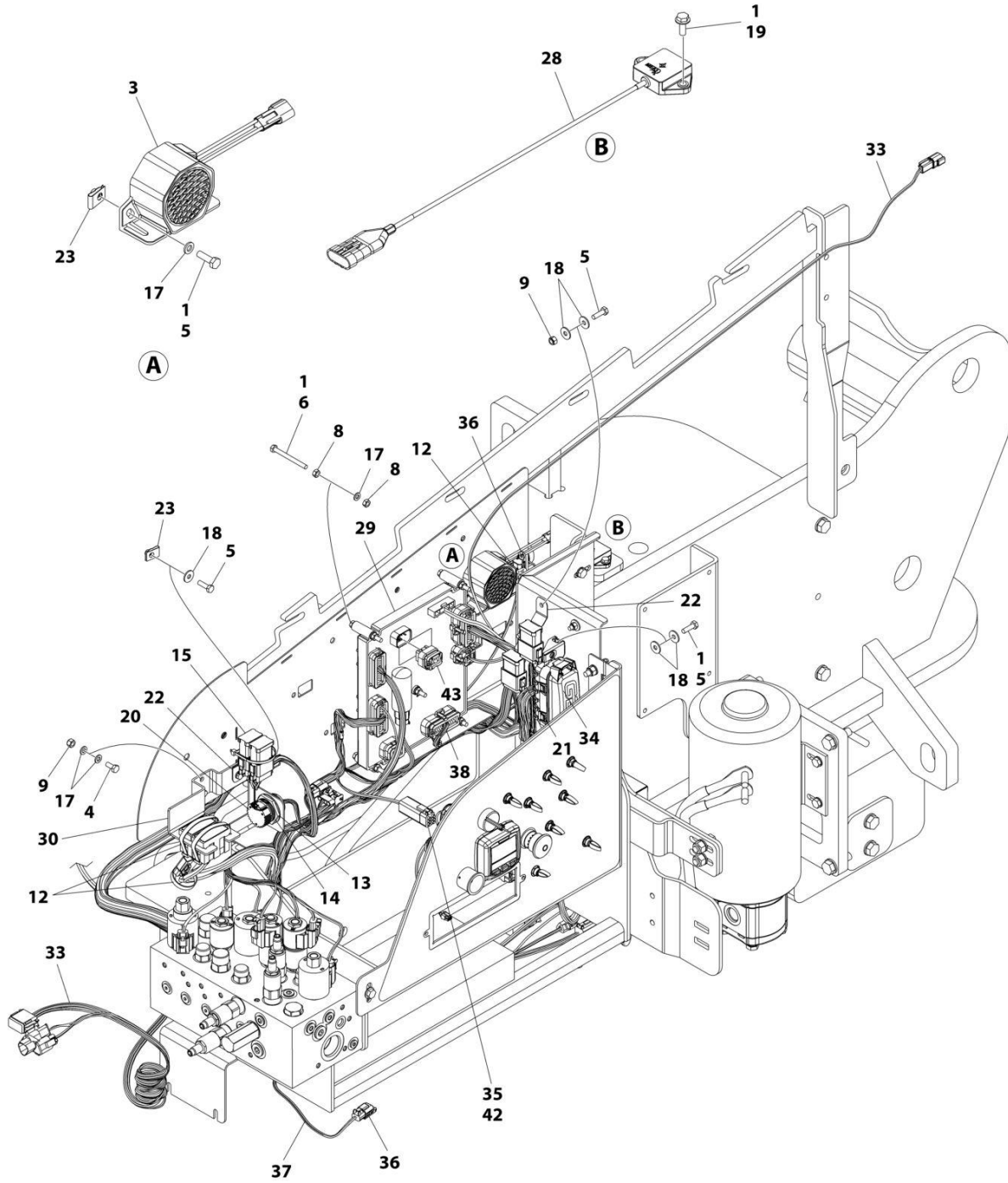
**SECTION 2 - TURNTABLE**

**FIGURE 2-18. LIGHT PANEL INSTALLATION – GROUND CONTROL (CE SPECS ONLY)**

ITEM	PART NUMBER	QTY	DESCRIPTION	REV
4	1001265145	Ref	LIGHT PANEL INSTALLATION - GROUND CONTROL	A
	1001265029	1	Light Panel Assembly (4inch Display)	

# SECTION 2 - TURNTABLE

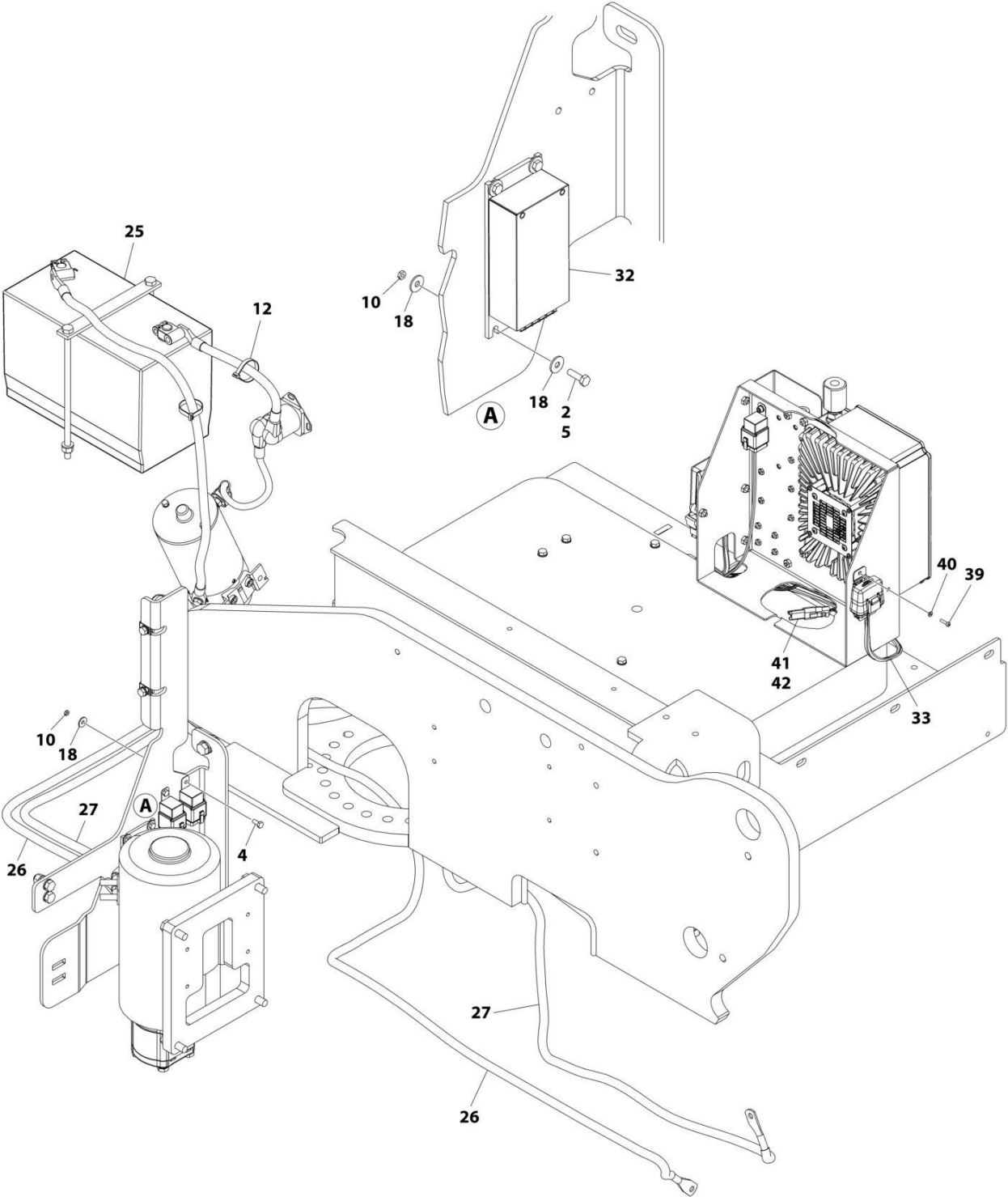
## FIGURE 2-19. ELECTRICAL SYSTEM INSTALLATION



ART\_1001250946\_G\_10F2



SECTION 2 - TURNTABLE



ART\_1001250946\_G\_20F2

## SECTION 2 - TURNTABLE

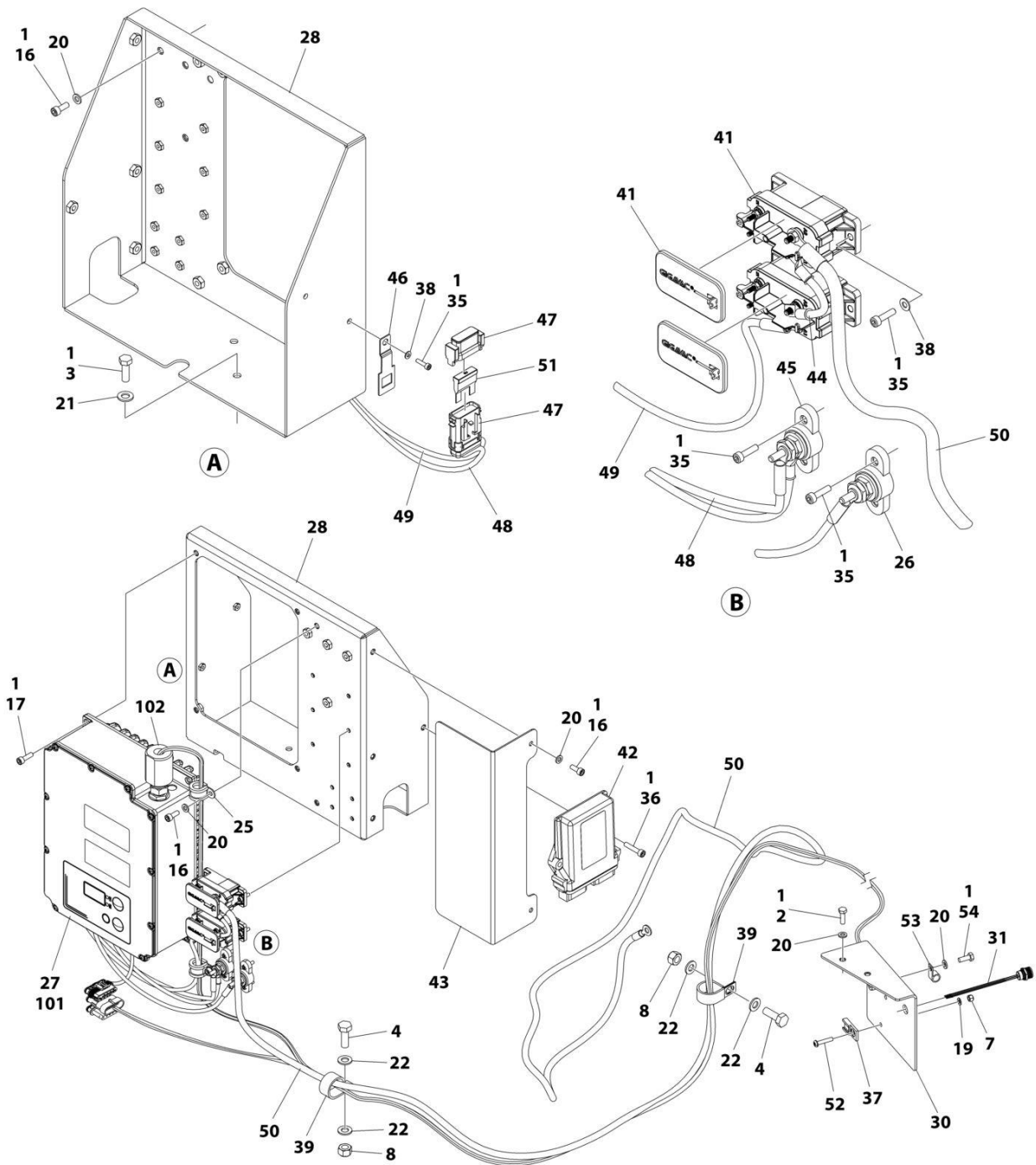
FIGURE 2-19. ELECTRICAL SYSTEM INSTALLATION

ITEM	PART NUMBER	QTY	DESCRIPTION	REV
	1001250946	Ref	ELECTRICAL SYSTEM INSTALLATION	G
1	0100011	AR	Compound, Locking	
2	0100083	AR	Grease	
3	0140043	1	Alarm	
3	4460536	1	Receptacle, Female - 3 Position	
3	4460943	3	Pin, Male	
4	0760607	5	Bolt M6 x 14	
4	0760608	5	Bolt M6 x 16	
5	0760610	12	Bolt M6 x 20	
6	0760621	5	Bolt M6 x 65	
8	3290601	10	Nut M6	
9	3290605	6	Nut M6	
10	3310601	6	Nut #6	
12	4240018	6	Tie-Strap	
13	4460496	1	Washer, Terminal	
14	4460497	1	Nut, Terminal	
15	4460837	2	Bussbar - 12 Position	
17	4811700	18	Washer M6	
18	4811702	21	Washer M6	
19	5250608	2	Bolt M6 x 16	
20	1001106736	1	Cap, Dust	
21	1001119020	2	Bussbar - 12 Position	
22	1001120328	3	Mount	
23	1001130220	3	Nut, Tinnerman M6	
25	1001166316	1	Battery Installation (See Separate Breakdown in this Section)	
26	1001256850	1	Cable, Pump Motor (Positive)	
27	1001256851	1	Cable, Pump Motor (Negative)	
28	1001219601	1	Sensor	
29	1001284340	1	Control, Module	
30	1001201939	1	Bracket	
32	1001249405	1	Electrical Converter Assembly	
33	1001262597	1	Harness, Chassis (See Separate Breakdown in ELECTRICAL Section) <b>(Prior to SN C300000468)</b>	
33	1001286738	1	Harness, Chassis (See Separate Breakdown in ELECTRICAL Section) <b>(SN C300000468 to Present)</b>	
34	1001263849	1	Decal - Fuse Box	
35	4460894	1	Plug, Male - 6 Position	
36	1001144295	2	Cap	
37	1001244294	1	Harness, Main Valve (See Separate Breakdown in ELECTRICAL Section)	
38	1001244295	1	Harness, Ground Control (See Separate Breakdown in ELECTRICAL Section)	
39	4031507	1	Bolt M4 x 16	
40	4811400	1	Washer M4	
41	4460536	1	Connector - 3 Position	
42	4460466	9	Plug, Terminal	
43	1001246859	1	Connector - 14 Position	



# SECTION 2 - TURNTABLE

## FIGURE 2-20. BATTERY CHARGER INSTALLATION – WITH NO PLUG



ART\_1001262066

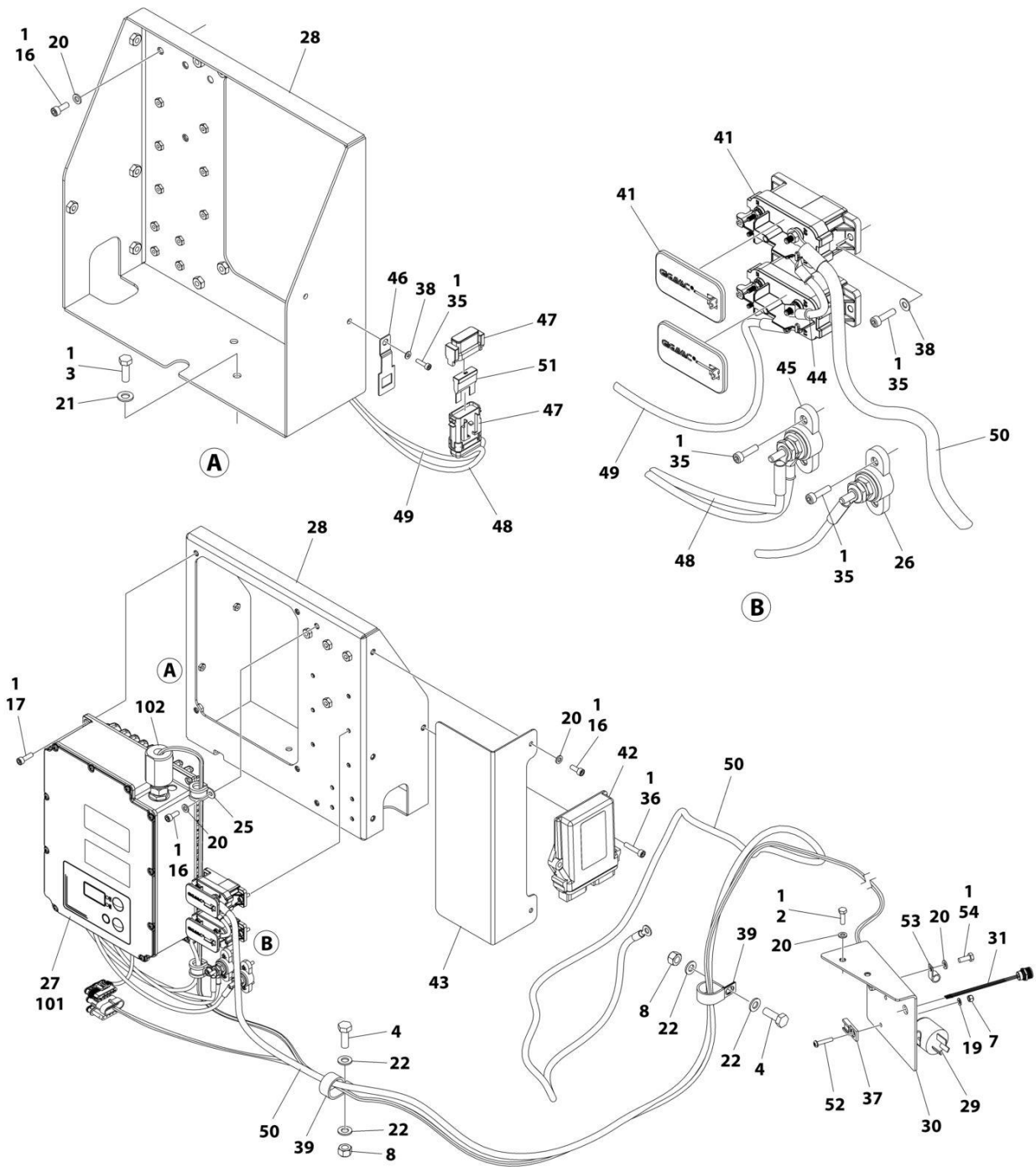
## SECTION 2 - TURNTABLE

**FIGURE 2-20. BATTERY CHARGER INSTALLATION – WITH NO PLUG**

ITEM	PART NUMBER	QTY	DESCRIPTION	REV
	1001262066	Ref	BATTERY CHARGER INSTALLATION	B
1	0100011	AR	Compound, Locking	
2	0760610	2	Bolt M6 x 20	
3	0760812	3	Bolt M8 x 25	
4	0761014	2	Bolt M10 x 30	
7	3290505	1	Nut M5	
8	3291005	2	Nut M10	
16	4031707	5	Bolt M6 x 16	
17	4031708	4	Bolt M6 x 20	
19	4811600	1	Washer M5	
20	4811700	8	Washer M6	
21	4811900	3	Washer M8	
22	4812000	4	Washer M10	
25	1001170231	2	Clamp	
26	1001241501	1	Terminal	
27	1001270414	1	Battery Charger Installation (See Items 101 & 102 for Breakdown)	
28	1001247677	1	Bracket	
30	1001251130	1	Bracket	
31	1001263993	1	Light, Indicator	
35	4031507	9	Bolt M4 x 16	
36	4031710	2	Bolt M6 x 30	
37	4460914	1	Mount, Terminal	
38	4811400	5	Washer M4	
39	1001009205	2	Clip	
41	1001222365	2	Relay	
42	1001257445	1	Module, Control	
43	1001257572	1	Cover	
44	1001260534	1	Cable (Charger Relay Jumper)	
45	1001262387	1	Terminal	
46	1001262467	1	Clip	
47	1001262473	1	Holder, Fuse	
48	1001262979	1	Cable (Stud to Relay)	
49	1001262980	1	Cable (Fuse to Relay)	
50	1001265843	1	Cable (Battery Disconnect to Charger Relay)	
51	1001262472	1	Fuse, 60Amp	
52	8310559	1	Screw M5 x 25	
53	1320043	1	Clamp	
54	0760608	1	Bolt M6 x 16	
	1001270414	Ref	Battery Charger Installation	
101	1001247270	1	Charger, Battery	
102	1001270412	1	Connector	

# SECTION 2 - TURNTABLE

## FIGURE 2-21. BATTERY CHARGER INSTALLATION - 220V (AUSTRALIAN SPECS)



ART\_1001262065

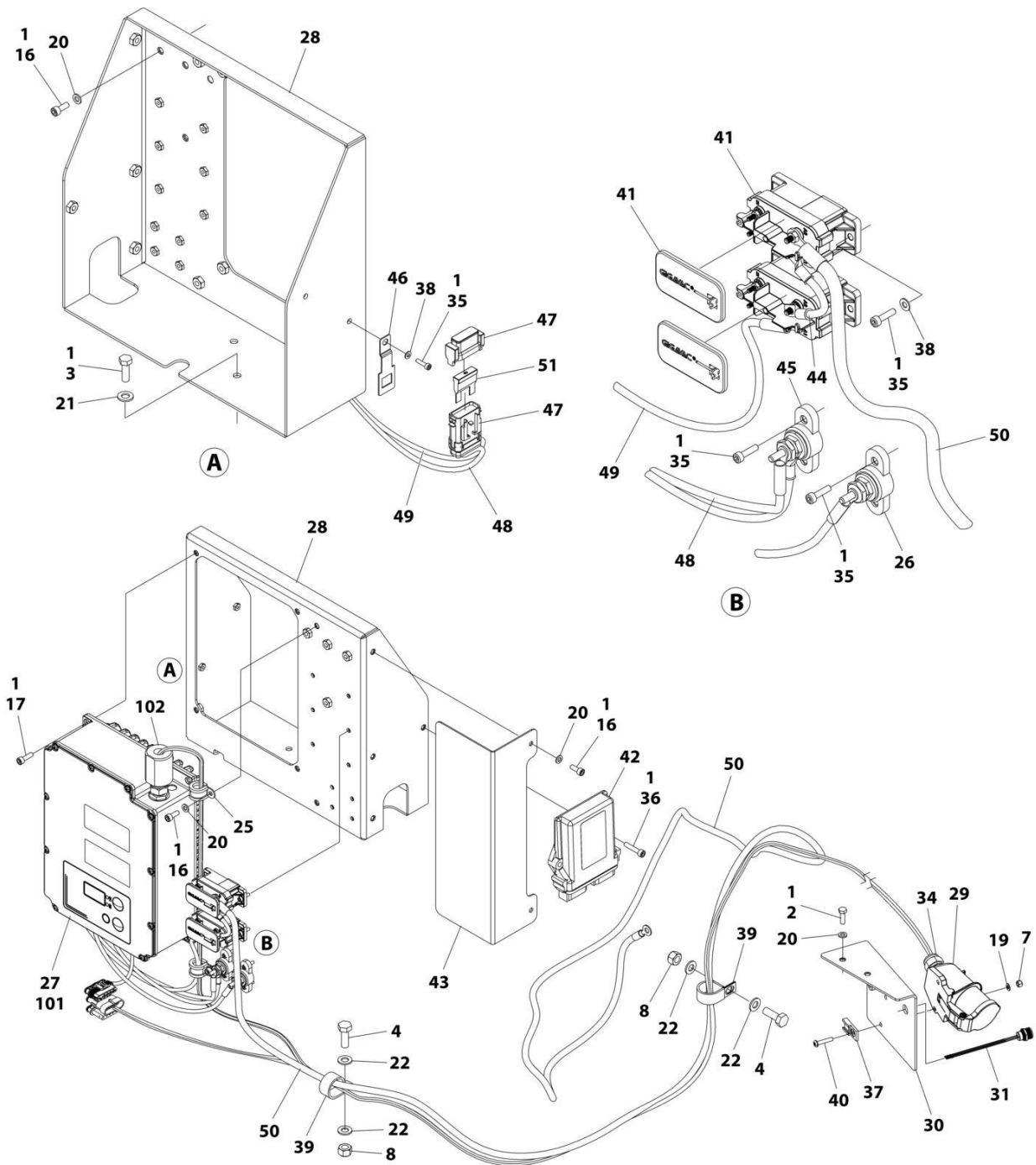
## SECTION 2 - TURNTABLE

**FIGURE 2-21. BATTERY CHARGER INSTALLATION - 220V (AUSTRALIAN SPECS)**

ITEM	PART NUMBER	QTY	DESCRIPTION	REV
	1001262065	Ref	BATTERY CHARGER INSTALLATION	B
1	0100011	AR	Compound, Locking	
2	0760610	2	Bolt M6 x 20	
3	0760812	3	Bolt M8 x 25	
4	0761014	2	Bolt M10 x 30	
7	3290505	1	Nut M5	
8	3291005	2	Nut M10	
16	4031707	5	Bolt M6 x 16	
17	4031708	4	Bolt M6 x 20	
19	4811600	1	Washer M5	
20	4811700	8	Washer M6	
21	4811900	3	Washer M8	
22	4812000	4	Washer M10	
25	1001170231	2	Clamp	
26	1001241501	1	Terminal	
27	1001270414	1	Battery Charger Installation (See Items 101 & 102 for Breakdown)	
28	1001247677	1	Bracket	
29	4460805	1	Plug, Male	
30	1001251130	1	Bracket	
31	1001263993	1	Light, Indicator	
35	4031507	9	Bolt M4 x 16	
36	4031710	2	Bolt M6 x 30	
37	4460914	1	Mount, Terminal	
38	4811400	5	Washer M4	
39	1001009205	2	Clip	
41	1001222365	2	Relay	
42	1001257445	1	Module, Control	
43	1001257572	1	Cover	
44	1001260534	1	Cable (Charger Relay Jumper)	
45	1001262387	1	Terminal	
46	1001262467	1	Clip	
47	1001262473	1	Holder, Fuse	
48	1001262979	1	Cable (Stud to Relay)	
49	1001262980	1	Cable (Fuse to Relay)	
50	1001265843	1	Cable (Battery Disconnect to Charger Relay)	
51	1001262472	1	Fuse, 60Amp	
52	8310559	1	Screw M5 x 25	
53	1320043	1	Clamp	
54	0760608	1	Bolt M6 x 16	
	1001270414	Ref	Battery Charger Installation	A
101	1001247270	1	Charger, Battery	
102	1001270412	1	Connector	

# SECTION 2 - TURNTABLE

## FIGURE 2-22. BATTERY CHARGER INSTALLATION – WITH 230 IEC PLUG (CE SPECS)



ART\_1001250950



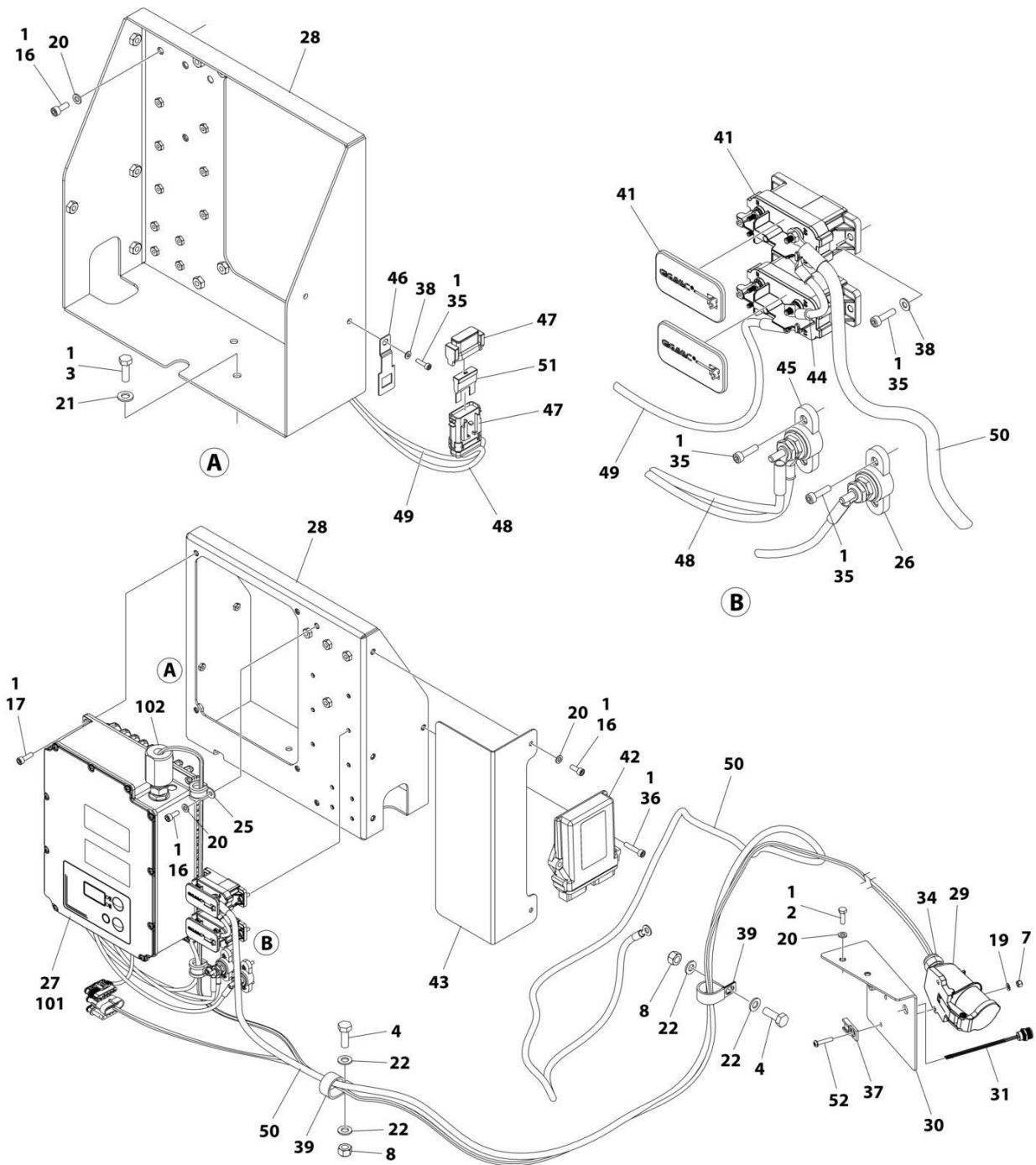
## SECTION 2 - TURNTABLE

**FIGURE 2-22. BATTERY CHARGER INSTALLATION – WITH 230 IEC PLUG (CE SPECS)**

ITEM	PART NUMBER	QTY	DESCRIPTION	REV
	1001250950	Ref	BATTERY CHARGER INSTALLATION	C
1	0100011	AR	Compound, Locking	
2	0760610	2	Bolt M6 x 20	
3	0760812	3	Bolt M8 x 25	
4	0761014	2	Bolt M10 x 30	
7	3290505	2	Nut M5	
8	3291005	2	Nut M10	
16	4031707	5	Bolt M6 x 16	
17	4031708	4	Bolt M6 x 20	
19	4811600	2	Washer M5	
20	4811700	7	Washer M6	
21	4811900	3	Washer M8	
22	4812000	4	Washer M10	
25	1001170231	2	Clamp	
26	1001241501	1	Terminal	
27	1001270414	1	Battery Charger Installation (See Items 101 & 102 for Breakdown)	
28	1001247677	1	Bracket	
29	1001249236	1	Connector	
30	1001251130	1	Bracket	
31	1001263993	1	Light, Indicator	
34	E900051	1	Connector, Strain Relief	
35	4031507	9	Bolt M4 x 16	
36	4031710	2	Bolt M6 x 30	
37	4460914	1	Mount, Terminal	
38	4811400	5	Washer M4	
39	1001009205	2	Clip	
40	8310559	2	Screw M5 x 25	
41	1001222365	2	Relay	
42	1001257445	1	Module, Control	
43	1001257572	1	Cover	
44	1001260534	1	Cable (Charger Relay Jumper)	
45	1001262387	1	Terminal	
46	1001262467	1	Clip	
47	1001262473	1	Holder, Fuse	
48	1001262979	1	Cable (Stud to Relay)	
49	1001262980	1	Cable (Fuse to Relay)	
50	1001265843	1	Cable (Battery Disconnect to Charger Relay)	
51	1001262472	1	Fuse, 60Amp	
	1001270414	Ref	Battery Charger Installation	A
101	1001247270	1	Charger, Battery	
102	1001270412	1	Connector	

# SECTION 2 - TURNTABLE

## FIGURE 2-23. BATTERY CHARGER INSTALLATION – WITH 110 IEC PLUG (YELLOW) (CE SPECS)



ART\_1001262061

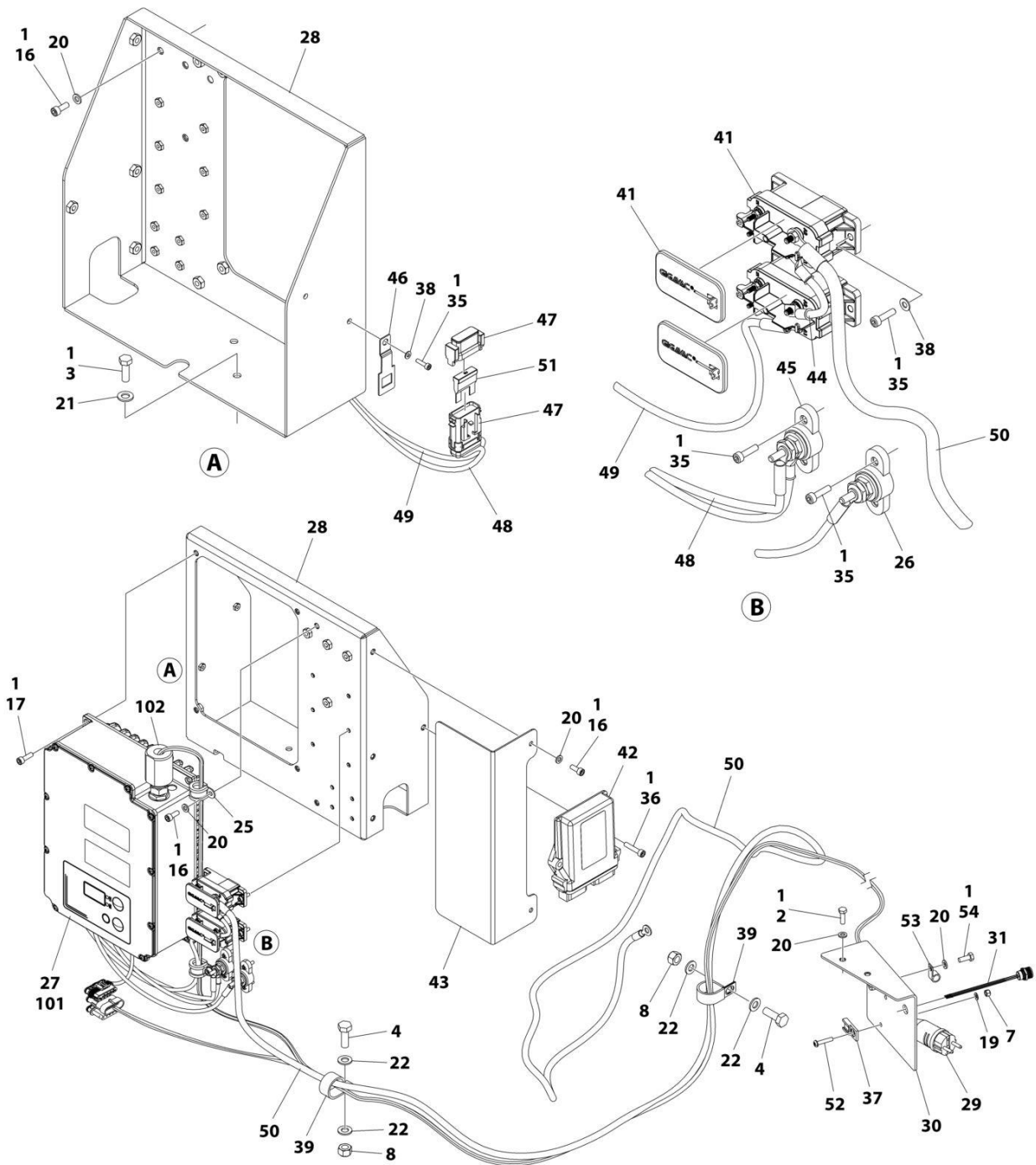
## SECTION 2 - TURNTABLE

**FIGURE 2-23. BATTERY CHARGER INSTALLATION – WITH 110 IEC PLUG (YELLOW) (CE SPECS)**

ITEM	PART NUMBER	QTY	DESCRIPTION	REV
	1001262061	Ref	BATTERY CHARGER INSTALLATION	B
1	0100011	AR	Compound, Locking	
2	0760610	2	Bolt M6 x 20	
3	0760812	3	Bolt M8 x 25	
4	0761014	2	Bolt M10 x 30	
7	3290505	2	Nut M5	
8	3291005	2	Nut M10	
16	4031707	5	Bolt M6 x 16	
17	4031708	4	Bolt M6 x 20	
19	4811600	2	Washer M5	
20	4811700	7	Washer M6	
21	4811900	3	Washer M8	
22	4812000	4	Washer M10	
25	1001170231	2	Clamp	
26	1001241501	1	Terminal	
27	1001270414	1	Battery Charger Installation (See Items 101 & 102 for Breakdown)	
28	1001247677	1	Bracket	
29	1001262067	1	Connector	
30	1001251130	1	Bracket	
31	1001263993	1	Light, Indicator	
34	E900051	1	Gland, Cable M20	
35	4031507	9	Bolt M4 x 16	
36	4031710	2	Bolt M6 x 30	
37	4460914	1	Mount, Terminal	
38	4811400	5	Washer M4	
39	1001009205	2	Clip	
41	1001222365	2	Relay	
42	1001257445	1	Module, Control	
43	1001257572	1	Cover	
44	1001260534	1	Cable (Charger Relay Jumper)	
45	1001262387	1	Terminal	
46	1001262467	1	Clip	
47	1001262473	1	Holder, Fuse	
48	1001262979	1	Cable (Stud to Relay)	
49	1001262980	1	Cable (Fuse to Relay)	
50	1001265843	1	Cable (Battery Disconnect to Charger Relay)	
51	1001262472	1	Fuse, 60Amp	
52	8310559	2	Screw M5 x 25	
	1001270414	Ref	Battery Charger Installation	A
101	1001247270	1	Charger, Battery	
102	1001270412	1	Connector	

# SECTION 2 - TURNTABLE

## FIGURE 2-24. BATTERY CHARGER INSTALLATION (CEE7) (CE SPECS)



ART\_1001262062

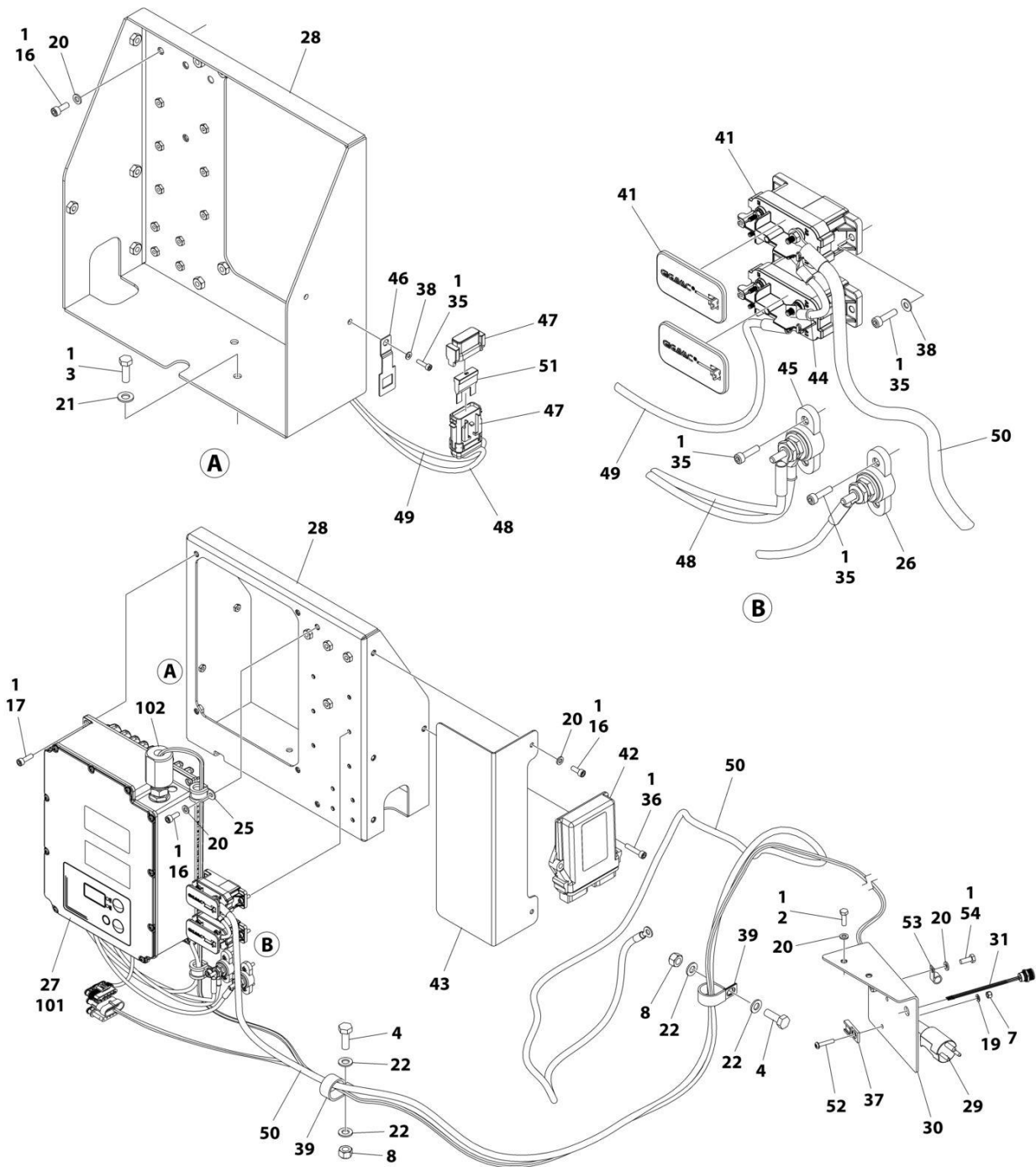
## SECTION 2 - TURNTABLE

**FIGURE 2-24. BATTERY CHARGER INSTALLATION (CEE7) (CE SPECS)**

ITEM	PART NUMBER	QTY	DESCRIPTION	REV
	1001262062	Ref	BATTERY CHARGER INSTALLATION	B
1	0100011	AR	Compound, Locking	
2	0760610	2	Bolt M6 x 20	
3	0760812	3	Bolt M8 x 25	
4	0761014	2	Bolt M10 x 30	
7	3290505	2	Nut M5	
8	3291005	2	Nut M10	
16	4031707	5	Bolt M6 x 16	
17	4031708	4	Bolt M6 x 20	
19	4811600	1	Washer M5	
20	4811700	8	Washer M6	
21	4811900	3	Washer M8	
22	4812000	4	Washer M10	
25	1001170231	2	Clamp	
26	1001241501	1	Terminal	
27	1001270414	1	Battery Charger Installation (See Items 101 & 102 for Breakdown)	
28	1001247677	1	Bracket	
29	4461205	1	Plug, Male	
30	1001251130	1	Bracket	
31	1001263993	1	Light, Indicator	
35	4031507	9	Bolt M4 x 16	
36	4031710	2	Bolt M6 x 30	
37	4460914	1	Mount, Terminal	
38	4811400	5	Washer M4	
39	1001009205	2	Clip	
41	1001222365	2	Relay	
42	1001257445	1	Module, Control	
43	1001257572	1	Cover	
44	1001260534	1	Cable (Charger Relay Jumper)	
45	1001262387	1	Terminal	
46	1001262467	1	Clip	
47	1001262473	1	Holder, Fuse	
48	1001262979	1	Cable (Stud to Relay)	
49	1001262980	1	Cable (Fuse to Relay)	
50	1001265843	1	Cable (Battery Disconnect to Charger Relay)	
51	1001262472	1	Fuse, 60Amp	
52	8310559	1	Screw M5 x 25	
53	1320043	1	Clamp	
54	0760608	1	Bolt M6 x 16	
	1001270414	Ref	Battery Charger Installation	A
101	1001247270	1	Charger, Battery	
102	1001270412	1	Connector	

# SECTION 2 - TURNTABLE

## FIGURE 2-25. BATTERY CHARGER INSTALLATION (ASFINT KEYED GRD) (CE SPECS)



ART\_1001262063

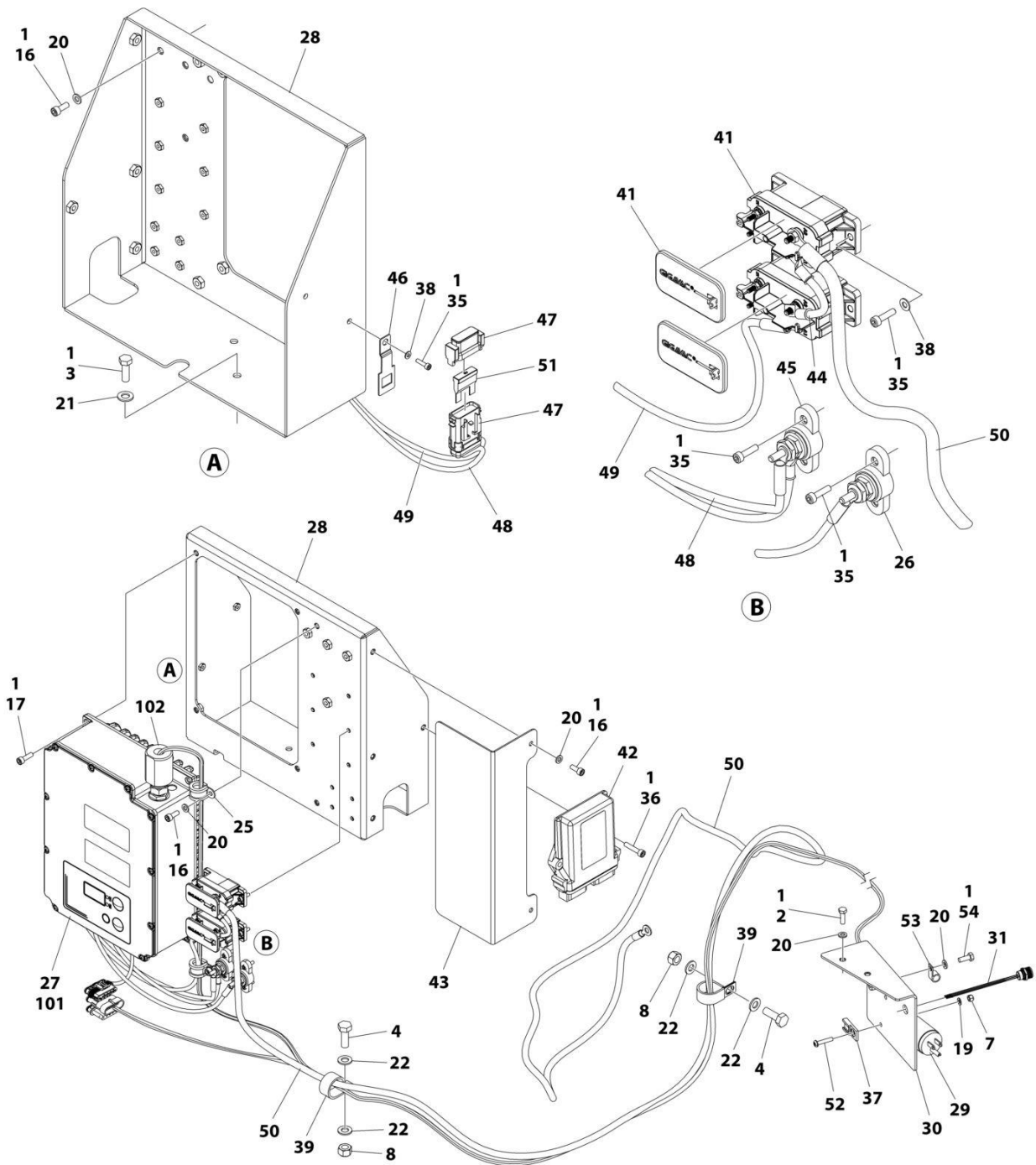
## SECTION 2 - TURNTABLE

**FIGURE 2-25. BATTERY CHARGER INSTALLATION (ASFINT KEYED GRD) (CE SPECS)**

ITEM	PART NUMBER	QTY	DESCRIPTION	REV
	1001262063	Ref	BATTERY CHARGER INSTALLATION	B
1	0100011	AR	Compound, Locking	
2	0760610	2	Bolt M6 x 20	
3	0760812	3	Bolt M8 x 25	
4	0761014	2	Bolt M10 x 30	
7	3290505	1	Nut M5	
8	3291005	2	Nut M10	
16	4031707	5	Bolt M6 x 16	
17	4031708	4	Bolt M6 x 20	
19	4811600	1	Washer M5	
20	4811700	8	Washer M6	
21	4811900	3	Washer M8	
22	4812000	4	Washer M10	
25	1001170231	2	Clamp	
26	1001241501	1	Terminal	
27	1001270414	1	Battery Charger Installation (See Items 101 & 102 for Breakdown)	
28	1001247677	1	Bracket	
29	4461205	1	Plug, Male	
30	1001251130	1	Bracket	
31	1001263993	1	Light, Indicator	
35	4031507	9	Bolt M4 x 16	
36	4031710	2	Bolt M6 x 30	
37	4460914	1	Mount, Terminal	
38	4811400	5	Washer M4	
39	1001009205	2	Clip	
41	1001222365	2	Relay	
42	1001257445	1	Module, Control	
43	1001257572	1	Cover	
44	1001260534	1	Cable (Charger Relay Jumper)	
45	1001262387	1	Terminal	
46	1001262467	1	Clip	
47	1001262473	1	Holder, Fuse	
48	1001262979	1	Cable (Stud to Relay)	
49	1001262980	1	Cable (Fuse to Relay)	
50	1001265843	1	Cable (Battery Disconnect to Charger Relay)	
51	1001262472	1	Fuse, 60Amp	
52	8310559	1	Screw M5 x 25	
53	1320043	1	Clamp	
54	0760608	1	Bolt M6 x 16	
	1001270414	Ref	Battery Charger Installation	A
101	1001247270	1	Charger, Battery	
102	1001270412	1	Connector	

# SECTION 2 - TURNTABLE

FIGURE 2-26. BATTERY CHARGER INSTALLATION - 110V (ANSI AND CSA SPECS)



ART\_1001262064



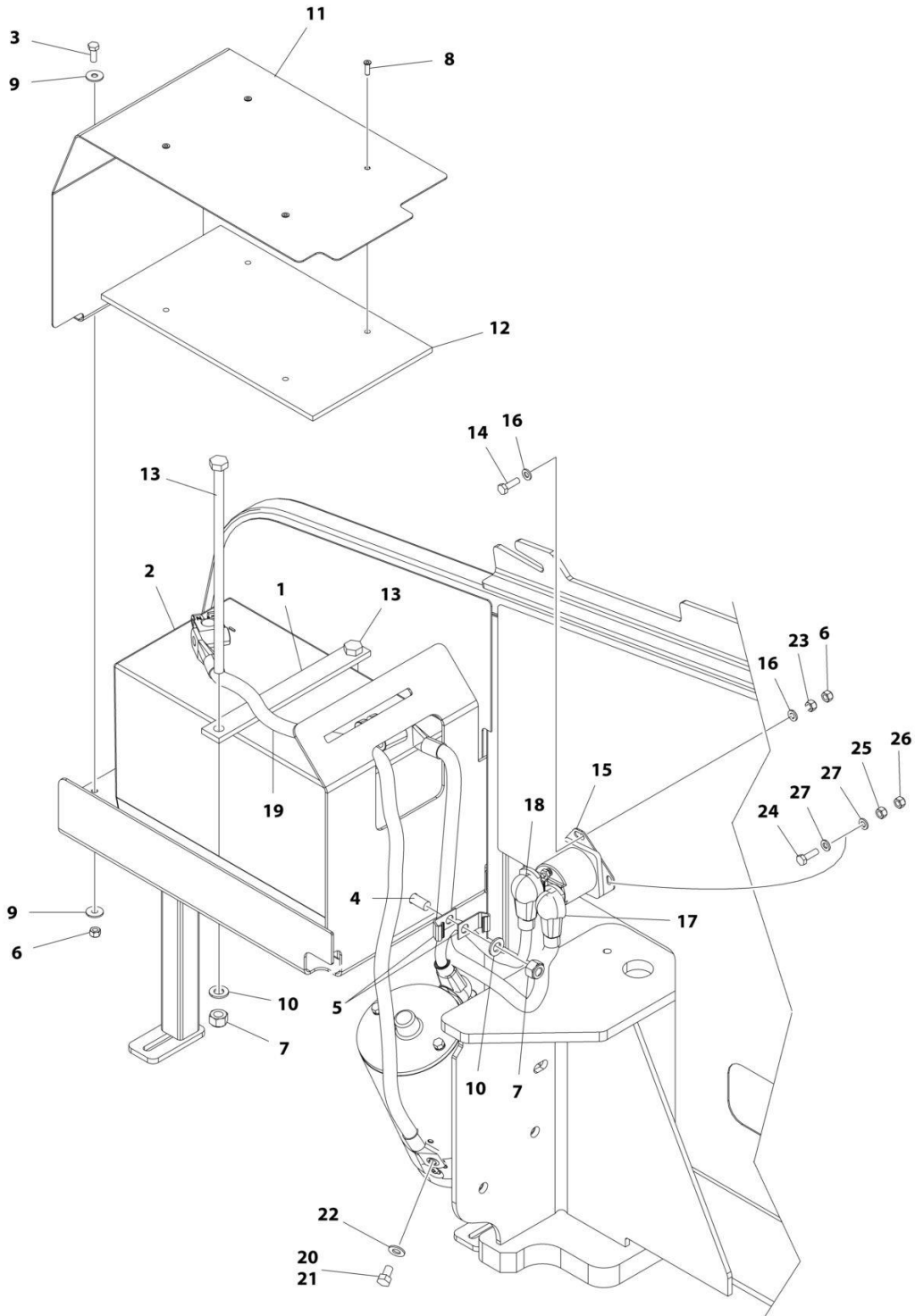
## SECTION 2 - TURNTABLE

**FIGURE 2-26. BATTERY CHARGER INSTALLATION - 110V (ANSI AND CSA SPECS)**

ITEM	PART NUMBER	QTY	DESCRIPTION	REV
	1001262064	Ref	BATTERY CHARGER INSTALLATION	B
1	0100011	AR	Compound, Locking	
2	0760610	2	Bolt M6 x 20	
3	0760812	3	Bolt M8 x 25	
4	0761014	2	Bolt M10 x 30	
7	3290505	1	Nut M5	
8	3291005	2	Nut M10	
16	4031707	5	Bolt M6 x 16	
17	4031708	4	Bolt M6 x 20	
19	4811600	1	Washer M5	
20	4811700	8	Washer M6	
21	4811900	3	Washer M8	
22	4812000	4	Washer M10	
25	1001170231	2	Clamp	
26	1001241501	1	Terminal	
27	1001270414	1	Battery Charger Installation (See Items 101 & 102 for Breakdown)	
28	1001247677	1	Bracket	
29	4460138	1	Plug, Male	
30	1001251130	1	Bracket	
31	1001263993	1	Light, Indicator	
35	4031507	9	Bolt M4 x 16	
36	4031710	2	Bolt M6 x 30	
37	4460914	1	Mount, Terminal	
38	4811400	5	Washer M4	
39	1001009205	2	Clip	
41	1001222365	2	Relay	
42	1001257445	1	Module, Control	
43	1001257572	1	Cover	
44	1001260534	1	Cable (Charger Relay Jumper)	
45	1001262387	1	Terminal	
46	1001262467	1	Clip	
47	1001262473	1	Holder, Fuse	
48	1001262979	1	Cable (Stud to Relay)	
49	1001262980	1	Cable (Fuse to Relay)	
50	1001265843	1	Cable (Battery Disconnect to Charger Relay)	
51	1001262472	1	Fuse, 60Amp	
52	8310559	1	Screw M5 x 25	
53	1320043	1	Clamp	
54	0760608	1	Bolt M6 x 16	
	1001270414	Ref	Battery Charger Installation	A
101	1001247270	1	Charger, Battery	
102	1001270412	1	Connector	

# SECTION 2 - TURNTABLE

## FIGURE 2-27. BATTERY AND CABLE INSTALLATION



ART\_1001166316

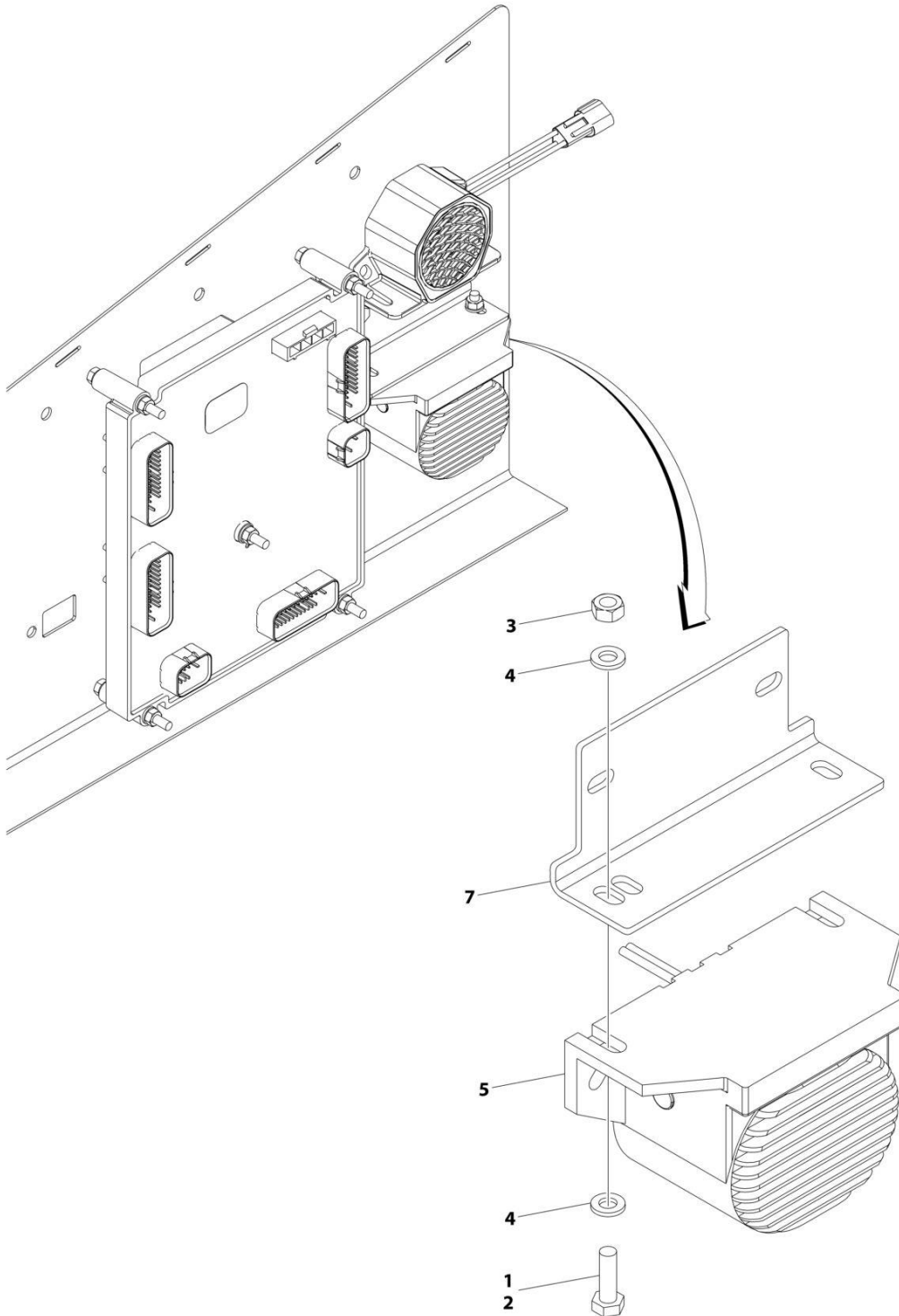
# SECTION 2 - TURNTABLE

**FIGURE 2-27. BATTERY AND CABLE INSTALLATION**

ITEM	PART NUMBER	QTY	DESCRIPTION	REV
	1001166316	Ref	BATTERY AND CABLE INSTALLATION	G
1	0361810	1	Bar, Hold-down	
2	0400075	1	Battery	
3	0760610	2	Bolt M6 x 20	
4	0761012	1	Bolt M10 x 25	
5	1320223	2	J-Clip	
6	3290605	3	Nut M6	
7	3291005	3	Nut M10	
8	3820032	4	Rivet	
9	4811702	4	Washer M6	
10	4812000	4	Washer M10	
11	1001117240	1	Cover	
12	1001119278	1	Insulation	
13	1001119280	2	Bolt M16 x 260	
14	0760612	1	Bolt M6 x 25	
15	3740067	1	Relay	
15	3300220	2	Nut 3/8	
15	1001111424	2	Washer 3/8	
15	3321001	1	Nut #10	
15	4761000	1	Washer #10	
16	4811700	2	Washer M6	
17	1001171678	1	Cable, Battery (Positive + to Aux Relay)	
18	1001171679	1	Cable, Battery (Aux Relay to Aux Pump)	
19	1001171680	1	Cable, Battery (Negative – to Aux Pump)	
20	0100011	AR	Compound, Locking	
21	0641504	1	Bolt 5/16 x 1/2	
22	4711500	1	Washer 5/16	
23	3290601	2	Nut M6	
24	0760512	1	Bolt M5 x 25	
25	3290501	1	Nut M5	
26	3290505	1	Nut M5	
27	4811600	2	Washer M5	

# SECTION 2 - TURNTABLE

## FIGURE 2-28. ALARM WHITE NOISE INSTALLATION



ART\_1001209617

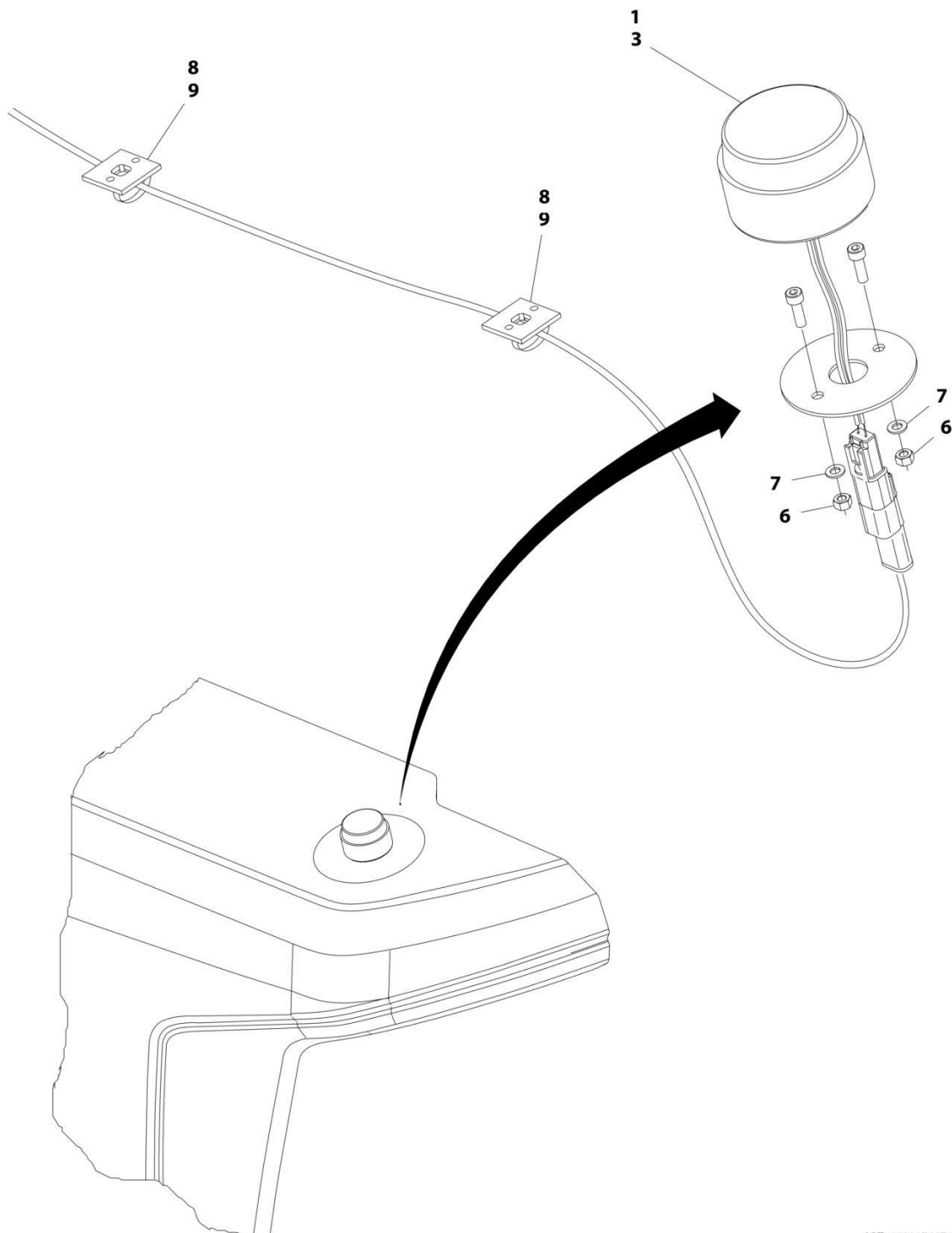
**SECTION 2 - TURNTABLE**

**FIGURE 2-28. ALARM WHITE NOISE INSTALLATION**

<b>ITEM</b>	<b>PART NUMBER</b>	<b>QTY</b>	<b>DESCRIPTION</b>	<b>REV</b>
	1001209617	Ref	WHITE NOISE AMBIENT ALARM INSTALLATION	C
1	0100011	AR	Compound, Locking	
2	0760610	2	Bolt M6 x 20	
3	3290601	2	Nut M6	
4	4811700	4	Washer M6	
5	1001182806	1	Alarm	
6	1001190663	1	Harness, Jumper (Not Shown)	
6	4460891	1	Connector – 2 Position	
6	4460465	2	Socket, Female	
6	4460871	2	Socket, Female	
7	1001231886	1	Plate	

## SECTION 2 - TURNTABLE

FIGURE 2-29. BEACON LIGHT INSTALLATION - AMBER



ART\_1001174976

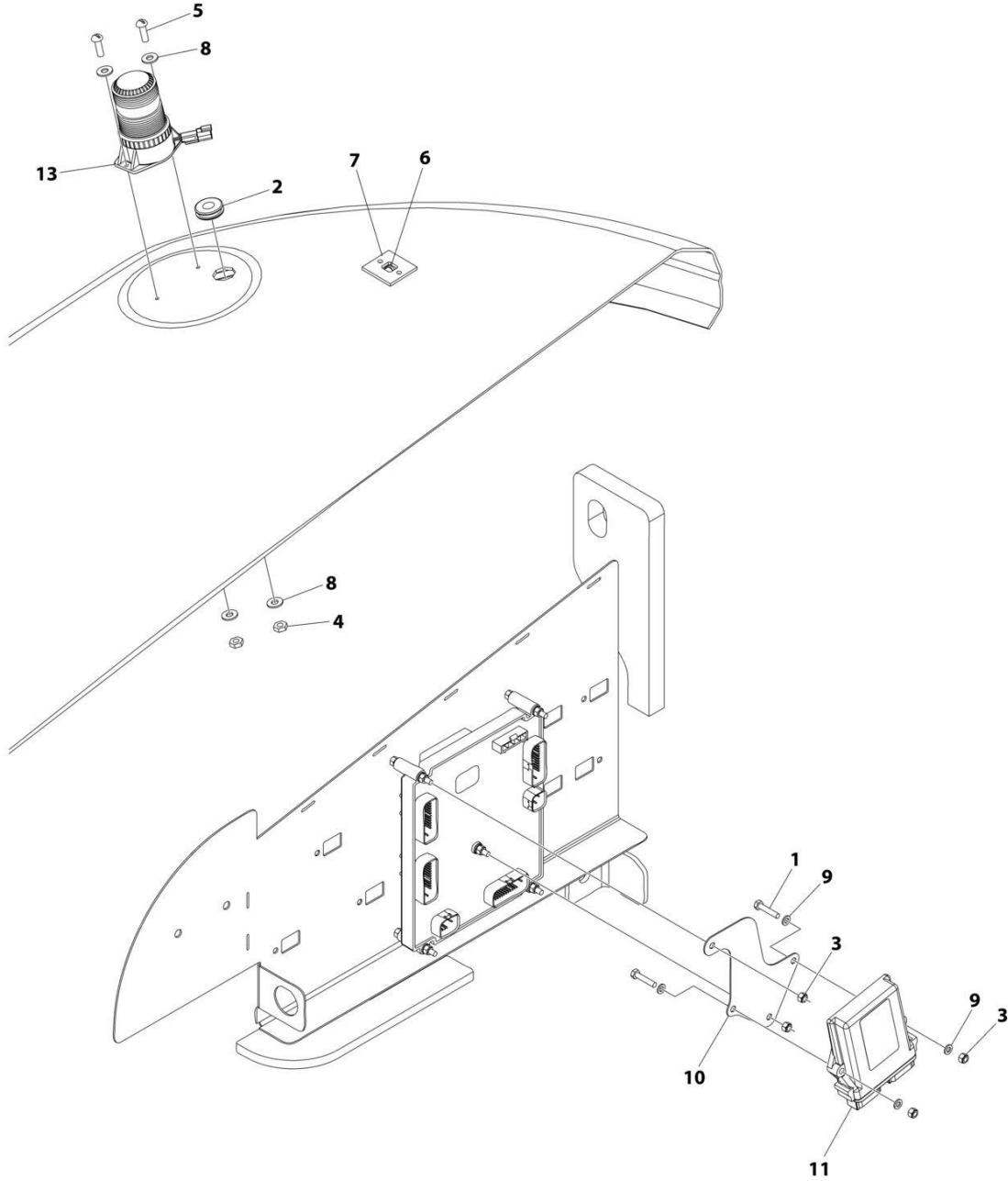
**SECTION 2 - TURNTABLE**

**FIGURE 2-29. BEACON LIGHT INSTALLATION - AMBER**

<b>ITEM</b>	<b>PART NUMBER</b>	<b>QTY</b>	<b>DESCRIPTION</b>	<b>REV</b>
	1001174976	Ref	BEACON LIGHT INSTALLATION - AMBER	D
1	0100048	AR	Compound, Silicone	
3	1001181405	1	Lamp, Strobe	
3	4460897	1	Receptacle, Female - 2 Position	
3	4460464	2	Pin, Male	
6	3290505	2	Nut M5	
7	4811600	2	Washer M5	
8	4240032	AR	Tie-Strap	
9	4460234	2	Mount, Tie-Strap	

# SECTION 2 - TURNTABLE

## FIGURE 2-30. BEACON LIGHT INSTALLATION - BLUE



ART\_1001242855



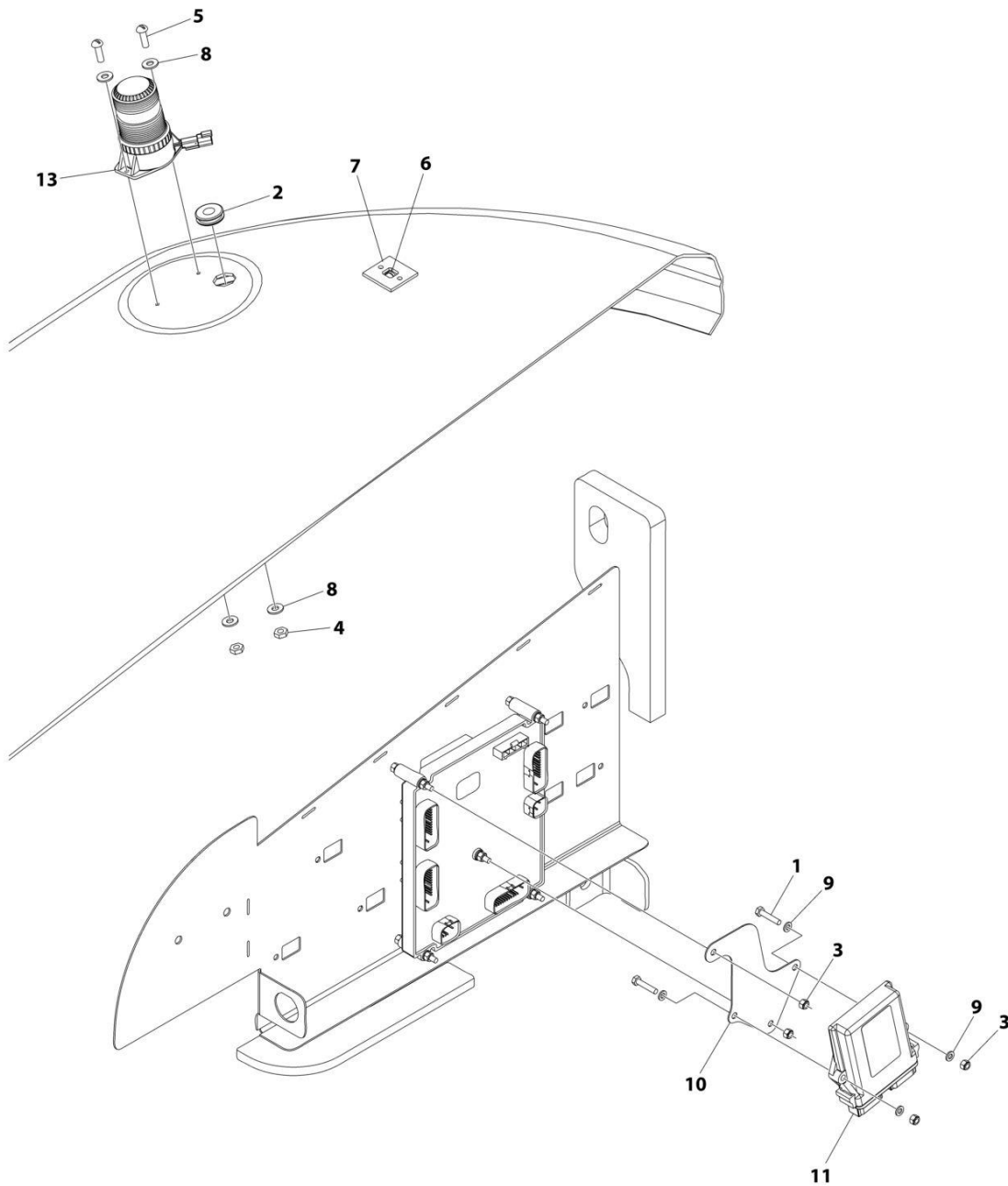
## SECTION 2 - TURNTABLE

### FIGURE 2-30. BEACON LIGHT INSTALLATION - BLUE

ITEM	PART NUMBER	QTY	DESCRIPTION	REV
	1001242855	Ref	BEACON LIGHT INSTALLATION - BLUE	A
1	0760614	2	Bolt M6 x 30	
2	2540020	1	Grommet	
3	3290605	4	Nut M6	
4	3311005	2	Nut #10	
5	3911010	2	Screw #10 x 5/8	
6	4240032	AR	Tie-Strap	
7	4460488	AR	Terminal, Mounting	
8	4711000	4	Washer #10	
9	4811700	4	Washer M6	
10	1001100433	1	Mount, Module	
11	1001142683	1	Module, Control	
12	1001142736	1	Beacon Harness (Not Shown - See Separate Breakdown in ELECTRICAL SECTION)	
13	1001200910	1	Light, Beacon	
13	4460897	1	Receptacle, Female - 2 Position	
13	4460943	2	Pin, Male	

# SECTION 2 - TURNTABLE

## FIGURE 2-31. BEACON LIGHT INSTALLATION - RED



ART\_1001242856

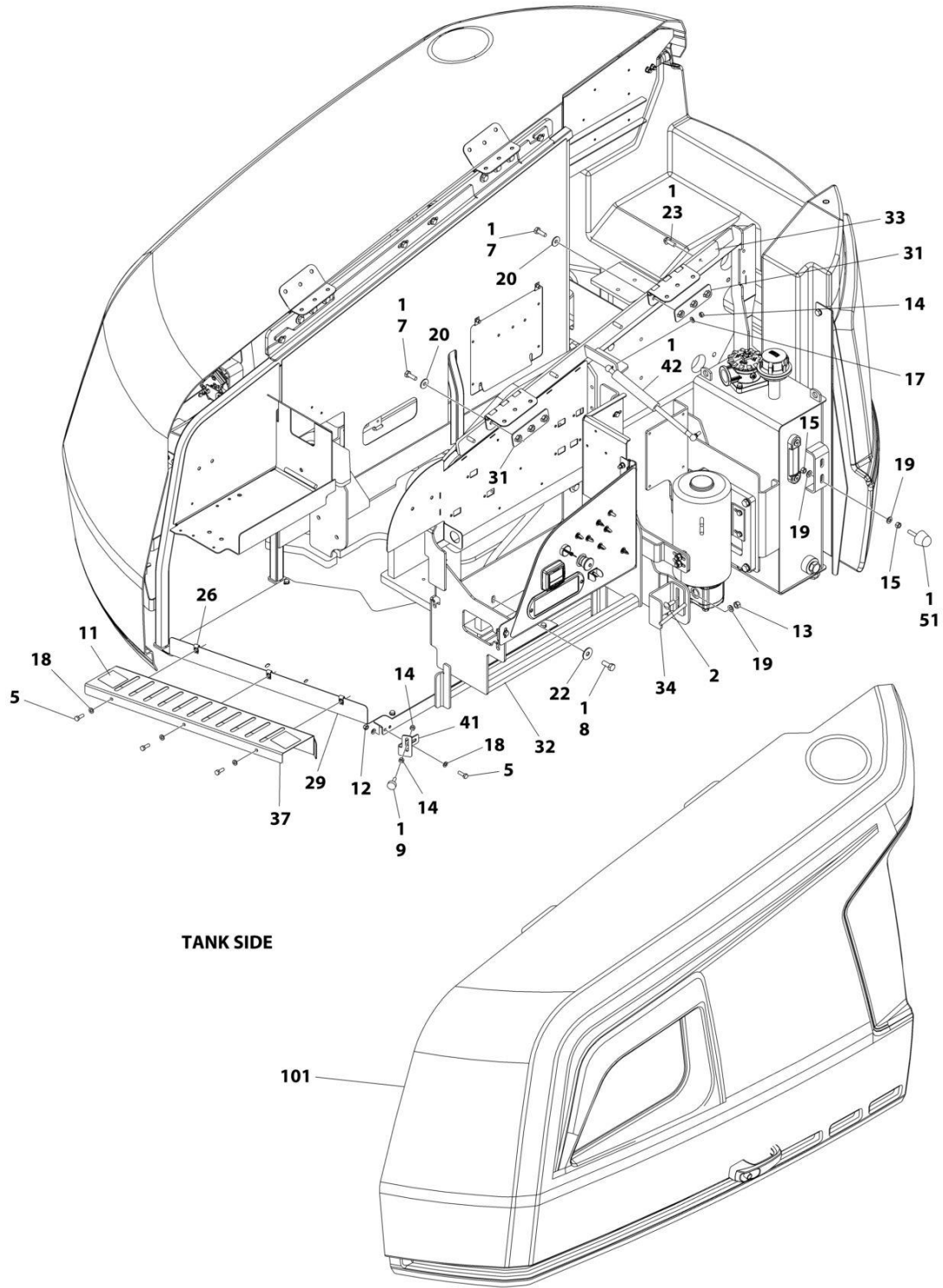
**SECTION 2 - TURNTABLE**

**FIGURE 2-31. BEACON LIGHT INSTALLATION - RED**

ITEM	PART NUMBER	QTY	DESCRIPTION	REV
	1001242856	Ref	BEACON LIGHT INSTALLATION - RED	A
1	0760614	2	Bolt M6 x 30	
2	2540020	1	Grommet	
3	3290605	4	Nut M6	
4	3311005	2	Nut #10	
5	3911010	2	Screw #10 x 5/8	
6	4240032	AR	Tie-Strap	
7	4460488	AR	Terminal, Mounting	
8	4711000	4	Washer #10	
9	4811700	4	Washer M6	
10	1001100433	1	Mount, Module	
11	1001142683	1	Module, Control	
12	1001142736	1	Beacon Harness (Not Shown - See Separate Breakdown in ELECTRICAL Section)	
13	1001207004	1	Light, Beacon	
13	4460897	1	Receptacle, Female - 2 Position	
13	4460943	2	Pin, Male	

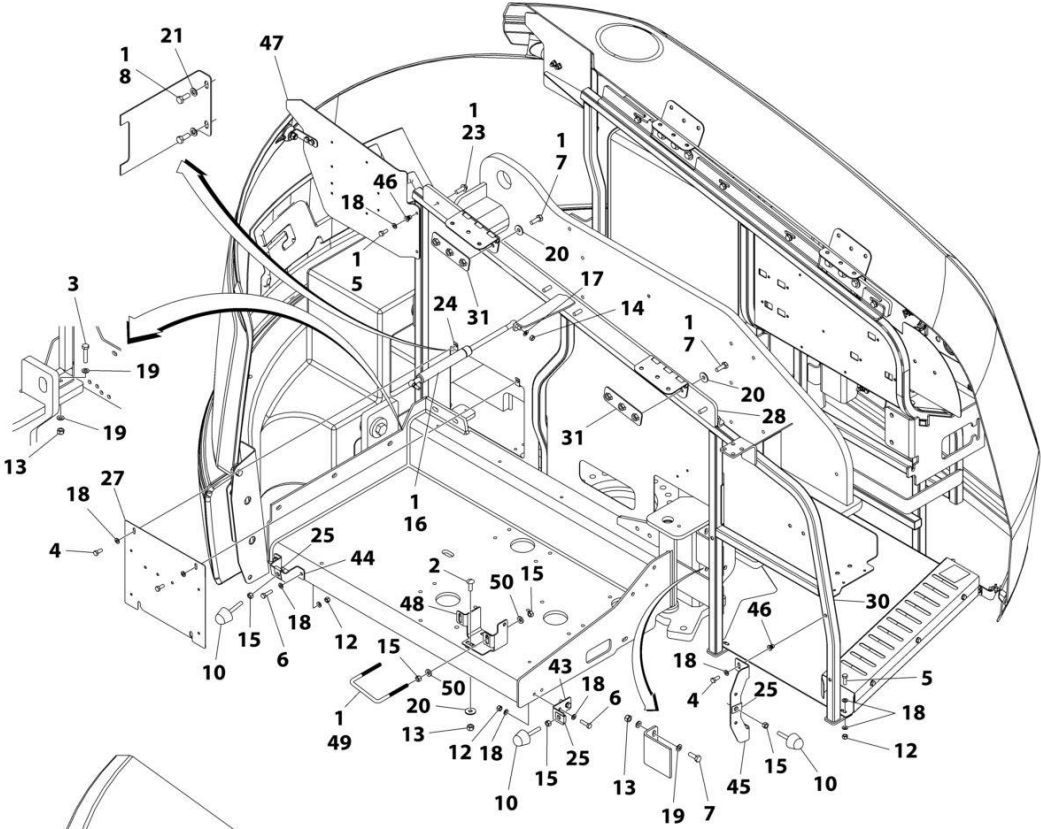
# SECTION 2 - TURNTABLE

## FIGURE 2-32. HOODS INSTALLATION

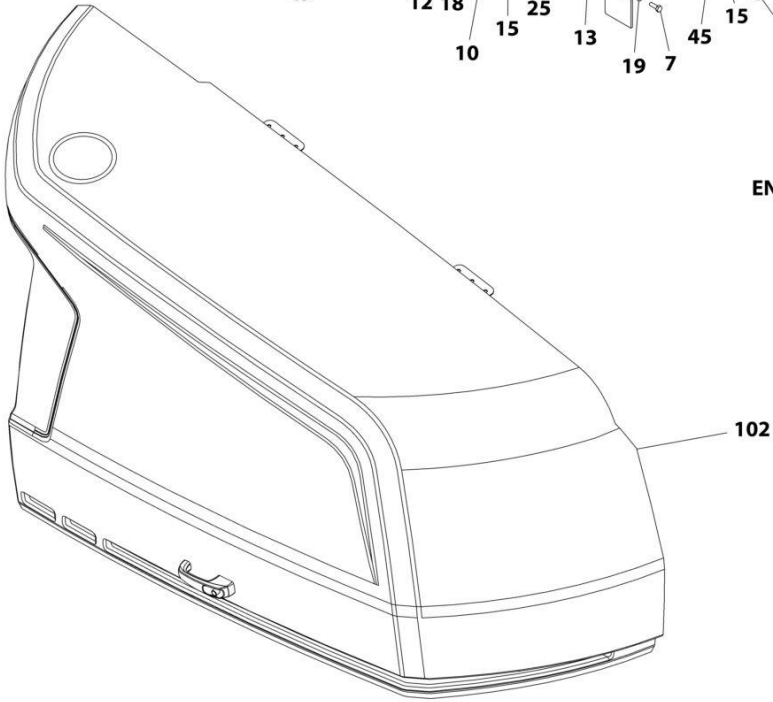


ART\_1001254664\_10F2

**SECTION 2 - TURNTABLE**



**ENGINE SIDE**



ART\_1001254664\_20F2

## SECTION 2 - TURNTABLE

FIGURE 2-32. HOODS INSTALLATION

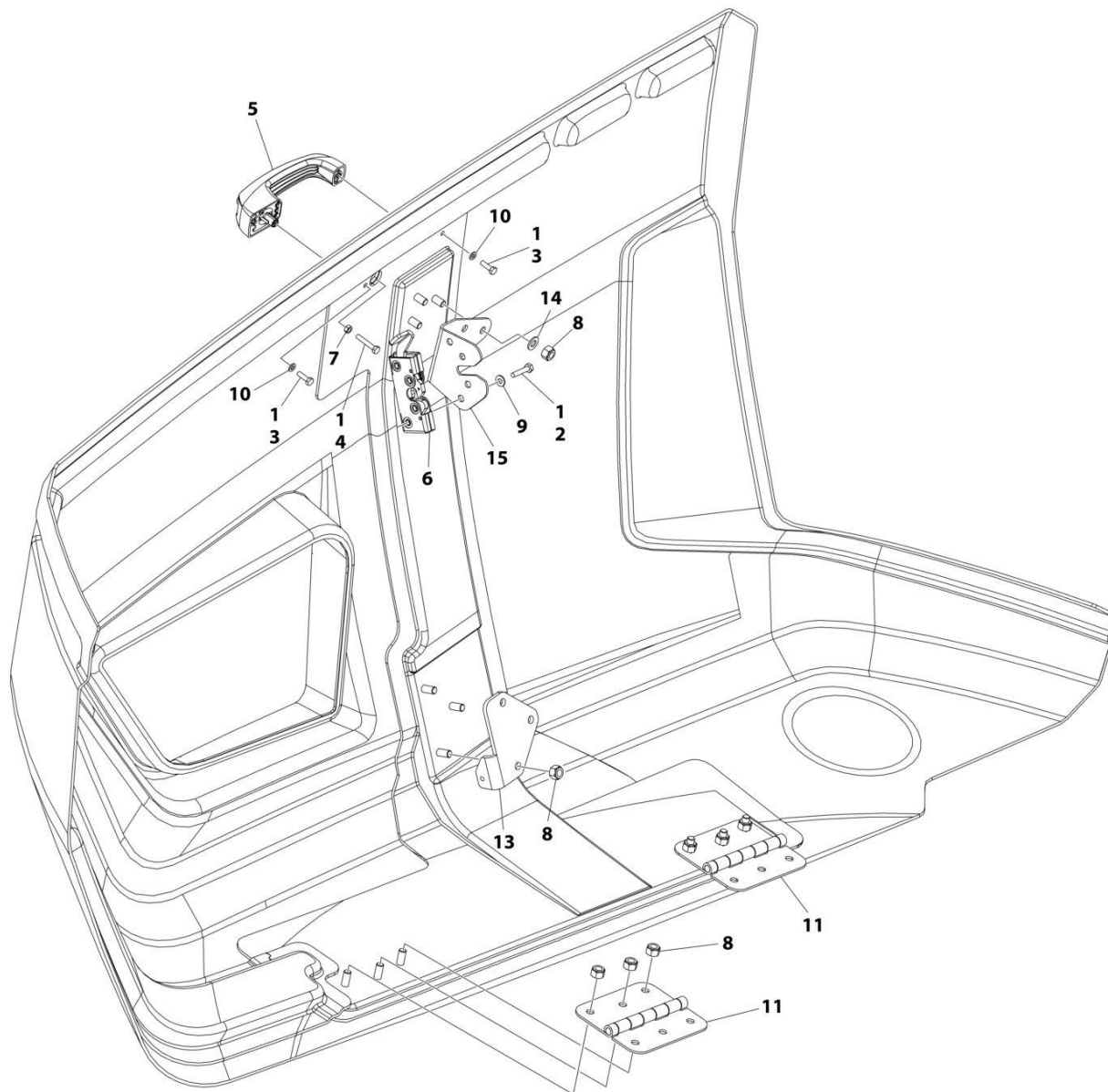
ITEM	PART NUMBER	QTY	DESCRIPTION	REV
	1001254664	Ref	HOODS INSTALLATION	D
1	0100011	AR	Compound, Locking	
2	0630613	4	Bolt M10 x 30	
3	0701018	5	Bolt M10 x 50	
4	0760810	4	Bolt M8 x 20	
5	0760812	11	Bolt M8 x 25	
6	0760814	4	Bolt M8 x 30	
7	0761014	14	Bolt M10 x 30	
8	0761214	6	Bolt M12 x 30	
9	0940049	1	Bumper	
10	0940071	3	Bumper	
11	1701691	2	Decal - No Step	
12	3290805	10	Nut M8	
13	3291005	11	Nut M10	
14	3311501	4	Nut 5/16	
15	3311601	9	Nut 3/8	
16	4160182	1	Spring, Gas	
17	4711500	2	Washer 5/16	
18	4811900	29	Washer M8	
19	4812000	18	Washer M10	
20	4812002	14	Washer M10	
21	4812100	2	Washer M12	
22	4812102	4	Washer M12	
23	5251014	8	Bolt M10 x 30	
24	8310686	2	Nut, Retainer M8	
25	88662523	3	Nut, Tinnerman	
26	1001118274	3	Nut M8	
27	1001167149	1	Panel, Filler	
28	1001167159	1	Mount	
29	1001167163	1	Tray	
30	1001167169	1	Mount	
31	1001169046	4	Nut	
32	1001211716	1	Support	
33	1001170018	1	Mount	
34	1001170022	1	Mount	
37	1001171216	1	Cover	
41	1001179904	1	Mount	
42	1001182169	1	Spring, Gas	
43	1001182875	1	Mount	
44	1001182877	1	Mount	
45	1001182879	1	Mount	
46	1001191832	4	Rivnut M8	
47	1001211717	1	Support	
48	1001250291	1	Bracket	
49	1001243414	1	U-Bolt 3/8	
50	4891600	4	Washer 3/8	
51	1001264238	1	Bumper	
100	1001249436	1	Hood Kit (Includes Items 101-103)	
101	1001241296	1	Hood Assembly - Tank Side (See Separate Breakdown in this Section)	

**SECTION 2 - TURNTABLE**

<b>ITEM</b>	<b>PART NUMBER</b>	<b>QTY</b>	<b>DESCRIPTION</b>	<b>REV</b>
102	1001249434	1	Hood Assembly - Engine Side (See Separate Breakdown in this Section)	

## SECTION 2 - TURNTABLE

FIGURE 2-33. HOOD ASSEMBLY - TANK SIDE



**NOTE: REPLACEMENT DECALS MUST BE ORDERED SEPARATELY - SEE DECAL SECTION.**

ART\_1001241296



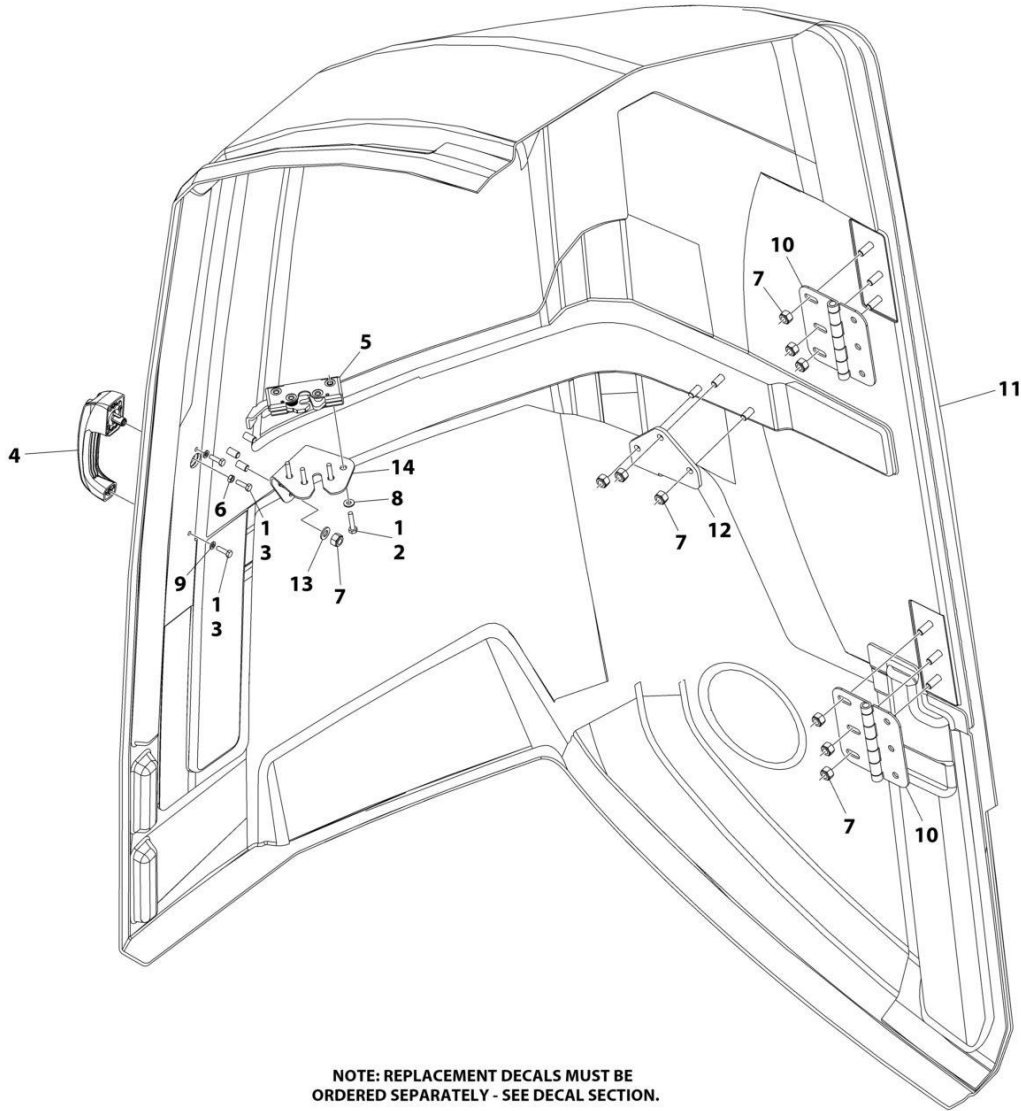
**SECTION 2 - TURNTABLE**

**FIGURE 2-33. HOOD ASSEMBLY - TANK SIDE**

ITEM	PART NUMBER	QTY	DESCRIPTION	REV
	1001241296	Ref	HOOD ASSEMBLY - TANK SIDE	C
1	0100011	AR	Compound, Locking	
2	0641410	4	Bolt 1/4 x 1-1/4	
3	0760610	2	Bolt M6 x 20	
4	0760615	1	Bolt M6 x 35	
5	2560187	1	Handle	
6	2940173	1	Latch	
7	3290601	1	Nut M6	
8	3291005	12	Nut M10	
9	4711400	4	Washer 1/4	
10	4811700	2	Washer M6	
11	1001259230	2	Hinge	
13	1001170475	1	Bracket	
14	4812000	3	Washer M10	
15	1001203322	1	Support	

# SECTION 2 - TURNTABLE

## FIGURE 2-34. HOOD ASSEMBLY - ENGINE SIDE



NOTE: REPLACEMENT DECALS MUST BE ORDERED SEPARATELY - SEE DECAL SECTION.

ART\_1001249434

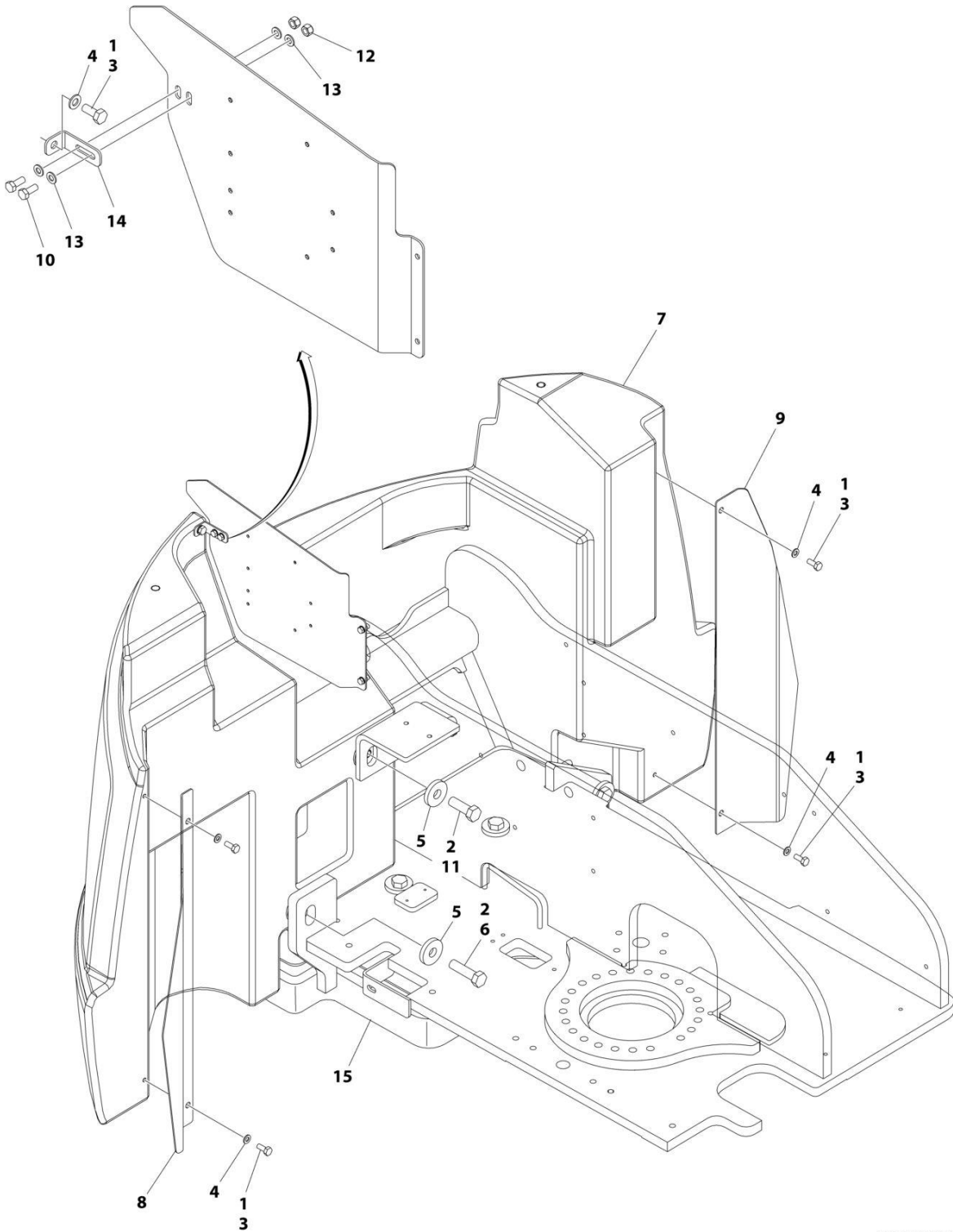
**SECTION 2 - TURNTABLE**

**FIGURE 2-34. HOOD ASSEMBLY - ENGINE SIDE**

ITEM	PART NUMBER	QTY	DESCRIPTION	REV
	1001249434	Ref	HOOD ASSEMBLY - ENGINE SIDE	B
1	0100011	AR	Compound, Locking	
2	0641410	4	Bolt 1/4 x 1-1/4	
3	0760610	3	Bolt M6 x 20	
4	2560187	1	Handle	
5	2940173	1	Latch	
6	3290601	1	Nut M6	
7	3291005	12	Nut M10	
8	4711400	4	Washer 1/4	
9	4811700	2	Washer M6	
10	1001259230	2	Hinge	
12	1001178228	1	Bracket	
13	4812000	3	Washer M10	
14	1001202830	1	Support	

# SECTION 2 - TURNTABLE

## FIGURE 2-35. COVERS INSTALLATION - COUNTERWEIGHT



ART\_1001169382

**SECTION 2 - TURNTABLE**

**FIGURE 2-35. COVERS INSTALLATION - COUNTERWEIGHT**

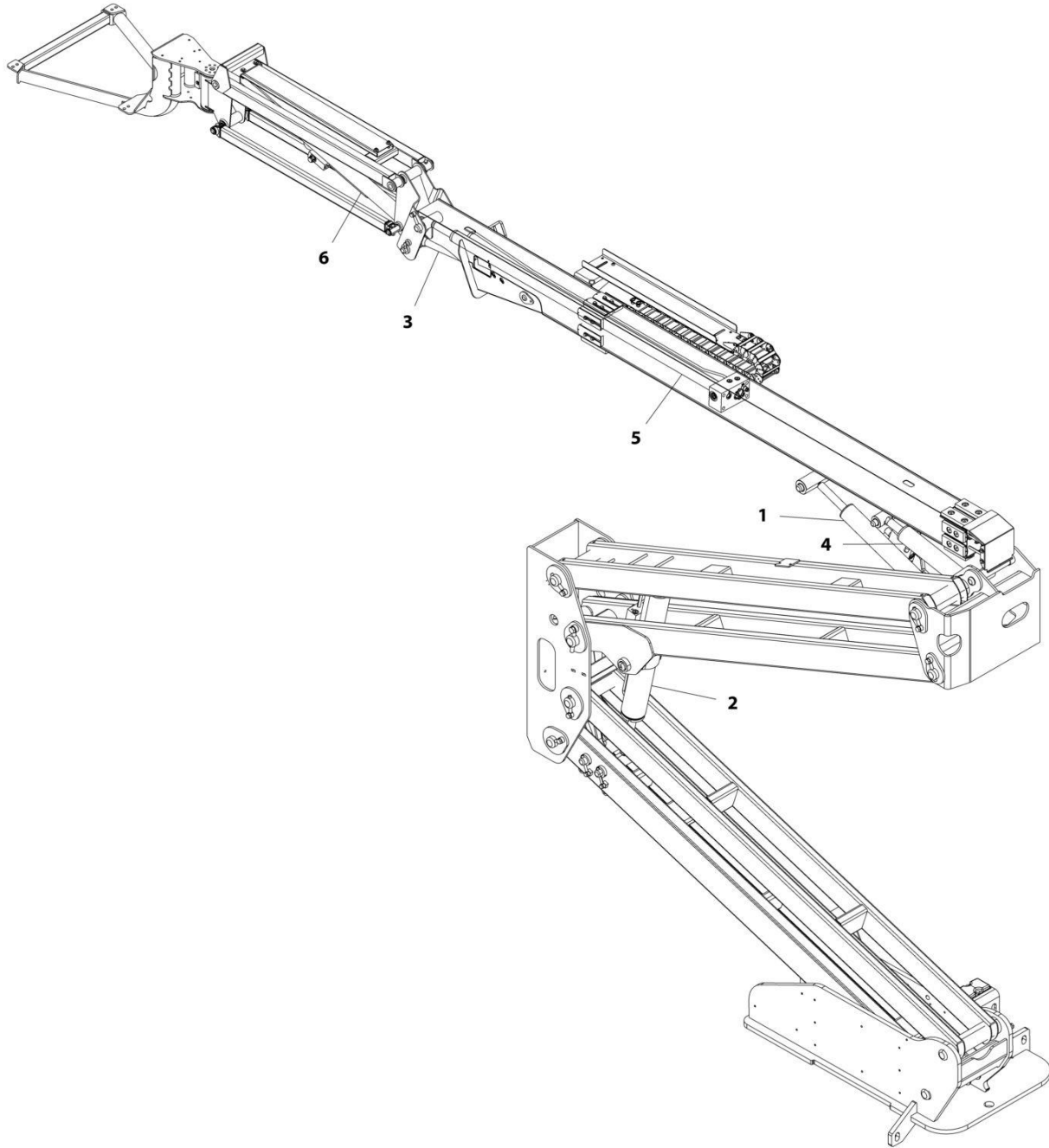
<b>ITEM</b>	<b>PART NUMBER</b>	<b>QTY</b>	<b>DESCRIPTION</b>	<b>REV</b>
	1001169382	Ref	COVERS INSTALLATION - COUNTERWEIGHT	D
1	0100011	AR	Compound, Locking	
2	0100019	AR	Compound, Locking	
3	0701012	5	Bolt M10 x 25	
4	4812000	5	Washer M10	
5	1001119051	5	Washer	
6	1001119057	4	Bolt, Grade 8	
7	1001169381	1	Weight, Counter	
8	1001170120	1	Bracket	
9	1001170121	1	Bracket	
10	0760810	2	Bolt M8 x 20	
11	0762020	1	Screw M20 x 60	
12	3290805	2	Nut M8	
13	4811900	4	Washer M8	
14	1001179191	1	Mount, Hood	
15	1001183841	1	Weight, Counter	



**SECTION 3 - BOOM**

# SECTION 3 - BOOM

FIGURE 3-1. CYLINDERS INSTALLATION (Prior to SN C30000204)



ART\_1001163863



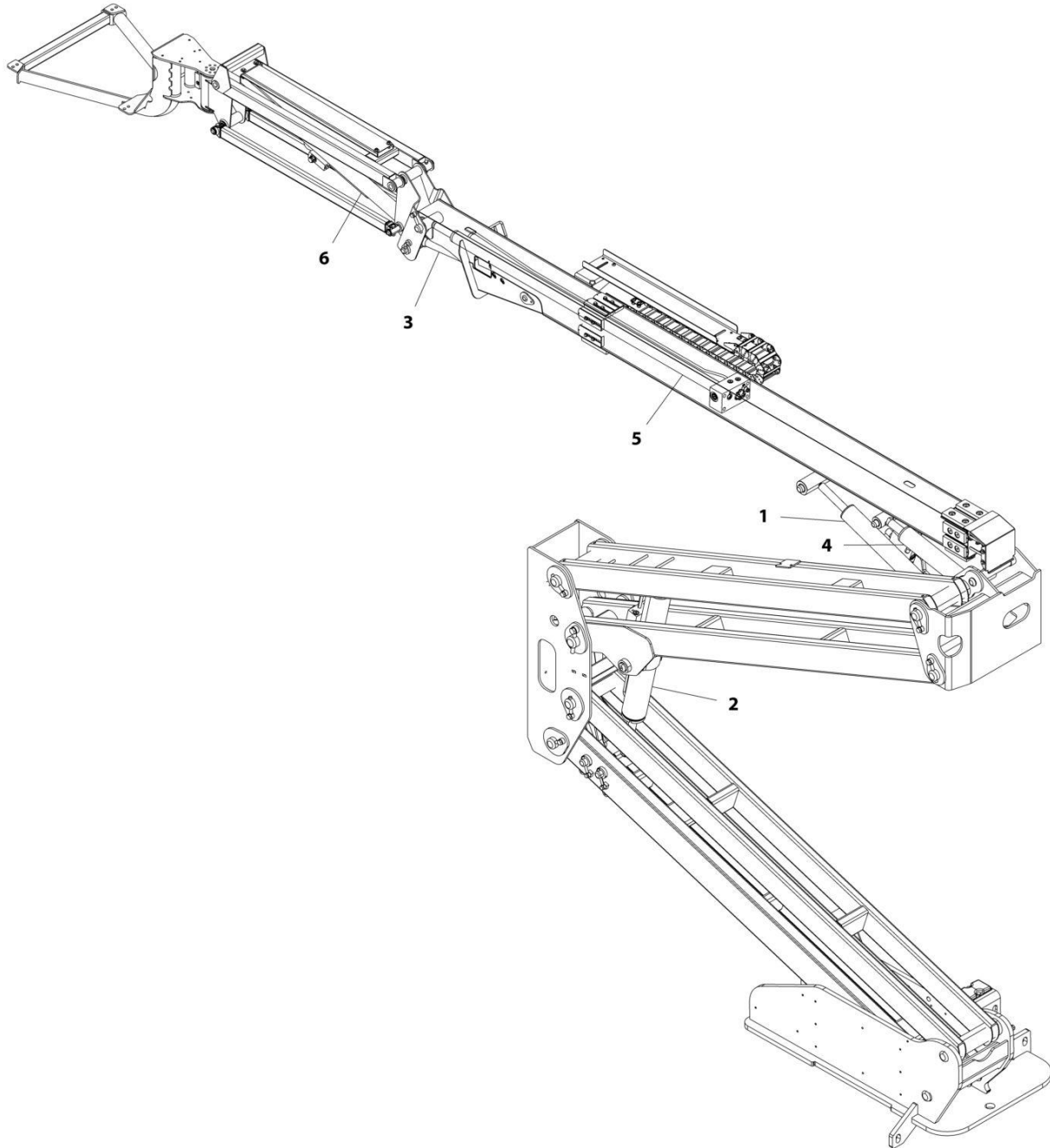
## SECTION 3 - BOOM

**FIGURE 3-1. CYLINDERS INSTALLATION (Prior to SN C30000204)**

ITEM	PART NUMBER	QTY	DESCRIPTION	REV
	1001163863	Ref	CYLINDERS INSTALLATION	C
1	1001217681	1	Lift Cylinder Assembly - Main Boom (See Separate Breakdown in CYLINDER Section)	
2	1001161715	1	Lift Cylinder Assembly - Tower Boom (See Separate Breakdown in CYLINDER Section)	
3	1001161716	1	Level (Platform Slave) Cylinder Assembly (See Separate Breakdown in CYLINDER Section)	
4	1001161717	1	Master Cylinder Assembly (See Separate Breakdown in CYLINDER Section)	
5	1001161804	1	Telescope Cylinder Assembly (See Separate Breakdown in CYLINDER Section)	
6	1001163767	1	Lift Cylinder Assembly - Jib (See Separate Breakdown in CYLINDER Section)	

# SECTION 3 - BOOM

FIGURE 3-2. CYLINDERS INSTALLATION (SN C30000204 through C30000329)



ART\_1001163863

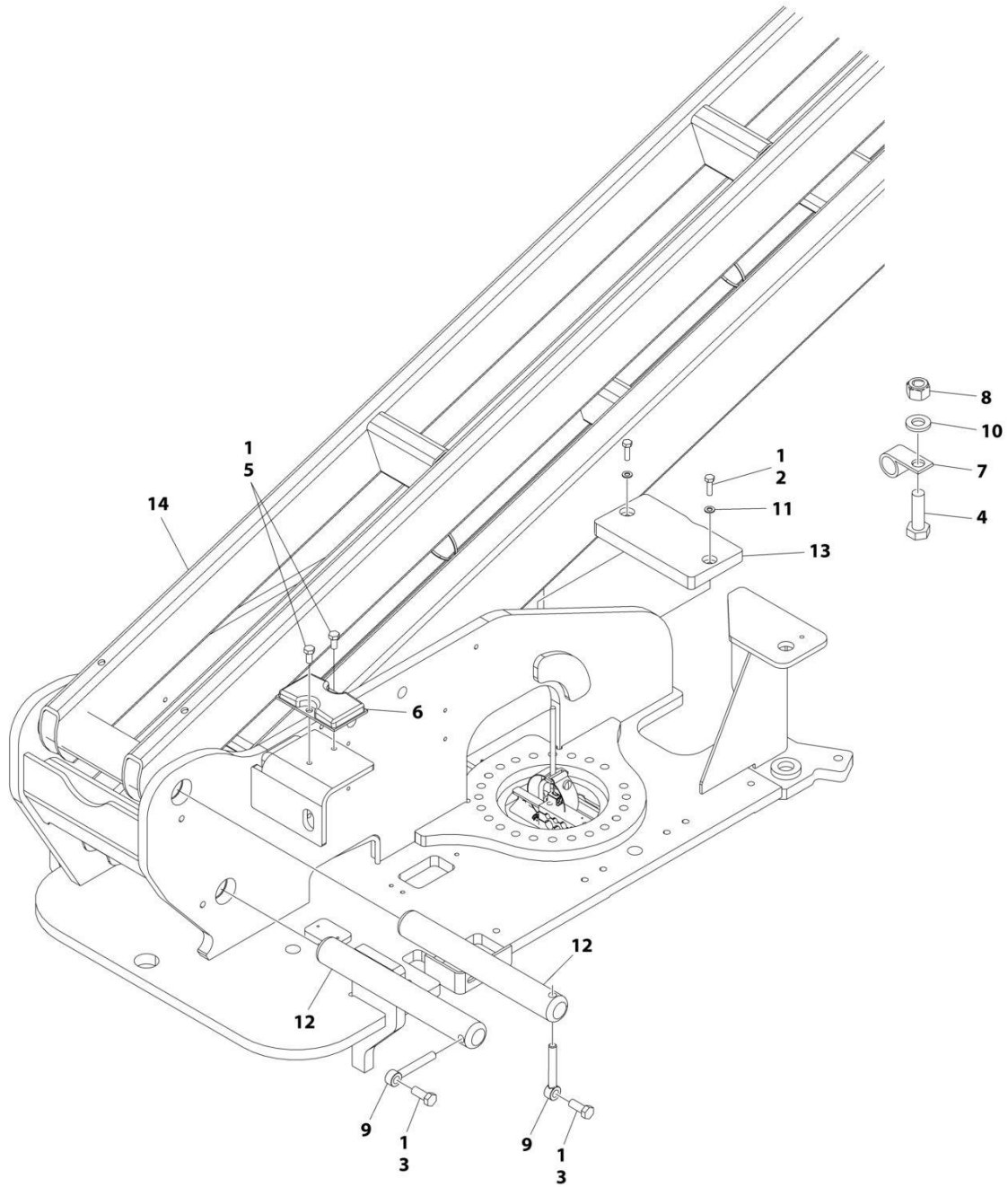
## SECTION 3 - BOOM

**FIGURE 3-2. CYLINDERS INSTALLATION (SN C300000204 through C300000329)**

ITEM	PART NUMBER	QTY	DESCRIPTION	REV
	1001163863	Ref	CYLINDERS INSTALLATION	D
1	1001266738	1	Lift Cylinder Assembly - Main Boom (See Separate Breakdown in CYLINDER Section)	
2	1001254716	1	Lift Cylinder Assembly - Tower Boom (See Separate Breakdown in CYLINDER Section)	
3	1001161716	1	Level (Platform Slave) Cylinder Assembly (See Separate Breakdown in CYLINDER Section)	
4	1001161717	1	Master Cylinder Assembly (See Separate Breakdown in CYLINDER Section)	
5	1001266711	1	Telescope Cylinder Assembly (See Separate Breakdown in CYLINDER Section)	
6	1001163767	1	Lift Cylinder Assembly - Jib (See Separate Breakdown in CYLINDER Section)	

# SECTION 3 - BOOM

## FIGURE 3-3. BOOM INSTALLATION - WITHOUT AIRLINES



ART\_1001255033

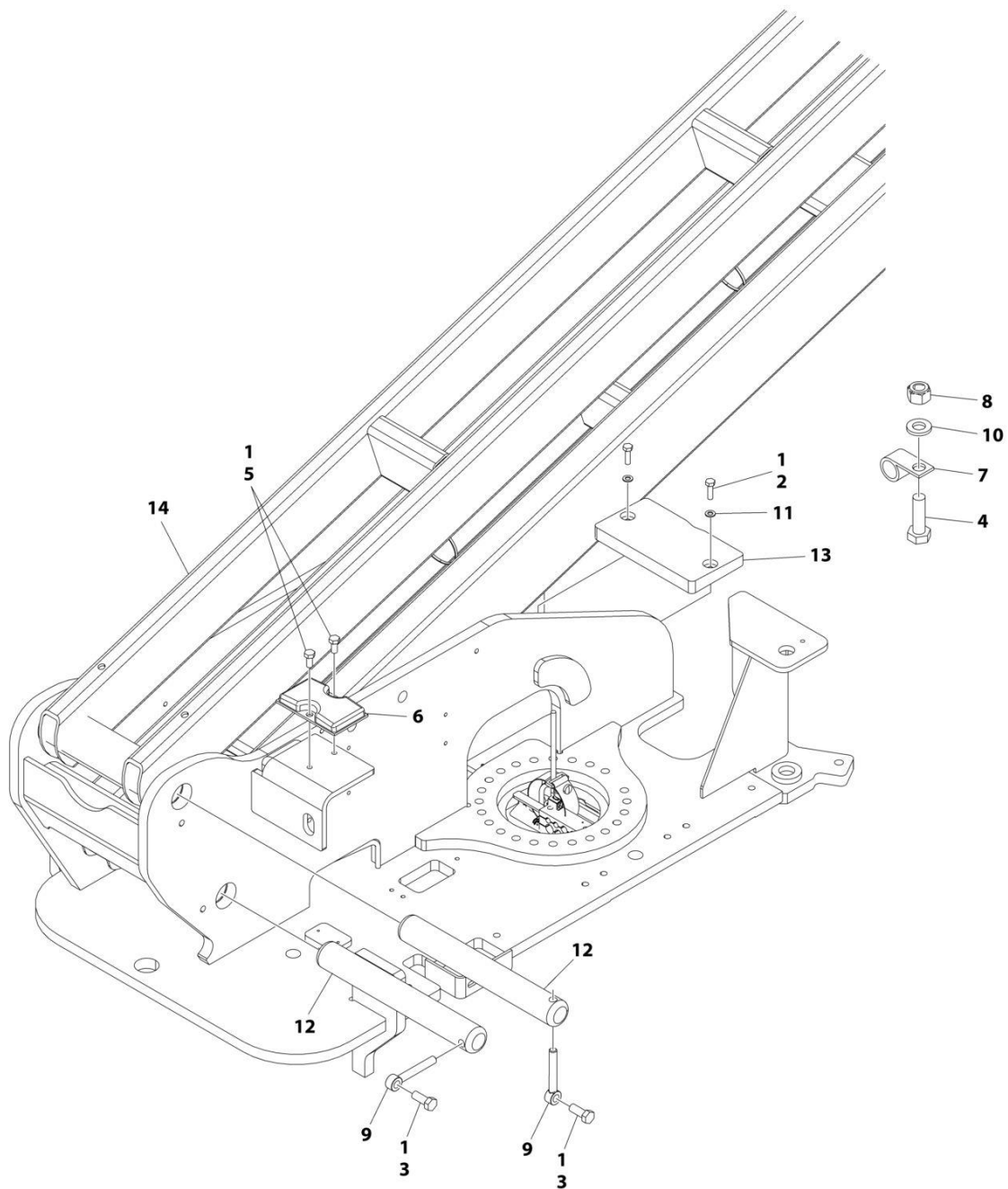
## SECTION 3 - BOOM

### FIGURE 3-3. BOOM INSTALLATION - WITHOUT AIRLINES

ITEM	PART NUMBER	QTY	DESCRIPTION	REV
	1001255033	Ref	BOOM INSTALLATION	D
1	0100011	AR	Compound, Locking	
2	0701015	2	Bolt M10 x 35	
3	0701616	2	Bolt M16 x 40	
4	0760610	1	Bolt M6 x 20	
5	0761212	2	Bolt M12 x 25	
6	0940048	1	Bumper	
7	1320043	1	Clamp without Liner	
7	1001170231	1	Clamp with Liner	
8	3290605	1	Nut M6	
9	3841258	2	Keeper, Pin	
10	4811700	1	Washer M6	
11	4812000	2	Washer M10	
12	1001169249	2	Pin	
13	1001180056	1	Pad, Wear	
14	1001255041	1	Boom Components Installation (Includes Items 101-106)	C
101	1001163863	1	Cylinder Installation (Not Shown - See Separate Breakdown in this Section)	
103	1001255046	1	Main Boom Installation (Not Shown - See Separate Breakdown in this Section)	
104	1001255047	1	Boom Valves Installation (Not Shown - See Separate Breakdown in this Section)	
105	1001255049	1	Boom Hydraulics Installation (Not Shown - See Separate Breakdown in HYDRAULICS Section)	
106	1001255050	1	Cables and Clamps Installation (Not Shown - See Separate Breakdown in ELECTRICAL Section) <b>(Prior to SN C300000185)</b>	
106	1001274436	1	Cables and Clamps Installation (Not Shown - See Separate Breakdown in ELECTRICAL Section) <b>(SN C300000185 through C300000329)</b>	

# SECTION 3 - BOOM

## FIGURE 3-4. BOOM INSTALLATION - WITH AIRLINE



ART\_1001255035

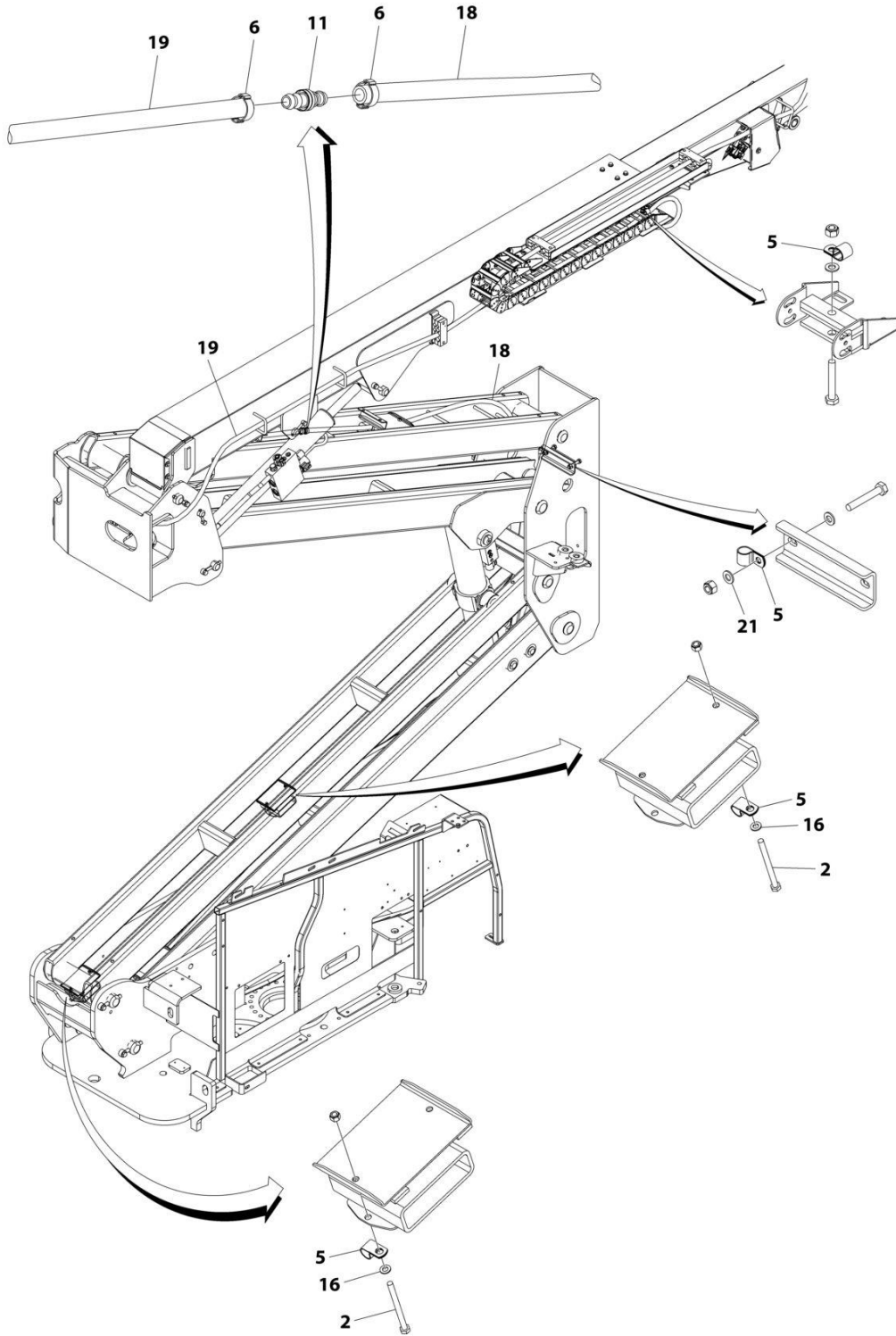
## SECTION 3 - BOOM

**FIGURE 3-4. BOOM INSTALLATION - WITH AIRLINE**

ITEM	PART NUMBER	QTY	DESCRIPTION	REV
	1001255035	Ref	BOOM INSTALLATION - WITH AIRLINE	D
1	0100011	AR	Compound, Locking	
2	0701015	2	Bolt M10 x 35	
3	0701616	2	Bolt M16 x 40	
4	0760610	1	Bolt M6 x 20	
5	0761212	2	Bolt M12 x 25	
6	0940048	1	Bumper	
7	1320043	1	Clamp without Liner	
7	1001170231	1	Clamp with Liner	
8	3290605	1	Nut M6	
9	3841258	2	Keeper, Pin	
10	4811700	1	Washer M6	
11	4812000	2	Washer M10	
12	1001169249	2	Pin	
13	1001180056	1	Pad, Wear	
14	1001255043	1	Boom Components Installation (Includes Items 101-106)	C
15	1001255219	1	Airline Fittings Installation (Not Shown - See Separate Breakdown in this Section)	
101	1001163863	1	Cylinder Installation (Not Shown - See Separate Breakdown in this Section)	
103	1001255046	1	Main Boom Installation (Not Shown - See Separate Breakdown in this Section)	
104	1001255047	1	Boom Valves Installation (Not Shown - See Separate Breakdown in this Section)	
105	1001255049	1	Boom Hydraulics Installation (Not Shown - See Separate Breakdown in HYDRAULICS Section)	
106	1001255050	1	Cables and Clamps Installation (Not Shown - See Separate Breakdown in ELECTRICAL Section) <b>(Prior to SN C300000185)</b>	
106	1001274436	1	Cables and Clamps Installation (Not Shown - See Separate Breakdown in ELECTRICAL Section) <b>(SN C300000185 through C300000329)</b>	
107	1001255052	1	Boom Airline Installation (Not Shown - See Separate Breakdown in this Section)	

# SECTION 3 - BOOM

## FIGURE 3-5. BOOM AIRLINE INSTALLATION



ART\_1001255052

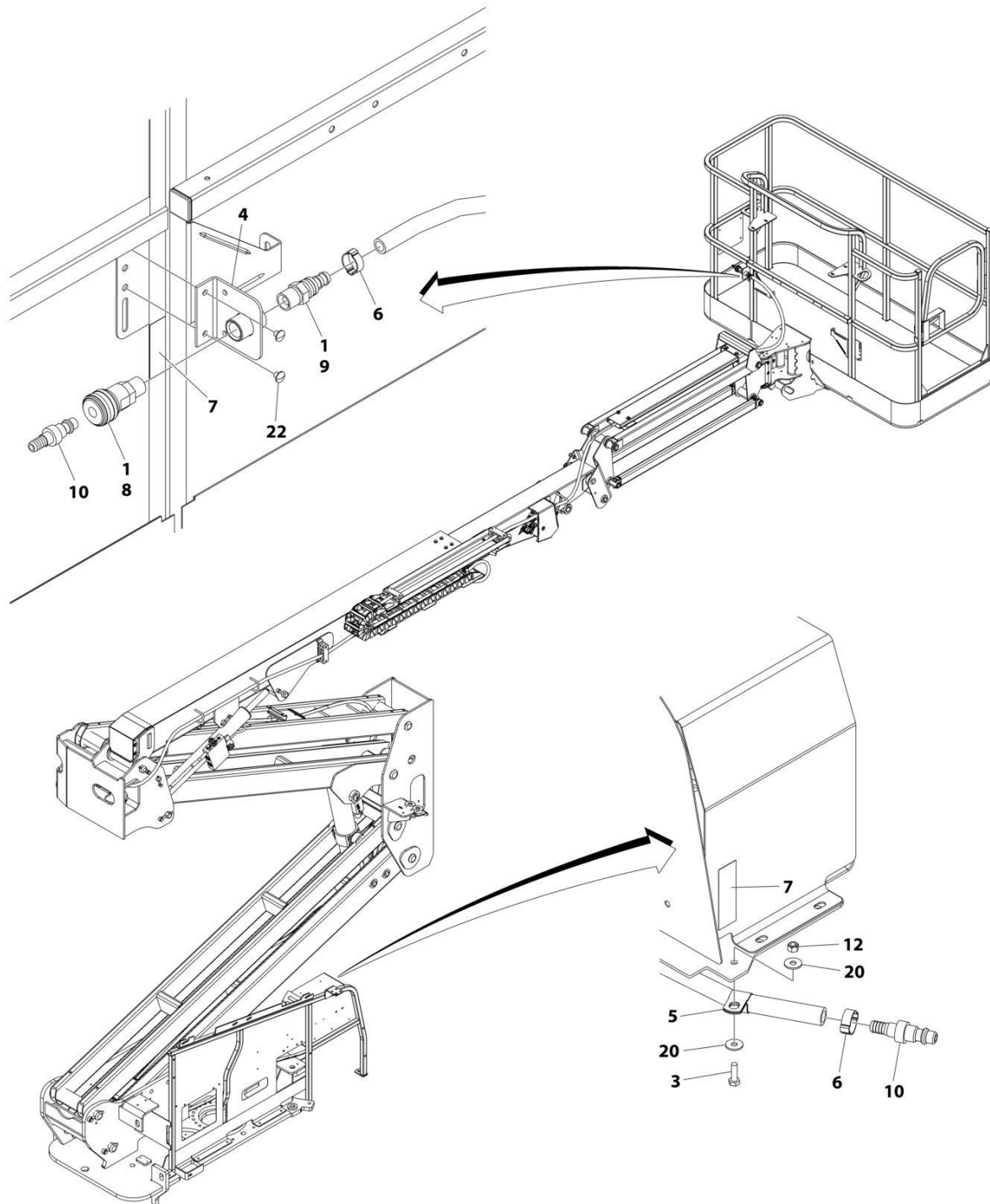


**FIGURE 3-5. BOOM AIRLINE INSTALLATION**

ITEM	PART NUMBER	QTY	DESCRIPTION	REV
	1001255052	Ref	BOOM AIRLINE INSTALLATION	A
2	0700828	2	Bolt M8 x 110	
5	8406105	4	Clip	
6	1320177	2	Clamp	
11	2221037	1	Fitting, Barbed	
16	4811900	2	Washer M8	
18	1001173586	1	Hose	
19	1001174924	1	Hose	
21	4812000	1	Washer M10	

# SECTION 3 - BOOM

## FIGURE 3-6. AIRLINE FITTINGS INSTALLATION



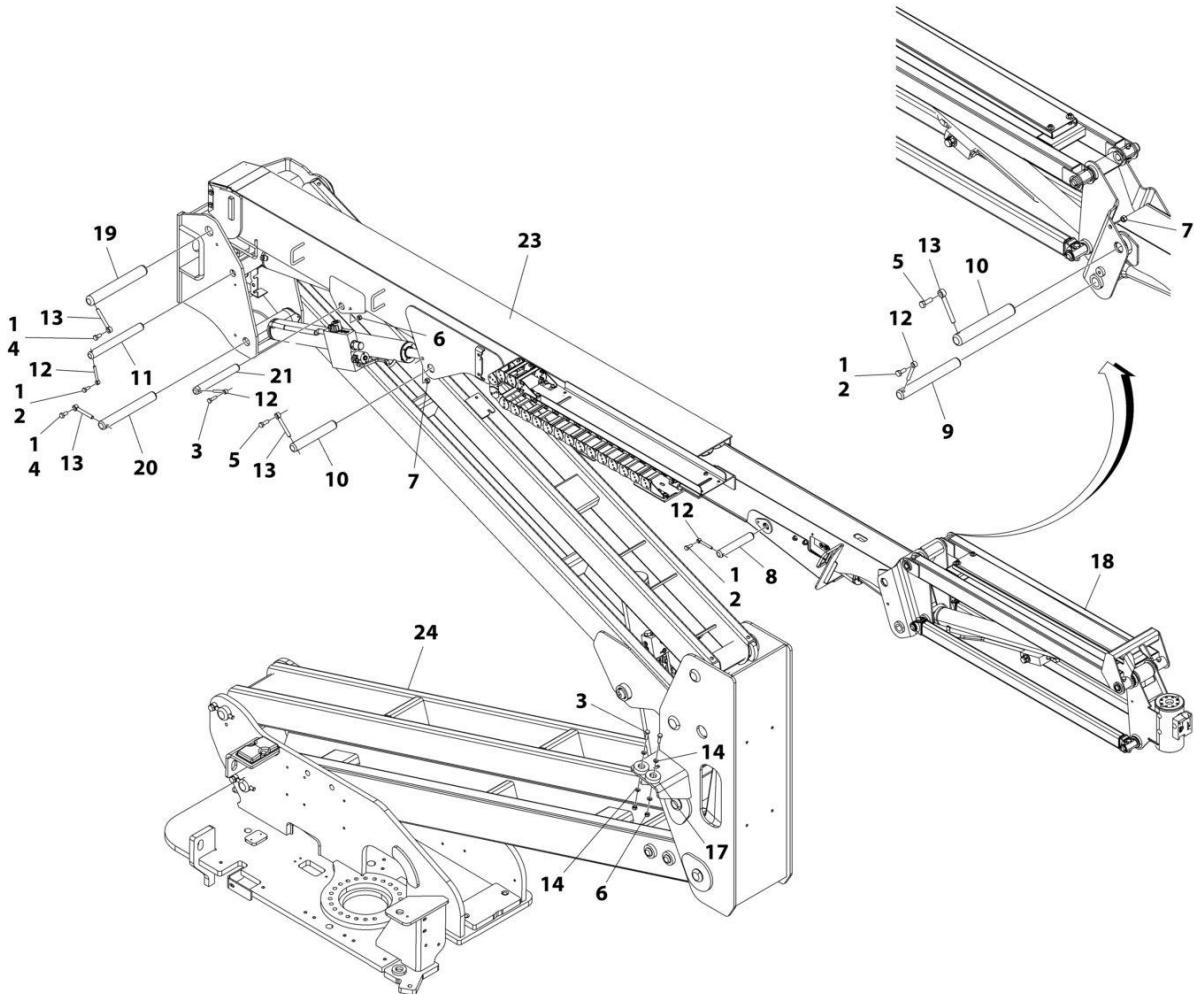
ART\_1001255219

FIGURE 3-6. AIRLINE FITTINGS INSTALLATION

ITEM	PART NUMBER	QTY	DESCRIPTION	REV
	1001255219	Ref	AIRLINE FITTINGS INSTALLATION	A
1	0100020	AR	Sealant, Pipe	
3	0760610	1	Bolt M6 x 20	
4	0902317	1	Bracket	
5	8406105	1	Clip	
6	1320177	2	Clamp	
7	1704125	2	Decal - Airline	
8	2220747	1	Fitting, Socket	
9	2220750	1	Fitting, Socketless	
10	2220829	2	Fitting, Plug Stem	
12	3290605	1	Nut M6	
20	4811702	2	Washer M6	
22	2080040	2	Fastener	

# SECTION 3 - BOOM

## FIGURE 3-7. MAIN BOOM INSTALLATION



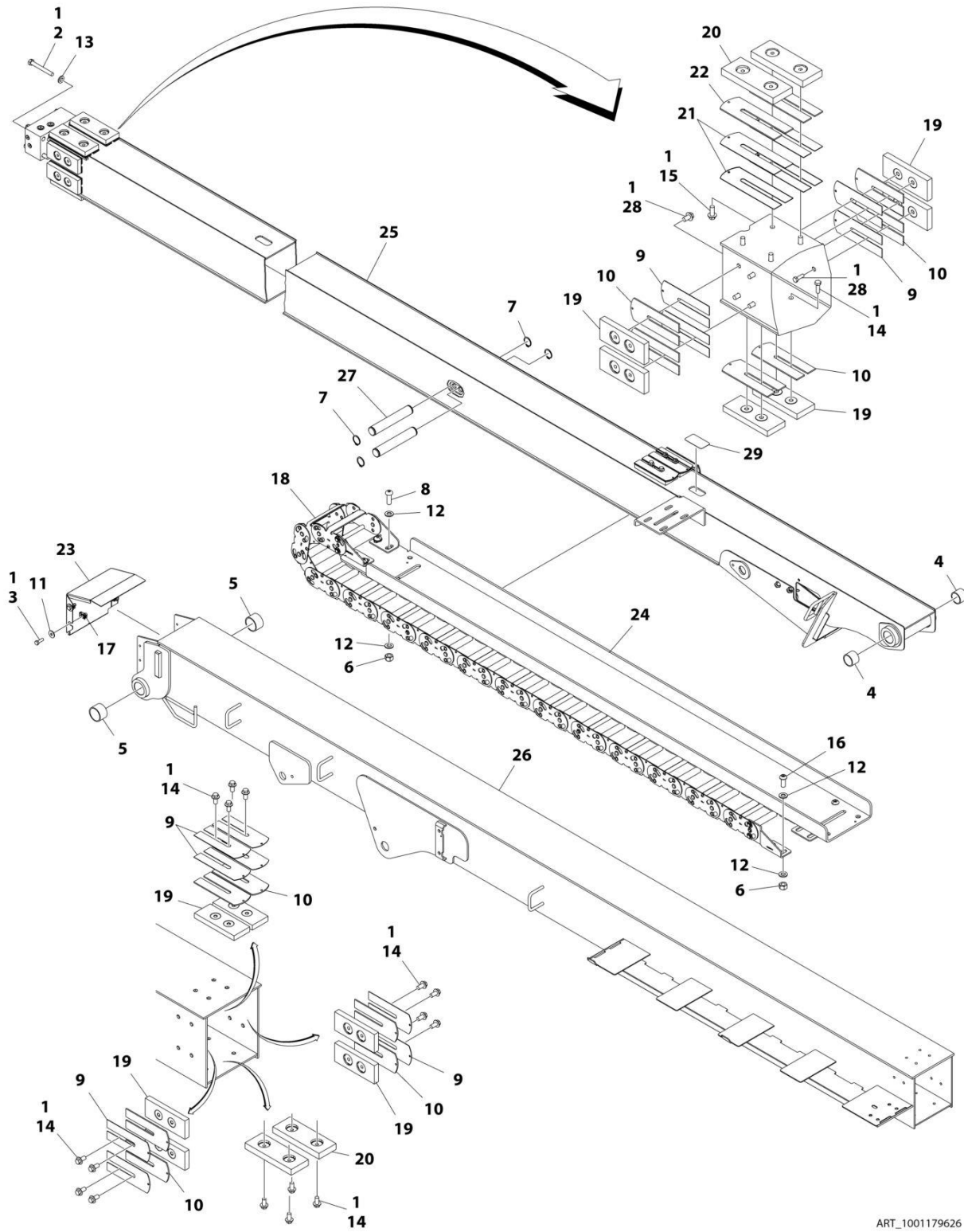
ART\_1001255046

FIGURE 3-7. MAIN BOOM INSTALLATION

ITEM	PART NUMBER	QTY	DESCRIPTION	REV
	1001255046	Ref	MAIN BOOM INSTALLATION	A
1	0100011	AR	Compound, Locking	
2	0761012	3	Bolt M10 x 25	
3	0761015	3	Bolt M10 x 35	
4	0761212	2	Bolt M12 x 25	
5	0761215	2	Bolt M12 x 35	
6	3291005	3	Nut M10	
7	3291205	2	Nut M12	
8	3422755	1	Pin	
9	3422792	1	Pin	
10	3422793	2	Pin	
11	3422806	1	Pin	
12	3841143	4	Keeper, Pin	
13	3841203	4	Keeper, Pin	
14	4812000	4	Washer M10	
17	1001112607	2	Block, Boom Rest	
18	1001164017	1	Jib Installation (See Separate Breakdown in This Section)	
19	1001169246	1	Pin	
20	1001169247	1	Pin	
21	3423038	1	Pin	
23	1001179626	1	Main Boom Assembly (See Separate Breakdown in This Section)	
24	1001255054	1	Tower Boom Assembly (See Separate Breakdown in This Section)	

# SECTION 3 - BOOM

## FIGURE 3-8. MAIN BOOM ASSEMBLY



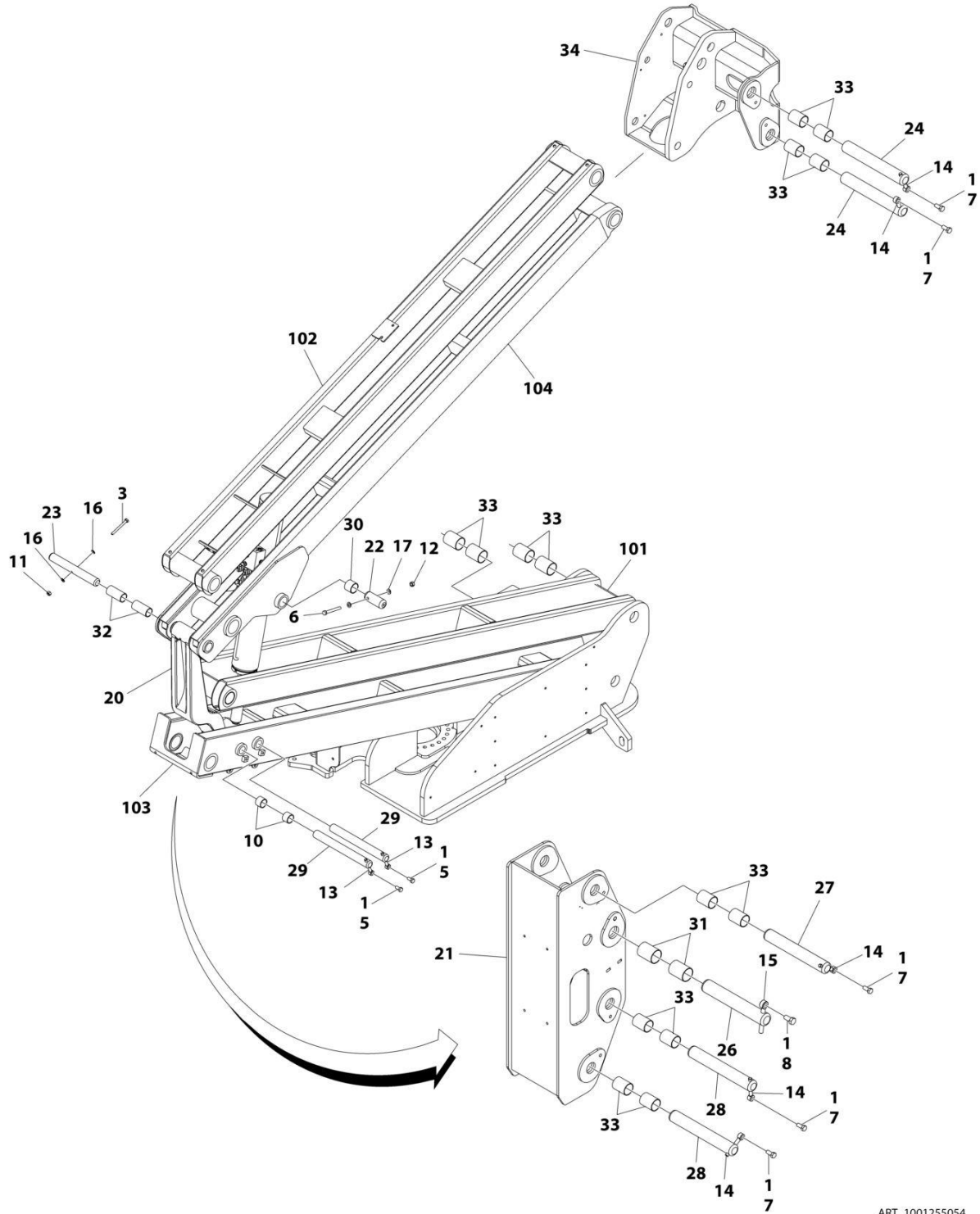
ART\_1001179626

FIGURE 3-8. MAIN BOOM ASSEMBLY

ITEM	PART NUMBER	QTY	DESCRIPTION	REV
	1001179626	Ref	MAIN BOOM ASSEMBLY	D
1	0100011	AR	Compound, Locking	
2	0711227	4	Bolt M12 x 100	
3	0760812	4	Bolt M8 x 25	
4	0961948	2	Bearing	
5	0961949	2	Bearing	
6	3291005	10	Nut M10	
7	3760351	4	Ring, Retaining	
8	3900351	4	Screw M10 x 30	
9	4070897	12	Shim	
10	4070898	12	Shim	
11	4811902	4	Washer M8	
12	4812000	18	Washer M10	
13	5241200	4	Washer M12 Hardened	
14	5251010	20	Bolt M10 x 20	
15	5251012	4	Bolt M10 x 25	
16	8310668	6	Screw M10 x 25 Grade 10.9	
17	1001118274	4	Nut M8	
18	1001224894	1	Powertrack Assembly	
18	70006256	1	Link, Repair	
18	70006272	1	Feet, Mounting	
19	1001169304	12	Pad, Wear	
20	1001169305	4	Pad, Wear	
21	1001169402	4	Shim	
22	1001169403	2	Shim	
23	1001170226	1	Cover, Boom End	
24	1001170334	1	Tube, Carrier	
25	1001178554	1	Fly, Boom	
26	1001178555	1	Base, Boom	
27	1001180541	2	Pin	
28	5251009	8	Bolt M10 x 18	
29	1670836	1	Cover	

# SECTION 3 - BOOM

## FIGURE 3-9. TOWER BOOM ASSEMBLY



ART\_1001255054



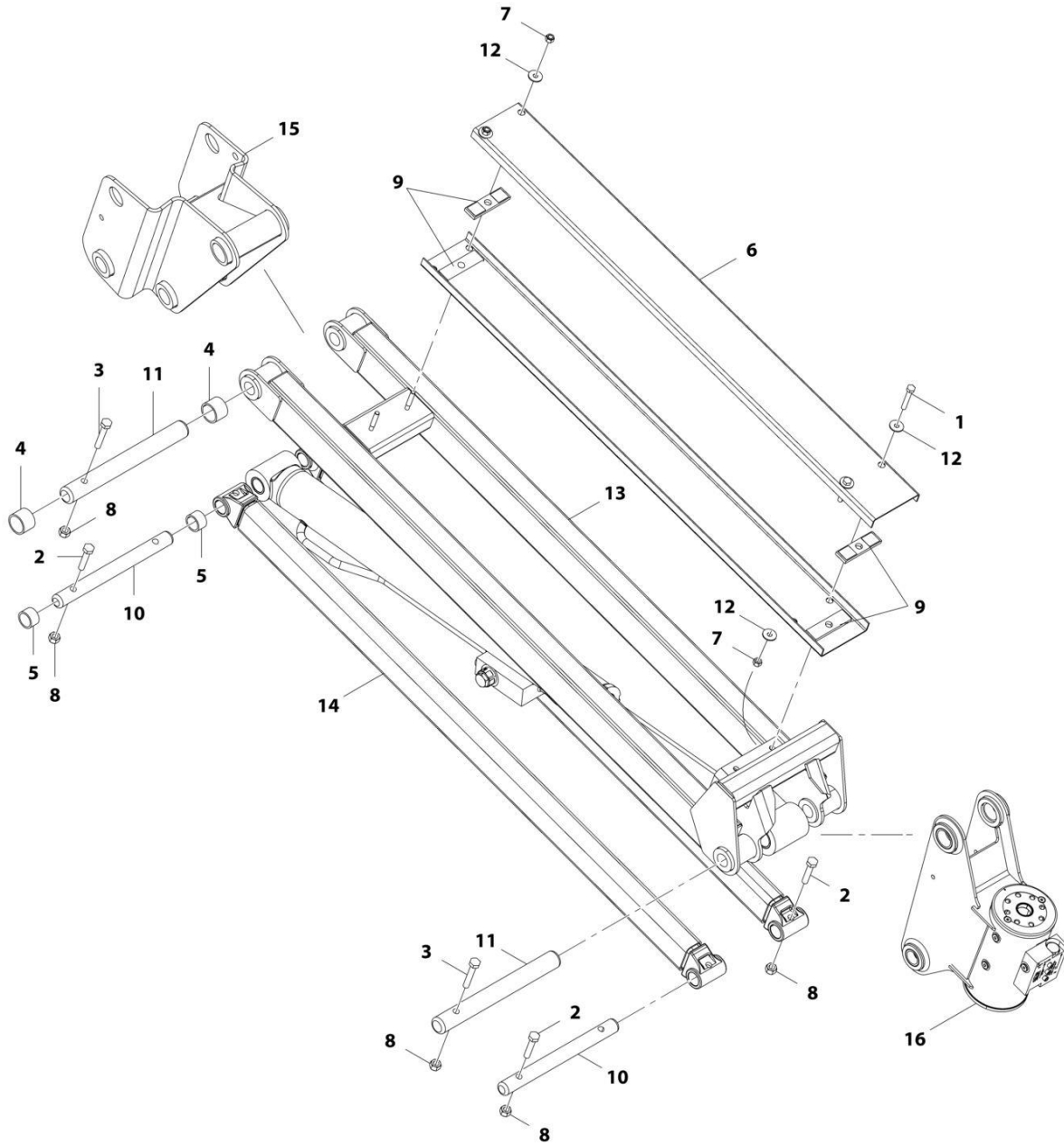
## SECTION 3 - BOOM

### FIGURE 3-9. TOWER BOOM ASSEMBLY

ITEM	PART NUMBER	QTY	DESCRIPTION	REV
	1001255054	Ref	TOWER BOOM ASSEMBLY	A
1	0100011	AR	Compound, Locking	
3	0701027	1	Bolt M10 x 100	
5	0761212	2	Bolt M12 x 25	
6	0761227	2	Bolt M12 x 100	
7	0761615	5	Bolt M16 x 35	
8	0762016	1	Bolt M20 x 40	
10	0961948	2	Bearing	
11	3291005	1	Nut M10	
12	3291205	2	Nut M12	
13	3841203	2	Keeper, Pin	
14	3841258	5	Keeper, Pin	
15	3841287	1	Keeper, Pin	
16	4812000	4	Washer M10	
17	4812100	4	Washer M12	
20	1001166096	1	Link, Timing	
21	1001166853	1	Upright, Lower	
22	1001169240	2	Pin	
23	1001169241	1	Pin	
24	1001169242	2	Pin	
26	1001169295	1	Pin	
27	1001169296	1	Pin	
28	1001169297	2	Pin	
29	1001169298	2	Pin	
30	1001169299	2	Bearing	
31	1001169300	2	Bearing	
32	1001169301	2	Bearing	
33	1001169302	14	Bearing	
34	1001174065	1	Upright, Upper	
100	1001227993	1	Tower Boom Kit (Includes Items 101-104)	
101	1001160859	1	Link, Lower Tower Boom	
102	1001160872	1	Link, Upper Tower Boom	
103	1001178133	1	Tower Boom (Lower)	
104	1001178135	1	Tower, Boom (Upper)	

# SECTION 3 - BOOM

## FIGURE 3-10. JIB INSTALLATION



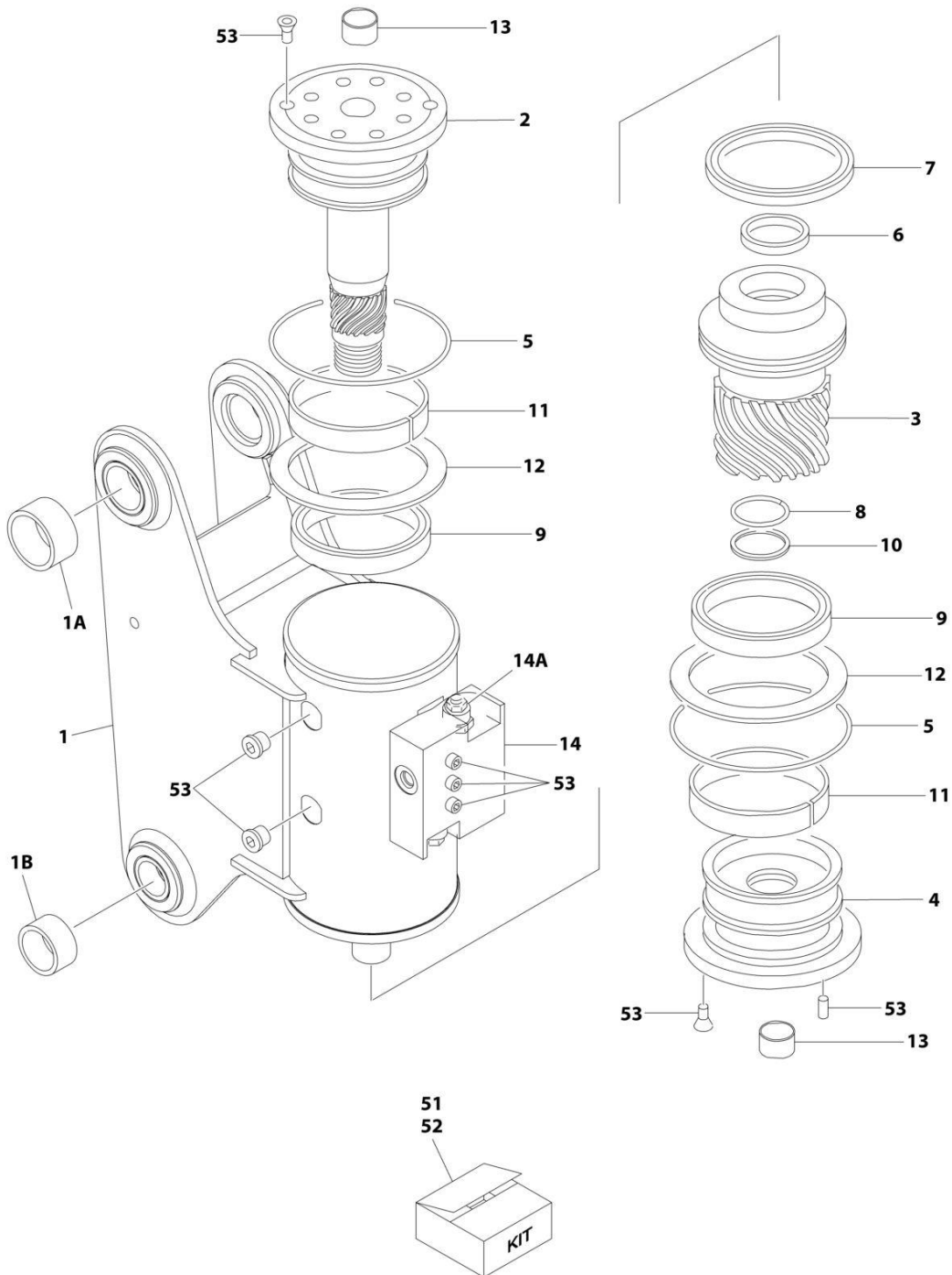
ART\_1001164017

FIGURE 3-10. JIB INSTALLATION

ITEM	PART NUMBER	QTY	DESCRIPTION	REV
	1001164017	Ref	JIB INSTALLATION	D
1	0700820	2	Bolt M8 x 60	
2	0701019	4	Bolt M8 x 55	
3	0701020	2	Bolt M10 x 60	
4	0961951	2	Bushing	
5	0962292	2	Bearing	
6	3572551	2	Channel	
7	3290805	4	Nut M8	
8	3291005	6	Nut M10	
9	3340860	4	Pad, Rubber	
10	3422791	2	Pin	
11	1001116550	2	Pin	
12	4811902	6	Washer M8	
13	1001183171	1	Link (Upper)	
14	4846689	2	Link (Lower)	
15	1001163937	1	Pivot	
16	1001217779	1	Rotator Assembly (See Separate Breakdown in this Section)	

# SECTION 3 - BOOM

## FIGURE 3-11. ROTATOR ASSEMBLY



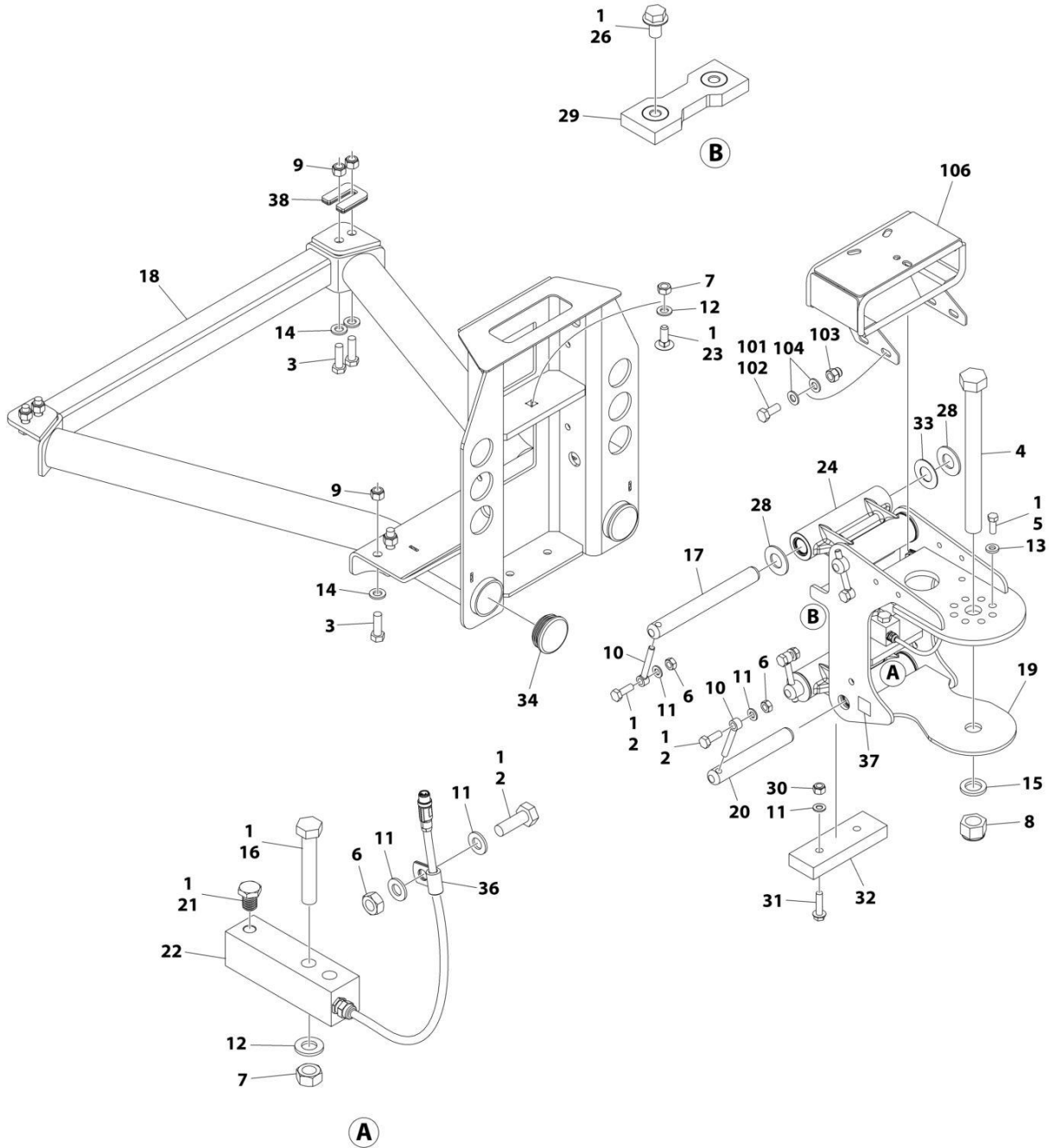
ART\_1001217779

FIGURE 3-11. ROTATOR ASSEMBLY

ITEM	PART NUMBER	QTY	DESCRIPTION	REV
	1001217779	Ref	ROTATOR ASSEMBLY	B
1	See Note	NSS	Housing (Note: Purchase Complete Assembly)	
1A	0962257	2	Bushing	
1B	0961947	2	Bushing	
2	7017162	1	Shaft	
3	7017163	1	Piston	
4	7017164	1	Cap, End	
5	See Note	NSS	O-Ring (Note: Use p/n 70000342)	
6	See Note	NSS	Seal, Rod (Note: Purchase p/n 70000342)	
7	See Note	NSS	Seal, Piston (Note: Purchase p/n 70000342)	
8	See Note	NSS	Seal, Cap (Note: Purchase p/n 70000342)	
9	See Note	NSS	Packing, Bearing (Note: Purchase p/n 70000342)	
10	See Note	NSS	Ring, Back-up (Note: Purchase p/n 70000342)	
11	See Note	NSS	Bearing, Shaft (Note: Purchase p/n 7017159)	
12	See Note	NSS	Washer, Thrust (Note: Purchase p/n 7017159)	
13	7017195	2	Bushing	
14	7017172	1	Counterbalance Valve Assembly	
14A	7017192	2	Valve Cartridge (No Seal Kit Available)	
51	70000342	1	Seal Kit (Includes Items 5-10)	
52	7017159	1	Bearing Kit (Includes Items 11 & 12)	
53	7017142	1	Hardware Kit	

# SECTION 3 - BOOM

## FIGURE 3-12. PLATFORM SUPPORT INSTALLATION - WITH 1 CELL LSS



ART\_1001167596\_N

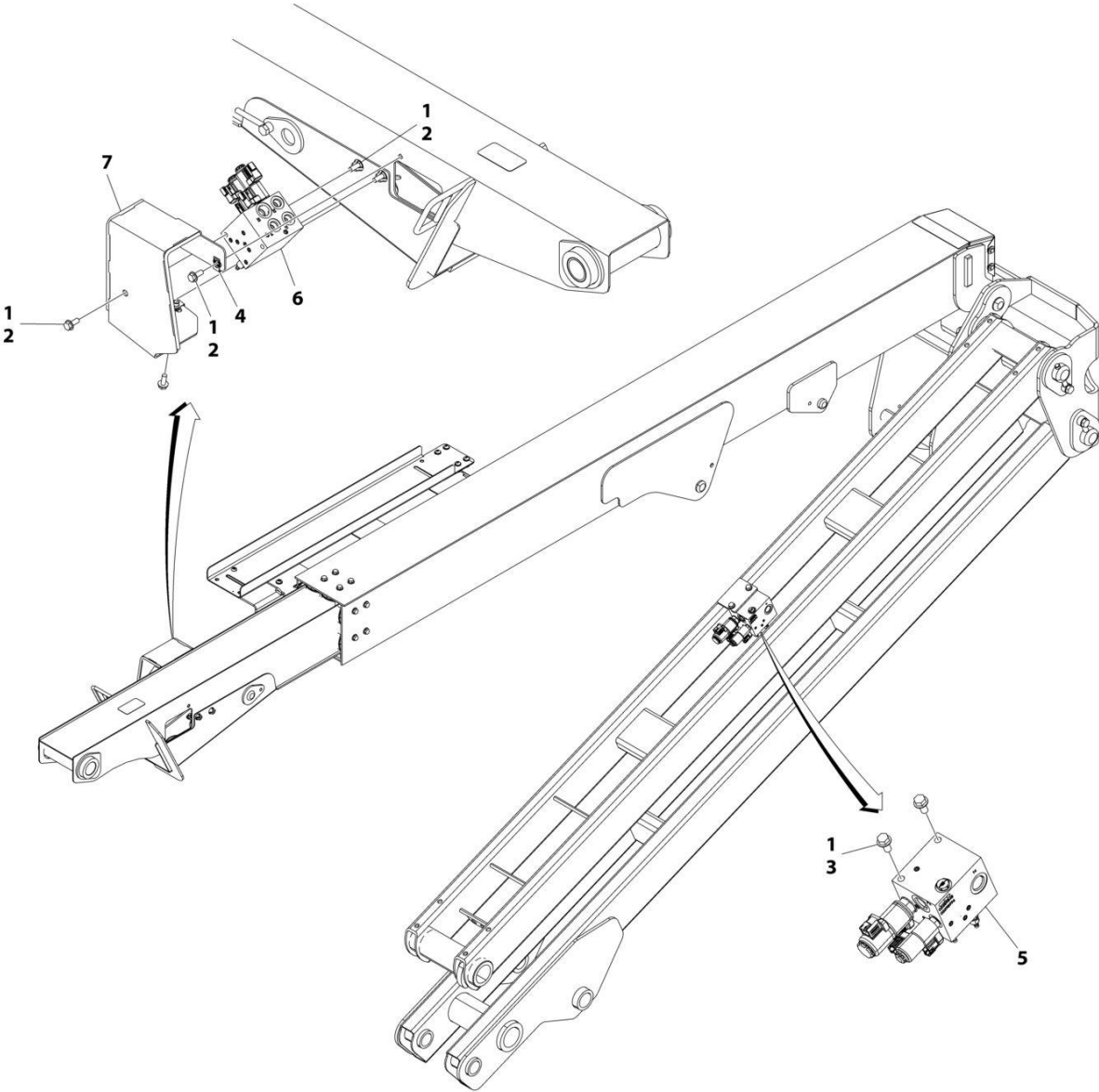
## SECTION 3 - BOOM

**FIGURE 3-12. PLATFORM SUPPORT INSTALLATION - WITH 1 CELL LSS**

ITEM	PART NUMBER	QTY	DESCRIPTION	REV
	1001167596	Ref	PLATFORM SUPPORT INSTALLATION	N
1	0100011	AR	Compound, Locking	
2	0761014	5	Bolt M10 x 30	
3	0761216	8	Bolt M12 x 40	
4	1001255133	1	Bolt 1 x 11	
5	0681608	8	Bolt 3/8 x 1	
6	3291001	5	Nut M10	
7	3291201	3	Nut M12	
8	1001174040	1	Nut 1	
9	3291205	8	Nut M12	
10	3841143	4	Keeper, Pin	
11	4812000	8	Washer M10	
12	4812100	3	Washer M12	
13	4891600	8	Washer 3/8	
14	5241200	8	Washer M12	
15	4892600001	1	Washer 1	
16	1001098828	2	Bolt M12 x 70 Grade 10.9	
17	1001167565	2	Pin	
18	1001200494	1	Support, Platform	
19	1001167567	1	Support, Rotator	
20	1001168402	2	Pin	
21	1001188622	1	Screw	
22	1001247468	1	Loadcell	
23	1001188844	1	Bolt M12 x 35	
24	1001201351	2	Link	
24	1001187382	4	Bearing	
24	1001187383	4	Seal	
26	5251008	2	Bolt M10 x 16	
28	1001189002	8	Bearing	
29	1001190985	1	Pad, Wear	
30	3291005	2	Nut M10	
31	5251016	2	Bolt M10 x 40	
32	1001200491	1	Pad, Wear	
33	1001189001	4	Bearing	
34	1001204725	2	Plug	
36	91203039	1	Clamp	
37	1001216630	2	Decal - Tie Down/No Lift	
38	1001238421	Ref	Kit, Platform Leveling (Not Shown)	
	1001202687	Ref	VALVE MOUNT INSTALLATION	B
101	0100011	AR	Compound, Locking	
102	0760810	4	Bolt M8 x 20	
103	3290806	4	Nut M8	
104	4811900	8	Washer M8	
106	1001208994	1	Mount, Valve	

**SECTION 3 - BOOM**

**FIGURE 3-13. BOOM VALVES INSTALLATION**



ART\_1001255047

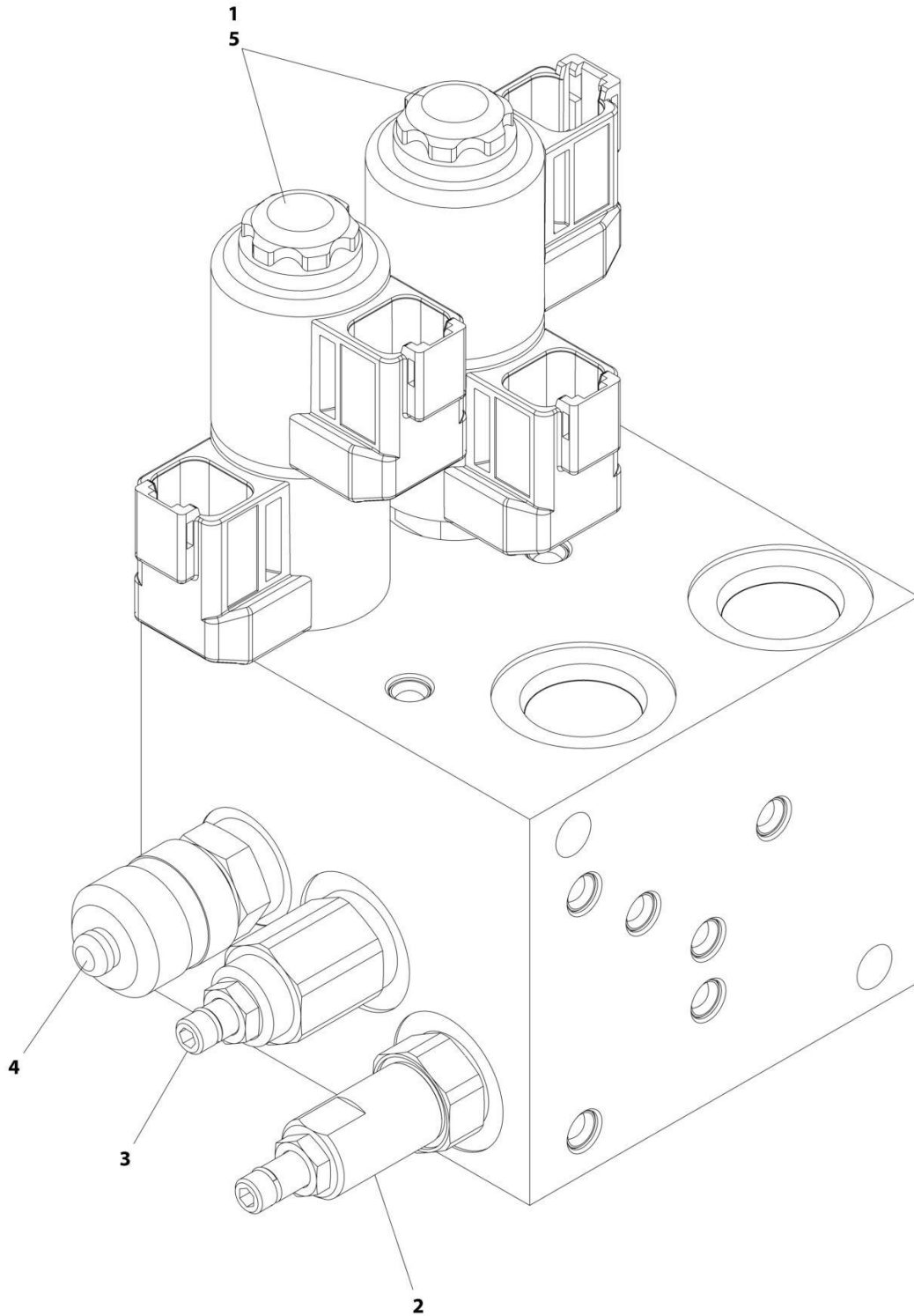


FIGURE 3-13. BOOM VALVES INSTALLATION

ITEM	PART NUMBER	QTY	DESCRIPTION	REV
	1001255047	Ref	BOOM VALVES INSTALLATION	A
1	0100011	AR	Compound, Locking	
2	5250810	5	Bolt M8 x 20	
3	5251010	2	Bolt M10 x 20	
4	1001118274	2	Nut M8	
5	1001162535	1	Upright Valve Assembly (See Separate Breakdown in this Section)	
6	1001162536	1	Boom Valve Assembly (See Separate Breakdown in this Section)	
7	1001170375	1	Shield	

# SECTION 3 - BOOM

## FIGURE 3-14. BOOM VALVE ASSEMBLY



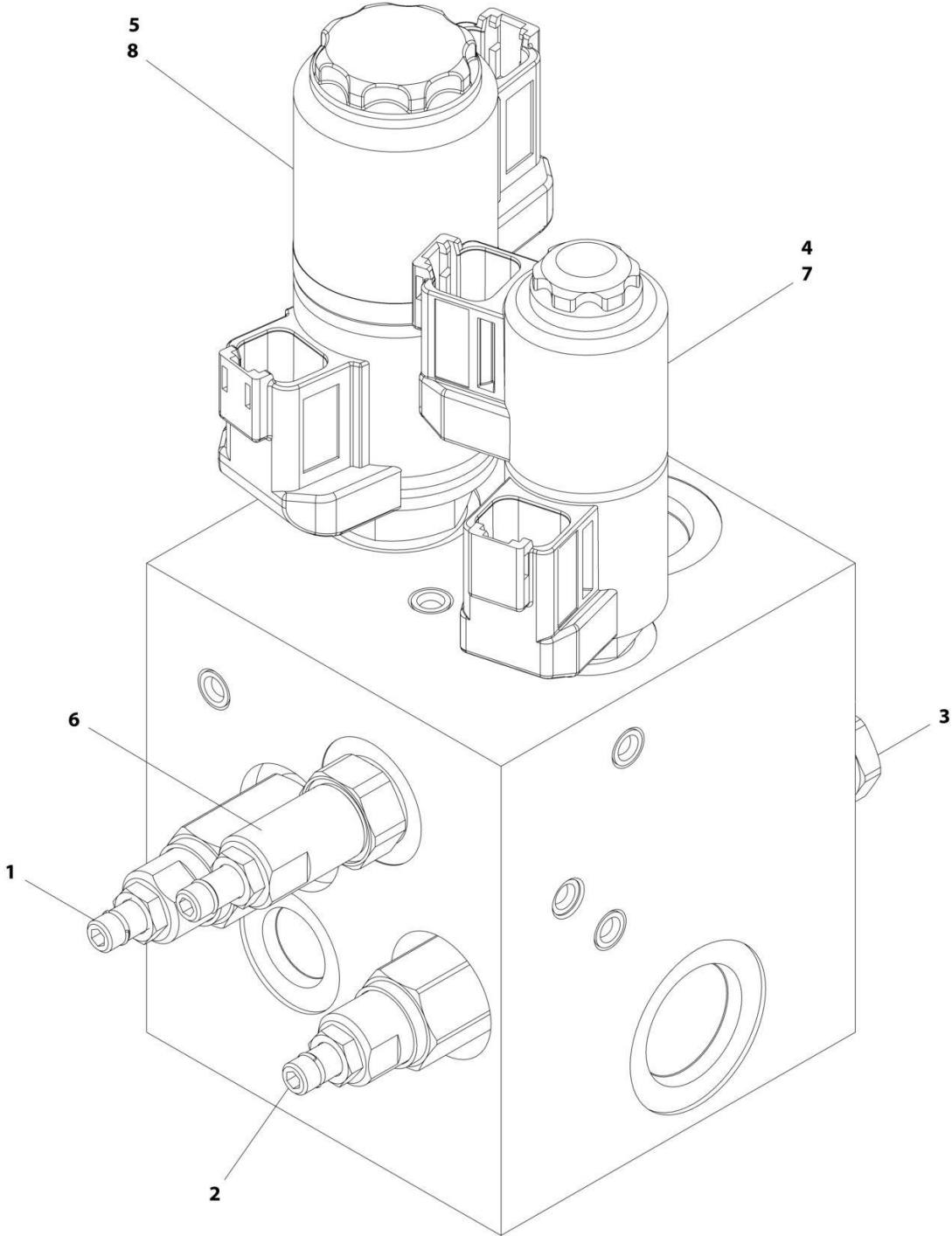
ART\_1001162536

FIGURE 3-14. BOOM VALVE ASSEMBLY

ITEM	PART NUMBER	QTY	DESCRIPTION	REV
	1001162536	Ref	BOOM VALVE ASSEMBLY	F
1	70005243	2	Cartridge, Solenoid Valve Less Coil	
1	70004869	2	Seal Kit - 70005243 Valve	
2	70004873	1	Cartridge, Valve	
2	70004867	1	Seal Kit - 70004873 Valve	
3	70006970	1	Cartridge, Valve	
3	70004867	1	Seal Kit - 70006970 Valve	
4	2221086	1	Fitting, Test	
5	70004871	4	Coil	

**SECTION 3 - BOOM**

**FIGURE 3-15. UPRIGHT VALVE ASSEMBLY**



ART\_1001162535

FIGURE 3-15. UPRIGHT VALVE ASSEMBLY

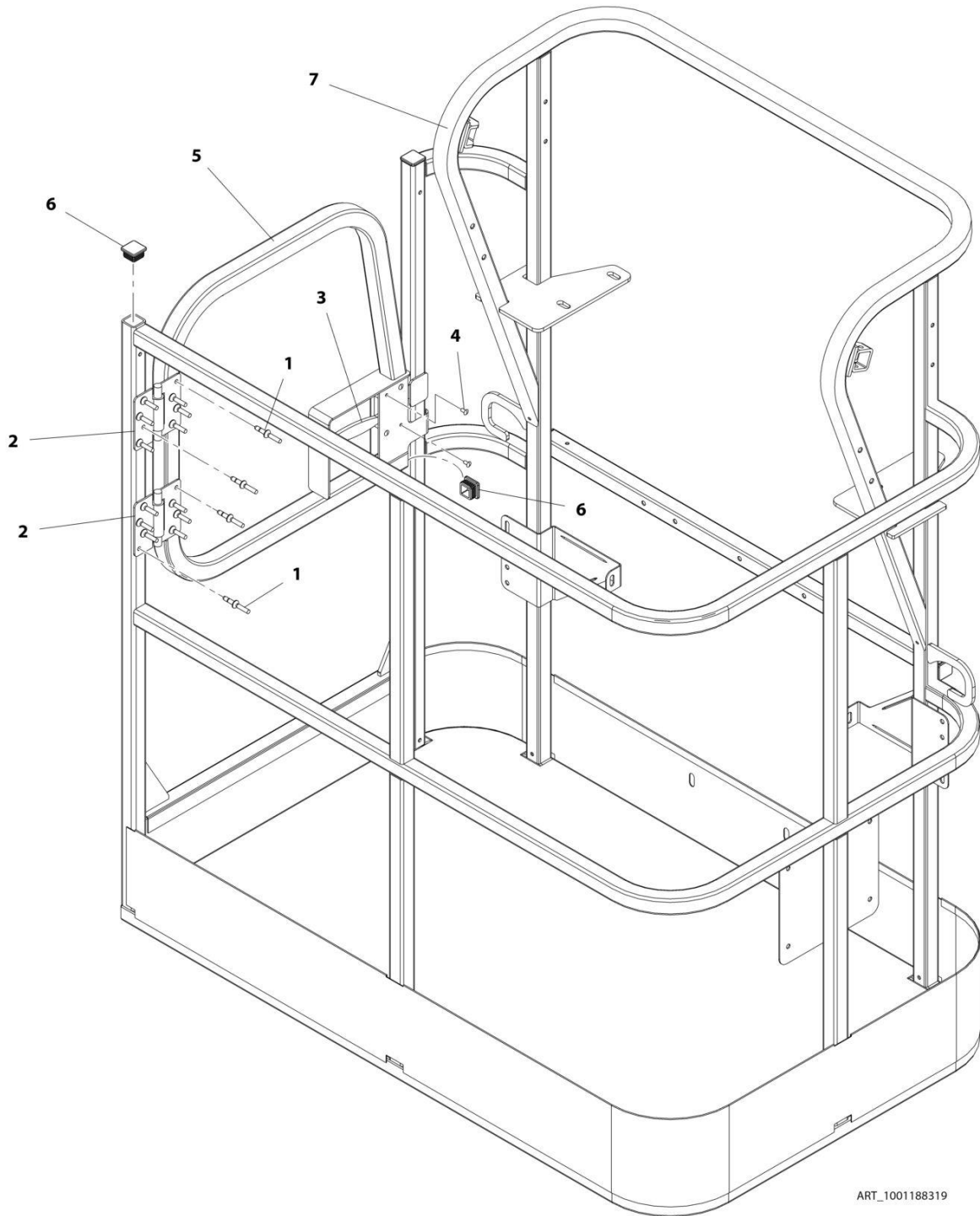
ITEM	PART NUMBER	QTY	DESCRIPTION	REV
	1001162535	Ref	UPRIGHT VALVE ASSEMBLY	D
1	70004864	1	Cartridge, Valve	
1	70004875	1	Seal Kit - 70004864 Valve	
2	70004865	1	Cartridge, Valve	
2	70004875	1	Seal Kit - 70004865 Valve	
3	70004866	1	Cartridge, Relief Valve	
3	70004867	1	Seal Kit - 70004866 Valve	
4	70004868	1	Cartridge, Solenoid Valve Less Coil	
4	70004869	1	Seal Kit - 70004868 Valve	
5	7027625	1	Cartridge, Solenoid Valve Less Coil	
5	70000100	1	Seal Kit - 7027625 Valve	
6	70006660	1	Cartridge, Valve	
6	70004867	1	Seal Kit - 70006660 Valve	
7	70004871	2	Coil	
8	7027628	2	Coil	



**SECTION 4 - PLATFORM**

# SECTION 4 - PLATFORM

FIGURE 4-1. PLATFORM ASSEMBLY - 30IN X 4FT (76CM X 1.22M) - SIDE GATE ENTRY





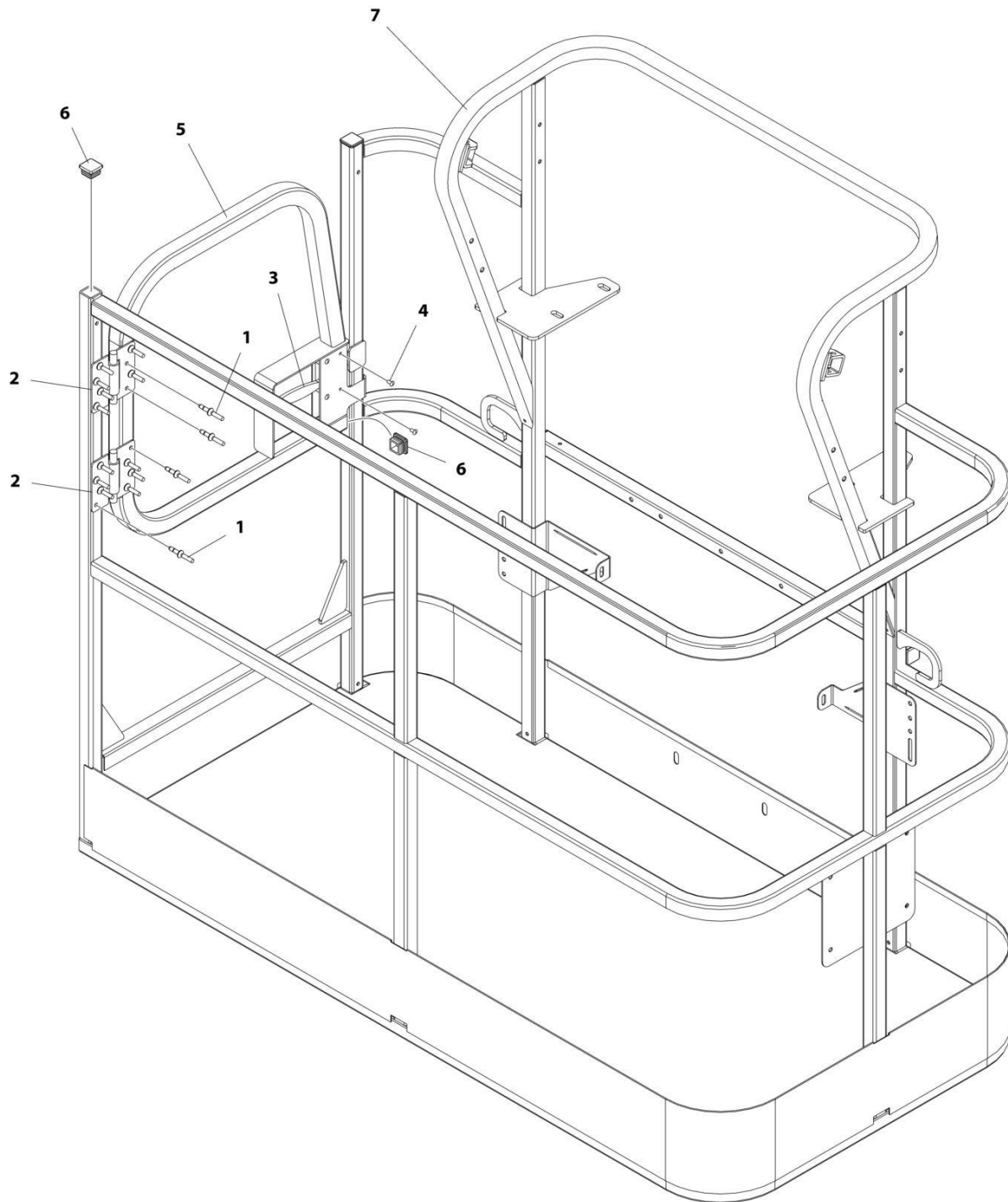
## SECTION 4 - PLATFORM

**FIGURE 4-1. PLATFORM ASSEMBLY - 30IN X 4FT (76CM X 1.22M) - SIDE GATE ENTRY**

ITEM	PART NUMBER	QTY	DESCRIPTION	REV
	1001188319	Ref	PLATFORM ASSEMBLY	D
	See Note	Ref	Note: Platform and Mesh must be ordered separately for Platforms with Mesh. See SPECIAL OPTIONS SECTION for Mesh Installations.	
	See Note	Ref	Note: Replacement Decals Must be Ordered Separately - See DECALS SECTION.	
1	2080040	16	Fastener, Huck	
2	2600281	2	Hinge, Self-Closing	
3	2940074	1	Latch	
4	3820020	4	Rivet	
5	1001144629	1	Gate, Weldment	
6	1001145781	5	Cap, Plug	
7	See Note	NSS	Platform (Note: Not Available - Purchase Platform Assembly)	

# SECTION 4 - PLATFORM

FIGURE 4-2. PLATFORM ASSEMBLY - 30IN X 5FT (76CM X 1.52M) - SIDE GATE ENTRY



ART\_1001188315

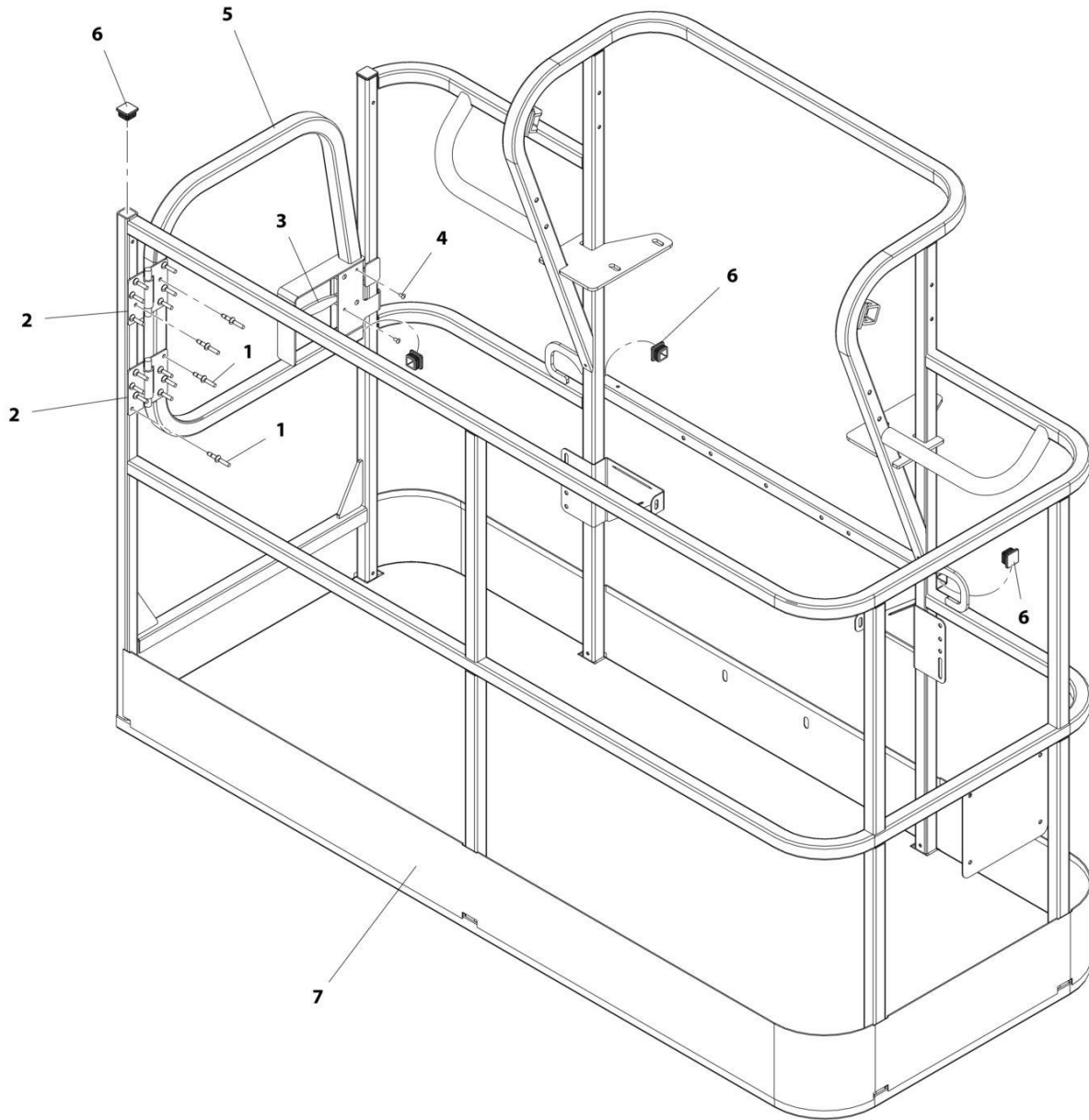
## SECTION 4 - PLATFORM

**FIGURE 4-2. PLATFORM ASSEMBLY - 30IN X 5FT (76CM X 1.52M) - SIDE GATE ENTRY**

ITEM	PART NUMBER	QTY	DESCRIPTION	REV
	1001188315	Ref	PLATFORM ASSEMBLY	E
	See Note	Ref	Note: Platform and Mesh must be ordered separately for Platforms with Mesh. See SPECIAL OPTIONS SECTION for Mesh Installations.	
	See Note	Ref	Note: Replacement Decals Must be Ordered Separately - See DECALS SECTION.	
1	2080040	16	Fastener, Huck	
2	2600281	2	Hinge	
3	2940074	1	Latch	
4	3820020	4	Rivet	
5	1001144629	1	Gate	
6	1001145781	5	Plug	
7	See Note	NSS	Platform (Note: Not Available - Purchase Platform Assembly)	

# SECTION 4 - PLATFORM

FIGURE 4-3. PLATFORM ASSEMBLY - 30IN X 6FT (76CM X 1.83M) - SIDE GATE ENTRY



ART\_1001188312

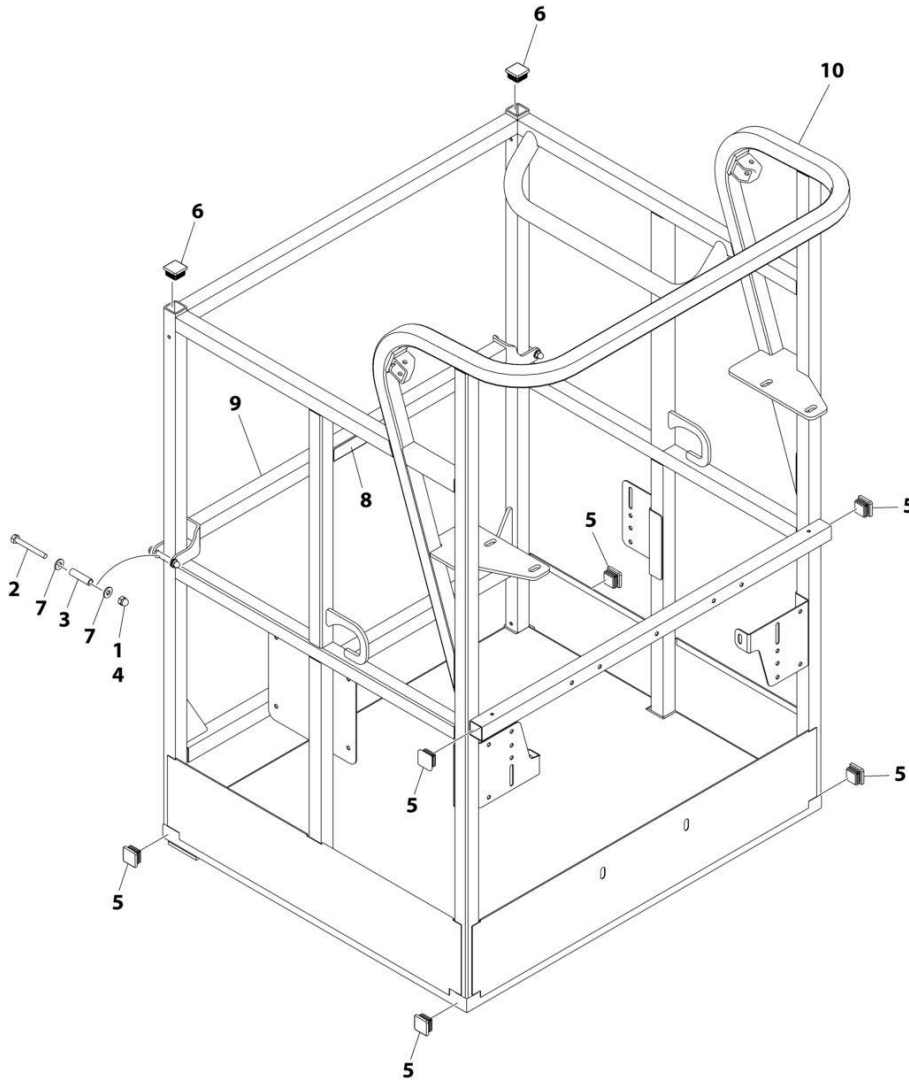
## SECTION 4 - PLATFORM

**FIGURE 4-3. PLATFORM ASSEMBLY - 30IN X 6FT (76CM X 1.83M) - SIDE GATE ENTRY**

ITEM	PART NUMBER	QTY	DESCRIPTION	REV
	1001188312	Ref	PLATFORM ASSEMBLY	F
	See Note	Ref	Note: Platform and Mesh must be ordered separately for Platforms with Mesh. See SPECIAL OPTIONS SECTION for Mesh Installations.	
	See Note	Ref	Note: Replacement Decals Must be Ordered Separately - See DECALS SECTION.	
1	2080040	16	Fastener, Huck	
2	2600281	2	Hinge, Self-Closing	
3	2940074	1	Latch	
4	3820020	4	Rivet	
5	1001144629	1	Gate, Weldment	
6	1001145781	5	Cap, Plug	
7	See Note	NSS	Platform (Note: Not Available - Purchase Platform Assembly)	

# SECTION 4 - PLATFORM

FIGURE 4-4. PLATFORM ASSEMBLY - 30IN X 3FT (76CM X .91M) - DROP BAR ENTRY



ART\_1001228215

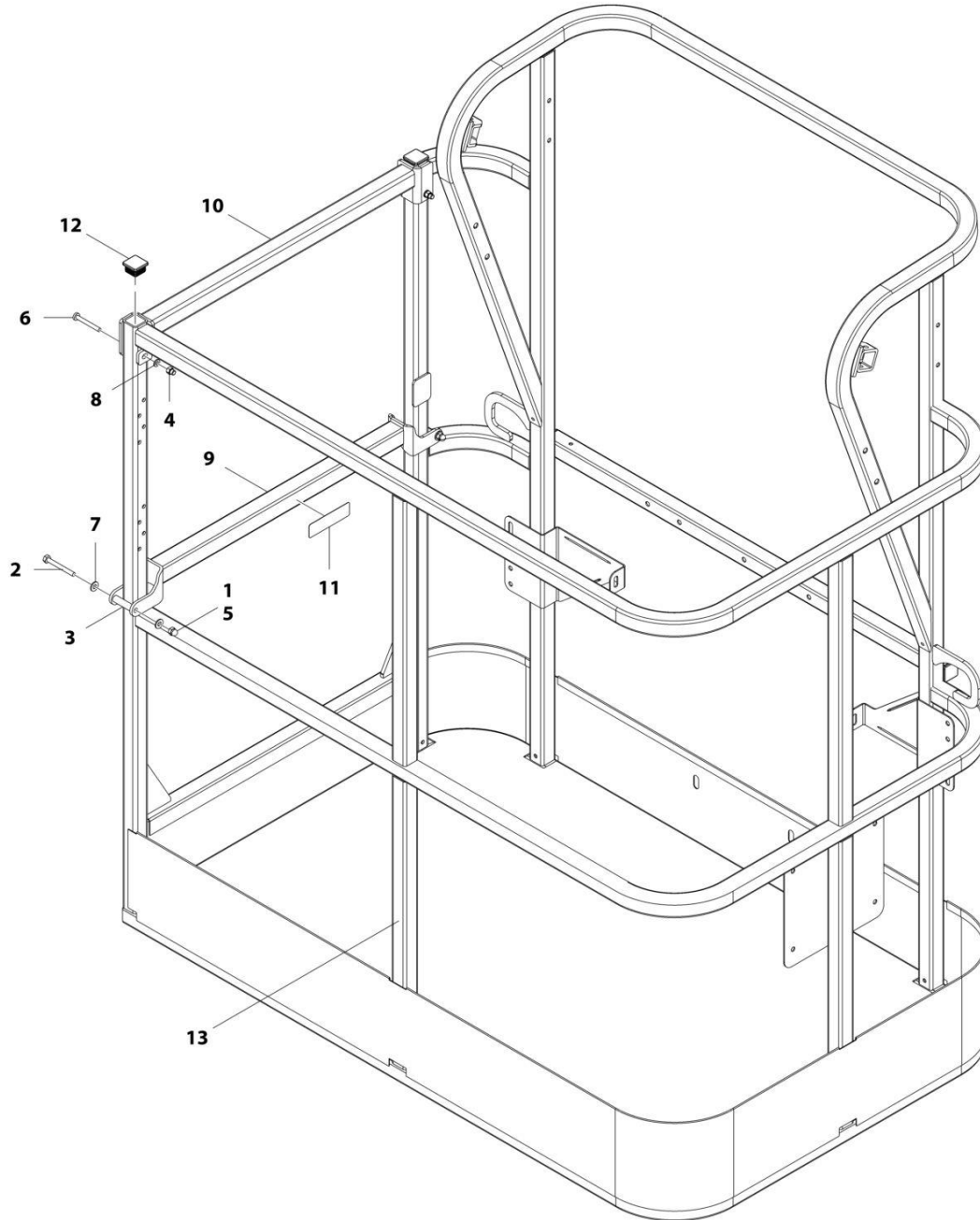
## SECTION 4 - PLATFORM

**FIGURE 4-4. PLATFORM ASSEMBLY - 30IN X 3FT (76CM X .91M) - DROP BAR ENTRY**

ITEM	PART NUMBER	QTY	DESCRIPTION	REV
	1001228215	Ref	PLATFORM ASSEMBLY	A
	See Note	Ref	Note: Platform and Mesh must be ordered separately for Platforms with Mesh. See SPECIAL OPTIONS SECTION for Mesh Installations.	
	See Note	Ref	Note: Replacement Decals Must be Ordered Separately - See DECAL SECTION.	
1	0100011	AR	Compound, Locking	
2	0641418	2	Bolt 1/4 x 2-1/4	
3	0961845	2	Bushing	
4	3300151	2	Nut 1/4	
5	3520072	6	Cap, Plug	
6	3520198	2	Cap, Plug	
7	4711400	4	Washer 1/4	
8	1001140429	1	Decal - Drop Bar	
9	1001226872	1	Bar, Drop	
10	See Note	NSS	Platform (Note: Not Available - Purchase Platform Assembly)	

# SECTION 4 - PLATFORM

FIGURE 4-5. PLATFORM ASSEMBLY - 30IN X 4FT (76CM X 1.22M) - WITH DROP BAR



ART\_1001188318



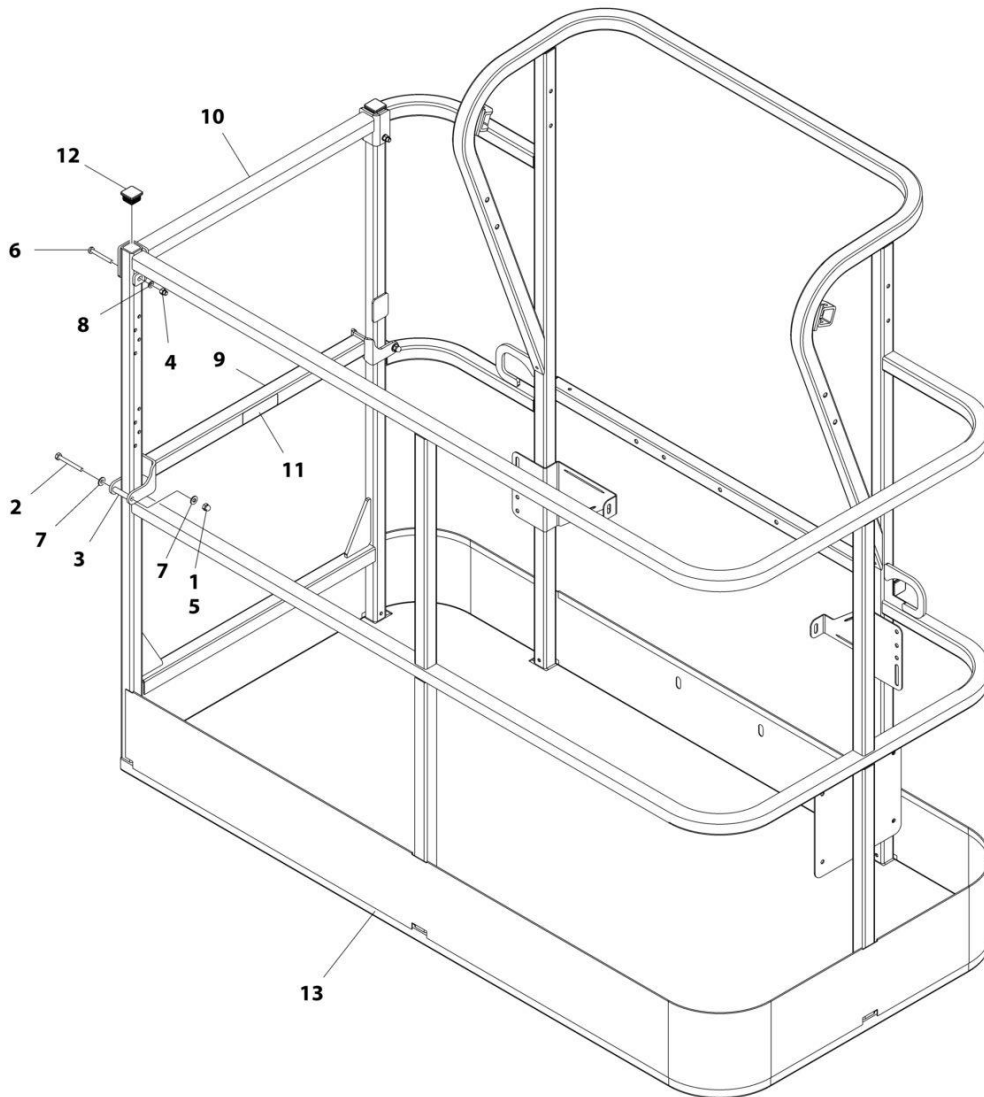
## SECTION 4 - PLATFORM

**FIGURE 4-5. PLATFORM ASSEMBLY - 30IN X 4FT (76CM X 1.22M) - WITH DROP BAR**

ITEM	PART NUMBER	QTY	DESCRIPTION	REV
	1001188318	Ref	PLATFORM ASSEMBLY	C
	See Note	Ref	Note: Platform and Mesh must be ordered separately for Platforms with Mesh. See SPECIAL OPTIONS SECTION for Mesh Installations.	
	See Note	Ref	Note: Replacement Decals Must be Ordered Separately - See DECALS SECTION.	
1	0100011	AR	Compound, Locking	
2	0641418	2	Bolt 1/4 x 2-1/4	
3	0961845	2	Bushing	
4	3290606	2	Nut M6	
5	3300151	2	Nut 1/4	
6	4010618	2	Screw M6 x 50	
7	4711400	4	Washer 1/4	
8	4811700	2	Washer M6	
9	1001138494	1	Bar, Drop	
10	1001138514	1	Rail (Top)	
11	1001140429	1	Decal - Drop Bar	
12	1001145781	4	Cap, Plug	
13	See Note	NSS	Platform (Note: Not Available - Purchase Platform Assembly)	

# SECTION 4 - PLATFORM

FIGURE 4-6. PLATFORM ASSEMBLY - 30IN X 5FT (76CM X 1.52M) - WITH DROP BAR



ART\_1001188314

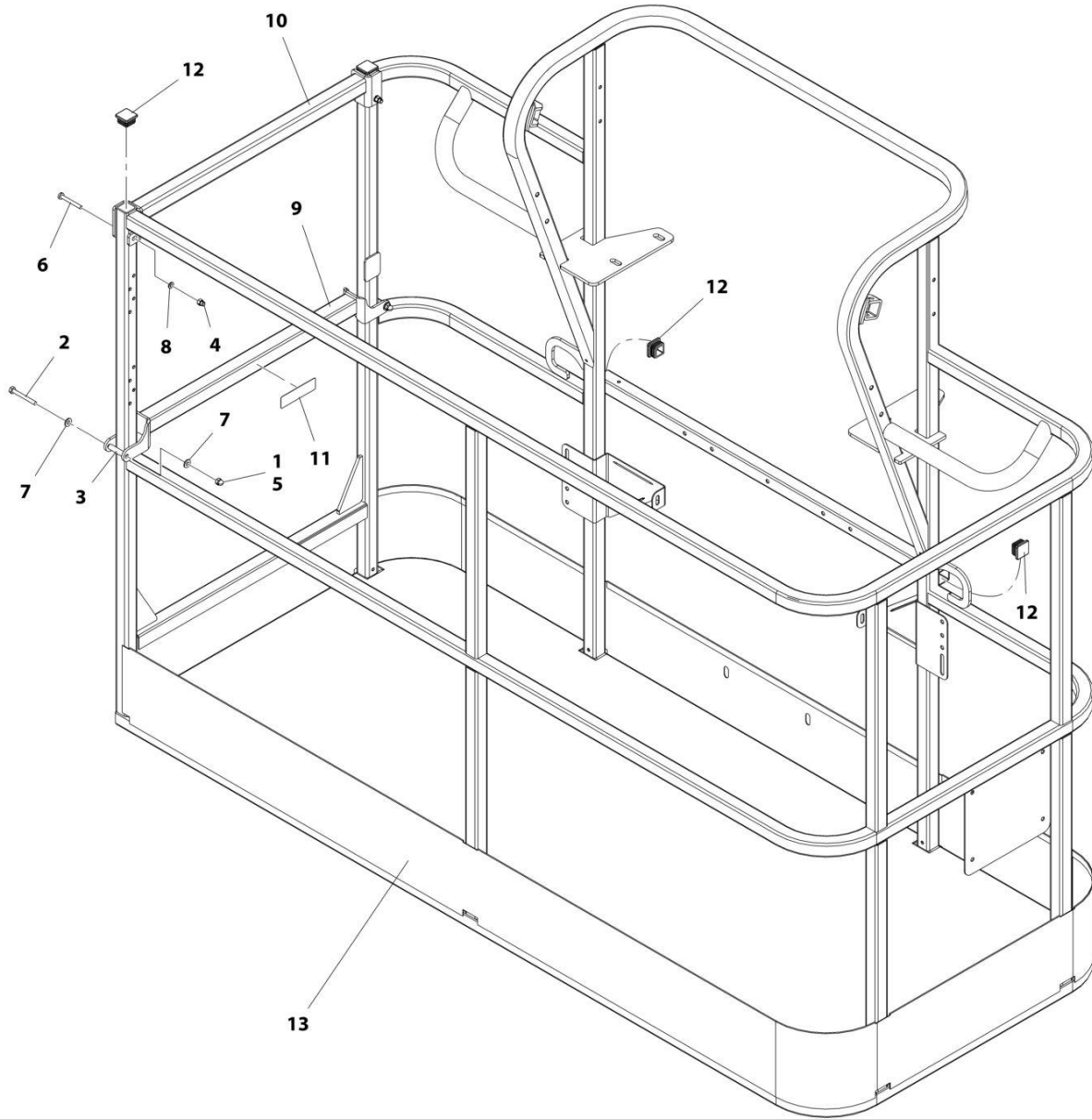
## SECTION 4 - PLATFORM

**FIGURE 4-6. PLATFORM ASSEMBLY - 30IN X 5FT (76CM X 1.52M) - WITH DROP BAR**

ITEM	PART NUMBER	QTY	DESCRIPTION	REV
	1001188314	Ref	PLATFORM ASSEMBLY	C
	See Note	Ref	Note: Platform and Mesh must be ordered separately for Platforms with Mesh. See SPECIAL OPTIONS SECTION for Mesh Installations.	
	See Note	Ref	Note: Replacement Decals Must be Ordered Separately - See DECALS SECTION.	
1	0100011	AR	Compound, Locking	
2	0641418	2	Bolt 1/4 x 2-1/4	
3	0961845	2	Bushing	
4	3290606	2	Nut M6	
5	3300151	2	Nut 1/4	
6	4010618	2	Screw M6 x 50	
7	4711400	4	Washer 1/4	
8	4811700	2	Washer M6	
9	1001138494	1	Bar, Drop	
10	1001138514	1	Rail (Top)	
11	1001140429	1	Decal - Drop Bar	
12	1001145781	4	Plug	
13	See Note	NSS	Platform (Note: Not Available - Purchase Platform Assembly)	

# SECTION 4 - PLATFORM

FIGURE 4-7. PLATFORM ASSEMBLY - 30IN X 6FT (76CM X 1.83M) - WITH DROP BAR



ART\_1001188311

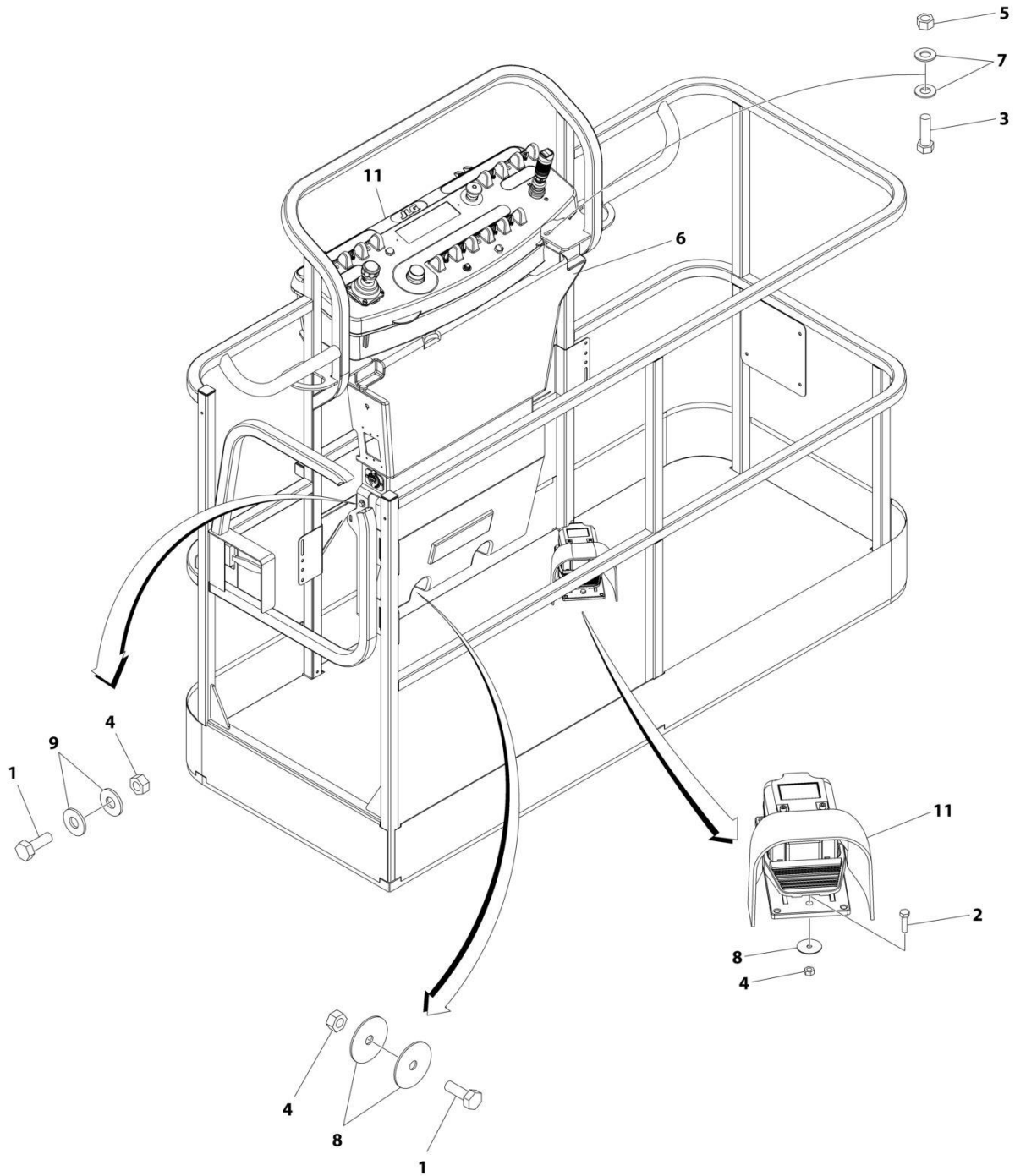
## SECTION 4 - PLATFORM

**FIGURE 4-7. PLATFORM ASSEMBLY - 30IN X 6FT (76CM X 1.83M) - WITH DROP BAR**

ITEM	PART NUMBER	QTY	DESCRIPTION	REV
	1001188311	Ref	PLATFORM ASSEMBLY	D
	See Note	Ref	Note: Platform and Mesh must be ordered separately for Platforms with Mesh. See SPECIAL OPTIONS SECTION for Mesh Installations.	
	See Note	Ref	Note: Replacement Decals Must be Ordered Separately - See DECALS SECTION.	
1	0100011	AR	Compound, Locking	
2	0641418	2	Bolt 1/4 x 2-1/4	
3	0961845	2	Bushing	
4	3290606	2	Nut M6	
5	3300151	2	Nut 1/4	
6	4010618	2	Screw M6 x 50	
7	4711400	4	Washer 1/4	
8	4811700	2	Washer M6	
9	1001138494	1	Bar, Drop	
10	1001138514	1	Rail (Top)	
11	1001140429	1	Decal - Drop Bar	
12	1001145781	4	Cap, Plug	
13	See Note	NSS	Platform (Note: Not Available - Purchase Platform Assembly)	

# SECTION 4 - PLATFORM

## FIGURE 4-8. CONSOLE BOX INSTALLATION - WITH SKYGUARD



ART\_1001264863

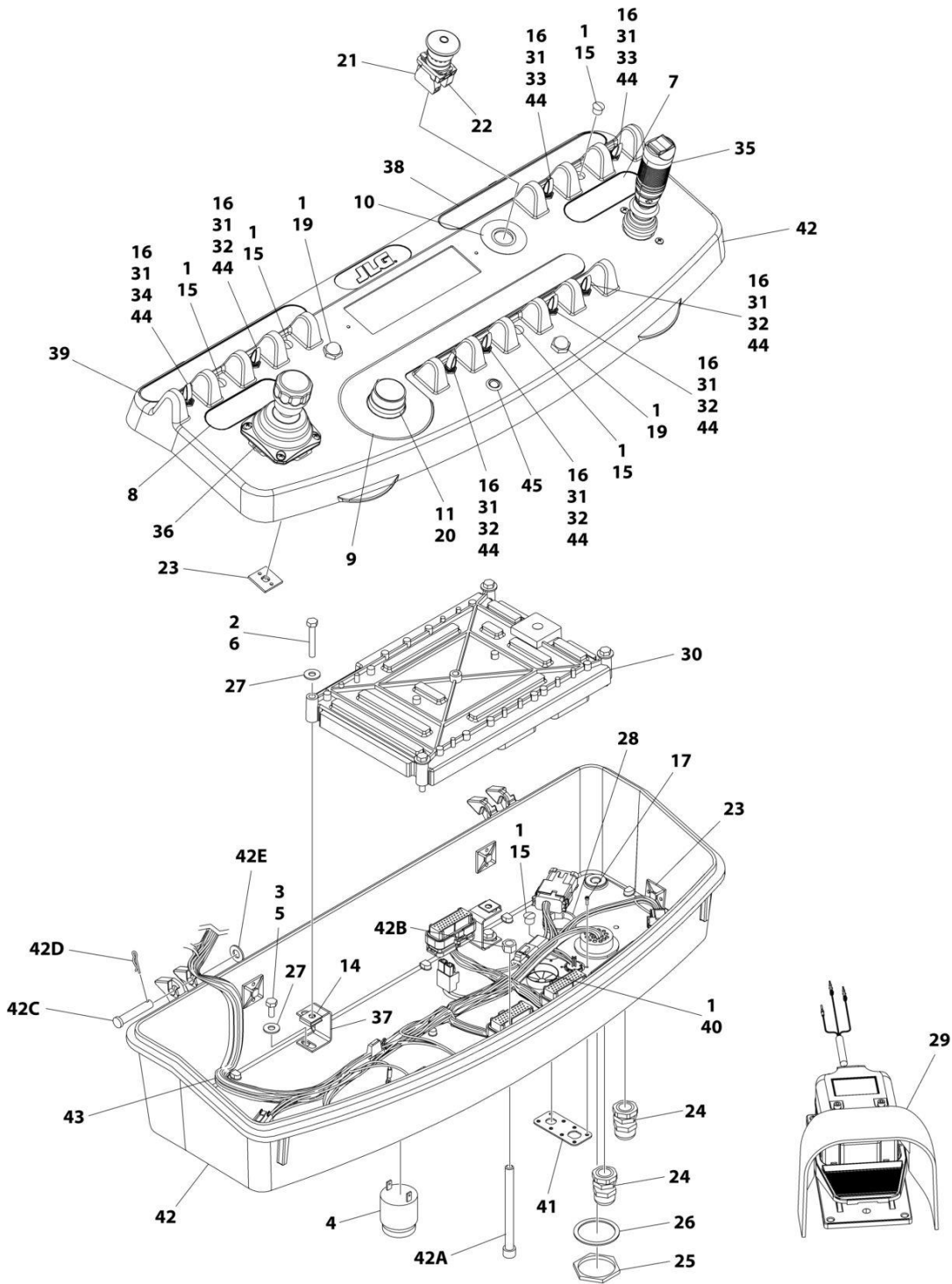
## SECTION 4 - PLATFORM

**FIGURE 4-8. CONSOLE BOX INSTALLATION - WITH SKYGUARD**

ITEM	PART NUMBER	QTY	DESCRIPTION	REV
	1001264863	Ref	CONSOLE AND FOOTSWITCH INSTALLATION	A
1	0641406	4	Bolt 1/4 x 3/4	
2	0641408	3	Bolt 1/4 x 1	
3	0641610	4	Bolt 3/8 x 1-1/4	
4	3311405	7	Nut 1/4	
5	3311605	4	Nut 3/8	
6	3380434	1	Panel	
7	4711600	8	Washer 3/8	
8	4740362	7	Washer, Fender	
9	4751400	4	Washer 1/4	
10	1001169422	1	Platform to Boom Harness (Not Shown - See Separate Breakdown in ELECTRICAL Section)	
11	1001265027	1	Console and Footswitch Assembly (See Separate Breakdown in this Section)	
12	1001265414	1	Platform Valve Harness (Not Shown - See Separate Breakdown in ELECTRICAL Section)	

# SECTION 4 - PLATFORM

## FIGURE 4-9. PLATFORM CONSOLE BOX ASSEMBLY - WITH SKYGUARD



ART\_1001265027



## SECTION 4 - PLATFORM

**FIGURE 4-9. PLATFORM CONSOLE BOX ASSEMBLY - WITH SKYGUARD**

ITEM	PART NUMBER	QTY	DESCRIPTION	REV
	1001265027	Ref	PLATFORM CONSOLE BOX ASSEMBLY	D
1	0100009	AR	Sealant	
2	0100048	AR	Grease, Dielectric	
3	0100035	AR	Compound, Locking	
4	0140011	1	Alarm	
5	0641405	4	Bolt 1/4 x 5/8	
6	0641414	4	Bolt 1/4 x 1-3/4	
7	1702565	1	Decal - Drive and Steer	
8	1702566	1	Decal - Lift and Swing	
9	1702567	1	Decal - Function Speed	
10	1704260	1	Decal - EMS	
11	2560136	1	Handle, Knob	
14	3300353	4	Nut	
15	3520054	5	Plug	
16	3790012	8	O-Ring	
17	3900349	8	Screw	
18	4240099	AR	Tie-Strap (Not Shown)	
19	4360387	2	Switch, Pushbutton	
20	4360407	1	Switch, Potentiometer	
21	1001274559	1	Switch, Emergency	
21	7020175	1	Cap, Red	
21	7020176	1	Contact Block	
22	4360476	1	Block, Contact	
23	4460234	8	Terminal	
24	4460428	2	Connector, Strain Relief	
25	4460470	1	Nut	
26	4460471	1	Washer	
27	4751400	8	Washer 1/4	
28	1001110434	1	Plug	
29	1001117174	1	Footswitch Assembly (See Separate Breakdown in this Section)	
30	1001118412	1	Module, Control (Note: Recalibration Required when Replaced) <b>(Prior to SN C300000150)</b>	
30	1001169594	1	Module, Control (Note: Recalibration Required when Replaced) <b>(SN C300000150 through C300000329)</b>	
31	1001155044	8	Nut 15/32	
32	1001155045	5	Switch, Toggle	
33	1001159256	2	Switch, Toggle	
34	1001161710	1	Switch, Toggle	
35	1001166538	NLA	Controller Assembly (Drive and Steer) (Use p/n 1001212415) (See Separate Breakdown in this Section)	
36	1001166539	NLA	Controller Assembly (Lift and Swing) (Use p/n 1001129555 as Replacement) (See Separate Breakdown in this Section)	
37	1001172760	4	Bracket	
38	1001257868	1	Decal - Stop	
39	1001169092	1	Decal - Horn	
40	1001185281	1	Plug	
41	1001213882	1	Connector, Mounting	
42	1001215228	1	Platform Console Box	
42A	0630568	1	Capscrew 3/8 x 4-1/2	
42B	3311601	1	Nut 3/8	

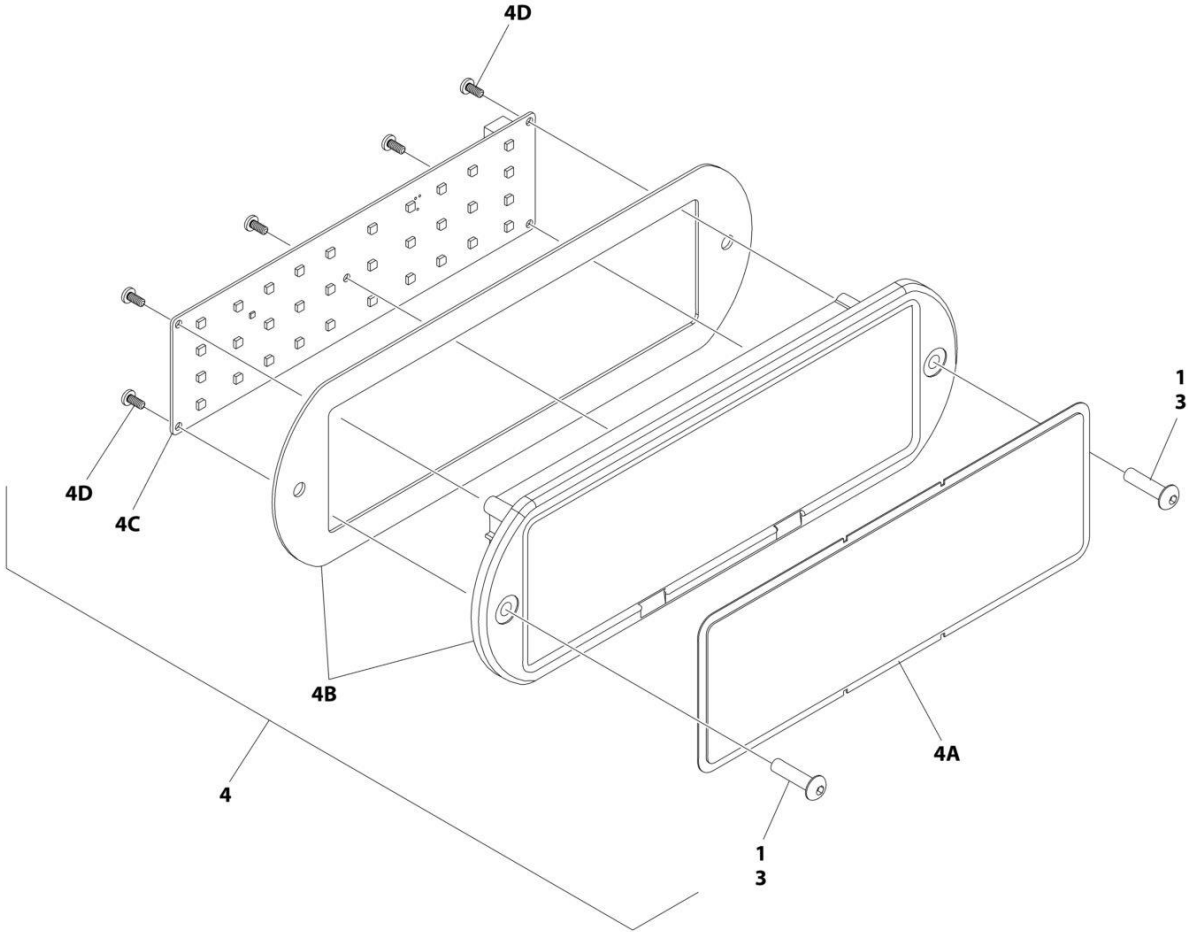
## SECTION 4 - PLATFORM

ITEM	PART NUMBER	QTY	DESCRIPTION	REV
42C	3430616	2	Pin, Clevis	
42D	3470003	2	Hairpin	
42E	4711600	2	Washer 3/8	
43	1001238254	1	Harness, Platform Console Box (See Separate Breakdown in ELECTRICAL Section)	
44	4740397	8	Washer	
45	1001206532	1	Lamp, LED Indicator (Yellow)	



**SECTION 4 - PLATFORM**

**FIGURE 4-10. LIGHT PANEL INSTALLATION - PLATFORM CONTROL**



ART\_1001259504\_20F2

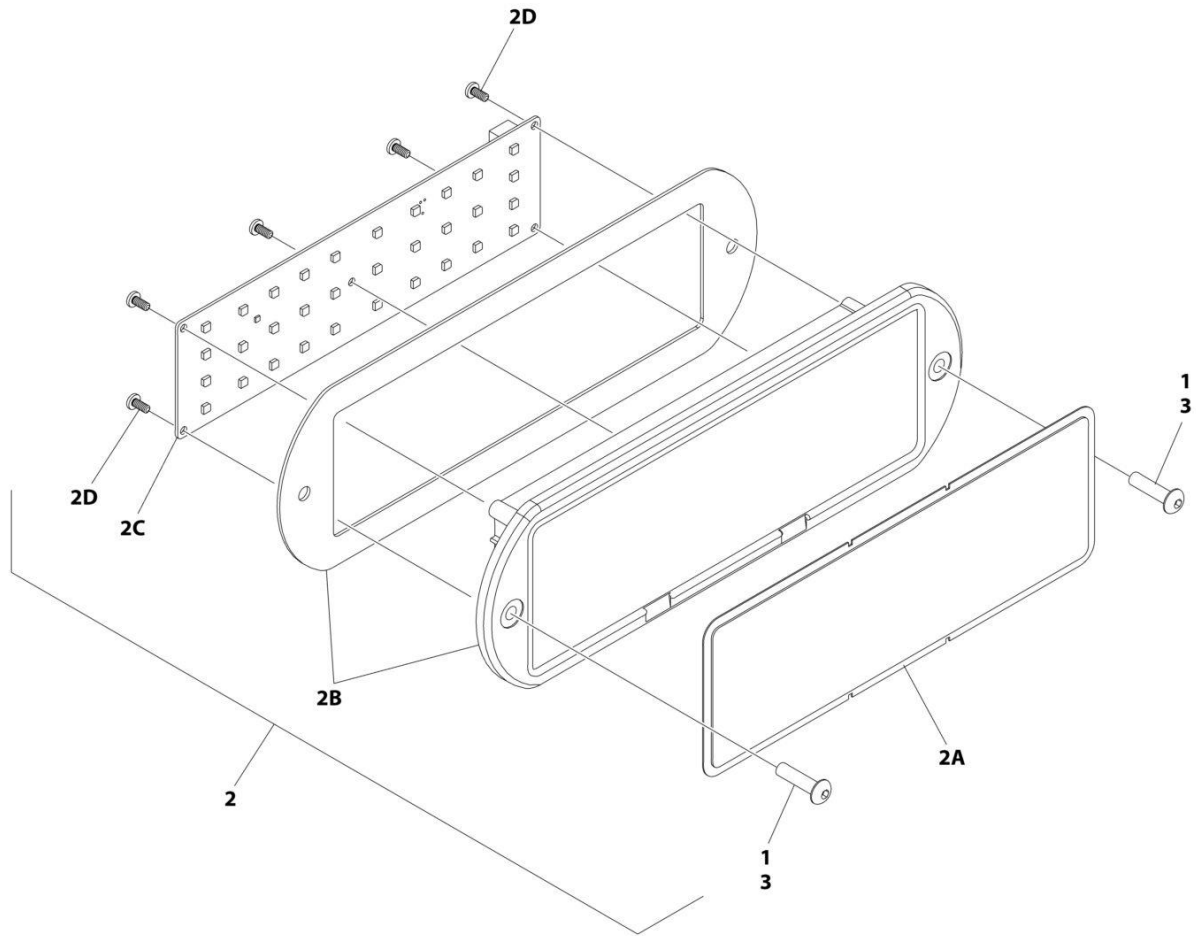
## SECTION 4 - PLATFORM

**FIGURE 4-10. LIGHT PANEL INSTALLATION - PLATFORM CONTROL**

ITEM	PART NUMBER	QTY	DESCRIPTION	REV
	1001259504	Ref	LIGHT PANEL INSTALLATION - PLATFORM CONTROL	A
1	0100035	AR	Compound, Locking	
3	0630518	2	Screw #10 x 3/4	
4	1001259491	1	Light Panel Electrical Assembly	A
4A	1001245164	1	Overlay	
4B	1001259477	1	Housing (Includes Gasket)	
4C	1001187807	1	Panel, LED Light	
4D		Ref	Screw #10 x 3/4	

# SECTION 4 - PLATFORM

## FIGURE 4-11. LIGHT PANEL INSTALLATION - PLATFORM CONTROL (CE SPECS ONLY)



ART\_1001265145\_20F2

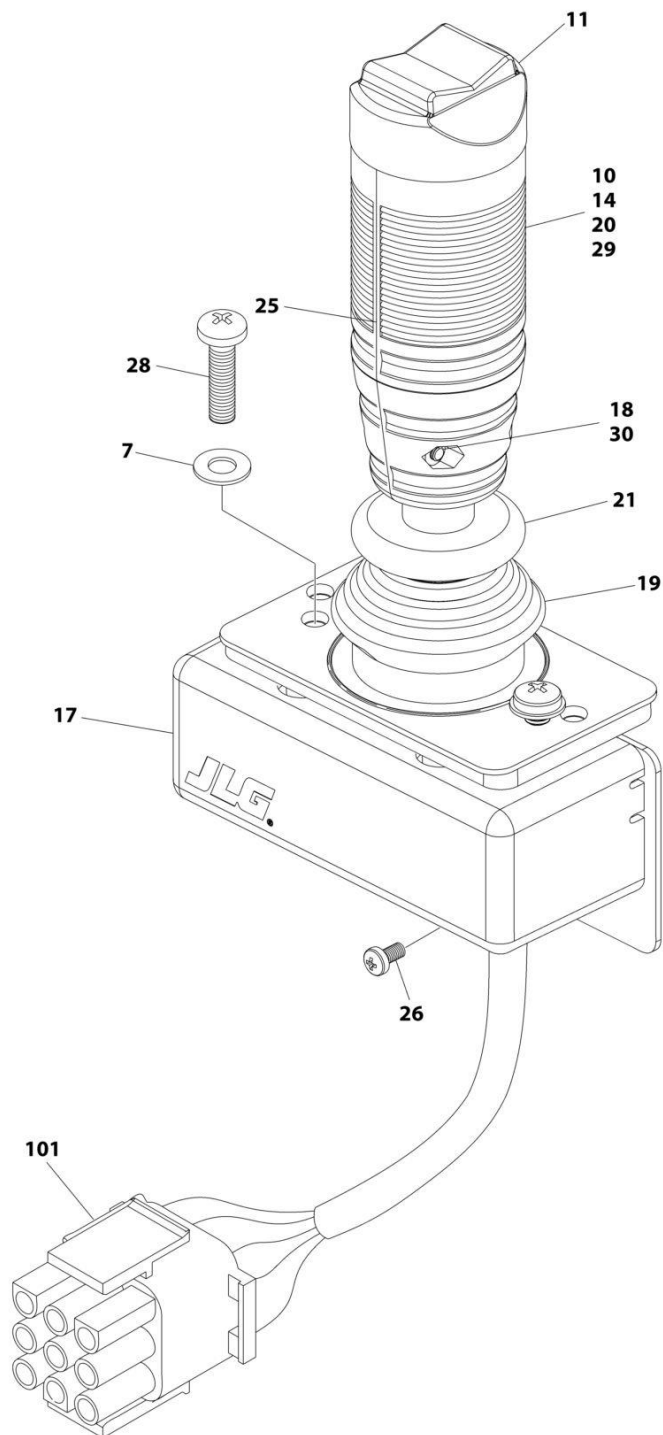
## SECTION 4 - PLATFORM

**FIGURE 4-11. LIGHT PANEL INSTALLATION - PLATFORM CONTROL (CE SPECS ONLY)**

ITEM	PART NUMBER	QTY	DESCRIPTION	REV
1	1001265145	Ref	LIGHT PANEL INSTALLATION - PLATFORM CONTROL	A
	0100035	AR	Compound, Locking	
2	1001259491	1	Light Panel Electrical Assembly	A
2A	1001245164	1	Overlay	
2B	1001259477	1	Housing (Includes Gasket)	
2C	1001187807	1	Panel, LED Light	
2D		Ref	Screw	
3	0630518	2	Screw #10 x 3/4	

# SECTION 4 - PLATFORM

## FIGURE 4-12. CONTROLLER ASSEMBLY - DRIVE AND STEER



ART\_1001166538



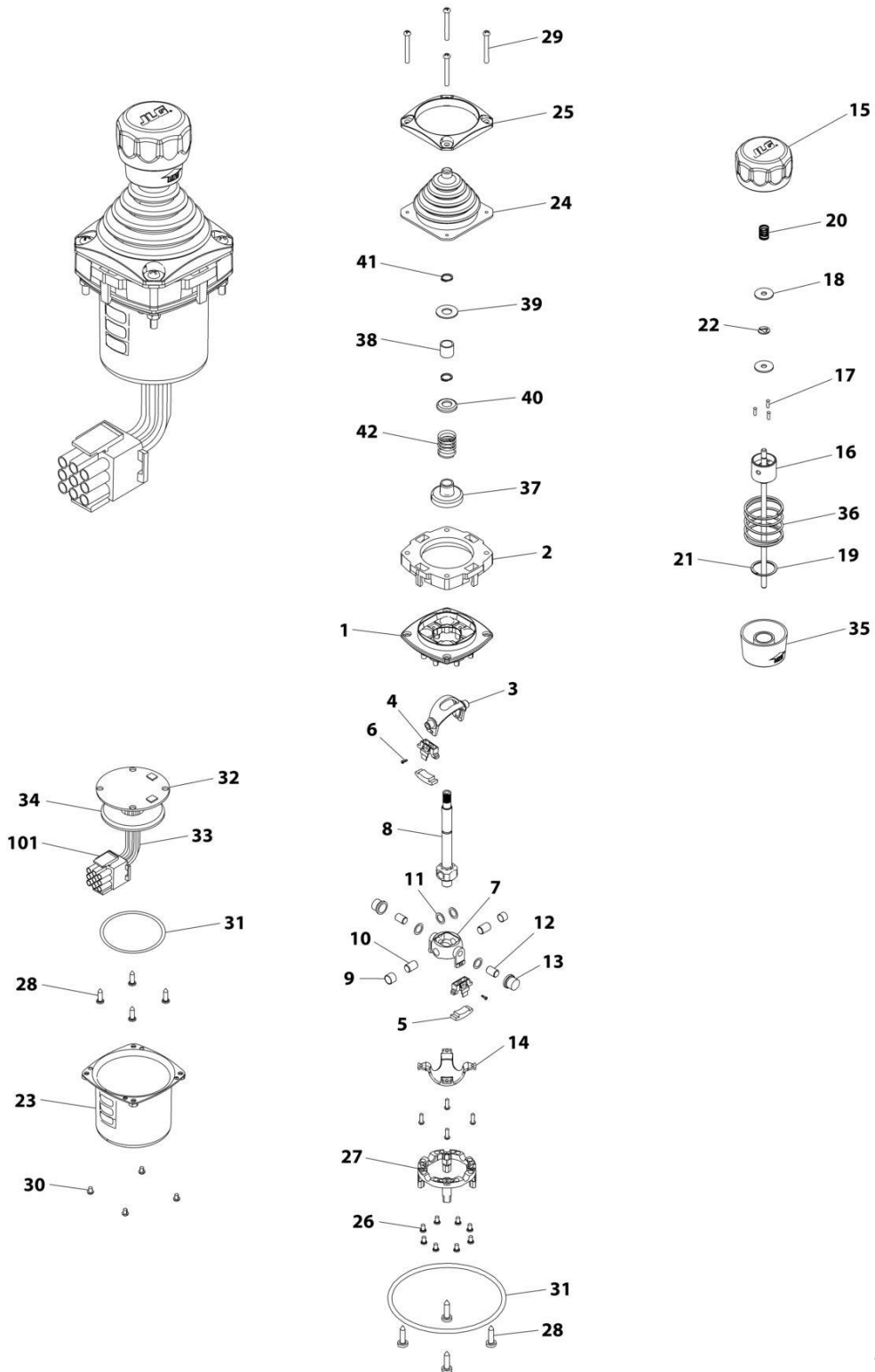
## SECTION 4 - PLATFORM

**FIGURE 4-12. CONTROLLER ASSEMBLY - DRIVE AND STEER**

ITEM	PART NUMBER	QTY	DESCRIPTION	REV
	1001166538	Ref	CONTROLLER ASSEMBLY - DRIVE AND STEER	G
		Ref	Note: For Replacement, Use p/n 1001212415.	
7	70004738	2	Washer	
10	70004739	1	Roller	
11	70004740	1	Boot, Switch	
14	70004741	2	Half, Handle	
17	70004742	1	Enclosure	
18	70004743	4	Nut	
19	70004744	NLA	Boot, Controller (Use p/n 70005230 Boot/Base Assembly)	
20	70004745	NLA	Tube, Locking (Use p/n 70005230 Boot/Base Assembly)	
21	70004746	NLA	Disc, Locking (Use p/n 70005230 Boot/Base Assembly)	
25	70004747	2	Seal, Rope	
26	70004748	1	Screw M3 x 6	
28	70004749	2	Screw M5 x 20	
29	70004750	1	Pin, Dowel	
30	70004751	4	Screw M3 x 16	
101	4460265	1	Connector - 9 Position	
101	4460226	7	Socket, Female	

# SECTION 4 - PLATFORM

## FIGURE 4-13. CONTROLLER ASSEMBLY - LIFT AND SWING



ART\_1001166539

## SECTION 4 - PLATFORM

**FIGURE 4-13. CONTROLLER ASSEMBLY - LIFT AND SWING**

ITEM	PART NUMBER	QTY	DESCRIPTION	REV
	1001166539	Ref	CONTROLLER ASSEMBLY	E
		Ref	Note: Original Equipment Controller May Have Been Replaced with Service Replacement Controller. Visually Identify Controller Before Ordering Parts.	
		Ref	Note: For Replacement, Use p/n 1001129555	
1	See Note	NSS	Main Cast Body (Note: Not Available - Purchase Complete Assembly)	
2	70004752	1	Adapter	
3	See Note	NSS	Pivot Arm, Plastic (Note: Not Available - Purchase Complete Assembly)	
4	See Note	NSS	Holder, Magnet (Note: Not Available - Purchase Complete Assembly)	
5	See Note	NSS	Arc, Magnet (Note: Not Available - Purchase Complete Assembly)	
6	See Note	NSS	Screw (Note: Not Available for Purchase)	
7	See Note	NSS	Pivot Arm, Cast (Note: Not Available - Purchase Complete Assembly)	
8	See Note	NSS	Shaft, Main (Note: Not Available - Purchase Complete Assembly)	
9	See Note	NSS	Bearing (Note: Not Available - Purchase Complete Assembly)	
10	See Note	NSS	Pin (Note: Not Available - Purchase Complete Assembly)	
11	See Note	NSS	Shim (Note: Not Available - Purchase Complete Assembly)	
12	See Note	NSS	Pin (Note: Not Available - Purchase Complete Assembly)	
13	See Note	NSS	Bearing (Note: Not Available - Purchase Complete Assembly)	
14	See Note	NSS	Dome, Centering (Note: Not Available - Purchase Complete Assembly)	
15	70004753	1	Cap	
16	70004754	1	Insert, Cap	
17	70004755	3	Pin	
18	70004756	2	Washer	
19	70004757	1	Pin, Centering	
20	70004758	1	Spring	
21	70004759	1	Ring, Retaining	
22	70004760	1	E-Ring	
23	70004761	1	Can, Enclosure	
24	70004762	1	Boot	
25	70004763	1	Bezel	
26	See Note	NSS	Screw (Note: Not Available for Purchase)	
27	See Note	NSS	Base Mounting (Note: Not Available - Purchase Complete Assembly)	
28	See Note	NSS	Screw (Note: Not Available for Purchase)	
29	70004764	4	Screw	
30	70004765	4	Screw	
31	70004766	1	O-Ring	
32	See Note	NSS	Plate (Note: Not Available - Purchase Complete Assembly)	
33	See Note	NSS	Harness (Note: Not Available - Purchase Complete Assembly)	
34	70004767	1	Grommet, Rubber	
35	70004768	1	Housing	
36	70004769	1	Spring	
37	70004770	1	Stopper	
38	70004771	1	Spacer	
39	70004772	1	Washer	
40	70004773	1	Disc	

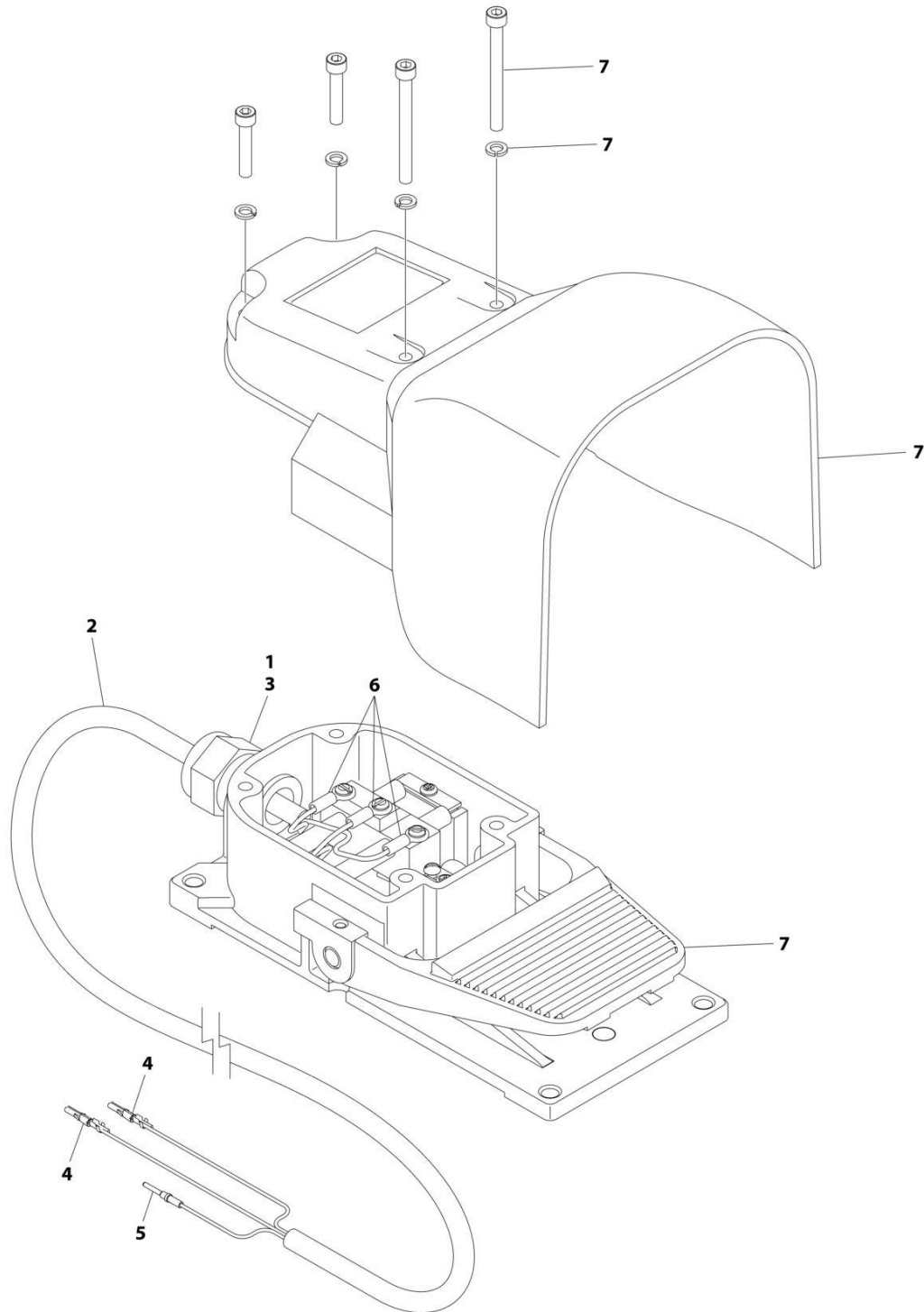
## SECTION 4 - PLATFORM

ITEM	PART NUMBER	QTY	DESCRIPTION	REV
41	70004774	2	Ring, Retaining	
42	70004775	1	Spring	
101	4460265	1	Connector - 9 Position	
101	4460226	6	Socket, Female	



# SECTION 4 - PLATFORM

## FIGURE 4-14. FOOTSWITCH ASSEMBLY



ART\_1001117174

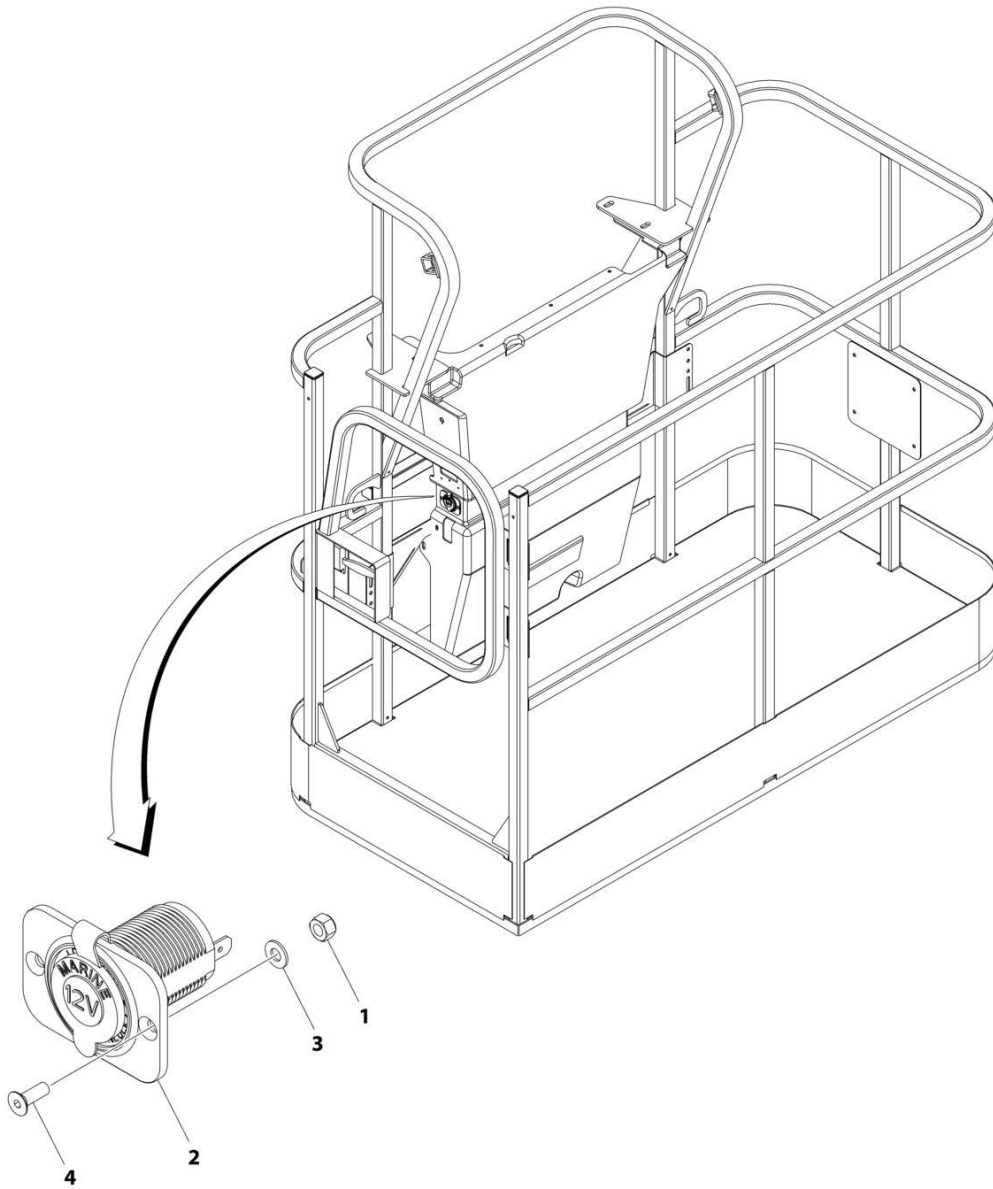
## SECTION 4 - PLATFORM

### FIGURE 4-14. FOOTSWITCH ASSEMBLY

ITEM	PART NUMBER	QTY	DESCRIPTION	REV
	1001117174	Ref	FOOTSWITCH ASSEMBLY	C
1	0100020	AR	Sealant	
2	1060918	7.5 ft/ 2.3m	Cable, Electrical - 18/3	
3	4460071	1	Connector, Strain Relief	
4	4460226	2	Socket, Female	
5	4460464	1	Pin, Male	
6	1001098122	3	Terminal	
7	1001117172	1	Footswitch	
7	70002902	1	Switch, 20Amp	
7	70002903	1	Gasket	
7	70002905	1	Cover	
7	70002904	1	Kit, Replacement Bolt	

# SECTION 4 - PLATFORM

## FIGURE 4-15. PLATFORM CHARGER (12V)



ART\_1001263608



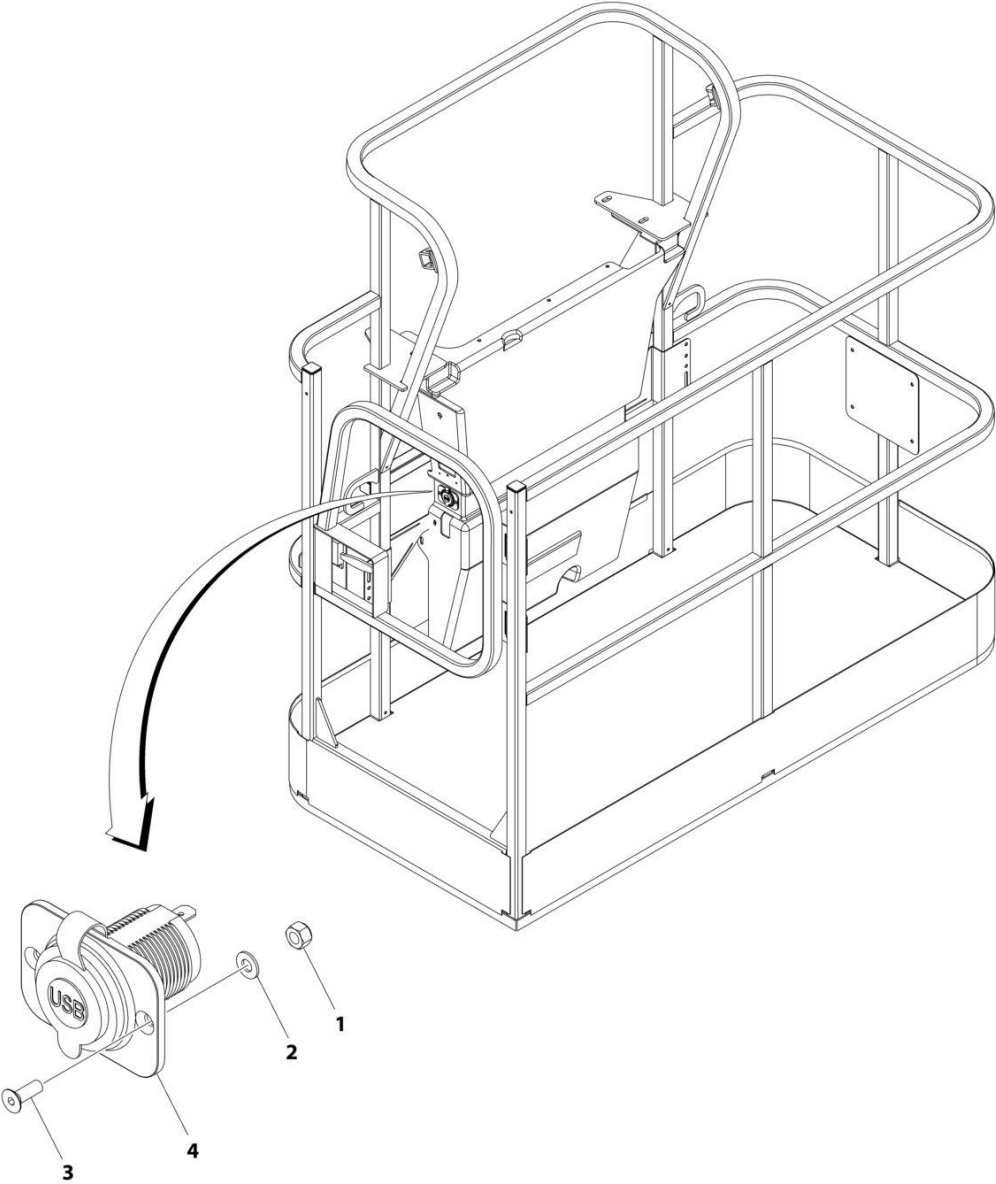
## SECTION 4 - PLATFORM

### FIGURE 4-15. PLATFORM CHARGER (12V)

ITEM	PART NUMBER	QTY	DESCRIPTION	REV
	1001263608	Ref	PLATFORM CHARGER (12V)	A
1	3290405	2	Nut M4	
2	4461012	1	Receptacle, 12V	
3	4811400	2	Washer M4	
4	1001097244	2	Capscrew M4 x 12	

**SECTION 4 - PLATFORM**

**FIGURE 4-16. PLATFORM CHARGER (USB)**



ART\_1001263609

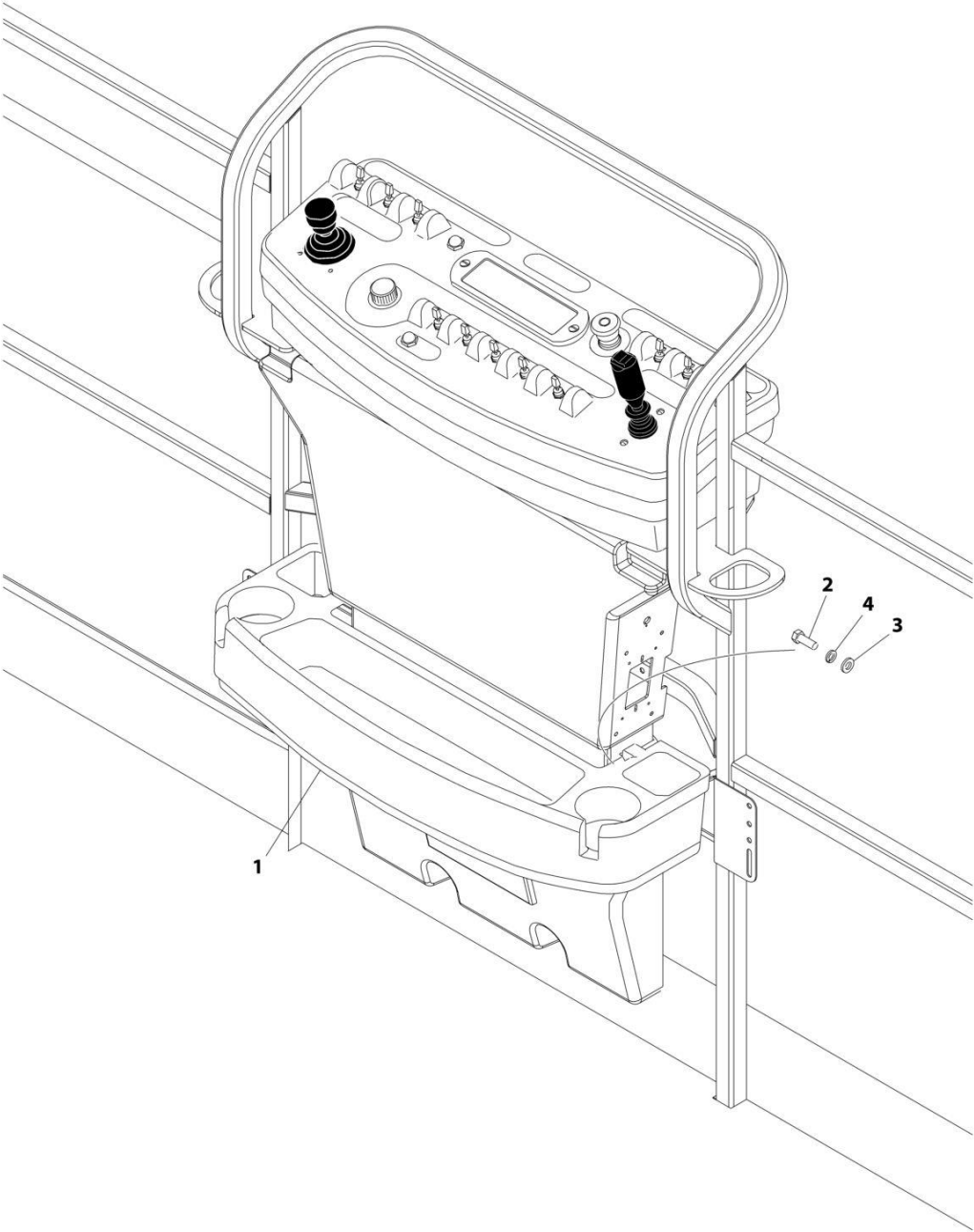
## SECTION 4 - PLATFORM

**FIGURE 4-16. PLATFORM CHARGER (USB)**

ITEM	PART NUMBER	QTY	DESCRIPTION	REV
	1001263609	Ref	PLATFORM CHARGER (USB)	A
1	3290405	2	Nut M4	
2	4811400	2	Washer M4	
3	1001097244	2	Capscrew M4 x 12	
4	1001210636	1	Receptacle, USB	

**SECTION 4 - PLATFORM**

**FIGURE 4-17. TRAY ASSEMBLY**



ART\_1580012

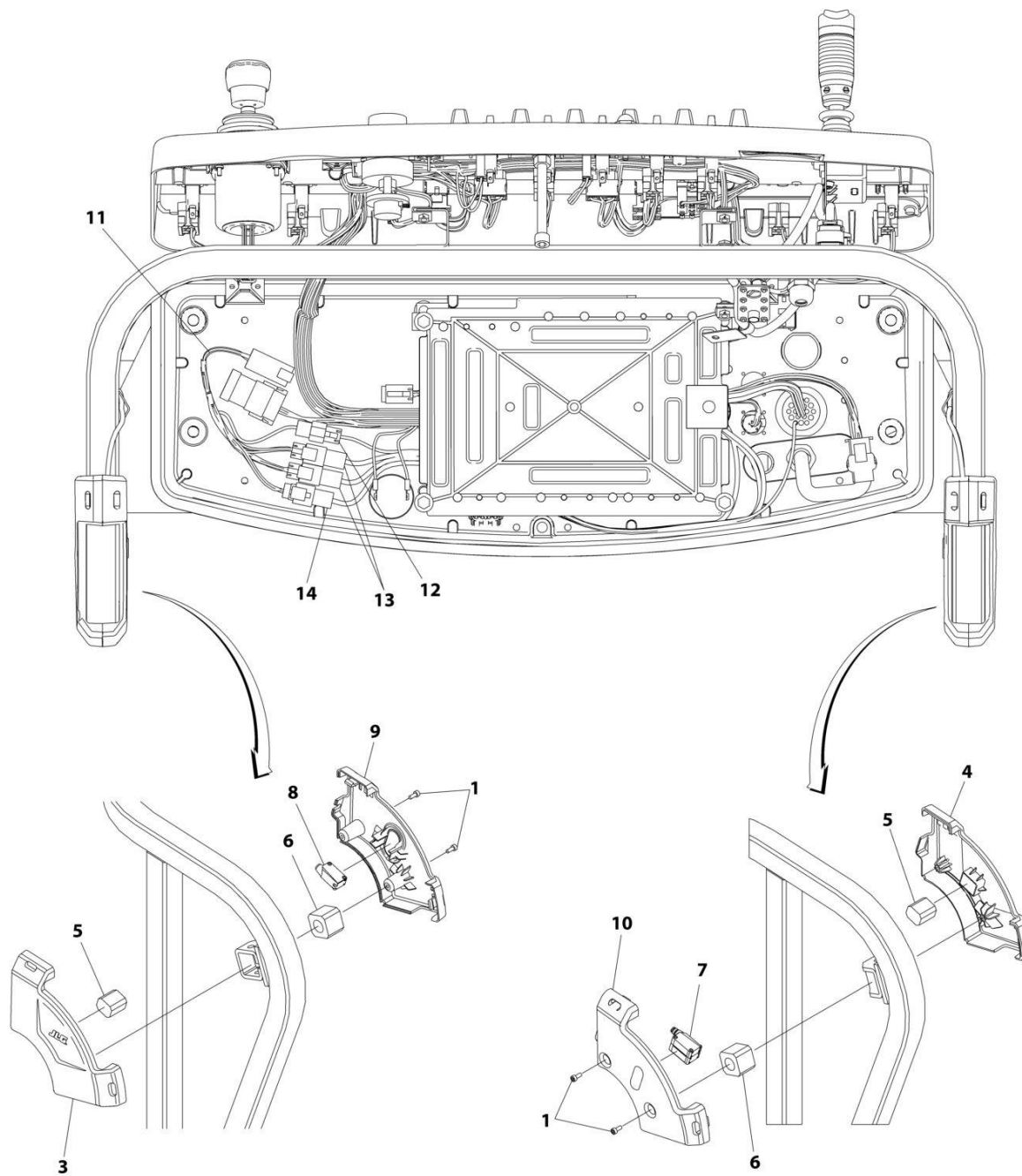
## SECTION 4 - PLATFORM

### FIGURE 4-17. TRAY ASSEMBLY

ITEM	PART NUMBER	QTY	DESCRIPTION	REV
	1580012	Ref	TRAY ASSEMBLY	C
1	See Note	NSS	Tray, Storage (Center) (Note: Purchase p/n 1580012)	
2	0641406	2	Bolt 1/4 x 3/4	
3	4751400	2	Washer 1/4	
4	4761400	2	Washer 1/4	

# SECTION 4 - PLATFORM

## FIGURE 4-18. SKYEYE INSTALLATION



ART\_1001229341

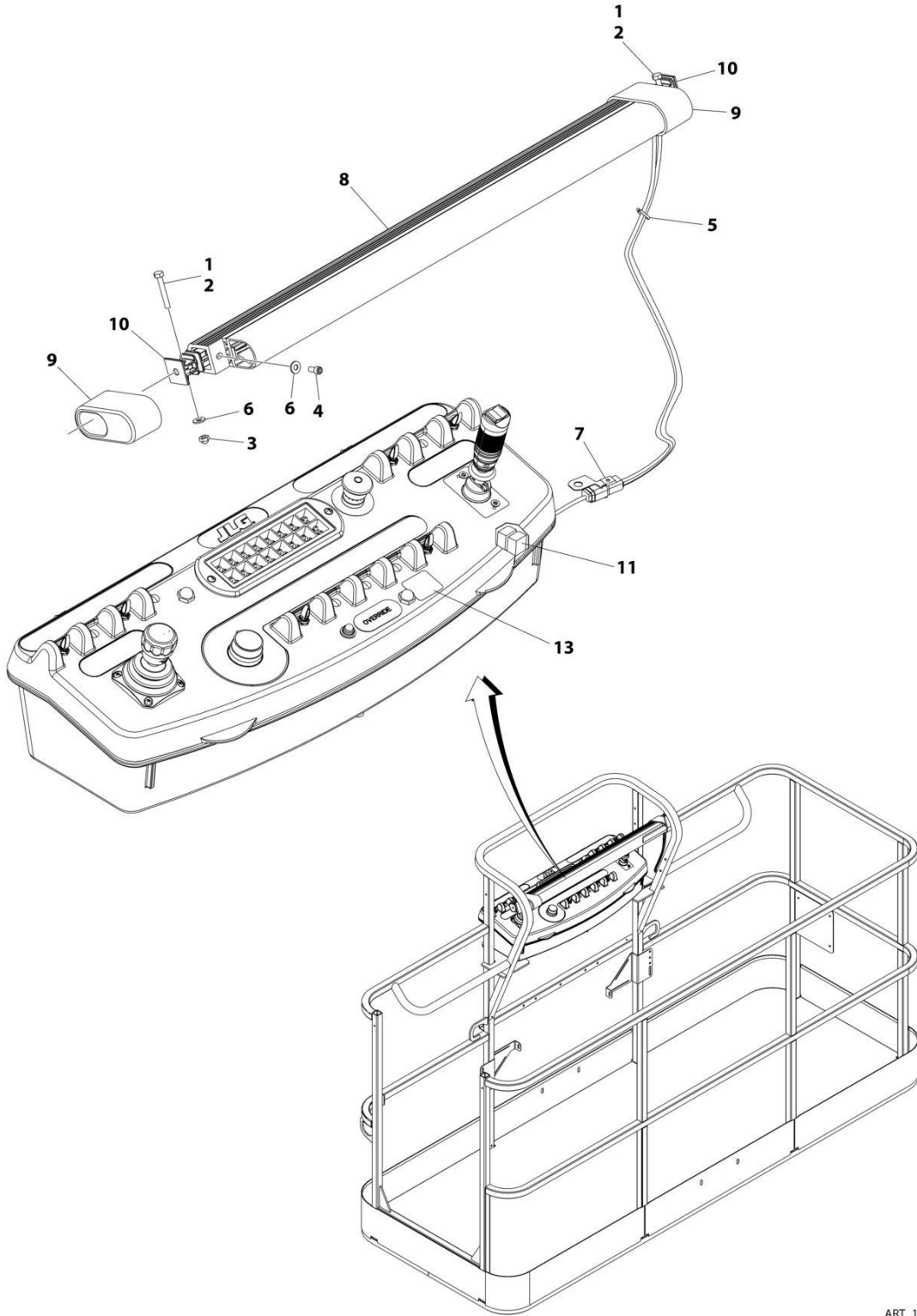
## SECTION 4 - PLATFORM

**FIGURE 4-18. SKYEYE INSTALLATION**

ITEM	PART NUMBER	QTY	DESCRIPTION	REV
	1001229341	Ref	SKYEYE INSTALLATION	B
1	4031505	4	Bolt M4 x 10	
2	4240033	AR	Tie-Strap (Not Shown)	
3	1001227633	1	Housing, LH Outer	
4	1001227634	1	Housing, RH Outer	
5	1001227985	2	Shim	
6	1001227987	2	Shim	
7	1001228224	2	Sensor, Receiver	
8	1001228225	1	Sensor, Emitter	
9	1001232164	1	Housing, LH Inner	
10	1001232165	1	Housing, RH Inner	
11	1001237865	1	Harness, Skyeeye Intermediate (See Separate Breakdown in ELECTRICAL Section)	
12	1001238319	NLA	Harness, Skyeeye Drain Jumper	
12	1001187674	1	Plug, Male - 2 Position	
12	4460942	1	Terminal	
12	4460466	1	Plug, Terminal	
12	4460508	1	Pin, Male	
13	1001237863	2	Harness, Skyeeye Receiver (See Separate Breakdown in ELECTRICAL Section)	
14	1001237864	1	Harness, Skyeeye Emitter (See Separate Breakdown in ELECTRICAL Section)	

# SECTION 4 - PLATFORM

## FIGURE 4-19. SKYGUARD BAR INSTALLATION



ART\_1001238495



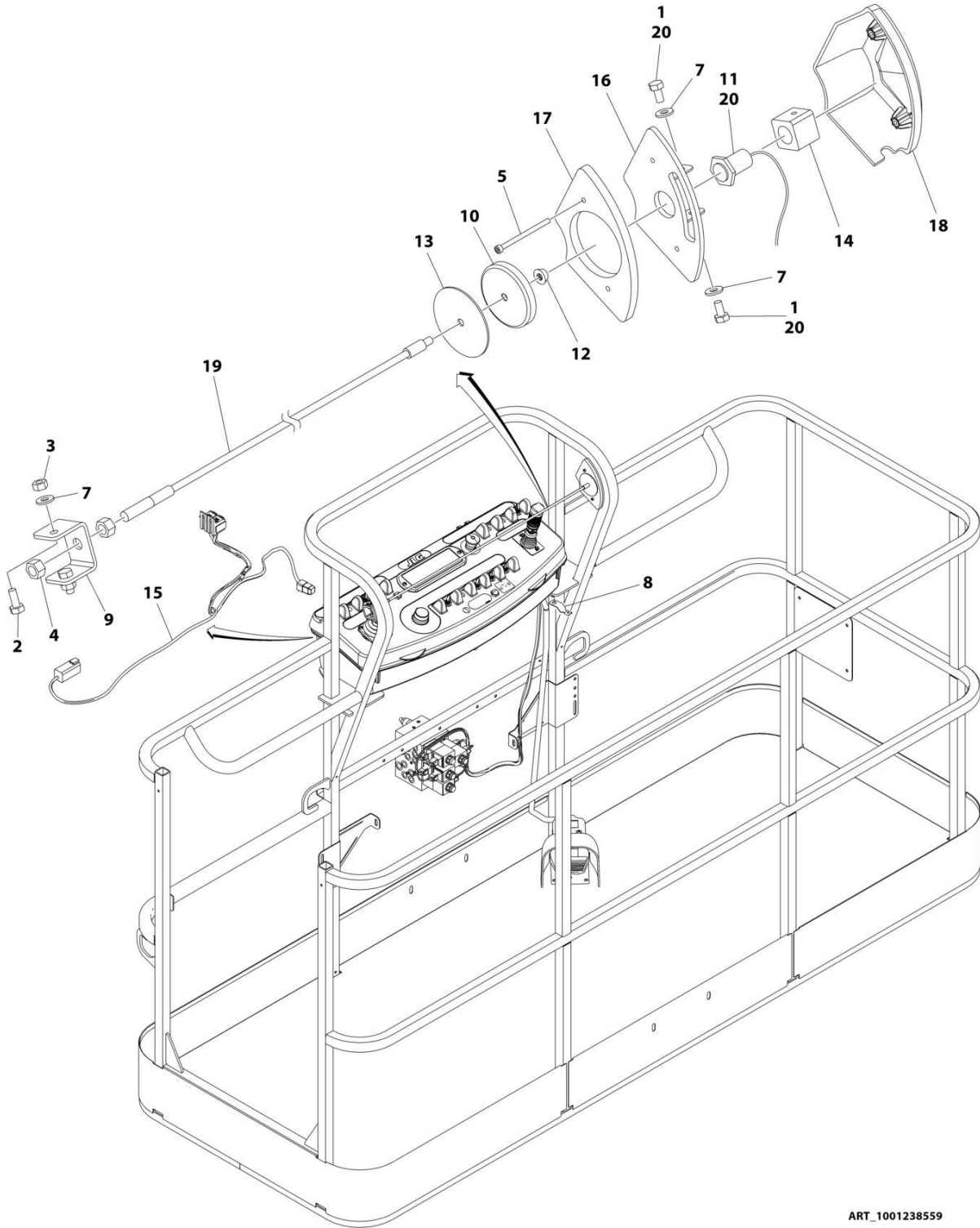
## SECTION 4 - PLATFORM

**FIGURE 4-19. SKYGUARD BAR INSTALLATION**

ITEM	PART NUMBER	QTY	DESCRIPTION	REV
	1001238495	Ref	SKYGUARD BAR INSTALLATION	A
1	0100011	AR	Compound, Locking	
2	0641414	2	Bolt 1/4 x 1-3/4	
3	3300430	2	Nut 1/4	
4	3931408	2	Capscrew 1/4 x 1/2	
5	4240033	8	Tie-Strap	
6	4711400	6	Washer 1/4	
7	1001120328	1	Mount	
8	1001137673	1	SkyGuard Switch Assembly	
9	1001186517	2	Cover, Platform Sensor	
10	1001209664	2	Support, Block	
11	1001186431	2	Relay	
12	1001225580	1	Interface Harness Assembly (Not Shown - Located Inside Console Box) (See Separate Breakdown in ELECTRICAL Section)	
13	1001144433	1	Decal - No Weight SkyGuard	

# SECTION 4 - PLATFORM

## FIGURE 4-20. SKYLINE INSTALLATION



ART\_1001238559

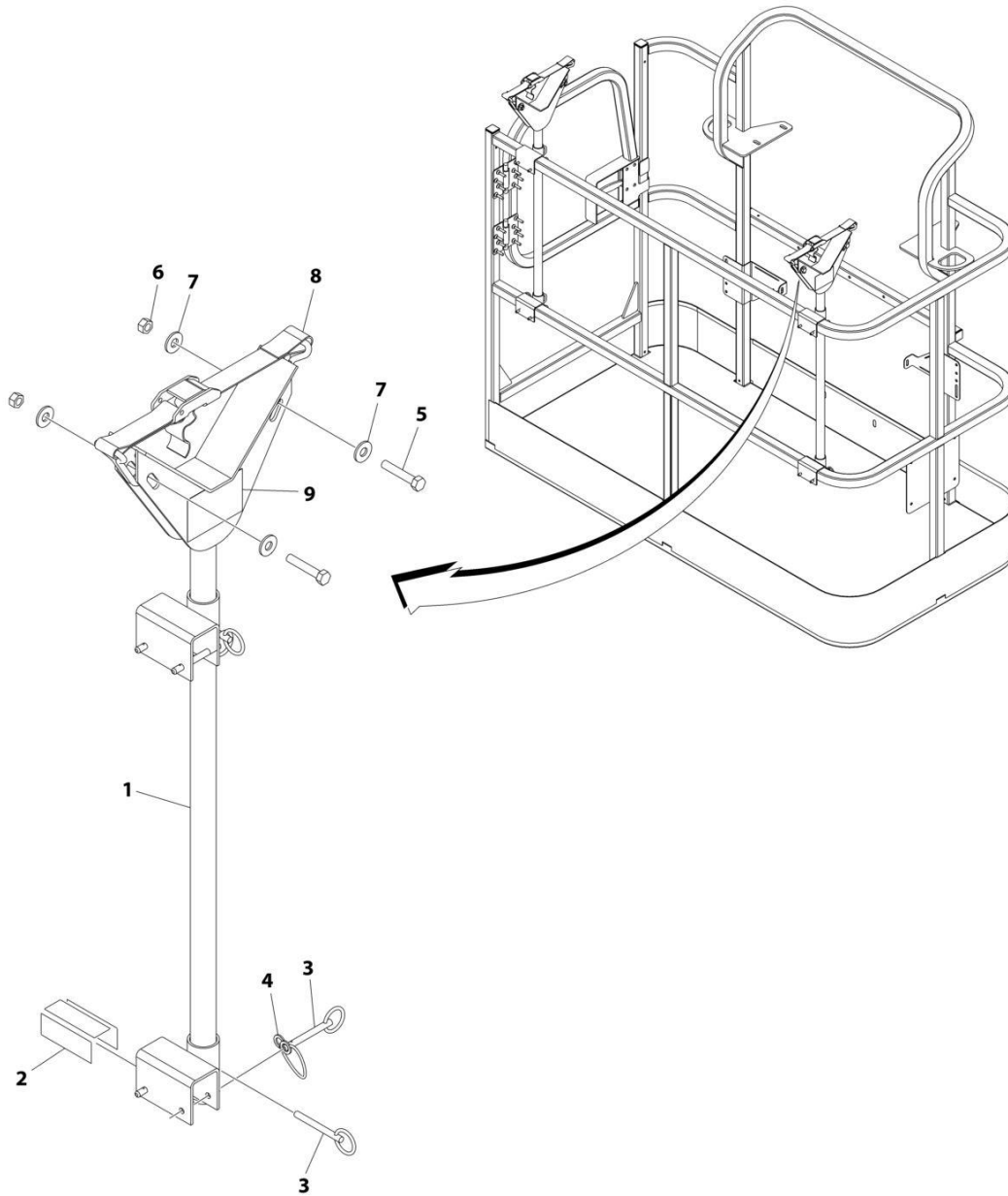
## SECTION 4 - PLATFORM

### FIGURE 4-20. SKYLINE INSTALLATION

ITEM	PART NUMBER	QTY	DESCRIPTION	REV
	1001238559	Ref	SKYLINE INSTALLATION	B
1	0641404	2	Bolt 1/4 x 1/2	
2	0641405	2	Bolt 1/4 x 5/8	
3	3311405	2	Nut 1/4	
4	3311601	2	Nut 3/8	
5	4031516	2	Capscrew M4 x 60	
6	4240033	AR	Tie-Strap (Not Shown)	
7	4711400	4	Washer 1/4	
8	1001120328	1	Mount	
9	1001232642	1	Bracket	
10	1001232650	1	Magnet	
11	1001232667	1	Sensor, Proximity	
12	1001235011	1	Nut	
13	1001235013	1	Washer	
14	1001236552	1	Block	
15	1001238418	1	Harness, Skyline (See Separate Breakdown in ELECTRICAL Section)	
16	1001238472	1	Mount	
17	1001238477	1	Housing, LH	
18	1001241965	1	Housing, RH	
19	1001238824	1	Rope	
20	0100011	AR	Compound, Locking	

# SECTION 4 - PLATFORM

## FIGURE 4-21. PIPE RACK INSTALLATION



ART\_0257728

## SECTION 4 - PLATFORM

### FIGURE 4-21. PIPE RACK INSTALLATION

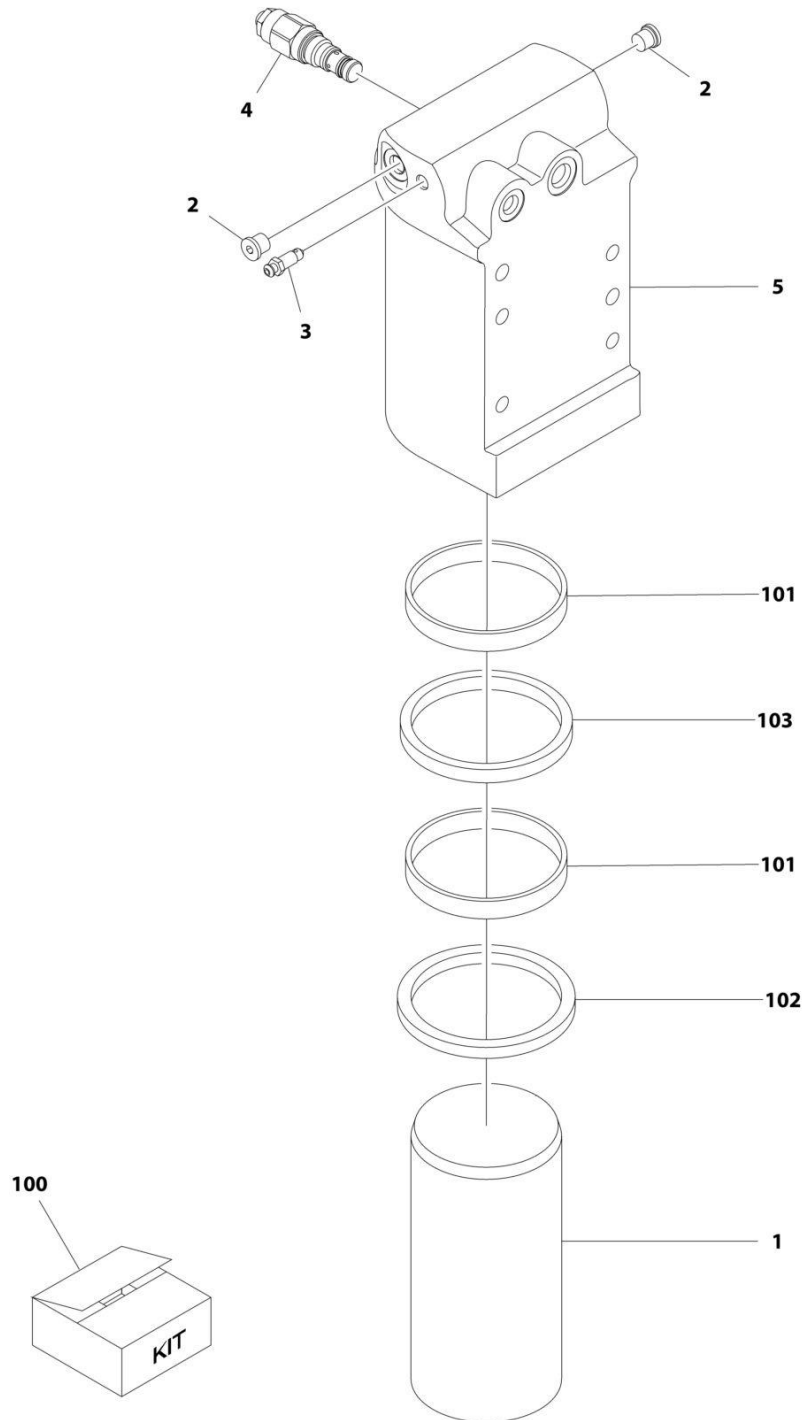
ITEM	PART NUMBER	QTY	DESCRIPTION	REV
	0257728	Ref	PIPE RACK INSTALLATION	3/E
1	4845582	2	Rack, Pipe	
2	4420062	AR	Tape	
3	3422661	10	Pin	
4	1060379	4	Lanyard	
5	0641514	4	Bolt 5/16 x 1-3/4	
6	3311505	4	Nut 5/16	
7	4751500	8	Washer 5/16	
8	0480100	2	Tie-Down	
11	1001252946	2	Decal - Tube Rack Cap (1)	
12	1001252947	2	Decal - Tube Rack Cap (2)	



**SECTION 5 - CYLINDER**

# SECTION 5 - CYLINDER

## FIGURE 5-1. AXLE LOCKOUT CYLINDER ASSEMBLY



ART\_1001163580



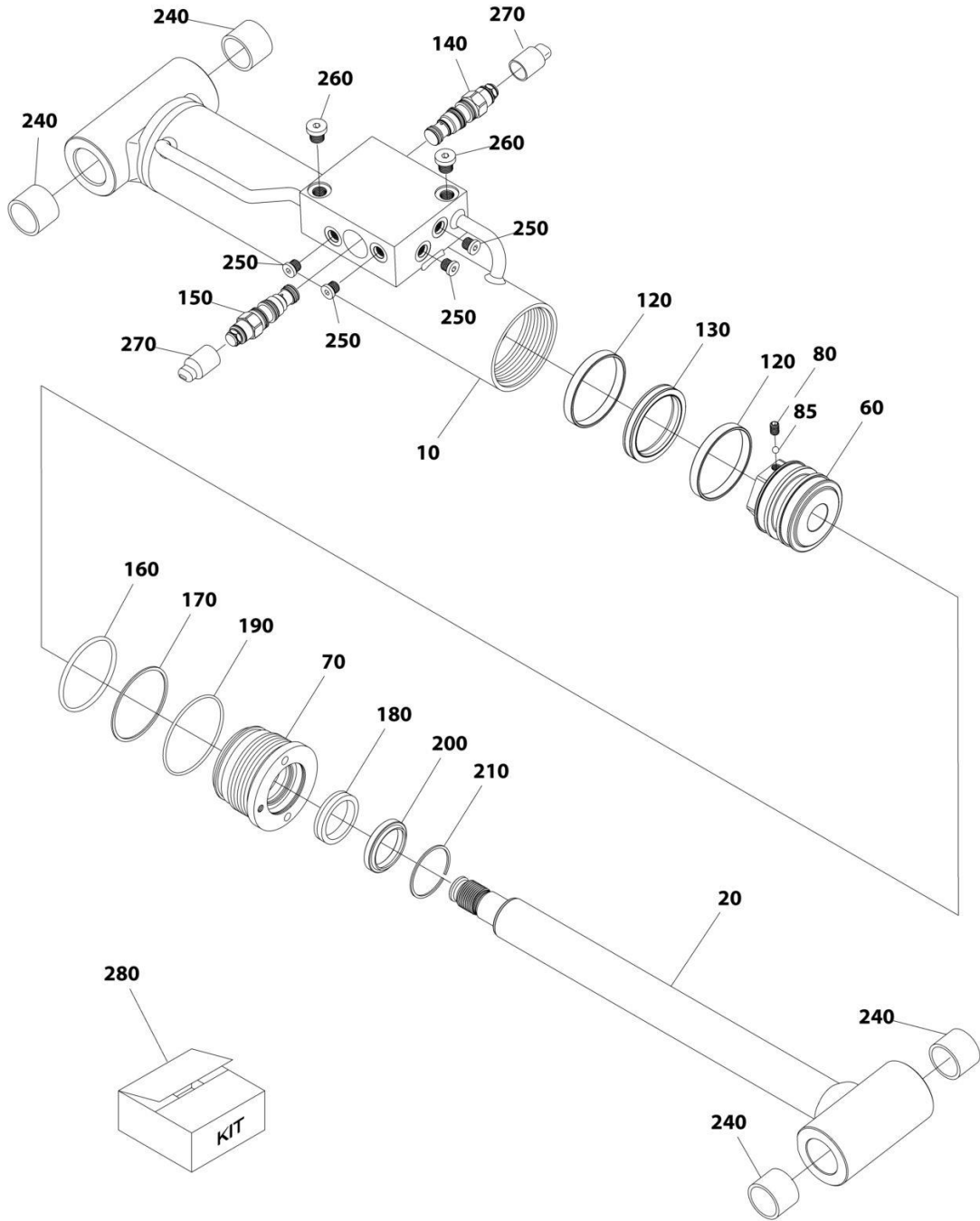
## SECTION 5 - CYLINDER

**FIGURE 5-1. AXLE LOCKOUT CYLINDER ASSEMBLY**

ITEM	PART NUMBER	QTY	DESCRIPTION	REV
	1001163580	Ref	AXLE LOCKOUT CYLINDER ASSEMBLY	I
		Ref	Note: Original Cylinder May Have Been Replaced with Service Replacement. Identify PN Stamped on Cylinder Before Ordering Parts.	
1	1684290	1	Rod	
2	2220883	2	Plug #4	
3	4640858	1	Valve, Bleeder	
4	1001117372	1	Cartridge, Valve	
4	70002842	1	Seal Kit - 1001117372 Valve	
5	1001164817	1	Barrel	
100	2902266	NLA	Seal Kit - 1001163590 Cylinder (Includes Items 101-103)	
101	See Note	NSS	Ring, Wear (Note: Use Item 100)	
102	See Note	NSS	Seal (Note: Use Item 100)	
103	See Note	NSS	Wiper (Note: Use Item 100)	

# SECTION 5 - CYLINDER

## FIGURE 5-2. LEVEL (PLATFORM SLAVE) CYLINDER ASSEMBLY



ART\_1001161716

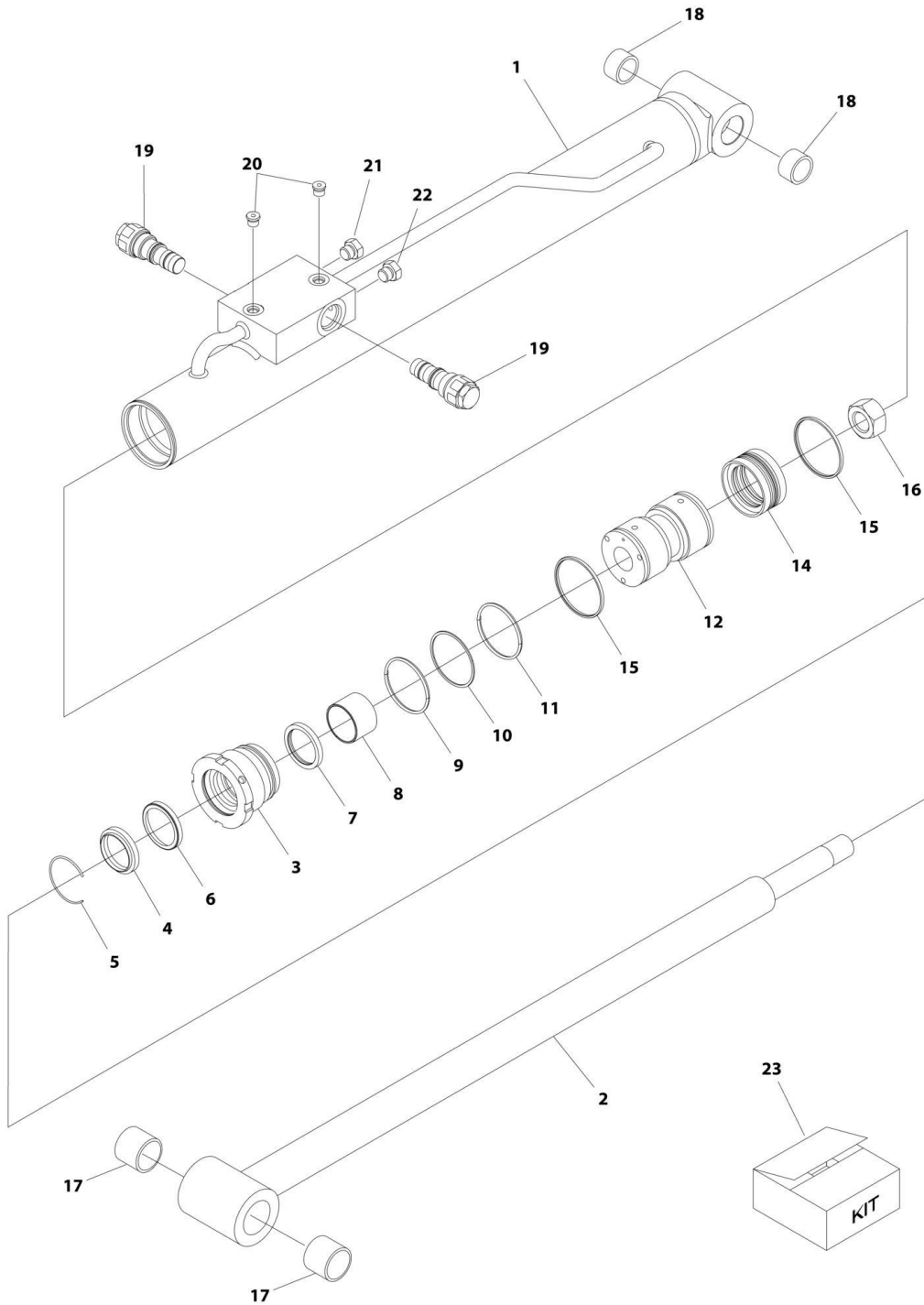
## SECTION 5 - CYLINDER

**FIGURE 5-2. LEVEL (PLATFORM SLAVE) CYLINDER ASSEMBLY**

ITEM	PART NUMBER	QTY	DESCRIPTION	REV
	1001161716	Ref	LEVEL (PLATFORM SLAVE) CYLINDER ASSEMBLY	D
		Ref	Note: Original Cylinder May Have Been Replaced with Service Replacement. Identify PN Stamped on Cylinder Before Ordering Parts.	
10	70005010	1	Barrel	
20	70005011	1	Rod	
60	70005012	1	Piston	
70	70003837	1	Head	
80	70005013	1	Setscrew	
85	70005014	1	Ball	
120	See Note	NSS	Ring, Bearing (Note: Use Item 280)	
130	See Note	NSS	Seal, Piston (Note: Use Item 280)	
140	70002413	1	Cartridge, Valve	
140	2900770	1	Seal Kit - 70002413 Valve	
150	1001168210	1	Cartridge, Valve	
150	2900770	1	Seal Kit - 1001168210 Valve	
160	See Note	NSS	O-Ring (Note: Use Item 280)	
170	See Note	NSS	Seal (Note: Use Item 280)	
180	See Note	NSS	Seal (Note: Use Item 280)	
190	See Note	NSS	O-Ring (Note: Use Item 280)	
200	See Note	NSS	Wiper (Note: Use Item 280)	
210	70003838	1	Ring, Retaining	
240	0961951	4	Bushing	
250	70025619	4	Plug 7/16	
260	70024262	2	Plug 1/4	
270	See Note	2	Plug, Shipping (Note: Not Available for Purchase)	
280	70005016	1	Seal Kit - 1001161716 Cylinder (Includes Items 120 ,130 & 160-200)	

# SECTION 5 - CYLINDER

## FIGURE 5-3. LIFT CYLINDER ASSEMBLY - JIB



ART\_1001163767

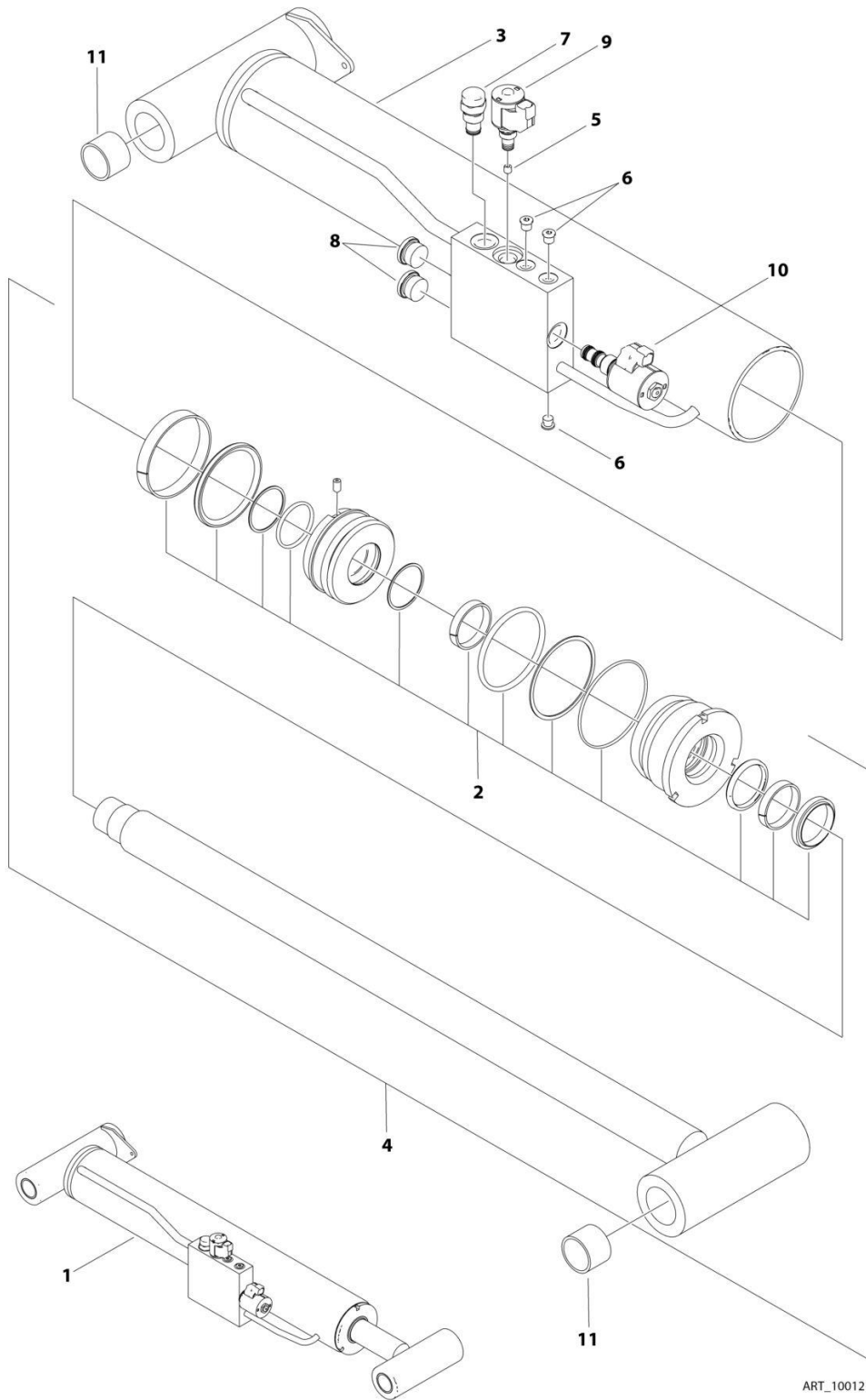
## SECTION 5 - CYLINDER

**FIGURE 5-3. LIFT CYLINDER ASSEMBLY - JIB**

ITEM	PART NUMBER	QTY	DESCRIPTION	REV
	1001163767	Ref	LIFT CYLINDER ASSEMBLY - JIB	B
		Ref	Note: Original Cylinder May Have Been Replaced with Service Replacement. Identify PN Stamped on Cylinder Before Ordering Parts.	
1	70005155	1	Barrel	
2	70005156	1	Rod	
3	70005157	1	Head	
4	See Note	NSS	Wiper (Note: Use Item 23)	
5	70002373	1	Ring, Retaining	
6	See Note	NSS	Seal, Rod (Note: Use Item 23)	
7	See Note	NSS	Ring, Back-up (Note: Use Item 23)	
8	70005143	1	Bearing, Dry	
9	See Note	NSS	O-Ring (Note: Use Item 23)	
10	See Note	NSS	Ring, Back-up (Note: Use Item 23)	
11	See Note	NSS	O-Ring (Note: Use Item 23)	
12	70002371	1	Piston	
13	See Note	NSS	O-Ring (Note: Use Item 23)	
14	See Note	NSS	Seal, Piston (Note: Use Item 23)	
15	See Note	NSS	Ring, Piston (Note: Use Item 23)	
16	70002335	2	Nut	
17	70005158	2	Bushing	
18	70005159	2	Bushing	
19	4640509	2	Cartridge, Valve	
19	2900792	2	Seal Kit - 4640509 Valve	
20	70023370	2	Plug 7/16	
21	See Note	1	Plug 7/16 (Note: Not Available for Purchase)	
22	See Note	1	Plug 9/16 (Note: Not Available for Purchase)	
23	70005160	1	Seal Kit - 1001163767 Cylinder (Includes Items 4, 6, 7, 9-11 & 13-15)	

# SECTION 5 - CYLINDER

FIGURE 5-4. LIFT CYLINDER ASSEMBLY - MAIN BOOM (Prior to SN C30000204)



ART\_1001217681

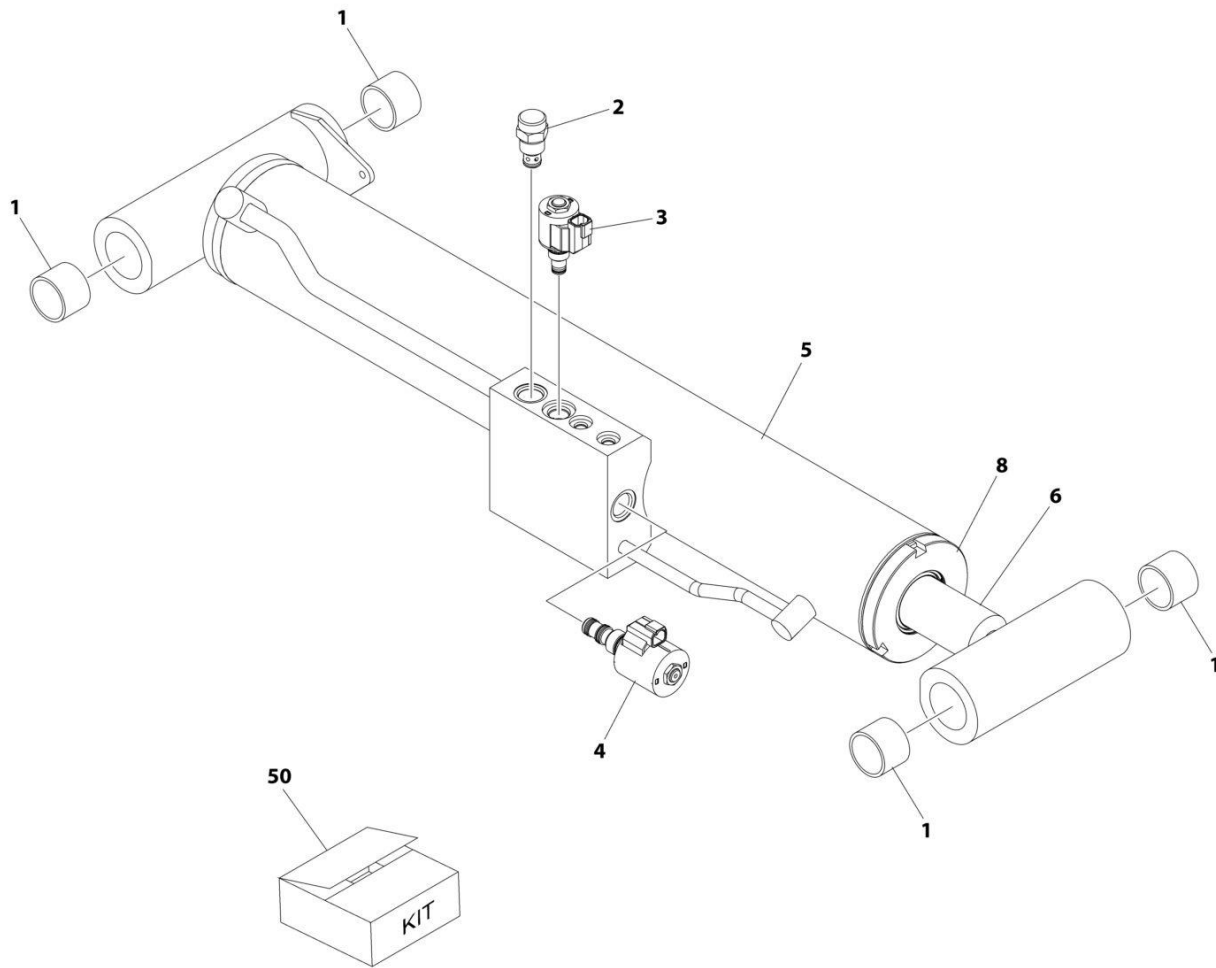
## SECTION 5 - CYLINDER

**FIGURE 5-4. LIFT CYLINDER ASSEMBLY - MAIN BOOM (Prior to SN C30000204)**

ITEM	PART NUMBER	QTY	DESCRIPTION	REV
	1001217681	Ref	LIFT CYLINDER ASSEMBLY - MAIN BOOM	B
		Ref	Note: Original Cylinder May Have Been Replaced with Service Replacement. Identify PN Stamped on Cylinder Before Ordering Parts.	
2	70004969	1	Seal Kit - 1001217681 Cylinder	
3	See Note	NSS	Barrel (Note: Not Available for Purchase)	
4	70004967	1	Rod Assembly (Includes Item 2)	
5	2180736	1	Orifice	
6	2220883	3	Plug #4	
7	4641390	1	Cartridge, Check Valve	
7	7017496	1	Seal Kit - 4641390 Valve	
8	See Note	NSS	Plug (Note: Not Available for Purchase)	
9	1001164709	1	Cartridge, Solenoid Valve (Includes Coil)	
9	7017467	1	Cartridge, Solenoid Valve Less Coil	
9	7012998	1	Seal Kit - 1001164709 & 7017467 Valves	
9	70002386	1	Coil	
10	1001206625	1	Cartridge, Compensator Valve	
10	70006104	1	Cartridge, Solenoid Valve Less Coil	
10	70006105	1	Seal Kit - 70006104 Valve	
10	70003788	1	Coil	
10	7022390	1	Coil Nut	
11	0961948	4	Bushing	

# SECTION 5 - CYLINDER

FIGURE 5-5. LIFT CYLINDER ASSEMBLY - MAIN BOOM (SN C30000204 through C30000329)



ART\_1001266738



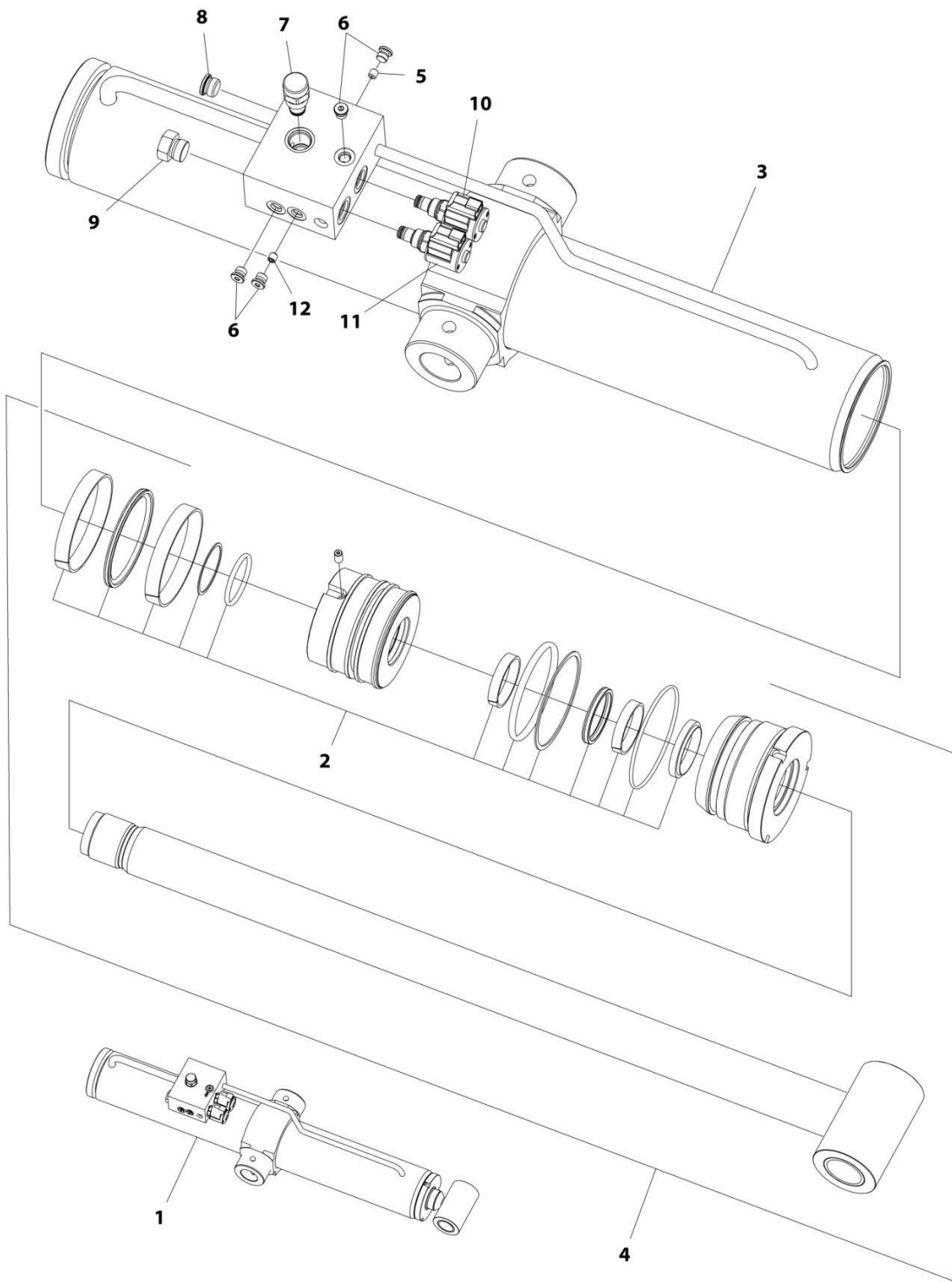
## SECTION 5 - CYLINDER

**FIGURE 5-5. LIFT CYLINDER ASSEMBLY - MAIN BOOM (SN C300000204 through C300000329)**

ITEM	PART NUMBER	QTY	DESCRIPTION	REV
	1001266738	Ref	LIFT CYLINDER ASSEMBLY - MAIN BOOM	B
		Ref	Note: Original Cylinder May Have Been Replaced with Service Replacement. Identify PN Stamped on Cylinder Before Ordering Parts.	
1	0961948	4	Bushing	
2	4641390	1	Cartridge, Valve - Check	
2	7017496	1	Seal Kit - 4641390 Valve	
3	1001164709	1	Cartridge, Valve - ON/OFF	
3	7017467	1	Cartridge, Valve Less Coil	
3	7012998	1	Seal Kit - 1001164709 & 7017467 Valves	
3	70002386	1	Coil	
4	1001206625	1	Cartridge, Valve - Proportional	
4	70006104	1	Cartridge, Valve Less Coil	
4	70006105	1	Seal Kit - 1001206625 & 70006104 Valves	
4	70003788	1	Coil	
4	7022390	1	Nut, Coil	
5	See Note	NSS	Barrel (Note: Use PN 1001266738)	
6	See Note	NSS	Rod (Note: Use PN 1001266738)	
7	See Note	NSS	Piston (Not Shown) (Note: Use PN 1001266738)	
8	See Note	NSS	Head (Note: Use PN 1001266738)	
50	70007901	1	Seal Kit - 1001266738 Cylinder	

# SECTION 5 - CYLINDER

FIGURE 5-6. LIFT CYLINDER ASSEMBLY - TOWER BOOM (Prior to SN C30000204)



ART\_1001161715

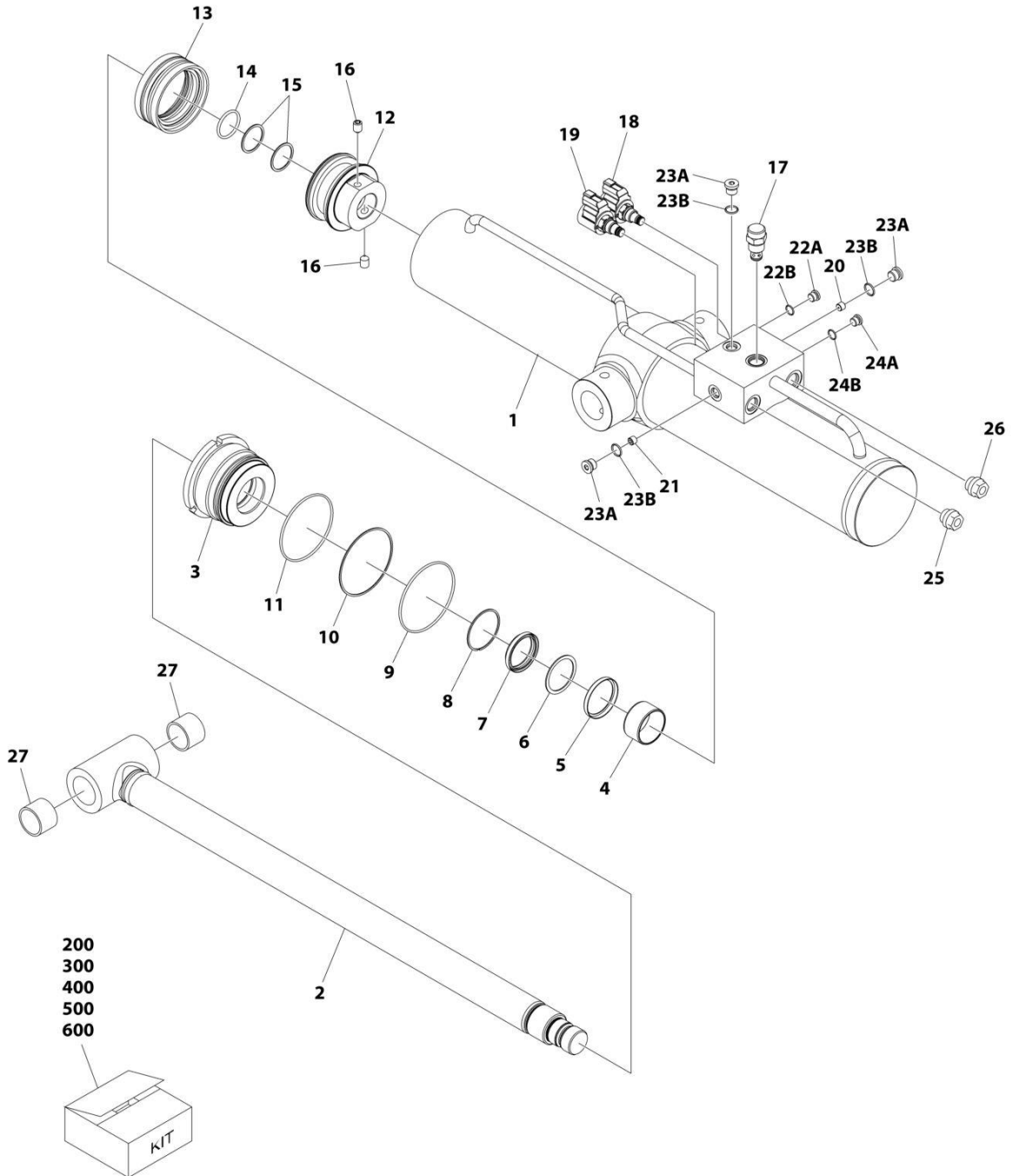
## SECTION 5 - CYLINDER

**FIGURE 5-6. LIFT CYLINDER ASSEMBLY - TOWER BOOM (Prior to SN C300000204)**

ITEM	PART NUMBER	QTY	DESCRIPTION	REV
1	1001161715	1	LIFT CYLINDER ASSEMBLY - TOWER BOOM	H
		Ref	Note: Original Cylinder May Have Been Replaced with Service Replacement. Identify PN Stamped on Cylinder Before Ordering Parts.	
2	70004966	1	Seal Kit - 1001161715 Cylinder	
3	70004965	1	Barrel	
4	70004964	1	Rod Assembly (Includes Seal Kit and Bushings)	
4	0961948	2	Bushing	
5	70005578	1	Plug, Orifice	
6	2220883	4	Plug #4	
7	4641390	1	Cartridge, Check Valve	
7	7017496	1	Seal Kit - 4641390 Valve	
8	2220886	1	Plug #8	
9	See Note	1	Plug, Shipping (Note: Not Available for Purchase)	
10	1001166208	1	Cartridge, Solenoid Valve (Includes Coil)	
10	7024884	1	Cartridge, Solenoid Valve Less Coil	
10	7012967	1	Seal Kit - 1001166208 & 7024884 Valves	
10	70002386	1	Coil	
11	1001164709	1	Cartridge, Solenoid Valve (Includes Coil)	
11	7017467	1	Cartridge, Solenoid Valve Less Coil	
11	7012998	1	Seal Kit - 1001164709 & 7017467 Valves	
11	70002386	1	Coil	
12	70005577	1	Plug, Orifice	

# SECTION 5 - CYLINDER

FIGURE 5-7. LIFT CYLINDER ASSEMBLY - TOWER BOOM (SN C300000204 through C300000329)



ART\_1001254716

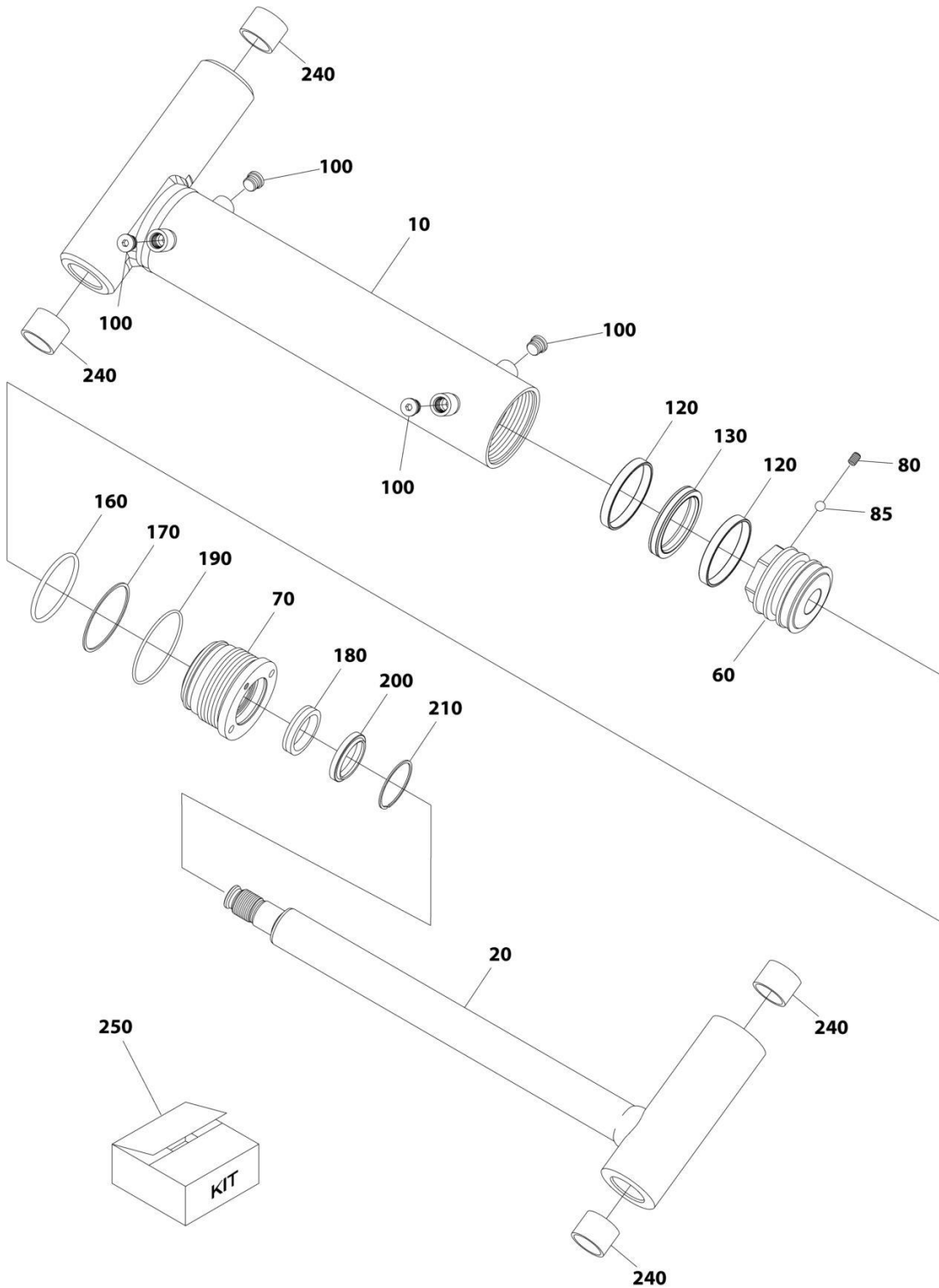
## SECTION 5 - CYLINDER

**FIGURE 5-7. LIFT CYLINDER ASSEMBLY - TOWER BOOM (SN C30000204 through C30000329)**

ITEM	PART NUMBER	QTY	DESCRIPTION	REV
	1001254716	Ref	LIFT CYLINDER ASSEMBLY - TOWER BOOM	B
		Ref	<b>Note: Original Cylinder May Have Been Replaced with Service Replacement. Identify PN Stamped on Cylinder Before Ordering Parts.</b>	
1	See Note	NSS	Barrel (Note: Use PN 1001254716)	
2	See Note	NSS	Rod (Note: Use Item 200)	
3	See Note	NSS	Head (Note: Use Item 300)	
4	See Note	NSS	Ring, Wear (Note: Use Item 300)	
5	See Note	NSS	Seal (Note: Use Item 400)	
6	See Note	NSS	Ring, Back-up (Note: Use Item 400)	
7	See Note	NSS	Wiper (Note: Use Item 400)	
8	See Note	NSS	Ring, Retaining (Note: Use Item 400)	
9	See Note	NSS	O-Ring (Note: Use Item 400)	
10	See Note	NSS	Ring, Back-up (Note: Use Item 400)	
11	See Note	NSS	O-Ring (Note: Use Item 400)	
12	See Note	NSS	Piston (Note: Use Item 500)	
13	See Note	NSS	Seal (Note: Use Item 400)	
14	See Note	NSS	O-Ring (Note: Use Item 400)	
15	See Note	NSS	Ring, Back-up (Note: Use Item 400)	
16	See Note	NSS	Set Screw (Note: Use Item 500)	
17	4641390	1	Cartridge, Counterbalance Valve	
17	7017496	1	Seal Kit - 4641390 Valve	
18	1001164709	1	Cartridge, Solenoid Valve	
18	7012967	1	Seal Kit - 1001164709 Valve	
18	70002386	1	Coil	
19	1001166208	1	Cartridge, Solenoid Valve	
19	7012967	1	Seal Kit - 1001166208 Valve	
19	70002386	1	Coil	
20	See Note	NSS	Orifice (Note: Use PN 1001254716)	
21	See Note	NSS	Orifice (Note: Use PN 1001254716)	
22A	See Note	NSS	Plug (Note: Use Item 600)	
22B	See Note	NSS	O-Ring (Note: Use Item 600)	
23A	See Note	NSS	Plug (Note: Use Item 600)	
23B	See Note	NSS	O-Ring (Note: Use Item 600)	
24A	See Note	NSS	Plug (Note: Use Item 600)	
24B	See Note	NSS	O-Ring (Note: Use Item 600)	
25	See Note	NSS	Dust Cap (Note: Shipping Use Only)	
26	See Note	NSS	Dust Cap (Note: Shipping Use Only)	
27	0961948	2	Bushing (Note: Use Item 200)	
200	70007886	1	Rod Kit (Includes Items 2 & 27)	
300	70007887	1	Head Kit (Includes Items 3 & 4)	
400	70007888	1	Seal Kit (Includes Items 5-11 & 13-15)	
500	70007889	1	Piston Kit (Includes Items 12 & 16)	
600	70007890	1	Plug Kit (Includes Items 22A-24B)	

# SECTION 5 - CYLINDER

## FIGURE 5-8. MASTER CYLINDER ASSEMBLY



ART\_1001161717

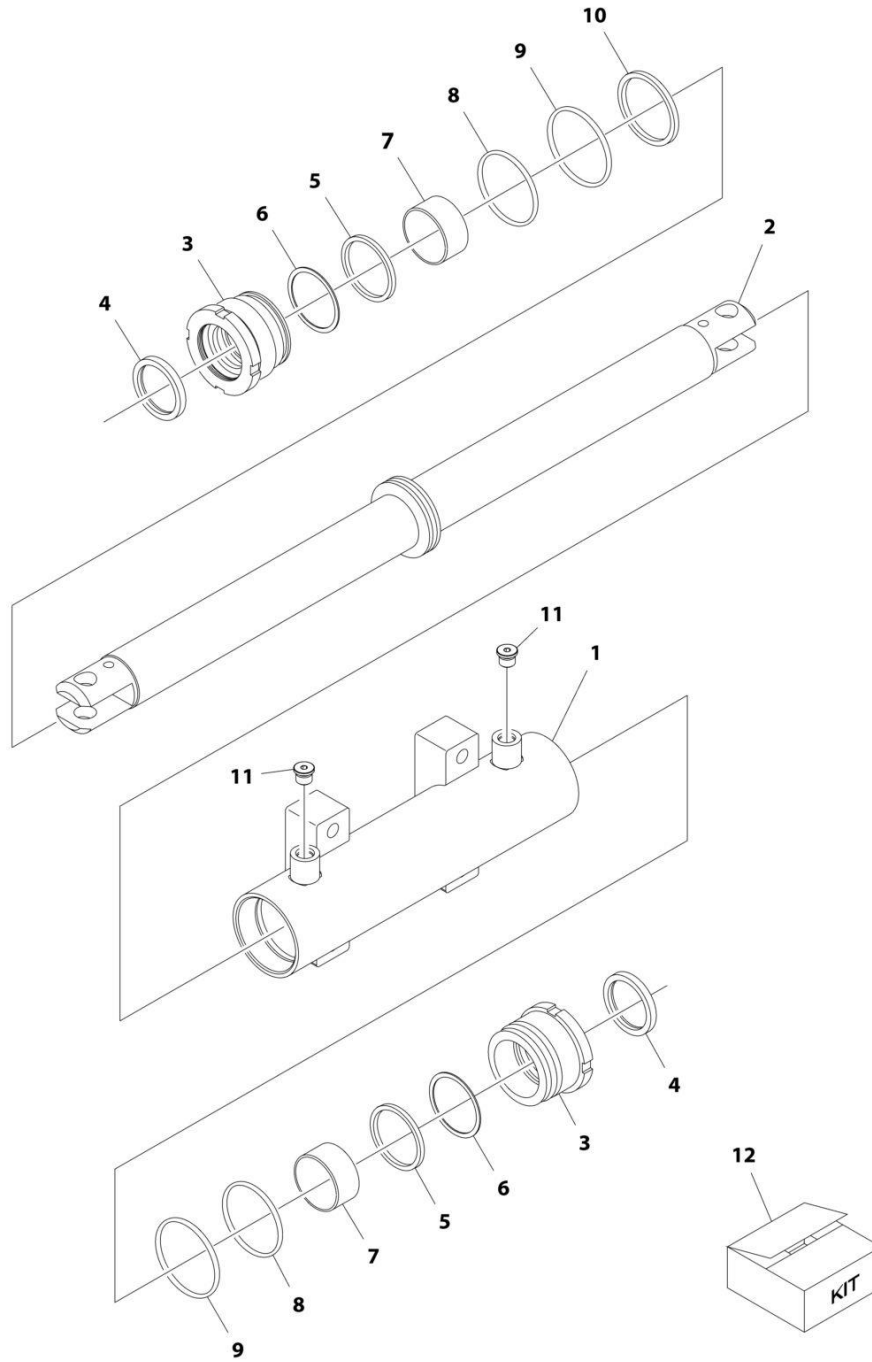
## SECTION 5 - CYLINDER

### FIGURE 5-8. MASTER CYLINDER ASSEMBLY

ITEM	PART NUMBER	QTY	DESCRIPTION	REV
	1001161717	Ref	MASTER CYLINDER ASSEMBLY	D
		Ref	Note: Original Cylinder May Have Been Replaced with Service Replacement. Identify PN Stamped on Cylinder Before Ordering Parts.	
10	70005017	1	Barrel	
20	70005018	1	Rod	
60	70005012	1	Piston	
70	70003837	1	Head	
80	70005013	1	Setscrew	
85	70005014	1	Ball	
100	70025959	4	Plug 9/16	
120	See Note	NSS	Ring, Piston (Note: Use Item 250)	
130	See Note	NSS	Seal (Note: Use Item 250)	
160	See Note	NSS	O-Ring (Note: Use Item 250)	
170	See Note	NSS	Ring (Note: Use Item 250)	
180	See Note	NSS	Seal (Note: Use Item 250)	
190	See Note	NSS	O-Ring (Note: Use Item 250)	
200	See Note	NSS	Wiper (Note: Use Item 250)	
210	70003838	1	Ring, Retaining	
240	0961951	4	Bushing	
250	70005016	1	Seal Kit - 1001161717 Cylinder (Includes Items 120-200)	

# SECTION 5 - CYLINDER

## FIGURE 5-9. STEER CYLINDER ASSEMBLY



ART\_1001163178



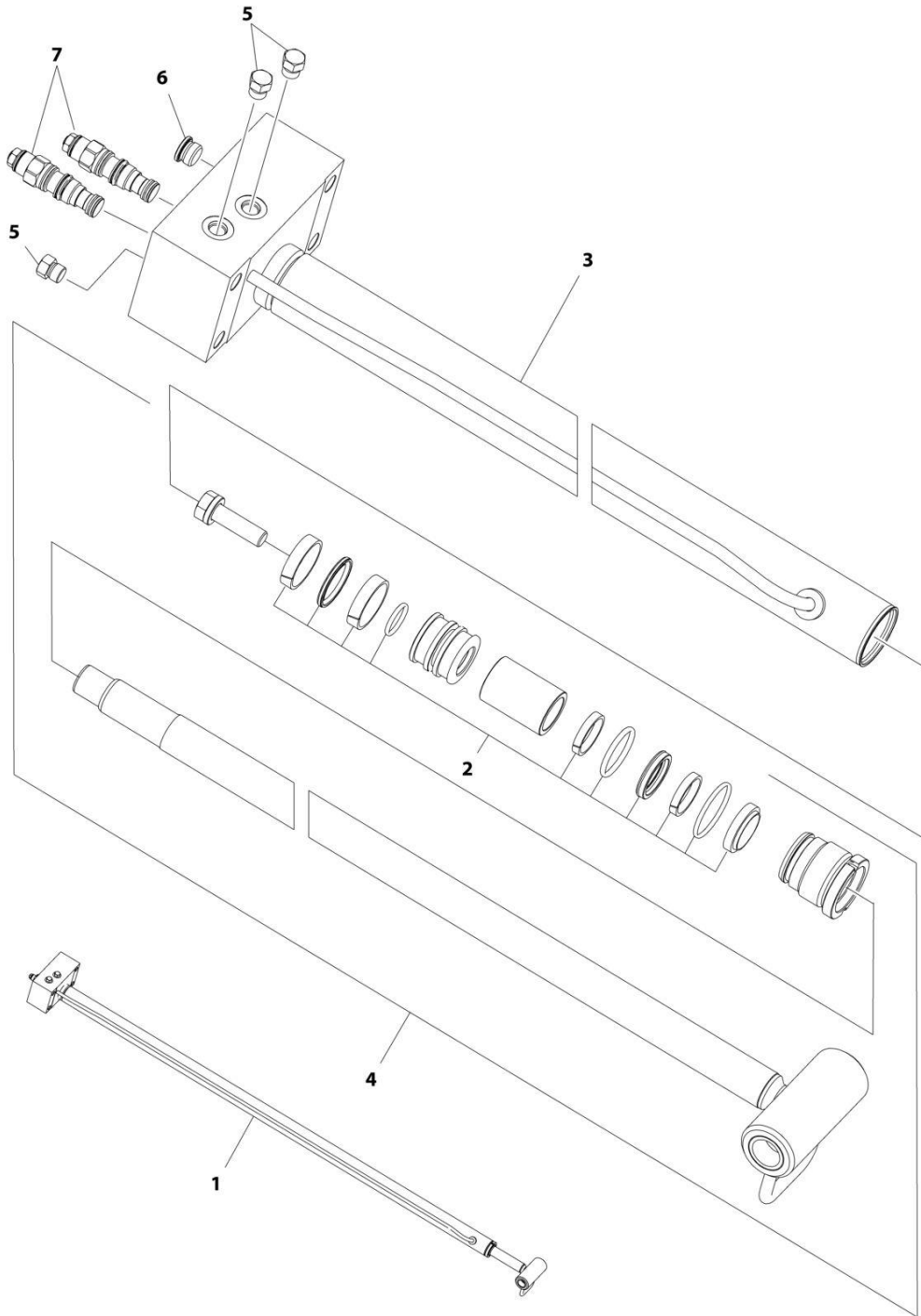
## SECTION 5 - CYLINDER

**FIGURE 5-9. STEER CYLINDER ASSEMBLY**

ITEM	PART NUMBER	QTY	DESCRIPTION	REV
	1001163178	Ref	STEER CYLINDER ASSEMBLY	E
		Ref	Note: Original Cylinder May Have Been Replaced with Service Replacement. Identify PN Stamped on Cylinder Before Ordering Parts.	
1	70005150	1	Barrel	
2	70005151	1	Rod	
3	70005152	2	Head	
4	See Note	NSS	Wiper (Note: Use Item 12)	
5	See Note	NSS	Seal, Rod (Note: Use Item 12)	
6	See Note	NSS	Ring, Back-up (Note: Use Item 12)	
7	70005153	2	Bearing, Dry	
8	See Note	NSS	O-Ring (Note: Use Item 12)	
9	See Note	NSS	O-Ring (Note: Use Item 12)	
10	See Note	NSS	Seal, Piston (Note: Use Item 12)	
11	See Note	2	Plug 9/16 (Note: Not Available for Purchase)	
12	70005154	1	Seal Kit - 1001163178 Cylinder (Includes Items 4-6 & 8-10)	

# SECTION 5 - CYLINDER

FIGURE 5-10. TELESCOPE CYLINDER ASSEMBLY (Prior to SN C30000204)



ART\_1001161804

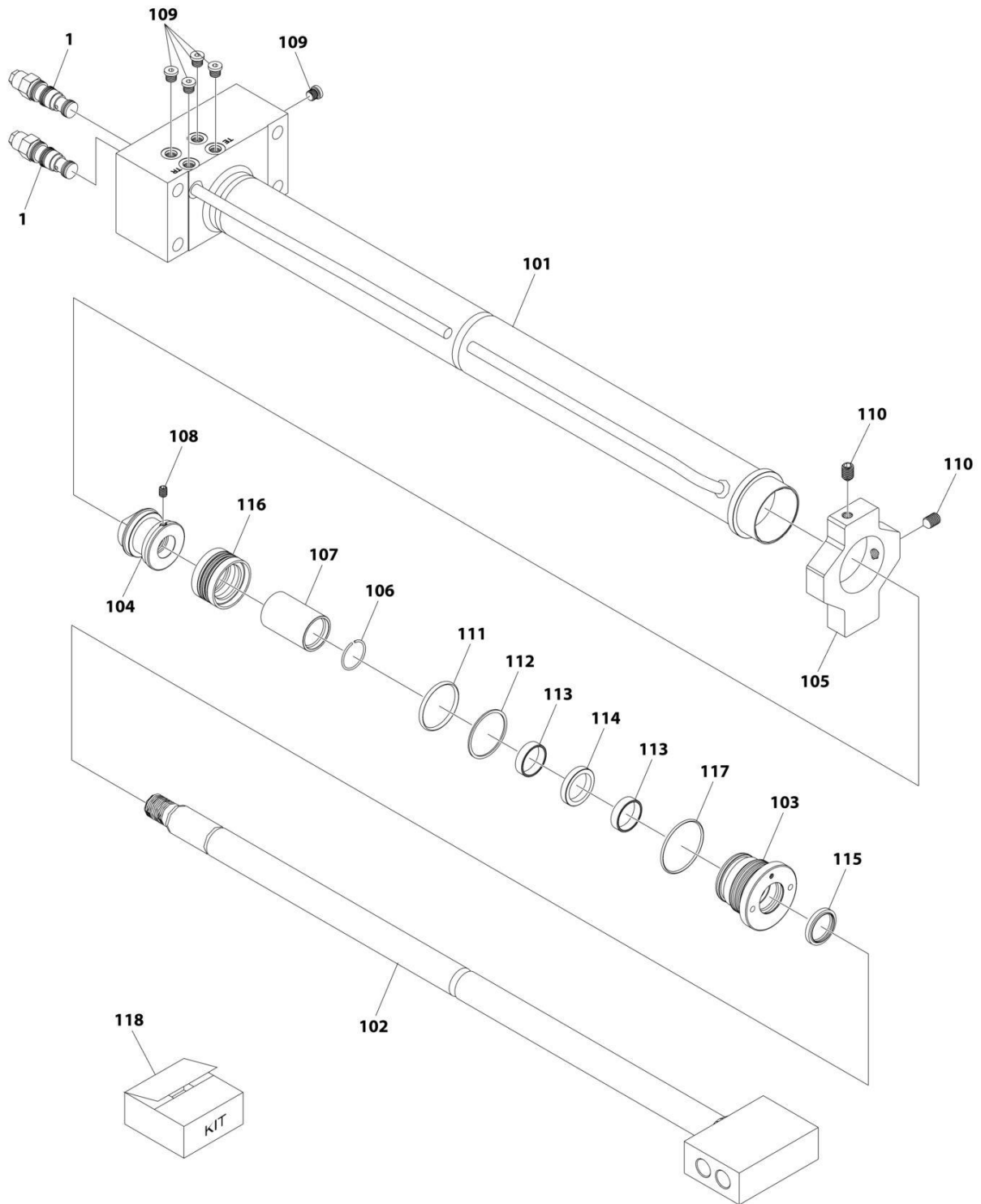
## SECTION 5 - CYLINDER

**FIGURE 5-10. TELESCOPE CYLINDER ASSEMBLY (Prior to SN C30000204)**

ITEM	PART NUMBER	QTY	DESCRIPTION	REV
	1001161804	Ref	TELESCOPE CYLINDER ASSEMBLY	G
		Ref	Note: Original Cylinder May Have Been Replaced with Service Replacement. Identify PN Stamped on Cylinder Before Ordering Parts.	
2	70004960	1	Seal Kit - 1001161804 Cylinder (Part of Item 4)	
3	70004959	1	Barrel	
4	70004958	1	Rod Assembly (Includes Seal Kit)	
5	2220885	3	Plug #6wmellott	
6	2220886	1	Plug #8	
7	4640771	2	Cartridge, Valve	
7	2900770	2	Seal Kit - 4460771 Valve	

# SECTION 5 - CYLINDER

FIGURE 5-11. TELESCOPE CYLINDER ASSEMBLY (SN C300000204 through C300000329)



ART\_1001266711

## SECTION 5 - CYLINDER

**FIGURE 5-11. TELESCOPE CYLINDER ASSEMBLY (SN C300000204 through C300000329)**

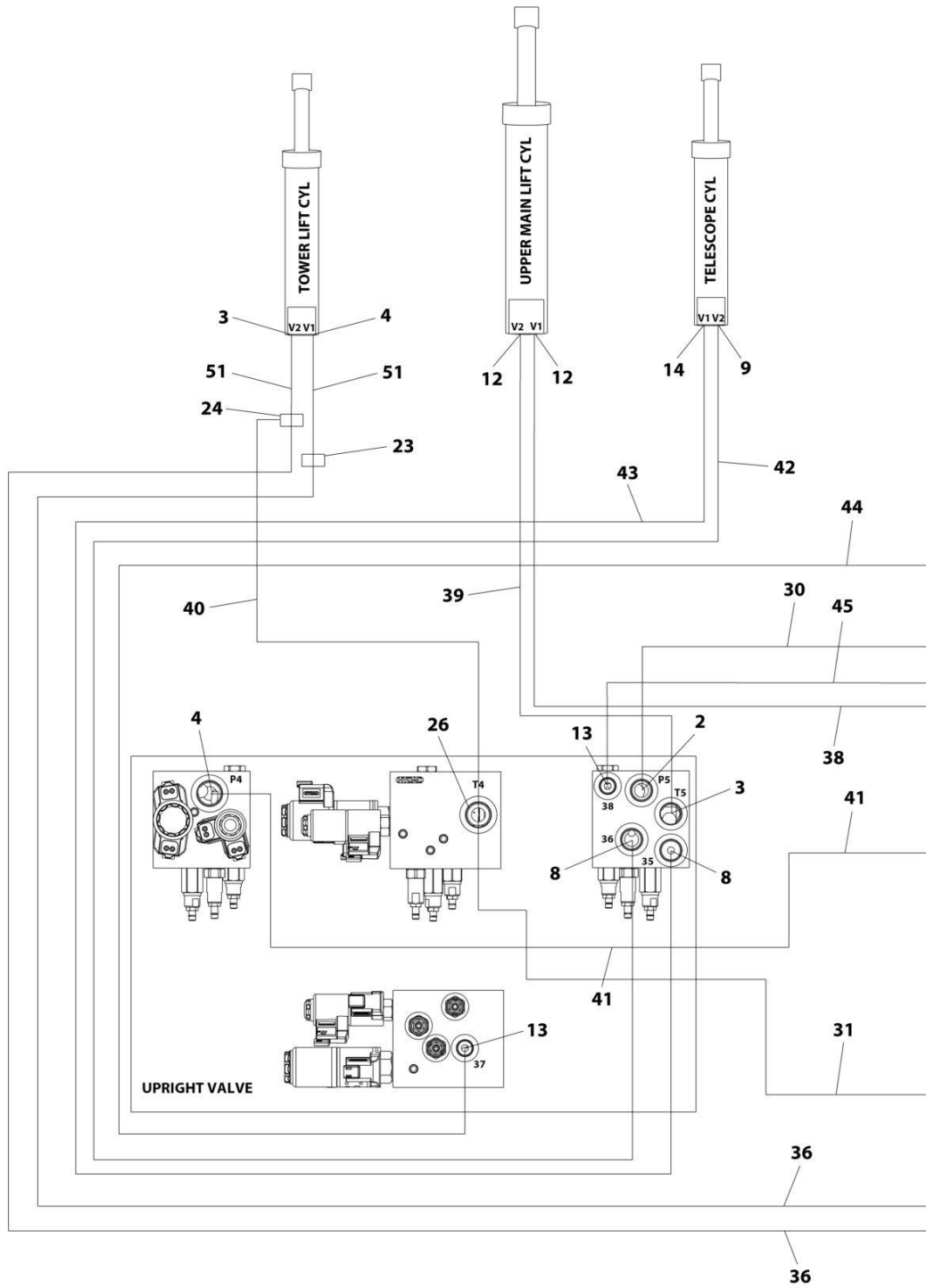
ITEM	PART NUMBER	QTY	DESCRIPTION	REV
	1001266711	Ref	TELESCOPE CYLINDER ASSEMBLY	B
		Ref	Note: Original Cylinder May Have Been Replaced with Service Replacement. Identify PN Stamped on Cylinder Before Ordering Parts.	
1	4640771	2	Valve, Motor Control	
1	2900770	2	Seal Kit - 4640771 Valve	
101	See Note	NSS	Barrel (Note: Not Available for Purchase)	
102	See Note	NSS	Rod (Note: Not Available for Purchase)	
103	70008135	1	Head	
104	70008136	1	Piston	
105	70008137	1	Mount	
106	70008138	1	Ring, Wire	
107	70008139	1	Spacer	
108	70027088	1	Setscrew	
109	70025619	5	Plug	
110	70008140	2	Setscrew	
111	See Note	NSS	O-Ring (Note: Use Item 118)	
112	See Note	NSS	Ring, Backup (Note: Use Item 118)	
113	See Note	NSS	Ring (Note: Use Item 118)	
114	See Note	NSS	Seal, Head (Note: Use Item 118)	
115	See Note	NSS	Seal, Wiper (Note: Use Item 118)	
116	See Note	NSS	Seal (Note: Use Item 118)	
117	See Note	NSS	O-Ring (Note: Use Item 118)	
118	70008141	1	Seal Kit (Includes Items 111-117)	



**SECTION 6 - HYDRAULIC**

# SECTION 6 - HYDRAULIC

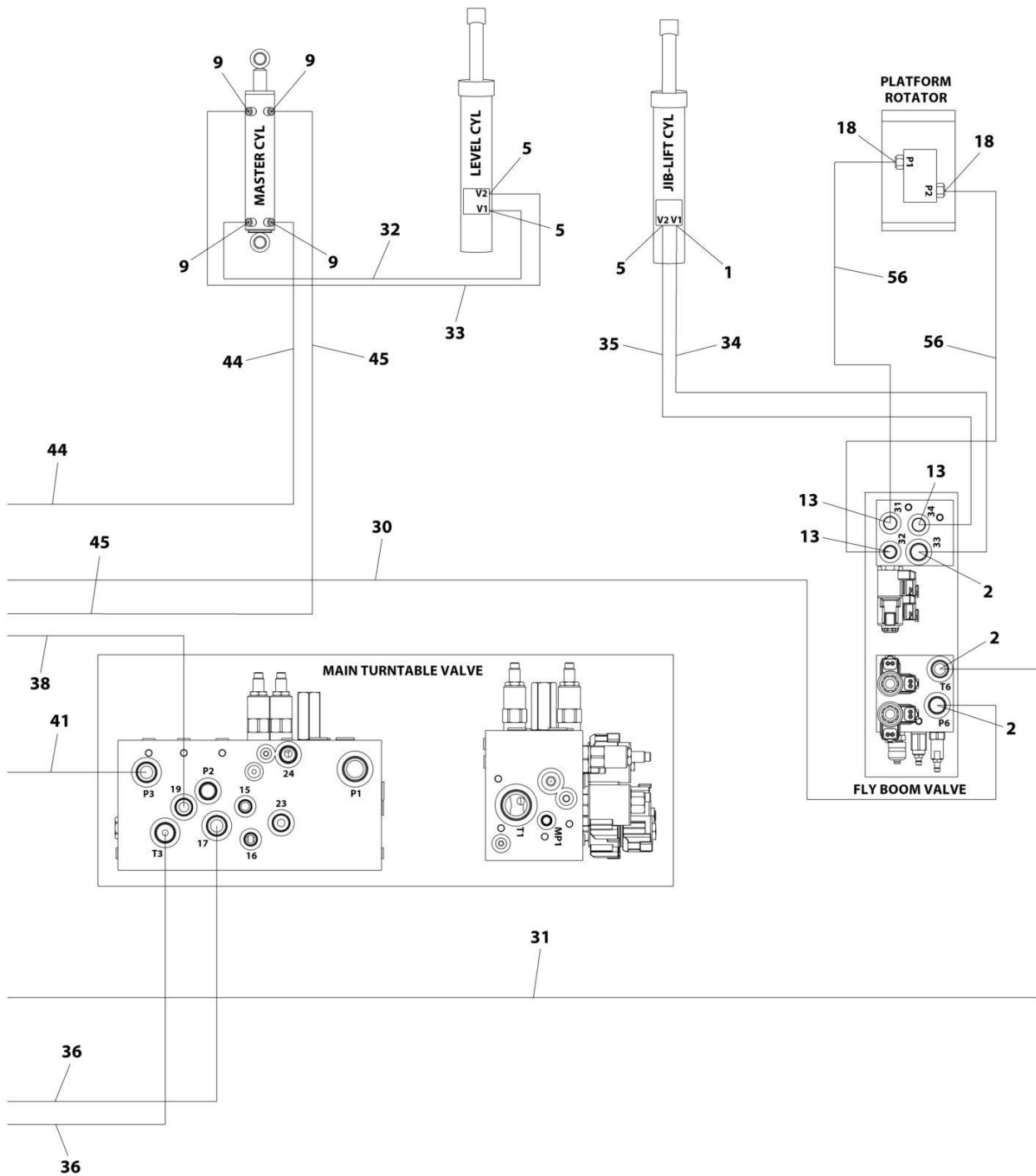
## FIGURE 6-1. BOOM HYDRAULIC SYSTEM INSTALLATION



ART\_1001255049\_10F2



# SECTION 6 - HYDRAULIC



ART\_1001255049\_2OF2

## SECTION 6 - HYDRAULIC

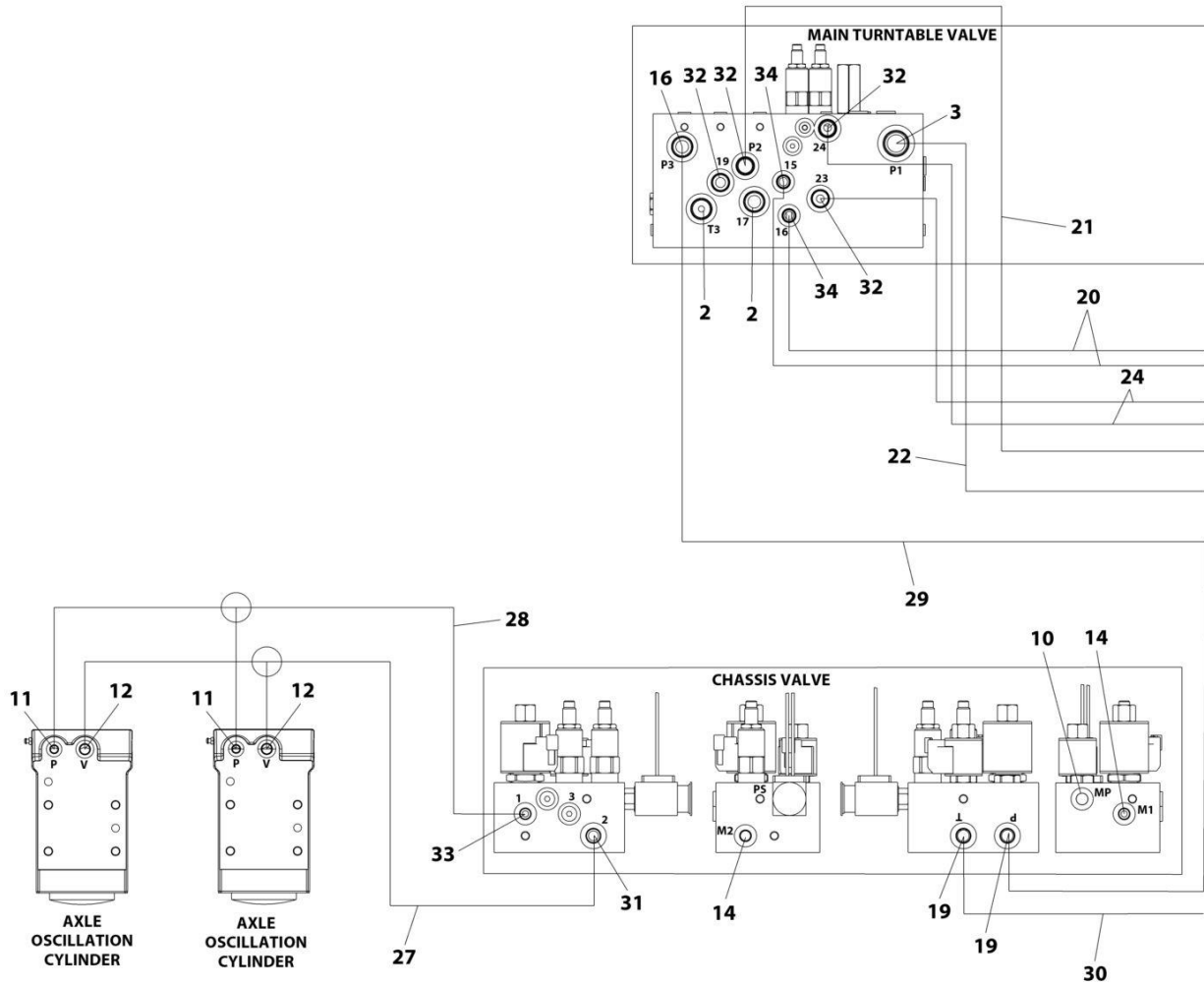
FIGURE 6-1. BOOM HYDRAULIC SYSTEM INSTALLATION

ITEM	PART NUMBER	QTY	DESCRIPTION	REV
	1001255049	Ref	BOOM HYDRAULIC SYSTEM INSTALLATION	B
1	2220371	1	Fitting, Straight JIC/ORB	
2	2220372	4	Fitting, Straight JIC/ORB	
3	2220373	2	Fitting, Straight JIC/ORB	
4	2220374	2	Fitting, Straight JIC/ORB	
5	2220415	3	Fitting, Straight JIC/ORB	
8	2220468	2	Fitting, Straight JIC/ORB	
9	2220472	5	Fitting, 90 JIC/ORB	
12	2220577	2	Fitting, Straight JIC/ORB	
13	2220582	5	Fitting, Straight JIC/ORB	
14	2220628	1	Fitting, 90 JIC/ORB	
18	2220940	2	Fitting, Elbow	
23	2230025	1	Fitting, Straight JIC/ORB	
24	8760477	1	Fitting, Tee JIC/JIC/JIC	
26	8770289	1	Fitting, Tee JIC/ORB/JIC	
30	1001176299	1	Hose	
31	1001176300	1	Hose	
32	1001176301	1	Hose	
33	1001176302	1	Hose	
34	1001173048	1	Hose	
35	1001173049	1	Hose	
36	1001173006	2	Hose	
38	1001173034	1	Hose	
39	1001173035	1	Hose	
40	1001173036	1	Hose	
41	1001173037	1	Hose	
42	1001173038	1	Hose	
43	1001173039	1	Hose	
44	1001173042	1	Hose	
45	1001173043	1	Hose	
51	1001180035	2	Hose	
56	1001173046	1	Hose	
57	4240018	12	Tie-Strap (Not Shown)	



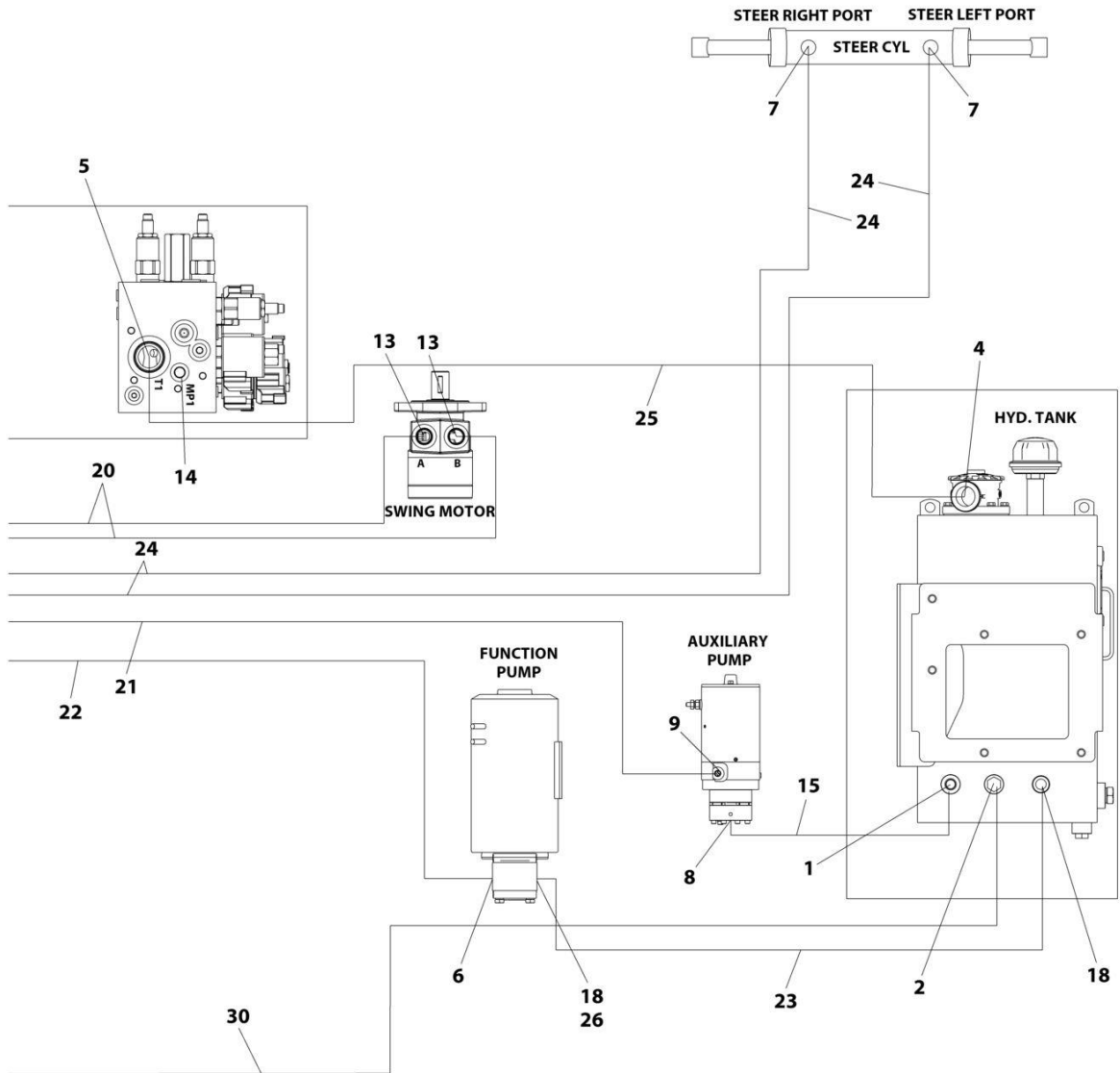
# SECTION 6 - HYDRAULIC

## FIGURE 6-2. CHASSIS HYDRAULIC SYSTEM INSTALLATION



ART\_1001250949\_1OF2

# SECTION 6 - HYDRAULIC



ART\_1001250949\_2OF2

## SECTION 6 - HYDRAULIC

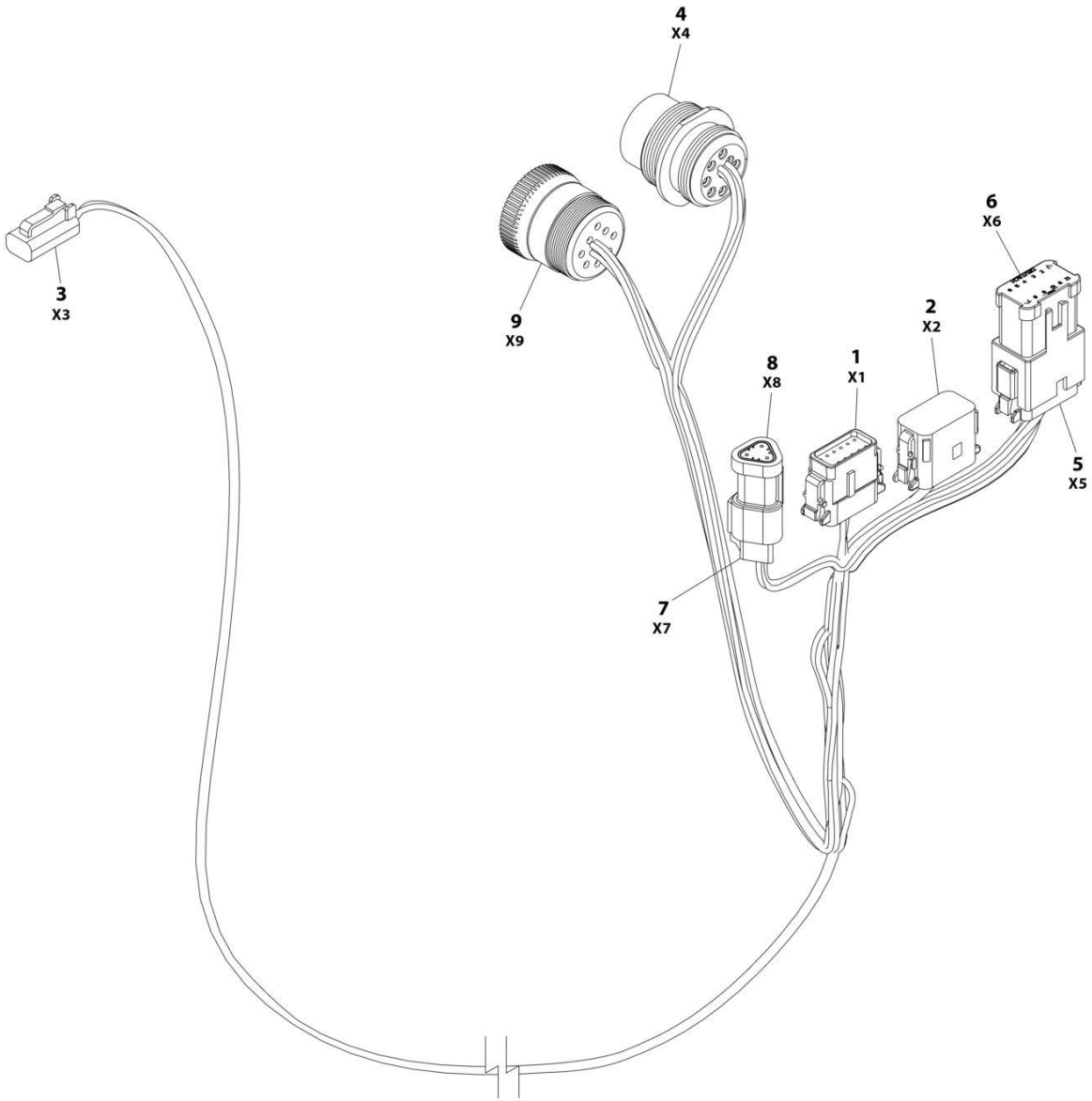
**FIGURE 6-2. CHASSIS HYDRAULIC SYSTEM INSTALLATION**

ITEM	PART NUMBER	QTY	DESCRIPTION	REV
	1001250949	Ref	CHASSIS HYDRAULIC SYSTEM INSTALLATION	C
1	2220373	1	Fitting, Straight JIC/ORB	
2	2220374	3	Fitting, Straight JIC/ORB	
3	2220375	1	Fitting, Straight JIC/ORB	
4	2220435	1	Fitting, Straight JIC/ORB	
5	2220465	1	Fitting, 90 JIC/ORB	
6	2220499	1	Fitting, 45 JIC/ORB	
7	2220501	2	Fitting, 45 JIC/ORB	
8	2220600	1	Fitting, Straight JIC/ORB	
9	2220603	1	Fitting, Straight JIC/ORB	
10	2220883	1	Plug #4	
11	2220923	2	Fitting, Straight JIC/ORB	
12	2220998	2	Fitting, Straight JIC/ORB	
13	2221033	2	Fitting, Straight JIC/ORB	
14	2221086	3	Fitting, Diagnostic	
15	2752519	1	Hose	
16	8760554	1	Fitting, Tee JIC/ORB/JIC	
18	1001143501	2	Clamp	
19	1001152155	2	Adapter JIC/ORB	
20	1001173027	2	Hose	
21	1001173028	1	Hose	
22	1001177507	1	Hose	
23	1001177511	1	Hose	
24	1001177515	2	Hose	
25	1001178003	1	Tube	
26	1001182142	1	Fitting, Barbed	
27	1001205950	1	Hose	
28	1001205951	1	Hose	
29	1001205952	1	Hose	
30	1001205953	1	Hose	
31	2220371	1	Fitting, Straight JIC/ORB	
32	2220372	4	Fitting, Straight JIC/ORB	
33	2220415	1	Fitting, Straight JIC/ORB	
34	2220582	2	Fitting, Straight JIC/ORB	
35	4240018	5	Tie-Strap (Not Shown)	

**SECTION 7 - ELECTRICAL**

# SECTION 7 - ELECTRICAL

## FIGURE 7-1. BEACON LIGHT HARNESS



ART\_1001142736



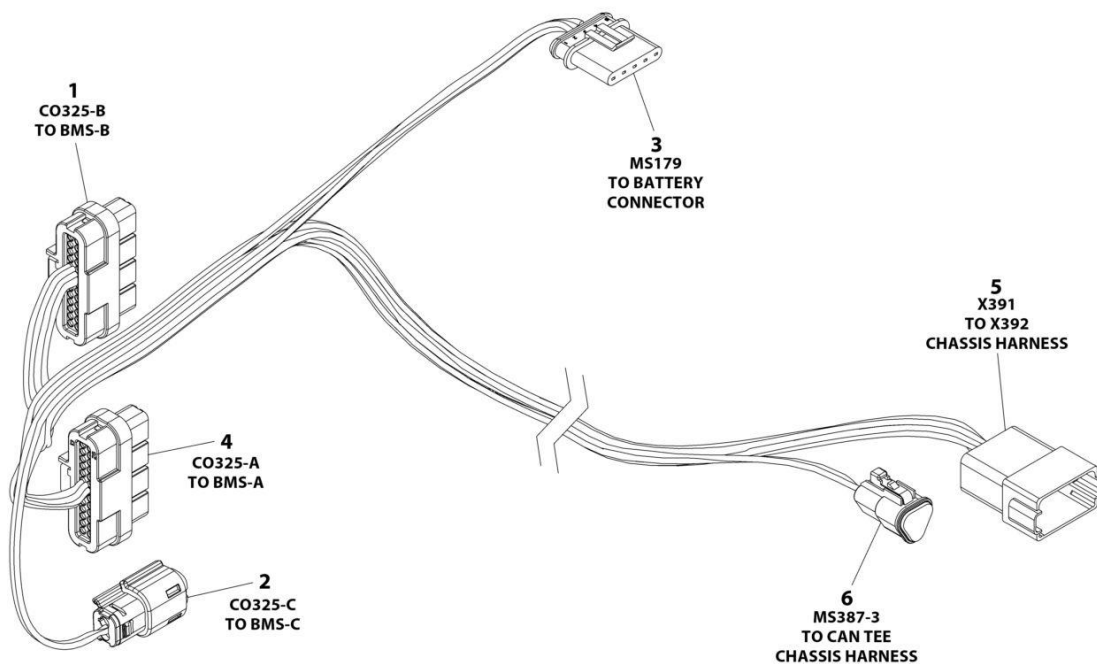
## SECTION 7 - ELECTRICAL

### FIGURE 7-1. BEACON LIGHT HARNESS

ITEM	PART NUMBER	QTY	DESCRIPTION	REV
	1001142736	Ref	STROBE LIGHT HARNESS	F
1	1001116808	1	Plug, Male - 12 Position	
1	4460928	3	Socket, Female	
1	4460518	9	Plug, Terminal	
2	1001116774	1	Plug, Male - 12 Position	
2	4460928	3	Socket, Female	
2	4460518	9	Plug, Terminal	
3	4460891	1	Plug, Male - 2 Position	
3	4460465	2	Socket, Female	
4	1001112612	1	Connector - 9 Position	
4	4460464	6	Pin, Male	
4	4460466	3	Plug, Terminal	
5	4460933	1	Plug, Male - 12 Position	
5	4460465	12	Socket, Female	
6	1001119020	1	Bussbar - 12 Position	
7	4461095	1	Plug, Male - 3 Position	
7	4460465	3	Socket, Female	
8	4461070	1	Bussbar - 3 Position	
9	1001112796	1	Connector - 9 Position	
9	4460465	6	Socket, Female	
9	4460466	3	Plug, Terminal	

# SECTION 7 - ELECTRICAL

## FIGURE 7-2. BMS HARNESS



ART\_1001262599

## SECTION 7 - ELECTRICAL

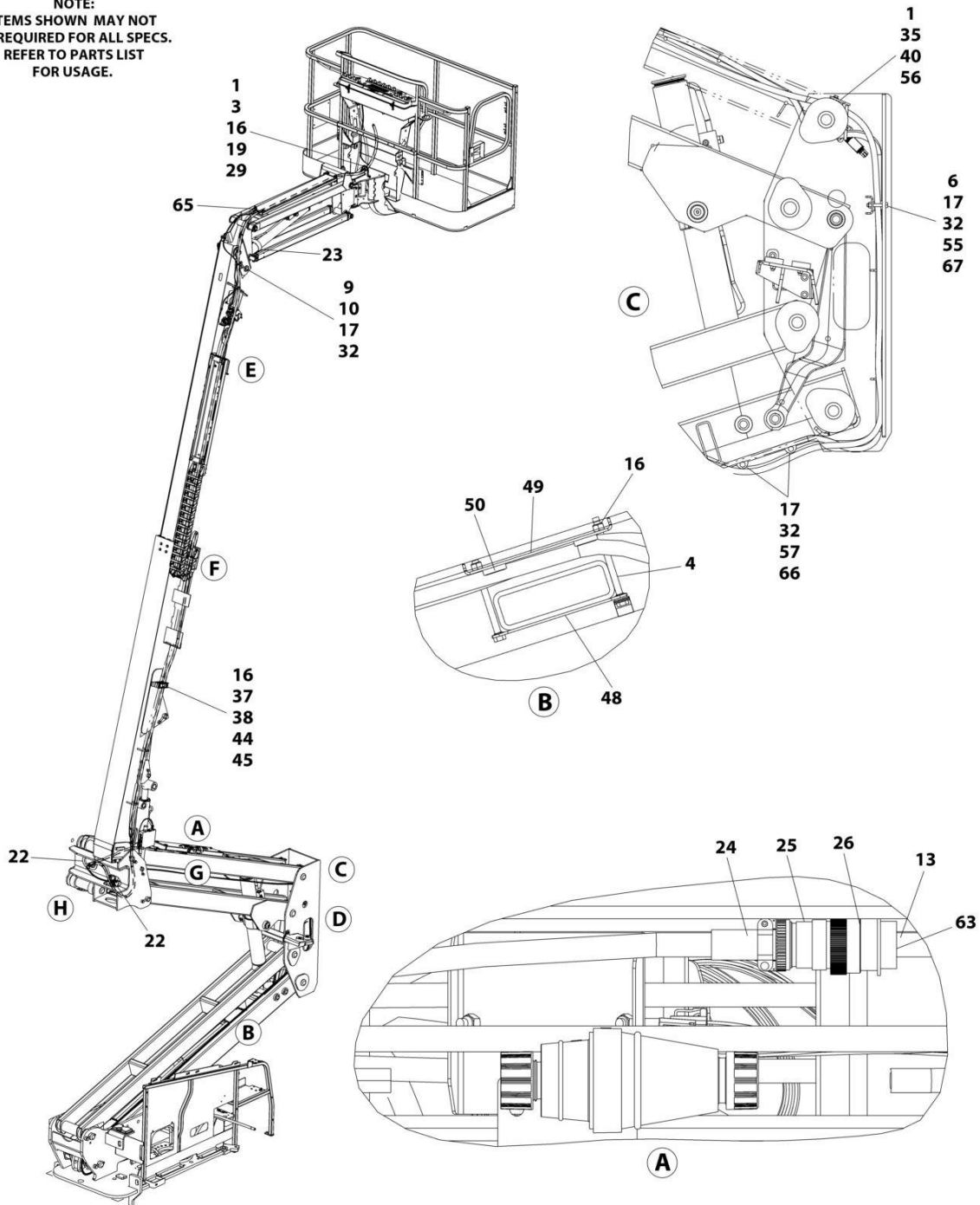
### FIGURE 7-2. BMS HARNESS

ITEM	PART NUMBER	QTY	DESCRIPTION	REV
	1001262599	Ref	BMS HARNESS	A
1	1001249069	1	Connector – 26 Position	
1	1001248223	13	Socket, Female	
1	1001248224	13	Plug, Terminal	
2	1001255775	1	Connector – 2 Position	
2	1001255776	2	Socket, Female	
3	4461128	1	Connector – 5 Position	
3	183035-1	5	Socket, Female	
3	1001197457	5	Seal, Terminal	
4	1001249069	1	Connector – 26 Position	
4	1001248223	6	Socket, Female	
4	1001248224	20	Plug, Terminal	
5	4460970	1	Receptacle, Female - 12 Position	
5	4460464	9	Pin, Male	
5	4460466	3	Plug, Terminal	
6	1001116812	1	Connector – 3 Position	
6	4460944	2	Socket, Female	
6	4460466	1	Plug, Terminal	

# SECTION 7 - ELECTRICAL

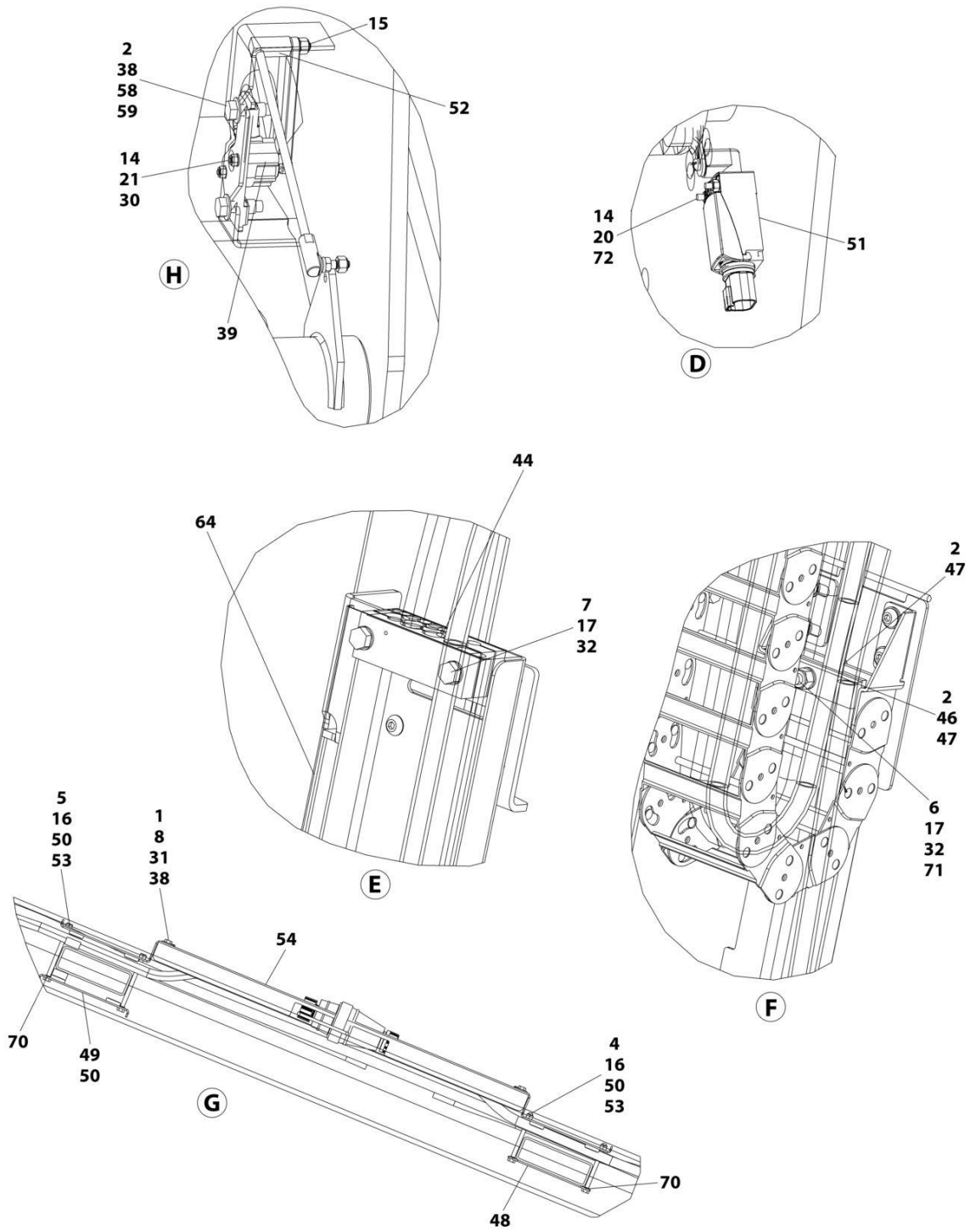
## FIGURE 7-3. BOOM CABLES AND CLAMPS (Prior to SN C300000185)

NOTE:  
ITEMS SHOWN MAY NOT  
BE REQUIRED FOR ALL SPECS.  
REFER TO PARTS LIST  
FOR USAGE.



ART\_1001255050\_10F2

# SECTION 7 - ELECTRICAL



ART\_1001255050\_2OF2

## SECTION 7 - ELECTRICAL

**FIGURE 7-3. BOOM CABLES AND CLAMPS (Prior to SN C300000185)**

ITEM	PART NUMBER	QTY	DESCRIPTION	REV
	1001179228	Ref	BOOM CABLES AND CLAMPS INSTALLATION - REFERENCE CHART	O
	1001255050	Ref	BOOM CABLES AND CLAMPS INSTALLATION	B
1	0100011	AR	Compound, Locking	
2	0100081	AR	Adhesive	
3	0760814	2	Bolt M8 x 30	
4	0700827	6	Bolt M8 x 100	
5	0700828	2	Bolt M8 x 110	
6	0701021	3	Bolt M10 x 65	
7	0701024	4	Bolt M10 x 80	
8	0760812	4	Bolt M8 x 25	
9	0761012	1	Bolt M10 x 25	
10	1320130	1	Clamp	
13	2820031	AR	Heat Shrink	
14	3290405	4	Nut M4	
15	3290605	2	Nut M6	
16	3290805	12	Nut M8	
17	3291005	10	Nut M10	
19	3841340	1	Loop, Hose	
20	4010418	2	Screw M4 x 50	
21	4031511	2	Capscrew M4 x 35	
22	4060808	27.5 in /8.38m	Flex-Trim	
23	4240156	2	Strap, Clinch	
24	4460473	1	Clamp, Cable	
25	4460865	1	Connector - 19 Position	
26	4460866	1	Connector - 19 Position	
29	4811900	4	Washer M8	
30	4811400	2	Washer M4	
31	4811902	4	Washer M8	
32	4812000	13	Washer M10	
33	1001176951	1	Harness, Tower Boom (Not Shown - See Separate Breakdown in This Section)	
34	1001174749	1	Harness, Tower Boom AC Cable (Not Shown - See Separate Breakdown in This Section)	
35	5251014	2	Bolt M10 x 30	
36	8881800	AR	Tie-Strap (Not Shown)	
37	5281920	2	Screw M8 x 80	
38	1001118274	8	Nut M8	
39	1001118971	1	Sensor, Angle	
40	1001118972	2	Nut M10	
41	1001164730	1	Harness, Main Boom (Not Shown - See Separate Breakdown in This Section)	
42	1001164731	1	Harness, Main Boom AC Cable (Not Shown - See Separate Breakdown in This Section)	
43	1001164738	1	Harness, Boom Valve (Not Shown - See Separate Breakdown in This Section)	
44	1001166656	3	Block, Clamping	
45	1001166662	1	Plate	
46	1001168472	1	Plate, Clamping	
47	1001168473	2	Clamp, Rubber	

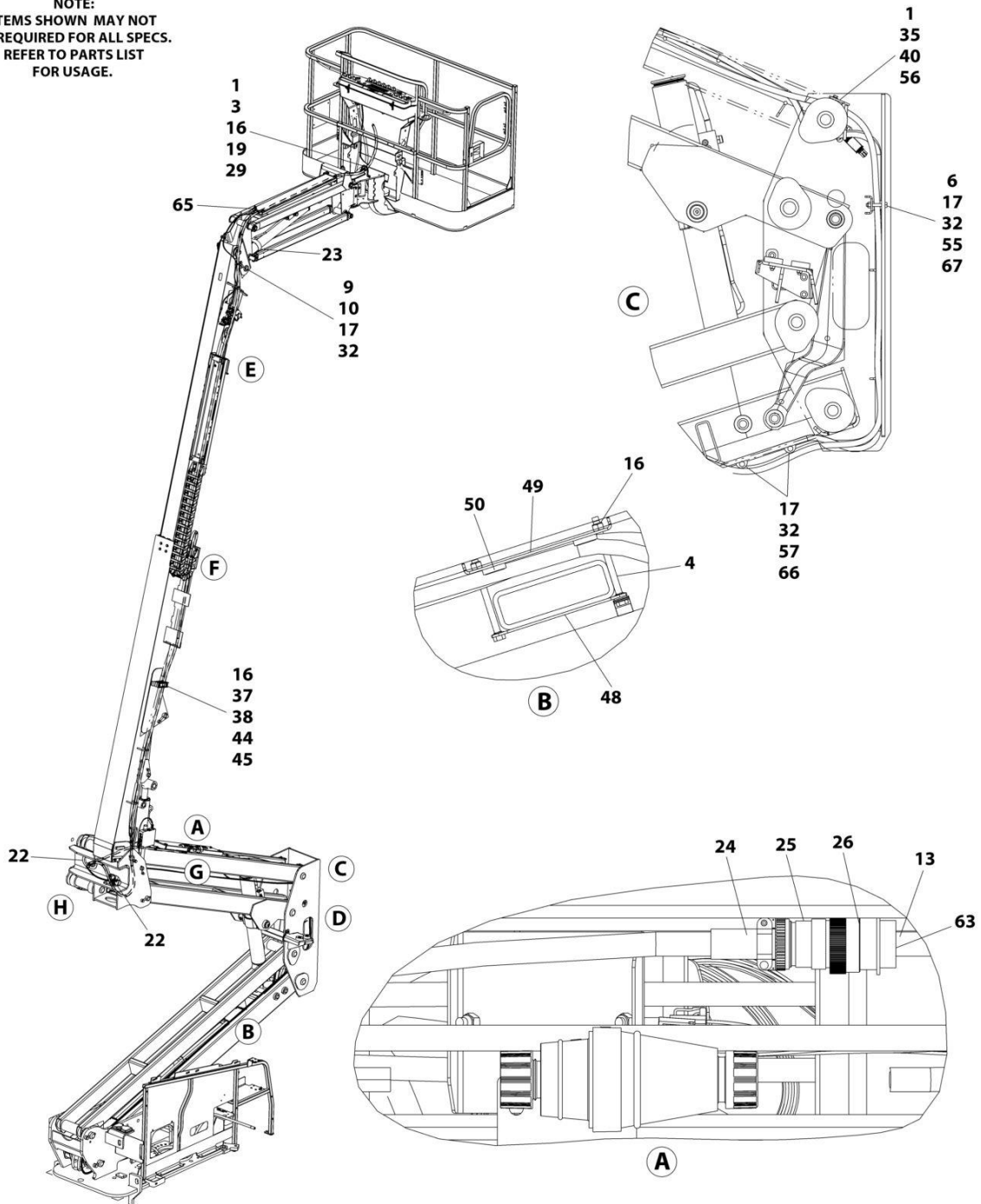
## SECTION 7 - ELECTRICAL

ITEM	PART NUMBER	QTY	DESCRIPTION	REV
48	1001171553	3	Plate, Clamping	
49	1001171555	3	Plate, Clamping	
50	1001171559	10	Pad	
51	1001172271	1	Switch, Limit	
52	1001238466	1	Link, Sensor (Note: Sold as Assembly Only)	
53	1001178448	2	Plate, Clamping	
54	1001178449	1	Cover	
55	1001178644	1	Plate	
56	1001178958	NLA	Bracket (Use PN 1001260306)	
56	1001260306	1	Bracket	
57	1001182561	2	Roller	
58	5250812	2	Bolt M8 x 25	
59	1001179266	1	Plate, Mounting	
63	4460466	AR	Plug, Terminal	
64	1001181621	1	Cover	
65	1001181923	1	Shield, Hose	
66	1001119280	2	Bolt M10 x 260	
67	1001185747	2	Pad	
70	1001119228	8	Nut M8	
71	8310070	1	Pushnut 3/8	
72	4750800	AR	Washer #8	

# SECTION 7 - ELECTRICAL

FIGURE 7-4. BOOM CABLES AND CLAMPS (SN C300000185 through C300000329)

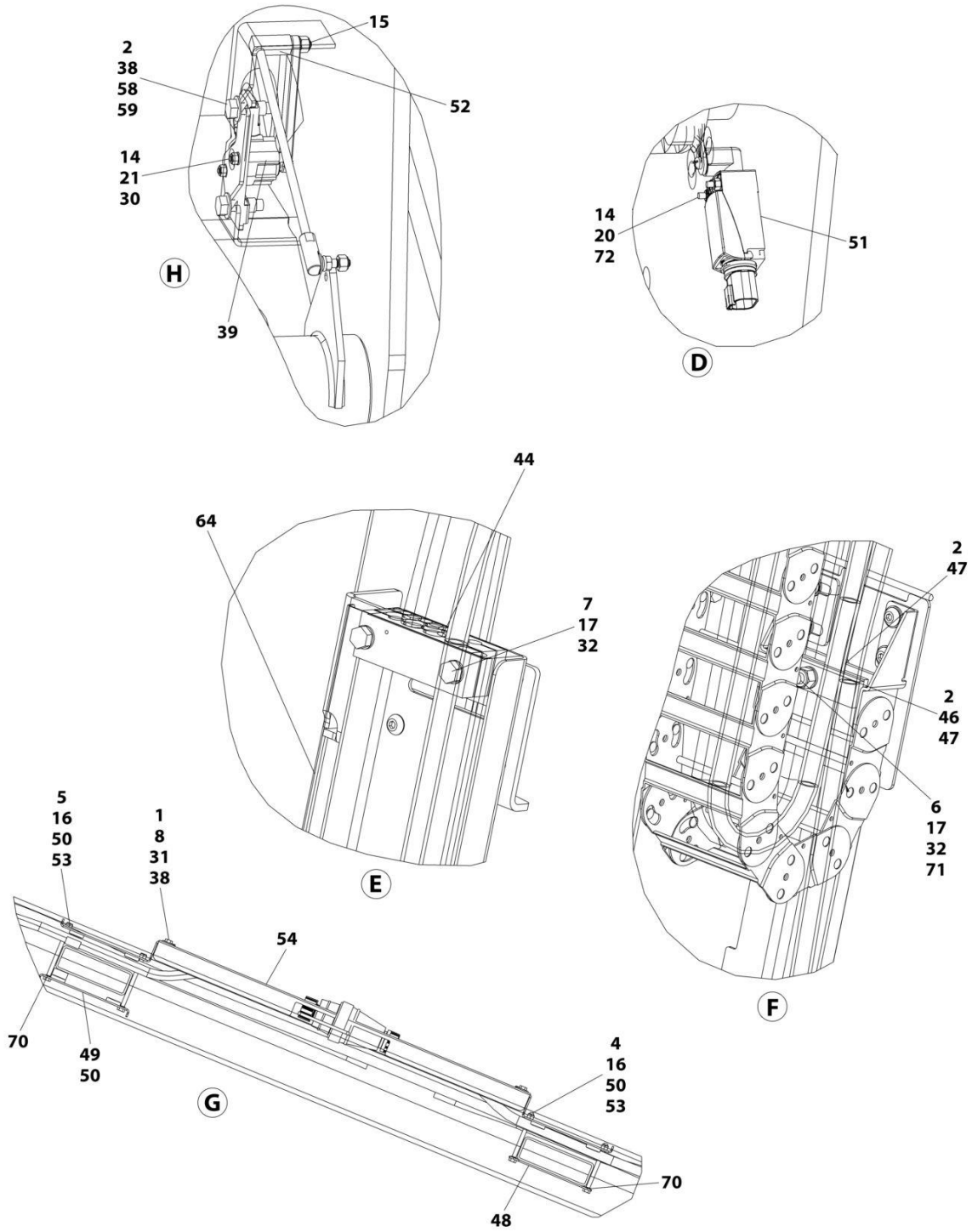
NOTE:  
ITEMS SHOWN MAY NOT  
BE REQUIRED FOR ALL SPECS.  
REFER TO PARTS LIST  
FOR USAGE.



ART\_1001274436\_10F2



# SECTION 7 - ELECTRICAL



ART\_1001274436\_2OF2

## SECTION 7 - ELECTRICAL

FIGURE 7-4. BOOM CABLES AND CLAMPS (SN C300000185 through C300000329)

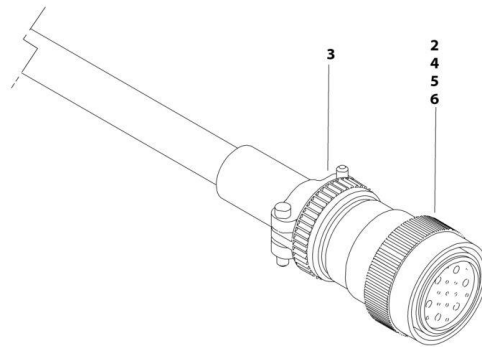
ITEM	PART NUMBER	QTY	DESCRIPTION	REV
	1001179228	Ref	BOOM CABLES AND CLAMPS INSTALLATION - REFERENCE CHART	O
	1001274436	Ref	BOOM CABLES AND CLAMPS INSTALLATION	B
1	0100011	AR	Compound, Locking	
2	0100081	AR	Adhesive	
3	0760814	2	Bolt M8 x 30	
4	0700827	6	Bolt M8 x 100	
5	0700828	2	Bolt M8 x 110	
6	0701021	3	Bolt M10 x 65	
7	0701024	4	Bolt M10 x 80	
8	0760812	4	Bolt M8 x 25	
9	0761012	1	Bolt M10 x 25	
10	1320130	1	Clamp	
13	2820031	AR	Heat Shrink	
14	3290405	4	Nut M4	
15	3290605	2	Nut M6	
16	3290805	12	Nut M8	
17	3291005	10	Nut M10	
19	3841340	1	Loop, Hose	
20	4010418	2	Screw M4 x 50	
21	4031511	2	Capscrew M4 x 35	
22	4060808	27.5 in /8.38m	Flex-Trim	
23	4240156	2	Strap, Clinch	
24	4460473	1	Clamp, Cable	
25	4460865	1	Connector - 19 Position	
26	4460866	1	Connector - 19 Position	
29	4811900	4	Washer M8	
30	4811400	2	Washer M4	
31	4811902	4	Washer M8	
32	4812000	13	Washer M10	
33	1001176951	1	Harness, Tower Boom (Not Shown - See Separate Breakdown in this Section)	
34	1001174749	1	Harness, Tower Boom AC Cable (Not Shown - See Separate Breakdown in this Section)	
35	5251014	2	Bolt M10 x 30	
36	8881800	AR	Tie-Strap (Not Shown)	
37	5281920	2	Screw M8 x 80	
38	1001118274	8	Nut M8	
39	1001118971	1	Sensor, Angle	
40	1001118972	2	Nut M10	
41	1001172335	1	Harness, Main Boom (Not Shown - See Separate Breakdown in this Section)	
42	1001172336	1	Harness, Main Boom AC Cable (Not Shown - See Separate Breakdown in this Section)	
43	1001164738	1	Harness, Boom Valve (Not Shown - See Separate Breakdown in this Section)	
44	1001166656	3	Block, Clamping	
45	1001166662	1	Plate	
46	1001168472	1	Plate, Clamping	
47	1001168473	2	Clamp, Rubber	

## SECTION 7 - ELECTRICAL

ITEM	PART NUMBER	QTY	DESCRIPTION	REV
48	1001171553	3	Plate, Clamping	
49	1001171555	3	Plate, Clamping	
50	1001171559	10	Pad	
51	1001172271	1	Switch, Limit	
52	1001238466	1	Link, Sensor (Note: Sold as Assembly Only)	
53	1001178448	2	Plate, Clamping	
54	1001178449	1	Cover	
55	1001178644	1	Plate	
56	1001178958	NLA	Bracket (Use PN 1001260306)	
56	1001260306	1	Bracket	
57	1001182561	2	Roller	
58	5250812	2	Bolt M8 x 25	
59	1001179266	1	Plate, Mounting	
63	4460466	AR	Plug, Terminal	
64	1001181875	1	Cover	
65	1001181923	1	Shield, Hose	
66	1001119280	2	Bolt M10 x 260	
67	1001185747	2	Pad	
70	1001119228	8	Nut M8	
71	8310070	1	Pushnut 3/8	
72	4750800	AR	Washer #8	

# SECTION 7 - ELECTRICAL

## FIGURE 7-5. BOOM HARNESS - MAIN BOOM



ART\_1001164730

## SECTION 7 - ELECTRICAL

### FIGURE 7-5. BOOM HARNESS - MAIN BOOM

ITEM	PART NUMBER	QTY	DESCRIPTION	REV
	1001164730	Ref	BOOM HARNESS - MAIN BOOM	D
2	4460865	1	Connector - 19 Position	
3	4460473	1	Clamp	
4	4460465	20	Socket, Female	
5	4460509	8	Socket, Female	
6	4460466	5	Plug, Socket	

## SECTION 7 - ELECTRICAL

FIGURE 7-6. BOOM HARNESS - MAIN BOOM AC CABLE



ART\_1001164731

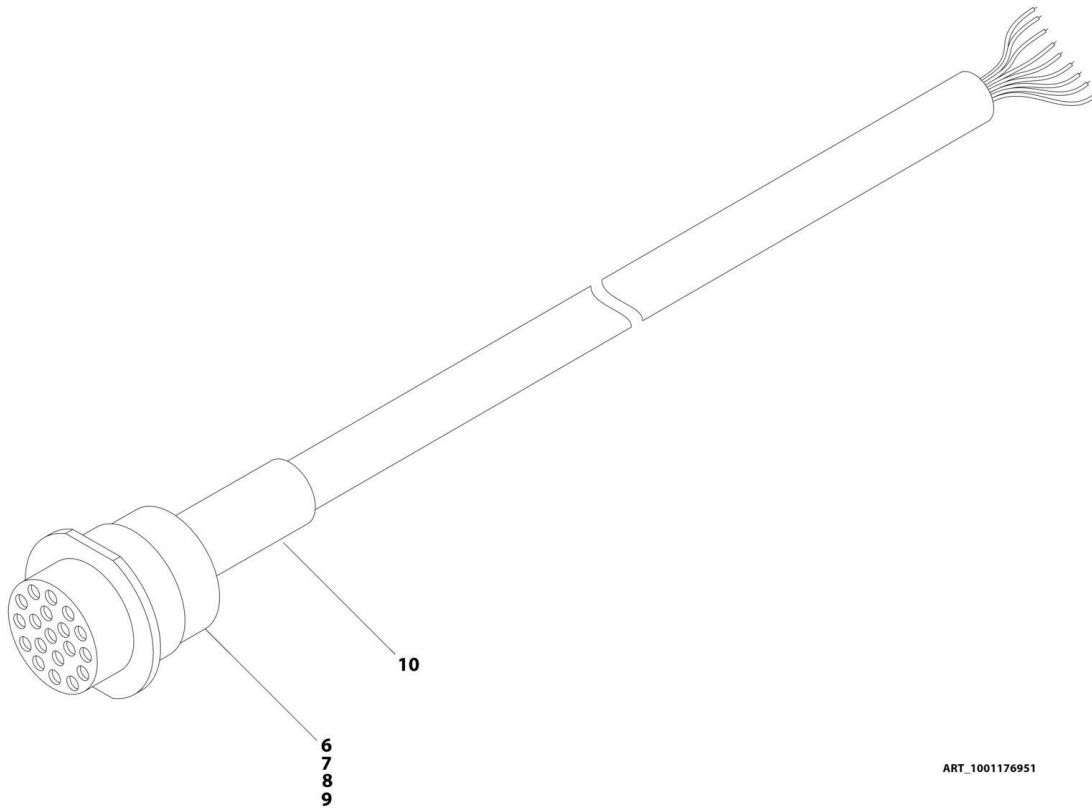
## SECTION 7 - ELECTRICAL

### FIGURE 7-6. BOOM HARNESS - MAIN BOOM AC CABLE

ITEM	PART NUMBER	QTY	DESCRIPTION	REV
	1001164731	Ref	BOOM HARNESS - MAIN BOOM AC CABLE	C
1	1001120204	1	Plug, Male	
4	1060461	494 in/ 12.6m	Cable, Electrical - 12/3	

# SECTION 7 - ELECTRICAL

## FIGURE 7-7. BOOM HARNESS - TOWER BOOM



ART\_1001176951



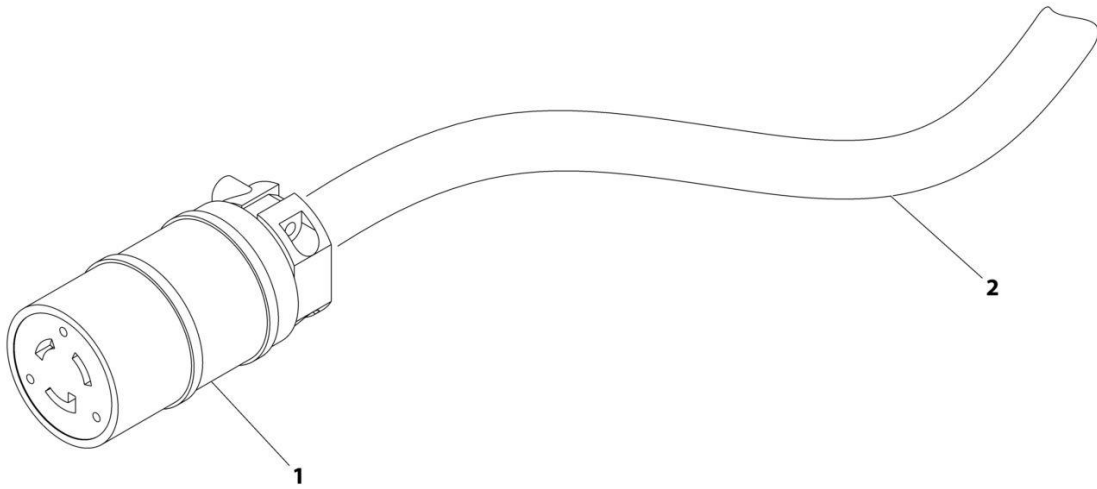
## SECTION 7 - ELECTRICAL

### FIGURE 7-7. BOOM HARNESS - TOWER BOOM

ITEM	PART NUMBER	QTY	DESCRIPTION	REV
	1001176951	Ref	BOOM HARNESS - TOWER BOOM	E
6	4460466	5	Plug, Terminal	
7	4460464	20	Pin, Male	
8	4460508	8	Pin, Male	
9	4460866	1	Connector - 19 Position	
10	2820031	AR	Heat Shrink	

## SECTION 7 - ELECTRICAL

FIGURE 7-8. BOOM HARNESS - TOWER BOOM AC CABLE



ART\_1001174749

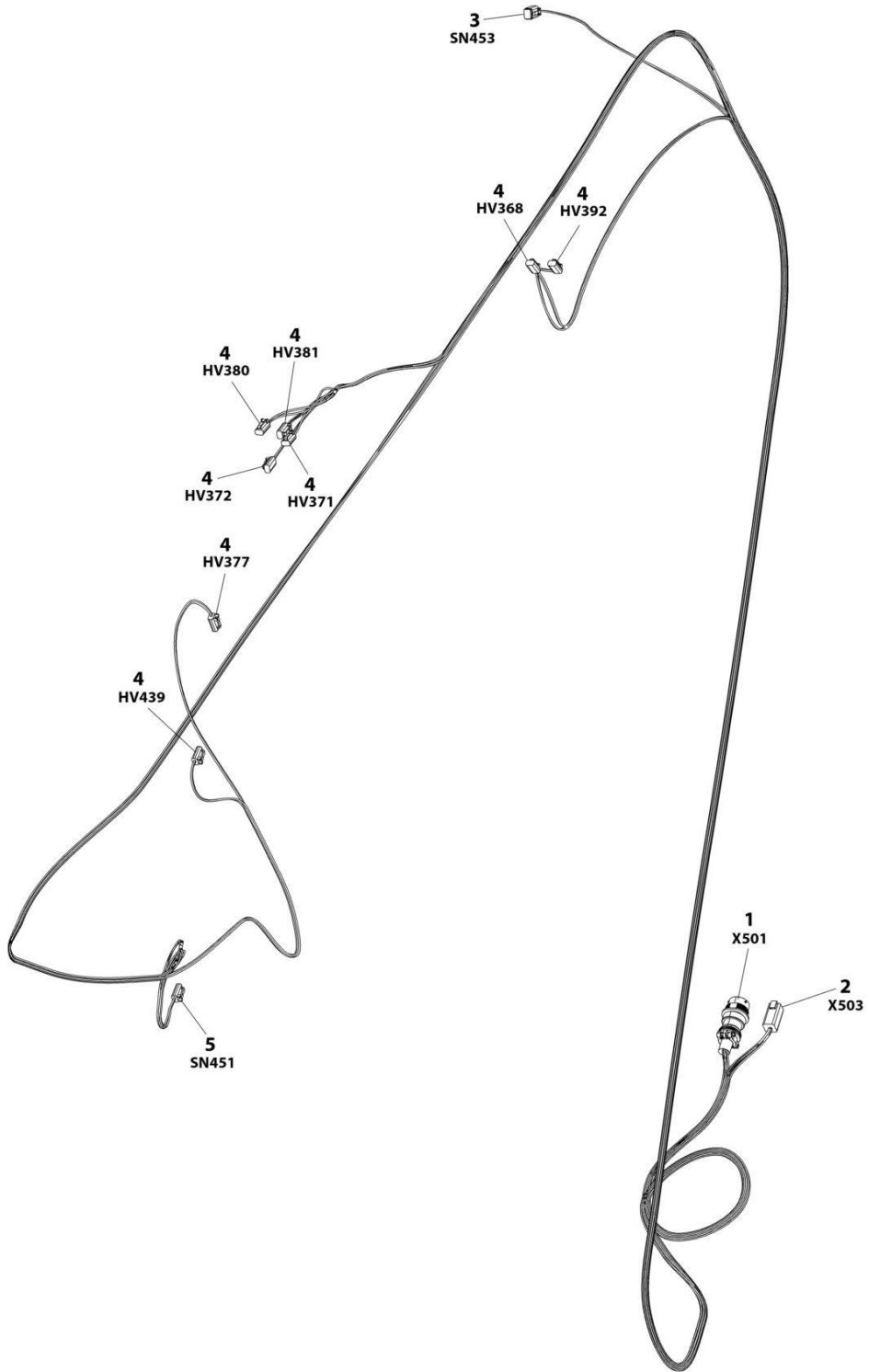
## SECTION 7 - ELECTRICAL

### FIGURE 7-8. BOOM HARNESS - TOWER BOOM AC CABLE

ITEM	PART NUMBER	QTY	DESCRIPTION	REV
	1001174749	Ref	BOOM HARNESS - TOWER BOOM AC CABLE	C
1	1001120205	1	Connector, Female	
2	1060461	28 ft/ 8.5m	Electrical Cable, 12/3	

# SECTION 7 - ELECTRICAL

## FIGURE 7-9. BOOM VALVE HARNESS



ART\_1001164738

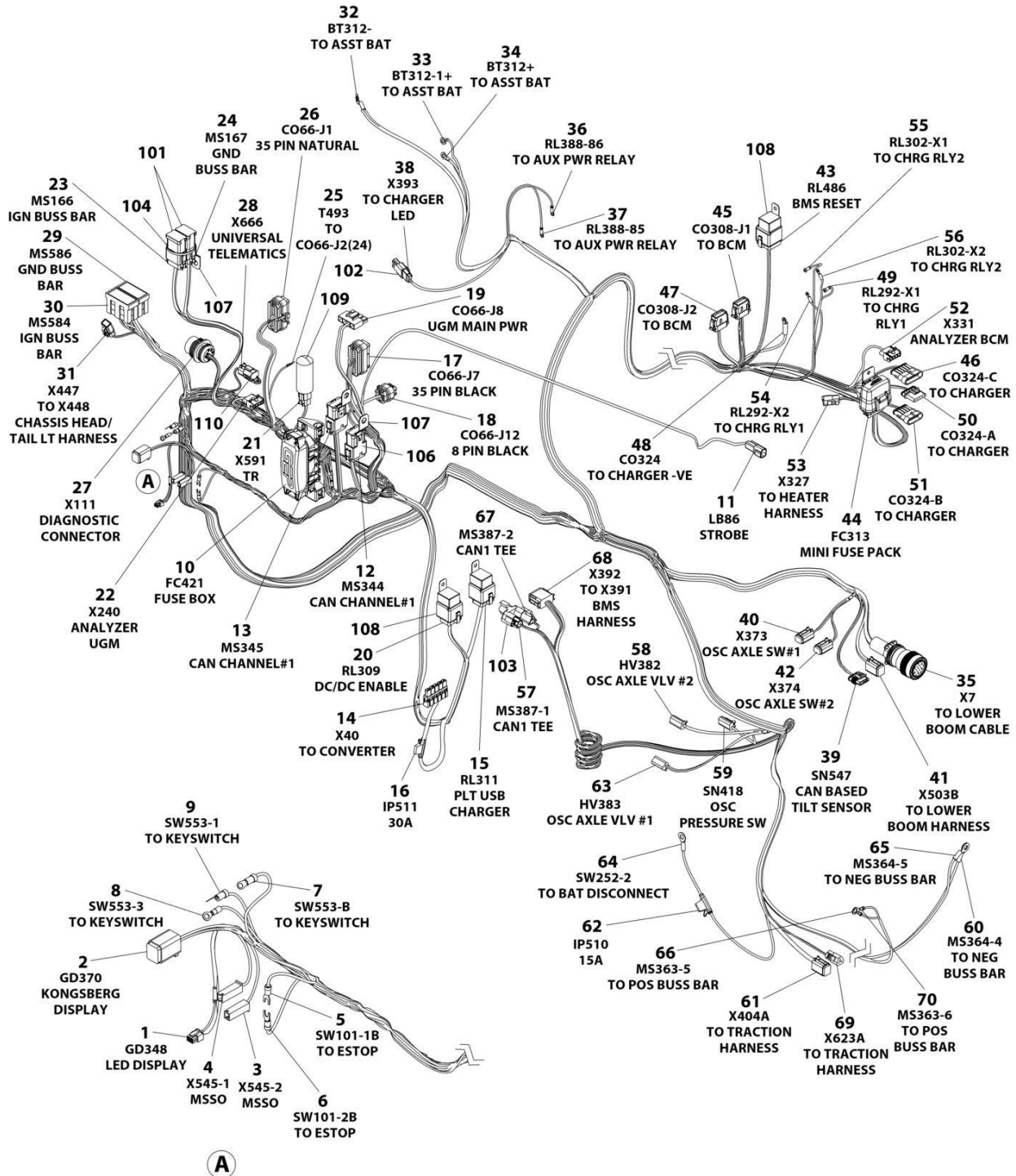
## SECTION 7 - ELECTRICAL

### FIGURE 7-9. BOOM VALVE HARNESS

ITEM	PART NUMBER	QTY	DESCRIPTION	REV
	1001164738	Ref	BOOM VALVE HARNESS	1
1	1001156541	1	Connector - 19 Position	
1	4460464	13	Pin, Male	
1	4460466	1	Plug, Terminal	
2	4460899	1	Connector - 6 Position	
2	4460464	6	Pin, Male	
3	4460884	1	Plug, Male - 4 Position	
3	4460465	2	Socket, Female	
3	4460466	2	Plug, Terminal	
4	4460891	8	Plug, Male - 2 Position	
4	4460465	16	Socket, Female	
5	1001230931	1	Plug, Male - 6 Position	
5	1001116748	6	Terminal	

# SECTION 7 - ELECTRICAL

## FIGURE 7-10. CHASSIS HARNESS ASSEMBLY



ART\_1001262597

## SECTION 7 - ELECTRICAL

### FIGURE 7-10. CHASSIS HARNESS ASSEMBLY

ITEM	PART NUMBER	QTY	DESCRIPTION	REV
	1001262597	Ref	CHASSIS HARNESS ASSEMBLY	B
1	1001237667	1	Plug, Male - 6 Position	
1	1001237668	5	Terminal	
2	4460894	1	Plug, Male - 6 Position	
2	4460465	4	Socket, Female	
2	4460466	2	Plug, Terminal	
3	4460260	1	Terminal, Housing	
3	4460259	1	Terminal	
4	4460260	1	Terminal, Housing	
4	4460259	1	Terminal	
5	4460115	1	Terminal, Fork	
6	4460115	1	Terminal, Fork	
7	4460042	1	Terminal, Ring	
8	4460313	1	Terminal, Ring	
9	4460042	1	Terminal, Ring	
10	1001185964	1	Fuse Box Assembly	
10	4460746	13	Terminal, Female	
10	1001234800	12	Terminal, Female	
10	4460748	14	Plug, Terminal	
10	8220125	8	Terminal, Female	
10	1001116747	2	Terminal, Female	
10	4460458	24	Seal, Terminal	
10	80963067	8	Seal (Blue)	
10	8220079	2	Seal, Terminal	
10	4460789	2	Seal, Terminal	
11	4460897	1	Connector - 2 Position	
11	4460464	2	Pin, Male	
12	4460933	1	Connector - 12 Position	
12	4460465	8	Socket, Female	
12	4460466	4	Plug, Terminal	
13	4460933	1	Connector - 12 Position	
13	4460465	12	Socket, Female	
14	1001117012	1	Connector - 5 Position	
14	1001155021	4	Terminal (Gold)	
14	4461271	1	Terminal	
15	4460374	1	Plug, Relay	
15	1001116733	2	Female, Terminal	
15	1001116732	2	Female, Terminal	
15	1001128128	1	Plug, Terminal	
16	2400066	1	Holder, Fuse	
16	8229245	1	Fuse 30Amp	
17	4460873	1	Connector - 35 Position	
17	4460871	24	Socket, Female	
17	4460905	11	Plug, Terminal	
18	1001113961	1	Connector - 8 Position	
18	4460871	3	Socket, Female	
18	4460905	5	Plug, Terminal	
19	4460878	1	Plug, Male - 4 Position	
19	4460887	2	Terminal	
20	4460374	1	Plug, Relay	

## SECTION 7 - ELECTRICAL

ITEM	PART NUMBER	QTY	DESCRIPTION	REV
20	1001116733	2	Female, Terminal	
20	1001116732	2	Female, Terminal	
20	1001128128	1	Plug, Terminal	
21	4460884	1	Plug, Male - 4 Position	
21	4460944	4	Socket, Female	
22	4460761	1	Connector - 4 Position	
22	4460227	4	Pin, Male	
23	4460836	1	Connector - 12 Position	
23	4460465	4	Socket, Female	
23	4460466	8	Plug, Terminal	
24	4460836	1	Connector - 12 Position	
24	4460465	7	Socket, Female	
23	4460942	1	Terminal	
24	4460466	4	Plug, Terminal	
25	4460871	1	Socket, Female	
26	4460874	1	Connector - 35 Position	
26	4460871	13	Socket, Female	
26	4460905	22	Plug, Terminal	
27	1001112612	1	Connector - 9 Position	
27	4460943	2	Pin, Male	
27	4460464	3	Pin, Male	
27	4460466	4	Plug, Terminal	
28	4460884	1	Plug, Male - 4 Position	
28	4460465	4	Socket, Female	
29	1001184846	1	Connector - 10 Position	
29	4460509	8	Socket, Female	
29	4460466	2	Plug, Terminal	
30	1001184846	1	Connector - 10 Position	
30	4460509	6	Socket, Female	
30	4460466	4	Plug, Terminal	
31	4461018	1	Connector - 2 Position	
31	4460509	2	Socket, Female	
32	1001117108	1	Terminal, Ring	
33	4460312	1	Terminal, Ring	
34	4460312	1	Terminal, Ring	
35	4460865	1	Connector - 19 Position	
35	4460943	2	Pin, Male	
35	4460464	4	Pin, Male	
35	4460508	4	Pin, Male	
35	4460466	9	Plug, Terminal	
35	4460473	1	Clamp	
36	4460247	1	Terminal, Ring	
37	4460247	1	Terminal, Ring	
38	4460911	1	Connector - 3 Position	
38	4460918	3	Socket, Female	
39	1001103012	1	Connector - 4 Position	
39	1001107854	4	Socket, Female	
40	4460884	1	Plug, Male - 4 Position	
40	4460465	2	Socket, Female	
40	4460466	2	Plug, Terminal	
41	4460894	1	Plug, Male - 6 Position	



## SECTION 7 - ELECTRICAL

ITEM	PART NUMBER	QTY	DESCRIPTION	REV
41	4460465	6	Socket, Female	
42	4460884	1	Plug, Male - 4 Position	
42	4460465	2	Socket, Female	
42	4460466	2	Plug, Terminal	
43	4460374	1	Plug, Relay	
43	1001116733	2	Female, Terminal	
43	1001116732	2	Female, Terminal	
43	1001128128	1	Plug, Terminal	
44	1001260788	1	Holder, Fuse and Relay	
44	4460746	12	Terminal, Female	
45	4460908	1	Connector - 12 Position	
45	1001126008	10	Socket, Female	
45	4460518	2	Plug, Terminal	
46	4461228	1	Plug, Male - 6 Position	
46	1001104497	4	Socket, Female	
46	1001116698	2	Plug, Terminal	
47	4460909	1	Connector - 12 Position	
47	1001126008	2	Socket, Female	
47	1001126009	2	Socket, Female	
47	4460518	8	Plug, Terminal	
48	8220022	1	Terminal, Ring	
49	1001098122	1	Terminal, Ring	
50	4461128	1	Connector - 5 Position	
50	1001107854	3	Socket, Female	
50	1001116698	2	Plug, Terminal	
51	4461229	1	Connector - 5 Position	
51	1001104497	2	Socket, Female	
51	1001116698	3	Plug, Terminal	
52	4460761	1	Connector - 4 Position	
52	4460227	4	Pin, Male	
53	4460539	1	Connector - 3 Position	
53	4460465	3	Socket, Female	
54	1001098122	1	Terminal, Ring	
55	1001098122	1	Terminal, Ring	
56	1001098122	1	Terminal, Ring	
57	1001116812	1	Connector - 3 Position	
57	4460944	2	Socket, Female	
57	4460466	1	Plug, Terminal	
58	4460891	1	Connector - 2 Position	
58	4460465	2	Socket, Female	
59	4460891	1	Connector - 2 Position	
59	4460465	2	Socket, Female	
60	8220045	1	Terminal, Ring	
61	4460894	1	Plug, Male - 6 Position	
61	4460465	6	Socket, Female	
62	1001170763	1	Fuseholder - 20Amp (Includes Cover)	
62	8229244	1	Fuse 15Amp	
63	4460891	1	Connector - 2 Position	
63	4460465	2	Socket, Female	
64	8220045	1	Terminal, Ring	
65	8220045	1	Terminal, Ring	

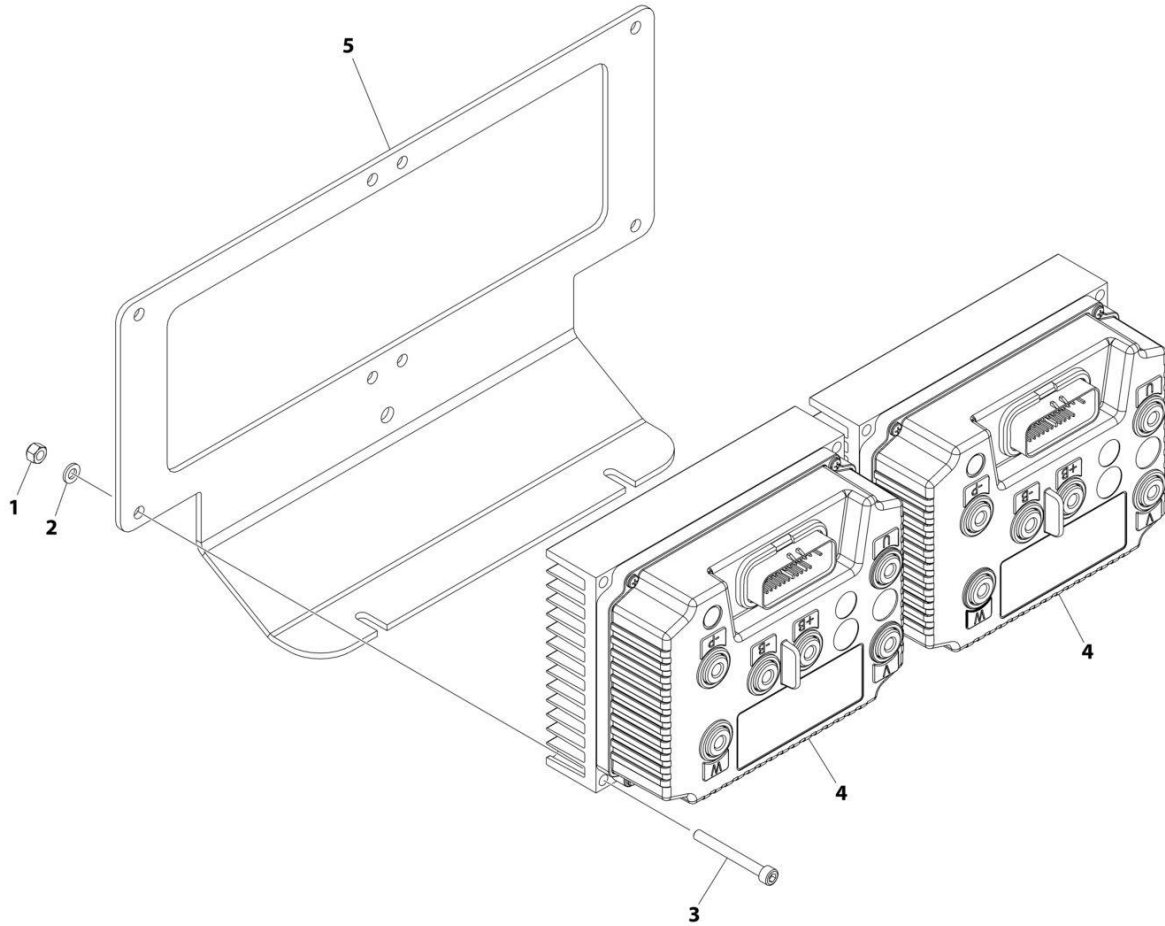
## SECTION 7 - ELECTRICAL

ITEM	PART NUMBER	QTY	DESCRIPTION	REV
66	4460670	1	Terminal, Ring	
67	4460966	1	Connector - 3 Position	
67	4460944	2	Socket, Female	
67	4460466	1	Plug, Terminal	
68	4460933	1	Connector - 12 Position	
68	4460465	9	Socket, Female	
68	4460466	3	Plug, Terminal	
69	4460539	1	Connector - 3 Position	
69	4460944	3	Socket, Female	
101	4460837	2	Bussbar - 12 Position	
102	4460910	1	Connector - 3 Position	
103	4460945	1	Receptacle, 3 Way	
104	1001008559	1	Tie-Strap	
105	4460966	1	Connector - 3 Position	
106	1001125677	2	Connector, Bussbar - 12 Position	
107	1001120328	3	Clip, Mounting	
108	1001171295	3	Relay	
109	1001186231	1	Connector - 5 Position	
110	1001192401	1	Dust Cap	



# SECTION 7 - ELECTRICAL

## FIGURE 7-11. CONTROLLER BRACKET ASSEMBLY



ART\_1001250432

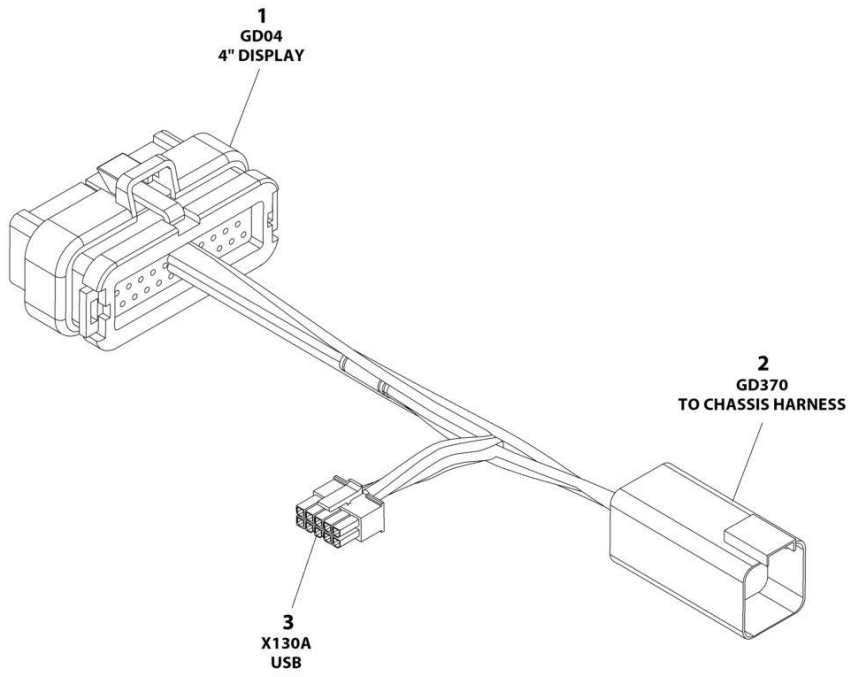
## SECTION 7 - ELECTRICAL

### FIGURE 7-11. CONTROLLER BRACKET ASSEMBLY

ITEM	PART NUMBER	QTY	DESCRIPTION	REV
	1001250432	Ref	CONTROLLER BRACKET ASSEMBLY	A
1	3290605	8	Nut M6	
2	4811700	8	Washer M6	
3	1001118878	8	Bolt M6 x 55	
4	1001170140	2	Controller, Drive	
5	1001209640	1	Bracket	

# SECTION 7 - ELECTRICAL

## FIGURE 7-12. DISPLAY ADAPTER HARNESS



ART\_1001265415

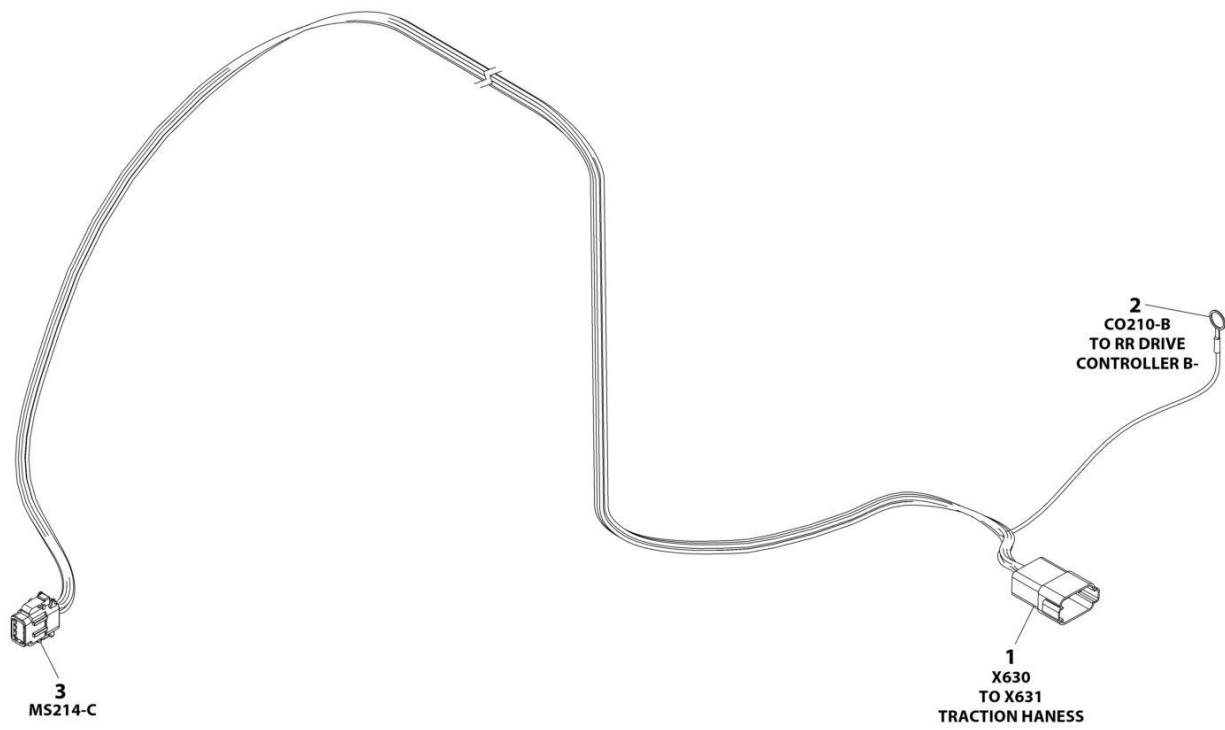
## SECTION 7 - ELECTRICAL

### FIGURE 7-12. DISPLAY ADAPTER HARNESS

ITEM	PART NUMBER	QTY	DESCRIPTION	REV
	1001265415	Ref	DISPLAY ADAPTER HARNESS	A
1	4460873	1	Connector - 35 Position	
1	4460871	10	Socket, Female	
1	4460905	25	Plug, Terminal	
2	4460899	1	Connector - 6 Position	
2	4460464	4	Pin, Male	
2	4460466	2	Plug, Terminal	
3	1001150735	1	Connector - 10 Position	
3	1001150889	5	Socket, Female	

# SECTION 7 - ELECTRICAL

## FIGURE 7-13. DRIVE MOTOR HARNESS (RIGHT REAR)



ART\_1001265228



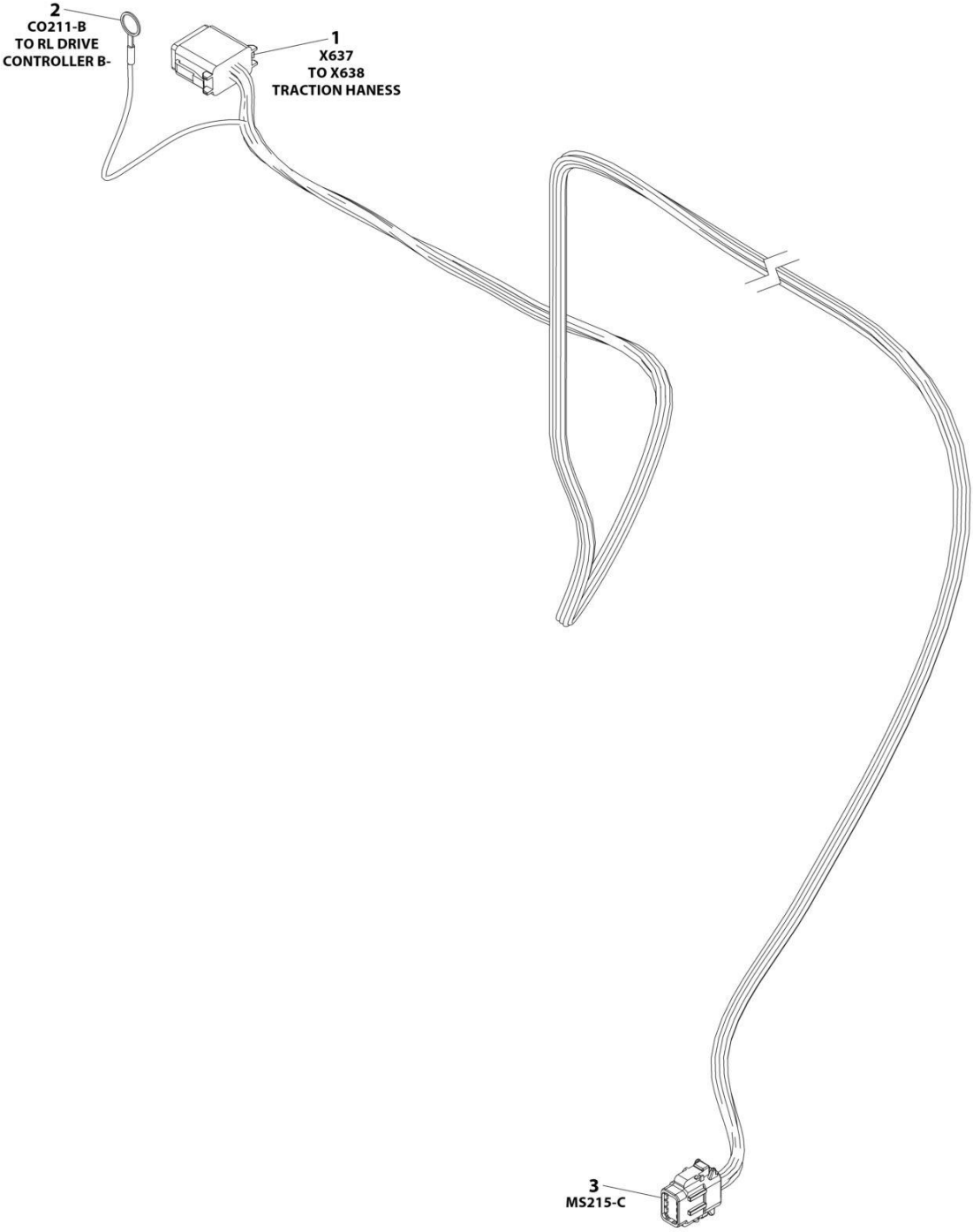
## SECTION 7 - ELECTRICAL

### FIGURE 7-13. DRIVE MOTOR HARNESS (RIGHT REAR)

ITEM	PART NUMBER	QTY	DESCRIPTION	REV
	1001265228	Ref	DRIVE MOTOR HARNESS (RIGHT REAR)	A
1	4460931	1	Connector - 8 Position	
1	4460464	8	Pin, Male	
2	4460703	1	Terminal, Ring	
3	1001190577	1	Connector - 8 Position	
3	1001126008	8	Socket, Female	

**SECTION 7 - ELECTRICAL**

**FIGURE 7-14. DRIVE MOTOR HARNESS (LEFT REAR)**



ART\_1001265227

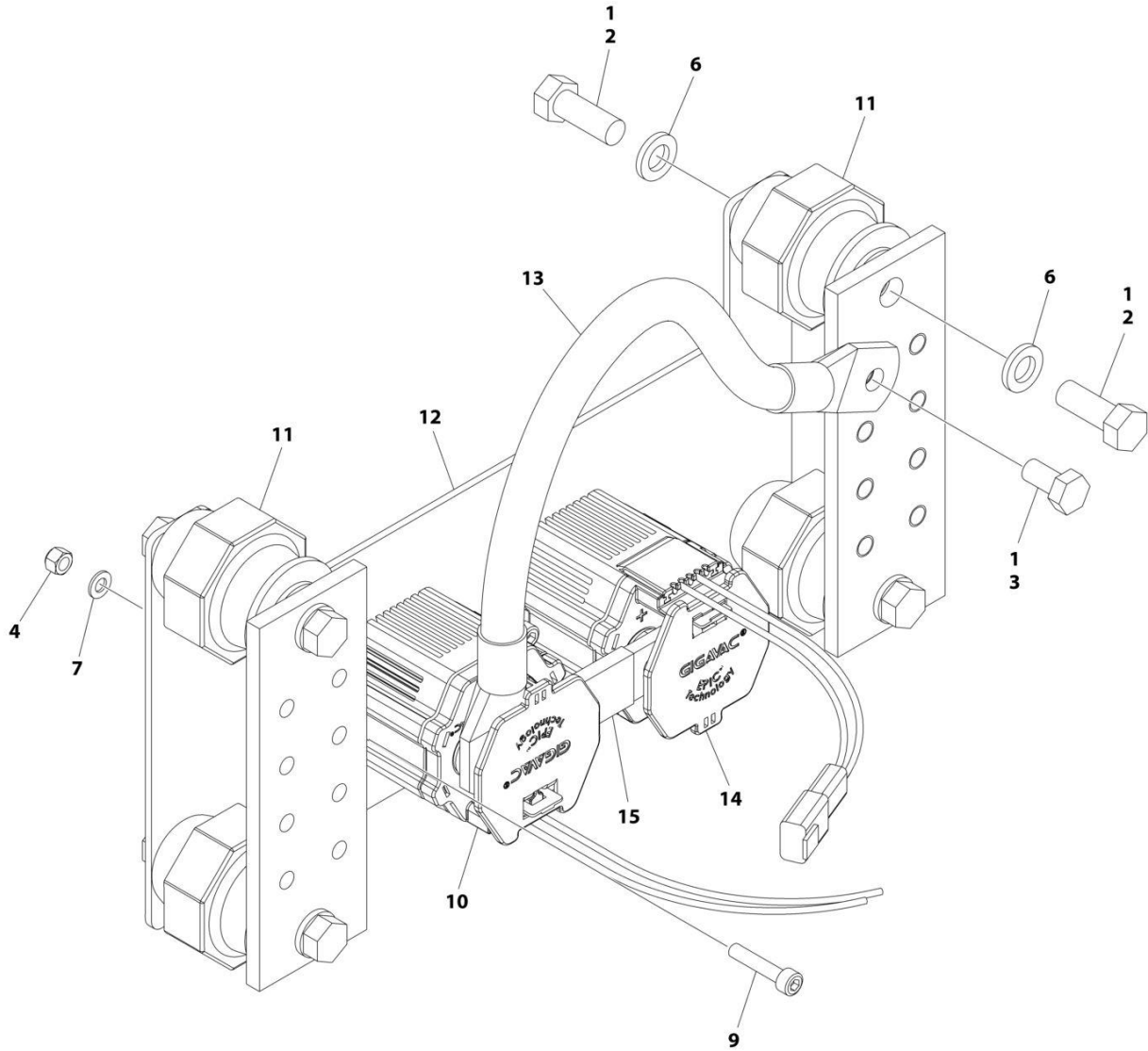
## SECTION 7 - ELECTRICAL

### FIGURE 7-14. DRIVE MOTOR HARNESS (LEFT REAR)

ITEM	PART NUMBER	QTY	DESCRIPTION	REV
	1001265227	Ref	DRIVE MOTOR HARNESS (LEFT REAR)	A
1	4460930	1	Connector - 8 Position	
1	4460465	8	Socket, Female	
2	4460703	1	Terminal, Ring	
3	1001190577	1	Connector - 8 Position	
3	1001126008	8	Socket, Female	

# SECTION 7 - ELECTRICAL

## FIGURE 7-15. FUSE PLATE ASSEMBLY



ART\_1001250518

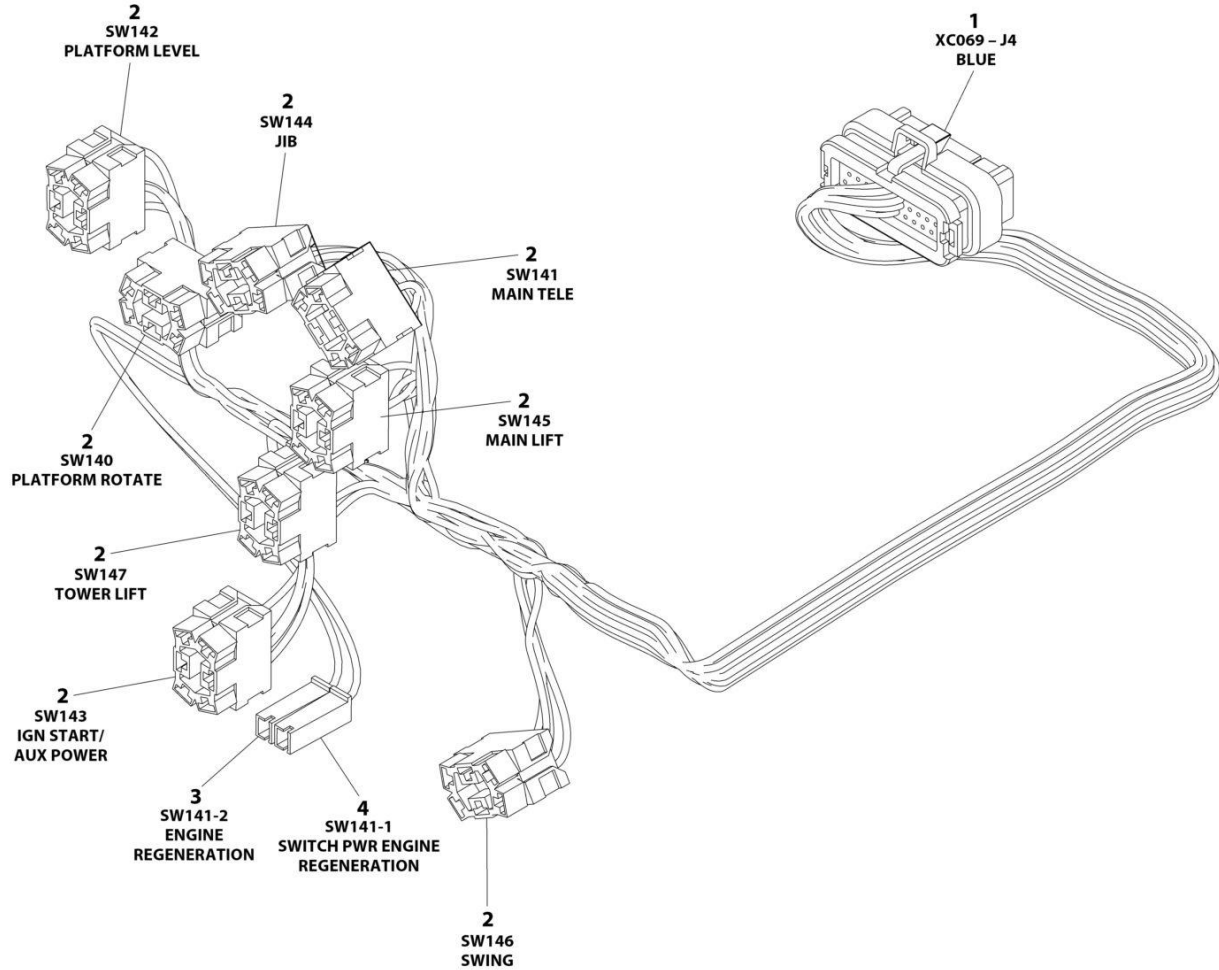
## SECTION 7 - ELECTRICAL

### FIGURE 7-15. FUSE PLATE ASSEMBLY

ITEM	PART NUMBER	QTY	DESCRIPTION	REV
	1001250518	Ref	FUSE PLATE ASSEMBLY	D
1	0100011	AR	Compound, Locking	
2	0641608	8	Bolt 3/8 x 1	
3	0760812	1	Bolt M8 x 25	
3	0760808	1	Bolt M8 x 16	
4	3290505	4	Nut M5	
6	4761600	8	Washer 3/8	
7	4811600	4	Washer M5	
9	5271609	4	Bolt M5 x 25	
10	1001170367	1	Relay	
11	1001184137	2	Electrical Assembly, Buss Bar	
12	1001250517	1	Plate	
13	1001257316	1	Cable, 4/0 AWG	
13	1001255013	1	Cable, 2/0 AWG	
14	1001248504	1	Relay, 12V	
15	1001261257	1	Plate	

# SECTION 7 - ELECTRICAL

## FIGURE 7-16. GROUND CONTROL HARNESS



ART\_1001244295

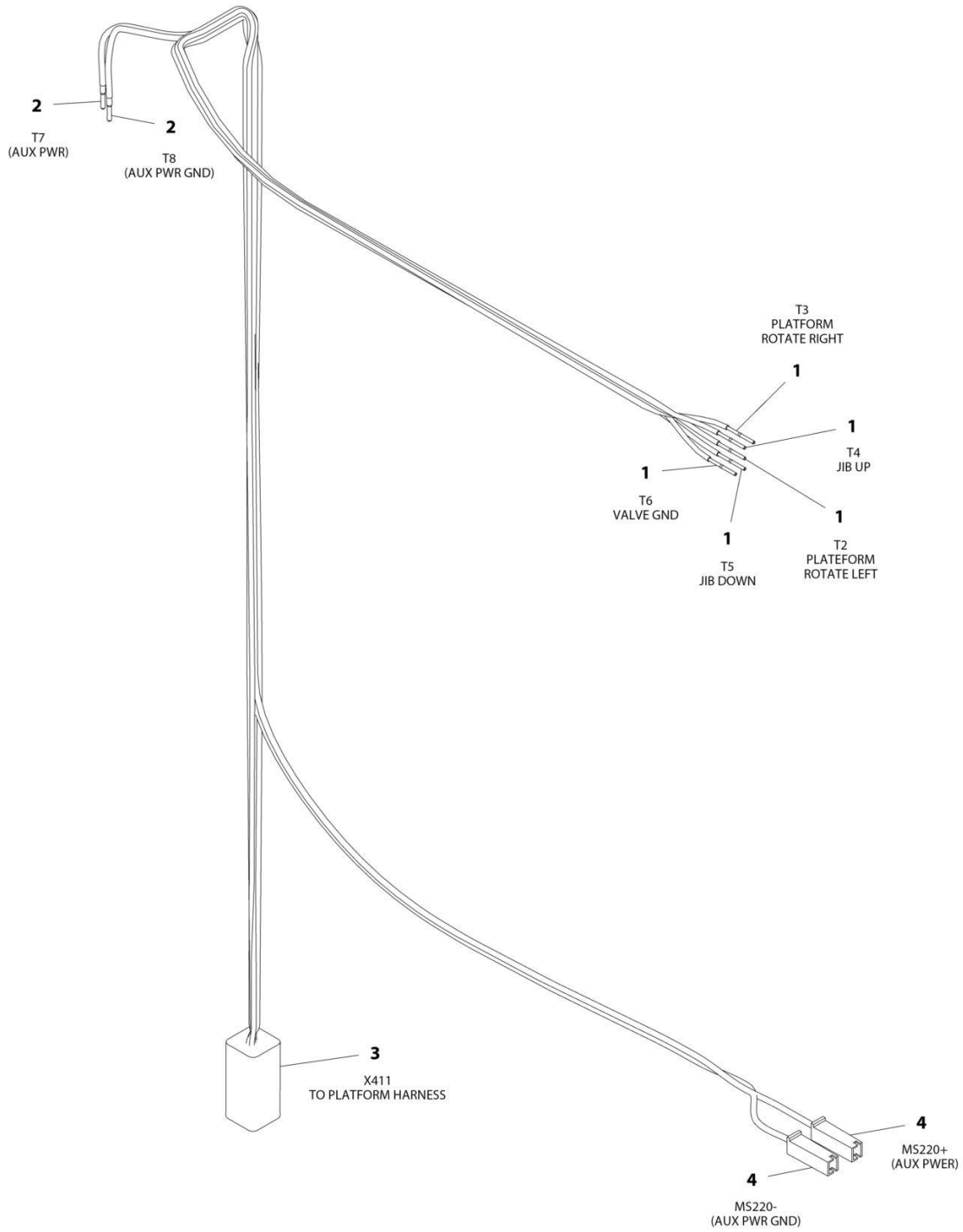
## SECTION 7 - ELECTRICAL

### FIGURE 7-16. GROUND CONTROL HARNESS

ITEM	PART NUMBER	QTY	DESCRIPTION	REV
	1001244295	Ref	GROUND CONTROL PANEL HARNESS	C
1	4460876	1	Connector - 35 Position	
1	4460871	18	Socket, Female	
1	4460905	17	Plug, Terminal	
2	4460418	8	Connector - 6 Position	
2	4460419	16	Terminal	
2	1001159186	16	Terminal	
3	4460260	2	Housing, Terminal	
3	4460259	2	Terminal	
4	4460260	1	Terminal, Housing	
4	4460259	1	Terminal	

# SECTION 7 - ELECTRICAL

## FIGURE 7-17. PLATFORM TO BOOM HARNESS



ART\_1001169422



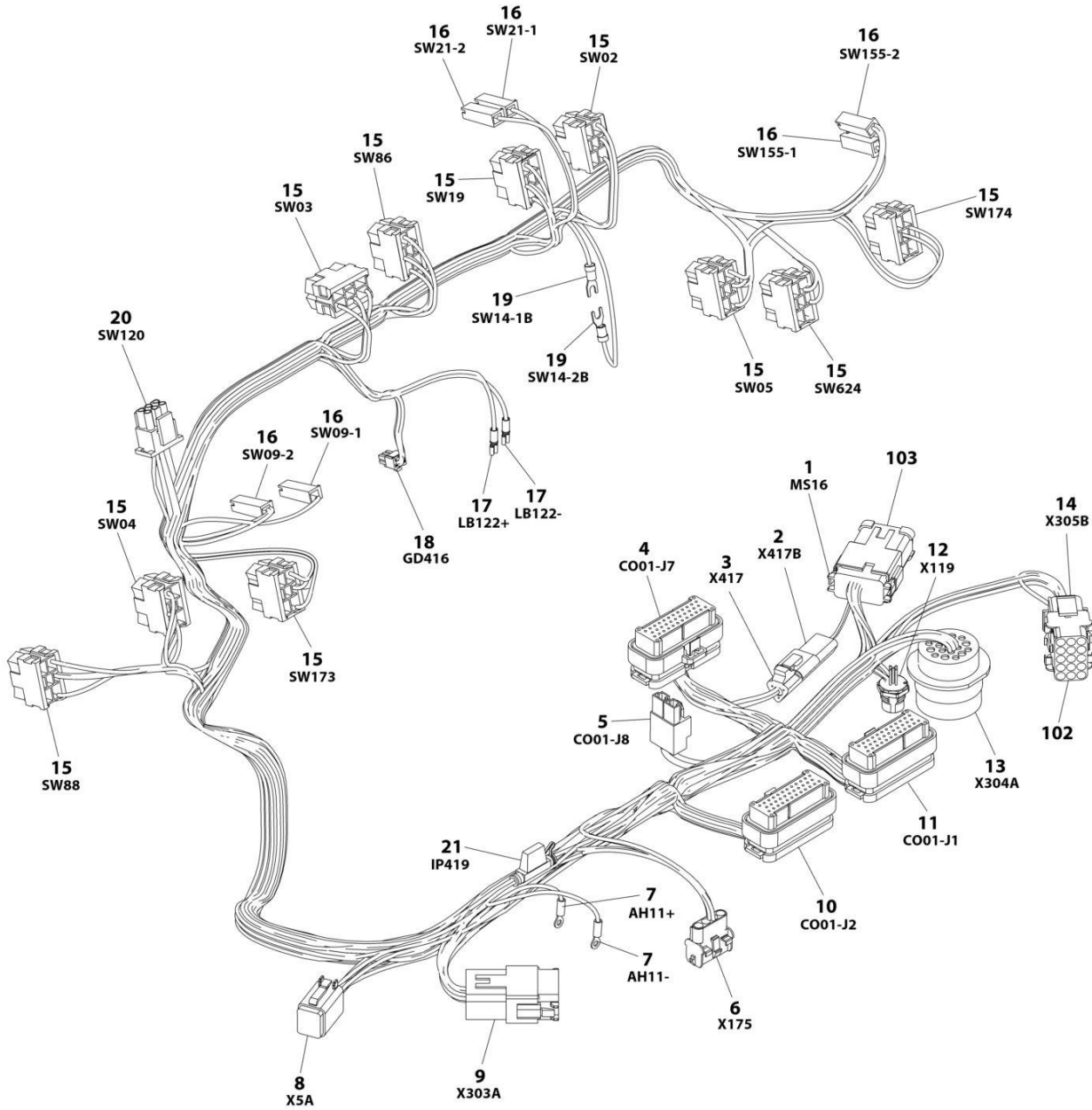
## SECTION 7 - ELECTRICAL

### FIGURE 7-17. PLATFORM TO BOOM HARNESS

ITEM	PART NUMBER	QTY	DESCRIPTION	REV
	1001169422	Ref	PLATFORM TO BOOM HARNESS	A
1	4460465	5	Socket, Female	
2	4460508	2	Pin, Male	
3	4460899	1	Connector - 6 Position	
3	4460464	5	Pin, Male	
3	4460466	1	Plug, Terminal	
4	4460260	2	Connector - 1 Position	
4	4460259	2	Terminal	

# SECTION 7 - ELECTRICAL

## FIGURE 7-18. PLATFORM CONSOLE BOX HARNESS



ART\_1001238254

## SECTION 7 - ELECTRICAL

**FIGURE 7-18. PLATFORM CONSOLE BOX HARNESS**

ITEM	PART NUMBER	QTY	DESCRIPTION	REV
	1001238254	Ref	PLATFORM CONSOLE BOX HARNESS	H
1	4460933	1	Plug, Male - 12 Position	
1	4460465	10	Socket, Female	
1	4460466	2	Plug, Terminal	
2	4460536	1	Receptacle, Female - 3 Position	
2	4460464	2	Pin, Male	
2	4460466	1	Plug, Terminal	
3	4460539	1	Plug, Male - 3 Position	
3	4460465	2	Socket, Female	
3	4460466	1	Plug, Terminal	
4	4460873	1	Connector - 35 Position	
4	4460871	21	Socket, Female	
4	4460905	14	Plug, Terminal	
5	4460879	1	Plug, Male - 2 Position	
5	4460887	2	Terminal	
6	4460761	1	Receptacle, Female - 4 Position	
6	4460267	4	Pin, Male	
7	1001098122	2	Terminal, Ring	
8	4460894	1	Plug, Male - 6 Position	
8	4460465	6	Socket, Female	
9	4460970	1	Receptacle, Female - 12 Position	
9	1001116693	9	Pin, Male	
9	4460466	1	Plug, Terminal	
9	4460464	2	Pin, Male	
10	4460875	1	Connector - 35 Position	
10	4460871	12	Socket, Female	
10	4460905	23	Plug, Terminal	
11	4460874	1	Connector - 35 Position	
11	4460871	27	Socket, Female	
11	4460905	8	Plug, Terminal	
12	1001213447	1	Connector - 4 Position	
12	See Note	NSS	Terminal (Note: Purchase p/n 1001213447)	
13	4460866	1	Connector - 19 Position	
13	4460464	5	Pin, Male	
13	4460466	11	Plug, Terminal	
13	4460508	1	Pin, Male	
14	4460434	1	Connector - 15 Position	
14	4460267	8	Pin, Male	
15	4460418	10	Connector - 6 Position	
15	4460419	45	Terminal	
16	4460260	6	Housing, Terminal	
16	4460259	8	Terminal	
17	1001271497	2	Terminal	
18	1001237667	1	Plug, Male - 6 Position	
18	1001237668	4	Terminal	
19	4460183	2	Terminal, Fork	
20	4460225	1	Plug, Male - 6 Position	
20	4460227	6	Pin, Male (Note: Used on Pump Potentiometer Connection Only)	
21	2400060	1	Fuse Holder	
102	4460708	1	Connector, Bussbar - 15 Position	

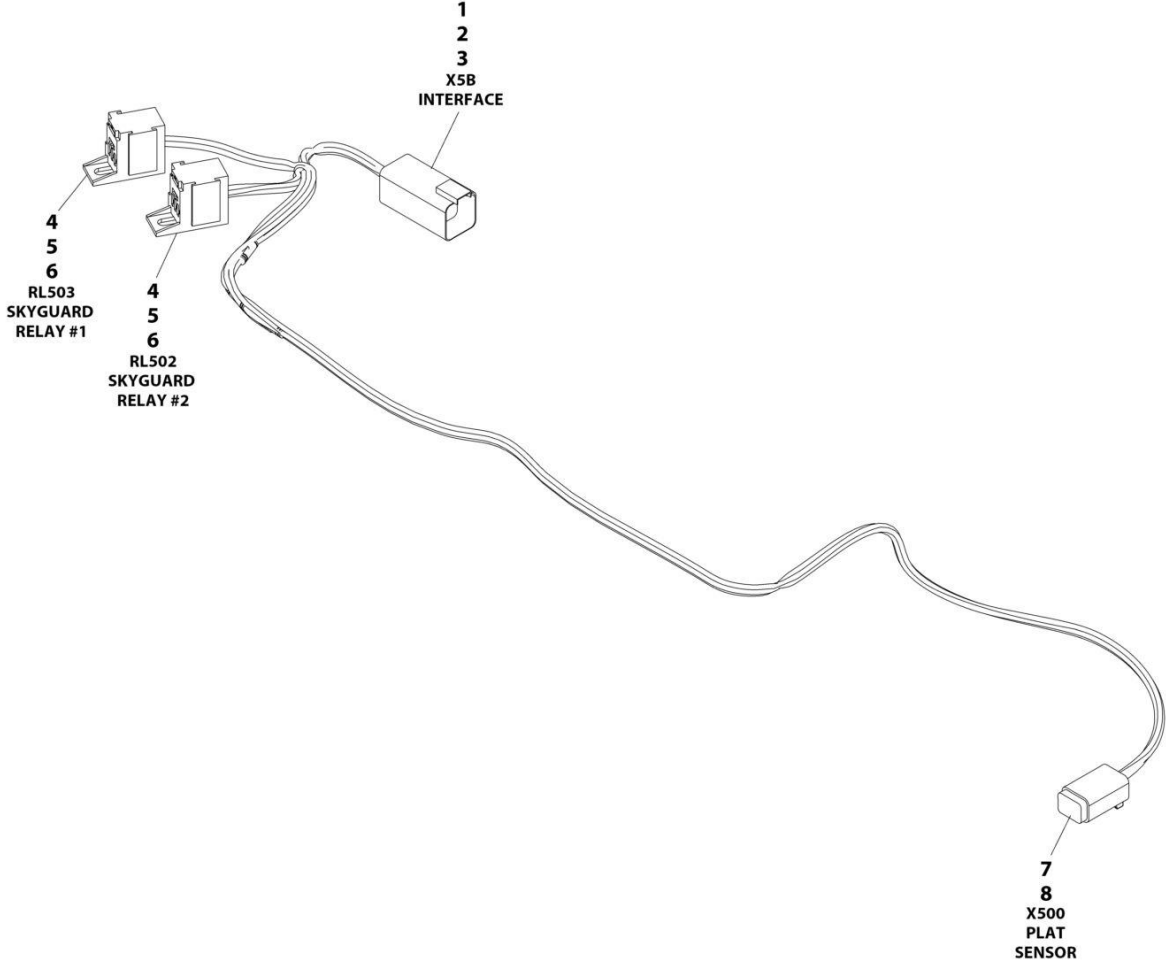
## SECTION 7 - ELECTRICAL

ITEM	PART NUMBER	QTY	DESCRIPTION	REV
103	1001125677	1	Connector, Bussbar - 12 Posititon	



**SECTION 7 - ELECTRICAL**

**FIGURE 7-19. PLATFORM INTERFACE HARNESS**



ART\_1001225580\_E

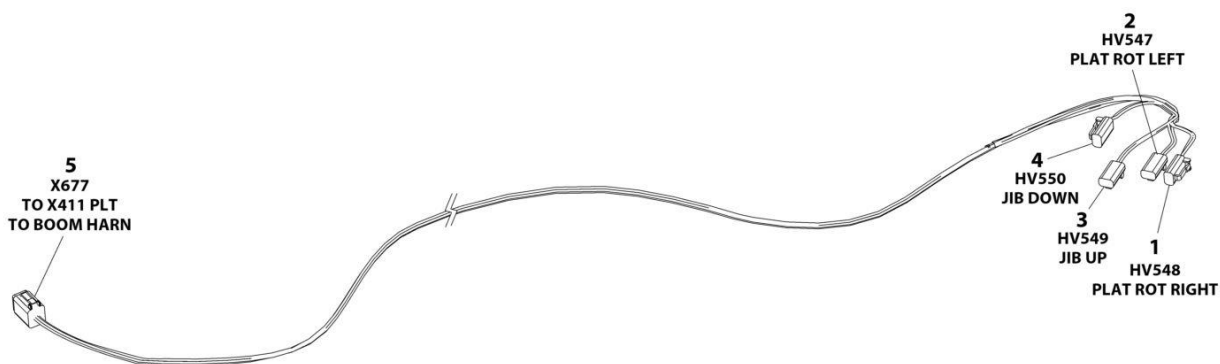
## SECTION 7 - ELECTRICAL

### FIGURE 7-19. PLATFORM INTERFACE HARNESS

ITEM	PART NUMBER	QTY	DESCRIPTION	REV
	1001225580	Ref	PLATFORM INTERFACE HARNESS - WITH 1 CELL LSS	E
1	4460899	1	Connector	
2	4460464	4	Terminal	
3	4460466	2	Plug	
4	1001186432	2	Connector	
5	1001253375	4	Terminal	
6	1001104519	4	Terminal	
7	4460884	1	Connector	
8	4460465	4	Terminal	

# SECTION 7 - ELECTRICAL

## FIGURE 7-20. PLATFORM VALVE HARNESS



ART\_1001265414



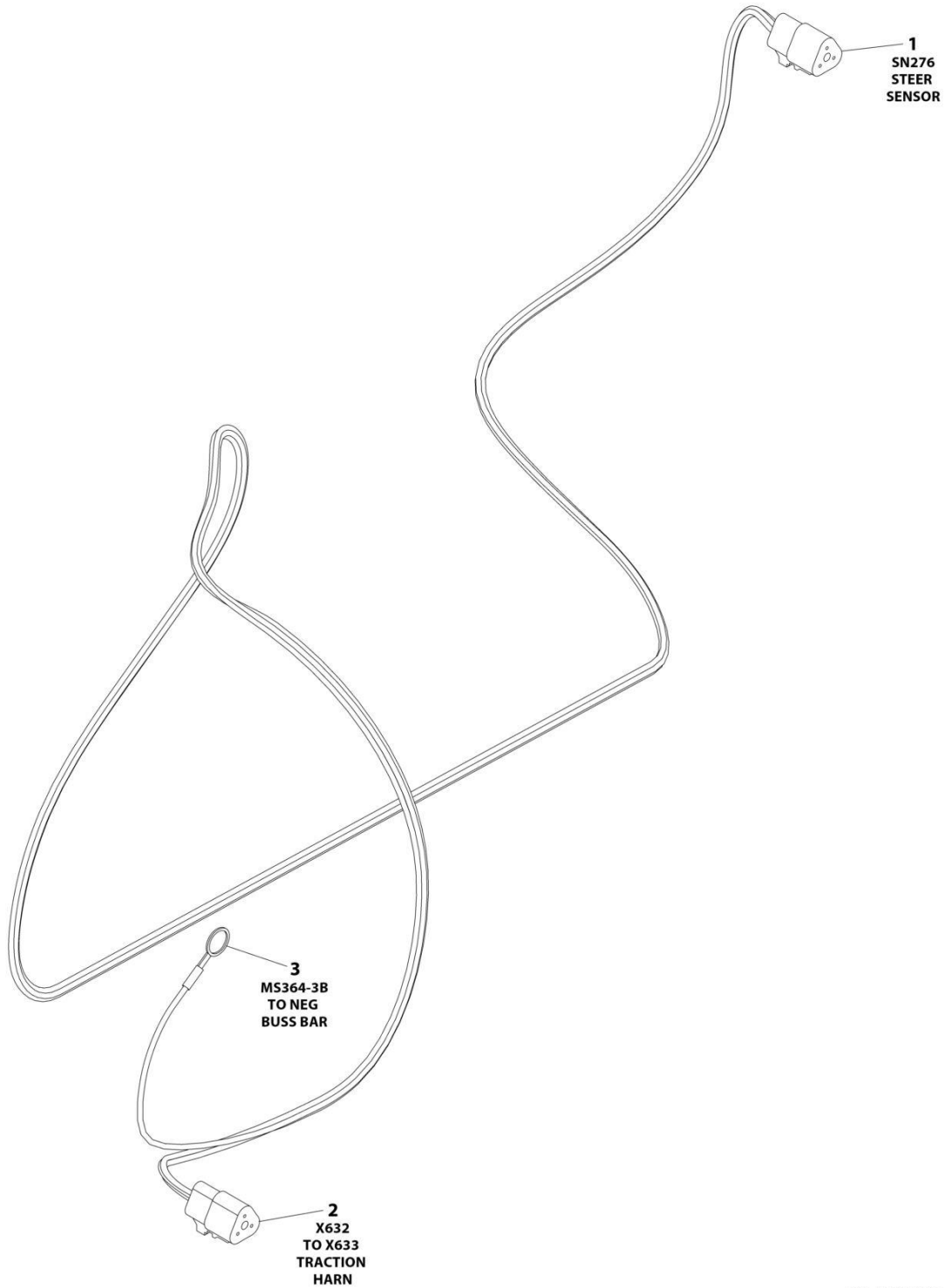
## SECTION 7 - ELECTRICAL

### FIGURE 7-20. PLATFORM VALVE HARNESS

ITEM	PART NUMBER	QTY	DESCRIPTION	REV
	1001265414	Ref	INTERFACE HARNESS - WITH 1 CELL LSS	A
1	4460891	1	Connector - 2 Position	
1	4460465	2	Socket, Female	
2	4460891	1	Connector - 2 Position	
2	4460465	2	Socket, Female	
3	4460891	1	Connector - 2 Position	
3	4460465	2	Socket, Female	
4	4460891	1	Connector - 2 Position	
4	4460465	2	Socket, Female	
5	4460894	1	Plug, Male - 6 Position	
5	4460465	5	Socket, Female	

# SECTION 7 - ELECTRICAL

## FIGURE 7-21. STEER SENSOR HARNESS



ART\_1001255829

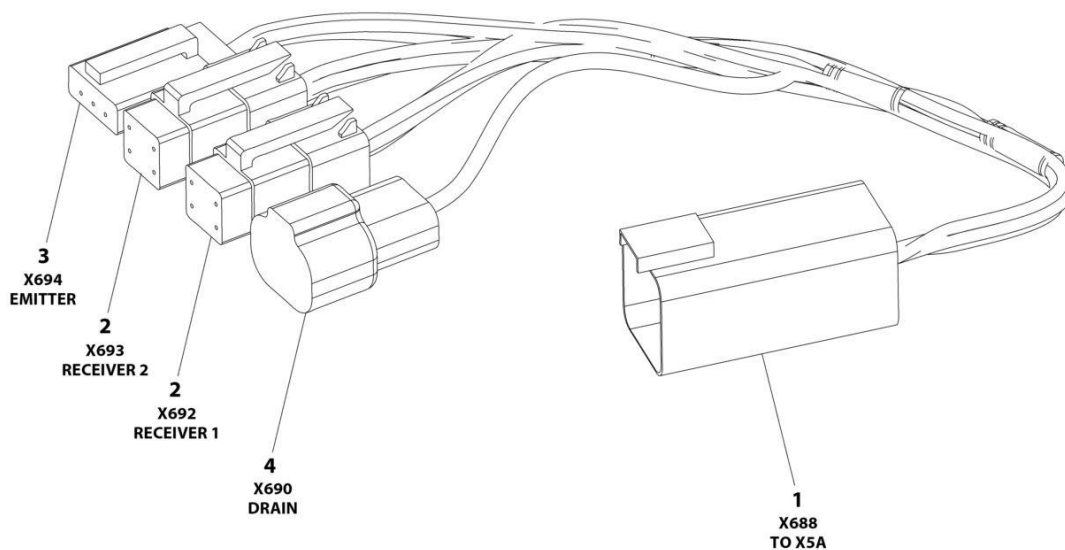
## SECTION 7 - ELECTRICAL

### FIGURE 7-21. STEER SENSOR HARNESS

ITEM	PART NUMBER	QTY	DESCRIPTION	REV
	1001255829	Ref	STEER SENSOR HARNESS	B
1	4460539	1	Plug, Male - 3 Position	
1	4460944	3	Socket, Female	
2	4460539	1	Plug, Male - 3 Position	
2	4460465	3	Socket, Female	
3	4460703	1	Terminal, Ring	

# SECTION 7 - ELECTRICAL

## FIGURE 7-22. SKYEYE INTERMEDIATE HARNESS



ART\_1001237865

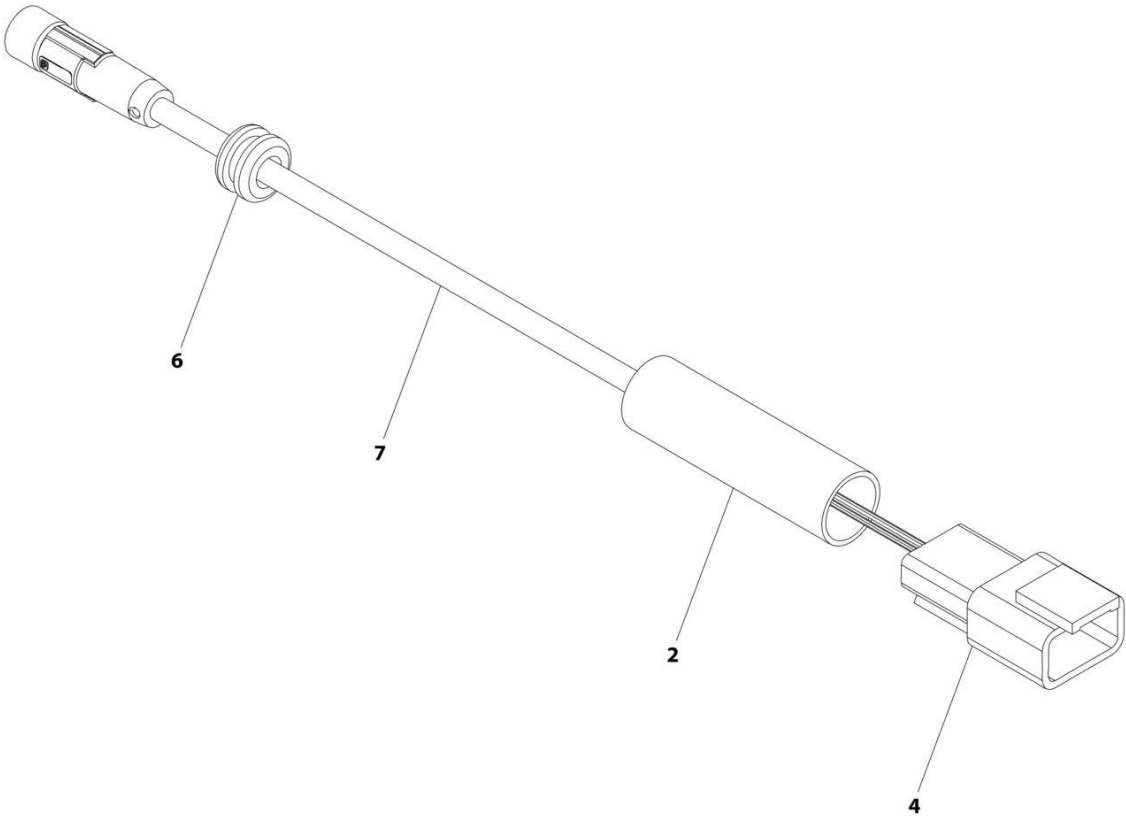
## SECTION 7 - ELECTRICAL

### FIGURE 7-22. SKYEYE INTERMEDIATE HARNESS

ITEM	PART NUMBER	QTY	DESCRIPTION	REV
	1001237865	Ref	SKYEYE INTERMEDIATE HARNESS	A
1	4460899	1	Connector - 6 Position	
1	4460943	4	Pin, Male	
1	4460466	2	Plug, Terminal	
2	4461077	2	Connector - 4 Position	
2	1001119619	8	Socket, Female	
3	4460911	1	Connector - 3 Position	
3	1001119619	3	Socket, Female	
4	1001187681	1	Connector - 2 Position	
4	4460941	1	Pin, Male	
4	4460466	1	Plug, Terminal	

**SECTION 7 - ELECTRICAL**

**FIGURE 7-23. SKYEYE RECEIVER HARNESS**



ART\_1001237863\_B

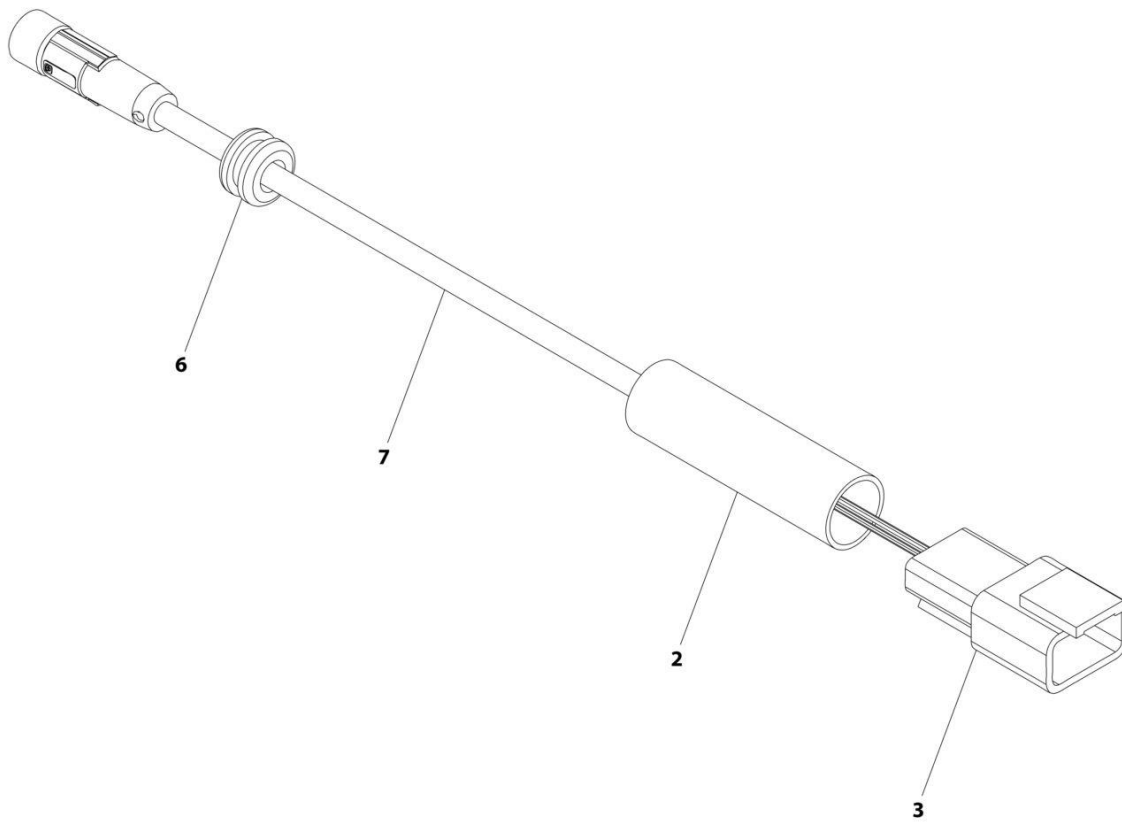
## SECTION 7 - ELECTRICAL

### FIGURE 7-23. SKYEYE RECEIVER HARNESS

ITEM	PART NUMBER	QTY	DESCRIPTION	REV
	1001237863	Ref	SKYEYE RECEIVER HARNESS	B
2	2820247	AR	Tubing, Heat Shrink	
4	1001097051	1	Connector - 4 Position	
4	1001119620	4	Pin, Male	
6	1001227996	1	Grommet	
7	1001258495	1	Cable, M8 Female Cordset	

# SECTION 7 - ELECTRICAL

## FIGURE 7-24. SKYEYE EMITTER HARNESS



ART\_1001237864\_B



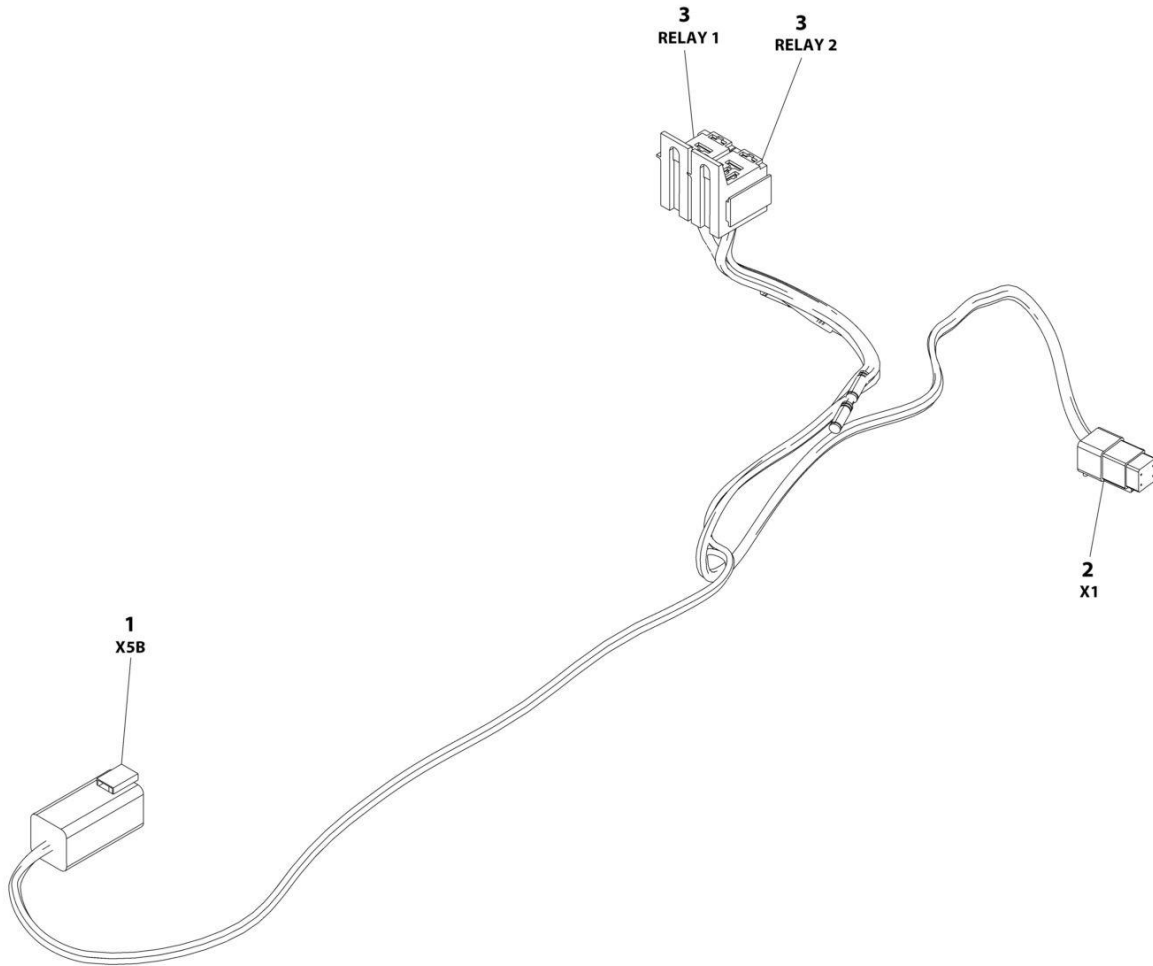
## SECTION 7 - ELECTRICAL

### FIGURE 7-24. SKYEYE EMITTER HARNESS

ITEM	PART NUMBER	QTY	DESCRIPTION	REV
	1001237864	Ref	SKYEYE EMITTER HARNESS	B
2	2820247	AR	Tubing, Heat Shrink	
3	4460910	1	Connector - 3 Position	
3	1001119620	3	Pin, Male	
6	1001227996	1	Grommet	
7	1001258495	1	Cable, M8 Female Cordset	

# SECTION 7 - ELECTRICAL

## FIGURE 7-25. SKYLINE HARNESS



ART\_1001238418

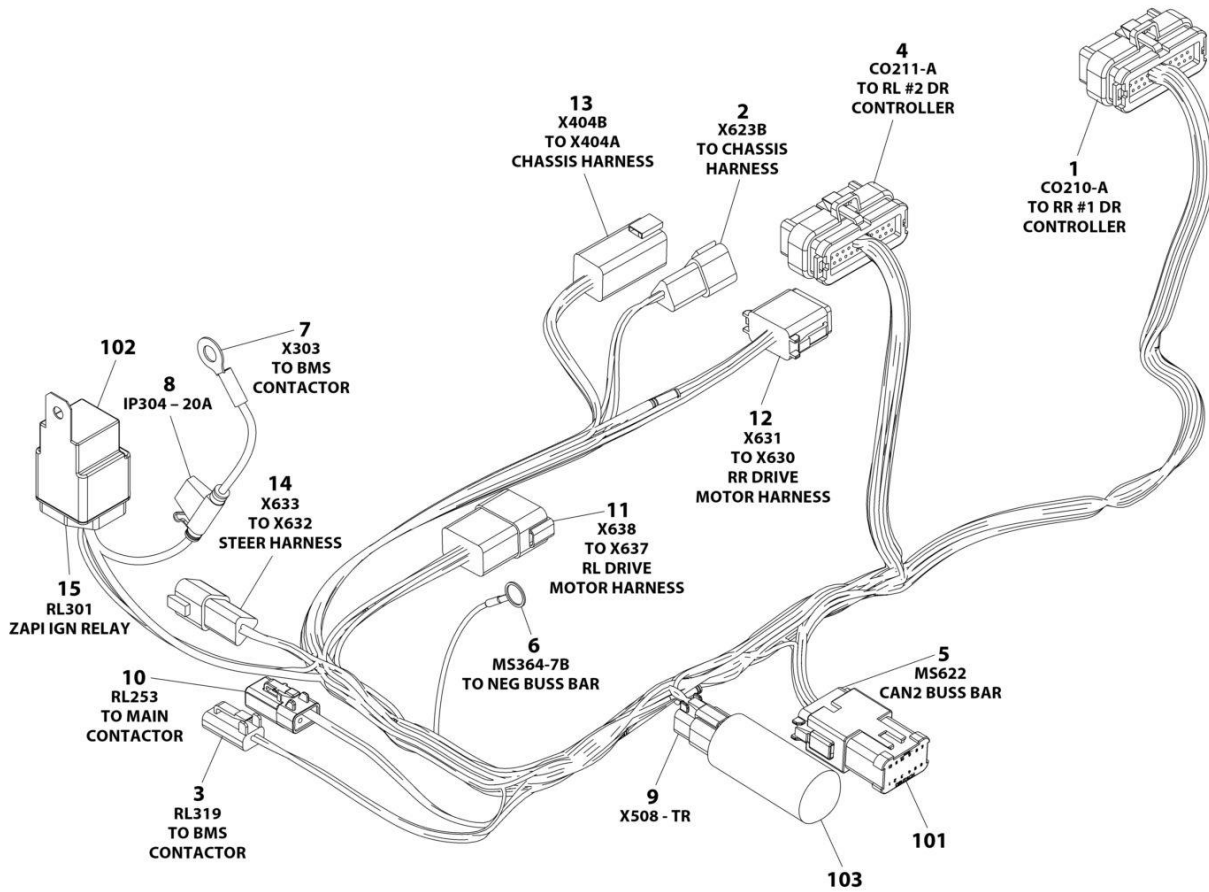
## SECTION 7 - ELECTRICAL

### FIGURE 7-25. SKYLINE HARNESS

ITEM	PART NUMBER	QTY	DESCRIPTION	REV
	1001238418	Ref	SKYLINE HARNESS	B
1	4460899	1	Connector - 6 Position	
1	4460464	4	Pin, Male	
1	4460466	2	Plug, Terminal	
2	4461077	1	Connector - 4 Position	
2	1001126009	4	Socket, Female	
3	1001186432	2	Plug, Relay	
3	1001118388	5	Terminal	
3	1001118384	3	Terminal	
3	3740086	2	Relay	

# SECTION 7 - ELECTRICAL

## FIGURE 7-26. TRACTION HARNESS



ART\_1001262598

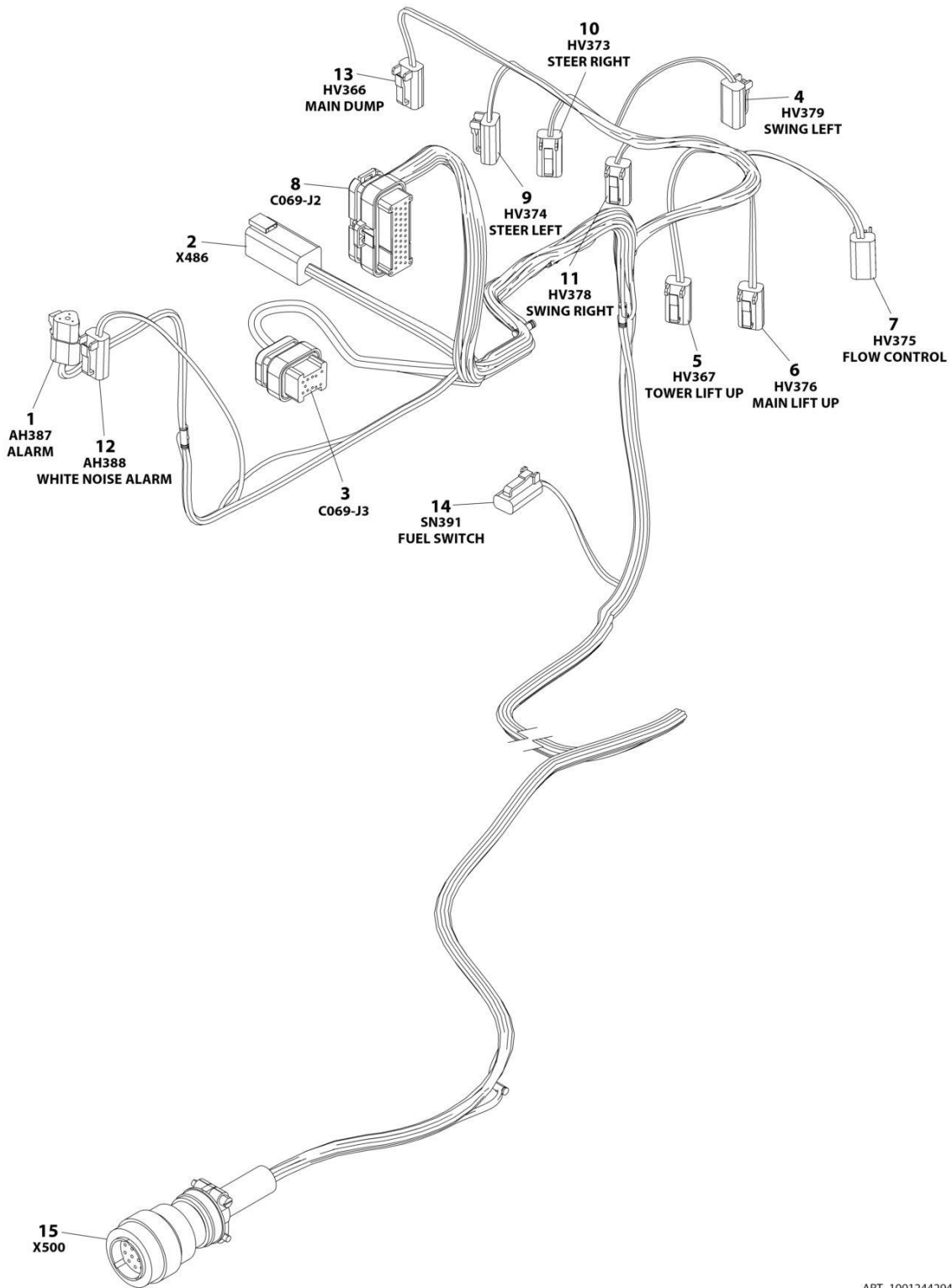
## SECTION 7 - ELECTRICAL

### FIGURE 7-26. TRACTION HARNESS

ITEM	PART NUMBER	QTY	DESCRIPTION	REV
	1001262598	Ref	TRACTION HARNESS	A
1	4460873	1	Connector - 35 Position	
1	4460871	16	Terminal, Female	
1	4460905	19	Seal, Terminal	
2	4460536	1	Receptacle, Female - 3 Position	
2	4460943	3	Pin, Male	
3	4460891	1	Connector - 2 Position	
3	4460465	2	Socket, Female	
4	4460873	1	Connector - 35 Position	
4	4460871	14	Socket, Female	
4	4460905	21	Plug, Terminal	
5	4460933	1	Connector - 12 Position	
5	4460944	8	Socket, Female (Gold)	
5	4460466	4	Plug, Terminal	
6	4460703	1	Terminal, Ring	
7	8220045	1	Terminal, Ring	
8	1001170763	1	Fuseholder - 20Amp (Includes Cover)	
8	1001170761	1	Fuse - 20Amp	
9	4460884	1	Connector - 4 Position	
9	4460944	4	Socket, Female	
10	1001126245	1	Connector - 2 Position	
10	1001126008	2	Terminal	
11	4460931	1	Connector - 8 Position	
11	4460464	8	Pin, Male	
12	4460930	1	Connector - 8 Position	
12	4460465	8	Socket, Female	
13	4460899	1	Connector - 6 Position	
13	4460464	6	Pin, Male	
14	4460536	1	Connector - 3 Position	
14	4460464	3	Pin, Male	
15	4460374	1	Plug, Relay	
15	1001116734	2	Female, Terminal	
15	1001116732	2	Female, Terminal	
15	1001128128	1	Plug, Terminal	
101	1001119020	1	Connector - 12 Position Bussbar	
102	1001171295	1	Relay	
103	1001186231	1	Connector - 5 Position	

# SECTION 7 - ELECTRICAL

## FIGURE 7-27. VALVE HARNESS - MAIN VALVE



ART\_1001244294

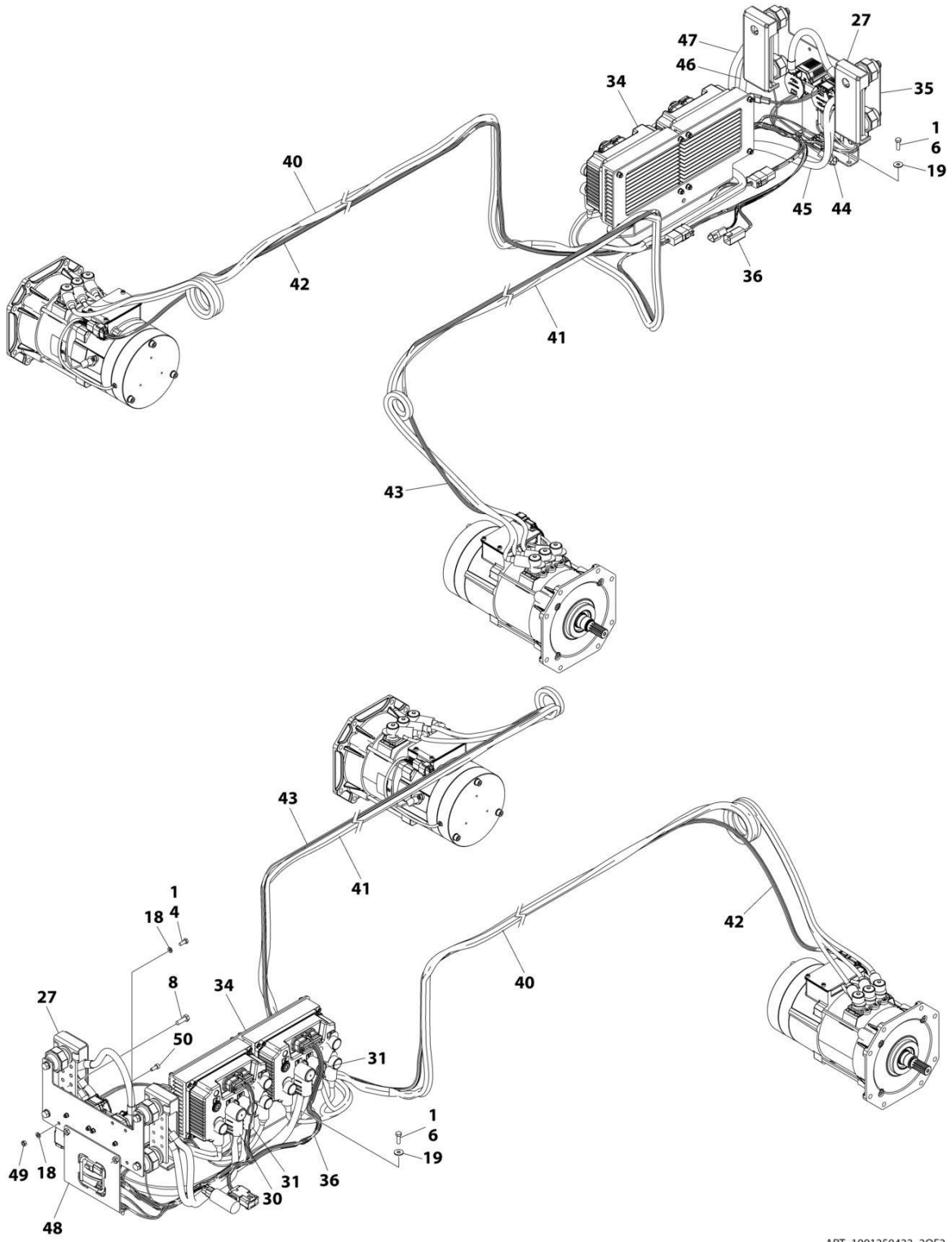
## SECTION 7 - ELECTRICAL

### FIGURE 7-27. VALVE HARNESS - MAIN VALVE

ITEM	PART NUMBER	QTY	DESCRIPTION	REV
	1001244294	Ref	TRACTION HARNESS	B
1	4460539	1	Plug, Male - 3 Position	
1	4460465	3	Socket, Female	
2	4460899	1	Connector - 6 Position	
2	4460464	4	Pin, Male	
2	4460466	2	Plug, Terminal	
3	4460872	1	Connector - 14 Position	
3	4460871	9	Terminal, Female	
3	4460905	5	Seal, Terminal	
4	4460891	1	Connector - 2 Position	
4	4460465	2	Socket, Female	
5	4460891	1	Connector - 2 Position	
5	4460465	2	Socket, Female	
6	4460891	1	Connector - 2 Position	
6	4460465	2	Socket, Female	
7	4460891	1	Connector - 2 Position	
7	4460465	2	Socket, Female	
8	4460875	1	Connector - 35 Position	
8	4460871	26	Socket, Female	
8	4460905	9	Plug, Terminal	
9	4460891	1	Plug, Male - 2 Position	
9	4460465	2	Socket, Female	
10	4460891	1	Connector - 2 Position	
10	4460465	2	Socket, Female	
11	4460891	1	Connector - 2 Position	
11	4460465	2	Socket, Female	
12	4460891	1	Connector - 2 Position	
12	4460465	2	Socket, Female	
13	4460891	1	Connector - 2 Position	
13	4460465	2	Socket, Female	
14	4460424	1	Connector - 2 Position	
14	4460268	2	Socket, Female	
15	4460754	1	Connector - 14 Position	
15	4460465	13	Socket, Female	
15	4460466	1	Plug, Terminal	

# SECTION 7 - ELECTRICAL

## FIGURE 7-28. WHEEL DRIVE ELECTRICAL HARNESS INSTALLATION (2WD)



ART\_1001250422\_20F2



## SECTION 7 - ELECTRICAL

**FIGURE 7-28. WHEEL DRIVE ELECTRICAL HARNESS INSTALLATION (2WD)**

ITEM	PART NUMBER	QTY	DESCRIPTION	REV
	1001250422	Ref	WHEEL DRIVE ELECTRICAL HARNESS INSTALLATION	C
1	0100011	AR	Compound, Locking	
4	0760608	2	Bolt M6 x 16	
6	0760610	4	Bolt M6 x 20	
8	0760812	7	Bolt M8 x 25	
8	0760808	7	Bolt M8 x 16	
16	4240018	AR	Tie-Strap (Not Shown)	
18	4811700	3	Washer M6	
19	4811702	4	Washer M6	
27	1001188680	2	Cover	
30	1001225557	2	Boot, Terminal (Black)	
31	1001225558	2	Boot, Terminal (Red)	
34	1001250432	1	Bracket, Controller Assembly (See Separate Breakdown in this Section)	
35	1001250518	1	Plate, Fuse Assembly (See Separate Breakdown in this Section)	
36	1001262598	1	Harness, Traction (See Separate Breakdown in this Section)	
40	1001265229	1	Cable, Motor (RL)	
41	1001265230	1	Cable, Motor (RR)	
42	1001265227	1	Harness, Drive Motor (RL) (See Separate Breakdown in this Section)	
43	1001265228	1	Harness, Drive Motor (RR) (See Separate Breakdown in this Section)	
44	1001256686	1	Cable, + ve to ZAPI Rear Right	
45	1001256687	1	Cable, + ve to ZAPI Rear Left	
46	1001256688	1	Cable, - ve to ZAPI Rear Right	
47	1001256689	1	Cable, - ve to ZAPI Rear Left	
48	1001256690	1	Mount	
49	3290601	1	Nut M6	
50	4031707	1	Bolt M6 x 16	



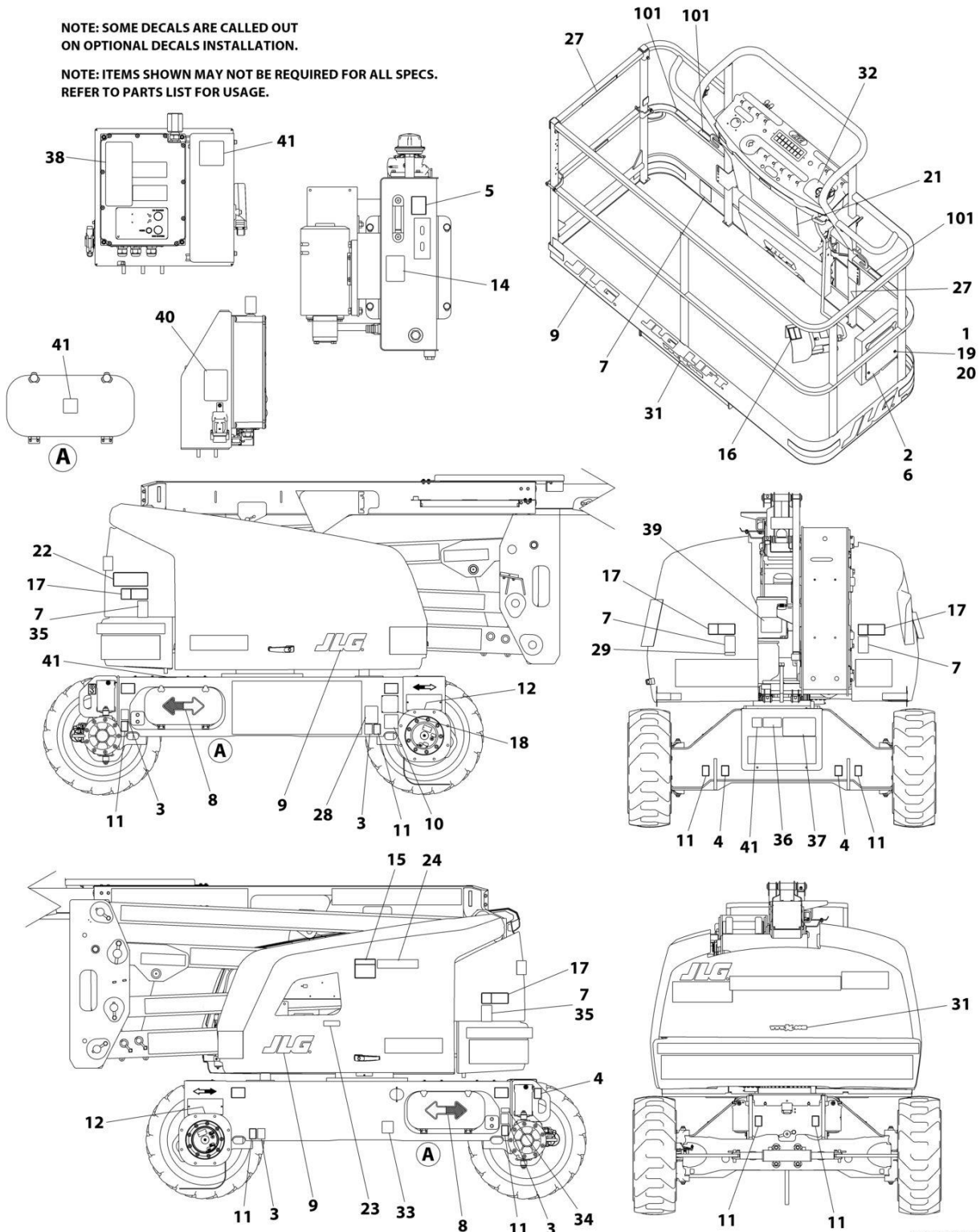
**SECTION 8 - DECALS**

# SECTION 8 - DECALS

## FIGURE 8-1. DECAL INSTALLATION - AUSTRALIAN SPECS

NOTE: SOME DECALS ARE CALLED OUT ON OPTIONAL DECALS INSTALLATION.

NOTE: ITEMS SHOWN MAY NOT BE REQUIRED FOR ALL SPECS. REFER TO PARTS LIST FOR USAGE.



ART\_1001258628

## SECTION 8 - DECALS

**FIGURE 8-1. DECAL INSTALLATION - AUSTRALIAN SPECS**

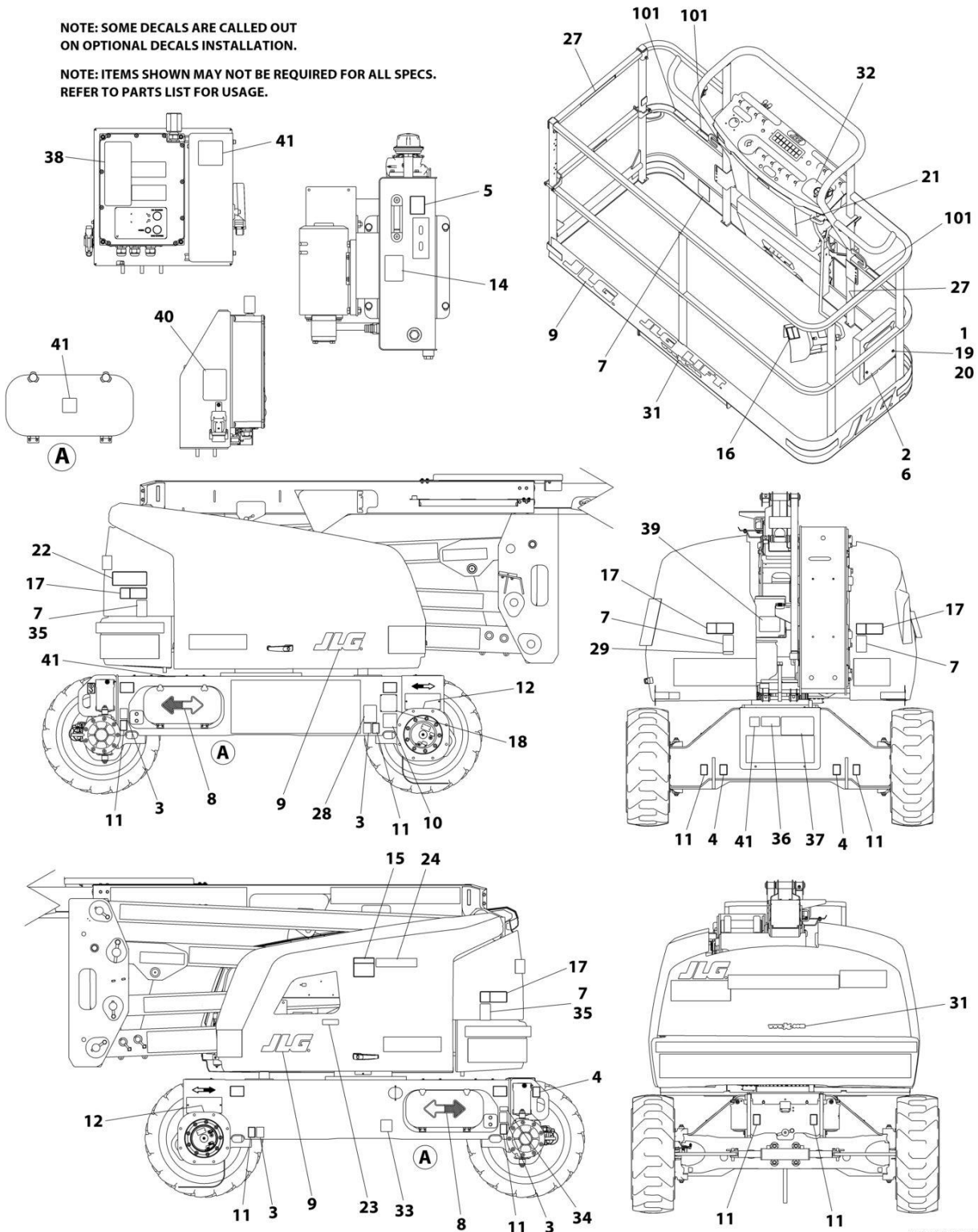
ITEM	PART NUMBER	QTY	DESCRIPTION	REV
	1001253598	Ref	DECAL INSTALLATION - REFERENCE CHART	F
	1001258628	Ref	DECAL INSTALLATION	E
1	0760610	4	Bolt M6 x 20	
2	0860520	1	Box, Manual Storage	
3	1701499	4	Decal - Tie Down /Lift	
4	1701500	4	Decal - Tie Down /Lift	
5	1701504	1	Decal - Hydraulic Oil	
6	1701509	1	Decal - Manual	
7	1701518	6	Decal - Warning/Crushing	
8	1701529	2	Decal - Arrow	
10	See Note	NSS	Decal - Bar Code (Note: Not Available for Purchase)	
11	1702300	8	Decal - Tie Down /Lift	
12	1703687	2	Decal - Arrow	
14	1704412	1	Decal - Hydraulic Fluid	
15	1705822	1	Decal - Electrocutation/Safety Manual	
16	1705828	1	Decal - Footswitch	
17	1705961	4	Decal - Danger Electrocutation	
18	2080057	4	Fastener	
19	3290605	4	Nut M6	
20	4811700	8	Washer M6	
21	1001162429	1	Decal - Tipping/Electrocutation	
22	1001172217	1	Decal - Lift Diagram (Without Turntable Lock)	
23	1001112551	1	Decal - Emergency Controls	
24	1001190913	1	Decal - Max Capacity	
31	1704885	2	Decal - Website	
36	1001260939	1	Decal - Warning Tip Over Hazard	
37	1001260941	1	Decal- Cable Routing	
38	1001262795	1	Decal - Led Indicator	
39	1001262796	1	Decal - Led Indicator	
40	1001263924	1	Decal - Fuse Boxes	
41	1001125483	5	Decal - Pressure Wash	
100	1001232026	1	Decal Kit - Platform Lanyard (Not Shown)	
101	1704277	3	Decal - Attach Lanyard Here	

# SECTION 8 - DECALS

## FIGURE 8-2. DECAL INSTALLATION - CE SPECS

NOTE: SOME DECALS ARE CALLED OUT ON OPTIONAL DECALS INSTALLATION.

NOTE: ITEMS SHOWN MAY NOT BE REQUIRED FOR ALL SPECS. REFER TO PARTS LIST FOR USAGE.



ART\_1001253599

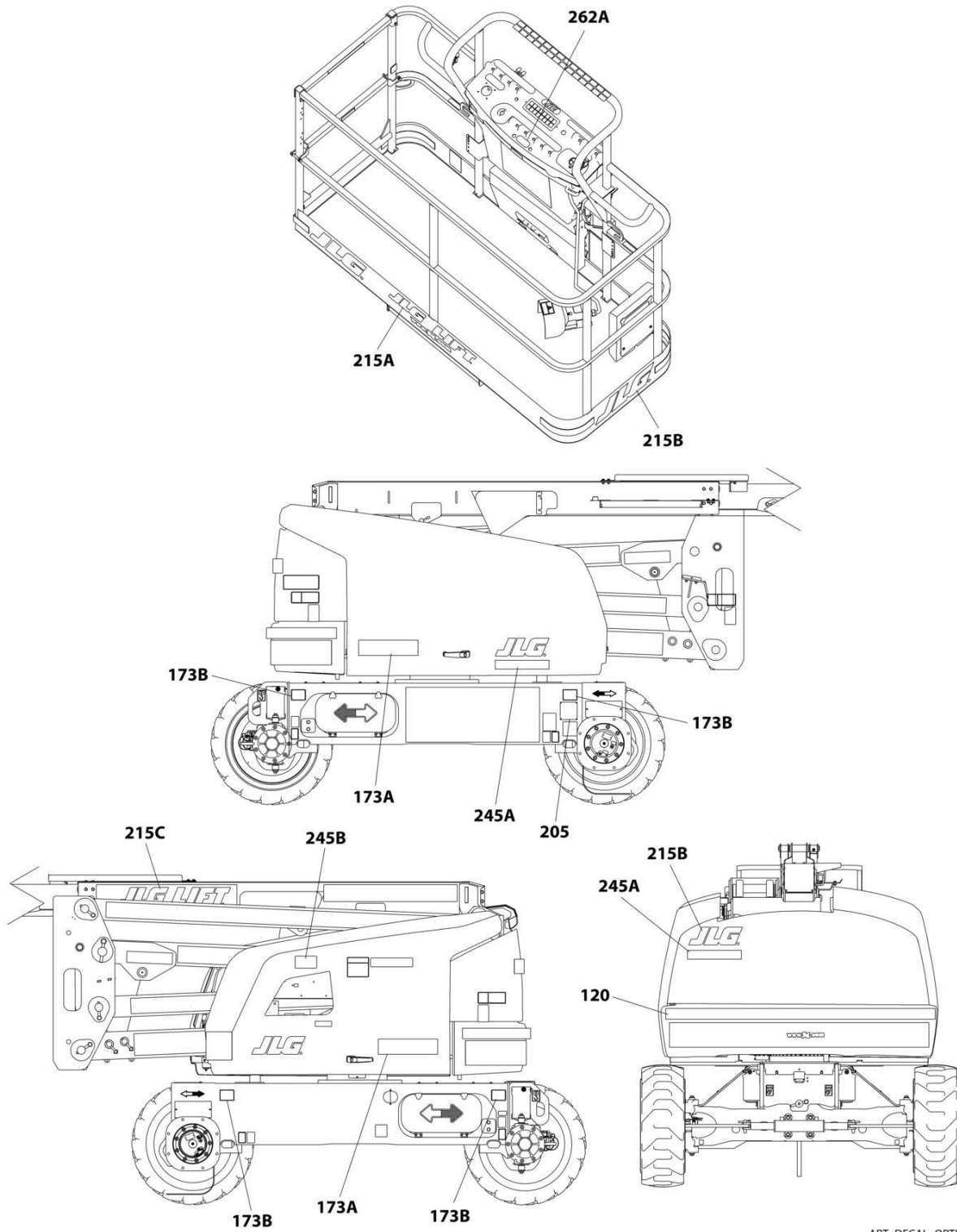
## SECTION 8 - DECALS

**FIGURE 8-2. DECAL INSTALLATION - CE SPECS**

ITEM	PART NUMBER	QTY	DESCRIPTION	REV
	1001253598	Ref	DECAL INSTALLATION - REFERENCE CHART	F
	1001253599	Ref	DECAL INSTALLATION	H
1	0760610	4	Bolt M6 x 20	
2	0860520	1	Box, Manual Storage	
3	1701499	4	Decal - Tie Down /Lift	
4	1701500	4	Decal - Tie Down /Lift	
5	1701504	1	Decal - Hydraulic Oil	
6	1701509	1	Decal - Manual	
7	1701518	6	Decal - Warning/Crushing	
8	1701529	2	Decal - Arrow	
9	1702773	3	Decal - JLG	
10	See Note	NSS	Decal - Bar Code (Note: Not Available for Purchase)	
11	1702300	8	Decal - Tie Down /Lift	
12	1703687	2	Decal - Arrow	
14	1704412	1	Decal - Hydraulic Fluid	
15	1705822	1	Decal - Electrocutation/Safety Manual	
16	1705828	1	Decal - Footswitch	
17	1705961	4	Decal - Danger Electrocutation	
18	2080057	4	Fastener	
19	3290605	4	Nut M6	
20	4811700	8	Washer M6	
21	1001162429	1	Decal - Tipping/Electrocutation	
22	1001172217	1	Decal - Lift Diagram (Without Turntable Lock)	
23	1001189882	1	Decal - MSSO	
24	1001190913	1	Decal - Max Capacity	
36	1001260939	1	Decal - Warning Tip Over Hazard	
37	1001260941	1	Decal- Cable Routing	
38	1001262795	1	Decal - Led Indicator	
39	1001262796	1	Decal - Led Indicator	
40	1001263924	1	Decal - Fuse Boxes	
41	1001125483	5	Decal - Pressure Wash	
100	1001232026	1	Decal Kit - Platform Lanyard (Not Shown)	
101	1704277	3	Decal - Attach Lanyard Here	

# SECTION 8 - DECALS

## FIGURE 8-3. DECAL INSTALLATION - OPTIONS



ART\_DECAL\_OPTIONS



## SECTION 8 - DECALS

**FIGURE 8-3. DECAL INSTALLATION - OPTIONS**

ITEM	PART NUMBER	QTY	DESCRIPTION	REV
	1001253598	Ref	DECAL INSTALLATION - REFERENCE CHART	E
	1001250808	Ref	DECAL INSTALLATION - OPTIONS	C
120	1001188883	Ref	Warning Stripes Installation	A
120	4420051	1 21.5ft	Tape, Safety	
173	1001255762	Ref	Model Decal Installation	C
173A	1001258491	2	Decal - EC450AJ	
173B	1705669	4	Decal - Max Tire Load	
205	See Note	1	Nameplate - Manufacturers Serial Number (Note: Not Available for Purchase)	
215	1001166085	Ref	JLG Logo Installation (CE Specs)	C
215A	1702774	1	Decal – JLG Lift	
215B	1702773	1	Decal - JLG	
215C	1702860	1	Decal – JLG Lift	
245	1001127096	Ref	Decal - ClearSky	
245A	1001116208	2	Decal - ClearSky	
245B	1001120989	1	Decal - Radio Frequency	
262A	1001141300	1	Decal - SkyGuard Override	



## **SECTION 9 - RECOMMENDED SERVICE PARTS STOCK**

## **SECTION 9 - RECOMMENDED SERVICE PARTS STOCK**

## SECTION 9 - RECOMMENDED SERVICE PARTS STOCK

FIGURE 9-1. RECOMMENDED SERVICE PARTS STOCK

ITEM	PART NUMBER	QTY	DESCRIPTION	REV
		Ref	Note: The following list will service one machine (built to current production per date on the front cover) with emergency repair parts which can be installed in the field. Parts from the list should be replaced when inventory is depleted to keep service parts stock supplied. For further information, contact your JLG dealer or the JLG Industries Parts Department.	
		Ref	STANDARD PARTS	
	70050516	1	Coil	
	70002963	1	Coil	
	70005219	1	Coil	
	70002386	1	Coil	
	70003788	1	Coil	
	70004871	1	Coil	
	7027628	1	Coil	
	1001212415	1	Controller Assembly (Drive and Steer)	
	1001129555	1	Controller Assembly (Lift and Swing)	
	1001162663	1	Element, Filter Hydraulic	
	8229244	1	Fuse - 15Amp	
	1001170761	1	Fuse - 20Amp	
	8229245	1	Fuse - 30Amp	
	1001262472	1	Fuse - 60Amp	
	2400069	1	Fuse - 175Amp	
	2860030	1	Key, Replacement	
	1001222365	1	Relay	
	3740067	1	Relay	
	1001186431	1	Relay	
	3740086	1	Relay	
	4360387	1	Switch, Push Button	
	4360475	1	Switch, Emergency Stop	
	4360476	1	Switch, Contact Block	
	4360407	1	Switch, Potentiometer	
	1001155045	1	Switch, Toggle	
	1001159256	1	Switch, Toggle	
	1001161710	1	Switch, Toggle	
	1001172271	1	Switch, Limit	
		Ref	VARIABLE PARTS	
	2940074	1	Latch (Machines with Gate)	
	1001183213	1	Module, Ground Control	
	1001118412	1	Module, Platform Control	
	1001142683	1	Module, Control (Beacon Light)	
	1001171295	1	Relay, 50Amp (Battery Charger)	
	1001170367	1	Relay, 48Volt	
	1001119176	1	Switch, Limit (Drive Orientation)	
	1001137673	1	Switch, SkyGuard Assembly	

**SECTION 10 - SPECIAL OPTIONS**

## SECTION 10 - SPECIAL OPTIONS

**FIGURE 10-1. SPECIAL OPTIONS**

ITEM	PART NUMBER	QTY	DESCRIPTION	REV
	See Note	Ref	Note: This list is to accommodate machines ordered with special equipment. Options may not be applicable to all models. For more specific parts information contact JLG Parts Department.	
		Ref	MISCELLANEOUS SPECIAL OPTIONS	
	1001241254	Ref	Boom Angle Sensor Offset Link Kit	
	1001236123	Ref	Boom Wiper Cover Installation	
		Ref	ClearSky (Telematics) Installations (Dealer Installed)	
	1001242639	Ref	ClearSky (Telematics) Access Control Installation Kit (Dealer Installed) (ANSI, ANSI Export, CSA, CE Specs)	
	1001243183	Ref	ClearSky (Telematics) Added-on Kit (Dealer Installed) (ANSI, ANSI Export, & CSA)	
	1001246142	Ref	ClearSky (Telematics) Service Kit (Dealer Installed) (Australian Specs)	
	1001243184	Ref	ClearSky (Telematics) Added-on Kit (Dealer Installed) (CE Specs)	
		Ref	ClearSky Telematics (Factory Installed)	
	1001227278	Ref	ClearSky (Telematics) Installation (Factory Installed) Canbus Connection (ANSI and CSA Specs)	
	1001246433	Ref	ClearSky (Telematics) Installation (Factory Installed) 3-Wire Connection (Australian Specs)	
	1001228960	Ref	ClearSky (Telematics) Installation (Factory Installed) Canbus Connection (CE Specs) 1001262959 Ref ClearSky Voltage Regulator	
	1001261106	Ref	Cold Weather Package - Batteries	
	1001196012	Ref	Cylinder Bellows Installation	
	1001148902	Ref	Electrical Connector Kit - Amp/Tyco Electrical Connectors	
	1001148903	Ref	Electrical Connector Kit - Deutsch DT Electrical Connectors	
	1001148904	Ref	Electrical Connector Kit - Deutsch HD Electrical Connectors	
	1001148905	Ref	Electrical Connector Kit - Packard Electrical Connectors	
	1001148906	Ref	Electrical Connector Kit - Various Electrical Connectors	
	1001246867	Ref	Enhanced Detection System (EDS) Level 1 (2-Bar) Installation Kit	
	1001253618	Ref	Module Box Assembly Kit (Service Kit for P/N 1001246867)	
	1001246860	Ref	Enhanced Detection System (EDS) Level 2 (3-Bar) Installation Kit	
	1001253619	Ref	Module Box Assembly Kit (Service Kit for P/N 1001246860)	
	1001220003	Ref	Ground Control and UGM Covers Kit	
	1001274480	Ref	Hydraulic Tank Heater Installation	
	1001172001	Ref	Lights Installation - Headlights and Taillights	
	1001120466	Ref	Lights Installation - Platform Worklights	
	1580013	Ref	Platform Corner Storage Tray	
	1001250035	Ref	Platform Sensor Retrofit Kit	
	1001209059	Ref	Platform Work Surface Installation	
	1001241547	Ref	SkyEye LH Housing Retrofit Kit	
	1001241548	Ref	SkyEye RH Housing Retrofit Kit	
	1001247073	Ref	SkyEye Retrofit Kit	
	1001249052	Ref	SkyGuard Retrofit Kit	
	1001250595	Ref	SkyGuard 6 Pin Retrofit Kit	
	1001203510	Ref	SkyGuard Platform Sensor Kit	
	1001203511	Ref	SkyGuard Beacon Kit (Blue Light)	
	1001210036	Ref	SkyGuard Beacon Kit (Red Light)	
	1001232643	Ref	SkyLine Kit	
	1001252033	Ref	SkySense Enhanced Detection System (EDS) Level 1 (2-Bar)	

## SECTION 10 - SPECIAL OPTIONS

ITEM	PART NUMBER	QTY	DESCRIPTION	REV
	1001252034	Ref	Add-on Kit (Dealer Installed) SkySense Enhanced Detection System (EDS) Level 2 (3-Bar) Add-on Kit (Dealer Installed)	
	2901443	Ref	Tools - Analyzer Kit	
	1001249695	Ref	Tools - Analyzer and Cable Kit	
	1001249941	Ref	Tools - Analyzer and Cable Kit (Battery Powered)	
	1001137005	Ref	Tools - Cable Kit, Software (Not Shown)	
	7002821	Ref	Tools - Crimper, Wire	
	7002823	Ref	Tools - Pin Extractor - Universal (For Electrical Connectors with Pins and Sockets)	
	4460510	Ref	Tools - Pin Extractor - 12-14 Gauge (For Removal of Pin/Sockets from Deutsch Connectors)	
	4460467	Ref	Tools - Pin Extractor - 16-18 Gauge (For Removal of Pin/Sockets from Deutsch Connectors)	
	7016654	Ref	Tools - Screwdriver, Magnetic	
	7002822	Ref	Tools - Screwdriver, Potentiometer	
	7004275	Ref	Tools - Seal Tool 1in (For Cylinders)	
	7004276	Ref	Tools - Seal Tool 1-1/2in (For Cylinders)	
	7002828	Ref	Tools - Stripper, Wire	
	1001257686	Ref	Traction Module Cooling Installation	
	1001262959	Ref	Voltage Regulator Relocation Kit	





**PART NUMBER INDEX**

## SECTION 10 - SPECIAL OPTIONS

0100009.....165	0760608... 35, 65, 78, 81, 83, 89, 91, 93, 293	1001098828 ..... 139	1001126008.....253, 261, 263, 289
0100011....13, 15, 17, 23, 27, 35, 41, 47, 55, 57, 59, 65, 67, 69, 71, 78, 81, 83, 85, 87, 89, 91, 93, 95, 97, 106, 109, 111, 113, 121, 123, 129, 131, 133, 139, 141, 155, 157, 159, 161, 189, 191, 234, 238, 265, 293	0760610... 27, 47, 78, 81, 83, 85, 87, 89, 91, 93, 95, 97, 109, 111, 121, 123, 127, 293, 297, 299	1001100433 ..... 101, 103	1001126009.....253, 287
0100019.....17, 49, 113	0760612 ..... 95	1001103012 ..... 252	1001126245.....289
0100020.....127, 179	0760614 ..... 101, 103	1001104497 ..... 253	1001127096.....301
0100035.....165, 169, 171	0760615 ..... 109	1001104519 ..... 275	1001127152.....61
0100048.....99, 165	0760621 ..... 78	1001104850 ..... 49, 51	1001128128.....251, 252, 253, 289
0100081.....234, 238	0760807 ..... 23	1001106736 ..... 78	1001129407.....65
0100083.....78	0760808 ..... 265, 293	1001107854 ..... 252, 253	1001129555.....304
0140011.....165	0760810... 17, 23, 27, 59, 106, 113, 139	1001110434 ..... 165	1001130220.....78
0140043.....78	0760812... 59, 67, 69, 71, 81, 83, 85, 87, 89, 91, 93, 106, 131, 234, 238, 265, 293	1001111424 ..... 95	1001133972.....49, 53
0257728.....193	076081423, 59, 106, 234, 238	1001112551 ..... 297	1001135196.....47
0361810.....95	0760815 ..... 59	1001112607 ..... 129	1001137005.....307
0400075.....95	0760820 ..... 15	1001112612 ..... 229, 252	1001137673.....189, 304
0440162.....47	0761010 ..... 41, 65	1001112796 ..... 229	1001138494.....157, 159, 161
0480100.....193	0761011 ..... 15, 27	1001113047 ..... 27	1001138514.....157, 159, 161
0630518.....73, 169, 171	0761012 ..... 95, 129, 234, 238	1001113961 ..... 251	1001140429.....155, 157, 159, 161
0630568.....165	0761014... 23, 59, 81, 83, 85, 87, 89, 91, 93, 106, 139	1001116208 ..... 301	1001141300.....301
0630613.....106	0761015 ..... 47, 129	1001116550 ..... 135	1001142683.....101, 103, 304
0641404.....191	0761212... 121, 123, 129, 133	1001116693 ..... 271	1001142736.....101, 103, 229
0641405.....165, 191	0761214 ..... 27, 59, 106	1001116698 ..... 253	1001143501.....226
0641406.....163, 185	0761215 ..... 129	1001116732 ..... 251, 252, 253, 289	1001144295.....78
0641408.....163	0761216 ..... 23, 59, 139	1001116733 ..... 251, 252, 253	1001144433.....189
0641410.....109, 111	0761218 ..... 17	1001116734 ..... 289	1001144629.....149, 151, 153
0641414.....165, 189	0761224 ..... 59	1001116747 ..... 251	1001145781.....149, 151, 153, 157, 159, 161
0641418...155, 157, 159, 161	0761227 ..... 133	1001116748 ..... 249	1001148902.....306
0641504.....95	0761615 ..... 13, 133	1001116774 ..... 229	1001148903.....306
0641514.....193	0762016 ..... 133	1001116808 ..... 229	1001148904.....306
0641608.....265	0762020 ..... 113	1001116812 ..... 231, 253	1001148905.....306
0641610.....163	0771618 ..... 17	1001117012 ..... 251	1001148906.....306
0681608.....139	0860520 ..... 297, 299	1001117108 ..... 252	1001150735.....259
0682014.....17	0902317 ..... 127	1001117172 ..... 179	1001150889.....259
0700814.....23, 61	0940048 ..... 121, 123	1001117174 ..... 165, 179	1001151393.....67, 69, 71
0700820.....135	0940049 ..... 106	1001117240 ..... 95	1001152155.....226
0700827.....234, 238	0940071 ..... 106	1001117372 ..... 197	1001155021.....251
0700828...125, 234, 238	0961845... 155, 157, 159, 161	100111827459, 106, 131, 141, 234, 238	1001155043.....67, 69, 71
0700830.....47	0961947 ..... 137	1001118384 ..... 287	1001155044...67, 69, 71, 165
0701012.....113	0961948... 131, 133, 203, 205, 207, 209	1001118388 ..... 287	1001155045...67, 69, 71, 165, 304
0701015.....121, 123	0961949 ..... 131	1001118412 ..... 165, 304	1001155967.....15
0701018.....106	0961950 ..... 13	1001118511 ..... 13	1001156541.....249
0701019.....135	0961951... 47, 135, 199, 211	1001118518 ..... 13	1001157466.....57
0701020.....135	0962257 ..... 137	1001118519 ..... 13	1001159186.....267
0701021.....234, 238	0962292 ..... 135	1001118787 ..... 257	1001159256...67, 69, 71, 165, 304
0701024.....234, 238	1001008559 ..... 254	1001118971 ..... 234, 238	1001160859.....133
0701027.....133	1001008999 ..... 27	1001118972 ..... 234, 238	1001160872.....133
0701217.....13	1001009205... 81, 83, 85, 87, 89, 91, 93	1001119020 78, 229, 289	1001161117.....15
0701616.....57, 121, 123	1001097051 ..... 283	1001119051 ..... 113	1001161710.....165, 304
0711014.....17	1001097244 ..... 181, 183	1001119057 ..... 113	1001161715.....117, 207
0711220.....15	1001098122 ..... 179, 253, 271	1001119176 ..... 65, 304	1001161716.....117, 119, 199
0711227.....131		1001119228... 55, 67, 69, 71, 235, 239	1001161717.....117, 119, 211
0711628.....49		1001119278 ..... 95	1001161804.....117, 215
0711631.....49		1001119280 95, 235, 239	1001161874.....27
0760412.....27		1001119619 ..... 281	1001162106.....65
0760506.....27		1001119620 ..... 283, 285	
0760512.....95		1001120204 ..... 243	
0760607.....27, 78		1001120205 ..... 247	
		1001120328 78, 189, 191, 254	
		1001120466 ..... 306	
		1001120989 ..... 301	
		1001125483 ..... 297, 299	
		1001125677 ..... 254, 272	

## SECTION 10 - SPECIAL OPTIONS

1001162429 ..... 297, 299	1001169295..... 133	1001173046.....222	1001185747 ..... 235, 239
1001162534 ..... 41, 43	1001169296..... 133	1001173048.....222	1001185821 ..... 41, 45
1001162535 ..... 141, 145	1001169297..... 133	1001173049.....222	1001185964 ..... 251
1001162536 ..... 141, 143	1001169298..... 133	1001173586.....125	1001186231 ..... 254, 289
1001162661 ..... 61	1001169299..... 133	1001174040.....139	1001186431 ..... 189, 304
1001162663 ..... 61, 304	1001169300..... 133	1001174065.....133	1001186432 ..... 275, 287
1001162667 ..... 61	1001169301..... 133	1001174535.....59	1001186517 ..... 189
1001162807 ..... 67, 69, 71	1001169302..... 133	1001174749.....234, 238, 247	1001187382 ..... 139
1001162995 ..... 13	1001169304..... 131	1001174924.....125	1001187383 ..... 139
1001163178 ..... 15, 213	1001169305..... 131	1001174976.....99	1001187674 ..... 187
1001163405 ..... 15	1001169381..... 113	1001176299.....222	1001187681 ..... 281
1001163580 ..... 13, 197	1001169382..... 113	1001176300.....222	1001187807 73, 169, 171
1001163715 ..... 15	1001169402..... 131	1001176300.....222	1001188311 ..... 161
1001163767 ..... 117, 119, 201	1001169403..... 131	1001176301.....222	1001188312 ..... 153
1001163863 ..... 117, 119, 121, 123	1001169422..... 163, 269	1001176302.....222	1001188314 ..... 159
1001163937 ..... 135	1001169594..... 165	1001176469.....67, 71	1001188315 ..... 151
1001164017 ..... 129, 135	1001169823..... 47	1001176699.....47	1001188318 ..... 157
1001164093 ..... 13	1001169898..... 59	1001176848.....15	1001188319 ..... 149
1001164209 ..... 15	1001170018..... 106	1001176951.....234, 238, 245	1001188622 ..... 139
1001164709 ..... 203, 205, 207, 209	1001170022..... 106	1001177507.....226	1001188680 ..... 293
1001164730 ..... 234, 241	1001170098..... 29	1001177511.....226	1001188844 ..... 139
1001164731 ..... 234, 243	1001170099..... 29	1001177515.....226	1001188883 ..... 301
1001164738 ..... 234, 238, 249	1001170102..... 23	1001177820.....57	1001189001 ..... 139
1001164817 ..... 197	1001170120..... 113	1001177821.....57	1001189002 ..... 139
1001165144 ..... 35, 37	1001170121..... 113	1001177834.....57	1001189882 ..... 299
1001165946 ..... 49	1001170140..... 257	1001178003.....226	1001190368 ..... 15
1001166085 ..... 301	1001170226..... 131	1001178133.....133	1001190577 ..... 261, 263
1001166096 ..... 133	1001170231..... 81, 83, 85, 87, 89, 91, 93, 121, 123	1001178135.....133	1001190663 ..... 97
1001166153 ..... 31, 33	1001170334..... 131	1001178228.....111	1001190913 ..... 297, 299
1001166155 ..... 31	1001170367..... 265, 304	1001178448.....235, 239	1001190985 ..... 139
1001166156 ..... 31	1001170375..... 141	1001178449.....235, 239	1001191832 ..... 106
1001166157 ..... 31	1001170458..... 33	1001178554.....131	1001192401 ..... 254
1001166208 ..... 207, 209	1001170459..... 33	1001178555.....131	1001196012 ..... 306
1001166316 ..... 78, 95	1001170460..... 33	1001178634.....35	1001197457 ..... 231
1001166538 ..... 165, 173	1001170475..... 109	1001178644.....235, 239	1001200491 ..... 139
1001166539 ..... 165, 175	1001170483..... 23	1001178958.....235, 239	1001200494 ..... 139
1001166656 ..... 234, 238	1001170761..... 289, 304	1001179191.....113	1001200910 ..... 101
1001166662 ..... 234, 238	1001170763..... 253, 289	1001179228.....234, 238	1001201351 ..... 139
1001166767 ..... 65	1001171216..... 106	1001179266.....235, 239	1001201939 ..... 78
1001166768 ..... 65	1001171295..... 254, 289, 304	1001179339.....59	1001202687 ..... 139
1001166853 ..... 133	1001171482..... 67, 69	1001179626..... 129, 131	1001202830 ..... 111
1001167149 ..... 106	1001171553..... 235, 239	1001179904.....106	1001203322 ..... 109
1001167159 ..... 106	1001171555..... 235, 239	1001180035.....222	1001203510 ..... 306
1001167163 ..... 106	1001171559..... 235, 239	1001180056..... 121, 123	1001203511 ..... 306
1001167169 ..... 106	1001171678..... 95	1001180541.....131	1001204725 ..... 139
1001167512 ..... 47	1001171679..... 95	1001181405.....99	1001205950 ..... 226
1001167565 ..... 139	1001171680..... 95	1001181621.....235	1001205951 ..... 226
1001167567 ..... 139	1001171680..... 95	1001181875.....239	1001205952 ..... 226
1001167596 ..... 139	1001172001..... 306	1001181875.....239	1001205953 ..... 226
1001168210 ..... 199	1001172217..... 297, 299	1001181923.....235, 239	1001206436 ..... 49
1001168402 ..... 139	1001172271..... 235, 239, 304	1001182142.....226	1001206532 ..... 166
1001168472 ..... 234, 238	1001172335..... 238	1001182169.....106	1001206625 ..... 203, 205
1001168473 ..... 234, 238	1001172336..... 238	1001182561.....235, 239	1001207004 ..... 103
1001169046 ..... 106	1001172760..... 165	1001182806.....97	1001208994 ..... 139
1001169058 ..... 33	1001173006.....222	1001182875.....106	1001209059 ..... 306
1001169062 ..... 29	1001173027.....226	1001182877.....106	1001209617 ..... 97
1001169092 ..... 165	1001173028.....226	1001182879.....106	1001209640 ..... 257
1001169240 ..... 133	1001173034.....222	1001183171.....135	1001209664 ..... 189
1001169241 ..... 133	1001173035.....222	1001183213.....304	1001209664 ..... 189
1001169242 ..... 133	1001173036.....222	1001183841.....113	1001210036 ..... 306
1001169246 ..... 129	1001173037.....222	1001184137.....265	1001210086 ..... 27
1001169247 ..... 129	1001173038.....222	1001184206.....17, 21	1001210636 ..... 183
1001169249 ..... 121, 123	1001173039.....222	1001184846.....252	1001211716 ..... 106
	1001173042.....222	1001184853.....17	1001211717 ..... 106
	1001173043.....222	1001184855.....17	1001212415 ..... 304
		1001185030.....13	1001213447 ..... 271
		1001185281.....165	1001213882 ..... 165
			1001214174 ..... 17, 19

## SECTION 10 - SPECIAL OPTIONS

1001215228.....165	1001241296.....106, 109	1001250518.....265, 293	1001256850.....78
1001216630.....139	1001241501...81, 83, 85, 87, 89, 91, 93	1001250595.....306	1001256851.....78
1001217681.....117, 203	1001241547.....306	1001250605.....27	1001257316.....265
1001217779.....135, 137	1001241548.....306	1001250808.....301	1001257445...81, 83, 85, 87, 89, 91, 93
1001218533.....55	1001241965.....191	1001250946.....78	1001257572...81, 83, 85, 87, 89, 91, 93
1001218535.....55	1001242639.....306	1001250947.....27	1001257686.....307
1001218537.....55	1001242855.....101	1001250949.....226	1001257691.....27
1001219129.....55	1001242856.....103	1001250950.....85	1001257868.....165
1001219601.....78	1001243183.....306	1001250951.....47	1001257969.....27
1001220003.....306	1001243184.....306	1001250967.....47	1001257970.....27
1001220271.....17	1001243414.....106	1001250971.....35, 41	1001258143.....23
1001222365...81, 83, 85, 87, 89, 91, 93, 304	1001244294.....78, 291	1001250979.....27	1001258491.....301
1001223118.....57	1001244295.....78, 267	1001251130...81, 83, 85, 87, 89, 91, 93	1001258495...283, 285
1001224894.....131	1001245162.....73	1001251408.....15	1001258628.....297
1001225557.....293	1001245164...169, 171	1001252033.....306	1001258655.....24
1001225558.....293	1001246142.....306	1001252034.....307	1001258966.....69
1001225580...189, 275	1001246433.....306	1001252533.....59	1001259230...109, 111
1001226872.....155	1001246539.....59	1001252946.....193	1001259476.....73
1001227278.....306	1001246540.....17	1001252947.....193	1001259477...169, 171
1001227633.....187	1001246543.....59	1001253375.....275	1001259491...169, 171
1001227634.....187	1001246544.....17	1001253598...297, 299, 301	1001259492.....73
1001227985.....187	1001246823.....71	1001253599.....299	1001259504...73, 169
1001227987.....187	1001246859.....78	1001253618.....306	1001260297.....71
1001227993.....133	1001246860.....306	1001253619.....306	1001260298.....71
1001227996...283, 285	1001246867.....306	1001254641.....17	1001260299.....71
1001228215.....155	1001247073.....306	1001254648.....17	1001260306...235, 239
1001228224.....187	1001247270...81, 83, 85, 87, 89, 91, 93	1001254664.....106	1001260534...81, 83, 85, 87, 89, 91, 93
1001228225.....187	1001247468.....139	1001254716...119, 209	1001260661.....24
1001228960.....306	1001247677...81, 83, 85, 87, 89, 91, 93	1001254877.....17	1001260788.....253
1001229341.....187	1001248054.....23	1001255013.....265	1001260939...297, 299
1001230931.....249	1001248089.....23	1001255014.....23	1001260941...297, 299
1001231886.....97	1001248119.....23	1001255015.....23	1001261106.....306
1001232026...297, 299	1001248164.....23	1001255016.....23	1001261256.....24
1001232164.....187	1001248173.....23	1001255017.....23	1001261257.....265
1001232165.....187	1001248174.....23	1001255033.....121	1001262061.....87
1001232642.....191	1001248177.....23	1001255035.....123	1001262062.....89
1001232643.....306	1001248192.....23	1001255041.....121	1001262063.....91
1001232650.....191	1001248206.....23	1001255043.....123	1001262064.....93
1001232667.....191	1001248223.....231	1001255046...121, 123, 129	1001262065.....83
1001233139.....15	1001248224.....231	1001255047...121, 123, 141	1001262066.....81
1001234295.....41	1001248401.....61	1001255049...121, 123, 222	1001262067.....87
1001234800.....251	1001248504.....265	1001255050...121, 123, 234	1001262387...81, 83, 85, 87, 89, 91, 93
1001235011.....191	1001248813.....59, 61	1001255052...123, 125	1001262434.....23
1001235013.....191	1001249052.....306	1001255054...129, 133	1001262467...81, 83, 85, 87, 89, 91, 93
1001236123.....306	1001249069.....231	1001255133.....139	1001262472...81, 83, 85, 87, 89, 91, 93, 304
1001236552.....191	1001249236.....85	1001255219...123, 127	1001262473...81, 83, 85, 87, 89, 91, 93
1001237667...251, 271	1001249329.....59	1001255664.....27	1001262597...78, 251
1001237668...251, 271	1001249405.....78	1001255666.....27	1001262598...289, 293
1001237863...187, 283	1001249434...107, 111	1001255762.....301	1001262599...23, 231
1001237864...187, 285	1001249436.....106	1001255775.....231	1001262795...297, 299
1001237865...187, 281	1001249615.....61	1001255776.....231	1001262796...297, 299
1001238254...166, 271	1001249695.....307	1001255829...15, 279	1001262959.....307
1001238319.....187	1001249857.....59	1001256076.....15	1001262979...81, 83, 85, 87, 89, 91, 93
1001238418...191, 287	1001249941.....307	1001256266.....27	1001262980...81, 83, 85, 87, 89, 91, 93
1001238421.....139	1001250035.....306	1001256301.....23	1001263608.....181
1001238466...235, 239	1001250291.....106	1001256686.....293	1001263609.....183
1001238472.....191	1001250343.....15	1001256687.....293	1001263849.....78
1001238477.....191	1001250344.....15	1001256688.....293	1001263924...297, 299
1001238495.....189	1001250346.....15	1001256689.....293	
1001238559.....191	1001250347.....15	1001256690.....293	
1001238824.....191	1001250422...17, 293		
1001239209.....23	1001250432...257, 293		
1001239217.....23	1001250486.....67		
1001239289.....23	1001250517.....265		
1001239406.....59			
1001241254.....306			

## SECTION 10 - SPECIAL OPTIONS

1001263937 .....	23	1705822 .....	297, 299	3290501 .....	95	3900351 .....	131
1001263993 ...	81, 83, 85, 87, 89, 91, 93	1705828 .....	297, 299	3290505.....	23, 81, 83, 85, 87, 89, 91, 93, 95, 99, 265	3910804 .....	67, 69, 71
1001264238 .....	106	1705961 .....	297, 299	3290601.....	23, 78, 95, 97, 109, 111, 293	3911010 .....	101, 103
1001264735 .....	67, 69	183035-1 .....	231	3290605.....	47, 65, 78, 95, 101, 103, 121, 123, 127, 234, 238, 257, 297, 299	3931408 .....	189
1001264863 .....	163	2080040 ...	127, 149, 151, 153	3290606.....	157, 159, 161	3960417 .....	23, 27
1001265027 .....	163, 165	2080057 .....	297, 299	3290805.....	23, 27, 47, 59, 106, 113, 135, 234, 238	4010418 .....	234, 238
1001265029 .....	75	2160001 .....	49	3290806.....	139	4010618.....	157, 159, 161
1001265145 .....	75, 171	2180736 .....	203	3291001.....	139	4031505.....	187
1001265227 .....	263, 293	2220239 .....	61	3291005.....	23, 47, 59, 81, 83, 85, 87, 89, 91, 93, 95, 106, 109, 111, 129, 131, 133, 135, 139, 234, 238	4031507... ..	78, 81, 83, 85, 87, 89, 91, 93
1001265228 .....	261, 293	2220240 .....	61	3300151.....	155, 157, 159, 161	4031511 .....	234, 238
1001265229 .....	293	2220371 .....	222, 226	3300220.....	95	4031512 .....	65
1001265230 .....	293	2220372 .....	222, 226	3300353.....	165	4031516 .....	191
1001265288 .....	67	2220373 .....	222, 226	3300408.....	73	4031607.....	23
1001265289 .....	69	2220374 .....	222, 226	3300430.....	189	4031707... ..	81, 83, 85, 87, 89, 91, 93, 293
1001265414 .....	163, 277	2220375 .....	226	3310601.....	78	4031708... ..	81, 83, 85, 87, 89, 91, 93
1001265415 .....	71, 259	2220415 .....	222, 226	3311005.....	101, 103	4031710... ..	81, 83, 85, 87, 89, 91, 93
1001265843 ...	81, 83, 85, 87, 89, 91, 93	2220435 .....	226	3311405.....	163, 191	4031710... ..	81, 83, 85, 87, 89, 91, 93
1001266711 .....	119, 217	2220465 .....	226	3311501.....	106	4031920.....	17
1001266738 .....	119, 205	2220468 .....	222	3311505.....	193	4060806.....	55
1001270412 ...	81, 83, 85, 87, 89, 91, 93	2220472 .....	222	3311601.....	106, 165, 191	4060808.....	234, 238
1001270414 ...	81, 83, 85, 87, 89, 91, 93	2220499 .....	226	3311605.....	163	4070897.....	131
1001271497 .....	271	2220501 .....	226	3321001.....	95	4070898.....	131
1001274436 ....	121, 123, 238	2220577 .....	222	3340860.....	135	4071101.....	13
1001274480 .....	306	2220582 .....	222, 226	3380434.....	163	4160182.....	106
1001274559 .....	165	2220600 .....	226	3422532.....	47	4240018 23, 78, 222, 226, 293	
1001284340 .....	78	2220603 .....	226	3422661.....	193	4240032.....	99, 101, 103
1001286738 .....	78	2220628 .....	222	3422755.....	129	4240033... ..	187, 189, 191
1060379 .....	193	2220747 .....	127	3422791.....	135	4240084.....	17
1060461 .....	243, 247	2220750 .....	127	3422792.....	129	4240099.....	165
1060918 .....	179	2220829 .....	127	3422793.....	129	4240156.....	234, 238
1320043 ...	81, 83, 89, 91, 93, 121, 123	2220883 ...	197, 203, 207, 226	3422806.....	129	4360387.67, 71, 165, 304	
1320130 .....	234, 238	2220885 .....	215	3423038.....	129	4360407.....	165, 304
1320177 .....	125, 127	2220886 .....	207, 215	3423304.....	15	4360469.....	67, 69, 71
1320223 .....	95	2220923 .....	226	3430616.....	166	4360475... ..	67, 69, 71, 304
1321140 .....	23	2220940 .....	222	3470003.....	166	4360476.67, 69, 71, 165, 304	
1321293 .....	65	2220998 .....	226	3520054.....	165	4420051.....	301
1580012 .....	185	2221033 .....	226	3520072.....	155	4420062.....	193
1580013 .....	306	2221037 .....	125	3520198.....	155	4460042.....	251
1670836 .....	131	2221086 .....	143, 226	3572551.....	135	4460071.....	179
1684290 .....	197	2230025 .....	222	3740067.....	95, 304	4460115.....	251
1701499 .....	297, 299	2400044 .....	23	3740086.....	287, 304	4460138.....	93
1701500 .....	297, 299	2400060 .....	271	3760351.....	131	4460183.....	271
1701504 .....	297, 299	2400066 .....	251	3790012.....	165	4460225.....	271
1701509 .....	297, 299	2400069 .....	23, 304	3820020.....	149, 151, 153	4460226... ..	173, 176, 179
1701518 .....	297, 299	2540020 .....	101, 103	3820032.....	95	4460227... ..	252, 253, 271
1701529 .....	297, 299	2560136 .....	165	3841143.15, 47, 129, 139	3841143.15, 47, 129, 139	4460234.....	99, 165
1701691 .....	27, 106	2560187 .....	109, 111	3841203.....	129, 133	4460247.....	252
1702300 .....	297, 299	2600281 ...	149, 151, 153	3841258.....	13, 121, 123, 133	4460259... ..	251, 267, 269, 271
1702565 .....	165	2752519 .....	226	3841287.....	133	4460260... ..	251, 267, 269, 271
1702566 .....	165	2820031 ...	234, 238, 245	3820020.....	149, 151, 153	4460265.....	173, 176
1702567 .....	165	2820247 .....	283, 285	3820032.....	95	4460267.....	271
1702773 .....	299, 301	2860030 ..	67, 69, 71, 304	3841143.15, 47, 129, 139	3841143.15, 47, 129, 139	4460268.....	291
1702774 .....	301	2900770 ...	199, 215, 217	3841203.....	129, 133	4460312.....	252
1702860 .....	301	2900792 .....	201	3841258.....	13, 121, 123, 133	4460313.....	251
1703687 .....	297, 299	2901443 .....	307	3841287.....	133	4460374... ..	251, 253, 289
1704125 .....	127	2902266 .....	197	3841340.....	234, 238	4460418.....	267, 271
1704260 .....	165	2940074 ...	149, 151, 153, 304	3900349.....	165	4460419.....	267, 271
1704277 .....	297, 299	2940173 .....	109, 111			4460424.....	291
1704412 .....	297, 299	3020008 .....	17			4460428.....	165
1704412 .....	297, 299	3020037 .....	17			4460434.....	271
1704885 .....	297	3020039 .....	17				
1705669 .....	301	3160252 .....	59, 63				
		3290405 .23, 27, 65, 181, 183, 234, 238					

## SECTION 10 - SPECIAL OPTIONS

4460458.....251	4460899 ... 249, 259, 269, 275, 281, 287, 289, 291	91, 93, 95, 97, 101, 103, 109, 111, 121, 123, 157, 159, 161, 257, 293, 297, 299	70002904.....179
4460464 65, 99, 179, 229, 231, 245, 249, 251, 252, 259, 261, 269, 271, 275, 287, 289, 291	4460905 ... 251, 252, 259, 267, 271, 289, 291	4811702 . 35, 78, 95, 127, 293	70002905.....179
4460465.....97, 229, 241, 249, 251, 252, 253, 254, 263, 269, 271, 275, 277, 279, 289, 291	4460908 ..... 253	4811900 ... 15, 17, 23, 27, 35, 47, 59, 61, 67, 69, 71, 81, 83, 85, 87, 89, 91, 93, 106, 113, 125, 139, 234, 238	70002963.....37, 304
4460466.....78, 187, 229, 231, 235, 239, 241, 245, 249, 251, 252, 253, 254, 259, 269, 271, 275, 281, 287, 289, 291	4460909 ..... 253	4812000 ... 17, 23, 27, 41, 47, 59, 65, 81, 83, 85, 87, 89, 91, 93, 95, 106, 109, 111, 113, 121, 123, 125, 129, 131, 133, 139, 234, 238	70003612.....45
4460467 .....307	4460910 ..... 254, 285	4812002 ..... 65, 106	70003788....43, 203, 205, 304
4460470.....165	4460911 ..... 252, 281	4812100 . 17, 27, 59, 106, 133, 139	70003837.....199, 211
4460471.....165	4460914 ... 81, 83, 85, 87, 89, 91, 93	4812102 ..... 23, 106	70003838.....199, 211
4460473....234, 238, 241, 252	4460918 ..... 252	4812300 ..... 57	70003977.....43
4460488.....101, 103	4460928 ..... 229	4845582 ..... 193	70004000.....45
4460496.....78	4460930 ..... 263, 289	4846689 ..... 135	70004013.....45
4460497.....78	4460931 ..... 261, 289	4891600 ..... 106, 139	70004014.....45
4460508....187, 245, 252, 269, 271	4460933 ... 229, 251, 254, 271, 289	4892000 ..... 17	70004249.....53
4460509.....241, 252	4460941 ..... 281	4892600001 ..... 139	70004250.....53
4460510.....307	4460942 ..... 187, 252	5240800 ..... 59	70004251.....53
4460516.....21	4460943 .... 78, 101, 103, 252, 281, 289	5241200 . 13, 15, 49, 131, 139	70004252.....53
4460518.....229, 253	4460944 ... 231, 252, 253, 254, 279, 289	5241600 ..... 17, 49	70004253.....53
4460536.....78, 271, 289	4460945 ..... 254	5250608 ..... 78	70004254.....53
4460539....253, 254, 271, 279, 291	4460966 ..... 254	5250808 ..... 35	70004255.....53
4460670.....254	4460970 ..... 231, 271	5250810 .. 67, 69, 71, 141	70004256.....53
4460703....261, 263, 279, 289	4461012 ..... 181	5250812 27, 55, 235, 239	70004257.....53
4460708.....271	4461018 ..... 252	5251008 ..... 139	70004258.....53
4460746.....251, 253	4461070 ..... 229	5251009 ..... 131	70004259.....53
4460748.....251	4461077 ..... 281, 287	5251010 ..... 41, 131, 141	70004260.....53
4460754.....291	4461095 ..... 229	5251012 ..... 13, 131	70004261.....53
4460761....252, 253, 271	4461128 ..... 231, 253	5251014 .... 106, 234, 238	70004262.....53
4460789.....251	4461205 ..... 89, 91	5251016 ..... 139	70004263.....53
4460805.....83	4461228 ..... 253	5251215 ..... 47	70004267.....45
4460808.....252	4461229 ..... 253	5260800 .... 55, 67, 69, 71	70004738.....173
4460837 .....78, 254	4461271 ..... 251	5261200 ..... 47	70004739.....173
4460865....234, 238, 241, 252	4520608 ..... 31	5271609 ..... 265	70004740.....173
4460866....234, 238, 245, 271	4640509 ..... 201	5272114 ..... 49	70004741.....173
4460871.....97, 251, 252, 259, 267, 271, 289, 291	4640771 ..... 215, 217	5281920 ..... 234, 238	70004742.....173
4460872.....291	4640858 ..... 197	70000088 ..... 51	70004743.....173
4460873....251, 259, 271, 289	4641122 ..... 31, 33	70000089 ..... 51	70004744.....173
4460874.....252, 271	4641129 ..... 37	70000100 ..... 145	70004745.....173
4460875.....271, 291	4641390 ... 203, 205, 207, 209	70000342 ..... 137	70004746.....173
4460876.....267	4711000 ..... 101, 103	70000865 ..... 53	70004747.....173
4460878.....251	4711400 ... 109, 111, 155, 157, 159, 161, 189, 191	70002206 ..... 51	70004748.....173
4460879.....271	4711500 ..... 95, 106	70002207 ..... 51	70004749.....173
4460884....249, 252, 253, 275, 289	4711600 ..... 163, 166	70002335 ..... 201	70004750.....173
4460887.....251, 271	4740086 ..... 15	70002371 ..... 201	70004751.....173
4460891.....97, 229, 249, 253, 277, 289, 291	4740158 ..... 13	70002373 ..... 201	70004752.....175
4460894.....78, 251, 252, 253, 271, 277	4740229 ..... 13	70002386 ... 43, 203, 205, 207, 209, 304	70004753.....175
4460897.....99, 101, 103, 251	4740362 ..... 163	70002413 ..... 199	70004754.....175
	4740397 ..... 166	70002649 ..... 53	70004755.....175
	4750800 ..... 235, 239	70002651 ..... 53	70004756.....175
	4751400 ... 163, 165, 185	70002842 ..... 197	70004757.....175
	4751500 ..... 193	70002902 ..... 179	70004758.....175
	4761000 ..... 95	70002903 ..... 179	70004759.....175
	4761400 ..... 185		70004760.....175
	4761600 ..... 265		70004761.....175
	4811400 ... 23, 27, 65, 78, 81, 83, 85, 87, 89, 91, 93, 181, 183, 234, 238		70004762.....175
	4811600 ... 23, 27, 81, 83, 85, 87, 89, 91, 93, 95, 99, 265		70004763.....175
	4811700 ... 23, 27, 47, 65, 78, 81, 83, 85, 87, 89,		70004764.....175

## SECTION 10 - SPECIAL OPTIONS

70004788 .....	37	70005156 .....	201	70025959.....	211	7023200 .....	63
70004789 .....	37	70005157 .....	201	70027088.....	217	7023272 .....	63
70004809 .....	21	70005158 .....	201	7002821 .....	307	7023318 .....	51
70004811 .....	21	70005159 .....	201	7002822.....	307	7023900 .....	43
70004820 .....	21	70005160 .....	201	7002823.....	307	7023936 .....	43
70004864 .....	145	70005217 .....	43	7002828.....	307	7024379 .....	51
70004865 .....	145	70005218 .....	43	7004035.....	51	7024380 .....	51
70004866 .....	145	70005219 .....	43, 304	7004036.....	51	7024381 .....	51
70004867 .....	143, 145	70005243 .....	143	7004043.....	51	7024389 .....	51
70004868 .....	145	70005385 .....	21	7004044.....	51	7024390 .....	51
70004869 .....	143, 145	70005387 .....	21	7004045.....	51	7024441 .....	61
70004871 .....	143, 145, 304	70005388 .....	21	7004047.....	51	7024453 .....	51
70004873 .....	143	70005389 .....	21	7004049.....	51	7024884 .....	207
70004875 .....	145	70005390 .....	21	7004275.....	307	7026042 .....	53
70004958 .....	215	70005391 .....	21	7004276.....	307	7026043 .....	53
70004959 .....	215	70005392 .....	21	70050516.....	37, 304	7026044 .....	53
70004960 .....	215	70005393 .....	21	7012540.....	37	7026045 .....	53
70004964 .....	207	70005394 .....	21	7012545.....	63	7026046 .....	53
70004965 .....	207	70005395 .....	21	7012548.....	63	7026047 .....	53
70004966 .....	207	70005396 .....	21	7012549.....	63	7026048 .....	53
70004967 .....	203	70005397 .....	21	7012907.....	37	7026049 .....	53
70004969 .....	203	70005400 .....	21	7012967.....	207, 209	7026050 .....	53
70005010 .....	199	70005401 .....	21	7012998.....	37, 203, 205,	7026051 .....	53
70005011 .....	199	70005402 .....	21	207		7026052 .....	53
70005012 .....	199, 211	70005403 .....	21	7016654.....	307	7026053 .....	53
70005013 .....	199, 211	70005404 .....	21	7017142.....	137	7026057 .....	53
70005014 .....	199, 211	70005405 .....	21	7017159.....	137	7026330 .....	45
70005016 .....	199, 211	70005406 .....	21	7017162.....	137	7027350 .....	53
70005017 .....	211	70005407 .....	21	7017163.....	137	7027351 .....	53
70005018 .....	211	70005408 .....	21	7017164.....	137	7027352 .....	53
70005065 .....	45	70005410 .....	21	7017172.....	137	7027353 .....	53
70005066 .....	45	70005412 .....	21	7017192.....	137	7027354 .....	53
70005067 .....	45	70005577 .....	207	7017195.....	137	7027356 .....	53
70005068 .....	45	70005578 .....	207	7017408.....	37	7027625 .....	145
70005069 .....	43	70005685 .....	21	7017455.....	37	7027628 .....	145, 304
70005071 .....	43	70005686 .....	21	7017463.....	37	80963067 .....	251
70005076 .....	43	70005687 .....	21	7017467.....	203, 205, 207	8220022 .....	253
70005080 .....	43	70005688 .....	21	7017496.....	203, 205, 207,	8220045 .....	253, 289
70005082 .....	43	70005689 .....	21	209		8220079 .....	251
70005084 .....	43	70006104 .....	203, 205	7020033.....	19	8220125 .....	251
70005085 .....	43	70006105 .....	203, 205	7020035.....	19	8229244 .....	253, 304
70005087 .....	43	70006256 .....	131	7020036.....	19	8229245 .....	251, 304
70005088 .....	43	70006272 .....	131	7020037.....	19	8310070 .....	235, 239
70005089 .....	43	70006660 .....	145	7020038.....	19	8310559... ..	81, 83, 85, 87,
70005090 .....	43	70006970 .....	143	7020039.....	19	89, 91, 93	
70005092 .....	43	70007886 .....	209	7020040.....	19	8310612 .....	23
70005094 .....	43	70007887 .....	209	7020041.....	19	8310614 .....	65
70005095 .....	43	70007888 .....	209	7020175... ..	67, 69, 71, 165	8310668 .....	131
70005096 .....	43	70007889 .....	209	7020176... ..	67, 69, 71, 165	8310686 .....	27, 106
70005097 .....	43	70007890 .....	209	7020291.....	63	8406105 .....	125, 127
70005098 .....	43	70007901 .....	205	7020292.....	63	8760477 .....	222
70005099 .....	43	70008135 .....	217	7020293.....	63	8760554 .....	226
70005100 .....	43	70008136 .....	217	7020294.....	63	8770289 .....	222
70005139 .....	45	70008137 .....	217	7020295.....	63	88662523.....	106
70005143 .....	201	70008138 .....	217	7020296.....	63	8881800 .....	65, 234, 238
70005150 .....	213	70008139 .....	217	7020297.....	63	91164057 .....	43
70005151 .....	213	70008140 .....	217	7020298.....	63	91164059 .....	43
70005152 .....	213	70008141 .....	217	7020299.....	63	91164079 .....	43
70005153 .....	213	70023370 .....	201	7021653.....	37	91203039.....	139
70005154 .....	213	70024262 .....	199	7022390.....	43, 203, 205	E900051 .....	85, 87
70005155 .....	201	70025619 .....	199, 217	7022399.....	43		



An Oshkosh Corporation Company

**Corporate Office**  
**JLG Industries, Inc.**  
**1 JLG Drive**  
**McConnellsburg, PA 17233-9533 USA**  
**☎ (717) 485-5161 (Corporate)**  
**☎ (877) 554-5438 (Customer Support)**  
**☎ (717) 485-6417**

**Visit our website for JLG Worldwide Locations.**  
**[www.jlg.com](http://www.jlg.com)**