



Illustrated Parts Manual

Models
800S HC3
860SJ HC3

PVC 2007

P/N
31215891

May 31, 2021 - Rev D

ANSI

CE



AS/NZS



An Oshkosh Corporation Company

REVISION LOG

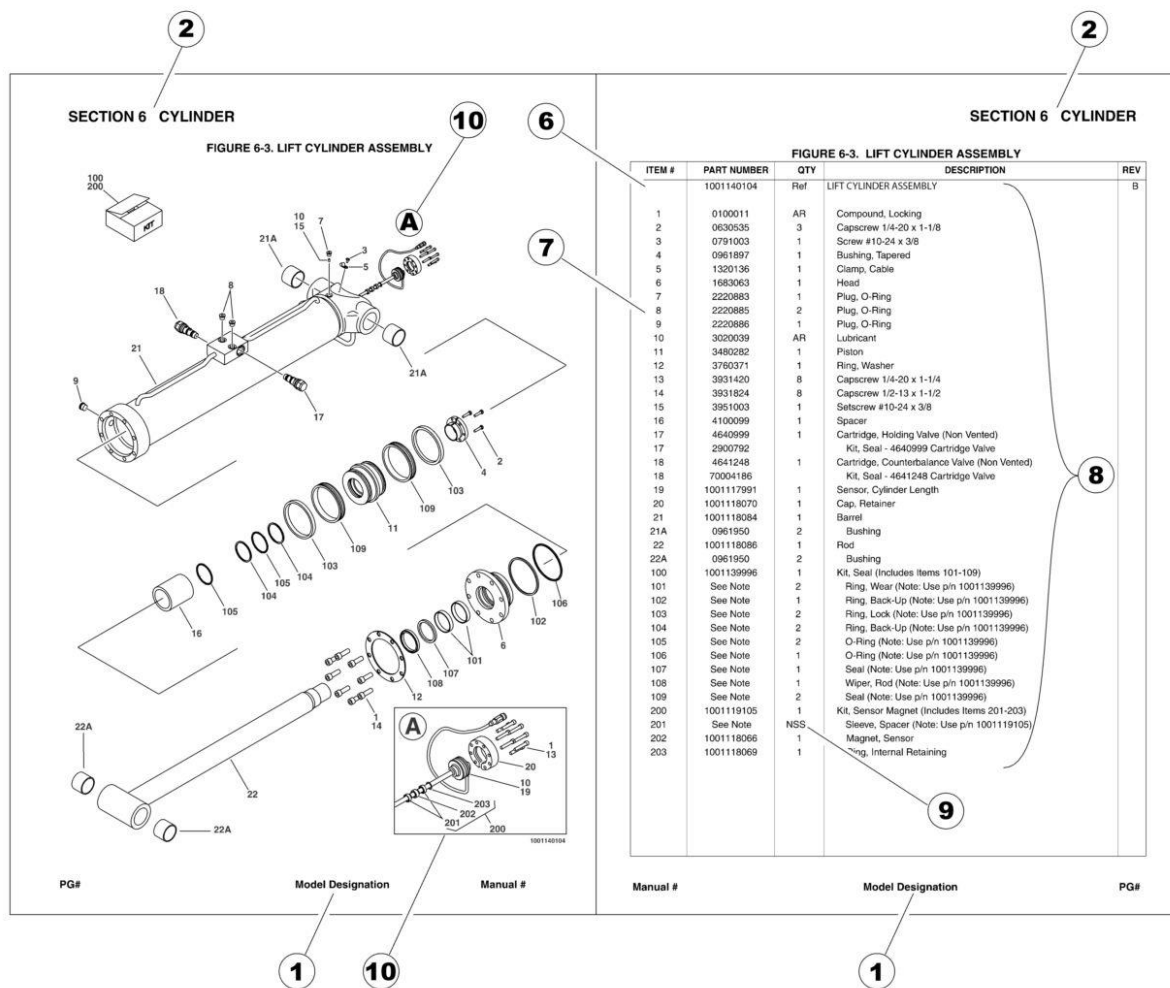
June 1, 2020 - A - Original Issue of Manual (Edited to B/M 1001256860 Revision B)

September 1, 2020 - B - Revised Manual (Edited to B/M 1001256860 Revision D)

January 15, 2021 - C - Revised Manual (Edited to B/M 1001256860 Revision G)

May 31, 2021 - D - Revised Manual (Edited to B/M 1001256860 Revision H)

GENERAL INFORMATION



1) MACHINE IDENTIFICATION

Machines are identified by model and in some cases a combination of models, serial number (SN) or regional standard (i.e ANSI, CE, CSA). Components may also be identified by SN or manufacturer. Common components that may be identified by these characteristics are engines and hydraulic components.

2) PARTS MANUAL ORGANIZATION

Product information in this manual is organized under section titles. Frame, Cylinder, Hydraulic and Electrical are a few examples. Each section is organized by figure and page number. The information within the Figure is then organized by item number, part number, description and corresponding illustration (s).

3) TABLE OF CONTENTS (NOT SHOWN)

A table of contents is found toward the beginning of the manual. Figure number, description and page number are provided for quick reference to the page containing the related information.

4) RECOMMENDED SPARE PARTS (NOT SHOWN)

The Recommended Spare Parts List, located near the end of the manual, reference most frequently used maintenance parts.

5) PART NUMBER INDEX (NOT SHOWN)

A numerical index listing all part numbers and the corresponding page number(s) appears at the back of the manual.

GENERAL INFORMATION

6) NON-SERVICED PARTS

In some instances, it is necessary to display non-serviced parts, assemblies or installations. In the case of assemblies and installations there will be a Ref in the Qty. column. In case of parts that are not available for service within assemblies or components, there will be a NSS (Not Sold Separately) or NLA (No Longer Available) listed in the Qty. column of the manual.

7) PARTS LIST ITEM NUMBERS

Numbers shown in the item# column correspond to numbers used in the associated illustration (s). Item numbers which are missing from the sequence in the parts list are not used on that page.

8) INDENTED PARTS DESCRIPTION

An indented part description is included in the item under which it is indented.

9) ABBREVIATION AND SYMBOLS

AC.....	Alternating Current	L.....	Liter
ADE.....	Advanced Design Electronics	LB(LBS).....	Pounds
AG.....	Agricultural	LCD.....	Liquid Crystal Display
ANSI.....	American National Standards Institute	LED.....	Light Emitting Diodes
AR.....	As Required	LH.....	Left Hand
ASSY.....	Assembly	LRC.....	Low Rated Countries
AUS.....	Australia	LSS.....	Load Sensing System
AUX.....	Auxiliary	M(m).....	Metric/Meter
AWG.....	American Wire Gauge	MM(mm).....	Milimeter
B/M.....	Bill of Material	mA.....	Miliamps
CAC.....	Charge Air Cooler	NLA.....	No Longer Available
CE.....	European Conformity	NPT.....	National Pipe Threads
CCW.....	Counter Clockwise	NSS.....	Not Sold Separately
CM.....	Centimeter	OD.....	Outside Diameter
CW.....	Clockwise	ORB.....	O-Ring Boss
CSA.....	Canadian Standards Association	ORFS.....	O-Ring Face Seal
CYL.....	Cylinder	OZ (oz).....	Ounces
DIA.....	Diameter	PG.....	Page
DC.....	Direct Current	PN.....	Part Number
DEF.....	Diesel Exhaust Fluid	QT(qt.).....	Quarts
EMS.....	Emergency Stop	QTY.....	Quantity
ENG.....	Engine	REF.....	Reference
FT(ft).....	Feet	REV.....	Revision Level
GA(Ga).....	Gauge	RH.....	Right Hand
HRC.....	High Rated Countries	SAE.....	Society of Automotive Engineers
HVAC.....	Heating, Ventilating, and Air Conditioning	SN.....	Serial Number
HYD.....	Hydraulic	SPEC(S).....	Specifications
Hz.....	Hertz	T/T.....	Turntable
ID.....	Inside Diameter	UGM.....	Universal Ground Module
IN.....	inches	V.....	Volts
ISO.....	International Organization for Standards	W.....	Watts
JIC.....	Joint Industry Council	#.....	Number
KG.....	Kilogram		

10) ILLUSTRATION REFERENCE LETTERS

When necessary, illustrations may contain reference letters that are intended to track information (i. e. hoses, harnesses) from one point to another or to track visual enlargement of components to show details that may be located in another area on the illustration.

Note: Due to continuous product improvements, JLG Industries, Inc. reserves the right to make specification changes without prior notification. Contact JLG Industries, Inc. for updated information.

TABLE OF CONTENTS

SECTION 1 - FRAME.....	17
FIGURE 1-1. AXLE INSTALLATION - OSCILLATING (WITHOUT TOW PACKAGE).....	18
FIGURE 1-2. AXLE INSTALLATION - OSCILLATING (WITH TOW PACKAGE).....	20
FIGURE 1-3. STEERING INSTALLATION - WITHOUT TOW PACKAGE.....	22
FIGURE 1-4. STEERING INSTALLATION - WITH TOW PACKAGE.....	24
FIGURE 1-5. WHEEL DRIVE AND FRAME VALVES INSTALLATION – 4WD.....	26
FIGURE 1-6. DRIVE HUB/BRAKE ASSEMBLY.....	28
FIGURE 1-7. DRIVE MOTOR ASSEMBLY - 4WD.....	30
FIGURE 1-8. TIRE & WHEEL INSTALLATION - 15-625 NHS FOAM-FILLED.....	32
FIGURE 1-9. TIRE AND WHEEL INSTALLATION 18-625 NHS FOAM-FILLED TIRE.....	34
FIGURE 1-10. TIRE AND WHEEL INSTALLATION 18-625 NHS FOAM-FILLED NON-MARKING TIRE.....	36
FIGURE 1-11. LP TANK BRACKETS INSTALLATIONS.....	38
FIGURE 1-12. TOW PACKAGE INSTALLATION (ENGLISH DECALS).....	40
FIGURE 1-13. TOW PACKAGE INSTALLATION (FRENCH/ENGLISH DECALS).....	42
FIGURE 1-14. TOW BAR ASSEMBLY.....	44
FIGURE 1-15. FRAME SHIELDS INSTALLATION.....	46
SECTION 2 - TURNTABLE.....	49
FIGURE 2-1. CONTROL VALVES INSTALLATION (800S HC3).....	50
FIGURE 2-2. CONTROL VALVES INSTALLATION (860SJ HC3).....	52
FIGURE 2-3. MAIN CONTROL VALVE ASSEMBLY.....	54
FIGURE 2-4. SWING DRIVE INSTALLATION.....	56
FIGURE 2-5. SWING MOTOR/HUB ASSEMBLY.....	58
FIGURE 2-6. TURNTABLE BEARING INSTALLATION.....	62
FIGURE 2-7. REMOTE BEARING LUBE INSTALLATION.....	64
FIGURE 2-8. TURNTABLE LOCK INSTALLATION.....	66
FIGURE 2-9. ROTARY COUPLING INSTALLATION.....	68
FIGURE 2-10. TANK INSTALLATION - GAS ENGINES.....	70
FIGURE 2-11. TANK INSTALLATION - DIESEL ENGINES.....	72
FIGURE 2-12. HYDRAULIC TANK ASSEMBLY.....	74
FIGURE 2-13. AUXILIARY PUMP WITH BATTERY WITHOUT BATTERY DISCONNECT SWITCH INSTALLATION.....	76
FIGURE 2-14. AUXILIARY PUMP WITH BATTERY WITH BATTERY DISCONNECT SWITCH INSTALLATION.....	78
FIGURE 2-15. GROUND CONTROL BOX ASSEMBLY - WITH DEUTZ D2011 (ANSI EXPORT (LRC) AND AUSTRALIAN SPECS) (800S HC3).....	80
FIGURE 2-16. GROUND CONTROL BOX ASSEMBLY - WITH DEUTZ D2011 (CE & CHINA SPECS) (800S HC3).....	84
FIGURE 2-17. GROUND CONTROL BOX ASSEMBLY - WITH DEUTZ TD2.9L4 (ANSI, ANSI EXPORT (HRC), CSA & JAPANESE SPECS) (800S HC3).....	88
FIGURE 2-18. GROUND CONTROL BOX ASSEMBLY - WITH DEUTZ TD2.9L4 (STAGE V) (CE SPECS) (800S HC3).....	92
FIGURE 2-19. GROUND CONTROL BOX ASSEMBLY - WITH FORD DF 2.5L (ANSI, ANSI EXPORT AND CSA SPECS) (800S HC3).....	96
FIGURE 2-20. GROUND CONTROL BOX ASSEMBLY - WITH DEUTZ D2011 (ANSI EXPORT (LRC) AND AUSTRALIAN SPECS) (860SJ HC3).....	100
FIGURE 2-21. GROUND CONTROL BOX ASSEMBLY - WITH DEUTZ D2011 (CE & CHINA SPECS) (860SJ HC3).....	104
FIGURE 2-22. GROUND CONTROL BOX ASSEMBLY - WITH DEUTZ TD2.9L4 (ANSI, ANSI EXPORT (HRC), CSA & JAPANESE SPECS) (860SJ HC3).....	108
FIGURE 2-23. GROUND CONTROL BOX ASSEMBLY - WITH DEUTZ TD2.9L4 (STAGE V) (CE SPECS) (860SJ HC3).....	112

TABLE OF CONTENTS

FIGURE 2-24. GROUND CONTROL BOX ASSEMBLY - WITH FORD DF 2.5L (ANSI, ANSI EXPORT, AUSTRALIAN AND CSA SPECS) (860SJ HC3)	116
FIGURE 2-25. LIGHT PANEL INSTALLATION.....	120
FIGURE 2-26. ALARM INSTALLATION.....	122
FIGURE 2-27. STROBE LIGHT INSTALLATION (AMBER).....	124
FIGURE 2-28. STROBE LIGHT INSTALLATION (BLUE)	126
FIGURE 2-29. STROBE LIGHT INSTALLATION (RED)	128
FIGURE 2-30. EXHAUST STACK INSTALLATION - STEEL HOOD (DEUTZ D2011 ENGINES)	130
FIGURE 2-31. EXHAUST STACK INSTALLATION - STEEL HOOD WITH HOSTILE ENVIRONMENT MACHINES (DEUTZ D2011 ENGINES)	132
FIGURE 2-32. EXHAUST STACK INSTALLATION - STEEL HOOD (DEUTZ TD2.9L4 ENGINES)	134
FIGURE 2-33. EXHAUST STACK INSTALLATION - STEEL HOOD (DEUTZ TD2.9L4 (STAGE V) ENGINES)	136
FIGURE 2-34. EXHAUST STACK INSTALLATION - STEEL HOOD WITH HOSTILE ENVIRONMENT MACHINES (DEUTZ TD2.9L4 ENGINES)	138
FIGURE 2-35. EXHAUST STACK INSTALLATION - STEEL HOOD (FORD DF 2.5L ENGINES).....	140
FIGURE 2-36. HOODS INSTALLATION - ABS (DEUTZ D2011 ENGINES).....	142
FIGURE 2-37. HOODS INSTALLATION - STEEL (DEUTZ D2011 ENGINES).....	146
FIGURE 2-38. HOODS INSTALLATION - STEEL WITH HOSTILE ENVIRONMENT MACHINES (DEUTZ D2011 ENGINES) ...	150
FIGURE 2-39. HOODS INSTALLATION – STEEL WITH HOSTILE ENVIRONMENT MACHINES (DEUTZ TD2.9L4 ENGINES).....	154
FIGURE 2-40. HOODS INSTALLATION – STEEL (DEUTZ TD2.9L4 AND DEUTZ TD2.9L4 (STAGE V) ENGINES).....	158
FIGURE 2-41. HOODS INSTALLATION – STEEL WITH HOSTILE ENVIRONMENT MACHINES (DEUTZ TD2.9L4 ENGINES).....	162
FIGURE 2-42. HOODS INSTALLATION – STEEL (FORD DF 2.5L ENGINES)	166
FIGURE 2-43. HOOD ASSEMBLY - ENGINE SIDE REAR (DEUTZ TD2.9L4 ENGINES)	170
FIGURE 2-44. HOOD ASSEMBLY - TANK SIDE REAR (DEUTZ TD2.9L4 AND DEUTZ TD2.9L4 (STAGE V) ENGINES).....	172
FIGURE 2-45. LIFTING PLATE INSTALLATION	174
FIGURE 2-46. SKYAIR AIR COMPRESSOR INSTALLATION (DEUTZ D2011 AND FORD DF 2.5L ENGINES)	176
FIGURE 2-47. SKYAIR AIR COMPRESSOR INSTALLATION (DEUTZ TD2.9L4 ENGINES)	178
FIGURE 2-48. AIR COMPRESSOR ASSEMBLY	180
FIGURE 2-49. WHITE NOISE ALARM INSTALLATION	184
FIGURE 2-50. WHITE NOISE ALARM HARNESS	186
SECTION 3 - ENGINE	189
FIGURE 3-1. DEUTZ D2011 ENGINE INSTALLATION (WITHOUT ARCTIC PACKAGE)	190
FIGURE 3-2. DEUTZ D2011 ENGINE INSTALLATION (WITH ARCTIC PACKAGE).....	192
FIGURE 3-3. DEUTZ D2011 ENGINE INSTALLATION (HIGH TEMP MARKETS)	196
FIGURE 3-4. DEUTZ D2011 ENGINE AND PUMP SUB-ASSEMBLY (WITHOUT ARCTIC PACKAGE)	198
FIGURE 3-5. DEUTZ D2011 ENGINE AND PUMP SUB-ASSEMBLY (WITH ARCTIC PACKAGE).....	200
FIGURE 3-6. DEUTZ D2011 ENGINE ASSEMBLY (WITHOUT ARCTIC PACKAGE).....	202
FIGURE 3-7. DEUTZ D2011 ENGINE ASSEMBLY (WITH ARCTIC PACKAGE)	206
FIGURE 3-8. DEUTZ D2011 ENGINE COMPONENTS.....	210
FIGURE 3-9. DEUTZ TD2.9L4 ENGINE INSTALLATION (WITHOUT ARCTIC PACKAGE)	214
FIGURE 3-10. DEUTZ TD2.9L4 ENGINE INSTALLATION (WITH ARCTIC PACKAGE).....	218
FIGURE 3-11. DEUTZ TD2.9L4 (STAGE V) ENGINE INSTALLATION	222
FIGURE 3-12. DEUTZ TD2.9L4 ENGINE AND PUMP SUB-ASSEMBLY (WITHOUT ARCTIC PACKAGE)	226
FIGURE 3-13. DEUTZ TD2.9L4 ENGINE AND PUMP SUB-ASSEMBLY (WITH ARCTIC PACKAGE)	228
FIGURE 3-14. DEUTZ TD2.9L4 (STAGE V) ENGINE AND PUMP SUB-ASSEMBLY.....	230
FIGURE 3-15. DEUTZ TD2.9L4 ENGINE ASSEMBLY (WITHOUT ARCTIC PACKAGE) (Prior to SN 0300278948).....	232

TABLE OF CONTENTS

FIGURE 3-16. DEUTZ TD2.9L4 ENGINE ASSEMBLY (WITHOUT ARCTIC PACKAGE) (SN 0300278948 to Present)	238
FIGURE 3-17. DEUTZ TD2.9L4 ENGINE ASSEMBLY (WITH ARCTIC PACKAGE) (Prior to SN 0300278948).....	244
FIGURE 3-18. DEUTZ TD2.9L4 ENGINE ASSEMBLY (WITH ARCTIC PACKAGE) (SN 0300278948 to Present)	250
FIGURE 3-19. DEUTZ TD2.9L4 ENGINE ASSEMBLY (STAGE V).....	256
FIGURE 3-20. DEUTZ TD2.9L4 ENGINE COMPONENTS	262
FIGURE 3-21. DEUTZ TD2.9L4 ENGINE COMPONENTS (STAGE V)	266
FIGURE 3-22. FUEL PUMP/FILTER BRACKET ASSEMBLY (DEUTZ TD2.9L4 ENGINES)	270
FIGURE 3-23. FUEL PUMP/FILTER BRACKET ASSEMBLY (DEUTZ TD2.9L4 (STAGE V) ENGINES)	272
FIGURE 3-24. BREATHER HEATER INST (DEUTZ TD2.9L4 ENGINES).....	274
FIGURE 3-25. FORD ENGINE INSTALLATION (WITHOUT ARCTIC PACKAGE)	276
FIGURE 3-26. FORD ENGINE AND PUMP SUB-ASSEMBLY (WITHOUT ARCTIC PACKAGE)	280
FIGURE 3-27. FORD ENGINE ASSEMBLY (WITHOUT ARCTIC PACKAGE)	282
FIGURE 3-28. FORD ENGINE PREP ASSEMBLY	288
FIGURE 3-29. FORD ENGINE BRACKETS AND EXHAUST MANIFOLD INSTALLATION.....	290
FIGURE 3-30. FORD ENGINE DRIVE BELT INSTALLATION (MACHINES WITHOUT GENERATOR)	292
FIGURE 3-31. FORD ENGINE COMPONENTS.....	294
FIGURE 3-32. PUMP COUPLING KIT (DEUTZ ENGINES).....	298
FIGURE 3-33. HYDROSTATIC PUMP ASSEMBLY	300
FIGURE 3-34. VARIABLE PUMP ASSEMBLY	302
FIGURE 3-35. EXHAUST PIPE INSTALLATION - DEUTZ TD2.9L4 ENGINES.....	306
FIGURE 3-36. EXHAUST PIPE INSTALLATION - DEUTZ TD2.9L4 (STAGE V) ENGINES.....	308
FIGURE 3-37. EXHAUST PIPE INSTALLATION - FORD DF 2.5L ENGINES	310
FIGURE 3-38. SPARK ARRESTOR MUFFLER INSTALLATION - DEUTZ D2011 ENGINES	312
FIGURE 3-39. FUEL-WATER SEPARATOR INSTALLATION - DEUTZ D2011.....	314
FIGURE 3-40. FUEL-WATER SEPARATOR INSTALLATION - DEUTZ TD2.9L4 (PCV 2007).....	316
FIGURE 3-41. FUEL FILTER ASSEMBLY (DEUTZ TD2.9L4 ENGINES)	318
FIGURE 3-42. RIGHT ENGINE SUPPORT INSTALLATION (DEUTZ D2011 ENGINES MACHINES WITHOUT GENERATORS)	320
FIGURE 3-43. RIGHT ENGINE SUPPORT INSTALLATION (DEUTZ D2011 ENGINES MACHINES WITH GENERATORS)....	322
FIGURE 3-44. ENGINE HOOD BAFFLE INSTALLATION - DEUTZ TD2.9L4 AND DEUTZ 2.9L4 (STAGE V) ENGINES WITH ABS HOODS	324
FIGURE 3-45. ENGINE HOOD BAFFLE INSTALLATION - DEUTZ TD2.9L4 AND DEUTZ 2.9L4 (STAGE V) ENGINES WITH STEEL HOODS	326
FIGURE 3-46. ENGINE TRAY JACK INSTALLATION - DEUTZ ENGINES	328
FIGURE 3-47. ENGINE TRAY JACK INSTALLATION - FORD ENGINES.....	330
FIGURE 3-48. 2500W/220V/50HZ GENERATOR INSTALLATION - DEUTZ D2011 ENGINES.....	332
FIGURE 3-49. 2500W/110V/60HZ GENERATOR INSTALLATION - DEUTZ D2011 ENGINES.....	334
FIGURE 3-50. 2500W/110V/60HZ GENERATOR INSTALLATION - DEUTZ TD2.9L4 ENGINES.....	336
FIGURE 3-51. 2500W/110V/60HZ GENERATOR INSTALLATION - FORD ENGINES	340
FIGURE 3-52. 4000W/50HZ GENERATOR INSTALLATION - DEUTZ D2011 ENGINES	344
FIGURE 3-53. 4000W/60HZ GENERATOR INSTALLATION - DEUTZ D2011 ENGINES	348
FIGURE 3-54. 4000W/50HZ GENERATOR INSTALLATION - DEUTZ TD2.9L4 AND DEUTZ TD2.9L4 (STAGE V) ENGINES .	352
FIGURE 3-55. 4000W/60HZ GENERATOR INSTALLATION - DEUTZ TD2.9L4 ENGINES	356
FIGURE 3-56. 7500W/50HZ SKYPOWER GENERATOR INSTALLATION - DEUTZ D2011 ENGINES.....	360
FIGURE 3-57. 7500W/60HZ SKYPOWER GENERATOR INSTALLATION - DEUTZ D2011 ENGINES.....	364
FIGURE 3-58. 7500W/50HZ SKYPOWER GENERATOR INSTALLATION - DEUTZ TD2.9L4 AND DEUTZ TD2.9L4 (STAGE V) ENGINES	368

TABLE OF CONTENTS

FIGURE 3-59. 7500W/60HZ SKYPOWER GENERATOR INSTALLATION - DEUTZ TD2.9L4 AND DEUTZ TD2.9L4 (STAGE V) ENGINES.....	372
FIGURE 3-60. 7500W/60HZ SKYPOWER GENERATOR INSTALLATION – FORD DF 2.5L ENGINES.....	376
SECTION 4 - BOOM.....	381
FIGURE 4-1. BOOM AND CYLINDERS INSTALLATION (800S HC3)	382
FIGURE 4-2. BOOM AND CYLINDERS INSTALLATION (860SJ HC3).....	384
FIGURE 4-3. MAIN BOOM ASSEMBLY (800S HC3).....	386
FIGURE 4-4. MAIN BOOM ASSEMBLY (860SJ HC3).....	390
FIGURE 4-5. JIB ASSEMBLY (860SJ HC3)	394
FIGURE 4-6. ROTATOR ASSEMBLY (860SJ HC3)	396
FIGURE 4-7. PLATFORM SUPPORT INSTALLATION	398
FIGURE 4-8. POWER TRACK INSTALLATION - MAIN BOOM (860SJ HC3).....	400
FIGURE 4-9. CONTROL VALVE INSTALLATION (800S HC3)	402
FIGURE 4-10. CONTROL VALVE INSTALLATION (860SJ HC3)	404
FIGURE 4-11. PLATFORM VALVE ASSEMBLY (800S HC3)	406
FIGURE 4-12. PLATFORM VALVE ASSEMBLY (860SJ HC3).....	408
FIGURE 4-13. LIMIT SWITCHES AND COVERS INSTALLATION (800S HC3).....	410
FIGURE 4-14. LIMIT SWITCHES AND COVERS INSTALLATION (860SJ HC3).....	412
FIGURE 4-15. SENSOR ASSEMBLY - LOWER.....	414
SECTION 5 - PLATFORM.....	417
FIGURE 5-1. PLATFORM ASSEMBLY WITH DROP-BAR - 30IN X 3FT (76CM X 1M)	418
FIGURE 5-2. PLATFORM ASSEMBLY WITH DROP-BAR - 30IN X 4FT (76CM X 1.22M)	420
FIGURE 5-3. PLATFORM ASSEMBLY WITH DROP-BAR - 30IN X 5FT (76CM X 1.52M)	422
FIGURE 5-4. PLATFORM ASSEMBLY WITH DROP-BAR - 36IN X 6FT (91.5CM X 1.83M)	424
FIGURE 5-5. PLATFORM ASSEMBLY WITH DROP-BAR - 36IN X 8FT (91.5CM X 2.44M)	426
FIGURE 5-6. PLATFORM ASSEMBLY WITH GATE - 30IN X 4FT (76CM X 1.22M)	428
FIGURE 5-7. PLATFORM ASSEMBLY WITH GATE - 30IN X 5FT (76CM X 1.52M) (USA BUILT MACHINES	430
FIGURE 5-8. PLATFORM ASSEMBLY WITH GATE- 36IN X 6FT (91.5CM X 1.83M)	432
FIGURE 5-9. PLATFORM ASSEMBLY WITH GATE - 36IN X 8FT (91.5CM X 2.44M)	434
FIGURE 5-10. PLATFORM ASSEMBLY WITH 1 GATE / 2 DROP BARS (TRI-ENTRY) - 36IN X 6FT (91.5CM X 1.83M)	436
FIGURE 5-11. PLATFORM ASSEMBLY WITH 3 DROP BARS (TRI-ENTRY) - 36IN X 6FT (91.5CM X 1.83M).....	438
FIGURE 5-12. PLATFORM ASSEMBLY WITH 1 GATE / 2 DROP BARS (TRI-ENTRY) - 36IN X 8FT (91.5CM X 2.44M).....	440
FIGURE 5-13. PLATFORM ASSEMBLY WITH 3 DROP BARS (TRI-ENTRY) - 36IN X 8FT (91.5CM X 2.44M).....	442
FIGURE 5-14. PLATFORM ASSEMBLY WITH FALL ARREST (6FT).....	444
FIGURE 5-15. PLATFORM ASSEMBLY WITH FALL ARREST (8FT).....	446
FIGURE 5-16. PLATFORM CONSOLE AND FOOTSWITCH INSTALLATION.....	448
FIGURE 5-17. PLATFORM CONSOLE ASSEMBLY	450
FIGURE 5-18. FOOTSWITCH ASSEMBLY	454
FIGURE 5-19. CONTROLLER ASSEMBLY - LIFT/SWING	456
FIGURE 5-20. CONTROLLER ASSEMBLY- DRIVE/STEER.....	460
FIGURE 5-21. LIGHT PANEL INSTALLATION.....	462
FIGURE 5-22. JIB SWITCH INSTALLATION (860SJ HC3)	464
FIGURE 5-23. SKYEYE INSTALLATION.....	466
FIGURE 5-24. SKYGUARD BAR INSTALLATION.....	468

TABLE OF CONTENTS

FIGURE 5-25. SKYLINE INSTALLATION (Prior to SN 0300278407).....	470
FIGURE 5-26. SKYLINE INSTALLATION (SN 0300278407 to Present).....	472
FIGURE 5-27. STORAGE TRAY INSTALLATION - CENTER.....	474
FIGURE 5-28. SKYCUTTER INSTALLATION.....	476
FIGURE 5-29. SKYGLAZIER INSTALLATION (ENGLISH LANGUAGE) (ANSI, AUSTRALIAN & CSA SPECS)	478
FIGURE 5-30. SKYGLAZIER INSTALLATION (PORTUGUESE LANGUAGE) (BRAZIL SPECS).....	480
FIGURE 5-31. SKYGLAZIER INSTALLATION (SPANISH LANGUAGE) (BRAZIL SPECS)	482
FIGURE 5-32. SKYWELDER/SKYCUTTER COMBO INSTALLATION (60HZ).....	484
FIGURE 5-33. PLASMA CUTTER ASSEMBLY.....	488
FIGURE 5-34. SKYWELDER INSTALLATION (50HZ).....	490
FIGURE 5-35. SKYWELDER INSTALLATION (60HZ).....	492
FIGURE 5-36. WELDER ASSEMBLY	494
FIGURE 5-37. SKYWELDER PREP PACKAGE (60HZ)	496
FIGURE 5-38. PIPE RACKS INSTALLATION (ANSI AND CSA SPECS)	498
FIGURE 5-39. PIPE RACKS INSTALLATION (AUSTRALIAN SPECS)	500
FIGURE 5-40. SOFT TOUCH SYSTEM INSTALLATION - 6FT/1.83M PLATFORM.....	502
FIGURE 5-41. SOFT TOUCH SYSTEM INSTALLATION - 6FT/1.83M FALL ARREST PLATFORM.....	504
FIGURE 5-42. SOFT TOUCH SYSTEM INSTALLATION - 8FT/2.44M PLATFORM.....	506
FIGURE 5-43. SOFT TOUCH SYSTEM INSTALLATION - 8FT/2.44M FALL ARREST PLATFORM.....	508
FIGURE 5-44. SOFT TOUCH SYSTEM INSTALLATION - OVER HEAD (CHINESE/KOREAN SPECS)	510
FIGURE 5-45. FALL ARREST INSTALLATION (BOLT-ON) (4FT/1.22M PLATFORM)	512
FIGURE 5-46. FALL ARREST INSTALLATION (BOLT-ON) (6FT/1.82M PLATFORM)	514
FIGURE 5-47. FALL ARREST INSTALLATION (BOLT-ON) (8FT/2.4M PLATFORM)	516
FIGURE 5-48. FALL ARREST INSTALLATION (BOLT-ON) (6FT/1.82M TRI-ENTRY PLATFORM)	518
SECTION 6 - CYLINDER.....	521
FIGURE 6-1. AXLE LOCKOUT CYLINDER ASSEMBLY	522
FIGURE 6-2. LEVEL CYLINDER ASSEMBLY - PLATFORM SLAVE (860SJ HC3).....	524
FIGURE 6-3. LIFT CYLINDER ASSEMBLY - JIB (860SJ HC3)	526
FIGURE 6-4. LIFT CYLINDER ASSEMBLY - JIB (800S HC3).....	528
FIGURE 6-5. LIFT CYLINDER ASSEMBLY - JIB (800S HC3).....	530
FIGURE 6-6. LIFT CYLINDER ASSEMBLY - JIB (860SJ HC3)	532
FIGURE 6-7. LIFT CYLINDER ASSEMBLY - JIB.....	534
FIGURE 6-8. LIFT CYLINDER ASSEMBLY - MAIN BOOM (860SJ HC3).....	536
FIGURE 6-9. STEER CYLINDER ASSEMBLY.....	538
FIGURE 6-10. TELESCOPE CYLINDER ASSEMBLY (860SJ HC3).....	540
FIGURE 6-11. TELESCOPE CYLINDER ASSEMBLY (800S HC3)	542
SECTION 7 - HYDRAULIC	545
FIGURE 7-1. HYDRAULIC DIAGRAM - AXLE (OSCILLATING)	546
FIGURE 7-2. HYDRAULIC DIAGRAM - DRIVE (4WD WITHOUT ARCTIC PACKAGE)	548
FIGURE 7-3. HYDRAULIC DIAGRAM - DRIVE (4WD WITH ARCTIC PACKAGE)	552
FIGURE 7-4. HYDRAULIC DIAGRAM - STANDARD (WITHOUT TOW BAR PACKAGE) (800S HC3)	556
FIGURE 7-5. HYDRAULIC DIAGRAM - STANDARD (WITHOUT TOW BAR PACKAGE) (860SJ HC3)	560
FIGURE 7-6. HYDRAULIC DIAGRAM - STANDARD (WITH TOW BAR PACKAGE) (800S HC3)	564
FIGURE 7-7. HYDRAULIC DIAGRAM - STANDARD (WITH TOW BAR PACKAGE) (860SJ HC3).....	568

TABLE OF CONTENTS

SECTION 8 - ELECTRICAL.....	573
FIGURE 8-1. AC BOX AT PLATFORM INSTALLATION - 110V GFI RECEPTACLE (ALL SPECS EXCEPT AUSTRALIAN & CE SPECS).....	574
FIGURE 8-2. AC BOX AT PLATFORM INSTALLATION - 220V (ANSI, CSA & JAPANESE SPECS).....	576
FIGURE 8-3. AC BOX AT PLATFORM MID-BOOM PLUG INSTALLATION (WITHOUT 7500W SKYPOWER GENERATOR) (ANSI EXPORT, AUSTRALIAN & CE SPECS).....	578
FIGURE 8-4. AC BOX AT PLATFORM MID-BOOM PLUG INSTALLATION (WITHOUT GENERATOR) (CHINA SPECS).....	580
FIGURE 8-5. AC BOX AT PLATFORM INSTALLATION - 110V IEC 60309 YELLOW WITHOUT 2500W GENERATOR (CE SPECS).....	582
FIGURE 8-6. AC BOX AT PLATFORM INSTALLATION - 110V IEC 60309 YELLOW WITH 2500W GENERATOR (CE SPECS).....	584
FIGURE 8-7. AC BOX AT PLATFORM INSTALLATION - 110V IEC YELLOW (CE SPECS) (MACHINES WITH 4000W GENERATOR).....	586
FIGURE 8-8. AC BOX AT PLATFORM INSTALLATION - 220V IEC BLUE (CE SPECS) (MACHINES WITH 2500W GENERATOR OR NO GENERATOR OPTION).....	588
FIGURE 8-9. AC BOX AT PLATFORM INSTALLATION - 220V IEC 60309 BLUE WITH 2500W GENERATOR (CE SPECS) ...	590
FIGURE 8-10. AC BOX AT PLATFORM INSTALLATION - 220V IEC BLUE (CE SPECS) (MACHINES WITH 4000W GENERATOR).....	592
FIGURE 8-11. AC BOX AT PLATFORM INSTALLATION - 220V CEE7 POST GROUND (CE SPECS) (MACHINES WITH 2500W GENERATOR OR NO GENERATOR OPTION).....	594
FIGURE 8-12. AC BOX AT PLATFORM INSTALLATION - 220V CEE7 POST GROUND (2X4 BOX) WITH 2500W GENERATOR (CE SPECS).....	596
FIGURE 8-13. AC BOX AT PLATFORM INSTALLATION - 220V CEE7 POST GROUND (CE SPECS) (MACHINES WITH 4000W GENERATOR).....	598
FIGURE 8-14. AC BOX AT PLATFORM INSTALLATION - 220V CEE7 SIDE GROUND (CE SPECS) (MACHINES WITH 2500W GENERATOR OR NO GENERATOR OPTION).....	600
FIGURE 8-15. AC BOX AT PLATFORM INSTALLATION - 220V CEE7 SIDE GROUND (2X4 BOX) WITH 2500W GENERATOR (CE SPECS).....	602
FIGURE 8-16. AC BOX AT PLATFORM INSTALLATION - 220V CEE7 SIDE GROUND (CE SPECS) (MACHINES WITH 4000W GENERATOR).....	604
FIGURE 8-17. AC BOX AT PLATFORM INSTALLATION - 220V AFSINT 107 KEYED GROUND (CE SPECS) (MACHINES WITH 2500W GENERATOR OR NO GENERATOR OPTION).....	606
FIGURE 8-18. AC BOX AT PLATFORM INSTALLATION - 220V AFSINT 107 KEYED GROUND (2X4 BOX) WITH 2500W GENERATOR (CE SPECS).....	608
FIGURE 8-19. AC BOX AT PLATFORM INSTALLATION - 220V AFSINT 107 KEYED GROUND (CE SPECS) (MACHINES WITH 4000W GENERATOR).....	610
FIGURE 8-20. AC BOX AT PLATFORM INSTALLATION - 220V (2X4 BOX & COVER ONLY - LOCALLY SUPPLIED RECEPTACLE) (4000W GENERATOR).....	612
FIGURE 8-21. AC BOX AT PLATFORM INSTALLATION - 240V GFCI RECEPTACLE (ANSI, ANSI EXPORT AND CSA SPECS WITH 4000W SKYPOWER GENERATOR).....	614
FIGURE 8-22. AC BOX AT PLATFORM INSTALLATION - 240V GFCI RECEPTACLE (ANSI AND CSA SPECS WITH 7500W SKYPOWER GENERATOR).....	616
FIGURE 8-23. AC CABLE WITH 16 AMP BREAKER INSTALLATION (WITHOUT 7500W SKYPOWER GENERATOR) (CE SPECS).....	618
FIGURE 8-24. AC CABLE WITH 10 AMP BREAKER INSTALLATION (WITHOUT 7500W SKYPOWER GENERATOR) (CE SPECS).....	620
FIGURE 8-25. ANALYZER CABLE HARNESS.....	622
FIGURE 8-26. BATTERY DISCONNECT SWITCH INSTALLATION.....	624
FIGURE 8-27. BEACON CONTROL HARNESS (BLUE AND RED STROBE LIGHTS).....	626
FIGURE 8-28. BOOM CABLES INSTALLATION - WITHOUT ARCTIC PACKAGE (ALL SPECS) (860SJ HC3).....	628
FIGURE 8-29. BOOM CABLES INSTALLATION - WITH ARCTIC PACKAGE (ANSI, ANSI EXPORT AND CSA SPECS) (860SJ HC3).....	630

TABLE OF CONTENTS

FIGURE 8-30. BOOM CABLES INSTALLATION - WITH 4000W GENERATOR AND WITHOUT ARCTIC PACKAGE (ANSI, ANSI EXPORT, CSA AND JAPANESE SPECS) (860SJ HC3)	632
FIGURE 8-31. BOOM CABLES INSTALLATION - WITH 7500W GENERATOR AND WITHOUT ARCTIC PACKAGE (ALL SPECS) (860SJ HC3).....	634
FIGURE 8-32. BOOM CABLES INSTALLATION - WITH 7500W GENERATOR AND WITH ARCTIC PACKAGE (ANSI, ANSI EXPOERT AND CSA SPECS) (860SJ HC3).....	636
FIGURE 8-33. BOOM CABLES INSTALLATION - WITHOUT AC CABLES (CHINA SPECS) (860SJ HC3)	638
FIGURE 8-34. BOOM HARNESS (MAIN BOOM) (WITHOUT ARCTIC PACKAGE) (860SJ HC3)	640
FIGURE 8-35. BOOM HARNESS (MAIN BOOM) (WITH ARCTIC PACKAGE) (860SJ HC3).....	642
FIGURE 8-36. BOOM HARNESS (MAIN BOOM) (WITH ARCTIC PACKAGE) (800S HC3).....	644
FIGURE 8-37. BOOM CABLE (MAIN BOOM) (WITHOUT ARCTIC PACKAGE).....	646
FIGURE 8-38. BOOM CABLE (TOWER BOOM) (WITHOUT ARCTIC PACKAGE)	648
FIGURE 8-39. BOOM CABLE (TOWER BOOM) (WITHOUT ARCTIC PACKAGE)	650
FIGURE 8-40. BOOM CABLES INSTALLATION - WITHOUT ARCTIC PACKAGE (ALL SPECS) (800S HC3)	652
FIGURE 8-41. BOOM CABLES INSTALLATION - WITH ARCTIC PACKAGE (ANSI, ANSI EXPORT AND CSA SPECS) (800S HC3)	654
FIGURE 8-42. BOOM CABLES INSTALLATION - WITH 4000W GENERATOR AND WITHOUT ARCTIC PACKAGE (ANSI, ANSI EXPORT, CSA AND JAPANESE SPECS) (800S HC3)	656
FIGURE 8-43. BOOM CABLES INSTALLATION - WITH 7500W GENERATOR AND WITHOUT ARCTIC PACKAGE (ALL SPECS) (800S HC3)	658
FIGURE 8-44. BOOM CABLES INSTALLATION - WITH 7500W GENERATOR AND WITH ARCTIC PACKAGE (ANSI, ANSI EXPOERT AND CSA SPECS) (800S HC3)	660
FIGURE 8-45. BOOM CABLES INSTALLATION - WITHOUT ARCTIC PACKAGE (ALL SPECS) (860SJ HC3).....	662
FIGURE 8-46. BOOM CABLES INSTALLATION - WITH ARCTIC PACKAGE (ANSI, ANSI EXPORT AND CSA SPECS) (860SJ HC3)	664
FIGURE 8-47. BOOM CABLES INSTALLATION - WITH 4000W GENERATOR AND WITHOUT ARCTIC PACKAGE (ANSI, ANSI EXPORT, CSA AND JAPANESE SPECS) (860SJ HC3)	666
FIGURE 8-48. BOOM CABLES INSTALLATION - WITH 7500W GENERATOR AND WITHOUT ARCTIC PACKAGE (ALL SPECS) (860SJ HC3).....	668
FIGURE 8-49. BOOM CABLES INSTALLATION - WITH 7500W GENERATOR AND WITH ARCTIC PACKAGE (ANSI, ANSI EXPOERT AND CSA SPECS) (860SJ HC3).....	670
FIGURE 8-50. BREAKER BOX KIT - ONE DOUBLE 16AMP BREAKER (CE SPECS WITHOUT 7500W GENERATOR)	672
FIGURE 8-51. BREAKER BOX KIT - ONE DOUBLE 16AMP BREAKER (WITH 4000W/50HZ GENERATOR)	674
FIGURE 8-52. BREAKER BOX KIT - 10 AMP (CE SPECS WITHOUT 7500W GENERATOR).....	676
FIGURE 8-53. ENGINE HARNESS - DEUTZ D2011 ENGINES (ANSI EXPORT (LRC) AND AUSTRALIAN SPECS)	678
FIGURE 8-54. ENGINE HARNESS - DEUTZ D2011 ENGINES (CE & CHINA SPECS)	680
FIGURE 8-55. ENGINE HARNESS - DEUTZ TD2.9L4 AND DEUTZ 2.9L4 (STAGE V) ENGINES	682
FIGURE 8-56. ENGINE HARNESS - DEUTZ TD2.9L4 ENGINES	684
FIGURE 8-57. ENGINE HARNESS - DEUTZ TD2.9L4 (STAGE V) ENGINES	688
FIGURE 8-58. ENGINE HARNESS - FORD DF 2.5L ENGINES	692
FIGURE 8-59. FUEL PUMP HARNESS - DEUTZ TD2.9L4 ENGINES	694
FIGURE 8-60. FUEL HARNESS - DEUTZ TD2.9L4 (STAGE V) ENGINE	696
FIGURE 8-61. GENERATOR TO ENGINE HARNESS - 2500W (FORD ENGINES)	698
FIGURE 8-62. GENERATOR TO ENGINE HARNESS - 4000W/50HZ (DEUTZ D2011 ENGINES)	700
FIGURE 8-63. GENERATOR TO ENGINE HARNESS - 4000W/60HZ (DEUTZ ENGINES).....	702
FIGURE 8-64. GENERATOR TO ENGINE HARNESS - 4000W/50HZ (DEUTZ TD2.9L4 ENGINES)	704
FIGURE 8-65. GENERATOR TO ENGINE HARNESS - 7500W SKYPOWER GENERATOR (DEUTZ D2011 ENGINES).....	706
FIGURE 8-66. GENERATOR TO ENGINE HARNESS - 7500W SKYPOWER (DEUTZ TD2.9L4 T4F ENGINES).....	708
FIGURE 8-67. GENERATOR TO ENGINE HARNESS - 7500W SKYPOWER (FORD DF 2.5L ENGINES) (PVC 2001)	710

TABLE OF CONTENTS

FIGURE 8-68. GENERATOR TO ENGINE HARNESS - 7500W SKYPOWER (FORD DF 2.5L ENGINES) (PVC 2007)	712
FIGURE 8-69. GENERATOR TO REAR OF BOOM HARNESS - 110V	714
FIGURE 8-70. GENERATOR TO REAR OF BOOM HARNESS - 220V	716
FIGURE 8-71. GROUND CONTROL BOX HARNESS (Prior to SN 0300278407)	718
FIGURE 8-72. GROUND CONTROL BOX HARNESS (SN 0300278407 to Present)	720
FIGURE 8-73. HOLDING VALVE/LIFT DUMP HARNESS ASSEMBLY (WITHOUT ARCTIC PACKAGE)	724
FIGURE 8-74. HOLDING VALVE/LIFT DUMP HARNESS ASSEMBLY (WITH ARCTIC PACKAGE)	726
FIGURE 8-75. PLATFORM CONSOLE BOX HARNESS	728
FIGURE 8-76. RECEPTACLE BOX KIT - 110V IEC YELLOW WITHOUT 2500W GENERATOR (CE SPECS)	730
FIGURE 8-77. RECEPTACLE BOX KIT - 110V IEC YELLOW WITH 2500W GENERATOR (CE SPECS)	732
FIGURE 8-78. RECEPTACLE BOX KIT - 220V IEC BLUE WITHOUT 2500W GENERATOR (CE SPECS)	734
FIGURE 8-79. RECEPTACLE BOX KIT - 220V IEC BLUE WITH 2500W GENERATOR (CE SPECS)	736
FIGURE 8-80. RECEPTACLE BOX KIT - 220V CEE7 POST GROUND 2X4 BOX WITHOUT 2500W GENERATOR (CE SPEC)	738
FIGURE 8-81. RECEPTACLE BOX KIT - 220V CEE7 POST GROUND 2X4 BOX WITH 2500W GENERATOR (CE SPEC)	740
FIGURE 8-82. RECEPTACLE BOX KIT - 220V CEE7 SIDE GROUND 2X4 BOX WITHOUT 2500W GENERATOR (CE SPEC)	742
FIGURE 8-83. RECEPTACLE BOX KIT - 220V CEE7 SIDE GROUND 2X4 BOX WITH 2500W GENERATOR (CE SPEC)	744
FIGURE 8-84. RECEPTACLE BOX KIT - 220V AFSINT107 KEYED GROUND WITHOUT 2500W GENERATOR (CE SPECS)	746
FIGURE 8-85. RECEPTACLE BOX KIT - 220V AFSINT107 KEYED GROUND WITH 2500W GENERATOR (CE SPECS)	748
FIGURE 8-86. SKYEYE INTERMEDIATE HARNESS	750
FIGURE 8-87. SKYEYE RECEIVER HARNESS	752
FIGURE 8-88. SKYEYE EMITTER HARNESS	754
FIGURE 8-89. SKYLINE HARNESS	756
FIGURE 8-90. SKYGUARD INERFACE HARNESS	758
FIGURE 8-91. VALVE HARNESS	760
SECTION 9 - DECALS	763
FIGURE 9-1. DECAL INSTALLATION (ANSI SPECS) (800S HC3)	764
FIGURE 9-2. DECAL INSTALLATION (ANSI SPECS) (860SJ HC3)	768
FIGURE 9-3. DECAL INSTALLATION (AUSTRALIAN SPECS) (860SJ HC3)	772
FIGURE 9-4. DECAL INSTALLATION (BRAZILIAN SPECS) (800S HC3)	776
FIGURE 9-5. DECAL INSTALLATION (BRAZILIAN SPECS) (860SJ HC3)	780
FIGURE 9-6. DECAL INSTALLATION (CE SPECS) (860SJ HC3)	784
FIGURE 9-7. DECAL INSTALLATION (CHINESE SPECS) (800S HC3)	788
FIGURE 9-8. DECAL INSTALLATION (CHINESE SPECS) (860SJ HC3)	792
FIGURE 9-9. DECAL INSTALLATION (CSA SPECS) (800S HC3)	796
FIGURE 9-10. DECAL INSTALLATION (CSA SPECS) (860SJ HC3)	800
FIGURE 9-11. DECAL INSTALLATION (JAPANESE SPECS) (800S HC3)	804
FIGURE 9-12. DECAL INSTALLATION (JAPANESE SPECS) (860SJ HC3)	808
FIGURE 9-13. DECAL INSTALLATION (KOREAN SPECS) (800S HC3)	812
FIGURE 9-14. DECAL INSTALLATION (KOREAN SPECS) (860SJ HC3)	816
FIGURE 9-15. DECAL INSTALLATION (LATIN AMERICAN SPECS) (800S HC3)	820
FIGURE 9-16. DECAL INSTALLATION (LATIN AMERICAN SPECS) (860SJ HC3)	824
FIGURE 9-17. DECAL INSTALLATION - OPTIONS	828
FIGURE 9-18. SKYCUTTER DECAL INSTALLATION (ANSI, ANSI EXPORT & CSA SPECS)	832

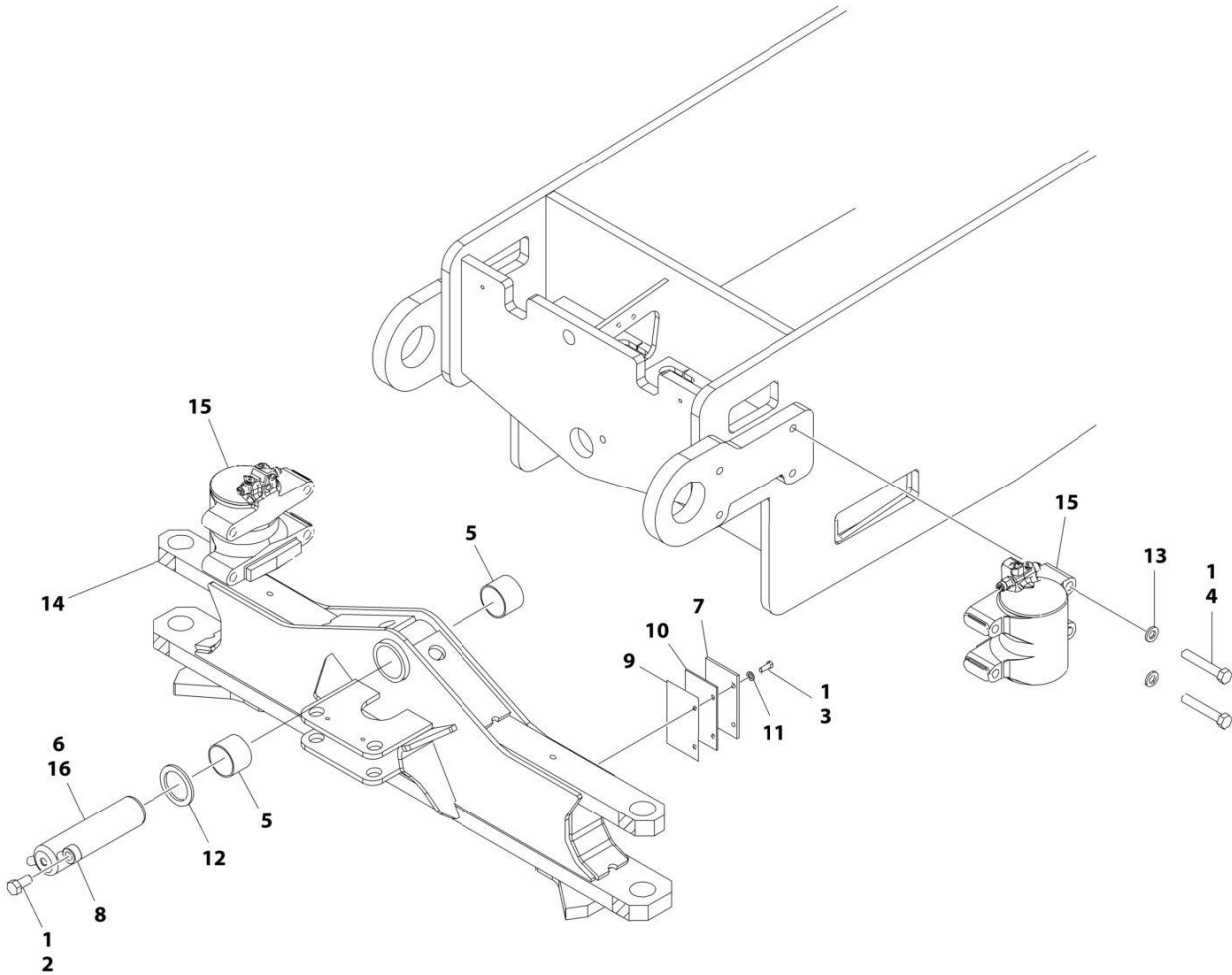
TABLE OF CONTENTS

FIGURE 9-19. SKYCUTTER DECAL INSTALLATION (JAPANESE SPECS).....	834
FIGURE 9-20. SKYWELDER DECAL INSTALLATION - 50HZ	836
FIGURE 9-21. SKYWELDER DECAL INSTALLATION - 60HZ (PVC 2007).....	838
SECTION 10 - RECOMMENDED SERVICE PARTS STOCK	841
FIGURE 10-1. RECOMMENDED SERVICE PARTS STOCK	842
SECTION 11 - SPECIAL OPTIONS.....	845
FIGURE 11-1. SPECIAL OPTIONS.....	846
PART NUMBER INDEX	851

SECTION 1 - FRAME

SECTION 1 - FRAME

FIGURE 1-1. AXLE INSTALLATION - OSCILLATING (WITHOUT TOW PACKAGE)



ART_1001154584

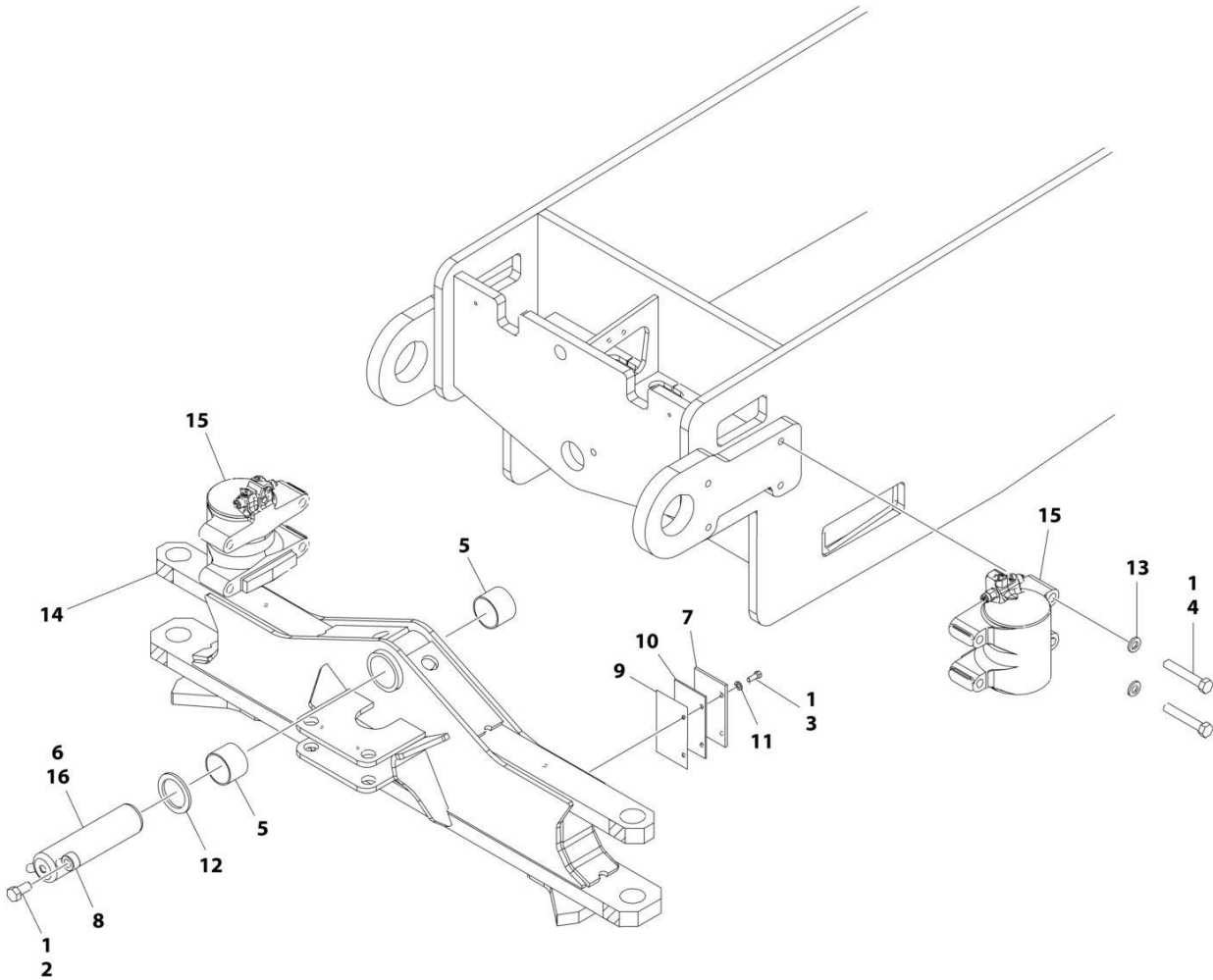
SECTION 1 - FRAME

FIGURE 1-1. AXLE INSTALLATION - OSCILLATING (WITHOUT TOW PACKAGE)

ITEM	PART NUMBER	QTY	DESCRIPTION	REV
	1001154584	Ref	AXLE INSTALLATION	D
1	0100011	AR	Compound, Locking	
2	0642212	1	Bolt 3/4 x 1-1/2	
3	0681608	4	Bolt 3/8 x 1 Grade 8	
4	0682236	8	Bolt 3/4 x 4-1/2 Grade 8	
5	0962102	2	Bushing	
6	3020039	AR	Lubricant	
7	3538047	2	Shim .25	
8	3841287	1	Keeper, Pin	
9	4070878	AR	Shim 16 Gauge	
10	4070879	AR	Shim 11 Gauge	
11	4711600	4	Washer 3/8	
12	4740472	1	Washer	
13	4892200	8	Washer 3/4	
14	1001152719	1	Axle	
15	1001204560	2	Axle Lockout Cylinder Assembly (See Separate Breakdown in CYLINDER SECTION)	
16	1001156710	1	Pin	

SECTION 1 - FRAME

FIGURE 1-2. AXLE INSTALLATION - OSCILLATING (WITH TOW PACKAGE)



ART_1001155194

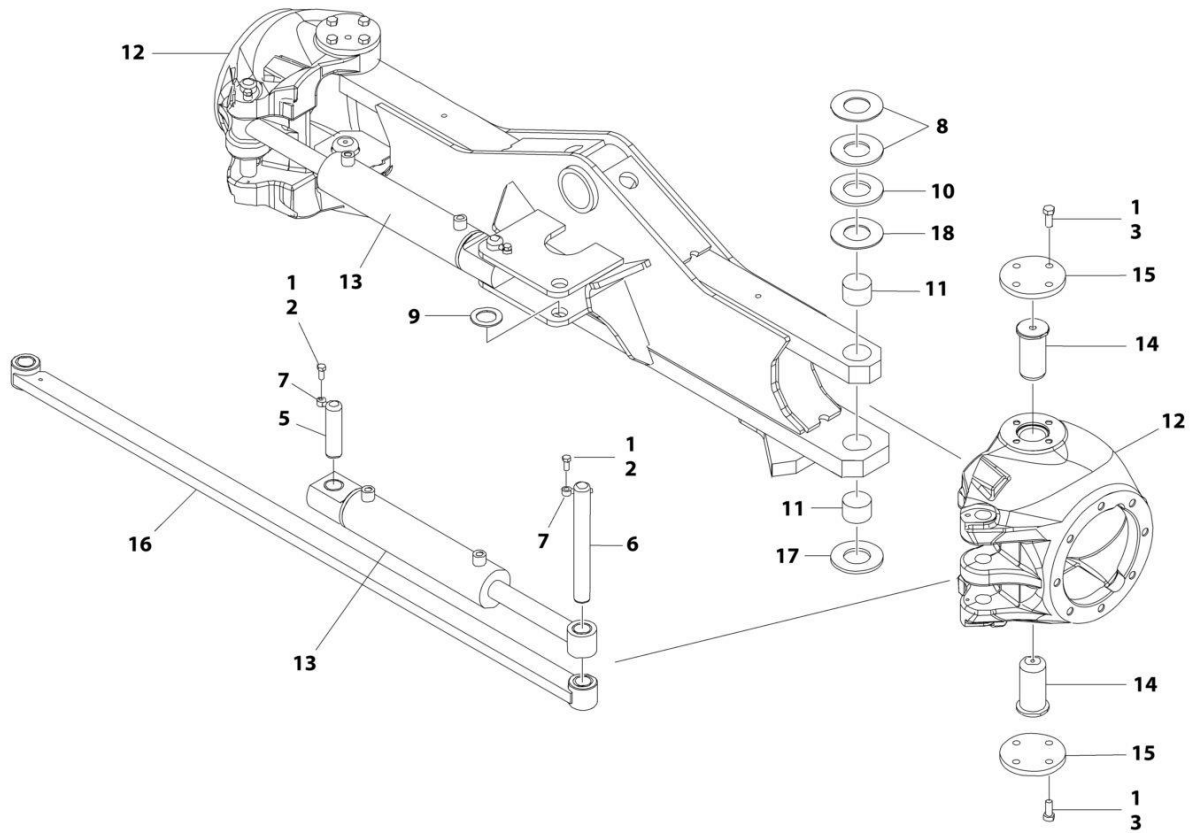
SECTION 1 - FRAME

FIGURE 1-2. AXLE INSTALLATION - OSCILLATING (WITH TOW PACKAGE)

ITEM	PART NUMBER	QTY	DESCRIPTION	REV
	1001155194	Ref	AXLE INSTALLATION	D
1	0100011	AR	Compound, Locking	
2	0642212	1	Bolt 3/4 x 1-1/2	
3	0681608	4	Bolt 3/8 x 1 Grade 8	
4	0682236	8	Bolt 3/4 x 4-1/2 Grade 8	
5	0962102	2	Bushing	
6	3020039	AR	Lubricant	
7	3538047	2	Shim .25	
8	3841287	1	Keeper, Pin	
9	4070878	AR	Shim 16 Gauge	
10	4070879	AR	Shim 11 Gauge	
11	4711600	4	Washer 3/8	
12	4740472	1	Washer	
13	4892200	8	Washer 3/4	
14	1001154875	1	Axle	
15	1001204560	2	Axle Lockout Cylinder Assembly (See Separate Breakdown in CYLINDER SECTION)	
16	1001156710	1	Pin	

SECTION 1 - FRAME

FIGURE 1-3. STEERING INSTALLATION - WITHOUT TOW PACKAGE



ART_1001151034

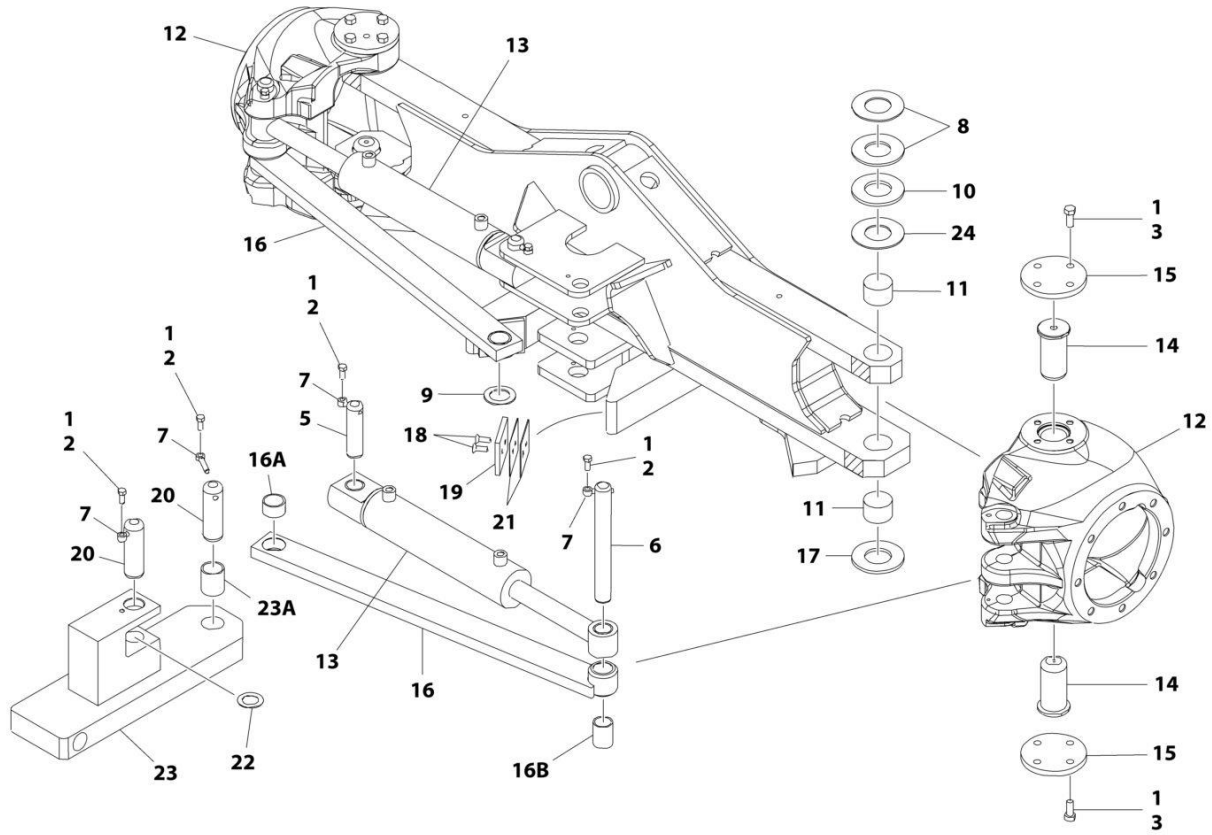
SECTION 1 - FRAME

FIGURE 1-3. STEERING INSTALLATION - WITHOUT TOW PACKAGE

ITEM	PART NUMBER	QTY	DESCRIPTION	REV
	1001151034	Ref	STEER INSTALLATION	H
1	0100011	AR	Compound, Locking	
2	0641607	4	Bolt 3/8 x 7/8	
3	0641810	16	Bolt 1/2 x 1-1/4	
5	3422417	2	Pin	
6	3422790	2	Pin	
7	3841520	4	Keeper, Pin	
8	4740256	AR	Washer, Thrust	
9	4740473	2	Washer	
10	1001103810	AR	Washer, Thrust	
11	1001165657	4	Bearing	
12	1001150372	2	Spindle	
13	1001150539	2	Steer Cylinder Assembly (See Separate Breakdown in CYLINDER SECTION)	
14	1001161355	4	Kingpin	
15	1001150937	4	Plate	
16	1001151980	1	Tie-Rod	
17	1001161399	2	Washer, Thrust	
18	4740463	AR	Washer, Thrust	

SECTION 1 - FRAME

FIGURE 1-4. STEERING INSTALLATION - WITH TOW PACKAGE



ART_1001155192

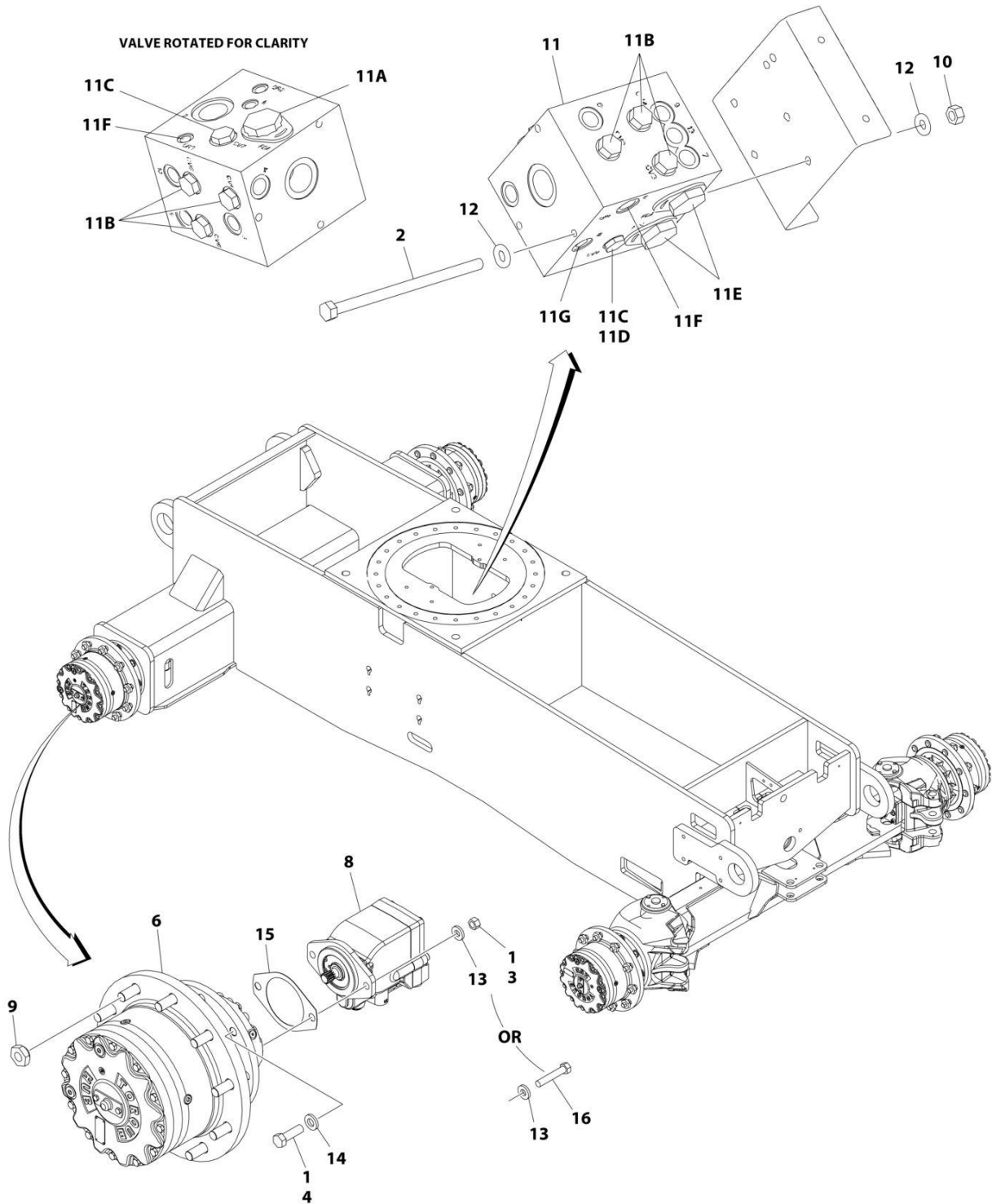
SECTION 1 - FRAME

FIGURE 1-4. STEERING INSTALLATION - WITH TOW PACKAGE

ITEM	PART NUMBER	QTY	DESCRIPTION	REV
	1001155192	Ref	STEER INSTALLATION	G
1	0100011	AR	Compound, Locking	
2	0641607	6	Bolt 3/8 x 7/8	
3	0641810	16	Bolt 1/2 x 1-1/4	
5	3422417	2	Pin	
6	3422790	2	Pin	
7	3841520	6	Keeper, Pin	
8	4740256	AR	Washer, Thrust	
9	4740473	2	Washer	
10	1001103810	AR	Washer, Thrust	
11	1001165657	4	Bearing	
12	1001150372	2	Spindle	
13	1001150539	2	Steer Cylinder Assembly (See Separate Breakdown in CYLINDER SECTION)	
14	1001161355	4	Kingpin	
15	1001150937	4	Plate	
16	1001154931	2	Tie-Rod	
16A	0962181	1	Bushing	
16B	0962152	1	Bushing	
17	1001161399	2	Washer, Thrust	
18	0741609	4	Screw 3/8 x 1-1/8	
19	3340966	2	Pad, Stop	
20	3422848	2	Pin, Hitch	
21	4071059	AR	Shim 16 Gauge	
22	4740155	3	Washer, Thrust	
23	1001155035	1	Link	
23A	0962348	1	Bushing	
24	4740463	AR	Washer, Thrust	

SECTION 1 - FRAME

FIGURE 1-5. WHEEL DRIVE AND FRAME VALVES INSTALLATION – 4WD



ART_1001157016

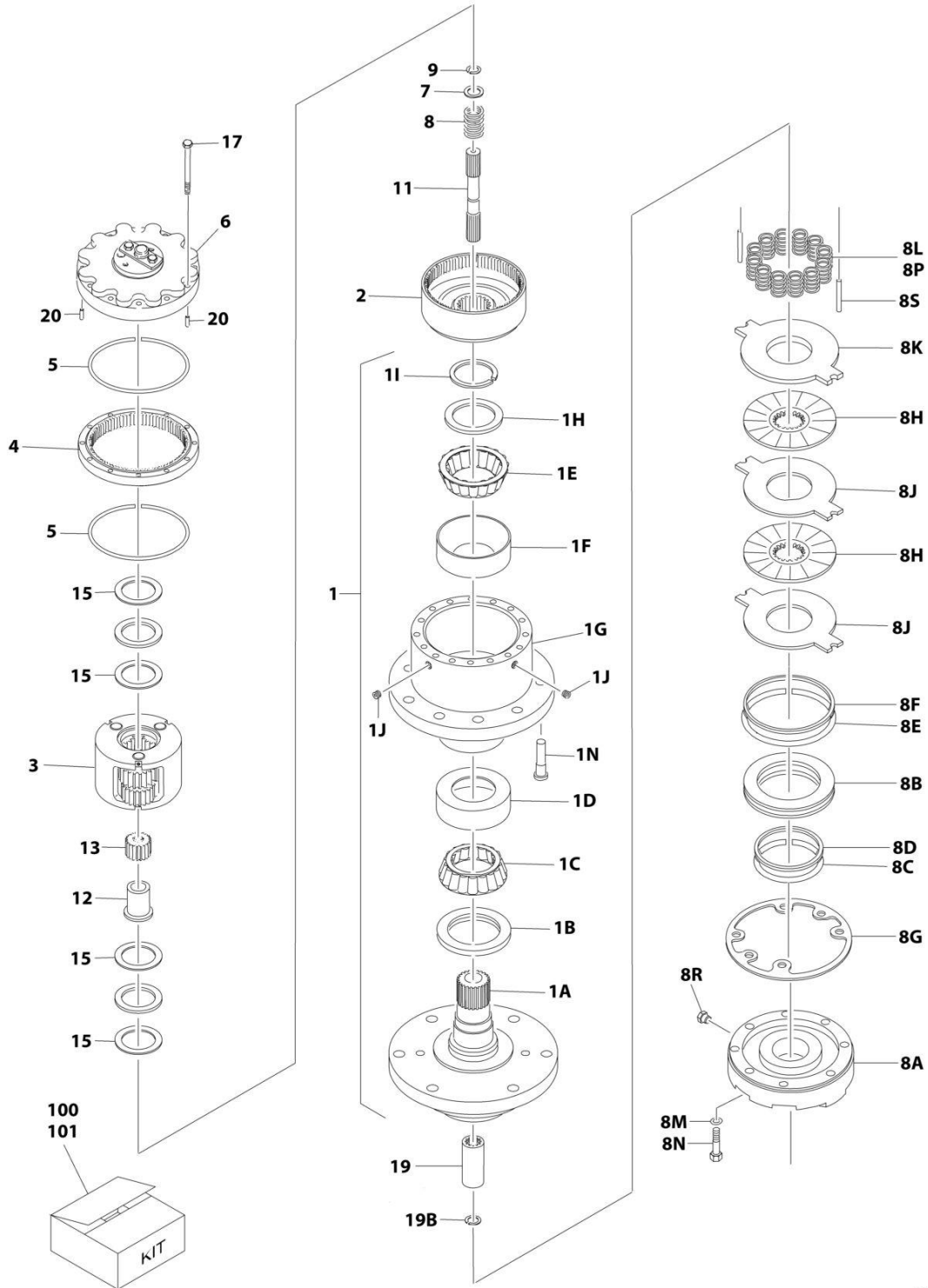
SECTION 1 - FRAME

FIGURE 1-5. WHEEL DRIVE AND FRAME VALVES INSTALLATION – 4WD

ITEM	PART NUMBER	QTY	DESCRIPTION	REV
	1001157016	Ref	WHEEL DRIVE AND FRAME VALVES INSTALLATION	E
1	0100011	AR	Compound, Locking	
2	0641560	3	Bolt 5/16 x 7-1/2	
3	3311801	8	Nut 1/2	
4	0682016	32	Bolt 5/8 x 2 Grade 8	
5	2300016	AR	Fluid, Hydraulic (Not Shown)	
6	1001219219	4	Drive Hub Assembly (See Separate Breakdown in this Section)	
8	3160348	4	Drive Motor Assembly (See Separate Breakdown in this Section)	
9	3300007	40	Nut, Wheel	
10	3311505	3	Nut 5/16	
11	4641303	1	Flow Divider Valve Assembly	C
11A	7023933	1	Cartridge, Flow Divider	
11A	7021625	1	Seal Kit - 7023933 Cartridge	
11B	7022397	6	Cartridge, Check	
11B	7022399	6	Seal Kit - 7022397 Cartridge	
11C	7021639	2	Cartridge, Check Valves	
11C	2900756	2	Seal Kit - 7021639 Cartridge	
11D	7024881	1	Piston, Pilot	
11E	7023917	2	Cartridge, Flow Divider	
11E	7021625	2	Seal Kit - 7023917 Cartridge	
11F	70003935	2	Orifice	
11G	70003936	1	Orifice	
12	4711500	6	Washer 5/16	
13	4891800	8	Washer 1/2	
14	4892000	32	Washer 5/8	
15	3960526	2	Gasket	
16	0681822	4	Bolt 1/2 x 2-3/4	

SECTION 1 - FRAME

FIGURE 1-6. DRIVE HUB/BRAKE ASSEMBLY



ART_1001219219

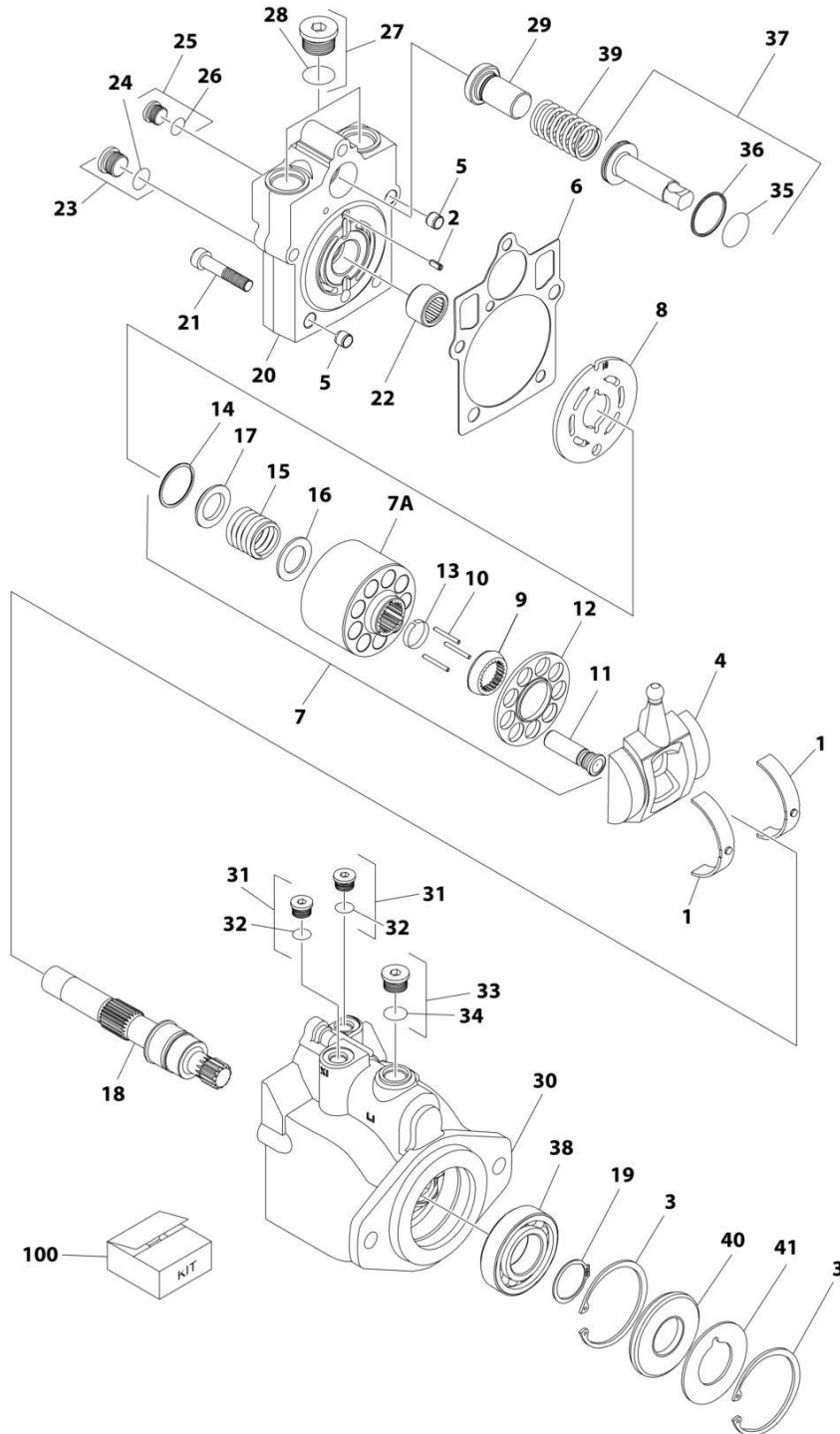
SECTION 1 - FRAME

FIGURE 1-6. DRIVE HUB/BRAKE ASSEMBLY

ITEM	PART NUMBER	QTY	DESCRIPTION	REV
	1001219219	Ref	DRIVE HUB/BRAKE ASSEMBLY	C
1	See Note	NSS	Spindle/Housing Assembly (Note: Not Available - Purchase Individual Components)	
1A	70006677	1	Spindle	
1B	70006678	1	Seal	
1C	1001091460	1	Cone, Bearing	
1D	1001091460	1	Cup, Bearing	
1E	1001091461	1	Cone, Bearing	
1F	1001091461	1	Cup, Bearing	
1G	See Note	NSS	Housing (Note: Not Available - Not Available for Purchase)	
1H	7000239	1	Thrustwasher	
1I	7000240	1	Ring, Retaining	
1J	7001928	1	Plug, Pipe	
1N	See Note	NSS	Stud, Wheel (Note: Not Available - Not Available for Purchase)	
2	7024782	1	Gear, Ring	
3	70006673	1	Carrier Assembly	
4	7024151	1	Gear, Internal	
5	7000224	2	O-Ring	
6	70006674	NSS	Cover Assembly (Note: Not Available - Not Available for Purchase)	
7	70006691	1	Thrustwasher	
8	7000283	1	Spring	
8A	7024191	1	Housing, Piston	
8B	70006684	1	Piston	
8C	See Note	NSS	O-Ring (Note: Use Item 101)	
8D	See Note	NSS	Ring, Back-up (Note: Use Item 101)	
8E	See Note	NSS	O-Ring (Note: Use Item 101)	
8F	See Note	NSS	Ring, Back-up (Note: Use Item 101)	
8G	See Note	NSS	Gasket (Note: Use Items 100 & 101)	
8H	See Note	NSS	Brake, Stator (Note: Use Item 100)	
8J	See Note	NSS	Brake, Rotor (Note: Use Item 100)	
8K	See Note	NSS	Plate, Pressure (Note: Use Item 100)	
8L	80344004	10	Spring	
8M	70006685	6	Capscrew	
8N	70006690	6	Lockwasher	
8P	70006680	2	Spring	
8R	7017082	2	Plug	
8S	7024190	2	Pin, Dowel	
9	7000284	1	Ring, Retaining	
11	70006675	1	Shaft, Input	
12	7024154	1	Spacer, Input	
13	7024149	1	Gear, Sun	
15	70006692	2	Thrustwasher	
17	7000289	12	Bolt 3/8 x 2-1/2in (Grade 8)	
19	70006676	1	Coupling	
19B	7017028	1	Ring, Retaining	
20	7017047	2	Pin, Dowel	
100	70006832	1	Friction Disc Kit (Includes Items 8G, 8H, 8J & 8K)	
101	70006833	1	Seal Kit (Includes Items - 8C-8G)	

SECTION 1 - FRAME

FIGURE 1-7. DRIVE MOTOR ASSEMBLY - 4WD



ART_3160348

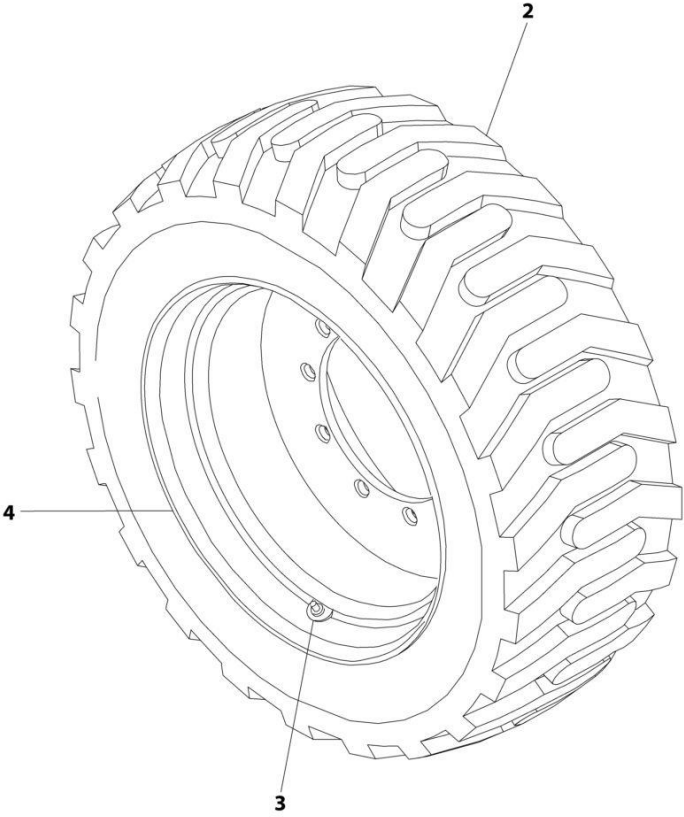
SECTION 1 - FRAME

FIGURE 1-7. DRIVE MOTOR ASSEMBLY - 4WD

ITEM	PART NUMBER	QTY	DESCRIPTION	REV
	3160348	Ref	DRIVE MOTOR ASSEMBLY	D
1	7022302	2	Bearing, Journal	
2	7007446	1	Pin	
3	7007438	2	Ring, Retaining	
4	7022305	1	Swash Plate	
5	See Note	2	Pin (Note: Not Available for Purchase)	
6	See Note	NSS	Gasket (Note: Use Item 100)	
7	7023907	1	Cylinder Block Kit (Includes Items 7A & 9-17)	
7A	See Note	NSS	Block, Cylinder (Note: Use Item 7)	
8	7023908	1	Plate, Valve	
9	7021277	1	Guide, Slipper Retainer	
10	7021275	3	Pin, Slipper Hold Down	
11	See Note	NSS	Piston Assembly (Note: Use Item 7)	
12	7022310	1	Retainer, Slipper	
13	7021276	1	Retainer, Hold Down Pin	
14	7022311	1	Ring, Retaining	
15	7022312	1	Spring	
16	7024868	1	Washer	
17	7022314	1	Retainer, Spring	
18	7023910	1	Shaft	
19	7007439	1	Ring, Retaining	
20	70000797	1	Cap, End - Axial	
21	7022368	5	Screw	
22	7021249	1	Bearing, Needle	
23	2220886	1	Plug (Includes Item 24)	
24	See Note	1	O-Ring (Note: Use Item 23 or 100)	
25	2220883	1	Plug (Includes Item 26)	
26	See Note	NSS	O-Ring (Note: Use Item 25 or 100)	
27	2220888	2	Plug (Includes Item 28)	
28	See Note	NSS	O-Ring (Note: Use Item 27 or 100)	
29	7022372	1	Seat, Spring	
30	See Note	NSS	Housing (Note: Not Available - Purchase Complete Assembly)	
31	2220883	2	Plug (Includes Item 32)	
32	See Note	NSS	O-Ring (Note: Use Item 31 or 100)	
33	2220886	1	Plug (Includes Item 34)	
34	See Note	NSS	O-Ring (Note: Use Item 33 or 100)	
35	See Note	NSS	O-Ring (Note: Use Item 100)	
36	See Note	NSS	Ring, Seal (Note: Use Item 100)	
37	7024854	1	Piston, Servo (Includes Items 35 & 36)	
38	7007437	1	Bearing	
39	7022326	1	Spring	
40	See Note	1	Seal, Lip (Note: Use Item 100)	
41	7022371	1	Washer, Support	
		Ref	KIT OPTIONS:	
100	7022328	1	Seal Kit (Includes Items 6, 24, 26, 28, 32, 34, 35, 36 & 40)	

SECTION 1 - FRAME

FIGURE 1-8. TIRE & WHEEL INSTALLATION - 15-625 NHS FOAM-FILLED



ART_0270886

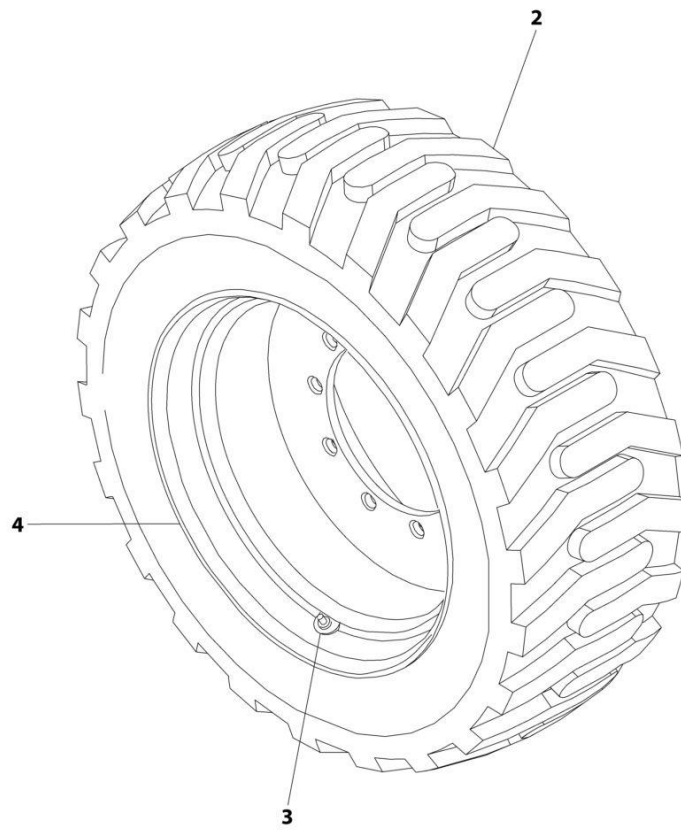
SECTION 1 - FRAME

FIGURE 1-8. TIRE & WHEEL INSTALLATION - 15-625 NHS FOAM-FILLED

ITEM	PART NUMBER	QTY	DESCRIPTION	REV
	0270886	Ref	TIRE AND WHEEL INSTALLATION	D
	0271085	2	Tire and Wheel Assembly - 15-625 NHS Foam-Filled LH Side	I
	0271086	2	Tire and Wheel Assembly - 15-625 NHS Foam-Filled RH Side	I
		Ref	Note: Assemblies may require ballast/foam filling to manufacturer's specifications prior to installing on a machine. Refer to Operation and Safety or Service and Maintenance Manuals.	
		Ref	Purchase individual tire and/or rim only if able to foam fill tire and wheel assembly, otherwise, purchase complete assembly.	
2	4520252	1	Tire 15-625	
3	4641122	1	Valve, Air	
4	4860224	1	Rim, Wheel - 13 x 24.5 Rim	

SECTION 1 - FRAME

FIGURE 1-9. TIRE AND WHEEL INSTALLATION 18-625 NHS FOAM-FILLED TIRE



ART_0270888

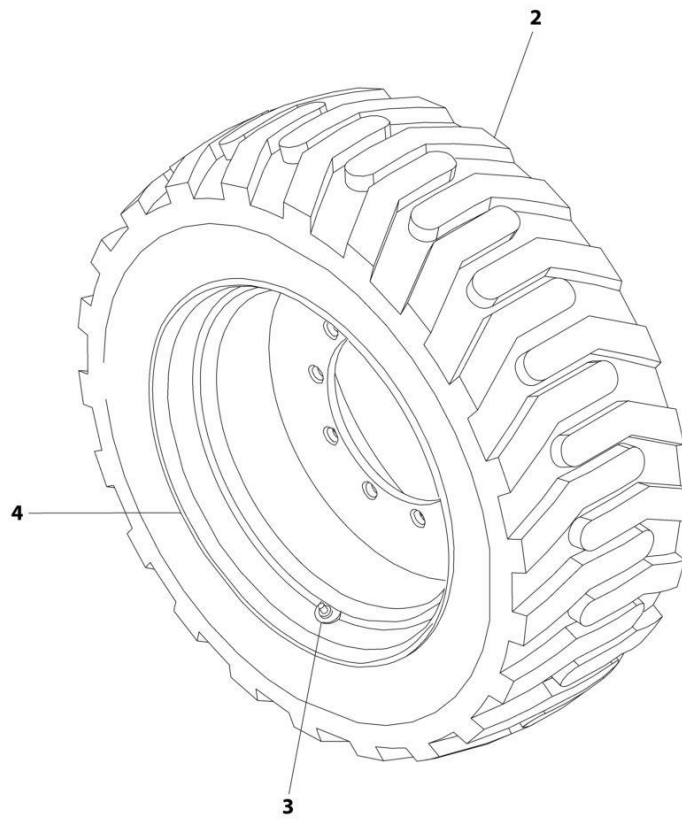
SECTION 1 - FRAME

FIGURE 1-9. TIRE AND WHEEL INSTALLATION 18-625 NHS FOAM-FILLED TIRE

ITEM	PART NUMBER	QTY	DESCRIPTION	REV
	0270888	Ref	TIRE AND WHEEL INSTALLATION	C
	0271090	2	Tire and Wheel Assembly - 18-625 NHS Foam-Filled LH Side	G
	0271091	2	Tire and Wheel Assembly - 18-625 NHS Foam-Filled RH Side	G
		Ref	Note: Assemblies may require ballast/foam filling to manufacturer's specifications prior to installing on a machine. Refer to Operation and Safety or Service and Maintenance Manuals.	
		Ref	Purchase individual tire and/or rim only if able to foam fill tire and wheel assembly, otherwise, purchase complete assembly.	
2	4520253	1	Tire 18-625	
3	4641122	1	Valve, Air	
4	4860225	1	Rim, Wheel - 15 x 24.5 Rim	

SECTION 1 - FRAME

FIGURE 1-10. TIRE AND WHEEL INSTALLATION 18-625 NHS FOAM-FILLED NON-MARKING TIRE



ART_1001169757

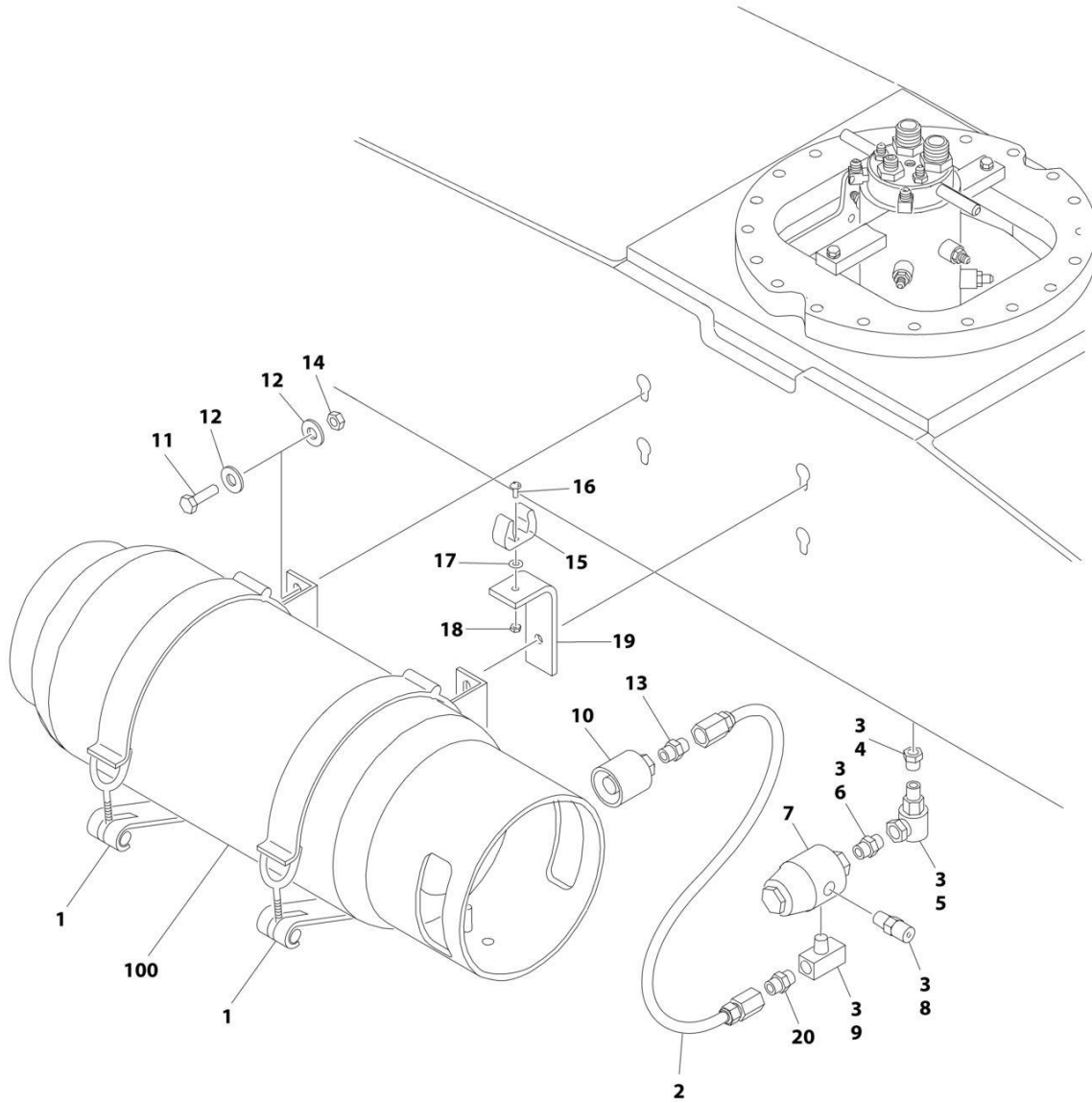
SECTION 1 - FRAME

FIGURE 1-10. TIRE AND WHEEL INSTALLATION 18-625 NHS FOAM-FILLED NON-MARKING TIRE

ITEM	PART NUMBER	QTY	DESCRIPTION	REV
	1001169757	Ref	TIRE AND WHEEL INSTALLATION	A
	1001169755	2	Tire and Wheel Assembly - 18-625 NHS Foam-Filled Non-Marking LH Side	D
	1001169756	2	Tire and Wheel Assembly - 18-625 NHS Foam-Filled Non-Marking RH Side	D
		Ref	Note: Assemblies may require ballast/foam filling to manufacturer's specifications prior to installing on a machine. Refer to Operation and Safety or Service and Maintenance Manuals.	
		Ref	Purchase individual tire and/or rim only if able to foam fill tire and wheel assembly, otherwise, purchase complete assembly.	
2	1001169754	1	Tire 18-625 Non-Marking	
3	4641122	1	Valve, Air	
4	4860225	1	Rim, Wheel - 15 x 24.5 Rim	

SECTION 1 - FRAME

FIGURE 1-11. LP TANK BRACKETS INSTALLATIONS



ART_1001151010

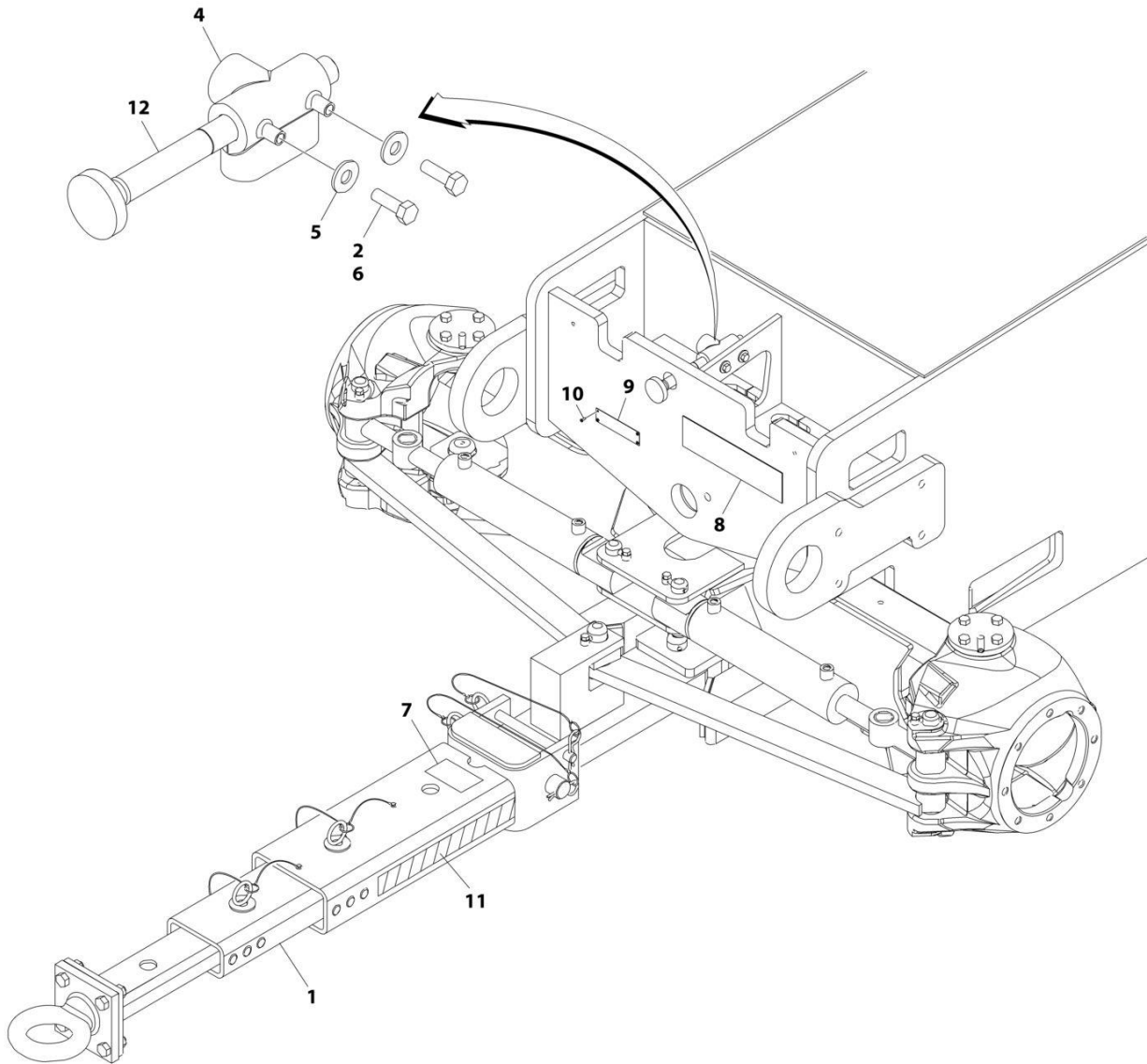
SECTION 1 - FRAME

FIGURE 1-11. LP TANK BRACKETS INSTALLATIONS

ITEM	PART NUMBER	QTY	DESCRIPTION	REV
	1001151010	Ref	LP TANK BRACKETS INSTALLATION	E
1	1320220	2	Clamp	
1	1320127	2	Clamp, Toggle (1 Per Clamp)	
2	2720144	2	Hose	
3	0100020	AR	Sealant, Pipe	
4	2221197	1	Fitting, Reducer	
5	1001247358	1	Fitting, 90 Swivel	
6	2220261	1	Fitting, Nipple	
7	2180388	1	Fitting, Bulkhead	
8	2180389	1	Valve, Relief	
9	2220418	1	Fitting, Tee	
10	2180387	2	Fitting, Straight	
11	0641617	8	Bolt 3/8 x 2-1/8	
12	4751600	16	Washer 3/8	
13	2180418	2	Fitting, Connector	
14	3311605	8	Nut 3/8	
15	1320218	2	Clamp, Spring	
16	0720804	2	Screw #8 x 1/2	
17	4750800	4	Washer #8	
18	3310805	2	Nut #8	
19	0181949	2	Angle, Support	
20	2221024	2	Fitting, Union Ball Check	
100	4400275	1	Tank, LP - 43.5 Lbs. (Aluminum)	

SECTION 1 - FRAME

FIGURE 1-12. TOW PACKAGE INSTALLATION (ENGLISH DECALS)



ART_1001158436

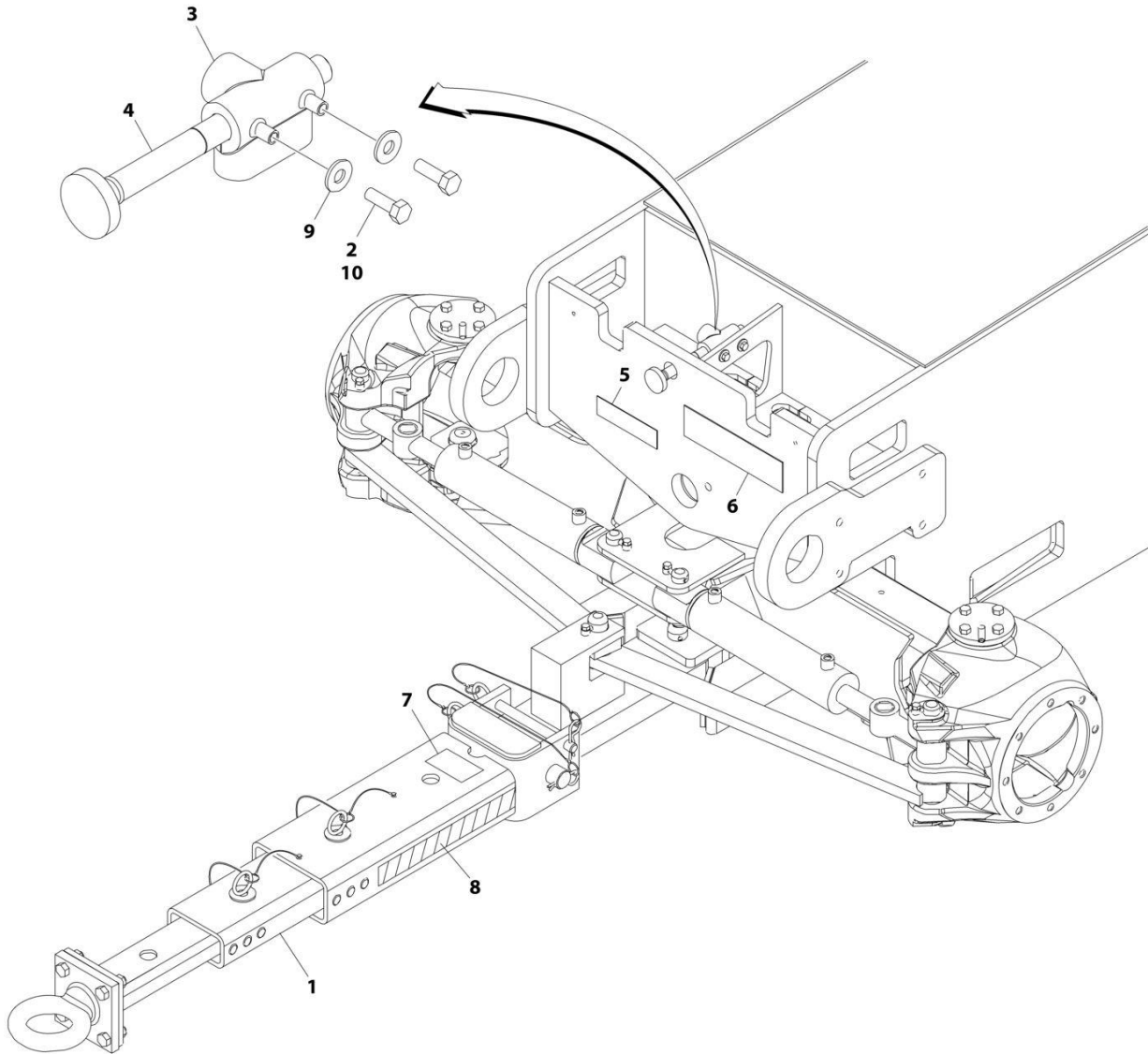
SECTION 1 - FRAME

FIGURE 1-12. TOW PACKAGE INSTALLATION (ENGLISH DECALS)

ITEM	PART NUMBER	QTY	DESCRIPTION	REV
	1001158436	Ref	TOW BAR INSTALLATION (ENGLISH DECALS)	B
	0270528	1	Tow Bar Assembly (See Separate Breakdown in this Section)	
2	0641508	2	Bolt 5/16 x 1	
4	4640261	1	Valve, Select	
5	4751500	4	Washer 5/16	
6	0100011	AR	Compound, Locking	
7	1704578	2	Decal - Crushing	
8	1705090	1	Decal - Towing Instructions	
9	3250872	1	Decal/Nameplate - Steer/Tow Select Valve	
10	3820001	4	Rivet	
11	4420051	AR	Tape, Safety	
12	1001160780	1	Extension, Rod	

SECTION 1 - FRAME

FIGURE 1-13. TOW PACKAGE INSTALLATION (FRENCH/ENGLISH DECALS)



ART_1001220283

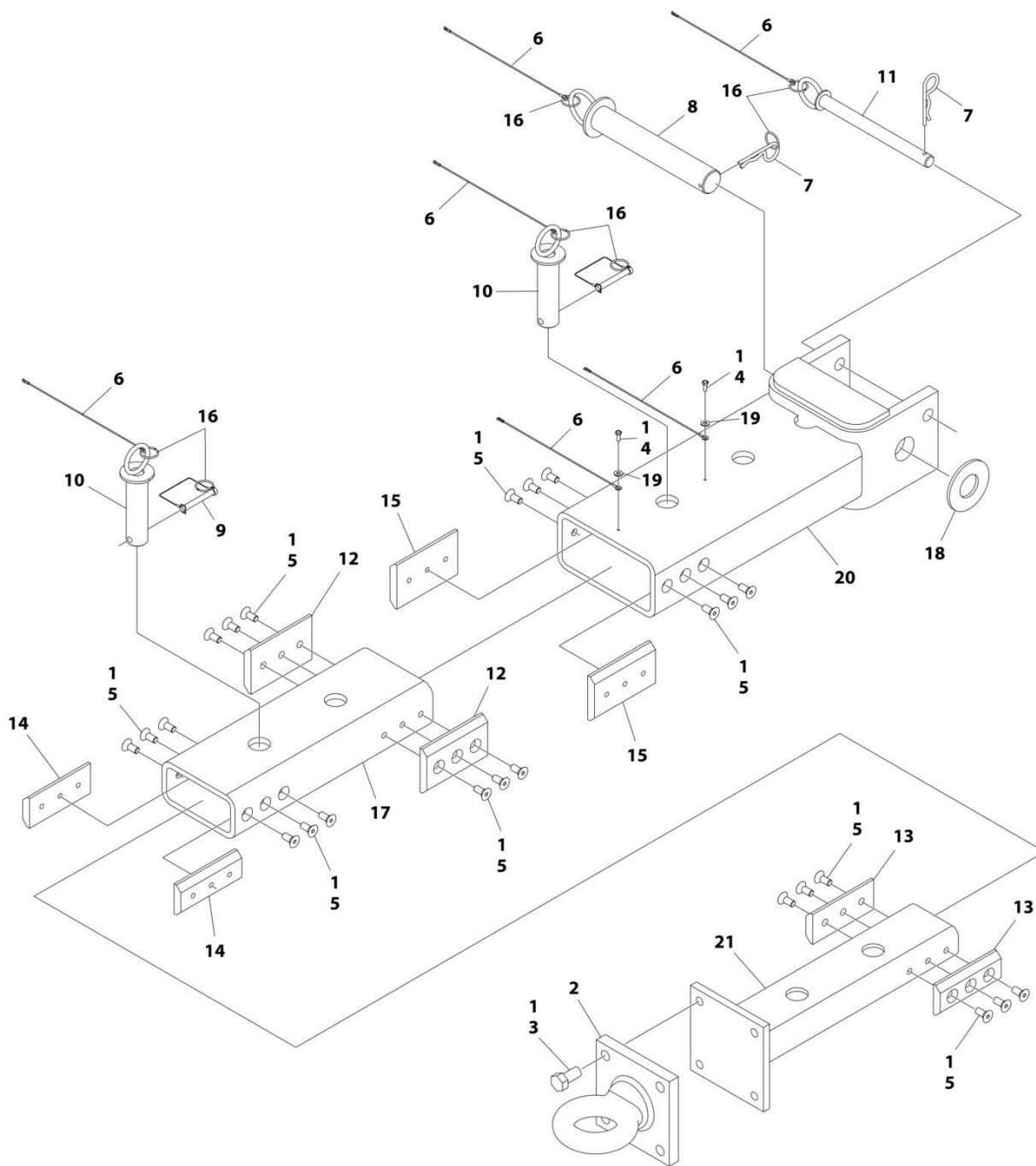
SECTION 1 - FRAME

FIGURE 1-13. TOW PACKAGE INSTALLATION (FRENCH/ENGLISH DECALS)

ITEM	PART NUMBER	QTY	DESCRIPTION	REV
	1001220283	Ref	TOW BAR INSTALLATION (FRENCH/ENGLISH DECALS)	A
	0270528	1	Tow Bar Assembly (See Separate Breakdown in this Section)	
2	0641508	2	Bolt 5/16 x 1	
3	4640261	1	Valve, Select	
4	1001160780	1	Extension, Rod	
5	1704272	1	Decal/Nameplate - Steer/Tow Select Valve	
6	1705820	1	Decal - Towing Instructions	
7	1706593	2	Decal - Crushing	
8	4420051	AR	Tape, Safety	
9	4751500	4	Washer 5/16	
10	0100011	AR	Compound, Locking	

SECTION 1 - FRAME

FIGURE 1-14. TOW BAR ASSEMBLY



ART_0270528

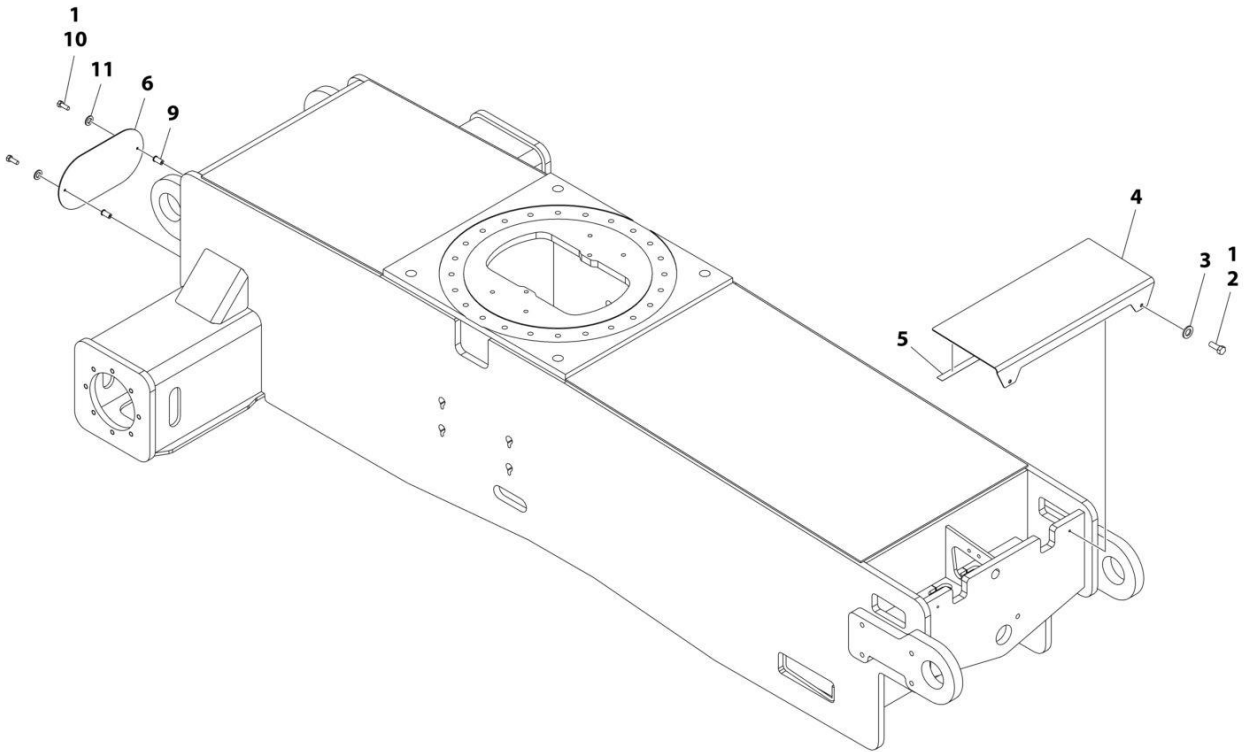
SECTION 1 - FRAME

FIGURE 1-14. TOW BAR ASSEMBLY

ITEM	PART NUMBER	QTY	DESCRIPTION	REV
	0270528	Ref	TOW BAR ASSEMBLY	B
1	0100011	AR	Compound, Locking	
2	0362910	1	Pintle, Draw Eye	
3	0642010	4	Bolt 5/8 x 1-1/4	
4	0721004	2	Screw, Hex Machine	
5	0741607	24	Screw, Countersunk 3/8 x 7/8	
6	1060584	6	Cable, Lanyard	
7	3420372	2	Pin, Cotter	
8	3420447	1	Pin, Towing	
9	3421565	2	Pin, Snap	
10	3422841	2	Pin	
11	3422847	1	Pin	
12	3572009	2	Plate, Slide Stop	
13	3572010	2	Plate, Slide Stop	
14	3572011	2	Plate, Slide Stop	
15	3572012	2	Plate, Slide Stop	
16	3760170	8	Ring, Split	
17	4568133	1	Tube, Tow Bar	
18	4740036	1	Washer	
19	4751000	2	Washer #10	
20	4846295	1	Tow Bar Attach Weldment	
21	4846296	1	Pintle Attach Weldment	

SECTION 1 - FRAME

FIGURE 1-15. FRAME SHIELDS INSTALLATION



ART_1001158203

SECTION 1 - FRAME

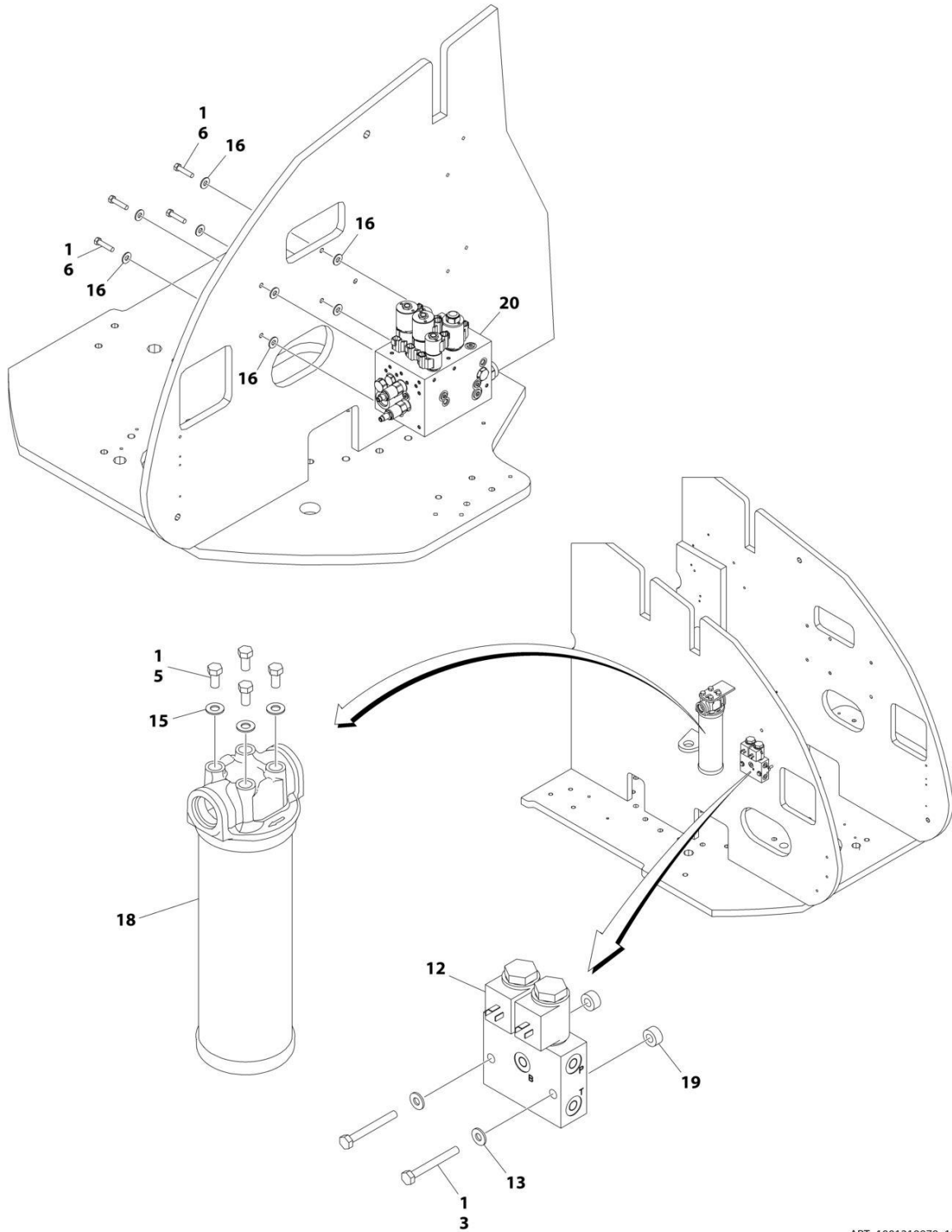
FIGURE 1-15. FRAME SHIELDS INSTALLATION

ITEM	PART NUMBER	QTY	DESCRIPTION	REV
	1001158203	Ref	FRAME SHIELDS INSTALLATION	D
1	0100011	AR	Compound, Locking	
2	0641606	2	Bolt 3/8 x 3/4	
3	4751600	2	Washer 3/8	
4	1001158187	1	Cover	
5	4280296	27 in/ 68cm	Trim	
6	1001158188	1	Cover	
9	8580420	2	Nut, Well	
10	0641410	2	Bolt 1/4 x 1-1/4	
11	4751400	2	Washer 1/4	

SECTION 2 - TURNTABLE

SECTION 2 - TURNTABLE

FIGURE 2-1. CONTROL VALVES INSTALLATION (800S HC3)



ART_1001219979_10F2

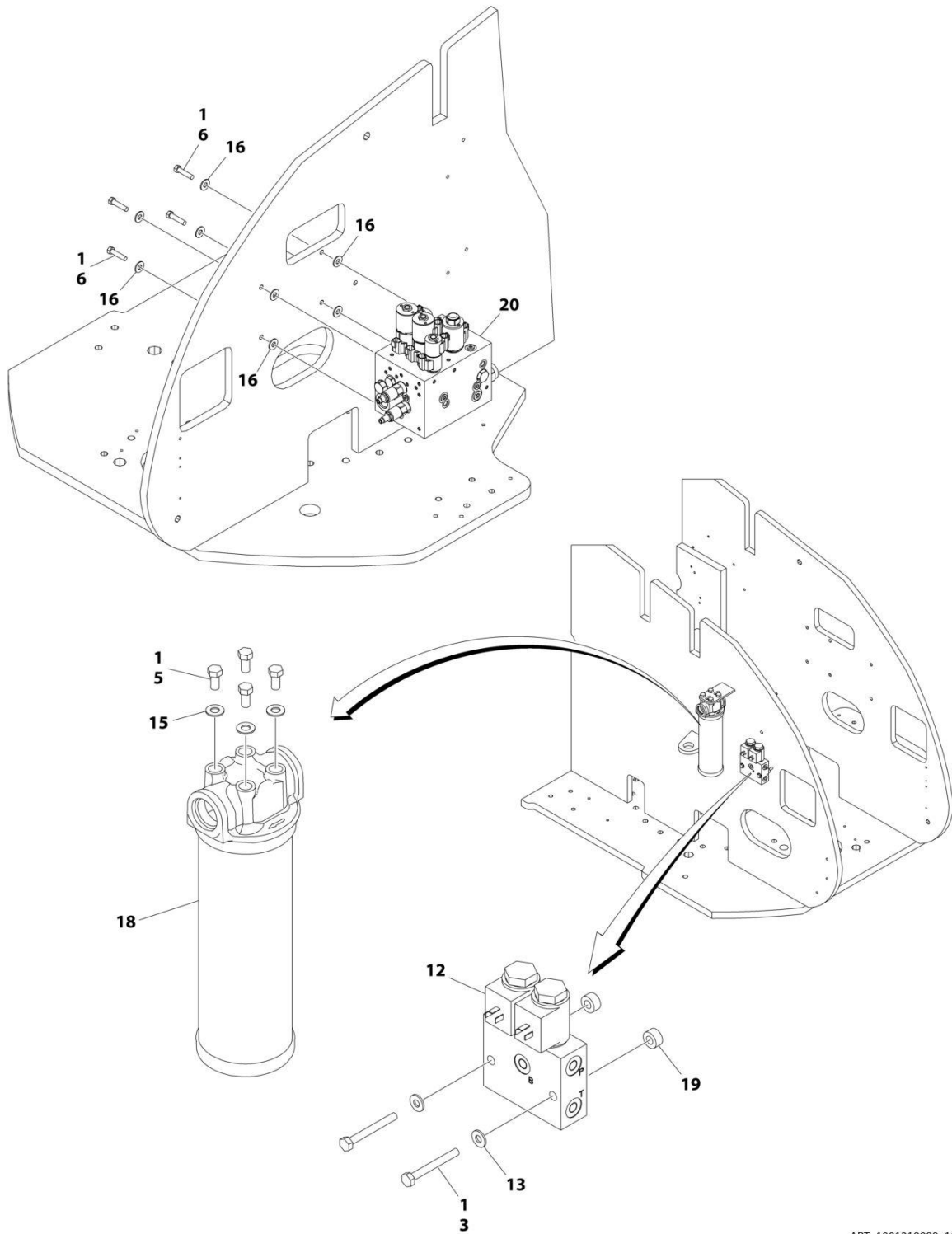
SECTION 2 - TURNTABLE

FIGURE 2-1. CONTROL VALVES INSTALLATION (800S HC3)

ITEM	PART NUMBER	QTY	DESCRIPTION	REV
	1001219979	Ref	VALVES INSTALLATION	B
1	0100011	AR	Compound, Locking	
3	0641418	2	Bolt 1/4 x 2-1/4	
5	0641606	4	Bolt 3/8 x 3/4	
6	0641613	4	Bolt 3/8 x 1-5/8	
12	4641317	1	Dual Select Valve Assembly	C
12	7012944	2	Coil	
12	7012941	2	Cartridge Less Coil	
12	7010543	2	Seal Kit - 7012941 Valve (1 Per Cartridge)	
13	4711400	2	Washer 1/4	
15	4711600	4	Washer 3/8	
16	4751600	8	Washer 3/8	
18	1001108617	AR	Hydraulic Filter Assembly	
18	70002231	1	Element, Filter	
19	1001110425	1	Spacer	
20	1001235900	1	Main Control Valve Assembly (See Separate Breakdown in this Section)	

SECTION 2 - TURNTABLE

FIGURE 2-2. CONTROL VALVES INSTALLATION (860SJ HC3)



ART_1001219980_10F2

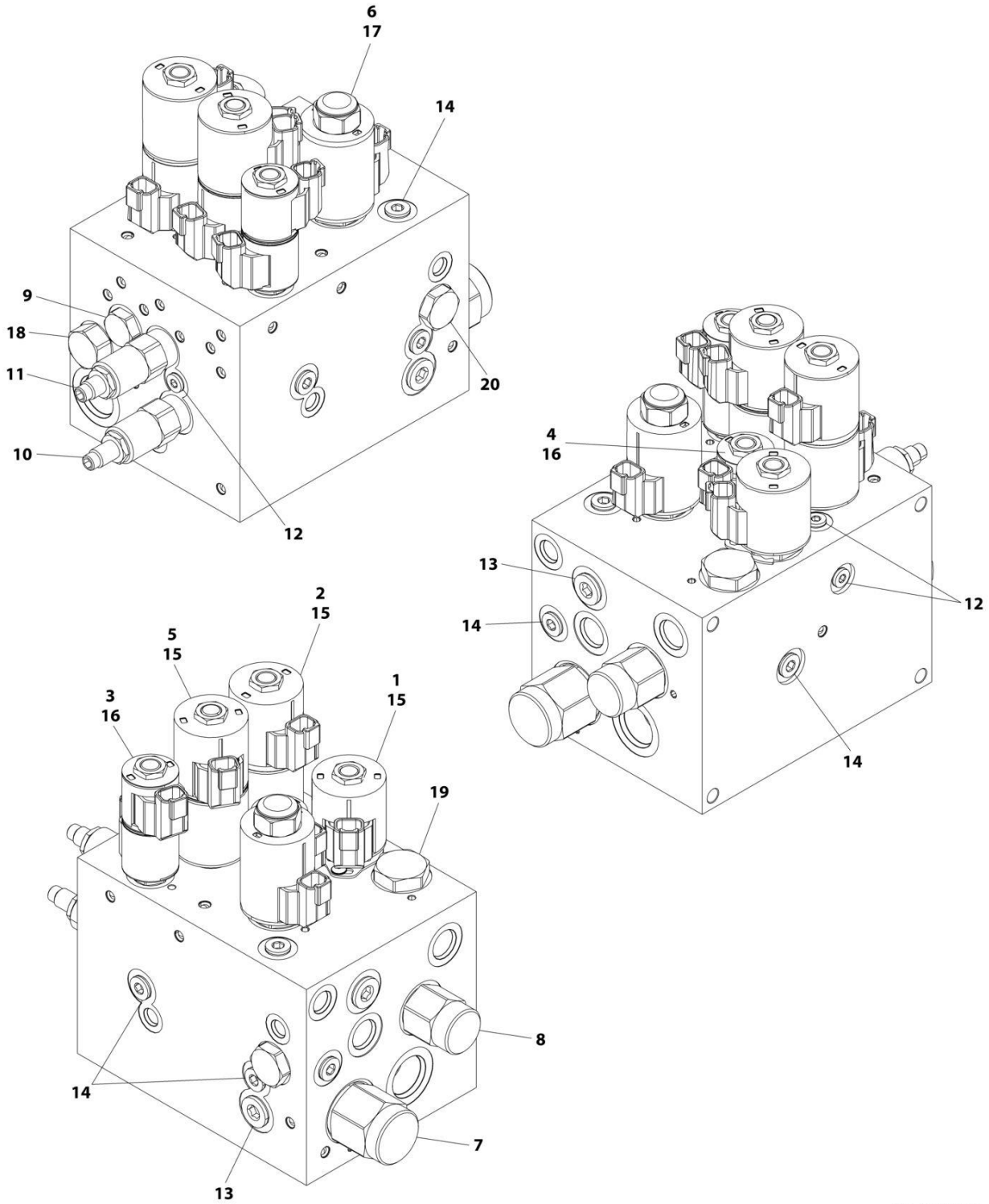
SECTION 2 - TURNTABLE

FIGURE 2-2. CONTROL VALVES INSTALLATION (860SJ HC3)

ITEM	PART NUMBER	QTY	DESCRIPTION	REV
	1001219980	Ref	VALVES INSTALLATION	B
1	0100011	AR	Compound, Locking	
3	0641418	2	Bolt 1/4 x 2-1/4	
5	0641606	4	Bolt 3/8 x 3/4	
6	0641613	4	Bolt 3/8 x 1-5/8	
12	4641317	1	Dual Select Valve Assembly	C
12	7012944	2	Coil	
12	7012941	2	Cartridge Less Coil	
12	7010543	2	Seal Kit - 7012941 Valve (1 Per Cartridge)	
13	4711400	2	Washer 1/4	
15	4711600	4	Washer 3/8	
16	4751600	8	Washer 3/8	
18	1001108617	AR	Hydraulic Filter Assembly	
18	70002231	1	Element, Filter	
19	1001110425	1	Spacer	
20	1001235900	1	Main Control Valve Assembly (See Separate Breakdown in this Section)	

SECTION 2 - TURNTABLE

FIGURE 2-3. MAIN CONTROL VALVE ASSEMBLY



ART_1001235900

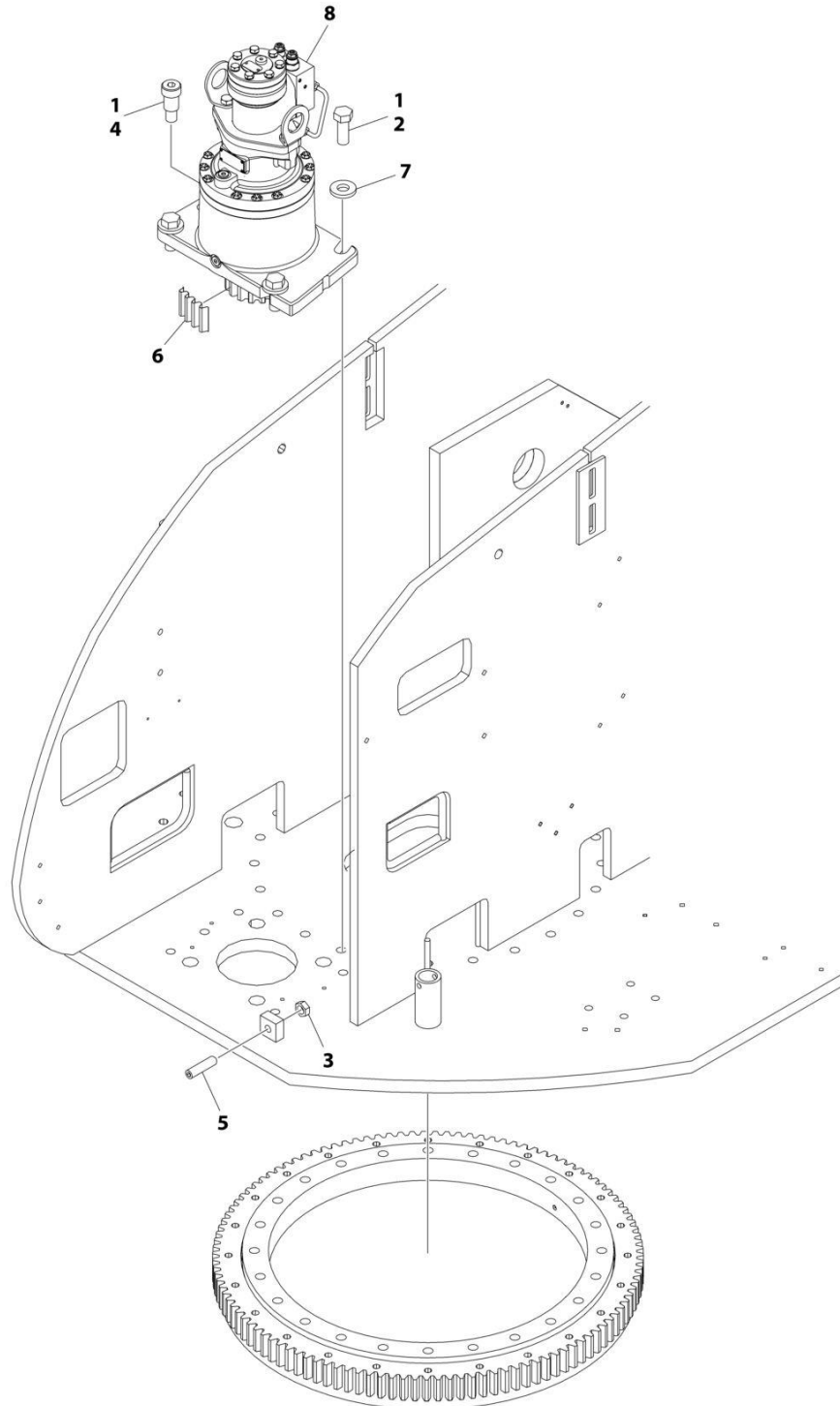
SECTION 2 - TURNTABLE

FIGURE 2-3. MAIN CONTROL VALVE ASSEMBLY

ITEM	PART NUMBER	QTY	DESCRIPTION	REV
	1001235900	Ref	MAIN CONTROL VALVE ASSEMBLY	B
1	70004570	1	Cartridge, Solenoid Valve (Main Dump)	
1	70004571	1	Seal Kit - 70004570 Valve	
1	70005725	1	Lock Down Kit	
2	7023925	1	Cartridge, Solenoid Valve (Steer)	
2	7012903	1	Seal Kit - 7023925 Valve	
3	7017452	1	Cartridge, Solenoid Valve (Tele)	
3	7017402	1	Seal Kit - 7017452 Valve	
4	7021612	1	Cartridge, Solenoid Valve (Lift)	
4	7012907	1	Seal Kit - 7021612 Valve	
5	70003022	1	Cartridge, Solenoid Valve (Swing)	
5	7012903	1	Seal Kit - 70003022 Valve	
6	70004572	1	Cartridge, Solenoid Valve (Tele)	
6	70004573	1	Seal Kit - 70004572 Valve	
7	70004574	1	Cartridge, Valve	
7	70004575	1	Seal Kit - 70004574 Valve	
8	70004576	1	Cartridge, Valve	
8	70004577	1	Seal Kit - 70004576 Valve	
9	10837580	1	Cartridge, Valve	
9	7010543	1	Seal Kit - 10837580 Valve	
10	7017422	1	Cartridge, Valve	
10	7012998	1	Seal Kit - 7017422 Valve	
11	70004578	1	Cartridge, Valve	
11	7021653	1	Seal Kit - 70004578 Valve	
12	91164059	3	Plug, #4	
13	91164057	3	Plug, #8	
14	91164079	6	Plug, #6	
15	70003788	5	Coil	
16	70002386	3	Coil	
17	70003789	1	Coil	
18	70004579	1	Cartridge, Valve	
18	70004580	1	Seal Kit - 70004579 Valve	
19	70004581	1	Cartridge, Valve	
19	70004571	1	Seal Kit - 70004581 Valve	
20	7023985	1	Cartridge, Valve	
20	7017496	1	Seal Kit - 7023985 Valve	

SECTION 2 - TURNTABLE

FIGURE 2-4. SWING DRIVE INSTALLATION



ART_1001094899

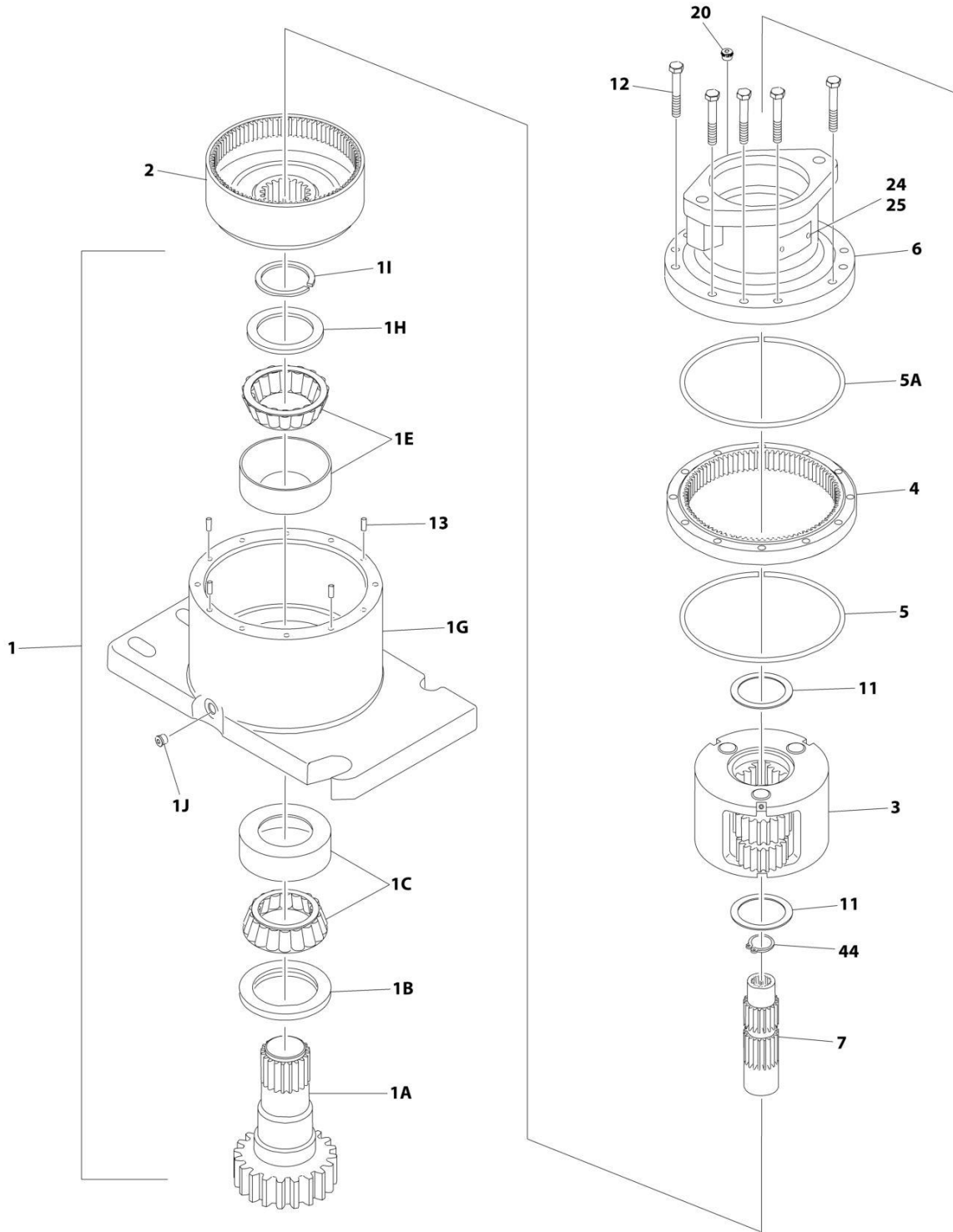
SECTION 2 - TURNTABLE

FIGURE 2-4. SWING DRIVE INSTALLATION

ITEM	PART NUMBER	QTY	DESCRIPTION	REV
	1001094899	Ref	SWING DRIVE INSTALLATION	E
1	0100019	AR	Compound, Locking	
2	0682216	4	Bolt 3/4 x 2 Grade 8	
3	3312002	1	Nut, Jam 3/4	
4	3900293	1	Bolt, Shoulder	
5	3952020	2	Setscrew 5/8 x 2-1/2	
6	1001125492	1	Shim	
7	4740057	4	Washer 3/4 Hardened	
8	1001229810	1	Swing Motor/Swing Hub Assembly (See Separate Breakdown in this Section)	

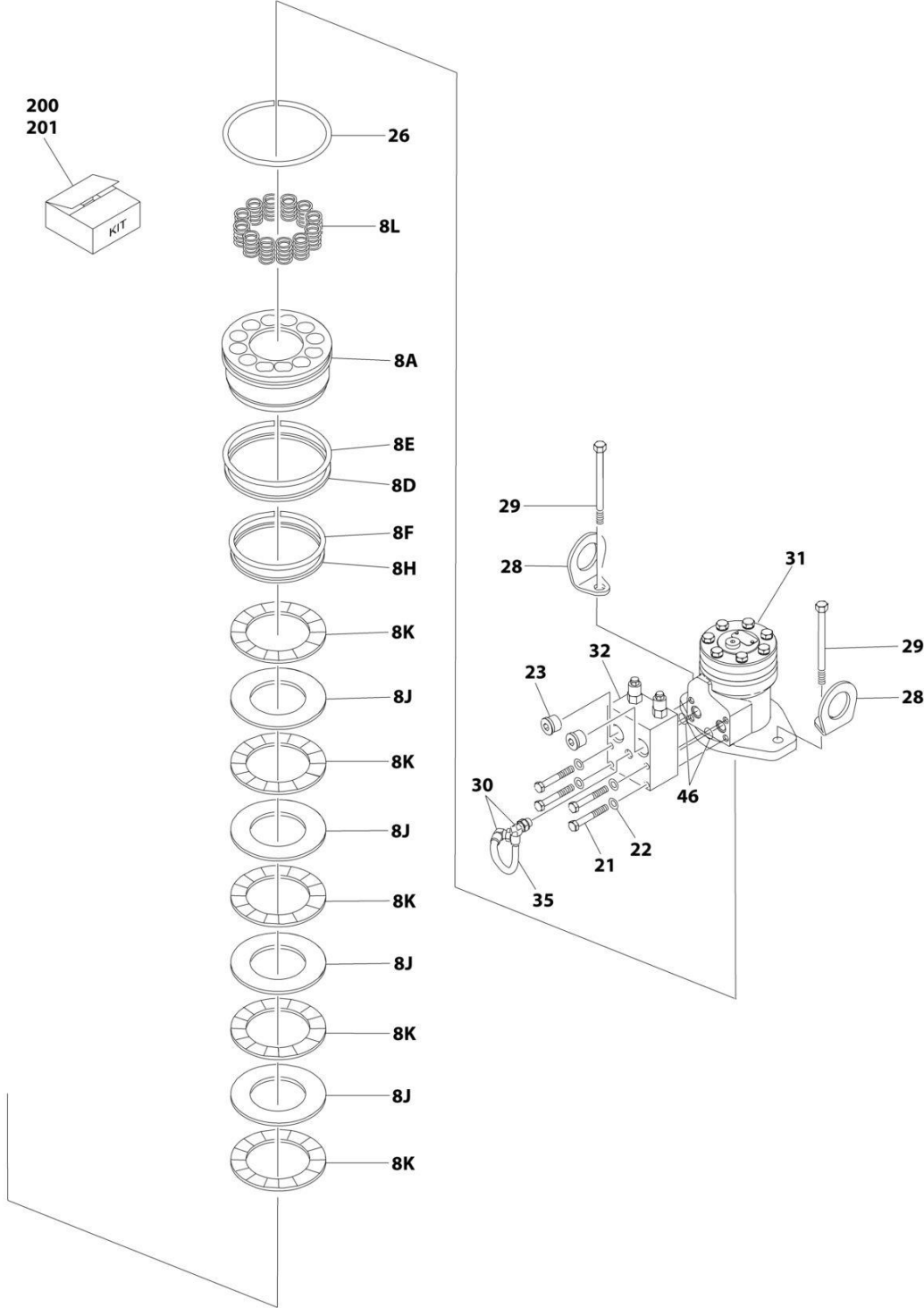
SECTION 2 - TURNTABLE

FIGURE 2-5. SWING MOTOR/HUB ASSEMBLY



ART_1001229810_10F2

SECTION 2 - TURNTABLE



ART_1001229810_20F2

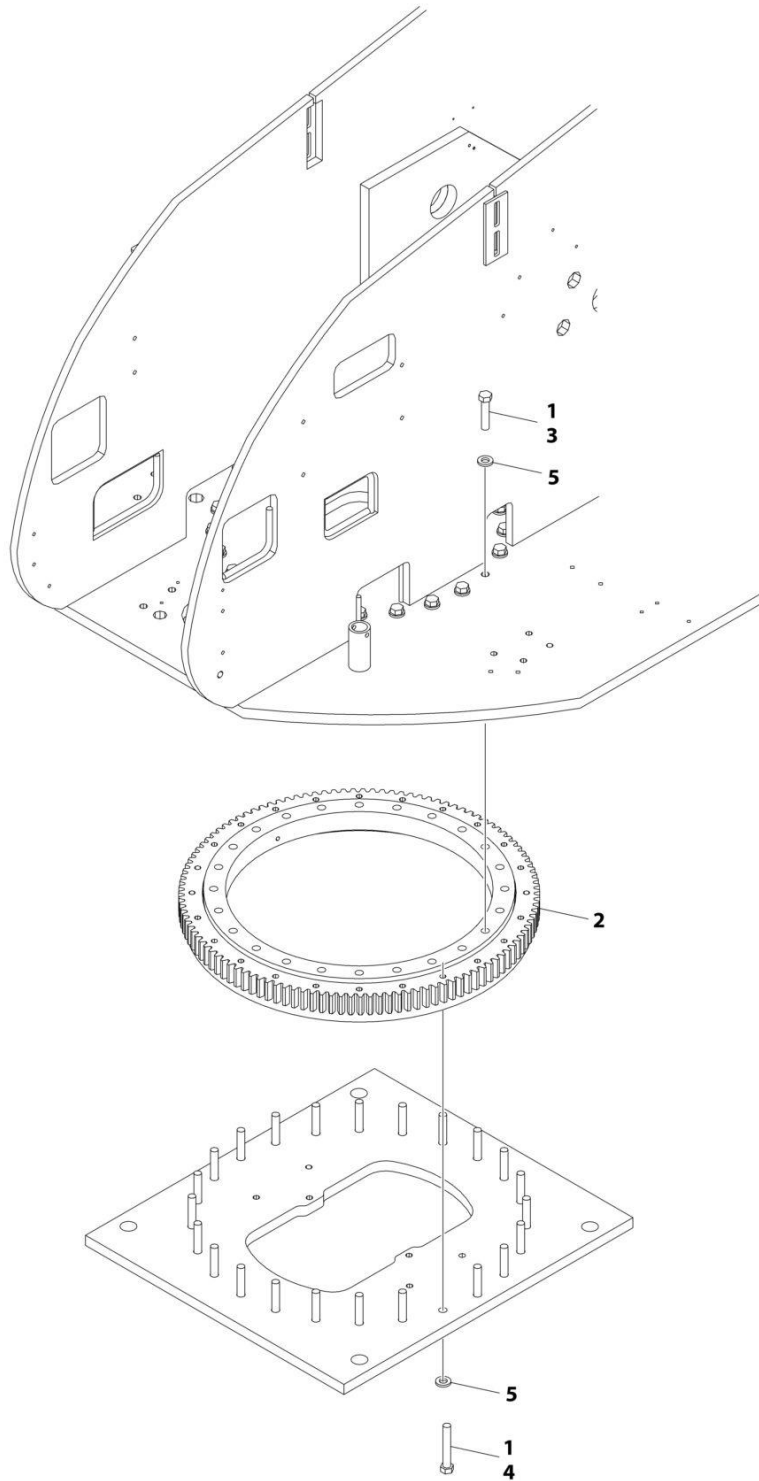
SECTION 2 - TURNTABLE

FIGURE 2-5. SWING MOTOR/HUB ASSEMBLY

ITEM	PART NUMBER	QTY	DESCRIPTION	REV
	1001229810	Ref	SWING MOTOR/HUB ASSEMBLY	C
1	See Note	1	Housing/Shaft Assembly (Note: Not Available - Purchase Individual Components)	
1A	7010492	1	Shaft, Output	
1B	7000228	1	Seal, Lip	
1C	7000255	1	Bearing Kit (Includes Cup and Cone)	
1E	7000257	1	Bearing Kit (Includes Cup and Cone)	
1G	7024762	1	Housing	
1H	7007633	1	Washer, Thrust	
1I	7000229	1	Ring, Retaining	
1J	7017072	1	Plug, Pipe	
2	7000246	1	Gear, Internal	
3	7000247	1	Carrier Assembly	
4	7000248	1	Gear, Ring	
5	7000230	1	O-Ring	
5A	7017070	1	O-Ring	
6	1001229810	NSS	Housing, Brake (Note: Not Available - Purchase Complete Assembly)	
7	70005203	1	Gear, Sun	
8A	70004037	1	Piston	
8D	70004041	1	O-Ring	
8E	70004044	1	Ring, Back-up	
8F	70004042	1	O-Ring	
8H	70004043	1	Ring, Back-up	
8J	70002085	4	Disc, Rotor	
8K	70002085	5	Disc, Stator	
8L	70002066	14	Spring	
11	7000253	2	Washer, Thrust	
12	7000217	12	Bolt 3/8 x 2-1/4 Grade 8	
13	7017080	4	Pin, Dowel	
20	7017072	1	Plug, Pipe	
21	7024704	4	Bolt 5/16 x 2 Grade 8	
22	70004045	4	Washer	
23	7017023	2	Plug, Pipe	
24	See Note	NSS	Plate, ID (Note: Not Available for Purchase)	
25	See Note	NSS	Rivet (Note: Not Available for Purchase)	
26	7024763	1	O-Ring	
28	See Note	NSS	Lug, Lifting (Note: Not Available for Purchase)	
29	70004040	2	Bolt 1/2 x 1 (Grade 8)	
30	7017085	2	Elbow	
31	70006304	1	Motor Assembly	
32	7024784	1	Valve Assembly - Complete (No Serviceable Parts)	
35	70004047	1	Tube	
44	7017028	1	Ring, Internal Retaining	
45	7000213	2	O-Ring	
		Ref	KIT OPTIONS:	
200	7024100	1	Seal Kit - Swing Hub (Includes Items 1B, 1I, 5, 5A & 11)	
201	70002085	1	Disc Kit - Swing Brake (Includes Items 8J & 8K)	

SECTION 2 - TURNTABLE

FIGURE 2-6. TURNTABLE BEARING INSTALLATION



ART_0271002

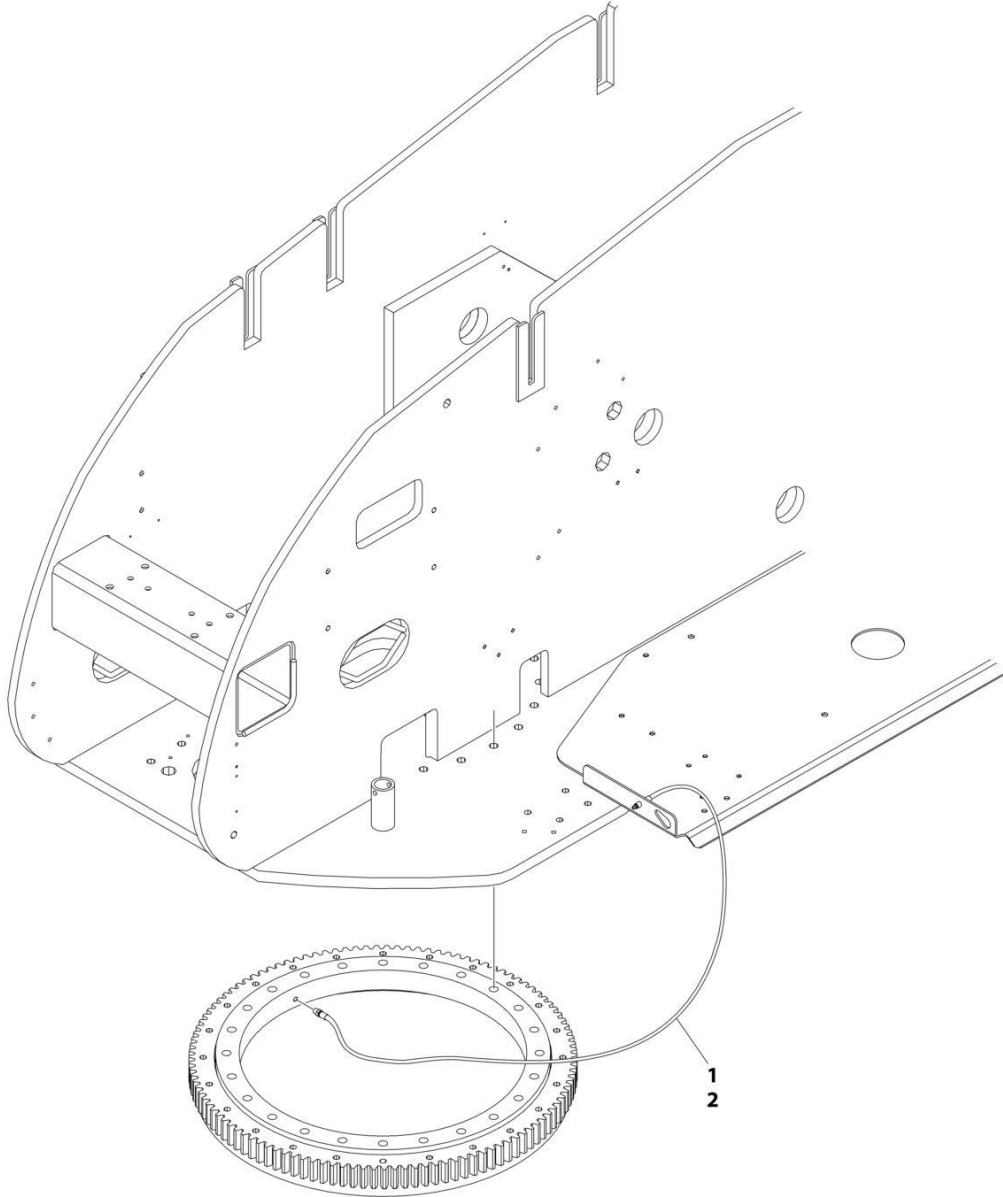
SECTION 2 - TURNTABLE

FIGURE 2-6. TURNTABLE BEARING INSTALLATION

ITEM	PART NUMBER	QTY	DESCRIPTION	REV
	0271002	Ref	TURNTABLE BEARING INSTALLATION	E
1	0100019	AR	Compound, Locking	
2	0440244	1	Bearing, Turntable	
3	0682023	24	Bolt 5/8 x 2-7/8 Grade 8	
4	0682032	24	Bolt 5/8 x 4 Grade 8	
5	4892000	48	Washer, 5/8 Hardened	

SECTION 2 - TURNTABLE

FIGURE 2-7. REMOTE BEARING LUBE INSTALLATION



ART_1001161076

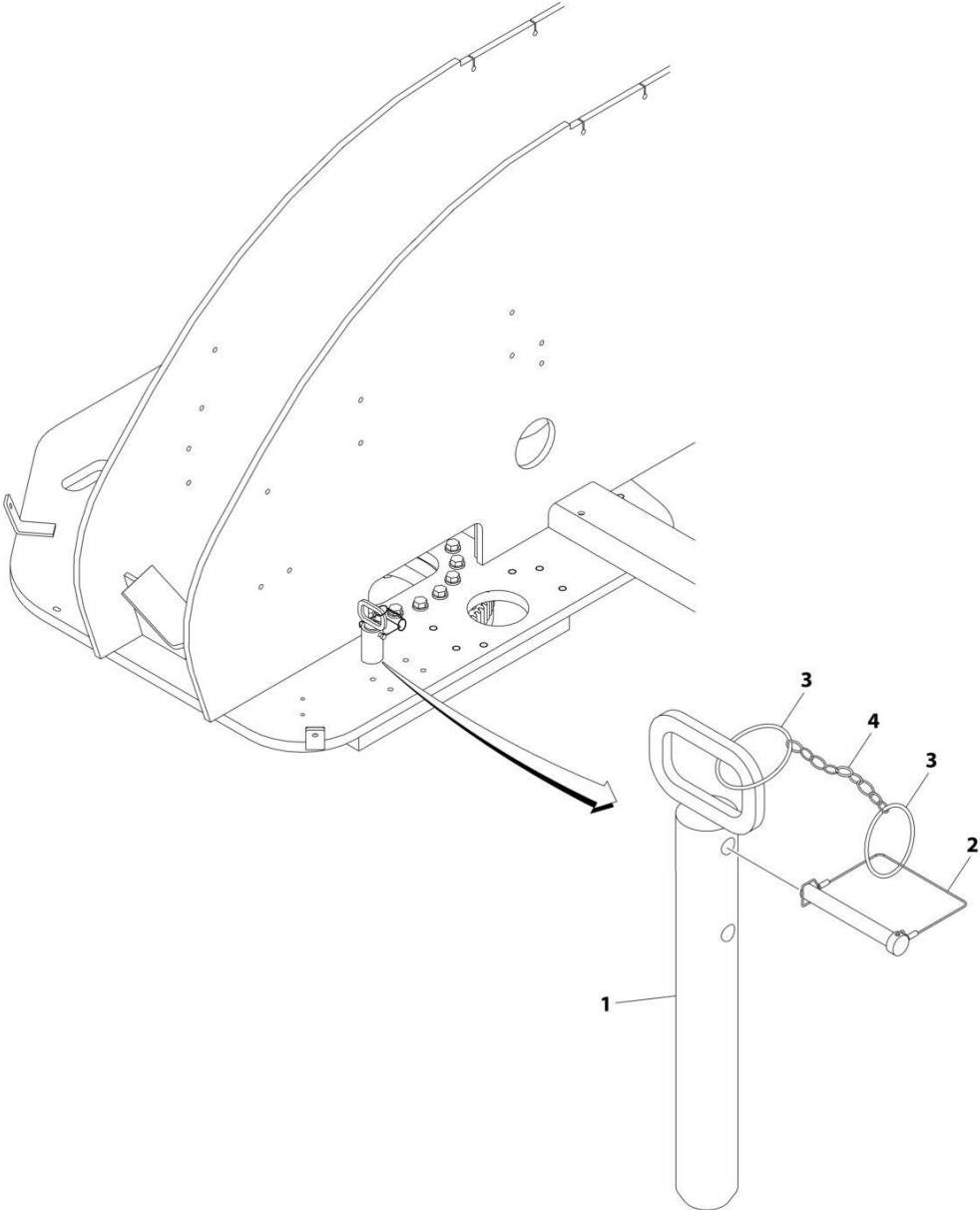
SECTION 2 - TURNTABLE

FIGURE 2-7. REMOTE BEARING LUBE INSTALLATION

ITEM	PART NUMBER	QTY	DESCRIPTION	REV
	1001161076	Ref	REMOTE BEARING LUBE INSTALLATION	B
1	0100011	AR	Compound, Locking	
2	1001188125	1	Hose and Fitting Assembly	

SECTION 2 - TURNTABLE

FIGURE 2-8. TURNTABLE LOCK INSTALLATION



ART_0259147

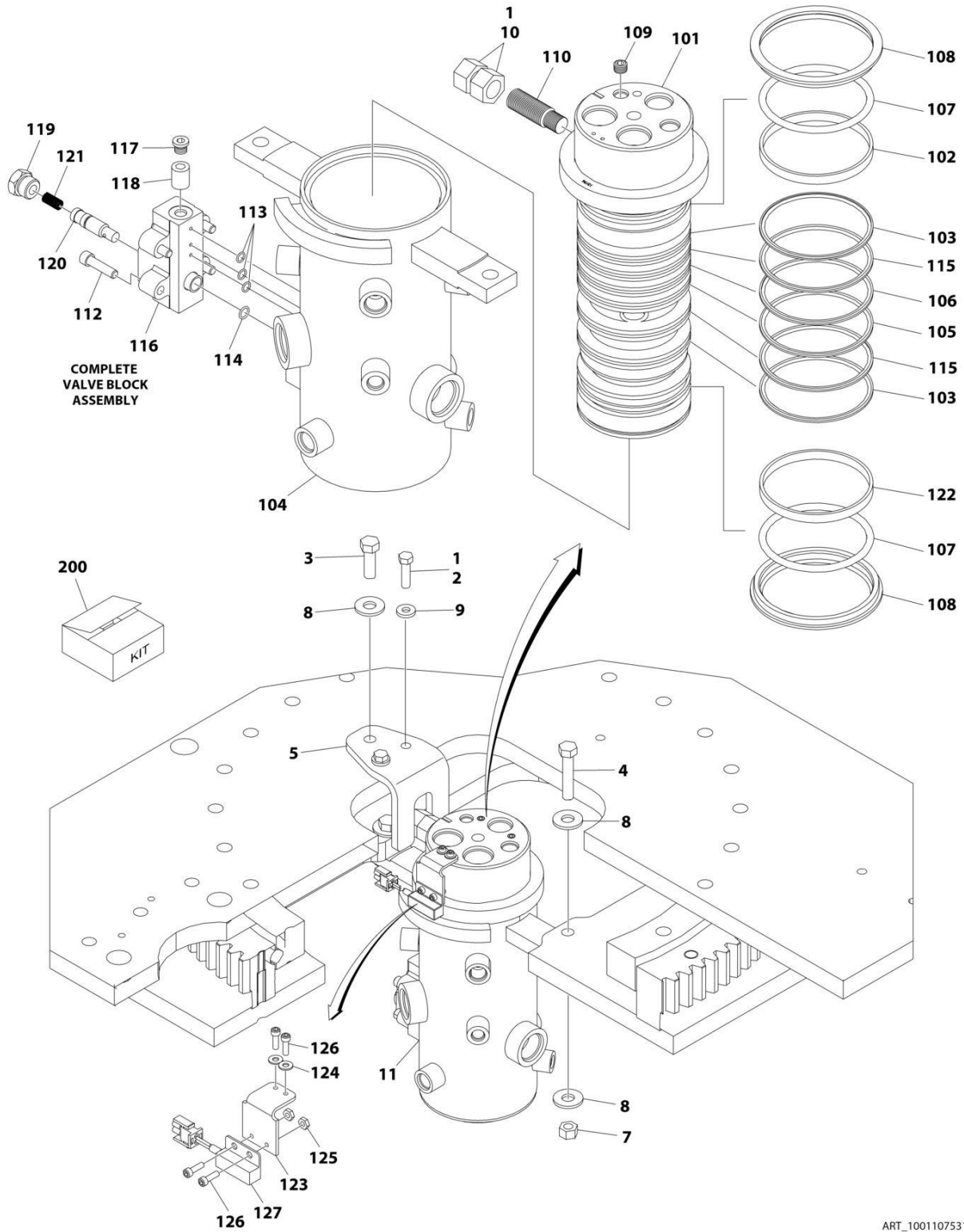
SECTION 2 - TURNTABLE

FIGURE 2-8. TURNTABLE LOCK INSTALLATION

ITEM	PART NUMBER	QTY	DESCRIPTION	REV
	0259147	Ref	TURNTABLE LOCK INSTALLATION	B
1	4844958	1	Pin	
2	3421565	1	Pin, Snap	
3	3760170	2	Ring, Quick Release	
4	1260017	9 in/ 23cm	Chain	

SECTION 2 - TURNTABLE

FIGURE 2-9. ROTARY COUPLING INSTALLATION



ART_1001107531

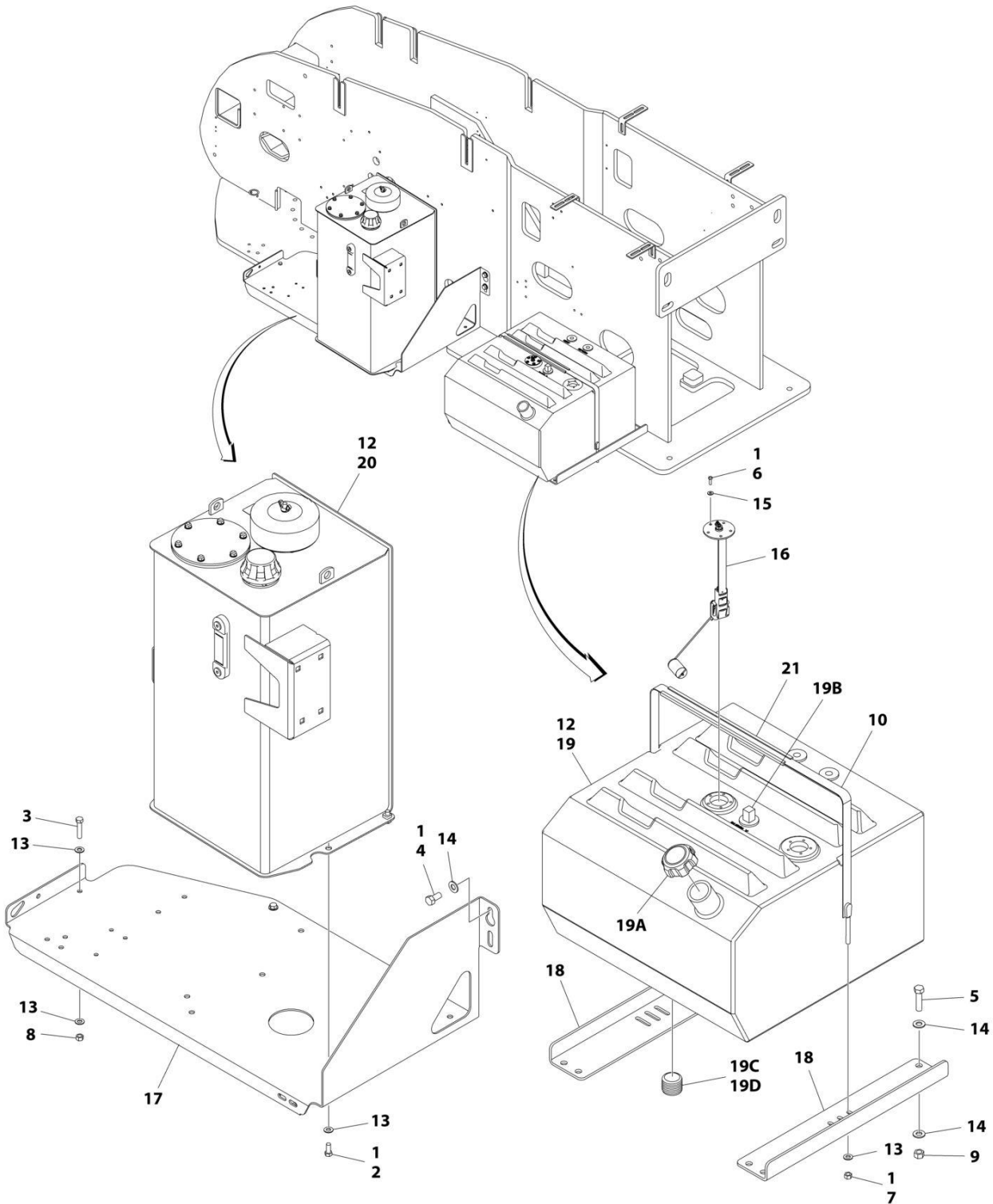
SECTION 2 - TURNTABLE

FIGURE 2-9. ROTARY COUPLING INSTALLATION

ITEM	PART NUMBER	QTY	DESCRIPTION	REV
	1001107531	Ref	ROTARY COUPLING INSTALLATION	A
1	0100011	AR	Compound, Locking	
2	0641611	2	Bolt 3/8 x 1-3/8	
3	0641812	1	Bolt 1/2 x 1-1/2	
4	0641820	2	Bolt 1/2 x 2-1/2	
5	0903242	1	Bracket	
7	3271805	2	Nut 1/2	
8	4751800	5	Washer 1/2 Regular	
9	4891600	2	Washer 3/8 Hardened	
10	3322201	2	Nut 3/4	
11	1001106974	1	Coupling, Rotary (See Items 101-128 for Breakdown)	
	1001106974	Ref	ROTARY COUPLING ASSEMBLY	B
101	1001106974	1	Body (Note: Not Available - Purchase Complete Assembly)	
102	70001248	1	Seal, Poly	
103	70001248	2	O-Ring/Seal	
104	See Note	NSS	Housing (Note: Not Available - Purchase Complete Assembly)	
105	70001248	6	Seal, Cap	
106	70001248	6	O-Ring	
107	7026503	2	Ring, Thrust	
108	7026504	2	Ring, Retaining	
109	80934561	2	Plug	
110	See Note	NSS	Lug, Torque (Note: Not Available for Purchase)	
112	7026197	4	Capscrew	
113	70001248	3	O-Ring	
114	70001248	1	O-Ring	
115	70001248	2	Bearing	
116	7024404	1	Block Valve Assembly	
117	7026505	1	Plug	
118	7026506	1	Valve, Check	
119	7026507	1	Plug	
120	7024404	1	Plunger, Valve (Note: Not Available for Purchase)	
121	7026509	1	Spring	
122	70001248	1	Seal, Oil	
123	70003454	1	Bracket, Switch Mounting	
124	4711000	4	Washer #10	
125	See Note	NSS	Nut 1/4 (Note: Not Available for Purchase)	
126	See Note	NSS	Capscrew 1/4 (Note: Not Available for Purchase)	
127	4360517	1	Switch, Proximity	
128	See Note	AR	Protective Netting (Not Shown) (Note: Not Available for Purchase)	
200	70001248	Ref	Seal Kit - (Includes Items 102, 103, 105, 106, 113, 114, 115 & 122)	

SECTION 2 - TURNTABLE

FIGURE 2-10. TANK INSTALLATION - GAS ENGINES



ART_1001178210

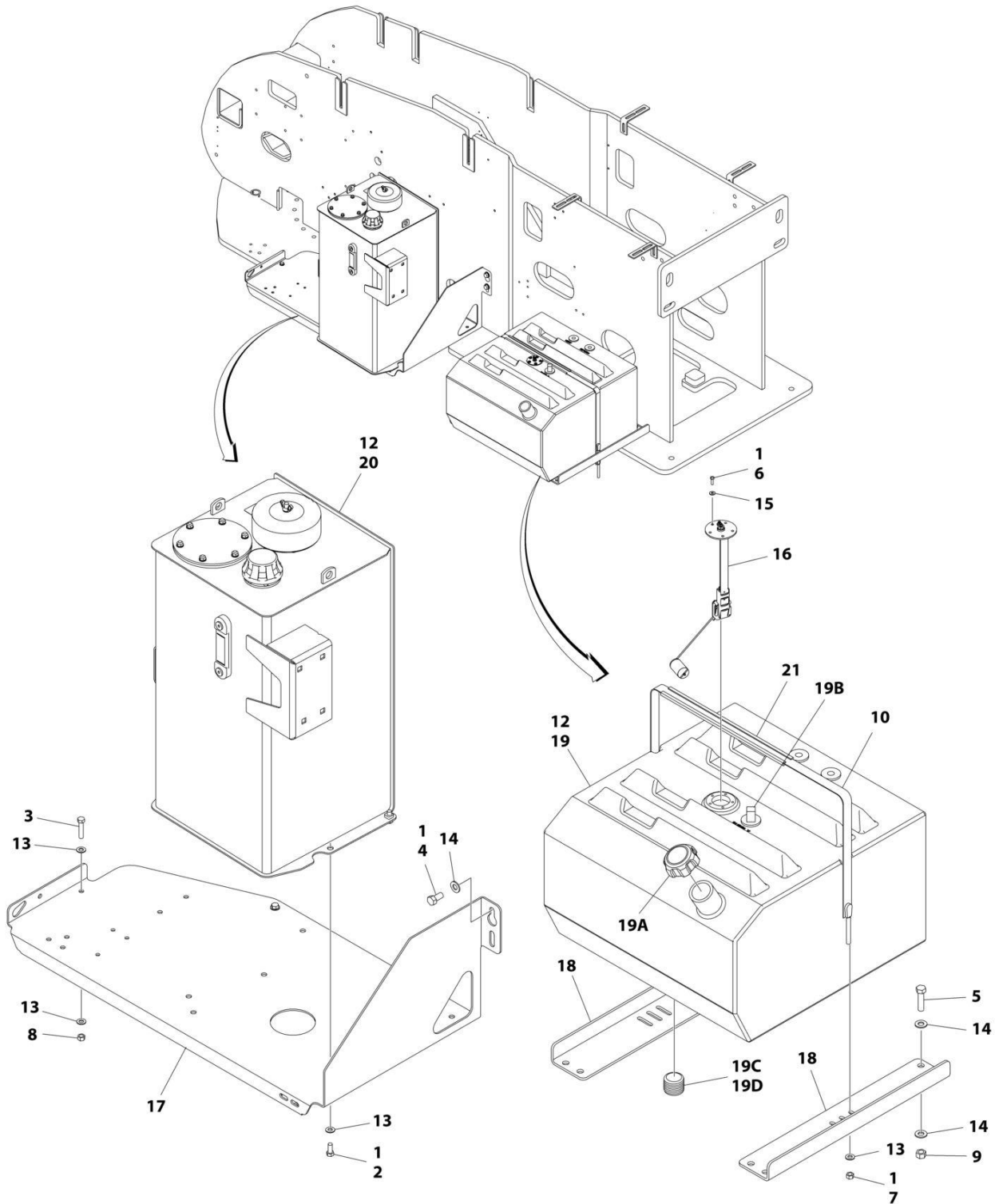
SECTION 2 - TURNTABLE

FIGURE 2-10. TANK INSTALLATION - GAS ENGINES

ITEM	PART NUMBER	QTY	DESCRIPTION	REV
	1001178210	Ref	TANKS INSTALLATION – GAS ENGINES	D
1	0100011	AR	Compound, Locking	
2	0641607	4	Bolt 3/8 x 7/8	
3	0641614	2	Bolt 3/8 x 1-3/4	
4	0641808	2	Bolt 1/2 x 1	
5	0641816	4	Bolt 1/2 x 2	
6	0731005	5	Capscrew #10 x 5/8	
7	3311601	2	Nut 3/8	
8	3311605	2	Nut 3/8	
9	3311805	4	Nut 1/2	
10	4240139	1	Strap, Tank Mounting	
12	4420038	6 ft/ 1.7m	Tape, Rubber	
13	4711600	10	Washer 3/8	
14	4711800	10	Washer 1/2	
15	4751000	5	Washer #10	
16	1001148607	1	Gauge, Fuel Level	
17	1001156805	1	Tray, Tank	
18	1001157056	2	Mount	
19	1001160559	1	Fuel Tank Assembly	
19A	1001211336	1	Cap	
19B	7020043	1	Tube, Pickup	
19C	2200222	1	Plug	
19D	0100020	AR	Sealant	
20	1001178057	1	Hydraulic Tank Assembly (See Separate Breakdown in this Section)	
21	4060804	9 in/ 23 cm	Flex-Trim	

SECTION 2 - TURNTABLE

FIGURE 2-11. TANK INSTALLATION - DIESEL ENGINES



ART_1001178209

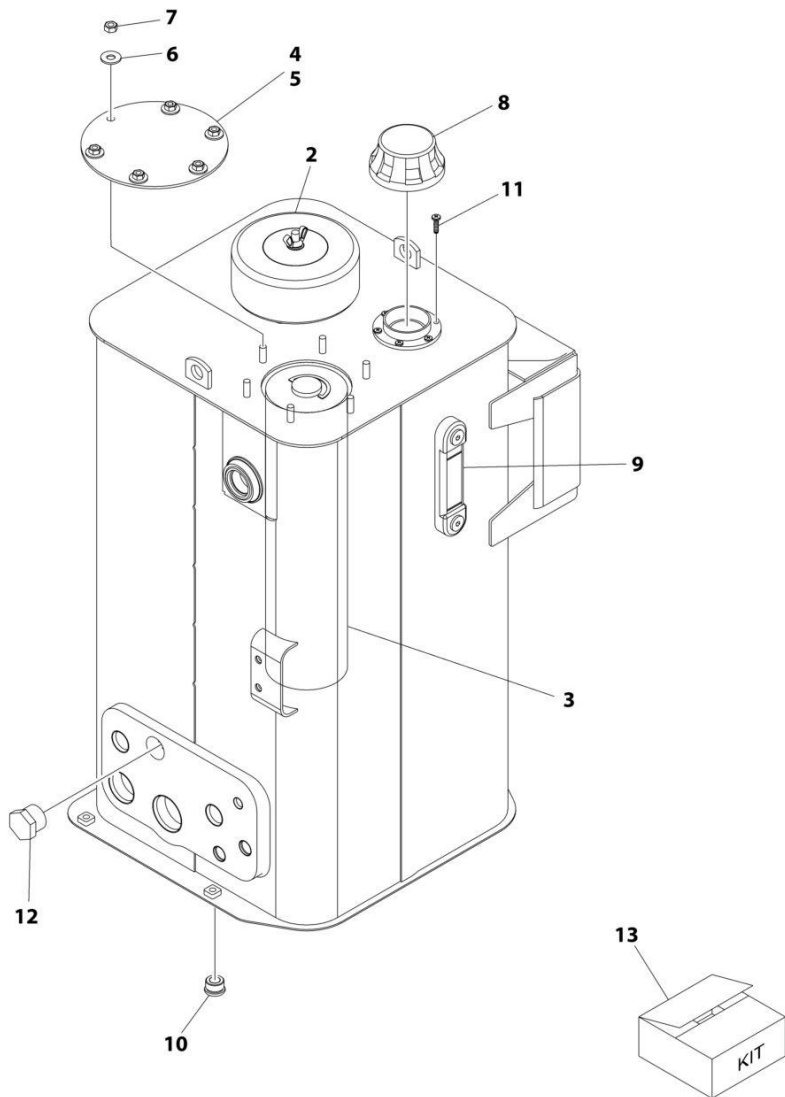
SECTION 2 - TURNTABLE

FIGURE 2-11. TANK INSTALLATION - DIESEL ENGINES

ITEM	PART NUMBER	QTY	DESCRIPTION	REV
	1001178209	Ref	TANKS INSTALLATION – DIESEL ENGINES	D
1	0100011	AR	Compound, Locking	
2	0641607	4	Bolt 3/8 x 7/8	
3	0641614	2	Bolt 3/8 x 1-3/4	
4	0641808	2	Bolt 1/2 x 1	
5	0641816	4	Bolt 1/2 x 2	
6	0731005	5	Capscrew #10 x 5/8	
7	3311601	2	Nut 3/8	
8	3311605	2	Nut 3/8	
9	3311805	4	Nut 1/2	
10	4240139	1	Strap, Tank Mounting	
12	4420038	6 ft/1.7 m	Tape, Rubber	
13	4711600	10	Washer 3/8	
14	4711800	10	Washer 1/2	
15	4751000	5	Washer #10	
16	1001148607	1	Gauge, Fuel Level	
17	1001156805	1	Tray, Tank	
18	1001157056	2	Mount	
19	1001160567	1	Fuel Tank Assembly	
19A	70004414	1	Cap	
19B	7020043	1	Tube, Pickup	
19C	2200222	1	Plug	
19D	0100020	AR	Sealant	
20	1001178057	1	Hydraulic Tank Assembly (See Separate Breakdown in this Section)	
21	4060804	9 in/23 cm	Flex-Trim	

SECTION 2 - TURNTABLE

FIGURE 2-12. HYDRAULIC TANK ASSEMBLY



ART_1001178057

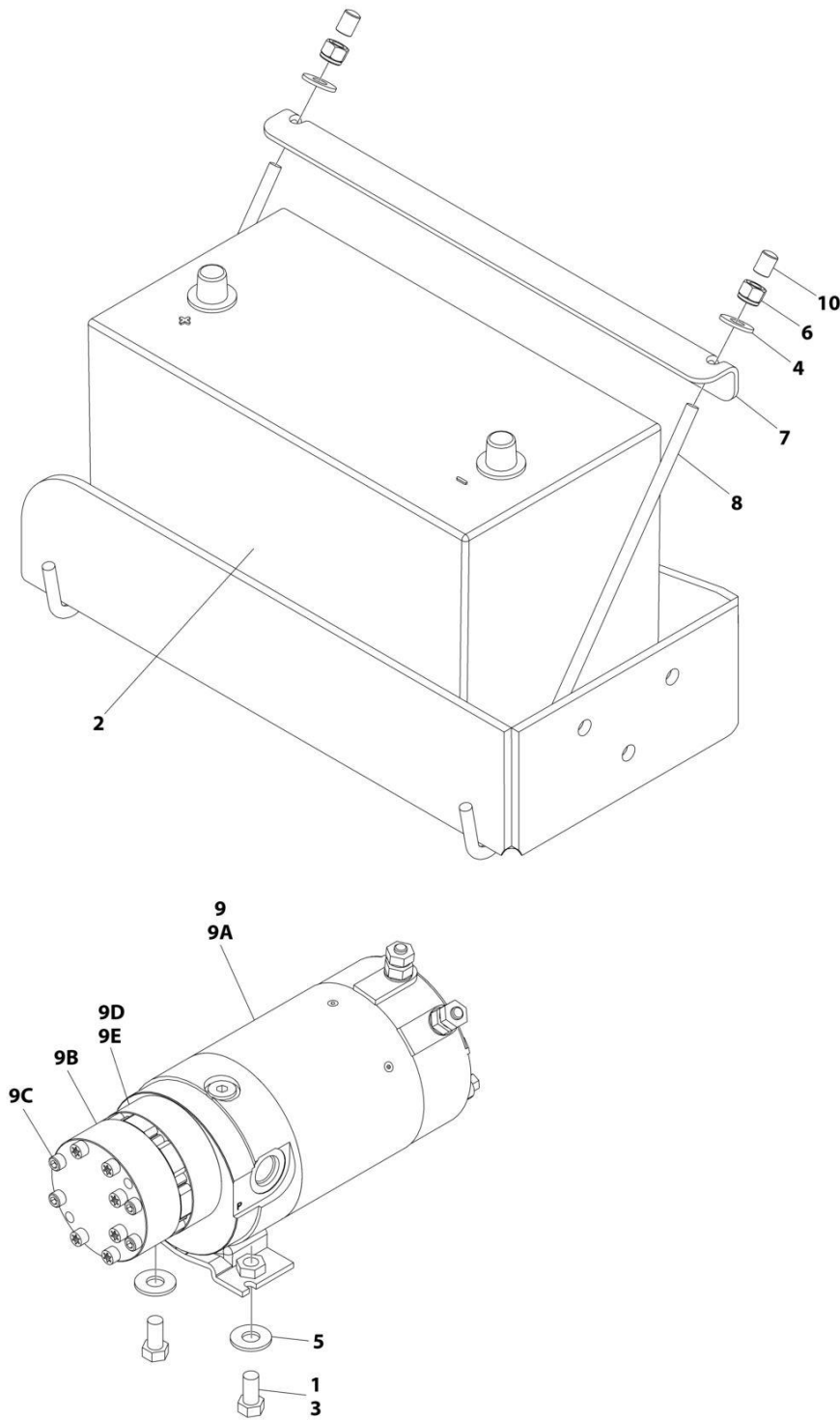
SECTION 2 - TURNTABLE

FIGURE 2-12. HYDRAULIC TANK ASSEMBLY

ITEM	PART NUMBER	QTY	DESCRIPTION	REV
	1001178057	Ref	HYDRAULIC TANK ASSEMBLY	D
2	70005708	1	Breather Assembly (Includes Breather, Element and Wingnut)	
2	See Note	NSS	Element, Breather (Note: Use p/n 70005708 or Item 13)	
3	See Note	NSS	Element, Hydraulic (Note: Use Item 13)	
4	70002839	1	Gasket	
5	See Note	NSS	Cover (Note: Not Available for Purchase)	
6	83304173	6	Washer 5/16	
7	70004199	6	Nut 5/16	
8	70002838	1	Cap, Fill	
9	7024441	1	Gauge, Level	
10	70002112	1	Plug	
11	70004795	6	Screw #10 x 3/4	
12	See Note	NSS	Plug (Note: Not Available - Purchase Locally)	
13	70002814	1	Hydraulic Tank Service Kit (Includes Items 2-4)	

SECTION 2 - TURNTABLE

FIGURE 2-13. AUXILIARY PUMP WITH BATTERY WITHOUT BATTERY DISCONNECT SWITCH INSTALLATION



ART_1001239472

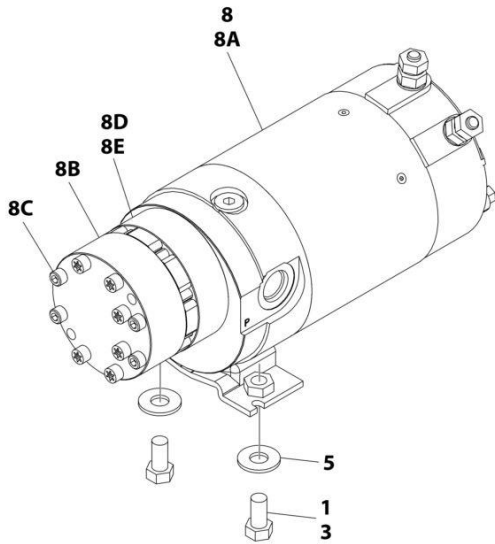
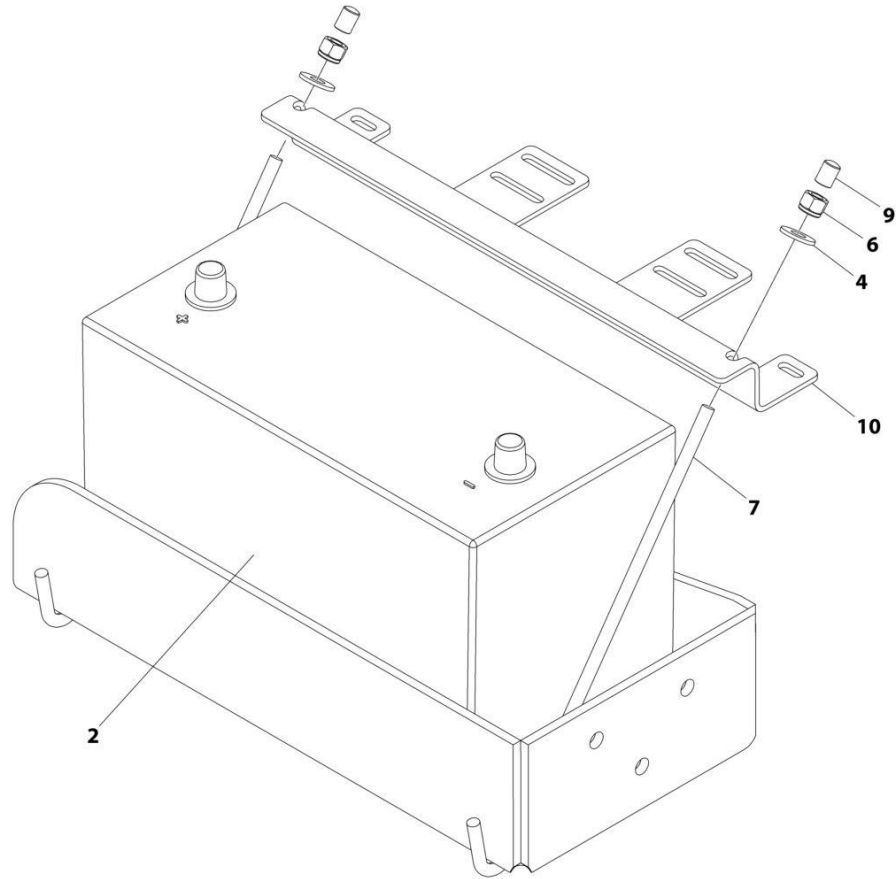
SECTION 2 - TURNTABLE

FIGURE 2-13. AUXILIARY PUMP WITH BATTERY WITHOUT BATTERY DISCONNECT SWITCH INSTALLATION

ITEM	PART NUMBER	QTY	DESCRIPTION	REV
	1001239472	Ref	AUXILIARY PUMP WITH BATTERY WITHOUT BATTERY DISCONNECT SWITCH INSTALLATION	A
1	0100011	AR	Compound, Locking	
2	0400075	1	Battery	
3	0641606	2	Bolt 3/8 x 3/4	
4	4751500	2	Washer 5/16	
5	4751600	2	Washer 3/8	
6	88521205	2	Nut 5/16	
7	91401281	1	Hold-down, Battery	
8	1001093382	2	Bolt, Battery Hold-down	
9	1001137459	1	Auxiliary Pump Assembly	
9A	70003998	1	Motor	
9B	70004266	1	Pump	
9C	70001020	4	Screw	
9D	70003612	2	O-Ring	
9E	70004267	1	O-Ring	
10	1001218572	2	Cap, Vinyl	

SECTION 2 - TURNTABLE

FIGURE 2-14. AUXILIARY PUMP WITH BATTERY WITH BATTERY DISCONNECT SWITCH INSTALLATION



ART_1001239471

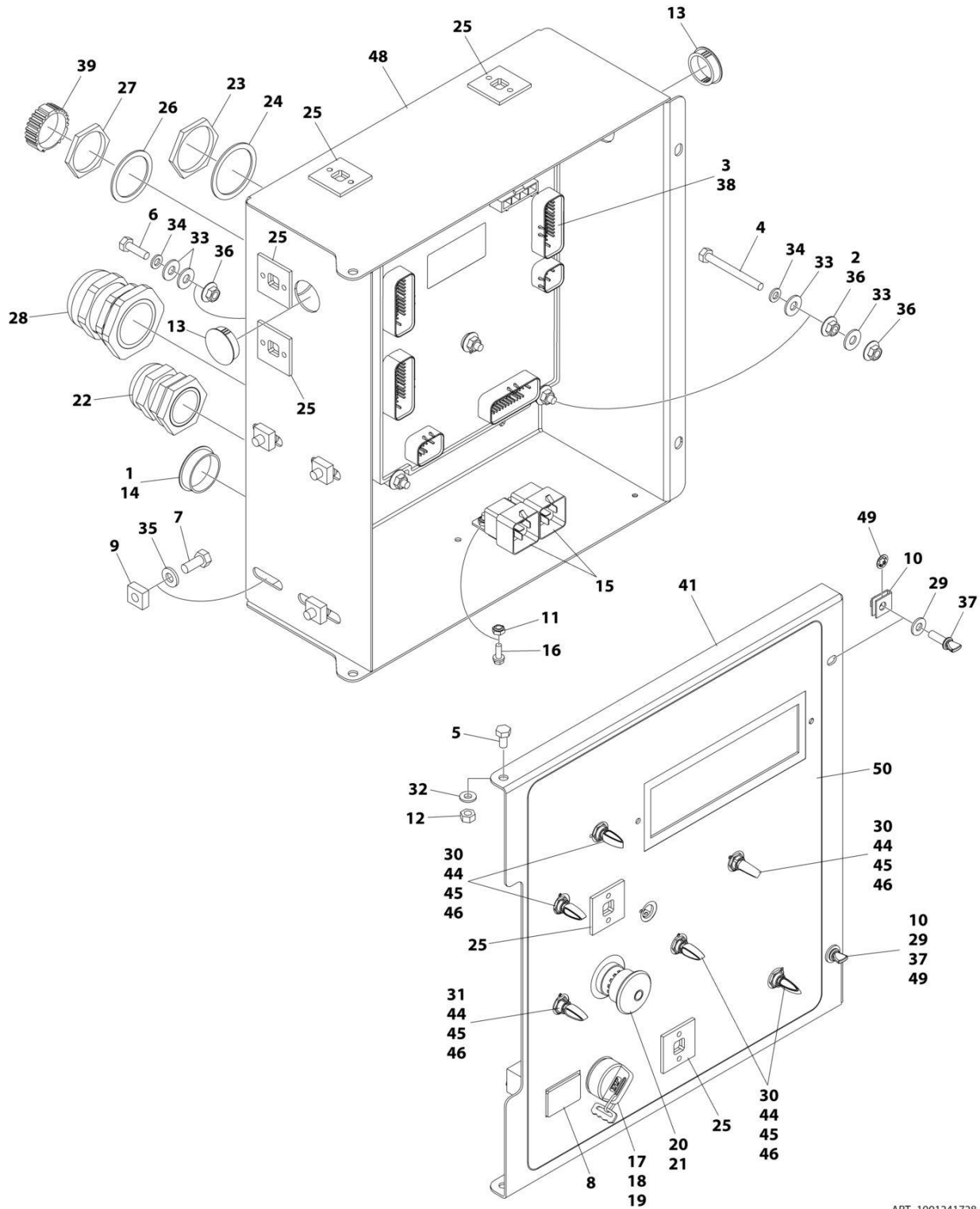
SECTION 2 - TURNTABLE

FIGURE 2-14. AUXILIARY PUMP WITH BATTERY WITH BATTERY DISCONNECT SWITCH INSTALLATION

ITEM	PART NUMBER	QTY	DESCRIPTION	REV
	1001239471	Ref	AUXILIARY PUMP WITH BATTERY WITH BATTERY DISCONNECT SWITCH INSTALLATION	A
1	0100011	AR	Compound, Locking	
2	0400075	1	Battery	
3	0641606	2	Bolt 3/8 x 3/4	
4	4751500	2	Washer 5/16	
5	4751600	2	Washer 3/8	
6	88521205	2	Nut 5/16	
7	1001093382	2	Bolt, Battery Hold-down	
8	1001137459	1	Auxiliary Pump Assembly	
8A	70003998	1	Motor	
8B	70004266	1	Pump	
8C	70001020	4	Screw	
8D	70003612	2	O-Ring	
8E	70004267	1	O-Ring	
9	1001218572	2	Cap, Vinyl	
10	1001236303	1	Hold-down, Battery	

SECTION 2 - TURNTABLE

FIGURE 2-15. GROUND CONTROL BOX ASSEMBLY - WITH DEUTZ D2011 (ANSI EXPORT (LRC) AND AUSTRALIAN SPECS) (800S HC3)



ART_1001241728

SECTION 2 - TURNTABLE

FIGURE 2-15. GROUND CONTROL BOX ASSEMBLY - WITH DEUTZ D2011 (ANSI EXPORT (LRC) AND AUSTRALIAN SPECS) (800S HC3)

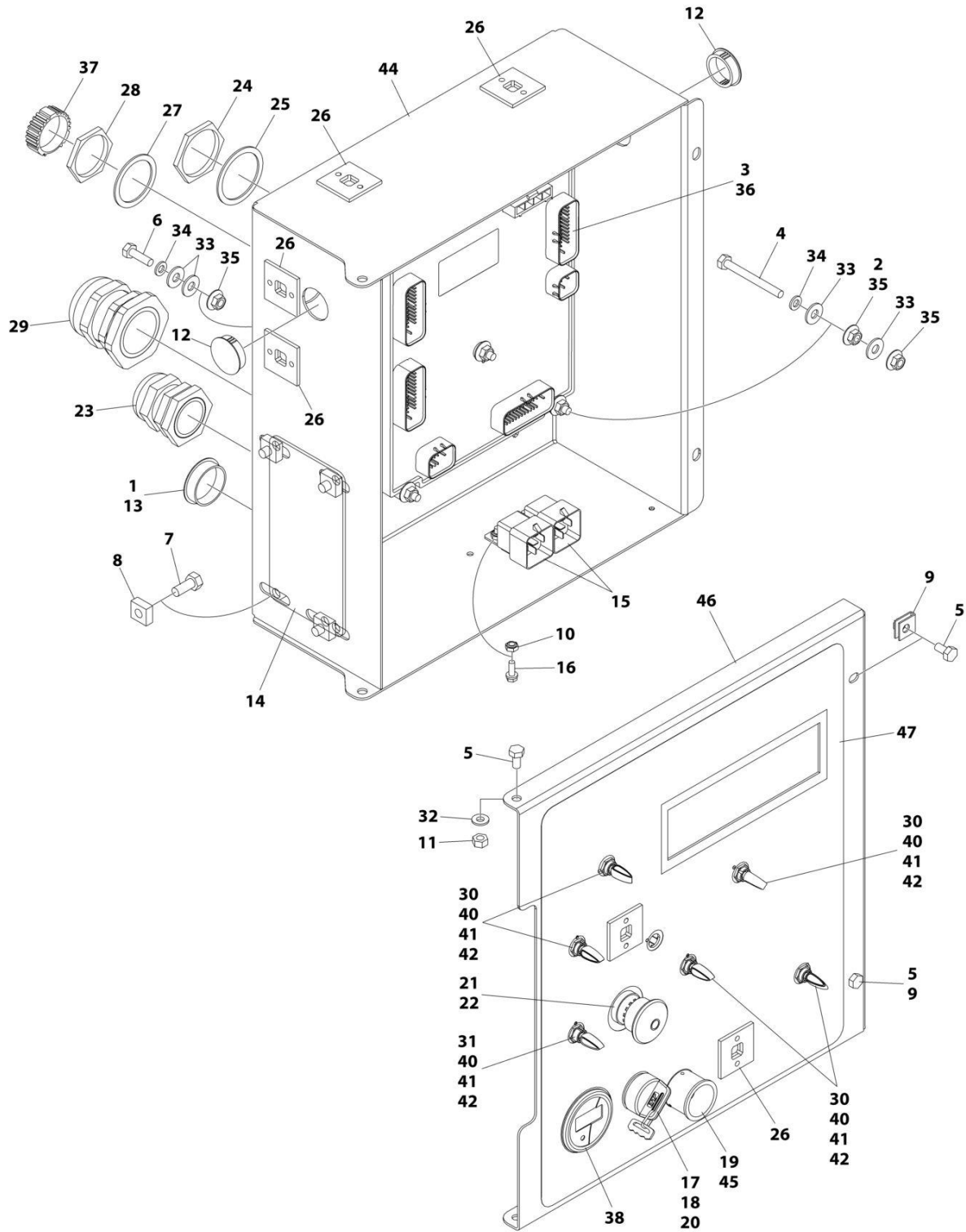
ITEM	PART NUMBER	QTY	DESCRIPTION	REV
	1001241728	Ref	GROUND CONTROL BOX ASSEMBLY	C
1	0100009	AR	Sealant	
2	0100011	AR	Compound, Locking	
3	0100048	AR	Grease, Dielectric	
4	0630548	5	Bolt, 2-1/2 Tap	
5	0641404	2	Bolt 1/4 x 1/2	
6	0641407	1	Bolt 1/4 x 7/8	
7	0641506	4	Bolt 5/16 x 3/4	
8	2420172	1	Gauge, Hourmeter	
9	3300205	4	Nut, Retainer	
10	3300353	2	Nut, Tinnerman	
11	3300408	2	Nut, Plastic Insert	
12	3311405	2	Nut 1/4	
13	3520031	2	Plug	
14	3520035	1	Plug, Cap	
15	3740049	2	Relay	
16	3900268	2	Screw #10 x 1/2	
17	3910804	6	Screw #8 x 1/4	
18	4070991	1	Shim	
19	4360469	1	Switch, Key	
19	2860030	1	Key Replacement	
20	4360475	1	Switch, Emergency Stop	
20	7020175	1	Cap, Mushroom	
20	7020176	1	Block, Contact	
21	4360476	1	Switch, Contact Block	
22	4460426	1	Connector, Strain Relief	
23	4460470	1	Nut, Terminal	
24	4460471	1	Washer, Terminal	
25	4460488	6	Mounting Base, Terminal	
26	4460496	1	Washer, Terminal	
27	4460497	1	Nut, Terminal	
28	4460526	1	Connector, Strain Relief	
29	4711400	2	Washer 1/4	
30	4740397	5	Spacer	
31	4740444	1	Washer	
32	4740518	2	Washer	
33	4751400	12	Washer 1/4	
34	4761400	6	Washer 1/4	
35	4891500	4	Washer 5/16	
36	77143013	11	Nut 1/4	
37	1001103308	2	Screw 1/4	
38	1001103667	1	Module, Ground Control (Note: Re-calibration Required when Replaced)	
39	1001106736	1	Cap, Dust	
40	1001243263	1	Harness, Ground Control Box (Not Shown - See Separate Breakdown in ELECTRICAL SECTION)	
41	1001152174	NLA	Lid (Use p/n 1001263427 for replacement)	
41	1001263427	1	Lid	

SECTION 2 - TURNTABLE

ITEM	PART NUMBER	QTY	DESCRIPTION	REV
42	1001154324	1	Harness, Deutz D2011 Engine (Not Shown - See Separate Breakdown in ELECTRICAL SECTION)	
44	1001155043	6	Washer	
45	1001155044	6	Nut 15/32	
46	1001155045	6	Switch, Toggle	
47	1001168024	1	Harness, Platform Valve (Not Shown - See Separate Breakdown in ELECTRICAL SECTION)	
48	1001169234	1	Box Less Lid	
49	1001188874	2	Nut	
50	1001221417	1	Decal - Faceplate	

SECTION 2 - TURNTABLE

FIGURE 2-16. GROUND CONTROL BOX ASSEMBLY - WITH DEUTZ D2011 (CE & CHINA SPECS)
(800S HC3)



ART_1001241731

SECTION 2 - TURNTABLE

**FIGURE 2-16. GROUND CONTROL BOX ASSEMBLY - WITH DEUTZ D2011 (CE & CHINA SPECS)
(800S HC3)**

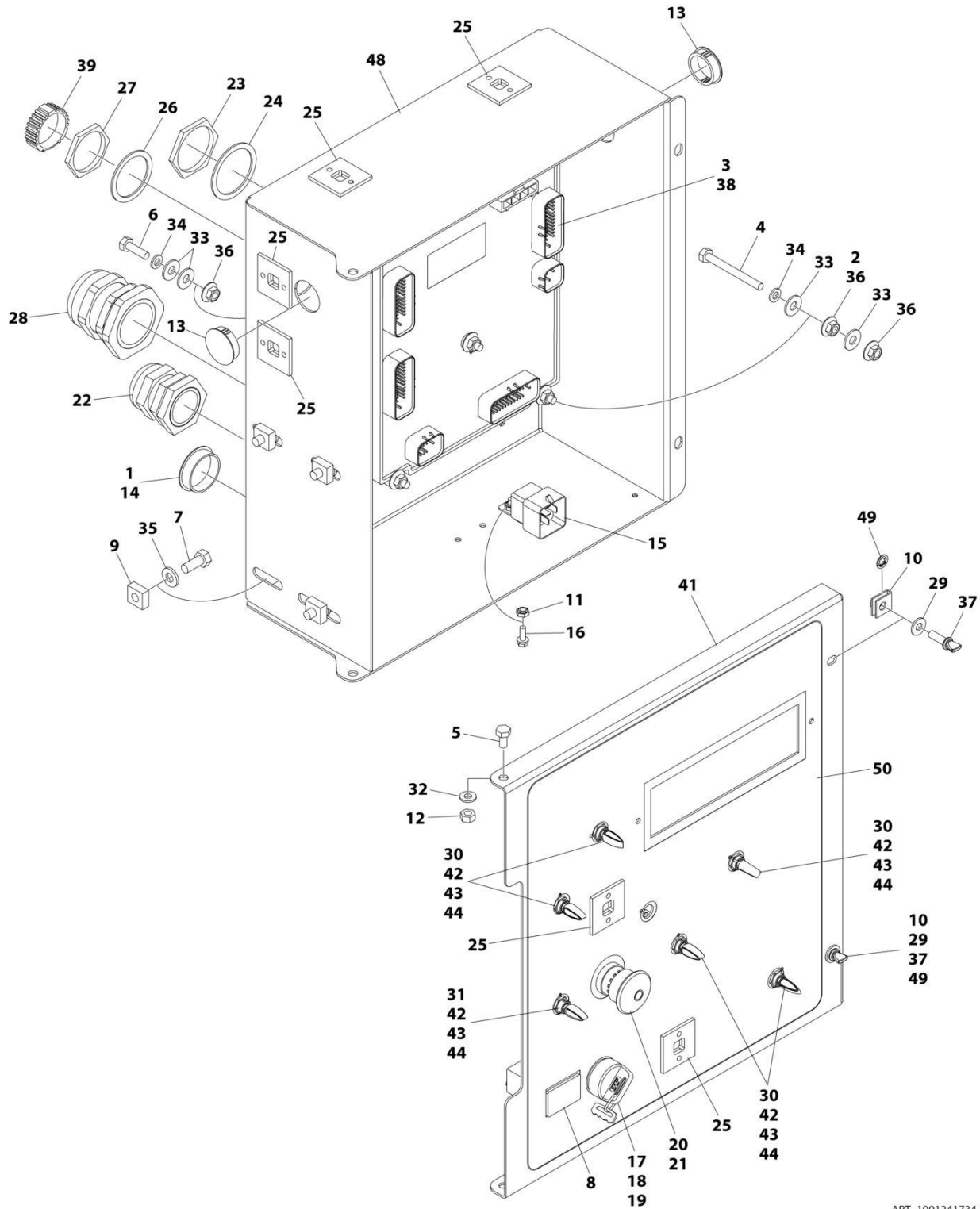
ITEM	PART NUMBER	QTY	DESCRIPTION	REV
	1001241731	Ref	GROUND CONTROL BOX ASSEMBLY	D
1	0100009	AR	Sealant	
2	0100011	AR	Compound, Locking	
3	0100048	AR	Grease, Dielectric	
4	0630548	5	Bolt, 2-1/2 Tap	
5	0641404	2	Bolt 1/4 x 1/2	
6	0641407	1	Bolt 1/4 x 7/8	
7	0641506	4	Bolt 5/16 x 3/4	
8	3300205	4	Nut, Retainer	
9	3300353	2	Nut, Tinnerman	
10	3300408	2	Nut, Plastic Insert	
11	3311405	2	Nut 1/4	
12	3520031	2	Plug	
13	3520035	1	Plug, Cap	
14	3539219	1	Plate, Reinforcement	
15	3740049	2	Relay	
16	3900268	2	Screw #10 x 1/2	
17	3910804	6	Screw #8 x 1/4	
18	4070991	1	Shim	
19	4360387	1	Switch, Push Button	
20	4360469	1	Switch, Key	
20	2860030	1	Key Replacement	
21	4360475	1	Switch, Emergency Stop	
21	7020175	1	Cap, Mushroom	
21	7020176	1	Block, Contact	
22	4360476	1	Switch, Contact Block	
23	4460426	1	Connector, Strain Relief	
24	4460470	1	Nut, Terminal	
25	4460471	1	Washer, Terminal	
26	4460488	6	Mounting Base, Terminal	
27	4460496	1	Washer, Terminal	
28	4460497	1	Nut, Terminal	
29	4460526	1	Connector, Strain Relief	
30	4740397	5	Spacer	
31	4740444	1	Washer	
32	4740518	2	Washer	
33	4751400	12	Washer 1/4	
34	4761400	6	Washer 1/4	
35	77143013	11	Nut 1/4	
36	1001103667	1	Module, Ground Control (Note: Re-calibration Required when Replaced)	
37	1001106736	1	Cap, Dust	
38	1001109503	1	Gauge, Hourmeter	
39	1001243559	1	Harness, Deutz D2011 Engine (Not Shown - See Separate Breakdown in ELECTRICAL SECTION)	
40	1001155043	6	Washer	
41	1001155044	6	Nut 15/32	
42	1001155045	6	Switch, Toggle	

SECTION 2 - TURNTABLE

ITEM	PART NUMBER	QTY	DESCRIPTION	REV
43	1001168024	1	Harness, Platform Valve (Not Shown - See Separate Breakdown in ELECTRICAL SECTION)	
44	1001169234	1	Box Less Lid	
45	1001176469	1	Shroud	
46	1001188041	NLA	Lid (Use p/n 1001263428 for replacement)	
46	1001263428	1	Lid	
47	1001221419	1	Decal - Faceplate	
48	1001243263	1	Harness, Ground Control Box (Not Shown - See Separate Breakdown in ELECTRICAL SECTION)	

SECTION 2 - TURNTABLE

FIGURE 2-17. GROUND CONTROL BOX ASSEMBLY - WITH DEUTZ TD2.9L4 (ANSI, ANSI EXPORT (HRC), CSA & JAPANESE SPECS) (800S HC3)



ART_1001241734

SECTION 2 - TURNTABLE

FIGURE 2-17. GROUND CONTROL BOX ASSEMBLY - WITH DEUTZ TD2.9L4 (ANSI, ANSI EXPORT (HRC), CSA & JAPANESE SPECS) (800S HC3)

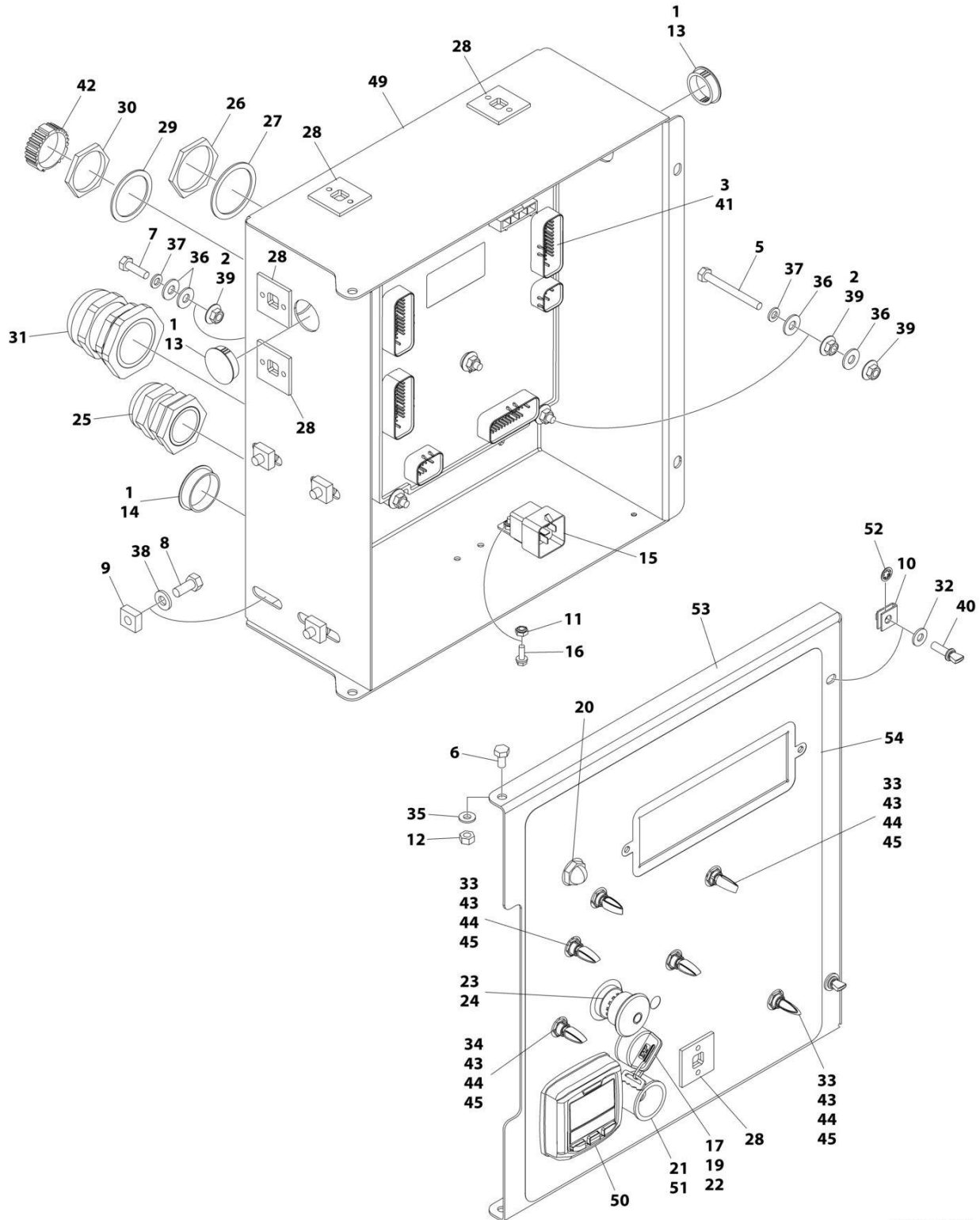
ITEM	PART NUMBER	QTY	DESCRIPTION	REV
	1001241734	Ref	GROUND CONTROL BOX ASSEMBLY	C
1	0100009	AR	Sealant	
2	0100011	AR	Compound, Locking	
3	0100048	AR	Grease, Dielectric	
4	0630548	5	Bolt, 2-1/2 Tap	
5	0641404	2	Bolt 1/4 x 1/2	
6	0641407	1	Bolt 1/4 x 7/8	
7	0641506	4	Bolt 5/16 x 3/4	
8	2420172	1	Gauge, Hourmeter	
9	3300205	4	Nut, Retainer	
10	3300353	2	Nut, Tinnerman	
11	3300408	1	Nut, Plastic Insert	
12	3311405	2	Nut 1/4	
13	3520031	2	Plug	
14	3520035	1	Plug, Cap	
15	3740049	1	Relay	
16	3900268	1	Screw #10 x 1/2	
17	3910804	6	Screw #8 x 1/4	
18	4070991	1	Shim	
19	4360469	1	Switch, Key	
19	2860030	1	Key Replacement	
20	4360475	1	Switch, Emergency Stop	
20	7020175	1	Cap, Mushroom	
20	7020176	1	Block, Contact	
21	4360476	1	Switch, Contact Block	
22	4460426	1	Connector, Strain Relief	
23	4460470	1	Nut, Terminal	
24	4460471	1	Washer, Terminal	
25	4460488	6	Mounting Base, Terminal	
26	4460496	1	Washer, Terminal	
27	4460497	1	Nut, Terminal	
28	4460526	1	Connector, Strain Relief	
29	4711400	2	Washer 1/4	
30	4740397	5	Spacer	
31	4740444	1	Washer	
32	4740518	2	Washer	
33	4751400	12	Washer 1/4	
34	4761400	6	Washer 1/4	
35	4891500	4	Washer 5/16	
36	77143013	11	Nut 1/4	
37	1001103308	2	Screw 1/4	
38	1001103667	1	Module, Ground Control (Note: Re-calibration Required when Replaced)	
39	1001106736	1	Cap, Dust	
40	1001243263	1	Harness, Ground Control Box (Not Shown - See Separate Breakdown in ELECTRICAL SECTION)	
41	1001152174	NLA	Lid (Use PN 1001263427)	
41	1001263427	1	Lid	
42	1001155043	6	Washer	

SECTION 2 - TURNTABLE

ITEM	PART NUMBER	QTY	DESCRIPTION	REV
43	1001155044	6	Nut 15/32	
44	1001155045	6	Switch, Toggle	
45	1001165776	1	Harness, Deutz TD2.9L4 Engine (Not Shown - See Separate Breakdown in ELECTRICAL SECTION)	
47	1001168024	1	Harness, Platform Valve (Not Shown - See Separate Breakdown in ELECTRICAL SECTION)	
48	1001169234	1	Box Less Lid	
49	1001188874	2	Nut	
50	1001221417	1	Decal - Faceplate	

SECTION 2 - TURNTABLE

FIGURE 2-18. GROUND CONTROL BOX ASSEMBLY - WITH DEUTZ TD2.9L4 (STAGE V) (CE SPECS)
(800S HC3)



ART_1001237733

SECTION 2 - TURNTABLE

**FIGURE 2-18. GROUND CONTROL BOX ASSEMBLY - WITH DEUTZ TD2.9L4 (STAGE V) (CE SPECS)
(800S HC3)**

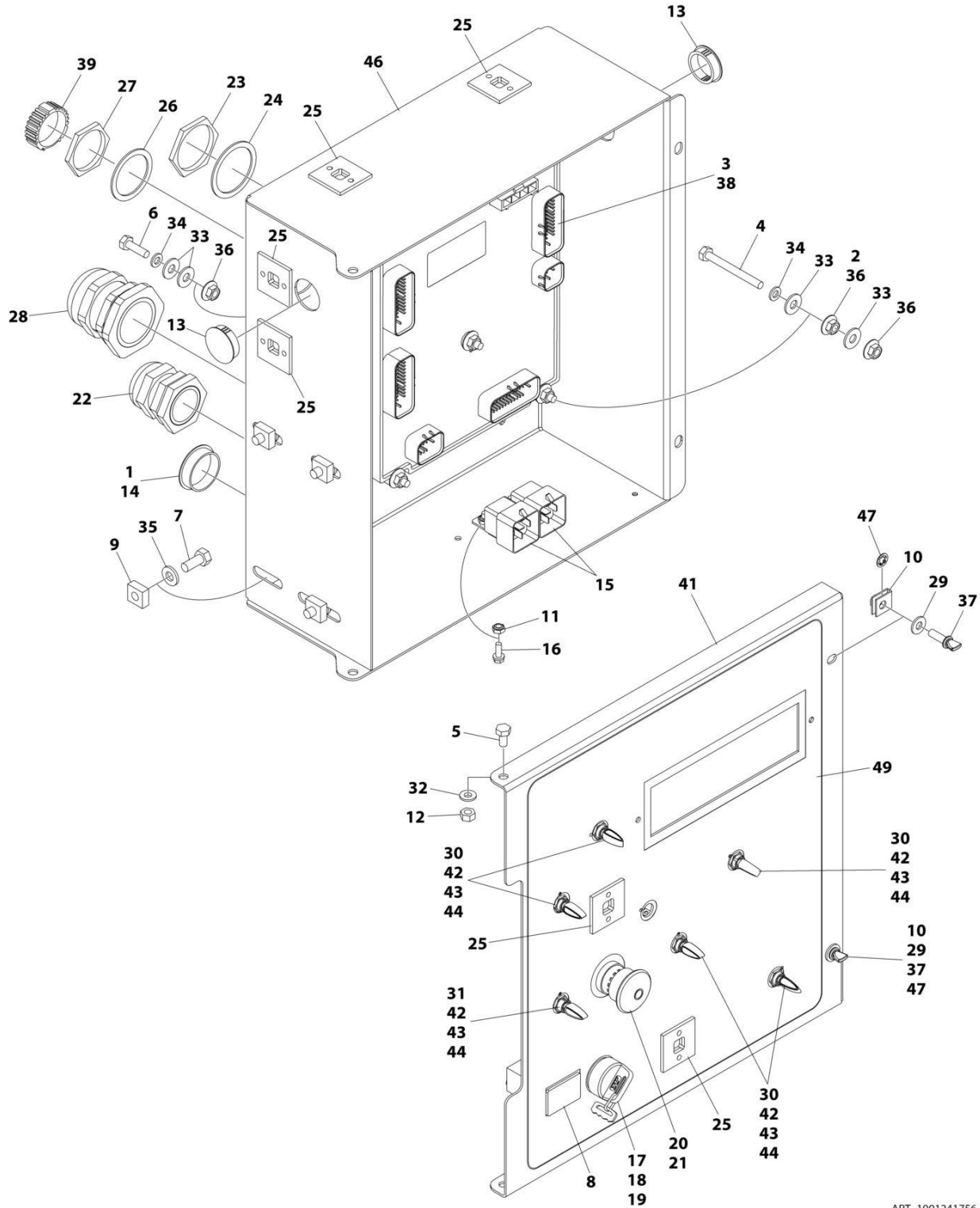
ITEM	PART NUMBER	QTY	DESCRIPTION	REV
	1001237733	Ref	GROUND CONTROL BOX ASSEMBLY	F
1	0100009	AR	Sealant	
2	0100011	AR	Compound, Locking	
3	0100048	AR	Grease, Dielectric	
5	0630548	5	Bolt, 2-1/2 Tap	
6	0641404	2	Bolt 1/4 x 1/2	
7	0641407	1	Bolt 1/4 x 7/8	
8	0641507	4	Bolt 5/16 x 7/8	
9	3300205	4	Nut, Retainer	
10	3300353	2	Nut, Tinnerman	
11	3300408	1	Nut, Plastic Insert	
12	3311405	2	Nut 1/4	
13	3520031	2	Plug	
14	3520035	1	Plug, Cap	
15	3740049	1	Relay	
16	3900268	1	Screw #10 x 1/2	
17	3910804	6	Screw #8 x 1/4	
19	4070991	1	Shim	
20	4360274	1	Switch, Push Button	
21	4360387	1	Switch, Push Button	
22	4360469	1	Switch, Key	
22	2860030	1	Key Replacement	
23	4360475	1	Switch, Emergency Stop	
23	7020175	1	Cap, Mushroom	
23	7020176	1	Block, Contact	
24	4360476	1	Switch, Contact Block	
25	4460426	1	Connector, Strain Relief	
26	4460470	1	Nut, Terminal	
27	4460471	1	Washer, Terminal	
28	4460488	6	Mounting Base, Terminal	
29	4460496	1	Washer, Terminal	
30	4460497	1	Nut, Terminal	
31	4460526	1	Connector, Strain Relief	
32	4711400	2	Washer 1/4	
33	4740397	5	Spacer	
34	4740444	1	Washer	
35	4740518	2	Washer	
36	4751400	12	Washer 1/4	
37	4761400	6	Washer 1/4	
38	4891500	4	Washer 5/16	
39	77143013	11	Nut 1/4	
40	1001103308	2	Screw 1/4	
41	1001103667	1	Module, Ground Control (Note: Re-calibration Required when Replaced)	
42	1001106736	1	Cap, Dust	
43	1001155043	6	Washer	
44	1001155044	6	Nut 15/32	
45	1001155045	6	Switch, Toggle	

SECTION 2 - TURNTABLE

ITEM	PART NUMBER	QTY	DESCRIPTION	REV
46	1001165776	1	Harness, Deutz TD2.9L4 Engine (Not Shown - See Separate Breakdown in ELECTRICAL SECTION)	
48	1001168024	1	Harness, Platform Valve (Not Shown - See Separate Breakdown in ELECTRICAL SECTION)	
49	1001169234	1	Box Less Lid	
50	1001171482	1	Gauge, Display	
51	1001176469	1	Shroud	
52	1001188874	2	Nut	
53	1001237023	1	Lid	
54	1001237032	1	Decal - Faceplate	
56	1001243263	1	Harness, Ground Control Box (Not Shown - See Separate Breakdown in ELECTRICAL SECTION)	

SECTION 2 - TURNTABLE

FIGURE 2-19. GROUND CONTROL BOX ASSEMBLY - WITH FORD DF 2.5L (ANSI, ANSI EXPORT AND CSA SPECS) (800S HC3)



ART_1001241756

SECTION 2 - TURNTABLE

FIGURE 2-19. GROUND CONTROL BOX ASSEMBLY - WITH FORD DF 2.5L (ANSI, ANSI EXPORT AND CSA SPECS) (800S HC3)

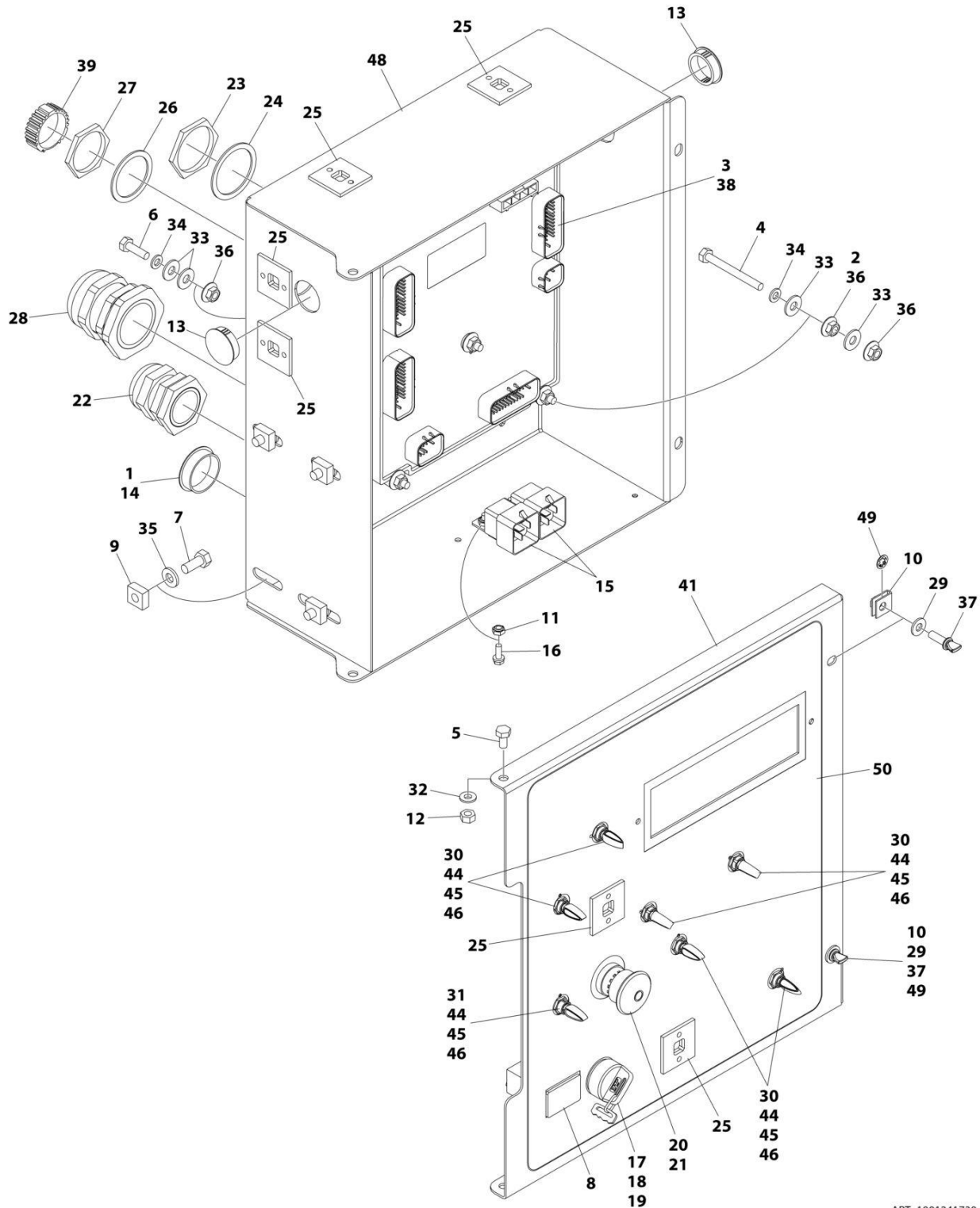
ITEM	PART NUMBER	QTY	DESCRIPTION	REV
	1001241756	Ref	GROUND CONTROL BOX ASSEMBLY	C
1	0100009	AR	Sealant	
2	0100011	AR	Compound, Locking	
3	0100048	AR	Grease, Dielectric	
4	0630548	5	Bolt, 2-1/2 Tap	
5	0641404	2	Bolt 1/4 x 1/2	
6	0641407	1	Bolt 1/4 x 7/8	
7	0641506	4	Bolt 5/16 x 3/4	
8	2420172	1	Gauge, Hourmeter	
9	3300205	4	Nut, Retainer	
10	3300353	2	Nut, Tinnerman	
11	3300408	2	Nut, Plastic Insert	
12	3311405	2	Nut 1/4	
13	3520031	2	Plug	
14	3520035	1	Plug, Cap	
15	3740049	2	Relay	
16	3900268	2	Screw #10 x 1/2	
17	3910804	6	Screw #8 x 1/4	
18	4070991	1	Shim	
19	4360469	1	Switch, Key	
19	2860030	1	Key Replacement	
20	4360475	1	Switch, Emergency Stop	
20	7020175	1	Cap, Mushroom	
20	7020176	1	Block, Contact	
21	4360476	1	Switch, Contact Block	
22	4460426	1	Connector, Strain Relief	
23	4460470	1	Nut, Terminal	
24	4460471	1	Washer, Terminal	
25	4460488	6	Mounting Base, Terminal	
26	4460496	1	Washer, Terminal	
27	4460497	1	Nut, Terminal	
28	4460526	1	Connector, Strain Relief	
29	4711400	2	Washer 1/4	
30	4740397	5	Spacer	
31	4740444	1	Washer	
32	4740518	2	Washer	
33	4751400	12	Washer 1/4	
34	4761400	6	Washer 1/4	
35	4891500	4	Washer 5/16	
36	77143013	11	Nut 1/4	
37	1001103308	2	Screw 1/4	
38	1001103667	1	Module, Ground Control (Note: Re-calibration Required when Replaced)	
39	1001106736	1	Cap, Dust	
40	1001243263	1	Harness, Ground Control Box (Not Shown - See Separate Breakdown in ELECTRICAL SECTION)	
41	1001152174	NLA	Lid (Use PN 1001263427)	
41	1001263427	1	Lid	
42	1001155043	6	Washer	

SECTION 2 - TURNTABLE

ITEM	PART NUMBER	QTY	DESCRIPTION	REV
43	1001155044	6	Nut 15/32	
44	1001155045	6	Switch, Toggle	
45	1001168024	1	Harness, Platform Valve (Not Shown - See Separate Breakdown in ELECTRICAL SECTION)	
46	1001169234	1	Box Less Lid	
47	1001188874	2	Nut	
48	1001216327	1	Harness, Ford DF 2.5L Engine (Not Shown - See Separate Breakdown in ELECTRICAL SECTION)	
49	1001221417	1	Decal - Faceplate	

SECTION 2 - TURNTABLE

FIGURE 2-20. GROUND CONTROL BOX ASSEMBLY - WITH DEUTZ D2011 (ANSI EXPORT (LRC) AND AUSTRALIAN SPECS) (860SJ HC3)



ART_1001241730

SECTION 2 - TURNTABLE

FIGURE 2-20. GROUND CONTROL BOX ASSEMBLY - WITH DEUTZ D2011 (ANSI EXPORT (LRC) AND AUSTRALIAN SPECS) (860SJ HC3)

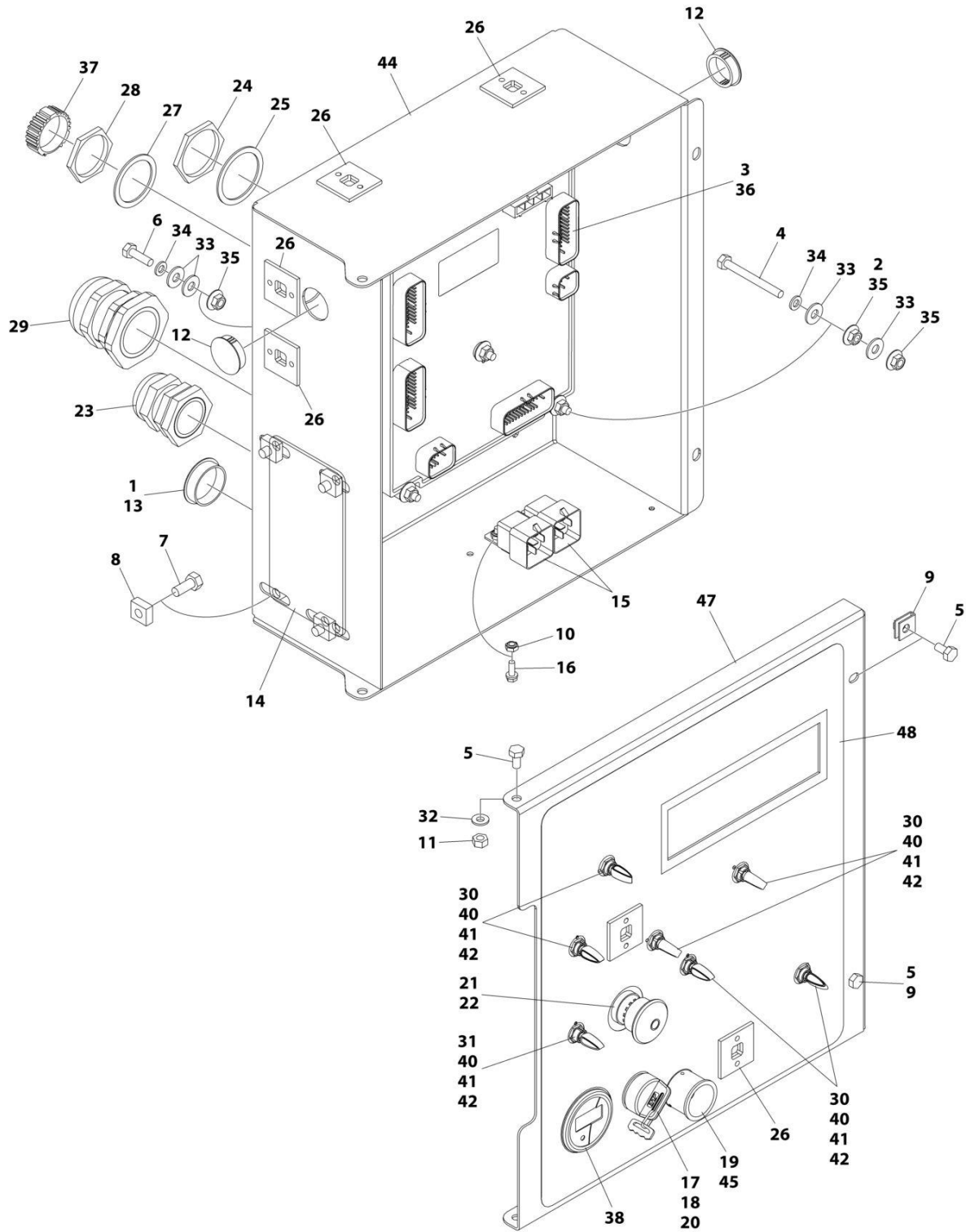
ITEM	PART NUMBER	QTY	DESCRIPTION	REV
	1001241730	Ref	GROUND CONTROL BOX ASSEMBLY	C
1	0100009	AR	Sealant	
2	0100011	AR	Compound, Locking	
3	0100048	AR	Grease, Dielectric	
4	0630548	5	Bolt, 2-1/2 Tap	
5	0641404	2	Bolt 1/4 x 1/2	
6	0641407	1	Bolt 1/4 x 7/8	
7	0641506	4	Bolt 5/16 x 3/4	
8	2420172	1	Gauge, Hourmeter	
9	3300205	4	Nut, Retainer	
10	3300353	2	Nut, Tinnerman	
11	3300408	2	Nut, Plastic Insert	
12	3311405	2	Nut 1/4	
13	3520031	2	Plug	
14	3520035	1	Plug, Cap	
15	3740049	2	Relay	
16	3900268	2	Screw #10 x 1/2	
17	3910804	6	Screw #8 x 1/4	
18	4070991	1	Shim	
19	4360469	1	Switch, Key	
19	2860030	1	Key Replacement	
20	4360475	1	Switch, Emergency Stop	
20	7020175	1	Cap, Mushroom	
20	7020176	1	Block, Contact	
21	4360476	1	Switch, Contact Block	
22	4460426	1	Connector, Strain Relief	
23	4460470	1	Nut, Terminal	
24	4460471	1	Washer, Terminal	
25	4460488	6	Mounting Base, Terminal	
26	4460496	1	Washer, Terminal	
27	4460497	1	Nut, Terminal	
28	4460526	1	Connector, Strain Relief	
29	4711400	2	Washer 1/4	
30	4740397	6	Spacer	
31	4740444	1	Washer	
32	4740518	2	Washer	
33	4751400	12	Washer 1/4	
34	4761400	6	Washer 1/4	
35	4891500	4	Washer 5/16	
36	77143013	11	Nut 1/4	
37	1001103308	2	Screw 1/4	
38	1001103667	1	Module, Ground Control (Note: Re-calibration Required when Replaced)	
39	1001106736	1	Cap, Dust	
40	1001243263	1	Harness, Ground Control Box (Not Shown - See Separate Breakdown in ELECTRICAL SECTION)	
41	1001152174	NLA	Lid (Use p/n 1001263427 for replacement)	
41	1001263427	1	Lid	

SECTION 2 - TURNTABLE

ITEM	PART NUMBER	QTY	DESCRIPTION	REV
42	1001154324	1	Harness, Deutz D2011 Engine (Not Shown - See Separate Breakdown in ELECTRICAL SECTION)	
44	1001155043	7	Washer	
45	1001155044	7	Nut 15/32	
46	1001155045	7	Switch, Toggle	
47	1001168024	1	Harness, Platform Valve (Not Shown - See Separate Breakdown in ELECTRICAL SECTION)	
48	1001169234	1	Box Less Lid	
49	1001188874	2	Nut	
50	1001221418	1	Decal - Faceplate	

SECTION 2 - TURNTABLE

FIGURE 2-21. GROUND CONTROL BOX ASSEMBLY - WITH DEUTZ D2011 (CE & CHINA SPECS) (860SJ HC3)



ART_1001241732

SECTION 2 - TURNTABLE

**FIGURE 2-21. GROUND CONTROL BOX ASSEMBLY - WITH DEUTZ D2011 (CE & CHINA SPECS)
(860SJ HC3)**

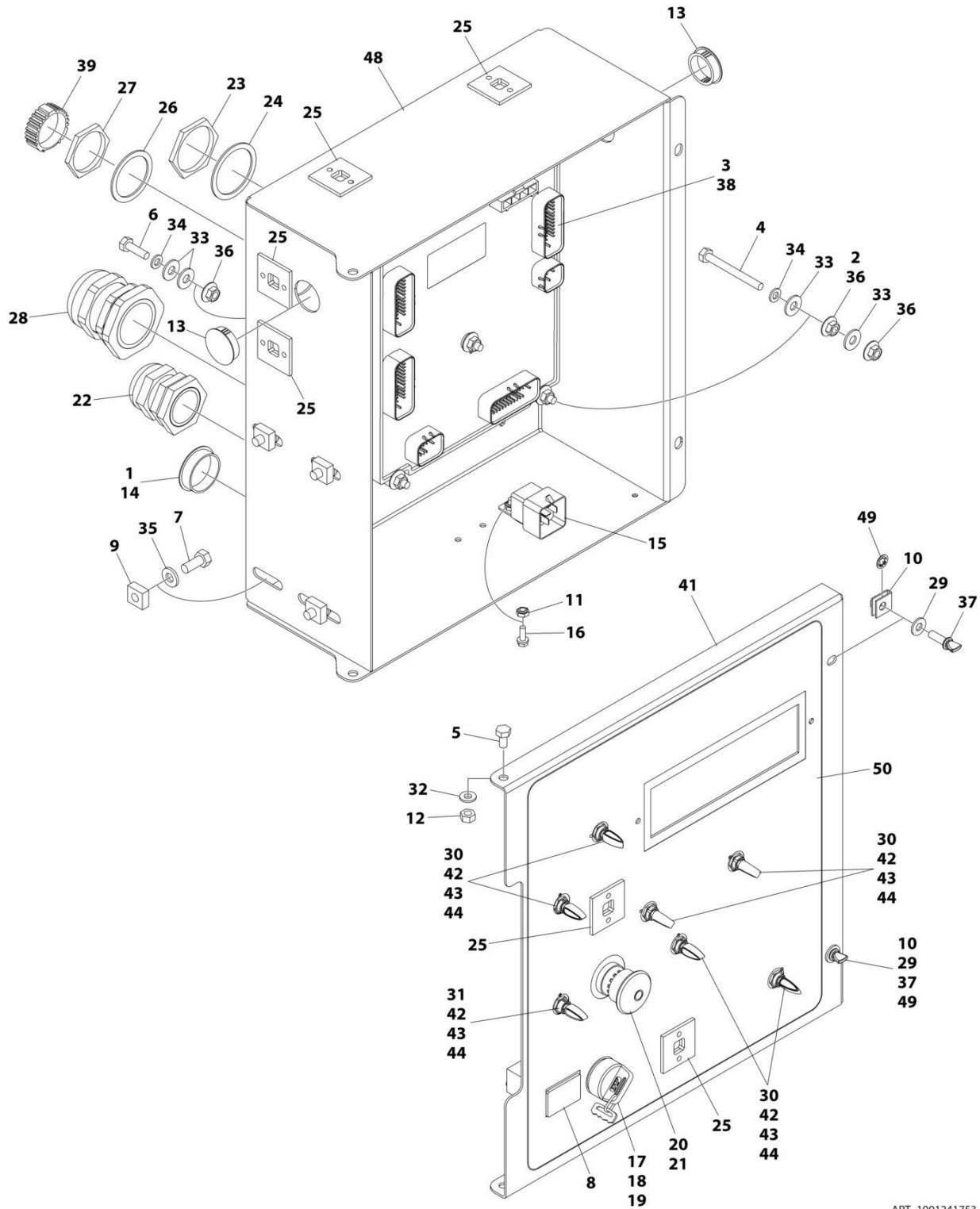
ITEM	PART NUMBER	QTY	DESCRIPTION	REV
	1001241732	Ref	GROUND CONTROL BOX ASSEMBLY	B
1	0100009	AR	Sealant	
2	0100011	AR	Compound, Locking	
3	0100048	AR	Grease, Dielectric	
4	0630548	5	Bolt, 2-1/2 Tap	
5	0641404	4	Bolt 1/4 x 1/2	
6	0641407	1	Bolt 1/4 x 7/8	
7	0641506	4	Bolt 5/16 x 3/4	
8	3300205	4	Nut, Retainer	
9	3300353	2	Nut, Tinnerman	
10	3300408	2	Nut, Plastic Insert	
11	3311405	2	Nut 1/4	
12	3520031	2	Plug	
13	3520035	1	Plug, Cap	
14	3539219	1	Plate, Reinforcement	
15	3740049	2	Relay	
16	3900268	2	Screw #10 x 1/2	
17	3910804	6	Screw #8 x 1/4	
18	4070991	1	Shim	
19	4360387	1	Switch, Push Button	
20	4360469	1	Switch, Key	
20	2860030	1	Key Replacement	
21	4360475	1	Switch, Emergency Stop	
21	7020175	1	Cap, Mushroom	
21	7020176	1	Block, Contact	
22	4360476	1	Switch, Contact Block	
23	4460426	1	Connector, Strain Relief	
24	4460470	1	Nut, Terminal	
25	4460471	1	Washer, Terminal	
26	4460488	6	Mounting Base, Terminal	
27	4460496	1	Washer, Terminal	
28	4460497	1	Nut, Terminal	
29	4460526	1	Connector, Strain Relief	
30	4740397	6	Spacer	
31	4740444	1	Washer	
32	4740518	2	Washer	
33	4751400	12	Washer 1/4	
34	4761400	6	Washer 1/4	
35	77143013	11	Nut 1/4	
36	1001103667	1	Module, Ground Control (Note: Re-calibration Required when Replaced)	
37	1001106736	1	Cap, Dust	
38	1001109503	1	Gauge, Hourmeter	
39	1001243559	1	Harness, Deutz D2011 Engine (Not Shown - See Separate Breakdown in ELECTRICAL SECTION)	
40	1001155043	7	Washer	
41	1001155044	7	Nut 15/32	
42	1001155045	7	Switch, Toggle	

SECTION 2 - TURNTABLE

ITEM	PART NUMBER	QTY	DESCRIPTION	REV
43	1001168024	1	Harness, Platform Valve (Not Shown - See Separate Breakdown in ELECTRICAL SECTION)	
44	1001169234	1	Box Less Lid	
45	1001176469	1	Shroud	
46	1001243263	1	Harness, Ground Control Box (Not Shown - See Separate Breakdown in ELECTRICAL SECTION)	
47	1001188041	NLA	Lid (Use p/n 1001263428 for replacement)	
47	1001263428	1	Lid	
48	1001221420	1	Decal - Faceplate	

SECTION 2 - TURNTABLE

FIGURE 2-22. GROUND CONTROL BOX ASSEMBLY - WITH DEUTZ TD2.9L4 (ANSI, ANSI EXPORT (HRC), CSA & JAPANESE SPECS) (860SJ HC3)



ART_1001241753

SECTION 2 - TURNTABLE

FIGURE 2-22. GROUND CONTROL BOX ASSEMBLY - WITH DEUTZ TD2.9L4 (ANSI, ANSI EXPORT (HRC), CSA & JAPANESE SPECS) (860SJ HC3)

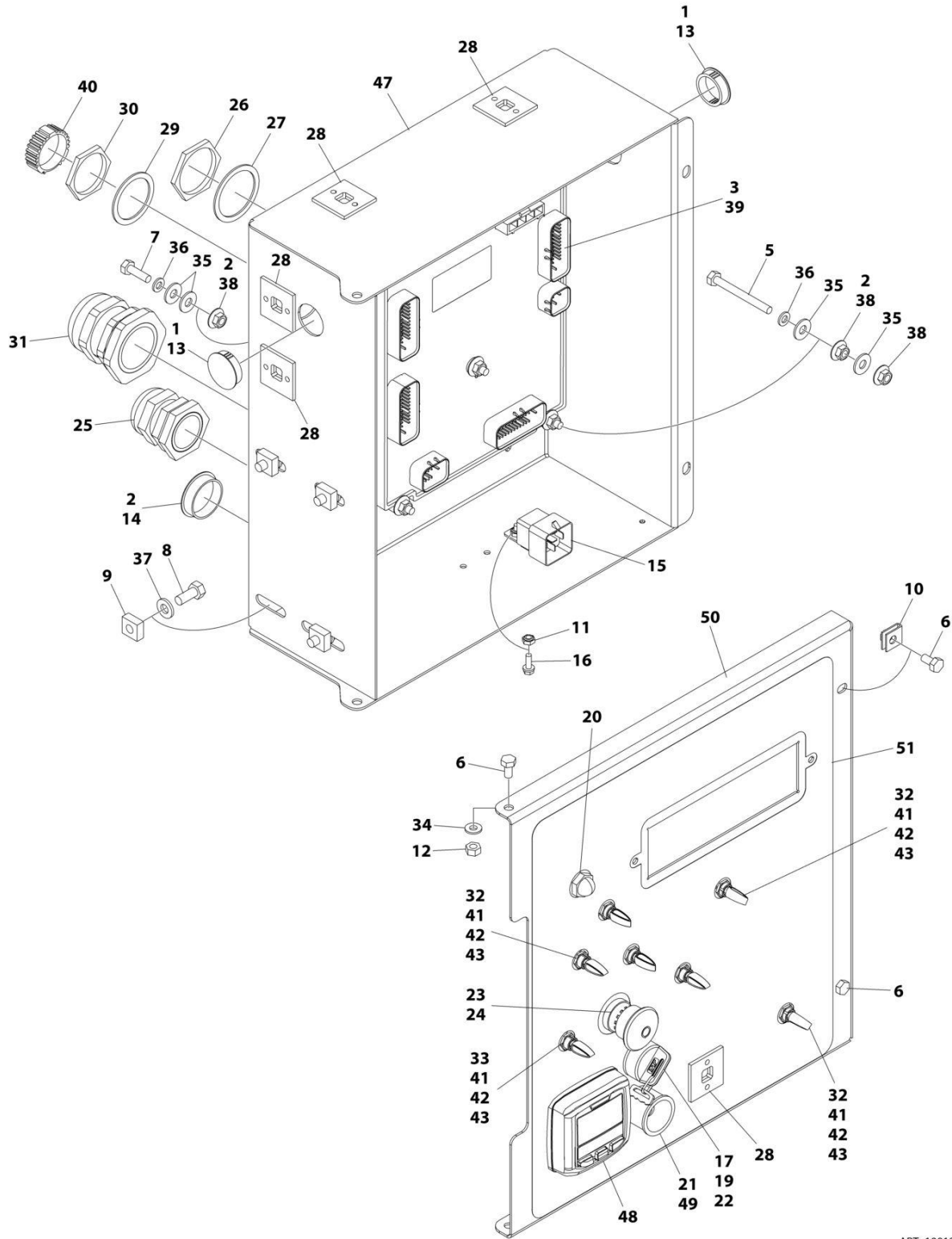
ITEM	PART NUMBER	QTY	DESCRIPTION	REV
	1001241753	Ref	GROUND CONTROL BOX ASSEMBLY	C
1	0100009	AR	Sealant	
2	0100011	AR	Compound, Locking	
3	0100048	AR	Grease, Dielectric	
4	0630548	5	Bolt, 2-1/2 Tap	
5	0641404	2	Bolt 1/4 x 1/2	
6	0641407	1	Bolt 1/4 x 7/8	
7	0641506	4	Bolt 5/16 x 3/4	
8	2420172	1	Gauge, Hourmeter	
9	3300205	4	Nut, Retainer	
10	3300353	2	Nut, Tinnerman	
11	3300408	1	Nut, Plastic Insert	
12	3311405	2	Nut 1/4	
13	3520031	2	Plug	
14	3520035	1	Plug, Cap	
15	3740049	1	Relay	
16	3900268	1	Screw #10 x 1/2	
17	3910804	6	Screw #8 x 1/4	
18	4070991	1	Shim	
19	4360469	1	Switch, Key	
19	2860030	1	Key Replacement	
20	4360475	1	Switch, Emergency Stop	
20	7020175	1	Cap, Mushroom	
20	7020176	1	Block, Contact	
21	4360476	1	Switch, Contact Block	
22	4460426	1	Connector, Strain Relief	
23	4460470	1	Nut, Terminal	
24	4460471	1	Washer, Terminal	
25	4460488	6	Mounting Base, Terminal	
26	4460496	1	Washer, Terminal	
27	4460497	1	Nut, Terminal	
28	4460526	1	Connector, Strain Relief	
29	4711400	2	Washer 1/4	
30	4740397	6	Spacer	
31	4740444	1	Washer	
32	4740518	2	Washer	
33	4751400	12	Washer 1/4	
34	4761400	6	Washer 1/4	
35	4891500	4	Washer 5/16	
36	77143013	11	Nut 1/4	
37	1001103308	2	Screw 1/4	
38	1001103667	1	Module, Ground Control (Note: Re-calibration Required when Replaced)	
39	1001106736	1	Cap, Dust	
40	1001243263	1	Harness, Ground Control Box (Not Shown - See Separate Breakdown in ELECTRICAL SECTION)	
41	1001152174	NLA	Lid (Use PN 1001263427)	
41	1001263427	1	Lid	
42	1001155043	7	Washer	

SECTION 2 - TURNTABLE

ITEM	PART NUMBER	QTY	DESCRIPTION	REV
43	1001155044	7	Nut 15/32	
44	1001155045	7	Switch, Toggle	
45	1001165776	1	Harness, Deutz D2011 Engine (Not Shown - See Separate Breakdown in ELECTRICAL SECTION)	
47	1001168024	1	Harness, Platform Valve (Not Shown - See Separate Breakdown in ELECTRICAL SECTION)	
48	1001169234	1	Box Less Lid	
49	1001188874	2	Nut	
50	1001221418	1	Decal - Faceplate	

SECTION 2 - TURNTABLE

FIGURE 2-23. GROUND CONTROL BOX ASSEMBLY - WITH DEUTZ TD2.9L4 (STAGE V) (CE SPECS) (860SJ HC3)



ART_1001237734

SECTION 2 - TURNTABLE

**FIGURE 2-23. GROUND CONTROL BOX ASSEMBLY - WITH DEUTZ TD2.9L4 (STAGE V) (CE SPECS)
(860SJ HC3)**

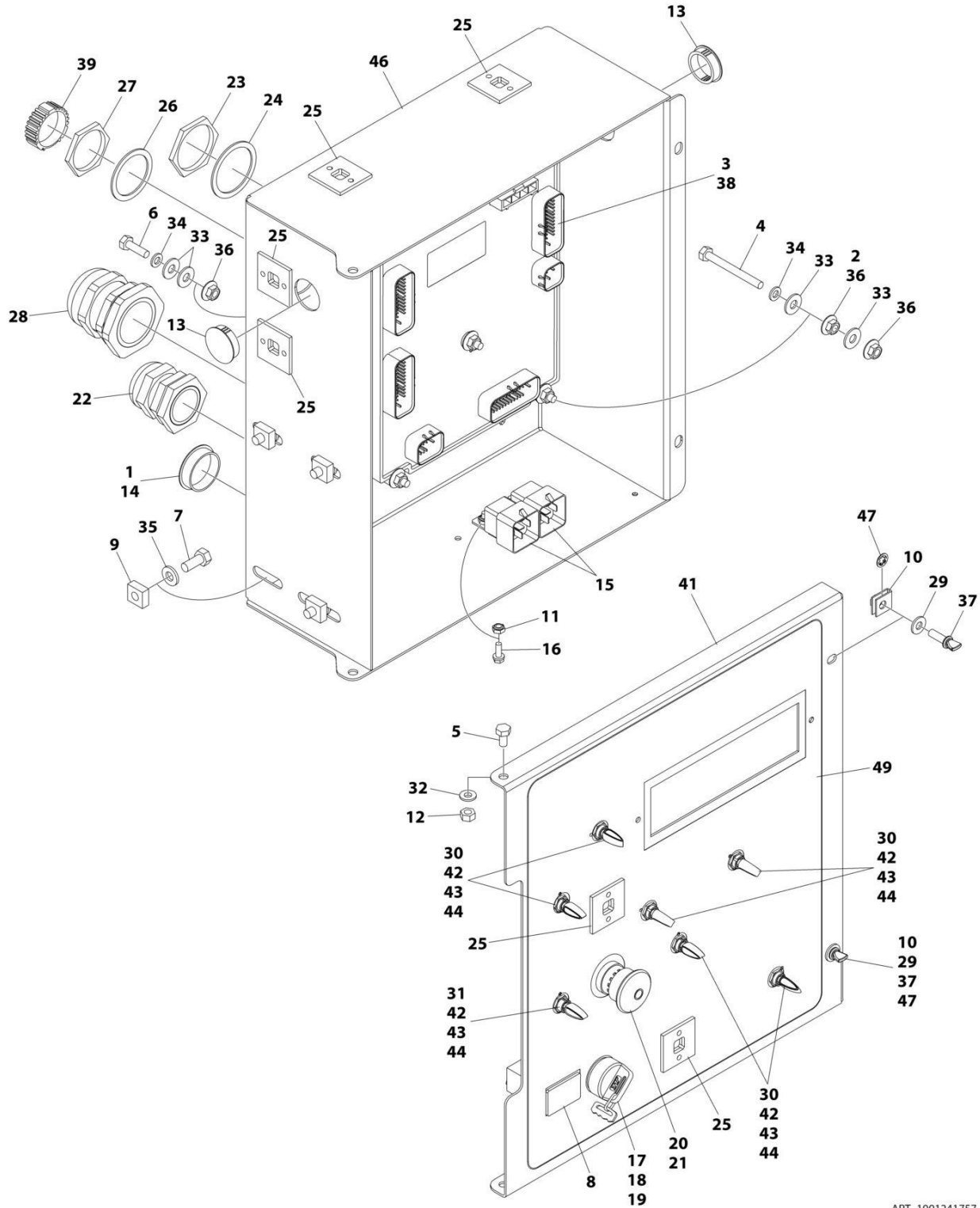
ITEM	PART NUMBER	QTY	DESCRIPTION	REV
	1001237734	Ref	GROUND CONTROL BOX ASSEMBLY	E
1	0100009	AR	Sealant	
2	0100011	AR	Compound, Locking	
3	0100048	AR	Grease, Dielectric	
5	0630548	5	Bolt, 2-1/2 Tap	
6	0641404	4	Bolt 1/4 x 1/2	
7	0641407	1	Bolt 1/4 x 7/8	
8	0641507	4	Bolt 5/16 x 7/8	
9	3300205	4	Nut, Retainer	
10	3300353	2	Nut, Tinnerman	
11	3300408	1	Nut, Plastic Insert	
12	3311405	2	Nut 1/4	
13	3520031	2	Plug	
14	3520035	1	Plug, Cap	
15	3740049	1	Relay	
16	3900268	1	Screw #10 x 1/2	
17	3910804	6	Screw #8 x 1/4	
19	4070991	1	Shim	
20	4360274	1	Switch, Push Button	
21	4360387	1	Switch, Push Button	
22	4360469	1	Switch, Key	
22	2860030	1	Key Replacement	
23	4360475	1	Switch, Emergency Stop	
23	7020175	1	Cap, Mushroom	
23	7020176	1	Block, Contact	
24	4360476	1	Switch, Contact Block	
25	4460426	1	Connector, Strain Relief	
26	4460470	1	Nut, Terminal	
27	4460471	1	Washer, Terminal	
28	4460488	6	Mounting Base, Terminal	
29	4460496	1	Washer, Terminal	
30	4460497	1	Nut, Terminal	
31	4460526	1	Connector, Strain Relief	
32	4740397	6	Spacer	
33	4740444	1	Washer	
34	4740518	2	Washer	
35	4751400	12	Washer 1/4	
36	4761400	6	Washer 1/4	
37	4891500	4	Washer 5/16	
38	77143013	11	Nut 1/4	
39	1001103667	1	Module, Ground Control (Note: Re-calibration Required when Replaced)	
40	1001106736	1	Cap, Dust	
41	1001155043	7	Washer	
42	1001155044	7	Nut 15/32	
43	1001155045	7	Switch, Toggle	
44	1001165776	1	Harness, Deutz TD2.9L4 Engine (Not Shown - See Separate Breakdown in ELECTRICAL SECTION)	

SECTION 2 - TURNTABLE

ITEM	PART NUMBER	QTY	DESCRIPTION	REV
46	1001168024	1	Harness, Platform Valve (Not Shown - See Separate Breakdown in ELECTRICAL SECTION)	
47	1001169234	1	Box Less Lid	
48	1001171482	1	Gauge, Display	
49	1001176469	1	Shroud	
50	1001237023	1	Lid	
51	1001237035	1	Decal - Faceplate	
53	1001243263	1	Harness, Ground Control Box (Not Shown - See Separate Breakdown in ELECTRICAL SECTION)	

SECTION 2 - TURNTABLE

FIGURE 2-24. GROUND CONTROL BOX ASSEMBLY - WITH FORD DF 2.5L (ANSI, ANSI EXPORT, AUSTRALIAN AND CSA SPECS) (860SJ HC3)



ART_1001241757

SECTION 2 - TURNTABLE

FIGURE 2-24. GROUND CONTROL BOX ASSEMBLY - WITH FORD DF 2.5L (ANSI, ANSI EXPORT, AUSTRALIAN AND CSA SPECS) (860SJ HC3)

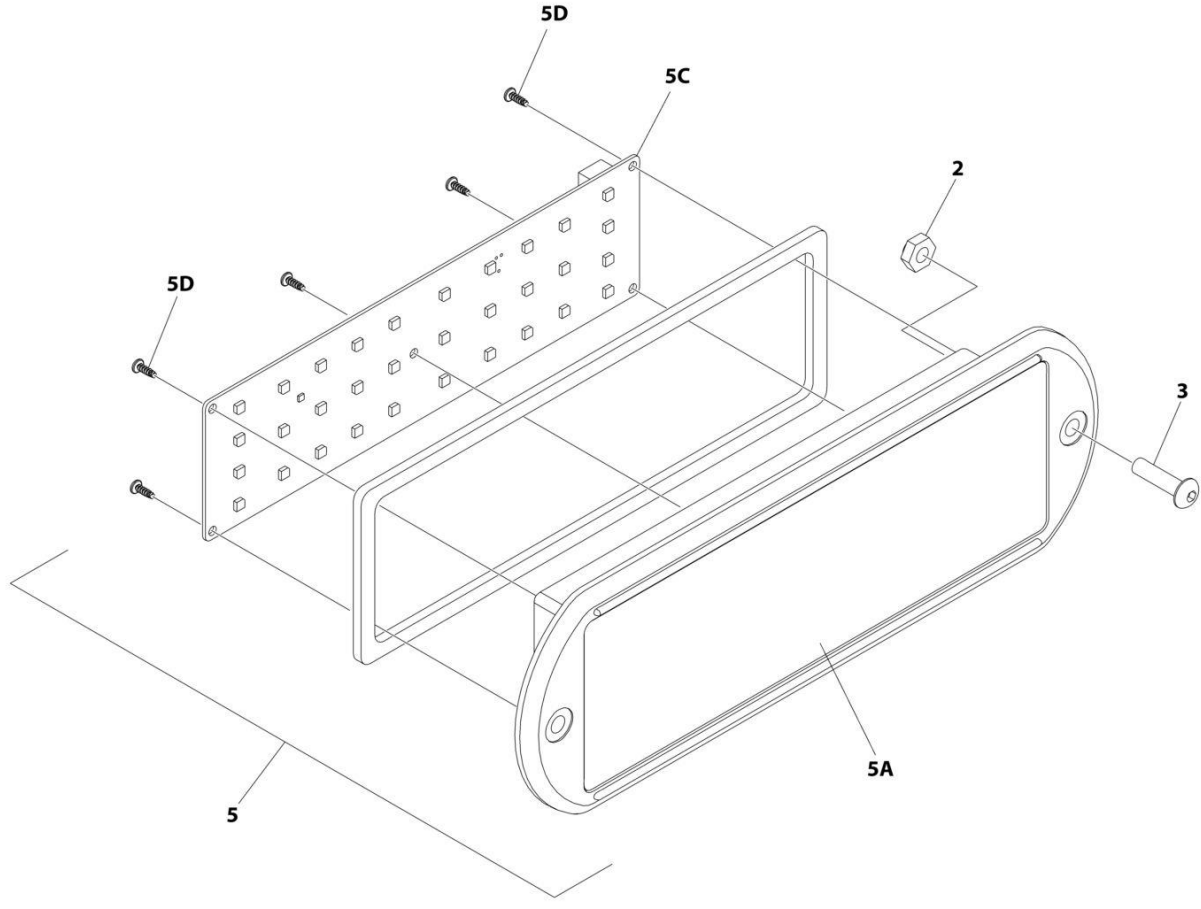
ITEM	PART NUMBER	QTY	DESCRIPTION	REV
	1001241757	Ref	GROUND CONTROL BOX ASSEMBLY	C
1	0100009	AR	Sealant	
2	0100011	AR	Compound, Locking	
3	0100048	AR	Grease, Dielectric	
4	0630548	5	Bolt, 2-1/2 Tap	
5	0641404	2	Bolt 1/4 x 1/2	
6	0641407	1	Bolt 1/4 x 7/8	
7	0641506	4	Bolt 5/16 x 3/4	
8	2420172	1	Gauge, Hourmeter	
9	3300205	4	Nut, Retainer	
10	3300353	2	Nut, Tinnerman	
11	3300408	2	Nut, Plastic Insert	
12	3311405	2	Nut 1/4	
13	3520031	2	Plug	
14	3520035	1	Plug, Cap	
15	3740049	2	Relay	
16	3900268	2	Screw #10 x 1/2	
17	3910804	6	Screw #8 x 1/4	
18	4070991	1	Shim	
19	4360469	1	Switch, Key	
19	2860030	1	Key Replacement	
20	4360475	1	Switch, Emergency Stop	
20	7020175	1	Cap, Mushroom	
20	7020176	1	Block, Contact	
21	4360476	1	Switch, Contact Block	
22	4460426	1	Connector, Strain Relief	
23	4460470	1	Nut, Terminal	
24	4460471	1	Washer, Terminal	
25	4460488	6	Mounting Base, Terminal	
26	4460496	1	Washer, Terminal	
27	4460497	1	Nut, Terminal	
28	4460526	1	Connector, Strain Relief	
29	4711400	2	Washer 1/4	
30	4740397	6	Spacer	
31	4740444	1	Washer	
32	4740518	2	Washer	
33	4751400	12	Washer 1/4	
34	4761400	6	Washer 1/4	
35	4891500	4	Washer 5/16	
36	77143013	11	Nut 1/4	
37	1001103308	2	Screw 1/4	
38	1001103667	1	Module, Ground Control (Note: Re-calibration Required when Replaced)	
39	1001106736	1	Cap, Dust	
40	1001243263	1	Harness, Ground Control Box (Not Shown - See Separate Breakdown in ELECTRICAL SECTION)	
41	1001152174	NLA	Lid (Use PN 1001263427)	
41	1001263427	1	Lid	
42	1001155043	7	Washer	

SECTION 2 - TURNTABLE

ITEM	PART NUMBER	QTY	DESCRIPTION	REV
43	1001155044	7	Nut 15/32	
44	1001155045	7	Switch, Toggle	
45	1001168024	1	Harness, Platform Valve (Not Shown - See Separate Breakdown in ELECTRICAL SECTION)	
46	1001169234	1	Box Less Lid	
47	1001188874	2	Nut	
48	1001216327	1	Harness, Ford DF 2.5L Engine (Not Shown - See Separate Breakdown in ELECTRICAL SECTION)	
49	1001221418	1	Decal - Faceplate	

SECTION 2 - TURNTABLE

FIGURE 2-25. LIGHT PANEL INSTALLATION



ART_1001233959_C_10F2

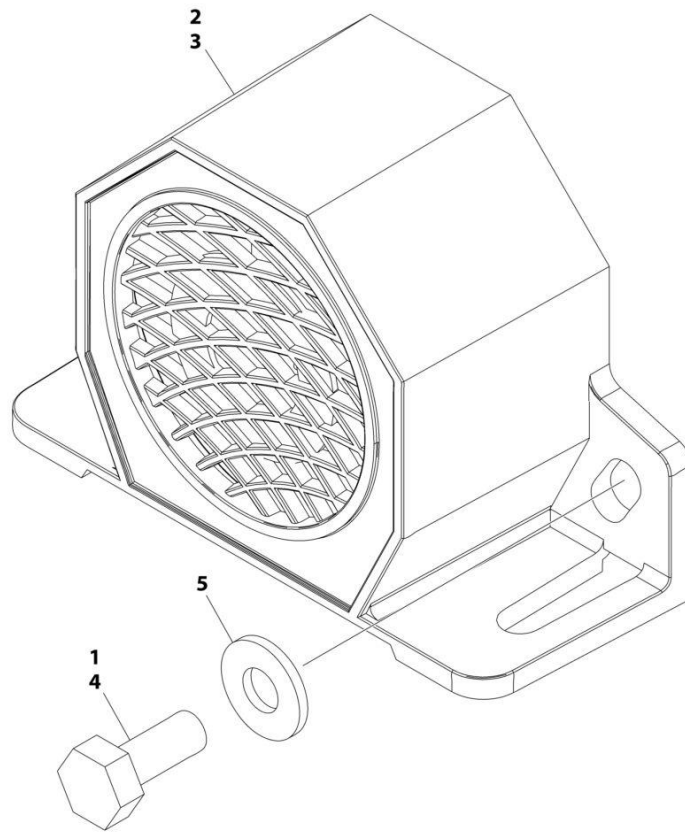
SECTION 2 - TURNTABLE

FIGURE 2-25. LIGHT PANEL INSTALLATION

ITEM	PART NUMBER	QTY	DESCRIPTION	REV
	1001233959	Ref	LIGHT PANEL INSTALLATION	C
2	3300408	2	Nut, Nylon Insert	
3	0630518	2	Screw #10 x 3/4	
5	1001237546	1	Light Panel Assembly	H
5A	1001236091	1	Lens, I-Con	
5C	1001187807	1	Panel, LED Light	
5D		Ref	Screw	

SECTION 2 - TURNTABLE

FIGURE 2-26. ALARM INSTALLATION



ART_1001158364

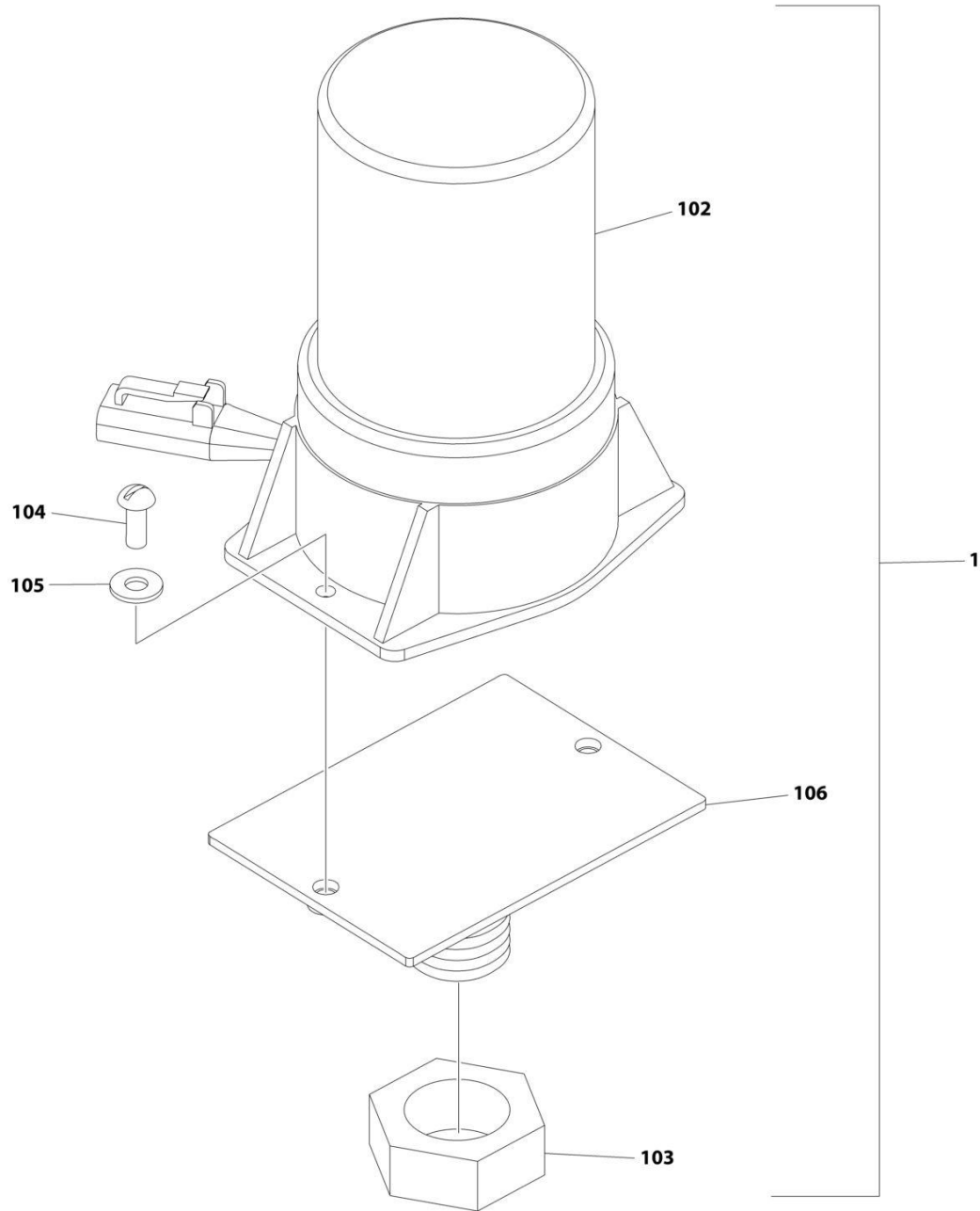
SECTION 2 - TURNTABLE

FIGURE 2-26. ALARM INSTALLATION

ITEM	PART NUMBER	QTY	DESCRIPTION	REV
	1001158364	Ref	ALARM INSTALLATION	A
1	0100011	AR	Compound, Locking	
2	0100048	AR	Grease, Dielectric	
3	0140044	1	Alarm	
4	0641405	2	Bolt 1/4 x 5/8	
5	4711400	2	Washer 1/4	

SECTION 2 - TURNTABLE

FIGURE 2-27. STROBE LIGHT INSTALLATION (AMBER)



ART_1001160077

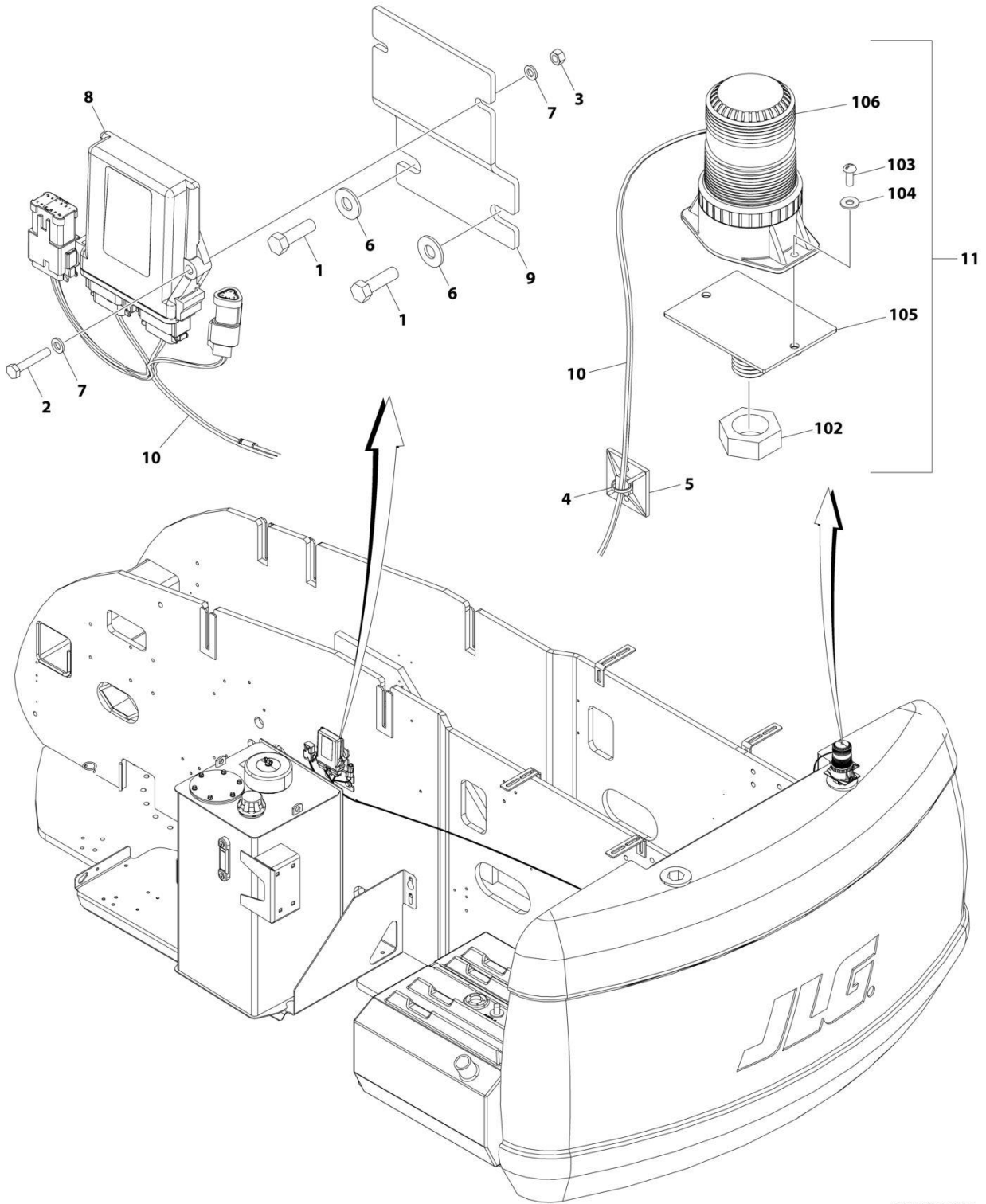
SECTION 2 - TURNTABLE

FIGURE 2-27. STROBE LIGHT INSTALLATION (AMBER)

ITEM	PART NUMBER	QTY	DESCRIPTION	REV
	1001160077	Ref	STROBE LIGHT INSTALLATION (AMBER)	B
1	1001150406	1	Strobe Light Assembly (Includes Items 102-106)	D
102	2920161	1	Strobe Light/Harness Assembly	
102	7016319	1	Bulb	
102	7016372	1	Lens	
103	3312602	1	Nut 1	
104	3900085	2	Screw #10 x 1/2	
105	4751000	2	Washer 1/4	
106	1001149994	1	Mount, Strobe	

SECTION 2 - TURNTABLE

FIGURE 2-28. STROBE LIGHT INSTALLATION (BLUE)



ART_1001242253

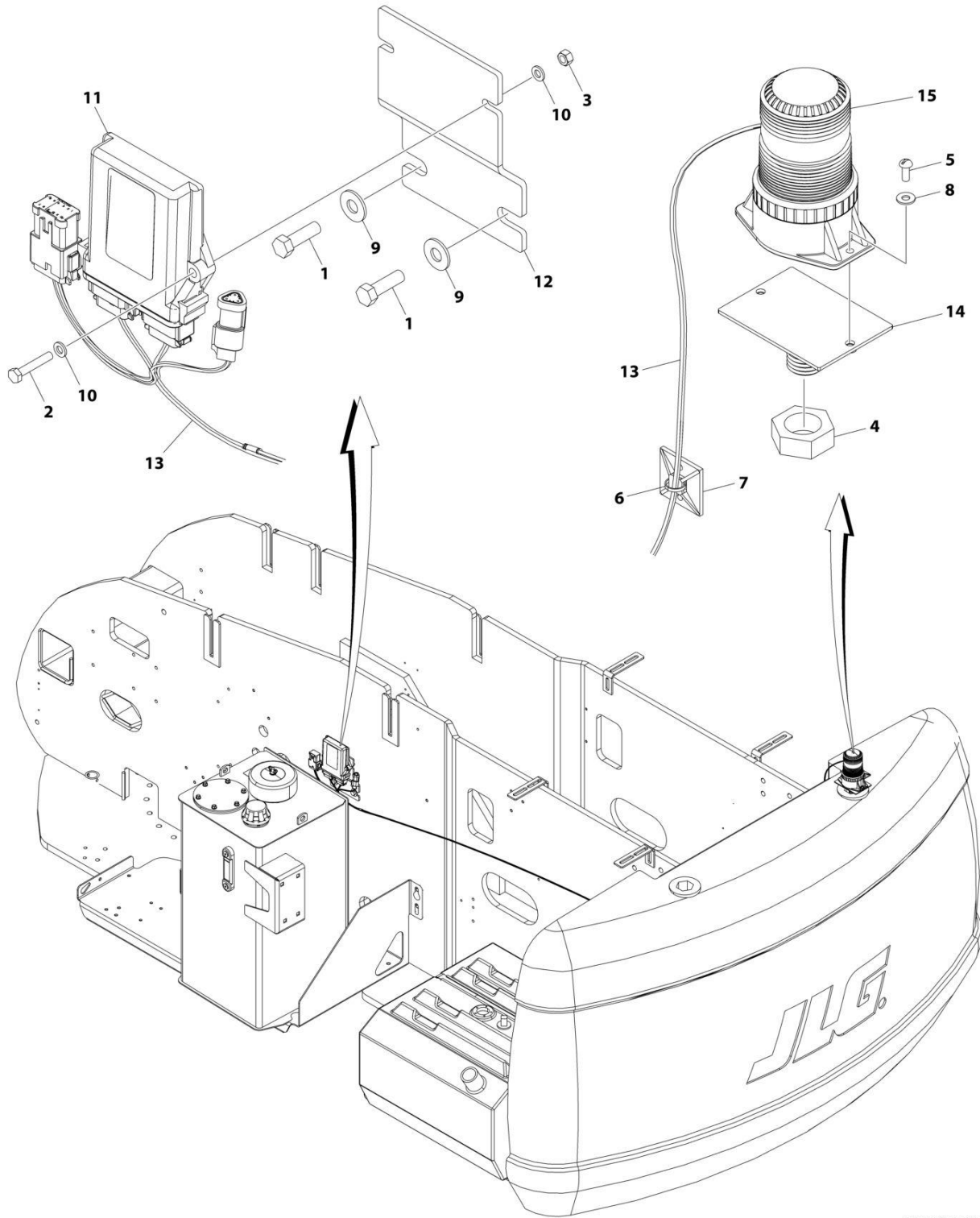
SECTION 2 - TURNTABLE

FIGURE 2-28. STROBE LIGHT INSTALLATION (BLUE)

ITEM	PART NUMBER	QTY	DESCRIPTION	REV
	1001242253	Ref	STROBE LIGHT INSTALLATION (BLUE)	A
1	0641610	2	Bolt 3/8 x 1-1/4	
2	0700615	2	Bolt 6 x 35	
3	3290607	2	Nut M6	
4	4240032	AR	Tie-Strap	
5	4460488	AR	Base, Terminal, Mounting	
6	4751600	2	Washer 3/8	
7	4811700	4	Washer M6	
8	1001142683	1	Module, Control - Beacon	
9	1001142722	1	Bracket	
10	1001142736	1	Beacon Control Harness (See Separate Breakdown in ELECTRICAL SECTION)	
11	1001217005	1	Beacon Kit - Blue (Includes Items 102 - 106)	
102	3312602	1	Nut	
103	3900085	2	Screw	
104	4751000	2	Washer #10	
105	1001149994	1	Mount, Strobe	
106	1001200910	1	Light, Beacon	

SECTION 2 - TURNTABLE

FIGURE 2-29. STROBE LIGHT INSTALLATION (RED)



ART_1001242254

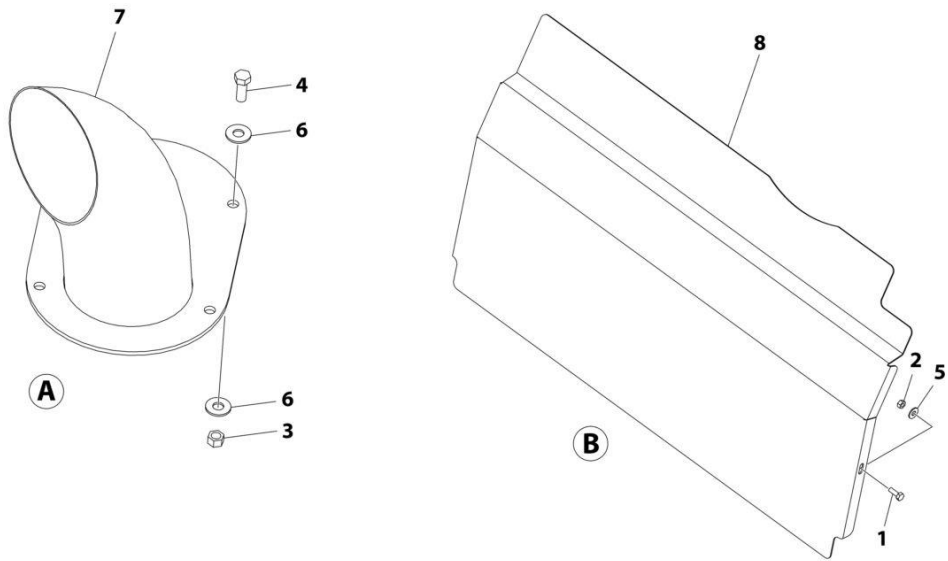
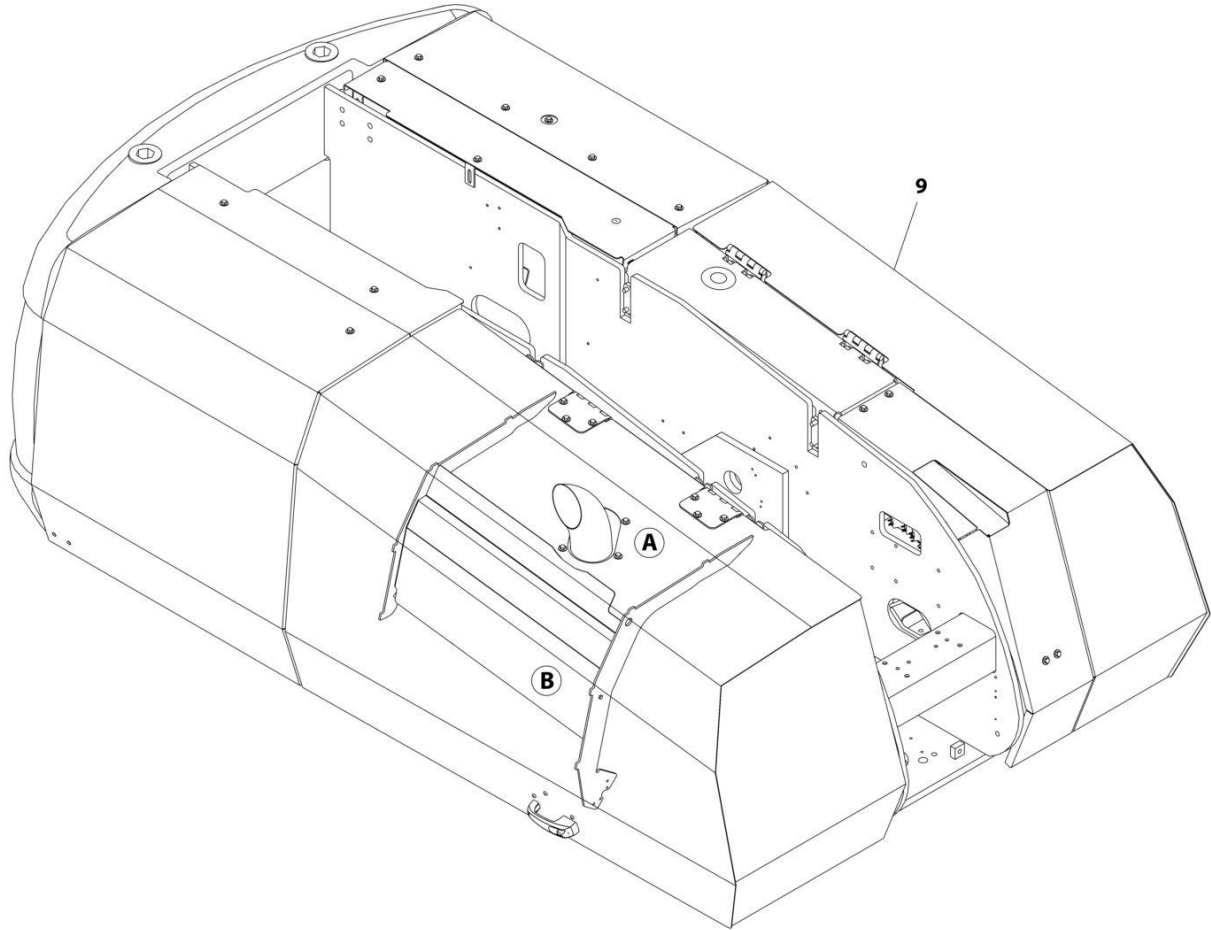
SECTION 2 - TURNTABLE

FIGURE 2-29. STROBE LIGHT INSTALLATION (RED)

ITEM	PART NUMBER	QTY	DESCRIPTION	REV
	1001242254	Ref	STROBE LIGHT INSTALLATION (RED)	A
1	0641610	2	Bolt 3/8 x 1-1/4	
2	0700615	2	Bolt 6 x 35	
3	3290607	2	Nut M6	
4	3312602	1	Nut	
5	3900085	2	Screw	
6	4240032	AR	Tie Strap	
7	4460488	AR	Base, Terminal, Mounting	
8	4751000	2	Washer	
9	4751600	2	Washer 3/8	
10	4811700	4	Washer M6	
11	1001142683	1	Module, Control - Beacon	
12	1001142722	1	Bracket	
13	1001142736	1	Beacon Control Harness (See Separate Breakdown in ELECTRICAL SECTION)	
14	1001149994	1	Mount, Strobe	
15	1001207004	1	Light, Beacon	

SECTION 2 - TURNTABLE

FIGURE 2-30. EXHAUST STACK INSTALLATION - STEEL HOOD (DEUTZ D2011 ENGINES)



ART_1001157752

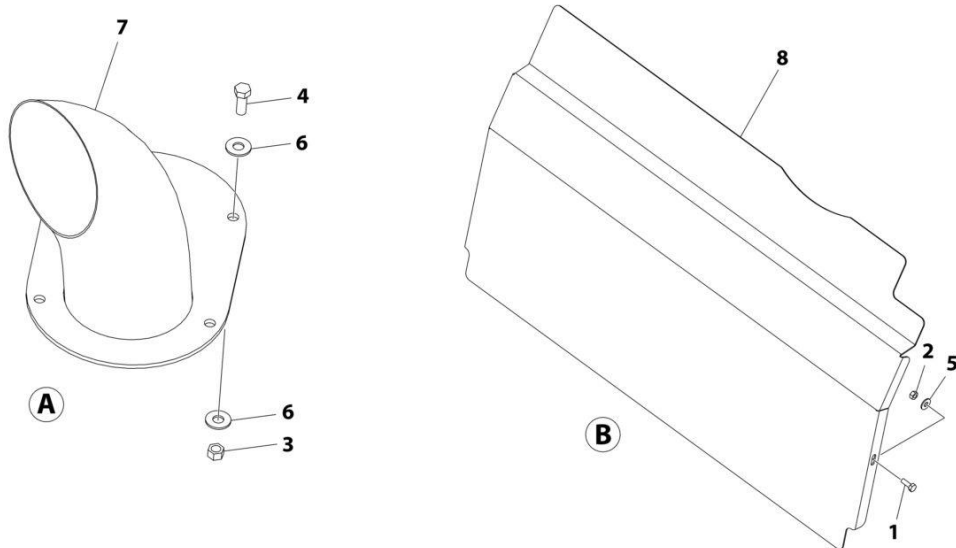
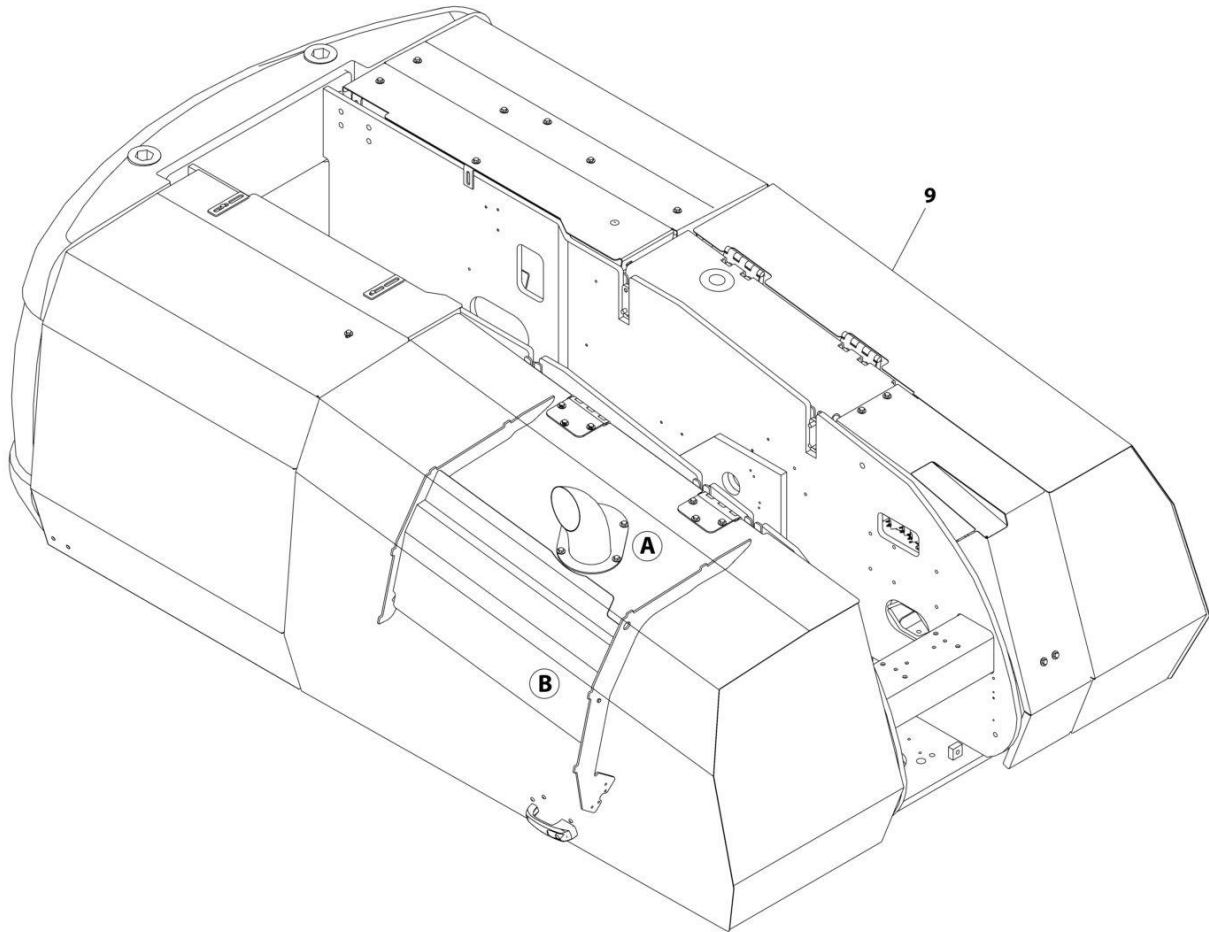
SECTION 2 - TURNTABLE

FIGURE 2-30. EXHAUST STACK INSTALLATION - STEEL HOOD (DEUTZ D2011 ENGINES)

ITEM	PART NUMBER	QTY	DESCRIPTION	REV
		Ref	NOTE: REPLACEMENT DECALS MUST BE PURCHASED SEPARATELY - SEE DECALS SECTION.	
	1001157752	Ref	EXHAUST STACK INSTALLATION - STEEL HOOD	D
1	0641406	3	Bolt 1/4 x 3/4	
2	3311405	3	Nut 1/4	
3	3311605	4	Nut 3/8	
4	0641608	4	Bolt 3/8 x 1	
5	4751400	3	Washer 1/4	
6	4751600	8	Washer 3/8	
7	1001116456	1	Stack, Exhaust	
8	1001150561	1	Shield, Heat	
9	1001157416	1	Steel Hood Installation (See Separate Breakdown in this Section)	

SECTION 2 - TURNTABLE

FIGURE 2-31. EXHAUST STACK INSTALLATION - STEEL HOOD WITH HOSTILE ENVIRONMENT MACHINES (DEUTZ D2011 ENGINES)



ART_1001157755

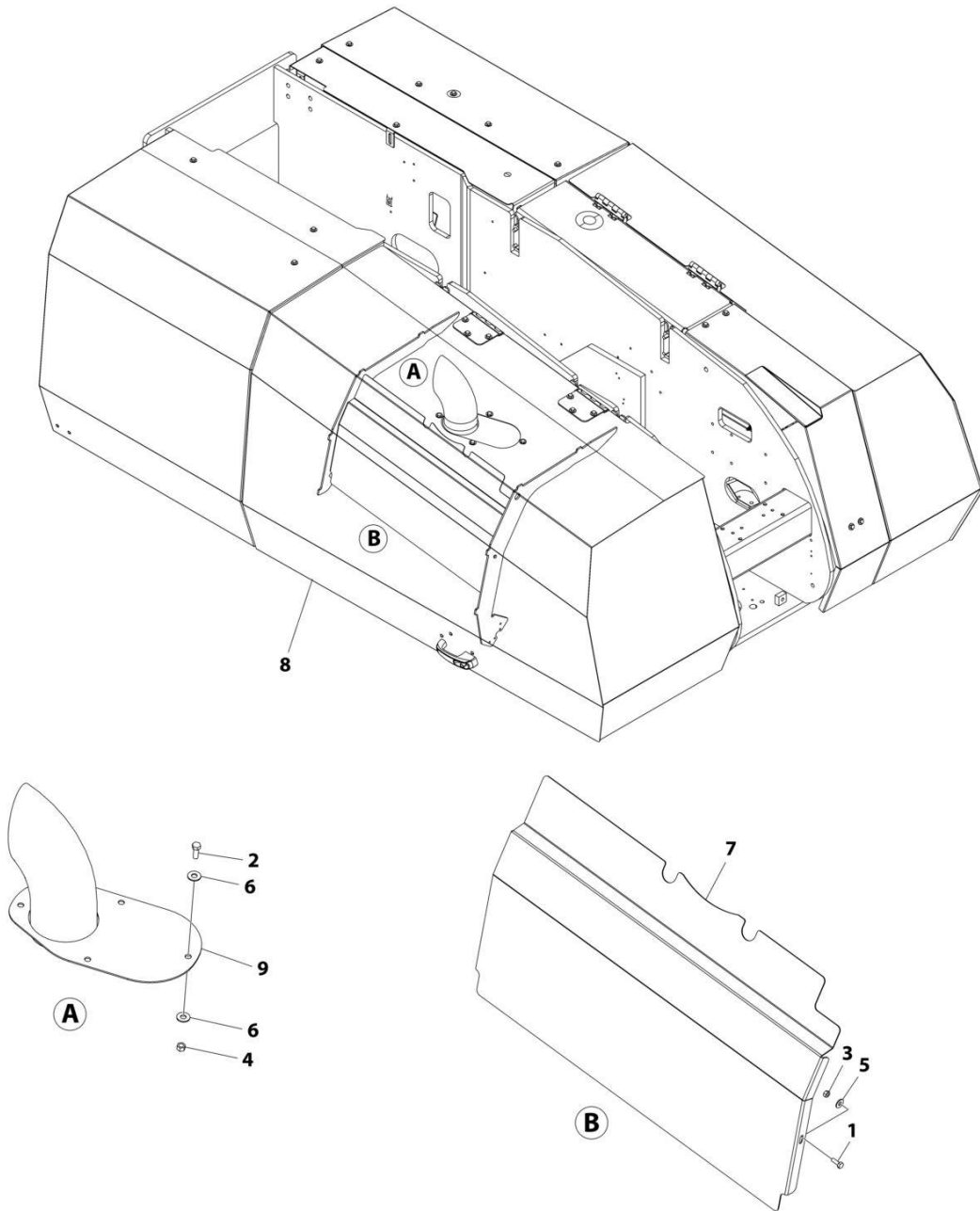
SECTION 2 - TURNTABLE

FIGURE 2-31. EXHAUST STACK INSTALLATION - STEEL HOOD WITH HOSTILE ENVIRONMENT MACHINES (DEUTZ D2011 ENGINES)

ITEM	PART NUMBER	QTY	DESCRIPTION	REV
		Ref	NOTE: REPLACEMENT DECALS MUST BE PURCHASED SEPARATELY - SEE DECALS SECTION.	
	1001157755	Ref	EXHAUST STACK INSTALLATION - STEEL HOOD	D
1	0641406	3	Bolt 1/4 x 3/4	
2	3311405	3	Nut 1/4	
3	3311605	4	Nut 3/8	
4	0641608	4	Bolt 3/8 x 1	
5	4751400	3	Washer 1/4	
6	4751600	8	Washer 3/8	
7	1001116456	1	Stack, Exhaust	
8	1001150561	1	Shield, Heat	
9	1001157753	1	Steel Hood Installation (See Separate Breakdown in this Section)	

SECTION 2 - TURNTABLE

FIGURE 2-32. EXHAUST STACK INSTALLATION - STEEL HOOD (DEUTZ TD2.9L4 ENGINES)



ART_1001238931

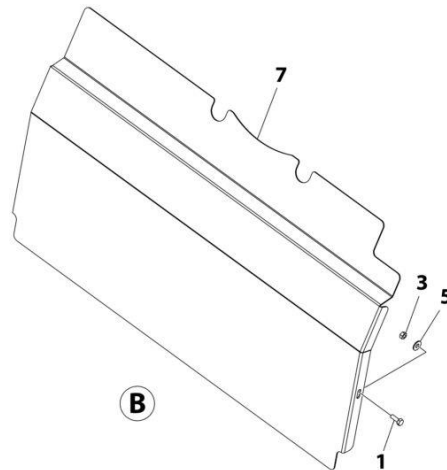
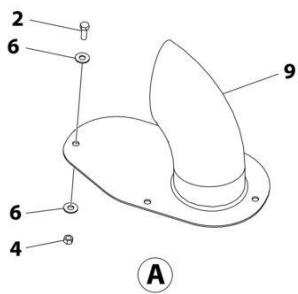
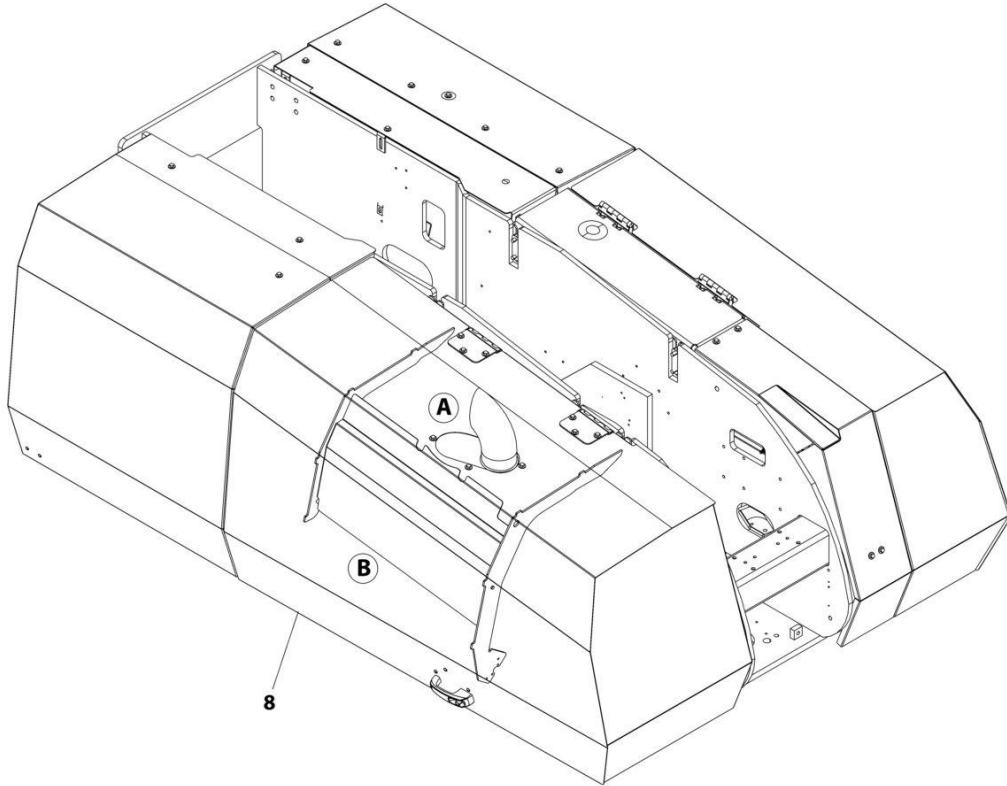
SECTION 2 - TURNTABLE

FIGURE 2-32. EXHAUST STACK INSTALLATION - STEEL HOOD (DEUTZ TD2.9L4 ENGINES)

ITEM	PART NUMBER	QTY	DESCRIPTION	REV
		Ref	NOTE: REPLACEMENT DECALS MUST BE PURCHASED SEPARATELY - SEE DECALS SECTION.	
	1001238931	Ref	EXHAUST STACK INSTALLATION - STEEL HOOD	B
1	0641406	3	Bolt 1/4 x 3/4	
2	0641608	4	Bolt 3/8 x 1	
3	3311405	3	Nut 1/4	
4	3311605	4	Nut 3/8	
5	4751400	3	Washer 1/4	
6	4751600	8	Washer 3/8	
7	1001163101	1	Shield, Heat	
8	1001237194	1	Steel Hood Installation (See Separate Breakdown in this Section)	
9	1001237259	1	Stack, Exhaust	

SECTION 2 - TURNTABLE

FIGURE 2-33. EXHAUST STACK INSTALLATION - STEEL HOOD (DEUTZ TD2.9L4 (STAGE V) ENGINES)



ART_1001237193

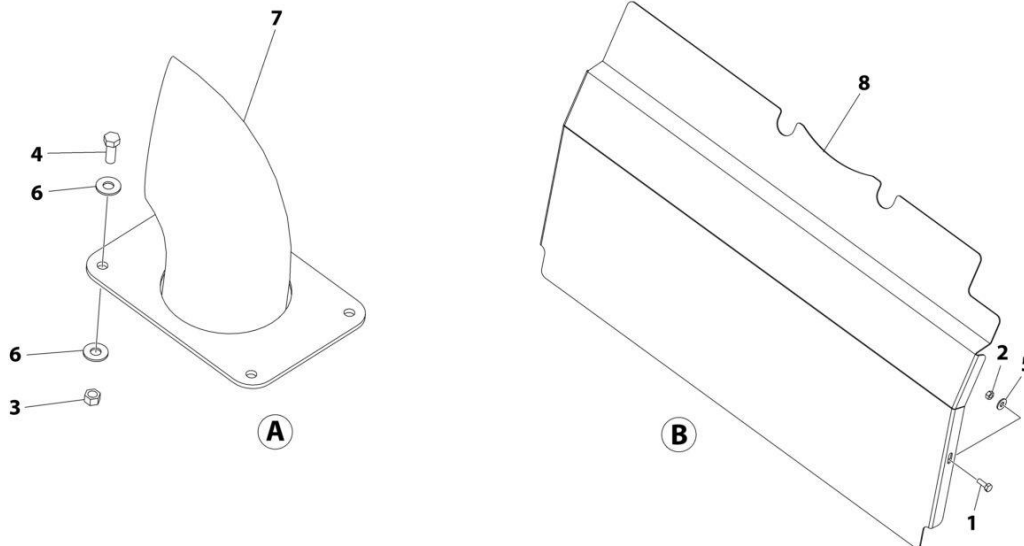
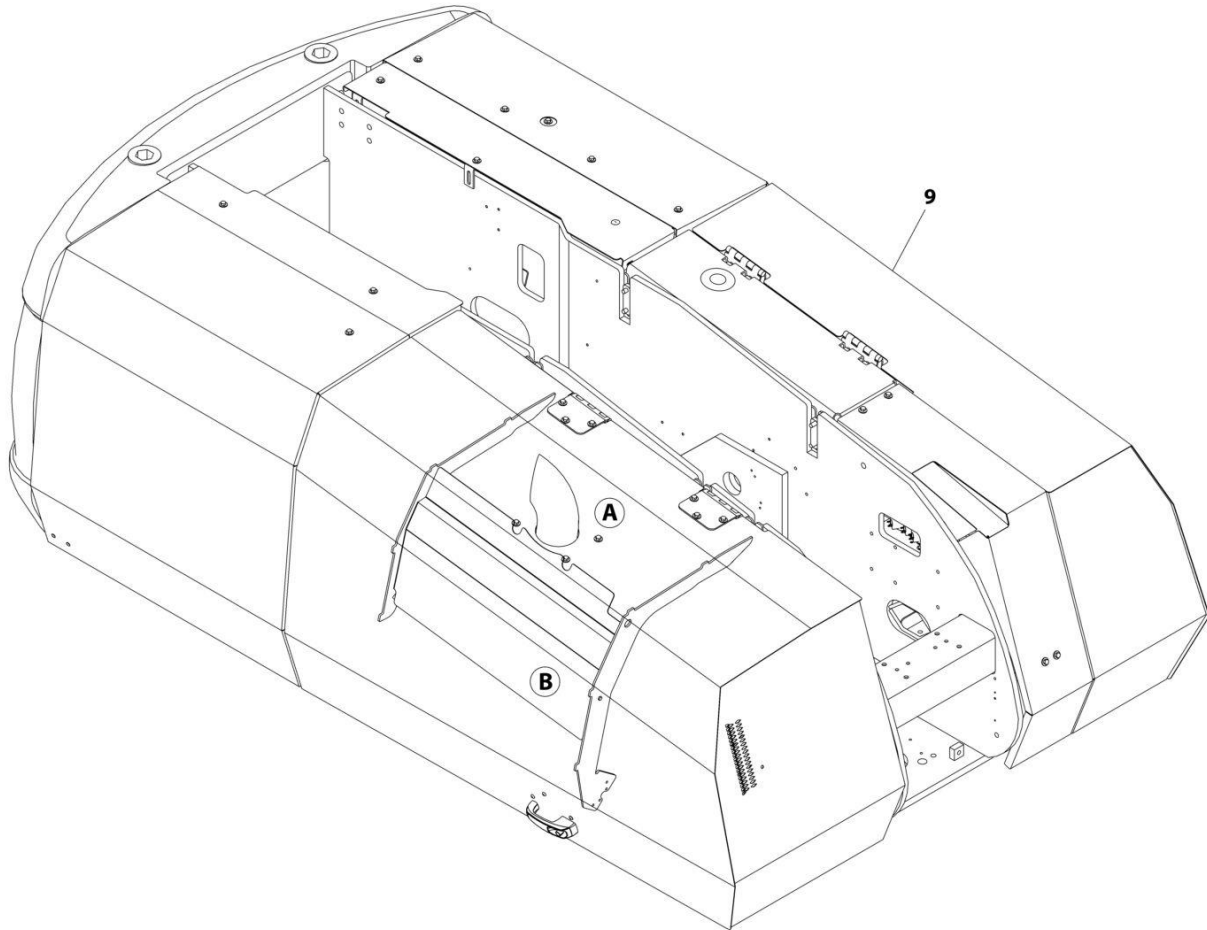
SECTION 2 - TURNTABLE

FIGURE 2-33. EXHAUST STACK INSTALLATION - STEEL HOOD (DEUTZ TD2.9L4 (STAGE V) ENGINES)

ITEM	PART NUMBER	QTY	DESCRIPTION	REV
		Ref	NOTE: REPLACEMENT DECALS MUST BE PURCHASED SEPARATELY - SEE DECALS SECTION.	
	1001237193	Ref	EXHAUST STACK INSTALLATION - STEEL HOOD	B
1	0641406	3	Bolt 1/4 x 3/4	
2	0641608	4	Bolt 3/8 x 1	
3	3311405	3	Nut 1/4	
4	3311605	4	Nut 3/8	
5	4751400	3	Washer 1/4	
6	4751600	8	Washer 3/8	
7	1001163101	1	Shield, Heat	
8	1001237194	1	Steel Hood Installation (See Separate Breakdown in this Section)	
9	1001237261	1	Stack, Exhaust	

SECTION 2 - TURNTABLE

FIGURE 2-34. EXHAUST STACK INSTALLATION - STEEL HOOD WITH HOSTILE ENVIRONMENT MACHINES (DEUTZ TD2.9L4 ENGINES)



ART_1001173869

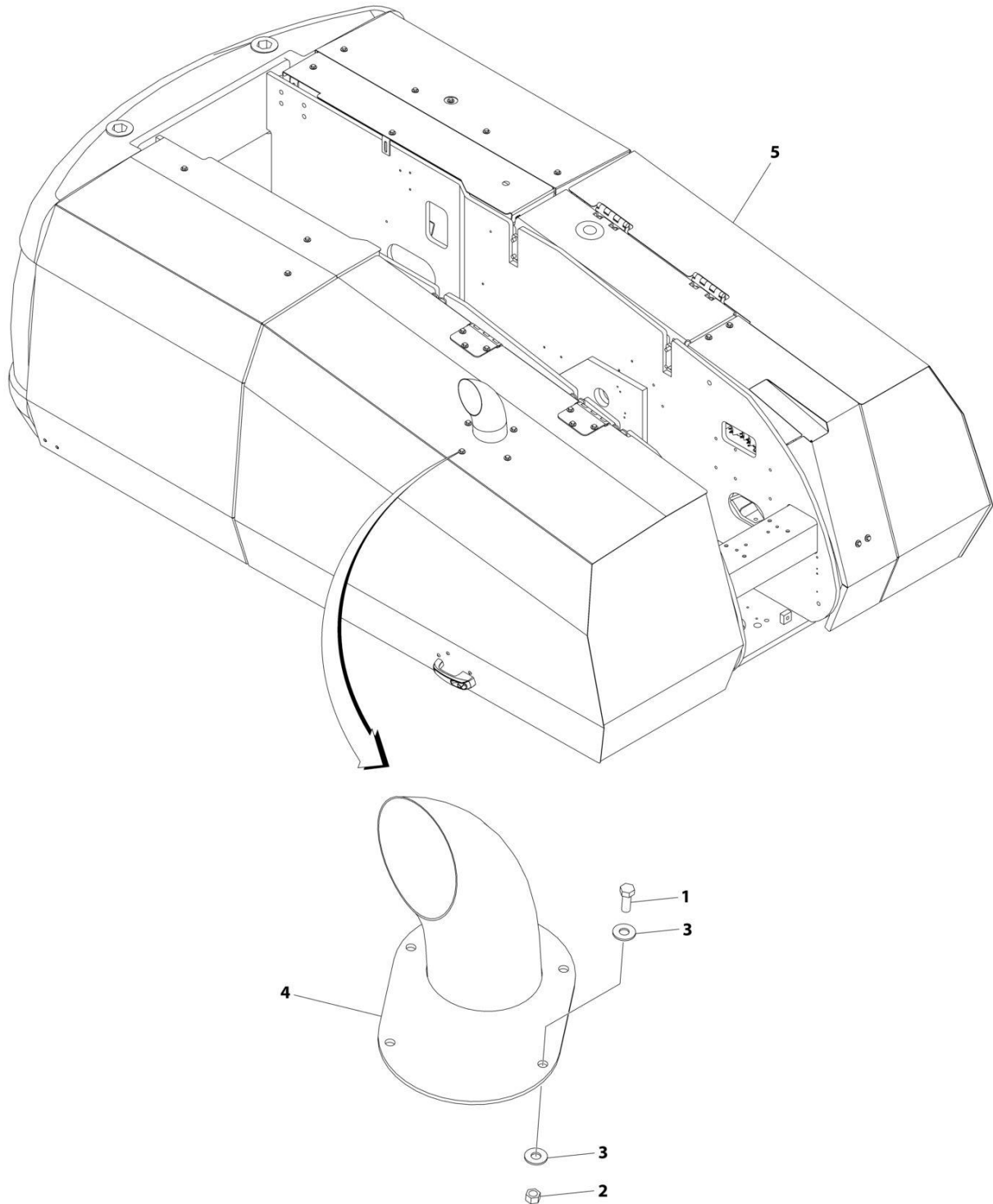
SECTION 2 - TURNTABLE

FIGURE 2-34. EXHAUST STACK INSTALLATION - STEEL HOOD WITH HOSTILE ENVIRONMENT MACHINES (DEUTZ TD2.9L4 ENGINES)

ITEM	PART NUMBER	QTY	DESCRIPTION	REV
		Ref	NOTE: REPLACEMENT DECALS MUST BE PURCHASED SEPARATELY - SEE DECALS SECTION.	
	1001173869	Ref	EXHAUST STACK INSTALLATION - STEEL HOOD	C
1	0641406	3	Bolt 1/4 x 3/4	
2	3311405	3	Nut 1/4	
3	3311605	4	Nut 3/8	
4	0641608	4	Bolt 3/8 x 1	
5	4751400	3	Washer 1/4	
6	4751600	8	Washer 3/8	
7	1001144527	1	Stack, Exhaust	
8	1001163101	1	Shield, Heat	
9	1001173870	1	Steel Hood Installation (See Separate Breakdown in this Section)	

SECTION 2 - TURNTABLE

FIGURE 2-35. EXHAUST STACK INSTALLATION - STEEL HOOD (FORD DF 2.5L ENGINES)



ART_1001220392

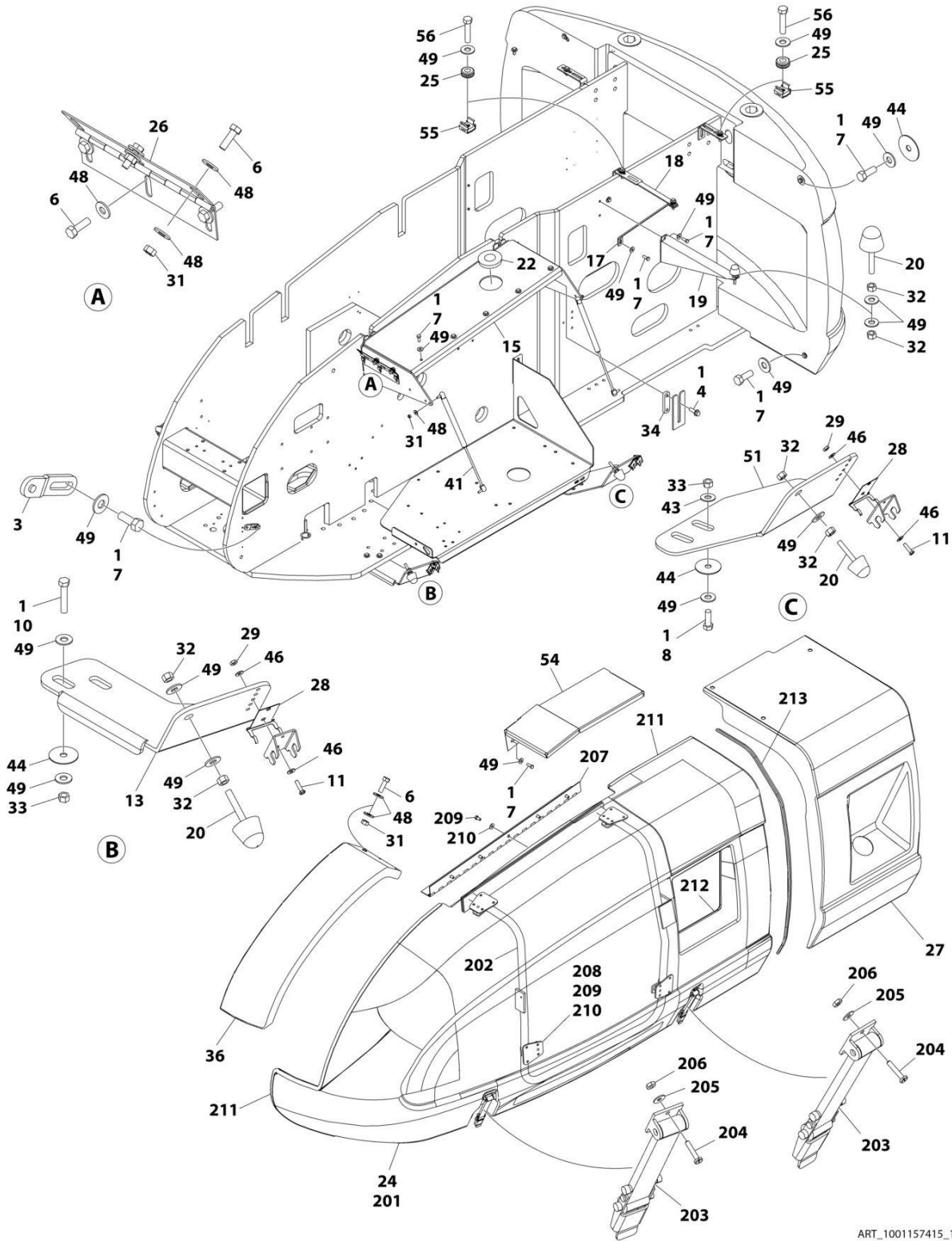
SECTION 2 - TURNTABLE

FIGURE 2-35. EXHAUST STACK INSTALLATION - STEEL HOOD (FORD DF 2.5L ENGINES)

ITEM	PART NUMBER	QTY	DESCRIPTION	REV
		Ref	NOTE: REPLACEMENT DECALS MUST BE PURCHASED SEPARATELY - SEE DECALS SECTION	
	1001220392	Ref	EXHAUST STACK INSTALLATION - STEEL HOOD	B
1	0641608	4	Bolt 3/8 x 1	
2	3311605	4	Nut 3/8	
3	4751600	8	Washer 3/8	
4	1001116457	1	Stack, Exhaust	
5	1001220393	1	Steel Hood Installation (See Separate Breakdown in this Section)	

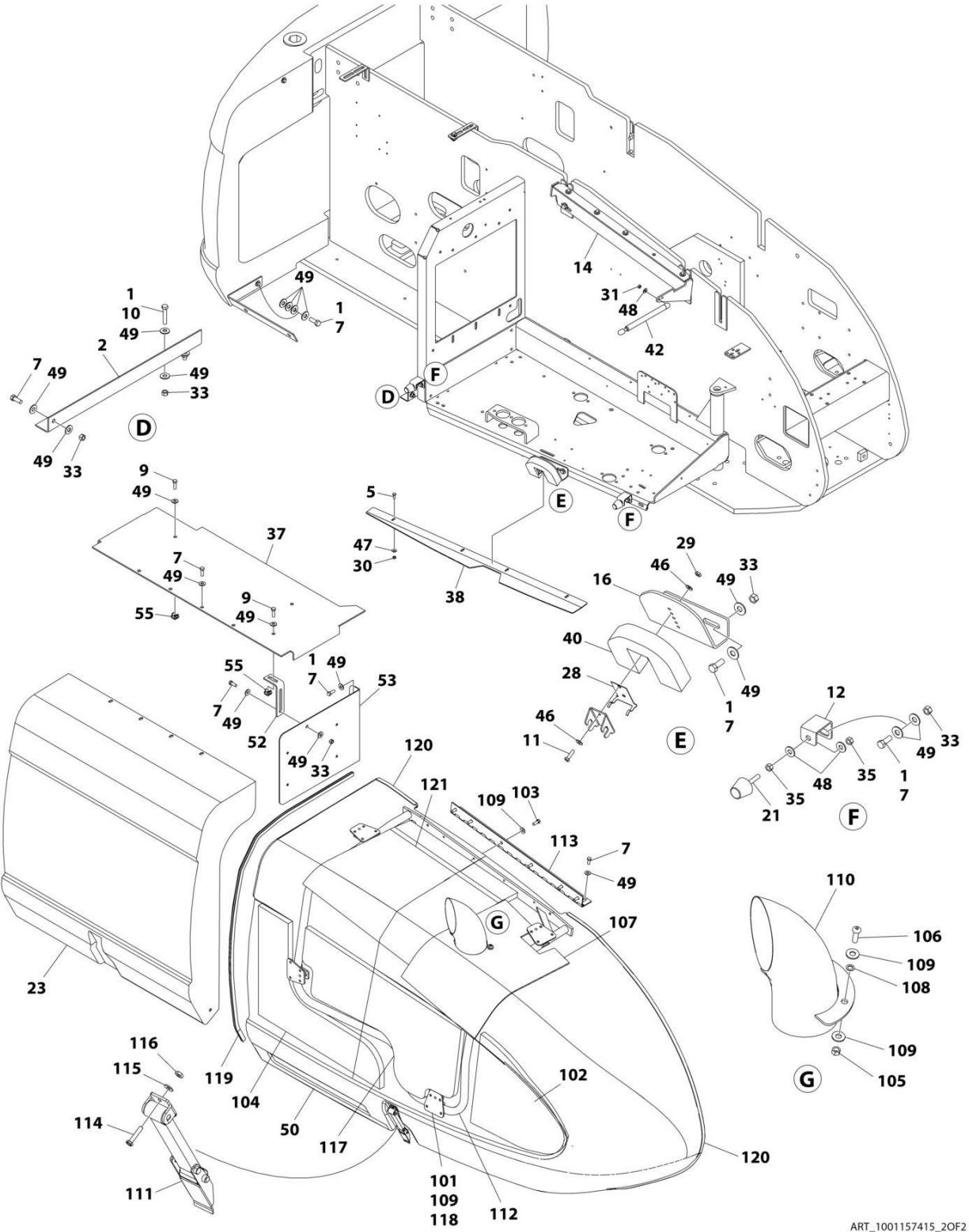
SECTION 2 - TURNTABLE

FIGURE 2-36. HOODS INSTALLATION - ABS (DEUTZ D2011 ENGINES)



ART_1001157415_10F2

SECTION 2 - TURNTABLE



ART_1001157415_20F2

SECTION 2 - TURNTABLE

FIGURE 2-36. HOODS INSTALLATION - ABS (DEUTZ D2011 ENGINES)

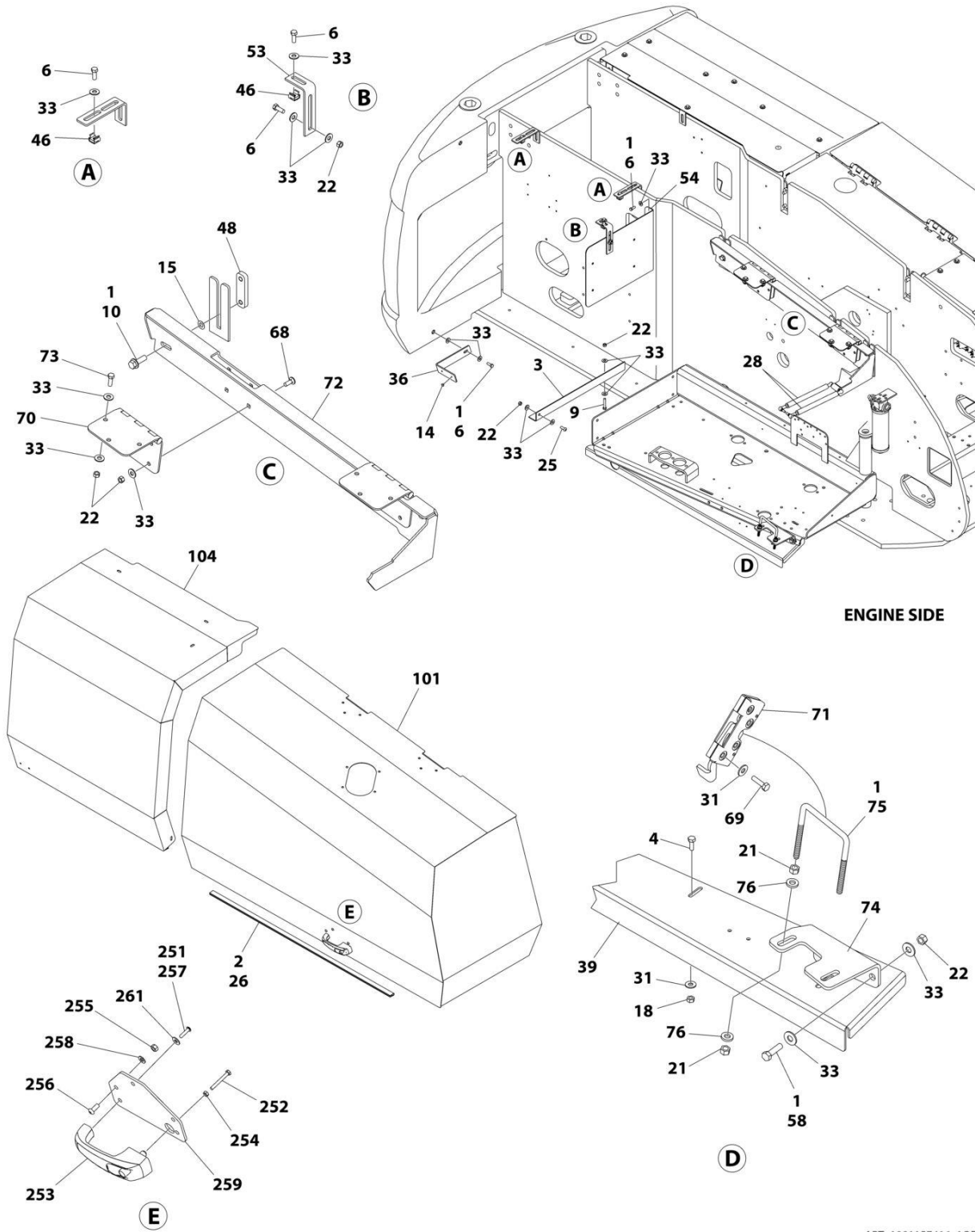
ITEM	PART NUMBER	QTY	DESCRIPTION	REV
		Ref	NOTE: REPLACEMENT DECALS MUST BE PURCHASED SEPARATELY - SEE DECALS SECTION.	
	1001157415	Ref	HOODS INSTALLATION - DEUTZ D2011 & GM ENGINES	G
1	0100011	AR	Compound, Locking	
2	1001161711	1	Angle, Hood Support	
3	0362770	1	Bar, Panel Mounting	
4	0811812	8	Bolt 1/2 x 1-1/2	
5	0641406	4	Bolt 1/4 x 3/4	
6	0641508	6	Bolt 5/16 x 1	
7	0641608	32	Bolt 3/8 x 1	
8	0641609	2	Bolt 3/8 x 1-1/8	
9	0641610	3	Bolt 3/8 x 1-1/4	
10	0641616	4	Bolt 3/8 x 2	
11	0721006	6	Screw #10 x 3/4	
12	0902219	2	Bracket, Bumper	
13	0902223	1	Bracket, Latch	
14	1001207558	1	Bracket, Hood Mounting	
15	0902412	1	Bracket, Hood Mounting	
16	0902491	1	Bracket, Latch	
17	0902673	1	Bracket, Support (Front Cover)	
18	0902674	1	Bracket, Support (Front Cover)	
19	0902769	1	Bracket, Bumper Support	
20	0940071	3	Bumper	
21	0940088	2	Bumper	
22	1120601	1	Plug, Cap	
23	1671201	1	Cover	
24	1671228	1	Hood Assembly - Tank Side (See Items 201-213 for Breakdown)	
25	2540035	3	Grommet	
26	2600244	1	Hinge, Adapter Panel	
27	2680490	1	Hood, Right Cover	
28	2940188	3	Latch, Spring Clip	
29	3311005	6	Nut #10	
30	3311405	4	Nut 1/4	
31	3311505	9	Nut 5/16	
32	3311601	6	Nut 3/8	
33	3311605	12	Nut 3/8	
34	1001150260	4	Plate	
35	3321501	4	Nut 5/16	
36	3380444	1	Panel, Adapter	
37	3380575	1	Panel, Cover	
38	1001208024	1	Plate, Seal	
39	3960389	3.5 ft/ 1.1m	Seal (Not Shown)	
40	3960470	1	Seal, Latch	
41	4160139	2	Spring, Gas (Tank Side)	
42	4160143	1	Spring, Gas (Engine Side)	
43	4711600	2	Washer 3/8	
44	4740076	5	Washer, Fender	
46	4751000	12	Washer #10	
47	4751400	4	Washer 1/4	

SECTION 2 - TURNTABLE

ITEM	PART NUMBER	QTY	DESCRIPTION	REV
48	4751500	19	Washer 5/16	
49	4751600	62	Washer 3/8	
50	1001099138	1	Hood Assembly - Engine Side (See Items 101-151 for Breakdown)	
51	1001157021	1	Bracket	
52	1001157474	1	Bracket	
53	1001157475	1	Panel	
54	1001157736	1	Panel	
55	1001126828	6	Nut, Tinnerman	
56	0641614	3	Bolt 3/8 x 1-3/4	
	1001099138	Ref	HOOD ASSEMBLY (ENGINE SIDE)	C
101	0641606	4	Bolt 3/8 x 3/4	
102	2820233	1	Insulation, Rear Sound	
103	0641608	6	Bolt 3/8 x 1	
104	2820235	1	Insulation, Rear Sound	
105	3311605	2	Nut 3/8	
106	3900232	2	Screw, Button Head 3/8 x 1-1/4	
107	1001101623	1	Shield, Heat Gasket	
108	4740500	2	Washer (Special)	
109	4751600	14	Washer 3/8	
110	1001099121	1	Tube, Exhaust	
111	2940088	1	Latch	
112	1671230	1	Frame, Tubular	
113	2600209	1	Hinge	
114	0721008	2	Screw, Machine #10 x 1	
115	4751000	2	Washer #10	
116	3311001	2	Nut #10	
117	2820234	1	Insulation, Center Sound	
118	1321384	4	Hold Down	
119	3960462	61 in/ 1.55m	Seal	
120	3960464	65 in/ 1.67m	Seal	
121	1001101673	1	Insulation	
	1671228	Ref	HOOD ASSEMBLY (TANK SIDE)	B
201	1671231	1	Hood	
202	1671232	1	Frame, Tubular	
203	2940088	2	Latch	
204	0721008	4	Screw, Machine #10 x 1	
205	4751000	4	Washer #10	
206	3311001	4	Nut #10	
207	2600233	1	Hinge	
208	1321384	4	Hold Down	
209	0641606	9	Bolt 3/8 x 3/4	
210	4711600	9	Washer 3/8	
211	3960464	65 in/ 2.11m	Seal	
212	3960438	55 in/1.4m	Seal	
213	3960462	53 in/ 1.35m	Seal	
	0272081	Ref	NOISE REDUCTION INSTALLATION (DEUTZ ENGINE MACHINES)	4-D
301	2820078	1	Foam, Acoustical (Not Shown)	

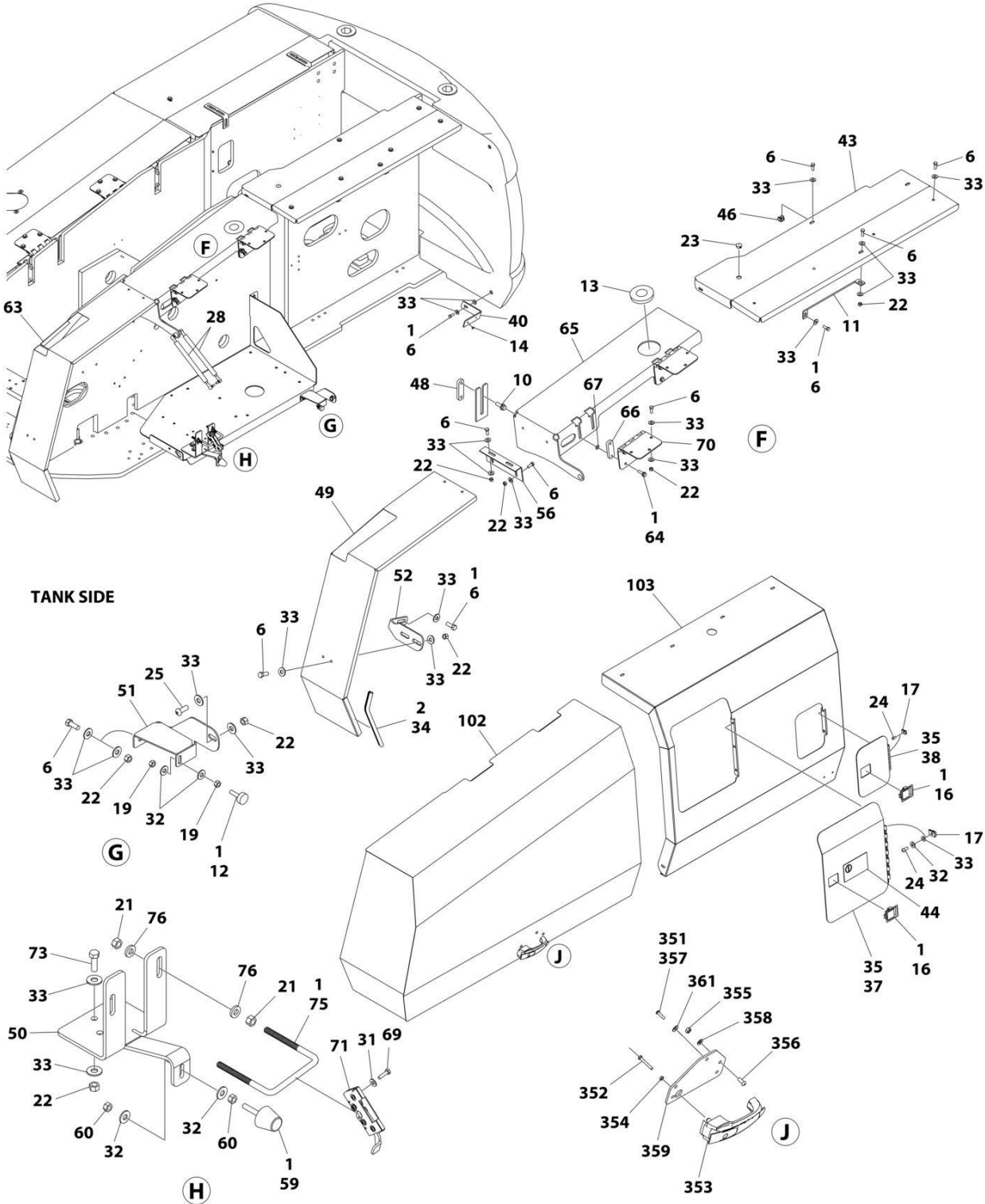
SECTION 2 - TURNTABLE

FIGURE 2-37. HOODS INSTALLATION - STEEL (DEUTZ D2011 ENGINES)



ART_1001157416_10F2

SECTION 2 - TURNTABLE



ART_1001157416_20F2

SECTION 2 - TURNTABLE

FIGURE 2-37. HOODS INSTALLATION - STEEL (DEUTZ D2011 ENGINES)

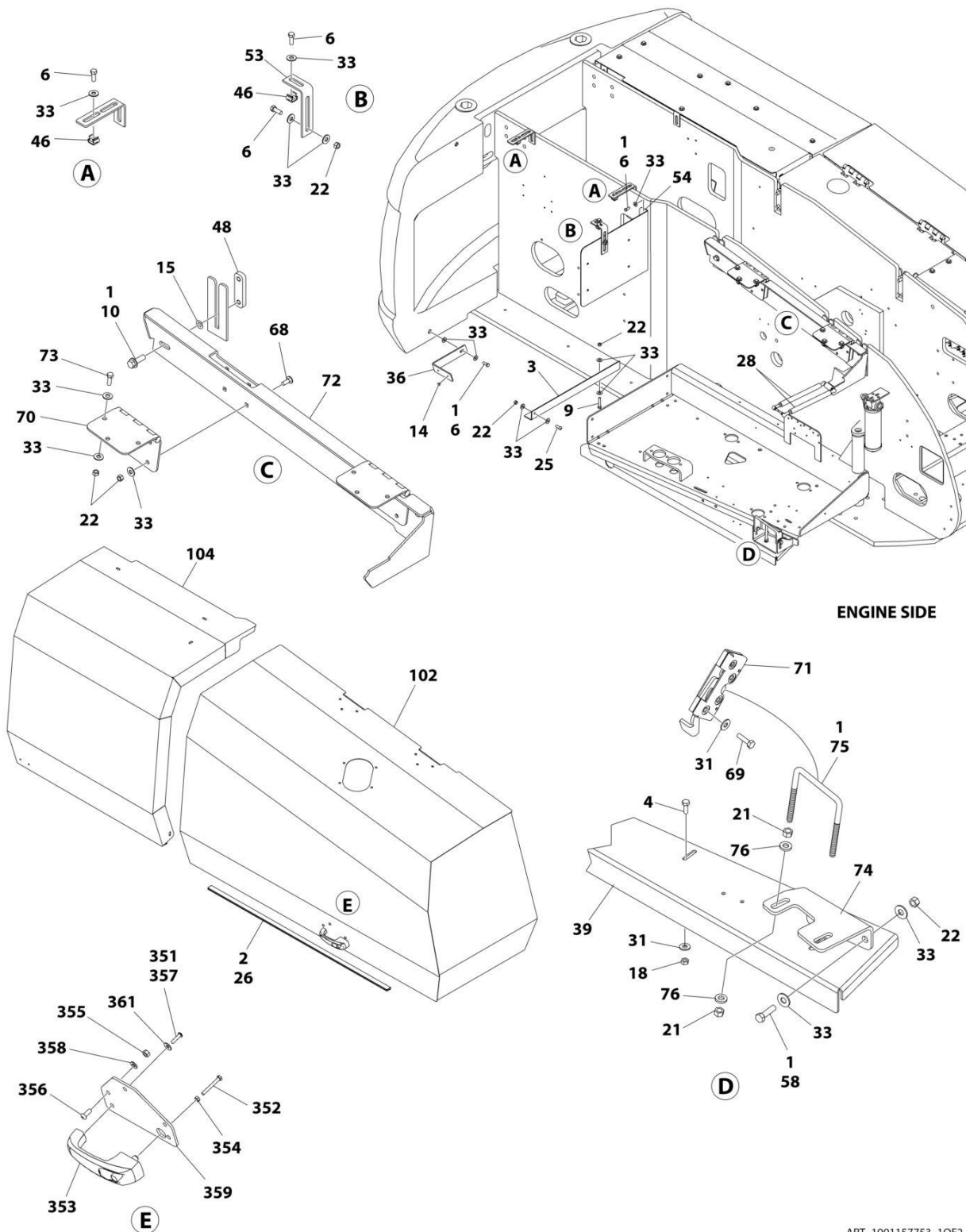
ITEM	PART NUMBER	QTY	DESCRIPTION	REV
		Ref	NOTE: REPLACEMENT DECALS MUST BE PURCHASED SEPARATELY - SEE DECALS SECTION.	
	1001157416	Ref	HOODS INSTALLATION	J
1	0100011	AR	Compound, Locking	
2	0100081	AR	Adhesive	
3	1001161711	1	Mount	
4	0641406	4	Bolt 1/4 x 3/4	
6	0641608	31	Bolt 3/8 x 7/8	
9	0641616	2	Bolt 3/8 x 2	
10	0811812	8	Bolt 1/2 x 1-1/2	
11	0902673	1	Bracket	
12	0940049	1	Stopper, Hood	
13	1120601	1	Plug	
14	2080040	4	Fastener, Huck	
15	2080072	4	Retainer	
16	2940045	2	Latch, Paddle	
17	3300364	5	Nut, Tinnerman	
18	3311405	4	Nut 1/4	
19	3311501	2	Nut 5/16	
21	3311601	8	Nut 3/8	
22	3311605	39	Nut 3/8	
23	3520030	1	Plug, Hole	
24	3900210	5	Screw, Button Head 5/16 x 3/4	
25	3900316	2	Screw, Button Head 3/8 x 1	
26	3960389	54 in/1.4m	Seal	
28	4160194	4	Spring, Gas	
31	4751400	12	Washer 1/4	
32	4751500	7	Washer 5/16	
33	4751600	80	Washer 3/8	
34	1001110166	59 in /1.5mm	Seal	
35	1001113047	84 in /2.14m	Seal	
36	1001116280	1	Bracket, Hood	
37	1001116322	1	Door	
38	1001116344	1	Door	
39	1001117249	1	Plate, Seal	
40	1001116358	1	Bracket	
43	1001117027	1	Bracket	
44	1001117307	1	Decal - Emergency Stop	
46	1001126828	5	Nut, Tinnerman	
48	1001150260	4	Plate	
49	1001173580	1	Plate	
50	1001250295	1	Bracket, Striker	
51	1001157025	1	Bracket	
52	1001157344	1	Bracket	
53	1001157474	1	Bracket	
54	1001157475	1	Panel	
56	1001157612	1	Bracket	
58	0641611	2	Bolt 3/8 x 1-3/8	

SECTION 2 - TURNTABLE

ITEM	PART NUMBER	QTY	DESCRIPTION	REV
59	0940088	1	Bumper	
60	3321501	2	Nut 5/16	
63	4420038	6 in/16cm	Tape	
64	0811610	8	Screw 3/8 x 1-1/4	
65	1001157284	1	Mount	
66	1001186251	4	Plate	
67	8310070	8	Push-nut 3/8	
68	0630485	8	Bolt, Carriage	
69	0641408	8	Bolt 1/4 x 1	
70	1001186254	4	Hinge	
71	2940173	2	Latch	
72	1001196768	1	Bracket	
73	0641609	9	Bolt 3/8 x 1-1/8	
74	1001250294	1	Bracket	
75	1001243414	2	Bolt 3/8	
76	4891600	8	Washer 3/8	
100	1001174283	1	Hood Kit - Standard Machines (Not Shown - Includes Items 101-104)	C
101	1001157208	1	Hood Assembly - Engine Side Rear (See Items 251-261 for Breakdown)	
102	1001157209	1	Hood Assembly - Tank Side Rear (See Items 351-361 for Breakdown)	
103	1001116558	1	Hood - Tank Side Front	
104	1001116620	1	Hood - Engine Side Front	
	1001157208	Ref	HOOD ASSEMBLY - ENGINE SIDE REAR	D
251	0100011	AR	Compound, Locking	
252	0700618	1	Bolt M6 x 50	
253	2560187	1	Handle, Push Button	
254	3290601	1	Nut M6	
255	3311505	3	Nut 5/16	
256	3900210	3	Screw, Button Head 5/16 x 3/4	
257	3900363	2	Screw, Button Head M6 x 25	
258	4711500	3	Washer 5/16	
259	1001116290	1	Plate, Latch Mounting	
261	4751400	2	Washer 1/4	
	1001157209	Ref	HOOD ASSEMBLY - TANK SIDE REAR	C
351	0100011	AR	Compound, Locking	
352	0700617	1	Bolt M6 x 45	
353	2560187	1	Handle, Push Button	
354	0700615	1	Nut M6	
355	3311505	3	Nut 5/16	
356	3900210	3	Screw, Button Head 5/16 x 3/4	
357	3900363	2	Screw, Button Head M6 x 25	
358	4711500	3	Washer 5/16	
359	1001116290	1	Plate, Latch Mounting	
361	4751400	2	Washer 1/4	
	0272081	Ref	NOISE REDUCTION INSTALLATION (DEUTZ ENGINE MACHINES)	4-D
401	2820078	1	Foam, Acoustical (Not Shown)	

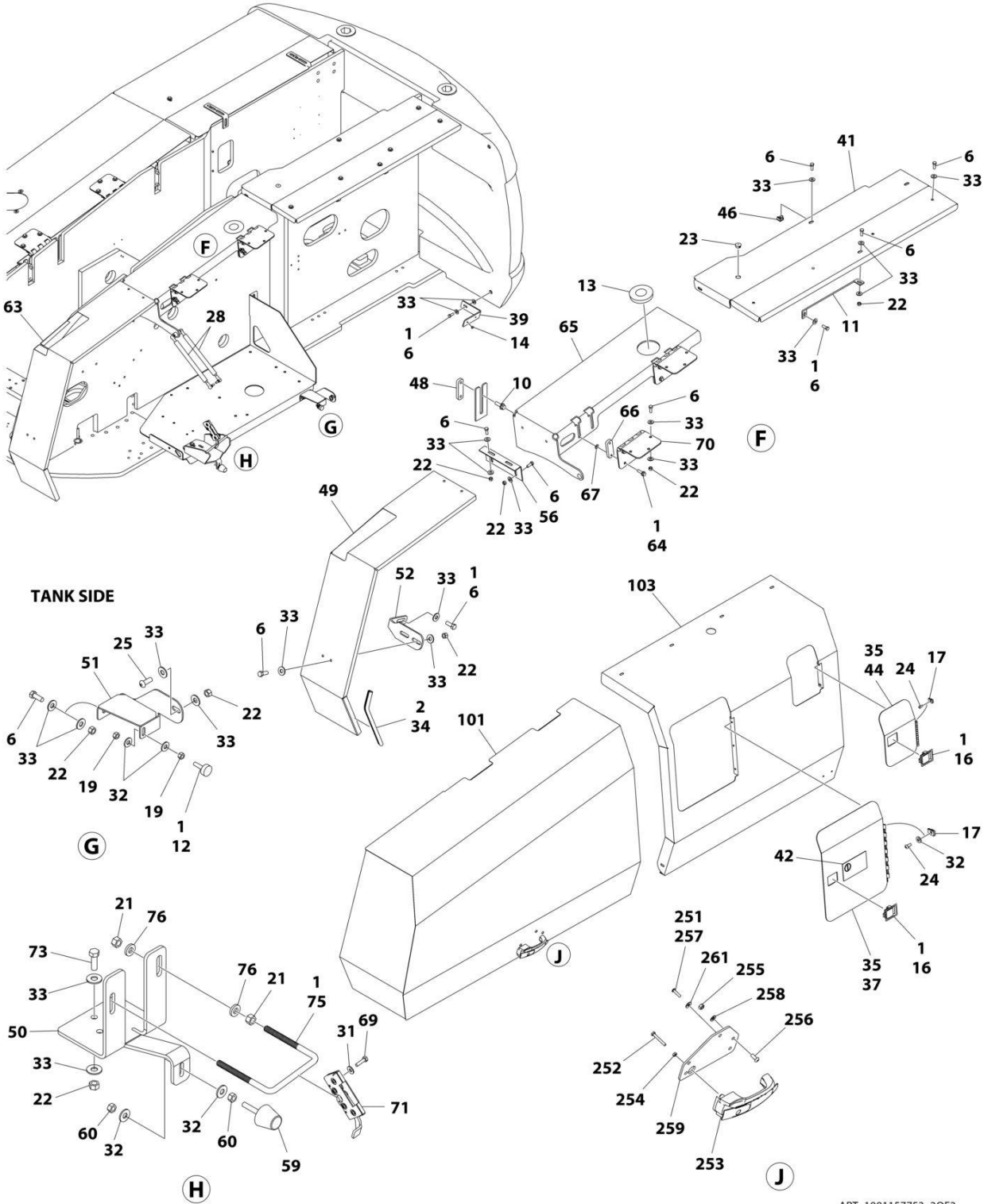
SECTION 2 - TURNTABLE

FIGURE 2-38. HOODS INSTALLATION - STEEL WITH HOSTILE ENVIRONMENT MACHINES (DEUTZ D2011 ENGINES)



ART_1001157753_10F2

SECTION 2 - TURNTABLE



ART_1001157753_20F2

SECTION 2 - TURNTABLE

FIGURE 2-38. HOODS INSTALLATION - STEEL WITH HOSTILE ENVIRONMENT MACHINES (DEUTZ D2011 ENGINES)

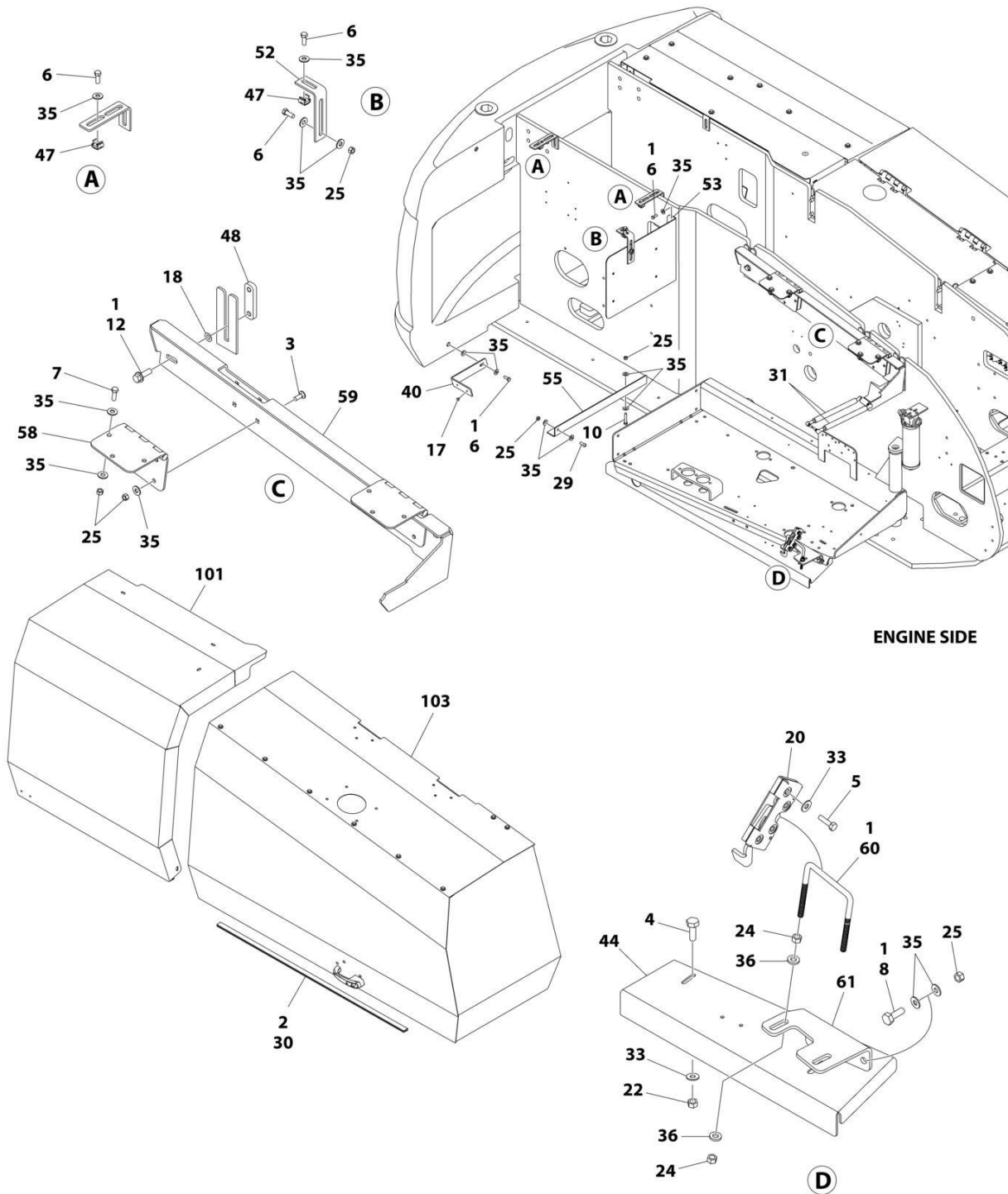
ITEM	PART NUMBER	QTY	DESCRIPTION	REV
		Ref	NOTE: REPLACEMENT DECALS MUST BE PURCHASED SEPARATELY - SEE DECALS SECTION.	
	1001157753	Ref	HOODS INSTALLATIONS	I
1	0100011	AR	Compound, Locking	
2	0100081	AR	Adhesive	
3	1001161711	1	Mount	
4	0641406	4	Bolt 1/4 x 3/4	
6	0641608	31	Bolt 3/8 x 7/8	
9	0641616	2	Bolt 3/8 x 2	
10	0811812	8	Bolt 1/2 x 1-1/2	
11	0902673	1	Bracket	
12	0940049	1	Stopper, Hood	
13	1120601	1	Plug	
14	2080040	4	Fastener, Huck	
15	2080072	4	Retainer	
16	2940045	2	Latch, Paddle	
17	3300364	5	Nut, Tinnerman	
18	3311405	4	Nut 1/4	
19	3311501	2	Nut 5/16	
21	3311601	1	Nut 3/8	
22	3311605	39	Nut 3/8	
23	3520030	1	Plug, Hole	
24	3900210	5	Screw, Button Head 5/16 x 3/4	
25	3900316	2	Screw, Button Head 3/8 x 1	
26	3960389	54 in/1.4m	Seal	
28	4160194	4	Spring, Gas	
31	4751400	12	Washer 1/4	
32	4751500	7	Washer 5/16	
33	4751600	80	Washer 3/8	
34	1001110166	59 in /1.5mm	Seal	
35	1001113047	84 in /2.14m	Seal	
36	1001116280	1	Bracket, Hood	
37	1001116322	1	Door	
38	1001117249	1	Plate, Seal	
39	1001116358	1	Bracket	
41	1001117027	1	Bracket	
42	1001117307	1	Decal - Emergency Stop	
44	1001125501	1	Door	
46	1001126828	5	Nut, Tinnerman	
48	1001150260	4	Plate	
49	1001173580	1	Plate	
50	1001250295	1	Bracket, Striker	
51	1001157025	1	Bracket	
52	1001157344	1	Bracket	
53	1001157474	1	Bracket	
54	1001157475	1	Panel	
56	1001157612	1	Bracket	

SECTION 2 - TURNTABLE

ITEM	PART NUMBER	QTY	DESCRIPTION	REV
58	0641611	2	Bolt 3/8 x 1-3/8	
59	0940088	1	Bumper	
60	3321501	2	Nut 5/16	
63	4420038	6 in/16cm	Tape	
64	0811610	8	Screw 3/8 x 1-1/4	
65	1001157284	1	Mount	
66	1001186251	4	Plate	
67	8310070	8	Push-nut 3/8	
68	0630485	8	Bolt, Carriage	
69	0641408	8	Bolt 1/4 x 1	
70	1001186254	4	Hinge	
71	2940173	2	Latch	
72	1001196768	1	Bracket	
73	0641609	9	Bolt 3/8 x 1-1/8	
74	1001250294	1	Bracket	
75	1001243414	2	Bolt 3/8	
76	4891600	8	Washer 3/8	
100	1001174282	1	Hood Kit - Hostile Environment Machines (Not Shown - Includes Items 101-104)	C
101	1001157209	1	Hood Assembly - Tank Side Rear (See Items 251-261 for Breakdown)	
102	1001157208	1	Hood Assembly - Engine Side Rear (See Items 351-361 for Breakdown)	D
103	1001125502	1	Hood - Tank Side Front	
104	1001116620	1	Hood - Engine Side Front	
	1001157209	Ref	HOOD ASSEMBLY - TANK SIDE REAR	B
251	0100011	AR	Compound, Locking	
252	0700617	1	Bolt M6 x 45	
253	2560187	1	Handle, Push Button	
254	3290601	1	Nut M6	
255	3311505	3	Nut 5/16	
256	3900210	3	Screw, Button Head 5/16 x 3/4	
257	3900363	2	Screw, Button Head M6 x 25	
258	4711500	3	Washer 5/16	
259	1001116290	1	Plate, Latch Mounting	
261	4751400	2	Washer 1/4	
	1001157208	Ref	HOOD ASSEMBLY - ENGINE SIDE REAR	
351	0100011	AR	Compound, Locking	
352	0700618	AR	Bolt M6 x 50	
353	2560187	1	Handle, Push Button	
354	3290601	1	Nut M6	
355	3311505	3	Nut 5/16	
356	3900210	3	Screw, Button Head 5/16 x 3/4	
357	3900363	2	Screw, Button Head M6 x 25	
358	4711500	3	Washer 5/16	
359	1001116290	1	Plate, Latch Mounting	
361	4751400	2	Washer 1/4	
	0272081	Ref	NOISE REDUCTION INSTALLATION (DEUTZ ENGINE MACHINES)	4-D
401	2820078	1	Foam, Acoustical (Not Shown)	

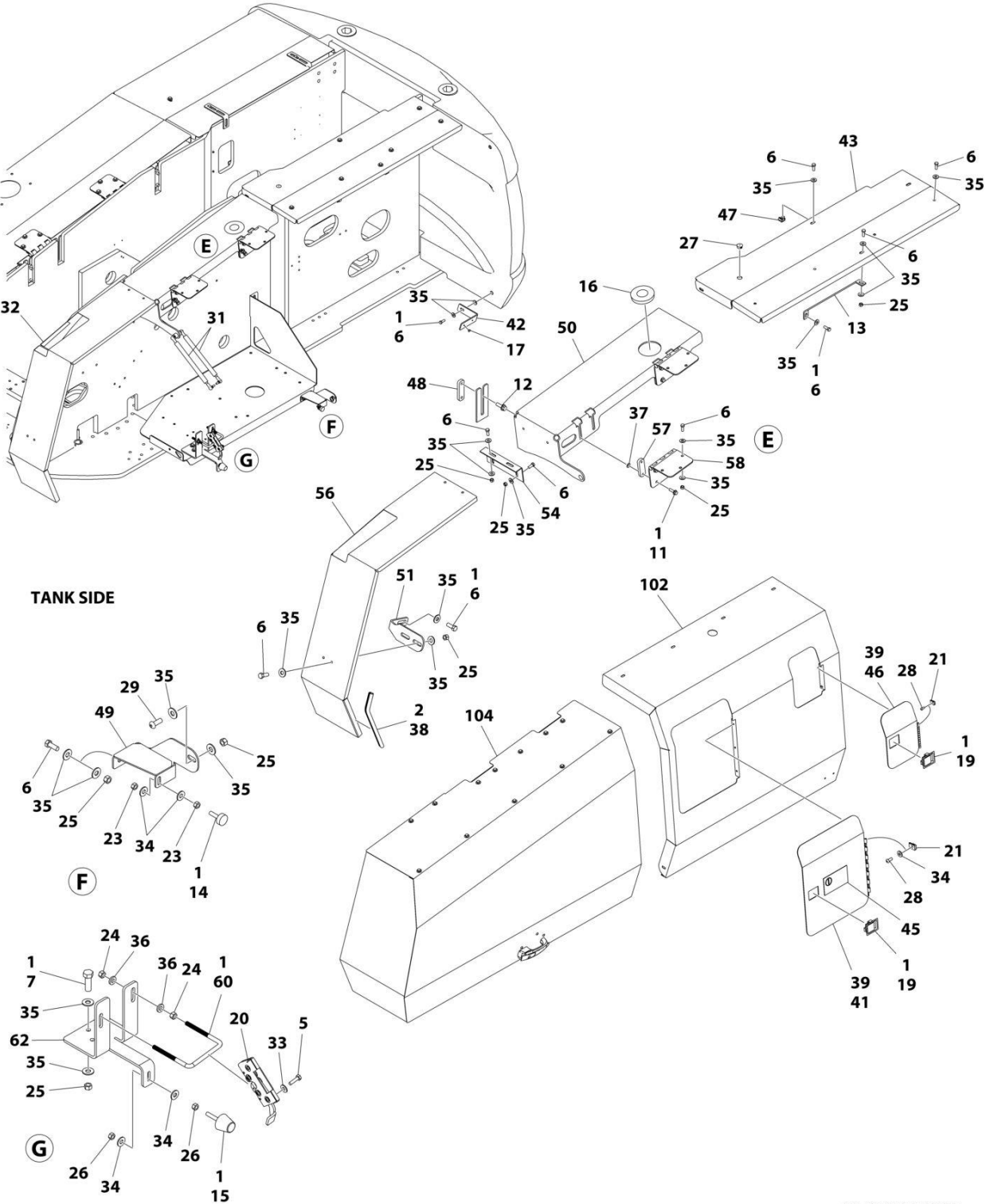
SECTION 2 - TURNTABLE

FIGURE 2-39. HOODS INSTALLATION – STEEL WITH HOSTILE ENVIRONMENT MACHINES (DEUTZ TD2.9L4 ENGINES)



ART_1001256259_10F2

SECTION 2 - TURNTABLE



ART_1001256259_20F2

SECTION 2 - TURNTABLE

FIGURE 2-39. HOODS INSTALLATION – STEEL WITH HOSTILE ENVIRONMENT MACHINES (DEUTZ TD2.9L4 ENGINES)

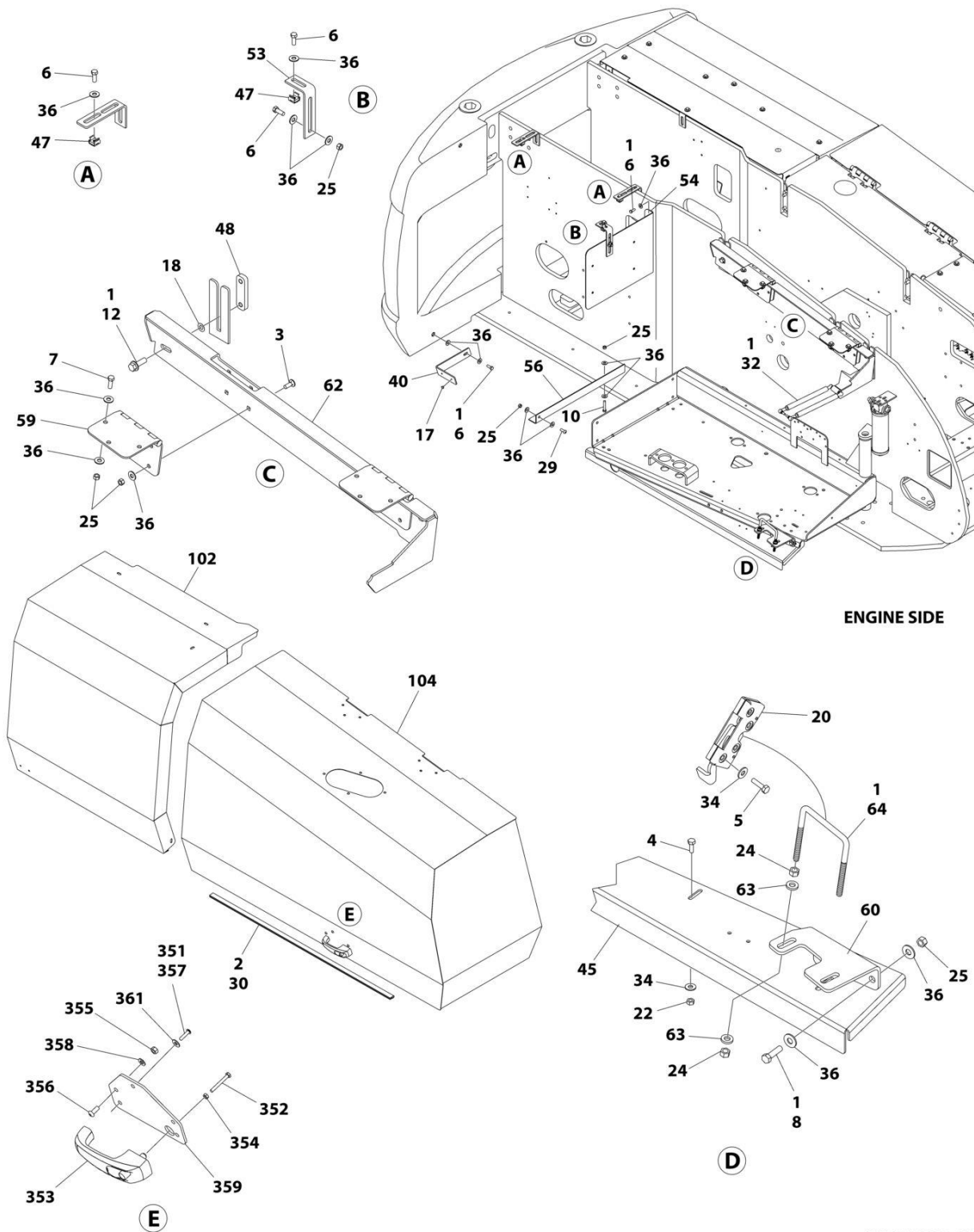
ITEM	PART NUMBER	QTY	DESCRIPTION	REV
		Ref	NOTE: REPLACEMENT DECALS MUST BE PURCHASED SEPARATELY - SEE DECALS SECTION.	
	1001256259	Ref	HOODS INSTALLATIONS	C
1	0100011	AR	Compound, Locking	
2	0100081	AR	Adhesive	
3	0630485	8	Bolt, Carriage	
4	0641406	4	Bolt 1/4 x 3/4	
5	0641408	8	Bolt 1/4 x 1	
6	0641608	31	Bolt 3/8 x 7/8	
7	0641609	9	Bolt 3/8 x 1-1/8	
8	0641611	2	Bolt 3/8 x 1-3/8	
10	0641616	2	Bolt 3/8 x 2	
11	0811610	8	Screw 3/8 x 1-1/4	
12	0811812	8	Bolt 1/2 x 1-1/2	
13	0902673	1	Bracket	
14	0940049	1	Stopper, Hood	
15	0940088	1	Bumper	
16	1120601	1	Plug	
17	2080040	4	Fastener, Huck	
18	2080072	4	Retainer	
19	2940045	2	Latch, Paddle	
20	2940173	2	Latch	
21	3300364	5	Nut, Tinnerman	
22	3311405	4	Nut 1/4	
23	3311501	2	Nut 5/16	
24	3311601	8	Nut 3/8	
25	3311605	39	Nut 3/8	
26	3321501	2	Nut 5/16	
27	3520030	1	Plug, Hole	
28	3900210	5	Screw, Button Head 5/16 x 3/4	
29	3900316	2	Screw, Button Head 3/8 x 1	
30	3960389	54 in/1.4m	Seal	
31	4160194	4	Spring, Gas	
32	4420038	6 in/16cm	Tape	
33	4751400	12	Washer 1/4	
34	4751500	7	Washer 5/16	
35	4751600	80	Washer 3/8	
36	4891600	8	Washer 3/8	
37	8310070	8	Push-nut 3/8	
38	1001110166	59 in /1.5mm	Seal	
39	1001113047	84 in /2.14m	Seal	
40	1001116280	1	Bracket, Hood	
41	1001116322	1	Door	
42	1001116358	1	Bracket	
43	1001117027	1	Bracket	
44	1001117249	1	Plate, Seal	
45	1001117307	1	Decal - Emergency Stop	

SECTION 2 - TURNTABLE

ITEM	PART NUMBER	QTY	DESCRIPTION	REV
46	1001125501	1	Door	
47	1001126828	5	Nut, Tinnerman	
48	1001150260	4	Plate	
49	1001157025	1	Bracket	
50	1001157284	1	Mount	
51	1001157344	1	Bracket	
52	1001157474	1	Bracket	
53	1001157475	1	Panel	
54	1001157612	1	Bracket	
55	1001161711	1	Mount	
56	1001173580	1	Plate	
57	1001186251	4	Plate	
58	1001186254	4	Hinge	
59	1001196768	1	Bracket	
60	1001243414	2	Bolt 3/8	
61	1001250294	1	Bracket	
62	1001250295	1	Bracket	
100	1001256258	1	Hood Kit - Hostile Environment Machines (Not Shown - Includes Items 101-104)	
101	1001116620	1	Hood - Engine Side Front	
102	1001125502	1	Hood - Tank Side Front	
103	1001244463	1	Hood Assembly - Engine Side Rear (See Separate Breakdown in this Section)	
104	1001244465	1	Hood Assembly - Tank Side Rear (See Separate Breakdown in this Section)	

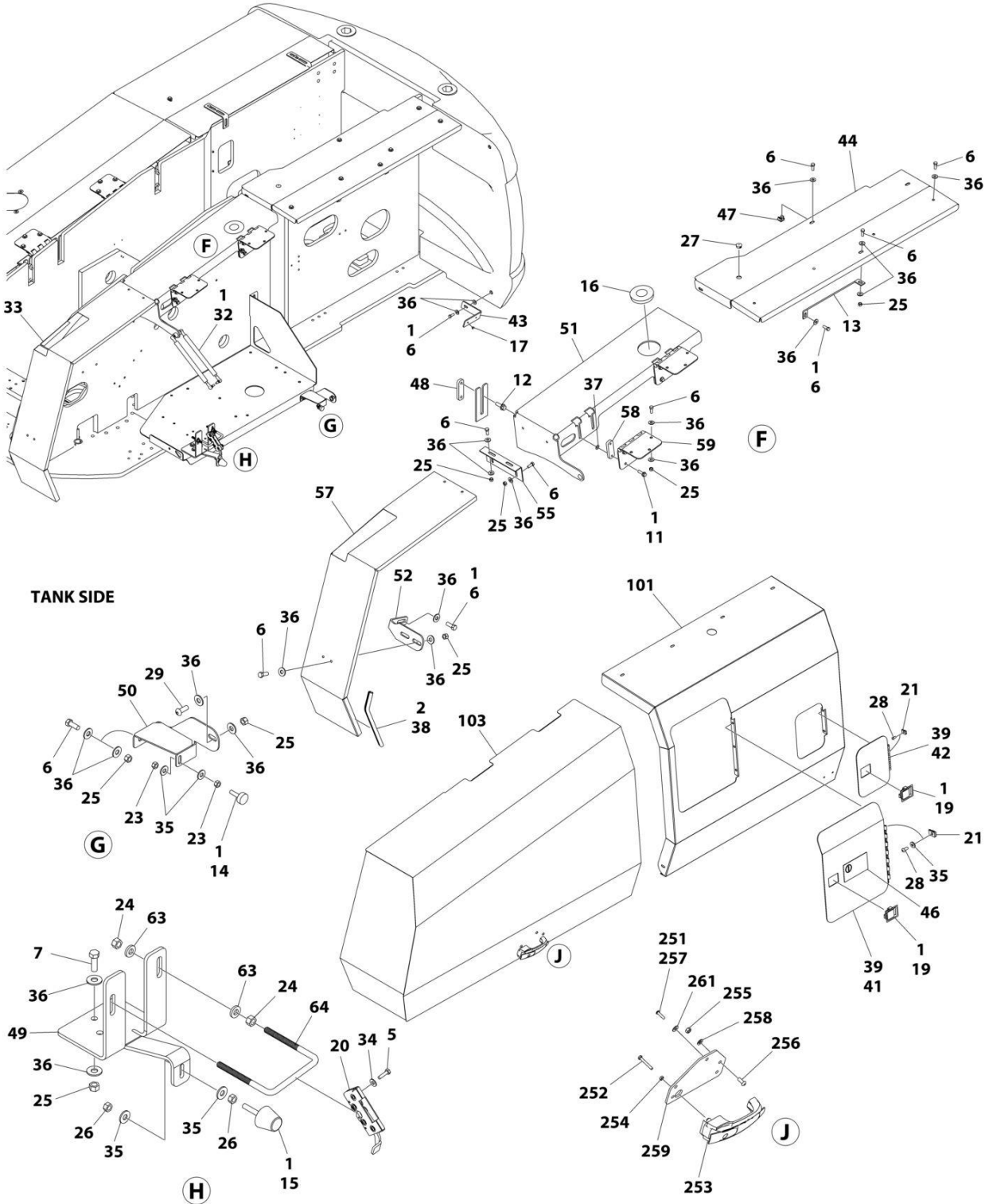
SECTION 2 - TURNTABLE

FIGURE 2-40. HOODS INSTALLATION – STEEL (DEUTZ TD2.9L4 AND DEUTZ TD2.9L4 (STAGE V) ENGINES)



ART_1001237194_10F2

SECTION 2 - TURNTABLE



ART_1001237194_20F2

SECTION 2 - TURNTABLE

FIGURE 2-40. HOODS INSTALLATION – STEEL (DEUTZ TD2.9L4 AND DEUTZ TD2.9L4 (STAGE V) ENGINES)

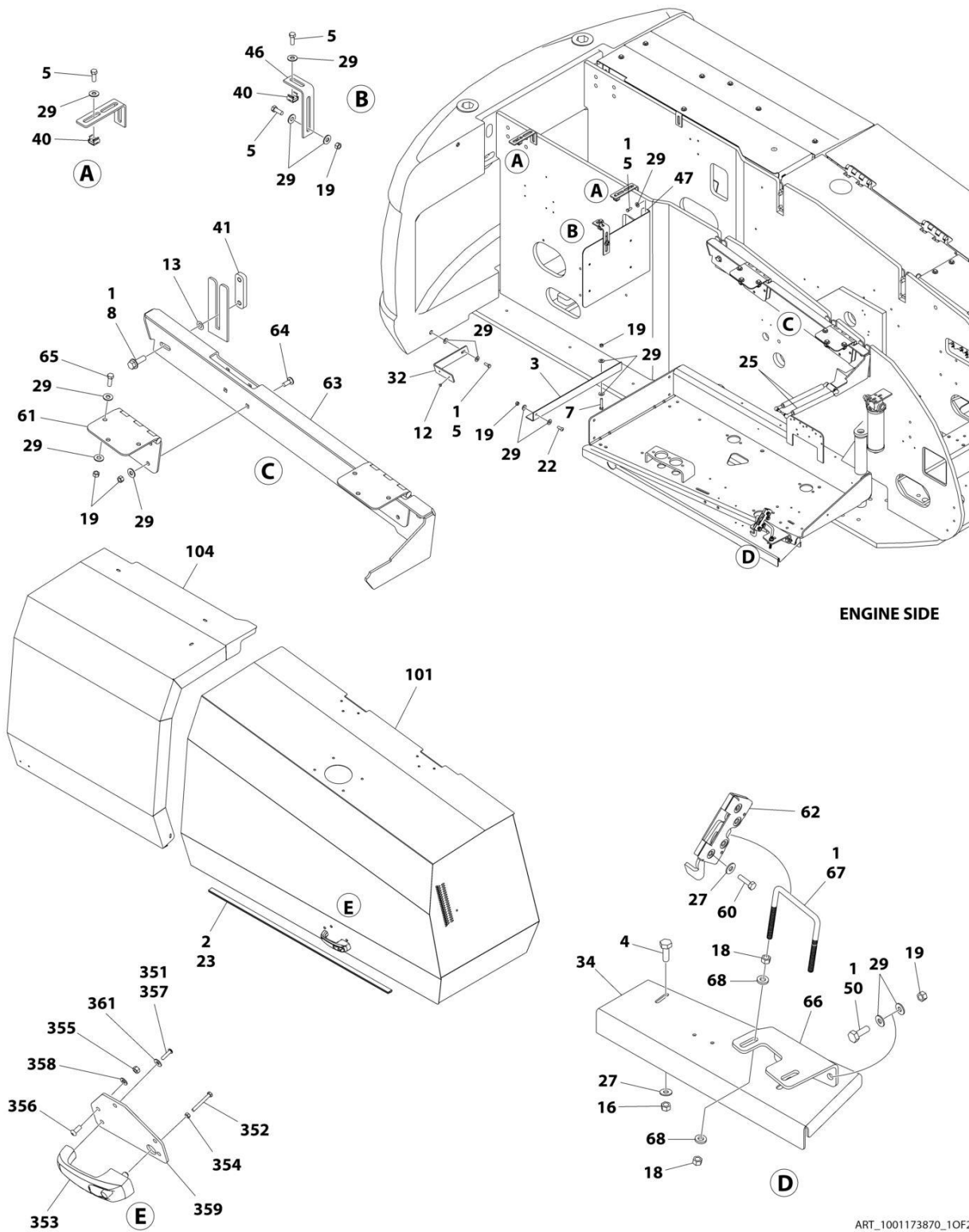
ITEM	PART NUMBER	QTY	DESCRIPTION	REV
		Ref	NOTE: REPLACEMENT DECALS MUST BE PURCHASED SEPARATELY - SEE DECALS SECTION.	
	1001237194	Ref	HOODS INSTALLATION	E
1	0100011	AR	Compound, Locking	
2	0100081	AR	Adhesive	
3	0630485	8	Bolt, Carriage	
4	0641406	4	Bolt 1/4 x 3/4	
5	0641408	8	Bolt 1/4 x 1	
6	0641608	30	Bolt 3/8 x 7/8	
7	0641609	9	Bolt 3/8 x 1-1/8	
8	0641611	2	Bolt 3/8 x 1-3/8	
10	0641616	2	Bolt 3/8 x 2	
11	0811610	8	Screw 3/8 x 1-1/4	
12	0811812	8	Bolt 1/2 x 1-1/2	
13	0902673	1	Bracket	
14	0940049	1	Stopper, Hood	
15	0940088	1	Bumper	
16	1120601	1	Plug	
17	2080040	4	Fastener, Huck	
18	2080072	4	Retainer	
19	2940045	2	Latch, Paddle	
20	2940173	2	Latch	
21	3300364	5	Nut, Tinnerman	
22	3311405	4	Nut 1/4	
23	3311501	2	Nut 5/16	
24	3311601	8	Nut 3/8	
25	3311605	39	Nut 3/8	
26	3321501	2	Nut 5/16	
27	3520030	1	Plug, Hole	
28	3900210	5	Screw, Button Head 5/16 x 3/4	
29	3900316	3	Screw, Button Head 3/8 x 1	
30	3960389	54 in/1.4m	Seal	
32	4160194	4	Spring, Gas	
33	4420038	6 in/16cm	Tape	
34	4751400	12	Washer 1/4	
35	4751500	7	Washer 5/16	
36	4751600	79	Washer 3/8	
37	8310070	8	Push-nut 3/8	
38	1001110166	59 in /1.5mm	Seal	
39	1001113047	84 in /2.14m	Seal	
40	1001116280	1	Bracket, Hood	
41	1001116322	1	Door	
42	1001116344	1	Door	
43	1001116358	1	Bracket	
44	1001117027	1	Bracket	
45	1001117249	1	Plate, Seal	
46	1001117307	1	Decal - Emergency Stop	

SECTION 2 - TURNTABLE

ITEM	PART NUMBER	QTY	DESCRIPTION	REV
47	1001126828	5	Nut, Tinnerman	
48	1001150260	4	Plate	
49	1001250295	1	Bracket	
50	1001157025	1	Bracket	
51	1001157284	1	Mount	
52	1001157344	1	Bracket	
53	1001157474	1	Bracket	
54	1001157475	1	Panel	
55	1001157612	1	Bracket	
56	1001161711	1	Mount	
57	1001173580	1	Plate	
58	1001186251	4	Plate	
59	1001186254	4	Hinge	
60	1001250294	1	Bracket	
62	1001196768	1	Bracket	
63	4891600	8	Washer 3/8	
64	1001243414	2	Bolt 3/8	
100	1001237286	1	Hood Kit - Standard Machines (Not Shown - Includes Items 101-104)	
101	1001116558	1	Hood - Tank Side Front	
102	1001116620	1	Hood - Engine Side Front	
103	1001157209	1	Hood Assembly - Tank Side Rear (See Items 351-361 for Breakdown)	
104	1001237205	1	Hood Assembly - Engine Side Rear (See Items 351-361 for Breakdown)	
	1001157209	Ref	HOOD ASSEMBLY - TANK SIDE REAR	C
251	0100011	AR	Compound, Locking	
252	0700615	1	Bolt M6 x 35	
253	2560187	1	Handle, Push Button	
254	3290601	1	Nut M6	
255	3311505	3	Nut 5/16	
256	3900210	3	Screw, Button Head 5/16 x 3/4	
257	3900363	2	Screw, Button Head M6 x 25	
258	4711500	3	Washer 5/16	
259	1001116290	1	Plate, Latch Mounting	
261	4751400	2	Washer 1/4	
	1001237205	Ref	HOOD ASSEMBLY - ENGINE SIDE REAR	B
351	0100011	AR	Compound, Locking	
252	0700618	1	Bolt M6 x 50	
353	2560187	1	Handle, Push Button	
354	3290601	1	Nut M6	
355	3311505	3	Nut 5/16	
356	3900210	3	Screw, Button Head 5/16 x 3/4	
357	3900363	2	Screw, Button Head M6 x 25	
358	4711500	3	Washer 5/16	
359	1001116290	1	Plate, Latch Mounting	
361	4751400	2	Washer 1/4	

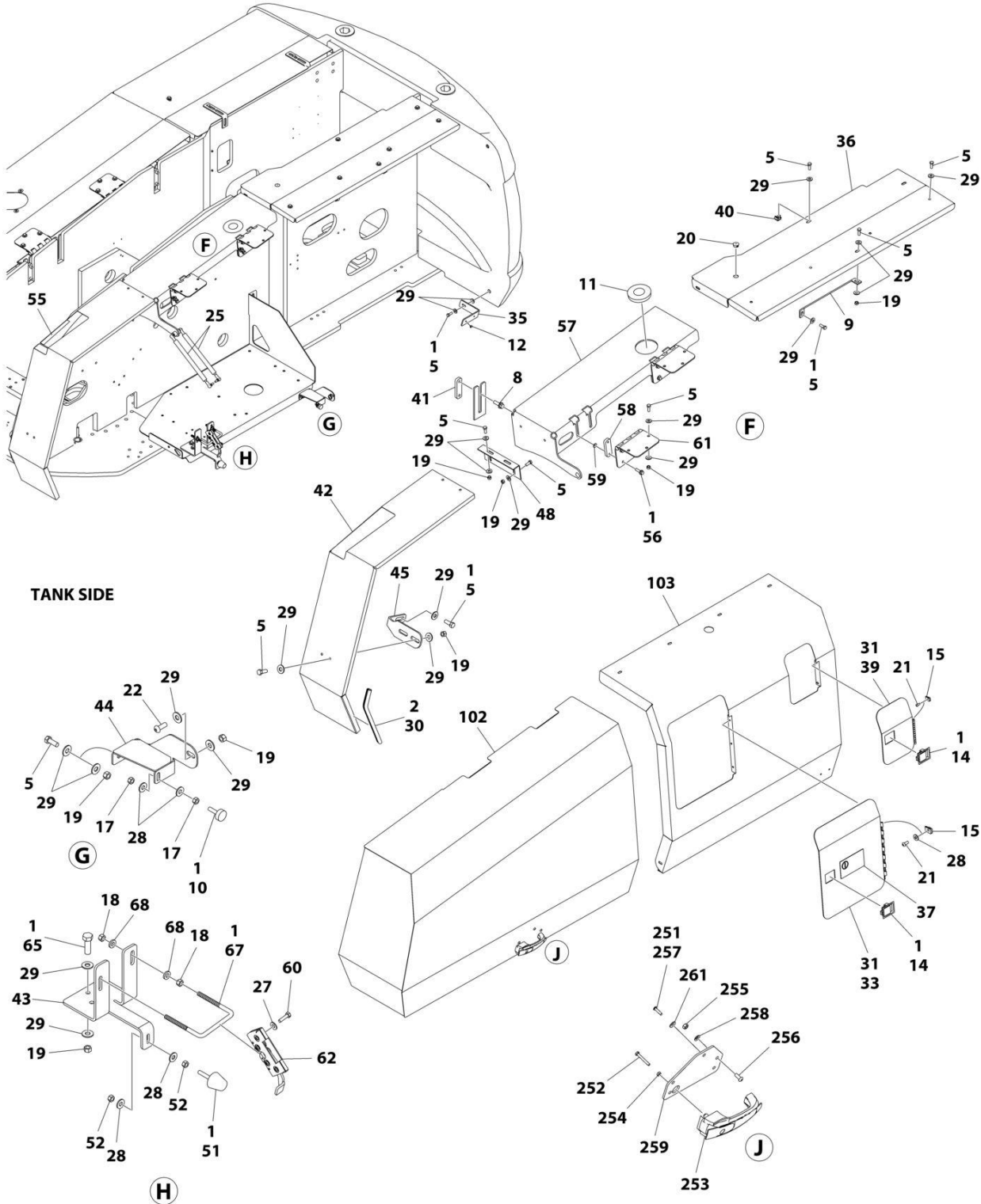
SECTION 2 - TURNTABLE

FIGURE 2-41. HOODS INSTALLATION – STEEL WITH HOSTILE ENVIRONMENT MACHINES (DEUTZ TD2.9L4 ENGINES)



ART_1001173870_10F2

SECTION 2 - TURNTABLE



ART_1001173870_20F2

SECTION 2 - TURNTABLE

FIGURE 2-41. HOODS INSTALLATION – STEEL WITH HOSTILE ENVIRONMENT MACHINES (DEUTZ TD2.9L4 ENGINES)

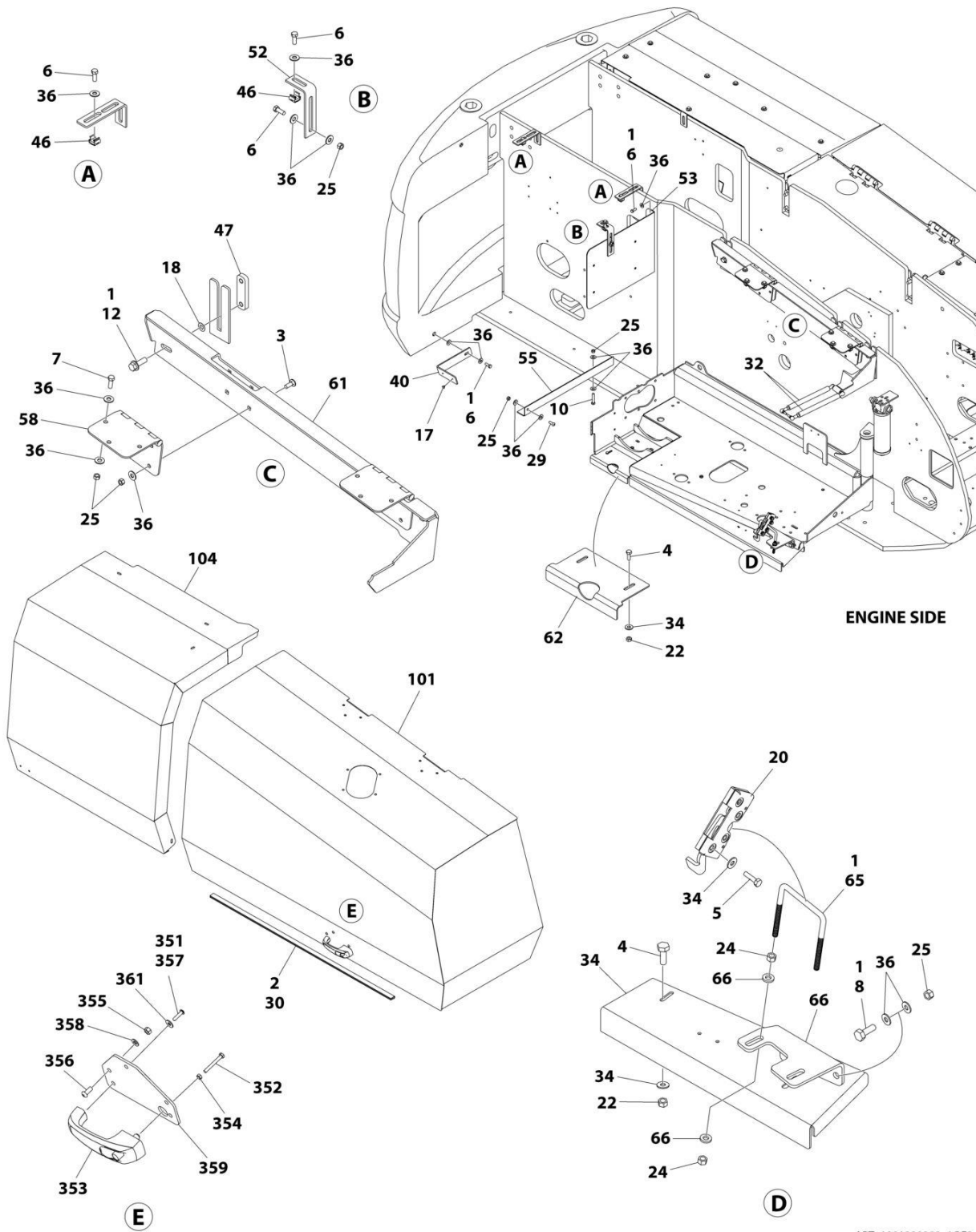
ITEM	PART NUMBER	QTY	DESCRIPTION	REV
		Ref	NOTE: REPLACEMENT DECALS MUST BE PURCHASED SEPARATELY - SEE DECALS SECTION.	
	1001173870	Ref	HOODS INSTALLATION	G
1	0100011	AR	Compound, Locking	
2	0100081	AR	Adhesive	
3	1001161711	1	Mount	
4	0641406	4	Bolt 1/4 x 3/4	
5	0641608	31	Bolt 3/8 x 7/8	
7	0641616	2	Bolt 3/8 x 2	
8	0811812	8	Bolt 1/2 x 1-1/2	
9	0902673	1	Bracket	
10	0940049	1	Stopper, Hood	
11	1120601	1	Plug	
12	2080040	4	Fastener, Huck	
13	2080072	4	Retainer	
14	2940045	2	Latch, Paddle	
15	3300364	5	Nut, Tinnerman	
16	3311405	4	Nut 1/4	
17	3311501	2	Nut 5/16	
18	3311601	8	Nut 3/8	
19	3311605	39	Nut 3/8	
20	3520030	1	Plug, Hole	
21	3900210	5	Screw, Button Head 5/16 x 3/4	
22	3900316	2	Screw, Button Head 3/8 x 1	
23	3960389	54 in/1.4m	Seal	
25	4160194	4	Spring, Gas	
27	4751400	12	Washer 1/4	
28	4751500	7	Washer 5/16	
29	4751600	80	Washer 3/8	
30	1001110166	59 in /1.5mm	Seal	
31	1001113047	84 in /2.14m	Seal	
32	1001116280	1	Bracket, Hood	
33	1001116322	1	Door	
34	1001117249	1	Plate, Seal	
35	1001116358	1	Bracket	
36	1001117027	1	Bracket	
37	1001117307	1	Decal - Emergency Stop	
39	1001125501	1	Door	
40	1001126828	5	Nut, Tinnerman	
41	1001150260	4	Plate	
42	1001173580	1	Plate	
43	1001250295	1	Bracket, Striker	
44	1001157025	1	Bracket	
45	1001157344	1	Bracket	
46	1001157474	1	Bracket	
47	1001157475	1	Panel	
48	1001157612	1	Bracket	

SECTION 2 - TURNTABLE

ITEM	PART NUMBER	QTY	DESCRIPTION	REV
50	0641611	2	Bolt 3/8 x 1-3/8	
51	0940088	1	Bumper	
52	3321501	2	Nut 5/16	
55	4420038	6 in/16cm	Tape	
56	0811610	8	Screw 3/8 x 1-1/4	
57	1001157284	1	Mount	
58	1001186251	4	Plate	
59	8310070	8	Pushnut 3/8in	
60	0641408	8	Bolt 1/4 x 1	
61	1001186254	4	Hinge	
62	2940173	2	Latch	
63	1001196768	1	Bracket	
64	0630485	8	Bolt, Carriage	
65	0641609	6	Bolt 3/8 x 1-1/8	
66	1001250294	1	Bracket	
67	1001243414	2	Bolt 3/8	
68	4891600	8	Screw 3/8	
100	1001174101	1	Hood Kit - Hostile Environment Machines(Not Shown - Includes Items 101-104)	C
101	1001162915	1	Hood Assembly - Engine Side Rear (See Items 251-261 for Breakdown)	
102	1001157209	1	Hood Assembly - Tank Side Rear (See Items 351-361 for Breakdown)	
103	1001125502	1	Hood - Tank Side Front	
104	1001116620	1	Hood - Engine Side Front	
	1001162915	Ref	HOOD ASSEMBLY - ENGINE SIDE REAR	C
251	0100011	AR	Compound, Locking	
252	0700618	1	Bolt M6 x 50	
253	2560187	1	Handle, Push Button	
254	3290601	1	Nut M6	
255	3311505	3	Nut 5/16	
256	3900210	3	Screw, Button Head 5/16 x 3/4	
257	3900363	2	Screw, Button Head M6 x 25	
258	4711500	3	Washer 5/16	
259	1001116290	1	Plate, Latch Mounting	
261	4751400	2	Washer 1/4	
	1001157209	Ref	HOOD ASSEMBLY - TANK SIDE REAR	B
351	0100011	1	Compound, Locking	
352	0700617	1	Bolt M6 x 45	
353	2560187	1	Handle, Push Button	
354	3290601	1	Nut M6	
355	3311505	3	Nut 5/16	
356	3900210	3	Screw, Button Head 5/16 x 3/4	
357	3900363	2	Screw, Button Head M6 x 25	
358	4711500	3	Washer 5/16	
359	1001116290	1	Plate, Latch Mounting	
361	4751400	2	Washer 1/4	
	0272081	Ref	NOISE REDUCTION INSTALLATION (DEUTZ ENGINE MACHINES)	4-D
401	2820078	1	Foam, Acoustical (Not Shown)	

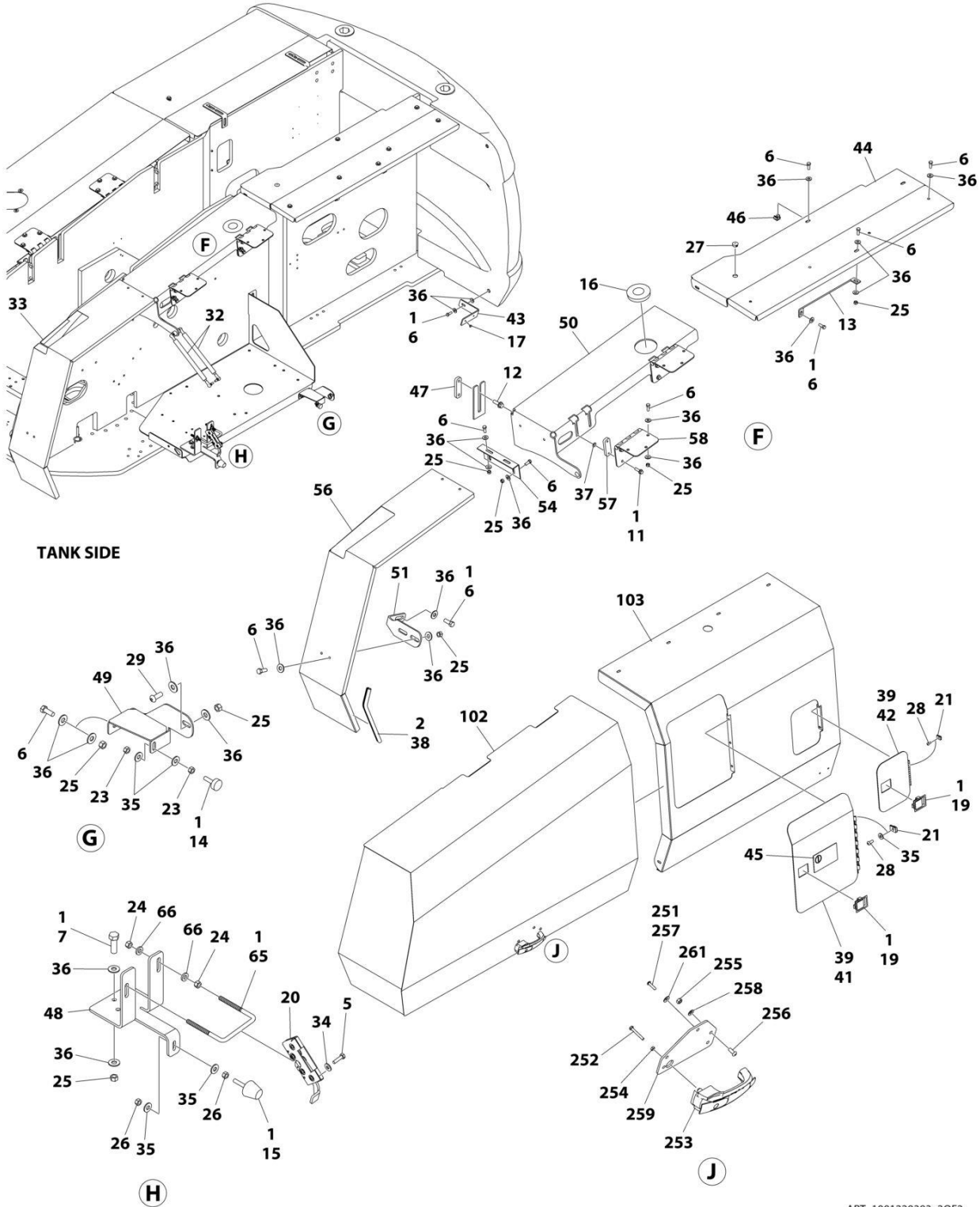
SECTION 2 - TURNTABLE

FIGURE 2-42. HOODS INSTALLATION – STEEL (FORD DF 2.5L ENGINES)



ART_1001220393_10F2

SECTION 2 - TURNTABLE



ART_1001220393_20F2

SECTION 2 - TURNTABLE

FIGURE 2-42. HOODS INSTALLATION – STEEL (FORD DF 2.5L ENGINES)

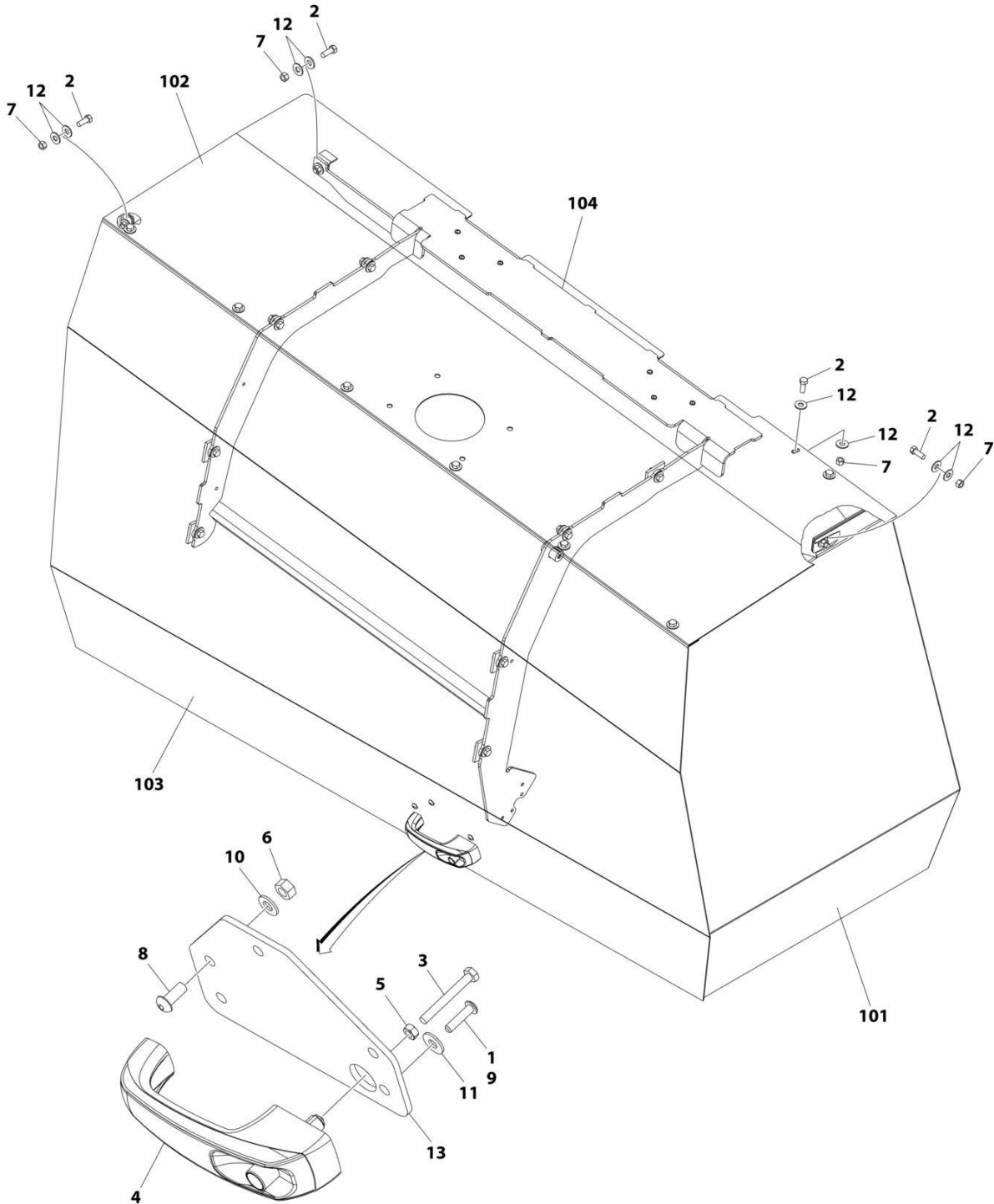
ITEM	PART NUMBER	QTY	DESCRIPTION	REV
		Ref	NOTE: REPLACEMENT DECALS MUST BE PURCHASED SEPARATELY - SEE DECALS SECTION.	
	1001220393	Ref	HOODS INSTALLATION	D
1	0100011	AR	Compound, Locking	
2	0100081	AR	Adhesive	
3	0630485	8	Bolt, Carriage	
4	0641406	5	Bolt 1/4 x 3/4	
5	0641408	8	Bolt 1/4 x 1	
6	0641608	31	Bolt 3/8 x 7/8	
7	0641609	9	Bolt 3/8 x 1-1/8	
8	0641611	2	Bolt 3/8 x 1-3/8	
10	0641616	2	Bolt 3/8 x 2	
11	0811610	8	Screw 3/8 x 1-1/4	
12	0811812	8	Bolt 1/2 x 1-1/2	
13	0902673	1	Bracket	
14	0940049	1	Stopper, Hood	
15	0940088	1	Bumper	
16	1120601	1	Plug	
17	2080040	4	Fastener, Huck	
18	2080072	4	Retainer	
19	2940045	2	Latch, Paddle	
20	2940173	2	Latch	
21	3300364	5	Nut, Tinnerman	
22	3311405	5	Nut 1/4	
23	3311501	2	Nut 5/16	
24	3311601	8	Nut 3/8	
25	3311605	39	Nut 3/8	
26	3321501	2	Nut 5/16	
27	3520030	1	Plug, Hole	
28	3900210	5	Screw, Button Head 5/16 x 3/4	
29	3900316	2	Screw, Button Head 3/8 x 1	
30	3960389	54 in/1.4m	Seal	
32	4160194	4	Spring, Gas	
33	4420038	6 in/16cm	Tape	
34	4751400	13	Washer 1/4	
35	4751500	7	Washer 5/16	
36	4751600	80	Washer 3/8	
37	8310070	8	Push-nut 3/8	
38	1001110166	59 in /1.5mm	Seal	
39	1001113047	84 in /2.14m	Seal	
40	1001116280	1	Bracket, Hood	
41	1001116322	1	Door	
42	1001116344	1	Door	
43	1001116358	1	Bracket	
44	1001117027	1	Bracket	
45	1001117307	1	Decal - Emergency Stop	
46	1001126828	5	Nut, Tinnerman	
47	1001150260	4	Plate	

SECTION 2 - TURNTABLE

ITEM	PART NUMBER	QTY	DESCRIPTION	REV
48	1001250295	1	Bracket, Striker	
49	1001157025	1	Bracket	
50	1001157284	1	Mount	
51	1001157344	1	Bracket	
52	1001157474	1	Bracket	
53	1001157475	1	Panel	
54	1001157612	1	Bracket	
55	1001161711	1	Mount	
56	1001173580	1	Plate	
57	1001186251	4	Plate	
58	1001186254	4	Hinge	
61	1001196768	1	Bracket	
62	1001220002	1	Baffle	
63	1001220067	1	Plate, Seal	
64	1001250294	1	Bracket	
65	1001243414	2	Bolt 3/8	
66	4891600	8	Washer 3/8	
100	1001174283	1	Hood Kit - Standard Machines (Not Shown - Includes Items 101-104)	C
101	1001157208	1	Hood Assembly - Engine Side Rear (See Items 251-261 for Breakdown)	
102	1001157209	1	Hood Assembly - Tank Side Rear (See Items 351-361 for Breakdown)	
103	1001116558	1	Hood - Tank Side Front	
104	1001116620	1	Hood - Engine Side Front	
	1001157208	Ref	HOOD ASSEMBLY - ENGINE SIDE REAR	D
251	0100011	AR	Compound, Locking	
252	0700618	1	Bolt M6 x 50	
253	2560187	1	Handle, Push Button	
254	3290601	1	Nut M6	
255	3311505	3	Nut 5/16	
256	3900210	3	Screw, Button Head 5/16 x 3/4	
257	3900363	2	Screw, Button Head M6 x 25	
258	4711500	3	Washer 5/16	
259	1001116290	1	Plate, Latch Mounting	
261	4751400	2	Washer 1/4	
	1001157209	Ref	HOOD ASSEMBLY - TANK SIDE REAR	B
351	0100011	AR	Compound, Locking	
352	0700617	1	Bolt M6 x 45mm	
353	2560187	1	Handle, Push Button	
354	3290601	1	Nut M6	
355	3311505	3	Locknut 5/16in-18NC	
356	3900210	3	Screw, Button Head 5/16in-18 x 3/4in	
357	3900363	2	Screw, Button Head M6 x 25mm	
358	4711500	3	Flatwasher 5/16in Thin	
359	1001116290	1	Plate, Latch Mounting	
361	4751400	2	Flatwasher 1/4in Regular	

SECTION 2 - TURNTABLE

FIGURE 2-43. HOOD ASSEMBLY - ENGINE SIDE REAR (DEUTZ TD2.9L4 ENGINES)



ART_1001244463

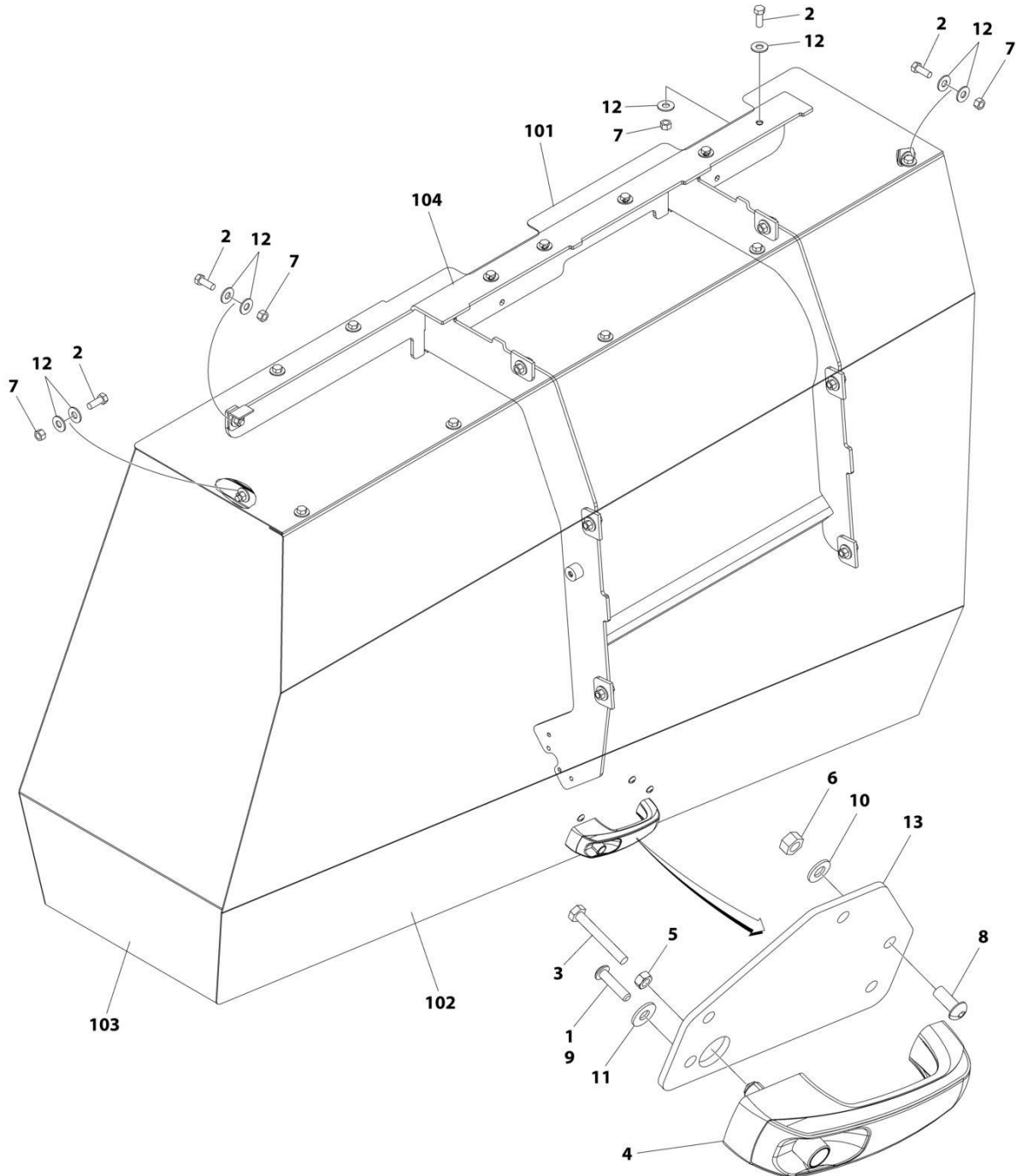
SECTION 2 - TURNTABLE

FIGURE 2-43. HOOD ASSEMBLY - ENGINE SIDE REAR (DEUTZ TD2.9L4 ENGINES)

ITEM	PART NUMBER	QTY	DESCRIPTION	REV
	1001244463	Ref	HOOD ASSEMBLY - ENGINE SIDE REAR	A
1	0100011	AR	Compound, Locking	
2	0641608	28	Bolt 3/8 x 7/8	
3	0700618	1	Bolt M6 x 50	
4	2560187	1	Handle, Push Button	
5	3290601	1	Nut M6	
6	3311505	3	Nut 5/16	
7	3311605	28	Nut 3/8	
8	3900210	3	Screw, Button Head 5/16 x 3/4	
9	3900363	2	Screw, Button Head M6 x 25	
10	4711500	3	Washer 5/16	
11	4751400	2	Washer 1/4	
12	4751600	56	Washer 3/8	
13	1001116290	1	Plate, Latch Mounting	
100	1001243985	1	Hood Engine Side Kit (Not Shown - Includes Items 101-104)	
101	1001239688	1	End Panel	
102	1001239689	1	Top Panel	
103	1001239690	1	Side Panel	
104	1001239691	1	Support	

SECTION 2 - TURNTABLE

FIGURE 2-44. HOOD ASSEMBLY - TANK SIDE REAR (DEUTZ TD2.9L4 AND DEUTZ TD2.9L4 (STAGE V) ENGINES)



ART_1001244465

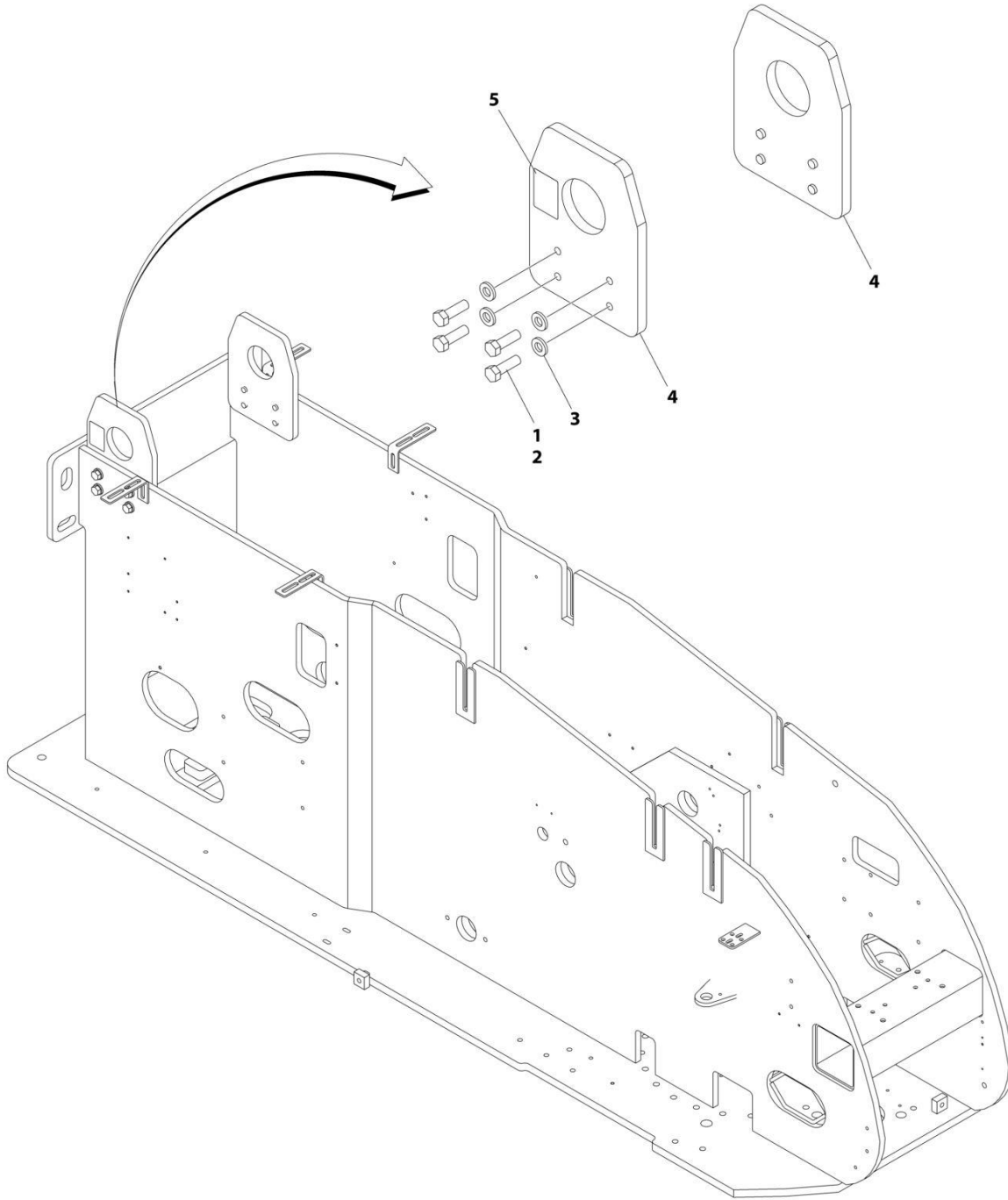
SECTION 2 - TURNTABLE

FIGURE 2-44. HOOD ASSEMBLY - TANK SIDE REAR (DEUTZ TD2.9L4 AND DEUTZ TD2.9L4 (STAGE V) ENGINES)

ITEM	PART NUMBER	QTY	DESCRIPTION	REV
	1001244465	Ref	HOOD ASSEMBLY - TANK SIDE REAR	A
1	0100011	AR	Compound, Locking	
2	0641608	28	Bolt 3/8 x 7/8	
3	0700617	1	Bolt M6 x 45	
4	2560187	1	Handle, Push Button	
5	3290601	1	Nut M6	
6	3311505	3	Nut 5/16	
7	3311605	28	Nut 3/8	
8	3900210	3	Screw, Button Head 5/16 x 3/4	
9	3900363	2	Screw, Button Head M6 x 25	
10	4711500	3	Washer 5/16	
11	4751400	2	Washer 1/4	
12	4751600	56	Washer 3/8	
13	1001116290	1	Plate, Latch Mounting	
100	1001243986	1	Hood Tank Side Kit (Not Shown - Includes Items 101-104)	
101	1001239721	1	Top Panel	
102	1001239722	1	Side Panel	
103	1001239723	1	End Panel	
104	1001239724	1	Support	

SECTION 2 - TURNTABLE

FIGURE 2-45. LIFTING PLATE INSTALLATION



ART_1001158084

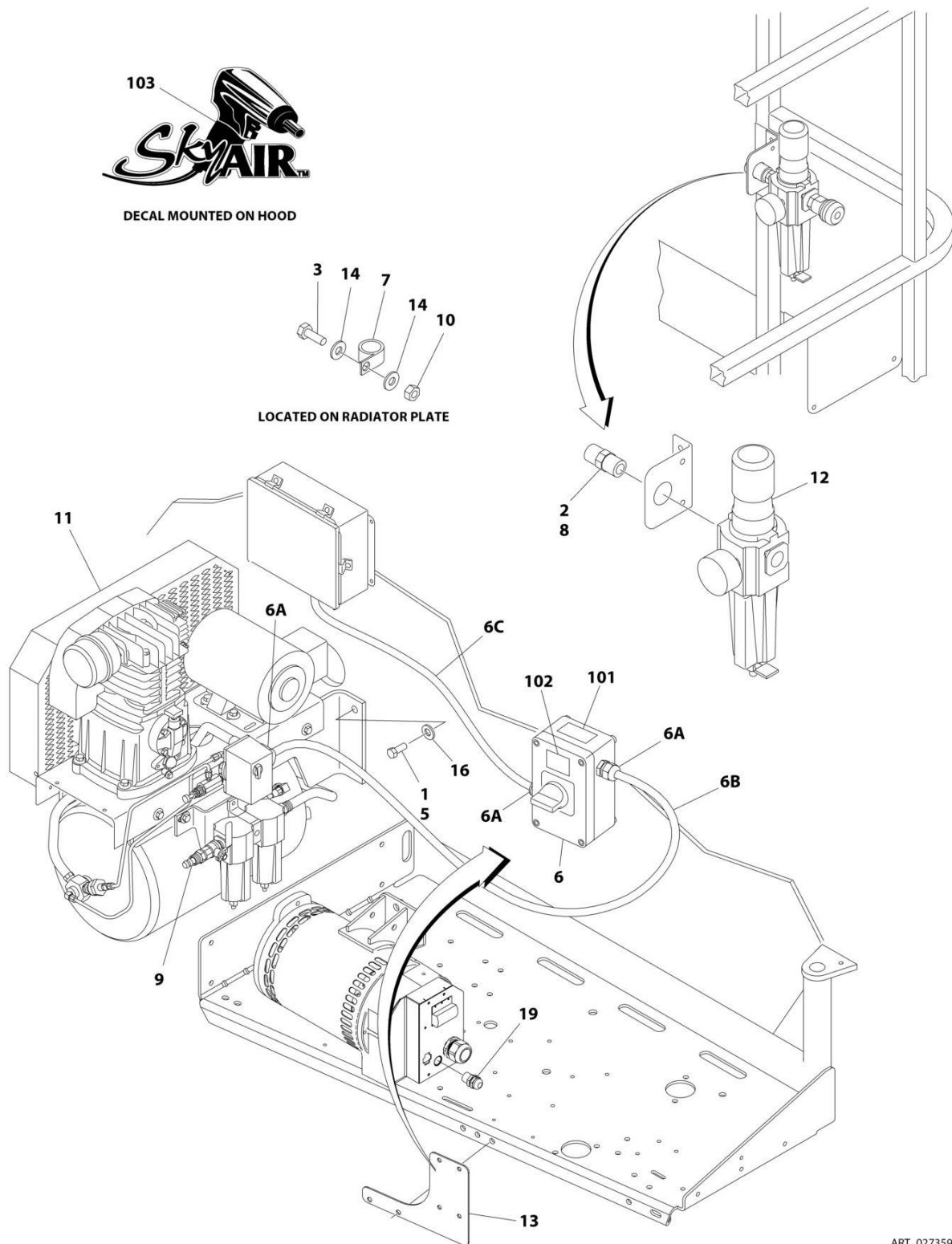
SECTION 2 - TURNTABLE

FIGURE 2-45. LIFTING PLATE INSTALLATION

ITEM	PART NUMBER	QTY	DESCRIPTION	REV
	1001158084	Ref	LIFTING PLATE INSTALLATION	B
1	0100019	AR	Compound, Locking	
2	0682016	8	Bolt 5/8in-11NC x 2in Grade 8	
3	4892000	8	Flatwasher 5/8in Hardened	
4	1001157870	2	Plate, Lifting	
5	1703811	2	Decal - Lift	

SECTION 2 - TURNTABLE

FIGURE 2-46. SKYAIR AIR COMPRESSOR INSTALLATION (DEUTZ D2011 AND FORD DF 2.5L ENGINES)



ART_0273596

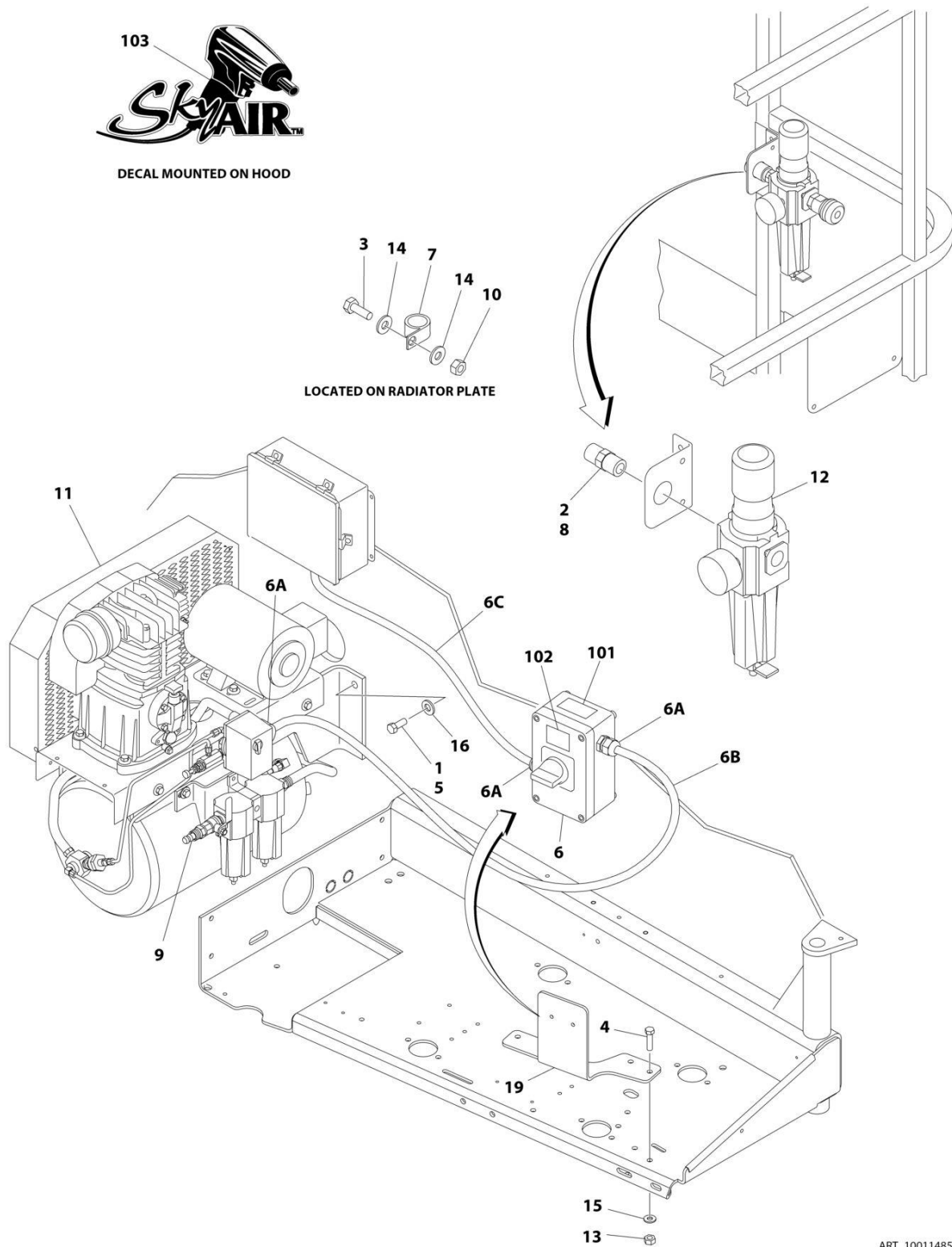
SECTION 2 - TURNTABLE

FIGURE 2-46. SKYAIR AIR COMPRESSOR INSTALLATION (DEUTZ D2011 AND FORD DF 2.5L ENGINES)

ITEM	PART NUMBER	QTY	DESCRIPTION	REV
	0273596	Ref	SKYAIR AIR COMPRESSOR INSTALLATION	B
1	0100019	AR	Compound, Locking	
2	0100020	AR	Sealant #567	
3	0641406	2	Bolt 1/4 x 3/4	
5	0641810	4	Bolt 1/2 x 1-1/4	
6	0861642	1	Control Box Assembly	
6A	4460633	3	Connector, Strain Relief	
6B	70002948	AR	Cable, Electrical - 12/4 (13ft/4m)	
6C	70002948	AR	Cable, Electrical - 12/4 (30in/76cm)	
7	1320224	2	Clamp	
8	2220252	1	Fitting	
9	2220750	1	Fitting	
10	3311405	2	Nut 1/4	
11	3600386	1	Compressor Assembly (See Separate Breakdown in this Section)	
12	3720021	1	Filter/Regulator Assembly	
12	7027781	1	Service Kit (Includes Gaskets and Seals)	
12	7027782	1	Filter	
12	7027784	1	Gauge	
12	7027783	1	Valve, Drain	
13	4340747	1	Bracket, Control Box	
14	4711400	4	Washer 1/4	
16	4751800	4	Washer 1/2	
18	4240033	AR	Tie-Strap (Not Shown)	
19	4460428	1	Connector, Strain Relief	
	0273687	Ref	DECAL INSTALLATION	
101	1705836	1	Decal - Hazard Voltage	
102	1705837	1	Decal - Air Compressor	
103	1705886	2	Decal - SkyAir	

SECTION 2 - TURNTABLE

FIGURE 2-47. SKYAIR AIR COMPRESSOR INSTALLATION (DEUTZ TD2.9L4 ENGINES)



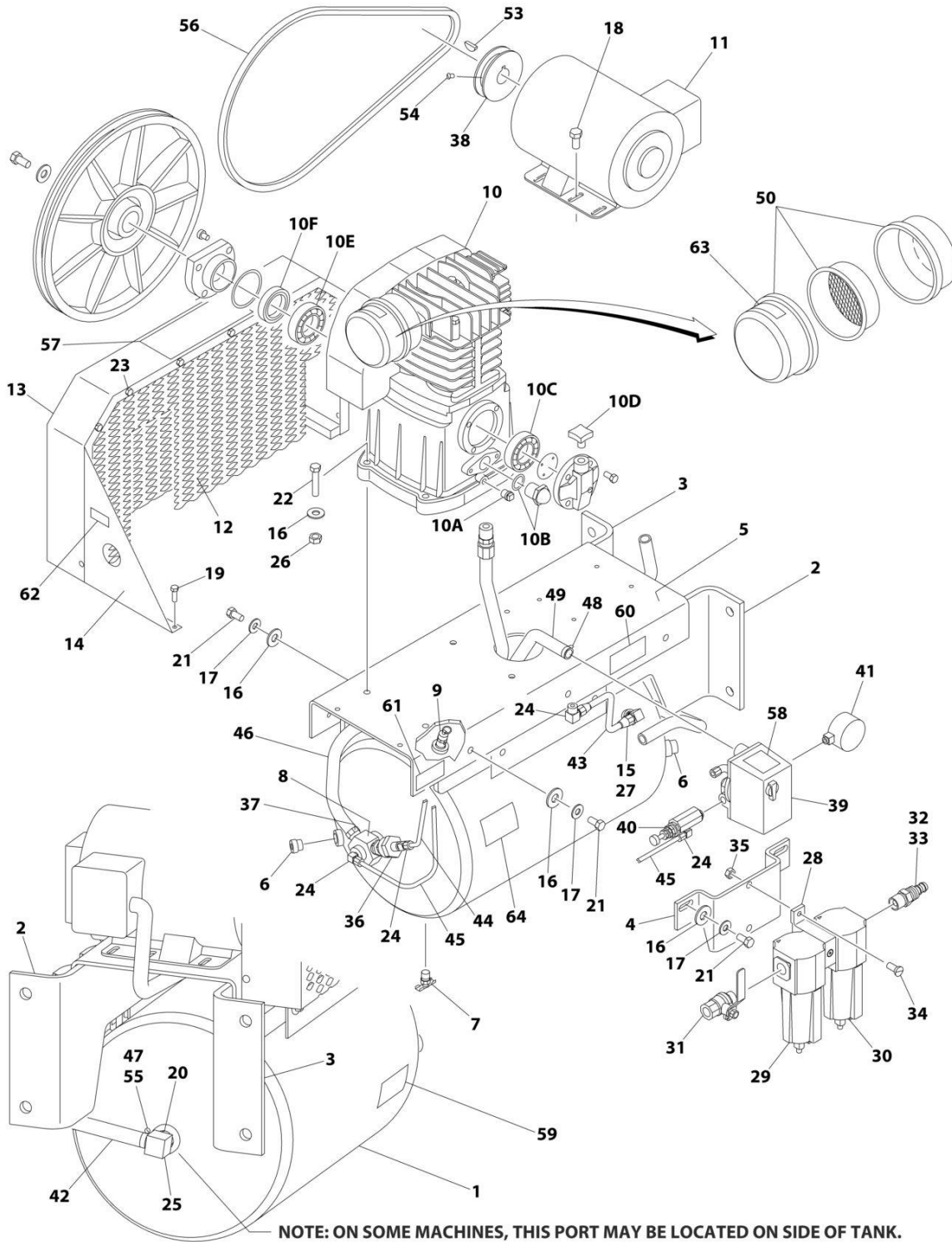
SECTION 2 - TURNTABLE

FIGURE 2-47. SKYAIR AIR COMPRESSOR INSTALLATION (DEUTZ TD2.9L4 ENGINES)

ITEM	PART NUMBER	QTY	DESCRIPTION	REV
	1001148565	Ref	SKYAIR AIR COMPRESSOR INSTALLATION	B
1	0100019	AR	Compound, Locking	
2	0100020	AR	Sealant #567	
3	0641406	2	Bolt 1/4 x 3/4	
4	0641608	3	Bolt 3/8 x 1	
5	0641810	4	Bolt 1/2 x 1-1/4	
6	0861642	1	Control Box Assembly	
6A	4460633	3	Connector, Strain Relief	
6B	70002948	AR	Cable, Electrical - 12/4 (13ft/4m)	
6C	70002948	AR	Cable, Electrical - 12/4 (30in/76cm)	
7	1320224	2	Clamp	
8	2220252	1	Fitting	
9	2220750	1	Fitting	
10	3311405	2	Nut 1/4	
11	3600386	1	Compressor Assembly (See Separate Breakdown in this Section)	
12	3720021	1	Filter/Regulator Assembly	
12	7027781	1	Service Kit (Includes Gaskets and Seals)	
12	7027782	1	Filter	
12	7027784	1	Gauge	
12	7027783	1	Valve, Drain	
13	3311605	3	Nut 3/8	
14	4711400	4	Washer 1/4	
15	4711600	3	Washer 3/8	
16	4751800	4	Washer 1/2	
18	4240033	AR	Tie-Strap (Not Shown)	
19	1001144447	1	Bracket, Control Box	
	0273687	Ref	DECAL INSTALLATION	A
101	1705836	1	Decal - Hazard Voltage	
102	1705837	1	Decal - Air Compressor	
103	1705886	2	Decal - SkyAir	

SECTION 2 - TURNTABLE

FIGURE 2-48. AIR COMPRESSOR ASSEMBLY



ART_3600386

SECTION 2 - TURNTABLE

FIGURE 2-48. AIR COMPRESSOR ASSEMBLY

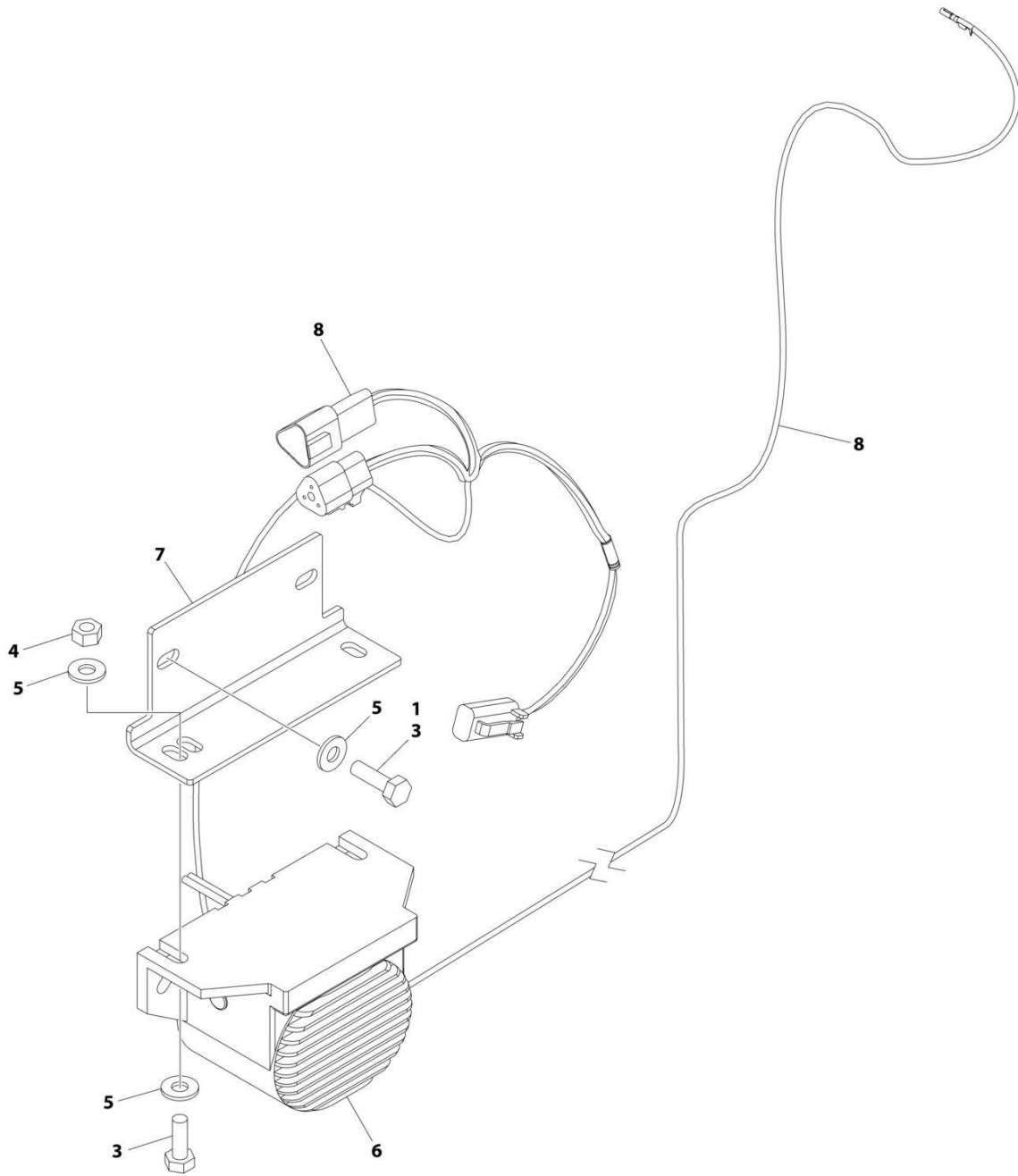
ITEM	PART NUMBER	QTY	DESCRIPTION	REV
	3600386	Ref	AIR COMPRESSOR ASSEMBLY	B
1	7026632	1	Tank	
2	See Note	1	Bracket, Mounting (Note: Not Available for Purchase)	
3	See Note	1	Bracket, Mounting (Note: Not Available for Purchase)	
4	See Note	1	Bracket, Regulator Mounting (Note: Not Available for Purchase)	
5	See Note	1	Deck (Note: Not Available for Purchase)	
6	See Note	2	Plug (Note: Not Available for Purchase)	
7	7026633	1	Valve, Drain	
8	7026634	1	Valve, Check	
9	7026635	1	Valve, Safety	
10	7026636	1	Pump Assembly	
10	7026659	1	Gasket and Seal Kit	
10A	7026651	1	Plug, Oil Drain	
10B	7026652	1	Gauge, Oil Sight	
10C	7026653	1	Bearing	
10D	7026654	1	Cap, Oil Fill	
10E	7026655	1	Bearing	
10F	7026656	1	Seal	
11	7026637	1	Motor Assembly	
11	See Note	1	Brush Kit (Note: Not Available for Purchase)	
12	See Note	1	Screen, Inner (Note: Not Available for Purchase)	
13	See Note	1	Guard, Belt (Note: Not Available for Purchase)	
14	See Note	2	Support (Note: Not Available for Purchase)	
15	See Note	1	Bushing (Note: Not Available for Purchase)	
16	4751600	18	Washer 3/8	
17	4761600	10	Washer 3/8	
18	0641506	4	Bolt 5/16 x 3/4	
19	0641406	8	Bolt 1/4 x 3/4	
20	See Note	1	Bushing (Note: Not Available for Purchase)	
21	0641610	10	Bolt 3/8 x 1-1/4	
22	0641616	4	Bolt 3/8 x 2	
23	See Note	10	Bolt 1/4 x 1/2 (Note: Not Available for Purchase)	
24	See Note	4	Fitting (Note: Not Available for Purchase)	
25	See Note	1	Fitting, Barbed (Note: Not Available for Purchase)	
26	3311605	4	Nut 3/8	
27	See Note	1	Fitting, Compression (Note: Not Available for Purchase)	
28	See Note	1	Bracket, Mounting (Note: Not Available for Purchase)	
29	7026660	1	Filter, Oil Removal	
30	7026661	1	Filter, Water Removal	
31	70001663	1	Valve, Ball Shut-Off	
32	See Note	1	Bushing (Note: Not Available for Purchase)	
33	See Note	1	Fitting, Barbed (Note: Not Available for Purchase)	
34	See Note	2	Screw 1/4 x 1 (Note: Not Available for Purchase)	
35	3311405	2	Nut 1/4	
36	See Note	1	Unloader (Note: Not Available for Purchase)	
37	See Note	1	Fitting (Note: Not Available for Purchase)	
38	See Note	1	Pulley (Note: Not Available for Purchase)	
39	7026638	1	Switch, Pressure	
40	7026639	1	Vale, Pilot	
41	7026640	1	Gauge	

SECTION 2 - TURNTABLE

ITEM	PART NUMBER	QTY	DESCRIPTION	REV
42	See Note	1	Hose (Note: Not Available for Purchase)	
43	See Note	1	Tube, Feed (Note: Not Available for Purchase)	
44	See Note	1	Tube (Note: Not Available for Purchase)	
45	See Note	1	Tube (Note: Not Available for Purchase)	
46	See Note	1	Aftercooler (Note: Not Available for Purchase)	
47	See Note	2	Clamp (Note: Not Available for Purchase)	
48	See Note	2	Clamp (Note: Not Available for Purchase)	
49	See Note	1	Harness, Wiring (Note: Not Available for Purchase)	
50	7026658	1	Filter Assembly	
50	7026641	1	Element, Filter	
51	See Note	23 oz	Oil, Compressor (Note: Not Available for Purchase)	
52	0100020	AR	Sealant	
53	See Note	1	Key (Note: Not Available for Purchase)	
54	See Note	2	Setscrew (Note: Not Available for Purchase)	
55	See Note	2	Cover, Clamp End (Note: Not Available for Purchase)	
56	7026642	1	Belt	
57	7026643	1	Decal - Unit Warning	
58	7026644	1	Decal - Pressure Switch Warning	
59	7026645	1	Decal - Drain Tank Warning	
60	7026646	1	Decal - Compressor Maintenance	
61	7026647	1	Decal - Initial Oil Fill	
62	7026648	1	Decal - Hot Surfaces Warning	
63	7026649	1	Decal - Paper Element Cleaning	
64	7026650	1	Decal - Dual Control	

SECTION 2 - TURNTABLE

FIGURE 2-49. WHITE NOISE ALARM INSTALLATION



ART_1001247281

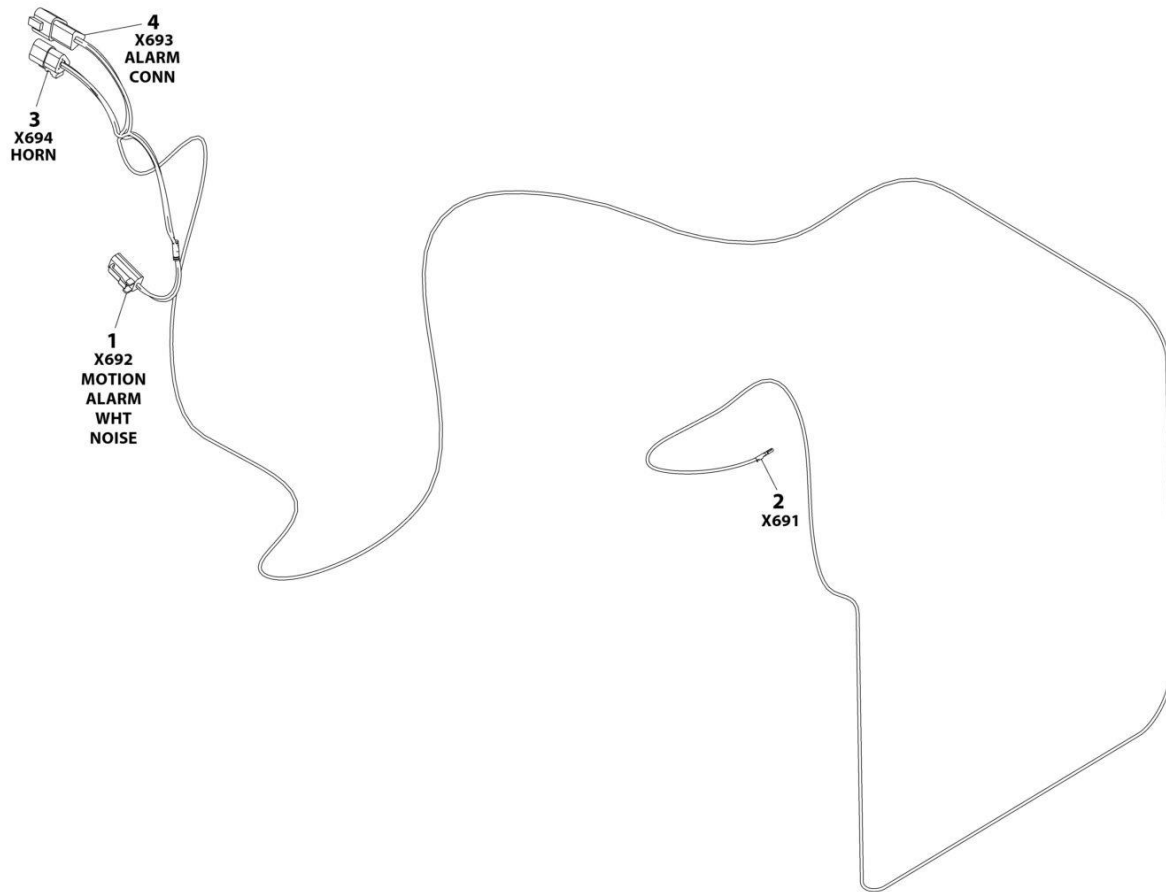
SECTION 2 - TURNTABLE

FIGURE 2-49. WHITE NOISE ALARM INSTALLATION

ITEM	PART NUMBER	QTY	DESCRIPTION	REV
	1001247281	Ref	WHITE NOISE ALARM INSTALLATION	B
1	0100011	AR	Compound, Locking	
2	0100048	AR	Compound, Silicone (Not Shown)	
3	0641406	4	Bolt 1/4 x 3/4	
4	3311405	2	Nut 1/4	
5	4711400	6	Washer 1/4	
6	1001182806	1	Alarm	
7	1001231886	1	Plate	
8	1001243682	1	White Noise Motion Alarm Harness (See Separate Breakdown in this Section)	

SECTION 2 - TURNTABLE

FIGURE 2-50. WHITE NOISE ALARM HARNESS



ART_1001243682

SECTION 2 - TURNTABLE

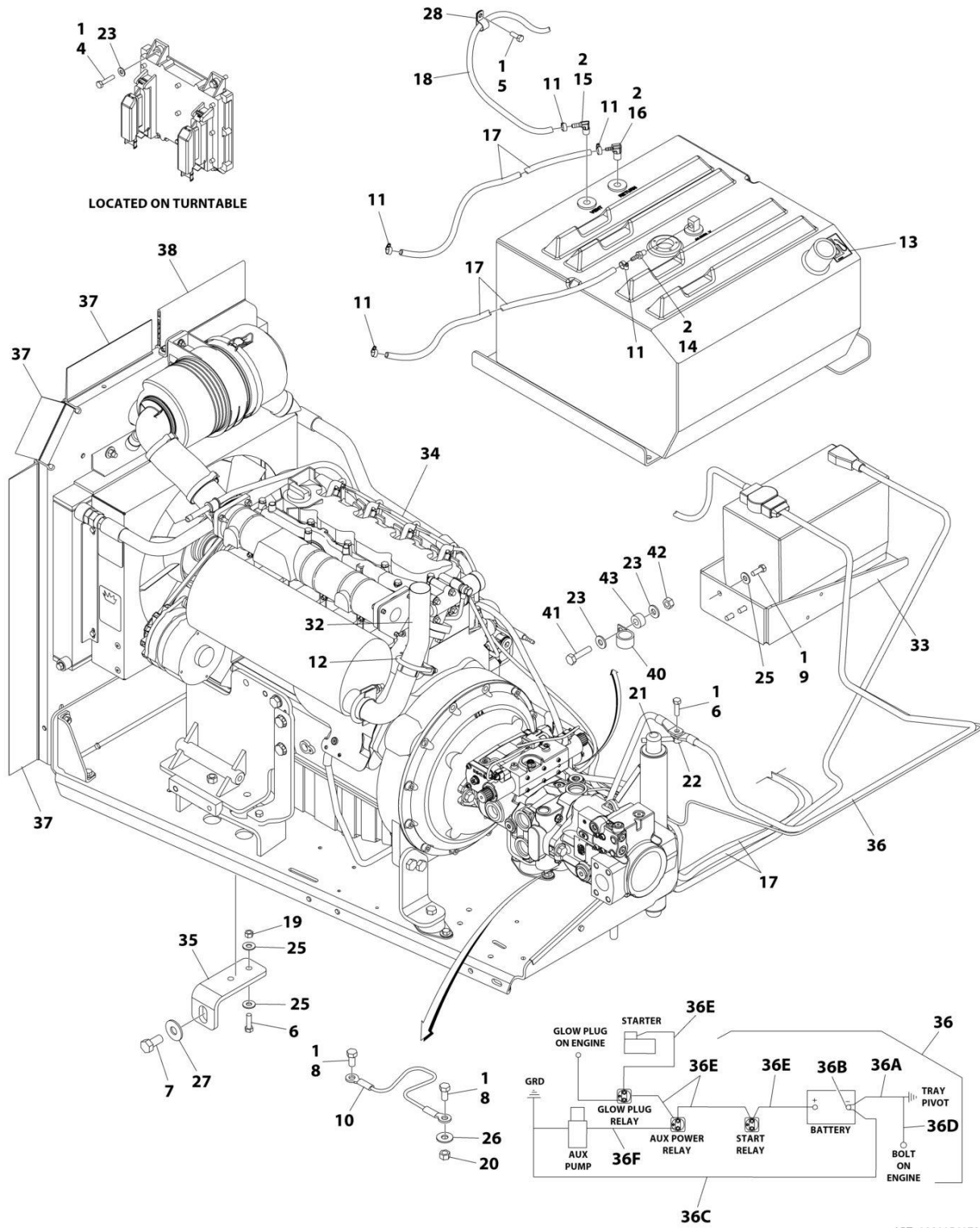
FIGURE 2-50. WHITE NOISE ALARM HARNESS

ITEM	PART NUMBER	QTY	DESCRIPTION	REV
	1001243682	Ref	WHITE NOISE ALARM HARNESS	A
1	4460891	1	Plug, Male - 2 Position	
1	4460465	2	Socket, Female	
2	4460871	1	Terminal	
3	4460539	1	Plug, Male- 3 Position	
3	4460465	3	Socket, Female	
4	4460536	1	Receptacle, Female- 3 Position	
4	4460464	3	Pin, Male	

SECTION 3 - ENGINE

SECTION 3 - ENGINE

FIGURE 3-1. DEUTZ D2011 ENGINE INSTALLATION (WITHOUT ARCTIC PACKAGE)



ART_1001156170

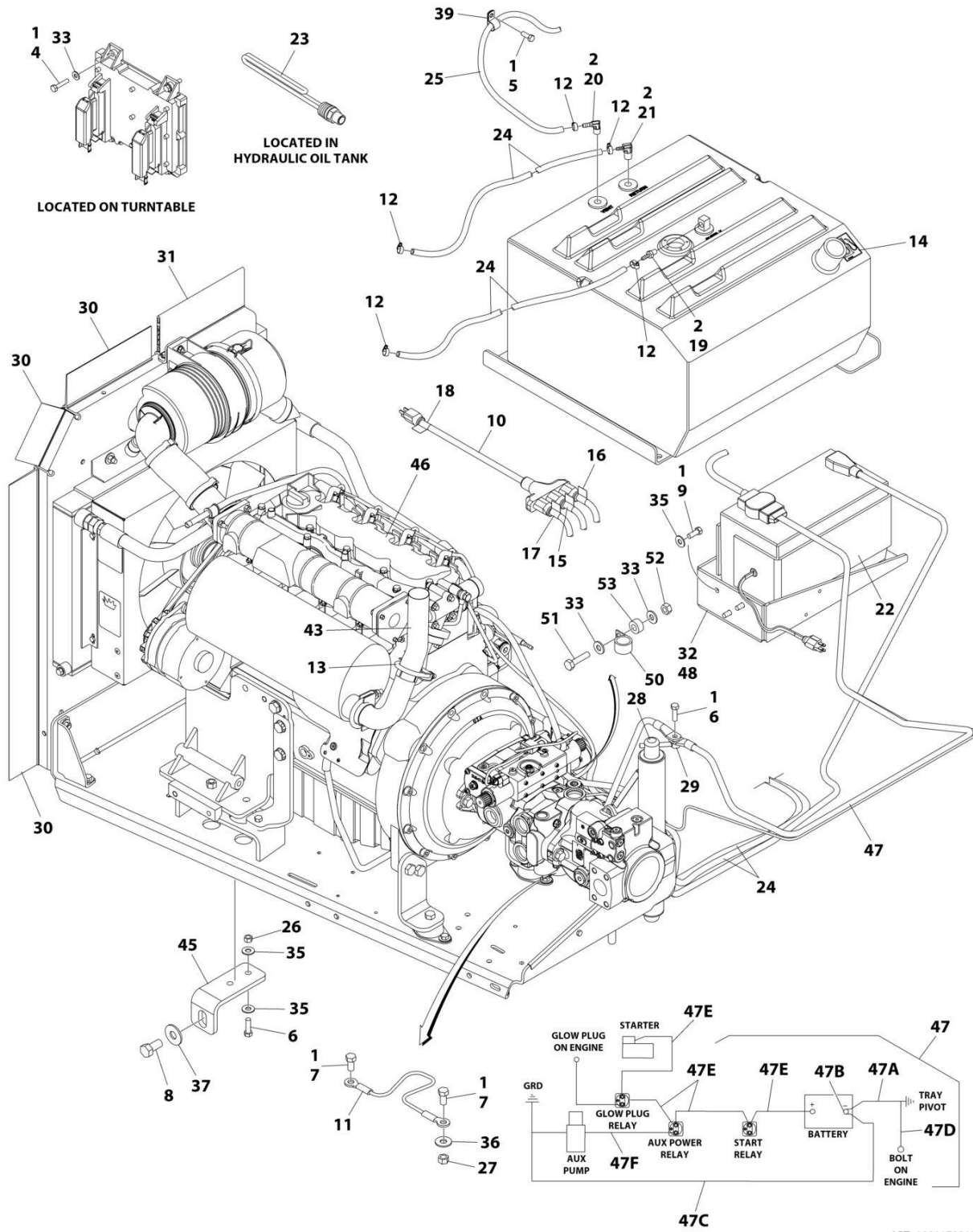
SECTION 3 - ENGINE

FIGURE 3-1. DEUTZ D2011 ENGINE INSTALLATION (WITHOUT ARCTIC PACKAGE)

ITEM	PART NUMBER	QTY	DESCRIPTION	REV
	1001156170	Ref	DEUTZ D2011 ENGINE INSTALLATION	I
1	0100011	AR	Compound, Locking	
2	0100020	AR	Sealant, Pipe	
4	0641410	4	Bolt 1/4 x 1-1/4	
5	0641608	1	Bolt 3/8 x 1	
6	0641610	3	Bolt 3/8 x 1-1/4	
7	0642010	1	Bolt 5/8 x 1-1/4	
8	0641808	2	Bolt 1/2 x 1	
9	0681608	3	Bolt 3/8 x 1 Grade 8	
10	1060637	1	Cable, Lanyard	
11	1320022	5	Clamp, Hose	
12	1320176	1	Clamp	
13	1701505	1	Decal - Diesel	
14	2180348	1	Fitting, Straight Barbed	
15	2220313	1	Fitting, Elbow	
16	2221176	1	Fitting, Elbow Barbed	
17	2720058	30 ft/ 9.2m	Hose	
18	2750532	3.5 ft/ 1m	Hose	
19	3311605	2	Nut 3/8	
20	3311801	1	Nut 1/2	
21	3422446	1	Pin, Pivot	
22	3841143	1	Pin, Keeper	
23	4711400	6	Washer 1/4	
25	4751600	7	Washer 3/8	
26	4751800	1	Washer 1/2	
27	4752000	1	Washer 5/8	
28	8406102	1	Clip	
32	1001101600	1	Tube, Exhaust	
33	1001162497	1	Bracket	
34	1001154236	1	Engine and Pump Assembly without Arctic Package (See Separate Breakdown in this Section)	
35	1001151070	1	Plate	
36	1001155143	1	Battery Cable Kit	D
36A	7027092	1	Cable, Battery (Black) (Battery - to Tray Pivot and Relay Grds)	
36B	8270147	1	Terminal, Battery (With Boot) Cable, Battery (Black)	
36C	7027093	1	Cable, Battery (Black) (Battery - to Aux Pump Ground)	
36D	7027053	1	Cable, Battery (Black) (Engine to Tray Pivot Grd)	
36E	7027094	1	Cable (Red) (Battery + to Relays/Starter)	
36F	7027095	1	Cable (Red) (Aux Relay to Aux Pump)	
37	3960548	44 in/ 1.1m	Seal	
38	3960549	11 in/ 28cm	Seal	
40	1320224	1	Clamp	
41	0641409	1	Bolt 1/4 x 1-1/8	
42	3311405	1	Nut 1/4	
43	1001110425	1	Spacer	

SECTION 3 - ENGINE

FIGURE 3-2. DEUTZ D2011 ENGINE INSTALLATION (WITH ARCTIC PACKAGE)



ART_1001178212

SECTION 3 - ENGINE

FIGURE 3-2. DEUTZ D2011 ENGINE INSTALLATION (WITH ARCTIC PACKAGE)

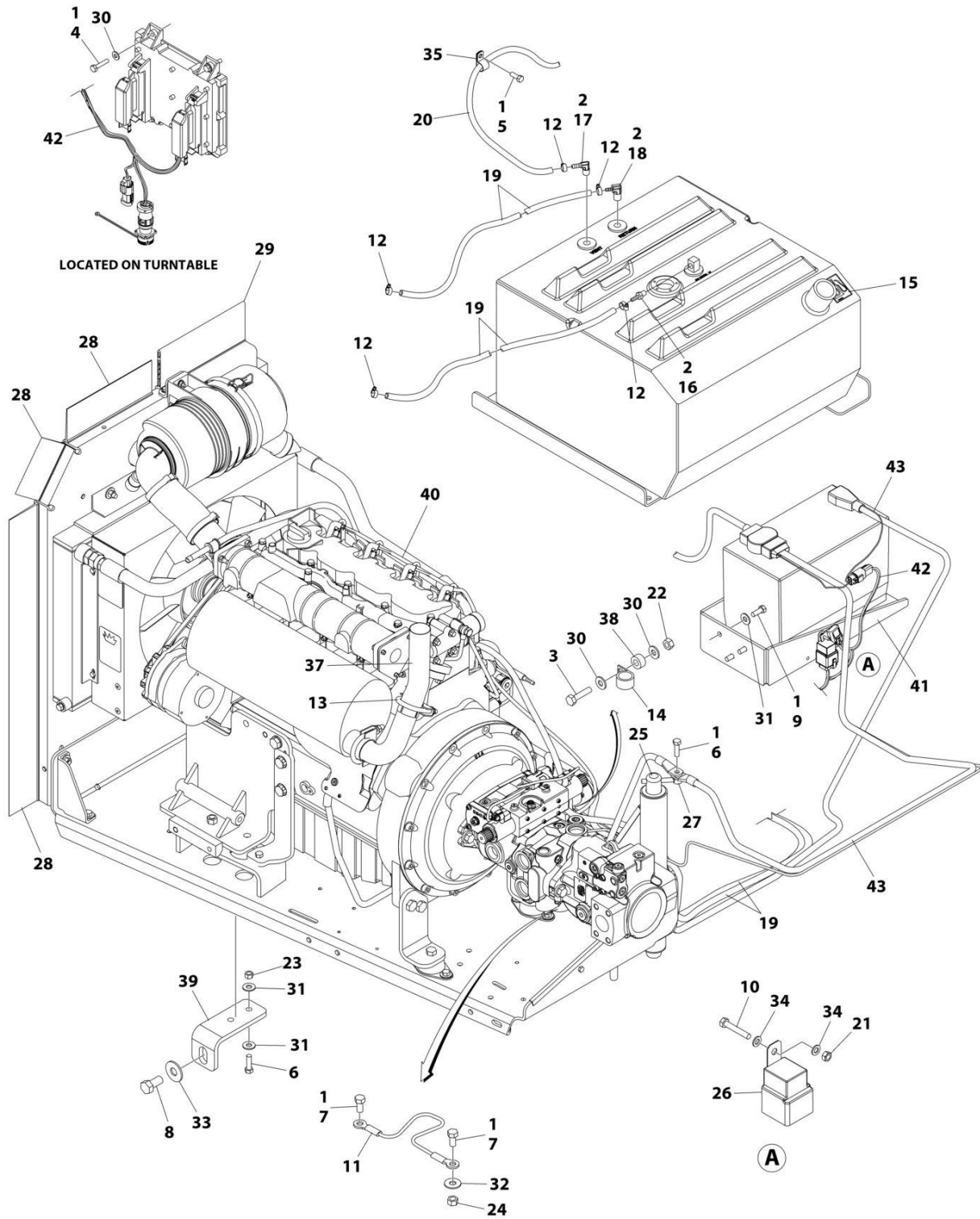
ITEM	PART NUMBER	QTY	DESCRIPTION	REV
	1001178212	Ref	DEUTZ D2011 ENGINE INSTALLATION	G
1	0100011	AR	Compound, Locking	
2	0100020	AR	Sealant, Pipe	
4	0641410	4	Bolt 1/4 x 1-1/4	
5	0641608	1	Bolt 3/8 x 1	
6	0641610	3	Bolt 3/8 x 1-1/4	
7	0641808	2	Bolt 1/2 x 1	
8	0642010	1	Bolt 5/8 x 1-1/4	
9	0681608	3	Bolt 3/8 x 1 Grade 8	
10	1060626	1	Cord, 3 Way Extension	
11	1060637	1	Cable, Lanyard	
12	1320022	5	Clamp, Hose	
13	1320176	1	Clamp	
14	1701505	1	Decal - Diesel	
15	1702941	1	Decal - Battery Heater	
16	1702942	1	Decal - Engine Block Heater	
17	1702943	1	Decal - Hydraulic Tank Heater	
18	1702944	1	Decal - Heater Cord	
19	2180348	1	Fitting, Straight Barbed	
20	2220313	1	Fitting, Elbow	
21	2221176	1	Fitting, Elbow Barbed	
22	2580024	1	Heater, Battery	
23	1001188972	1	Heater, Hydraulic Tank	
24	2720058	30 ft/ 9.2m	Hose	
25	2750532	3.6 ft/ 1m	Hose	
26	3311605	2	Nut 3/8	
27	3311801	1	Nut 1/2	
28	3422446	1	Pin, Pivot	
29	3841143	1	Pin, Keeper	
30	3960548	44 in/ 1.1m	Seal	
31	3960549	11 in/ 28cm	Seal	
32	3980007	1	Seat, Battery	
33	4711400	6	Washer 1/4	
35	4751600	7	Washer 3/8	
36	4751800	1	Washer 1/2	
37	4752000	1	Washer 5/8	
39	8406102	1	Clip	
43	1001101600	1	Tube, Exhaust	
44	1001150918	1	Cable, Immersion Heater	
45	1001151070	1	Plate	
46	1001154237	1	Engine and Pump Assembly with Arctic Package (See Separate Breakdown in this Section)	
47	1001155143	1	Battery Cable Kit	
47A	7027092	1	Cable, Battery (Black) (Battery - to Tray Pivot and Relay Grds)	
47B	8270147	1	Terminal, Battery (With Boot) Cable, Battery (Black)	
47C	7027093	1	Cable, Battery (Black) (Battery - to Aux Pump Ground)	
47D	7027053	1	Cable, Battery (Black) (Engine to Tray Pivot Grd)	

SECTION 3 - ENGINE

ITEM	PART NUMBER	QTY	DESCRIPTION	REV
47E	7027094	1	Cable (Red) (Battery + to Relays/Starter)	
47F	7027095	1	Cable (Red) (Aux Relay to Aux Pump)	
48	1001162497	1	Bracket	
50	1320224	1	Clamp	
51	0641409	1	Bolt 1/4 x 1-1/8	
52	3311405	1	Nut 1/4	
53	1001110425	1	Spacer	

SECTION 3 - ENGINE

FIGURE 3-3. DEUTZ D2011 ENGINE INSTALLATION (HIGH TEMP MARKETS)



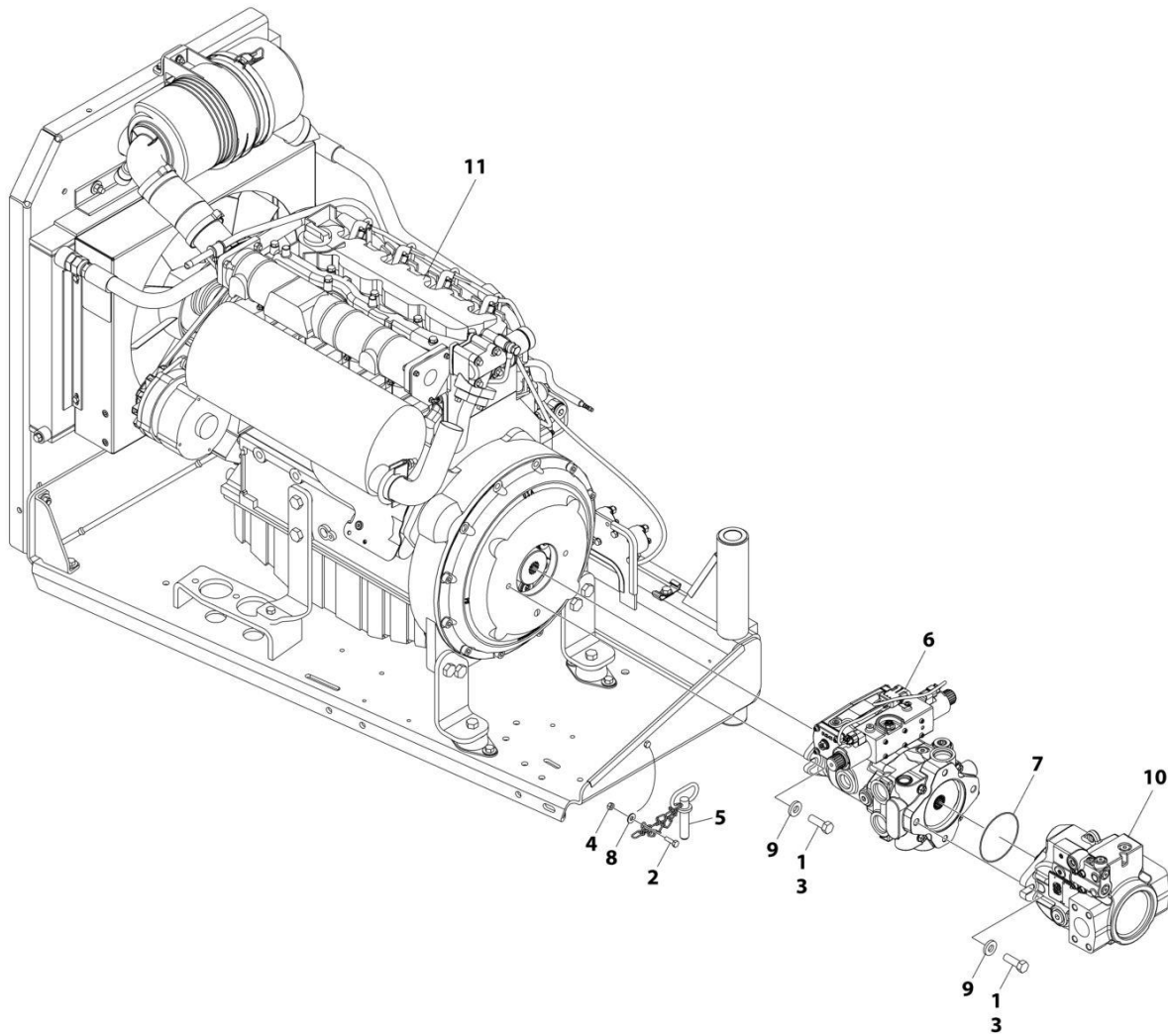
SECTION 3 - ENGINE

FIGURE 3-3. DEUTZ D2011 ENGINE INSTALLATION (HIGH TEMP MARKETS)

ITEM	PART NUMBER	QTY	DESCRIPTION	REV
	1001243993	Ref	DEUTZ D2011 ENGINE INSTALLATION	B
1	0100011	AR	Compound, Locking	
2	0100020	AR	Sealant, Pipe	
3	0641409	1	Bolt 1/4 x 1-1/8	
4	0641410	4	Bolt 1/4 x 1-1/4	
5	0641608	1	Bolt 3/8 x 1	
6	0641610	3	Bolt 3/8 x 1-1/4	
7	0641808	2	Bolt 1/2 x 1	
8	0642010	1	Bolt 5/8 x 1-1/4	
9	0681608	3	Bolt 3/8 x 1 Grade 8	
10	0760514	1	Bolt M5 x 30	
11	1060637	1	Cable, Lanyard	
12	1320022	5	Clamp, Hose	
13	1320176	1	Clamp	
14	1320224	1	Clamp	
15	1701505	1	Decal - Diesel	
16	2180348	1	Fitting, Straight Barbed	
17	2220313	1	Fitting, Elbow	
18	2221176	1	Fitting, Elbow Barbed	
19	2720058	30 ft/ 9.2m	Hose	
20	2750532	3.5 ft/ 1m	Hose	
21	3290501	1	Nut M5	
22	3311405	1	Nut 1/4	
23	3311605	2	Nut 3/8	
24	3311801	1	Nut 1/2	
25	3422446	1	Pin, Pivot	
26	3740080	1	Relay	
27	3841143	1	Pin, Keeper	
28	3960548	44 in/ 1.1m	Seal	
29	3960549	11 in/ 28cm	Seal	
30	4711400	6	Washer 1/4	
31	4751600	7	Washer 3/8	
32	4751800	1	Washer 1/2	
33	4752000	1	Washer 5/8	
34	4811600	2	Washer M5	
35	8406102	1	Clip	
36	1001004720	AR	Tie-Strap (Not Shown)	
37	1001101600	1	Tube, Exhaust	
38	1001110425	1	Spacer	
39	1001151070	1	Plate	
40	1001154236	1	Engine and Pump Assembly without Arctic Package (See Separate Breakdown in this Section)	
41	1001162497	1	Bracket	
42	1001243366	1	Harness, ECU Jumper	
43	1001243992	1	Battery Cable Kit	

SECTION 3 - ENGINE

FIGURE 3-4. DEUTZ D2011 ENGINE AND PUMP SUB-ASSEMBLY (WITHOUT ARCTIC PACKAGE)



ART_1001154236

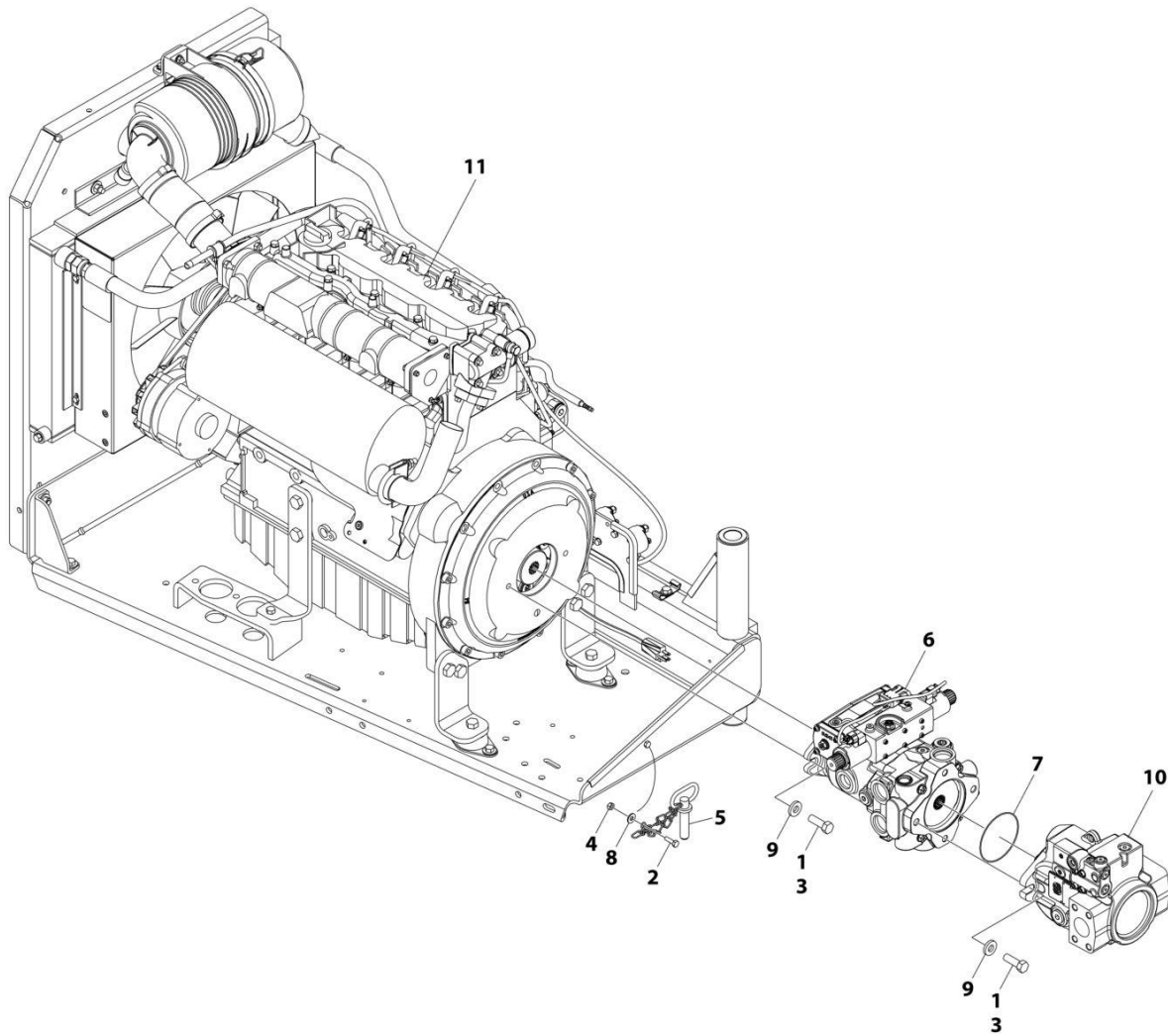
SECTION 3 - ENGINE

FIGURE 3-4. DEUTZ D2011 ENGINE AND PUMP SUB-ASSEMBLY (WITHOUT ARCTIC PACKAGE)

ITEM	PART NUMBER	QTY	DESCRIPTION	REV
	1001154236	Ref	DEUTZ D2011 ENGINE AND PUMP SUB-ASSEMBLY (WITHOUT ARCTIC PACKAGE)	D
1	0100011	AR	Compound, Locking	
2	0641407	1	Bolt 1/4 x 7/8	
3	0641812	4	Bolt 1/2 x 1-1/2	
4	3311405	1	Nut 1/4	
5	3422532	1	Pin, Hitch	
6	1001225745	1	Hydrostatic Pump Assembly with Fittings (See Separate Breakdown in this Section)	
7	3790044	1	O-Ring	
8	4751400	1	Washer 1/4	
9	4891800	4	Washer 1/2	
10	1001094595	1	Variable Pump Assembly with Fittings (See Separate Breakdown in this Section)	
11	1001153396	1	Engine Assembly Without Arctic Package (See Separate Breakdown in this Section)	

SECTION 3 - ENGINE

FIGURE 3-5. DEUTZ D2011 ENGINE AND PUMP SUB-ASSEMBLY (WITH ARCTIC PACKAGE)



ART_1001154237

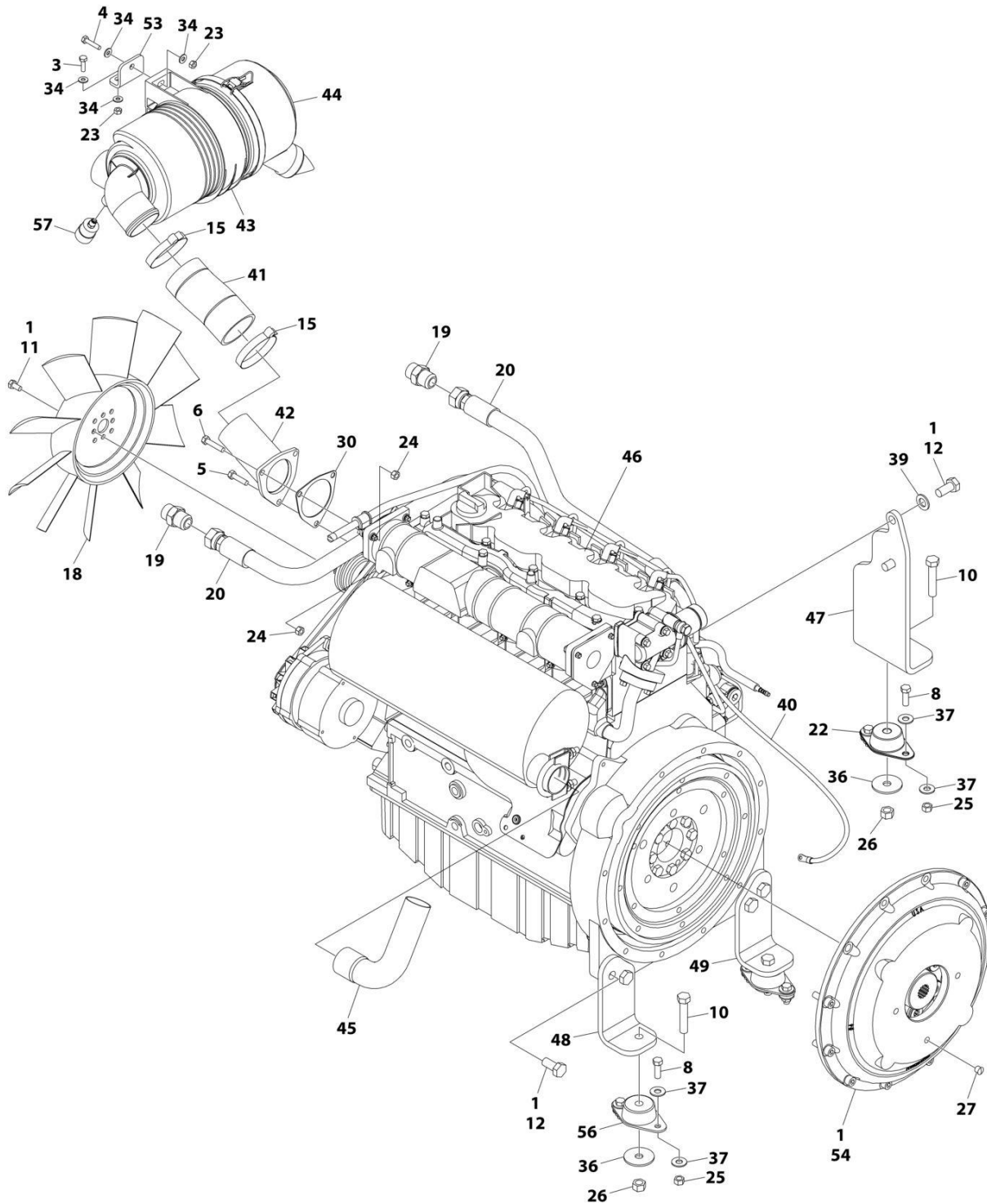
SECTION 3 - ENGINE

FIGURE 3-5. DEUTZ D2011 ENGINE AND PUMP SUB-ASSEMBLY (WITH ARCTIC PACKAGE)

ITEM	PART NUMBER	QTY	DESCRIPTION	REV
	1001154237	Ref	DEUTZ D2011 ENGINE AND PUMP SUB-ASSEMBLY (WITH ARCTIC PACKAGE)	D
1	0100011	AR	Compound, Locking	
2	0641407	1	Bolt 1/4 x 7/8	
3	0641812	4	Bolt 1/2 x 1-1/2	
4	3311405	1	Nut 1/4	
5	3422532	1	Pin, Hitch	
6	1001225745	1	Hydrostatic Pump Assembly with Fittings (See Separate Breakdown in this Section)	
7	3790044	1	O-Ring	
8	4751400	1	Washer 1/4	
9	4891800	4	Washer 1/2	
10	1001094595	1	Variable Pump Assembly with Fittings (See Separate Breakdown in this Section)	
11	1001153779	1	Engine Assembly With Arctic Package (See Separate Breakdown in this Section)	

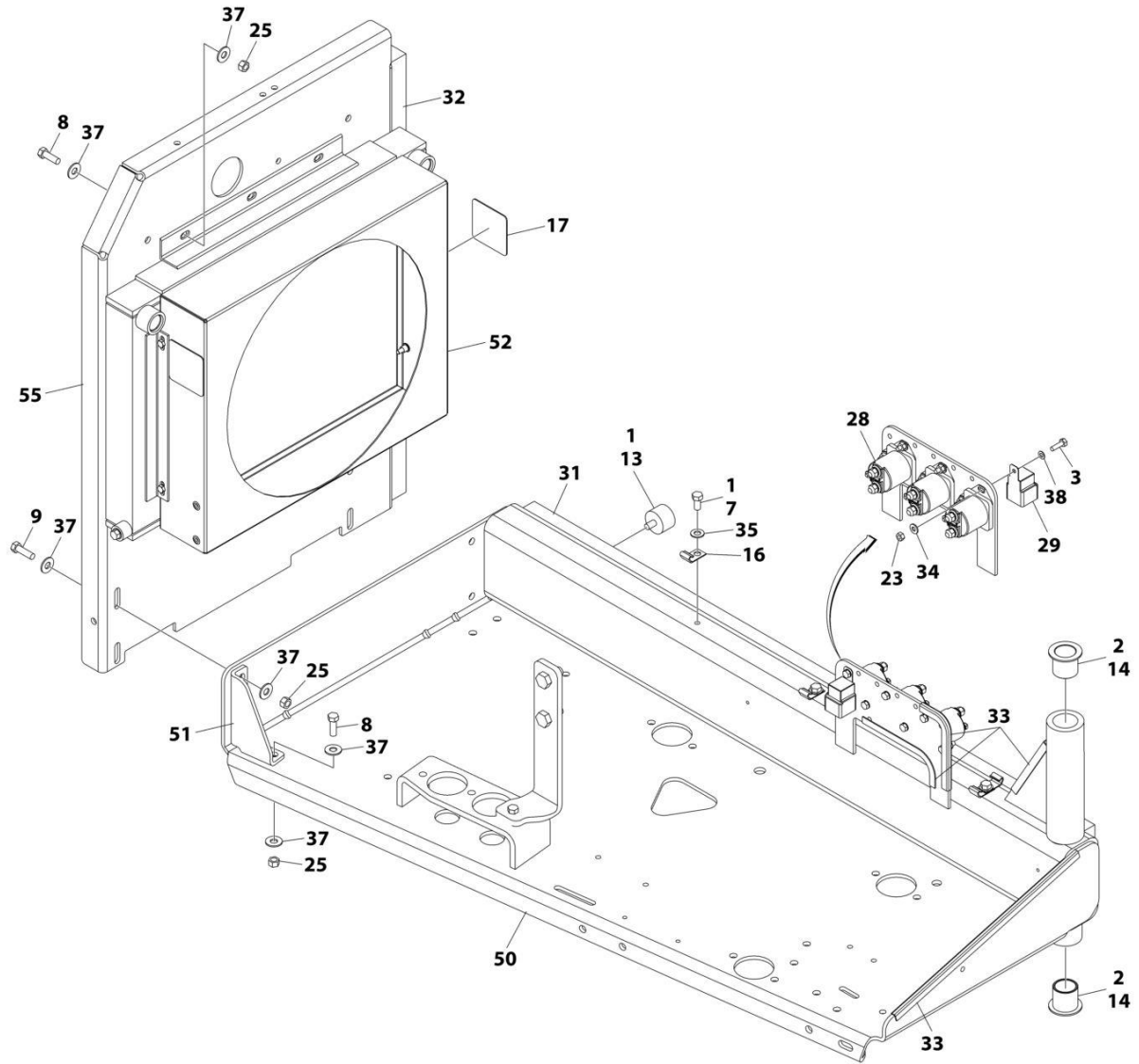
SECTION 3 - ENGINE

FIGURE 3-6. DEUTZ D2011 ENGINE ASSEMBLY (WITHOUT ARCTIC PACKAGE)



ART_1001153396_10F2

SECTION 3 - ENGINE



ART_1001153396_20F2

SECTION 3 - ENGINE

FIGURE 3-6. DEUTZ D2011 ENGINE ASSEMBLY (WITHOUT ARCTIC PACKAGE)

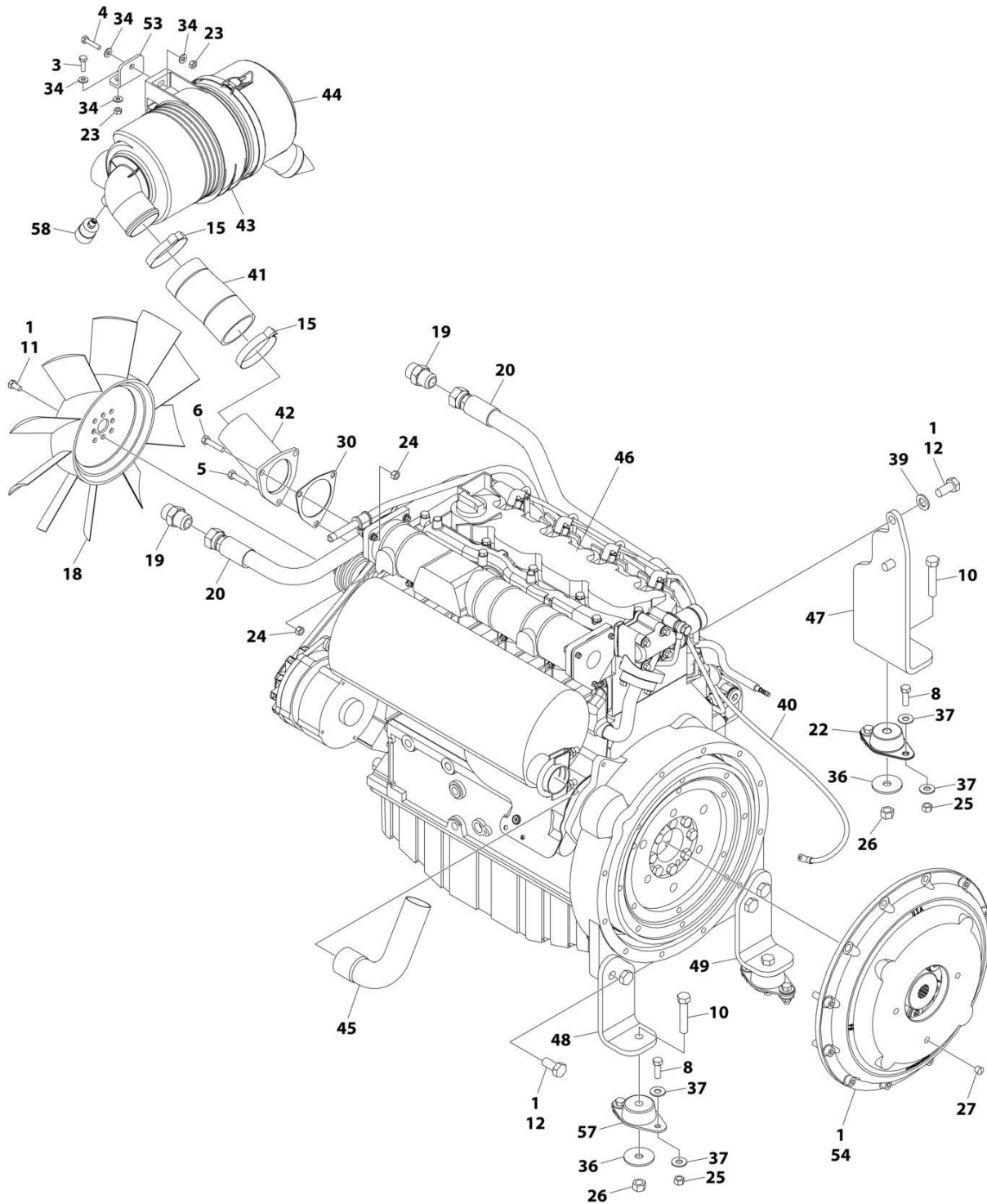
ITEM	PART NUMBER	QTY	DESCRIPTION	REV
	1001153396	Ref	ENGINE ASSEMBLY WITHOUT ARCTIC PACKAGE	H
1	0100011	AR	Compound, Locking	
2	0100062	AR	Compound, Locking	
3	0641407	8	Bolt 1/4 x 7/8	
4	0641410	2	Bolt 1/4 x 1-1/4	
5	0641510	2	Bolt 5/16 x 1-1/4	
6	0641512	1	Bolt 5/16 x 1-1/2	
7	0641606	3	Bolt 3/8 x 3/4	
8	0641609	14	Bolt 3/8 x 1-1/8	
9	0641610	4	Bolt 3/8 x 1-1/4	
10	0641820	3	Bolt 1/2 x 2-1/2	
11	0700808	4	Bolt M8 x 16	
12	0771414	6	Bolt M14 x 30	
13	0940070	1	Bumper	
14	0961986	2	Bushing, Flanged	
15	1320016	2	Clamp	
16	1320223	4	J-Clip	
17	1703162	2	Decal - Caution Fan Blade	
18	2060025	1	Fan	
19	2220451	2	Fitting, Straight	
20	2720398	2	Hose, Oil Cooler	
22	3200406	1	Mount, Motor	
23	3311405	10	Nut 1/4	
24	3311505	3	Nut 5/16	
25	3311605	18	Nut 3/8	
26	3311805	3	Nut 1/2	
27	3520054	2	Plug	
28	3740067	3	Relay	
29	3740080	1	Relay	
30	3960407	1	Gasket, Air Intake	
31	3960468	1	Seal	
32	3960469	1	Seal	
33	4060805	37 in/1m	Flex-Trim	
34	4711400	14	Washer 1/4	
35	4711600	3	Washer 3/8	
36	4740274	3	Washer, Snubbing	
37	4751600	36	Washer 3/8	
38	4791400	6	Washer, Star 1/4	
39	4812200	2	Washer M14	
40	4923379	1	Harness, Glow Plug	
41	1001001939	1	Hose, Flex	
42	1001146273	1	Adapter, Air Intake	
43	1001147812	1	Clamp	
44	1001147813	1	Air Cleaner Assembly Filter Element	
44	70004020	1	Element, Filter (Not Shown)	
45	1001147820	1	Pipe, Exhaust	
46	1001147823	1	Engine, Deutz D2011 (See Separate Breakdown in this section)	
47	1001149704	1	Support, Engine	
48	1001149705	1	Support, Engine	
49	1001149706	1	Support, Engine	

SECTION 3 - ENGINE

ITEM	PART NUMBER	QTY	DESCRIPTION	REV
50	1001149793	1	Tray, Engine	
51	1001150915	1	Gusset	
52	1001150998	1	Radiator	
53	1001152459	1	Plate, Air Cleaner Mounting	
54	1001153282	1	Pump Coupling Kit (See Separate Breakdown in this section)	
55	1001153414	1	Plate, Radiator Mounting	
56	3200401	2	Mount, Motor	
57	1001143390	1	Indicator	

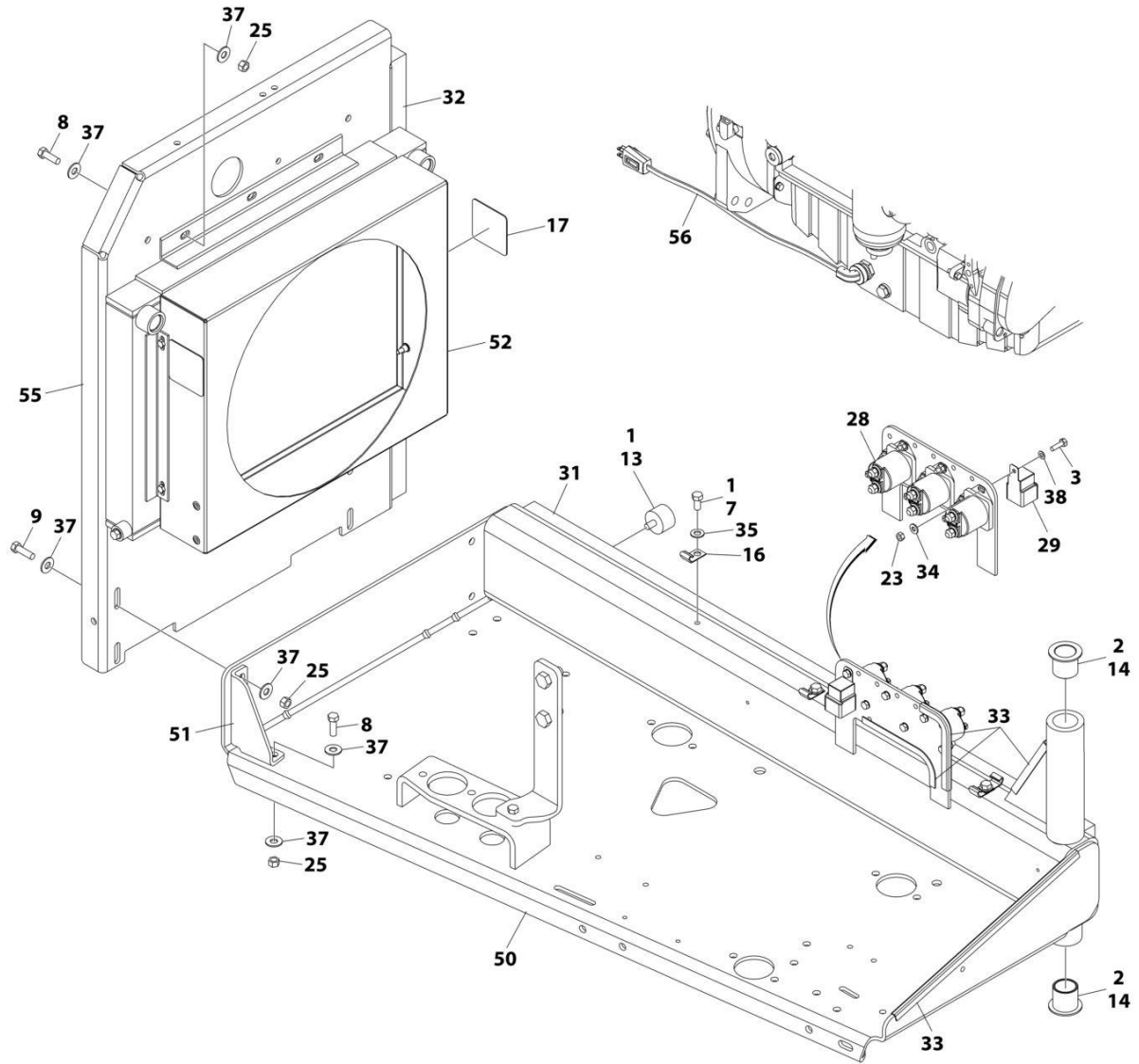
SECTION 3 - ENGINE

FIGURE 3-7. DEUTZ D2011 ENGINE ASSEMBLY (WITH ARCTIC PACKAGE)



ART_1001153779_10F2

SECTION 3 - ENGINE



ART_1001153779_2OF2

SECTION 3 - ENGINE

FIGURE 3-7. DEUTZ D2011 ENGINE ASSEMBLY (WITH ARCTIC PACKAGE)

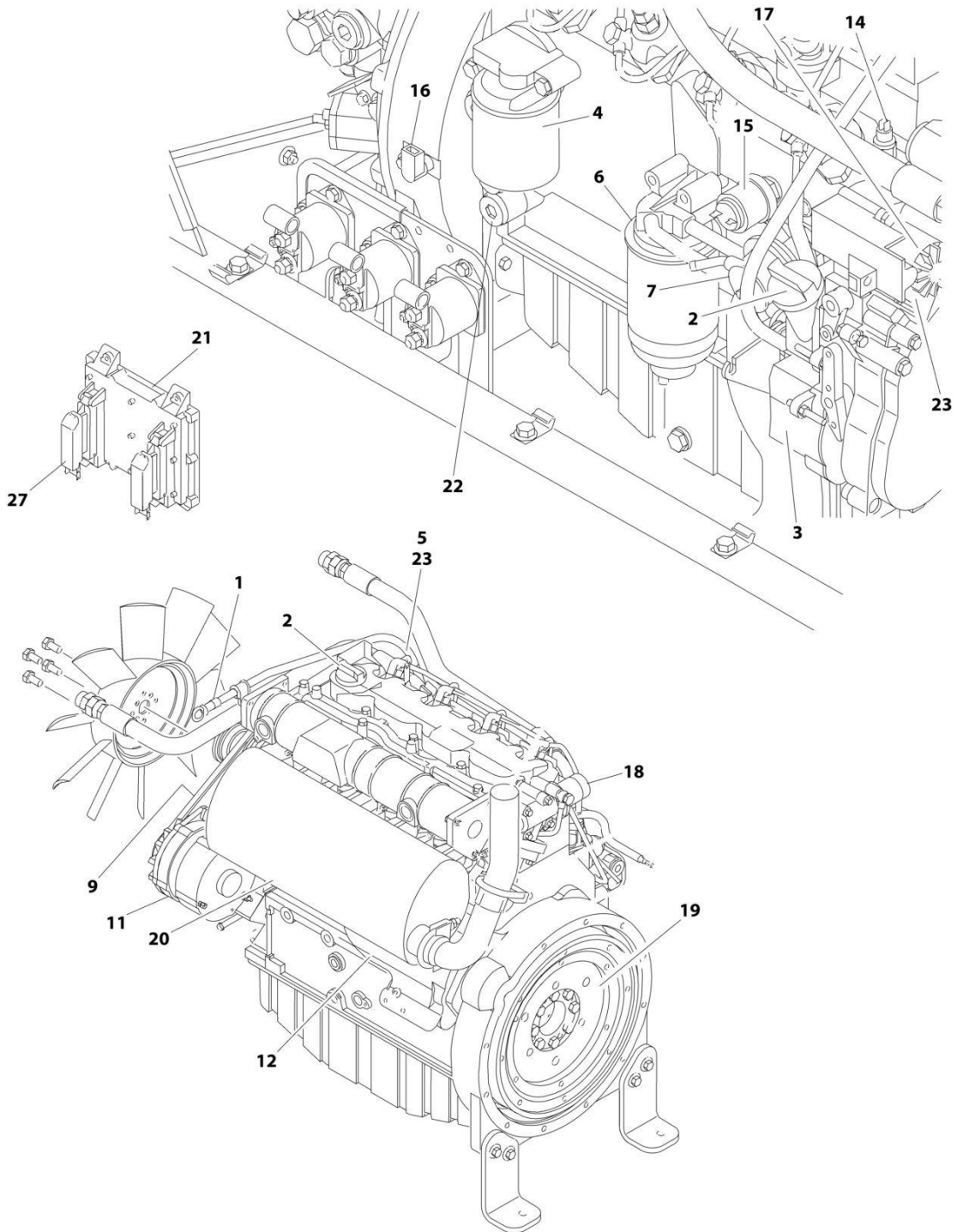
ITEM	PART NUMBER	QTY	DESCRIPTION	REV
	1001153779	Ref	ENGINE ASSEMBLY WITH ARCTIC PACKAGE	H
1	0100011	AR	Compound, Locking	
2	0100062	AR	Compound, Locking	
3	0641407	8	Bolt 1/4 x 7/8	
4	0641410	2	Bolt 1/4 x 1-1/4	
5	0641510	2	Bolt 5/16 x 1-1/4	
6	0641512	1	Bolt 5/16 x 1-1/2	
7	0641606	3	Bolt 3/8 x 3/4	
8	0641609	14	Bolt 3/8 x 1-1/8	
9	0641610	4	Bolt 3/8 x 1-1/4	
10	0641820	3	Bolt 1/2 x 2-1/2	
11	0700808	4	Bolt M8 x 16	
12	0771414	6	Bolt M14 x 30	
13	0940070	1	Bumper	
14	0961986	2	Bushing, Flanged	
15	1320016	2	Clamp	
16	1320223	4	J-Clip	
17	1703162	2	Decal - Caution Fan Blade	
18	2060025	1	Fan	
19	2220451	2	Fitting, Straight	
20	2720398	2	Hose, Oil Cooler	
22	3200406	1	Mount, Motor	
23	3311405	10	Nut 1/4	
24	3311505	3	Nut 5/16	
25	3311605	18	Nut 3/8	
26	3311805	3	Nut 1/2	
27	3520054	2	Plug	
28	3740067	3	Relay	
29	3740080	1	Relay	
30	3960407	1	Gasket, Air Intake	
31	3960468	1	Seal	
32	3960469	1	Seal	
33	4060805	37 in/1m	Flex-Trim	
34	4711400	14	Washer 1/4	
35	4711600	3	Washer 3/8	
36	4740274	3	Washer, Snubbing	
37	4751600	36	Washer 3/8	
38	4791400	6	Washer, Star 1/4	
39	4812200	2	Washer M14	
40	4923379	1	Harness, Glow Plug	
41	1001001939	1	Hose, Flex	
42	1001146273	1	Adapter, Air Intake	
43	1001147812	1	Clamp	
44	1001147813	1	Air Cleaner Assembly Filter Element	
44	70004020	1	Element, Filter (Not Shown)	
45	1001147820	1	Pipe, Exhaust	
46	1001147823	1	Engine, Deutz D2011 (See Separate Breakdown in this Section)	
47	1001149704	1	Support, Engine	
48	1001149705	1	Support, Engine	
49	1001149706	1	Support, Engine	

SECTION 3 - ENGINE

ITEM	PART NUMBER	QTY	DESCRIPTION	REV
50	1001149793	1	Tray, Engine	
51	1001150915	1	Gusset	
52	1001150998	1	Radiator	
53	1001152459	1	Plate, Air Cleaner Mounting	
54	1001153282	1	Pump Coupling Kit (See Separate Breakdown in this Section)	
55	1001153414	1	Plate, Radiator Mounting	
56	2580062	1	Heater, Block	
57	3200401	2	Mount, Motor	
58	1001143390	1	Indicator	

SECTION 3 - ENGINE

FIGURE 3-8. DEUTZ D2011 ENGINE COMPONENTS



ART_1001147823

SECTION 3 - ENGINE

FIGURE 3-8. DEUTZ D2011 ENGINE COMPONENTS

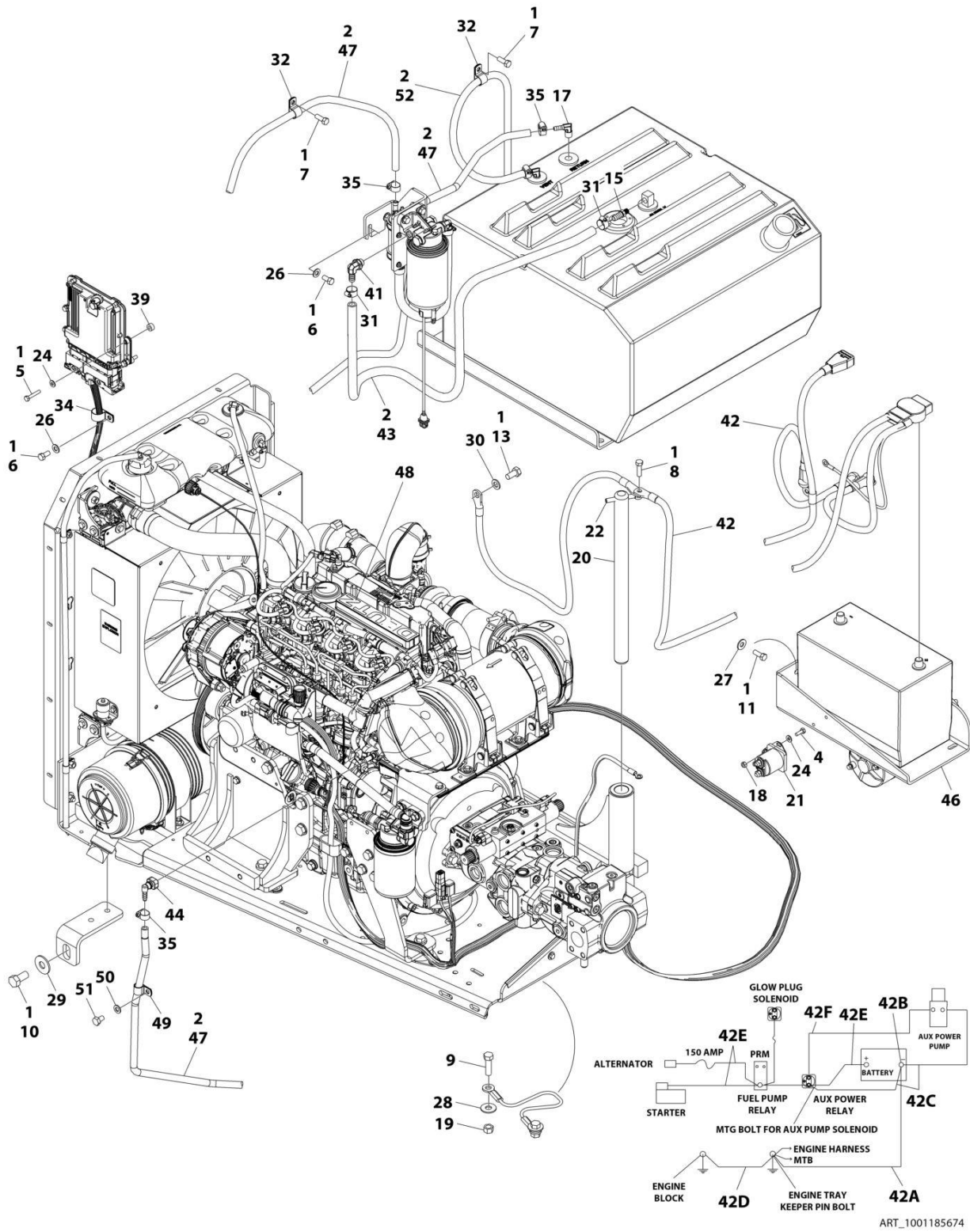
ITEM	PART NUMBER	QTY	DESCRIPTION	REV
	1001147823	Ref	ENGINE COMPONENTS	C
1	70004287	1	Dipstick	
1	70000044	1	Seal, Dipstick	
1	70001002	1	Tube, Dipstick	
1	7020403	1	Seal, Dipstick Tube	
2	7020465	2	Cap, Filler	
3	70001850	1	Pump, Oil Lube	
3	7020468	1	Seal Between Oil Pump and Engine Block (Not Shown)	
4	7016331	1	Filter, Oil	
4	70003472	1	Bracket, Oil Filter	
4	7027236	1	Sender, Temperature	
4	70025082	1	Ring, Sealing	
5	70000912	4	Series A Injector	
5	70000913	4	Series B Injector	
5	70000914	4	Series C Injector	
5	70000915	4	Series D Injector	
5	70003464	4	Seal/Gasket, Pump (1 Per Injector)	
5	70003478	4	Injector, Fuel	
5	70003136	4	Seal/Gasket, Pump (1 Per Injector)	
6	7016328	1	Filter, Fuel	
6	70003465	1	Sensor	
6	70003466	1	Seal, Sensor	
7	70000916	1	Pump, Fuel Supply	
7	70001435	1	Repair Kit for Fuel Supply Pump	
7	70000919	1	Hand Pump for Fuel Supply Pump	
7	70000917	1	O - Seal Between Fuel Pump and Engine Block	
7	70000918	1	O - Seal Between Fuel Pump and Hand Pump	
8	70001871	4	Gasket, Intake Manifold	
9	7020408	1	V-Belt	
10		Ref	Exhaust Manifold Components (Not Shown)	
10	70001835	1	Gasket, Exhaust Adapter to Exhaust Rail	
10	70001841	1	Valve, Exhaust (Fits into Exhaust Adapter)	
10	70001836	1	Gasket, Exhaust Rail to Cylinder Head	
10	70001837	1	Gasket, Exhaust Manifold to Muffler	
10	70002200	4	Stud, Mounting	
10	See Note	AR	Nut, Exhaust Manifold	
11	70004056	1	Alternator	
11	70001868	1	Regulator, Voltage (Not Shown)	
11	70001866	1	Seal, Gasket for Voltage Regulator (Not Shown)	
11	70002234	1	Bar, Alternator Adjustment	
12	7020479	1	Starter	
12	70004058	1	Relay	
13	70004060	2	Plug-In Connector	
14	7027791	1	Transmitter, Temperature	
15	7027790	1	Sensor, Oil Pressure	
16	70004272	1	Sensor, Speed	
17	7027792	1	Throttle Actuator	
17	7027276	2	Spring	
18	70003475	1	Thermostat (Located at rear of engine block - Not Shown)	
19	70001870	1	Flywheel with Ring Gear	

SECTION 3 - ENGINE

ITEM	PART NUMBER	QTY	DESCRIPTION	REV
19	7024579	1	Gear, Ring 110 Tooth	
20	7000695	1	Muffler	
20	70001844	1	U-Ciamp	
20	7020471	4	Gasket	
21	7027795	1	Module, Control	
22	70001181	1	Valve, Pressure Control	
22	70124410	1	Spring	
22	70025082	1	Seal	
22	70124440	1	Screw, Locking	
23	70000345	4	Plug, Glow	
24	70000800	1	Camshaft Pulley Repair Kit (Not Shown)	
26	70002415	1	Gasket, Head with 1 Notch (Not Shown)	
62	70002416	1	Gasket, Head with 2 Notch (Not Shown)	
26	70002417	1	Gasket, Head with 3 Notch (Not Shown)	
27	7027796	1	Harness, Engine (Connects to Item 421)	
27	70001872	1	Harness, Engine (Connects to p/n 7027796)	
28		Ref	Gaskets and Seals - Miscellaneous (Not Shown)	
28	70004289	1	Gasket Set	
28	70002718	1	Seal, Rear Main	
28	70004280	1	Seal, Front Main	
29	70025752	1	Valve, Pressure Relief (Not Shown - Located at Engine Front Left)	
29	70025753	1	Spring	
29	70005916	1	Seal	
29	70005917	1	Plug, Locking	

SECTION 3 - ENGINE

FIGURE 3-9. DEUTZ TD2.9L4 ENGINE INSTALLATION (WITHOUT ARCTIC PACKAGE)



SECTION 3 - ENGINE

FIGURE 3-9. DEUTZ TD2.9L4 ENGINE INSTALLATION (WITHOUT ARCTIC PACKAGE)

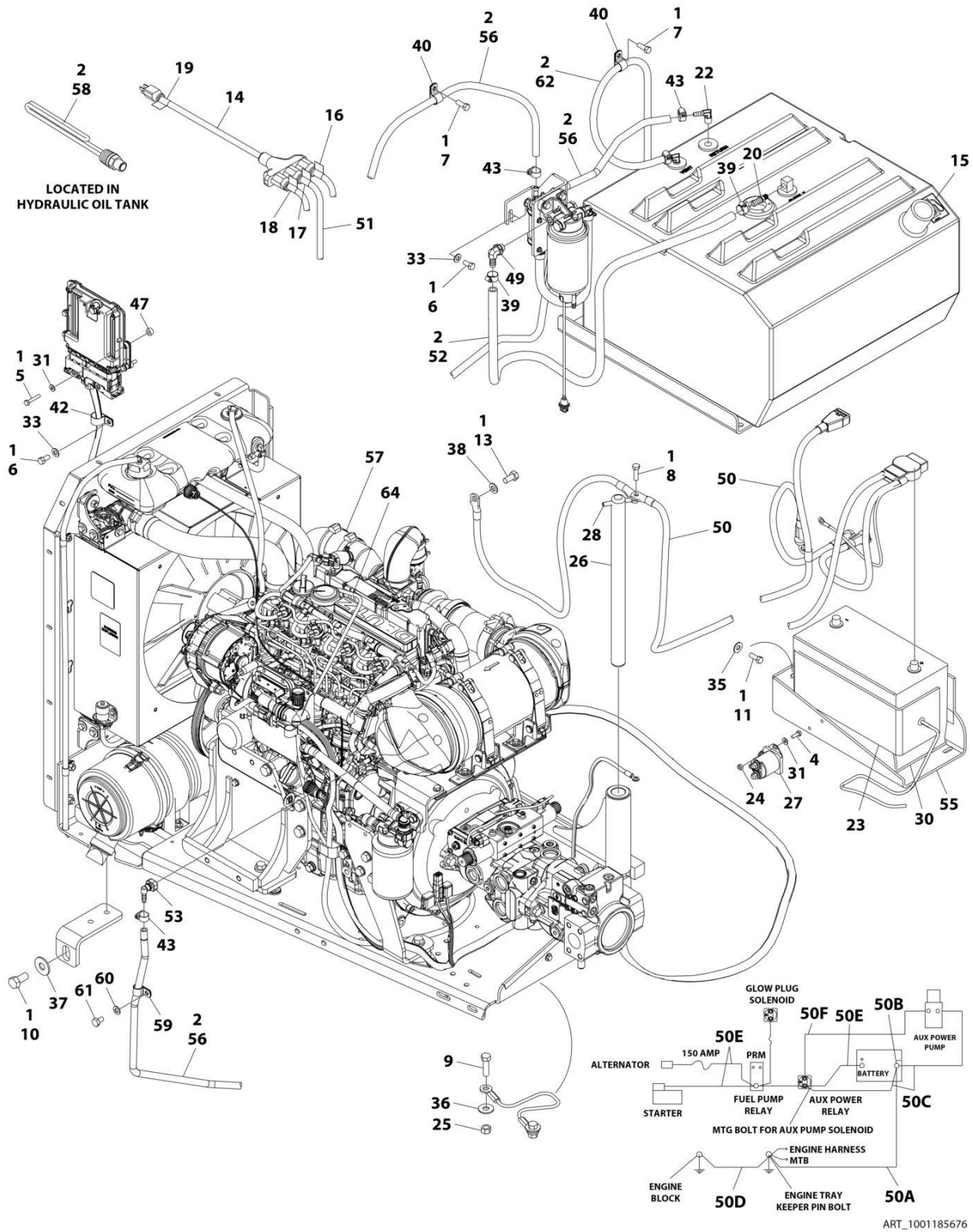
ITEM	PART NUMBER	QTY	DESCRIPTION	REV
	1001185674	Ref	DEUTZ TD2.9L4 ENGINE INSTALLATION	I
1	0100011	AR	Compound, Locking	
2	0100020	AR	Sealant, Pipe	
4	0641406	2	Bolt 1/4 x 3/4	
5	0641412	4	Bolt 1/4 x 1-1/2	
6	0641606	3	Screw 3/8 x 3/4	
7	0641608	2	Screw 3/8 x 1	
8	0641610	1	Screw 3/8 x 1-1/4	
9	0641814	1	Bolt 1/2 x 1-3/4	
10	0642010	1	Bolt 5/8 x 1-1/4	
11	0681608	3	Screw 3/8 x 1 Grade 8	
13	0771212	1	Bolt M12 x 25 Grade 10.9	
14	1701505	1	Decal - Diesel Fuel (Not Shown Located on Fuel Tank or Hood)	
15	2180832	1	Fitting, Barbed	
17	2220313	2	Fitting, Elbow	
18	3311405	2	Nut 1/4	
19	3311805	1	Nut 1/2	
20	3422446	1	Pin, Pivot	
21	3740067	1	Relay	
22	3841143	1	Pin, Keeper	
24	4711400	7	Washer 1/4	
26	4711600	3	Washer 3/8	
27	4751600	3	Washer 3/8	
28	4751800	1	Washer 1/2	
29	4752000	1	Washer 5/8	
30	4812100	1	Washer M12	
31	8405006	2	Clamp	
32	8406102	2	Clip	
34	8406201	1	Clip	
35	8410013	5	Clamp	
39	1001110425	4	Spacer	
40	1001138491	1	Fuel Pump Harness (Not Shown - See Separate Breakdown in ELECTRICAL Section)	
41	1001142501	1	Fitting, Elbow Barbed	
42	1001143736	1	Battery Cable Kit	F
42A	7027084	1	Cable, Battery (Black) (Battery - to Tray Pivot Grd)	
42B	8270147	1	Terminal, Battery (With Boot)	
42C	7027085	1	Cable, Battery (Black) (Battery - to Aux Pump and Relay Grds)	
42D	7027086	1	Cable, Battery (Black) (Engine to Tray Pivot Grd)	
42E	7027087	1	Cable (Red) (Battery + to Aux Relay/Power Module/Starter)	
42F	7027088	1	Cable (Red) (Aux Relay to Aux Pump)	
43	1001154405	AR	Hose	
44	1001155823	1	Fitting, Quick Disconnect Elbow	
46	1001162497	1	Bracket, Battery	
47	1001165035	27.5 ft/ 8.33m	Hose	
48	1001185667	1	Engine and Pump Assembly without Arctic Package (See Separate Breakdown in this Section)	
49	1320061	1	Clamp	
50	4812000	1	Washer M10	

SECTION 3 - ENGINE

ITEM	PART NUMBER	QTY	DESCRIPTION	REV
51	0761008	1	Bolt M10 x 16	
52	2750532	AR	Hose	

SECTION 3 - ENGINE

FIGURE 3-10. DEUTZ TD2.9L4 ENGINE INSTALLATION (WITH ARCTIC PACKAGE)



SECTION 3 - ENGINE

FIGURE 3-10. DEUTZ TD2.9L4 ENGINE INSTALLATION (WITH ARCTIC PACKAGE)

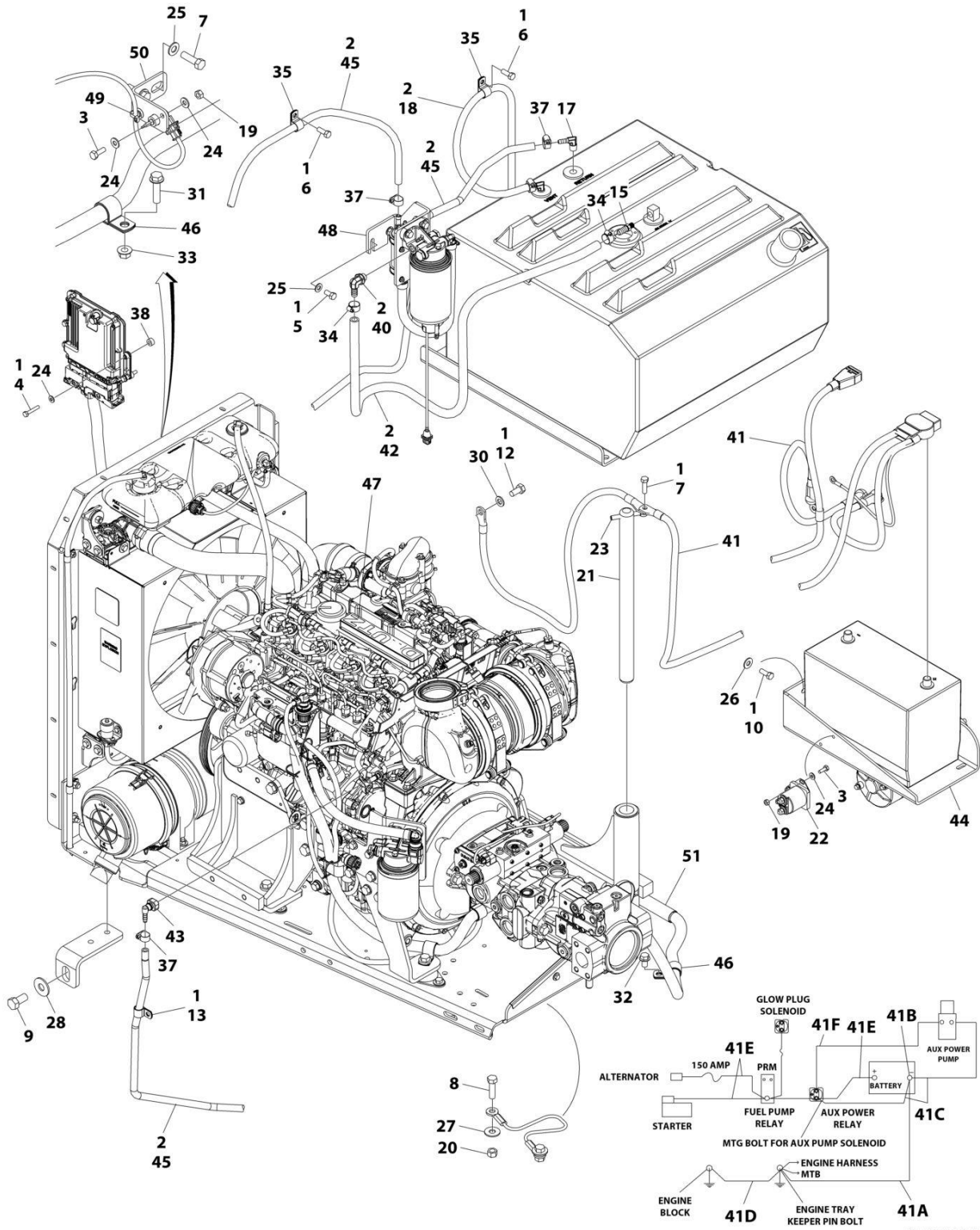
ITEM	PART NUMBER	QTY	DESCRIPTION	REV
	1001185676	Ref	DEUTZ TD2.9L4 ENGINE INSTALLATION	K
1	0100011	AR	Compound, Locking	
2	0100020	AR	Sealant, Pipe	
4	0641406	2	Bolt 1/4 x 3/4	
5	0641412	4	Bolt 1/4 x 1-1/2	
6	0641606	3	Screw 3/8 x 3/4	
7	0641608	2	Screw 3/8 x 1	
8	0641610	1	Screw 3/8 x 1-1/4	
9	0641814	1	Bolt 1/2 x 1-3/4	
10	0642010	1	Bolt 5/8 x 1-1/4	
11	0681608	3	Screw 3/8 x 1 Grade 8	
13	0771212	1	Bolt M12 x 25 Grade 10.9	
14	1060626	1	Cord, 3 Way Extension	
15	1701505	1	Decal - Diesel Fuel	
16	1702941	1	Decal - Battery Heater	
17	1702942	1	Decal - Engine Block Heater	
18	1702943	1	Decal - Hydraulic Tank Heater	
19	1702944	1	Decal - Heater Cord	
20	2180832	1	Fitting, Elbow Barbed	
22	2220313	2	Fitting, Elbow	
23	2580024	1	Heater, Battery	
24	3311405	2	Nut 1/4	
25	3311805	1	Nut 1/2	
26	3422446	1	Pin, Pivot	
27	3740067	1	Relay	
28	3841143	1	Pin, Keeper	
30	3980007	1	Seat, Battery	
31	4711400	7	Washer 1/4	
33	4711600	3	Washer 3/8	
35	4751600	3	Washer 3/8	
36	4751800	1	Washer 1/2	
37	4752000	1	Washer 5/8	
38	4812100	1	Washer M12	
39	8405006	2	Clamp	
40	8406102	2	Clip	
42	8406201	1	Clip	
43	8410013	5	Clamp	
47	1001110425	4	Spacer	
48	1001138491	1	Fuel Pump Harness (Not Shown - See Separate Breakdown in ELECTRICAL Section)	
49	1001142501	1	Fitting, Elbow Barbed	
50	1001143736	1	Battery Cable Kit	F
50A	7027084	1	Cable, Battery (Black) (Battery - to Tray Pivot Grd)	
50B	8270147	1	Terminal, Battery (With Boot)	
50C	7027085	1	Cable, Battery (Black) (Battery - to Aux Pump and Relay Grds)	
50D	7027086	1	Cable, Battery (Black) (Engine to Tray Pivot Grd)	
50E	7027087	1	Cable (Red) (Battery + to Aux Relay/Power Module/Starter)	
50F	7027088	1	Cable (Red) (Aux Relay to Aux Pump)	
51	1001150918	1	Cable, Immersion Heater	
52	1001154405	AR	Hose	

SECTION 3 - ENGINE

ITEM	PART NUMBER	QTY	DESCRIPTION	REV
53	1001155823	1	Fitting, Quick Disconnect Elbow	
55	1001162497	1	Bracket, Battery	
56	1001165035	27.5 ft/ 8.38m	Hose	
57	1001185671	1	Engine and Pump Assembly without Arctic Package (See Separate Breakdown in this Section)	
58	1001188972	1	Heater, Hydraulic Tank	
59	1320061	1	Clamp	
60	4812000	1	Washer M10	
61	0761008	1	Bolt M10 x 16	
62	2750532	AR	Hose	
64	1001233763	1	Deutz Breather Heater Installation (with Arctic Package) (See Separate Breakdown in this Section)	

SECTION 3 - ENGINE

FIGURE 3-11. DEUTZ TD2.9L4 (STAGE V) ENGINE INSTALLATION



ART_1001242696

SECTION 3 - ENGINE

FIGURE 3-11. DEUTZ TD2.9L4 (STAGE V) ENGINE INSTALLATION

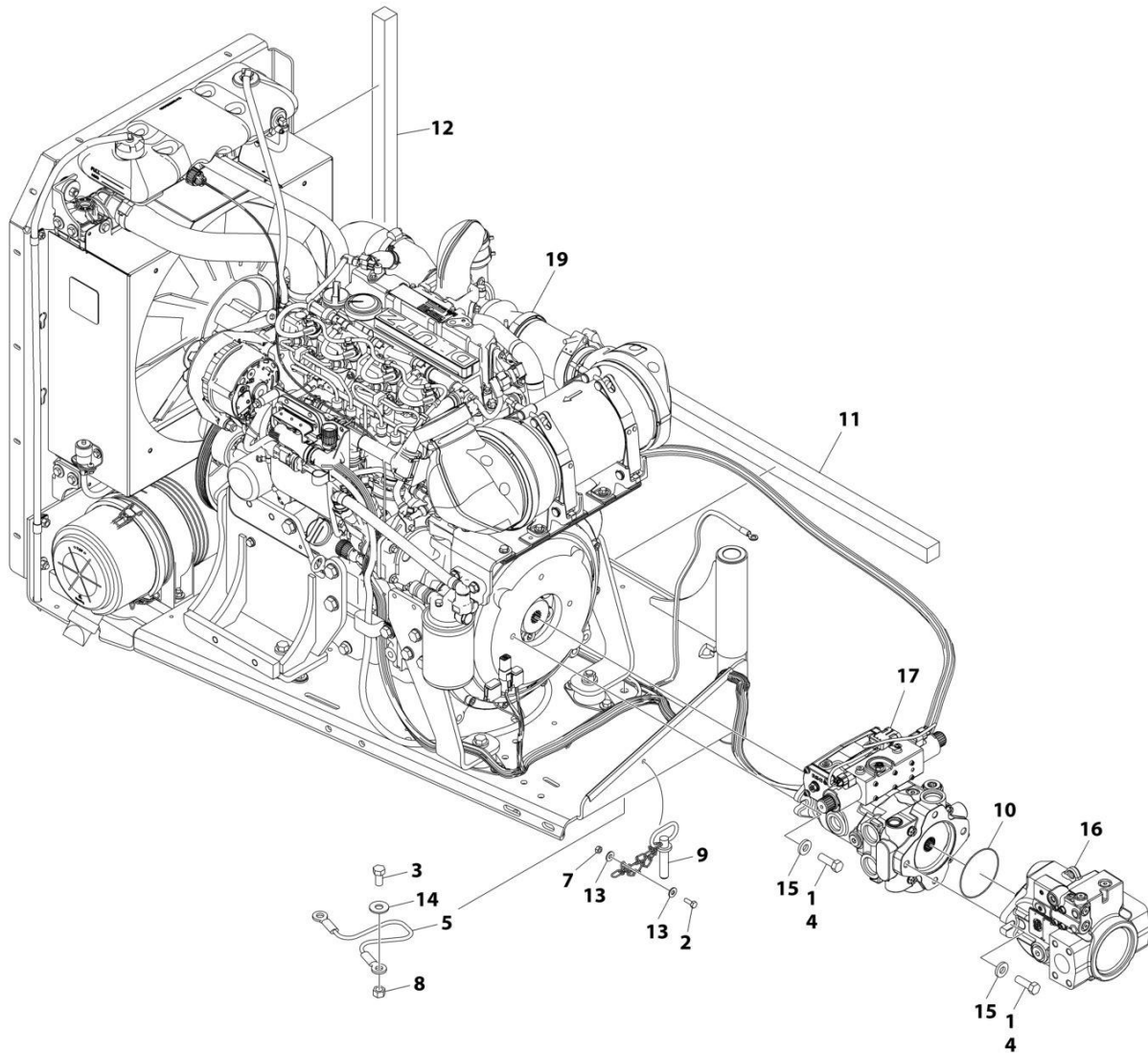
ITEM	PART NUMBER	QTY	DESCRIPTION	REV
	1001242696	Ref	DEUTZ TD2.9L4 (STAGE V) ENGINE INSTALLATION	H
1	0100011	AR	Compound, Locking	
2	0100020	AR	Sealant, Pipe	
3	0641406	3	Bolt 1/4 x 3/4	
4	0641412	4	Bolt 1/4 x 1-1/2	
5	0641606	2	Screw 3/8 x 3/4	
6	0641608	2	Screw 3/8 x 1	
7	0641610	1	Screw 3/8 x 1-1/4	
8	0641814	1	Bolt 1/2 x 1-3/4	
9	0642010	1	Bolt 5/8 x 1-1/4	
10	0681608	3	Screw 3/8 x 1 Grade 8	
12	0771212	1	Bolt M12 x 25 Grade 10.9	
13	1320061	1	Clamp	
14	1701505	1	Decal - Diesel Fuel (Not Shown Located on Fuel Tank or Hood)	
15	2180832	1	Fitting, Elbow Barbed	
17	2220313	2	Fitting, Elbow	
18	2750532	AR	Hose	
19	3311405	3	Nut 1/4	
20	3311805	1	Nut 1/2	
21	3422446	1	Pin, Pivot	
22	3740067	1	Relay	
23	3841143	1	Pin, Keeper	
24	4711400	9	Washer 1/4	
25	4711600	4	Washer 3/8	
26	4751600	3	Washer 3/8	
27	4751800	1	Washer 1/2	
28	4752000	1	Washer 5/8	
30	4812100	1	Washer M12	
31	5251016	1	Bolt M10 x 40	
32	0811606	1	Bolt 3/8 x 3/4	
33	5261000	1	Washer M10	
34	8405006	2	Clamp	
35	8406102	2	Clip	
37	8410013	5	Clamp	
38	1001110425	4	Spacer	
39	1001138491	1	Fuel Pump Harness (Not Shown - See Separate Breakdown in ELECTRICAL SECTION)	
40	1001142501	1	Fitting, Elbow Barbed	
41	1001143736	1	Battery Cable Kit	F
41A	7027084	1	Cable, Battery (Black) (Battery - to Tray Pivot Grd)	
41B	8270147	1	Terminal, Battery (With Boot)	
41C	7027085	1	Cable, Battery (Black) (Battery - to Aux Pump and Relay Grds)	
41D	7027086	1	Cable, Battery (Black) (Engine to Tray Pivot Grd)	
41E	7027087	1	Cable (Red) (Battery + to Aux Relay/Power Module/Starter)	
41F	7027088	1	Cable (Red) (Aux Relay to Aux Pump)	
42	1001154405	AR	Hose	
43	1001155823	1	Fitting, Quick Disconnect Elbow	
44	1001162497	1	Bracket, Battery	
45	1001165035	27.5 ft/ 8.38m	Hose	

SECTION 3 - ENGINE

ITEM	PART NUMBER	QTY	DESCRIPTION	REV
46	1001191620	2	Clamp	
47	1001235861	1	Engine and Pump Assembly without Arctic Package (See Separate Breakdown in this Section)	
48	1001235949	1	Bracket Assembly Less Filter/Pump (See Separate Breakdown in this Section)	
49	1001146588	1	Strap	
50	1001256879	1	Bracket	
51	4100063	1	Sleeve, Hose Wrap	
52	1062255	AR	Tie-Strap (Not Shown)	
53	4240099	AR	Tie-Strap (Not Shown)	

SECTION 3 - ENGINE

FIGURE 3-12. DEUTZ TD2.9L4 ENGINE AND PUMP SUB-ASSEMBLY (WITHOUT ARCTIC PACKAGE)



ART_1001185667

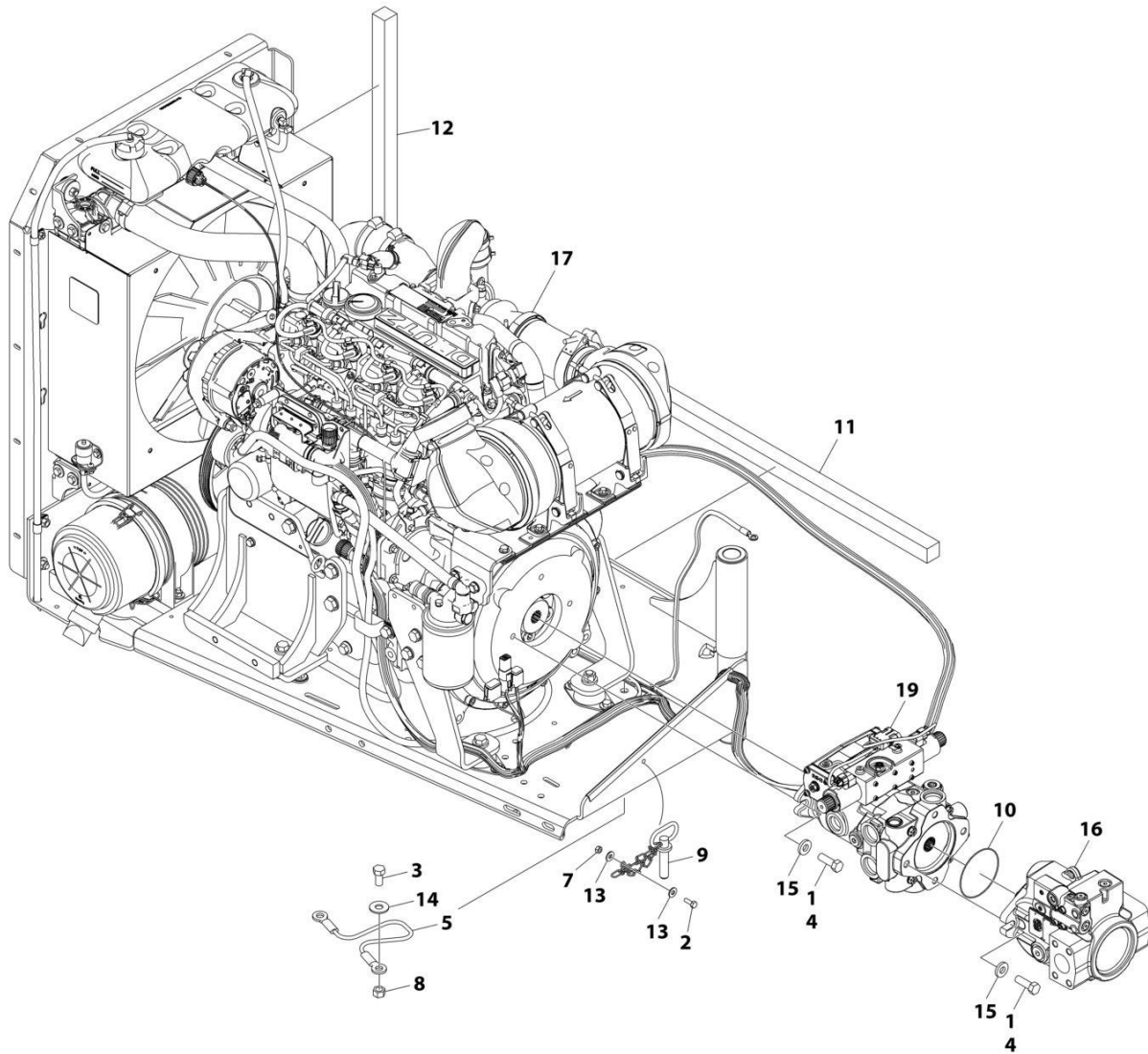
SECTION 3 - ENGINE

FIGURE 3-12. DEUTZ TD2.9L4 ENGINE AND PUMP SUB-ASSEMBLY (WITHOUT ARCTIC PACKAGE)

ITEM	PART NUMBER	QTY	DESCRIPTION	REV
	1001185667	Ref	DEUTZ TD2.9L4 ENGINE AND PUMP SUB-ASSEMBLY (WITHOUT ARCTIC PACKAGE)	H
1	0100011	AR	Compound, Locking	
2	0641406	1	Bolt 1/4 x 3/4	
3	0641808	1	Bolt 1/2 x 1	
4	0641812	4	Bolt 1/2 x 1-1/2	
5	1060637	1	Lanyard	
7	3311405	1	Nut 1/4	
8	3311801	1	Nut 1/2	
9	3422532	1	Pin	
10	3790044	1	O-Ring	
11	3960468	1	Seal	
12	3960469	1	Seal	
13	4751400	2	Washer 1/4	
14	4751800	1	Washer 1/2	
15	4891800	4	Washer 1/2	
16	1001094595	1	Variable Pump Assembly (See Separate Breakdown in this Section)	
17	1001225745	1	Hydrostatic Pump Assembly (See Separate Breakdown in this Section)	
19	1001176027	1	Engine Assembly Without Arctic Package (See Separate Breakdown in this Section)	

SECTION 3 - ENGINE

FIGURE 3-13. DEUTZ TD2.9L4 ENGINE AND PUMP SUB-ASSEMBLY (WITH ARCTIC PACKAGE)



ART_1001185671

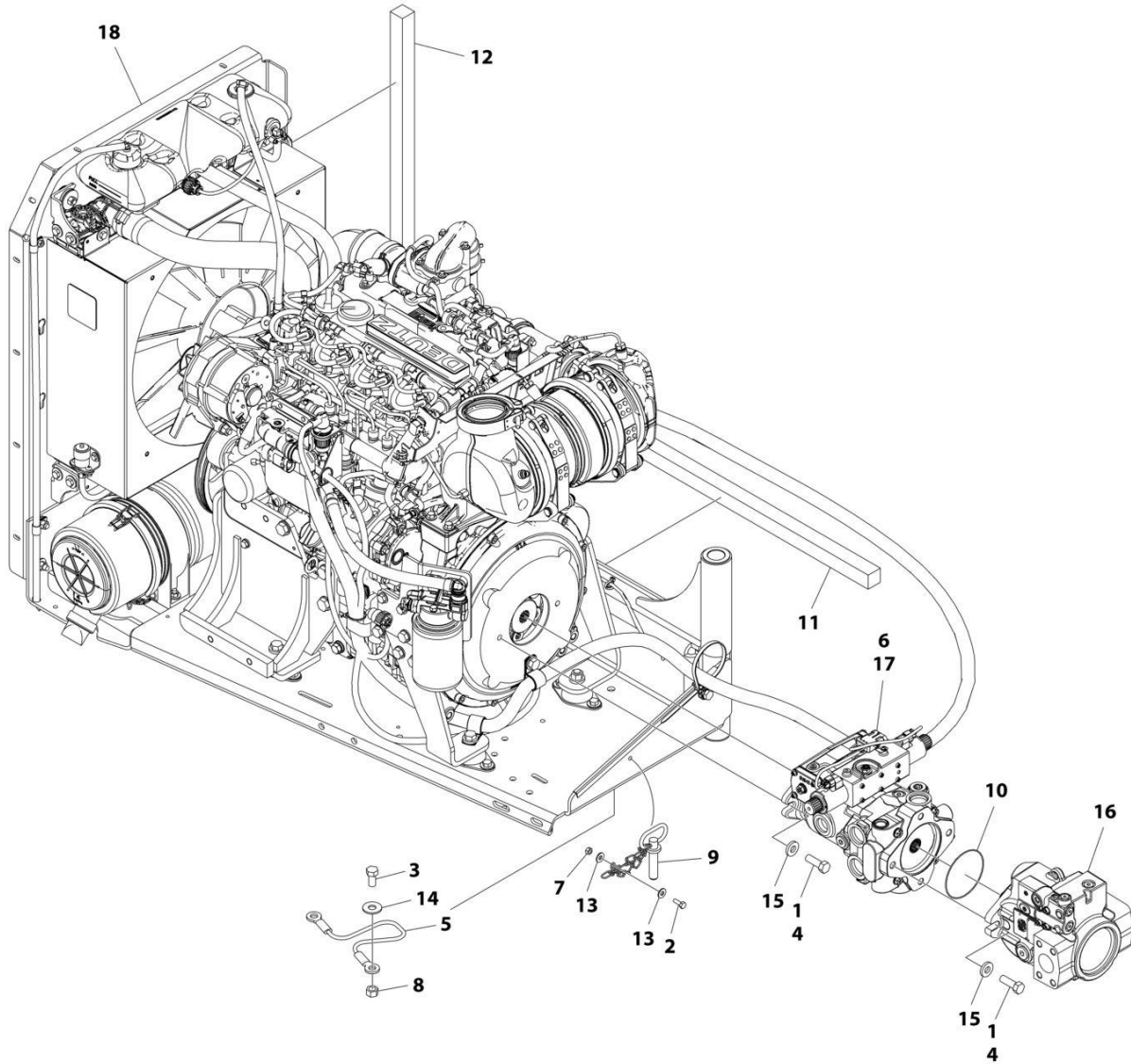
SECTION 3 - ENGINE

FIGURE 3-13. DEUTZ TD2.9L4 ENGINE AND PUMP SUB-ASSEMBLY (WITH ARCTIC PACKAGE)

ITEM	PART NUMBER	QTY	DESCRIPTION	REV
	1001185671	Ref	DEUTZ TD2.9L4 ENGINE AND PUMP SUB-ASSEMBLY (WITH ARCTIC PACKAGE)	H
1	0100011	AR	Compound, Locking	
2	0641406	1	Bolt 1/4 x 3/4	
3	0641808	1	Bolt 1/2 x 1	
4	0641812	4	Bolt 1/2 x 1-1/2	
5	1060637	1	Cable, Lanyard	
7	3311405	1	Nut 1/4	
8	3311801	1	Nut 1/2	
9	3422532	1	Pin, Hitch	
10	3790044	1	O-Ring	
11	3960468	1	Seal	
12	3960469	1	Seal	
13	4751400	2	Washer 1/4	
14	4751800	1	Washer 1/2	
15	4891800	4	Washer 1/2	
16	1001094595	1	Variable Pump Assembly with Fittings (See Separate Breakdown in this Section)	
17	1001176035	1	Engine Assembly With Arctic Package (See Separate Breakdown in this Section)	
19	1001225745	1	Hydrostatic Pump Assembly (See Separate Breakdown in this Section)	

SECTION 3 - ENGINE

FIGURE 3-14. DEUTZ TD2.9L4 (STAGE V) ENGINE AND PUMP SUB-ASSEMBLY



ART_1001235861

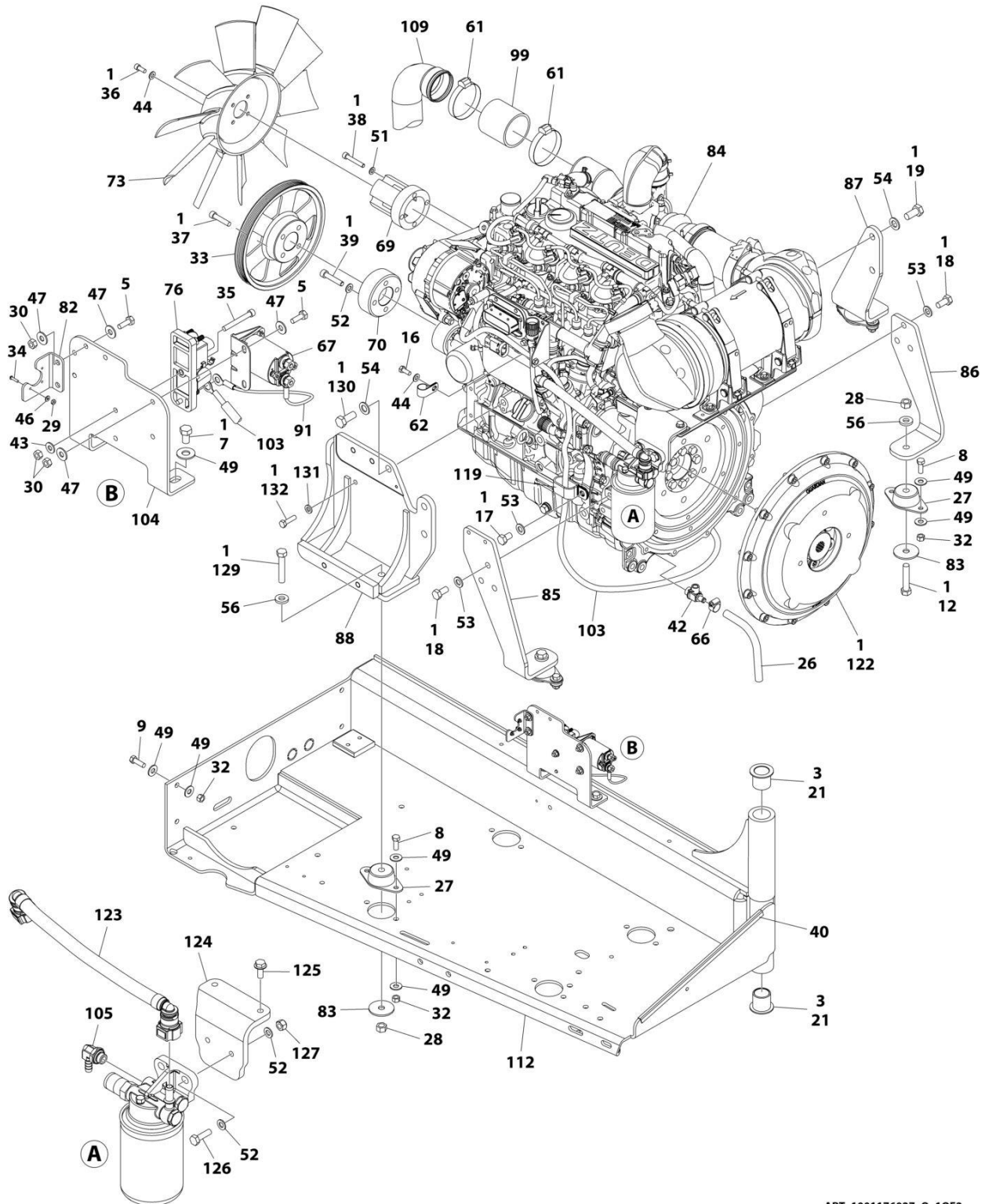
SECTION 3 - ENGINE

FIGURE 3-14. DEUTZ TD2.9L4 (STAGE V) ENGINE AND PUMP SUB-ASSEMBLY

ITEM	PART NUMBER	QTY	DESCRIPTION	REV
	1001235861	Ref	DEUTZ TD2.9L4 ENGINE AND PUMP SUB-ASSEMBLY (STAGE V)	B
1	0100011	AR	Compound, Locking	
2	0641406	1	Bolt 1/4 x 3/4	
3	0641808	1	Bolt 1/2 x 1	
4	0641812	4	Bolt 1/2 x 1-1/2	
5	1060637	1	Lanyard	
6	3020037	AR	Lubricant	
7	3311405	1	Nut 1/4	
8	3311801	1	Nut 1/2	
9	3422532	1	Pin, Hitch	
10	3790044	1	O-Ring	
11	3960468	1	Seal	
12	3960469	1	Seal	
13	4751400	2	Washer 1/4	
14	4751800	1	Washer 1/2	
15	4891800	4	Washer 1/2	
16	1001094595	1	Variable Pump Assembly with Fittings (See Separate Breakdown in this Section)	
17	1001225745	1	Hydrostatic Pump Assembly (See Separate Breakdown in this Section)	
18	1001235862	1	Engine Assembly - DEUTZ 2.9L4 (Stage V) Engines (See Separate Breakdown in this Section)	

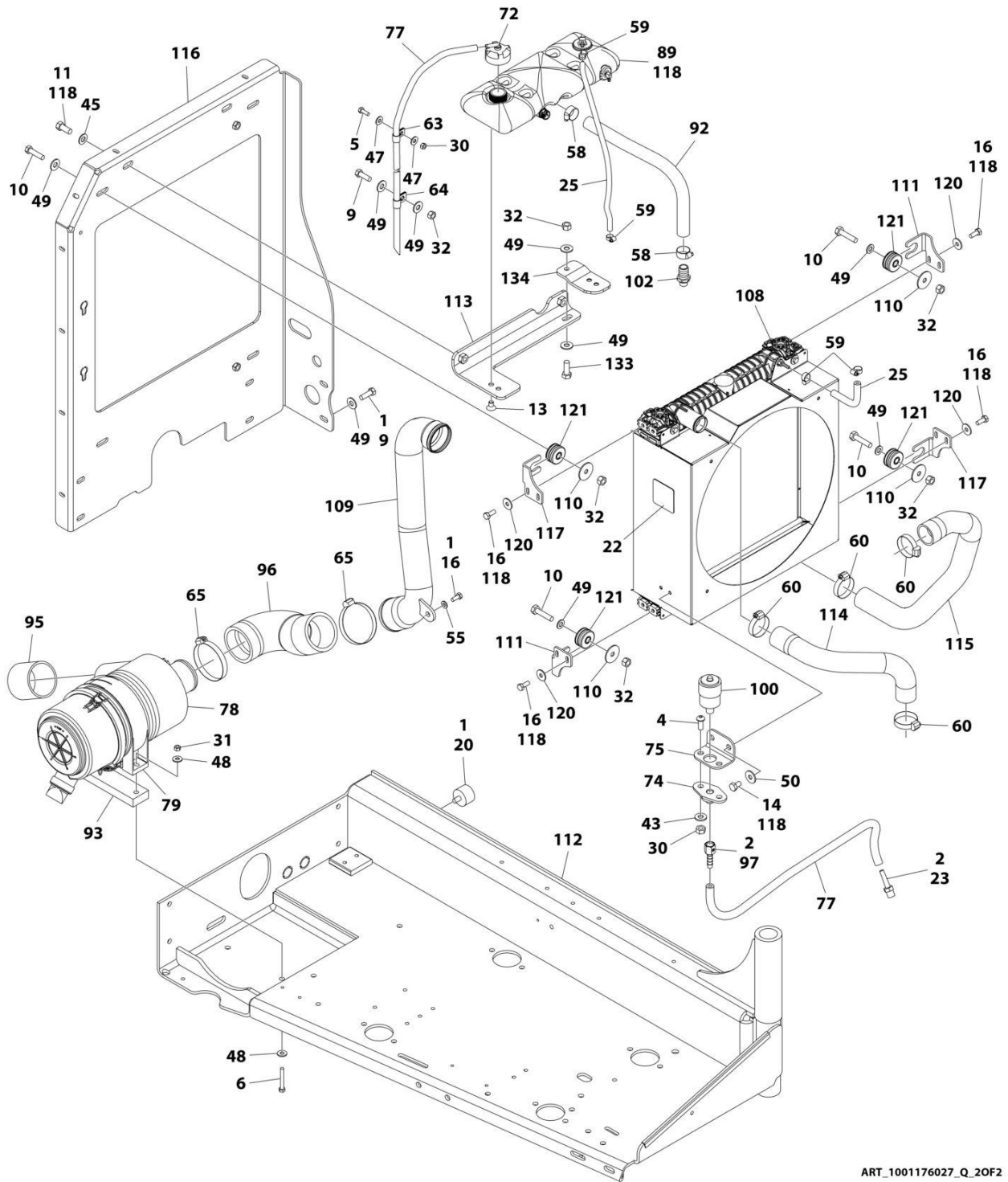
SECTION 3 - ENGINE

FIGURE 3-15. DEUTZ TD2.9L4 ENGINE ASSEMBLY (WITHOUT ARCTIC PACKAGE) (Prior to SN 0300278948)



ART_1001176027_Q_10F2

SECTION 3 - ENGINE



ART_1001176027_Q_20F2

SECTION 3 - ENGINE

FIGURE 3-15. DEUTZ TD2.9L4 ENGINE ASSEMBLY (WITHOUT ARCTIC PACKAGE) (Prior to SN 0300278948)

ITEM	PART NUMBER	QTY	DESCRIPTION	REV
	1001176027	Ref	ENGINE ASSEMBLY WITHOUT ARCTIC PACKAGE	Q
1	0100011	AR	Locking, Compound	
2	0100020	AR	Sealant	
3	0100062	2	Compound, Locking	
4	0630407	5	Screw 1/4 x 5/8	
5	0641406	2	Bolt 1/4 x 3/4	
6	0641518	2	Bolt 5/16 x 2-1/4	
7	0641605	8	Bolt 3/8 x 5/8	
8	0641608	6	Bolt 3/8 x 1	
9	0641609	4	Bolt 3/8 x 1-1/8	
10	0641612	2	Bolt 3/8 x 1-1/2	
11	0641708	3	Bolt 7/16 x 1	
12	0681820	2	Bolt 1/2 x 2-1/2	
13	0741605	2	Screw 3/8 x 5/8	
14	0760605	AR	Bolt M6 x 10	
16	0760810	10	Bolt M8 x 20	
17	0761210	1	Bolt M12 x 20	
18	0771212	6	Bolt M12 x 25	
19	0771414	2	Bolt M14 x 30	
20	0940070	1	Bumper	
21	0961986	2	Bushing, Flanged	
22	1703162	1	Decal - Caution Fan Blade	
23	2220315	1	Fitting, Straight Barbed	
25	2720015	40 in/1m	Hose	
26	2720340	12 in /30.5cm	Hose	
27	3200401	4	Mount, Motor	
28	3271801	4	Nut 1/2-13	
29	3310401	3	Nut #4	
30	3311405	8	Nut 1/4	
31	3311505	2	Locknut 5/16	
32	3311605	17	Nut 3/8	
33	3580320	1	Pulley	
34	3910408	3	Screw #4 x 1/2	
35	3931432	1	Capscrew 1/4 x 2	
36	3931512	4	Capscrew 5/16 x 3/4	
37	3931628	4	Capscrew 3/8 x 1-3/4	
38	4031914	4	Capscrew M8 x 50	
39	4032014	4	Capscrew M10 x 50	
40	4060805	15 in /38cm	Flex-Trim	
41	4240099	AR	Tie-Strap (Not Shown)	
42	4640751	1	Valve, Oil Drain	
43	4711400	3	Washer 1/4	
44	4711500	5	Washer 5/16	
45	4711700	2	Washer 7/16	
46	4750400	3	Washer #4	
47	4751400	10	Washer 1/4	
48	4751500	4	Washer 5/16	

SECTION 3 - ENGINE

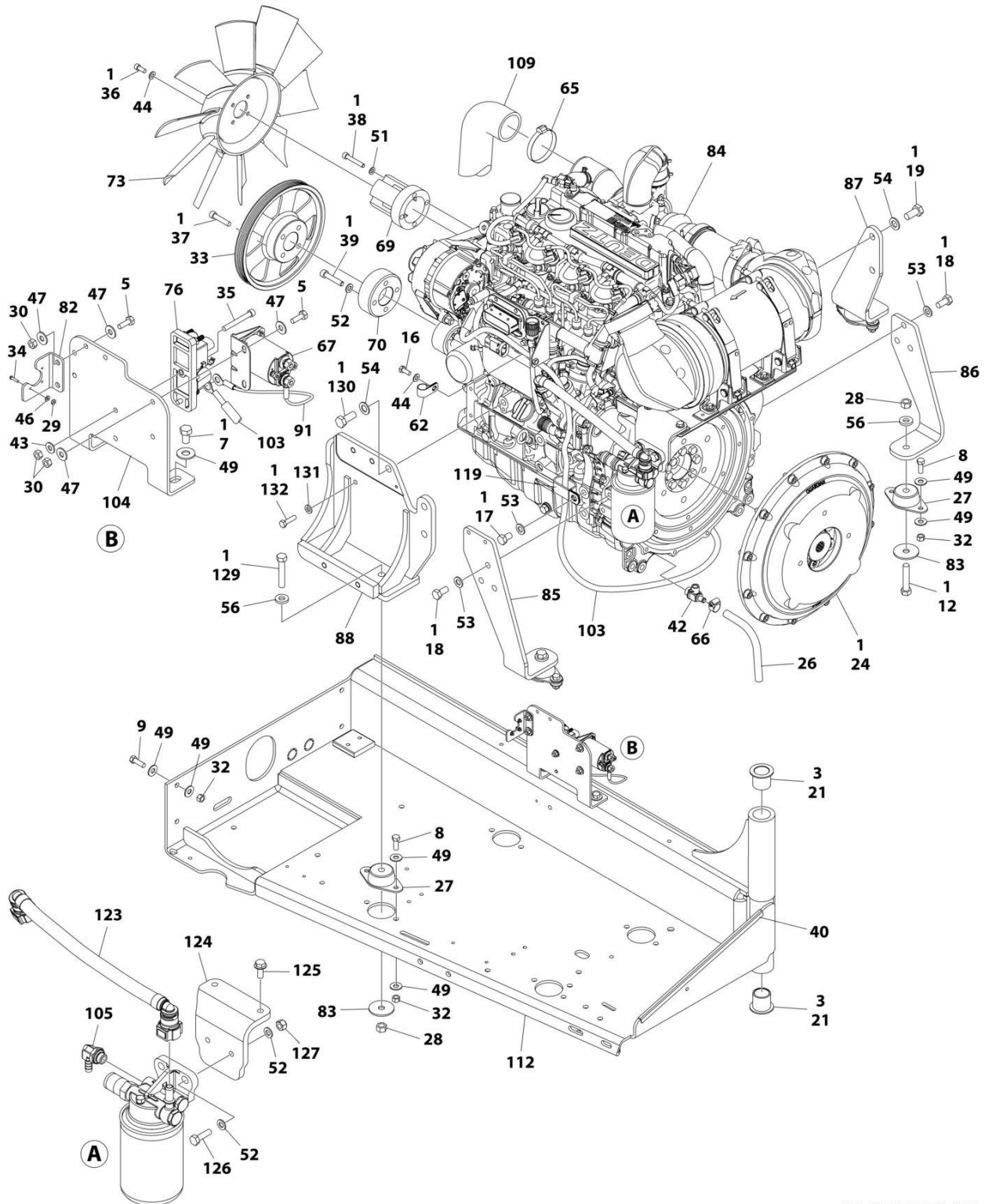
ITEM	PART NUMBER	QTY	DESCRIPTION	REV
49	4751600	34	Washer 3/8	
50	4811702	2	Washer M6	
51	4811900	4	Washer M8	
52	4812000	8	Washer M10	
53	4812100	7	Washer M12	
54	4812200	5	Washer M14	
55	4891500	1	Washer 5/16	
56	4891800	4	Washer 1/2	
58	8405007	2	Clamp	
59	8405009	4	Clamp	
60	8405104	4	Clamp	
61	8405204	2	Clamp	
62	8406102	1	Clip	
63	8406109	1	Clip	
64	8406110	1	Clip	
65	8410011	2	Clamp	
66	8410013	1	Clamp	
67	1001117308	1	Relay	
69	1001135138	1	Adapter	
70	1001135679	1	Adapter	
72	1001136834	1	Cap, Tank	
73	1001137276	1	Fan	
74	1001138173	1	Support	
75	1001138175	1	Bracket	
76	1001138228	1	Relay, Power Module	
76	70023593	1	Fuse 30Amp (Battery Output)	
76	70023592	1	Fuse 20Amp (Switch Output)	
77	1001138248	62 in/1.6m	Tube	
78	1001138489	1	Air Cleaner Assembly	
78	91403102	1	Element, Filter	
79	1001138557	1	Clamp	
82	1001139240	1	Bracket	
83	1001139409	4	Washer, Special	
84	1001249942	1	Engine, Deutz TD2.9L4 T4F (See Separate Breakdown in this Section)	
85	1001140448	1	Mount, Rear Engine	
86	1001140450	1	Mount, Rear Engine	
87	1001140454	1	Mount, Front Engine	
88	1001202368	1	Mount, Generator/Engine	
89	1001230635	1	Tank	
89	0100020	AR	Sealant, Pipe	
89	1001134488	1	Fitting, 90 NPT/ Barbed	
89	1001138827	1	Sensor, Coolant Level	
89	1001140564	1	Fitting, 90 NPT/ Barbed	
89	1001229542	1	Tank, Surge	
91	1001141304	1	Harness, Glow Plug	
92	1001141370	1	Hose	
93	1001141419	1	Shim	
95	1001141585	1	Hose, Inlet	
96	1001141586	1	Pipe, Intake	
97	1001141995	1	Fitting, Straight NPT/Barbed	
99	1001142623	1	Hose, Inlet	

SECTION 3 - ENGINE

ITEM	PART NUMBER	QTY	DESCRIPTION	REV
100	1001143390	1	Indicator, Service	
101	1001143726	1	Harness, Deutz Engine (Not Shown - See Separate Breakdown in ELECTRICAL SECTION)	
102	1001143797	1	Fitting, Straight Metric/Barbed	
103	1001143907	1	Cable, Alternator Power	
104	1001145154	1	Plate, Relay Mounting	
105	1001152489	1	Fitting, 90 Metric/ Barbed	
108	1001167042	1	Radiator	
109	1001165842	1	Pipe	
110	1001169138	4	Washer	
111	1001204325	2	Bracket, Radiator	
112	1001190610	1	Tray	
113	1001260413	1	Bracket, Tank	
114	1001177844	1	Hose, Radiator - Upper	
115	1001177845	1	Hose, Radiator - Lower	
116	1001186985	1	Plate, Mounting (Modine Radiator)	
117	1001178223	2	Bracket, Radiator	
118	1001180620	1	Adhesive	
119	1001181899	1	P-Clamp	
120	4811902	8	Washer M8	
121	1001169054	4	Pad, Isolator	
122	1001153282	1	Pump Coupling Kit (See Separate Breakdown in this section)	
123	1001177359	1	Hose	
124	1001178876	1	Mount, Fuel Filter	
125	5250810	2	Bolt M8 x 20	
126	0761015	2	Bolt M10 x 35	
127	3291005	2	Nut M10	
129	0681822	1	Bolt 1/2 x 2-3/4 Grade 8	
130	0771415	3	Bolt M14 x 35 Grade 10.9	
131	5240800	1	Washer M8	
132	0700814	1	Bolt M8 x 30	
133	0681608	1	Bolt 3/8 x 1 Grade 8	
134	1001260412	1	Bracket	

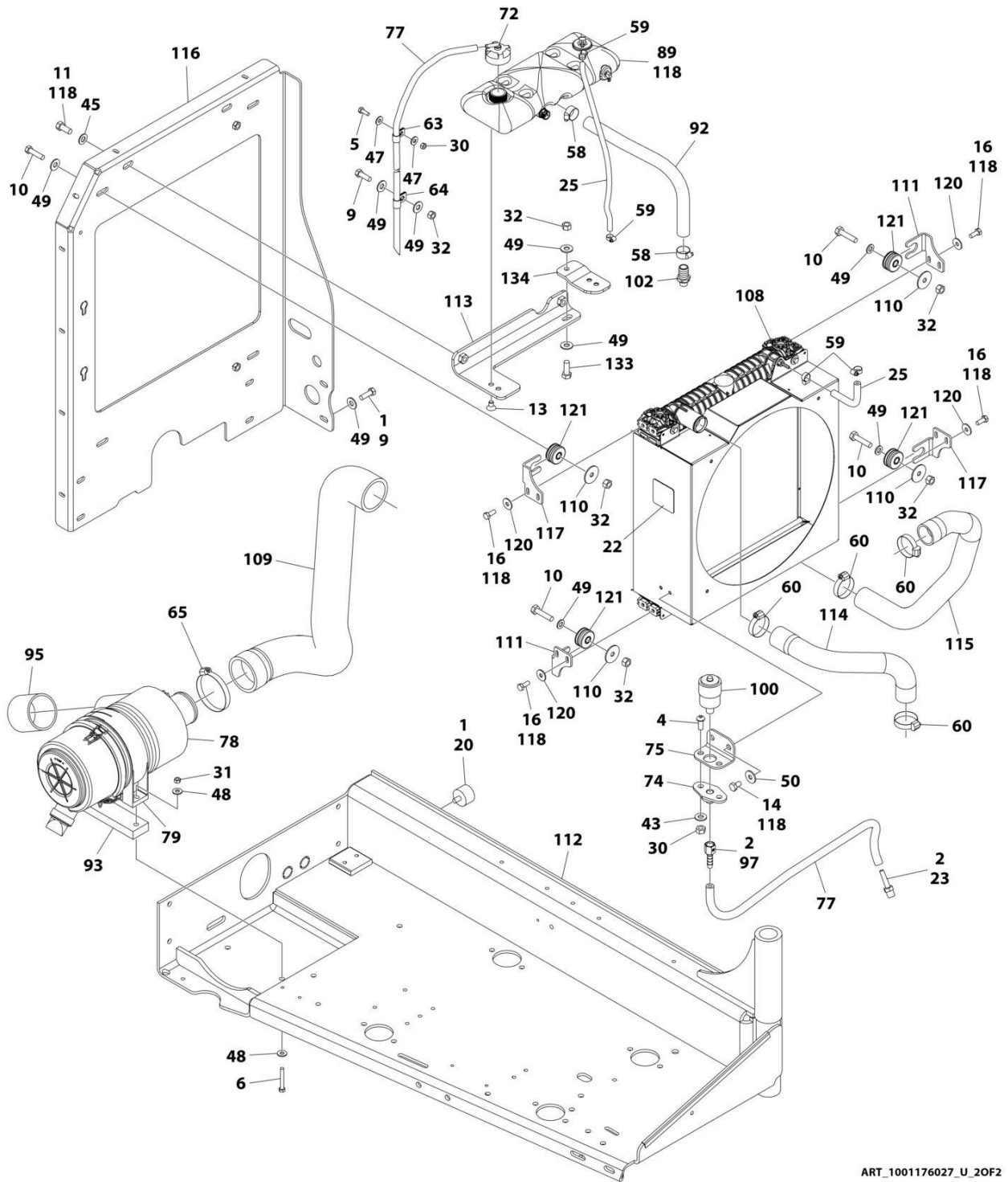
SECTION 3 - ENGINE

FIGURE 3-16. DEUTZ TD2.9L4 ENGINE ASSEMBLY (WITHOUT ARCTIC PACKAGE) (SN 0300278948 to Present)



ART_1001176027_U_10F2

SECTION 3 - ENGINE



ART_1001176027_U_20F2

SECTION 3 - ENGINE

FIGURE 3-16. DEUTZ TD2.9L4 ENGINE ASSEMBLY (WITHOUT ARCTIC PACKAGE) (SN 0300278948 to Present)

ITEM	PART NUMBER	QTY	DESCRIPTION	REV
	1001176027	Ref	ENGINE ASSEMBLY WITHOUT ARCTIC PACKAGE	U
1	0100011	AR	Locking, Compound	
2	0100020	AR	Sealant	
3	0100062	2	Compound, Locking	
4	0630407	5	Screw 1/4 x 5/8	
5	0641406	2	Bolt 1/4 x 3/4	
6	0641518	2	Bolt 5/16 x 2-1/4	
7	0641605	8	Bolt 3/8 x 5/8	
8	0641608	6	Bolt 3/8 x 1	
9	0641609	4	Bolt 3/8 x 1-1/8	
10	0641612	2	Bolt 3/8 x 1-1/2	
11	0641708	3	Bolt 7/16 x 1	
12	0681820	2	Bolt 1/2 x 2-1/2	
13	0741605	2	Screw 3/8 x 5/8	
14	0760605	AR	Bolt M6 x 10	
16	0760810	9	Bolt M8 x 20	
17	0761210	1	Bolt M12 x 20	
18	0771212	6	Bolt M12 x 25	
19	0771414	2	Bolt M14 x 30	
20	0940070	1	Bumper	
21	0961986	2	Bushing, Flanged	
22	1703162	1	Decal - Caution Fan Blade	
23	2220315	1	Fitting, Straight Barbed	
24	1001153282	1	Pump Coupling Kit (See Separate Breakdown in this section)	
25	2720015	40 in/1m	Hose	
26	2720340	12 in /30.5cm	Hose	
27	3200401	4	Mount, Motor	
28	3271801	4	Nut 1/2-13	
29	3310401	3	Nut #4	
30	3311405	8	Nut 1/4	
31	3311505	2	Locknut 5/16	
32	3311605	17	Nut 3/8	
33	3580320	1	Pulley	
34	3910408	3	Screw #4 x 1/2	
35	3931432	1	Capscrew 1/4 x 2	
36	3931512	4	Capscrew 5/16 x 3/4	
37	3931628	4	Capscrew 3/8 x 1-3/4	
38	4031914	4	Capscrew M8 x 50	
39	4032014	4	Capscrew M10 x 50	
40	4060805	15 in /38cm	Flex-Trim	
41	4240099	AR	Tie-Strap (Not Shown)	
42	4640751	1	Valve, Oil Drain	
43	4711400	3	Washer 1/4	
44	4711500	5	Washer 5/16	
45	4711700	2	Washer 7/16	
46	4750400	3	Washer #4	
47	4751400	10	Washer 1/4	

SECTION 3 - ENGINE

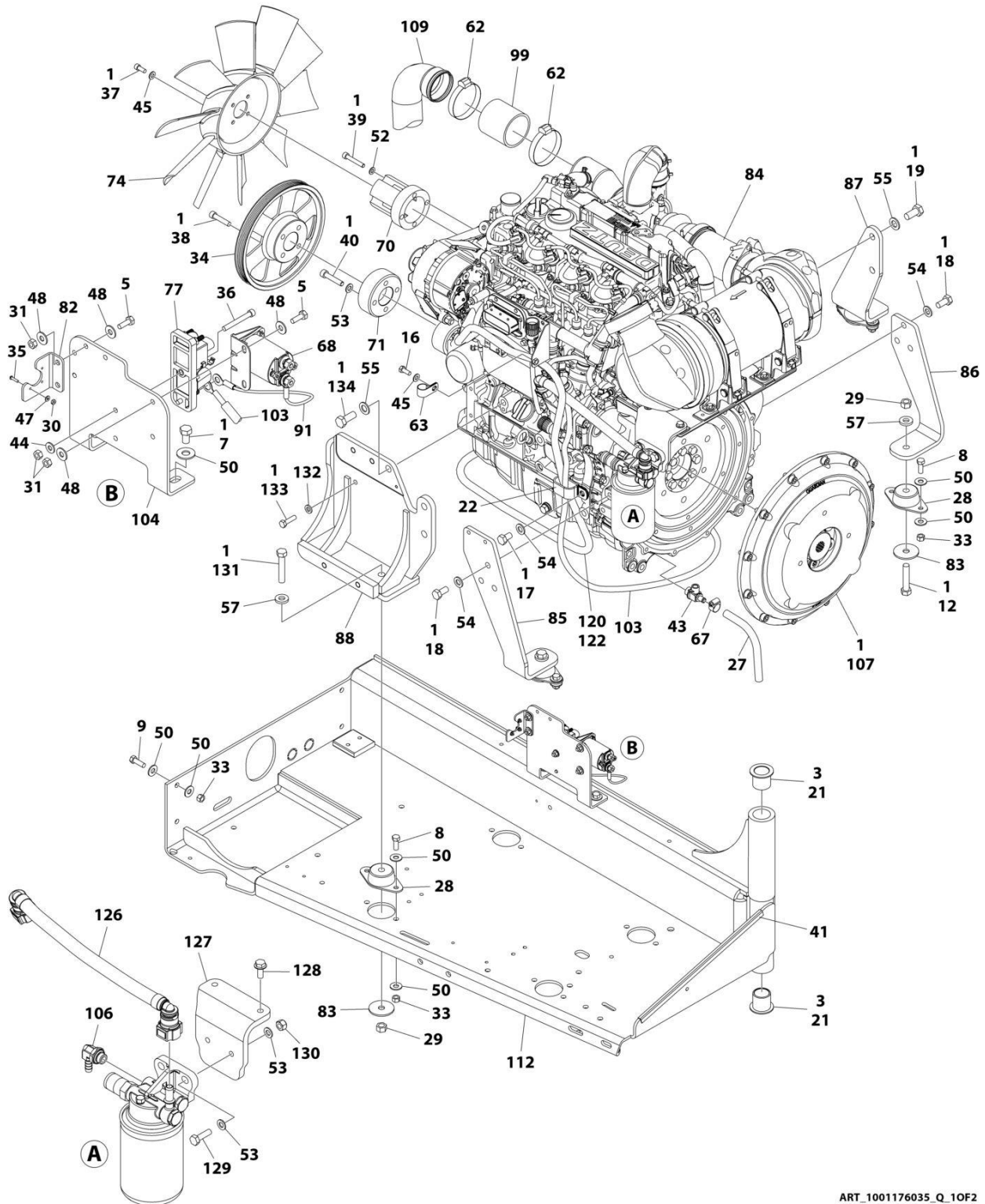
ITEM	PART NUMBER	QTY	DESCRIPTION	REV
48	4751500	4	Washer 5/16	
49	4751600	34	Washer 3/8	
50	4811702	2	Washer M6	
51	4811900	4	Washer M8	
52	4812000	8	Washer M10	
53	4812100	7	Washer M12	
54	4812200	5	Washer M14	
56	4891800	4	Washer 1/2	
58	8405007	2	Clamp	
59	8405009	4	Clamp	
60	8405104	4	Clamp	
62	8406102	1	Clip	
63	8406109	1	Clip	
64	8406110	1	Clip	
65	8410011	2	Clamp	
66	8410013	1	Clamp	
67	1001117308	1	Relay	
69	1001135138	1	Adapter	
70	1001135679	1	Adapter	
72	1001136834	1	Cap, Tank	
73	1001137276	1	Fan	
74	1001138173	1	Support	
75	1001138175	1	Bracket	
76	1001138228	1	Relay, Power Module	
76	70023593	1	Fuse 30Amp (Battery Output)	
76	70023592	1	Fuse 20Amp (Switch Output)	
77	1001138248	62 in/1.6m	Tube	
78	1001138489	1	Air Cleaner Assembly	
78	91403102	1	Element, Filter	
79	1001138557	1	Clamp	
82	1001139240	1	Bracket	
83	1001139409	4	Washer, Special	
84	1001249942	1	Engine, Deutz TD2.9L4 T4F (See Separate Breakdown in this Section)	
85	1001140448	1	Mount, Rear Engine	
86	1001140450	1	Mount, Rear Engine	
87	1001140454	1	Mount, Front Engine	
88	1001202368	1	Mount, Generator/Engine	
89	1001230635	1	Tank	
89	0100020	AR	Sealant, Pipe	
89	1001134488	1	Fitting, 90 NPT/ Barbed	
89	1001138827	1	Sensor, Coolant Level	
89	1001140564	1	Fitting, 90 NPT/ Barbed	
89	1001229542	1	Tank, Surge	
91	1001141304	1	Harness, Glow Plug	
92	1001141370	1	Hose	
93	1001267256	1	Shim	
95	1001141585	1	Hose, Inlet	
97	1001141995	1	Fitting, Straight NPT/Barbed	
100	1001143390	1	Indicator, Service	
101	1001143726	1	Harness, Deutz Engine (Not Shown - See Separate Breakdown in ELECTRICAL Section)	

SECTION 3 - ENGINE

ITEM	PART NUMBER	QTY	DESCRIPTION	REV
102	1001143797	1	Fitting, Straight Metric/Barbed	
103	1001143907	1	Cable, Alternator Power	
104	1001145154	1	Plate, Relay Mounting	
105	1001152489	1	Fitting, 90 Metric/ Barbed	
108	1001167042	1	Radiator	
109	1001266525	1	Hose	
110	1001169138	4	Washer	
111	1001204325	2	Bracket, Radiator	
112	1001190610	1	Tray	
113	1001260413	1	Bracket, Tank	
114	1001177844	1	Hose, Radiator - Upper	
115	1001177845	1	Hose, Radiator - Lower	
116	1001186985	1	Plate, Mounting (Modine Radiator)	
117	1001178223	2	Bracket, Radiator	
118	1001180620	1	Adhesive	
119	1001181899	1	P-Clamp	
120	4811902	8	Washer M8	
121	1001169054	4	Pad, Isolator	
123	1001177359	1	Hose	
124	1001178876	1	Mount, Fuel Filter	
125	5250810	2	Bolt M8 x 20	
126	0761015	2	Bolt M10 x 35	
127	3291005	2	Nut M10	
129	0681822	1	Bolt 1/2 x 2-3/4 Grade 8	
130	0771415	3	Bolt M14 x 35 Grade 10.9	
131	5240800	1	Washer M8	
132	0700814	1	Bolt M8 x 30	
133	0681608	1	Bolt 3/8 x 1 Grade 8	
134	1001260412	1	Bracket	
135	1001162335	1	Bracket, Fuel Pump/Filter Assy (Not Shown - See Separate Breakdown in this Section)	

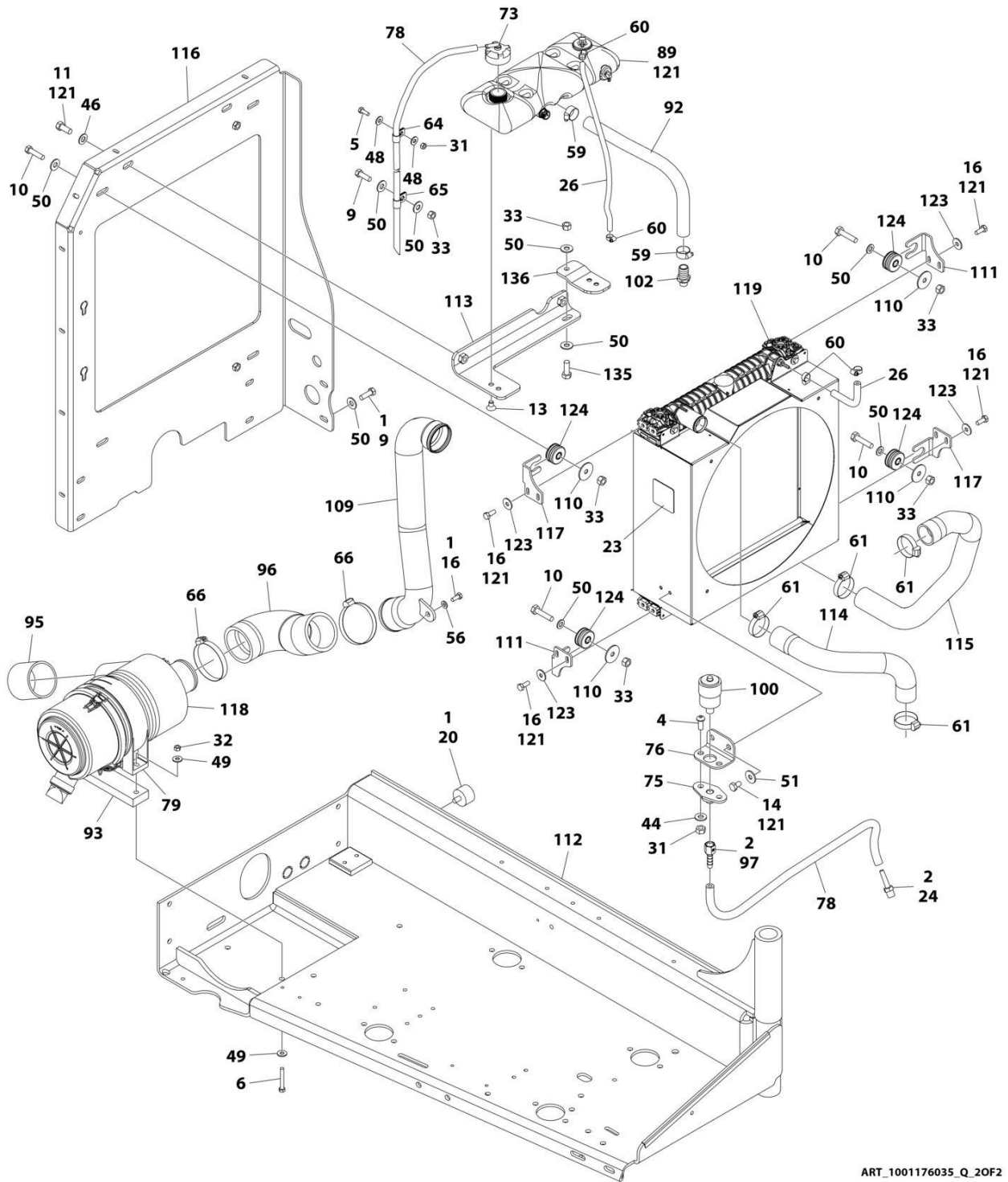
SECTION 3 - ENGINE

FIGURE 3-17. DEUTZ TD2.9L4 ENGINE ASSEMBLY (WITH ARCTIC PACKAGE) (Prior to SN 0300278948)



ART_1001176035_Q_10F2

SECTION 3 - ENGINE



ART_1001176035_Q_20F2

SECTION 3 - ENGINE

FIGURE 3-17. DEUTZ TD2.9L4 ENGINE ASSEMBLY (WITH ARCTIC PACKAGE) (Prior to SN 0300278948)

ITEM	PART NUMBER	QTY	DESCRIPTION	REV
	1001176035	Ref	DEUTZ TD2.9L4 ENGINE ASSEMBLY (WITH ARCTIC PACKAGE)	Q
1	0100011	AR	Locking, Compound	
2	0100020	AR	Sealant	
3	0100062	2	Compound, Locking	
4	0630407	5	Screw 1/4 x 5/8	
5	0641406	2	Bolt 1/4 x 3/4	
6	0641518	2	Bolt 5/16 x 2-1/4	
7	0641605	8	Bolt 3/8 x 5/8	
8	0641608	6	Bolt 3/8 x 1	
9	0641609	4	Bolt 3/8 x 1-1/8	
10	0641612	2	Bolt 3/8 x 1-1/2	
11	0641708	3	Bolt 7/16 x 1	
12	0681820	2	Bolt 1/2 x 2-1/2 Grade 8	
13	0741605	2	Screw 3/8 x 5/8	
14	0760605	2	Bolt M6 x 10	
16	0760810	10	Bolt M8 x 20	
17	0761210	1	Bolt M12 x 20	
18	0771212	6	Bolt M12 x 25 Grade 10.9	
19	0771414	2	Bolt M14 x 30 Grade 10.9	
20	0940070	1	Bumper	
21	0961986	2	Bushing, Flanged	
22	1001181899	1	P-Clamp	
23	1703162	1	Decal - Caution Fan Blade	
24	2220315	1	Fitting, Straight Barbed	
26	2720015	40 in/1m	Hose	
27	2720340	12 in /30.5cm	Hose	
28	3200401	4	Mount, Motor	
29	3271801	4	Nut 1/2	
30	3310401	3	Nut #4	
31	3311405	8	Nut 1/4	
32	3311505	2	Nut 5/16	
33	3311605	17	Nut 3/8	
34	3580320	1	Pulley	
35	3910408	3	Screw #4 x 1/2	
36	3931432	1	Capscrew 1/4 x 2	
37	3931512	4	Capscrew 5/16 x 3/4	
38	3931628	4	Capscrew 3/8 x 1-3/4	
39	4031914	4	Capscrew M8 x 50	
40	4032014	4	Capscrew M10 x 50	
41	4060805	15 in /38cm	Flex-Trim	
42	4240099	AR	Tie-Strap (Not Shown)	
43	4640751	1	Valve, Oil Drain	
44	4711400	3	Washer 1/4	
45	4711500	5	Washer 5/16	
46	4711700	2	Washer 7/16	
47	4750400	3	Washer #4	
48	4751400	10	Washer 1/4	

SECTION 3 - ENGINE

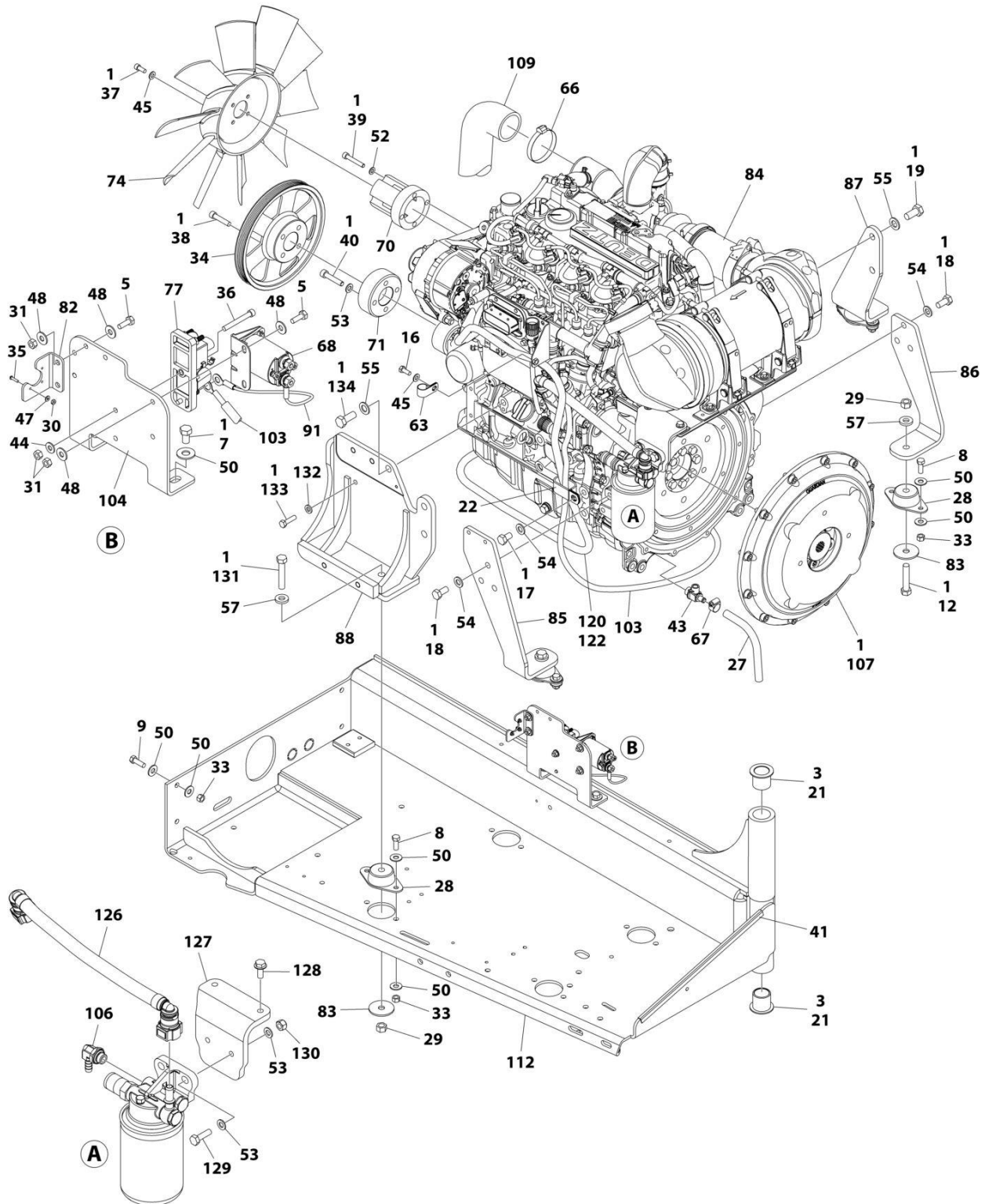
ITEM	PART NUMBER	QTY	DESCRIPTION	REV
49	4751500	4	Washer 5/16	
50	4751600	34	Washer 3/8	
51	4811702	2	Washer M6	
52	4811900	4	Washer M8	
53	4812000	8	Washer M10	
54	4812100	7	Washer M12	
55	4812200	5	Washer M14	
56	4891500	1	Washer 5/16	
57	4891800	4	Washer 1/2	
59	8405007	2	Clamp	
60	8405009	4	Clamp	
61	8405104	4	Clamp	
62	8405204	2	Clamp	
63	8406102	1	Clip	
64	8406109	1	Clip	
65	8406110	1	Clip	
66	8410011	2	Clamp	
67	8410013	1	Clamp	
68	1001117308	1	Relay	
70	1001135138	1	Adapter	
71	1001135679	1	Adapter	
73	1001136834	1	Cap, Tank	
74	1001137276	1	Fan	
75	1001138173	1	Support	
76	1001138175	1	Bracket	
77	1001138228	1	Relay, Power Module	
77	70023592	1	Fuse 20Amp (Switch Output)	
77	70023593	1	Fuse 30Amp (Battery Output)	
78	1001138248	62 in/1.6m	Tube	
79	1001138557	1	Clamp	
82	1001139240	1	Bracket	
83	1001139409	4	Washer, Special	
84	1001249942	1	Engine, Deutz TD2.9L4 T4F (See Separate Breakdown in this Section)	
85	1001140448	1	Mount, Rear Engine	
86	1001140450	1	Mount, Rear Engine	
87	1001140454	1	Mount, Front Engine	
88	1001202368	1	Mount, Generator/Engine	
89	1001230635	1	Tank	
89	0100020	1	Sealant	
89	1001134488	1	Fitting, 90 NPT/ Barbed	
89	1001138827	1	Sensor, Coolant Level	
89	1001140564	1	Fitting, 90 NPT/ Barbed	
89	1001229542	1	Tank, Surge	
91	1001141304	1	Harness, Glow Plug	
92	1001141370	1	Hose	
93	1001141419	1	Shim	
95	1001141585	1	Hose, Inlet	
96	1001141586	1	Pipe, Intake	
97	1001141995	1	Fitting, Straight NPT/Barbed	
99	1001142623	1	Hose, Inlet	
100	1001143390	1	Indicator, Service	

SECTION 3 - ENGINE

ITEM	PART NUMBER	QTY	DESCRIPTION	REV
101	1001143726	1	Harness, Deutz Engine (Not Shown - See Separate Breakdown in ELECTRICAL SECTION)	
102	1001143797	1	Fitting, Straight Metric/Barbed	
103	1001143907	1	Cable, Alternator Power	
104	1001145154	1	Plate, Relay Mounting	
106	1001152489	1	Fitting, 90 Metric/ Barbed	
107	1001153282	1	Pump Coupling Kit (See Separate Breakdown in this Section)	
109	1001165842	1	Pipe	
110	1001169138	4	Washer	
111	1001204325	2	Bracket, Radiator	
112	1001190610	1	Tray	
113	1001260413	1	Bracket, Tank	
114	1001177844	1	Hose, Radiator - Upper	
115	1001177845	1	Hose, Radiator - Lower	
116	1001186985	1	Plate, Mounting	
117	1001178223	2	Bracket, Radiator	
118	1001138489	1	Air Cleaner Assembly	
118	91403102	1	Element, Filter	
119	1001167042	1	Radiator	
120	1001140312	1	Heater, Engine Block	
121	1001180620	1	Adhesive	
122	1001181895	1	Adhesive	
123	4811902	8	Washer M8	
124	1001169054	4	Pad, Isolator	
126	1001177359	1	Hose	
127	1001178876	1	Mount, Fuel Filter	
128	5250810	2	Bolt M8 x 20	
129	0761015	2	Bolt M10 x 35	
130	3291005	2	Nut M10	
131	0681822	1	Bolt 1/2 x 2-3/4 Grade 8	
132	5240800	1	Washer M8	
133	0700814	1	Bolt M8 x 30	
134	0771415	3	Bolt M14 x 35 Grade 10.9	
135	0681608	1	Bolt 3/8 x 1 Grade 8	
136	1001260412	1	Bracket	

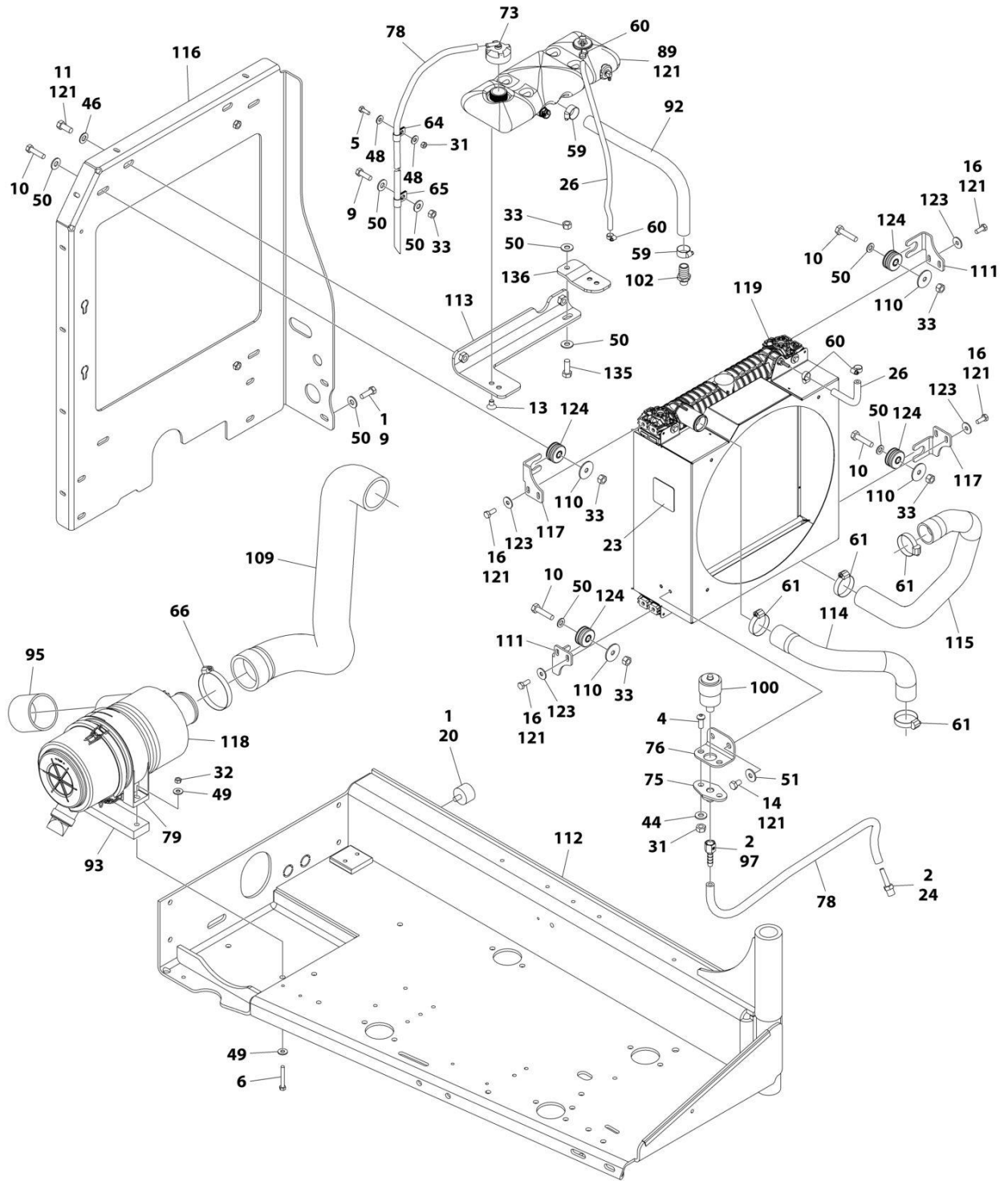
SECTION 3 - ENGINE

FIGURE 3-18. DEUTZ TD2.9L4 ENGINE ASSEMBLY (WITH ARCTIC PACKAGE) (SN 0300278948 to Present)



ART_1001176035_U_10F2

SECTION 3 - ENGINE



ART_1001176035_U_20F2

SECTION 3 - ENGINE

FIGURE 3-18. DEUTZ TD2.9L4 ENGINE ASSEMBLY (WITH ARCTIC PACKAGE) (SN 0300278948 to Present)

ITEM	PART NUMBER	QTY	DESCRIPTION	REV
	1001176035	Ref	DEUTZ TD2.9L4 ENGINE ASSEMBLY (WITH ARCTIC PACKAGE)	U
1	0100011	AR	Locking, Compound	
2	0100020	AR	Sealant	
3	0100062	2	Compound, Locking	
4	0630407	5	Screw 1/4 x 5/8	
5	0641406	2	Bolt 1/4 x 3/4	
6	0641518	2	Bolt 5/16 x 2-1/4	
7	0641605	8	Bolt 3/8 x 5/8	
8	0641608	6	Bolt 3/8 x 1	
9	0641609	4	Bolt 3/8 x 1-1/8	
10	0641612	2	Bolt 3/8 x 1-1/2	
11	0641708	3	Bolt 7/16 x 1	
12	0681820	2	Bolt 1/2 x 2-1/2 Grade 8	
13	0741605	2	Screw 3/8 x 5/8	
14	0760605	2	Bolt M6 x 10	
16	0760810	9	Bolt M8 x 20	
17	0761210	1	Bolt M12 x 20	
18	0771212	6	Bolt M12 x 25 Grade 10.9	
19	0771414	2	Bolt M14 x 30 Grade 10.9	
20	0940070	1	Bumper	
21	0961986	2	Bushing, Flanged	
22	1001181899	1	P-Clamp	
23	1703162	1	Decal - Caution Fan Blade	
24	2220315	1	Fitting, Straight Barbed	
26	2720015	40 in/1m	Hose	
27	2720340	12 in /30.5cm	Hose	
28	3200401	4	Mount, Motor	
29	3271801	4	Nut 1/2	
30	3310401	3	Nut #4	
31	3311405	8	Nut 1/4	
32	3311505	2	Nut 5/16	
33	3311605	17	Nut 3/8	
34	3580320	1	Pulley	
35	3910408	3	Screw #4 x 1/2	
36	3931432	1	Capscrew 1/4 x 2	
37	3931512	4	Capscrew 5/16 x 3/4	
38	3931628	4	Capscrew 3/8 x 1-3/4	
39	4031914	4	Capscrew M8 x 50	
40	4032014	4	Capscrew M10 x 50	
41	4060805	15 in /38cm	Flex-Trim	
42	4240099	AR	Tie-Strap (Not Shown)	
43	4640751	1	Valve, Oil Drain	
44	4711400	3	Washer 1/4	
45	4711500	5	Washer 5/16	
46	4711700	2	Washer 7/16	
47	4750400	3	Washer #4	
48	4751400	10	Washer 1/4	

SECTION 3 - ENGINE

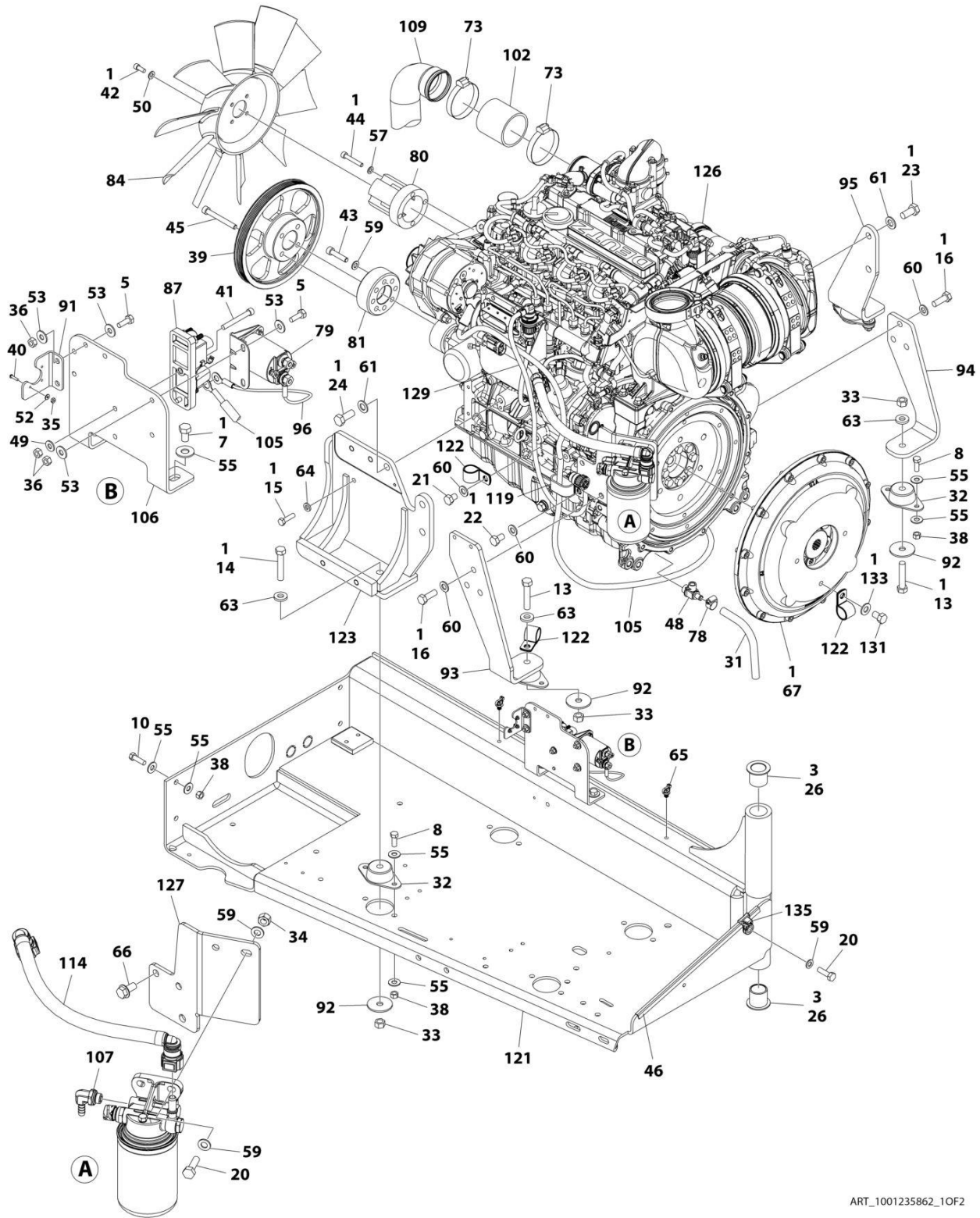
ITEM	PART NUMBER	QTY	DESCRIPTION	REV
49	4751500	4	Washer 5/16	
50	4751600	34	Washer 3/8	
51	4811702	2	Washer M6	
52	4811900	4	Washer M8	
53	4812000	8	Washer M10	
54	4812100	7	Washer M12	
55	4812200	5	Washer M14	
57	4891800	4	Washer 1/2	
59	8405007	2	Clamp	
60	8405009	4	Clamp	
61	8405104	4	Clamp	
63	8406102	1	Clip	
64	8406109	1	Clip	
65	8406110	1	Clip	
66	8410011	2	Clamp	
67	8410013	1	Clamp	
68	1001117308	1	Relay	
70	1001135138	1	Adapter	
71	1001135679	1	Adapter	
73	1001136834	1	Cap, Tank	
74	1001137276	1	Fan	
75	1001138173	1	Support	
76	1001138175	1	Bracket	
77	1001138228	1	Relay, Power Module	
77	70023592	1	Fuse 20Amp (Switch Output)	
77	70023593	1	Fuse 30Amp (Battery Output)	
78	1001138248	62 in/1.6m	Tube	
79	1001138557	1	Clamp	
82	1001139240	1	Bracket	
83	1001139409	4	Washer, Special	
84	1001249942	1	Engine, Deutz TD2.9L4 T4F (See Separate Breakdown in this Section)	
85	1001140448	1	Mount, Rear Engine	
86	1001140450	1	Mount, Rear Engine	
87	1001140454	1	Mount, Front Engine	
88	1001202368	1	Mount, Generator/Engine	
89	1001230635	1	Tank	
89	0100020	1	Sealant	
89	1001134488	1	Fitting, 90 NPT/ Barbed	
89	1001138827	1	Sensor, Coolant Level	
89	1001140564	1	Fitting, 90 NPT/ Barbed	
89	1001229542	1	Tank, Surge	
91	1001141304	1	Harness, Glow Plug	
92	1001141370	1	Hose	
93	1001267256	1	Shim	
95	1001141585	1	Hose, Inlet	
97	1001141995	1	Fitting, Straight NPT/Barbed	
100	1001143390	1	Indicator, Service	
101	1001143726	1	Harness, Deutz Engine (Not Shown - See Separate Breakdown in ELECTRICAL Section)	
102	1001143797	1	Fitting, Straight Metric/Barbed	
103	1001143907	1	Cable, Alternator Power	

SECTION 3 - ENGINE

ITEM	PART NUMBER	QTY	DESCRIPTION	REV
104	1001145154	1	Plate, Relay Mounting	
106	1001152489	1	Fitting, 90 Metric/ Barbed	
107	1001153282	1	Pump Coupling Kit (See Separate Breakdown in this Section)	
109	1001266525	1	Pipe	
110	1001169138	4	Washer	
111	1001204325	2	Bracket, Radiator	
112	1001190610	1	Tray	
113	1001260413	1	Bracket, Tank	
114	1001177844	1	Hose, Radiator - Upper	
115	1001177845	1	Hose, Radiator - Lower	
116	1001186985	1	Plate, Mounting	
117	1001178223	2	Bracket, Radiator	
118	1001138489	1	Air Cleaner Assembly	
118	91403102	1	Element, Filter	
119	1001167042	1	Radiator	
120	1001140312	1	Heater, Engine Block	
121	1001180620	1	Adhesive	
122	1001181895	1	Adhesive	
123	4811902	8	Washer M8	
124	1001169054	4	Pad, Isolator	
126	1001177359	1	Hose	
127	1001178876	1	Mount, Fuel Filter	
128	5250810	2	Bolt M8 x 20	
129	0761015	2	Bolt M10 x 35	
130	3291005	2	Nut M10	
131	0681822	1	Bolt 1/2 x 2-3/4 Grade 8	
132	5240800	1	Washer M8	
133	0700814	1	Bolt M8 x 30	
134	0771415	3	Bolt M14 x 35 Grade 10.9	
135	0681608	1	Bolt 3/8 x 1 Grade 8	
136	1001260412	1	Bracket	
137	1001162335	1	Bracket, Fuel Pump/Filter Assy (Not Shown - See Separate Breakdown in this Section)	

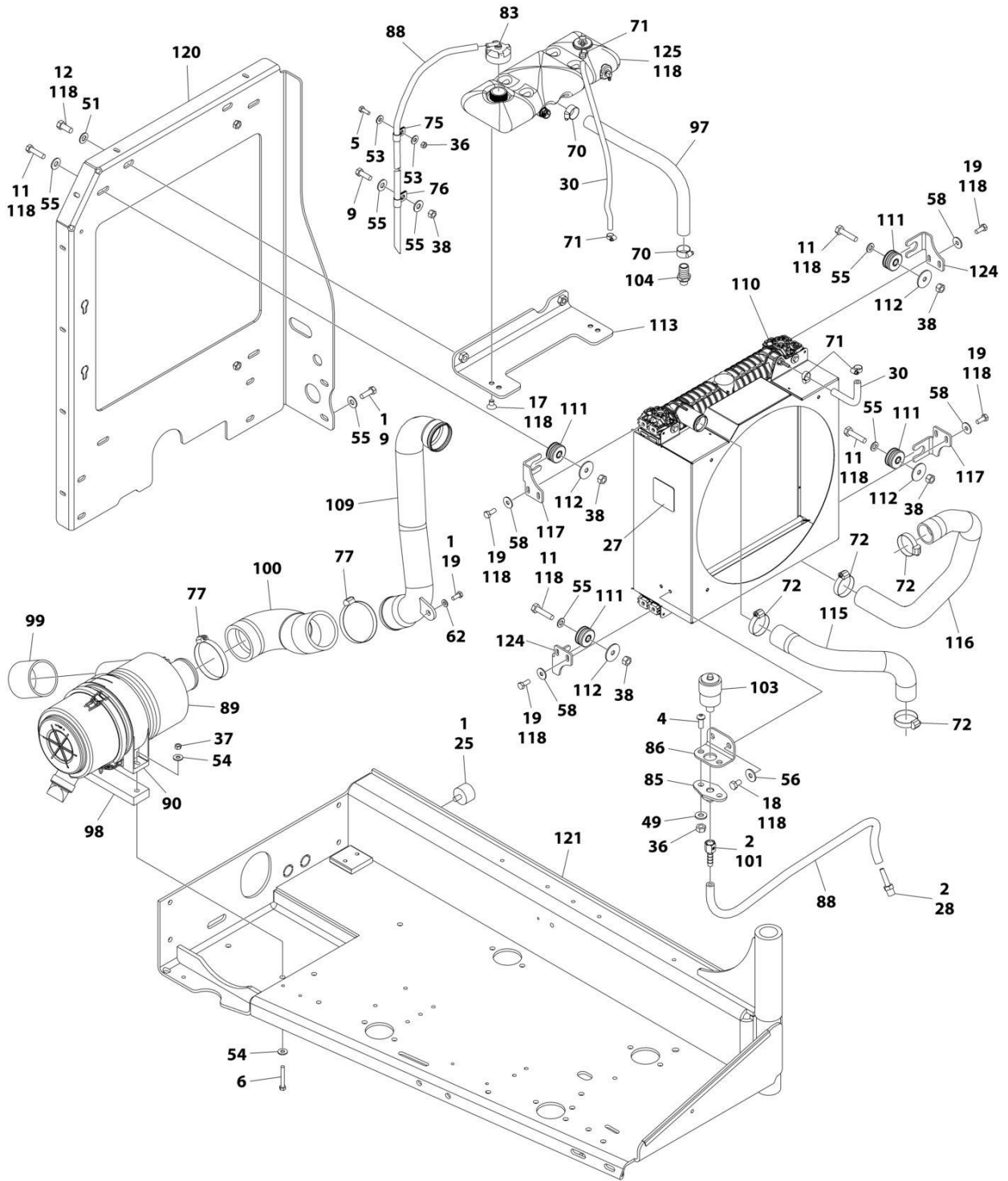
SECTION 3 - ENGINE

FIGURE 3-19. DEUTZ TD2.9L4 ENGINE ASSEMBLY (STAGE V)



ART_1001235862_10F2

SECTION 3 - ENGINE



ART_1001235862_2OF2

SECTION 3 - ENGINE

FIGURE 3-19. DEUTZ TD2.9L4 ENGINE ASSEMBLY (STAGE V)

ITEM	PART NUMBER	QTY	DESCRIPTION	REV
	1001235862	Ref	DEUTZ TD2.9L4 ENGINE ASSEMBLY (STAGE V)	I
1	0100011	AR	Locking, Compound	
2	0100020	AR	Sealant	
3	0100062	AR	Compound, Locking	
4	0630407	2	Screw 1/4 x 5/8	
5	0641406	5	Bolt 1/4 x 3/4	
6	0641518	2	Bolt 5/16 x 2-1/4	
7	0641605	2	Bolt 3/8 x 5/8	
8	0641608	8	Bolt 3/8 x 1	
9	0641609	2	Bolt 3/8 x 1-1/8	
10	0641610	4	Bolt 3/8 x 1-1/4	
11	0641612	4	Bolt 3/8 x 1-1/2	
12	0641708	2	Bolt 7/16 x 1	
13	0681820	3	Bolt 1/2 x 2-1/2 Grade 8	
14	0681822	1	Bolt 1/2 x 2-3/4 Grade 8	
15	0700814	1	Bolt M8 x 30	
16	0711215	6	Bolt M12 x 35	
17	0741605	2	Screw 3/8 x 5/8	
18	0760605	2	Bolt M6 x 10	
19	0760810	9	Bolt M8 x 20	
20	0761015	3	Bolt M10 x 35	
21	0761208	1	Bolt M12 x 16	
22	0761210	1	Bolt M12 x 20	
23	0771414	2	Bolt M14 x 30 Grade 10.9	
24	0771415	3	Bolt M14 x 35 Grade 10.9	
25	0940070	1	Bumper	
26	0961986	2	Bushing, Flanged	
27	1703162	1	Decal - Caution Fan Blade	
28	2220315	1	Fitting, Straight Barbed	
30	2720015	40 in/1m	Hose	
31	2720340	12 in /30.5cm	Hose	
32	3200401	4	Mount, Motor	
33	3271801	4	Nut 1/2 Grade 8	
34	3291005	3	Nut M10	
35	3310401	3	Nut #4	
36	3311405	8	Nut 1/4	
37	3311505	2	Nut 5/16	
38	3311605	16	Nut 3/8	
39	1001260432	1	Pulley	
40	3910408	3	Screw #4 x 1/2	
41	3931432	1	Capscrew 1/4 x 2	
42	3931512	4	Capscrew 5/16 x 3/4	
43	1001261045	4	Capscrew M10 x 45	
44	4031914	4	Capscrew M8 x 50	
45	1001261085	4	Capscrew M10 x 85	
46	4060805	15 in /38cm	Flex-Trim	
47	4240099	AR	Tie-Strap (Not Shown)	
48	4640751	1	Valve, Oil Drain	

SECTION 3 - ENGINE

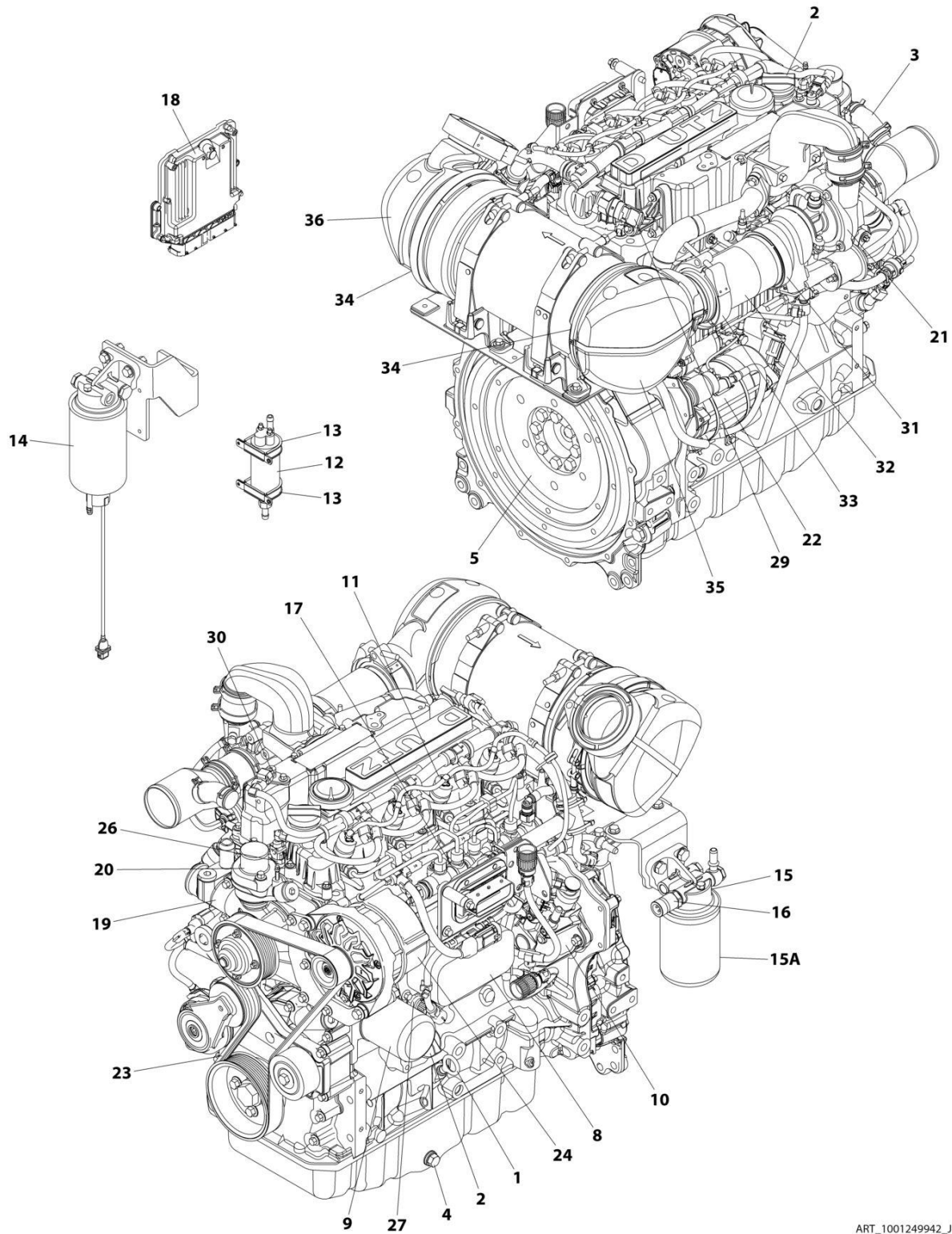
ITEM	PART NUMBER	QTY	DESCRIPTION	REV
49	4711400	3	Washer 1/4	
50	4711500	4	Washer 5/16	
51	4711700	2	Washer 7/16	
52	4750400	3	Washer #4	
53	4751400	10	Washer 1/4	
54	4751500	4	Washer 5/16	
55	4751600	32	Washer 3/8	
56	4811702	2	Washer M6	
57	4811900	4	Washer M8	
58	4811902	8	Washer M8	
59	4812000	10	Washer M10	
60	4812100	8	Washer M12	
61	4812200	5	Washer M14	
62	4891500	1	Washer 5/16	
63	4891800	4	Washer 1/2	
64	5240800	1	Washer M8	
65	1001146588	3	Strap	
66	5251010	2	Bolt M10 x 20	
67	1001153282	1	Pump Coupling Kit (See Separate Breakdown in this Section)	
70	8405007	2	Clamp	
71	8405009	4	Clamp	
72	8405104	4	Clamp	
73	8405204	2	Clamp	
75	8406109	1	Clip	
76	8406110	1	Clip	
77	8410011	2	Clamp	
78	8410013	1	Clamp	
79	1001117308	1	Relay	
80	1001135138	1	Adapter	
81	1001258800	1	Adapter	
83	1001136834	1	Cap, Tank	
84	1001137276	1	Fan	
85	1001138173	1	Support	
86	1001138175	1	Bracket	
87	1001138228	1	Relay, Power Module	
87	70023593	1	Fuse 30Amp (Battery Output)	
87	70023592	1	Fuse 20Amp (Switch Output)	
88	1001138248	62 in/1.6m	Tube	
89	1001138489	1	Air Cleaner Assembly	
89	91403102	1	Element, Filter	
90	1001138557	1	Clamp	
91	1001139240	1	Bracket	
92	1001139409	4	Washer, Special	
93	1001140448	1	Mount, Rear Engine	
94	1001140450	1	Mount, Rear Engine	
95	1001140454	1	Mount, Front Engine	
96	1001141304	1	Harness, Glow Plug	
97	1001141370	1	Hose	
98	1001141419	1	Shim	
99	1001141585	1	Hose, Inlet	
100	1001141586	1	Pipe, Intake	

SECTION 3 - ENGINE

ITEM	PART NUMBER	QTY	DESCRIPTION	REV
101	1001141995	1	Fitting, Straight NPT/Barbed	
102	1001142623	1	Hose, Inlet	
103	1001143390	1	Indicator, Service	
104	1001143797	1	Fitting, Straight Metric/Barbed	
105	1001143907	1	Cable, Alternator Power	
106	1001145154	1	Plate, Relay Mounting	
107	1001152489	1	Fitting, 90 Metric/ Barbed	
109	1001165842	1	Pipe	
110	1001167042	1	Radiator (Modine Radiator)	
111	1001169054	4	Pad, Isolator	
112	1001169138	4	Washer	
113	1001176419	1	Bracket, Tank	
114	1001177359	1	Hose	
115	1001177844	1	Hose, Radiator - Upper	
116	1001177845	1	Hose, Radiator - Lower	
117	1001178223	2	Bracket, Radiator	
118	1001180620	1	Adhesive	
119	1001181899	1	P-Clamp	
120	1001186985	1	Plate, Mounting	
121	1001190610	1	Tray	
122	1001191620	3	Clamp	
123	1001202368	1	Mount, Generator/Engine	
124	1001204325	2	Bracket, Radiator	
125	1001230635	1	Tank	
125	0100020	1	Sealant, Pipe	
125	1001134488	1	Fitting, 90 NPT/ Barbed	
125	1001138827	1	Sensor, Coolant Level	
125	1001140564	1	Fitting, 90 NPT/ Barbed	
125	1001229542	1	Tank, Surge	
126	1001232844	1	Engine, Deutz TD2.9L4 (Stage V) (See Separate Breakdown in this Section)	
127	1001238268	1	Mount, Fuel Filter	
128	1001238878	1	Harness, Deutz TD2.9L4 (Stage V) Engine (Not Shown - See Separate Breakdown in ELECTRICAL Section)	
129	1001245913	1	Harness, Deutz TD2.9L4 (Stage V) Engine Fuel Filter (See Separate Breakdown in ELECTRICAL Section)	
131	0641806	1	Bolt 1/2 x 3/4	
132	1062255	1	Tie-Strap	
133	4711800	1	Washer 1/2	
135	1001156107	1	Holder, Cable	

SECTION 3 - ENGINE

FIGURE 3-20. DEUTZ TD2.9L4 ENGINE COMPONENTS



ART_1001249942_JLG

SECTION 3 - ENGINE

FIGURE 3-20. DEUTZ TD2.9L4 ENGINE COMPONENTS

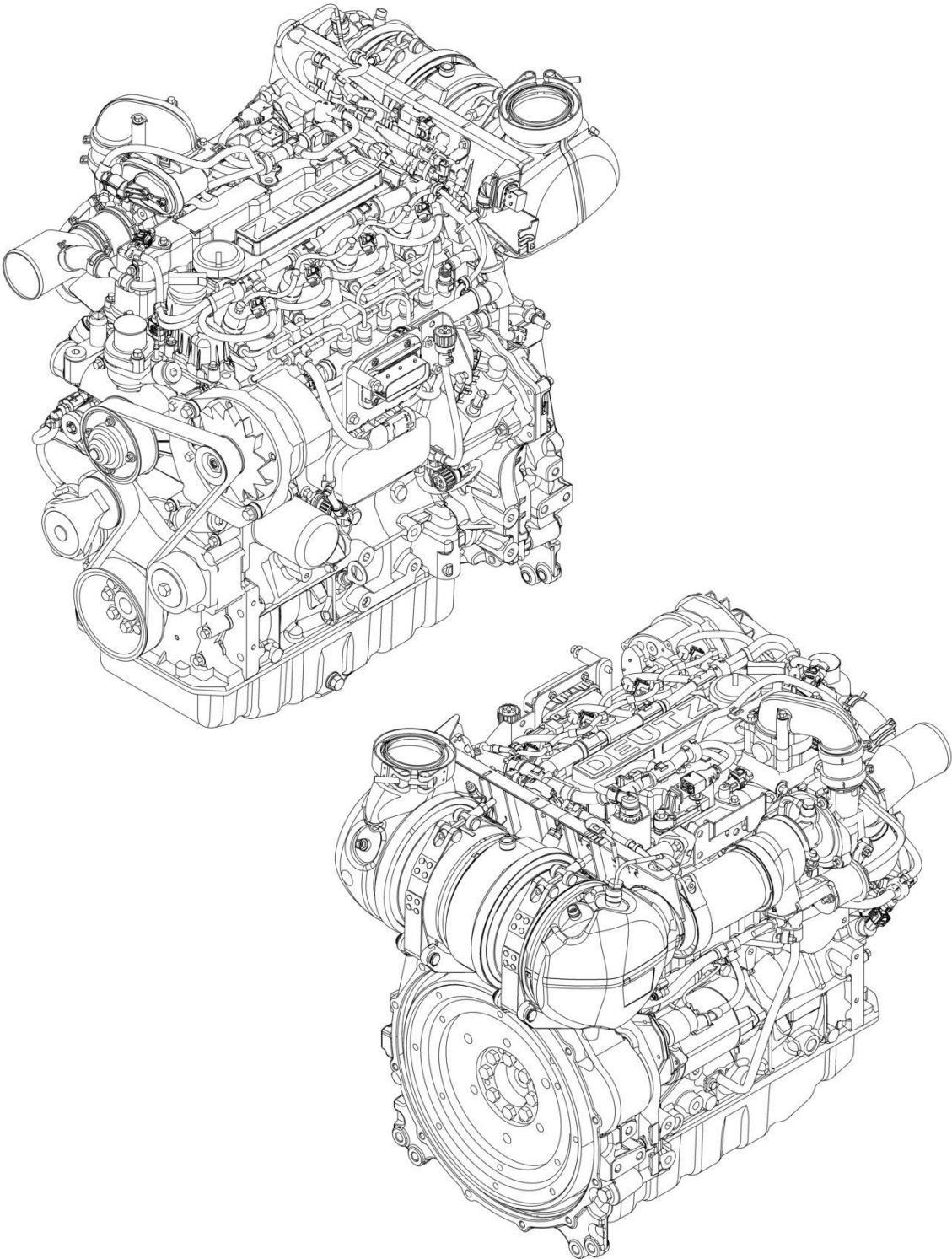
ITEM	PART NUMBER	QTY	DESCRIPTION	REV
	1001249942	Ref	ENGINE COMPONENTS - DEUTZ TD2.9L4	A
1	70024904	1	Dipstick	
1	70024905	1	Seal	
2	7020465	2	Cap, Oil Fill	
3	70025111	2	Clamp	
3	70005920	1	Hose, Breather	
4	70005941	2	Plug	
4	70005942	2	Seal	
5	70001870	1	Flywheel with Ring Gear	
5	7024579	1	Gear, Ring	
6		Ref	Gasket and Seal Options (Not Shown)	
6	70004279	1	Gasket Kit	
6	70024906	1	Gasket, Head	
6	70025205	1	Gasket, Small Valve Cover	
6	70005171	1	Gasket, Large Valve Cover	
6	70005176	1	O-Seal, Valve Cover to Air Charge Elbow	
6	70005177	1	Gasket, Air Charge Pipe to Head	
6	70031095	3	Gasket, Air Charge Pipe & EGR Pipe	
6	70025164	1	Gasket, Exhaust Manifold to Head	
6	70007354	1	Gasket, EGR Pipe to EGR Valve	
6	70007326	1	Gasket, EGR Valve to Housing	
7	70005172	1	Pump, Oil Lube (Not Shown - Located Front Left Side)	
7	70025135	1	O-Ring	
7	70005173	1	Gasket	
8	70024494	1	Cooler, Oil	
8	70024925	1	Gasket	
9	7016331	1	Filter, Oil	
10	70024924	1	Pump, High Pressure (Not Shown - Located Front Left Side)	
10	70025152	1	O-Ring (Between Pump and Spacer)	
10	70024517	1	O-Ring (Between Spacer and Engine Block)	
10	70004505	1	Valve, Overflow	
10	70004506	1	O-Ring	
10	70004507	1	O-Ring	
10	70004508	1	Valve, Volume Control	
10	70004509	1	O-Ring	
10	70004510	1	O-Ring	
11	70025181	4	Injector Fuel	
11	70025140	4	Washer, Sealing	
11	70025146	4	Clamp (Top of Injector)	
11	70025145	4	O-Seal	
11	70025154	4	Shoe, Clamping	
11	70000345	4	Plug, Glow	
11	70025231	1	Harness, Glow Plug (Not Shown)	
12	70006144	1	Pump, Fuel	
13	70025144	2	Clamp	
14	70024961	1	Filter, Fuel	
14	70025153	1	Element, Filter	
14	70024513	1	Cable, Sensor	
14	70025239	1	Seal	
15	70029451	1	Filter With Head	

SECTION 3 - ENGINE

ITEM	PART NUMBER	QTY	DESCRIPTION	REV
15A	70025161	1	Filter, Fuel	
16	70028538	1	Sensor, Pressure	
16	70024920	1	Seal	
17	70025151	1	Rail, Fuel	
17	70025235	1	Repair Kit	
17	70025182	1	Line, Fuel (Cylinders 1 & 2)	
17	70025183	1	Line, Fuel (Cylinders 3 & 4)	
17	70025184	1	Line, Fuel (To Rail)	
18	70025210	1	ECU (Engine Control Unit)	
19	70029797	1	Pump, Water	
19	70025200	1	Seal	
19	70007325	1	Gasket	
20	70005929	1	Thermostat	
20	70005184	1	O-Seal	
20	70025142	1	Cover, Thermostat	
20	70005931	1	Gasket	
21	70004276	1	Turbocharger	
21	70024912	1	Gasket, Square	
21	70024509	1	Gasket, Return Line	
21	70006294	1	O-Seal	
22	70024915	1	Starter	
22	70005648	1	Relay	
22	70005647	1	Solenoid	
23	70004277	1	Belt Drive	
24	70006652	1	Alternator	
24	70006653	1	Regulator, Voltage	
25	70007489	1	Harness, Engine (Not Shown)	
26	70028540	1	Sender, Temperature	
27	70028538	1	Sensor, Pressure	
27	70024920	1	Seal	
28	70026210	2	Sensor, Speed (Not Shown - Located Left Side Front and Flywheel Housing)	
28	70024917	1	Seal (Cam Shaft Speed Sensor)	
28	70005191	1	Seal (Flywheel Shaft Speed Sensor)	
29	70024507	1	Sensor, Pressure	
29	70025120	1	Seal	
30	70024922	1	Sender, Temperature	
30	70025212	1	O-Seal	
31	70005527	1	Clamp	
31	70025788	1	Nut	
32	70004504	1	Compensator	
33	70025242	1	Gasket	
33	70029433	1	Clamp	
34	70029517	2	Clamp	
34	70029520	2	Gasket	
35	70007355	1	Inlet	
36	70007331	1	Outlet	

SECTION 3 - ENGINE

FIGURE 3-21. DEUTZ TD2.9L4 ENGINE COMPONENTS (STAGE V)



ART_1001232844

SECTION 3 - ENGINE

FIGURE 3-21. DEUTZ TD2.9L4 ENGINE COMPONENTS (STAGE V)

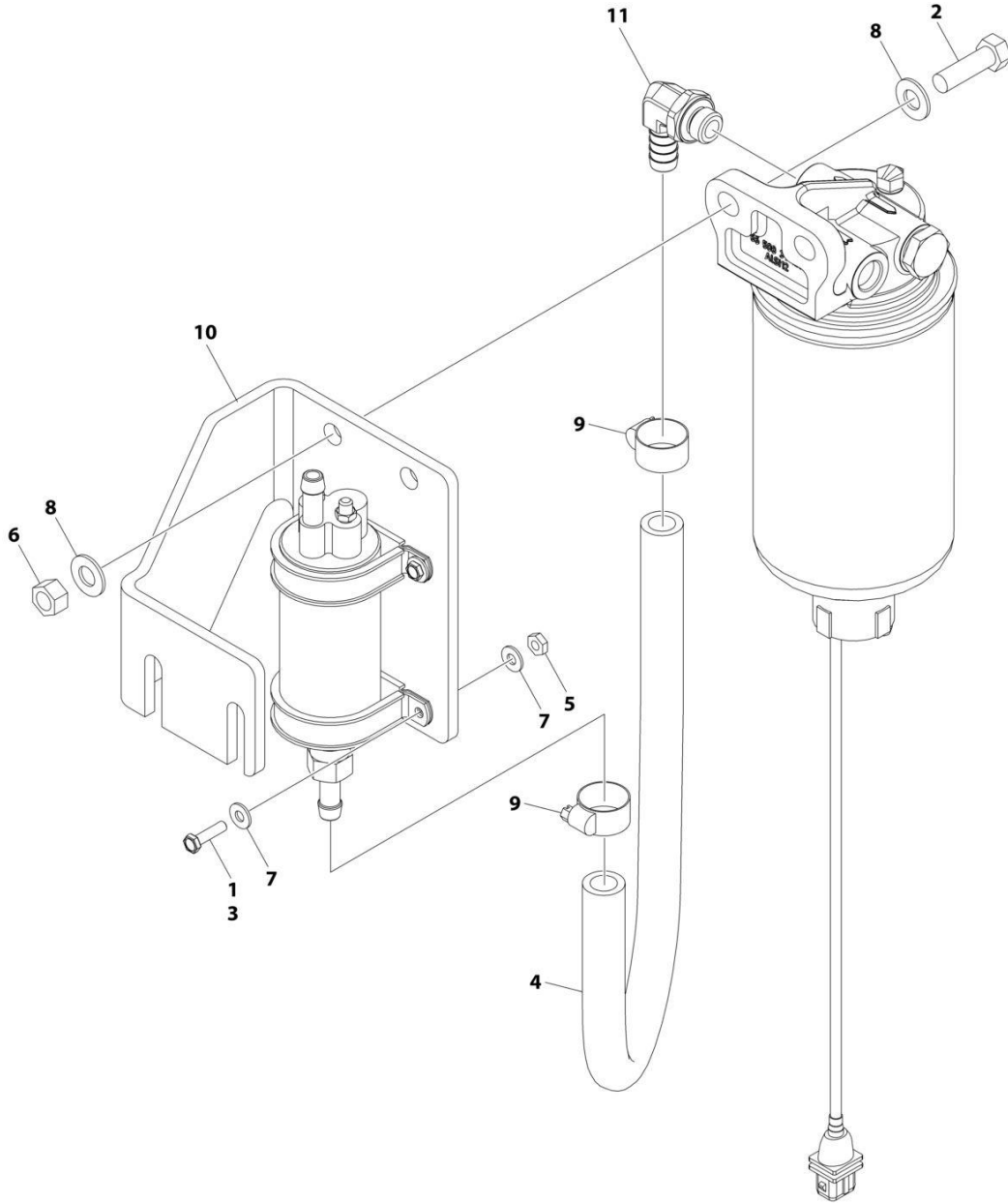
ITEM	PART NUMBER	QTY	DESCRIPTION	REV
	1001232844	Ref	DEUTZ ENGINE COMPONENTS	F
		Ref	Note: For complete list of parts, contact JLG Parts Department	
		Ref	Air Intake System Components	
	70004276	1	Turbocharger	
		Ref	Cooling System Components	
	70029797	1	Pump, Coolant (Includes Gasket & Seals)	
	70007603	1	Thermostat	
	70005184	1	O-Ring	
	70005931	1	Gasket	
	70025142	1	Cover	
		Ref	Electrical System Components	
	70029512	1	Module, ECU/ECM	
		Ref	Generator (Includes Controller, Fan & Hardware)	
		Ref	Starter (Includes Solenoid & Relay)	
		Ref	Sender, Tacho-Generator (Speed) (On Rear of Block) (Includes Seal)	
	70024916	1	Sender, Tacho-Generator (Speed) (On Cover) (Includes Seal)	
	70024922	1	Sender, Temperature (Includes Seal) (On Air Intake Manifold)	
	70024507	1	Sensor, Pressure (Includes Seal) (On Air Intake Manifold)	
	70024504	1	Sensor, Pressure (Includes Seal) (On Fuel Filter & Side of Block)	
		Ref	Sensor, Pressure (Includes Seal) (On Exhaust Manifold)	
		Ref	Sensor, Temperature (Includes Seal) (On Exhaust Manifold)	
	70000345	4	Plug, Glow	
		Ref	Exhaust System Components	
		Ref	Valve, EGR	
	70025130	8	Bolt, Exhaust Manifold	
	70025164	1	Gasket, Exhaust Manifold	
		Ref	Outlet, Muffler	
		Ref	Muffler	
		Ref	Bracket, Muffler Mounting	
	70004504	1	Compensator, Exhaust	
		Ref	Fuel System Components	
		Ref	Pump, High Pressure	
	70025181	4	Injector (Includes Sealing washer, Clamp & O-Ring)	
	70006144	1	Pump, Fuel Supply (Includes Clamps)	
	70024961	1	Filter, Fuel (Pre-Filter Assembly) (Includes Head, Spin on filter, Sensor Cable & Seal)	
	70025153	1	Filter, Fuel Spin On	
	70024513	1	Sensor Cable (Includes Seal)	
	70025160	1	Filter, Fuel (Assembly) (Includes Head & Spin on Filter)	
	70025161	1	Filter, Fuel Spin On	
	70004508	1	Vol. Control Valve (Includes O-Ring & Gasket)	
		Ref	Lubricating System Components	
	7020465	2	Cap, Oil Fill	
	70005941	2	Plug, Oil Drain	
	70005942	2	Seal, Oil Drain Plug	
	70005172	1	Pump, Oil (Includes Seal & Gasket)	
	7016331	1	Filter, Oil	
	70024494	1	Cooler, Oil	
	70024925	1	Gasket, Oil Cooler	

SECTION 3 - ENGINE

ITEM	PART NUMBER	QTY	DESCRIPTION	REV
	70024904	1	Dipstick (Includes Seal)	
		Ref	Mechanical Components	
	70001870	1	Flywheel (includes Gear)	
	70004277	1	V-Belt	
	70030359	1	Belt Tensioner	
	70005938	1	Gasket Set - Complete	

SECTION 3 - ENGINE

FIGURE 3-22. FUEL PUMP/FILTER BRACKET ASSEMBLY (DEUTZ TD2.9L4 ENGINES)



ART_1001162335

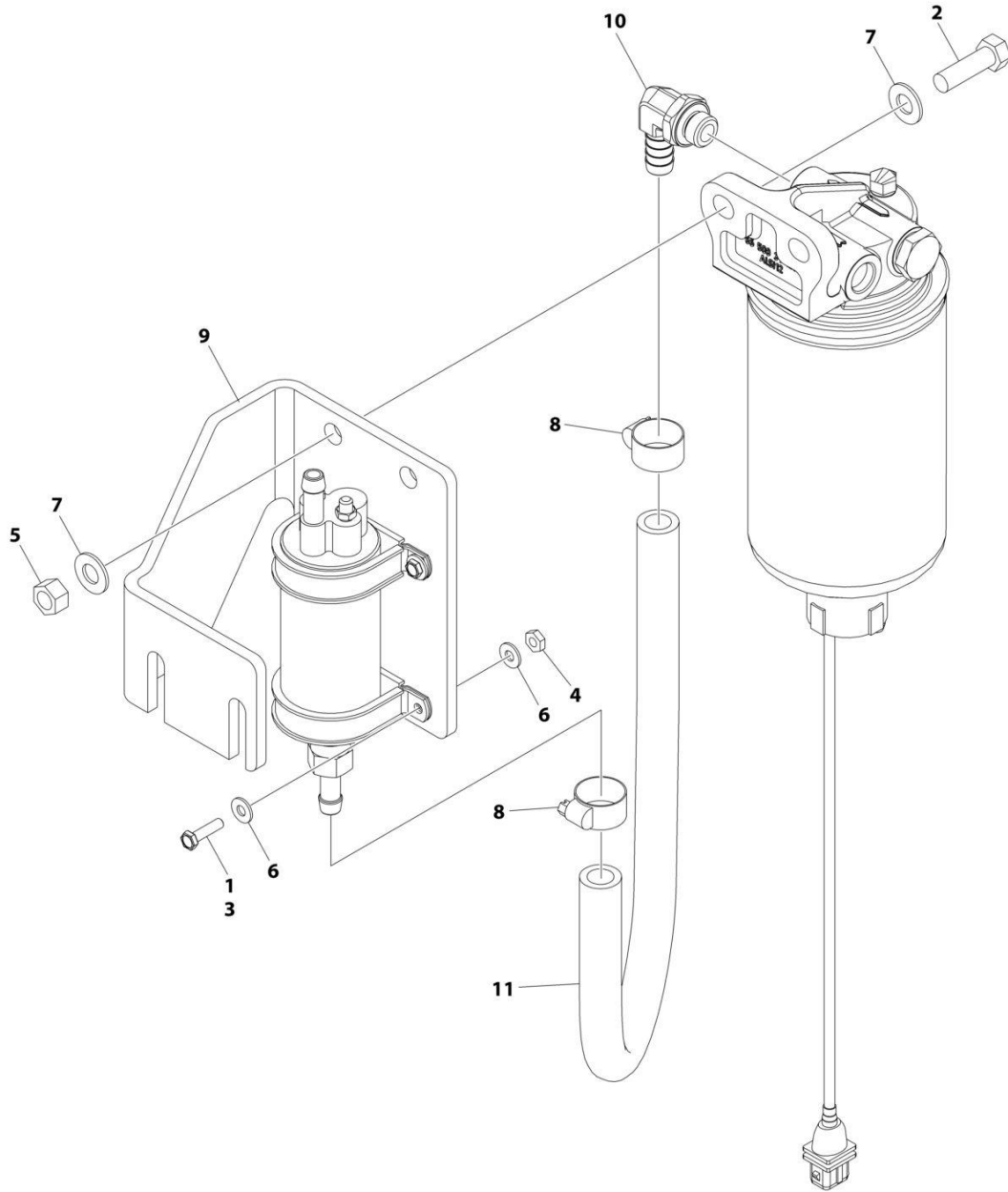
SECTION 3 - ENGINE

FIGURE 3-22. FUEL PUMP/FILTER BRACKET ASSEMBLY (DEUTZ TD2.9L4 ENGINES)

ITEM	PART NUMBER	QTY	DESCRIPTION	REV
	1001162335	Ref	BRACKET ASSEMBLY - FUEL PUMP AND FILTER (DEUTZ D2.9L4 ENGINE)	E
1	0100011	AR	Compound, Locking	
2	0641610	2	Bolt 3/8 x 1-1/4	
3	0721006	4	Bolt #10 x 3/4	
4	1001154405	AR	Hose	
5	3311001	4	Nut #10	
6	3311605	2	Nut 3/8	
7	4711000	8	Washer #10	
8	4711600	4	Washer 3/8	
9	8405006	2	Clamp	
10	1001141870	1	Plate, Fuel Pump Mount	
11	1001142501	1	Fitting, Elbow Barbed	

SECTION 3 - ENGINE

FIGURE 3-23. FUEL PUMP/FILTER BRACKET ASSEMBLY (DEUTZ TD2.9L4 (STAGE V) ENGINES)



ART_1001235949

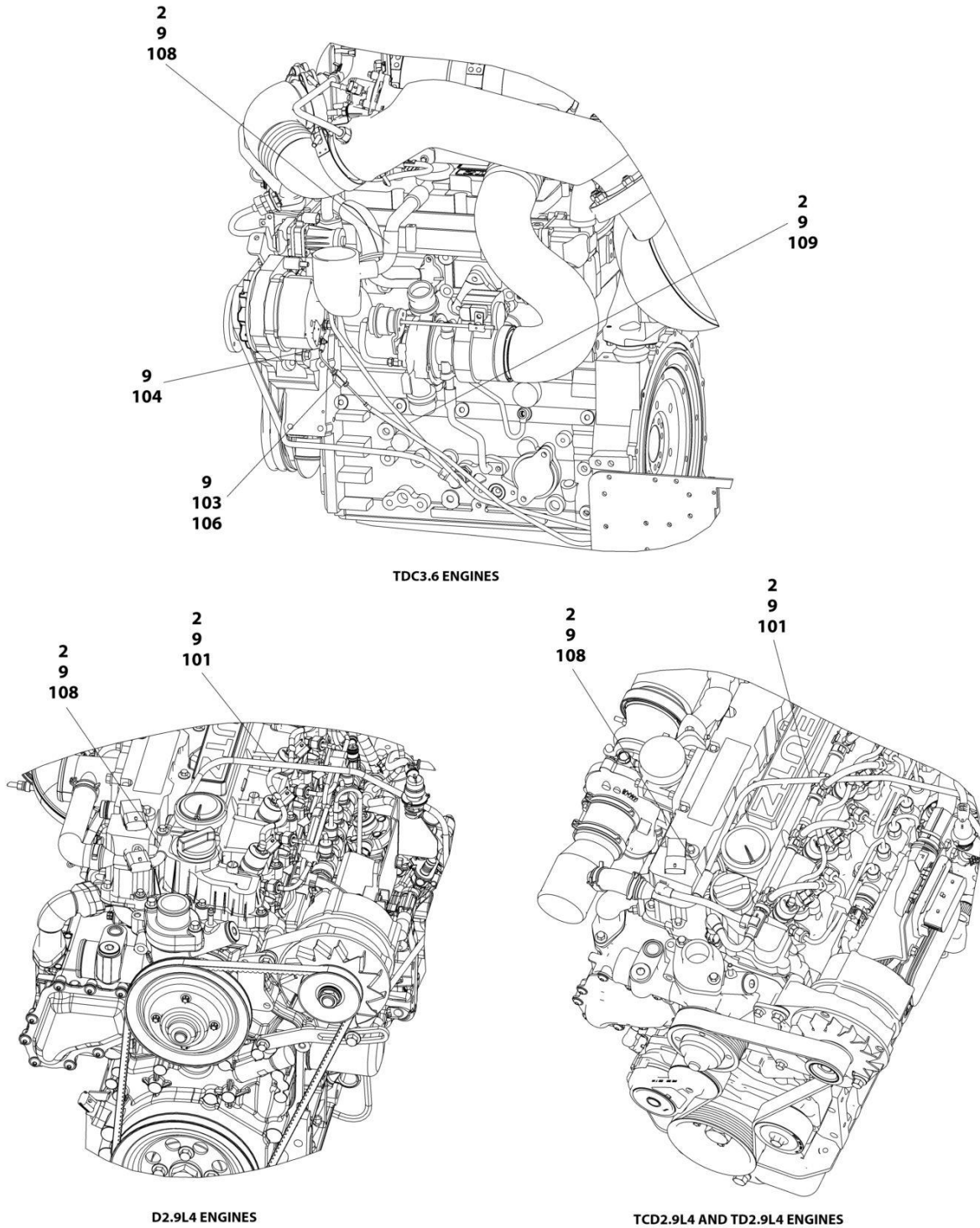
SECTION 3 - ENGINE

FIGURE 3-23. FUEL PUMP/FILTER BRACKET ASSEMBLY (DEUTZ TD2.9L4 (STAGE V) ENGINES)

ITEM	PART NUMBER	QTY	DESCRIPTION	REV
	1001235949	Ref	BRACKET ASSEMBLY - FUEL PUMP AND FILTER (DEUTZ D2.9L4 (STAGE V) ENGINE)	A
1	0100035	AR	Compound, Locking	
2	0641610	2	Bolt 3/8 x 1-1/4	
3	0721006	4	Bolt #10 x 3/4	
4	3311001	4	Nut #10	
5	3311605	2	Nut 3/8	
6	4711000	8	Washer #10	
7	4711600	4	Washer 3/8	
8	8405006	2	Clamp	
9	1001141870	1	Plate, Fuel Pump Mount	
10	1001142501	1	Fitting, Elbow Barbed	
11	1001154405	1.5 ft /0.4m	Hose	

SECTION 3 - ENGINE

FIGURE 3-24. BREATHER HEATER INST (DEUTZ TD2.9L4 ENGINES)



ART_1001233763

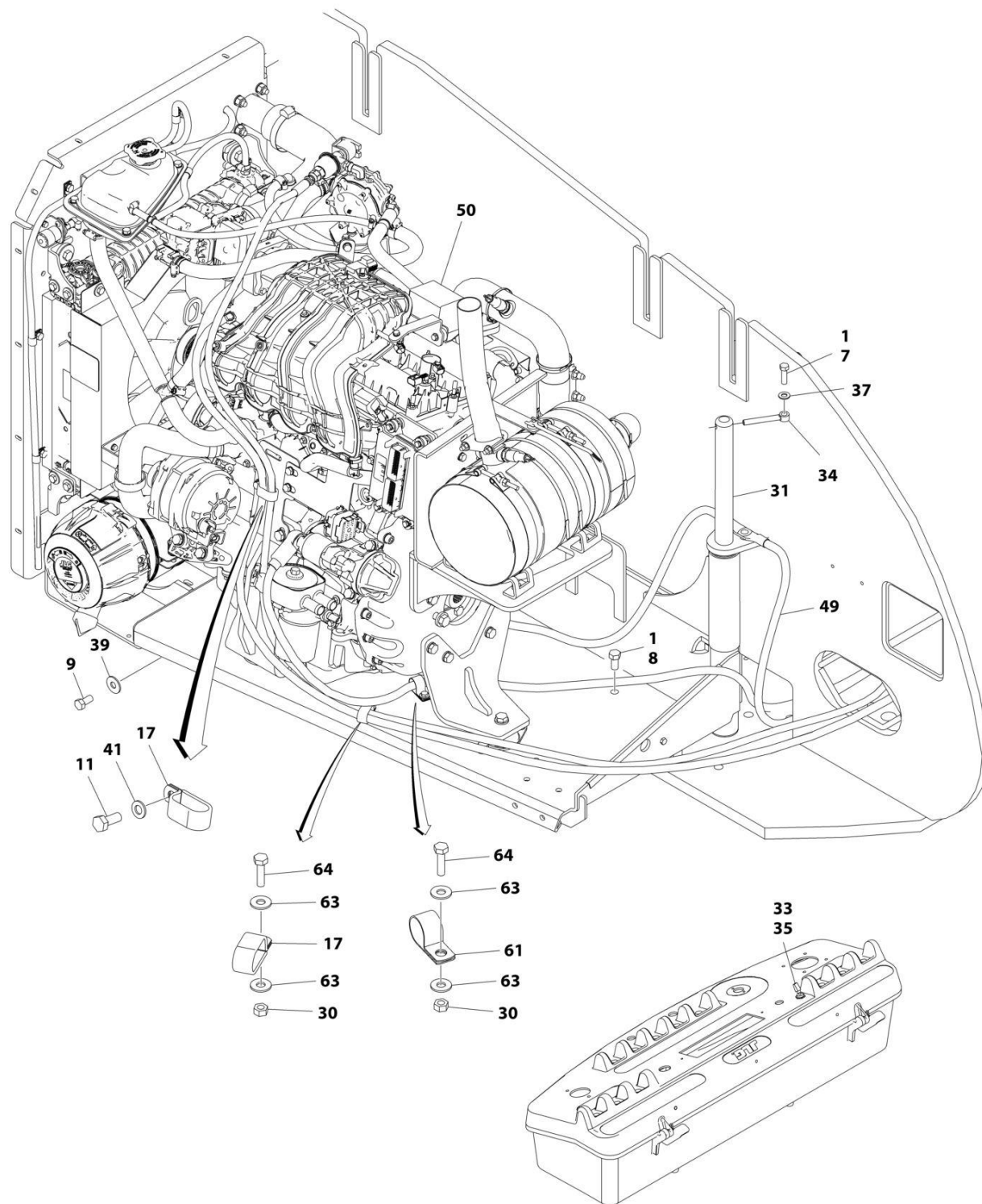
SECTION 3 - ENGINE

FIGURE 3-24. BREATHER HEATER INST (DEUTZ TD2.9L4 ENGINES)

ITEM	PART NUMBER	QTY	DESCRIPTION	REV
	1001233763	Ref	BREATHER HEATER INSTALLATION - DEUTZ ENGINES	D
2	4240099	AR	Tie-Strap	
9	1001243895	1	Breather Heater Harness	C
101	2820035	AR	Insulation	
103	2400060	1	Fuseholder with Cover	
104	4460043	1	Terminal, Ring	
105	4460722	1	Terminal, Ring (Not Shown)	
106	1001196634	1	Fuse - 2 Amp	
108	1001232842	1	Breather Heater Kit	

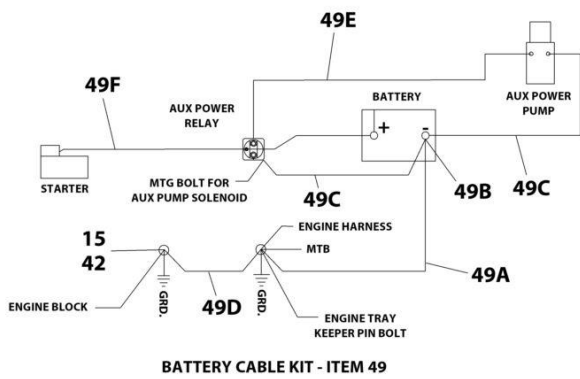
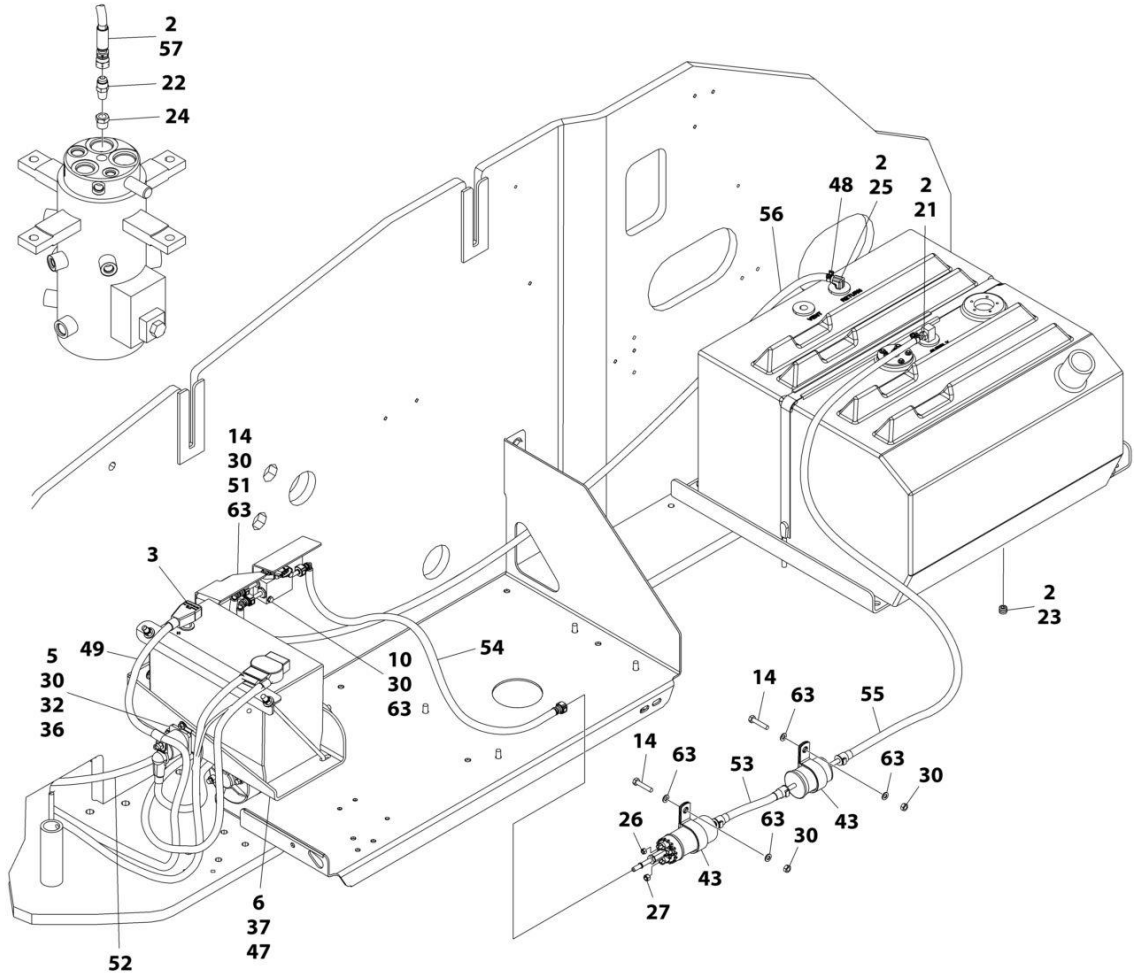
SECTION 3 - ENGINE

FIGURE 3-25. FORD ENGINE INSTALLATION (WITHOUT ARCTIC PACKAGE)



ART_1001217193_10F2

SECTION 3 - ENGINE



ART_1001217193_20F2

SECTION 3 - ENGINE

FIGURE 3-25. FORD ENGINE INSTALLATION (WITHOUT ARCTIC PACKAGE)

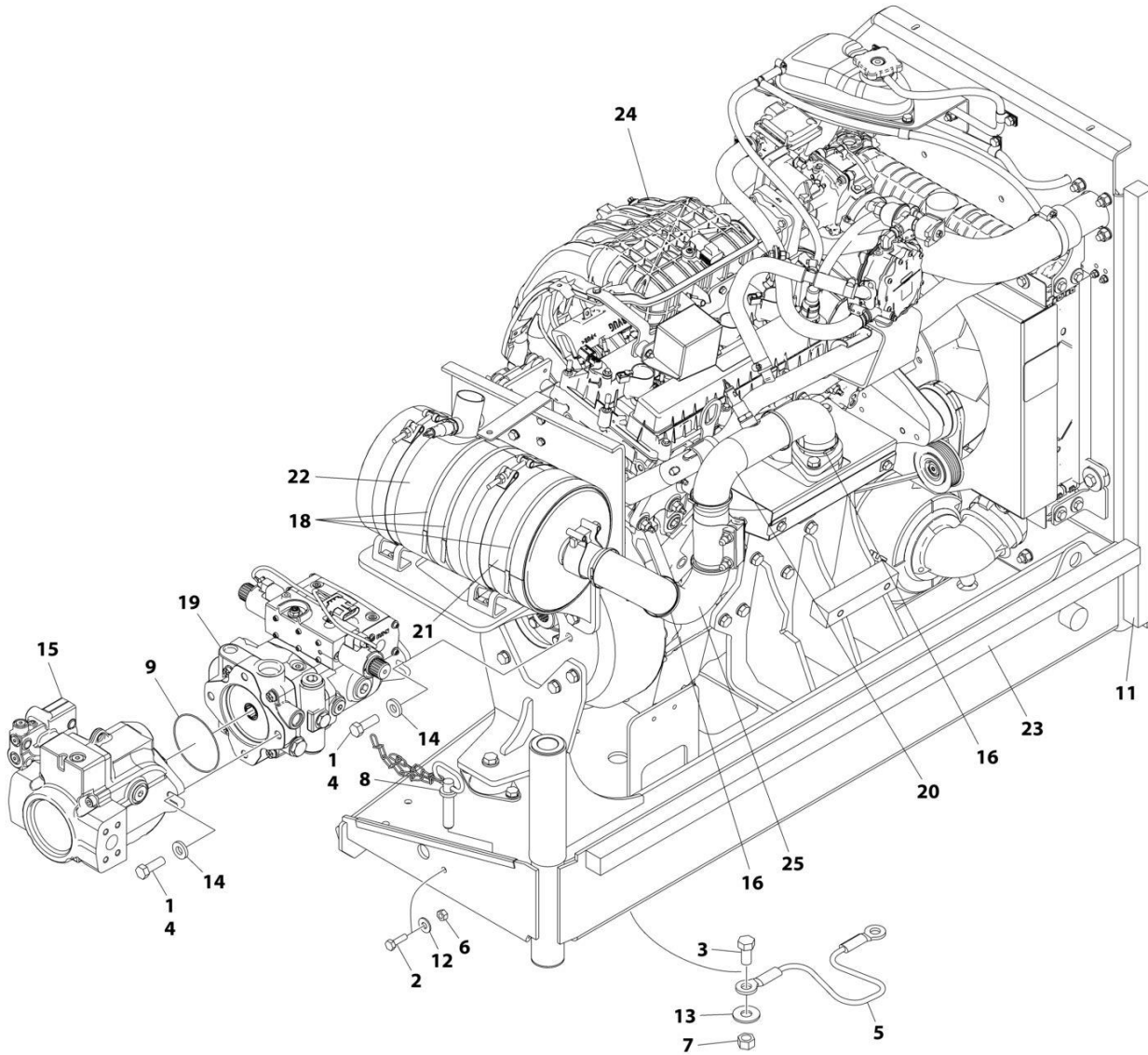
ITEM	PART NUMBER	QTY	DESCRIPTION	REV
	1001217193	Ref	FORD ENGINE INSTALLATION	J
1	0100011	AR	Compound, Locking	
2	0100020	AR	Sealant	
3	0100048	AR	Grease, Terminal	
5	0641406	2	Bolt 1/4 x 3/4	
6	0641607	3	Bolt 3/8 x 7/8	
7	0641610	1	Bolt 3/8 x 1-1/4	
8	0641808	1	Bolt 1/2 x 1	
9	0642010	1	Bolt 5/8 x 1-1/4	
10	0641420	2	Bolt 1/4 x 2-1/2	
11	0760810	1	Bolt M8 x 20	
14	0641412	4	Bolt 1/4 x 1-1/2	
15	0761008	1	Bolt M10 x 16	
17	1321283	2	Clamp	
19	1701542	1	Decal - Gas (Not Shown)	
20	1701543	AR	Decal - LPG (Not Shown)	
21	2180348	1	Fitting, Straight NPT/Barbed	
22	2180418	1	Fitting, Straight	
24	2221197	1	Fitting, Straight NPT	
25	2221176	1	Fitting, 90	
26	3290405	1	Nut M4	
27	3290505	1	Nut M5	
30	3311405	10	Nut 1/4	
31	3422446	1	Pin	
32	3740067	1	Relay	
33	3790012	1	O-Ring (Not Shown - Located on Platform Console Box)	
34	3841143	1	Keeper, Pin	
35	4360336	1	Switch, Toggle (Not Shown - Located on Platform Console Box)	
36	4711400	4	Washer 1/4	
37	4711600	4	Washer 3/8	
39	4752000	1	Washer 5/8	
41	4811900	1	Washer M8	
42	4812000	1	Washer M10	
43	85941018	2	Clamp	
47	1001162497	1	Bracket, Battery	
48	1001174486	2	Clamp	
49	1001216568	1	Battery Cable Kit	
49A	7027084	1	Cable, Battery - Ground to Battery -	
49B	8270147	1	Terminal, Battery with Boot	
49C	7027085	1	Cable, Battery - Auxiliary Pump/Relay to Battery -	
49D	7027086	1	Cable, Battery - Engine to Ground	
49E	7027088	1	Cable, Battery - Auxiliary Relay to Auxiliary Pump	
49F	70009020	1	Cable, Battery - Starter/Auxiliary Relay to Battery +	
50	1001217192	Ref	Ford Engine and Pump Sub-Assembly (See Separate Breakdown in this Section)	
51	1001219370	1	Bracket	
52	1001219634	1	Hose	
53	1001156823	1	Hose	
54	1001219636	1	Hose	
55	1001219637	1	Hose	

SECTION 3 - ENGINE

ITEM	PART NUMBER	QTY	DESCRIPTION	REV
56	1001219638	1	Hose	
57	1001219639	1	Hose	
58	4240099	AR	Tie-Strap (Not Shown)	
61	8406201	1	Clip	
63	4751400	16	Washer 1/4	
64	0641408	2	Bolt 1/4 x 1	

SECTION 3 - ENGINE

FIGURE 3-26. FORD ENGINE AND PUMP SUB-ASSEMBLY (WITHOUT ARCTIC PACKAGE)



ART_1001217192

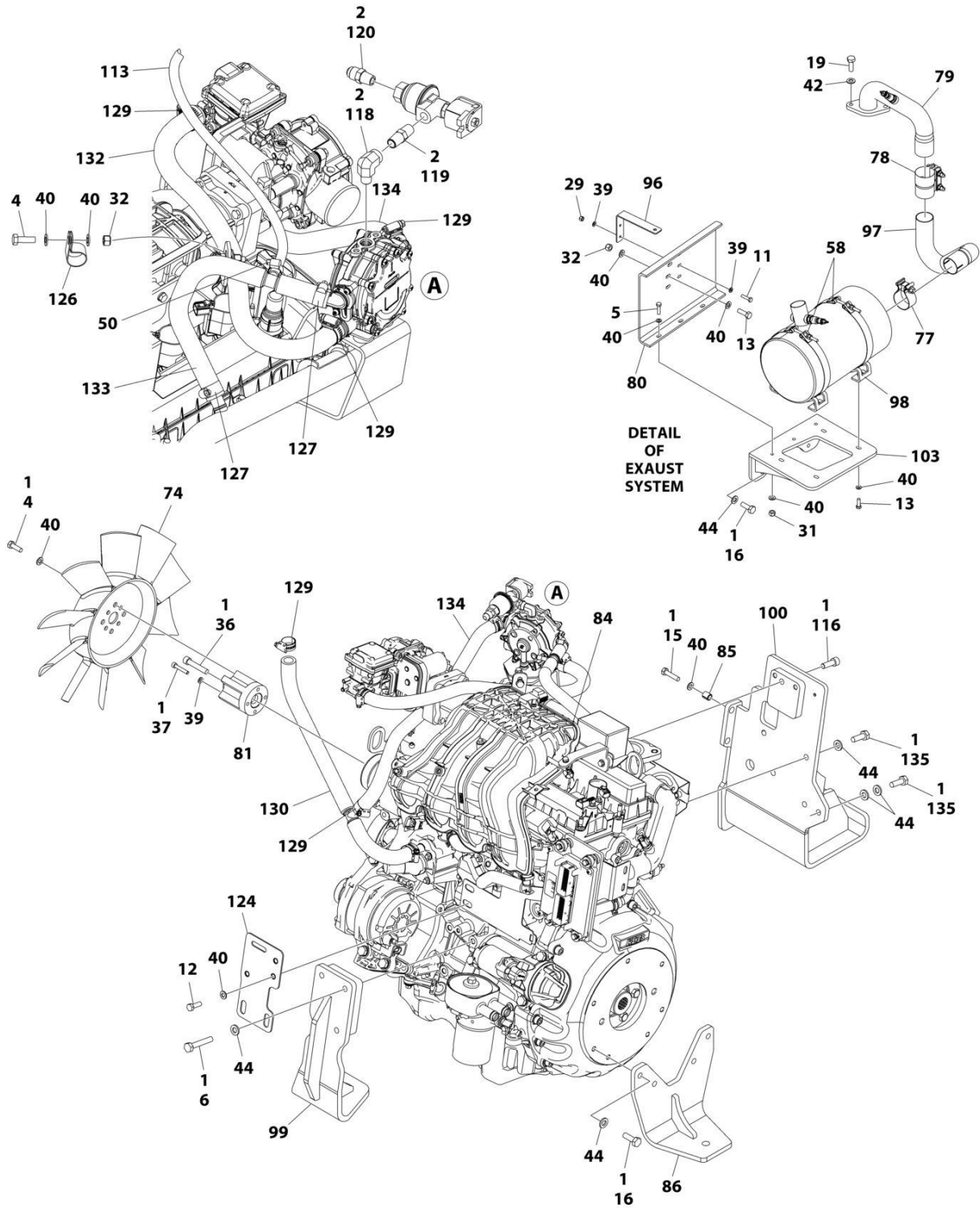
SECTION 3 - ENGINE

FIGURE 3-26. FORD ENGINE AND PUMP SUB-ASSEMBLY (WITHOUT ARCTIC PACKAGE)

ITEM	PART NUMBER	QTY	DESCRIPTION	REV
	1001217192	Ref	FORD ENGINE AND PUMP SUB-ASSEMBLY (WITHOUT ARCTIC PACKAGE)	G
1	0100011	AR	Compound, Locking	
2	0641407	1	Bolt 1/4 x 7/8	
3	0641808	1	Bolt 1/2 x 1	
4	0641812	4	Bolt 1/2 x 1-1/2	
5	1060637	1	Cable, Lanyard	
6	3311405	1	Nut 1/4	
7	3311805	1	Nut 1/2	
8	3422532	1	Pin	
9	3790044	1	O-Ring	
11	3960469	1	Seal	
12	4751400	1	Washer 1/4	
13	4751800	1	Washer 1/2	
14	4891800	4	Washer 1/2	
15	1001094595	1	Variable Pump Assembly (See Separate Breakdown in this Section)	
16	1001100825	6	Strap	
18	1001221464	3	Strap	
19	1001225745	1	Hydrostatic Pump Assembly (See Separate Breakdown in this Section)	
20	1001216532	1	Insulate, Exhaust Pipe	
21	1001216534	1	Insulate, Muffler	
22	1001216535	1	Insulate, Muffler	
23	1001217170	1	Seal	
24	1001217191	1	Ford Engine Assembly without Arctic Package (See Separate Breakdown in this Section)	
25	1001218085	1	Insulate, Exhaust Pipe	

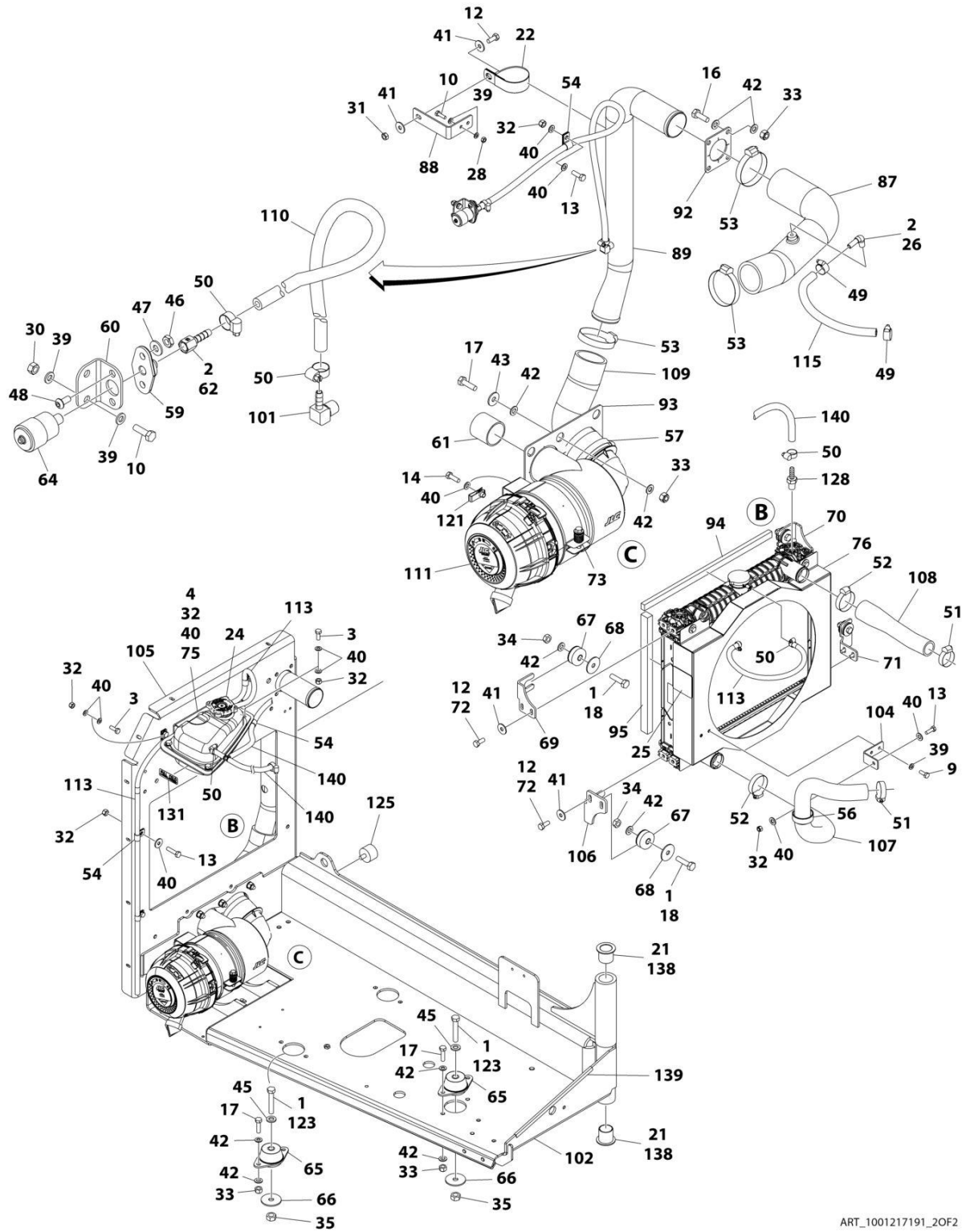
SECTION 3 - ENGINE

FIGURE 3-27. FORD ENGINE ASSEMBLY (WITHOUT ARCTIC PACKAGE)



ART_1001217191_10F2

SECTION 3 - ENGINE



ART_1001217191_2OF2

SECTION 3 - ENGINE

FIGURE 3-27. FORD ENGINE ASSEMBLY (WITHOUT ARCTIC PACKAGE)

ITEM	PART NUMBER	QTY	DESCRIPTION	REV
	1001217191	Ref	FORD ENGINE ASSEMBLY	S
1	0100011	AR	Compound, Locking	
2	0100020	AR	Sealant	
3	0700810	3	Bolt 8 x 20	
4	0700812	7	Bolt 8 x 25	
5	0700814	3	Bolt 8 x 30	
6	0711020	3	Bolt M10 x 60	
9	0760608	2	Bolt 6 x 16	
10	0760610	4	Bolt M6 x 20	
11	0760612	2	Bolt 6 x 25	
12	0760810	11	Bolt M8 x 20	
13	0760812	12	Bolt M8 x 25	
14	0760814	2	Bolt M8 x 30	
15	0760815	2	Bolt M8 x 35	
16	0761014	11	Bolt M10 x 30	
17	0761015	12	Bolt M10 x 35	
18	0761016	4	Bolt M10 x 40	
19	0771014	2	Bolt 10 x 30	
21	0961986	2	Bearing, Flange	
22	1320110	1	Clamp	
23	1001187781	1	Tie-Strap (Not Shown)	
24	1001223584	1	Tank, Surge	
25	1703162	2	Decal - Fan Blade	
26	2180467	1	Fitting, Straight NPT/Barb	
28	3290601	2	Nut M6	
29	3290605	2	Nut M6	
30	3290607	2	Nut M6	
31	3290801	4	Nut M8	
32	3290805	14	Nut M8	
33	3291005	16	Nut M10	
34	3291001	4	Nut M10	
35	3291201	3	Nut M12	
36	3931644	1	Screw 3/8 x 2-3/4	
37	4031711	4	Capscrew M6 x 35	
38	4240099	AR	Tie-Strap (Not Shown)	
39	4811700	18	Washer M6	
40	4811900	48	Washer M8	
41	4811902	10	Washer M8	
42	4812000	38	Washer M10	
43	4812002	6	Washer M10	
44	5241000	15	Washer M10	
45	5241200	3	Washer M12	
46	8305401	2	Nut Jam	
47	8307109	2	Washer	
48	8310548	2	Screw 1/4 x 1/2	
49	8405006	2	Clamp	
50	8405009	5	Gear	
51	8405102	2	Clamp	
52	8405104	2	Clamp	
53	8405203	3	Clamp	

SECTION 3 - ENGINE

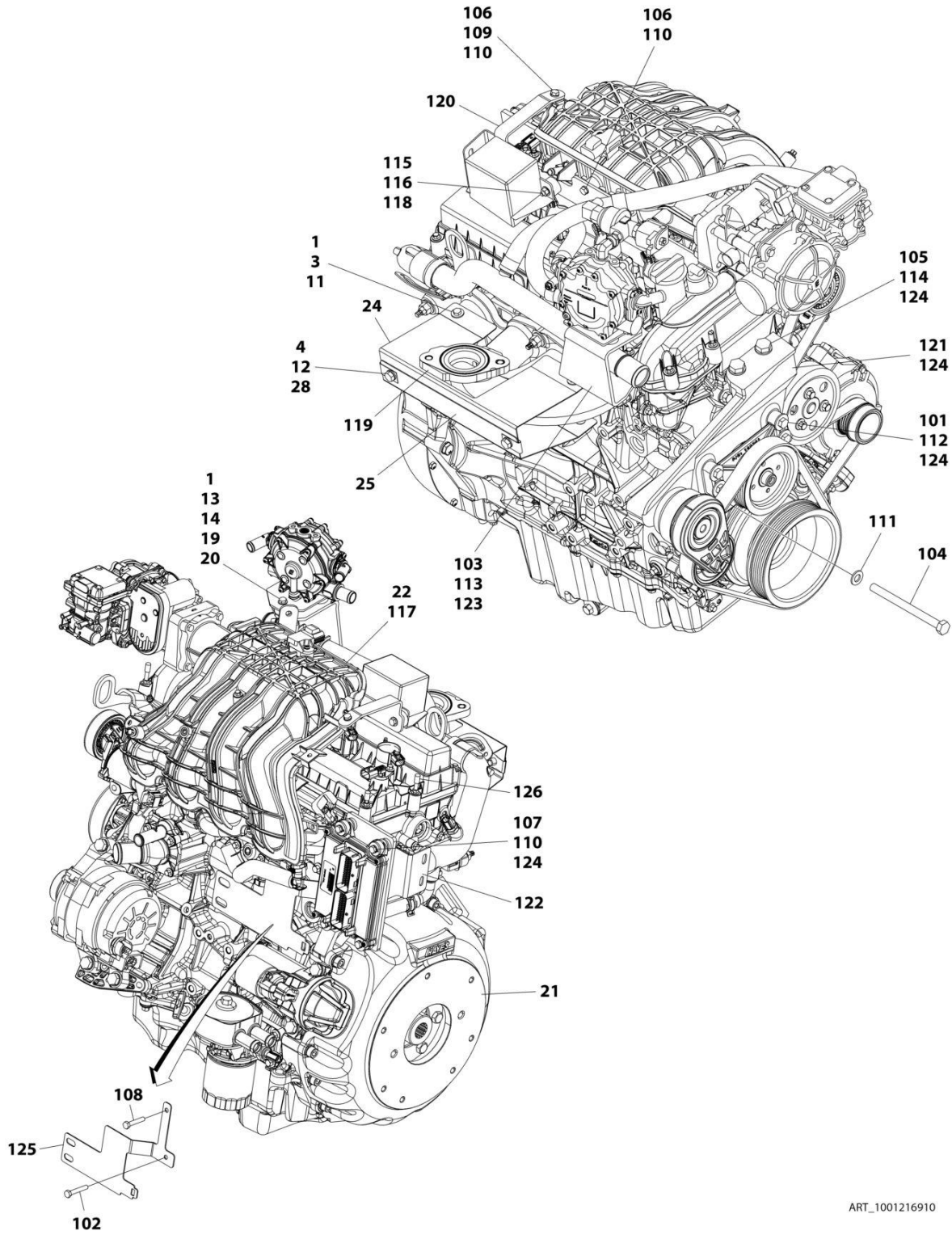
ITEM	PART NUMBER	QTY	DESCRIPTION	REV
54	8406109	6	Clip	
56	8410001	1	Clamp	
57	8410011	1	Clamp	
58	1001128901	2	Strap	
59	1001138173	1	Support	
60	1001138175	1	Bracket	
61	1001141585	1	Hose	
62	1001141995	2	Fitting, Straight NPT/Barbed	
64	1001149639	1	Indicator, Restriction	
65	1001191610	3	Mount, Motor	
66	1001168018	3	Washer	
67	1001169054	4	Isolator	
68	1001169138	4	Pad, Snubbing	
69	1001169967	1	Bracket	
70	1001170035	1	Bracket	
71	1001176329	1	Bracket	
72	1001180620	AR	Adhesive	
73	1001186426	1	Clamp	
74	1001223042	1	Fan	
75	1001225442	1	Bracket	
76	1001223923	1	Radiator	
77	1001215681	1	Clamp	
78	1001215974	1	Clamp	
79	1001216075	1	Pipe, Exhaust	
80	1001216092	1	Shield, Heat	
81	1001216201	1	Adapter	
84	1001216910	1	Ford Engine Prep Assembly (See Separate Breakdown in this Section)	
85	1001216919	2	Sleeve	
86	1001290252	1	Mount, Engine Rear	
87	1001217032	1	Tube	
88	1001217046	1	Bracket	
89	1001217090	1	Tube	
92	1001217174	1	Seal	
93	1001217175	1	Seal	
94	1001217183	2	Seal	
95	1001217185	2	Seal	
96	1001217186	1	Support	
97	1001217317	1	Pipe	
98	1001217543	2	Mount	
99	1001218362	1	Mount	
100	1001218449	1	Bracket	
101	1001134488	1	Fitting	
102	1001219259	1	Support	
103	1001219345	1	Muffler	
104	1001219361	1	Support	
105	1001219363	1	Plate	
106	1001219480	1	Bracket	
107	1001219611	1	Hose	
108	1001219612	1	Hose	
109	1001219613	1	Tube	

SECTION 3 - ENGINE

ITEM	PART NUMBER	QTY	DESCRIPTION	REV
110	1001138248	31 in/ 77cm	Tube	
111	1001189979	1	Air Filter Assembly	
111	70005008	1	Element, Filter - Primary	
111	70006460	1	Element, Filter -Secondary	
111	8273291	1	Valve, Dust Evacuator	
111	70006461	1	Cover	
113	2720058	55 in/ 1.5m	Hose	
115	1001165035	10 26cm	Hose	
116	5272010	1	Bolt M10 x 30	
118	1001247359	1	Fitting, 90 FSNPSM/NPTF	
119	2220261	1	Fitting	
120	2180418	1	Fitting	
121	1001221615	2	Nut M8	
123	0711223	3	Bolt 12 x 75	
124	1001222033	1	Plate	
125	0940070	1	Bumper	
126	8406201	1	Clip	
127	8410009	2	Gear Clamp	
128	2180348	1	Fitting	
129	1001173535	6	Clamp	
130	1001224489	1	Hose	
131	1001225510	1	Decal	
132	1001216531	1	Hose	
133	1001227666	1	Hose	
134	1001224486	1	Hose	
135	0711014	5	Bolt 10 x 30	
138	0100062	AR	Compound Locking	
139	4060805	16 in/ 41cm	Shield	
140	1001227667	1	Hose	
141	1001303818	1	Washer M10	

SECTION 3 - ENGINE

FIGURE 3-28. FORD ENGINE PREP ASSEMBLY



ART_1001216910

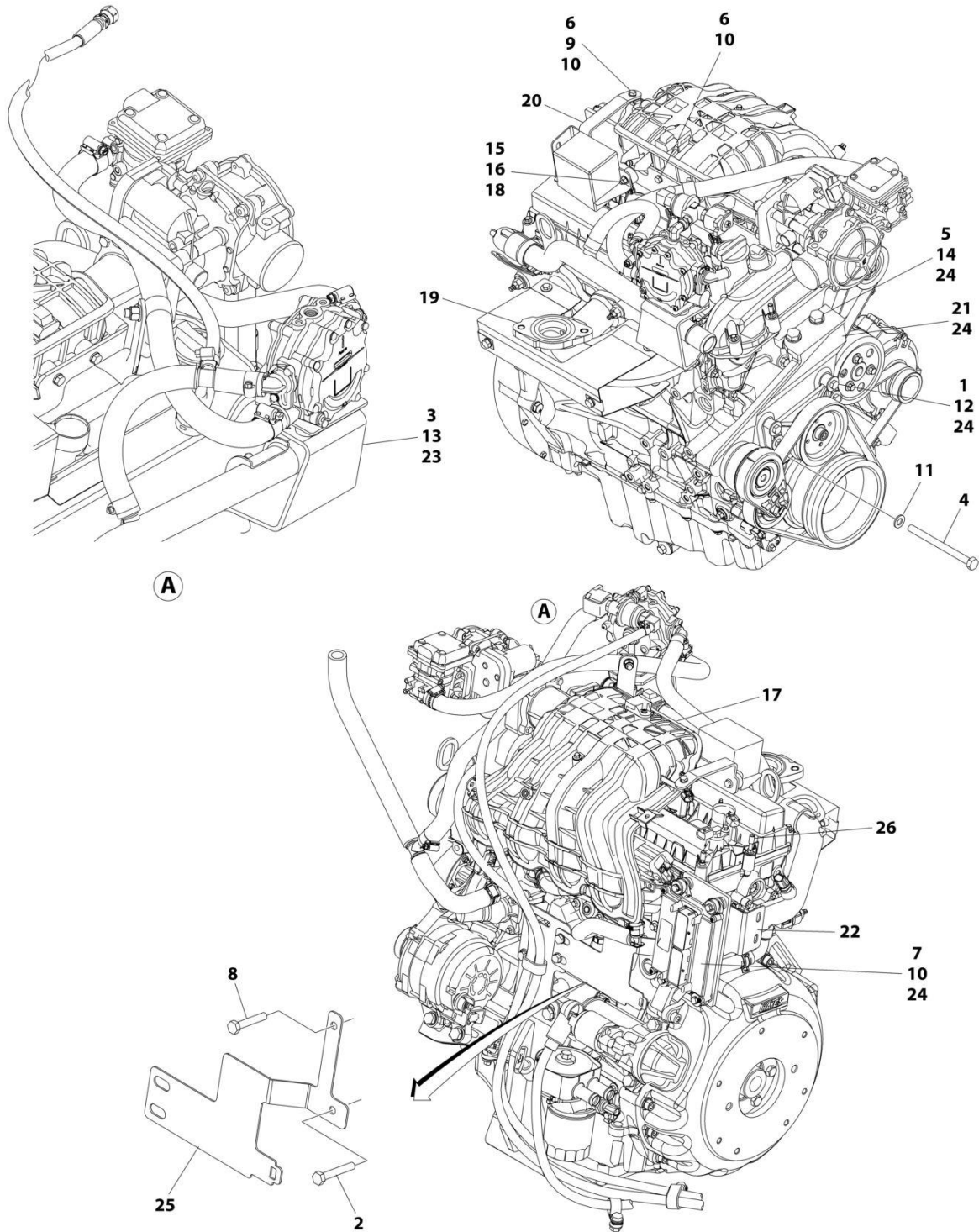
SECTION 3 - ENGINE

FIGURE 3-28. FORD ENGINE PREP ASSEMBLY

ITEM	PART NUMBER	QTY	DESCRIPTION	REV
	1001216910	Ref	FORD ENGINE PREP ASSEMBLY	F
1	0100011	AR	Compound, Locking	
3	0760605	4	Bolt M6 x 10	
4	0760807	2	Bolt M8 x 14	
11	4811702	4	Washer M6	
12	4811900	2	Washer M8	
13	5250605	3	Bolt M6 x 10	
14	5260600	1	Nut M6 Class 10	
19	1001211794	3	Mount, Isolator	
20	1001227769	1	Plate	
21	1001213810	1	Pump Coupling Kit	
21	70006134	1	Coupling	
21	70006135	1	Housing	
21	70006136	1	Hardware Kit	
22	1001216065	1	Ford Engine Assembly (See Items 101-126 for Breakdown)	
24	1001216768	1	Bracket	
25	1001216769	1	Bracket	
28	1001149160	2	Nut, Tinnerman M8	
	1001216065	Ref	FORD ENGINE PREP ASSEMBLY - BRACKETS/EXHAUST MANIFOLD	M
101	0700816	4	Bolt M8 x 40	
102	0700818	1	Bolt M8 x 50	
103	0701014	2	Bolt M10 x 30	
104	0710827	1	Bolt M8 x 100 Grade 10.9	
105	0711216	2	Bolt M12 x 40	
106	0760610	3	Bolt M6 x 20	
107	0760615	4	Bolt M6 x 35	
108	0760817	1	Bolt M8 x 45	
109	3290601	1	Nut M6	
110	4811700	8	Washer M6	
111	4811900	1	Washer M8	
112	4811902	4	Washer M8	
113	4812000	1	Washer M10	
114	4812100	2	Washer M12	
115	5250605	2	Bolt M6 x 10	
116	5260600	2	Nut M6 Class 10	
117	1001210448	1	Engine, Ford 2.5L (See Separate Breakdown in this Section)	
118	1001211794	2	Mount	
119	1001214827	1	Manifold, Exhaust	
120	1001215384	1	Bracket	
121	1001216071	1	Bracket	
122	1001216144	1	Support, Muffler	
123	1001227772	1	Mount, Vaporizer	
124	0100011	AR	Compound, Locking	
125	1001221545	1	Plate	
126	1001222641	6	Cap	

SECTION 3 - ENGINE

FIGURE 3-29. FORD ENGINE BRACKETS AND EXHAUST MANIFOLD INSTALLATION



ART_1001216065

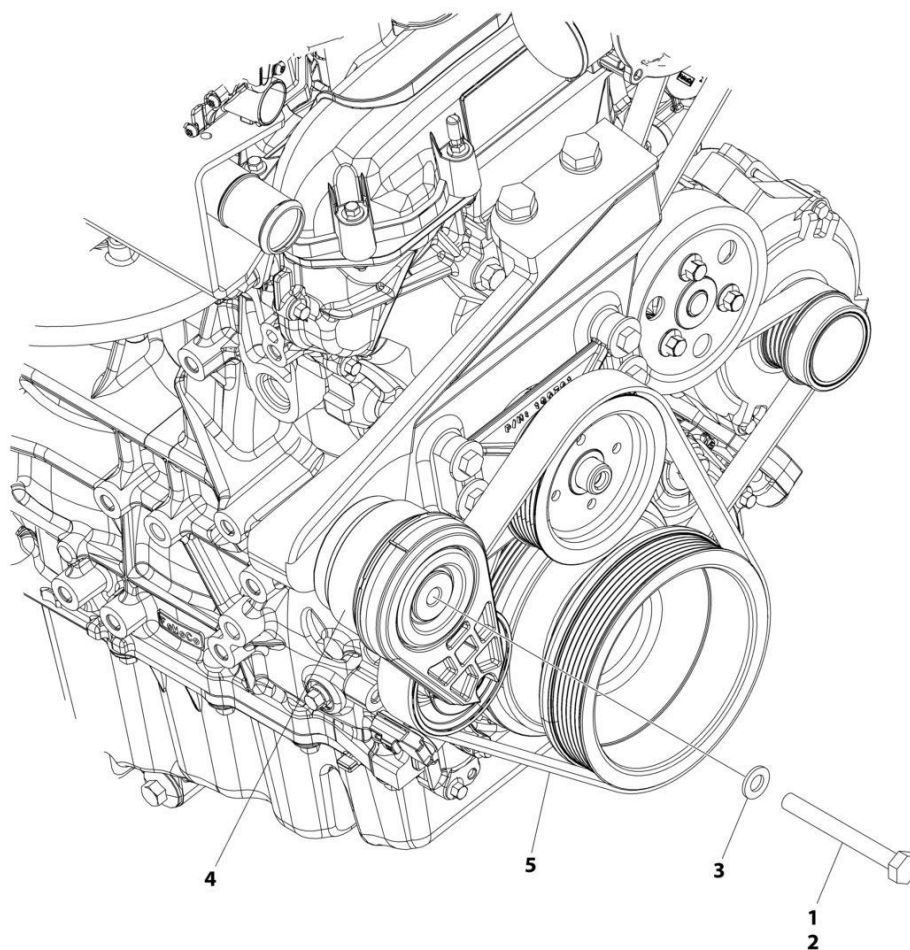
SECTION 3 - ENGINE

FIGURE 3-29. FORD ENGINE BRACKETS AND EXHAUST MANIFOLD INSTALLATION

ITEM	PART NUMBER	QTY	DESCRIPTION	REV
	1001216065	Ref	FORD ENGINE ASSEMBLY - BRACKETS/EXHAUST MANIFOLD	N
1	0700816	4	Bolt M8 x 40	
2	0700818	1	Bolt M8 x 50	
3	0701014	2	Bolt M10 x 30	
4	0710827	1	Bolt M8 x 100 Grade 10.9	
5	0711216	2	Bolt M12 x 40	
6	0760610	3	Bolt M6 x 20	
7	0760615	4	Bolt M6 x 35	
8	0760817	1	Bolt M8 x 45	
9	3290601	1	Nut M6	
10	4811700	8	Washer M6	
11	4811900	1	Washer M8	
12	4811902	4	Washer M8	
13	4812000	1	Washer M10	
14	4812100	2	Washer M12	
15	5250605	2	Bolt M6 x 10	
16	5260600	2	Nut M6 Class 10	
17	1001210448	1	Engine, Ford 2.5L (See Separate Breakdown in this Section)	
18	1001211794	2	Mount	
19	1001214827	1	Manifold, Exhaust	
20	1001215384	1	Bracket	
21	1001216071	1	Bracket	
22	1001216144	1	Support, Muffler	
23	1001227772	1	Mount, Vaporizer	
24	0100011	AR	Compound, Locking	
25	1001221545	1	Plate	
26	1001222641	6	Cap	

SECTION 3 - ENGINE

FIGURE 3-30. FORD ENGINE DRIVE BELT INSTALLATION (MACHINES WITHOUT GENERATOR)



ART_1001220404

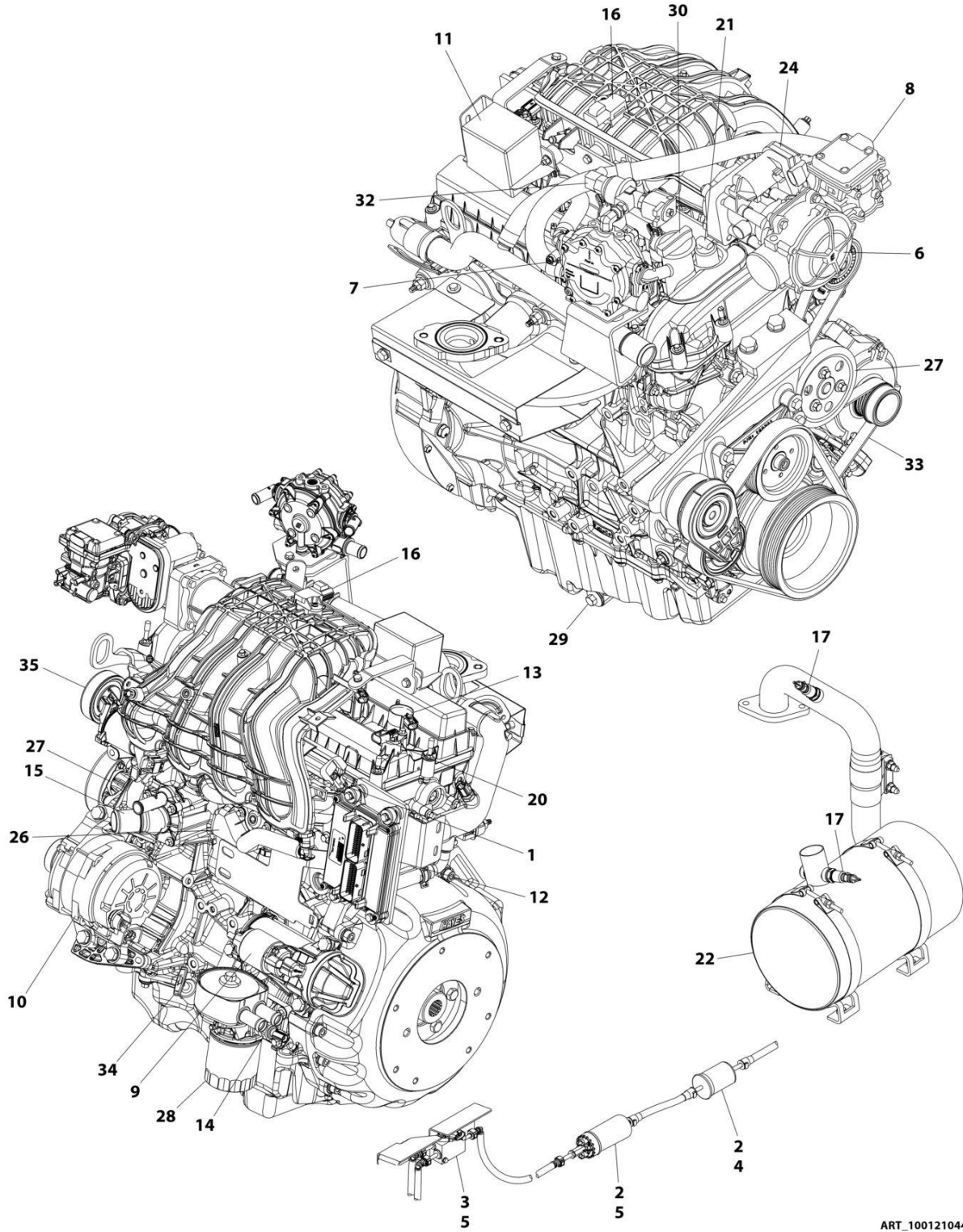
SECTION 3 - ENGINE

FIGURE 3-30. FORD ENGINE DRIVE BELT INSTALLATION (MACHINES WITHOUT GENERATOR)

ITEM	PART NUMBER	QTY	DESCRIPTION	REV
	1001220404	Ref	DRIVE BELT INSTALLATION	C
1	0100011	AR	Compound, Locking	
2	0701026	1	Bolt M10 x 90	
3	4812002	1	Washer M10	
4	1001216300	1	Pulley	
5	1001216619	1	V-Belt	

SECTION 3 - ENGINE

FIGURE 3-31. FORD ENGINE COMPONENTS



ART_1001210448

SECTION 3 - ENGINE

FIGURE 3-31. FORD ENGINE COMPONENTS

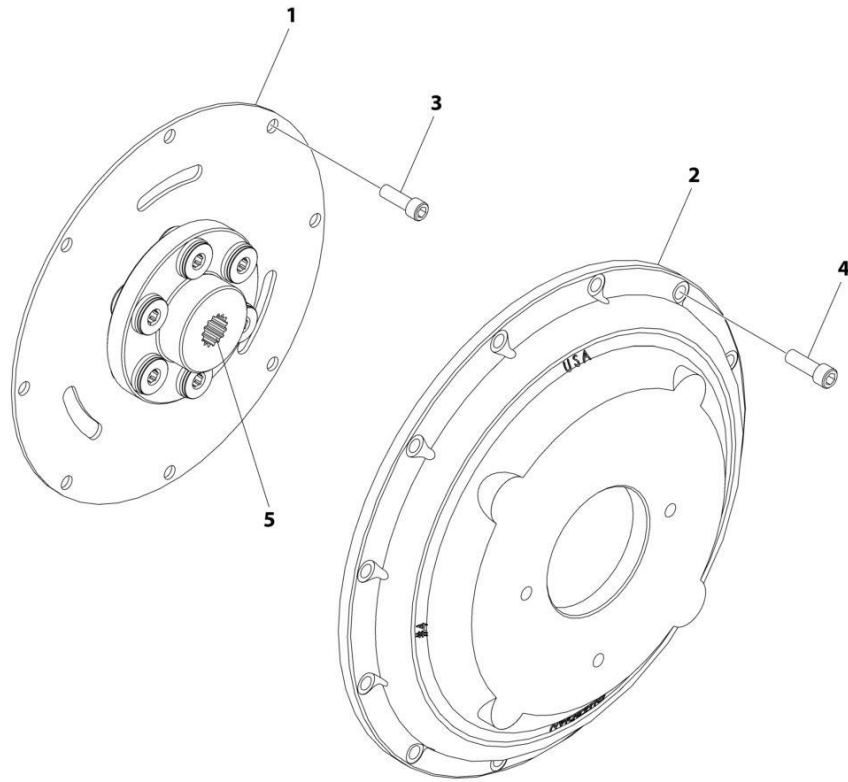
ITEM	PART NUMBER	QTY	DESCRIPTION	REV
	1001210448	Ref	FORD ENGINE COMPONENTS	H
1	70006145	4	Injector, Fuel	
1	70006147	1	Rail, Fuel	
2	70006150	1	Pump, Fuel	
2	70006154	1	Fitting M10	
3	70006151	1	Block, Fuel	
3	70006152	2	Fitting SAE6	
3	70006153	1	Fitting SAE3	
3	70006189	1	Harness, Fuel Block	
4	70006155	1	Filter, Fuel	
5	7022162	8	Clamp	
5	70006157	8	Clip, Fuel Quick Disconnect	
6	70006158	1	Mixer, LP	
6	70006168	1	Mixer Diaphragm Replacement Kit	
6	70006159	1	Adapter, Mixer to Governor	
6	70006160	1	O-Ring, Mixer to Adapter	
6	70006161	1	Seal, Mixer to Adapter	
7	70006162	1	Regulator, LP Vapor	
7	70006166	2	Fitting	
7	70006167	1	Fitting, Straight	
7	70006165	2	Isolator, Rubber	
8	70006163	1	Regulator, Direct Electronic Pressure	
8	70006164	1	Adapter, Fitting 90	
9	70006169	1	Starter	
9	70006233	1	Harness, Alternator/Starter	
10	70006170	1	Alternator	
11	70006173	1	Cover, Relay Box	
11	70006171	2	Relay (Fuel Pump & Power)	
11	70006172	1	Relay (Starter)	
11	70006175	1	Fuse - 20Amp (Starter)	
11	70006174	1	Decal - Relay Box Cover	
11	70006188	1	Harness, Engine	
11	70006165	2	Isolator, Rubber	
12	70006176	1	Module - Engine Control Unit (ECU/GCP)	
12	70006191	1	Software & Diagnostic Cable	
13	70006177	4	Coil and Boot Assembly	
13	70006178	4	Plug, Spark	
14	70006179	1	Switch, Oil Pressure	
15	70006180	1	Sensor, Knock	
16	70006181	1	Sensor, TMAP	
17	70006182	2	Sensor, O2	
18	70006183	1	Sensor, Coolant Temperature (Not Shown - Located Rear of Engine Block)	
19	70006184	1	Sensor, Crank Position (Not Shown - Located at Front RH Side of Block)	
20	70006185	1	Sensor, Cam Position	
21	70006186	1	Solenoid, Timing	
21	70006187	1	Grommet, Rubber	
22	70006194	1	Muffler	
22	70006195	1	Plug (Located at Muffler Outlet)	

SECTION 3 - ENGINE

ITEM	PART NUMBER	QTY	DESCRIPTION	REV
23		Ref	Gasket Options (Not Shown)	
23	70006196	1	Gasket, Exhaust Manifold to Head	
23	70006197	1	Gasket, Exhaust Manifold Outlet	
23	70006200	1	Gasket, Intake Manifold to Head	
23	70006219	1	Gasket Set - Camshaft Cover	
23	70006225	1	Gasket, Cylinder Head	
24	70006198	1	Governor	
24	7027404	1	Gasket, Governor Actuator	
24	70006199	1	Gasket, Governor to Intake Manifold Adapter	
25	70006203	1	Flywheel (Not Shown)	
26	70006205	1	Thermostat (Includes Housing)	
26	70006206	1	Gasket, Water Inlet	
27	70006207	1	Pump, Water	
27	70006208	1	O-Ring, Water Pump	
27	See Note	NSS	Pulley, Water Pump (Note: Not Available for Purchase at This Time)	
28	70006213	1	Filter, Oil	
29	70006215	1	Plug, Oil Drain	
29	70006217	1	Gasket, Oil Drain Plug	
30	70006221	1	Cap, Oil Fill	
31	70006232	1	Sensor, Crank (Not Shown)	
32	70006235	1	Valve, Lock-Off (Includes Filter)	
33	70006202	1	Belt	
34	70006236	1	Dipstick	
35	70007108	1	Belt Tensioner	

SECTION 3 - ENGINE

FIGURE 3-32. PUMP COUPLING KIT (DEUTZ ENGINES)



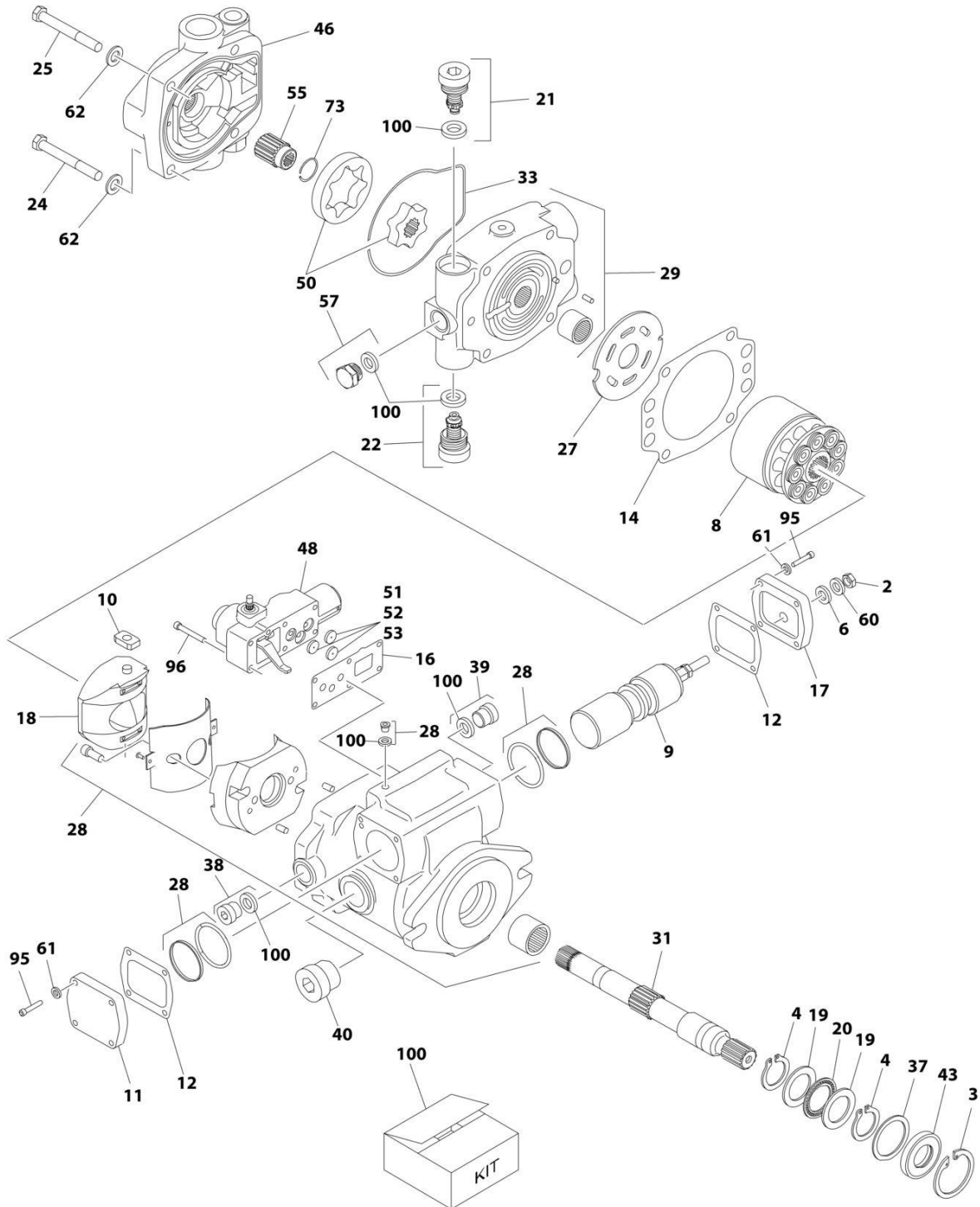
ART_1001153282

SECTION 3 - ENGINE**FIGURE 3-32. PUMP COUPLING KIT (DEUTZ ENGINES)**

ITEM	PART NUMBER	QTY	DESCRIPTION	REV
	1001153282	Ref	PUMP COUPLING KIT	E
1	70004183	1	Coupling Guardian	
2	See Note	NSS	Plate, Pump Adapter (Note: Use p/n 1001153282)	
3	See Note	8	Capscrew M10 x 20 Grade 10.9 (Note: Not Available - Purchase Locally or Purchase Kit)	
4	See Note	12	Capscrew M10 x 25 Grade 10.9 (Note: Not Available - Purchase Locally or Purchase Kit)	
5	3020021	AR	Grease, Coupling	

SECTION 3 - ENGINE

FIGURE 3-33. HYDROSTATIC PUMP ASSEMBLY



ART_1001225745

SECTION 3 - ENGINE

FIGURE 3-33. HYDROSTATIC PUMP ASSEMBLY

ITEM	PART NUMBER	QTY	DESCRIPTION	REV
	1001225745	Ref	HYDROSTATIC PUMP ASSEMBLY	A
2	70004329	1	Nut	
3	See Note	NSS	Ring, Retaining (Note: Use Item 100)	
4	See Note	NSS	Ring, Retaining (Note: Use Item 100)	
6	See Note	NSS	Washer, Seal (Note: Use Item 100)	
8	70004331	1	Cylinder Block Assembly	
9	70004332	1	Servo Piston Assembly	
10	70004333	1	Follower, Servo Piston	
11	70005458	1	Cover	
12	See Note	NSS	Gasket, Cover (Note: Use Item 100)	
14	See Note	NSS	Gasket, Housing (Note: Use Item 100)	
16	See Note	NSS	Gasket, Control Housing (Note: Use Item 100)	
17	70005459	1	Cover	
18	70004336	1	Camplate Assembly	
19	7004907	2	Race, Thrust	
20	7004908	1	Bearing, Thrust	
21	70004337	1	Relief Valve Assembly	
22	70004337	1	Relief Valve Assembly	
24	70004338	2	Capscrew	
25	70004338	2	Capscrew	
27	70004340	1	Plate, Valve	
28	See Note	NSS	Housing (Note: Not Available - Purchase Assembly)	
29	70005460	1	End Cover Assembly	
31	70004342	1	Shaft, Drive	
33	See Note	NSS	O-Ring (Note: Use Item 100)	
37	7004906	1	Washer	
38	70005461	1	Plug	
39	70005461	1	Plug	
40	70005462	1	Plug	
43	See Note	NSS	Seal, Shaft (Note: Use Item 100)	
46	70004343	1	Adapter, Charge Pump	
48	70004344	1	Servo Control Assembly	
50	70004345	1	Gerotor	
51	70004346	1	Orifice	
52	70004346	1	Orifice	
53	70004346	1	Orifice	
55	70004347	1	Coupler	
57	70005463	1	Plug	
60	70004348	1	Washer	
61	70004349	8	Washer	
62	70004350	4	Washer	
73	70004351	1	Ring, Retaining	
95	70005464	8	Capscrew	
96	70005465	6	Capscrew	
100	70004352	1	Seal Kit - Pump (Includes Items 3, 4, 6, 12, 14, 16, 33 & 43 and Valve and Plug O-Rings and Seals)	

SECTION 3 - ENGINE

FIGURE 3-34. VARIABLE PUMP ASSEMBLY

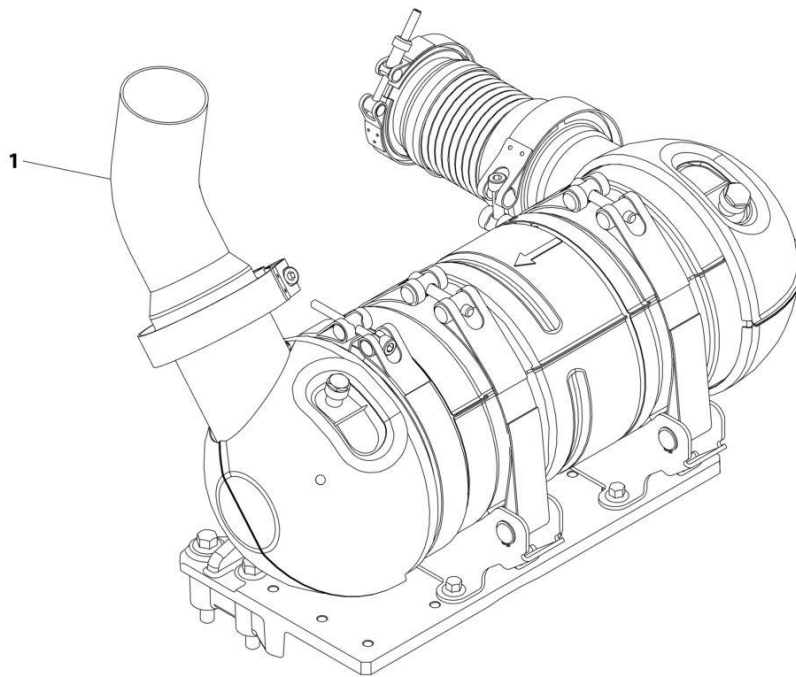
ITEM	PART NUMBER	QTY	DESCRIPTION	REV
	1001094595	Ref	VARIABLE PUMP ASSEMBLY	A
1	7023947	1	Bearing, Front (Includes Cup and Cone)	
2	7023948	1	Bearings, Swash Plate (Includes Both Sides and Pins)	
3	7023956	1	Control Valve Assembly (Includes Items 102-300)	
4	7023949	1	Servo Piston Assembly	
5	7023950	1	Bearing, Rear (Includes Cup and Cone)	
25	7023951	1	Spring	
40	7023952	1	Swash Plate	
45	See Note	NSS	O-Ring (Note: Use Item 600)	
46	See Note	NSS	O-Ring (Note: Use Item 600)	
70	70001954	1	Plate, Valve	
90	70001955	1	Spring, Check Valve	
95	70001956	1	Poppet, Check Valve	
102	See Note	NSS	Setscrew (Note: Use Item 3)	
103	See Note	NSS	Plug (Note: Use Item 3)	
103A	See Note	NSS	O-Ring (Note: Use Item 600)	
106	See Note	NSS	Plug (Note: Use Item 3)	
106A	See Note	NSS	O-Ring (Note: Use Item 600)	
107	See Note	NSS	Plug (Note: Use Item 3)	
107A	See Note	NSS	O-Ring (Note: Use Item 600)	
112	See Note	NSS	Spool, Control (Note: Use Item 3)	
113	See Note	NSS	Guide, Spring (Note: Use Item 3)	
114	See Note	NSS	Spring (Note: Use Item 3)	
115	See Note	NSS	Spring (Note: Use Item 3)	
116	See Note	NSS	O-Ring (Note: Use Item 600)	
117	See Note	NSS	Ring, Back-up (Note: Use Item 600)	
118	See Note	NSS	Plug, Adjusting (Note: Use Item 3)	
132	See Note	NSS	Spool, Control (Note: Use Item 3)	
133	See Note	NSS	Guide, Spring (Note: Use Item 3)	
134	See Note	NSS	Spring (Note: Use Item 3)	
135	See Note	NSS	Spring (Note: Use Item 3)	
138	See Note	NSS	Plug, PC Adjusting (Note: Use Item 3)	
138A	See Note	NSS	O-Ring (Note: Use Item 600)	
200	See Note	NSS	Ring, Seal (Note: Use Item 600)	
300	7023957	4	Screw	
401	7023958	1	Shaft	
402	70001957	1	Cap, End	
403	7023960	4	Screw	
404	7022318	1	Plug	
404A	See Note	NSS	O-Ring (Note: Use Item 600)	
405	7023961	1	Pin	
501	7023962	1	Ring, Retaining	
502	See Note	NSS	Seal, Lip (Note: Use Item 600)	
503	See Note	NSS	Housing (Note: Not Available - Purchase Assembly)	
504	7023964	1	Plug	
504A	7007415	1	O-Ring	
540	7023965	1	Cylinder Block Assembly	
541	See Note	NSS	Block, Cylinder (Note: Use Item 540)	
542	7024868	1	Washer	
543	7024867	1	Spring	

SECTION 3 - ENGINE

ITEM	PART NUMBER	QTY	DESCRIPTION	REV
544	7022314	1	Retainer, Spring	
545	7022311	1	Ring, Retaining	
546	7021275	3	Pin, Slipper	
547	7024864	1	Guide, Slipper	
549	7024866	1	Retainer, Slipper	
550	7023966	9	Piston Assembly	
570	7023964	1	Plug	
570A	7007415	1	O-Ring	
600	7023967	1	Seal Kit - Complete (Includes Items 45, 46, 103A, 106A, 107A, 118, 138A, 200, 444A & 502)	

SECTION 3 - ENGINE

FIGURE 3-35. EXHAUST PIPE INSTALLATION - DEUTZ TD2.9L4 ENGINES



ART_1001216221

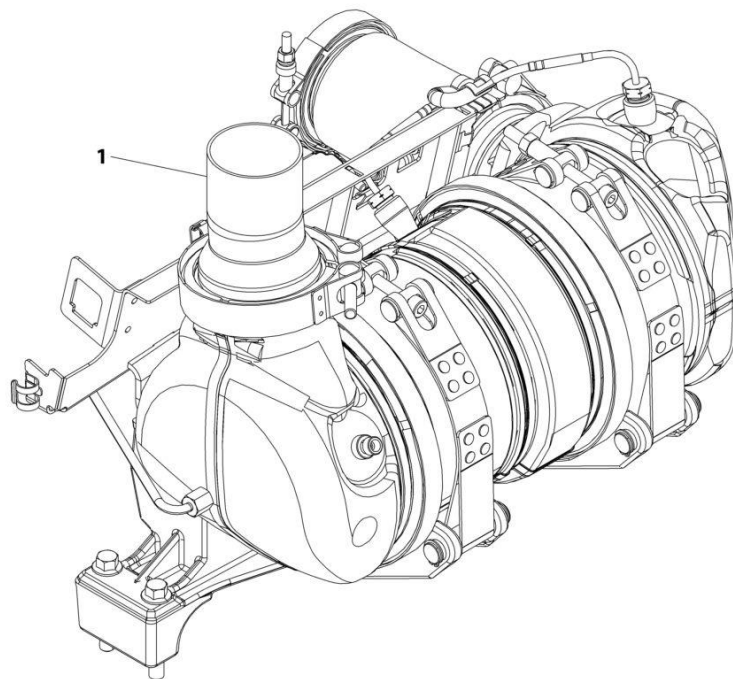
SECTION 3 - ENGINE

FIGURE 3-35. EXHAUST PIPE INSTALLATION - DEUTZ TD2.9L4 ENGINES

ITEM	PART NUMBER	QTY	DESCRIPTION	REV
1	1001216221 1001158145	Ref 1	EXHAUST PIPE INSTALLATION Pipe, Exhaust	A

SECTION 3 - ENGINE

FIGURE 3-36. EXHAUST PIPE INSTALLATION - DEUTZ TD2.9L4 (STAGE V) ENGINES



ART_1001236334

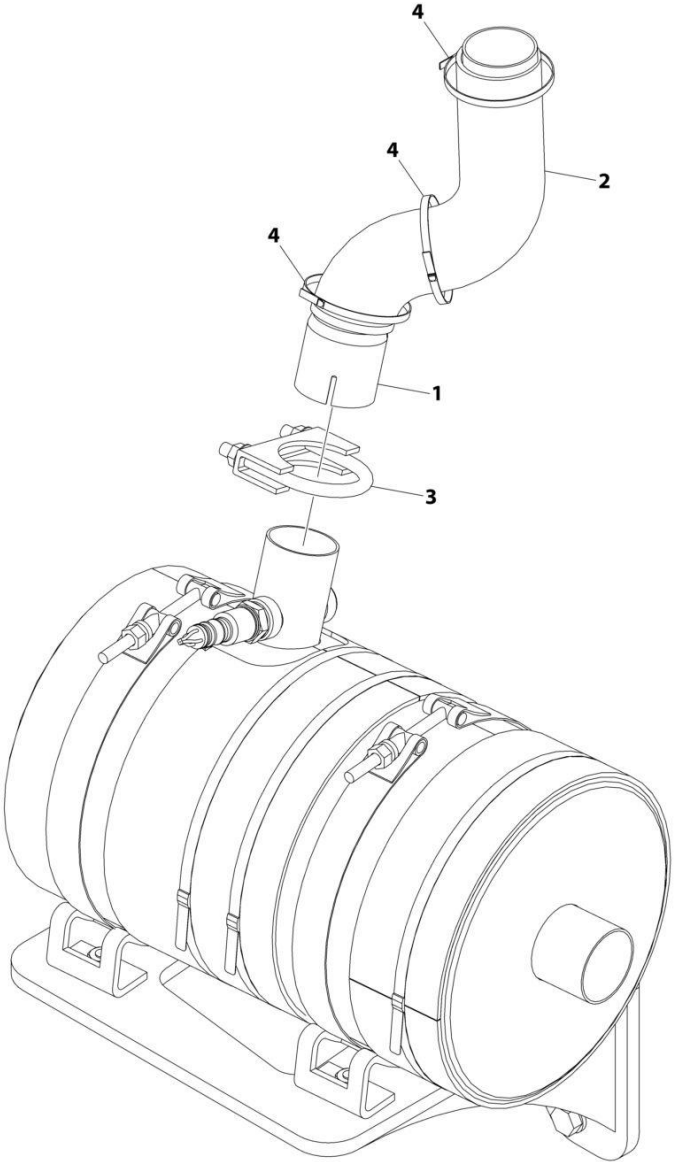
SECTION 3 - ENGINE

FIGURE 3-36. EXHAUST PIPE INSTALLATION - DEUTZ TD2.9L4 (STAGE V) ENGINES

ITEM	PART NUMBER	QTY	DESCRIPTION	REV
1	1001236334	Ref	EXHAUST PIPE INSTALLATION	B
	1001236335	1	Pipe, Exhaust	

SECTION 3 - ENGINE

FIGURE 3-37. EXHAUST PIPE INSTALLATION - FORD DF 2.5L ENGINES



ART_1001220142

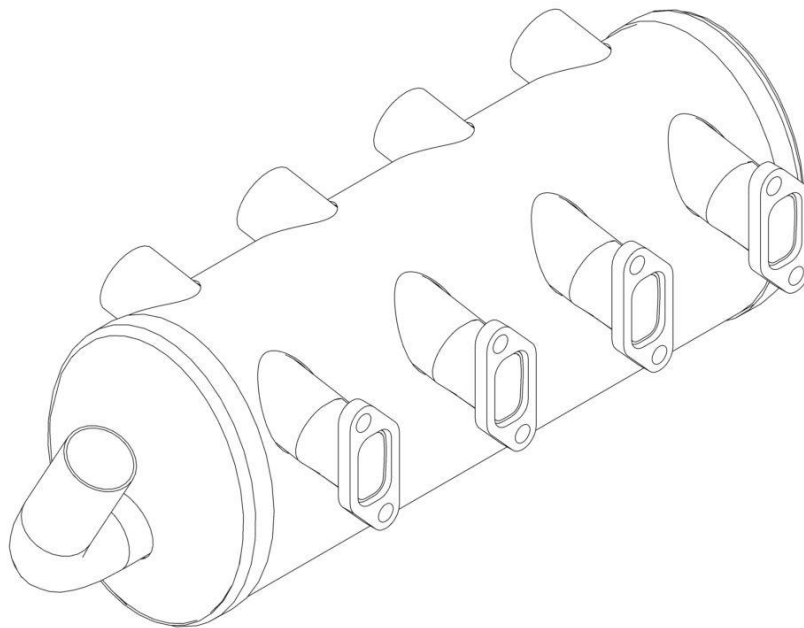
SECTION 3 - ENGINE

FIGURE 3-37. EXHAUST PIPE INSTALLATION - FORD DF 2.5L ENGINES

ITEM	PART NUMBER	QTY	DESCRIPTION	REV
	1001220142	Ref	EXHAUST PIPE INSTALIATION	B
1	1001217350	1	Tail Pipe	
2	1001218087	1	Insulate	
3	1001221397	1	Clamp	
4	1001100825	3	Strap	

SECTION 3 - ENGINE

FIGURE 3-38. SPARK ARRESTOR MUFFLER INSTALLATION - DEUTZ D2011 ENGINES



ART_1001257283

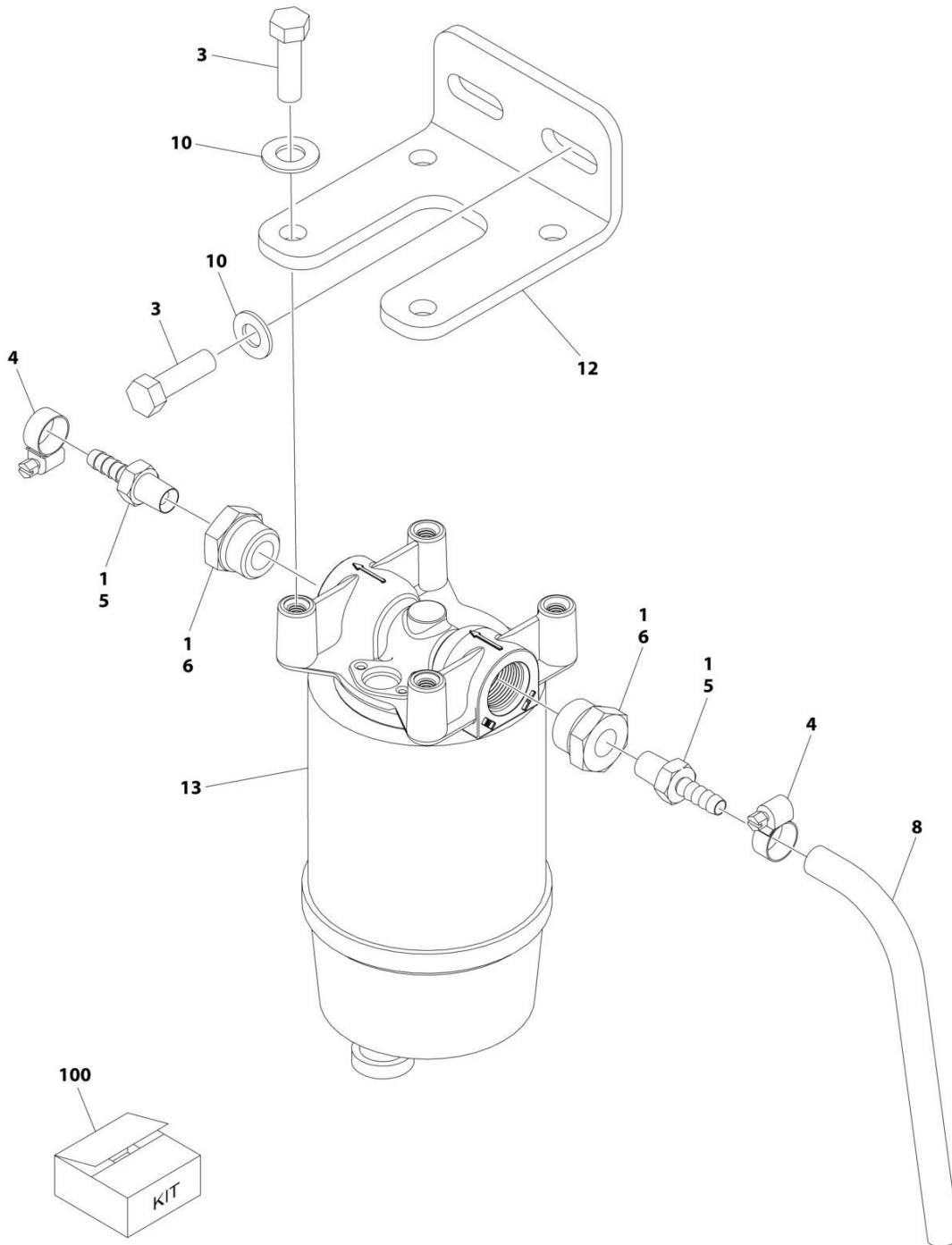
SECTION 3 - ENGINE

FIGURE 3-38. SPARK ARRESTOR MUFFLER INSTALLATION - DEUTZ D2011 ENGINES

ITEM	PART NUMBER	QTY	DESCRIPTION	REV
	1001257283 See Note	Ref 1	MUFFLER INSTALLATION SPARK ARRESTOR Muffler, (Note: Use P/N 1001257283)	A

SECTION 3 - ENGINE

FIGURE 3-39. FUEL-WATER SEPARATOR INSTALLATION - DEUTZ D2011



ART_1001196428

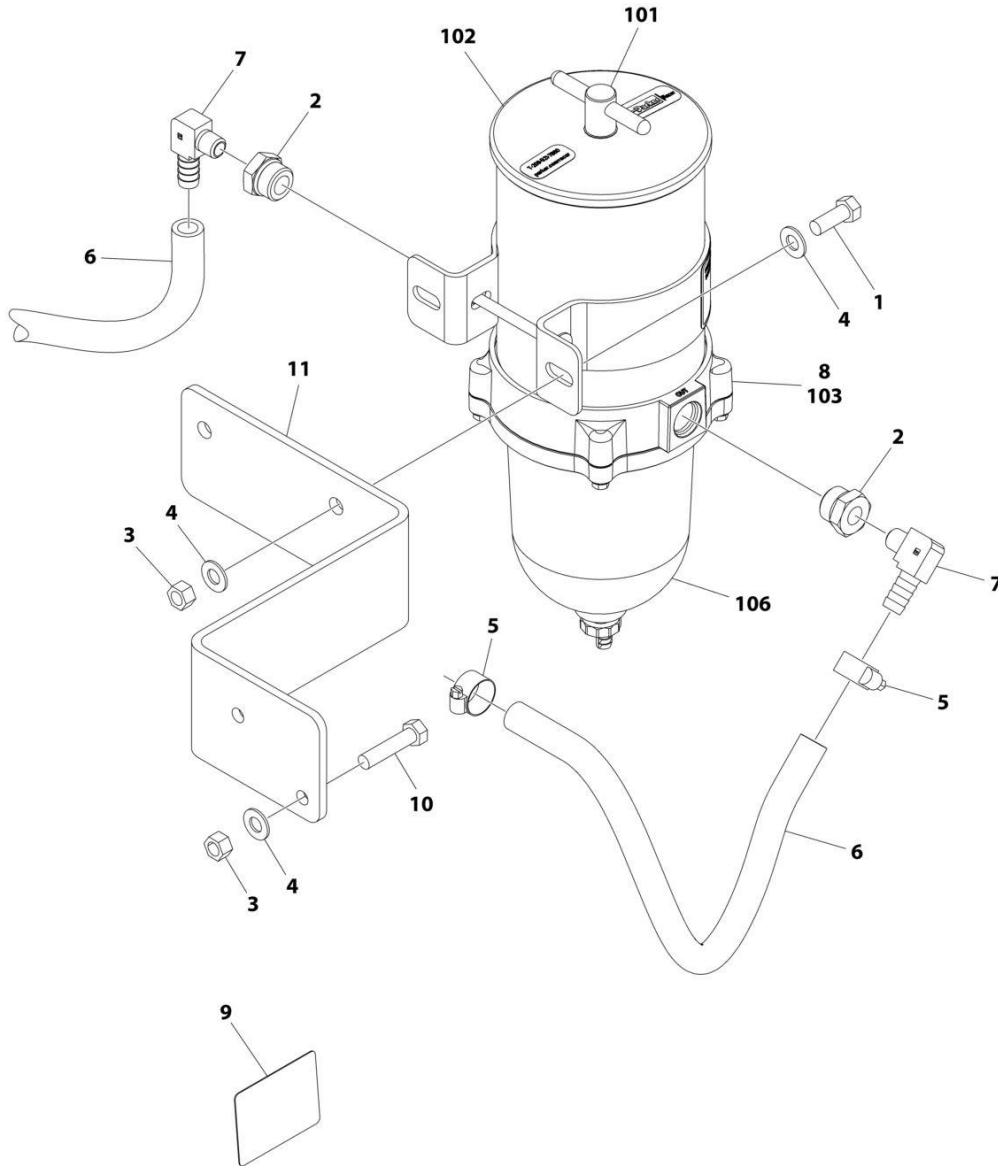
SECTION 3 - ENGINE

FIGURE 3-39. FUEL-WATER SEPARATOR INSTALLATION - DEUTZ D2011

ITEM	PART NUMBER	QTY	DESCRIPTION	REV
	1001196428	Ref	FUEL-WATER SEPARATOR INSTALLATION - DEUTZ D2011 (OPTIONAL)	B
1	0100020	AR	Sealant	
3	0641610	6	Bolt 3/8 x 1-1/4	
4	1320022	2	Clamp	
5	2180348	2	Fitting, Straight	
6	2220816	2	Fitting, Straight	
8	2720058	12 in/ 31cm	Hose	
10	4751600	6	Washer 3/8	
12	1001188884	1	Bracket	
13	1001188887	1	Fuel/Water Separator Assembly	
13	1001202280	1	Head	
13	1001202281	1	Element	
100	1001204667	1	Fuel/Water Separator Add-on Kit	

SECTION 3 - ENGINE

FIGURE 3-40. FUEL-WATER SEPARATOR INSTALLATION - DEUTZ TD2.9L4 (PCV 2007)



NOTE : LOCATED ON HOOD

ART_1001226286_C

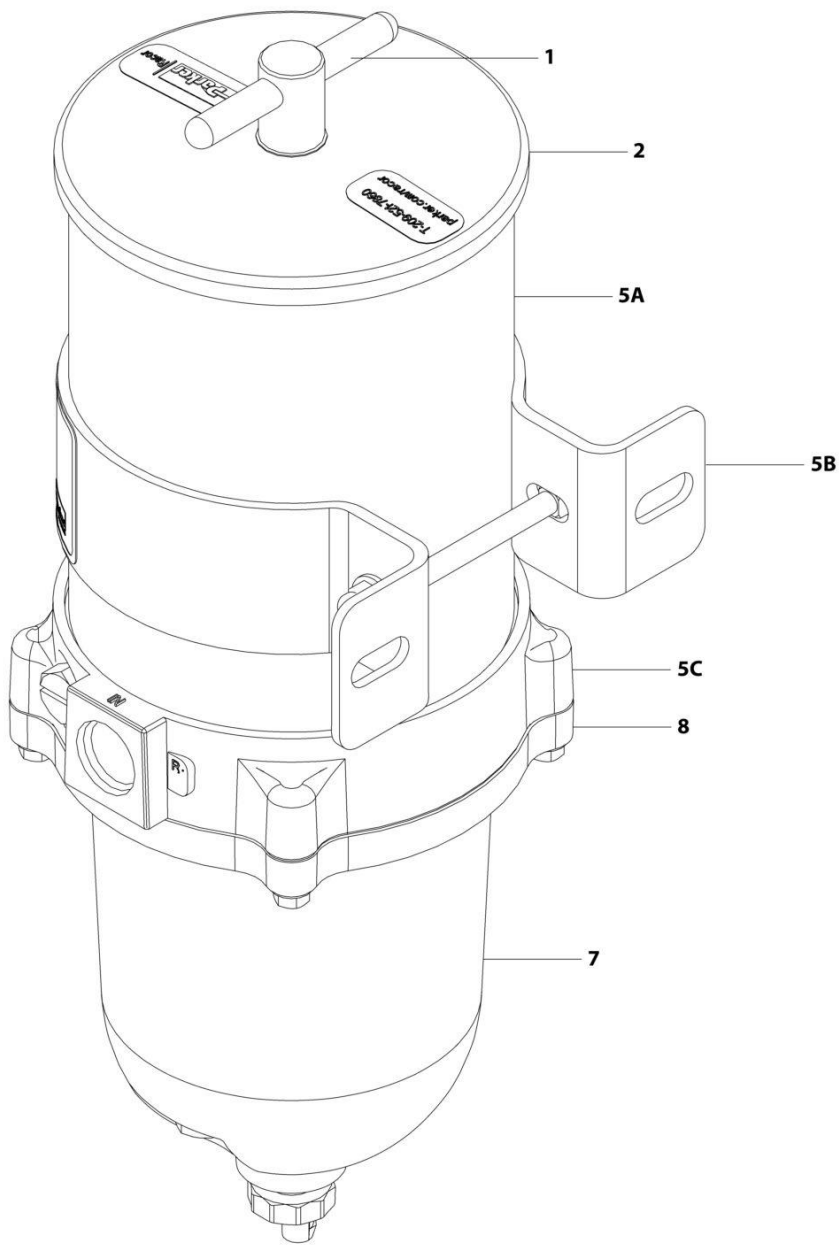
SECTION 3 - ENGINE

FIGURE 3-40. FUEL-WATER SEPARATOR INSTALLATION - DEUTZ TD2.9L4 (PCV 2007)

ITEM	PART NUMBER	QTY	DESCRIPTION	REV
	1001226286	Ref	FUEL FILTER INSTALLATION	C
1	0641608	2	Bolt 3/8 x 1	
2	2220816	2	Fitting, Straight NPT	
3	3311605	4	Nut 3/8	
4	4711600	8	Washer 3/8	
5	8405006	2	Clamp	
6	1001154405	13 ft/ 3.96m	Hose	
7	1001178797	2	Fitting, 90	
8	1001222817	1	Fuel Filter Assembly (See Items 101-107 for Breakdown)	
9	1001226923	1	Decal - Fuel Water Separator	
10	0641613	2	Bolt 3/8 x 1-5/8	
11	1001254657	1	Bracket	
	1001222817	Ref	FUEL FILTER ASSEMBLY	
101	70006403	1	T-Handle Kit (Includes O-Ring)	
102	70006404	1	Lid Kit (Includes Gasket)	
103	70006405	1	Element	
104	70006406	1	Checkball & Gasket Kit (Not Shown)	
105	70006407	1	Centrifuge and Baffle Kit (Not Shown)	
106	70006409	1	Bowl Kit (Includes Gasket, O-Ring and Drain)	
106	70006408	1	Gasket, Bowl	
107	70006410	1	Bowl Ring Kit (Includes Gasket & Hardware) (Not Shown)	

SECTION 3 - ENGINE

FIGURE 3-41. FUEL FILTER ASSEMBLY (DEUTZ TD2.9L4 ENGINES)



ART_1001222817

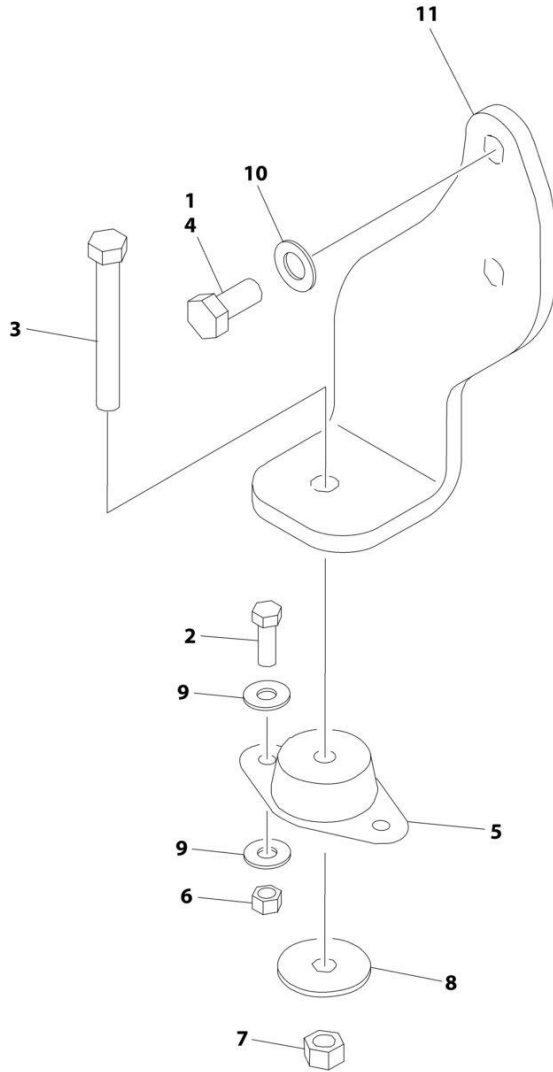
SECTION 3 - ENGINE

FIGURE 3-41. FUEL FILTER ASSEMBLY (DEUTZ TD2.9L4 ENGINES)

ITEM	PART NUMBER	QTY	DESCRIPTION	REV
	1001222817	Ref	FUEL FILTER ASSEMBLY	A
1	70006403	1	Handle Kit (Includes Handle, Handle O-Ring & Lid Gasket)	
2	70006404	1	Lid Kit (Includes Lid, Handle O-Ring & Lid Gasket)	
3	70006405	1	Element, Filter (Not Shown)	
5A	See Note	NSS	Housing (Note: Use p/n 1001222817)	
5B	See Note	NSS	Bracket (Note: Use p/n 1001222817)	
5C	See Note	NSS	Tube, Return (Note: Use p/n 1001222817)	
6	70006407	1	Certrfuge & Baffle Kit (Not Shown - Located at Bottom of 5C) (Also Includes p/n 70006406 & Bowl Gasket)	
6	70006406	1	Checkball & Gasket Kit (Not Shown - Located at Bottom of 5C)	
7	70006409	1	Bowl Kit (Includes Bowl Gasket, Plug with O-Ring & Drain)	
7	70006408	1	Gasket, Bowl	
8	70006410	1	Bowl Ring Kit (Includes Bowl Gasket & Bolts)	

SECTION 3 - ENGINE

FIGURE 3-42. RIGHT ENGINE SUPPORT INSTALLATION (DEUTZ D2011 ENGINES MACHINES WITHOUT GENERATORS)



ART_1001151253

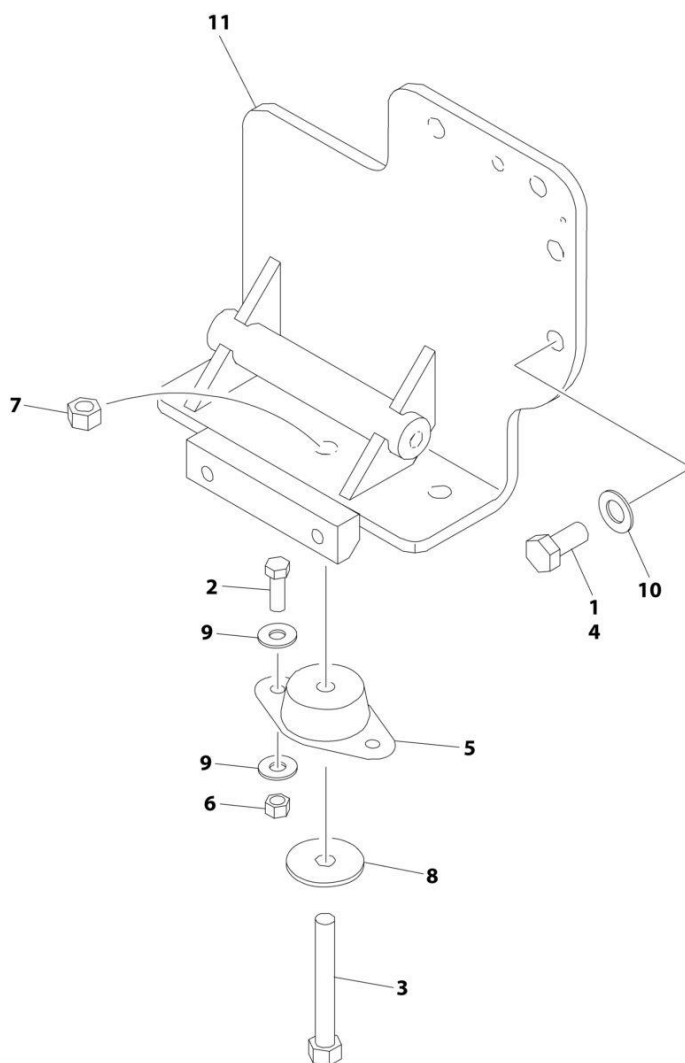
SECTION 3 - ENGINE

FIGURE 3-42. RIGHT ENGINE SUPPORT INSTALLATION (DEUTZ D2011 ENGINES MACHINES WITHOUT GENERATORS)

ITEM	PART NUMBER	QTY	DESCRIPTION	REV
	1001151253	Ref	RIGHT ENGINE SUPPORT INSTALLATION	A
1	0100011	AR	Compound, Locking	
2	0641609	2	Bolt 3/8 x 1-1/8	
3	0641820	1	Bolt 1/2 x 2-1/2	
4	0711414	2	Bolt M14 x 30 Grade 10.9	
5	3200401	1	Mount, Motor	
6	3311605	2	Nut 3/8	
7	3311805	1	Nut 1/2	
8	4740274	1	Washer	
9	4751600	4	Washer 3/8	
10	4812200	2	Washer M14	
11	1001149703	1	Support, Engine (Right Front)	

SECTION 3 - ENGINE

FIGURE 3-43. RIGHT ENGINE SUPPORT INSTALLATION (DEUTZ D2011 ENGINES MACHINES WITH GENERATORS)



ART_1001151252

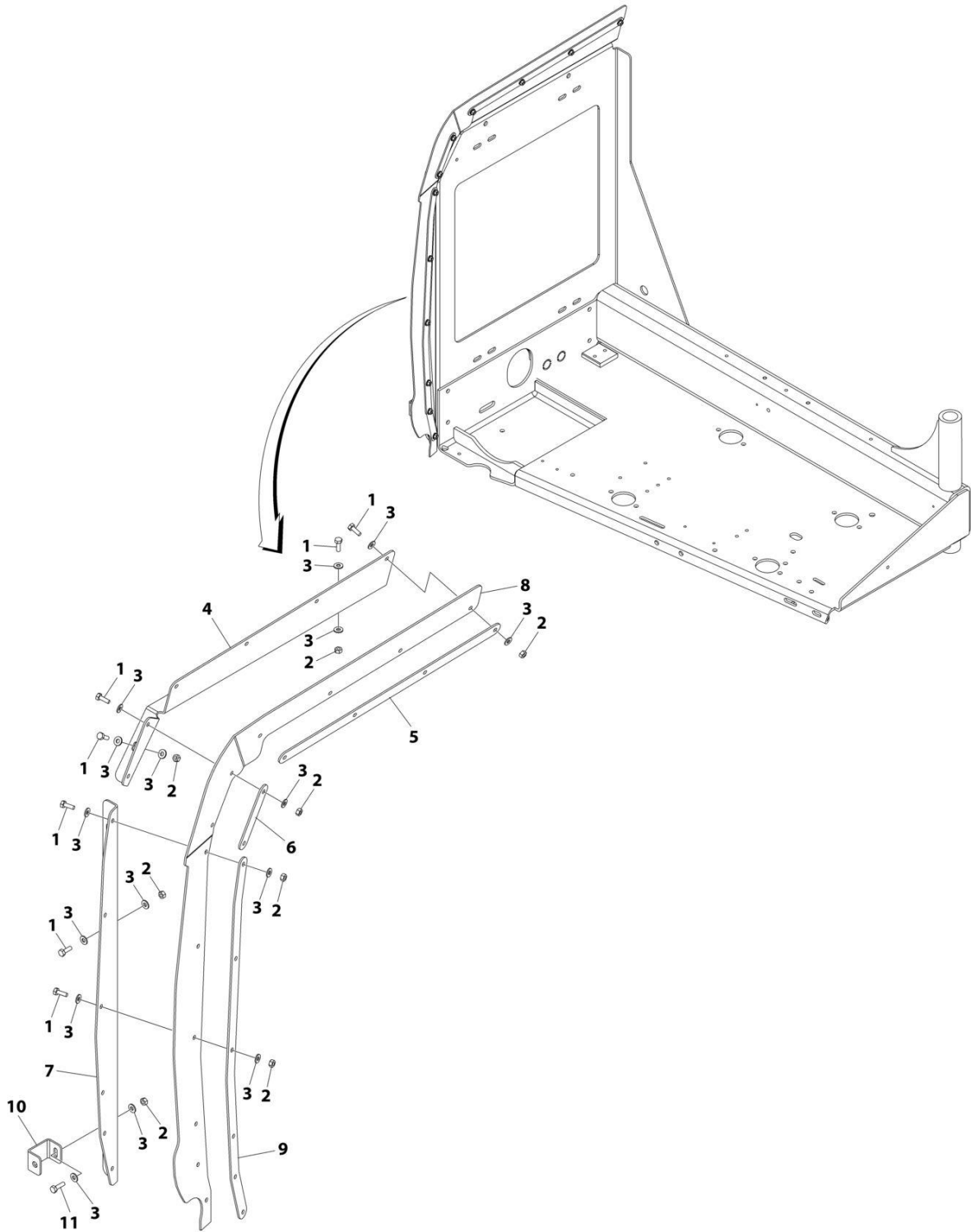
SECTION 3 - ENGINE

FIGURE 3-43. RIGHT ENGINE SUPPORT INSTALLATION (DEUTZ D2011 ENGINES MACHINES WITH GENERATORS)

ITEM	PART NUMBER	QTY	DESCRIPTION	REV
	1001151252	Ref	RIGHT ENGINE SUPPORT INSTALLATION	B
1	0100011	AR	Compound, Locking	
2	0641609	2	Bolt 3/8 x 1-1/8	
3	0641818	1	Bolt 1/2 x 2-1/2	
4	0711414	3	Bolt M14 x 30 Grade 10.9	
5	3200401	1	Mount, Motor	
6	3311605	2	Nut 3/8	
7	3311805	1	Nut 1/2	
8	4740274	1	Washer	
9	4751600	4	Washer 3/8	
10	4812200	3	Washer M14	
11	1001150890	1	Support, Engine (Right Front)	

SECTION 3 - ENGINE

FIGURE 3-44. ENGINE HOOD Baffle INSTALLATION - DEUTZ TD2.9L4 AND DEUTZ 2.9L4 (STAGE V) ENGINES WITH ABS HOODS



ART_1001143484

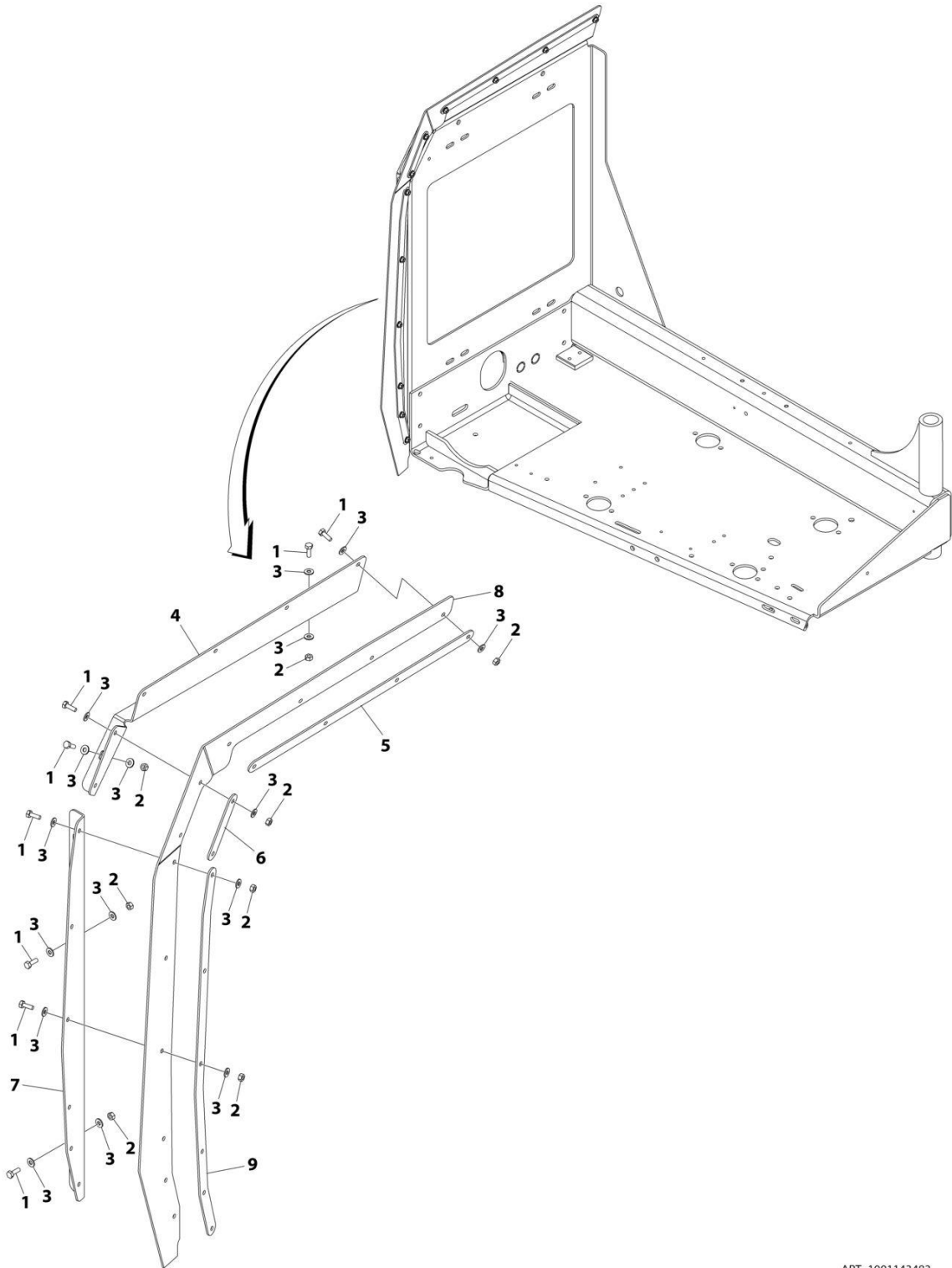
SECTION 3 - ENGINE

FIGURE 3-44. ENGINE HOOD BAFFLE INSTALLATION - DEUTZ TD2.9L4 AND DEUTZ 2.9L4 (STAGE V) ENGINES WITH ABS HOODS

ITEM	PART NUMBER	QTY	DESCRIPTION	REV
	1001143484	Ref	BAFFLES INSTALLATION (ABS HOODS)	C
1	0641406	18	Bolt 1/4 x 3/4	
2	3311405	19	Nut 1/4	
3	4711400	38	Washer 1/4	
4	1001174745	1	Bracket	
5	1001142031	1	Bracket	
6	1001142032	1	Bracket	
7	1001143449	1	Bracket	
8	1001195967	1	Baffle	
9	1001143525	1	Bracket	
10	1001143860	1	Bracket, Bumper	
11	0641407	1	Bolt 1/4 x 78	

SECTION 3 - ENGINE

FIGURE 3-45. ENGINE HOOD Baffle INSTALLATION - DEUTZ TD2.9L4 AND DEUTZ 2.9L4 (STAGE V) ENGINES WITH STEEL HOODS



ART_1001143483

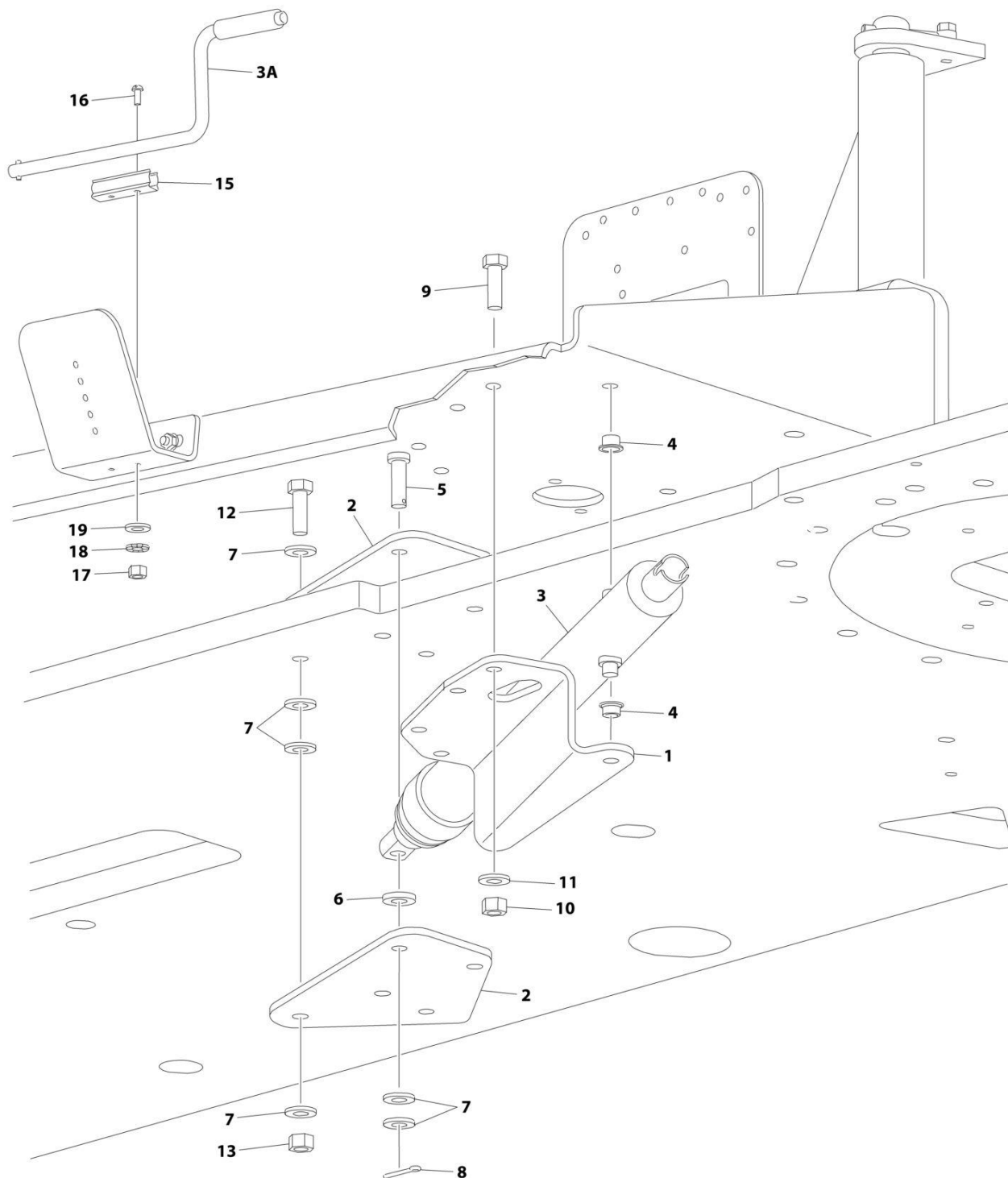
SECTION 3 - ENGINE

FIGURE 3-45. ENGINE HOOD BAFFLE INSTALLATION - DEUTZ TD2.9L4 AND DEUTZ 2.9L4 (STAGE V) ENGINES WITH STEEL HOODS

ITEM	PART NUMBER	QTY	DESCRIPTION	REV
	1001143483	Ref	BAFFLES INSTALLATION (STEEL HOODS)	B
1	0641406	19	Bolt 1/4 x 3/4	
2	3311405	19	Nut 1/4	
3	4711400	38	Washer 1/4	
4	1001174745	1	Bracket	
5	1001142031	1	Bracket	
6	1001142032	1	Bracket	
7	1001143449	1	Bracket	
8	1001174746	1	Baffle	
9	1001143525	1	Bracket	

SECTION 3 - ENGINE

FIGURE 3-46. ENGINE TRAY JACK INSTALLATION - DEUTZ ENGINES



ART_0258728

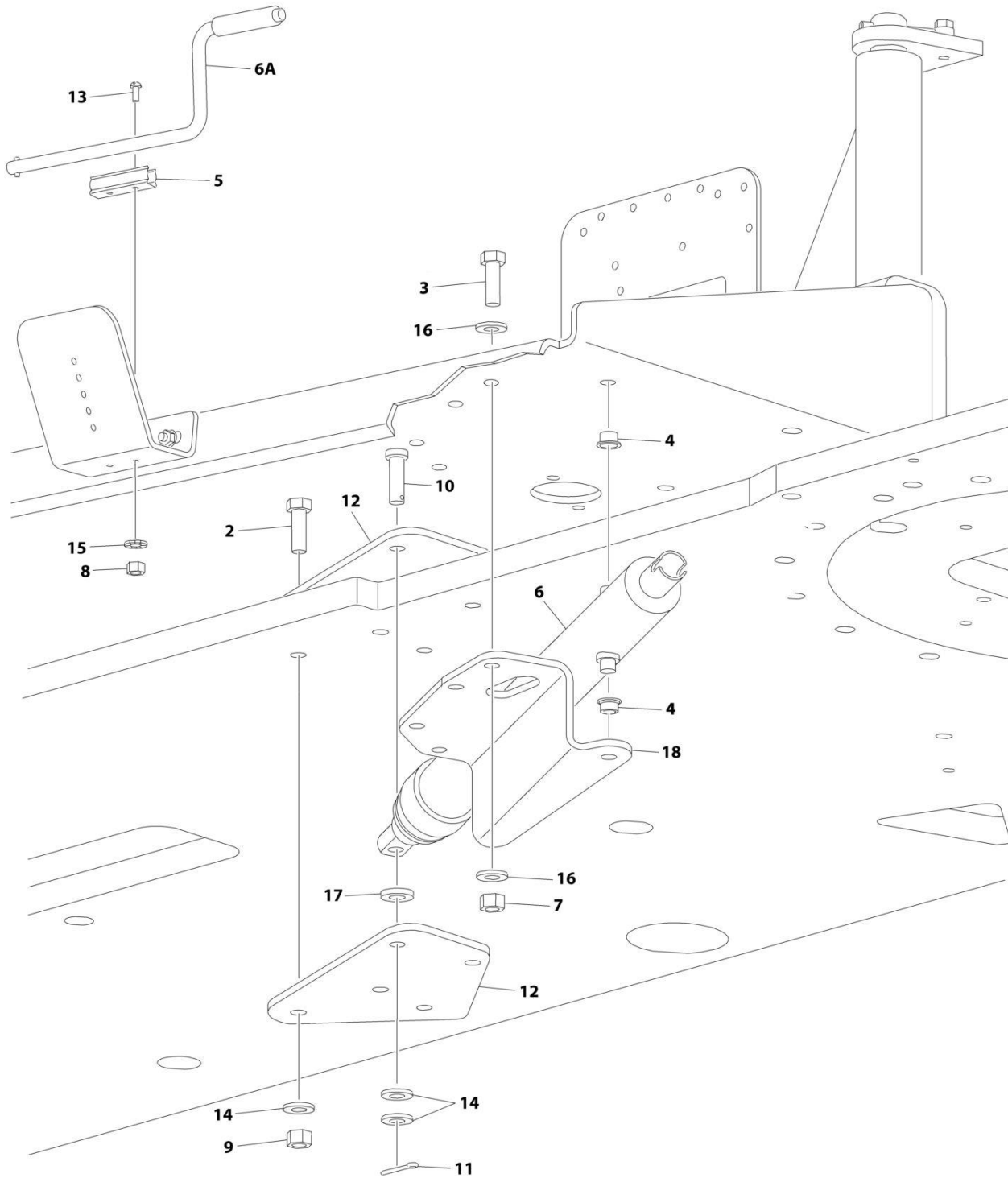
SECTION 3 - ENGINE

FIGURE 3-46. ENGINE TRAY JACK INSTALLATION - DEUTZ ENGINES

ITEM	PART NUMBER	QTY	DESCRIPTION	REV
	0258728	Ref	ENGINE TRAY JACK INSTALLATION	2-C
1	3537445	1	Bracket	
2	3537446	2	Bracket	
3	2840016	1	Jack and Handle Assembly	F
3A	7024598	1	Handle	
4	0962051	2	Bearing, Flange	
5	3430816	1	Pin, Clevis	
6	4891800	1	Washer 1/2	
7	4711800	6	Washer 1/2	
8	3450404	1	Pin, Cotter 1/8 x 1	
9	0641609	4	Bolt 3/8 x 1-1/8	
10	3311605	4	Nut 3/8	
11	4891600	4	Washer 3/8	
12	0641818	4	Bolt 1/2 x 2-1/4	
13	3311805	4	Nut 1/2	
15	1380147	1	Clip, Spring	
16	3910608	2	Screw #6 x 1	
17	3310601	2	Nut #6	
18	4770600	2	Washer #6	
19	4740119	2	Washer	

SECTION 3 - ENGINE

FIGURE 3-47. ENGINE TRAY JACK INSTALLATION - FORD ENGINES



ART_1001219881

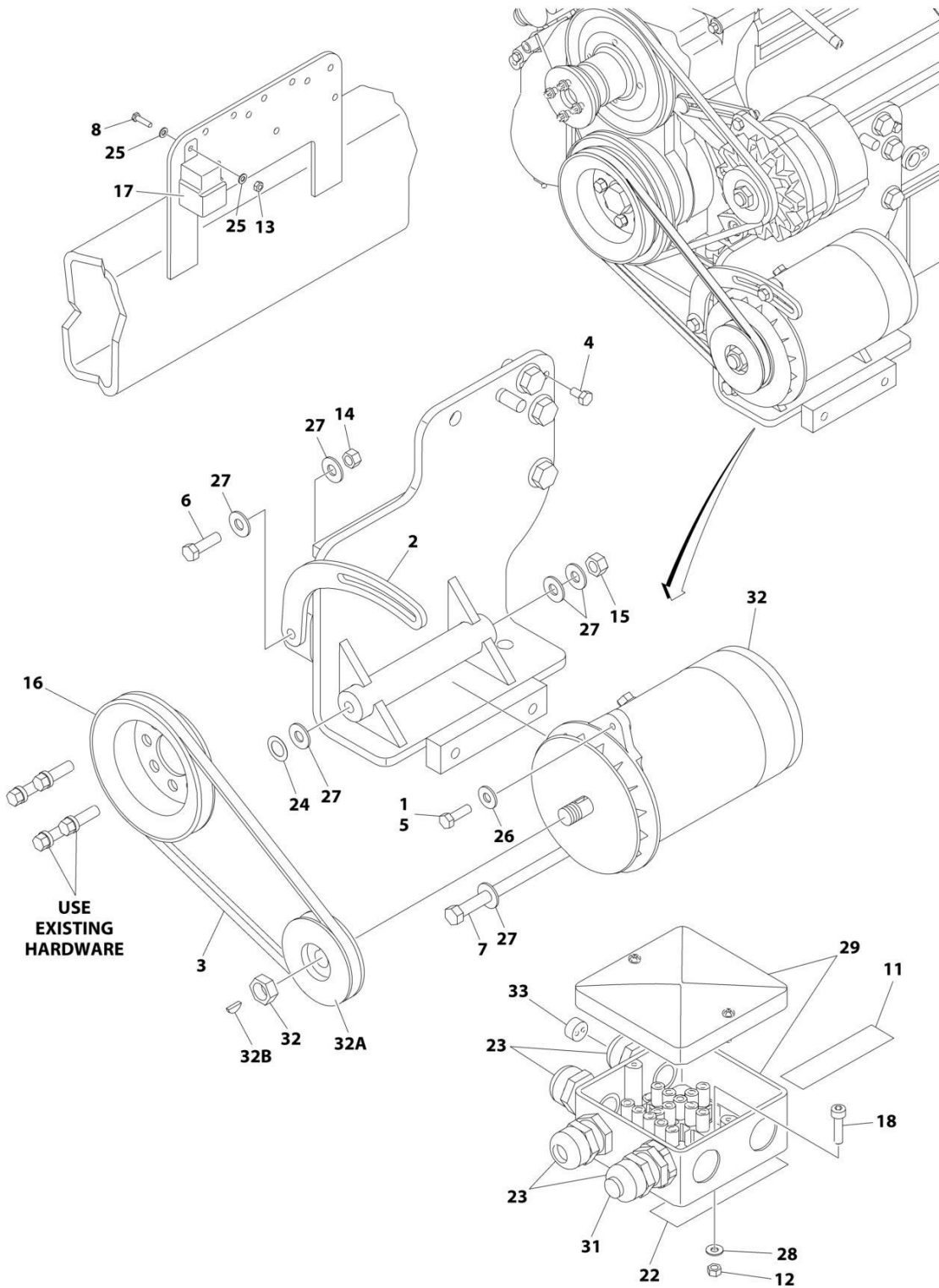
SECTION 3 - ENGINE

FIGURE 3-47. ENGINE TRAY JACK INSTALLATION - FORD ENGINES

ITEM	PART NUMBER	QTY	DESCRIPTION	REV
	1001219881	Ref	ENGINE TRAY JACK INSTALLATION	B
2	0641818	4	Bolt 1/2 x 2-1/4	
3	0761014	3	Bolt M10 x 30	
4	0962051	2	Bearing, Flange	
5	1380147	1	Clip, Spring	
6	2840016	1	Jack and Handle Assembly	F
6A	7024598	1	Handle	
7	3291007	3	Nut M10	
8	3310601	2	Nut #6-32	
9	3311805	4	Nut 1/2-13	
10	3430816	1	Pin, Clevis	
11	3450404	1	Pin, Cotter 1/8 x 1	
12	3537446	2	Bracket	
13	3910608	2	Screw #6-32 x 1	
14	4711800	6	Washer 1/2	
15	4770600	2	Washer #6	
16	4812000	6	Washer M10	
17	4891800	1	Washer 1/2	
18	1001218547	1	Bracket	

SECTION 3 - ENGINE

FIGURE 3-48. 2500W/220V/50HZ GENERATOR INSTALLATION - DEUTZ D2011 ENGINES



ART_1001115409

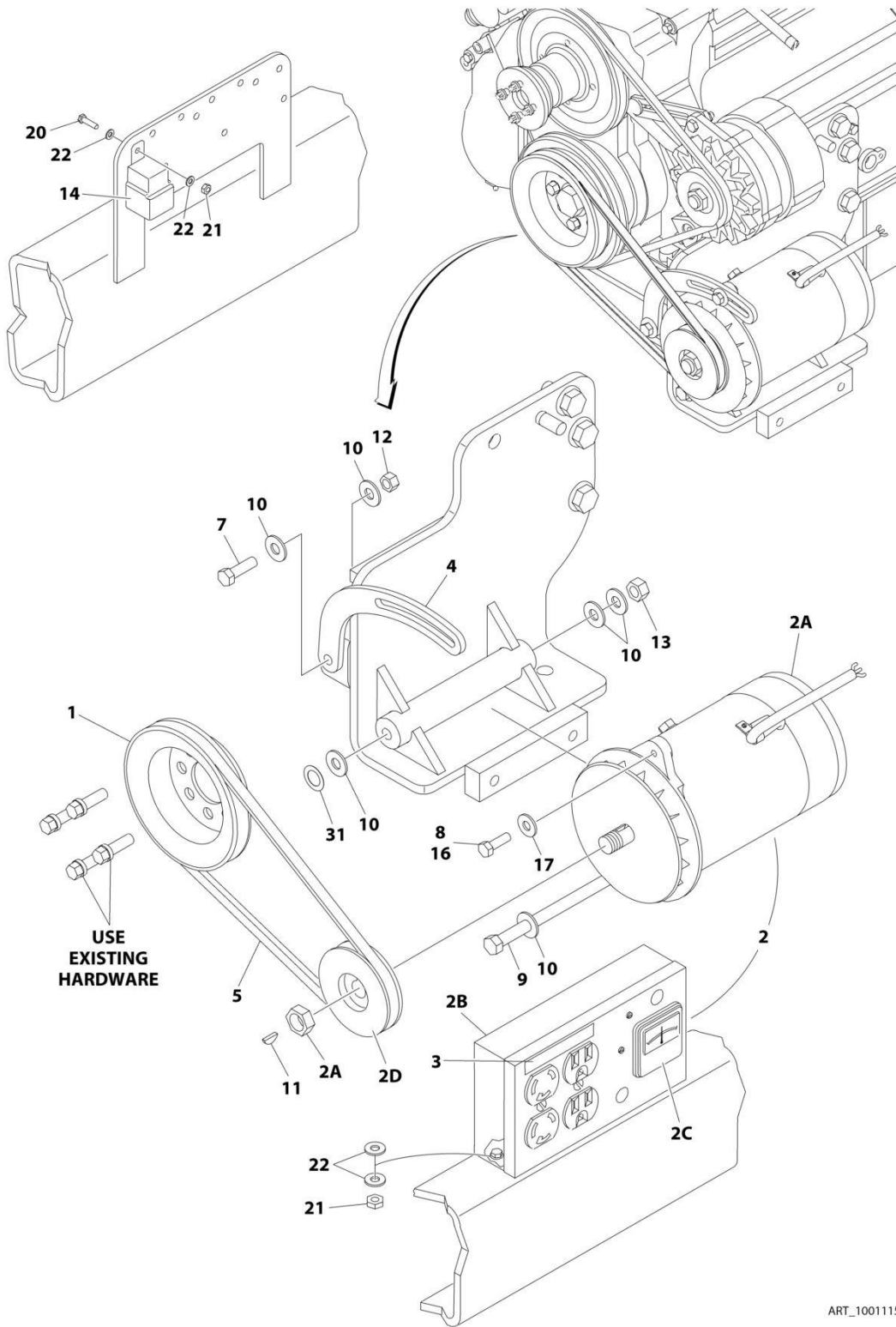
SECTION 3 - ENGINE

FIGURE 3-48. 2500W/220V/50HZ GENERATOR INSTALLATION - DEUTZ D2011 ENGINES

ITEM	PART NUMBER	QTY	DESCRIPTION	REV
	1001115409	Ref	2500W GENERATOR INSTALLATION - 220V/50Hz	B
1	0100011	AR	Compound, Locking	
2	0200742	1	Arm, Adjusting	
3	0480121	1	V-Belt	
4	0641404	1	Bolt 1/4 x 1/2	
5	0641508	1	Bolt 5/16 x 1	
6	0641610	1	Bolt 3/8 x 1-1/4	
7	0641772	1	Bolt 7/16 x 9	
8	0721006	AR	Bolt #10 x 3/4	
9	2820031	4 in/10cm	Heat Shrink (Not Shown - Located at Platform)	
10	3251102	1	Decal (Not Shown - Located at Platform)	
11	3252507	2	Decal - 220V - 50Hz	
		Ref	Note: One Decal Not Shown - Located on the Inside of Platform Rail.	
12	3290505	1	Nut M5	
13	3311005	1	Nut #10	
14	3311605	1	Nut 3/8	
15	3311705	1	Nut 7/16	
16	3580158	1	Pulley	
17	3740080	1	Relay	
18	4031608	1	Bolt M5 x 20	
19	4060802	1	Guard, Switch (Not Shown - Located at Platform)	
20	4240018	1	Tie Strap (Not Shown)	
21	4360336	1	Switch, Toggle (Not Shown - Located at Platform)	
22	4420060	AR	Tape, Double Coated Acrylic Foam	
23	4460968	3	Connector, Strain Relief	
24	4740397	1	Shim	
25	4751000	2	Washer #10	
26	4751500	1	Washer 5/16	
27	4751600	6	Washer 3/8	
28	4811600	1	Washer M5	
29	1001099869	1	Box, Junction	
30		Ref	Wiring Diagram Components (Not Shown)	
30	4922641	1	Generator On/Off Switch Harness (Not Shown - Located at Platform)	
30	1001112589	1	Generator Harness (Not Shown)	
31	1001100234	1	Light, Red	
32	1001100321	1	Generator	
32	70000123	1	Armature with Slip Rings	
32	7012513	4	Cap, Brush Holder	
32	7020108	4	Brush	
32	7020109	4	Holder, Brush	
32	7012514	1	Fan	
32	7020110	1	Bell, Front	
32	7020111	1	Bell, Rear	
32	7020190	1	Bearing	
32A	3580134	1	Pulley - 50Hz	
32B	7027887	1	Key, Woodruff	
33	0962449	1	Bushing	

SECTION 3 - ENGINE

FIGURE 3-49. 2500W/110V/60HZ GENERATOR INSTALLATION - DEUTZ D2011 ENGINES



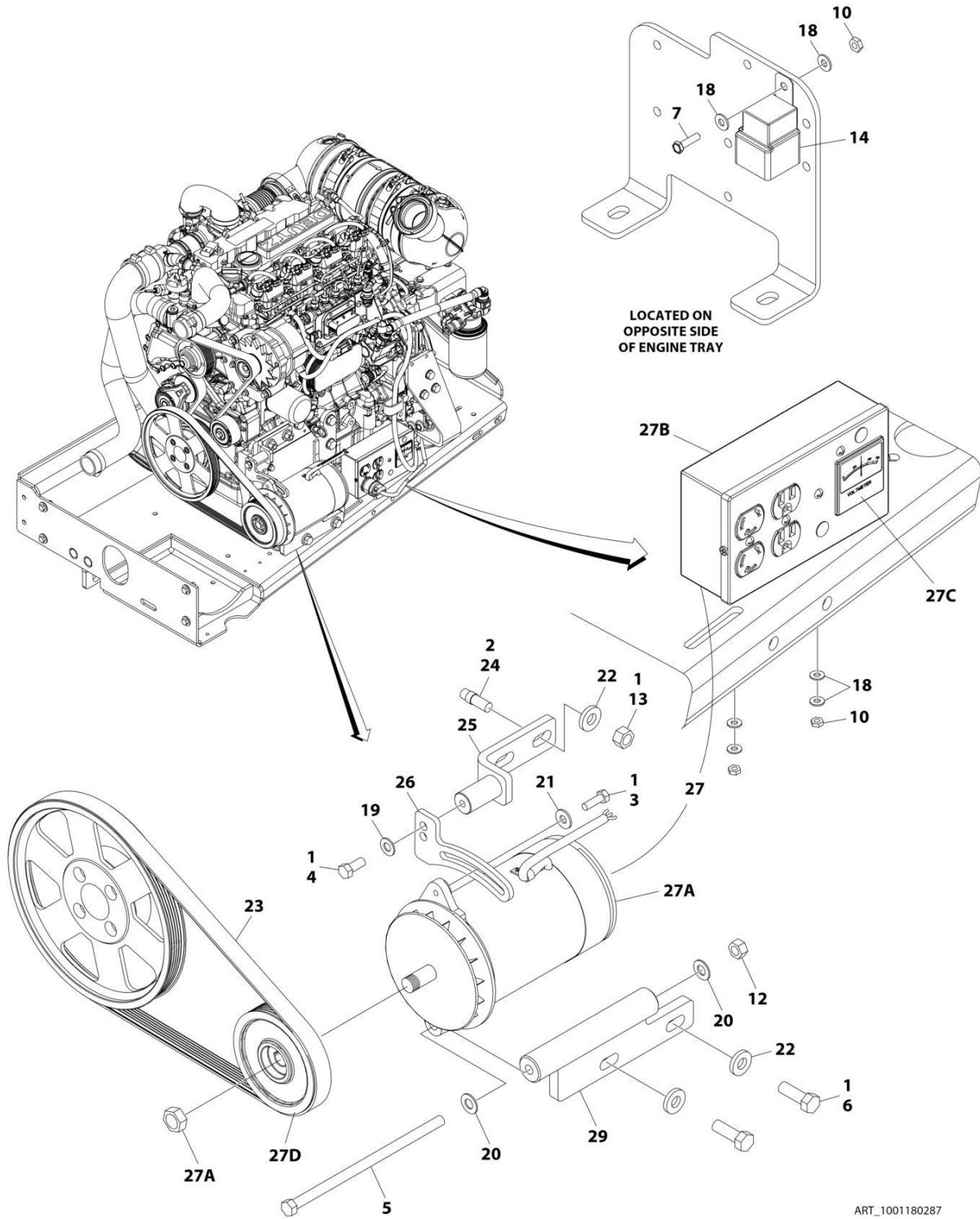
SECTION 3 - ENGINE

FIGURE 3-49. 2500W/110V/60HZ GENERATOR INSTALLATION - DEUTZ D2011 ENGINES

ITEM	PART NUMBER	QTY	DESCRIPTION	REV
	1001115405	Ref	2500W GENERATOR INSTALLATION - 110V/60Hz	B
1	3580158	1	Pulley	
2	2460055	1	Generator and Control Box Assembly:	
2A	7012558	1	Generator Only - 110V/60Hz	
2A		Ref	Note: Replacement Generators come standard with p/n 3580134 pulley. This pulley may not be correct for all applications. Refer to pulley options below.	
2A	7026199	1	Armature with Slip Rings	
2A	7012513	4	Cap, Brush Holder	
2A	7020108	4	Brush	
2A	7020109	4	Holder, Brush	
2A	7012514	1	Fan	
2A	7020110	1	Bell, Front	
2A	7020111	1	Bell, Rear	
2A	7020190	1	Bearing	
2B	7019680	1	Box, Control	
2B		Ref	Receptacle Options:	
2B	4460190	1	Receptacle, Standard	
2B	4460027	1	Receptacle, Twistlock	
2B	4360542	1	Breaker, Circuit	
2B	3520028	1	Plug, Hole	
2C	2420203	1	Voltmeter	
2D	3580276	1	Pulley	
2D	7027887	1	Key, Woodruff	
3	3251243	1	Decal - 110V/60Hz	
4	0200742	1	Arm, Adjusting	
5	0480121	1	V-Belt	
7	0641610	1	Bolt 3/8 x 1-1/4	
8	0100011	AR	Compound, Locking	
9	0641772	1	Bolt 7/16 x 9	
10	4751600	6	Washer 3/8	
11	2860012	1	Key, Woodruff	
12	3311605	1	Nut 3/8	
13	3311705	1	Nut 7/16	
14	3740080	1	Relay	
16	0641508	1	Bolt 5/16 x 1	
17	4751500	AR	Washer 5/16	
18	1001112588	1	Wiring Diagram Components (Not Shown)	
18	1001112589	1	Generator Harness (Not Shown)	
18	4922641	1	Generator ON/OFF Switch Harness (Not Shown - Located at Platform)	
20	0721006	AR	Bolt #10 x 3/4	
21	3311005	3	Nut #10	
22	4751000	AR	Washer #10	
25	4360336	1	Switch, Toggle (Not Shown - Located at Platform)	
26	4740397	1	Bushing (Not Shown - Located at Platform)	
27	4060802	1	Guard, Switch (Not Shown - Located at Platform)	
29	2820031	4 in/ 10cm	Heat Shrink (Not Shown - Located at Platform)	
30	3251102	1	Decal (Not Shown - Located at Platform)	
31	4070585	AR	Shim	

SECTION 3 - ENGINE

FIGURE 3-50. 2500W/110V/60HZ GENERATOR INSTALLATION - DEUTZ TD2.9L4 ENGINES



ART_1001180287

SECTION 3 - ENGINE

FIGURE 3-50. 2500W/110V/60HZ GENERATOR INSTALLATION - DEUTZ TD2.9L4 ENGINES

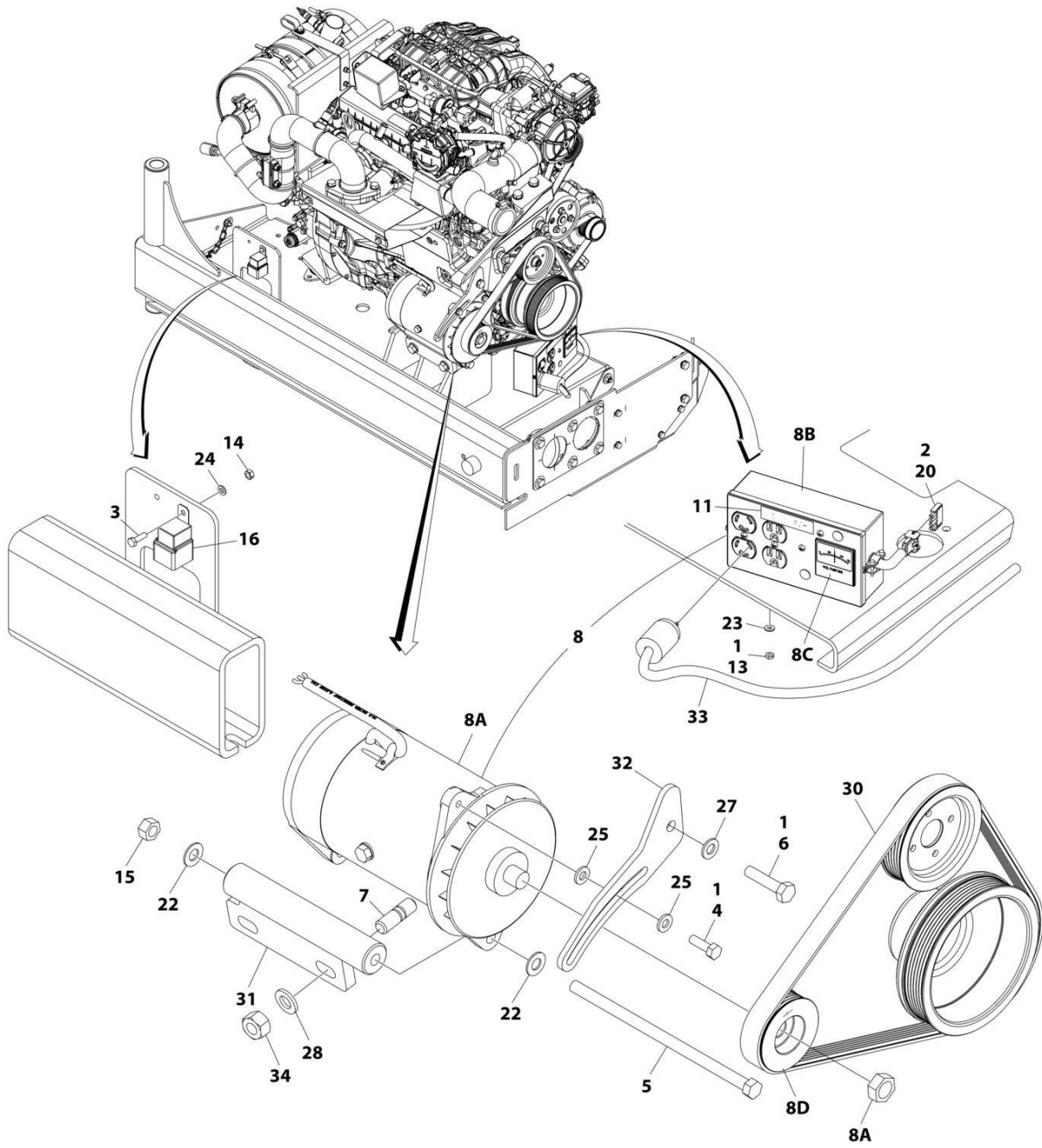
ITEM	PART NUMBER	QTY	DESCRIPTION	REV
	1001180287	Ref	2500W GENERATOR INSTALLATION - DEUTZ TD2.9L4 (OPTIONAL)	C
1	0100011	AR	Compound, Locking	
2	0100019	AR	Compound, Locking	
3	0641508	1	Bolt 5/16 x 1	
4	0641607	1	Bolt 3/8 x 7/8	
5	0641772	1	Bolt 7/16 x 9	
6	0641812	2	Bolt 1/2 x 1-1/2	
7	0721006	1	Screw #10 x 3/4	
8	2820031	AR	Heat Shrink (Not Shown - Located at Platform)	
9	3251102	1	Name Plate - Generator On (Not Shown - Located at Platform)	
10	3311005	3	Nut #10	
12	3311705	1	Nut 7/16	
13	3311801	2	Nut 1/2	
14	3740080	1	Relay	
15	4060802	1	Guard, Switch (Not Shown - Located at Platform)	
16	4240018	AR	Strap, Cable Tie (Not Shown)	
17	4360336	1	Switch, Toggle (Not Shown - Located at Platform)	
18	4711000	6	Washer #10	
19	4711600	1	Washer 3/8	
20	4711700	2	Washer 7/16	
21	4751500	1	Washer 5/16	
22	4891800	4	Washer 1/2	
23	1001148138	1	V-Belt	
24	1001163599	2	Stud	
25	1001216015	1	Bracket	
26	1001179837	1	Arm, Adjustment	
27	1001180001	1	Generator and Control Box Assembly	
27A	7012558	1	Generator Only - 110V/60Hz	
27A		Ref	Note: Replacement Generators come standard with p/n 3580134 pulley. This pulley may not be correct for all applications. Refer to pulley options below.	
27A	7026199	1	Armature with Slip Rings	
27A	7012513	4	Cap, Brush Holder	
27A	7020108	4	Brush	
27A	7020109	4	Holder, Brush	
27A	7012514	1	Fan	
27A	7020110	1	Bell, Front	
27A	7020111	1	Bell, Rear	
27A	7020190	2	Bearing	
27B	7019680	1	Box, Control - 110V/60Hz	
27B		Ref	Receptacle Options:	
27B	4460190	1	Receptacle, Standard (110V Only)	
27B	4460027	1	Receptacle, Twistlock (110V Only)	
27B	4360542	1	Breaker, Circuit	
27B	3520028	1	Plug, Hole	
27C	2420203	1	Voltmeter	
27D	3580276	1	Pulley	
27D	7027887	1	Key, Woodruff	
28		Ref	Wiring Diagram Components (Not Shown)	

SECTION 3 - ENGINE

ITEM	PART NUMBER	QTY	DESCRIPTION	REV
28	4922641	1	Generator On/Off Switch Harness (Not Shown - Located at Platform)	
28	1001180052	1	Generator Harness (Not Shown)	
29	1001181243	1	Mount, Generator	

SECTION 3 - ENGINE

FIGURE 3-51. 2500W/110V/60HZ GENERATOR INSTALLATION - FORD ENGINES



ART_1001219619

SECTION 3 - ENGINE

FIGURE 3-51. 2500W/110V/60HZ GENERATOR INSTALLATION - FORD ENGINES

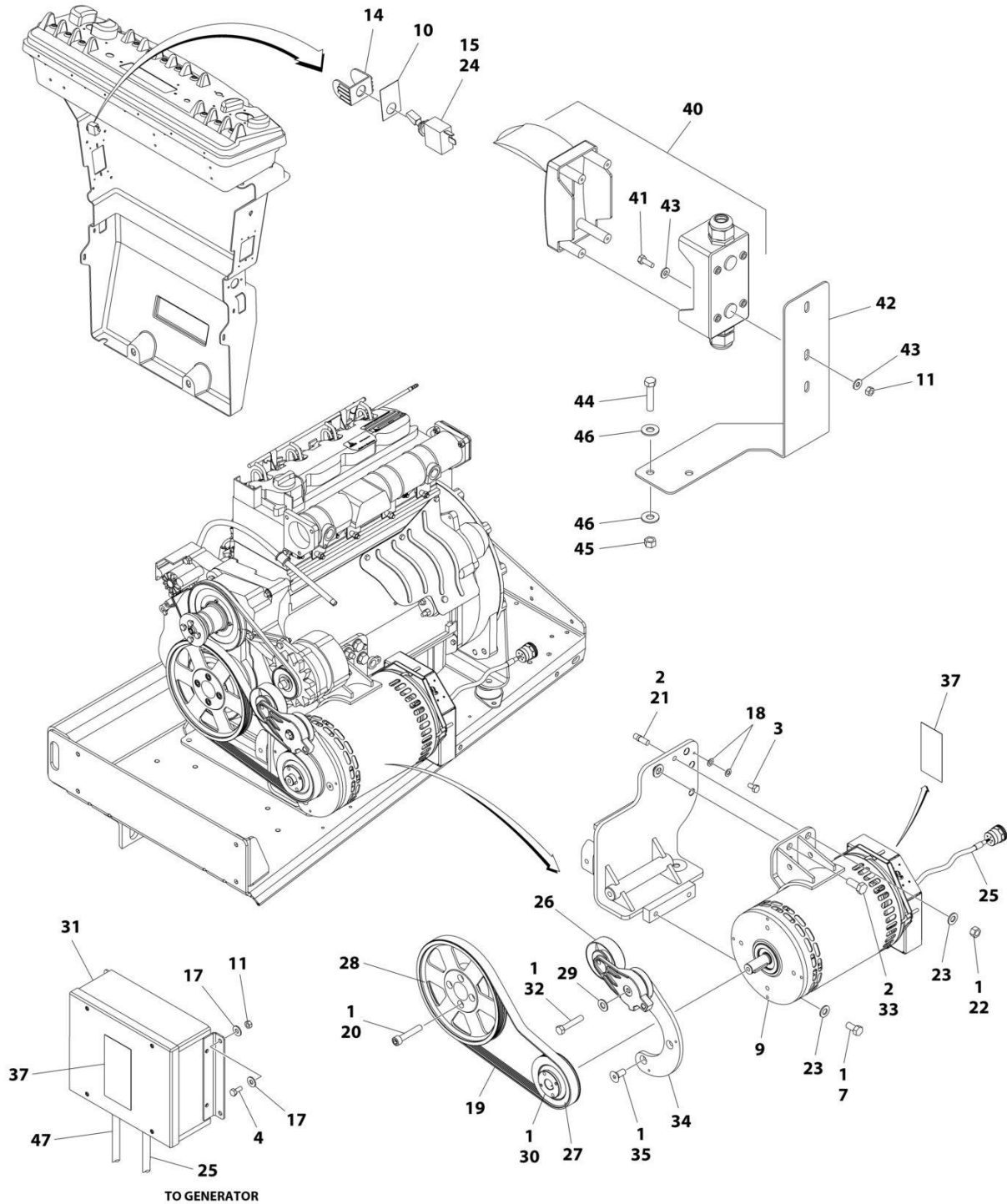
ITEM	PART NUMBER	QTY	DESCRIPTION	REV
	1001219619	Ref	2500W GENERATOR INSTALLATION - FORD MACHINES (OPTIONAL)	E
1	0100011	AR	Compound, Locking	
2	0100048	AR	Grease, Dielectric	
3	0760610	1	Bolt M6 x 20	
4	0641508	1	Bolt 5/16 x 1	
5	0641772	1	Bolt 7/16 x 9	
6	0761016	1	Bolt M10 x 40	
7	1001155041	1	Stud	
8	2460051	1	Generator and Control Box Assembly	
8A	7012558	1	Generator Only - 110V/60Hz	
		Ref	Note: Replacement Generators come standard with pin 3580134 pulley. This pulley may not be correct for all applications. Refer to pulley options below.	
8A	7026199	1	Armature with Slip Rings	
8A	7012513	4	Cap, Brush Holder	
8A	7020108	4	Brush	
8A	7020109	4	Holder, Brush	
8A	7012514	1	Fan	
8A	7020110	1	Bell, Front	
8A	7020111	1	Bell, Rear	
8A	7020190	2	Bearing	
8B	7019680	1	Box, Control - 110V/60Hz	
8B		Ref	Receptacle Options:	
8B	4460190	1	Receptacle, Standard (110V Only)	
8B	4460027	1	Receptacle, Twistlock (110V Only)	
8B	4360542	1	Breaker, Circuit	
8B	3520028	1	Plug, Hole	
8C	2420203	1	Voltmeter	
8D	3580324	1	Pulley	
8D	7027887	1	Key, Woodruff	
9	2820031	1	Heat Shrink (Not Shown - Located at Platform)	
10	3251102	1	Nameplate Generator (Not Shown - Located at Platform)	
11	3251243	1	Decal - 120V-60Hz	
13	3311005	2	Nut #10	
14	3290601	1	Nut M6	
15	3311705	1	Nut 7/16	
16	3740080	1	Relay	
17	4060802	1	Guard Switch (Not Shown - Located at Platform)	
18	4240099	AR	Tie-Strap (Not Shown)	
19	4360336	1	Switch, Toggle (Not Shown - Located at Platform)	
20	4460321	1	Plug, Male - 4 Position	
22	4711700	2	Washer 7/16	
23	4751000	2	Washer #10	
24	4811700	1	Washer M6	
25	4891500	2	Washer 5/16	
27	4812000	1	Washer M10	
28	4812200	2	Washer M14	
29		Ref	Wiring Diagram Components (Not Shown)	

SECTION 3 - ENGINE

ITEM	PART NUMBER	QTY	DESCRIPTION	REV
29	4922641	1	Generator On/Off Switch Harness (Not Shown - Located at Platform)	
29	4923445	1	Generator Harness (Not Shown - See Separate Breakdown in ELECTRICAL SECTION)	
30	1001216391	1	V-Belt	
31	1001219630	1	Mount, Generator	
32	1001219632	1	Arm, Adjustment	
33	4921829	1	Harness, Inverter	
34	3291201	2	Nut M12	

SECTION 3 - ENGINE

FIGURE 3-52. 4000W/50HZ GENERATOR INSTALLATION - DEUTZ D2011 ENGINES



ART_1001153310

SECTION 3 - ENGINE

FIGURE 3-52. 4000W/50HZ GENERATOR INSTALLATION - DEUTZ D2011 ENGINES

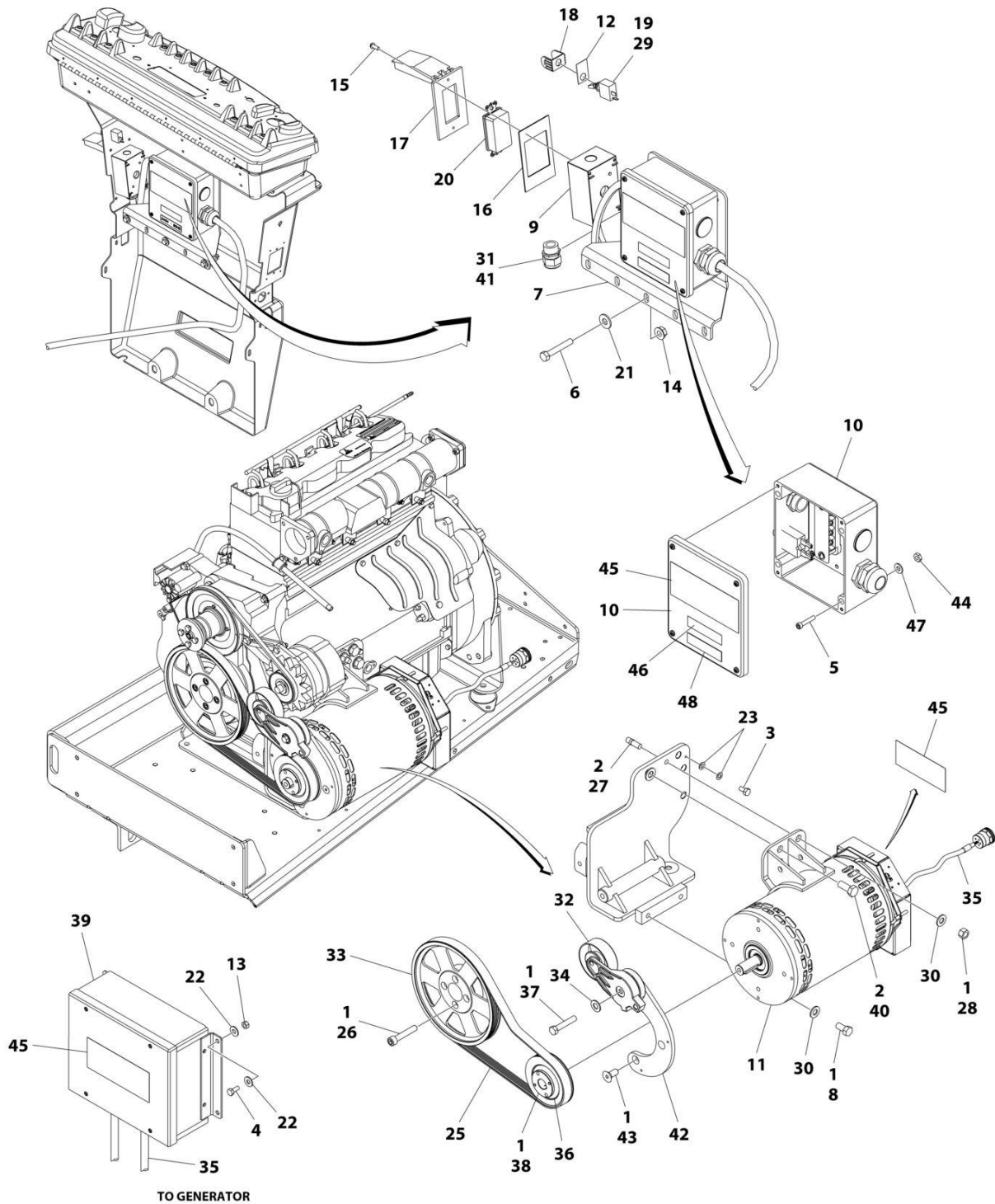
ITEM	PART NUMBER	QTY	DESCRIPTION	REV
	1001153310	Ref	4000W/50HZ GENERATOR INSTALLATION - DEUTZ D2011 ENGINES	F
1	0100011	AR	Compound, Locking	
2	0100019	AR	Compound, Locking	
3	0641404	1	Bolt 1/4 x 1/2	
4	0641405	4	Bolt 1/4 x 5/8	
7	0641808	2	Bolt 1/2 x 1	
9	1001138565	1	Generator Assembly	
9	70003709	1	Ring, Retaining (External)	
9	70003708	1	Ring, Retaining (Internal)	
9	70001966	1	Bearing	
9	70004092	1	Endbell (Shaft End)	
9	70004171	1	Key	
9	70004676	1	Rotor	
9	70004677	1	Stator	
9	70004678	1	Endbell (Rear)	
9	70004679	1	Cover, Endbell (Rear)	
9	70004680	1	Enclosure, Wiring	
9	70004681	1	Cover, Enclosure	
9	70004682	1	Switch, Reset (Located on Enclosure Cover)	
9	70004683	1	Connector, Strain Relief (Located on Enclosure Cover)	
10	3251102	1	Nameplate - Generator	
11	3311405	6	Nut 1/4	
14	4060802	1	Guard, Switch	
15	4360336	1	Switch, Toggle	
17	4751400	8	Washer 1/4	
18	4791400	2	Washer 1/4	
19	0480126	1	Belt, Generator	
20	4032015	4	Capscrew M10 x 55	
21	4300157	1	Stud	
22	3311801	1	Nut 1/2	
23	4711800	3	Washer 1/2	
24	2820031	AR	Heat Shrink	
25	1001152532	1	Harness, Generator (See Separate Breakdown in ELECTRICAL Section)	
26	3580317	1	Pulley, Tensioner	
27	3580319	1	Pulley, Generator	
28	3580320	1	Pulley, Engine	
29	4711600	1	Washer 3/8	
30	0962520	1	Bushing	
31	1001138566	1	Box, Control	
31	70006552	1	Capacitor	
31	70006553	1	Relay	
32	0641616	1	Bolt 3/8 x 2	
33	0771415	1	Bolt M14 x 35	
34	1001139357	1	Mount, Tensioner	
35	0741607	3	Screw 3/8 x 7/8	
37	1705489	2	Decal - Hazardous Voltage	
40	1001165368	1	Breaker Box Kit (See Separate Breakdown in ELECTRICAL SECTION)	

SECTION 3 - ENGINE

ITEM	PART NUMBER	QTY	DESCRIPTION	REV
41	0641406	2	Bolt 1/4 x 3/4	
42	1001177910	1	Bracket	
43	4711400	4	Washer 1/4	
44	0641614	2	Bolt 3/8 x 1-3/4	
45	3311605	2	Nut 3/8	
46	4751600	4	Washer 3/8	
47	1001153197	1	Generator Harness (See Separate Breakdown in ELECTRICAL SECTION)	

SECTION 3 - ENGINE

FIGURE 3-53. 4000W/60HZ GENERATOR INSTALLATION - DEUTZ D2011 ENGINES



ART_1001153309

SECTION 3 - ENGINE

FIGURE 3-53. 4000W/60HZ GENERATOR INSTALLATION - DEUTZ D2011 ENGINES

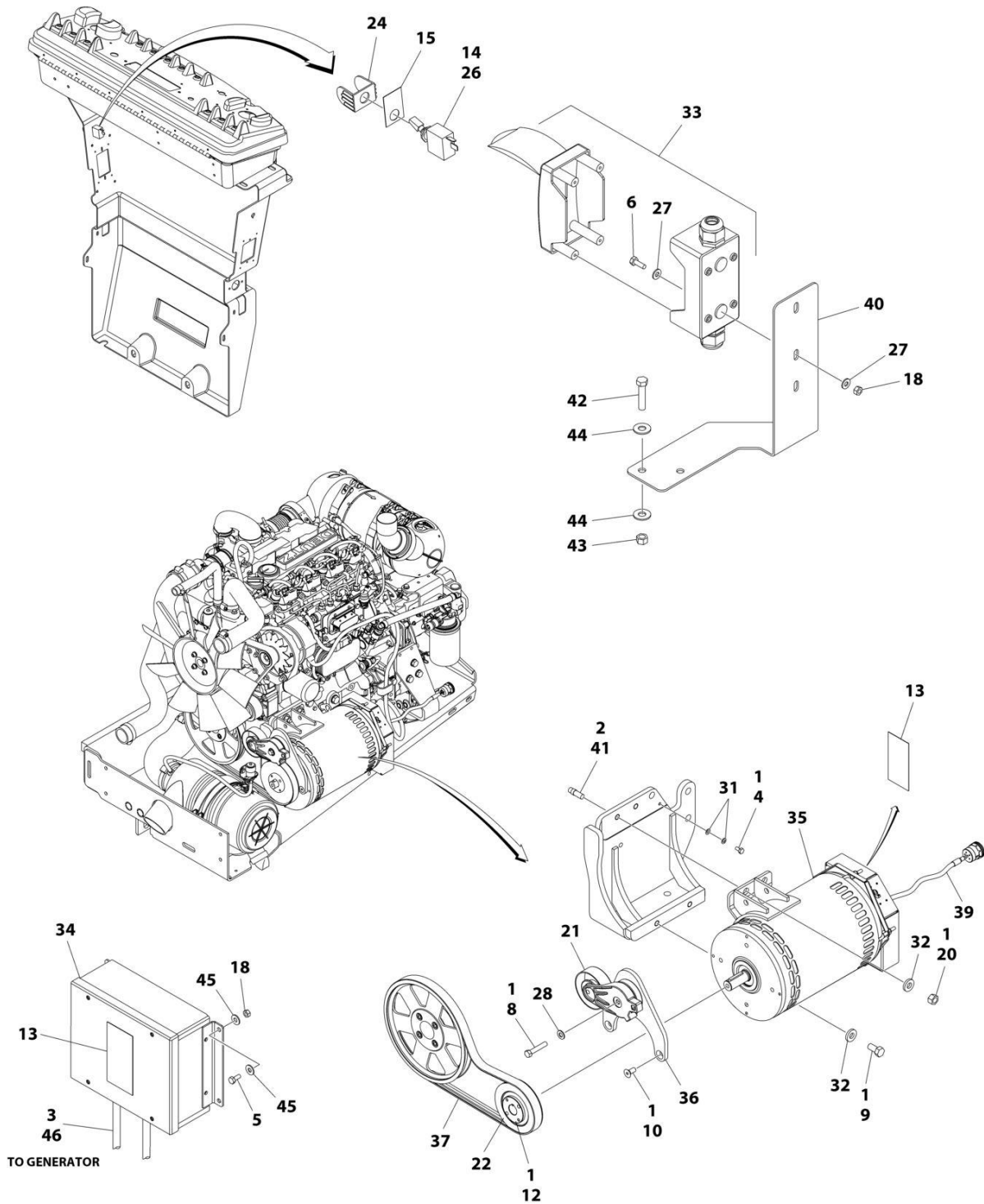
ITEM	PART NUMBER	QTY	DESCRIPTION	REV
	1001153309	Ref	4000W/60HZ GENERATOR INSTALLATION - DEUTZ D2011 ENGINES	B
1	0100011	AR	Compound, Locking	
2	0100019	AR	Compound, Locking	
3	0641404	1	Bolt 1/4 x 1/2	
4	0641405	4	Bolt 1/4 x 5/8	
5	3931016	4	Capscrew #10 x 1	
6	0641516	3	Bolt 5/16 x 2	
7	0902888	1	Bracket	
8	0641808	2	Bolt 1/2 x 1	
9	0860038	1	Box, Receptacle	
10	1001152457	1	Junction Box Assembly	
10	3300396	1	Cover, Breaker	
10	4360070	1	Breaker, Circuit - 15Amp	
10	4460425	1	Connector, Strain Relief (LH Side)	
10	4460426	1	Connector, Strain Relief (RH Side)	
10	1001152530	1	Block, Terminal	
10	1001158363	1	Cover, Terminal Block	
10	1001153260	1	Decal - Wiring Diagram	
11	1001129858	1	Generator Assembly	
11	70003709	1	Ring, Retaining (External)	
11	70003708	1	Ring, Retaining (Internal)	
11	70001966	1	Bearing	
11	70004092	1	Endbell (Shaft End)	
11	70004171	1	Key	
11	70004676	1	Rotor	
11	70004684	1	Stator	
11	70004678	1	Endbell (Rear)	
11	70004679	1	Cover, Endbell (Rear)	
11	70004680	1	Enclosure, Wiring	
11	70004685	1	Cover, Enclosure	
11	70004682	1	Switch, Reset (Located on Enclosure Cover)	
11	70004098	1	Connector, Strain Relief (Located on Enclosure Cover)	
12	3251102	1	Nameplate - Generator	
13	3311405	4	Nut 1/4	
14	3311508	3	Nut 5/16	
15	3910606	4	Screw #6 x 3/8	
16	3960422	1	Gasket, Receptacle	
17	1001110873	1	Cover, Receptacle	
18	4060802	1	Guard, Switch	
19	4360336	1	Switch, Toggle	
20	4460346	1	Receptacle	
21	4751500	3	Washer 5/16	
22	4751400	8	Washer 1/4	
23	4791400	2	Washer 1/4	
25	0480129	1	Belt, Generator	
26	4032015	4	Capscrew M10 x 55	
27	4300157	1	Stud	
28	3311801	1	Nut 1/2	
29	2820031	AR	Heat Shrink	

SECTION 3 - ENGINE

ITEM	PART NUMBER	QTY	DESCRIPTION	REV
30	4711800	3	Washer 1/2	
31	4460071	1	Connector, Strain Relief	
32	3580317	1	Pulley, Tensioner	
33	3580320	1	Pulley, Engine	
34	4711600	1	Washer 3/8	
35	1001152532	1	Harness, Generator (See Separate Breakdown in ELECTRICAL Section)	
36	3580318	1	Pulley, Generator	
37	0641616	1	Bolt 3/8 x 2	
38	0962520	1	Bushing	
39	1001138566	1	Box, Control	
39	70006552	1	Capacitor	
39	70006553	1	Relay	
40	0771415	1	Bolt M14 x 35	
41	0100020	AR	Sealant	
42	1001139357	1	Mount, Tensioner	
43	0741607	3	Screw 3/8 x 7/8	
44	3311005	4	Nut #10	
45	1705387	3	Decal - Hazardous Voltage	
46	3251243	1	Decal - 120V-60Hz	
47	4751000	4	Washer #10	
48	1705374	1	Decal - 240V-60Hz	

SECTION 3 - ENGINE

FIGURE 3-54. 4000W/50HZ GENERATOR INSTALLATION - DEUTZ TD2.9L4 AND DEUTZ TD2.9L4 (STAGE V) ENGINES



ART_1001171269

SECTION 3 - ENGINE

**FIGURE 3-54. 4000W/50HZ GENERATOR INSTALLATION - DEUTZ TD2.9L4 AND DEUTZ TD2.9L4
(STAGE V) ENGINES**

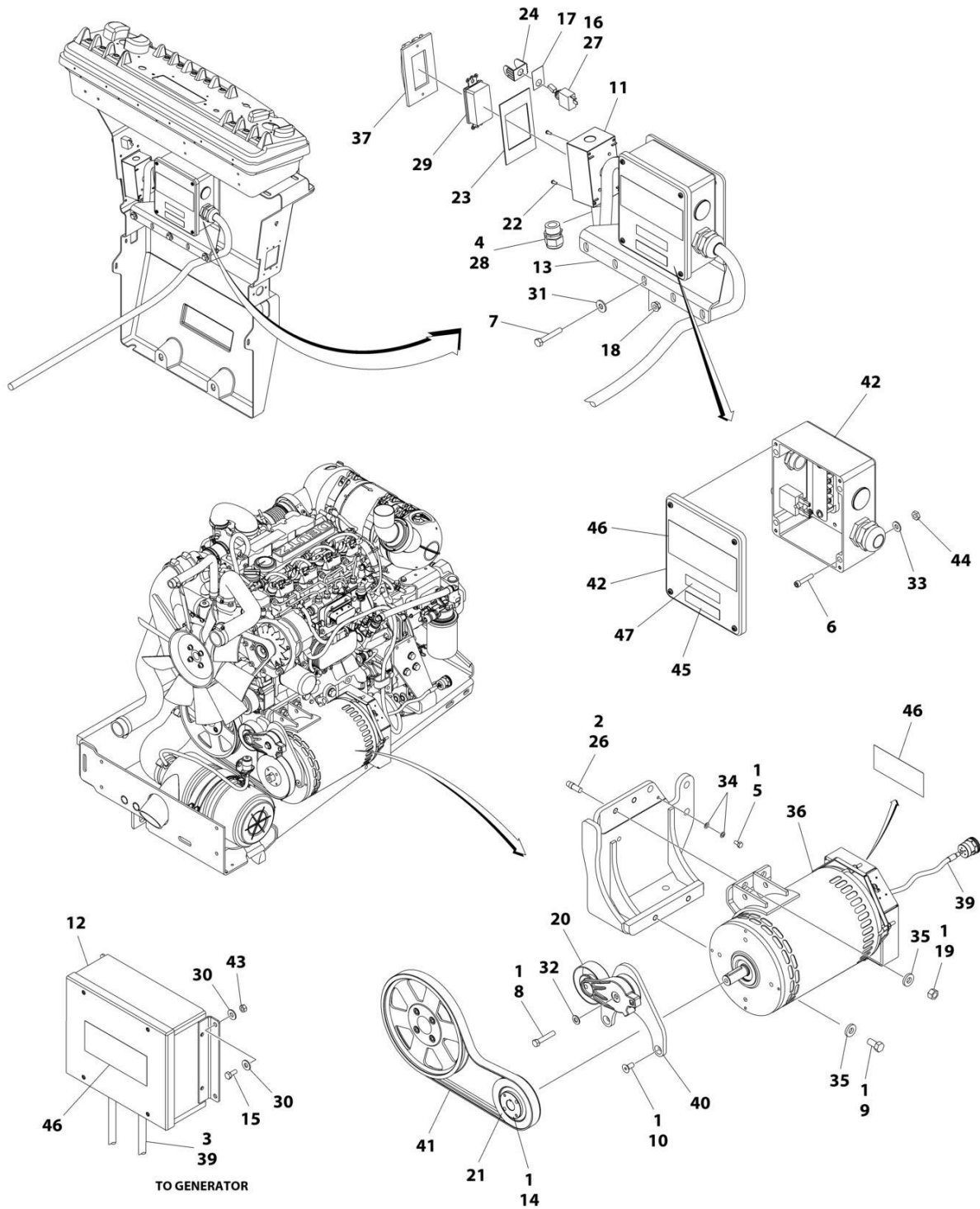
ITEM	PART NUMBER	QTY	DESCRIPTION	REV
	1001171269	Ref	4000W/50HZ GENERATOR INSTALLATION	E
1	0100011	AR	Compound, Locking	
2	0100019	AR	Compound, Locking	
3	0100048	AR	Grease, Dielectric	
4	0641404	1	Bolt 1/4 x 1/2	
5	0641405	4	Bolt 1/4 x 5/8	
6	0641406	2	Bolt 1/4 x 3/4	
8	0641618	1	Bolt 3/8 x 2-1/4	
9	0641808	2	Bolt 1/2 x 1	
10	0741607	3	Screw 3/8 x 7/8	
12	0962520	1	Bushing, Split	
13	1705489	2	Decal - Hazardous Voltage	
14	2820031	AR	Heat Shrink	
15	3251102	1	Nameplate - Generator	
18	3311405	6	Nut 1/4	
20	3311801	2	Nut 1/2	
21	3580317	1	Tensioner, Belt with Pulley	
22	3580319	1	Pulley, Generator	
24	4060802	1	Guard, Switch	
25	4240018	AR	Tie-Strap (Not Shown)	
26	4360336	1	Switch, Toggle	
27	4711400	4	Washer 1/4	
28	4711600	1	Washer 3/8	
31	4791400	2	Washer 1/4	
32	4891800	4	Washer 1/2	
33	1001165368	1	Breaker Box Kit (See Separate Breakdown in ELECTRICAL SECTION)	
34	1001138566	1	Box, Control	
34	70006552	1	Capacitor	
34	70006553	1	Relay	
35	1001140347	1	Generator Assembly	
35	70003709	1	Ring, Retaining (External)	
35	70003708	1	Ring, Retaining (Internal)	
35	70001966	1	Bearing	
35	70004092	1	Endbell (Shaft End)	
35	70004099	1	Key	
35	70004676	1	Rotor	
35	70004686	1	Stator	
35	70004678	1	Endbell (Rear)	
35	70004679	1	Cover, Endbell (Rear)	
35	70004680	1	Enclosure, Wiring	
35	70004681	1	Cover, Enclosure (50Hz)	
35	70004682	1	Switch, Reset (Located on Enclosure Cover)	
35	70004683	1	Connector, Strain Relief (50Hz) (Located on Enclosure Cover)	
35	4460224	1	Connector - 6 Position (50Hz) (Located on Enclosure Cover)	
35	4460294	2	Pin, Male (50Hz) (Located on Enclosure Cover)	
36	1001142643	1	Support, Gen Tensioner	
37	1001142645	1	Belt, Generator (50Hz)	

SECTION 3 - ENGINE

ITEM	PART NUMBER	QTY	DESCRIPTION	REV
39	1001152532	1	Harness, Generator (See Separate Breakdown in ELECTRICAL Section)	
40	1001177910	1	Bracket	
41	1001163599	2	Stud	
42	0641614	2	Bolt 3/8 x 1-3/4	
43	3311605	2	Nut 3/8	
44	4751600	4	Washer 3/8	
45	4751400	8	Washer 1/4	
46	1001153259	1	Generator Harness (See Separate Breakdown in ELECTRICAL SECTION)	

SECTION 3 - ENGINE

FIGURE 3-55. 4000W/60HZ GENERATOR INSTALLATION - DEUTZ TD2.9L4 ENGINES



ART_1001171127

SECTION 3 - ENGINE

FIGURE 3-55. 4000W/60HZ GENERATOR INSTALLATION - DEUTZ TD2.9L4 ENGINES

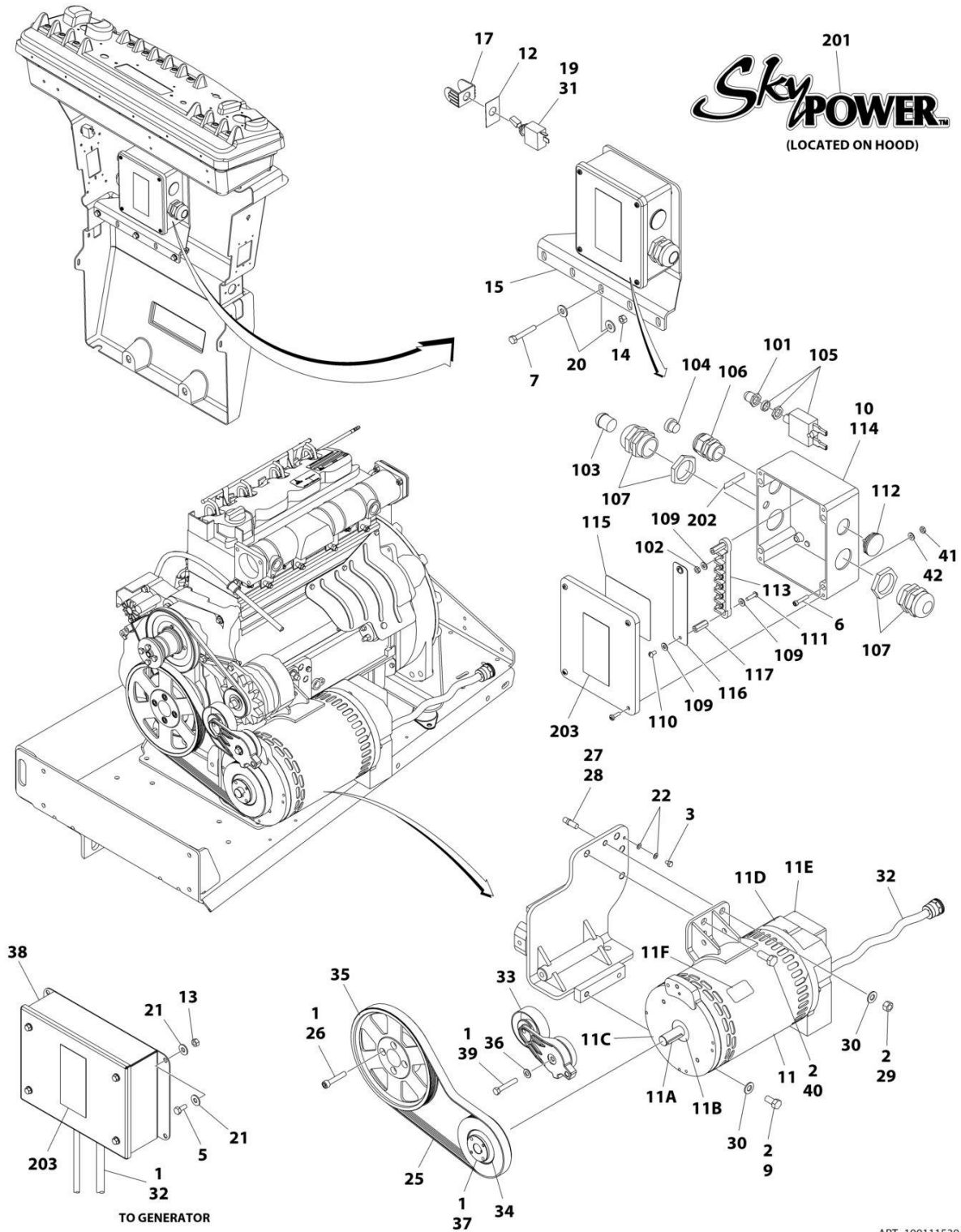
ITEM	PART NUMBER	QTY	DESCRIPTION	REV
	1001171127	Ref	4000W/60HZ GENERATOR INSTALLATION - DEUTZ TD2.9L4 ENGINES	C
1	0100011	AR	Compound, Locking	
2	0100019	AR	Compound, Locking	
3	0100048	AR	Grease, Dielectric	
4	0100079	AR	Sealant	
5	0641404	1	Bolt 1/4 x 1/2	
6	3931016	4	Capscrew #10 x 1	
7	0641516	3	Bolt 5/16 x 2	
8	0641618	1	Bolt 3/8 x 2-1/4	
9	0641808	2	Bolt 1/2 x 1	
10	0741607	3	Screw 3/8 x 7/8	
11	0860038	1	Box, Switch	
12	1001138566	1	Box, Control	
12	70006552	1	Capacitor	
12	70006553	1	Relay	
13	0902888	1	Bracket, Junction Box	
14	0962520	1	Bushing, Split	
15	0641405	4	Bolt 1/4 x 5/8	
16	2820031	AR	Heat Shrink	
17	3251102	1	Nameplate - Generator	
18	3311508	3	Nut 5/16	
19	3311801	2	Nut 1/2	
20	3580317	1	Tensioner, Belt with Pulley	
21	3580318	1	Pulley, Generator	
22	3910606	4	Screw #6 x 3/8	
23	3960422	1	Gasket, AC Receptacle	
24	4060802	1	Guard, Switch	
25	4240018	AR	Tie-Strap (Not Shown)	
26	1001163599	2	Stud	
27	4360336	1	Switch, Toggle	
28	4460071	1	Connector, Strain Relief	
29	4460346	1	Receptacle	
30	4711400	AR	Washer 1/4	
31	4751500	3	Washer 5/16	
32	4711600	1	Washer 3/8	
33	4751000	4	Washer #10	
34	4791400	2	Washer 1/4	
35	4891800	4	Washer 1/2	
36	1001140346	1	Generator Assembly	
36	70003709	1	Ring, Retaining (External)	
36	70003708	1	Ring, Retaining (Internal)	
36	70001966	1	Bearing	
36	70004092	1	Endbell (Shaft End)	
36	70004099	1	Key	
36	70004676	1	Rotor	
36	70004687	1	Stator	
36	70004678	1	Endbell (Rear)	
36	70004679	1	Cover, Endbell (Rear)	
36	70004680	1	Enclosure, Wiring	

SECTION 3 - ENGINE

ITEM	PART NUMBER	QTY	DESCRIPTION	REV
36	70004685	1	Cover, Enclosure	
36	70004682	1	Switch, Reset (Located on Enclosure Cover)	
36	70004098	1	Connector, Strain Relief (Located on Enclosure Cover)	
37	1001110873	1	Cover, Receptacle	
39	1001152532	1	Harness, Generator	
40	1001142643	1	Support, Gen Tensioner	
41	1001142646	1	Belt, Generator	
42	1001152457	1	Junction Box Assembly	
42	3300396	1	Cover, Breaker	
42	4360070	1	Breaker, Circuit - 15Amp	
42	4460425	1	Connector, Strain Relief (LH Side)	
42	4460426	1	Connector, Strain Relief (RH Side)	
42	1001152530	1	Block, Terminal	
42	1001158363	1	Cover, Terminal Block	
42	1001153260	1	Decal - Wiring Diagram	
43	3311405	4	Nut 1/4	
44	3311005	4	Nut #10	
45	1705374	1	Decal - 240V (60Hz)	
46	1705387	3	Decal - Hazardous Voltage	
47	3251243	1	Decal - 120V-60Hz	

SECTION 3 - ENGINE

FIGURE 3-56. 7500W/50HZ SKYPOWER GENERATOR INSTALLATION - DEUTZ D2011 ENGINES



SECTION 3 - ENGINE

FIGURE 3-56. 7500W/50HZ SKYPOWER GENERATOR INSTALLATION - DEUTZ D2011 ENGINES

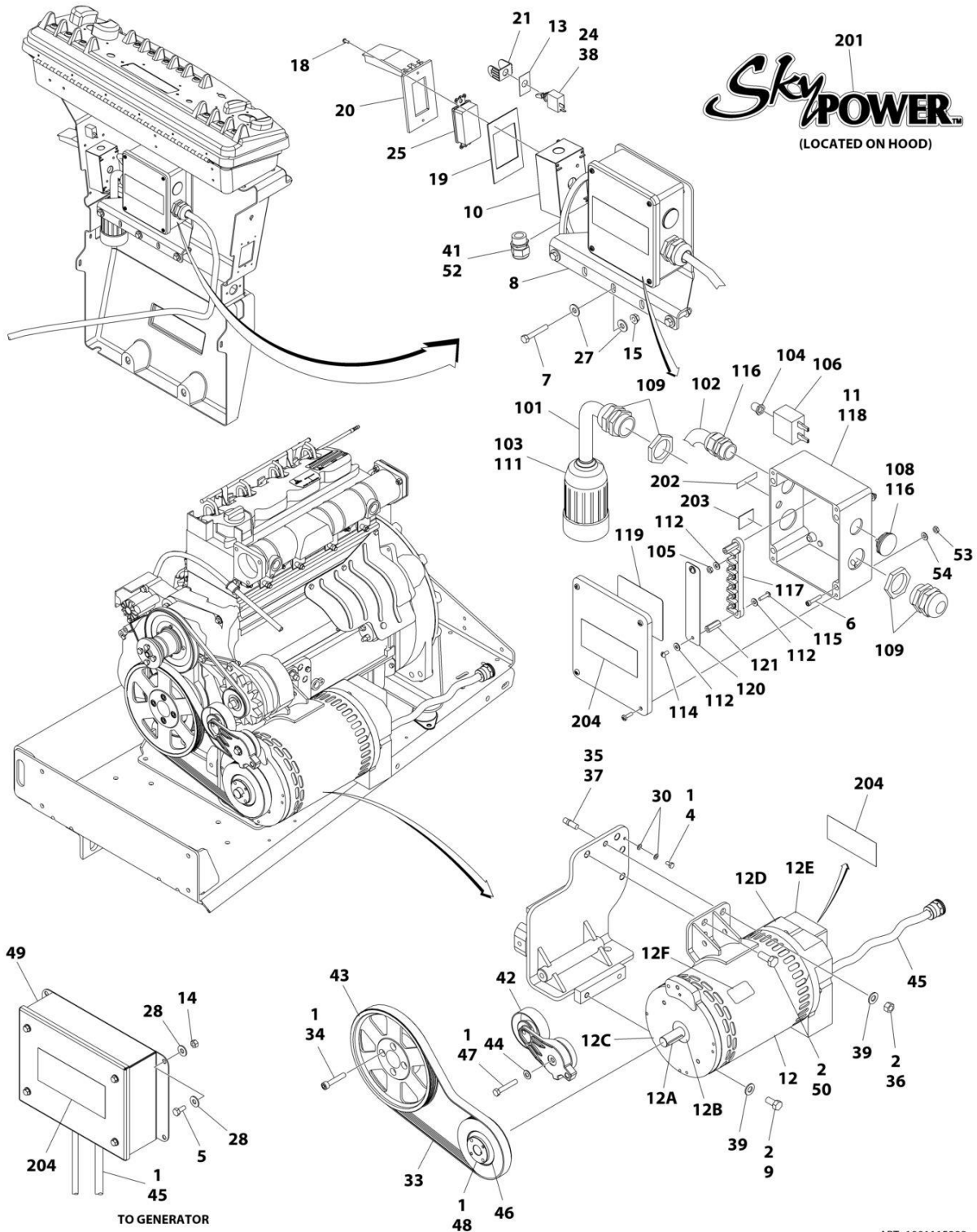
ITEM	PART NUMBER	QTY	DESCRIPTION	REV
	100115394	Ref	7500W/50HZ SKYPOWER GENERATOR INSTALLATION	F
1	0100011	AR	Compound, Locking	
2	0100019	AR	Compound, Locking	
3	0641403	1	Bolt 1/4 x 3/8	
5	0641405	4	Bolt 1/4 x 5/8	
6	3931016	4	Capscrew 3/8 x 1	
7	0641516	3	Bolt 5/16 x 2	
9	0641808	2	Bolt 1/2 x 1	
10	1001157525	1	Junction Box Assembly (See Items 101-117 for Breakdown)	
11	2460048	1	Generator Assembly	
11	70001100	1	Rotor (Includes p/n 70001384 & 70000863) (Not Shown)	
11	70001384	1	Bearing, Ball Radial (Not Shown):	
11	70000863	1	Fan (Not Shown)	
11	70002088	1	Stator (Not Shown)	
11	70002297	1	Stud	
11	70003631	1	Brushholder Assembly (Not Shown)	
11A	70004171	1	Key	
11B	70001966	1	Bearing, Ball Radial (Located in Belt Tensioner Endbell)	
11B	70003708	1	Ring, Internal Retaining (Located in Belt Tensioner Endbell)	
11B	70003709	1	Ring, External Retaining (Located in Belt Tensioner Endbell)	
11C	70001953	1	Endbell, Belt Tensioner	
11D	70004169	1	Endbell, Brush Block	
11E	70004169	1	Shroud	
11E	See Note	NSS	Insulator, Endbell (Note: Not Available for Purchase)	
11E	7027799	1	Block, Connector 6 Position (Not Shown)	
11E	70002460	1	Nut, Brass (Attaches p/n 7027799 to Cover) (Not Shown)	
11E	7024485	1	Breaker, Circuit 30Amp (Not Shown)	
11E	70001696	1	Boot, Breaker (Not Shown)	
11E	7026626	1	Connector, 6 Position (Includes Seal) (Not Shown - Plugs into Item 36)	
11E	7026597	1	Connector, with Leads (Not Shown)	
11E	7026188	1	Clamp, Cable (Not Shown)	
11E	70004169	1	Plate, End Panel	
11E	70001974	1	Decal - Terminal Connections	
11F	70001973	1	Decal - Warning Moving Parts	
12	3252764	1	Nameplate	
13	3311405	4	Nut 1/4	
14	3311505	3	Nut 5/16	
15	0902888	1	Bracket, Box Mounting	
17	4060802	1	Guard, Switch	
19	4360336	1	Switch, Toggle	
20	4711500	6	Washer 5/16	
21	4751400	8	Washer 1/4	
22	4791400	2	Washer 1/4	
25	0480126	1	Belt, Drive	
26	4032015	4	Capscrew M10 X 55	
27	4300157	1	Stud	
28	0100062	AR	Adhesive	
29	3311801	1	Nut 1/2	
30	4711800	3	Washer 1/2	

SECTION 3 - ENGINE

ITEM	PART NUMBER	QTY	DESCRIPTION	REV
31	2820031	1	Heat Shrink	
32	4922925	1	Harness, Generator	
33	3580317	1	Tensioner, Belt with Pulley	
34	3580319	1	Pulley	
35	3580320	1	Pulley	
36	4711600	1	Washer 3/8	
37	0962520	1	Bushing, Split Taper	
38	0861572	1	Control Box Assembly	
38	7024488	1	Card, Circuit - Generator Power	
38	See Note	NSS	Fuse (Note: Not Available - Purchase Locally)	
38	7024489	1	Card, Circuit - Control	
38	70000619	1	Harness, Control Box (Internal)	
38		Ref	Note: Same Circuit Card (P/N 7024489) is used for both 60Hz & 50Hz Specs. When replacing card, rocker switch on card must be set for required application.	
39	0641618	1	Bolt 3/8 x 2-1/4	
40	0771415	1	Bolt M14 x 35 Grade 10.9	
41	3311005	4	Nut #10	
42	4751000	4	Washer #10	
	1001157525	Ref	JUNCTION BOX ASSEMBLY	B
101	3300396	1	Cover, Fuse	
102	3311001	6	Nut #10	
103	3520189	1	Plug	
104	3520192	1	Plug	
105	4360070	1	Circuit Breaker - 15Amp	
106	4460425	1	Connector, Strain Relief	
107	4460426	2	Connector, Strain Relief	
109	4711000	10	Washer, #10	
110	10702077	2	Screw #10 x 3/8	
111	10702082	2	Screw #10 x 3/4	
112	1001152525	1	Plug	
113	1001157520	1	Block, Terminal	
114	1001157521	1	Box, Junction	
115	1001157528	1	Decal - Wiring Schematic	
116	1001158007	1	Cover, PVC	
117	1001158008	2	Stand-Off	
	0272589	Ref	DECAL INSTALLATION	A
201	1705460	2	Decal - SkyPower	
202	1705461	1	Decal - 240V - 3 Phase	
203	1705489	2	Decal, Hazardous Voltage	
	1001157769	Ref	ELECTRICAL DIAGRAM COMPONENTS	B
301	1001152429	1	Generator Harness (Not Shown - See Separate Breakdown in ELECTRICAL SECTION)	
304	4922641	1	Switch Harness (Not Shown)	

SECTION 3 - ENGINE

FIGURE 3-57. 7500W/60HZ SKYPOWER GENERATOR INSTALLATION - DEUTZ D2011 ENGINES



ART_1001115388

SECTION 3 - ENGINE

FIGURE 3-57. 7500W/60HZ SKYPOWER GENERATOR INSTALLATION - DEUTZ D2011 ENGINES

ITEM	PART NUMBER	QTY	DESCRIPTION	REV
	1001115388	Ref	7500W SKYPOWER GENERATOR INSTALLATION	F
1	0100011	AR	Compound, Locking	
2	0100019	AR	Compound, Locking	
4	0641404	1	Bolt 1/4 x 1/2	
5	0641405	4	Bolt 1/4 x 5/8	
6	3931016	4	Capscrew 3/8 x 1	
7	0641516	3	Bolt 5/16 x 2	
8	0902888	1	Bracket, Box Mounting	
9	0641808	2	Bolt 1/2 x 1	
10	0860038	1	Box, Switch	
11	1001157592	1	Junction Box Assembly (See Items 101-121 for Breakdown)	
12	2460048	1	Generator Assembly	
12	70001100	1	Rotor (Includes p/n 70001384 & 70000863) (Not Shown)	
12	70001384	1	Bearing, Ball Radial (Not Shown):	
12	70000863	1	Fan (Not Shown)	
12	70002088	1	Stator (Not Shown)	
12	70002297	1	Stud	
12	70003631	1	Brushholder Assembly (Not Shown)	
12A	70004171	1	Key	
12B	70001966	1	Bearing, Ball Radial (Located in Belt Tensioner Endbell)	
12B	70003708	1	Ring, Internal Retaining (Located in Belt Tensioner Endbell)	
12B	70003709	1	Ring, External Retaining (Located in Belt Tensioner Endbell)	
12C	70001953	1	Endbell, Belt Tensioner	
12D	70004169	1	Endbell, Brush Block	
12E	70004169	1	Shroud	
12E	See Note	NSS	Insulator, Endbell (Note: Not Available for Purchase)	
12E	7027799	1	Block, Connector 6 Position (Not Shown)	
12E	70002460	1	Nut, Brass (Attaches p/n 7027799 to Cover) (Not Shown)	
12E	7024485	1	Breaker, Circuit 30Amp (Not Shown)	
12E	70001696	1	Boot, Breaker (Not Shown)	
12E	7026626	1	Connector, 6 Position (Includes Seal) (Not Shown - Plugs into Item 36)	
12E	7026597	1	Connector, with Leads (Not Shown)	
12E	7026188	1	Clamp, Cable (Not Shown)	
12E	70004169	1	Plate, End Panel	
12E	70001974	1	Decal - Terminal Connections	
12F	70001973	1	Decal - Warning Moving Parts	
13	3252764	1	Nameplate	
14	3311405	4	Nut 1/4	
15	3311508	3	Nut, Flange 5/16	
18	3910606	4	Screw #6 x 3/8	
19	3960422	1	Gasket	
20	1001110873	1	Cover, Receptacle	
21	4060802	1	Guard, Switch	
24	4360336	1	Switch, Toggle	
25	4460346	1	Receptacle, Female (110-120V)	
27	4751500	3	Washer 5/16	
28	4751400	8	Washer 1/4	
30	4791400	2	Washer 1/4	
33	0480129	1	Belt, Drive	

SECTION 3 - ENGINE

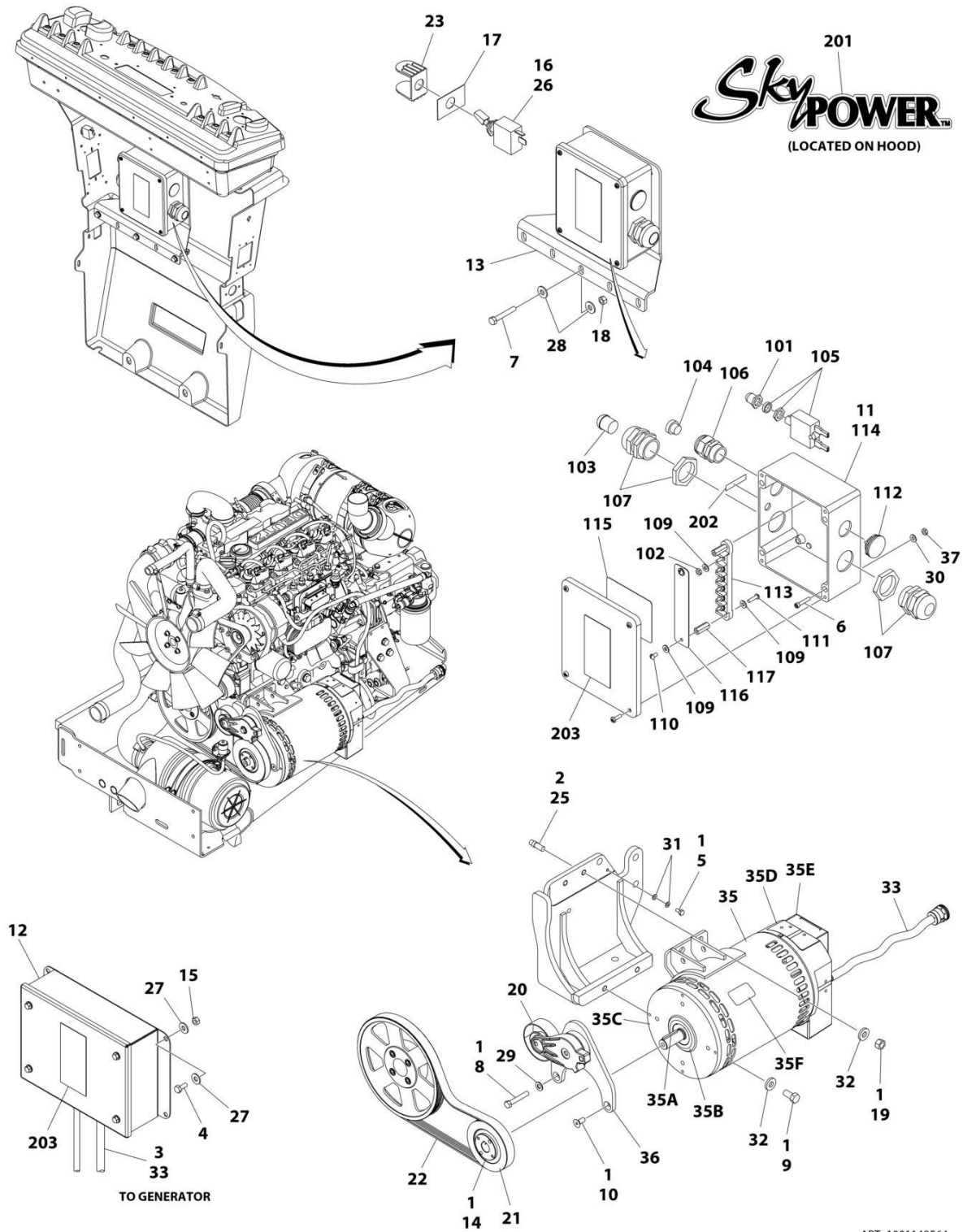
ITEM	PART NUMBER	QTY	DESCRIPTION	REV
34	4032015	4	Capscrew M10 x 55	
35	4300157	1	Stud	
36	3311801	1	Nut 1/2	
37	0100062	AR	Adhesive	
38	2820031	1	Heat Shrink	
39	4711800	3	Washer 1/2	
41	4460071	1	Connector, Strain Relief	
42	3580317	1	Tensioner, Belt with Pulley	
43	3580320	1	Pulley	
44	4711600	1	Washer 3/8	
45	4922925	1	Harness, Generator	
46	3580318	1	Pulley	
47	0641618	1	Bolt 3/8 x 2-1/4	
48	0962520	1	Bushing, Split Taper	
49	0861538	1	Control Box Assembly	
49	7024488	1	Card, Circuit - Generator Power	
49	See Note	1	Fuse (Note: Not Available - Purchase Locally)	
49	70000619	1	Harness, Control Box (Internal)	
49	7024489	1	Card, Circuit - Control	
49		Ref	Note: Same Circuit Card (P/N 7024489) is used for both 60Hz & 50Hz Specs. When replacing card, rocker switch on card must be set for required application.	
50	0771415	1	Bolt M14 x 35 Grade 10.9	
52	0100020	AR	Sealant	
53	3311005	4	Nut #10	
54	4751000	4	Washer #10	
	1001157592	Ref	JUNCTION BOX ASSEMBLY	
101	1060343	1.5 ft /.46m	Cable, Electrical 10/4	
102	1001179154	2.5 ft /76cm	Cable, Electrical 12/3	
103	1671092	1	Cover	
104	3300396	1	Cover, Fuse	
105	3311001	6	Nut #10	
106	4360070	1	Circuit Breaker - 15Amp	
108	4460425	1	Connector, Strain Relief	
109	4460426	2	Connector, Strain Relief	
111	4460963	1	Connector	
112	4711000	10	Washer, #10	
114	10702077	2	Screw #10 x 3/8	
115	10702082	2	Screw #10 x 3/4	
116	1001152525	1	Plug	
117	1001157520	1	Block, Terminal	
118	1001157521	1	Box, Junction	
119	1001157528	1	Decal - Wiring Schematic	
120	1001158007	1	Cover, PVC	
121	1001158008	2	Stand-Off	
	0272435	Ref	DECAL INSTALLATION	D
201	1705460	2	Decal - SkyPower	
202	3251243	1	Decal - 120V - 60Hz (60Hz Spec Only) (Not Shown - Located at Platform Receptacle)	
203	1705375	1	Decal - 240V - 3 Phase	

SECTION 3 - ENGINE

ITEM	PART NUMBER	QTY	DESCRIPTION	REV
204	1705387	3	Decal, Hazardous Voltage	B
	1001157769	Ref	ELECTRICAL DIAGRAM COMPONENTS	
301	1001152429	1	Generator Harness (Not Shown - See Separate Breakdown in ELECTRICAL SECTION)	
304	4922641	1	Switch Harness (Not Shown)	

SECTION 3 - ENGINE

FIGURE 3-58. 7500W/50HZ SKYPOWER GENERATOR INSTALLATION - DEUTZ TD2.9L4 AND DEUTZ TD2.9L4 (STAGE V) ENGINES



ART_1001148564

SECTION 3 - ENGINE

FIGURE 3-58. 7500W/50HZ SKYPOWER GENERATOR INSTALLATION - DEUTZ TD2.9L4 AND DEUTZ TD2.9L4 (STAGE V) ENGINES

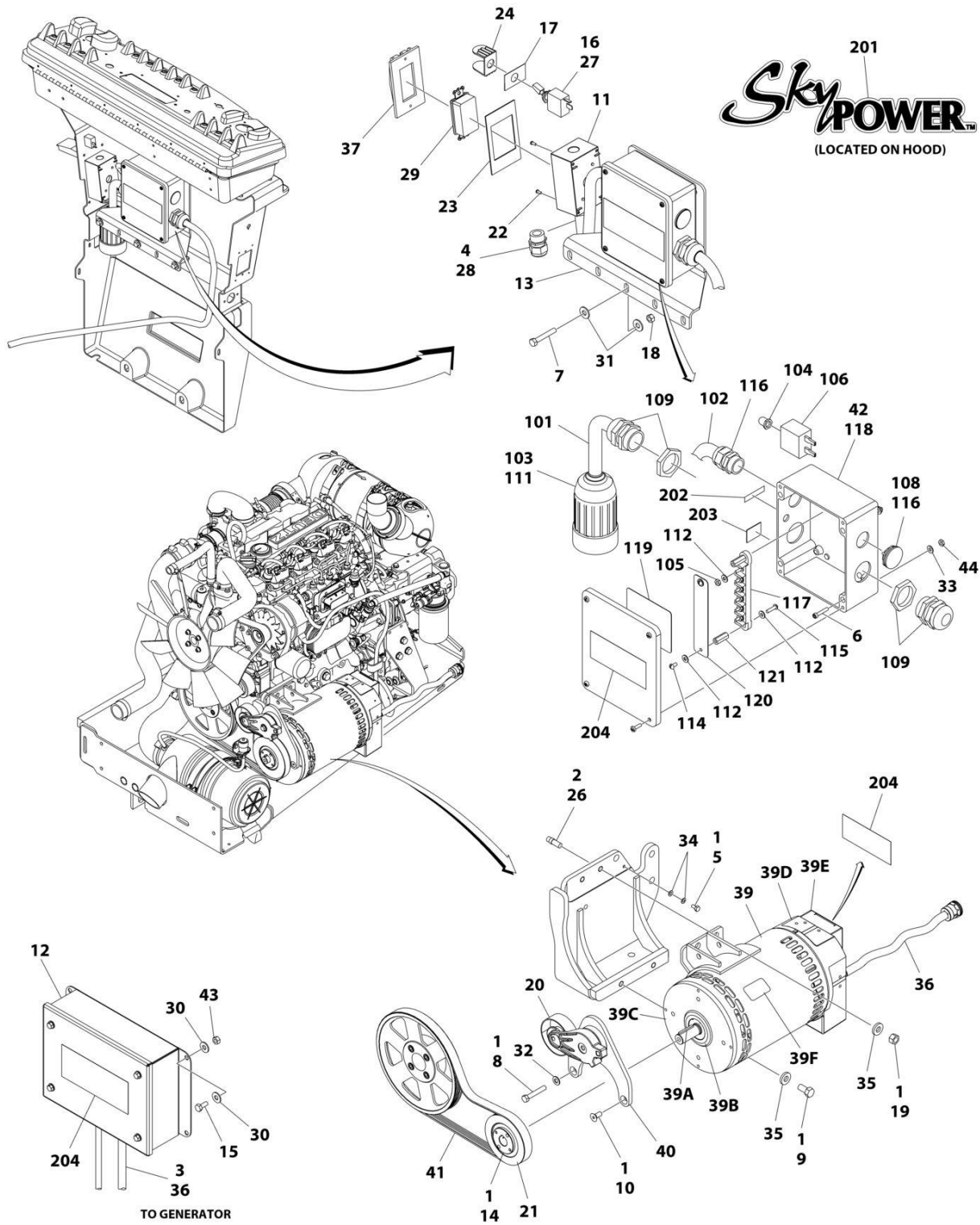
ITEM	PART NUMBER	QTY	DESCRIPTION	REV
	1001148564	Ref	7500W SKYPOWER GENERATOR INSTALLATION	F
1	0100011	AR	Compound, Locking	
2	0100019	AR	Compound, Locking	
3	0100048	AR	Compound, Silicone	
4	0641405	4	Bolt 1/4 x 5/8	
5	0641404	1	Bolt 1/4 x 1/2	
6	3931016	4	Capscrew 3/8 x 1	
7	0641516	3	Bolt 5/16 x 2	
8	0641618	1	Bolt 3/8 x 2-1/4	
9	0641808	2	Bolt 1/2 x 1	
10	0741607	3	Screw 3/8 x 7/8	
11	1001157525	1	Junction Box Assembly (See Items 101-117 for Breakdown)	
12	0861572	1	Control Box Assembly	
12	7024488	1	Card, Circuit - Generator Power	
12	See Note	NSS	Fuse (Note: Not Available - Purchase Locally)	
12	7024489	1	Card, Circuit - Control	
12	70000619	1	Harness, Control Box (Internal)	
		Ref	Note: Same Circuit Card (P/N 7024489) is used for both 60Hz and 50Hz. When replacing card, rocker switch on card must be set for required application.	
13	0902888	1	Bracket, Box Mounting	
14	0962520	1	Bushing, Split Taper	
15	3311405	4	Nut 1/4	
16	2820031	1	Heat Shrink	
17	3252764	1	Nameplate	
18	3311505	3	Nut 5/16	
19	3311801	2	Nut 1/2	
20	3580317	1	Tensioner, Belt with Pulley	
21	3580319	1	Pulley	
22	1001142645	1	Belt, Drive	
23	4060802	1	Guard, Switch	
24	4240018	AR	Tie-Strap (Not Shown)	
25	1001163599	2	Stud	
26	4360336	1	Switch, Toggle	
27	4751400	8	Washer 1/4	
28	4711500	6	Washer 5/16	
29	4711600	1	Washer 3/8	
30	4751000	4	Washer #10	
31	4791400	2	Washer 1/4	
32	4891800	4	Washer 1/2 Hardened	
33	4922925	1	Harness, Generator	
35	1001212223	Ref	Generator Assembly	
35	70001100	1	Rotor (Includes p/n 70001384 & 70000863) (Not Shown)	
35	70001384	1	Bearing, Ball Radial (Not Shown):	
35	70000863	1	Fan (Not Shown)	
35	70006093	1	Stator (Not Shown)	
35	70002297	1	Stud	
35	70003631	1	Brushholder Assembly (Not Shown)	
35A	70004099	1	Key	

SECTION 3 - ENGINE

ITEM	PART NUMBER	QTY	DESCRIPTION	REV
35B	70001966	1	Bearing, Ball Radial (Located in Belt Tensioner Endbell)	
35B	70003708	1	Ring, Internal Retaining (Located in Belt Tensioner Endbell)	
35B	70003709	1	Ring, External Retaining (Located in Belt Tensioner Endbell)	
35C	70004092	1	Endbell, Belt Tensioner	
35D	70004094	1	Endbell, Brush Block	
35E	70006094	1	Shroud	
35E	70002291	1	Insulator, Endbell	
35E	7027799	1	Block, Connector 6 Position (Not Shown)	
35E	70002460	1	Nut, Brass (Attaches p/n 7027799 to Cover) (Not Shown)	
35E	70006095	1	Breaker, Circuit 30Amp (Not Shown)	
35E	70006096	1	Boot, Breaker Options (Not Shown):	
35E	7026626	1	Connector, 6 Position (Includes Seal) (Not Shown - Plugs into Item 36)	
35E	7026597	1	Connector, with Leads (Not Shown)	
35E	70004098	1	Clamp, Cable (Not Shown)	
35E	70006097	1	Plate, End Panel	
35E	70001974	1	Decal - Terminal Connections	
35F	70001973	1	Decal - Warning Moving Parts	
36	1001142643	1	Support	
37	3311005	4	Nut #10	
	1001157525	Ref	JUNCTION BOX ASSEMBLY	B
101	3300396	1	Cover, Fuse	
102	3311001	6	Nut #10	
103	3520189	1	Plug	
104	3520192	1	Plug	
105	4360070	1	Circuit Breaker - 15Amp	
106	4460425	1	Connector, Strain Relief	
107	4460426	2	Connector, Strain Relief	
109	4711000	10	Washer, #10	
110	10702077	2	Screw #10 x 3/8	
111	10702082	2	Screw #10 x 3/4	
112	1001152525	1	Plug	
113	1001157520	1	Block, Terminal	
114	1001157521	1	Box, Junction	
115	1001157528	1	Decal - Wiring Schematic	
116	1001158007	1	Cover, PVC	
117	1001158008	2	Stand-Off	
	0272589	Ref	DECAL INSTALLATION	A
201	1705460	2	Decal - SkyPower	
203	1705461	1	Decal - 240V - 3 Phase	
204	1705489	2	Decal, Hazardous Voltage	
	1001157770	Ref	ELECTRICAL DIAGRAM COMPONENTS	A
301	1001119968	1	Generator Harness (Not Shown - See Separate Breakdown in ELECTRICAL SECTION)	
304	4922641	1	Switch Harness (Not Shown)	

SECTION 3 - ENGINE

FIGURE 3-59. 7500W/60HZ SKYPOWER GENERATOR INSTALLATION - DEUTZ TD2.9L4 AND DEUTZ TD2.9L4 (STAGE V) ENGINES



ART_1001148563

SECTION 3 - ENGINE

FIGURE 3-59. 7500W/60HZ SKYPOWER GENERATOR INSTALLATION - DEUTZ TD2.9L4 AND DEUTZ TD2.9L4 (STAGE V) ENGINES

ITEM	PART NUMBER	QTY	DESCRIPTION	REV
	1001148563	Ref	7500W SKYPOWER GENERATOR INSTALLATION	F
1	0100011	AR	Compound, Locking	
2	0100019	AR	Compound, Locking	
3	0100048	AR	Compound, Silicone	
4	0100079	AR	Sealant	
5	0641404	1	Bolt 1/4 x 1/2	
6	3931016	4	Capscrew 3/8 x 1	
7	0641516	3	Bolt 5/16 x 2	
8	0641618	1	Bolt 3/8 x 2-1/4	
9	0641808	2	Bolt 1/2 x 1	
10	0741607	3	Screw 3/8 x 7/8	
11	0860038	1	Box, Switch	
12	0861538	1	Control Box Assembly	
12	7024488	1	Card, Circuit - Generator Power	
12	See Note	1	Fuse (Note: Not Available - Purchase Locally)	
12	70000619	1	Harness, Control Box (Internal)	
12	7024489	1	Card, Circuit - Control	
12		Ref	Note: Same Circuit Card (P/N 7024489) is used for both 60Hz & 50Hz Specs. When replacing card, rocker switch on card must be set for required application.	
13	0902888	1	Bracket, Box Mounting	
14	0962520	1	Bushing, Split Taper	
15	0641405	4	Bolt 1/4 x 5/8	
16	2820031	1	Heat Shrink	
17	3252764	1	Nameplate	
18	3311505	3	Nut 5/16	
19	3311801	2	Nut 1/2	
20	3580317	1	Tensioner, Belt with Pulley	
21	3580318	1	Pulley	
22	3910606	4	Screw #6 x 3/8	
23	3960422	1	Gasket	
24	4060802	1	Guard, Switch	
25	4240018	AR	Tie-Strap (Not Shown)	
26	1001163599	2	Stud	
27	4360336	1	Switch, Toggle	
28	4460071	1	Connector, Strain Relief	
29	4460346	1	Receptacle, Female (110-120V)	
30	4711400	8	Washer 1/4	
31	4711500	6	Washer 5/16	
32	4711600	1	Washer 3/8	
33	4751000	4	Washer #10	
34	4791400	2	Washer 1/4	
35	4891800	4	Washer 1/2 Hardened	
36	4922925	1	Harness, Generator	
37	1001110873	1	Cover, Receptacle	
39	1001212223	Ref	Generator Assembly	
39	70001100	1	Rotor (Includes p/n 70001384 & 70000863) (Not Shown)	
39	70001384	1	Bearing, Ball Radial (Not Shown):	
39	70000863	1	Fan (Not Shown)	

SECTION 3 - ENGINE

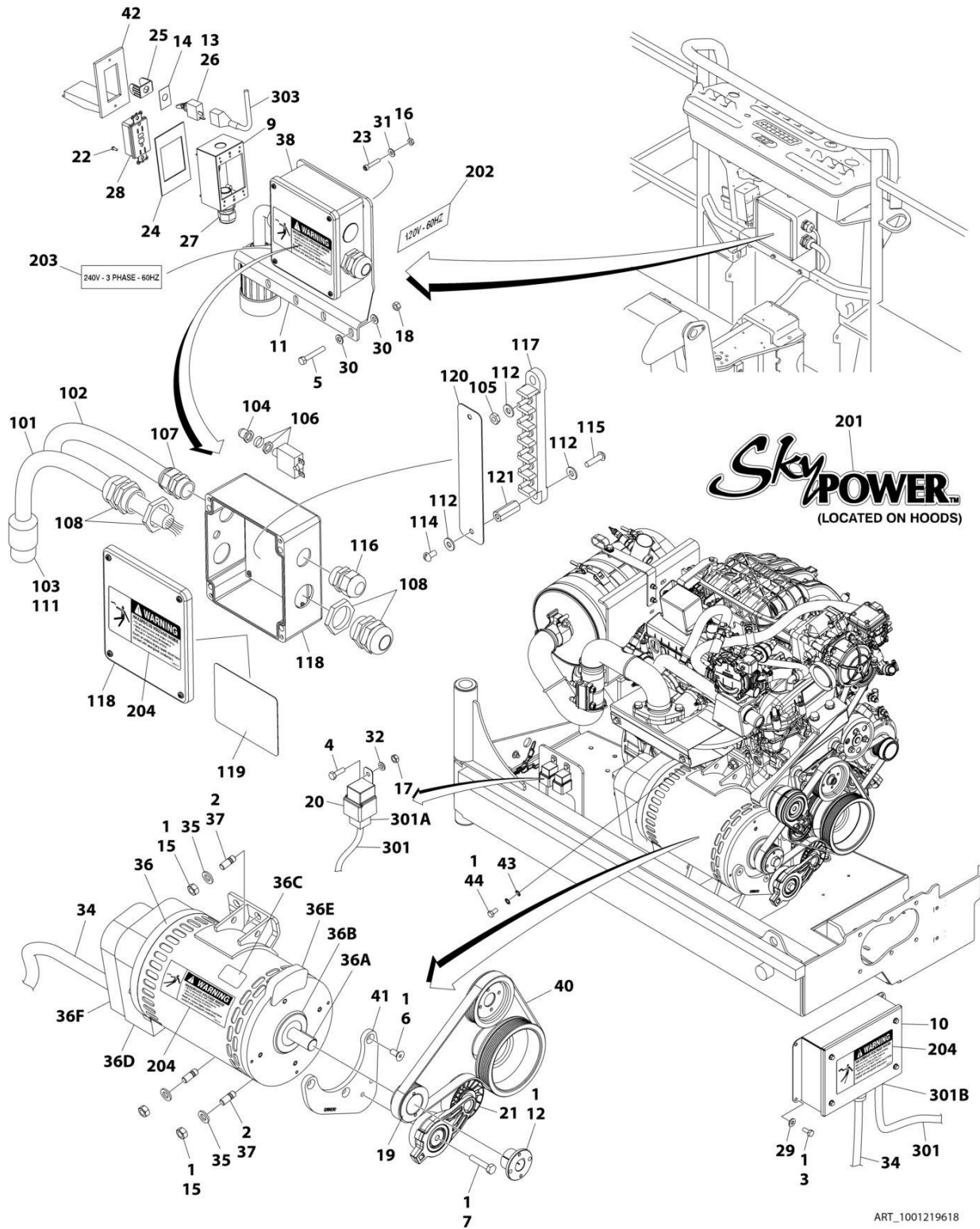
ITEM	PART NUMBER	QTY	DESCRIPTION	REV
39	70006093	1	Stator (Not Shown)	
39	70002297	1	Stud	
39	70003631	1	Brush holder Assembly (Not Shown)	
39A	70004099	1	Key	
39B	70001966	1	Bearing, Ball Radial (Located in Belt Tensioner Endbell)	
39B	70003708	1	Ring, Internal Retaining (Located in Belt Tensioner Endbell)	
39B	70003709	1	Ring, External Retaining (Located in Belt Tensioner Endbell)	
39C	70004092	1	Endbell, Belt Tensioner	
39D	70004094	1	Endbell, Brush Block	
39E	70006094	1	Shroud	
39E	70002291	1	Insulator, Endbell	
39E	7027799	1	Block, Connector 6 Position (Not Shown)	
39E	70002460	1	Nut, Brass (Attaches p/n 7027799 to Cover) (Not Shown)	
39E	70006095	1	Breaker, Circuit 30Amp (Not Shown)	
39E	70006096	1	Boot, Breaker Options (Not Shown):	
39E	7026626	1	Connector, 6 Position (Includes Seal) (Not Shown - Plugs into Item 36)	
39E	7026597	1	Connector, with Leads (Not Shown)	
39E	70004098	1	Clamp, Cable (Not Shown)	
39E	70006097	1	Plate, End Panel	
39E	70001974	1	Decal - Terminal Connections	
39F	70001973	1	Decal - Warning Moving Parts	
40	1001142643	1	Support	
41	1001142646	1	Belt, Drive	
42	1001157592	1	Junction Box Assembly (See Items 101-121 for Breakdown)	
43	3311405	4	Nut 1/4	
44	3311005	4	Nut #10	
	1001157592	Ref	JUNCTION BOX ASSEMBLY	D
101	1060343	1.5 ft /.46m	Cable, Electrical 10/4	
102	1001179154	2.5 ft /76cm	Cable, Electrical 12/3	
103	1671092	1	Cover	
104	3300396	1	Cover, Fuse	
105	3311001	6	Nut #10	
106	4360070	1	Circuit Breaker - 15Amp	
108	4460425	1	Connector, Strain Relief	
109	4460426	2	Connector, Strain Relief	
111	4460963	1	Connector	
112	4711000	10	Washer, #10	
114	10702077	2	Screw #10 x 3/8	
115	10702082	2	Screw #10 x 3/4	
116	1001152525	1	Plug	
117	1001157520	1	Block, Terminal	
118	1001157521	1	Box, Junction	
119	1001157528	1	Decal - Wiring Schematic	
120	1001158007	1	Cover, PVC	
121	1001158008	2	Stand-Off	
	0272435	Ref	DECAL INSTALLATION	D
201	1705460	2	Decal - SkyPower	
202	3251243	1	Decal - 120V - 60Hz (60Hz Spec Only) (Not Shown - Located at Platform Receptacle)	

SECTION 3 - ENGINE

ITEM	PART NUMBER	QTY	DESCRIPTION	REV
203	1705375	1	Decal - 240V - 3 Phase	A
204	1705387	3	Decal, Hazardous Voltage	
	1001157770	Ref	ELECTRICAL DIAGRAM COMPONENTS	
301	1001119968	1	Generator Harness (Not Shown - See Separate Breakdown in ELECTRICAL SECTION)	
303	4922641	1	Switch Harness (Not Shown)	

SECTION 3 - ENGINE

FIGURE 3-60. 7500W/60HZ SKYPOWER GENERATOR INSTALLATION – FORD DF 2.5L ENGINES



SECTION 3 - ENGINE

FIGURE 3-60. 7500W/60HZ SKYPOWER GENERATOR INSTALLATION – FORD DF 2.5L ENGINES

ITEM	PART NUMBER	QTY	DESCRIPTION	REV
	1001219618	Ref	7500W SKYPOWER GENERATOR INSTALLATION - FORD ENGINES	D
		Ref	Note: See ELECTRICAL SECTION for Boom Cable Components.	
1	0100011	AR	Compound, Locking	
2	0100019	AR	Compound, Locking	
3	0641405	4	Bolt 1/4 x 5/8	
4	0760610	2	Bolt M6 x 20	
5	0641516	3	Bolt 5/16 x 2	
6	0741607	3	Screw 3/8 x 7/8	
7	0761018	1	Bolt M10 x 50	
9	0860038	1	Box, Switch	
10	0861538	1	Control Box Assembly	
10	7024488	1	Card, Circuit - Generator Power	
10	See Note	1	Fuse (Note: Not Available - Purchase Locally)	
10	7024489	1	Card, Circuit - Control	
10	70000619	1	Harness, Circuit Card	
11	0902888	1	Bracket, Box Mounting	
12	0962520	1	Bushing, Split Taper	
13	2820031	1	Heat Shrink	
14	3252764	1	Nameplate - AC & Weld	
15	3291201	4	Nut M12	
16	3311005	4	Nut #10	
17	3290601	2	Nut M6	
18	3311505	3	Nut 5/16	
19	3580314	1	Pulley	
20	3740080	2	Relay	
21	3580317	1	Tensioner, Belt	
22	3910606	2	Screw #6 x 3/8	
23	3931016	4	Capscrew #10 x 1	
24	3960422	1	Gasket	
25	4060802	1	Guard, Switch	
26	4360336	1	Switch, Toggle	
27	4460071	1	Connector, Strain Relief	
28	4460346	1	Receptacle	
29	4711400	4	Washer 1/4	
30	4711500	6	Washer 5/16	
31	4751000	4	Washer #10	
32	4811700	2	Washer M6	
34	4922925	1	Harness, Generator	
35	5241200	4	Washer M12	
36	1001136104	1	Generator Assembly	
36	70003631	1	Brushholder Assembly (Not Shown) (was p/n 7024484)	
36	7024485	1	Breaker, Circuit 30Amp (Not Shown)	
36	70001696	1	Boot, Breaker (was p/n 7024486 - Not Shown)	
36	70001966	1	Bearing, Ball Radial (Located In Belt Tensioner Endbell - Not Shown)	
36	7027799	1	Block, Connector 6 Position (Not Shown)	
36	70002460	6	Nut, Brass (Attaches p/n 7027799 to Cover) (Not Shown)	
36	7026188	1	Clamp, Cable (Not Shown)	
36	7026597	1	Connector, W/Leads (Not Shown)	

SECTION 3 - ENGINE

ITEM	PART NUMBER	QTY	DESCRIPTION	REV
36	7026626	1	Connector - 6 Position with Seal (Not Shown)	
36	70002088	1	Stator (Not Shown)	
36	70004169	1	Panel, End (Not Shown) (was p/n 70002255)	
36	70001974	1	Decal - Terminal Connections (Not Shown)	
36	70000863	1	Fan (Not Shown)	
36	70002297	4	Stud (Not Shown)	
36A	70004171	1	Key (was p/n 7024561)	
36A	70001100	1	Armature, Generator (Includes Radial Ball Bearing on End with Brushes and Fan)	
36A	70001384	1	Bearing, Ball Radial	
36B	70001966	1	Bearing, Radial Ball	
36B	70003708	1	Ring, Internal Retaining (Located in Belt Tensioner Endbell)	
36B	70003709	1	Ring, External Retaining (Located in Belt Tensioner Endbell)	
36C	70001973	1	Decal - Warning Moving Parts	
36D	70004169	1	Endbell, Brush Block (was p/n 70001385)	
36E	70001953	1	Endbell, Belt Tensioner	
36F	70004169	1	Endbell, Shroud Assembly (was p/n 70002290)	
37	1001196382	4	Stud	
38	1001157592	1	Junction Box Assembly (See Items 101-121 for Breakdown)	
40	1001216390	1	V-Belt	
41	1001218930	1	Mount, Tensioner	
42	1001110873	1	Cover, Receptacle	
43	4871700	2	Washer M6	
44	0760606	1	Bolt M6 x 12	
	1001157592	Ref	JUNCTION BOX ASSEMBLY	C
101	1060343	1.5 ft /0.46m	Cable, Electrical - 10/4 (60Hz Only)	
102	1001179154	2.5 ft /0.76m	Cable Electrical - 12/3	
103	1671092	1	Cover, Connector	
104	3300396	1	Cover, Fuse	
105	3311001	6	Nut #10	
106	4360070	1	Breaker, Circuit 15Amp	
107	4460425	1	Connector, Strain Relief	
108	4460426	2	Connector, Strain Relief	
111	4460963	1	Receptacle	
112	4711000	10	Washer #10	
114	10702077	2	Screw #10 x 3/8	
115	10702082	2	Screw #10 x 3/4	
116	1001152525	1	Plug, Hole	
117	1001157520	1	Block, Terminal Pole	
118	1001157521	1	Box, Junction	
119	1001157528	1	Decal - Box Junction	
120	1001158007	1	Cover	
121	1001158008	2	Standoff	
	0272435	Ref	DECAL INSTALLATION	D
201	1705460	2	Decal - SkyPower	
202	3251243	1	Decal - 120V - 60Hz (60Hz Spec Only) (Located on Opposite Side)	
203	1705375	1	Decal - 240V - 3 Phase	
204	1705387	3	Decal, Hazardous Voltage	
	1001221498	Ref	ELECTRICAL DIAGRAM COMPONENTS	A

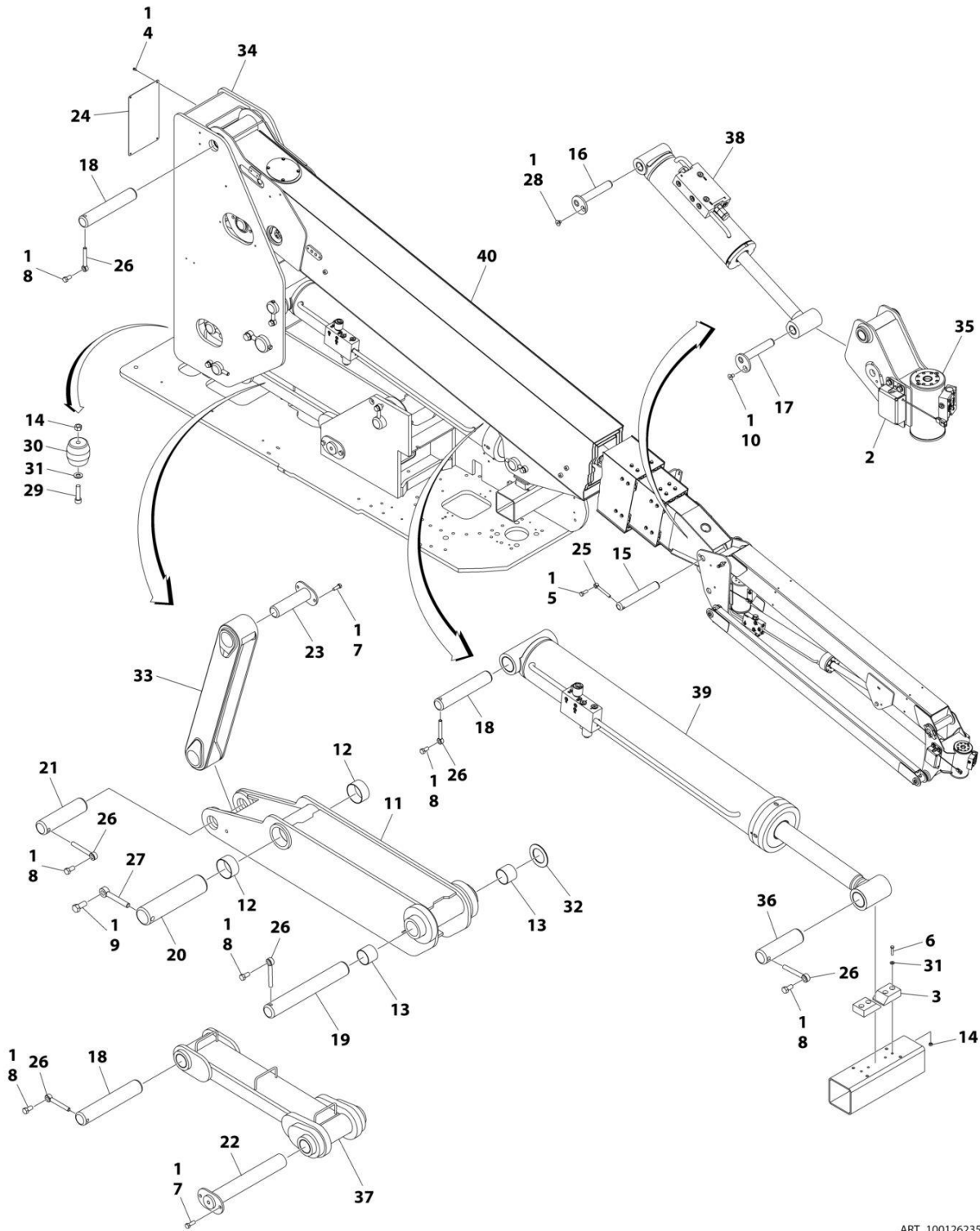
SECTION 3 - ENGINE

ITEM	PART NUMBER	QTY	DESCRIPTION	REV
301	1001221208	1	Generator to Engine Harness (See Separate Breakdown in ELECTRICAL SECTION)	
301A	4460374	2	Plug, Sealed Relay	
301A	4460375	8	Terminal	
301B	4460967	1	Plug, Male - 3 Position	
301B	4460465	3	Socket, Female	
301C	2400060	2	Fuseholder (Not Shown)	
301C	2400064	2	Fuse - 5 Amp (Not Shown)	
301D	4460742	1	Plug, Male - 2 Position (Not Shown)	
301D	4460743	2	Socket, Female (Not Shown)	
303	4922641	1	Generator On/Off Switch Harness	

SECTION 4 - BOOM

SECTION 4 - BOOM

FIGURE 4-1. BOOM AND CYLINDERS INSTALLATION (800S HC3)



ART_1001262350

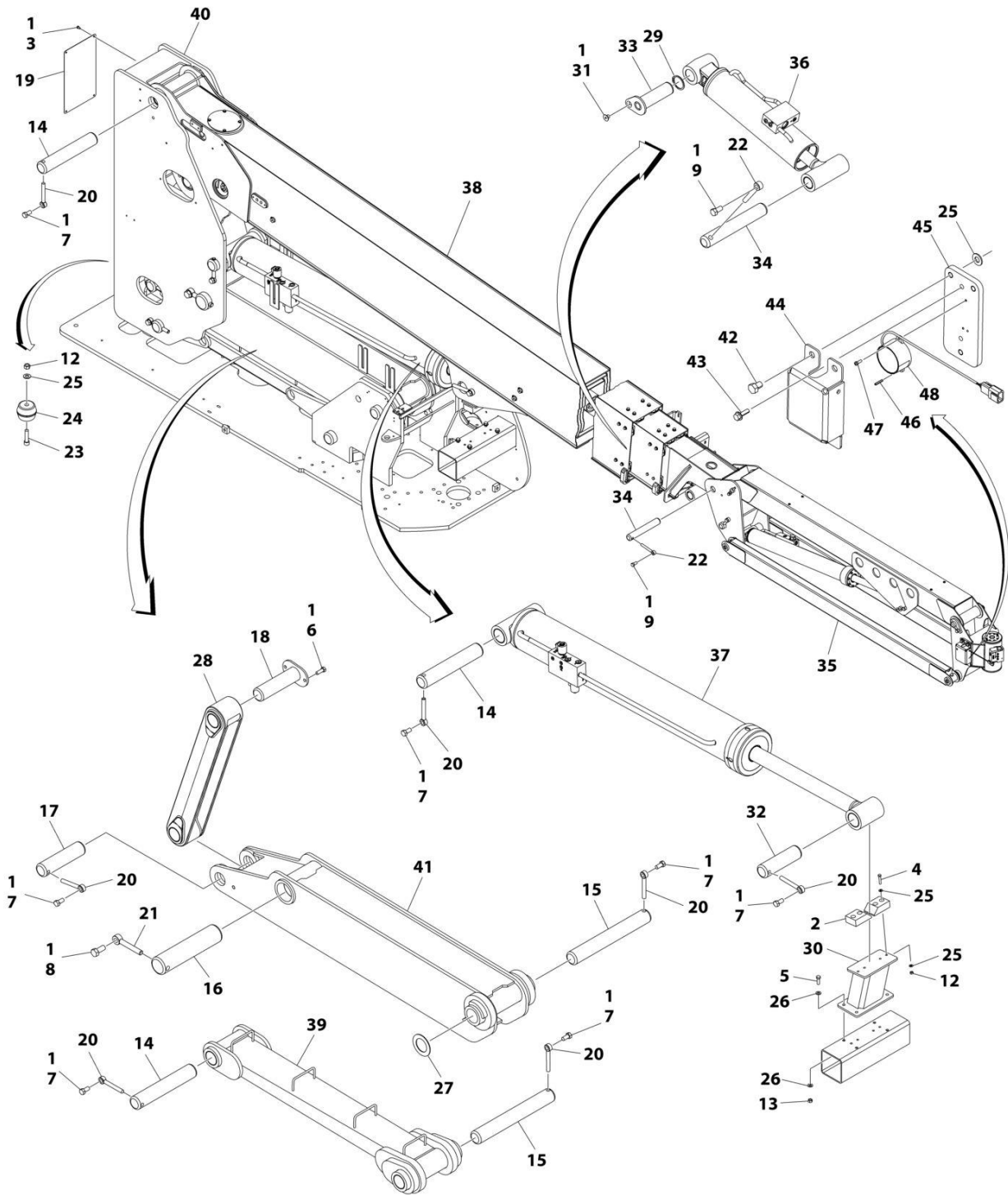
SECTION 4 - BOOM

FIGURE 4-1. BOOM AND CYLINDERS INSTALLATION (800S HC3)

ITEM	PART NUMBER	QTY	DESCRIPTION	REV
	1001262350	Ref	BOOM AND CYLINDERS INSTALLATION	A
1	0100011	AR	Compound, Locking	
2	0273695	1	Level Switch Installation	
3	0561380	2	Block, Boom Rest	
4	0641504	4	Bolt 5/16 x 1/2	
5	0641608	1	Bolt 3/8 x 1	
6	0641613	4	Bolt 3/8 x 1-5/8	
7	0642014	4	Bolt 5/8 x 1-3/4	
8	0642212	6	Bolt 3/4 x 1-1/2	
9	0642618	1	Bolt 1 x 2-1/4	
10	0741605	1	Bolt 3/8 x 5/8	
11	0801279	1	Tower	
12	0962122	2	Bushing	
13	0962297	2	Bushing	
14	3311605	6	Nut 3/8	
15	3422562	1	Pin	
16	3422569	1	Pin	
17	3422580	1	Pin	
18	3422908	3	Pin	
19	3422909	1	Pin	
20	3422910	1	Pin	
21	3422920	1	Pin	
22	3422930	1	Pin	
23	3422931	1	Pin	
24	3573050	1	Cover	
25	3841143	1	Keeper, Pin	
26	3841287	6	Keeper, Pin	
27	3841356	1	Keeper, Pin	
28	3900192	1	Bolt 3/8 x 1/2	
29	3931624	2	Bolt 3/8 x 1-1/2	
30	4160187	2	Spring	
31	4711600	6	Washer 3/8	
32	4740492	1	Washer	
33	1001117804	1	Link, Timing	
34	1001258003	1	Boom, Upright	
35	1001181060	1	Actuator, Platform Rotate	
36	1001196221	1	Pin	
37	1001201602	1	Link, Tension	
38	1001228027	1	Lift Cylinder Assembly - Tower Boom (See Separate Breakdown in CYLINDER Section)	
39	1001228028	1	Lift Cylinder Assembly - Tower Boom (See Separate Breakdown in CYLINDER Section)	
40	1001262351	1	Boom Assembly - Main (See Separate Breakdown in this Section)	

SECTION 4 - BOOM

FIGURE 4-2. BOOM AND CYLINDERS INSTALLATION (860SJ HC3)



ART_1001256821

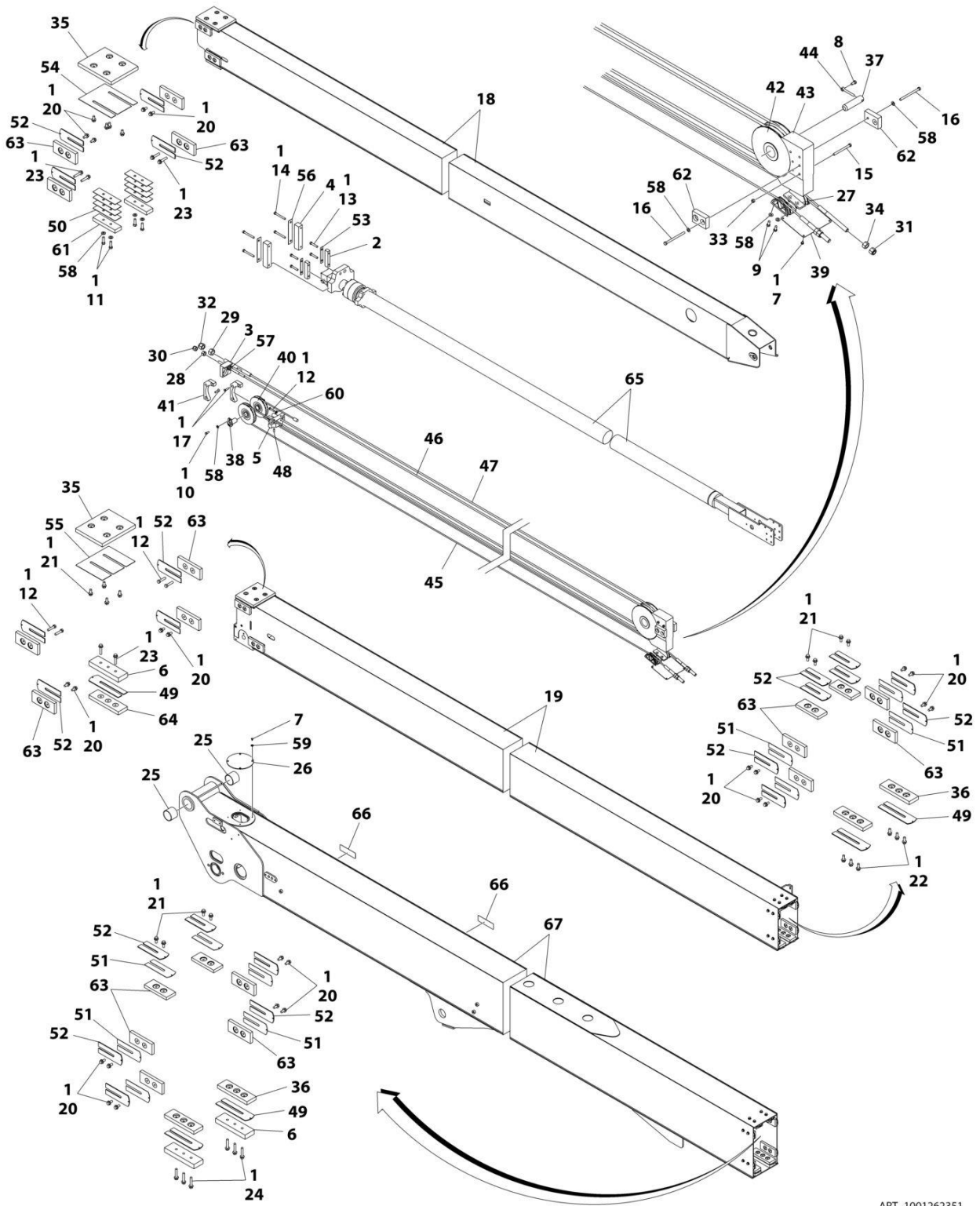
SECTION 4 - BOOM

FIGURE 4-2. BOOM AND CYLINDERS INSTALLATION (860SJ HC3)

ITEM	PART NUMBER	QTY	DESCRIPTION	REV
	1001256821	Ref	BOOMS AND CYLINDERS INSTALLATION	E
1	0100011	AR	Compound, Locking	
2	0561380	2	Block, Boom Rest	
3	0641504	4	Bolt 5/16 x 1/2	
4	0641615	4	Bolt 3/8 x 1-7/8	
5	0641812	4	Bolt 1/2 x 1-1/2	
6	0642014	2	Bolt 5/8 x 1-3/4	
7	0642212	7	Bolt 3/4 x 1-1/2	
8	0642618	1	Bolt 1 x 2-1/4	
9	0761212	2	Bolt M12 x 25	
12	3311605	6	Nut 3/8	
13	3311805	4	Nut 1/2	
14	3422908	3	Pin	
15	3422909	2	Pin	
16	3422910	1	Pin	
17	3422920	1	Pin	
18	3422931	1	Pin	
19	3573050	1	Cover	
20	3841287	7	Keeper, Pin	
21	3841356	1	Keeper, Pin	
22	3841709	2	Keeper, Pin	
23	3931624	2	Capscrew 3/8 x 1-1/2	
24	4160187	2	Spring, Rubber	
25	4711600	16	Washer 3/8	
26	4711800	8	Washer 1/2	
27	4740492	1	Thrustwasher	
28	1001117805	1	Power Link Weldment	
29	1001138671	1	Ring, Snap	
30	1001157837	1	Rest, Boom	
31	1001192027	1	Screw M10 x 12	
32	1001196221	1	Pin	
33	1001237142	1	Pin	
34	1001237949	2	Pin	
35	1001238328	1	Jib Boom Assembly (See Separate Breakdown in this Section)	
36	1001247466	1	Level Cylinder Assembly (See Separate Breakdown in CYLINDER Section)	
37	1001251029	1	Lift Cylinder Assembly (See Separate Breakdown in CYLINDER Section)	
38	1001256709	1	Boom Assembly (See Separate Breakdown in this Section)	
39	1001257776	1	Link	
40	1001258003	1	Upright	
41	1001258007	1	Boom, Tower	
42	0641604	6	Bolt 3/8 x 1/2	
43	0780610	4	Bolt M6 x 20	
44	1671044	2	Cover, Sensor	
45	3200449	2	Mount, Sensor	
46	3440410	2	Rollpin	
47	3930606	4	Capscrew #6 x 3/8	
48	1001147479	2	Sensor	

SECTION 4 - BOOM

FIGURE 4-3. MAIN BOOM ASSEMBLY (800S HC3)



ART_1001262351

SECTION 4 - BOOM

FIGURE 4-3. MAIN BOOM ASSEMBLY (800S HC3)

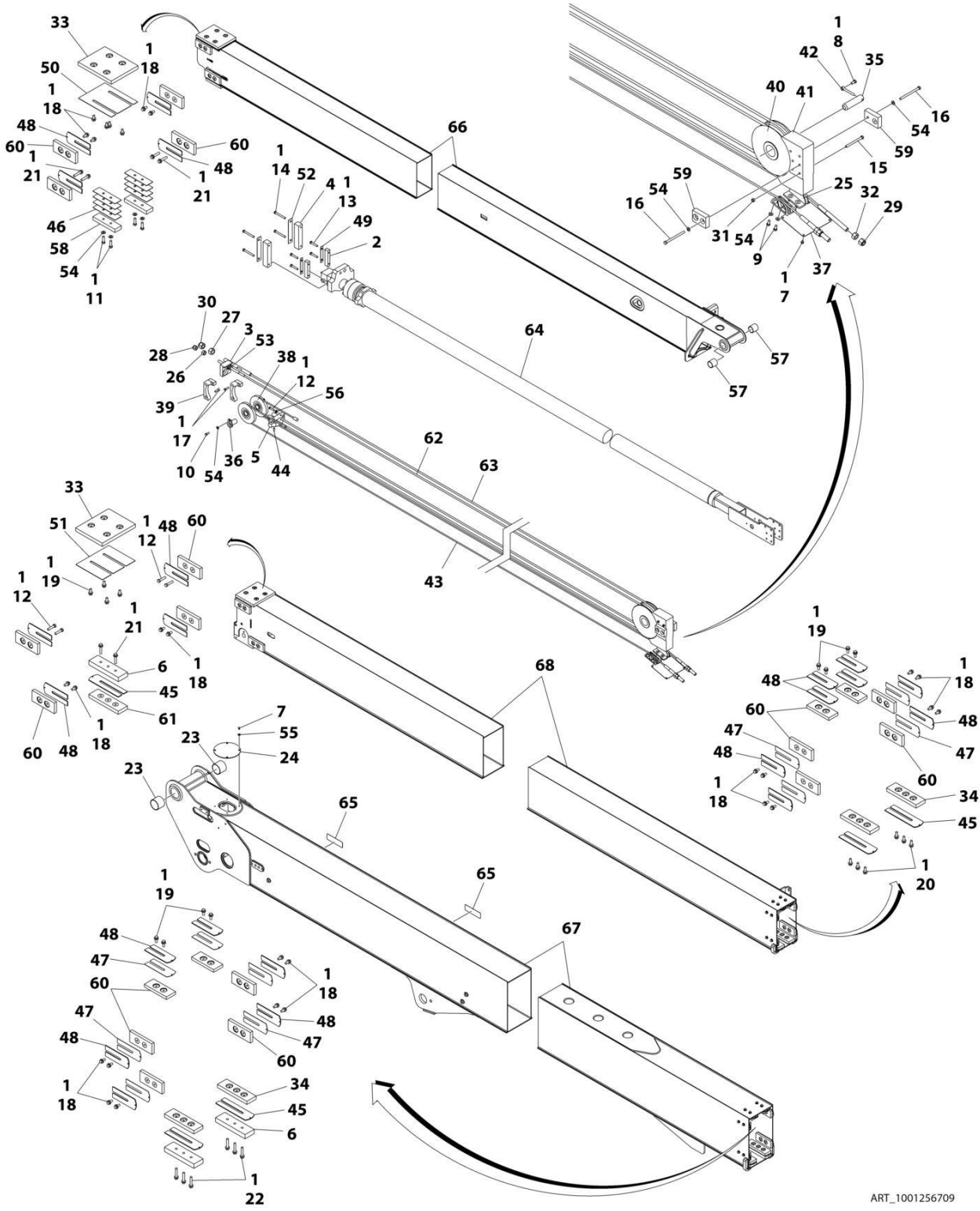
ITEM	PART NUMBER	QTY	DESCRIPTION	REV
	1001262351	Ref	MAIN BOOM ASSEMBLY	A
1	0100011	AR	Compound, Locking	
2	0561185	2	Block, Attach	
3	0561445	1	Block, Switch	
4	0561446	2	Block	
5	0561447	1	Block, Cable	
6	0561449	3	Block, Spacer	
7	0641403	8	Bolt 1/4 x 3/8	
8	0641606	1	Bolt 3/8 x 3/4	
9	0641607	4	Bolt 3/8 x 7/8	
10	0641608	2	Bolt 3/8 x 1	
11	0641610	4	Bolt 3/8 x 1-1/4	
12	0641613	6	Bolt 3/8 x 1-5/8	
13	0641616	4	Bolt 3/8 x 2	
14	0641626	4	Bolt 3/8 x 3-1/4	
15	0641634	4	Bolt 3/8 x 4-1/4	
16	0641640	2	Bolt 3/8 x 5	
17	0741612	6	Bolt 3/8 x 1-1/2	
18	0801275	1	Fly Boom	
19	0801649	1	Middle Boom	
20	0811606	28	Bolt 3/8 x 3/4	
21	0811607	12	Bolt 3/8 x 7/8	
22	0811608	6	Bolt 3/8 x 1	
23	0811614	6	Bolt 3/8 x 1-3/4	
24	0811616	6	Bolt 3/8 x 2	
25	0962297	2	Bushing	
26	1120510	1	Cover, Upright	
27	1220078	2	Sheave, Block	
28	3272001	1	Nut 5/8	
29	3272401	1	Nut 7/8	
30	3300240	1	Nut 5/8	
31	3300241	2	Nut 3/4	
32	3300242	1	Nut 7/8	
33	3311605	4	Nut 3/8	
34	3312201	2	Nut 3/4	
35	3340757	2	Pad, Wear	
36	3340871	4	Pad, Wear	
37	3422417	1	Pin	
38	3422424	2	Pin	
39	3539622	1	Plate, Cover	
40	3580243	2	Sheave Assembly, Retract	
41	3580249	2	Sheave Guard, Retract	
42	3580288	1	Sheave Assembly, Extend	
43	3580289	1	Sheave Guard, Extend	
44	3841143	1	Keeper, Pin	
45	3890013	2	Rope, Wire	
46	3890014	1	Rope, Wire	
47	3890015	1	Rope, Wire	
48	3951608	2	Bolt 3/8 x 1	
49	4070863	5	Shim #11	

SECTION 4 - BOOM

ITEM	PART NUMBER	QTY	DESCRIPTION	REV
50	4070895	8	Shim #16	
51	4070897	10	Shim, Wear Pad	
52	4070898	22	Shim #11	
53	4070929	2	Shim #16	
54	4070939	1	Shim #16	
55	4070940	1	Shim #16	
56	4071020	2	Shim #16	
57	4160149	1	Spring	
58	4711600	12	Washer 3/8	
59	4751400	4	Washer 1/4	
60	4891600	2	Washer 3/8	
61	1001148650	2	Pad, Wear	
62	1001148651	2	Pad, Wear	
63	1001148652	20	Pad, Wear	
64	1001148653	1	Pad, Wear	
65	1001228081	1	Telescope Cylinder Assembly (See Separate Breakdown in CYLINDER Section)	
66	1001250737	2	Cover, Boom	
67	1001262352	1	Base Boom	

SECTION 4 - BOOM

FIGURE 4-4. MAIN BOOM ASSEMBLY (860SJ HC3)



ART_1001256709

SECTION 4 - BOOM

FIGURE 4-4. MAIN BOOM ASSEMBLY (860SJ HC3)

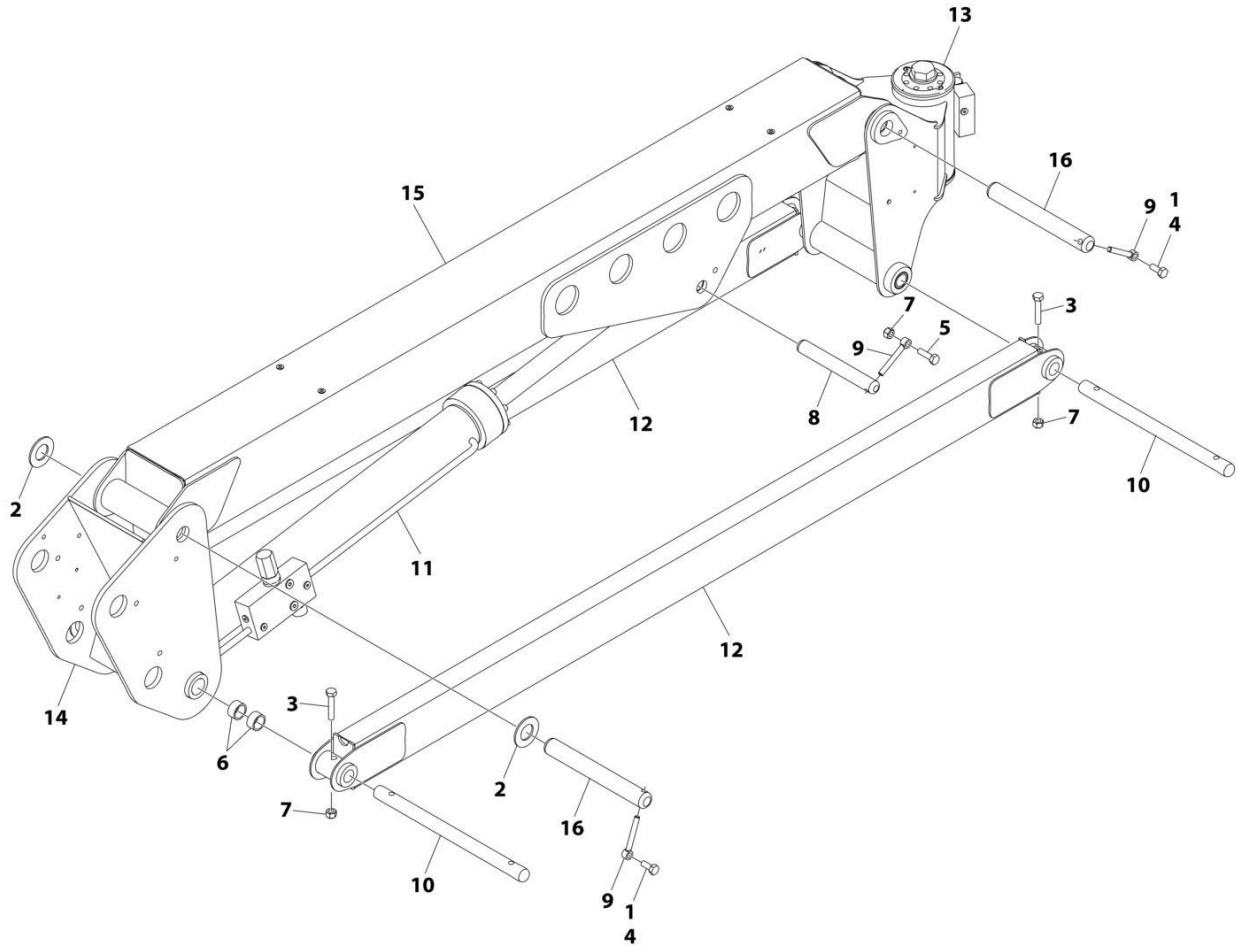
ITEM	PART NUMBER	QTY	DESCRIPTION	REV
	1001256709	Ref	MAIN BOOM ASSEMBLY	B
1	0100011	AR	Compound, Locking	
2	0561185	2	Block, Telescope Attach	
3	0561445	1	Block, Spring Mounting	
4	0561446	2	Block, Tele Mount	
5	0561447	1	Block, Cable Mount	
6	0561449	3	Block, Spacer	
7	0641403	8	Bolt 1/4 x 3/8	
8	0641606	1	Bolt 3/8 x 3/4	
9	0641607	4	Bolt 3/8 x 7/8	
10	0641608	2	Bolt 3/8 x 1	
11	0641610	4	Bolt 3/8 x 1-1/4	
12	0641613	6	Bolt 3/8 x 1-5/8	
13	0641616	4	Bolt 3/8 x 2	
14	0641626	4	Bolt 3/8 x 3-1/4	
15	0641634	4	Bolt 3/8 x 4 1/4	
16	0641640	2	Bolt 3/8 x 5	
17	0741612	6	Screw 3/8 x 1-1/2	
18	0811606	28	Screw 3/8 x 3/4	
19	0811607	12	Screw 3/8 x 7/8	
20	0811608	6	Screw 3/8 x 1	
21	0811614	6	Screw 3/8 x 1-3/4	
22	0811616	6	Screw 3/8 x 2	
23	0962297	2	Bearing	
24	1120510	1	Cover, Pin	
25	1220078	2	Sheave, Block	
26	3272001	1	Nut 5/8	
27	3272401	1	Nut 7/8	
28	3300240	1	Nut 5/8	
29	3300241	2	Nut 3/4	
30	3300242	1	Nut 7/8	
31	3311605	4	Nut 3/8	
32	3312201	2	Nut 3/4	
33	3340757	2	Pad, Wear	
34	3340871	4	Pad, Wear	
35	3422417	1	Pin, Extend Sheave	
36	3422424	2	Pin	
37	3539622	1	Plate, Cover	
38	3580243	2	Sheave, Retract	
38	0961951	1	Bushing	
39	3580249	2	Guard, Sheave	
40	3580288	1	Sheave, Extend	
40	0961951	2	Bushing	
41	3580289	1	Guard, Sheave	
42	3841143	1	Keeper, Pin	
43	3890016	2	Cable, Wire Rope	
44	3951608	2	Setscrew 3/8 x 1	
45	4070863	5	Shim (#11 Gauge)	
46	4070895	8	Shim (#16 Gauge)	
47	4070897	10	Shim (#18 Gauge)	

SECTION 4 - BOOM

ITEM	PART NUMBER	QTY	DESCRIPTION	REV
48	4070898	22	Shim (#11 Gauge)	
49	4070929	2	Shim (#16 Gauge)	
50	4070939	1	Shim (#16 Gauge)	
51	4070940	1	Shim (#16 Gauge)	
52	4071020	2	Shim (#16 Gauge)	
53	4160149	1	Spring, Torsion	
54	4711600	12	Washer 3/8	
55	4751400	4	Washer 1/4	
56	4891600	2	Washer 3/8	
57	1001118666	2	Bearing	
58	1001148650	2	Pad, Wear	
59	1001148651	2	Pad, Wear	
60	1001148652	20	Pad, Wear	
61	1001148653	1	Pad, Wear	
62	1001181235	1	Cable, Wire Rope	
63	1001181236	1	Cable, Wire Rope	
64	1001228083	1	Telescope Cylinder Assembly Options (See Separate Breakdown in CYLINDER Section)	
65	1001250737	3	Cover	
66	1001256806	1	Fly Weldment	
67	1001256820	1	Base Weldment	
68	1001257286	1	Mid Weldment	

SECTION 4 - BOOM

FIGURE 4-5. JIB ASSEMBLY (860SJ HC3)



ART_1001238328_F

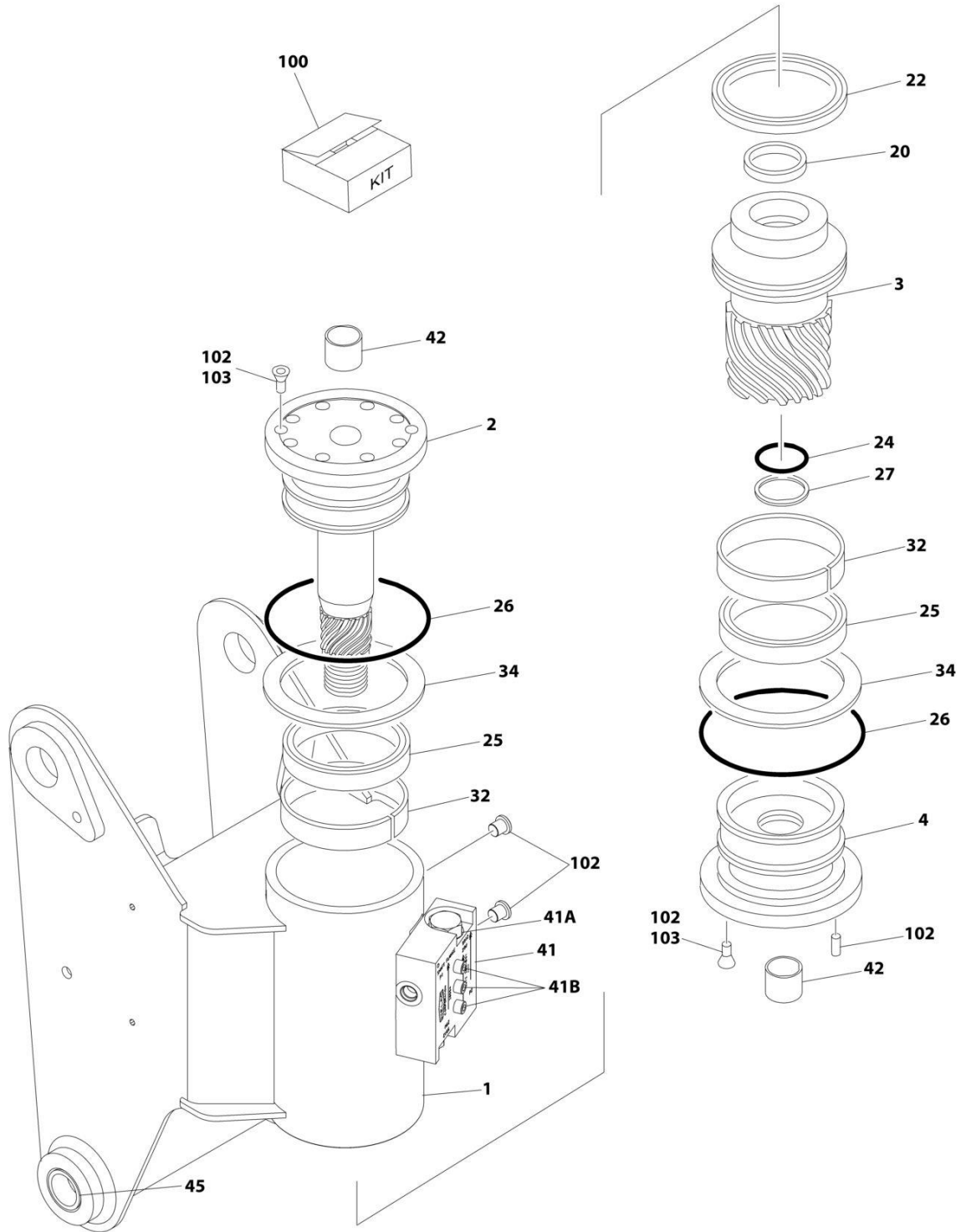
SECTION 4 - BOOM

FIGURE 4-5. JIB ASSEMBLY (860SJ HC3)

ITEM	PART NUMBER	QTY	DESCRIPTION	REV
	1001238328	Ref	JIB BOOM ASSEMBLY	F
1	0100011	AR	Compound, Locking	
2	0440162	2	Thrustwasher 0.188IN Thick	
2	0440237	1	Thrustwasher 0.125IN Thick	
3	0701020	1	Bolt M10 x 60	
4	0761012	2	Bolt M10 x 25	
5	0761015	1	Bolt M10 x 35	
6	0961947	4	Bearing 1IN ID x 1.25IN OD x 5/8IN L	
6	1001134289	4	Bearing 1IN ID x 1.5IN OD x 1IN L	
7	3291005	5	Nut M10	
8	3422867	1	Pin	
9	3841143	3	Keeper, Pin	
10	3422861	1	Pin	
11	1001264991	1	Lift Cylinder Assembly - Jib (See Separate Breakdown in CYLINDER SECTION)	
12	4844817	1	Link	
13	1001234811	1	Rotator Assembly (See Separate Breakdown in this Section)	
14	1001238168	1	Pivot	
15	1001238333	1	Tube (Upper)	
15	0962155	1	Bushing	
16	1001238398	2	Pin	

SECTION 4 - BOOM

FIGURE 4-6. ROTATOR ASSEMBLY (860SJ HC3)



ART_1001234811

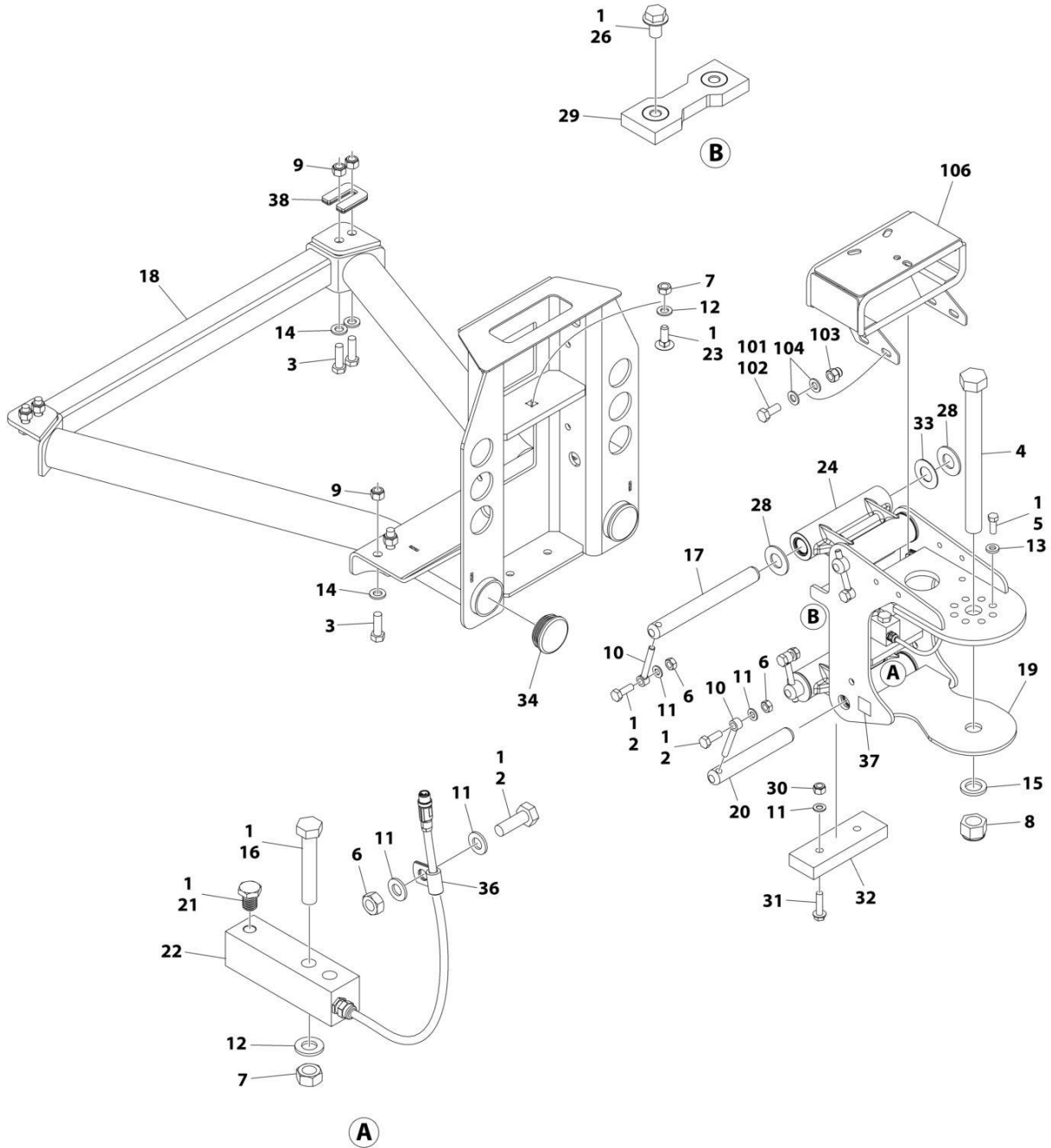
SECTION 4 - BOOM

FIGURE 4-6. ROTATOR ASSEMBLY (860SJ HC3)

ITEM	PART NUMBER	QTY	DESCRIPTION	REV
	1001234811	Ref	ROTATOR ASSEMBLY	B
1	See Note	NSS	Housing/Ring Gear Assembly (Note: Not Available - Purchase Complete Rotator Assembly)	
2	7017162	1	Shaft Weldment	
3	7017163	1	Piston/Sleeve Assembly	
4	7017164	1	Cap, End	
20	See Note	NSS	T-Seal (Note: Use Item 100)	
22	See Note	NSS	T-Seal (Note: Use Item 100)	
24	See Note	NSS	O-Ring (Note: Use Item 100)	
25	See Note	NSS	Seal (Note: Use Item 100)	
26	See Note	NSS	O-Ring (Note: Use Item 100)	
27	See Note	NSS	Ring, Back-up (Note: Use Item 100)	
32	See Note	NSS	Ring, Wear (Note: Use Item 101)	
34	See Note	NSS	Washer, Thrust (Note: Use Item 101)	
41	7017172	AR	Valve Assembly	
41A	7017192	2	Cartridge, Valve	
41A	See Note	NSS	Seal Kit - 7017192 Valve (Note: Not Available for Purchase)	
41B	See Note	3	Bolt 1/4-20NC x 1-1/2 Grade 8 (Note: Not Available - Purchase Locally)	
42	7017195	2	Bushing	
45	0961947	2	Bushing 1IN ID x 1.25IN OD x 5/8IN L	
45	1001134289	2	Bushing 1IN ID x 1.5IN OD x 1IN L	
100	70000342	1	Seal Kit (Includes Items 20, 22, 24, 25, 27 & 33)	
101	7017159	1	Bearing Kit (Includes Items 32 & 34)	
102	7017142	1	Hardware Kit	
103	70001697	4	Screw, Countersunk 1/4 x 3/8 Grade 8	

SECTION 4 - BOOM

FIGURE 4-7. PLATFORM SUPPORT INSTALLATION



ART_1001167596_N

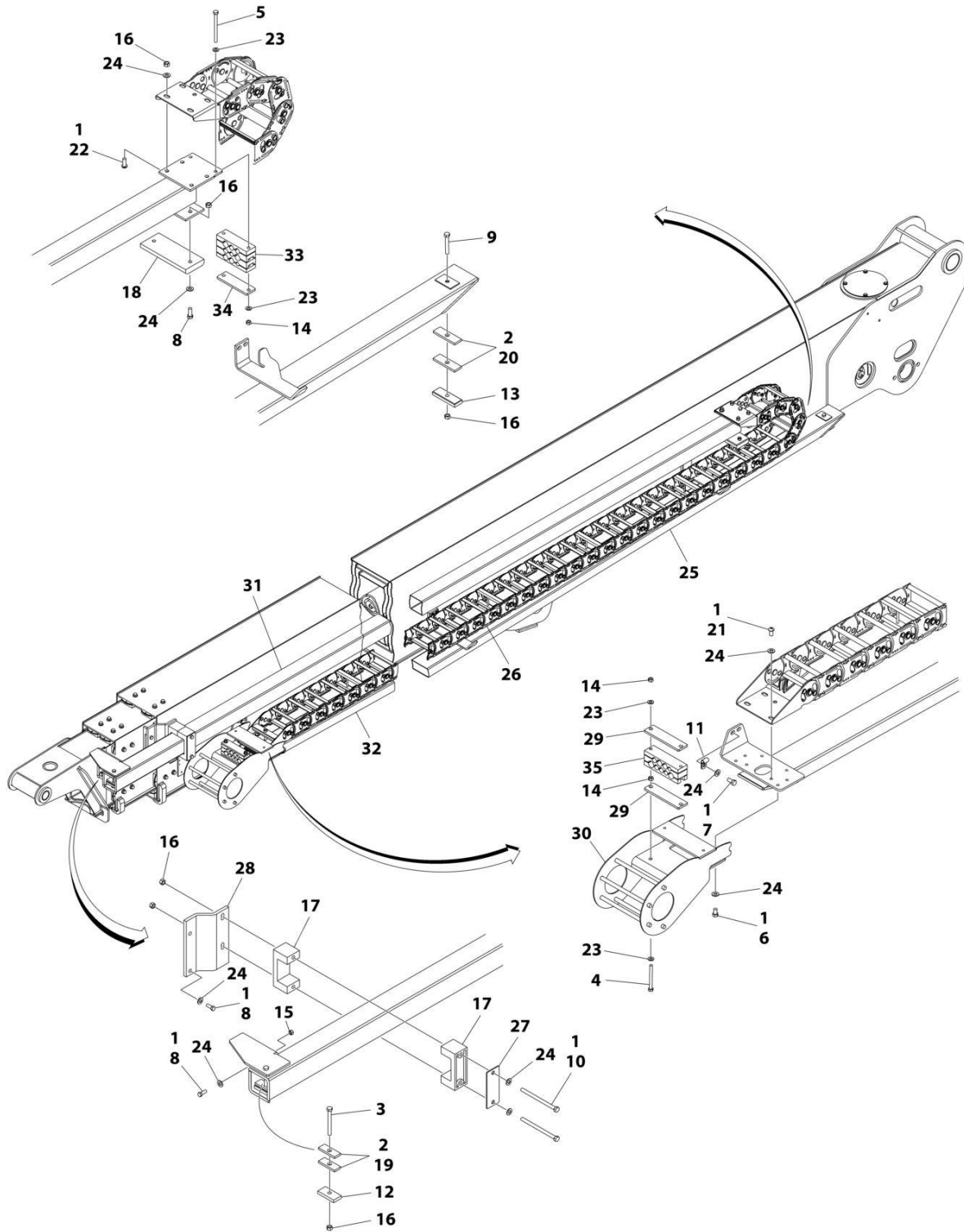
SECTION 4 - BOOM

FIGURE 4-7. PLATFORM SUPPORT INSTALLATION

ITEM	PART NUMBER	QTY	DESCRIPTION	REV
	1001167596	Ref	PLATFORM SUPPORT INSTALLATION	N
1	0100011	AR	Compound, Locking	
2	0761014	5	Bolt M10 x 30	
3	0761216	8	Bolt M12 x 40	
4	1001255133	1	Bolt 1 x 11 GRD8	
5	0681608	8	Bolt 3/8 x 1 GRD8	
6	3291001	5	Nut M10	
7	3291201	3	Nut M12	
8	1001174040	1	Nut 1	
9	3291205	8	Nut M12	
10	3841143	4	Keeper, Pin	
11	4812000	8	Washer M10	
12	4812100	3	Washer M12	
13	4891600	8	Washer 3/8	
14	5241200	8	Washer M12	
15	4892600001	1	Washer 1	
16	1001098828	2	Bolt M12 x 70 CL10.9	
17	1001167565	2	Pin	
18	1001200494	1	Support, Platform	
19	1001167567	1	Support, Rotator	
20	1001168402	2	Pin	
21	1001188622	1	Screw	
22	1001247468	1	Loadcell	
23	1001188844	1	Bolt M12 x 35	
24	1001201351	2	Link	
24	1001187382	4	Bearing	
24	1001187383	4	Seal	
26	5251008	2	Bolt M10 x 16 CL10.9	
28	1001189002	8	Bearing	
29	1001190985	1	Pad, Wear	
30	3291005	2	Nut M10	
31	5251016	2	Bolt M10 x 40 CL10.9	
32	1001200491	1	Pad, Wear	
33	1001189001	4	Bearing	
34	1001204725	2	Plug	
36	91203039	1	Clamp	
37	1001216630	2	Decal - Tie Down/No Lift	
38	1001238421	Ref	Kit, Platform Leveling (Not Shown)	
	1001202687	Ref	VALVE MOUNT INSTALLATION	B
101	0100011	AR	Compound, Locking	
102	0760810	4	Bolt M8 x 20	
103	3290806	4	Nut M8	
104	4811900	8	Washer M8	
106	1001208994	1	Mount, Valve	

SECTION 4 - BOOM

FIGURE 4-8. POWER TRACK INSTALLATION - MAIN BOOM (860SJ HC3)



ART_1001257057

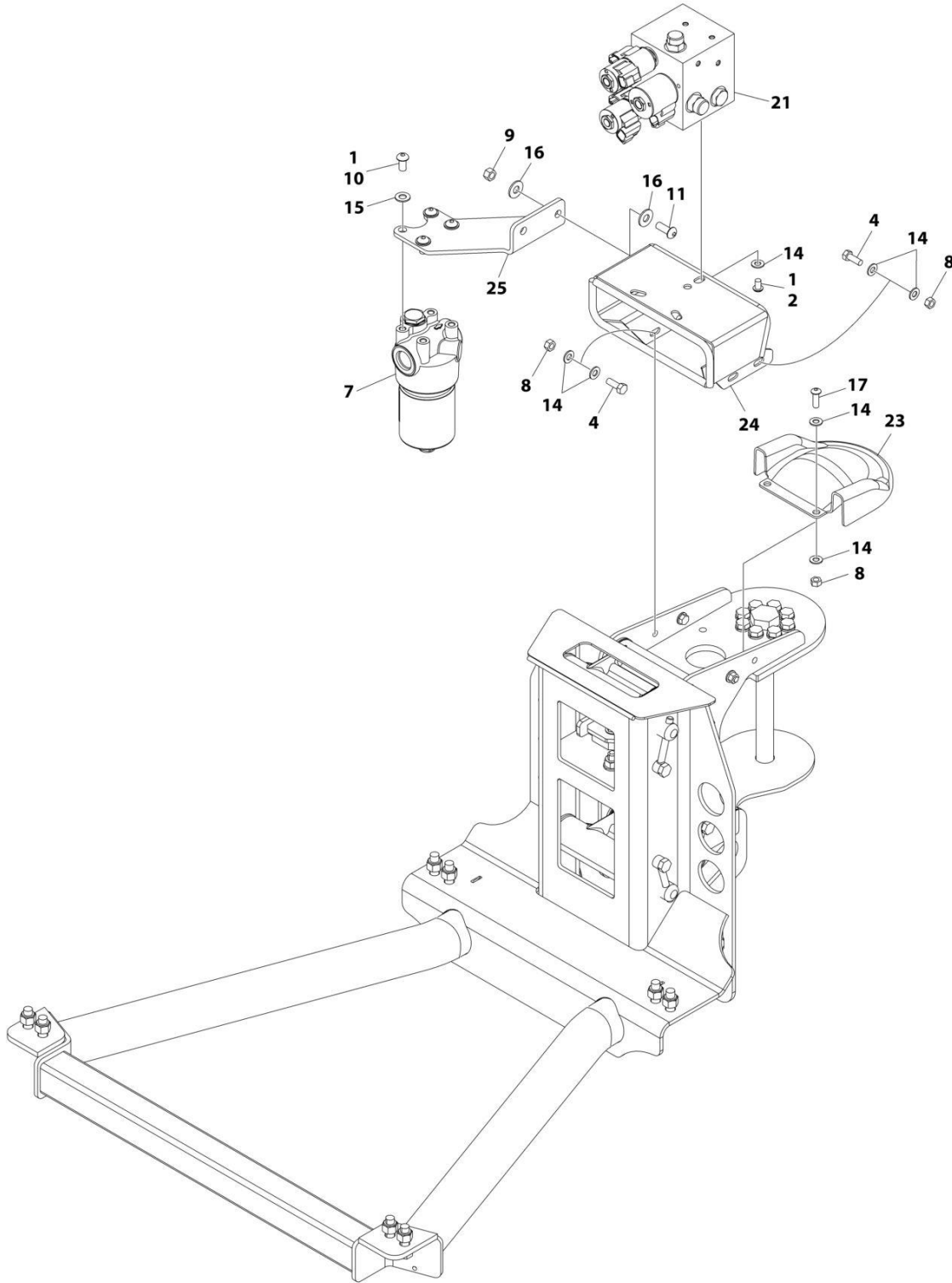
SECTION 4 - BOOM

FIGURE 4-8. POWER TRACK INSTALLATION - MAIN BOOM (860SJ HC3)

ITEM	PART NUMBER	QTY	DESCRIPTION	REV
	1001257057	Ref	POWER TRACK INSTALLATION - MAIN BOOM	E
1	0100011	AR	Compound, Locking	
2	0100081	AR	Adhesive	
3	0630539	1	Bolt 3/8 x 3-1/2	
4	1001263327	2	Bolt 5/16 x 3.25	
5	1001262829	2	Bolt 5/16 x 4	
6	0641605	4	Bolt 3/8 x 5/8	
7	0641606	10	Bolt 3/8 x 3/4	
8	0641608	8	Bolt 3/8 x 1	
9	0641620	1	Bolt 3/8 x 2-1/2	
10	0641644	2	Bolt 3/8 x 5-1/2	
11	1320263	2	Clamp, Cable	
12	1320288	1	Clamp, Hose	
13	1320289	1	Clamp, Hose	
14	3271505	10	Nut 5/16	
15	3271601	4	Nut 3/8	
16	3311605	10	Nut 3/8	
17	3340764	2	Pad, Wear	
18	3340787	1	Pad, Wear	
19	3340941	2	Pad, Push Tube	
20	3340943	2	Pad, Rubber	
21	3900283	4	Screw 3/8 x 3/4	
22	3900316	4	Screw 3/8 x 1	
23	4711500	8	Washer 5/16	
24	4711600	36	Washer 3/8	
25	4846558	1	Tube, Push	
26	1001131731	1	Power Track	
26	70003921	AR	Repair Section (Includes 1 Pin Assembly for each end)	
26	70003922	1	Mounting Feet (Includes Both Pair of Feet)	
27	1001136400	1	Plate	
28	1001156439	1	Plate	
29	1001249824	2	Plate	
30	1001250384	1	Mount	
31	1001257062	1	Push Tube	
32	1001257093	1	Support, Power Track	
33	1001257428	1	Clamp	
34	1001257429	1	Plate	
35	1001257657	1	Clamp	

SECTION 4 - BOOM

FIGURE 4-9. CONTROL VALVE INSTALLATION (800S HC3)



ART_1001219979_20F2

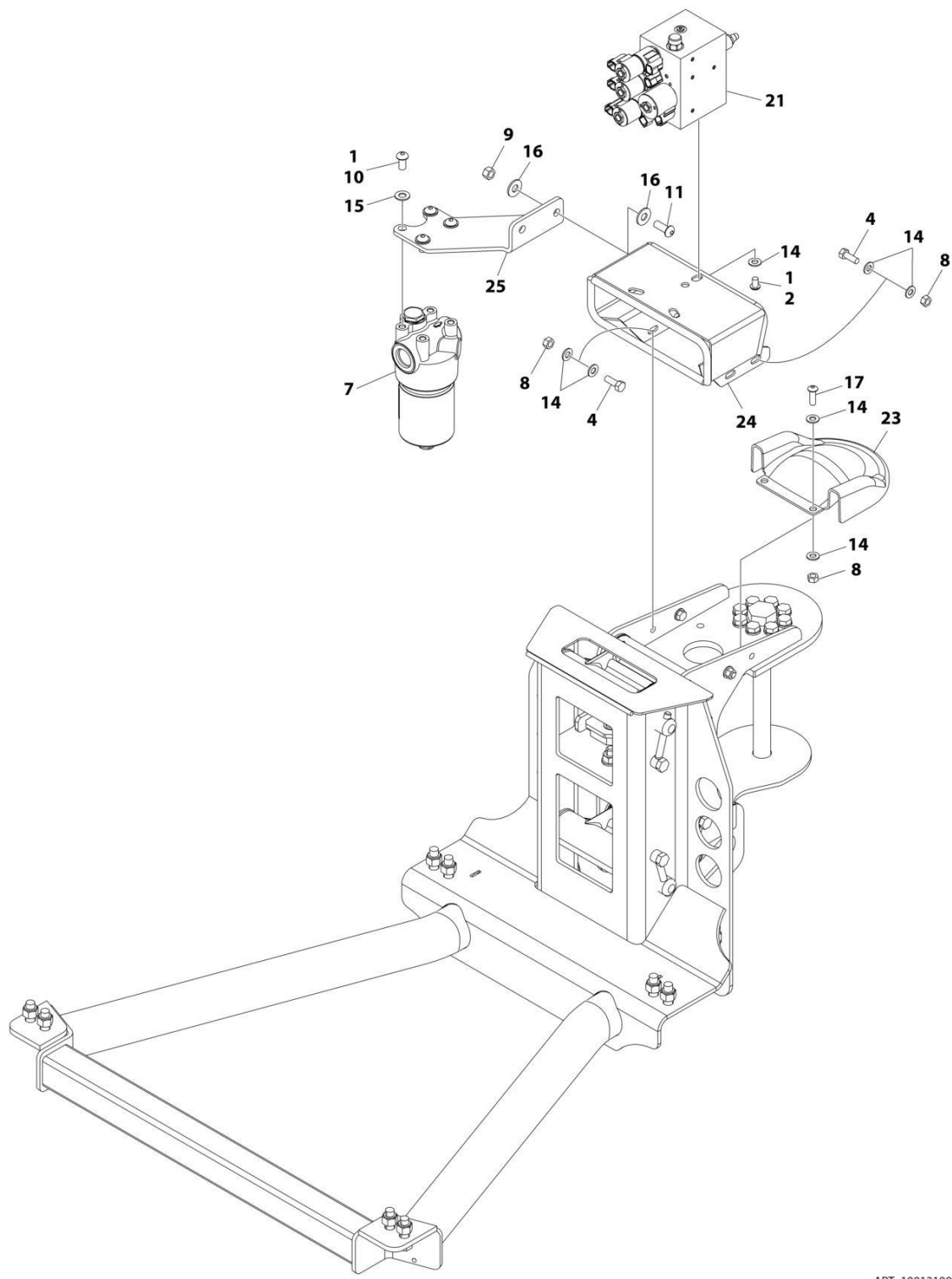
SECTION 4 - BOOM

FIGURE 4-9. CONTROL VALVE INSTALLATION (800S HC3)

ITEM	PART NUMBER	QTY	DESCRIPTION	REV
	1001219979	Ref	CONTROL VALVE INSTALLATION	B
1	0100011	AR	Compound, Locking	
2	0630467	3	Screw, Button Head	
4	0641507	4	Bolt 5/16 x 7/8	
7	2120217	1	Filter, High Pressure	
7	70002097	1	Element, Filter	
7	70001499	1	Kit, Seal	
7	70004328	1	Plug, Indicator	
8	3311505	6	Nut 5/16	
9	3311605	2	Nut 3/8	
10	3900283	4	Screw 3/8 x 3/4	
11	3900316	2	Screw 3/8 x 1	
14	4711500	15	Washer 5/16	
15	4711600	4	Washer 3/8	
16	4751600	4	Washer 3/8	
17	88261024	2	Screw 5/16 x 1	
21	1001244114	1	Valve, Platform (See Separate Breakdown in this Section)	
22	1001168025	1	Upper Valve Harness (not shown)	
22	4460926	1	Connector - 21 Position	
22	1001126008	8	Terminal	
22	1001126009	6	Terminal (Gold)	
22	4460911	2	Connector 3 Position	
22	1001126009	6	Terminal (Gold)	
22	4460891	7	Connector 2 Position	
22	4460465	14	Terminal	
23	1001207969	1	Cover	
24	1001208994	1	Plate, Valve Mounting	
25	1001222314	1	Bracket, Filter Mounting	

SECTION 4 - BOOM

FIGURE 4-10. CONTROL VALVE INSTALLATION (860SJ HC3)



ART_1001219980_20F2

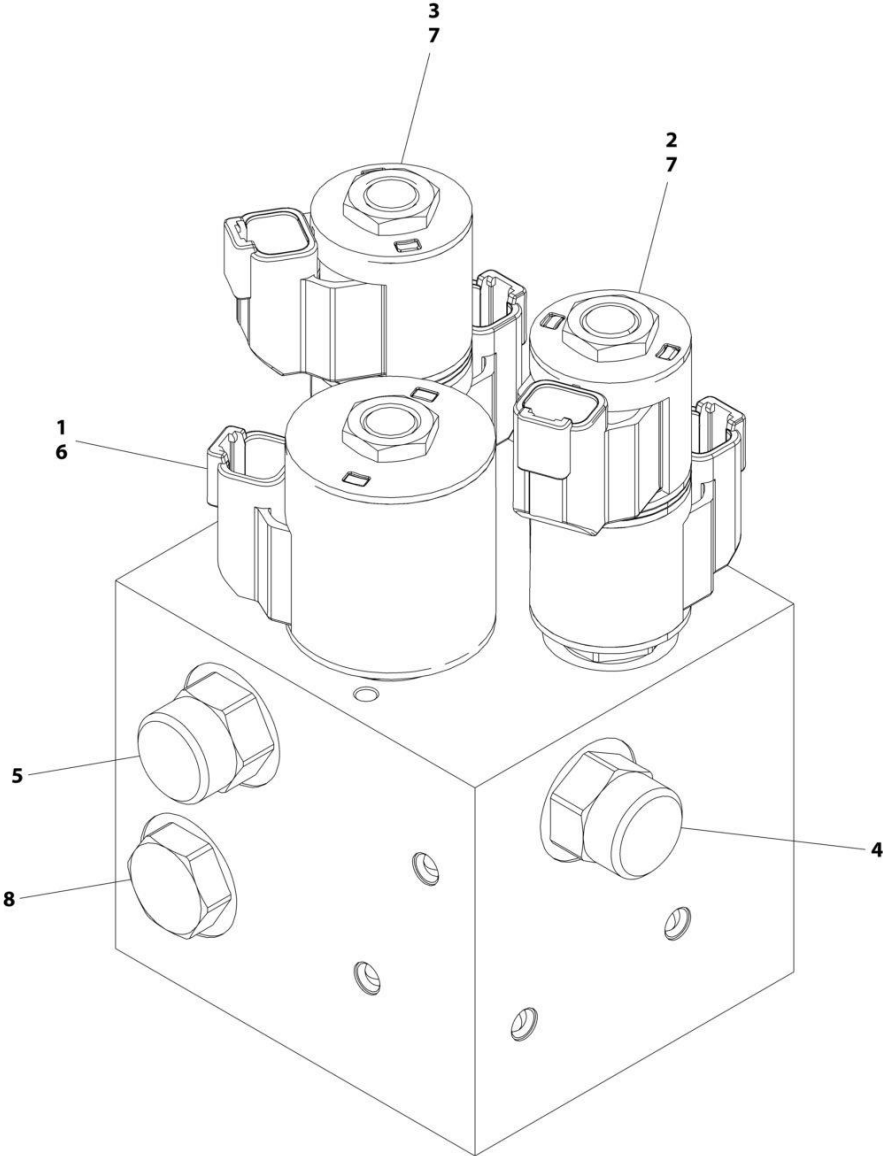
SECTION 4 - BOOM

FIGURE 4-10. CONTROL VALVE INSTALLATION (860SJ HC3)

ITEM	PART NUMBER	QTY	DESCRIPTION	REV
	1001219980	Ref	CONTROL VALVE INSTALLATION	B
1	0100011	AR	Compound, Locking	
2	0630467	3	Screw, Button Head	
4	0641507	4	Bolt 5/16 x 7/8	
7	2120217	1	Filter, High Pressure	
7	70002097	1	Element, Filter	
7	70001499	1	Kit, Seal	
7	70004328	1	Plug, Indicator	
8	3311505	6	Nut 5/16	
9	3311605	2	Nut 3/8	
10	3900283	4	Screw 3/8 x 3/4	
11	3900316	2	Screw 3/8 x 1	
14	4711500	15	Washer 5/16	
15	4711600	4	Washer 3/8	
16	4751600	4	Washer 3/8	
17	88261024	2	Screw 5/16 x 1	
21	1001235901	1	Valve, Platform (See Separate Breakdown in this Section)	
22	1001168025	1	Upper Valve Harness (not shown)	
22	4460926	1	Connector - 21 Position	
22	1001126008	8	Terminal	
22	1001126009	6	Terminal (Gold)	
22	4460911	2	Connector 3 Position	
22	1001126009	6	Terminal (Gold)	
22	4460891	7	Connector 2 Position	
22	4460465	14	Terminal	
23	1001207969	1	Cover	
24	1001208994	1	Plate, Valve Mounting	
25	1001222314	1	Bracket, Filter Mounting	

SECTION 4 - BOOM

FIGURE 4-11. PLATFORM VALVE ASSEMBLY (800S HC3)



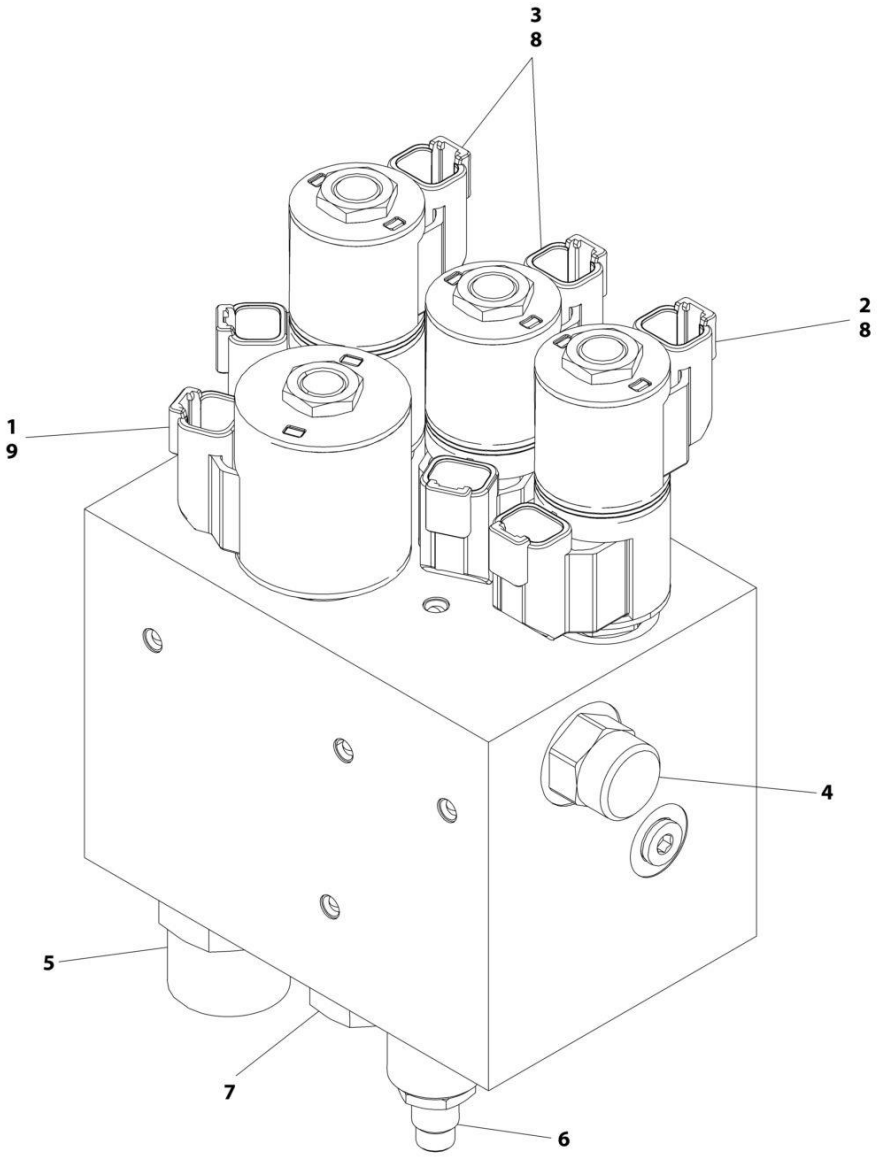
ART_1001244114

FIGURE 4-11. PLATFORM VALVE ASSEMBLY (800S HC3)

ITEM	PART NUMBER	QTY	DESCRIPTION	REV
	1001244114	Ref	PLATFORM VALVE ASSEMBLY	B
1	7012995	1	Cartridge, Solenoid Valve (Pressure)	
1	7012518	1	Seal Kit - 7012995 Valve	
2	7017452	1	Cartridge, Solenoid Valve (Platform Rotator)	
2	7017402	1	Seal Kit - 7017452 Valve	
3	7023922	1	Cartridge, Solenoid Valve (Platform Level)	
3	7017402	1	Seal Kit - 7023922 Valve	
4	7012989	1	Cartridge, Valve (Flow Regulator)	
4	7012953	1	Seal Kit - 7012989 Valve	
5	7017446	1	Cartridge, Valve (Flow Regulator)	
5	7012953	1	Seal Kit - 7023984 & 7017446 Valves	
6	70003788	1	Coil	
7	70002386	4	Coil	
8	7012955	1	Cartridge, Valve (Check Valve)	
8	7012967	1	Seal Kit - 7012955 Valve	
9	70004582	1	Orifice (Not Shown - Located on Back at Port T)	

SECTION 4 - BOOM

FIGURE 4-12. PLATFORM VALVE ASSEMBLY (860SJ HC3)



ART_1001235901

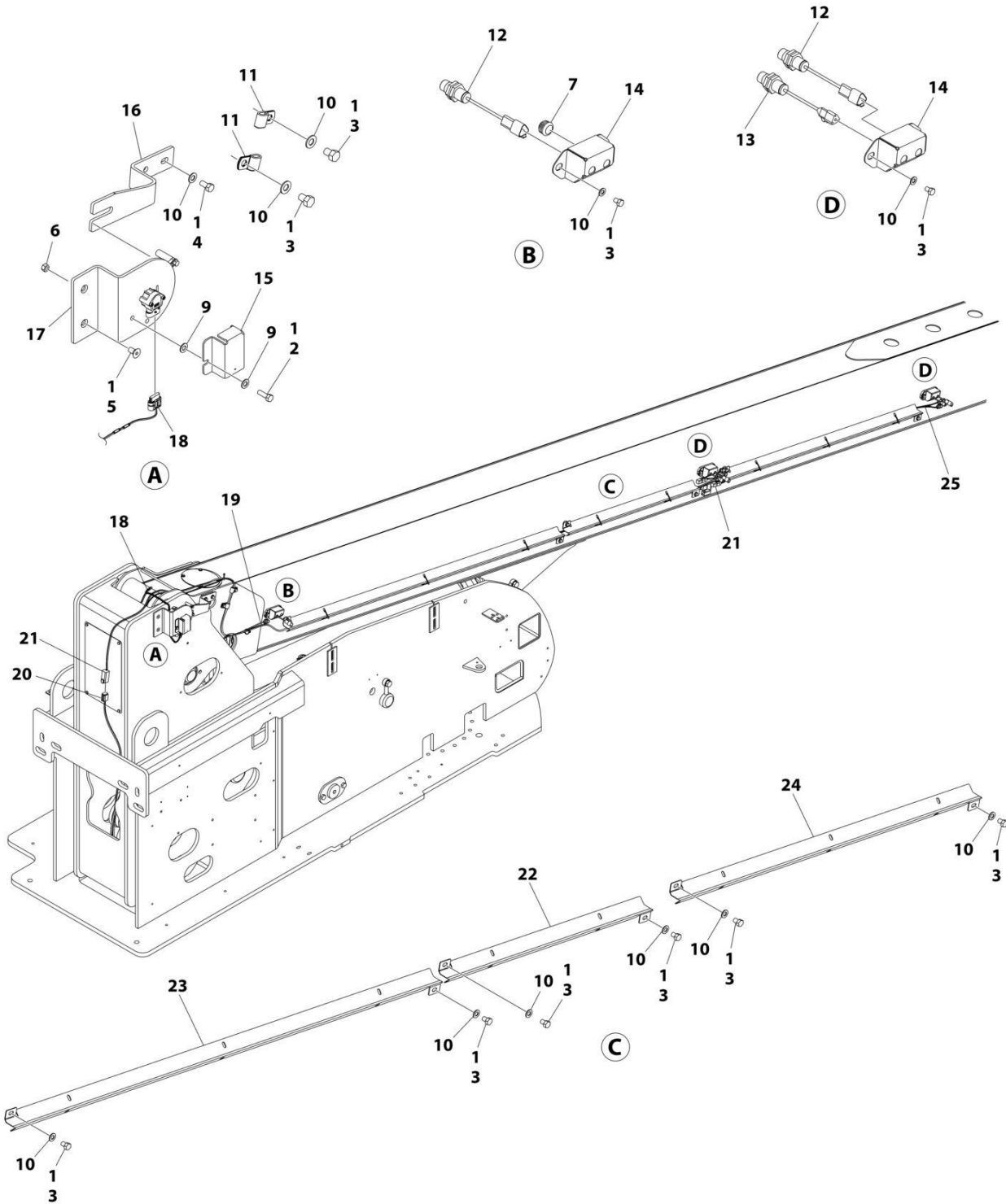
SECTION 4 - BOOM

FIGURE 4-12. PLATFORM VALVE ASSEMBLY (860SJ HC3)

ITEM	PART NUMBER	QTY	DESCRIPTION	REV
	1001235901	Ref	PLATFORM VALVE ASSEMBLY	A
1	7012995	1	Cartridge, Solenoid Valve (Pressure)	
1	7012518	1	Seal Kit - 7012955 Valve	
2	7017452	1	Cartridge, Solenoid Valve (Platform Rotator)	
2	7017402	1	Seal Kit - 7017452 Valve	
3	7023922	2	Cartridge, Solenoid Valve (Platform Jib & Platform Level)	
3	7017402	2	Seal Kit - 7023922 Valve	
4	7012989	1	Cartridge, Valve (Flow Regulator)	
4	7012953	1	Seal Kit - 7012989 Valve	
5	7023984	NLA	Cartridge, Valve (use p/n 7017446)	
5	7017446	1	Cartridge, Valve (Flow Regulator)	
5	7012953	1	Seal Kit - 7023984 Valve	
6	70004578	1	Cartridge, Valve	
6	7021653	1	Seal Kit - 70004578 Valve	
7	7012955	1	Cartridge, Valve (Check Valve)	
7	7012967	1	Seal Kit - 7012955 Valve	
8	70002386	6	Coil	
9	70003788	1	Coil	
10	70004582	1	Orifice (Not Shown - Located on Back at Port T)	

SECTION 4 - BOOM

FIGURE 4-13. LIMIT SWITCHES AND COVERS INSTALLATION (800S HC3)



ART_1001262432

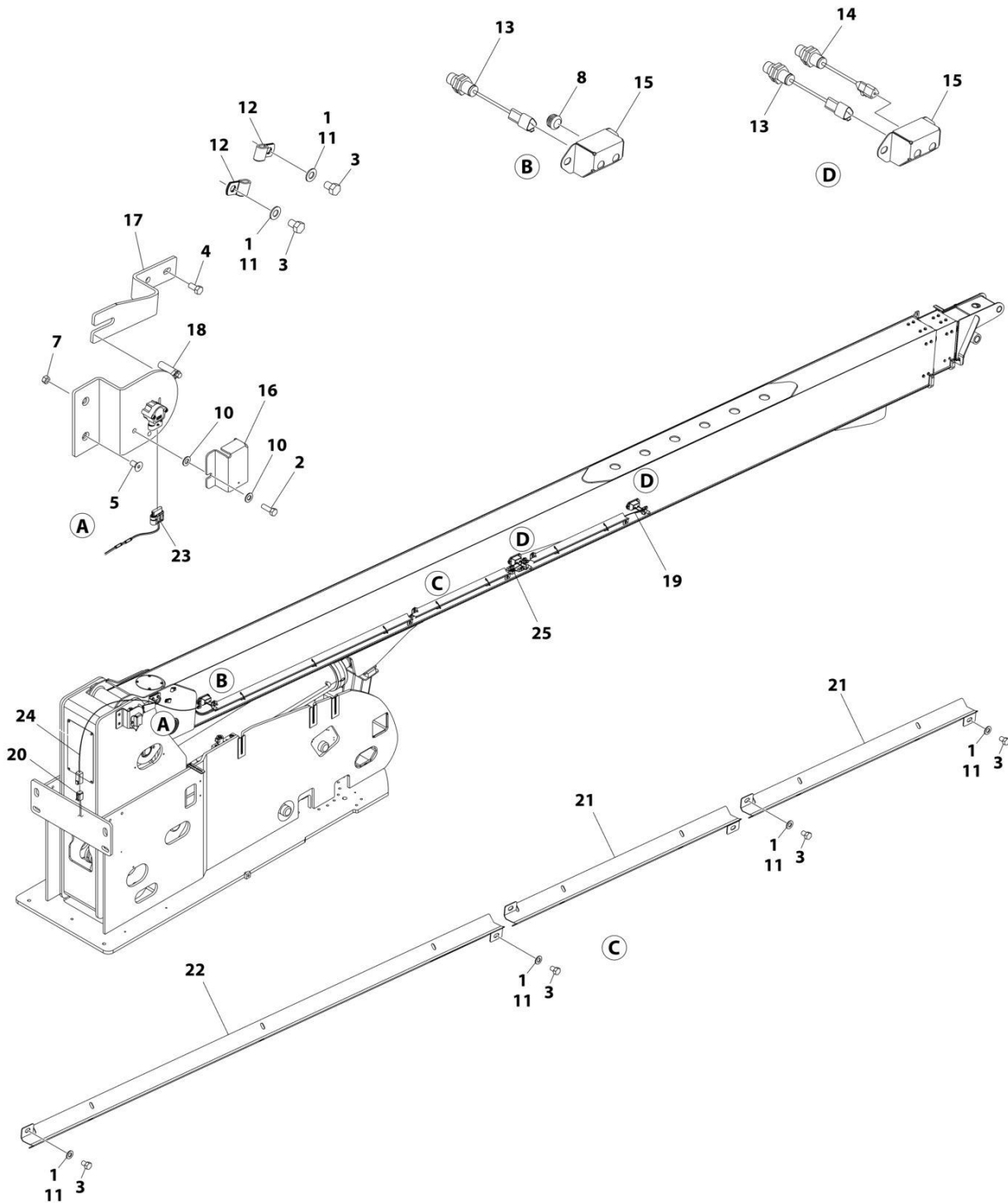
SECTION 4 - BOOM

FIGURE 4-13. LIMIT SWITCHES AND COVERS INSTALLATION (800S HC3)

ITEM	PART NUMBER	QTY	DESCRIPTION	REV
	1001262432	Ref	LIMIT SWITCHES AND COVERS INSTALLATION	C
1	0100011	AR	Compound, Locking	
2	0641508	1	Bolt 5/16 x 1	
3	0641604	14	Bolt 3/8 x 1/2	
4	0641606	2	Bolt 3/8 x 3/4	
5	0741606	2	Bolt 3/8 x 3/4	
6	3311501	1	Nut 5/16	
7	3520193	1	Plug	
8	4240033	11	Tie-Strap (Not Shown)	
9	4711500	2	Washer 5/16	
10	4711600	16	Washer 3/8	
11	1001102858	2	Clamp	
12	1001170847	3	Sensor, Proximity	
13	1001182570	2	Sensor, Proximity	
14	1001204715	3	Bracket	
15	1001211588	1	Shield	
16	1001254019	1	Plate	
17	1001254020	1	Lower Sensor Assembly (See Separate Breakdown in this Section)	
18	1001255356	1	Cable, Boom Angle	
19	1001255357	1	Cable, Transport	
20	1001255358	1	Cable, Lower Sensor	
21	1001255359	1	Cable, Upper Sensor	
22	1001258330	1	Cover, Harness	
23	1001258332	1	Cover, Harness	
24	1001262601	1	Cover, Harness	
25	1001263035	1	Cable, Full Extension	

SECTION 4 - BOOM

FIGURE 4-14. LIMIT SWITCHES AND COVERS INSTALLATION (860SJ HC3)



ART_1001257427

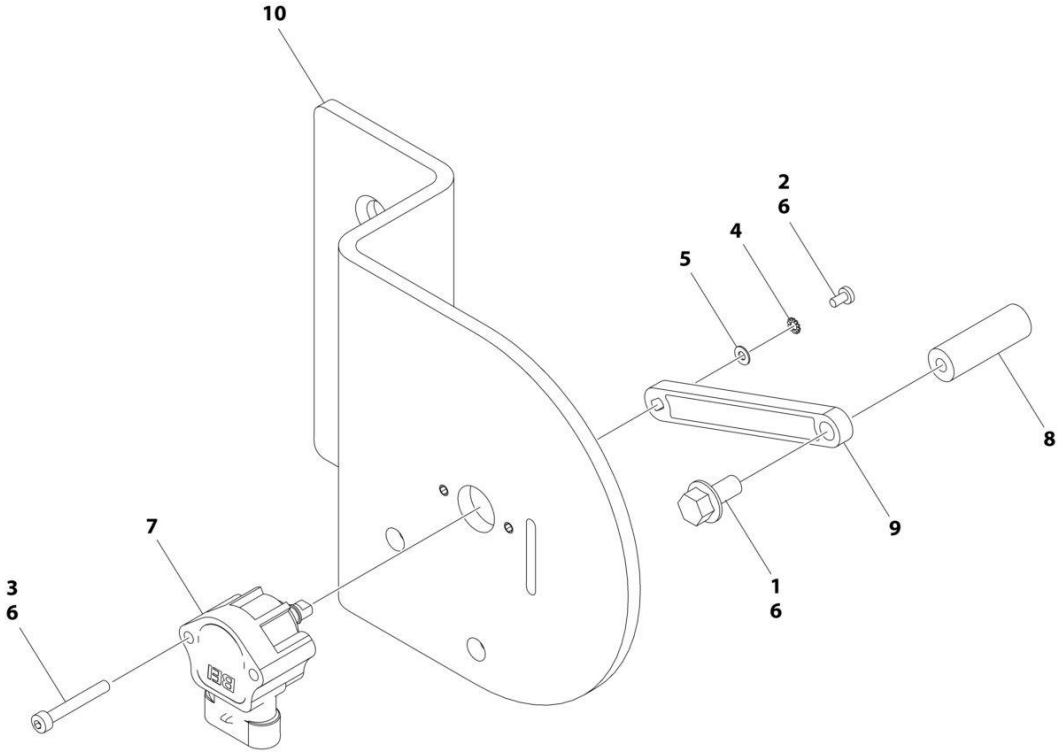
SECTION 4 - BOOM

FIGURE 4-14. LIMIT SWITCHES AND COVERS INSTALLATION (860SJ HC3)

ITEM	PART NUMBER	QTY	DESCRIPTION	REV
	1001257427	Ref	LIMIT SWITCHES AND COVERS INSTALLATION	C
1	0100011	AR	Compound, Locking	
2	0641508	1	Bolt 5/16 x 1	
3	0641604	14	Bolt 3/8 x 1/2	
4	0641606	2	Bolt 3/8 x 3/4	
5	0741606	2	Bolt 3/8 x 3/4	
7	3311501	1	Nut 5/16	
8	3520193	1	Plug	
9	4240033	10	Tie-Strap (Not Shown)	
10	4711500	2	Washer 5/16	
11	4711600	16	Washer 3/8	
12	1001102858	2	Clamp	
13	1001170847	3	Sensor, Proximity	
14	1001182570	2	Sensor, Proximity	
15	1001204715	3	Bracket	
16	1001211588	1	Shield	
17	1001254019	1	Plate	
18	1001254020	1	Lower Sensor Assembly (See Separate Breakdown in this Section)	
19	1001254468	1	Cable, Full Extension	
20	1001255358	1	Cable, Lower Sensor	
21	1001258330	2	Cover, Harness	
22	1001258332	1	Cover, Harness	
23	1001255356	1	Cable, Boom Angle	
24	1001255357	1	Cable, Transport	
25	1001255359	1	Cable, Upper Sensor	

SECTION 4 - BOOM

FIGURE 4-15. SENSOR ASSEMBLY - LOWER



ART_1001254020

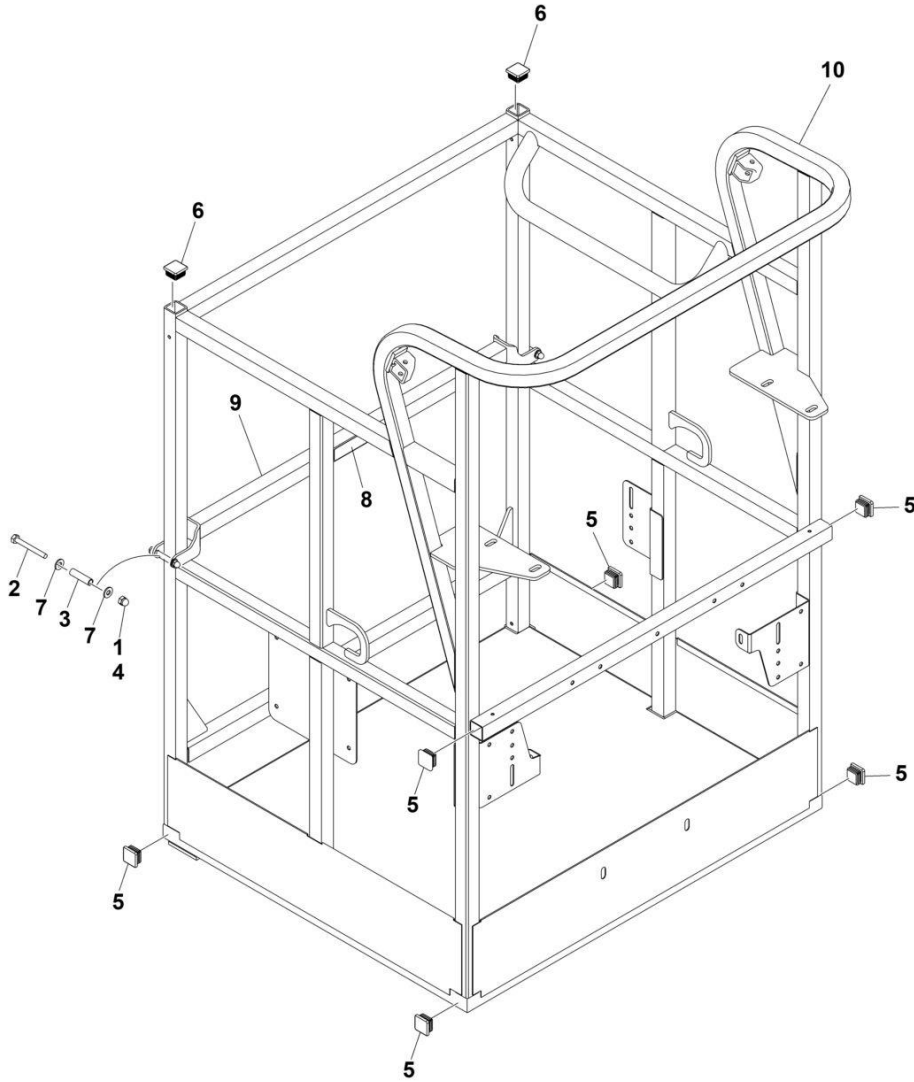
FIGURE 4-15. SENSOR ASSEMBLY - LOWER

ITEM	PART NUMBER	QTY	DESCRIPTION	REV
	1001254020	Ref	DUAL CAPACITY INSTALLATION	B
1	0791404	1	Screw 1/4 x 1/2	
2	4010303	1	Screw M3 x 6	
3	4031510	2	Bolt M4 x 30	
4	4871200	1	Washer M3	
5	1001110544	1	Washer M3	
6	1001180620	AR	Adhesive	
7	1001191022	1	Sensor	
8	1001254016	1	Stud	
9	1001254017	1	Link, Angle Sensor Arm	
10	1001254018	1	Bracket	

SECTION 5 - PLATFORM

SECTION 5 - PLATFORM

FIGURE 5-1. PLATFORM ASSEMBLY WITH DROP-BAR - 30IN X 3FT (76CM X 1M)



ART_1001228215

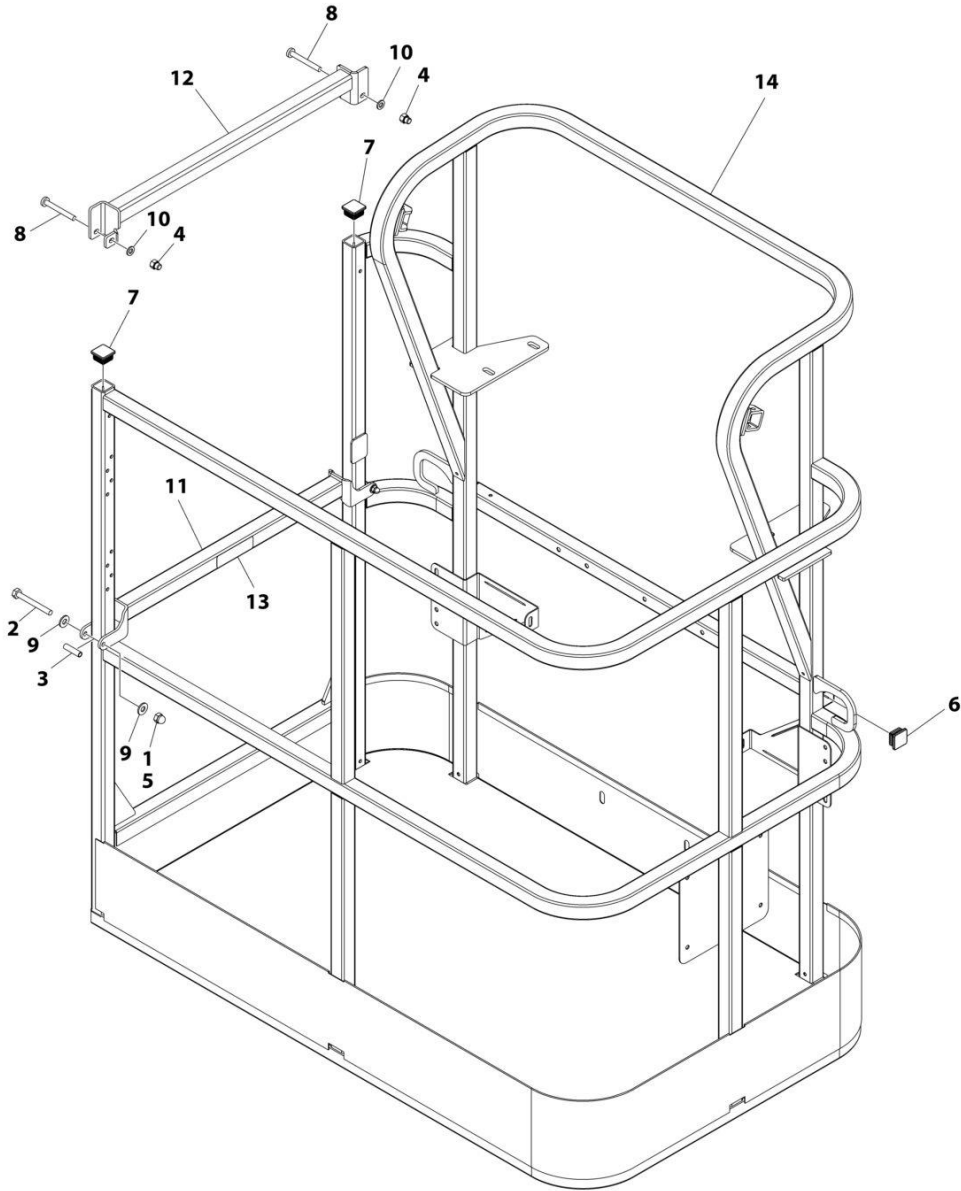
SECTION 5 - PLATFORM

FIGURE 5-1. PLATFORM ASSEMBLY WITH DROP-BAR - 30IN X 3FT (76CM X 1M)

ITEM	PART NUMBER	QTY	DESCRIPTION	REV
	1001228215	Ref	PLATFORM ASSEMBLY	A
	See Note	Ref	Note: Platform and Mesh must be ordered separately for Platforms with Mesh. See SPECIAL OPTIONS SECTION for Mesh Installations.	
	See Note	Ref	Note: Replacement Decals Must be Ordered Separately - See DECAL SECTION.	
1	0100011	AR	Compound, Locking	
2	0641418	2	Bolt 1/4 x 2-1/4	
3	0961845	2	Bushing	
4	3300151	2	Nut 1/4	
5	3520072	6	Cap, Plug	
6	3520198	2	Cap, Plug	
7	4711400	4	Washer 1/4	
8	1001140429	1	Decal - Drop Bar	
9	1001226872	1	Bar, Drop	
10	See Note	NSS	Platform (Note: Not Available - Purchase Platform Assembly)	

SECTION 5 - PLATFORM

FIGURE 5-2. PLATFORM ASSEMBLY WITH DROP-BAR - 30IN X 4FT (76CM X 1.22M)



ART_1001186375

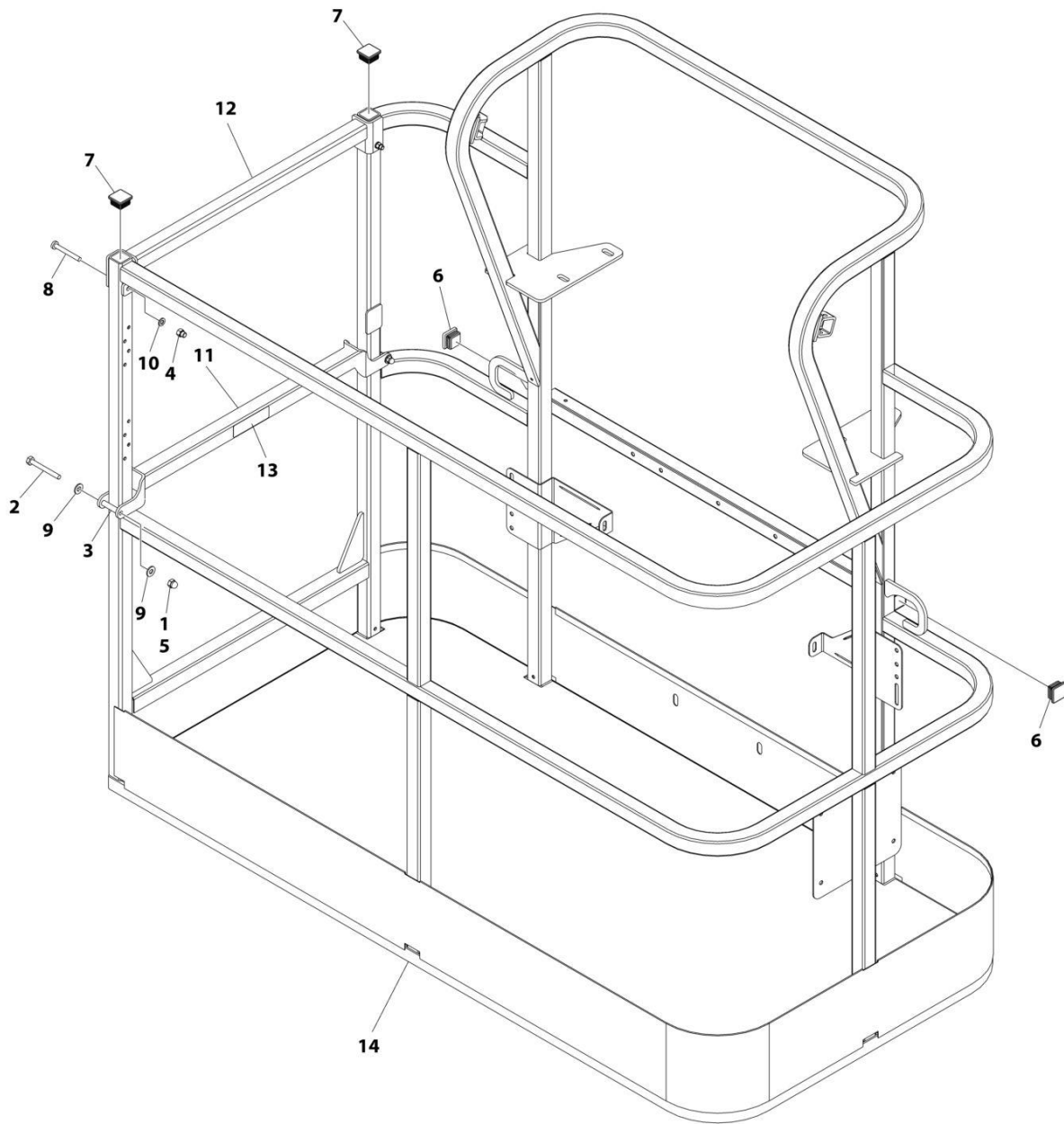
SECTION 5 - PLATFORM

FIGURE 5-2. PLATFORM ASSEMBLY WITH DROP-BAR - 30IN X 4FT (76CM X 1.22M)

ITEM	PART NUMBER	QTY	DESCRIPTION	REV
	1001186375	Ref	PLATFORM ASSEMBLY	B
		Ref	Note: Platform and Mesh must be ordered separately for Platforms with Mesh. See SPECIAL OPTIONS SECTION for Mesh Installations.	
		Ref	Note: Replacement Decals Must be Ordered Separately - See DECALS SECTION.	
1	0100011	AR	Compound, Locking	
2	0641418	2	Bolt 1/4 x 2-1/4	
3	0961845	2	Bushing	
4	3290606	2	Nut M6	
5	3300151	2	Nut 1/4	
6	3520072	2	Plug	
7	3520198	2	Plug	
8	4010618	2	Screw M6 x 50	
9	4711400	4	Washer 1/4	
10	4811700	2	Washer M6	
11	1001138494	1	Bar, Drop	
12	1001138514	1	Rail - Top	
13	1001140429	1	Decal - Drop Bar	
14	See Note	1	Platform (Note: Not Available - Purchase Platform Assembly)	

SECTION 5 - PLATFORM

FIGURE 5-3. PLATFORM ASSEMBLY WITH DROP-BAR - 30IN X 5FT (76CM X 1.52M)



ART_1001186377

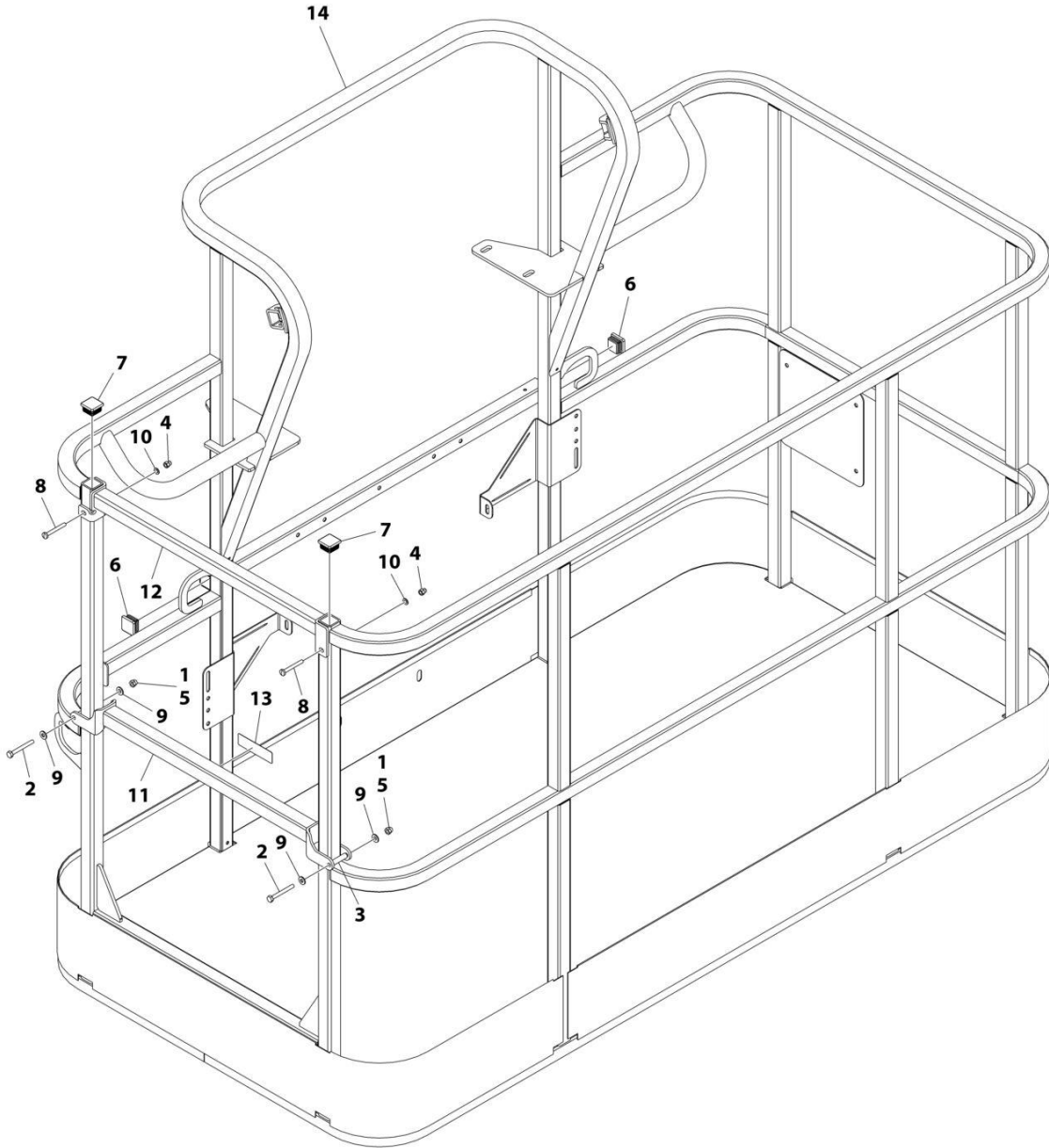
SECTION 5 - PLATFORM

FIGURE 5-3. PLATFORM ASSEMBLY WITH DROP-BAR - 30IN X 5FT (76CM X 1.52M)

ITEM	PART NUMBER	QTY	DESCRIPTION	REV
	1001186377	Ref	PLATFORM ASSEMBLY	C
		Ref	Note: Platform and Mesh must be ordered separately for Platforms with Mesh. See SPECIAL OPTIONS SECTION for Mesh Installations.	
		Ref	Note: Replacement Decals Must be Ordered Separately - See DECALS SECTION.	
1	0100011	AR	Compound, Locking	
2	0641420	2	Bolt 1/4 x 2-1/2	
3	0961845	2	Bushing	
4	3290606	2	Nut M6	
5	3300151	2	Nut 1/4	
6	3520072	2	Plug	
7	3520198	2	Plug	
8	4010618	2	Screw M6 x 50	
9	4711400	4	Washer 1/4	
10	4811700	2	Washer M6	
11	1001138494	1	Bar, Drop	
12	1001138514	1	Rail (Top)	
13	1001140429	1	Decal - Drop Bar	
14	See Note	NSS	Platform (Note: Not Available - Purchase Platform Assembly)	

SECTION 5 - PLATFORM

FIGURE 5-4. PLATFORM ASSEMBLY WITH DROP-BAR - 36IN X 6FT (91.5CM X 1.83M)



ART_1001186379

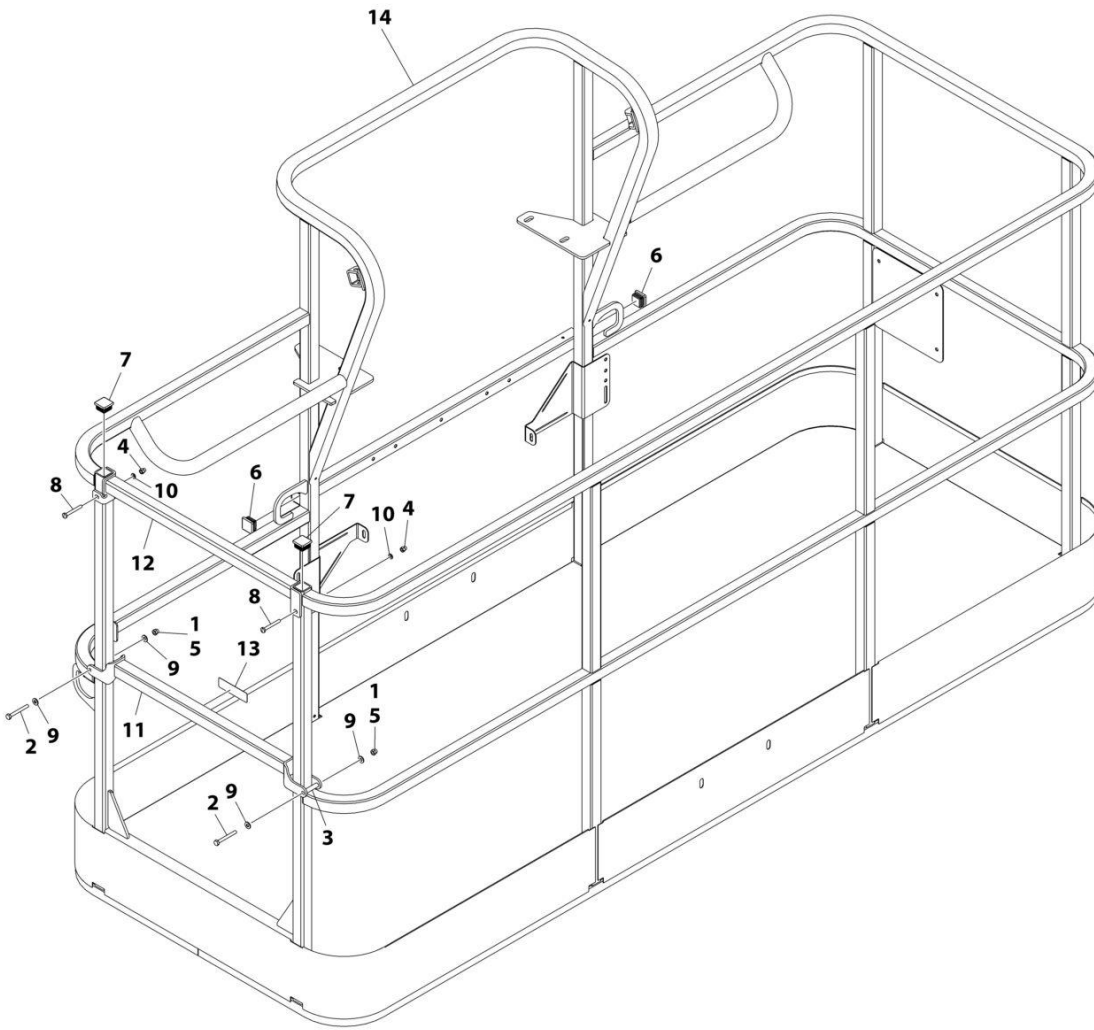
SECTION 5 - PLATFORM

FIGURE 5-4. PLATFORM ASSEMBLY WITH DROP-BAR - 36IN X 6FT (91.5CM X 1.83M)

ITEM	PART NUMBER	QTY	DESCRIPTION	REV
	1001186379	Ref	PLATFORM ASSEMBLY - 36IN X 6FT (91.5CM X 1.83M) WITH DROP BAR	B
		Ref	Note: Platform and Mesh must be ordered separately for Platforms with Mesh. See SPECIAL OPTIONS SECTION for Mesh Installations.	
		Ref	Note: Replacement Decals Must be Ordered Separately - See DECALS SECTION.	
1	0100011	AR	Compound, Locking	
2	0641418	2	Bolt 1/4 x 2-1/4	
3	0961845	2	Bushing	
4	3290606	2	Nut M6	
5	3300151	2	Nut 1/4	
6	3520072	2	Plug	
7	3520198	2	Plug	
8	4010618	2	Screw M6 x 50	
9	4711400	4	Washer 1/4	
10	4811700	2	Washer M6	
11	1001138494	1	Bar, Drop	
12	1001138514	1	Rail (Top)	
13	1001140429	1	Decal - Drop Bar	
14	See Note	NSS	Platform (Note: Not Available - Purchase Platform Assembly)	

SECTION 5 - PLATFORM

FIGURE 5-5. PLATFORM ASSEMBLY WITH DROP-BAR - 36IN X 8FT (91.5CM X 2.44M)



ART_1001186382

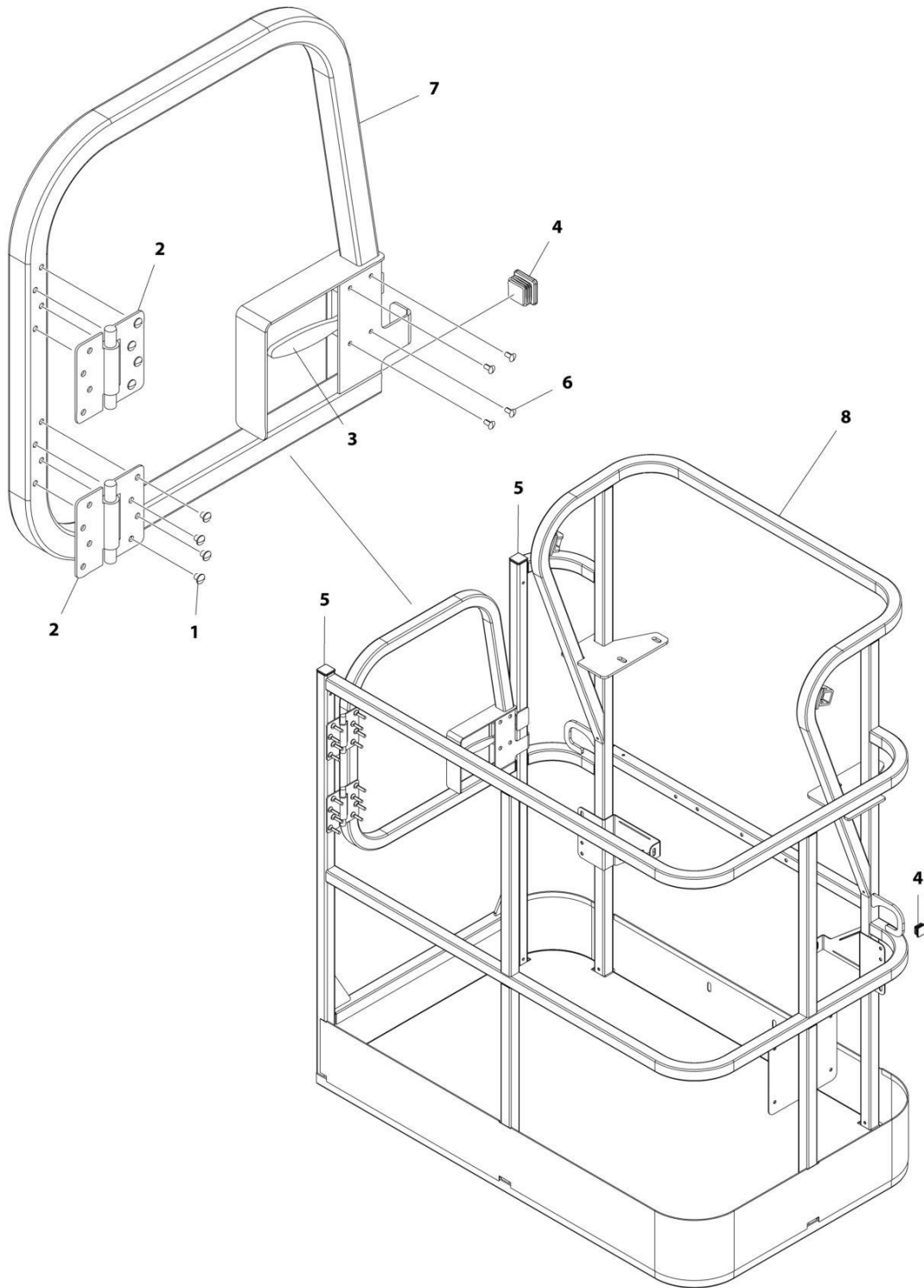
SECTION 5 - PLATFORM

FIGURE 5-5. PLATFORM ASSEMBLY WITH DROP-BAR - 36IN X 8FT (91.5CM X 2.44M)

ITEM	PART NUMBER	QTY	DESCRIPTION	REV
	1001186382	Ref	PLATFORM ASSEMBLY - 36IN X 8FT (91.5CM X 2.44M) WITH DROP BAR	C
		Ref	Note: Platform and Mesh must be ordered separately for Platforms with Mesh. See SPECIAL OPTIONS SECTION for Mesh Installations.	
		Ref	Note: Replacement Decals Must be Ordered Separately - See DECALS SECTION.	
1	0100011	AR	Compound, Locking	
2	0641418	2	Bolt 1/4 x 2-1/4	
3	0961845	2	Bushing	
4	3290606	2	Nut M6	
5	3300151	2	Nut 1/4	
6	3520072	2	Plug	
7	3520198	2	Plug	
8	4010618	2	Screw M6 x 50	
9	4711400	4	Washer 1/4	
10	4811700	2	Washer M6	
11	1001138494	1	Bar, Drop	
12	1001138514	1	Rail (Top)	
13	1001140429	1	Decal - Drop Bar	
14	See Note	NSS	Platform (Note: Not Available - Purchase Platform Assembly)	

SECTION 5 - PLATFORM

FIGURE 5-6. PLATFORM ASSEMBLY WITH GATE - 30IN X 4FT (76CM X 1.22M)



ART_1001186387

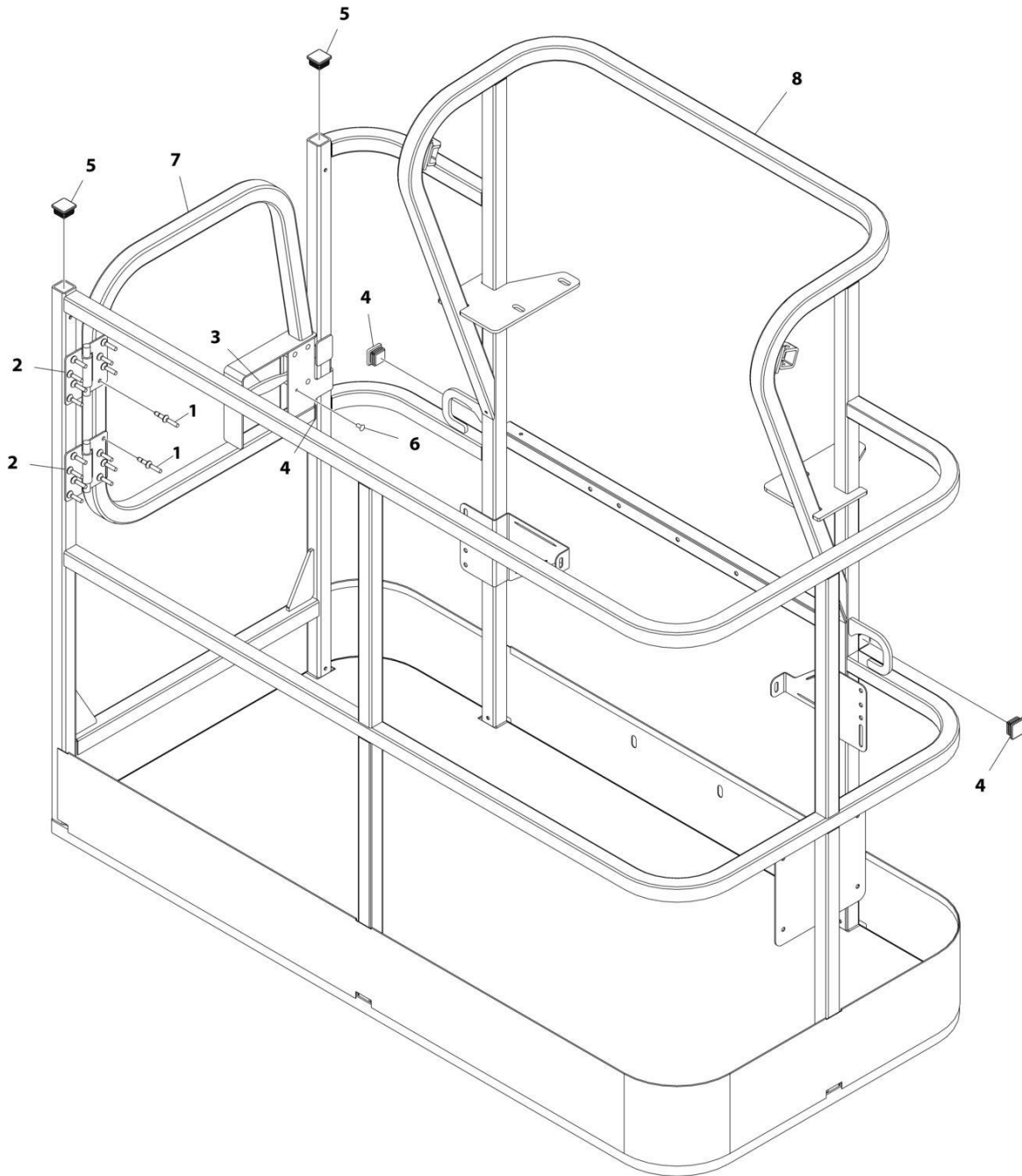
SECTION 5 - PLATFORM

FIGURE 5-6. PLATFORM ASSEMBLY WITH GATE - 30IN X 4FT (76CM X 1.22M)

ITEM	PART NUMBER	QTY	DESCRIPTION	REV
	1001186387	Ref	PLATFORM ASSEMBLY	C
		Ref	Note: Platform and Mesh must be ordered separately for Platforms with Mesh. See SPECIAL OPTIONS SECTION for Mesh Installations.	
		Ref	Note: Replacement Decals Must be Ordered Separately - See DECALS SECTION.	
1	2080040	16	Fastener, Huck	
2	2600281	2	Hinge, Self-Closing	
3	2940074	1	Latch	
4	3520072	3	Plug	
5	3520198	2	Plug	
6	3820020	4	Rivet	
7	1001144629	1	Gate	
8	See Note	1	Platform (Note: Not Available - Purchase Platform Assembly)	

SECTION 5 - PLATFORM

FIGURE 5-7. PLATFORM ASSEMBLY WITH GATE - 30IN X 5FT (76CM X 1.52M) (USA BUILT MACHINES)



ART_1001186386

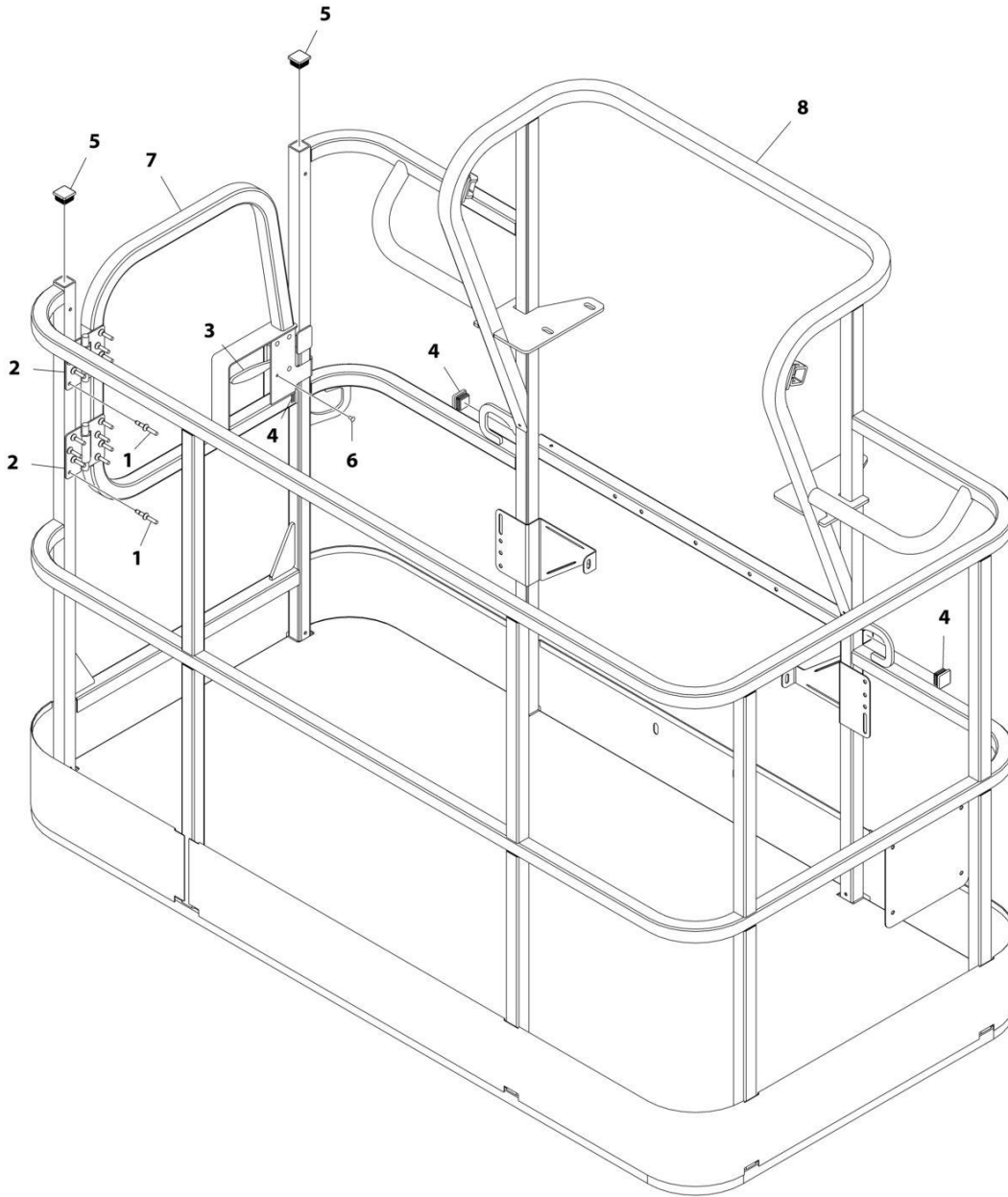
SECTION 5 - PLATFORM

FIGURE 5-7. PLATFORM ASSEMBLY WITH GATE - 30IN X 5FT (76CM X 1.52M) (USA BUILT MACHINES)

ITEM	PART NUMBER	QTY	DESCRIPTION	REV
	1001186386	Ref	PLATFORM ASSEMBLY	C
		Ref	Note: Platform and Mesh must be ordered separately for Platforms with Mesh. See SPECIAL OPTIONS SECTION for Mesh Installations.	
		Ref	Note: Replacement Decals Must be Ordered Separately - See DECALS SECTION.	
1	2080040	16	Fastener, Huck	
2	2600281	2	Hinge, Self-Closing	
3	2940074	1	Latch	
4	3520072	3	Plug	
5	3520198	2	Plug	
6	3820020	4	Rivet	
7	1001144629	1	Gate	
8	See Note	NSS	Platform (Note: Not Available - Purchase Platform Assembly)	

SECTION 5 - PLATFORM

FIGURE 5-8. PLATFORM ASSEMBLY WITH GATE- 36IN X 6FT (91.5CM X 1.83M)



ART_1001186384

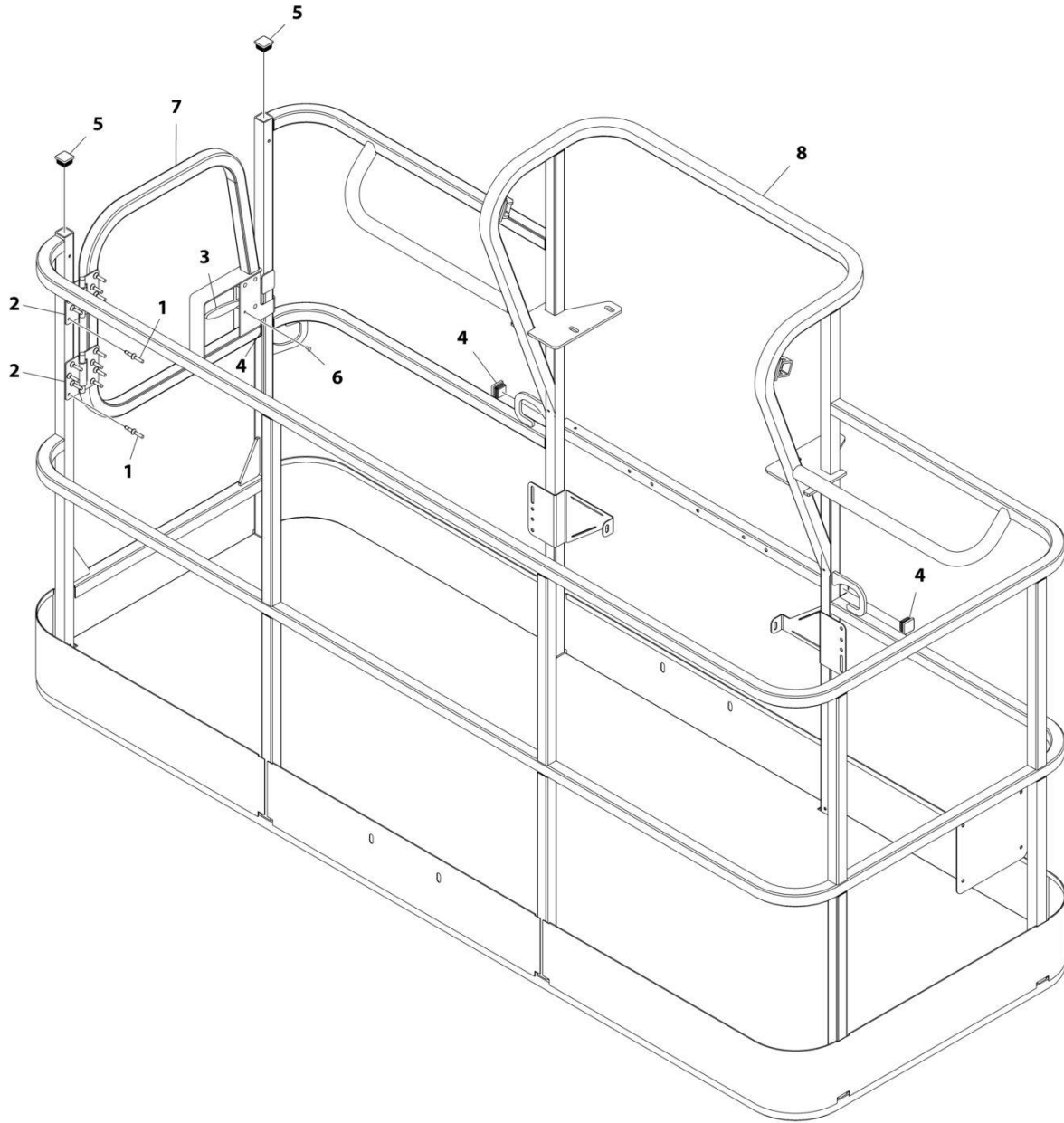
SECTION 5 - PLATFORM

FIGURE 5-8. PLATFORM ASSEMBLY WITH GATE- 36IN X 6FT (91.5CM X 1.83M)

ITEM	PART NUMBER	QTY	DESCRIPTION	REV
	1001186384	Ref	PLATFORM ASSEMBLY - 36IN X 6FT (91.5CM X 1.83M) WITH SWING GATE	C
	See Note	Ref	Note: Platform and Mesh must be ordered separately for Platforms with Mesh. See SPECIAL OPTIONS SECTION for Mesh Installations.	
	See Note	Ref	Note: Replacement Decals Must be Ordered Separately - See DECALS SECTION.	
1	2080040	16	Fastener, Huck	
2	2600281	2	Hinge	
3	2940074	1	Latch	
4	3520072	3	Plug	
5	3520198	2	Plug	
6	3820020	4	Rivet	
7	1001144629	1	Gate	
8	See Note	NSS	Platform (Note: Not Available - Purchase Platform Assembly)	

SECTION 5 - PLATFORM

FIGURE 5-9. PLATFORM ASSEMBLY WITH GATE - 36IN X 8FT (91.5CM X 2.44M)



ART_1001186383

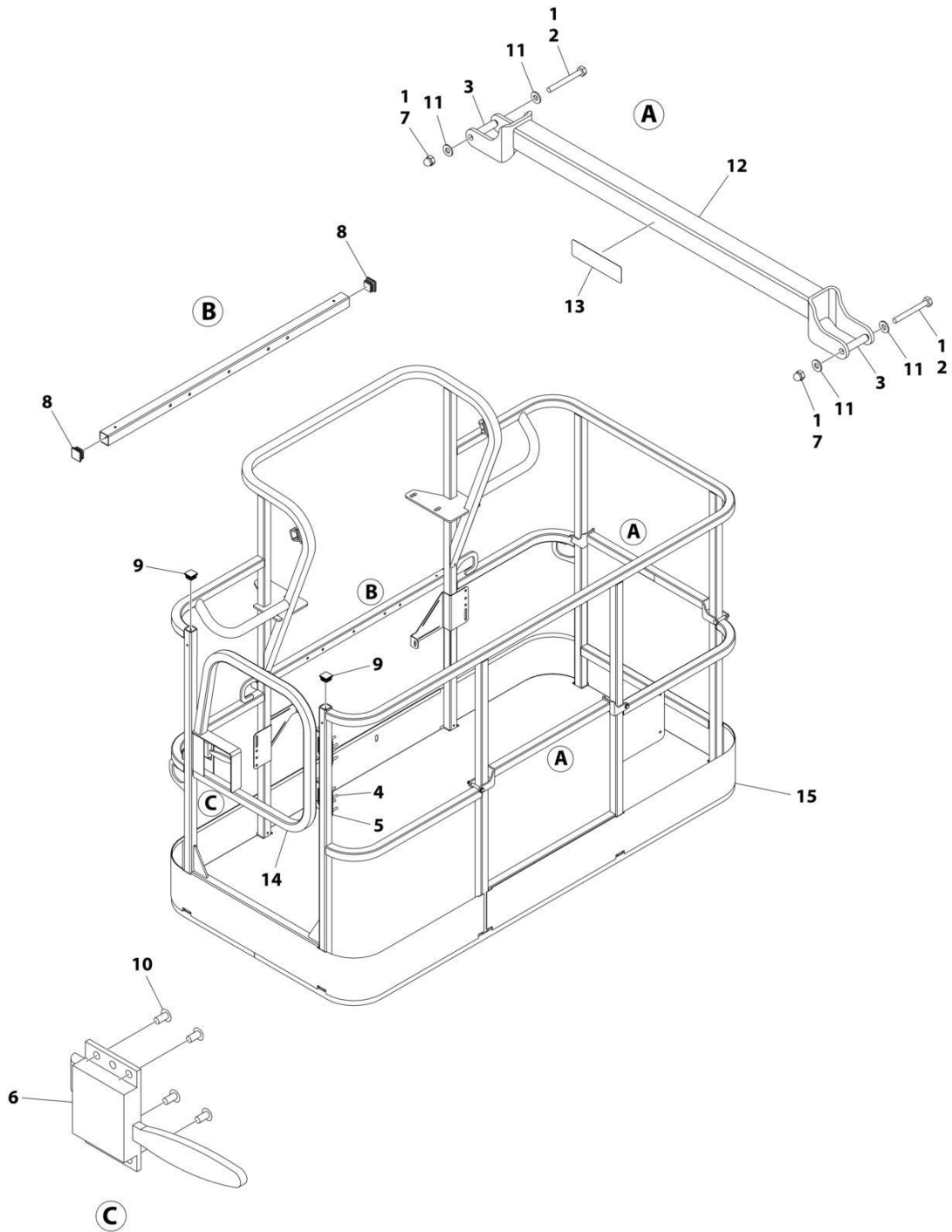
SECTION 5 - PLATFORM

FIGURE 5-9. PLATFORM ASSEMBLY WITH GATE - 36IN X 8FT (91.5CM X 2.44M)

ITEM	PART NUMBER	QTY	DESCRIPTION	REV
	1001186383	Ref	PLATFORM ASSEMBLY - 36IN X 8FT (91.5CM X 2.44M) WITH SWING GATE	D
		Ref	Note: Platform and Mesh must be ordered separately for Platforms with Mesh. See SPECIAL OPTIONS SECTION for Mesh Installations.	
		Ref	Note: Replacement Decals Must be Ordered Separately - See DECALS SECTION.	
1	2080040	16	Fastener, Huck	
2	2600281	2	Hinge	
3	2940074	1	Latch	
4	3520072	3	Plug	
5	3520198	2	Plug	
6	3820020	4	Rivet	
7	1001144629	1	Gate	
8	See Note	NSS	Platform (Note: Not Available - Purchase Platform Assembly)	

SECTION 5 - PLATFORM

FIGURE 5-10. PLATFORM ASSEMBLY WITH 1 GATE / 2 DROP BARS (TRI-ENTRY) - 36IN X 6FT (91.5CM X 1.83M)



ART_1001228376

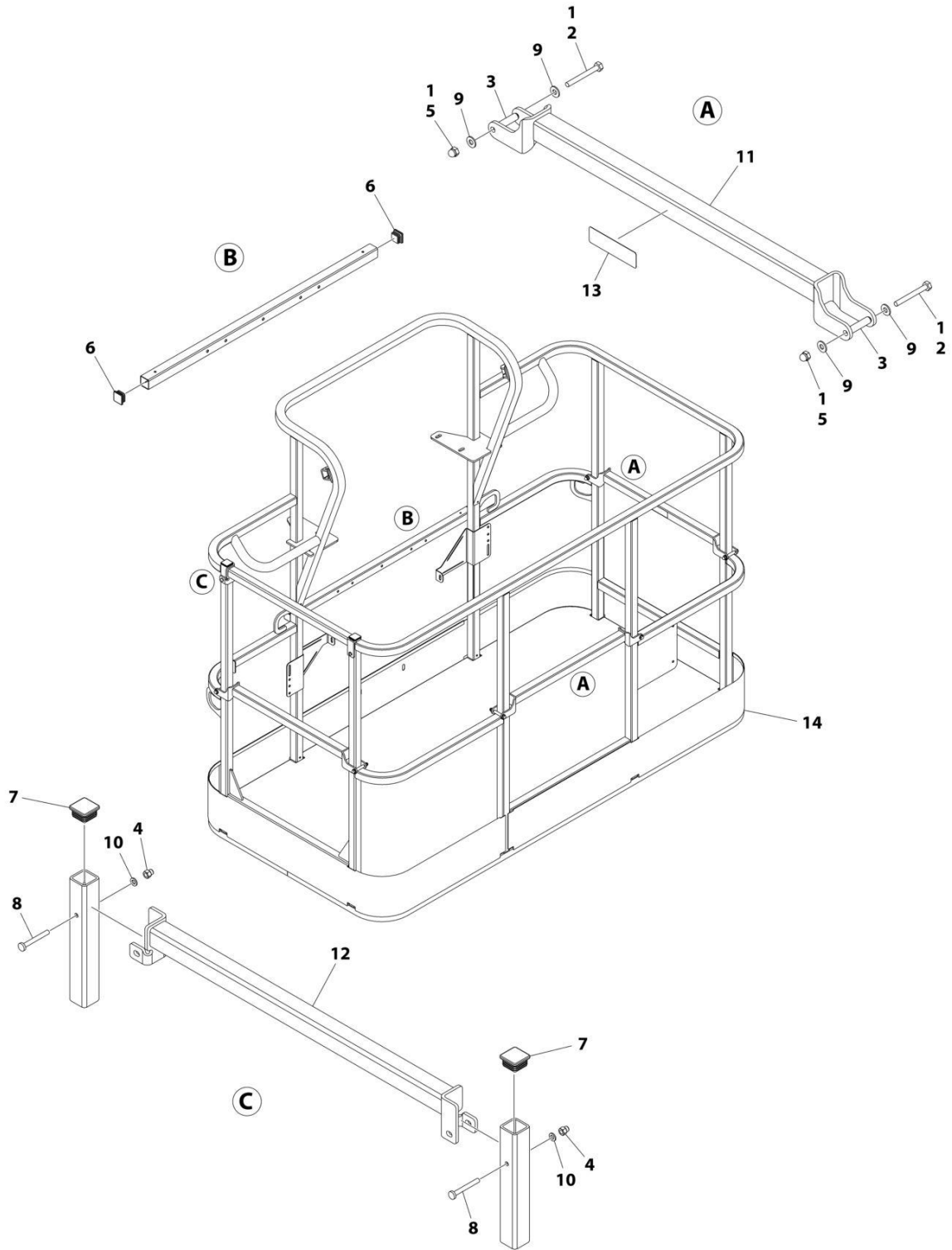
SECTION 5 - PLATFORM

**FIGURE 5-10. PLATFORM ASSEMBLY WITH 1 GATE / 2 DROP BARS (TRI-ENTRY) - 36IN X 6FT
(91.5CM X 1.83M)**

ITEM	PART NUMBER	QTY	DESCRIPTION	REV
	1001228376	Ref	PLATFORM ASSEMBLY - 36IN x 6FT (91.5CM x 1.83M)	B
		Ref	Note: Platform and Mesh must be ordered separately for Platforms with Mesh. See SPECIAL OPTIONS SECTION for Mesh Installations.	
		Ref	Note: Replacement Decals Must be Ordered Separately - See DECAL SECTION.	
1	0100011	AR	Compound, Locking	
2	0641418	4	Bolt 1/4 x 2-1/4	
3	0961845	4	Bushing	
4	2080040	16	Fastener	
5	2600281	2	Hinge	
6	2940074	1	Latch	
7	3300151	4	Nut 1/4	
8	3520072	3	Plug	
9	3520198	2	Plug	
10	3820020	4	Rivet	
11	4711400	8	Washer 1/4	
12	1001138494	2	Bar, Drop	
13	1001140429	2	Decal - Drop Bar	
14	1001144629	1	Gate	
15	See Note	NSS	Platform (Note: Not Available - Purchase Platform Assembly)	

SECTION 5 - PLATFORM

FIGURE 5-11. PLATFORM ASSEMBLY WITH 3 DROP BARS (TRI-ENTRY) - 36IN X 6FT (91.5CM X 1.83M)



ART_1001228377

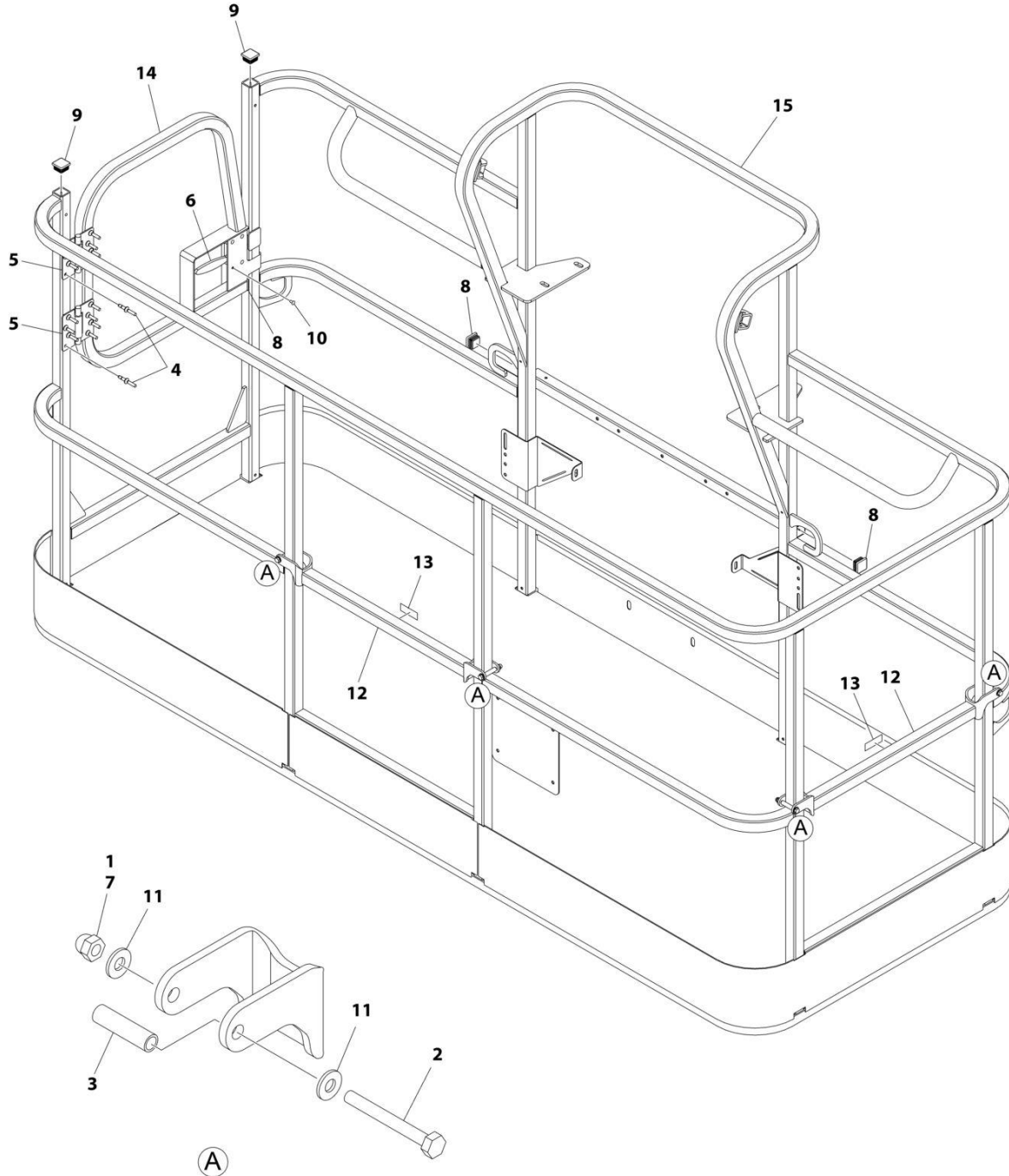
SECTION 5 - PLATFORM

FIGURE 5-11. PLATFORM ASSEMBLY WITH 3 DROP BARS (TRI-ENTRY) - 36IN X 6FT (91.5CM X 1.83M)

ITEM	PART NUMBER	QTY	DESCRIPTION	REV
	1001228377	Ref	PLATFORM ASSEMBLY - 36IN x 6FT (91.5CM x 1.83M)	B
		Ref	Note: Platform and Mesh must be ordered separately for Platforms with Mesh. See SPECIAL OPTIONS SECTION for Mesh Installations.	
		Ref	Note: Replacement Decals Must be Ordered Separately - See DECAL SECTION.	
1	0100011	1	Compound, Locking	
2	0641418	6	Bolt 1/4 x 2-1/4	
3	0961845	6	Bushing	
4	3290606	2	Nut M6	
5	3300151	6	Nut 1/4	
6	3520072	2	Plug	
7	3520198	2	Plug	
8	4010618	2	Screw M6 x 50	
9	4711400	12	Washer 1/4	
10	4811700	2	Washer M6	
11	1001138494	3	Bar, Drop	
12	1001138514	1	Rail (Top)	
13	1001140429	3	Decal - Drop Bar	
14	See Note	NSS	Platform, Weldment (Note: Not Available - Purchase Platform Assembly)	

SECTION 5 - PLATFORM

FIGURE 5-12. PLATFORM ASSEMBLY WITH 1 GATE / 2 DROP BARS (TRI-ENTRY) - 36IN X 8FT
(91.5CM X 2.44M)



ART_1001228243

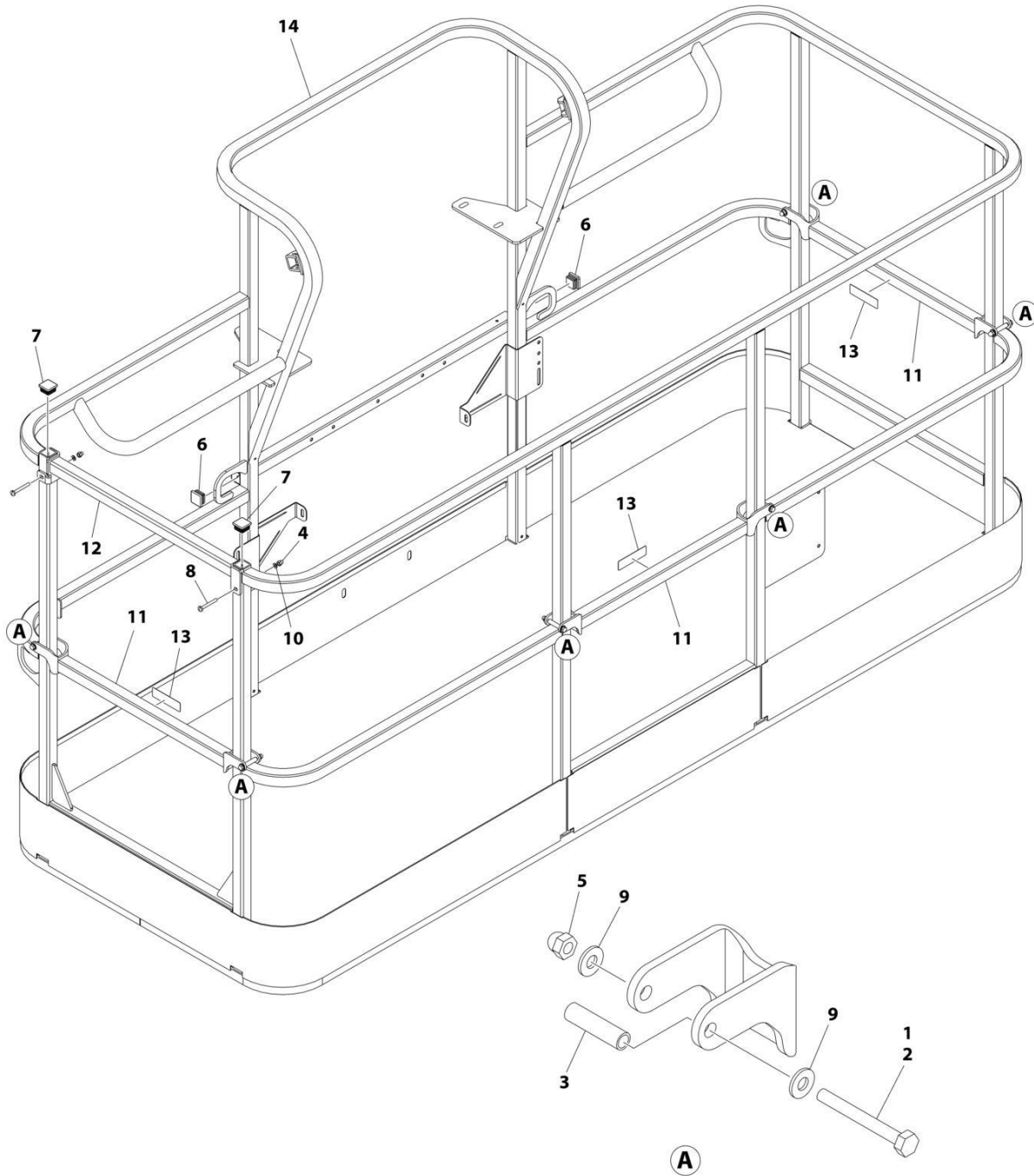
SECTION 5 - PLATFORM

**FIGURE 5-12. PLATFORM ASSEMBLY WITH 1 GATE / 2 DROP BARS (TRI-ENTRY) - 36IN X 8FT
(91.5CM X 2.44M)**

ITEM	PART NUMBER	QTY	DESCRIPTION	REV
	1001228243	Ref	PLATFORM ASSEMBLY - 36IN X 8FT (91.5CM X 2.44M) WITH TRI-ENTRY	A
		Ref	Note: Platform and Mesh must be ordered separately for Platforms with Mesh. See SPECIAL OPTIONS SECTION for Mesh Installations.	
1	0100011	AR	Compound, Locking	
2	0641418	4	Bolt 1/4 x 2-1/4	
3	0961845	4	Bushing	
4	2080040	16	Fastener, Huck	
5	2600281	2	Hinge, Self-Closing	
6	2940074	1	Latch	
7	3300151	4	Nut 1/4	
8	3520072	3	Cap, Plug	
9	3520198	2	Cap, Plug	
10	3820020	4	Rivet	
11	4711400	8	Washer 1/4	
12	1001138494	2	Bar, Drop	
13	1001140429	2	Decal - Drop Bar	
14	1001144629	1	Gate, Weldment	
15	See Note	1	Platform (Note: Not Available - Purchase Platform Assembly)	

SECTION 5 - PLATFORM

FIGURE 5-13. PLATFORM ASSEMBLY WITH 3 DROP BARS (TRI-ENTRY) - 36IN X 8FT (91.5CM X 2.44M)



ART_1001228375

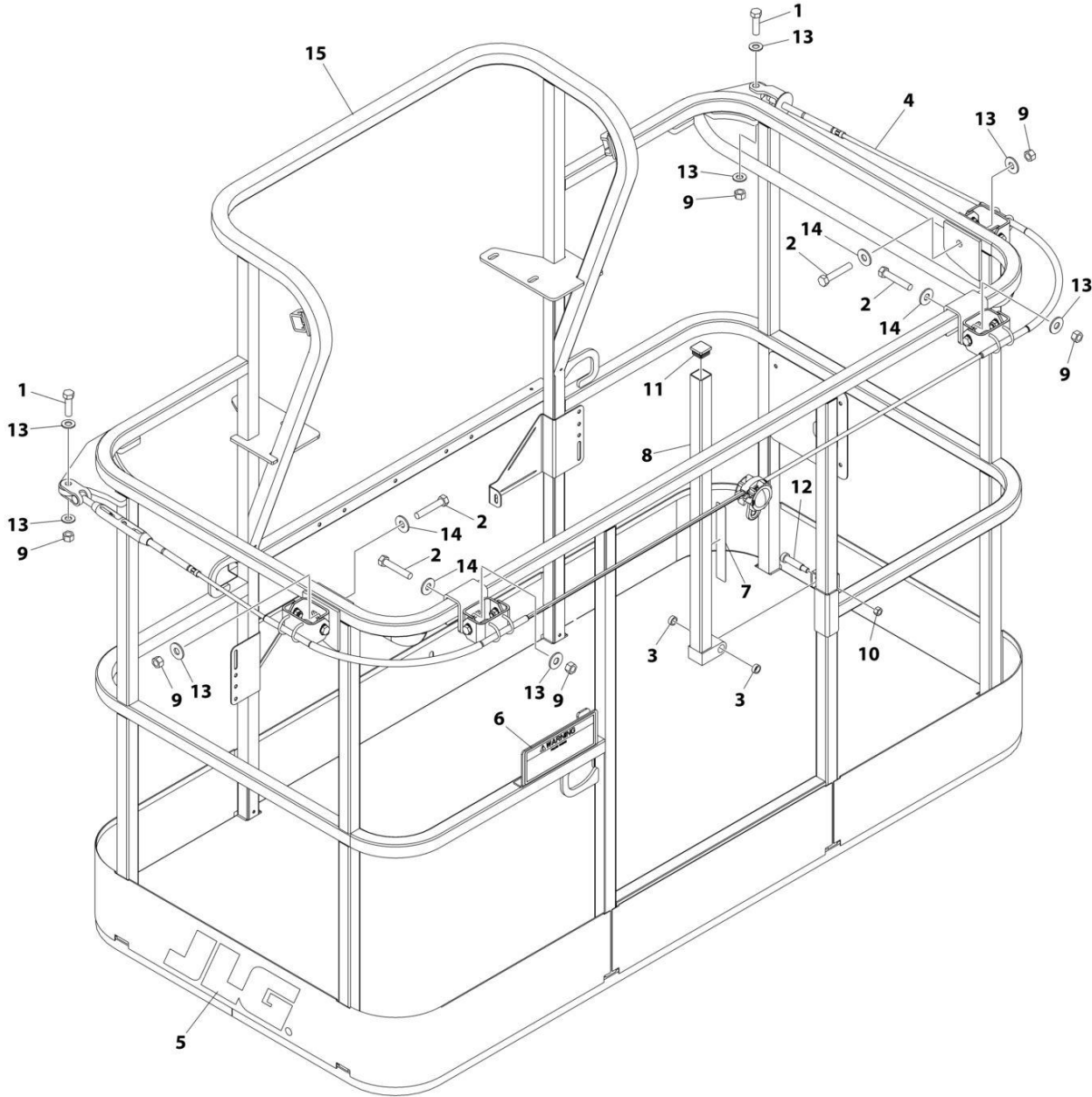
SECTION 5 - PLATFORM

FIGURE 5-13. PLATFORM ASSEMBLY WITH 3 DROP BARS (TRI-ENTRY) - 36IN X 8FT (91.5CM X 2.44M)

ITEM	PART NUMBER	QTY	DESCRIPTION	REV
	1001228375	Ref	PLATFORM ASSEMBLY - 36IN X 8FT (91.5CM X 2.44M) WITH TRI-ENTRY	A
		Ref	Note: Platform and Mesh must be ordered separately for Platforms with Mesh. See SPECIAL OPTIONS SECTION for Mesh Installations.	
		Ref	Note: Replacement Decals Must be Ordered Separately - See DECAL SECTION.	
1	0100011	AR	Compound, Locking	
2	0641418	6	Bolt 1/4 x 2-1/4	
3	0961845	6	Bushing	
4	3290606	2	Nut M6 x 1	
5	3300151	6	Nut 1/4	
6	3520072	2	Cap, Plug	
7	3520198	2	Cap, Plug	
8	4010618	2	Screw M6 x 50	
9	4711400	12	Washer 1/4	
10	4811700	2	Washer M6	
11	1001138494	3	Bar, Drop	
12	1001138514	1	Rail (Top)	
13	1001140429	3	Decal - Drop Bar	
14	See Note	1	Platform (Note: Not Available - Purchase Platform Assembly)	

SECTION 5 - PLATFORM

FIGURE 5-14. PLATFORM ASSEMBLY WITH FALL ARREST (6FT)



ART_1001186333

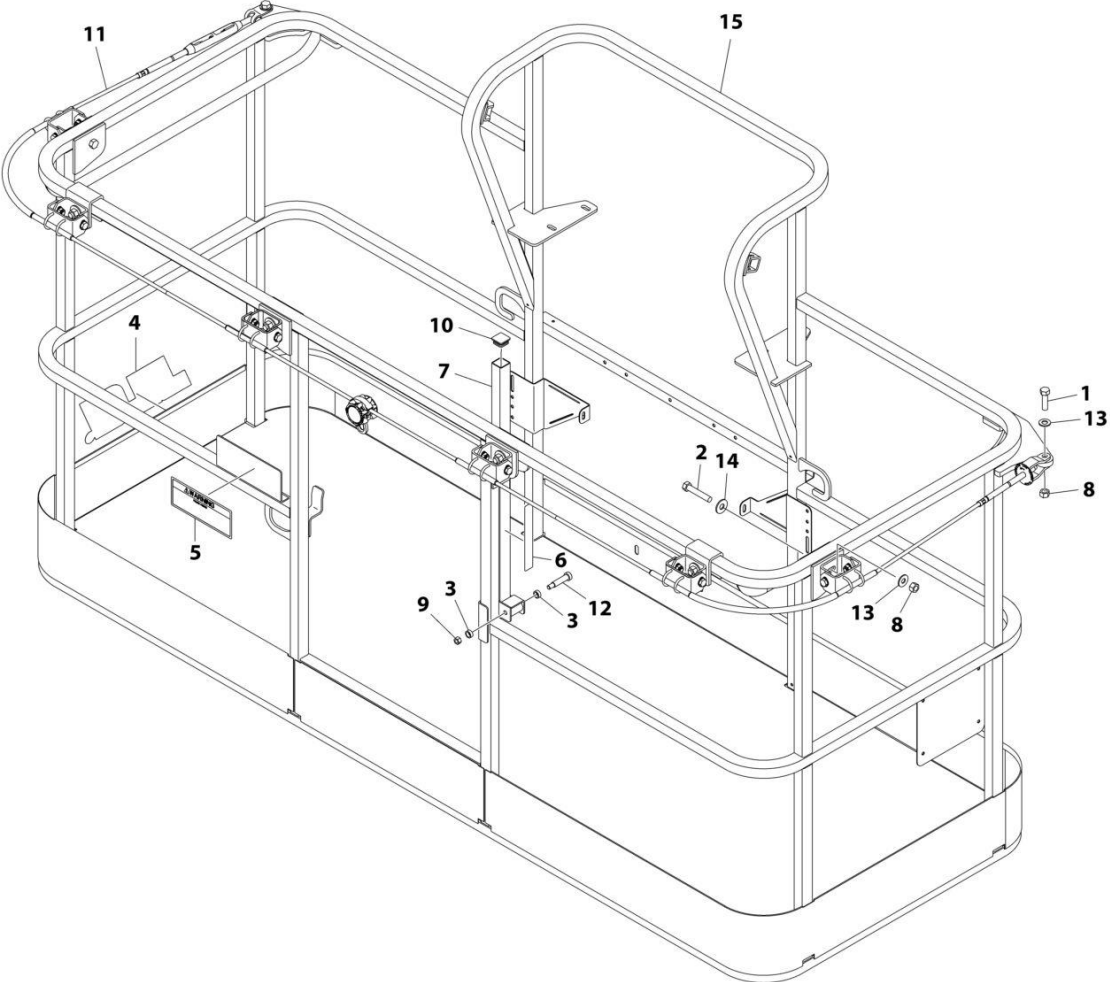
SECTION 5 - PLATFORM

FIGURE 5-14. PLATFORM ASSEMBLY WITH FALL ARREST (6FT)

ITEM	PART NUMBER	QTY	DESCRIPTION	REV
	1001186333	Ref	PLATFORM ASSEMBLY	C
		Ref	Note: Replacement Decals Must be Ordered Separately - See DECALS SECTION.	
1	0681814	2	Bolt 1/2 x 1-3/4 Grade 8	
2	0681822	4	Bolt 1/2 x 2-3/4 Grade 8	
3	0962270	2	Bearing	
4	1001203655	1	Cable	
5	1702773	1	Decal - JLG	
6	1705014	1	Decal - Safety	
7	1706385	1	Decal - Drop Bar	
8	2410014	1	Bar, Drop	
9	3271805	6	Nut 1/2 Grade 8	
10	3311605	1	Nut 3/8	
11	3520072	1	Plug	
12	3900054	1	Bolt 1/2 x 1-3/4	
13	4711800	8	Washer 1/2	
14	4751800	4	Washer 1/2	
15	See Note	NSS	Platform (Note: Not Available - Purchase Platform Assembly)	

SECTION 5 - PLATFORM

FIGURE 5-15. PLATFORM ASSEMBLY WITH FALL ARREST (8FT)



ART_1001186334

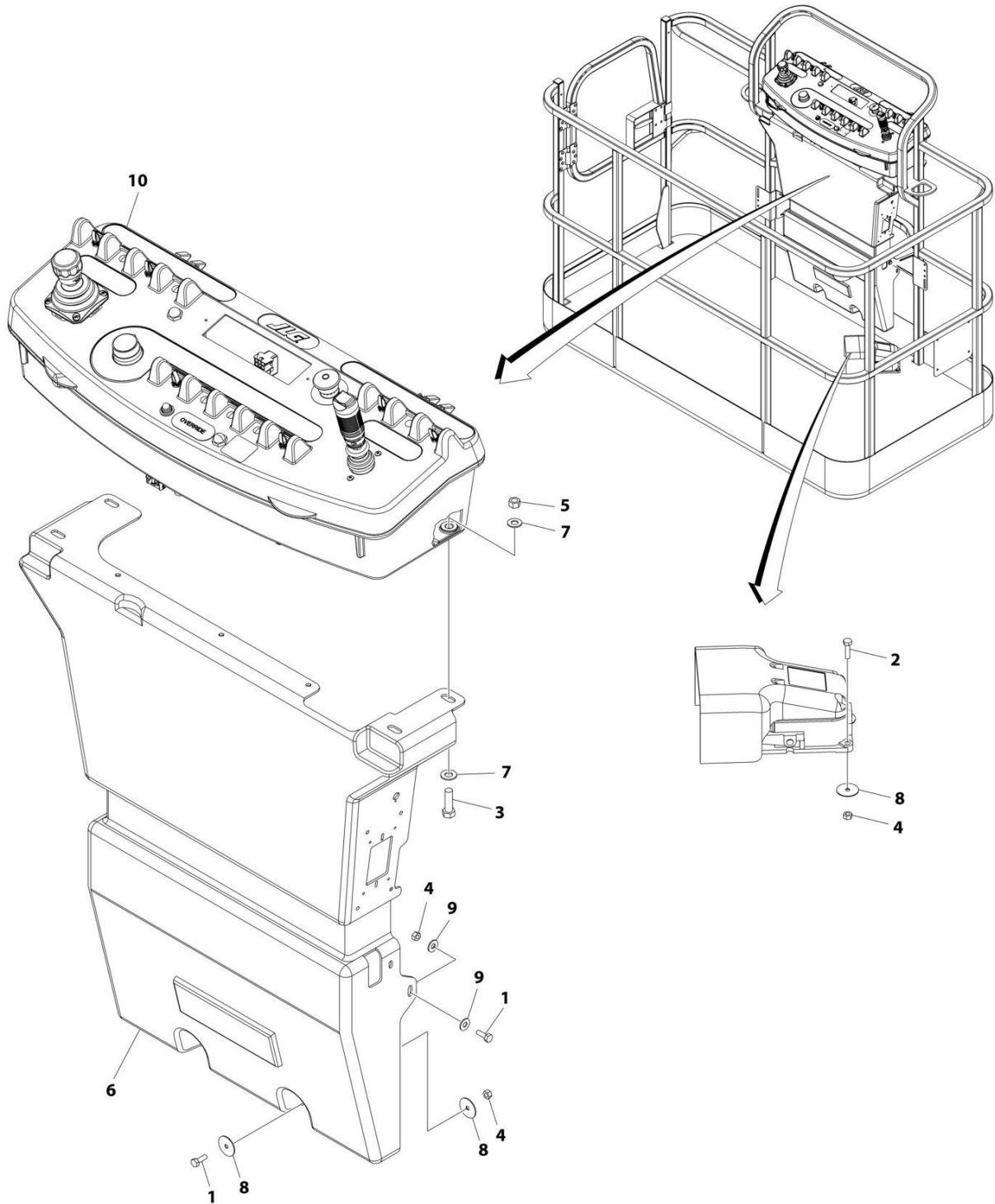
SECTION 5 - PLATFORM

FIGURE 5-15. PLATFORM ASSEMBLY WITH FALL ARREST (8FT)

ITEM	PART NUMBER	QTY	DESCRIPTION	REV
	1001186334	Ref	PLATFORM ASSEMBLY	D
		Ref	Note: Replacement Decals Must be Ordered Separately - See DECALS SECTION.	
1	0681814	2	Bolt 1/2 x 1-3/4 Grade 8	
2	0681822	6	Bolt 1/2 x 2-3/4 Grade 8	
3	0962270	2	Bearing	
4	1702773	1	Decal - JLG	
5	1705014	1	Decal - Safety	
6	1706385	1	Decal - Drop Bar	
7	2410014	1	Bar, Drop	
8	3271805	8	Nut 1/2 Grade 8	
9	3311605	1	Nut 3/8	
10	3520072	1	Plug	
11	1001203656	1	Cable	
12	3900054	1	Bolt 1/2 x 1-3/4	
13	4711800	2	Washer 1/2	
14	4751800	6	Washer 1/2	
15	See Note	NSS	Platform (Note: Purchase Platform Assembly)	

SECTION 5 - PLATFORM

FIGURE 5-16. PLATFORM CONSOLE AND FOOTSWITCH INSTALLATION



ART_1001241703

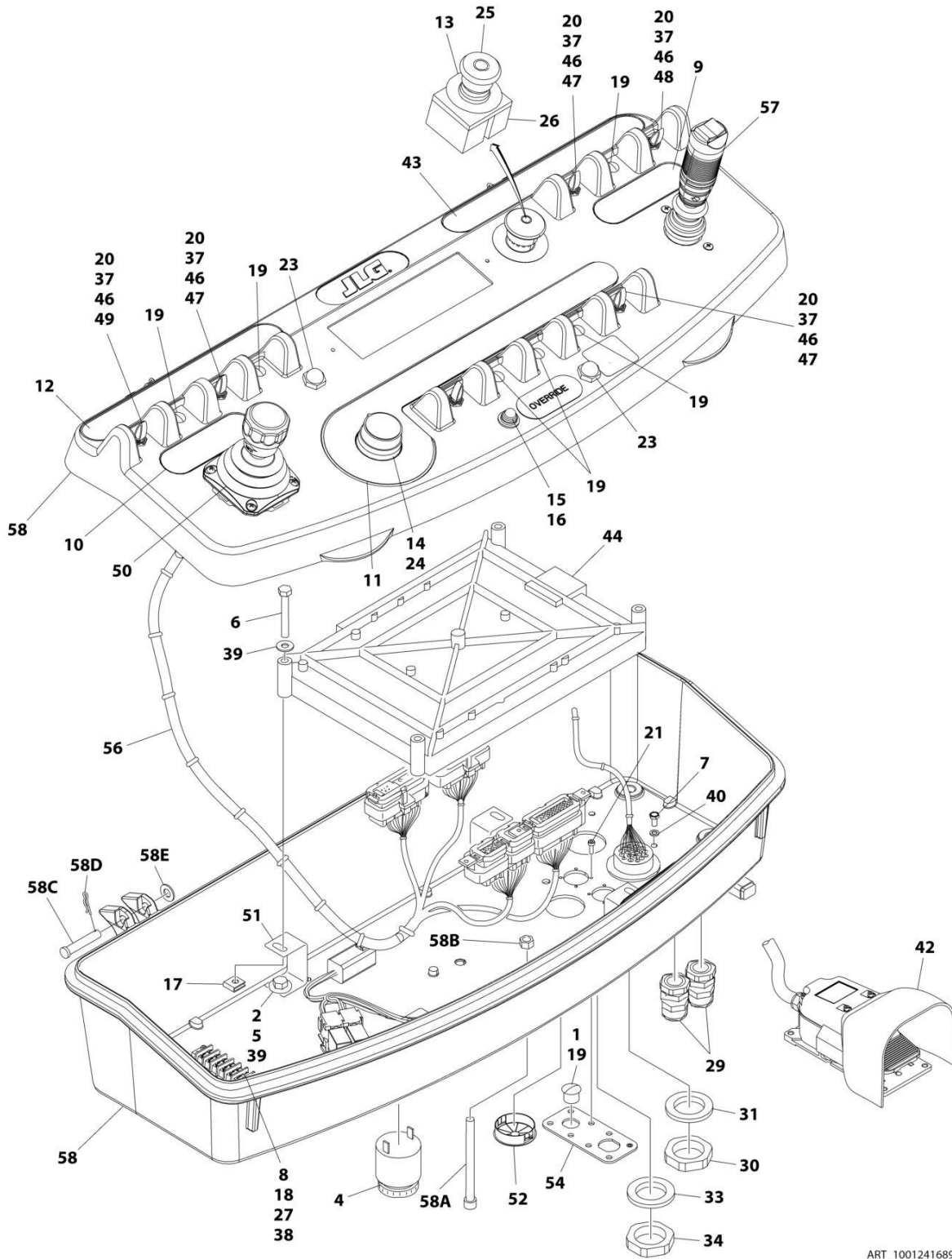
SECTION 5 - PLATFORM

FIGURE 5-16. PLATFORM CONSOLE AND FOOTSWITCH INSTALLATION

ITEM	PART NUMBER	QTY	DESCRIPTION	REV
	1001241703	Ref	PLATFORM CONSOLE AND FOOTSWITCH INSTALLATION	B
1	0641406	4	Bolt 1/4 x 3/4	
2	0641408	3	Bolt 1/4 x 1	
3	0641610	4	Bolt 3/8 x 1-1/4	
4	3311405	7	Nut 1/4	
5	3311605	4	Nut 3/8	
6	3380434	1	Panel	
7	4751600	8	Washer 3/8	
8	4740362	7	Washer	
9	4751400	4	Washer 1/4	
10	1001241689	1	Platform Console Assembly (See Separate Breakdown in this Section)	

SECTION 5 - PLATFORM

FIGURE 5-17. PLATFORM CONSOLE ASSEMBLY



ART_1001241689

SECTION 5 - PLATFORM

FIGURE 5-17. PLATFORM CONSOLE ASSEMBLY

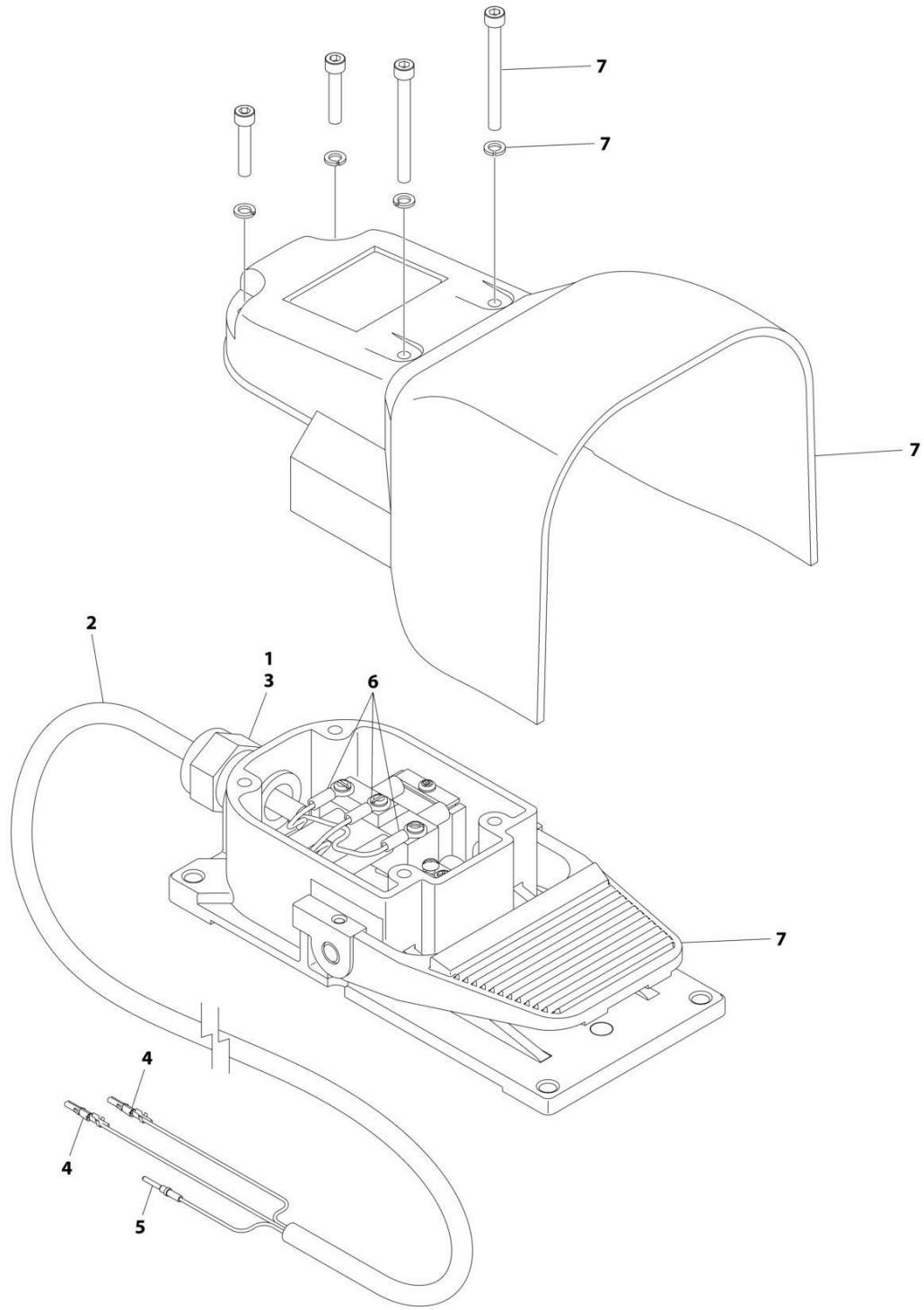
ITEM	PART NUMBER	QTY	DESCRIPTION	REV
	1001241689	Ref	CONSOLE BOX ASSEMBLY	B
1	0100009	AR	Sealant	
2	0100035	AR	Compound, Locking	
3	0100048	AR	Grease, Dielectric	
4	0140011	1	Alarm	
5	0641406	4	Bolt 1/4 x 3/4	
6	0641414	4	Bolt 1/4 x 1-3/4	
7	0721003	2	Screw #10 x 3/8	
8	0721006	2	Screw #10 x 3/4	
9	1702565	1	Decal - Drive and Steer	
10	1702566	1	Decal - Lift and Swing	
11	1702567	1	Decal - Function Speed	
12	1001184626	1	Decal - Horn	
13	1704260	1	Decal - Emergency Stop	
14	2560136	1	Knob	
15	2920028	1	Light, Indicator	
16	2920029	1	Lamp, Bulb	
17	3300353	4	Nut, Tinnerman	
18	3311005	2	Nut #10	
19	3520054	7	Plug, Hole	
20	3790012	6	O-Ring	
21	3900349	8	Capscrew M2.5	
22	4240032	AR	Tie-Strap (Not Shown)	
23	4360387	2	Switch, Push Button	
24	4360407	1	Switch, Flow Control	
24	See Note	1	Gasket "Top Hat" (Included with Switch) (Note: Not Available for Purchase)	
24	70003784	1	Seal	
25	4360475	1	Switch, Emergency Stop	
25	7020175	1	Cap, Red	
25	7020176	1	Block, Contact	
26	4360476	1	Switch, Contact	
27	4460007	1	Bussbar	
28	4460234	2	Mount, Tie-Strap	
29	4460428	2	Connector, Strain Relief	
30	4460470	1	Nut	
31	4460471	1	Washer	
32	4460488	3	Mount, Tie-Strap (Not Shown)	
33	4460496	1	Washer	
34	4460497	1	Nut	
35	4460708	2	Connector - 15 Position (Not Shown)	
36	4460905	AR	Plug, Terminal (Not Shown)	
37	4740397	6	Spacer, Washer	
38	4751000	2	Washer #10	
39	4751400	8	Washer 1/4	
40	4761000	2	Washer #10	
41	4922666	1	Harness, Analyzer Cable (Not Shown - See Separate Breakdown in ELECTRICAL SECTION)	
42	1001117174	1	Footswitch Assembly (See Separate Breakdown in this Section)	
43	1001184618	1	Decal - Stop	

SECTION 5 - PLATFORM

ITEM	PART NUMBER	QTY	DESCRIPTION	REV
44	1001141138	1	Module, Platform (Note: Re-calibration Required when Replaced)	
46	1001155044	6	Nut 15/32	
47	1001155045	4	Switch, Toggle	
48	1001159256	1	Switch, Toggle	
49	1001161709	1	Switch, Toggle	
50	1001166539	NLA	Controller Lift/Swing (Use p/n 1001129555) (See Separate Breakdown in this Section)	
51	1001172760	4	Bracket	
52	1001185281	1	Plug	
54	1001213882	1	Mount	
56	1001244181	1	Harness, Console Box (See Separate Breakdown in ELECTRICAL SECTION)	
57	1001166538	NLA	Controller Drive/Steer (Use p/n 1001212415) (See Separate Breakdown in this Section)	
58	1001215228	1	Console Box Assembly	
58A	0630568	1	Capscrew 3/8 x 4-1/2	
58B	3311601	1	Nut 3/8	
58C	3430616	2	Pin	
58D	3470003	2	Hairpin	
58E	4711600	2	Washer 3/8	

SECTION 5 - PLATFORM

FIGURE 5-18. FOOTSWITCH ASSEMBLY



ART_100117174

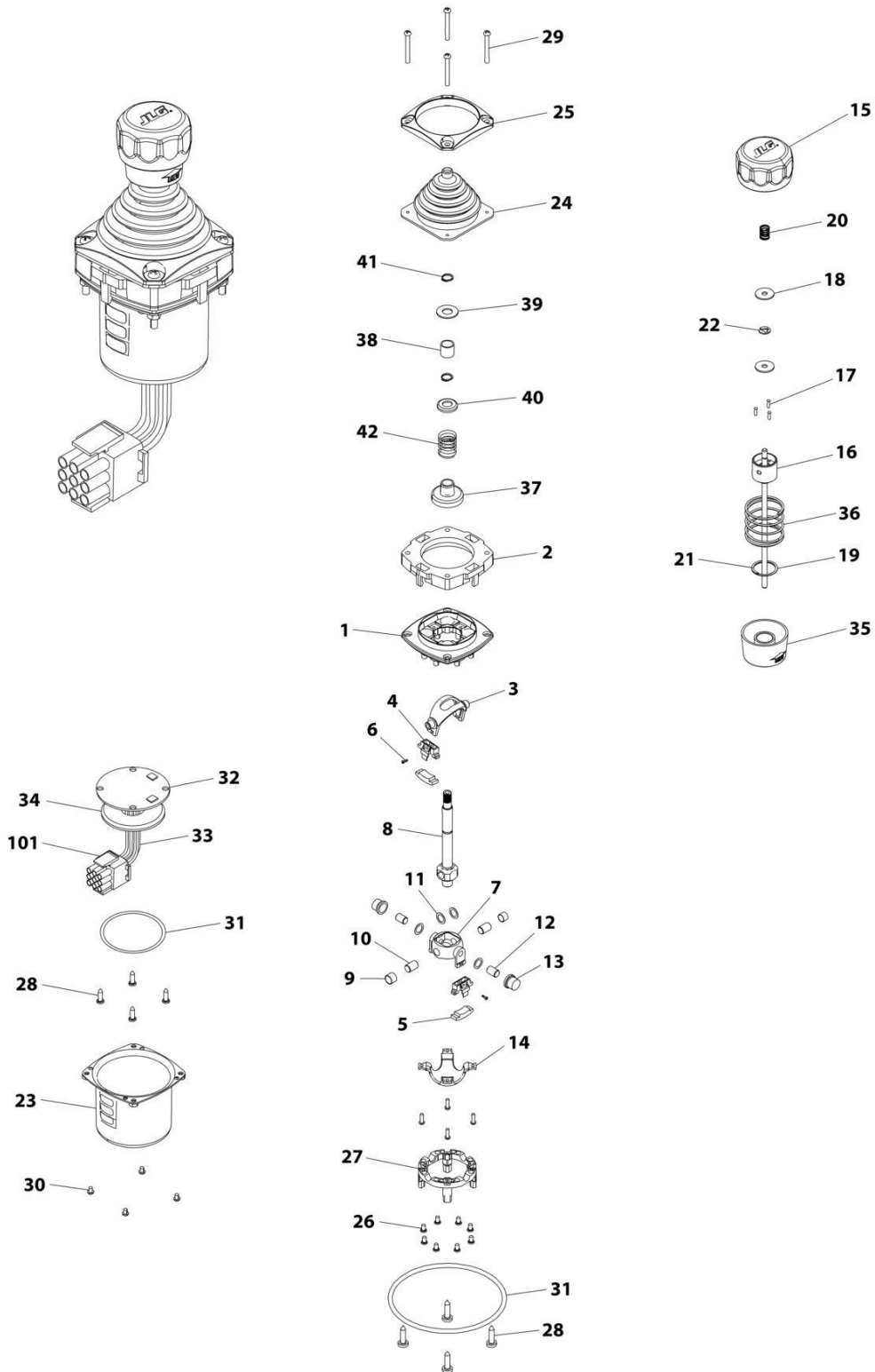
SECTION 5 - PLATFORM

FIGURE 5-18. FOOTSWITCH ASSEMBLY

ITEM	PART NUMBER	QTY	DESCRIPTION	REV
	1001117174	Ref	FOOTSWITCH ASSEMBLY	C
1	0100020	AR	Sealant	
2	1060918	7.5 ft/ 2.3m	Cable, Electrical - 18/3	
3	4460071	1	Connector, Strain Relief	
4	4460226	2	Socket, Female	
5	4460464	1	Pin, Male	
6	1001098122	3	Terminal	
7	1001117172	1	Footswitch	
7	70002902	1	Switch, 20Amp	
7	70002903	1	Gasket	
7	70002905	1	Cover	
7	70002904	1	Kit, Replacement Bolt	

SECTION 5 - PLATFORM

FIGURE 5-19. CONTROLLER ASSEMBLY - LIFT/SWING



ART_1001166539

SECTION 5 - PLATFORM

FIGURE 5-19. CONTROLLER ASSEMBLY - LIFT/SWING

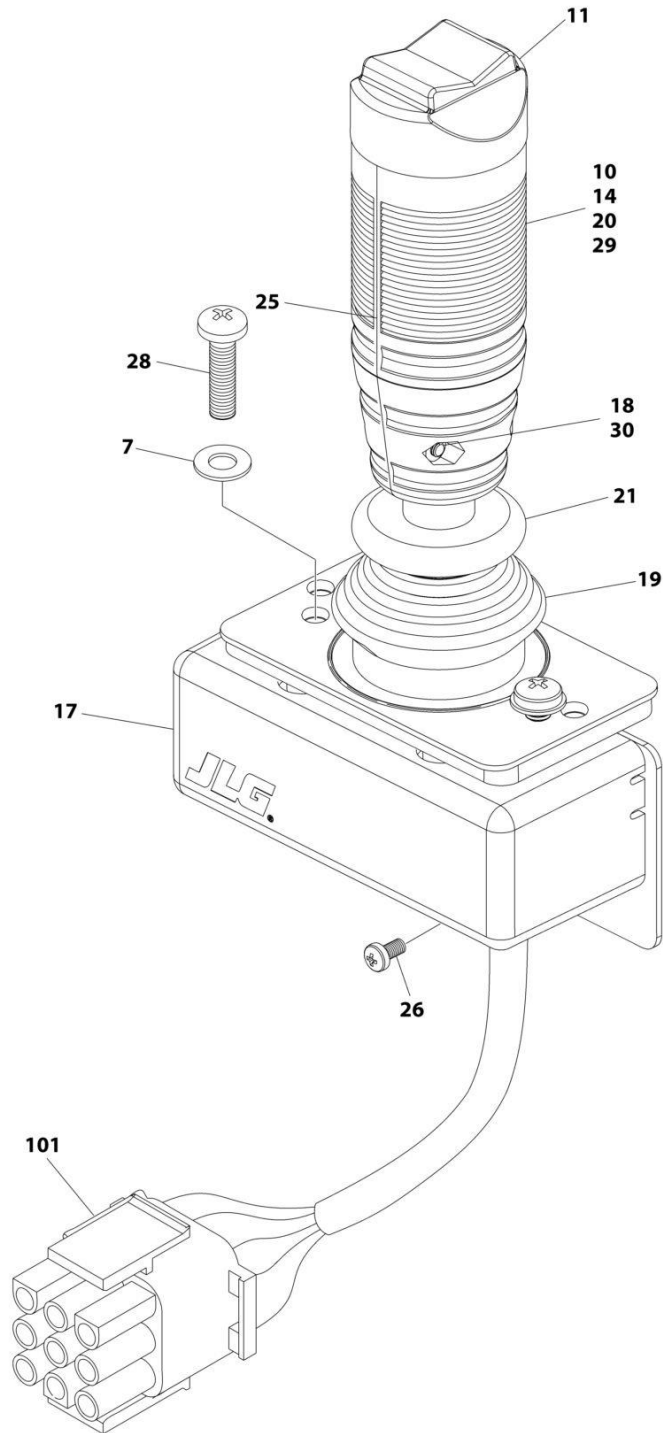
ITEM	PART NUMBER	QTY	DESCRIPTION	REV
	1001166539	Ref	CONTROLLER ASSEMBLY	E
		Ref	Note: Original Equipment Controller May Have Been Replaced with Service Replacement Controller. Visually Identify Controller Before Ordering Parts.	
		Ref	Note: For Replacement, Use p/n 1001129555	
1	See Note	NSS	Main Cast Body (Note: Not Available - Purchase Complete Assembly)	
2	70004752	1	Adapter	
3	See Note	NSS	Pivot Arm, Plastic (Note: Not Available - Purchase Complete Assembly)	
4	See Note	NSS	Holder, Magnet (Note: Not Available - Purchase Complete Assembly)	
5	See Note	NSS	Arc, Magnet (Note: Not Available - Purchase Complete Assembly)	
6	See Note	NSS	Screw (Note: Not Available for Purchase)	
7	See Note	NSS	Pivot Arm, Cast (Note: Not Available - Purchase Complete Assembly)	
8	See Note	NSS	Shaft, Main (Note: Not Available - Purchase Complete Assembly)	
9	See Note	NSS	Bearing (Note: Not Available - Purchase Complete Assembly)	
10	See Note	NSS	Pin (Note: Not Available - Purchase Complete Assembly)	
11	See Note	NSS	Shim (Note: Not Available - Purchase Complete Assembly)	
12	See Note	NSS	Pin (Note: Not Available - Purchase Complete Assembly)	
13	See Note	NSS	Bearing (Note: Not Available - Purchase Complete Assembly)	
14	See Note	NSS	Dome, Centering (Note: Not Available - Purchase Complete Assembly)	
15	70004753	1	Cap	
16	70004754	1	Insert, Cap	
17	70004755	3	Pin	
18	70004756	2	Washer	
19	70004757	1	Pin, Centering	
20	70004758	1	Spring	
21	70004759	1	Ring, Retaining	
22	70004760	1	E-Ring	
23	70004761	1	Can, Enclosure	
24	70004762	1	Boot	
25	70004763	1	Bezel	
26	See Note	NSS	Screw (Note: Not Available for Purchase)	
27	See Note	NSS	Base Mounting (Note: Not Available - Purchase Complete Assembly)	
28	See Note	NSS	Screw (Note: Not Available for Purchase)	
29	70004764	4	Screw	
30	70004765	4	Screw	
31	70004766	1	O-Ring	
32	See Note	NSS	Plate (Note: Not Available - Purchase Complete Assembly)	
33	See Note	NSS	Harness (Note: Not Available - Purchase Complete Assembly)	
34	70004767	1	Grommet, Rubber	
35	70004768	1	Housing	
36	70004769	1	Spring	
37	70004770	1	Stopper	
38	70004771	1	Spacer	
39	70004772	1	Washer	
40	70004773	1	Disc	

SECTION 5 - PLATFORM

ITEM	PART NUMBER	QTY	DESCRIPTION	REV
41	70004774	2	Ring, Retaining	
42	70004775	1	Spring	
101	4460265	1	Connector - 9 Position	
101	4460226	6	Socket, Female	

SECTION 5 - PLATFORM

FIGURE 5-20. CONTROLLER ASSEMBLY- DRIVE/STEER



ART_1001166538

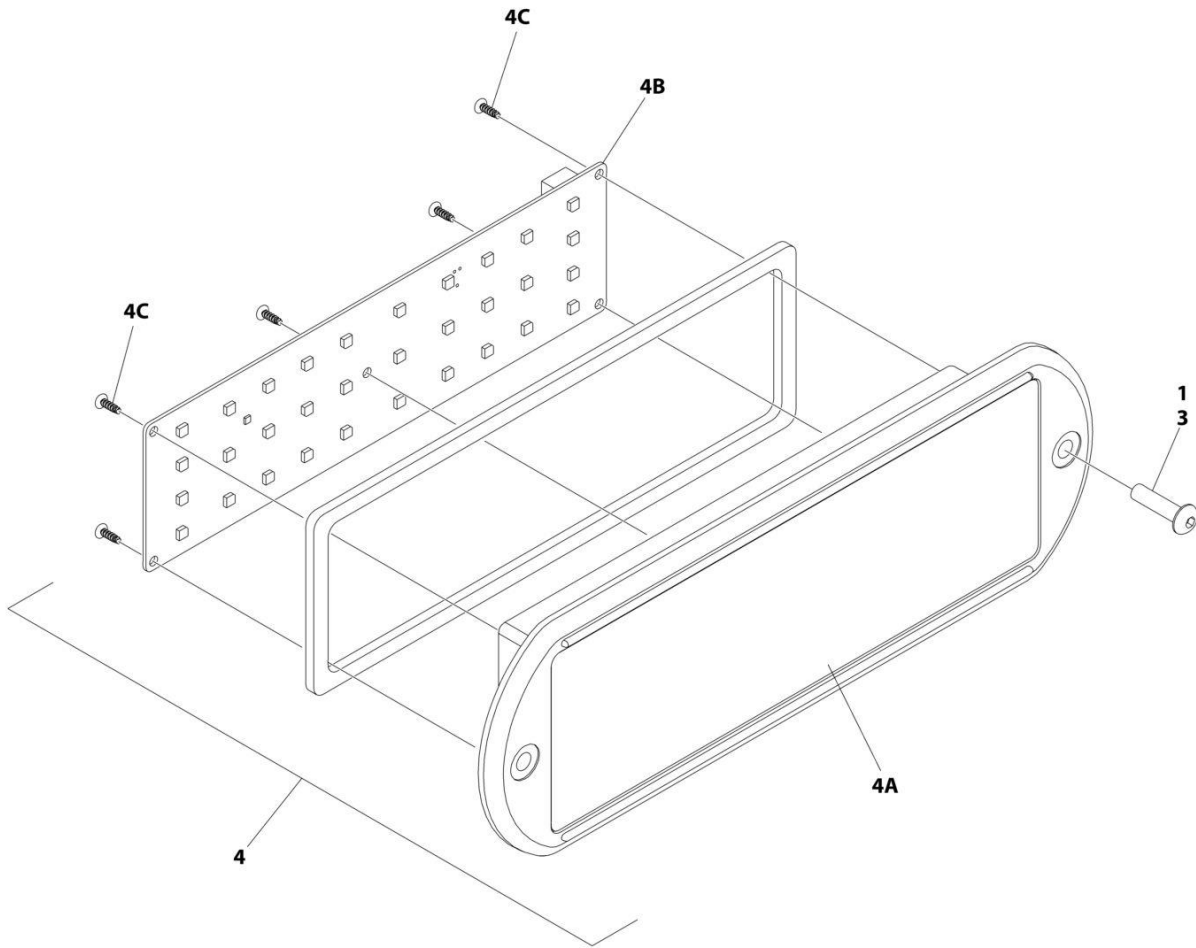
SECTION 5 - PLATFORM

FIGURE 5-20. CONTROLLER ASSEMBLY- DRIVE/STEER

ITEM	PART NUMBER	QTY	DESCRIPTION	REV
	1001166538	Ref	CONTROLLER ASSEMBLY - DRIVE AND STEER	G
		Ref	Note: For Replacement, Use p/n 1001212415.	
7	70004738	2	Washer	
10	70004739	1	Roller	
11	70004740	1	Boot, Switch	
14	70004741	2	Half, Handle	
17	70004742	1	Enclosure	
18	70004743	4	Nut	
19	70004744	NLA	Boot, Controller (Use p/n 70005230 Boot/Base Assembly)	
20	70004745	NLA	Tube, Locking (Use p/n 70005230 Boot/Base Assembly)	
21	70004746	NLA	Disc, Locking (Use p/n 70005230 Boot/Base Assembly)	
25	70004747	2	Seal, Rope	
26	70004748	1	Screw M3 x 6	
28	70004749	2	Screw M5 x 20	
29	70004750	1	Pin, Dowel	
30	70004751	4	Screw M3 x 16	
101	4460265	1	Connector - 9 Position	
101	4460226	7	Socket, Female	

SECTION 5 - PLATFORM

FIGURE 5-21. LIGHT PANEL INSTALLATION



ART_1001233959_C_20F2

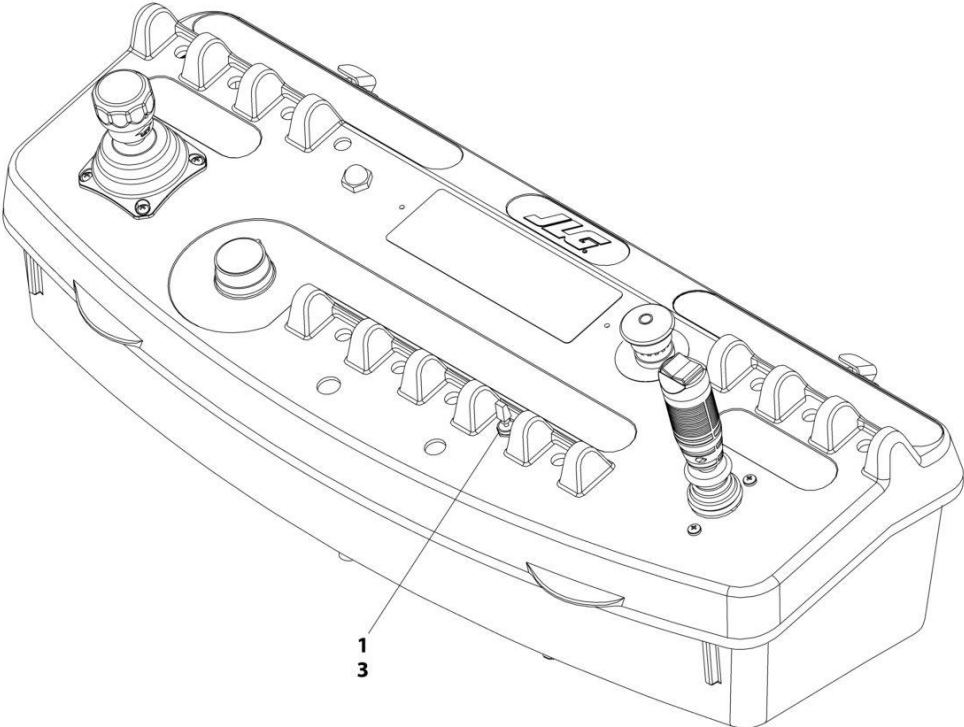
SECTION 5 - PLATFORM

FIGURE 5-21. LIGHT PANEL INSTALLATION

ITEM	PART NUMBER	QTY	DESCRIPTION	REV
	1001233959	Ref	LIGHT PANEL INSTALLATION - PLATFORM CONSOLE	C
1	0100035	AR	Compound, Locking	
3	0630518	2	Screw #10 x 3/4	
4	1001237544	1	Light Panel Assembly	H
4A	1001236087	1	Lens, I-Con	
4B	1001187807	1	Panel, LED Light	
4C		Ref	Screw	

SECTION 5 - PLATFORM

FIGURE 5-22. JIB SWITCH INSTALLATION (860SJ HC3)



ART_0258608

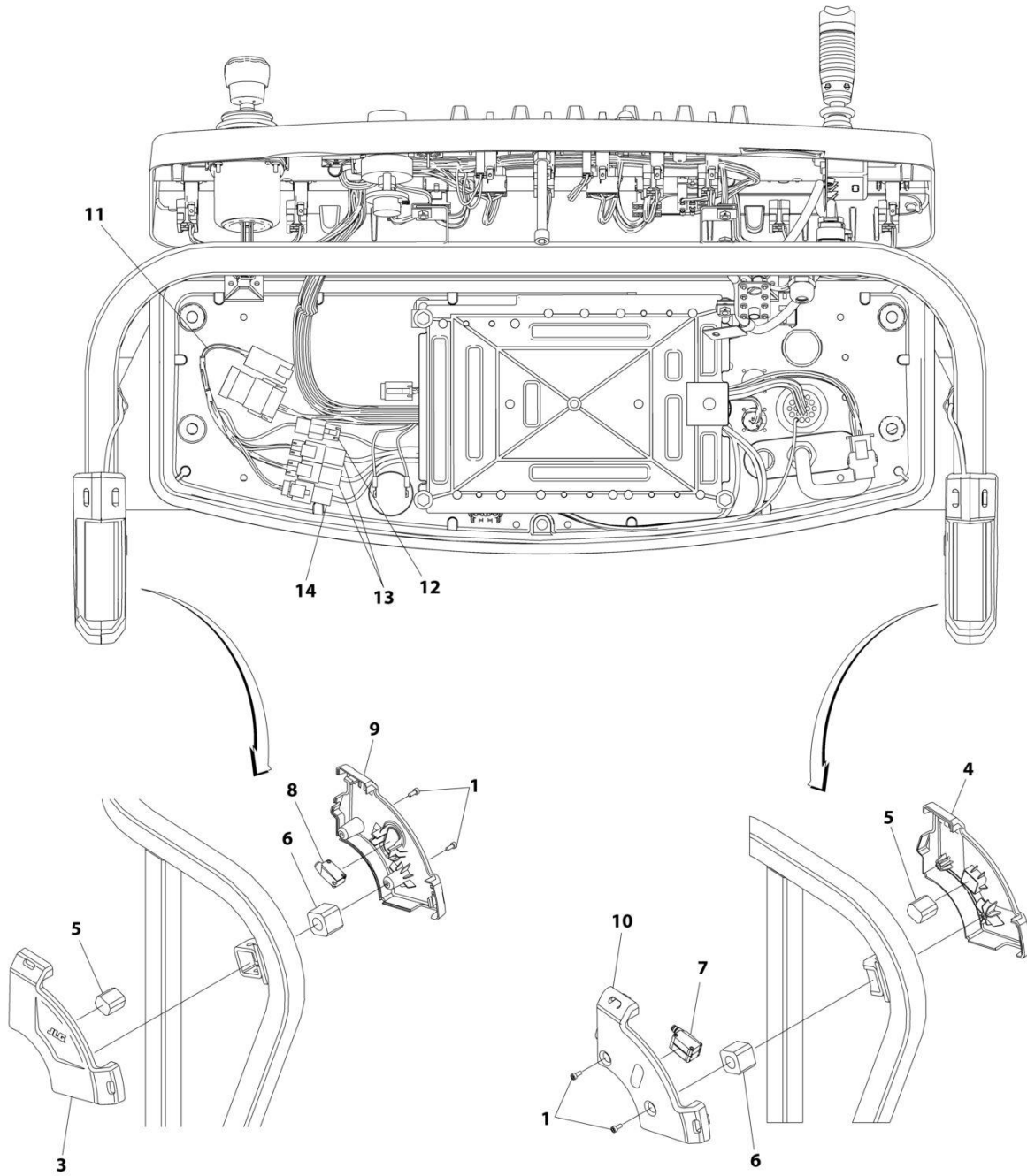
SECTION 5 - PLATFORM

FIGURE 5-22. JIB SWITCH INSTALLATION (860SJ HC3)

ITEM	PART NUMBER	QTY	DESCRIPTION	REV
	0258608	Ref	JIB SWITCH INSTALLATION	C
1	4360328	1	Switch, Toggle	
3	3790012	1	O-Ring	

SECTION 5 - PLATFORM

FIGURE 5-23. SKYEYE INSTALLATION



ART_1001229341

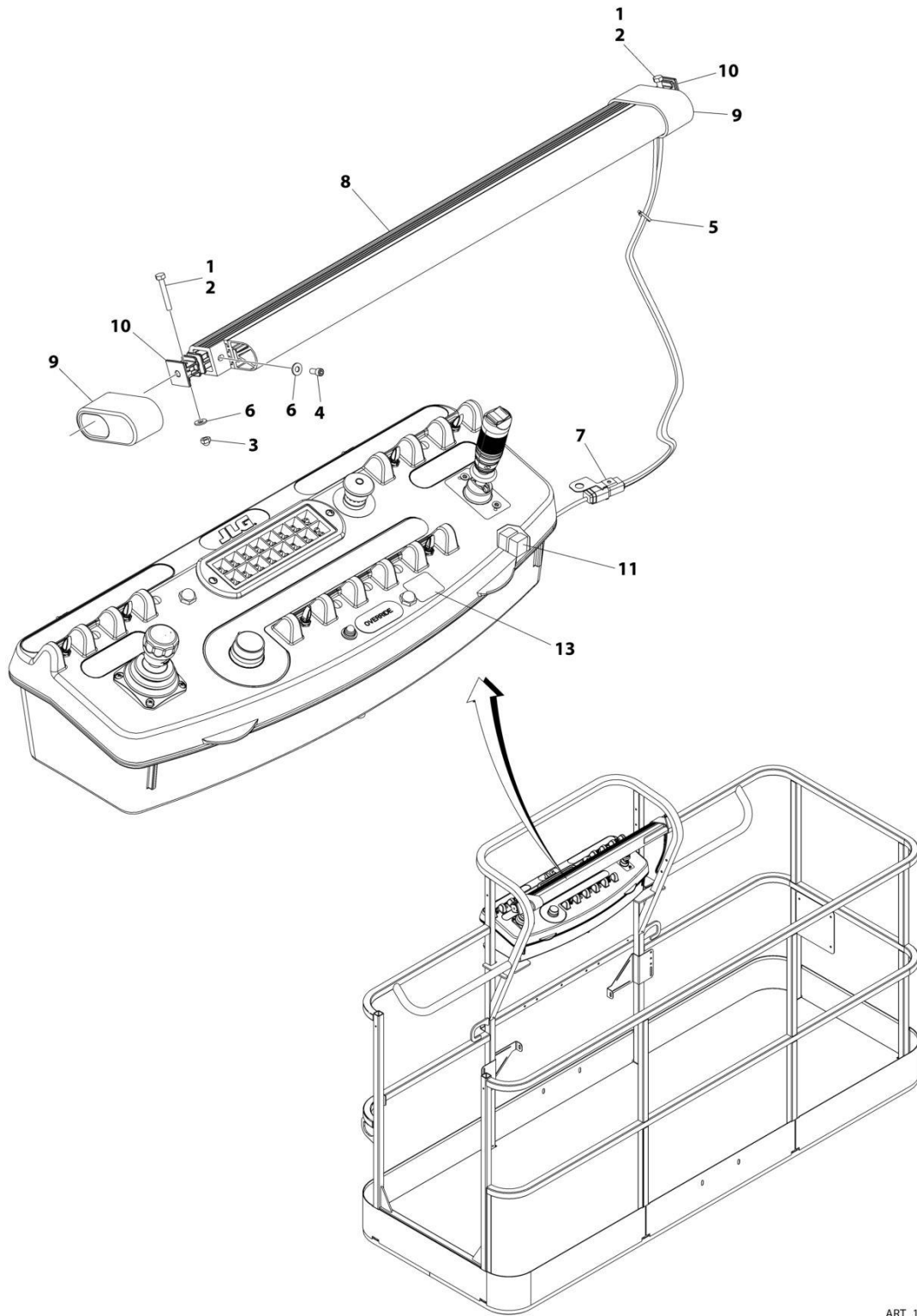
SECTION 5 - PLATFORM

FIGURE 5-23. SKYEYE INSTALLATION

ITEM	PART NUMBER	QTY	DESCRIPTION	REV
	1001229341	Ref	SKYEYE INSTALLATION	B
1	4031505	4	Bolt M4 x 10	
2	4240033	AR	Tie-Strap (Not Shown)	
3	1001227633	1	Housing, LH Outer	
4	1001227634	1	Housing, RH Outer	
5	1001227985	2	Shim	
6	1001227987	2	Shim	
7	1001228224	2	Sensor, Receiver	
8	1001228225	1	Sensor, Emitter	
9	1001232164	1	Housing, LH Inner	
10	1001232165	1	Housing, RH Inner	
11	1001237865	1	Harness, Skyeeye Intermediate (See Separate Breakdown in ELECTRICAL Section)	
12	1001238319	NLA	Harness, Skyeeye Drain Jumper	
12	1001187674	1	Plug, Male - 2 Position	
12	4460942	1	Terminal	
12	4460466	1	Plug, Terminal	
12	4460508	1	Pin, Male	
13	1001237863	2	Harness, Skyeeye Receiver (See Separate Breakdown in ELECTRICAL Section)	
14	1001237864	1	Harness, Skyeeye Emitter (See Separate Breakdown in ELECTRICAL Section)	

SECTION 5 - PLATFORM

FIGURE 5-24. SKYGUARD BAR INSTALLATION



ART_1001238495

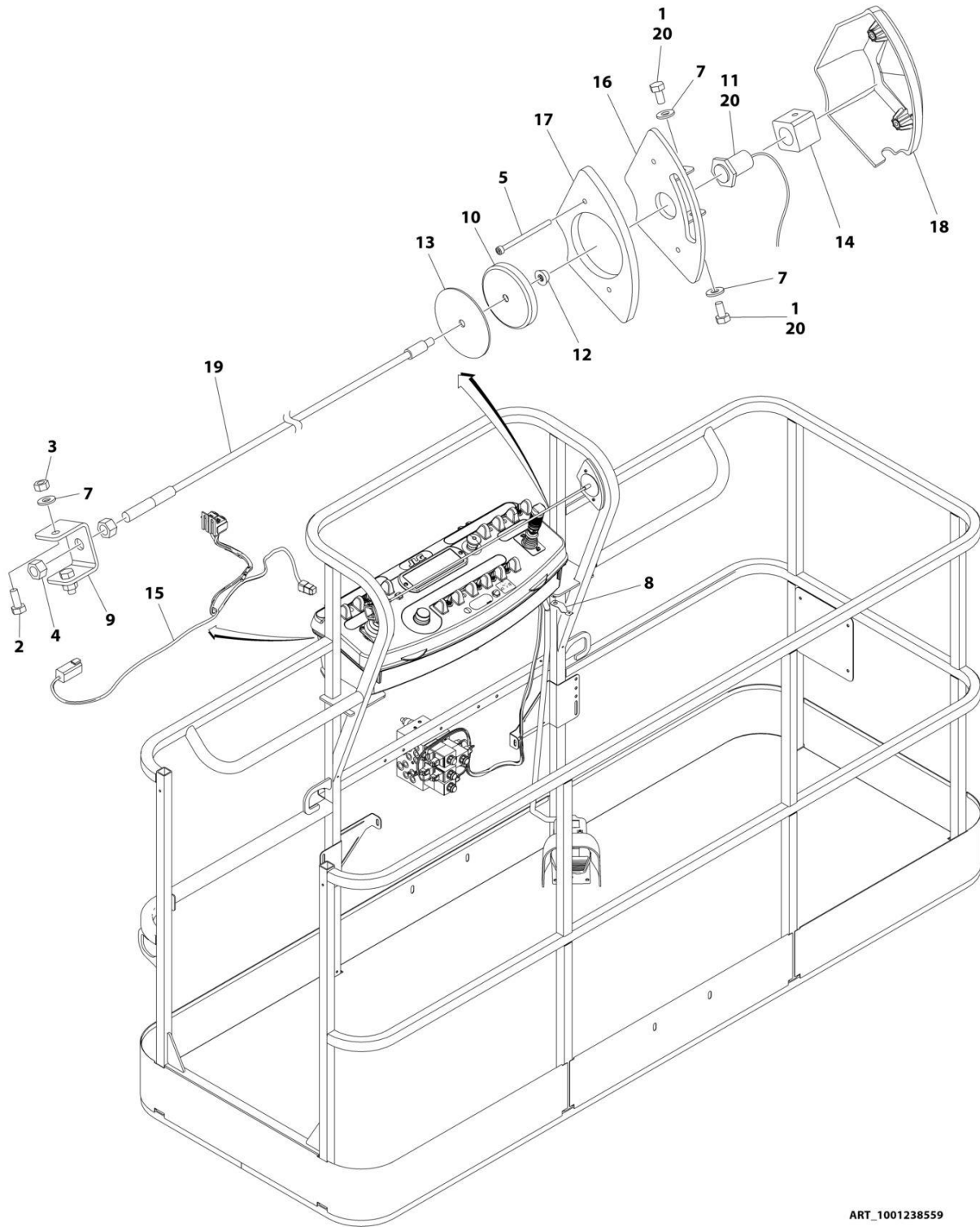
SECTION 5 - PLATFORM

FIGURE 5-24. SKYGUARD BAR INSTALLATION

ITEM	PART NUMBER	QTY	DESCRIPTION	REV
	1001238495	Ref	SKYGUARD BAR INSTALLATION	A
1	0100011	AR	Compound, Locking	
2	0641414	2	Bolt 1/4 x 1-3/4	
3	3300430	2	Nut 1/4	
4	3931408	2	Capscrew 1/4 x 1/2	
5	4240033	8	Tie-Strap	
6	4711400	6	Washer 1/4	
7	1001120328	1	Mount	
8	1001137673	1	SkyGuard Switch Assembly	
9	1001186517	2	Cover, Platform Sensor	
10	1001209664	2	Support, Block	
11	1001186431	2	Relay	
12	1001225580	1	Interface Harness Assembly (Not Shown - Located Inside Console Box) (See Separate Breakdown in ELECTRICAL Section)	
13	1001144433	1	Decal - No Weight SkyGuard	

SECTION 5 - PLATFORM

FIGURE 5-25. SKYLINE INSTALLATION (Prior to SN 0300278407)



ART_1001238559

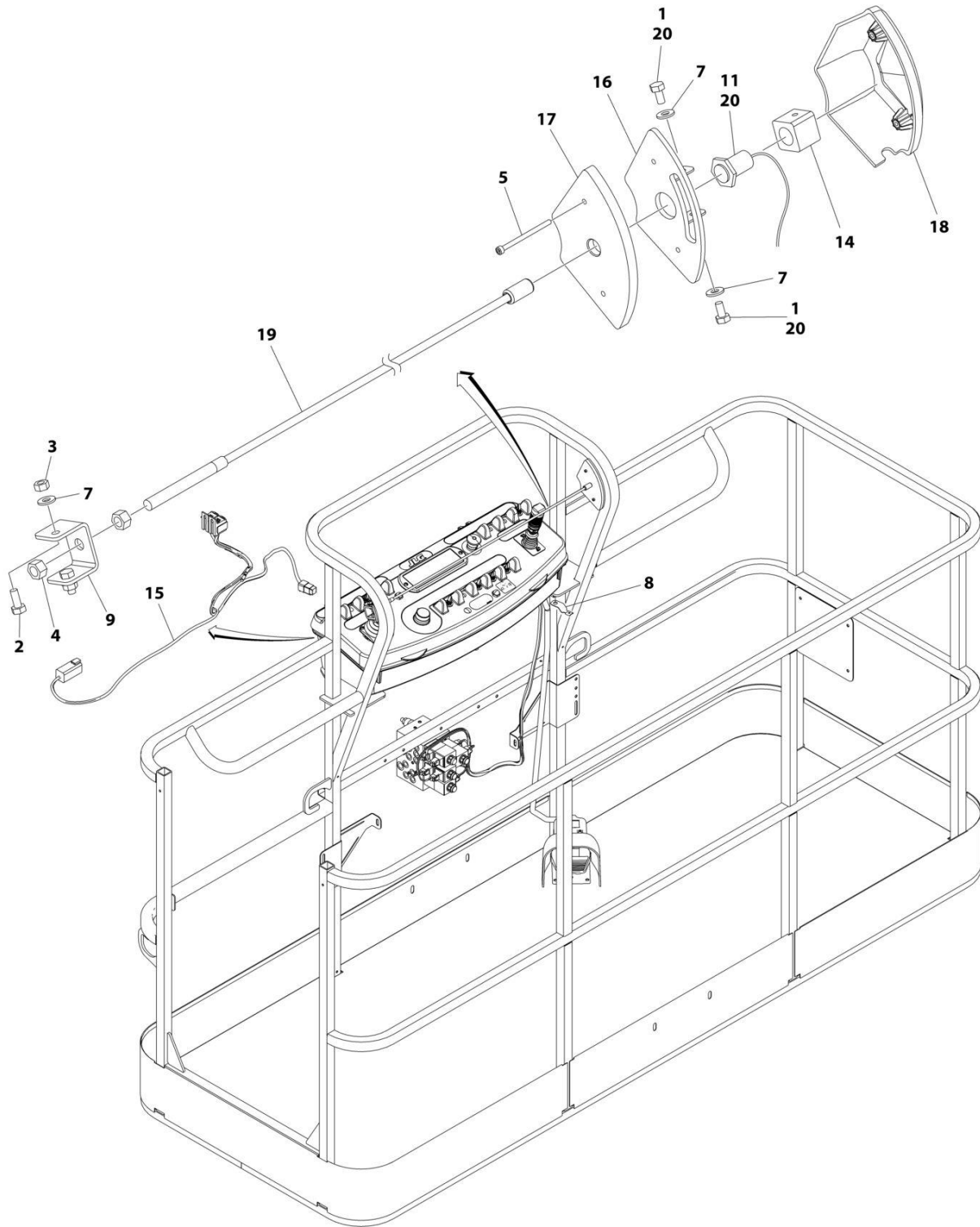
SECTION 5 - PLATFORM

FIGURE 5-25. SKYLINE INSTALLATION (Prior to SN 0300278407)

ITEM	PART NUMBER	QTY	DESCRIPTION	REV
	1001238559	Ref	SKYLINE INSTALLATION	B
1	0641404	2	Bolt 1/4 x 1/2	
2	0641405	2	Bolt 1/4 x 5/8	
3	3311405	2	Nut 1/4	
4	3311601	2	Nut 3/8	
5	4031516	2	Capscrew M4 x 60	
6	4240033	AR	Tie-Strap (Not Shown)	
7	4711400	4	Washer 1/4	
8	1001120328	1	Mount	
9	1001232642	1	Bracket	
10	1001232650	1	Magnet	
11	1001232667	1	Sensor, Proximity	
12	1001235011	1	Nut	
13	1001235013	1	Washer	
14	1001236552	1	Block	
15	1001238418	1	Harness, Skyline (See Separate Breakdown in ELECTRICAL Section)	
16	1001238472	1	Mount	
17	1001238477	1	Housing, LH	
18	1001241965	1	Housing, RH	
19	1001238824	1	Rope	
20	0100011	AR	Compound, Locking	

SECTION 5 - PLATFORM

FIGURE 5-26. SKYLINE INSTALLATION (SN 0300278407 to Present)



ART_1001238559_D

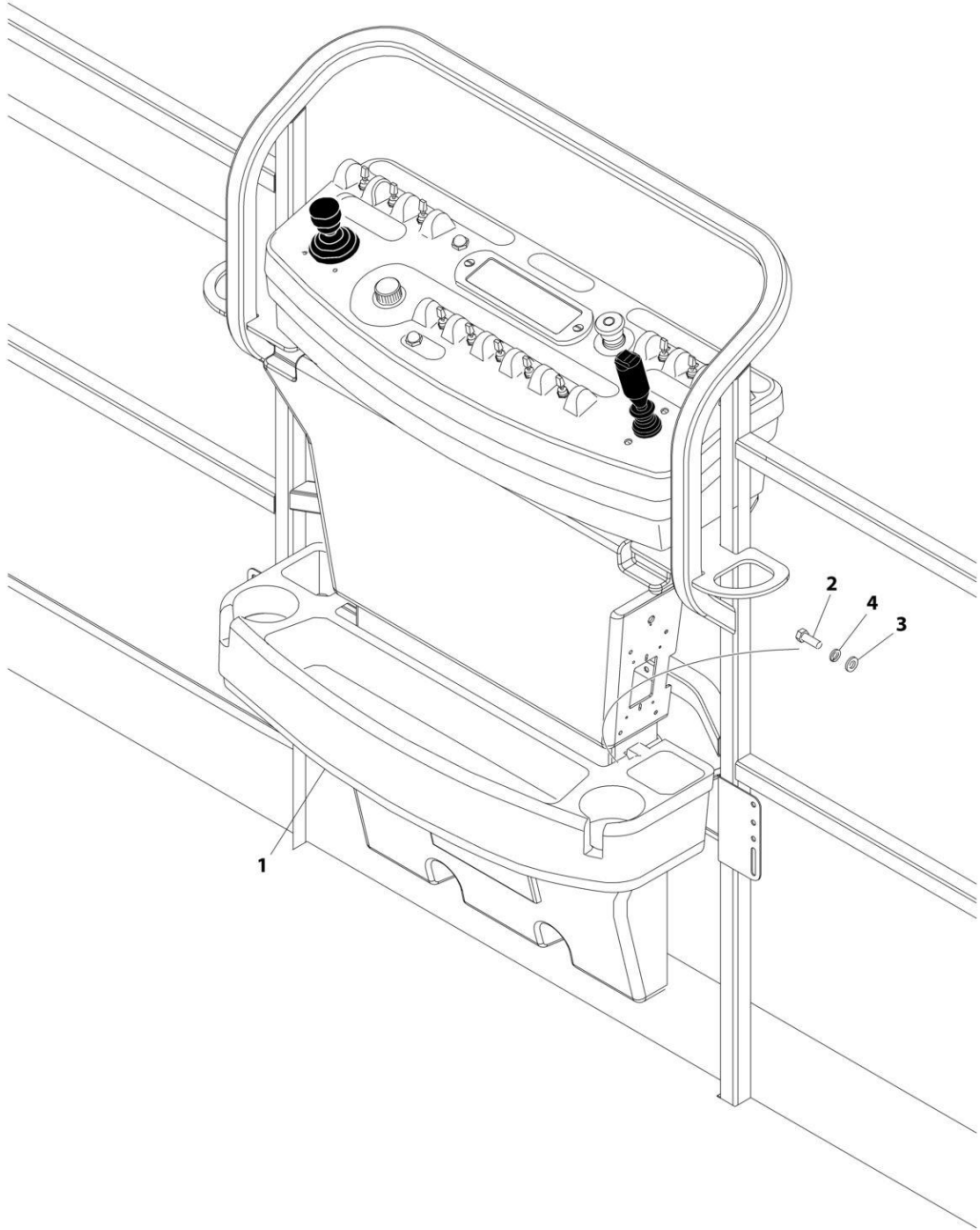
SECTION 5 - PLATFORM

FIGURE 5-26. SKYLINE INSTALLATION (SN 0300278407 to Present)

ITEM	PART NUMBER	QTY	DESCRIPTION	REV
	1001238559	Ref	SKYLINE INSTALLATION	D
1	0641404	2	Bolt 1/4 x 1/2	
2	0641405	2	Bolt 1/4 x 5/8	
3	3311405	2	Nut 1/4	
4	3311601	2	Nut 3/8	
5	4031516	2	Capscrew M4 x 60	
6	4240033	AR	Tie-Strap (Not Shown)	
7	4711400	4	Washer 1/4	
8	1001120328	1	Mount	
9	1001232642	1	Bracket	
11	1001232667	1	Sensor, Proximity	
11	1001311034	1	Sensor, Proximity	
14	1001236552	1	Block	
15	1001238418	1	Harness, Skyline (See Separate Breakdown in ELECTRICAL Section)	
16	1001238472	1	Mount	
17	1001254473	1	Housing, LH	
18	1001241965	1	Housing, RH	
19	1001254472	1	Rod	
20	0100011	AR	Compound, Locking	

SECTION 5 - PLATFORM

FIGURE 5-27. STORAGE TRAY INSTALLATION - CENTER



ART_1580012

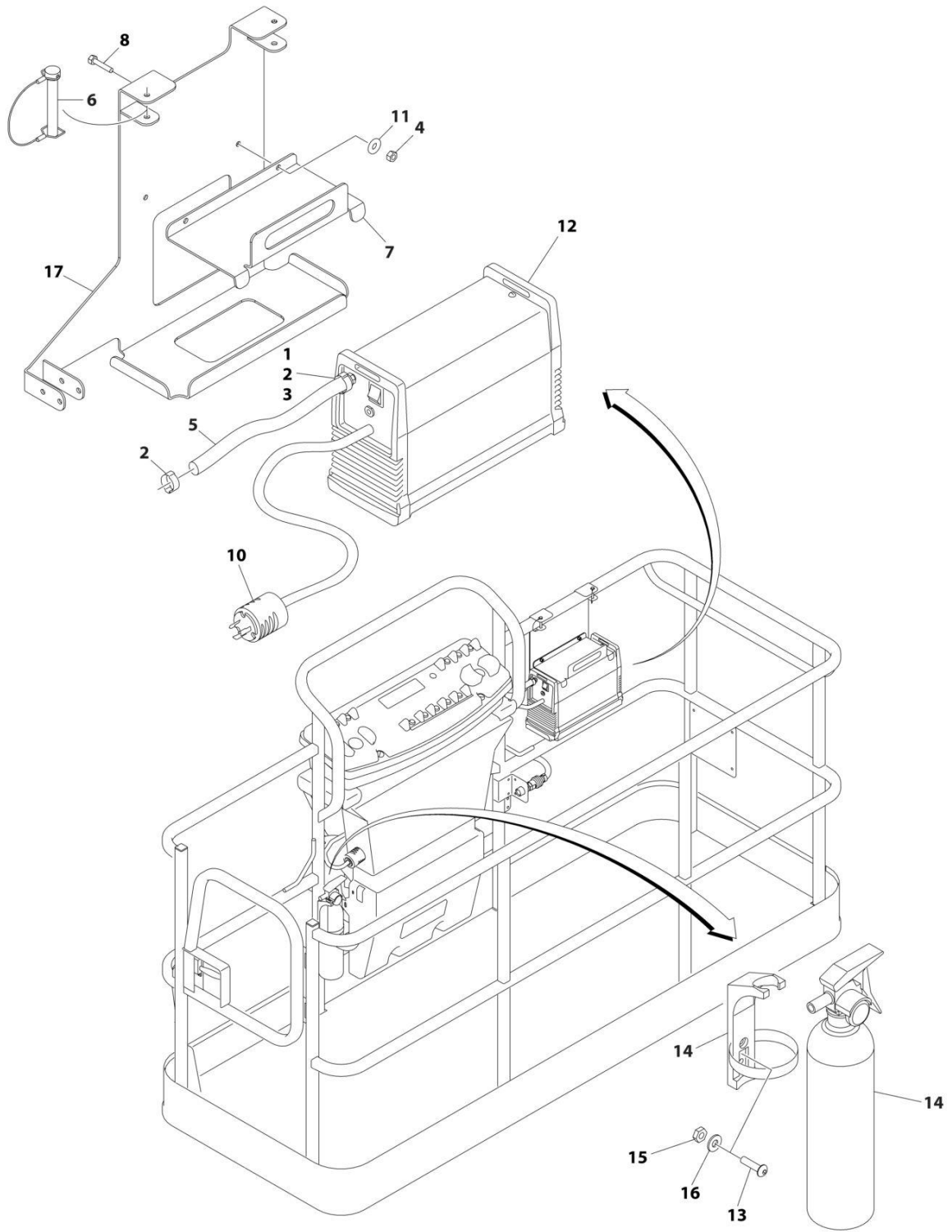
SECTION 5 - PLATFORM

FIGURE 5-27. STORAGE TRAY INSTALLATION - CENTER

ITEM	PART NUMBER	QTY	DESCRIPTION	REV
	1580012	Ref	TRAY ASSEMBLY	C
1	See Note	NSS	Tray, Storage (Center) (Note: Purchase p/n 1580012)	
2	0641406	2	Bolt 1/4 x 3/4	
3	4751400	2	Washer 1/4	
4	4761400	2	Washer 1/4	

SECTION 5 - PLATFORM

FIGURE 5-28. SKYCUTTER INSTALLATION



ART_1001098149_D

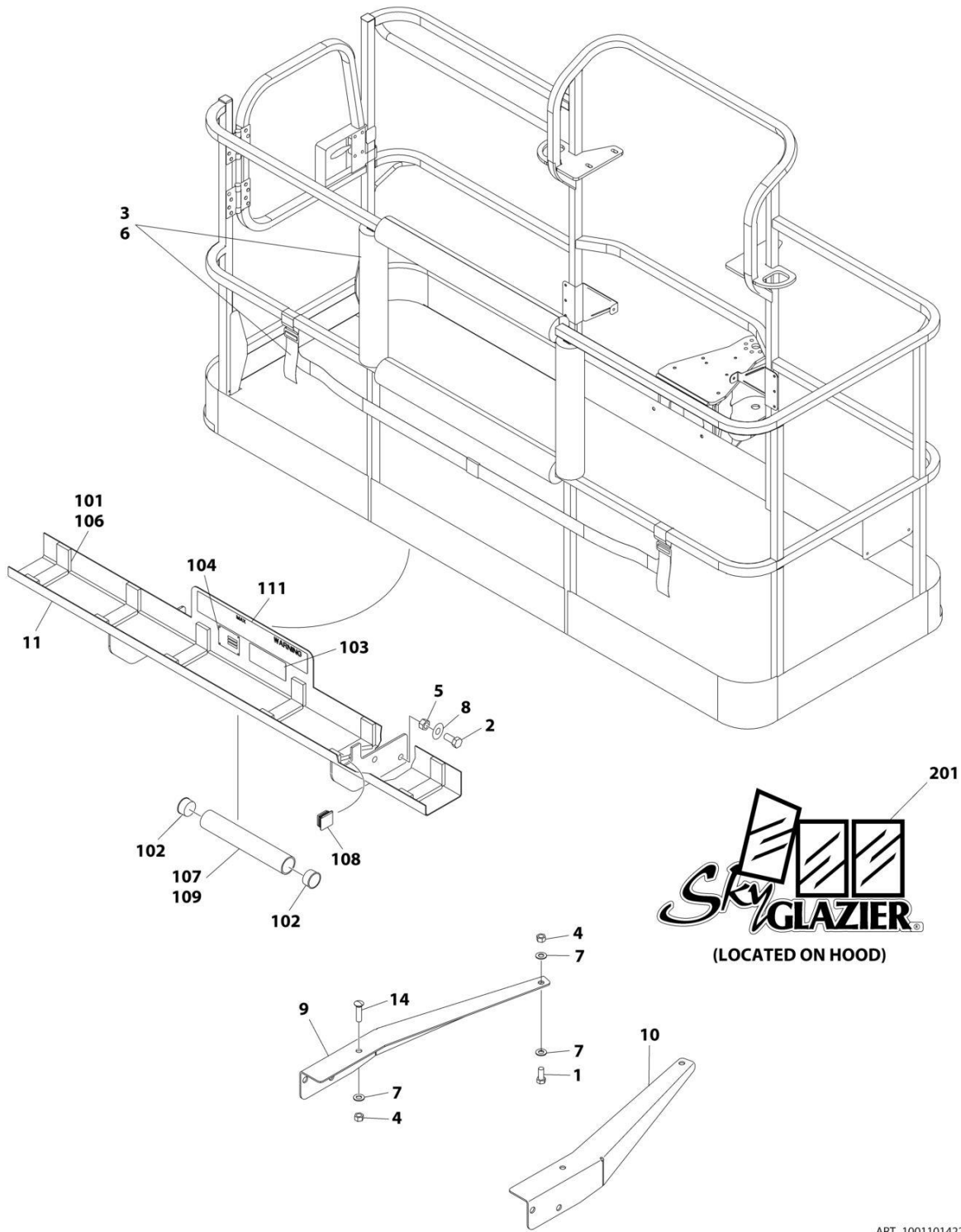
SECTION 5 - PLATFORM

FIGURE 5-28. SKYCUTTER INSTALLATION

ITEM	PART NUMBER	QTY	DESCRIPTION	REV
	1001098149	Ref	SKYCUTTER INSTALLATION	D
		Ref	Note: When replacing platform on machines with SkyCutter option, new bracket p/n 1001145405 must be purchased to accommodate SkyCutter components.	
1	0100020	AR	Sealant	
2	1320177	2	Clamp, Hose	
3	2180832	1	Fitting, NPT/Barbed	
4	3290605	2	Nut M6	
5	2720160	3 ft /.9m	Hose	
6	3421453	3	Pin	
7	3576799	1	Plate, Hold-Down	
8	4010608	2	Screw M6 x 16	
10	4460971	1	Plug, Twistlock	
11	4811700	2	Washer M6	
12	1001098012	1	Plasma Cutter Assembly (See Separate Breakdown in this Section)	
13	0630518	2	Screw #10 x 3/4	
14	2030010	1	Extinguisher, Fire	
15	3311005	2	Nut #10	
16	4751000	2	Washer #10	
17	1001145405	1	Support	

SECTION 5 - PLATFORM

FIGURE 5-29. SKYGLAZIER INSTALLATION (ENGLISH LANGUAGE) (ANSI, AUSTRALIAN & CSA SPECS)



ART_1001101422

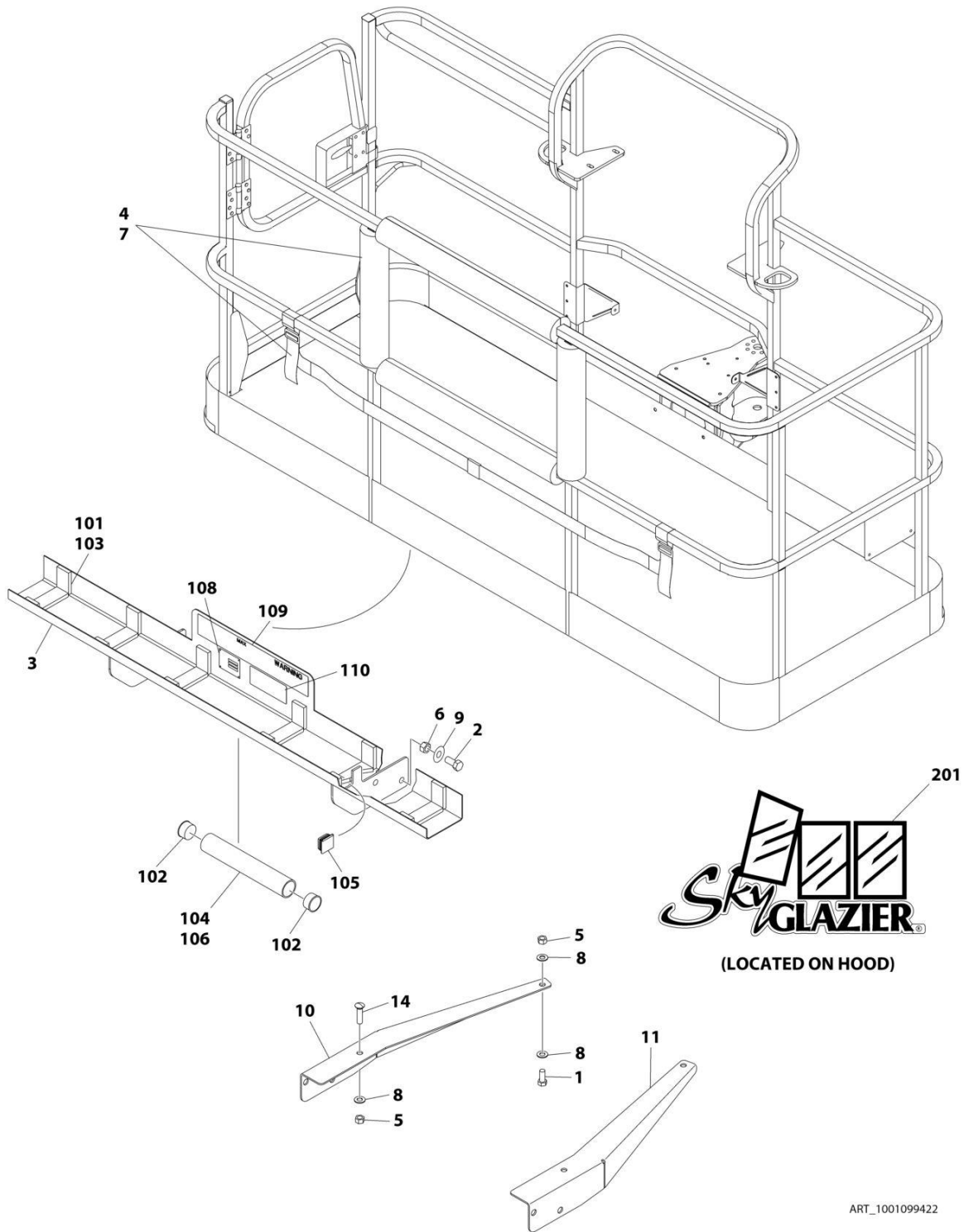
SECTION 5 - PLATFORM

FIGURE 5-29. SKYGLAZIER INSTALLATION (ENGLISH LANGUAGE) (ANSI, AUSTRALIAN & CSA SPECS)

ITEM	PART NUMBER	QTY	DESCRIPTION	REV
	1001101422	Ref	SKYGLAZIER INSTALLATION	C
1	0642012	2	Bolt 5/8 x 1-1/2	
2	0642212	4	Bolt 3/4 x 1-1/2	
3	2902212	1	Bumpers and Strap Kit	
3	0940102	1	Bumper Only	
3	4240149	1	Strap Only	
4	3312005	4	Nut 5/8	
5	3312205	4	Nut 3/4	
6	4420014	AR	Tape	
7	4712000	6	Washer 5/8	
8	4712200	8	Washer 3/4	
9	1001099366	1	Support	
10	1001099367	1	Support	
11	1001101421	1	Tray Assembly (See Items 101-111 for Breakdown)	
14	8310129	2	Bolt 3/4 x 2-1/2	
	1001101421	Ref	TRAY ASSEMBLY	F
101	0100081	AR	Adhesive	
102	1120555	2	Cap, Tube	
103	1701509	1	Decal - Manual	
104	See Note	NSS	Nameplate - Serial Number (Note: Not Available for Purchase)	
106	3340956	1	Pad Kit	
107	3460334	1	Tube	
108	3520071	2	Plug	
109	4420066	AR	Tape, Double Sided	
111	1001163131	2	Decal - Glazier Capacity	
	0272418	Ref	SKYGLAZIER DECAL INSTALLATION	4
201	1705358	2	Decal - SkyGlazier	

SECTION 5 - PLATFORM

FIGURE 5-30. SKYGLAZIER INSTALLATION (PORTUGUESE LANGUAGE) (BRAZIL SPECS)



ART_1001099422

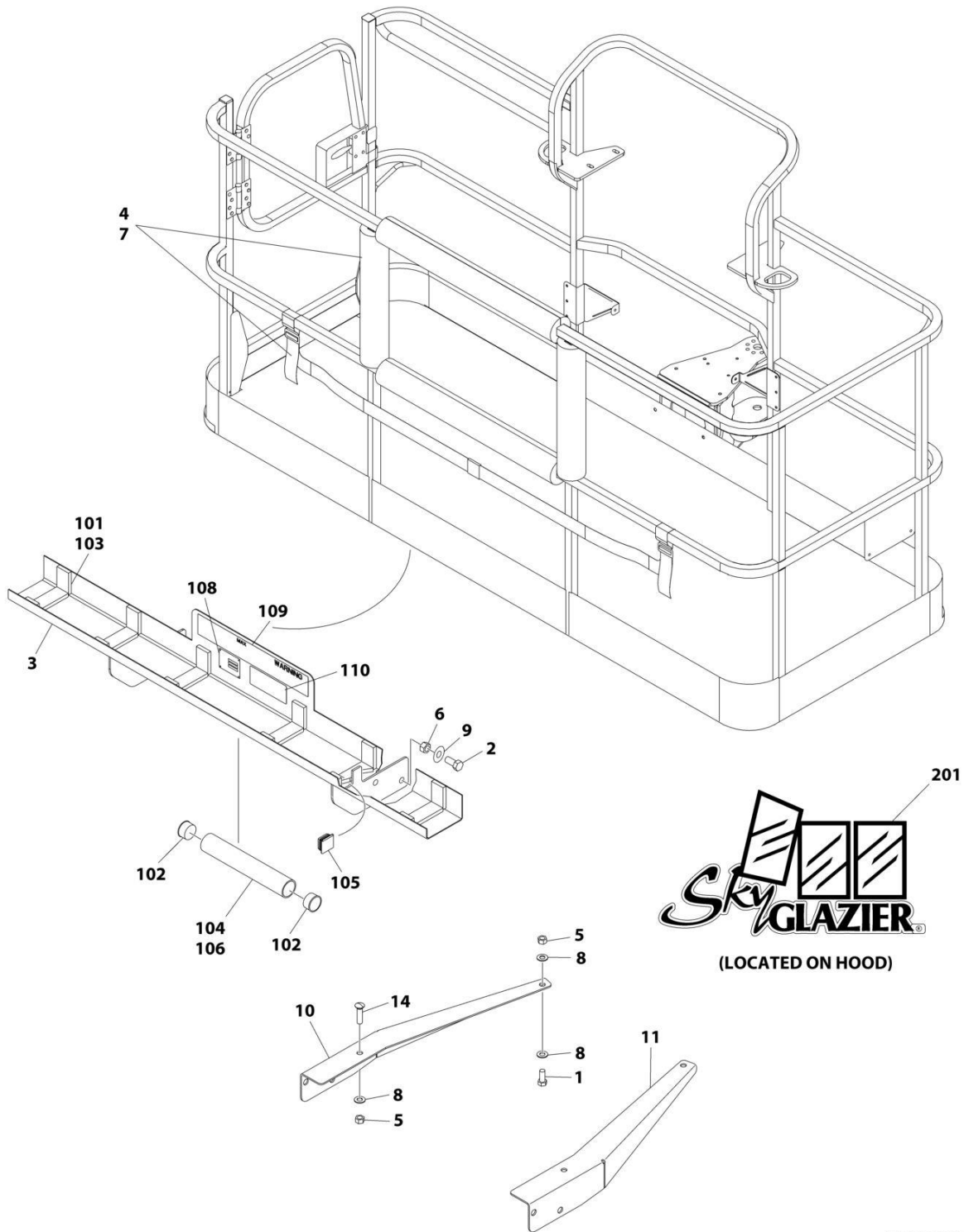
SECTION 5 - PLATFORM

FIGURE 5-30. SKYGLAZIER INSTALLATION (PORTUGUESE LANGUAGE) (BRAZIL SPECS)

ITEM	PART NUMBER	QTY	DESCRIPTION	REV
	1001099422	Ref	SKYGLAZIER INSTALLATION	C
1	0642012	2	Bolt 5/8 x 1-1/2	
2	0642212	4	Bolt 3/4 x 1-1/2	
3	0272951	1	Tray Assembly (See Items 101-110 for Breakdown)	
4	2902212	1	Bumpers and Strap Kit	
4	0940102	1	Bumper Only	
4	4240149	1	Strap Only	
5	3312005	4	Nut 5/8	
6	3312205	4	Nut 3/4	
7	4420014	AR	Tape	
8	4712000	6	Washer 5/8	
9	4712200	8	Washer 3/4	
10	1001099366	1	Support	
11	1001099367	1	Support	
14	8310129	2	Bolt 3/4 x 2-1/2	
	0272951	Ref	TRAY ASSEMBLY	F
101	0100081	AR	Adhesive	
102	1120555	2	Cap, Tube	
103	3340956	1	Pad Kit	
104	3460334	1	Tube	
105	3520071	2	Plug	
106	4420066	AR	Tape, Double Sided	
108	See Note	NSS	Nameplate - Serial Number (Note: Not Available for Purchase)	
109	1001163297	2	Decal - Glazier Capacity	
110	1701509	1	Decal - Manual	
	0272418	Ref	SKYGLAZIER DECAL INSTALLATION	4
201	1705358	2	Decal - SkyGlazier	

SECTION 5 - PLATFORM

FIGURE 5-31. SKYGLAZIER INSTALLATION (SPANISH LANGUAGE) (BRAZIL SPECS)



ART_1001099421

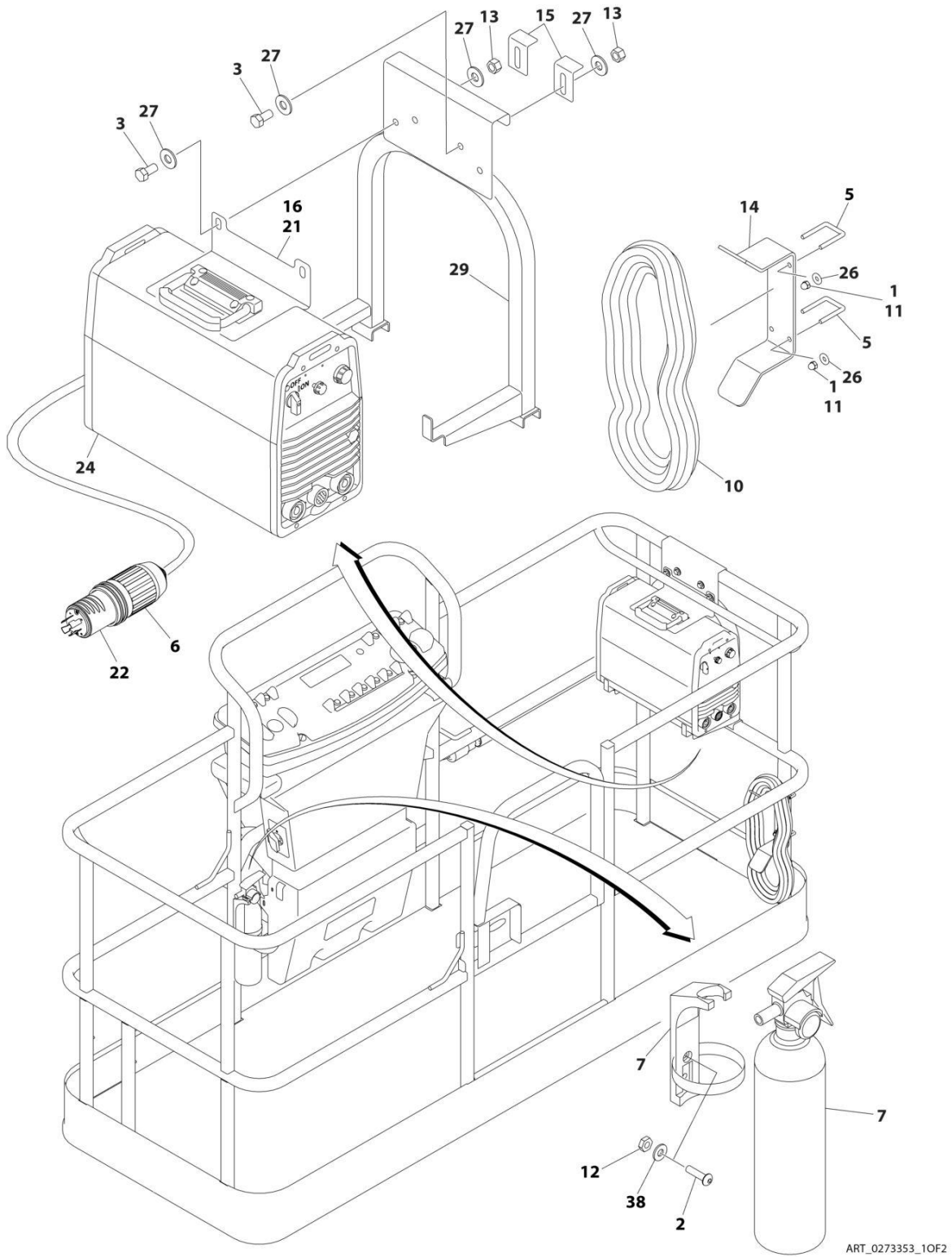
SECTION 5 - PLATFORM

FIGURE 5-31. SKYGLAZIER INSTALLATION (SPANISH LANGUAGE) (BRAZIL SPECS)

ITEM	PART NUMBER	QTY	DESCRIPTION	REV
	1001099421	Ref	SKYGLAZIER INSTALLATION	C
1	0642012	2	Bolt 5/8 x 1-1/2	
2	0642212	4	Bolt 3/4 x 1-1/2	
3	0272948	1	Tray Assembly (See Items 101-110 for Breakdown)	
4	2902212	1	Bumpers and Strap Kit	
4	0940102	1	Bumper Only	
4	4240149	1	Strap Only	
5	3312005	4	Nut 5/8	
6	3312205	4	Nut 3/4	
7	4420014	AR	Tape	
8	4712000	6	Washer 5/8	
9	4712200	8	Washer 3/4	
10	1001099366	1	Support	
11	1001099367	1	Support	
14	8310129	2	Bolt 3/4 x 2-1/2	
	0272948	Ref	TRAY ASSEMBLY	F
101	0100081	AR	Adhesive	
102	1120555	2	Cap, Tube	
103	3340956	1	Pad Kit	
104	3460334	1	Tube	
105	3520071	2	Plug	
106	4420066	AR	Tape, Double Sided	
108	See Note	NSS	Nameplate - Serial Number (Note: Not Available for Purchase)	
109	1001163296	2	Decal - Glazier Capacity	
110	1701509	1	Decal - Manual	
	0272418	Ref	SKYGLAZIER DECAL INSTALLATION	4
201	1705358	2	Decal - SkyGlazier	

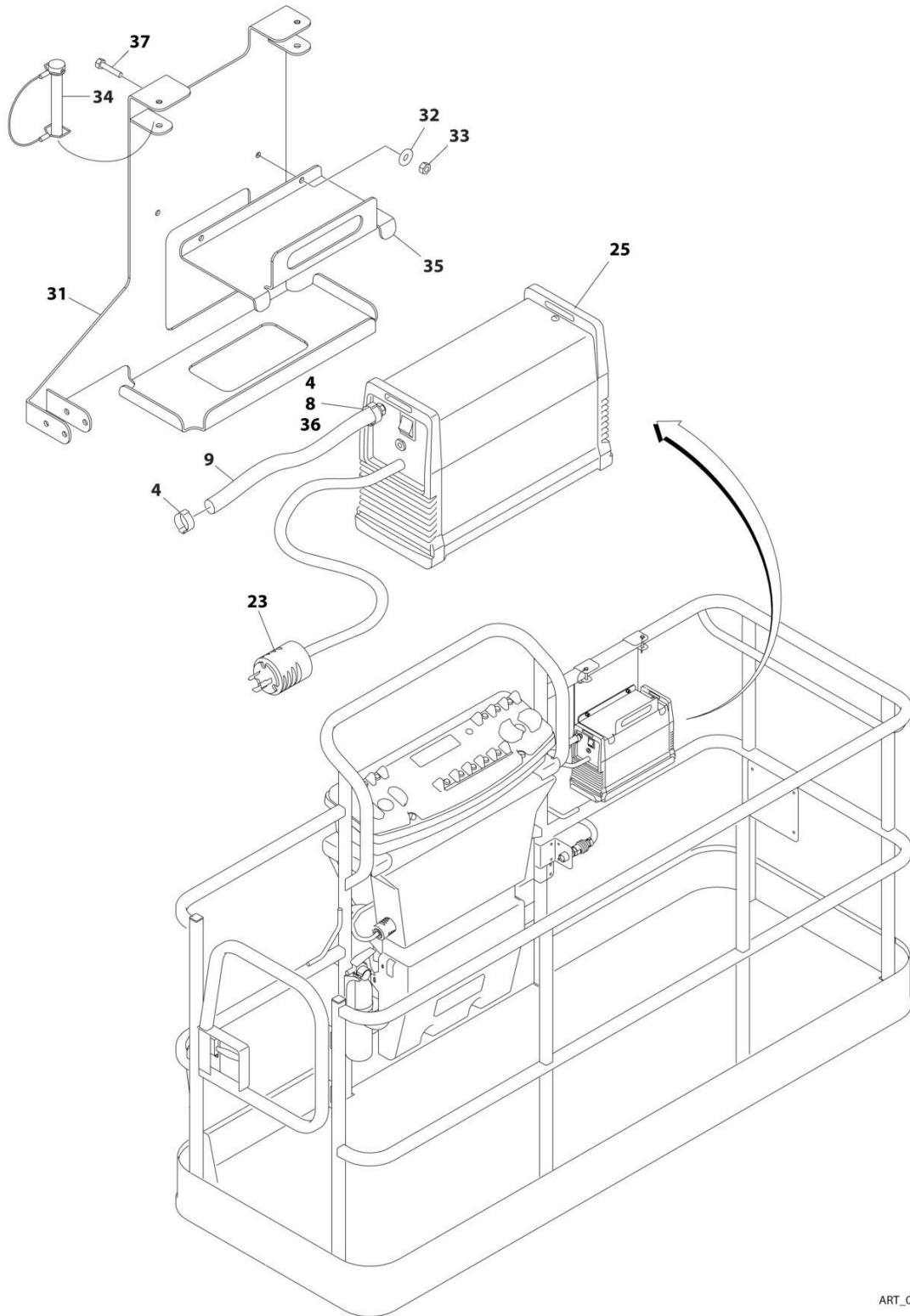
SECTION 5 - PLATFORM

FIGURE 5-32. SKYWELDER/SKYCUTTER COMBO INSTALLATION (60HZ)



ART_0273353_10F2

SECTION 5 - PLATFORM



ART_0273353_20F2

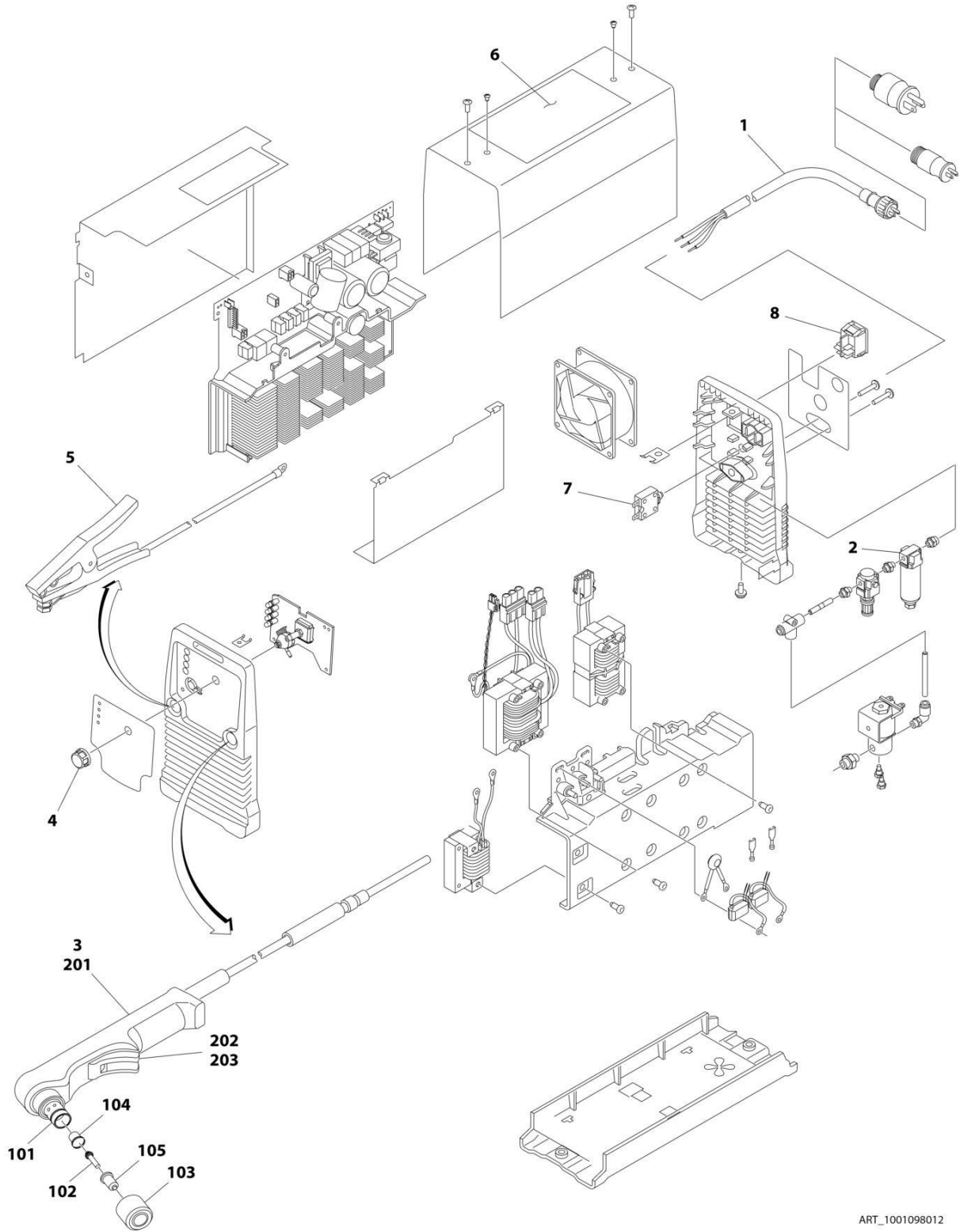
SECTION 5 - PLATFORM

FIGURE 5-32. SKYWELDER/SKYCUTTER COMBO INSTALLATION (60HZ)

ITEM	PART NUMBER	QTY	DESCRIPTION	REV
	0273353	Ref	SKYWELDER/SKYCUTTER COMBO INSTALLATION (60HZ)	G
1	0100011	AR	Compound, Locking	
2	0630518	2	Screw #10 x 3/4	
3	0641606	4	Bolt 3/8 x 3/4	
4	1320177	2	Clamp	
5	1320302	2	Clamp	
6	1671093	1	Cover, Plug	
7	2030010	1	Extinguisher, Fire	
8	2180832	1	Fitting, Barbed/NPT	
9	2720160	4.5 ft /1.37m	Hose	
10	2902217	1	Weld Leads Kit	
11	3300151	4	Nut 1/4	
12	3311005	2	Nut #10	
13	3311605	4	Nut 3/8	
14	3573400	1	Bracket	
15	3577121	2	Angle	
16	3573642	1	Plate	
20	4240099	AR	Tie-Strap (Not Shown)	
21	4420037	2.36 ft /.71m	Tape	
22	4460962	1	Plug, Twist Lock	
23	4460971	1	Plug, Twist Lock	
24	4530028	1	Welder Assembly (See Separate Breakdown in this section)	
25	1001098012	1	Plasma Cutter Assembly (See Separate Breakdown in this Section)	
26	4751400	4	Washer 1/4	
27	4751600	8	Washer 3/8	
29	4846627	1	Support	
31	1001145405	1	Bracket	
32	4811700	2	Washer M6	
33	3290605	2	Nut M6	
34	3421453	3	Pin	
35	3576799	1	Plate, Hold-Down	
36	0100020	1	Sealant	
37	4010608	2	Screw M6 x 16	
38	4751000	2	Washer #10	

SECTION 5 - PLATFORM

FIGURE 5-33. PLASMA CUTTER ASSEMBLY



ART_1001098012

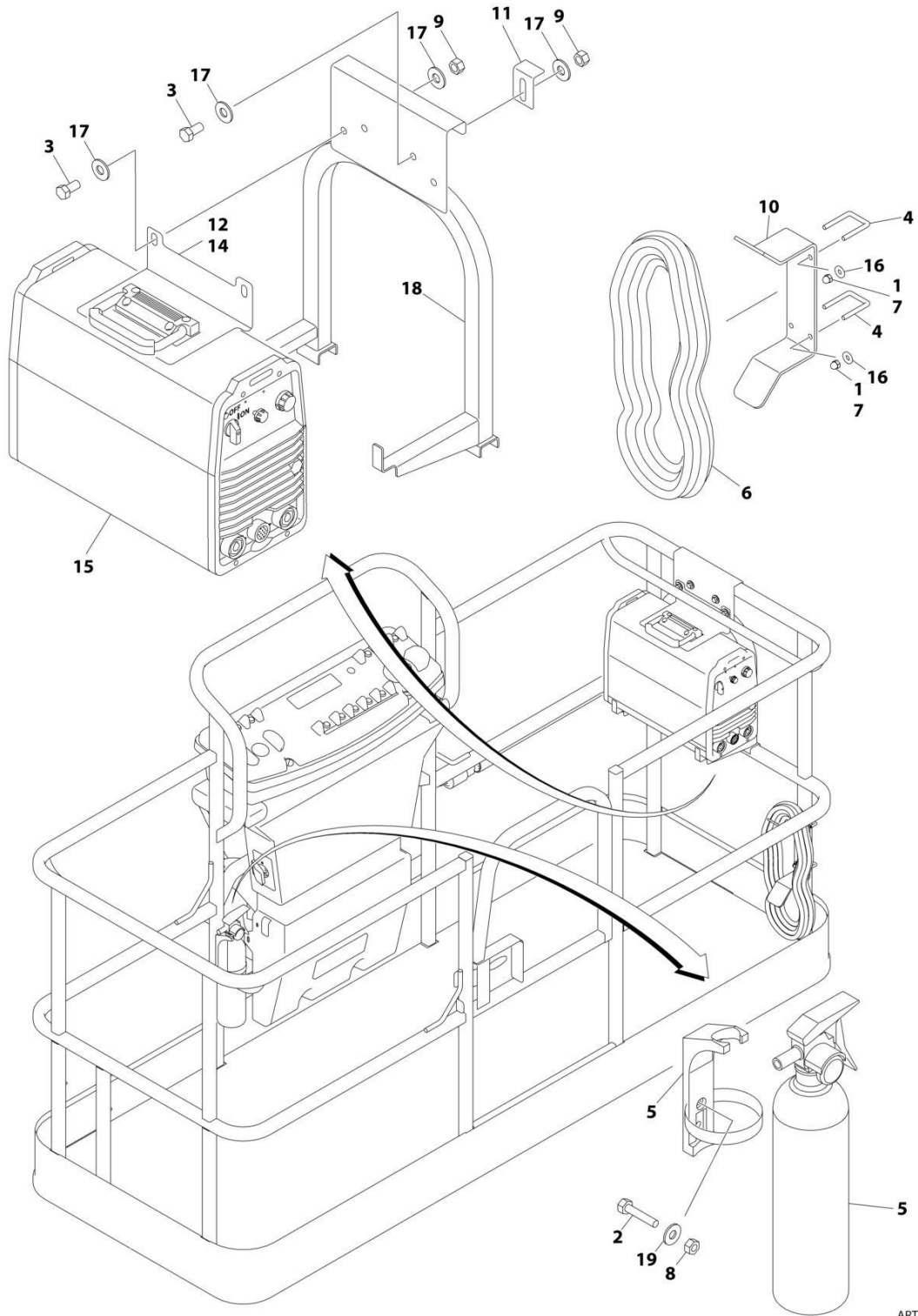
SECTION 5 - PLATFORM

FIGURE 5-33. PLASMA CUTTER ASSEMBLY

ITEM	PART NUMBER	QTY	DESCRIPTION	REV
	1001098012	Ref	PLASMA CUTTER ASSEMBLY	A
		Ref	Note: For Other Components, contact your Miller Welder Dealer.	
1	70001424	1	Cable, Power	
1	70001425	1	Decal - Voltage Warning	
2	70001427	1	Filter, Regulator	
3	70001428	1	Torch Assembly (See Items 101-203 for Breakdown)	
4	7024471	1	Knob	
5	70001429	1	Clamp with Cable	
6	70001430	1	Decal - Caution	
7	70001431	1	Breaker, Circuit	
8	70001432	1	Switch, Rocker	
	70001428	Ref	TORCH ASSEMBLY	
101	7024530	1	O-Ring	
102	7024531	1	Electrode	
103	7024532	1	Cup, Retaining	
104	7024533	1	Swirl Ring	
105	7024534	1	Tip	
201	7024535	1	Handle, Torch	
202	7024536	1	Switch	
203	7024537	1	Trigger	

SECTION 5 - PLATFORM

FIGURE 5-34. SKYWELDER INSTALLATION (50HZ)



ART_0272521_F

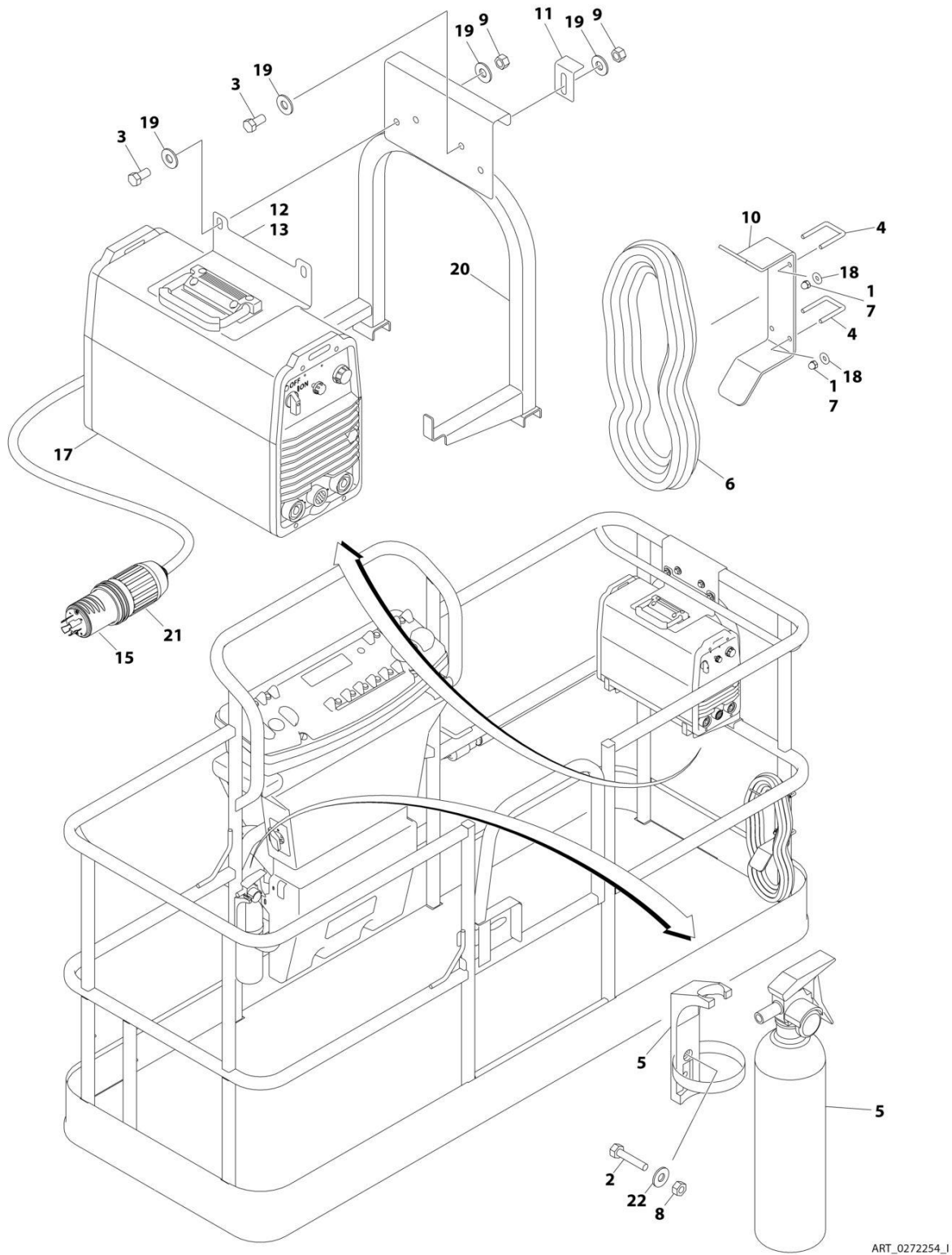
SECTION 5 - PLATFORM

FIGURE 5-34. SKYWELDER INSTALLATION (50HZ)

ITEM	PART NUMBER	QTY	DESCRIPTION	REV
	0272521	Ref	SKYWELDER INSTALLATION	F
1	0100011	AR	Compound, Locking	
2	0630518	2	Screw #10 x 3/4	
3	0641606	4	Bolt 3/8 x 3/4	
4	1320302	2	U-Clamp	
5	2030010	1	Extinguisher, Fire	
6	2902217	1	Weld Leads Kit	
7	3300151	4	Nut 1/4	
8	3311005	2	Nut #10	
9	3311605	4	Nut 3/8	
10	3573400	1	Bracket	
11	3577121	2	Angle	
12	3573642	1	Plate	
13	4240099	AR	Tie-Strap (Not Shown)	
14	4420037	AR	Tape	
15	4530028	1	Welder Assembly (See Separate Breakdown in this Section)	
16	4751400	4	Washer 1/4	
17	4751600	8	Washer 3/8	
18	4846627	1	Support	
19	4751000	2	Washer #10	

SECTION 5 - PLATFORM

FIGURE 5-35. SKYWELDER INSTALLATION (60HZ)



ART_0272254_I

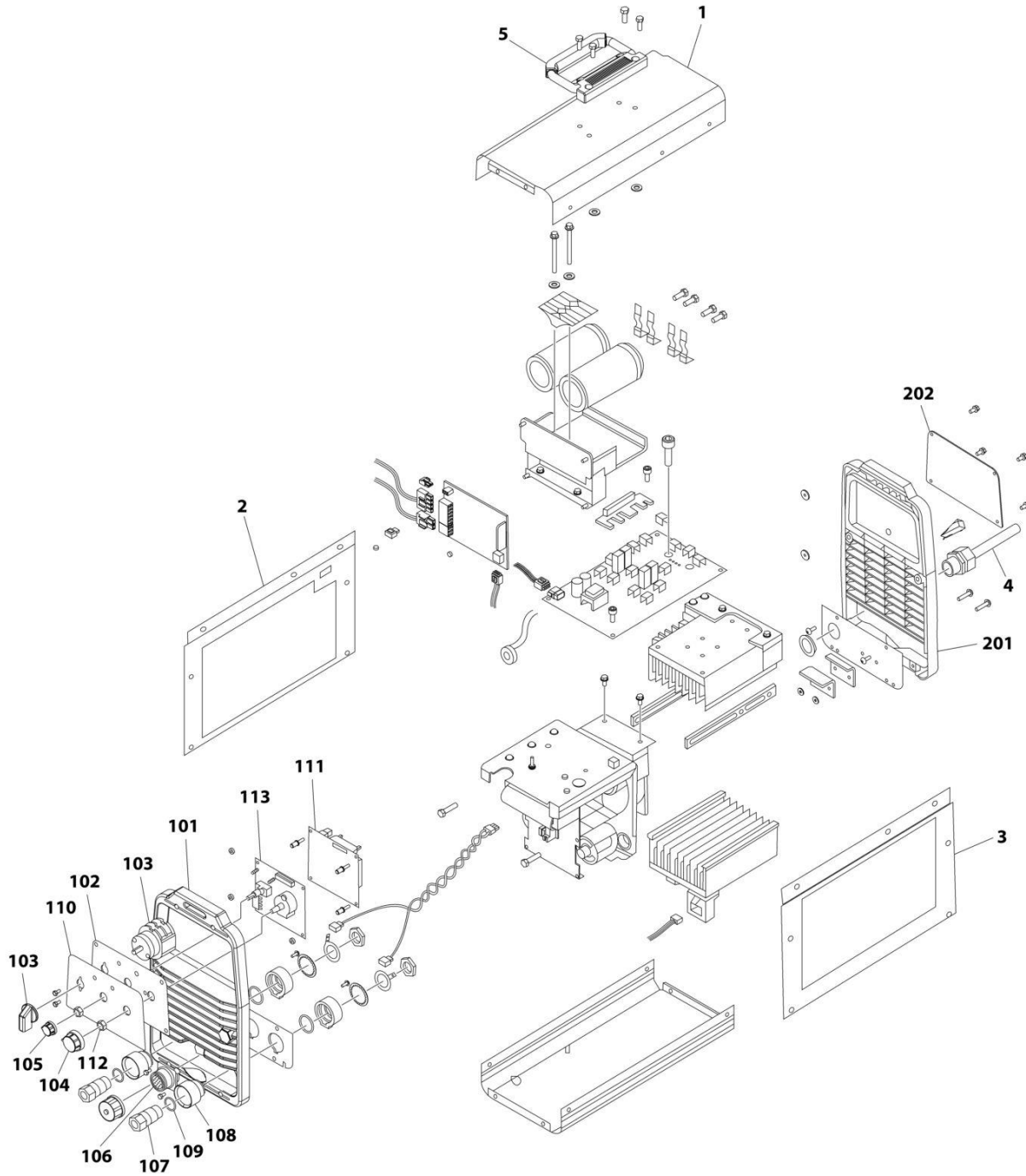
SECTION 5 - PLATFORM

FIGURE 5-35. SKYWELDER INSTALLATION (60HZ)

ITEM	PART NUMBER	QTY	DESCRIPTION	REV
	0272254	Ref	SKYWELDER INSTALLATION	1
1	0100011	AR	Compound, Locking	
2	0630518	2	Screw #10 x 3/4	
3	0641606	4	Bolt 3/8 x 3/4	
4	1320302	2	U-Clamp	
5	2030010	1	Extinguisher, Fire	
6	2902217	1	Weld Leads Kit	
7	3300151	4	Nut 1/4	
8	3311005	2	Nut #10	
9	3311605	4	Nut 3/8	
10	3573400	1	Bracket	
11	3577121	2	Angle	
12	3573642	1	Plate	
13	4420037	AR	Tape	
14	4240099	AR	Tie-Strap (Not Shown)	
15	4460962	1	Plug, Male Twistlock	
17	4530028	1	Welder Assembly (See Separate Breakdown in this Section)	
18	4751400	4	Washer 1/4	
19	4751600	8	Washer 3/8	
20	4846627	1	Support	
21	1671093	1	Cover, Plug	
22	4751000	2	Washer #10	

SECTION 5 - PLATFORM

FIGURE 5-36. WELDER ASSEMBLY



ART_4530028

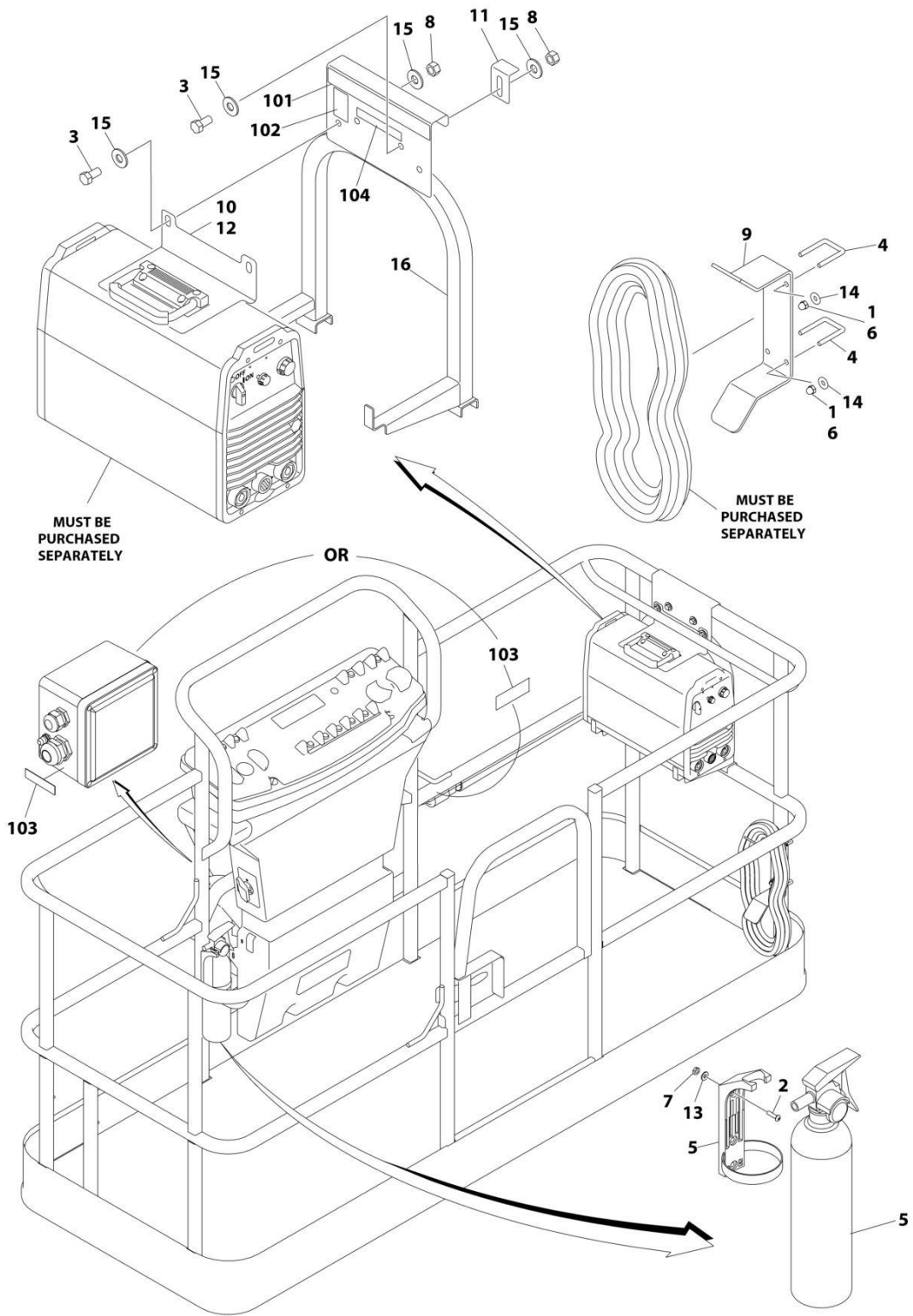
SECTION 5 - PLATFORM

FIGURE 5-36. WELDER ASSEMBLY

ITEM	PART NUMBER	QTY	DESCRIPTION	REV
	4530028	Ref	WELDER ASSEMBLY	B
		Ref	Note: For Other Components, contact your Miller Welder Dealer.	
1	7027773	1	Cover, Top	
1	7027774	1	Decal - Static Precautionary Warning	
2	See Note	NSS	Panel, LH Side (Note: Part of Item 1. Purchase Item 1)	
3	See Note	NSS	Panel, RH Side (Note: Part of Item 1. Purchase Item 1)	
4	7024467	1	Cable, Power	
4	7027775	1	Decal - Electrical Shock Warning (Not Shown)	
5	7027776	1	Handle, Carrying	
101	7024462	1	Panel, Front	
102	7024463	1	Panel, Console	
103	7024469	1	Switch with Lead	
104	7024470	1	Knob	
105	7024471	1	Knob	
106	7024472	1	Receptacle with Leads and Plugs	
107	7024473	2	Receptacle, Twistlock Female	
108	7024474	2	Insulator	
109	7024475	2	O-Ring	
110	7027777	1	Nameplate	
111	7027779	1	Circuit Card Assembly (Process Control)	
112	7024478	2	Nut	
113	7027778	1	Circuit Card Assembly (Operator Interface)	
201	7024462	1	Panel, Rear	
202	7027780	1	Panel, Cover	

SECTION 5 - PLATFORM

FIGURE 5-37. SKYWELDER PREP PACKAGE (60HZ)



ART_1001128527_B

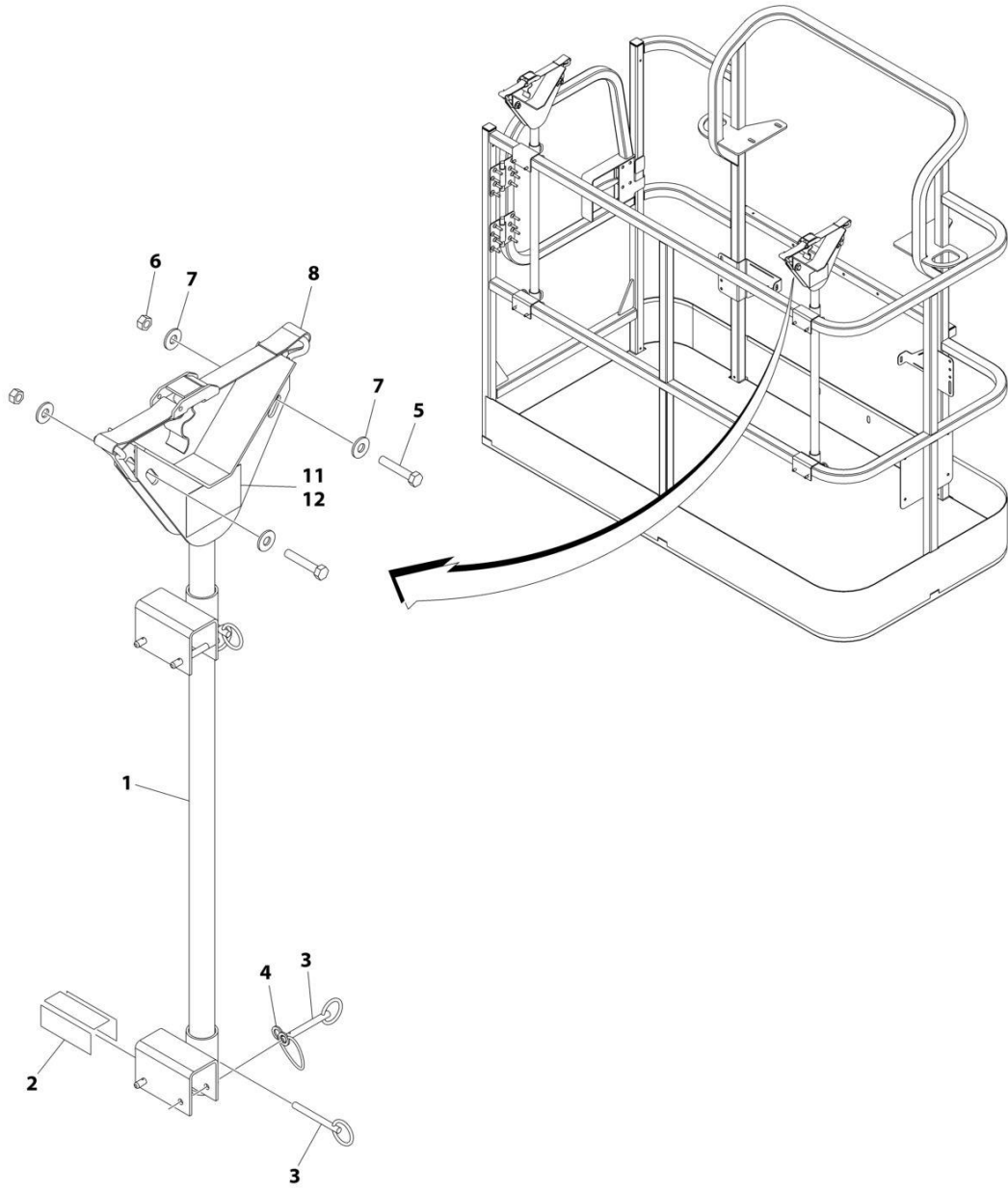
SECTION 5 - PLATFORM

FIGURE 5-37. SKYWELDER PREP PACKAGE (60HZ)

ITEM	PART NUMBER	QTY	DESCRIPTION	REV
	1001128527	Ref	SKYWELDER PREP PACKAGE	B
1	0100011	AR	Compound, Locking	
2	0630518	2	Screw #10 x 3/4	
3	0641606	4	Bolt 3/8 x 3/4	
4	1320302	2	U-Clamp	
5	2030010	1	Extinguisher, Fire	
6	3300151	4	Nut 1/4	
7	3311005	2	Nut #10	
8	3311605	4	Nut 3/8	
9	3573400	1	Bracket	
10	3573642	1	Plate	
11	3577121	2	Angle	
12	4420037	AR	Tape	
13	4751000	2	Washer #10	
14	4751400	4	Washer 1/4	
15	4751600	8	Washer 3/8	
16	4846627	1	Support	
	1001128556	Ref	SKYWELDER DECAL INSTALLATION	C
101	1702868	1	Decal - No Hands	
102	1705305	1	Decal - Weld Lead	
103	1705375	1	Decal - 240V - 3 Phase - 60Hz	
104	1001228988	1	Decal - Weight	

SECTION 5 - PLATFORM

FIGURE 5-38. PIPE RACKS INSTALLATION (ANSI AND CSA SPECS)



ART_0257728_E

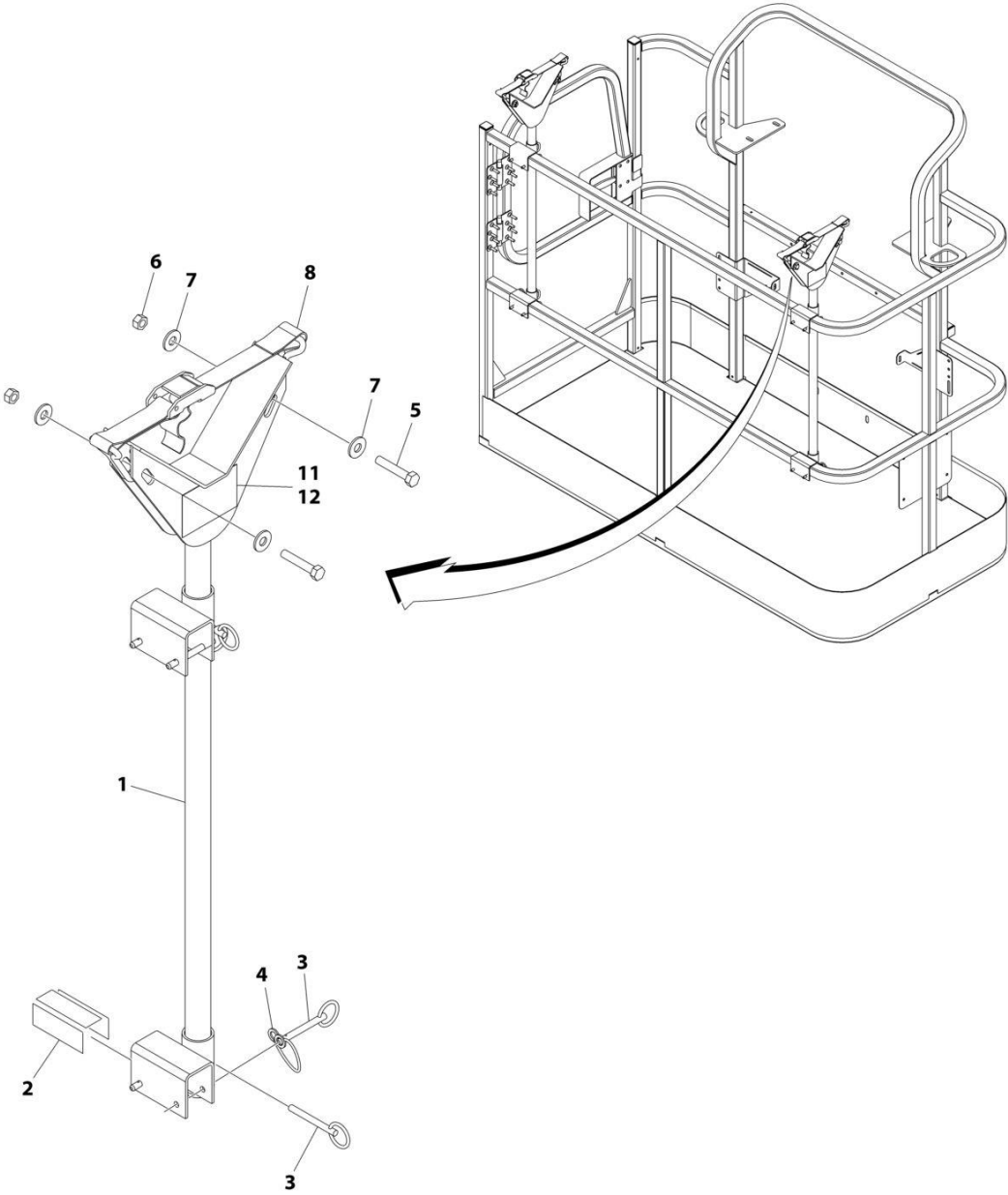
SECTION 5 - PLATFORM

FIGURE 5-38. PIPE RACKS INSTALLATION (ANSI AND CSA SPECS)

ITEM	PART NUMBER	QTY	DESCRIPTION	REV
	0257728	Ref	PIPE RACK INSTALLATION	E
1	4845582	2	Rack, Pipe	
2	4420062	AR	Tape	
3	3422661	10	Pin	
4	1060379	4	Lanyard	
5	0641514	4	Bolt 5/16 x 1-3/4	
6	3311505	4	Nut 5/16	
7	4751500	8	Washer 5/16	
8	0480100	2	Tie-Down	
11	1001252946	2	Decal - Capacity (500-600LBS/2227-272KG Zones)	
12	1001252947	2	Decal - Capacity (660-1000LBS/299-454KG Zones)	

SECTION 5 - PLATFORM

FIGURE 5-39. PIPE RACKS INSTALLATION (AUSTRALIAN SPECS)



ART_0274661_C

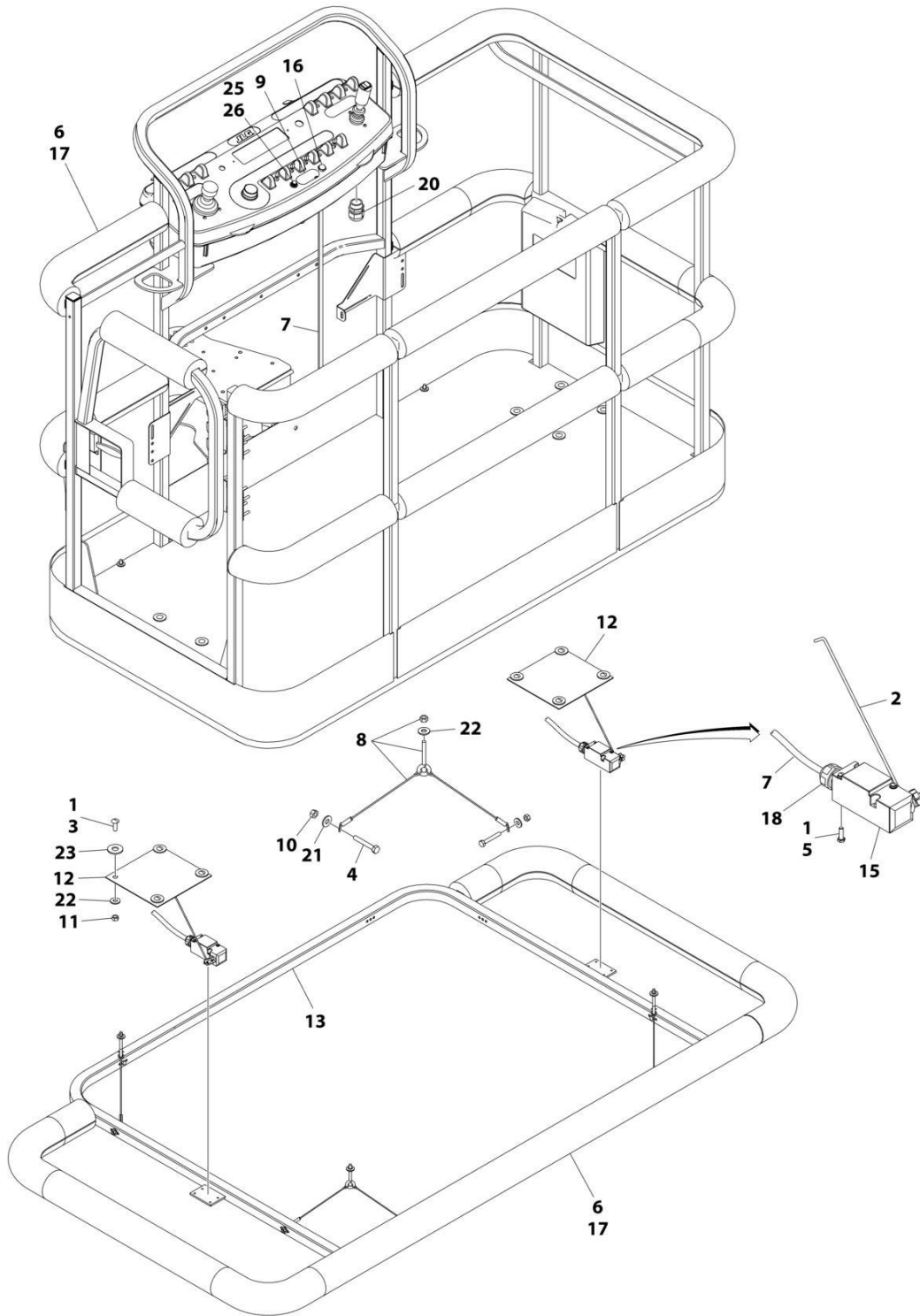
SECTION 5 - PLATFORM

FIGURE 5-39. PIPE RACKS INSTALLATION (AUSTRALIAN SPECS)

ITEM	PART NUMBER	QTY	DESCRIPTION	REV
	0274661	Ref	PIPE RACK INSTALLATION	C
1	4845582	2	Rack, Pipe	
2	4420062	AR	Tape	
3	3422661	10	Pin	
4	1060379	4	Lanyard	
5	0641514	4	Bolt 5/16 x 1-3/4	
6	3311505	4	Nut 5/16	
7	4751500	8	Washer 5/16	
8	0480100	2	Tie-Down	
12	1001252947	2	Decal - Capacity (2) (660-1000LBSS/299-454KG Zones)	

SECTION 5 - PLATFORM

FIGURE 5-40. SOFT TOUCH SYSTEM INSTALLATION - 6FT/1.83M PLATFORM



ART_0273824

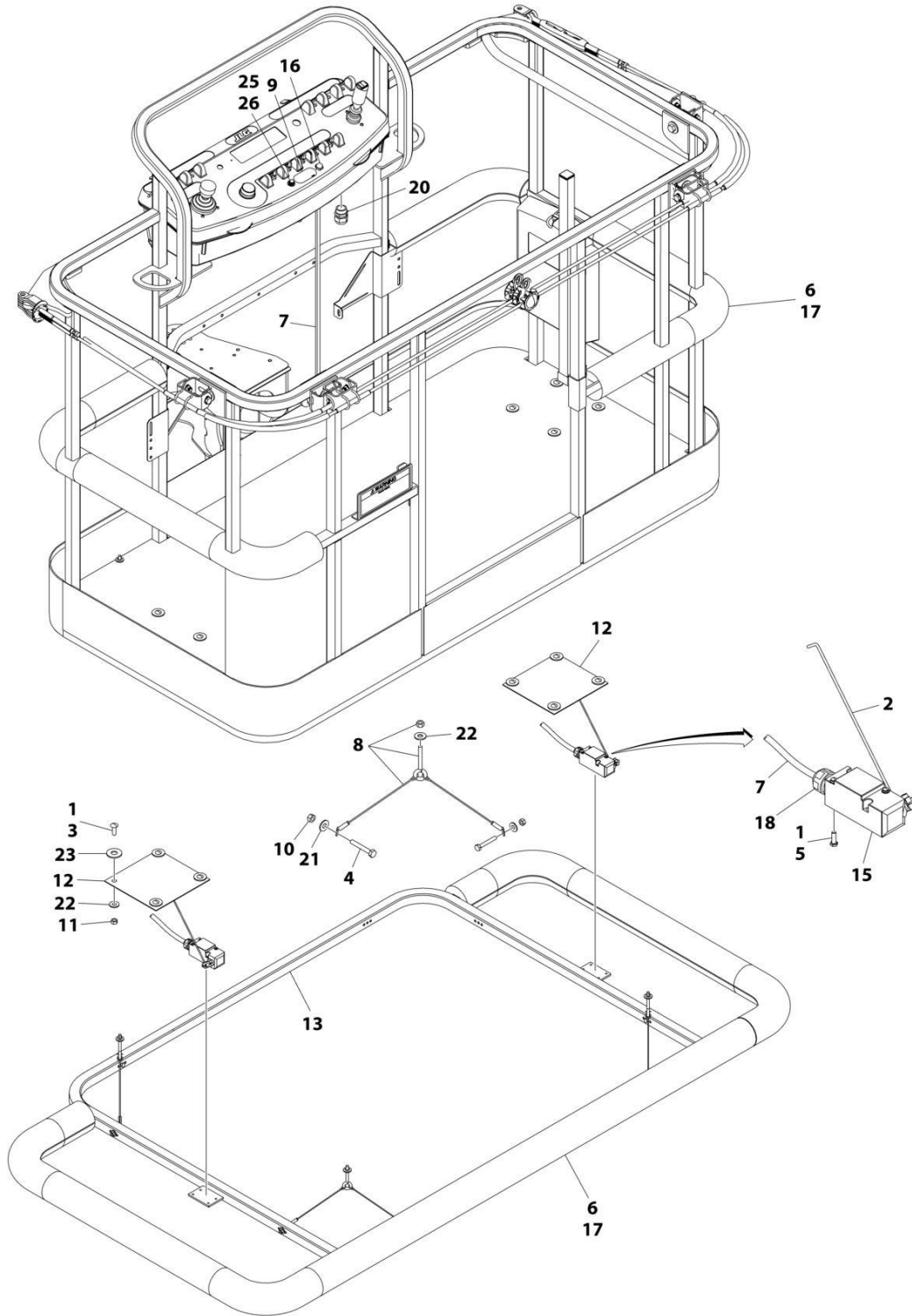
SECTION 5 - PLATFORM

FIGURE 5-40. SOFT TOUCH SYSTEM INSTALLATION - 6FT/1.83M PLATFORM

ITEM	PART NUMBER	QTY	DESCRIPTION	REV
	0273824	Ref	SOFT TOUCH SYSTEM INSTALLATION	D
1	0100011	AR	Compound, Locking	
2	0200048	2	Arm, Switch	
3	0630462	8	Bolt	
4	0641414	8	Bolt 1/4 x 1-3/4	
5	0731005	4	Bolt #10 x 5/8	
6	0940134	1	Bumper Kit (Includes Corners and Enough Straight Material for One Platform)	
6	0940092	AR	Bumper (Corner)	
6	0940094	AR	Bumper (12ft Length)	
7	1060341	23 ft/7m	Cable, Soft Touch - 16/2	
8	1060903	4	Wire Rope and Eyebolt Assembly	
9	1702938	1	Decal - Soft Touch Override	
10	3311401	8	Nut 1/4	
11	3311501	8	Nut 5/16	
12	3575359	2	Plate, Switch Strike	
13	3641569	1	Rail, Soft Touch	
14	4240099	7	Tie-Strap (Not Shown)	
15	4360057	2	Switch, Limit	
16	4360387	1	Switch, Push Button	
17	4420068	AR	Tape, Adhesive	
17	1001197017	AR	Tie-Strap	
18	4460049	2	Connector, Strain Relief	
19	4460234	7	Tie-Strap (Not Shown)	
20	4460425	1	Connector, Strain Relief	
21	4751400	8	Washer 1/4	
22	4751500	12	Washer 5/16	
23	4751800	8	Washer 1/2	
24	4933218	1	Wiring Diagram (Not Shown - Reference Only)	
25	2920028	1	Light, Indicator	
26	2920029	1	Bulb, Light	

SECTION 5 - PLATFORM

FIGURE 5-41. SOFT TOUCH SYSTEM INSTALLATION - 6FT/1.83M FALL ARREST PLATFORM



ART_1001108256

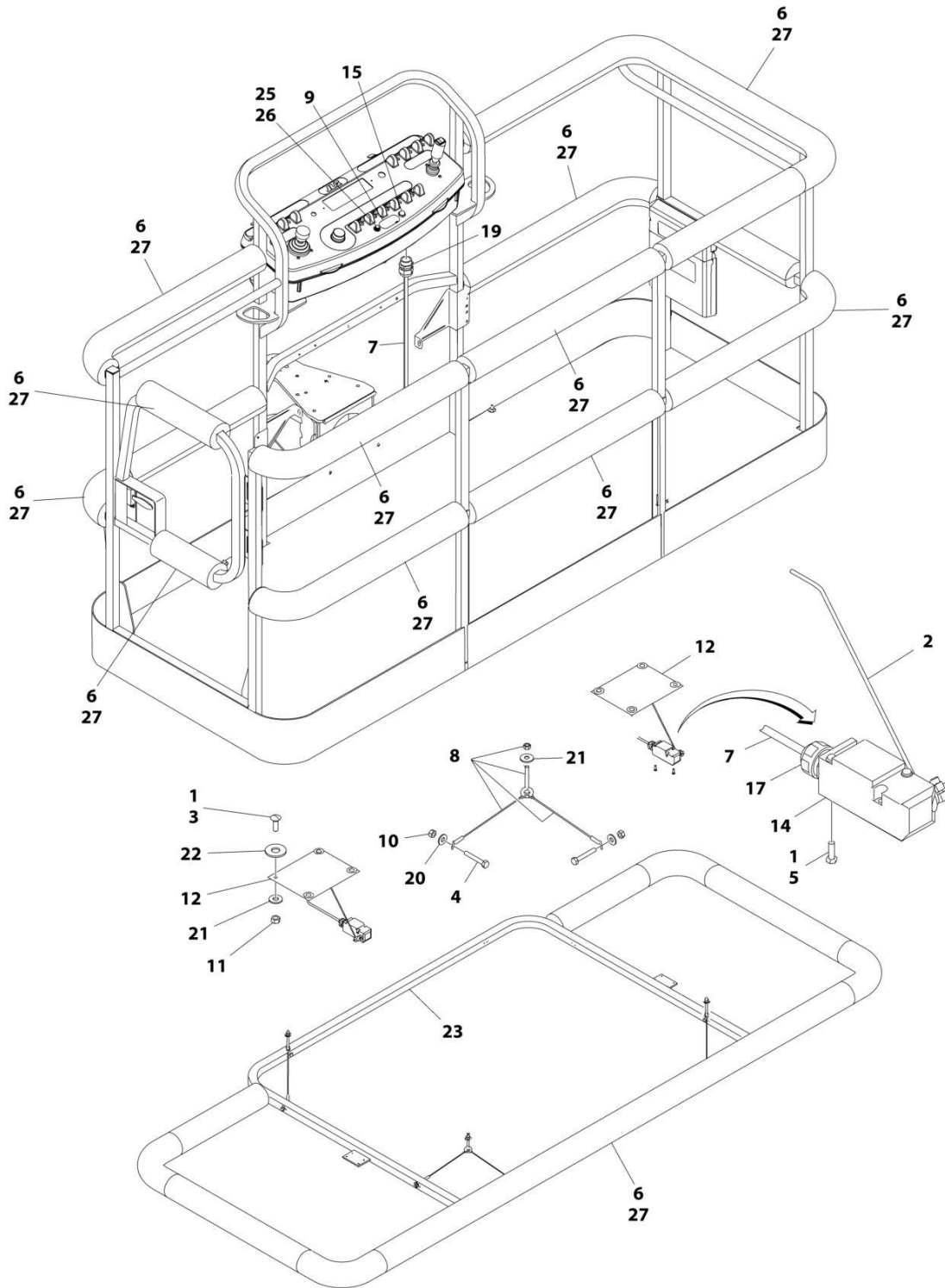
SECTION 5 - PLATFORM

FIGURE 5-41. SOFT TOUCH SYSTEM INSTALLATION - 6FT/1.83M FALL ARREST PLATFORM

ITEM	PART NUMBER	QTY	DESCRIPTION	REV
	1001108256	Ref	SOFT TOUCH INSTALLATION	C
1	0100011	AR	Compound, Locking	
2	0200048	2	Arm, Switch	
3	0630462	8	Bolt	
4	0641414	8	Bolt 1/4 x 1-3/4	
5	0731005	4	Bolt #10 x 5/8	
6	0940177	1	Bumper Kit (Includes Corners and Enough Straight Material for One Platform)	
6	0940092	8	Bumper (Corner)	
6	0940094	AR	Bumper (12ft Length)	
7	1060341	23 ft/7m	Cable, Soft Touch - 16/2	
8	1060903	4	Wire Rope and Eyebolt Assembly	
9	1702938	1	Decal - Soft Touch Override	
10	3311401	8	Nut 1/4	
11	3311501	8	Nut 5/16	
12	3575359	2	Plate, Switch Strike	
13	3641569	1	Rail, Soft Touch	
14	4240099	7	Tie-Strap (Not Shown)	
15	4360057	2	Switch, Limit	
16	4360387	1	Switch, Push Button	
17	4420068	AR	Tape, Adhesive	
17	1001197017	AR	Tie-Strap	
18	4460049	2	Connector, Strain Relief	
19	4460234	7	Tie-Strap (Not Shown)	
20	4460425	1	Connector, Strain Relief	
21	4751400	8	Washer 1/4	
22	4751500	9	Washer 5/16	
23	4751800	8	Washer 1/2	
25	2920028	1	Light, Indicator	
26	2920029	1	Bulb, Light	

SECTION 5 - PLATFORM

FIGURE 5-42. SOFT TOUCH SYSTEM INSTALLATION - 8FT/2.44M PLATFORM



ART_0272427_G

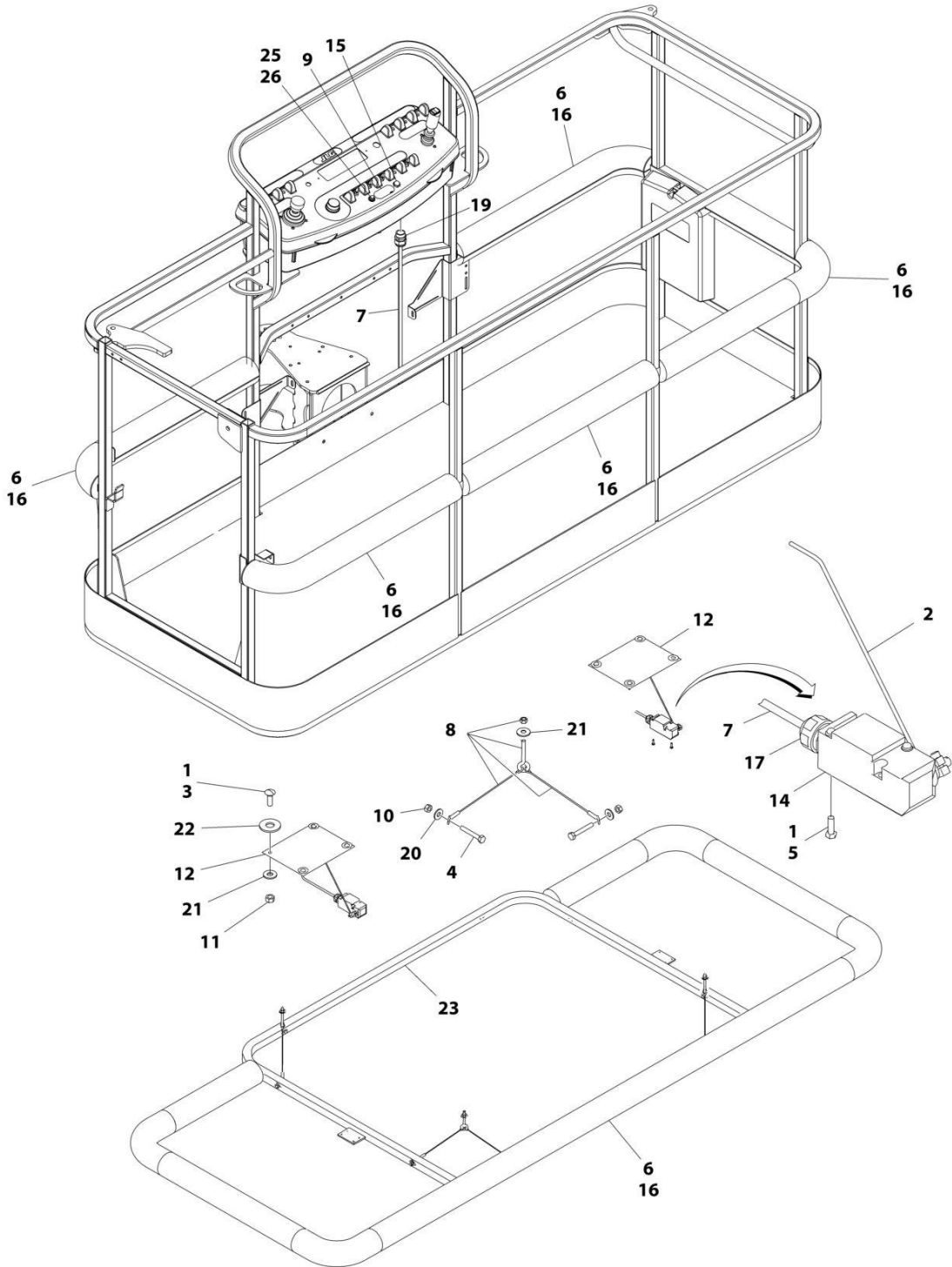
SECTION 5 - PLATFORM

FIGURE 5-42. SOFT TOUCH SYSTEM INSTALLATION - 8FT/2.44M PLATFORM

ITEM	PART NUMBER	QTY	DESCRIPTION	REV
	0272427	Ref	SOFT TOUCH INSTALLATION - 36IN X 8FT (91.5CM X 2.44M) PLATFORM (OPTIONAL)	G
1	0100011	AR	Compound, Locking	
2	0200048	2	Arm, Switch	
3	0630462	8	Bolt	
4	0641414	8	Bolt 1/4 x 1-3/4	
5	0721005	4	Bolt #10 x 5/8	
6	0940103	1	Bumper Kit (Includes Corners and Enough Straight Material for One Platform)	
6	0940092	12	Bumper (Corner)	
6	0940094	AR	Bumper (12ft Length)	
7	1060341	23 ft/7m	Cable, Soft Touch - 16/2	
8	1060903	4	Wire Rope and Eyebolt Assembly	
9	1702938	1	Decal - Soft Touch Override	
10	3311401	8	Nut 1/4	
11	3311501	8	Nut 5/16	
12	3574091	2	Plate, Switch Strike	
13	4240099	7	Tie-Strap (Not Shown)	
14	4360057	2	Switch, Limit	
15	4360387	1	Switch, Push Button	
16	4420068	AR	Tape, Adhesive	
16	1001197017	AR	Tie-Strap	
17	4460049	2	Connector, Strain Relief	
18	4460234	7	Tie-Strap (Not Shown)	
19	4460425	1	Connector, Strain Relief	
20	4751400	8	Washer 1/4	
21	4751500	12	Washer 5/16	
22	4751800	8	Washer 1/2	
23	4846673	1	Rail, Soft Touch	
24	4933218	1	Soft Touch Wiring Diagram (Not Shown - Reference Only)	
25	2920028	1	Light, Indicator	
26	2920029	1	Bulb, Light	

SECTION 5 - PLATFORM

FIGURE 5-43. SOFT TOUCH SYSTEM INSTALLATION - 8FT/2.44M FALL ARREST PLATFORM



ART_0273706

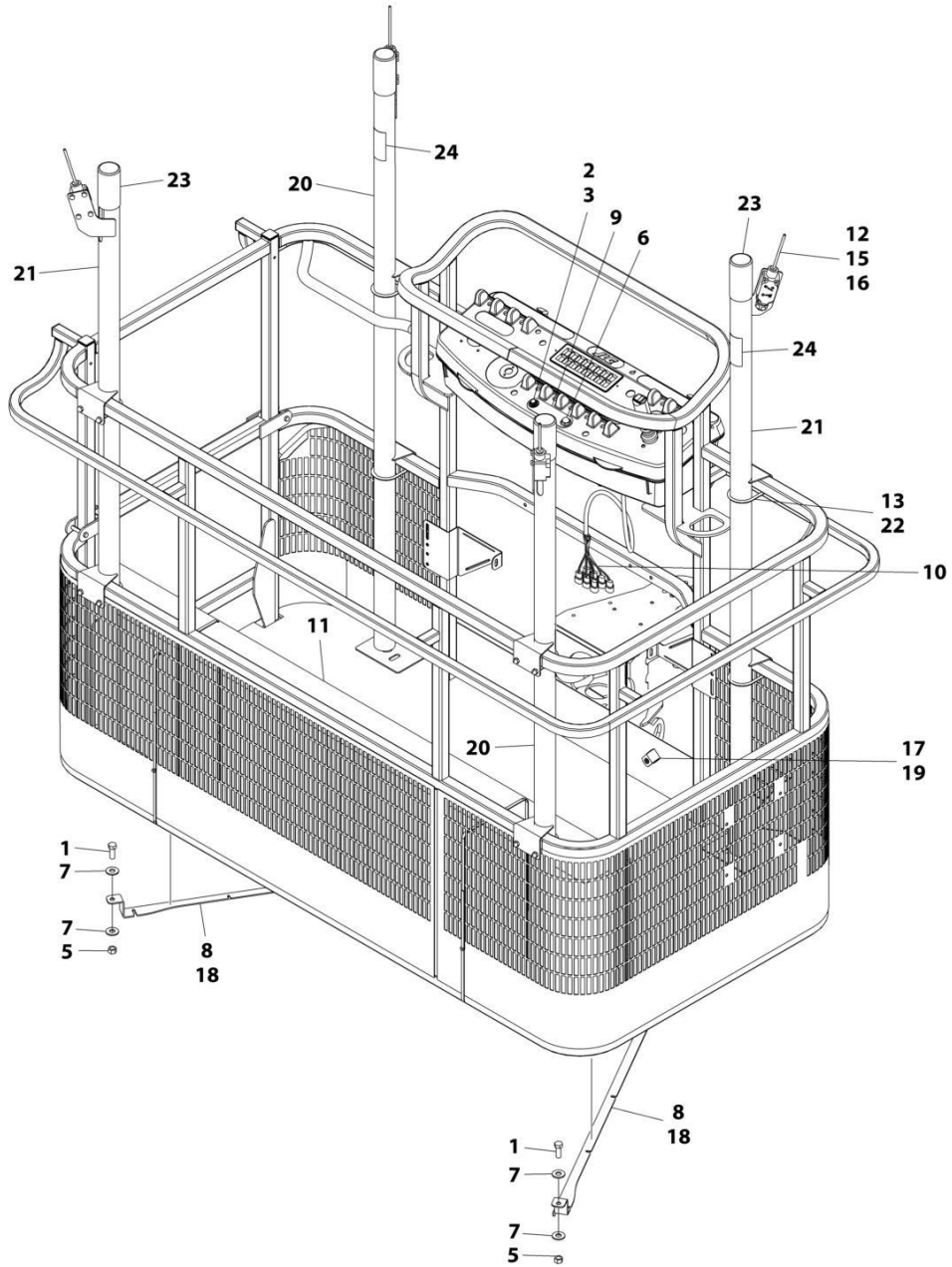
SECTION 5 - PLATFORM

FIGURE 5-43. SOFT TOUCH SYSTEM INSTALLATION - 8FT/2.44M FALL ARREST PLATFORM

ITEM	PART NUMBER	QTY	DESCRIPTION	REV
	0273706	Ref	SOFT TOUCH INSTALLATION	D
1	0100011	AR	Compound, Locking	
2	0200048	2	Arm, Switch	
3	0630462	8	Bolt	
4	0641414	8	Bolt 1/4 x 1-3/4	
5	0721005	4	Bolt #10 x 5/8	
6	0940133	1	Bumper Kit (Includes Corners and Enough Straight Material for One Platform)	
6	0940092	8	Bumper (Corner)	
6	0940094	AR	Bumper (12ft Length)	
7	1060341	23 ft/7m	Cable, Soft Touch - 16/2	
8	1060903	4	Wire Rope and Eyebolt Assembly	
9	1702938	1	Decal - Soft Touch Override	
10	3311401	8	Nut 1/4	
11	3311501	8	Nut 5/16	
12	3574091	2	Plate, Switch Strike	
13	4240099	7	Tie-Strap (Not Shown)	
14	4360057	2	Switch, Limit	
15	4360387	1	Switch, Push Button	
16	4420068	AR	Tape, Adhesive	
16	1001197017	AR	Tie-Strap	
17	4460049	2	Connector, Strain Relief	
18	4460234	7	Tie-Strap (Not Shown)	
19	4460425	1	Connector, Strain Relief	
20	4751400	8	Washer 1/4	
21	4751500	12	Washer 5/16	
22	4751800	8	Washer 1/2	
23	4846673	1	Rail, Soft Touch	
25	2920028	1	Light, Indicator	
26	2920029	1	Bulb, Light	

SECTION 5 - PLATFORM

FIGURE 5-44. SOFT TOUCH SYSTEM INSTALLATION - OVER HEAD (CHINESE/KOREAN SPECS)



ART_1001110926

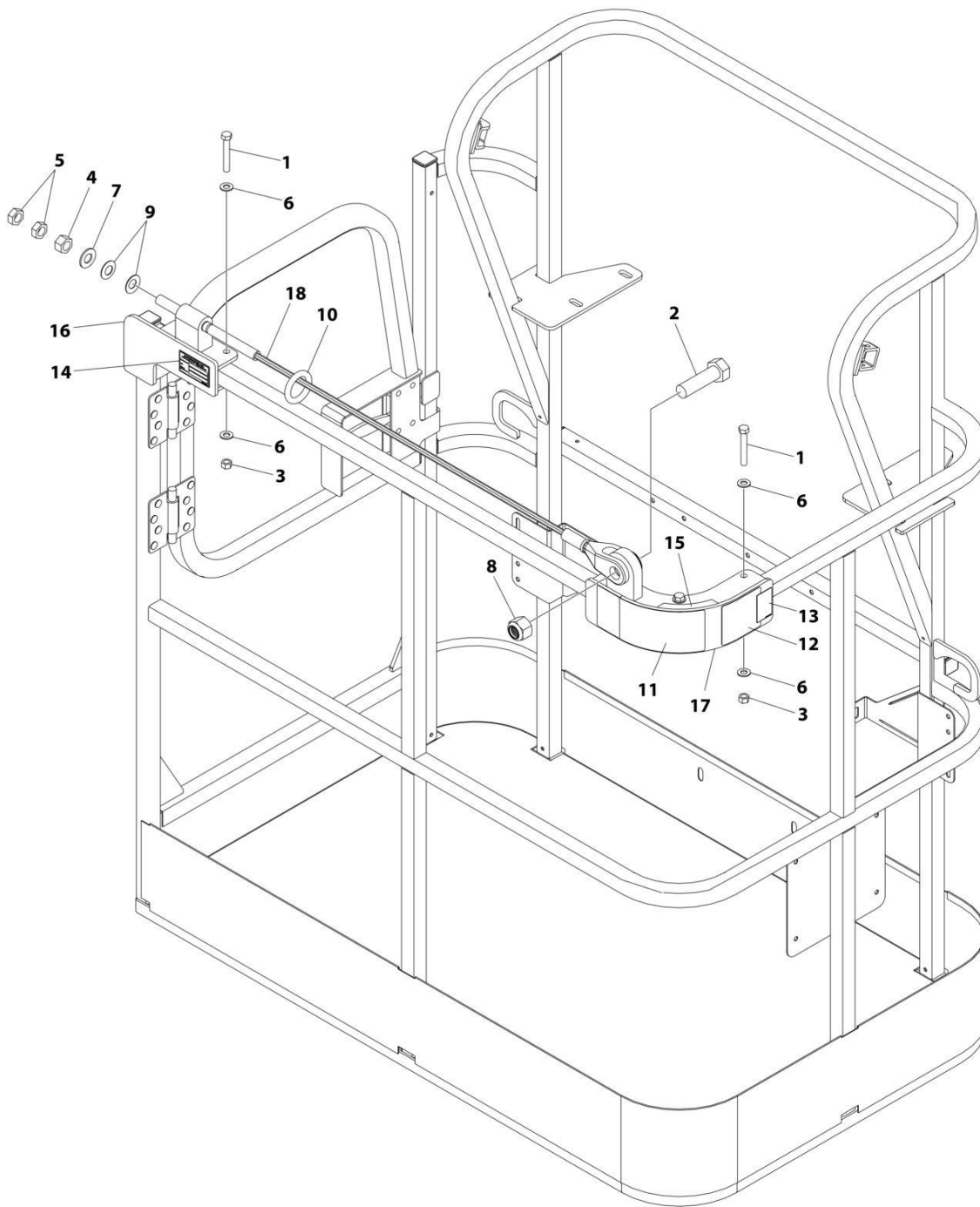
SECTION 5 - PLATFORM

FIGURE 5-44. SOFT TOUCH SYSTEM INSTALLATION - OVER HEAD (CHINESE/KOREAN SPECS)

ITEM	PART NUMBER	QTY	DESCRIPTION	REV
	1001110926	Ref	SOFT TOUCH INSTALLATION	C
1	0641608	4	Bolt 3/8 x 1	
2	2920028	1	Light, Indicator	
3	2920029	1	Bulb, Light	
5	3311605	4	Nut 3/8	
6	4360387	1	Switch, Push Button	
7	4751600	8	Washer 3/8	
8	1001113643	2	Bracket	
9	1001113691	1	Decal - Soft Touch Override	
10	1001113857	1	Soft Touch Harness - Overhead	
10	4460897	4	Receptacle, Female - 2 Position	
10	4460464	8	Pin, Male	
11	1001113856	Ref	Overhead Soft Touch Kit	
12	0641405	16	Bolt 1/4 x 5/8	
13	3300356	16	Nut 5/16	
14	4240099	16	Tie, Wire (Not Shown)	
15	4360477	4	Switch, Proximity	
16	4460662	4	Connector, Strain Relief	
17	4711400	2	Washer 1/4	
18	1001090615	4	Grommet	
19	1001102858	2	Clamp	
20	1001110935	2	Tube	
21	1001113741	2	Tube	
22	1001113743	8	Bolt 5/16 x 3.65	
23	1001113774	4	Cap	
24	1001131802	4	Decal - Weight	

SECTION 5 - PLATFORM

FIGURE 5-45. FALL ARREST INSTALLATION (BOLT-ON) (4FT/1.22M PLATFORM)



ART_1001261338

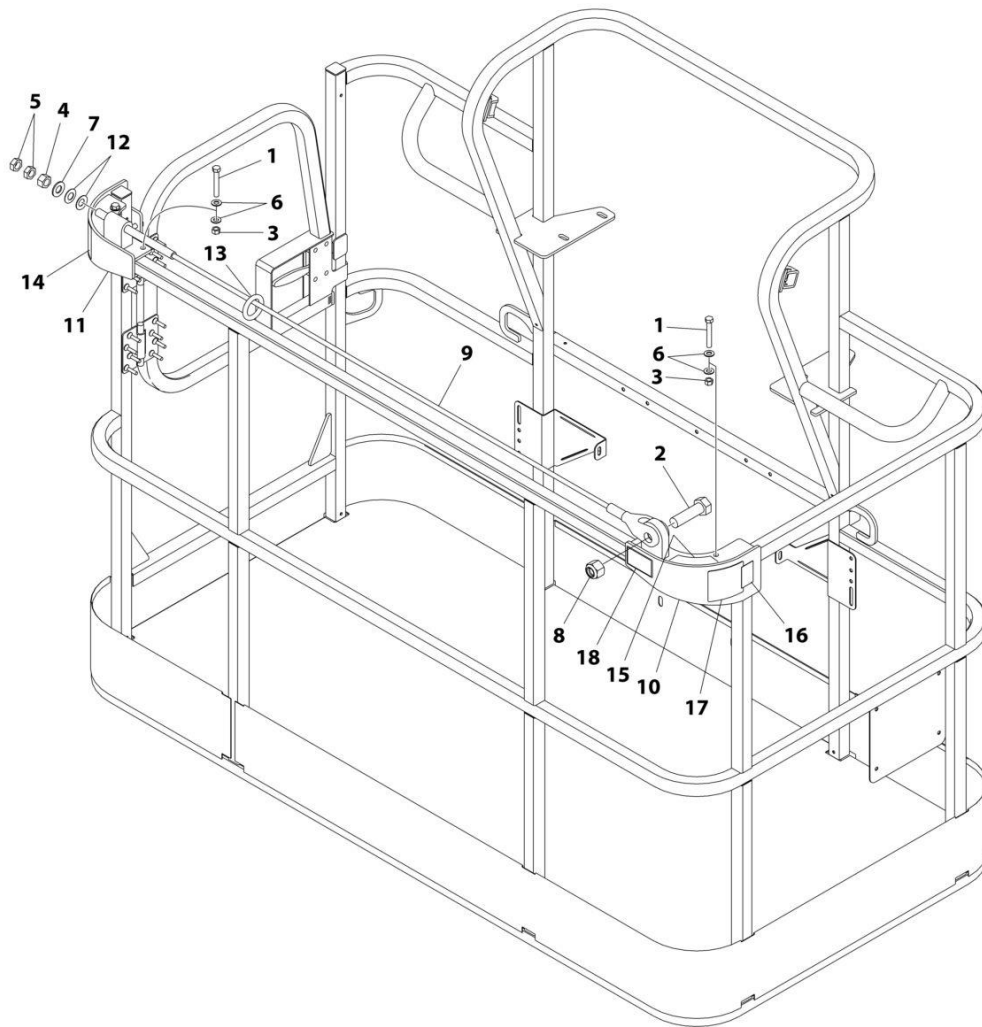
SECTION 5 - PLATFORM

FIGURE 5-45. FALL ARREST INSTALLATION (BOLT-ON) (4FT/1.22M PLATFORM)

ITEM	PART NUMBER	QTY	DESCRIPTION	REV
	1001261338	Ref	FALL ARREST INSTALLATION	A
1	0681620	6	Bolt 3/8 x 2-1/2	
2	0682424	1	Bolt 7/8 x 3	
3	3271605	6	Nut 3/8	
4	3272001	1	Nut 5/8	
5	3312002	2	Nut 5/8	
6	4711600	12	Washer 3/8	
7	4712000	1	Washer 5/8	
8	88521214	1	Nut 7/8	
9	1001236891	2	Washer	
10	1001236895	1	Ring	
11	1001238263	1	Decal - Warning Falling Hazard	
12	1001248140	1	Decal - Bolt Fall Arrest Re-Cert	
13	1001248141	1	Decal - Incription	
14	See Note	NSS	Nameplate - Manufacturers Serial Number (Note: Not Available for Purchase)	
15	1001252629	1	Decal - Weight	
16	1001257271	1	Bracket (RH)	
17	1001257274	1	Bracket (LH)	
18	1001261335	1	Rope	

SECTION 5 - PLATFORM

FIGURE 5-46. FALL ARREST INSTALLATION (BOLT-ON) (6FT/1.82M PLATFORM)



ART_1001236747

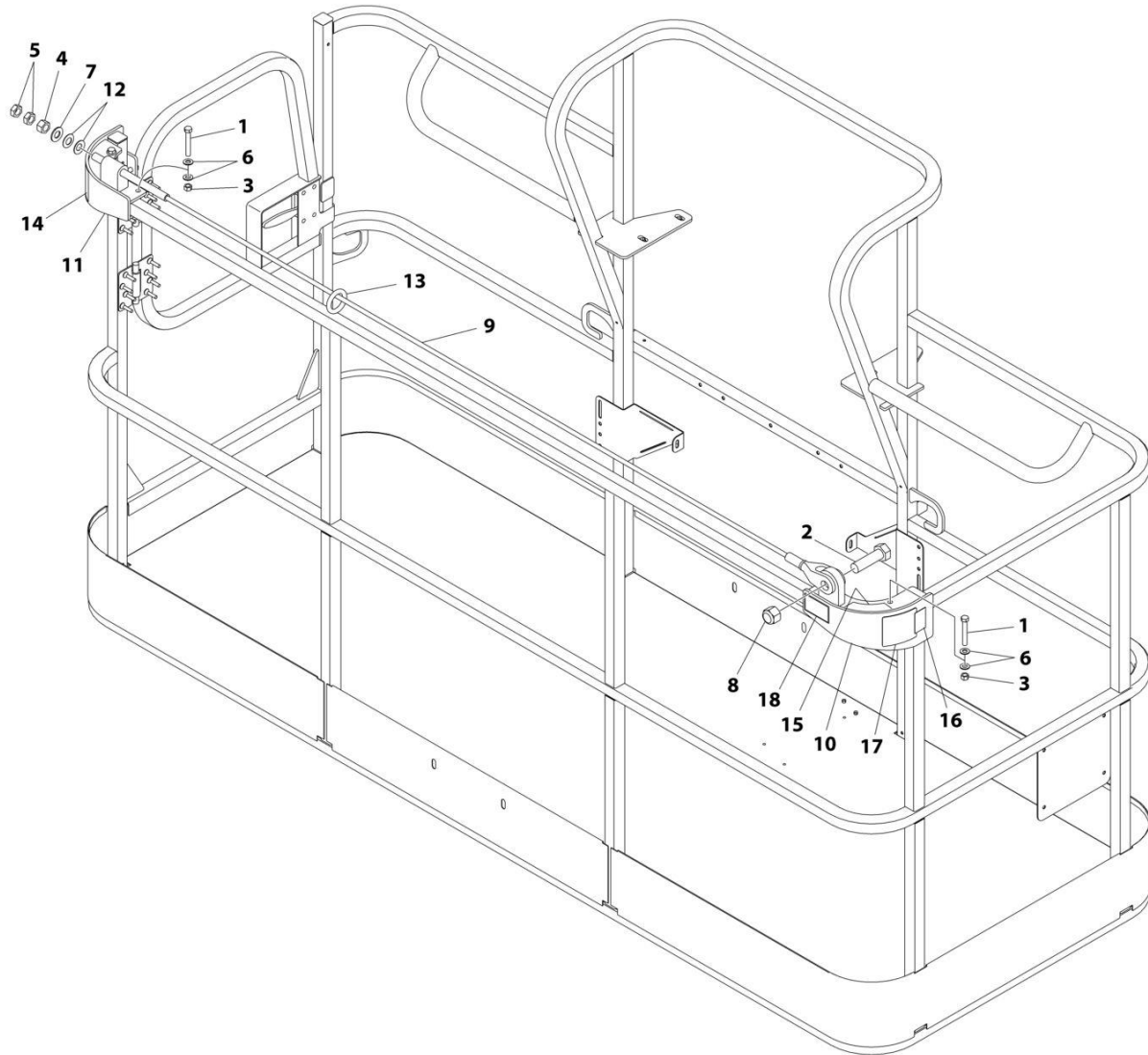
SECTION 5 - PLATFORM

FIGURE 5-46. FALL ARREST INSTALLATION (BOLT-ON) (6FT/1.82M PLATFORM)

ITEM	PART NUMBER	QTY	DESCRIPTION	REV
	1001236747	Ref	FALL ARREST INSTALLATION (BOLT - ON) 6FT/1.82M PLATFORM	C
1	0681620	6	Bolt 3/8 x 2-1/2	
2	0682424	1	Bolt 7/8 x 3	
3	3271605	6	Nut 3/8	
4	3272001	1	Nut 5/8	
5	3312002	2	Nut 5/8	
6	4711600	12	Washer 3/8	
7	4712000	1	Washer 5/8	
8	88521214	1	Nut 7/8	
9	1001231950	1	Rope	
10	1001232010	1	Bracket (RH)	
11	1001232011	1	Bracket (LH)	
12	1001236891	2	Washer	
13	1001236895	1	Ring	
14	1001238263	1	Decal - Warning Falling Hazard	
15	1001252629	1	Decal - Weight	
16	1001248140	1	Decal - Bolt Fall Arrest Re-Cert	
17	1001248141	1	Decal - Inscription	

SECTION 5 - PLATFORM

FIGURE 5-47. FALL ARREST INSTALLATION (BOLT-ON) (8FT/2.4M PLATFORM)



ART_1001236746

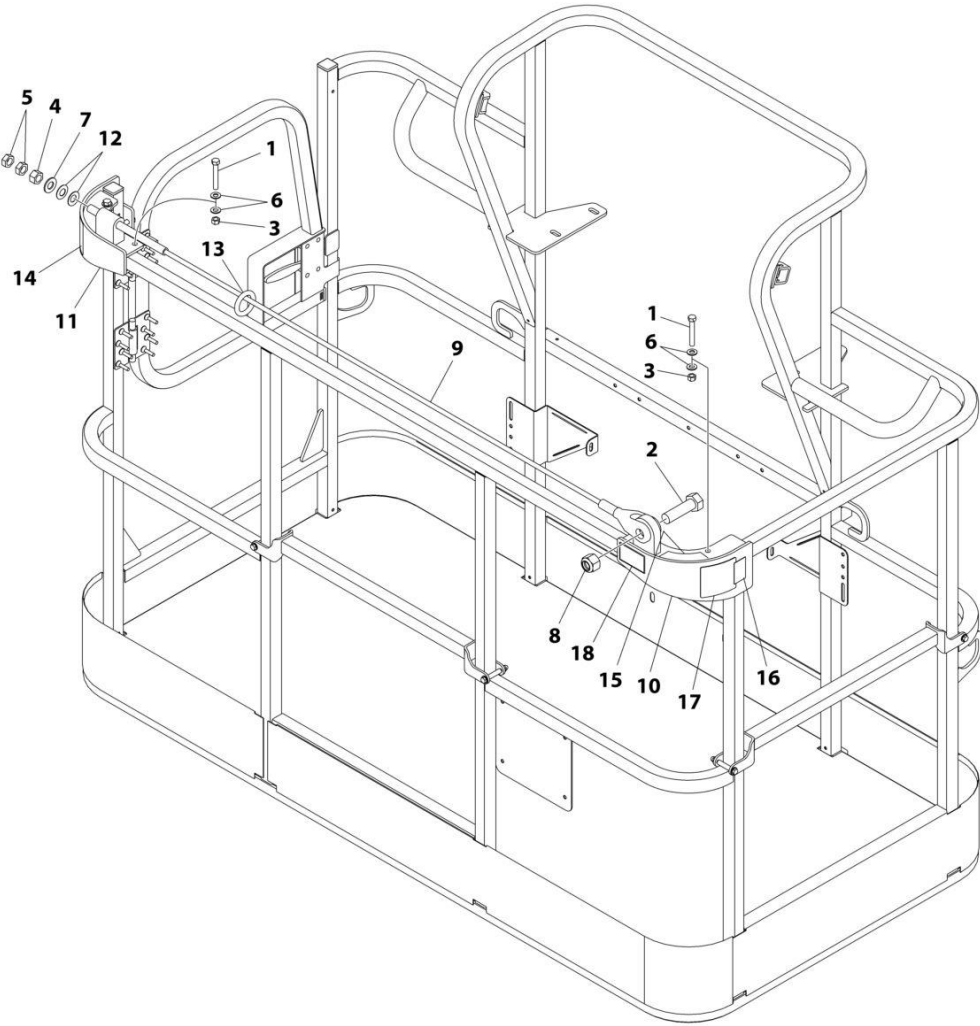
SECTION 5 - PLATFORM

FIGURE 5-47. FALL ARREST INSTALLATION (BOLT-ON) (8FT/2.4M PLATFORM)

ITEM	PART NUMBER	QTY	DESCRIPTION	REV
	1001236746	Ref	FALL ARREST INSTALLATION (BOLT - ON) 8FT/2.4M PLATFORM	C
1	0681620	6	Bolt 3/8 x 2-1/2	
2	0682424	1	Bolt 7/8 x 3	
3	3271605	6	Nut 3/8	
4	3272001	1	Nut 5/8	
5	3312002	2	Nut 5/8	
6	4711600	12	Washer 3/8	
7	4712000	1	Washer 5/8	
8	88521214	1	Nut 7/8	
9	1001231949	1	Rope	
10	1001232010	1	Bracket (RH)	
11	1001232011	1	Bracket (LH)	
12	1001236891	2	Washer	
13	1001236895	1	Ring	
14	1001238263	1	Decal - Warning Falling Hazard	
15	1001252629	1	Decal - Weight 23LBS/10.4KG	
16	1001248140	1	Decal - Bolt Fall Arrest Re-Cert	
17	1001248141	1	Decal - Inscription	

SECTION 5 - PLATFORM

FIGURE 5-48. FALL ARREST INSTALLATION (BOLT-ON) (6FT/1.82M TRI-ENTRY PLATFORM)



ART_1001238463

SECTION 5 - PLATFORM

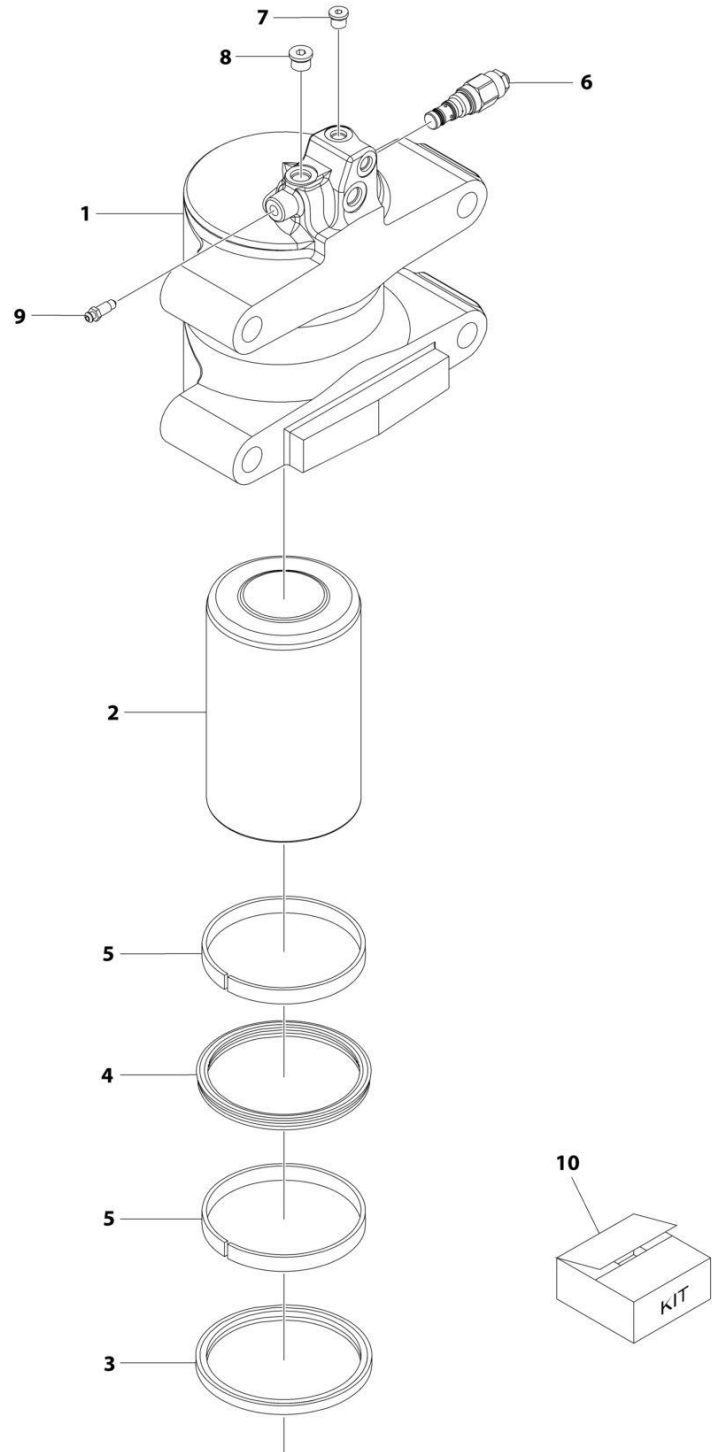
FIGURE 5-48. FALL ARREST INSTALLATION (BOLT-ON) (6FT/1.82M TRI-ENTRY PLATFORM)

ITEM	PART NUMBER	QTY	DESCRIPTION	REV
	1001238463	Ref	FALL ARREST INSTALLATION (BOLT - ON) 6FT/1.82M PLATFORM	C
1	0681620	6	Bolt 3/8 x 2-1/2	
2	0682424	1	Bolt 7/8 x 3	
3	3271605	6	Nut 3/8	
4	3272001	1	Nut 5/8	
5	3312002	2	Nut 5/8	
6	4711600	12	Washer 3/8	
7	4712000	1	Washer 5/8	
8	88521214	1	Nut 7/8	
9	1001231950	1	Rope	
10	1001232010	1	Bracket (RH)	
11	1001232011	1	Bracket (LH)	
12	1001236891	2	Washer	
13	1001236895	1	Ring	
14	1001238263	1	Decal - Warning Falling Hazard	
15	1001252629	1	Decal - Weight	
16	1001248140	1	Decal - Bolt Fall Arrest Re-Cert	
17	1001248141	1	Decal - Inscription	

SECTION 6 - CYLINDER

SECTION 6 - CYLINDER

FIGURE 6-1. AXLE LOCKOUT CYLINDER ASSEMBLY



ART_1001204560

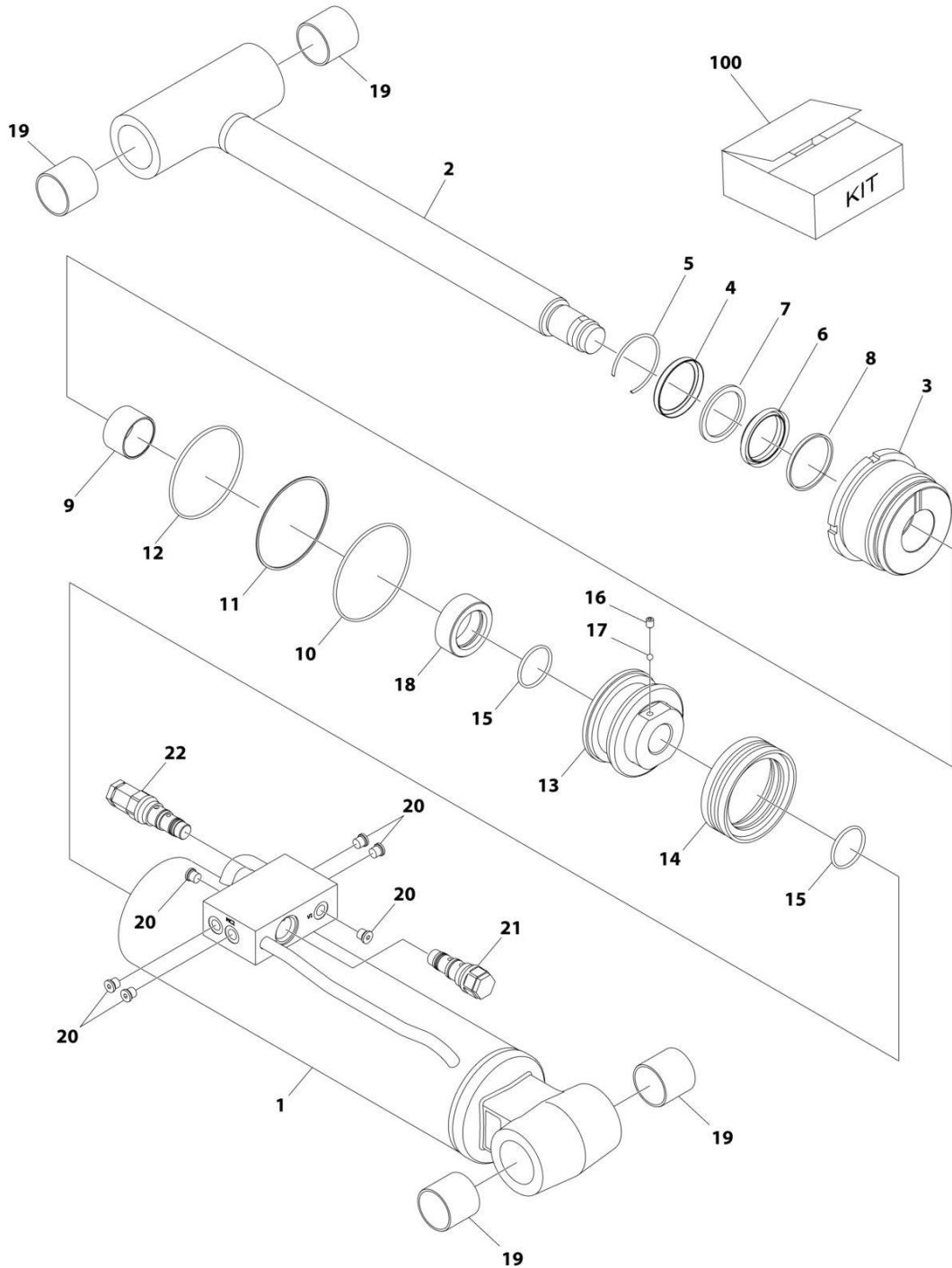
SECTION 6 - CYLINDER

FIGURE 6-1. AXLE LOCKOUT CYLINDER ASSEMBLY

ITEM	PART NUMBER	QTY	DESCRIPTION	REV
	1001204560	Ref	AXLE LOCKOUT CYLINDER ASSEMBLY	D
1	1001154126	1	Barrel	
2	1001154687	1	Rod	
3	See Note	NSS	Wiper (Note: Use Item 10)	
4	See Note	NSS	Seal, Rod (Note: Use Item 10)	
5	See Note	NSS	Ring, Wear (Note: Use Item 10)	
6	1001117372	1	Cartridge, Valve (Counterbalance)	
6	70002842	1	Seal Kit - 1001117372 Valve (1 Per Assembly)	
7	2220883	1	Plug, O-Ring	
8	2220885	1	Plug, O-Ring	
9	4640858	1	Valve, Bleeder	
10	1001098167	1	Seal Kit (Includes Items 3-5)	

SECTION 6 - CYLINDER

FIGURE 6-2. LEVEL CYLINDER ASSEMBLY - PLATFORM SLAVE (860SJ HC3)



ART_1001247466

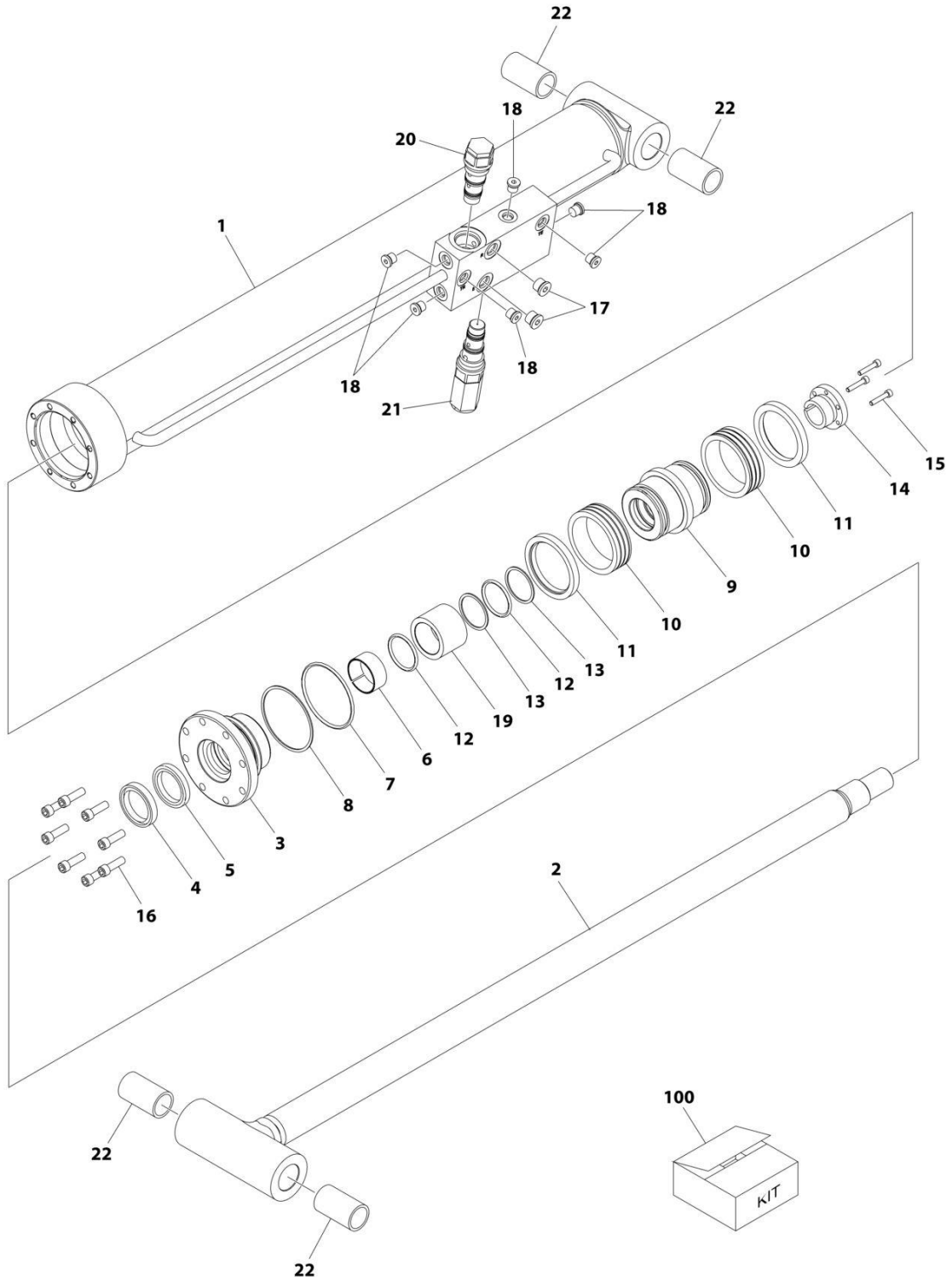
SECTION 6 - CYLINDER

FIGURE 6-2. LEVEL CYLINDER ASSEMBLY - PLATFORM SLAVE (860SJ HC3)

ITEM	PART NUMBER	QTY	DESCRIPTION	REV
	1001247466	Ref	LEVEL CYLINDER ASSEMBLY	C
		Ref	Note: Original Cylinder May Have Been Replaced with Service Replacement. Identify PN Stamped on Cylinder Before Ordering Parts.	
1	See Note	NSS	Barrel (Note: Use P/N 1001247466)	
2	70007168	1	Rod	
3	70007157	1	Head	
4	See Note	NSS	Wiper (Use Item:100)	
5	70002410	1	Ring, Retaining	
6	See Note	NSS	Seal, Rod (Use Item:100)	
7	See Note	NSS	Ring, Back Up (Use Item:100)	
8	See Note	NSS	Ring, Buffer (Use Item:100)	
9	70004237	1	Ring, Wear (Use Item:100)	
10	See Note	NSS	O-Ring (Use Item:100)	
11	See Note	NSS	Ring, Back up (Use Item:100)	
12	See Note	NSS	O-Ring (Use Item:100)	
13	70007161	1	Piston	
14	See Note	NSS	Seal, Piston (Use Item:100)	
15	See Note	NSS	O-Ring (Use Item:100)	
16	70006596	1	Setscrew	
17	70022564	1	Ball	
18	70007169	1	Spacer	
19	70007159	4	Bearing	
20	2220883	6	Plug	
21	4640999	1	Valve, Counterbalance	
21	2900792	1	Seal Kit - 4640999 Valve	
22	4640932	1	Valve, Counterbalance	
22	7011112	1	Seal Kit - 4640932 Valve	
100	70007251	1	Seal Kit, Cylinder (Include items : 4,6,7,8,10,11,12,14 & 15)	

SECTION 6 - CYLINDER

FIGURE 6-3. LIFT CYLINDER ASSEMBLY - JIB (860SJ HC3)



ART_1001259137

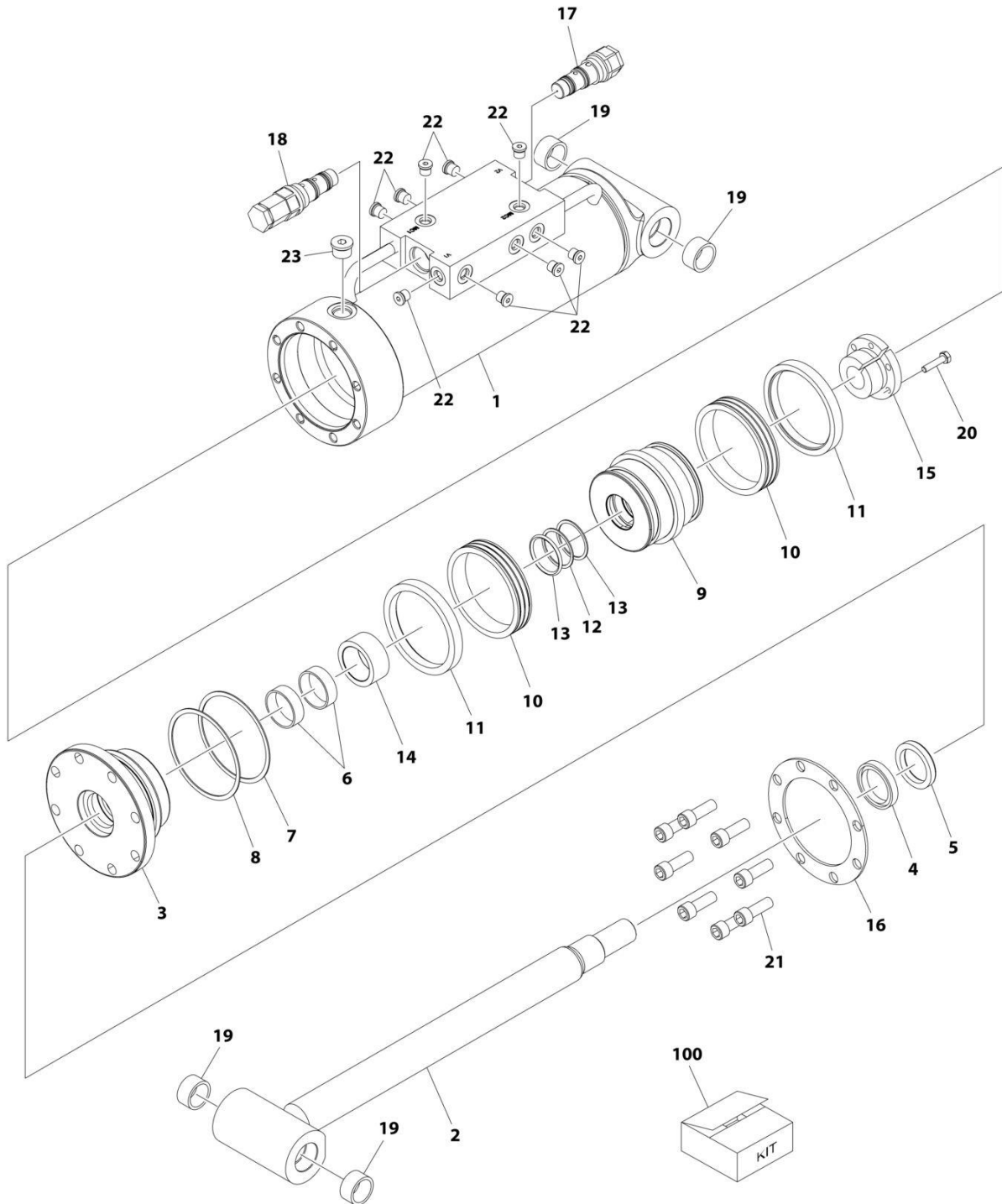
SECTION 6 - CYLINDER

FIGURE 6-3. LIFT CYLINDER ASSEMBLY - JIB (860SJ HC3)

ITEM	PART NUMBER	QTY	DESCRIPTION	REV
	1001259137	Ref	LIFT CYLINDER ASSEMBLY - JIB	B
		Ref	Note: Original Cylinder May Have Been Replaced with Service Replacement. Identify PN Stamped on Cylinder Before Ordering Parts.	
1	See Note	NSS	Barrel (Note: Not Available for Purchase)	
2	70006734	1	Rod	
3	70006649	1	Head	
4	See Note	NSS	Wiper (Note: Use Item 100)	
5	See Note	NSS	Seal, Rod (Note: Use Item 100)	
6	See Note	NSS	Ring, Wear (Note: Use Item 100)	
7	See Note	NSS	O-Ring (Note: Use Item 100)	
8	See Note	NSS	Ring, Back-up (Note: Use Item 100)	
9	70006650	1	Piston	
10	See Note	NSS	Seal (Note: Use Item 100)	
11	See Note	NSS	Ring, Lock (Note: Use Item 100)	
12	See Note	NSS	O-Ring (Note: Use Item 100)	
13	See Note	NSS	Ring, Back-up (Note: Use Item 100)	
14	0961893	1	Bushing, Tapered	
15	0630534	3	Capscrew, Socket Head #10 x 1	
16	70006735	8	Capscrew 5/16	
17	2220885	2	Plug, O-Ring	
18	2220883	6	Plug, O-Ring	
19	70006736	1	Spacer	
20	4640509	1	Cartridge, Valve	
20	2900792	1	Seal Kit - 4640509 Valve	
21	1001259138	1	Cartridge, Valve	
21	70004186	1	Seal Kit - 1001259138 Valve	
22	0962336	4	Bushing	
100	1001138795	1	Seal Kit (Includes Items 4-8 & 10-13)	

SECTION 6 - CYLINDER

FIGURE 6-4. LIFT CYLINDER ASSEMBLY - JIB (800S HC3)



ART_1001228027

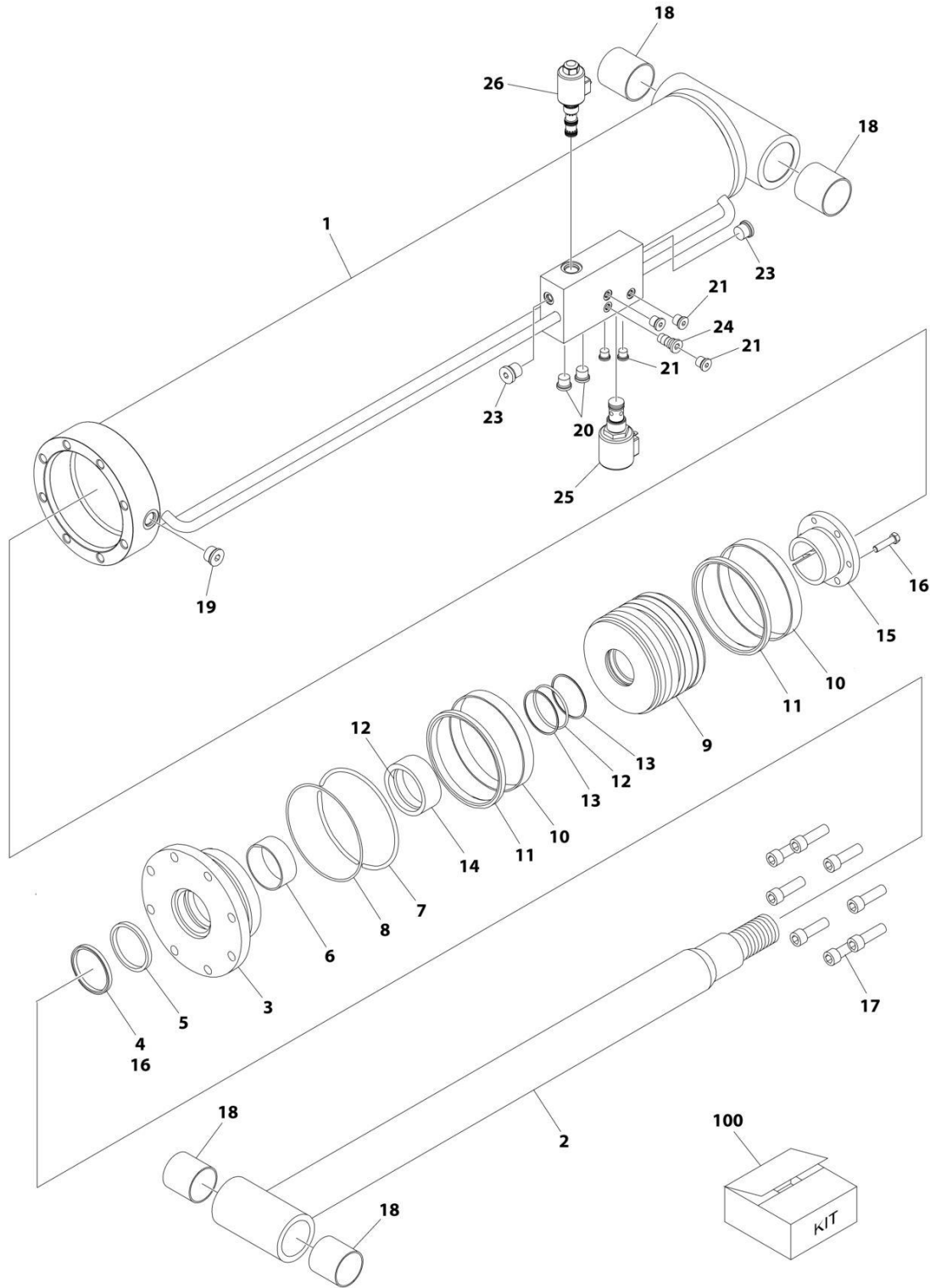
SECTION 6 - CYLINDER

FIGURE 6-4. LIFT CYLINDER ASSEMBLY - JIB (800S HC3)

ITEM	PART NUMBER	QTY	DESCRIPTION	REV
	1001228027	Ref	LEVEL CYLINDER ASSEMBLY - PLATFORM SLAVE	B
		Ref	Note: Original Cylinder may have been replaced with Service Replacement. Identify PN Stamped on Cylinder Before Ordering Parts.	
1	See Note	NSS	Barrel (Note: Not Available for Purchase)	
2	70006648	1	Rod	
3	70006699	1	Head	
4	See Note	NSS	Wiper (Note: Use Item 100)	
5	See Note	NSS	Seal, Rod (Note: Use Item 100)	
6	See Note	NSS	Ring, Wear (Note: Use Item 100)	
7	See Note	NSS	O-Ring (Note: Use Item 100)	
8	See Note	NSS	Ring, Back-up (Note: Use Item 100)	
9	70006700	1	Piston	
10	See Note	NSS	T-Seal (Note: Use Item 100)	
11	See Note	NSS	Ring, Wear (Note: Use Item 100)	
12	See Note	NSS	O-Ring (Note: Use Item 100)	
13	See Note	NSS	Ring, Back-up (Note: Use Item 100)	
14	70006701	1	Spacer, Tube	
15	0961894	1	Bushing, Tapered	
16	3760370	1	Washer	
17	4641232	1	Valve, Cartridge	
17	7011112	1	Seal Kit - 4641232 Valve	
18	4640932	1	Valve, Cartridge	
18	7011112	1	Seal Kit - 4640932 Valve	
19	0961947	4	Bushing	
20	0630535	3	Capscrew 1/4 x 1	
21	3931720	8	Capscrew 7/16 x 1-1/4	
22	2220883	10	Plug	
23	2220886	1	Plug	
100	2902061	1	Seal Kit (Includes Items 4-8 & 10-13)	

SECTION 6 - CYLINDER

FIGURE 6-5. LIFT CYLINDER ASSEMBLY - JIB (800S HC3)



ART_1001228028

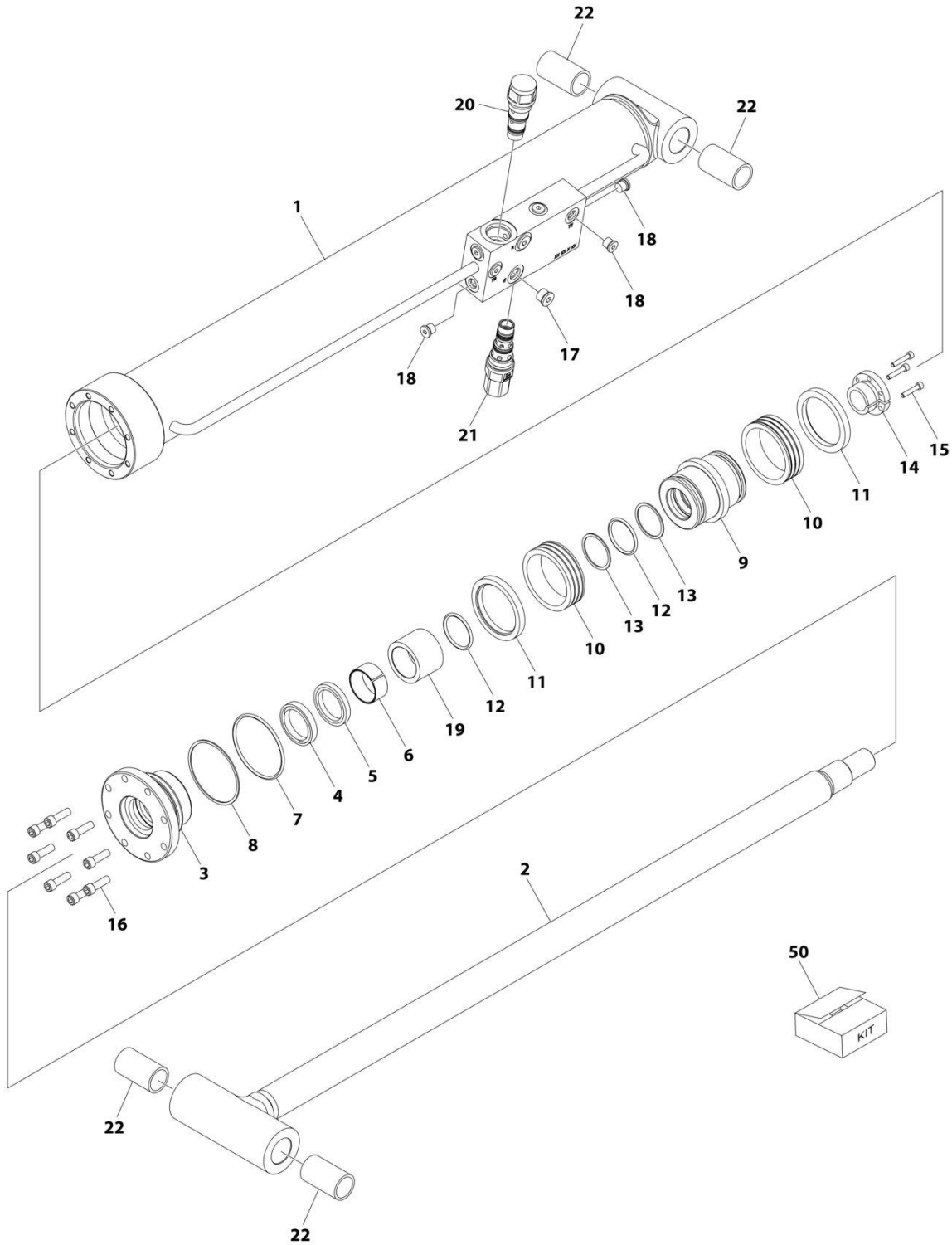
SECTION 6 - CYLINDER

FIGURE 6-5. LIFT CYLINDER ASSEMBLY - JIB (800S HC3)

ITEM	PART NUMBER	QTY	DESCRIPTION	REV
	1001228028	Ref	LIFT CYLINDER ASSEMBLY - MAIN BOOM	B
		Ref	Note: Original Cylinder may have been replaced with Service Replacement. Identify PN Stamped on Cylinder Before Ordering Parts.	
1	See Note	NSS	Barrel (Note: Not Available for Purchase)	
2	70006506	1	Rod	
3	70006505	1	Head	
4	See Note	NSS	Wiper (Note: Use Item 100)	
5	See Note	NSS	Seal, Rod (Note: Use Item 100)	
6	See Note	NSS	Ring, Wear (Note: Use Item 100)	
7	See Note	NSS	O-Ring (Note: Use Item 100)	
8	See Note	NSS	Ring, Back-up (Note: Use Item 100)	
9	70006504	1	Piston	
10	See Note	NSS	Ring, Guidelock (Note: Use Item 100)	
11	See Note	NSS	Ring, Guidelock (Note: Use Item 100)	
12	See Note	NSS	O-Ring (Note: Use Item 100)	
13	See Note	NSS	Ring, Back-up (Note: Use Item 100)	
14	70006503	1	Spacer, Tube	
15	0961898	1	Bushing, Tapered	
16	0630536	3	Bolt	
16	0100011	AR	Compound, Locking	
16	0100038	AR	Primer, Locking	
17	3932240	8	Capscrew 3/4 x 2-1/2	
17	0100011	AR	Compound, Locking	
17	0100038	AR	Primer, Locking	
18	0962033	4	Bushing	
19	2220888	3	Plug	
20	2220887	2	Plug	
21	2220883	4	Plug	
23	2220885	2	Plug	
24	4641194	1	Cartridge, Relief Valve	
24	7023927	1	Seal Kit - 4641194 Valve	
25	4641188	1	Cartridge, Lift Holding Solenoid	
25	7023923	1	Cartridge - 4641188 Valve	
25	7023919	1	Seal Kit - 4641188 Valve	
25	7012943	1	Coil - 4641188 Valve	
26	4641234	1	Cartridge, Lift Relief Proportional Solenoid	
26	7023982	1	Cartridge - 4641234 Valve	
26	7012925	1	Seal Kit - 4641234 Valve	
26	7017451	1	Coil - 4641234 Valve	
100	2901537	1	Seal Kit (Includes Items 5-8 & 10-13)	

SECTION 6 - CYLINDER

FIGURE 6-6. LIFT CYLINDER ASSEMBLY - JIB (860SJ HC3)



ART_1001264302

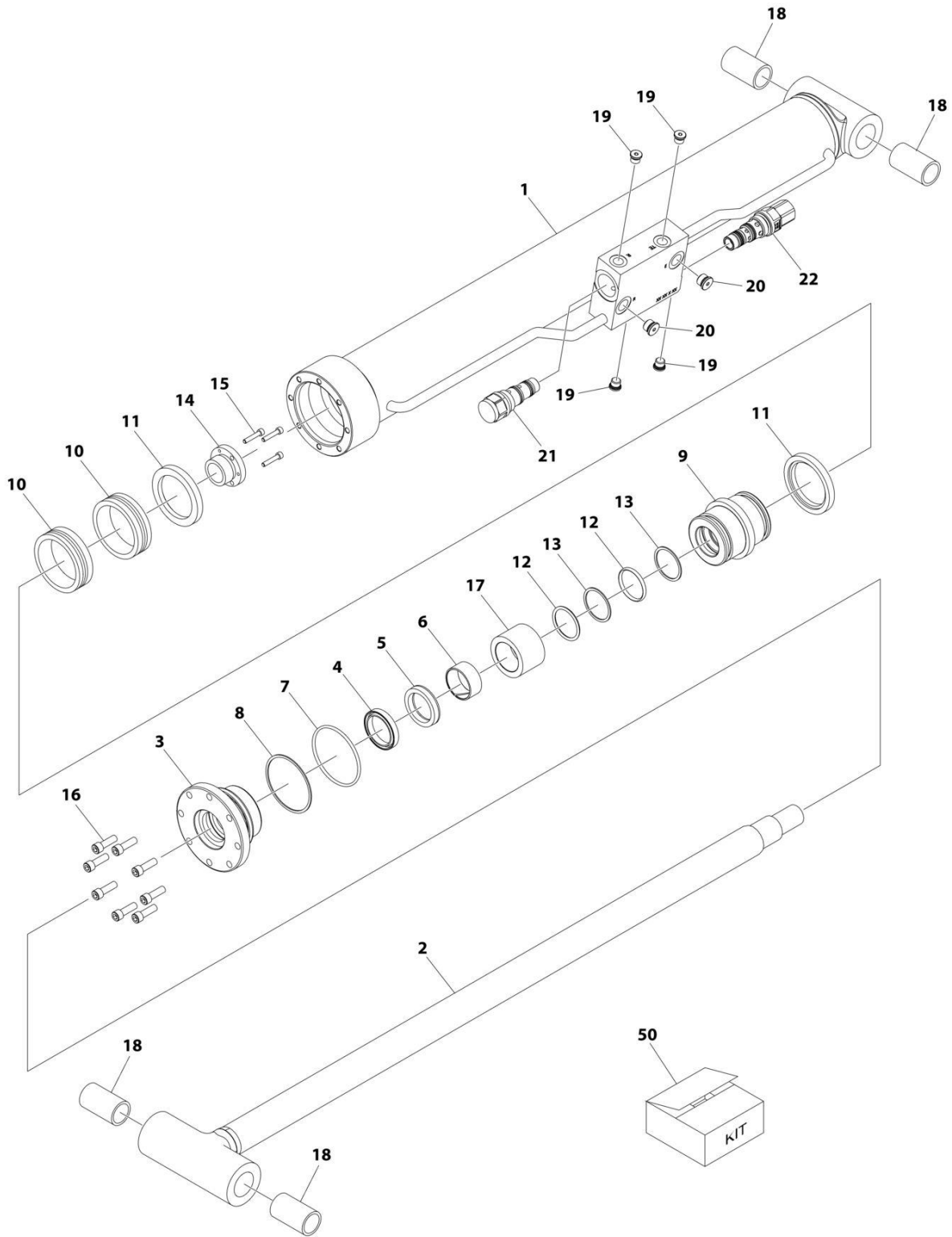
SECTION 6 - CYLINDER

FIGURE 6-6. LIFT CYLINDER ASSEMBLY - JIB (860SJ HC3)

ITEM	PART NUMBER	QTY	DESCRIPTION	REV
	1001264302	Ref	LIFT CYLINDER ASSEMBLY - JIB	B
		Ref	Note: Original Cylinder May Have Been Replaced with Service Replacement. Identify PN Stamped on Cylinder Before Ordering Parts.	
1	See Note	NSS	Barrel	
2	70006734	1	Rod	
3	70006649	1	Head	
4	See Note	NSS	Wiper (Note: Use Item 50)	
5	See Note	NSS	Seal, Rod (Note: Use Item 50)	
6	See Note	NSS	Ring, Wear (Note: Use Item 50)	
7	See Note	NSS	O-Ring (Note: Use Item 50)	
8	See Note	NSS	Ring, Back-up (Note: Use Item 50)	
9	70006650	1	Piston	
10	See Note	NSS	Seal (Note: Use Item 50)	
11	See Note	NSS	Ring, Lock (Note: Use Item 50)	
12	See Note	NSS	O-Ring (Note: Use Item 50)	
13	See Note	NSS	Ring, Back-up (Note: Use Item 50)	
14	0961893	1	Bushing, Tapered	
15	0630534	3	Capscrew	
16	70006735	8	Capscrew	
17	2220885	2	Plug	
18	2220883	6	Plug	
19	70006736	1	Spacer	
20	4640509	1	Cartridge, Counterbalance Valve	
20	2900792	1	Seal Kit - 4640509 Valve	
21	1001263800	1	Cartridge, Counterbalance Valve	
21	70004186	1	Seal Kit - 1001263800 Valve	
22	0962336	4	Bushing	
50	1001138795	1	Seal Kit (Includes Items 4-8 & 10-13)	

SECTION 6 - CYLINDER

FIGURE 6-7. LIFT CYLINDER ASSEMBLY - JIB



ART_1001264991

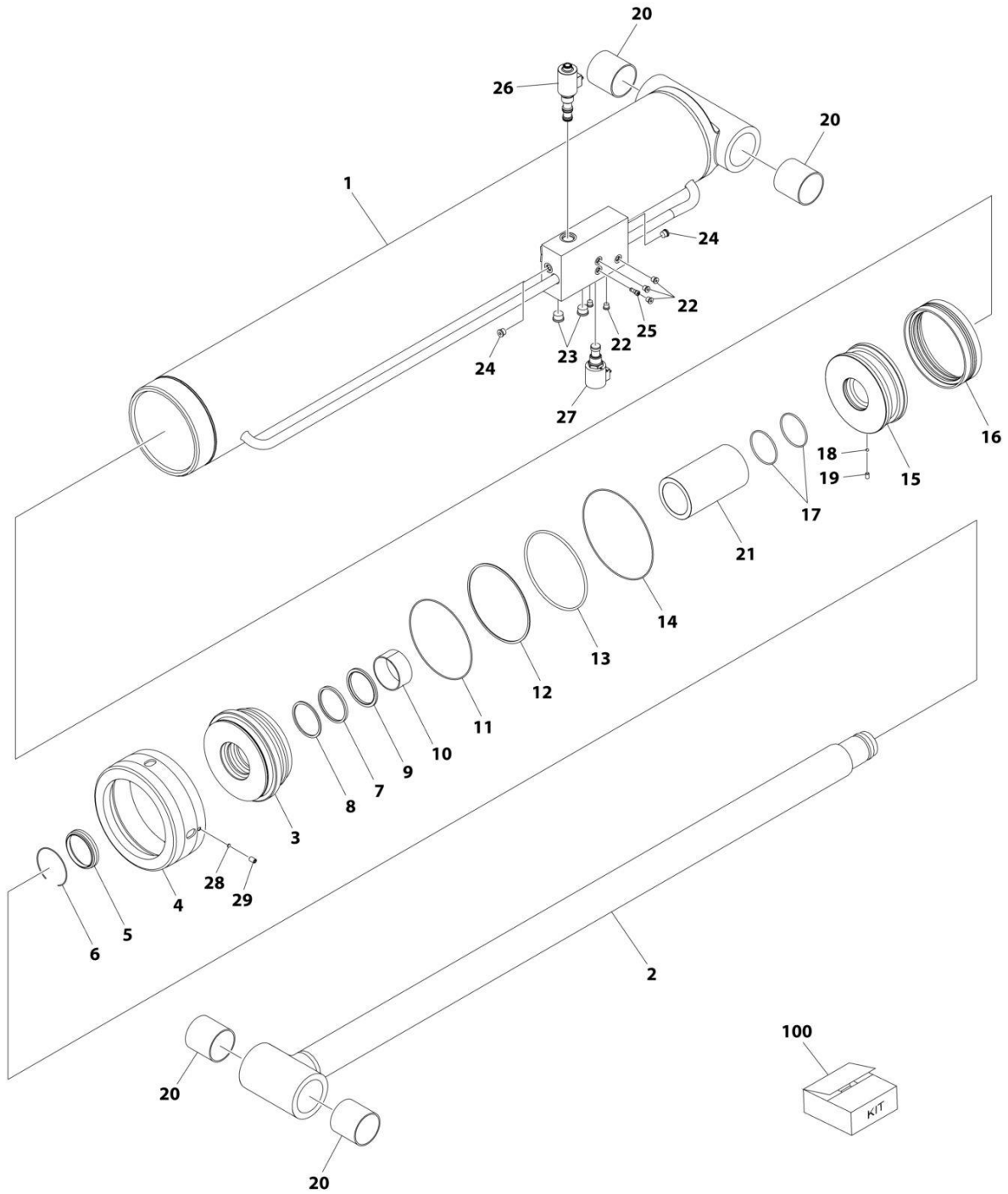
SECTION 6 - CYLINDER

FIGURE 6-7. LIFT CYLINDER ASSEMBLY - JIB

ITEM	PART NUMBER	QTY	DESCRIPTION	REV
	1001264991	Ref	LIFT CYLINDER ASSEMBLY - JIB	B
		Ref	Note: Original Cylinder May Have Been Replaced with Service Replacement. Identify PN Stamped on Cylinder Before Ordering Parts.	
1	See Note	NSS	Barrel (Note: Use PN 1001264991)	
2	70006734	1	Rod	
3	70006649	1	Head	
4	See Note	NSS	Wiper (Note: Use Item 50)	
5	See Note	NSS	Seal, Rod (Note: Use Item 50)	
6	See Note	NSS	Ring, Wear (Note: Use Item 50)	
7	See Note	NSS	O-Ring (Note: Use Item 50)	
8	See Note	NSS	Ring, Back-up (Note: Use Item 50)	
9	70006650	1	Piston	
10	See Note	NSS	Ring, Hydro Lock (Note: Use Item 50)	
11	See Note	NSS	Ring, Guide Lock (Note: Use Item 50)	
12	See Note	NSS	O-Ring (Note: Use Item 50)	
13	See Note	NSS	Ring, Back-up (Note: Use Item 50)	
14	0961893	1	Bushing, Tapered	
15	0630534	3	Capscrew	
16	70006735	8	Capscrew	
17	70006736	1	Spacer	
18	0962336	4	Bearing	
19	70023370	4	Plug	
20	70023371	2	Plug	
21	4640509	1	Cartridge, Counterbalance Valve	
21	2900792	1	Seal Kit - 4640509 Valve	
22	1001263800	1	Cartridge, Counterbalance Valve	
22	70004186	1	Seal Kit - 1001263800 Valve	
50	1001138795	1	Seal Kit - 1001264991 Cylinder (Includes Items 4-8 & 10-13)	

SECTION 6 - CYLINDER

FIGURE 6-8. LIFT CYLINDER ASSEMBLY - MAIN BOOM (860SJ HC3)



ART_1001251029

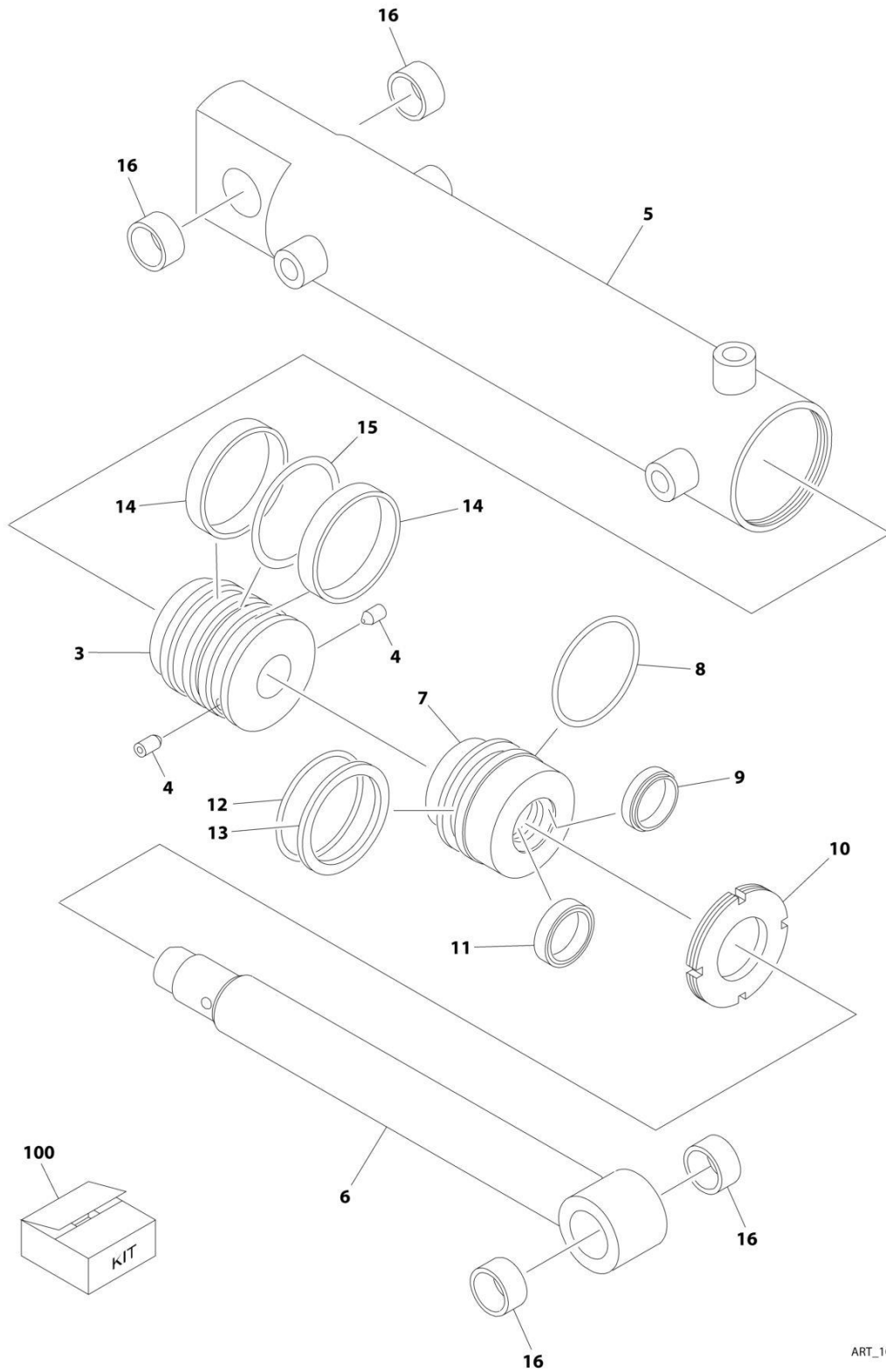
SECTION 6 - CYLINDER

FIGURE 6-8. LIFT CYLINDER ASSEMBLY - MAIN BOOM (860SJ HC3)

ITEM	PART NUMBER	QTY	DESCRIPTION	REV
	1001251029	Ref	LIFT CYLINDER ASSEMBLY - MAIN BOOM	B
		Ref	Note: Original Cylinder may have been replaced with Service Replacement. Identify PN Stamped on Cylinder Before Ordering Parts.	
1	See Note	NSS	Barrel (Note: Not Available for Purchase)	
2	70007276	1	Rod	
3	70007277	1	Head	
4	70007278	1	Cap, Tube	
5	See Note	NSS	Wiper (Note: Use Item 100)	
6	70027750	1	Ring, Retainer	
7	See Note	NSS	Seal, Rod (Note: Use Item 100)	
8	See Note	NSS	Ring, Back-up (Note: Use Item 100)	
9	See Note	NSS	Ring, Buffer (Note: Use Item 100)	
10	70007279	1	Bearing	
11	See Note	NSS	O-Ring (Note: Use Item 100)	
12	See Note	NSS	Ring, Back-up (Note: Use Item 100)	
13	See Note	NSS	O-Ring (Note: Use Item 100)	
14	See Note	NSS	O-Ring (Note: Use Item 100)	
15	70007280	1	Piston	
16	See Note	NSS	Seal, Piston (Note: Use Item 100)	
17	See Note	NSS	O-Ring (Note: Use Item 100)	
18	70022564	1	Steel Ball	
19	70029468	1	Setscrew	
20	0962033	4	Bushing	
21	70007281	1	Spacer	
22	2220883	5	Plug	
23	70005433	2	Plug	
24	2220885	2	Plug	
25	4641194	1	Cartridge, Relief Valve	
25	7023927	1	Seal Kit - 4641194 Valve	
26	4641234	1	Cartridge, Lift Relief Proportional Solenoid	
26	7023982	1	Cartridge - 4641234 Valve	
26	7012925	1	Seal Kit - 4641234 Valve	
26	7017451	1	Coil - 4641234 Valve	
27	4641188	1	Cartridge, Lift Holding Solenoid	
27	7023923	1	Cartridge - 4641188 Valve	
27	7023919	1	Seal Kit - 4641188 Valve	
27	7012943	1	Coil - 4641188 Valve	
28	70007282	1	Insert, Locking	
29	70026287	1	Setscrew	
100	70007283	1	Seal Kit (Includes Items 5, 7-9, 11-14, 16 & 17)	

SECTION 6 - CYLINDER

FIGURE 6-9. STEER CYLINDER ASSEMBLY



ART_1001150539

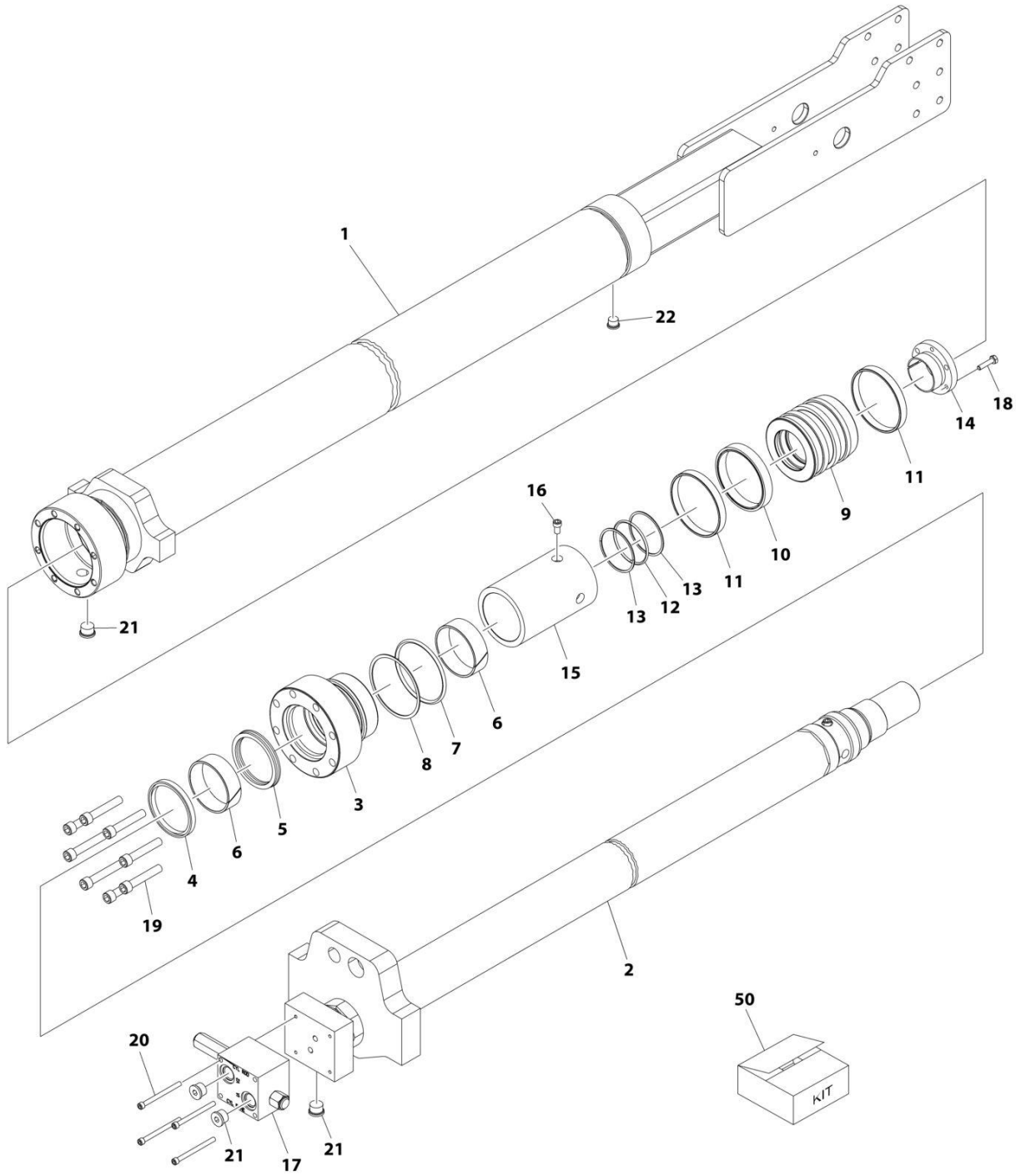
SECTION 6 - CYLINDER

FIGURE 6-9. STEER CYLINDER ASSEMBLY

ITEM	PART NUMBER	QTY	DESCRIPTION	REV
	1001150539	Ref	STEER CYLINDER ASSEMBLY	F
		Ref	Note: Original Cylinder may have been replaced with Service Replacement. Identify PN Stamped on Cylinder Before Ordering Parts.	
3	70002744	1	Piston	
4	70002745	2	Setscrew M6 x 10	
5	70004381	1	Barrel	
6	70004382	1	Rod	
7	70002748	1	Head	
8	See Note	NSS	Ring (Note: Use Item 100)	
9	See Note	NSS	Wiper (Note: Use Item 100)	
10	70002749	1	Nut, Spanner	
11	See Note	NSS	Seal (Note: Use Item 100)	
12	See Note	NSS	O-Ring (Note: Use Item 100)	
13	See Note	NSS	Ring, Back-up (Note: Use Item 100)	
14	See Note	NSS	Ring, Wear (Note: Use Item 100)	
15	See Note	NSS	Seal (Note: Use Item 100)	
16	0962152	4	Bushings	
100	70002751	1	Seal Kit (Includes Items 8, 9 & 11-15)	

SECTION 6 - CYLINDER

FIGURE 6-10. TELESCOPE CYLINDER ASSEMBLY (860SJ HC3)



ART_1001228083

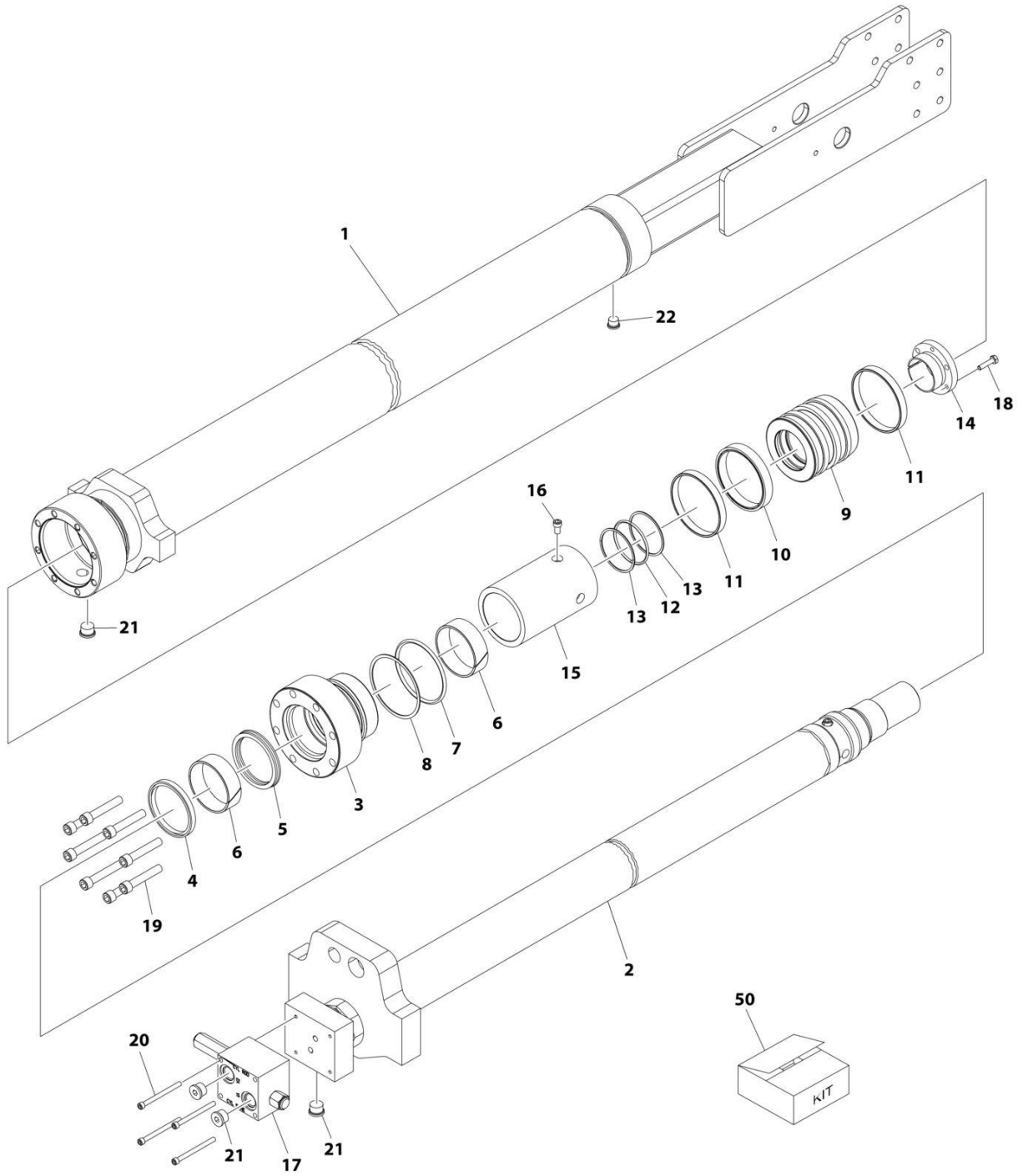
SECTION 6 - CYLINDER

FIGURE 6-10. TELESCOPE CYLINDER ASSEMBLY (860SJ HC3)

ITEM	PART NUMBER	QTY	DESCRIPTION	REV
	1001228083	Ref	TELESCOPE CYLINDER ASSEMBLY	B
		Ref	Note: Original Cylinder may have been replaced with Service Replacement. Identify PN Stamped on Cylinder Before Ordering Parts.	
1	See Note	NSS	Barrel (Note: Not Available for Purchase)	
2	70006729	1	Rod	
3	70006694	1	Head	
4	See Note	NSS	Wiper (Note: Use Item 50)	
5	See Note	NSS	Seal, Rod (Note: Use Item 50)	
6	See Note	NSS	Ring, Wear (Note: Use Item 50)	
7	See Note	NSS	O-Ring (Note: Use Item 50)	
8	See Note	NSS	Ring, Back-up (Note: Use Item 50)	
9	70006720	1	Piston	
10	See Note	NSS	T-Seal (Note: Use Item 50)	
11	See Note	NSS	Ring, Wear (Note: Use Item 50)	
12	See Note	NSS	O-Ring (Note: Use Item 50)	
13	See Note	NSS	Ring, Back-up (Note: Use Item 50)	
14	0961897	1	Bushing, Tapered	
15	70006730	1	Spacer, Tube	
16	70006731	1	Bolt	
17	4641033	1	Valve Assembly (No serviceable parts - sold as assembly only)	
17	7024508	2	O-Ring (Not Shown - Located between valve and cylinder)	
18	0630535	3	Bolt 1/4 x 1-1/8	
19	70006732	8	Bolt	
20	70006733	4	Bolt	
21	2220886	4	Plug, O-Ring	
22	2220885	1	Plug, O-Ring	
50	1001181694	1	Seal Kit Options (Includes Items 4-8 & 10-13)	

SECTION 6 - CYLINDER

FIGURE 6-11. TELESCOPE CYLINDER ASSEMBLY (800S HC3)



ART_1001228081

SECTION 6 - CYLINDER

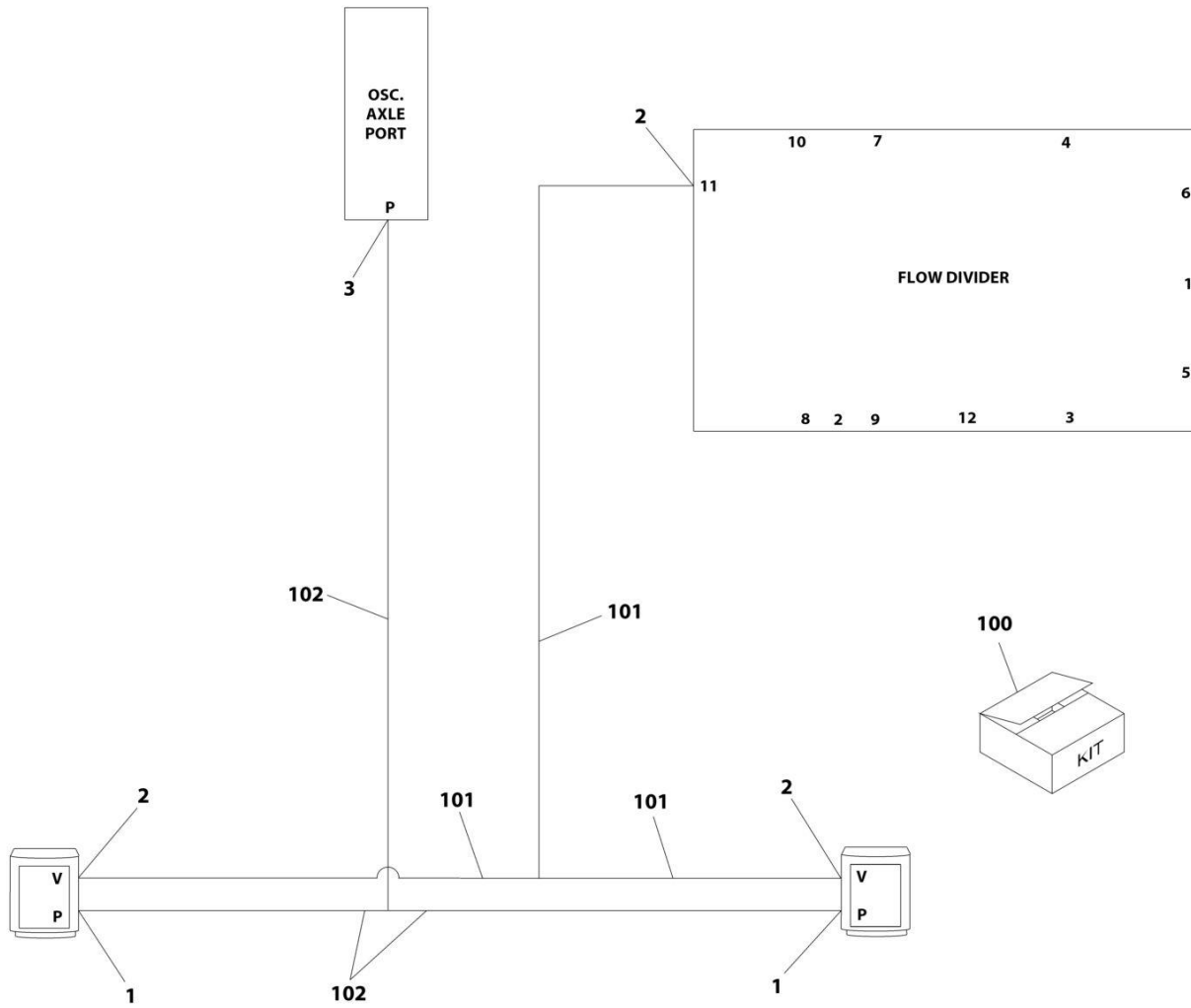
FIGURE 6-11. TELESCOPE CYLINDER ASSEMBLY (800S HC3)

ITEM	PART NUMBER	QTY	DESCRIPTION	REV
	1001228081	Ref	TELESCOPE CYLINDER ASSEMBLY	B
		Ref	Note: Original Cylinder may have been replaced with Service Replacement. Identify PN Stamped on Cylinder Before Ordering Parts.	
1	See Note	NSS	Barrel (Note: Not Available for Purchase)	
2	70006719	1	Rod	
3	70006694	1	Head	
4	See Note	NSS	Wiper (Note: Use Item 50)	
5	See Note	NSS	Seal, Rod (Note: Use Item 50)	
6	See Note	NSS	Ring, Wear (Note: Use Item 50)	
7	See Note	NSS	O-Ring (Note: Use Item 50)	
8	See Note	NSS	Ring, Back-up (Note: Use Item 50)	
9	70006720	1	Piston	
10	See Note	NSS	T-Seal (Note: Use Item 50)	
11	See Note	NSS	Ring, Wear (Note: Use Item 50)	
12	See Note	NSS	O-Ring (Note: Use Item 50)	
13	See Note	NSS	Ring, Back-up (Note: Use Item 50)	
14	0961897	1	Bushing, Tapered	
15	70006721	1	Spacer, Tube	
16	3931508	1	Capscrew 5/16 x 1/2	
17	4641033	1	Valve Assembly (No serviceable parts - sold as assembly only)	
17	7024508	2	O-Ring (Not Shown - Located between valve and cylinder)	
18	0630535	3	Bolt 1/4 x 1-1/8	
19	3931740	8	Capscrew 7/16 x 2-1/2	
20	3931448	4	Capscrew 1/4 x 3	
21	2220886	2	Plug, O-Ring	
22	2220885	1	Plug, O-Ring	
50	1001181694	1	Seal Kit Options (Includes Items 4-8 & 10-13)	

SECTION 7 - HYDRAULIC

SECTION 7 - HYDRAULIC

FIGURE 7-1. HYDRAULIC DIAGRAM - AXLE (OSCILLATING)



ART_1001157400

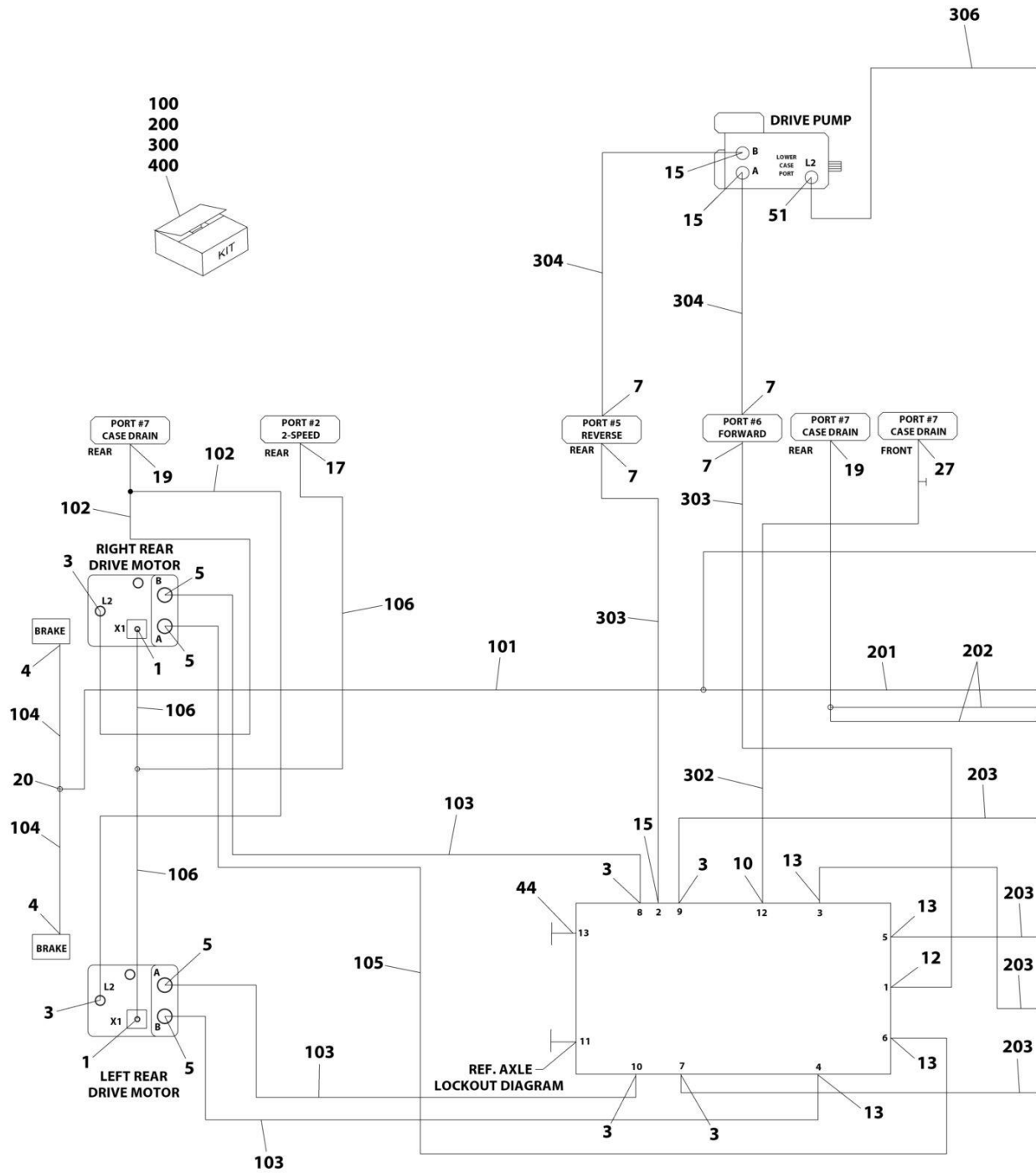
SECTION 7 - HYDRAULIC

FIGURE 7-1. HYDRAULIC DIAGRAM - AXLE (OSCILLATING)

ITEM	PART NUMBER	QTY	DESCRIPTION	REV
	1001157400	Ref	AXLE LOCKOUT HYDRAULIC DIAGRAM	G
1	2110404	2	Fitting, Straight ORFS/ORB	
2	2110606	3	Fitting, Straight ORFS/ORB	
3	2110408	1	Fitting, Straight ORFS/ORB	
100	1001270068	1	Hose Lockout Kit	
101	1001198336	1	Hose with Crimped Tee	
102	1001198339	1	Hose with Crimped Tee	

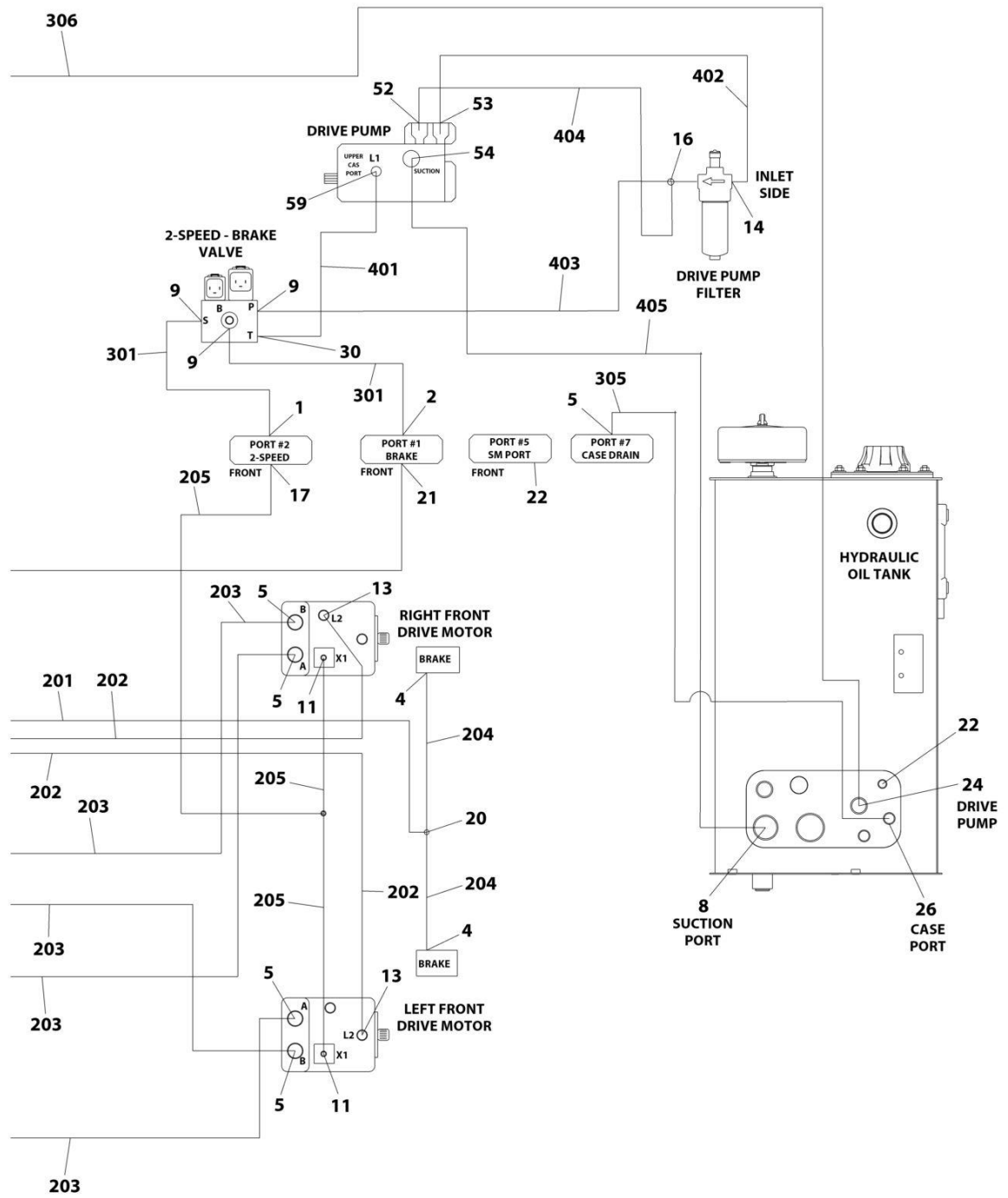
SECTION 7 - HYDRAULIC

FIGURE 7-2. HYDRAULIC DIAGRAM - DRIVE (4WD WITHOUT ARCTIC PACKAGE)



ART_1001178219_10F2

SECTION 7 - HYDRAULIC



ART_1001178219_20F2

SECTION 7 - HYDRAULIC

FIGURE 7-2. HYDRAULIC DIAGRAM - DRIVE (4WD WITHOUT ARCTIC PACKAGE)

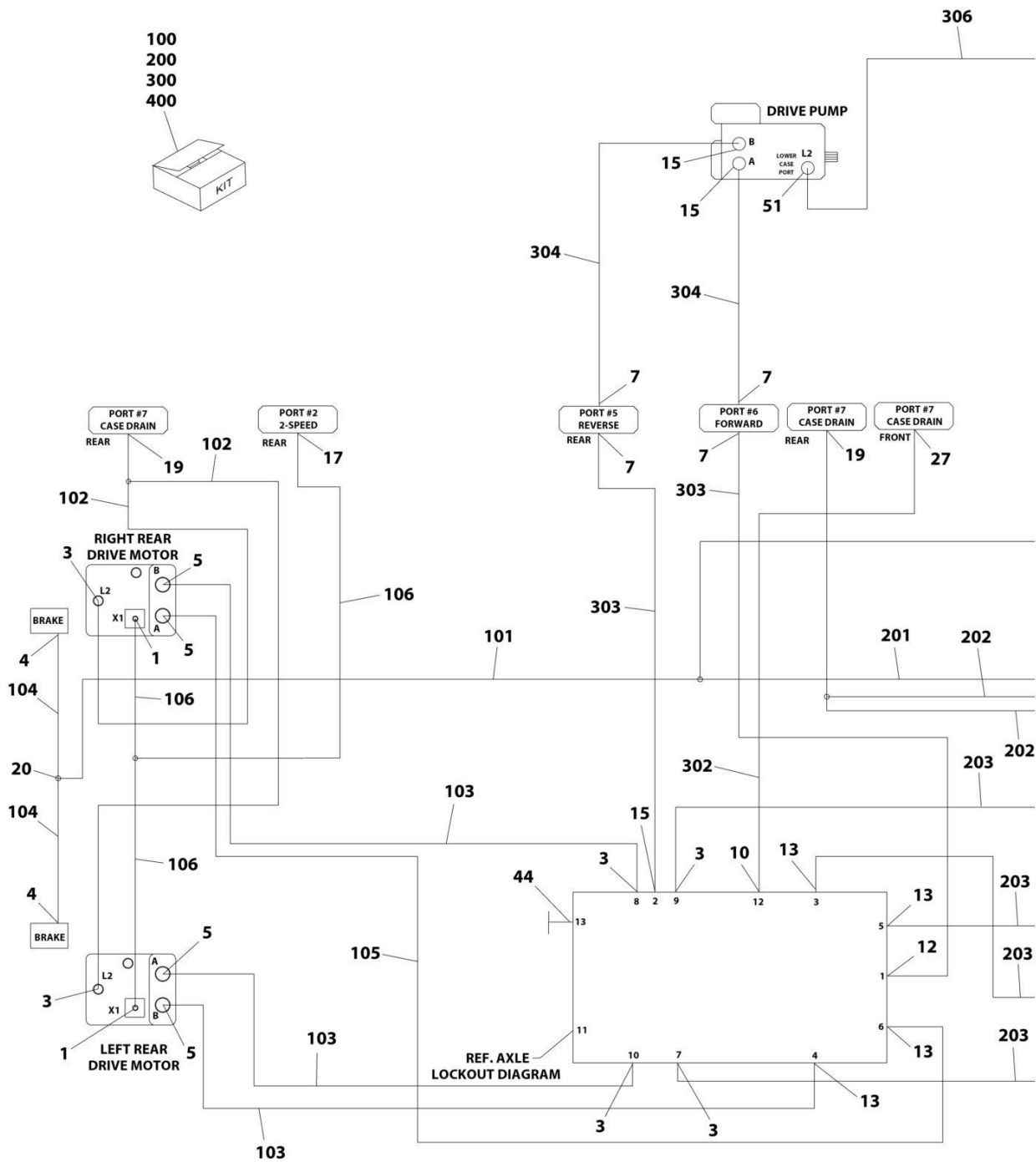
ITEM	PART NUMBER	QTY	DESCRIPTION	REV
	1001178219	Ref	HYDRAULIC DIAGRAM - DRIVE (4WD)	E
1	2110406	3	Fitting, Straight ORFS/ORB	
2	2110408	1	Fitting, Straight ORFS/ORB	
3	2110808	7	Fitting, Straight ORFS/ORB	
4	2110404	4	Fitting, Straight ORFS/ORB	
5	2110812	9	Fitting, Straight ORFS/ORB	
7	2111616	4	Fitting, Straight ORFS/ORB	
8	2112020	1	Fitting, Straight ORFS/ORB	
9	2130404	3	Fitting, 90 ORFS/ORB	
10	2130604	1	Fitting, 90 ORFS/ORB	
11	2130406	2	Fitting, 90 ORFS/ORB	
12	2151616	1	Fitting, 90 ORFS/ORB	
13	2130808	6	Fitting, 90 ORFS/ORB	
14	2131012	1	Fitting, 90 ORFS/ORB	
15	2131616	3	Fitting, 90 ORFS/ORB	
16	1001198337	1	Fitting, Tee ORFS/ORB-RUN	
17	2150406	2	Fitting, 45 ORFS/ORB	
19	2170408	2	Fitting, Tee ORFS/ORB/ORFS	
20	2170504	2	Fitting, Tee ORFS/ORFS/ORFS	
21	1001198338	1	Fitting, Tee ORFS/SORB/ORFS	
22	2220237	2	Fitting, Plug ORB	
24	2111212	1	Fitting, Straight ORFS/ORB	
27	2130606	1	Fitting, 90 ORFS/ORB	
30	2170204	1	Fitting, 90 ORFS/ORB	
44	2220238	1	Plug	
51	2131212	1	Fitting, 90 ORFS/ORB	
52	2110810	1	Fitting, Straight ORFS/ORB	
53	2111016	1	Fitting, Straight ORFS/ORB	
54	2132016	1	Fitting, 90 ORFS/ORB	
59	1001199396	1	Fitting, 90 ORFS/SORB	
100	1001270069	1	Arctic Towbar Hose Kit	
101	2753622	1	Hose	
102	2753686	2	Hose	
103	2753971	3	Hose	
104	2754337	2	Hose	
105	2754338	1	Hose	
106	1001198340	1	Hose with Crimped Tee	
200	1001270070	1	Front Hose Kit	
201	2753542	1	Hose	
202	2753628	2	Hose	
203	2753970	4	Hose	
204	2754512	2	Hose	
205	1001198341	1	Hose with Crimped Tee	
300	1001270071	1	Arctic Turntable Hose Kit	
301	2753540	2	Hose	
302	2753626	1	Hose	
303	2753634	2	Hose	
304	2753667	2	Hose	
305	2753685	1	Hose	
306	2753699	1	Hose	

SECTION 7 - HYDRAULIC

ITEM	PART NUMBER	QTY	DESCRIPTION	REV
400	1001270072	1	Arctic Turntable Hose Kit	
401	2753555	1	Hose	
402	2753768	1	Hose	
403	1001095307	1	Hose	
404	1001095308	1	Hose	
405	1001157866	1	Hose	

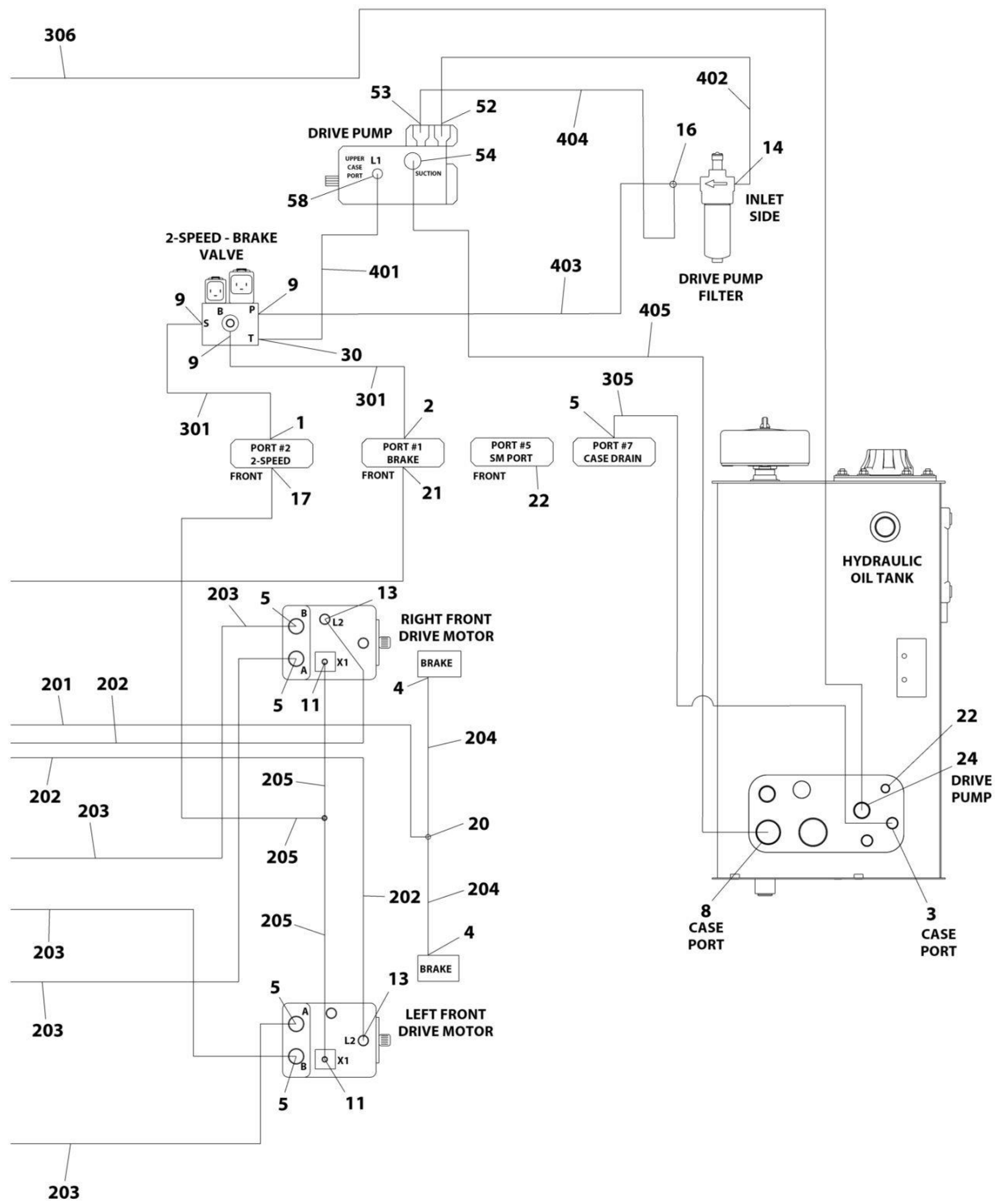
SECTION 7 - HYDRAULIC

FIGURE 7-3. HYDRAULIC DIAGRAM - DRIVE (4WD WITH ARCTIC PACKAGE)



ART_1001178220_10F2

SECTION 7 - HYDRAULIC



ART_1001178220_2OF2

SECTION 7 - HYDRAULIC

FIGURE 7-3. HYDRAULIC DIAGRAM - DRIVE (4WD WITH ARCTIC PACKAGE)

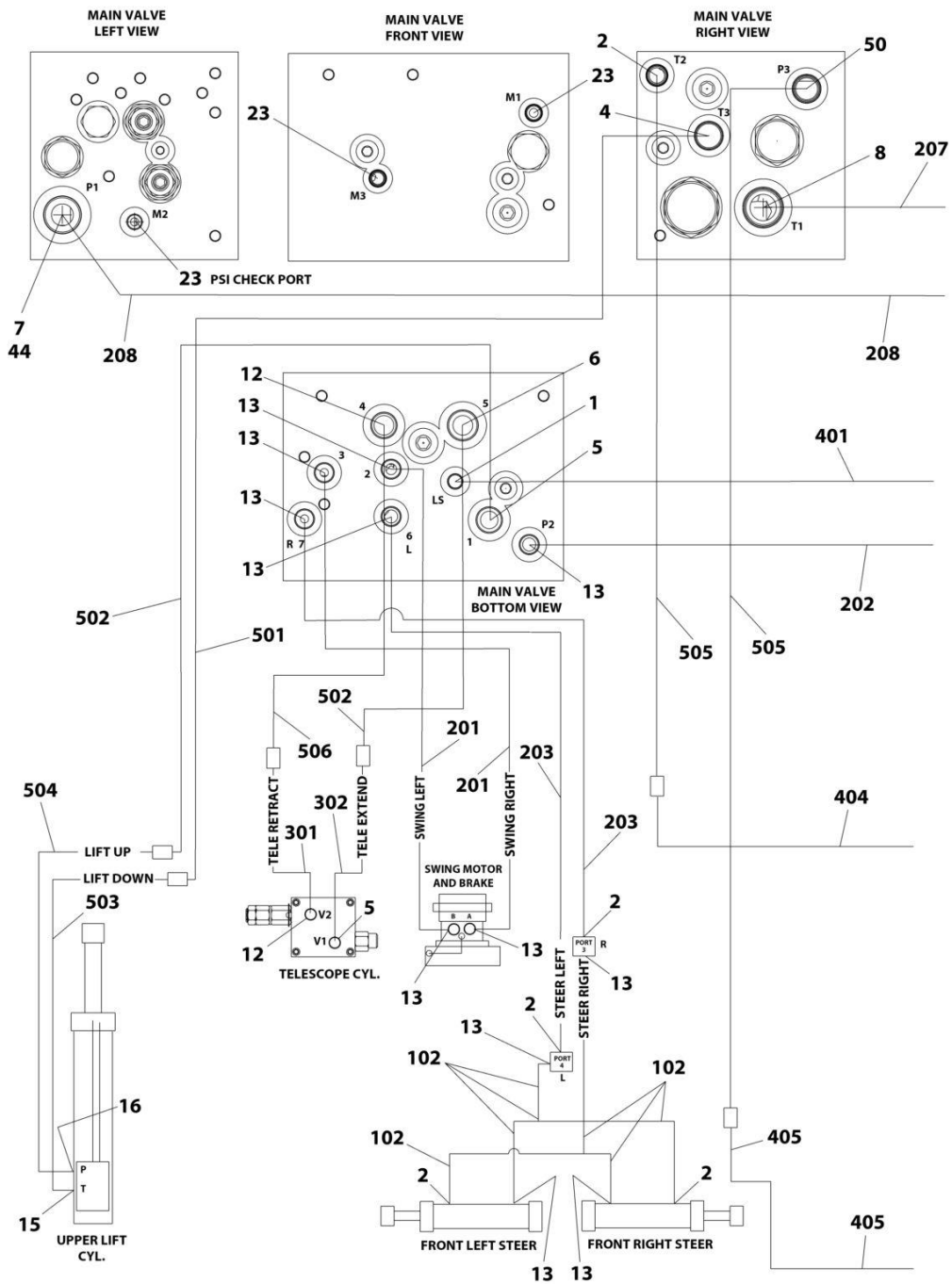
ITEM	PART NUMBER	QTY	DESCRIPTION	REV
	1001178220	Ref	HYDRAULIC DIAGRAM - DRIVE (4WD)	F
1	2110406	3	Fitting, Straight ORFS/ORB	
2	2110408	1	Fitting, Straight ORFS/ORB	
3	2110808	7	Fitting, Straight ORFS/ORB	
4	2110404	4	Fitting, Straight ORFS/ORB	
5	2110812	9	Fitting, Straight ORFS/ORB	
7	2111616	4	Fitting, Straight ORFS/ORB	
8	2112020	1	Fitting, Straight ORFS/ORB	
9	2130404	3	Fitting, 90 ORFS/ORB	
10	2130604	1	Fitting, 90 ORFS/ORB	
11	2130406	2	Fitting, 90 ORFS/ORB	
12	2151616	1	Fitting, 90 ORFS/ORB	
13	2130808	6	Fitting, 90 ORFS/ORB	
14	2131012	1	Fitting, 90 ORFS/ORB	
15	2131616	3	Fitting, 90 ORFS/ORB	
16	1001198337	1	Fitting, Tee ORFS/ORB-RUN	
17	2150406	2	Fitting, 45 ORFS/ORB	
19	2170408	2	Fitting, Tee ORFS/ORB/ORFS	
20	2170504	2	Fitting, Tee ORFS/ORFS/ORFS	
21	1001198338	1	Fitting, Tee ORFS/SORB/ORFS	
22	2220237	2	Fitting, Plug ORB	
24	2111212	1	Fitting, Straight ORFS/ORB	
27	2130606	1	Fitting, 90 ORFS/ORB	
30	2170204	1	Fitting, 90 ORFS/ORB	
44	2220238	1	Hose	
51	2131212	1	Fitting, 90 ORFS/ORB	
52	2111016	1	Fitting, Straight ORFS/ORB	
53	2110810	1	Fitting, Straight ORFS/ORB	
54	2132016	1	Fitting, 90 ORFS/ORB	
58	1001199396	1	Fitting, 90 ORFS/SORB	
100	1001270069	1	Arctic Towbar Hose Kit	
101	2753622	1	Hose	
102	2753686	2	Hose	
103	2753971	3	Hose	
104	2754337	2	Hose	
105	2754338	1	Hose	
106	1001198340	1	Hose with Crimped Tee	
200	1001270073	1	Arctic Towbar Hose Kit	
201	2753542	1	Hose	
202	2754720	2	Hose	
203	2754743	4	Hose	
204	1001106957	2	Hose	
205	1001204269	1	Hose with Crimped Tee	
300	1001270071	1	Arctic Turntable Hose Kit	
301	2753540	2	Hose	
302	2753626	1	Hose	
303	2753634	2	Hose	
304	2753667	2	Hose	
305	2753685	1	Hose	
306	2753699	1	Hose	

SECTION 7 - HYDRAULIC

ITEM	PART NUMBER	QTY	DESCRIPTION	REV
400	1001270072	1	Arctic Turntable Hose Kit	
401	2753555	1	Hose	
402	2753768	1	Hose	
403	1001095307	1	Hose	
404	1001095308	1	Hose	
405	1001157866	1	Hose	

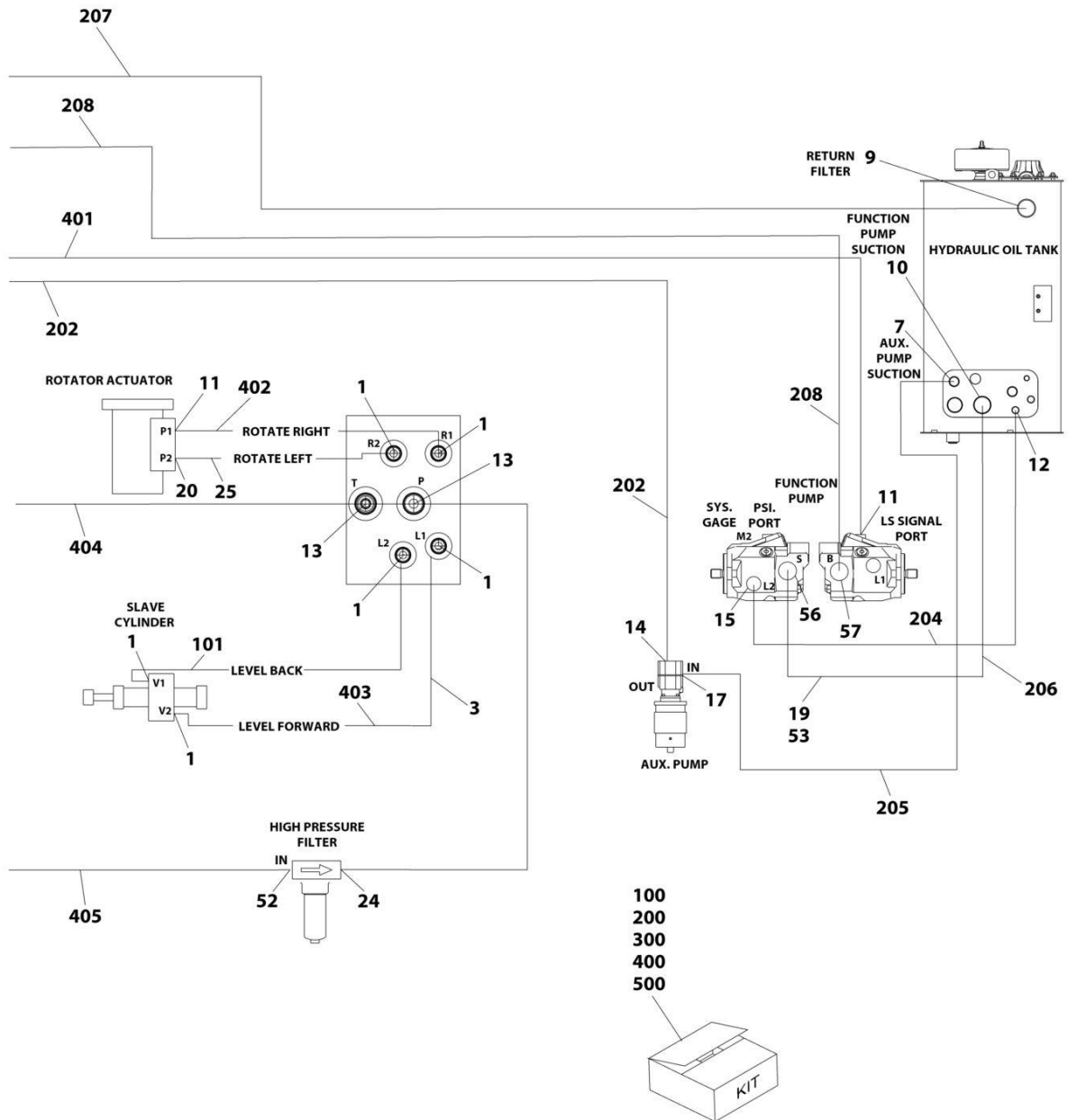
SECTION 7 - HYDRAULIC

FIGURE 7-4. HYDRAULIC DIAGRAM - STANDARD (WITHOUT TOW BAR PACKAGE) (800S HC3)



ART_1001178215_10F2

SECTION 7 - HYDRAULIC



ART_1001178215_20F2

SECTION 7 - HYDRAULIC

FIGURE 7-4. HYDRAULIC DIAGRAM - STANDARD (WITHOUT TOW BAR PACKAGE) (800S HC3)

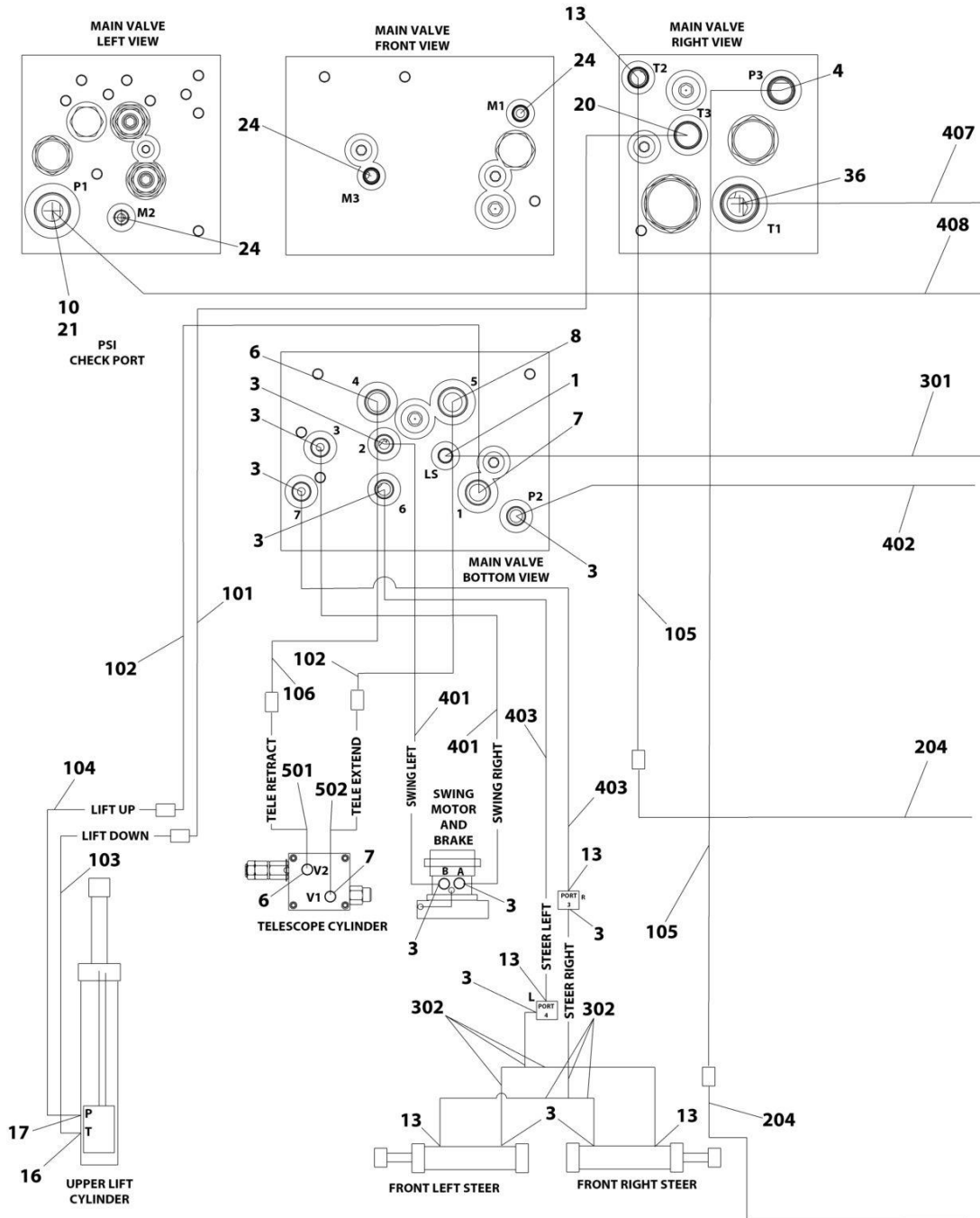
ITEM	PART NUMBER	QTY	DESCRIPTION	REV
	1001178215	Ref	STANDARD HYDRAULIC DIAGRAM	L
1	2110404	7	Fitting, Straight ORFS/ORB	
2	2110606	5	Fitting, Straight ORFS/ORB	
3	2717059	1	Hose	
4	2170208	1	Fitting, 90 ORFS/ORB	
5	2111008	2	Fitting, Straight ORFS/ORB	
6	2111010	1	Fitting, Straight ORFS/ORB	
7	2111212	2	Fitting, Straight ORFS/ORB	
8	88662327	1	Fitting, Straight ORFS/ORB	
9	2151616	1	Fitting, 45 ORFS/ORB	
10	2112424	1	Fitting, Straight ORFS/ORB	
11	2130404	2	Fitting, 90 ORFS/ORB	
12	2110808	3	Fitting, Straight ORFS/ORB	
13	2130606	13	Fitting, 90 ORFS/ORB	
14	2130608	1	Fitting, 90 ORFS/ORB	
15	2130810	2	Fitting, 90 ORFS/ORB	
16	2131010	1	Fitting, 90 ORFS/ORB	
17	2111208	1	Fitting, Straight ORFS/ORB	
19	4240018	3	Tie-Strap	
20	2150404	1	Fitting, 45 ORFS/ORB	
23	2221086	3	Fitting, Pressure Check	
24	2110612	1	Fitting, Straight ORFS/ORB	
25	2753545	1	Hose	
44	2172112	1	Fitting, 90 ORFS/FSORFS	
50	2110608	1	Fitting, Straight ORFS/ORB	
52	2130612	1	Fitting, 90 ORFS/ORB	
53	4061032	1	Hose, Guard	
56	2220737	1	Split Flange Kit	
57	2220478	1	Split Flange Kit	
100	1001270074	1	Towbar Steer Hose Kit	
101	2753622	1	Hose	
102	1001198333	2	Hose with Crimped Tee	
200	1001270075	1	Turntable Hose Kit	
201	2753653	2	Hose	
202	2753654	1	Hose	
203	2753656	2	Hose	
204	2753686	1	Hose	
205	1001111968	1	Hose	
206	1001157851	1	Hose	
207	1001177226	1	Hose	
208	1001181894	1	Hose	
300	1001270076	1	Boom Hose Kit	
301	2753681	1	Hose	
302	2753683	1	Hose	
400	1001271618	1	Hose Kit	
401	2753622	1	Hose	
402	2753674	1	Hose	
403	2753675	1	Hose	
404	2753679	1	Hose	
405	2753693	1	Hose	

SECTION 7 - HYDRAULIC

ITEM	PART NUMBER	QTY	DESCRIPTION	REV
500	1001271619	1	Hose Kit	
501	2753670	1	Hose	
502	2753671	2	Hose	
503	2753682	1	Hose	
504	2753684	1	Hose	
505	1001167194	2	Hose	
506	1001167196	1	Hose	

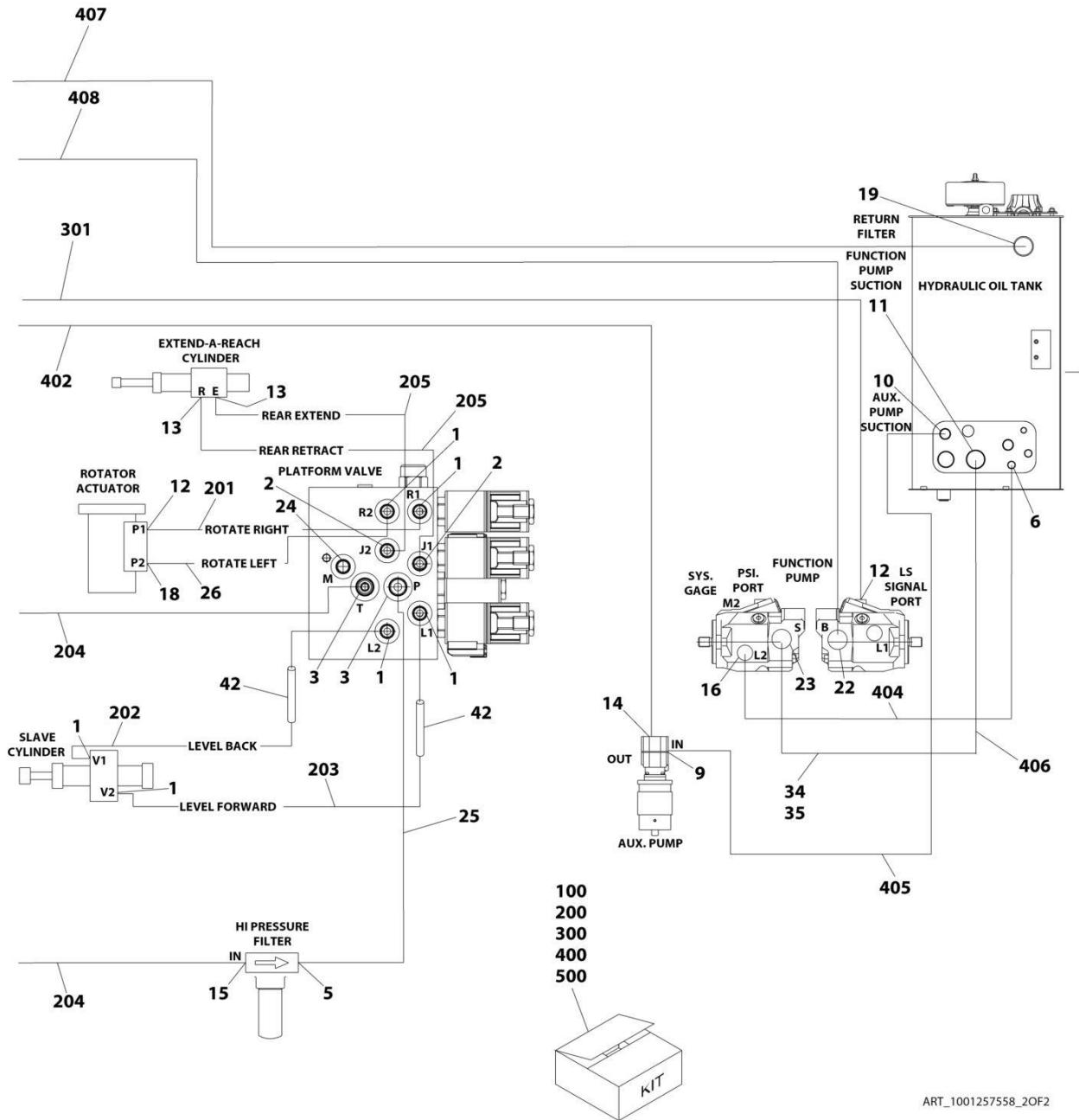
SECTION 7 - HYDRAULIC

FIGURE 7-5. HYDRAULIC DIAGRAM - STANDARD (WITHOUT TOW BAR PACKAGE) (860SJ HC3)



ART_1001257558_10F2

SECTION 7 - HYDRAULIC



SECTION 7 - HYDRAULIC

FIGURE 7-5. HYDRAULIC DIAGRAM - STANDARD (WITHOUT TOW BAR PACKAGE) (860SJ HC3)

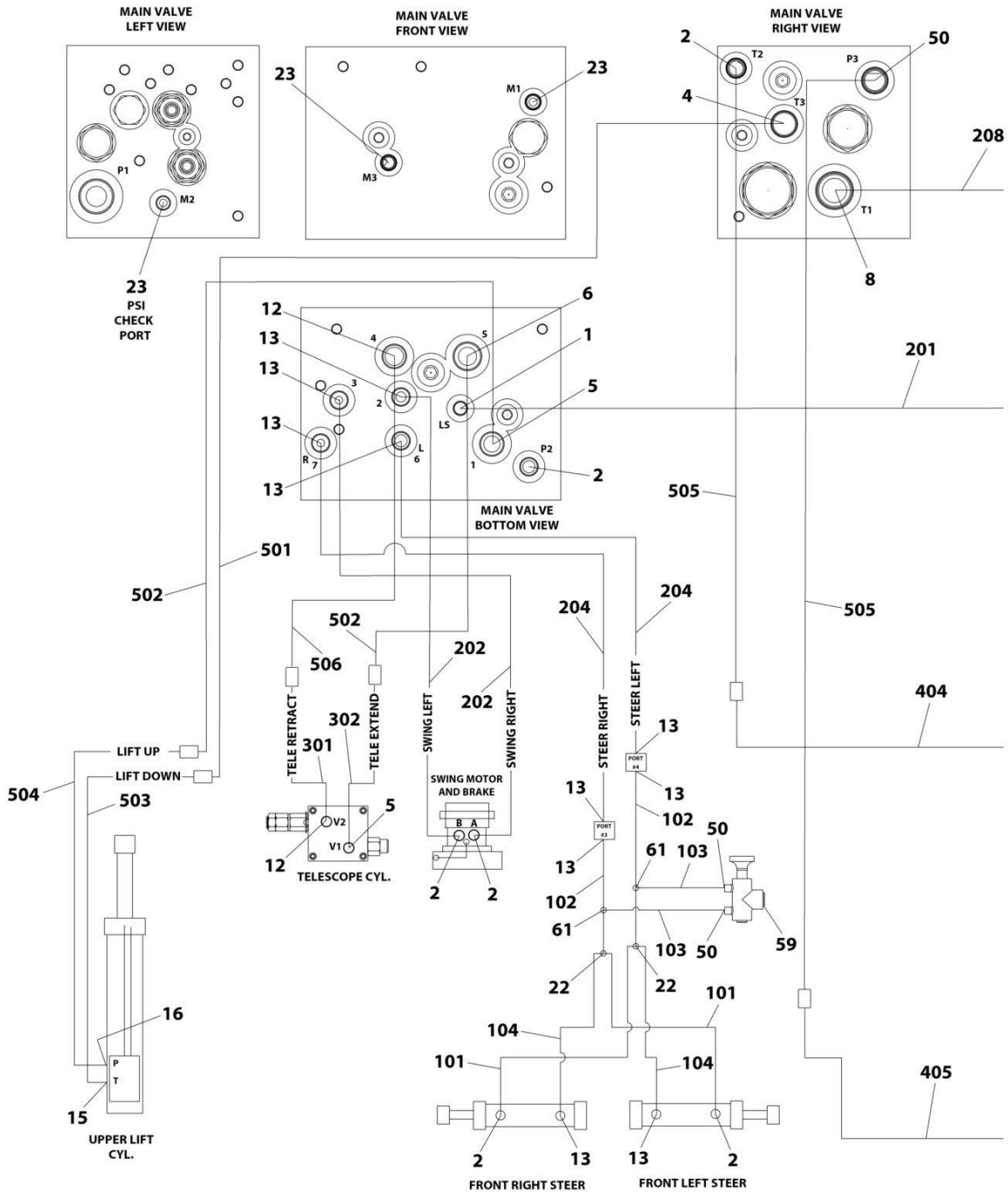
ITEM	PART NUMBER	QTY	DESCRIPTION	REV
	1001257558	Ref	STANDARD HYDRAULIC DIAGRAM	G
1	2110404	7	Fitting, Straight ORFS/ORB	
2	2110604	2	Fitting, Straight ORFS/ORB	
3	2110606	13	Fitting, Straight ORFS/ORB	
4	2110608	1	Fitting, Straight ORFS/ORB	
5	2110612	1	Fitting, Straight ORFS/ORB	
6	2110808	3	Fitting, Straight ORFS/ORB	
7	2111008	2	Fitting, Straight ORFS/ORB	
8	2111010	1	Fitting, Straight ORFS/ORB	
9	2111208	1	Fitting, Straight ORFS/ORB	
10	2111212	2	Fitting, Straight ORFS/ORB	
11	2112424	1	Fitting, Straight ORFS/ORB	
12	2130404	2	Fitting, 90 ORFS/ORB	
13	2130606	7	Fitting, 90 ORFS/ORB	
14	2130608	1	Fitting, 90 ORFS/ORB	
15	2130612	1	Fitting, 90 ORFS/ORB	
16	2130810	2	Fitting, 90 ORFS/ORB	
17	2131010	1	Fitting, 90 ORFS/ORB	
18	2150404	1	Fitting, 45 ORFS/ORB	
19	2151616	1	Fitting, 45 ORFS/ORB	
20	2170208	1	Fitting, 90 ORFS/ORB	
21	2172112	1	Fitting, 90 ORFS/FSORFS	
22	2220478	1	Split Flange Kit	
23	2220737	1	Split Flange Kit	
24	2221086	4	Fitting, Pressure Check	
25	2717059	1	Hose	
26	2753545	1	Hose	
34	4061032	1	Hose, Guard	
35	4240018	3	Tie-Strap	
36	88662327	1	Fitting, Straight ORFS/ORB	
42	1001257430	1	Cover, Hose	
100	2902461	1	Hose Kit	
101	2753670	1	Hose	
102	2753671	2	Hose	
103	2753682	1	Hose	
104	2753684	1	Hose	
105	1001167194	2	Hose	
106	1001167196	1	Hose	
200	1001259338	1	Hose Kit	
201	2753674	1	Hose	
202	2753677	1	Hose	
203	2753678	1	Hose	
204	1001257509	2	Hose	
205	1001269199	2	Hose	
300	1001270074	1	Hose Kit	
301	2753622	1	Hose	
302	1001198333	2	Hose	
400	1001270075	1	Hose Kit	
401	2753653	2	Hose	
402	2753654	1	Hose	

SECTION 7 - HYDRAULIC

ITEM	PART NUMBER	QTY	DESCRIPTION	REV
403	2753656	2	Hose	
404	2753686	1	Hose	
405	1001111968	1	Hose	
406	1001157851	1	Hose	
407	1001177226	1	Hose	
408	1001181894	1	Hose	
500	1001270076	1	Hose Kit	
501	2753681	1	Hose	
502	2753683	1	Hose	

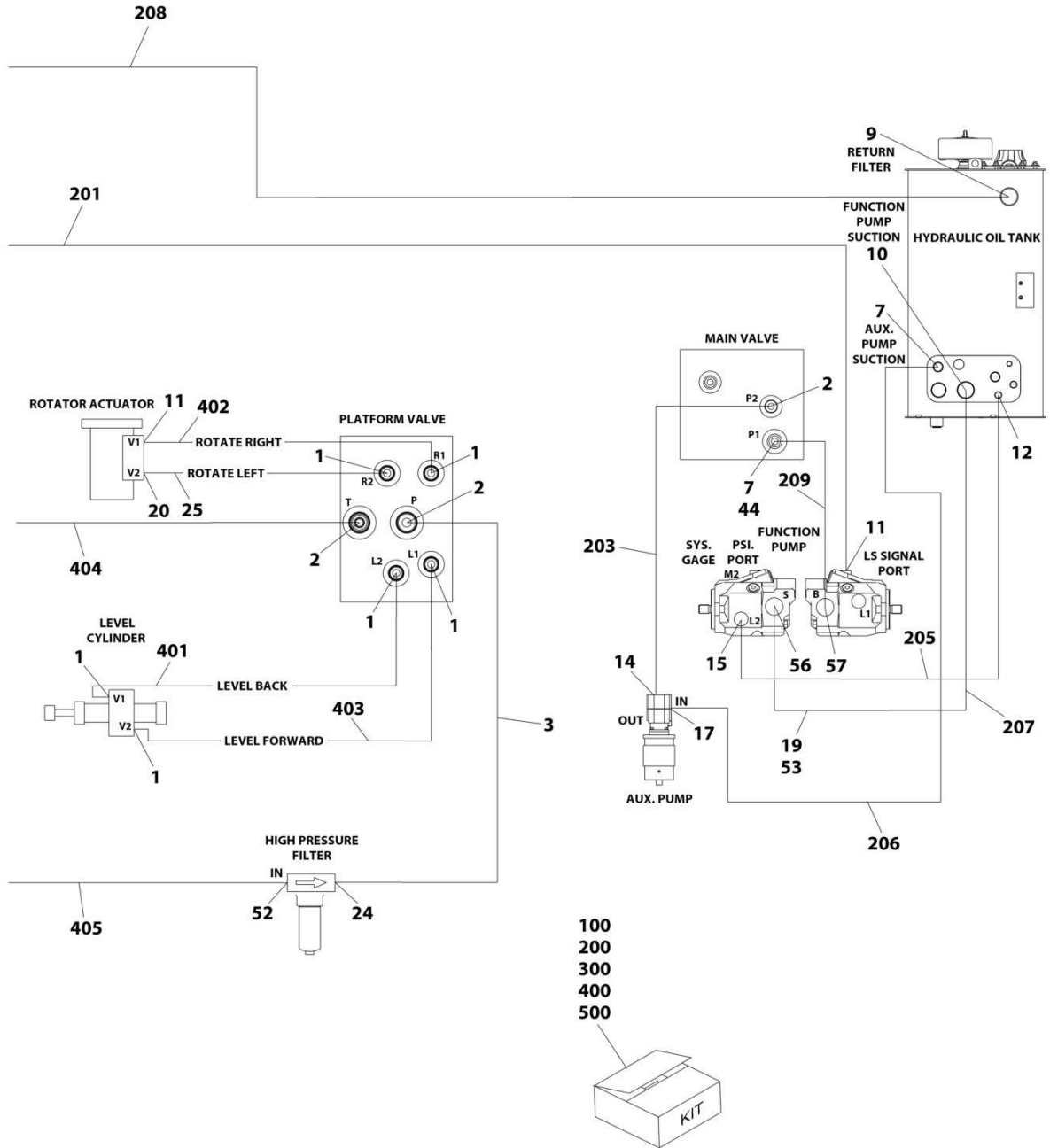
SECTION 7 - HYDRAULIC

FIGURE 7-6. HYDRAULIC DIAGRAM - STANDARD (WITH TOW BAR PACKAGE) (800S HC3)



ART_1001217940_1OF2

SECTION 7 - HYDRAULIC



ART_1001217940_20F2

SECTION 7 - HYDRAULIC

FIGURE 7-6. HYDRAULIC DIAGRAM - STANDARD (WITH TOW BAR PACKAGE) (800S HC3)

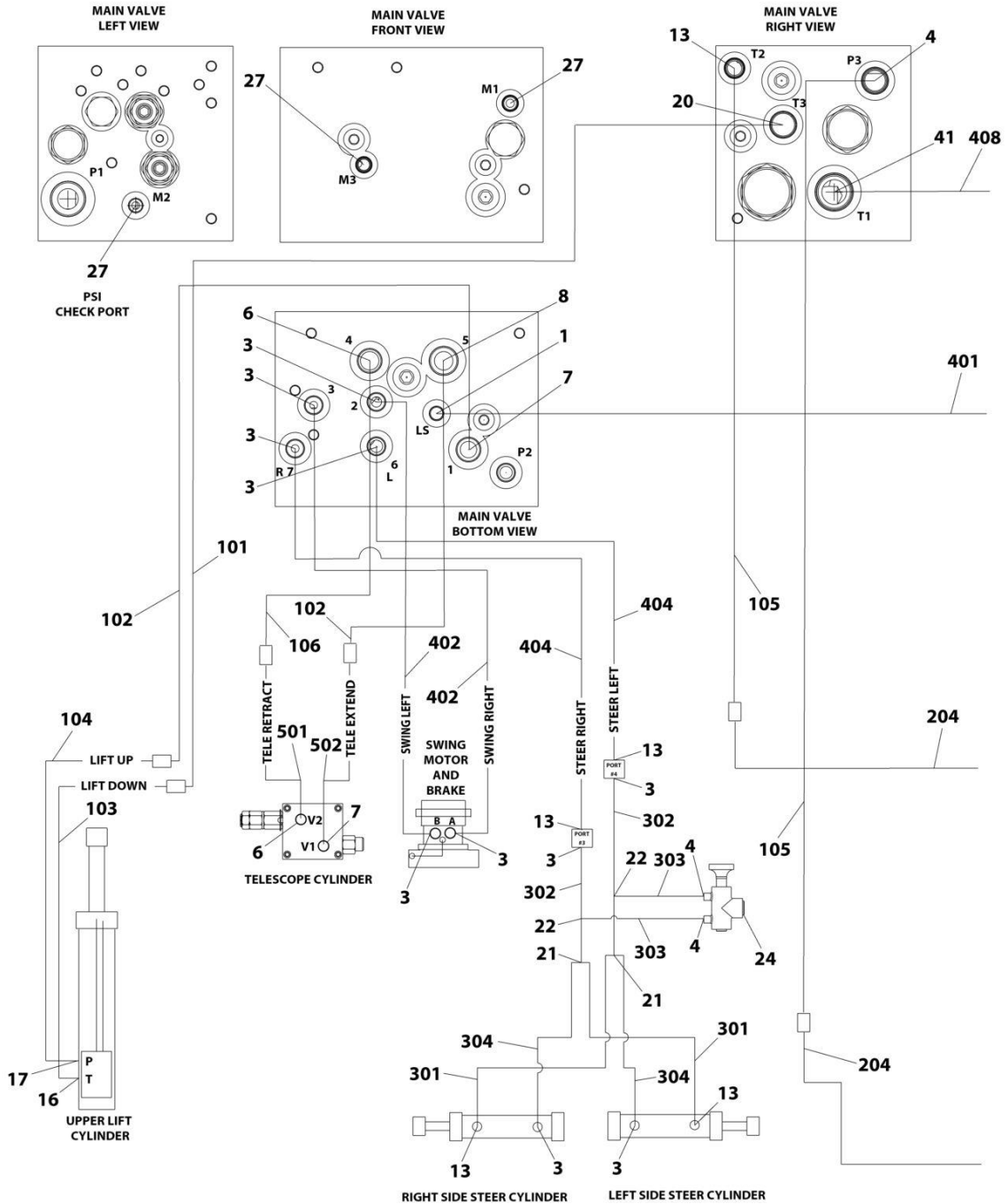
ITEM	PART NUMBER	QTY	DESCRIPTION	REV
	1001217940	Rev	STANDARD HYDRAULIC DIAGRAM	E
1	2110404	7	Fitting, Straight ORFS/ORB	
2	2130606	8	Fitting, 90 ORFS/ORB	
3	2717059	1	Hose	
4	2170208	1	Fitting, 90 ORFS/ORB	
5	2111008	2	Fitting, Straight ORFS/ORB	
6	2111010	1	Fitting, Straight ORFS/ORB	
7	2111212	2	Fitting, Straight ORFS/ORB	
8	88662327	1	Fitting, Straight ORFS/ORB	
9	2151616	1	Fitting, 45 ORFS/ORB	
10	2112424	1	Fitting, Straight ORFS/ORB	
11	2130404	2	Fitting, 90 ORFS/ORB	
12	2110808	3	Fitting, Straight ORFS/ORB	
13	2110606	10	Fitting, Straight ORFS/ORB	
14	2130608	1	Fitting, 90 ORFS/ORB	
15	2130810	2	Fitting, 90 ORFS/ORB	
16	2131010	1	Fitting, 90 ORFS/ORB	
17	2111208	1	Fitting, Straight ORFS/ORB	
19	4240018	3	Tie-Strap	
20	2150404	1	Fitting, 45 ORFS/ORB	
22	2170506	2	Fitting, Tee ORFS/ORFS/ORFS	
23	2221086	3	Fitting, Pressure Check	
24	2110612	1	Fitting, Straight ORFS/ORB	
25	2753545	1	Hose	
44	2172112	1	Fitting, 90 ORFS/FSORFS	
50	2110608	3	Fitting, Straight ORFS/ORB	
52	2130612	1	Fitting, 90 ORFS/ORB	
53	4061032	1	Hose, Guard	
56	2220737	1	Split Flange Kit	
57	2220478	1	Split Flange Kit	
59	2220238	1	Plug	
61	2170706	2	Fitting, Tee ORFS/FSORFS/ORFS	
100	1001270077	1	Towbar Front Hose Kit	
101	2753656	2	Hose	
102	2753732	2	Hose	
103	2753879	2	Hose	
104	1001159340	2	Hose	
200	1001270078	1	Towbar Turntable Hose Kit	
201	2753622	1	Hose	
202	2753653	2	Hose	
203	2753654	1	Hose	
204	2753656	2	Hose	
205	2753686	1	Hose	
206	1001111968	1	Hose	
207	1001157851	1	Hose	
208	1001177226	1	Hose	
209	1001181894	1	Hose	
300	1001270076	1	Boom Hose Kit	
301	2753681	1	Hose	
302	2753683	1	Hose	

SECTION 7 - HYDRAULIC

ITEM	PART NUMBER	QTY	DESCRIPTION	REV
400	1001271618	1	Hose Kit	
401	2753622	1	Hose	
402	2753674	1	Hose	
403	2753675	1	Hose	
404	2753679	1	Hose	
405	2753693	1	Hose	
500	1001271619	1	Hose Kit	
501	2753670	1	Hose	
502	2753671	2	Hose	
503	2753682	1	Hose	
504	2753684	1	Hose	
505	1001167194	2	Hose	
506	1001167196	1	Hose	

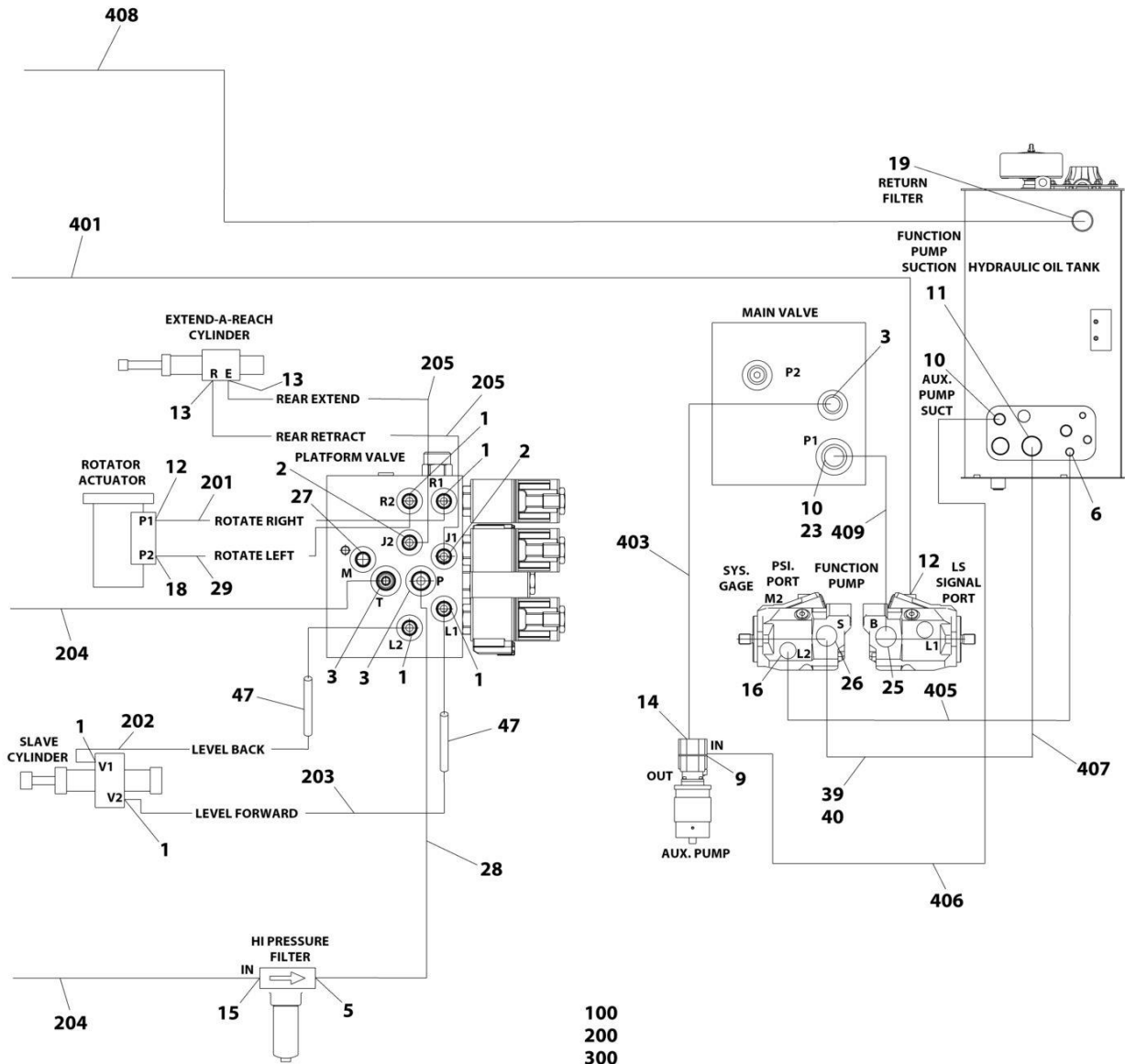
SECTION 7 - HYDRAULIC

FIGURE 7-7. HYDRAULIC DIAGRAM - STANDARD (WITH TOW BAR PACKAGE) (860SJ HC3)

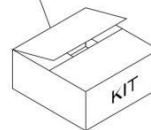


ART_1001257559_10F2

SECTION 7 - HYDRAULIC



- 100
- 200
- 300
- 400
- 500



ART_1001257559_20F2

SECTION 7 - HYDRAULIC

FIGURE 7-7. HYDRAULIC DIAGRAM - STANDARD (WITH TOW BAR PACKAGE) (860SJ HC3)

ITEM	PART NUMBER	QTY	DESCRIPTION	REV
	1001257559	Ref	STANDARD HYDRAULIC DIAGRAM	G
1	2110404	7	Fitting, Straight ORFS/ORB	
2	2110604	2	Fitting, Straight ORFS/ORB	
3	2110606	13	Fitting, Straight ORFS/ORB	
4	2110608	3	Fitting, Straight ORFS/ORB	
5	2110612	1	Fitting, Straight ORFS/ORB	
6	2110808	3	Fitting, Straight ORFS/ORB	
7	2111008	2	Fitting, Straight ORFS/ORB	
8	2111010	1	Fitting, Straight ORFS/ORB	
9	2111208	1	Fitting, Straight ORFS/ORB	
10	2111212	2	Fitting, Straight ORFS/ORB	
11	2112424	1	Fitting, Straight ORFS/ORB	
12	2130404	2	Fitting, 90 ORFS/ORB	
13	2130606	7	Fitting, 90 ORFS/ORB	
14	2130608	1	Fitting, 90 ORFS/ORB	
15	2130612	1	Fitting, 90 ORFS/ORB	
16	2130810	2	Fitting, 90 ORFS/ORB	
17	2131010	1	Fitting, 90 ORFS/ORB	
18	2150404	1	Fitting, 45 ORFS/ORB	
19	2151616	1	Fitting, 45 ORFS/ORB	
20	2170208	1	Fitting, 90 ORFS/ORB	
21	2170506	2	Fitting, Tee ORFS/ORFS/ORFS	
22	2170706	2	Fitting, Tee ORFS/FSORFS/ORFS	
23	2172112	1	Fitting, 90 ORFS/FSORFS	
24	2220238	1	Plug	
25	2220478	1	Split Flange Kit	
26	2220737	1	Split Flange Kit	
27	2221086	4	Fitting, Pressure Check	
28	2717059	1	Hose	
29	2753545	1	Hose	
39	4061032	1	Hose, Guard	
40	4240018	3	Tie-Strap	
41	88662327	1	Fitting, Straight ORFS/ORB	
47	1001257430	1	Cover, Hose	
100	2902461	1	Hose Kit	
101	2753670	1	Hose	
102	2753671	2	Hose	
103	2753682	1	Hose	
104	2753684	1	Hose	
105	1001167194	2	Hose	
106	1001167196	1	Hose	
200	1001259338	1	Hose Kit	
201	2753674	1	Hose	
202	2753677	1	Hose	
203	2753678	1	Hose	
204	1001257509	2	Hose	
205	1001269199	2	Hose	
300	1001270077	1	Hose Kit	
301	2753656	2	Hose	
302	2753732	2	Hose	

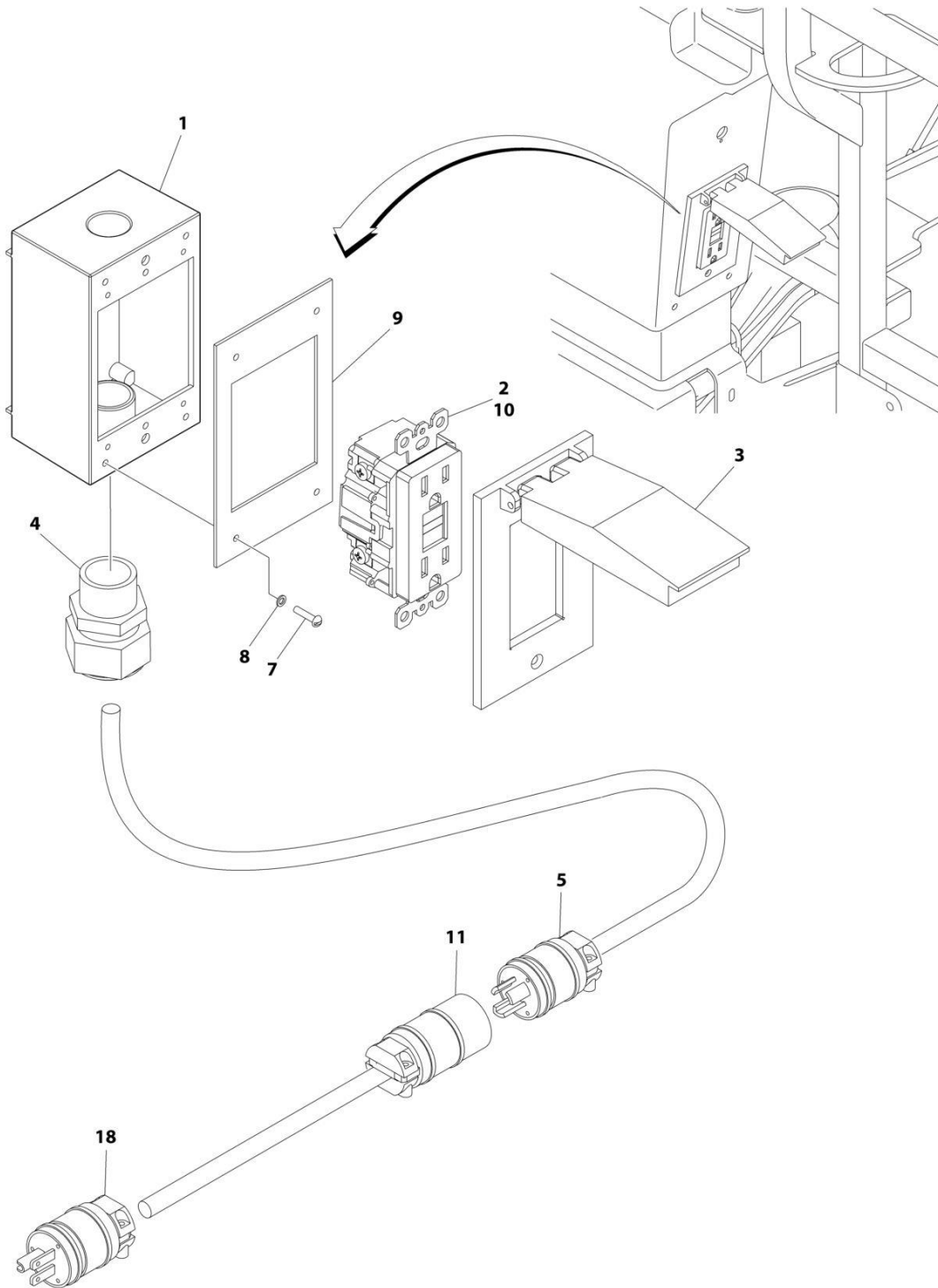
SECTION 7 - HYDRAULIC

ITEM	PART NUMBER	QTY	DESCRIPTION	REV
303	2753879	2	Hose	
304	1001159340	2	Hose	
400	1001270078	1	Hose Kit	
401	2753622	1	Hose	
402	2753653	2	Hose	
403	2753654	1	Hose	
404	2753656	2	Hose	
405	2753686	1	Hose	
406	1001111968	1	Hose	
407	1001157851	1	Hose	
408	1001177226	1	Hose	
409	1001181894	1	Hose	
500	1001270076	1	Hose Kit	
501	2753681	1	Hose	
502	2753683	1	Hose	

SECTION 8 - ELECTRICAL

SECTION 8 - ELECTRICAL

FIGURE 8-1. AC BOX AT PLATFORM INSTALLATION - 110V GFI RECEPTACLE (ALL SPECS EXCEPT AUSTRALIAN & CE SPECS)



ART_0272259

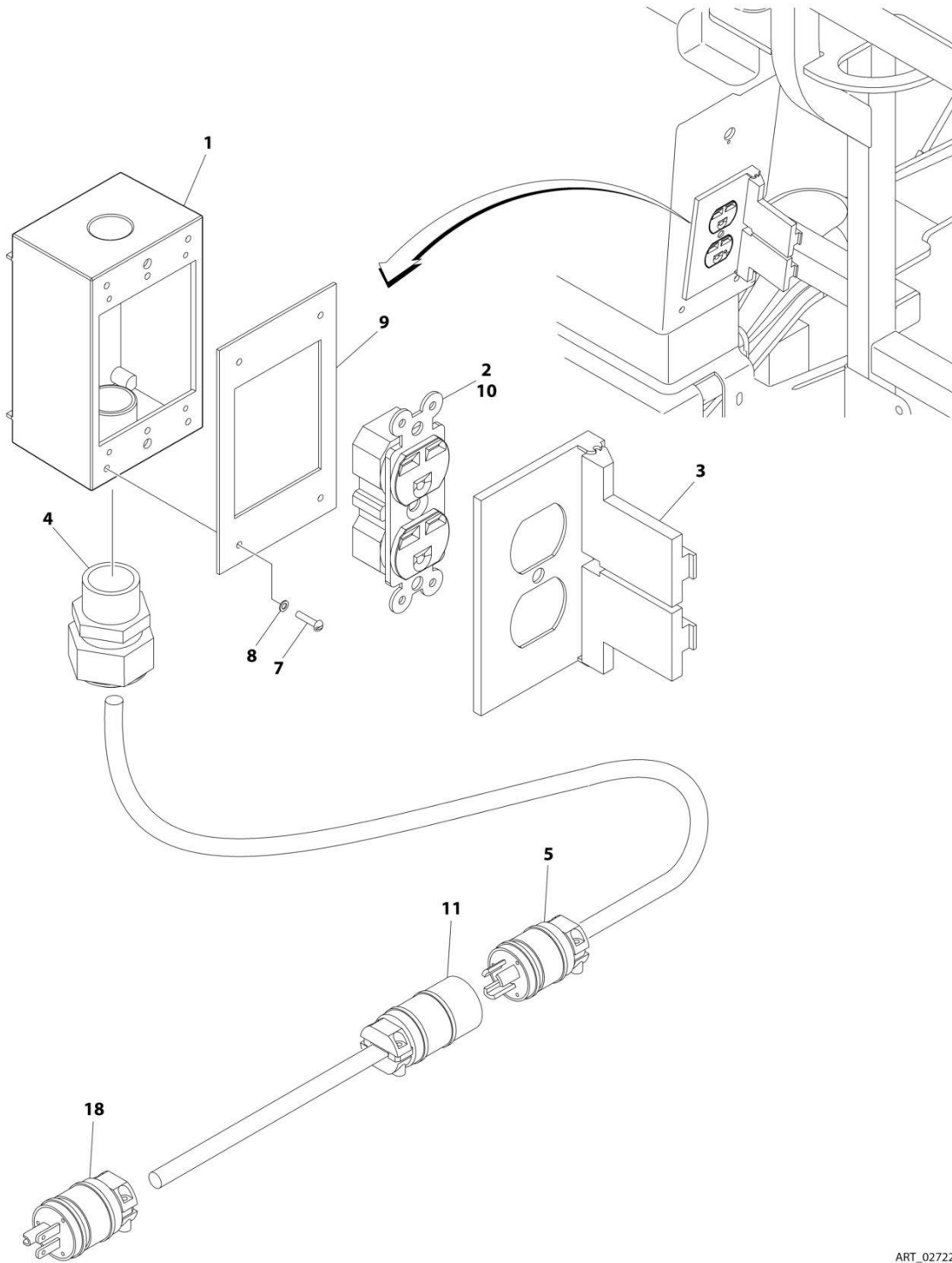
SECTION 8 - ELECTRICAL

FIGURE 8-1. AC BOX AT PLATFORM INSTALLATION - 110V GFI RECEPTACLE (ALL SPECS EXCEPT AUSTRALIAN & CE SPECS)

ITEM	PART NUMBER	QTY	DESCRIPTION	REV
	0272259	Ref	AC BOX AT PLATFORM INSTALLATION - 110V GFI RECEPTACLE	C
1	0860038	1	Box, Switch	
2	4460346	1	Receptacle	
3	1001110873	1	Shield, Cover	
4	4460051	1	Connector, Strain Relief	
5	1001213584	1	Plug, Male	
7	3910610	4	Screw #6 x 5/8	
8	4760600	4	Washer #6	
9	3960422	1	Gasket	
10	4460315	3	Terminal, Spade	
11	1001213585	1	Receptacle, Female	
18	4460205	1	Plug, Male	

SECTION 8 - ELECTRICAL

FIGURE 8-2. AC BOX AT PLATFORM INSTALLATION - 220V (ANSI, CSA & JAPANESE SPECS)



ART_0272260

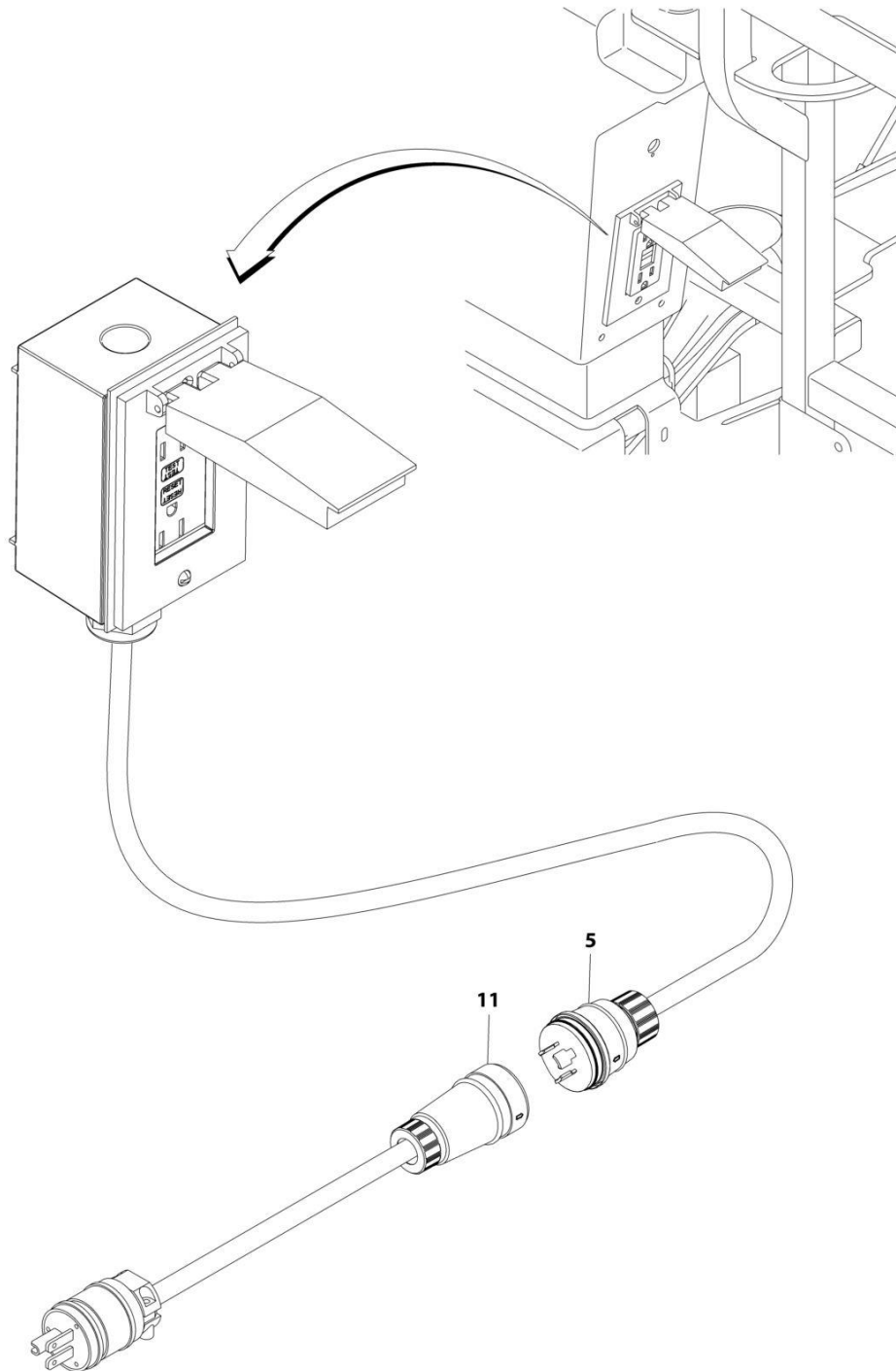
SECTION 8 - ELECTRICAL

FIGURE 8-2. AC BOX AT PLATFORM INSTALLATION - 220V (ANSI, CSA & JAPANESE SPECS)

ITEM	PART NUMBER	QTY	DESCRIPTION	REV
	0272260	Ref	AC BOX AT PLATFORM INSTALLATION - 220V	C
1	0860038	1	Box, Switch	
2	4460125	1	Receptacle	
3	4060092	1	Shield	
4	4460051	1	Connector, Strain Relief	
5	1001213584	2	Plug, Male	
7	3910610	4	Screw #6 x 5/8	
8	4760600	4	Washer #6	
9	3960422	1	Gasket	
10	4460315	1	Terminal, Spade	
11	1001213585	1	Receptacle, Female	
18	4460233	1	Plug, Male	

SECTION 8 - ELECTRICAL

FIGURE 8-3. AC BOX AT PLATFORM MID-BOOM PLUG INSTALLATION (WITHOUT 7500W SKYPOWER GENERATOR) (ANSI EXPORT, AUSTRALIAN & CE SPECS)



ART_0256202

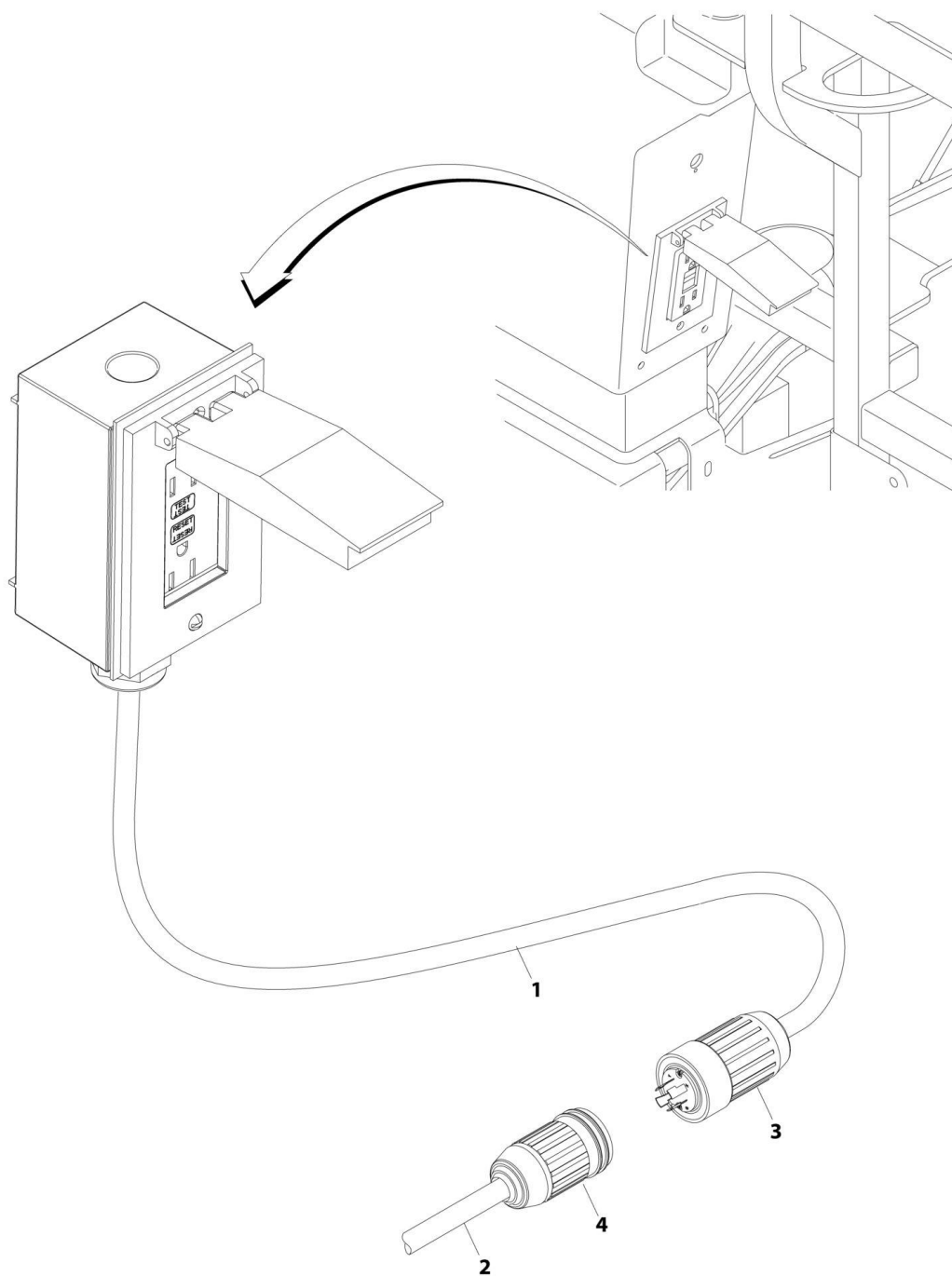
SECTION 8 - ELECTRICAL

FIGURE 8-3. AC BOX AT PLATFORM MID-BOOM PLUG INSTALLATION (WITHOUT 7500W SKYPOWER GENERATOR) (ANSI EXPORT, AUSTRALIAN & CE SPECS)

ITEM	PART NUMBER	QTY	DESCRIPTION	REV
	0256202	Ref	AC BOX AT PLATFORM MID-BOOM PLUG INSTALLATION	D
5	1001213584	1	Plug	
11	1001213585	1	Receptacle	

SECTION 8 - ELECTRICAL

FIGURE 8-4. AC BOX AT PLATFORM MID-BOOM PLUG INSTALLATION (WITHOUT GENERATOR)
(CHINA SPECS)



ART_1001243561

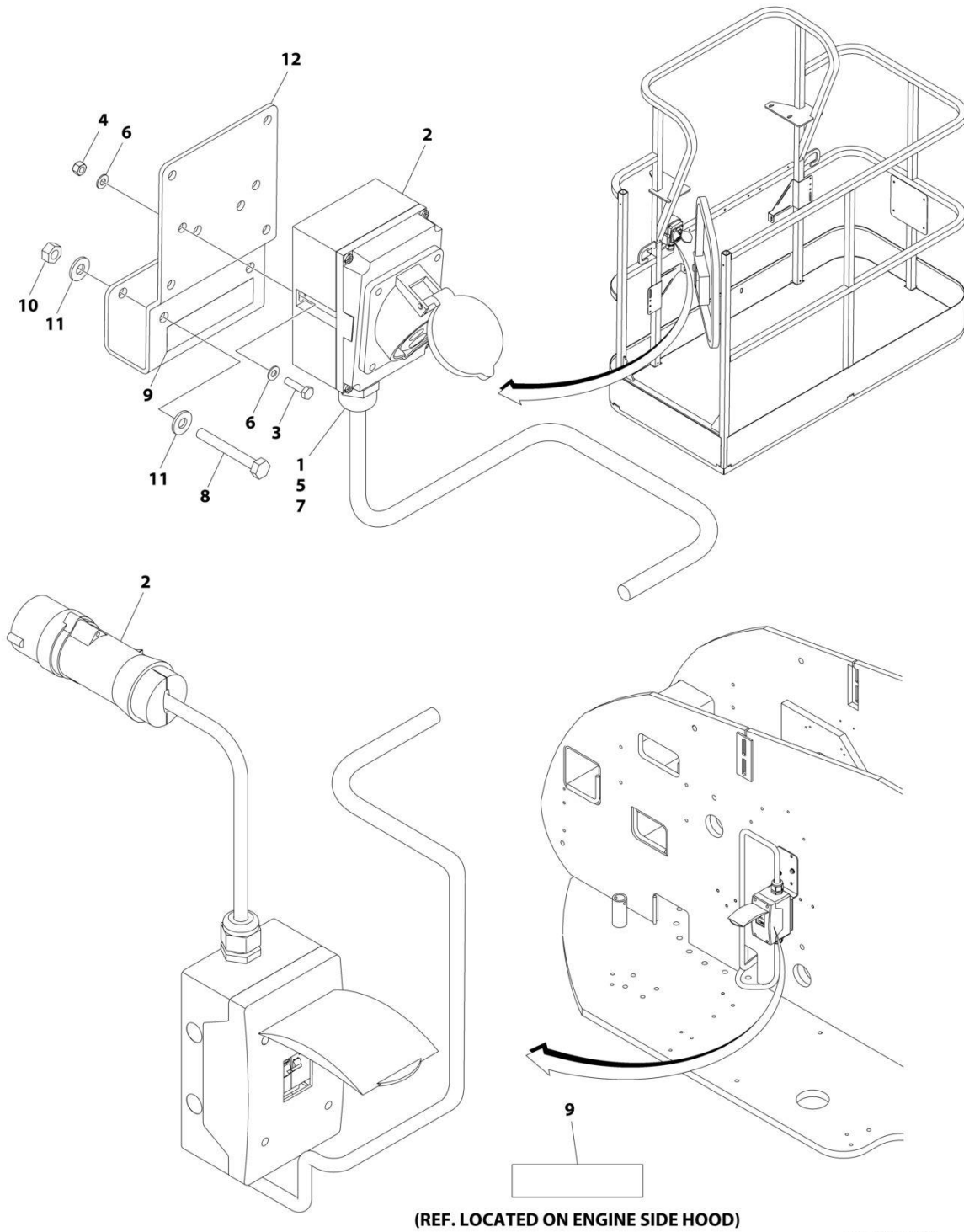
SECTION 8 - ELECTRICAL

**FIGURE 8-4. AC BOX AT PLATFORM MID-BOOM PLUG INSTALLATION (WITHOUT GENERATOR)
(CHINA SPECS)**

ITEM	PART NUMBER	QTY	DESCRIPTION	REV
	1001243561	Ref	AC BOX AT PLATFORM MID-BOOM PLUG INSTALLATION	A
1	4922874	1	Cable, Electrical 10/3	
2	4922877	1	Cable, Electrical 10/3	
3	1001213584	1	Plug	
4	1001213585	1	Receptacle	

SECTION 8 - ELECTRICAL

FIGURE 8-5. AC BOX AT PLATFORM INSTALLATION - 110V IEC 60309 YELLOW WITHOUT 2500W GENERATOR (CE SPECS)



ART_1001091969

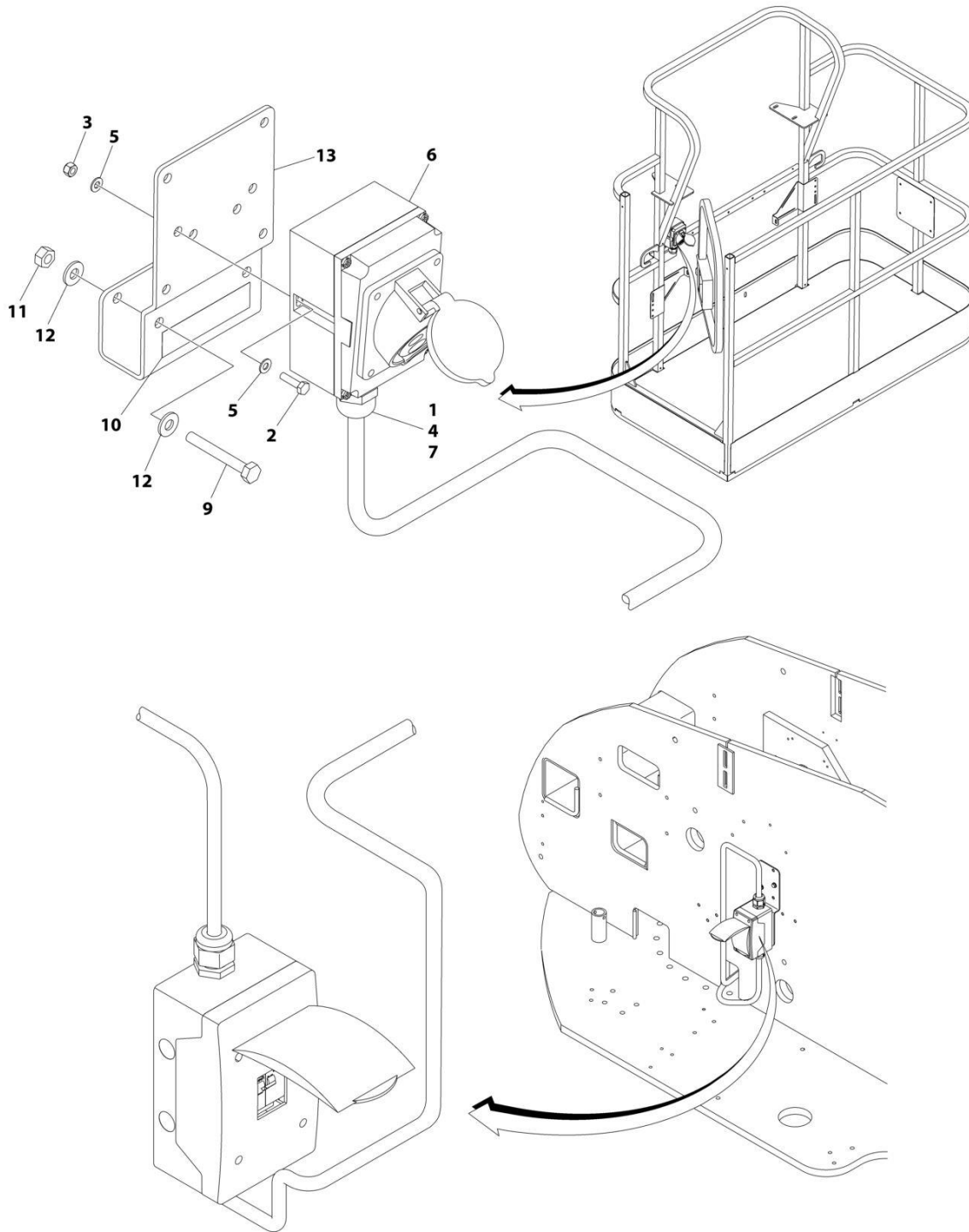
SECTION 8 - ELECTRICAL

FIGURE 8-5. AC BOX AT PLATFORM INSTALLATION - 110V IEC 60309 YELLOW WITHOUT 2500W GENERATOR (CE SPECS)

ITEM	PART NUMBER	QTY	DESCRIPTION	REV
	1001091969	Ref	AC BOX AT PLATFORM INSTALLATION - 110V IEC YELLOW	D
1	0100020	AR	Sealant, Pipe	
2	0275216	1	Receptacle Box Kit (See Separate Breakdown in this Section)	
3	0700408	2	Bolt M4 x 16	
4	3290405	2	Nut M4	
5	1001101196	1	Adapter	
6	4811400	4	Washer M4	
7	1001101191	1	Connector, Strain Relief	
8	0641416	2	Bolt 1/4 x 2	
9	1705325	2	Decal - 110V	
10	3311405	2	Nut 1/4	
11	4711400	4	Washer 1/4	
12	1001193018	1	Bracket	

SECTION 8 - ELECTRICAL

FIGURE 8-6. AC BOX AT PLATFORM INSTALLATION - 110V IEC 60309 YELLOW WITH 2500W GENERATOR (CE SPECS)



ART_1001100326

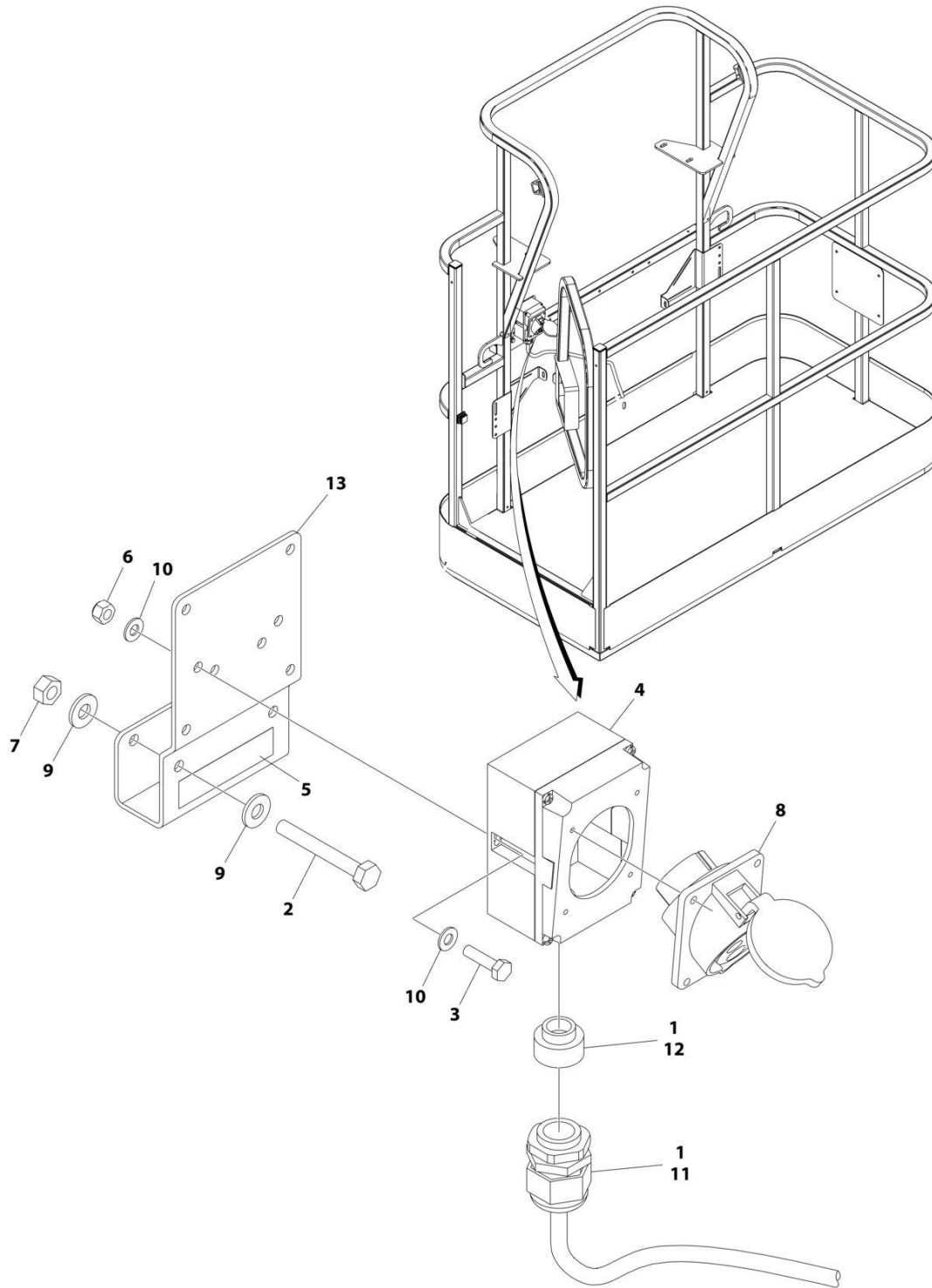
SECTION 8 - ELECTRICAL

FIGURE 8-6. AC BOX AT PLATFORM INSTALLATION - 110V IEC 60309 YELLOW WITH 2500W GENERATOR (CE SPECS)

ITEM	PART NUMBER	QTY	DESCRIPTION	REV
	1001100326	Ref	AC BOX AT PLATFORM INSTALLATION - 110V IEC 60309 YELLOW	D
1	0100020	AR	Sealant, Pipe	
2	0700408	2	Bolt M4 x 16	
3	3290405	2	Nut M4	
4	1001101196	1	Adapter	
5	4811400	4	Washer M4	
6	1001100341	1	Receptacle Box Kit (See Separate Breakdown in this Section)	
7	1001101191	1	Connector, Strain Relief	
8	1060908	10 ft /3.05m	Cable, Electrical 12/3 (Not Shown)	
9	0641416	2	Bolt 1/4 x 2	
10	1705325	1	Decal - 110V	
11	3311405	2	Nut 1/4	
12	4711400	4	Washer 1/4	
13	1001193018	1	Bracket	

SECTION 8 - ELECTRICAL

FIGURE 8-7. AC BOX AT PLATFORM INSTALLATION - 110V IEC YELLOW (CE SPECS) (MACHINES WITH 4000W GENERATOR)



ART_1001206253

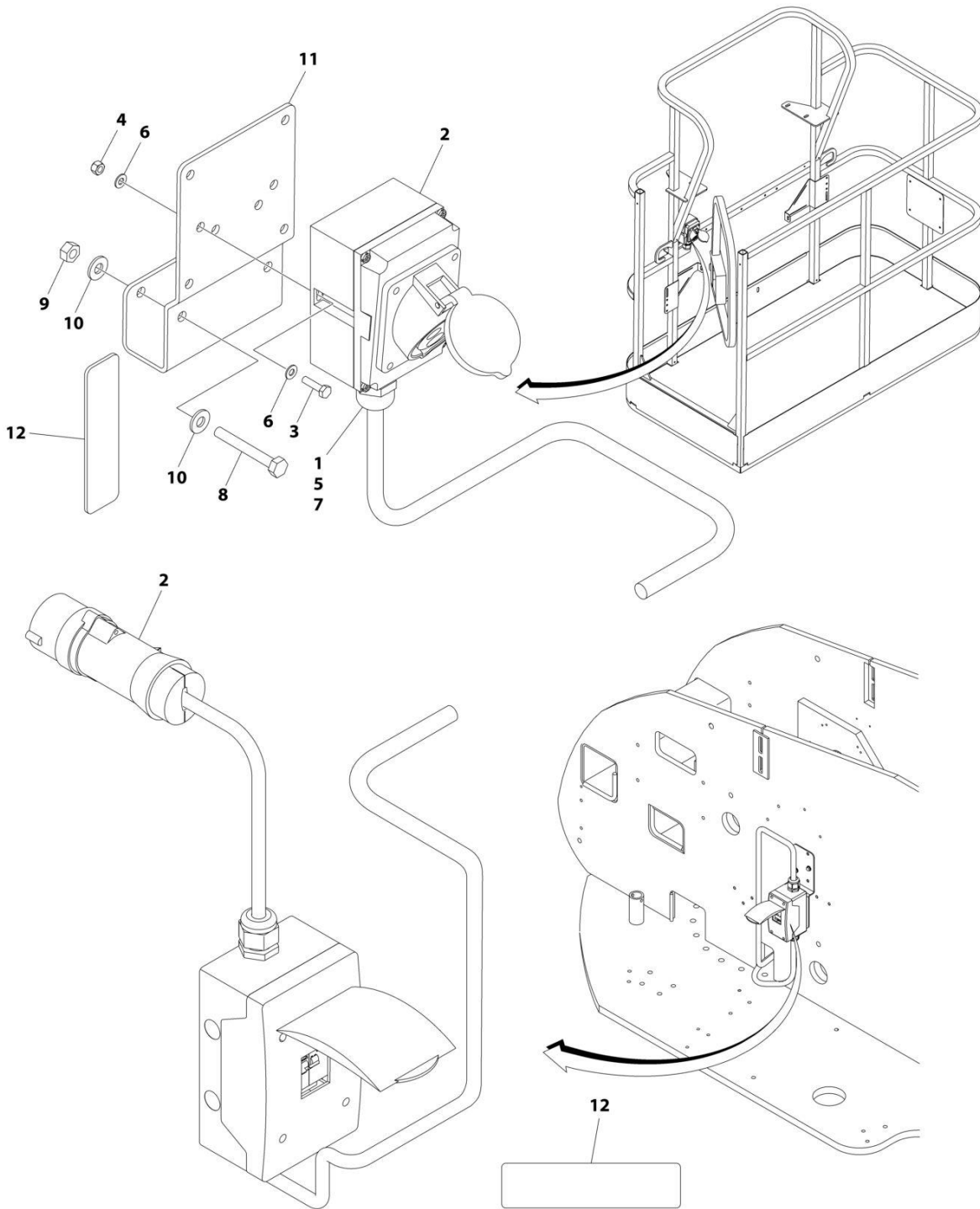
SECTION 8 - ELECTRICAL

FIGURE 8-7. AC BOX AT PLATFORM INSTALLATION - 110V IEC YELLOW (CE SPECS) (MACHINES WITH 4000W GENERATOR)

ITEM	PART NUMBER	QTY	DESCRIPTION	REV
	1001206253	Ref	AC BOX AT PLATFORM INSTALLATION - 110V IEC 60309 YELLOW WITHOUT 4000W GENERATOR	A
1	0100020	AR	Sealant, Pipe	
2	0641416	2	Bolt 1/4 x 2	
3	0700408	2	Bolt M4 x 16	
4	0861781	1	Box, Switch	
5	1705325	1	Decal - 110V	
6	3290405	2	Nut M4	
7	3311405	2	Nut 1/4	
8	4461198	1	Receptacle	
9	4711400	4	Washer 1/4	
10	4811400	4	Washer M4	
11	1001101191	1	Connector, Strain Relief	
12	1001101196	1	Adapter	
13	1001193018	1	Bracket, AC Receptacle	

SECTION 8 - ELECTRICAL

FIGURE 8-8. AC BOX AT PLATFORM INSTALLATION - 220V IEC BLUE (CE SPECS) (MACHINES WITH 2500W GENERATOR OR NO GENERATOR OPTION)



(REF. LOCATED ON ENGINE SIDE HOOD)

ART_1001091970

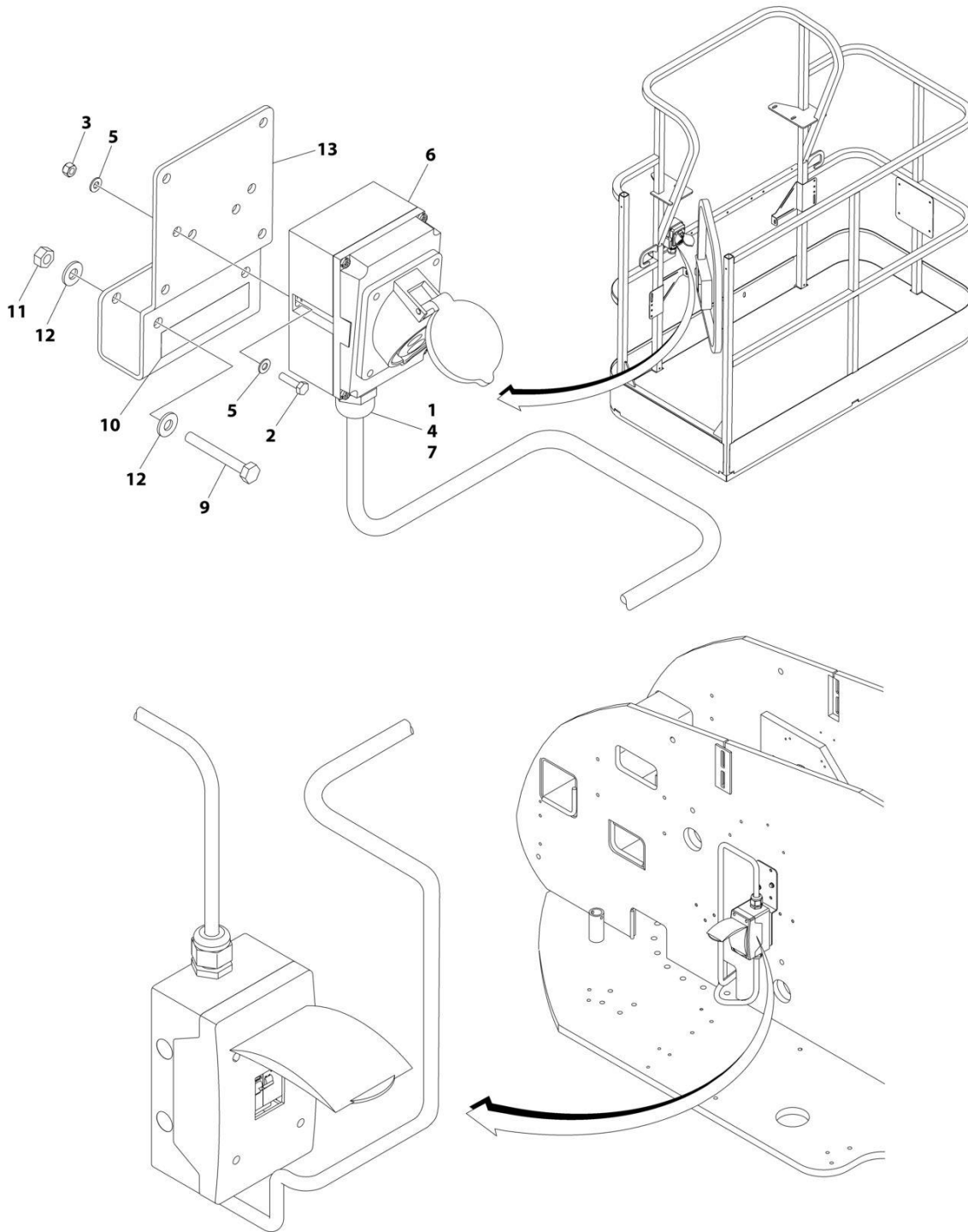
SECTION 8 - ELECTRICAL

FIGURE 8-8. AC BOX AT PLATFORM INSTALLATION - 220V IEC BLUE (CE SPECS) (MACHINES WITH 2500W GENERATOR OR NO GENERATOR OPTION)

ITEM	PART NUMBER	QTY	DESCRIPTION	REV
	1001091970	Ref	AC BOX AT PLATFORM INSTALLATION - 220V IEC BLUE	D
1	0100020	AR	Sealant, Pipe	
2	0275217	1	Receptacle Box Kit (See Separate Breakdown in this Section)	
3	0700408	2	Bolt M4 x 16	
4	3290405	2	Nut M4	
5	1001101196	1	Adapter	
6	4811400	4	Washer M4	
7	1001101191	1	Connector, Strain Relief	
8	0641416	2	Bolt 1/4 x 2	
9	3311405	2	Nut 1/4	
10	4711400	4	Washer 1/4	
11	1001193018	1	Bracket	
12	3251242	2	Decal - 240V/50Hz	

SECTION 8 - ELECTRICAL

FIGURE 8-9. AC BOX AT PLATFORM INSTALLATION - 220V IEC 60309 BLUE WITH 2500W GENERATOR (CE SPECS)



ART_1001100327

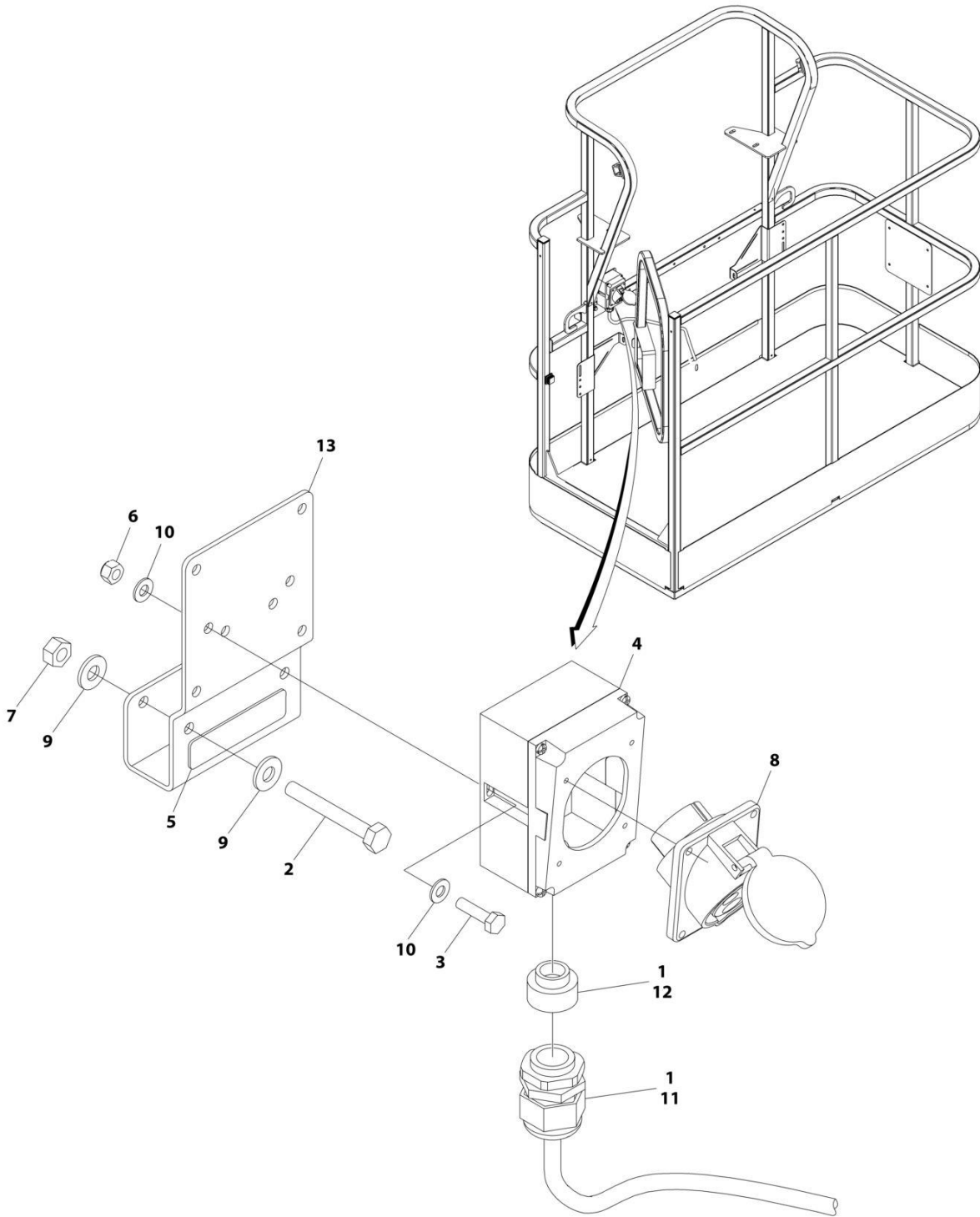
SECTION 8 - ELECTRICAL

FIGURE 8-9. AC BOX AT PLATFORM INSTALLATION - 220V IEC 60309 BLUE WITH 2500W GENERATOR (CE SPECS)

ITEM	PART NUMBER	QTY	DESCRIPTION	REV
	1001100327	Ref	AC BOX AT PLATFORM INSTALLATION - 220V IEC 60309 BLUE	D
1	0100020	AR	Sealant, Pipe	
2	0700408	2	Bolt M4 x 16	
3	3290405	2	Nut M4	
4	1001101196	1	Adapter	
5	4811400	4	Washer M4	
6	1001100342	1	Receptacle Box Kit (See Separate Breakdown in this Section)	
7	1001101191	1	Connector, Strain Relief	
8	1060908	10 ft /3.05m	Cable, Electrical 12/3 (Not Shown)	
9	0641416	2	Bolt 1/4 x 2	
10	3252507	1	Decal - 220V	
11	3311405	2	Nut 1/4	
12	4711400	4	Washer 1/4	
13	1001193018	1	Bracket	

SECTION 8 - ELECTRICAL

FIGURE 8-10. AC BOX AT PLATFORM INSTALLATION - 220V IEC BLUE (CE SPECS) (MACHINES WITH 4000W GENERATOR)



ART_1001206254

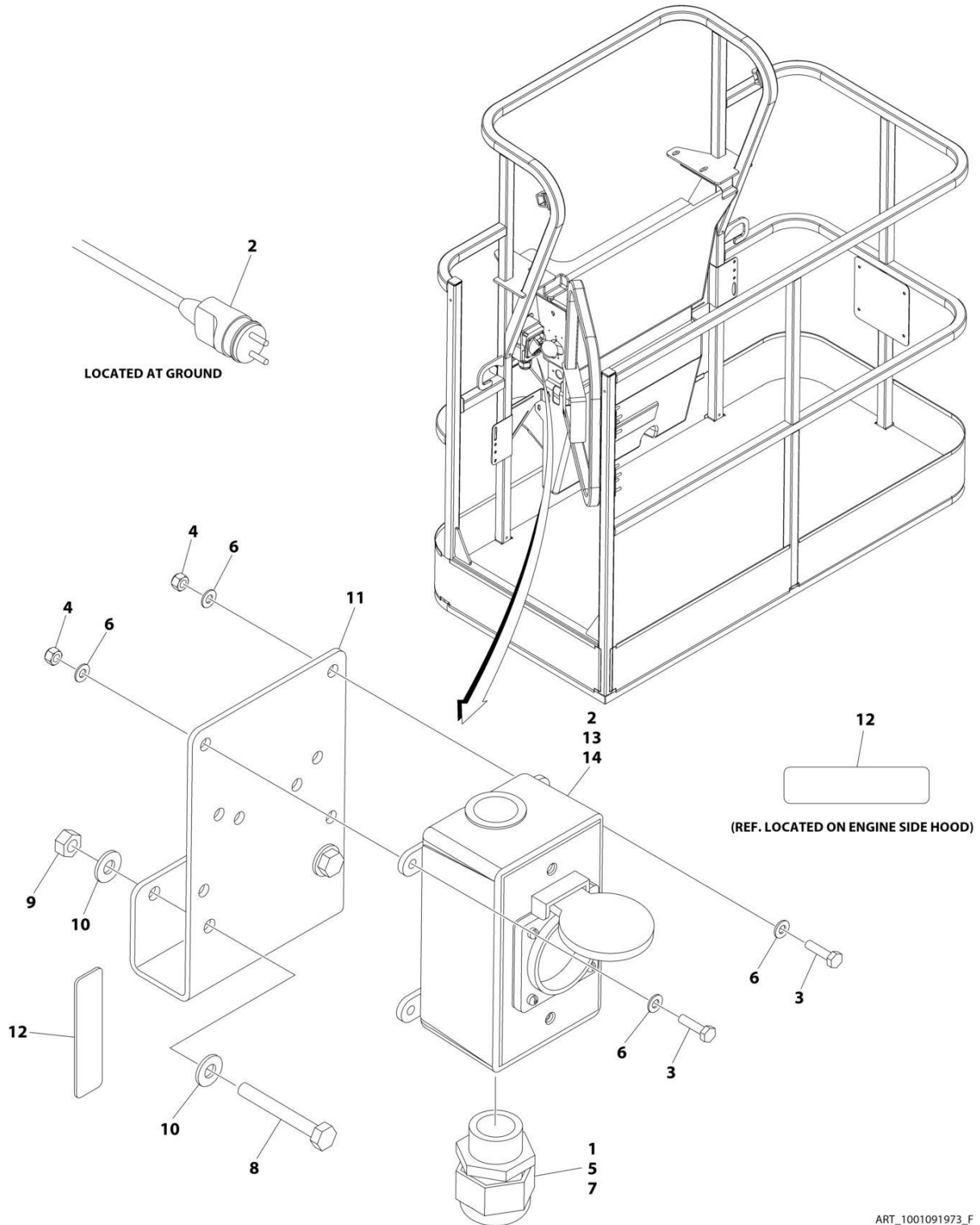
SECTION 8 - ELECTRICAL

FIGURE 8-10. AC BOX AT PLATFORM INSTALLATION - 220V IEC BLUE (CE SPECS) (MACHINES WITH 4000W GENERATOR)

ITEM	PART NUMBER	QTY	DESCRIPTION	REV
	1001206254	Ref	AC BOX AT PLATFORM INSTALLATION - 220V IEC BLUE	A
1	0100020	AR	Sealant, Pipe	
2	0641416	2	Bolt 1/4 x 2	
3	0700408	2	Bolt M4 x 16	
4	0861781	1	Box, Switch	
5	3251242	1	Decal - 240V/50Hz	
6	3290405	2	Nut M4	
7	3311405	2	Nut 1/4	
8	4461201	1	Receptacle	
9	4711400	4	Washer 1/4	
10	4811400	4	Washer M4	
11	1001101191	1	Connector, Strain Relief	
12	1001101196	1	Adapter	
13	1001193018	1	Bracket, AC Receptacle	

SECTION 8 - ELECTRICAL

**FIGURE 8-11. AC BOX AT PLATFORM INSTALLATION - 220V CEE7 POST GROUND (CE SPECS)
(MACHINES WITH 2500W GENERATOR OR NO GENERATOR OPTION)**



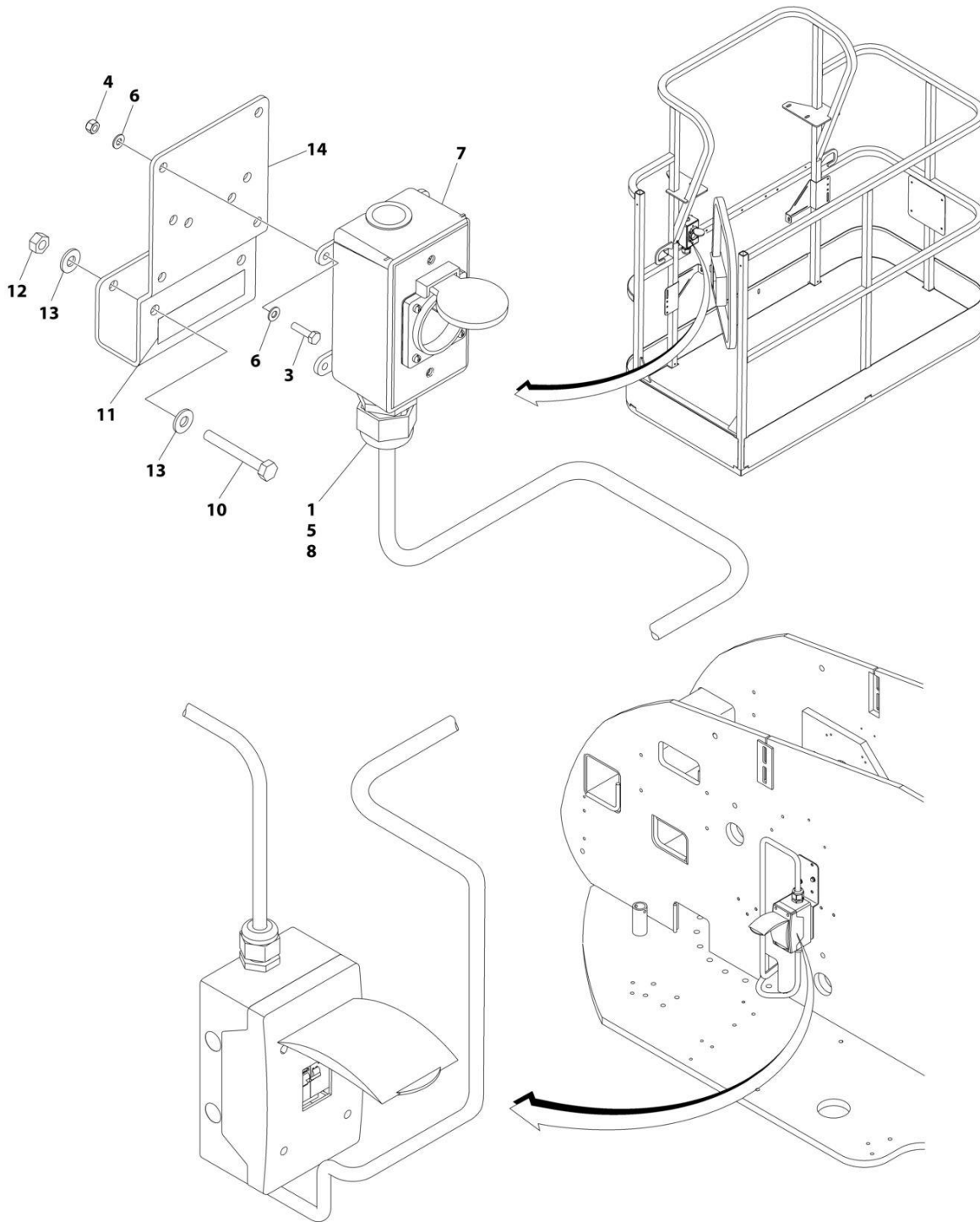
SECTION 8 - ELECTRICAL

**FIGURE 8-11. AC BOX AT PLATFORM INSTALLATION - 220V CEE7 POST GROUND (CE SPECS)
(MACHINES WITH 2500W GENERATOR OR NO GENERATOR OPTION)**

ITEM	PART NUMBER	QTY	DESCRIPTION	REV
	1001091973	Ref	AC BOX AT PLATFORM INSTALLATION - 220V CEE7 2X4 BOX POST GROUND	F
1	0100020	AR	Sealant, Pipe	
2	0275452	1	Receptacle Box Kit (See Separate Breakdown in this Section)	
3	0700408	4	Bolt M4 x 16	
4	3290405	4	Nut M4	
5	1001101197	1	Adapter	
6	4811400	8	Washer M4	
7	1001101191	1	Connector, Strain Relief	
8	0641416	2	Bolt 1/4 x 2	
9	3311405	2	Nut 1/4	
10	4711400	4	Washer 1/4	
11	1001193018	1	Bracket	
12	3251242	2	Decal - 240V/50Hz	
13	4460806	2	Terminal, Fork (Not Shown)	
14	1001205958	1	Terminal (Not Shown)	

SECTION 8 - ELECTRICAL

FIGURE 8-12. AC BOX AT PLATFORM INSTALLATION - 220V CEE7 POST GROUND (2X4 BOX) WITH 2500W GENERATOR (CE SPECS)



ART_1001100331

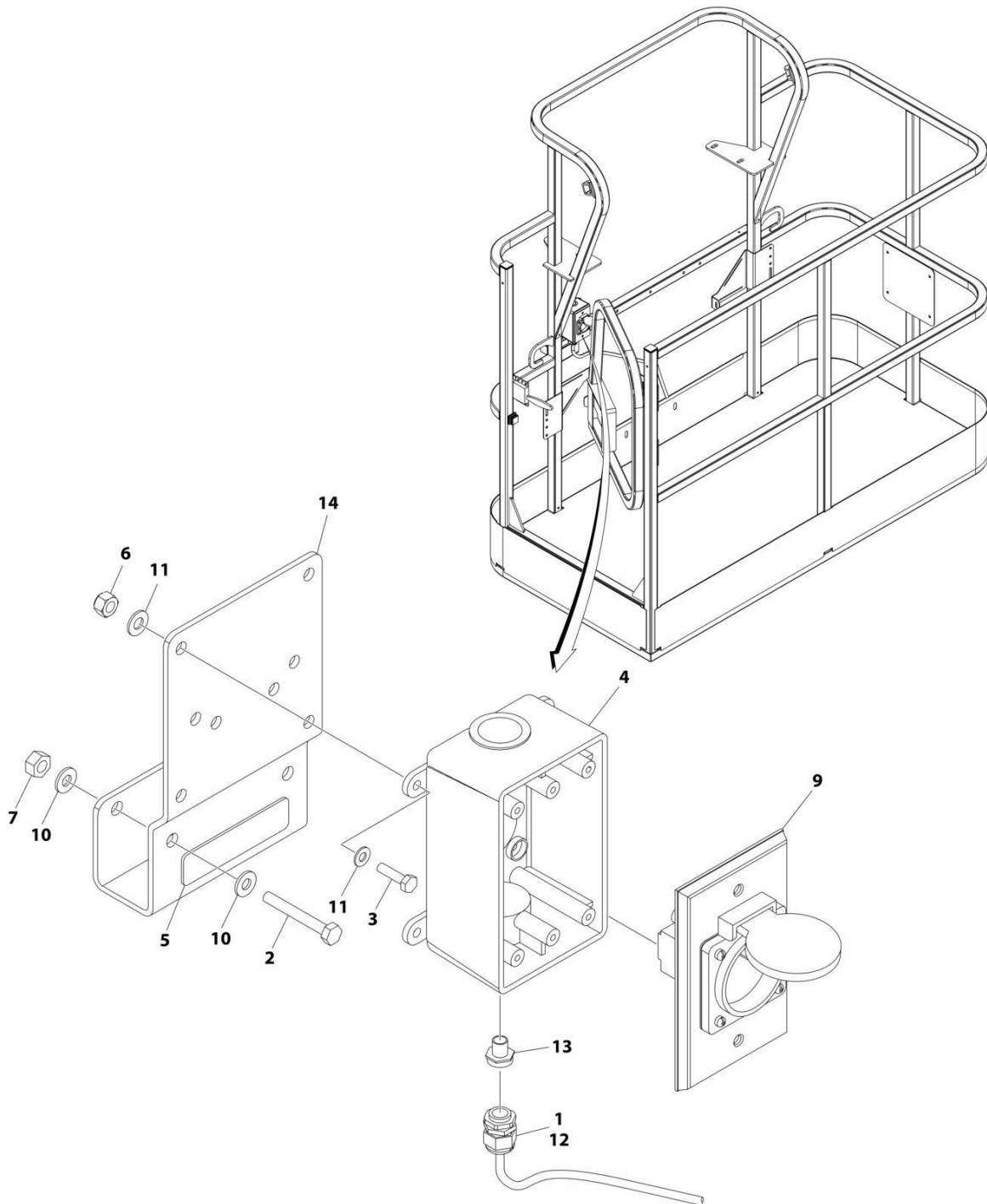
SECTION 8 - ELECTRICAL

FIGURE 8-12. AC BOX AT PLATFORM INSTALLATION - 220V CEE7 POST GROUND (2X4 BOX) WITH 2500W GENERATOR (CE SPECS)

ITEM	PART NUMBER	QTY	DESCRIPTION	REV
	1001100331	Ref	AC BOX AT PLATFORM INSTALLATION - 220V CEE7 POST GROUND (2X4 BOX)	E
1	0100020	AR	Sealant, Pipe	
3	0700408	4	Bolt M4 x 16	
4	3290405	4	Nut M4	
5	1001101197	1	Adapter	
6	4811400	8	Washer M4	
7	1001100345	1	Receptacle Box Kit (See Separate Breakdown in this Section)	
8	1001101191	1	Connector, Strain Relief	
9	1060908	10 ft /3.05m	Cable, Electrical 12/3 (Not Shown)	
10	0641416	2	Bolt 1/4 x 2	
11	3252507	1	Decal - 220V	
12	3311405	2	Nut 1/4	
13	4711400	4	Washer 1/4	
14	1001193018	1	Bracket	
15	4460806	2	Terminal, Fork (Not Shown)	
16	1001205958	1	Terminal (Not Shown)	

SECTION 8 - ELECTRICAL

**FIGURE 8-13. AC BOX AT PLATFORM INSTALLATION - 220V CEE7 POST GROUND (CE SPECS)
(MACHINES WITH 4000W GENERATOR)**



ART_1001206250

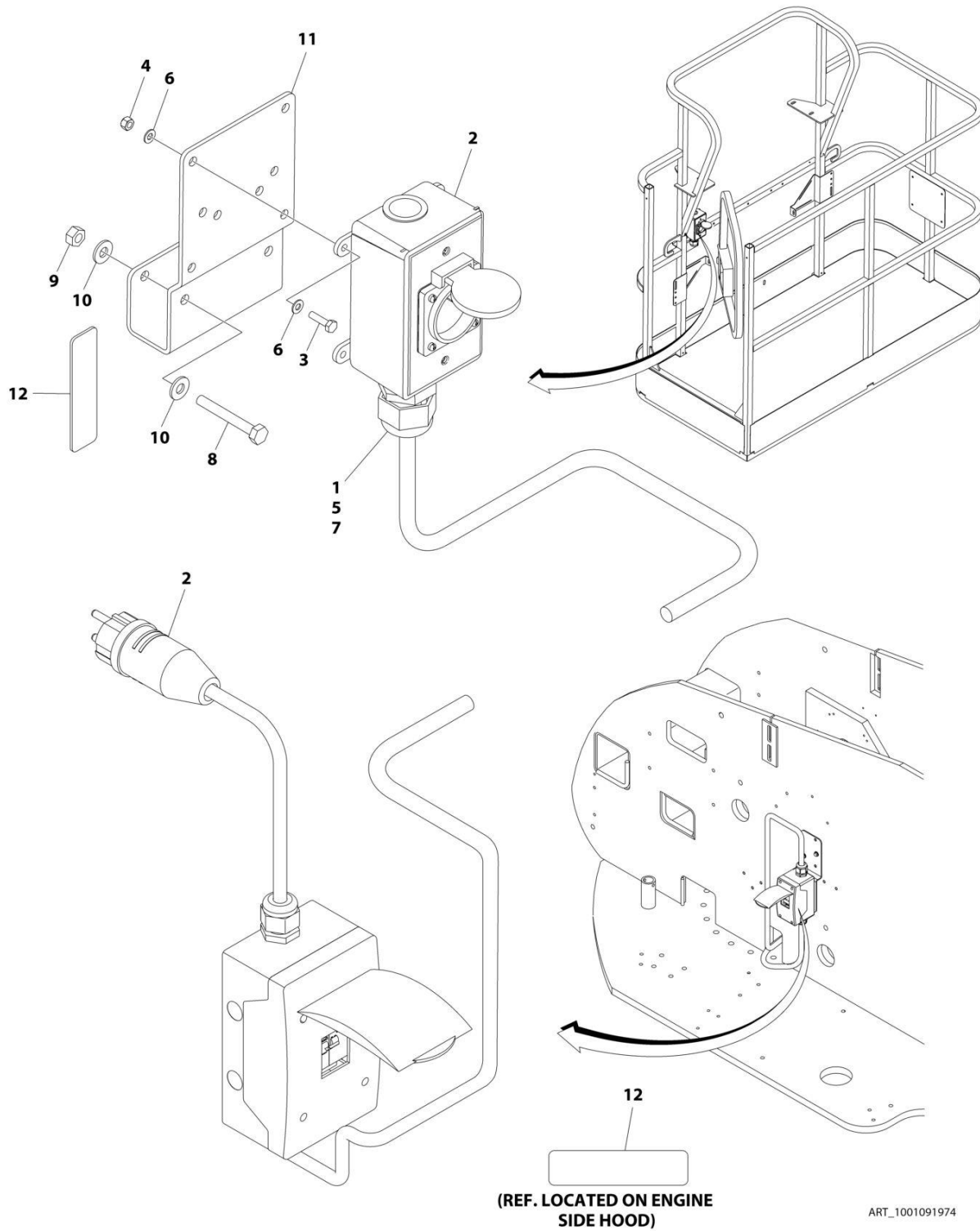
SECTION 8 - ELECTRICAL

**FIGURE 8-13. AC BOX AT PLATFORM INSTALLATION - 220V CEE7 POST GROUND (CE SPECS)
(MACHINES WITH 4000W GENERATOR)**

ITEM	PART NUMBER	QTY	DESCRIPTION	REV
	1001206250	Ref	AC BOX AT PLATFORM INSTALLATION - 220V CEE7 2X4 BOX POST GROUND	A
1	0100020	AR	Sealant, Pipe	
2	0641416	2	Bolt 1/4 x 2	
3	0700408	4	Bolt M4 x 16	
4	0861731	1	Box, Switch	
5	3251242	1	Decal - 240V/50Hz	
6	3290405	4	Nut M4	
7	3311405	2	Nut 1/4	
8	4460806	2	Terminal, Fork (Not Shown)	
9	4461244	1	Receptacle	
10	4711400	4	Washer 1/4	
11	4811400	8	Washer M4	
12	1001101191	1	Connector, Strain Relief	
13	1001101197	1	Adapter	
14	1001193018	1	Bracket, AC Receptacle	
15	1001205958	1	Terminal (Not Shown)	

SECTION 8 - ELECTRICAL

**FIGURE 8-14. AC BOX AT PLATFORM INSTALLATION - 220V CEE7 SIDE GROUND (CE SPECS)
(MACHINES WITH 2500W GENERATOR OR NO GENERATOR OPTION)**



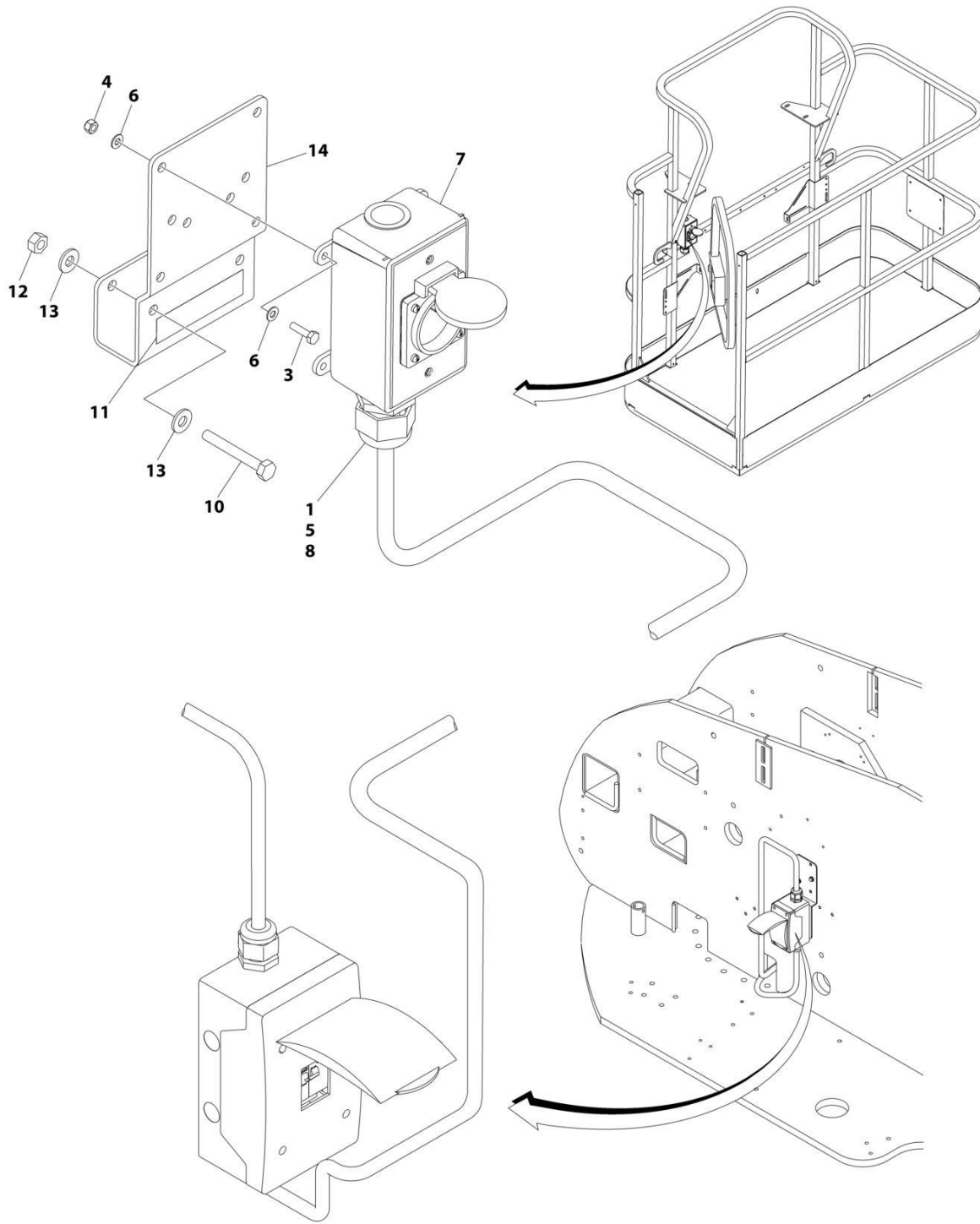
SECTION 8 - ELECTRICAL

**FIGURE 8-14. AC BOX AT PLATFORM INSTALLATION - 220V CEE7 SIDE GROUND (CE SPECS)
(MACHINES WITH 2500W GENERATOR OR NO GENERATOR OPTION)**

ITEM	PART NUMBER	QTY	DESCRIPTION	REV
	1001091974	Ref	AC BOX AT PLATFORM INSTALLATION - 220V CEE7 2X4 BOX SIDE GROUND	F
1	0100020	AR	Sealant, Pipe	
2	0275453	1	Receptacle Box Kit (See Separate Breakdown in this Section)	
3	0700408	4	Bolt M4 x 16	
4	3290405	4	Nut M4	
5	1001101197	1	Adapter	
6	4811400	8	Washer M4	
7	1001101191	1	Connector, Strain Relief	
8	0641416	2	Bolt 1/4 x 2	
9	3311405	2	Nut 1/4	
10	4711400	4	Washer 1/4	
11	1001193018	1	Bracket	
12	3251242	2	Decal - 240V/50Hz	
13	4460806	2	Terminal, Fork (Not Shown)	
14	1001205958	1	Terminal (Not Shown)	

SECTION 8 - ELECTRICAL

FIGURE 8-15. AC BOX AT PLATFORM INSTALLATION - 220V CEE7 SIDE GROUND (2X4 BOX) WITH 2500W GENERATOR (CE SPECS)



ART_1001100333

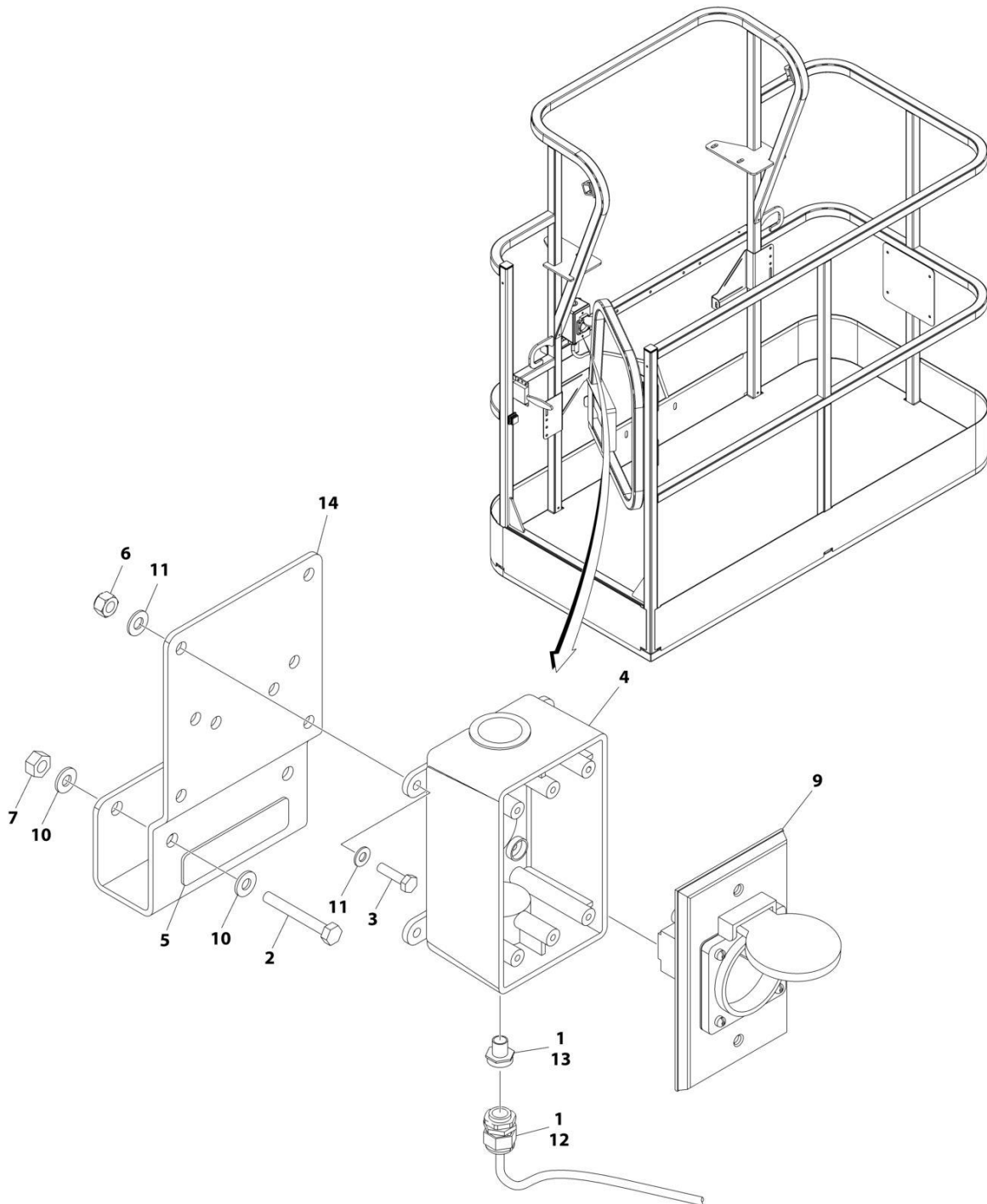
SECTION 8 - ELECTRICAL

FIGURE 8-15. AC BOX AT PLATFORM INSTALLATION - 220V CEE7 SIDE GROUND (2X4 BOX) WITH 2500W GENERATOR (CE SPECS)

ITEM	PART NUMBER	QTY	DESCRIPTION	REV
	1001100333	Ref	AC BOX AT PLATFORM INSTALLATION - 220V CEE7 SIDE GROUND (2X4 BOX)	E
1	0100020	AR	Sealant, Pipe	
3	0700408	4	Bolt M4 x 16	
4	3290405	4	Nut M4	
5	1001101197	1	Adapter	
6	4811400	8	Washer M4	
7	1001100347	1	Receptacle Box Kit (See Separate Breakdown in this Section)	
8	1001101191	1	Connector, Strain Relief	
9	1060908	10 ft /3.05m	Cable, Electrical 12/3 (Not Shown)	
10	0641416	2	Bolt 1/4 x 2	
11	3252507	1	Decal - 220V	
12	3311405	2	Nut 1/4	
13	4711400	4	Washer 1/4	
14	1001193018	1	Bracket	
15	4460806	2	Terminal, Fork (Not Shown)	
16	1001205958	1	Terminal (Not Shown)	

SECTION 8 - ELECTRICAL

**FIGURE 8-16. AC BOX AT PLATFORM INSTALLATION - 220V CEE7 SIDE GROUND (CE SPECS)
(MACHINES WITH 4000W GENERATOR)**



ART_1001206251

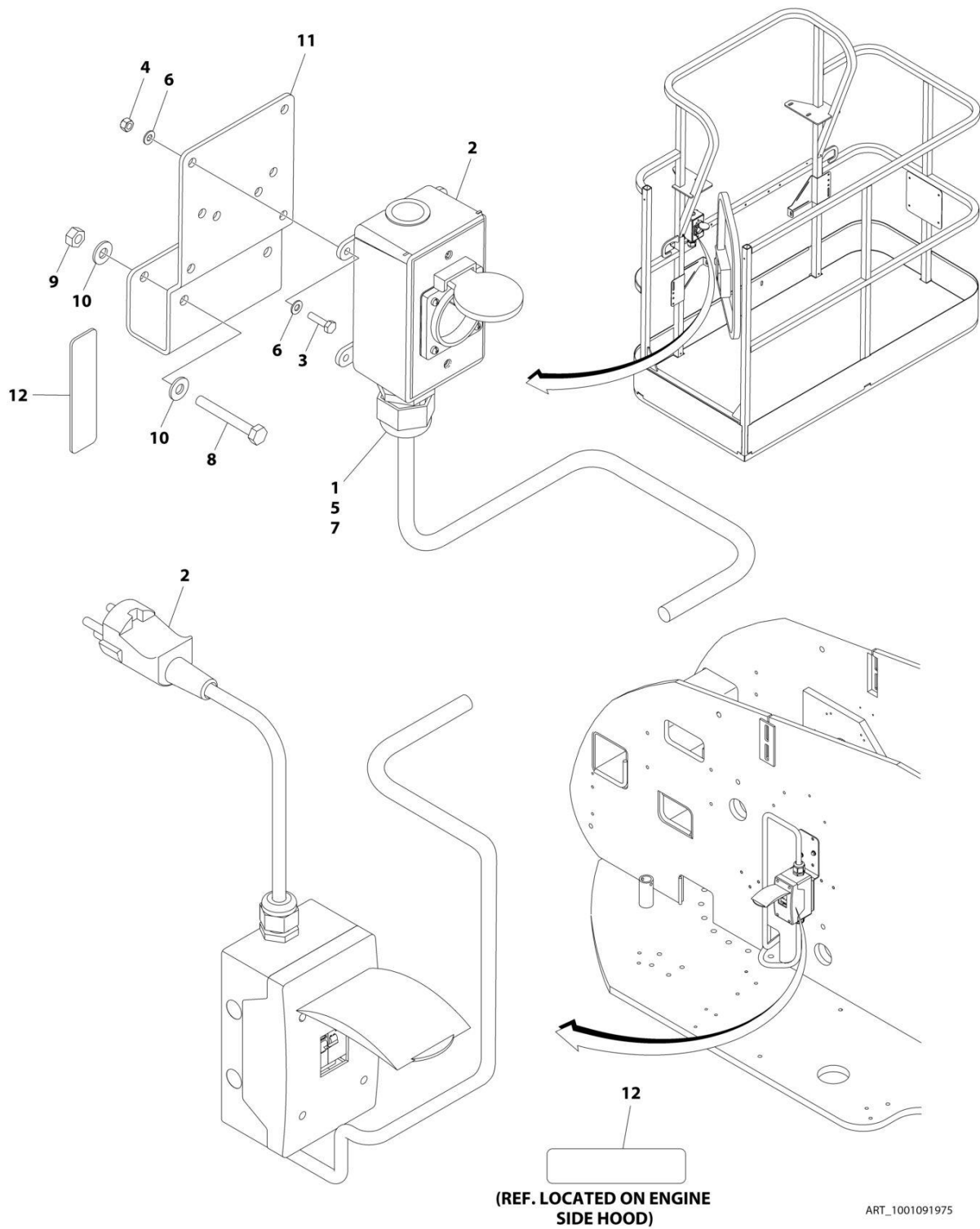
SECTION 8 - ELECTRICAL

**FIGURE 8-16. AC BOX AT PLATFORM INSTALLATION - 220V CEE7 SIDE GROUND (CE SPECS)
(MACHINES WITH 4000W GENERATOR)**

ITEM	PART NUMBER	QTY	DESCRIPTION	REV
	1001206251	Ref	AC BOX AT PLATFORM INSTALLATION - 220V CEE7 2X4 BOX SIDE GROUND	A
1	0100020	AR	Sealant, Pipe	
2	0641416	2	Bolt 1/4 x 2	
3	0700408	4	Bolt M4 x 16	
4	0861731	1	Box, Switch	
5	3251242	1	Decal - 240V/50Hz	
6	3290405	4	Nut M4	
7	3311405	2	Nut 1/4	
8	4460806	2	Terminal, Fork (Not Shown)	
9	4461245	1	Receptacle	
10	4711400	4	Washer 1/4	
11	4811400	8	Washer M4	
12	1001101191	1	Connector, Strain Relief	
13	1001101197	1	Adapter	
14	1001193018	1	Bracket, AC Receptacle	
15	1001205958	1	Terminal (Not Shown)	

SECTION 8 - ELECTRICAL

FIGURE 8-17. AC BOX AT PLATFORM INSTALLATION - 220V AFSINT 107 KEYED GROUND (CE SPECS) (MACHINES WITH 2500W GENERATOR OR NO GENERATOR OPTION)



ART_1001091975

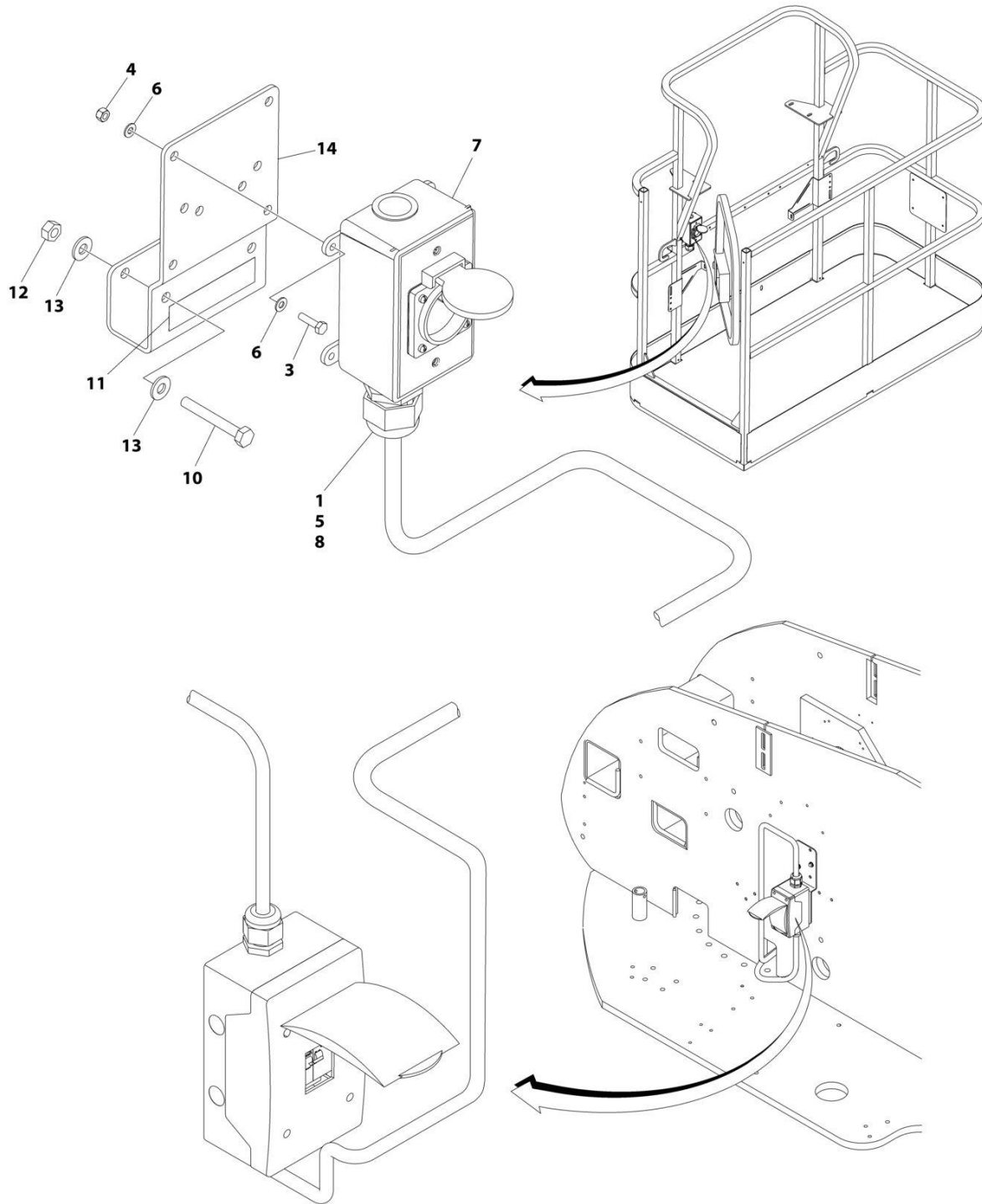
SECTION 8 - ELECTRICAL

FIGURE 8-17. AC BOX AT PLATFORM INSTALLATION - 220V AFSINT 107 KEYED GROUND (CE SPECS) (MACHINES WITH 2500W GENERATOR OR NO GENERATOR OPTION)

ITEM	PART NUMBER	QTY	DESCRIPTION	REV
	1001091975	Ref	AC BOX AT PLATFORM INSTALLATION - 220V AFSINT 107 2X4 BOX KEYED GROUND	F
1	0100020	AR	Sealant, Pipe	
2	0275454	1	Receptacle Box Kit (See Separate Breakdown in this Section)	
3	0700408	4	Bolt M4 x 16	
4	3290405	4	Nut M4	
5	1001101197	1	Adapter	
6	4811400	8	Washer M4	
7	1001101191	1	Connector, Strain Relief	
8	0641416	2	Bolt 1/4 x 2	
9	3311405	2	Nut 1/4	
10	4711400	4	Washer 1/4	
11	1001193018	1	Bracket	
12	3251242	2	Decal - 240V/50Hz	
13	1001205958	3	Terminal (Not Shown)	

SECTION 8 - ELECTRICAL

FIGURE 8-18. AC BOX AT PLATFORM INSTALLATION - 220V AFSINT 107 KEYED GROUND (2X4 BOX) WITH 2500W GENERATOR (CE SPECS)



ART_1001100337

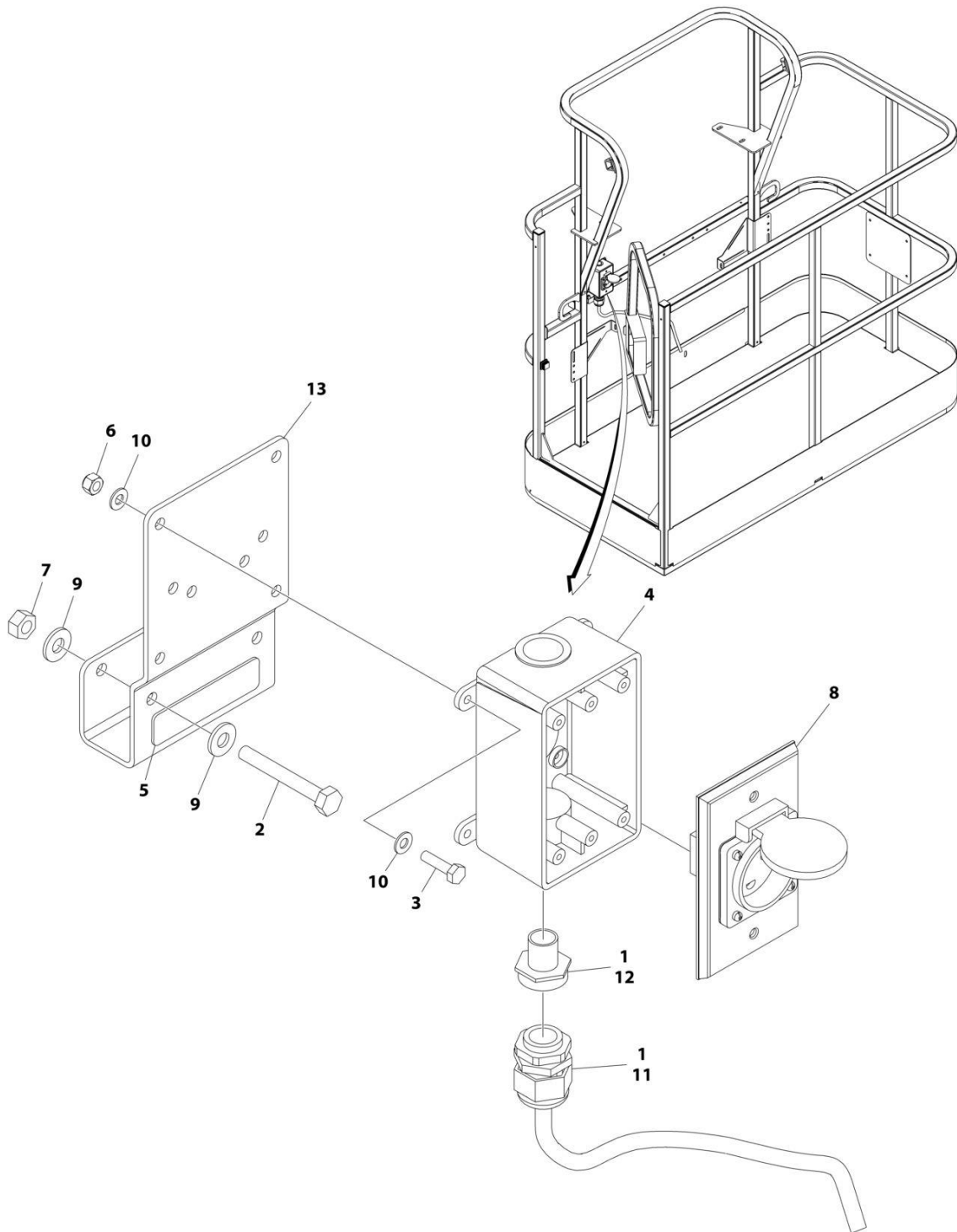
SECTION 8 - ELECTRICAL

FIGURE 8-18. AC BOX AT PLATFORM INSTALLATION - 220V AFSINT 107 KEYED GROUND (2X4 BOX) WITH 2500W GENERATOR (CE SPECS)

ITEM	PART NUMBER	QTY	DESCRIPTION	REV
	1001100337	Ref	AC BOX AT PLATFORM INSTALLATION - 220V AFSINT 107 2X4 BOX KEYED GROUND (2X4 BOX)	E
1	0100020	AR	Sealant, Pipe	
3	0700408	4	Bolt M4 x 16	
4	3290405	4	Nut M4	
5	1001101197	1	Adapter	
6	4811400	8	Washer M4	
7	1001100346	1	Receptacle Box Kit (See Separate Breakdown in this Section)	
8	1001101191	1	Connector, Strain Relief	
9	1060908	10 ft /3.05m	Cable, Electrical 12/3 (Not Shown)	
10	0641416	2	Bolt 1/4 x 2	
11	3252507	1	Decal - 220V	
12	3311405	2	Nut 1/4	
13	4711400	4	Washer 1/4	
14	1001193018	1	Bracket	
15	1001205958	3	Terminal (Not Shown)	

SECTION 8 - ELECTRICAL

FIGURE 8-19. AC BOX AT PLATFORM INSTALLATION - 220V AFSINT 107 KEYED GROUND (CE SPECS) (MACHINES WITH 4000W GENERATOR)



ART_1001206252

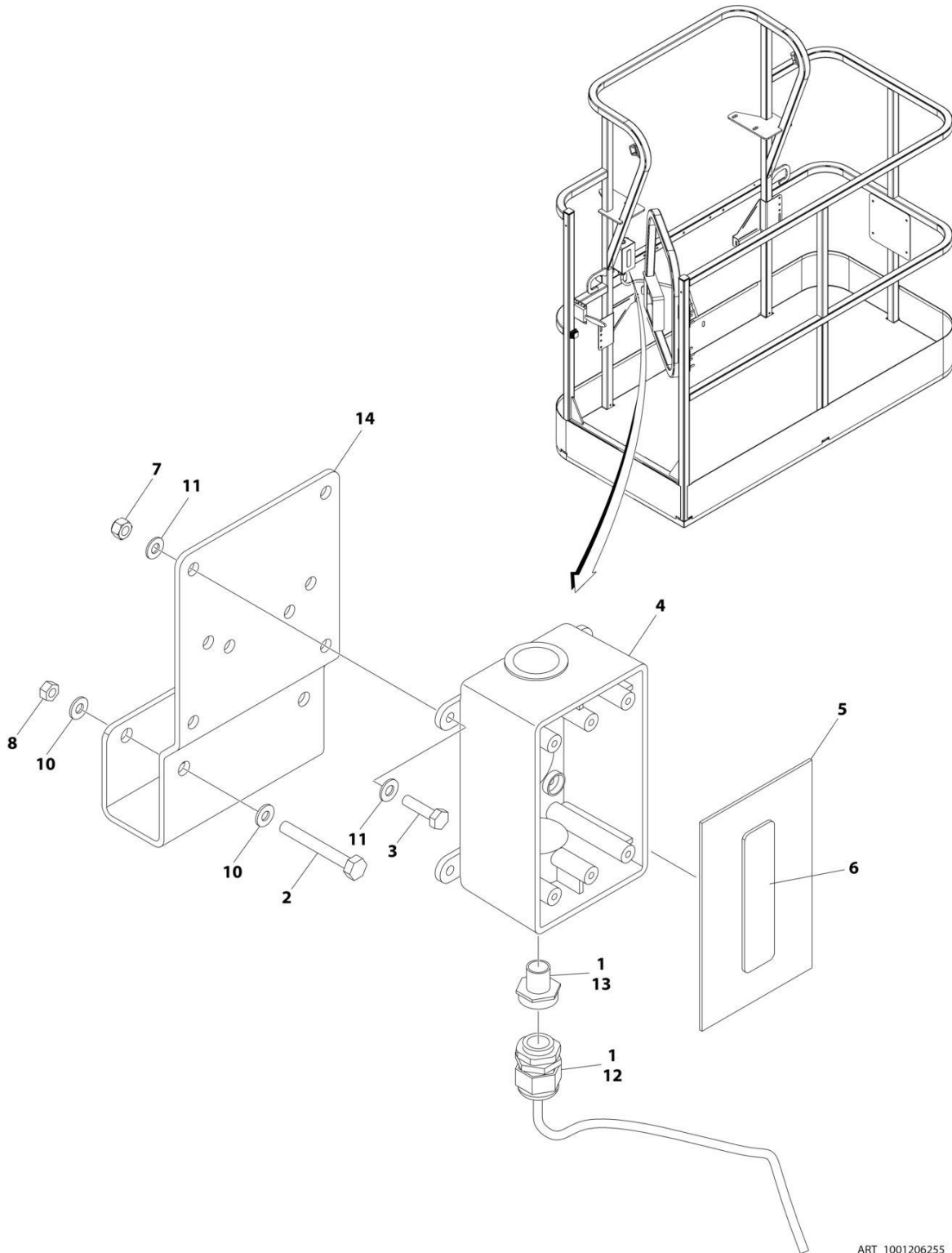
SECTION 8 - ELECTRICAL

FIGURE 8-19. AC BOX AT PLATFORM INSTALLATION - 220V AFSINT 107 KEYED GROUND (CE SPECS) (MACHINES WITH 4000W GENERATOR)

ITEM	PART NUMBER	QTY	DESCRIPTION	REV
	1001206252	Ref	AC BOX AT PLATFORM INSTALLATION - 220V AFSINT 107 2x4 BOX KEYED GROUND	A
1	0100020	AR	Sealant, Pipe	
2	0641416	2	Bolt 1/4 x 2	
3	0700408	4	Bolt M4 x 16	
4	0861731	1	Box, Switch	
5	3251242	1	Decal - 240V/50Hz	
6	3290405	4	Nut M4	
7	3311405	2	Nut 1/4	
8	4461246	1	Receptacle	
9	4711400	4	Washer 1/4	
10	4811400	8	Washer M4	
11	1001101191	1	Connector, Strain Relief	
12	1001101197	1	Adapter	
13	1001193018	1	Bracket, AC Receptacle	
14	1001205958	3	Terminal (Not Shown)	

SECTION 8 - ELECTRICAL

FIGURE 8-20. AC BOX AT PLATFORM INSTALLATION - 220V (2X4 BOX & COVER ONLY - LOCALLY SUPPLIED RECEPTACLE) (4000W GENERATOR)



ART_1001206255

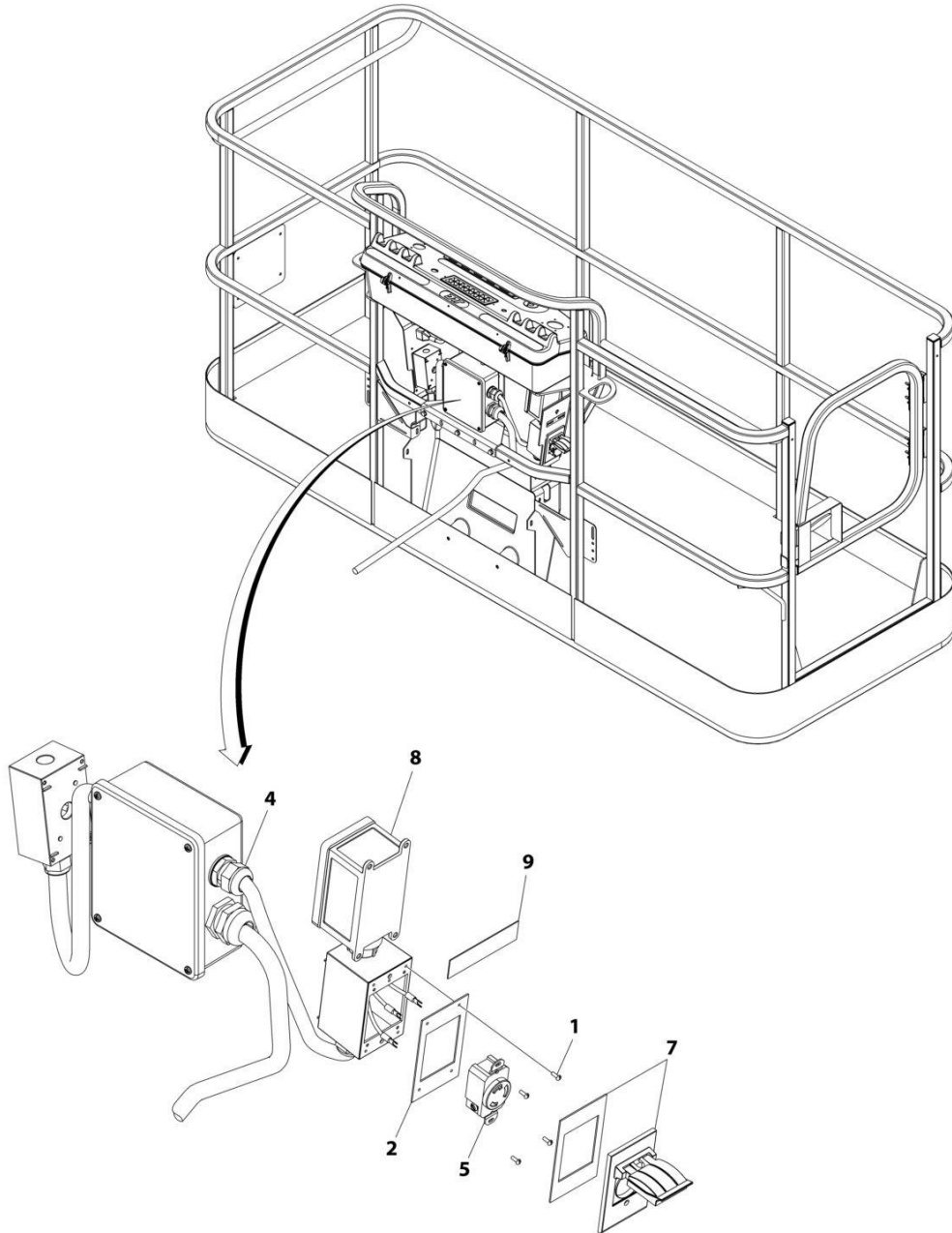
SECTION 8 - ELECTRICAL

FIGURE 8-20. AC BOX AT PLATFORM INSTALLATION - 220V (2X4 BOX & COVER ONLY - LOCALLY SUPPLIED RECEPTACLE) (4000W GENERATOR)

ITEM	PART NUMBER	QTY	DESCRIPTION	REV
	1001206255	Ref	AC BOX AT PLATFORM INSTALLATION - BOX WITH COVER (2X4 BOX) WITH 4000W GENERATOR	A
1	0100020	AR	Sealant, Pipe	
2	0641416	2	Bolt 1/4 x 2	
3	0700408	4	Bolt M4 x 16	
4	0861731	1	Box, Switch	
5	1670603	1	Cover	
6	3251242	1	Decal - 240V-50Hz	
7	3290405	4	Nut M4	
8	3311405	2	Nut 1/4	
10	4711400	4	Washer 1/4	
11	4811400	8	Washer M4	
12	1001101191	1	Connector, Strain Relief	
13	1001101197	1	Adapter	
14	1001193018	1	Bracket, AC Receptacle	

SECTION 8 - ELECTRICAL

FIGURE 8-21. AC BOX AT PLATFORM INSTALLATION - 240V GFCI RECEPTACLE (ANSI, ANSI EXPORT AND CSA SPECS WITH 4000W SKYPOWER GENERATOR)



ART_1001171131

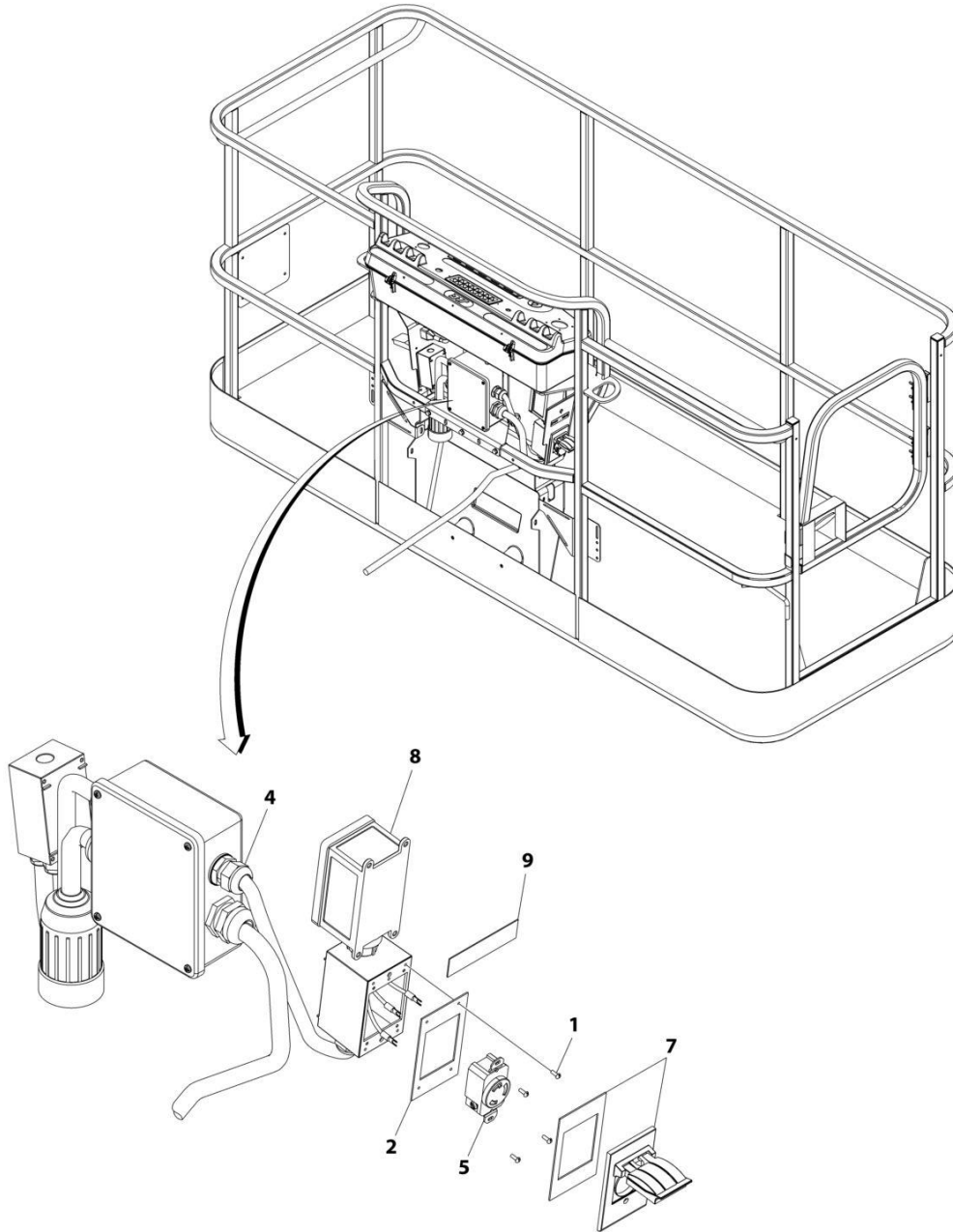
SECTION 8 - ELECTRICAL

FIGURE 8-21. AC BOX AT PLATFORM INSTALLATION - 240V GFCI RECEPTACLE (ANSI, ANSI EXPORT AND CSA SPECS WITH 4000W SKYPOWER GENERATOR)

ITEM	PART NUMBER	QTY	DESCRIPTION	REV
	1001171131	Ref	AC BOX AT PLATFORM INSTALLATION - 240V RECEPTACLE	B
1	3910606	4	Screw 6 x 3/8	
2	3960422	1	Gasket	
3	4240018	AR	Tie-Strap (Not Shown)	
4	4460425	1	Connector, Strain Relief	
5	1001176862	1	Receptacle	
7	1001110872	1	Cover, Receptacle	
8	1001159120	1	Receptacle/Breaker Box Assembly	
8	1001148675	1	Box, Receptacle	
8	1001159118	1	Breaker GFCI 30Amp 240VAC	
8	4460612	1	Connector, Strain Relief	
8	1001159119	1	Connector (Between Boxes)	
9	1705374	1	Decal - 240V/60Hz	

SECTION 8 - ELECTRICAL

FIGURE 8-22. AC BOX AT PLATFORM INSTALLATION - 240V GFCI RECEPTACLE (ANSI AND CSA SPECS WITH 7500W SKYPOWER GENERATOR)



ART_1001159121

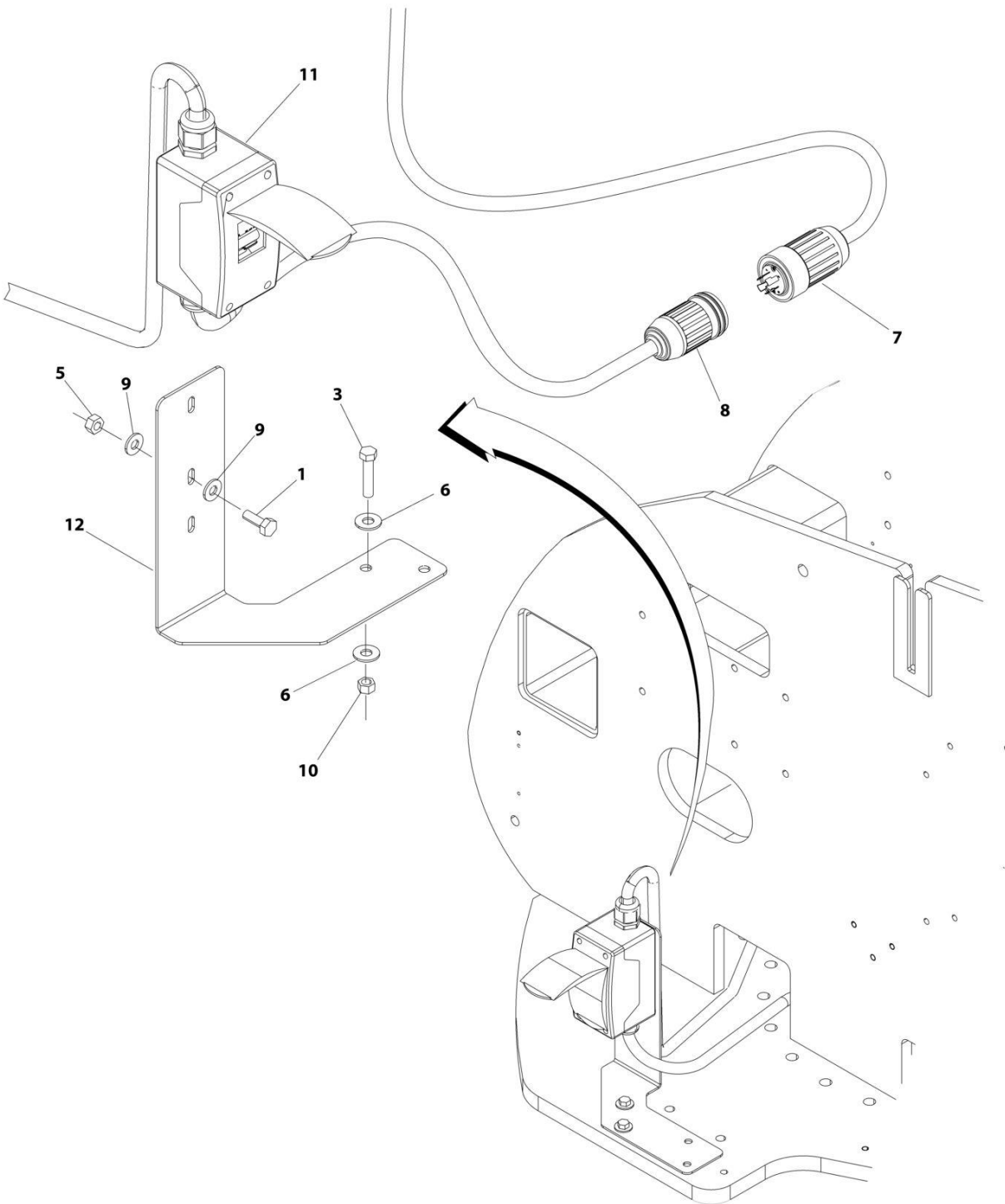
SECTION 8 - ELECTRICAL

FIGURE 8-22. AC BOX AT PLATFORM INSTALLATION - 240V GFCI RECEPTACLE (ANSI AND CSA SPECS WITH 7500W SKYPOWER GENERATOR)

ITEM	PART NUMBER	QTY	DESCRIPTION	REV
	1001159121	Ref	AC BOX AT PLATFORM INSTALLATION - 240V RECEPTACLE	B
1	3910606	4	Screw 6 x 3/8	
2	3960422	1	Gasket	
3	4240018	AR	Tie-Strap (Not Shown)	
4	4460425	1	Connector, Strain Relief	
5	4460958	1	Receptacle	
7	1001110872	1	Cover, Receptacle	
8	1001159120	1	Receptacle/Breaker Box Assembly	
8	1001148675	1	Box, Receptacle	
8	1001159118	1	Breaker Box Assembly	
8	4460612	1	Connector, Strain Relief	
8	1001159119	1	Connector (Between Boxes)	
9	1705374	1	Decal - 240V/60Hz	

SECTION 8 - ELECTRICAL

FIGURE 8-23. AC CABLE WITH 16 AMP BREAKER INSTALLATION (WITHOUT 7500W SKYPOWER GENERATOR) (CE SPECS)



ART_1001177711

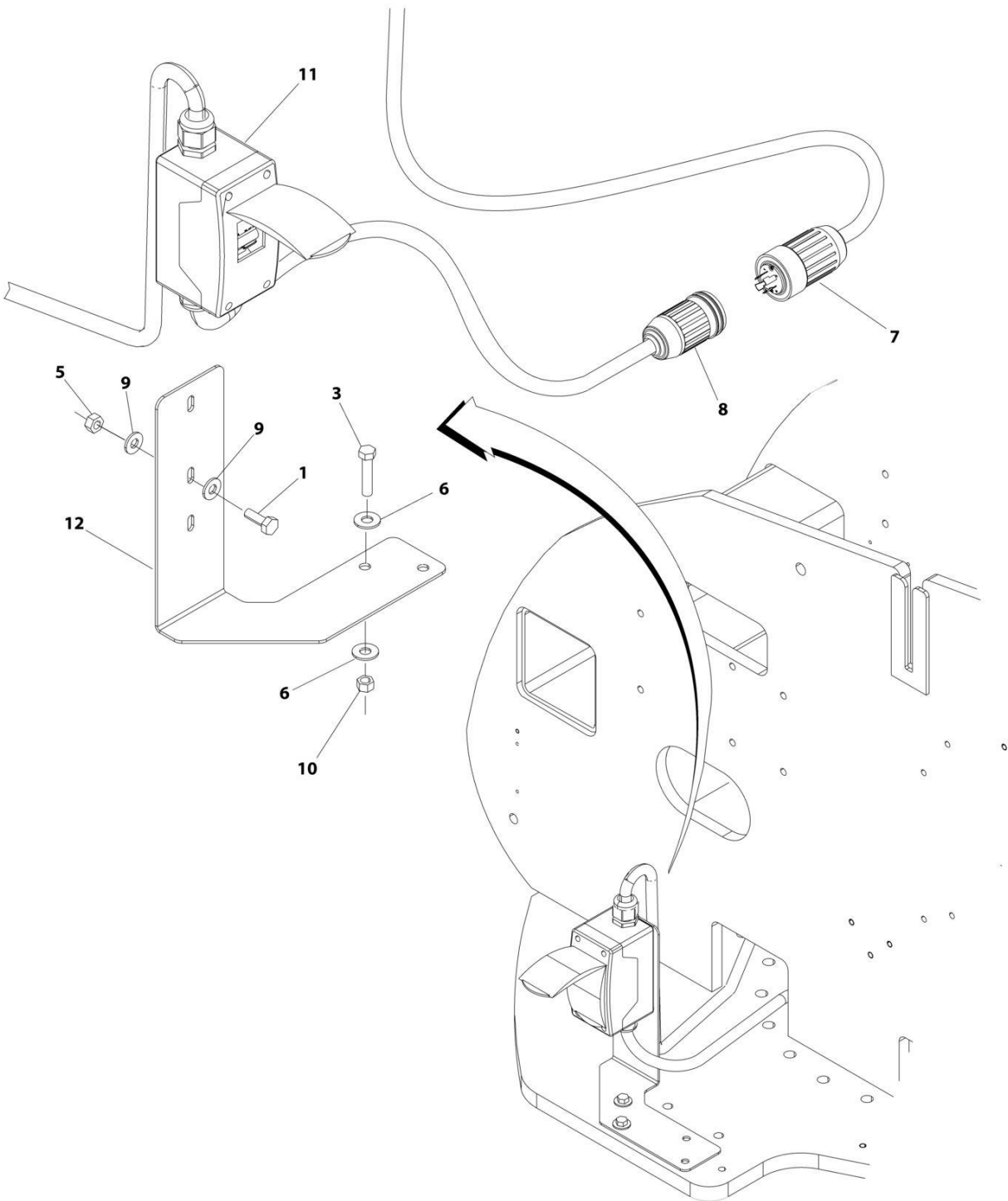
SECTION 8 - ELECTRICAL

FIGURE 8-23. AC CABLE WITH 16 AMP BREAKER INSTALLATION (WITHOUT 7500W SKYPOWER GENERATOR) (CE SPECS)

ITEM	PART NUMBER	QTY	DESCRIPTION	REV
	1001177711	Ref	AC CABLE WITH 16 AMP BREAKER INSTALLATION	D
1	0641406	2	Bolt 1/4 x 3/4	
3	0641614	2	Bolt 3/8 x 1-3/4	
5	3311405	2	Nut 1/4	
6	3311605	2	Nut 3/8	
7	1001213584	1	Plug, Male	
8	1001213585	1	Receptacle, Female	
9	4711400	2	Washer 1/4	
10	4751600	2	Washer 3/8	
11	1001109654	1	Breaker Box Kit - With 2 Breakers (See Separate Breakdown in this Section)	
12	1001177910	1	Bracket	

SECTION 8 - ELECTRICAL

FIGURE 8-24. AC CABLE WITH 10 AMP BREAKER INSTALLATION (WITHOUT 7500W SKYPOWER GENERATOR) (CE SPECS)



ART_1001177712

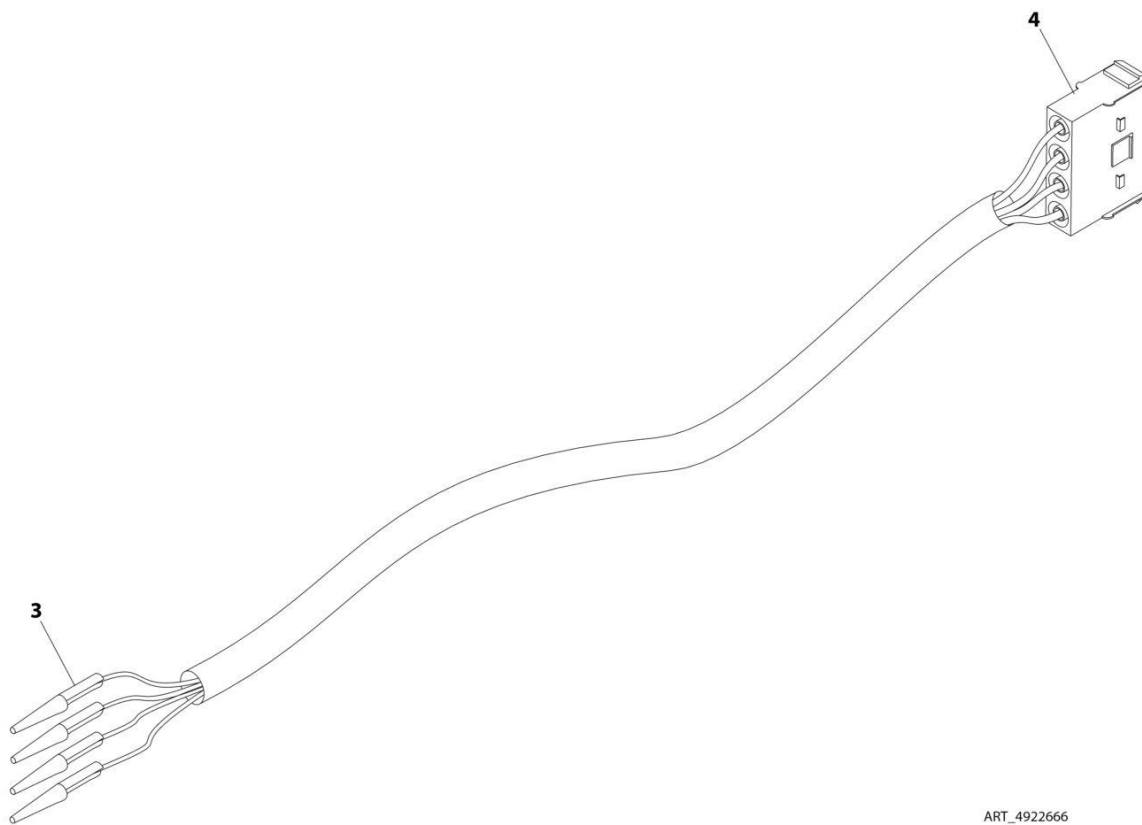
SECTION 8 - ELECTRICAL

FIGURE 8-24. AC CABLE WITH 10 AMP BREAKER INSTALLATION (WITHOUT 7500W SKYPOWER GENERATOR) (CE SPECS)

ITEM	PART NUMBER	QTY	DESCRIPTION	REV
	1001177712	Ref	AC CABLE WITH 10 AMP BREAKER INSTALLATION	C
1	0641406	2	Bolt 1/4 x 3/4	
3	0641614	2	Bolt 3/8 x 1-3/4	
5	3311405	2	Nut 1/4	
6	3311605	2	Nut 3/8	
7	1001213584	1	Plug, Male	
8	1001213585	1	Receptacle, Female	
9	4711400	4	Washer 1/4	
10	4751600	4	Washer 3/8	
11	1001109648	1	Breaker Box Kit - With 2 Breakers (See Separate Breakdown in this Section)	
12	1001177910	1	Bracket	

SECTION 8 - ELECTRICAL

FIGURE 8-25. ANALYZER CABLE HARNESS



ART_4922666

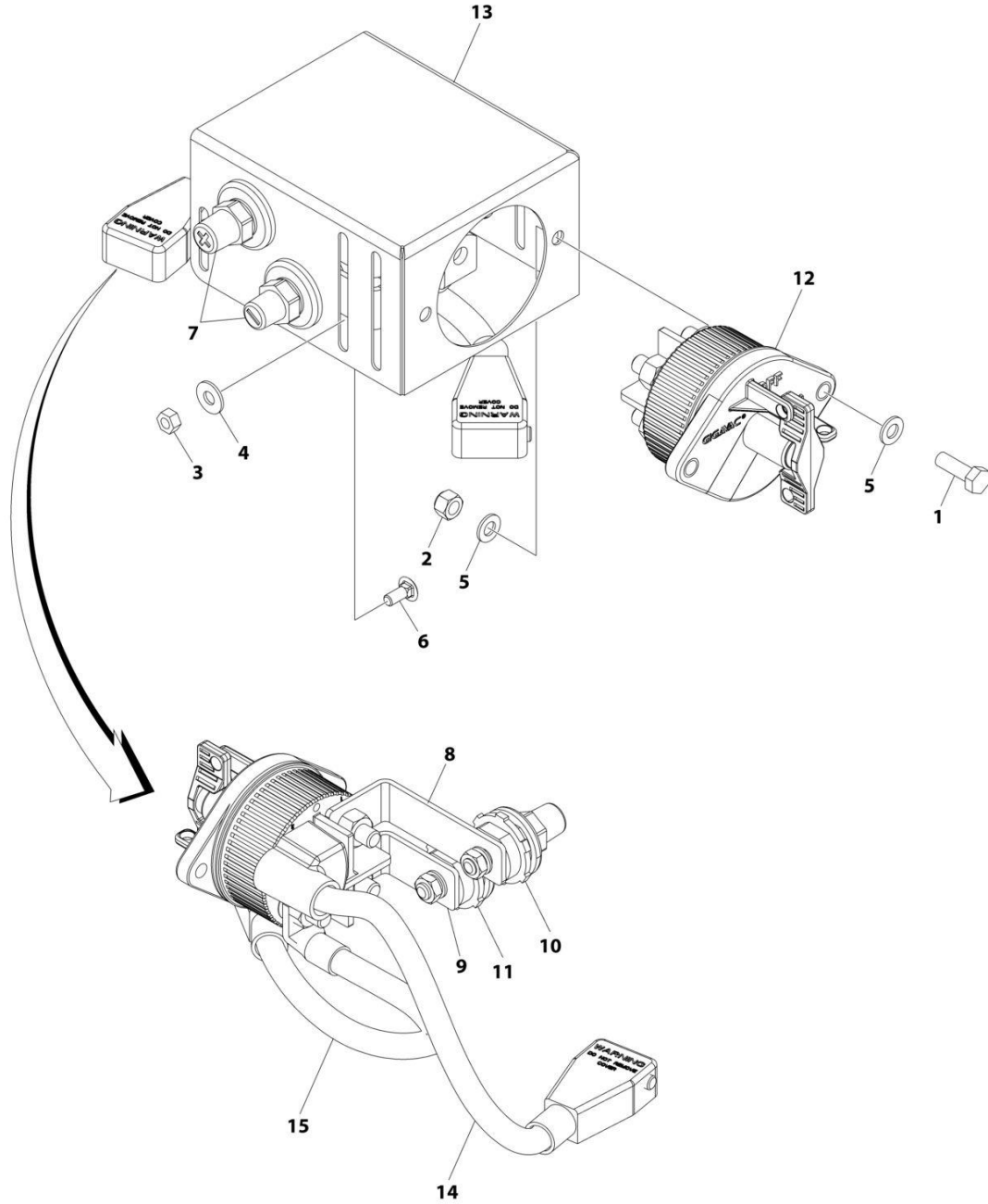
SECTION 8 - ELECTRICAL

FIGURE 8-25. ANALYZER CABLE HARNESS

ITEM	PART NUMBER	QTY	DESCRIPTION	REV
	4922666	Ref	ANALYZER CABLE HARNESS	C
3	4460226	4	Socket, Female	
4	4460761	1	Connector - 4 Position	
4	4460227	4	Pin, Male	

SECTION 8 - ELECTRICAL

FIGURE 8-26. BATTERY DISCONNECT SWITCH INSTALLATION



ART_1001236304

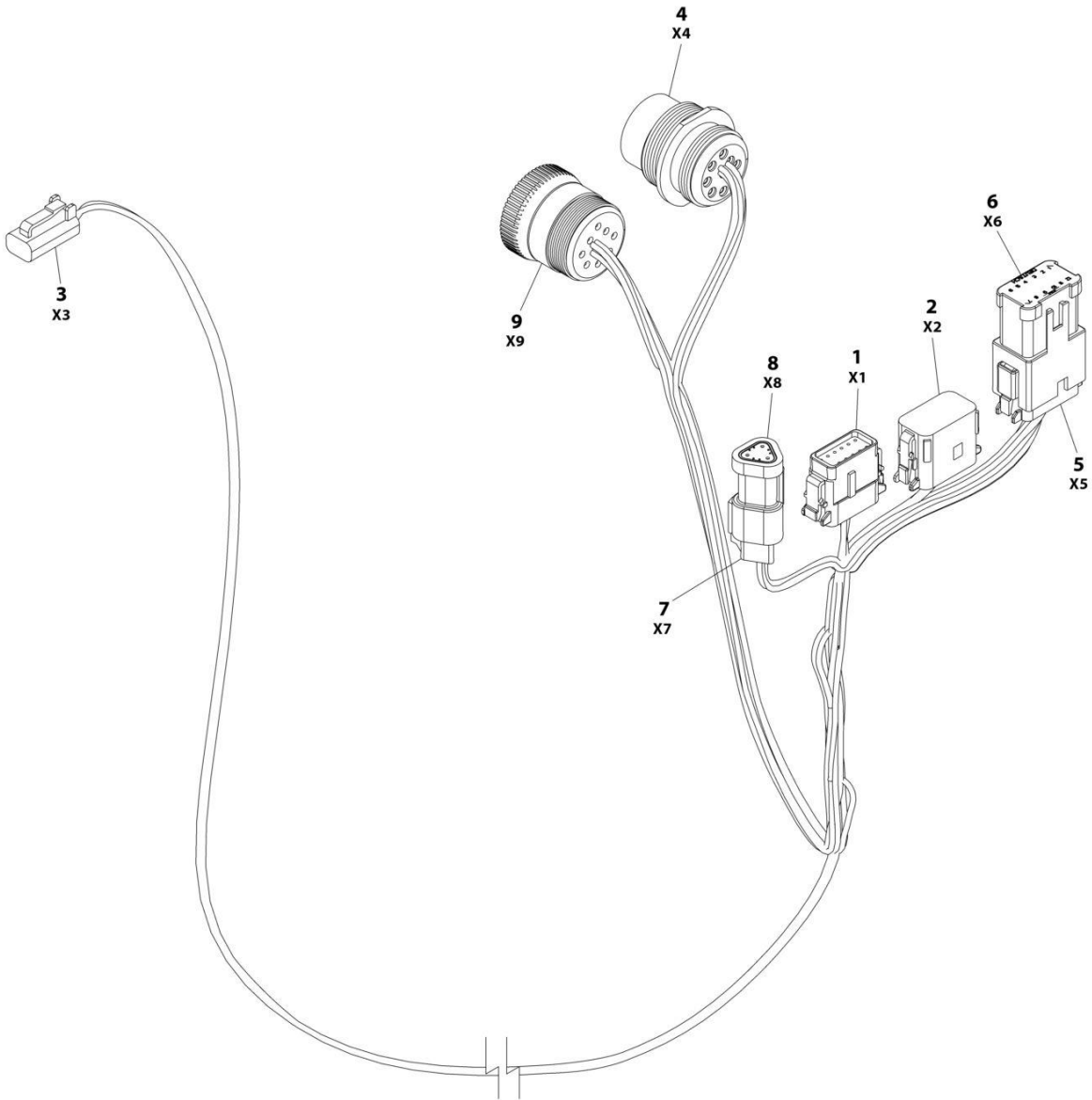
SECTION 8 - ELECTRICAL

FIGURE 8-26. BATTERY DISCONNECT SWITCH INSTALLATION

ITEM	PART NUMBER	QTY	DESCRIPTION	REV
	1001236304	Ref	BATTERY DISCONNECT SWITCH INSTALLATION	A
1	0760812	2	Bolt M8 x 25	
2	3290805	2	Nut M8	
3	3311405	3	Nut 1/4	
4	4751400	3	Washer 1/4	
5	4811900	4	Washer M8	
6	88411013	3	Bolt 1/4 x 3/4	
7	1001206476	1	Connectors, Post	
8	1001209432	1	Bussbar	
9	1001209474	1	Bussbar	
10	1001214570	1	Connector (Red)	
11	1001214571	1	Connector (Black)	
12	1001225346	1	Switch, Battery	
13	1001226531	1	Mount	
14	1001236504	1	Cable, Battery (+)	
15	1001236505	1	Cable, Battery (-)	

SECTION 8 - ELECTRICAL

FIGURE 8-27. BEACON CONTROL HARNESS (BLUE AND RED STROBE LIGHTS)



ART_1001142736

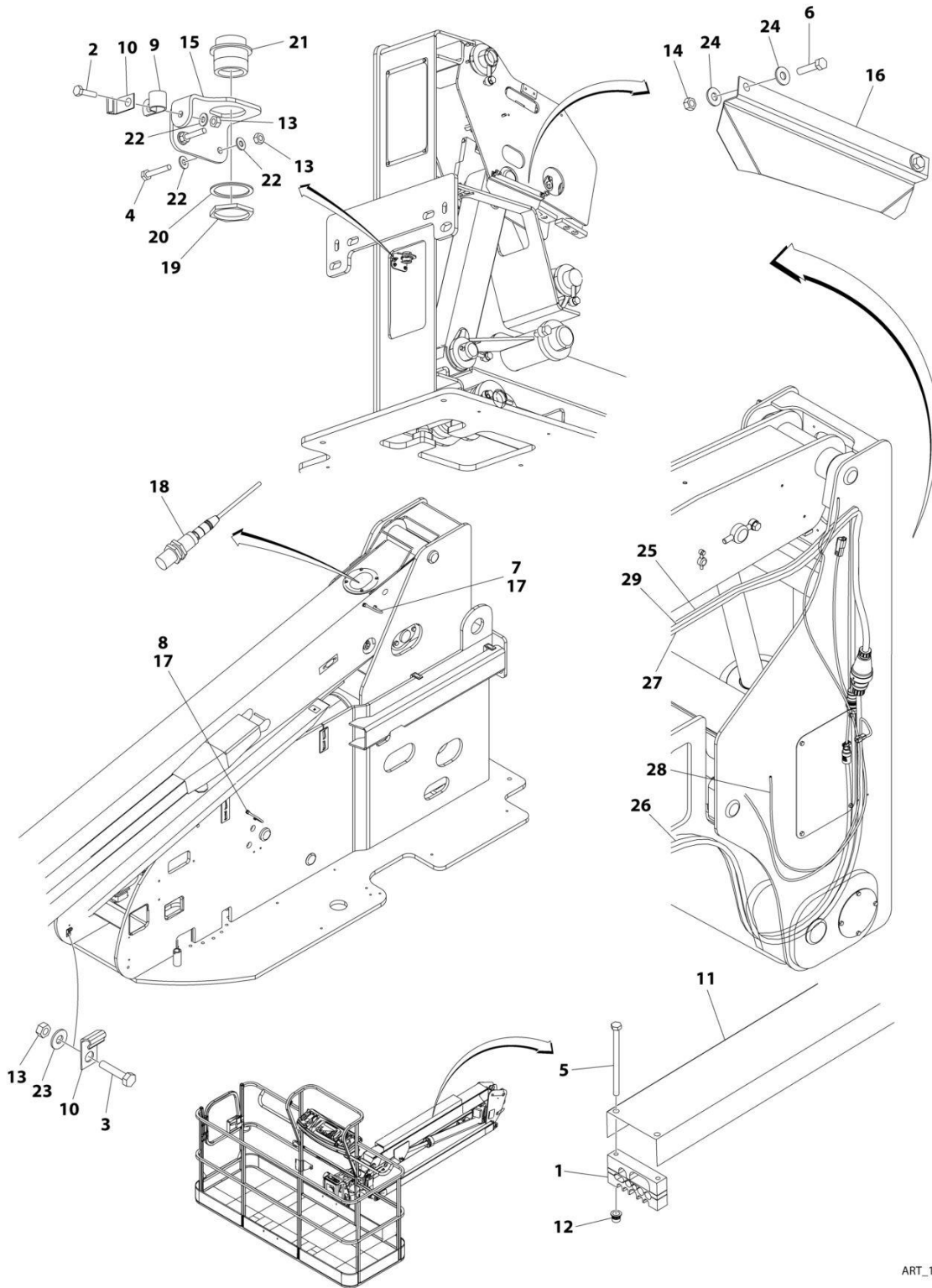
SECTION 8 - ELECTRICAL

FIGURE 8-27. BEACON CONTROL HARNESS (BLUE AND RED STROBE LIGHTS)

ITEM	PART NUMBER	QTY	DESCRIPTION	REV
	1001142736	Ref	STROBE LIGHT HARNESS	F
1	1001116808	1	Plug, Male - 12 Position	
1	4460928	3	Socket, Female	
1	4460518	9	Plug, Terminal	
2	1001116774	1	Plug, Male - 12 Position	
2	4460928	3	Socket, Female	
2	4460518	9	Plug, Terminal	
3	4460891	1	Plug, Male - 2 Position	
3	4460465	2	Socket, Female	
4	1001112612	1	Connector - 9 Position	
4	4460464	6	Pin, Male	
4	4460466	3	Plug, Terminal	
5	4460933	1	Plug, Male - 12 Position	
5	4460465	12	Socket, Female	
6	1001119020	1	Bussbar - 12 Position	
7	4461095	1	Plug, Male - 3 Position	
7	4460465	3	Socket, Female	
8	4461070	1	Bussbar - 3 Position	
9	1001112796	1	Connector - 9 Position	
9	4460465	6	Socket, Female	
9	4460466	3	Plug, Terminal	

SECTION 8 - ELECTRICAL

FIGURE 8-28. BOOM CABLES INSTALLATION - WITHOUT ARCTIC PACKAGE (ALL SPECS) (860SJ HC3)



ART_1001256191

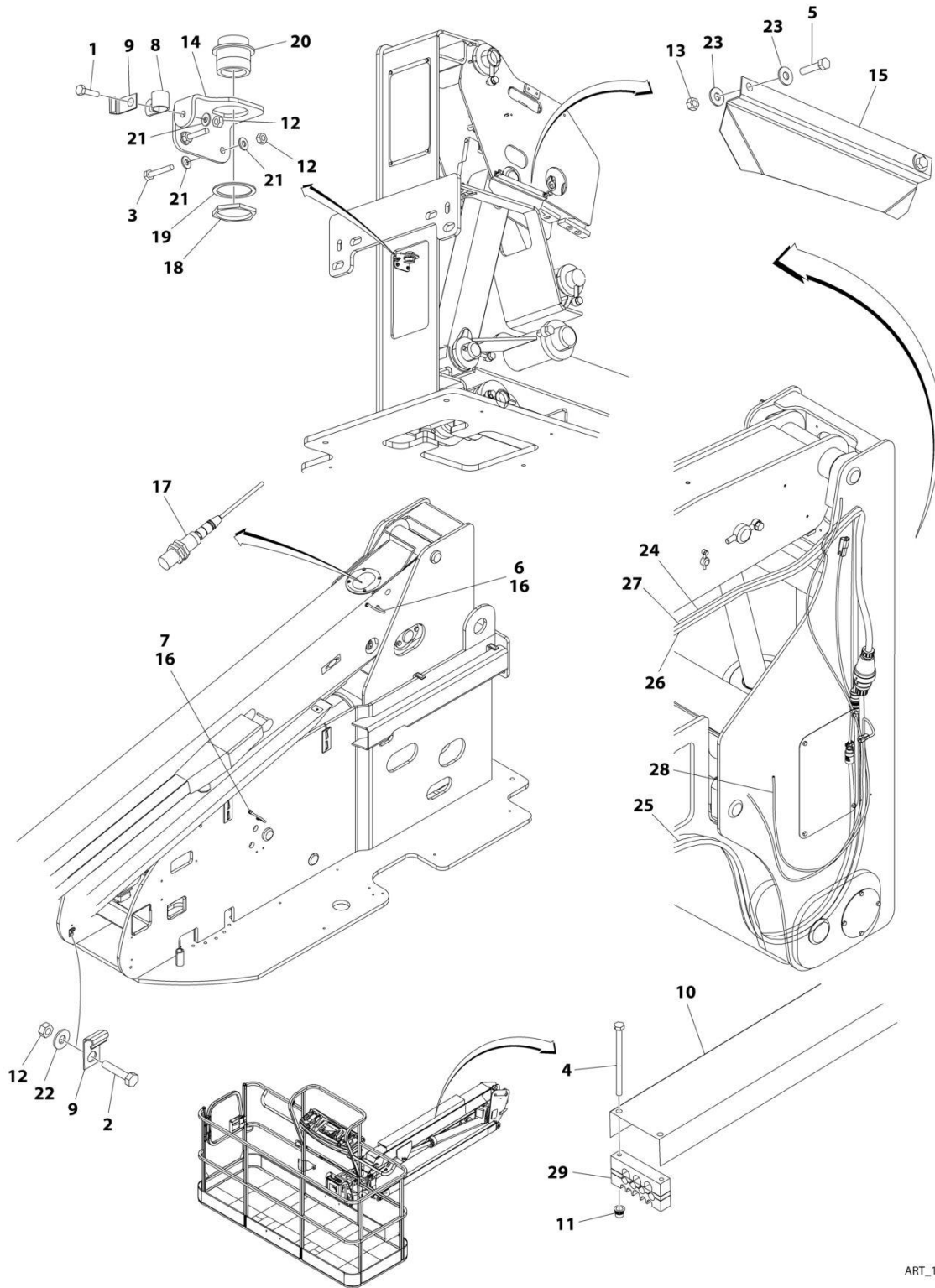
SECTION 8 - ELECTRICAL

FIGURE 8-28. BOOM CABLES INSTALLATION - WITHOUT ARCTIC PACKAGE (ALL SPECS) (860SJ HC3)

ITEM	PART NUMBER	QTY	DESCRIPTION	REV
	1001256191	Ref	BOOM CABLES INSTALLATION	D
1	0561484	2	Block, Clamp	
2	0641408	1	Bolt 1/4 x 1	
3	0641410	1	Bolt 1/4 x 1-1/4	
4	0641412	2	Bolt 1/4 x 1-1/2	
5	0700626	4	Bolt M6 x 90	
6	0641511	2	Bolt 5/16 x 1-3/8	
7	0641604	2	Bolt 3/8 x 1/2	
8	0641607	2	Bolt 3/8 x 7/8	
9	1320061	1	Clamp	
10	1320223	2	Clamp	
11	1671034	1	Cover	
12	1001260680	4	Rivnut M6	
13	3311405	4	Nut 1/4	
14	3311505	2	Nut 5/16	
15	3573047	1	Plate	
16	3573296	1	Plate	
17	3841340	2	Rod	
18	4360506	1	Switch, Proximity	
19	4460470	1	Nut, Terminal	
20	4460471	1	Washer, Terminal	
21	4460866	1	Connector - 19 Pin	
22	4711400	5	Washer 1/4	
23	4751400	1	Washer 1/4	
24	4751500	4	Washer 5/16	
25	4922567	1	Harness Assembly - Main Boom (See Separate Breakdown in this Section)	
26	4922569	1	Harness Assembly - Tower Boom (See Separate Breakdown in this Section)	
27	4922660	1	Holding Valve/Lift Dump Harness Assembly (See Separate Breakdown in this Section)	
28	4922876	1	AC Cable, 10/3 (Tower Boom)	
29	4922878	1	AC Cable, 10/3 (Main Boom)	

SECTION 8 - ELECTRICAL

FIGURE 8-29. BOOM CABLES INSTALLATION - WITH ARCTIC PACKAGE (ANSI, ANSI EXPORT AND CSA SPECS) (860SJ HC3)



ART_1001256193

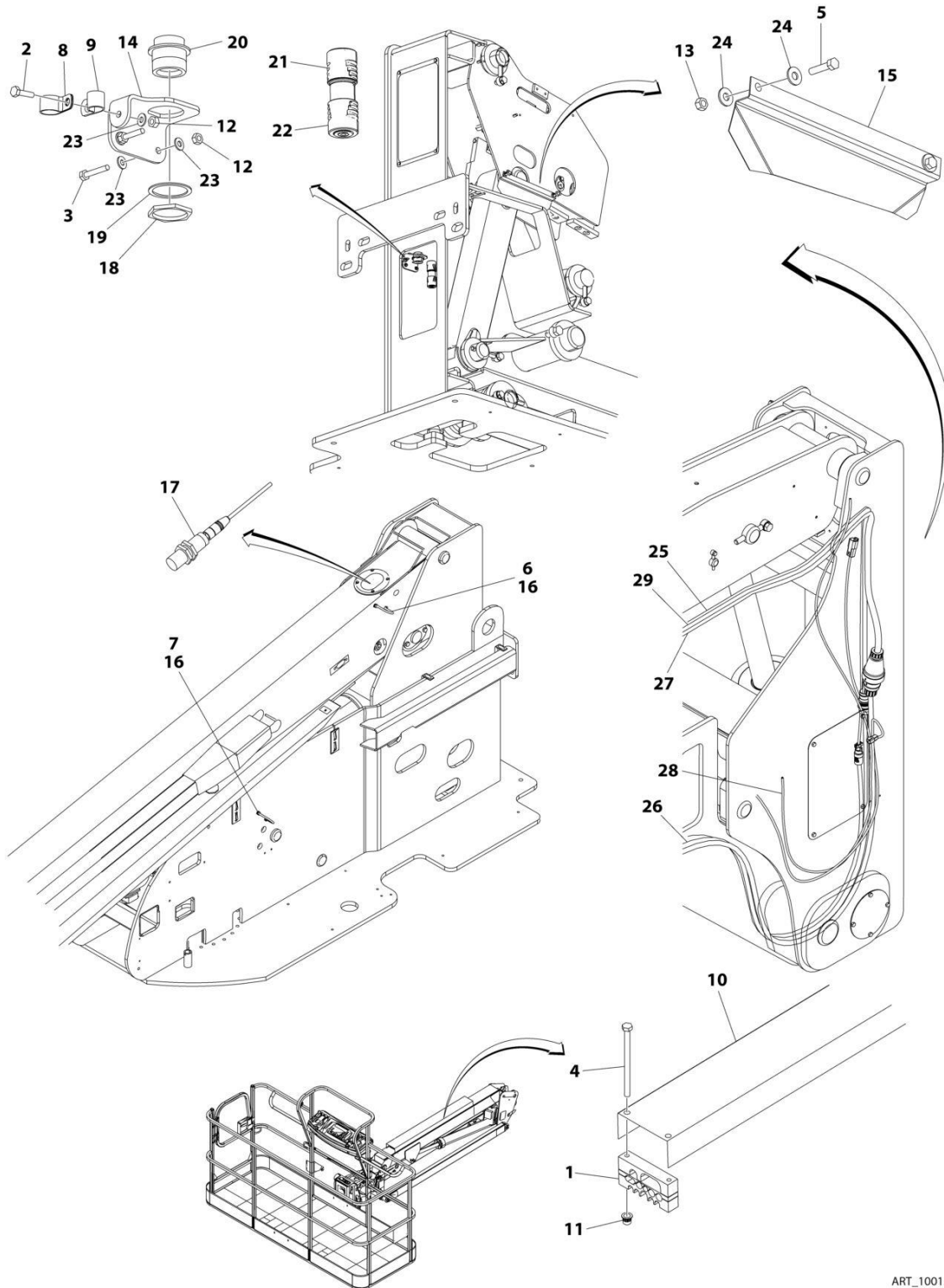
SECTION 8 - ELECTRICAL

FIGURE 8-29. BOOM CABLES INSTALLATION - WITH ARCTIC PACKAGE (ANSI, ANSI EXPORT AND CSA SPECS) (860SJ HC3)

ITEM	PART NUMBER	QTY	DESCRIPTION	REV
	1001256193	Ref	BOOM CABLES INSTALLATION	C
1	0641408	1	Bolt 1/4 x 1	
2	0641410	1	Bolt 1/4 x 1-1/4	
3	0641412	2	Bolt 1/4 x 1-1/2	
4	0700626	1	Bolt M6 x 90	
5	0641511	2	Bolt 5/16 x 1-3/8	
6	0641604	2	Bolt 3/8 x 1/2	
7	0641607	2	Bolt 3/8 x 7/8	
8	1320061	1	Clamp	
9	1320223	2	Clamp	
10	1671034	1	Cover	
11	1001260680	4	Rivnut M6	
12	3311405	4	Nut 1/4	
13	3311505	2	Nut 5/16	
14	3573047	1	Plate	
15	3573296	1	Plate	
16	3841340	2	Rod	
17	4360506	1	Switch, Proximity	
18	4460470	1	Nut, Terminal	
19	4460471	1	Washer, Terminal	
20	4460866	1	Connector - 19 Pin	
21	4711400	5	Washer 1/4	
22	4751400	1	Washer 1/4	
23	4751500	4	Washer 5/16	
24	4923595	1	Harness Assembly - Main Boom (See Separate Breakdown in this Section)	
25	4923596	1	Harness Assembly - Tower Boom (See Separate Breakdown in this Section)	
26	4923597	1	Holding Valve/Lift Dump Harness Assembly (See Separate Breakdown in this Section)	
27	4923600	1	AC Cable, 10/3 (Main Boom)	
28	4923601	1	AC Cable, 10/3 (Tower Boom)	
29	1001091472	2	Block, Clamp	

SECTION 8 - ELECTRICAL

FIGURE 8-30. BOOM CABLES INSTALLATION - WITH 4000W GENERATOR AND WITHOUT ARCTIC PACKAGE (ANSI, ANSI EXPORT, CSA AND JAPANESE SPECS) (860SJ HC3)



ART_1001256199

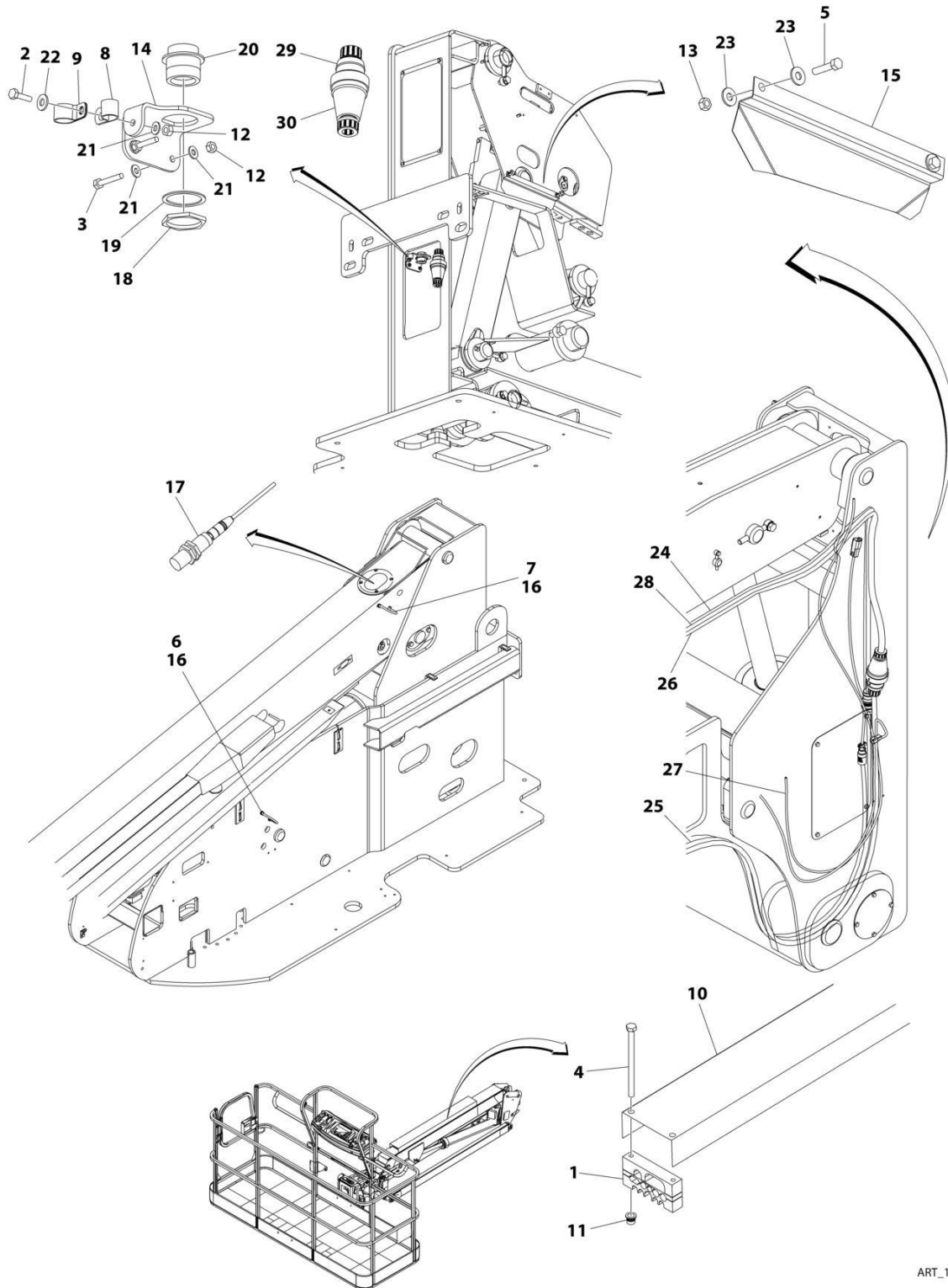
SECTION 8 - ELECTRICAL

FIGURE 8-30. BOOM CABLES INSTALLATION - WITH 4000W GENERATOR AND WITHOUT ARCTIC PACKAGE (ANSI, ANSI EXPORT, CSA AND JAPANESE SPECS) (860SJ HC3)

ITEM	PART NUMBER	QTY	DESCRIPTION	REV
	1001256199	Ref	BOOM CABLES INSTALLATION	C
1	0561484	2	Block, Clamp	
2	0641408	1	Bolt 1/4 x 1	
3	0641412	2	Bolt 1/4 x 1-1/2	
4	0700626	4	Bolt M6 x 90	
5	0641511	2	Bolt 5/16 x 1-3/8	
6	0641604	2	Bolt 3/8 x 1/2	
7	0641607	2	Bolt 3/8 x 7/8	
8	1320041	1	Clamp	
9	1320061	1	Clamp	
10	1671034	1	Cover	
11	1001260680	4	Rivnut M6	
12	3311405	3	Nut 1/4	
13	3311505	2	Nut 5/16	
14	3573047	1	Plate	
15	3573296	1	Plate	
16	3841340	2	Rod	
17	4360506	1	Switch, Proximity	
18	4460470	1	Nut, Terminal	
19	4460471	1	Washer, Terminal	
20	4460866	1	Connector - 19 Pin	
21	4460959	1	Terminal, Turnlock Plug	
22	4460960	1	Terminal, Turnlock Connector	
23	4711400	5	Washer 1/4	
24	4751500	4	Washer 5/16	
25	4922567	1	Harness Assembly - Main Boom (See Separate Breakdown in this Section)	
26	4922569	1	Harness Assembly - Tower Boom (See Separate Breakdown in this Section)	
27	4922660	1	Holding Valve/Lift Dump Harness Assembly (See Separate Breakdown in this Section)	
28	1001156425	1	AC Cable, 10/4 (Tower Boom)	
29	1001156427	1	AC Cable, 10/4 (Main Boom)	

SECTION 8 - ELECTRICAL

FIGURE 8-31. BOOM CABLES INSTALLATION - WITH 7500W GENERATOR AND WITHOUT ARCTIC PACKAGE (ALL SPECS) (860SJ HC3)



ART_1001256197

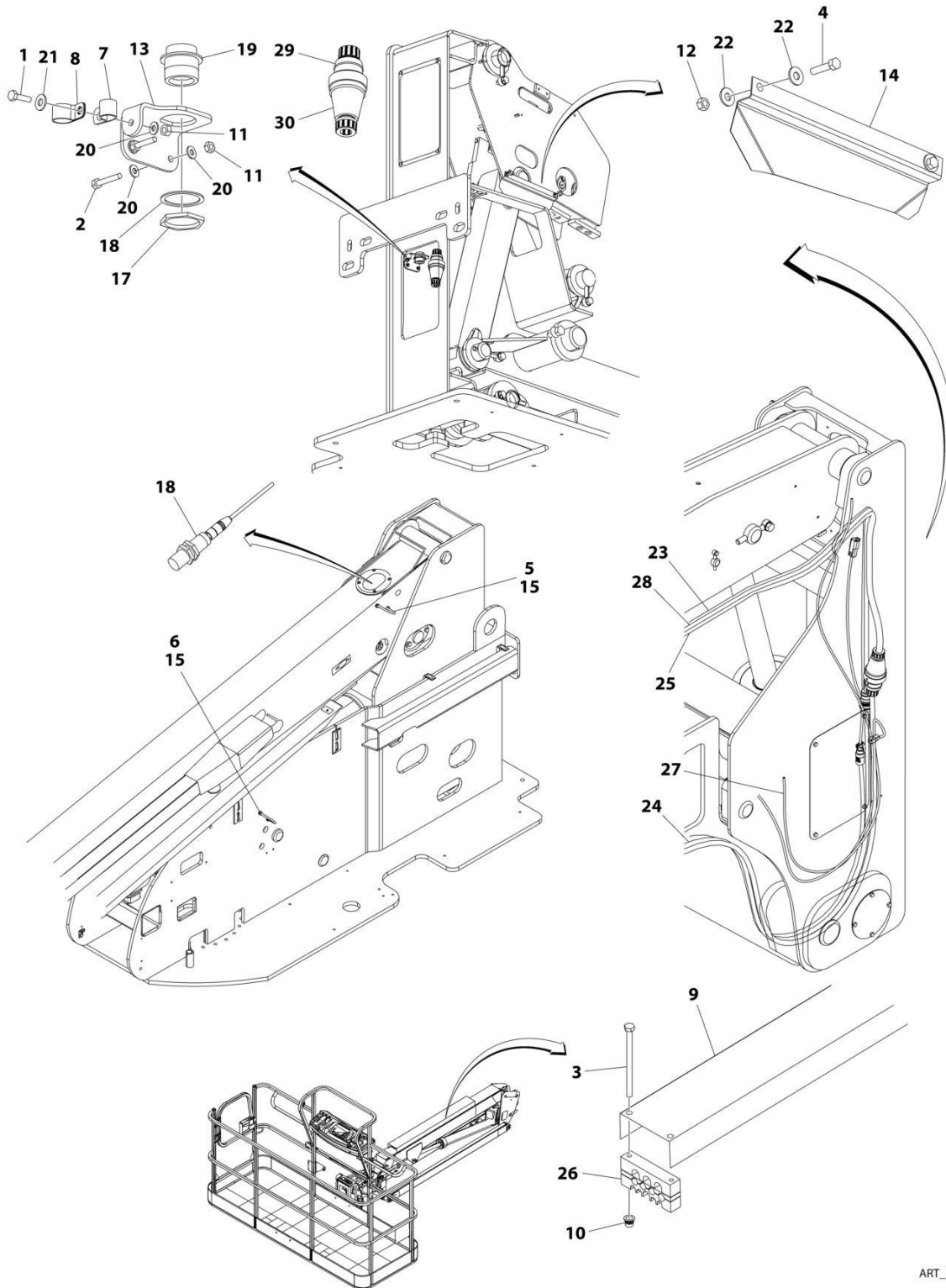
SECTION 8 - ELECTRICAL

FIGURE 8-31. BOOM CABLES INSTALLATION - WITH 7500W GENERATOR AND WITHOUT ARCTIC PACKAGE (ALL SPECS) (860SJ HC3)

ITEM	PART NUMBER	QTY	DESCRIPTION	REV
	1001256197	Ref	BOOM CABLES INSTALLATION	C
1	0561484	2	Block, Clamp	
2	0641408	1	Bolt 1/4 x 1	
3	0641412	2	Bolt 1/4 x 1-1/2	
4	0700626	4	Bolt M6 x 90	
5	0641511	2	Bolt 5/16 x 1-3/8	
6	0641604	2	Bolt 3/8 x 1/2	
7	0641607	2	Bolt 3/8 x 7/8	
8	1320061	1	Clamp	
9	1320202	1	Clamp	
10	1671034	1	Cover	
11	1001176636	4	Rivnut M6	
11	1001260680	4	Rivnut M6	
12	3311405	3	Nut 1/4	
13	3311505	2	Nut 5/16	
14	3573047	1	Plate	
15	3573296	1	Plate	
16	3841340	2	Rod	
17	4360506	1	Switch, Proximity	
18	4460470	1	Nut, Terminal	
19	4460471	1	Washer, Terminal	
20	4460866	1	Connector - 19 Pin	
21	4711400	5	Washer 1/4	
22	4751400	1	Washer 1/4	
23	4751500	4	Washer 5/16	
24	4922567	1	Harness Assembly - Main Boom (See Separate Breakdown in this Section)	
25	4922569	1	Harness Assembly - Tower Boom (See Separate Breakdown in this Section)	
26	4922660	1	Holding Valve/Lift Dump Harness Assembly (See Separate Breakdown in this Section)	
27	1001121669	1	AC Cable, 8/5 (Tower Boom)	
28	1001121671	1	AC Cable, 8/5 (Main Boom)	
29	1001218622	1	Terminal, Turnlock Plug	
30	1001218623	1	Terminal, Turnlock Connector	

SECTION 8 - ELECTRICAL

FIGURE 8-32. BOOM CABLES INSTALLATION - WITH 7500W GENERATOR AND WITH ARCTIC PACKAGE (ANSI, ANSI EXPOERT AND CSA SPECS) (860SJ HC3)



ART_1001256195

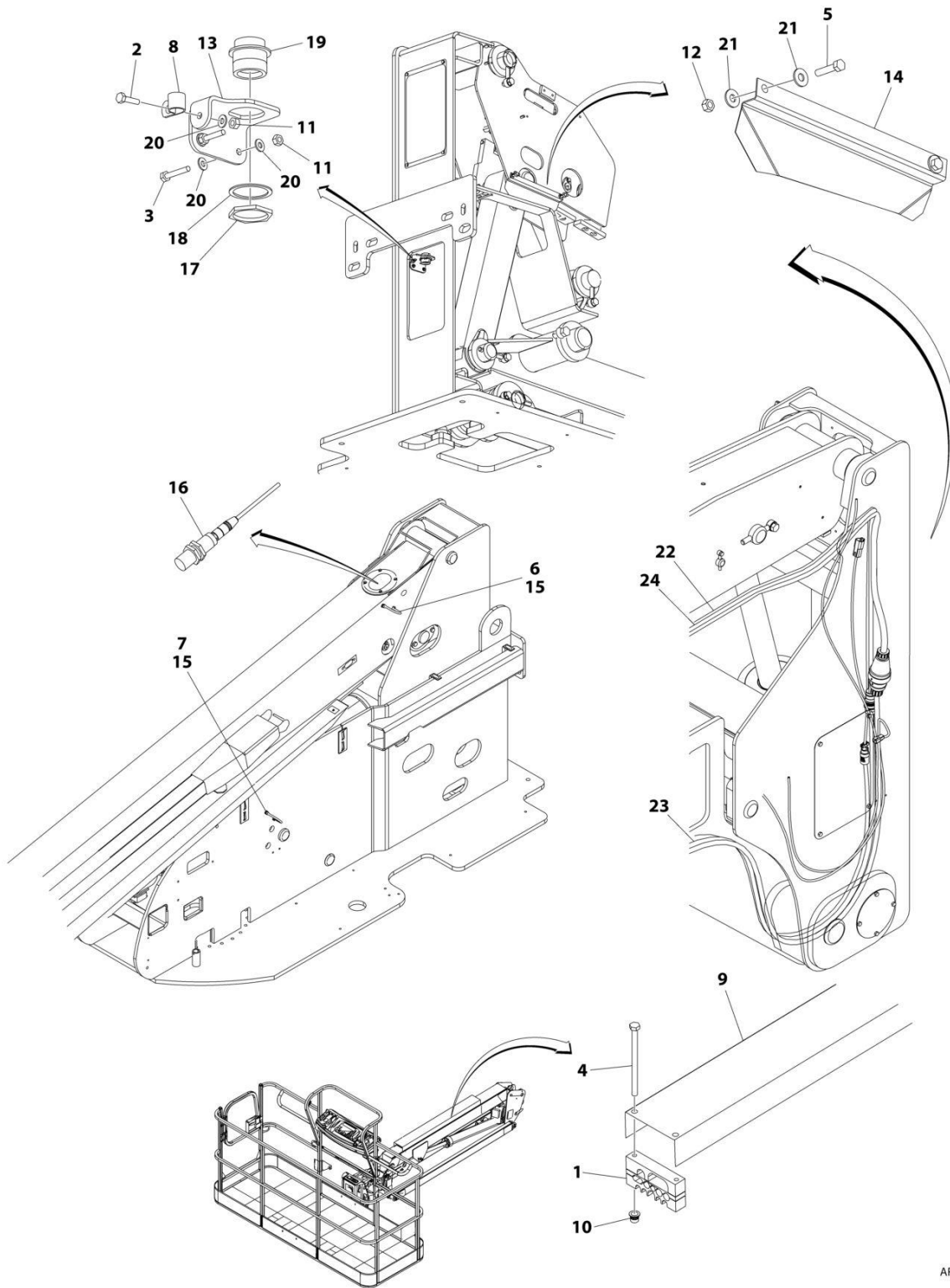
SECTION 8 - ELECTRICAL

FIGURE 8-32. BOOM CABLES INSTALLATION - WITH 7500W GENERATOR AND WITH ARCTIC PACKAGE (ANSI, ANSI EXPOERT AND CSA SPECS) (860SJ HC3)

ITEM	PART NUMBER	QTY	DESCRIPTION	REV
	1001256195	Ref	BOOM CABLES INSTALLATION	C
1	0641408	1	Bolt 1/4 x 1	
2	0641412	2	Bolt 1/4 x 1-1/2	
3	0700626	4	Bolt M6 x 90	
4	0641511	2	Bolt 5/16 x 1-3/8	
5	0641604	2	Bolt 3/8 x 1/2	
6	0641607	2	Bolt 3/8 x 7/8	
7	1320061	1	Clamp	
8	1320202	1	Clamp	
9	1671034	1	Cover	
10	1001260680	4	Rivnut M6	
11	3311405	3	Nut 1/4	
12	3311505	2	Nut 5/16	
13	3573047	1	Plate	
14	3573296	1	Plate	
15	3841340	2	Rod	
16	4360506	1	Switch, Proximity	
17	4460470	1	Nut, Terminal	
18	4460471	1	Washer, Terminal	
19	4460866	1	Connector - 19 Pin	
20	4711400	5	Washer 1/4	
21	4751400	1	Washer 1/4	
22	4751500	4	Washer 5/16	
23	4923595	1	Harness Assembly - Main Boom (See Separate Breakdown in this Section)	
24	4923596	1	Harness Assembly - Tower Boom (See Separate Breakdown in this Section)	
25	4923597	1	Holding Valve/Lift Dump Harness Assembly (See Separate Breakdown in this Section)	
26	1001091472	2	Block, Clamp	
27	1001121669	1	AC Cable, 8/5 (Tower Boom)	
28	1001121671	1	AC Cable, 8/5 (Main Boom)	
29	1001218622	1	Terminal, Turnlock Plug	
30	1001218623	1	Terminal, Turnlock Connector	

SECTION 8 - ELECTRICAL

FIGURE 8-33. BOOM CABLES INSTALLATION - WITHOUT AC CABLES (CHINA SPECS) (860SJ HC3)



ART_1001256201

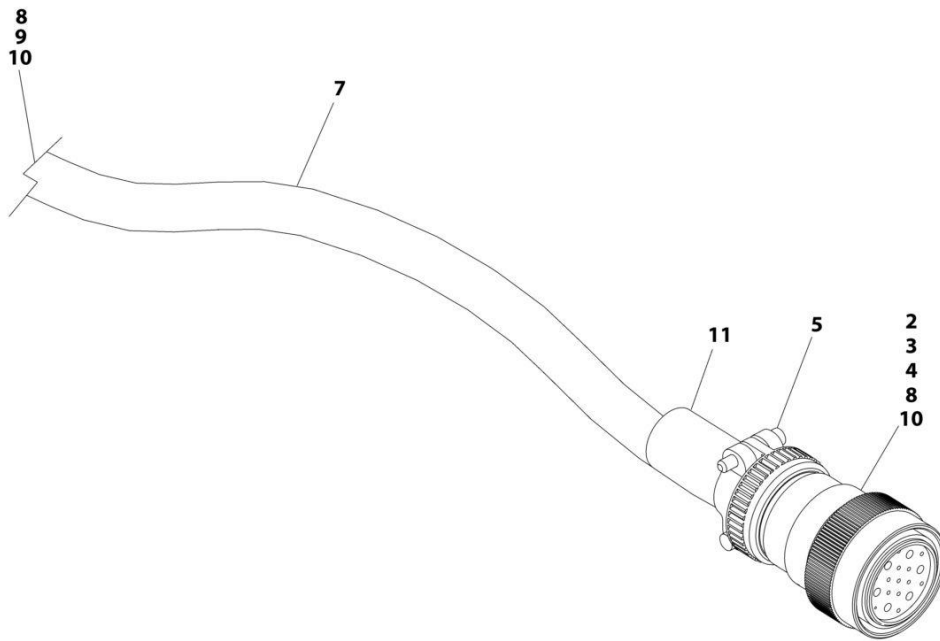
SECTION 8 - ELECTRICAL

FIGURE 8-33. BOOM CABLES INSTALLATION - WITHOUT AC CABLES (CHINA SPECS) (860SJ HC3)

ITEM	PART NUMBER	QTY	DESCRIPTION	REV
	1001256201	Ref	BOOM CABLES INSTALLATION	C
1	0561484	2	Block, Clamp	
2	0641408	1	Bolt 1/4 x 1	
3	0641412	2	Bolt 1/4 x 1-1/2	
4	0700626	4	Bolt M6 x 90	
5	0641511	2	Bolt 5/16 x 1-3/8	
6	0641604	2	Bolt 3/8 x 1/2	
7	0641607	2	Bolt 3/8 x 7/8	
8	1320061	1	Clamp	
9	1671034	1	Cover	
10	1001260680	4	Rivnut M6	
11	3311405	3	Nut 1/4	
12	3311505	2	Nut 5/16	
13	3573047	1	Plate	
14	3573296	1	Plate	
15	3841340	2	Rod	
16	4360506	1	Switch, Proximity	
17	4460470	1	Nut, Terminal	
18	4460471	1	Washer, Terminal	
19	4460866	1	Connector - 19 Pin	
20	4711400	5	Washer 1/4	
21	4751500	4	Washer 5/16	
22	4922567	1	Harness Assembly - Main Boom (See Separate Breakdown in this Section)	
23	4922569	1	Harness Assembly - Tower Boom (See Separate Breakdown in this Section)	
24	4922660	1	Holding Valve/Lift Dump Harness Assembly (See Separate Breakdown in this Section)	

SECTION 8 - ELECTRICAL

FIGURE 8-34. BOOM HARNESS (MAIN BOOM) (WITHOUT ARCTIC PACKAGE) (860SJ HC3)



ART_4922567

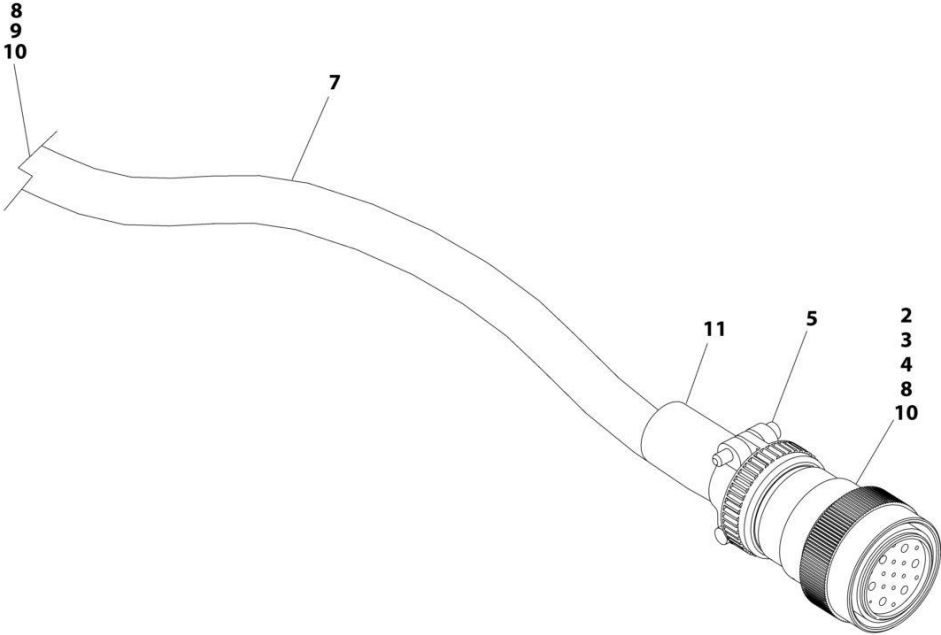
SECTION 8 - ELECTRICAL

FIGURE 8-34. BOOM HARNESS (MAIN BOOM) (WITHOUT ARCTIC PACKAGE) (860SJ HC3)

ITEM	PART NUMBER	QTY	DESCRIPTION	REV
	4922567	Ref	BOOM HARNESS	D
2	4460465	11	Socket, Female	
3	4460865	1	Connector - 19 Position	
4	4460509	4	Socket, Female	
5	4460473	1	Clamp	
6	4460466	8	Plug, Terminal	
7	2820031	AR	Heatshrink	
8	4460464	11	Pin, Male	
9	4460508	4	Pin, Male	
10	2820118	AR	Heatshrink, Clear	
11	1001226400	1	Insulate, Heatshrink	

SECTION 8 - ELECTRICAL

FIGURE 8-35. BOOM HARNESS (MAIN BOOM) (WITH ARCTIC PACKAGE) (860SJ HC3)



ART_4923595

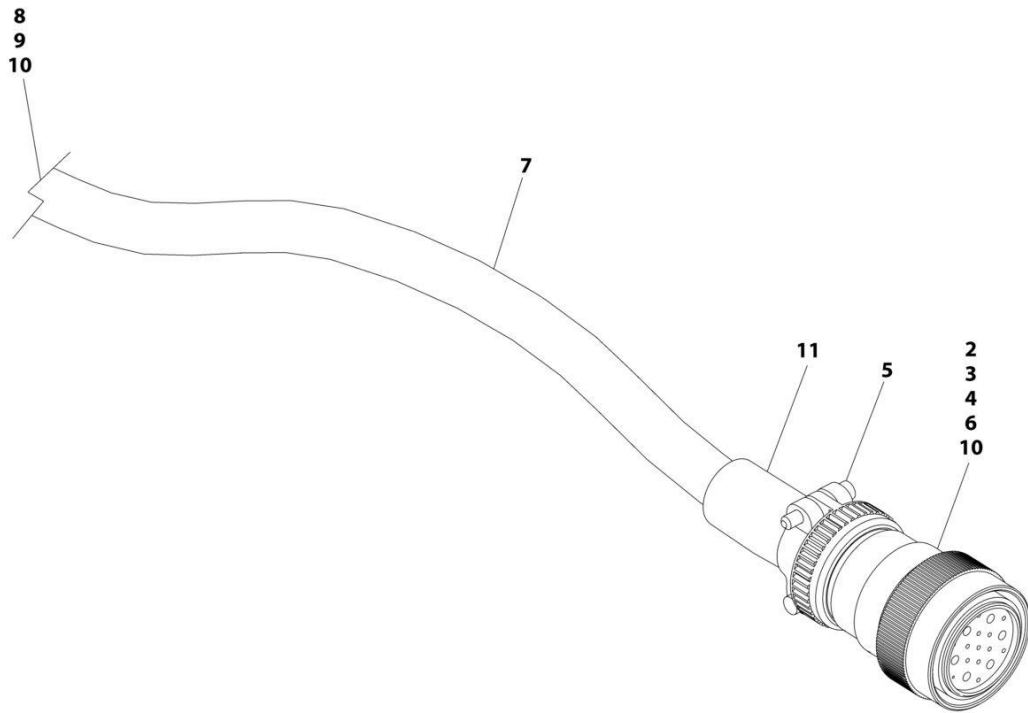
SECTION 8 - ELECTRICAL

FIGURE 8-35. BOOM HARNESS (MAIN BOOM) (WITH ARCTIC PACKAGE) (860SJ HC3)

ITEM	PART NUMBER	QTY	DESCRIPTION	REV
	4923595	Ref	BOOM HARNESS	D
2	4460465	11	Socket, Female	
3	4460865	1	Connector - 19 Position	
4	4460509	4	Socket, Female	
5	4460473	1	Clamp	
6	4460466	8	Plug, Terminal	
7	2820031	AR	Heatshrink	
8	4460464	11	Pin, Male	
9	4460508	4	Pin, Male	
10	2820118	AR	Heatshrink, Clear	
11	1001226400	1	Insulate, Heatshrink	

SECTION 8 - ELECTRICAL

FIGURE 8-36. BOOM HARNESS (MAIN BOOM) (WITH ARCTIC PACKAGE) (800S HC3)



ART_1001091618

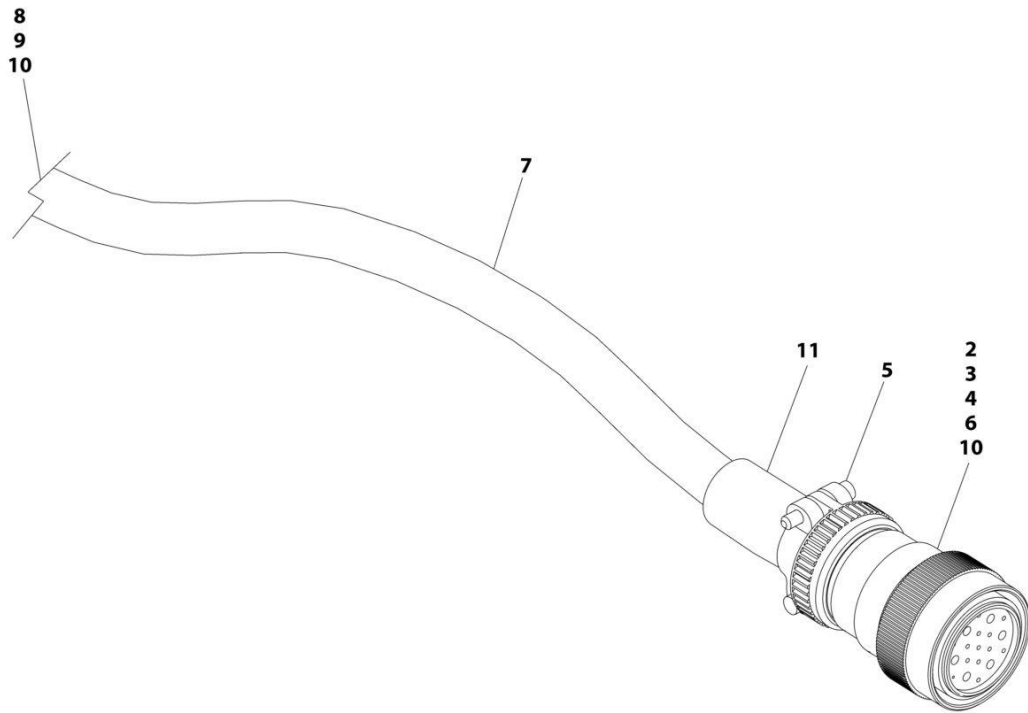
SECTION 8 - ELECTRICAL

FIGURE 8-36. BOOM HARNESS (MAIN BOOM) (WITH ARCTIC PACKAGE) (800S HC3)

ITEM	PART NUMBER	QTY	DESCRIPTION	REV
	1001091618	Ref	BOOM HARNESS	C
2	4460465	11	Socket, Female	
3	4460865	1	Connector - 19 Position	
4	4460509	4	Socket, Female	
5	4460473	1	Clamp	
6	4460466	8	Plug, Terminal	
7	2820031	AR	Heatshrink	
8	4460464	11	Pin, Male	
9	4460508	4	Pin, Male	
10	2820118	AR	Heatshrink, Clear	
11	1001226400	1	Insulate, Heatshrink	

SECTION 8 - ELECTRICAL

FIGURE 8-37. BOOM CABLE (MAIN BOOM) (WITHOUT ARCTIC PACKAGE)



ART_4922566

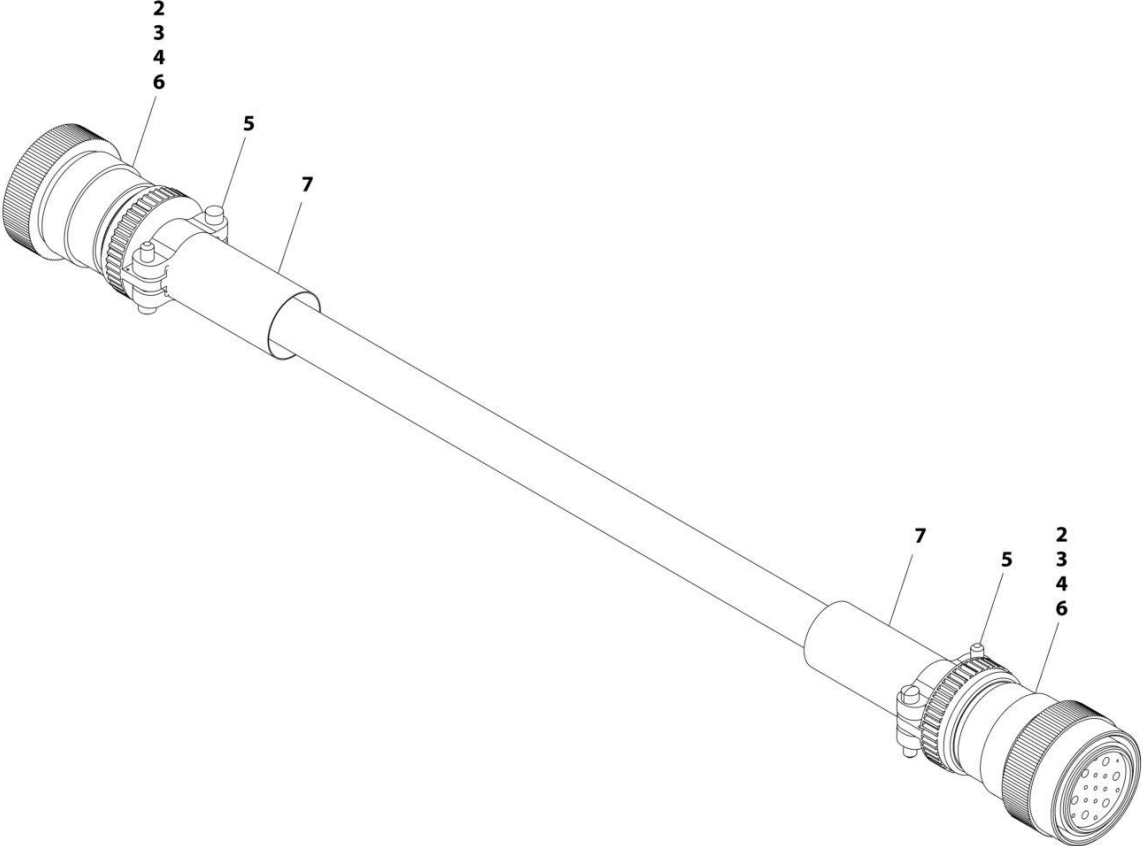
SECTION 8 - ELECTRICAL

FIGURE 8-37. BOOM CABLE (MAIN BOOM) (WITHOUT ARCTIC PACKAGE)

ITEM	PART NUMBER	QTY	DESCRIPTION	REV
	4922566	Ref	BOOM HARNESS	C
2	4460465	11	Socket, Female	
3	4460865	1	Connector - 19 Position	
4	4460509	4	Socket, Female	
5	4460473	1	Clamp	
6	4460466	8	Plug, Terminal	
7	2820031	AR	Heatshrink	
8	4460464	11	Pin, Male	
9	4460508	4	Pin, Male	
10	2820118	AR	Heatshrink, Clear	
11	1001226400	1	Insulate, Heatshrink	

SECTION 8 - ELECTRICAL

FIGURE 8-38. BOOM CABLE (TOWER BOOM) (WITHOUT ARCTIC PACKAGE)



ART_4922569

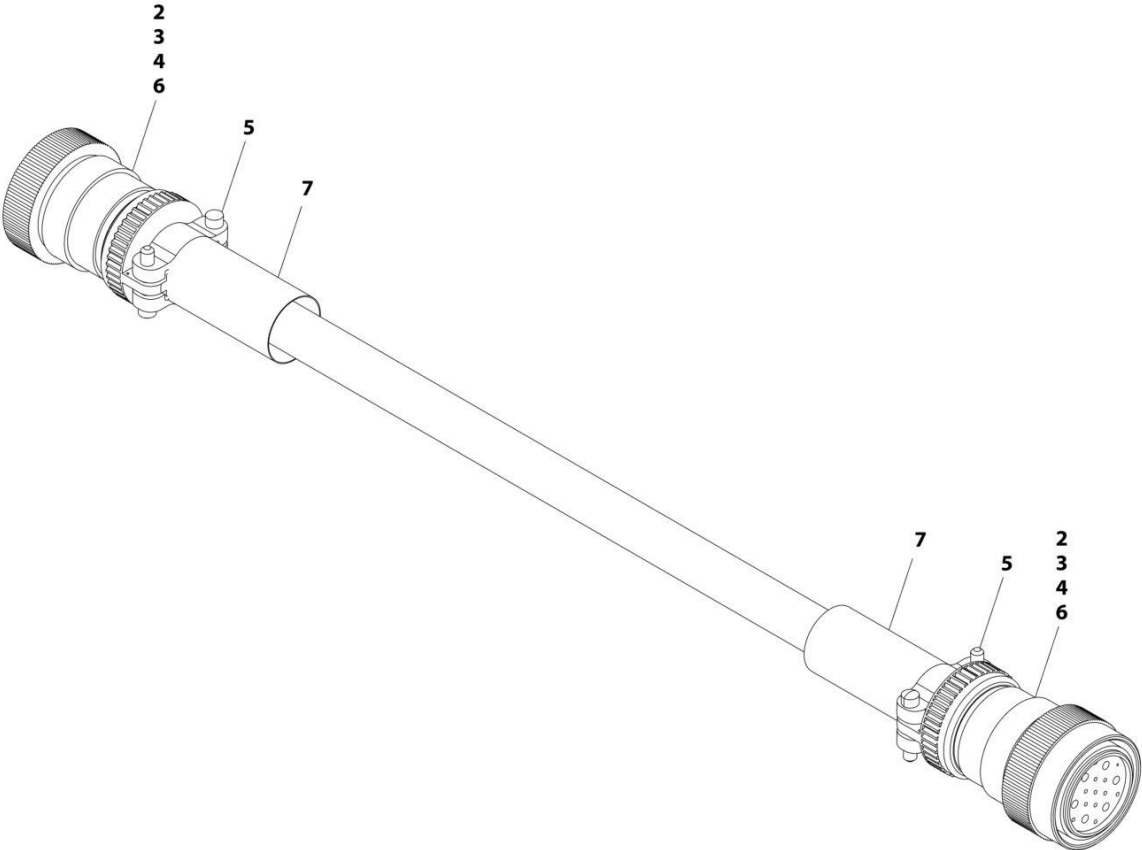
SECTION 8 - ELECTRICAL

FIGURE 8-38. BOOM CABLE (TOWER BOOM) (WITHOUT ARCTIC PACKAGE)

ITEM	PART NUMBER	QTY	DESCRIPTION	REV
	4922569	Ref	BOOM CABLE - TOWER BOOM	B
2	4460465	22	Socket, Female	
3	4460865	2	Connector - 19 Position	
4	4460509	8	Socket, Female	
5	4460473	2	Clamp	
6	4460466	8	Plug, Terminal	
7	1001226400	2	Insulate, Heatshrink	

SECTION 8 - ELECTRICAL

FIGURE 8-39. BOOM CABLE (TOWER BOOM) (WITHOUT ARCTIC PACKAGE)



ART_4923596

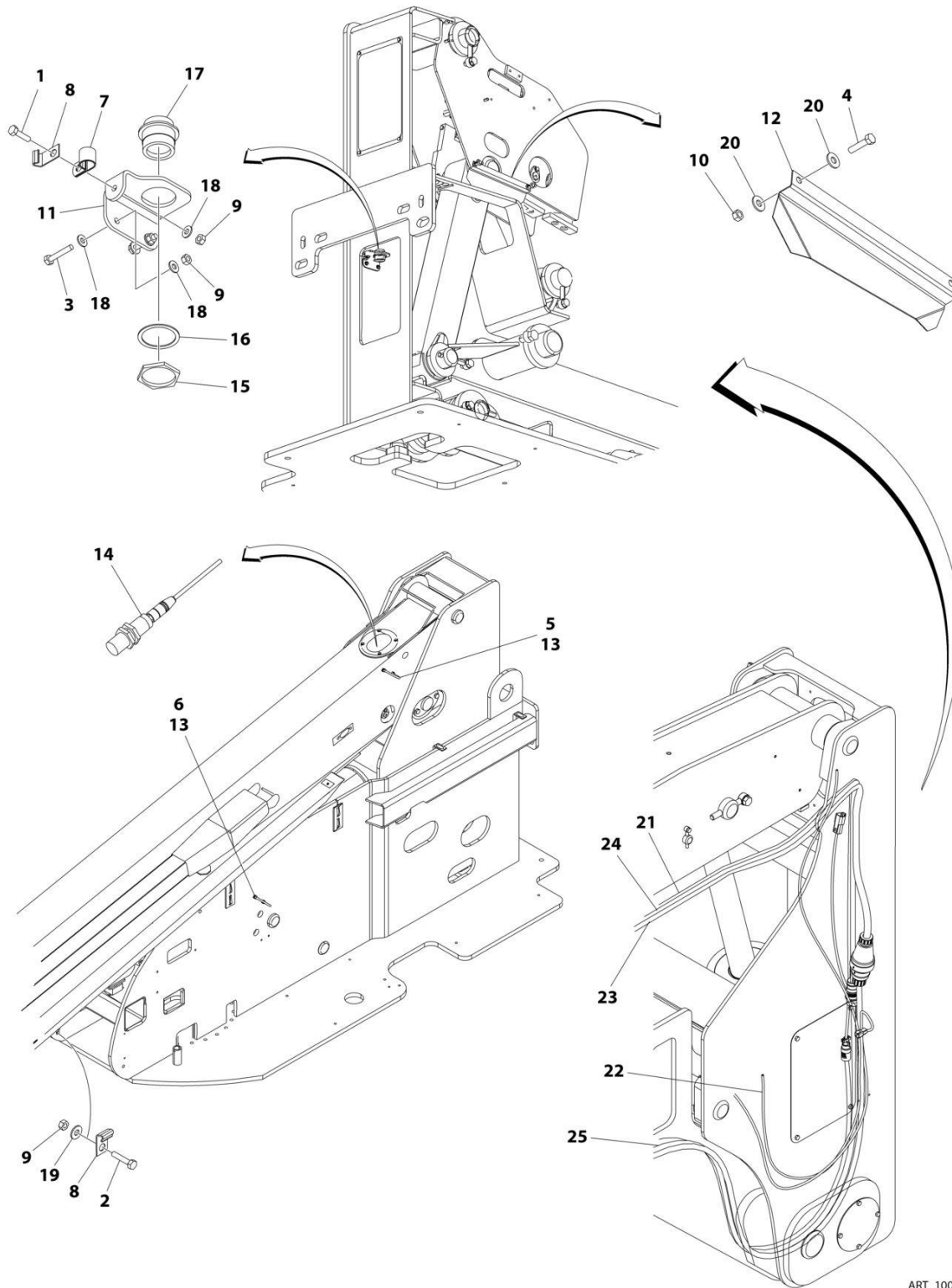
SECTION 8 - ELECTRICAL

FIGURE 8-39. BOOM CABLE (TOWER BOOM) (WITHOUT ARCTIC PACKAGE)

ITEM	PART NUMBER	QTY	DESCRIPTION	REV
	4923596	Ref	BOOM CABLE - TOWER BOOM	C
2	4460465	22	Socket, Female	
3	4460865	2	Connector - 19 Position	
4	4460509	8	Socket, Female	
5	4460473	2	Clamp	
6	4460466	8	Plug, Terminal	
7	1001226400	2	Insulate, Heatshrink	

SECTION 8 - ELECTRICAL

FIGURE 8-40. BOOM CABLES INSTALLATION - WITHOUT ARCTIC PACKAGE (ALL SPECS) (800S HC3)



ART_1001256190

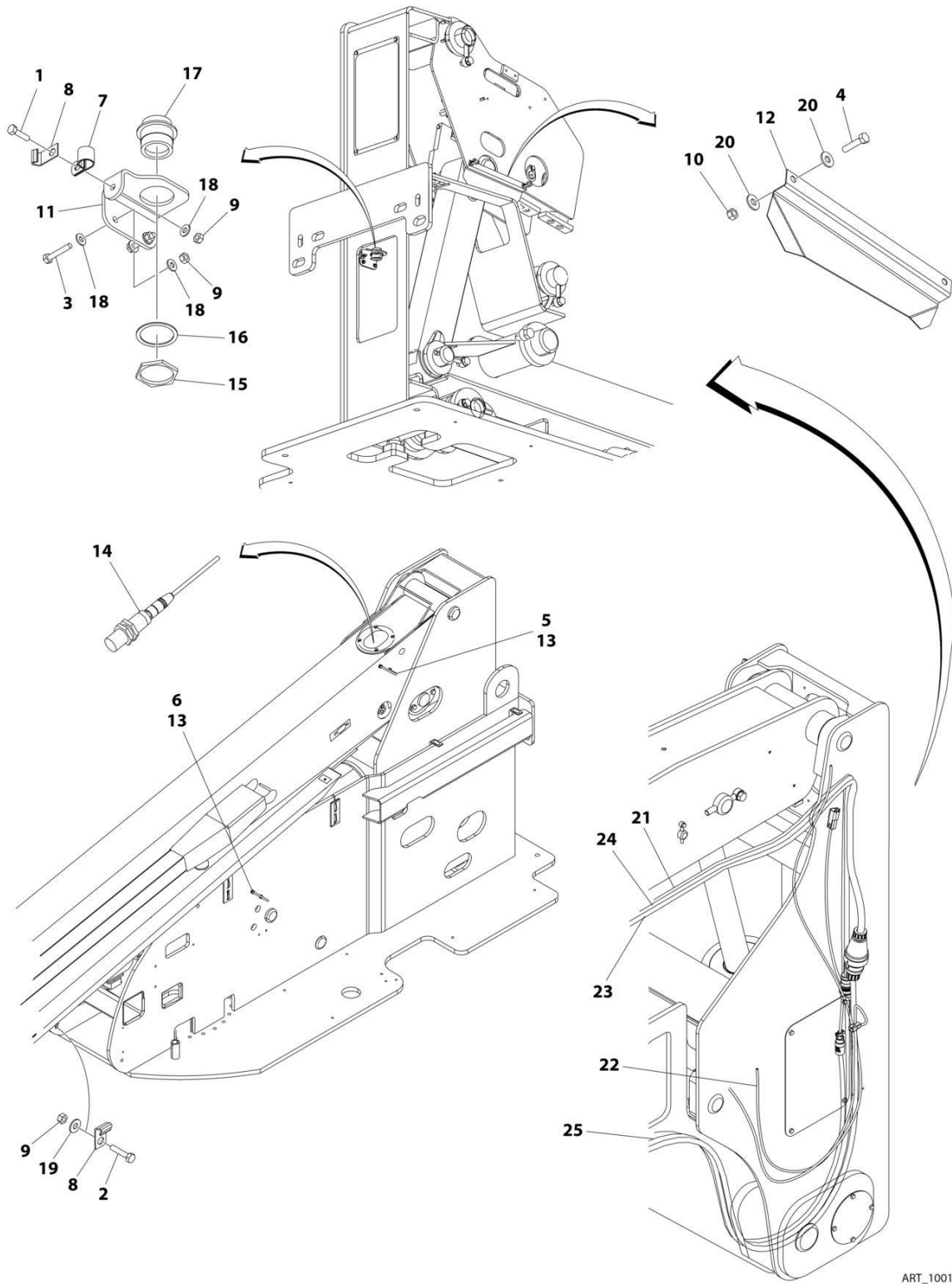
SECTION 8 - ELECTRICAL

FIGURE 8-40. BOOM CABLES INSTALLATION - WITHOUT ARCTIC PACKAGE (ALL SPECS) (800S HC3)

ITEM	PART NUMBER	QTY	DESCRIPTION	REV
	1001256190	Ref	BOOM CABLES INSTALLATION	B
1	0641408	1	Bolt 1/4 x 1	
2	0641410	1	Bolt 1/4 x 1-1/4	
3	0641412	2	Bolt 1/4 x 1-1/2	
4	0641511	2	Bolt 5/16 x 1-3/8	
5	0641604	2	Bolt 3/8 x 1/2	
6	0641607	2	Bolt 3/8 x 7/8	
7	1320061	1	Clamp	
8	1320223	2	Clamp	
9	3311405	4	Nut 1/4	
10	3311505	2	Nut 5/16	
11	3573047	1	Plate	
12	3573296	1	Plate	
13	3841340	2	Rod	
14	4360506	1	Switch, Proximity	
15	4460470	1	Nut, Terminal	
16	4460471	1	Washer, Terminal	
17	4460866	1	Connector - 19 Pin	
18	4711400	5	Washer 1/4	
19	4751400	1	Washer 1/4	
20	4751500	4	Washer 5/16	
21	4922566	1	Harness Assembly - Main Boom (See Separate Breakdown in this Section)	
22	4922569	1	Harness Assembly - Tower Boom (See Separate Breakdown in this Section)	
23	4922660	1	Holding Valve/Lift Dump Harness Assembly (See Separate Breakdown in this Section)	
24	4922875	1	AC Cable, 10/3 (Main Boom)	
25	4922876	1	AC Cable, 10/3 (Tower Boom)	

SECTION 8 - ELECTRICAL

FIGURE 8-41. BOOM CABLES INSTALLATION - WITH ARCTIC PACKAGE (ANSI, ANSI EXPORT AND CSA SPECS) (800S HC3)



ART_1001256192

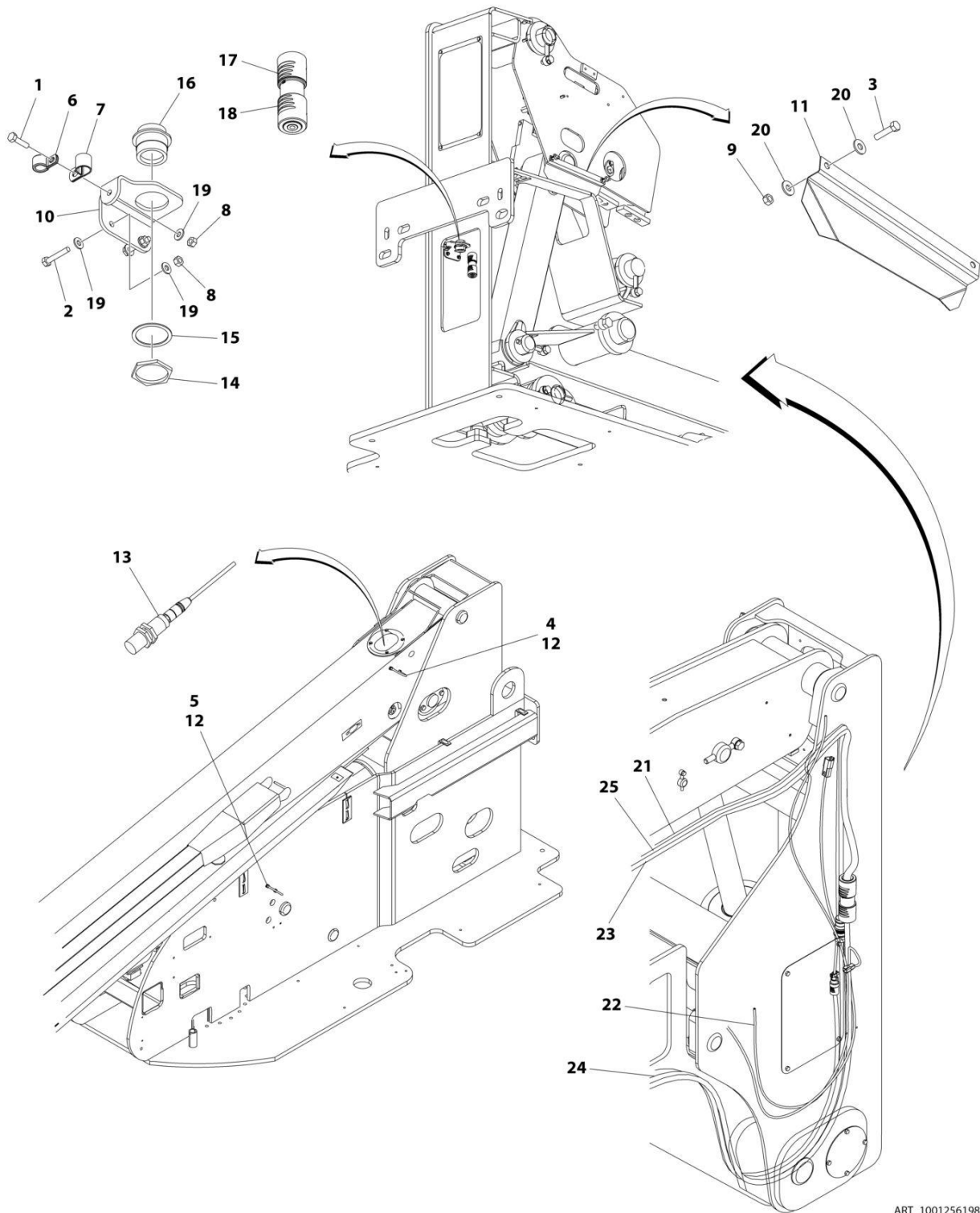
SECTION 8 - ELECTRICAL

FIGURE 8-41. BOOM CABLES INSTALLATION - WITH ARCTIC PACKAGE (ANSI, ANSI EXPORT AND CSA SPECS) (800S HC3)

ITEM	PART NUMBER	QTY	DESCRIPTION	REV
	1001256192	Ref	BOOM CABLES INSTALLATION	A
1	0641408	1	Bolt 1/4 x 1	
2	0641410	1	Bolt 1/4 x 1-1/4	
3	0641412	2	Bolt 1/4 x 1-1/2	
4	0641511	2	Bolt 5/16 x 1-3/8	
5	0641604	2	Bolt 3/8 x 1/2	
6	0641607	2	Bolt 3/8 x 7/8	
7	1320061	1	Clamp	
8	1320223	2	Clamp	
9	3311405	4	Nut 1/4	
10	3311505	2	Nut 5/16	
11	3573047	1	Plate	
12	3573296	1	Plate	
13	3841340	2	Rod	
14	4360506	1	Switch, Proximity	
15	4460470	1	Nut, Terminal	
16	4460471	1	Washer, Terminal	
17	4460866	1	Connector - 19 Pin	
18	4711400	5	Washer 1/4	
19	4751400	1	Washer 1/4	
20	4751500	4	Washer 5/16	
21	4923596	1	Harness Assembly - Tower Boom (See Separate Breakdown in this Section)	
22	4923597	1	Holding Valve/Lift Dump Harness Assembly (See Separate Breakdown in this Section)	
23	4923601	1	AC Cable, 8/5 (Main Boom)	
24	1001091618	1	Harness Assembly - Main Boom (See Separate Breakdown in this Section)	
25	1001091620	1	AC Cable, 10/3 (Tower Boom)	

SECTION 8 - ELECTRICAL

FIGURE 8-42. BOOM CABLES INSTALLATION - WITH 4000W GENERATOR AND WITHOUT ARCTIC PACKAGE (ANSI, ANSI EXPORT, CSA AND JAPANESE SPECS) (800S HC3)



ART_1001256198

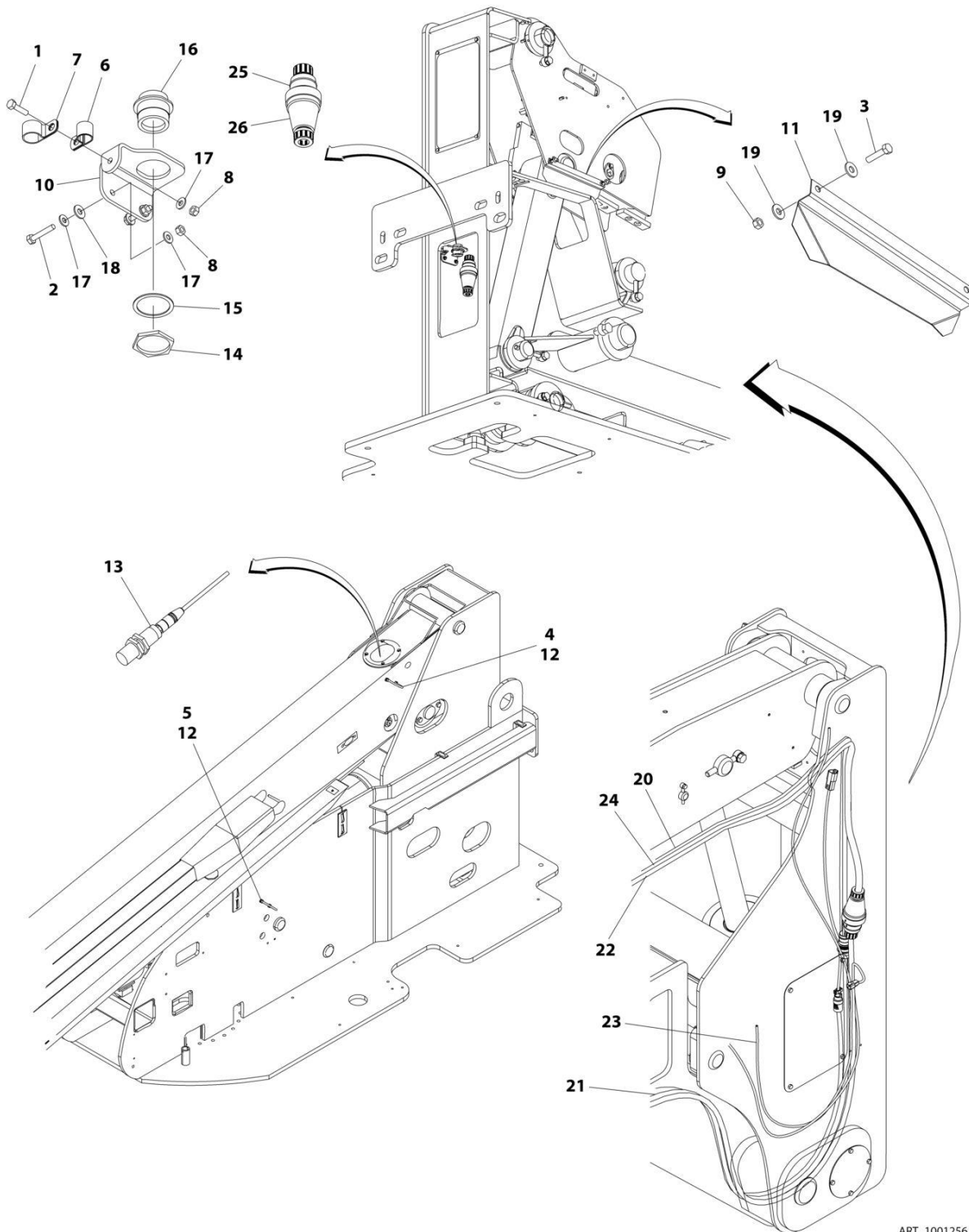
SECTION 8 - ELECTRICAL

FIGURE 8-42. BOOM CABLES INSTALLATION - WITH 4000W GENERATOR AND WITHOUT ARCTIC PACKAGE (ANSI, ANSI EXPORT, CSA AND JAPANESE SPECS) (800S HC3)

ITEM	PART NUMBER	QTY	DESCRIPTION	REV
	1001256198	Ref	BOOM CABLES INSTALLATION	A
1	0641408	1	Bolt 1/4 x 1	
2	0641412	2	Bolt 1/4 x 1-1/2	
3	0641511	2	Bolt 5/16 x 1-3/8	
4	0641604	2	Bolt 3/8 x 1/2	
5	0641607	2	Bolt 3/8 x 7/8	
6	1320041	1	Clamp	
7	1320061	1	Clamp	
8	3311405	3	Nut 1/4	
9	3311505	2	Nut 5/16	
10	3573047	1	Plate	
11	3573296	1	Plate	
12	3841340	2	Rod	
13	4360506	1	Switch, Proximity	
14	4460470	1	Nut, Terminal	
15	4460471	1	Washer, Terminal	
16	4460866	1	Connector - 19 Pin	
17	4460959	1	Terminal, Turnlock Plug	
18	4460960	1	Terminal, Turnlock Connector	
19	4711400	5	Washer 1/4	
20	4751500	4	Washer 5/16	
21	4922566	1	Harness Assembly - Main Boom (See Separate Breakdown in this Section)	
22	4922569	1	Harness Assembly - Tower Boom (See Separate Breakdown in this Section)	
23	4922660	1	Holding Valve/Lift Dump Harness Assembly (See Separate Breakdown in this Section)	
24	1001156425	1	AC Cable, 10/4 (Tower Boom)	
25	1001156426	1	AC Cable, 10/4 (Main Boom)	

SECTION 8 - ELECTRICAL

FIGURE 8-43. BOOM CABLES INSTALLATION - WITH 7500W GENERATOR AND WITHOUT ARCTIC PACKAGE (ALL SPECS) (800S HC3)



ART_1001256196

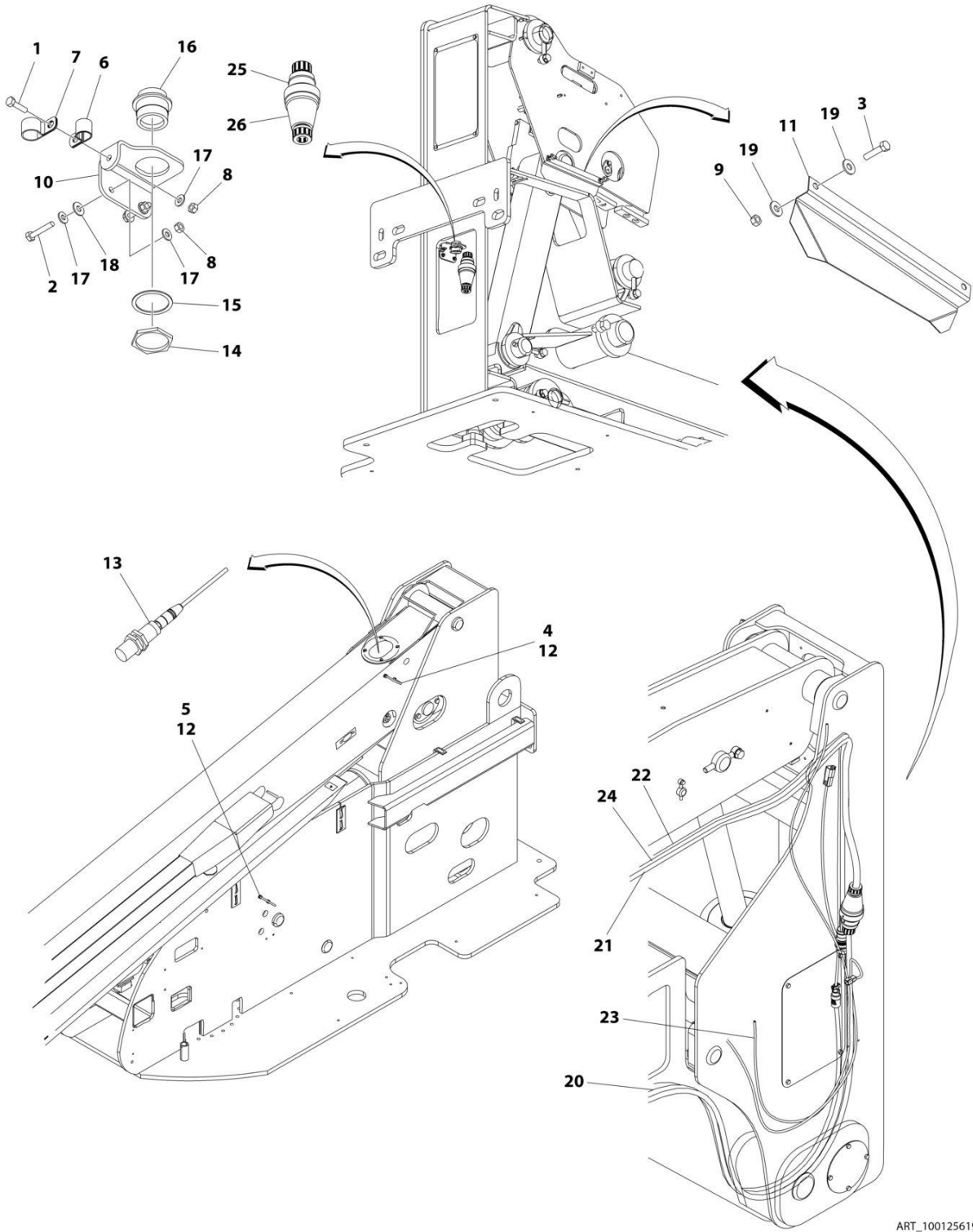
SECTION 8 - ELECTRICAL

FIGURE 8-43. BOOM CABLES INSTALLATION - WITH 7500W GENERATOR AND WITHOUT ARCTIC PACKAGE (ALL SPECS) (800S HC3)

ITEM	PART NUMBER	QTY	DESCRIPTION	REV
	1001256196	Ref	BOOM CABLES INSTALLATION	A
1	0641408	1	Bolt 1/4 x 1	
2	0641412	2	Bolt 1/4 x 1-1/2	
3	0641511	2	Bolt 5/16 x 1-3/8	
4	0641604	2	Bolt 3/8 x 1/2	
5	0641607	2	Bolt 3/8 x 7/8	
6	1320061	1	Clamp	
7	1320202	1	Clamp	
8	3311405	3	Nut 1/4	
9	3311505	2	Nut 5/16	
10	3573047	1	Plate	
11	3573296	1	Plate	
12	3841340	2	Rod	
13	4360506	1	Switch, Proximity	
14	4460470	1	Nut, Terminal	
15	4460471	1	Washer, Terminal	
16	4460866	1	Connector - 19 Pin	
17	4711400	5	Washer 1/4	
18	4751400	1	Washer 1/4	
19	4751500	4	Washer 5/16	
20	4922566	1	Harness Assembly - Main Boom (See Separate Breakdown in this Section)	
21	4922569	1	Harness Assembly - Tower Boom (See Separate Breakdown in this Section)	
22	4922660	1	Holding Valve/Lift Dump Harness Assembly (See Separate Breakdown in this Section)	
23	1001121669	1	AC Cable, 8/5 (Tower Boom)	
24	1001121670	1	AC Cable, 8/5 (Main Boom)	
25	1001218622	1	Terminal, Turnlock Plug	
26	1001218623	1	Terminal, Turnlock Connector	

SECTION 8 - ELECTRICAL

FIGURE 8-44. BOOM CABLES INSTALLATION - WITH 7500W GENERATOR AND WITH ARCTIC PACKAGE (ANSI, ANSI EXPOERT AND CSA SPECS) (800S HC3)



ART_1001256194

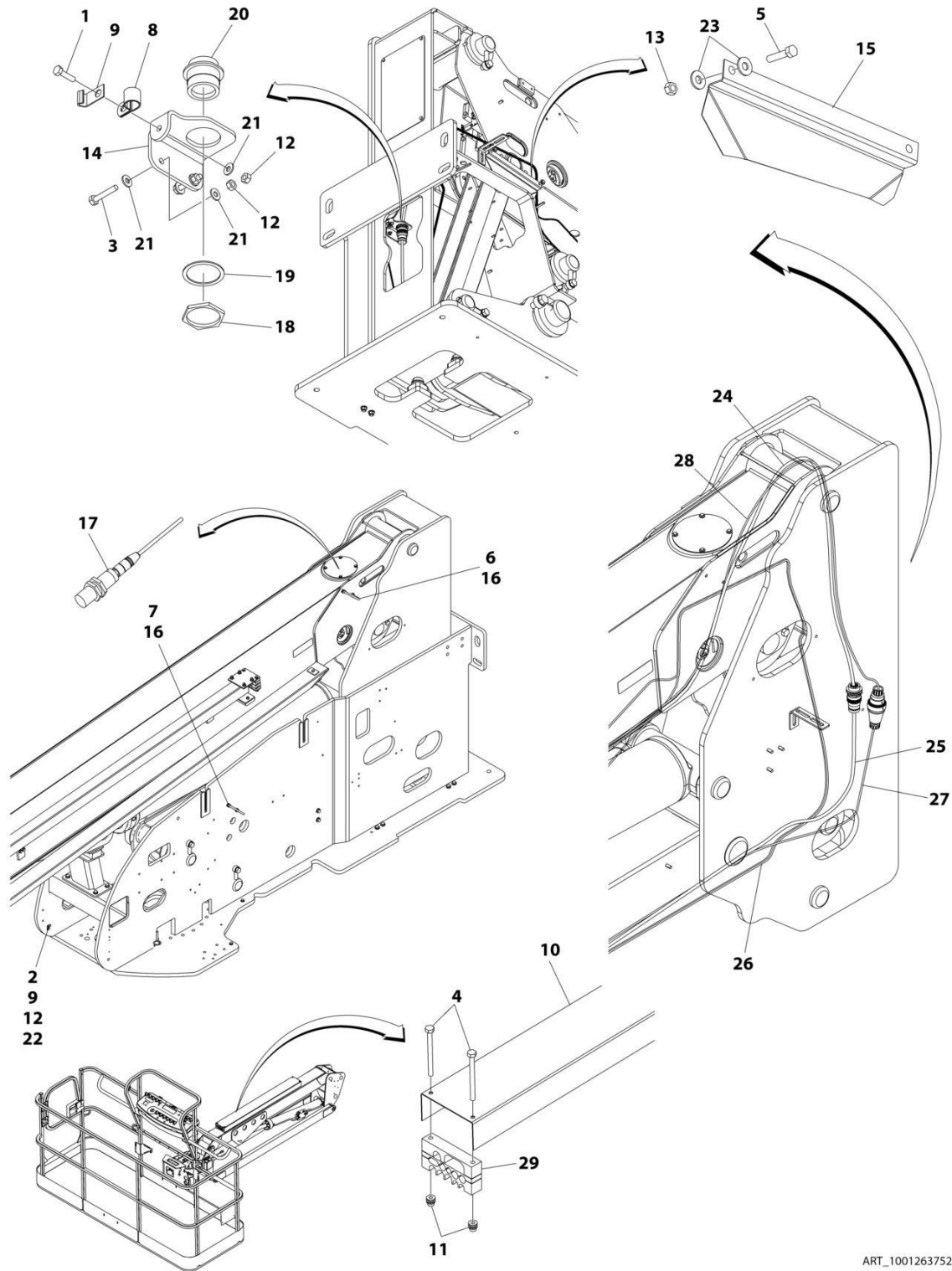
SECTION 8 - ELECTRICAL

FIGURE 8-44. BOOM CABLES INSTALLATION - WITH 7500W GENERATOR AND WITH ARCTIC PACKAGE (ANSI, ANSI EXPOERT AND CSA SPECS) (800S HC3)

ITEM	PART NUMBER	QTY	DESCRIPTION	REV
	1001256194	Ref	BOOM CABLES INSTALLATION	A
1	0641408	1	Bolt 1/4 x 1	
2	0641412	2	Bolt 1/4 x 1-1/2	
3	0641511	2	Bolt 5/16 x 1-3/8	
4	0641604	2	Bolt 3/8 x 1/2	
5	0641607	2	Bolt 3/8 x 7/8	
6	1320061	1	Clamp	
7	1320202	1	Clamp	
8	3311405	3	Nut 1/4	
9	3311505	2	Nut 5/16	
10	3573047	1	Plate	
11	3573296	1	Plate	
12	3841340	2	Rod	
13	4360506	1	Switch, Proximity	
14	4460470	1	Nut, Terminal	
15	4460471	1	Washer, Terminal	
16	4460866	1	Connector - 19 Pin	
17	4711400	5	Washer 1/4	
18	4751400	1	Washer 1/4	
19	4751500	4	Washer 5/16	
20	4923596	1	Harness Assembly - Tower Boom (See Separate Breakdown in this Section)	
21	4923597	1	Holding Valve/Lift Dump Harness Assembly (See Separate Breakdown in this Section)	
22	1001091618	1	Harness Assembly - Main Boom (See Separate Breakdown in this Section)	
23	1001121669	1	AC Cable, 8/5 (Tower Boom)	
24	1001121670	1	AC Cable, 8/5 (Main Boom)	
25	1001218622	1	Terminal, Turnlock Plug	
26	1001218623	1	Terminal, Turnlock Connector	

SECTION 8 - ELECTRICAL

FIGURE 8-45. BOOM CABLES INSTALLATION - WITHOUT ARCTIC PACKAGE (ALL SPECS) (860SJ HC3)



ART_1001263752

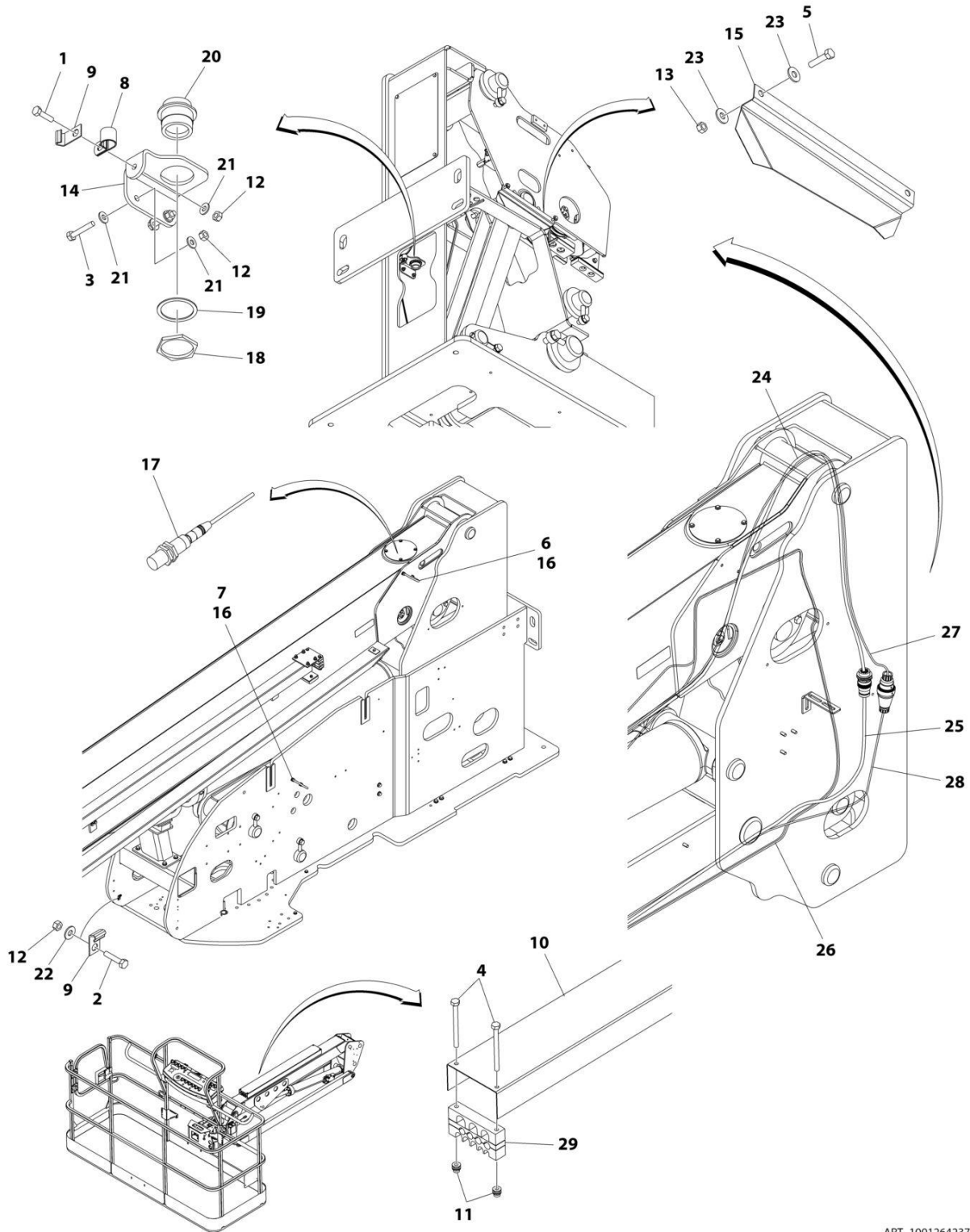
SECTION 8 - ELECTRICAL

FIGURE 8-45. BOOM CABLES INSTALLATION - WITHOUT ARCTIC PACKAGE (ALL SPECS) (860SJ HC3)

ITEM	PART NUMBER	QTY	DESCRIPTION	REV
	1001263752	Ref	BOOM CABLES INSTALLATION	B
1	0641408	1	Bolt 1/4 x 1	
2	0641410	1	Bolt 1/4 x 1-1/4	
3	0641412	2	Bolt 1/4 x 1-1/2	
4	0641424	4	Bolt 1/4 x 3	
4	0700624	4	Bolt M6 x 80	
5	0641511	2	Bolt 5/16 x 1-3/8	
6	0641604	2	Bolt 3/8 x 1/2	
7	0641607	2	Bolt 3/8 x 7/8	
8	1320061	1	Clamp	
9	1320223	2	Clamp	
10	1671034	1	Cover	
11	2080044	4	Rivnut (For Use with Item 4, 1/4 x 3 Bolt)	
12	3311405	4	Nut 1/4	
13	3311505	2	Nut 5/16	
14	3573047	1	Plate	
15	3573296	1	Plate	
16	3841340	2	Rod	
17	4360506	1	Switch, Proximity	
18	4460470	1	Nut, Terminal	
19	4460471	1	Washer, Terminal	
20	4460866	1	Connector - 19 Pin	
21	4711400	5	Washer 1/4	
22	4751400	1	Washer 1/4	
23	4751500	4	Washer 5/16	
24	4922567	1	Harness Assembly - Main Boom (See Separate Breakdown in this Section)	
25	4922569	1	Harness Assembly - Tower Boom (See Separate Breakdown in this Section)	
26	4922660	1	Holding Valve/Lift Dump Harness Assembly (See Separate Breakdown in this Section)	
27	4922876	1	AC Cable, 10/3 (Tower Boom)	
28	4922878	2	AC Cable, 10/3 (Main Boom)	

SECTION 8 - ELECTRICAL

FIGURE 8-46. BOOM CABLES INSTALLATION - WITH ARCTIC PACKAGE (ANSI, ANSI EXPORT AND CSA SPECS) (860SJ HC3)



ART_1001264237

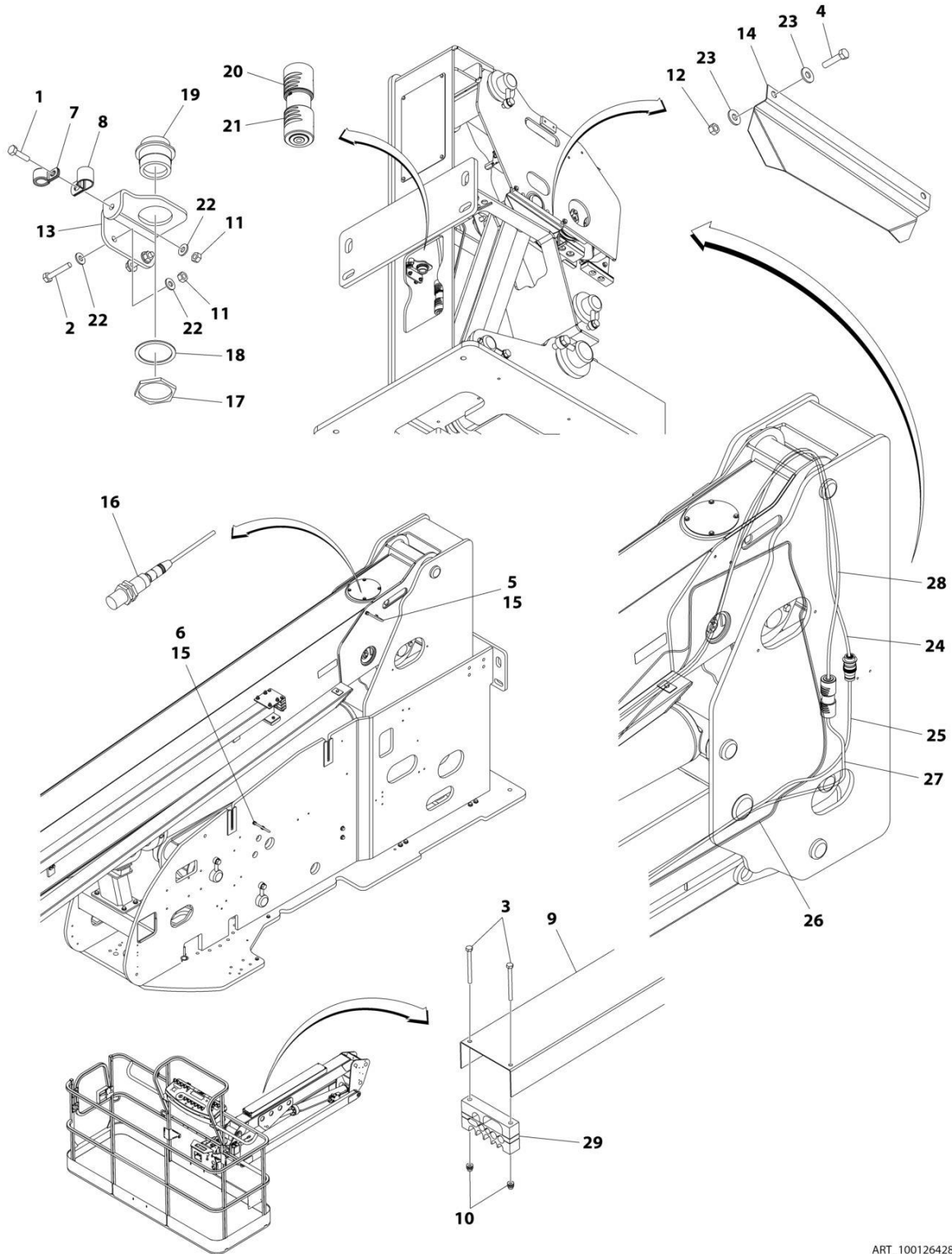
SECTION 8 - ELECTRICAL

FIGURE 8-46. BOOM CABLES INSTALLATION - WITH ARCTIC PACKAGE (ANSI, ANSI EXPORT AND CSA SPECS) (860SJ HC3)

ITEM	PART NUMBER	QTY	DESCRIPTION	REV
	1001264237	Ref	BOOM CABLES INSTALLATION	A
1	0641408	1	Bolt 1/4 x 1	
2	0641410	1	Bolt 1/4 x 1-1/4	
3	0641412	2	Bolt 1/4 x 1-1/2	
4	0641424	4	Bolt 1/4 x 3	
5	0641511	2	Bolt 5/16 x 1-3/8	
6	0641604	2	Bolt 3/8 x 1/2	
7	0641607	2	Bolt 3/8 x 7/8	
8	1320061	1	Clamp	
9	1320223	2	Clamp	
10	1671034	1	Cover	
11	2080044	4	Rivnut	
12	3311405	4	Nut 1/4	
13	3311505	2	Nut 5/16	
14	3573047	1	Plate	
15	3573296	1	Plate	
16	3841340	2	Rod	
17	4360506	1	Switch, Proximity	
18	4460470	1	Nut, Terminal	
19	4460471	1	Washer, Terminal	
20	4460866	1	Connector - 19 Pin	
21	4711400	5	Washer 1/4	
22	4751400	1	Washer 1/4	
23	4751500	4	Washer 5/16	
24	4923595	1	Harness Assembly - Main Boom (See Separate Breakdown in this Section)	
25	4923596	1	Harness Assembly - Tower Boom (See Separate Breakdown in this Section)	
26	4923597	1	Holding Valve/Lift Dump Harness Assembly (See Separate Breakdown in this Section)	
27	4923600	1	AC Cable, 10/3 (Main Boom)	
28	4923601	1	AC Cable, 10/3 (Tower Boom)	
29	1001265900	2	Block, Clamp	

SECTION 8 - ELECTRICAL

FIGURE 8-47. BOOM CABLES INSTALLATION - WITH 4000W GENERATOR AND WITHOUT ARCTIC PACKAGE (ANSI, ANSI EXPORT, CSA AND JAPANESE SPECS) (860SJ HC3)



ART_1001264280

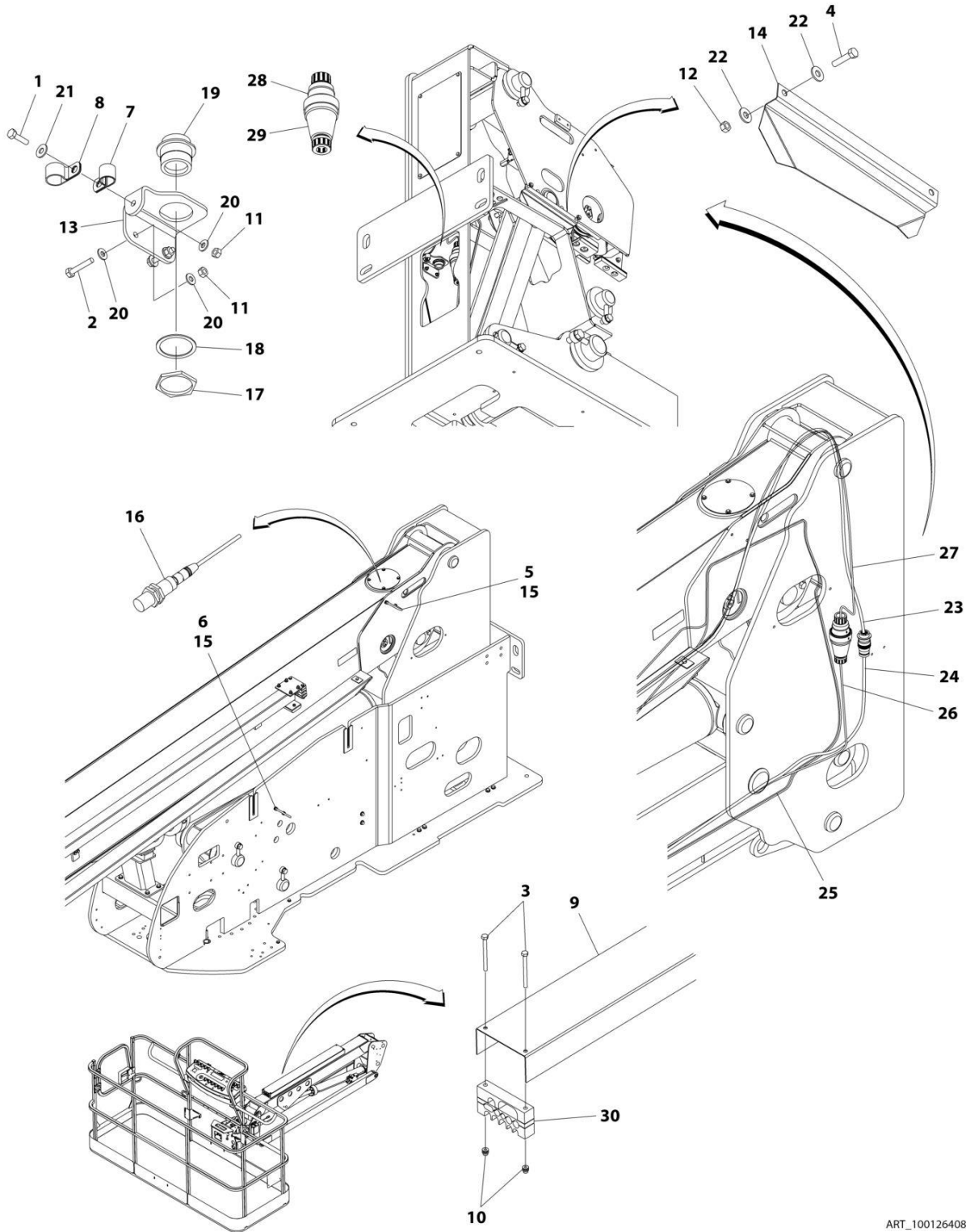
SECTION 8 - ELECTRICAL

FIGURE 8-47. BOOM CABLES INSTALLATION - WITH 4000W GENERATOR AND WITHOUT ARCTIC PACKAGE (ANSI, ANSI EXPORT, CSA AND JAPANESE SPECS) (860SJ HC3)

ITEM	PART NUMBER	QTY	DESCRIPTION	REV
	1001264280	Ref	BOOM CABLES INSTALLATION	A
1	0641408	1	Bolt 1/4 x 1	
2	0641412	2	Bolt 1/4 x 1-1/2	
3	0641424	4	Bolt 1/4 x 3	
4	0641511	2	Bolt 5/16 x 1-3/8	
5	0641604	2	Bolt 3/8 x 1/2	
6	0641607	2	Bolt 3/8 x 7/8	
7	1320041	1	Clamp	
8	1320061	1	Clamp	
9	1671034	1	Cover	
10	2080044	4	Rivnut	
11	3311405	3	Nut 1/4	
12	3311505	2	Nut 5/16	
13	3573047	1	Plate	
14	3573296	1	Plate	
15	3841340	2	Rod	
16	4360506	1	Switch, Proximity	
17	4460470	1	Nut, Terminal	
18	4460471	1	Washer, Terminal	
19	4460866	1	Connector - 19 Pin	
20	4460959	1	Terminal, Turnlock Plug	
21	4460960	1	Terminal, Turnlock Connector	
22	4711400	5	Washer 1/4	
23	4751500	4	Washer 5/16	
24	4922567	1	Harness Assembly - Main Boom (See Separate Breakdown in this Section)	
25	4922569	1	Harness Assembly - Tower Boom (See Separate Breakdown in this Section)	
26	4922660	1	Holding Valve/Lift Dump Harness Assembly (See Separate Breakdown in this Section)	
27	1001156425	1	AC Cable, 10/4 (Tower Boom)	
28	1001156427	1	AC Cable, 10/4 (Main Boom)	
29	1001263445	2	Block, Clamp	

SECTION 8 - ELECTRICAL

FIGURE 8-48. BOOM CABLES INSTALLATION - WITH 7500W GENERATOR AND WITHOUT ARCTIC PACKAGE (ALL SPECS) (860SJ HC3)



ART_1001264088

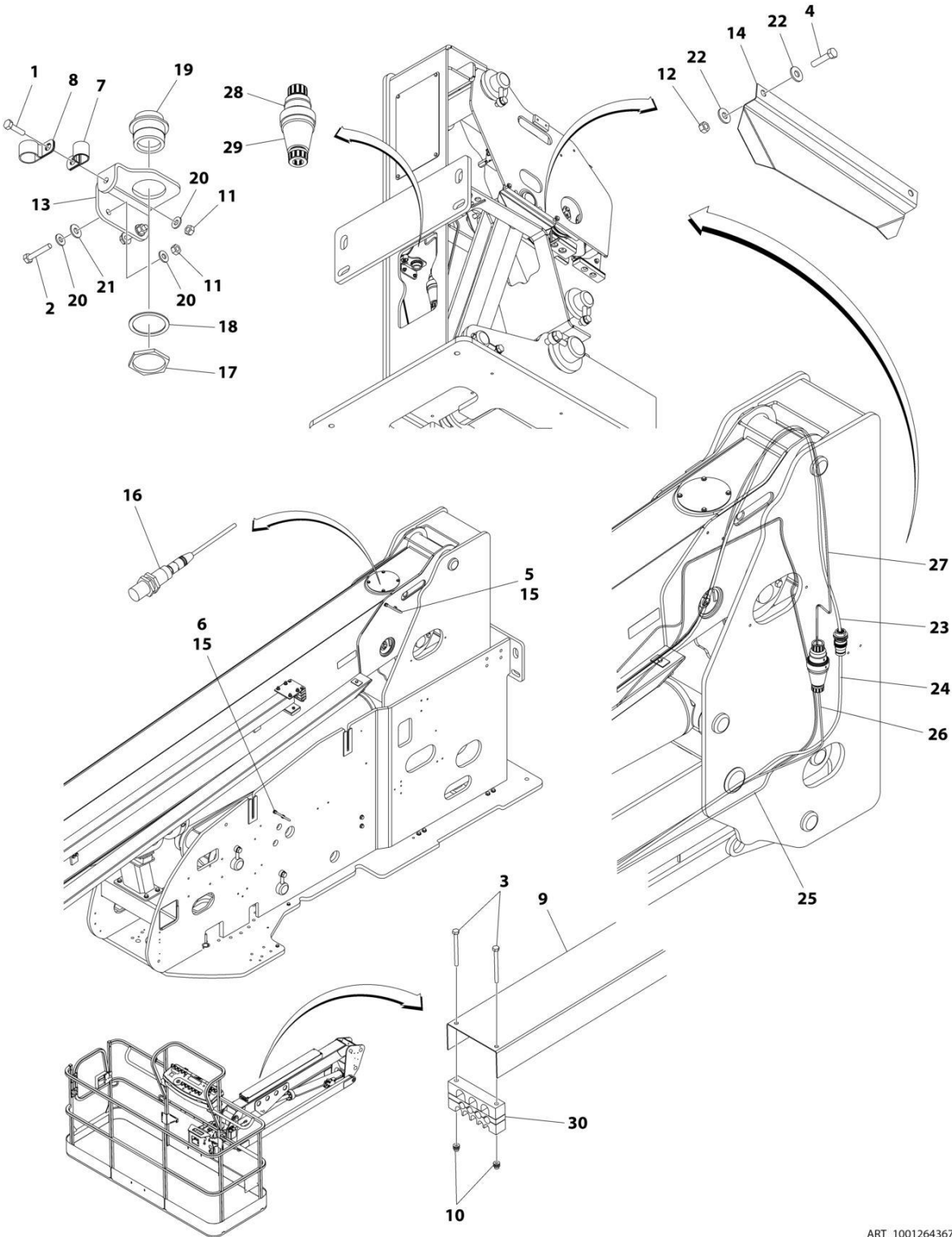
SECTION 8 - ELECTRICAL

FIGURE 8-48. BOOM CABLES INSTALLATION - WITH 7500W GENERATOR AND WITHOUT ARCTIC PACKAGE (ALL SPECS) (860SJ HC3)

ITEM	PART NUMBER	QTY	DESCRIPTION	REV
	1001264088	Ref	BOOM CABLES INSTALLATION	A
1	0641408	1	Bolt 1/4 x 1	
2	0641412	2	Bolt 1/4 x 1-1/2	
3	0641424	4	Bolt 1/4 x 3	
4	0641511	2	Bolt 5/16 x 1-3/8	
5	0641604	2	Bolt 3/8 x 1/2	
6	0641607	2	Bolt 3/8 x 7/8	
7	1320061	1	Clamp	
8	1320202	1	Clamp	
9	1671034	1	Cover	
10	2080044	4	Rivnut	
11	3311405	3	Nut 1/4	
12	3311505	2	Nut 5/16	
13	3573047	1	Plate	
14	3573296	1	Plate	
15	3841340	2	Rod	
16	4360506	1	Switch, Proximity	
17	4460470	1	Nut, Terminal	
18	4460471	1	Washer, Terminal	
19	4460866	1	Connector - 19 Pin	
20	4711400	5	Washer 1/4	
21	4751400	1	Washer 1/4	
22	4751500	4	Washer 5/16	
23	4922567	1	Harness Assembly - Main Boom (See Separate Breakdown in this Section)	
24	4922569	1	Harness Assembly - Tower Boom (See Separate Breakdown in this Section)	
25	4922660	1	Holding Valve/Lift Dump Harness Assembly (See Separate Breakdown in this Section)	
26	1001121669	1	AC Cable, 8/5 (Tower Boom)	
27	1001121671	1	AC Cable, 8/5 (Main Boom)	
28	1001218622	1	Terminal, Turnlock Plug	
29	1001218623	1	Terminal, Turnlock Connector	
30	1001263445	2	Block, Clamp	

SECTION 8 - ELECTRICAL

FIGURE 8-49. BOOM CABLES INSTALLATION - WITH 7500W GENERATOR AND WITH ARCTIC PACKAGE (ANSI, ANSI EXPOERT AND CSA SPECS) (860SJ HC3)



ART_1001264367

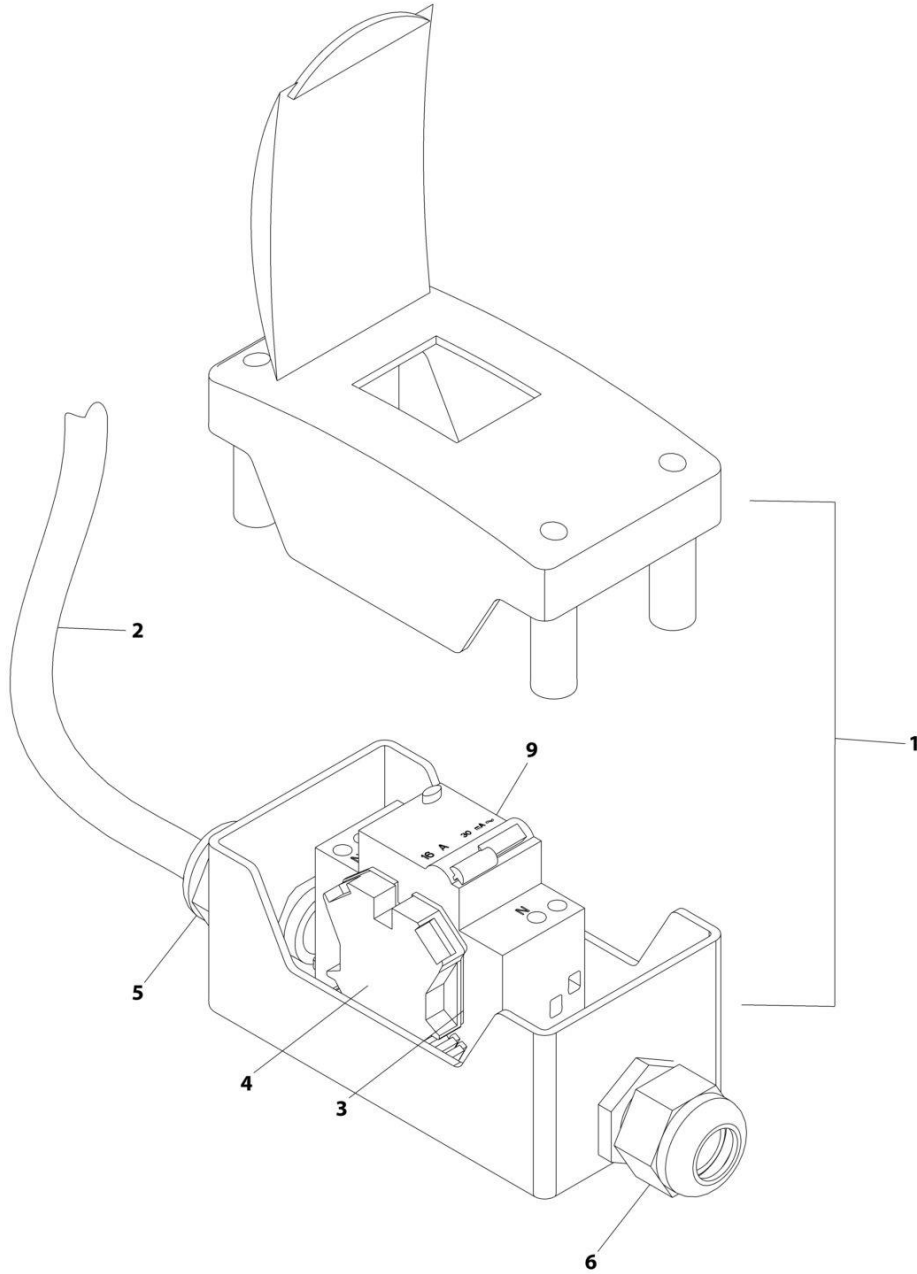
SECTION 8 - ELECTRICAL

FIGURE 8-49. BOOM CABLES INSTALLATION - WITH 7500W GENERATOR AND WITH ARCTIC PACKAGE (ANSI, ANSI EXPOERT AND CSA SPECS) (860SJ HC3)

ITEM	PART NUMBER	QTY	DESCRIPTION	REV
	1001264367	Ref	BOOM CABLES INSTALLATION	A
1	0641408	1	Bolt 1/4 x 1	
2	0641412	2	Bolt 1/4 x 1-1/2	
3	0641424	4	Bolt 1/4 x 3	
4	0641511	2	Bolt 5/16 x 1-3/8	
5	0641604	2	Bolt 3/8 x 1/2	
6	0641607	2	Bolt 3/8 x 7/8	
7	1320061	1	Clamp	
8	1320202	1	Clamp	
9	1671034	1	Cover	
10	2080044	4	Rivnut	
11	3311405	3	Nut 1/4	
12	3311505	2	Nut 5/16	
13	3573047	1	Plate	
14	3573296	1	Plate	
15	3841340	2	Rod	
16	4360506	1	Switch, Proximity	
17	4460470	1	Nut, Terminal	
18	4460471	1	Washer, Terminal	
19	4460866	1	Connector - 19 Pin	
20	4711400	5	Washer 1/4	
21	4751400	1	Washer 1/4	
22	4751500	4	Washer 5/16	
23	4923595	1	Harness Assembly - Main Boom (See Separate Breakdown in this Section)	
24	4923596	1	Harness Assembly - Tower Boom (See Separate Breakdown in this Section)	
25	4923597	1	Holding Valve/Lift Dump Harness Assembly (See Separate Breakdown in this Section)	
26	1001121669	1	AC Cable, 8/5 (Tower Boom)	
27	1001121671	1	AC Cable, 8/5 (Main Boom)	
28	1001218622	1	Terminal, Turnlock Plug	
29	1001218623	1	Terminal, Turnlock Connector	
30	1001265900	2	Block, Clamp	

SECTION 8 - ELECTRICAL

FIGURE 8-50. BREAKER BOX KIT - ONE DOUBLE 16AMP BREAKER (CE SPECS WITHOUT 7500W GENERATOR)



ART_1001109654

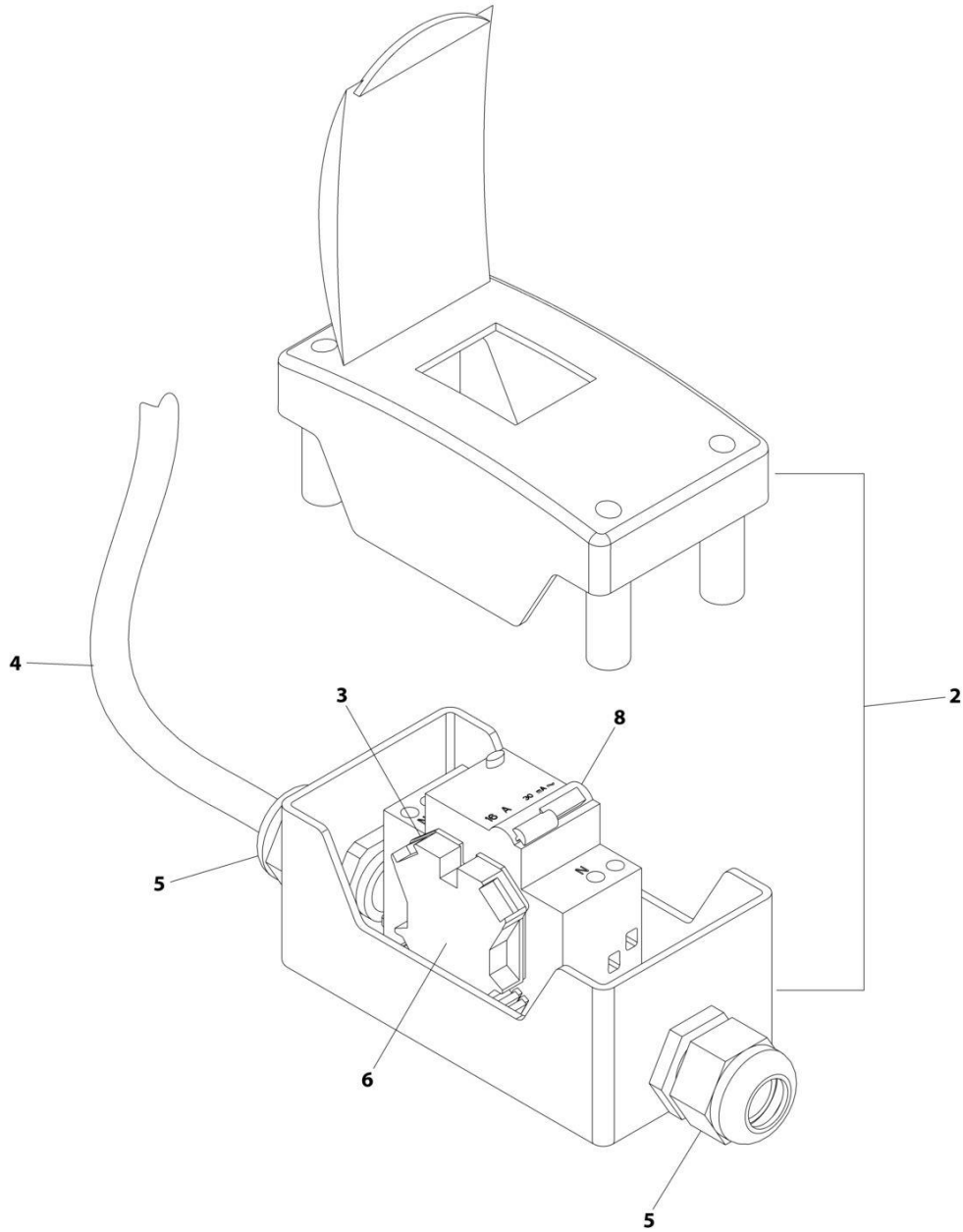
SECTION 8 - ELECTRICAL

FIGURE 8-50. BREAKER BOX KIT - ONE DOUBLE 16AMP BREAKER (CE SPECS WITHOUT 7500W GENERATOR)

ITEM	PART NUMBER	QTY	DESCRIPTION	REV
	1001109654	Ref	BREAKER BOX KIT	C
1	0861880	1	Box, Breaker	
2	1060908	12 ft/ 3.6m	Cable 12/3	
3	4460956	1	Barrier, Terminal Block End	
4	4460957	1	Block, Terminal	
5	1001097150	1	Connector, Strain Relief	
6	1001101191	1	Connector, Strain Relief	
9	1001181045	1	Breaker - 30mA/16Amp	
10	1001100231	3	Terminal (Not Shown)	

SECTION 8 - ELECTRICAL

FIGURE 8-51. BREAKER BOX KIT - ONE DOUBLE 16AMP BREAKER (WITH 4000W/50HZ GENERATOR)



ART_1001165368_B

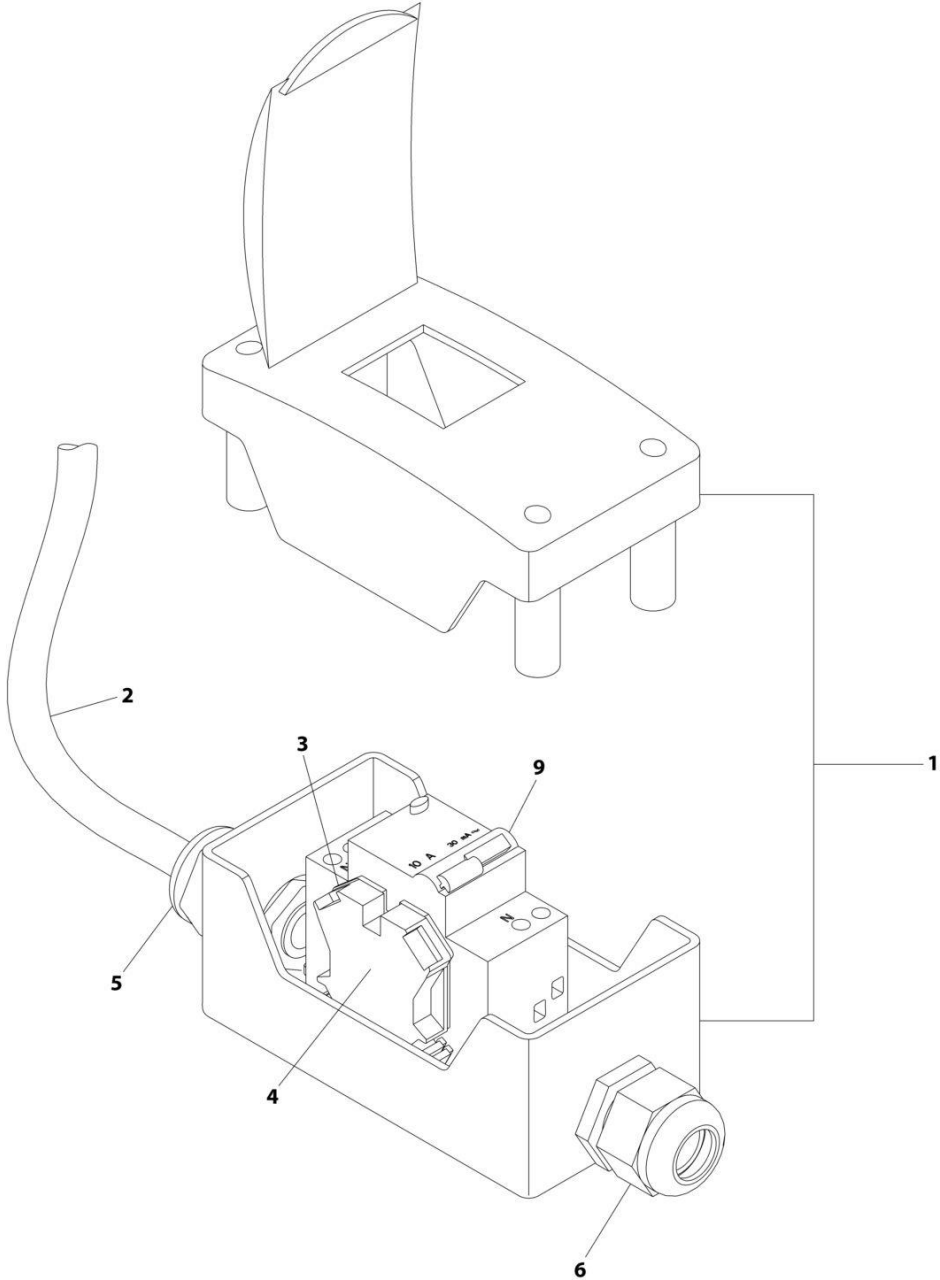
SECTION 8 - ELECTRICAL

FIGURE 8-51. BREAKER BOX KIT - ONE DOUBLE 16AMP BREAKER (WITH 4000W/50HZ GENERATOR)

ITEM	PART NUMBER	QTY	DESCRIPTION	REV
	1001165368	Ref	BREAKER BOX KIT	B
2	0861880	1	Box, Circuit Breaker	
3	4460956	1	Barrier, Terminal Block End	
4	1060545	12 ft/ 3.6m	Cable, Electrical 10/3	
5	1001101191	2	Connector, Strain Relief	
6	4460957	1	Block, Terminal	
8	1001181045	1	Breaker 30mA/16Amp	

SECTION 8 - ELECTRICAL

FIGURE 8-52. BREAKER BOX KIT - 10 AMP (CE SPECS WITHOUT 7500W GENERATOR)



ART_1001109648

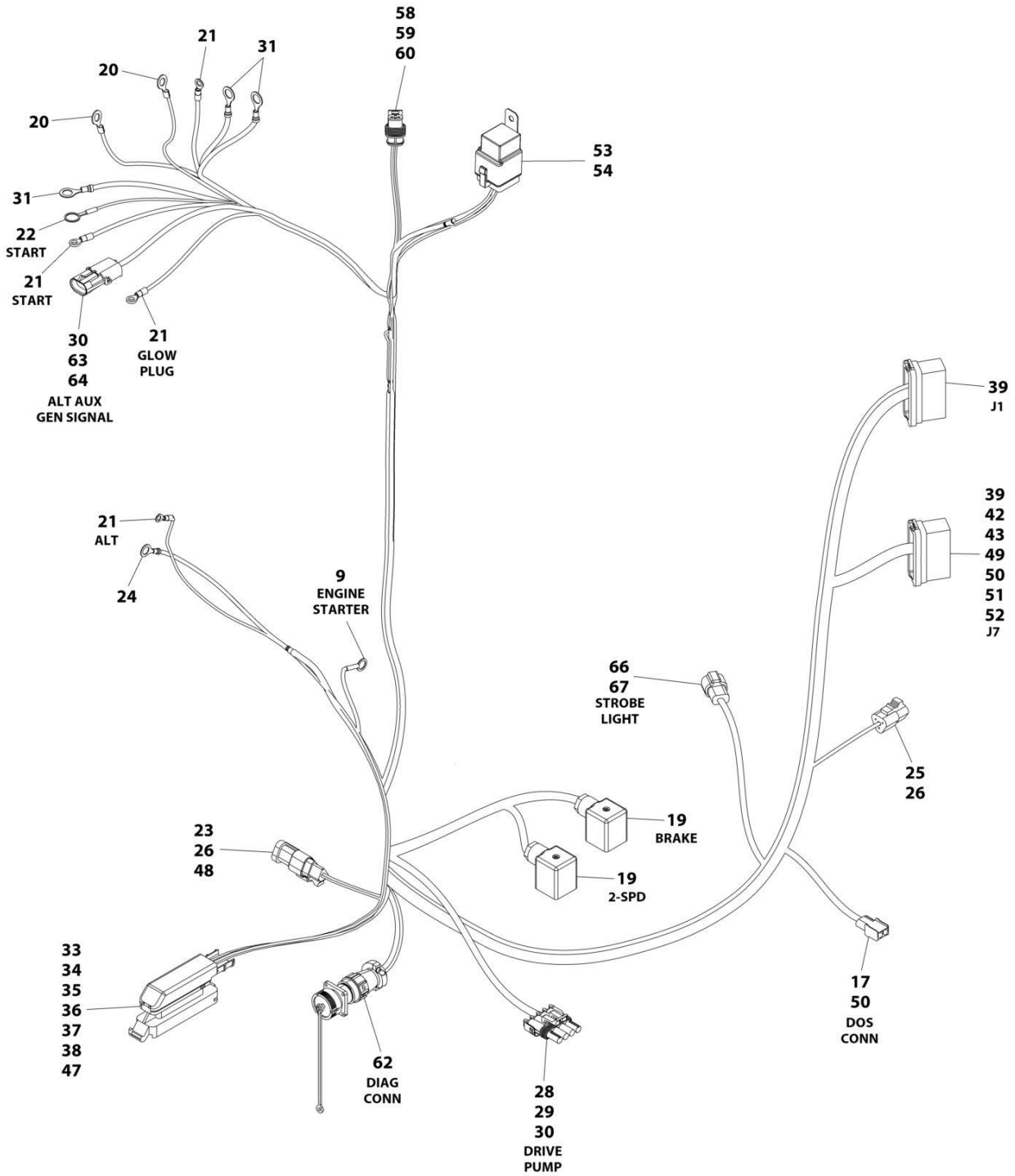
SECTION 8 - ELECTRICAL

FIGURE 8-52. BREAKER BOX KIT - 10 AMP (CE SPECS WITHOUT 7500W GENERATOR)

ITEM	PART NUMBER	QTY	DESCRIPTION	REV
	1001109648	Ref	BREAKER BOX KIT - 10 AMP (2500W GENERATOR)	B
1	0861880	1	Box, Breaker	
2	1060908	12 ft /3.6m	Cable, Electrical 12/3	
3	4460956	1	Barrier, Terminal Block End	
4	4460957	1	Block, Terminal	
5	1001097150	1	Connector, Strain Relief	
6	1001101191	1	Connector, Strain Relief	
9	1001181046	1	Breaker 30mA/16Amp	

SECTION 8 - ELECTRICAL

FIGURE 8-53. ENGINE HARNESS - DEUTZ D2011 ENGINES (ANSI EXPORT (LRC) AND AUSTRALIAN SPECS)



ART_1001154324

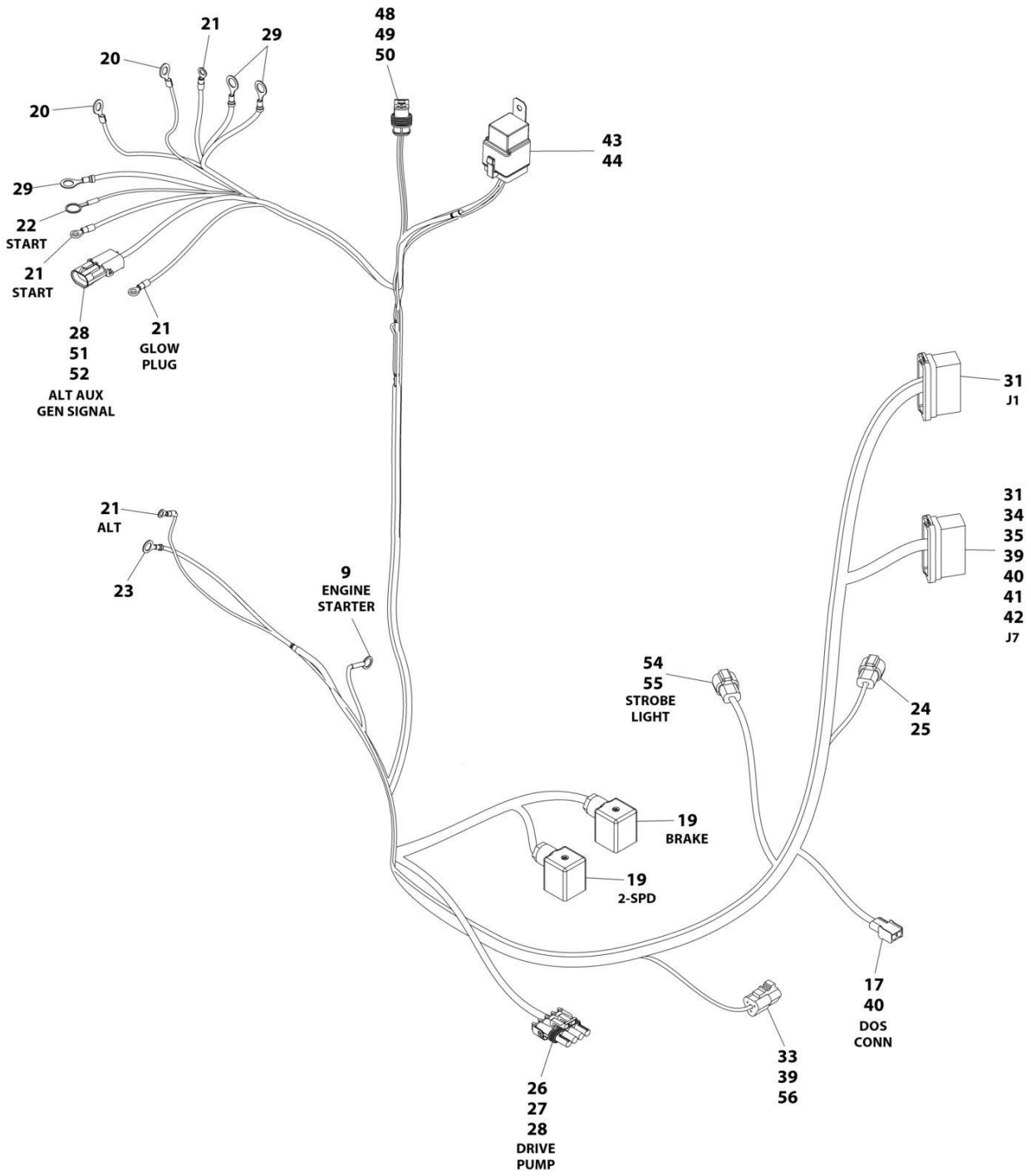
SECTION 8 - ELECTRICAL

FIGURE 8-53. ENGINE HARNESS - DEUTZ D2011 ENGINES (ANSI EXPORT (LRC) AND AUSTRALIAN SPECS)

ITEM	PART NUMBER	QTY	DESCRIPTION	REV
	1001154324	Ref	ENGINE HARNESS - DEUTZ D2011 ENGINES	B
9	4460142	1	Terminal - Ring	
17	4460424	1	Connector - 2 Position	
19	1001263923	2	Connector, Din	
20	4460312	2	Terminal, Ring	
21	4460313	4	Terminal, Ring	
22	4460019	1	Terminal, Ring	
23	4461070	1	Connector - 3 Position	
24	4460043	1	Terminal, Ring 16 GA 1/4 Stud	
25	4460539	1	Position Plug, Male - 3 Position	
26	4460944	6	Socket, Female	
28	4460460	1	Connector - 4 Position	
29	4460457	4	Sleeve	
30	4460458	6	Seal	
31	4460670	3	Terminal, Ring	
33	4461052	1	Conenctor - 25 Position	
34	4461005	5	Terminal	
35	4461060	2	Terminal	
36	4461006	5	Seal	
37	4461054	2	Seal	
38	4461008	18	Plug, Terminal	
39	4460871	10	Socket, Female	
42	4460464	1	Terminal	
43	4460887	1	Terminal	
47	4461053	1	Cover	
48	4461095	1	Plug, Male - 3 Position	
49	4460465	2	Socket, Female	
50	4460226	4	Socket, Female	
51	4460259	1	Terminal	
52	4460260	1	Cover, Terminal	
53	4460374	1	Plug	
54	4460375	4	Terminal	
58	1001102290	1	Connector	
59	1001102304	2	Seal	
60	1001102291	2	Terminal	
62	2902443	1	Kit, Receptacle	
62	4461073	1	Cap, Dust	
63	4461157	1	Connector - 2 Position	
64	4460979	2	Pin, Male	
66	4460897	1	Connector	
67	1001116693	2	Socket, Female	

SECTION 8 - ELECTRICAL

FIGURE 8-54. ENGINE HARNESS - DEUTZ D2011 ENGINES (CE & CHINA SPECS)



ART_1001243559

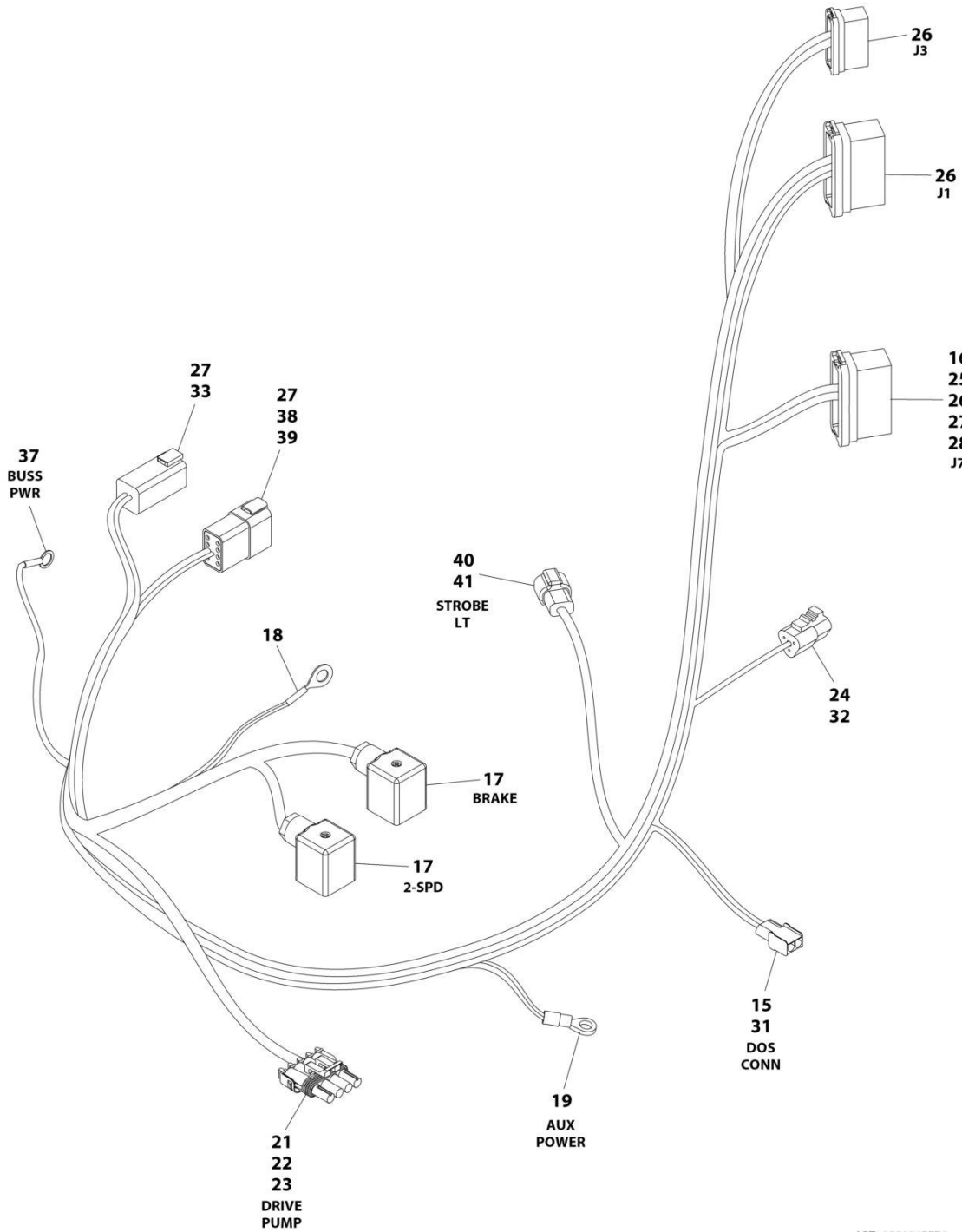
SECTION 8 - ELECTRICAL

FIGURE 8-54. ENGINE HARNESS - DEUTZ D2011 ENGINES (CE & CHINA SPECS)

ITEM	PART NUMBER	QTY	DESCRIPTION	REV
	1001243559	Ref	ENGINE HARNESS - DEUTZ D2011 ENGINES	C
9	4460142	1	Terminal - Ring	
17	4460424	1	Connector - 2 Position	
19	4460880	2	Connector, Din	
20	4460312	2	Terminal, Ring	
21	4460313	4	Terminal, Ring	
22	4460019	1	Terminal, Ring	
23	4460043	1	Terminal, Ring 16 GA 1/4 Stud	
24	4460539	1	Position Plug, Male - 3 Position	
25	4460944	3	Socket, Female	
26	4460460	1	Connector - 4 Position	
27	4460457	4	Sleeve	
28	4460458	6	Seal	
29	4460670	3	Terminal, Ring	
31	4460871	9	Socket, Female	
33	4460466	1	Plug, Terminal	
34	4460464	1	Terminal	
35	4460887	1	Terminal	
39	4460465	5	Socket, Female	
40	4460226	4	Socket, Female	
41	4460259	1	Terminal	
42	4460260	1	Cover, Terminal	
43	4460374	1	Plug	
44	4460375	4	Terminal	
48	1001102290	1	Connector	
49	1001102304	2	Seal	
50	1001102291	2	Terminal	
51	4461157	1	Connector - 2 Position	
52	4460979	2	Pin, Male	
54	4460897	1	Connector	
55	1001116693	2	Socket, Female	
56	4460884	1	Connector - 4 Position	

SECTION 8 - ELECTRICAL

FIGURE 8-55. ENGINE HARNESS - DEUTZ TD2.9L4 AND DEUTZ 2.9L4 (STAGE V) ENGINES



ART_1001165776

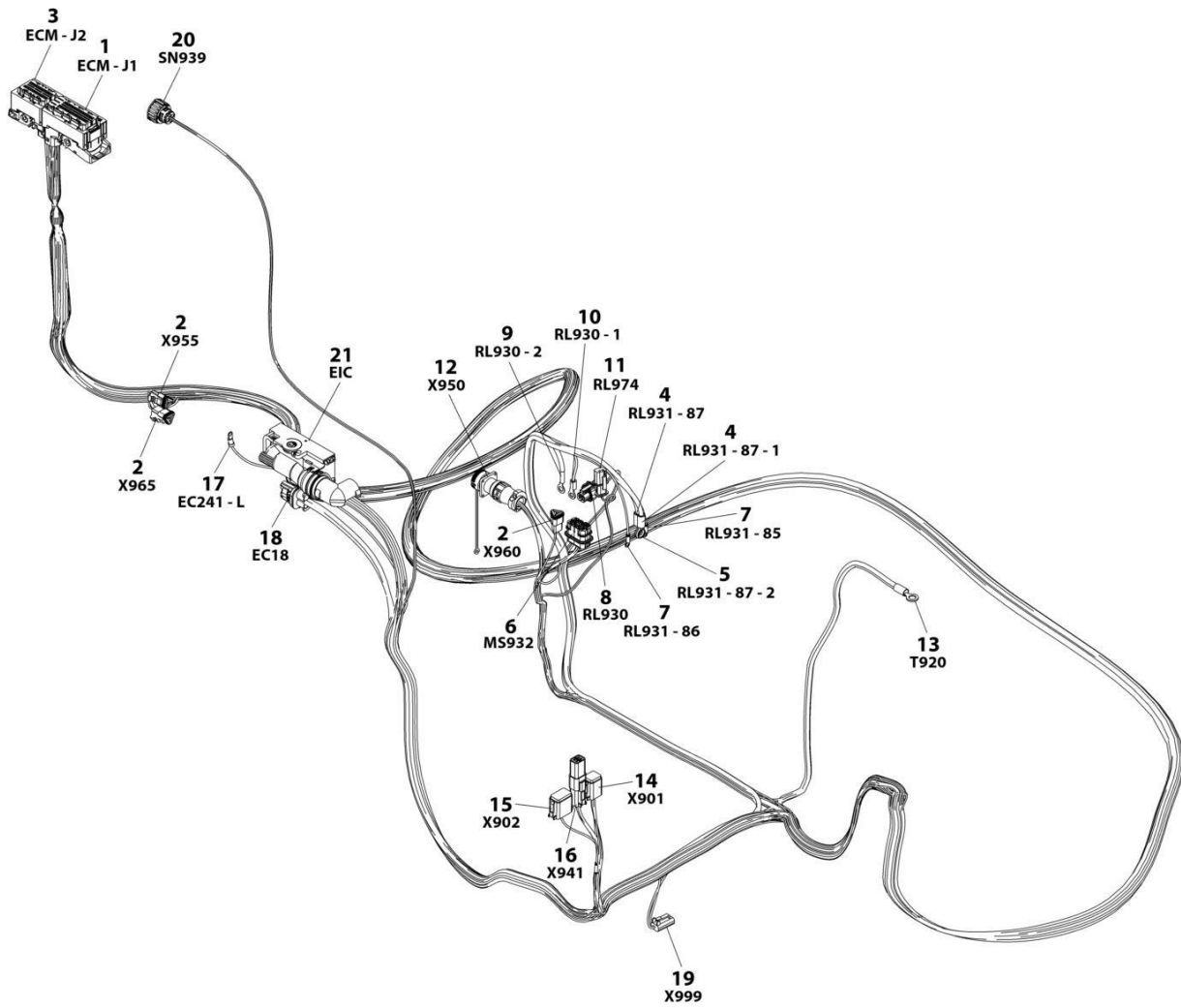
SECTION 8 - ELECTRICAL

FIGURE 8-55. ENGINE HARNESS - DEUTZ TD2.9L4 AND DEUTZ 2.9L4 (STAGE V) ENGINES

ITEM	PART NUMBER	QTY	DESCRIPTION	REV
	1001165776	Ref	ENGINE HARNESS - DEUTZ TD2.9L4 ENGINES	F
15	4460424	1	Connector - 2 Position	
16	4460268	1	Socket, Female	
17	4460880	2	Connector, Din	
18	4460019	1	Terminal, Ring	
19	4460313	1	Terminal, Ring	
21	4460460	1	Connector	
22	4460457	4	Terminal	
23	4460458	4	Seal	
24	4460539	1	Connector - 3 Position	
25	4460465	3	Socket, Female	
26	4460871	11	Socket, Female	
27	4460464	11	Pin, Male	
28	4460887	1	Terminal	
31	4460226	2	Socket, Female	
32	4460944	3	Socket, Female	
33	4460899	1	Receptacle, Female - 6 Position	
37	4460738	1	Terminal, Ring	
38	4460931	1	Plug, Male	
39	4460466	4	Plug, Terminal	
40	4460897	1	Connector - 2 Position	
41	1001116693	2	Terminal	

SECTION 8 - ELECTRICAL

FIGURE 8-56. ENGINE HARNESS - DEUTZ TD2.9L4 ENGINES



ART_1001143726

SECTION 8 - ELECTRICAL

FIGURE 8-56. ENGINE HARNESS - DEUTZ TD2.9L4 ENGINES

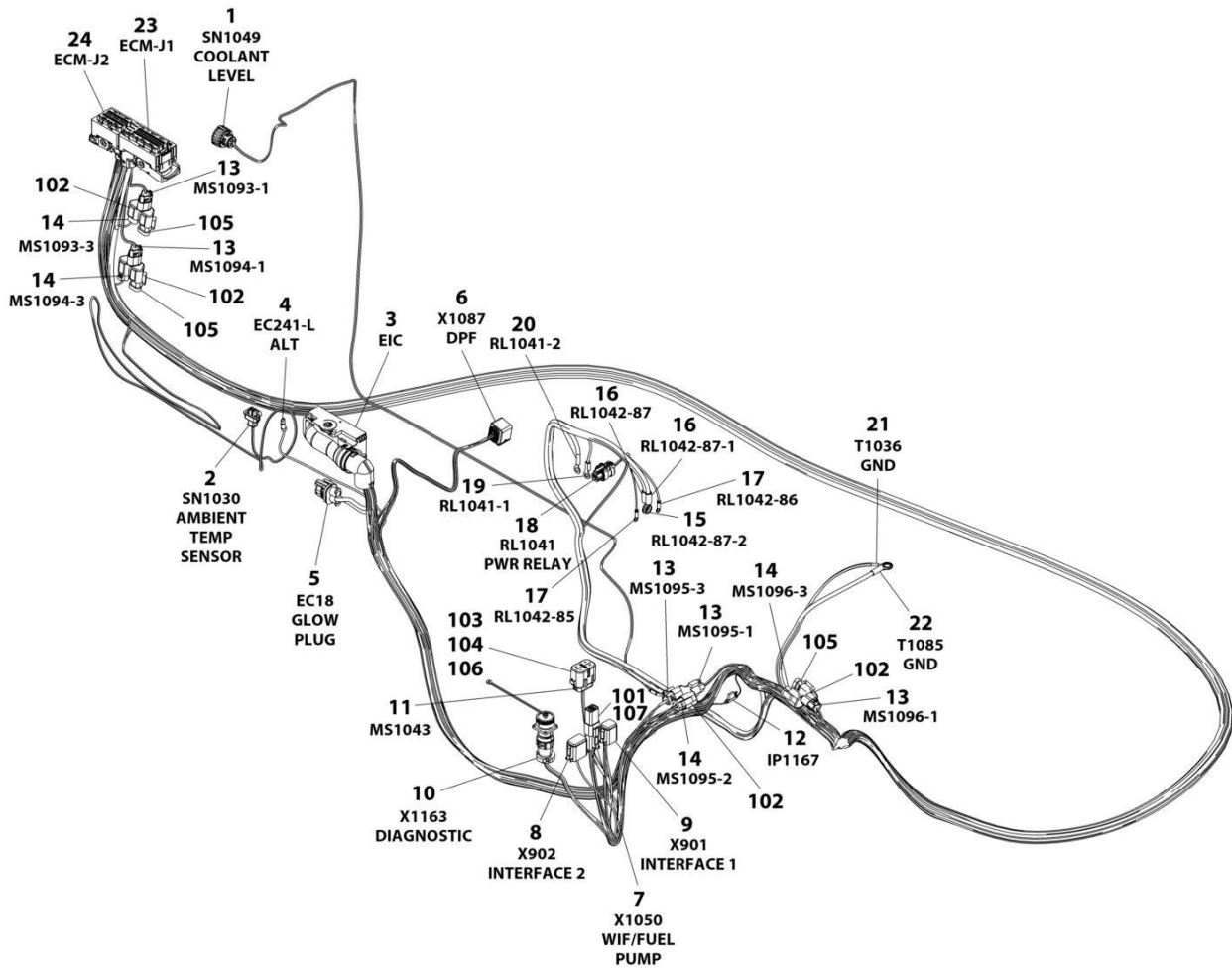
ITEM	PART NUMBER	QTY	DESCRIPTION	REV
	1001143726	Ref	ENGINE HARNESS	L
1	1001133956	1	Connector - 94 Position	
1	1001126351	2	Terminal	
1	1001126352	6	Terminal	
1	1001126384	21	Terminal	
1	1001126357	2	Plug, Terminal	
1	1001126356	63	Plug, Terminal	
2	4461095	3	Plug, Male - 3 Position	
2	4460944	6	Socket, Female	
2	4460466	3	Plug, Terminal	
3	1001133957	1	Connector - 60 Position	
3	1001126351	13	Terminal	
3	1001126384	17	Terminal	
3	1001126357	11	Plug, Terminal	
3	1001126356	19	Plug, Terminal	
4	1001117107	2	Terminal, Ring	
5	4460703	1	Terminal, Ring	
6	80484084	1	Plug, Male - 8 Position	
6	8229242	1	Fuse - 5Amp	
6	80983191	1	Fuse - 10Amp	
6	1001116728	4	Socket, Female	
6	1001116727	4	Plug, Terminal	
6	4460458	4	Seal, Terminal	
6	1001147264	1	Cap	
7	4460247	2	Terminal, Ring	
8	1001116952	1	Plug, Male - 2 Position	
8	4460465	2	Socket, Female	
9	1001117106	1	Terminal, Ring	
10	4460043	1	Terminal, Ring	
11	1001138110	1	Connector - 2 Position	
11	1001138111	2	Terminal	
11	1001138113	2	Seal	
12	2902443	1	Receptacle Kit	
12	4461073	1	Cap, Dust	
12	4461071	6	Terminal	
13	8220115	1	Terminal, Ring	
14	4460894	1	Plug, Male - 6 Position	
14	4460465	3	Socket, Female	
14	4460944	2	Socket, Female	
14	4460466	1	Plug, Terminal	
15	4460930	1	Plug, Male - 8 Position	
15	4460465	1	Socket, Female	
15	4460466	7	Plug, Terminal	
16	1001220379	1	Plug, Male - 4 Position	
16	4460465	2	Socket, Female	
16	4460942	2	Socket, Female	
16	4460932	1	Receptacle, Bussbar - 4 Position	
17	4460042	1	Terminal, Ring	
18	1001142938	1	Plug, Male - 2 Position	
18	1001142940	2	Terminal	

SECTION 8 - ELECTRICAL

ITEM	PART NUMBER	QTY	DESCRIPTION	REV
18	1001142941	2	Seal	
19	4460891	1	Plug, Male - 4 Position	
19	4460465	2	Socket, Female	
19	1001171403	1	Resistor Assembly	
19	4460897	1	Receptacle, Female - 4 Position	
20	1001133714	1	Connector - 4 Position	
20	1001133715	3	Terminal	
20	1001135650	3	Seal, Terminal	
20	1001135651	1	Plug, Terminal	
21	1001126362	1	Connector - 62 Position	
21	1001126363	23	Terminal	
21	1001126392	10	Terminal	
21	1001126365	2	Terminal	
21	1001126391	23	Plug, Terminal	
21	4461008	4	Plug, Terminal	
21	1001256506	2	Seal, Terminal	
21	1001126364	21	Seal, Terminal	
21	1001223459	10	Seal, Terminal	
21	4461008	4	Plug, Terminal	
21	1001151856	1	Elbow	

SECTION 8 - ELECTRICAL

FIGURE 8-57. ENGINE HARNESS - DEUTZ TD2.9L4 (STAGE V) ENGINES



ART_1001238878

SECTION 8 - ELECTRICAL

FIGURE 8-57. ENGINE HARNESS - DEUTZ TD2.9L4 (STAGE V) ENGINES

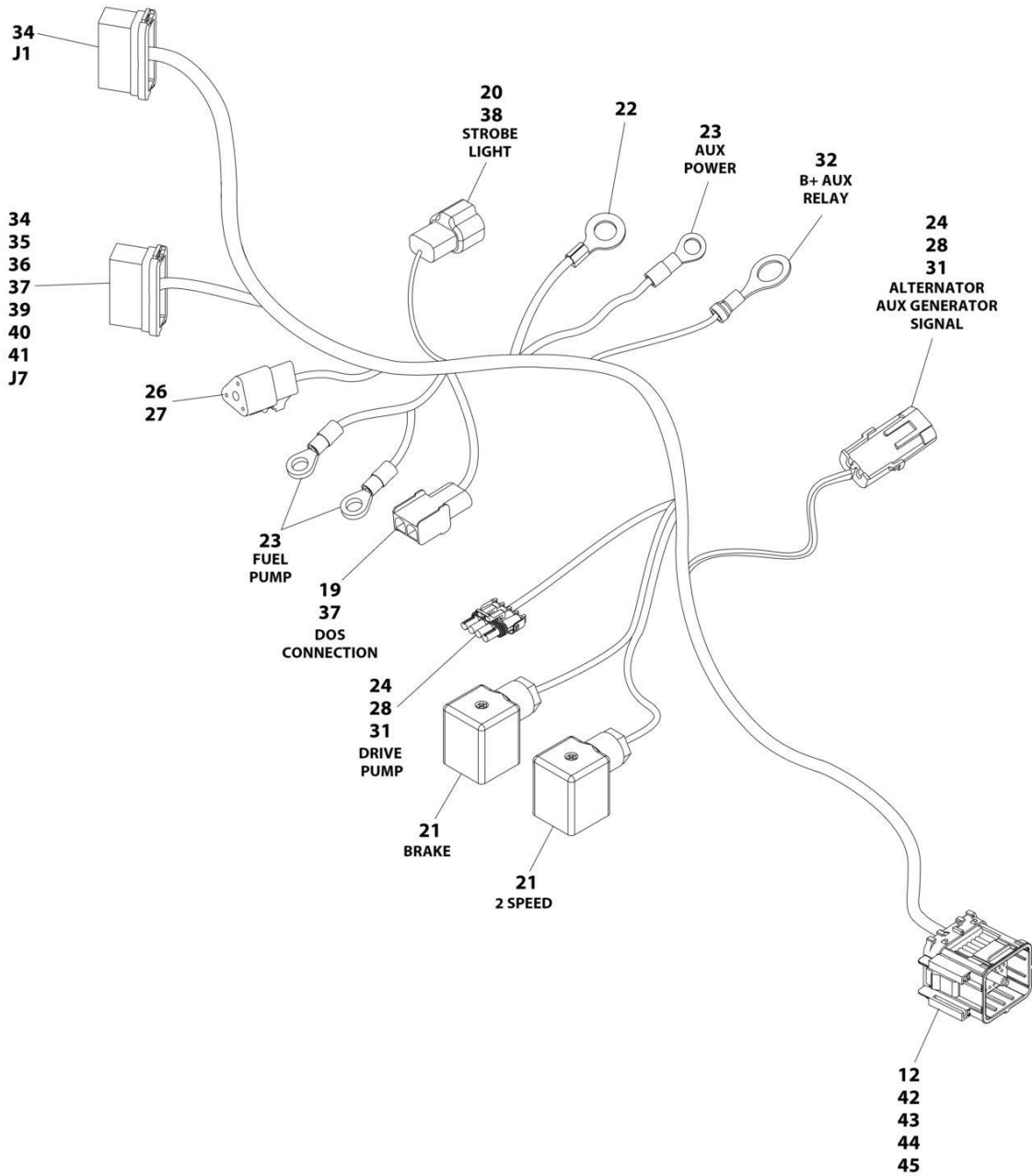
ITEM	PART NUMBER	QTY	DESCRIPTION	REV
	1001238878	Ref	Engine Harness - Deutz Engines	F
1	1001133714	1	Connector - 4 Position	
1	1001133715	3	Terminal	
1	1001135650	3	Seal, Terminal	
1	1001135651	1	Plug, Terminal	
2	1001126487	1	Connector - 2 Position	
2	1001167635	2	Terminal	
2	1001126485	2	Seal, Terminal	
3	1001126362	1	Connector - 62 Position	
3	1001126363	37	Terminal	
3	1001126392	12	Terminal	
3	1001126391	7	Plug, Terminal	
3	4461008	4	Plug, Terminal	
3	1001167632	2	Terminal	
3	1001126364	37	Seal, Terminal	
3	1001223459	12	Seal, Terminal	
3	4461054	2	Seal, Terminal	
4	4460042	1	Terminal, Ring	
5	1001142938	1	Plug, Male - 2 Position	
5	1001142940	2	Terminal	
5	1001142941	2	Seal	
6	1001239202	1	Connector - 8 Position	
6	1001126363	7	Terminal	
6	1001126391	1	Plug, Terminal	
6	1001126364	7	Seal, Terminal	
7	4460884	1	Connector - 4 Position	
7	4460465	2	Socket, Female	
7	4460942	2	Socket, Female	
8	4460930	1	Plug, Male - 8 Position	
8	4460465	1	Socket, Female	
8	4460466	7	Plug, Terminal	
9	4460894	1	Plug, Male - 6 Position	
9	4460465	2	Socket, Female	
9	4460944	2	Socket, Female	
9	4460466	2	Plug, Terminal	
10	2902443	1	Receptacle Kit	
10	4461073	1	Cap, Dust	
10	4461071	6	Terminal	
11	80484084	1	Plug, Male - 8 Position	
11	4460748	4	Seal, Terminal	
11	4460746	3	Terminal	
11	1001234800	1	Terminal	
11	4460458	4	Seal, Terminal	
12	1001170764	1	Fuse Holder, Includes Resistor	
12	1001197719	1	Resistor 0.5W	
13	1001116812	5	Plug, Male - 3 Position	
13	4460944	10	Socket, Female	
13	4460466	5	Plug, Terminal	
14	4460539	4	Connector - 3 Position	
14	4460944	8	Socket, Female	

SECTION 8 - ELECTRICAL

ITEM	PART NUMBER	QTY	DESCRIPTION	REV
14	4460466	4	Plug, Terminal	
15	4460703	1	Terminal, Ring	
16	1001117107	2	Terminal, Ring	
17	4460247	2	Terminal, Ring	
18	1001116952	1	Plug, Male - 2 Position	
18	4460465	2	Socket, Female	
19	4460043	1	Terminal, Ring	
20	1001117106	1	Terminal, Ring	
21	4460019	1	Terminal, Ring	
22	8220164	1	Terminal, Ring	
23	1001133956	1	Connector - 94 Position	
23	1001126351	3	Terminal	
23	1001182361	6	Terminal	
23	1001230934	25	Terminal	
23	1001230935	55	Plug, Terminal	
23	1001252527	4	Terminal	
23	1001230936	1	Plug, Terminal	
23	1001182365	6	Seal, Terminal	
24	1001133957	1	Connector - 60 Position	
24	1001126351	13	Terminal	
24	1001230935	10	Plug, Terminal	
24	1001230934	26	Terminal	
24	1001230936	11	Plug, Terminal	
101	4460932	1	Connector - Female	
102	4460945	4	Receptacle, 3 Way	
103	8229242	1	Fuse - 5Amp	
104	80983191	1	Fuse - 10Amp	
105	1001116815	3	Connector	
106	1001147264	1	Cap	
107	4460466	4	Seal, Terminal	

SECTION 8 - ELECTRICAL

FIGURE 8-58. ENGINE HARNESS - FORD DF 2.5L ENGINES



ART_1001216327

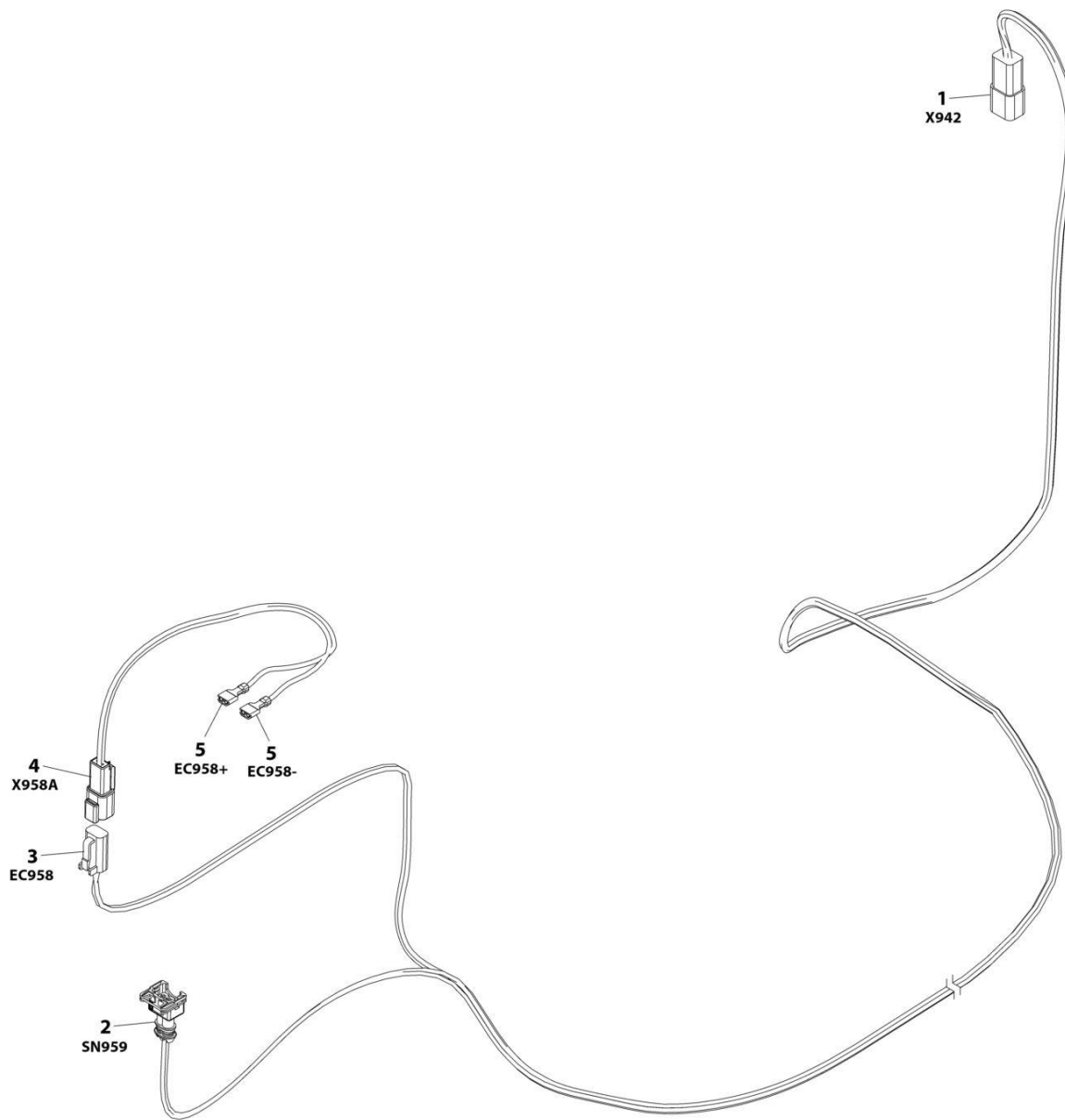
SECTION 8 - ELECTRICAL

FIGURE 8-58. ENGINE HARNESS - FORD DF 2.5L ENGINES

ITEM	PART NUMBER	QTY	DESCRIPTION	REV
	1001216327	Ref	ENGINE HARNESS - FORD DF 2.5L ENGINES	C
12	1001216213	3	Plug, Terminal	
18	4240032	AR	Tie-Strap (Not Shown)	
19	4460424	1	Connector - 2 Position	
20	1001116693	2	Socket, Female	
21	4460880	2	Connector, Din	
22	4460312	1	Terminal, Ring	
23	4460313	3	Terminal, Ring	
24	4460979	2	Pin, Male	
26	4460539	1	Connector - 3 Position	
27	4460944	3	Socket, Female	
28	4461157	1	Connector - 2 Position	
29	4460460	1	Connector - 4 Position	
30	4460457	4	Terminal	
31	4460458	6	Seal	
32	4460738	1	Terminal, Ring	
34	4460871	9	Socket, Female	
35	4460464	1	Pin, Male	
36	4460887	1	Terminal	
37	4460226	3	Socket, Female	
38	4460897	1	Connector - 2 Position	
39	4460465	2	Socket, Female	
40	4460259	1	Terminal (Not Shown)	
41	4460260	1	Cover, Terminal (Not Shown)	
42	1001215016	1	Connector - 42 Position	
43	1001215091	5	Terminal, Male	
44	1001215534	33	Plug, Terminal	
45	1001216212	1	Terminal, Male	

SECTION 8 - ELECTRICAL

FIGURE 8-59. FUEL PUMP HARNESS - DEUTZ TD2.9L4 ENGINES



ART_1001138491

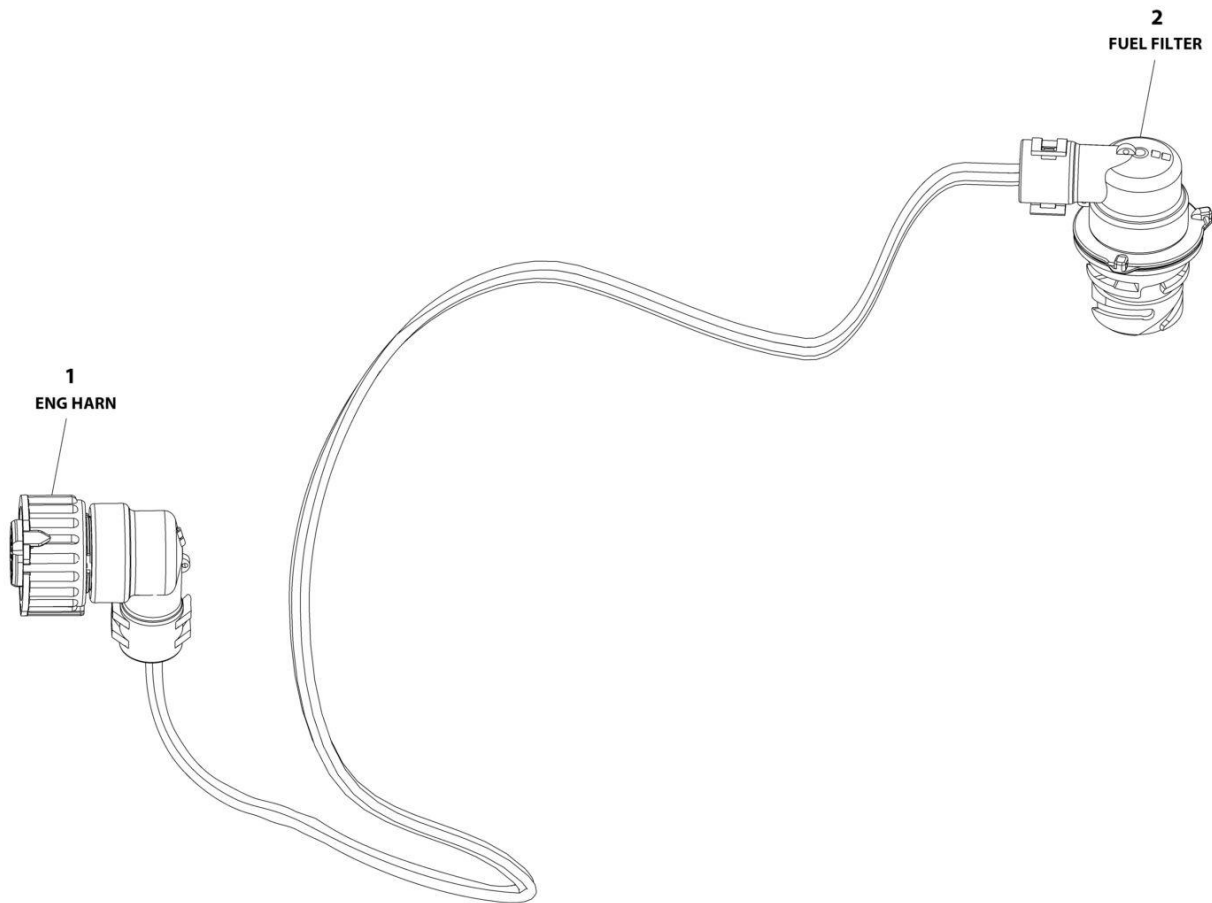
SECTION 8 - ELECTRICAL

FIGURE 8-59. FUEL PUMP HARNESS - DEUTZ TD2.9L4 ENGINES

ITEM	PART NUMBER	QTY	DESCRIPTION	REV
	1001138491	Ref	FUEL PUMP HARNESS	D
1	4460932	1	Receptacle, Female - 4 Position	
1	4460941	2	Pin, Male	
1	4460464	2	Pin, Male	
2	1001116983	1	Plug, Male - 2 Position	
2	1001116710	2	Socket, Female	
2	4461054	2	Seal	
3	4460891	1	Plug, Male - 2 Position	
3	4460942	2	Socket, Female	
4	4460897	1	Connector - 2 Position	
4	4460941	2	Pin, Male	
5	8220051	2	Terminal, Ring	

SECTION 8 - ELECTRICAL

FIGURE 8-60. FUEL HARNESS - DEUTZ TD2.9L4 (STAGE V) ENGINE



ART_1001245913

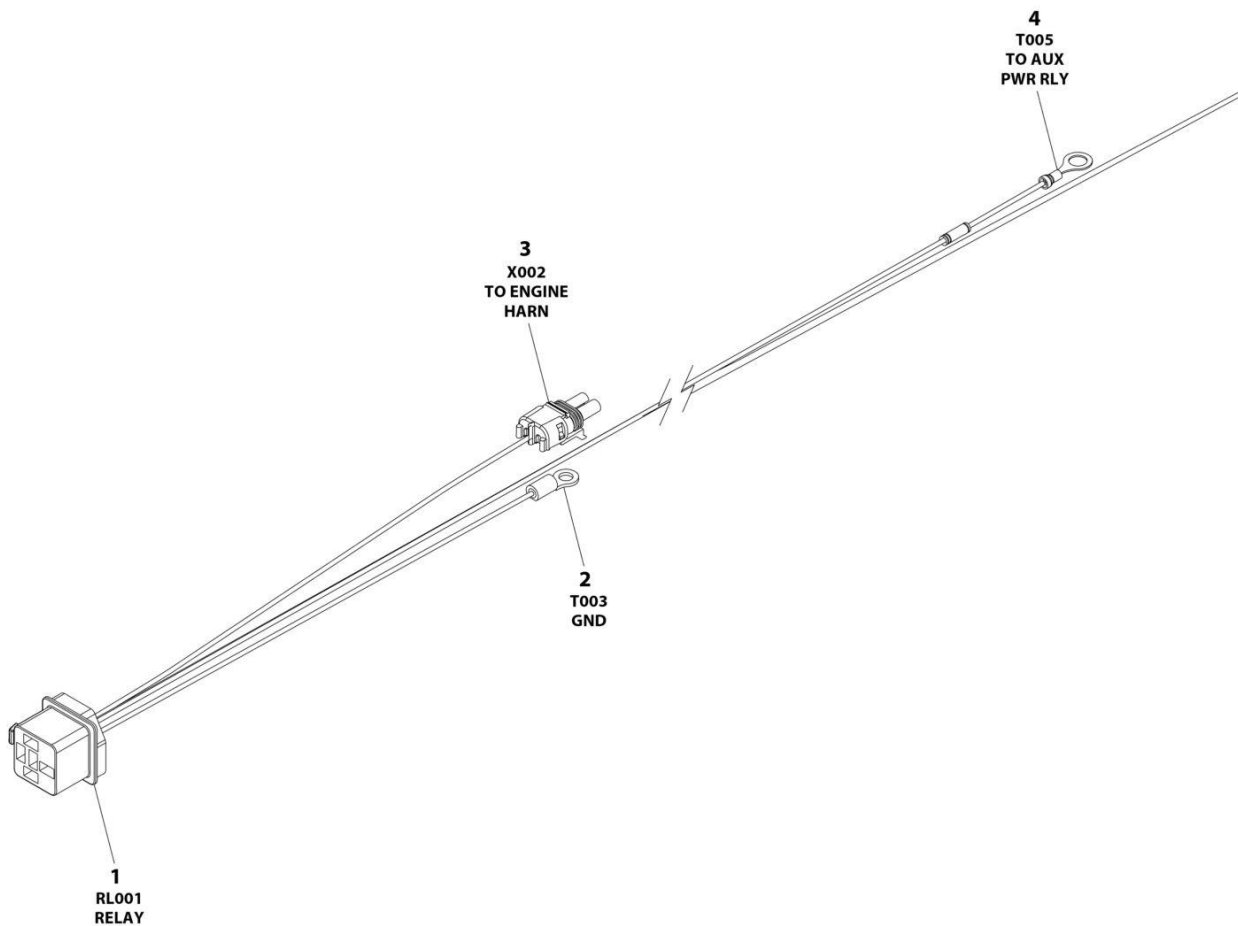
SECTION 8 - ELECTRICAL

FIGURE 8-60. FUEL HARNESS - DEUTZ TD2.9L4 (STAGE V) ENGINE

ITEM	PART NUMBER	QTY	DESCRIPTION	REV
	1001245913	Ref	FUEL HARNESS - DEUTZ (STAGE V) ENGINE	D
1	1001148842	1	Connector - 4 Position	
1	1001148841	4	Pin, Male	
1	1001135650	4	Seal	
2	1001133714	1	Plug, Male - 4 Position	
2	1001133715	4	Socket, Female	
2	1001135650	4	Seal	

SECTION 8 - ELECTRICAL

FIGURE 8-61. GENERATOR TO ENGINE HARNESS - 2500W (FORD ENGINES)



ART_4923445

SECTION 8 - ELECTRICAL

FIGURE 8-61. GENERATOR TO ENGINE HARNESS - 2500W (FORD ENGINES)

ITEM	PART NUMBER	QTY	DESCRIPTION	REV
	4923445	Ref	GENERATOR TO ENGINE HARNESS	B
1	4460374	1	Plug, Sealed Relay	
1	1001116734	2	Socket, Female	
1	1001116733	2	Socket, Female	
2	4460043	1	Terminal, Ring	
3	4460742	1	Plug, Male - 2 Position	
3	4460457	1	Socket, Female	
3	4460458	1	Seal, Terminal	
3	1001116727	1	Plug, Terminal	
4	4460670	1	Terminal, Ring	

SECTION 8 - ELECTRICAL

FIGURE 8-62. GENERATOR TO ENGINE HARNESS - 4000W/50HZ (DEUTZ D2011 ENGINES)



ART_1001153197

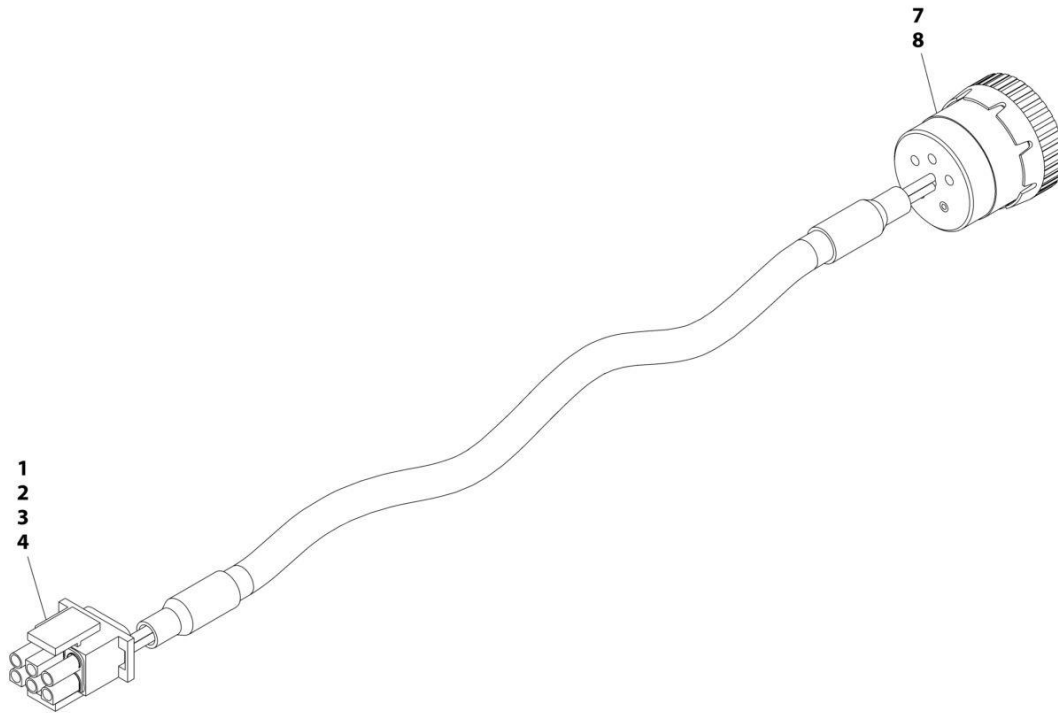
SECTION 8 - ELECTRICAL

FIGURE 8-62. GENERATOR TO ENGINE HARNESS - 4000W/50HZ (DEUTZ D2011 ENGINES)

ITEM	PART NUMBER	QTY	DESCRIPTION	REV
	1001153197	Ref	GENERATOR TO ENGINE HARNESS	B
1	4460967	1	Plug, Male - 3 Position	
1	4460465	2	Socket, Female	
2	4460043	1	Terminal, Ring	
3	4460742	1	Plug, Male - 2 Position	
3	4460743	1	Socket, Female	
3	4460458	1	Seal, Terminal	
3	1001116727	1	Plug, Terminal	

SECTION 8 - ELECTRICAL

FIGURE 8-63. GENERATOR TO ENGINE HARNESS - 4000W/60HZ (DEUTZ ENGINES)



ART_1001152532

SECTION 8 - ELECTRICAL

FIGURE 8-63. GENERATOR TO ENGINE HARNESS - 4000W/60HZ (DEUTZ ENGINES)

ITEM	PART NUMBER	QTY	DESCRIPTION	REV
	1001152532	Ref	GENERATOR HARNESS	A
1	4460225	1	Connector - 6 Position	
2	4460268	2	Socket, Female	
3	4460807	1	Seal	
4	4460808	1	Seal	
7	4460465	2	Socket, Female	
8	77363233	1	Connector - 6 Position	

SECTION 8 - ELECTRICAL

FIGURE 8-64. GENERATOR TO ENGINE HARNESS - 4000W/50HZ (DEUTZ TD2.9L4 ENGINES)



ART_1001153259

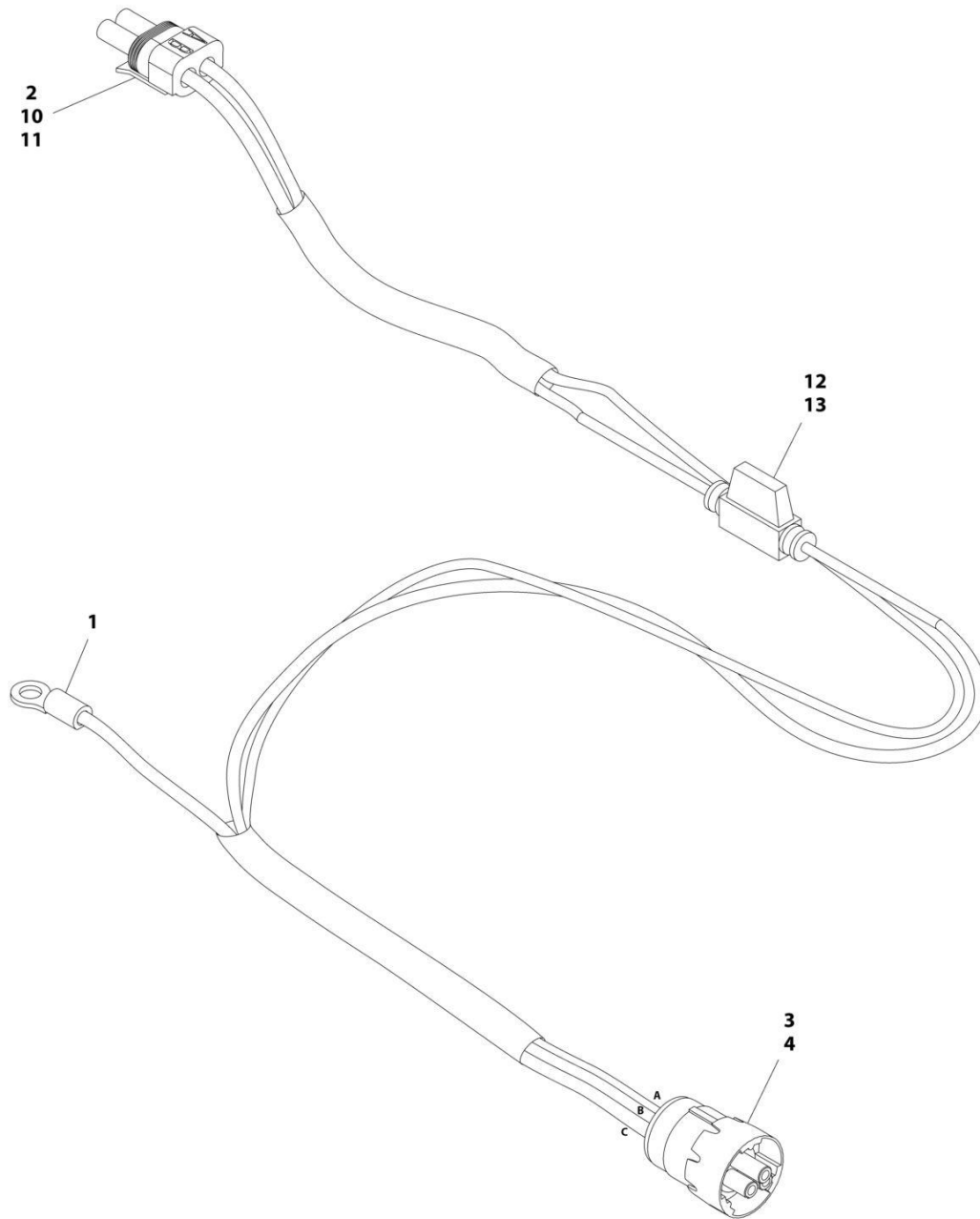
SECTION 8 - ELECTRICAL

FIGURE 8-64. GENERATOR TO ENGINE HARNESS - 4000W/50HZ (DEUTZ TD2.9L4 ENGINES)

ITEM	PART NUMBER	QTY	DESCRIPTION	REV
	1001153259	Ref	GENERATOR TO PLATFORM HARNESS (4000W-60HZ GENERATOR)	B
1	4460967	1	Connector - 3 Position	
1	4460465	2	Socket, Female	
2	4460465	2	Socket, Female	

SECTION 8 - ELECTRICAL

FIGURE 8-65. GENERATOR TO ENGINE HARNESS - 7500W SKYPOWER GENERATOR (DEUTZ D2011 ENGINES)



ART_1001152429

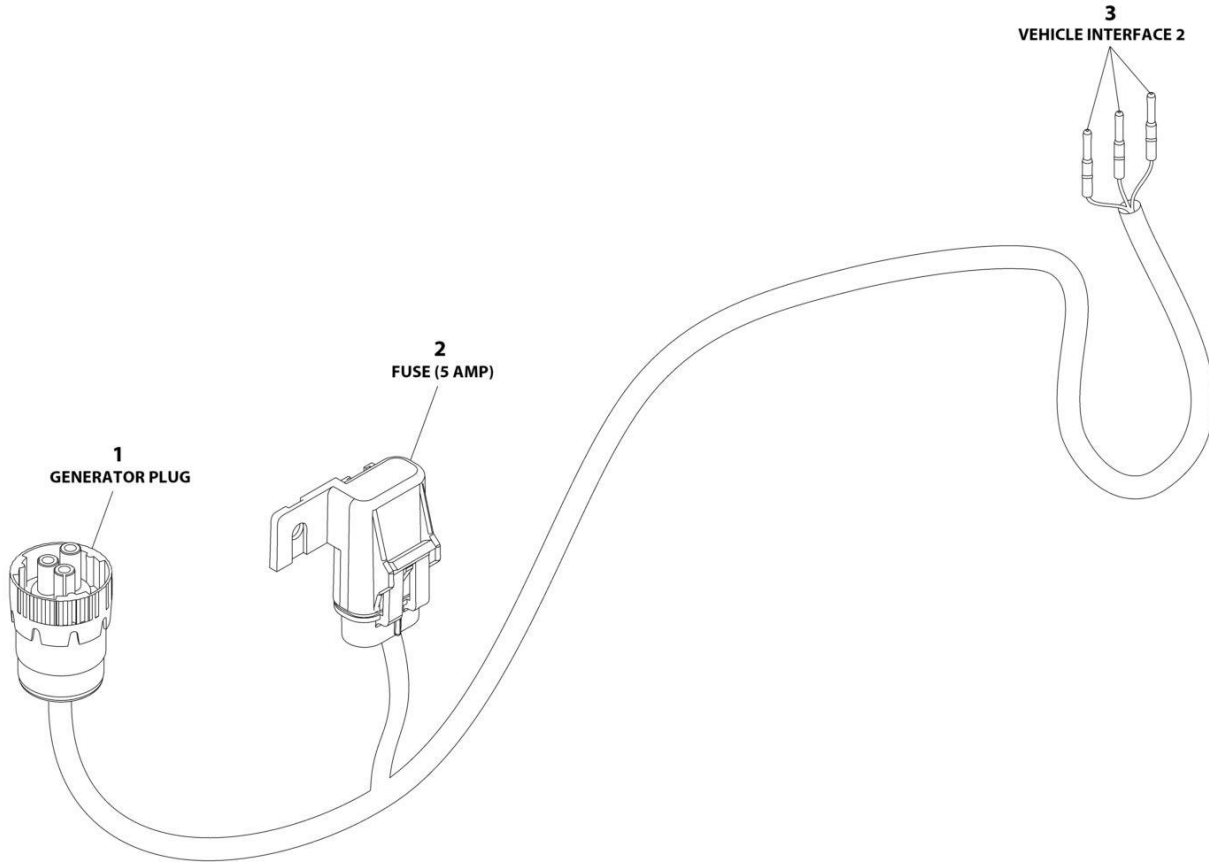
SECTION 8 - ELECTRICAL

FIGURE 8-65. GENERATOR TO ENGINE HARNESS - 7500W SKYPOWER GENERATOR (DEUTZ D2011 ENGINES)

ITEM	PART NUMBER	QTY	DESCRIPTION	REV
	1001152429	Ref	GENERATOR TO ENGINE HARNESS	C
1	4460043	1	Terminal, Ring	
2	4460742	1	Plug, Male - 2 Position	
3	4460967	1	Connector - 3 Position	
4	4460465	3	Socket, Female	
10	4460743	2	Terminal, Female	
11	4460458	2	Seal	
12	2400060	1	Fuseholder (Includes Cover)	
13	2400064	1	Fuse - 5Amp	

SECTION 8 - ELECTRICAL

FIGURE 8-66. GENERATOR TO ENGINE HARNESS - 7500W SKYPOWER (DEUTZ TD2.9L4 T4F ENGINES)



ART_100119968

SECTION 8 - ELECTRICAL

FIGURE 8-66. GENERATOR TO ENGINE HARNESS - 7500W SKYPOWER (DEUTZ TD2.9L4 T4F ENGINES)

ITEM	PART NUMBER	QTY	DESCRIPTION	REV
	1001119968	Ref	GENERATOR HARNESS - 7500W GENERATOR	C
1	4460967	1	Connector - 3 Position	
1	4460465	3	Socket, Female	
2	1001117078	1	Connector, Metri-Pack with 5Amp Fuse	
3	4460465	3	Socket, Female	

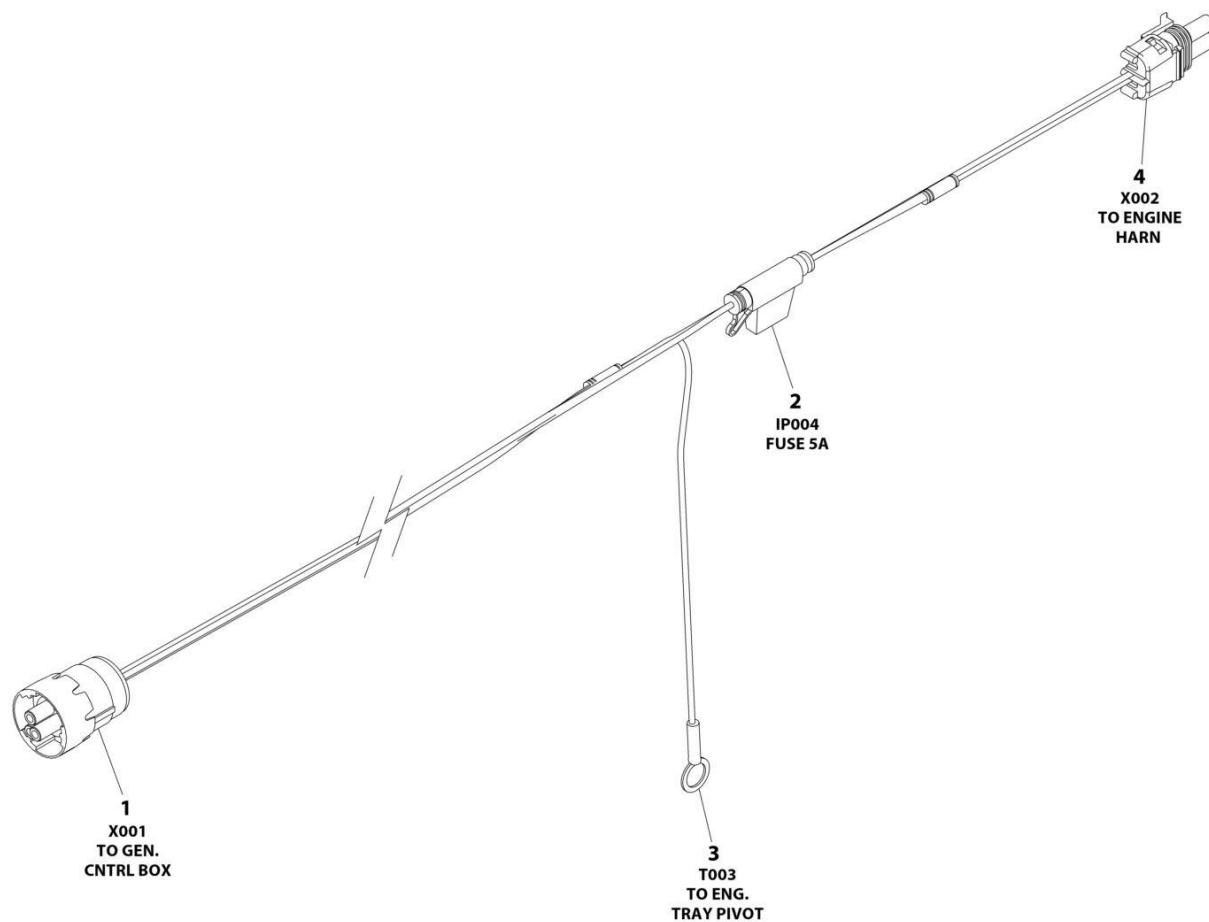
SECTION 8 - ELECTRICAL

**FIGURE 8-67. GENERATOR TO ENGINE HARNESS - 7500W SKYPOWER (FORD DF 2.5L ENGINES)
(PVC 2001)**

ITEM	PART NUMBER	QTY	DESCRIPTION	REV
	1001221208	Ref	GENERATOR TO ENGINE HARNESS	A
1	4460374	2	Plug, Sealed Relay	
2	4460375	8	Terminal	
3	4460043	3	Terminal, Ring	
4	4460670	1	Terminal, Ring	
6	4460967	1	Plug, Male - 3 Position	
7	4460465	3	Socket, Female	
8	4460742	1	Plug, Male - 2 Position	
14	2400060	1	Fuseholder (Includes Cover)	
15	2400064	1	Fuse - 5Amp	
16	4460743	2	Socket, Female	

SECTION 8 - ELECTRICAL

FIGURE 8-68. GENERATOR TO ENGINE HARNESS - 7500W SKYPOWER (FORD DF 2.5L ENGINES)
(PVC 2007)



ART_1001257972

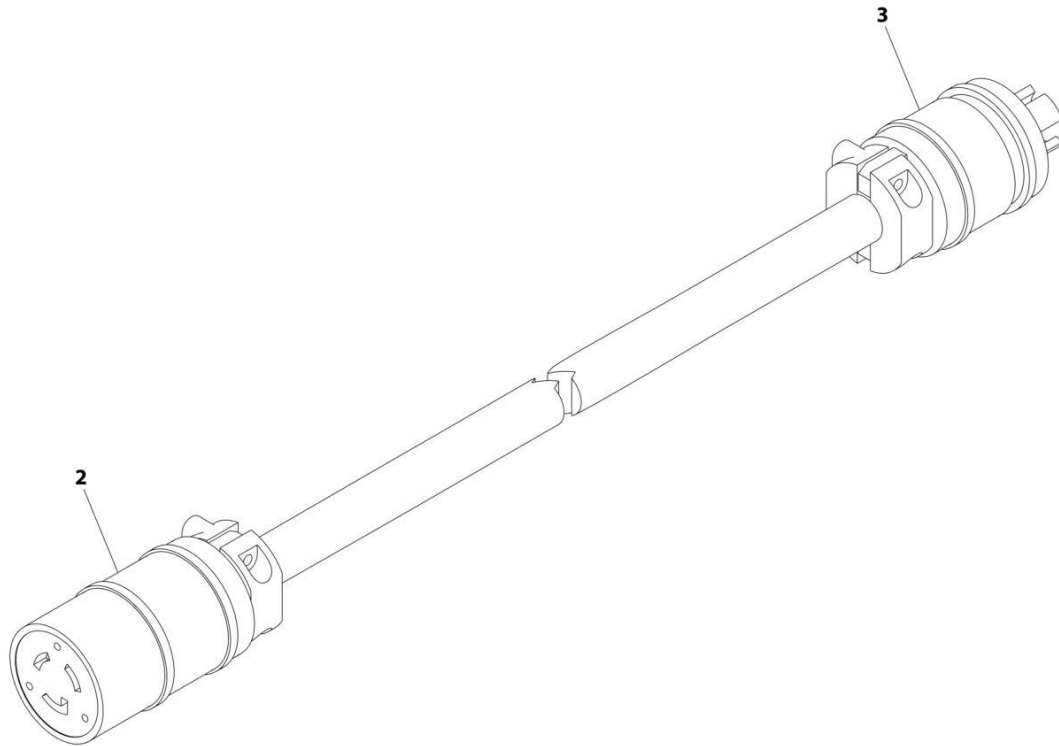
SECTION 8 - ELECTRICAL

**FIGURE 8-68. GENERATOR TO ENGINE HARNESS - 7500W SKYPOWER (FORD DF 2.5L ENGINES)
(PVC 2007)**

ITEM	PART NUMBER	QTY	DESCRIPTION	REV
	1001257972	Ref	GENERATOR TO ENGINE HARNESS	A
1	4460967	1	Plug, Male - 3 Position	
1	4460465	3	Socket, Female	
2	2400060	1	Fuse-holder (Includes Cover)	
2	2400064	1	Fuse - 5Amp	
3	4460256	1	Terminal, Ring	
4	4460742	1	Plug, Male - 2 Position	
4	4460457	2	Socket, Female	
4	4460458	2	Seal, Terminal	

SECTION 8 - ELECTRICAL

FIGURE 8-69. GENERATOR TO REAR OF BOOM HARNESS - 110V



ART_4922741

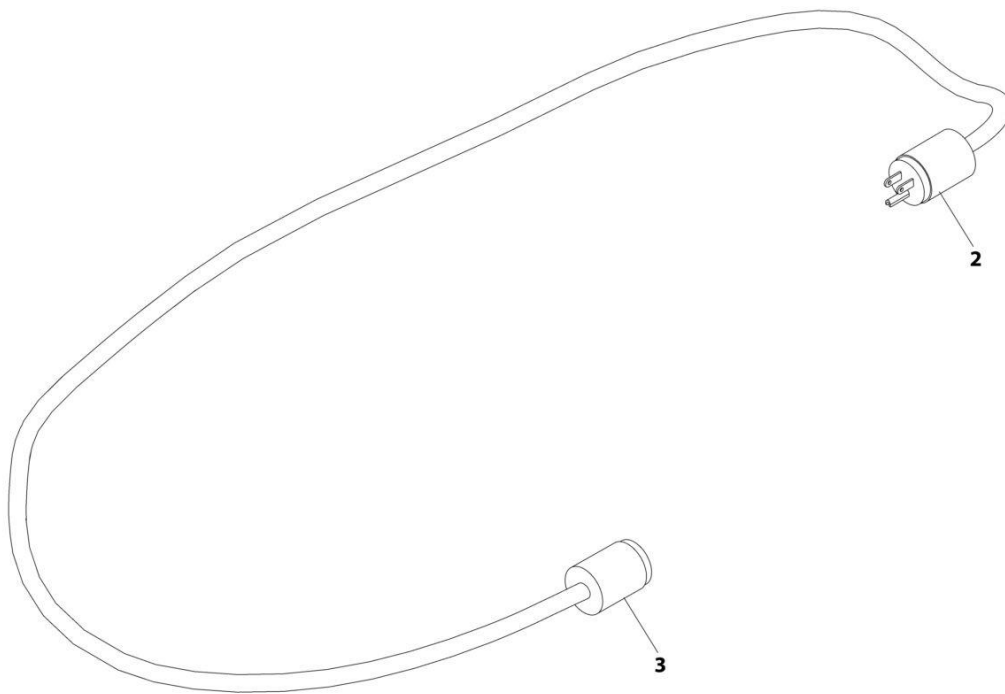
SECTION 8 - ELECTRICAL

FIGURE 8-69. GENERATOR TO REAR OF BOOM HARNESS - 110V

ITEM	PART NUMBER	QTY	DESCRIPTION	REV
	4922741	Ref	GENERATOR TO REAR OF BOOM HARNESS - 110V	A
2	4460134	1	Connector, Female	
3	4460205	1	Plug, Male	

SECTION 8 - ELECTRICAL

FIGURE 8-70. GENERATOR TO REAR OF BOOM HARNESS - 220V



ART_4921955

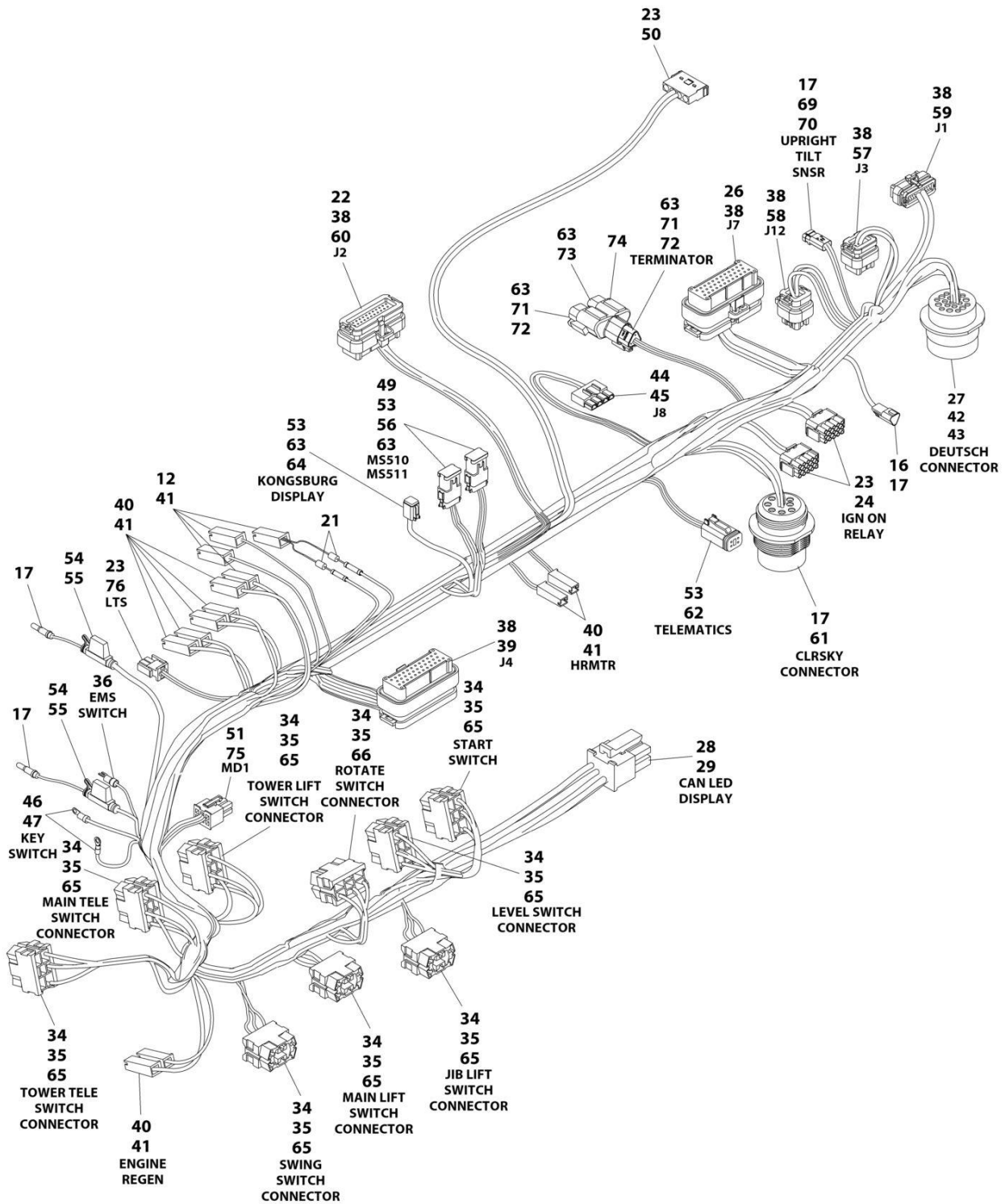
SECTION 8 - ELECTRICAL

FIGURE 8-70. GENERATOR TO REAR OF BOOM HARNESS - 220V

ITEM	PART NUMBER	QTY	DESCRIPTION	REV
	4921955	Ref	GENERATOR TO REAR OF BOOM HARNESS - 220V	A
2	4460233	1	Terminal, Plug	
3	4460701	1	Terminal, Connector	

SECTION 8 - ELECTRICAL

FIGURE 8-71. GROUND CONTROL BOX HARNESS (Prior to SN 0300278407)



ART_1001243263_F

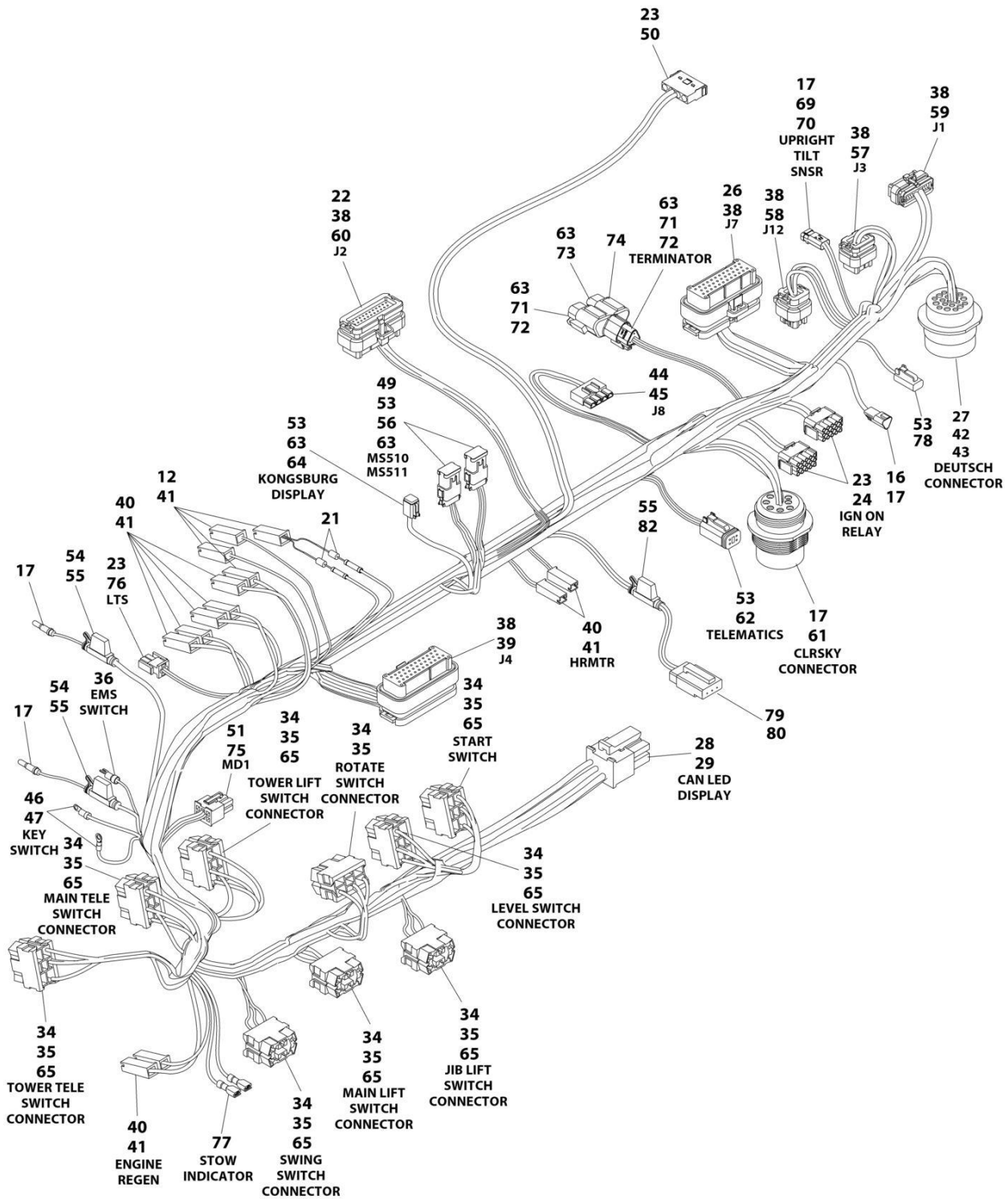
SECTION 8 - ELECTRICAL

FIGURE 8-71. GROUND CONTROL BOX HARNESS (Prior to SN 0300278407)

ITEM	PART NUMBER	QTY	DESCRIPTION	REV
	1001243263	Ref	GROUND CONTROL BOX HARNESS	F
12	4460297	4	Terminal	
16	4460536	1	Receptacle, Female - 3 Position	
17	4460943	12	Pin, Male	
21	3990010	2	Diode, 6 Amp	
22	4460905	2	Seal, Terminal	
23	4460227	34	Pin, Male	
24	4460434	2	Plug Male - 15 Position	
26	4460873	1	Connector - 35 Position	
27	4460508	3	Terminal	
28	1001237667	1	Plug Male - 6 Position	
29	1001237668	5	Terminal	
34	1001159186	18	Terminal	
35	4460418	9	Connector, Switch	
36	4460806	5	Terminal, Fork	
38	4460871	73	Socket, Female	
39	4460876	1	Connector - 35 Position	
40	4460259	9	Terminal	
41	4460260	13	Housing, Terminal	
42	4460464	10	Pin, Male	
43	4460866	1	Connector - 19 Position	
44	4460878	1	Plug Male - 4 Position	
45	4460887	3	Terminal	
46	4460142	4	Terminal, Ring	
47	4460313	3	Terminal	
49	1001119020	1	Connector, Buss Bar - 12 Position	
50	4460761	1	Receptacle, Female - 4 Position	
51	4460868	AR	Terminal	
53	4460465	30	Socket, Female	
54	2400060	2	Fuse Holder, Includes Cover	
55	8229242	2	Fuse 5Amp	
56	4460933	2	Plug, Male - 12 Position	
57	4460872	1	Connector - 14 Position	
58	1001113961	1	Connector - 8 Position	
59	4460874	1	Connector - 35 Position	
60	4460875	1	Connector - 35 Position	
61	1001112612	1	Connector - 9 Position	
62	4460884	1	Plug, Male - 4 Position	
63	4460466	9	Plug, Terminal	
64	4460894	1	Plug, Male - 6 Position	
65	4460419	8	Terminal	
66	1001191598	1	Terminal	
69	1001229530	1	Receptacle, Female - 3 Position	
70	1001200497	1	Plug, Male - 3 Position	
71	1001116812	2	Plug, Male - 3 Position	
72	4460944	2	Socket, Female	
73	1001116815	1	Plug, Male - 3 Position	
74	4460945	1	Connector, 3-Way Tee	
75	4460877	1	Terminal	
76	4460320	1	Connector - 2 Position	

SECTION 8 - ELECTRICAL

FIGURE 8-72. GROUND CONTROL BOX HARNESS (SN 0300278407 to Present)



ART_1001266628

SECTION 8 - ELECTRICAL

FIGURE 8-72. GROUND CONTROL BOX HARNESS (SN 0300278407 to Present)

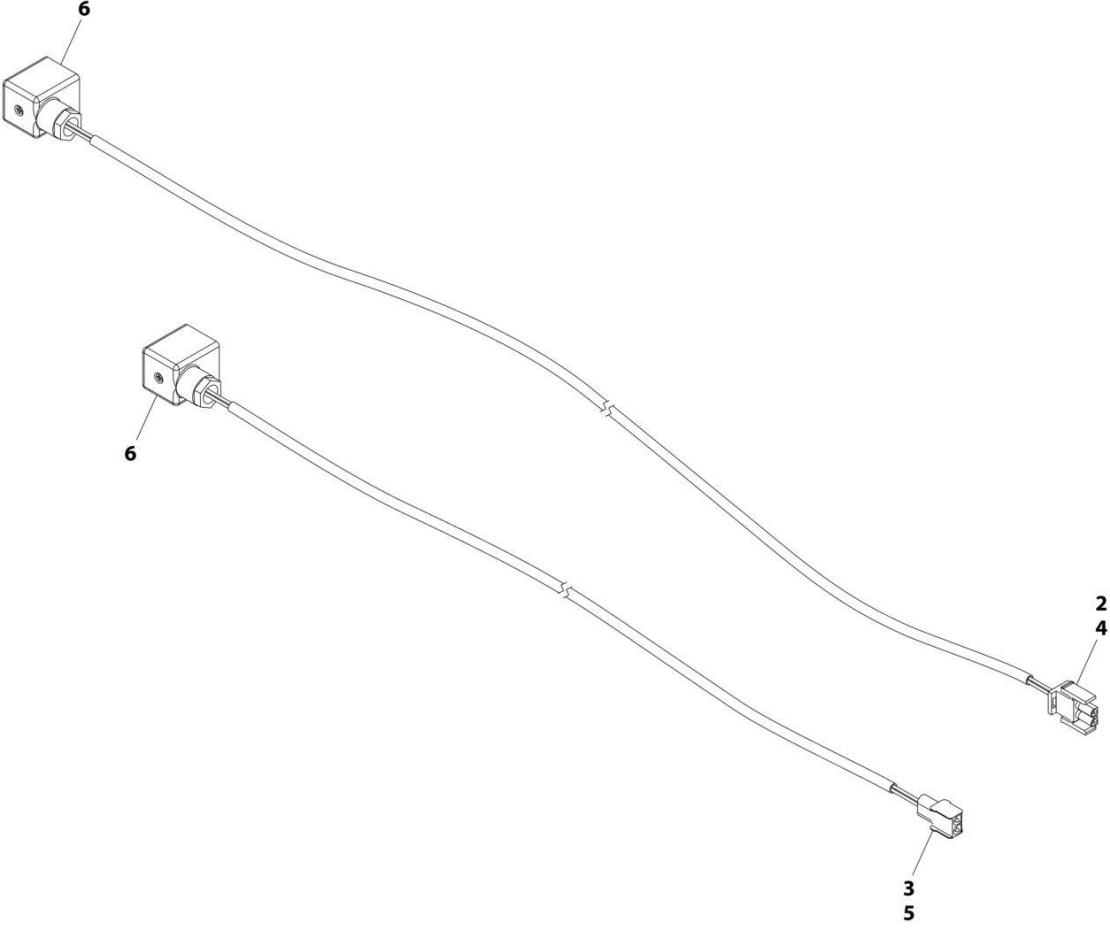
ITEM	PART NUMBER	QTY	DESCRIPTION	REV
	1001266628	Ref	GROUND CONTROL BOX HARNESS	C
12	4460297	4	Terminal	
16	4460536	1	Receptacle, Female - 3 Position	
17	4460943	12	Pin, Male	
21	3990010	2	Diode, 6 Amp	
22	4460905	2	Seal, Terminal	
23	4460227	36	Pin, Male	
24	4460434	2	Plug Male - 15 Position	
26	4460873	1	Connector - 35 Position	
27	4460508	4	Terminal	
28	1001237667	1	Plug Male - 6 Position	
29	1001237668	5	Terminal	
34	1001159186	18	Terminal	
35	4460418	9	Connector, Switch	
36	4460806	5	Terminal, Fork	
38	4460871	84	Socket, Female	
39	4460876	1	Connector - 35 Position	
40	4460259	15	Terminal	
41	4460260	19	Housing, Terminal	
42	4460464	13	Pin, Male	
43	4460866	1	Connector - 19 Position	
44	4460878	1	Plug Male - 4 Position	
45	4460887	3	Terminal	
46	4460142	4	Terminal, Ring	
47	4460313	3	Terminal	
49	1001119020	2	Connector, Buss Bar - 12 Position	
50	4460761	1	Receptacle, Female - 4 Position	
51	4460868	AR	Terminal	
53	4460465	35	Socket, Female	
54	2400060	2	Fuse Holder with Cover	
55	8229242	3	Fuse 5Amp	
56	4460933	2	Plug, Male - 12 Position	
57	4460872	1	Connector - 14 Position	
58	1001113961	1	Connector - 8 Position	
59	4460874	1	Connector - 35 Position	
60	4460875	1	Connector - 35 Position	
61	1001112612	1	Connector - 9 Position	
62	4460884	1	Plug, Male - 4 Position	
63	4460466	7	Plug, Terminal	
64	4460894	1	Plug, Male - 6 Position	
65	4460419	8	Terminal	
69	1001229530	1	Receptacle, Female - 3 Position	
70	1001200497	1	Plug, Male - 3 Position	
71	1001116812	2	Plug, Male - 3 Position	
72	4460944	4	Socket, Female	
73	1001116815	1	Plug, Male - 3 Position	
74	4460945	1	Connector, 3-Way Tee	
75	4460877	4	Terminal	
76	4460320	1	Connector - 2 Position	
77	1001201885	2	Terminal	

SECTION 8 - ELECTRICAL

ITEM	PART NUMBER	QTY	DESCRIPTION	REV
78	4460891	1	Plug, Male - 2 Position	
79	4460911	1	Connector - 3 Position	
80	1001116694	3	Terminal	
82	2400060	AR	Fuse Holder with Cover (Prior to PVC 2201)	
82	1001255901	AR	Fuse Holder with Cover (PVC 2201 to Present)	

SECTION 8 - ELECTRICAL

FIGURE 8-73. HOLDING VALVE/LIFT DUMP HARNESS ASSEMBLY (WITHOUT ARCTIC PACKAGE)



ART_4922660

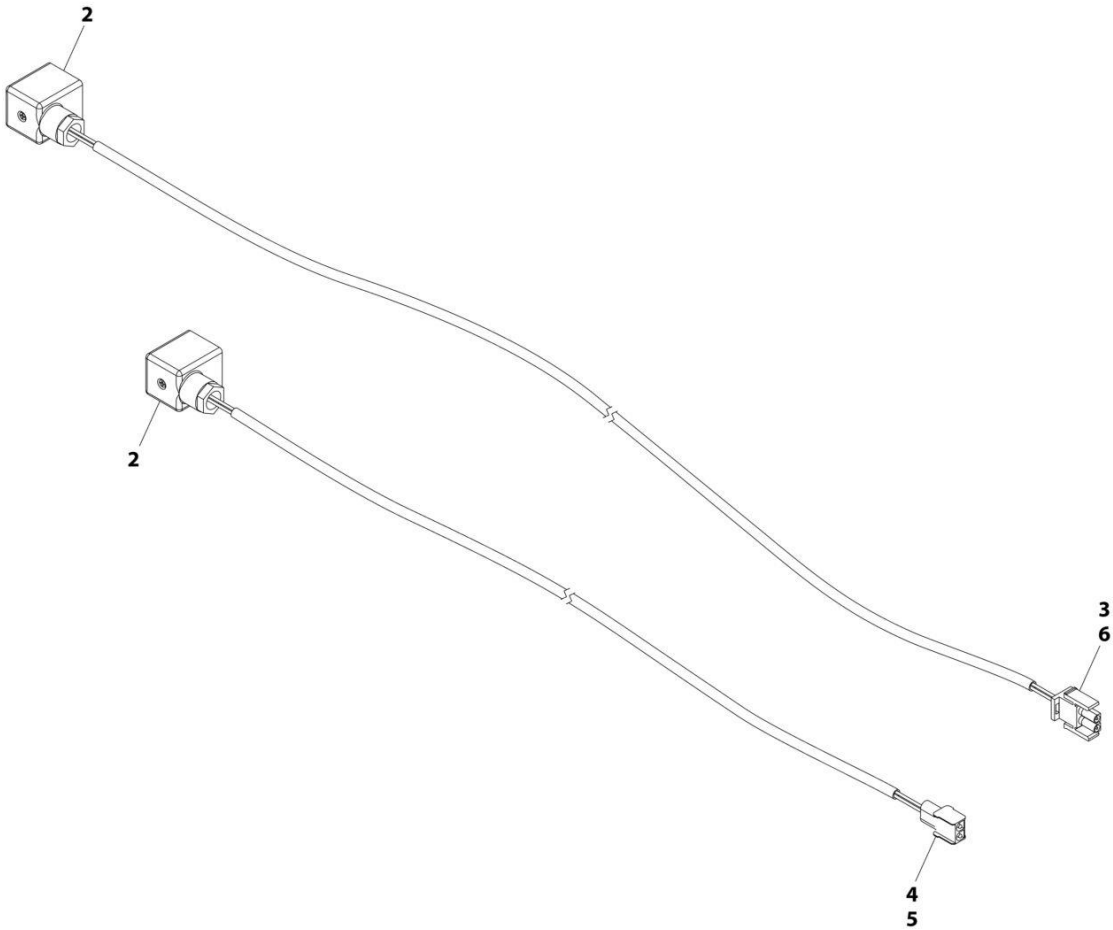
SECTION 8 - ELECTRICAL

FIGURE 8-73. HOLDING VALVE/LIFT DUMP HARNESS ASSEMBLY (WITHOUT ARCTIC PACKAGE)

ITEM	PART NUMBER	QTY	DESCRIPTION	REV
	4922660	Ref	HOLDING VALVE/LIFT DUMP HARNESS ASSEMBLY	E
2	4460226	2	Socket, Female	
3	4460267	2	Pin, Male	
4	4460320	1	Connector - 2 Position	
5	4460424	1	Connector - 2 Position	
6	4460880	2	Connector, Din	

SECTION 8 - ELECTRICAL

FIGURE 8-74. HOLDING VALVE/LIFT DUMP HARNESS ASSEMBLY (WITH ARCTIC PACKAGE)



ART_4923597

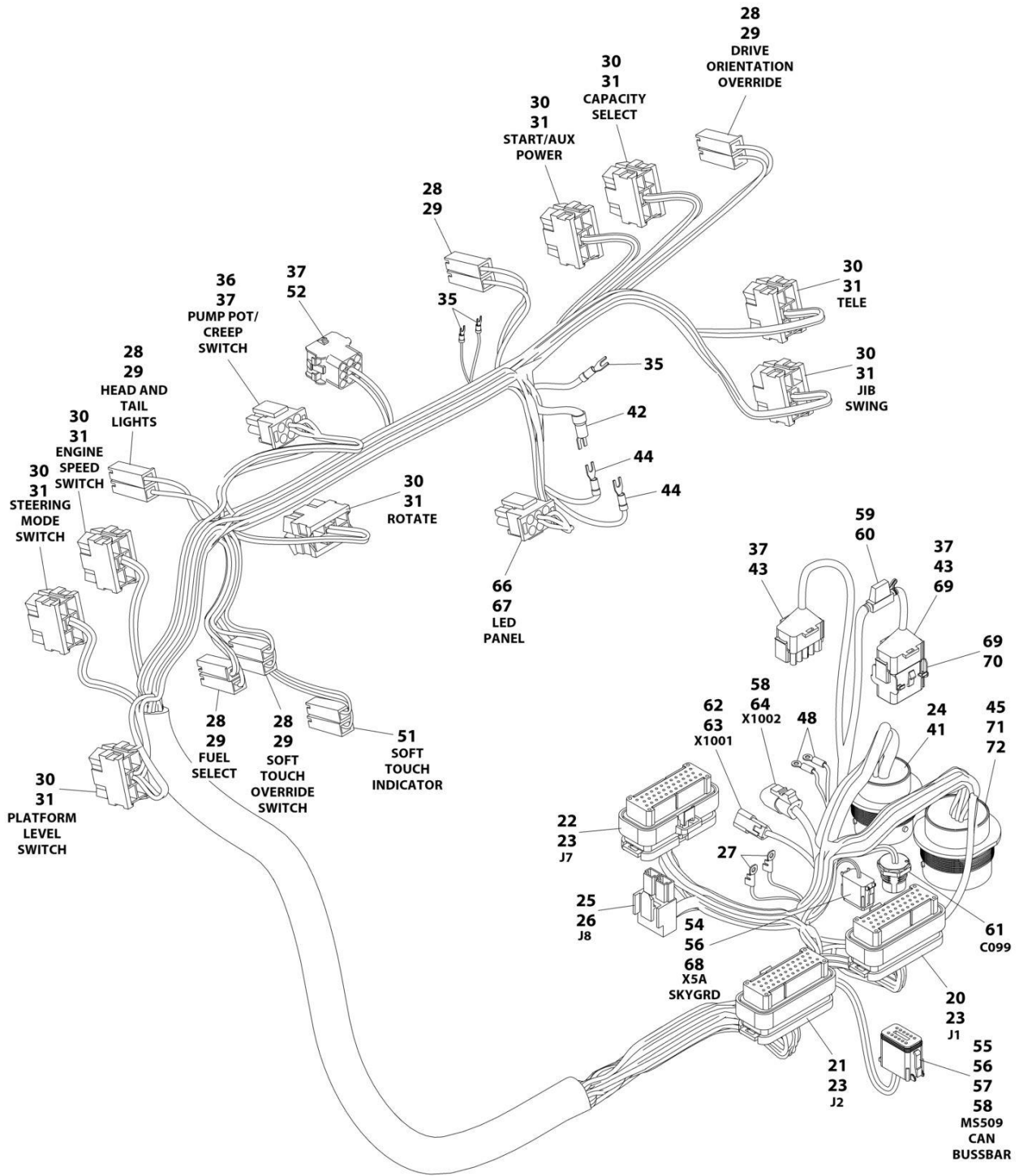
SECTION 8 - ELECTRICAL

FIGURE 8-74. HOLDING VALVE/LIFT DUMP HARNESS ASSEMBLY (WITH ARCTIC PACKAGE)

ITEM	PART NUMBER	QTY	DESCRIPTION	REV
	4923597	Ref	HOLDING VALVE/LIFT DUMP HARNESS ASSEMBLY	1
2	4460880	2	Connector, Din	
3	4460320	1	Connector - 2 Position	
4	4460424	1	Connector - 2 Position	
5	4460267	2	Pin, Male	
6	4460226	2	Socket, Female	

SECTION 8 - ELECTRICAL

FIGURE 8-75. PLATFORM CONSOLE BOX HARNESS



ART_1001244181

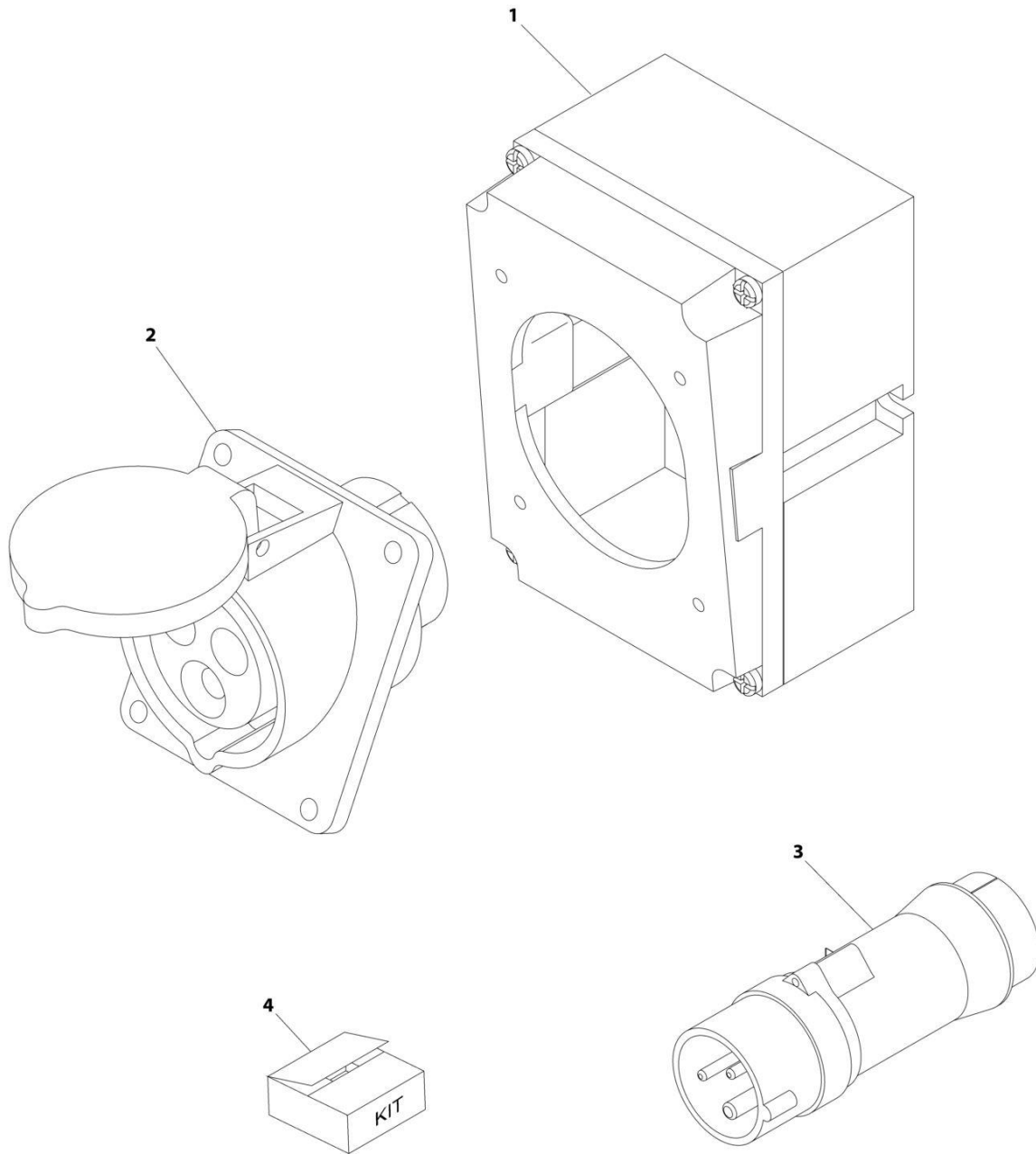
SECTION 8 - ELECTRICAL

FIGURE 8-75. PLATFORM CONSOLE BOX HARNESS

ITEM	PART NUMBER	QTY	DESCRIPTION	REV
	1001244181	1	PLATFORM CONSOLE BOX HARNESS	I
20	4460874	1	Connector - 35 Position (Natural)	
21	4460876	1	Connector - 35 Position (Blue)	
22	4460873	1	Connector - 35 Position (Black)	
23	4460871	70	Socket, Female	
24	4460464	7	Pin, Male Deutsch 16 Ga	
25	4460879	1	Connector - 2 Position	
26	4460887	2	Terminal	
27	1001098122	2	Terminal Eyelet	
28	4460260	10	Terminal, Housing	
29	4460259	10	Terminal	
30	4460418	8	Connector, Female - 6 Position	
31	4460419	24	Socket, Female	
32	4460905	AR	Plug (Not Shown)	
35	4460888	3	Terminal, Fork	
36	4460225	1	Connector - 6 Position	
37	4460227	26	Pin, Male	
41	4460508	5	Pin, Male Deutsch 12 Ga	
42	4460806	1	Terminal, Fork	
43	4460434	2	Connector - 15 Position	
44	4460183	10	Terminal, Fork	
45	4460925	1	Connector - 21 Pin	
48	4460142	2	Terminal, Eyelet	
51	4460016	2	Terminal	
51	1001293138	2	Terminal	
52	4460266	1	Connector - 9 Position	
54	4460894	1	Connector - 6 Position	
55	4460933	1	Connector, Gray - 12 Position	
56	4460466	AR	Plug	
57	1001119020	1	Bussbar - 12 Position	
58	4460944	13	Socket, Female (Gold)	
59	2400060	1	Fuse, Holder	
60	8229249	1	Fuse, 3 Amp	
61	1001213447	1	Connector - 5 Position	
62	4460536	1	Connector - 3 Position	
63	4460943	6	Pin, Male (Gold)	
64	4460539	1	Plug, Male - 3 Position	
66	1001237667	1	Plug, Male - 6 Position	
67	1001237668	4	Socket, Female	
68	4460465	5	Socket, Female	
69	4460708	2	Connector - 15 Position	
70	4460226	2	Socket, Female	
71	1001126011	14	Pin, Male Deutsch 16 Ga	
72	4460518	7	Plug, Terminal	

SECTION 8 - ELECTRICAL

FIGURE 8-76. RECEPTACLE BOX KIT - 110V IEC YELLOW WITHOUT 2500W GENERATOR (CE SPECS)



ART_0275216

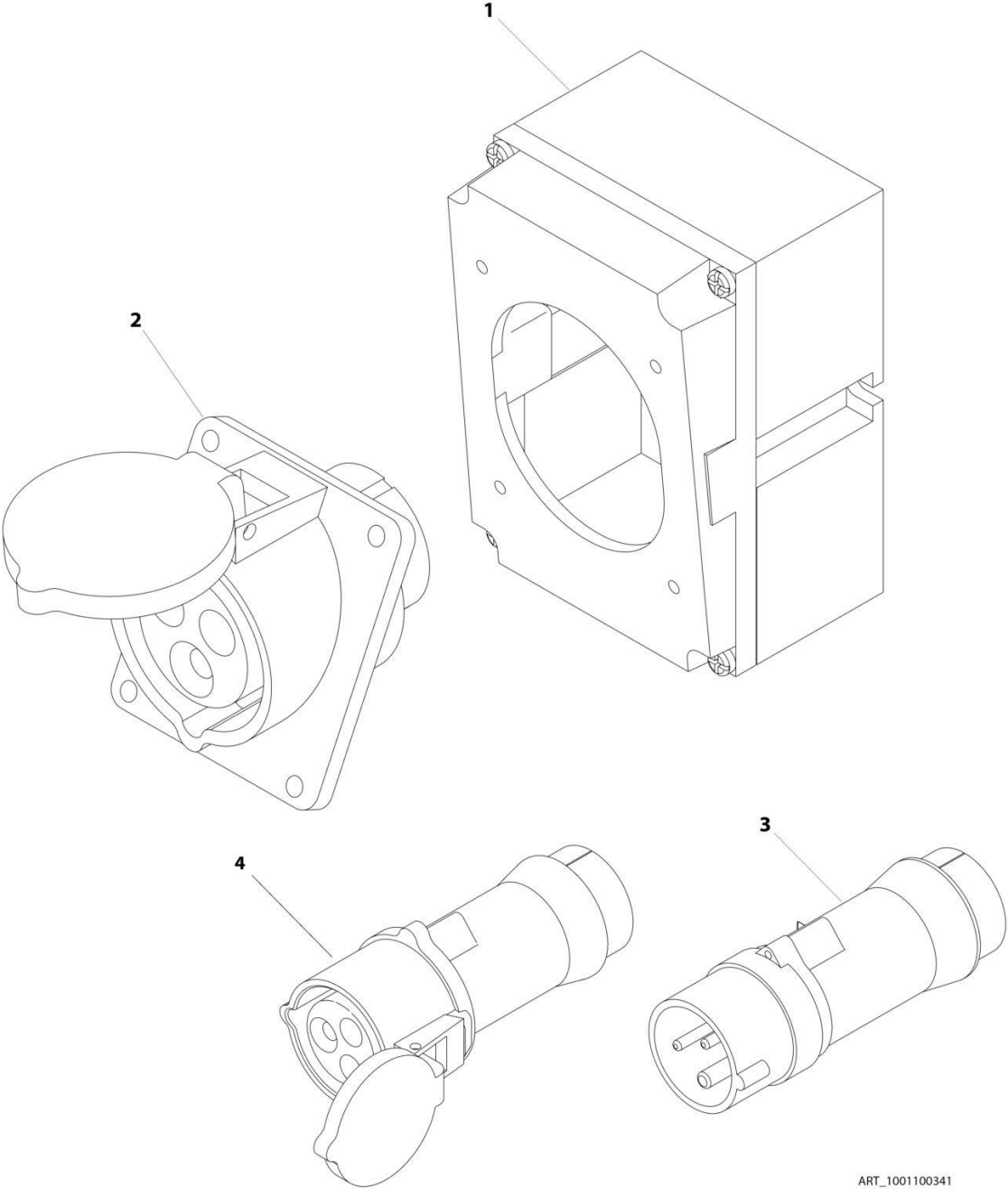
SECTION 8 - ELECTRICAL

FIGURE 8-76. RECEPTACLE BOX KIT - 110V IEC YELLOW WITHOUT 2500W GENERATOR (CE SPECS)

ITEM	PART NUMBER	QTY	DESCRIPTION	REV
	0275216	Ref	RECEPTACLE BOX KIT - 110V IEC YELLOW	B
1	0861781	1	Box, Switch	
2	4461198	1	Receptacle	
3	4461196	1	Plug, Male	
4	1001100341	1	Plug and Socket Kit (Includes Items 1-3 and Female Plug p/n 4461197)	

SECTION 8 - ELECTRICAL

FIGURE 8-77. RECEPTACLE BOX KIT - 110V IEC YELLOW WITH 2500W GENERATOR (CE SPECS)



ART_1001100341

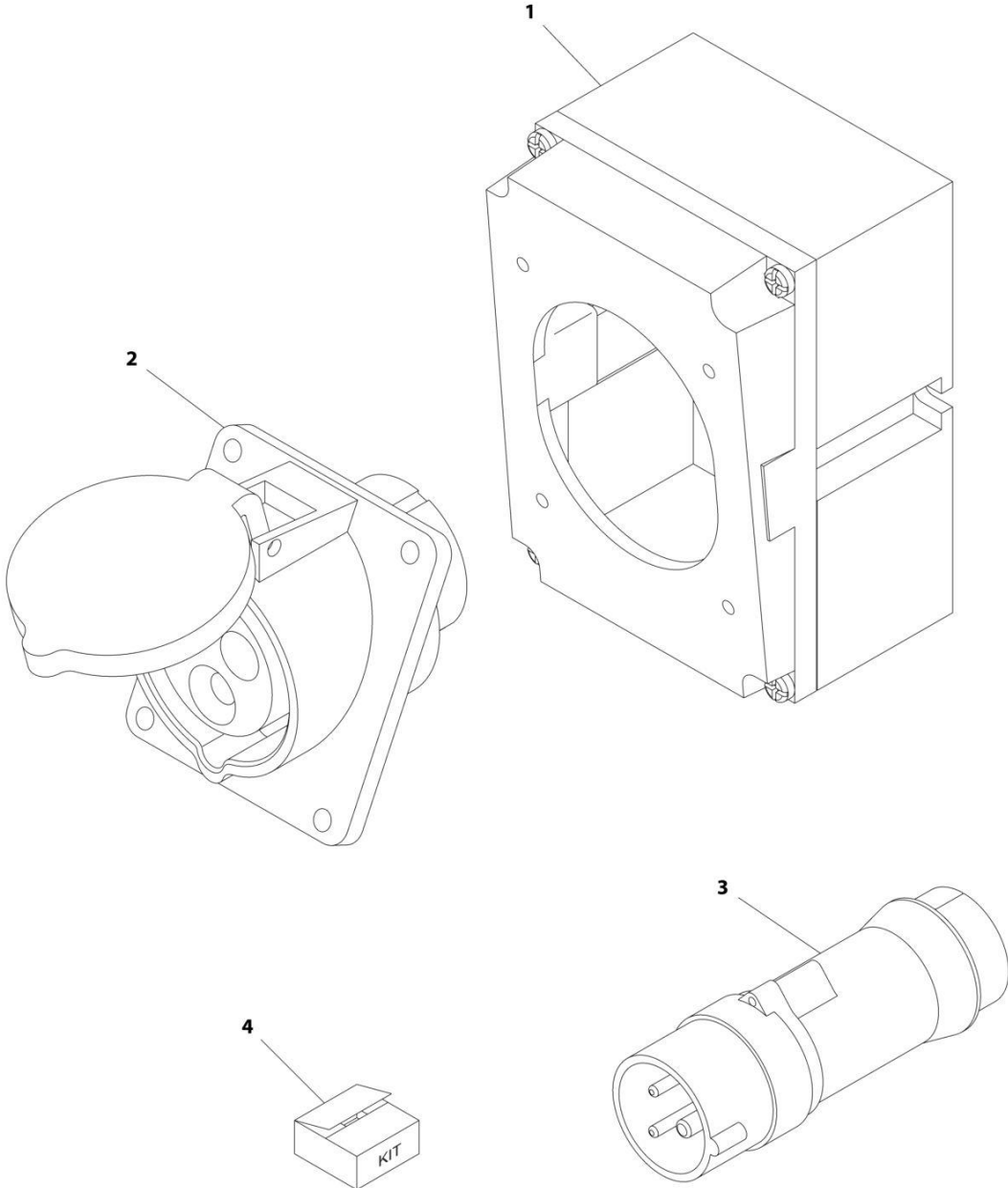
SECTION 8 - ELECTRICAL

FIGURE 8-77. RECEPTACLE BOX KIT - 110V IEC YELLOW WITH 2500W GENERATOR (CE SPECS)

ITEM	PART NUMBER	QTY	DESCRIPTION	REV
	1001100341	Ref	RECEPTACLE BOX KIT - 110V IEC YELLOW	2
1	0861781	1	Box, Switch	
2	4461198	1	Receptacle	
3	4461196	1	Plug, Male	
4	4461197	1	Plug, Female	

SECTION 8 - ELECTRICAL

FIGURE 8-78. RECEPTACLE BOX KIT - 220V IEC BLUE WITHOUT 2500W GENERATOR (CE SPECS)



ART_0275217

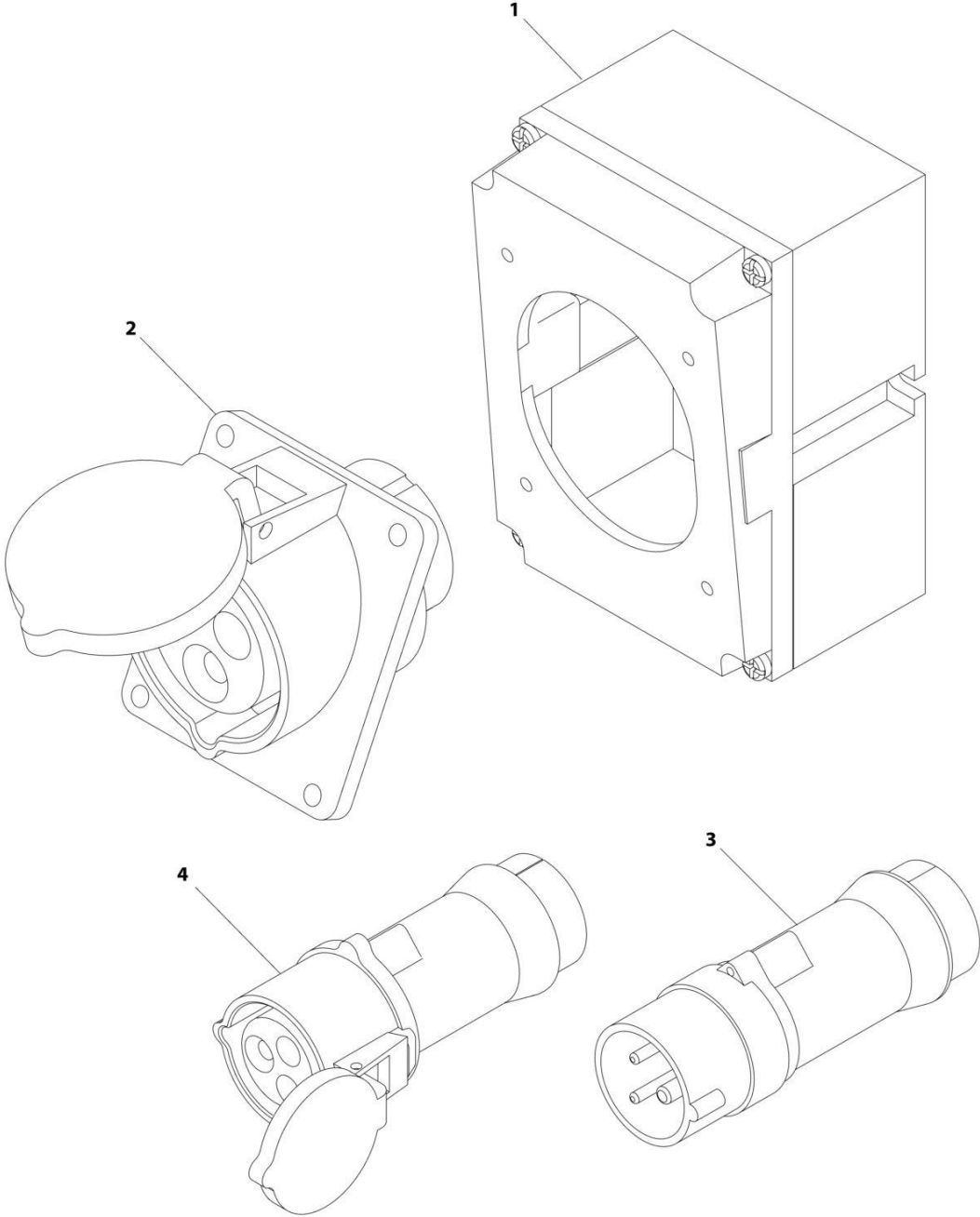
SECTION 8 - ELECTRICAL

FIGURE 8-78. RECEPTACLE BOX KIT - 220V IEC BLUE WITHOUT 2500W GENERATOR (CE SPECS)

ITEM	PART NUMBER	QTY	DESCRIPTION	REV
	0275217	Ref	RECEPTACLE BOX KIT - 220V IEC BLUE	B
1	0861781	1	Box, Switch	
2	4461201	1	Receptacle	
3	4461199	1	Plug, Male	
4	1001100342	1	Plug and Socket Kit (Includes Items 1-3 and Female Plug p/n 4461200)	

SECTION 8 - ELECTRICAL

FIGURE 8-79. RECEPTACLE BOX KIT - 220V IEC BLUE WITH 2500W GENERATOR (CE SPECS)



ART_1001100342

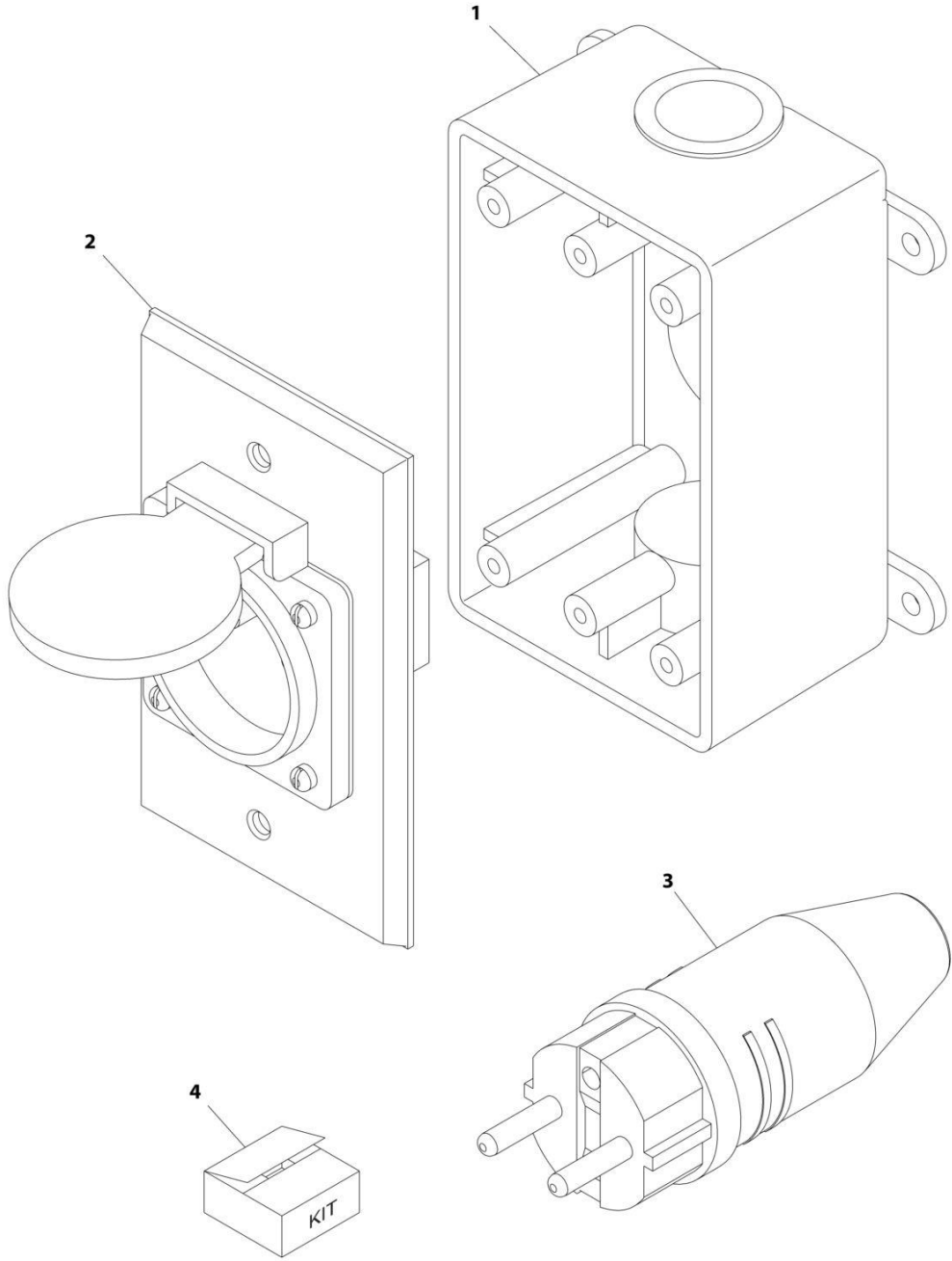
SECTION 8 - ELECTRICAL

FIGURE 8-79. RECEPTACLE BOX KIT - 220V IEC BLUE WITH 2500W GENERATOR (CE SPECS)

ITEM	PART NUMBER	QTY	DESCRIPTION	REV
	1001100342	Ref	RECEPTACLE BOX KIT - 220V IEC BLUE WITH 2500W GENERATOR (CE & UK CA SPECS)	2
1	0861781	1	Box, Switch	
2	4461201	1	Receptacle	
3	4461199	1	Plug, Male	
4	4461200	1	Plug, Female	

SECTION 8 - ELECTRICAL

FIGURE 8-80. RECEPTACLE BOX KIT - 220V CEE7 POST GROUND 2X4 BOX WITHOUT 2500W GENERATOR (CE SPEC)



ART_0275452-C

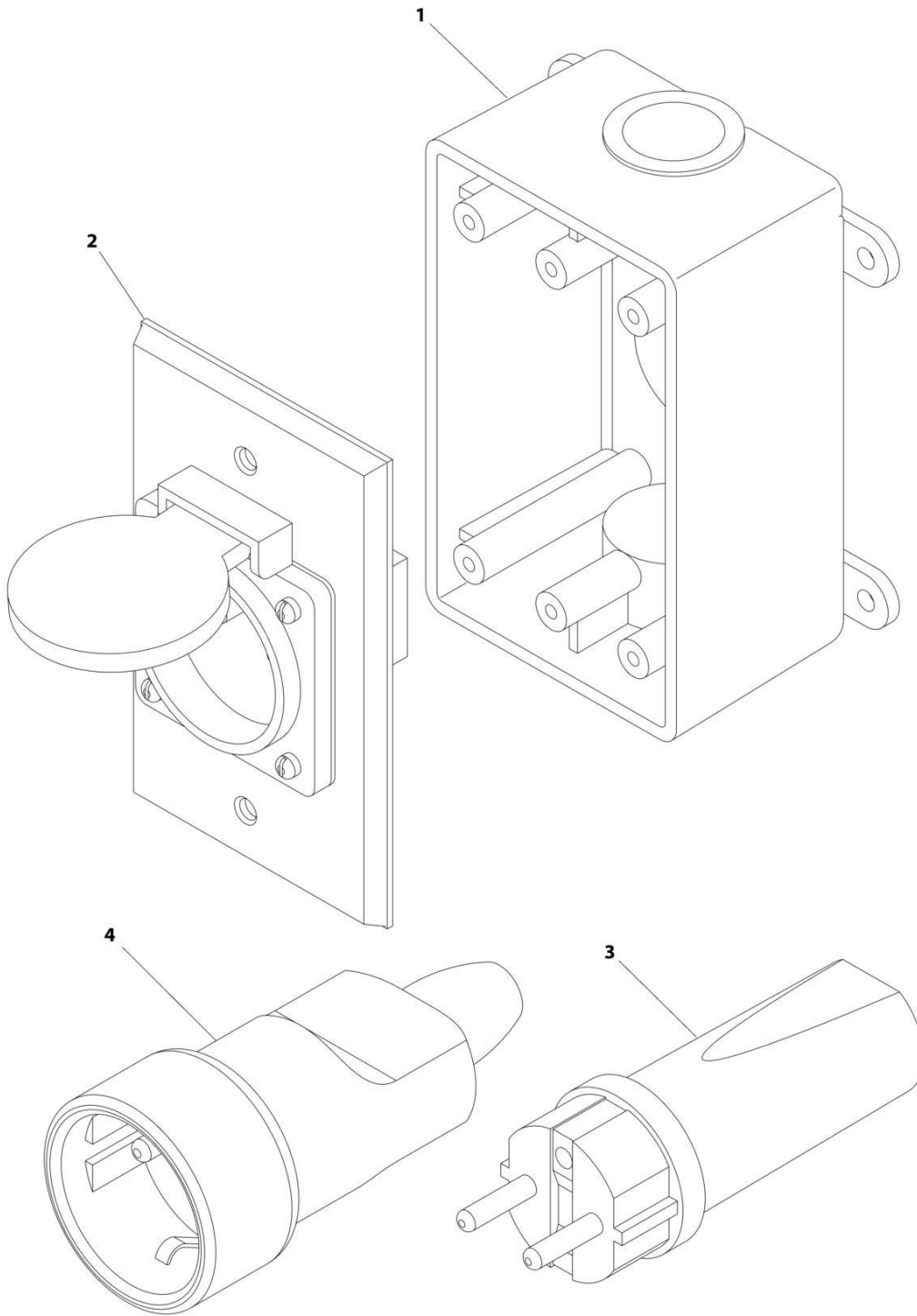
SECTION 8 - ELECTRICAL

FIGURE 8-80. RECEPTACLE BOX KIT - 220V CEE7 POST GROUND 2X4 BOX WITHOUT 2500W GENERATOR (CE SPEC)

ITEM	PART NUMBER	QTY	DESCRIPTION	REV
	0275452	Ref	RECEPTACLE BOX KIT - 220V CEE7 POST GROUND 2IN X 4IN BOX	C
1	0861731	1	Box, Switch	
2	4461244	1	Receptacle	
3	4461205	1	Plug, Male	
4	1001100345	1	Plug and Socket Kit (Includes Items 1-3 and Female Plug p/n 4461203)	

SECTION 8 - ELECTRICAL

FIGURE 8-81. RECEPTACLE BOX KIT - 220V CEE7 POST GROUND 2X4 BOX WITH 2500W GENERATOR (CE SPEC)



ART_1001100345

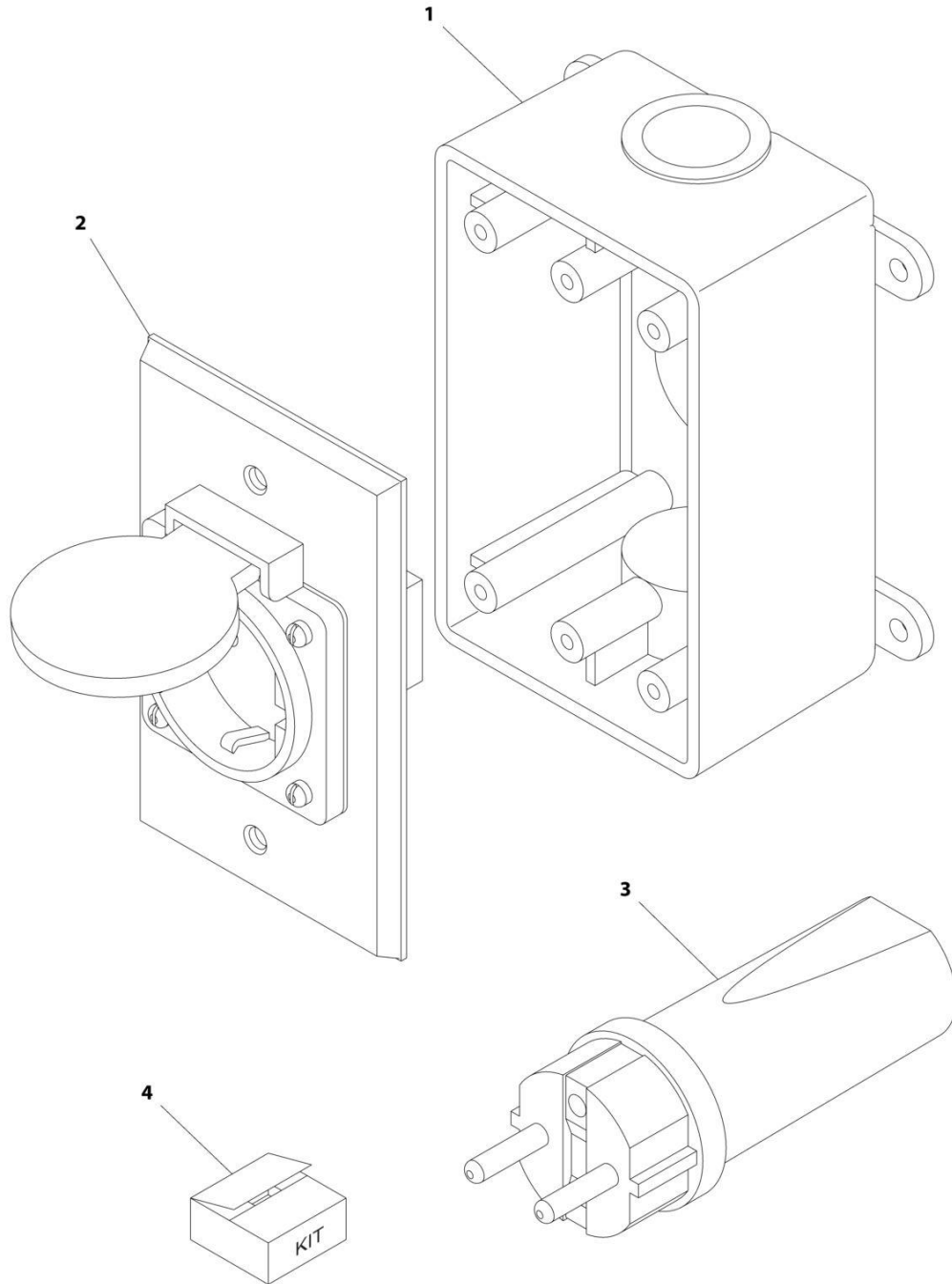
SECTION 8 - ELECTRICAL

FIGURE 8-81. RECEPTACLE BOX KIT - 220V CEE7 POST GROUND 2X4 BOX WITH 2500W GENERATOR (CE SPEC)

ITEM	PART NUMBER	QTY	DESCRIPTION	REV
	1001100345	Ref	RECEPTACLE BOX KIT - 220V CEE7 POST GROUND	C
1	0861731	1	Box, Switch	
2	4461244	1	Receptacle	
3	4461205	1	Plug, Male	
4	4461203	1	Plug, Female	

SECTION 8 - ELECTRICAL

FIGURE 8-82. RECEPTACLE BOX KIT - 220V CEE7 SIDE GROUND 2X4 BOX WITHOUT 2500W GENERATOR (CE SPEC)



ART_0275453

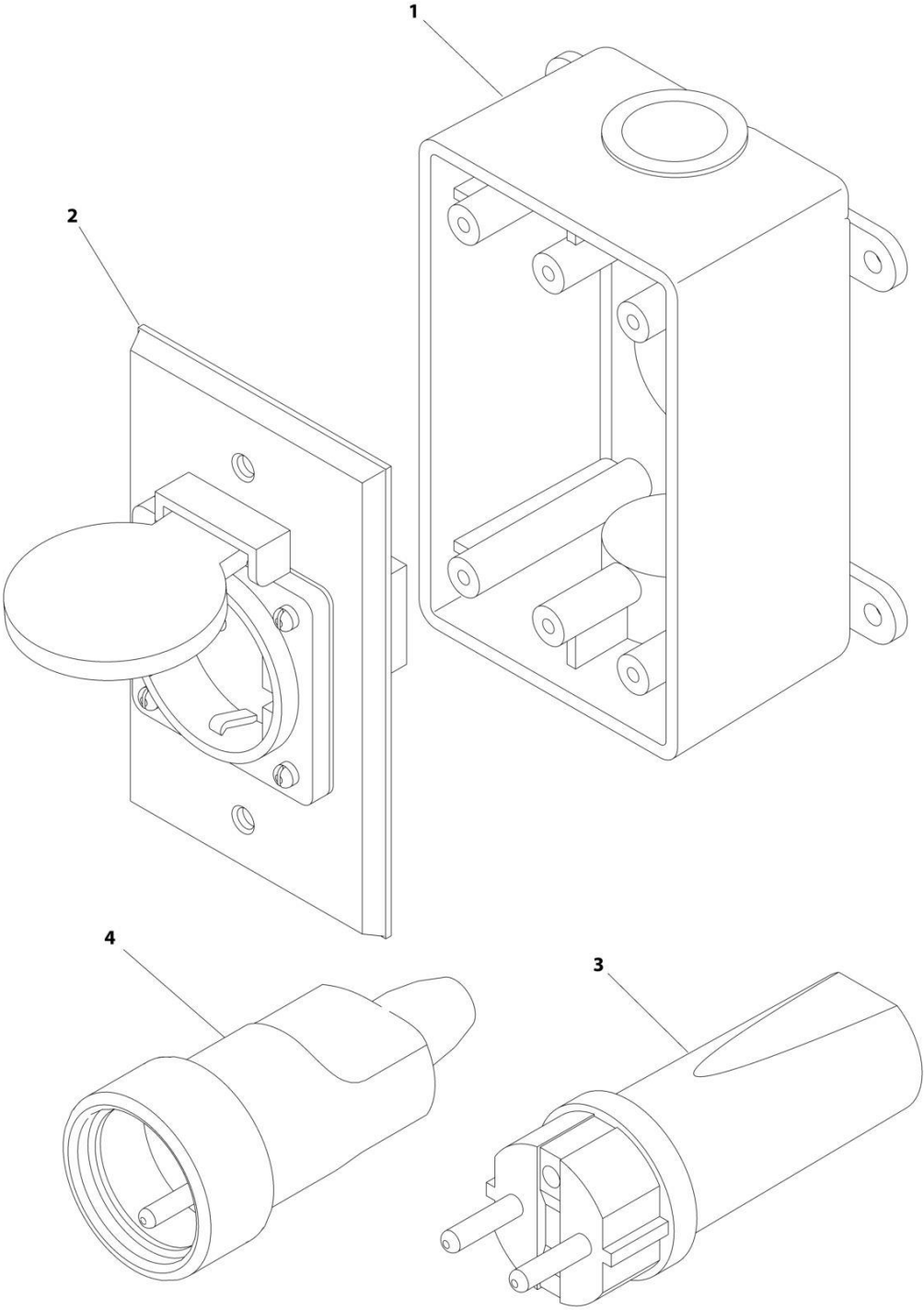
SECTION 8 - ELECTRICAL

FIGURE 8-82. RECEPTACLE BOX KIT - 220V CEE7 SIDE GROUND 2X4 BOX WITHOUT 2500W GENERATOR (CE SPEC)

ITEM	PART NUMBER	QTY	DESCRIPTION	REV
	0275453	Ref	RECEPTACLE BOX KIT - 220V CEE7 SIDE GROUND	B
1	0861731	1	Box, Switch	
2	4461245	1	Receptacle	
3	4461205	1	Plug, Male	
4	1001100347	1	Plug and Socket Kit (Includes Items 1-3 and Female Plug p/n 4461206)	

SECTION 8 - ELECTRICAL

FIGURE 8-83. RECEPTACLE BOX KIT - 220V CEE7 SIDE GROUND 2X4 BOX WITH 2500W GENERATOR (CE SPEC)



ART_1001100347

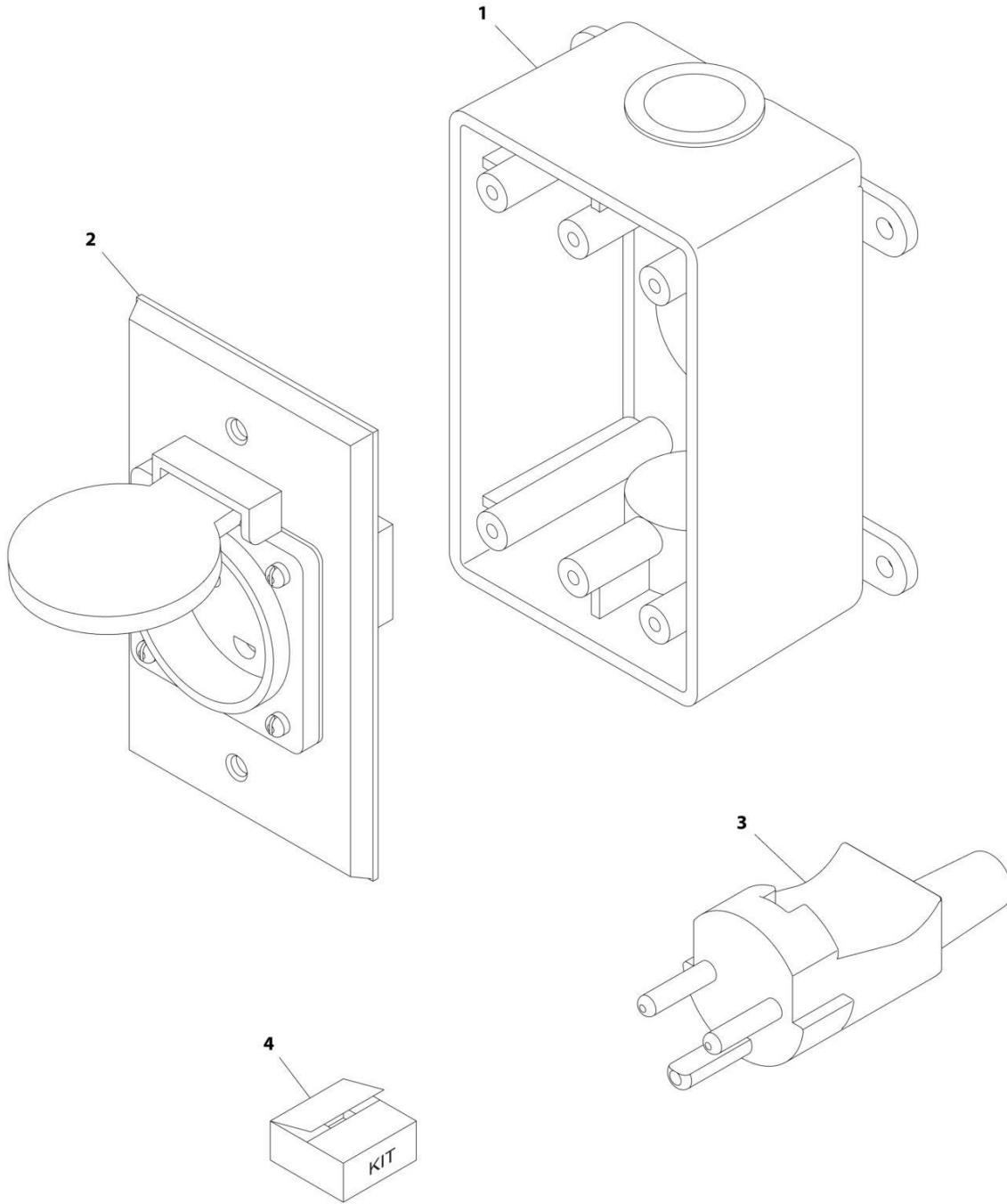
SECTION 8 - ELECTRICAL

FIGURE 8-83. RECEPTACLE BOX KIT - 220V CEE7 SIDE GROUND 2X4 BOX WITH 2500W GENERATOR (CE SPEC)

ITEM	PART NUMBER	QTY	DESCRIPTION	REV
	1001100347	Ref	RECEPTACLE BOX KIT - 220V CEE7 SIDE GROUND	3
1	0861731	1	Box, Switch	
2	4461245	1	Receptacle	
3	4461205	1	Plug, Male	
4	4461206	1	Plug, Female	

SECTION 8 - ELECTRICAL

FIGURE 8-84. RECEPTACLE BOX KIT - 220V AFSINT107 KEYED GROUND WITHOUT 2500W GENERATOR (CE SPECS)



ART_0275454

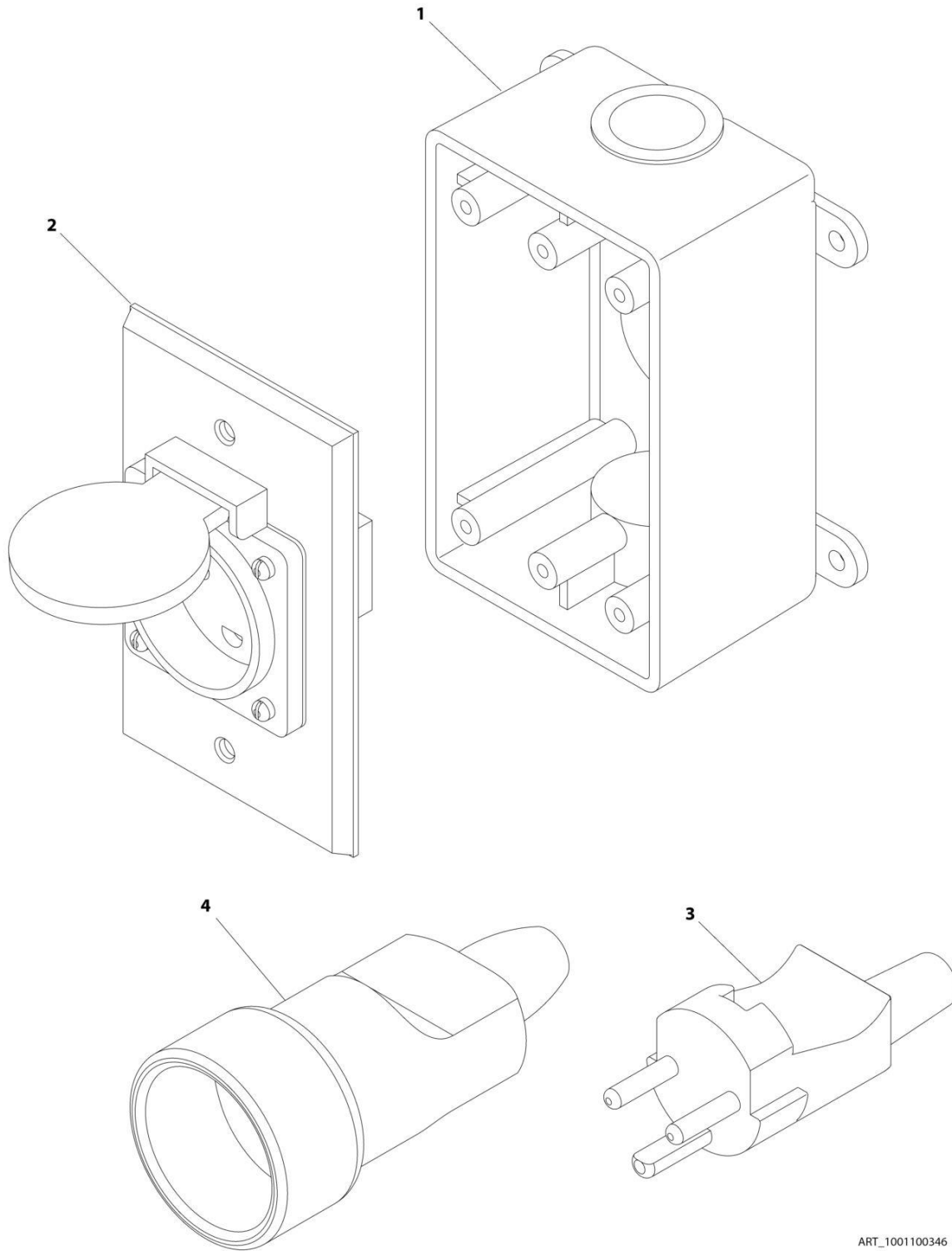
SECTION 8 - ELECTRICAL

FIGURE 8-84. RECEPTACLE BOX KIT - 220V AFSINT107 KEYED GROUND WITHOUT 2500W GENERATOR (CE SPECS)

ITEM	PART NUMBER	QTY	DESCRIPTION	REV
	0275454	Ref	RECEPTACLE BOX KIT - 220V AFSINT 107	B
1	0861731	1	Box, Switch	
2	4461246	1	Receptacle	
3	4461249	1	Plug, Male	
4	1001100346	1	Plug and Socket Kit (Includes Items 1-3 and Female Plug p/n 4461250)	

SECTION 8 - ELECTRICAL

FIGURE 8-85. RECEPTACLE BOX KIT - 220V AFSINT107 KEYED GROUND WITH 2500W GENERATOR (CE SPECS)



ART_1001100346

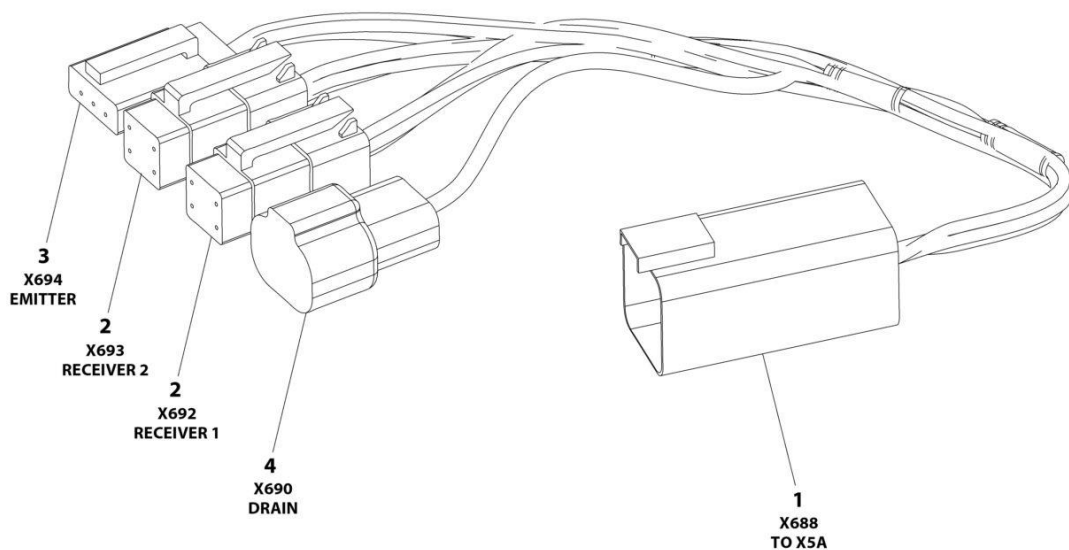
SECTION 8 - ELECTRICAL

FIGURE 8-85. RECEPTACLE BOX KIT - 220V AFSINT107 KEYED GROUND WITH 2500W GENERATOR (CE SPECS)

ITEM	PART NUMBER	QTY	DESCRIPTION	REV
	1001100346	Ref	RECEPTACLE BOX KIT - 220V AFSINT 107 KEYED GROUND WITH 2500W GENERATOR (2X4 BOX) (CE & UK CA SPECS)	2
1	0861731	1	Box, Switch	
2	4461246	1	Receptacle	
3	4461249	1	Plug, Male	
4	4461250	1	Plug, Female	

SECTION 8 - ELECTRICAL

FIGURE 8-86. SKYEYE INTERMEDIATE HARNESS



ART_1001237865

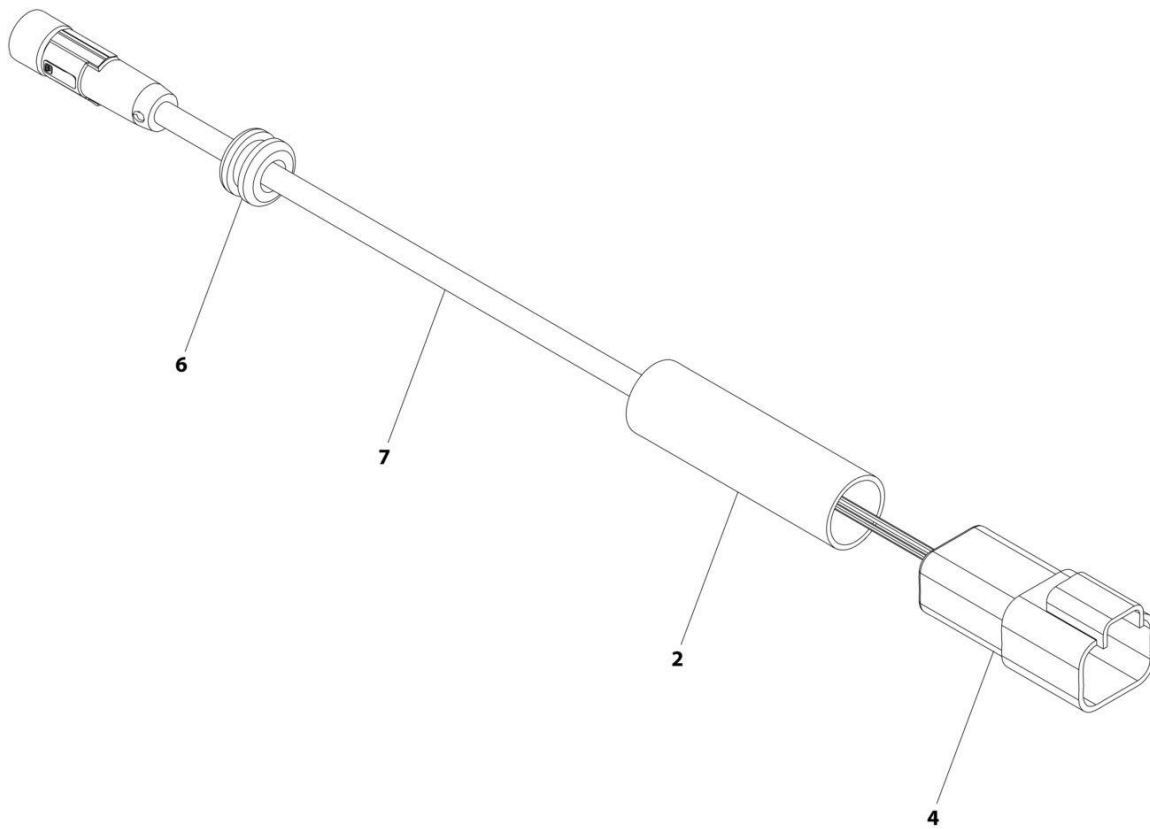
SECTION 8 - ELECTRICAL

FIGURE 8-86. SKYEYE INTERMEDIATE HARNESS

ITEM	PART NUMBER	QTY	DESCRIPTION	REV
	1001237865	Ref	SKYEYE INTERMEDIATE HARNESS	A
1	4460899	1	Connector - 6 Position	
1	4460943	4	Pin, Male	
1	4460466	2	Plug, Terminal	
2	4461077	2	Connector - 4 Position	
2	1001119619	8	Socket, Female	
3	4460911	1	Connector - 3 Position	
3	1001119619	3	Socket, Female	
4	1001187681	1	Connector - 2 Position	
4	4460941	1	Pin, Male	
4	4460466	1	Plug, Terminal	

SECTION 8 - ELECTRICAL

FIGURE 8-87. SKYEYE RECEIVER HARNESS



ART_1001237863

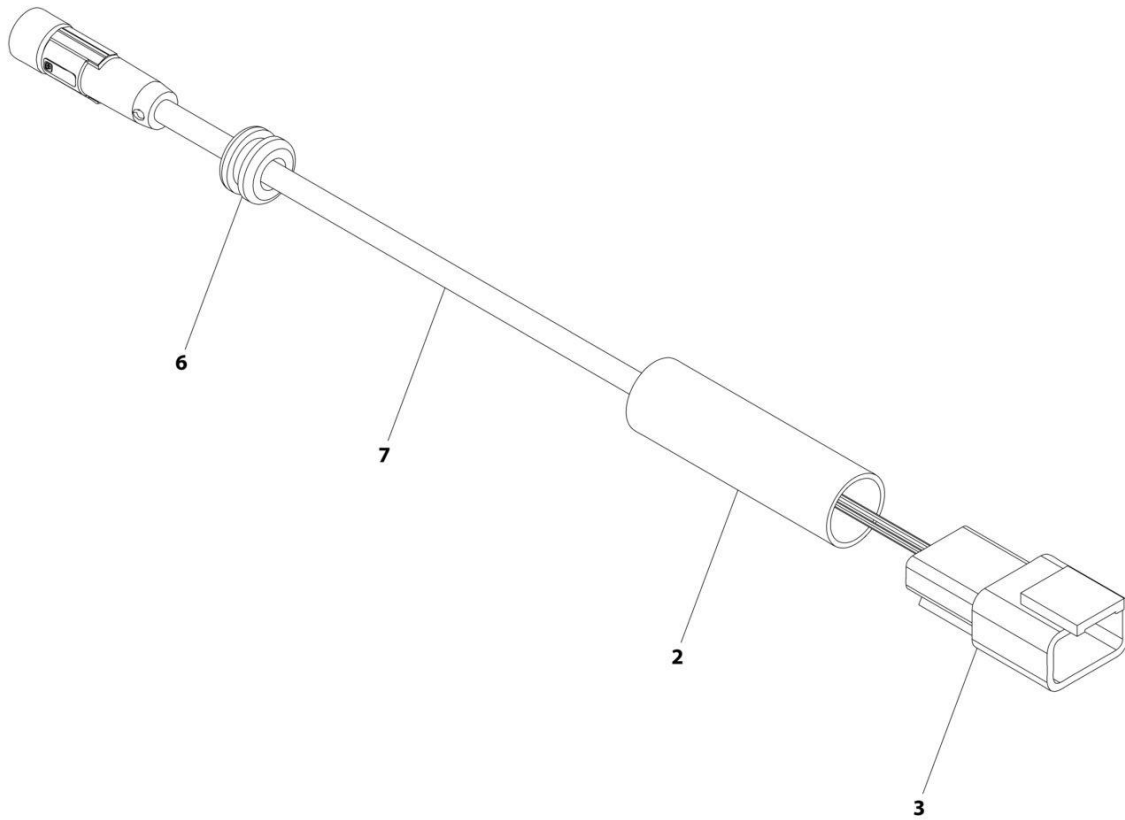
SECTION 8 - ELECTRICAL

FIGURE 8-87. SKYEYE RECEIVER HARNESS

ITEM	PART NUMBER	QTY	DESCRIPTION	REV
	1001237863	Ref	SKYEYE RECEIVER HARNESS	A
2	2820247	AR	Tubing, Heat Shrink	
4	1001097051	1	Connector - 4 Position	
4	1001119620	4	Pin, Male	
6	1001227996	1	Grommet	
7	1001237862	1	Cable, M8 Female Cordset	

SECTION 8 - ELECTRICAL

FIGURE 8-88. SKYEYE EMITTER HARNESS



ART_1001237864

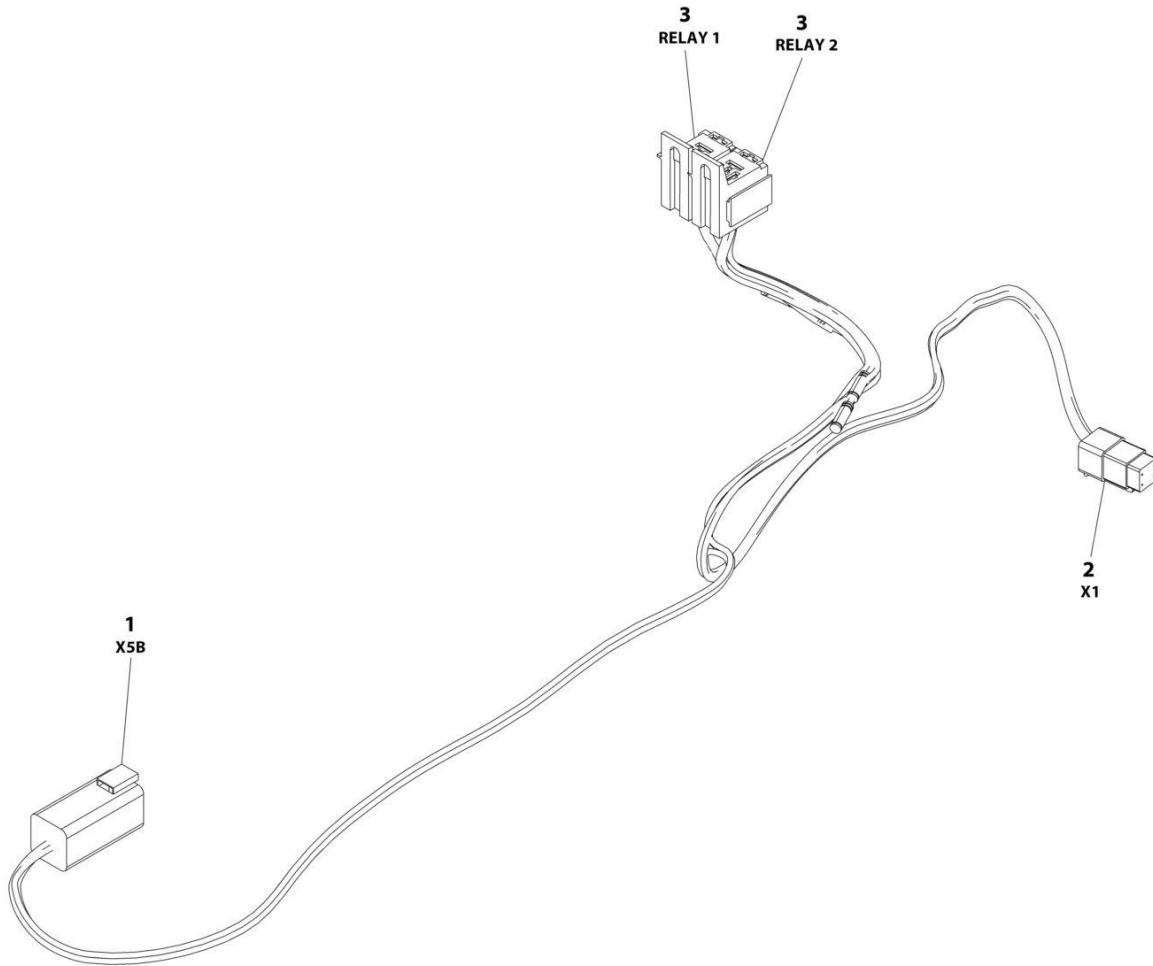
SECTION 8 - ELECTRICAL

FIGURE 8-88. SKYEYE EMITTER HARNESS

ITEM	PART NUMBER	QTY	DESCRIPTION	REV
	1001237864	Ref	SKYEYE EMITTER HARNESS	A
2	2820247	AR	Tubing, Heat Shrink	
3	4460910	1	Connector - 3 Position	
3	1001119620	3	Pin, Male	
6	1001227996	1	Grommet	
7	1001237862	1	Cable, M8 Female Cordset	

SECTION 8 - ELECTRICAL

FIGURE 8-89. SKYLINE HARNESS



ART_1001238418

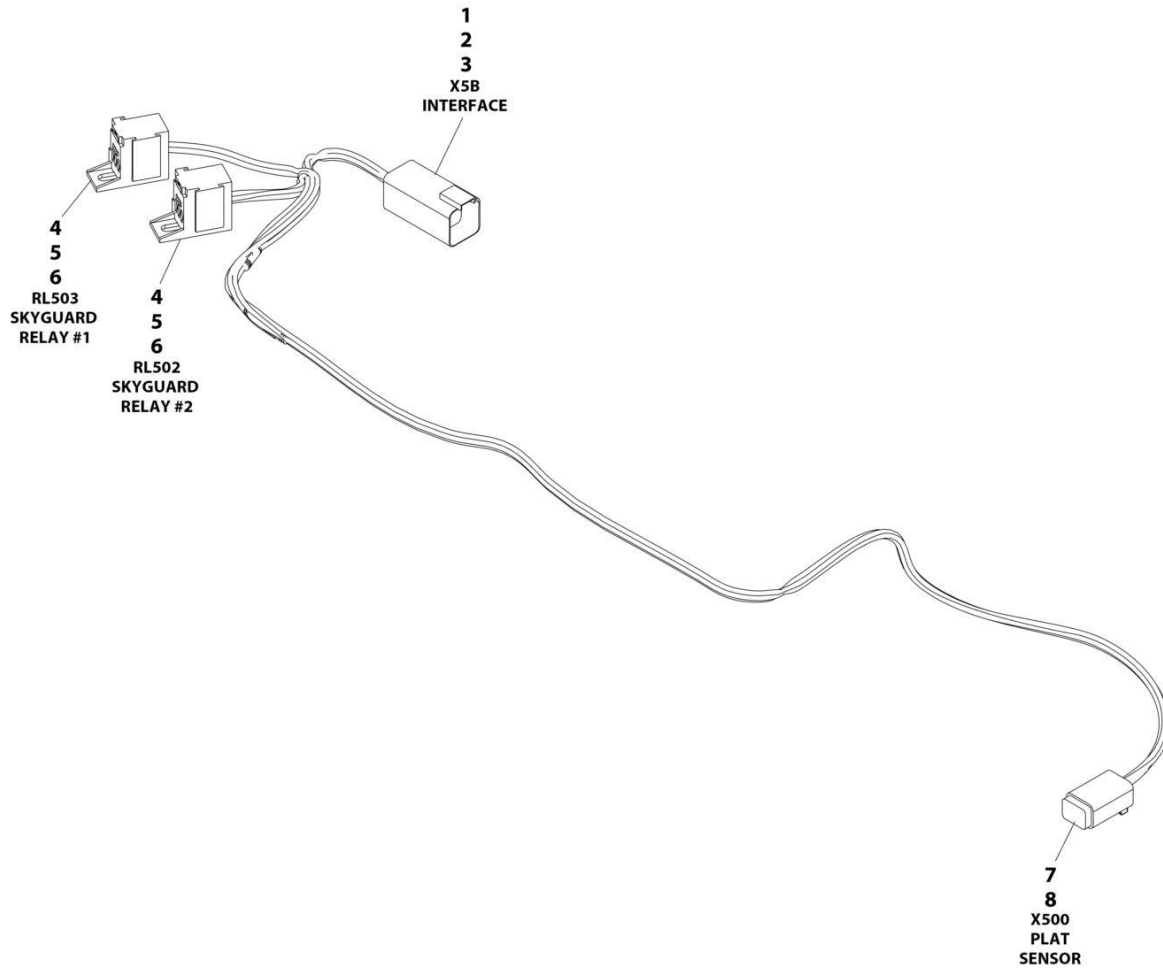
SECTION 8 - ELECTRICAL

FIGURE 8-89. SKYLINE HARNESS

ITEM	PART NUMBER	QTY	DESCRIPTION	REV
	1001238418	Ref	SKYLINE HARNESS	B
1	4460899	1	Connector - 6 Position	
1	4460464	4	Pin, Male	
1	4460466	2	Plug, Terminal	
2	4461077	1	Connector - 4 Position	
2	1001126009	4	Socket, Female	
3	1001186432	2	Plug, Relay	
3	1001118388	5	Terminal	
3	1001118384	3	Terminal	
3	3740086	2	Relay	

SECTION 8 - ELECTRICAL

FIGURE 8-90. SKYGUARD INERFACE HARNESS



ART_1001225580

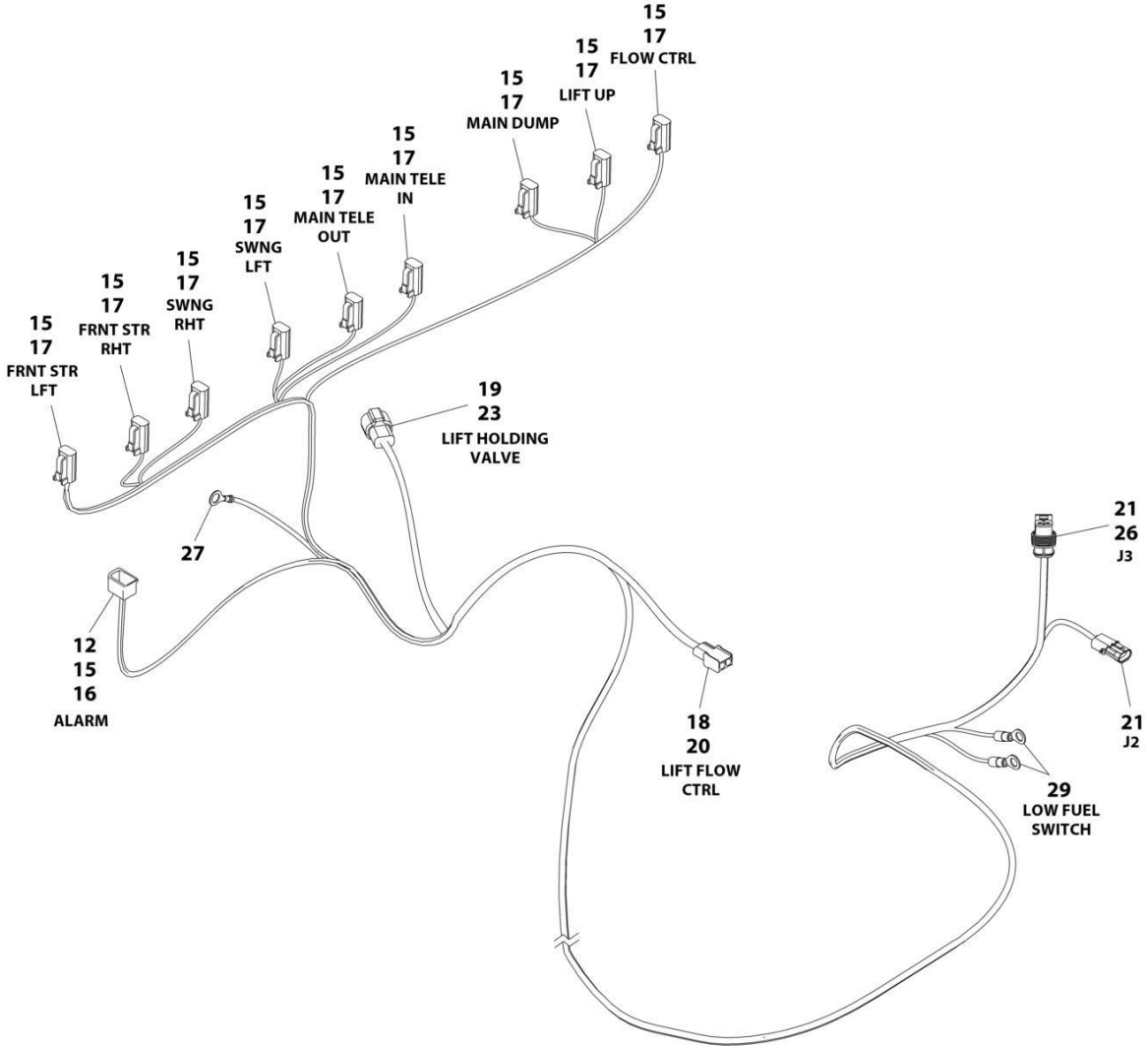
SECTION 8 - ELECTRICAL

FIGURE 8-90. SKYGUARD INERFACE HARNESS

ITEM	PART NUMBER	QTY	DESCRIPTION	REV
	1001225580	Ref	INTERFACE HARNESS - WITH 1 CELL LSS	D
1	4460899	1	Connector	
2	4460464	4	Terminal	
3	4460466	2	Plug	
4	1001186432	2	Connector	
5	1001116720	4	Terminal	
6	1001118388	4	Terminal	
7	4460884	1	Connector	
8	4460465	4	Terminal	

SECTION 8 - ELECTRICAL

FIGURE 8-91. VALVE HARNESS



ART_1001168024

SECTION 8 - ELECTRICAL

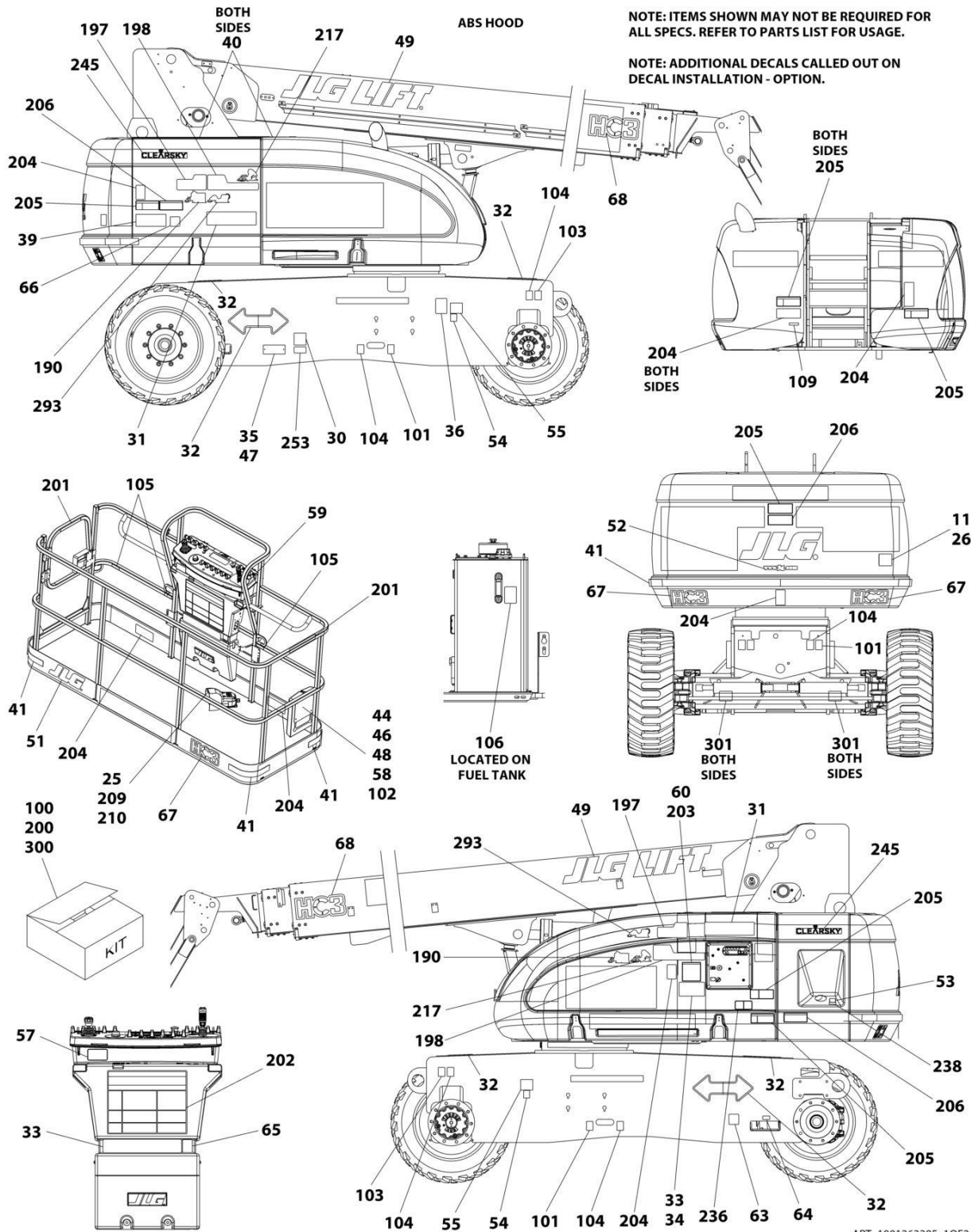
FIGURE 8-91. VALVE HARNESS

ITEM	PART NUMBER	QTY	DESCRIPTION	REV
	1001168024	Ref	VALVE HARNESS	E
12	4460539	1	Plug, Male - 3 Position	
13	4240033	AR	Tie-Strap (Not Shown)	
14	4240032	AR	Tie-Strap (Not Shown)	
15	1001116693	20	Socket, Female	
16	4460466	1	Plug, Terminal	
17	4460891	9	Plug, Male - 2 Position	
18	4460320	1	Plug, Male - 2 Position	
19	4460267	2	Pin, Male	
20	4460226	2	Socket, Female	
21	4460871	23	Socket, Female	
23	4460424	1	Receptacle, Female - 2 Position	
26	4460508	1	Terminal	
27	4460019	1	Terminal, Ring	
29	4460313	2	Terminal, Ring	

SECTION 9 - DECALS

SECTION 9 - DECALS

FIGURE 9-1. DECAL INSTALLATION (ANSI SPECS) (800S HC3)



ART_1001263305_10F2

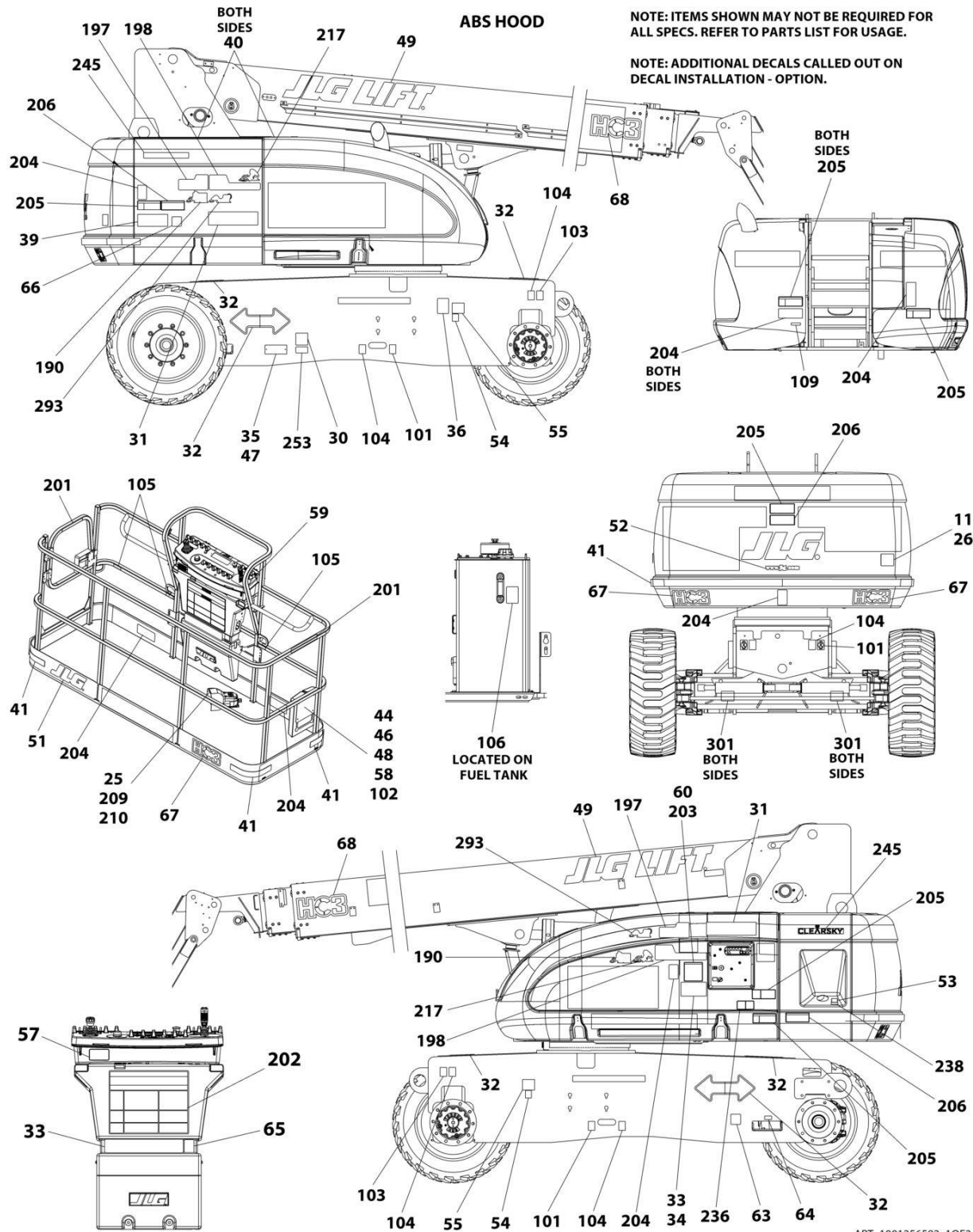
SECTION 9 - DECALS

FIGURE 9-1. DECAL INSTALLATION (ANSI SPECS) (800S HC3)

ITEM	PART NUMBER	QTY	DESCRIPTION	REV
	1001263305	Ref	DECAL INSTALLATION	B
	1001256837	Ref	REFERENCE CHART	A
25	3252347	1	Decal - Footswitch	
30	See Note	NSS	Decal - Bar Code (Note: Not Available for Purchase)	
31	1704906	2	Decal - Model	
32	1701501	4	Decal - Arrow	
33	1001256567	1	Decal - Warning	
34	1001256568	1	Decal - Warning	
36	1001131269	1	Decal - Patent	
39	1001270286	1	Decal - Lift Diagram	
40	1701691	4	Decal - No Step	
41	4420051	23.1 ft/7m	Stripes, Warning	
44	0860520	1	Box, Manual Storage	
46	3311405	4	Nut 1/4	
47	3820001	2	Rivet	
48	4751400	8	Washer 1/4	
58	0641406	4	Bolt 1/4 x 3/4	
59	1705351	1	Decal - Drive/Steer Instructions	
63	1001223055	1	Decal - Yearly Inspection	
64	1001223453	1	Decal - ICES	
100	1001109029	1	Decal Kit - Master (Includes Items 101-109)	
101	1701499	4	Decal - No Lift	
102	1701509	1	Decal - Manual	
103	1703811	4	Decal - Tie Down/Lift	
104	1703814	6	Decal - Tie Down	
105	1704277	4	Decal - Attach Lanyard Here	
106	1704412	1	Decal - Hydraulic Oil Chart	
109	3251243	1	Nameplate - 120V-60HZ	
200	2902307	1	Decal Kit - Country Spec (Includes Items 201-206)	
201	1702868	2	Decal - No Hands	
202	1703797	1	Decal - Warning/Danger	
203	1705336	1	Decal - Warning Inspection (MTB)	
204	1703804	5	Decal - Warning Crushing	
205	1703805	5	Decal - Danger Electrocution	
206	1703953	7	Decal - Warning Crushing	
300	2902354	1	Decal Kit - Max Tire Load (Includes Item 301)	
301	1703475	4	Decal - Max Tire Load	

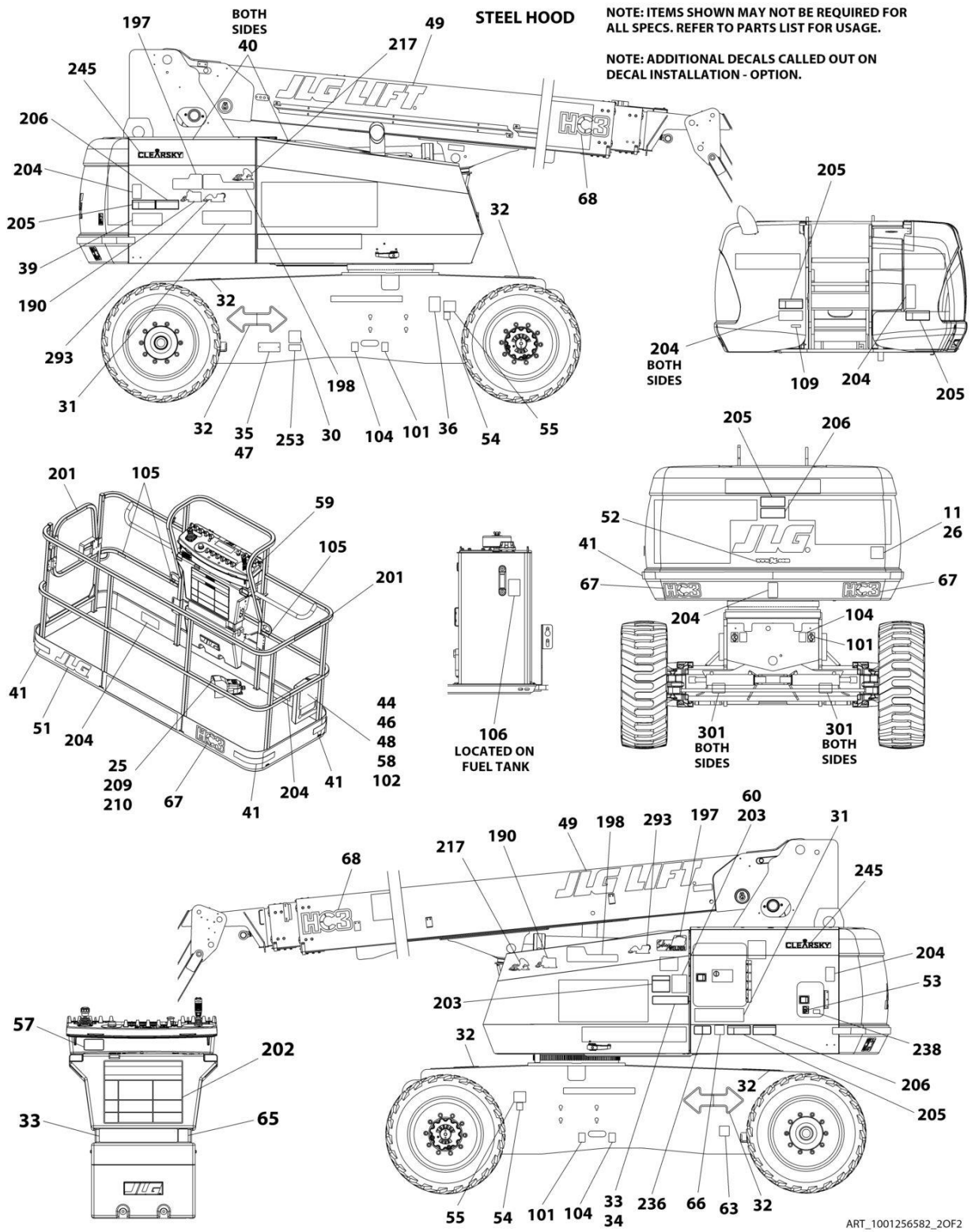
SECTION 9 - DECALS

FIGURE 9-2. DECAL INSTALLATION (ANSI SPECS) (860SJ HC3)



ART_1001256582_10F2

SECTION 9 - DECALS



ART_1001256582_20F2

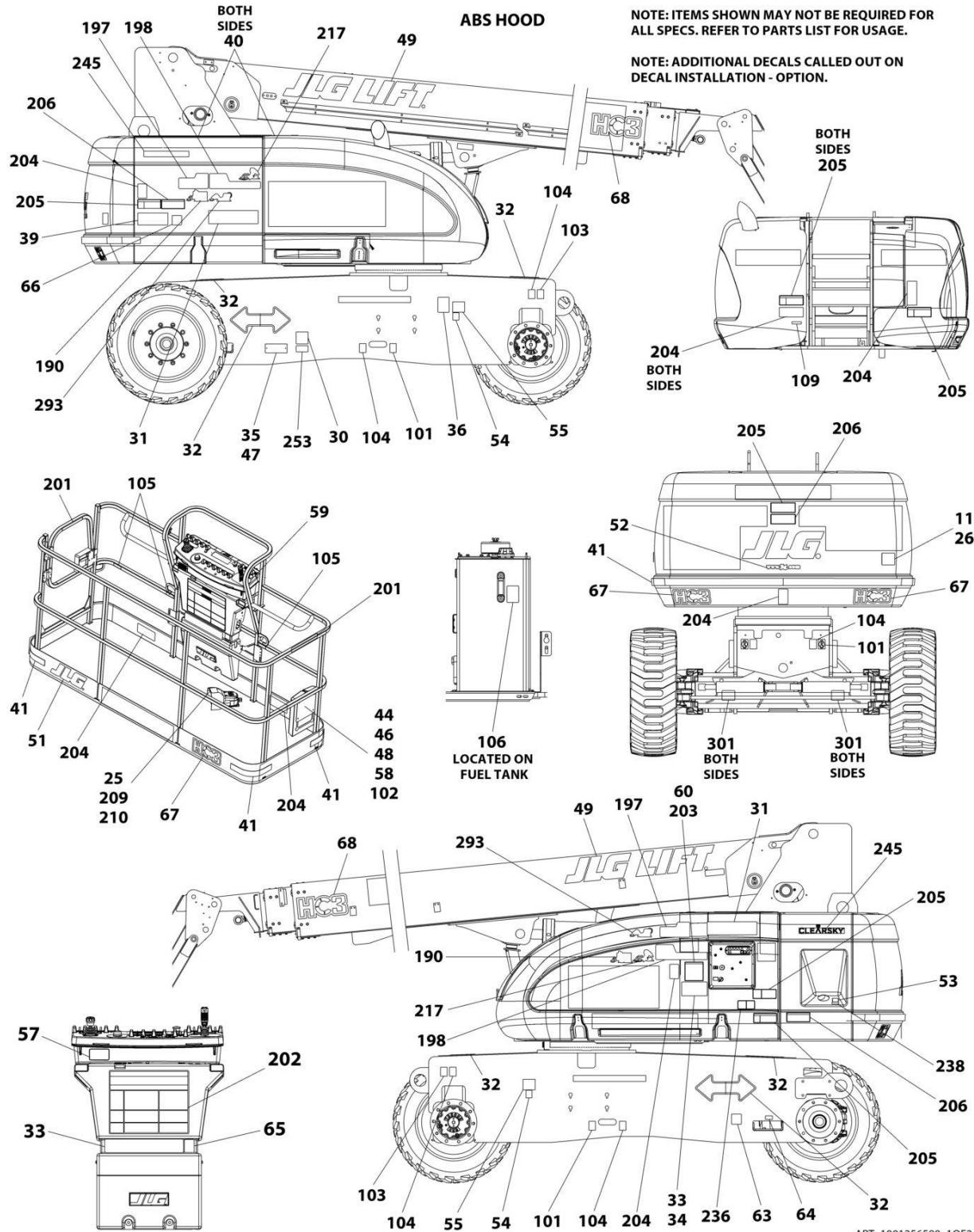
SECTION 9 - DECALS

FIGURE 9-2. DECAL INSTALLATION (ANSI SPECS) (860SJ HC3)

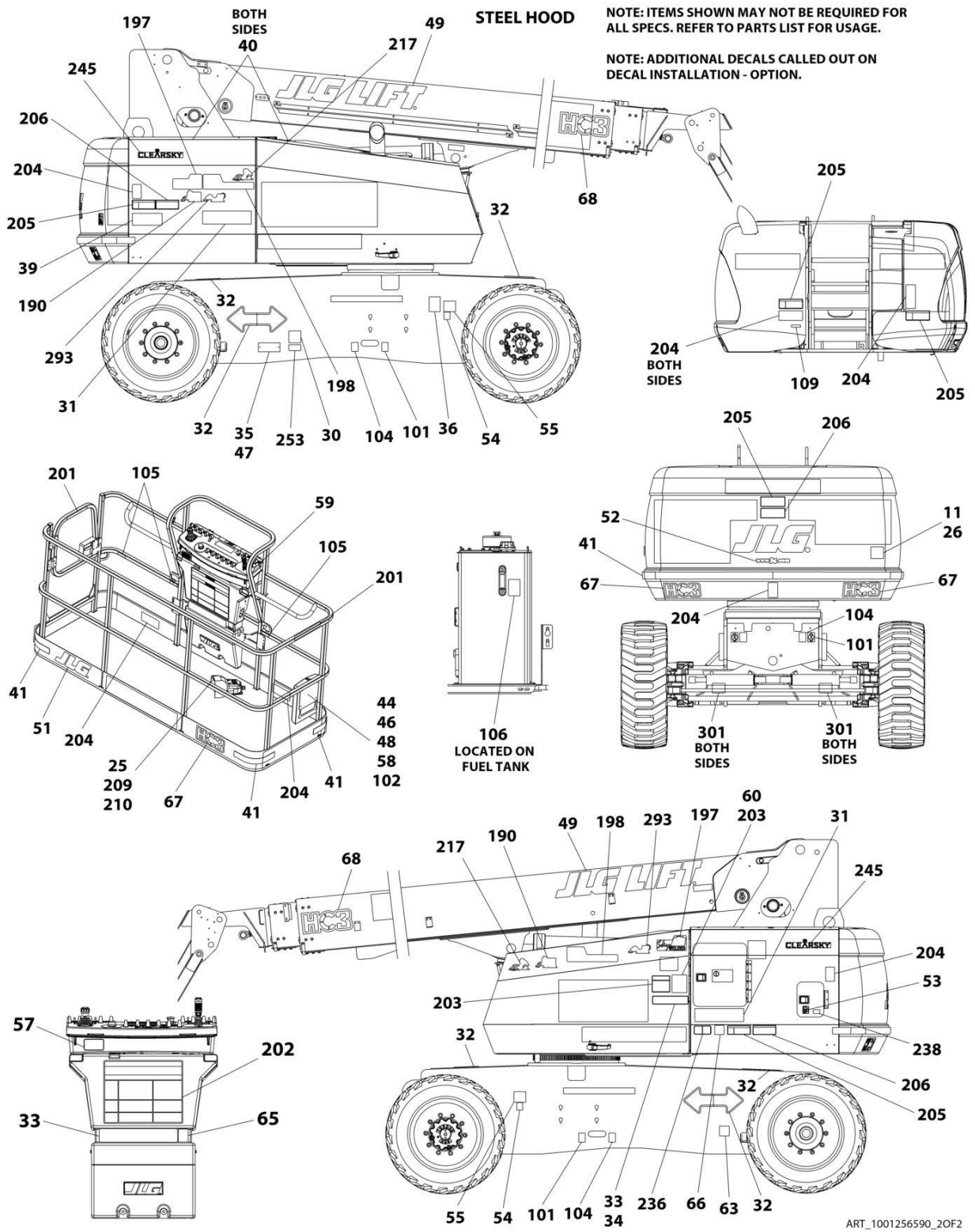
ITEM	PART NUMBER	QTY	DESCRIPTION	REV
	1001256582	Ref	DECAL INSTALLATION	B
	1001256837	Ref	REFERENCE CHART	A
25	3252347	1	Decal - Footswitch	
30	See Note	NSS	Decal - Bar Code (Note: Not Available for Purchase)	
31	1704907	2	Decal - Model	
32	1701501	4	Decal - Arrow	
33	1001256567	1	Decal - Warning	
34	1001256568	1	Decal - Warning	
36	1001131269	1	Decal - Patent	
39	1001175354	1	Decal - Lift Diagram	
40	1701691	4	Decal - No Step	
41	4420051	23.1 ft/7m	Stripes, Warning	
44	0860520	1	Box, Manual Storage	
46	3311405	4	Nut 1/4	
47	3820001	2	Rivet	
48	4751400	8	Washer 1/4	
58	0641406	4	Bolt 1/4 x 3/4	
59	1705351	1	Decal - Drive/Steer Instructions	
63	1001223055	1	Decal - Yearly Inspection	
64	1001223453	1	Decal - ICES	
100	1001109029	1	Decal Kit - Master (Includes Items 101-109)	
101	1701499	4	Decal - No Lift	
102	1701509	1	Decal - Manual	
103	1703811	4	Decal - Tie Down/Lift	
104	1703814	6	Decal - Tie Down	
105	1704277	4	Decal - Attach Lanyard Here	
106	1704412	1	Decal - Hydraulic Oil Chart	
109	3251243	1	Nameplate - 120V-60HZ	
200	2902307	1	Decal Kit - Country Spec (Includes Items 201-206)	
201	1702868	2	Decal - No Hands	
202	1703797	1	Decal - Warning/Danger	
203	1705336	1	Decal - Warning Inspection (MTB)	
204	1703804	5	Decal - Warning Crushing	
205	1703805	5	Decal - Danger Electrocution	
206	1703953	7	Decal - Warning Crushing	
300	1001265971	1	Decal Kit - Max Tire Load (Includes Item 301)	
301	1703484	4	Decal - Max Tire Load	

SECTION 9 - DECALS

FIGURE 9-3. DECAL INSTALLATION (AUSTRALIAN SPECS) (860SJ HC3)



SECTION 9 - DECALS



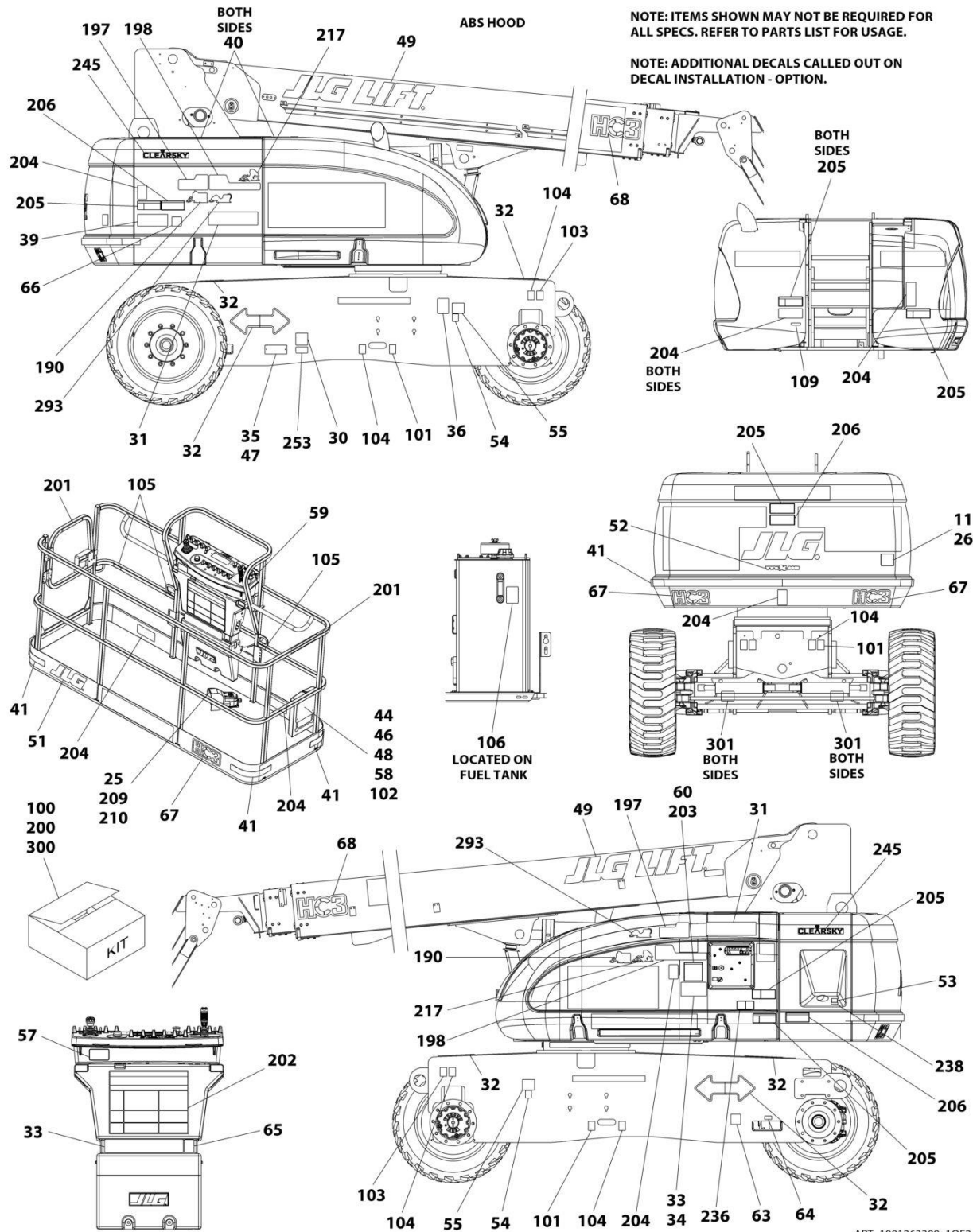
SECTION 9 - DECALS

FIGURE 9-3. DECAL INSTALLATION (AUSTRALIAN SPECS) (860SJ HC3)

ITEM	PART NUMBER	QTY	DESCRIPTION	REV
	1001256590	Ref	DECAL INSTALLATION	B
	1001256837	Ref	REFERENCE CHART	A
30	See Note	1	Decal - Bar Code (Note: Not Available for Purchase)	
31	1704907	2	Decal - Model	
32	1701501	4	Decal - Arrow	
33	1001256581	2	Decal - Warning	
39	1001175354	1	Decal - Lift Diagram	
40	1701691	4	Decal - No Step	
41	4420051	AR	Stripes, Warning	
44	0860520	1	Box, Manual Storage	
46	3311405	4	Nut 1/4	
47	3820001	2	Rivet	
48	4751400	8	Washer 1/4	
58	0641406	4	Bolt 1/4 x 3/4	
60	1001112551	1	Decal - Emergency Control	
100	1001199949	1	Decal Kit - Master (Includes Items 101-106)	
101	1701499	4	Decal - No Lift	
102	1701509	1	Decal - Manual	
103	1703811	4	Decal - Lifting Lug	
104	1703814	6	Decal - Tie Down/Lift	
105	1704277	4	Decal - Attach Lanyard Here	
106	1704412	1	Decal - Hydraulic Oil Chart	
200	2902329	1	Decal Kit - Multi Color (Includes Items 202-206)	
202	1705921	1	Decal - Tipping	
203	1705822	1	Decal - Warning	
204	1701518	10	Decal - Warning Crushing	
205	1705961	5	Decal - Danger Electrocutation	
209	1705828	1	Decal - Footswitch	
300	1001265971	1	Decal Kit - Max Tire Load (Includes Item 301)	
301	1703484	1	Decal - Max Tire Load	

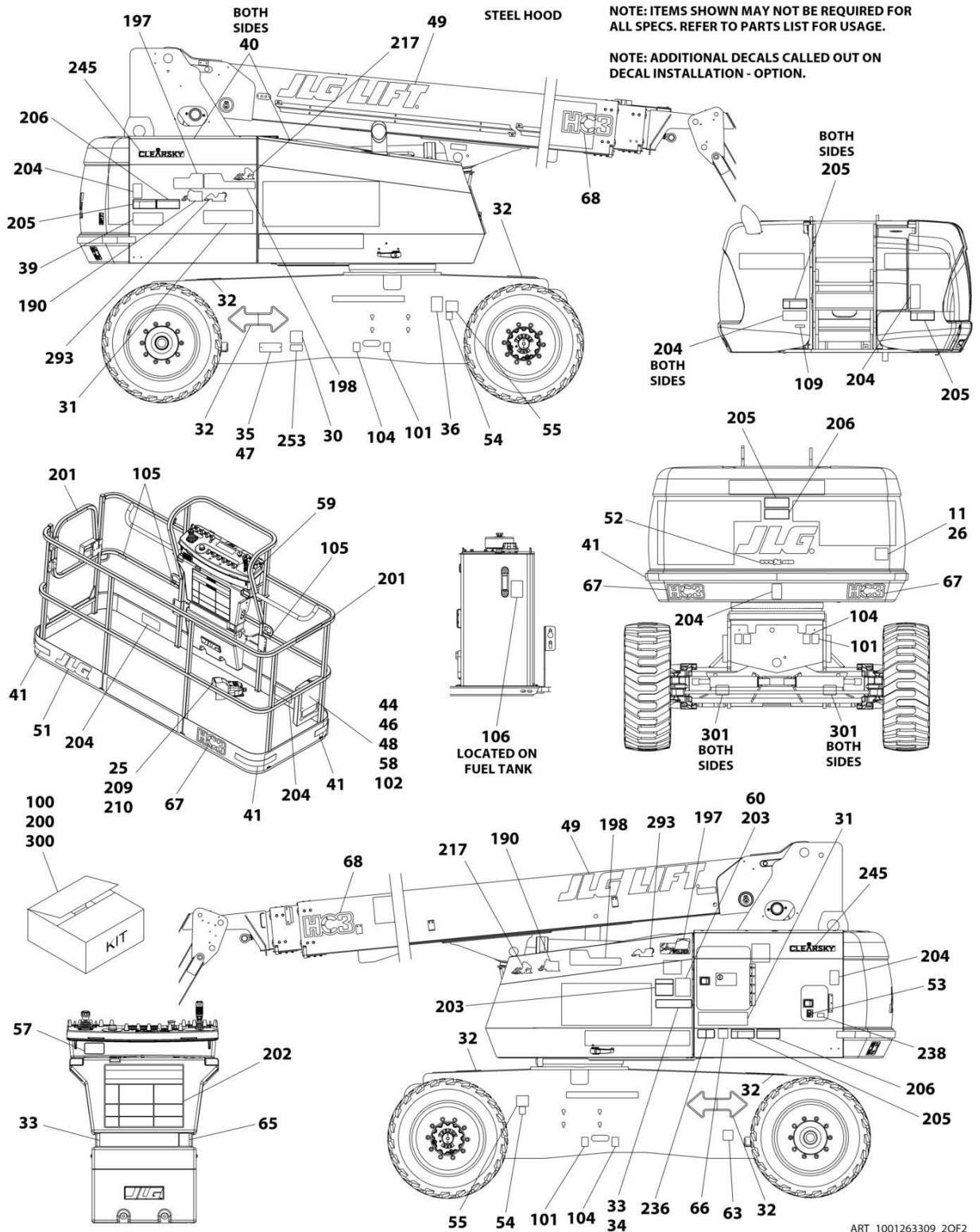
SECTION 9 - DECALS

FIGURE 9-4. DECAL INSTALLATION (BRAZILIAN SPECS) (800S HC3)



ART_1001263309_10F2

SECTION 9 - DECALS



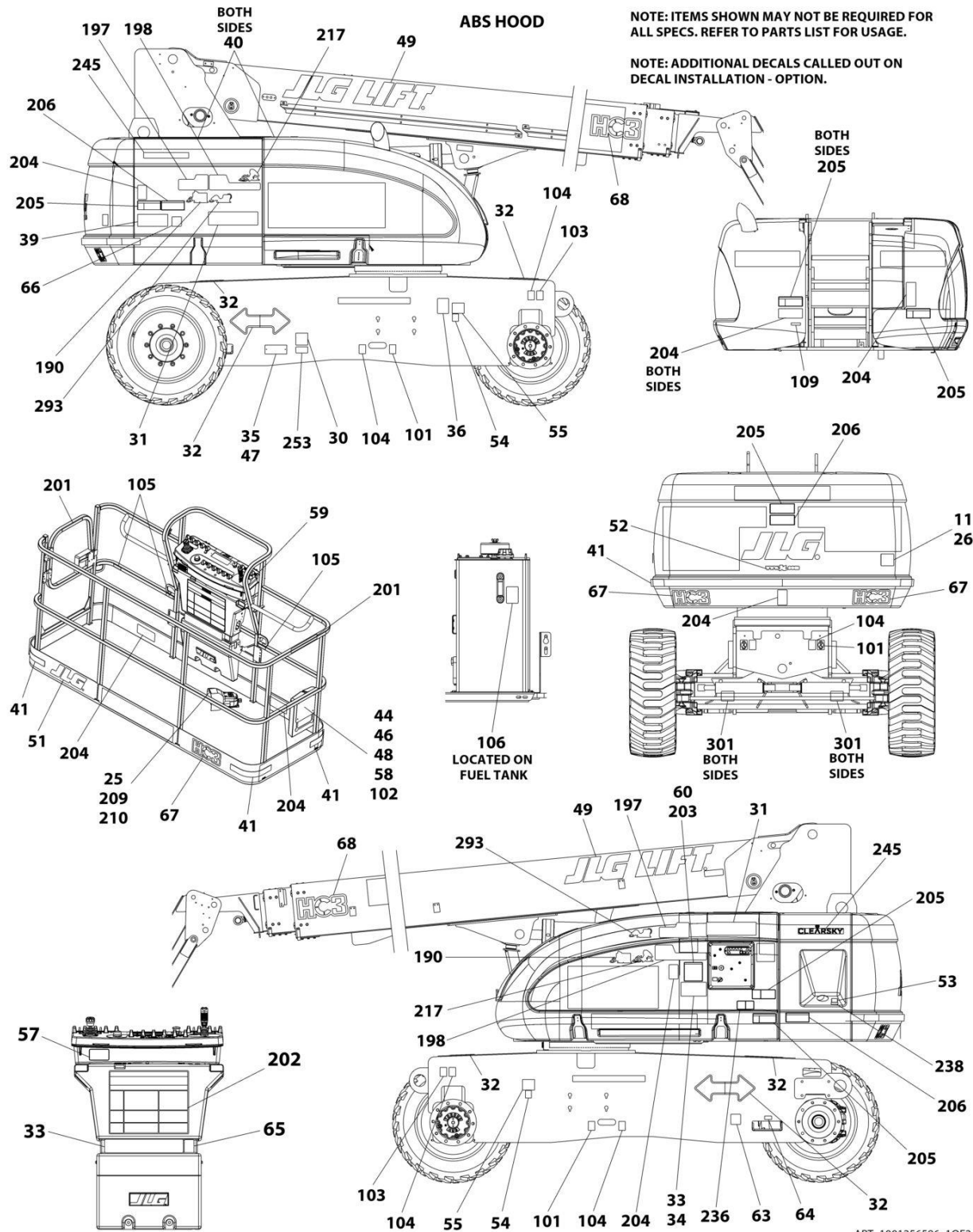
SECTION 9 - DECALS

FIGURE 9-4. DECAL INSTALLATION (BRAZILIAN SPECS) (800S HC3)

ITEM	PART NUMBER	QTY	DESCRIPTION	REV
	1001263309	Ref	DECAL INSTALLATION	B
	1001256837	Ref	REFERENCE CHART	A
30	See Note	NSS	Decal - Bar Code (Note: Not Available for Purchase)	
31	1704906	2	Decal - Model	
32	1701501	4	Decal - Arrow	
33	1001256575	1	Decal - Warning	
34	1001256576	1	Decal - Warning	
39	1001270286	1	Decal - Lift Diagram	
40	1701691	4	Decal - No Step	
41	4420051	23.1 ft/7m	Stripes, Warning	
44	0860520	1	Box, Manual Storage	
46	3311405	4	Nut 1/4	
47	3820001	2	Rivet	
48	4751400	8	Washer 1/4	
58	0641406	4	Bolt 1/4 x 3/4	
59	1705905	1	Decal - Drive/Steer Instructions	
63	1001224052	1	Decal - Yearly Inspection	
100	1001109029	1	Decal Kit - Master (Includes Items 101-106)	
101	1701499	4	Decal - No Lift	
102	1701509	1	Decal - Manual	
103	1703811	4	Decal - Tie Down/Lift	
104	1703814	6	Decal - Tie Down	
105	1704277	4	Decal - Attach Lanyard Here	
106	1704412	1	Decal - Hydraulic Oil Chart	
200	2902312	1	Decal Kit - Country Spec (Includes Items 201-210)	
201	1705967	2	Decal - No Hands	
202	1705895	1	Decal - Warning/Danger	
203	1705896	1	Decal - Warning Inspection (MTB)	
204	1705898	5	Decal - Warning Crushing	
205	1705897	5	Decal - Danger Electrocution	
206	1705903	7	Decal - Warning Crushing	
210	1705902	1	Decal - Foot Switch	
300	2902354	1	Decal Kit - Max Tire Load (Includes Item 301)	
301	1703475	4	Decal - Max Tire Load	

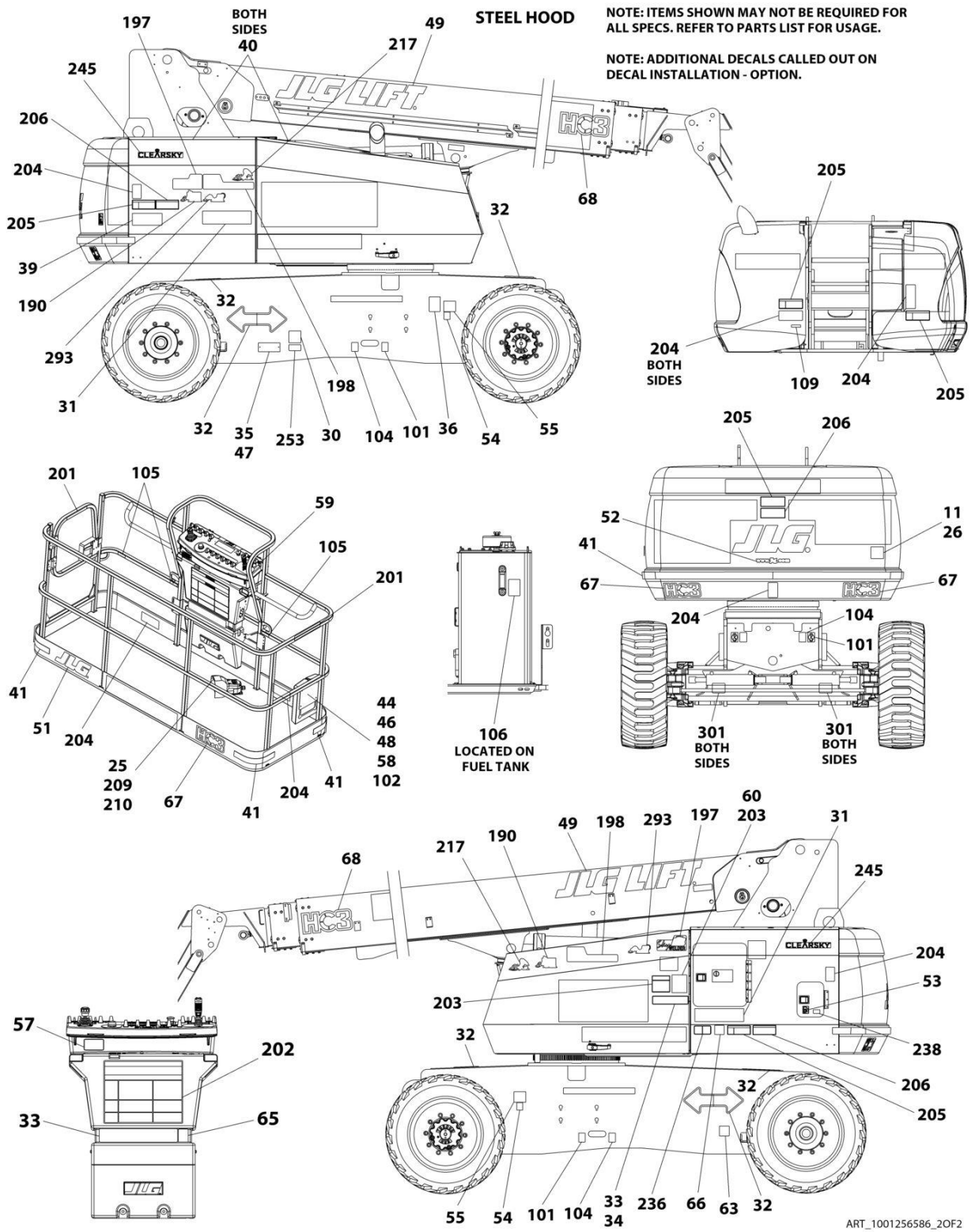
SECTION 9 - DECALS

FIGURE 9-5. DECAL INSTALLATION (BRAZILIAN SPECS) (860SJ HC3)



ART_1001256586_10F2

SECTION 9 - DECALS



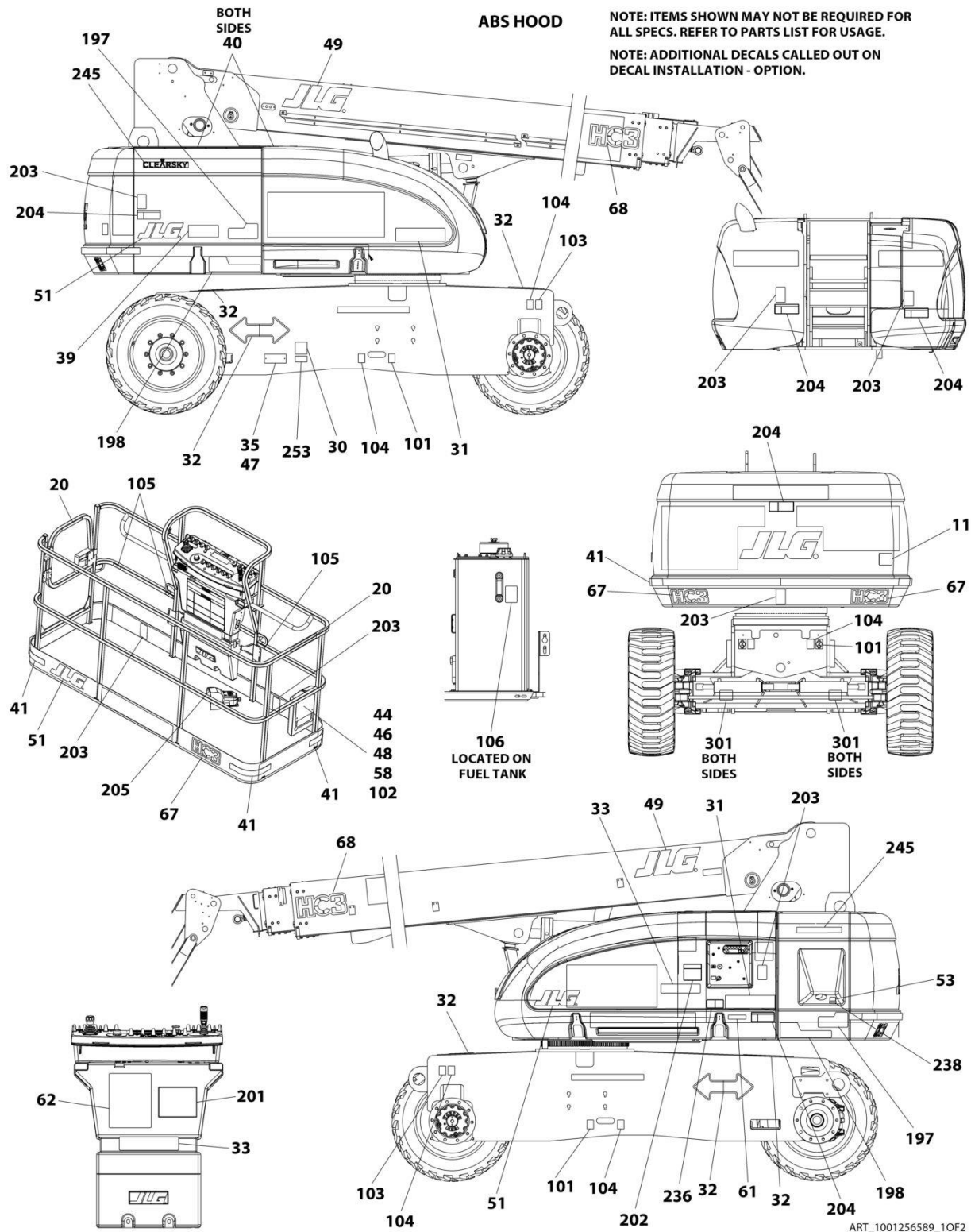
SECTION 9 - DECALS

FIGURE 9-5. DECAL INSTALLATION (BRAZILIAN SPECS) (860SJ HC3)

ITEM	PART NUMBER	QTY	DESCRIPTION	REV
	1001256586	Ref	DECAL INSTALLATION	B
	1001256837	Ref	REFERENCE CHART	A
30	See Note	NSS	Decal - Bar Code (Note: Not Available for Purchase)	
31	1704907	2	Decal - Model	
32	1701501	4	Decal - Arrow	
33	1001256575	1	Decal - Warning	
34	1001256576	1	Decal - Warning	
39	1001175354	1	Decal - Lift Diagram	
40	1701691	4	Decal - No Step	
41	4420051	23.1 ft/7m	Stripes, Warning	
44	0860520	1	Box, Manual Storage	
46	3311405	4	Nut 1/4	
47	3820001	2	Rivet	
48	4751400	8	Washer 1/4	
58	0641406	4	Bolt 1/4 x 3/4	
59	1705905	1	Decal - Drive/Steer Instructions	
63	1001224052	1	Decal - Yearly Inspection	
100	1001109029	1	Decal Kit - Master (Includes Items 101-106)	
101	1701499	4	Decal - No Lift	
102	1701509	1	Decal - Manual	
103	1703811	4	Decal - Tie Down/Lift	
104	1703814	6	Decal - Tie Down	
105	1704277	4	Decal - Attach Lanyard Here	
106	1704412	1	Decal - Hydraulic Oil Chart	
200	2902312	1	Decal Kit - Country Spec (Includes Items 201-210)	
201	1705967	2	Decal - No Hands	
202	1705895	1	Decal - Warning/Danger	
203	1705896	1	Decal - Warning Inspection (MTB)	
204	1705898	5	Decal - Warning Crushing	
205	1705897	5	Decal - Danger Electrocution	
206	1705903	7	Decal - Warning Crushing	
210	1705902	1	Decal - Foot Switch	
300	1001265971	1	Decal Kit - Max Tire Load (Includes Item 301)	
301	1703484	4	Decal - Max Tire Load	

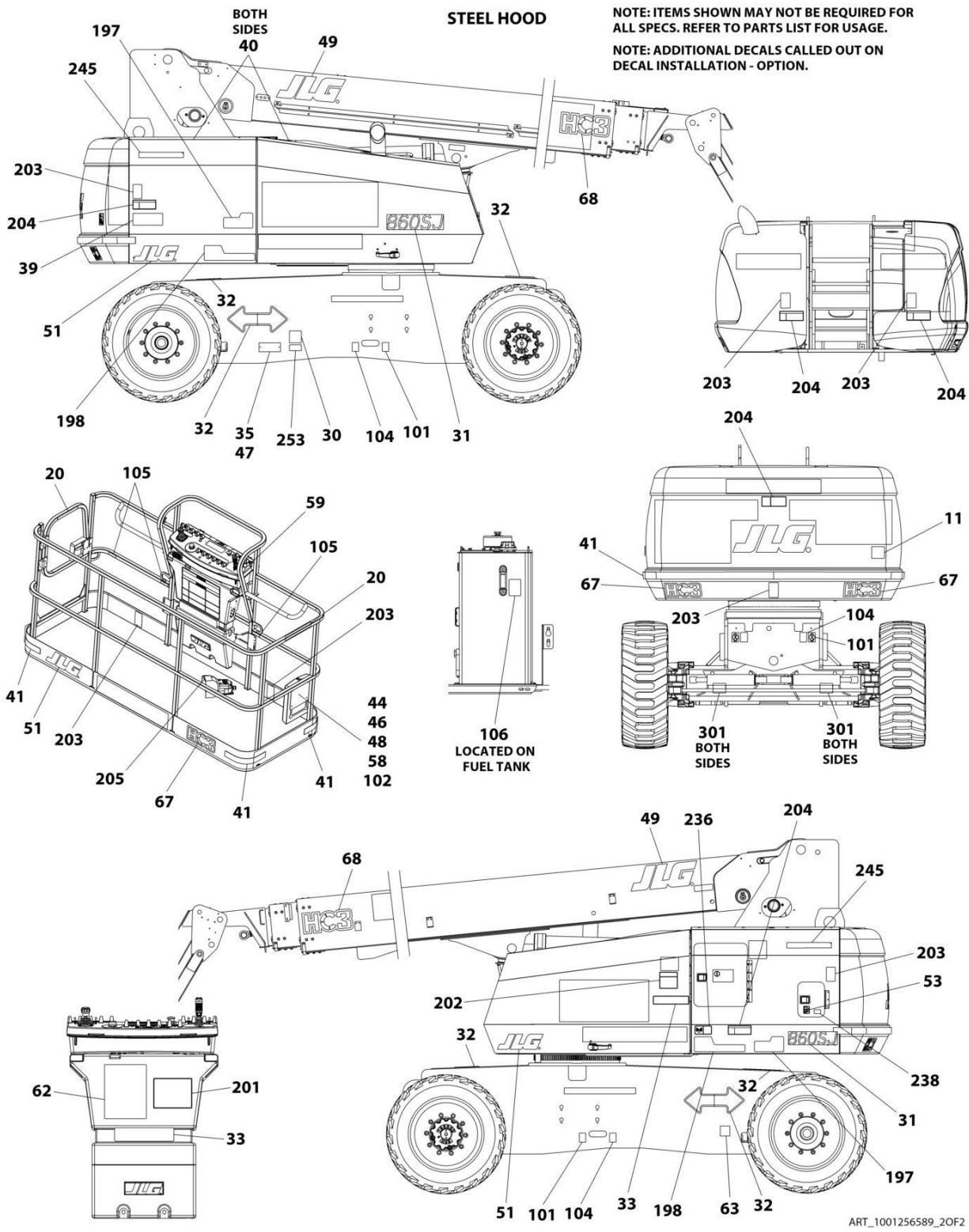
SECTION 9 - DECALS

FIGURE 9-6. DECAL INSTALLATION (CE SPECS) (860SJ HC3)



ART_1001256589_10F2

SECTION 9 - DECALS



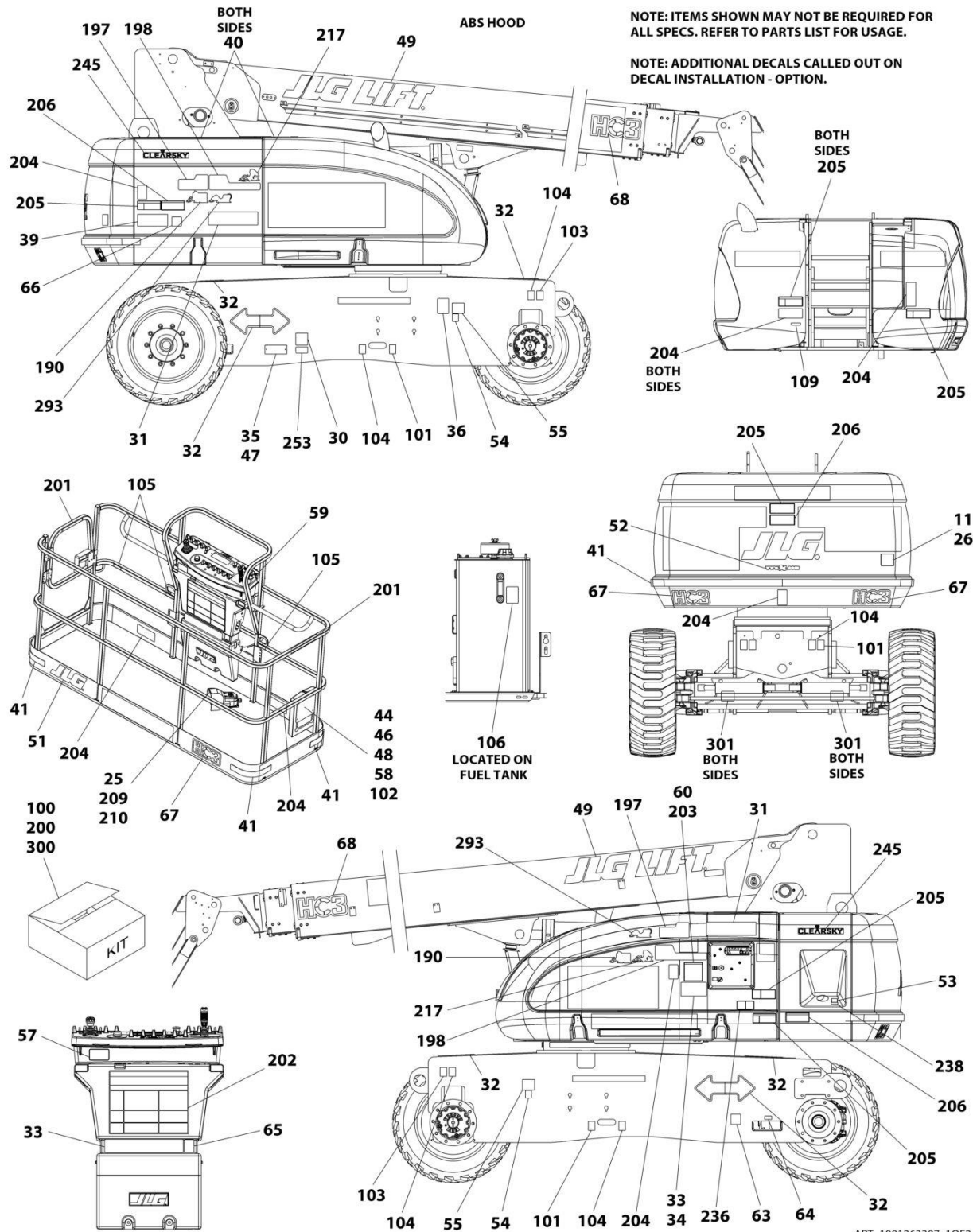
SECTION 9 - DECALS

FIGURE 9-6. DECAL INSTALLATION (CE SPECS) (860SJ HC3)

ITEM	PART NUMBER	QTY	DESCRIPTION	REV
	1001256589	Ref	DECAL INSTALLATION	B
	1001263459	Ref	REFERENCE CHART	A
30	See Note	1	Decal - Bar Code (Note: Not Available for Purchase)	
31	1704907	2	Decal - Model	
32	1701501	4	Decal - Arrow	
33	1001256581	2	Decal - Warning	
39	1001175354	1	Decal - Lift Diagram	
40	1701691	4	Decal - No Step	
41	4420051	AR	Stripes, Warning	
44	0860520	1	Box, Manual Storage	
46	3311405	4	Nut 1/4	
47	3820001	2	Rivet	
48	4751400	8	Washer 1/4	
49	1001159323	2	Decal - JLG, Black	
51	1702773	3	Decal - JLG	
58	0641406	4	Washer 1/4	
67	1001244212	3	Decal - Capacity	
68	1001256906	2	Decal - Capacity	
100	1001199949	1	Decal Kit - Master (Includes Items 101-106)	
101	1701499	1	Decal - No Lift	
102	1701509	4	Decal - Manual	
103	1703811	6	Decal - Lifting Lug	
104	1705514	4	Decal - Warning/Danger	
105	1704277	1	Decal - Attach Lanyard Here	
106	1704412	1	Decal - Oil Chart	
200	2902329	1	Decal Kit - Multi Color (Includes Items 201-205)	
201	1705921	1	Decal - Tipping	
202	1705822	1	Decal - Warning	
203	1701518	10	Decal - Warning Crushing	
204	1705961	5	Decal - Danger Electrocution	
205	1705828	1	Decal - Footswitch	
300	1001265971	1	Decal Kit - Max Tire Load (Includes Item 301)	
301	1703484	1	Decal - Max Tire Load	

SECTION 9 - DECALS

FIGURE 9-7. DECAL INSTALLATION (CHINESE SPECS) (800S HC3)



ART_1001263307_10F2

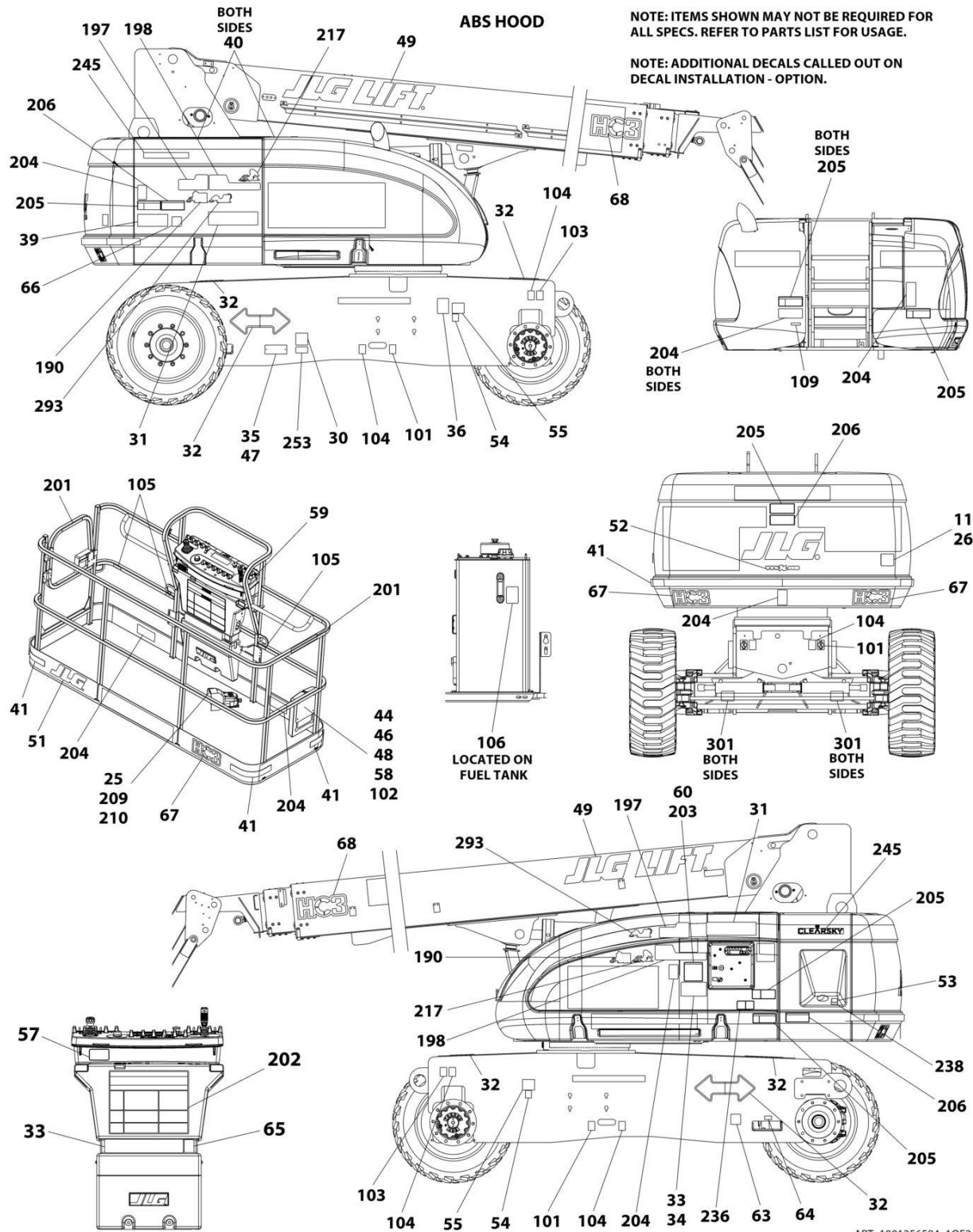
SECTION 9 - DECALS

FIGURE 9-7. DECAL INSTALLATION (CHINESE SPECS) (800S HC3)

ITEM	PART NUMBER	QTY	DESCRIPTION	REV
	1001263307	Ref	DECAL INSTALLATION	B
	1001256837	Ref	REFERENCE CHART	A
30	See Note	NSS	Decal - Bar Code (Note: Not Available for Purchase)	
31	1704906	2	Decal - Model	
32	1701501	4	Decal - Arrow	
33	1001256571	1	Decal - Warning	
34	1001256572	1	Decal - Warning	
39	1001270286	1	Decal - Lift Diagram	
40	1701691	4	Decal - No Step	
41	4420051	23.1 ft/7m	Stripes, Warning	
44	0860520	1	Box, Manual Storage	
46	3311405	4	Nut 1/4	
47	3820001	2	Rivet	
48	4751400	8	Washer 1/4	
58	0641406	4	Bolt 1/4 x 3/4	
59	1705430	1	Decal - Drive/Steer Instructions	
63	1001224050	1	Decal - Yearly Inspection	
65	1001244301	1	Decal - No Platform to Ground Attachments	
66	1001244298	1	Decal - Wechat	
100	1001109029	1	Decal Kit - Master (Includes Items 101-109)	
101	1701499	4	Decal - No Lift	
102	1701509	1	Decal - Manual	
103	1703811	4	Decal - Tie Down/Lift	
104	1703814	6	Decal - Tie Down	
105	1704277	4	Decal - Attach Lanyard Here	
106	1704412	1	Decal - Hydraulic Oil Chart	
109	3251243	1	Nameplate - 120V-60HZ	
200	2902309	1	Decal Kit - Country Spec (Includes Items 201-210)	
201	1001116846	2	Decal - No Hands	
202	1703925	1	Decal - Warning/Danger	
203	1001116849	2	Decal - Warning Inspection (MTB)	
204	1703949	5	Decal - Warning Crushing	
205	1001116851	5	Decal - Danger Electrocution	
206	1703943	7	Decal - Warning Crushing	
210	1703982	1	Decal - Footswitch	
300	2902354	1	Decal Kit - Max Tire Load (Includes Item 301)	
301	1703475	4	Decal - Max Tire Load	

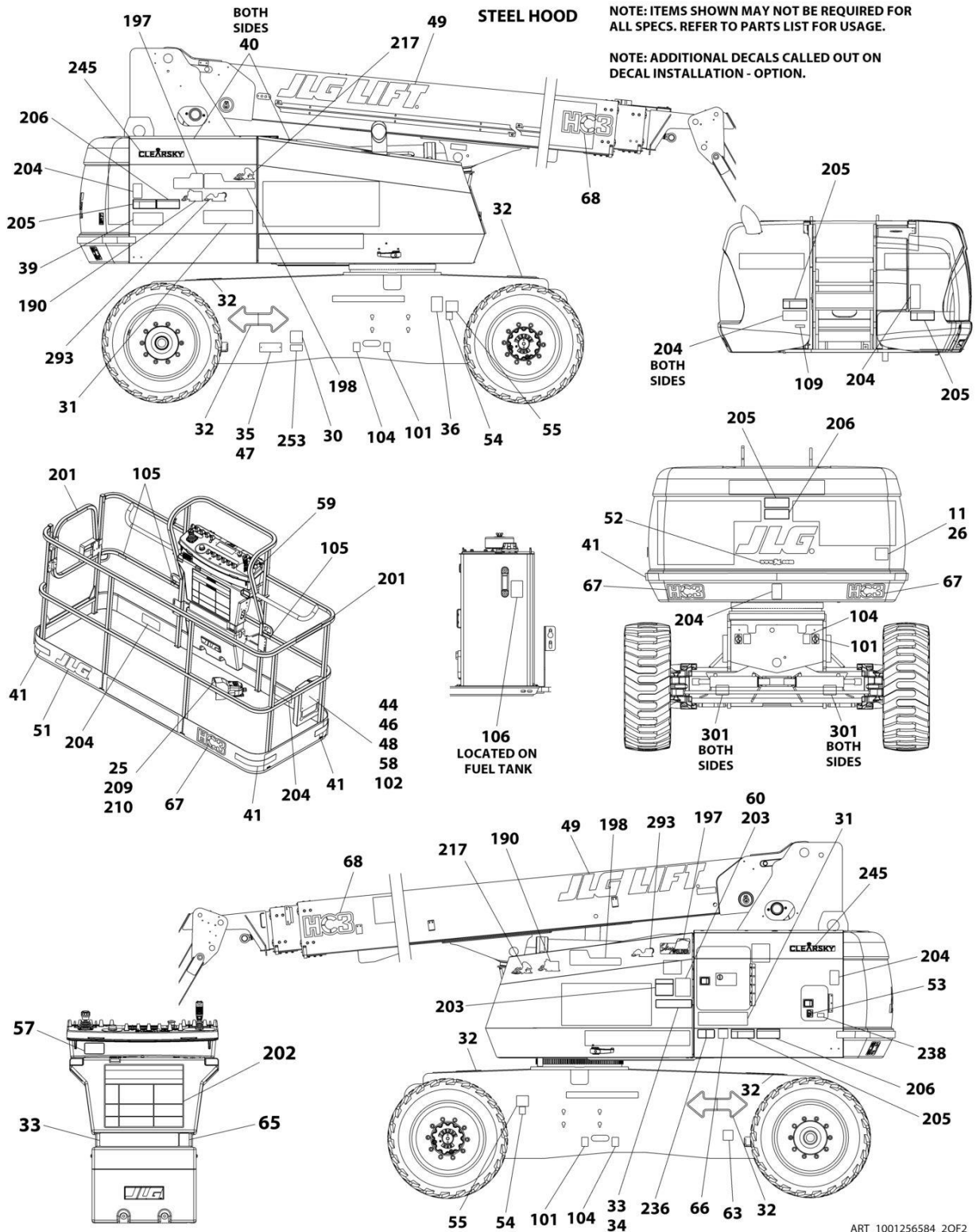
SECTION 9 - DECALS

FIGURE 9-8. DECAL INSTALLATION (CHINESE SPECS) (860SJ HC3)



ART_1001256584_10F2

SECTION 9 - DECALS



ART_1001256584_20F2

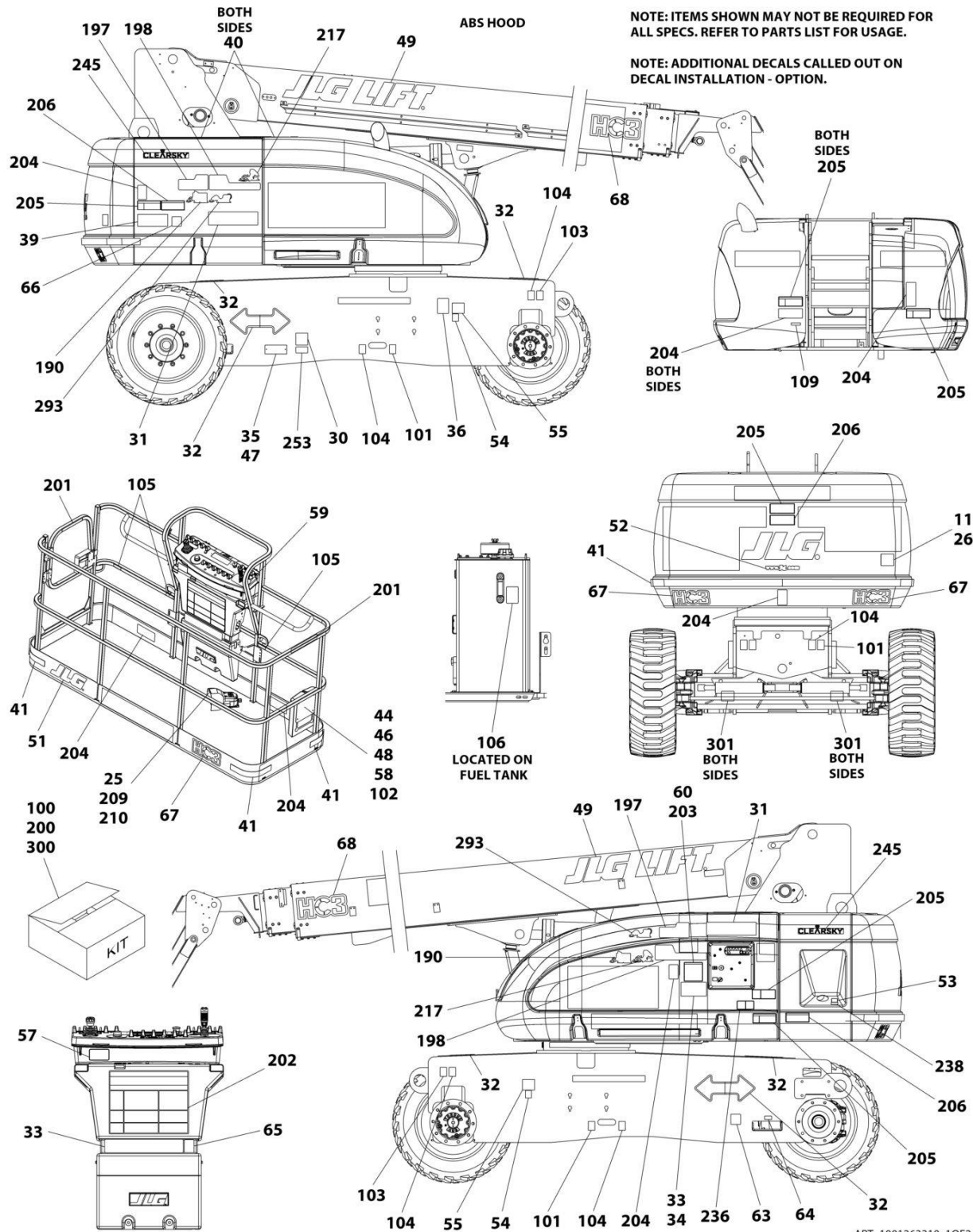
SECTION 9 - DECALS

FIGURE 9-8. DECAL INSTALLATION (CHINESE SPECS) (860SJ HC3)

ITEM	PART NUMBER	QTY	DESCRIPTION	REV
	1001256584	Ref	DECAL INSTALLATION	B
	1001256837	Ref	REFERENCE CHART	A
30	See Note	NSS	Decal - Bar Code (Note: Not Available for Purchase)	
31	1704907	2	Decal - Model	
32	1701501	4	Decal - Arrow	
33	1001256571	1	Decal - Warning	
34	1001256572	1	Decal - Warning	
39	1001175354	1	Decal - Lift Diagram	
40	1701691	4	Decal - No Step	
41	4420051	23.1 ft/7m	Stripes, Warning	
44	0860520	1	Box, Manual Storage	
46	3311405	4	Nut 1/4	
47	3820001	2	Rivet	
48	4751400	8	Washer 1/4	
58	0641406	4	Bolt 1/4 x 3/4	
59	1705430	1	Decal - Drive/Steer Instructions	
63	1001224050	1	Decal - Yearly Inspection	
65	1001244301	1	Decal - No Platform to Ground Attachments	
66	1001244298	1	Decal - Wechat	
100	1001109029	1	Decal Kit - Master (Includes Items 101-109)	
101	1701499	4	Decal - No Lift	
102	1701509	1	Decal - Manual	
103	1703811	4	Decal - Tie Down/Lift	
104	1703814	6	Decal - Tie Down	
105	1704277	4	Decal - Attach Lanyard Here	
106	1704412	1	Decal - Hydraulic Oil Chart	
109	3251243	1	Nameplate - 120V-60HZ	
200	2902309	1	Decal Kit - Country Spec (Includes Items 201-210)	
201	1001116846	2	Decal - No Hands	
202	1703925	1	Decal - Warning/Danger	
203	1001116849	2	Decal - Warning Inspection (MTB)	
204	1703949	5	Decal - Warning Crushing	
205	1001116851	5	Decal - Danger Electrocution	
206	1703943	7	Decal - Warning Crushing	
210	1703982	1	Decal - Footswitch	
300	1001265971	1	Decal Kit - Max Tire Load (Includes Item 301)	
301	1703484	4	Decal - Max Tire Load	

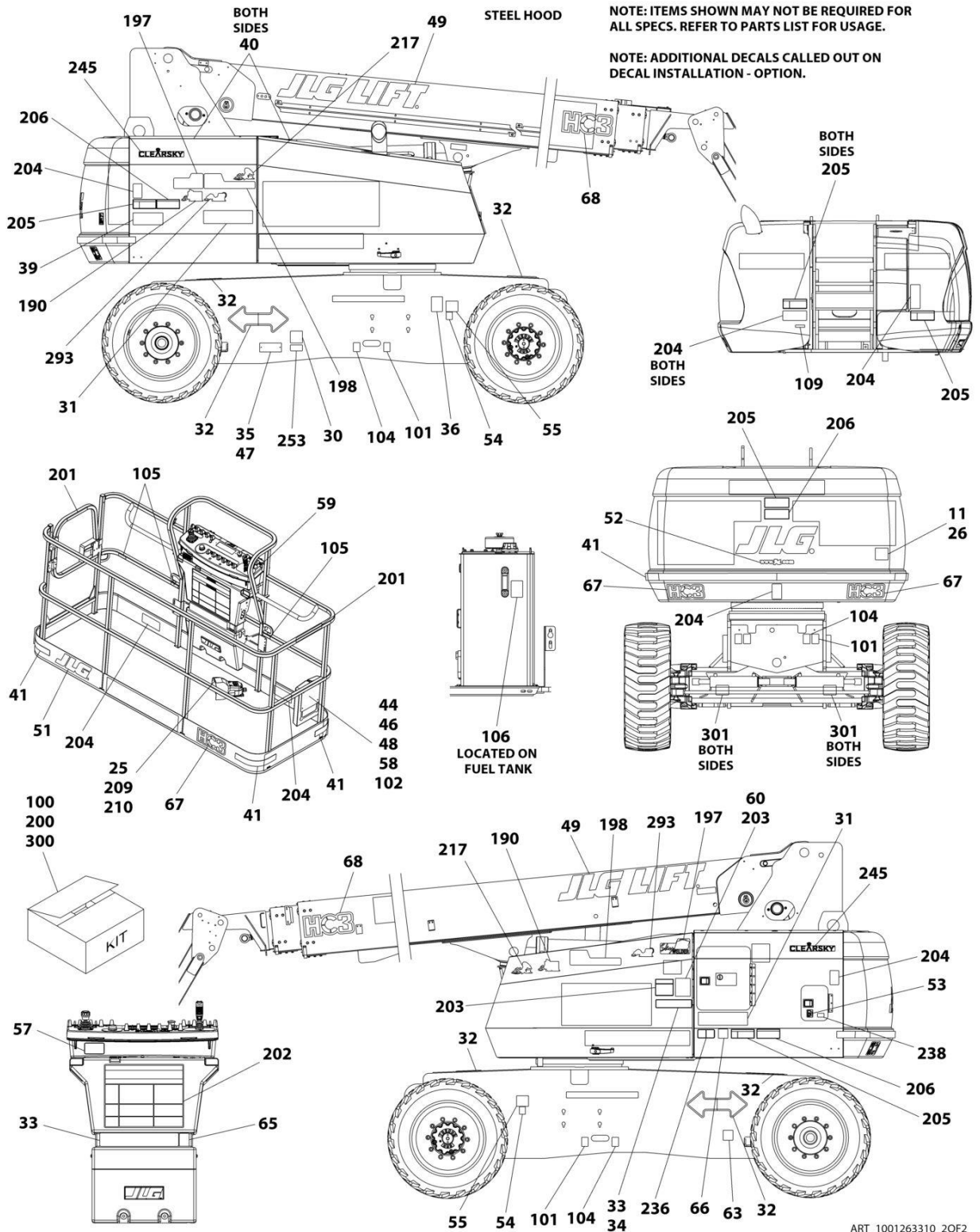
SECTION 9 - DECALS

FIGURE 9-9. DECAL INSTALLATION (CSA SPECS) (800S HC3)



ART_1001263310_10F2

SECTION 9 - DECALS



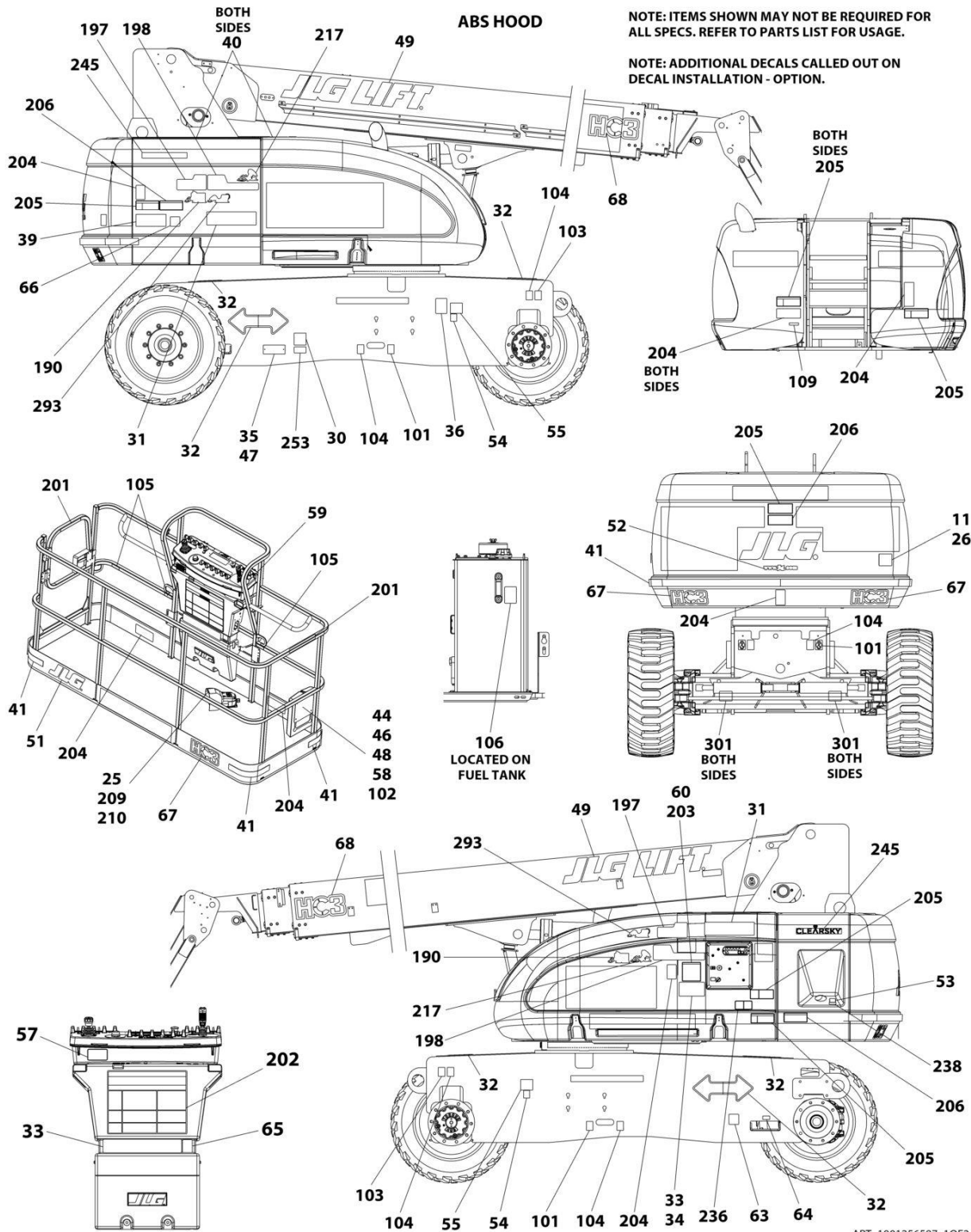
SECTION 9 - DECALS

FIGURE 9-9. DECAL INSTALLATION (CSA SPECS) (800S HC3)

ITEM	PART NUMBER	QTY	DESCRIPTION	REV
	1001263310	Ref	DECAL INSTALLATION	B
	1001256837	Ref	REFERENCE CHART	A
30	See Note	NSS	Decal - Bar Code (Note: Not Available for Purchase)	
31	1704906	2	Decal - Model	
32	1701501	4	Decal - Arrow	
33	1001256577	1	Decal - Warning	
34	1001256578	1	Decal - Warning	
36	1001131269	1	Decal - Patent	
39	1001270286	1	Decal - Lift Diagram	
40	1701691	4	Decal - No Step	
41	4420051	23.1 ft/7m	Stripes, Warning	
44	0860520	1	Box, Manual Storage	
46	3311405	4	Nut 1/4	
47	3820001	2	Rivet	
48	4751400	8	Washer 1/4	
58	0641406	4	Bolt 1/4 x 3/4	
59	1705429	1	Decal - Drive/Steer Instructions	
63	1001223971	1	Decal - Yearly Inspection	
64	1001223453	1	Decal - ICES	
100	1001109029	1	Decal Kit - Master (Includes Items 101-106)	
101	1701499	4	Decal - No Lift	
102	1701509	1	Decal - Manual	
103	1703811	4	Decal - Tie Down/Lift	
104	1703814	6	Decal - Tie Down	
105	1704277	4	Decal - Attach Lanyard Here	
106	1704412	1	Decal - Hydraulic Oil Chart	
200	2902322	1	Decal Kit - Country Spec (Includes Items 201-210)	
201	1704000	2	Decal - No Hands	
202	1703924	1	Decal - Warning/Danger	
203	1705347	1	Decal - Warning Inspection (MTB)	
204	1703948	5	Decal - Warning Crushing	
205	1703936	5	Decal - Danger Electrocution	
206	1703942	7	Decal - Warning Crushing	
210	1703984	1	Decal - Footswitch	
300	2902354	1	Decal Kit - Max Tire Load (Includes Item 301)	
301	1703475	4	Decal - Max Tire Load	

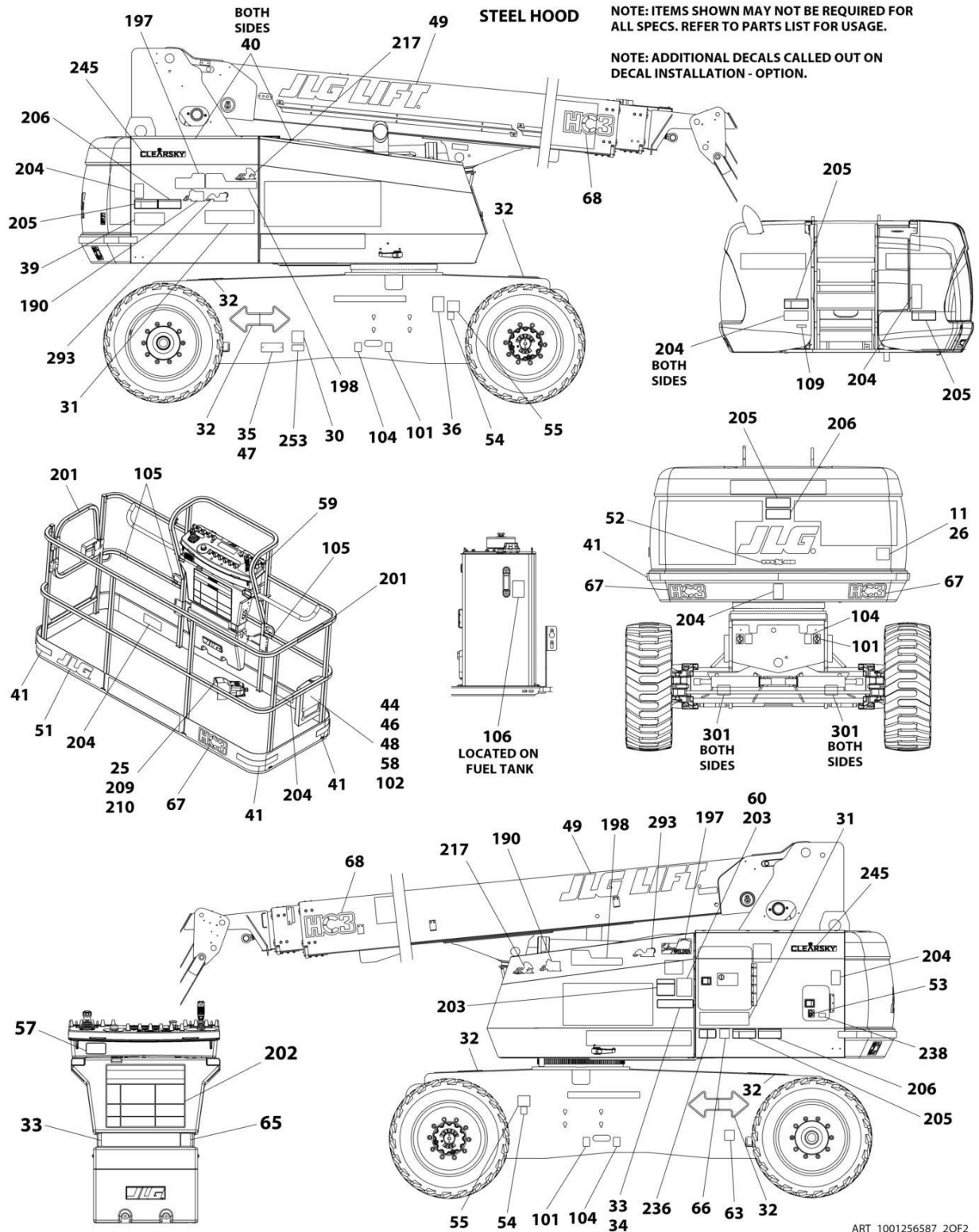
SECTION 9 - DECALS

FIGURE 9-10. DECAL INSTALLATION (CSA SPECS) (860SJ HC3)



ART_1001256587_10F2

SECTION 9 - DECALS



ART_1001256587_20F2

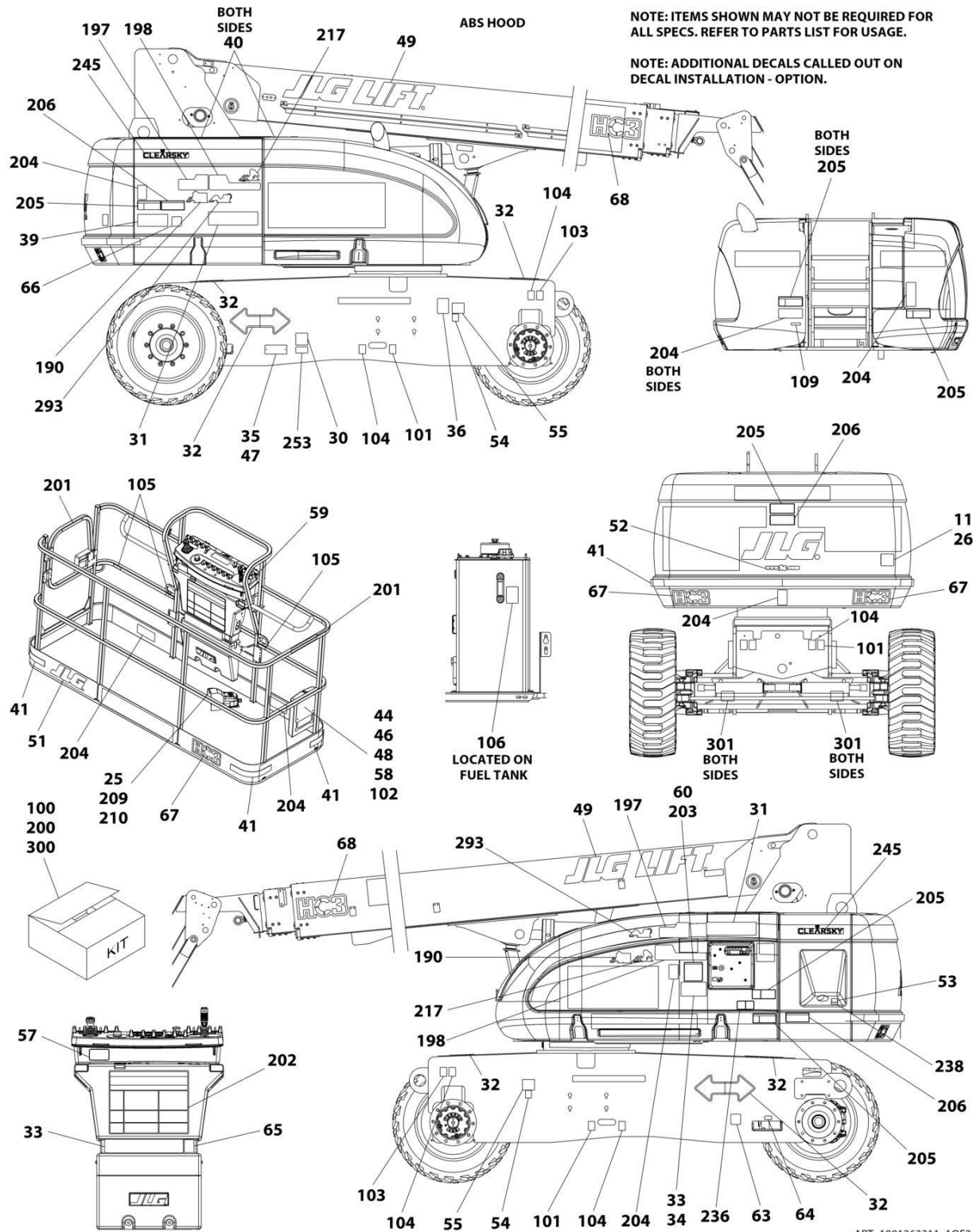
SECTION 9 - DECALS

FIGURE 9-10. DECAL INSTALLATION (CSA SPECS) (860SJ HC3)

ITEM	PART NUMBER	QTY	DESCRIPTION	REV
	1001256587	Ref	DECAL INSTALLATION	B
	1001256837	Ref	REFERENCE CHART	A
30	See Note	NSS	Decal - Bar Code (Note: Not Available for Purchase)	
31	1704907	2	Decal - Model	
32	1701501	4	Decal - Arrow	
33	1001256577	1	Decal - Warning	
34	1001256578	1	Decal - Warning	
36	1001131269	1	Decal - Patent	
39	1001175354	1	Decal - Lift Diagram	
40	1701691	4	Decal - No Step	
41	4420051	23.1 ft/7m	Stripes, Warning	
44	0860520	1	Box, Manual Storage	
46	3311405	4	Nut 1/4	
47	3820001	2	Rivet	
48	4751400	8	Washer 1/4	
58	0641406	4	Bolt 1/4 x 3/4	
59	1705429	1	Decal - Drive/Steer Instructions	
63	1001223971	1	Decal - Yearly Inspection	
64	1001223453	1	Decal - ICES	
100	1001109029	1	Decal Kit - Master (Includes Items 101-106)	
101	1701499	4	Decal - No Lift	
102	1701509	1	Decal - Manual	
103	1703811	4	Decal - Tie Down/Lift	
104	1703814	6	Decal - Tie Down	
105	1704277	4	Decal - Attach Lanyard Here	
106	1704412	1	Decal - Hydraulic Oil Chart	
200	2902322	1	Decal Kit - Country Spec (Includes Items 201-210)	
201	1704000	2	Decal - No Hands	
202	1703924	1	Decal - Warning/Danger	
203	1705347	1	Decal - Warning Inspection (MTB)	
204	1703948	5	Decal - Warning Crushing	
205	1703936	5	Decal - Danger Electrocution	
206	1703942	7	Decal - Warning Crushing	
210	1703984	1	Decal - Footswitch	
300	1001265971	1	Decal Kit - Max Tire Load (Includes Item 301)	
301	1703484	4	Decal - Max Tire Load	

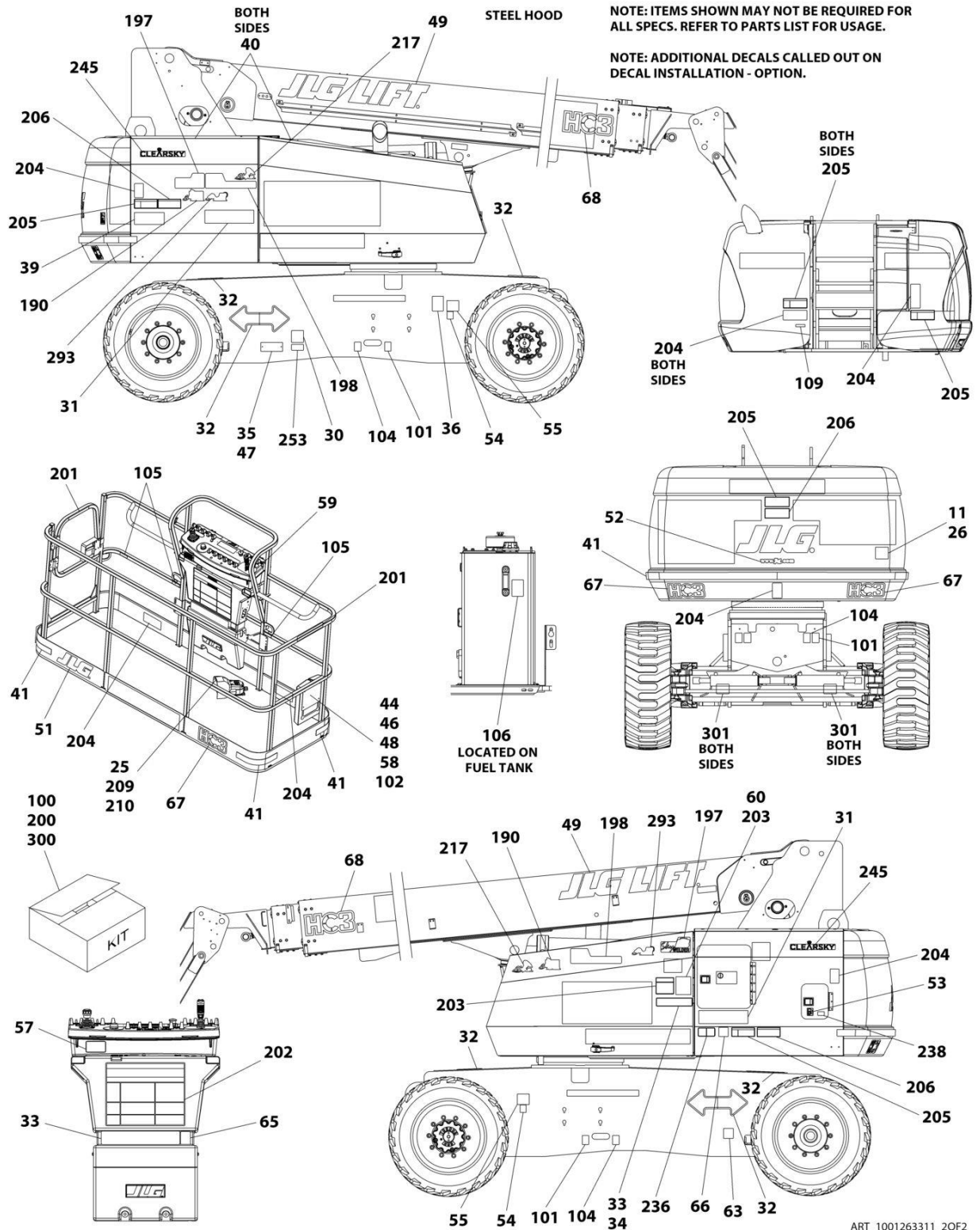
SECTION 9 - DECALS

FIGURE 9-11. DECAL INSTALLATION (JAPANESE SPECS) (800S HC3)



ART_1001263311_10F2

SECTION 9 - DECALS



ART_1001263311_20F2

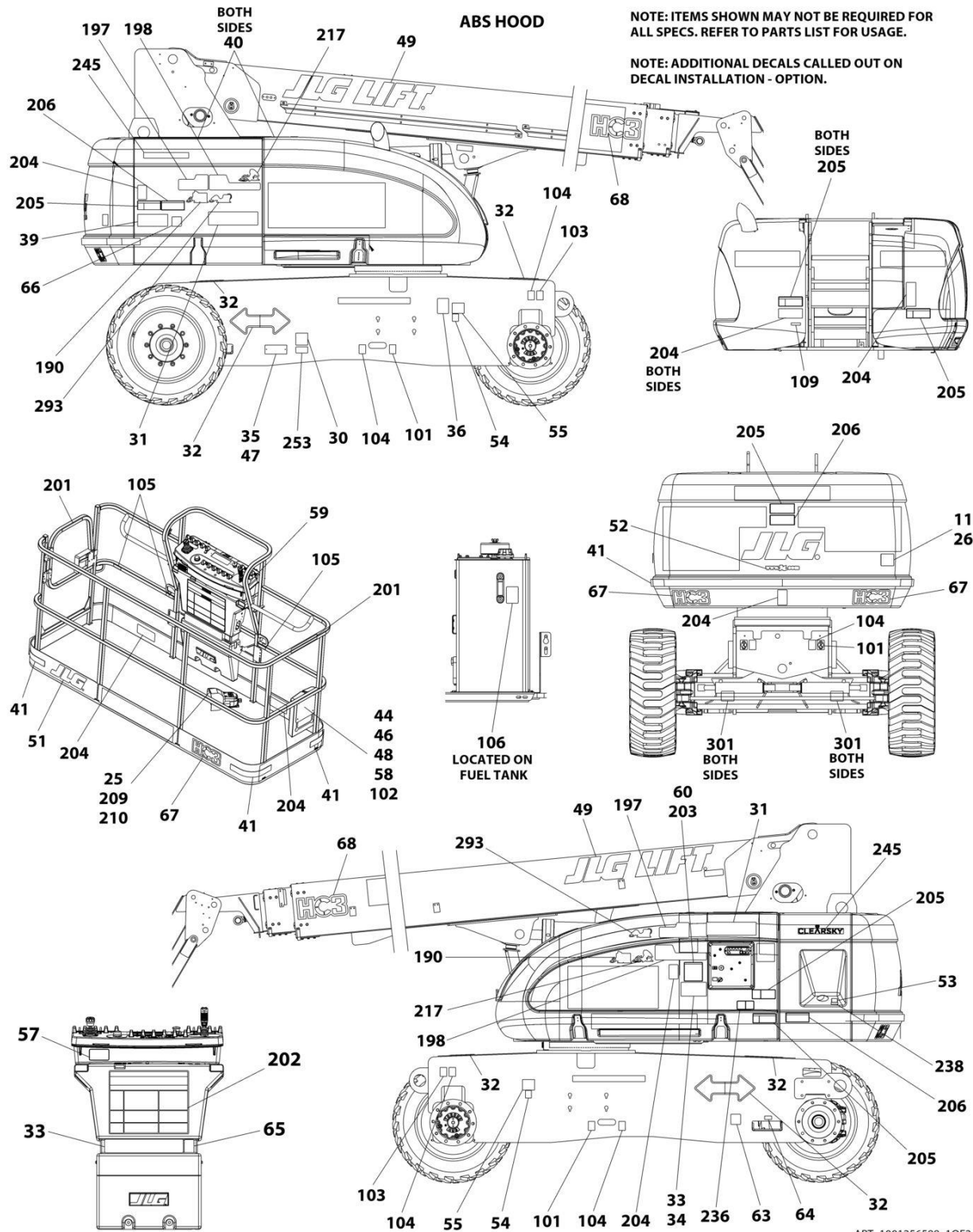
SECTION 9 - DECALS

FIGURE 9-11. DECAL INSTALLATION (JAPANESE SPECS) (800S HC3)

ITEM	PART NUMBER	QTY	DESCRIPTION	REV
	1001263311	Ref	DECAL INSTALLATION	B
	1001256837	Ref	REFERENCE CHART	A
30	See Note	1	Decal - Bar Code (Note: Not Available for Purchase)	
31	1704906	2	Decal - Model	
32	1701501	4	Decal - Arrow	
33	1001256579	1	Decal - Warning	
34	1001256580	1	Decal - Warning	
39	1001270286	1	Decal - Lift Diagram	
40	1701691	4	Decal - No Step	
41	4420051	23.1 ft /7m	Stripes, Warning	
44	0860520	1	Box, Manual Storage	
46	3311405	4	Nut 1/4	
47	3820001	2	Rivet	
48	4751400	8	Washer 1/4	
58	0641406	4	Bolt 1/4 x 3/4	
59	1705426	1	Decal - Drive/Steer Instructions	
63	1001224053	1	Decal - Yearly Inspection	
100	1001109029	1	Decal Kit - Master (Includes Items 101-106)	
101	1701499	4	Decal - No Lift	
102	1701509	1	Decal - Manual	
103	1703811	4	Decal - Tie Down/Lift	
104	1703814	6	Decal - Tie Down	
105	1704277	4	Decal - Attach Lanyard Here	
106	1704412	1	Decal - Hydraulic Oil Chart	
109	3251243	1	Decal - Nameplate	
200	2902308	1	Decal Kit - Multi Color (Includes Items 202-210)	
202	1703926	1	Decal - Warning/Danger	
203	1705344	1	Decal - Warning Inspection	
204	1703950	5	Decal - Warning Crushing	
205	1703938	5	Decal - Danger Electrocution	
206	1703944	7	Decal - Warning Crushing	
210	1703980	1	Decal - Footswitch	
300	2902354	1	Decal Kit - Max Tire Load (Includes Item 301)	
301	1703475	4	Decal - Max Tire Load	

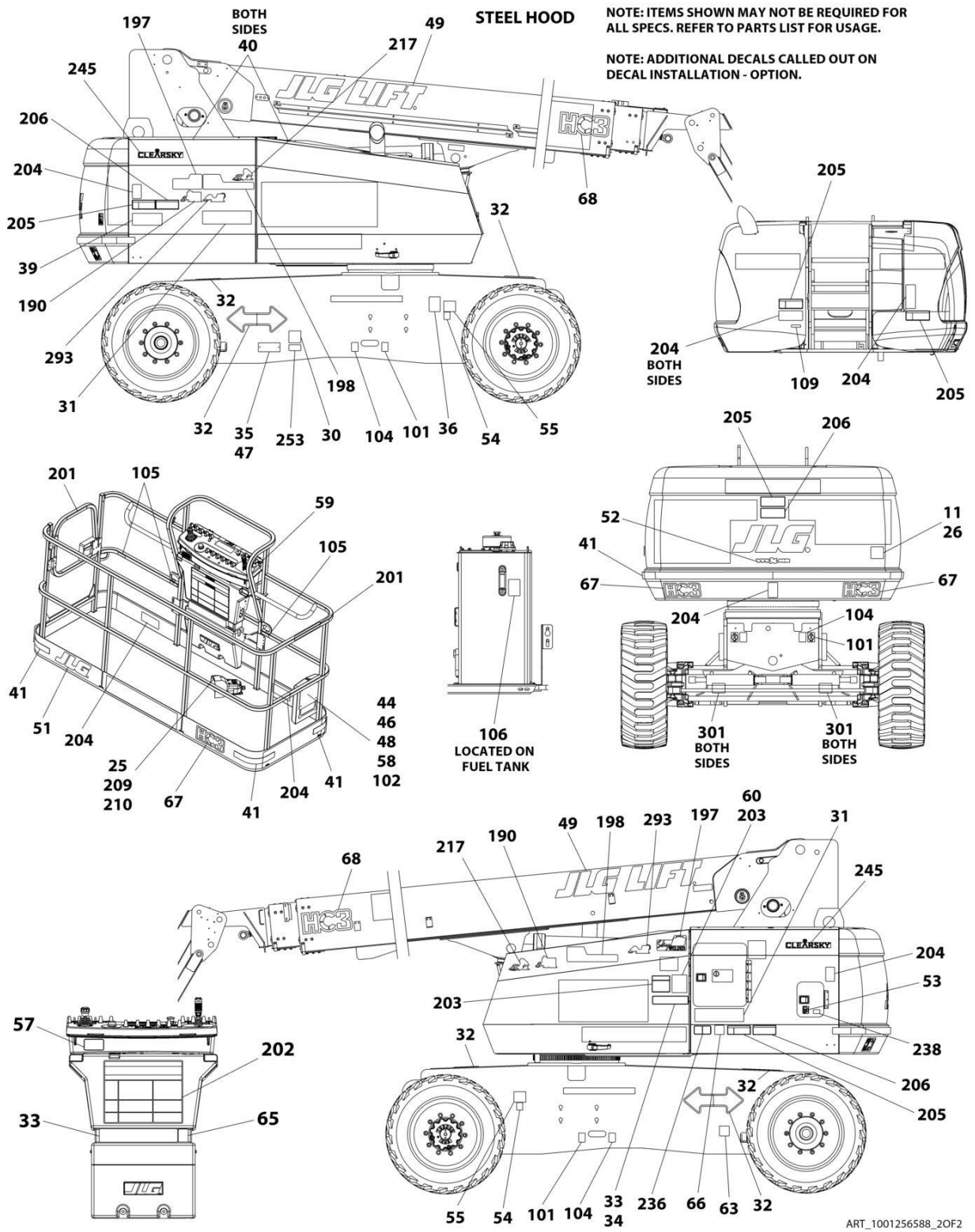
SECTION 9 - DECALS

FIGURE 9-12. DECAL INSTALLATION (JAPANESE SPECS) (860SJ HC3)



ART_1001256588_10F2

SECTION 9 - DECALS



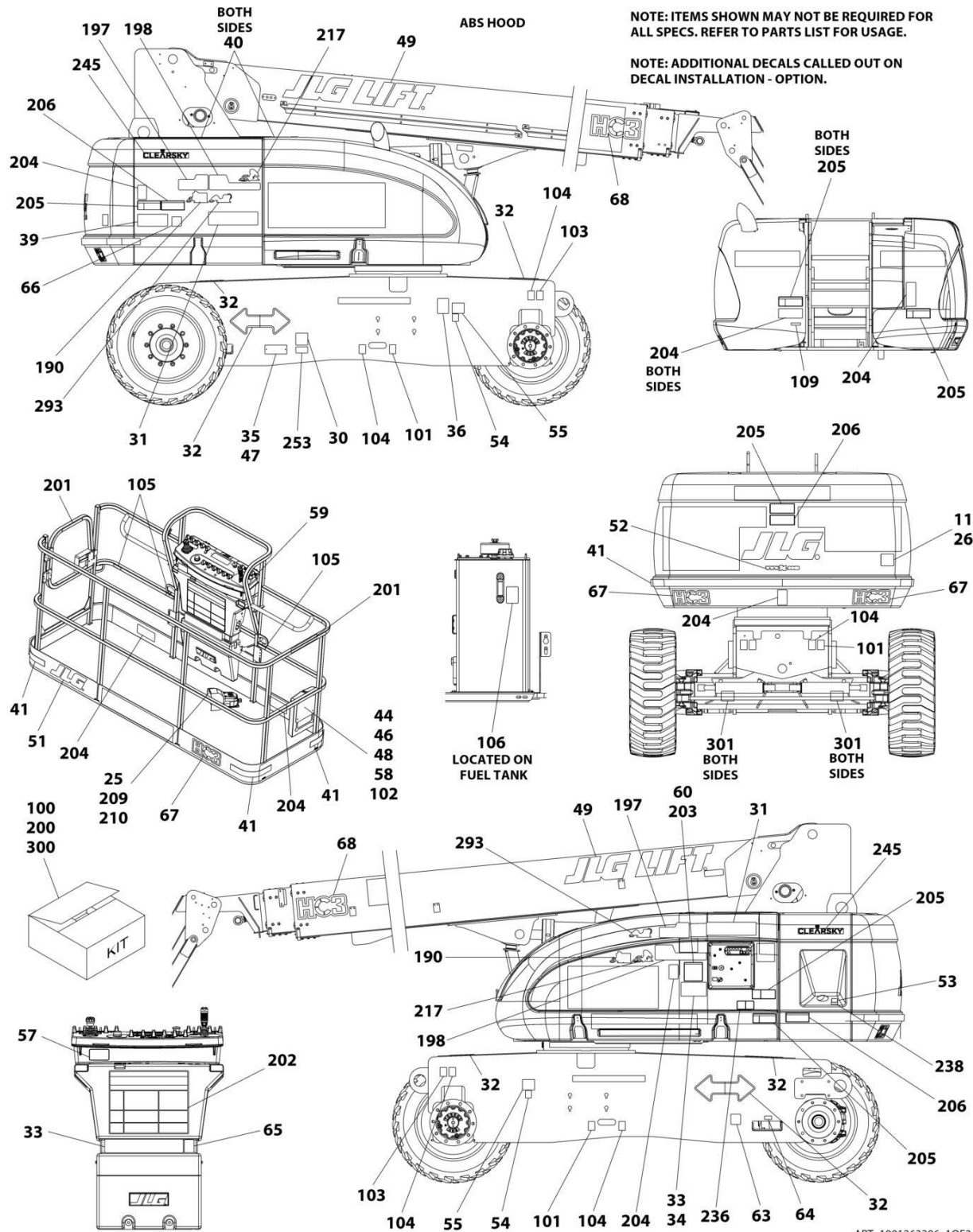
SECTION 9 - DECALS

FIGURE 9-12. DECAL INSTALLATION (JAPANESE SPECS) (860SJ HC3)

ITEM	PART NUMBER	QTY	DESCRIPTION	REV
	1001256588	Ref	DECAL INSTALLATION	B
	1001256837	Ref	REFERENCE CHART	A
30	See Note	1	Decal - Bar Code (Note: Not Available for Purchase)	
31	1704907	2	Decal - Model	
32	1701501	4	Decal - Arrow	
33	1001256579	1	Decal - Warning	
34	1001256580	1	Decal - Warning	
39	1001175354	1	Decal - Lift Diagram	
40	1701691	4	Decal - No Step	
41	4420051	AR	Stripes, Warning	
44	0860520	1	Box, Manual Storage	
46	3311405	4	Nut 1/4	
47	3820001	2	Rivet	
48	4751400	8	Washer 1/4	
58	0641406	4	Bolt 1/4 x 3/4	
59	1705426	1	Decal - Drive/Steer Instructions	
63	1001224053	1	Decal - Yearly Inspection	
100	1001109029	1	Decal Kit - Master (Includes Items 101-106)	
101	1701499	4	Decal - No Lift	
102	1701509	1	Decal - Manual	
103	1703811	4	Decal - Tie Down/Lift	
104	1703814	6	Decal - Tie Down	
105	1704277	4	Decal - Attach Lanyard Here	
106	1704412	1	Decal - Hydraulic Oil Chart	
109	3251243	1	Decal - Nameplate	
200	2902308	1	Decal Kit - Multi Color (Includes Items 202-210)	
202	1703926	1	Decal - Warning/Danger	
203	1705344	1	Decal - Warning Inspection	
204	1703950	5	Decal - Warning Crushing	
205	1703938	5	Decal - Danger Electrocution	
206	1703944	7	Decal - Warning Crushing	
210	1703980	1	Decal - Footswitch	
300	1001265971	1	Decal Kit - Max Tire Load (Includes Item 301)	
301	1703484	1	Decal - Max Tire Load	

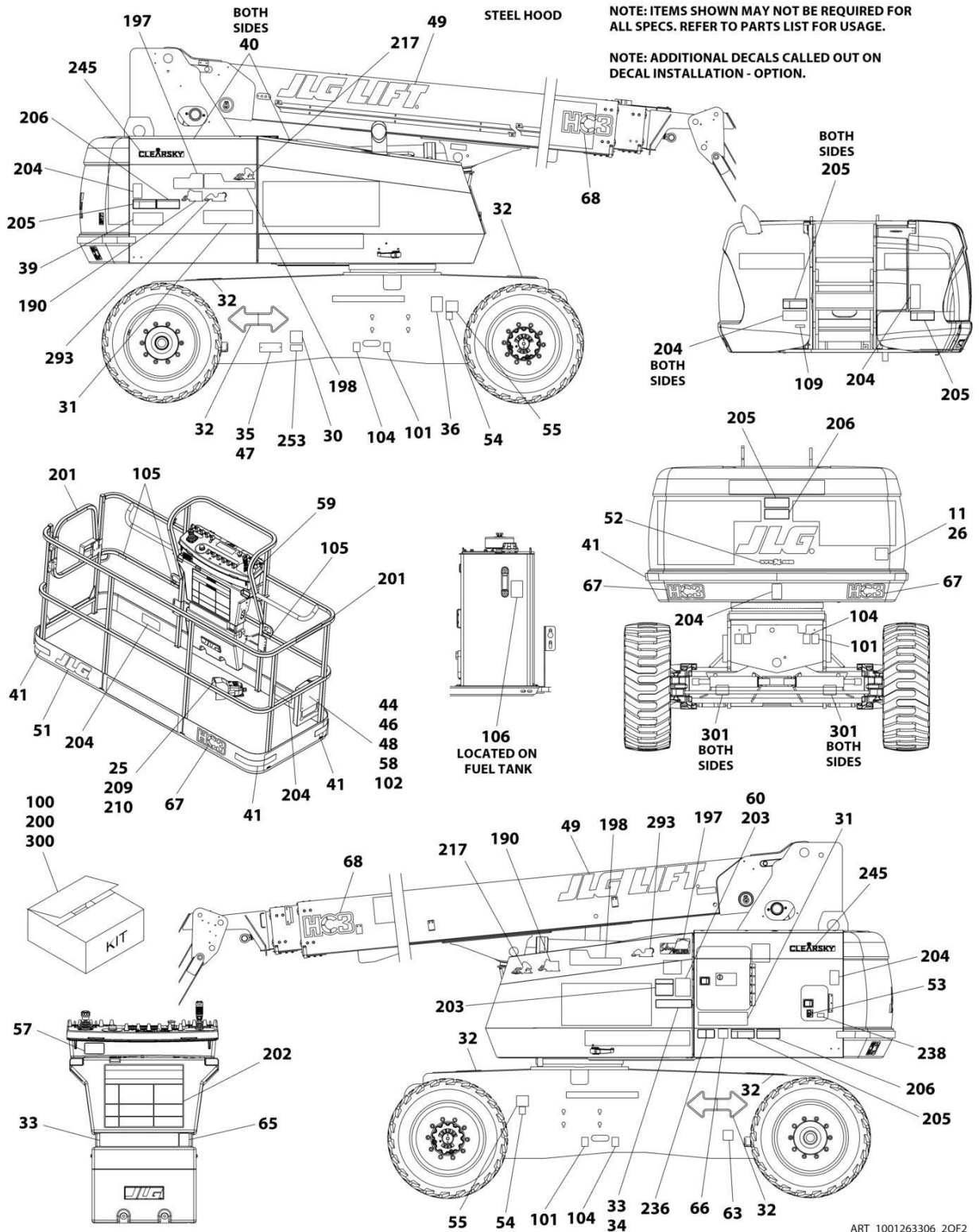
SECTION 9 - DECALS

FIGURE 9-13. DECAL INSTALLATION (KOREAN SPECS) (800S HC3)



ART_1001263306_10F2

SECTION 9 - DECALS



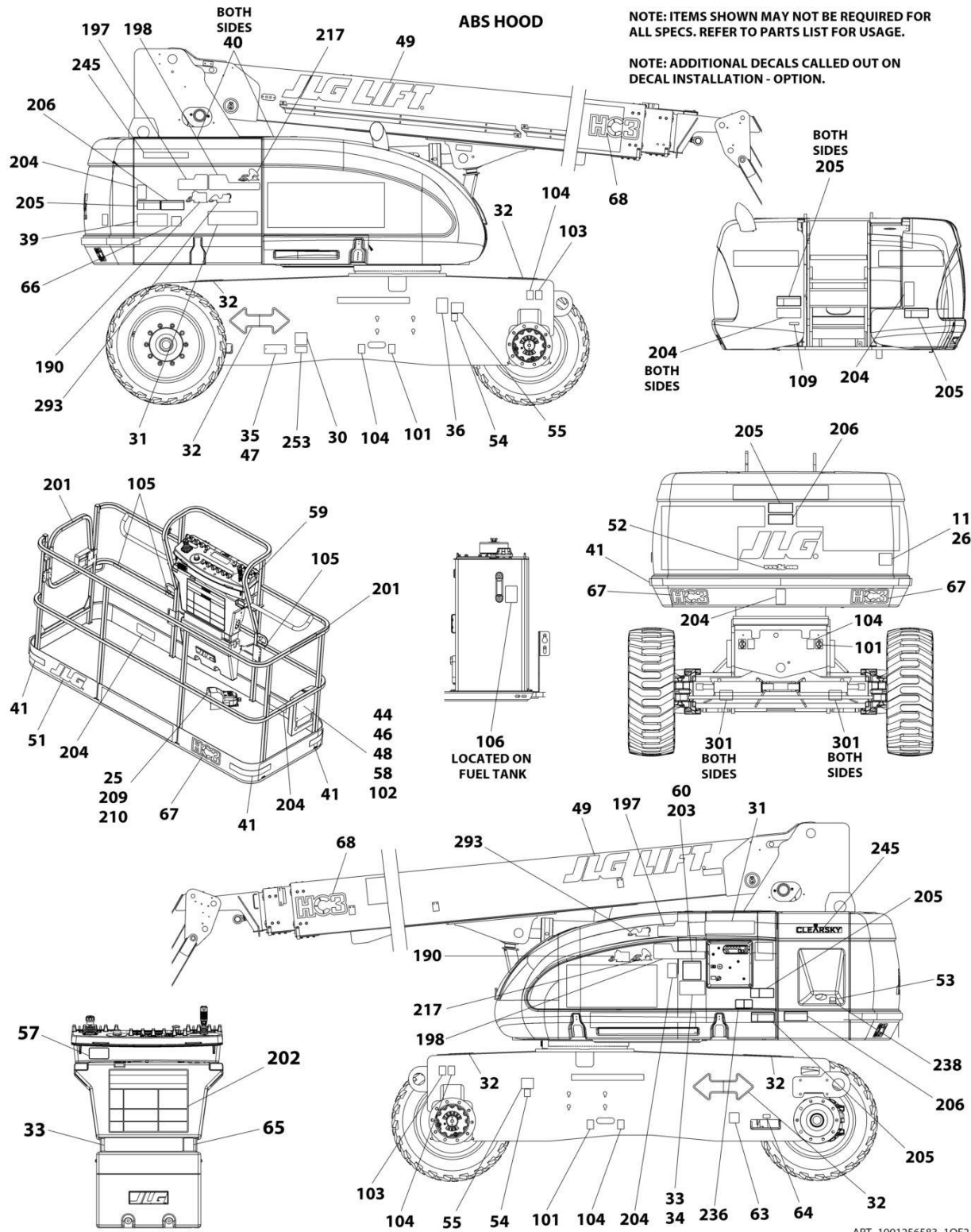
SECTION 9 - DECALS

FIGURE 9-13. DECAL INSTALLATION (KOREAN SPECS) (800S HC3)

ITEM	PART NUMBER	QTY	DESCRIPTION	REV
	1001263306	Ref	DECAL INSTALLATION	B
	1001256837	Ref	REFERENCE CHART	A
30	See Note	NSS	Decal - Bar Code (Note: Not Available for Purchase)	
31	1704906	2	Decal - Model	
32	1701501	4	Decal - Arrow	
33	1001256569	1	Decal - Warning	
34	1001256570	1	Decal - Warning	
39	1001270286	1	Decal - Lift Diagram	
40	1701691	4	Decal - No Step	
41	4420051	23.1 ft/7m	Stripes, Warning	
44	0860520	1	Box, Manual Storage	
46	3311405	4	Nut 1/4	
47	3820001	2	Rivet	
48	4751400	8	Washer 1/4	
58	0641406	4	Bolt 1/4 x 3/4	
59	1705427	1	Decal - Drive/Steer Instructions	
63	1001224048	1	Decal - Yearly Inspection	
100	1001109029	1	Decal Kit - Master (Includes Items 101-109)	
101	1701499	4	Decal - No Lift	
102	1701509	1	Decal - Manual	
103	1703811	4	Decal - Tie Down/Lift	
104	1703814	6	Decal - Tie Down	
105	1704277	4	Decal - Attach Lanyard Here	
106	1704412	1	Decal - Hydraulic Oil Chart	
109	3251243	1	Nameplate - 120V-60HZ	
200	2902310	1	Decal Kit - Country Spec (Includes Items 201-210)	
201	1705969	2	Decal - No Hands	
202	1703927	1	Decal - Warning/Danger	
203	1705345	1	Decal - Warning Inspection (MTB)	
204	1703951	5	Decal - Warning Crushing	
205	1703939	5	Decal - Danger Electrocution	
206	1703945	7	Decal - Warning Crushing	
210	1703981	1	Decal - Footswitch	
300	2902354	1	Decal Kit - Max Tire Load (Includes Item 301)	
301	1703475	4	Decal - Max Tire Load	

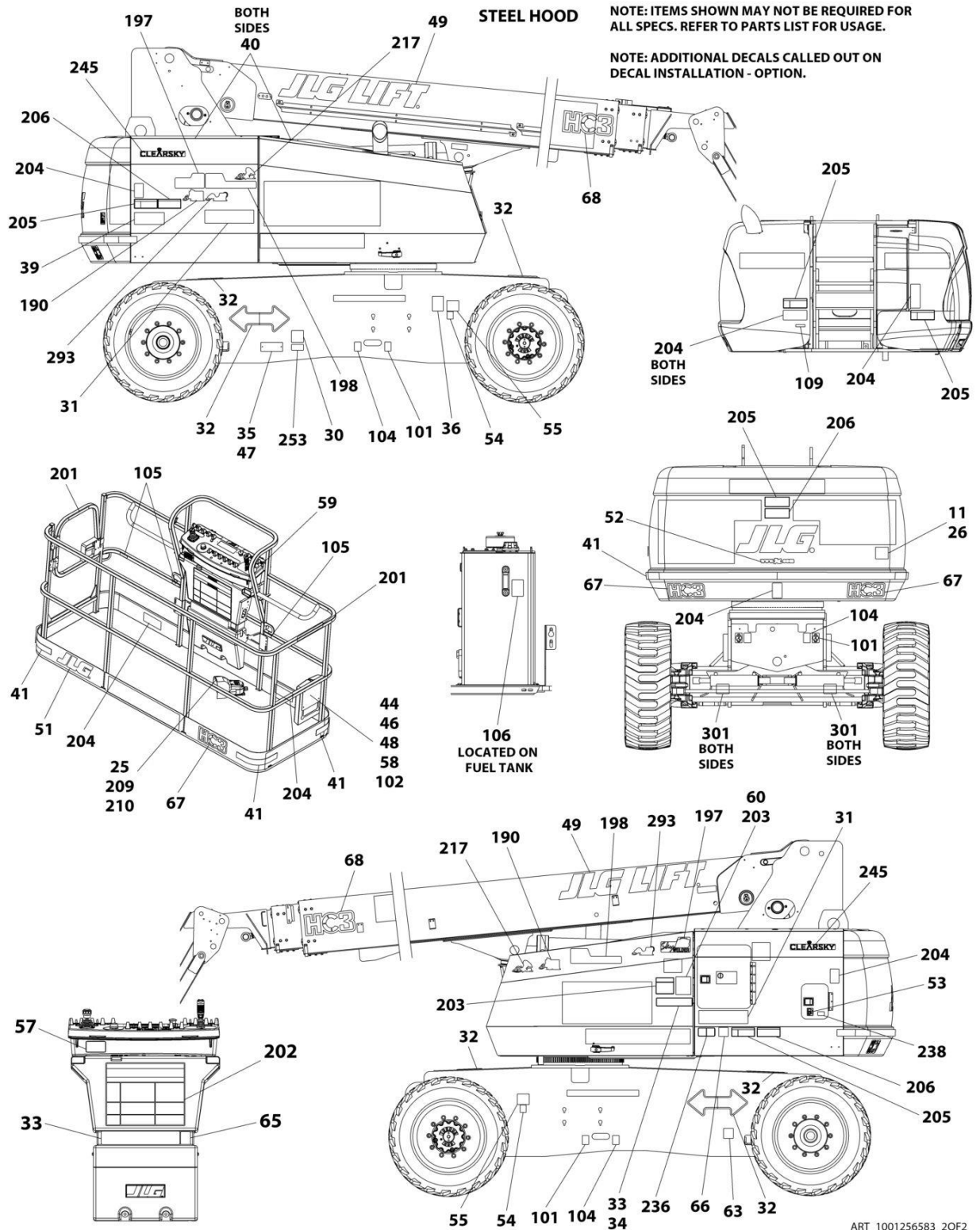
SECTION 9 - DECALS

FIGURE 9-14. DECAL INSTALLATION (KOREAN SPECS) (860SJ HC3)



ART_1001256583_10F2

SECTION 9 - DECALS



ART_1001256583_20F2

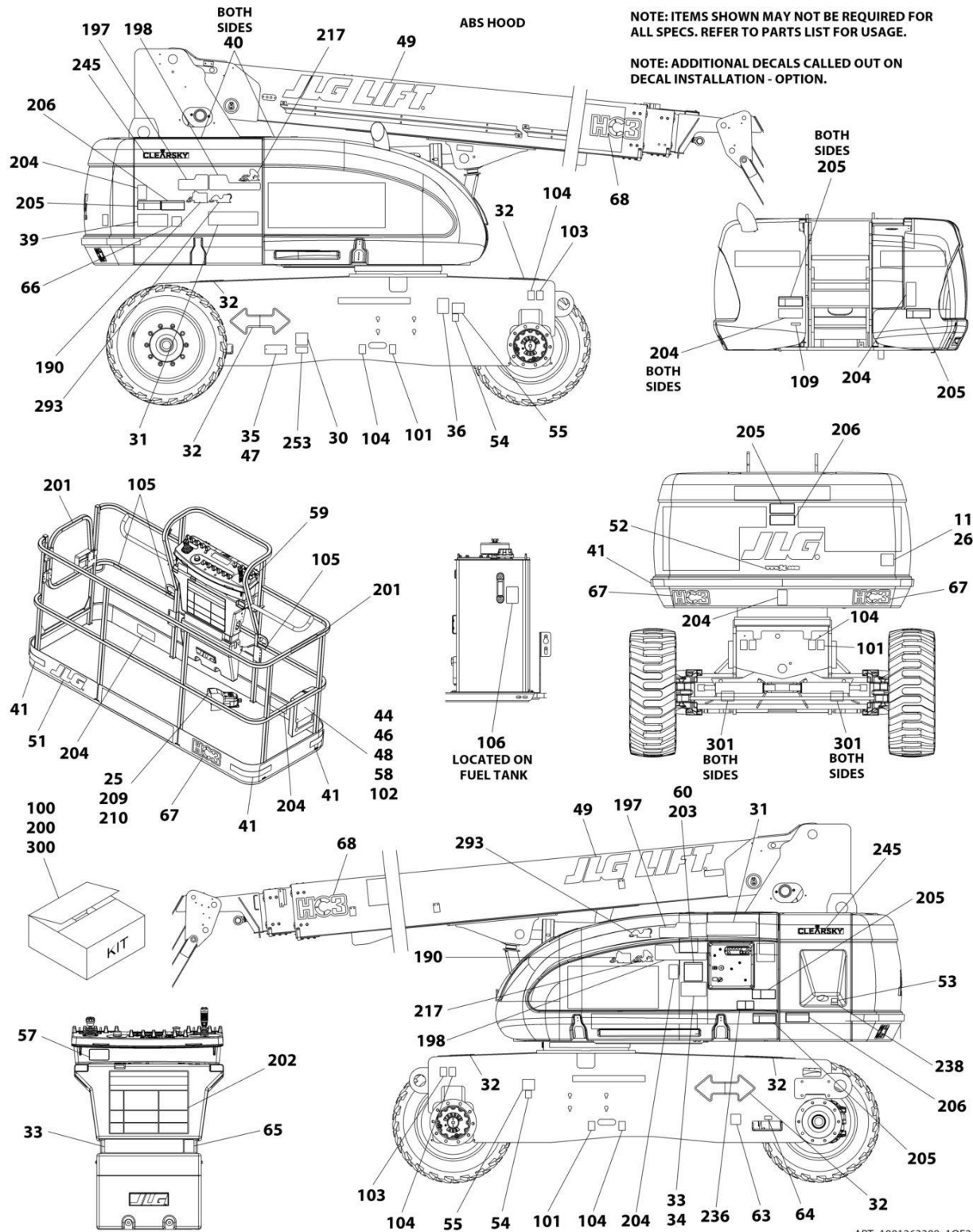
SECTION 9 - DECALS

FIGURE 9-14. DECAL INSTALLATION (KOREAN SPECS) (860SJ HC3)

ITEM	PART NUMBER	QTY	DESCRIPTION	REV
	1001256583	Ref	DECAL INSTALLATION	B
	1001256837	Ref	REFERENCE CHART	A
30	See Note	NSS	Decal - Bar Code (Note: Not Available for Purchase)	
31	1704907	2	Decal - Model	
32	1701501	4	Decal - Arrow	
33	1001256569	1	Decal - Warning	
34	1001256570	1	Decal - Warning	
39	1001175354	1	Decal - Lift Diagram	
40	1701691	4	Decal - No Step	
41	4420051	23.1 ft/7m	Stripes, Warning	
44	0860520	1	Box, Manual Storage	
46	3311405	4	Nut 1/4	
47	3820001	2	Rivet	
48	4751400	8	Washer 1/4	
58	0641406	4	Bolt 1/4 x 3/4	
59	1705427	1	Decal - Drive/Steer Instructions	
63	1001224048	1	Decal - Yearly Inspection	
100	1001109029	1	Decal Kit - Master (Includes Items 101-109)	
101	1701499	4	Decal - No Lift	
102	1701509	1	Decal - Manual	
103	1703811	4	Decal - Tie Down/Lift	
104	1703814	6	Decal - Tie Down	
105	1704277	4	Decal - Attach Lanyard Here	
106	1704412	1	Decal - Hydraulic Oil Chart	
109	3251243	1	Nameplate - 120V-60HZ	
200	2902310	1	Decal Kit - Country Spec (Includes Items 201-210)	
201	1705969	2	Decal - No Hands	
202	1703927	1	Decal - Warning/Danger	
203	1705345	1	Decal - Warning Inspection (MTB)	
204	1703951	5	Decal - Warning Crushing	
205	1703939	5	Decal - Danger Electrocution	
206	1703945	7	Decal - Warning Crushing	
210	1703981	1	Decal - Footswitch	
300	1001265971	1	Decal Kit - Max Tire Load (Includes Item 301)	
301	1703482	4	Decal - Max Tire Load	

SECTION 9 - DECALS

FIGURE 9-15. DECAL INSTALLATION (LATIN AMERICAN SPECS) (800S HC3)



ART_1001263308_10F2

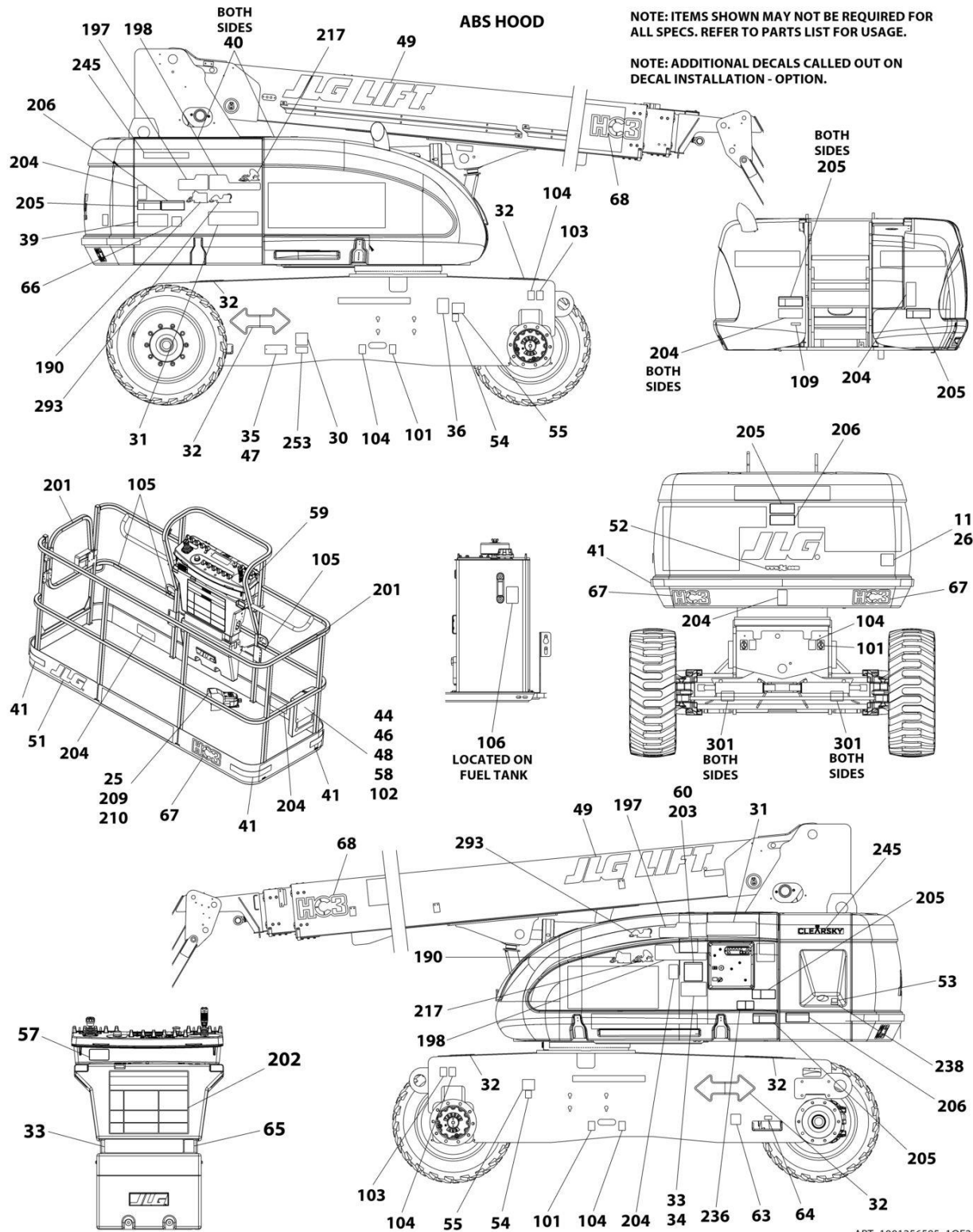
SECTION 9 - DECALS

FIGURE 9-15. DECAL INSTALLATION (LATIN AMERICAN SPECS) (800S HC3)

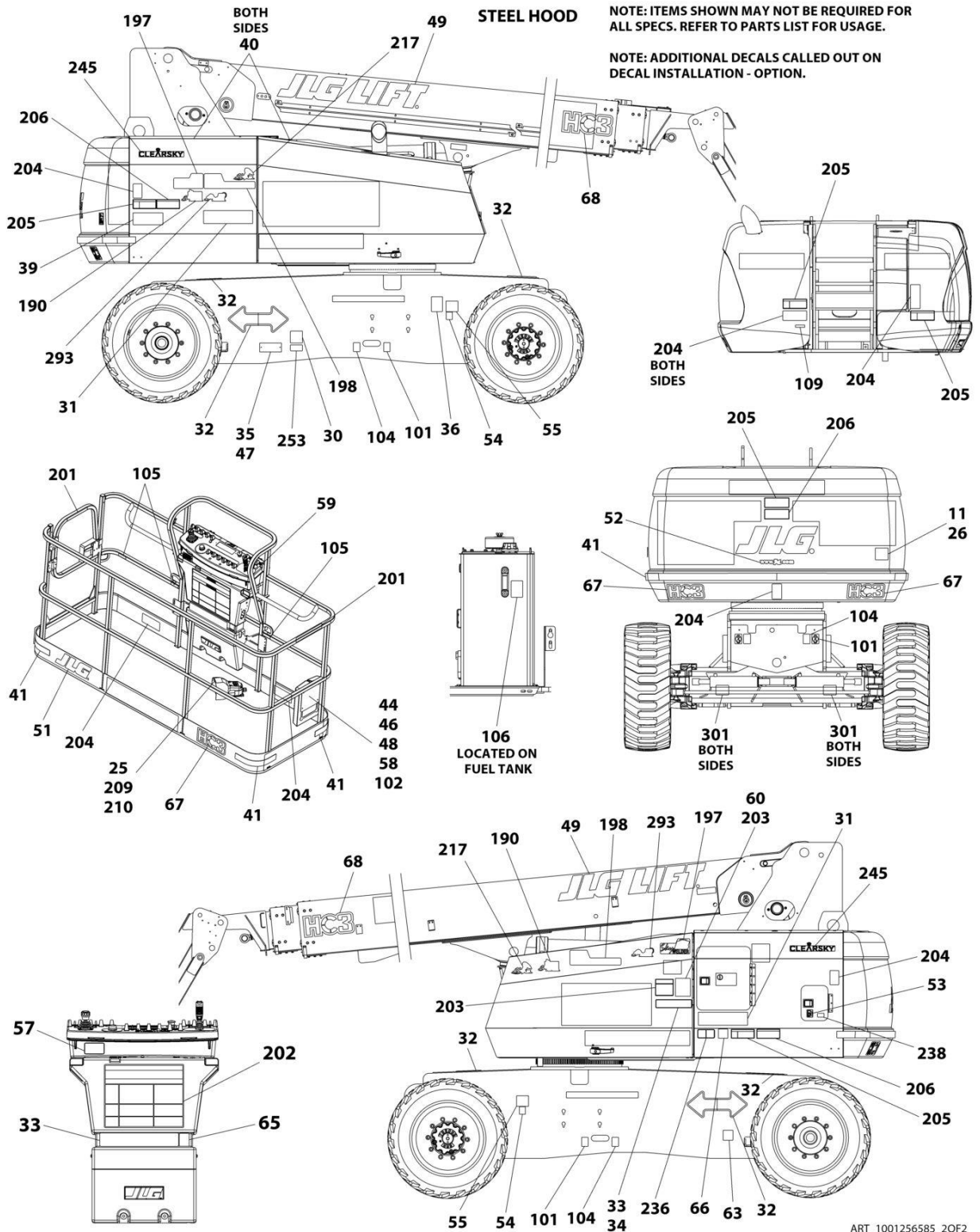
ITEM	PART NUMBER	QTY	DESCRIPTION	REV
	1001263308	Ref	DECAL INSTALLATION	B
	1001256837	Ref	REFERENCE CHART	A
30	See Note	NSS	Decal - Bar Code (Note: Not Available for Purchase)	
31	1704906	2	Decal - Model	
32	1701501	4	Decal - Arrow	
33	1001256573	1	Decal - Warning	
34	1001256574	1	Decal - Warning	
39	1001270286	1	Decal - Lift Diagram	
40	1701691	4	Decal - No Step	
41	4420051	23.1 ft/7m	Stripes, Warning	
44	0860520	1	Box, Manual Storage	
46	3311405	4	Nut 1/4	
47	3820001	2	Rivet	
48	4751400	8	Washer 1/4	
58	0641406	4	Bolt 1/4 x 3/4	
59	1705910	1	Decal - Drive/Steer Instructions	
63	1001224049	1	Decal - Yearly Inspection	
100	1001109029	1	Decal Kit - Master (Includes Items 101-109)	
101	1701499	4	Decal - No Lift	
102	1701509	1	Decal - Manual	
103	1703811	4	Decal - Tie Down/Lift	
104	1703814	6	Decal - Tie Down	
105	1704277	4	Decal - Attach Lanyard Here	
106	1704412	1	Decal - Hydraulic Oil Chart	
109	3251243	1	Nameplate - 120V-60HZ	
200	2902311	1	Decal Kit - Country Spec (Includes Items 201-210)	
201	1704001	2	Decal - No Hands	
202	1703923	1	Decal - Warning/Danger	
203	1705917	1	Decal - Warning Inspection (MTB)	
204	1703947	5	Decal - Warning Crushing	
205	1703935	5	Decal - Danger Electrocution	
206	1703941	7	Decal - Warning Crushing	
210	1703983	1	Decal - Footswitch	
300	2902354	1	Decal Kit - Max Tire Load (Includes Item 301)	
301	1703475	4	Decal - Max Tire Load	

SECTION 9 - DECALS

FIGURE 9-16. DECAL INSTALLATION (LATIN AMERICAN SPECS) (860SJ HC3)



SECTION 9 - DECALS



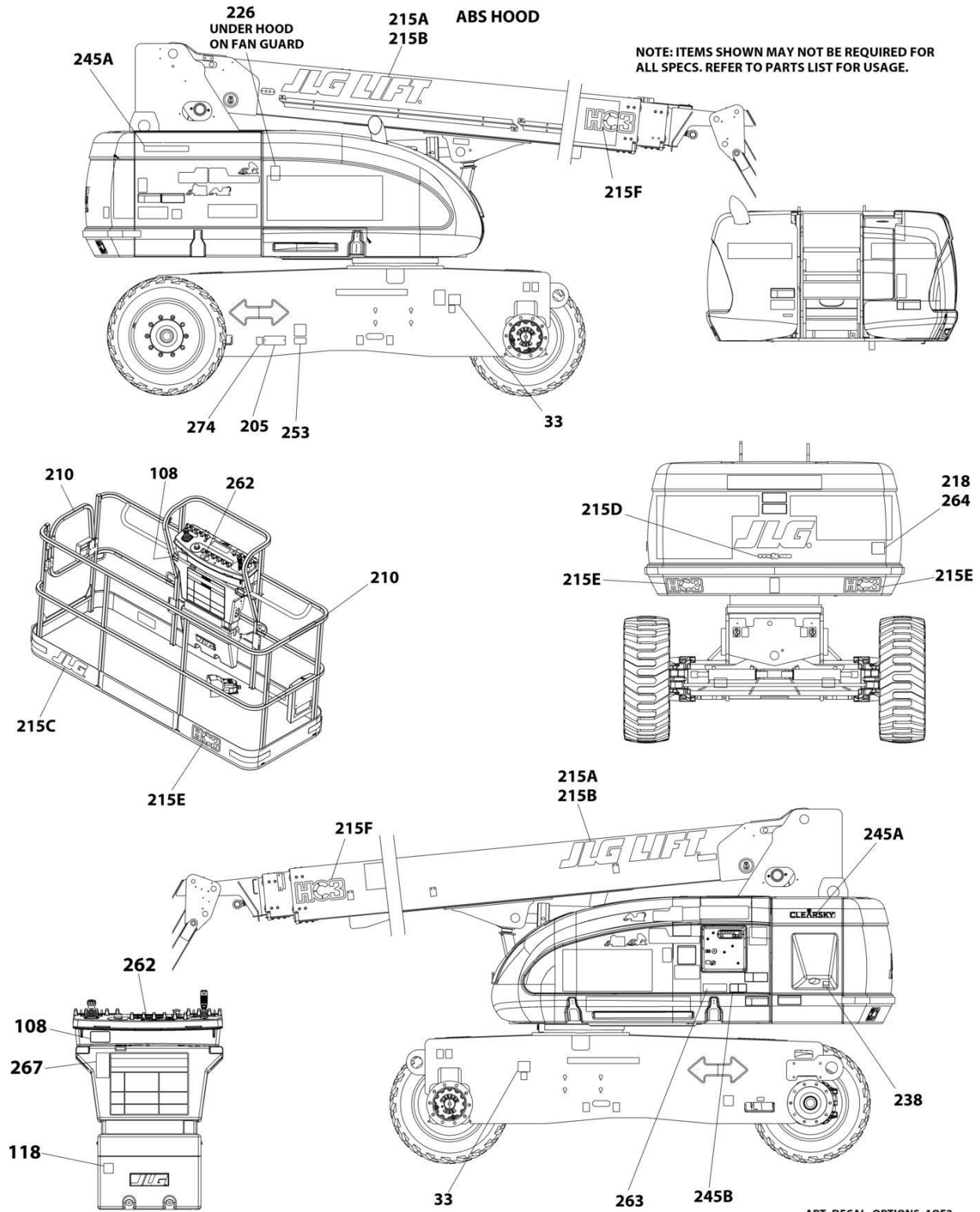
SECTION 9 - DECALS

FIGURE 9-16. DECAL INSTALLATION (LATIN AMERICAN SPECS) (860SJ HC3)

ITEM	PART NUMBER	QTY	DESCRIPTION	REV
	1001256585	Ref	DECAL INSTALLATION	B
	1001256837	Ref	REFERENCE CHART	A
30	See Note	NSS	Decal - Bar Code (Note: Not Available for Purchase)	
31	1704907	2	Decal - Model	
32	1701501	4	Decal - Arrow	
33	1001256573	1	Decal - Warning	
34	1001256574	1	Decal - Warning	
39	1001175354	1	Decal - Lift Diagram	
39	1001270286	1	Decal - Lift Diagram	
40	1701691	4	Decal - No Step	
41	4420051	23.1 ft/7m	Stripes, Warning	
44	0860520	1	Box, Manual Storage	
46	3311405	4	Nut 1/4	
47	3820001	2	Rivet	
48	4751400	8	Washer 1/4	
58	0641406	4	Bolt 1/4 x 3/4	
59	1705910	1	Decal - Drive/Steer Instructions	
63	1001224049	1	Decal - Yearly Inspection	
100	1001109029	1	Decal Kit - Master (Includes Items 101-109)	
101	1701499	4	Decal - No Lift	
102	1701509	1	Decal - Manual	
103	1703811	4	Decal - Tie Down/Lift	
104	1703814	6	Decal - Tie Down	
105	1704277	4	Decal - Attach Lanyard Here	
106	1704412	1	Decal - Hydraulic Oil Chart	
109	3251243	1	Nameplate - 120V-60HZ	
200	2902311	1	Decal Kit - Country Spec (Includes Items 201-210)	
201	1704001	2	Decal - No Hands	
202	1703923	1	Decal - Warning/Danger	
203	1705917	1	Decal - Warning Inspection (MTB)	
204	1703947	5	Decal - Warning Crushing	
205	1703935	5	Decal - Danger Electrocution	
206	1703941	7	Decal - Warning Crushing	
210	1703983	1	Decal - Footswitch	
300	1001265971	1	Decal Kit - Max Tire Load (Includes Item 301)	
301	1703484	4	Decal - Max Tire Load	

SECTION 9 - DECALS

FIGURE 9-17. DECAL INSTALLATION - OPTIONS



SECTION 9 - DECALS

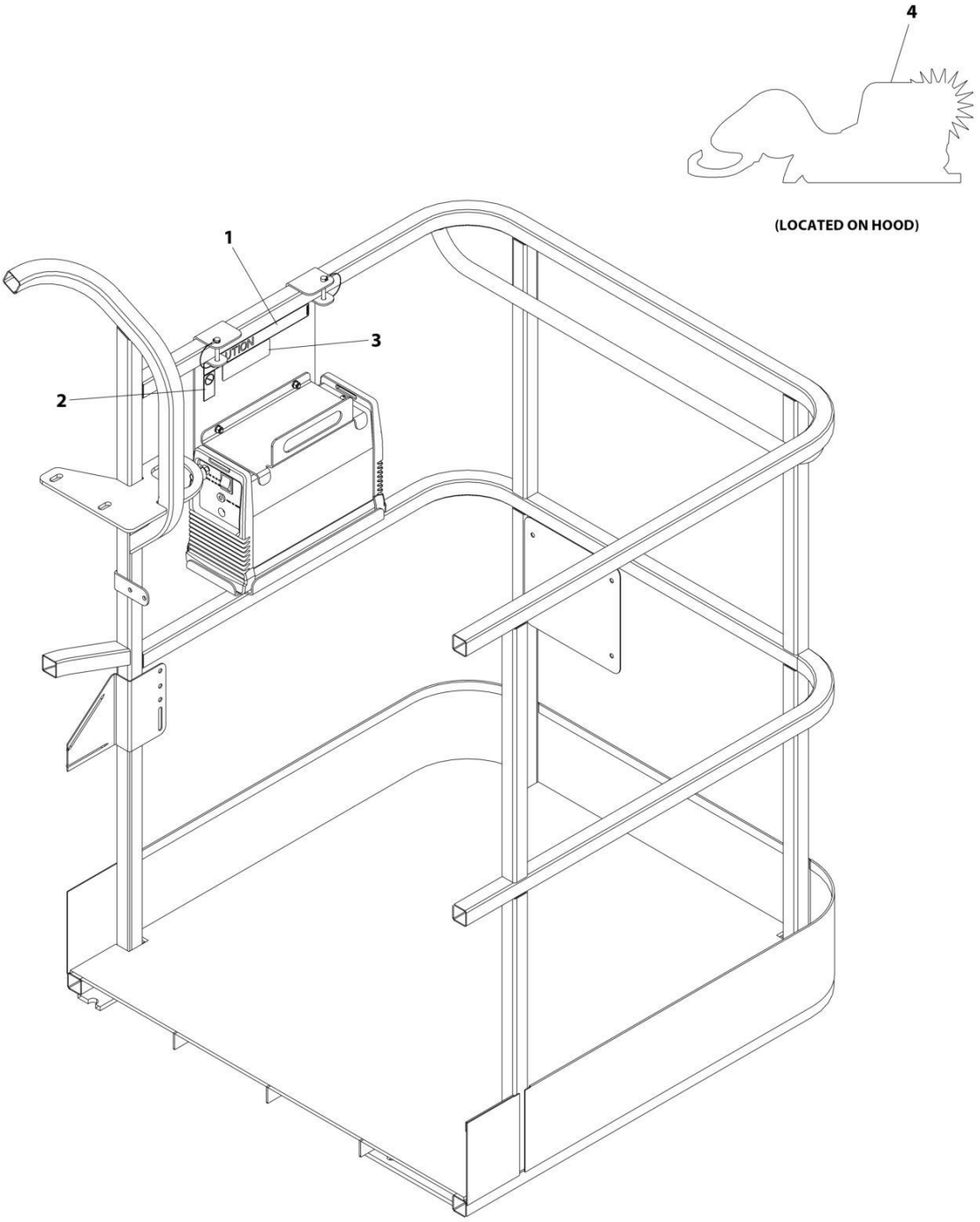
ITEM	PART NUMBER	QTY	DESCRIPTION	REV
		Ref	DECAL INSTALLATION - OPTIONS	
33	1700818	2	Decal - Fuel (LP Gas Machines) (English Language) (ANSI and Australian Specs)	
33	1704271	2	Decal - Fuel (LP Gas Machines) (English/French Languages) (CSA Specs)	
33	1702720	2	Decal - Fuel (LP Gas Machines) (English/Spanish Languages) (ANSI Export Specs)	
108	1001231801	1	Decal - Warning Proposition 65 (ANSI Specs)	
118	0257195	Ref	Decal - Government Warranty Installation (ANSI Spec)	
118	1703179	1	Decal - Government Warranty	
205	See Note	1	Nameplate - Manufacturers Serial Number (Note: Not Available for Purchase)	
210	1702868	2	Decal - No Hands (English Language)	
210	1001218850	2	Decal - No Hands (CE)	
210	1001116846	2	Decal - No Hands (English/Chinese Language)	
210	1704000	2	Decal - No Hands (English/French Language)	
210	1705969	2	Decal - No Hands (English/Korean Language)	
210	1705967	2	Decal - No Hands (English/Portuguese Language)	
210	1704001	2	Decal - No Hands (English/Spanish Language)	
215	1001256838	Ref	Decal - Logo Installation (All Specs Except CE Specs)	
215A	1702861	2	Decal - JLG Lift (All Specs Except CE Specs)	
215B	1001159323	2	Decal - JLG (CE Specs)	
215C	1702773	1	Decal - JLG	
215D	1704885	1	Decal - Website	
215E	1001244212	3	Decal - HC3	
215F	1001256906	2	Decal - HC3	
218	3251813	1	Decal - USA	
226	1704972	1	Decal - Warning Explosion/ Fire (English Language) (Diesel Machines) (ANSI Specs)	
226	1706098	1	Decal - Warning Explosion/Fire (English Language) (Diesel Machines) (Australian & CE Specs)	
226	1706059	1	Decal - Warning Explosion/Fire (English/Portuguese Language) (Diesel Machines) (Brazil Specs)	
226	1706060	1	Decal - Warning Explosion/Fire (English/Chinese Language) (Diesel Machines) (Chinese Specs)	
226	1706064	1	Decal - Warning Explosion/Fire (English Language) (Diesel Machines) (CSA Specs)	
226	1706062	1	Decal - Warning Explosion/Fire (English/Japanes Language) (Diesel Machines) (Japanese Specs)	
226	1706061	1	Decal - Warning Explosion/Fire (English/Korean Language) (Diesel Machines) (Korean Specs)	
226	1706063	1	Decal - Warning Explosion/Fire - (English/Spanish Language) (Diesel Machines) (Latin American Specs)	
238	1001125387	1	Decal - Ultra Low Sulfur Fuel (Diesel Machines) (ANSI & CSA Specs)	
238	1001139654	1	Decal - Ultra Low Sulfur Fuel (Diesel Machines) (ANSI EXPORT (HRC), CE AND Japanese Specs)	
245	1001120993	Ref	Decal Installation - ClearSky (Machines with ClearSky Option)	
245A	1001116208	2	Decal - ClearSky	
245B	1001120989	1	Decal - Radio Frequency	
253	1001143852	1	Decal - Emission Compliance (Diesel Machines) (ANSI Export (LRC), Australian, CE & Chinese Specs)	
262	1001141300	1	Decal - SkyGuard Override (Machines without Soft Touch Option)	
262	1001141302	1	Decal - SkyGuard Override (Machines with Soft Touch Option)	

SECTION 9 - DECALS

ITEM	PART NUMBER	QTY	DESCRIPTION	REV
263	1001197408	1	Decal - MSSO (CE Specs)	
264	1705980	1	Decal - Sound Power (106dB) (Machines with Deutz D2011 Engines) (Australian & CE Specs)	
264	1001191525	1	Decal - Sound Power (108dB) (Machines with Deutz TD2.9L4 and Deutz 2.9L4 (Stage V) Engines with Steel Hoods) (CE Specs)	
264	1705368	1	Decal - Sound Power (112dB) (Machines with Deutz TD2.9L4 and Deutz 2.9L4 (Stage V) Engines with ABS Hoods) (CE Specs)	
264	1001200072	1	Decal - Sound Power (113dB) (Machines with Deutz TD2.9L4 and Deutz 2.9L4 (Stage V) Engines with Steel Hoods) (CE Specs)	
267	1001200131	1	Decal - Quick Start Guide (Danish Language)	
267	1001200129	1	Decal - Quick Start Guide (Dutch Language)	
267	1001181145	1	Decal - Quick Start Guide (English Language)	
267	1001200128	1	Decal - Quick Start Guide (French Language)	
267	1001200130	1	Decal - Quick Start Guide (German Language)	
267	1001200134	1	Decal - Quick Start Guide (Norwegian Language)	
267	1001200132	1	Decal - Quick Start Guide (Swedish Language)	
267	1001200133	1	Decal - Quick Start Guide (Spanish Language)	
274	1001214030	1	Decal Installation - EAC (Russian/CIS Specs)	

SECTION 9 - DECALS

FIGURE 9-18. SKYCUTTER DECAL INSTALLATION (ANSI, ANSI EXPORT & CSA SPECS)



ART_0272599

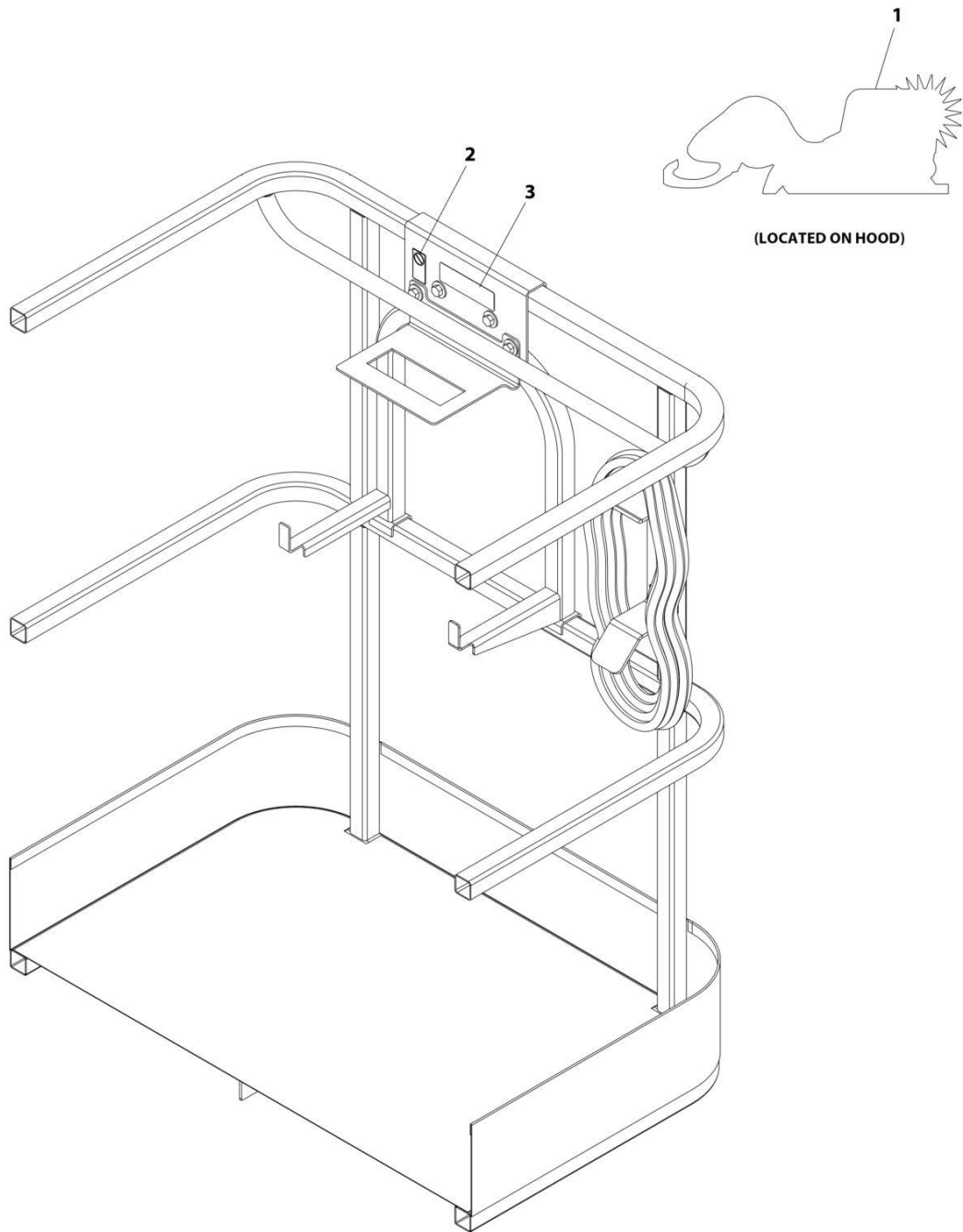
SECTION 9 - DECALS

FIGURE 9-18. SKYCUTTER DECAL INSTALLATION (ANSI, ANSI EXPORT & CSA SPECS)

ITEM	PART NUMBER	QTY	DESCRIPTION	REV
	0272599	Ref	SKYCUTTER DECAL INSTALLATION	C
1	1702868	1	Decal - No Hands	
2	1705305	1	Decal - Weld Leads	
3	1001252627	1	Decal - Weight	
4	1705490	2	Decal - SkyCutter	

SECTION 9 - DECALS

FIGURE 9-19. SKYCUTTER DECAL INSTALLATION (JAPANESE SPECS)



ART_0272607_C

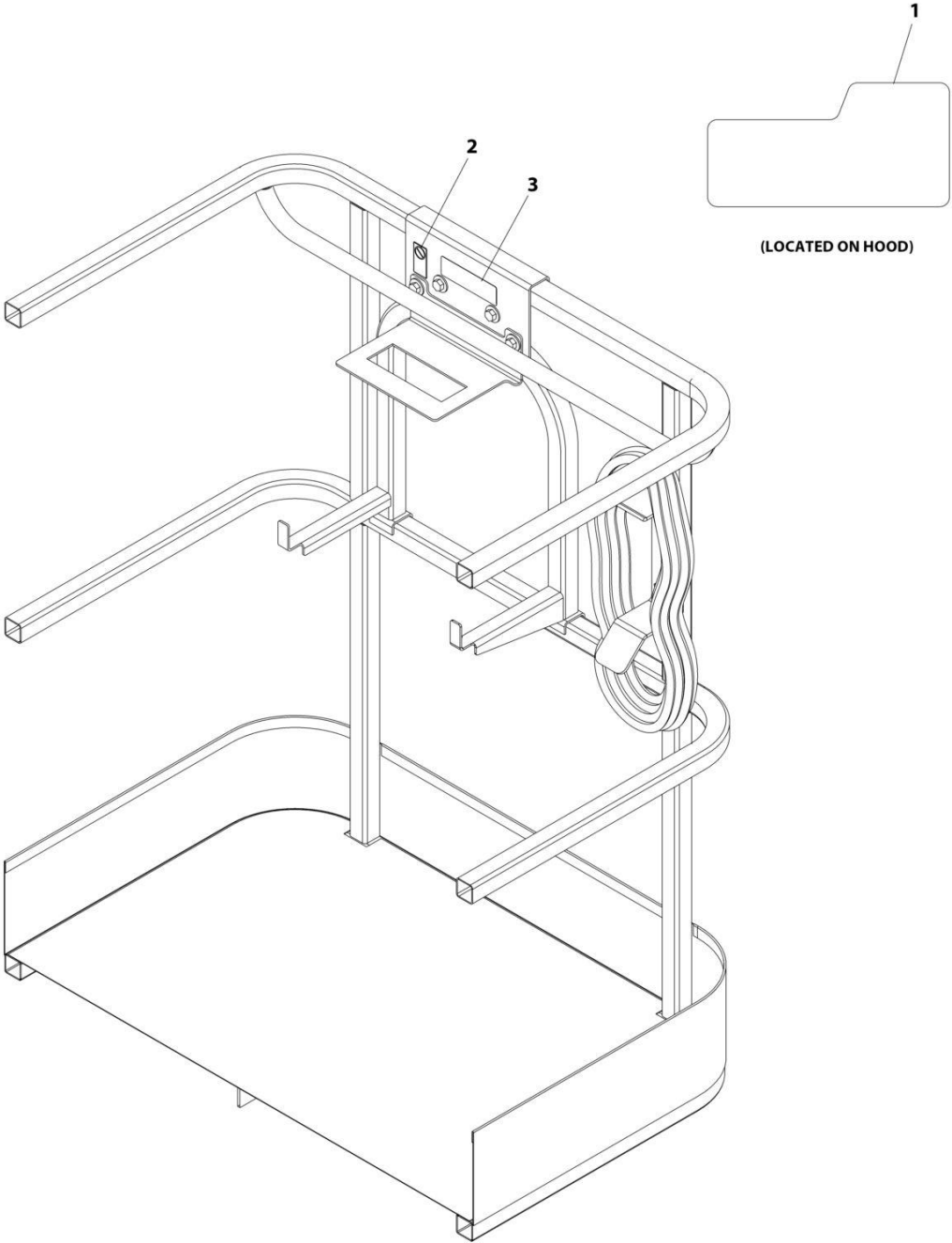
SECTION 9 - DECALS

FIGURE 9-19. SKYCUTTER DECAL INSTALLATION (JAPANESE SPECS)

ITEM	PART NUMBER	QTY	DESCRIPTION	REV
	0272607	1	SKYCUTTER DECAL INSTALLATION	C
1	1705490	2	Decal - SkyCutter	
2	1705305	1	Decal - Weld Lead	
3	1001252627	1	Decal - Weight	

SECTION 9 - DECALS

FIGURE 9-20. SKYWELDER DECAL INSTALLATION - 50HZ



ART_0272588

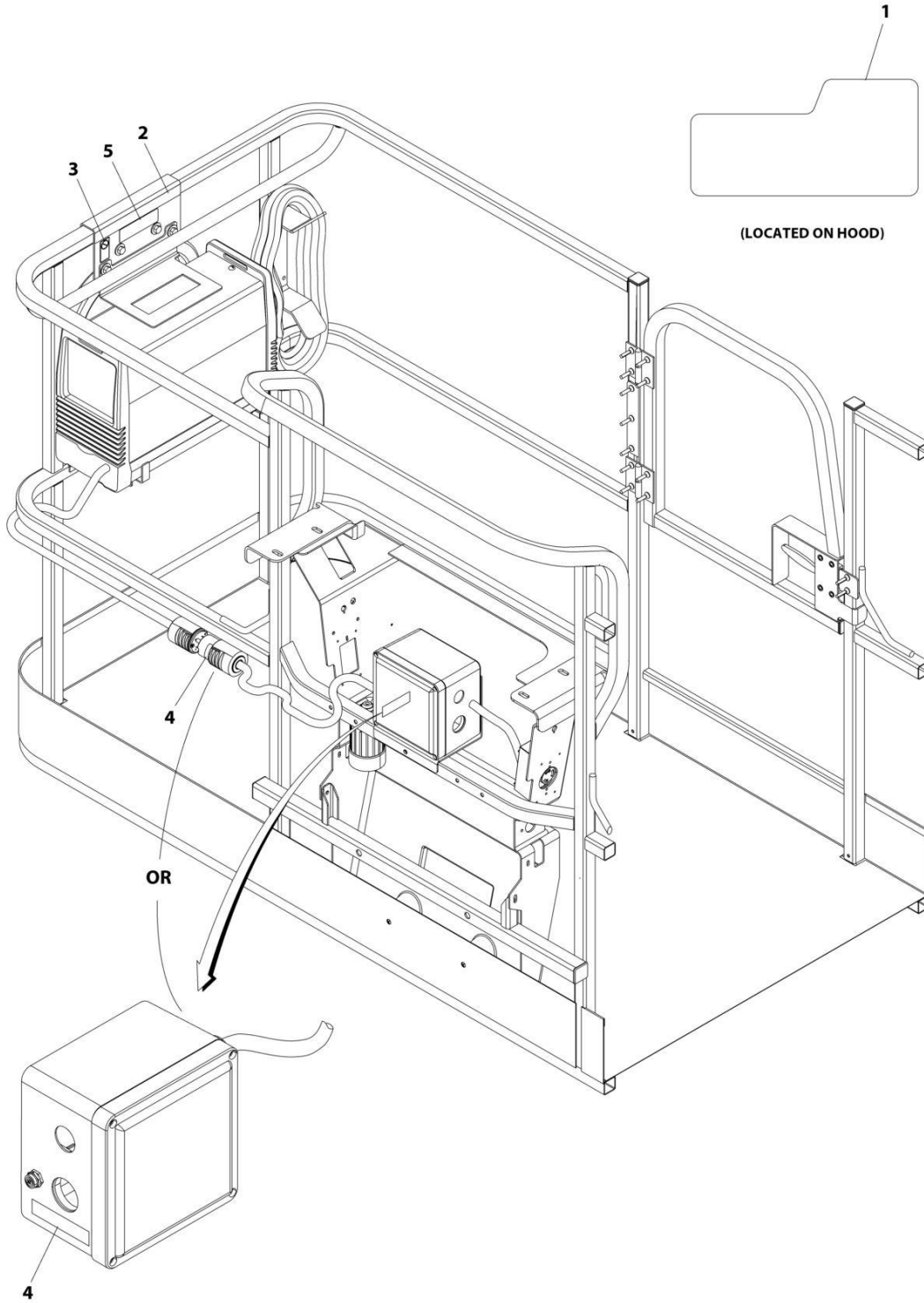
SECTION 9 - DECALS

FIGURE 9-20. SKYWELDER DECAL INSTALLATION - 50HZ

ITEM	PART NUMBER	QTY	DESCRIPTION	REV
	0272588	Ref	SKYWELDER DECAL INSTALLATION - 50Hz	B
1	1705355	2	Decal - SkyWelder	
2	1705305	1	Decal - Weld Lead	
3	1001228988	1	Decal - Weight	

SECTION 9 - DECALS

FIGURE 9-21. SKYWELDER DECAL INSTALLATION - 60HZ (PVC 2007)



ART_0272448_C

SECTION 9 - DECALS

FIGURE 9-21. SKYWELDER DECAL INSTALLATION - 60HZ (PVC 2007)

ITEM	PART NUMBER	QTY	DESCRIPTION	REV
	0272448	Ref	SKYWELDER DECAL INSTALLATION - 60Hz	C
1	1705355	2	Decal - SkyWelder	
2	1702868	1	Decal - No Hands	
3	1705305	1	Decal - Weld Lead	
4	1705375	1	Decal - 240V - 3 Phase - 60Hz	
5	1001228988	1	Decal - Weight	

SECTION 10 - RECOMMENDED SERVICE PARTS STOCK

SECTION 10 - RECOMMENDED SERVICE PARTS STOCK

SECTION 10 - RECOMMENDED SERVICE PARTS STOCK

FIGURE 10-1. RECOMMENDED SERVICE PARTS STOCK

ITEM	PART NUMBER	QTY	DESCRIPTION	REV
		Ref	Note: The following list will service one machine (built to current production per date on the front cover) with emergency repair parts which can be installed in the field. Parts from the list should be replaced when inventory is depleted to keep service parts stock supplied. For further information, contact your JLG dealer or the JLG Industries Parts Department.	
		Ref	STANDARD PARTS	
	70002231	12	Element, Filter	
	7012944	1	Coil	
	70003788	1	Coil	
	70002386	1	Coil	
	70003789	1	Coil	
	70002814	1	Hydraulic Tank Service Kit	
	3740049	1	Relay	
	4360469	1	Switch, Key (All Specs except CE Specs)	
	2860030	1	Key, Replacement	
	4360475	1	Switch, Mushroom	
	4360476	1	Contact, Switch Block	
	1001155045	1	Switch, Toggle	
	4360387	1	Switch, Push Button	
	4360274	1	Switch, Push Button	
	3740067	1	Relay	
	70003921	1	Powertrack Repair Section	
	70003922	1	Powertrack Mounting Bracket Kit	
	70002097	3	Element, High Pressure Filter	
	2940074	1	Latch	
	4360407	1	Controller, Speed	
	1001129555	1	Controller (Lift and Swing)	
	1001212415	1	Controller (Drive and Steer)	
	1001159256	1	Switch, Toggle	
	1001161709	1	Switch, Toggle	
	7012943	1	Coil	
	7017451	1	Coil	
	8229242	2	Fuse - 5Amp	
	8229249	2	Fuse - 3Amp	
		Ref	VARIABLE PARTS	
	4360517	1	Switch, Proximity	
	1001103667	1	Module, Ground Control	
	1001142683	1	Module, Beacon Light (Blue & Red Beacons Only)	
	3740080	1	Relay (Deutz D2011 Engines)	
	70004020	12	Element, Air Cleaner (Deutz D2011 Engines)	
	7016331	4	Filter, Oil (Deutz D2011 Engines)	
	7016328	4	Filter, Fuel (Deutz D2011 Engines)	
	7027795	1	Module, Engine Control (Deutz D2011 Engines)	
	1001117308	1	Relay (Deutz TD2.9L4 and Deutz TD2.9L4 (Stage V) Engines)	
	1001138228	1	Module, Power Relay (Deutz TD2.9L4 and Deutz TD2.9L4 (Stage V) Engines)	
	70023593	2	Fuse 30Amp (Deutz TD2.9L4 and Deutz TD2.9L4 (Stage V) Engines)	

SECTION 10 - RECOMMENDED SERVICE PARTS STOCK

ITEM	PART NUMBER	QTY	DESCRIPTION	REV
	70023592	2	Fuse 20Amp (Deutz TD2.9L4 and Deutz TD2.9L4 (Stage V) Engines)	
	91403102	12	Element, Air Cleaner (Deutz TD2.9L4 and Deutz TD2.9L4 (Stage V) Engines)	
	7016331	4	Filter, Oil (Deutz TD2.9L4 and Deutz TD2.9L4 (Stage V) Engines)	
	70025153	4	Filter, Fuel (Deutz TD2.9L4 and Deutz TD2.9L4 (Stage V) Engines)	
	70025210	1	Module, Engine Control (Deutz TD2.9L4 Engine)	
	4360336	1	Switch, Toggle (Machines with Dual Fuel)	
	70005008	12	Element, Filter - Primary (Ford DF 2.5L Engines)	
	70006460	12	Element, Filter - Secondary (Ford DF 2.5L Engines)	
	70006213	4	Filter, Oil (Ford DF 2.5L Engines)	
	70006155	4	Filter, Fuel (Ford DF 2.5L Engines)	
	70006176	1	Module - Engine Control (Ford DF 2.5L Engines)	
	70006175	2	Fuse - 20Amp (Ford DF 2.5L Engines)	
	1001202281	1	Element, Fuel/Water Separator Filter (Deutz D2011 Engines) (PVC2001)	
	70006405	1	Element, Fuel/Water Separator Filter (Deutz D2011 Engines)(PVC2007)	
	70006405	1	Element, Fuel/Water Separator Filter Deutz TD2.9L4 and Deutz TD2.9L4 (Stage V) Engines)	
	3740080	1	Relay (Machines with 2500W Generator)	
	4360336	1	Switch, Toggle (Machines with Generator)	
	1001147479	1	Sensor, Boom Level	
	1001247468	1	Cell, Load Sensing	
	1001170847	1	Switch, Proximity	
	1001182570	1	Switch, Proximity	
	1001191022	1	Switch, Proximity	
	1001141138	1	Module, Platform	
	1001117172	1	Footswitch	
	4360328	1	Switch, Toggle (Machines with Jib)	
	1001228224	1	Sensor, Receiver (Machiens with SkyEye)	
	1001228225	1	Sensor, Emitter (Machiens with SkyEye)	
	1001137673	1	SkyGuard Switch Assembly (Machines with SkyGuard)	
	1001186431	1	Relay (Machines with SkyGuard)	
	1001232667	1	Switch, Proximity (Machines with SkyLine)	
	3740086	1	Relay (Machines with SkyLine)	
	4360057	1	Switch, Limit (Machines with Soft-Touch)	
	4360506	1	Switch, Proximity	
	1001181045	1	Breaker, Circuit - 30mA/16Amp (Brazil & CE Specs)	
	1001181046	1	Breaker, Circuit - 10Amp (CE Specs without 7500W Skypower Generator))	
	80983191	2	Fuse 10Amp (Deutz TD2.9L4 Engine)	
	2400064	2	Fuse - 5Amp (Ford DF 2.5L Engine Machines with SkyPower)	
	4360070	1	Breaker, Circuit (Machines with SkyPower)	

SECTION 11 - SPECIAL OPTIONS

SECTION 11 - SPECIAL OPTIONS

FIGURE 11-1. SPECIAL OPTIONS

ITEM	PART NUMBER	QTY	DESCRIPTION	REV
		Ref	Note: This list is to accommodate machines ordered with special equipment. Options may not be applicable to all models. For more specific parts information contact JLG Parts Department.	
		Ref	MISCELLANEOUS SPECIAL OPTIONS	
	1001229762	Ref	Air Intake Shut-off Valve (Deutz TD2.9L4 Engines)	
	1340061	Ref	Air Cleaner Precleaner	
		Ref	Air Line at Platform Installations	
	0271472	Ref	Air Line at Platform Installations (800S HC3)	
	1001091712	Ref	Air Line at Platform Installations (With Arctic Package) (800S HC3)	
	0271473	Ref	Air Line at Platform Installations (860SJ HC3)	
	1001091713	Ref	Air Line at Platform Installations (With Arctic Package) (860SJ HC3)	
	0271476	Ref	Bellows Installations - Boom (800S HC3)	
	1001257440	Ref	Bellows Installations - Boom (860SJ HC3)	
	1001158259	Ref	Bellows Installations - Frame	
	1001197240	Ref	Boom Rope Service Kit (860SJ HC3)	
	2910888	Ref	Boom Wear Pad Kit	
	0271448	Ref	Boom Wiper Installation (800S HC3)	
	1001257418	Ref	Boom Wiper Installation (860SJ HC3)	
	1001233047	Ref	Breather Heater Kit (Deutz TD2.9L4 Engines)	
	1001172045	Ref	Cable/Ladder Rack Installation	
		Ref	ClearSky (Telematics) Add-on Kits (Dealer Installed)	
	1001242409	Ref	ClearSky (Telematics) Access Control Add-on Kit (Dealer Installed) (ANSI, ANSI Export and CSA Specs)	
	1001243183	Ref	ClearSky (Telematics) Added-on Kit (Dealer Installed) (ANSI, ANSI Export and CSA Specs)	
	1001243184	Ref	ClearSky (Telematics) Added-on Kit (Dealer Installed) (CE Specs)	
	1001246142	Ref	ClearSky (Telematics) Added-on Kit (Dealer Installed) (Australian Specs)	
		Ref	ClearSky Telematics Installations (Factory Installed)	
	1001227494	Ref	ClearSky Telematics Installation - Canbus Connection (Factory Installed) (ANSI & CSA Specs)	
	1001228950	Ref	ClearSky Telematics Installation - Canbus Connection (Factory Installed) (ANSI EXPORT & CE Specs)	
	1001246475	Ref	ClearSky Telematics Installation - Canbus Connection (Factory Installed) (Australian Specs)	
	1001229107	Ref	ClearSky Telematics Installation - 3 Wire Connection (Factory Installed) (ANSI & CSA Specs)	
	1001233237	Ref	ClearSky Telematics Installation - 3 Wire Connection (Factory Installed) (ANSI EXPORT & CE Specs)	
		Ref	Cold Weather Start Kits (Factory Installed)	
	1001178208	Ref	Deutz D2011 Engine Machines	
	1001178207	Ref	Deutz TD2.9L4 Engine Machines	
	1001255807	Ref	Deutz TD2.9L4 Stage V Engine Machines	
	1001219840	Ref	Ford DF 2.5L Engine Machines	
	1001245137	Ref	Control Valve Lockdown Kit (Used on Valves p/n 1001235900, 1001235901 & 1001244114)	
	1001115918	Ref	Cribbing Switch Installation	
		Ref	Decal Kits Options:	

SECTION 11 - SPECIAL OPTIONS

ITEM	PART NUMBER	QTY	DESCRIPTION	REV
	1001241345	Ref	Decal Kit - Platform Console Box (ANSI Spec)	
	1001109257	Ref	Drive Orientation Kit (860SJ HC3)	
	2902394	Ref	Drive/Steer Cutout Kit	
		Ref	Electrical Connector Kits	
	1001148902	Ref	Amp/Tyco Electrical Connector Kit	
	1001148903	Ref	Deutsch DT Electrical Connector Kit	
	1001148904	Ref	Deutsch HD Electrical Connector Kit	
	1001148905	Ref	Packard Electrical Connector Kit	
	1001148906	Ref	Various Electrical Connectors Kit	
	1001218022	Ref	Engine Block Heater Installation (Ford DF 2.5L Engines)	
	1001246867	Ref	Enhanced Detection System (EDS) Level 1 (2-Bar) Installation Kit	
	1001246860	Ref	Enhanced Detection System (EDS) Level 2 (3-Bar) Installation Kit	
	1001237883	Ref	Fall Arrest (Bolt-on) Add-on Kit (6ft/1.82m Platform (ANSI, ANSI Export, China, CSA & Japanese Specs Only) (Fits Platform p/ns 1001186384, 1001144024 & 1001228376)	
	1001237882	Ref	Fall Arrest (Bolt-on) Add-on Kit (8ft/2.4m Platform (ANSI, ANSI Export, China, CSA & Japanese Specs Only) (Fits Platform p/ns 1001186383 & 1001144023)	
		Ref	Fan Cover/Grille Options:	
	1001182599	Ref	Fan Cover Installation (Deutz D2011 Engines)	
	1001177694	Ref	Fan Grille Installation (Deutz TD2.9L4 Engines and Deutz TD2.9L4 (Stage V) Engines) (Modine Radiator Only)	
	1001093389	Ref	Fan Cover Installation (Ford DF 2.5L Engines)	
	1001139099	Ref	Fire Extinguisher Installation (20lb) (Platform Mounted)	
	1001239235	Ref	Fire Protection for Platform Valves and Filter (860SJ HC3)	
		Ref	Filter Kits:	
		Ref	Combined Filter Kit (Hydraulic/Air and Fuel/Engine Oil)	
	1001225623	1	Deutz D2011 Engine Machines	
	1001195537	1	Deutz DT2.9L4 Engine Machines	
	1001114052	1	Ford DF 2.5L Engine Machines	
	1001117294	Ref	Footswitch Shield (With Arctic Package)	
	1001202749	Ref	Fuel Cap Cover Installation (Black) (Note: Lock p/n 1001102157 Must be Purchased Separately)	
	1001191395	Ref	Fuel Cap Cover Installation (Green) (Diesel Machines) (Note: Lock p/n 1001102157 Must be Purchased Separately)	
	1001191394	Ref	Fuel Cap Cover Installation (Red) (Gas Machines) (Note: Lock p/n 1001102157 Must be Purchased Separately)	
	1001116163	Ref	7500W/60Hz Generator Add-on Kit	
	1001210977	Ref	Hostile (Extreme) Environment Installation (with Deutz Engine) (Factory Installed) (ANSI, ANSI Export, CE-LRC, China, CSA and Japanese Specs) (860SJ HC3)	
	1001241416	Ref	Hostile (Extreme) Environment Add-on Kit (with Deutz Engine) (Dealer Installed) (ANSI, ANSI Export, CE-LRC, China, CSA and Japanese Specs) (860SJ HC3)	
	1001094475	Ref	Hourmeter for Generator	
	1001229935	Ref	Hydraulic Tank Lock Installation	
		Ref	Light Options	
	0272057	Ref	Chassis Illumination Lights (ABS Hoods)	
	1001184259	Ref	Chassis Illumination Lights (Steel Hoods)	
	0271552	Ref	Headlights & Taillights Installation (ABS Hoods)	
	1001164786	Ref	Headlights & Taillights Installation (Steel Hoods)	
	0272058	Ref	Platform Flood Lights Installation	
	0273472	Ref	Platform Worklights Installation (800S HC3)	
	0273483	Ref	Platform Worklights Installation (860SJ HC3)	

SECTION 11 - SPECIAL OPTIONS

ITEM	PART NUMBER	QTY	DESCRIPTION	REV
	1001128153	Ref	Platform Worklights Installation (Worklight 4 Corner)	
	1001152965	Ref	Strobe Light Installation - Platform Mounted (Amber)	
	1001154231	Ref	Strobe Light Installation - Platform & Ground Mounted (Amber)	
	1001268755	Ref	Lift Cylinder, Jib Kit (860SJ HC3)	
	1001236951	Ref	Low Temperature Cutout Installation (Russian Specs)	
		Ref	Oil Cooler Options:	
	1001158251	Ref	Oil Cooler Installations (Deutz D2011 Engines)	
	1001186631	Ref	Oil Cooler Installations (Deutz TD2.9L4 Engines and Deutz TD2.9L4 (Stage V) Engines) (YMER Cooler)	
	1001219633	Ref	Oil Cooler Installations (Ford DF 2.5L Engines)	
	1580013	Ref	Platform Corner Storage Tray	
	1001214984	Ref	Platform Box Decal Protection Installation (GB China Specs)	
		Ref	Platform Box Cover Installations	
	1001195304	Ref	Plastic Cover (All Specs except China Specs)	
	1001110974	Ref	Steel Cover (ANSI Export Specs, CE (LRC) & China Specs)	
		Ref	Platform Entry Kits	
	1001142504	Ref	Drop Bar (Replacing Swing Gate with Drop Bar)	
	1001142505	Ref	Swing Gate (Replacing Drop Bar with Swing Gate)	
		Ref	Platform Mesh To Mid Rail Installation (Side Entry Platform)	
	1001140318	Ref	Platform Mesh To Mid Rail Installation (Side Entry Platform) - 2.5ft x 4ft Platforms (ANSI, ANSI Export and Australian Specs)	
	1001140315	Ref	Platform Mesh To Mid Rail Installation (Side Entry Platform) - 2.5ft x 5ft Platforms (ANSI, ANSI Export and CSA Specs)	
	1001138772	Ref	Platform Mesh To Mid Rail Installation (Side Entry Platform) - 3ft x 6ft Platforms (ANSI, ANSI Export and CSA Specs)	
	1001138773	Ref	Platform Mesh To Mid Rail Installation (Side Entry Platform) - 3ft x 8ft Platforms (ANSI, ANSI Export and CSA Specs)	
		Ref	Platform Mesh to Mid Rail Add-on Kits:	
	1001214478	Ref	30in x 4ft (76cm x 1.22m) with Gate	
	1001214515	Ref	30in x 5ft (76cm x 1.52m) with Gate	
	1001214540	Ref	36in x 6ft (91.5cm x 1.83m) with Gate	
	1001214548	Ref	36in x 8ft (91.5cm x 2.44m) with Gate	
		Ref	Platform Mesh To Top Rail Installation (Side Entry Platform)	
	0273147	Ref	Platform Mesh To Top Rail Installation (Side Entry Platform) - 2.5ft x 4ft Platforms (ANSI, ANSI Export and CSA Specs)	
	0273146	Ref	Platform Mesh To Top Rail Installation (Side Entry Platform) - 2.5ft x 5ft Platforms (ANSI, ANSI Export and CSA Specs)	
	0273149	Ref	Platform Mesh To Top Rail Installation (Side Entry Platform) - 3ft x 6ft Platforms (ANSI, ANSI Export and CSA Specs)	
	0273145	Ref	Platform Mesh To Top Rail Installation (Side Entry Platform) - 3ft x 8ft Platforms (ANSI, ANSI Export and CSA Specs)	
		Ref	Platform Mesh to Top Rail Add-on Kits:	
	1001214552	Ref	30in x 4ft (76cm x 1.22m) with Gate	
	1001214559	Ref	30in x 5ft (76cm x 1.52m) with Gate	
	1001214561	Ref	36in x 6ft (91.5cm x 1.83m) with Gate	
	1001214562	Ref	36in x 8ft (91.5cm x 2.44m) with Gate	
	1001149730	Ref	Platform Mid Rail Repair Kit	
		Ref	Platform Top Rail Extension Installations	
	0272733	1	Platform 6ft (1.83m)	
	0272725	1	Platform 8ft (2.44m)	
	1001209059	Ref	Platform Work Surface Installation	
	1001100121	Ref	Programmable Security Lock Installation (CE and China Specs Only)	
	1001162546	Ref	Pump Coupling Service Kit (Sauer Danfoss)	

SECTION 11 - SPECIAL OPTIONS

ITEM	PART NUMBER	QTY	DESCRIPTION	REV
	1001190889	Ref	Service Kits/Tools	Q
	1001241547	Ref	SkyEye Housing Kit (Left Side)	
	1001241548	Ref	SkyEye Housing Kit (Right Side)	
	1001247073	Ref	SkyEye Retrofit Kit	
		Ref	SkyGuard Component Options:	
	1001206477	Ref	SkyGuard Complete Add-On Kit (Blue Beacon)	
	1001210026	Ref	SkyGuard Complete Add-On Kit (Red Beacon)	
	1001137672	Ref	SkyGuard Platform Sensor Kit	
	1001137440	1	SkyGuard Sensor Harness	
	1001186431	2	Relay	
	1001206311	Ref	SkyGuard Strobe Light Kit (Blue Beacon)	
	1001210025	Ref	SkyGuard Strobe Light Kit (Red Beacon)	
	1001250595	Ref	SkyGuard 6-Pin Retrofit Installation Kit	
	1001249052	Ref	SkyGuard Retrofit Kit (Dealer Installed)	
	1001262016	Ref	SkyLine Kit (Dealer Installed)	
	1001250465	Ref	SkySense/Enhanced Detection System (EDS) Level 1 (2-Bar) Kit (Factory Installed)	
	1001250466	Ref	SkySense/Enhanced Detection System (EDS) Level 2 (3-Bar) Kit (Factory Installed)	
	1001252033	Ref	SkySense/Enhanced Detection System (EDS) Level 1 (2-Bar) Kit (Dealer Installed)	
	1001252034	Ref	SkySense/Enhanced Detection System (EDS) Level 2 (3-Bar) Kit (Dealer Installed)	
	1001253618	Ref	SkySense/Enhanced Detection System (EDS) Module 1001246867 Service Kit for Level 1 (2-Bar) (Dealer Installed)	
	1001253619	Ref	SkySense/Enhanced Detection System (EDS) Module 1001246860 Service Kit for Level 2 (3-Bar) (Dealer Installed)	
	1001231235	Ref	SkyWelder Locking Bracket Installation	
	1001110926	Ref	Soft Touch (Overhead) Installation (Chinese/Korean Specs Only)	
		Ref	Tools for Service	
	2901443	1	Analyzer Kit	
	1001249695	1	Analyzer and Cable Kit	
	1001249941	1	Analyzer and Cable Kit (Battery Powered)	
	8896941	1	Wire Stripper	
	7002821	1	Wire Crimper (To install wire ends to wires)	
	7002823	1	Pin/Socket Extractor - Universal (To Remove Pins/Sockets from Connectors)	
	4460467	1	Extractor - 16-18 Gauge (For Removal of Pin/Sockets from Deutsch Connectors)	
	4460510	1	Extractor - 12-14 Gauge (For Removal of Pin/Sockets from Deutsch Connectors)	
	7002822	1	Screwdriver, Potentiometer (To Adjust Drive Controllers)	
	7016654	1	Screwdriver, Magnetic	
	7004275	1	Seal Installation Tool - 1in	
	7004276	1	Seal Installation Tool - 1-1/2in	
	7002826	1	Seal Installation Tool - 2in	
	7016655	1	Wire Rope Sheave Gauge	
	1001137005	1	Software Cable Kit	
	70005663	1	Tool, Port Plate for Pump p/n 1001142522	
	1001228355	Ref	Turntable Bearing Cover Installation	
	2915094	Ref	Turntable Bearing Replacement Kit	
	0271487	Ref	Weld Leads Installation (800S HC3)	
	0271488	Ref	Weld Leads Installation (860SJ HC3)	

SECTION 11 - SPECIAL OPTIONS

ITEM	PART NUMBER	QTY	DESCRIPTION	REV
	1001262959	Ref	Voltage Regulator Relocation Kit (ClearSky)	

PART NUMBER INDEX

SECTION 11 - SPECIAL OPTIONS

0100009....81, 85, 89, 93, 97, 101, 105, 109, 113, 117, 451	0257195 829	0480129 349, 365	655, 657, 659, 661, 663, 665, 667, 669, 671
0100011....19, 21, 23, 25, 27, 41, 43, 45, 47, 51, 53, 65, 69, 71, 73, 77, 79, 81, 85, 89, 93, 97, 101, 105, 109, 113, 117, 123, 144, 148, 149, 152, 153, 156, 160, 161, 164, 165, 168, 169, 171, 173, 185, 191, 193, 197, 199, 201, 204, 208, 215, 219, 223, 227, 229, 231, 234, 240, 246, 252, 258, 271, 278, 281, 284, 289, 291, 293, 321, 323, 333, 335, 337, 341, 345, 349, 353, 357, 361, 365, 369, 373, 377, 383, 385, 387, 391, 395, 399, 401, 403, 405, 411, 413, 419, 421, 423, 425, 427, 437, 439, 441, 443, 469, 471, 473, 486, 491, 493, 497, 503, 505, 507, 509, 531	0257728 499	0561185 387, 391	0641414....451, 469, 503, 505, 507, 509
010001957, 63, 175, 177, 179, 337, 345, 349, 353, 357, 361, 365, 369, 373, 377	0258608 465	0561380 383, 385	0641416....583, 585, 587, 589, 591, 593, 595, 597, 599, 601, 603, 605, 607, 609, 611, 613
0100020..39, 71, 73, 177, 179, 182, 191, 193, 197, 215, 219, 223, 234, 235, 240, 241, 246, 247, 252, 253, 258, 260, 278, 284, 315, 350, 366, 455, 477, 486, 583, 585, 587, 589, 591, 593, 595, 597, 599, 601, 603, 605, 607, 609, 611, 613	0258728 329	0561445 387, 391	064141851, 53, 419, 421, 425, 427, 437, 439, 441, 443
0100035.....273, 451, 463	0259147 67	0561446 387, 391	0641420.....278, 423
0100038.....531	0270528 41, 43, 45	0561447 387, 391	0641424....663, 665, 667, 669, 671
0100048....81, 85, 89, 93, 97, 101, 105, 109, 113, 117, 123, 185, 278, 341, 353, 357, 369, 373, 451	0270886 33	0561449 387, 391	0641504.....383, 385
0100062....204, 208, 234, 240, 246, 252, 258, 286, 361, 366	0270888 35	0561484 ... 629, 633, 635, 639	0641506....81, 85, 89, 97, 101, 105, 109, 117, 181
0100079.....357, 373	0271002 63	0630407 ... 234, 240, 246, 252, 258	0641507.....93, 113, 403, 405
0100081....148, 152, 156, 160, 164, 168, 401, 479, 481, 483	0271085 33	0630462 ... 503, 505, 507, 509	064150841, 43, 144, 333, 335, 337, 341, 411, 413
0140011.....451	0271086 33	0630467 403, 405	0641510.....204, 208
0140044.....123	0271090 35	0630485 ... 149, 153, 156, 160, 165, 168	0641511....629, 631, 633, 635, 637, 639, 653, 655, 657, 659, 661, 663, 665, 667, 669, 671
0181949.....39	0271091 35	0630518 ... 121, 463, 477, 486, 491, 493, 497	0641512.....204, 208
0200048....503, 505, 507, 509	0271448 846	0630534 527, 533, 535	0641514.....499, 501
0200742.....333, 335	0271472 846	0630535 529, 541, 543	0641516....349, 357, 361, 365, 369, 373, 377
0256202.....579	0271473 846	0630536 531	0641518....234, 240, 246, 252, 258
	0271476 846	0630539 401	0641560.....27
	0271487 849	0630548 ... 81, 85, 89, 93, 97, 101, 105, 109, 113, 117	0641604....385, 411, 413, 629, 631, 633, 635, 637, 639, 653, 655, 657, 659, 661, 663, 665, 667, 669, 671
	0271488 849	0630568 452	0641605....234, 240, 246, 252, 258, 401
	0271552 847	0641403 361, 387, 391	0641606....47, 51, 53, 77, 79, 145, 204, 208, 215, 219, 223, 387, 391, 401, 411, 413, 486, 491, 493, 497
	0272057 847	0641404 ... 81, 85, 89, 93, 97, 101, 105, 109, 113, 117, 333, 345, 349, 353, 357, 365, 369, 373, 471, 473	0641607....23, 25, 71, 73, 278, 337, 387, 391, 629, 631, 633, 635, 637, 639, 653, 655, 657, 659, 661, 663, 665, 667, 669, 671
	0272058 847	0641405 ... 123, 345, 349, 353, 357, 361, 365, 369, 373, 377, 471, 473, 511	0641608....131, 133, 135, 137, 139, 141, 144, 145, 148, 152, 156, 160, 164, 168, 171, 173, 179, 191, 193, 197, 215, 219, 223, 234, 240, 246, 252, 258, 317, 383, 387, 391, 401, 511
	0272081 ... 145, 149, 153, 165	0641406 ... 131, 133, 135, 137, 139, 144, 148, 152, 156, 160, 164, 168, 177, 179, 181, 185, 215, 219, 223, 227, 229, 231, 234, 240, 246, 252, 258, 278, 325, 327, 346, 353, 449, 451, 475, 619, 621, 766, 770, 774, 778, 782, 786, 790, 794, 798, 802, 806, 810, 814, 818, 822, 826	0641609....144, 149, 153, 156, 160, 165, 168, 204, 208, 234, 240, 246, 252, 258, 321, 323, 329
	0272254 493	0641407 ... 81, 85, 89, 93, 97, 101, 105, 109, 113, 117, 199, 201, 204, 208, 281, 325	0641610....127, 129, 144, 181, 191, 193, 197,
	0272259 575	0641408 ... 149, 153, 156, 160, 165, 168, 279, 449, 629, 631, 633, 635, 637, 639, 653, 655, 657, 659, 661, 663, 665, 667, 669, 671	
	0272260 577	0641409 191, 194, 197	
	0272418 479, 481, 483	0641410 47, 191, 193, 197, 204, 208, 629, 631, 653, 655, 663, 665	
	0272427 507	0641412 ... 215, 219, 223, 278, 629, 631, 633, 635, 637, 639, 653,	
	0272435 ... 366, 374, 378		
	0272448 839		
	0272521 491		
	0272588 837		
	0272589 362, 370		
	0272599 833		
	0272607 835		
	0272725 848		
	0272733 848		
	0272948 483		
	0272951 481		
	0273145 848		
	0273146 848		
	0273147 848		
	0273149 848		
	0273353 486		
	0273472 847		
	0273483 847		
	0273596 177		
	0273687 177, 179		
	0273695 383		
	0273706 509		
	0273824 503		
	0274661 501		
	0275216 583, 731		
	0275217 589, 735		
	0275452 595, 739		
	0275453 601, 743		
	0275454 607, 747		
	0362770 144		
	0362910 45		
	0400075 77, 79		
	0440162 395		
	0440237 395		
	0440244 63		
	0480100 499, 501		
	0480121 333, 335		
	0480126 345, 361		

SECTION 11 - SPECIAL OPTIONS

204, 208, 215, 219, 223, 258, 271, 273, 278, 315, 333, 335, 387, 391, 449	0700408 ... 583, 585, 587, 589, 591, 593, 595, 597, 599, 601, 603, 605, 607, 609, 611, 613	0761018.....377	0940133..... 509
0641611 69, 148, 153, 156, 160, 165, 168	0700615 ... 127, 129, 149, 161	0761208.....258	0940134..... 503
0641612 ... 234, 240, 246, 252, 258	0700617 ... 149, 153, 165, 169, 173	0761210....234, 240, 246, 252, 258	0940177 505
064161351, 53, 317, 383, 387, 391	0700618 ... 149, 153, 161, 165, 169, 171	0761212.....385	0961845... 419, 421, 423, 425, 427, 437, 439, 441, 443
064161471, 73, 145, 346, 354, 619, 621	0700624 663	0761216.....399	0961893.... 527, 533, 535
0641615 385	0700626 ... 629, 631, 633, 635, 637, 639	0771014.....284	0961894 529
0641616 ... 144, 148, 152, 156, 160, 164, 168, 181, 345, 350, 387, 391	0700808 204, 208	0771212....215, 219, 223, 234, 240, 246, 252	0961897 541, 543
0641617 39	0700810 284	0771414....204, 208, 234, 240, 246, 252, 258	0961898 531
0641618 ... 353, 357, 362, 366, 369, 373	0700812 284	0771415....236, 242, 248, 254, 258, 345, 350, 362, 366	0961947 395, 397, 529
0641620 401	0700814 ... 236, 242, 248, 254, 258, 284	0780610.....385	0961951 391
0641626 387, 391	0700816 289, 291	0791404.....415	0961986 ... 204, 208, 234, 240, 246, 252, 258, 284
0641634 387, 391	0700818 289, 291	0801275.....387	0962033 531, 537
0641640 387, 391	0701014 289, 291	0801279.....383	0962051 329, 331
0641644 401	0701020 395	0801649.....387	0962102 19, 21
0641708 ... 234, 240, 246, 252, 258	0701026 293	0811606....223, 387, 391	0962122 383
0641772 ... 333, 335, 337, 341	0710827 289, 291	0811607 387, 391	0962152 25, 539
0641806 260	0711014 286	0811608.....387, 391	0962155 395
064180871, 73, 191, 193, 197, 227, 229, 231, 278, 281, 345, 349, 353, 357, 361, 365, 369, 373	0711020 284	0811610....149, 153, 156, 160, 165, 168	0962181 25
0641810 23, 25, 177, 179	07111215 258	0811614.....387, 391	0962270 445, 447
0641812 69, 199, 201, 227, 229, 231, 281, 337, 385	0711216 289, 291	0811616.....387, 391	0962297 383, 387, 391
0641814 215, 219, 223	0711223 286	0811812....144, 148, 152, 156, 160, 164, 168	0962336 527, 533, 535
0641816 71, 73	0711414 321, 323	0860038....349, 357, 365, 373, 377, 575, 577	0962348 25
0641818 323, 329, 331	0720804 39	0860520....766, 770, 774, 778, 782, 786, 790, 794, 798, 802, 806, 810, 814, 818, 822, 826	0962449 333
0641820 69, 204, 208, 321	0721003 451	0861538....366, 373, 377	0962520 ... 345, 350, 353, 357, 362, 366, 369, 373, 377
0642010 45, 191, 193, 197, 215, 219, 223, 278	0721004 45	0861572.....362, 369	1001001939 204, 208
0642012 479, 481, 483	0721005 507, 509	0861642.....177, 179	1001004720 197
0642014 383, 385	0721006 ... 144, 271, 273, 333, 335, 337, 451	0861731....599, 605, 611, 613, 739, 741, 743, 745, 747, 749	1001090615 511
0642212 19, 21, 383, 385, 479, 481, 483	0721008 145	0861781....587, 593, 731, 733, 735, 737	1001091460 29
0642618 383, 385	0731005 71, 73, 503, 505	0861880....673, 675, 677	1001091461 29
0681608 19, 21, 191, 193, 197, 215, 219, 223, 236, 242, 248, 254, 399	0741605 ... 234, 240, 246, 252, 258, 383	0902219.....144	1001091472 631, 637
0681620 ... 513, 515, 517, 519	0741606 411, 413	0902223.....144	1001091618 645, 655, 661
0681814 445, 447	0741607 45, 345, 350, 353, 357, 369, 373, 377	0902412.....144	1001091620 655
0681820 ... 234, 240, 246, 252, 258	0741609 25	0902491.....144	1001091712 846
0681822 27, 236, 242, 248, 254, 258, 445, 447	0741612 387, 391	0902673....144, 148, 152, 156, 160, 164, 168	1001091713 846
0682016 27, 175	0760514 197	0902674.....144	1001091969 583
0682023 63	0760605 ... 234, 240, 246, 252, 258, 289	0902769.....144	1001091970 589
0682032 63	0760606 378	0902888....349, 357, 361, 365, 369, 373, 377	1001091973 595
0682216 57	0760608 284	0903242.....69	1001091974 601
0682236 19, 21	0760610 ... 284, 289, 291, 341, 377	0940049....148, 152, 156, 160, 164, 168	1001091975 607
0682424 ... 513, 515, 517, 519	0760612 284	0940070....204, 208, 234, 240, 246, 252, 258, 286	1001093382 77, 79
	0760615 289, 291	0940071.....144	1001093389 847
	0760807 289	0940088....144, 149, 153, 156, 160, 165, 168	1001094475 847
	0760810 ... 234, 240, 246, 252, 258, 278, 284, 399	0940092....503, 505, 507, 509	1001094595 199, 201, 227, 229, 231, 281, 303
	0760812 284, 625	0940094....503, 505, 507, 509	1001094899 57
	0760814 284	0940102....479, 481, 483	1001095307 551, 555
	0760815 284	0940103.....507	1001095308 551, 555
	0760817 289, 291		1001097051 753
	0761008 216, 220, 278		1001097150 673, 677
	0761012 395		1001098012 477, 486, 489
	0761014 284, 331, 399		1001098122 455, 729
	0761015 ... 236, 242, 248, 254, 258, 284, 395		1001098149 477
	0761016 284, 341		1001098167 523

SECTION 11 - SPECIAL OPTIONS

1001099421.....483	1001110166..... 148, 152, 156, 160, 164, 168	1001116815 690, 719, 721	1001126828..... 145, 148, 152, 157, 161, 164, 168
1001099422.....481	1001110425. 51, 53, 191, 194, 197, 215, 219, 223	1001116846 790, 794, 829	1001128153..... 848
1001099869.....333	1001110544 415	1001116849 790, 794	1001128527..... 497
1001100121.....848	1001110872 615, 617	1001116851 790, 794	1001128556..... 497
1001100231.....673	1001110873 349, 358, 365, 373, 378, 575	1001116952 685, 690	1001128901..... 285
1001100234.....333	1001110926 511, 849	1001116983 695	1001129555..... 842
1001100321.....333	1001110935 511	1001117027 148, 152, 156, 160, 164, 168	1001129858..... 349
1001100326.....585	1001110974 848	1001117078 709	1001131269..... 766, 770, 798, 802
1001100327.....591	1001111968 558, 563, 566, 571	1001117106 685, 690	1001131731..... 401
1001100331.....597	1001112551 774	1001117107 685, 690	1001131802..... 511
1001100333.....603	1001112588 335	1001117172 455, 843	1001133714..... 686, 689, 697
1001100337.....609	1001112589 333, 335	1001117174 451, 455	1001133715..... 686, 689, 697
1001100341.....585, 731, 733	1001112612 627, 719, 721	1001117249 148, 152, 156, 160, 164	1001133956..... 685, 690
1001100342.....591, 735, 737	1001112796 627	1001117294 847	1001133957..... 685, 690
1001100345.....597, 739, 741	1001113047 148, 152, 156, 160, 164, 168	1001117307 148, 152, 156, 160, 164, 168	1001134289..... 395, 397
1001100346.....609, 747, 749	1001113643 511	1001117308 235, 241, 247, 253, 259, 842	1001134488..... 235, 241, 247, 253, 260, 285
1001100347.....603, 743, 745	1001113691 511	1001117372 523	1001135138..... 235, 241, 247, 253, 259
1001100825.....281, 311	1001113741 511	1001117804 383	1001135650..... 686, 689, 697
1001101191.....583, 585, 587, 589, 591, 593, 595, 597, 599, 601, 603, 605, 607, 609, 611, 613, 673, 675, 677	1001113743 511	1001117805 385	1001135651..... 686, 689
1001101196.....583, 585, 587, 589, 591, 593	1001113774 511	1001118384 757	1001135679..... 235, 241, 247, 253
1001101197.....595, 597, 599, 601, 603, 605, 607, 609, 611, 613	1001113856 511	1001118388 757, 759	1001136104..... 377
1001101421.....479	1001113857 511	1001118666 392	1001136400..... 401
1001101422.....479	1001113961 719, 721	1001119020 627, 719, 721, 729	1001136834..... 235, 241, 247, 253, 259
1001101600.....191, 193, 197	1001114052 847	1001119619 751	1001137005..... 849
1001101623..... 145	1001115388 365	1001119620 753, 755	1001137276..... 235, 241, 247, 253, 259
1001101673..... 145	1001115394 361	1001119968 370, 375, 709	1001137440..... 849
1001102290.....679, 681	1001115405 335	1001120328 469, 471, 473	1001137459..... 77, 79
1001102291.....679, 681	1001115409 333	1001120989 829	1001137672..... 849
1001102304.....679, 681	1001115918 846	1001120993 829	1001137673..... 469, 843
1001102858.....411, 413, 511	1001116163 847	1001121669 635, 637, 659, 661, 669, 671	1001138110..... 685
1001103308.....81, 89, 93, 97, 101, 109, 117	1001116208 829	1001121670 659, 661	1001138111..... 685
1001103667.....81, 85, 89, 93, 97, 101, 105, 109, 113, 117, 842	1001116280 148, 152, 156, 160, 164, 168	1001121671 635, 637, 669, 671	1001138113..... 685
1001103810.....23, 25	1001116290 149, 153, 161, 165, 169, 171, 173	1001125387 829	1001138173..... 235, 241, 247, 253, 259, 285
1001106736.....81, 85, 89, 93, 97, 101, 105, 109, 113, 117	1001116322 148, 152, 156, 160, 164, 168	1001125492 57	1001138175..... 235, 241, 247, 253, 259, 285
1001106957.....554	1001116344 148, 160, 168	1001125501 152, 157, 164	1001138228..... 235, 241, 247, 253, 259, 842
1001106974.....69	1001116358 148, 152, 156, 160, 164, 168	1001125502 153, 157, 165	1001138248..... 235, 241, 247, 253, 259, 286
1001107531.....69	1001116456 131, 133	1001126008 403, 405	1001138489..... 235, 241, 248, 254, 259
1001108256.....505	1001116457 141	1001126009 403, 405, 757	1001138491..... 215, 219, 223, 695
1001108617.....51, 53	1001116558 149, 161, 169	1001126011 729	1001138494..... 421, 423, 425, 427, 437, 439, 441, 443
1001109029.....766, 770, 778, 782, 790, 794, 798, 802, 806, 810, 814, 818, 822, 826	1001116620 149, 153, 157, 161, 165, 169	1001126351 685, 690	1001138514..... 421, 423, 425, 427, 439, 443
1001109257.....847	1001116693 679, 681, 683, 693, 761	1001126352 685	1001138557..... 235, 241, 247, 253, 259
1001109503.....85, 105	1001116694 722	1001126356 685	1001138565..... 345
1001109648.....621, 677	1001116710 695	1001126357 685	1001138566..... 345, 350, 353, 357
1001109654.....619, 673	1001116720 759	1001126362 686, 689	1001138671..... 385
	1001116727 685, 699, 701	1001126363 686, 689	1001138772..... 848
	1001116728 685	1001126364 686, 689	1001138773..... 848
	1001116733 699	1001126365 686	
	1001116734 699	1001126384 685	
	1001116774 627	1001126391 686, 689	
	1001116808 627	1001126392 686, 689	
	1001116812 689, 719, 721	1001126485 689	
		1001126487 689	

SECTION 11 - SPECIAL OPTIONS

1001138795 527, 533, 535	1001143484..... 325	1001151010..... 39	1001156427 633, 667
1001138827 235, 241, 247, 253, 260	1001143525..... 325, 327	1001151034..... 23	1001156439 401
1001139099 847	1001143726..... 236, 241, 248, 253, 685	1001151070..... 191, 193, 197	1001156710 19, 21
1001139240 235, 241, 247, 253, 259	1001143736..... 215, 219, 223	1001151252..... 323	1001156805 71, 73
1001139357 345, 350	1001143797..... 236, 242, 248, 253, 260	1001151253..... 321	1001156823 278
1001139409 235, 241, 247, 253, 259	1001143852..... 829	1001151856..... 686	1001157016 27
1001139654 829	1001143860..... 325	1001151980..... 23	1001157021 145
1001140312 248, 254	1001143907..... 236, 242, 248, 253, 260	1001152174..... 81, 89, 97, 101, 109, 117	1001157025 148, 152, 157, 161, 164, 169
1001140315 848	1001144433..... 469	1001152429..... 362, 367, 707	1001157056 71, 73
1001140318 848	1001144447..... 179	1001152457 349, 358	1001157208 149, 153, 169
1001140346 357	1001144527..... 139	1001152459..... 205, 209	1001157209 149, 153, 161, 165, 169
1001140347 353	1001144629..... 429, 431, 433, 435, 437, 441	1001152489..... 236, 242, 248, 254, 260	1001157284 149, 153, 157, 161, 165, 169
1001140429 419, 421, 423, 425, 427, 437, 439, 441, 443	1001145154..... 236, 242, 248, 254, 260	1001152525..... 362, 366, 370, 374, 378	1001157344 148, 152, 157, 161, 164, 169
1001140448 235, 241, 247, 253, 259	1001145405..... 477, 486	1001152530..... 349, 358	1001157400 547
1001140450 235, 241, 247, 253, 259	1001146273..... 204, 208	1001152532..... 345, 350, 354, 358, 703	1001157415 144
1001140454 235, 241, 247, 253, 259	1001146588..... 224, 259	1001152719..... 19	1001157416 131, 148
1001140564 235, 241, 247, 253, 260	1001147264..... 685, 690	1001152965..... 848	1001157474 145, 148, 152, 157, 161, 164, 169
1001141138 452, 843	1001147479..... 385, 843	1001153197..... 346, 701	1001157475 145, 148, 152, 157, 161, 164, 169
1001141300 829	1001147812..... 204, 208	1001153259..... 354, 705	1001157520 362, 366, 370, 374, 378
1001141302 829	1001147813..... 204, 208	1001153260..... 349, 358	1001157521 362, 366, 370, 374, 378
1001141304 235, 241, 247, 253, 259	1001147820..... 204, 208	1001153282..... 205, 209, 236, 240, 248, 254, 259, 299	1001157525 361, 362, 369, 370
1001141370 235, 241, 247, 253, 259	1001147823..... 204, 208, 211	1001153309..... 349	1001157528 362, 366, 370, 374, 378
1001141419 235, 247, 259	1001148138..... 337	1001153310..... 345	1001157592 365, 366, 374, 378
1001141585 235, 241, 247, 253, 259, 285	1001148563..... 373	1001153396..... 199, 204	1001157612 148, 152, 157, 161, 164, 169
1001141586 235, 247, 259	1001148564..... 369	1001153414..... 205, 209	1001157736 145
1001141870 271, 273	1001148565..... 179	1001153779..... 201, 208	1001157752 131
1001141995 235, 241, 247, 253, 260, 285	1001148607..... 71, 73	1001154126..... 523	1001157753 133, 152
1001142031 325, 327	1001148650..... 388, 392	1001154231..... 848	1001157755 133
1001142032 325, 327	1001148651..... 388, 392	1001154236..... 191, 197, 199	1001157769 362, 367
1001142501 215, 219, 223, 271, 273	1001148652..... 388, 392	1001154237..... 193, 201	1001157770 370, 375
1001142504 848	1001148653..... 388, 392	1001154324..... 82, 102, 679	1001157837 385
1001142505 848	1001148675..... 615, 617	1001154405..... 215, 219, 223, 271, 273, 317	1001157851 558, 563, 566, 571
1001142623 235, 247, 260	1001148841..... 697	1001154584..... 19	1001157866 551, 555
1001142643 353, 358, 370, 374	1001148842..... 697	1001154687..... 523	1001157870 175
1001142645 353, 369	1001148902..... 847	1001154875..... 21	1001158007 362, 366, 370, 374, 378
1001142646 358, 374	1001148903..... 847	1001154931..... 25	1001158008 362, 366, 370, 374, 378
1001142683 127, 129, 842	1001148904..... 847	1001155035..... 25	1001158084 175
1001142722 127, 129	1001148905..... 847	1001155041..... 341	1001158145 307
1001142736 127, 129, 627	1001148906..... 847	1001155043..... 82, 85, 89, 93, 97, 102, 105, 109, 113, 117	1001158187 47
1001142938 685, 689	1001149160..... 289	1001155044..... 82, 85, 90, 93, 98, 102, 105, 110, 113, 118, 452	1001158188 47
1001142940 685, 689	1001149639..... 285	1001155045..... 82, 85, 90, 93, 98, 102, 105, 110, 113, 118, 452, 842	1001158203 47
1001142941 686, 689	1001149703..... 321	1001155143..... 191, 193	1001158251 848
1001143390 205, 209, 236, 241, 247, 253, 260	1001149704..... 204, 208	1001155192..... 25	1001158259 846
1001143449 325, 327	1001149705..... 204, 208	1001155194..... 21	1001158363 349, 358
1001143483 327	1001149706..... 204, 208	1001155823..... 215, 220, 223	1001158364 123
	1001149730..... 848	1001156107..... 260	1001158436 41
	1001149793..... 205, 209	1001156170..... 191	1001159118 615, 617
	1001149994..... 125, 127, 129	1001156425..... 633, 657, 667	1001159119 615, 617
	1001150260..... 144, 148, 152, 157, 161, 164, 168	1001156426..... 657	1001159120 615, 617
	1001150372..... 23, 25		1001159121 617
	1001150406..... 125		1001159186 719, 721
	1001150539..... 23, 25, 539		
	1001150561..... 131, 133		
	1001150890..... 323		
	1001150915..... 205, 209		
	1001150918..... 193, 219		
	1001150937..... 23, 25		
	1001150998..... 205, 209		

SECTION 11 - SPECIAL OPTIONS

1001159256.....452, 842	1001170035 285	1001180052 338	1001188887.....315
1001159323.....786, 829	1001170764 689	1001180287 337	1001188972..... 193, 220
1001159340.....566, 571	1001170847 411, 413, 843	1001180620 236, 242, 248, 254, 260, 285, 415	1001189001.....399
1001160077 125	1001171127 357	1001181045 673, 675, 843	1001189002.....399
1001160559.....71	1001171131 615	1001181046 677, 843	1001189979.....286
1001160567 73	1001171269 353	1001181060 383	1001190610.....236, 242, 248, 254, 260
1001160780.....41, 43	1001171403 686	1001181145 830	1001190889.....849
1001161355.....23, 25	1001171482 94, 114	1001181235 392	1001190985 399
1001161399.....23, 25	1001172045 846	1001181236 392	1001191022.....415, 843
1001161709.....452, 842	1001172760 452	1001181243 338	1001191394.....847
1001161711 144, 148, 152, 157, 161, 164, 169	1001173535 286	1001181694 541, 543	1001191395.....847
1001162335.....242, 254, 271	1001173580 148, 152, 157, 161, 164, 169	1001181894 558, 563, 566, 571	1001191525.....830
1001162497.....191, 194, 197, 215, 220, 223, 278	1001173869 139	1001181895 248, 254	1001191598.....719
1001162546.....848	1001173870 139, 164	1001181899 236, 242, 246, 252, 260	1001191610.....285
1001162915 165	1001174040 399	1001182361 690	1001191620.....224, 260
1001163101 135, 137, 139	1001174101 165	1001182365 690	1001192027.....385
1001163131 479	1001174282 153	1001182570 411, 413, 843	1001193018.....583, 585, 587, 589, 591, 593, 595, 597, 599, 601, 603, 605, 607, 609, 611, 613
1001163296.....483	1001174283 149, 169	1001182599 847	1001195304.....848
1001163297.....481	1001174486 278	1001182806 185	1001195537.....847
1001163599.....337, 354, 357, 369, 373	1001174745 325, 327	1001184259 847	1001195967.....325
1001164786.....847	1001174746 327	1001184618 451	1001196221.....383, 385
1001165035.....215, 220, 223, 286	1001175354 770, 774, 782, 786, 794, 802, 810, 818, 826	1001184626 451	1001196382.....378
1001165368.....345, 353, 675	1001176027 227, 234, 240	1001185281 452	1001196428.....315
1001165657 23, 25	1001176035 229, 246, 252	1001185667 215, 227	1001196634.....275
1001165776.....90, 94, 110, 113, 683	1001176329 285	1001185671 220, 229	1001196768.....149, 153, 157, 161, 165, 169
1001165842.....236, 248, 260	1001176419 260	1001185676 219	1001197017.....503, 505, 507, 509
1001166538.....452, 461	1001176469 86, 94, 106, 114	1001186251 149, 153, 157, 161, 165, 169	1001197240.....846
1001166539.....452, 457	1001176636 635	1001186254 149, 153, 157, 161, 165, 169	1001197408.....830
1001167042.....236, 242, 248, 254, 260	1001176862 615	1001186333 445	1001197719.....689
1001167194.....559, 562, 567, 570	1001177226 558, 563, 566, 571	1001186334 447	1001198333.....558, 562
1001167196.....559, 562, 567, 570	1001177359 236, 242, 248, 254, 260	1001186375 421	1001198336.....547
1001167565.....399	1001177694 847	1001186377 423	1001198337.....550, 554
1001167567.....399	1001177694 847	1001186379 425	1001198338.....550, 554
1001167596.....399	1001177711 619	1001186379 425	1001198339.....547
1001167632.....689	1001177712 621	1001186382 427	1001198340.....550, 554
1001167635.....689	1001177844 236, 242, 248, 254, 260	1001186383 435	1001198341.....550
1001168018.....285	1001177845 236, 242, 248, 254, 260	1001186384 433	1001199396.....550, 554
1001168024.....82, 86, 90, 94, 98, 102, 106, 110, 114, 118, 761	1001177910 346, 354, 619, 621	1001186386 431	1001199499.....774, 786
1001168025.....403, 405	1001178057 71, 73, 75	1001186387 429	1001200072.....830
1001168402.....399	1001178207 846	1001186426 285	1001200128.....830
1001169054.....236, 242, 248, 254, 260, 285	1001178208 846	1001186431 469, 843, 849	1001200129.....830
1001169138.....236, 242, 248, 254, 260, 285	1001178209 73	1001186432 757, 759	1001200130.....830
1001169234.....82, 86, 90, 94, 98, 102, 106, 110, 114, 118	1001178210 71	1001186517 469	1001200131.....830
1001169754.....37	1001178212 193	1001186631 848	1001200132.....830
1001169755.....37	1001178215 558	1001186985 236, 242, 248, 254, 260	1001200133.....830
1001169756.....37	1001178219 550	1001187382 399	1001200134.....830
1001169757.....37	1001178220 554	1001187383 399	1001200491.....399
1001169967.....285	1001178223 236, 242, 248, 254, 260	1001187674 467	1001200494.....399
	1001178797 317	1001187781 751	1001200497.....719, 721
	1001178876 236, 242, 248, 254	1001187807 121, 463	1001200910.....127
	1001179154 366, 374, 378	1001188041 86, 106	1001201351.....399
	1001179837 337	1001188125 65	1001201602.....383
	1001180001 337	1001188622 399	1001201885.....721
		1001188844 399	1001202280.....315
		1001188874 82, 90, 94, 98, 102, 110, 118	1001202281.....315, 843
		1001188884 315	1001202368.....235, 241, 247, 253, 260
			1001202687.....399
			1001202749.....847
			1001203655.....445

SECTION 11 - SPECIAL OPTIONS

1001203656	447	1001216015.....	337	1001219630.....	342	1001227667	286
1001204269	554	1001216065.....	289, 291	1001219632.....	342	1001227769	289
1001204325	236, 242, 248, 254, 260	1001216071.....	289, 291	1001219633.....	848	1001227772	289, 291
1001204560	19, 21, 523	1001216075.....	285	1001219634.....	278	1001227985	467
1001204667	315	1001216092.....	285	1001219636.....	278	1001227987	467
1001204715	411, 413	1001216144.....	289, 291	1001219637.....	278	1001227996	753, 755
1001204725	399	1001216201.....	285	1001219638.....	279	1001228027	383, 529
1001205958	595, 597, 599, 601, 603, 605, 607, 609, 611	1001216212.....	693	1001219639.....	279	1001228028	383, 531
1001206250	599	1001216213.....	693	1001219840.....	846	1001228081	388, 543
1001206251	605	1001216221.....	307	1001219881.....	331	1001228083	392, 541
1001206252	611	1001216300.....	293	1001219979.....	51, 403	1001228215	419
1001206253	587	1001216327.....	98, 118, 693	1001219980.....	53, 405	1001228224	467, 843
1001206254	593	1001216390.....	378	1001220002.....	169	1001228225	467, 843
1001206255	613	1001216391.....	342	1001220067.....	169	1001228243	441
1001206311	849	1001216531.....	286	1001220142.....	311	1001228355	849
1001206476	625	1001216532.....	281	1001220283.....	43	1001228375	443
1001206477	849	1001216534.....	281	1001220379.....	685	1001228376	437
1001207004	129	1001216535.....	281	1001220392.....	141	1001228377	439
1001207558	144	1001216568.....	278	1001220393.....	141, 168	1001228950	846
1001207969	403, 405	1001216619.....	293	1001220404.....	293	1001228988	497, 837, 839
1001208024	144	1001216630.....	399	1001221208.....	379, 711	1001229107	846
1001208994	399, 403, 405	1001216768.....	289	1001221397.....	311	1001229341	467
1001209059	848	1001216769.....	289	1001221417.....	82, 90, 98	1001229530	719, 721
1001209432	625	1001216910.....	285, 289	1001221418.....	102, 110, 118	1001229542	235, 241, 247, 253, 260
1001209474	625	1001216919.....	285	1001221419.....	86	1001229762	846
1001209664	469	1001217005.....	127	1001221420.....	106	1001229810	57, 60
1001210025	849	1001217032.....	285	1001221464.....	281	1001229935	847
1001210026	849	1001217046.....	285	1001221498.....	378	1001230635	235, 241, 247, 253, 260
1001210448	289, 291, 295	1001217090.....	285	1001221545.....	289, 291	1001230934	690
1001210977	847	1001217170.....	281	1001221615.....	286	1001230935	690
1001211336	71	1001217174.....	285	1001222033.....	286	1001230936	690
1001211588	411, 413	1001217175.....	285	1001222314.....	403, 405	1001231235	849
1001211794	289, 291	1001217183.....	285	1001222641.....	289, 291	1001231801	829
1001212223	369, 373	1001217185.....	285	1001222817.....	317, 319	1001231886	185
1001212415	842	1001217186.....	285	1001222817.....	317, 319	1001231949	517
1001213447	729	1001217191.....	281, 284	1001223042.....	285	1001231950	515, 519
1001213584	575, 577, 579, 581, 619, 621	1001217192.....	278, 281	1001223055.....	766, 770	1001232010	515, 517, 519
1001213585	575, 577, 579, 581, 619, 621	1001217193.....	278	1001223453.....	766, 770, 798, 802	1001232011	515, 517, 519
1001213810	289	1001217317.....	285	1001223459.....	686, 689	1001232164	467
1001213882	452	1001217350.....	311	1001223584.....	284	1001232165	467
1001214030	830	1001217543.....	285	1001223923.....	285	1001232642	471, 473
1001214478	848	1001217940.....	566	1001223971.....	798, 802	1001232650	471
1001214515	848	1001218022.....	847	1001224048.....	814, 818	1001232667	471, 473, 843
1001214540	848	1001218085.....	281	1001224049.....	822, 826	1001232842	275
1001214548	848	1001218087.....	311	1001224050.....	790, 794	1001232844	260, 267
1001214552	848	1001218362.....	285	1001224052.....	778, 782	1001233047	846
1001214559	848	1001218449.....	285	1001224053.....	806, 810	1001233237	846
1001214561	848	1001218547.....	331	1001224486.....	286	1001233763	220, 275
1001214562	848	1001218572.....	77, 79	1001224489.....	286	1001233959	121, 463
1001214570	625	1001218622.....	635, 637, 659, 661, 669, 671	1001225346.....	625	1001234800	689
1001214571	625	1001218623.....	635, 637, 659, 661, 669, 671	1001225442.....	285	1001234811	395, 397
1001214827	289, 291	1001218850.....	829	1001225510.....	286	1001235011	471
1001214984	848	1001218850.....	829	1001225580.....	469, 759	1001235013	471
1001215016	693	1001218930.....	378	1001225623.....	847	1001235861	224, 231
1001215091	693	1001219219.....	27, 29	1001225745.....	199, 201, 227, 229, 231, 281, 301	1001235862	231, 258
1001215228	452	1001219259.....	285	1001226286.....	317	1001235900	51, 53, 55
1001215384	289, 291	1001219345.....	285	1001226400.....	641, 643, 645, 647, 649, 651	1001235901	405, 409
1001215534	693	1001219361.....	285	1001226872.....	419	1001235949	224, 273
1001215681	285	1001219370.....	278	1001226923.....	317	1001236087	463
1001215974	285	1001219480.....	285	1001227494.....	846	1001236091	121
		1001219611.....	285	1001227633.....	467	1001236303	79
		1001219612.....	285	1001227634.....	467		
		1001219613.....	285	1001227666.....	286		
		1001219618.....	377				
		1001219619.....	341				

SECTION 11 - SPECIAL OPTIONS

1001236304.....625	1001239722 173	1001250294 149, 153,	1001256583.....818
1001236334.....309	1001239723 173	157, 161, 165, 169	1001256584.....794
1001236335.....309	1001239724 173	1001250295 148, 152,	1001256585.....826
1001236504.....625	1001241345 847	157, 161, 164, 169	1001256586.....782
1001236505.....625	1001241416 847	1001250384 401	1001256587.....802
1001236552.....471, 473	1001241547 849	1001250465 849	1001256588.....810
1001236746.....517	1001241548 849	1001250466 849	1001256589.....786
1001236747.....515	1001241689 449, 451	1001250595 849	1001256590.....774
1001236891.....513, 515,	1001241703 449	1001250737 388, 392	1001256709.....385, 391
517, 519	1001241728 81	1001251029 385, 537	1001256806.....392
1001236895.....513, 515,	1001241730 101	1001252033 849	1001256820.....392
517, 519	1001241731 85	1001252034 849	1001256821.....385
1001236951.....848	1001241732 105	1001252527 690	1001256837.....766, 770,
1001237023.....94, 114	1001241734 89	1001252627 833, 835	774, 778, 782, 790,
1001237032.....94	1001241753 109	1001252629 513, 515,	794, 798, 802, 806,
1001237035.....114	1001241756 97	517, 519	810, 814, 818, 822, 826
1001237142.....385	1001241757 117	1001252946 499	1001256838.....829
1001237193.....137	1001241965 471, 473	1001252947 499, 501	1001256879.....224
1001237194.....135, 137,	1001242253 127	1001253618 849	1001256906.....786, 829
160	1001242254 129	1001253619 849	1001257057.....401
1001237205.....161	1001242409 846	1001254016 415	1001257062.....401
1001237259.....135	1001242696 223	1001254017 415	1001257093.....401
1001237261.....137	1001243183 846	1001254018 415	1001257271.....513
1001237286.....161	1001243184 846	1001254019 411, 413	1001257274.....513
1001237544.....463	1001243263 ... 81, 86, 89,	1001254020 411, 413,	1001257283.....313
1001237546.....121	94, 97, 101, 106, 109,	415	1001257286.....392
1001237667.....719, 721,	114, 117, 719	1001254468 413	1001257418.....846
729	1001243366 197	1001254472 473	1001257427.....413
1001237668.....719, 721,	1001243414 149, 153,	1001254473 473	1001257428.....401
729	157, 161, 165, 169	1001254657 317	1001257429.....401
1001237733.....93	1001243559 85, 105, 681	1001255133 399	1001257430.....562, 570
1001237734.....113	1001243561 581	1001255356 411, 413	1001257440.....846
1001237862.....753, 755	1001243682 185, 187	1001255357 411, 413	1001257509.....562, 570
1001237863.....467, 753	1001243895 275	1001255358 411, 413	1001257558.....562
1001237864.....467, 755	1001243985 171	1001255359 411, 413	1001257559.....570
1001237865.....467, 751	1001243986 173	1001255807 846	1001257657.....401
1001237882.....847	1001243992 197	1001255901 722	1001257776.....385
1001237883.....847	1001243993 197	1001256190 653	1001257972.....713
1001237949.....385	1001244114 403, 407	1001256191 629	1001258003.....383, 385
1001238168.....395	1001244181 452, 729	1001256192 655	1001258007.....385
1001238263.....513, 515,	1001244212 786, 829	1001256193 631	1001258330.....411, 413
517, 519	1001244298 790, 794	1001256194 661	1001258332.....411, 413
1001238268.....260	1001244301 790, 794	1001256195 637	1001258800.....259
1001238319.....467	1001244463 157, 171	1001256196 659	1001259137.....527
1001238328.....385, 395	1001244465 157, 173	1001256197 635	1001259138.....527
1001238333.....395	1001245137 846	1001256198 657	1001259338.....562, 570
1001238398.....395	1001245913 260, 697	1001256199 633	1001260412.....236, 242,
1001238418.....471, 473,	1001246142 846	1001256201 639	248, 254
757	1001246475 846	1001256258 157	1001260413.....236, 242,
1001238421.....399	1001246860 847	1001256259 156	248, 254
1001238463.....519	1001246867 847	1001256506 686	1001260432.....258
1001238472.....471, 473	1001247073 849	1001256567 766, 770	1001260680.....629, 631,
1001238477.....471	1001247281 185	1001256568 766, 770	633, 635, 637, 639
1001238495.....469	1001247358 39	1001256569 814, 818	1001261045.....258
1001238559.....471, 473	1001247359 286	1001256570 814, 818	1001261085.....258
1001238824.....471	1001247466 385, 525	1001256571 790, 794	1001261335.....513
1001238878.....260, 689	1001247468 399, 843	1001256572 790, 794	1001261338.....513
1001238931.....135	1001248140 513, 515,	1001256573 822, 826	1001262016.....849
1001239202.....689	517, 519	1001256574 822, 826	1001262350.....383
1001239235.....847	1001248141 513, 515,	1001256575 778, 782	1001262351.....383, 387
1001239471.....79	517, 519	1001256576 778, 782	1001262352.....388
1001239472.....77	1001249052 849	1001256577 798, 802	1001262432.....411
1001239688.....171	1001249695 849	1001256578 798, 802	1001262601.....411
1001239689.....171	1001249824 401	1001256579 806, 810	1001262829.....401
1001239690.....171	1001249941 849	1001256580 806, 810	1001262959.....850
1001239691.....171	1001249942 235, 241,	1001256581 774, 786	1001263035.....411
1001239721.....173	247, 253, 263	1001256582 770	1001263305.....766

SECTION 11 - SPECIAL OPTIONS

1001263306 814	10702077 . 362, 366, 370, 374, 378	1701509....479, 481, 483, 766, 770, 774, 778, 782, 786, 790, 794, 798, 802, 806, 810, 814, 818, 822, 826	1703980 806, 810
1001263307 790	10702082 . 362, 366, 370, 374, 378	1701518.....774, 786	1703981 814, 818
1001263308 822	1083758055	1701542.....278	1703982 790, 794
1001263309 778	1120510 387, 391	1701543.....278	1703983 822, 826
1001263310 798	1120555 479, 481, 483	1701691....766, 770, 774, 778, 782, 786, 790, 794, 798, 802, 806, 810, 814, 818, 822, 826	1703984 798, 802
1001263311 806	1120601 ... 144, 148, 152, 156, 160, 164, 168	1702565.....451	1704000 798, 802, 829
1001263327 401	1220078 387, 391	1702566.....451	1704001 822, 826, 829
1001263427 ... 81, 89, 97, 101, 109, 117	1260017 67	1702567.....451	1704260 451
1001263428 86, 106	1320016 204, 208	1702570.....829	1704271 829
1001263445 667, 669	1320022 ... 191, 193, 197, 315	1702720.....829	1704272 43
1001263459 786	1320041 633, 657, 667	1702773....445, 447, 786, 829	1704277 ... 766, 770, 774, 778, 782, 786, 790, 794, 798, 802, 806, 810, 814, 818, 822, 826
1001263752 663	1320061 ... 215, 220, 223, 629, 631, 633, 635, 637, 639, 653, 655, 657, 659, 661, 663, 665, 667, 669, 671	1702861.....829	1704412 ... 766, 770, 774, 778, 782, 786, 790, 794, 798, 802, 806, 810, 814, 818, 822, 826
1001263800 533, 535	1320110 284	1702868....497, 766, 770, 829, 833, 839	1704578 41
1001263923 679	1320127 39	1702938....503, 505, 507, 509	1704885 829
1001264088 669	1320176 191, 193, 197	1702941.....193, 219	1704906 ... 766, 778, 790, 798, 806, 814, 822
1001264237 665	1320177 477, 486	1702942.....193, 219	1704907 ... 770, 774, 782, 786, 794, 802, 810, 818, 826
1001264280 667	1320202 ... 635, 637, 659, 661, 669, 671	1702943.....193, 219	1704972 829
1001264302 533	1320218 39	1702944.....193, 219	1705014 445, 447
1001264367 671	1320220 39	1703162....204, 208, 234, 240, 246, 252, 258, 284	1705090 41
1001264991 395, 535	1320223 ... 204, 208, 629, 631, 653, 655, 663, 665	1703179.....829	1705305 ... 497, 833, 835, 837, 839
1001265900 665, 671	1320224 ... 177, 179, 191, 194, 197	1703475....766, 778, 790, 798, 806, 814, 822	1705325 583, 585, 587
1001265971 770, 774, 782, 786, 794, 802, 810, 818, 826	1320263 401	1703482.....818	1705336 766, 770
1001266525 242, 254	1320288 401	1703484....770, 774, 782, 786, 794, 802, 810, 826	1705344 806, 810
1001266628 721	1320289 401	1703797.....766, 770	1705345 814, 818
1001267256 241, 253	1320302 ... 486, 491, 493, 497	1703804.....766, 770	1705347 798, 802
1001268755 848	1321283 278	1703805.....766, 770	1705351 766, 770
1001269199 562, 570	1321384 145	1703811....175, 766, 770, 774, 778, 782, 786, 790, 794, 798, 802, 806, 810, 814, 818, 822, 826	1705355 837, 839
1001269959 547	1340061 846	1703814....766, 770, 774, 778, 782, 790, 794, 798, 802, 806, 810, 814, 818, 822, 826	1705358 479, 481, 483
1001270069 550, 554	1380147 329, 331	1703923.....822, 826	1705368 830
1001270070 550	1580012 475	1703924.....798, 802	1705374 ... 350, 358, 615, 617
1001270071 550, 554	1580013 848	1703925.....790, 794	1705375 ... 366, 375, 378, 497, 839
1001270072 551, 555	1670603 613	1703926.....806, 810	1705387 ... 350, 358, 367, 375, 378
1001270073 554	1671034 ... 629, 631, 633, 635, 637, 639, 663, 665, 667, 669, 671	1703927.....814, 818	1705426 806, 810
1001270074 558, 562	1671230 145	1703935.....822, 826	1705427 814, 818
1001270075 558, 562	1671231 145	1703936.....798, 802	1705429 798, 802
1001270076 558, 563, 566, 571	1671232 145	1703938.....806, 810	1705430 790, 794
1001270077 566, 570	1700818 829	1703939.....814, 818	1705460 ... 362, 366, 370, 374, 378
1001270078 566, 571	1701499 ... 766, 770, 774, 778, 782, 786, 790, 794, 798, 802, 806, 810, 814, 818, 822, 826	1703941.....822, 826	1705461 362, 370
1001270286 766, 778, 790, 798, 806, 814, 822, 826	1701501 ... 766, 770, 774, 778, 782, 786, 790, 794, 798, 802, 806, 810, 814, 818, 822, 826	1703942.....798, 802	1705489 ... 345, 353, 362, 370
1001271618 558, 567	1701505 ... 191, 193, 197, 215, 219, 223	1703943.....790, 794	1705490 833, 835
1001271619 559, 567		1703944.....806, 810	1705514 786
1001290252 285		1703945.....814, 818	1705820 43
1001293138 729		1703947.....822, 826	1705822 774, 786
1001303818 286		1703948.....798, 802	1705828 774, 786
1001311034 473		1703949.....790, 794	1705836 177, 179
1060341 ... 503, 505, 507, 509		1703950.....806, 810	1705837 177, 179
1060343 366, 374, 378		1703951.....814, 818	1705886 177, 179
1060379 499, 501		1703953.....766, 770	1705895 778, 782
1060545 675			1705896 778, 782
1060584 45			1705897 778, 782
1060626 193, 219			1705898 778, 782
1060637 ... 191, 193, 197, 227, 229, 231, 281			1705902 778, 782
1060903 ... 503, 505, 507, 509			
1060908 ... 585, 591, 597, 603, 609, 673, 677			
1060918 455			
1062255 224, 260			

SECTION 11 - SPECIAL OPTIONS

1705903.....778, 782	2130808 550, 554	2400060 ... 275, 379, 707,	2753682.... 559, 562, 567,
1705905.....778, 782	2130810 ... 558, 562, 566,	711, 713, 719, 721,	570
1705910.....822, 826	570	722, 729	2753683.... 558, 563, 566,
1705917.....822, 826	2131010 ... 558, 562, 566,	2400064 ... 379, 707, 711,	571
1705921.....774, 786	570	713, 843	2753684.... 559, 562, 567,
1705961.....774, 786	2131012 550, 554	2410014 445, 447	570
1705967.....778, 782, 829	2131212 550, 554	2420172 . 81, 89, 97, 101,	2753685..... 550, 554
1705969..... 814, 818, 829	2131616 550, 554	109, 117	2753686.... 550, 554, 558,
1705980.....830	2132016 550, 554	2420203 335, 337, 341	563, 566, 571
1706059.....829	2150404 ... 558, 562, 566,	2460048 361, 365	2753693..... 558, 567
1706060.....829	570	2460051 341	2753699..... 550, 554
1706061.....829	2150406 550, 554	2460055 335	2753732..... 566, 570
1706062.....829	2151616 ... 550, 554, 558,	2540035 144	2753768..... 551, 555
1706063.....829	562, 566, 570	2560136 451	2753879..... 566, 571
1706064.....829	2170204 550, 554	2560187 ... 149, 153, 161,	2753970..... 550
1706098.....829	2170208 ... 558, 562, 566,	165, 169, 171, 173	2753971..... 550, 554
1706385..... 445, 447	570	2580024 193, 219	2754337..... 550, 554
1706593..... 43	2170408 550, 554	2580062 209	2754338..... 550, 554
2030010.... 477, 486, 491,	2170504 550, 554	2600209 145	2754512..... 550
493, 497	2170506 566, 570	2600233 145	2754720..... 554
2060025..... 204, 208	2170706 566, 570	2600244 144	2754743..... 554
2080040.... 148, 152, 156,	2172112 ... 558, 562, 566,	2600281 ... 429, 431, 433,	2820031.... 333, 335, 337,
160, 164, 168, 429,	570	435, 437, 441	341, 345, 349, 353,
431, 433, 435, 437, 441	2180348... 191, 193, 197,	2680490 144	357, 362, 366, 369,
2080044.... 663, 665, 667,	278, 286, 315	2717059 ... 558, 562, 566,	373, 377, 641, 643,
669, 671	2180387 39	570	645, 647
2080072.... 148, 152, 156,	2180388 39	2720015 ... 234, 240, 246,	2820035..... 275
160, 164, 168	2180389 39	252, 258	2820078.... 145, 149, 153,
2110404.... 547, 550, 554,	2180418 39, 278, 286	2720058 ... 191, 193, 197,	165
558, 562, 566, 570	2180467 284	286, 315	2820118.... 641, 643, 645,
2110406..... 550, 554	2180832 ... 215, 219, 223,	2720144 39	647
2110408..... 547, 550, 554	477, 486	2720160 477, 486	2820233..... 145
2110604..... 562, 570	2200222 71, 73	2720340 ... 234, 240, 246,	2820234..... 145
2110606.... 547, 558, 562,	2220237 550, 554	252, 258	2820235..... 145
566, 570	2220238 ... 550, 554, 566,	2720398 204, 208	2820247..... 753, 755
2110608.... 558, 562, 566,	570	2750532 ... 191, 193, 197,	2840016..... 329, 331
570	2220252 177, 179	216, 220, 223	2860012..... 335
2110612.... 558, 562, 566,	2220261 39, 286	2753540 550, 554	2860030.... 81, 85, 89, 93,
570	2220313 ... 191, 193, 197,	2753542 550, 554	97, 101, 105, 109, 113,
2110808.... 550, 554, 558,	215, 219, 223	2753545 ... 558, 562, 566,	117, 842
562, 566, 570	2220315 ... 234, 240, 246,	570	2900756..... 27
2110810..... 550, 554	252, 258	2753555 551, 555	2900792.... 525, 527, 533,
2110812..... 550, 554	2220418 39	2753622 ... 550, 554, 558,	535
2111008.... 558, 562, 566,	2220451 204, 208	562, 566, 567, 571	2901443..... 849
570	2220478 ... 558, 562, 566,	2753626 550, 554	2901537..... 531
2111010.... 558, 562, 566,	570	2753628 550	2902061..... 529
570	2220737 ... 558, 562, 566,	2753634 550, 554	2902212.... 479, 481, 483
2111016..... 550, 554	570	2753653 ... 558, 562, 566,	2902217.... 486, 491, 493
2111208.... 558, 562, 566,	2220750 177, 179	571	2902307..... 766, 770
570	2220816 315, 317	2753654 ... 558, 562, 566,	2902308..... 806, 810
2111212.... 550, 554, 558,	2220883 31, 523, 525,	571	2902309..... 790, 794
562, 566, 570	527, 529, 531, 533, 537	2753656 ... 558, 563, 566,	2902310..... 814, 818
2111616..... 550, 554	2220885 ... 523, 527, 531,	570, 571	2902311..... 822, 826
2112020..... 550, 554	533, 537, 541, 543	2753667 550, 554	2902312..... 778, 782
2112424.... 558, 562, 566,	2220886 31, 529, 541,	2753670 ... 559, 562, 567,	2902322..... 798, 802
570	543	570	2902329..... 774, 786
2120217..... 403, 405	2220887 531	2753671 ... 559, 562, 567,	2902354.... 766, 778, 790,
2130404.... 550, 554, 558,	2220888 31, 531	570	798, 806, 814, 822
562, 566, 570	2221024 39	2753674 ... 558, 562, 567,	2902394..... 847
2130406..... 550, 554	2221086 ... 558, 562, 566,	570	2902443.... 679, 685, 689
2130604..... 550, 554	570	2753675 558, 567	2902461..... 562, 570
2130606.... 550, 554, 558,	2221176 ... 191, 193, 197,	2753677 562, 570	2910888..... 846
562, 566, 570	278	2753678 562, 570	2915094..... 849
2130608.... 558, 562, 566,	2221197 39, 278	2753679 558, 567	2920028.... 451, 503, 505,
570	2300016 27	2753681 ... 558, 563, 566,	507, 509, 511
2130612.... 558, 562, 566,		571	2920029.... 451, 503, 505,
570			507, 509, 511

SECTION 11 - SPECIAL OPTIONS

<p>2920161 125 2940045 ... 148, 152, 156, 160, 164, 168 2940074 ... 429, 431, 433, 435, 437, 441, 842 2940088 145 2940173 ... 149, 153, 156, 160, 165, 168 2940188 144 3020021 299 3020037 231 3020039 19, 21 3160348 27, 31 3200401 ... 205, 209, 234, 240, 246, 252, 258, 321, 323 3200406 204, 208 3200449 385 3250872 41 3251102 ... 333, 335, 337, 341, 345, 349, 353, 357 3251242 ... 589, 593, 595, 599, 601, 605, 607, 611, 613 3251243 ... 335, 341, 350, 358, 366, 374, 378, 766, 770, 790, 794, 806, 810, 814, 818, 822, 826 3251813 829 3252347 766, 770 3252507 ... 333, 591, 597, 603, 609 3252764 ... 361, 365, 369, 373, 377 3271505 401 3271601 401 3271605 ... 513, 515, 517, 519 3271801 ... 234, 240, 246, 252, 258 3271805 69, 445, 447 3272001 ... 387, 391, 513, 515, 517, 519 3272401 387, 391 3290405 ... 278, 583, 585, 587, 589, 591, 593, 595, 597, 599, 601, 603, 605, 607, 609, 611, 613 3290501 197 3290505 278, 333 3290601 ... 149, 153, 161, 165, 169, 171, 173, 284, 289, 291, 341, 377 3290605 ... 284, 477, 486 3290606 ... 421, 423, 425, 427, 439, 443 3290607 ... 127, 129, 284 3290801 284 3290805 284, 625 3290806 399 3291001 284, 399 3291005 ... 236, 242, 248, 254, 258, 284, 395, 399 3291007 331</p>	<p>3291201 ... 284, 342, 377, 399 3291205 399 3300007 27 3300151 ... 419, 421, 423, 425, 427, 437, 439, 441, 443, 486, 491, 493, 497 3300205 ... 81, 85, 89, 93, 97, 101, 105, 109, 113, 117 3300240 387, 391 3300241 387, 391 3300242 387, 391 3300353 ... 81, 85, 89, 93, 97, 101, 105, 109, 113, 117, 451 3300356 511 3300364 ... 148, 152, 156, 160, 164, 168 3300396 ... 349, 358, 362, 366, 370, 374, 378 3300408 ... 81, 85, 89, 93, 97, 101, 105, 109, 113, 117, 121 3300430 469 3310401 ... 234, 240, 246, 252, 258 3310601 329, 331 3310805 39 3311001 ... 145, 271, 273, 362, 366, 370, 374, 378 3311005 ... 144, 333, 335, 337, 341, 350, 358, 362, 366, 370, 374, 377, 451, 477, 486, 491, 493, 497 3311401 ... 503, 505, 507, 509 3311405 ... 81, 85, 89, 93, 97, 101, 105, 109, 113, 117, 131, 133, 135, 137, 139, 144, 148, 152, 156, 160, 164, 168, 177, 179, 181, 185, 191, 194, 197, 199, 201, 204, 208, 215, 219, 223, 227, 229, 231, 234, 240, 246, 252, 258, 278, 281, 325, 327, 345, 349, 353, 358, 361, 365, 369, 374, 449, 471, 473, 583, 585, 587, 589, 591, 593, 595, 597, 599, 601, 603, 605, 607, 609, 611, 613, 619, 621, 625, 629, 631, 633, 635, 637, 639, 653, 655, 657, 659, 661, 663, 665, 667, 669, 671, 766, 770, 774, 778, 782, 786, 790, 794, 798, 802, 806, 810, 814, 818, 822, 826</p>	<p>3311501.... 148, 152, 156, 160, 164, 168, 411, 413, 503, 505, 507, 509 3311505..... 27, 144, 149, 153, 161, 165, 169, 171, 173, 204, 208, 234, 240, 246, 252, 258, 361, 369, 373, 377, 403, 405, 499, 501, 629, 631, 633, 635, 637, 639, 653, 655, 657, 659, 661, 663, 665, 667, 669, 671 3311508..... 349, 357, 365 3311601 71, 73, 144, 148, 152, 156, 160, 164, 168, 452, 471, 473 3311605.. 39, 71, 73, 131, 133, 135, 137, 139, 141, 144, 145, 148, 152, 156, 160, 164, 168, 171, 173, 179, 181, 191, 193, 197, 204, 208, 234, 240, 246, 252, 258, 271, 273, 317, 321, 323, 329, 333, 335, 346, 354, 383, 385, 387, 391, 401, 403, 405, 445, 447, 449, 486, 491, 493, 497, 511, 619, 621 3311705.... 333, 335, 337, 341 3311801..... 27, 191, 193, 197, 227, 229, 231, 337, 345, 349, 353, 357, 361, 366, 369, 373 3311805 71, 73, 204, 208, 215, 219, 223, 281, 321, 323, 329, 331, 385 3312002..... 57, 513, 515, 517, 519 3312005.... 479, 481, 483 3312201..... 387, 391 3312205.... 479, 481, 483 3312602.... 125, 127, 129 3321501.... 144, 149, 153, 156, 160, 165, 168 3322201 69 3340757 387, 391 3340764 401 3340787 401 3340871 387, 391 3340941 401 3340943 401 3340956.... 479, 481, 483 3340966..... 25 3380434 449 3380444 144 3380575 144 3420372 45 3420447 45 3421453 477, 486 3421565 45, 67 3422417. 23, 25, 387, 391 3422424 387, 391</p>	<p>3422446 ... 191, 193, 197, 215, 219, 223, 278 3422532 ... 199, 201, 227, 229, 231, 281 3422562 383 3422569 383 3422580 383 3422661 499, 501 3422790 23, 25 3422841 45 3422847 45 3422848 25 3422861 395 3422867 395 3422908 383, 385 3422909 383, 385 3422910 383, 385 3422920 383, 385 3422930 383 3422931 383, 385 3430616 452 3430816 329, 331 3440410 385 3450404 329, 331 3460334 479, 481, 483 3470003 452 3520028 335, 337, 341 3520030 ... 148, 152, 156, 160, 164, 168 3520031 ... 81, 85, 89, 93, 97, 101, 105, 109, 113, 117 3520035 ... 81, 85, 89, 93, 97, 101, 105, 109, 113, 117 3520054 204, 208, 451 3520071 479, 481, 483 3520072 ... 419, 421, 423, 425, 427, 429, 431, 433, 435, 437, 439, 441, 443, 445, 447 3520189 362, 370 3520192 362, 370 3520193 411, 413 3520198 ... 419, 421, 423, 425, 427, 429, 431, 433, 435, 437, 439, 441, 443 3537445 329 3537446 329, 331 3538047 19, 21 3539219 85, 105 3539622 387, 391 3572009 45 3572010 45 3572011 45 3572012 45 3573047 ... 629, 631, 633, 635, 637, 639, 653, 655, 657, 659, 661, 663, 665, 667, 669, 671 3573050 383, 385 3573296 ... 629, 631, 633, 635, 637, 639, 653, 655, 657, 659, 661, 663, 665, 667, 669, 671</p>
---	--	--	--

SECTION 11 - SPECIAL OPTIONS

3573400....486, 491, 493, 497	3900085 125, 127, 129	4010618 ... 421, 423, 425, 427, 439, 443	4360070....349, 358, 362, 366, 370, 374, 378, 843
3573642....486, 491, 493, 497	3900192 383	4031505 467	4360274..... 93, 113, 842
3574091.....507, 509	3900210 ... 148, 149, 152, 153, 156, 160, 161, 164, 165, 168, 169, 171, 173	4031510 415	4360328.....465, 843
3575359.....503, 505	3900232 145	4031516 471, 473	4360336....278, 333, 335, 337, 341, 345, 349, 353, 357, 361, 365, 369, 373, 377, 843
3576799.....477, 486	3900268 ... 81, 85, 89, 93, 97, 101, 105, 109, 113, 117	4031608 333	436038785, 93, 105, 113, 451, 503, 505, 507, 509, 511, 842
3577121....486, 491, 493, 497	3900283 401, 403, 405	4031711 284	4360407.....451, 842
3580134.....333	3900293 57	4031914 ... 234, 240, 246, 252, 258	4360469....81, 85, 89, 93, 97, 101, 105, 109, 113, 117, 842
3580158.....333, 335	3900316 ... 148, 152, 156, 160, 164, 168, 401, 403, 405	4032014 ... 234, 240, 246, 252	4360475....81, 85, 89, 93, 97, 101, 105, 109, 113, 117, 451, 842
3580243.....387, 391	3900349 451	4032015 ... 345, 349, 361, 366	4360476....81, 85, 89, 93, 97, 101, 105, 109, 113, 117, 451, 842
3580249.....387, 391	3900363 ... 149, 153, 161, 165, 169, 171, 173	4060092 577	4360477.....511
3580276.....335, 337	3910408 ... 234, 240, 246, 252, 258	4060802 ... 333, 335, 337, 341, 345, 349, 353, 357, 361, 365, 369, 373, 377	4360506....629, 631, 633, 635, 637, 639, 653, 655, 657, 659, 661, 663, 665, 667, 669, 671, 843
3580288.....387, 391	3910606 ... 349, 357, 365, 373, 377, 615, 617	4060804 71, 73	4360517.....69, 842
3580289.....387, 391	3910608 329, 331	4060805 ... 204, 208, 234, 240, 246, 252, 258, 286	4360542....335, 337, 341
3580314.....377	3910610 575, 577	4061032 ... 558, 562, 566, 570	4400275.....39
3580317....345, 350, 353, 357, 362, 366, 369, 373, 377	3910804 ... 81, 85, 89, 93, 97, 101, 105, 109, 113, 117	4070585 335	4420014....479, 481, 483
3580318....350, 357, 366, 373	3930606 385	4070863 387, 391	4420037....486, 491, 493, 497
3580319....345, 353, 362, 369	3931016 ... 349, 357, 361, 365, 369, 373, 377	4070878 19, 21	4420038 71, 73, 149, 153, 156, 160, 165, 168
3580320....234, 240, 246, 252, 345, 350, 362, 366	3931408 469	4070879 19, 21	4420051 41, 43, 766, 770, 774, 778, 782, 786, 790, 794, 798, 802, 806, 810, 814, 818, 822, 826
3580324.....341	3931432 ... 234, 240, 246, 252, 258	4070895 388, 391	4420060.....333
3600386....177, 179, 181	3931448 543	4070897 388, 391	4420062.....499, 501
3641569.....503, 505	3931508 543	4070898 388, 392	4420066....479, 481, 483
3720021.....177, 179	3931512 ... 234, 240, 246, 252, 258	4070929 388, 392	4420068....503, 505, 507, 509
3740049....81, 85, 89, 93, 97, 101, 105, 109, 113, 117, 842	3931624 383, 385	4070939 388, 392	4460007.....451
3740067....204, 208, 215, 219, 223, 278, 842	3931628 ... 234, 240, 246, 252	4070940 388, 392	4460016.....729
3740080....197, 204, 208, 333, 335, 337, 341, 377, 842, 843	3931644 284	4070991 ... 81, 85, 89, 93, 97, 101, 105, 109, 113, 117	4460019....679, 681, 683, 690, 761
3740086.....757, 843	3931662 383, 385	4071020 388, 392	4460027....335, 337, 341
3760170.....45, 67	3931628 ... 234, 240, 246, 252	4071059 25	4460042.....685, 689
3760370.....529	3931644 284	4100063 224	4460043....275, 679, 681, 685, 690, 699, 701, 707, 711
3790012....278, 451, 465	3931720 529	4160139 144	4460049....503, 505, 507, 509
3790044....199, 201, 227, 229, 231, 281	3931740 543	4160143 144	4460051.....575, 577
3820001....41, 766, 770, 774, 778, 782, 786, 790, 794, 798, 802, 806, 810, 814, 818, 822, 826	3932240 531	4160149 388, 392	4460071....350, 357, 366, 373, 377, 455
3820020....429, 431, 433, 435, 437, 441	3951608 387, 391	4160187 383, 385	4460125.....577
3841143....191, 193, 197, 215, 219, 223, 278, 383, 387, 391, 395, 399	3952020 57	4160194 ... 148, 152, 156, 160, 164, 168	4460134.....715
3841287.19, 21, 383, 385	3960389 ... 144, 148, 152, 156, 160, 164, 168	4240018 ... 333, 337, 353, 357, 369, 373, 558, 562, 566, 570, 615, 617	4460142....679, 681, 719, 721, 729
3841340....629, 631, 633, 635, 637, 639, 653, 655, 657, 659, 661, 663, 665, 667, 669, 671	3960407 204, 208	4240032 ... 127, 129, 451, 693, 761	4460183.....729
3841356.....383, 385	3960422 ... 349, 357, 365, 373, 377, 575, 577, 615, 617	4240033 ... 177, 179, 411, 413, 467, 469, 471, 473, 761	4460190....335, 337, 341
3841520.....23, 25	3960438 145	4240099 ... 224, 234, 240, 246, 252, 258, 275, 279, 284, 341, 486, 491, 493, 503, 505, 507, 509, 511	4460205.....575, 715
3841709.....385	3960462 145	4240139 71, 73	4460224.....353
3890013.....387	3960464 145	4240149 ... 479, 481, 483	
3890014.....387	3960468 ... 204, 208, 227, 229, 231	4280296 47	
3890015.....387	3960469 ... 204, 208, 227, 229, 231, 281	4300157 ... 345, 349, 361, 366	
3890016.....391	3960470 144	4340747 177	
3900054.....445, 447	3960526 27	4360057 ... 503, 505, 507, 509, 843	
	3960548 ... 191, 193, 197		
	3960549 ... 191, 193, 197		
	3980007 193, 219		
	3990010 719, 721		
	4010303 415		
	4010608 477, 486		

SECTION 11 - SPECIAL OPTIONS

4460225	703, 729	4460807	703	4460968	333
4460226 ...	455, 458, 461, 623, 679, 681, 683, 693, 725, 727, 729, 761	4460808	703	4460971	477, 486
4460227 ...	623, 719, 721, 729	4460865	641, 643, 645, 647, 649, 651	4460979	679, 681, 693
4460233	577, 717	4460866	629, 631, 633, 635, 637, 639, 653, 655, 657, 659, 661, 663, 665, 667, 669, 671, 719, 721	4461005	679
4460234 ...	451, 503, 505, 507, 509	4460871	187, 679, 681, 683, 693, 719, 721, 729, 761	4461006	679
4460247	685, 690	4460872	719, 721	4461008	679, 686, 689
4460256	713	4460873	719, 721, 729	4461052	679
4460259 ...	679, 681, 693, 719, 721, 729	4460874	719, 721, 729	4461053	679
4460260 ...	679, 681, 693, 719, 721, 729	4460875	719, 721	4461054	679, 689, 695
4460265	458, 461	4460876	719, 721, 729	4461060	679
4460266	729	4460877	719, 721	4461070	627, 679
4460267 ...	725, 727, 761	4460878	719, 721	4461071	685, 689
4460268	683, 703	4460879	729	4461073	679, 685, 689
4460294	353	4460880	681, 683, 693, 725, 727	4461077	751, 757
4460297	719, 721	4460884	681, 689, 719, 721, 759	4461095	627, 679, 685
4460312	679, 681, 693	4460887	679, 681, 683, 693, 719, 721, 729	4461157	679, 681, 693
4460313 ...	679, 681, 683, 693, 719, 721, 761	4460888	729	4461196	731, 733
4460315	575, 577	4460891	187, 403, 405, 627, 686, 695, 722, 761	4461197	733
4460320 ...	719, 721, 725, 727, 761	4460894	685, 689, 719, 721, 729	4461198	587, 731, 733
4460321	341	4460897	511, 679, 681, 683, 686, 693, 695	4461199	735, 737
4460346 ...	349, 357, 365, 373, 377, 575	4460899	683, 751, 757, 759	4461200	737
4460374 ...	379, 679, 681, 699, 711	4460905	451, 719, 721, 729	4461201	593, 735, 737
4460375 ...	379, 679, 681, 711	4460910	755	4461203	741
4460418	719, 721, 729	4460911	403, 405, 722, 751	4461205 ...	739, 741, 743, 745
4460419	719, 721, 729	4460925	729	4461206	745
4460424 ...	679, 681, 683, 693, 725, 727, 761	4460926	403, 405	4461244	599, 739, 741
4460425 ...	349, 358, 362, 366, 370, 374, 378, 503, 505, 507, 509, 615, 617	4460928	627	4461245	605, 743, 745
4460426 ...	81, 85, 89, 93, 97, 101, 105, 109, 113, 117, 349, 358, 362, 366, 370, 374, 378	4460930	685, 689	4461246	611, 747, 749
4460428	177, 451	4460931	683	4461249	747, 749
4460434	719, 721, 729	4460932	685, 690, 695	4461250	749
4460457 ...	679, 681, 683, 693, 699, 713	4460933	627, 719, 721, 729	4520252	33
4460458 ...	679, 681, 683, 685, 689, 693, 699, 701, 707, 713	4460941	695, 751	4520253	35
4460460 ...	679, 681, 683, 693	4460942	467, 685, 689, 695	4530028 ...	486, 491, 493, 495
4460464 ...	187, 455, 511, 627, 641, 643, 645, 647, 679, 681, 683, 693, 695, 719, 721, 729, 757, 759	4460943	719, 721, 729, 751	4568133	45
4460465 ...	187, 379, 403, 405, 627, 641, 643, 645, 647, 649, 651, 679, 681, 683, 685, 686, 689, 690, 693, 701, 703, 705, 707,	4460944	679, 681, 683, 685, 689, 693, 719, 721, 729	4640261	41, 43
709, 711, 713, 719, 721, 729, 759	4460945	690, 719, 721	4460956	4640509	527, 533, 535
4460466 ...	467, 627, 641, 643, 645, 647, 649, 651, 681, 683, 685, 689, 690, 719, 721, 729, 751, 757, 759, 761	4460957	673, 675, 677	4640751 ...	234, 240, 246, 252, 258
4460467	849	4460958	617	4640858	523
4460470 ...	81, 85, 89, 93, 97, 101, 105, 109, 113, 117, 451, 629, 631, 633, 635, 637, 639, 653, 655, 657, 659, 661, 663, 665, 667, 669, 671	4460959	633, 657, 667	4640932	525, 529
4460471 ...	81, 85, 89, 93, 97, 101, 105, 109, 113, 117, 451, 629, 631, 633, 635, 637, 639, 653, 655, 657, 659, 661, 663, 665, 667, 669, 671	4460960	633, 657, 667	4640999	525
4460473 ...	641, 643, 645, 647, 649, 651	4460962	486, 493	4641033	541, 543
4460488 ...	81, 85, 89, 93, 97, 101, 105, 109, 113, 117, 127, 129, 451	4460963	366, 374, 378	4641122	33, 35, 37
4460496 ...	81, 85, 89, 93, 97, 101, 105, 109, 113, 117, 451	4460967	379, 701, 705, 707, 709, 711, 713	4641188	531, 537
4460497 ...	81, 85, 89, 93, 97, 101, 105, 109, 113, 117, 451	4460968	333	4641194	531, 537
4460508 ...	467, 641, 643, 645, 647, 719, 721, 729, 761	4460969	366, 374, 378	4641232	529
4460509 ...	641, 643, 645, 647, 649, 651	4460971	477, 486	4641234	531, 537
4460510	849	4460979	679, 681, 693	4641303	27
4460518	627, 729	4460987	511, 679, 681, 683, 686, 693, 695	4641317	51, 53
4460526 ...	81, 85, 89, 93, 97, 101, 105, 109, 113, 117	4460988	719, 721, 729	4711000	69, 271, 273, 337, 362, 366, 370, 374, 378
4460536 ...	187, 719, 721, 729	4460989	683, 751, 757, 759	4711400 ...	51, 53, 81, 89, 93, 97, 101, 109, 117, 123, 177, 179, 185, 191, 193, 197, 204, 208, 215, 219, 223, 234, 240, 246, 252, 259, 278, 325, 327, 346, 353, 357, 373, 377, 419, 421, 423, 425, 427, 437, 439, 441, 443, 469, 471, 473, 511, 583, 585, 587, 589, 591, 593,
4460539 ...	187, 679, 681, 683, 689, 693, 729, 761	4460990	451, 719, 721, 729		
4460612	615, 617	4460991	403, 405, 722, 751		
4460633	177, 179	4460992	403, 405		
4460662	511	4460993	627		
4460670 ...	679, 681, 699, 711	4460994	685, 689		
4460701	717	4460995	685, 690, 695		
4460703	685, 690	4460996	627, 719, 721, 729		
4460708	451, 729	4460997	690, 719, 721		
4460722	275	4460998	673, 675, 677		
4460738	683, 693	4460999	673, 675, 677		
4460742 ...	379, 699, 701, 707, 711, 713	4461000	617		
4460743 ...	379, 701, 707, 711	4461001	633, 657, 667		
4460746	689	4461002	633, 657, 667		
4460748	689	4461003	486, 493		
4460761	623, 719, 721	4461004	366, 374, 378		
4460806 ...	595, 597, 599, 601, 603, 605, 719, 721, 729	4461005	679		

SECTION 11 - SPECIAL OPTIONS

595, 597, 599, 601, 603, 605, 607, 609, 611, 613, 619, 621, 629, 631, 633, 635, 637, 639, 653, 655, 657, 659, 661, 663, 665, 667, 669, 671	148, 149, 152, 153, 156, 160, 161, 164, 165, 168, 169, 171, 173, 199, 201, 227, 229, 231, 234, 240, 246, 252, 259, 279, 281, 345, 349, 354, 361, 365, 369, 388, 392, 449, 451, 475, 486, 491, 493, 497, 503, 505, 507, 509, 625, 629, 631, 635, 637, 653, 655, 659, 661, 663, 665, 669, 671, 766, 770, 774, 778, 782, 786, 790, 794, 798, 802, 806, 810, 814, 818, 822, 826	421, 423, 425, 427, 439, 443, 477, 486 4811702 ... 235, 241, 247, 253, 259, 289 4811900 ... 235, 241, 247, 253, 259, 278, 284, 289, 291, 399, 625 4811902 ... 236, 242, 248, 254, 259, 284, 289, 291 4812000 ... 215, 220, 235, 241, 247, 253, 259, 278, 284, 289, 291, 331, 341, 399 4812002 284, 293 4812100 ... 215, 219, 223, 235, 241, 247, 253, 259, 289, 291, 399 4812200 ... 204, 208, 235, 241, 247, 253, 259, 321, 323, 341 4844817 395 4844958 67 4845582 499, 501 4846295 45 4846296 45 4846558 401 4846627 ... 486, 491, 493, 497 4846673 507, 509 4860224 33 4860225 35, 37 4871200 415 4871700 378 4891500 ... 81, 89, 93, 97, 101, 109, 113, 117, 235, 247, 259, 341 4891600 69, 149, 153, 156, 161, 165, 169, 329, 388, 392, 399 4891800 27, 199, 201, 227, 229, 231, 235, 241, 247, 253, 259, 281, 329, 331, 337, 353, 357, 369, 373 4892000 27, 63, 175 4892200 19, 21 4892600001 399 4921829 342 4921955 717 4922566 ... 647, 653, 657, 659 4922567 ... 629, 633, 635, 639, 641, 663, 667, 669 4922569 ... 629, 633, 635, 639, 649, 653, 657, 659, 663, 667, 669 4922641 ... 333, 335, 338, 342, 362, 367, 370, 375, 379 4922660 ... 629, 633, 635, 639, 653, 657, 659, 663, 667, 669, 725 4922666 451, 623 4922741 715 4922874 581 4922875 653 4922876 629, 653, 663	4922877 581 4922878 629, 663 4922925 362, 366, 369, 373, 377 4923379 204, 208 4923445 342, 699 4923595 631, 637, 643, 665, 671 4923596 631, 637, 651, 655, 661, 665, 671 4923597 631, 637, 655, 661, 665, 671, 727 4923600 631, 665 4923601 631, 655, 665 4933218 503, 507 5240800 236, 242, 248, 254, 259 5241000 284 5241200 284, 377, 399 5250605 289, 291 5250810 236, 242, 248, 254 5251008 399 5251010 259 5251016 223, 399 5260600 289, 291 5261000 223 5272010 286 7000044 211 7000123 333 7000342 397 7000345 ... 212, 263, 267 7000619 .. 362, 366, 369, 373, 377 7000797 31 7000800 212 7000863 .. 361, 365, 369, 373, 378 7000912 211 7000913 211 7000914 211 7000915 211 7000916 211 7000917 211 7000918 211 7000919 211 7001002 211 7001020 77, 79 7001100 .. 361, 365, 369, 373, 378 7001181 212 7001248 69 7001384 .. 361, 365, 369, 373, 378 7001424 489 7001425 489 7001427 489 7001428 489 7001429 489 7001430 489 7001431 489 7001432 489 7001435 211 7001499 403, 405 7001663 181 7001696 ... 361, 365, 377 7001697 397
4711500 27, 149, 153, 161, 165, 169, 171, 173, 234, 240, 246, 252, 259, 361, 369, 373, 377, 401, 403, 405, 411, 413 4711600 19, 21, 51, 53, 71, 73, 144, 145, 179, 204, 208, 215, 219, 223, 271, 273, 278, 317, 337, 345, 350, 353, 357, 362, 366, 369, 373, 383, 385, 388, 392, 401, 403, 405, 411, 413, 452, 513, 515, 517, 519 4711700 234, 240, 246, 252, 259, 337, 341 4711800 71, 73, 260, 329, 331, 345, 350, 361, 366, 385, 445, 447 4712000 479, 481, 483, 513, 515, 517, 519 4712200 479, 481, 483 4740036 45 4740057 57 4740076 144 4740119 329 4740155 25 4740256 23, 25 4740274 204, 208, 321, 323 4740362 449 4740397 81, 85, 89, 93, 97, 101, 105, 109, 113, 117, 333, 335, 451 4740444 81, 85, 89, 93, 97, 101, 105, 109, 113, 117 4740463 23, 25 4740472 19, 21 4740473 23, 25 4740492 383, 385 4740500 145 4740518 81, 85, 89, 93, 97, 101, 105, 109, 113, 117 4750400 234, 240, 246, 252, 259 4750800 39 4751000 .. 45, 71, 73, 125, 127, 129, 144, 145, 333, 335, 341, 350, 357, 362, 366, 369, 373, 377, 451, 477, 486, 491, 493, 497 4751400 47, 81, 85, 89, 93, 97, 101, 105, 109, 113, 117, 131, 133, 135, 137, 139, 144, 145, 148, 152, 156, 160, 164, 168, 234, 241, 247, 253, 259, 333, 335, 337, 349, 357, 365, 499, 501, 503, 505, 507, 509, 629, 631, 633, 635, 637, 639, 653, 655, 657, 659, 661, 663, 665, 667, 669, 671 4751600 ... 39, 47, 51, 53, 77, 79, 127, 129, 131, 133, 135, 137, 139, 141, 145, 148, 152, 156, 160, 164, 168, 171, 173, 181, 191, 193, 197, 204, 208, 215, 219, 223, 235, 241, 247, 253, 259, 315, 321, 323, 333, 335, 346, 354, 403, 405, 449, 486, 491, 493, 497, 511, 619, 621 4751800 69, 177, 179, 191, 193, 197, 215, 219, 223, 227, 229, 231, 281, 445, 447, 503, 505, 507, 509 4752000 ... 191, 193, 197, 215, 219, 223, 278 4760600 575, 577 4761000 451 4761400 ... 81, 85, 89, 93, 97, 101, 105, 109, 113, 117, 475 4761600 181 4770600 329, 331 4791400 ... 204, 208, 345, 349, 353, 357, 361, 365, 369, 373 4811400 ... 583, 585, 587, 589, 591, 593, 595, 597, 599, 601, 603, 605, 607, 609, 611, 613 4811600 197, 333 4811700 ... 127, 129, 284, 289, 291, 341, 377,			

SECTION 11 - SPECIAL OPTIONS

70001835	211	70002842	523	70004287	211	70004743	461
70001836	211	7000289	29	70004289	212	70004744	461
70001837	211	70002902	455	70004328	403, 405	70004745	461
70001841	211	70002903	455	70004329	301	70004746	461
70001844	212	70002904	455	70004331	301	70004747	461
70001850	211	70002905	455	70004332	301	70004748	461
70001866	211	70002948	177, 179	70004333	301	70004749	461
70001868	211	70003022	55	70004336	301	70004750	461
70001870 ..	211, 263, 268	70003136	211	70004337	301	70004751	461
70001871	211	70003454	69	70004338	301	70004752	457
70001872	212	70003464	211	70004340	301	70004753	457
70001953 ..	361, 365, 378	70003465	211	70004342	301	70004754	457
70001954	303	70003466	211	70004343	301	70004755	457
70001955	303	70003472	211	70004344	301	70004756	457
70001956	303	70003475	211	70004345	301	70004757	457
70001957	303	70003478	211	70004346	301	70004758	457
70001966 ..	345, 349, 353, 357, 361, 365, 370, 374, 377, 378	70003612	77, 79	70004347	301	70004759	457
70001973 ..	361, 365, 370, 374, 378	70003631 ..	361, 365, 369, 374, 377	70004348	301	70004760	457
70001974 ..	361, 365, 370, 374, 378	70003708 ..	345, 349, 353, 357, 361, 365, 370, 374, 378	70004349	301	70004761	457
70002066	60	70003709 ..	345, 349, 353, 357, 361, 365, 370, 374, 378	70004350	301	70004762	457
70002085	60	70003784	451	70004351	301	70004763	457
70002088 ..	361, 365, 378	70003788 ..	55, 407, 409, 842	70004352	301	70004764	457
70002097 ..	403, 405, 842	70003789	55, 842	70004381	539	70004765	457
70002112	75	70003921	401, 842	70004382	539	70004766	457
7000213	60	70003922	401, 842	70004414	73	70004767	457
7000217	60	70003935	27	70004504	264, 267	70004768	457
70002200	211	70003936	27	70004505	263	70004769	457
70002231	51, 53, 842	70003998	77, 79	70004506	263	70004770	457
70002234	211	70004020 ..	204, 208, 842	70004507	263	70004771	457
7000224	29	70004037	60	70004508	263, 267	70004772	457
7000228	60	70004040	60	70004509	263	70004773	457
7000229	60	70004041	60	70004510	263	70004774	458
70002291	370, 374	70004042	60	70004570	55	70004775	458
70002297 ..	361, 365, 369, 374, 378	70004043	60	70004571	55	70004795	75
7000230	60	70004044	60	70004572	55	70005008	286, 843
70002386 ..	55, 407, 409, 842	70004045	60	70004573	55	70005171	263
7000239	29	70004047	60	70004574	55	70005172	263, 267
7000240	29	70004056	211	70004575	55	70005173	263
70002410	525	70004058	211	70004576	55	70005176	263
70002415	212	70004060	211	70004577	55	70005177	263
70002416	212	70004092 ..	345, 349, 353, 357, 370, 374	70004578	55, 409	70005184	264, 267
70002417	212	70004094	370, 374	70004579	55	70005191	264
7000246	60	70004098 ..	349, 358, 370, 374	70004580	55	70005203	60
70002460 ..	361, 365, 370, 374, 377	70004099 ..	353, 357, 369, 374	70004581	55	70005433	537
7000247	60	70004169 ..	361, 365, 378	70004582	407, 409	70005458	301
7000248	60	70004171 ..	345, 349, 361, 365, 378	70004676 ..	345, 349, 353, 357	70005459	301
7000253	60	70004183	299	70004677	345	70005460	301
7000255	60	70004186 ..	527, 533, 535	70004678 ..	345, 349, 353, 357	70005461	301
7000257	60	70004199	75	70004679 ..	345, 349, 353, 357	70005462	301
70002718	212	70004237	525	70004680 ..	345, 349, 353, 357	70005463	301
70002744	539	70004266	77, 79	70004681	345, 353	70005464	301
70002745	539	70004267	77, 79	70004682 ..	345, 349, 353, 358	70005465	301
70002748	539	70004272	211	70004683	345, 353	70005527	264
70002749	539	70004276	264, 267	70004684	349	70005647	264
70002751	539	70004277	264, 268	70004685	349, 358	70005648	264
70002814	75, 842	70004279	263	70004686	353	70005663	849
7000283	29	70004280	212	70004687	357	70005708	75
70002838	75			70004738	461	70005725	55
70002839	75			70004739	461	70005916	212
7000284	29			70004740	461	70005917	212
				70004741	461	70005920	263
				70004742	461	70005929	264
						70005931	264, 267
						70005938	268
						70005941	263, 267
						70005942	263, 267
						70006093	369, 374

SECTION 11 - SPECIAL OPTIONS

70006094.....	370, 374	70006221.....	296	70007169.....	525	70025210.....	264, 843
70006095.....	370, 374	70006225.....	296	70007251.....	525	70025212.....	264
70006096.....	370, 374	70006232.....	296	70007276.....	537	70025231.....	263
70006097.....	370, 374	70006233.....	295	70007277.....	537	70025235.....	264
70006134.....	289	70006235.....	296	70007278.....	537	70025239.....	263
70006135.....	289	70006236.....	296	70007279.....	537	70025242.....	264
70006136.....	289	70006294.....	264	70007280.....	537	70025752.....	212
70006144.....	263, 267	70006304.....	60	70007281.....	537	70025753.....	212
70006145.....	295	70006403.....	317, 319	70007282.....	537	70025788.....	264
70006147.....	295	70006404.....	317, 319	70007283.....	537	70026210.....	264
70006150.....	295	70006405..	317, 319, 843	70007325.....	264	70026287.....	537
70006151.....	295	70006406.....	317, 319	70007326.....	263	70027750.....	537
70006152.....	295	70006407.....	317, 319	70007331.....	264	7002821.....	849
70006153.....	295	70006408.....	317, 319	70007354.....	263	7002822.....	849
70006154.....	295	70006409.....	317, 319	70007355.....	264	7002823.....	849
70006155.....	295, 843	70006410.....	317, 319	70007489.....	264	7002826.....	849
70006157.....	295	70006460.....	286, 843	70007603.....	267	70028538.....	264
70006158.....	295	70006461.....	286	70009020.....	278	70028540.....	264
70006159.....	295	70006503.....	531	7001928.....	29	70029433.....	264
70006160.....	295	70006504.....	531	70022564.....	525, 537	70029451.....	263
70006161.....	295	70006505.....	531	70023370.....	535	70029468.....	537
70006162.....	295	70006506.....	531	70023371.....	535	70029512.....	267
70006163.....	295	70006552..	345, 350, 353, 357	70023592..	235, 241, 247, 253, 259, 843	70029517.....	264
70006164.....	295	70006553..	345, 350, 353, 357	70023593..	235, 241, 247, 253, 259, 842	70029520.....	264
70006165.....	295	70006596.....	525	70024494.....	263, 267	70029797.....	264, 267
70006166.....	295	70006648.....	529	70024504.....	267	70030359.....	268
70006167.....	295	70006649..	527, 533, 535	70024507.....	264, 267	70031095.....	263
70006168.....	295	70006650..	527, 533, 535	70024509.....	264	7004275.....	849
70006169.....	295	70006652.....	264	70024513.....	263, 267	7004276.....	849
70006170.....	295	70006653.....	264	70024517.....	263	7004906.....	301
70006171.....	295	70006673.....	29	70024904.....	263, 268	7004907.....	301
70006172.....	295	70006674.....	29	70024905.....	263	7004908.....	301
70006173.....	295	70006675.....	29	70024906.....	263	7007415.....	303, 304
70006174.....	295	70006676.....	29	70024912.....	264	7007437.....	31
70006175.....	295, 843	70006677.....	29	70024915.....	264	7007438.....	31
70006176.....	295, 843	70006678.....	29	70024916.....	267	7007439.....	31
70006177.....	295	70006680.....	29	70024917.....	264	7007446.....	31
70006178.....	295	70006684.....	29	70024920.....	264	7007633.....	60
70006179.....	295	70006685.....	29	70024922.....	264, 267	7010492.....	60
70006180.....	295	70006690.....	29	70024924.....	263	7010543.....	51, 53, 55
70006181.....	295	70006691.....	29	70024925.....	263, 267	7011112.....	525, 529
70006182.....	295	70006692.....	29	70024961.....	263, 267	70124410.....	212
70006183.....	295	70006694.....	541, 543	70024962.....	211, 212	70124440.....	212
70006184.....	295	70006699.....	529	70025082.....	211, 212	7012513.....	333, 335, 337, 341
70006185.....	295	70006700.....	529	70025111.....	263	7012514.....	333, 335, 337, 341
70006186.....	295	70006701.....	529	70025112.....	263	7012518.....	407, 409
70006187.....	295	70006719.....	543	70025130.....	267	7012558.....	335, 337, 341
70006188.....	295	70006720.....	541, 543	70025135.....	263	7012903.....	55
70006189.....	295	70006721.....	543	70025140.....	263	7012907.....	55
70006191.....	295	70006729.....	541	70025142.....	264, 267	7012925.....	531, 537
70006194.....	295	70006730.....	541	70025144.....	263	7012941.....	51, 53
70006195.....	295	70006731.....	541	70025145.....	263	7012943.....	531, 537, 842
70006196.....	296	70006732.....	541	70025146.....	263	7012944.....	51, 53, 842
70006197.....	296	70006733.....	541	70025151.....	264	7012953.....	407, 409
70006198.....	296	70006734..	527, 533, 535	70025152.....	263	7012955.....	407, 409
70006199.....	296	70006735..	527, 533, 535	70025153..	263, 267, 843	7012967.....	407, 409
70006200.....	296	70006736..	527, 533, 535	70025154.....	263	7012989.....	407, 409
70006202.....	296	70006832.....	29	70025160.....	267	7012995.....	407, 409
70006203.....	296	70006833.....	29	70025161.....	264, 267	7012998.....	55
70006205.....	296	70006833.....	29	70025164.....	263, 267	7016319.....	125
70006206.....	296	7000695.....	212	70025181.....	263, 267	7016328.....	211, 842
70006207.....	296	70007108.....	296	70025182.....	264	7016331.....	211, 263, 267, 842, 843
70006208.....	296	70007157.....	525	70025183.....	264	7016372.....	125
70006213.....	296, 843	70007159.....	525	70025184.....	264	7016654.....	849
70006215.....	296	70007161.....	525	70025200.....	264		
70006217.....	296	70007168.....	525	70025205.....	263		
70006219.....	296						

SECTION 11 - SPECIAL OPTIONS

7016655	849	7022372	31	7024704	60	7027236	211
7017023	60	7022397	27	7024762	60	7027276	211
7017028	29, 60	7022399	27	7024763	60	7027404	296
7017047	29	7023907	31	7024782	29	7027773	495
7017070	60	7023908	31	7024784	60	7027774	495
7017072	60	7023910	31	7024854	31	7027775	495
7017080	60	7023917	27	7024864	304	7027776	495
7017082	29	7023919	531, 537	7024866	304	7027777	495
7017085	60	7023922	407, 409	7024867	303	7027778	495
7017142	397	7023923	531, 537	7024868	31, 303	7027779	495
7017159	397	7023925	55	7024881	27	7027780	495
7017162	397	7023927	531, 537	7026188	361, 365, 377	7027781	177, 179
7017163	397	7023933	27	7026197	69	7027782	177, 179
7017164	397	7023947	303	7026199	335, 337, 341	7027783	177, 179
7017172	397	7023948	303	7026503	69	7027784	177, 179
7017192	397	7023949	303	7026504	69	7027790	211
7017195	397	7023950	303	7026505	69	7027791	211
7017402	55, 407, 409	7023951	303	7026506	69	7027792	211
7017422	55	7023952	303	7026507	69	7027795	212, 842
7017446	407, 409	7023956	303	7026509	69	7027796	212
7017451	531, 537, 842	7023957	303	7026597	361, 365, 370, 374, 377	7027799	361, 365, 370, 374, 377
7017452	55, 407, 409	7023958	303	7026626	361, 365, 370, 374, 378	7027887	333, 335, 337, 341
7017496	55	7023960	303	7026632	181	77143013	81, 85, 89, 93, 97, 101, 105, 109, 113, 117
7019680	335, 337, 341	7023961	303	7026633	181	77363233	703
7020043	71, 73	7023962	303	7026634	181	80344004	29
7020108	333, 335, 337, 341	7023964	303, 304	7026635	181	80484084	685, 689
7020109	333, 335, 337, 341	7023965	303	7026636	181	80934561	69
7020110	333, 335, 337, 341	7023966	304	7026637	181	80983191	685, 690, 843
7020111	333, 335, 337, 341	7023967	304	7026638	181	8220051	695
7020175	81, 85, 89, 93, 97, 101, 105, 109, 113, 117, 451	7023982	531, 537	7026639	181	8220115	685
7020176	81, 85, 89, 93, 97, 101, 105, 109, 113, 117, 451	7023984	409	7026640	181	8220164	690
7020190	333, 335, 337, 341	7023985	55	7026641	182	8229242	685, 690, 719, 721, 842
7020403	211	7024100	60	7026642	182	8229249	729, 842
7020408	211	7024149	29	7026643	182	8270147	191, 193, 215, 219, 223, 278
7020465	211, 263, 267	7024151	29	7026644	182	8273291	286
7020468	211	7024154	29	7026645	182	8305401	284
7020471	212	7024190	29	7026646	182	8307109	284
7020479	211	7024191	29	7026647	182	8310070	149, 153, 156, 160, 165, 168
7021249	31	7024404	69	7026648	182	8310129	479, 481, 483
7021275	31, 304	7024441	75	7026649	182	8310548	284
7021276	31	7024462	495	7026650	182	83304173	75
7021277	31	7024463	495	7026651	181	8405006	215, 219, 223, 271, 273, 284, 317
7021612	55	7024467	495	7026652	181	8405007	235, 241, 247, 253, 259
7021625	27	7024469	495	7026653	181	8405009	235, 241, 247, 253, 259, 284
7021639	27	7024470	495	7026654	181	8405102	284
7021653	55, 409	7024471	489, 495	7026655	181	8405104	235, 241, 247, 253, 259, 284
7022162	295	7024472	495	7026656	181	8405203	284
7022302	31	7024473	495	7026657	182	8405204	235, 247, 259
7022305	31	7024474	495	7026658	182	8406102	191, 193, 197, 215, 219, 223, 235, 241, 247, 253
7022310	31	7024475	495	7026659	181	8406109	235, 241, 247, 253, 259, 285
7022311	31, 304	7024478	495	7026660	181	8406110	235, 241, 247, 253, 259
7022312	31	7024485	361, 365, 377	7026661	181		
7022314	31, 304	7024488	362, 366, 369, 373, 377	7027053	191, 193		
7022318	303	7024489	362, 366, 369, 373, 377	7027084	215, 219, 223, 278		
7022326	31	7024508	541, 543	7027085	215, 219, 223, 278		
7022328	31	7024530	489	7027086	215, 219, 223, 278		
7022368	31	7024531	489	7027087	215, 219, 223, 278		
7022371	31	7024532	489	7027088	215, 219, 223, 278		
		7024533	489	7027092	191, 193		
		7024534	489	7027093	191, 193		
		7024535	489	7027094	191, 194		
		7024536	489	7027095	191, 194		
		7024537	489				
		7024579	212, 263				
		7024598	329, 331				

SECTION 11 - SPECIAL OPTIONS

8406201215, 219, 279, 286	8410013 ... 215, 219, 223, 235, 241, 247, 253, 259	88521214 . 513, 515, 517, 519	91164079.....55
8410001.....285	8580420 47	88662327 . 558, 562, 566, 570	91203039.....399
8410009.....286	85941018 278	8896941 849	91401281.....77
8410011....235, 241, 247, 253, 259, 285	88261024 403, 405	91164057 55	91403102..235, 241, 248, 254, 259, 843
	88411013 625	91164059 55	
	88521205 77, 79		



**Corporate Office
JLG Industries, Inc.
1 JLG Drive
McConnellsburg, PA 17233-9533 USA
☎ (717) 485-5161 (Corporate)
☎ (877) 554-5438 (Customer Support)
📠 (717) 485-6417**

**Visit our website for JLG Worldwide Locations.
www.jlg.com**



OSHKOSH™