



# Illustrated Parts Manual

***Model  
340AJ***

**PVC  
2101**

**P/N  
31215955**

**May 31, 2021 - Rev B**

***ANSI***

**CE**



***AS/NZS***



An Oshkosh Corporation Company



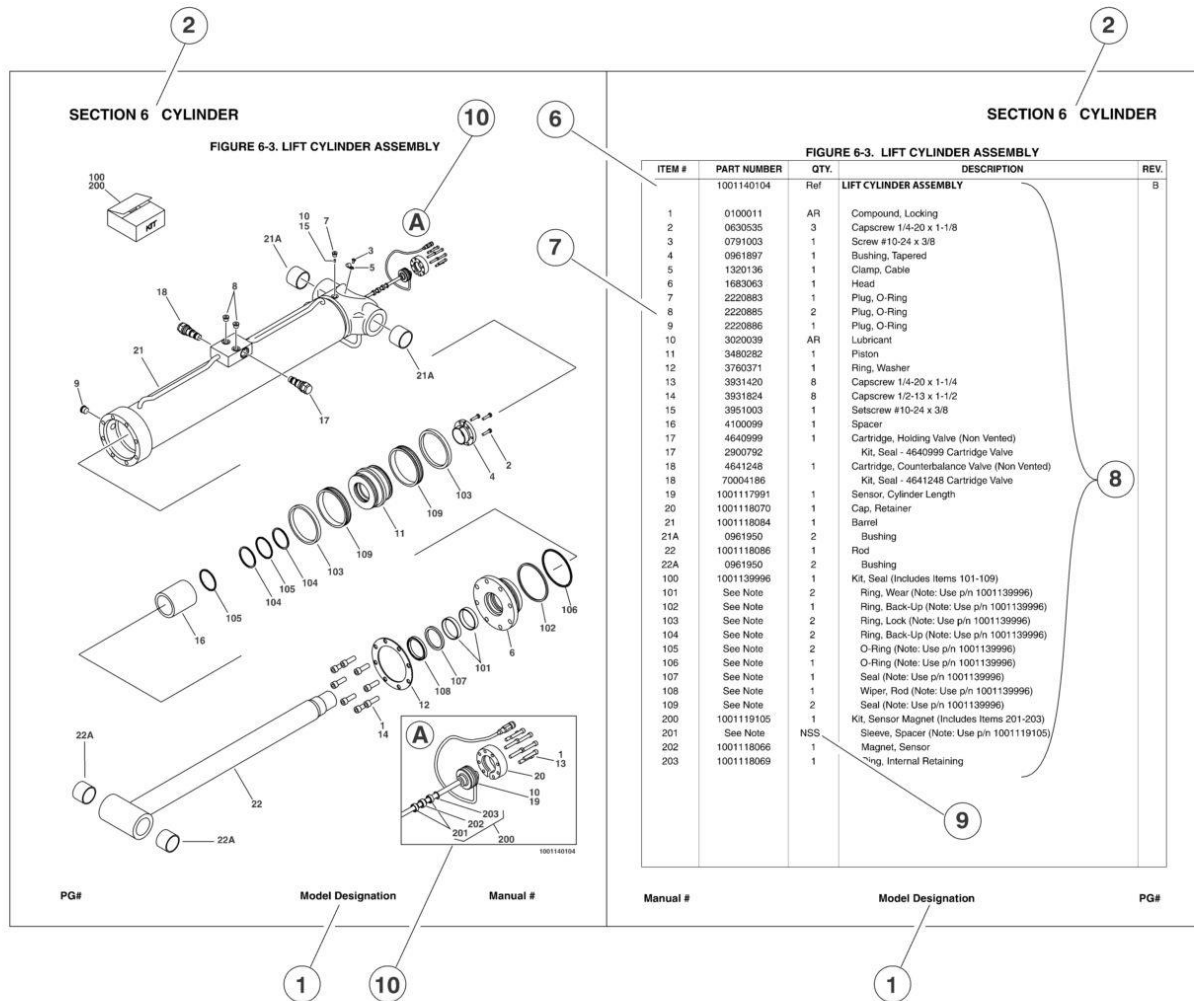


## **REVISION LOG**

December 30, 2020 - A - Original Issue of Manual (Edited to B/M 1001247170 Rev F)

May 31, 2021 - B - Revised Manual (Edited to B/M 1001247170 Rev F)

# GENERAL INFORMATION



## 1) MACHINE IDENTIFICATION

Machines are identified by model and in some cases a combination of models, serial number (SN) or regional standard (i.e. ANSI, CE, CSA). Components may also be identified by SN or manufacturer. Common components that may be identified by these characteristics are engines and hydraulic components.

## 2) PARTS MANUAL ORGANIZATION

Product information in this manual is organized under section titles. Frame, Cylinder, Hydraulic and Electrical are a few examples. Each section is organized by figure and page number. The information within the Figure is then organized by item number, part number, description and corresponding illustration(s).

## 3) TABLE OF CONTENTS

A table of contents is found toward the beginning of the manual. Figure number, description and page number are provided for quick reference to the page containing the related information.

## 4) RECOMMENDED SPARE PARTS

The Recommended Spare Parts, located near the end of the manual, reference most frequently used maintenance parts.

## 5) PART NUMBER INDEX

A numerical index listing all part numbers and the corresponding page number(s) appears at the back of the manual.

## GENERAL INFORMATION

### 6) NON-SERVICED PARTS

In some instances, it is necessary to display non-serviced parts, assemblies or installations. In the case of assemblies or installations there will be a Ref in the Qty column. In case of parts that are not available for service within assemblies or components, there will be a NSS (Not Sold Separately) or NLA (No Longer Available) listed in the Qty. column of the manual.

### 7) PARTS LIST ITEM NUMBERS

Numbers shown in the item# column correspond to numbers used in the associated illustration (s). Item numbers which are missing from the sequence in the parts list are not used on that page

### 8) INDENTED PARTS DESCRIPTION

An indented part description is included in the item under which it is indented.

### 9) ABBREVIATION AND SYMBOLS

AC.....	.. Alternating Current	LCD.....	Liquid Crystal Display
ADE.....	Advanced Design Electronics	LED.....	Light Emitting Diodes
ANSI.....	American National Standards Institute	LH.....	Left Hand
AR.....	As Required	LSS.....	Load Sensing System
ASSY.....	Assembly	M(m).....	Metric/Meter
AUX.....	Auxiliary	MM (mm).....	Milimeter
AWG.....	American Wire Gauge	mA.....	Miliamps
B/M.....	Bill of Material	NLA.....	No Longer Available
CE.....	European Conformity	NPT.....	National Pipe Threads
CCW.....	Counter Clockwise	NSS.....	Not Sold Separately
cm.....	Centimeter	OD.....	Outside Diameter
CW.....	Clockwise	ORB.....	O-Ring Boss
CSA.....	Canadian Standard Association	ORFS.....	O-Ring Face Seal
CYL.....	Cylinder	OZ (oz).....	Ounces
DIA.....	Diameter	PG.....	Page
DC.....	Direct Current	P/N.....	Part Number
EMS.....	Emergency Stop	qt.....	Quarts
ENG.....	Engine	QTY.....	Quantity
FT (ft).....	Feet	REF.....	Reference
GA (Ga).....	Gauge	REV.....	Revision Level
HYD.....	Hydraulic	RH.....	Right Hand
Hz.....	Hertz	SAE.....	Society of Automotive Engineers
ID.....	Inside Diameter	SN.....	Serial Number
in.....	inches	SPEC(S).....	Specifications
ISO.....	International Organization for Standards	T/T.....	Turntable
JIC.....	Joint Industry Council	UGM.....	Universal Ground Module
KG.....	Kilogram	V.....	Volts
L.....	Liter	W.....	Watts
LB.....	Pounds	#.....	Number

### 10) ILLUSTRATION REFERENCE LETTERS

When necessary, illustrations may contain reference letters that are intended to track information (i. e. hoses, harness) from one point to another or to track visual enlargement of components to show details that may be located in another area on the illustration.

*Note: Due to continuous product improvements, JLG Industries, Inc. reserves the right to make specification changes without prior notification. Contact JLG Industries, Inc. for updated information.*



# TABLE OF CONTENTS

SECTION 1 - FRAME.....	11
FIGURE 1-1. STEERING INSTALLATION.....	12
FIGURE 1-2. OSCILLATING AXLE INSTALLATION.....	14
FIGURE 1-3. DRIVE VALVES INSTALLATION.....	16
FIGURE 1-4. FLOW DIVIDER VALVE ASSEMBLY.....	18
FIGURE 1-5. DRIVE INSTALLATION.....	20
FIGURE 1-6. DRIVE MOTOR ASSEMBLY.....	22
FIGURE 1-7. DRIVE HUB/BRAKE ASSEMBLY.....	24
FIGURE 1-8. TIRE AND WHEEL INSTALLATION - 7X18 SOLID CUSHION.....	28
FIGURE 1-9. TIRE AND WHEEL INSTALLATION - 7X18 SOLID CUSHION NON-MARKING.....	30
FIGURE 1-10. TIRE AND WHEEL INSTALLATION - 9X20 FOAM-FILLED.....	32
FIGURE 1-11. TIRE AND WHEEL INSTALLATION - 9X20 FOAM-FILLED NON-MARKING.....	34
FIGURE 1-12. TIRE AND WHEEL INSTALLATION - 33 X 12LL500 TURF/SAND FOAM FILLED.....	36
FIGURE 1-13. FRAME SHIELDS INSTALLATION.....	38
FIGURE 1-14. LP TANK ASSEMBLY.....	40
SECTION 2 - TURNTABLE.....	43
FIGURE 2-1. CONTROL VALVE AND CHARGE FILTER INSTALLATION.....	44
FIGURE 2-2. MAIN CONTROL VALVE ASSEMBLY.....	46
FIGURE 2-3. SWING DRIVE INSTALLATION (JING WEI).....	48
FIGURE 2-4. SWING MOTOR ASSEMBLY.....	50
FIGURE 2-5. SWING BEARING ASSEMBLY.....	52
FIGURE 2-6. TANK INSTALLATION (DIESEL MACHINES).....	54
FIGURE 2-7. TANK INSTALLATION (GAS MACHINES).....	56
FIGURE 2-8. HYDRAULIC TANK ASSEMBLY.....	58
FIGURE 2-9. FUEL TANK ASSEMBLY (DIESEL MACHINES).....	60
FIGURE 2-10. FUEL TANK ASSEMBLY (GAS MACHINES).....	62
FIGURE 2-11. ELECTRICAL COMPONENTS INSTALLATION (ALL SPECS EXCEPT CE).....	64
FIGURE 2-12. ELECTRICAL COMPONENTS INSTALLATION (CE SPEC).....	66
FIGURE 2-13. GROUND CONTROL ASSEMBLY (ALL SPECS EXCEPT CE).....	68
FIGURE 2-14. GROUND CONTROL ASSEMBLY (CE SPEC).....	70
FIGURE 2-15. LIGHT PANEL INSTALLATION.....	72
FIGURE 2-16. KEY SWITCH INSTALLATION.....	74
FIGURE 2-17. BATTERY INSTALLATION.....	76
FIGURE 2-18. WHITE NOISE ALARM INSTALLATION.....	78
FIGURE 2-19. STROBE LIGHT INSTALLATION (AMBER) (OPTIONAL).....	80
FIGURE 2-20. STROBE LIGHT INSTALLATION (BLUE) (OPTIONAL).....	82
FIGURE 2-21. STROBE LIGHT INSTALLATION (RED) (OPTIONAL).....	84
FIGURE 2-22. TURNTABLE FLOODLIGHT INSTALLATION (OPTIONAL).....	86
FIGURE 2-23. HEAD AND TAIL LIGHT INSTALLATION (OPTIONAL).....	88
FIGURE 2-24. HOODS INSTALLATION.....	90
FIGURE 2-25. ENGINE SIDE HOOD ASSEMBLY.....	94
FIGURE 2-26. TANK SIDE HOOD ASSEMBLY.....	96
FIGURE 2-27. HOOD COMPONENTS - KUBOTA ENGINE (WITHOUT ARCTIC PACKAGE).....	98
FIGURE 2-28. HOOD COMPONENTS - KUBOTA ENGINE (WITH ARCTIC PACKAGE).....	100
FIGURE 2-29. HOOD COMPONENTS - KUBOTA ENGINE WITH 4000W GENERATOR (WITHOUT ARCTIC PACKAGE).....	102
FIGURE 2-30. HOOD COMPONENTS - KUBOTA ENGINE WITH 4000W GENERATOR (WITH ARCTIC PACKAGE).....	104
FIGURE 2-31. HOOD COMPONENTS - GM ENGINE (WITHOUT ARCTIC PACKAGE).....	106
FIGURE 2-32. HOOD COMPONENTS - GM ENGINE (WITH ARCTIC PACKAGE).....	108
SECTION 3 - ENGINE.....	111
FIGURE 3-1. GM ENGINE INSTALLATION (WITHOUT ARCTIC PACKAGE).....	112
FIGURE 3-2. GM ENGINE INSTALLATION (WITH ARCTIC PACKAGE).....	114
FIGURE 3-3. GM ENGINE AND PUMP SUB-ASSEMBLY.....	116
FIGURE 3-4. GM ENGINE ASSEMBLY.....	118
FIGURE 3-5. KUBOTA ENGINE INSTALLATION (WITHOUT ARCTIC PACKAGE).....	122
FIGURE 3-6. KUBOTA ENGINE INSTALLATION WITH 4000W GENERATOR (WITHOUT ARCTIC PACKAGE).....	126
FIGURE 3-7. KUBOTA ENGINE INSTALLATION (WITH ARCTIC PACKAGE).....	130
FIGURE 3-8. KUBOTA ENGINE INSTALLATION WITH 4000W GENERATOR (WITH ARCTIC PACKAGE).....	134
FIGURE 3-9. KUBOTA ENGINE AND PUMP SUB-ASSEMBLY.....	138
FIGURE 3-10. KUBOTA ENGINE WITH 4000W GENERATOR AND PUMP SUB-ASSEMBLY.....	140
FIGURE 3-11. KUBOTA ENGINE ASSEMBLY.....	142
FIGURE 3-12. KUBOTA ENGINE ASSEMBLY WITH 4000W GENERATOR.....	146

# TABLE OF CONTENTS

FIGURE 3-13. KUBOTA ENGINE COMPONENTS .....	150
FIGURE 3-14. CATALYTIC MUFFLER INSTALLATION - KUBOTA ENGINE (OPTIONAL).....	154
FIGURE 3-15. FUEL/WATER SEPARATOR ASSEMBLY (KUBOTAT ENGNIES) (PVC2007) .....	156
FIGURE 3-16. AXIAL PUMP ASSEMBLY .....	158
FIGURE 3-17. GEAR PUMP ASSEMBLY .....	162
FIGURE 3-18. 2800W GENERATOR INSTALLATION - GM ENGINE MACHINES 220V/50HZ GENERATOR (ANSI EXPORT AND CHINA SPECS) .....	164
FIGURE 3-19. 2800W GENERATOR INSTALLATION - KUBOTA ENGINE MACHINES 120V/50HZ GENERATOR .....	168
FIGURE 3-20. 2800W GENERATOR INSTALLATION - KUBOTA ENGINE MACHINES 220V/50HZ GENERATOR (ANSI EXPORT, AUSTRALIAN, CE AND CHINA SPECS) .....	172
FIGURE 3-21. 3500W GENERATOR INSTALLATION - GM ENGINE MACHINES 120V/60HZ GENERATOR (ANSI, ANSI EXPORT, CHINA, CSA AND JAPANESE SPECS).....	176
FIGURE 3-22. 3500W GENERATOR INSTALLATION - GM ENGINE MACHINES 220V/60HZ GENERATOR (ANSI EXPORT, CHINA AND CSA SPECS).....	180
FIGURE 3-23. 3500W GENERATOR INSTALLATION - KUBOTA ENGINE MACHINES 120V/60HZ GENERATOR (ANSI, ANSI EXPORT, CHINA, CSA AND JAPANESE SPECS).....	184
FIGURE 3-24. 3500W GENERATOR INSTALLATION - KUBOTA ENGINE MACHINES 220V/60HZ GENERATOR (ANSI EXPORT, CHINA AND CSA SPECS) .....	188
FIGURE 3-25. 4000W GENERATOR INSTALLATION - KUBOTA ENGINE MACHINES 220V/50HZ GENERATOR (ANSI EXPORT, AUSTRALIAN, CE, CHINA AND JAPANESE SPECS) .....	192
FIGURE 3-26. 4000W GENERATOR INSTALLATION - KUBOTA ENGINE MACHINES 110V/60HZ GENERATOR (ANSI, ANSI EXPORT, CHINA, CSA AND JAPANESE SPECS).....	196
SECTION 4 - BOOM.....	199
FIGURE 4-1. BOOM AND CYLINDERS INSTALLATION - WITHOUT ARCTIC PACKAGE .....	200
FIGURE 4-2. BOOM AND CYLINDERS INSTALLATION - WITH ARCTIC PACKAGE .....	202
FIGURE 4-3. TOWER BOOM ASSEMBLY .....	204
FIGURE 4-4. MAIN BOOM ASSEMBLY .....	206
FIGURE 4-5. JIB ASSEMBLY - WITHOUT ARCTIC PACKAGE.....	208
FIGURE 4-6. JIB ASSEMBLY - WITH ARCTIC PACKAGE .....	210
FIGURE 4-7. PLATFORM ROTATOR ASSEMBLY - WITHOUT ARCTIC PACKAGE .....	212
FIGURE 4-8. PLATFORM ROTATOR ASSEMBLY - WITH ARCTIC PACKAGE .....	214
FIGURE 4-9. PLATFORM SUPPORT INSTALLATION - WITH 1 CELL LSS (PVC 2001).....	216
FIGURE 4-10. PLATFORM SUPPORT INSTALLATION - WITH 1 CELL LSS (PVC 2007).....	218
FIGURE 4-11. POWER TRACK INSTALLATION.....	220
FIGURE 4-12. CONTROL VALVES INSTALLATION - BOOM.....	222
FIGURE 4-13. FLY BOOM VALVE ASSEMBLY .....	224
FIGURE 4-14. BOOM UPRIGHT VALVE ASSEMBLY .....	226
SECTION 5 - PLATFORM .....	229
FIGURE 5-1. PLATFORM ASSEMBLY - 30IN X 4FT (76CM X 1.22M) - GATE ENTRY .....	230
FIGURE 5-2. PLATFORM ASSEMBLY - 30IN X 5FT (76CM X 1.52M) - GATE ENTRY .....	232
FIGURE 5-3. PLATFORM ASSEMBLY - 30IN X 4FT (76CM X 1.22M) - DROP BAR ENTRY .....	234
FIGURE 5-4. PLATFORM ASSEMBLY - 30IN X 5FT (76CM X 1.52M) - DROP BAR ENTRY .....	236
FIGURE 5-5. PLATFORM ASSEMBLY - 30IN X 3FT (76CM X .91M) - DROP BAR ENTRY .....	238
FIGURE 5-6. TRAY INSTALLATION.....	240
FIGURE 5-7. CONSOLE AND FOOTSWITCH INSTALLATION - DIESEL MACHINES .....	242
FIGURE 5-8. CONSOLE AND FOOTSWITCH INSTALLATION - GAS MACHINES.....	244
FIGURE 5-9. CONSOLE ASSEMBLY .....	246
FIGURE 5-10. LIFT/SWING CONTROLLER ASSEMBLY .....	250
FIGURE 5-11. DRIVE/STEER CONTROLLER ASSEMBLY .....	254
FIGURE 5-12. LIGHT PANEL INSTALLATION.....	256
FIGURE 5-13. FOOTSWITCH ASSEMBLY .....	258
FIGURE 5-14. SKYEYE INSTALLATION.....	260
FIGURE 5-15. SKYGUARD BAR INSTALLATION.....	262
FIGURE 5-16. SKYLINE INSTALLATION.....	264
FIGURE 5-17. PIPE RACK INSTALLATION (AUSTRALIAN SPEC).....	266
FIGURE 5-18. WORKLIGHTS INSTALLATION (OPTIONAL).....	268
SECTION 6 - CYLINDER.....	271
FIGURE 6-1. AXLE LOCKOUT CYLINDER ASSEMBLY.....	272
FIGURE 6-2. LEVEL (PLATFORM SLAVE) CYLINDER ASSEMBLY.....	274
FIGURE 6-3. LIFT (JIB) CYLINDER ASSEMBLY .....	276
FIGURE 6-4. LIFT (MAIN BOOM) CYLINDER ASSEMBLY.....	278

# TABLE OF CONTENTS

FIGURE 6-5. LIFT (TOWER BOOM) CYLINDER ASSEMBLY .....	280
FIGURE 6-6. MASTER CYLINDER ASSEMBLY .....	282
FIGURE 6-7. STEER CYLINDER ASSEMBLY .....	284
FIGURE 6-8. TELESCOPE CYLINDER ASSEMBLY .....	286
SECTION 7 - HYDRAULIC .....	289
FIGURE 7-1. HYDRAULIC INSTALLATION - WITHOUT ARCTIC PACKAGE .....	290
FIGURE 7-2. HYDRAULIC INSTALLATION - WITH ARCTIC PACKAGE .....	300
SECTION 8 - ELECTRICAL .....	311
FIGURE 8-1. AC BOX AT PLATFORM INSTALLATION - LOCALLY SUPPLIED COMPONENTS (ANSI EXPORT, AUSTRALIAN AND CHINA SPECS).....	312
FIGURE 8-2. AC BOX AT PLATFORM INSTALLATION - LOCALLY SUPPLIED (CE SPEC) .....	314
FIGURE 8-3. AC BOX AT PLATFORM INSTALLATION - 110V (ANSI, ANSI EXPORT, CHINA, CSA AND JAPANESE SPECS) .....	316
FIGURE 8-4. AC BOX AT PLATFORM INSTALLATION - 110V IEC YELLOW WITHOUT 4000W GENERATOR (CE SPEC) ...	318
FIGURE 8-5. AC BOX AT PLATFORM INSTALLATION - 110V IEC YELLOW WITH 4000W GENERATOR (CE SPECS) .....	320
FIGURE 8-6. AC BOX AT PLATFORM INSTALLATION - 220V (CSA SPEC) .....	322
FIGURE 8-7. AC BOX AT PLATFORM INSTALLATION - 220V IEC BLUE WITHOUT 4000W GENERATOR (CE SPEC).....	324
FIGURE 8-8. AC BOX AT PLATFORM INSTALLATION - 220V IEC BLUE WITH 4000W GENERATOR (CE SPECS).....	326
FIGURE 8-9. AC BOX AT PLATFORM INSTALLATION - 220V CEE7 POST GROUND 2 X 4 BOX WITHOUT 4000W GENERATOR (CE SPEC).....	328
FIGURE 8-10. AC BOX AT PLATFORM INSTALLATION - 220V CEE7 POST GROUND 2 X 4 BOX WITH 4000W GENERATOR (CE SPECS) .....	330
FIGURE 8-11. AC BOX AT PLATFORM INSTALLATION - 220V CEE7 SIDE GROUND 2 X 4 BOX WITHOUT 4000W GENERATOR (CE SPEC).....	332
FIGURE 8-12. AC BOX AT PLATFORM INSTALLATION - 220V CEE7 SIDE GROUND 2 X 4 BOX WITH 4000W GENERATOR (CE SPECS).....	334
FIGURE 8-13. AC BOX AT PLATFORM INSTALLATION - 220V AFSINT 107 KEYED GROUND WITHOUT 4000W GENERATOR (CE SPEC).....	336
FIGURE 8-14. AC BOX AT PLATFORM INSTALLATION - 220V AFSINT 107 KEYED GROUND WITH 4000W GENERATOR (CE SPECS) .....	338
FIGURE 8-15. AC BOX AT PLATFORM INSTALLATION - BOX WITH COVER WITH 4000W GENERATOR (ANSI EXPORT, AUSTRALIAN, CHINA AND JAPANESE SPECS).....	340
FIGURE 8-16. AC POWER TO PLATFORM CABLE - MAIN BOOM (WITHOUT ARCTIC PACKAGE) (50HZ).....	342
FIGURE 8-17. AC POWER TO PLATFORM CABLE - MAIN BOOM (WITH ARCTIC PACKAGE) (50HZ) .....	344
FIGURE 8-18. AC POWER TO PLATFORM CABLE - MAIN BOOM (60HZ) .....	346
FIGURE 8-19. AC POWER TO PLATFORM CABLE - TOWER BOOM (WITHOUT ARCTIC PACKAGE) (50HZ) .....	348
FIGURE 8-20. AC POWER TO PLATFORM CABLE - TOWER BOOM (WITH ARCTIC PACKAGE) (50HZ).....	350
FIGURE 8-21. AC POWER TO PLATFORM CABLE - TOWER BOOM (60HZ) .....	352
FIGURE 8-22. BATTERY DISCONNECT SWITCH.....	354
FIGURE 8-23. BOOM CABLES, HARNESES AND CLAMPS INSTALLATION - WITHOUT ARCTIC PACKAGE .....	356
FIGURE 8-24. BOOM CABLES, HARNESES AND CLAMPS INSTALLATION - WITH ARCTIC PACKAGE .....	360
FIGURE 8-25. BOOM CABLES AND CLAMPS INSTALLATION - 4000W, 50HZ - WITHOUT ARCTIC PACKAGE.....	364
FIGURE 8-26. BOOM CABLES AND CLAMPS INSTALLATION - 4000W, 50HZ - WITH ARCTIC PACKAGE .....	368
FIGURE 8-27. BOOM CABLES AND CLAMPS INSTALLATION - 4000W, 60HZ - WITHOUT ARCTIC PACKAGE.....	372
FIGURE 8-28. BOOM CABLES AND CLAMPS INSTALLATION - 4000W, 60HZ - WITH ARCTIC PACKAGE .....	376
FIGURE 8-29. BOOM HARNESS - LIMIT SWITCHES AND UPRIGHT VALVE .....	380
FIGURE 8-30. BOOM HARNESS - MAIN.....	382
FIGURE 8-31. BREAKER BOX INSTALLATION .....	384
FIGURE 8-32. BREAKER BOX KIT (CE SPEC).....	386
FIGURE 8-33. CHASSIS HARNESS ASSEMBLY .....	388
FIGURE 8-34. CHASSIS LIGHT HARNESS .....	392
FIGURE 8-35. ENGINE HARNESS - KUBOTA ENGINE .....	394
FIGURE 8-36. FUEL PUMP HARNESS - GM ENGINES .....	396
FIGURE 8-37. GENERATOR HARNESS - 2500W.....	398
FIGURE 8-38. GENERATOR HARNESS - 4000W.....	400
FIGURE 8-39. GENERATOR CONTROL HARNESS - 4000W.....	402
FIGURE 8-40. GENERATOR TO AC PLUG HARNESS - 2800W GENERATOR 220/50HZ (ANSI EXPORT, AUSTRALIAN, CE AND CHINA SPECS).....	404
FIGURE 8-41. GENERATOR TO AC PLUG HARNESS - 2800W GENERATOR 110/50HZ (CE SPECS ONLY) .....	406
FIGURE 8-42. GENERATOR TO AC PLUG HARNESS - 2800W GENERATOR 220/50HZ (ANSI EXPORT, AUSTRALIAN, CE AND CHINA SPECS).....	408
FIGURE 8-43. GENERATOR TO AC PLUG HARNESS - 3500W GENERATOR 220/60HZ (ANSI EXPORT, CHINA AND CSA SPECS) .....	410

# TABLE OF CONTENTS

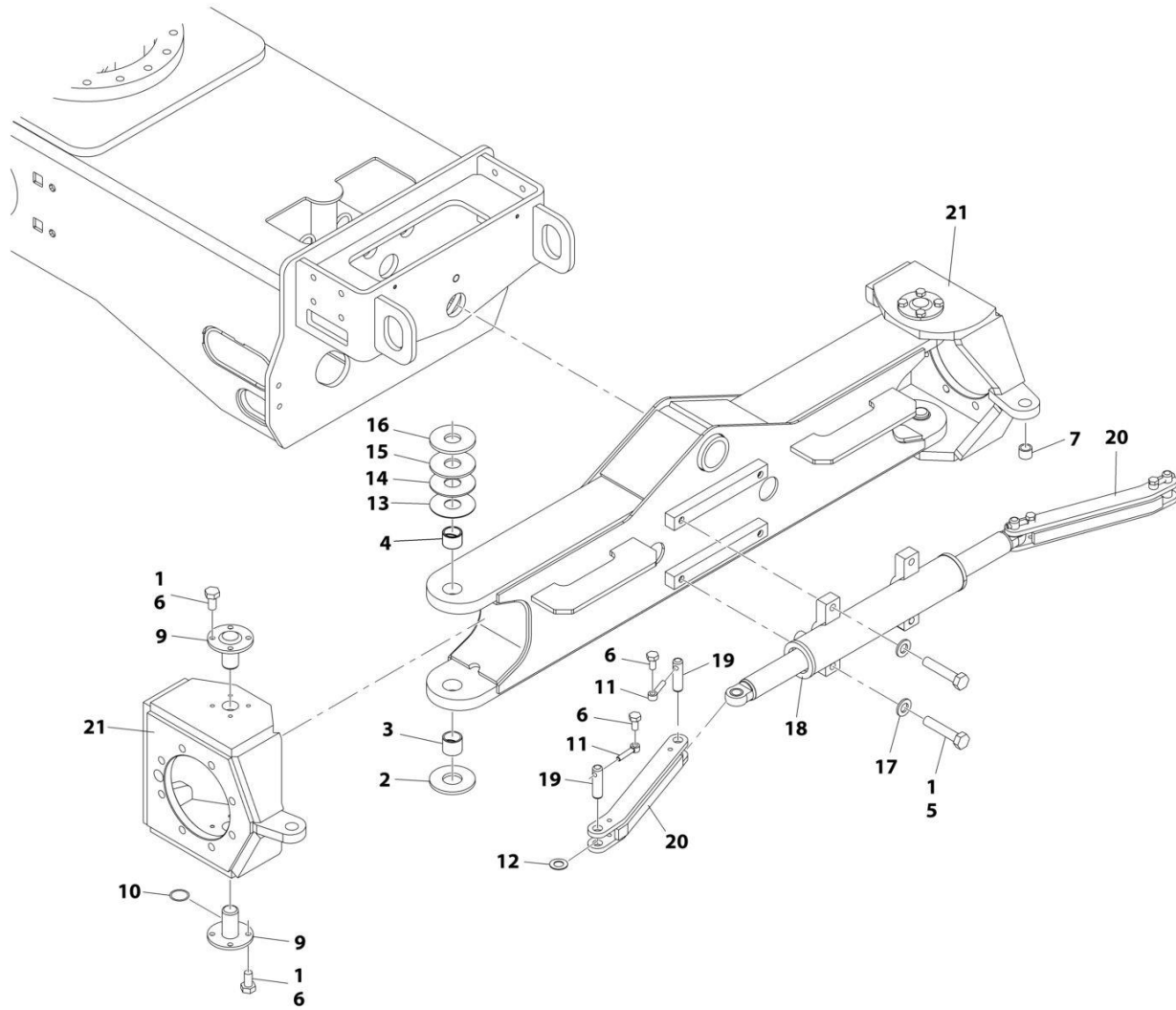
FIGURE 8-44. GENERATOR TO AC PLUG HARNESS - 3500W GENERATOR 110/60HZ (ANSI, ANSI EXPORT, CHINA, CSA AND JAPANESE SPECS).....	412
FIGURE 8-45. GENERATOR TO AC PLUG HARNESS - 3500W GENERATOR 220/60HZ (ANSI EXPORT, CHINA AND CSA SPECS).....	414
FIGURE 8-46. GROUND TO PLATFORM CABLE - MAIN BOOM (WITHOUT ARCTIC PACKAGE).....	416
FIGURE 8-47. GROUND TO PLATFORM CABLE - MAIN BOOM (WITH ARCTIC PACKAGE).....	418
FIGURE 8-48. GROUND TO PLATFORM CABLE - TOWER BOOM (WITHOUT ARCTIC PACKAGE).....	420
FIGURE 8-49. GROUND TO PLATFORM CABLE - TOWER BOOM (WITH ARCTIC PACKAGE).....	422
FIGURE 8-50. GROUND CONTROL HARNESS.....	424
FIGURE 8-51. GENERATOR TO PLATFORM HARNESS.....	426
FIGURE 8-52. LIMIT SWITCH HARNESS.....	428
FIGURE 8-53. LSS HARNESS.....	430
FIGURE 8-54. MID-ENGINE HARNESS.....	432
FIGURE 8-55. PLATFORM BOX HARNESS ASSEMBLY.....	436
FIGURE 8-56. RECEPTACLE BOX KIT - 110V IEC YELLOW (CE SPEC).....	438
FIGURE 8-57. RECEPTACLE BOX KIT - 220V IEC BLUE (CE SPEC).....	440
FIGURE 8-58. RECEPTACLE BOX KIT - 220V CEE7 POST GROUND 70MM X 70MM BOX (CE SPEC).....	442
FIGURE 8-59. RECEPTACLE BOX KIT - 220V CEE7 SIDE GROUND 70MM X 70MM BOX (CE SPEC).....	444
FIGURE 8-60. RECEPTACLE BOX KIT - 220V CEE7 POST GROUND 2IN X 4IN BOX (CE SPEC).....	446
FIGURE 8-61. RECEPTACLE BOX KIT - 220V CEE7 SIDE GROUND 2IN X 4IN BOX (CE SPEC).....	448
FIGURE 8-62. RECEPTACLE BOX KIT - 220V AFSINT 107 (CE SPEC).....	450
FIGURE 8-63. SKYEYE EMITTER HARNESS.....	452
FIGURE 8-64. SKYEYE INTERMEDIATE HARNESS.....	454
FIGURE 8-65. SKYEYE RECEIVER HARNESS.....	456
FIGURE 8-66. SKYLINE HARNESS.....	458
FIGURE 8-67. STROBE LIGHT CONTROL (BLUE STROBE LIGHT).....	460
FIGURE 8-68. STROBE LIGHT EXTENSION HARNESS (BLUE STROBE LIGHT ONLY).....	462
FIGURE 8-69. VALVE HARNESS - BOOM VALVE.....	464
FIGURE 8-70. VALVE HARNESS - MAIN CONTROL.....	466
SECTION 9 - DECALS.....	469
FIGURE 9-1. DECALS INSTALLATION - ANSI AND ANSI EXPORT SPECS (ENGLISH).....	470
FIGURE 9-2. DECALS INSTALLATION - AUSTRALIAN SPEC (ENGLISH).....	472
FIGURE 9-3. DECALS INSTALLATION - BRAZIL SPEC (PORTUGUESE/SPANISH).....	474
FIGURE 9-4. DECALS INSTALLATION - CE SPECS (ENGLISH).....	476
FIGURE 9-5. DECALS INSTALLATION - CHINESE SPEC (CHINESE/ENGLISH).....	478
FIGURE 9-6. DECALS INSTALLATION - CSA SPEC (FRENCH/ENGLISH).....	480
FIGURE 9-7. DECALS INSTALLATION - JAPANESE SPEC (JAPANESE).....	482
FIGURE 9-8. DECALS INSTALLATION - KOREAN SPEC (KOREAN/ENGLISH).....	484
FIGURE 9-9. DECALS INSTALLATION - LATIN AMERICA SPEC (SPANISH/ENGLISH).....	486
FIGURE 9-10. OPTIONAL DECALS INSTALLATION.....	488
SECTION 10 - RECOMMENDED SERVICE PARTS STOCK.....	491
FIGURE 10-1. RECOMMENDED SERVICE PARTS STOCK.....	492
SECTION 11 - SPECIAL OPTIONS.....	495
FIGURE 11-1. SPECIAL OPTIONS.....	496
PART NUMBER INDEX.....	499



**SECTION 1 - FRAME**

# SECTION 1 - FRAME

## FIGURE 1-1. STEERING INSTALLATION



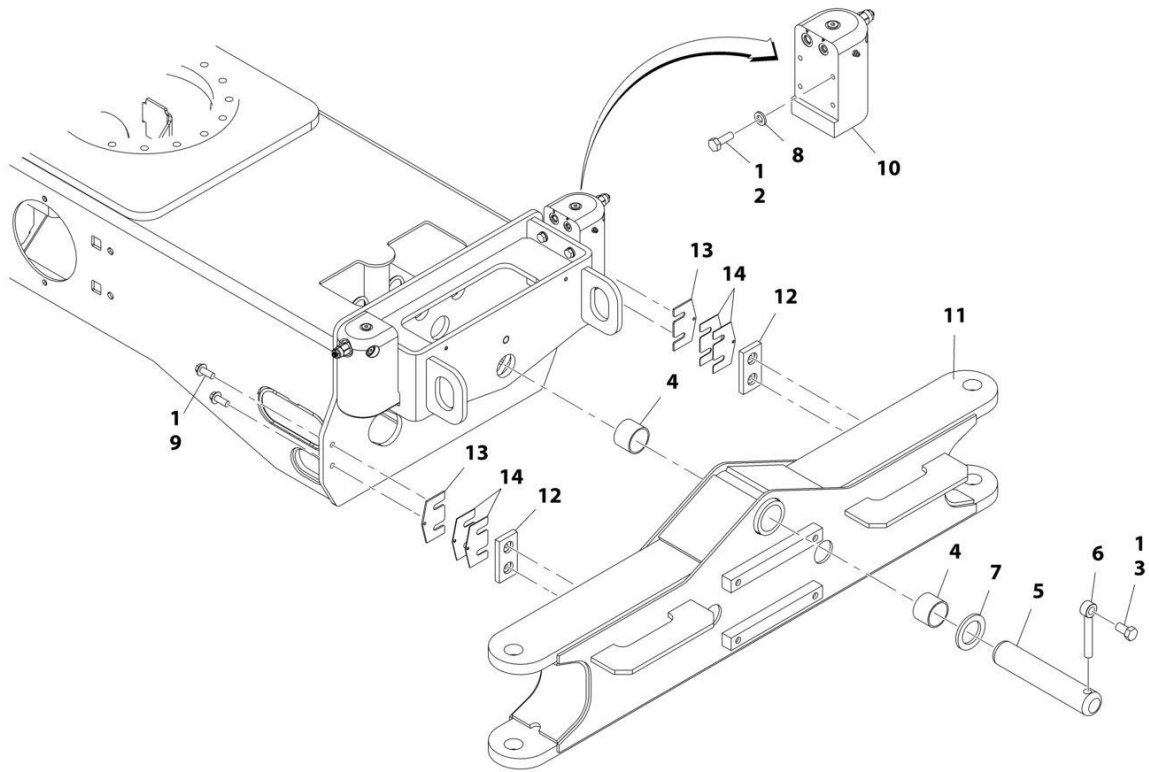
ART\_1001115771

FIGURE 1-1. STEERING INSTALLATION

ITEM	PART NUMBER	QTY	DESCRIPTION	REV
	1001115771	Ref	STEERING INSTALLATION	C
1	0100011	AR	Compound, Locking	
2	0440271	2	Thrustwasher .250	
3	0440274	2	Bearing	
4	0440291	2	Bearing	
5	0701220	4	Bolt M12 x 60	
6	0761010	20	Bolt M16 x 20	
7	0962140	2	Bushing	
9	3423081	4	Kingpin	
10	3780182	2	O-Ring	
11	3841520	4	Keeper, Pin	
12	4740086	4	Thrustwasher .0625	
13	4740537	2	Thrustwasher .625	
14	4740538	2	Thrustwasher .125	
15	4740539	2	Thrustwasher .188	
16	4740540	2	Thrustwasher .250	
17	4812100	4	Washer M12	
18	1001116788	1	Steer Cylinder Assembly (See Separate Breakdown in CYLINDER SECTION)	
19	1001116867	4	Pin, Pivot	
20	1001116871	2	Link, Tie-Rod	
21	1001117142	2	Spindle	

# SECTION 1 - FRAME

## FIGURE 1-2. OSCILLATING AXLE INSTALLATION



ART\_1001115772

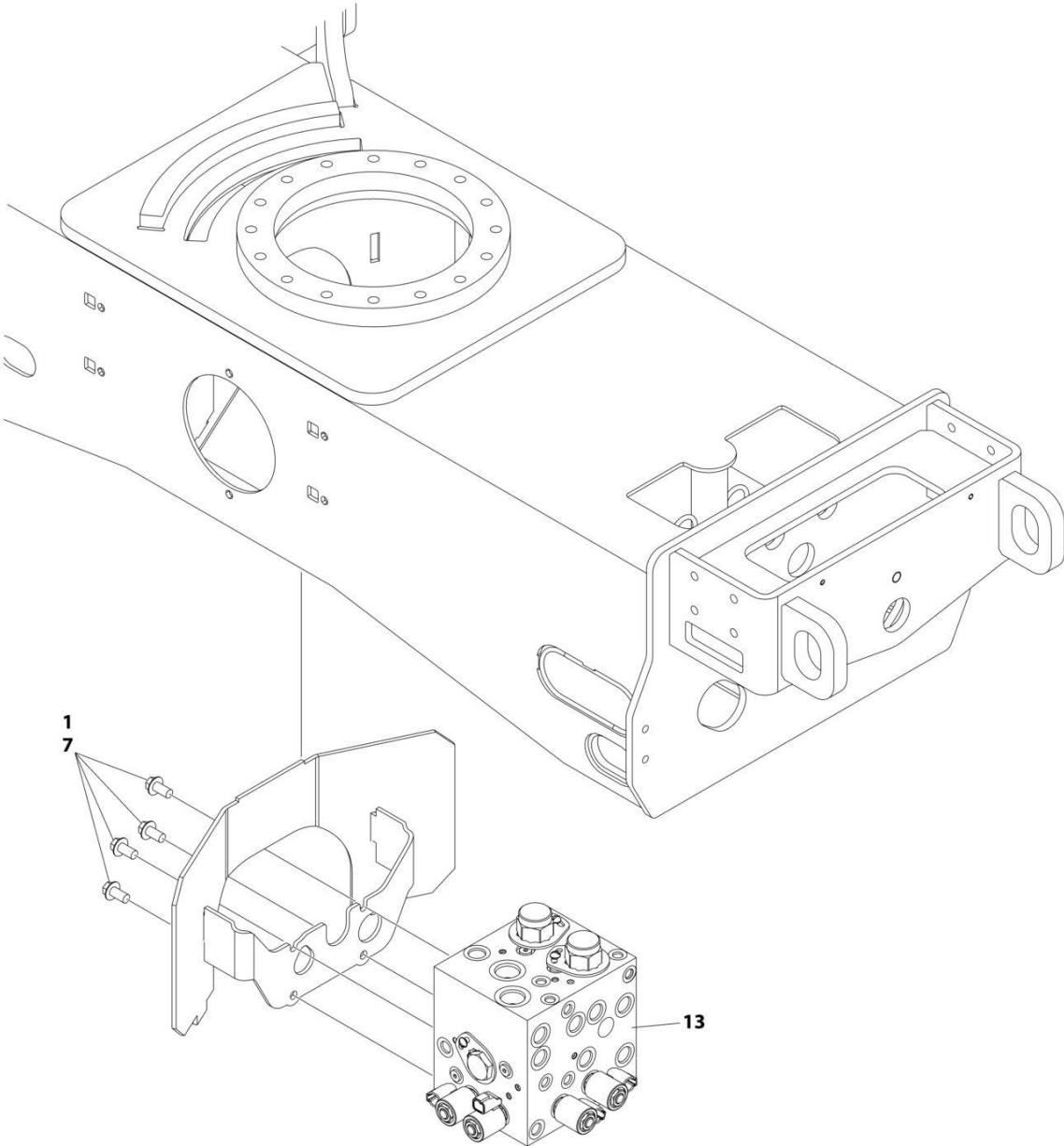
## SECTION 1 - FRAME

### FIGURE 1-2. OSCILLATING AXLE INSTALLATION

ITEM	PART NUMBER	QTY	DESCRIPTION	REV
	1001115772	Ref	OSCILLATING AXLE INSTALLATION	B
1	0100011	AR	Compound, Locking	
2	0761014	8	Bolt M10 x 30	
3	0761614	1	Bolt M16 x 30	
4	0961950	2	Bushing	
5	3422592	1	Pin, Axle Pivot	
6	3841258	1	Keeper, Pin	
7	4740158	1	Thrustwasher	
8	5241000	8	Washer M10	
9	5251012	4	Bolt M10 x 25	
10	1001116361	2	Lockout Cylinder Assembly (See Separate Breakdown in CYLINDER SECTION)	
11	1001117869	1	Axle Weldment	
12	1001118511	2	Pad, Wear	
13	1001118518	2	Shim 11Ga	
14	1001118519	4	Shim 16Ga	

**SECTION 1 - FRAME**

**FIGURE 1-3. DRIVE VALVES INSTALLATION**



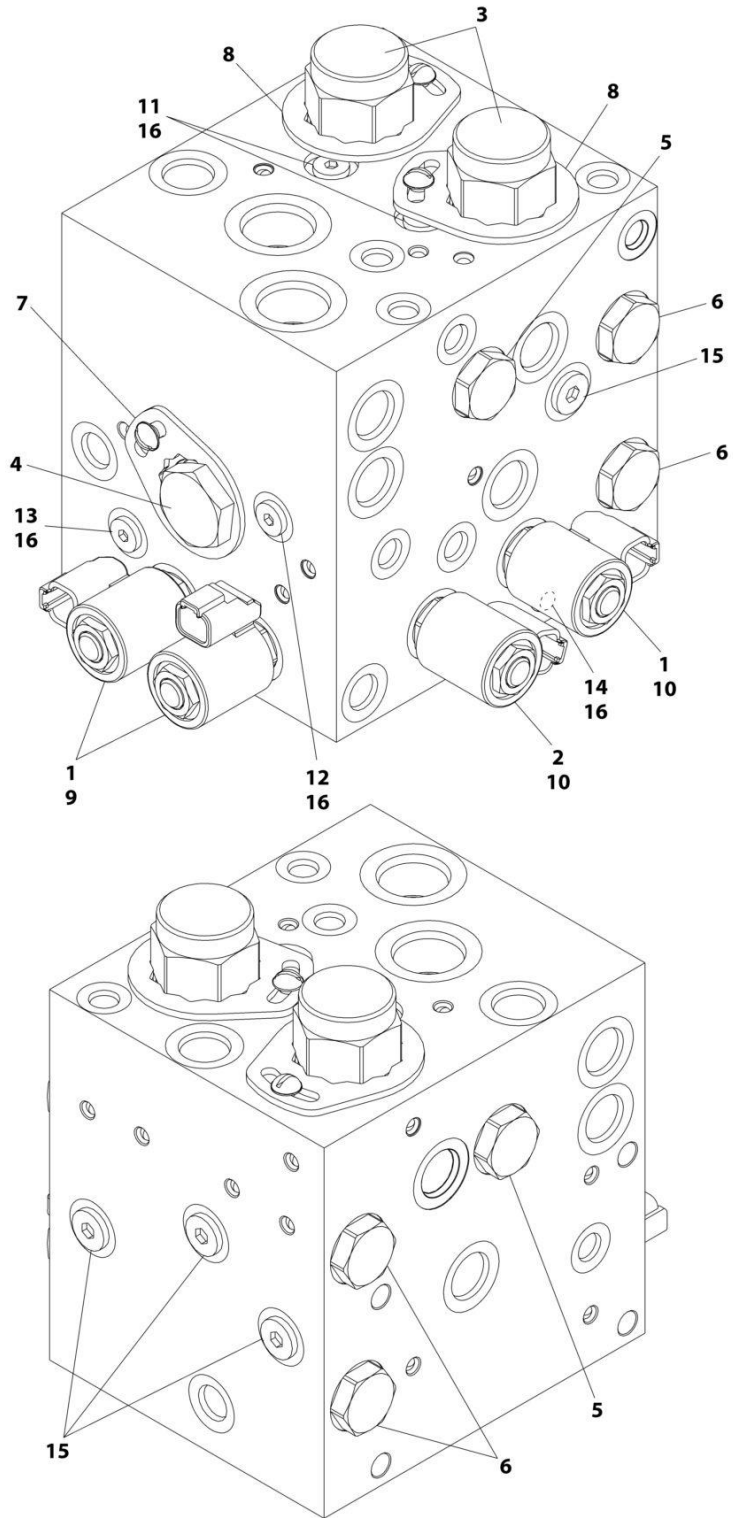
ART\_1001115780\_10F3

**FIGURE 1-3. DRIVE VALVES INSTALLATION**

<b>ITEM</b>	<b>PART NUMBER</b>	<b>QTY</b>	<b>DESCRIPTION</b>	<b>REV</b>
	1001115780	Ref	DRIVE VALVES INSTALLATION	G
1	0100011	AR	Compound, Locking	
7	5251010	4	Bolt M10 x 20	
13	1001118029	1	Flow Divider Valve Assembly (See Separate Breakdown in this Section)	

# SECTION 1 - FRAME

## FIGURE 1-4. FLOW DIVIDER VALVE ASSEMBLY



ART\_1001118029



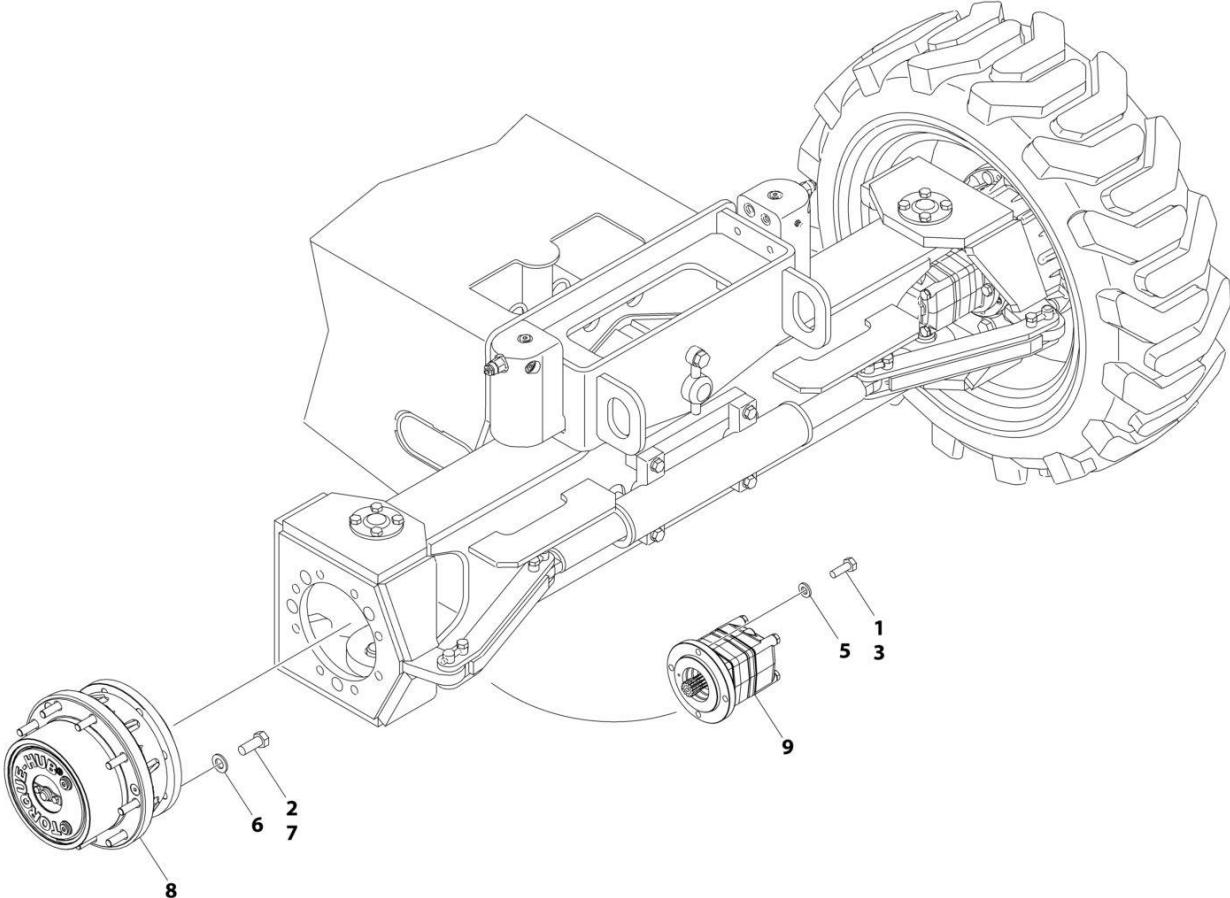
## SECTION 1 - FRAME

**FIGURE 1-4. FLOW DIVIDER VALVE ASSEMBLY**

ITEM	PART NUMBER	QTY	DESCRIPTION	REV
	1001118029	Ref	FLOW DIVIDER VALVE ASSEMBLY	D
1	7012941	3	Valve, Solenoid Cartridge (Without Coil) (Traction, Brake and Secondary Oscillating)	
1	7010543	3	Seal Kit - 7012941 Cartridge	
2	70002955	1	Valve, Solenoid Cartridge (Without Coil) (Primary Oscillating)	
2	7012953	1	Seal Kit - 70002955 Cartridge	
3	70002956	2	Valve, Solenoid Cartridge	
3	70002957	2	Seal Kit - 70002956 Cartridge	
4	70002958	1	Valve, Flow Divider Cartridge	
4	70002959	1	Seal Kit - 70002958 Cartridge	
5	70002960	1	Valve, Flow Divider Cartridge	
5	70002978	1	Seal Kit - 70002960 Cartridge	
6	70002961	4	Valve, Check Cartridge	
6	7017496	4	Seal Kit - 70002961 Check Cartridge	
7	70002962	1	Lock Kit	
8	70000781	2	Lock Kit	
9	70002386	2	Coil	
10	70002963	2	Coil	
11	See Note	2	Orifice .031 (Note: Not Available for Purchase)	
12	See Note	1	Orifice .025 (Note: Not Available for Purchase)	
13	See Note	1	Orifice .040 (Note: Not Available for Purchase)	
14	70002063	1	Orifice .062	
15	7024844	4	Plug	
16	7017406	5	Plug	

**SECTION 1 - FRAME**

**FIGURE 1-5. DRIVE INSTALLATION**



ART\_1001115770

FIGURE 1-5. DRIVE INSTALLATION

ITEM	PART NUMBER	QTY	DESCRIPTION	REV
	1001115770	Ref	WHEEL DRIVE INSTALLATION	D
1	0100011	AR	Compound, Locking	
2	0100019	AR	Compound, Locking	
3	0761015	16	Bolt M10 x 35	
3	0761014	16	Bolt M10 x 30	
5	5241000	16	Washer M10	
6	5241600	32	Washer M16	
7	1001110922	32	Bolt M16 x 40 Grade 10.9	
8	1001116793	4	Drive Hub/Brake Assembly (See Separate Breakdown in this Section)	
9	1001117030	4	Drive Motor Assembly (See Separate Breakdown in this Section)	



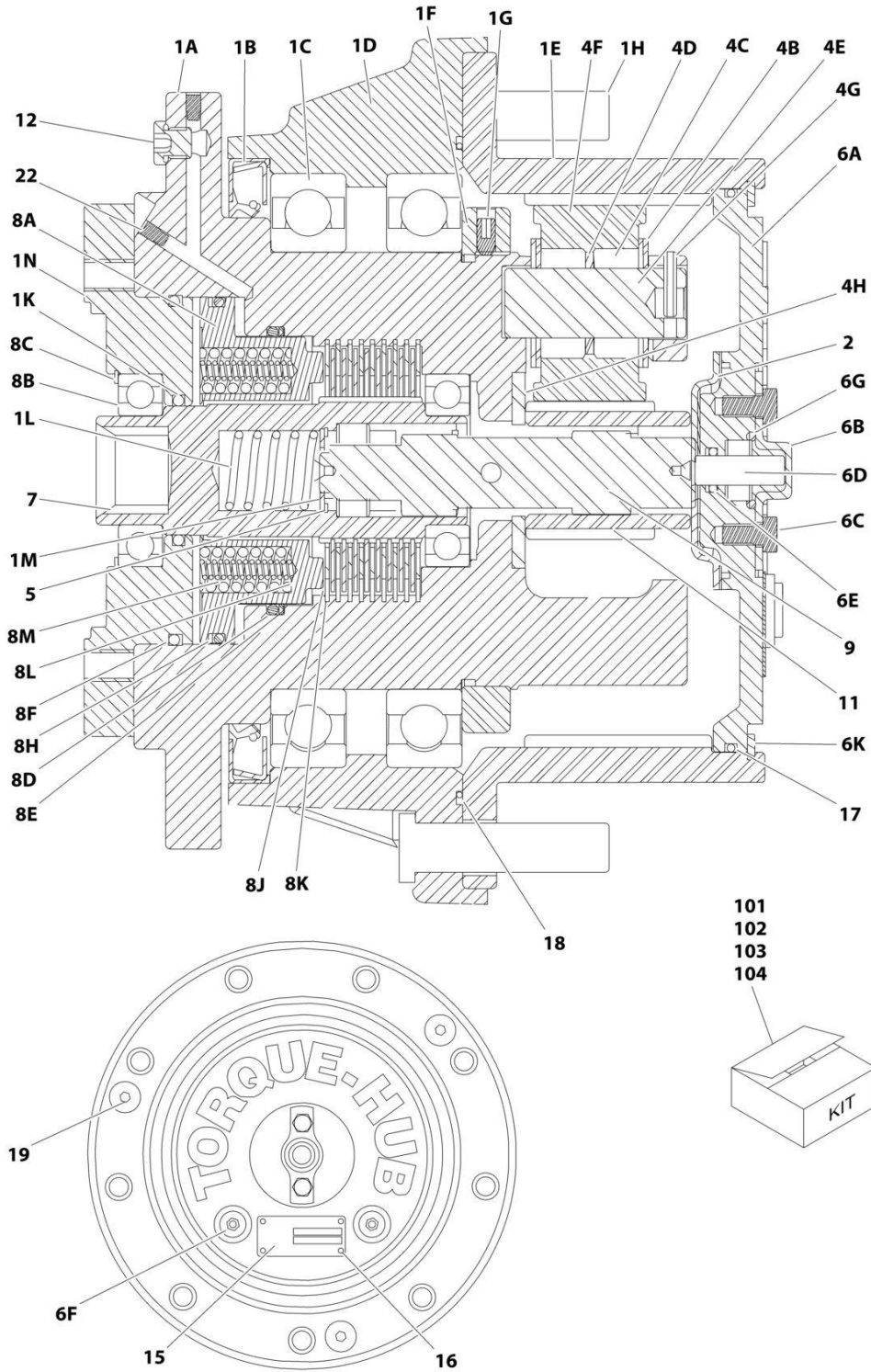
# SECTION 1 - FRAME

## FIGURE 1-6. DRIVE MOTOR ASSEMBLY

ITEM	PART NUMBER	QTY	DESCRIPTION	REV
	1001117030	Ref	DRIVE MOTOR ASSEMBLY	B
1	70003005	1	Plug	
2	8007941	1	Washer	
3	See Note	NSS	Flange (Note: Not Available - Purchase p/n 1001117030)	
4	70003006	1	O-Ring	
5	70003007	1	Shaft	
6	70003008	3	O-Ring	
7	70003009	1	Gear Set	
8	70003010	1	Shaft, Coupling	
9	70003011	1	Plate, Port	
10	70003012	1	Ring, Stop	
11	7027955	1	Disc, Valve	
12	7027956	1	Plate, Pressure	
13	7027957	1	Pin, Spring	
14	70003013	1	O-Ring	
15	70003014	1	O-Ring	
16	7027958	1	Spacer	
17	7027959	1	Washer, Crinkle	
18	See Note	NSS	Cover, End (Note: Not Available - Purchase p/n 1001117030)	
19	70003016	4	Screw	
20	80334555	2	Ball	
21	See Note	NSS	Nameplate (Note: Not Available for Purchase)	

# SECTION 1 - FRAME

## FIGURE 1-7. DRIVE HUB/BRAKE ASSEMBLY



ART\_1001116793

# SECTION 1 - FRAME

## FIGURE 1-7. DRIVE HUB/BRAKE ASSEMBLY

ITEM	PART NUMBER	QTY	DESCRIPTION	REV
	1001116793	Ref	DRIVE HUB/BRAKE ASSEMBLY	C
1	See Note	NLA	Spindle/Housing Assembly (Note: Not Available - Purchase Individual Components)	
1A	70002987	1	Spindle	
1B	70001119	1	Seal, Lip (Part of Item 104)	
1C	70002991	2	Bearing, Ball	
1D	See Note	NSS	Housing (Note: Use p/n 1001116793)	
1E	70002989	1	Ring Gear	
1F	70003000	1	Nut, Bearing (Part of Item 104)	
1G	70002996	2	Setscrew 1/4-28 x 1/2 (Part of Item 104)	
1H	7007640	9	Bolt, Mounting	
1K	See Note	NSS	Seal (Note: Use Item 102 or 103)	
1L	70002992	1	Spring	
1M	70002999	1	Thrustwasher	
1N	70002988	1	Adapter	
2	7024741	1	Spacer, Thrust	
4	70002983	1	Planet Gear Assembly (Includes Items 4B-4G)	
4B	See Note	NSS	Spacer, Washer (Note: Use Item 4)	
4C	See Note	NSS	Bearing (Note: Use Item 4)	
4D	See Note	NSS	Spacer (Note: Use Item 4)	
4E	See Note	NSS	Shaft, Planet (Note: Use Item 4)	
4F	See Note	NSS	Gear, Planet (Note: Use Item 4)	
4G	7001913	3	Rollpin	
4H	7024742	1	Spacer, Thrust	
5	70002995	1	Ring, Retaining	
6	70001368	1	Cover Assembly (Includes Items 6A-6G)	
6A	See Note	NSS	Cover (Note: Use Item 6)	
6B	See Note	NSS	Cap (Note: Use Item 6)	
6C	See Note	NSS	Bolt (Note: Use Item 6)	
6D	See Note	NSS	Pin (Note: Use Item 6)	
6E	See Note	NSS	Washer Seal (Note: Use Item 6)	
6F	See Note	NSS	Plug (Note: Not Available for Purchase)	
6G	See Note	NSS	Retainer (Note: Use Item 6)	
6K	7024738	1	Ring, Retaining	
7	70002985	1	Coupling	
8	See Note	NLA	Brake Assembly (Includes Items 8A-8M) (Note: Not Available - Purchase Individual Components)	
8A	70002993	1	Piston, Brake	
8B	70002990	2	Bearing, Ball	
8C	70002994	1	Ring, Retaining	
8D	See Note	NSS	O-Ring (Note: Use Item 103)	
8E	See Note	NSS	Ring, Back-up (Note: Use Item 103)	
8F	See Note	NSS	O-Ring (Note: Use Item 102 or 103)	
8H	See Note	NSS	Ring, Back-up (Note: Use Item 103)	
8J	See Note	NSS	Disc, Brake Reaction (Note: Use Item 101)	
8K	See Note	NSS	Disc, Brake Friction (Note: Use Item 101)	
8L	See Note	NSS	Spring (Note: Use Item 102)	
8M	See Note	NSS	Spring (Note: Use Item 102)	
9	70002984	1	Shaft, Input	
11	70002986	1	Gear, Sun	

## SECTION 1 - FRAME

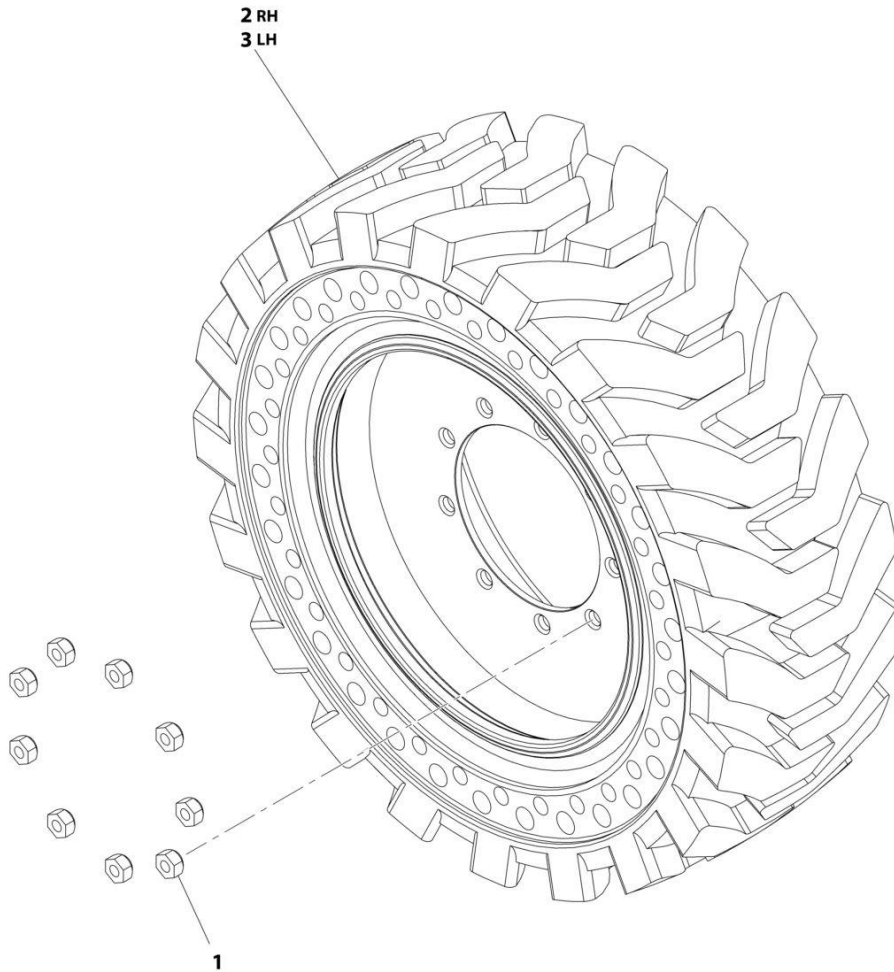
ITEM	PART NUMBER	QTY	DESCRIPTION	REV
12	70002998	1	Plug, Pipe	
15	See Note	NSS	Nameplate (Note: Not Available for Purchase)	
16	7000281	2	Drivescrew	
17	7024134	1	O-Ring (Part of Item 104)	
18	70002997	1	O-Ring (Part of Item 104)	
19	7017022	NSS	Capscrew 3/8-16 (Part of Item 104)	
21	See Note	8	Capscrew 3/8-16 x 7/8 Grade 8 (Note: Use Item 102 or 103)	
22	7024108	2	Plug, Pressure	
101	70002980	1	Brake Disc Kit (Includes Items 8J & 8K)	
102	70002982	1	Brake Spring Kit (Includes Items 1K, 8F, 8L, 8M & 21)	
103	70002981	1	Brake Seal Kit (Includes Items 1K, 8D, 8E, 8F, 8H & 21)	
104	7024744	1	Hub Seal Kit (Includes Items 1B, 1F, 1G & 17-19)	





# SECTION 1 - FRAME

## FIGURE 1-8. TIRE AND WHEEL INSTALLATION - 7X18 SOLID CUSHION



ART\_100118641

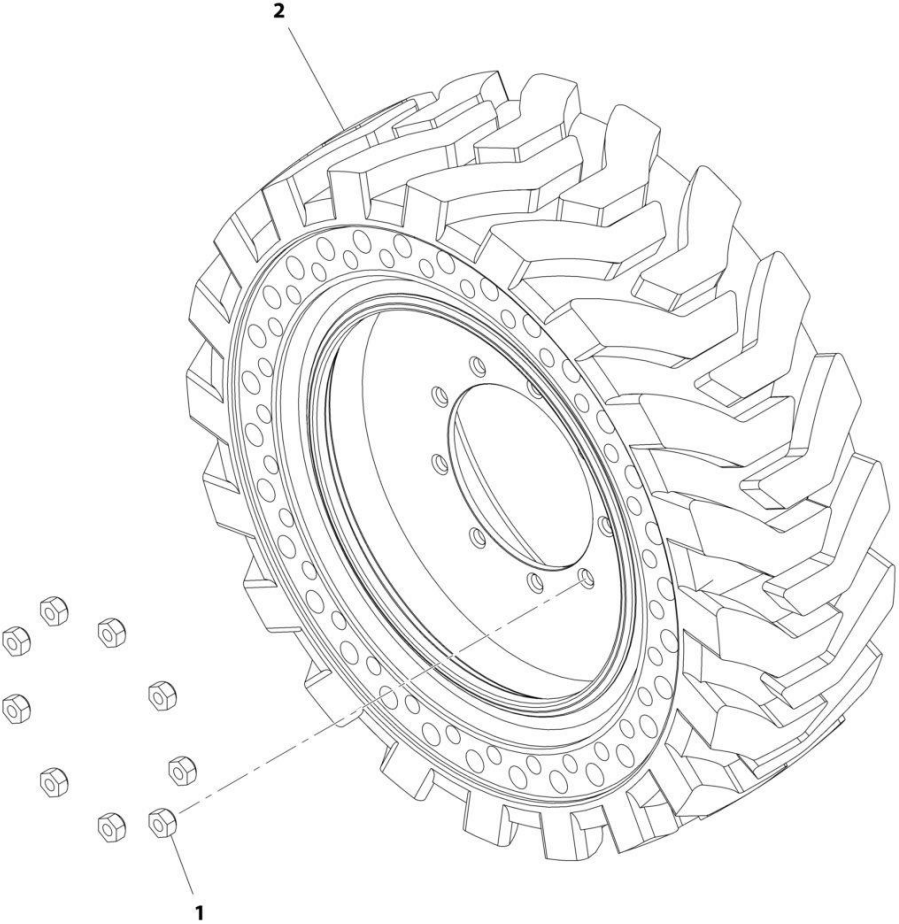
## SECTION 1 - FRAME

**FIGURE 1-8. TIRE AND WHEEL INSTALLATION - 7X18 SOLID CUSHION**

ITEM	PART NUMBER	QTY	DESCRIPTION	REV
	1001118641	Ref	TIRE AND WHEEL INSTALLATION - 7X18 SOLID	C
		Ref	Note: Due to critical stability weights, only replace tire and wheel assemblies with like components.	
1	3300106	36	Lugnut (9 per Wheel)	
2	1001118649	2	Tire and Wheel Assembly - 7 x 18 Solid Right Side (Note: No Serviceable Parts - Replace Complete Sets per Axle)	
3	1001121678	2	Tire and Wheel Assembly - 7 x 18 Solid Left Side (Note: No Serviceable Parts - Replace Complete Sets per Axle)	

**SECTION 1 - FRAME**

**FIGURE 1-9. TIRE AND WHEEL INSTALLATION - 7X18 SOLID CUSHION NON-MARKING**



ART\_100118644

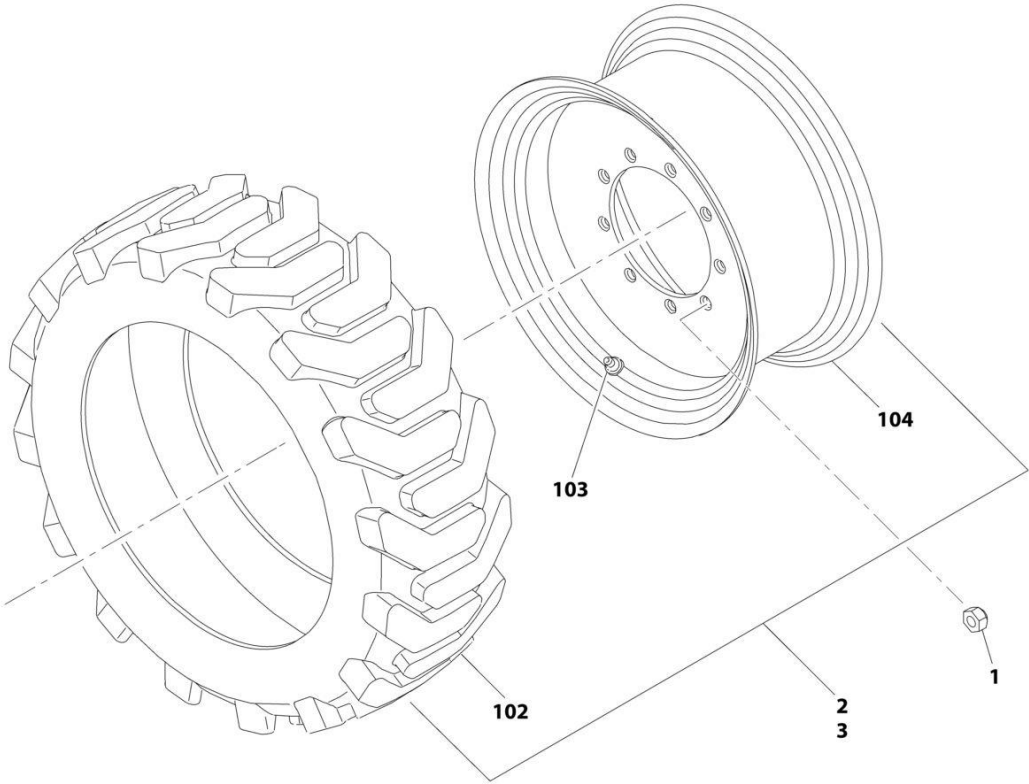
**SECTION 1 - FRAME**

**FIGURE 1-9. TIRE AND WHEEL INSTALLATION - 7X18 SOLID CUSHION NON-MARKING**

ITEM	PART NUMBER	QTY	DESCRIPTION	REV
	1001118644	Ref	TIRE AND WHEEL INSTALLATION - 7X18 SOLID NON-MARKING	C
		Ref	Note: Due to critical stability weights, only replace tire and wheel assemblies with like components.	
1	3300106	36	Lugnut (9 per Wheel)	
2	1001118654	2	Tire and Wheel Assembly - 7 x 18 Solid (RH) (Note: No Serviceable Parts - Replace Complete Sets per Axle)	
2	1001121672	2	Tire and Wheel Assembly - 7 x 18 Solid (LH) (Note: No Serviceable Parts - Replace Complete Sets per Axle)	

**SECTION 1 - FRAME**

**FIGURE 1-10. TIRE AND WHEEL INSTALLATION - 9X20 FOAM-FILLED**



ART\_1001115773

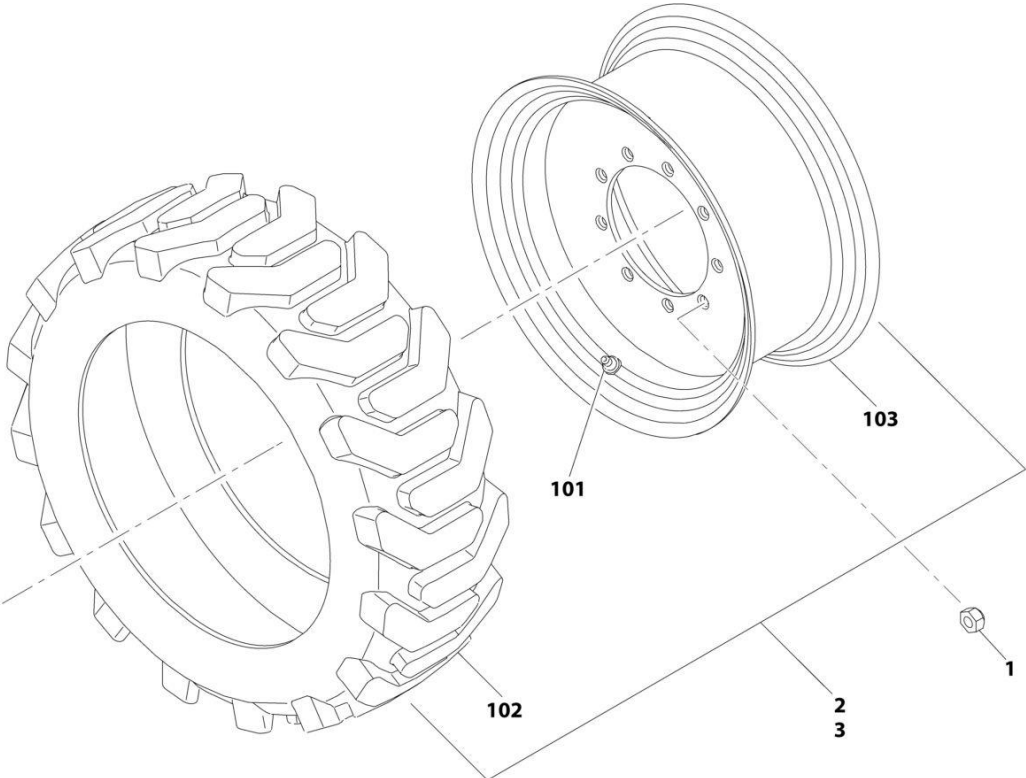
## SECTION 1 - FRAME

**FIGURE 1-10. TIRE AND WHEEL INSTALLATION - 9X20 FOAM-FILLED**

ITEM	PART NUMBER	QTY	DESCRIPTION	REV
	1001115773	Ref	TIRE AND WHEEL INSTALLATION - 9X20 FOAM-FILLED	B
		Ref	Note: Due to critical stability weights, only replace tire and wheel assemblies with like components.	
1	3300106	36	Lugnut (9 per Wheel)	
2	1001117131	2	Tire and Wheel Assembly - 9 x 20 Foam-Filled Left Side	E
3	1001117132	2	Tire and Wheel Assembly - 9 x 20 Foam-Filled Right Side	D
		Ref	Note: Assemblies may require ballast/foam filling to manufacture's specifications prior to installing on a machine. Refer to Operation and Safety or Service and Maintenance Manuals. Purchase individual tire and/or rim only if able to foam fill tire and wheel assembly, otherwise, purchase complete assembly.	
102	4520605	4	Tire - IN265/50D20	
103	4640113	4	Valve, Air	
104	1001117129	4	Rim for 20 x 9 (Use with IN265/50D20 Tires)	

**SECTION 1 - FRAME**

**FIGURE 1-11. TIRE AND WHEEL INSTALLATION - 9X20 FOAM-FILLED NON-MARKING**



ART\_100118642



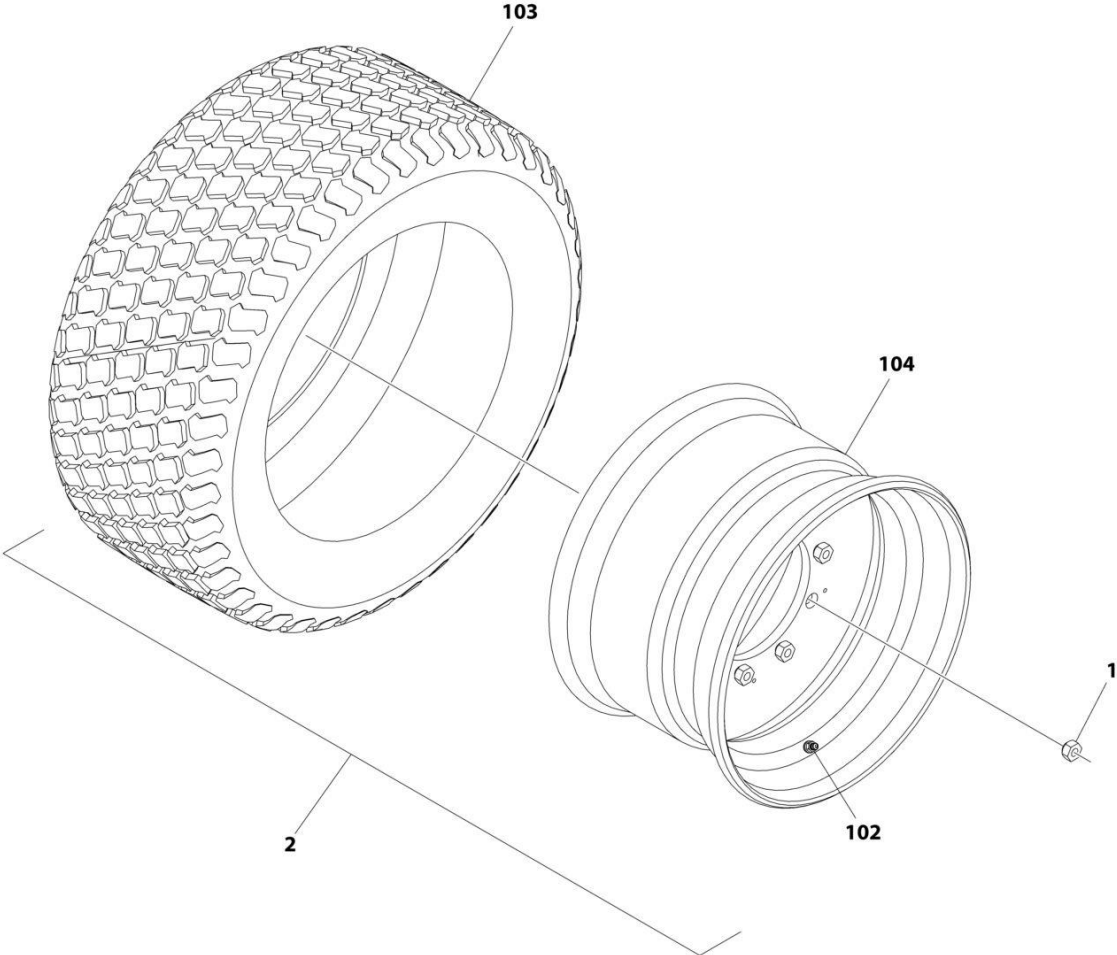
## SECTION 1 - FRAME

**FIGURE 1-11. TIRE AND WHEEL INSTALLATION - 9X20 FOAM-FILLED NON-MARKING**

ITEM	PART NUMBER	QTY	DESCRIPTION	REV
	1001118642	Ref	TIRE AND WHEEL INSTALLATION - 9X20 FOAM-FILLED NON-MARKING	B
		Ref	Note: Due to critical stability weights, only replace tire and wheel assemblies with like components.	
1	3300106	36	Lugnut (9 per Wheel)	
2	1001118650	2	Tire and Wheel Assembly - 9 x 20 Foam-Filled Non-Marking Right Side	D
3	1001118651	2	Tire and Wheel Assembly - 9 x 20 Foam-Filled Non-Marking Left Side	D
		Ref	Note: Assemblies may require ballast/foam filling to manufacturer's specifications prior to installing on a machine. Refer to Operation and Safety or Service and Maintenance Manuals. Purchase individual tire and/or rim only if able to foam fill tire and wheel assembly, otherwise, purchase complete assembly.	
101	4640113	4	Valve, Air	
102	1001118660	4	Tire - IN265/50D20 Non-Marking	
103	1001117129	4	Rim for 20 x 9 (Use with IN265/50D20 Tires)	

**SECTION 1 - FRAME**

**FIGURE 1-12. TIRE AND WHEEL INSTALLATION - 33 X 12LL500 TURF/SAND FOAM FILLED**



ART\_1001239804

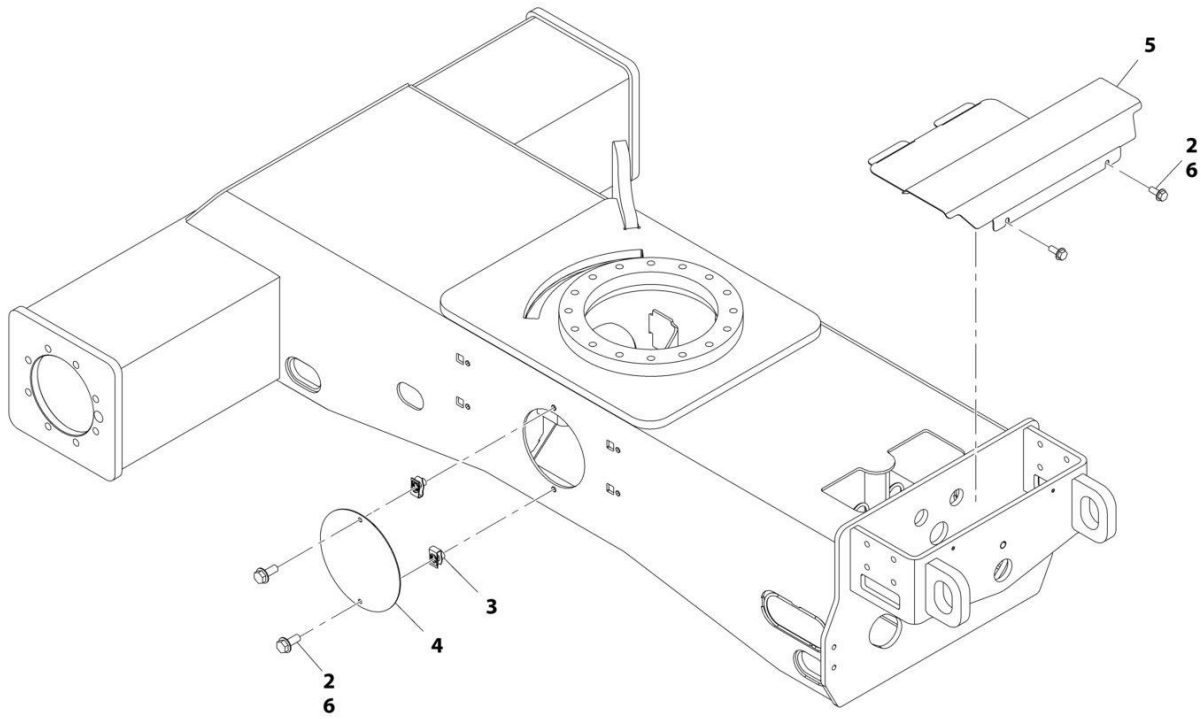
## SECTION 1 - FRAME

**FIGURE 1-12. TIRE AND WHEEL INSTALLATION - 33 X 12LL500 TURF/SAND FOAM FILLED**

ITEM	PART NUMBER	QTY	DESCRIPTION	REV
	1001239804	Ref	TIRE AND WHEEL INSTALLATION - 33 x 12LL500 TURF/SAND FOAM FILLED	B
1	3300106	36	Nut, Wheel	
2	1001272533	4	Tire & Wheel Assembly - 33 X 12LL500 TURF/SAND	
		Ref	Note: Assemblies may require ballast/foam filling to manufacture's specifications prior to installing on a machine. Refer to Operation and Safety or Service and Maintenance Manuals. Purchase individual tire and/or rim only if able to foam fill tire and wheel assembly, otherwise, purchase complete assembly.	
102	4640113	4	Valve, Tire	
103	1001231609	1	Tire, 33 X 12LL500 TURF/SAND	
104	1001231610	1	Rim	

# SECTION 1 - FRAME

## FIGURE 1-13. FRAME SHIELDS INSTALLATION



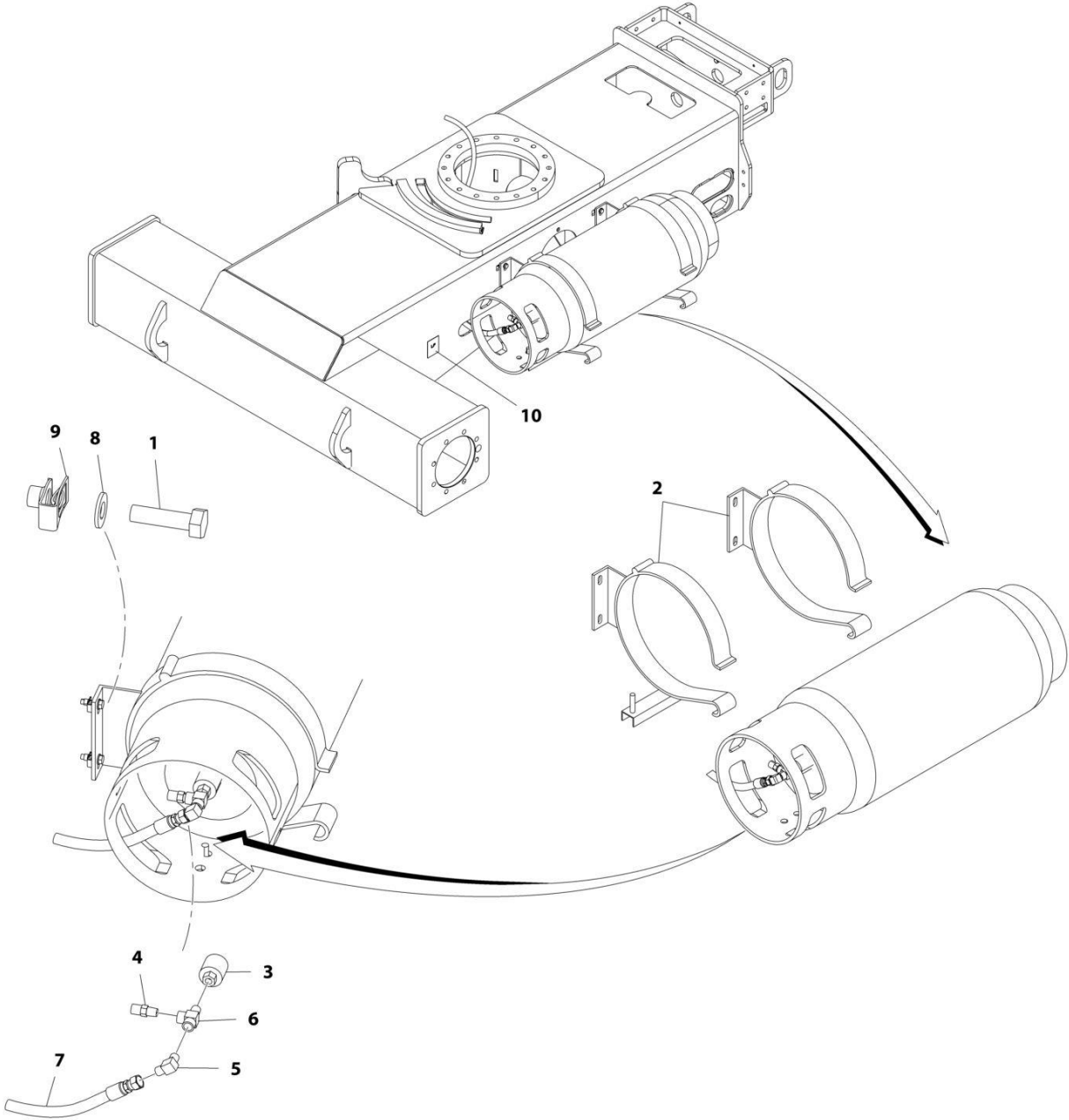
ART\_1001115781

**FIGURE 1-13. FRAME SHIELDS INSTALLATION**

<b>ITEM</b>	<b>PART NUMBER</b>	<b>QTY</b>	<b>DESCRIPTION</b>	<b>REV</b>
	1001115781	Ref	FRAME SHIELDS INSTALLATION	C
2	5250810	6	Bolt M8 x 20	
3	1001118274	4	Nut, Clip M8	
4	1001118915	2	Cover, Frame (Side)	
5	1001118916	1	Cover, Frame (Top)	
6	0100011	AR	Compound, Locking	

**SECTION 1 - FRAME**

**FIGURE 1-14. LP TANK ASSEMBLY**



ART\_1001118975

FIGURE 1-14. LP TANK ASSEMBLY

ITEM	PART NUMBER	QTY	DESCRIPTION	REV
	1001118975	Ref	LP TANK ASSEMBLY (GAS MACHINES ONLY)	C
1	0760814	4	Bolt M8 x 30	
2	1320220	1	LP Tank Clamp Kit	
3	2180387	1	Fitting, LP	
4	2180389	1	Fitting, Relief Valve	
5	2180504	1	Fitting, Elbow	
6	2220290	1	Fitting, Adapter	
7	2720175	1	Hose	
8	4811900	4	Washer M8	
9	1001118274	4	Nut, Retainer	
10	1701543	1	Decal - LP	
100	1001196242	1	Bracket Kit for Shorter Tank (Not Shown - Includes Bracket & Hardware Only)	
200	4400275	1	Tank, LP - Aluminum (Not Shown)	

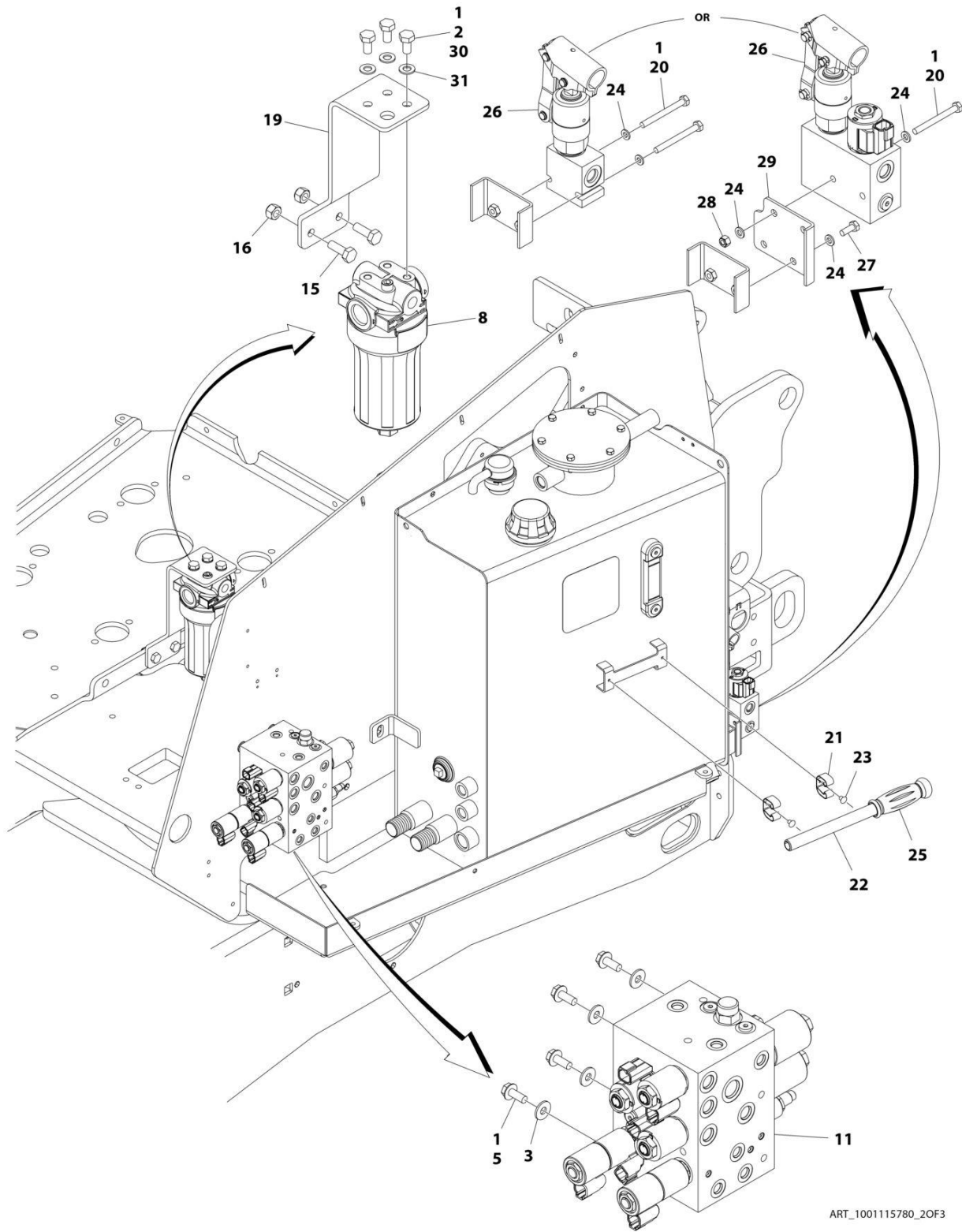




**SECTION 2 - TURNTABLE**

# SECTION 2 - TURNTABLE

## FIGURE 2-1. CONTROL VALVE AND CHARGE FILTER INSTALLATION



ART\_1001115780\_2OF3

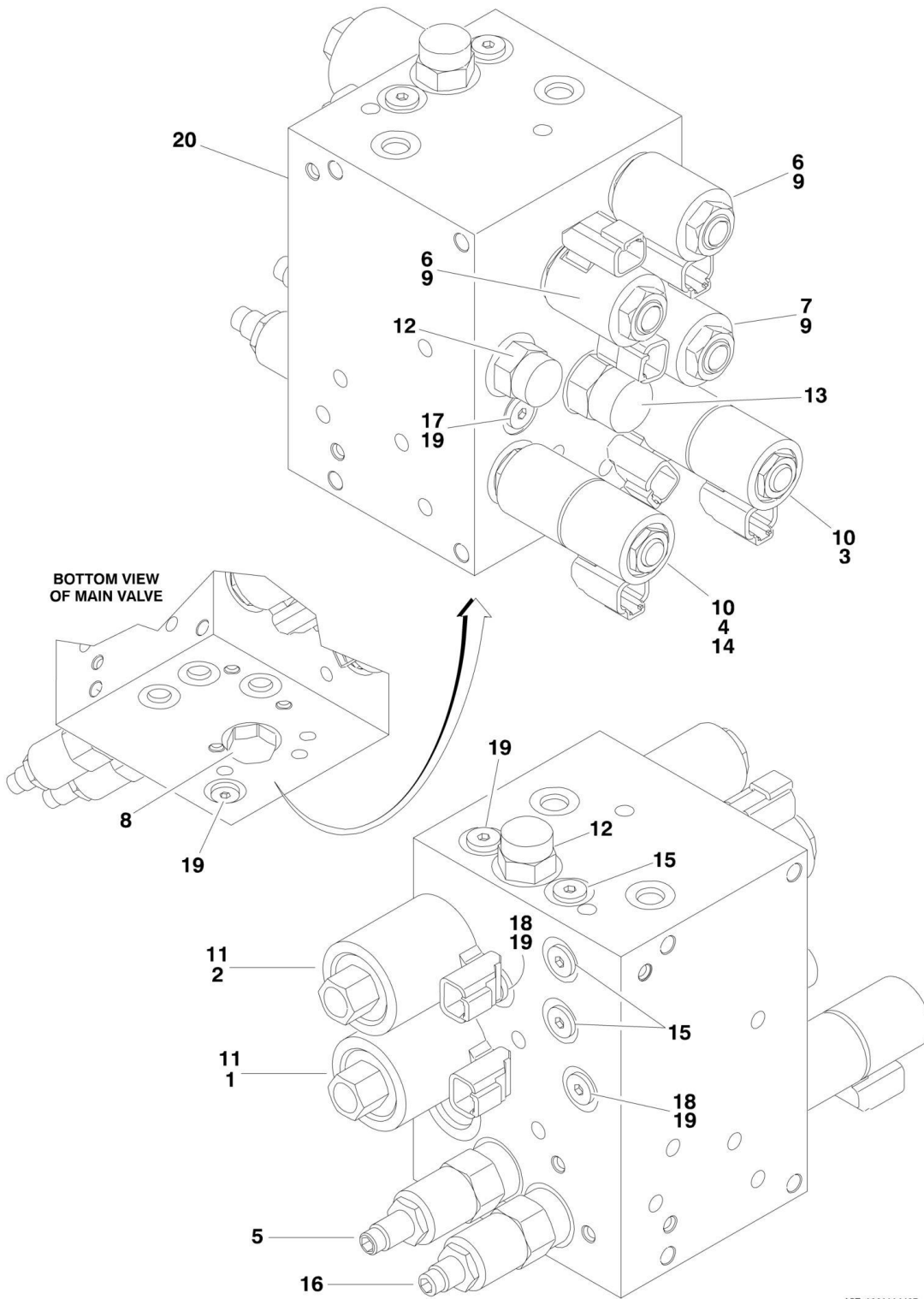
## SECTION 2 - TURNTABLE

**FIGURE 2-1. CONTROL VALVE AND CHARGE FILTER INSTALLATION**

ITEM	PART NUMBER	QTY	DESCRIPTION	REV
	1001115780	Ref	CONTROL VALVE AND CHARGE FILTER INSTALLATION - TURNTABLE	H
1	0100011	AR	Compound, Locking	
2	0641605	4	Bolt 3/8 x 5/8	
3	4811902	4	Washer M8	
5	5250810	4	Bolt M8 x 20	
8	1001102987	1	Charge Pump Filter Assembly	C
8	1001208874	1	Charge Pump Filter Assembly	
8	70010383	1	Element, Filter (Includes O-Ring)	
8	See Note	1	Indicator (Note: Not Available for Purchase)	
11	1001116487	1	Main Control Valve Assembly (See Separate Breakdown in this Section)	
15	0761014	2	Bolt M10 x 30	
16	3291005	2	Nut M10	
19	1001118751	1	Bracket, Filter	
20	0700620	2	Bolt M6 x 60	
21	1380136	2	Clip	
22	2560122	1	Handle	
23	3820019	2	Rivet	
24	4811700	6	Washer M6	
25	1001114761	1	Grip, Handle	
26	1001127115	1	Manual Pump Assembly	C
26	7017496	1	Seal Kit - 1001127115 Pump	
26	1001210829	1	Manual Pump Assembly	
26	70005722	1	Cartridge, Hand Pump	
26	7017496	1	Seal Kit - Hand Pump	
26	7017467	1	Cartridge, Solenoid Valve Less Coil	
26	7012967	1	Seal Kit - Cartridge	
26	70002386	1	Coil	
27	0700608	2	Bolt M6 x 16	
28	3290605	2	Nut M6	
29	1001200472	1	Bracket	
30	0761010	AR	Bolt M10 x 20	
31	4812000	AR	Washer M10	

# SECTION 2 - TURNTABLE

## FIGURE 2-2. MAIN CONTROL VALVE ASSEMBLY



ART\_1001116487

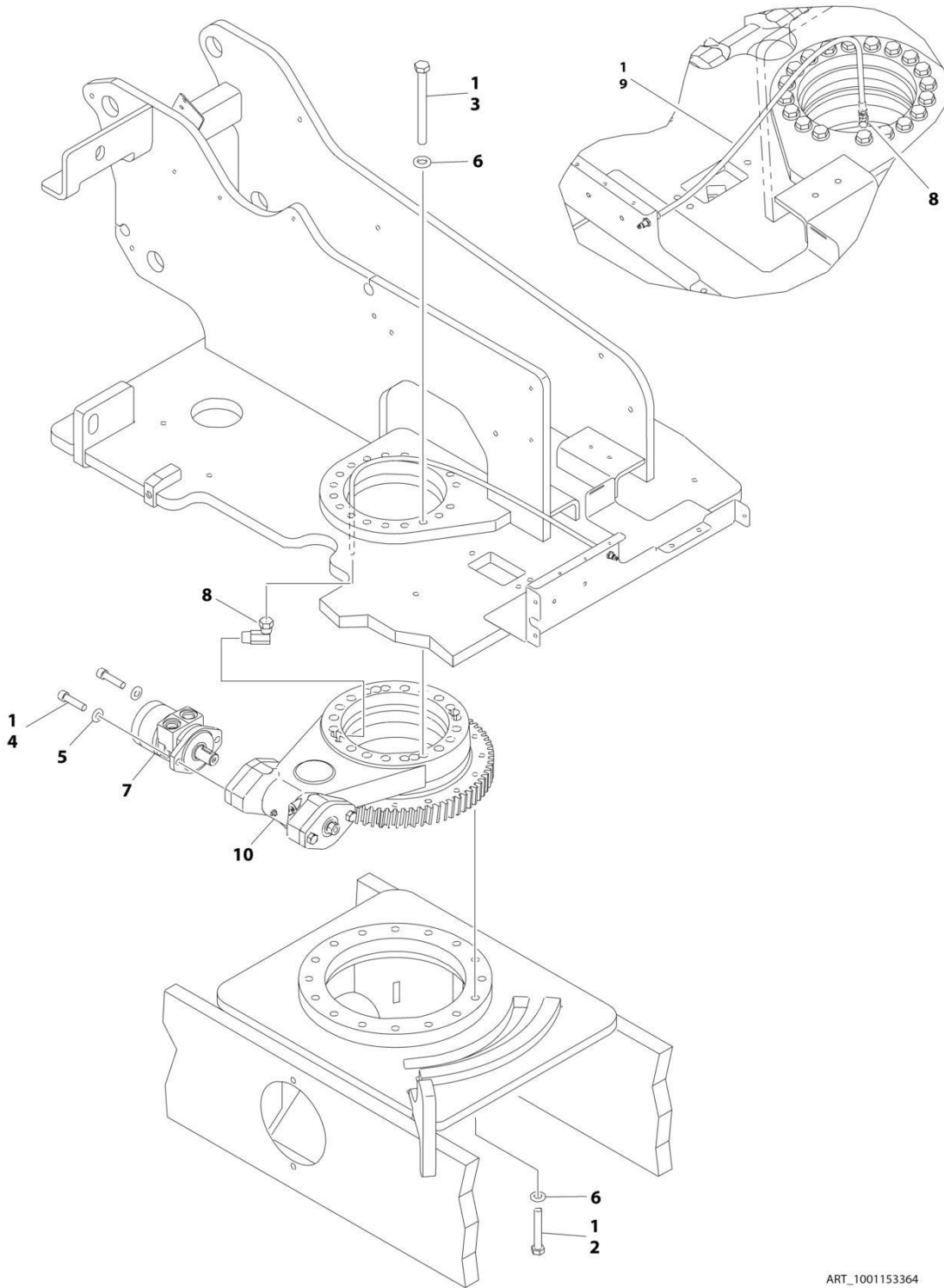
**SECTION 2 - TURNTABLE**

**FIGURE 2-2. MAIN CONTROL VALVE ASSEMBLY**

ITEM	PART NUMBER	QTY	DESCRIPTION	REV
	1001116487	Ref	MAIN VALVE ASSEMBLY	I
1	70002964	1	Cartridge, Solenoid Valve with Relief (without Coil)	
1	7017496	1	Seal Kit - 70002964 Cartridge	
2	70002965	1	Cartridge, Solenoid Valve with Relief (without Coil)	
2	7017496	1	Seal Kit - 70002965 Cartridge	
3	70002966	1	Cartridge, Solenoid Valve (without Coil) (Swing)	
3	70002967	1	Seal Kit - 70002966 Cartridge	
4	70002966	1	Cartridge, Solenoid Valve (without Coil) (Steer)	
4	70002967	1	Seal Kit - 70002966 Cartridge	
5	70002968	1	Cartridge, Relief Valve	
5	7012998	1	Seal Kit - 70002968 Cartridge	
6	70002969	2	Cartridge, Solenoid Valve (without Coil) (Upper and Lower Lift)	
6	7010543	2	Seal Kit - Cartridge	
7	70002970	1	Cartridge, Solenoid Valve (without Coil) (Flow Control)	
7	7010543	1	Seal Kit - 70002970 Cartridge	
8	10837580	1	Cartridge, Shuttle Valve	
8	7010543	1	Seal Kit - 108377580 Cartridge	
9	70002971	3	Coil	
10	70002386	4	Coil	
11	70003788	2	Coil	
12	70002972	2	Cartridge, Pressure Compensator Valve	
12	7010543	2	Seal Kit - 70002972 Cartridge	
13	70002973	1	Cartridge, Pressure Compensator Valve	
13	7010543	1	Seal Kit - 70002973 Cartridge	
14	70002974	1	Disc, Check Valve	
15	70003757	3	Cartridge, Check Valve	
15	70002976	3	Seal Kit - 70003757 Cartridges	
16	70002977	1	Cartridge, Crossover Relief	
16	7021653	1	Seal Kit - 70002977 Cartridge	
17	See Note	1	Orifice .060 (Note: Not Available for Purchase)	
18	See Note	2	Orifice .100 (Note: Not Available for Purchase)	
19	7017406	5	Plug	
20	See Note	1	Block (Note: Not Available for Purchase)	

# SECTION 2 - TURNTABLE

## FIGURE 2-3. SWING DRIVE INSTALLATION (JING WEI)



ART\_1001153364

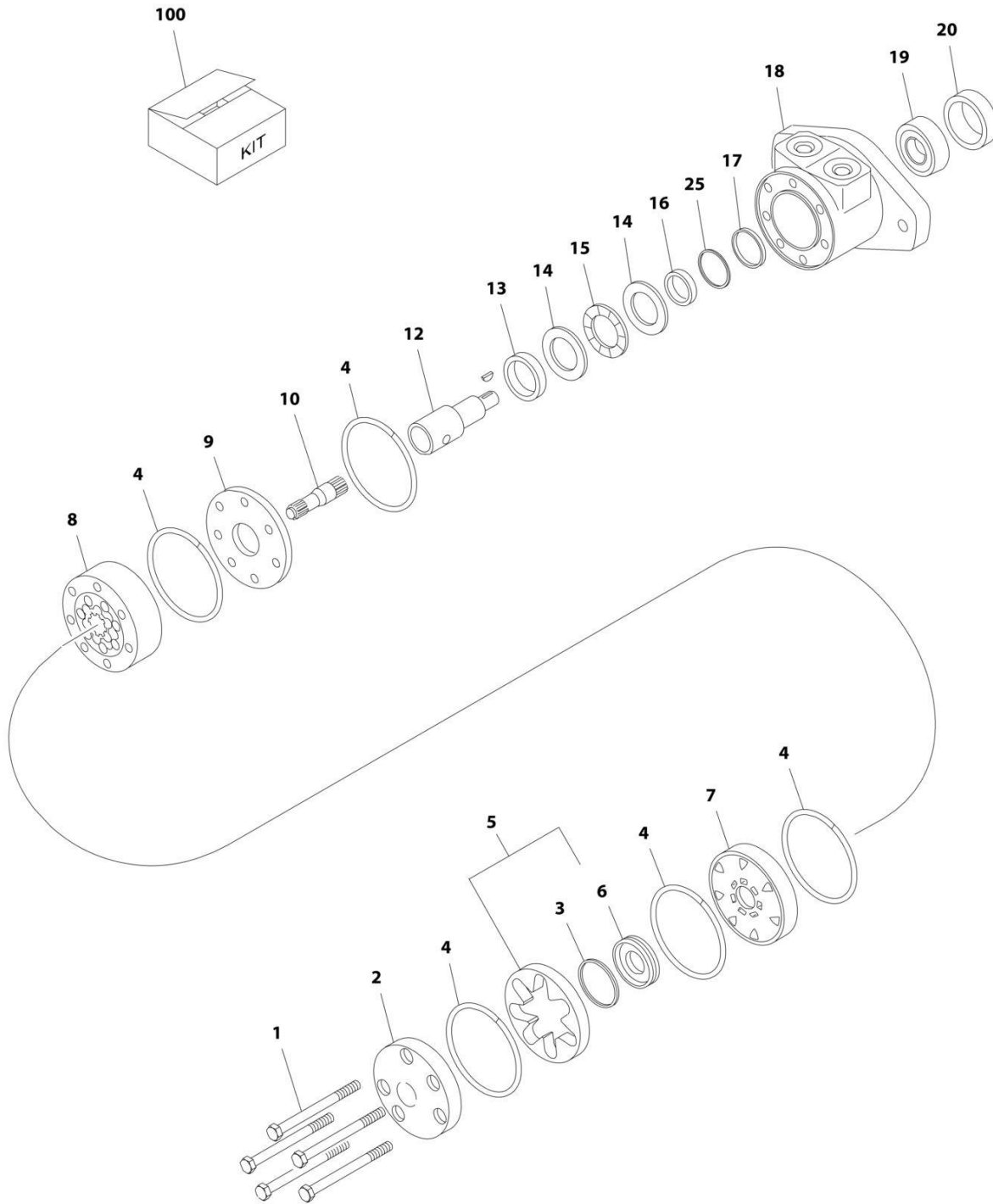
**SECTION 2 - TURNTABLE**

**FIGURE 2-3. SWING DRIVE INSTALLATION (JING WEI)**

<b>ITEM</b>	<b>PART NUMBER</b>	<b>QTY</b>	<b>DESCRIPTION</b>	<b>REV</b>
	1001153364	Ref	SWING DRIVE INSTALLATION	C
1	0100019	AR	Compound, Locking	
2	0711426	16	Bolt M14 x 90 Grade 10.9	
3	0711432	19	Bolt M14 x 150 Grade 10.9	
4	3931832	2	Capscrew 1/2-13 x 2	
5	4740171	2	Washer 1/2	
6	5241400	2	Washer M14	
7	1001107781	1	Swing Motor Assembly (See Separate Breakdown in this Section)	
8	2220124	1	Fitting, Adapter NPT	
9	1001118961	1	Hose, Remote Grease Line (Includes Grease Fitting)	
10	1001153015	1	Swing Bearing and Rotation Box Assembly (See Separate Breakdown in this Section)	

# SECTION 2 - TURNTABLE

## FIGURE 2-4. SWING MOTOR ASSEMBLY



ART\_1001107781



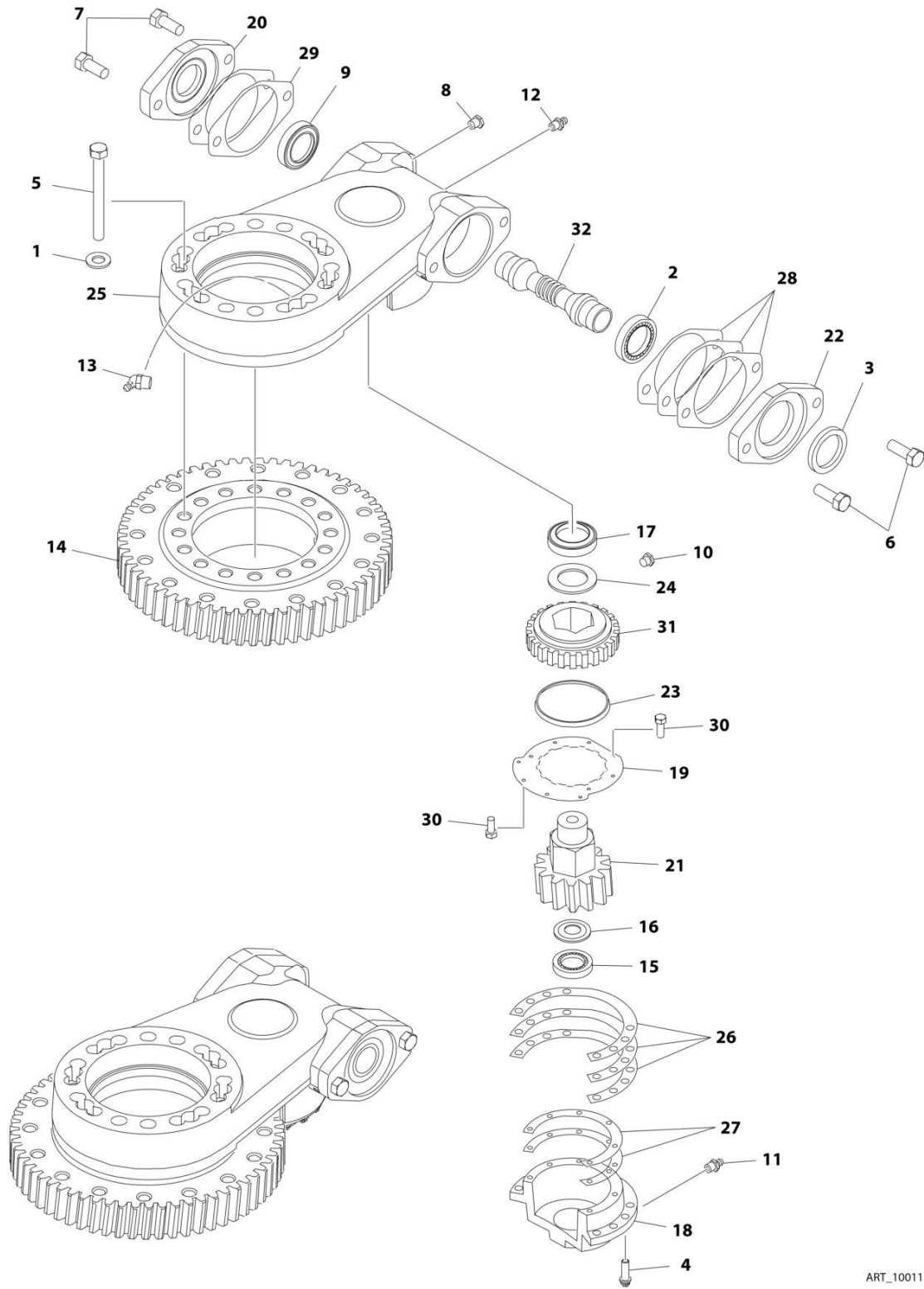
**SECTION 2 - TURNTABLE**

**FIGURE 2-4. SWING MOTOR ASSEMBLY**

ITEM	PART NUMBER	QTY	DESCRIPTION	REV
	1001107781	Ref	SWING MOTOR ASSEMBLY	A
1	70002311	5	Bolt	
2	7004035	1	Cover, End	
3	See Note	1	Seal, Commutator (Note: Use p/n 7024389)	
4	See Note	5	Seal, Ring (Note: Use p/n 7024389)	
5	7024453	1	Commutator and Ring Assembly	
6	See Note	1	Ring (Note: Use p/n 7024453)	
7	7024379	1	Manifold	
8	70002312	1	Rotor Set	
9	7024380	1	Plate, Wear	
10	70002313	1	Link, Drive	
12	70000088	1	Shaft, Coupling	
12	70000089	1	Key, Woodruff	
13	7024381	1	Bushing, Bronze	
14	7004043	2	Washer, Thrust	
15	7004044	1	Bearing, Thrust	
16	See Note	1	Seal, Inner (Note: Use p/n 7024389)	
17	See Note	1	Washer, Back-up (Note: Use p/n 7024389)	
18	See Note	1	Housing (Note: Not Available - Purchase Complete Assembly)	
19	7024390	1	Bearing	
20	See Note	1	Seal (Note: Use p/n 7024389)	
25	See Note	1	Washer, Back-up (Note: Use p/n 7024389)	
100	7024389	1	Seal Kit (Includes Items 3, 4, 16, 17, 20 & 25)	

# SECTION 2 - TURNTABLE

## FIGURE 2-5. SWING BEARING ASSEMBLY



ART\_1001153015

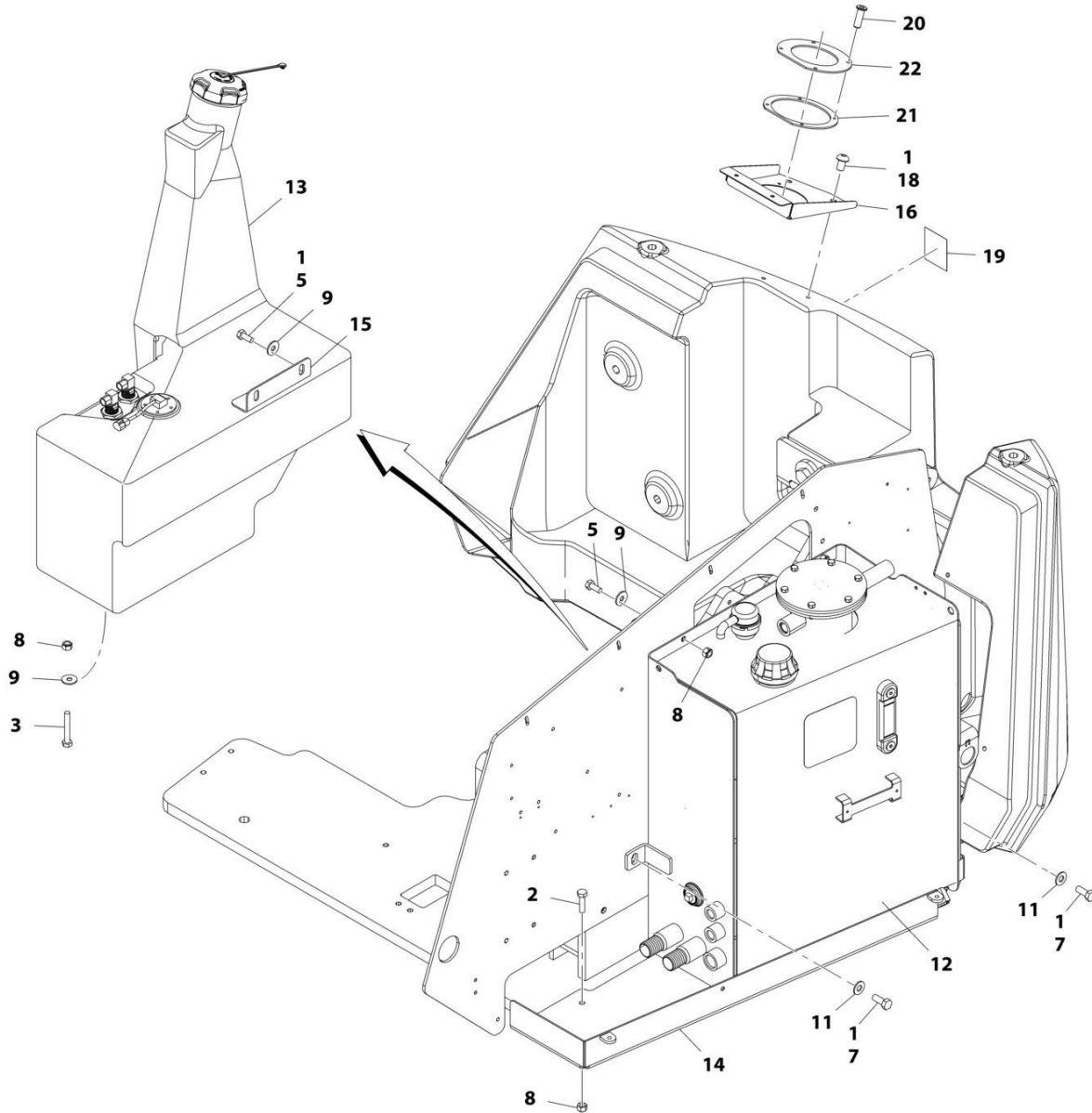
## SECTION 2 - TURNTABLE

### FIGURE 2-5. SWING BEARING ASSEMBLY

ITEM	PART NUMBER	QTY	DESCRIPTION	REV
	1001153015	Ref	SWING BEARING ASSEMBLY	B
1	7026041	2	Washer 5/16	
2	70002643	2	Cup, Bearing	
2	70002644	2	Cone, Bearing	
3	70002645	1	Seal	
4	70002646	8	Bolt 5/16 x 7/8	
5	70003138	2	Bolt 5/16 x 2-1/2	
6	70002647	2	Bolt 1/2 x 1	
7	70002648	2	Bolt 1/2 x 1-1/4	
8	70002649	1	Vent, Pressure	
9	70002650	1	Seal	
10	70003139	1	Plug 1/4	
11	70002651	1	Fitting, Grease 1/4	
12	70002652	1	Fitting, Grease 1/8 Straight	
13	7027359	1	Fitting, Grease 1/8 90	
14	1001160531	1	Turntable Bearing Kit (Includes Bearing and Hardware (was p/n 1001143932 & 70003140)	
15	70002656	1	Cup, Bearing	
15	70002657	1	Cone, Bearing	
16	70002658	1	Ring, Grease	
17	7026048	1	Cup, Bearing	
17	7026049	1	Cone, Bearing	
18	70002659	1	Cap, Gear	
19	70003141	1	Plate, Cover	
20	70002661	1	Cap, Worm	
21	70003142	1	Pinion, Output	
22	70002663	1	Adapter, Motor	
23	70002664	1	Seal, Face	
24	7026052	1	Spacer, Washer	
25	See Note	1	Housing (Note: Not Available - Purchase Complete Assembly)	
26	70002665	1	Shim .0075 Natural	
26	70002666	1	Shim .005 Blue	
26	70002667	1	Shim .003 Green	
27	70002668	1	Shim .005 Blue	
27	70002669	1	Shim .020 Yellow	
28	7027352	1	Gasket .010 Brown	
28	7027351	1	Gasket .0075 Clear	
28	7027350	1	Gasket .005 Blue	
29	7027353	1	Gasket .020 Yellow	
30	70000681	10	Bolt #6 x 3/8	
31	70002670	1	Gear, Worm	
32	70002671	1	Shaft, Worm	

# SECTION 2 - TURNTABLE

## FIGURE 2-6. TANK INSTALLATION (DIESEL MACHINES)



ART\_1001115769

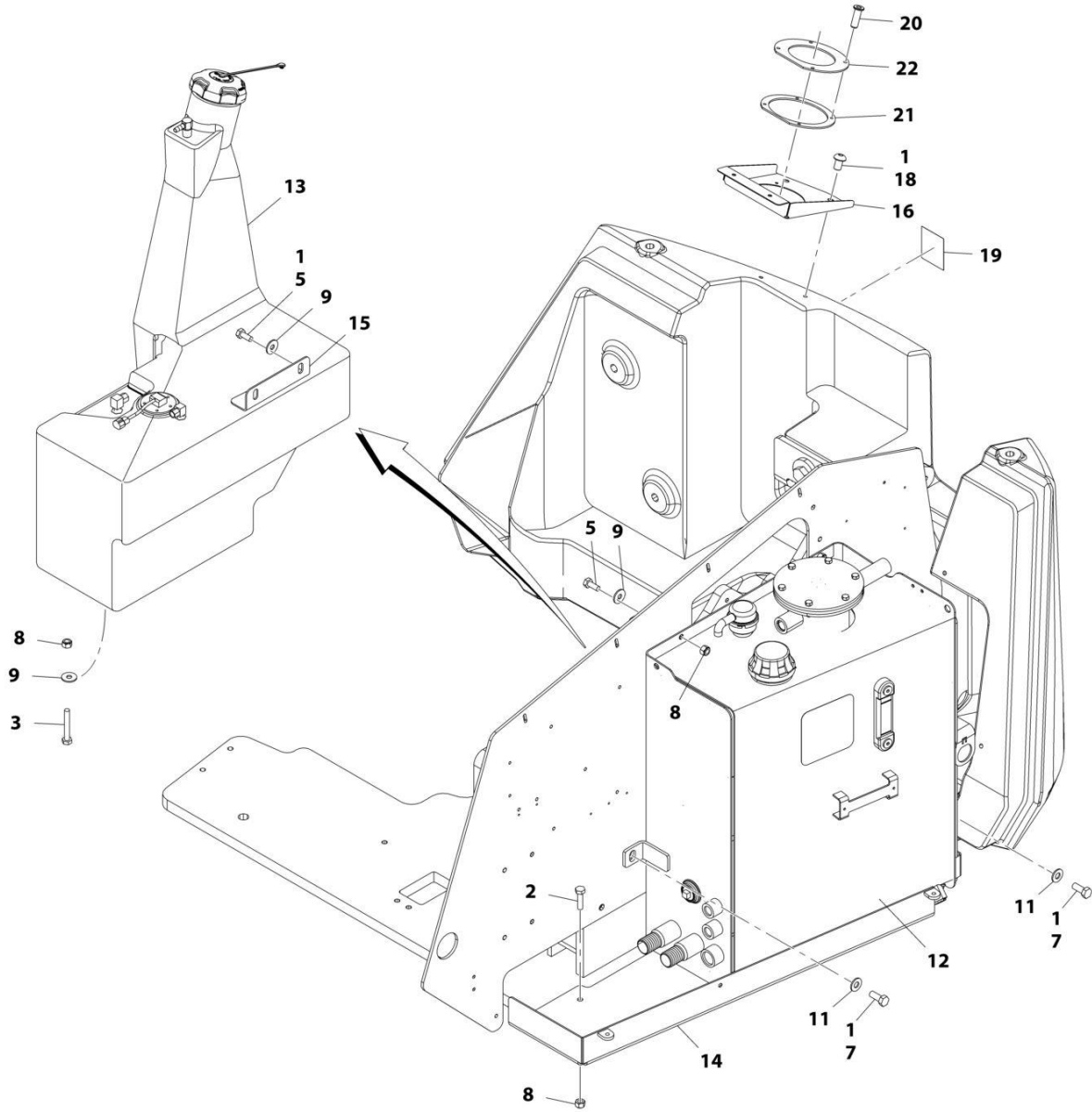
**SECTION 2 - TURNTABLE**

**FIGURE 2-6. TANK INSTALLATION (DIESEL MACHINES)**

ITEM	PART NUMBER	QTY	DESCRIPTION	REV
	1001115769	Ref	TANK INSTALLATION (DIESEL MACHINES)	E
1	0100011	AR	Compound, Locking	
2	0701016	2	Bolt M10 x 40	
3	0701022	1	Bolt M10 x 70	
5	0761012	4	Bolt M10 x 25	
7	0761214	2	Bolt M12 x 30	
8	3291005	5	Nut M10	
9	4812002	5	Washer M10	
11	4812102	2	Washer M12	
12	1001116339	1	Hydraulic Tank Assembly (See Separate Breakdown in this Section)	
13	1001117897	1	Fuel Tank Assembly (See Separate Breakdown in this Section)	
14	1001118502	1	Shield, Bottom Tank	
15	1001118509	1	Support, Tank	
16	1001118510	1	Shield, Tank Neck	
18	1001119527	2	Screw M10 x 16	
19	1701505	1	Decal - Diesel Fuel	
20	3820032	4	Rivet	
21	1001128781	1	Seal, Neck	
22	1001128782	1	Ring, Neck	

# SECTION 2 - TURNTABLE

## FIGURE 2-7. TANK INSTALLATION (GAS MACHINES)



ART\_1001119102

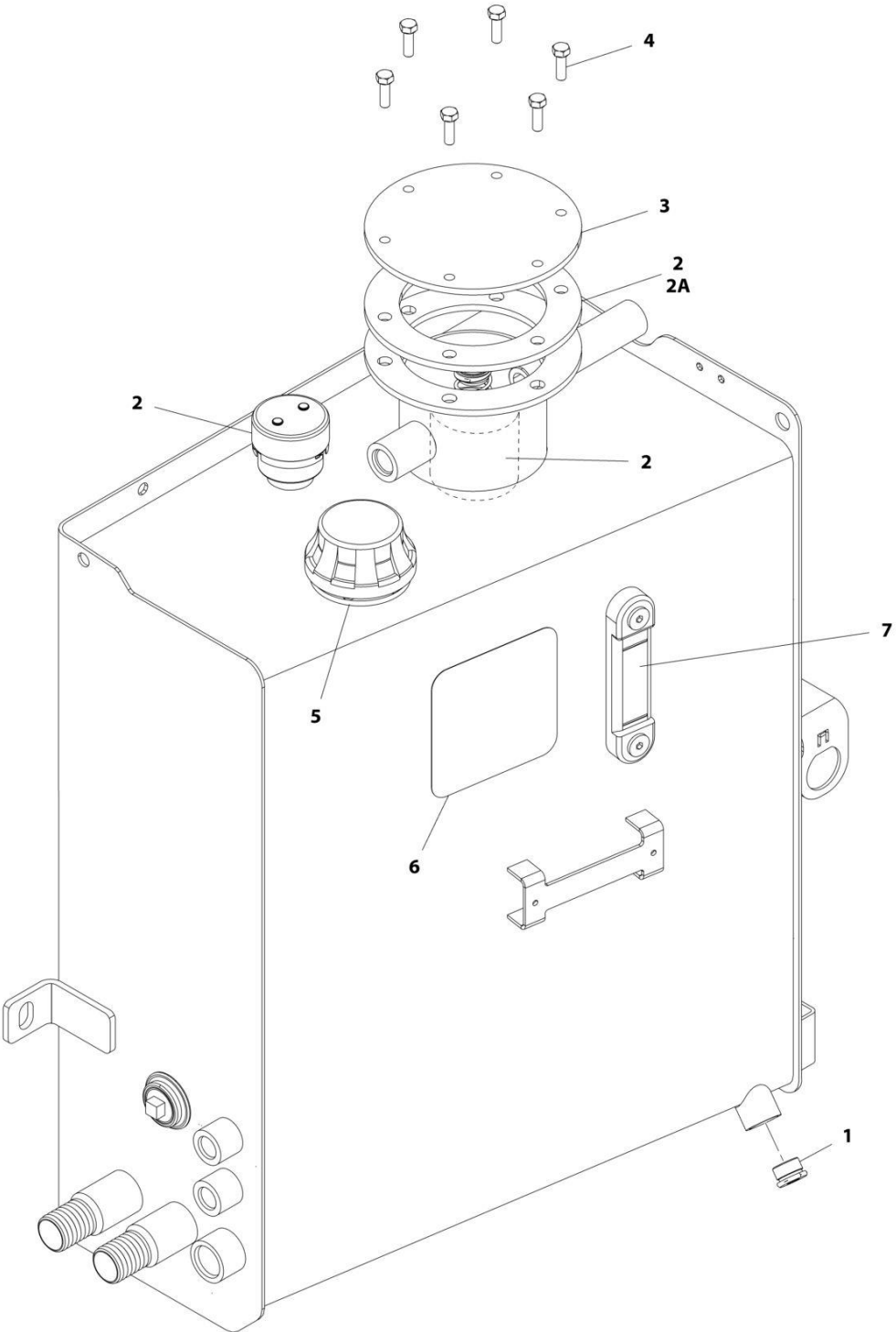
## SECTION 2 - TURNTABLE

**FIGURE 2-7. TANK INSTALLATION (GAS MACHINES)**

ITEM	PART NUMBER	QTY	DESCRIPTION	REV
	1001119102	Ref	TANK INSTALLATION (GAS MACHINES)	F
1	0100011	AR	Compound, Locking	
2	0701016	2	Bolt M10 x 40	
3	0701022	1	Bolt M10 x 70	
5	0761012	4	Bolt M10 x 25	
7	0761214	2	Bolt M12 x 30	
8	3291005	5	Nut M10	
9	4812002	5	Washer M10	
11	4812102	2	Washer M12	
12	1001116339	1	Hydraulic Tank Assembly (See Separate Breakdown in this Section)	
13	1001211509	1	Fuel Tank Assembly (See Separate Breakdown in this Section)	
14	1001118502	1	Shield, Bottom Tank	
15	1001118509	1	Support, Tank	
16	1001118510	1	Shield, Tank Neck	
18	1001119527	2	Screw M10 x 16	
19	1701542	1	Decal - Gas Fuel	
20	3820032	4	Rivet	
21	1001128781	1	Seal, Neck	
22	1001128782	1	Ring, Neck	

**SECTION 2 - TURNTABLE**

**FIGURE 2-8. HYDRAULIC TANK ASSEMBLY**



ART\_1001116339



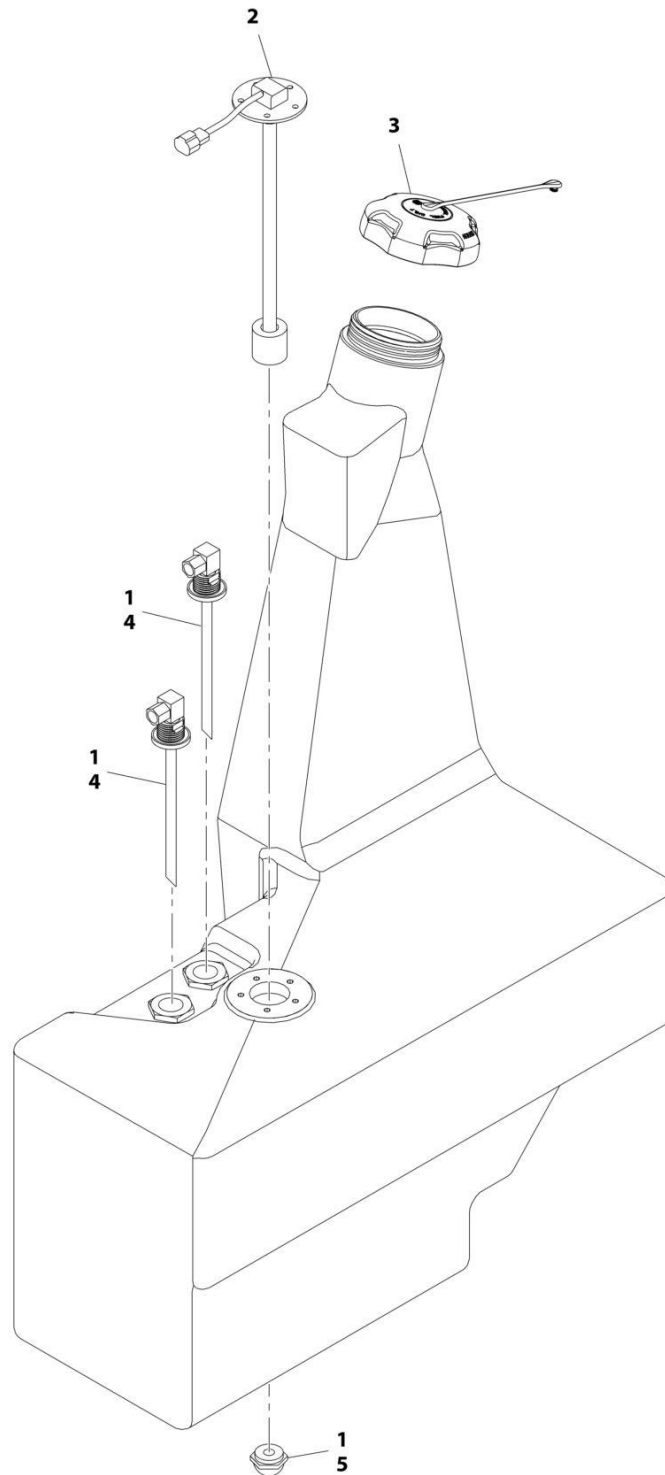
**SECTION 2 - TURNTABLE**

**FIGURE 2-8. HYDRAULIC TANK ASSEMBLY**

<b>ITEM</b>	<b>PART NUMBER</b>	<b>QTY</b>	<b>DESCRIPTION</b>	<b>REV</b>
	1001116339	Ref	HYDRAULIC TANK ASSEMBLY	F
1	70002112	1	Plug, Magnetic	
2	70002812	1	Hydraulic Breather/Filter Kit	
2A	70002839	1	Gasket	
3	See Note	NSS	Cover (Note: Use p/n 1001116339)	
4	See Note	NSS	Bolt (Note: Not Available - Purchase Locally)	
5	70002838	1	Cap, Fill	
6	70002840	1	Decal - Filter Replacement	
7	7024441	1	Gauge, Sight	

## SECTION 2 - TURNTABLE

FIGURE 2-9. FUEL TANK ASSEMBLY (DIESEL MACHINES)



ART\_1001117897

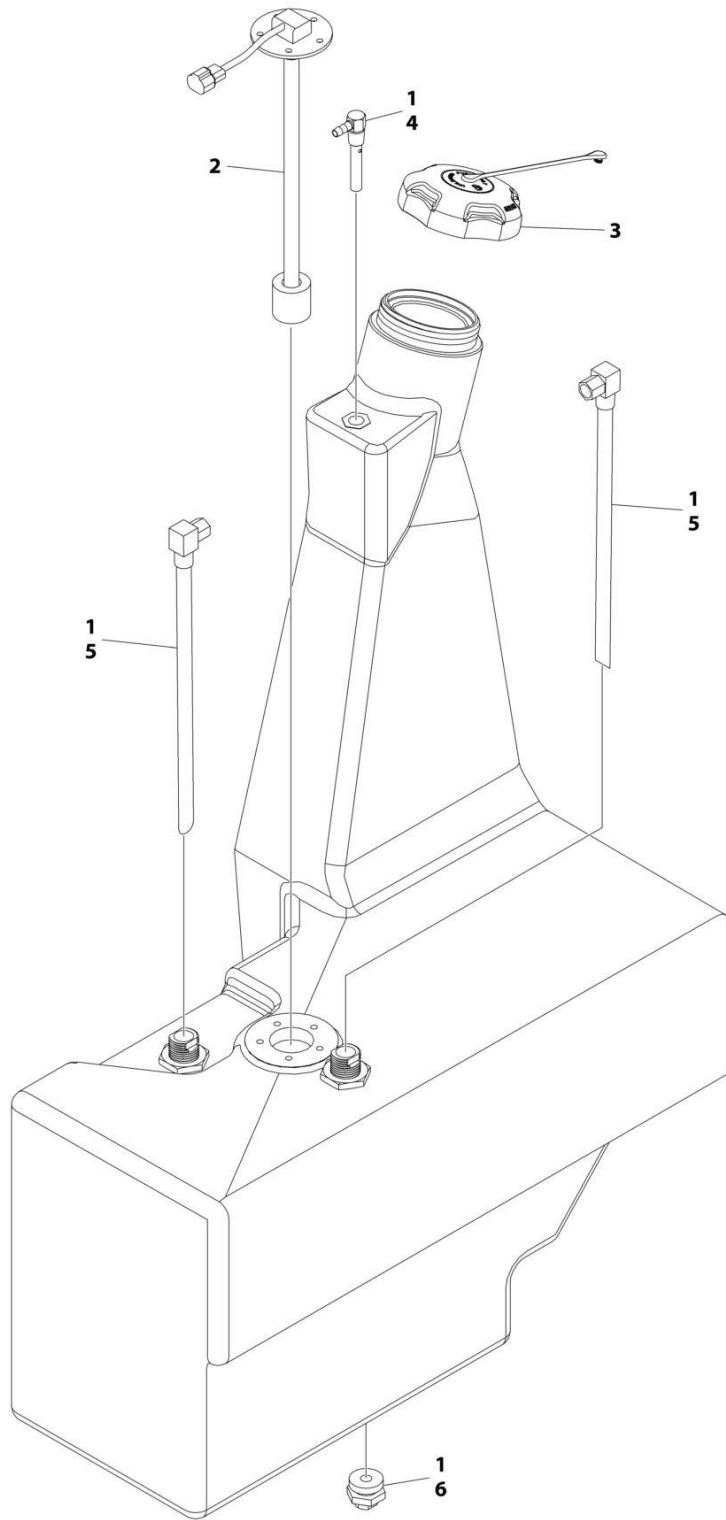
**SECTION 2 - TURNTABLE**

**FIGURE 2-9. FUEL TANK ASSEMBLY (DIESEL MACHINES)**

ITEM	PART NUMBER	QTY	DESCRIPTION	REV
	1001117897	Ref	FUEL TANK ASSEMBLY (DIESEL MACHINES)	G
1	0100020	AR	Sealant	
2	1001118262	1	Sender	
2	See Note	NSS	Seal, Sender (Note: Use p/n 1001118262)	
2	0721004	5	Screw #10 x 1/2	
3	1001128798	1	Cap, Fuel - Diesel	
4	See Note	NSS	Tube, Steel with Elbow Fitting (Note: Use p/n 1001117897)	
5	See Note	NSS	Plug (Note: Not Available - Purchase Locally)	

# SECTION 2 - TURNTABLE

## FIGURE 2-10. FUEL TANK ASSEMBLY (GAS MACHINES)



ART\_1001211509

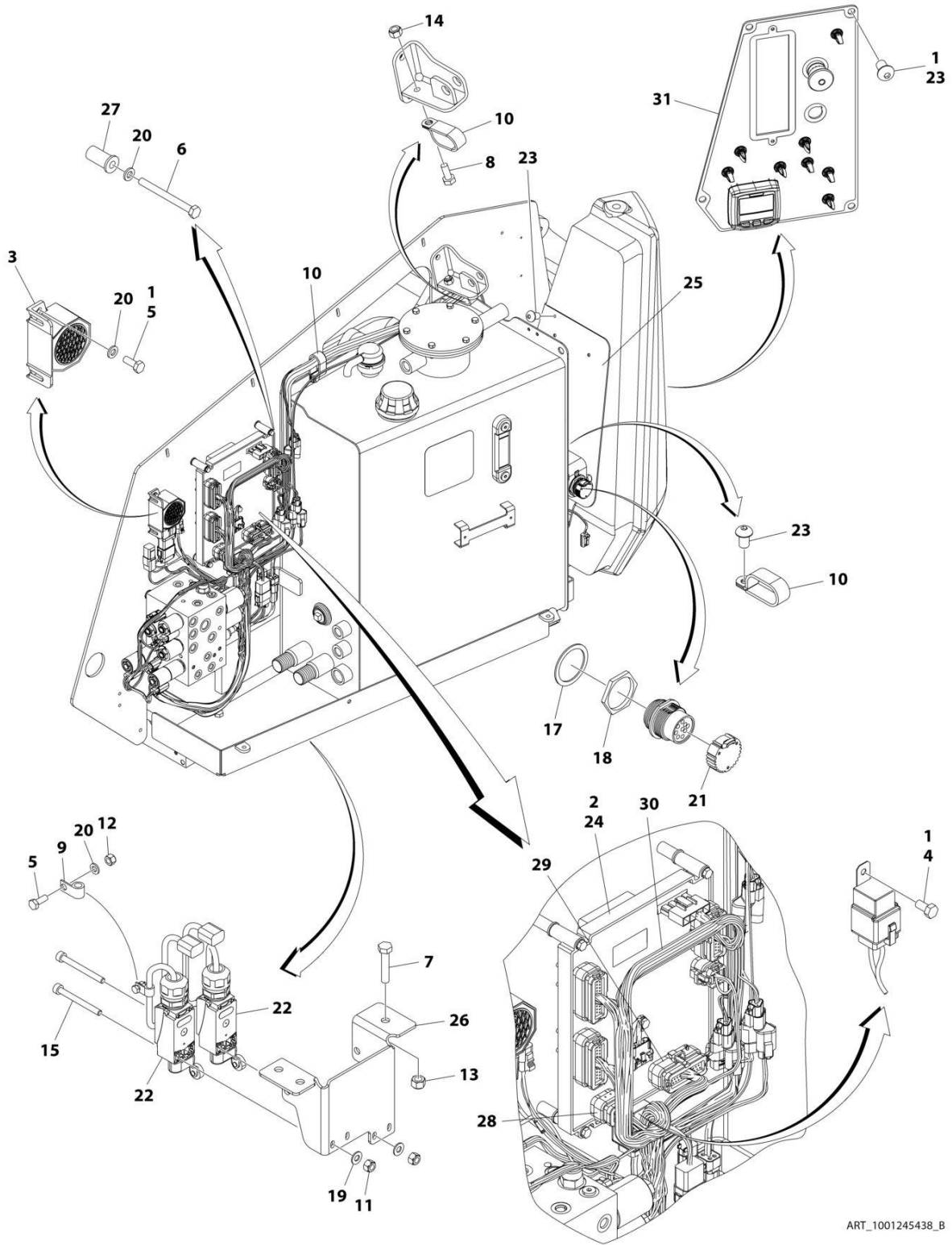
**SECTION 2 - TURNTABLE**

**FIGURE 2-10. FUEL TANK ASSEMBLY (GAS MACHINES)**

<b>ITEM</b>	<b>PART NUMBER</b>	<b>QTY</b>	<b>DESCRIPTION</b>	<b>REV</b>
	1001211509	Ref	FUEL TANK ASSEMBLY (GAS MACHINES)	A
1	0100020	AR	Sealant	
2	1001118262	1	Sender	
2	0721004	5	Screw #10 x 1/2	
3	1001128799	1	Cap, Fuel - Gas	
4	1001129043	1	Valve, Fuel Vent	

# SECTION 2 - TURNTABLE

## FIGURE 2-11. ELECTRICAL COMPONENTS INSTALLATION (ALL SPECS EXCEPT CE)



ART\_1001245438\_B

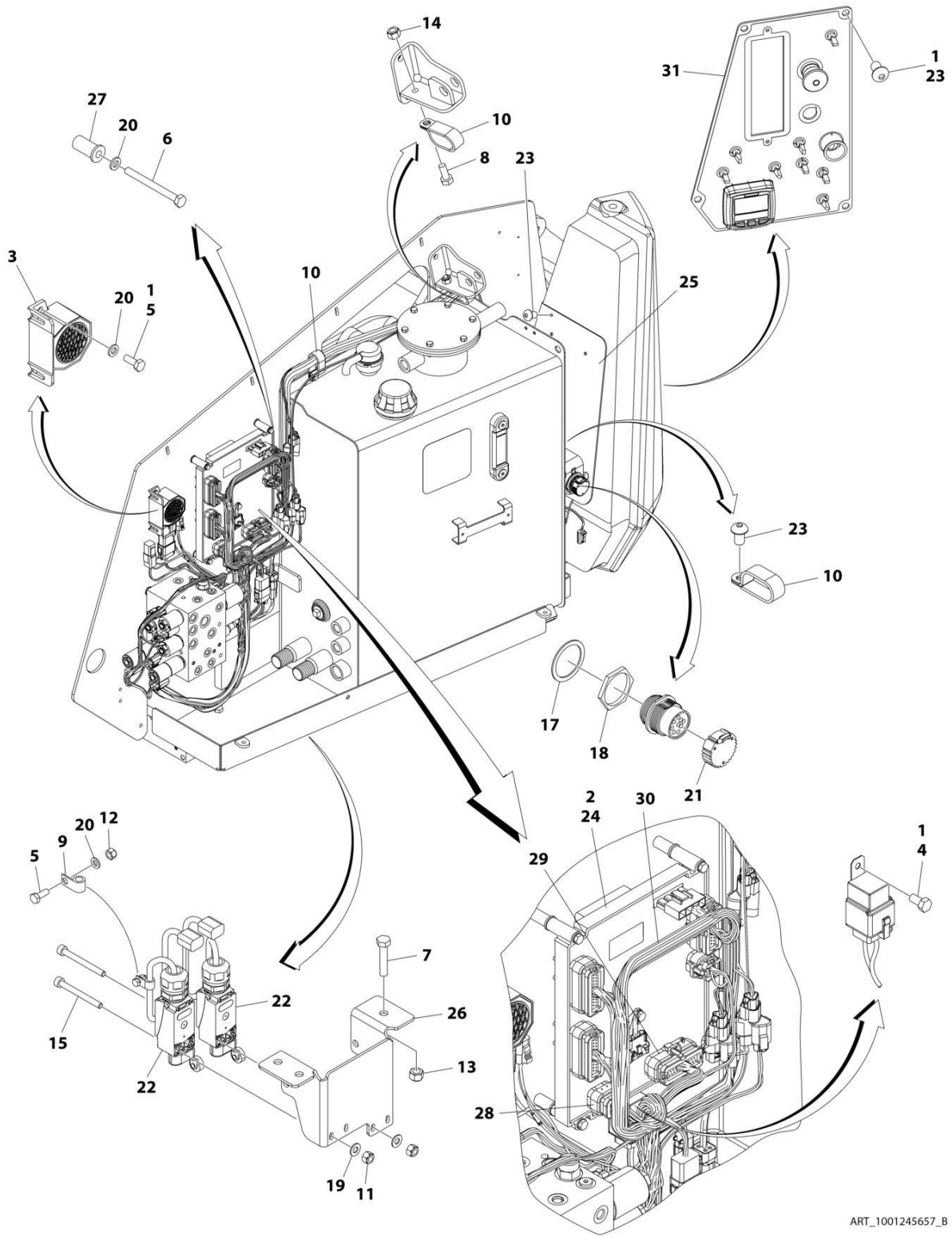
## SECTION 2 - TURNTABLE

**FIGURE 2-11. ELECTRICAL COMPONENTS INSTALLATION (ALL SPECS EXCEPT CE)**

ITEM	PART NUMBER	QTY	DESCRIPTION	REV
	1001245438	Ref	ELECTRICAL COMPONENTS INSTALLATION	B
1	0100011	AR	Compound, Locking	
2	0100048	AR	Sealant, Silicone	
3	0140043	1	Alarm	
4	0760505	1	Bolt M5 x 10	
5	0760608	4	Bolt M6 x 16	
6	0760621	5	Bolt M6 x 65	
7	0760816	3	Bolt M8 x 40	
8	0761012	1	Bolt M10 x 25	
9	1321293	2	Clamp	
10	1321716	3	P-Clamp	
11	3290405	4	Nut M4	
12	3290605	2	Nut M6	
13	3290805	3	Nut M8	
14	3291005	1	Nut M10	
15	4031512	4	Capscrew M4 x 40	
16	4240033	2	Tie-Strap (Not Shown)	
17	4460496	1	Washer	
18	4460497	1	Nut	
19	4811400	4	Washer M4	
20	4811700	9	Washer M6	
21	1001106736	1	Cap, Dust	
22	1001119176	2	Limit Switch and Harness Assembly (See Separate Breakdown in ELECTRICAL Section)	
22	1001119170	2	Switch, Limit (1 per Assembly)	
23	1001119527	7	Screw, Button Head M10 x 16	
24	1001120431	1	Module, Ground Control (Note: Re-calibration Required when Replaced)	
25	1001125291	1	Shield, Ground Controls	
26	1001141710	1	Bracket, Switch	
27	1001203719	5	Nut M6	
28	1001244525	1	Valve Harness (See Separate Breakdown in ELECTRICAL Section)	
29	1001244526	1	Harness, Ground Control (See Separate Breakdown in ELECTRICAL Section)	
30	1001244527	1	Mid-Engine Harness (See Separate Breakdown in ELECTRICAL Section)	
31	1001266044	1	Ground Control Assembly (See Separate Breakdown in this Section)	

# SECTION 2 - TURNTABLE

## FIGURE 2-12. ELECTRICAL COMPONENTS INSTALLATION (CE SPEC)



ART\_1001245657\_B



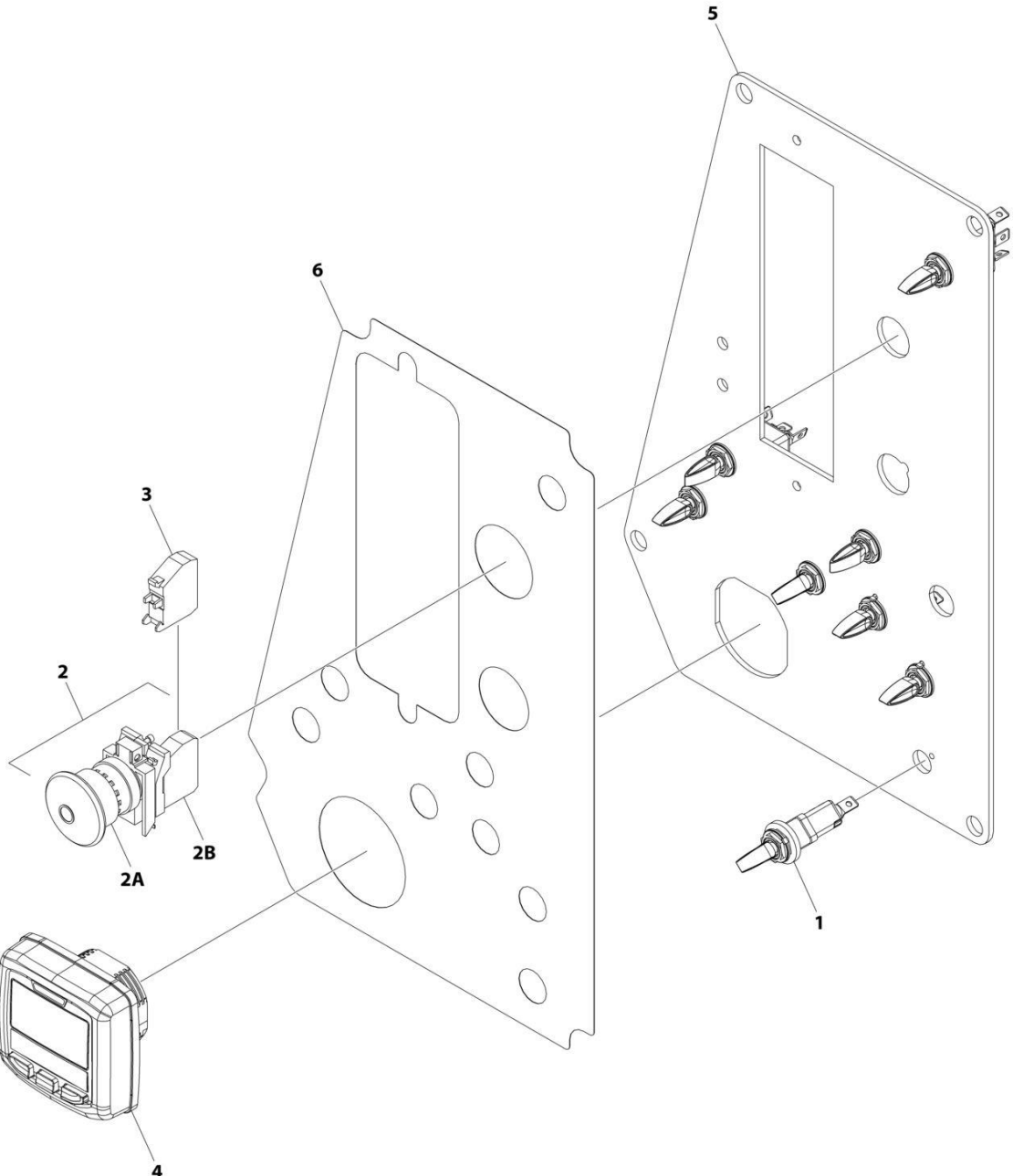
## SECTION 2 - TURNTABLE

**FIGURE 2-12. ELECTRICAL COMPONENTS INSTALLATION (CE SPEC)**

ITEM	PART NUMBER	QTY	DESCRIPTION	REV
	1001245657	Ref	ELECTRICAL COMPONENTS INSTALLATION	B
1	0100011	AR	Compound, Locking	
2	0100048	AR	Sealant, Silicone	
3	0140043	1	Alarm	
4	0760505	1	Bolt M5 x 10	
5	0760608	4	Bolt M6 x 16	
6	0760621	5	Bolt M6 x 65	
7	0760816	3	Bolt M8 x 40	
8	0761012	1	Bolt M10 x 25	
9	1321293	2	Clamp	
10	1321716	3	P-Clamp	
11	3290405	4	Nut M4	
12	3290605	2	Nut M6	
13	3290805	3	Nut M8	
14	3291005	1	Nut M10	
15	4031512	4	Capscrew M4 x 40	
16	4240033	2	Tie-Strap (Not Shown)	
17	4460496	1	Washer, Terminal	
18	4460497	1	Nut, Terminal	
19	4811400	4	Washer M4	
20	4811700	9	Washer M6	
21	1001106736	1	Cap, Dust	
22	1001119176	2	Limit Switch and Harness Assembly (See Separate Breakdown in ELECTRICAL Section)	
22	1001119170	2	Switch, Limit (1 per Assembly)	
23	1001119527	7	Screw, Button Head M10 x 16	
24	1001120431	1	Module, Ground Control (Note: Re-calibration Required when Replaced)	
25	1001125291	1	Shield, Ground Controls	
26	1001141710	1	Bracket, Switch	
27	1001203719	5	Nut M6	
28	1001244525	1	Valve Harness (See Separate Breakdown in ELECTRICAL Section)	
29	1001244526	1	Harness, Ground Control (See Separate Breakdown in ELECTRICAL Section)	
30	1001244527	1	Mid-Engine Harness Assembly (See Separate Breakdown in ELECTRICAL Section)	
31	1001266045	1	Ground Control Assembly (See Separate Breakdown in this Section)	

# SECTION 2 - TURNTABLE

## FIGURE 2-13. GROUND CONTROL ASSEMBLY (ALL SPECS EXCEPT CE)



ART\_1001266044

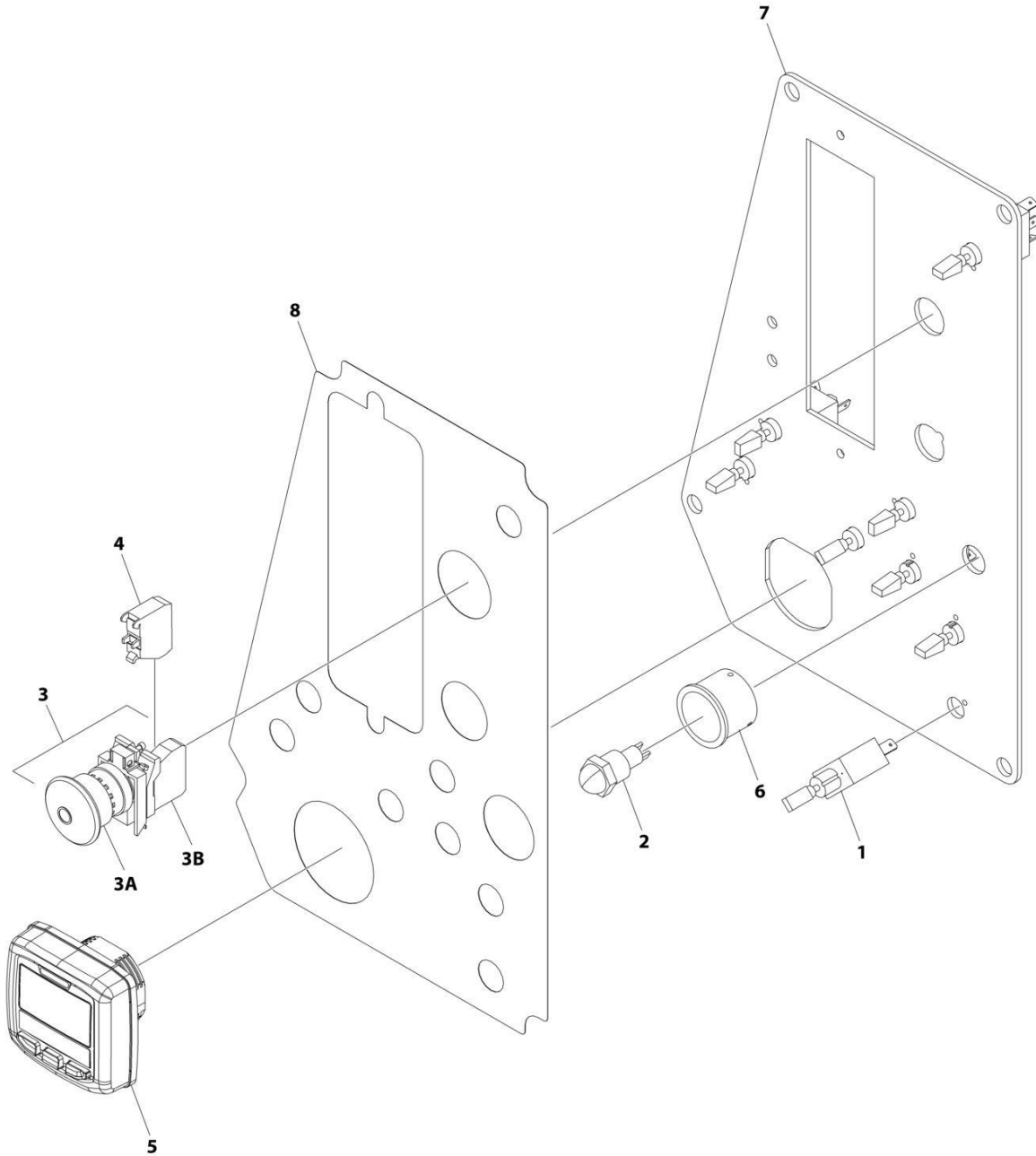
**SECTION 2 - TURNTABLE**

**FIGURE 2-13. GROUND CONTROL ASSEMBLY (ALL SPECS EXCEPT CE)**

<b>ITEM</b>	<b>PART NUMBER</b>	<b>QTY</b>	<b>DESCRIPTION</b>	<b>REV</b>
	1001266044	Ref	GROUND CONTROL ASSEMBLY	A
1	4360328	8	Switch, Toggle	
2	4360475	1	Switch, Emergency Stop	
2A	7020175	1	Cap, Mushroom Head	
2B	7020176	1	Block, Contact	
3	4360476	1	Switch, Contact	
4	1001171482	1	Display	
5	1001266040	1	Panel	
6	1001266041	1	Decal - Ground Control	

# SECTION 2 - TURNTABLE

## FIGURE 2-14. GROUND CONTROL ASSEMBLY (CE SPEC)



ART\_1001266045

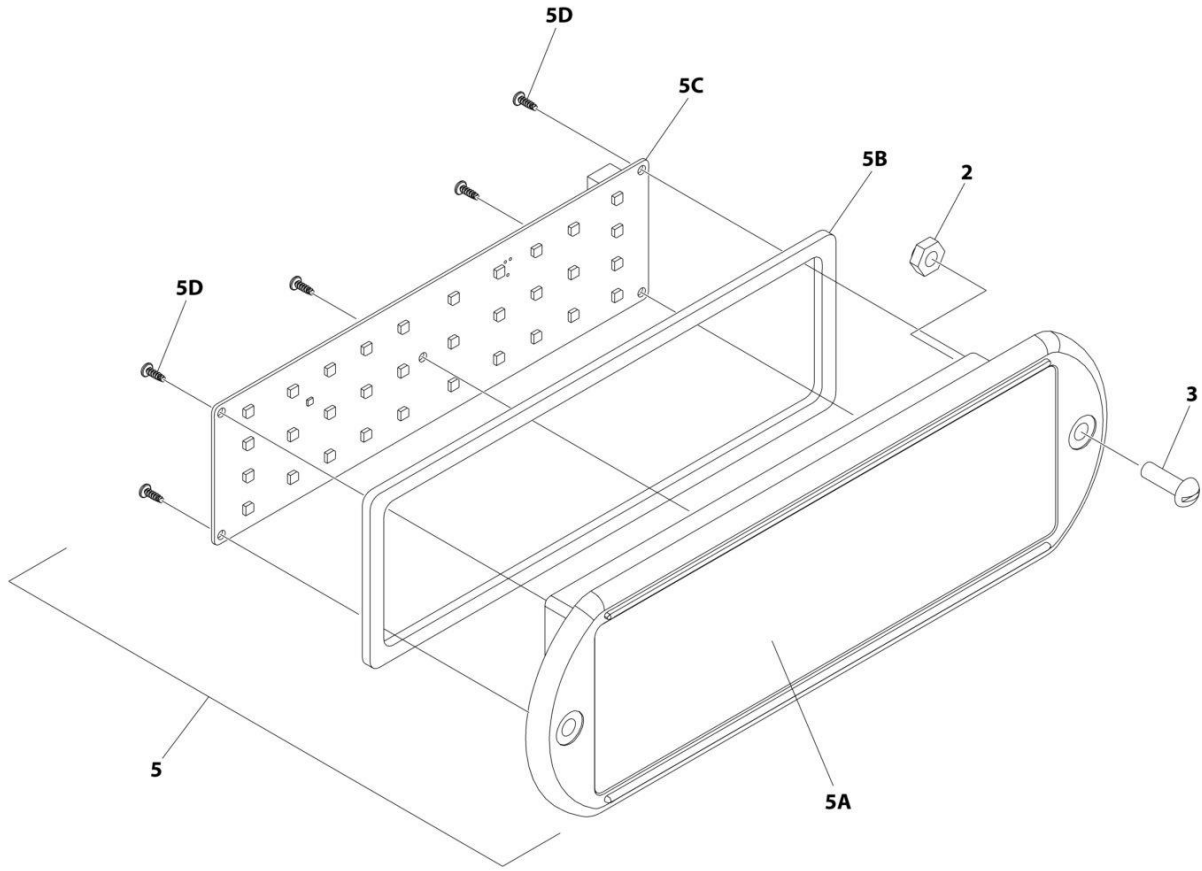
**SECTION 2 - TURNTABLE**

**FIGURE 2-14. GROUND CONTROL ASSEMBLY (CE SPEC)**

<b>ITEM</b>	<b>PART NUMBER</b>	<b>QTY</b>	<b>DESCRIPTION</b>	<b>REV</b>
	1001266045	Ref	GROUND CONTROL ASSEMBLY	A
1	4360328	8	Switch, Toggle	
2	4360387	1	Switch, Push Button	
3	4360475	1	Switch, Emergency Stop	
3A	7020175	1	Cap, Mushroom Head	
3B	7020176	1	Block, Contact	
4	4360476	1	Switch, Contact	
5	1001171482	1	Display	
6	1001176469	1	Shroud	
7	1001266040	1	Panel	
8	1001266043	1	Decal - Ground Control	

# SECTION 2 - TURNTABLE

## FIGURE 2-15. LIGHT PANEL INSTALLATION



ART\_1001241400\_10F2

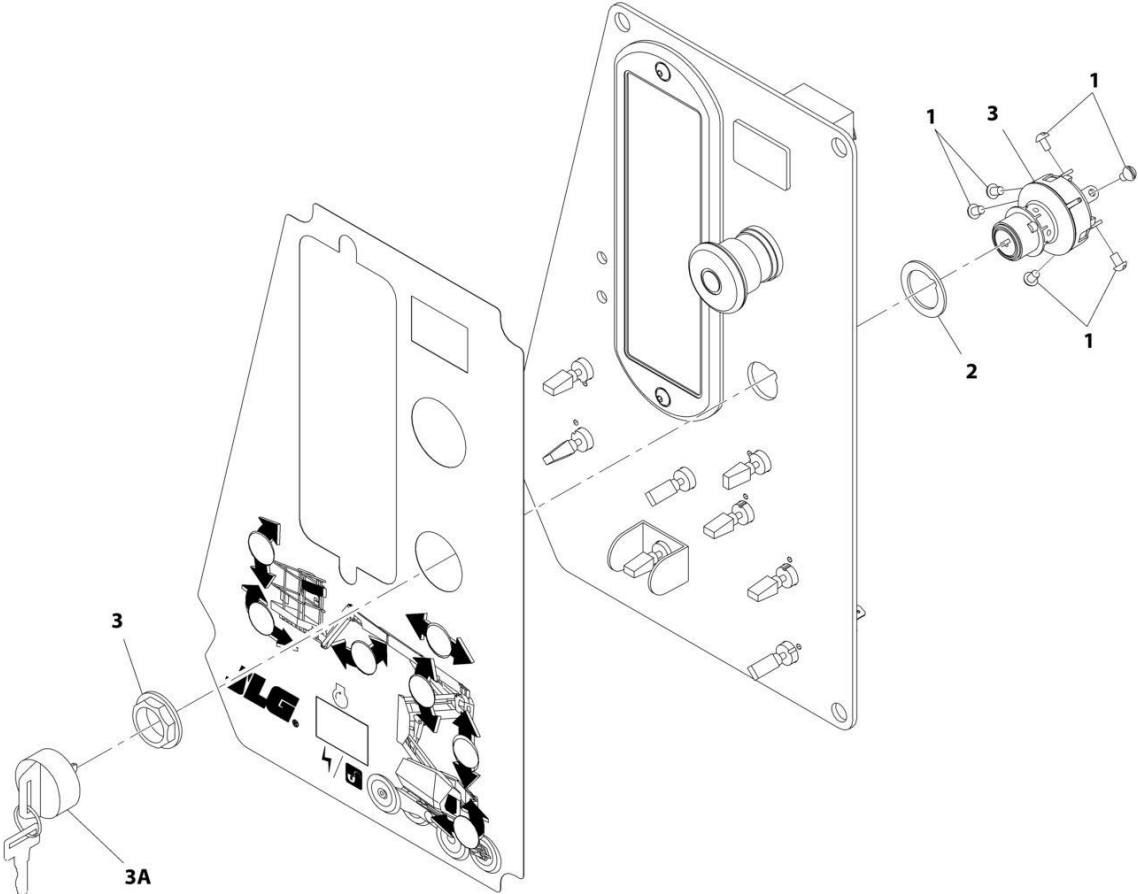
**SECTION 2 - TURNTABLE**

**FIGURE 2-15. LIGHT PANEL INSTALLATION**

ITEM	PART NUMBER	QTY	DESCRIPTION	REV
	1001241400	Ref	LIGHT PANEL INSTALLATION	B
2	3300408	2	Nut, Nylon Insert	
3	0630518	2	Screw #10 x 3/4	
5	1001236433	1	Light Panel Assembly	
5A	1001236093	1	Lens, I-Con	
5B	1001238749	1	Bezel (Includes Gasket)	
5C	1001187807	1	Panel, LED Light	
5D		Ref	<b>Screw</b>	

**SECTION 2 - TURNTABLE**

**FIGURE 2-16. KEY SWITCH INSTALLATION**



ART\_1001119399



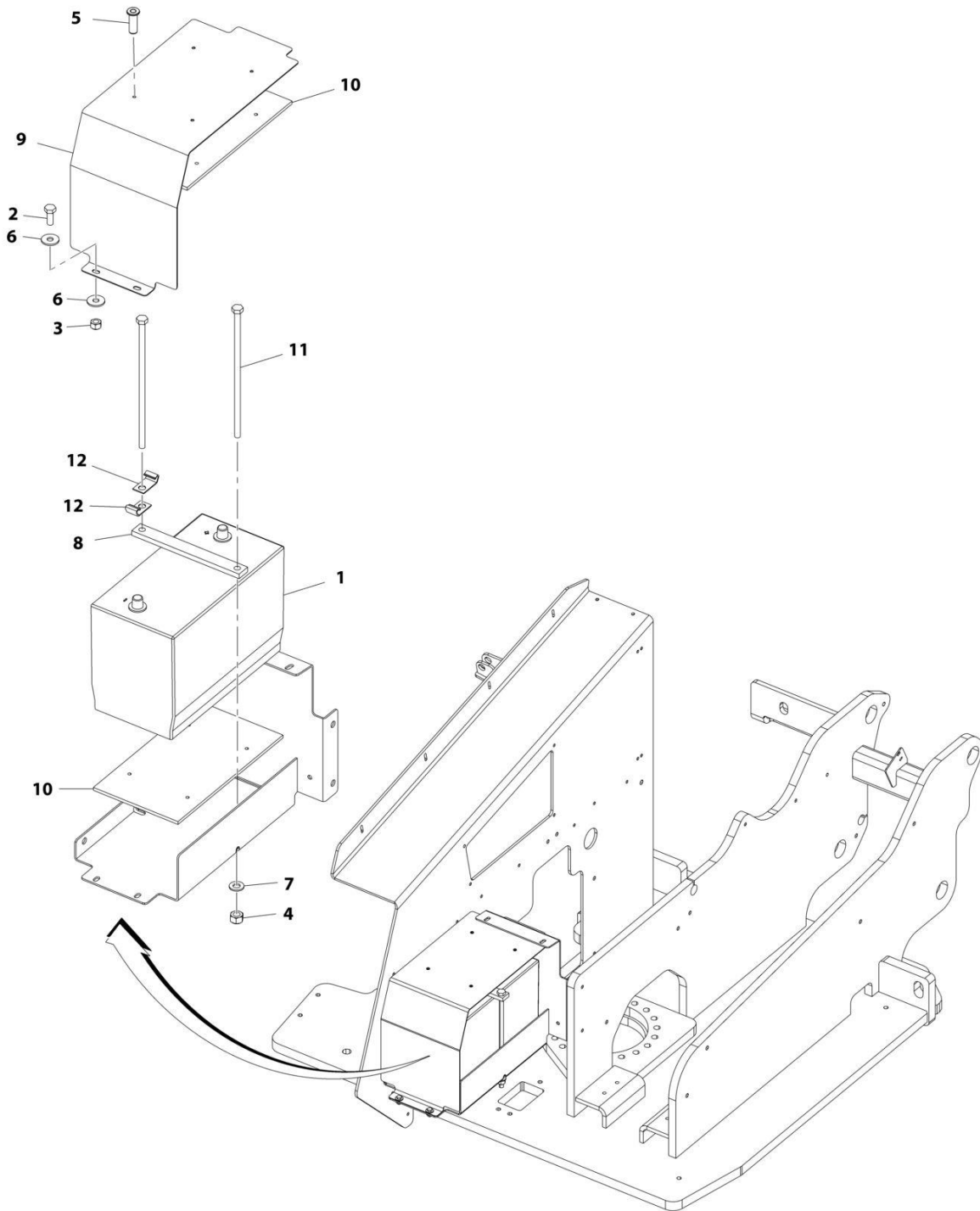
**SECTION 2 - TURNTABLE**

**FIGURE 2-16. KEY SWITCH INSTALLATION**

<b>ITEM</b>	<b>PART NUMBER</b>	<b>QTY</b>	<b>DESCRIPTION</b>	<b>REV</b>
	1001119399	Ref	KEY SWITCH INSTALLATION	C
1	3910804	6	Screw 8 x 1/4	
2	1001151393	1	Shim	
3	4360469	1	Switch, Key	
3A	2860030	1	Key, Replacement	

# SECTION 2 - TURNTABLE

## FIGURE 2-17. BATTERY INSTALLATION



ART\_1001119277

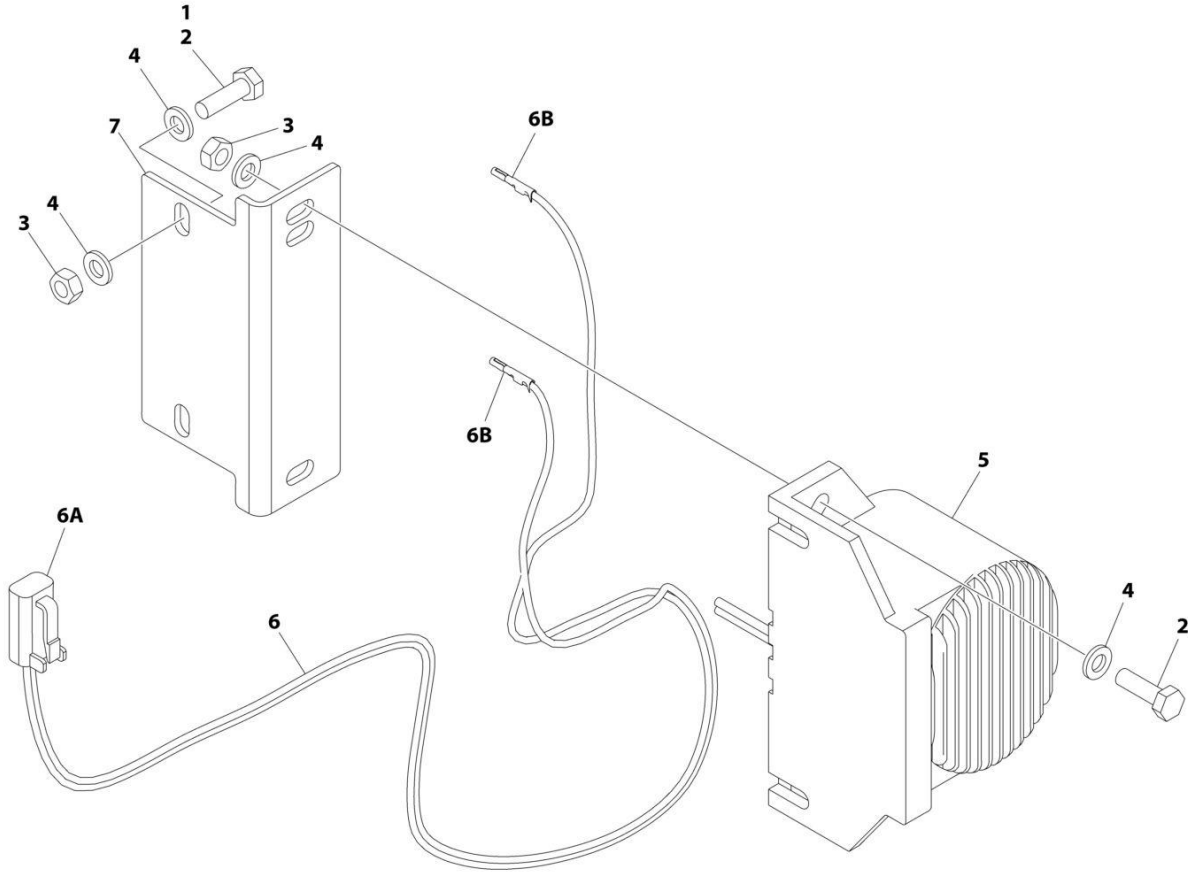
**SECTION 2 - TURNTABLE**

**FIGURE 2-17. BATTERY INSTALLATION**

<b>ITEM</b>	<b>PART NUMBER</b>	<b>QTY</b>	<b>DESCRIPTION</b>	<b>REV</b>
	1001119277	Ref	BATTERY INSTALLATION	D
1	0400075	1	Battery	
2	0760610	2	Bolt M6 x 20	
3	3290605	2	Nut M6	
4	3291005	2	Nut M10	
5	3820032	4	Rivet	
6	4811702	4	Washer M6	
7	4812000	2	Washer M10	
8	0361810	1	Bar, Hold-down	
9	1001117240	1	Cover	
10	1001119278	2	Insulate	
11	1001119280	2	Bolt M10 x 260	
12	1320223	2	J-Clip	

# SECTION 2 - TURNTABLE

## FIGURE 2-18. WHITE NOISE ALARM INSTALLATION



ART\_1001206737

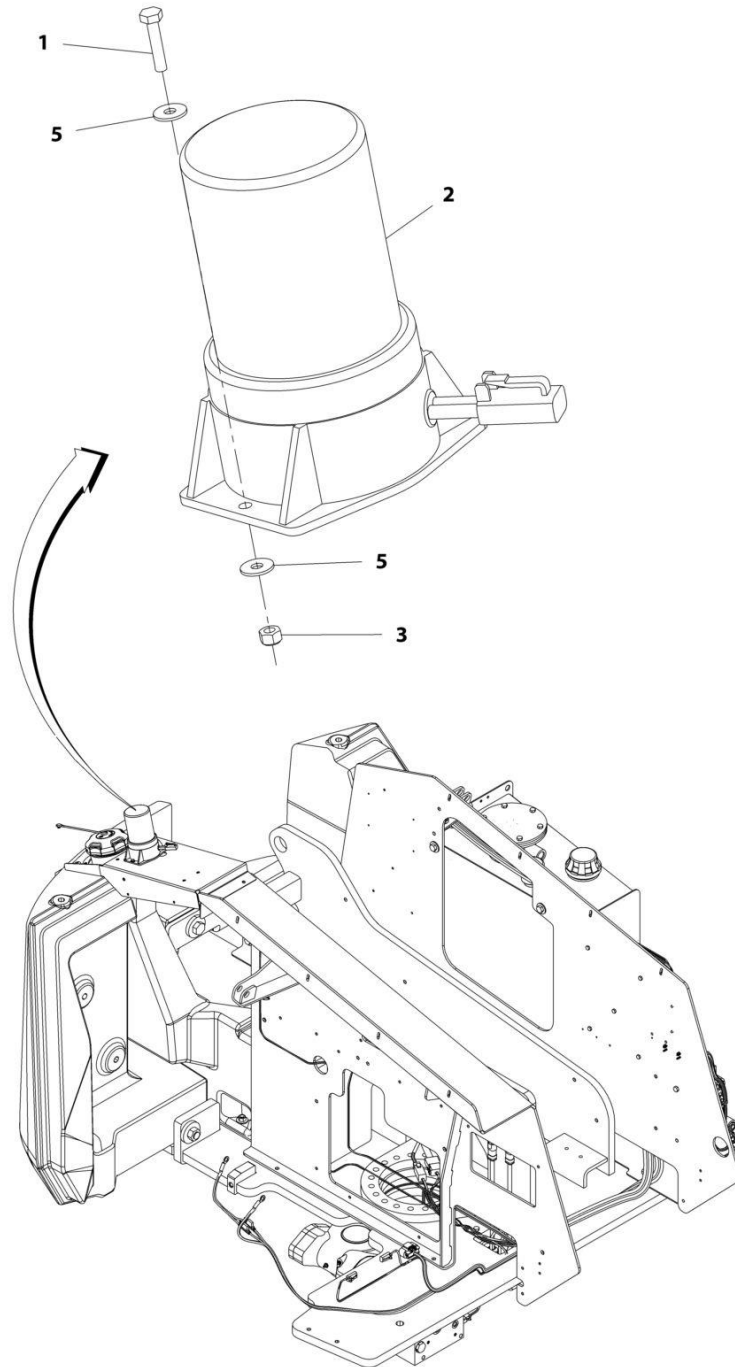
**SECTION 2 - TURNTABLE**

**FIGURE 2-18. WHITE NOISE ALARM INSTALLATION**

<b>ITEM</b>	<b>PART NUMBER</b>	<b>QTY</b>	<b>DESCRIPTION</b>	<b>REV</b>
	1001206737	Ref	WHITE NOISE ALARM INSTALLATION	C
1	0100011	AR	Compound, Locking	
2	0760610	4	Bolt M6 x 20	
3	3290601	4	Nut M6	
4	4811700	8	Washer M6	
5	1001182806	1	Alarm	
6	1001190663	1	White Noise Motion Alarm Harness	
6A	4460891	1	Plug, Male - 2 Position	
6A	4460465	1	Socket, Female	
6B	4460871	2	Socket, Female	
7	1001231886	1	Plate	

## SECTION 2 - TURNTABLE

FIGURE 2-19. STROBE LIGHT INSTALLATION (AMBER) (OPTIONAL)



ART\_1001119268

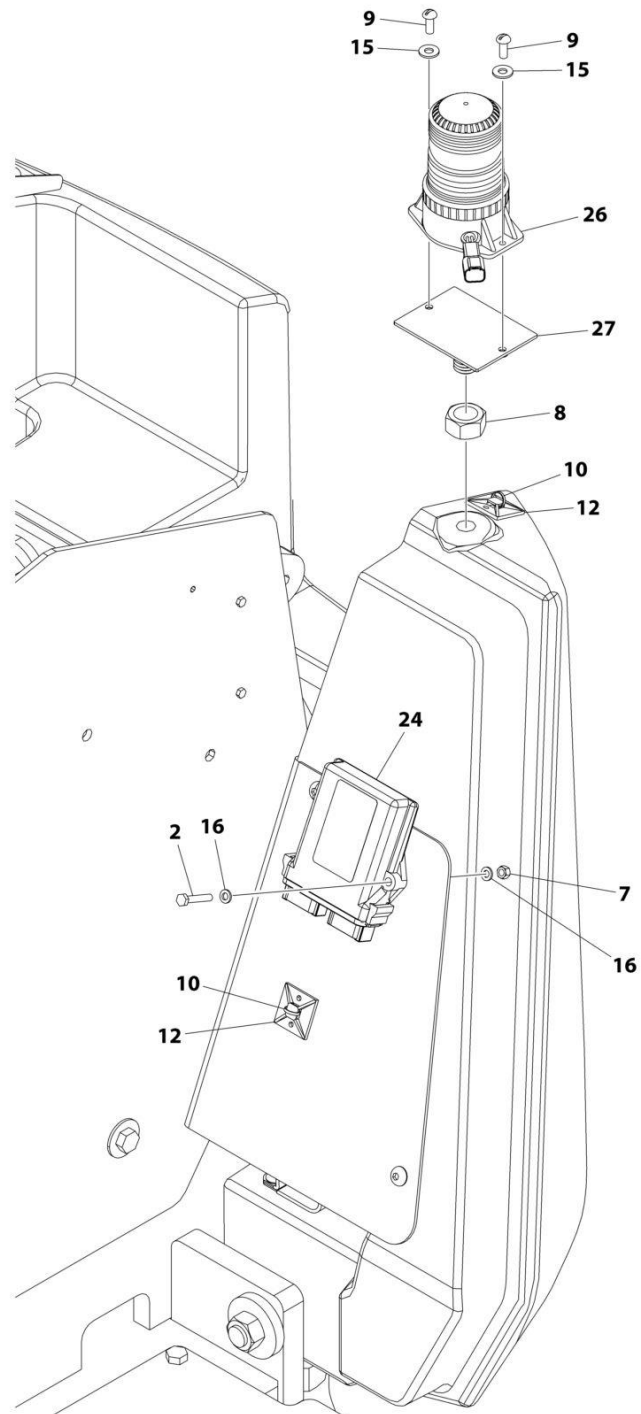
**SECTION 2 - TURNTABLE**

**FIGURE 2-19. STROBE LIGHT INSTALLATION (AMBER) (OPTIONAL)**

<b>ITEM</b>	<b>PART NUMBER</b>	<b>QTY</b>	<b>DESCRIPTION</b>	<b>REV</b>
	1001119268	Ref	STROBE LIGHT INSTALLATION (AMBER) (OPTIONAL)	C
1	0760410	2	Bolt M4 x 20	
2	2920161	1	Strobe Light Assembly	
2	7016319	1	Bulb	
2	7016372	1	Lens	
2	4460891	1	Plug, Male - 2 Position	
2	4460465	1	Socket, Female	
3	3290405	2	Nut M4	
5	1001091102	4	Washer M4	
6	4240032	2	Tie-Strap (Not Shown)	

## SECTION 2 - TURNTABLE

FIGURE 2-20. STROBE LIGHT INSTALLATION (BLUE) (OPTIONAL)



ART\_1001242849



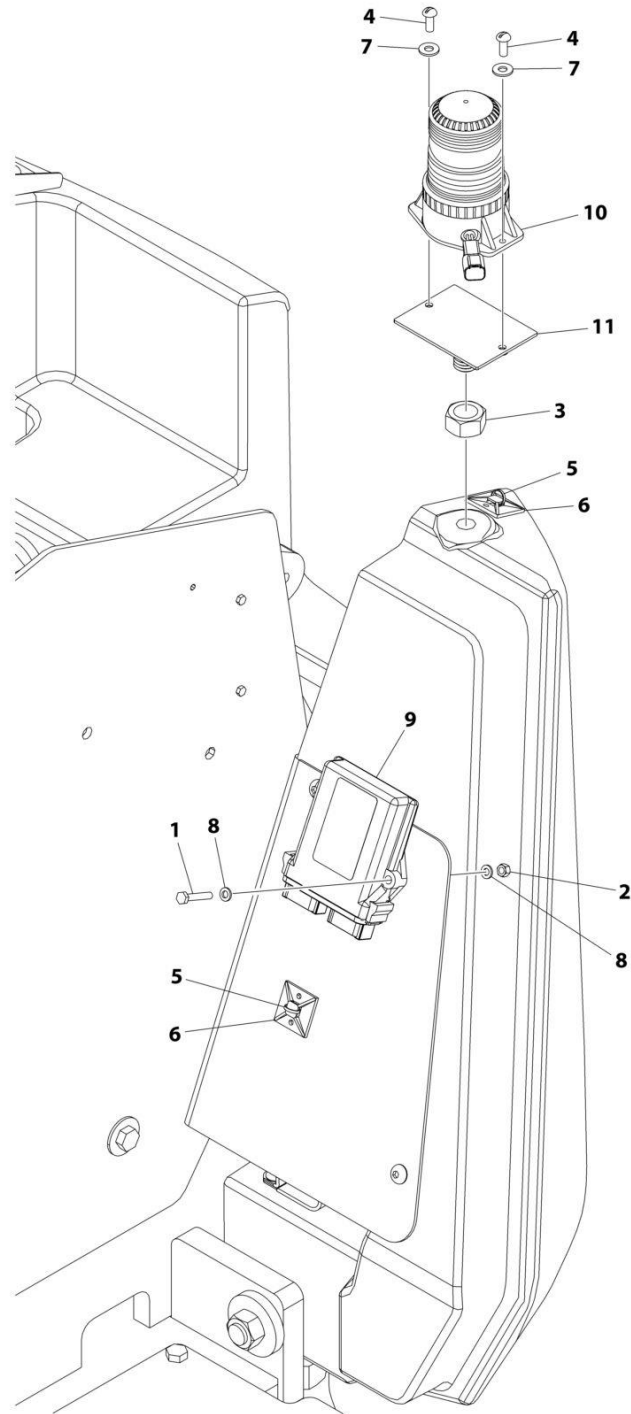
**SECTION 2 - TURNTABLE**

**FIGURE 2-20. STROBE LIGHT INSTALLATION (BLUE) (OPTIONAL)**

ITEM	PART NUMBER	QTY	DESCRIPTION	REV
	1001242849	Ref	BEACON LIGHT INSTALLATION - BLUE	B
2	0700615	2	Bolt M6 x 35	
7	3290607	2	Nut M6	
8	3292001	1	Nut M20	
9	3900085	2	Screw #10 x 1/2	
10	4240032	3	Tie-Strap	
12	4460488	3	Base, Mounting	
15	4751000	2	Washer #10	
16	4811700	4	Washer M6	
24	1001142683	1	Module, Beacon Control	
26	1001200910	1	Light, Strobe	
26	7028909	1	Connector - 2 Position	
26	4460943	2	Pin, Male	
27	1001207227	1	Mount	
28	1001142736	1	Strobe Light Control Harness (Not Shown - See Separate Breakdown in ELECTRICAL Section)	

## SECTION 2 - TURNTABLE

FIGURE 2-21. STROBE LIGHT INSTALLATION (RED) (OPTIONAL)



ART\_1001242850

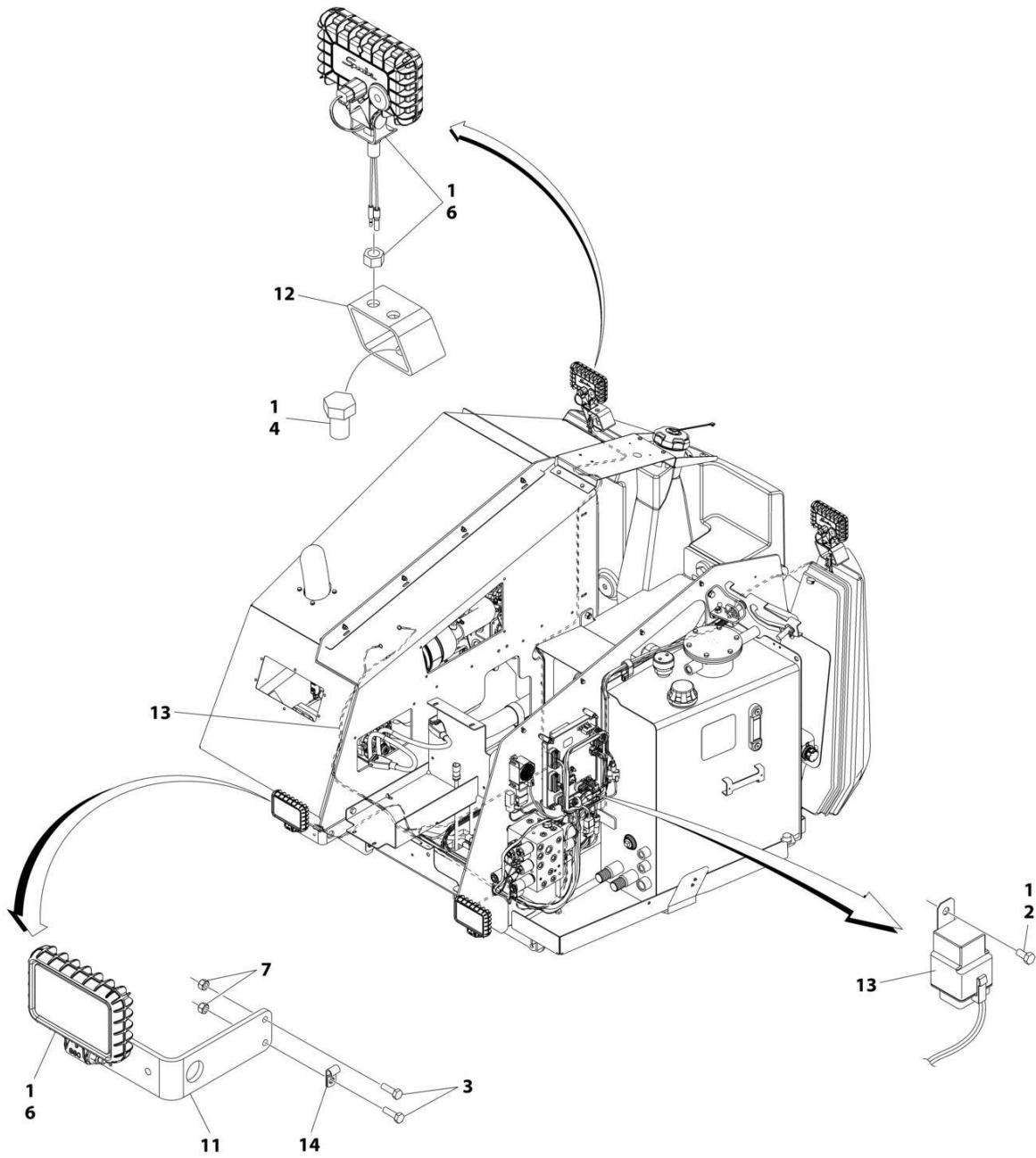
**SECTION 2 - TURNTABLE**

**FIGURE 2-21. STROBE LIGHT INSTALLATION (RED) (OPTIONAL)**

ITEM	PART NUMBER	QTY	DESCRIPTION	REV
	1001242850	Ref	BEACON LIGHT INSTALLATION - RED	A
1	0700615	2	Bolt M6 x 35	
2	3290607	2	Nut M6	
3	3292001	1	Nut M20	
4	3900085	2	Screw #10 x 1/2	
5	4240032	3	Tie-Strap	
6	4460488	3	Base, Mounting	
7	4751000	2	Washer #10	
8	4811700	4	Washer M6	
9	1001142683	1	Module, Beacon Control	
10	1001207004	1	Light, Strobe	
10	7028909	1	Connector - 2 Position	
10	4460943	2	Pin, Male	
11	1001207227	1	Mount	
12	1001142736	1	Strobe Light Control Harness (Not Shown - See Separate Breakdown in ELECTRICAL Section)	

## SECTION 2 - TURNTABLE

FIGURE 2-22. TURNTABLE FLOODLIGHT INSTALLATION (OPTIONAL)



ART\_1001120232\_C

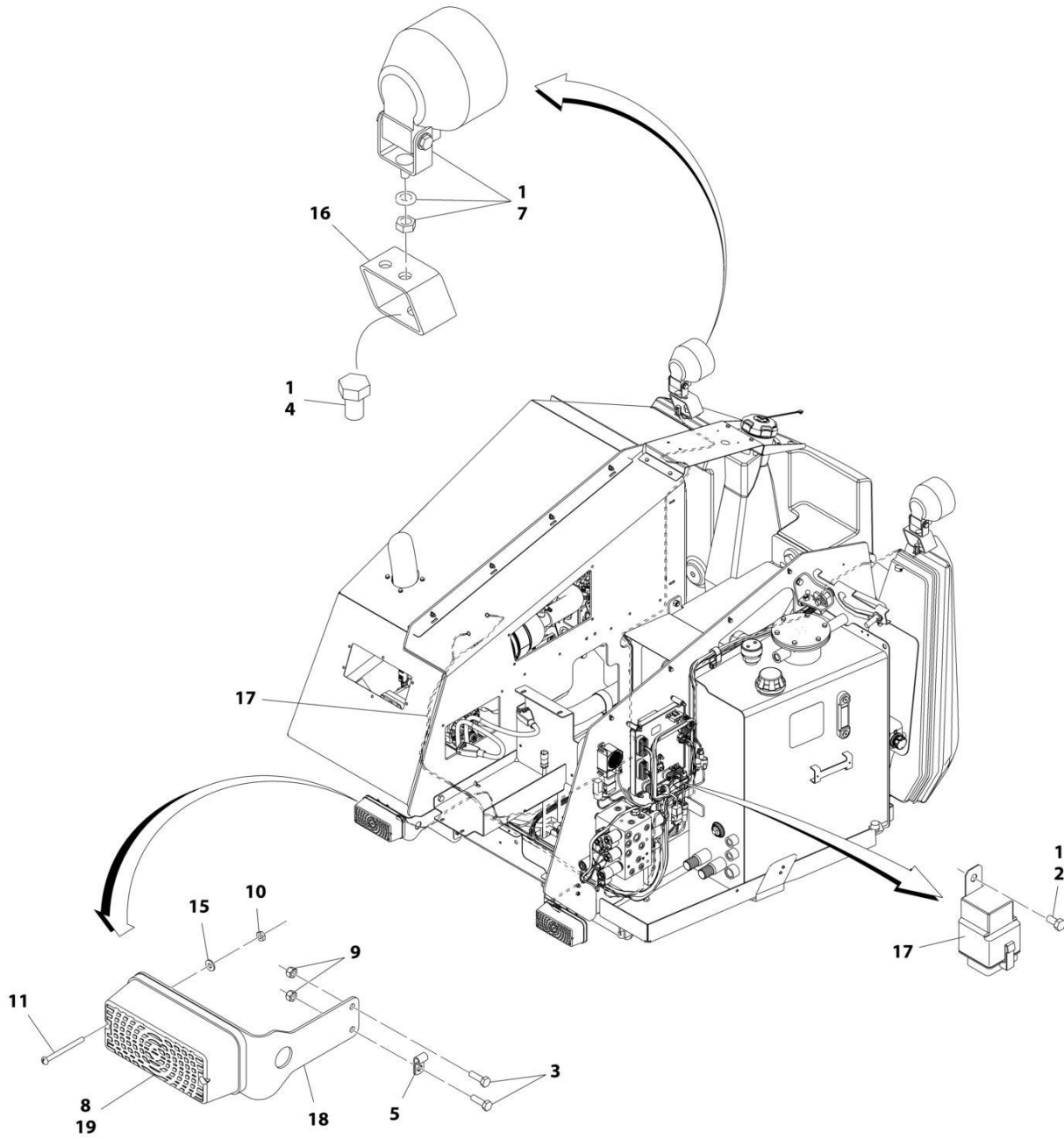
**SECTION 2 - TURNTABLE**

**FIGURE 2-22. TURNTABLE FLOODLIGHT INSTALLATION (OPTIONAL)**

ITEM	PART NUMBER	QTY	DESCRIPTION	REV
	1001120232	Ref	TURNTABLE FLOODLIGHT INSTALLATION (OPTIONAL)	C
1	0100011	AR	Compound, Locking	
2	0760505	1	Bolt M5 x 10	
3	0760610	4	Bolt M6 x 20	
4	0762014	2	Bolt M20 x 30	
5	1705170	1	Decal - Light (Not Shown - Located on Platform Console Box)	
6	1001236816	4	Floodlight	
7	3290605	4	Nut M6	
8	4240032	2	Tie-Strap (Not Shown)	
9	4240033	4	Tie-Strap (Not Shown)	
10	4360522	1	Switch, Push Button (Not Shown - Located on Platform Console Box)	
11	1001120287	2	Mount, Light	
12	1001120288	2	Mount, Light	
13	1001120299	1	Chassis Light Harness (See Separate Breakdown in ELECTRICAL Section)	
13	3740080	1	Relay	
14	1320136	2	Clamp, Cable	

# SECTION 2 - TURNTABLE

## FIGURE 2-23. HEAD AND TAIL LIGHT INSTALLATION (OPTIONAL)



ART\_1001149144

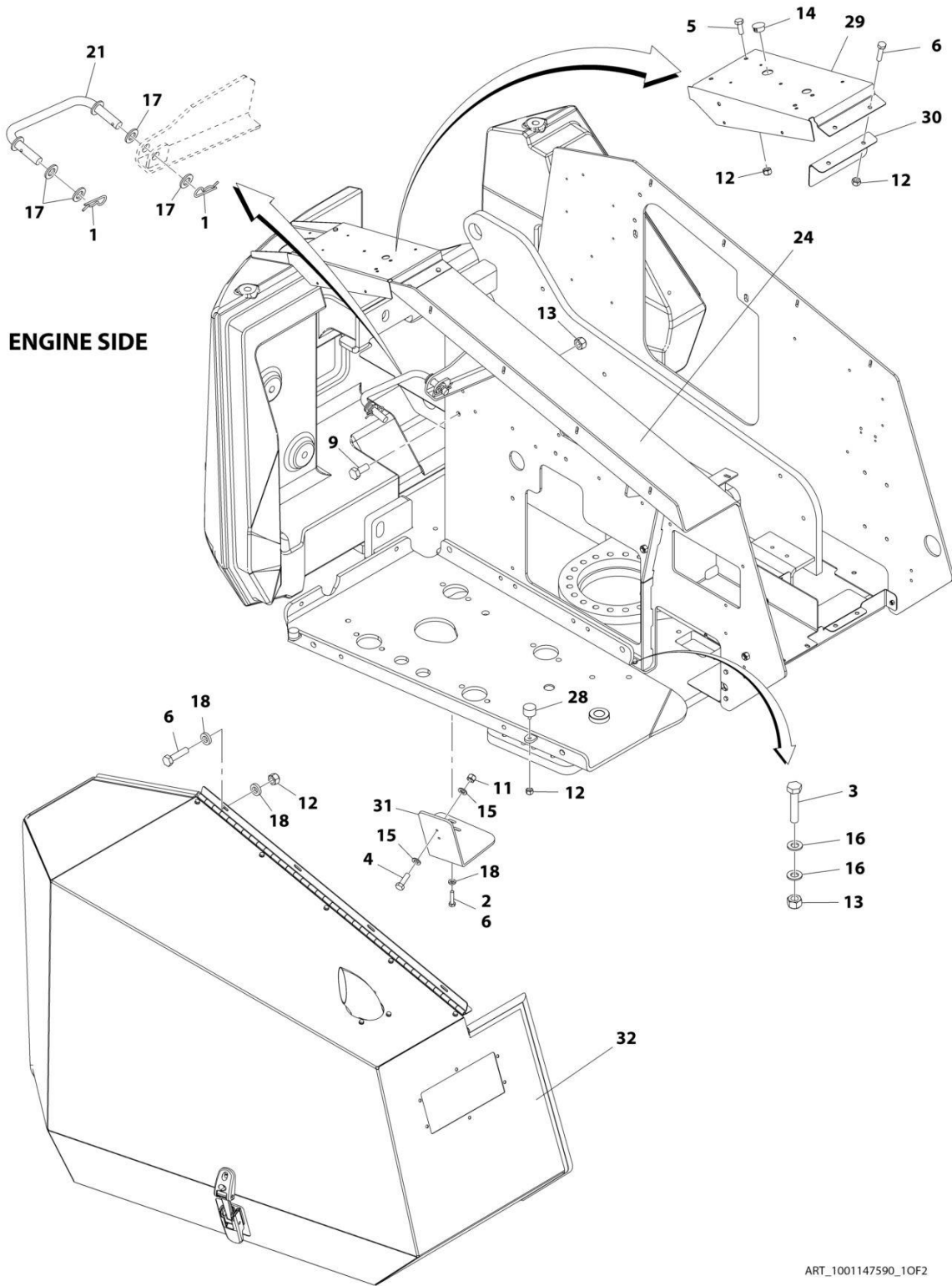
# SECTION 2 - TURNTABLE

**FIGURE 2-23. HEAD AND TAIL LIGHT INSTALLATION (OPTIONAL)**

ITEM	PART NUMBER	QTY	DESCRIPTION	REV
	1001149144	Ref	HEAD AND TAIL LIGHT INSTALLATION (OPTIONAL)	A
1	0100011	AR	Compound, Locking	
2	0760505	1	Bolt M5 x 10	
3	0760610	4	Bolt M6 x 20	
4	0762014	2	Bolt M20 x 30	
5	1320136	2	Clamp, Cable	
6	1705170	1	Decal - Light (Not Shown - Located on Platform Console Box)	
7	2920110	2	Light, Head	
7	7016628	2	Bulb, Replacement (1 Per Assembly)	
8	2920113	2	Light, Tail	
9	3290605	4	Nut M6	
10	3311005	4	Nut M10	
11	3911036	4	Bolt M10 x 2-1/4	
12	4240032	2	Tie-Strap (Not Shown)	
13	4240033	4	Tie-Strap (Not Shown)	
14	4360522	1	Switch, Push Button (Not Shown - Located on Platform Console Box)	
15	4751000	4	Washer M10	
16	1001120288	2	Mount, Light	
17	1001120299	1	Chassis Light Harness (See Separate Breakdown in ELECTRICAL Section)	
17	3740080	1	Relay	
18	1001149147	2	Mount, Light	
19	4460121	2	Cap, Wire	

# SECTION 2 - TURNTABLE

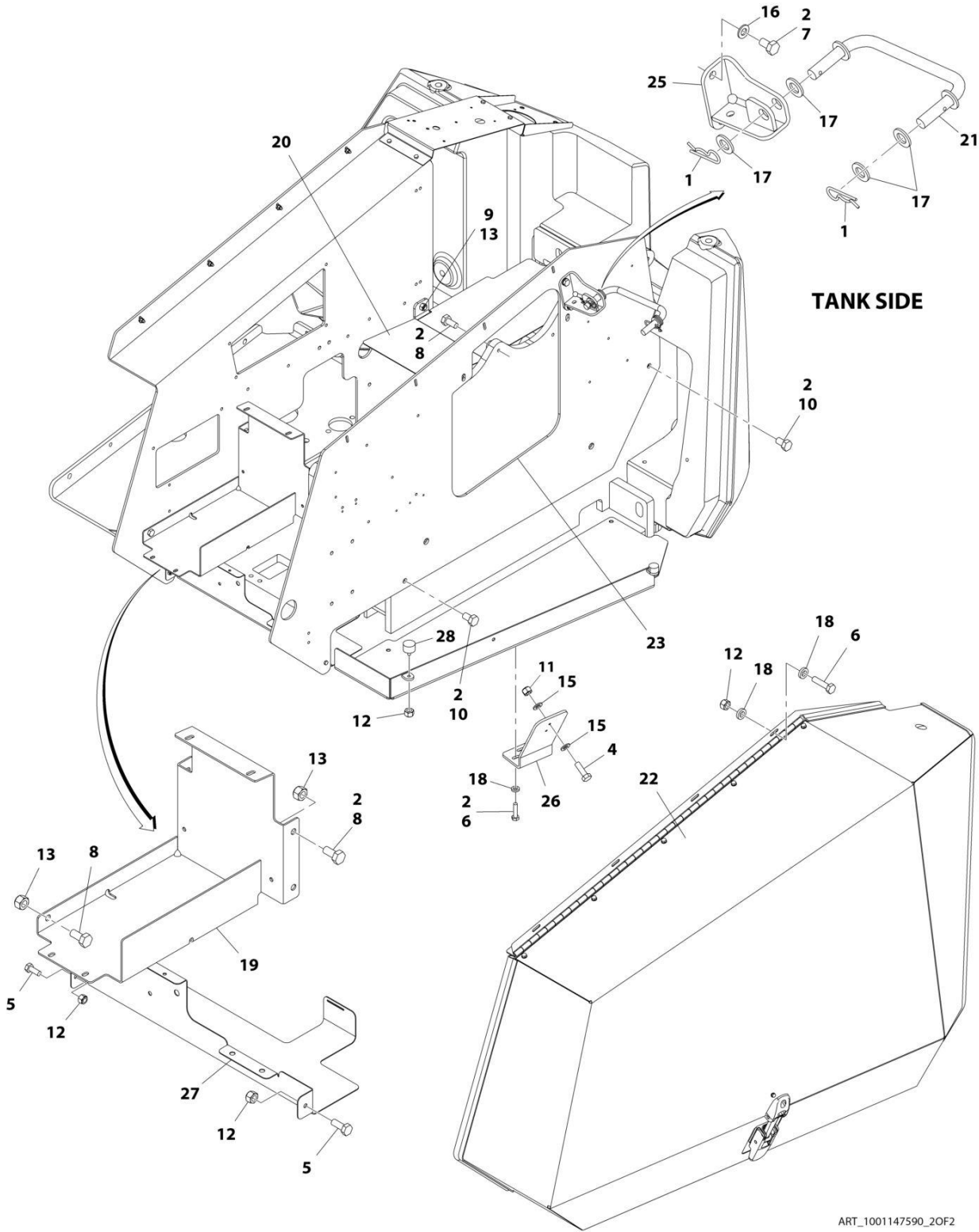
## FIGURE 2-24. HOODS INSTALLATION



ART\_1001147590\_10F2



# SECTION 2 - TURNTABLE



ART\_1001147590\_20F2

## SECTION 2 - TURNTABLE

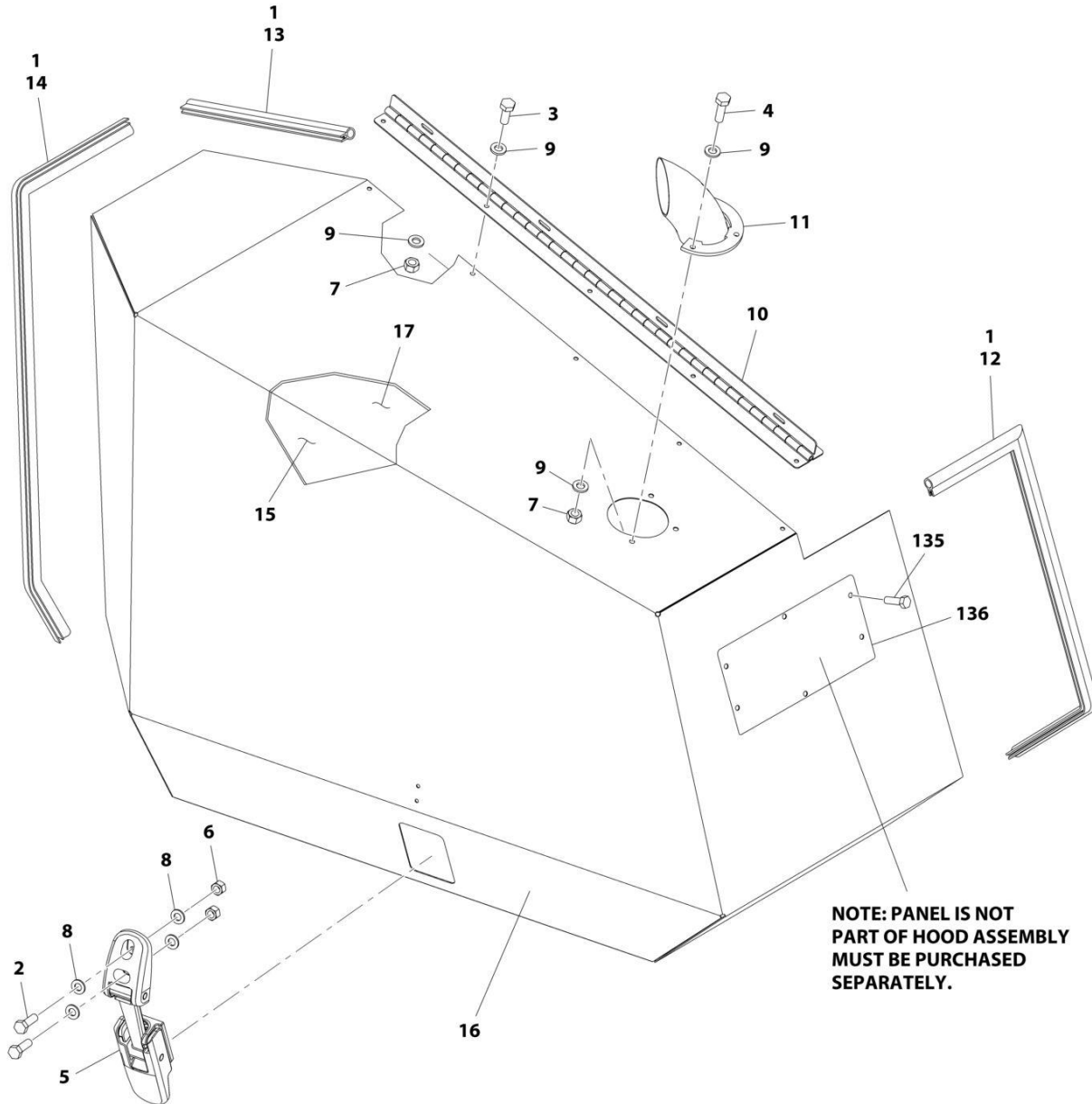
FIGURE 2-24. HOODS INSTALLATION

ITEM	PART NUMBER	QTY	DESCRIPTION	REV
	1001147590	Ref	HOODS INSTALLATION	B
1	80325	4	Hairpin, Cotter	
2	0100011	AR	Compound, Locking	
3	0701018	2	Bolt M10 x 50	
4	0760508	4	Bolt M5 x 16	
5	0760608	5	Bolt M6 x 16	
6	0760612	16	Bolt M6 x 25	
7	0761009	2	Bolt M10 x 18	
8	0761011	6	Bolt M10 x 22	
9	0761012	1	Bolt M10 x 25	
10	0761210	2	Bolt M12 x 20	
11	3290505	4	Nut M5	
12	3290605	19	Nut M6	
13	3291005	6	Nut M10	
14	3520030	1	Plug	
15	4811600	8	Washer M5	
16	4812000	6	Washer M10	
17	4812300	8	Washer M16	
18	5240600	22	Washer M6	
19	1001117239	1	Box, Battery	
20	1001117243	1	Cover, Turntable Center	
21	1001117282	2	Rod, Prop	
22	1001118361	1	Tank Side Hood Assembly (See Separate Breakdown in this Section)	
23	1001118459	1	Plate, Hood Mount	
24	1001119072	1	Plate, Engine Side	
25	1001119080	1	Bracket	
26	1001119083	1	Mount, Latch	
27	1001119085	1	Tray	
28	1001119092	4	Bumper	
29	1001119103	1	Panel, Filler	
30	1001119104	1	Panel, Filler	
31	1001146824	1	Mount, Latch	
32	1001147441	1	Engine Side Hood Assembly (See Separate Breakdown in this Section)	



# SECTION 2 - TURNTABLE

## FIGURE 2-25. ENGINE SIDE HOOD ASSEMBLY



**NOTE: REPLACEMENT DECALS MUST BE ORDERED SEPERATELY - SEE DECALS SECTION FOR BREAKDOWN**

ART\_1001147441

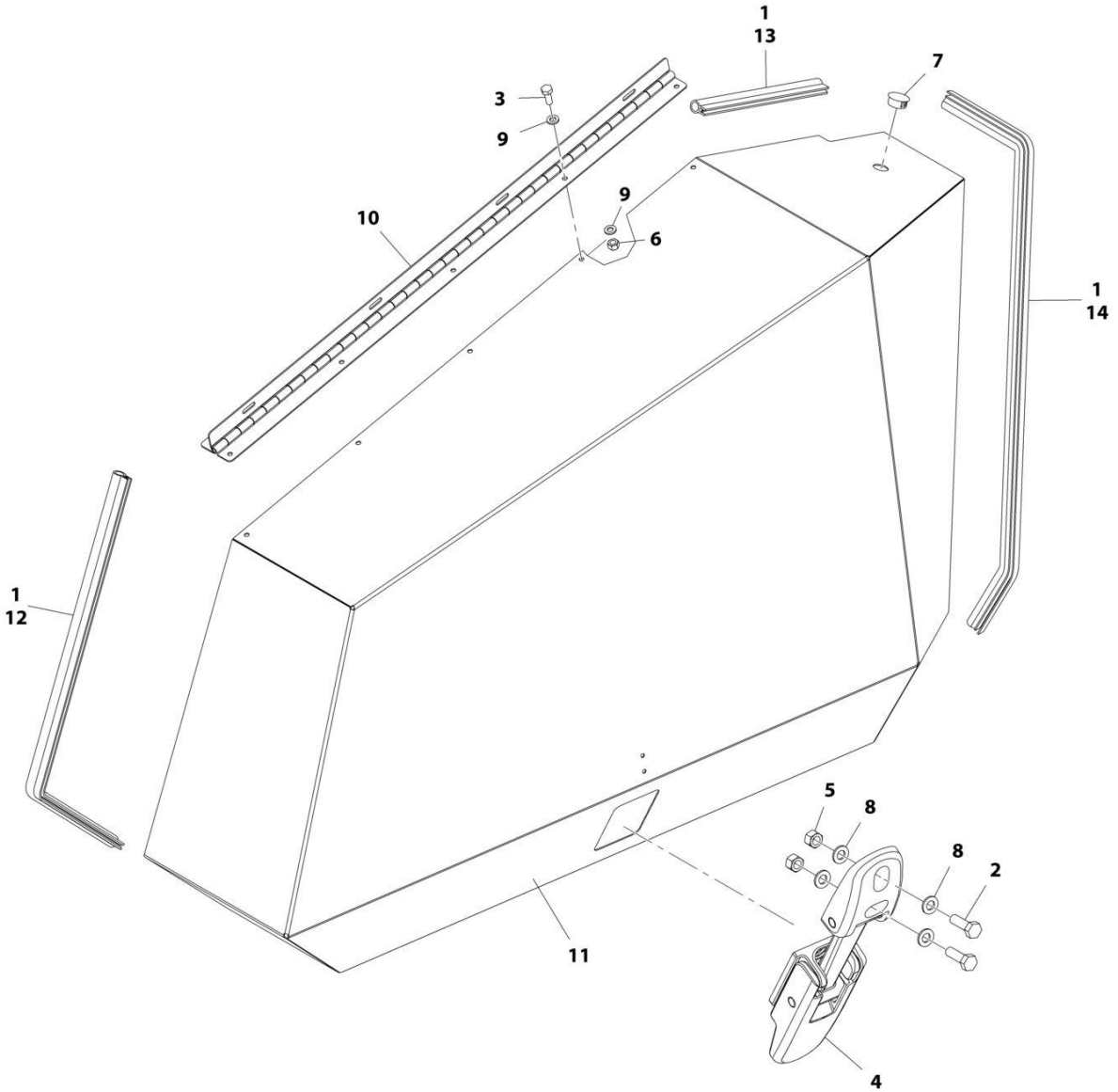
**SECTION 2 - TURNTABLE**

**FIGURE 2-25. ENGINE SIDE HOOD ASSEMBLY**

ITEM	PART NUMBER	QTY	DESCRIPTION	REV
	1001147441	Ref	HOOD ASSEMBLY - ENGINE SIDE	A
1	0100081	AR	Adhesive	
2	0760508	2	Bolt M5 x 16	
3	0760608	5	Bolt M6 x 16	
4	0760610	3	Bolt M6 x 20	
5	2940109	1	Latch	
6	3290505	2	Nut M5	
7	3290605	8	Nut M6	
8	4811600	4	Washer M5	
9	4811700	16	Washer M6	
10	1001117281	1	Hinge	
11	1001119077	1	Pipe, Exhaust	
12	1001119086	1	Seal	
13	1001119087	1	Seal	
14	1001119088	1	Seal	
15	1001120749	1	Insulate, Heat Shield	
16	See Note	1	Hood, Replacement (Note: Use p/n 1001147441)	
17	1001147440	1	Insulate, Heat Shield	
135	2080040	10	Fastener, Huck	
136	1001137451	1	Panel (Note: Not Part of Hood Assembly. Must be Purchased separately)	

# SECTION 2 - TURNTABLE

## FIGURE 2-26. TANK SIDE HOOD ASSEMBLY



**NOTE: REPLACEMENT DECALS MUST BE ORDERED SEPERATELY - SEE DECALS SECTION FOR BREAKDOWN**

ART\_1001118361

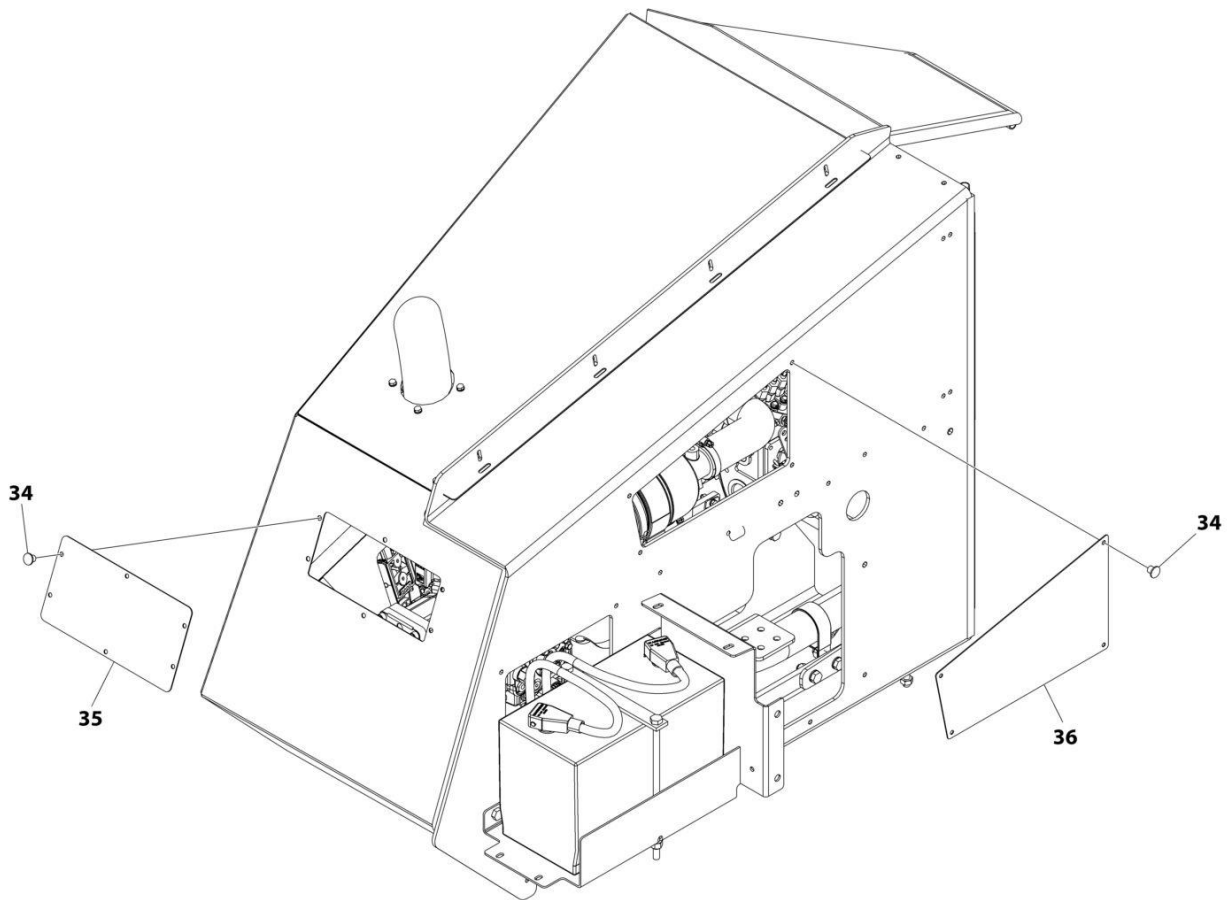
**SECTION 2 - TURNTABLE**

**FIGURE 2-26. TANK SIDE HOOD ASSEMBLY**

ITEM	PART NUMBER	QTY	DESCRIPTION	REV
	1001118361	Ref	HOOD ASSEMBLY - TANK SIDE	B
1	0100081	AR	Adhesive	
2	0760508	2	Bolt M5 x 16	
3	0760608	5	Bolt M6 x 16	
4	2940109	1	Latch	
5	3290505	2	Nut M5	
6	3290605	5	Nut M6	
7	3520030	1	Plug, Hole	
8	4811600	4	Washer M5	
9	4811700	10	Washer M6	
10	1001117281	1	Hinge	
11	See Note	NSS	Hood, Replacement (Note: Use p/n 1001118361)	
12	1001119089	1	Seal	
13	1001119090	1	Seal	
14	1001119091	1	Seal	

## SECTION 2 - TURNTABLE

FIGURE 2-27. HOOD COMPONENTS - KUBOTA ENGINE (WITHOUT ARCTIC PACKAGE)



ART\_1001161433\_I\_10F3



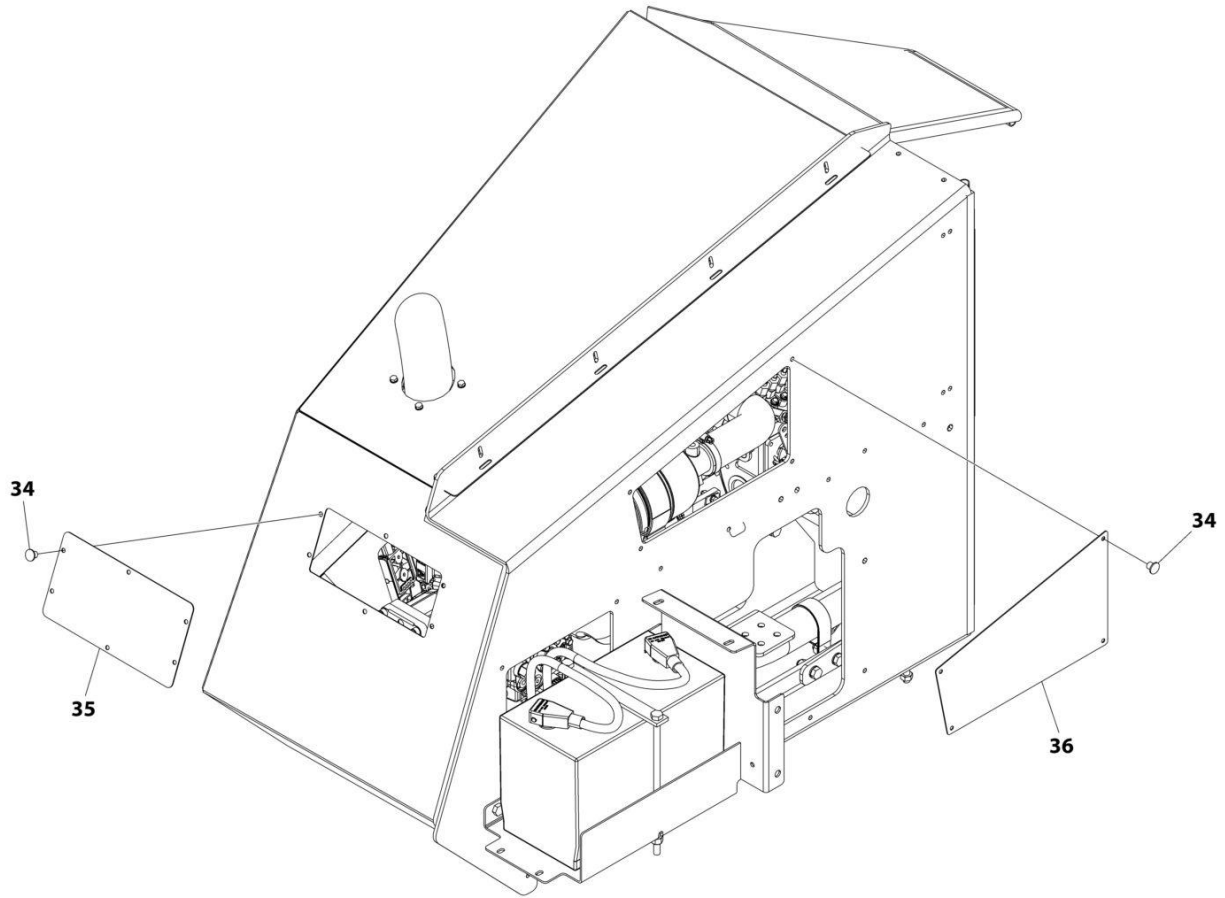
**SECTION 2 - TURNTABLE**

**FIGURE 2-27. HOOD COMPONENTS - KUBOTA ENGINE (WITHOUT ARCTIC PACKAGE)**

<b>ITEM</b>	<b>PART NUMBER</b>	<b>QTY</b>	<b>DESCRIPTION</b>	<b>REV</b>
	1001161433	Ref	KUBOTA ENGINE HOOD COMPONENTS (WITHOUT ARCTIC PACKAGE)	I
34	2080040	10	Blind Fastener	
35	1001137451	1	Panel, Engine Hood	
36	1001137452	1	Panel, Engine Hood Mount	

## SECTION 2 - TURNTABLE

FIGURE 2-28. HOOD COMPONENTS - KUBOTA ENGINE (WITH ARCTIC PACKAGE)



ART\_1001161434\_L\_10F3

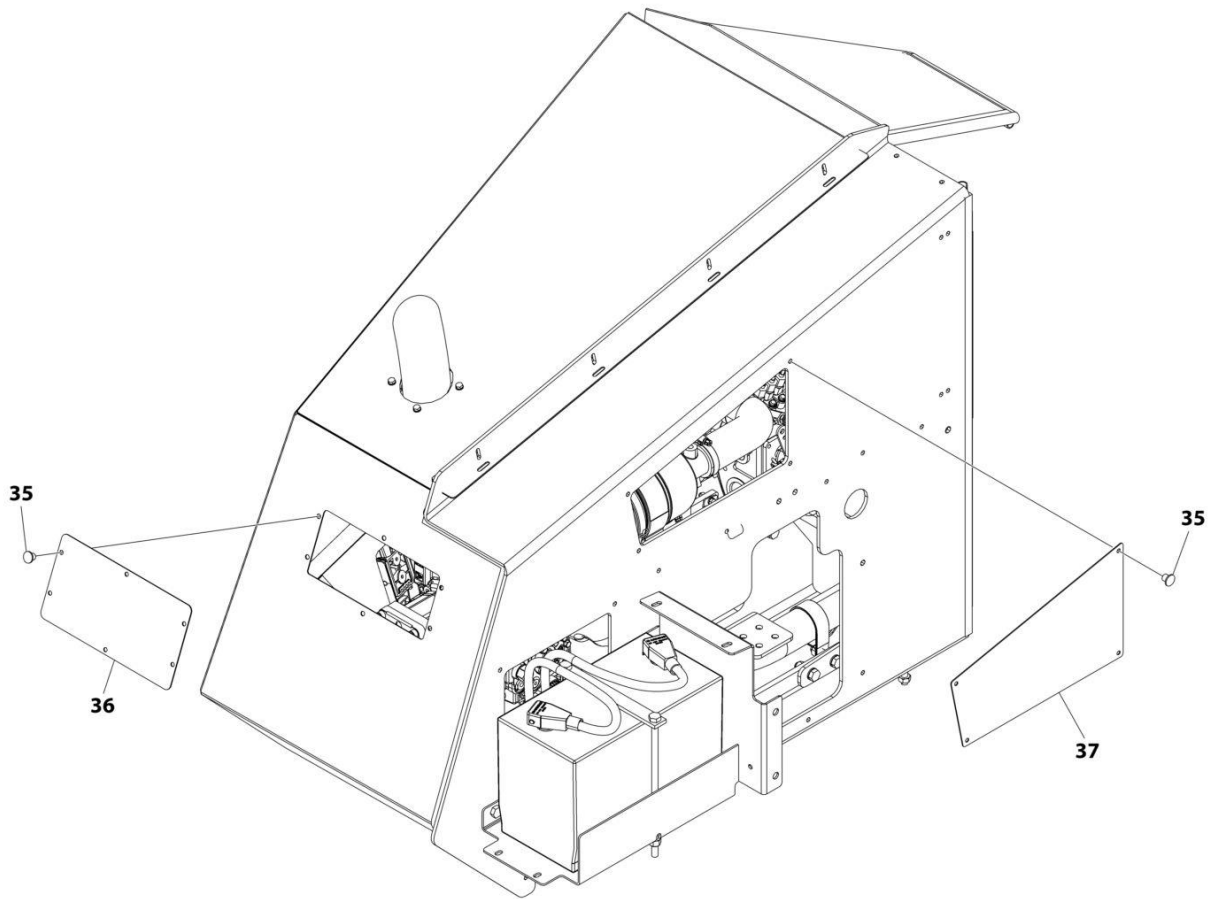
**SECTION 2 - TURNTABLE**

**FIGURE 2-28. HOOD COMPONENTS - KUBOTA ENGINE (WITH ARCTIC PACKAGE)**

<b>ITEM</b>	<b>PART NUMBER</b>	<b>QTY</b>	<b>DESCRIPTION</b>	<b>REV</b>
	1001161434	Ref	KUBOTA ENGINE HOOD COMPONENTS (WITH ARCTIC PACKAGE)	I
34	2080040	10	Blind Fastener	
35	1001137451	1	Panel, Engine Hood	
36	1001137452	1	Panel, Engine Hood Mount	

## SECTION 2 - TURNTABLE

FIGURE 2-29. HOOD COMPONENTS - KUBOTA ENGINE WITH 4000W GENERATOR (WITHOUT ARCTIC PACKAGE)



ART\_1001147470\_H\_10F3

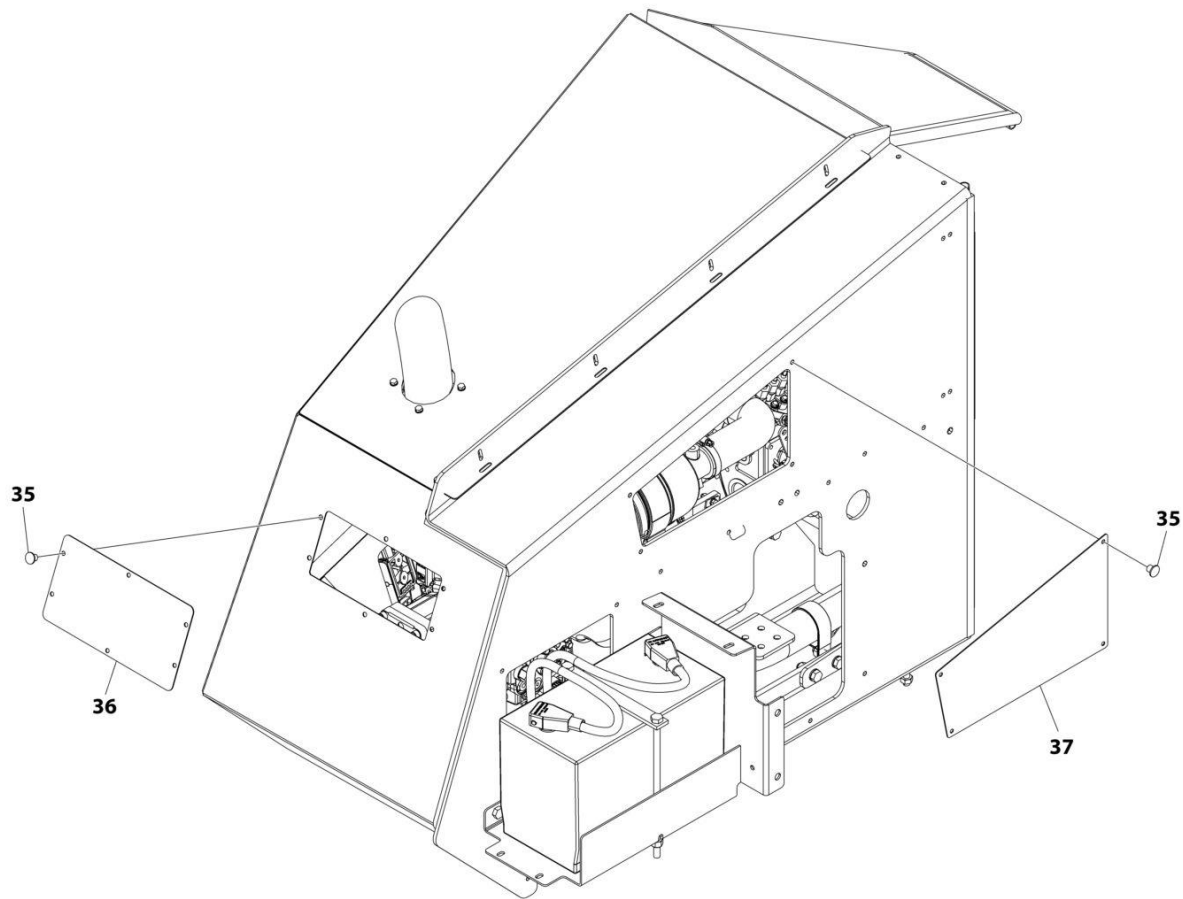
**SECTION 2 - TURNTABLE**

**FIGURE 2-29. HOOD COMPONENTS - KUBOTA ENGINE WITH 4000W GENERATOR (WITHOUT ARCTIC PACKAGE)**

ITEM	PART NUMBER	QTY	DESCRIPTION	REV
	1001147470	Ref	KUBOTA ENGINE WITH 4000W GENERATOR HOOD COMPONENTS (WITHOUT ARCTIC PACKAGE)	H
35	2080040	10	Blind Fastener	
36	1001137451	1	Panel, Engine Hood	
37	1001137452	1	Panel, Engine Hood Mount	

## SECTION 2 - TURNTABLE

FIGURE 2-30. HOOD COMPONENTS - KUBOTA ENGINE WITH 4000W GENERATOR (WITH ARCTIC PACKAGE)



ART\_1001147471\_H\_10F3

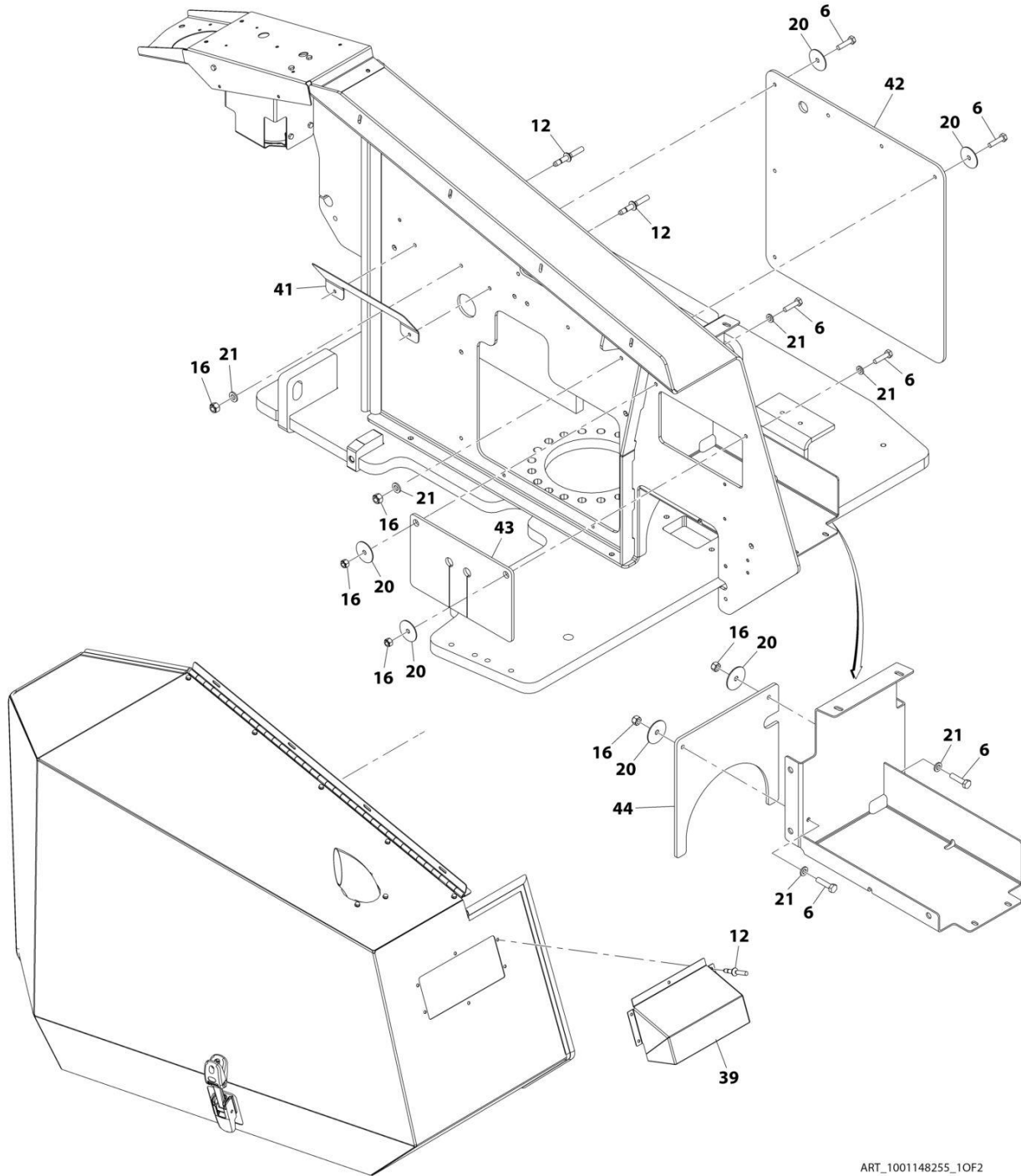
**SECTION 2 - TURNTABLE**

**FIGURE 2-30. HOOD COMPONENTS - KUBOTA ENGINE WITH 4000W GENERATOR (WITH ARCTIC PACKAGE)**

<b>ITEM</b>	<b>PART NUMBER</b>	<b>QTY</b>	<b>DESCRIPTION</b>	<b>REV</b>
	1001147471	Ref	KUBOTA ENGINE WITH 4000W GENERATOR HOOD COMPONENTS (WITH ARCTIC PACKAGE)	H
35	2080040	10	Blind Fastener	
36	1001137451	1	Panel, Engine Hood	
37	1001137452	1	Panel, Engine Hood Mount	

# SECTION 2 - TURNTABLE

## FIGURE 2-31. HOOD COMPONENTS - GM ENGINE (WITHOUT ARCTIC PACKAGE)



ART\_1001148255\_10F2



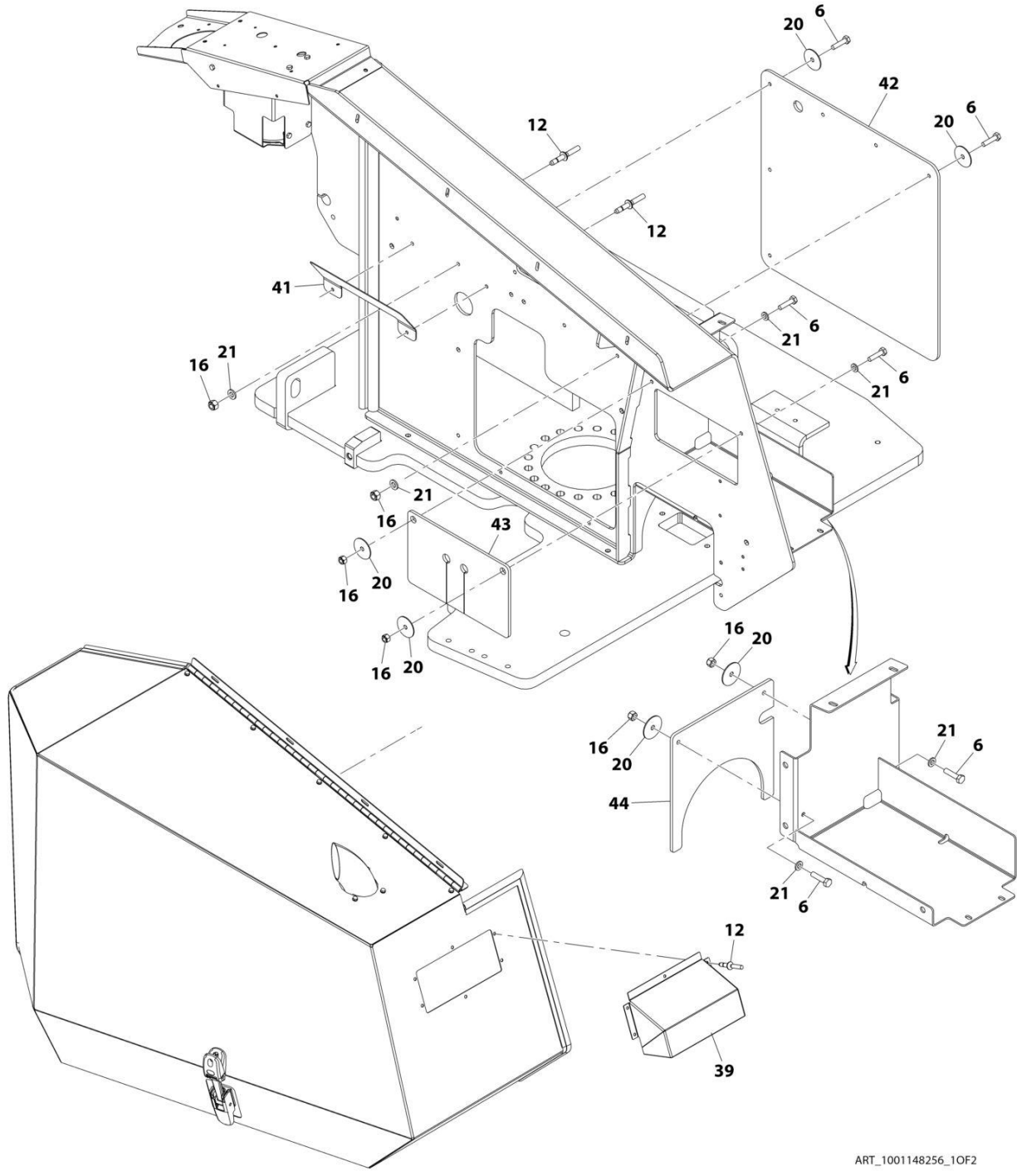
**SECTION 2 - TURNTABLE**

**FIGURE 2-31. HOOD COMPONENTS - GM ENGINE (WITHOUT ARCTIC PACKAGE)**

<b>ITEM</b>	<b>PART NUMBER</b>	<b>QTY</b>	<b>DESCRIPTION</b>	<b>REV</b>
	1001148255	Ref	GM ENGINE HOOD COMPONENTS (WITHOUT ARCTIC PACKAGE)	J
6	0760612	10	Bolt M6 x 25	
12	2080040	7	Fastener, Huck	
16	3290605	10	Nut M6	
20	4740362	10	Washer, Fender	
21	4811700	10	Washer M6	
39	1001137337	1	Vent	
41	1001137369	1	Plate	
42	1001137397	1	Shield, Rubber	
43	1001137401	1	Shield, Rubber	
44	1001137402	1	Shield, Rubber	

# SECTION 2 - TURNTABLE

## FIGURE 2-32. HOOD COMPONENTS - GM ENGINE (WITH ARCTIC PACKAGE)



ART\_1001148256\_10F2

**SECTION 2 - TURNTABLE**

**FIGURE 2-32. HOOD COMPONENTS - GM ENGINE (WITH ARCTIC PACKAGE)**

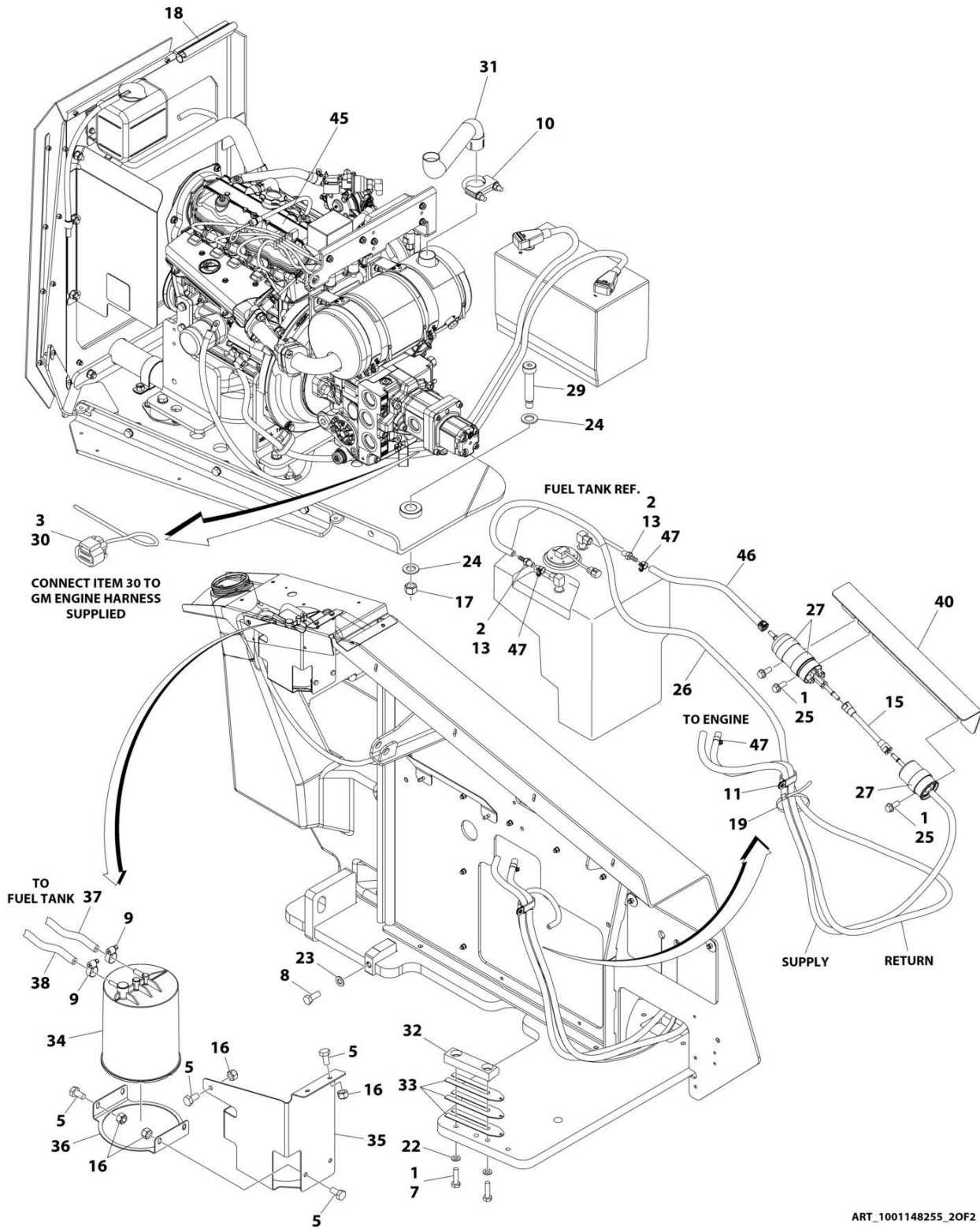
<b>ITEM</b>	<b>PART NUMBER</b>	<b>QTY</b>	<b>DESCRIPTION</b>	<b>REV</b>
	1001148256	Ref	GM ENGINE HOOD COMPONENTS (WITH ARCTIC PACKAGE)	I
6	0760612	10	Bolt M6 x 25	
12	2080040	7	Fastener, Huck	
16	3290605	10	Nut M6	
20	4740362	10	Washer, Fender	
21	4811700	10	Washer M6	
39	1001137337	1	Vent	
41	1001137369	1	Plate	
42	1001137397	1	Shield, Rubber	
43	1001137401	1	Shield, Rubber	
44	1001137402	1	Shield, Rubber	



**SECTION 3 - ENGINE**

# SECTION 3 - ENGINE

## FIGURE 3-1. GM ENGINE INSTALLATION (WITHOUT ARCTIC PACKAGE)



ART\_1001148255\_20F2

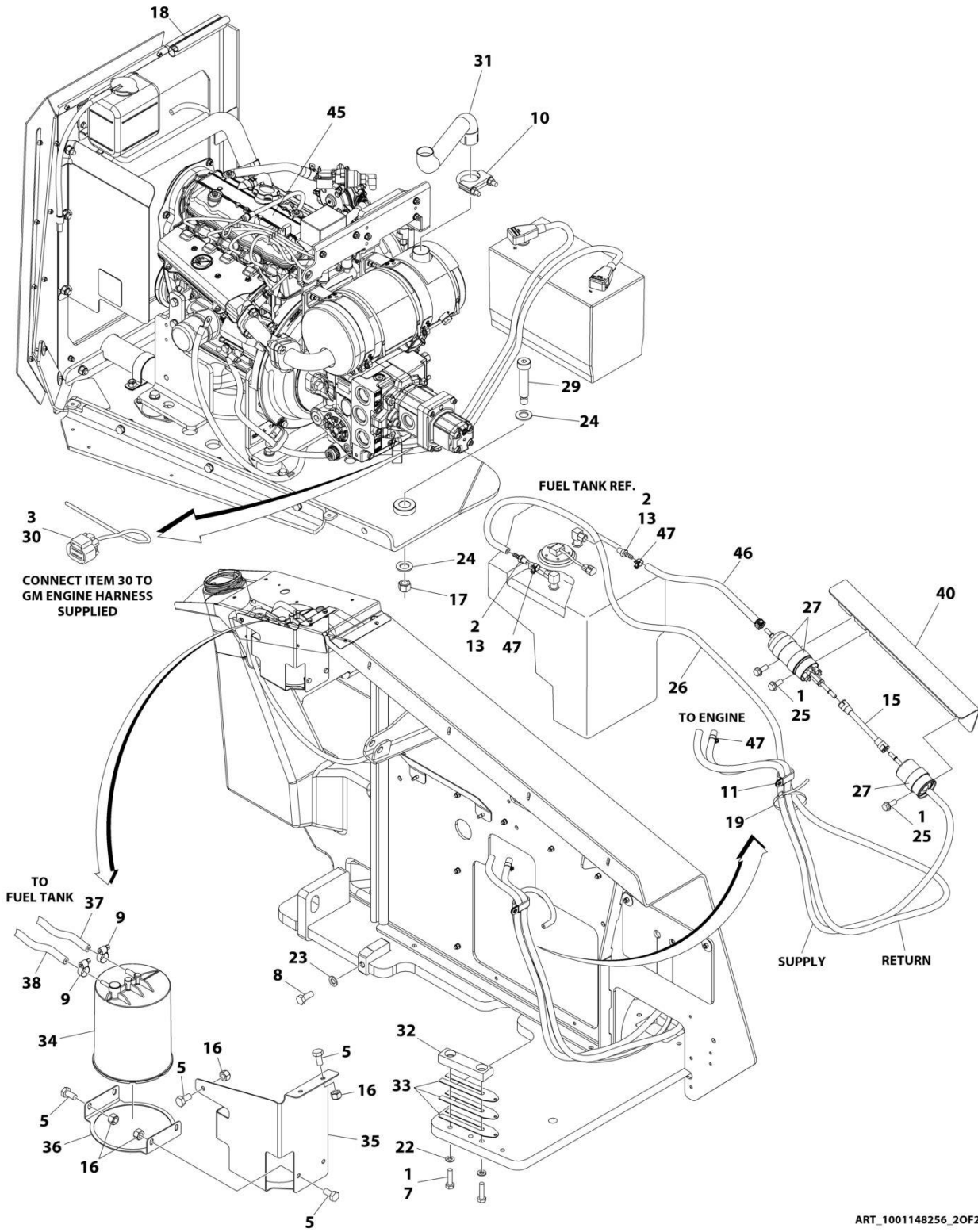
## SECTION 3 - ENGINE

**FIGURE 3-1. GM ENGINE INSTALLATION (WITHOUT ARCTIC PACKAGE)**

ITEM	PART NUMBER	QTY	DESCRIPTION	REV
	1001148255	Ref	GM ENGINE INSTALLATION (WITHOUT ARCTIC PACKAGE)	J
1	0100011	AR	Compound, Locking	
2	0100020	AR	Sealant, Pipe	
3	0100048	AR	Grease, Dielectric	
4	0100051	AR	Grease, Battery Terminal	
5	0760606	7	Bolt M6 x 12	
7	0761016	2	Bolt M10 x 40	
8	0761214	1	Bolt M12 x 30	
8	0761217	1	Bolt M12 x 45	
9	1320022	4	Clamp, Fuel Line	
10	1320026	1	Clamp, Muffler	
11	1321283	1	Clamp	
13	2180348	2	Fitting, Barbed	
15	1001156823	1	Hose	
16	3290605	7	Nut M6	
17	3291605	1	Nut M16	
18	3960464	3 ft/0.9m	Seal	
19	4240033	AR	Tie-Strap	
22	4812000	2	Washer M10	
23	4812102	1	Washer M12	
24	4812500	2	Washer M20	
25	5251012	3	Bolt M10 x 25	
26	1001156819	76 in /1.9m	Hose, Fuel Line	
27	1001097588	3	Clip, Tube	
29	1001118646	1	Bolt M20 x 80	
30	1001119778	1	Harness, Fuel Pump (See Separate Breakdown in ELECTRICAL Section)	
31	1001119902	1	Pipe, Exhaust	
32	1001120087	1	Pad, Wear	
33	1001120090	3	Shim 1.5	
34	1001128801	1	Canister, Carbon	
35	1001128931	1	Bracket, Mounting	
36	1001128936	1	Ring	
37	1001129255	7 in/17cm	Hose	
38	1001129256	9.5 ft /2.9m	Hose	
40	1001137367	1	Shield, Fuel Line	
45	1001148254	1	GM Engine and Pump Sub-Assembly (See Separate Breakdown in this Section)	
46	1001177156	1	Hose	
47	1001174486	4	Clamp, Hose	

# SECTION 3 - ENGINE

## FIGURE 3-2. GM ENGINE INSTALLATION (WITH ARCTIC PACKAGE)



ART\_1001148256\_20F2



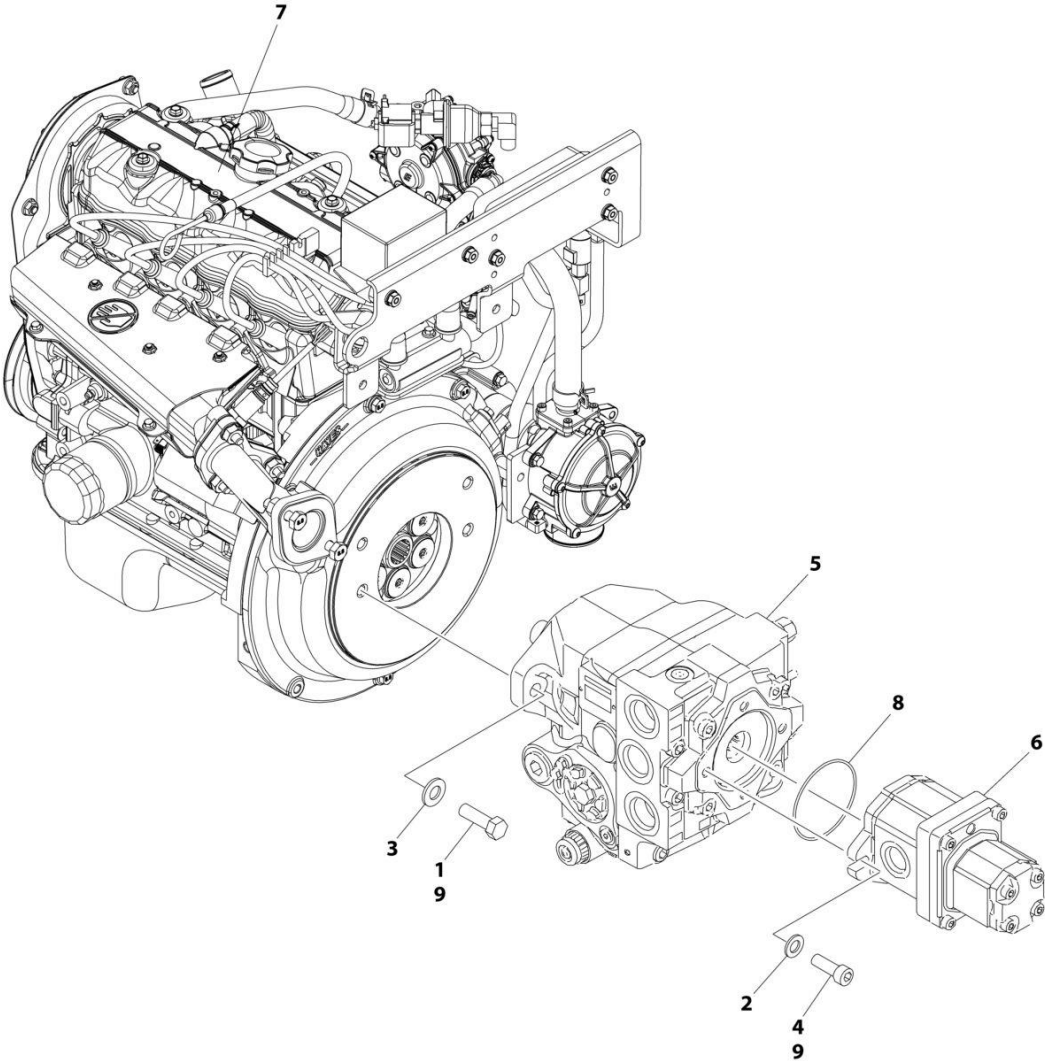
## SECTION 3 - ENGINE

**FIGURE 3-2. GM ENGINE INSTALLATION (WITH ARCTIC PACKAGE)**

ITEM	PART NUMBER	QTY	DESCRIPTION	REV
	1001148256	Ref	GM ENGINE INSTALLATION (WITH ARCTIC PACKAGE)	I
1	0100011	AR	Compound, Locking	
2	0100020	AR	Sealant, Pipe	
3	0100048	AR	Grease, Dielectric	
4	0100051	AR	Grease, Battery Terminal	
5	0760606	7	Bolt M6 x 12	
7	0761016	2	Bolt M10 x 40	
8	0761214	1	Bolt M12 x 30	
8	0761217	1	Bolt M12 x 45	
9	1320022	4	Clamp, Fuel Line	
10	1320026	1	Clamp, Muffler	
11	1321283	1	Clamp	
13	2180348	2	Fitting, Barbed	
15	1001156823	1	Hose	
16	3290605	7	Nut M6	
17	3291605	1	Nut M16	
18	3960464	8 ft /2.4m	Seal	
19	4240033	AR	Tie-Strap	
22	4812000	2	Washer M10	
23	4812102	1	Washer M12	
24	4812500	2	Washer M20	
25	5251012	3	Bolt M10 x 25	
26	1001156819	76 in /1.9m	Hose, Fuel Line	
27	1001097588	3	Clip, Tube	
29	1001118646	1	Bolt M20 x 80	
30	1001119778	1	Harness, Fuel Pump (See Separate Breakdown in ELECTRICAL Section)	
31	1001119902	1	Pipe, Exhaust	
32	1001120087	1	Pad, Wear	
33	1001120090	3	Shim 1.5	
34	1001128801	1	Canister, Carbon	
35	1001128931	1	Bracket, Mounting	
36	1001128936	1	Ring	
37	1001129255	7 in/17cm	Hose	
38	1001129256	9.5 ft /2.9m	Hose	
40	1001137367	1	Shield, Fuel Line	
45	1001148254	1	GM Engine and Pump Sub-Assembly (See Separate Breakdown in this Section)	
46	1001177156	1	Hose	
47	1001174486	4	Clamp, Hose	

**SECTION 3 - ENGINE**

**FIGURE 3-3. GM ENGINE AND PUMP SUB-ASSEMBLY**



ART\_1001148254

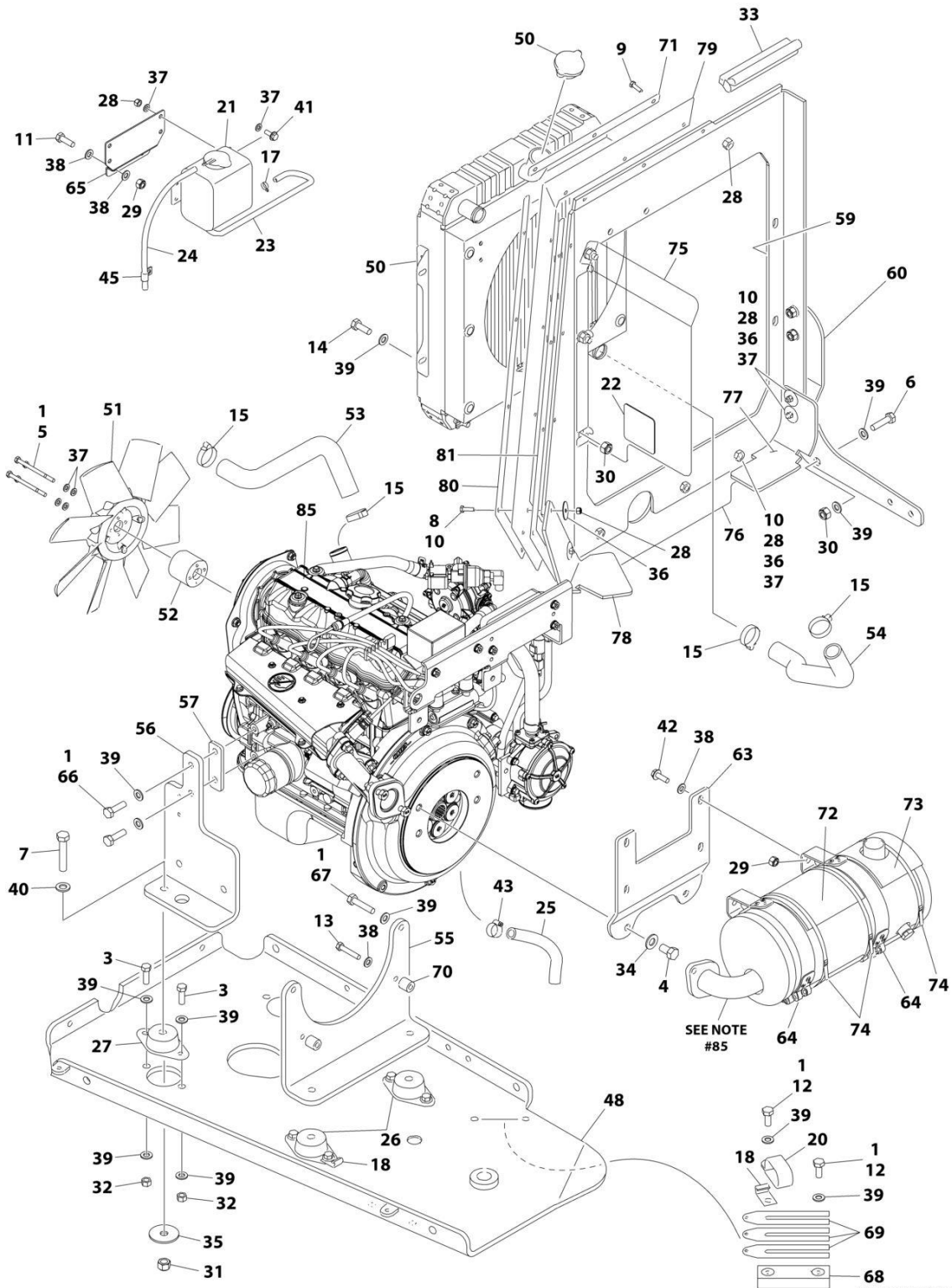
## SECTION 3 - ENGINE

### FIGURE 3-3. GM ENGINE AND PUMP SUB-ASSEMBLY

ITEM	PART NUMBER	QTY	DESCRIPTION	REV
	1001148254	Ref	GM ENGINE AND PUMP SUB-ASSEMBLY	F
1	0641813	2	Bolt 1/2 x 1-5/8	
2	4891600	2	Washer 3/8	
3	4891800	2	Washer 1/2	
4	83191040	2	Capscrew M10 x 30	
5	1001117028	1	Axial Pump Assembly (See Separate Breakdown in this Section)	
6	1001117029	1	Gear Pump Assembly (See Separate Breakdown in this Section)	
7	1001195234	1	GM Engine Assembly (See Separate Breakdown in this Section)	
8	3790152	1	O-Ring	
9	0100011	AR	Compound, Locking	

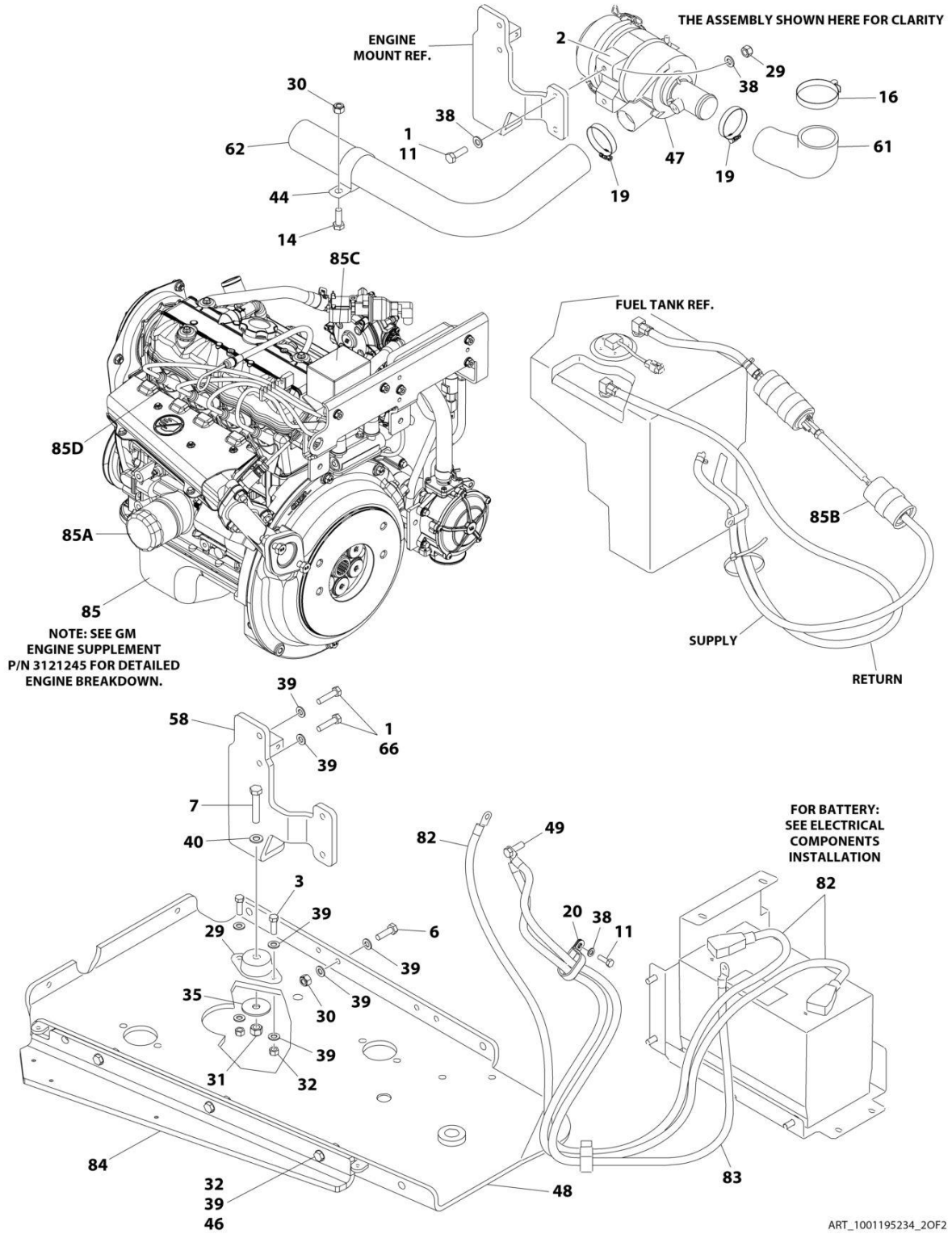
# SECTION 3 - ENGINE

## FIGURE 3-4. GM ENGINE ASSEMBLY



ART\_1001195234\_10F2

# SECTION 3 - ENGINE



ART\_1001195234\_20F2

# SECTION 3 - ENGINE

## FIGURE 3-4. GM ENGINE ASSEMBLY

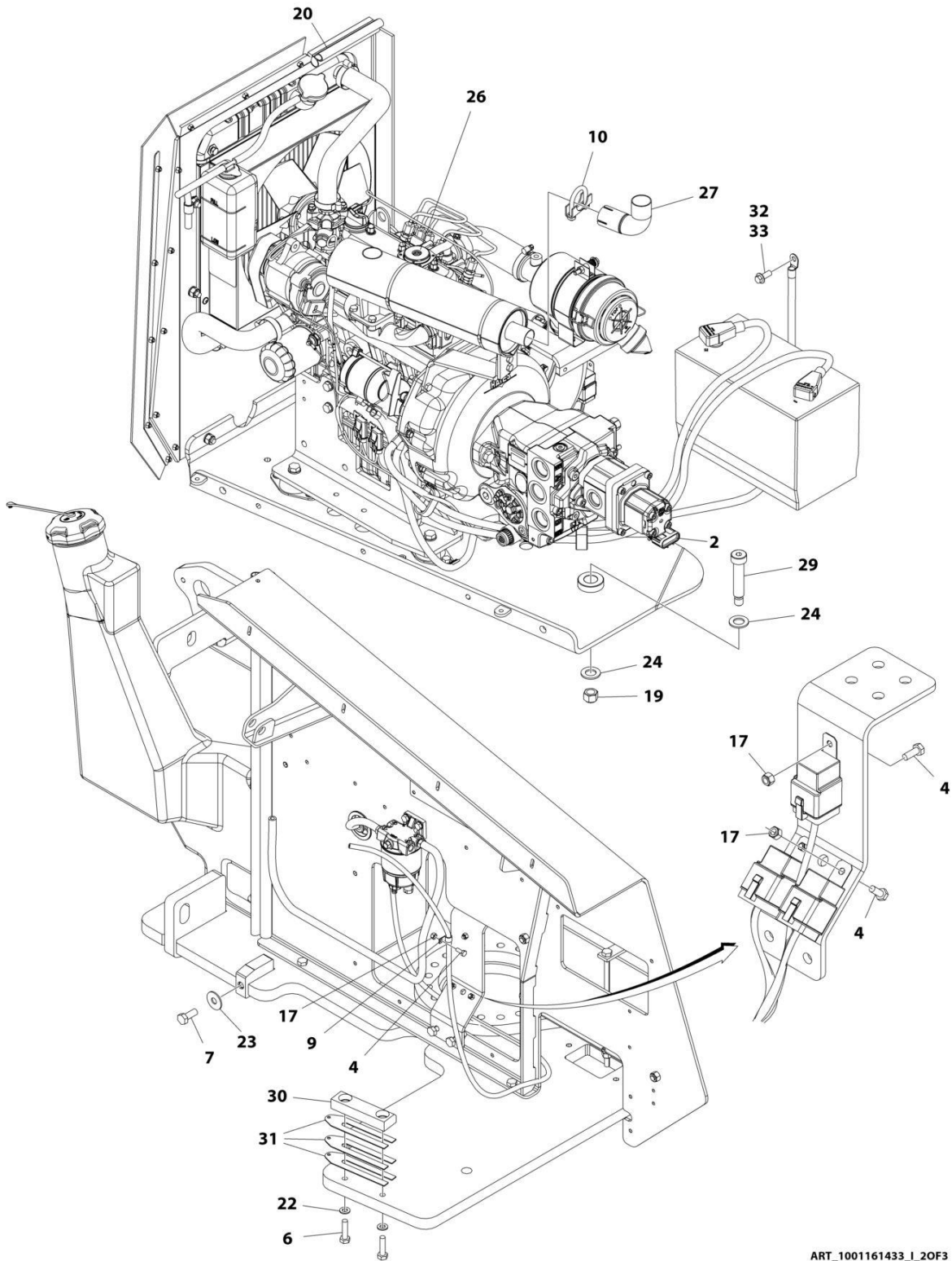
ITEM	PART NUMBER	QTY	DESCRIPTION	REV
	1001195234	Ref	GM ENGINE ASSEMBLY	E
1	0100011	AR	Compound, Locking	
2	0340045	2	Band, Mounting	
3	0641609	8	Bolt 3/8 x 1-1/8	
4	0641807	2	Bolt 1/2 x 7/8	
5	0700621	4	Bolt M6 x 65	
6	0701015	7	Bolt M10 x 35	
7	0701221	4	Bolt M12 x 65	
8	0760608	5	Bolt M6 x 16	
9	0760610	6	Bolt M6 x 20	
10	0760612	7	Bolt M6 x 25	
11	0760812	6	Bolt M8 x 25	
12	0760814	2	Bolt M8 x 30	
13	0760817	2	Bolt M8 x 45	
14	0761014	8	Bolt M10 x 30	
15	1320012	4	Clamp	
16	1320016	1	Clamp	
17	1320022	3	Clamp	
18	1320223	2	J-Clip	
19	1321682	2	Clamp	
20	1321716	2	Clamp	
21	1580011	1	Container, Coolant Overflow	
22	1703162	2	Decal - Fan Blade	
23	2720058	18 in /46cm	Hose	
24	2720271	19 in /47cm	Hose	
25	2720615	6.5 in /17cm	Hose	
26	3200378	2	Mount, Motor	
27	3200425	2	Mount, Engine	
28	3290605	22	Nut M6	
29	3290805	8	Nut M8	
30	3291005	16	Nut M10	
31	3291205	4	Nut M12	
32	3311605	8	Nut 3/8	
33	3960464	6.5 in /17cm	Seal	
34	4711800	2	Washer 1/2	
35	4740274	4	Washer	
36	4740362	7	Washer	
37	4811700	13	Washer M6	
38	4811900	18	Washer M8	
39	4812000	54	Washer M10	
40	4812100	4	Washer M12	
41	5250608	4	Bolt M6 x 16	
42	5250812	4	Bolt M8 x 25	
43	8405006	1	Clamp	
44	80673025	1	P-Clamp	
45	85941016	1	Clamp	

## SECTION 3 - ENGINE

ITEM	PART NUMBER	QTY	DESCRIPTION	REV
46	0761016	3	Bolt M10 x 40	
47	1001118280	1	Air Filter Assembly	A
47	7015004	1	Element, Air Filter	
47	1340069	1	Valve, Vacuum	
47	7015005	1	Cover	
48	1001118453	1	Tray, Engine	
49	1001118746	1	Bolt M10 x 25	
50	1001119494	1	Radiator	
50	70002899	1	Cap, Radiator	
51	1001119495	1	Fan	
52	1001119496	1	Spacer, Fan	
53	1001119635	1	Hose, Upper Radiator	
54	1001119636	1	Hose, Lower Radiator	
55	1001119640	1	Plate, Rear Engine	
56	1001119641	1	Plate, LH Front Engine	
57	1001119643	1	Spacer, Mounting	
58	1001119644	1	Plate, RH Front Engine	
59	1001119649	1	Mount, Radiator	
60	1001119698	1	Gusset, Radiator	
61	1001119699	1	Elbow, Air Intake	
62	1001119700	1	Hose, Air Intake	
63	1001119701	1	Bracket, Muffler Mounting	
64	1001119727	2	Clamp, Muffler	
65	1001119730	1	Bracket, Coolant Overflow Tank	
66	1001119929	4	Bolt M10 x 35	
67	1001119930	2	Bolt M10 x 50	
68	1001120087	1	Pad, Wear	
69	1001120090	3	Shim	
70	1001120454	2	Housing, Spacer	
71	1001123018	1	Plate, Seal Support	
72	1001137326	1	Insulate, Muffler	
73	1001137327	1	Insulate, Muffler	
74	1001137336	3	Strap	
75	1001137371	1	Deflector	
76	1001137398	1	Shield, Rubber	
77	1001137399	1	Shield, Rubber	
78	1001137400	1	Shield, Rubber	
79	1001147365	1	Seal, Radiator Hood	
80	1001147642	1	Plate, Seal Support	
81	1001147643	1	Plate, Seal Support	
82	1001118594	1	Battery Cable Kit	B
82	4461231	1	Battery Terminal and Red Cover Only (No Cable)	
82	4461232	1	Battery Terminal and Black Cover Only (No Cable)	
83	1001120450	1	Cable, Ground	
84	1001148975	1	Plate, Engine Tray	
85	1001194741	1	Engine, GM (See GM Engine Supplement P/N 3121245 for Breakdown of Additional Components)	
85A	70002979	1	Filter, Oil	
85B	7027972	1	Filter, Fuel	
85C	70003178	1	Module, Control	
85D	70003179	4	Plug, Spark	

# SECTION 3 - ENGINE

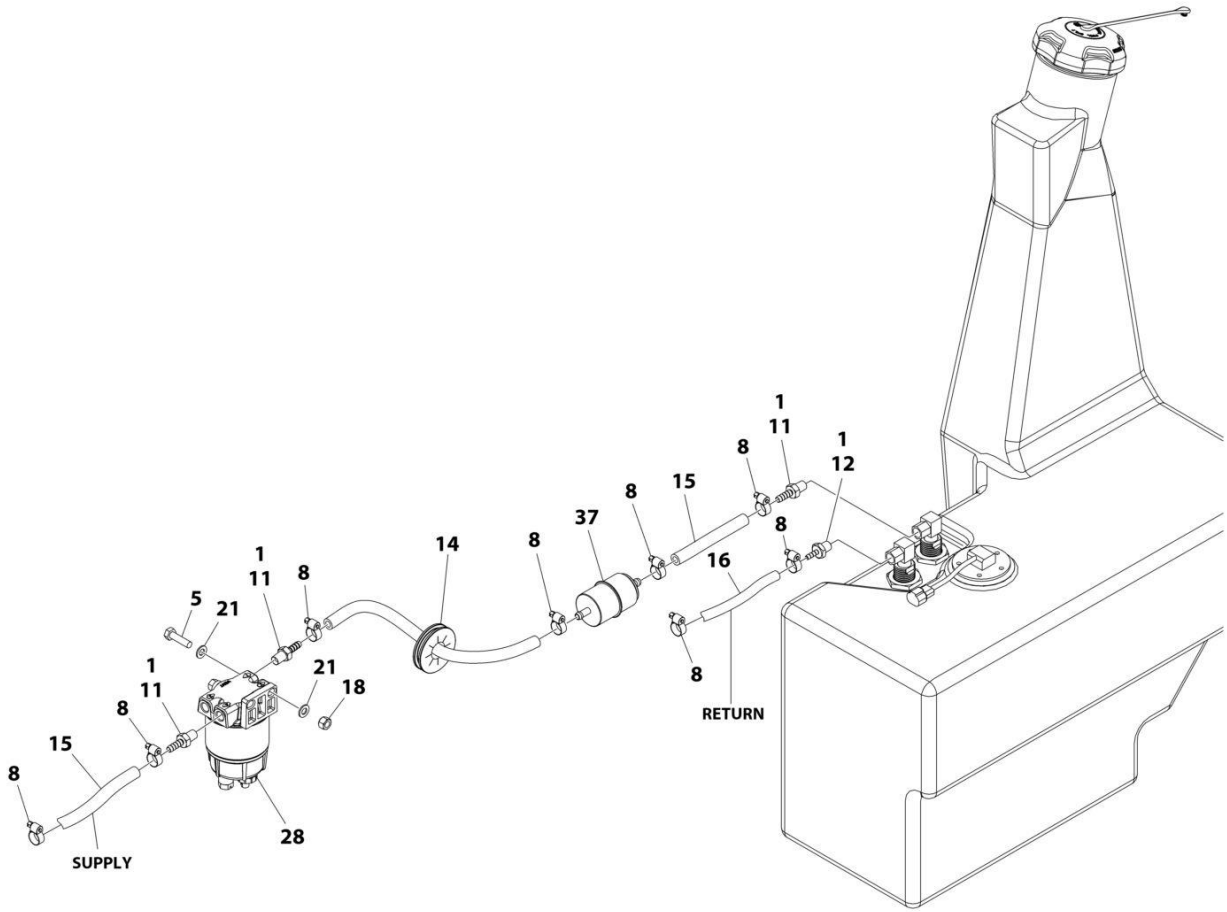
## FIGURE 3-5. KUBOTA ENGINE INSTALLATION (WITHOUT ARCTIC PACKAGE)



ART\_1001161433\_I\_20F3



# SECTION 3 - ENGINE



ART\_1001161433\_I\_30F3

## SECTION 3 - ENGINE

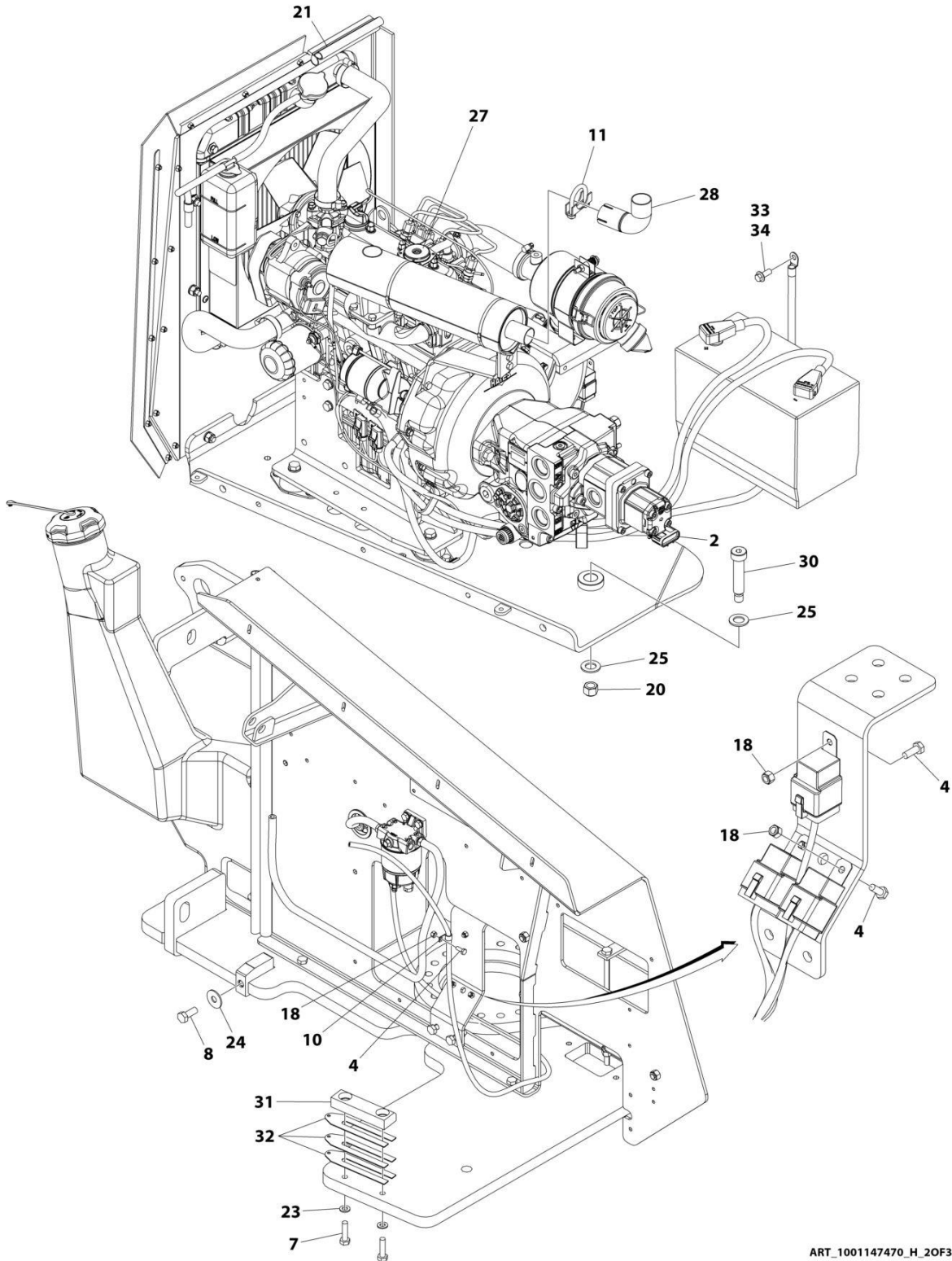
**FIGURE 3-5. KUBOTA ENGINE INSTALLATION (WITHOUT ARCTIC PACKAGE)**

ITEM	PART NUMBER	QTY	DESCRIPTION	REV
	1001161433	Ref	KUBOTA ENGINE INSTALLATION (WITHOUT ARCTIC PACKAGE)	I
1	0100020	AR	Sealant, Pipe	
2	0100048	AR	Grease, Dielectric	
4	0760608	4	Bolt M6 x 16	
5	0760814	2	Bolt M8 x 30	
6	0761016	2	Bolt M10 x 40	
7	0761214	1	Bolt M12 x 30	
7	0761217	1	Bolt M12 x 45	
8	1320022	8	Clamp, Fuel Line	
9	1320043	1	Clamp, Cable	
10	1320274	1	Clamp, Muffler	
11	2180348	3	Fitting, Barbed	
12	2180666	1	Fitting, Barbed	
14	2540045	1	Grommet	
15	2720058	6.6 ft/2.0m	Hose	
16	2720271	6.5 ft /2m	Hose	
17	3290605	4	Nut M6	
18	3290805	2	Nut M8	
19	3291605	1	Nut M16	
20	3960464	33 in /84cm	Seal	
21	4811900	4	Washer M8	
22	4812000	2	Washer M10	
23	4812102	1	Washer M12	
24	4812500	2	Washer M20	
26	1001238004	1	Kubota Engine and Pump Sub-Assembly (See Separate Breakdown in this Section)	
27	1001118548	1	Tube, Exhaust	
28	1001190609	1	Fuel Filter/Water Separator Assembly (See Separate Breakdown in this Section)	
29	1001118646	1	Bolt M20 x 80	
30	1001120087	1	Pad, Wear	
31	1001120090	3	Shim 1.5	
32	0100011	AR	Compound, Locking	
33	5251012	1	Bolt M10 x 25	
37	1001190545	1	Filter, Fuel	



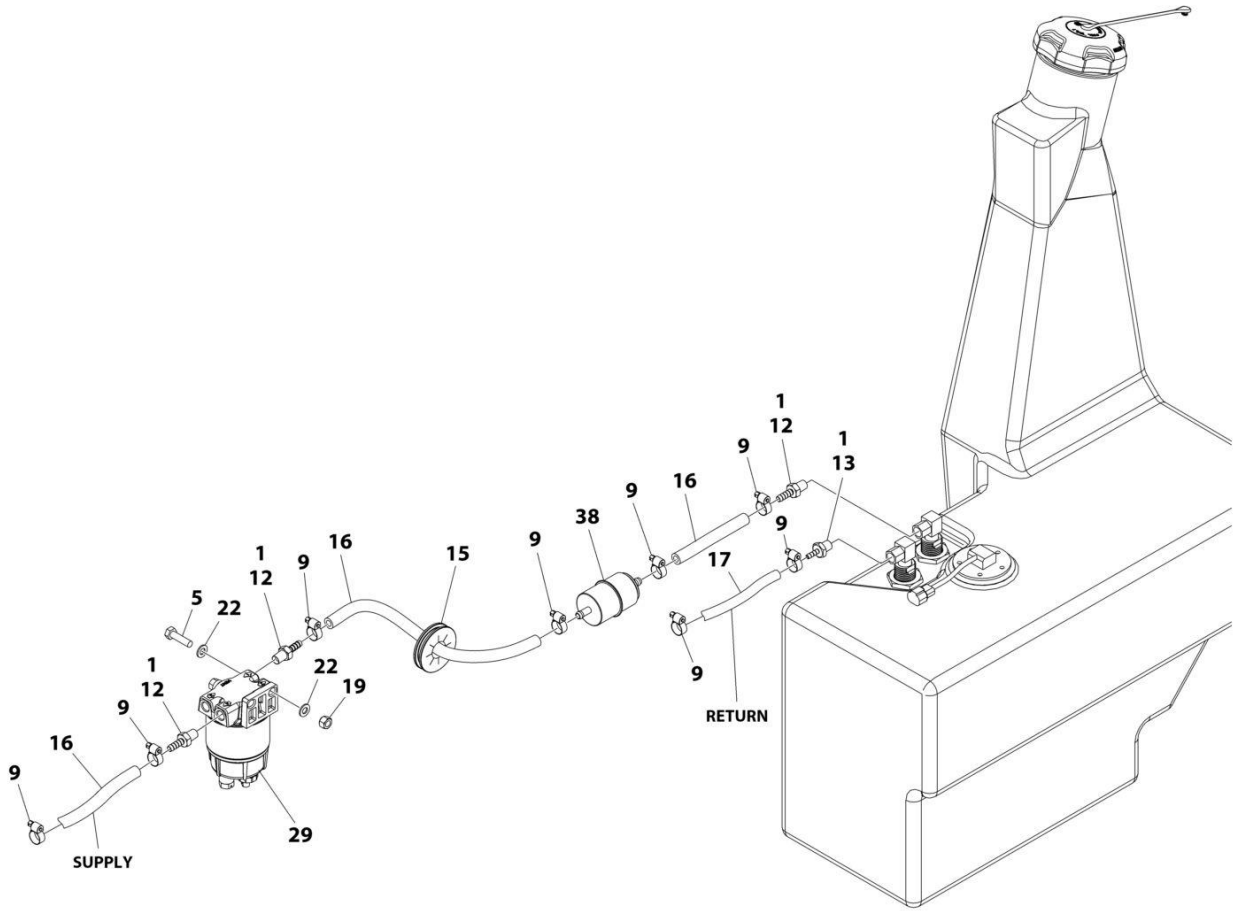
# SECTION 3 - ENGINE

## FIGURE 3-6. KUBOTA ENGINE INSTALLATION WITH 4000W GENERATOR (WITHOUT ARCTIC PACKAGE)



ART\_1001147470\_H\_20F3

# SECTION 3 - ENGINE



ART\_1001147470\_H\_30F3

## SECTION 3 - ENGINE

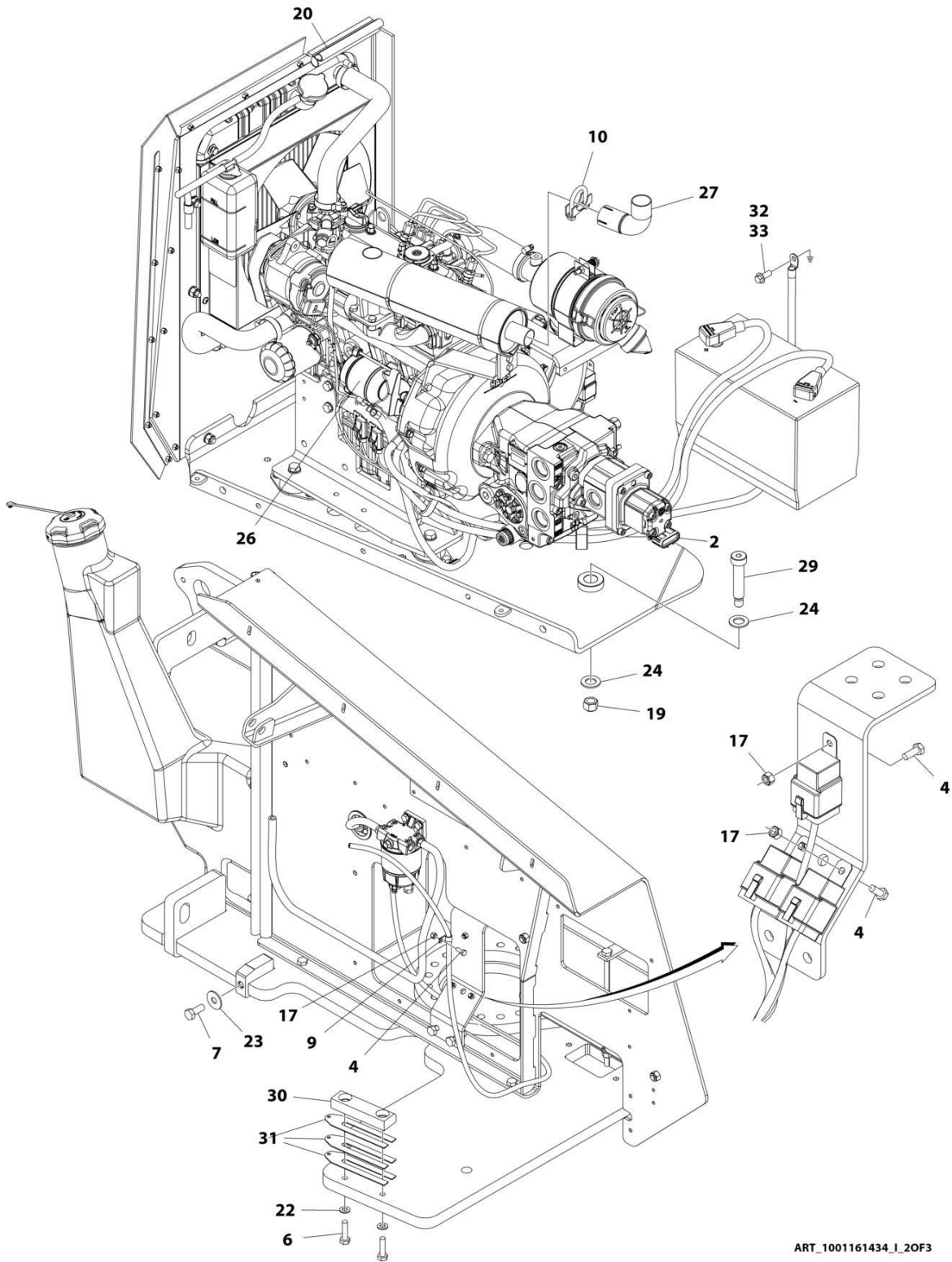
**FIGURE 3-6. KUBOTA ENGINE INSTALLATION WITH 4000W GENERATOR (WITHOUT ARCTIC PACKAGE)**

ITEM	PART NUMBER	QTY	DESCRIPTION	REV
	1001147470	Ref	KUBOTA ENGINE INSTALLATION WITH 4000W GENERATOR (WITHOUT ARCTIC PACKAGE)	H
1	0100020	AR	Sealant, Pipe	
2	0100048	AR	Grease, Dielectric	
4	0760608	4	Bolt M6 x 16	
6	0760814	2	Bolt M8 x 30	
7	0761016	2	Bolt M10 x 40	
8	0761214	1	Bolt M12 x 30	
9	1320022	8	Clamp, Fuel Line	
10	1320043	1	Clamp, Cable	
11	1320274	1	Clamp, Muffler	
12	2180348	3	Fitting, Barbed	
13	2180666	1	Fitting, Barbed	
15	2540045	1	Grommet	
16	2720058	6.6 ft/2.0m	Hose	
17	2720271	6.5 ft/2m	Hose	
18	3290605	4	Nut M6	
19	3290805	2	Nut M8	
20	3291605	1	Nut M16	
21	3960464	33 in /84cm	Seal	
22	4811900	4	Washer M8	
23	4812000	2	Washer M10	
24	4812102	1	Washer M12	
25	4812500	2	Washer M20	
27	1001238005	1	Kubota Engine and Pump Sub-Assembly (See Separate Breakdown in this Section)	
28	1001118548	1	Tube, Exhaust	
29	1001190609	1	Fuel Filter/Water Separator Assembly (See Separate Breakdown in this Section)	
30	1001118646	1	Bolt M20 x 80	
31	1001120087	1	Pad, Wear	
32	1001120090	3	Shim 1.5	
33	0100011	AR	Compound, Locking	
34	5251012	1	Bolt M10 x 25	
38	1001190545	1	Filter, Fuel	



# SECTION 3 - ENGINE

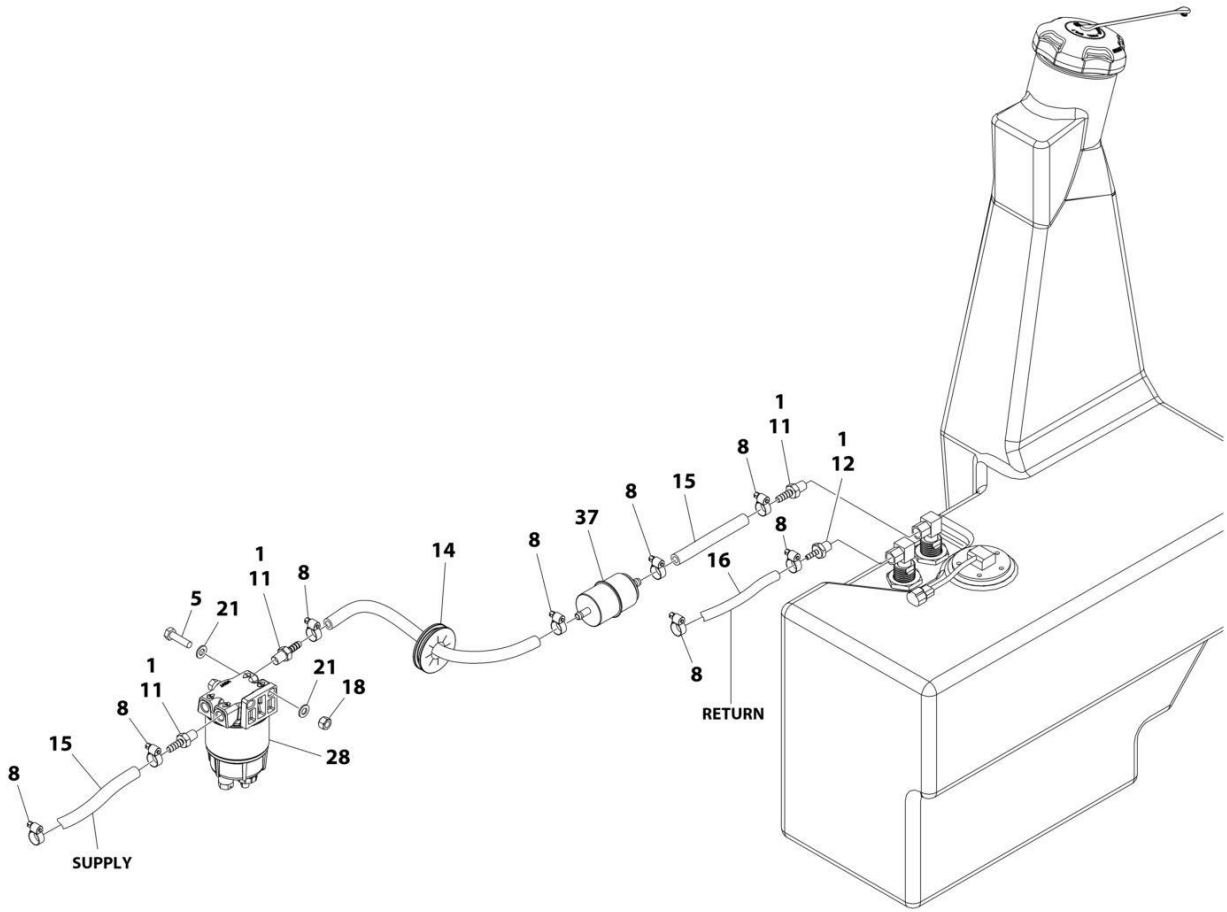
## FIGURE 3-7. KUBOTA ENGINE INSTALLATION (WITH ARCTIC PACKAGE)



ART\_1001161434\_I\_20F3



# SECTION 3 - ENGINE



ART\_1001161434\_I\_30F3

## SECTION 3 - ENGINE

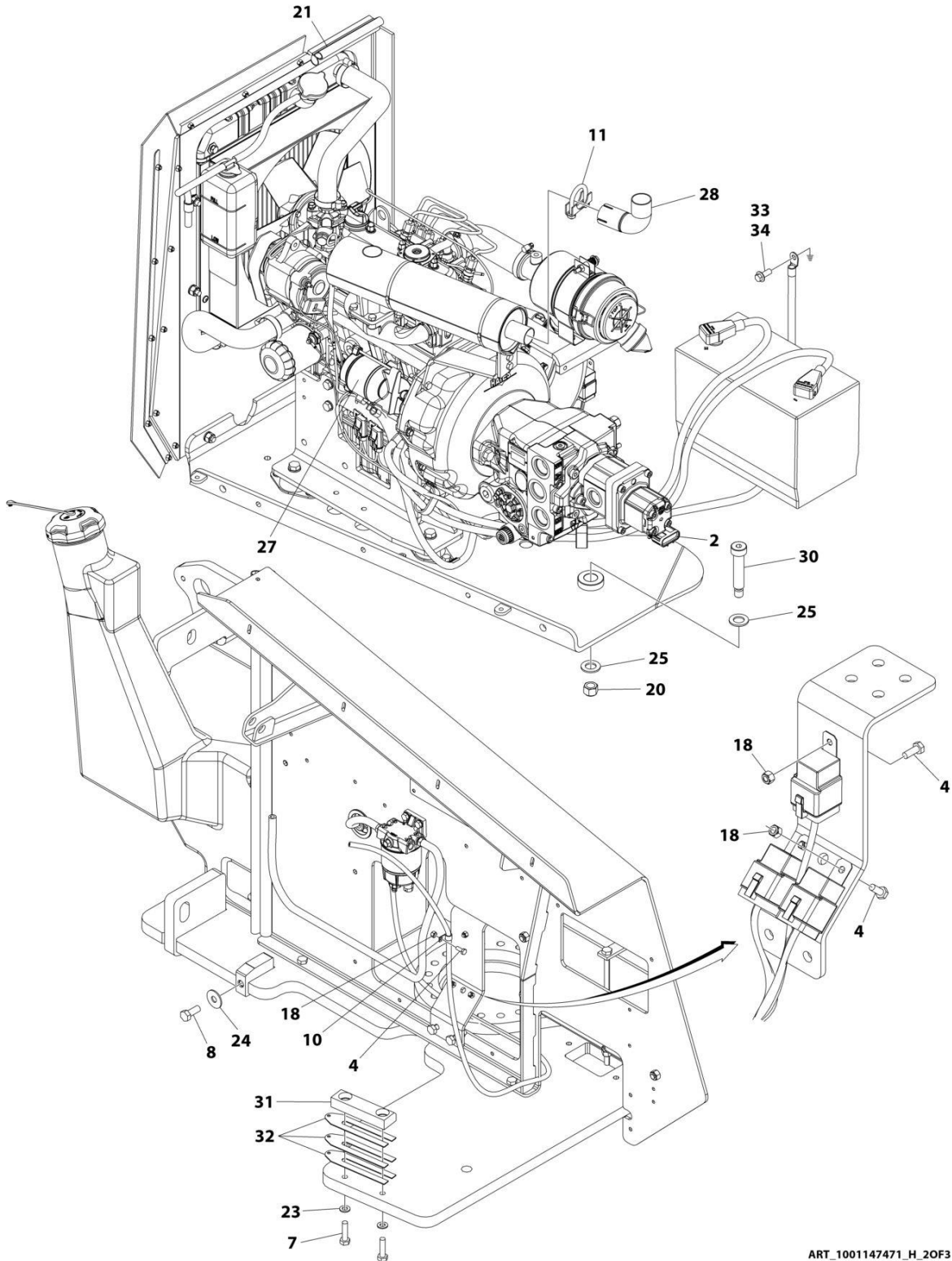
FIGURE 3-7. KUBOTA ENGINE INSTALLATION (WITH ARCTIC PACKAGE)

ITEM	PART NUMBER	QTY	DESCRIPTION	REV
	1001161434	Ref	KUBOTA ENGINE INSTALLATION (WITH ARCTIC PACKAGE)	I
1	0100020	AR	Sealant, Pipe	
2	0100048	AR	Grease, Dielectric	
4	0760608	4	Bolt M6 x 16	
5	0760814	2	Bolt M8 x 30	
6	0761016	2	Bolt M10 x 40	
7	0761214	1	Bolt M12 x 30	
7	0761217	1	Bolt M12 x 45	
8	1320022	8	Clamp, Fuel Line	
9	1320043	1	Clamp, Cable	
10	1320274	1	Clamp, Muffler	
11	2180348	3	Fitting, Barbed	
12	2180666	1	Fitting, Barbed	
14	2540045	1	Grommet	
15	2720058	6.6 ft/2.0m	Hose	
16	2720271	6.5 ft/2m	Hose	
17	3290605	4	Nut M6	
18	3290805	2	Nut M8	
19	3291605	1	Nut M16	
20	3960464	33 in /84cm	Seal	
21	4811900	4	Washer M8	
22	4812000	2	Washer M10	
23	4812102	1	Washer M12	
24	4812500	2	Washer M20	
26	1001238004	1	Kubota Engine and Pump Sub-Assembly (See Separate Breakdown in this Section)	
27	1001118548	1	Tube, Exhaust	
28	1001190609	1	Fuel Filter/Water Separator Assembly (See Separate Breakdown in this Section)	
29	1001118646	1	Bolt M20 x 80	
30	1001120087	1	Pad, Wear	
31	1001120090	3	Shim 1.5	
32	0100011	AR	Compound, Locking	
33	5251012	1	Bolt M10 x 25	
37	1001190545	1	Filter, Fuel	



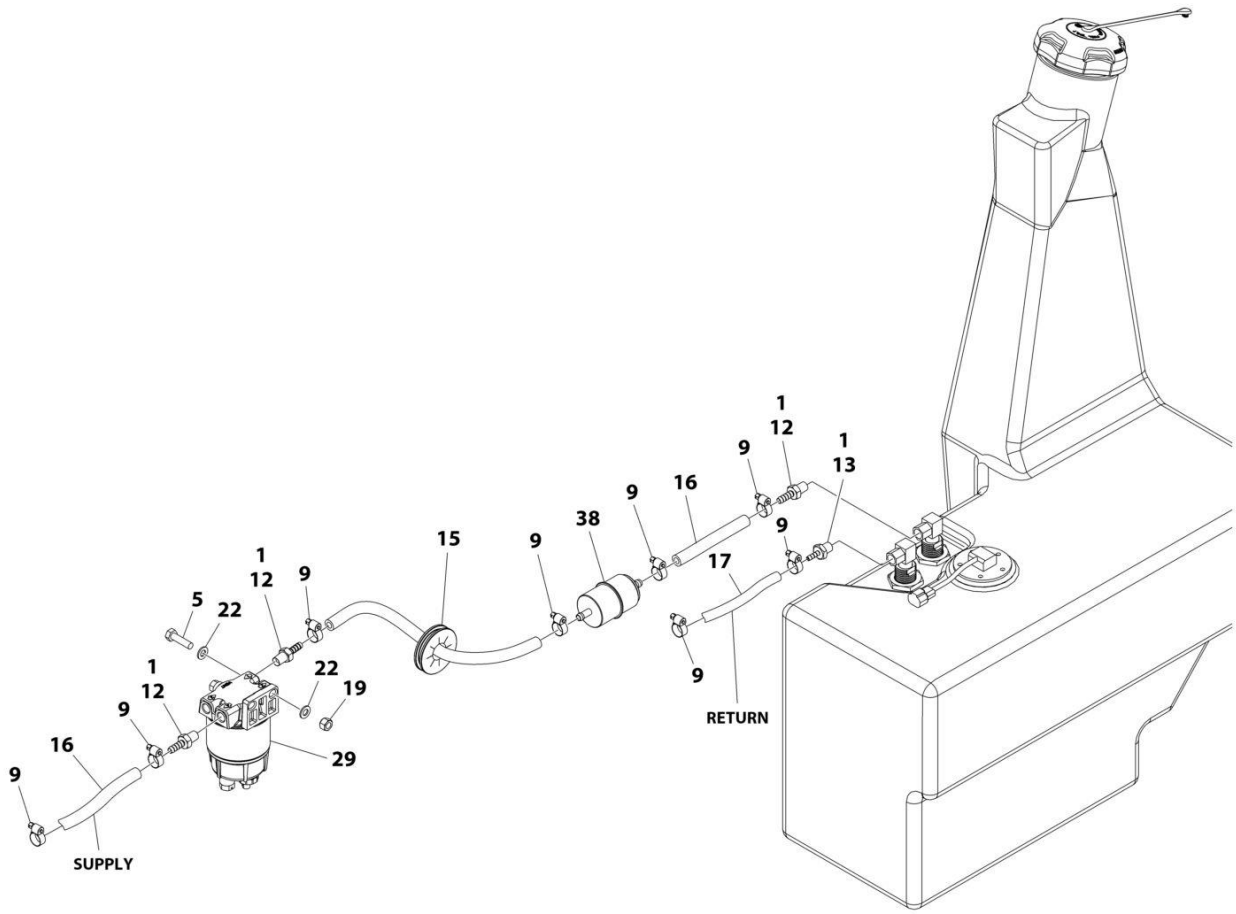
# SECTION 3 - ENGINE

## FIGURE 3-8. KUBOTA ENGINE INSTALLATION WITH 4000W GENERATOR (WITH ARCTIC PACKAGE)



ART\_1001147471\_H\_20F3

# SECTION 3 - ENGINE



ART\_1001147471\_H\_30F3

## SECTION 3 - ENGINE

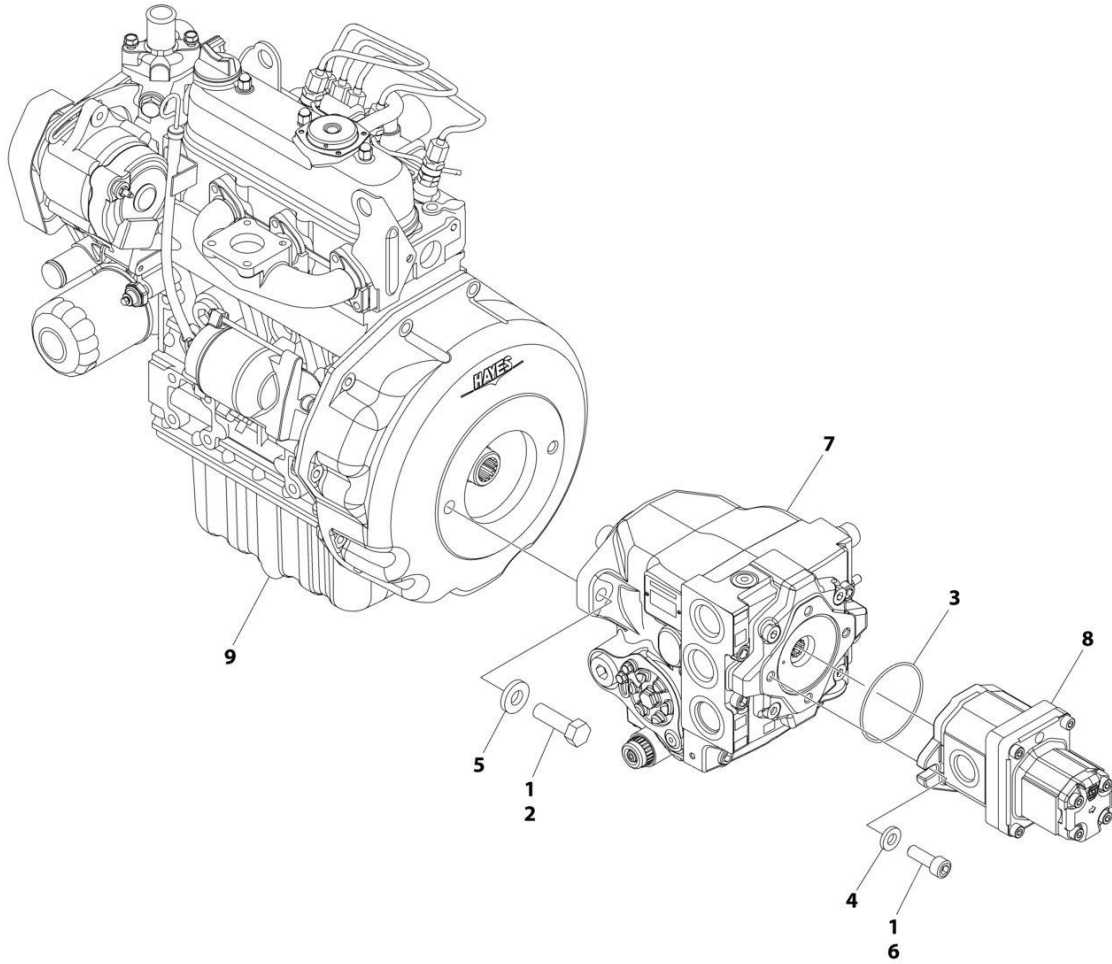
**FIGURE 3-8. KUBOTA ENGINE INSTALLATION WITH 4000W GENERATOR (WITH ARCTIC PACKAGE)**

ITEM	PART NUMBER	QTY	DESCRIPTION	REV
	1001147471	Ref	KUBOTA ENGINE INSTALLATION WITH 4000W GENERATOR (WITH ARCTIC PACKAGE)	H
1	0100020	AR	Sealant, Pipe	
2	0100048	AR	Grease, Dielectric	
4	0760608	4	Bolt M6 x 16	
5	0760814	2	Bolt M8 x 30	
7	0761016	2	Bolt M10 x 40	
8	0761214	1	Bolt M12 x 30	
9	1320022	8	Clamp, Fuel Line	
10	1320043	1	Clamp, Cable	
11	1320274	1	Clamp, Muffler	
12	2180348	3	Fitting, Barbed	
13	2180666	1	Fitting, Barbed	
15	2540045	1	Grommet	
16	2720058	6.6 ft/2.0m	Hose	
17	2720271	6.5 ft/2m	Hose	
18	3290605	4	Nut M6	
19	3290805	2	Nut M8	
20	3291605	1	Nut M16	
21	3960464	33 in /84cm	Seal	
22	4811900	4	Washer M8	
23	4812000	2	Washer M10	
24	4812102	1	Washer M12	
25	4812500	2	Washer M20	
27	1001238005	1	Kubota Engine and Pump Sub-Assembly (See Separate Breakdown in this Section)	
28	1001118548	1	Tube, Exhaust	
29	1001190609	1	Fuel Filter/Water Separator Assembly (See Separate Breakdown in this Section)	
30	1001118646	1	Bolt M20 x 80	
31	1001120087	1	Pad, Wear	
32	1001120090	3	Shim 1.5	
33	0100011	AR	Compound, Locking	
34	5251012	1	Bolt M10 x 25	
38	1001190545	1	Filter, Fuel	



# SECTION 3 - ENGINE

## FIGURE 3-9. KUBOTA ENGINE AND PUMP SUB-ASSEMBLY



ART\_1001238004



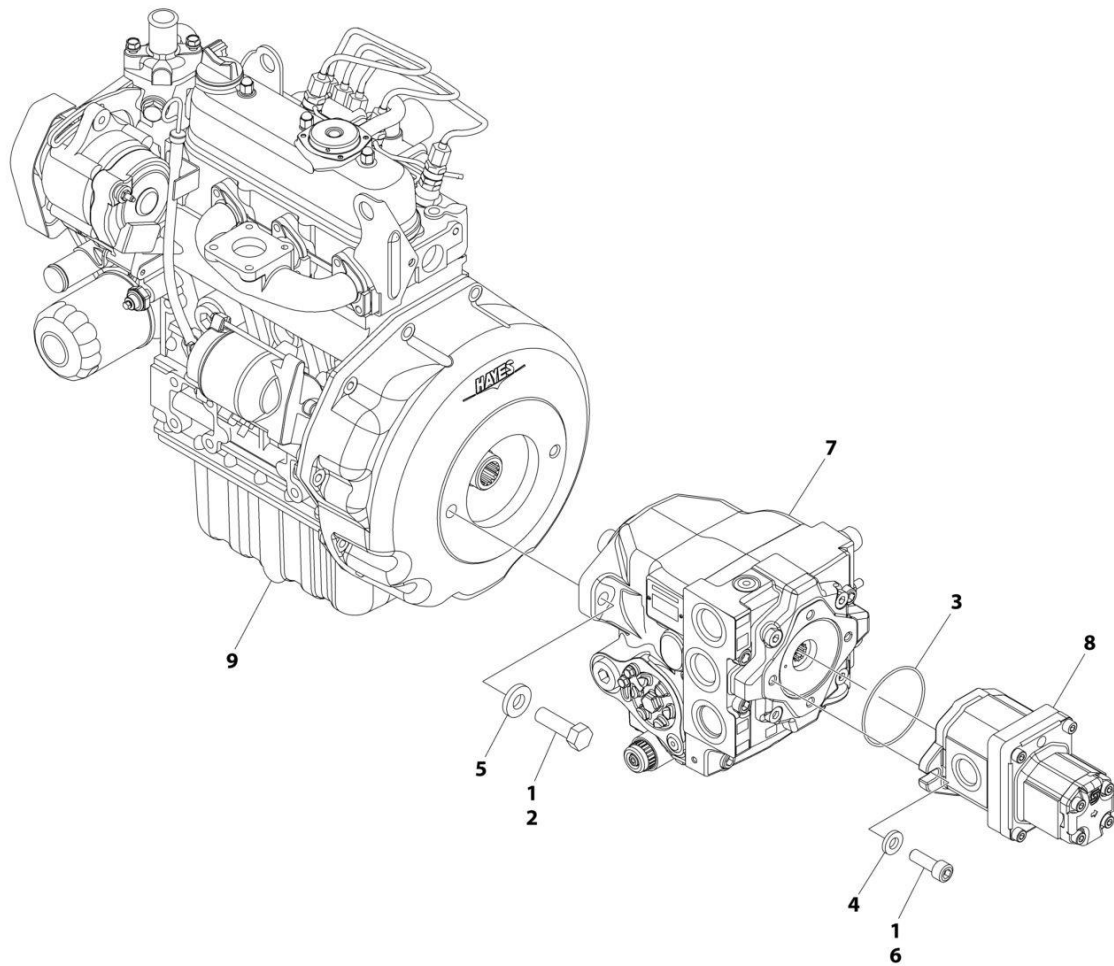
## SECTION 3 - ENGINE

### FIGURE 3-9. KUBOTA ENGINE AND PUMP SUB-ASSEMBLY

ITEM	PART NUMBER	QTY	DESCRIPTION	REV
	1001238004	Ref	KUBOTA ENGINE AND PUMP SUB-ASSEMBLY	B
1	0100011	AR	Compound, Locking	
2	0641813	2	Bolt 1/2 x 1-5/8	
3	3790152	1	O-Ring	
4	4891600	2	Washer 3/8	
5	4891800	2	Washer 1/2	
6	83191040	2	Capscrew M10 x 30	
7	1001117028	1	Axial Pump Assembly (See Separate Breakdown in this Section)	
8	1001117029	1	Gear Pump Assembly (See Separate Breakdown in this Section)	
9	1001238001	1	Kubota Engine Assembly (Use p/n 1001238001) (See Separate Breakdown in this Section)	

# SECTION 3 - ENGINE

FIGURE 3-10. KUBOTA ENGINE WITH 4000W GENERATOR AND PUMP SUB-ASSEMBLY



ART\_1001238005

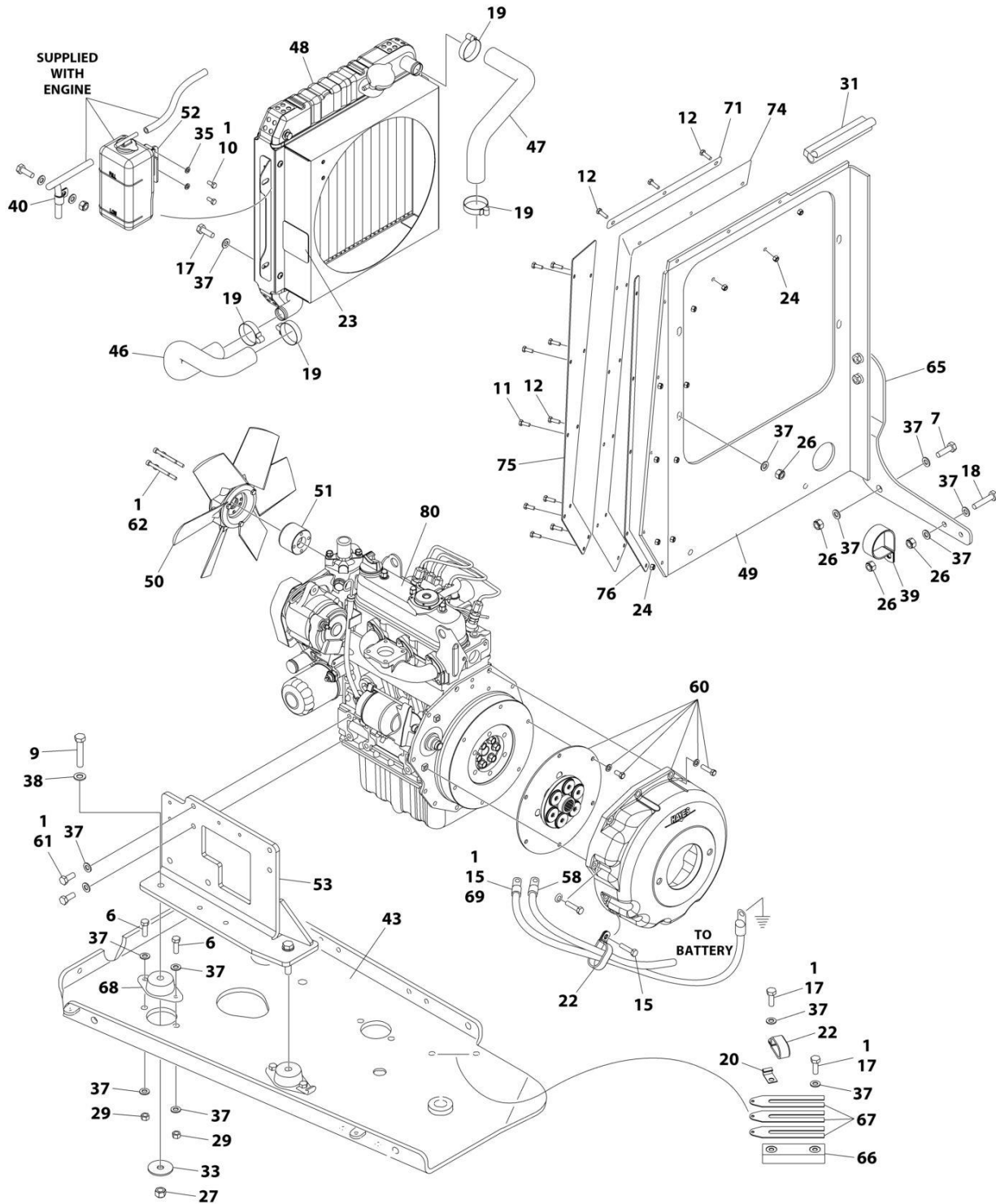
## SECTION 3 - ENGINE

**FIGURE 3-10. KUBOTA ENGINE WITH 4000W GENERATOR AND PUMP SUB-ASSEMBLY**

ITEM	PART NUMBER	QTY	DESCRIPTION	REV
	1001238005	Ref	KUBOTA ENGINE WITH 4000W GENERATOR AND PUMP SUB-ASSEMBLY	B
1	0100011	AR	Compound, Locking	
2	0641813	2	Bolt 1/2 x 1-5/8	
3	3790152	1	O-Ring	
4	4891600	2	Washer 3/8	
5	4891800	2	Washer 1/2	
6	83191040	2	Capscrew M10 x 30	
7	1001117028	1	Axial Pump Assembly (See Separate Breakdown in this Section)	
8	1001117029	1	Gear Pump Assembly (See Separate Breakdown in this Section)	
9	1001238002	1	Kubota Engine Assembly with 4000W Generator (Use p/n 1001238002) (See Separate Breakdown in this Section)	

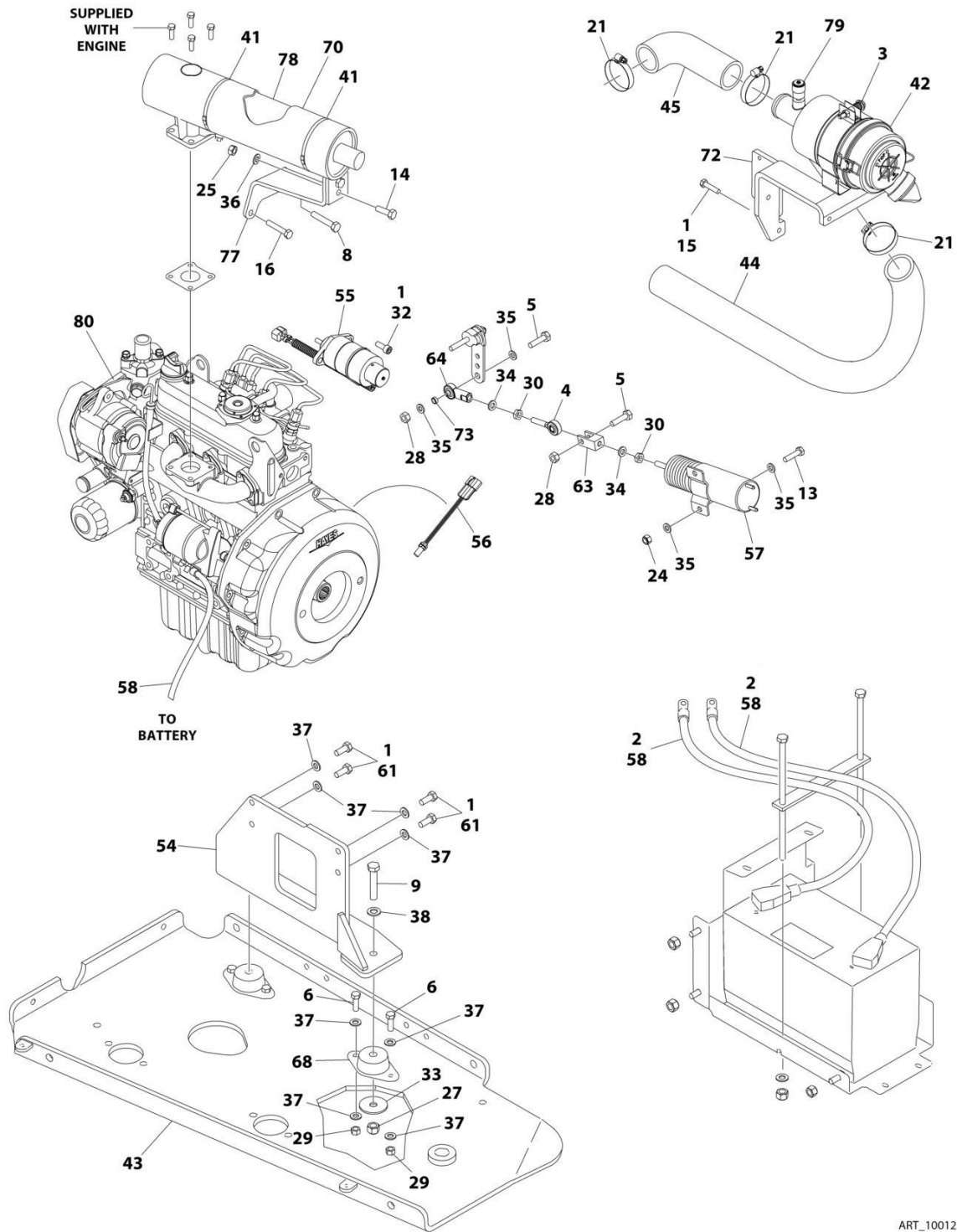
# SECTION 3 - ENGINE

## FIGURE 3-11. KUBOTA ENGINE ASSEMBLY



ART\_1001238001\_1OF2

# SECTION 3 - ENGINE



ART\_1001238001\_20F2

## SECTION 3 - ENGINE

FIGURE 3-11. KUBOTA ENGINE ASSEMBLY

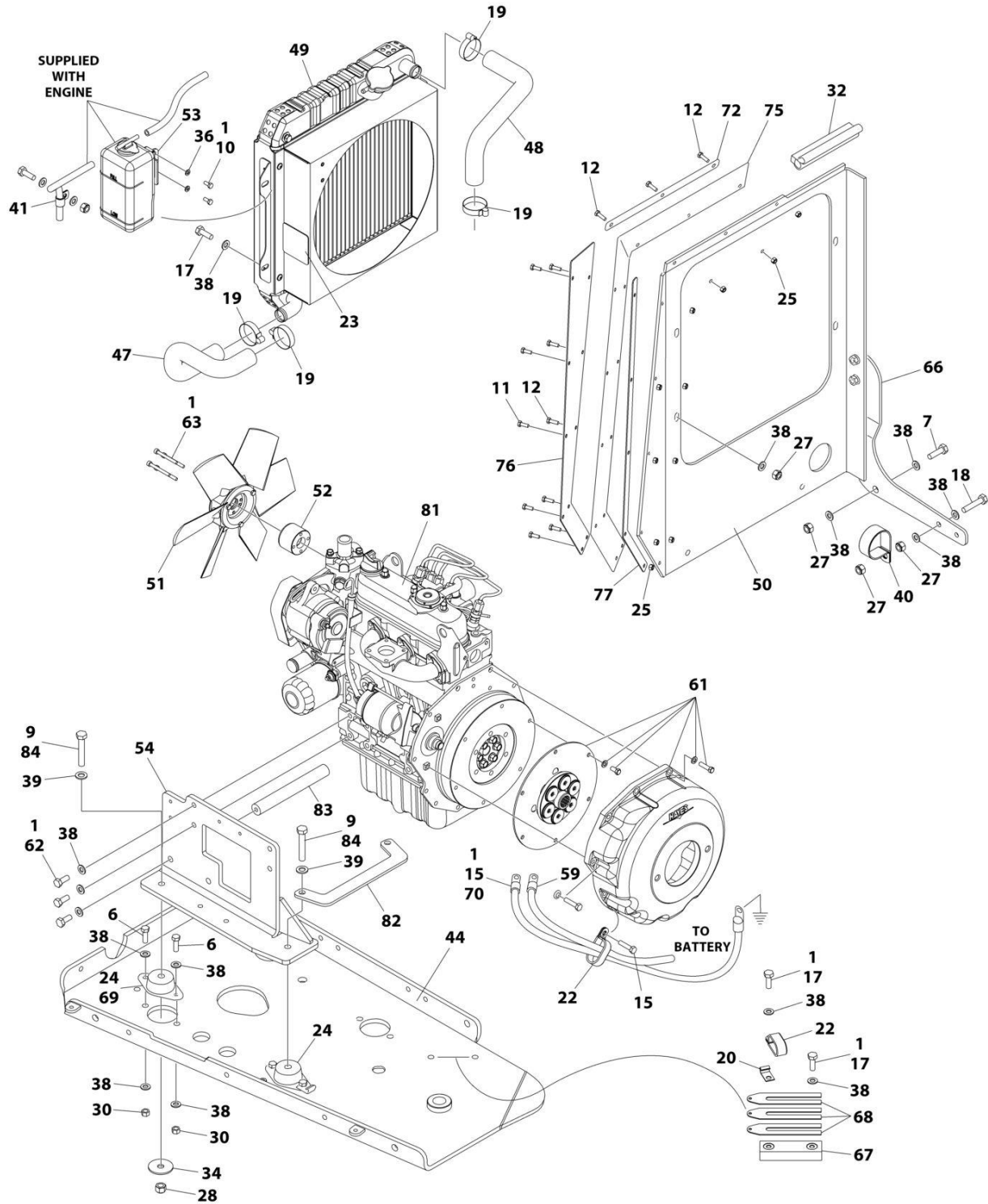
ITEM	PART NUMBER	QTY	DESCRIPTION	REV
	1001238001	Ref	KUBOTA ENGINE ASSEMBLY	B
1	0100011	AR	Compound, Locking	
2	0100048	AR	Grease, Dielectric	
3	0340045	1	Band, Mounting	
4	0440334	1	End, Rod with Bearing	
5	0641408	2	Bolt 1/4 x 1	
6	0641609	8	Bolt 3/8 x 1-1/8	
7	0701015	6	Bolt M10 x 35	
8	0701017	1	Bolt M10 x 45	
9	0701221	4	Bolt M12 x 65	
10	0760607	2	Bolt M6 x 14	
11	0760608	5	Bolt M6 x 1.25	
12	0760610	8	Bolt M6 x 20	
13	0760612	4	Bolt M6 x 25	
14	0760812	2	Bolt M8 x 25	
15	0760815	3	Bolt M8 x 35	
16	0760817	1	Bolt M8 x 45	
17	0761014	6	Bolt M10 x 30	
18	0761018	1	Bolt M10 x 50	
19	1320012	4	Clamp	
20	1320223	2	J-Clip	
21	1321682	3	Clamp	
22	1321716	2	Clamp	
23	1703162	2	Decal - Fan Blade	
24	3290605	17	Nut M6	
25	3290807	2	Nut M8 x 1.25	
26	3291005	12	Nut M10	
27	3291205	4	Nut M12	
28	3311405	2	Nut 1/4	
29	3311605	8	Nut 3/8	
30	3321402	2	Nut 1/4	
31	3960464	6.5 in /17cm	Seal	
32	4031707	2	Capscrew M6 x 16	
33	4740274	4	Washer	
34	4761400	2	Washer 1/4	
35	4811700	12	Washer M6	
36	4811900	2	Washer M8	
37	4812000	48	Washer M10	
38	4812100	4	Washer M12	
39	80673025	1	P-Clamp	
40	85941016	1	Clamp	
41	1001100825	2	Strap	
42	1001118280	1	Air Filter Assembly	A
42	7015004	1	Element, Air Filter	
42	1340069	1	Valve, Vacuum	
42	7015005	1	Cover	
43	1001118453	1	Tray, Engine	
44	1001118527	1	Hose, Air Intake	
45	1001118528	1	Hose, Air Intake	

## SECTION 3 - ENGINE

ITEM	PART NUMBER	QTY	DESCRIPTION	REV
46	1001118529	1	Hose, Lower Radiator	
47	1001118530	1	Hose, Upper Radiator	
48	1001118531	1	Radiator	
48	70002899	1	Cap, Radiator	
49	1001118532	1	Mount, Radiator	
50	1001118538	1	Fan	
51	1001118539	1	Spacer, Fan	
52	1001118540	1	Bracket, Coolant Overflow Tank	
53	1001118542	1	Plate, LH Front Engine	
54	1001118543	1	Plate, RH Front Engine	
55	1001118579	1	Actuator, Kubota Governor	
55	7023134	1	Gasket, Mounting	
56	1001118580	1	Sensor, Speed	
57	1001118582	1	Actuator, Kubota Throttle	
58	1001118594	1	Battery Cable Kit	
58	4461231	1	Battery Terminal and Red Cover Only (No Cable)	
58	4461232	1	Battery Terminal and Black Cover Only (No Cable)	
59	1001118638	1	Harness, Engine (Not Shown - See Separate Breakdown in ELECTRICAL Section)	
60	1001118675	1	Flywheel Housing/Coupling Kit	
60	See Note	NSS	Coupling Assembly (Note: Use p/n 1001118675)	
60	See Note	NSS	Housing (Note: Use p/n 1001118675)	
60	See Note	NSS	Bolt Kit (Note: Use p/n 1001118675)	
61	1001118746	8	Bolt M10 x 25	
62	1001118878	4	Bolt M6 x 55	
63	1001118881	1	Clevis, Actuator	
64	1001118925	1	End, Rod with Bearing	
65	1001119698	1	Gusset, Radiator	
66	1001120087	1	Pad, Wear	
67	1001120090	3	Shim	
68	1001120307	4	Mount, Motor	
69	1001120450	1	Cable, Ground	
70	1001121531	1	Insulation, Muffler	
71	1001123018	1	Plate, Seal Support	
72	1001128214	1	Bracket, Air Filter	
73	1001128888	1	Spacer	
74	1001147365	1	Seal, Radiator Hood	
75	1001147642	1	Plate, Seal Support	
76	1001147643	1	Plate, Seal Support	
77	1001149379	1	Bracket	
78		Ref	Muffler Options:	
78	1001118547	NLA	Standard (Use p/n 1001151187)	
78	1001120007	NLA	Catalytic (Use p/n 1001151188)	
79	1001170981	1	Indicator, Air Intake Restriction	
80	1001237999	1	Kubota Engine Components (See Separate Breakdown in this Section)	

# SECTION 3 - ENGINE

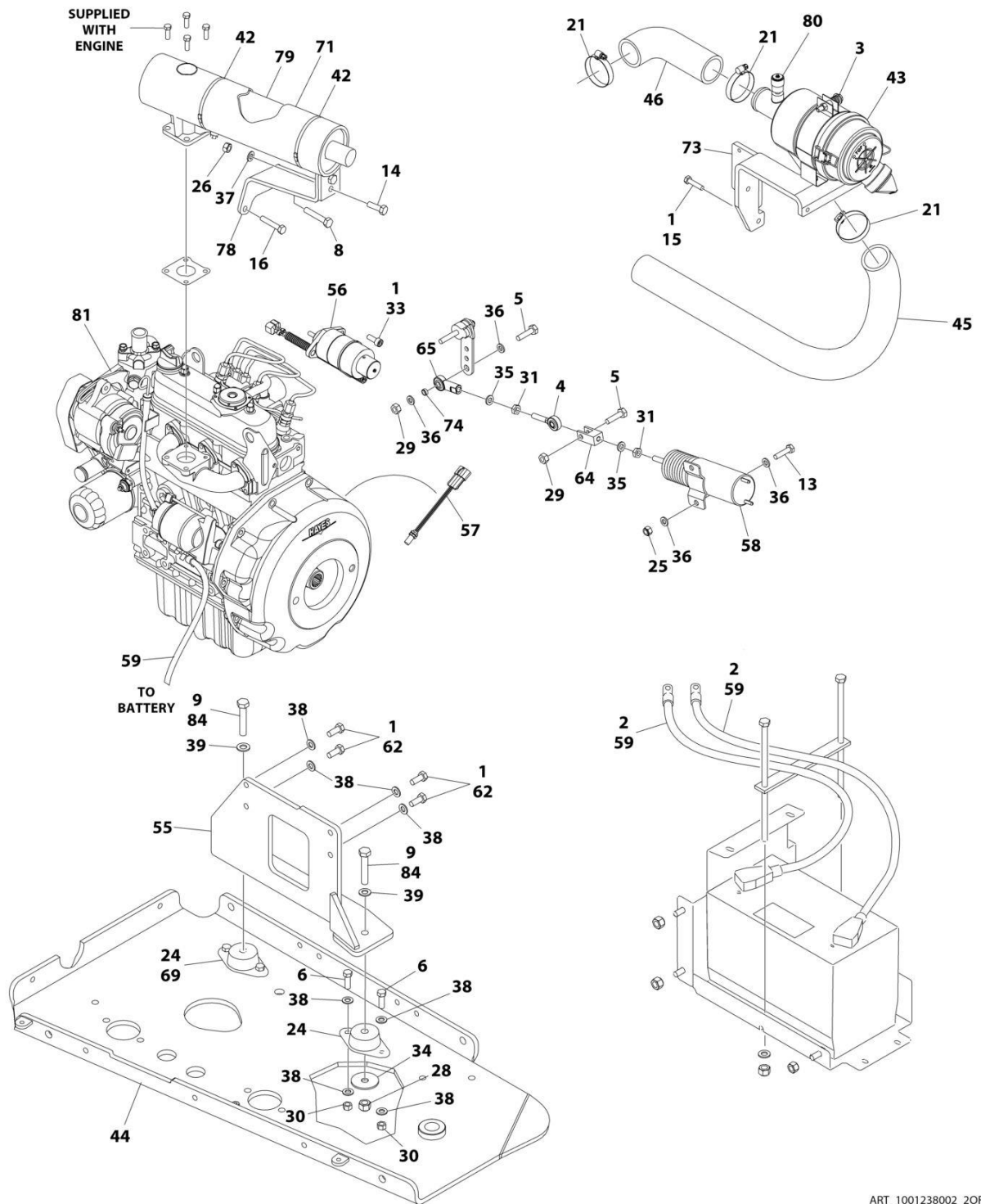
## FIGURE 3-12. KUBOTA ENGINE ASSEMBLY WITH 4000W GENERATOR



ART\_1001238002\_1OF2



# SECTION 3 - ENGINE



ART\_1001238002\_2OF2

## SECTION 3 - ENGINE

FIGURE 3-12. KUBOTA ENGINE ASSEMBLY WITH 4000W GENERATOR

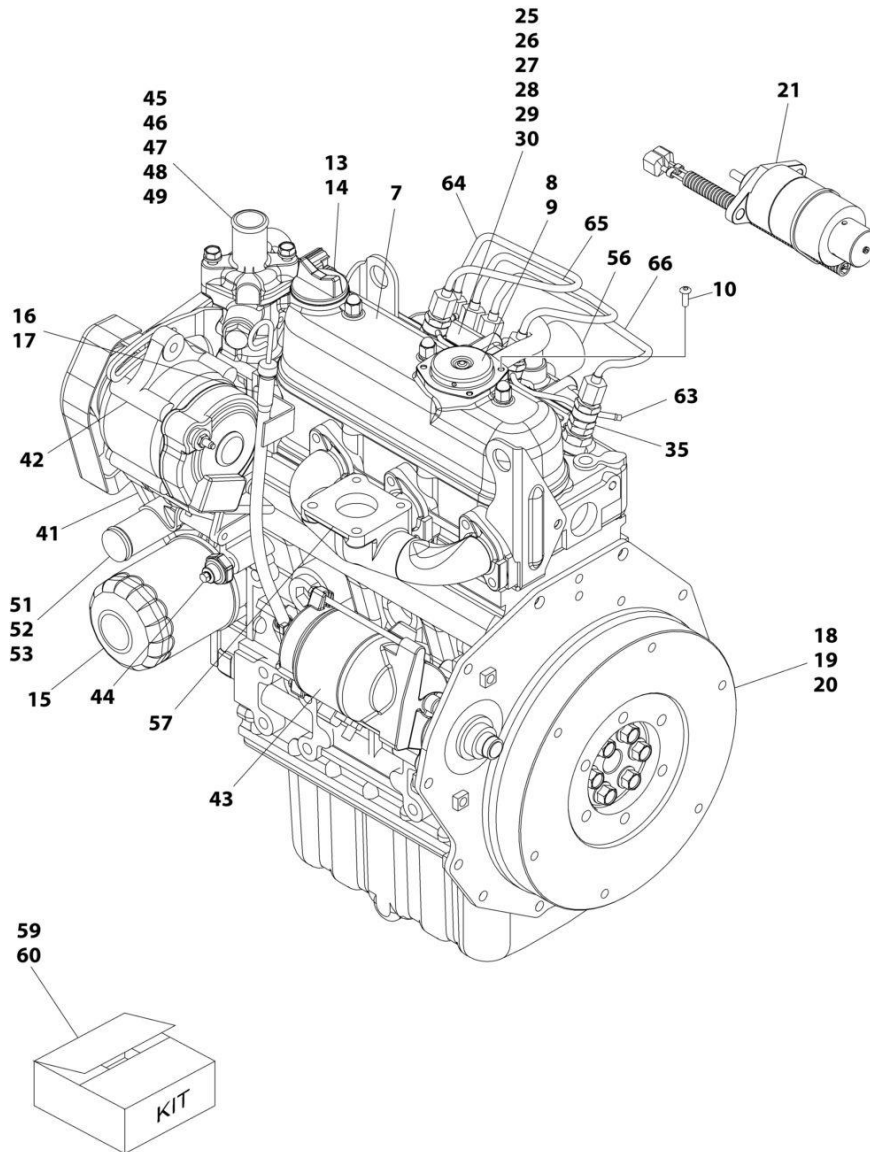
ITEM	PART NUMBER	QTY	DESCRIPTION	REV
	1001238002	Ref	KUBOTA ENGINE ASSEMBLY WITH 4000W GENERATOR	B
1	0100011	AR	Compound, Locking	
2	0100048	AR	Grease, Dielectric	
3	0340045	1	Band, Mounting	
4	0440334	1	End, Rod with Bearing	
5	0641408	2	Bolt 1/4 x 1	
6	0641609	8	Bolt 3/8 x 1-1/8	
7	0701015	6	Bolt M10 x 35	
8	0701017	1	Bolt M10 x 45	
9	0701221	AR	Bolt M12 x 65	
10	0760607	2	Bolt M6 x 14	
11	0760608	5	Bolt M6 x 1.25	
12	0760610	8	Bolt M6 x 20	
13	0760612	4	Bolt M6 x 25	
14	0760812	2	Bolt M8 x 25	
15	0760815	3	Bolt M8 x 35	
16	0760817	1	Bolt M8 x 45	
17	0761014	6	Bolt M10 x 30	
18	0761018	1	Bolt M10 x 50	
19	1320012	4	Clamp	
20	1320223	2	J-Clip	
21	1321682	3	Clamp	
22	1321716	2	Clamp	
23	1703162	2	Decal - Fan Blade	
24	3200425	2	Mount, Motor (SN 0300253888 through 0300263923)	
24	3200378	4	Mount, Motor (SN 0300263924 through 0300272222)	
25	3290605	17	Nut M6	
26	3290807	2	Nut M8 x 1.25	
27	3291005	12	Nut M10	
28	3291205	4	Nut M12	
29	3311405	2	Nut 1/4	
30	3311605	8	Nut 3/8	
31	3321402	2	Nut 1/4	
32	3960464	6.5 in /17cm	Seal	
33	4031707	2	Capscrew M6 x 16	
34	4740274	4	Washer	
35	4761400	2	Washer 1/4	
36	4811700	12	Washer M6	
37	4811900	2	Washer M8	
38	4812000	AR	Washer M10	
39	4812100	4	Washer M12	
40	80673025	1	P-Clamp	
41	85941016	1	Clamp	
42	1001100825	2	Strap	
43	1001118280	1	Air Filter Assembly	A
43	7015004	1	Element, Air Filter	
43	1340069	1	Valve, Vacuum	
43	7015005	1	Cover	
44	1001118453	1	Tray, Engine	

## SECTION 3 - ENGINE

ITEM	PART NUMBER	QTY	DESCRIPTION	REV
45	1001118527	1	Hose, Air Intake	
46	1001118528	1	Hose, Air Intake	
47	1001118529	1	Hose, Lower Radiator	
48	1001118530	1	Hose, Upper Radiator	
49	1001118531	1	Radiator	
49	70002899	1	Cap, Radiator	
50	1001118532	1	Mount, Radiator	
51	1001118538	1	Fan	
52	1001118539	1	Spacer, Fan	
53	1001118540	1	Bracket, Coolant Overflow Tank	
54	1001118542	1	Plate, LH Front Engine	
55	1001118543	1	Plate, RH Front Engine	
56	1001118579	1	Actuator, Kubota Governor	
56	7023134	1	Gasket, Mounting	
57	1001118580	1	Sensor, Speed	
58	1001118582	1	Actuator, Kubota Throttle	
59	1001118594	1	Battery Cable Kit	
59	4461231	1	Battery Terminal and Red Cover Only (No Cable)	
59	4461232	1	Battery Terminal and Black Cover Only (No Cable)	
60	1001118638	1	Harness, Engine (Not Shown - See Separate Breakdown in ELECTRICAL Section)	
61	1001118675	1	Flywheel Housing/Coupling Kit	
61	See Note	NSS	Coupling Assembly (Note: Use p/n 1001118675)	
61	See Note	NSS	Housing (Note: Use p/n 1001118675)	
61	See Note	NSS	Bolt Kit (Note: Use p/n 1001118675)	
62	1001118746	AR	Bolt M10 x 25	
63	1001118878	4	Bolt M6 x 55	
64	1001118881	1	Clevis, Actuator	
65	1001118925	1	End, Rod with Bearing	
66	1001119698	1	Gusset, Radiator	
67	1001120087	1	Pad, Wear	
68	1001120090	3	Shim	
69	1001120307	2	Mount, Motor <b>(SN 0300253888 through 0300263923)</b>	
70	1001120450	1	Cable, Ground	
71	1001121531	1	Insulation, Muffler	
72	1001123018	1	Plate, Seal Support	
73	1001128214	1	Bracket, Air Filter	
74	1001128888	1	Spacer	
75	1001147365	1	Seal, Radiator Hood	
76	1001147642	1	Plate, Seal Support	
77	1001147643	1	Plate, Seal Support	
78	1001149379	1	Bracket	
79		Ref	Muffler Options:	
79	1001118547	NLA	Standard (Use p/n 1001151187)	
79	1001120007	NLA	Catalytic (Use p/n 1001151188)	
80	1001170981	1	Indicator, Air Intake Restriction	
81	1001237999	1	Kubota Engine Components (See Separate Breakdown in this Section)	
82	1001243034	1	Brace	
83	1001243035	1	Brace	
84	0701222	AR	Bolt M12 x 70	

# SECTION 3 - ENGINE

## FIGURE 3-13. KUBOTA ENGINE COMPONENTS



ART\_1001237999

## SECTION 3 - ENGINE

**FIGURE 3-13. KUBOTA ENGINE COMPONENTS**

ITEM	PART NUMBER	QTY	DESCRIPTION	REV
	1001237999	Ref	KUBOTA ENGINE COMPONENTS	A
1	7017954	22	Bolt, Oil Pan (Not Shown)	
2	7023154	1	Plug, Drain (Not Shown)	
3	70002315	1	Gasket, Oil Pan (Not Shown)	
4	7017911	14	Bolt, Cylinder Head (Not Shown)	
5	7023156	1	Gasket, Gear Case (Not Shown)	
6	7023157	1	Seal, Oil (Not Shown)	
7	7023132	1	Gasket, Valve Cover	
8	70003060	1	Breather, Comp Valve	
9	70003061	1	Cover, Breather	
10	7017934	4	Screw, Pan Head	
11	70002316	1	Pipe, Water Return (Not Shown)	
12	70002317	1	Tube, Breather (Not Shown)	
13	70002318	1	Plug, Oil Fill	
14	70004311	1	O-Ring, Oil Fill Plug	
15	70004395	1	Filter, Oil	
16	7023160	1	Dipstick	
17	70003062	1	Tube, Dipstick	
18	70001934	1	Flywheel Assembly	
19	70001140	1	Gear, Ring	
20	70001935	6	Bolt, Flywheel	
21	7025479	NLA	Solenoid, Stop (Use p/n 1001118579)	
22	7017945	1	Joint, Eye (Not Shown)	
23	7023162	1	Tube, Fuel Assembly (Not Shown)	
24	7023163	1	Tube, Fuel (Not Shown)	
25	7023164	1	Pump, Fuel Injection	
26	70002319	1	Shim .175mm	
27	70002320	1	Shim .200mm	
28	70002321	1	Shim .250mm	
29	70002322	1	Shim .300mm	
30	70002323	1	Shim .350mm	
31	7023136	1	Spring, Governor (Not Shown)	
32	7023165	1	Gasket, Governor (Not Shown)	
33	70004396	1	Plate Assembly, Control (Not Shown)	
34	70004397	6	Gasket, Speed Control Plate (Not Shown)	
35	70004399	3	Nozzle Holder Kit	
35	7023167	3	Gasket, Glow Plug	
35	7023168	3	Seal	
37	70004398	3	Plug, Glow (Not Shown)	
37	70004544	3	Cord, Glow Plug (Not Shown)	
38	70004399	1	Kit, Nozzle Holder	
39	7023139	1	Fuel Pump Assembly	
40	70004400	1	Gasket, Fuel Pump	
41	7023141	1	V-Belt	
42	7017955	1	Alternator	
43	7023144	1	Starter	
44	7017901	1	Switch, Oil	
45	70003064	1	Sensor, Water Temperature	
46	70003063	1	Seal, Water Temperature Sensor	
47	7023145	1	Gasket, Water Flange	

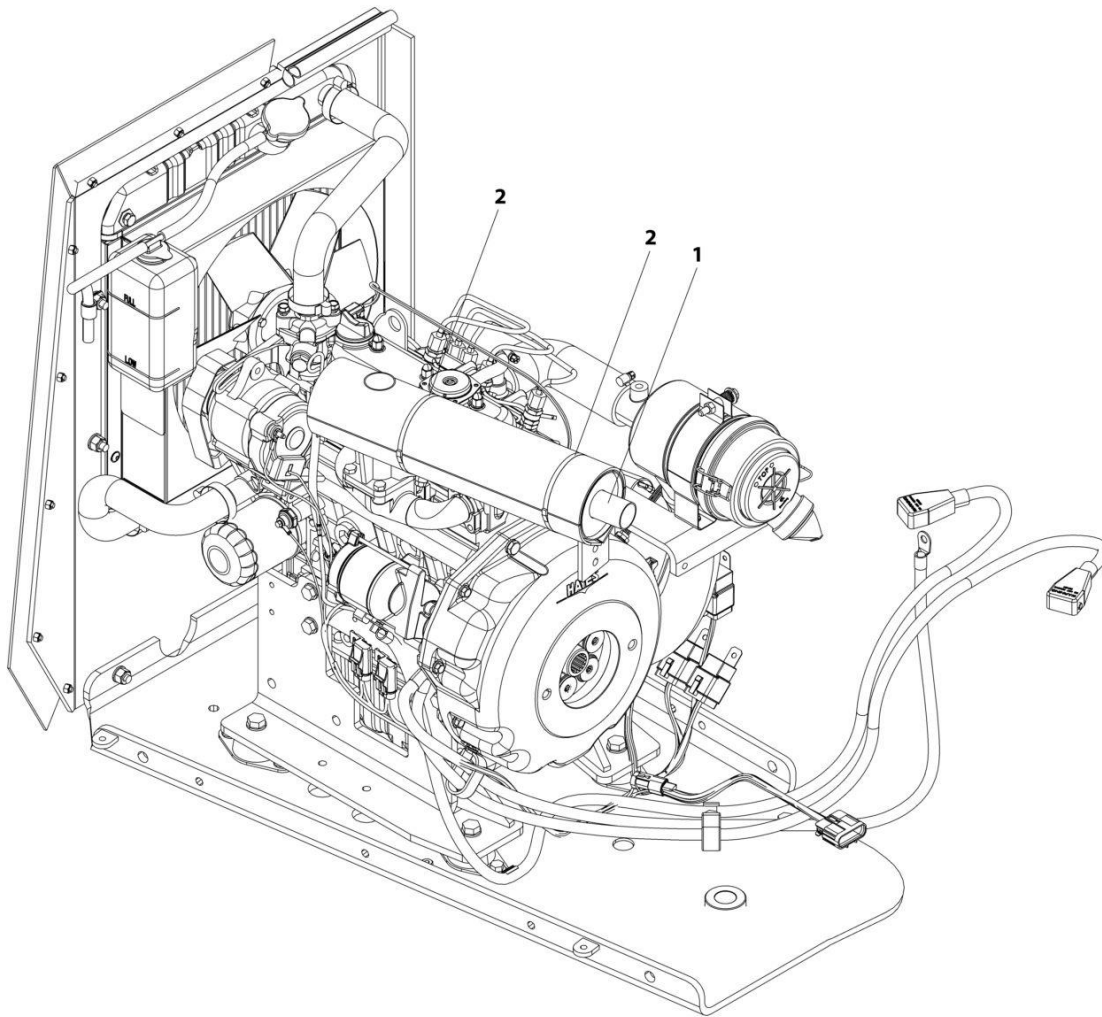
## SECTION 3 - ENGINE

ITEM	PART NUMBER	QTY	DESCRIPTION	REV
48	7023170	1	Thermostat	
49	7022326	1	Gasket, Thermostat Housing to Engine Block	
50	70002327	1	Pump, Water (Not Shown)	
51	70002328	1	Gasket, Water Pump	
52	7017963	1	Pipe, Water (Lower)	
53	70002330	1	Pipe, Water (Upper)	
54	4400498	1	Reserve Tank (Not Shown)	
55	70004401	1	Decal - Caution (Not Shown)	
56	7023149	1	Gasket, Air Intake Manifold	
57	7023148	1	Gasket, Exhaust Manifold to Engine Block	
58	7023124	1	Gasket, Exhaust Manifold to Muffler (Not Shown)	
59	70003066	1	Upper Gasket Kit (Includes Qty 1 Each of Cylinder Head, Valve Cover, Intake Manifold to Block, Exhaust Manifold to Block, Exhaust Manifold Gasket to Muffler, Thermostat Housing to Block, Thermostat Housing to Neck Gaskets and Fuel System Seals and O-Rings and Qty 6 Valve Stem Seals.)	
60	70003067	1	Lower Gasket Kit (Includes Qty 1 Each of Gear Case, Brg. Case, Gasket, Fuel Pump Gasket, Water Pump Gasket, Oil Pan Gasket, Oil Seal, O-Rings and Qty 6 Valve Stem Seals.)	
61	70004524	1	Valve, Drain (Not Shown)	
62	70005220	1	Gasket, Cylinder Head (Not Shown)	
63	70004536	1	Pipe, Over Flow	
63	70004537	1	Screw (Air Bleeder)	
63	70004538	1	Seal	
63	70004539	1	Pipe, Over Flow (Injector to Rail)	
64	70004541	1	Pipe, Injection	
65	70004542	1	Pipe, Injection	
66	70004543	1	Pipe, Injection	



## SECTION 3 - ENGINE

FIGURE 3-14. CATALYTIC MUFFLER INSTALLATION - KUBOTA ENGINE (OPTIONAL)



ART\_1001120013



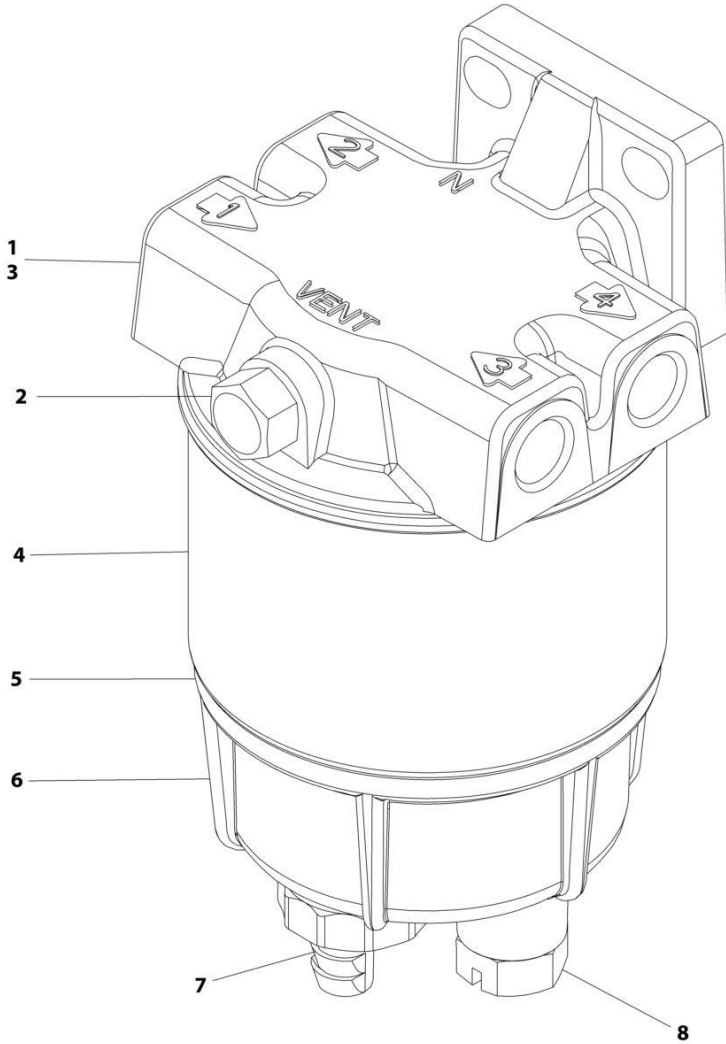
## SECTION 3 - ENGINE

**FIGURE 3-14. CATALYTIC MUFFLER INSTALLATION - KUBOTA ENGINE (OPTIONAL)**

ITEM	PART NUMBER	QTY	DESCRIPTION	REV
	1001120013	Ref	CATALYTIC MUFFLER INSTALLATION - KUBOTA ENGINES (OPTIONAL)	C
1	1001151188	1	Muffler, Catalytic	
2	1001100825	2	Strap, Ball-Lok Tie	

**SECTION 3 - ENGINE**

**FIGURE 3-15. FUEL/WATER SEPARATOR ASSEMBLY (KUBOTA ENGINES) (PVC2007)**



ART\_1001190609

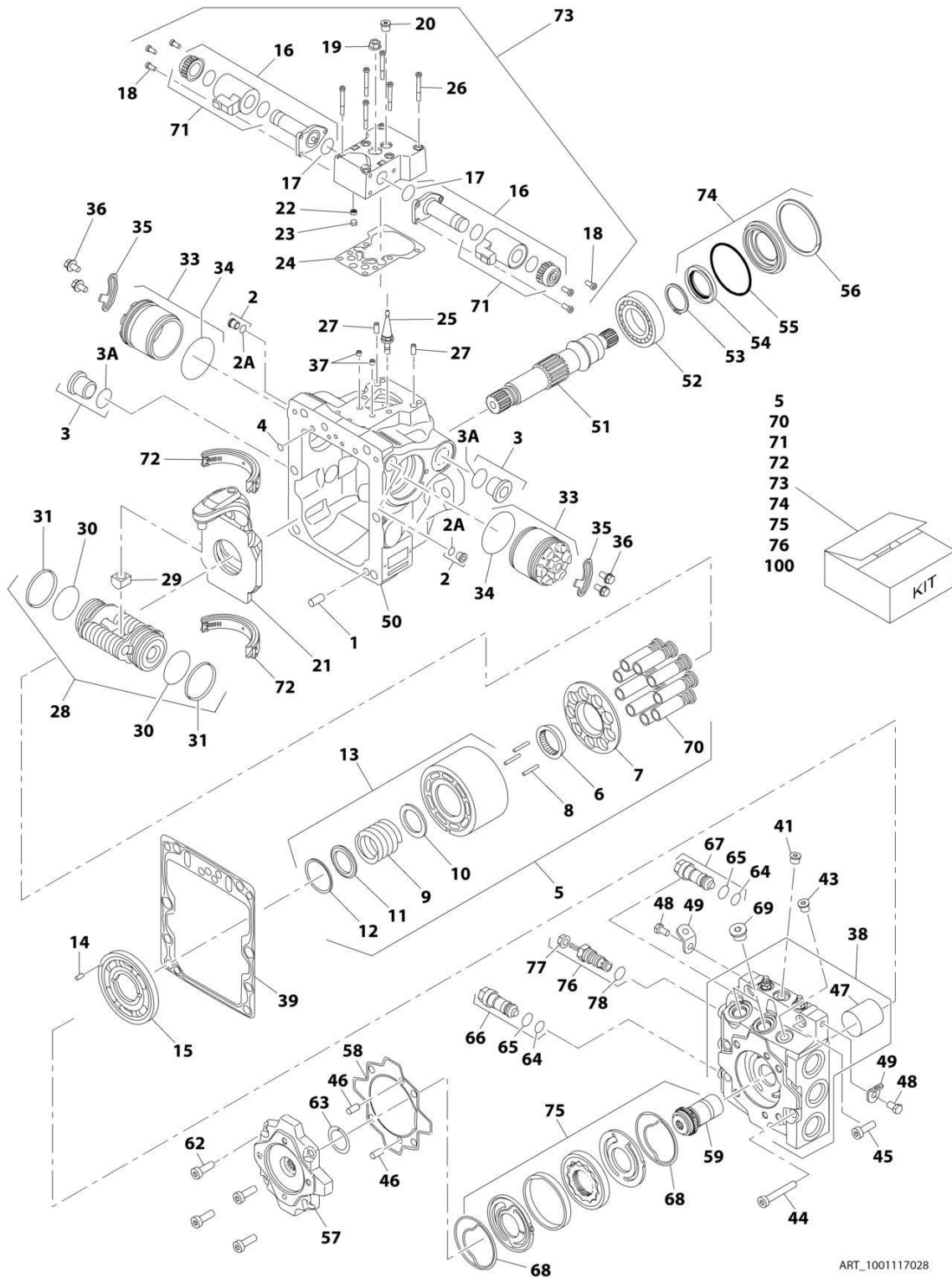
## SECTION 3 - ENGINE

**FIGURE 3-15. FUEL/WATER SEPARATOR ASSEMBLY (KUBOTAT ENGINES) (PVC2007)**

ITEM	PART NUMBER	QTY	DESCRIPTION	REV
	1001190609	Ref	FUEL/WATER SEPARATOR ASSEMBLY - DIESEL ENGINES	B
1	70005293	1	Head, Mounting	
2	70005294	1	Plug	
3	70005295	1	Gasket, Head	
4	70005296	1	Element	
5	70005297	1	O-Ring	
6	70002901	1	Bowl	
7	70004070	1	Drain, Self Venting	
8	70004069	1	Plug	

# SECTION 3 - ENGINE

## FIGURE 3-16. AXIAL PUMP ASSEMBLY



ART\_1001117028

## SECTION 3 - ENGINE

### FIGURE 3-16. AXIAL PUMP ASSEMBLY

ITEM	PART NUMBER	QTY	DESCRIPTION	REV
	1001117028	Ref	AXIAL PUMP ASSEMBLY	F
1	70002132	2	Pin	
2	70002133	2	Plug	
2A	See Note	NSS	O-Ring (Note: Use Item 2)	
3	7007439	2	Plug	
3A	See Note	NSS	O-Ring (Note: Use Item 3)	
4	70002134	2	Screen	
5	70002135	1	Cylinder Block and Piston Kit (Includes Items 6-9 & 70)	
6	70002137	1	Guide	
7	70002138	1	Retainer	
8	7021275	3	Pin	
9	See Note	NSS	Cylinder Block Assembly (Includes Items 10-13) (Note: Use Item 5)	
10	70002140	1	Washer	
11	70002141	1	Washer	
12	70002142	1	Ring, Retaining	
13	70002139	1	Spring	
14	7007446	1	Pin	
15	70002601	1	Plate, Valve	
16	70002147	2	Solenoid Valve Assembly (Includes Items 17, 18 & 71)	
17	70002148	2	O-Ring (Part of Item 16)	
18	70002150	6	Screw (Part of Item 73)	
19	7022301	1	Nut, Seal (Part of Item 73)	
20	70002151	1	Plug (Part of Item 73)	
21	70002152	1	Swash Plate	
22	70002134	1	Screen (Part of Item 73)	
23	70002153	1	Ring, Locking (Part of Item 73)	
24	70002154	1	Gasket (Part of Item 73)	
25	70002155	1	Link	
26	70002156	6	Screw	
27	70002157	2	Pin	
28	70002158	1	Servo Piston Assembly (Includes Items 29-31)	
29	70002159	1	Block, Slider (Part of Item 28)	
30	70002160	2	O-Ring (Part of Item 28)	
31	70002161	2	Ring, Piston (Part of Item 28)	
33	70002603	2	Servo Cylinder Assembly (Includes Item 34)	
34	70002163	2	O-Ring (Part of Item 33)	
35	70002164	2	Plate, Locking	
36	70002165	4	Screw	
37	70002166	2	Orifice	
38	70002863	1	Cap, End (Includes Item 47)	
39	70002168	1	Gasket	
40	70001958	1	Plug (Not Shown)	
41	70001958	1	Plug	
42	70001958	1	Plug (Not Shown)	
43	70001958	2	Plug	
44	70002169	4	Screw	
45	70002170	2	Screw	
46	70002132	2	Pin	
47	70002172	1	Bearing, Journal (Part of Item 38)	

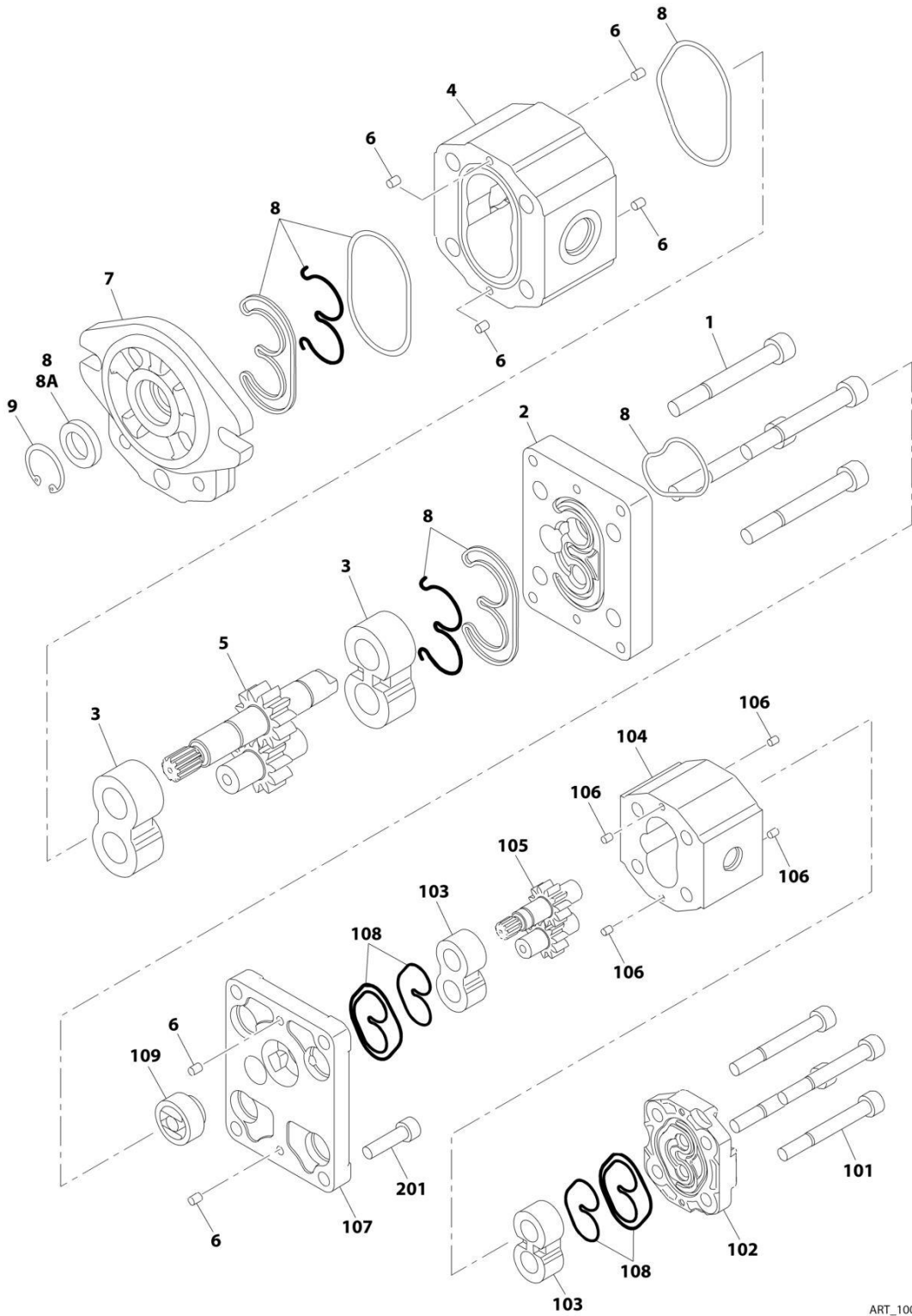
## SECTION 3 - ENGINE

ITEM	PART NUMBER	QTY	DESCRIPTION	REV
48	70002165	2	Screw	
49	7022340	2	Bracket, Lifting	
50	See Note	NSS	Housing (Note: Not Available - Purchase Complete Assembly)	
51	70002175	1	Shaft	
52	70002176	1	Bearing	
53	7007439	1	Ring, Retaining	
54	70002177	1	Seal, Lip (Part of Item 74)	
55	70002178	1	O-Ring (Part of Item 74)	
56	70002179	1	Ring, Retaining (Part of Item 74)	
57	70002180	1	Adapter, Pump	
58	70002181	1	Seal	
59	70002864	1	Coupling	
62	70002185	4	Screw	
63	70002186	1	Plate, Thrust	
64	70002187	2	O-Ring (Part of Items 66 & 67)	
65	70002865	2	O-Ring (Part of Items 66 & 67)	
66	70002866	1	Valve, Relief	
67	70002866	1	Valve, Relief	
68	70002867	2	Ring, Seal (Part of Item 68)	
69	7023964	2	Plug	
70	70002136	1	Piston Kit (Includes Qty 9 Pistons) (Part of Item 5)	
71	70002149	2	Coil Kit (Part of Items 16 & 73)	
72	70002145	1	Bearing Kit	
73	70002146	1	EDC Kit (Includes Items 16-20, 22-24, 26 & 71)	
74	70002174	1	Shaft Seal Kit (Includes Items 54, 55 & 56) (Note: This is a universal kit and will contain extra pieces that are not used on this pump assembly)	
75	70002868	1	Charge Pump Kit (Includes Item 68)	
76	70002191	1	Charge Relief Valve Kit (Includes Items 77 & 78)	
77	70222301	1	Nut, Seal (Part of Item 76)	
78	7007415	1	O-Ring (Part of Item 76)	
100	70002192	1	Seal Kit (Includes Items 24, 30, 31, 34, 39, 54, 55, 58, 64, 65, 68, 77 & 78)	



# SECTION 3 - ENGINE

## FIGURE 3-17. GEAR PUMP ASSEMBLY



ART\_1001117029



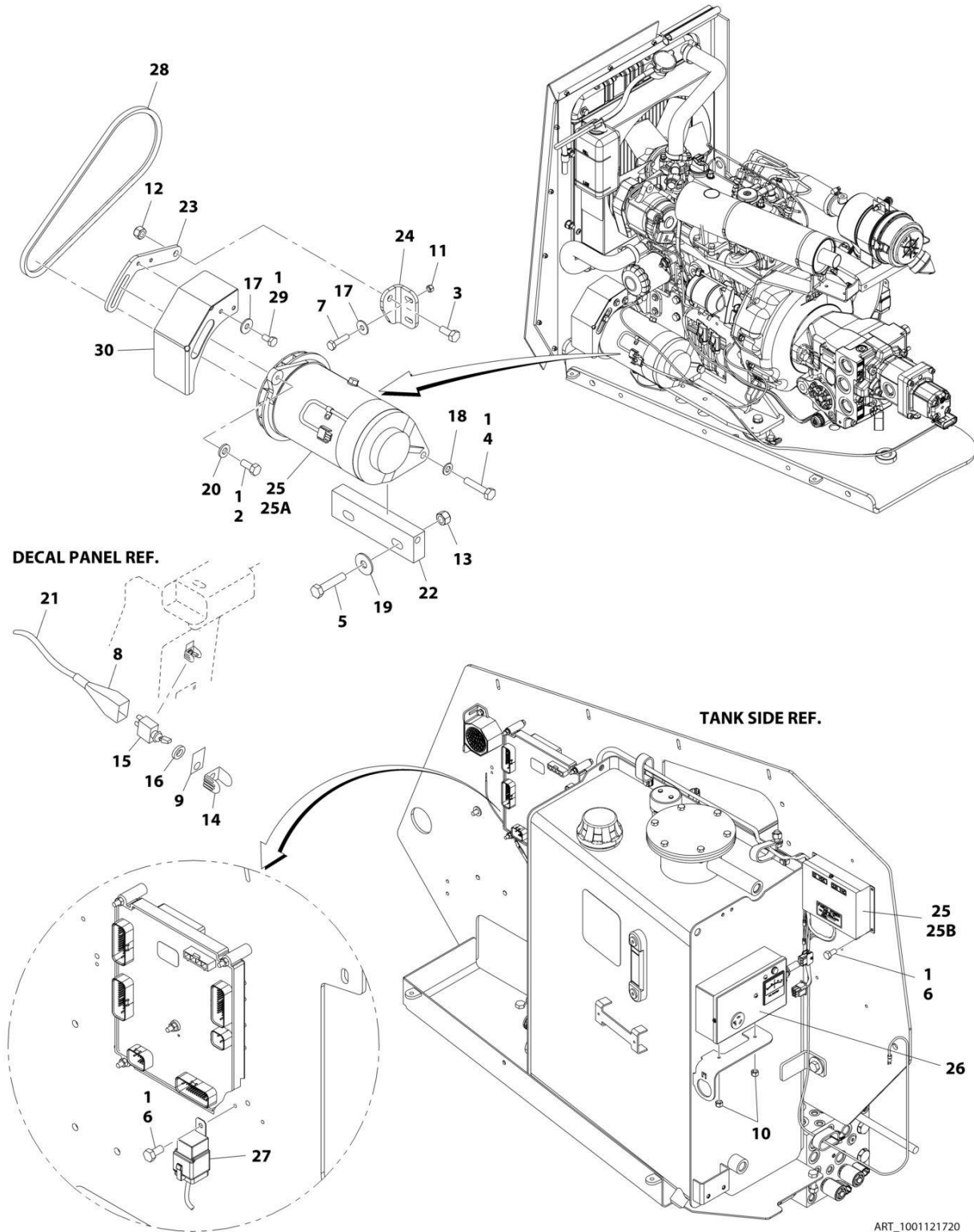
## SECTION 3 - ENGINE

### FIGURE 3-17. GEAR PUMP ASSEMBLY

ITEM	PART NUMBER	QTY	DESCRIPTION	REV
	1001117029	Ref	GEAR PUMP ASSEMBLY	A
		Ref	Note: For Items without P/Ns, replace complete pump.	
		Ref	Front Section Components	
1	See Note	4	Bolt	
2	See Note	1	Plate, End	
3	See Note	2	Bearing	
4	See Note	1	Housing	
5	See Note	1	Drive Shaft Set	
6	See Note	6	Pin, Dowel	
7	See Note	1	Plate, Front	
8	70002860	1	Seal Kit	
8A	70002577	NLA	Seal, Lip (Use Item 8)	
9	70002862	1	Ring, Retaining	
		Ref	Rear Section Components	
101	See Note	4	Bolt	
102	See Note	1	Plate, End	
103	See Note	2	Bearing	
104	See Note	1	Housing	
105	See Note	1	Drive Shaft Set	
106	See Note	4	Pin, Dowel	
107	See Note	1	Plate, Front	
108	70002861	1	Seal Kit	
109	See Note	1	Coupling	
201	See Note	4	Bolt	

# SECTION 3 - ENGINE

## FIGURE 3-18. 2800W GENERATOR INSTALLATION - GM ENGINE MACHINES 220V/50HZ GENERATOR (ANSI EXPORT AND CHINA SPECS)



## SECTION 3 - ENGINE

**FIGURE 3-18. 2800W GENERATOR INSTALLATION - GM ENGINE MACHINES 220V/50HZ  
GENERATOR (ANSI EXPORT AND CHINA SPECS)**

ITEM	PART NUMBER	QTY	DESCRIPTION	REV
	1001121720	Ref	2800W GENERATOR INSTALLATION - GM ENGINE MACHINES 220V/50HZ GENERATOR	D
1	0100011	AR	Compound, Locking	
2	0641506	1	Bolt 5/16-18 x 3/4	
3	0701012	1	Bolt M10 x 25	
4	0701018	2	Bolt M10 x 50	
5	0701219	2	Bolt M12 x 55	
6	0760505	5	Bolt M5 x 10	
7	0760612	2	Bolt M6 x 25	
8	2820031	AR	Heat Shrink	
9	3251102	1	Nameplate - Generator	
10	3290505	2	Nut M5	
11	3290605	2	Nut M6	
12	3291005	1	Nut M10	
13	3291205	2	Nut M12	
14	4060802	1	Guard, Switch	
15	4360336	1	Switch, Toggle	
16	4740397	1	Washer	
17	4811702	4	Washer M6	
18	4812000	2	Washer M10	
19	4812102	2	Washer M12	
20	4891500	1	Washer 5/16	
21	4922641	1	Harness, On/Off Switch	
22	1001119551	1	Mount, Generator	
23	1001119553	1	Arm, Adjustment	
24	1001119554	1	Support, Arm	
25	1001119589	1	Generator and Voltage Regulator Assembly	C
25A	1001100321	1	Generator	
25A	70000123	1	Armature with Slip Rings	
25A	7020109	4	Holder, Brush	
25A	7020108	4	Brush	
25A	7012513	4	Cap, Brush Holder	
25A	7012514	1	Fan	
25A	7020190	2	Bearing	
25A	7020110	1	End Bell, Front	
25A	7020111	1	End Bell, Rear	
25A	70003069	1	Cord, Power	
25A	70003070	1	Pulley	
25A	7027887	1	Key, Woodruff	
25B	70002238	1	Regulator, Voltage	
26	1001119634	1	Control Box Assembly	B
26	70000126	1	Circuit Breaker	
26	7020192	1	Voltmeter	
26	70000124	1	Receptacle, Double	
26	70000125	1	Receptacle, Single Twist Lock	
26	2920162	1	Lamp	
26	70002237	1	Diode	
26	3520028	1	Plug, Hole	
27	1001119773	1	Harness, Generator (See Separate Breakdown in ELECTRICAL	

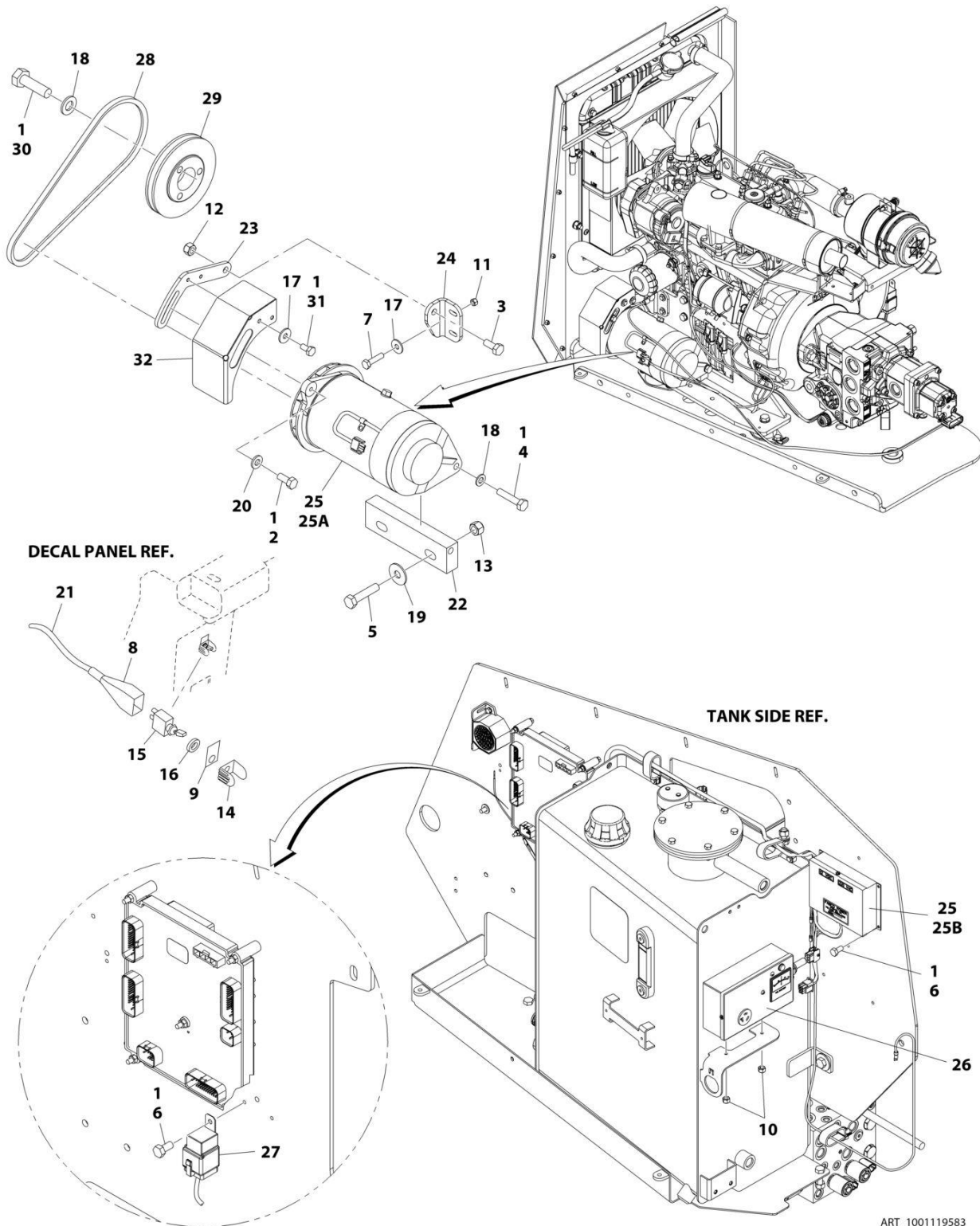
## SECTION 3 - ENGINE

ITEM	PART NUMBER	QTY	DESCRIPTION	REV
28	1001119882	1	SECTION) V-Belt	
29	0760606	2	Bolt M6 x 12	
30	1001125118	1	Shield, Pulley	



# SECTION 3 - ENGINE

## FIGURE 3-19. 2800W GENERATOR INSTALLATION - KUBOTA ENGINE MACHINES 120V/50HZ GENERATOR



## SECTION 3 - ENGINE

**FIGURE 3-19. 2800W GENERATOR INSTALLATION - KUBOTA ENGINE MACHINES 120V/50HZ GENERATOR**

ITEM	PART NUMBER	QTY	DESCRIPTION	REV
	1001119583	Ref	2800W GENERATOR INSTALLATION - KUBOTA ENGINE MACHINES 120V/50HZ GENERATOR	E
1	0100011	AR	Compound, Locking	
2	0641506	1	Bolt 5/16-18 x 3/4	
3	0701012	1	Bolt M10 x 25	
4	0701018	2	Bolt M10 x 50	
5	0701219	2	Bolt M12 x 55	
6	0760505	5	Bolt M5 x 10	
7	0760612	2	Bolt M6 x 25	
8	2820031	AR	Heat Shrink	
9	3251102	1	Nameplate - Generator	
10	3290505	2	Nut M5	
11	3290605	2	Nut M6	
12	3291005	1	Nut M10	
13	3291205	2	Nut M12	
14	4060802	1	Guard, Switch	
15	4360336	1	Switch, Toggle	
16	4740397	1	Washer	
17	4811702	4	Washer M6	
18	4812000	5	Washer M10	
19	4812102	2	Washer M12	
20	4891500	1	Washer 5/16	
21	4922641	1	Harness, On/Off Switch	
22	1001119551	1	Mount, Generator	
23	1001119553	1	Arm, Adjustment	
24	1001119554	1	Support, Arm	
25	1001119587	1	Generator Assembly	C
25A	2460049	1	Generator	
25A	70000122	1	Armature with Slip Rings	
25A	7020109	4	Holder, Brush	
25A	7020108	4	Brush	
25A	7012513	4	Cap, Brush Holder	
25A	7012514	1	Fan	
25A	7020190	2	Bearing	
25A	7020110	1	End Bell, Front	
25A	7020111	1	End Bell, Rear	
25A	70003069	1	Cord, Power	
25A	70003070	1	Pulley	
25A	7027887	1	Key, Woodruff	
25B	7026525	1	Regulator, Voltage	
26	1001119633	1	Control Box Assembly	B
26	70002240	1	Circuit Breaker	
26	2420203	1	Voltmeter	
26	7020152	1	Receptacle, Double	
26	70003137	1	Receptacle, Single Twist Lock	
26	2920162	1	Lamp	
26	70002237	1	Diode	
26	3520028	1	Plug, Hole	
27	1001119773	1	Harness, Generator (See Separate Breakdown in ELECTRICAL	

## SECTION 3 - ENGINE

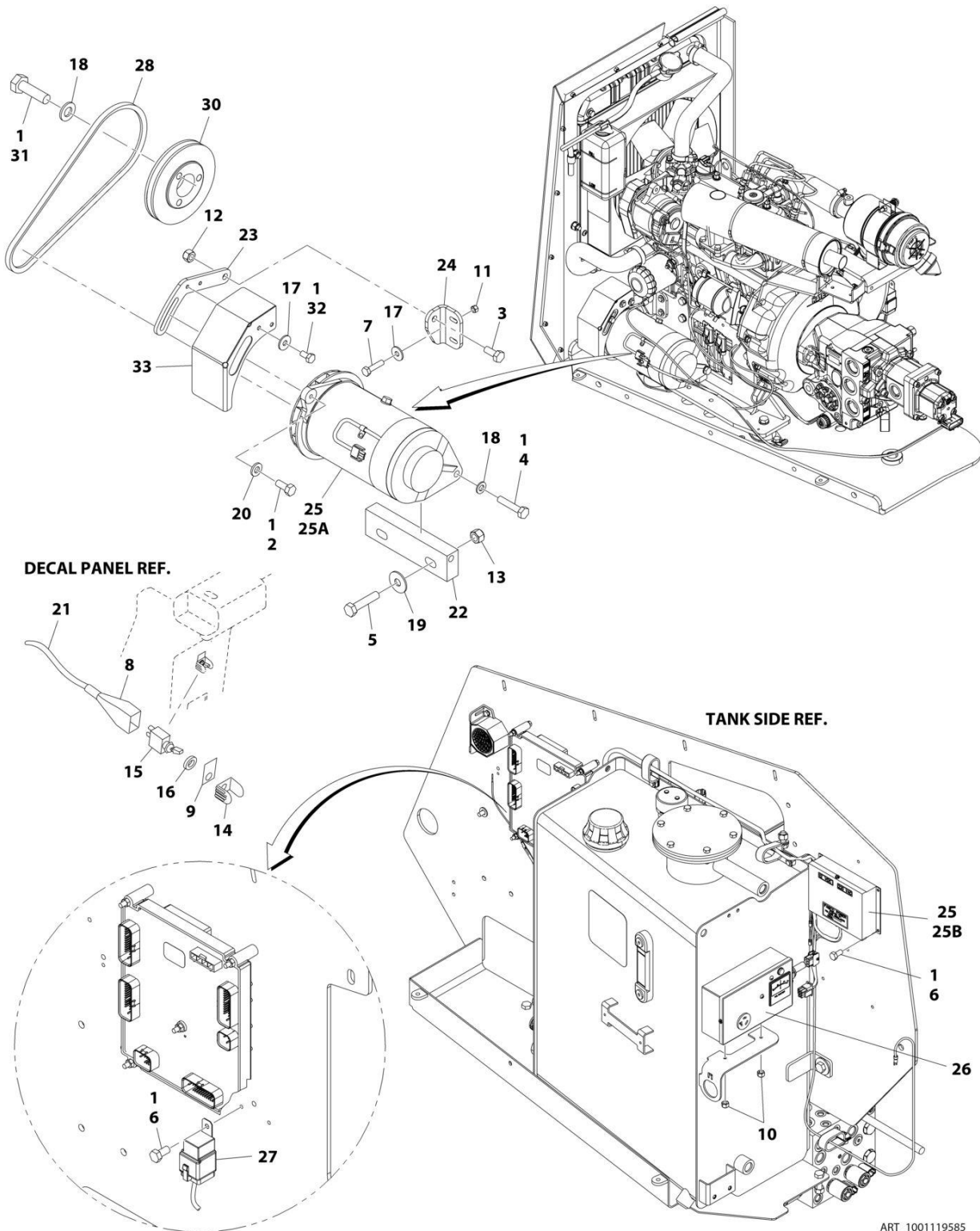
ITEM	PART NUMBER	QTY	DESCRIPTION	REV
28	1001119882	1	SECTION) V-Belt	
29	1001118720	1	Pulley	
30	1001119929	3	Bolt M10 x 35	
31	0760606	2	Bolt M6 x 12	
32	1001125118	1	Shield, Pulley	





# SECTION 3 - ENGINE

**FIGURE 3-20. 2800W GENERATOR INSTALLATION - KUBOTA ENGINE MACHINES 220V/50HZ GENERATOR (ANSI EXPORT, AUSTRALIAN, CE AND CHINA SPECS)**



## SECTION 3 - ENGINE

**FIGURE 3-20. 2800W GENERATOR INSTALLATION - KUBOTA ENGINE MACHINES 220V/50HZ  
GENERATOR (ANSI EXPORT, AUSTRALIAN, CE AND CHINA SPECS)**

ITEM	PART NUMBER	QTY	DESCRIPTION	REV
	1001119585	Ref	2800W GENERATOR INSTALLATION - KUBOTA ENGINE MACHINES 220V/50HZ GENERATOR	E
1	0100011	AR	Compound, Locking	
2	0641506	1	Bolt 5/16 x 3/4	
3	0701012	1	Bolt M10 x 25	
4	0701018	2	Bolt M10 x 50	
5	0701219	2	Bolt M12 x 55	
6	0760505	5	Bolt M5 x 10	
7	0760612	2	Bolt M6 x 25	
8	2820031	AR	Heat Shrink	
9	3251102	1	Nameplate - Generator	
10	3290505	2	Nut M5	
11	3290605	2	Nut M6	
12	3291005	1	Nut M10	
13	3291205	2	Nut M12	
14	4060802	1	Guard, Switch	
15	4360336	1	Switch, Toggle	
16	4740397	1	Washer	
17	4811702	4	Washer M6	
18	4812000	5	Washer M10	
19	4812102	2	Washer M12	
20	4891500	1	Washer 5/16	
21	4922641	1	Harness, On/Off Switch	
22	1001119551	1	Mount, Generator	
23	1001119553	1	Arm, Adjustment	
24	1001119554	1	Support, Arm	
25	1001119589	1	Generator Assembly	C
25A	1001100321	1	Generator	
25A	70000123	1	Armature with Slip Rings	
25A	7020109	4	Holder, Brush	
25A	7020108	4	Brush	
25A	7012513	4	Cap, Brush Holder	
25A	7012514	1	Fan	
25A	7020190	2	Bearing	
25A	7020110	1	End Bell, Front	
25A	7020111	1	End Bell, Rear	
25A	70003069	1	Cord, Power	
25A	70003070	1	Pulley	
25A	7027887	1	Key, Woodruff	
25B	70002238	1	Regulator, Voltage	
26	1001119634	1	Control Box Assembly	B
26	70000126	1	Circuit Breaker	
26	7020192	1	Voltmeter	
26	70000124	1	Receptacle, Double	
26	70000125	1	Receptacle, Single Twist Lock	
26	2920162	1	Lamp	
26	70002237	1	Diode	
26	3520028	1	Plug, Hole	
27	1001119773	1	Harness, Generator (See Separate Breakdown in ELECTRICAL	

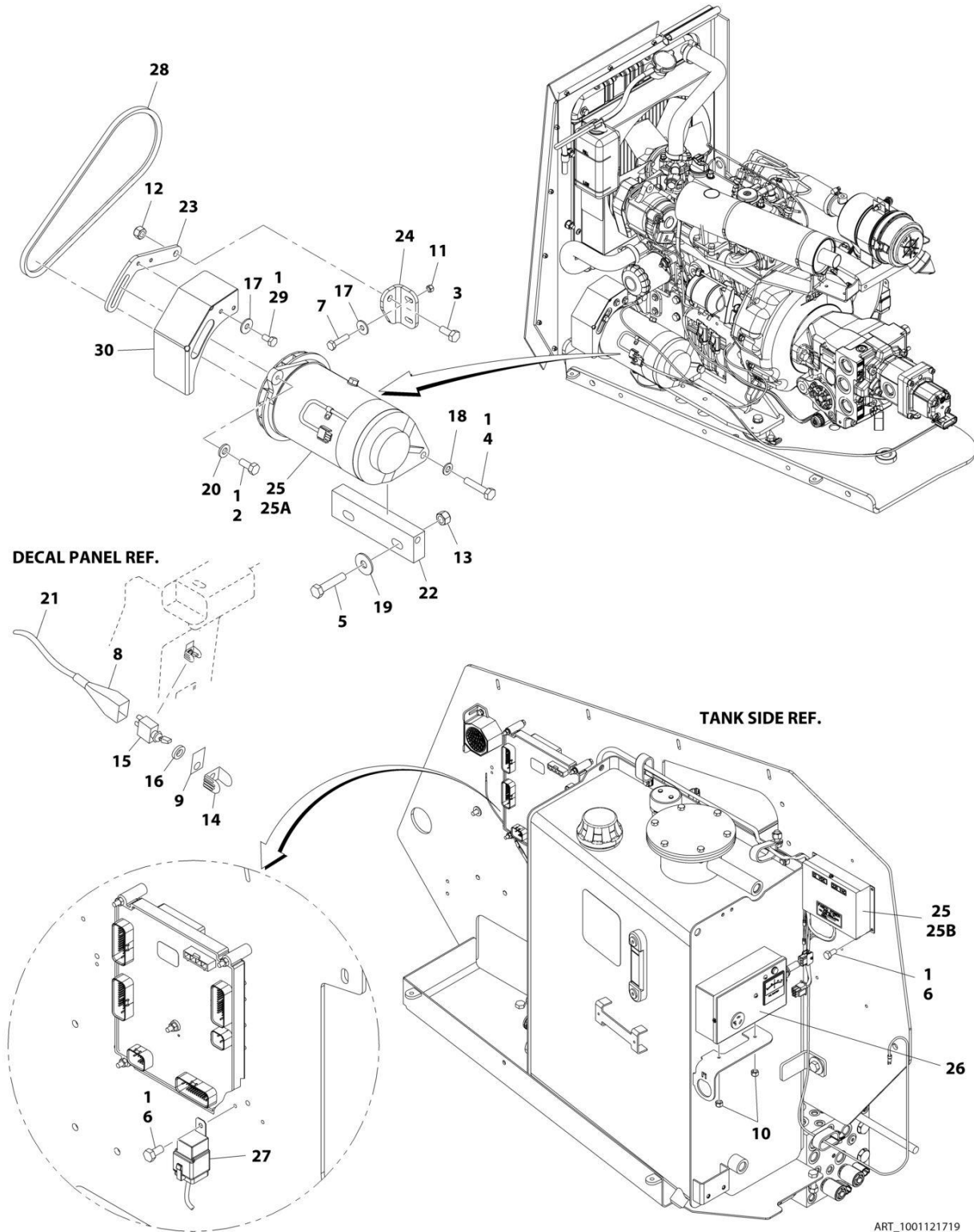
## SECTION 3 - ENGINE

ITEM	PART NUMBER	QTY	DESCRIPTION	REV
28	1001119882	1	SECTION) V-Belt	
30	1001118720	1	Pulley	
31	1001119929	3	Bolt M10 x 35	
32	0760606	2	Bolt M6 x 12	
33	1001125118	1	Shield, Pulley	



# SECTION 3 - ENGINE

## FIGURE 3-21. 3500W GENERATOR INSTALLATION - GM ENGINE MACHINES 120V/60HZ GENERATOR (ANSI, ANSI EXPORT, CHINA, CSA AND JAPANESE SPECS)



## SECTION 3 - ENGINE

**FIGURE 3-21. 3500W GENERATOR INSTALLATION - GM ENGINE MACHINES 120V/60HZ  
GENERATOR (ANSI, ANSI EXPORT, CHINA, CSA AND JAPANESE SPECS)**

ITEM	PART NUMBER	QTY	DESCRIPTION	REV
	1001121719	Ref	3500W GENERATOR INSTALLATION - GM ENGINE MACHINES 120V/60HZ GENERATOR	D
1	0100011	AR	Compound, Locking	
2	0641506	1	Bolt 5/16 x 3/4	
3	0701012	1	Bolt M10 x 25	
4	0701018	2	Bolt M10 x 50	
5	0701219	2	Bolt M12 x 55	
6	0760505	5	Bolt M5 x 10	
7	0760612	2	Bolt M6 x 25	
8	2820031	AR	Heat Shrink	
9	3251102	1	Nameplate - Generator	
10	3290505	2	Nut M5	
11	3290605	2	Nut M6	
12	3291005	1	Nut M10	
13	3291205	2	Nut M12	
14	4060802	1	Guard, Switch	
15	4360336	1	Switch, Toggle	
16	4740397	1	Washer	
17	4811702	4	Washer M6	
18	4812000	2	Washer M10	
19	4812102	2	Washer M12	
20	4891500	1	Washer 5/16	
21	4922641	1	Harness, On/Off Switch	
22	1001119551	1	Mount, Generator	
23	1001119553	1	Arm, Adjustment	
24	1001119554	1	Support, Arm	
25	1001119586	1	Generator and Voltage Regulator Assembly	C
25A	2460049	1	Generator	
25A	70000122	1	Armature with Slip Rings	
25A	7020109	4	Holder, Brush	
25A	7020108	4	Brush	
25A	7012513	4	Cap, Brush Holder	
25A	7012514	1	Fan	
25A	7020190	2	Bearing	
25A	7020110	1	End Bell, Front	
25A	7020111	1	End Bell, Rear	
25A	70003069	1	Cord, Power	
25A	70003068	1	Pulley	
25A	7027887	1	Key, Woodruff	
25B	7026525	1	Regulator, Voltage	
26	1001119633	1	Control Box Assembly	B
26	70002240	1	Circuit Breaker	
26	2420203	1	Voltmeter	
26	7020152	1	Receptacle, Double	
26	70003137	1	Receptacle, Single Twist Lock	
26	2920162	1	Lamp	
26	70002237	1	Diode	
26	3520028	1	Plug, Hole	
27	1001119773	1	Harness, Generator (See Separate Breakdown in ELECTRICAL	

### SECTION 3 - ENGINE

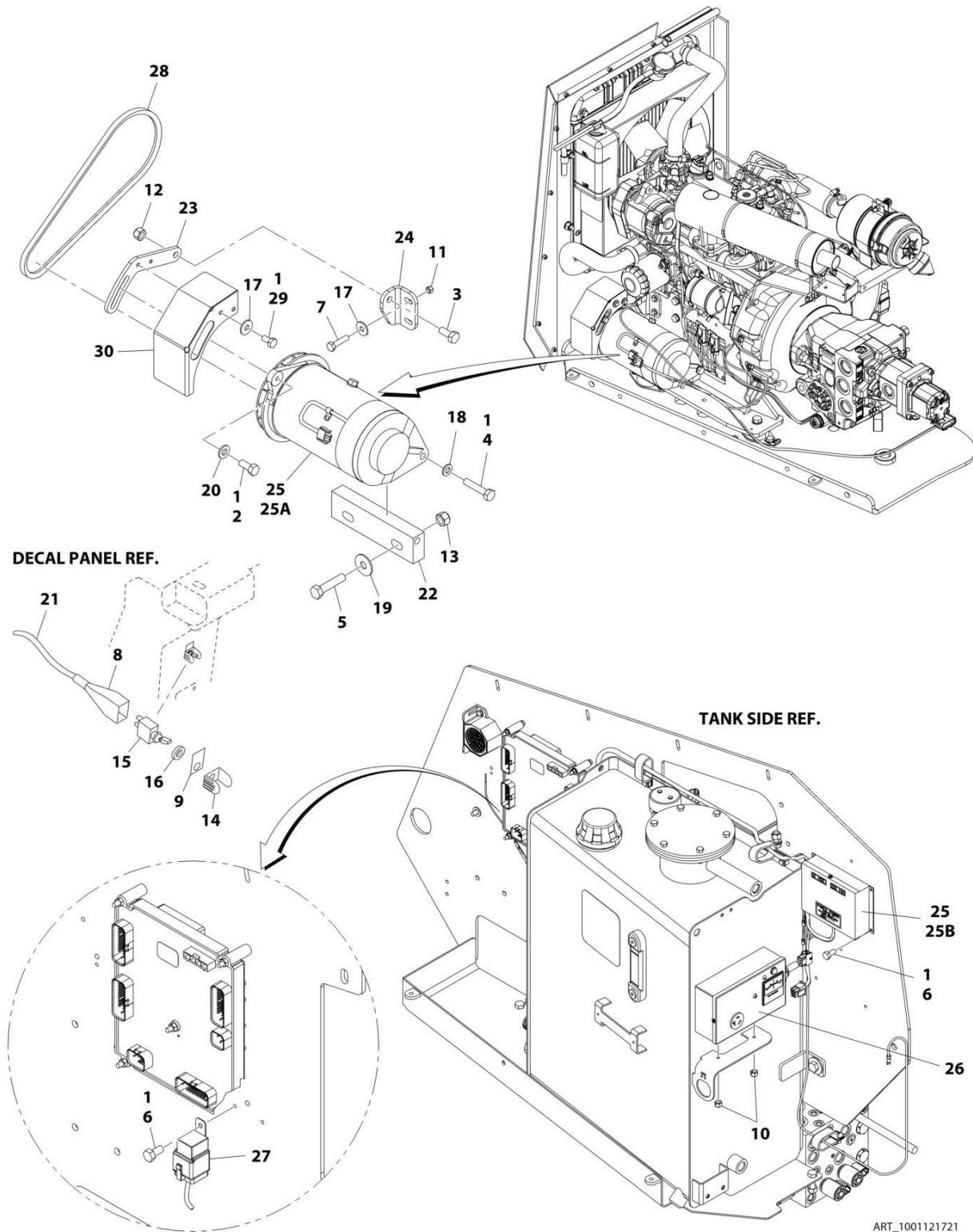
ITEM	PART NUMBER	QTY	DESCRIPTION	REV
28	1001119881	1	SECTION) V-Belt	
29	0760606	2	Bolt M6 x 12	
30	1001125118	1	Shield, Pulley	





# SECTION 3 - ENGINE

## FIGURE 3-22. 3500W GENERATOR INSTALLATION - GM ENGINE MACHINES 220V/60HZ GENERATOR (ANSI EXPORT, CHINA AND CSA SPECS)



## SECTION 3 - ENGINE

**FIGURE 3-22. 3500W GENERATOR INSTALLATION - GM ENGINE MACHINES 220V/60HZ  
GENERATOR (ANSI EXPORT, CHINA AND CSA SPECS)**

ITEM	PART NUMBER	QTY	DESCRIPTION	REV
	1001121721	Ref	3500W GENERATOR INSTALLATION - GM ENGINE MACHINES 220V/60HZ GENERATOR	D
1	0100011	AR	Compound, Locking	
2	0641506	1	Bolt 5/16 x 3/4	
3	0701012	1	Bolt M10 x 25	
4	0701018	2	Bolt M10 x 50	
5	0701219	2	Bolt M12 x 55	
6	0760505	5	Bolt M5 x 10	
7	0760612	2	Bolt M6 x 25	
8	2820031	AR	Heat Shrink	
9	3251102	1	Nameplate - Generator	
10	3290505	2	Nut M5	
11	3290605	2	Nut M6	
12	3291005	1	Nut M10	
13	3291205	2	Nut M12	
14	4060802	1	Guard, Switch	
15	4360336	1	Switch, Toggle	
16	4740397	1	Washer	
17	4811702	4	Washer M6	
18	4812000	2	Washer M10	
19	4812102	2	Washer M12	
20	4891500	1	Washer 5/16	
21	4922641	1	Harness, On/Off Switch	
22	1001119551	1	Mount, Generator	
23	1001119553	1	Arm, Adjustment	
24	1001119554	1	Support, Arm	
25	1001119588	1	Generator and Voltage Regulator Assembly	C
25A	1001100321	1	Generator	
25A	70000123	1	Armature with Slip Rings	
25A	7020109	4	Holder, Brush	
25A	7020108	4	Brush	
25A	7012513	4	Cap, Brush Holder	
25A	7012514	1	Fan	
25A	7020190	2	Bearing	
25A	7020110	1	End Bell, Front	
25A	7020111	1	End Bell, Rear	
25A	70003069	1	Cord, Power	
25A	70003068	1	Pulley	
25A	7027887	1	Key, Woodruff	
25B	70002238	1	Regulator, Voltage	
26	1001119634	1	Control Box Assembly	B
26	70000126	1	Circuit Breaker	
26	7020192	1	Voltmeter	
26	70000124	1	Receptacle, Double	
26	70000125	1	Receptacle, Single Twist Lock	
26	2920162	1	Lamp	
26	70002237	1	Diode	
26	3520028	1	Plug, Hole	
27	1001119773	1	Harness, Generator (See Separate Breakdown in ELECTRICAL	

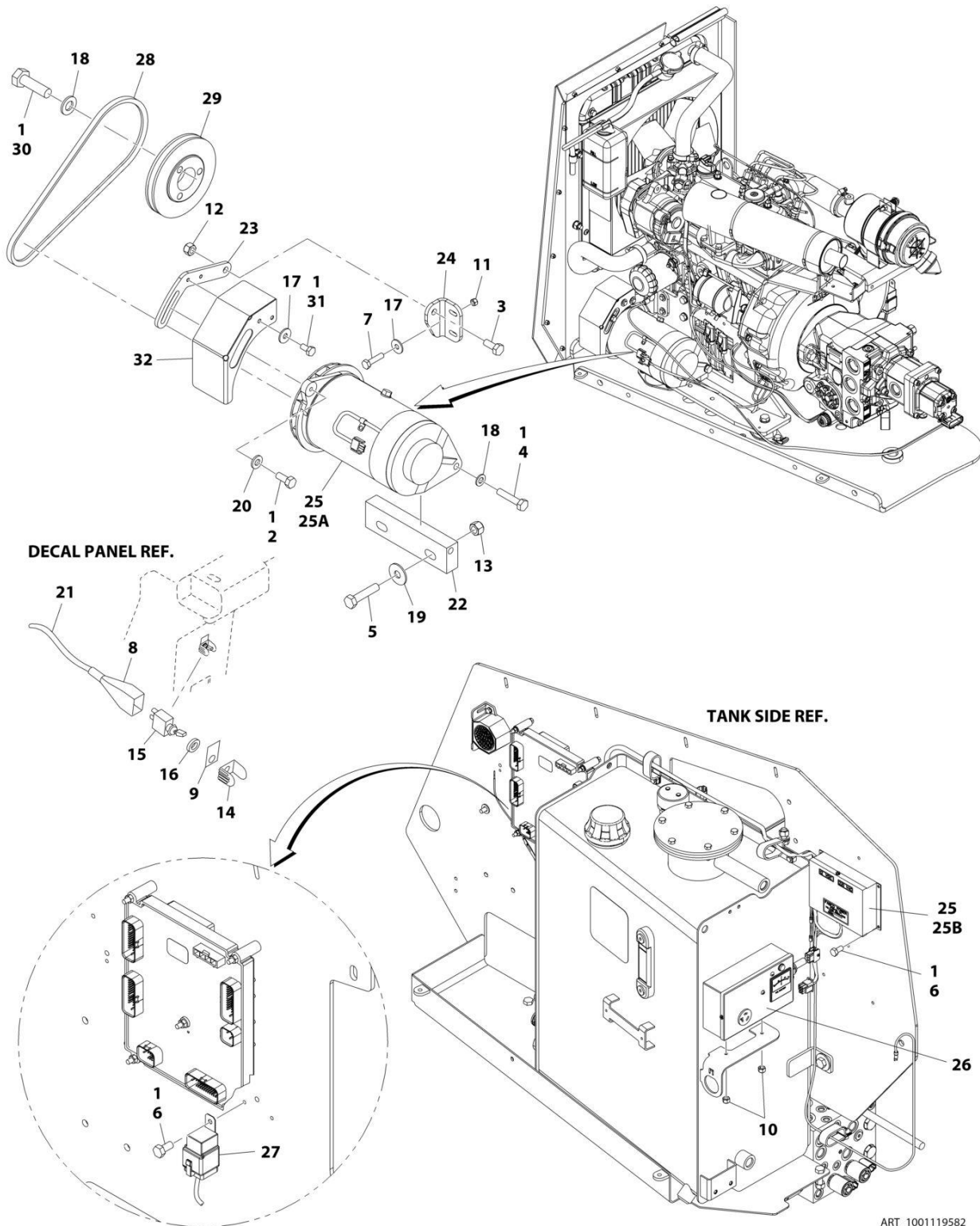
## SECTION 3 - ENGINE

ITEM	PART NUMBER	QTY	DESCRIPTION	REV
28	1001119881	1	SECTION) V-Belt	
29	0760606	2	Bolt M6 x 12	
30	1001125118	1	Shield, Pulley	



# SECTION 3 - ENGINE

**FIGURE 3-23. 3500W GENERATOR INSTALLATION - KUBOTA ENGINE MACHINES 120V/60HZ GENERATOR (ANSI, ANSI EXPORT, CHINA, CSA AND JAPANESE SPECS)**



## SECTION 3 - ENGINE

**FIGURE 3-23. 3500W GENERATOR INSTALLATION - KUBOTA ENGINE MACHINES 120V/60HZ GENERATOR (ANSI, ANSI EXPORT, CHINA, CSA AND JAPANESE SPECS)**

ITEM	PART NUMBER	QTY	DESCRIPTION	REV
	1001119582	Ref	3500W GENERATOR INSTALLATION - KUBOTA ENGINE MACHINES 120V/60HZ GENERATOR	E
1	0100011	AR	Compound, Locking	
2	0641506	1	Bolt 5/16 x 3/4	
3	0701012	1	Bolt M10 x 25	
4	0701018	2	Bolt M10 x 50	
5	0701219	2	Bolt M12 x 55	
6	0760505	5	Bolt M5 x 10	
7	0760612	2	Bolt M6 x 25	
8	2820031	AR	Heat Shrink	
9	3251102	1	Nameplate - Generator	
10	3290505	2	Nut M5	
11	3290605	2	Nut M6	
12	3291005	1	Nut M10	
13	3291205	2	Nut M12	
14	4060802	1	Guard, Switch	
15	4360336	1	Switch, Toggle	
16	4740397	1	Washer	
17	4811702	4	Washer M6	
18	4812000	5	Washer M10	
19	4812102	2	Washer M12	
20	4891500	1	Washer 5/16	
21	4922641	1	Harness, On/Off Switch	
22	1001119551	1	Mount, Generator	
23	1001119553	1	Arm, Adjustment	
24	1001119554	1	Support, Arm	
25	1001119586	1	Generator Assembly	C
25A	2460049	1	Generator	
25A	70000122	1	Armature with Slip Rings	
25A	7020109	4	Holder, Brush	
25A	7020108	4	Brush	
25A	7012513	4	Cap, Brush Holder	
25A	7012514	1	Fan	
25A	7020190	2	Bearing	
25A	7020110	1	End Bell, Front	
25A	7020111	1	End Bell, Rear	
25A	70003069	1	Cord, Power	
25A	70003068	1	Pulley	
25A	7027887	1	Key, Woodruff	
25B	7026525	1	Regulator, Voltage	
26	1001119633	1	Control Box Assembly	B
26	70002240	1	Circuit Breaker	
26	2420203	1	Voltmeter	
26	7020152	1	Receptacle, Double	
26	70003137	1	Receptacle, Single Twist Lock	
26	2920162	1	Lamp	
26	70002237	1	Diode	
26	3520028	1	Plug, Hole	
27	1001119773	1	Harness, Generator (See Separate Breakdown in ELECTRICAL	

## SECTION 3 - ENGINE

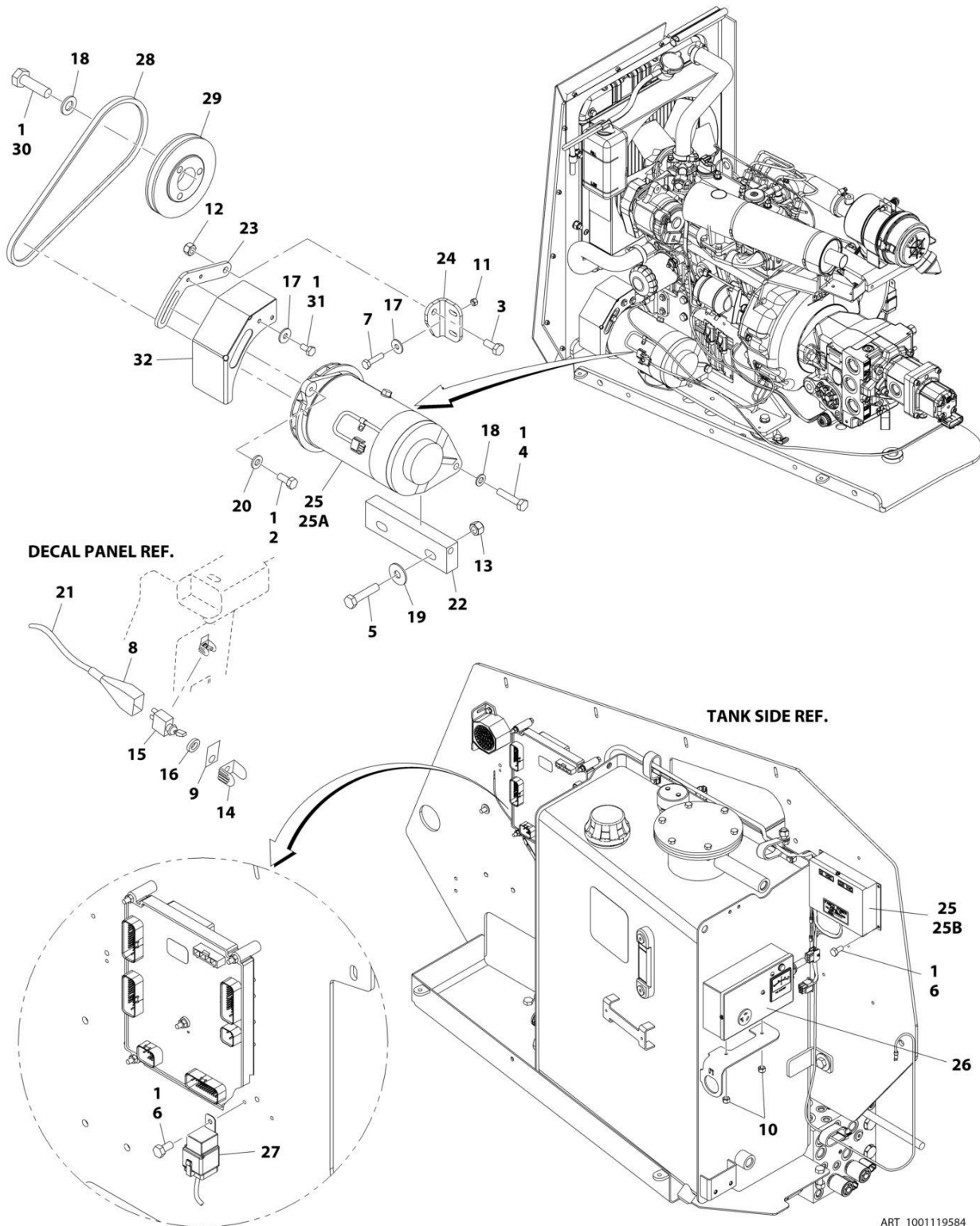
ITEM	PART NUMBER	QTY	DESCRIPTION	REV
28	1001119881	1	SECTION) V-Belt	
29	1001118720	1	Pulley	
30	1001119929	3	Bolt M10 x 35	
31	0760606	2	Bolt M6 x 12	
32	1001125118	1	Shield, Pulley	





# SECTION 3 - ENGINE

FIGURE 3-24. 3500W GENERATOR INSTALLATION - KUBOTA ENGINE MACHINES 220V/60HZ GENERATOR (ANSI EXPORT, CHINA AND CSA SPECS)



ART\_1001119584

## SECTION 3 - ENGINE

**FIGURE 3-24. 3500W GENERATOR INSTALLATION - KUBOTA ENGINE MACHINES 220V/60HZ  
GENERATOR (ANSI EXPORT, CHINA AND CSA SPECS)**

ITEM	PART NUMBER	QTY	DESCRIPTION	REV
	1001119584	Ref	3500W GENERATOR INSTALLATION - KUBOTA ENGINE MACHINES 220V/60HZ GENERATOR	E
1	0100011	AR	Compound, Locking	
2	0641506	1	Bolt 5/16 x 3/4	
3	0701012	1	Bolt M10 x 25	
4	0701018	2	Bolt M10 x 50	
5	0701219	2	Bolt M12 x 55	
6	0760505	5	Bolt M5 x 10	
7	0760612	2	Bolt M6 x 25	
8	2820031	AR	Heat Shrink	
9	3251102	1	Nameplate - Generator	
10	3290505	2	Nut M5	
11	3290605	2	Nut M6	
12	3291005	1	Nut M10	
13	3291205	2	Nut M12	
14	4060802	1	Guard, Switch	
15	4360336	1	Switch, Toggle	
16	4740397	1	Washer	
17	4811702	4	Washer M6	
18	4812000	5	Washer M10	
19	4812102	2	Washer M12	
20	4891500	1	Washer 5/16	
21	4922641	1	Harness, On/Off Switch	
22	1001119551	1	Mount, Generator	
23	1001119553	1	Arm, Adjustment	
24	1001119554	1	Support, Arm	
25	1001119588	1	Generator Assembly	C
25A	1001100321	1	Generator	
25A	70000123	1	Armature with Slip Rings	
25A	7020109	4	Holder, Brush	
25A	7020108	4	Brush	
25A	7012513	4	Cap, Brush Holder	
25A	7012514	1	Fan	
25A	7020190	2	Bearing	
25A	7020110	1	End Bell, Front	
25A	7020111	1	End Bell, Rear	
25A	70003069	1	Cord, Power	
25A	70003068	1	Pulley	
25A	7027887	1	Key, Woodruff	
25B	70002238	1	Regulator, Voltage	
26	1001119634	1	Control Box Assembly	B
26	70000126	1	Circuit Breaker	
26	7020192	1	Voltmeter	
26	70000124	1	Receptacle, Double	
26	70000125	1	Receptacle, Single Twist Lock	
26	2920162	1	Lamp	
26	70002237	1	Diode	
26	3520028	1	Plug, Hole	
27	1001119773	1	Harness, Generator (See Separate Breakdown in ELECTRICAL	

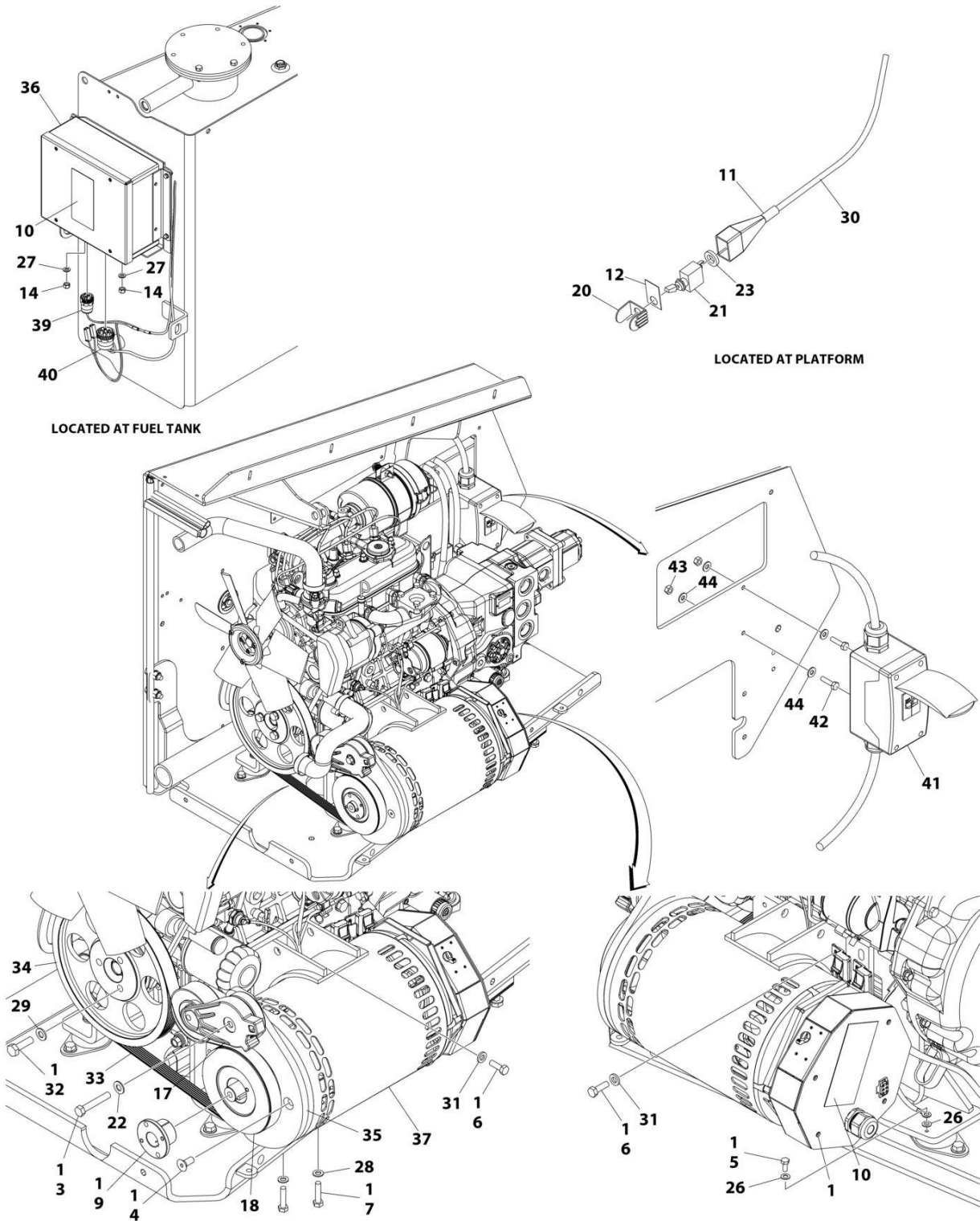
## SECTION 3 - ENGINE

ITEM	PART NUMBER	QTY	DESCRIPTION	REV
28	1001119881	1	SECTION) V-Belt	
29	1001118720	1	Pulley	
30	1001119929	3	Bolt M10 x 35	
31	0760606	2	Bolt M6 x 12	
32	1001125118	1	Shield, Pulley	



# SECTION 3 - ENGINE

**FIGURE 3-25. 4000W GENERATOR INSTALLATION - KUBOTA ENGINE MACHINES 220V/50HZ GENERATOR (ANSI EXPORT, AUSTRALIAN, CE, CHINA AND JAPANESE SPECS)**



ART\_1001148660

## SECTION 3 - ENGINE

**FIGURE 3-25. 4000W GENERATOR INSTALLATION - KUBOTA ENGINE MACHINES 220V/50HZ GENERATOR (ANSI EXPORT, AUSTRALIAN, CE, CHINA AND JAPANESE SPECS)**

ITEM	PART NUMBER	QTY	DESCRIPTION	REV
	1001148660	Ref	4000W GENERATOR INSTALLATION - KUBOTA ENGINE MACHINES 220V/50HZ GENERATOR	D
1	0100011	AR	Compound, Locking	
3	0641618	1	Bolt 3/8 x 2-1/4	
4	0741607	3	Bolt 3/8 x 0.88	
5	0760607	1	Bolt M6 x 14	
6	0760812	2	Bolt M8 x 25	
7	0760815	2	Bolt M8 x 35	
9	0962520	1	Bushing, Split Taper	
10	1705489	AR	Decal - Hazardous Voltage	
11	2820031	AR	Heat Shrink	
12	3251102	1	Nameplate, Generator	
14	3290505	2	Nut M5	
17	3580317	1	Pulley, Belt Tensioner	
18	3580319	1	Pulley, Generator - 50Hz	
20	4060802	1	Guard, Switch	
21	4360336	1	Switch, Toggle	
22	4711600	1	Washer 3/8	
23	4740397	1	Washer	
26	4791400	2	Washer 1/4	
27	4811600	2	Washer M5	
28	4811900	2	Washer M8	
29	4812000	3	Washer M10	
30	4922641	1	Harness, On/Off Switch	
31	5240800	2	Washer M8	
32	1001119929	3	Bolt M10 x 35	
33	1001147141	1	Belt, 4000W - 50Hz	
34	1001147233	1	Pulley	
35	1001147234	1	Mount, Generator Tensioner	
36	1001147431	1	4000W Control Box Installation	
37	1001150619	1	Generator, 4000W - 50Hz	
37	70003709	1	Ring, Retaining - External (Shaft End)	
37	70003708	1	Ring, Retaining - Internal (Shaft End)	
37	70001966	1	Bearing (Shaft End)	
37	70004092	1	Endbell (Shaft End)	
37	70004099	1	Key, Shaft	
37	70004676	1	Rottor/Shaft Assembly	
37	70004688	1	Stator	
37	70004678	1	Endbell (Enclosure End)	
37	70004679	1	Cover, Endbell (Enclosure End)	
37	70004689	1	Enclosure, Wiring	
37	70004690	1	Cover, Enclosure	
37	70004682	1	Switch, On/Off/Reset	
37	70004683	1	Connector, Strain Relief	
39	1001157915	1	Harness, 4000W Generator Control (See Separate Breakdown in ELECTRICAL Section)	
40	1001157916	1	Harness, Generator (See Separate Breakdown in ELECTRICAL SECTION)	
41	1001096070	1	Kit, Box and Bracket	

## SECTION 3 - ENGINE

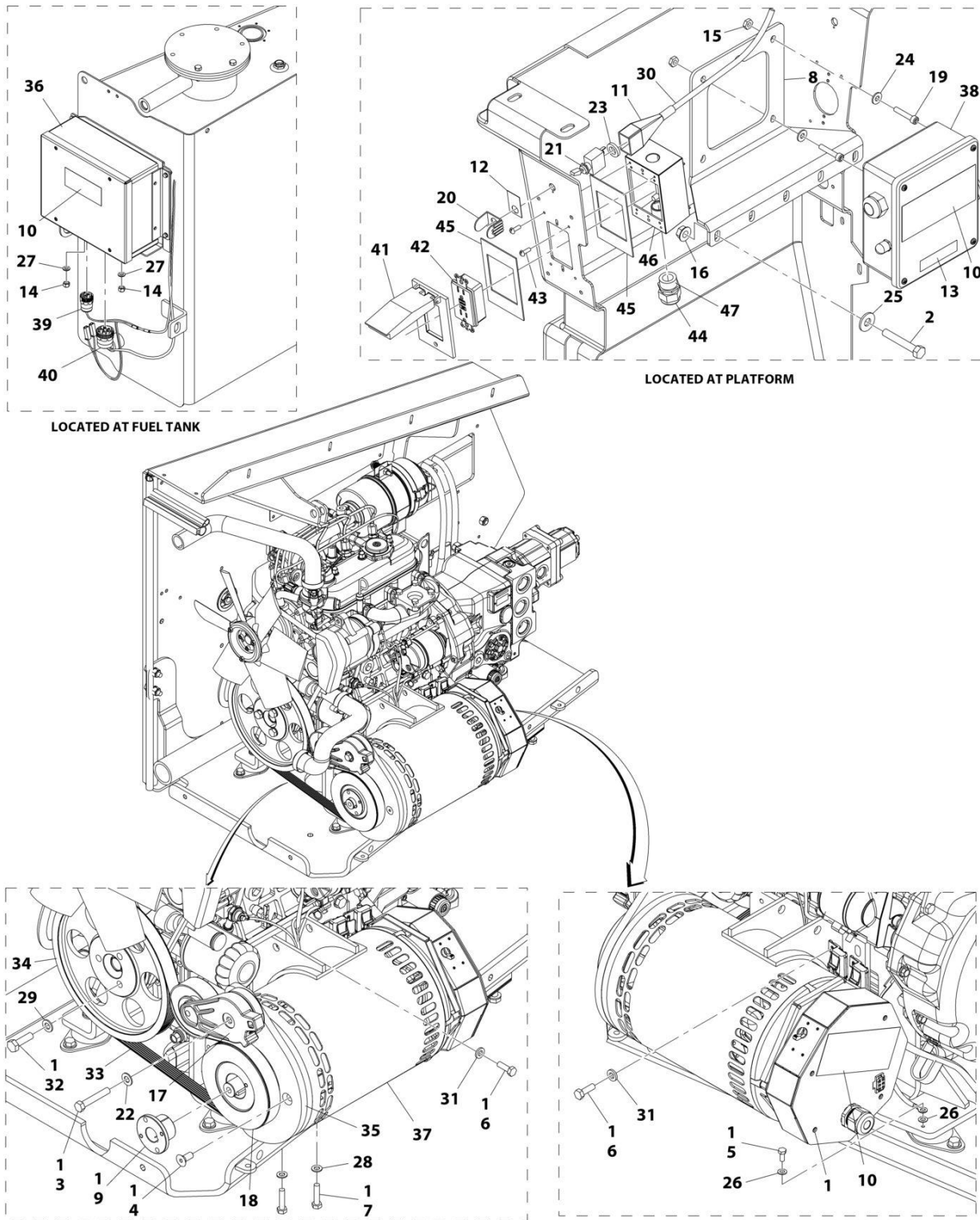
ITEM	PART NUMBER	QTY	DESCRIPTION	REV
42	0641408	2	Bolt 1/4 x 1	
43	3311405	2	Nut 1/4	
44	4711400	4	Washer 1/4	





# SECTION 3 - ENGINE

**FIGURE 3-26. 4000W GENERATOR INSTALLATION - KUBOTA ENGINE MACHINES 110V/60HZ GENERATOR (ANSI, ANSI EXPORT, CHINA, CSA AND JAPANESE SPECS)**



ART\_1001148663

## SECTION 3 - ENGINE

**FIGURE 3-26. 4000W GENERATOR INSTALLATION - KUBOTA ENGINE MACHINES 110V/60HZ  
GENERATOR (ANSI, ANSI EXPORT, CHINA, CSA AND JAPANESE SPECS)**

ITEM	PART NUMBER	QTY	DESCRIPTION	REV
	1001148663	Ref	4000W GENERATOR INSTALLATION - KUBOTA ENGINE MACHINES 110V/60HZ GENERATOR	C
1	0100011	AR	Compound, Locking	
2	0641516	3	Bolt 5/16 x 2	
3	0641618	1	Bolt 3/8 x 2-1/4	
4	0741607	3	Bolt 3/8 x 0.88	
5	0760607	1	Bolt M6 x 14	
6	0760812	2	Bolt M8 x 25	
7	0760815	2	Bolt M8 x 35	
8	0902888	1	Bracket, Generator Junction Box	
9	0962520	1	Bushing, Split Taper	
10	1705387	3	Decal - Hazardous Voltage	
11	2820031	AR	Heat Shrink	
12	3251102	1	Nameplate, Generator	
13	3251243	1	Decal - 120V/60Hz	
14	3290505	2	Nut M5	
15	3311005	4	Nut #10	
16	3311508	3	Nut #5/16	
17	3580317	1	Pulley, Belt Tensioner	
18	3580318	1	Pulley, Generator - 60Hz	
19	3931016	4	Bolt #10 x 1	
20	4060802	1	Guard, Switch	
21	4360336	1	Switch, Toggle	
22	4711600	1	Washer 3/8	
23	4740397	1	Washer	
24	4751000	4	Washer #10	
25	4751500	3	Washer #5/16	
26	4791400	2	Washer 1/4	
27	4811600	2	Washer M5	
28	4811900	2	Washer M8	
29	4812000	3	Washer M10	
30	4922641	1	Harness, On/Off Switch	
31	5240800	2	Washer M8	
32	1001119929	3	Bolt M10 x 35	
33	1001153814	1	Belt, 4000W - 60Hz	
34	1001147233	1	Pulley	
35	1001147234	1	Mount, Generator Tensioner	
36	1001147431	1	4000W Control Box Installation	
37	1001147436	1	Generator 4000W - 60Hz	
37	70003709	1	Ring, Retaining - External (Shaft End)	
37	70003708	1	Ring, Retaining - Internal (Shaft End)	
37	70001966	1	Bearing (Shaft End)	
37	70004092	1	Endbell (Shaft End)	
37	70004099	1	Key, Shaft	
37	70004676	1	Rottor/Shaft Assembly	
37	70004691	1	Stator	
37	70004678	1	Endbell (Enclosure End)	
37	70004679	1	Cover, Endbell (Enclosure End)	
37	70004689	1	Enclosure, Wiring	

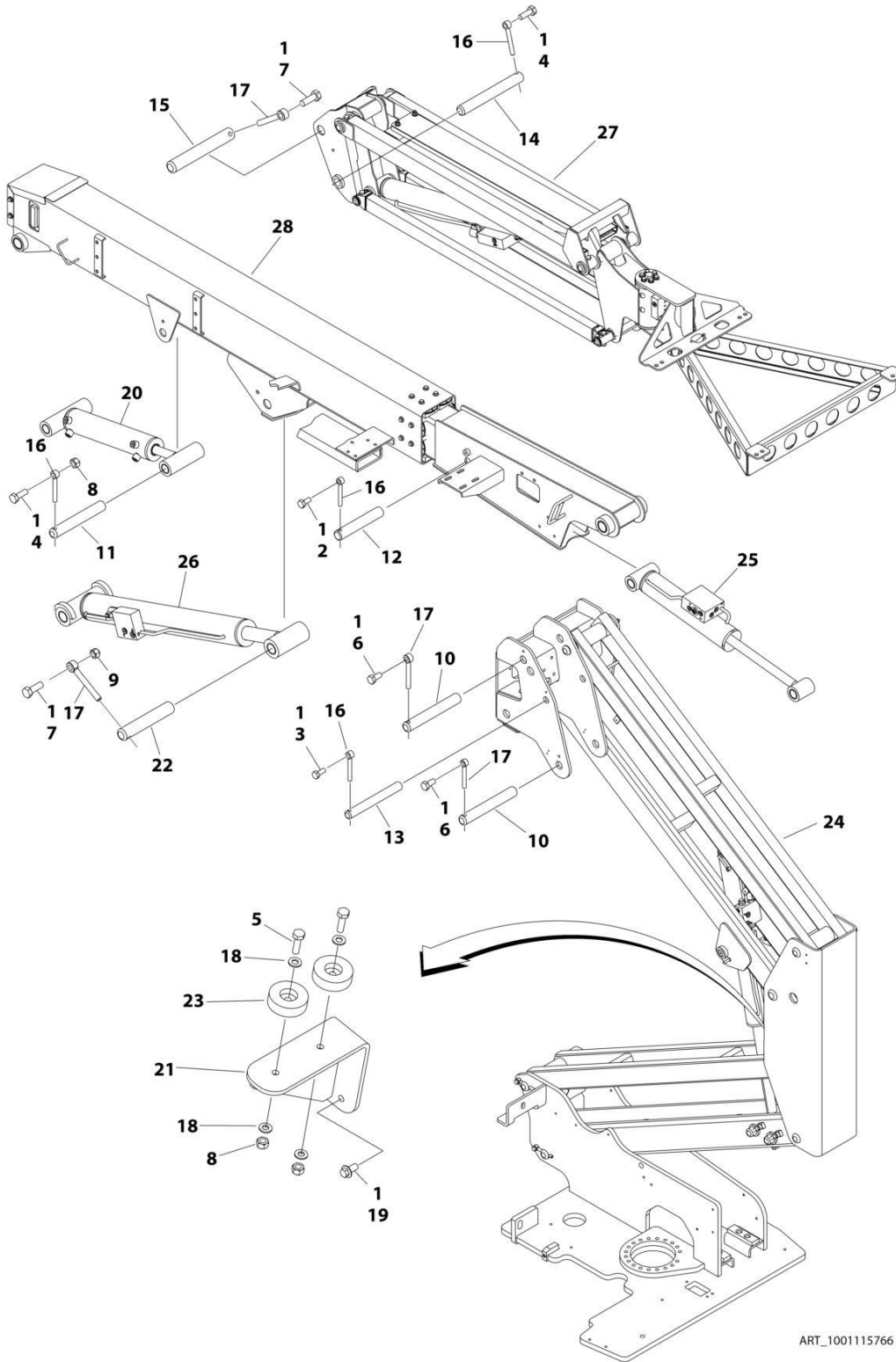
## SECTION 3 - ENGINE

ITEM	PART NUMBER	QTY	DESCRIPTION	REV
37	70004692	1	Cover, Enclosure	
37	70004682	1	Switch, On/Off/Reset	
37	70004098	1	Connector, Strain Relief	
38	1001152457	1	Box, Junction Assembly	
39	1001157915	1	Harness, 4000W Generator Control (See Separate Breakdown in ELECTRICAL Section)	
40	1001157916	1	Harness, Generator (See Separate Breakdown in ELECTRICAL Section)	
41	1001110873	1	Cover	
42	4460346	1	Receptacle	
43	3910606	4	Bolt 6 x 3/8	
44	4460071	1	Connector	
45	3960422	1	Gasket	
46	0860038	1	Box, Switch-Weatherhead	
47	0100020	AR	Sealant, Pipe	

**SECTION 4 - BOOM**

# SECTION 4 - BOOM

## FIGURE 4-1. BOOM AND CYLINDERS INSTALLATION - WITHOUT ARCTIC PACKAGE



ART\_1001115766

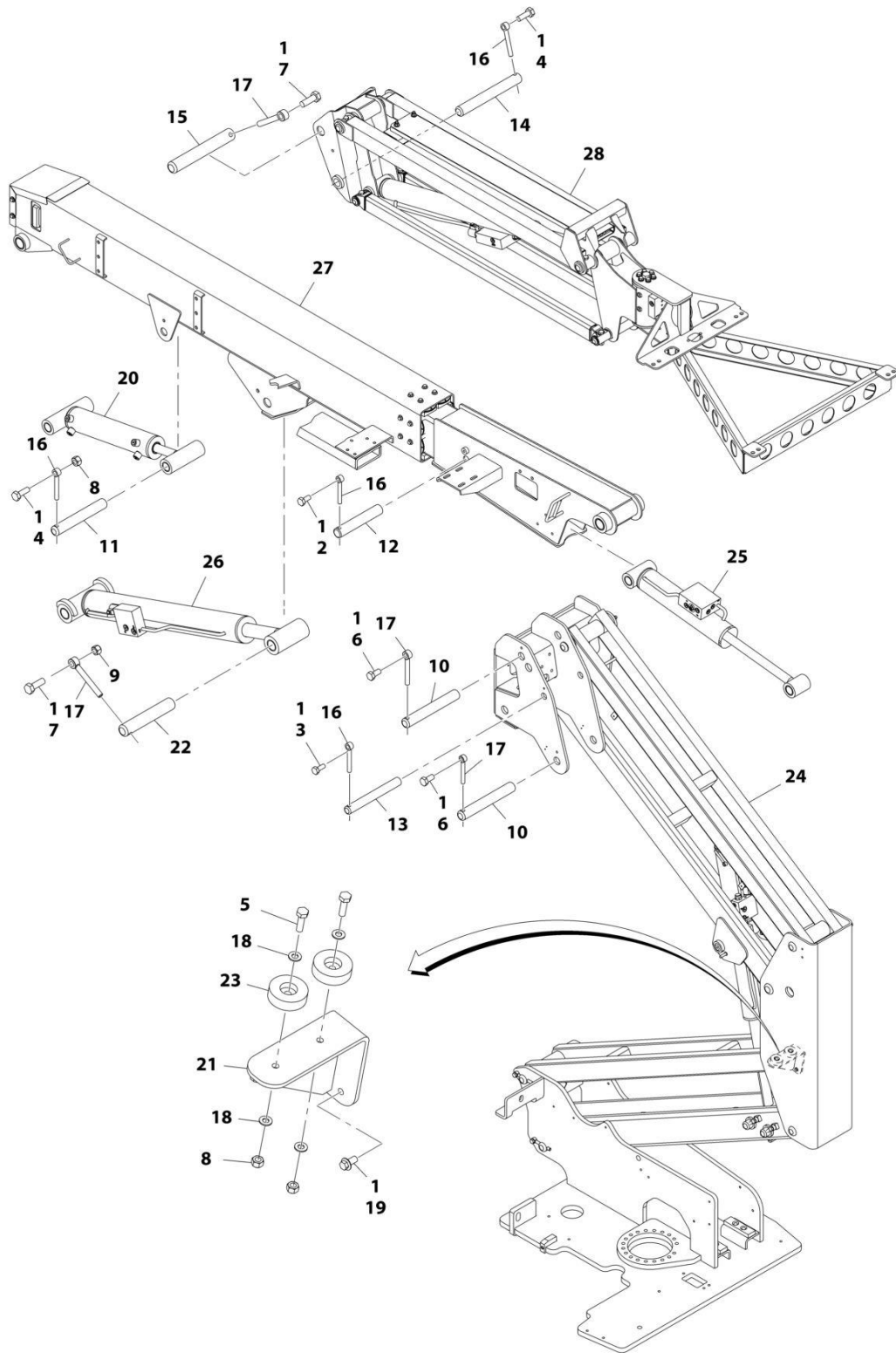
## SECTION 4 - BOOM

**FIGURE 4-1. BOOM AND CYLINDERS INSTALLATION - WITHOUT ARCTIC PACKAGE**

ITEM	PART NUMBER	QTY	DESCRIPTION	REV
	1001115766	Ref	BOOM AND CYLINDERS INSTALLATION - WITHOUT ARCTIC PACKAGE	D
1	0100011	AR	Compound, Locking	
2	0761011	1	Bolt M10 x 22	
3	0761012	1	Bolt M10 x 25	
4	0761014	2	Bolt M10 x 30	
5	0761015	2	Bolt M10 x 35	
6	0761212	2	Bolt M12 x 25	
7	0761215	2	Bolt M12 x 35	
8	3291005	3	Nut M10	
9	3291205	1	Nut M12	
10	3422576	2	Pin	
11	3422582	1	Pin	
12	3422709	1	Pin	
13	3422790	1	Pin	
14	3422792	1	Pin	
15	3422814	1	Pin	
16	3841143	4	Keeper, Pin	
17	3841203	4	Keeper, Pin	
18	4812000	4	Washer M10	
19	5251010	3	Bolt M10 x 20	
20	1001120976	1	Master Cylinder Assembly (See Separate Breakdown in CYLINDER Section)	
21	1001125235	1	Rest, Boom	
22	1001109528	1	Pin	
23	1001112607	2	Pad, Boom Rest	
24	1001115672	1	Tower Boom Assembly (See Separate Breakdown in this Section)	
25	1001225990	1	Level Cylinder Assembly - Platform (Slave) (See Separate Breakdown in CYLINDER Section)	
26	1001117640	1	Lift Cylinder Assembly - Main Boom (See Separate Breakdown in CYLINDER Section)	
27	1001117884	1	Jib Assembly (See Separate Breakdown in this Section)	
28	1001117885	1	Main Boom Assembly (See Separate Breakdown in this Section)	

# SECTION 4 - BOOM

## FIGURE 4-2. BOOM AND CYLINDERS INSTALLATION - WITH ARCTIC PACKAGE



ART\_1001119371



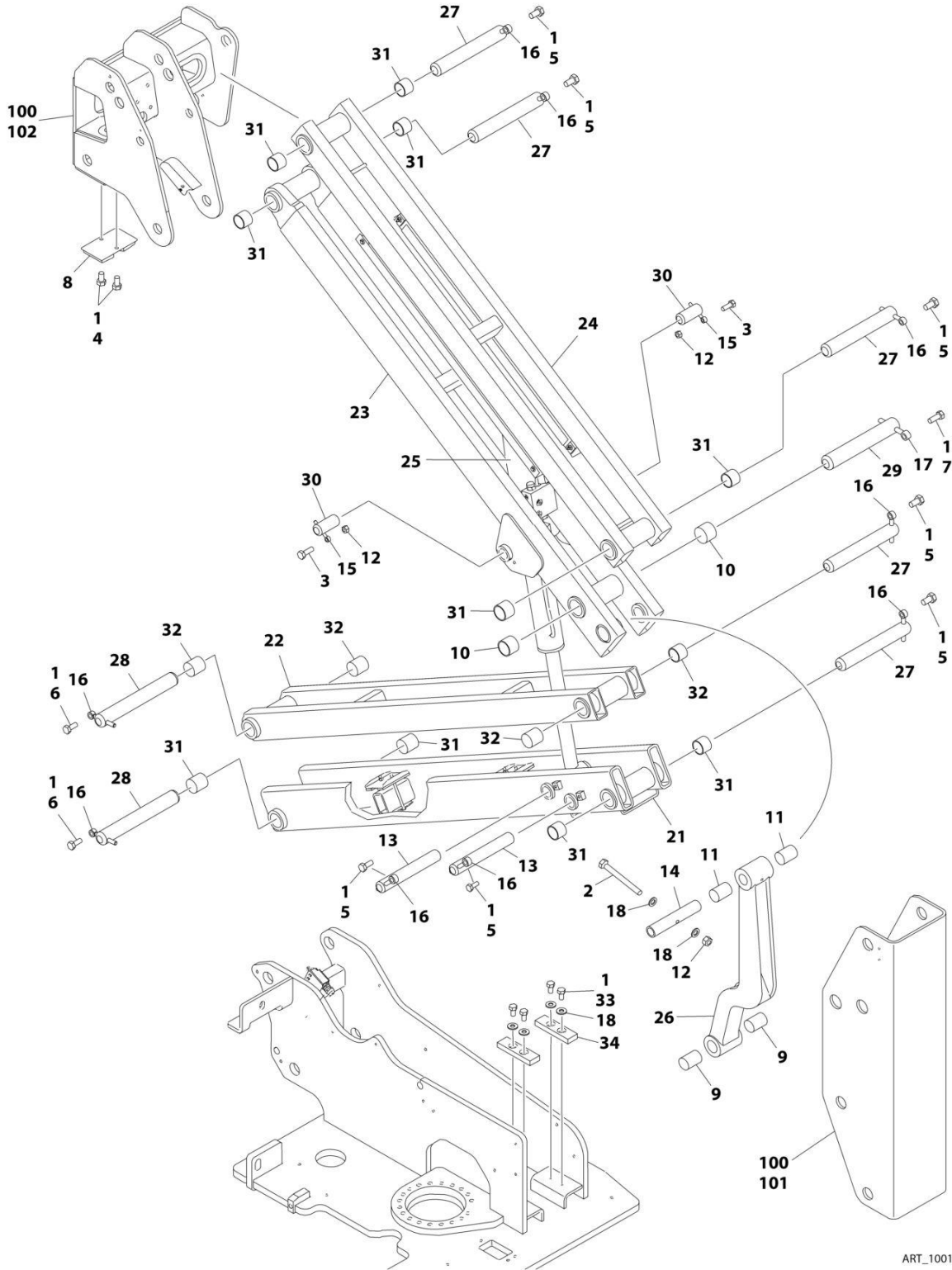
## SECTION 4 - BOOM

**FIGURE 4-2. BOOM AND CYLINDERS INSTALLATION - WITH ARCTIC PACKAGE**

ITEM	PART NUMBER	QTY	DESCRIPTION	REV
	1001119371	Ref	BOOM AND CYLINDERS INSTALLATION - WITH ARCTIC PACKAGE	D
1	0100011	AR	Compound, Locking	
2	0761011	1	Bolt M10 x 22	
3	0761012	1	Bolt M10 x 25	
4	0761014	2	Bolt M10 x 30	
5	0761015	2	Bolt M10 x 35	
6	0761212	2	Bolt M12 x 25	
7	0761215	2	Bolt M12 x 35	
8	3291005	3	Nut M10	
9	3291205	1	Nut M12	
10	3422576	2	Pin	
11	3422582	1	Pin	
12	3422709	1	Pin	
13	3422790	1	Pin	
14	3422792	1	Pin	
15	3422814	1	Pin	
16	3841143	4	Keeper, Pin	
17	3841203	4	Keeper, Pin	
18	4812000	4	Washer M10	
19	5251010	3	Bolt M10 x 20	
20	1001120976	1	Master Cylinder Assembly (See Separate Breakdown in CYLINDER Section)	
21	1001125235	1	Rest, Boom	
22	1001109528	1	Pin	
23	1001112607	2	Pad, Boom Rest	
24	1001115672	1	Tower Boom Assembly (See Separate Breakdown in this Section)	
25	1001225990	1	Level Cylinder Assembly - Platform (Slave) (See Separate Breakdown in CYLINDER Section)	
26	1001117640	1	Lift Cylinder Assembly - Main Boom (See Separate Breakdown in CYLINDER Section)	
27	1001117885	1	Main Boom Assembly Options (See Separate Breakdown in this Section)	
28	1001119370	1	Jib Assembly (See Separate Breakdown in this Section)	

# SECTION 4 - BOOM

## FIGURE 4-3. TOWER BOOM ASSEMBLY



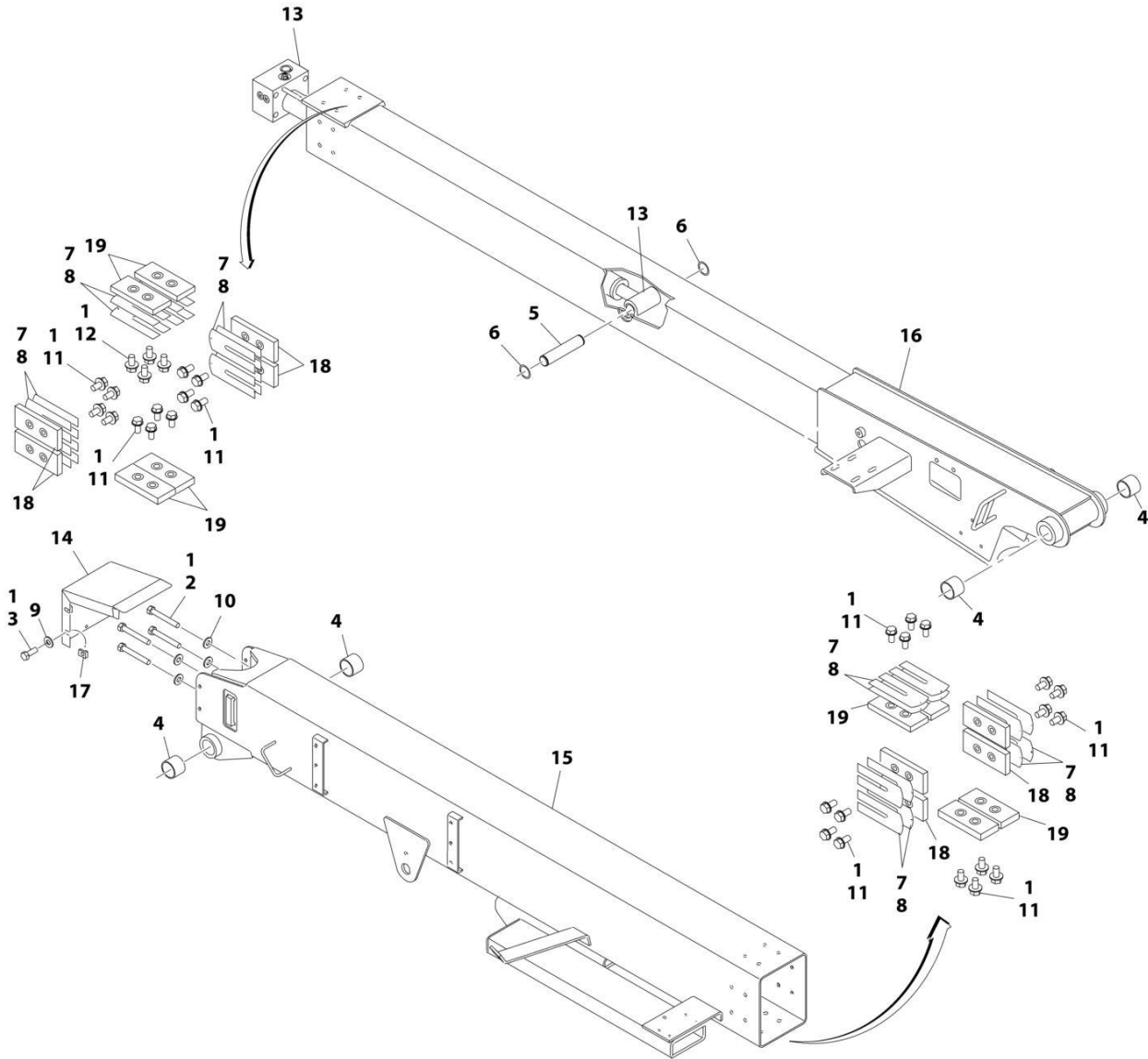
ART\_1001115672

FIGURE 4-3. TOWER BOOM ASSEMBLY

ITEM	PART NUMBER	QTY	DESCRIPTION	REV
	1001115672	Ref	TOWER BOOM ASSEMBLY	D
1	0100011	AR	Compound, Locking	
2	0701027	1	Bolt M10 x 100	
3	0761015	2	Bolt M10 x 35	
4	0761210	2	Bolt M12 x 20	
5	0761212	7	Bolt M12 x 25	
6	0761214	2	Bolt M12 x 30	
7	0761615	2	Bolt M16 x 35	
8	0940048	1	Bumper	
9	0961948	2	Bearing	
10	0962224	2	Bearing	
11	0962259	2	Bearing	
12	3291005	3	Nut M10	
13	3422787	2	Pin	
14	3422788	1	Pin	
15	3841143	2	Keeper, Pin	
16	3841203	9	Keeper, Pin	
17	3841258	1	Keeper, Pin	
18	4812000	6	Washer M10	
21	1001115657	1	Link, Lower Boom (Bottom)	
22	1001115661	1	Link, Lower Boom (Top)	
23	1001115663	1	Link, Mid Boom (Bottom)	
24	1001115669	1	Link, Mid Boom (Top)	
25	1001122527	1	Lift Cylinder Assembly - Tower Boom (See Separate Breakdown in CYLINDER Section)	
26	1001115870	1	Link, Timing	
27	1001116546	5	Pin	
28	1001116547	2	Pin	
29	1001116548	1	Pin	
30	1001116549	2	Pin	
31	1001118665	10	Bearing	
32	1001118666	4	Bearing	
33	0761010	4	Bolt M10 x 20	
34	3340758	2	Pad, Wear	
100	1001231153	1	Lower Upright Boom Kit	
101	1001115649	1	Upright, Lower	
102	1001115650	1	Upright, Upper	

# SECTION 4 - BOOM

## FIGURE 4-4. MAIN BOOM ASSEMBLY



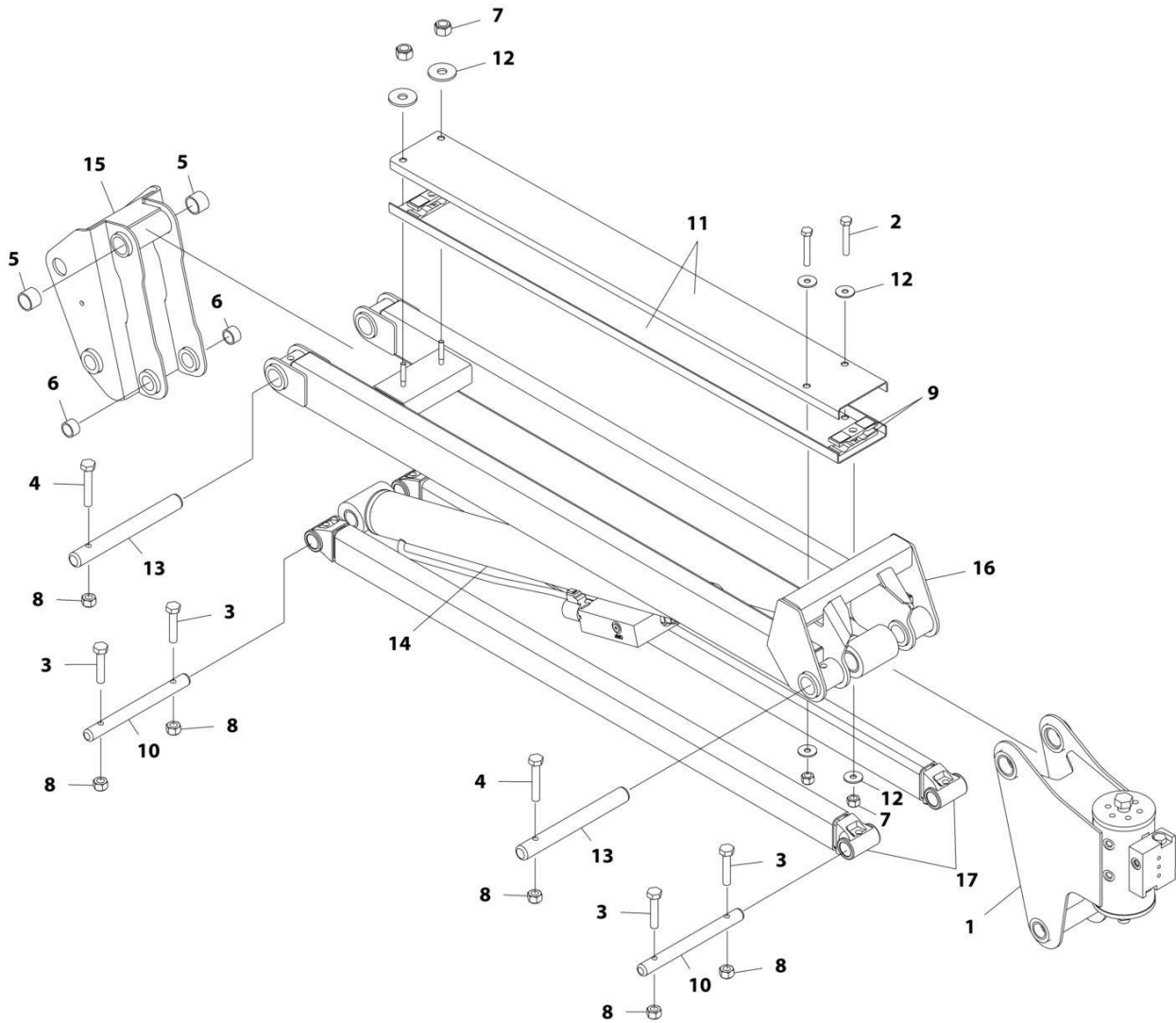
ART\_1001117885

FIGURE 4-4. MAIN BOOM ASSEMBLY

ITEM	PART NUMBER	QTY	DESCRIPTION	REV
	1001117885	Ref	MAIN BOOM ASSEMBLY	C
1	0100011	AR	Compound, Locking	
2	0711227	4	Bolt M12 x 100 Grade 10.9	
3	0760812	4	Bolt M8 x 25	
4	0961948	4	Bushing	
5	3422745	1	Pin	
6	3760115	2	Ring, Retaining	
7	4070897	16	Shim 18Ga	
8	4070898	12	Shim 11Ga	
9	4811902	4	Washer M8	
10	5241200	4	Washer M12	
11	5251010	28	Bolt M10 x 20	
12	5251012	4	Bolt M10 x 25	
13	1001120974	1	Telescope Cylinder Assembly (See Separate Breakdown in CYLINDER Section)	
14	1001108290	1	Cover, Boom End	
15	1001116876	1	Boom, Base	
16	1001116877	1	Boom, Fly	
17	1001118274	4	Nut, Retainer M8	
18	1001118287	8	Pad, Wear	
19	1001118288	8	Pad, Wear	

# SECTION 4 - BOOM

## FIGURE 4-5. JIB ASSEMBLY - WITHOUT ARCTIC PACKAGE



ART\_100117884

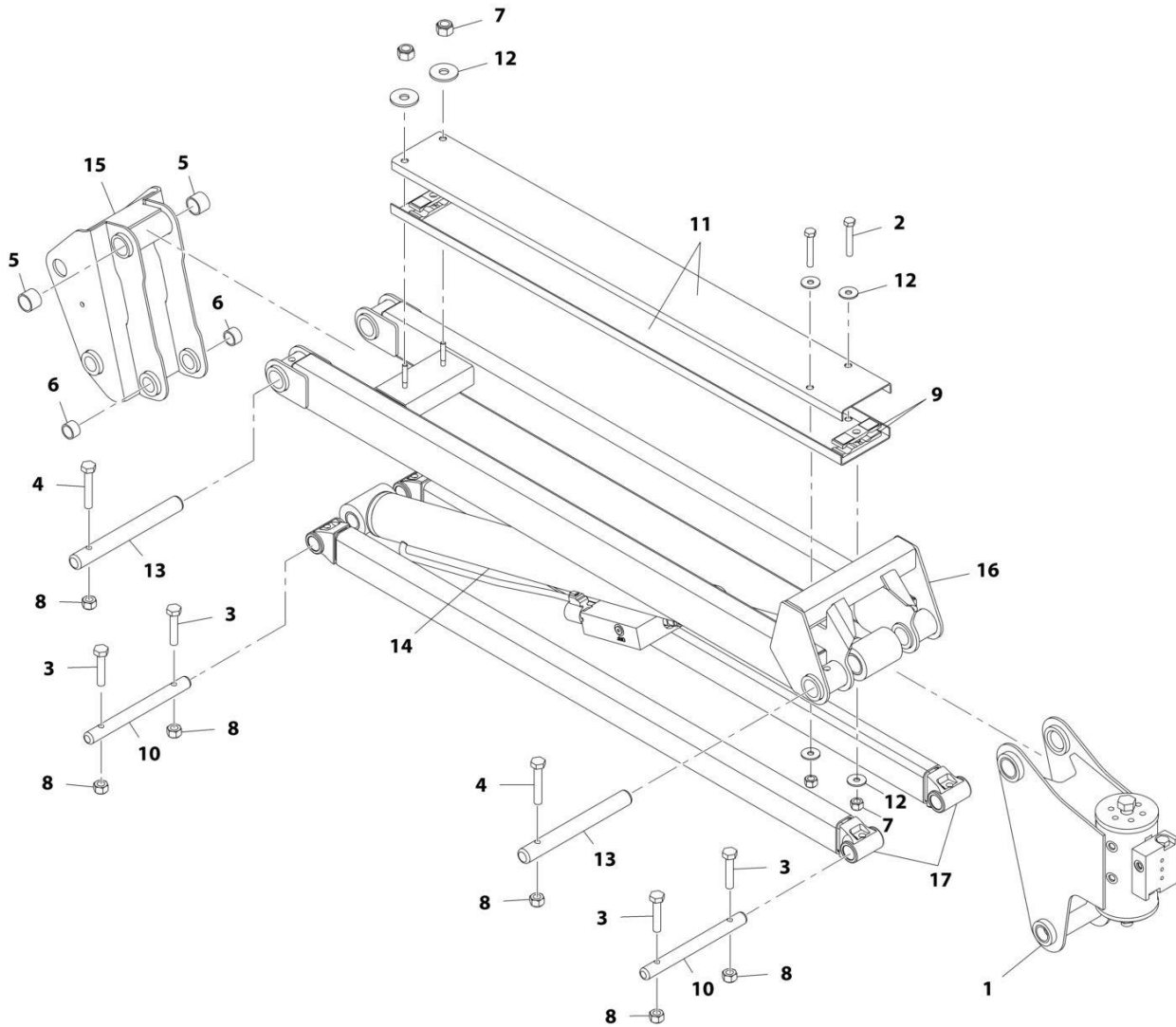
## SECTION 4 - BOOM

**FIGURE 4-5. JIB ASSEMBLY - WITHOUT ARCTIC PACKAGE**

ITEM	PART NUMBER	QTY	DESCRIPTION	REV
	1001117884	Ref	JIB ASSEMBLY - WITHOUT ARCTIC PACKAGE	C
1	0060044	1	Platform Rotator Assembly (See Separate Breakdown in this Section)	
2	0700818	2	Bolt M8 x 50	
3	0701018	4	Bolt M10 x 50	
4	0701020	2	Bolt M10 x 60	
5	0961951	2	Bushing	
6	0962292	2	Bushing	
7	3290805	4	Nut M8	
8	3291005	6	Nut M10	
9	3340860	4	Pad, Rubber	
10	3422791	2	Pin	
11	3572551	2	Channel, Hose Carrier	
12	4811902	6	Washer M8	
13	1001116550	2	Pin	
14	1001123004	1	Lift Cylinder Assembly - Jib (See Separate Breakdown in CYLINDER Section)	
15	1001118394	1	Pivot, Jib	
16	1001118482	1	Link, Jib (Top)	
17	1001094670	2	Link, Jib (Bottom)	

# SECTION 4 - BOOM

## FIGURE 4-6. JIB ASSEMBLY - WITH ARCTIC PACKAGE



ART\_1001119370



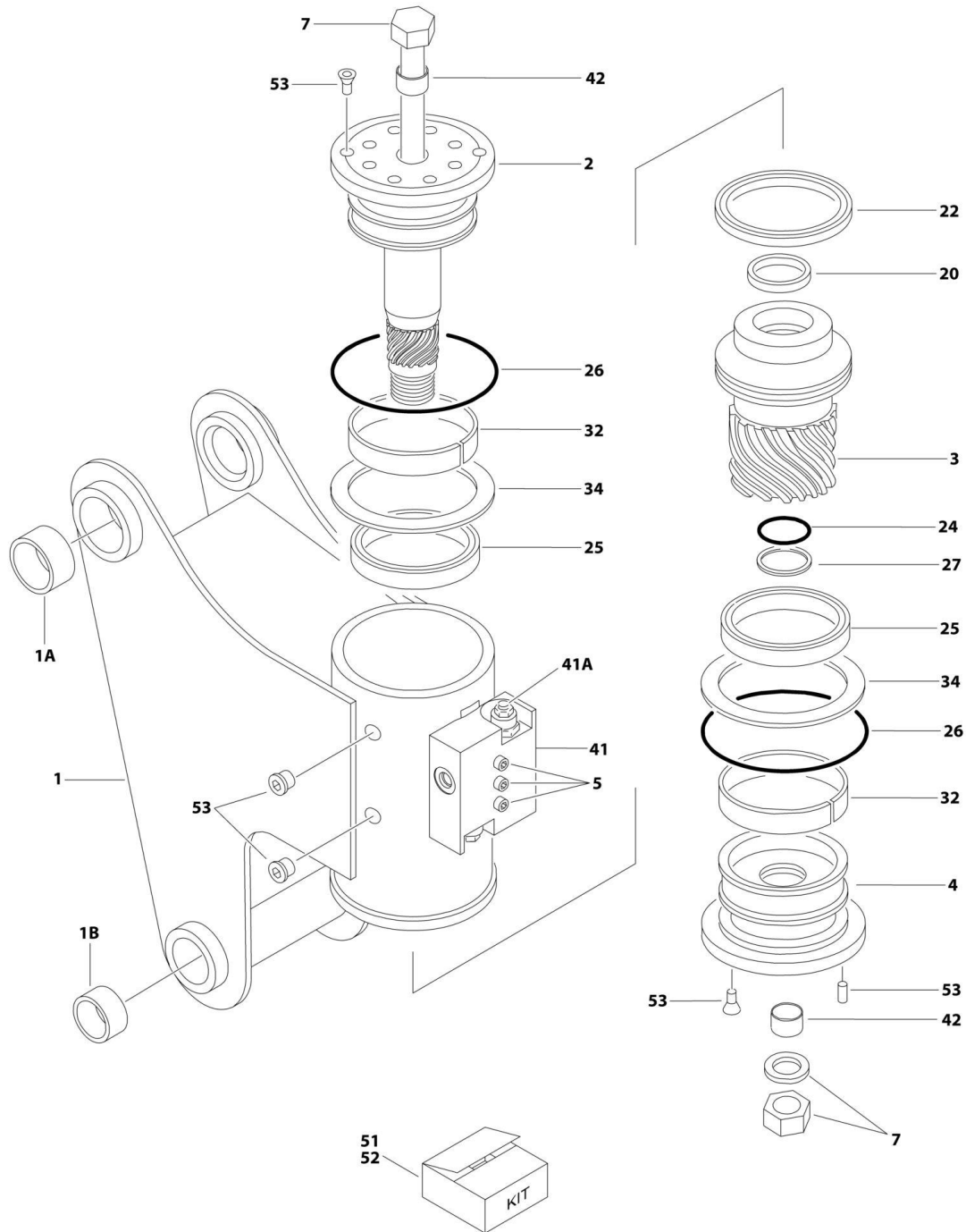
## SECTION 4 - BOOM

**FIGURE 4-6. JIB ASSEMBLY - WITH ARCTIC PACKAGE**

ITEM	PART NUMBER	QTY	DESCRIPTION	REV
	1001119370	Ref	JIB ASSEMBLY - WITH ARCTIC PACKAGE	C
1	1001119369	1	Platform Rotator Assembly (See Separate Breakdown in this Section)	
2	0700818	2	Bolt M8 x 50	
3	0701018	4	Bolt M10 x 50	
4	0701020	2	Bolt M10 x 60	
5	0961951	2	Bushing	
6	0962292	2	Bushing	
7	3290805	4	Nut M8	
8	3291005	6	Nut M10	
9	3340860	4	Pad, Rubber	
10	3422791	2	Pin	
11	3572551	2	Channel, Hose Carrier	
12	4811902	6	Washer M8	
13	1001116550	2	Pin	
14	1001123004	1	Lift Cylinder Assembly - Jib (See Separate Breakdown in CYLINDER Section)	
15	1001118394	1	Pivot, Jib	
16	1001118482	1	Link, Jib (Top)	
17	1001094670	2	Link, Jib (Bottom)	

# SECTION 4 - BOOM

## FIGURE 4-7. PLATFORM ROTATOR ASSEMBLY - WITHOUT ARCTIC PACKAGE



ART\_0060044

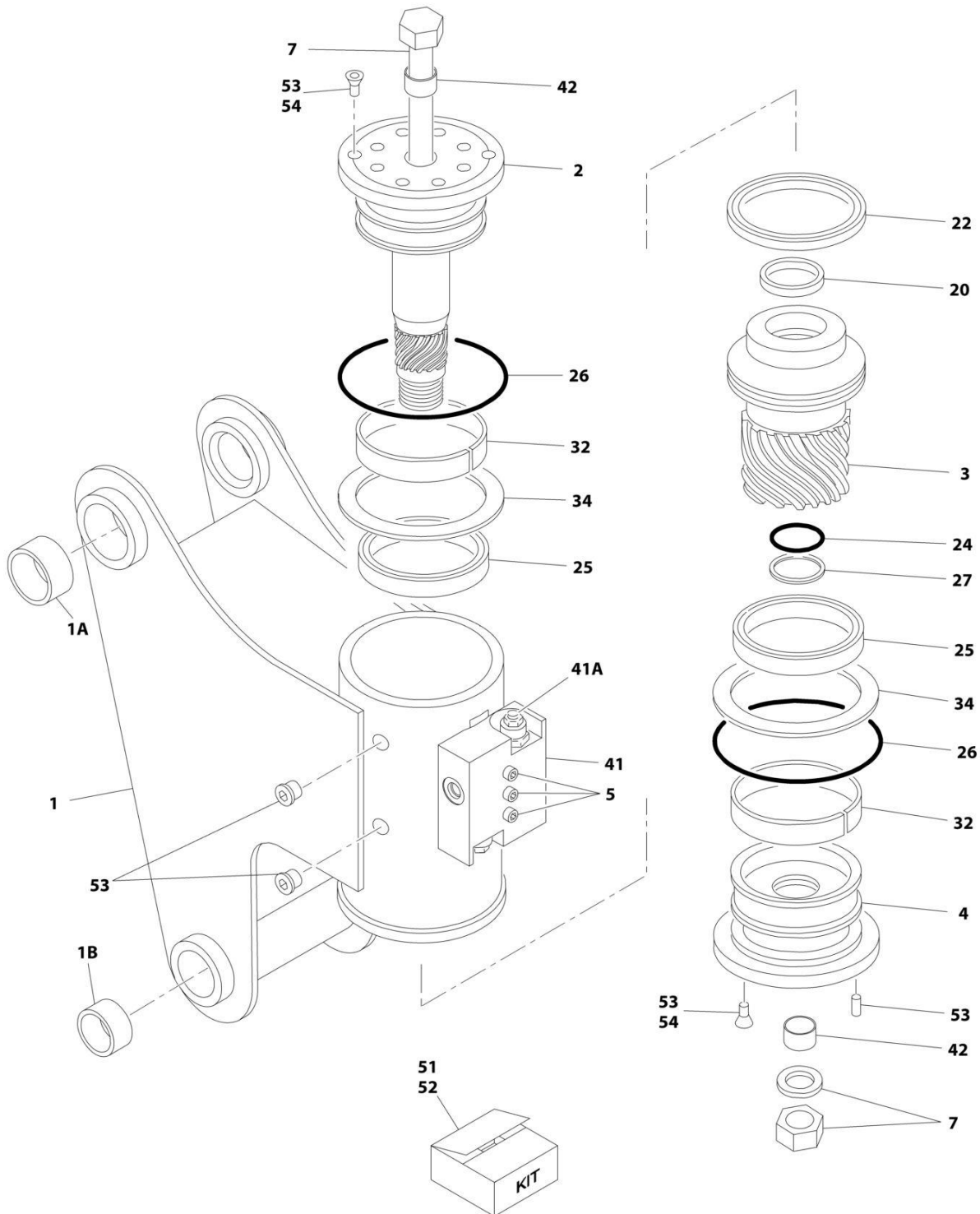
## SECTION 4 - BOOM

**FIGURE 4-7. PLATFORM ROTATOR ASSEMBLY - WITHOUT ARCTIC PACKAGE**

ITEM	PART NUMBER	QTY	DESCRIPTION	REV
	0060044	Ref	ROTATOR ASSEMBLY	D
1	See Note	1	Case/Bracket Weldment (Note: Not Available - Purchase Complete Assembly)	
1A	0962257	2	Bushing	
1B	0961947	2	Bushing	
2	7017120	1	Shaft (Rotator with Helac Control #25928)	
2	7017196	1	Shaft (Rotator with Helac Control #26962)	
3	7017121	1	Piston Sleeve (Rotator with Helac Control #25928)	
3	7027900	1	Piston Sleeve (Rotator with Helac Control #26962)	
4	See Note	1	Cap, End (Rotator with Helac Control #25928) (Note: Use p/n 0060044)	
4	7027901	1	Cap, End (Rotator with Helac Control #26962)	
5	See Note	3	Capscrew 1/4 x 1-1/2, Grade 8 (Note: Not Available - Purchase Locally)	
7	7017126	1	Tie Rod Assembly	
20	See Note	NSS	Seal, Rod (Note: Use Item 52)	
22	See Note	NSS	Seal, Piston (Note: Use Item 52)	
24	See Note	NSS	Seal, Cap (Note: Use Item 52)	
25	See Note	NSS	Packing, Bearing (Note: Use Item 52)	
26	See Note	NSS	Seal (Note: Use Item 52)	
27	See Note	NSS	Ring, Back-Up Cap (Note: Use Item 52)	
32	See Note	NSS	Bearing, Shaft (Note: Use Item 51)	
34	See Note	2	Washer, Thrust (Note: Use Item 51)	
41	7017172	1	Counterbalance Valve Assembly (Helac p/n 24327, 26553 or 26554 Stamped Beside Mounting Screws)	
41A	7011323	2	Valve, Cartridge (Helac p/n 24327 Valve)	
41A	2900770	2	Seal Kit - 7011323 Cartridge (1 Per Assembly)	
41A	7017192	2	Valve Cartridge (Helac p/n 26553 or 26554) (No Seal Kit Available)	
42	70004323	1	Bushing, Shaft	
51	7017122	1	Bearing Kit (Includes Items 32-34)	
52	7017127	1	Seal Kit - Standard (Includes Items 20,22,24,25,26 & 27)	
52	70000341	1	Seal Kit - Low Temperature (Includes Items 20,22,24,25,26 & 27)	
53	7017123	1	Hardware Kit	

# SECTION 4 - BOOM

## FIGURE 4-8. PLATFORM ROTATOR ASSEMBLY - WITH ARCTIC PACKAGE



ART\_1001119369

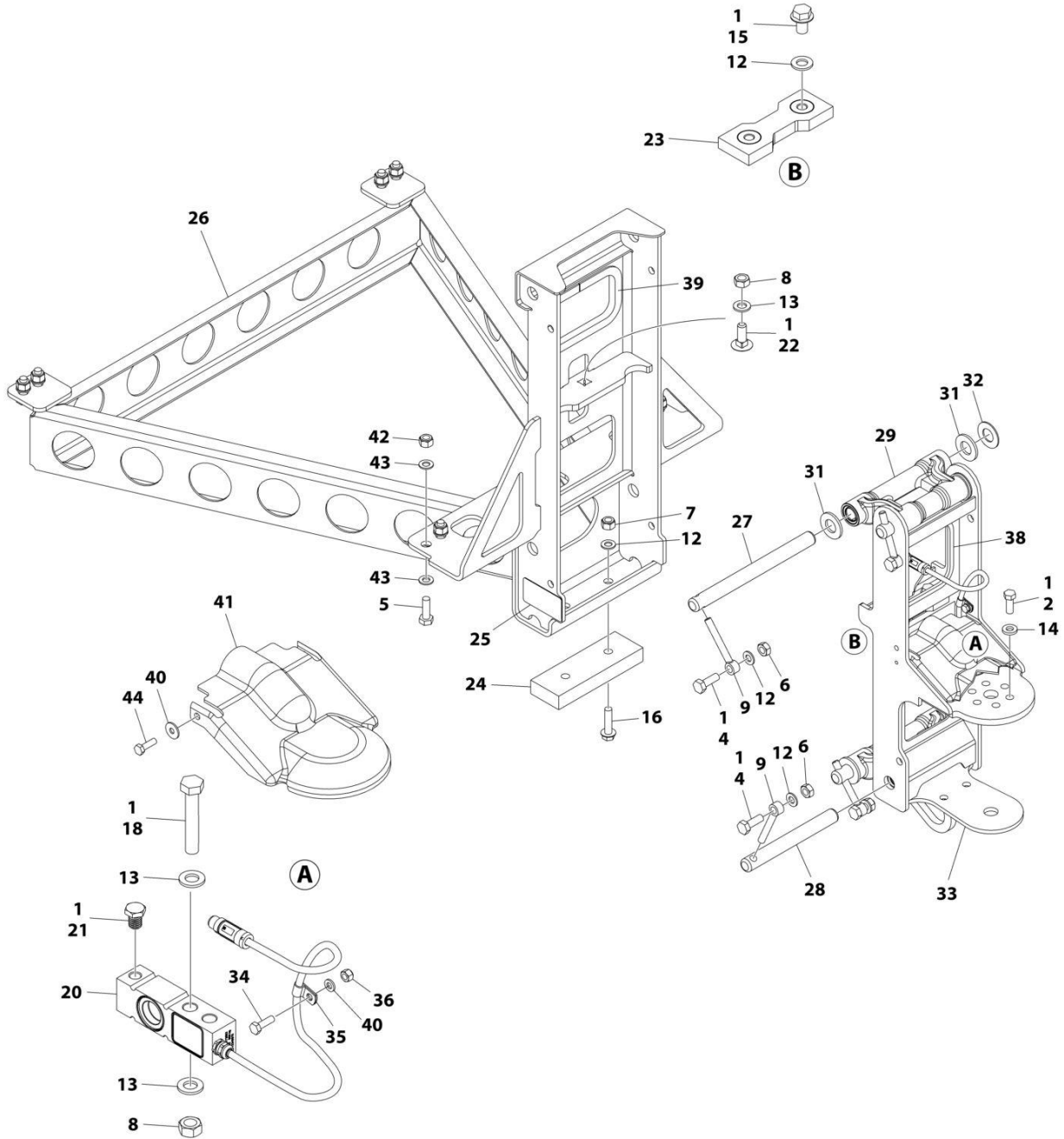
## SECTION 4 - BOOM

**FIGURE 4-8. PLATFORM ROTATOR ASSEMBLY - WITH ARCTIC PACKAGE**

ITEM	PART NUMBER	QTY	DESCRIPTION	REV
	1001119369	Ref	PLATFORM ROTATOR ASSEMBLY - WITH ARCTIC PACKAGE	B
1	See Note	1	Case/Bracket Weldment (Note: Not Available - Purchase Complete Assembly)	
1A	0962257	2	Bushing	
1B	0961947	2	Bushing	
2	7017196	1	Shaft	
3	7027900	1	Piston Sleeve	
4	7027901	1	Cap, End	
5	See Note	3	Capscrew, 1/4 x 1-1/2 Grade 8 (Note: Not Available - Purchase Locally)	
7	7017126	1	Tie Rod Assembly	
20	See Note	1	Seal, Rod (Note: Use Item 52)	
22	See Note	1	Seal, Piston (Note: Use Item 52)	
24	See Note	1	Seal, Cap (Note: Use Item 52)	
25	See Note	2	Packing, Bearing (Note: Use Item 52)	
26	See Note	2	Seal (Note: Use Item 52)	
27	See Note	1	Ring, Back-up Cap (Note: Use Item 52)	
32	See Note	2	Bearing, Shaft (Note: Use Item 51)	
34	See Note	2	Washer, Thrust (Note: Use Item 51)	
41	7017172	1	Counterbalance Valve Assembly	
41A	7017192	2	Valve Cartridge (No Seal Kit Available)	
42	70004323	2	Bushing, Shaft	
51	7017122	1	Bearing Kit (Includes Items 32-34)	
52	70004322	1	Seal Kit (Includes Items 20, 22, 24, 25, 26 & 27)	
53	7017123	1	Hardware Kit	
54	70001697	4	Screw 1/4 x 3/8 Grade 8	

# SECTION 4 - BOOM

## FIGURE 4-9. PLATFORM SUPPORT INSTALLATION - WITH 1 CELL LSS (PVC 2001)



ART\_1001217227

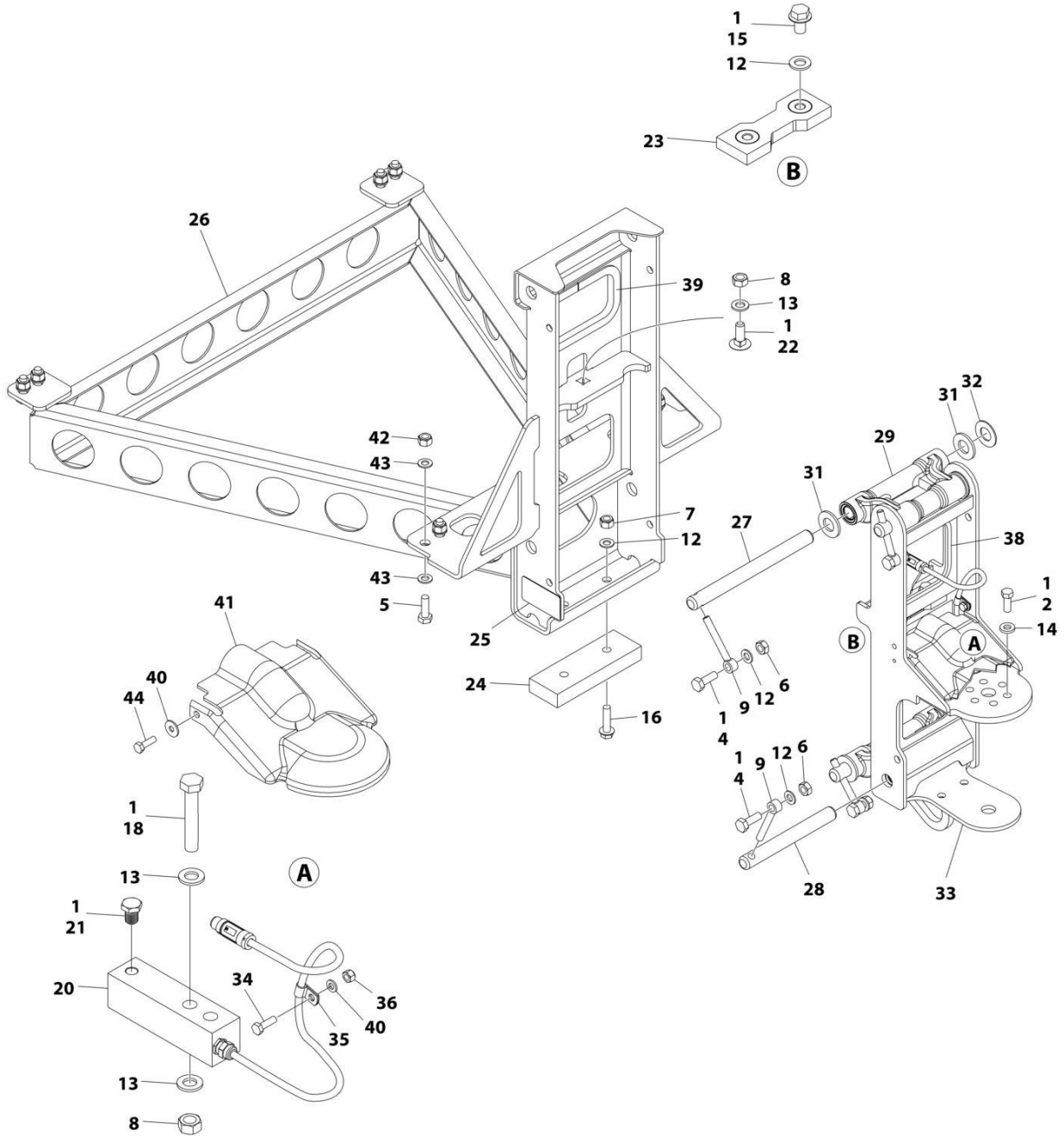
## SECTION 4 - BOOM

**FIGURE 4-9. PLATFORM SUPPORT INSTALLATION - WITH 1 CELL LSS (PVC 2001)**

ITEM	PART NUMBER	QTY	DESCRIPTION	REV
	1001217227	Ref	PLATFORM SUPPORT INSTALLATION - WITH 1 CELL LSS	E
1	0100011	AR	Compound, Locking	
2	0681608	6	Bolt 3/8 x 1	
4	0761014	4	Bolt M10 x 30	
5	0761215	8	Bolt M12 x 35	
6	3291001	4	Nut M10	
7	3291005	AR	Nut M10	
8	3291201	3	Nut M12	
9	3841143	4	Keeper, Pin	
12	4812000	AR	Washer M10	
13	4812100	5	Washer M12	
14	4891600	6	Washer 3/8	
15	5251008	2	Bolt M10 x 16	
16	5251016	2	Bolt M10 x 40	
18	1001098828	2	Bolt M12 x 70 Grade 10.9	
20	1001172663	1	Cell, Load Sensing	
21	1001188622	1	Screw	
22	1001188844	1	Bolt M12 x 35	
23	1001190985	1	Pad, Wear	
24	1001200491	1	Pad, Wear	
25	1001216630	2	Decal - Tie Down/No Lift	
26	1001217228	1	Platform Support	
27	1001217242	2	Pin	
28	1001217243	2	Pin	
29	1001217244	2	Link	
31	1001217253	8	Bearing, Thrust	
32	1001217254	4	Bearing, Thrust	
33	1001217267	1	Support	
34	0760610	AR	Bolt M6 x 20	
35	1320136	1	Clamp	
36	3290605	1	Nut M6	
38	4060804	14.4 in/ 36.5cm	Shield	
39	4060805	15.9 in/ 40.5 cm	Shield	
40	4811702	3	Washer M6	
41	1001228627	1	Cover	
42	3291205	AR	Nut M12	
43	5241200	AR	Washer M12	
44	0760606	AR	Bolt M6 x 12	

# SECTION 4 - BOOM

## FIGURE 4-10. PLATFORM SUPPORT INSTALLATION - WITH 1 CELL LSS (PVC 2007)



ART\_1001217227\_F



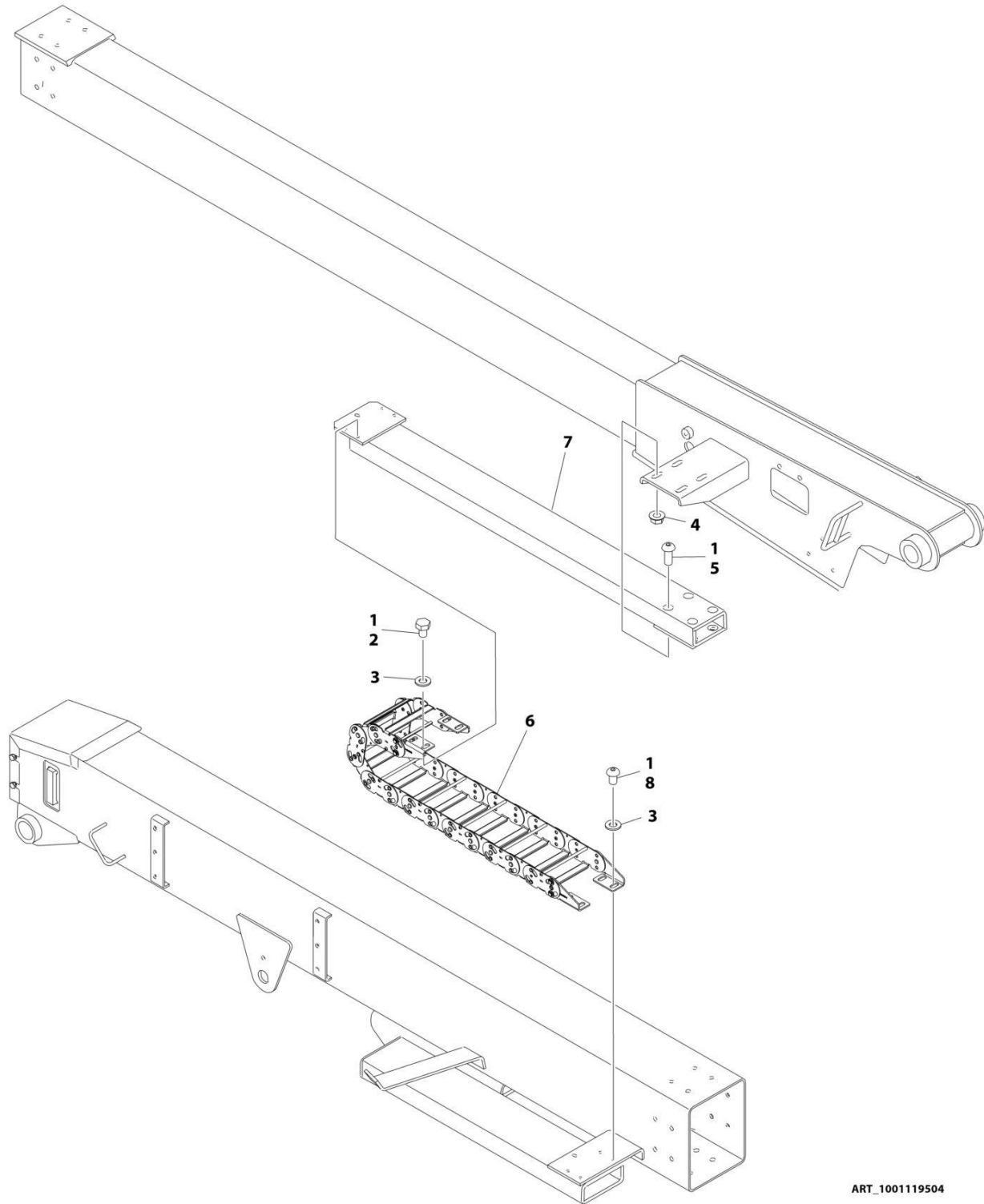
## SECTION 4 - BOOM

**FIGURE 4-10. PLATFORM SUPPORT INSTALLATION - WITH 1 CELL LSS (PVC 2007)**

ITEM	PART NUMBER	QTY	DESCRIPTION	REV
	1001217227	Ref	PLATFORM SUPPORT INSTALLATION - WITH 1 CELL LSS	F
1	0100011	AR	Compound, Locking	
2	0681608	6	Bolt 3/8 x 1	
4	0761014	4	Bolt M10 x 30	
5	0761215	8	Bolt M12 x 35	
6	3291001	4	Nut M10	
7	3291005	2	Nut M10	
8	3291201	3	Nut M12	
9	3841143	4	Keeper, Pin	
12	4812000	8	Washer M10	
13	4812100	5	Washer M12	
14	4891600	6	Washer 3/8	
15	5251008	2	Bolt M10 x 16	
16	5251016	2	Bolt M10 x 40	
18	1001098828	2	Bolt M12 x 70 Grade 10.9	
20	1001247468	1	Gauge, Load Sensing	
21	1001188622	1	Screw	
22	1001188844	1	Bolt M12 x 35	
23	1001190985	1	Pad, Wear	
24	1001200491	1	Pad, Wear	
25	1001216630	2	Decal - Tie Down/No Lift	
26	1001217228	1	Platform Support	
27	1001217242	2	Pin	
28	1001217243	2	Pin	
29	1001217244	2	Link	
31	1001217253	8	Bearing, Thrust	
32	1001217254	4	Bearing, Thrust	
33	1001217267	1	Support	
34	0760610	1	Bolt M6 x 20	
35	1320136	1	Clamp	
36	3290605	1	Nut M6	
38	4060804	14.4 in/ 36.5cm	Shield	
39	4060805	15.9 in/ 40.5 cm	Shield	
40	4811702	3	Washer M6	
41	1001228627	1	Cover	
42	3291205	8	Nut M12	
43	5241200	16	Washer M12	
44	0760606	2	Bolt M6 x 12	

# SECTION 4 - BOOM

## FIGURE 4-11. POWER TRACK INSTALLATION



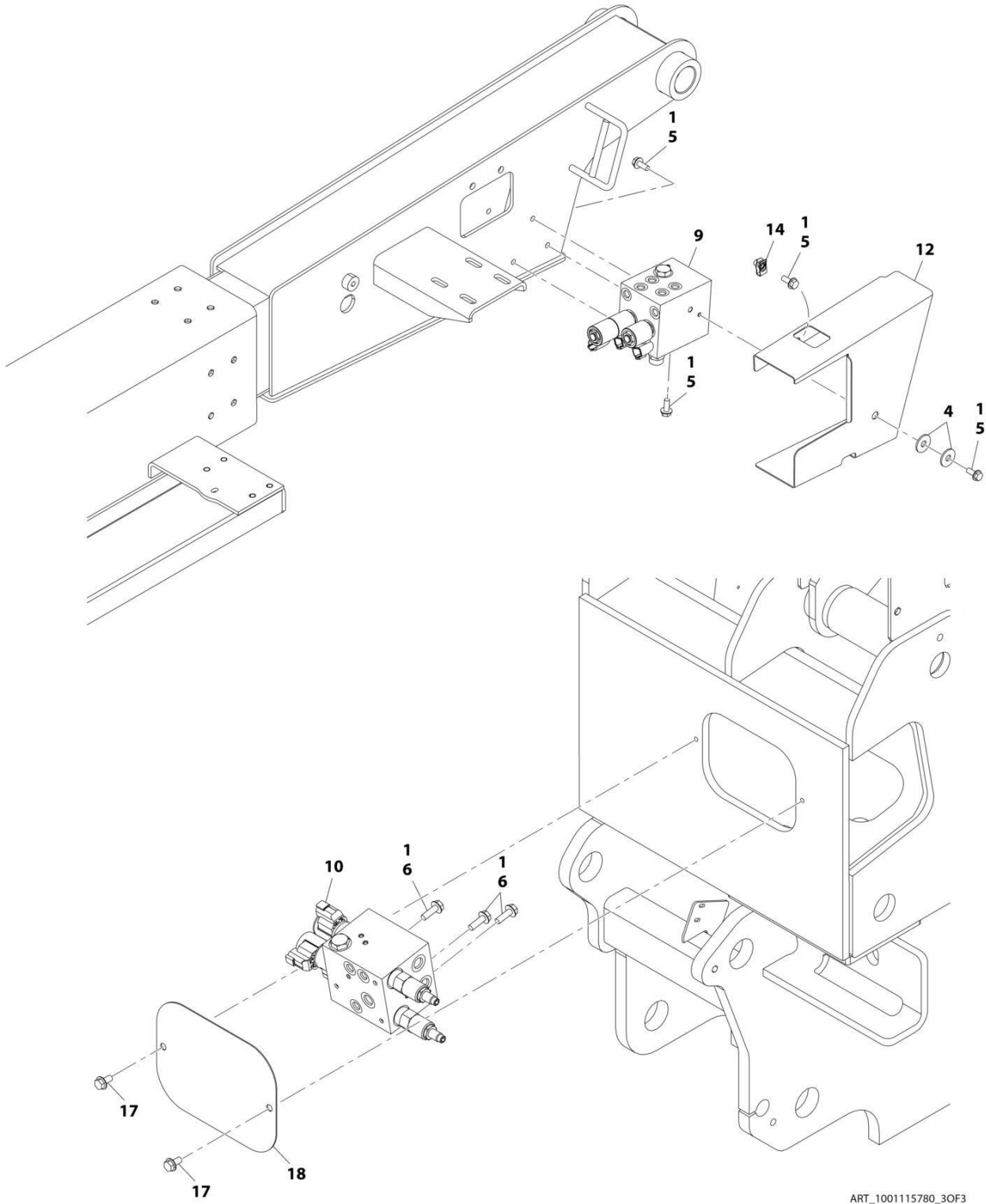
ART\_1001119504

FIGURE 4-11. POWER TRACK INSTALLATION

ITEM	PART NUMBER	QTY	DESCRIPTION	REV
	1001119504	Ref	POWER TRACK INSTALLATION	C
1	0100011	AR	Compound, Locking	
2	0761007	4	Bolt M10 x 14	
3	4812000	8	Washer M10	
4	5221000	4	Nut M10 Grade 10.9	
5	8310668	4	Screw M10 x 25 Grade 10.9	
6	1001224891	1	Carrier, Power Track	
6	70006269	1	Repair Kit (Includes 10 Link Section of Track)	
6	70006280	1	Bracket Kit (Includes 4 Mounting Feet and Hardware to Attach to Track)	
7	1001119513	1	Tube, Support	
8	1001119527	4	Screw M10 x 16	

# SECTION 4 - BOOM

## FIGURE 4-12. CONTROL VALVES INSTALLATION - BOOM



ART\_1001115780\_30F3

**SECTION 4 - BOOM****FIGURE 4-12. CONTROL VALVES INSTALLATION - BOOM**

<b>ITEM</b>	<b>PART NUMBER</b>	<b>QTY</b>	<b>DESCRIPTION</b>	<b>REV</b>
	1001115780	Ref	CONTROL VALVES INSTALLATION - BOOM	G
1	0100011	AR	Compound, Locking	
4	4812002	2	Washer M10	
5	5250810	10	Bolt M8 x 20	
6	5250812	3	Bolt M8 x 25	
9	1001116228	1	Fly Boom Valve Assembly (See Separate Breakdown in this Section)	
10	1001136244	1	Boom Upright Valve Assembly (See Separate Breakdown in this Section)	
12	1001116835	1	Shield	
14	1001118274	1	Nut M8	
17	5250808	2	Bolt M8 x 16	
18	1001118595	1	Cover	

# SECTION 4 - BOOM

## FIGURE 4-13. FLY BOOM VALVE ASSEMBLY

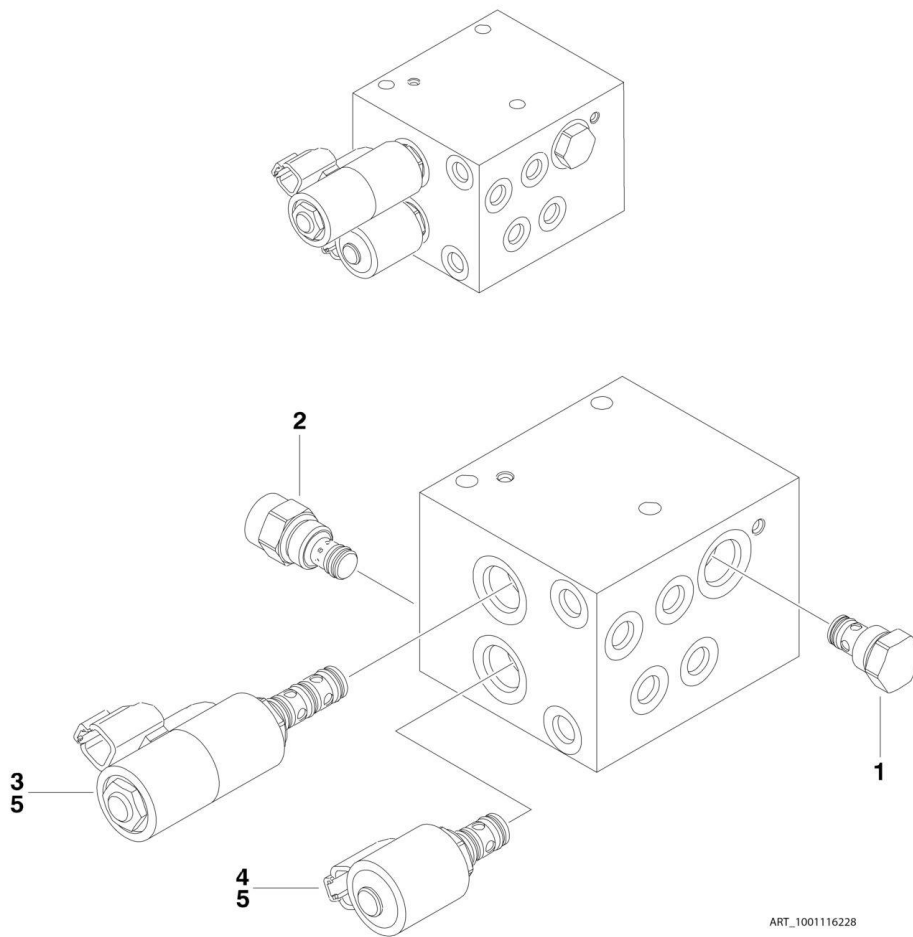
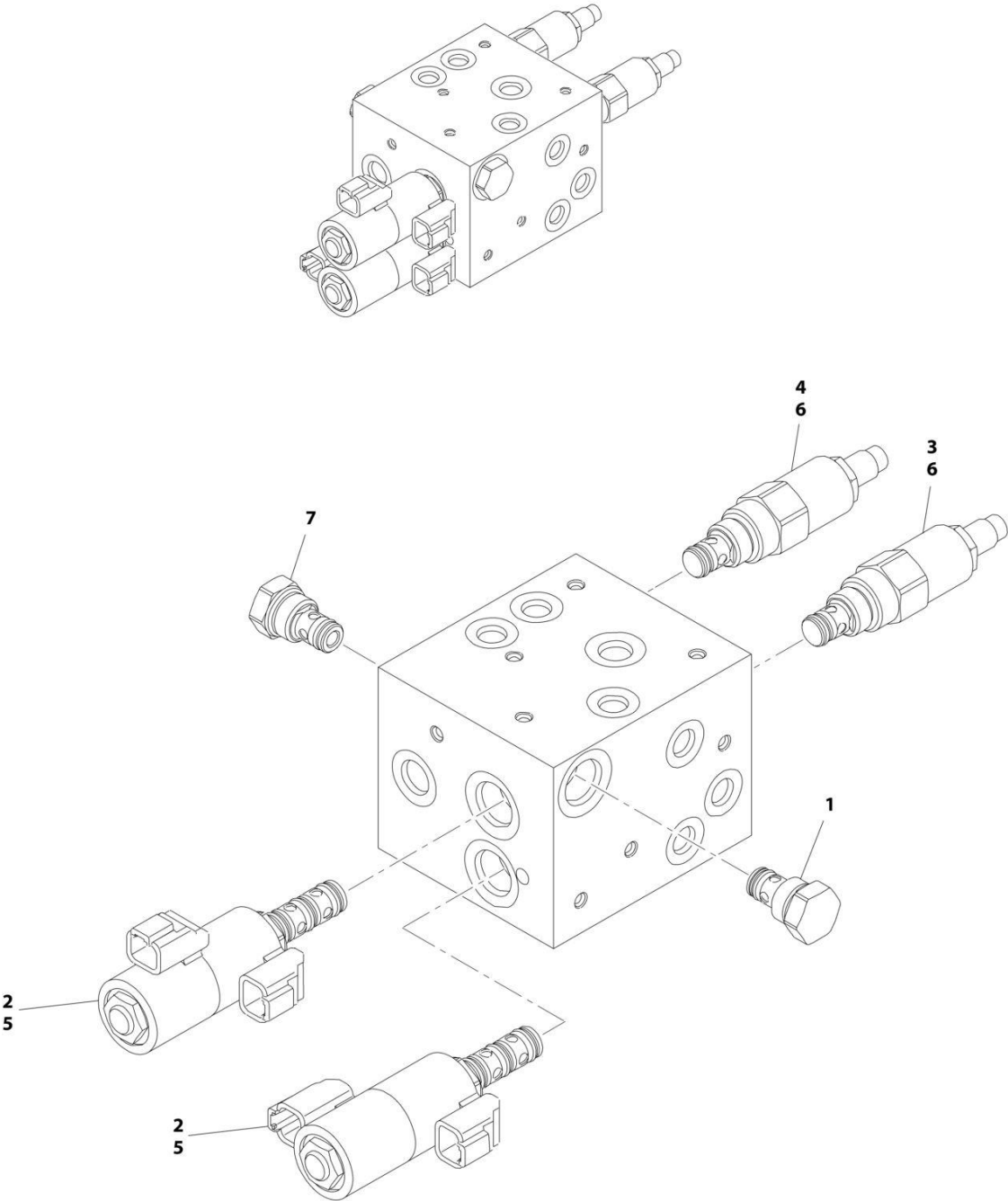


FIGURE 4-13. FLY BOOM VALVE ASSEMBLY

ITEM	PART NUMBER	QTY	DESCRIPTION	REV
	1001116228	Ref	FLY BOOM VALVE ASSEMBLY	D
1	7012955	1	Cartridge, Check Valve	
1	7012967	1	Seal Kit - 7012955 Cartridge	
2	7023970	1	Cartridge, Flow Regulator	
2	7012953	1	Seal Kit - 7023970 Cartridge	
3	7017452	1	Cartridge, Solenoid Valve (without Coil) (Rotate)	
3	7017402	1	Seal Kit - 7017452 Cartridge	
4	7012941	1	Cartridge, Solenoid Valve (without Coil) (Jib)	
4	7010543	1	Seal Kit - 7012941 Cartridge	
5	70002386	3	Coil	

**SECTION 4 - BOOM**

**FIGURE 4-14. BOOM UPRIGHT VALVE ASSEMBLY**



ART\_1001136244



FIGURE 4-14. BOOM UPRIGHT VALVE ASSEMBLY

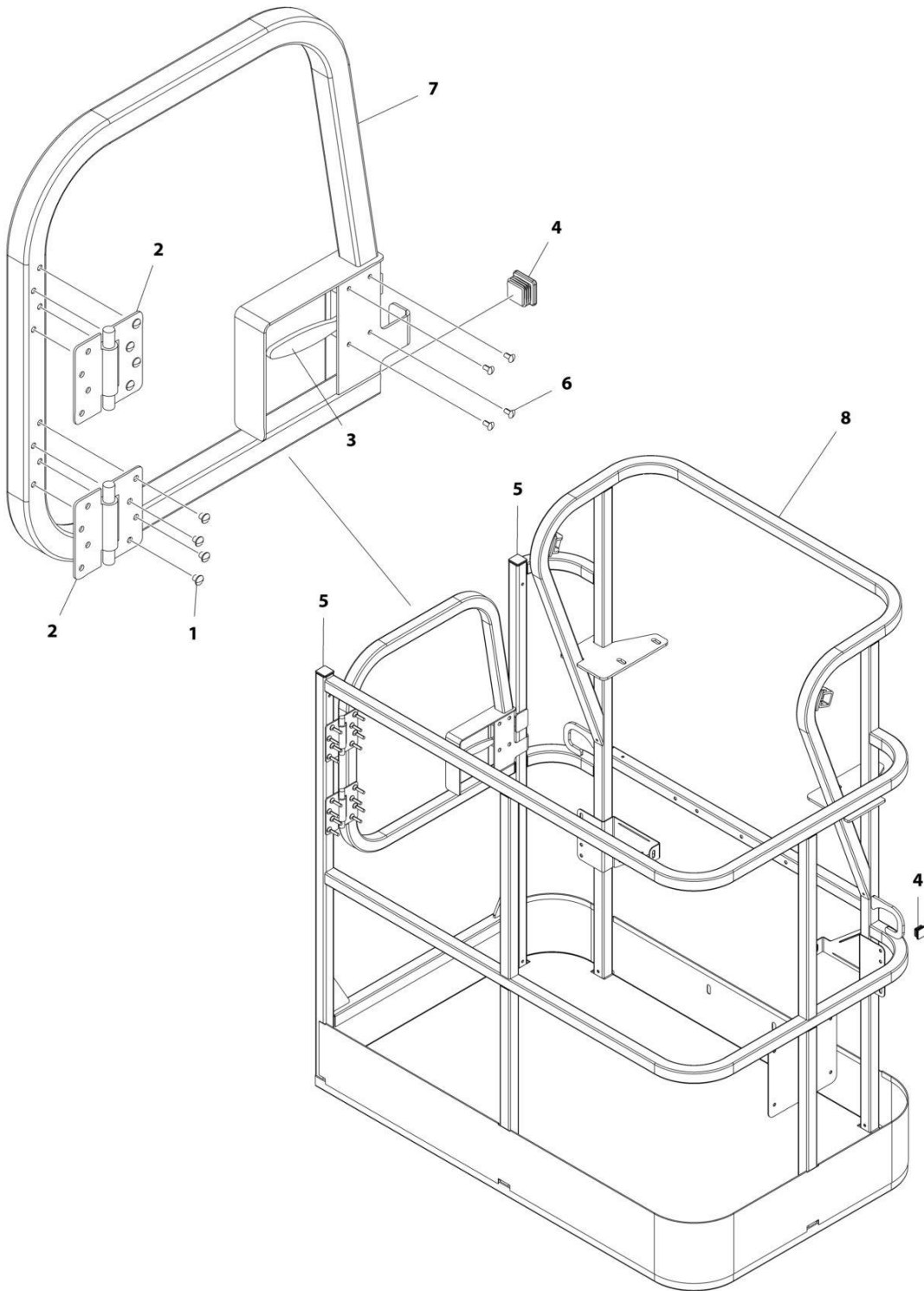
ITEM	PART NUMBER	QTY	DESCRIPTION	REV
	1001136244	Ref	BOOM UPRIGHT VALVE ASSEMBLY	C
1	7012955	2	Cartridge, Check Valve	
1	7012967	2	Seal Kit - 7012955 Cartridge	
2	7017452	2	Cartridge, Solenoid Valve (without Coil) (Telescope/Platform Level)	
2	7017402	2	Seal Kit - 7017452 Cartridge	
3	7017427	1	Cartridge, Relief	
3	7012998	1	Seal Kit - 7017427 Cartridge	
4	70002954	1	Cartridge, Relief	
4	7012998	1	Seal Kit - 70002954 Cartridge	
5	70002963	4	Coil	
6	See Note	2	Orifice (Note: Not Available for Purchase)	
7	7017498	1	Piston, Pilot	



**SECTION 5 - PLATFORM**

# SECTION 5 - PLATFORM

FIGURE 5-1. PLATFORM ASSEMBLY - 30IN X 4FT (76CM X 1.22M) - GATE ENTRY



ART\_1001186387

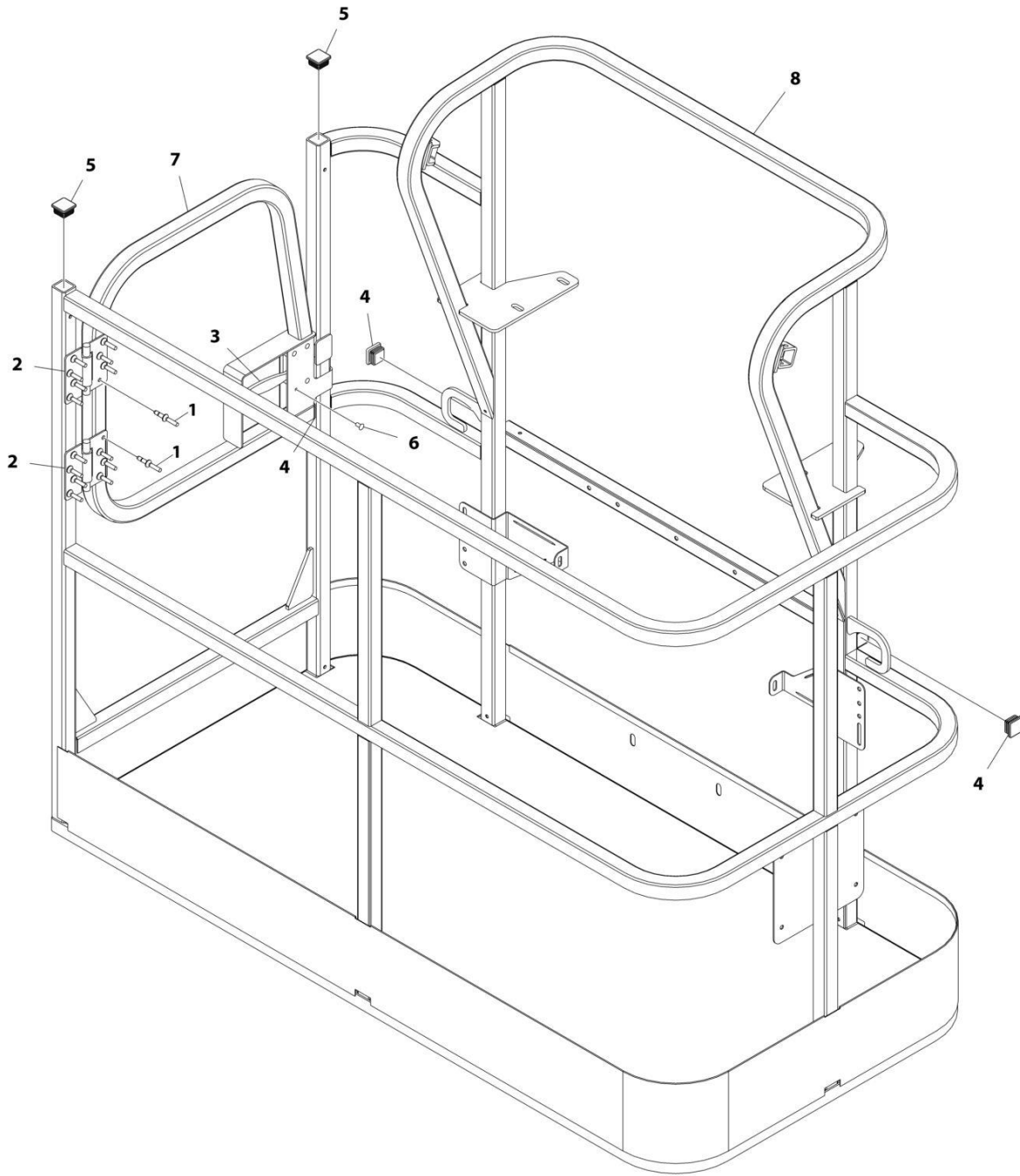
## SECTION 5 - PLATFORM

**FIGURE 5-1. PLATFORM ASSEMBLY - 30IN X 4FT (76CM X 1.22M) - GATE ENTRY**

ITEM	PART NUMBER	QTY	DESCRIPTION	REV
	1001186387	Ref	PLATFORM ASSEMBLY	C
		Ref	Note: Platform and Mesh must be ordered separately for Platforms with Mesh. See SPECIAL OPTIONS SECTION for Mesh Installations.	
		Ref	Note: Replacement Decals Must be Ordered Separately - See DECALS SECTION.	
1	2080040	16	Fastener, Huck	
2	2600281	2	Hinge, Self-Closing	
3	2940074	1	Latch	
4	3520072	3	Plug	
5	3520198	2	Plug	
6	3820020	4	Rivet	
7	1001144629	1	Gate	
8	See Note	1	Platform (Note: Not Available - Purchase Platform Assembly)	

# SECTION 5 - PLATFORM

FIGURE 5-2. PLATFORM ASSEMBLY - 30IN X 5FT (76CM X 1.52M) - GATE ENTRY



ART\_1001186386

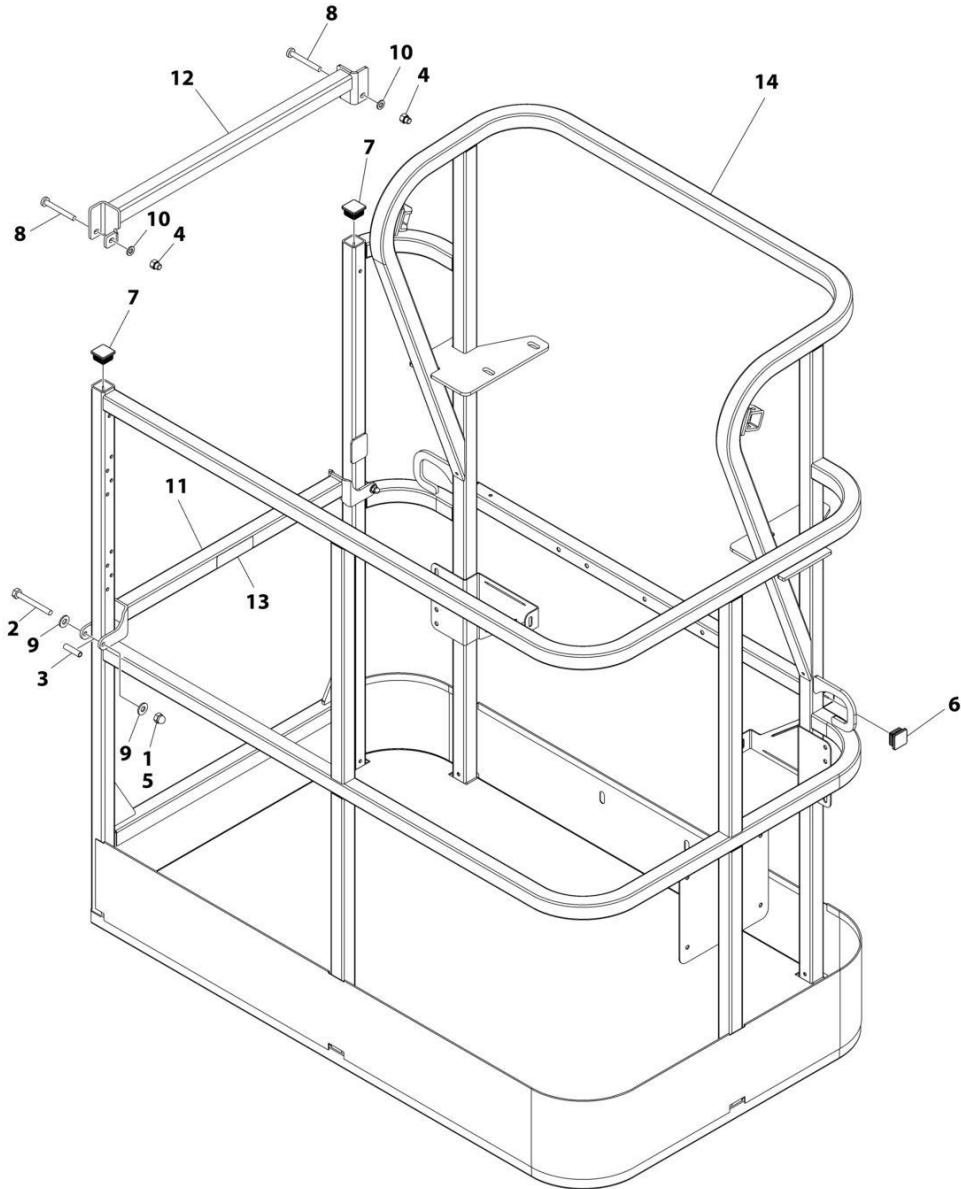
## SECTION 5 - PLATFORM

**FIGURE 5-2. PLATFORM ASSEMBLY - 30IN X 5FT (76CM X 1.52M) - GATE ENTRY**

ITEM	PART NUMBER	QTY	DESCRIPTION	REV
	1001186386	Ref	PLATFORM ASSEMBLY	C
		Ref	Note: Platform and Mesh must be ordered separately for Platforms with Mesh. See SPECIAL OPTIONS SECTION for Mesh Installations.	
		Ref	Note: Replacement Decals Must be Ordered Separately - See DECALS SECTION.	
1	2080040	16	Fastener, Huck	
2	2600281	2	Hinge, Self-Closing	
3	2940074	1	Latch	
4	3520072	3	Plug	
5	3520198	2	Plug	
6	3820020	4	Rivet	
7	1001144629	1	Gate	
8	See Note	NSS	Platform (Note: Not Available - Purchase Platform Assembly)	

# SECTION 5 - PLATFORM

FIGURE 5-3. PLATFORM ASSEMBLY - 30IN X 4FT (76CM X 1.22M) - DROP BAR ENTRY



ART\_1001186375



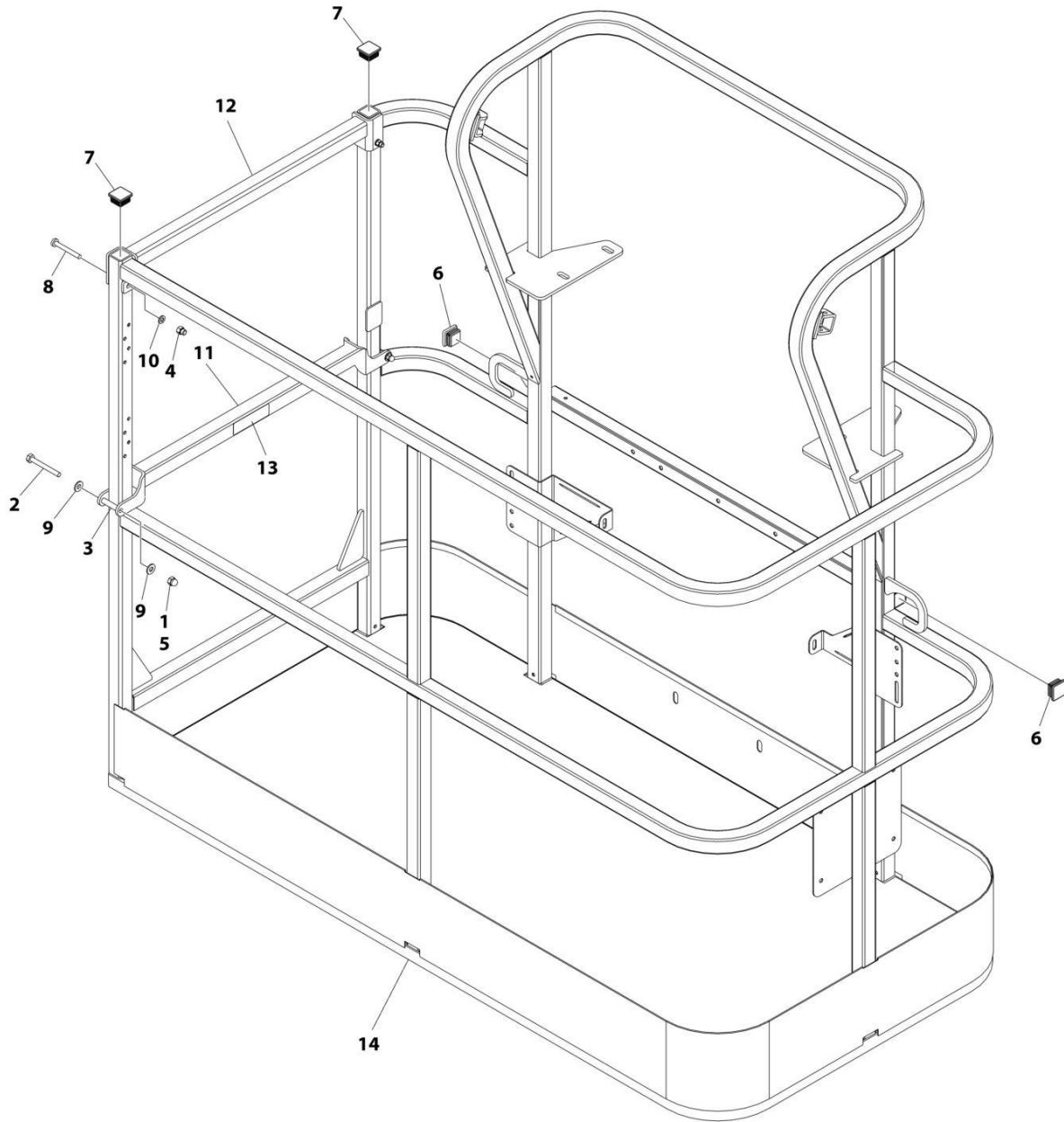
## SECTION 5 - PLATFORM

**FIGURE 5-3. PLATFORM ASSEMBLY - 30IN X 4FT (76CM X 1.22M) - DROP BAR ENTRY**

ITEM	PART NUMBER	QTY	DESCRIPTION	REV
	1001186375	Ref	PLATFORM ASSEMBLY	B
		Ref	Note: Platform and Mesh must be ordered separately for Platforms with Mesh. See SPECIAL OPTIONS SECTION for Mesh Installations.	
		Ref	Note: Replacement Decals Must be Ordered Separately - See DECALS SECTION.	
1	0100011	AR	Compound, Locking	
2	0641418	2	Bolt 1/4 x 2-1/4	
3	0961845	2	Bushing	
4	3290606	2	Nut M6	
5	3300151	2	Nut 1/4	
6	3520072	2	Plug	
7	3520198	2	Plug	
8	4010618	2	Screw M6 x 50	
9	4711400	4	Washer 1/4	
10	4811700	2	Washer M6	
11	1001138494	1	Bar, Drop	
12	1001138514	1	Rail - Top	
13	1001140429	1	Decal - Drop Bar	
14	See Note	1	Platform (Note: Not Available - Purchase Platform Assembly)	

# SECTION 5 - PLATFORM

FIGURE 5-4. PLATFORM ASSEMBLY - 30IN X 5FT (76CM X 1.52M) - DROP BAR ENTRY



ART\_1001186377

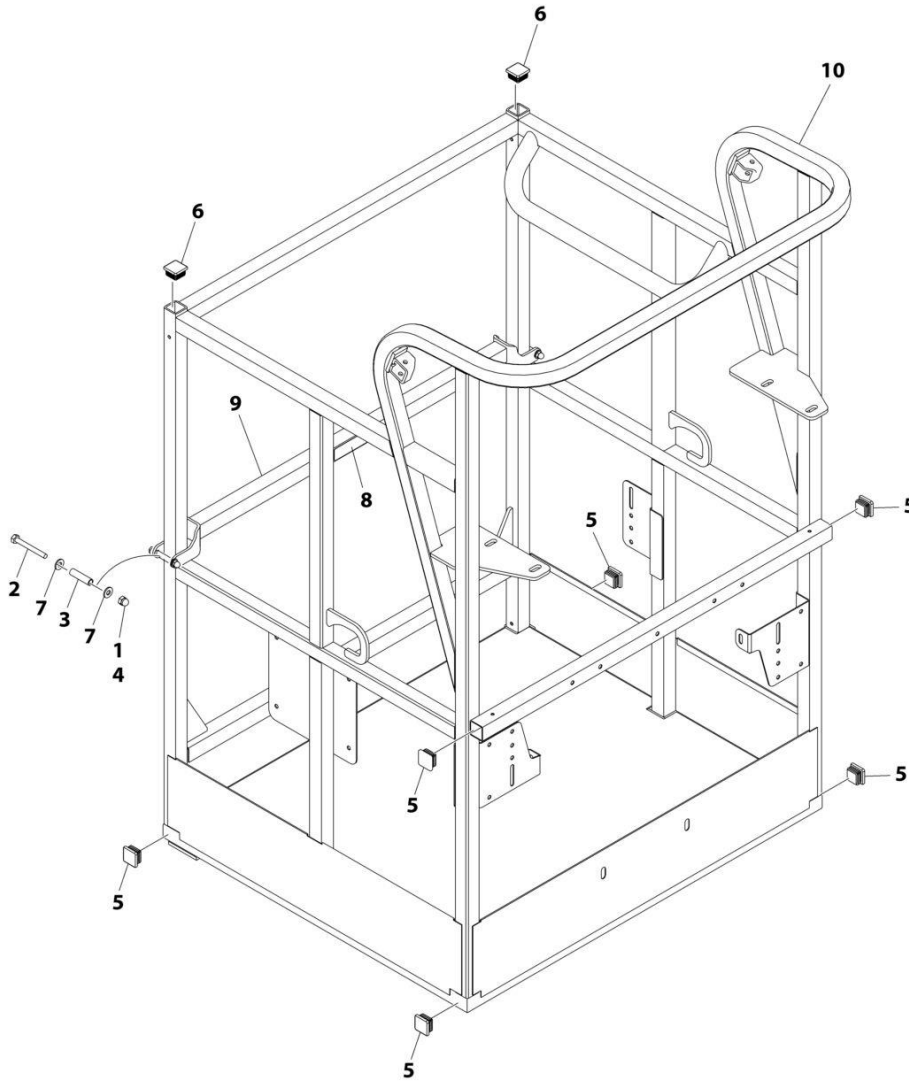
## SECTION 5 - PLATFORM

**FIGURE 5-4. PLATFORM ASSEMBLY - 30IN X 5FT (76CM X 1.52M) - DROP BAR ENTRY**

ITEM	PART NUMBER	QTY	DESCRIPTION	REV
	1001186377	Ref	PLATFORM ASSEMBLY	C
		Ref	Note: Platform and Mesh must be ordered separately for Platforms with Mesh. See SPECIAL OPTIONS SECTION for Mesh Installations.	
		Ref	Note: Replacement Decals Must be Ordered Separately - See DECALS SECTION.	
1	0100011	AR	Compound, Locking	
2	0641420	2	Bolt 1/4 x 2-1/2	
3	0961845	2	Bushing	
4	3290606	2	Nut M6	
5	3300151	2	Nut 1/4	
6	3520072	2	Plug	
7	3520198	2	Plug	
8	4010618	2	Screw M6 x 50	
9	4711400	4	Washer 1/4	
10	4811700	2	Washer M6	
11	1001138494	1	Bar, Drop	
12	1001138514	1	Rail (Top)	
13	1001140429	1	Decal - Drop Bar	
14	See Note	NSS	Platform (Note: Not Available - Purchase Platform Assembly)	

# SECTION 5 - PLATFORM

FIGURE 5-5. PLATFORM ASSEMBLY - 30IN X 3FT (76CM X .91M) - DROP BAR ENTRY



ART\_1001228215

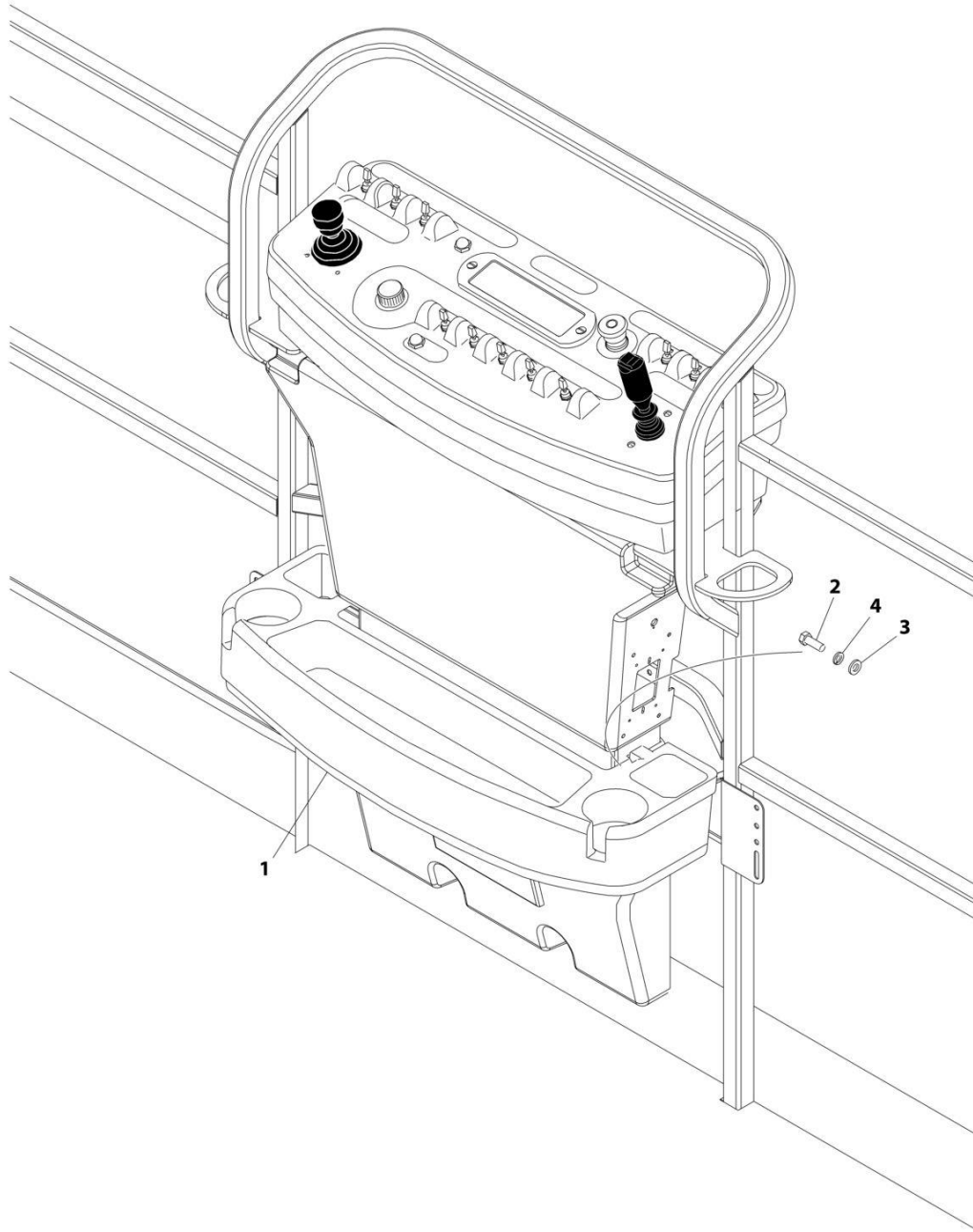
## SECTION 5 - PLATFORM

**FIGURE 5-5. PLATFORM ASSEMBLY - 30IN X 3FT (76CM X .91M) - DROP BAR ENTRY**

ITEM	PART NUMBER	QTY	DESCRIPTION	REV
	1001228215	Ref	PLATFORM ASSEMBLY	A
	See Note	Ref	Note: Platform and Mesh must be ordered separately for Platforms with Mesh. See SPECIAL OPTIONS SECTION for Mesh Installations.	
	See Note	Ref	Note: Replacement Decals Must be Ordered Separately - See DECAL SECTION.	
1	0100011	AR	Compound, Locking	
2	0641418	2	Bolt 1/4 x 2-1/4	
3	0961845	2	Bushing	
4	3300151	2	Nut 1/4	
5	3520072	6	Cap, Plug	
6	3520198	2	Cap, Plug	
7	4711400	4	Washer 1/4	
8	1001140429	1	Decal - Drop Bar	
9	1001226872	1	Bar, Drop	
10	See Note	NSS	Platform (Note: Not Available - Purchase Platform Assembly)	

# SECTION 5 - PLATFORM

## FIGURE 5-6. TRAY INSTALLATION



ART\_1580012

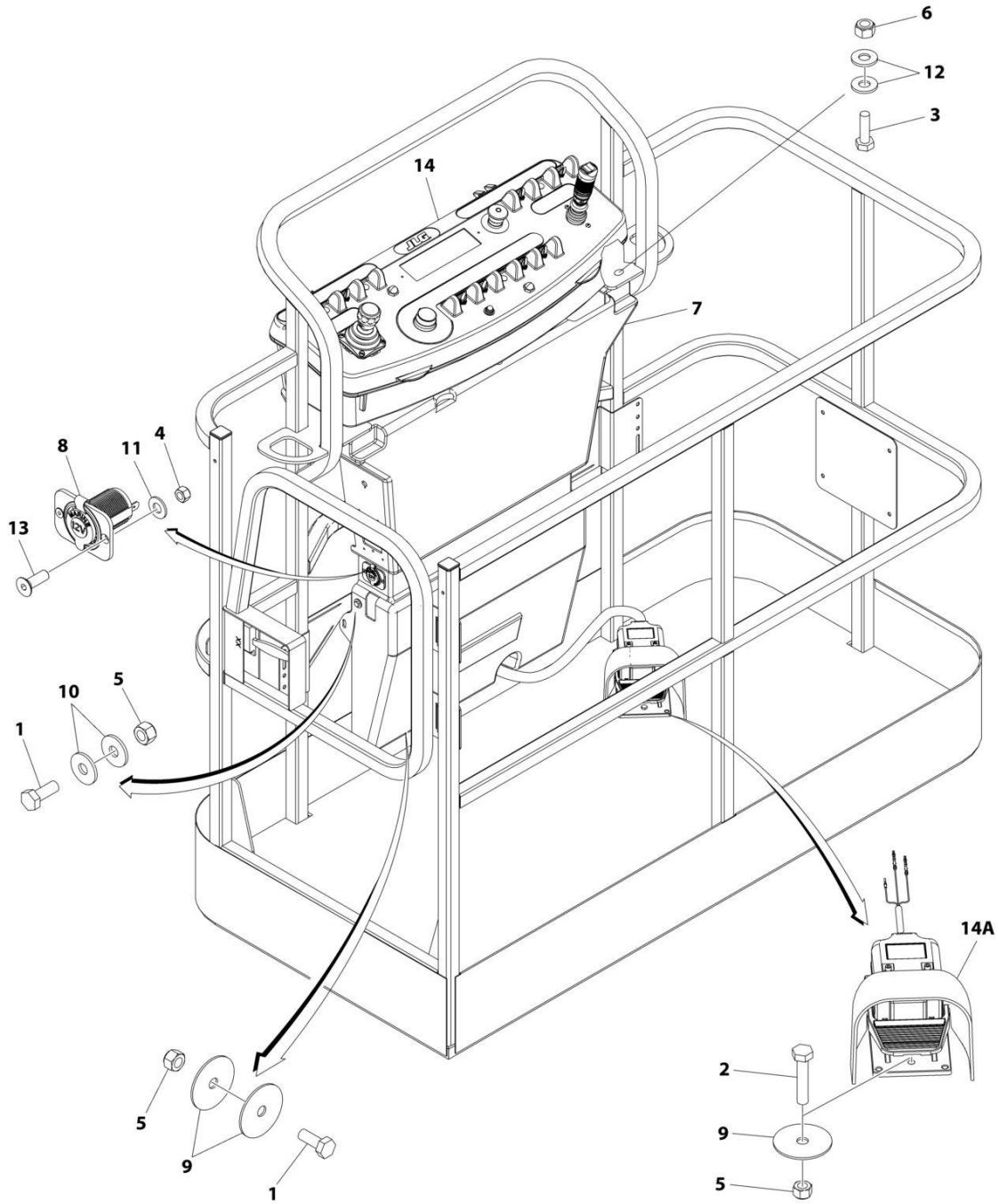
## SECTION 5 - PLATFORM

### FIGURE 5-6. TRAY INSTALLATION

ITEM	PART NUMBER	QTY	DESCRIPTION	REV
	1580012	Ref	TRAY ASSEMBLY	C
1	See Note	NSS	Tray, Storage (Center) (Note: Purchase p/n 1580012)	
2	0641406	2	Bolt 1/4 x 3/4	
3	4751400	2	Washer 1/4	
4	4761400	2	Washer 1/4	

# SECTION 5 - PLATFORM

## FIGURE 5-7. CONSOLE AND FOOTSWITCH INSTALLATION - DIESEL MACHINES



ART\_1001245407



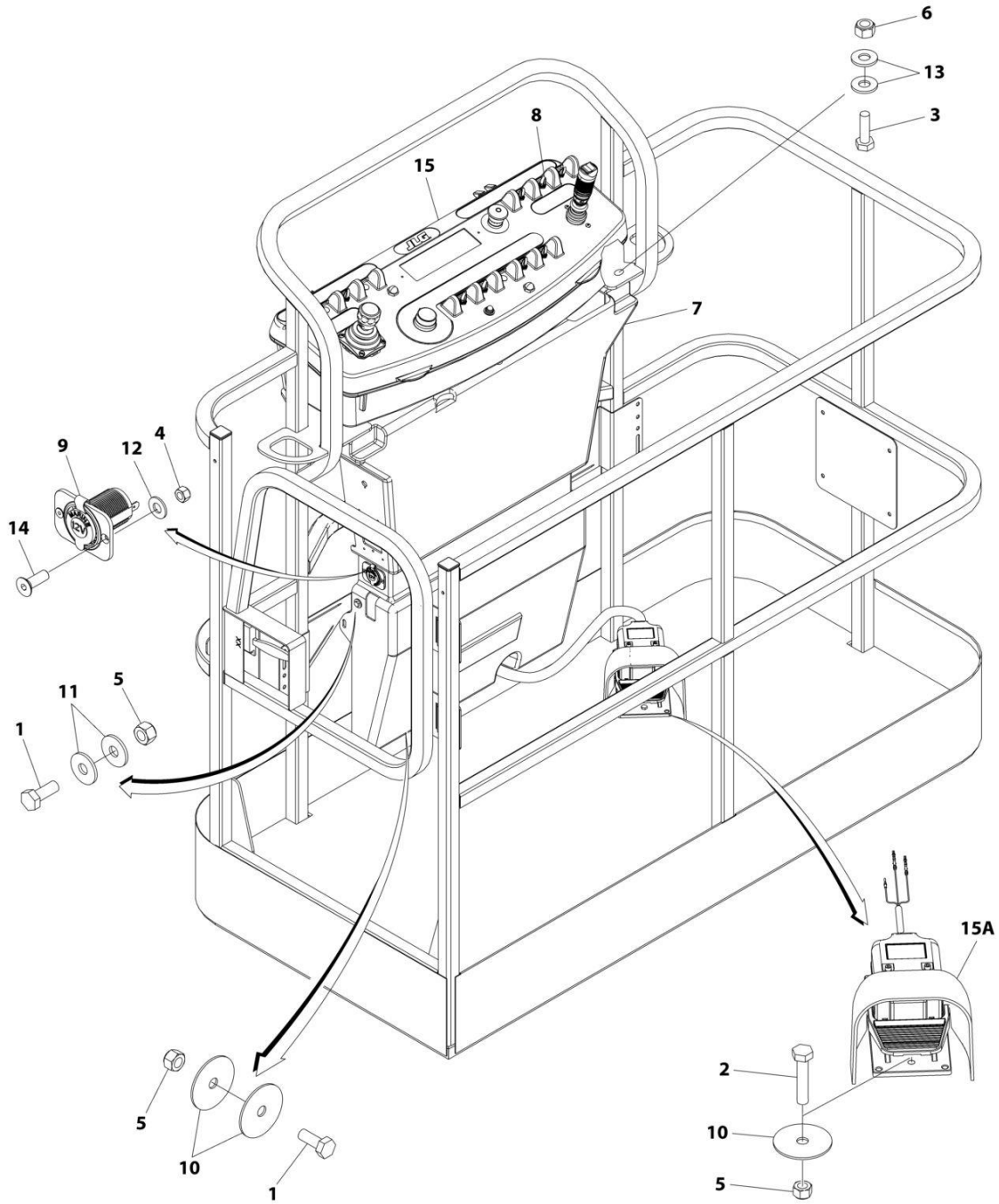
## SECTION 5 - PLATFORM

**FIGURE 5-7. CONSOLE AND FOOTSWITCH INSTALLATION - DIESEL MACHINES**

ITEM	PART NUMBER	QTY	DESCRIPTION	REV
	1001245407	Ref	CONSOLE AND FOOTSWITCH INSTALLATION - DIESEL MACHINES WITHOUT SKYGUARD	B
1	0760610	4	Bolt M6 x 16	
2	0760614	3	Bolt M6 x 30	
3	0761015	4	Bolt M10 x 35	
4	3290405	2	Nut M4	
5	3290605	7	Nut M6	
6	3291005	4	Nut M10	
7	3380434	1	Panel, Pedestal	
8	4461012	1	Receptacle, 12V	
9	4740362	7	Washer 1/4	
10	4751400	2	Washer M4	
11	4811400	4	Washer M4	
12	4812000	8	Washer M10	
13	1001097244	1	Capscrew M4 x 12	
14	1001245389	2	Console Box Assembly (See Separate Breakdown in this Section)	
14A	1001117174	1	Footswitch Assembly	B
14A	1001117172	1	Footswitch Less Cable	
14A	70002902	1	Block, Contact	
14A	70002903	1	Gasket	
14A	70002905	1	Cover	
14A	70002904	1	Bolt Replacement Kit	
14A	1060918	7.5 ft /2.3m	Cable, Electrical - 18/3	
14A	4460071	1	Connector, Strain Relief	
14A	4460226	2	Socket, Female	
14A	4460464	1	Pin, Male	

# SECTION 5 - PLATFORM

## FIGURE 5-8. CONSOLE AND FOOTSWITCH INSTALLATION - GAS MACHINES



ART\_1001245427

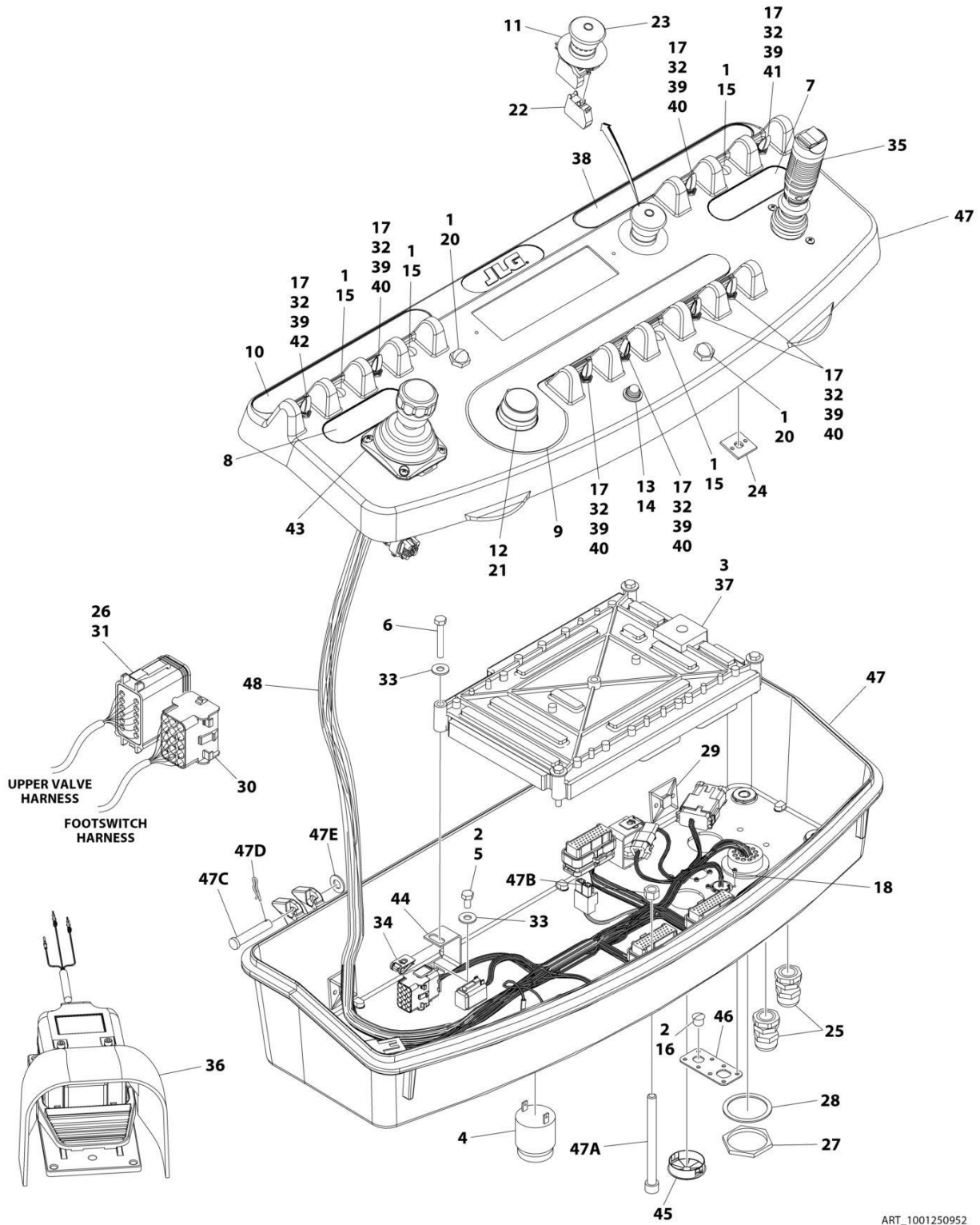
## SECTION 5 - PLATFORM

**FIGURE 5-8. CONSOLE AND FOOTSWITCH INSTALLATION - GAS MACHINES**

ITEM	PART NUMBER	QTY	DESCRIPTION	REV
	1001245427	Ref	CONSOLE AND FOOTSWITCH INSTALLATION - GAS MACHINES WITHOUT SKYGUARD	B
1	0700610	4	Bolt M6 x 16	
2	0760614	3	Bolt M6 x 30	
3	0761015	4	Bolt M10 x 35	
4	3290405	2	Nut M4	
5	3290605	7	Nut M6	
6	3291005	4	Nut M10	
7	3380434	1	Panel, Pedestal	
8	4360336	1	Switch, Toggle	
9	4461012	1	Receptacle, 12V	
10	4740362	7	Washer 1/4	
11	4751400	2	Washer M4	
12	4811400	4	Washer M4	
13	4812000	8	Washer M10	
14	1001097244	1	Capscrew M4 x 12	
15	1001245389	2	Console Box Assembly (See Separate Breakdown in this Section)	
15A	1001117174	1	Footswitch Assembly	B
15A	1001117172	1	Footswitch Less Cable	
15A	70002902	1	Block, Contact	
15A	70002903	1	Gasket	
15A	70002905	1	Cover	
15A	70002904	1	Bolt Replacement Kit	
15A	1060918	7.5 ft /2.3m	Cable, Electrical - 18/3	
15A	4460071	1	Connector, Strain Relief	
15A	4460226	2	Socket, Female	
15A	4460464	1	Pin, Male	

# SECTION 5 - PLATFORM

## FIGURE 5-9. CONSOLE ASSEMBLY



ART\_1001250952

## SECTION 5 - PLATFORM

### FIGURE 5-9. CONSOLE ASSEMBLY

ITEM	PART NUMBER	QTY	DESCRIPTION	REV
	1001245389	Ref	CONSOLE ASSEMBLY - WITHOUT SKYGUARD	C
1	0100009	AR	Sealant	
2	0100035	AR	Compound, Locking	
3	0100048	AR	Grease, Dielectric	
4	0140011	1	Alarm	
5	0641404	4	Bolt 1/4 x 1/2	
6	0700617	4	Bolt M6 x 45	
7	1702565	1	Decal - Drive and Steer	
8	1702566	1	Decal - Lift and Swing	
9	1702567	1	Decal - Function Speed	
10	1702676	1	Decal - Horn	
11	1704260	1	Decal - EMS	
12	2560136	1	Handle, Knob	
13	2920028	1	Light, Indicator	
14	2920029	1	Lamp, Bulb	
15	3520028	4	Plug, Hole	
16	3520054	1	Plug, Hole	
17	3790012	8	O-Ring	
18	3900349	8	Capscrew M2.5	
19	4240032	AR	Tie-Strap (Not-Shown)	
20	4360387	2	Switch, Push-button	
21	4360407	1	Switch, Potentiometer	
22	4360475	1	Switch, Emergency	
23	4360476	1	Block, Contact	
24	4460234	3	Mount, Tie-strap	
25	4460428	2	Connector, Strain Relief	
26	4460466	7	Plug, Terminal	
27	4460470	1	Nut, Terminal	
28	4460471	1	Washer, Terminal	
29	4460488	2	Mount, Terminal	
30	4460708	1	Connector, Bussbar - 15 Position	
31	4460933	1	Plug, Male - 12 Position	
32	4740397	8	Spacer	
33	4751400	8	Washer 1/4	
34	8305919	4	Nut M6	
35	1001166538	1	Drive/Steer Controller Assembly (Use p/n 1001212415) (See Separate Breakdown in this Section)	
36	1001117174	1	Footswitch Assembly (See Separate Breakdown in this Section)	
37	1001118412	1	Module, Platform (Note: Re-calibration Required when Replaced)	
38	1001131168	1	Decal - Stop	
39	1001155044	8	Nut 15/32	
40	1001155045	6	Switch, Toggle	
41	1001159256	1	Switch, Toggle	
42	1001161709	1	Switch, Toggle	
43	1001166539	1	Lift/Swing Controller Assembly (Use p/n 1001129555) See Separate Breakdown in this Section)	
44	1001172760	4	Bracket	
45	1001185281	1	Plug	
46	1001213882	1	Mount, Connector	
47	1001215228	1	Platform Console Box	

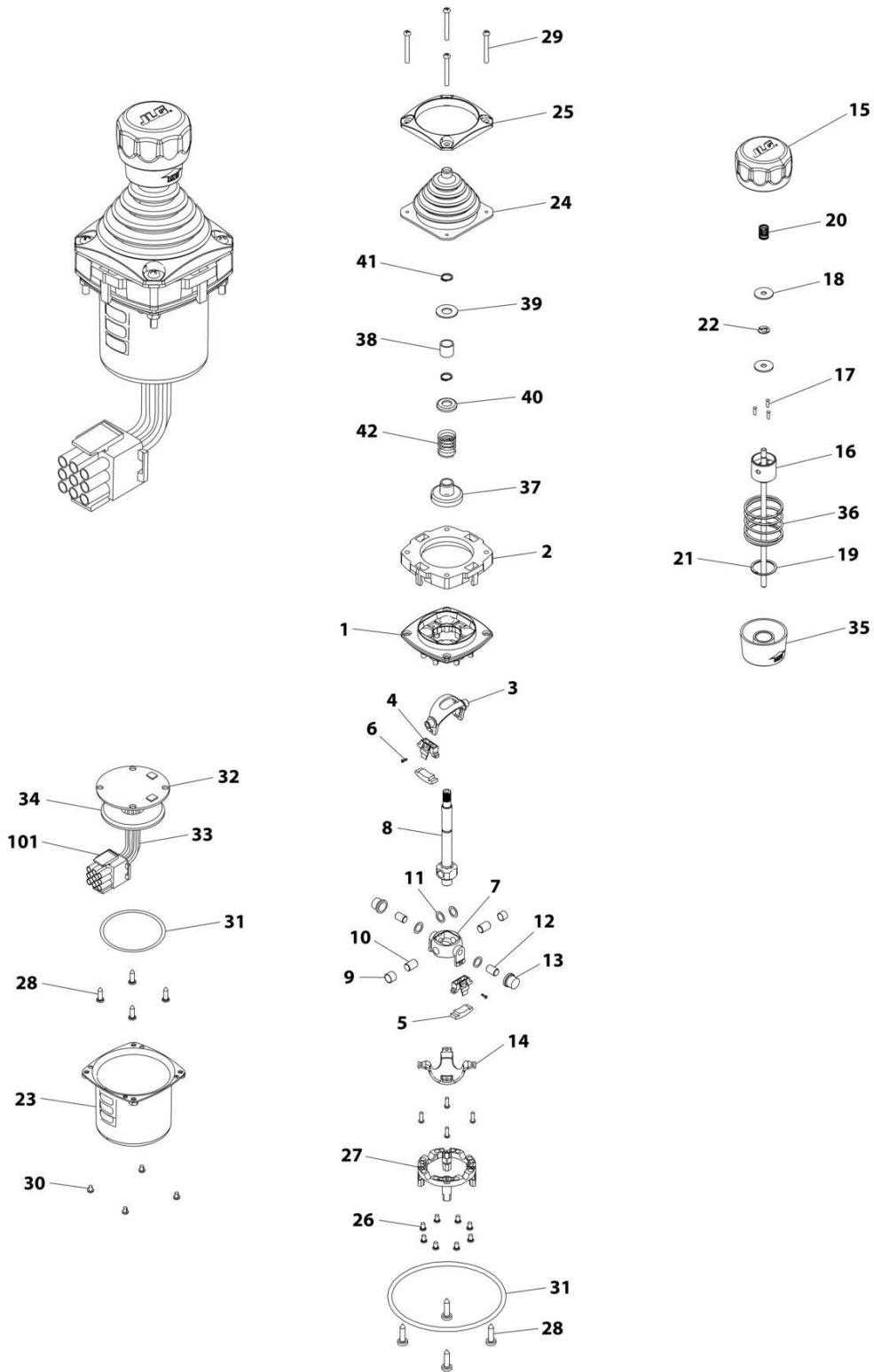
## SECTION 5 - PLATFORM

ITEM	PART NUMBER	QTY	DESCRIPTION	REV
47A	0630568	1	Capscrew 3/8 x 4-1/2	
47B	3311601	1	Nut 3/8	
47C	3430616	2	Pin	
47D	3470003	2	Hairpin	
47E	4711600	2	Washer 3/8	
48	1001244528	1	Platform Console Harness (See Separate Breakdown in ELECTRICAL Section)	
49	1001140525	1	Valve Harness - Platform to Boom Valves (Not Shown - See Separate Breakdown in ELECTRICAL SECTION)	



# SECTION 5 - PLATFORM

## FIGURE 5-10. LIFT/SWING CONTROLLER ASSEMBLY



ART\_1001166539



## SECTION 5 - PLATFORM

### FIGURE 5-10. LIFT/SWING CONTROLLER ASSEMBLY

ITEM	PART NUMBER	QTY	DESCRIPTION	REV
	1001166539	Ref	CONTROLLER ASSEMBLY	D
		Ref	Note: Original Equipment Controller May Have Been Replaced with Service Replacement Controller. Visually Identify Controller Before Ordering Parts.	
		Ref	Note: For Replacement, Use p/n 1001129555	
1	See Note	NSS	Main Cast Body (Note: Not Available - Purchase Complete Assembly)	
2	70004752	1	Adapter	
3	See Note	NSS	Pivot Arm, Plastic (Note: Not Available - Purchase Complete Assembly)	
4	See Note	NSS	Holder, Magnet (Note: Not Available - Purchase Complete Assembly)	
5	See Note	NSS	Arc, Magnet (Note: Not Available - Purchase Complete Assembly)	
6	See Note	NSS	Screw (Note: Not Available for Purchase)	
7	See Note	NSS	Pivot Arm, Cast (Note: Not Available - Purchase Complete Assembly)	
8	See Note	NSS	Shaft, Main (Note: Not Available - Purchase Complete Assembly)	
9	See Note	NSS	Bearing (Note: Not Available - Purchase Complete Assembly)	
10	See Note	NSS	Pin (Note: Not Available - Purchase Complete Assembly)	
11	See Note	NSS	Shim (Note: Not Available - Purchase Complete Assembly)	
12	See Note	NSS	Pin (Note: Not Available - Purchase Complete Assembly)	
13	See Note	NSS	Bearing (Note: Not Available - Purchase Complete Assembly)	
14	See Note	NSS	Dome, Centering (Note: Not Available - Purchase Complete Assembly)	
15	70004753	1	Cap	
16	70004754	1	Insert, Cap	
17	70004755	3	Pin	
18	70004756	2	Washer	
19	70004757	1	Pin, Centering	
20	70004758	1	Spring	
21	70004759	1	Ring, Retaining	
22	70004760	1	E-Ring	
23	70004761	1	Can, Enclosure	
24	70004762	1	Boot	
25	70004763	1	Bezel	
26	See Note	NSS	Screw (Note: Not Available for Purchase)	
27	See Note	NSS	Base Mounting (Note: Not Available - Purchase Complete Assembly)	
28	See Note	NSS	Screw (Note: Not Available for Purchase)	
29	70004764	4	Screw	
30	70004765	4	Screw	
31	70004766	1	O-Ring	
32	See Note	NSS	Plate (Note: Not Available - Purchase Complete Assembly)	
33	See Note	NSS	Harness (Note: Not Available - Purchase Complete Assembly)	
34	70004767	1	Grommet, Rubber	
35	70004768	1	Housing	
36	70004769	1	Spring	
37	70004770	1	Stopper	
38	70004771	1	Spacer	
39	70004772	1	Washer	
40	70004773	1	Disc	

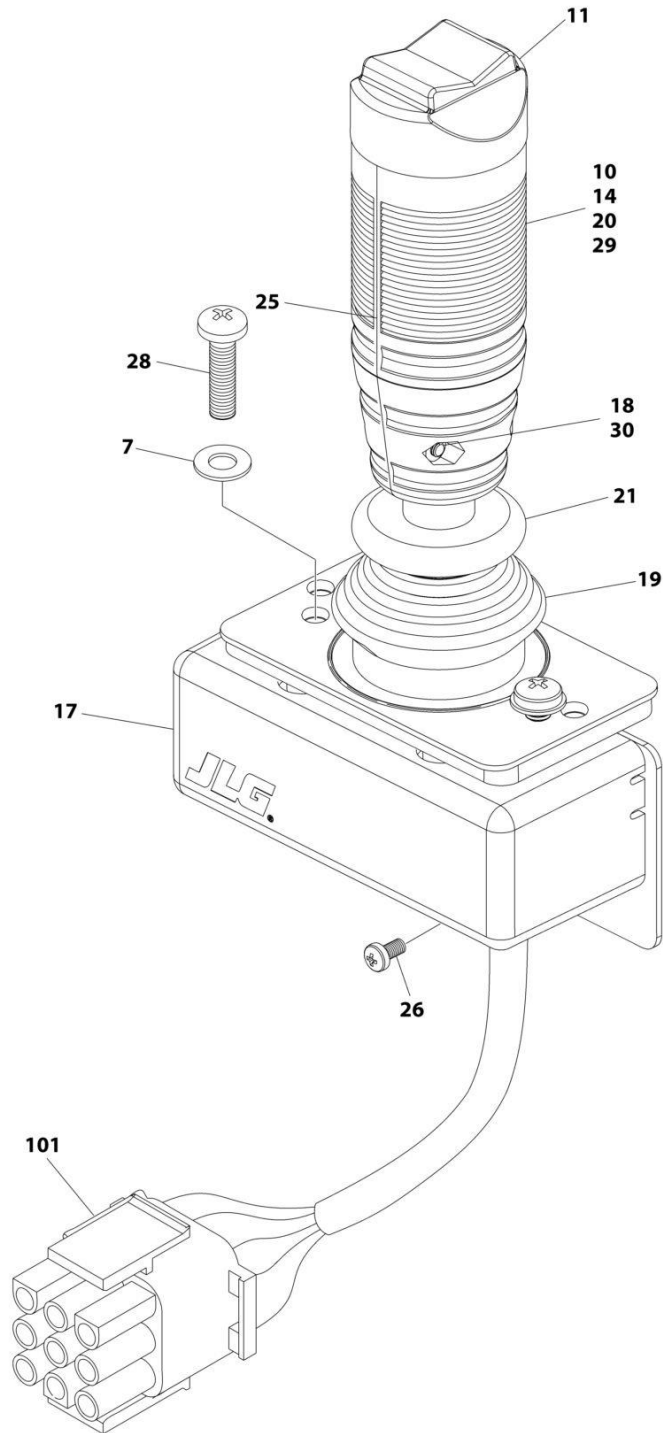
## SECTION 5 - PLATFORM

ITEM	PART NUMBER	QTY	DESCRIPTION	REV
41	70004774	2	Ring, Retaining	
42	70004775	1	Spring	
101	4460265	1	Connector - 9 Position	
101	4460226	6	Socket, Female	



# SECTION 5 - PLATFORM

## FIGURE 5-11. DRIVE/STEER CONTROLLER ASSEMBLY



ART\_1001166538

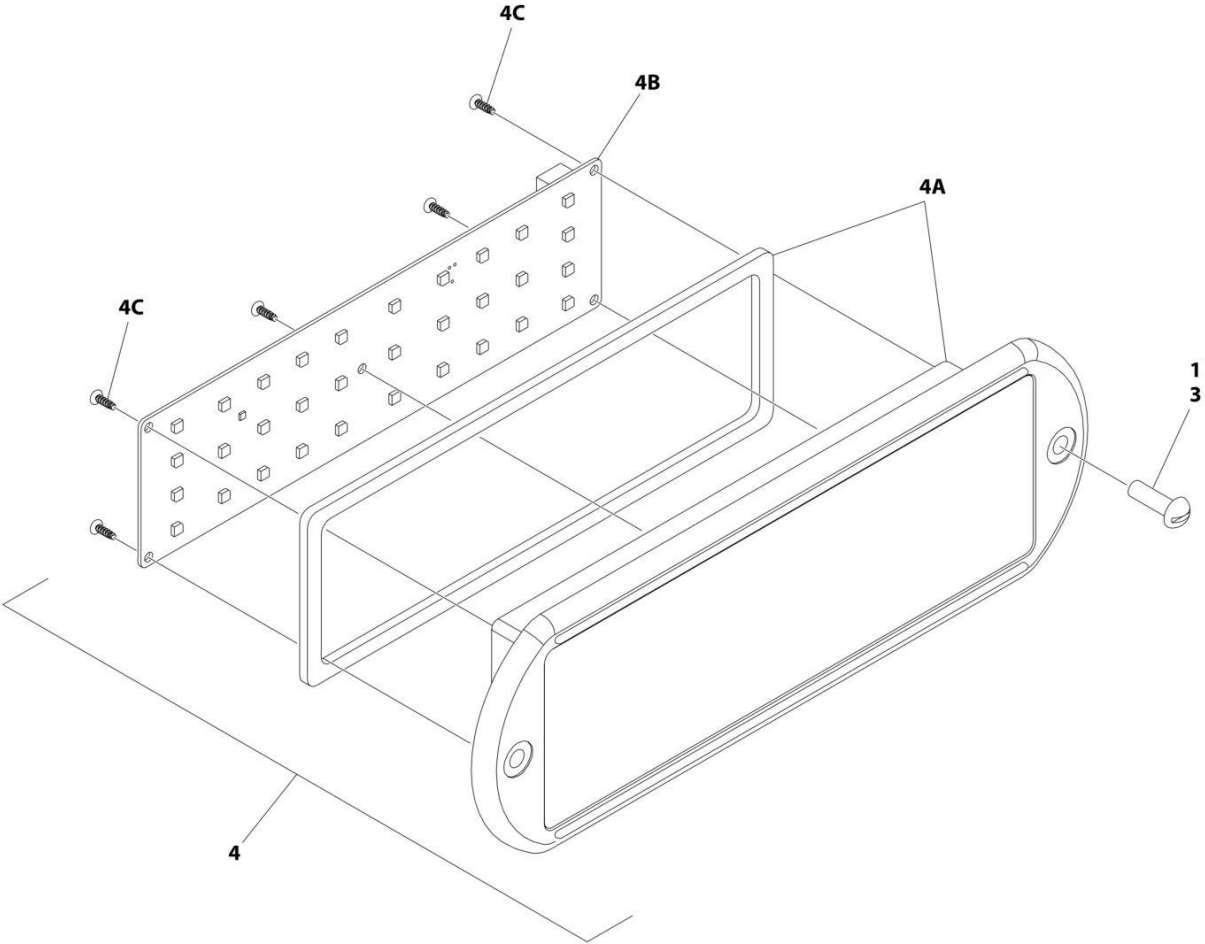
## SECTION 5 - PLATFORM

**FIGURE 5-11. DRIVE/STEER CONTROLLER ASSEMBLY**

ITEM	PART NUMBER	QTY	DESCRIPTION	REV
	1001166538	Ref	CONTROLLER ASSEMBLY - DRIVE AND STEER	G
		Ref	Note: For Replacement, Use p/n 1001212415.	
7	70004738	2	Washer	
10	70004739	1	Roller	
11	70004740	1	Boot, Switch	
14	70004741	2	Half, Handle	
17	70004742	1	Enclosure	
18	70004743	4	Nut	
19	70004744	NLA	Boot, Controller (Use p/n 70005230 Boot/Base Assembly)	
20	70004745	NLA	Tube, Locking (Use p/n 70005230 Boot/Base Assembly)	
21	70004746	NLA	Disc, Locking (Use p/n 70005230 Boot/Base Assembly)	
25	70004747	2	Seal, Rope	
26	70004748	1	Screw M3 x 6	
28	70004749	2	Screw M5 x 20	
29	70004750	1	Pin, Dowel	
30	70004751	4	Screw M3 x 16	
101	4460265	1	Connector - 9 Position	
101	4460226	7	Socket, Female	

**SECTION 5 - PLATFORM**

**FIGURE 5-12. LIGHT PANEL INSTALLATION**



ART\_1001241400\_20F2

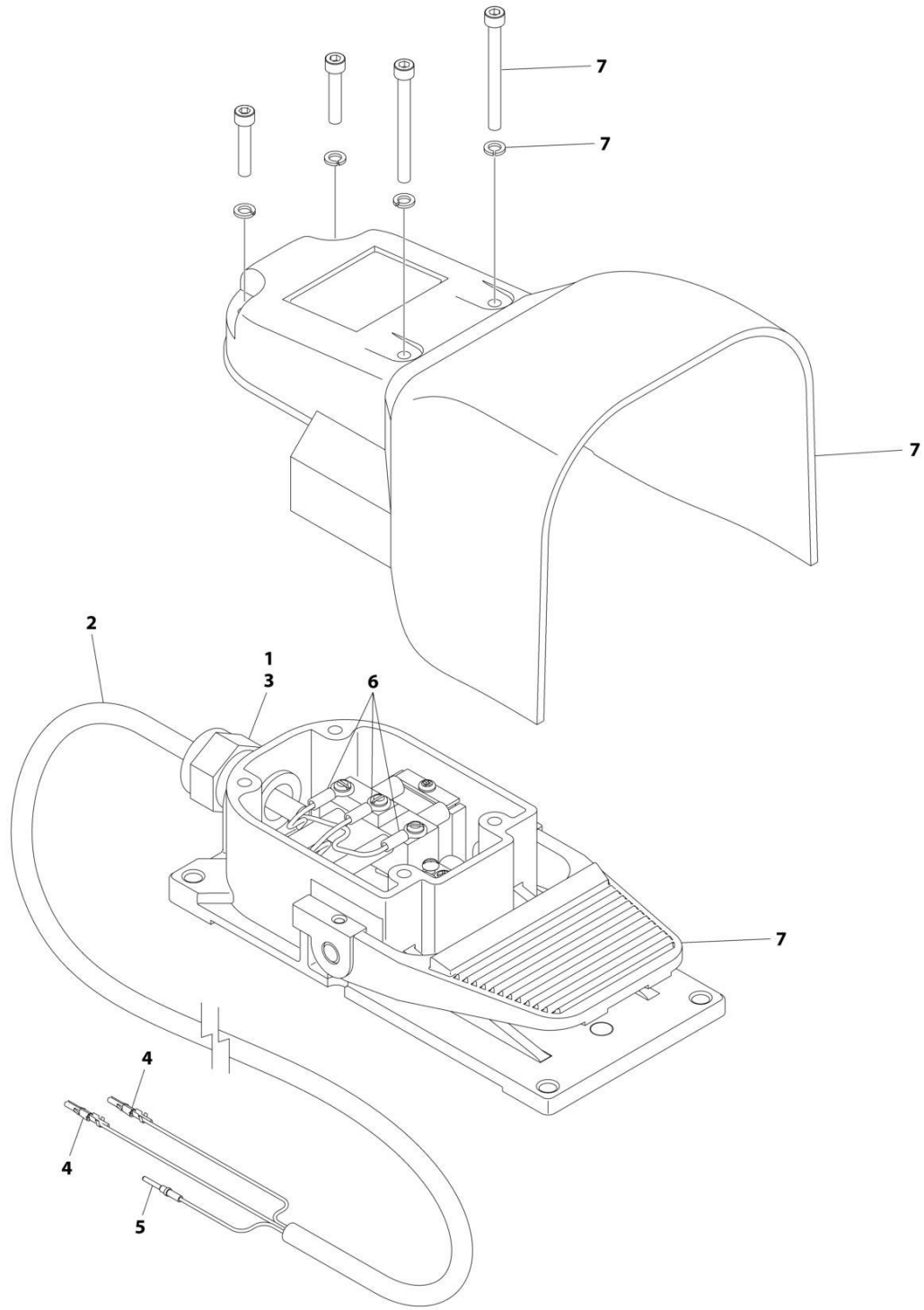
## SECTION 5 - PLATFORM

### FIGURE 5-12. LIGHT PANEL INSTALLATION

ITEM	PART NUMBER	QTY	DESCRIPTION	REV
	1001241400	Ref	LIGHT PANEL INSTALLATION - PLATFORM CONSOLE	B
1	0100035	AR	Compound, Locking	
3	0630518	2	Screw #10 x 3/4	
4	1001237544	1	Light Panel Assembly	
4A	1001236087	1	Lens, I-Con (Includes Gasket)	
4B	1001187807	1	Panel, LED Light	
4C		Ref	Screw #10 x 3/4	

# SECTION 5 - PLATFORM

## FIGURE 5-13. FOOTSWITCH ASSEMBLY



ART\_100117174



## SECTION 5 - PLATFORM

**FIGURE 5-13. FOOTSWITCH ASSEMBLY**

ITEM	PART NUMBER	QTY	DESCRIPTION	REV
	1001117174	Ref	FOOTSWITCH ASSEMBLY	B
1	0100020	AR	Sealant	
2	1060918	7.5 ft/ 2.3m	Cable, Electrical - 18/3	
3	4460071	1	Connector, Strain Relief	
4	4460226	2	Socket, Female	
5	4460464	1	Pin, Male	
6	1001098122	3	Terminal	
7	1001117172	1	Footswitch	
7	70002902	1	Switch, 20Amp	
7	70002903	1	Gasket	
7	70002905	1	Cover	
7	70002904	1	Kit, Replacement Bolt	



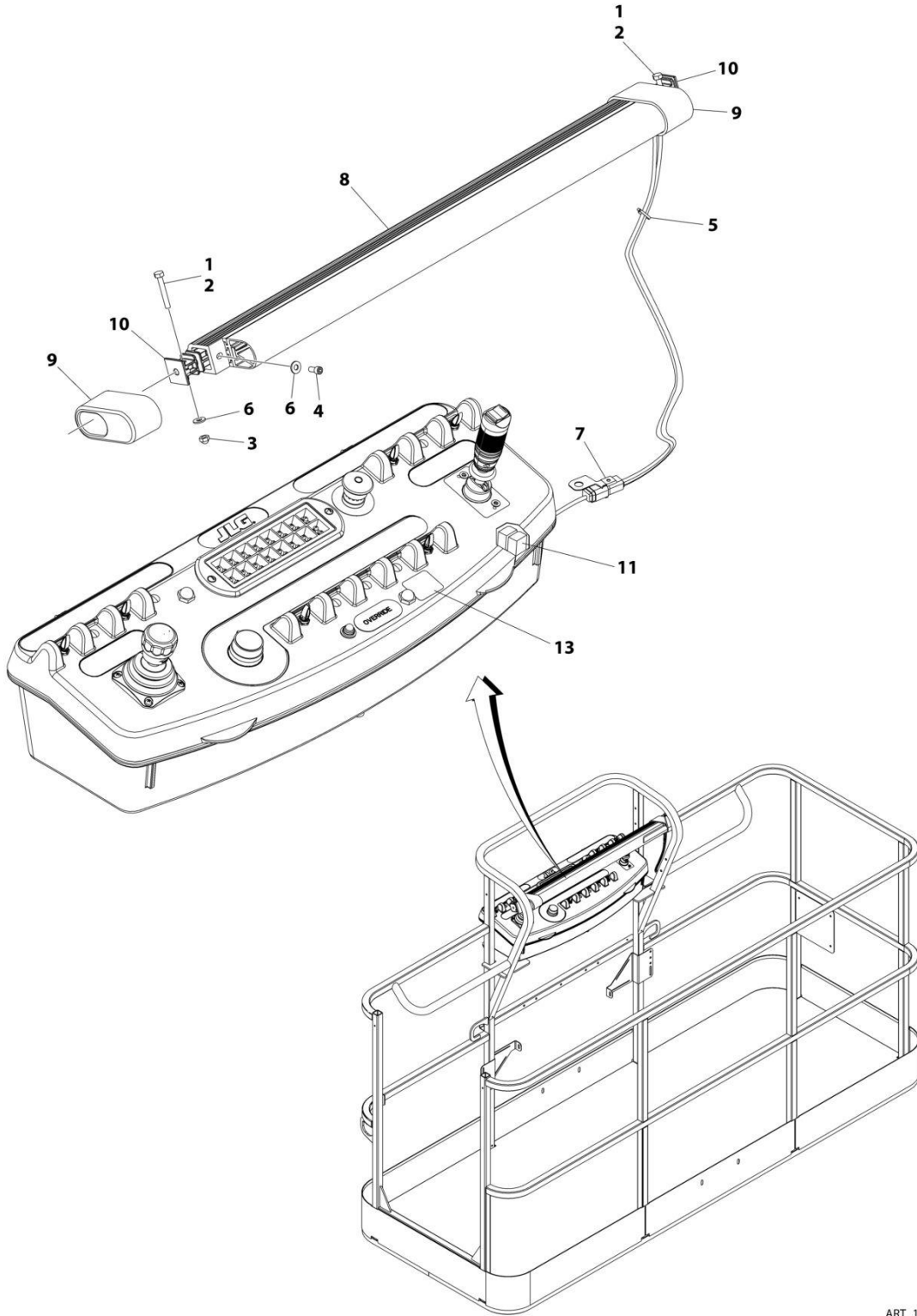
## SECTION 5 - PLATFORM

**FIGURE 5-14. SKYEYE INSTALLATION**

ITEM	PART NUMBER	QTY	DESCRIPTION	REV
	1001229341	Ref	SKYEYE INSTALLATION	B
1	4031505	4	Bolt M4 x 10	
2	4240033	AR	Tie-Strap (Not Shown)	
3	1001227633	1	Housing, LH Outer	
4	1001227634	1	Housing, RH Outer	
5	1001227985	2	Shim	
6	1001227987	2	Shim	
7	1001228224	2	Sensor, Receiver	
8	1001228225	1	Sensor, Emitter	
9	1001232164	1	Housing, LH Inner	
10	1001232165	1	Housing, RH Inner	
11	1001237865	1	Harness, Skyeeye Intermediate (See Separate Breakdown in ELECTRICAL Section)	
12	1001238319	NLA	Harness, Skyeeye Drain Jumper	
12	1001187674	1	Plug, Male - 2 Position	
12	4460942	1	Terminal	
12	4460466	1	Plug, Terminal	
12	4460508	1	Pin, Male	
13	1001237863	2	Harness, Skyeeye Receiver (See Separate Breakdown in ELECTRICAL Section)	
14	1001237864	1	Harness, Skyeeye Emitter (See Separate Breakdown in ELECTRICAL Section)	

# SECTION 5 - PLATFORM

## FIGURE 5-15. SKYGUARD BAR INSTALLATION



ART\_1001238495

## SECTION 5 - PLATFORM

**FIGURE 5-15. SKYGUARD BAR INSTALLATION**

ITEM	PART NUMBER	QTY	DESCRIPTION	REV
	1001238495	Ref	SKYGUARD BAR INSTALLATION	A
1	0100011	AR	Compound, Locking	
2	0641414	2	Bolt 1/4 x 1-3/4	
3	3300430	2	Nut 1/4	
4	3931408	2	Capscrew 1/4 x 1/2	
5	4240033	8	Tie-Strap	
6	4711400	6	Washer 1/4	
7	1001120328	1	Mount	
8	1001137673	1	SkyGuard Switch Assembly	
9	1001186517	2	Cover, Platform Sensor	
10	1001209664	2	Support, Block	
11	1001186431	2	Relay	
12	1001225580	1	Interface Harness Assembly (Not Shown - Located Inside Console Box) (See Separate Breakdown in ELECTRICAL Section)	
13	1001144433	1	Decal - No Weight SkyGuard	



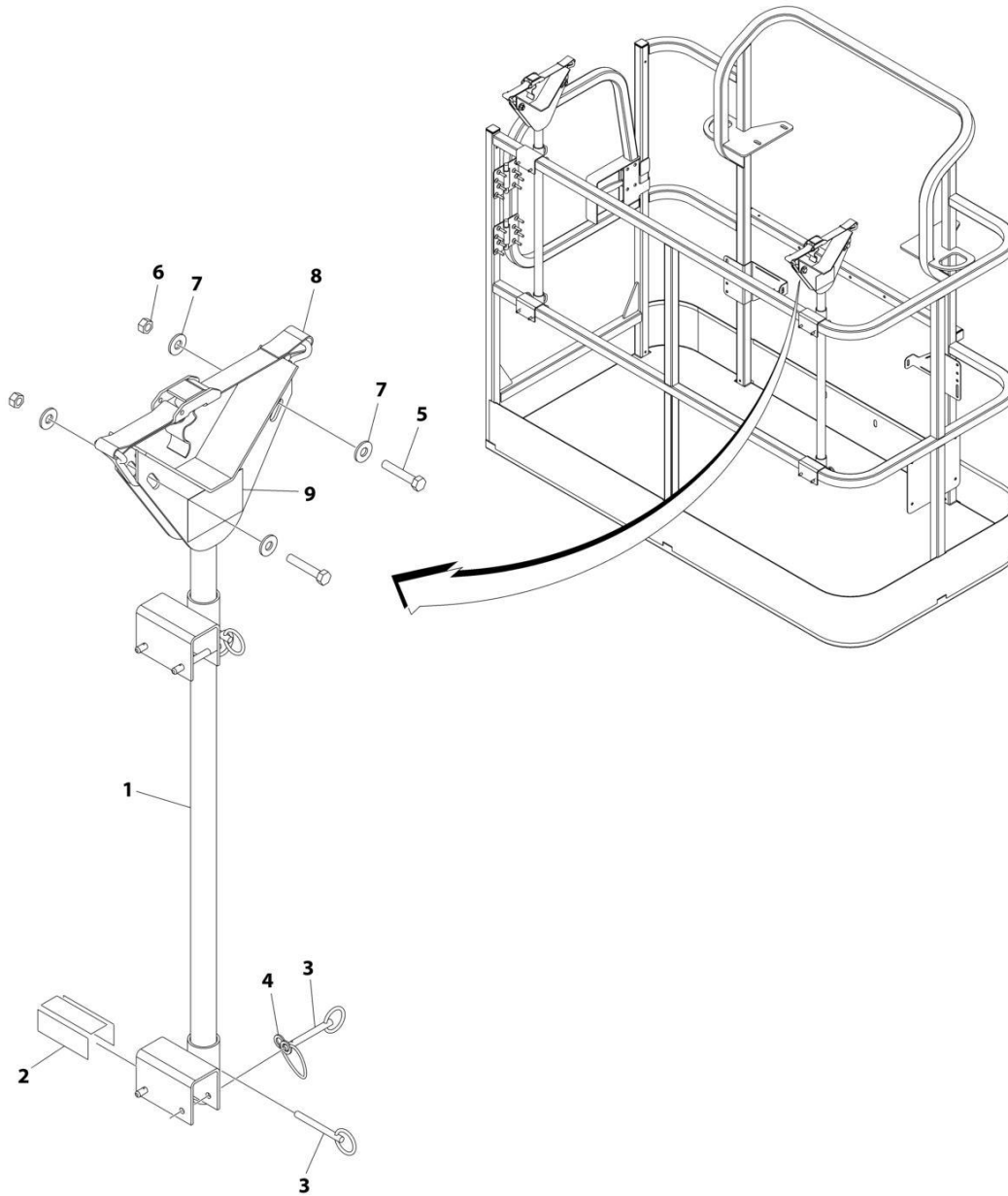
## SECTION 5 - PLATFORM

**FIGURE 5-16. SKYLINE INSTALLATION**

ITEM	PART NUMBER	QTY	DESCRIPTION	REV
	1001238559	Ref	SKYLINE INSTALLATION	C
1	0641404	2	Bolt 1/4 x 1/2	
2	0641405	2	Bolt 1/4 x 5/8	
3	3311405	2	Nut 1/4	
4	3311601	2	Nut 3/8	
5	4031516	2	Capscrew M4 x 60	
6	4240033	AR	Tie-Strap (Not Shown)	
7	4711400	4	Washer 1/4	
8	1001120328	1	Mount	
9	1001232642	1	Bracket	
11	1001232667	1	Sensor, Proximity	
14	1001236552	1	Block	
15	1001238418	1	Harness, Skyline (See Separate Breakdown in ELECTRICAL Section)	
16	1001238472	1	Mount	
17	1001254473	1	Housing, LH	
18	1001241965	1	Housing, RH	
19	1001254472	1	Rod	
20	0100011	AR	Compound, Locking	

# SECTION 5 - PLATFORM

## FIGURE 5-17. PIPE RACK INSTALLATION (AUSTRALIAN SPEC)



ART\_0274661



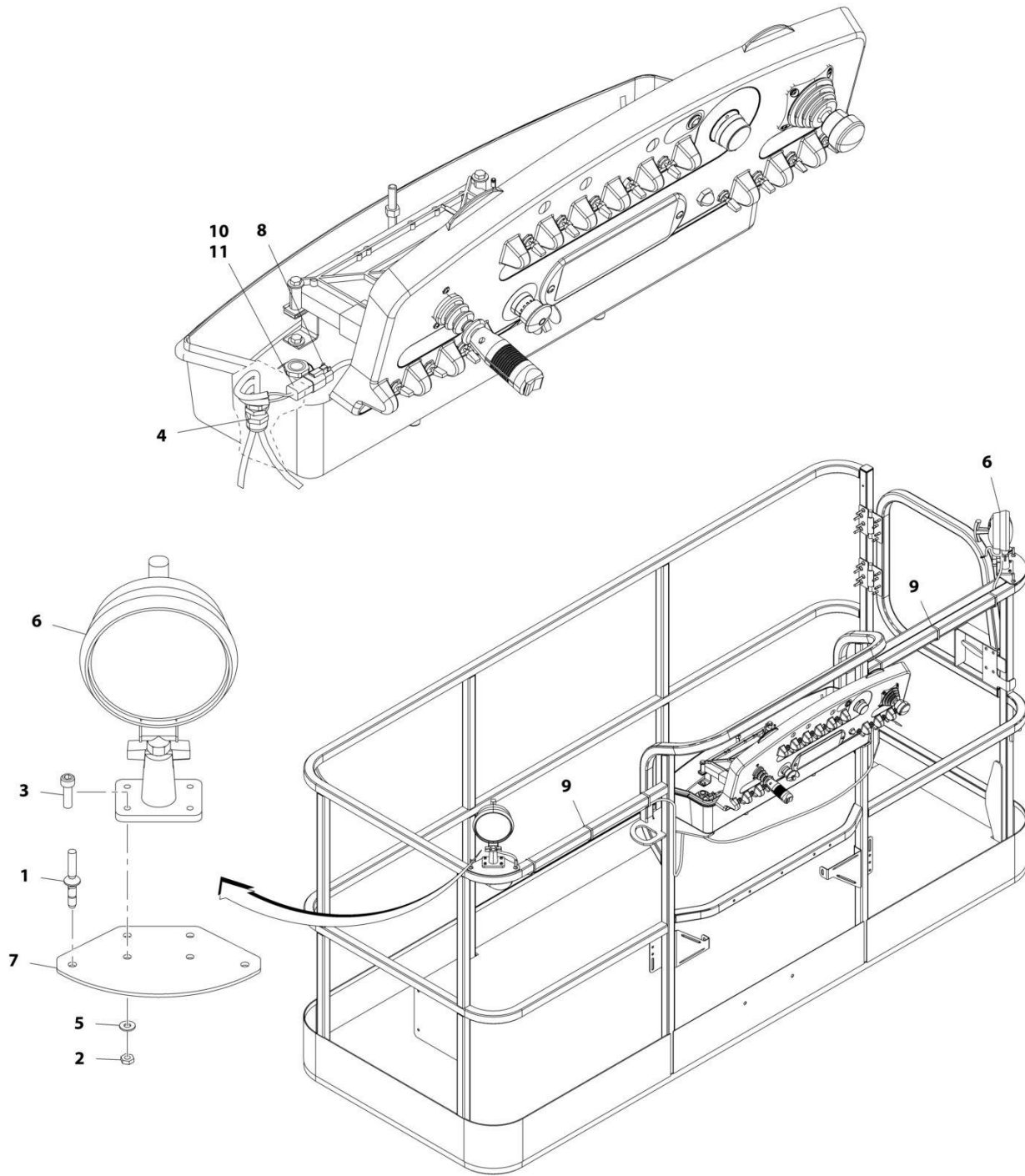
## SECTION 5 - PLATFORM

**FIGURE 5-17. PIPE RACK INSTALLATION (AUSTRALIAN SPEC)**

ITEM	PART NUMBER	QTY	DESCRIPTION	REV
	0274661	Ref	PIPE RACK INSTALLATION	3/C
1	4845582	2	Rack, Pipe	
2	4420062	AR	Tape	
3	3422661	10	Pin	
4	1060379	4	Lanyard	
5	0641514	4	Bolt 5/16 x 1-3/4	
6	3311505	4	Nut 5/16	
7	4751500	8	Washer 5/16	
8	0480100	2	Tie-Down	
9	1706510	2	Decal - Capacity	

# SECTION 5 - PLATFORM

## FIGURE 5-18. WORKLIGHTS INSTALLATION (OPTIONAL)



ART\_1001120466

## SECTION 5 - PLATFORM

### FIGURE 5-18. WORKLIGHTS INSTALLATION (OPTIONAL)

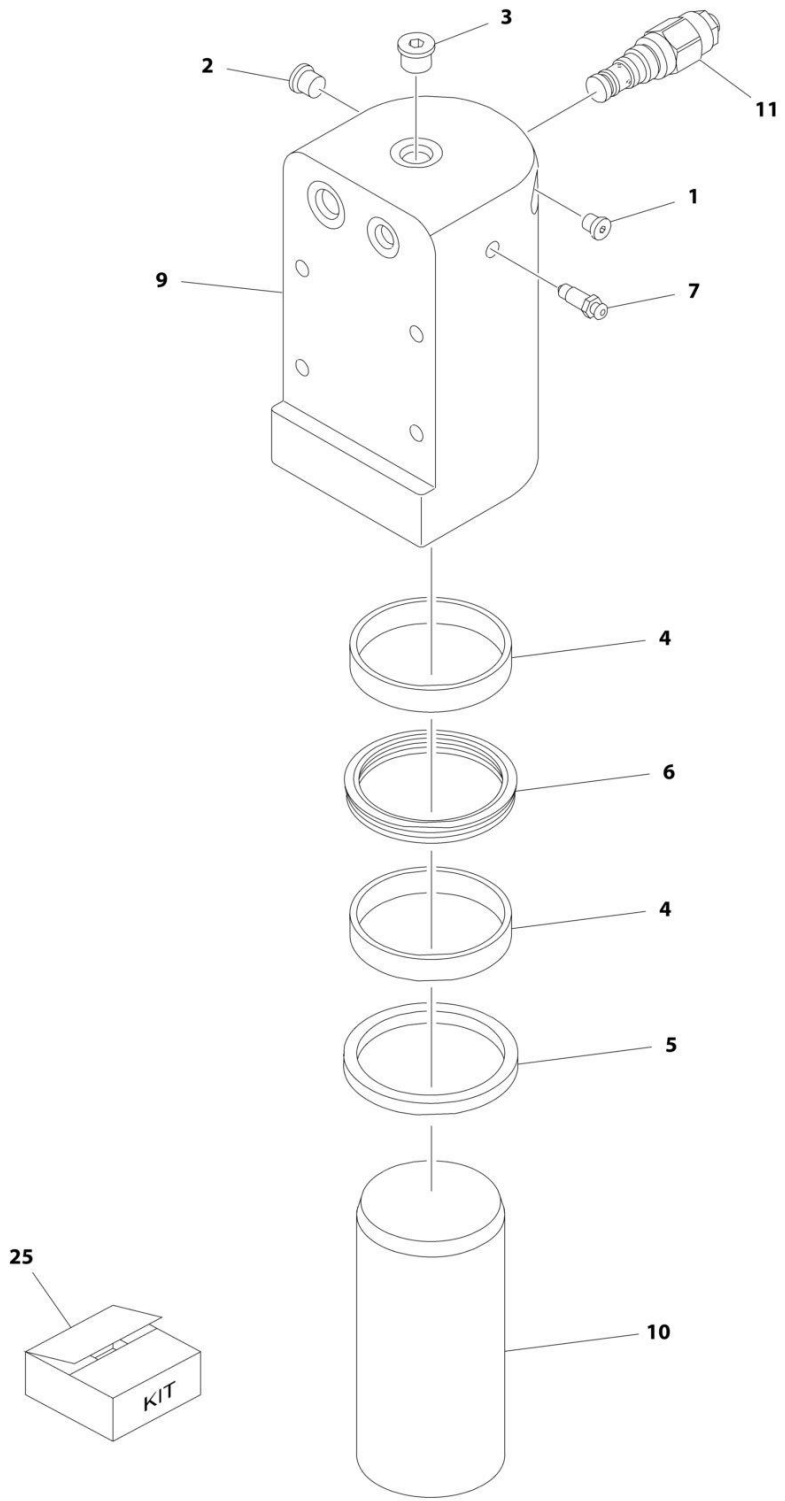
ITEM	PART NUMBER	QTY	DESCRIPTION	REV
	1001120466	Ref	WORKLIGHTS INSTALLATION (OPTIONAL)	A
1	2080040	4	Fastener, Huck	
2	3311005	8	Nut #10	
3	3931010	8	Capscrew #10 x 5/8	
4	4460428	1	Connector, Strain Relief	
5	4751000	8	Washer #10	
6	1001120474	2	Worklight Assembly	
7	1001120476	2	Plate, Mounting	
8	1001120484	1	Harness, Worklight	
9	4240099	AR	Tie-Strap	
10	4460464	4	Pin, Male Deutsch 16Ga	
11	4460932	1	Receptacle, Female - 4 Position	



**SECTION 6 - CYLINDER**

# SECTION 6 - CYLINDER

## FIGURE 6-1. AXLE LOCKOUT CYLINDER ASSEMBLY



ART\_1001116361

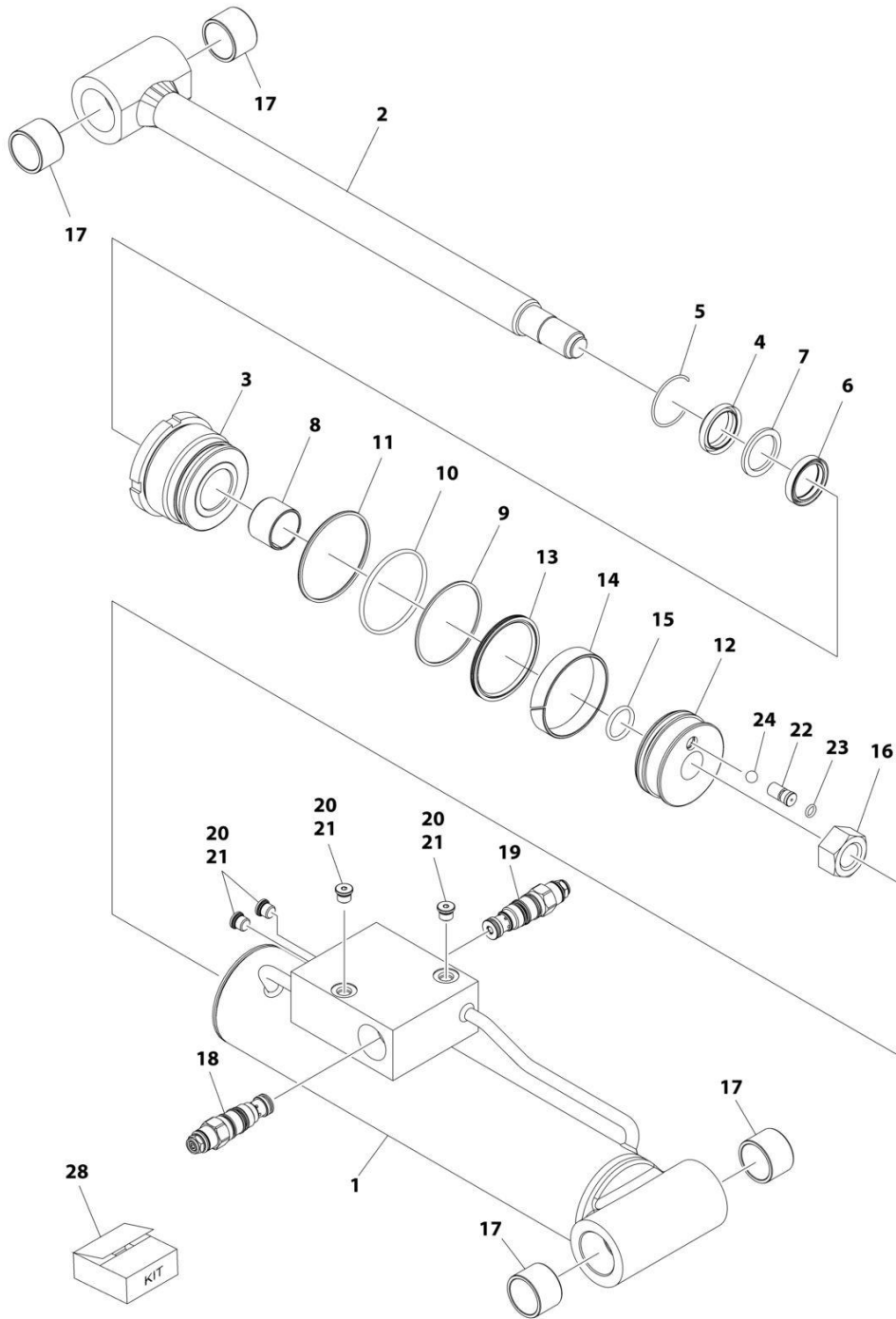
## SECTION 6 - CYLINDER

**FIGURE 6-1. AXLE LOCKOUT CYLINDER ASSEMBLY**

ITEM	PART NUMBER	QTY	DESCRIPTION	REV
	1001116361	Ref	AXLE LOCKOUT CYLINDER ASSEMBLY	G
1	2220881	1	Plug, O-Ring	
2	2220883	1	Plug, O-Ring	
3	2220885	1	Plug, O-Ring	
4	See Note	NSS	Ring, Wear (Note: Use Item 25)	
5	See Note	NSS	Wiper (Note: Use Item 25)	
6	See Note	NSS	Seal, Rod (Note: Use Item 25)	
7	4640858	1	Bleeder	
9	1001117365	1	Barrel	
10	1001117366	1	Rod	
11	1001117372	1	Cartridge, Valve	
11	70002842	1	Seal Kit - 1001117372 Valve	
25	1001116378	1	Seal Kit (Includes Items 4-6)	

# SECTION 6 - CYLINDER

## FIGURE 6-2. LEVEL (PLATFORM SLAVE) CYLINDER ASSEMBLY



ART\_1001225990



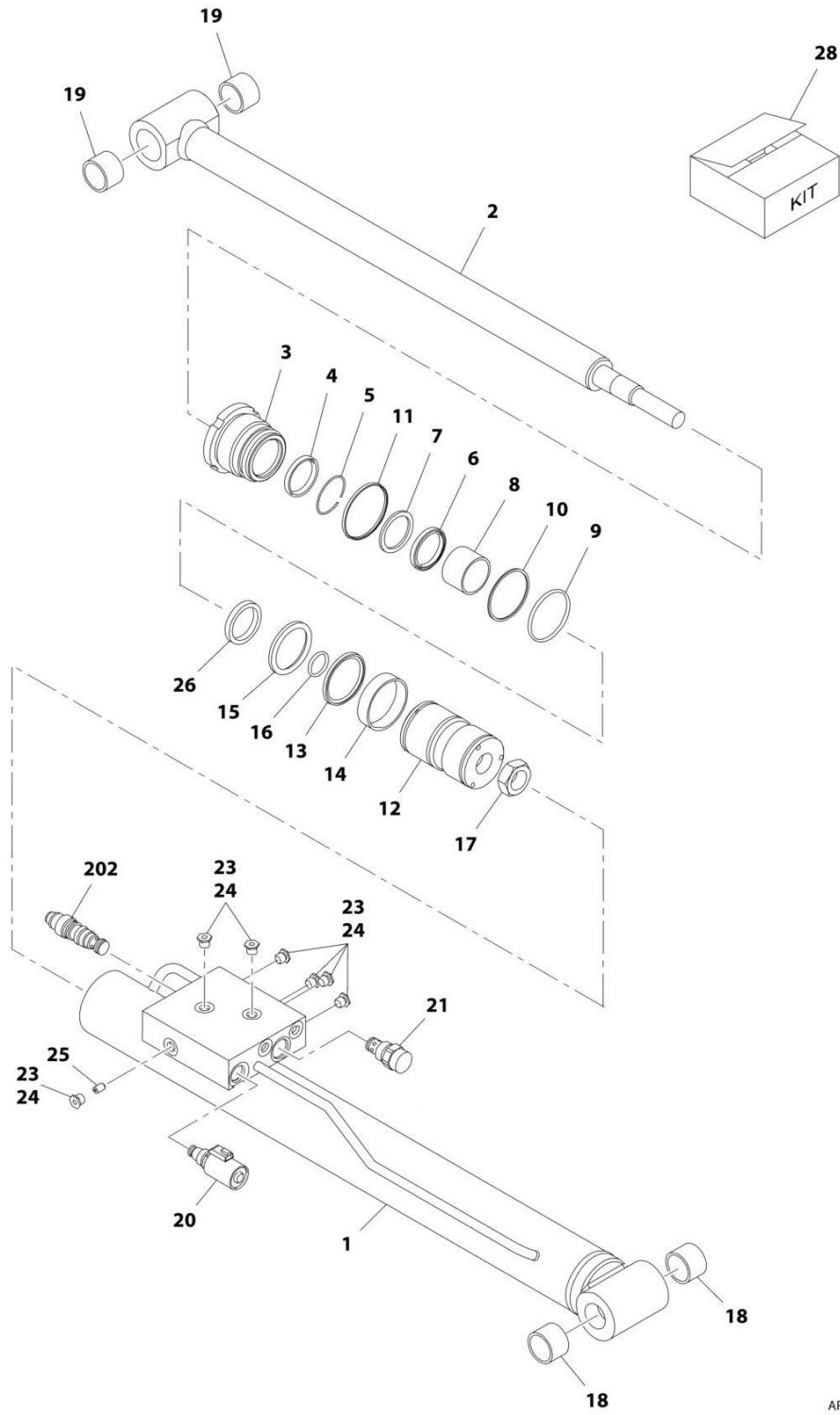
## SECTION 6 - CYLINDER

**FIGURE 6-2. LEVEL (PLATFORM SLAVE) CYLINDER ASSEMBLY**

ITEM	PART NUMBER	QTY	DESCRIPTION	REV
	1001225990	Ref	LEVEL (PLATFORM SLAVE) CYLINDER ASSEMBLY	A
		Ref	Note: Original Cylinder may have been replaced with Service Replacement. Identify PN Stamped on Cylinder Before Ordering Parts.	
1	70003131	1	Barrel	
2	70003132	1	Rod	
3	70003085	1	Head	
4	See Note	NSS	Wiper (Note: Use Item 28)	
5	70002366	1	Ring, Retaining	
6	See Note	NSS	Seal, Rod (Note: Use Item 28)	
7	See Note	NSS	Ring, Back-up (Note: Use Item 28)	
8	70005695	1	Bearing	
9	See Note	NSS	O-Ring (Note: Use Item 28)	
10	See Note	NSS	Ring, Back-up (Note: Use Item 28)	
11	See Note	NSS	O-Ring (Note: Use Item 28)	
12	70003133	1	Piston	
13	See Note	NSS	Seal, Piston (Note: Use Item 28)	
14	See Note	NSS	Ring, Wear (Note: Use Item 28)	
15	See Note	NSS	Ring, Wear (Note: Use Item 28)	
16	70002335	1	Nut	
17	0961951	4	Bushing, Garmax	
18	70002413	1	Cartridge, Valve	
18	2900770	1	Seal Kit - 70002413 Valve	
19	1001168210	1	Cartridge, Valve	
19	2900770	1	Seal Kit - 1001168210 Valve	
20	2220883	4	Plug	
21	See Note	NSS	O-Ring (Note: Not Available - Purchase Locally)	
22	70005973	1	Valve Seat	
23	70005974	1	O-Ring	
24	70006353	1	Steel Ball	
28	70003134	1	Seal Kit (Includes Items 4, 6, 7, 9, 10, 11, 13, 14 & 15)	
100		Ref	REPAIR TOOLS (NOT SHOWN)	
100	70003089	1	Press, Wiper	
100	70003090	1	Press, Bushing (Use with Rod Bearing)	
100	70003091	1	Tool, Bushing Removal (Use with Rod Bearing)	
100	70003092	1	Tool, Head Seal Protection	
100	70003081	1	Tool, Piston Seal Protection	
100	70003093	1	Press, Bushing (Use with Pin Mounting Bushings)	
100	70003094	1	Tool, Bushing Removal (Use with Pin Mounting Bushings)	

# SECTION 6 - CYLINDER

## FIGURE 6-3. LIFT (JIB) CYLINDER ASSEMBLY



ART\_1001123004

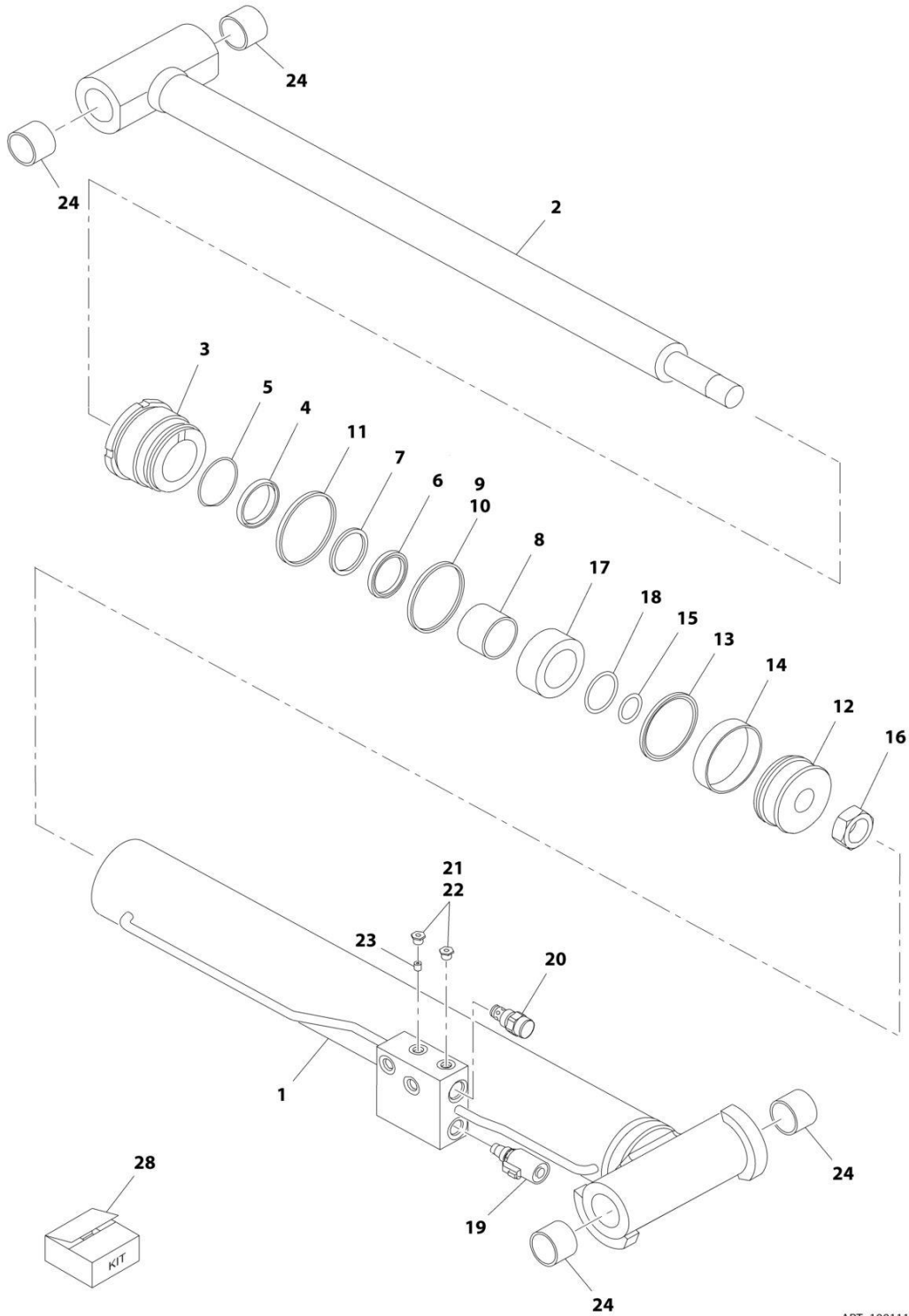
## SECTION 6 - CYLINDER

### FIGURE 6-3. LIFT (JIB) CYLINDER ASSEMBLY

ITEM	PART NUMBER	QTY	DESCRIPTION	REV
	1001123004	Ref	LIFT (JIB) CYLINDER ASSEMBLY	D
1	70003122	1	Barrel	
2	70002375	1	Rod	
3	70003123	1	Head	
4	See Note	NSS	Wiper (Note: Use Item 28)	
5	70002373	1	Ring, Retaining	
6	See Note	NSS	Seal, Rod (Note: Use Item 28)	
7	See Note	NSS	Ring, Back-up (Note: Use Item 28)	
8	70002372	1	Bearing	
9	See Note	NSS	O-Ring (Note: Use Item 28)	
10	See Note	NSS	Ring, Back-up (Note: Use Item 28)	
11	See Note	NSS	O-Ring (Note: Use Item 28)	
12	70003124	1	Piston	
13	70003125	1	Seal, Piston	
14	See Note	NSS	Ring, Wear (Note: Use Item 28)	
15	See Note	NSS	O-Ring (Note: Use Item 28)	
16	See Note	NSS	Ring, Piston (Note: Use Item 28)	
17	70002335	1	Nut	
18	70003118	2	Bushing	
19	0961951	2	Bushing, Garmax (was p/n 70003087)	
20	7024884	1	Cartridge, Solenoid Valve	
20	7012967	1	Seal Kit - 7024884 Valve	
20	70002386	1	Coil	
21	70003076	1	Cartridge, Check Valve	
21	7017496	1	Seal Kit - 70003076 Valve	
23	70023370	7	Plug	
24	See Note	7	O-Ring (Note: Not Available - Purchase Locally)	
25	70002334	1	Orifice	
26	70003453	1	Spacer	
28	70003125	1	Seal Kit (Includes Items 4, 6, 7, 9, 10, 11, 13, 14, 15 & 16)	
100		Ref	REPAIR TOOLS (NOT SHOWN)	
100	70003126	1	Press, Wiper	
100	70003127	1	Press, Bushing (Use with Rod Bearing)	
100	70003128	1	Tool, Bushing Removal (Use with Rod Bearing)	
100	70003129	1	Tool, Head Seal Protection	
100	70003130	1	Tool, Piston Seal Protection	
100	70003093	1	Press, Bushing (Use with Pin Mounting Bushings)	
100	70003094	1	Tool, Bushing Removal (Use with Pin Mounting Bushings)	
	1001199460	Ref	JIB LIFT CYLINDER ASSEMBLY	A
202	1001199306	1	Cartridge, Counter Balance Valve	
202	2900770	1	Seal Kit - 1001199306 Valve	

# SECTION 6 - CYLINDER

## FIGURE 6-4. LIFT (MAIN BOOM) CYLINDER ASSEMBLY



ART\_1001117640

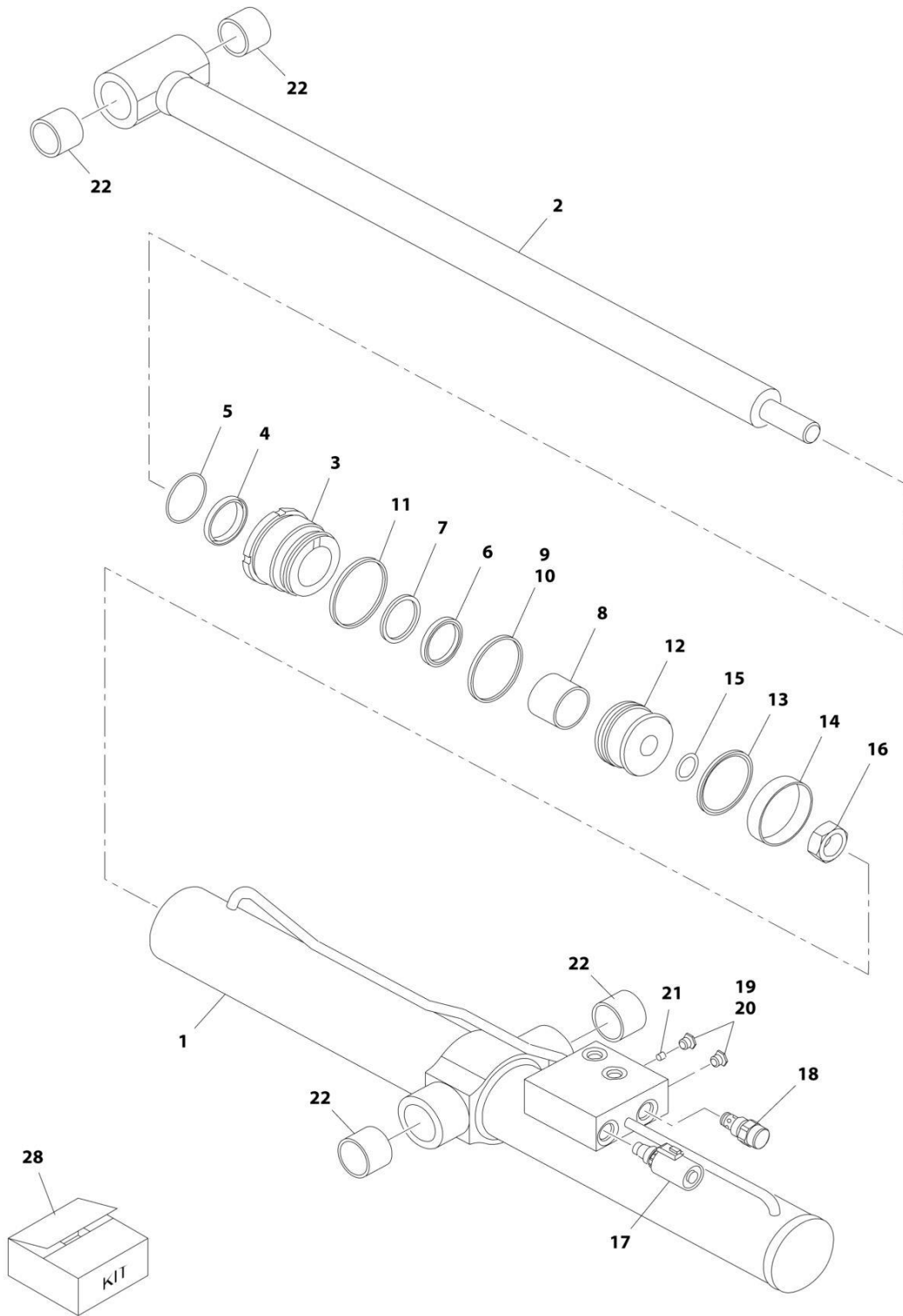
## SECTION 6 - CYLINDER

### FIGURE 6-4. LIFT (MAIN BOOM) CYLINDER ASSEMBLY

ITEM	PART NUMBER	QTY	DESCRIPTION	REV
	1001117640	Ref	MAIN BOOM LIFT CYLINDER ASSEMBLY	H
1	70003103	1	Barrel	
2	70003104	1	Rod	
3	70003105	1	Head	
4	See Note	NSS	Wiper (Note: Use Item 28)	
5	70002412	1	Ring, Retaining	
6	See Note	NSS	Seal, Rod (Note: Use Item 28)	
7	See Note	NSS	Ring, Back-up (Note: Use Item 28)	
8	70022565	1	Bearing	
9	See Note	NSS	O-Ring (Note: Use Item 28)	
10	See Note	NSS	Ring, Back-up (Note: Use Item 28)	
11	See Note	NSS	O-Ring (Note: Use Item 28)	
12	70003106	1	Piston	
13	See Note	NSS	Seal, Piston (Note: Use Item 28)	
14	See Note	NSS	Ring, Wear (Note: Use Item 28)	
15	See Note	NSS	O-Ring (Note: Use Item 28)	
16	70002335	1	Nut	
17	70002344	1	Spacer	
18	See Note	NSS	O-Ring (Note: Use Item 28)	
19	7024884	1	Cartridge, Solenoid Valve	
19	7012967	1	Seal Kit - 7024884 Valve	
19	70002386	1	Coil	
20	70003076	1	Cartridge, Check Valve	
20	7017496	1	Seal Kit - 70003076 Valve	
21	70023370	7	Plug	
22	See Note	7	O-Ring (Note: Not Available - Purchase Locally)	
23	70002334	1	Orifice	
24	0961948	2	Bushing, Garmax (was p/n 70003107)	
28	70003108	1	Seal Kit (Includes Items 4, 6, 7, 9, 10, 11, 13, 14, 15 & 18)	
100		Ref	REPAIR TOOLS (NOT SHOWN)	
100	70003109	1	Press, Wiper	
100	70003110	1	Press, Bushing (Use with Rod Bearing)	
100	70003111	1	Tool, Bushing Removal (Use with Rod Bearing)	
100	70003112	1	Tool, Head Seal Protection	
100	70003113	1	Tool, Piston Seal Protection	
100	70003082	1	Press, Bushing (Use with Pin Mounting Bushings)	
100	70003083	1	Tool, Bushing Removal (Use with Pin Mounting Bushings)	

# SECTION 6 - CYLINDER

## FIGURE 6-5. LIFT (TOWER BOOM) CYLINDER ASSEMBLY



ART\_1001122527

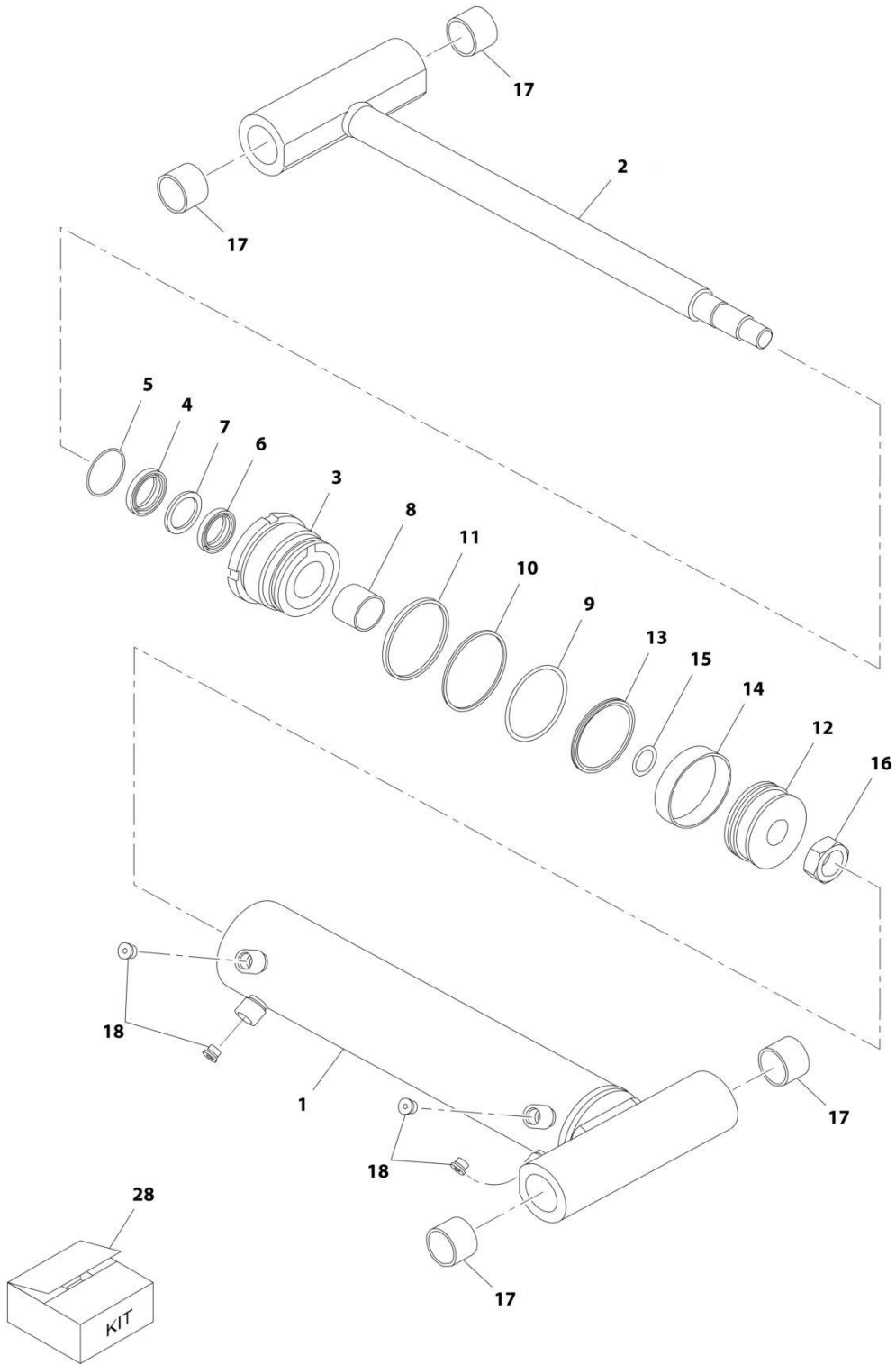
## SECTION 6 - CYLINDER

### FIGURE 6-5. LIFT (TOWER BOOM) CYLINDER ASSEMBLY

ITEM	PART NUMBER	QTY	DESCRIPTION	REV
	1001122527	Ref	LIFT (TOWER BOOM) CYLINDER ASSEMBLY	D
1	70003071	1	Barrel	
2	70003072	1	Rod	
3	70003073	1	Head	
4	See Note	NSS	Wiper (Note: Use Item 28)	
5	70002410	1	Ring, Retaining	
6	See Note	NSS	Seal, Rod (Note: Use Item 28)	
7	See Note	NSS	Ring, Back-up (Note: Use Item 28)	
8	70002337	1	Bearing	
9	See Note	NSS	O-Ring (Note: Use Item 28)	
10	See Note	NSS	Ring, Back-up (Note: Use Item 28)	
11	See Note	NSS	O-Ring (Note: Use Item 28)	
12	70003074	1	Piston	
13	See Note	NSS	Seal, Piston (Note: Use Item 28)	
14	See Note	NSS	Ring, Wear (Note: Use Item 28)	
15	See Note	NSS	O-Ring (Note: Use Item 28)	
16	70002335	1	Nut	
17	7024884	1	Cartridge, Solenoid Valve	
17	7012967	1	Seal Kit - 7024884 Valve	
17	70002386	1	Coil	
18	70003076	1	Cartridge, Check Valve	
18	7017496	1	Seal Kit - 70003076 Valve	
19	70023370	2	Plug	
20	See Note	2	O-Ring (Note: Not Available - Purchase Locally)	
21	70002334	1	Orifice	
22	0961948	4	Bushing, Garmax (was p/n 70003107)	
28	70003075	1	Seal Kit (Includes Items 4, 6, 7, 9, 10, 11, 13, 14 & 15)	
100		Ref	REPAIR TOOLS (NOT SHOWN)	
100	70003077	1	Press, Wiper	
100	70003078	1	Press, Bushing (Use with Rod Bearing)	
100	70003079	1	Tool, Bushing Removal (Use with Rod Bearing)	
100	70003080	1	Tool, Head Seal Protection	
100	70003081	1	Tool, Piston Seal Protection	
100	70003082	1	Press, Bushing (Use with Pin Mounting Bushings)	
100	70003083	1	Tool, Bushing Removal (Use with Pin Mounting Bushings)	

# SECTION 6 - CYLINDER

## FIGURE 6-6. MASTER CYLINDER ASSEMBLY



ART\_1001120976



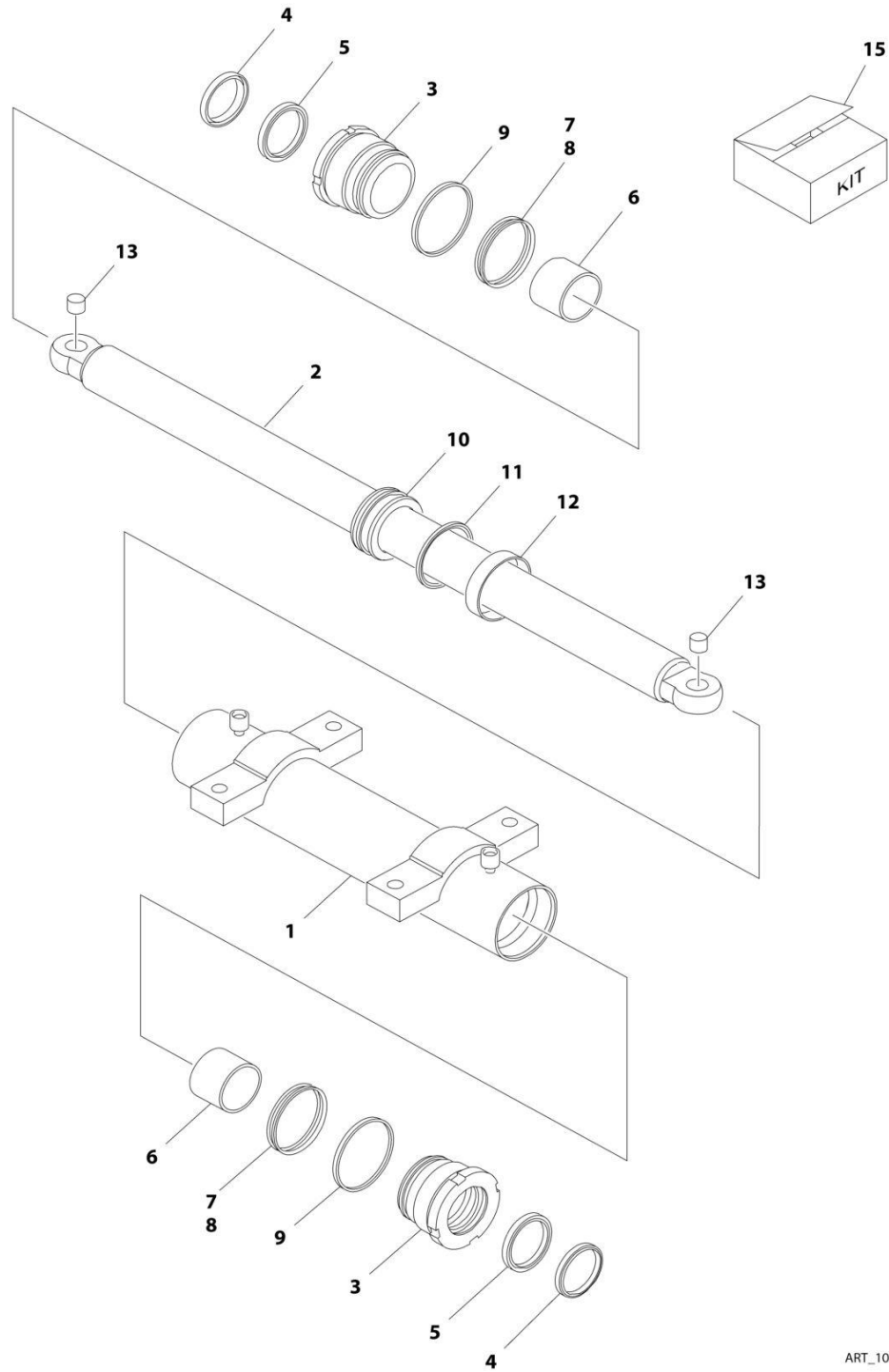
## SECTION 6 - CYLINDER

### FIGURE 6-6. MASTER CYLINDER ASSEMBLY

ITEM	PART NUMBER	QTY	DESCRIPTION	REV
	1001120976	Ref	MASTER CYLINDER ASSEMBLY	B
1	70003084	1	Barrel	
2	70002354	1	Rod	
3	70003085	1	Head	
4	See Note	NSS	Wiper (Note: Use Item 28)	
5	70002366	1	Ring, Retaining	
6	See Note	NSS	Seal, Rod (Note: Use Item 28)	
7	See Note	NSS	Ring, Back-up (Note: Use Item 28)	
8	70002352	1	Bearing	
9	See Note	NSS	O-Ring (Note: Use Item 28)	
10	See Note	NSS	Ring, Back-up (Note: Use Item 28)	
11	See Note	NSS	O-Ring (Note: Use Item 28)	
12	70003086	1	Piston	
13	See Note	NSS	Seal, Piston (Note: Use Item 28)	
14	See Note	NSS	Ring, Wear (Note: Use Item 28)	
15	See Note	NSS	O-Ring (Note: Use Item 28)	
16	70002335	1	Nut	
17	0961951	4	Bushing, Garmax (was p/n 70003087)	
18	70023371	4	Plug	
28	70003088	1	Seal Kit (Includes Items 4, 6, 7, 9, 10, 11, 13, 14 & 15)	
100		Ref	REPAIR TOOLS (NOT SHOWN)	
100	70003089	1	Press, Wiper	
100	70003090	1	Press, Bushing (Use with Rod Bearing)	
100	70003091	1	Tool, Bushing Removal (Use with Rod Bearing)	
100	70003092	1	Tool, Head Seal Protection	
100	70003081	1	Tool, Piston Seal Protection	
100	70003093	1	Press, Bushing (Use with Pin Mounting Bushings)	
100	70003094	1	Tool, Bushing Removal (Use with Pin Mounting Bushings)	

# SECTION 6 - CYLINDER

## FIGURE 6-7. STEER CYLINDER ASSEMBLY



ART\_1001116788

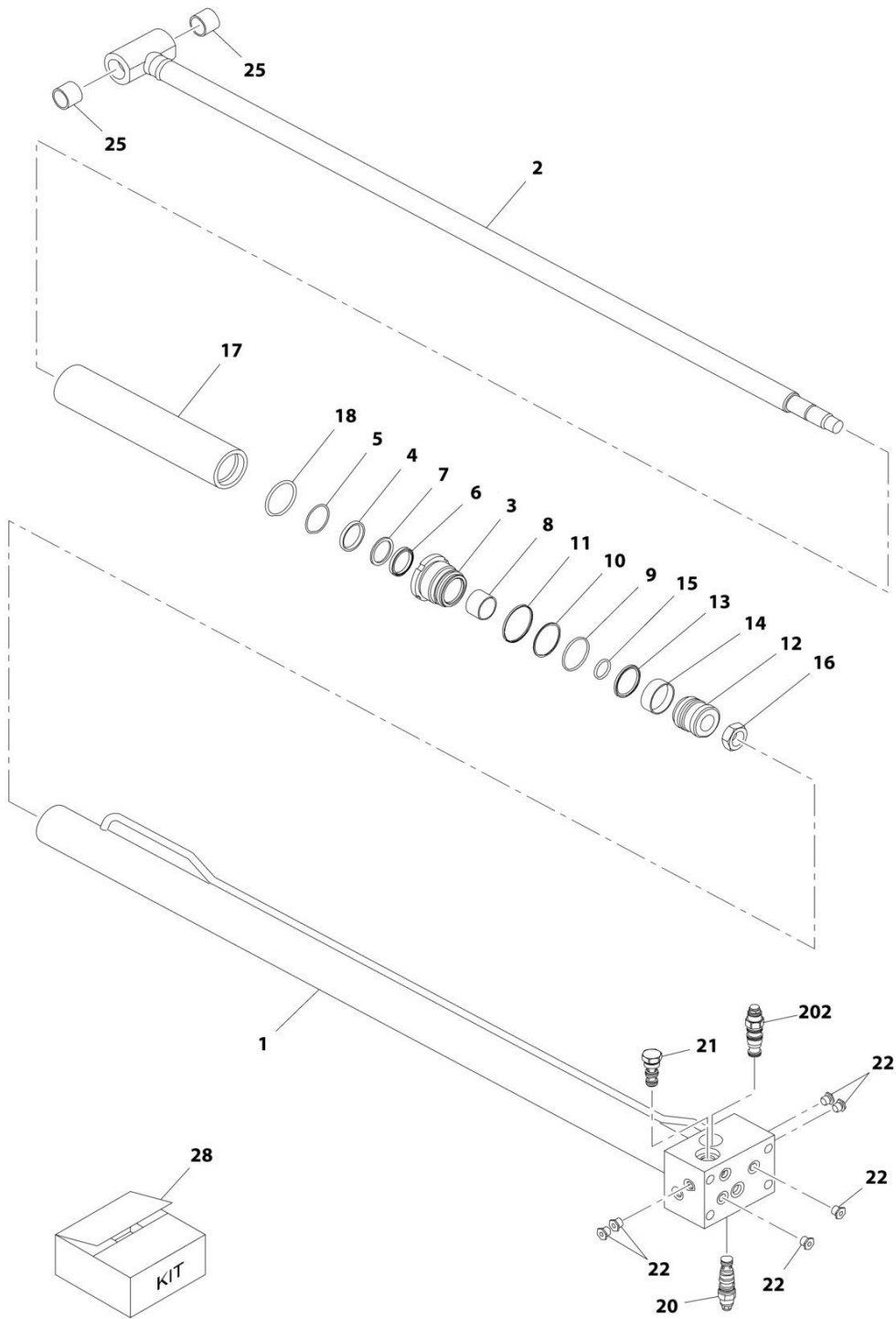
## SECTION 6 - CYLINDER

### FIGURE 6-7. STEER CYLINDER ASSEMBLY

ITEM	PART NUMBER	QTY	DESCRIPTION	REV
	1001116788	Ref	STEER CYLINDER ASSEMBLY	C
1	70003095	1	Barrel	
2	70003096	1	Rod	
3	70003098	2	Head	
4	See Note	NSS	Wiper (Note: Use Item 15)	
5	See Note	NSS	Seal, Rod (Note: Use Item 15)	
6	70002337	2	Bearing	
7	See Note	NSS	O-Ring (Note: Use Item 15)	
8	See Note	NSS	Ring, Back-up (Note: Use Item 15)	
9	See Note	NSS	O-Ring (Note: Use Item 15)	
10	70003097	1	Piston	
11	See Note	NSS	Seal, Piston (Note: Use Item 15)	
12	See Note	NSS	Ring, Wear (Note: Use Item 15)	
13	70002380	4	Bushing, Garmax	
15	70003099	1	Seal Kit (Includes Items 4, 5, 7, 8, 9, 11 & 12)	
100		Ref	REPAIR TOOLS (NOT SHOWN)	
100	70003077	1	Press, Wiper	
100	70003078	1	Press, Bushing (Use with Rod Bearing)	
100	70003079	1	Tool, Bushing Removal (Use with Rod Bearing)	
100	70003080	1	Tool, Head Seal Protection	
100	70003100	1	Tool, Piston Seal Protection	
100	70003101	1	Press, Bushing (Use with Pin Mounting Bushings)	
100	70003102	1	Tool, Bushing Removal (Use with Pin Mounting Bushings)	

# SECTION 6 - CYLINDER

## FIGURE 6-8. TELESCOPE CYLINDER ASSEMBLY



ART\_1001120974

## SECTION 6 - CYLINDER

### FIGURE 6-8. TELESCOPE CYLINDER ASSEMBLY

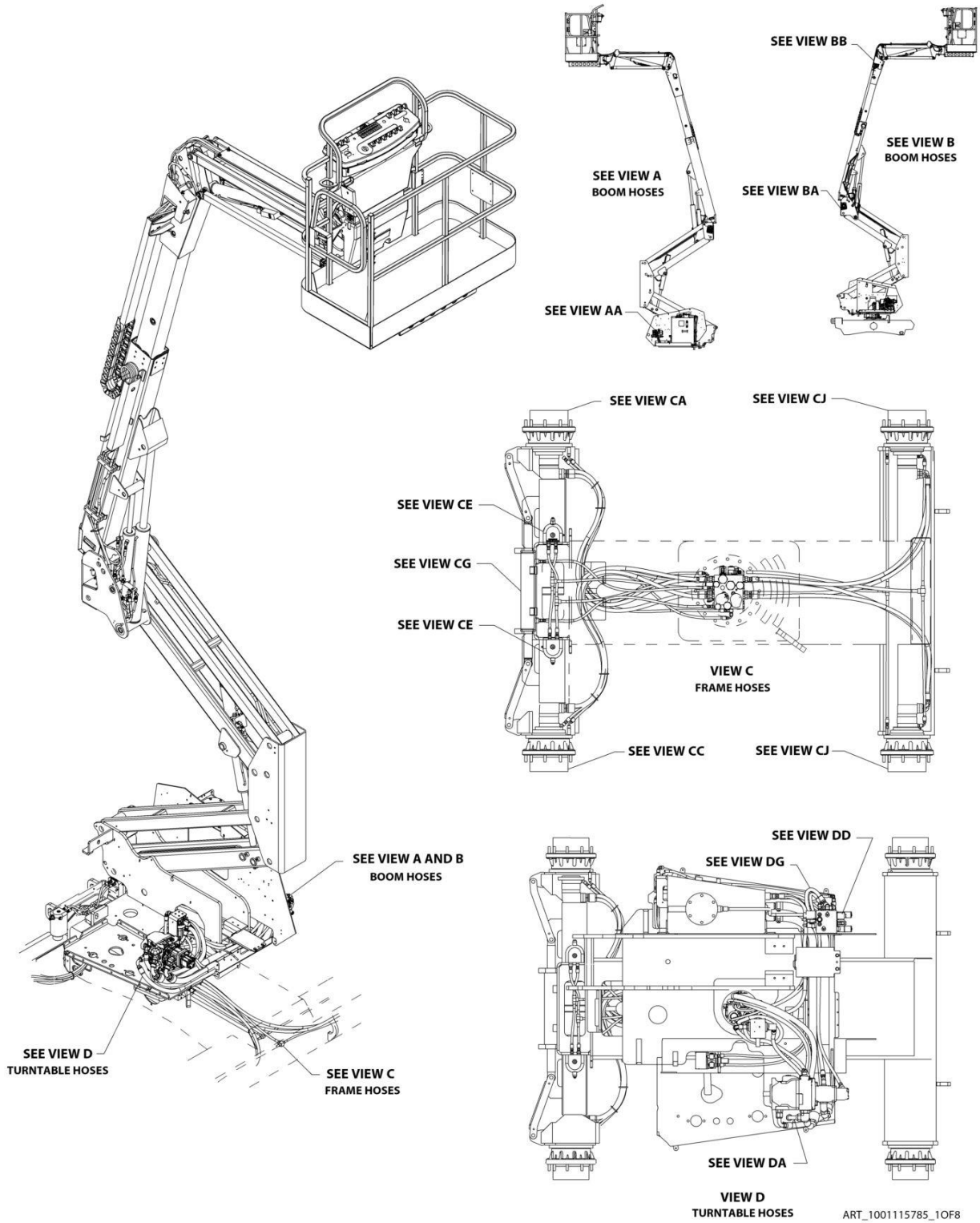
ITEM	PART NUMBER	QTY	DESCRIPTION	REV
	1001120974	Ref	TELESCOPE CYLINDER ASSEMBLY	C
1	70003114	1	Barrel	
2	70003115	1	Rod	
3	70003116	1	Head	
4	See Note	NSS	Wiper (Note: Use Item 28)	
5	70002366	1	Ring, Retaining	
6	See Note	NSS	Seal, Rod (Note: Use Item 28)	
7	See Note	NSS	Ring, Back-up (Note: Use Item 28)	
8	70002352	1	Bearing	
9	See Note	NSS	O-Ring (Note: Use Item 28)	
10	See Note	NSS	Ring, Back-up (Note: Use Item 28)	
11	See Note	NSS	O-Ring (Note: Use Item 28)	
12	70003117	1	Piston	
13	See Note	NSS	Seal, Piston (Note: Use Item 28)	
14	See Note	NSS	Ring, Wear (Note: Use Item 28)	
15	See Note	NSS	O-Ring (Note: Use Item 28)	
16	70002335	1	Nut	
17	70002364	1	Spacer	
18	See Note	NSS	O-Ring (Note: Use Item 28)	
20	70002389	1	Cartridge, Counterbalance Valve	
20	2900770	1	Seal Kit - 70002389 Valve	
21	10837580	1	Cartridge, Load Shuttle Valve	
21	7010543	1	Seal Kit - 10837580 Valve	
22	70023370	6	Plug	
25	70003118	2	Bushing	
28	70003119	1	Seal Kit (Includes Items 4, 6, 7, 9, 10, 11, 13, 14, 15 & 18)	
100		Ref	REPAIR TOOLS (NOT SHOWN)	
100	70003089	1	Press, Wiper	
100	70003090	1	Press, Bushing (Use with Rod Bearing)	
100	70003091	1	Tool, Bushing Removal (Use with Rod Bearing)	
100	70003092	1	Tool, Head Seal Protection	
100	70003120	1	Press, Bushing (Use with Pin Mounting Bushings)	
100	70003121	1	Tool, Bushing Removal (Use with Pin Mounting Bushings)	
	1001199461	Ref	TELESCOPE CYLINDER ASSEMBLY	A
202	1001199306	1	Cartridge, Counter Balance Valve	
202	2900770	1	Seal Kit - 1001199306 Valve	



**SECTION 7 - HYDRAULIC**

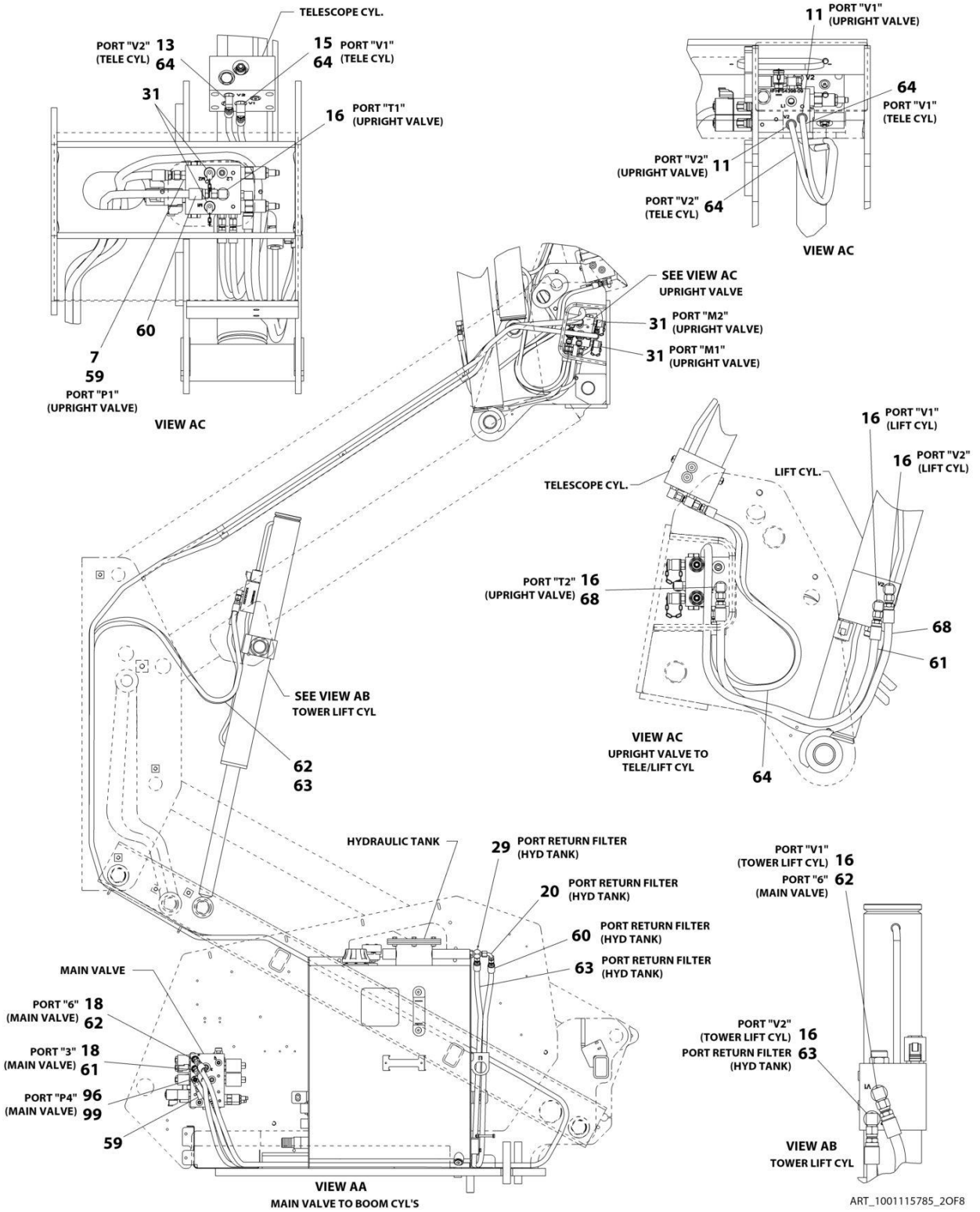
# SECTION 7 - HYDRAULIC

## FIGURE 7-1. HYDRAULIC INSTALLATION - WITHOUT ARCTIC PACKAGE

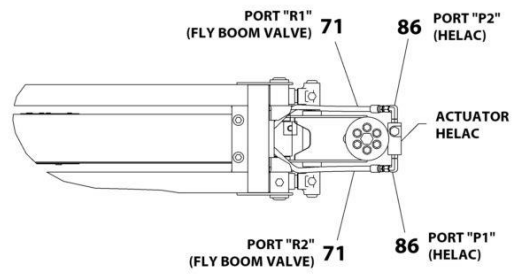
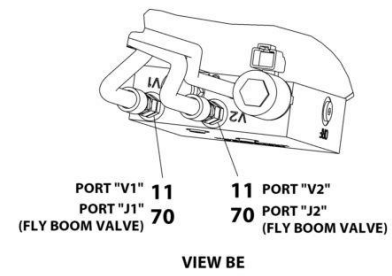
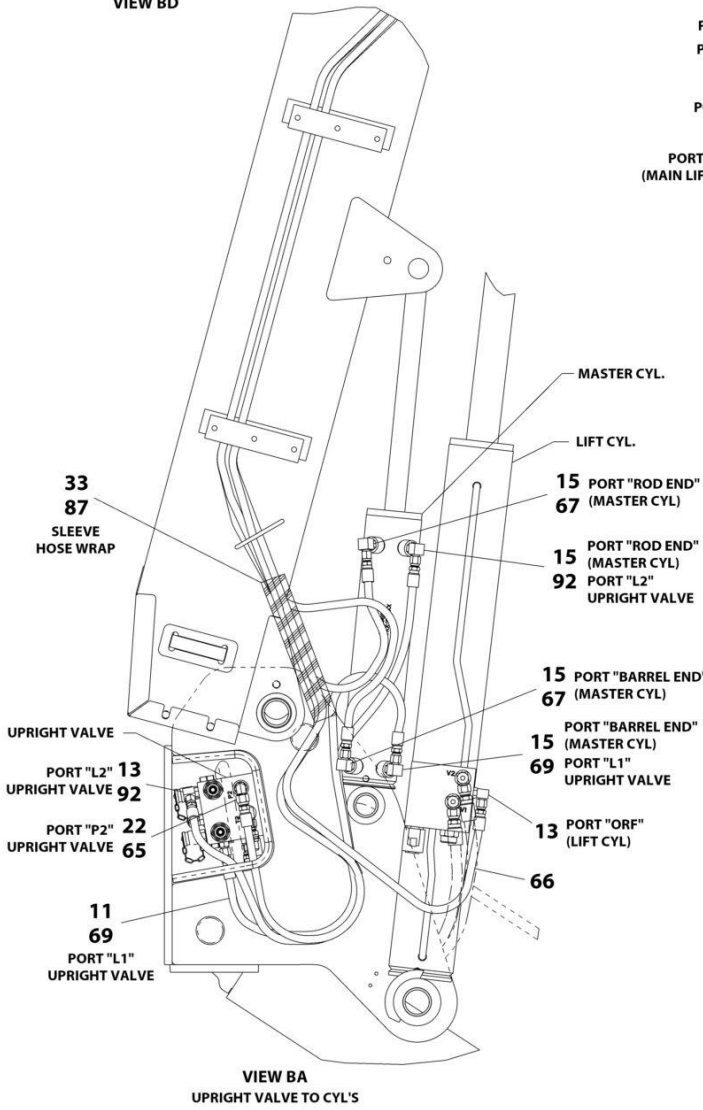
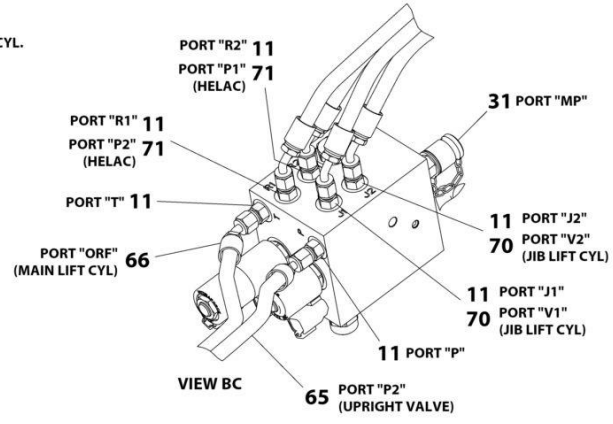
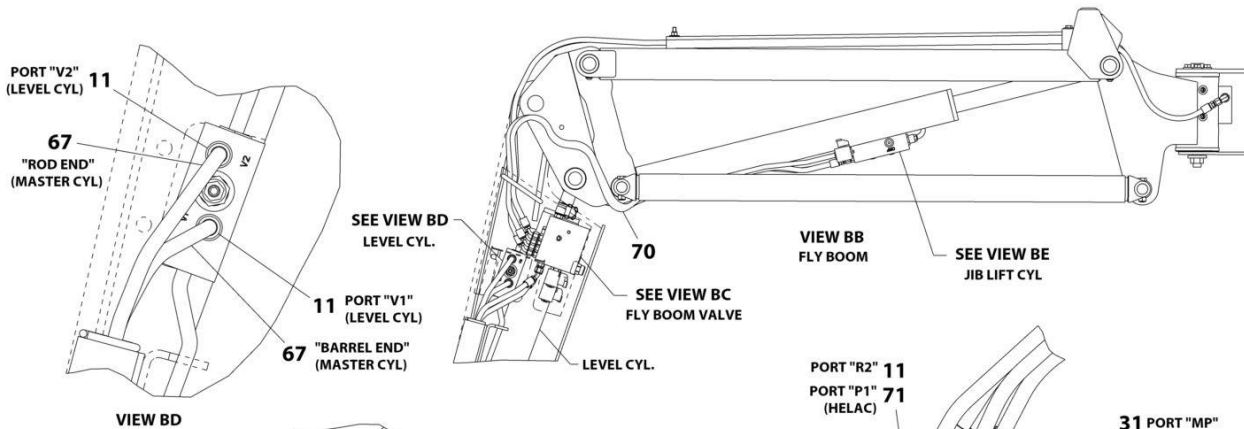




# SECTION 7 - HYDRAULIC

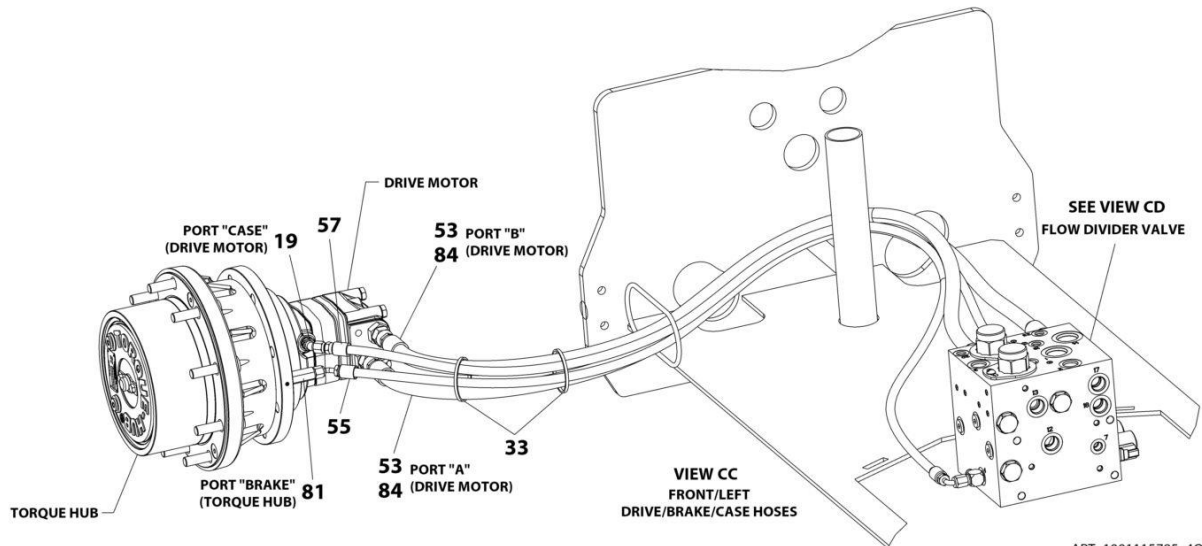
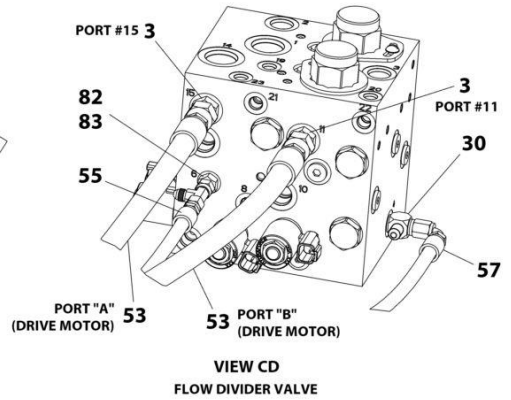
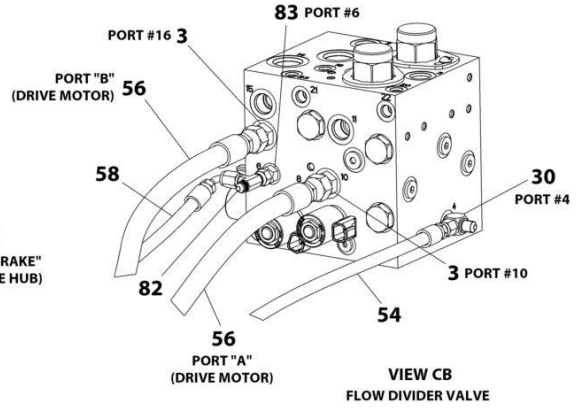
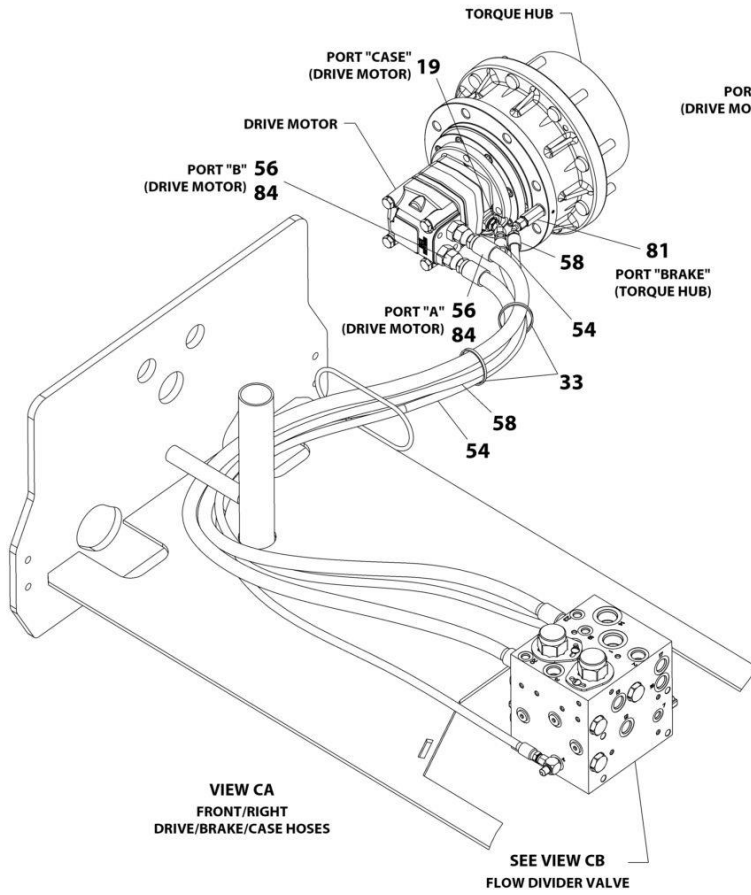


# SECTION 7 - HYDRAULIC



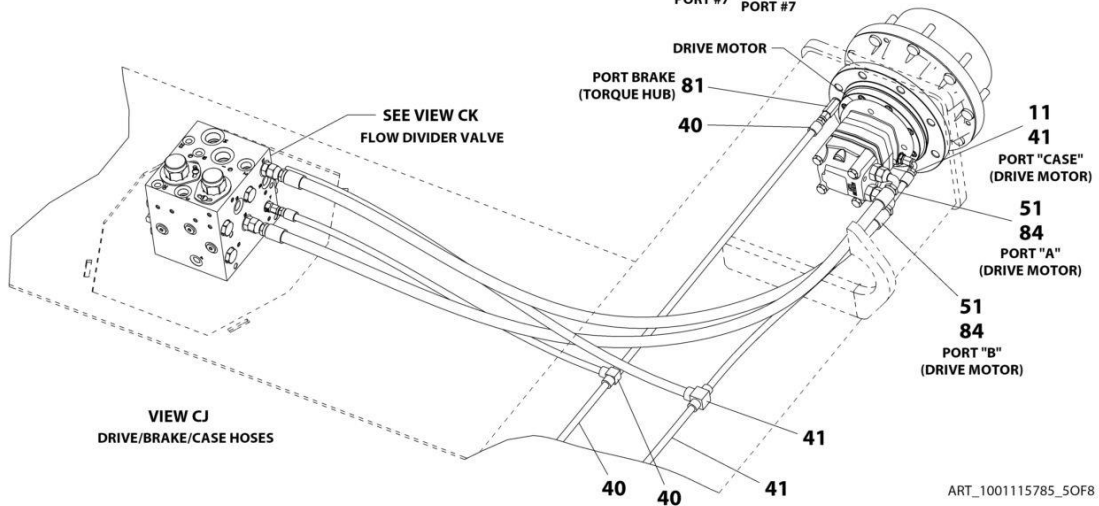
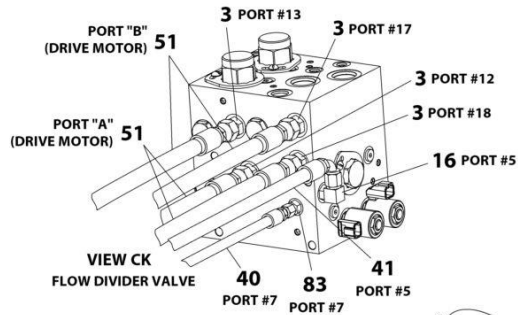
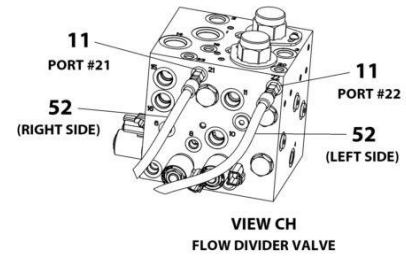
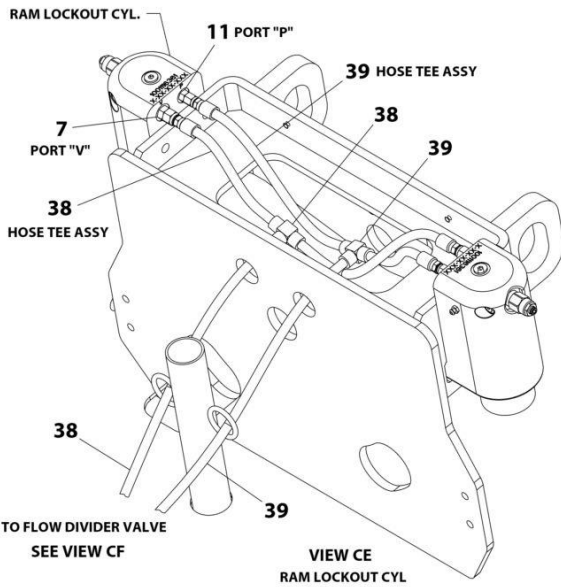
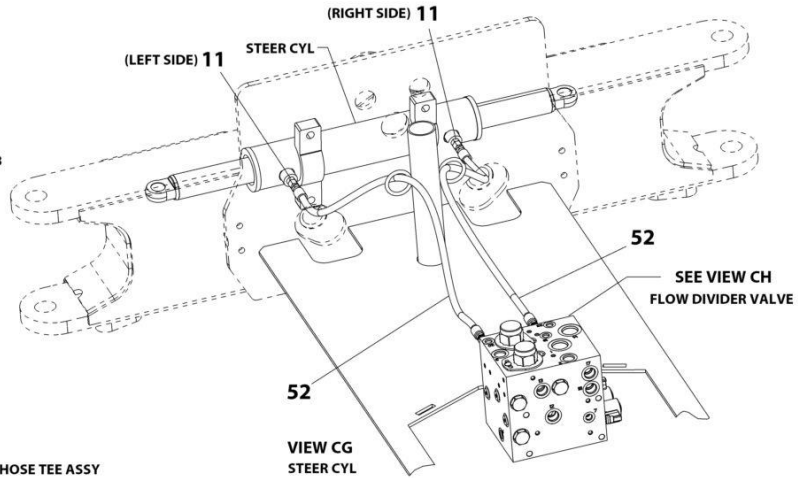
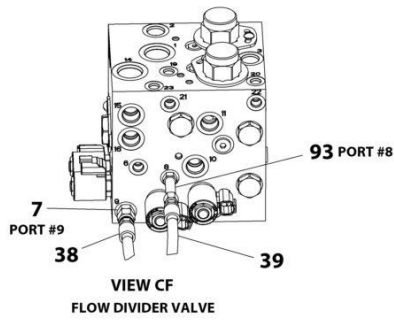
ART\_100115785\_30F8

# SECTION 7 - HYDRAULIC



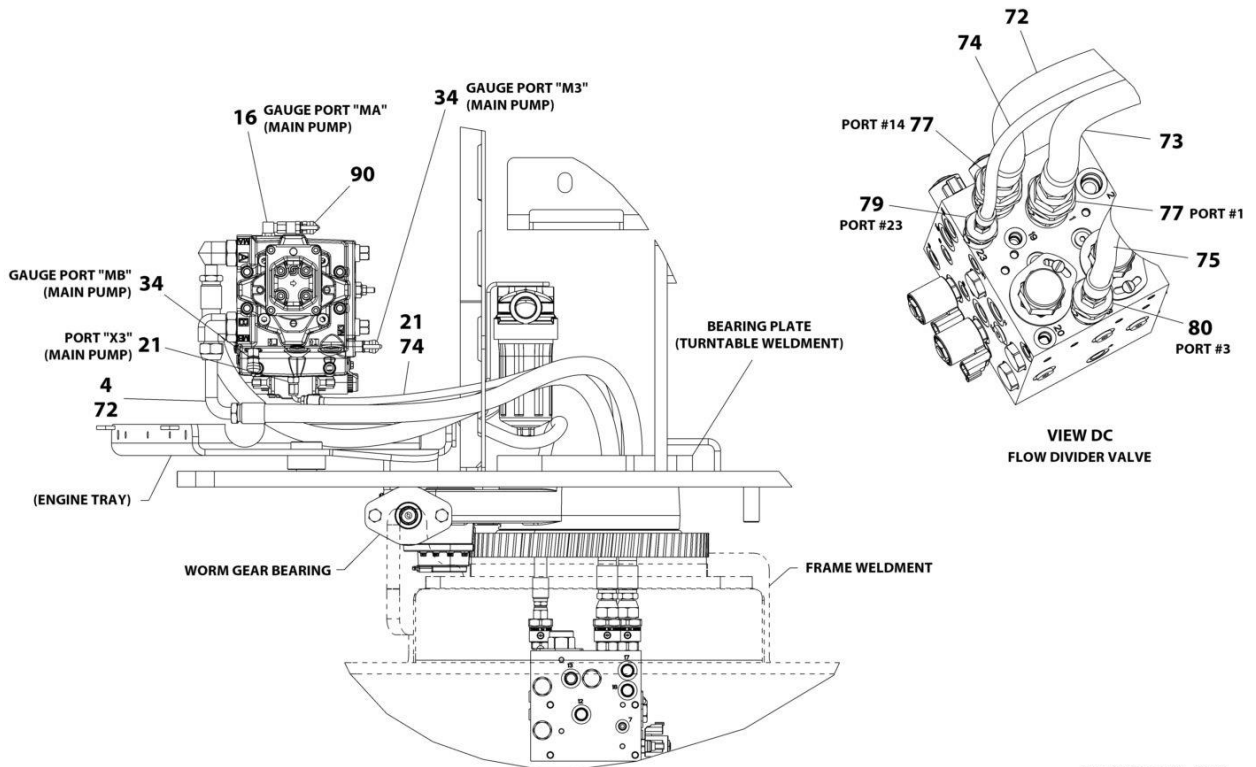
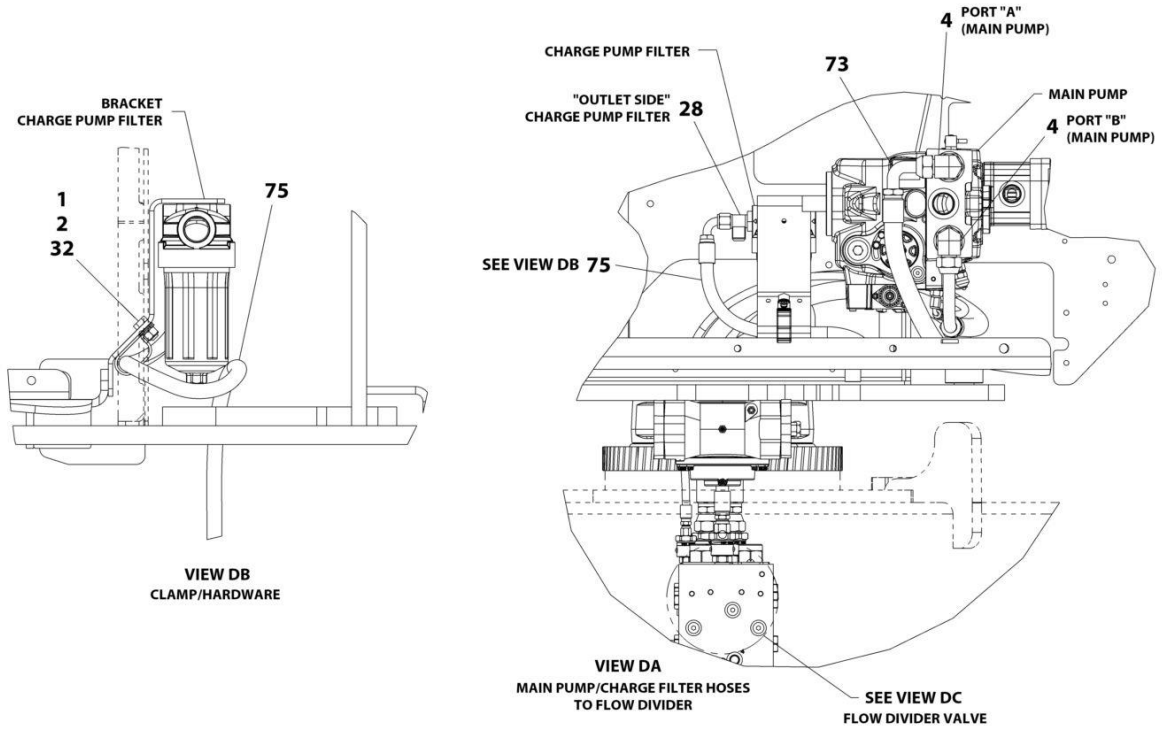
ART\_1001115785\_40F8

# SECTION 7 - HYDRAULIC



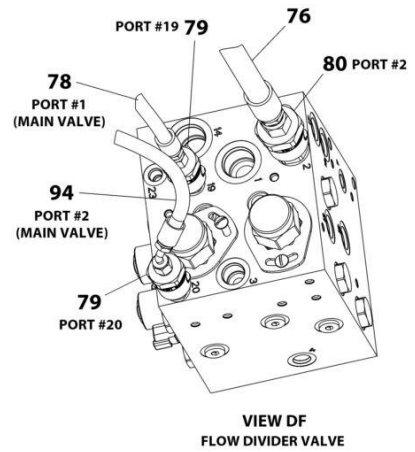
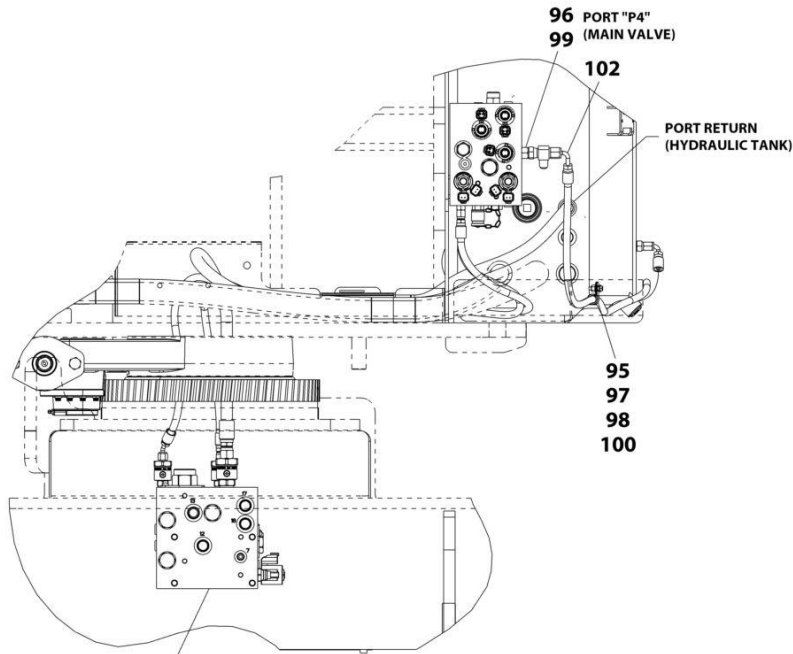
ART\_1001115785\_SOF8

# SECTION 7 - HYDRAULIC

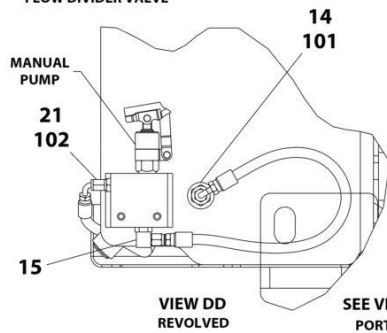


ART\_100115785\_60F8

# SECTION 7 - HYDRAULIC



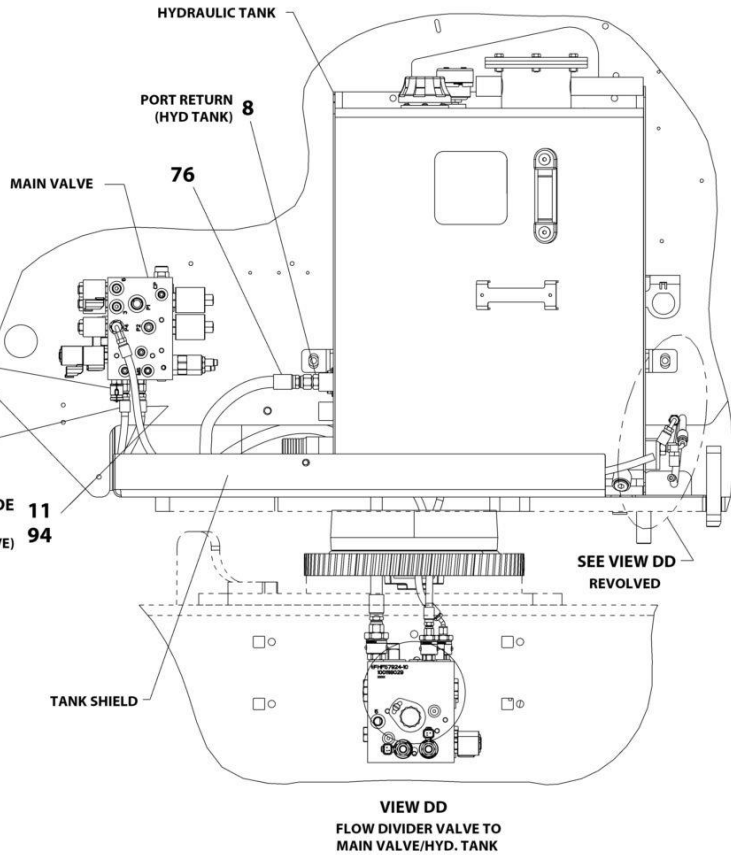
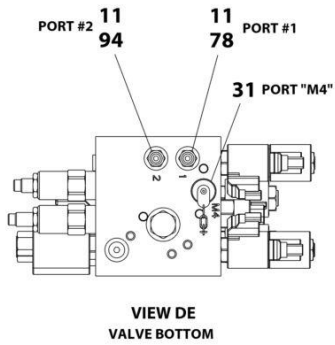
SEE VIEW DF  
FLOW DIVIDER VALVE



SEE VIEW DE  
PORT "M4"  
(MAIN VALVE)  
31

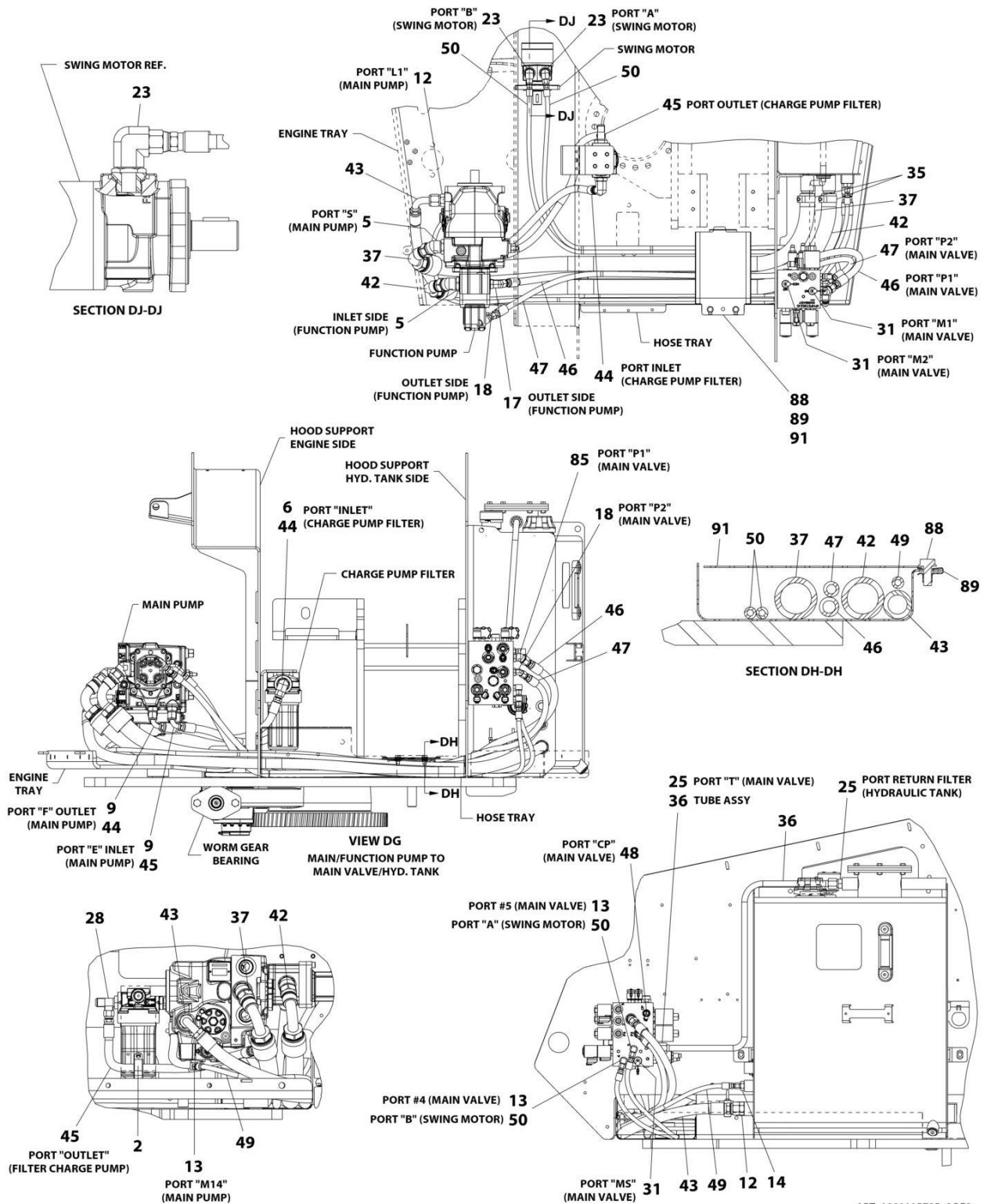
SEE VIEW DE  
PORT #1  
(MAIN VALVE)  
78

SEE VIEW DE  
PORT #2  
(MAIN VALVE)  
94



ART\_1001115785\_70F8

# SECTION 7 - HYDRAULIC



# SECTION 7 - HYDRAULIC

## FIGURE 7-1. HYDRAULIC INSTALLATION - WITHOUT ARCTIC PACKAGE

ITEM	PART NUMBER	QTY	DESCRIPTION	REV
	1001115785	Ref	HYDRAULIC INSTALLATION - WITHOUT ARCTIC PACKAGE	I
1	0761012	1	Bolt M10 x 25	
2	1321716	1	Clamp	
3	2110808	8	Fitting, Straight ORFS/ORB	
4	2131216	2	Fitting, 90 ORFS/ORB	
5	2220365	2	Fitting, 45 JIC/ORB	
6	2220366	1	Fitting, 90 JIC/ORB	
7	2220371	4	Fitting, Straight JIC/ORB	
8	2220373	1	Fitting, Straight JIC/ORB	
9	2220374	2	Fitting, Straight JIC/ORB	
11	2220415	23	Fitting, Straight JIC/ORB	
12	2220451	2	Fitting, Straight JIC/ORB	
13	2220466	6	Fitting, 90 JIC/ORB	
14	2220468	2	Fitting, Straight JIC/ORB	
15	2220472	6	Fitting, 90 JIC/ORB	
16	2220473	8	Fitting, 90 JIC/ORB	
17	2220499	1	Fitting, 45 JIC/ORB	
18	2220501	4	Fitting, 45 JIC/ORB	
19	2220502	2	Fitting, 45 JIC/ORB	
20	2220507	1	Fitting, 90 JIC/FSJIC	
21	2220582	2	Fitting, Straight JIC/ORB	
22	2220819	1	Fitting, 90 JIC/ORB	
23	2220828	2	Fitting, 90 JIC/ORB	
25	2220947	2	Fitting, Straight JIC/ORB	
28	2221041	1	Fitting, Tee	
29	2221053	1	Fitting, Run Tee	
30	2221060	1	Fitting, Run Tee JIC	
31	2221086	7	Fitting, Test Port	
32	3291005	1	Nut M10	
33	4240018	7	Tie-Strap	
34	77133089	2	Mini Check	
35	80633030	2	Clamp, Hose	
36	1001116905	1	Tube, Steel	
37	1001119035	1	Hose	
38	1001119068	1	Hose	
39	1001119069	1	Hose	
40	1001119070	1	Hose	
41	1001119071	1	Hose	
42	1001119143	1	Hose	
43	1001119237	1	Hose	
44	1001119324	1	Hose	
45	1001119365	1	Hose	
46	1001119404	1	Hose	
47	1001119449	1	Hose	
48	1001119455	1	Valve, Oil Sampling	
49	1001119489	1	Hose	
50	1001119525	2	Hose	
51	1001119546	4	Hose	
52	1001119547	2	Hose	
53	1001119548	2	Hose	

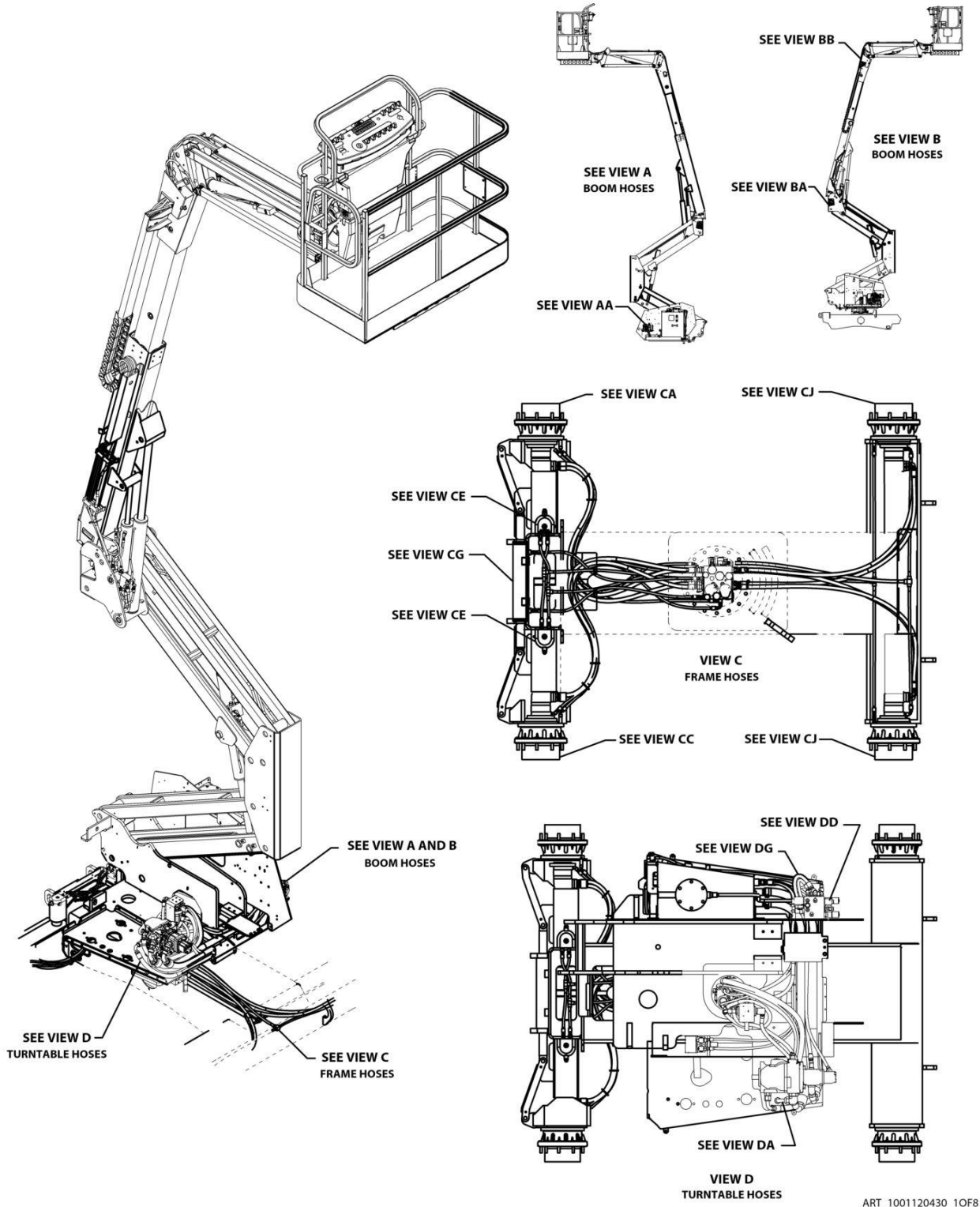


## SECTION 7 - HYDRAULIC

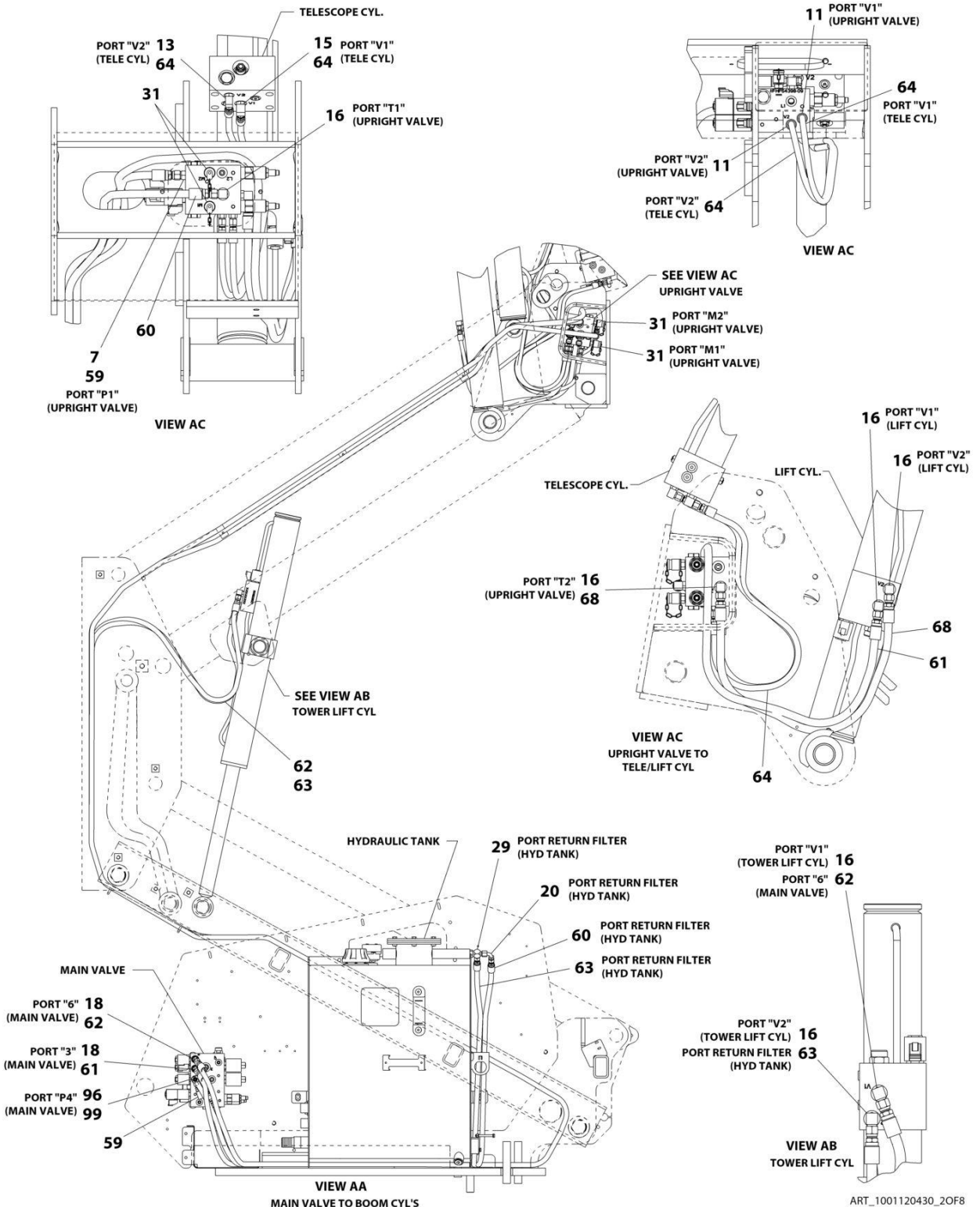
ITEM	PART NUMBER	QTY	DESCRIPTION	REV
54	1001119550	1	Hose	
55	1001119552	1	Hose	
56	1001119568	2	Hose	
57	1001119569	1	Hose	
58	1001119570	1	Hose	
59	1001119572	1	Hose	
60	1001119577	1	Hose	
61	1001119593	1	Hose	
62	1001119594	1	Hose	
63	1001119595	1	Hose	
64	1001119596	2	Hose	
65	1001119597	1	Hose	
66	1001119598	1	Hose	
67	1001119600	2	Hose	
68	1001119602	1	Hose	
69	1001119603	1	Hose	
70	1001119604	2	Hose	
71	1001119605	2	Hose	
72	1001119606	1	Hose	
73	1001119607	1	Hose	
74	1001119608	1	Hose	
75	1001119610	1	Hose	
76	1001119611	1	Hose	
77	1001119612	2	Fitting, Straight ORB/ORFS	
78	1001119613	1	Hose	
79	1001119626	3	Fitting, Straight JIC/ORB	
80	1001119627	2	Fitting, Straight JIC/ORB	
81	1001119630	4	Fitting, Straight JIC/MPP	
82	2220605	1	Fitting, Tee JIC/FSJIC/JIC	
83	4641284	2	Valve, Orifice Check	
84	2110810	8	Fitting, Straight ORFS/ORB	
85	2220500	1	Fitting, 45 JIC/ORB	
86	2220940	2	Fitting, 90 JIC/ORB	
87	4100066	1	Sleeve, Hose Wrap	
88	5250810	2	Bolt M8 x 20	
89	8310686	2	Retainer M8	
90	91143172	1	Coupling	
91	1001121221	1	Cover, Tray	
92	1001121966	1	Hose	
93	1001125108	1	Fitting, Straight JIC/ORB	
94	1001125249	1	Hose	
95	0700510	1	Bolt M5 x 20	
95	0700610	1	Bolt M6 x 20	
96	2220635	1	Fitting, Tee JIC/FSJIC/JIC	
97	3290605	1	Nut M6	
98	4811700	2	Washer M6	
99	80233041	1	Fitting, Check	
100	85941016	1	Clamp	
101	1001127703	1	Hose	
102	1001127705	1	Hose	

# SECTION 7 - HYDRAULIC

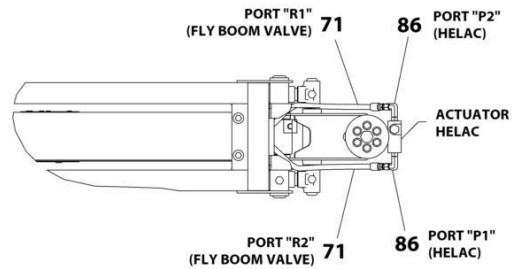
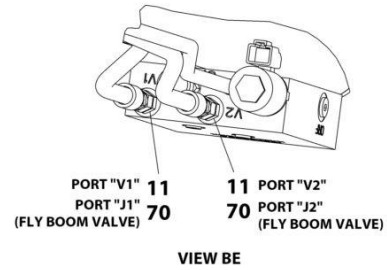
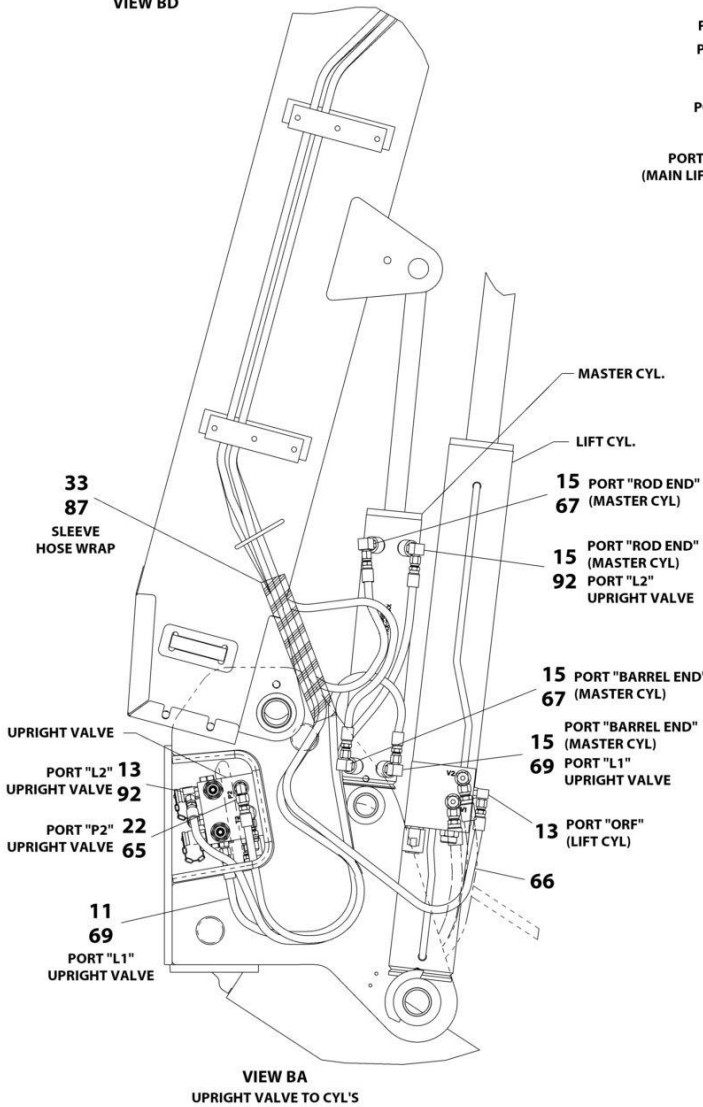
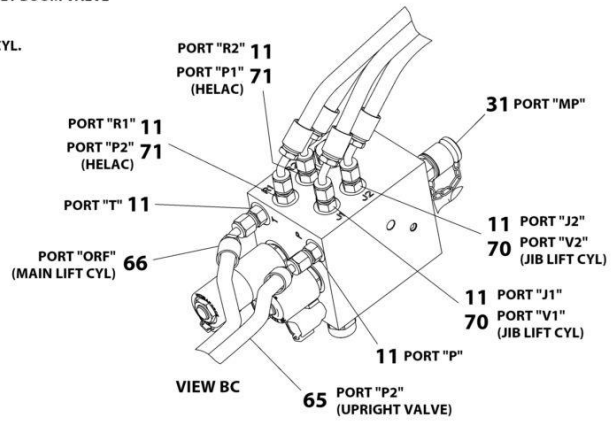
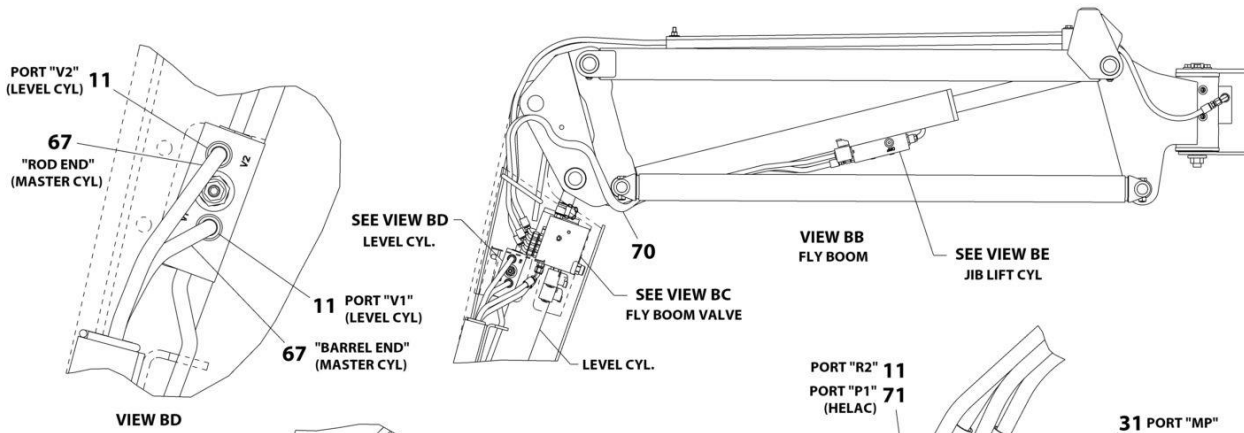
## FIGURE 7-2. HYDRAULIC INSTALLATION - WITH ARCTIC PACKAGE



# SECTION 7 - HYDRAULIC

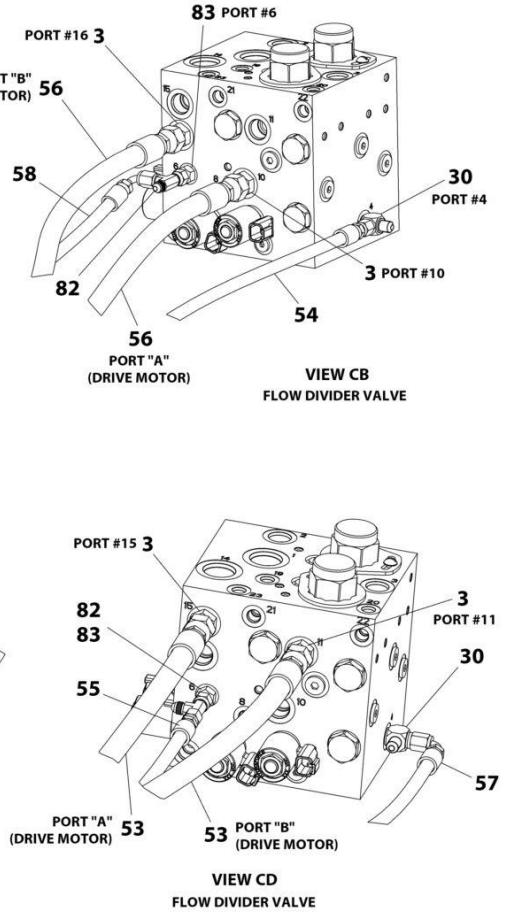
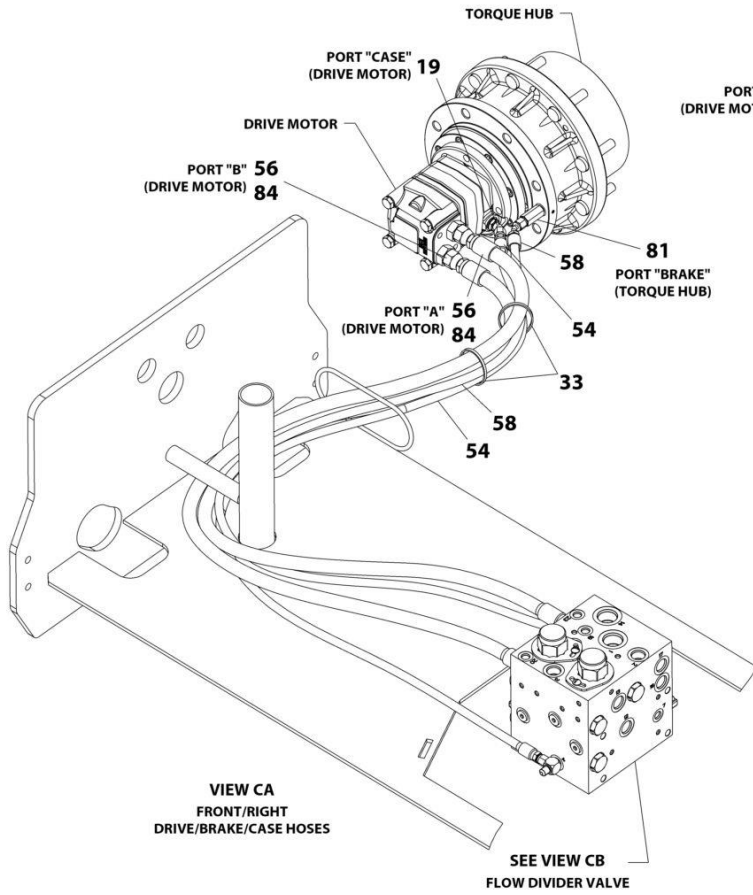


# SECTION 7 - HYDRAULIC



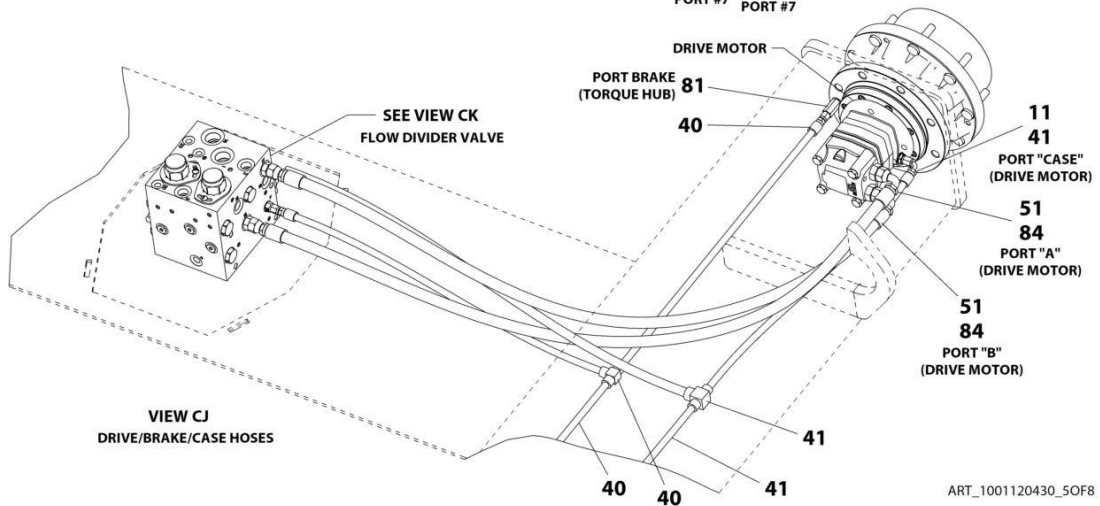
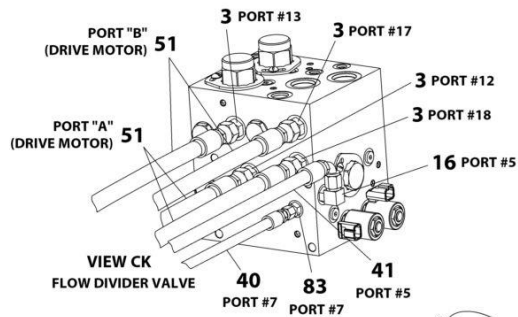
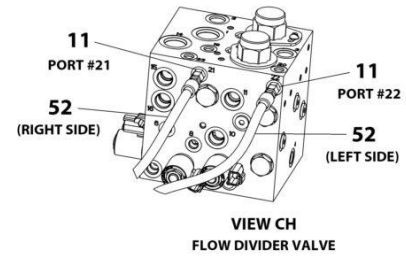
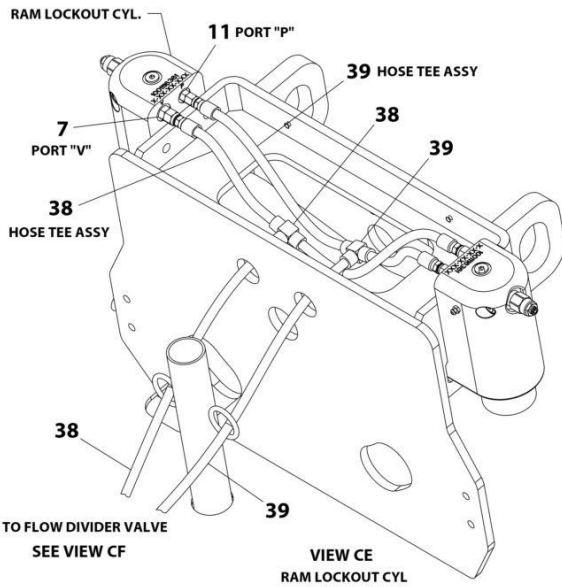
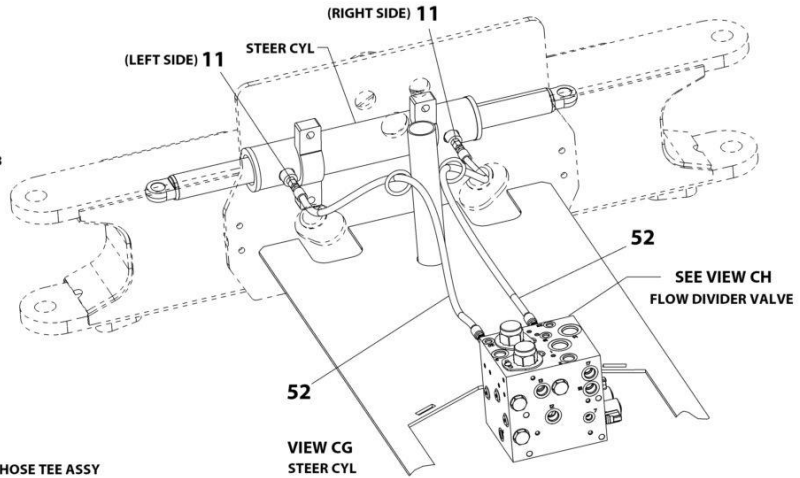
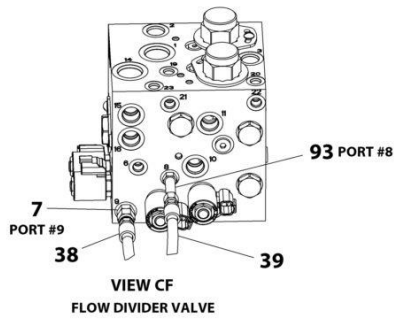
ART\_1001120430\_30F8

# SECTION 7 - HYDRAULIC



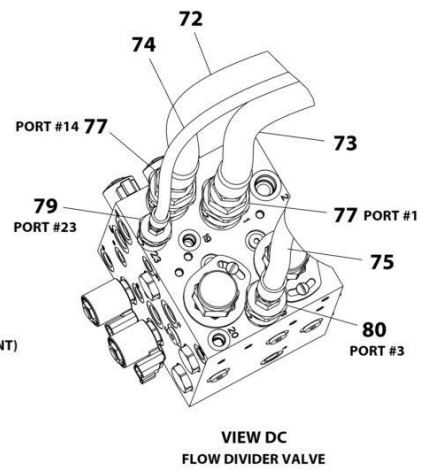
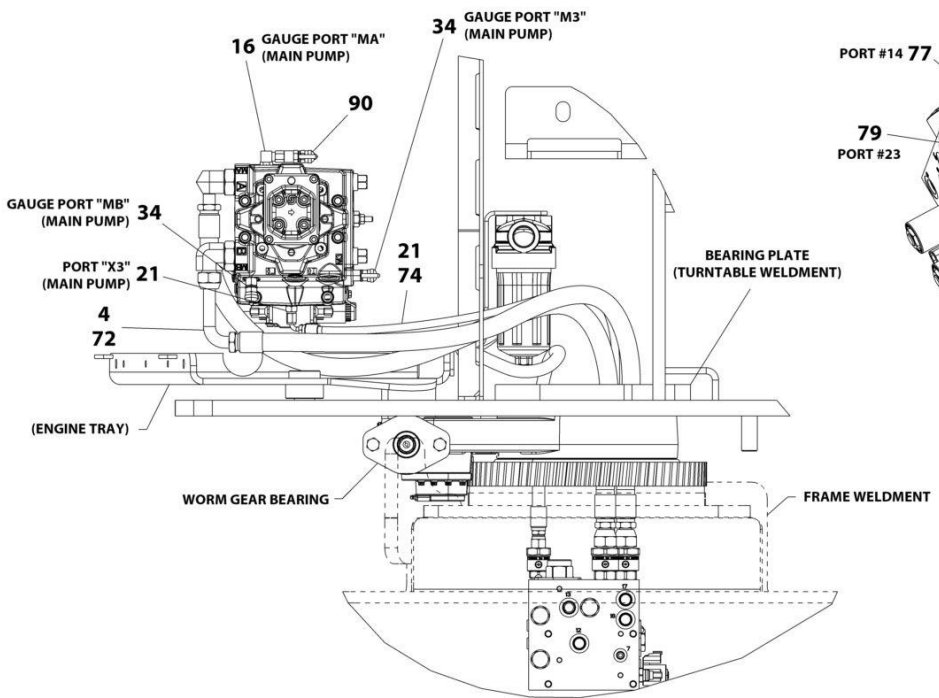
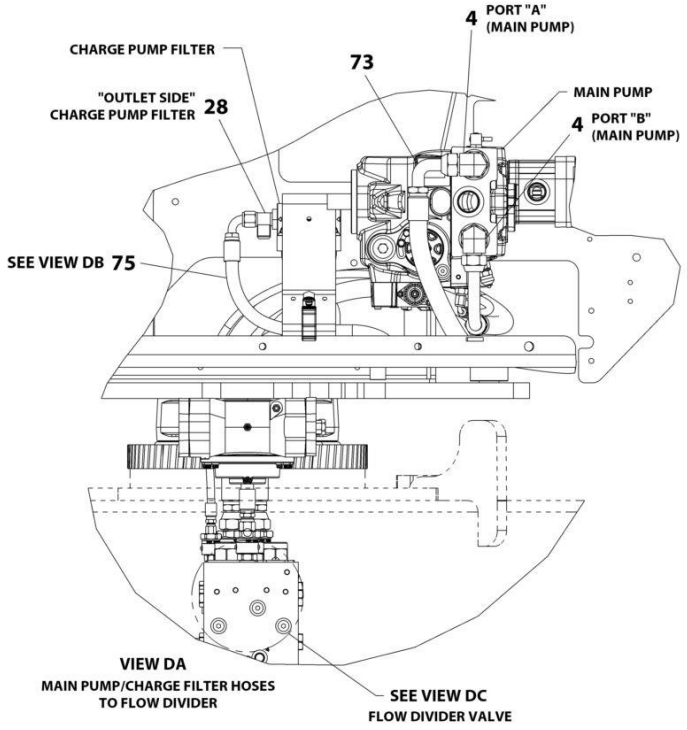
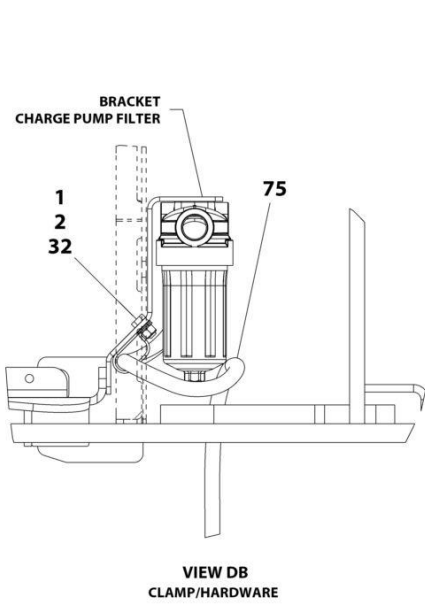
ART\_1001120430\_40F8

# SECTION 7 - HYDRAULIC



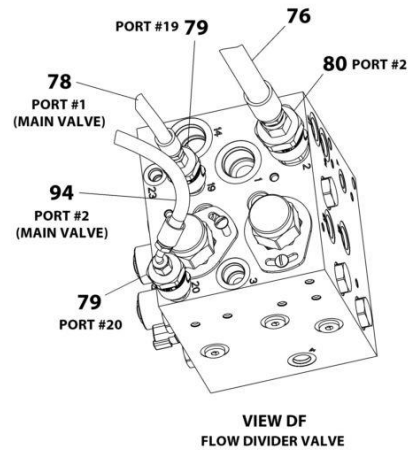
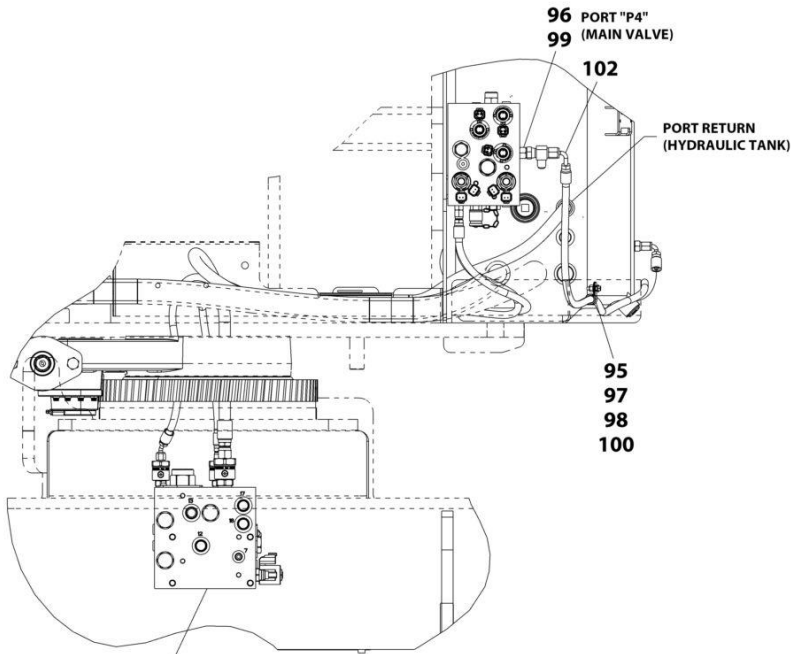
ART\_1001120430\_SOF8

# SECTION 7 - HYDRAULIC

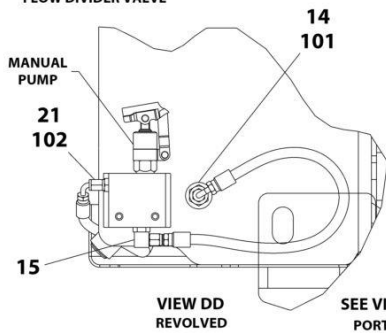


ART\_1001120430\_60F8

# SECTION 7 - HYDRAULIC



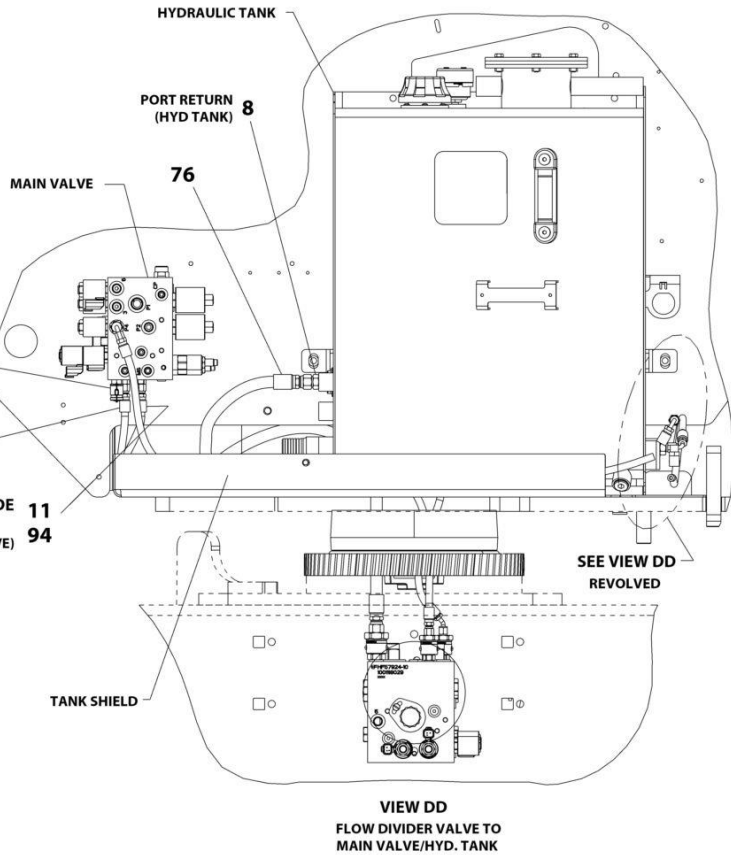
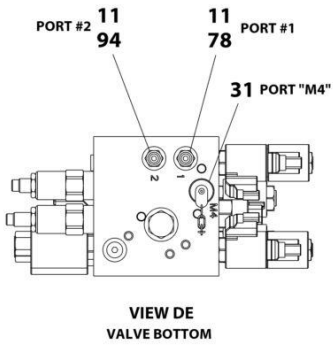
SEE VIEW DF  
FLOW DIVIDER VALVE



SEE VIEW DE  
PORT "M4"  
(MAIN VALVE)  
31

SEE VIEW DE  
PORT #1  
(MAIN VALVE)  
78

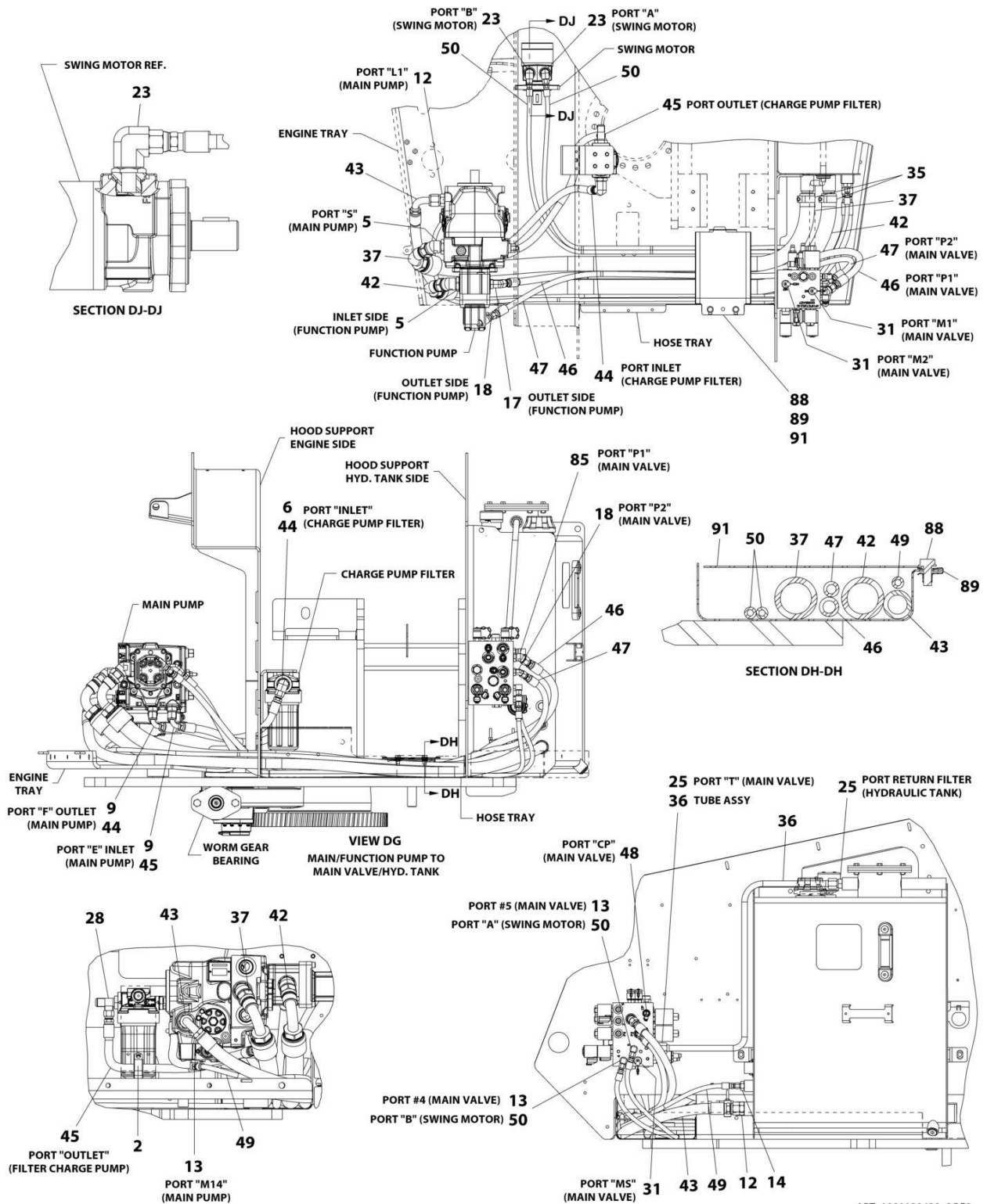
SEE VIEW DE  
PORT #2  
(MAIN VALVE)  
94



ART\_1001120430\_70F8



# SECTION 7 - HYDRAULIC



## SECTION 7 - HYDRAULIC

FIGURE 7-2. HYDRAULIC INSTALLATION - WITH ARCTIC PACKAGE

ITEM	PART NUMBER	QTY	DESCRIPTION	REV
	1001120430	Ref	HYDRAULIC INSTALLATION - WITH ARCTIC PACKAGE	G
1	0761012	1	Bolt M10 x 25	
2	1321716	1	P-Clamp	
3	2110808	8	Fitting, Straight ORFS/ORB	
4	2131216	2	Fitting, 90 ORFS/ORB	
5	2220365	2	Fitting, 45 JIC/ORB	
6	2220366	1	Fitting, 90 JIC/ORB	
7	2220371	4	Fitting, Straight JIC/ORB	
8	2220373	1	Fitting, Straight JIC/ORB	
9	2220374	2	Fitting, Straight JIC/ORB	
11	2220415	23	Fitting, Straight JIC/ORB	
12	2220451	2	Fitting, Straight JIC/ORB	
13	2220466	6	Fitting, 90 JIC/ORB	
14	2220468	2	Fitting, Straight JIC/ORB	
15	2220472	6	Fitting, 90 JIC/ORB	
16	2220473	8	Fitting, 90 JIC/ORB	
17	2220499	1	Fitting, 45 JIC/ORB	
18	2220501	4	Fitting, 45 JIC/ORB	
19	2220502	2	Fitting, 45 JIC/ORB	
20	2220507	1	Fitting, 90 JIC/FSJIC	
21	2220582	2	Fitting, Straight JIC/ORB	
22	2220819	1	Fitting, 90 JIC/ORB	
23	2220828	2	Fitting, 90 JIC/ORB	
25	2220947	2	Fitting, Straight JIC/ORB	
28	2221041	1	Fitting, Tee	
29	2221053	1	Fitting, Run Tee	
30	2221060	1	Fitting, Run Tee JIC	
31	2221086	7	Fitting, Test Port	
32	3291005	1	Nut M10	
33	4240018	7	Tie-Strap	
34	77133089	2	Mini Check	
35	80633030	2	Clamp, Hose	
36	1001116905	1	Tube, Steel	
37	1001119035	1	Hose	
38	1001119068	1	Hose	
39	1001119069	1	Hose	
40	1001119070	1	Hose	
41	1001119071	1	Hose	
42	1001119143	1	Hose	
43	1001119237	1	Hose	
44	1001119324	1	Hose	
45	1001119365	1	Hose	
46	1001119404	1	Hose	
47	1001119449	1	Hose	
48	1001119455	1	Valve, Oil Sampling	
49	1001119489	1	Hose	
50	1001119525	2	Hose	
51	1001119546	4	Hose	
52	1001119547	2	Hose	
53	1001120424	2	Hose	

## SECTION 7 - HYDRAULIC

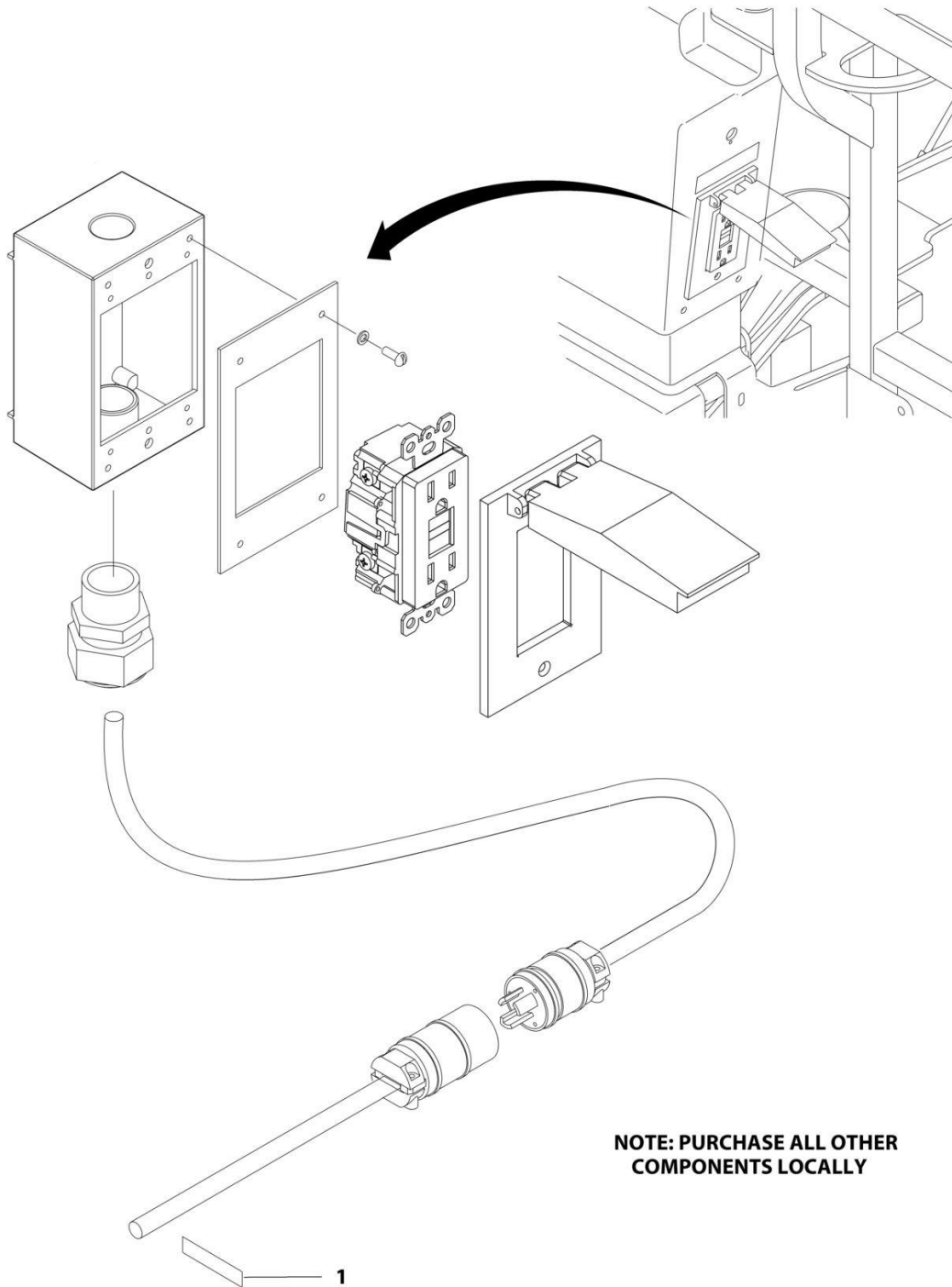
ITEM	PART NUMBER	QTY	DESCRIPTION	REV
54	1001120425	1	Hose	
55	1001120426	1	Hose	
56	1001120427	2	Hose	
57	1001120428	1	Hose	
58	1001120429	1	Hose	
59	1001119572	1	Hose	
60	1001119577	1	Hose	
61	1001119593	1	Hose	
62	1001119594	1	Hose	
63	1001119595	1	Hose	
64	1001119596	2	Hose	
65	1001119597	1	Hose	
66	1001119598	1	Hose	
67	1001119600	2	Hose	
68	1001119602	1	Hose	
69	1001119603	1	Hose	
70	1001119604	2	Hose	
71	1001119605	2	Hose	
72	1001119606	1	Hose	
73	1001119607	1	Hose	
74	1001119608	1	Hose	
75	1001119610	1	Hose	
76	1001119611	1	Hose	
77	1001119612	2	Fitting, Straight ORB/ORFS	
78	1001119613	1	Hose	
79	1001119626	3	Fitting, Straight JIC/ORB	
80	1001119627	2	Fitting, Straight JIC/ORB	
81	1001119630	4	Fitting, Straight JIC/MPP	
82	2220605	1	Fitting, Tee JIC/FSJIC/JIC	
83	4641284	2	Valve, Orifice Check	
84	2110810	8	Fitting, Straight ORFS/ORB	
85	2220500	1	Fitting, 45 JIC/ORB	
86	2220940	2	Fitting, 90 JIC/ORB	
87	4100066	1	Sleeve, Hose Wrap	
88	5250810	2	Bolt M8 x 20	
89	8310686	2	Retainer M8	
90	91143172	1	Coupling	
91	1001121221	1	Cover, Tray	
92	1001121966	1	Hose	
93	1001125108	1	Fitting, Straight JIC/ORB	
94	1001125249	1	Hose	
95	0700510	1	Bolt M5 x 20	
95	0700610	1	Bolt M6 x 20	
96	2220635	1	Fitting, Tee JIC/FSJIC/JIC	
97	3290605	1	Nut M6	
98	4811700	2	Washer M6	
99	80233041	1	Fitting, Check	
100	85941016	1	Clamp	
101	1001127703	1	Hose	
102	1001127705	1	Hose	



**SECTION 8 - ELECTRICAL**

## SECTION 8 - ELECTRICAL

FIGURE 8-1. AC BOX AT PLATFORM INSTALLATION - LOCALLY SUPPLIED COMPONENTS (ANSI EXPORT, AUSTRALIAN AND CHINA SPECS)



**NOTE: PURCHASE ALL OTHER COMPONENTS LOCALLY**

ART\_1001119870

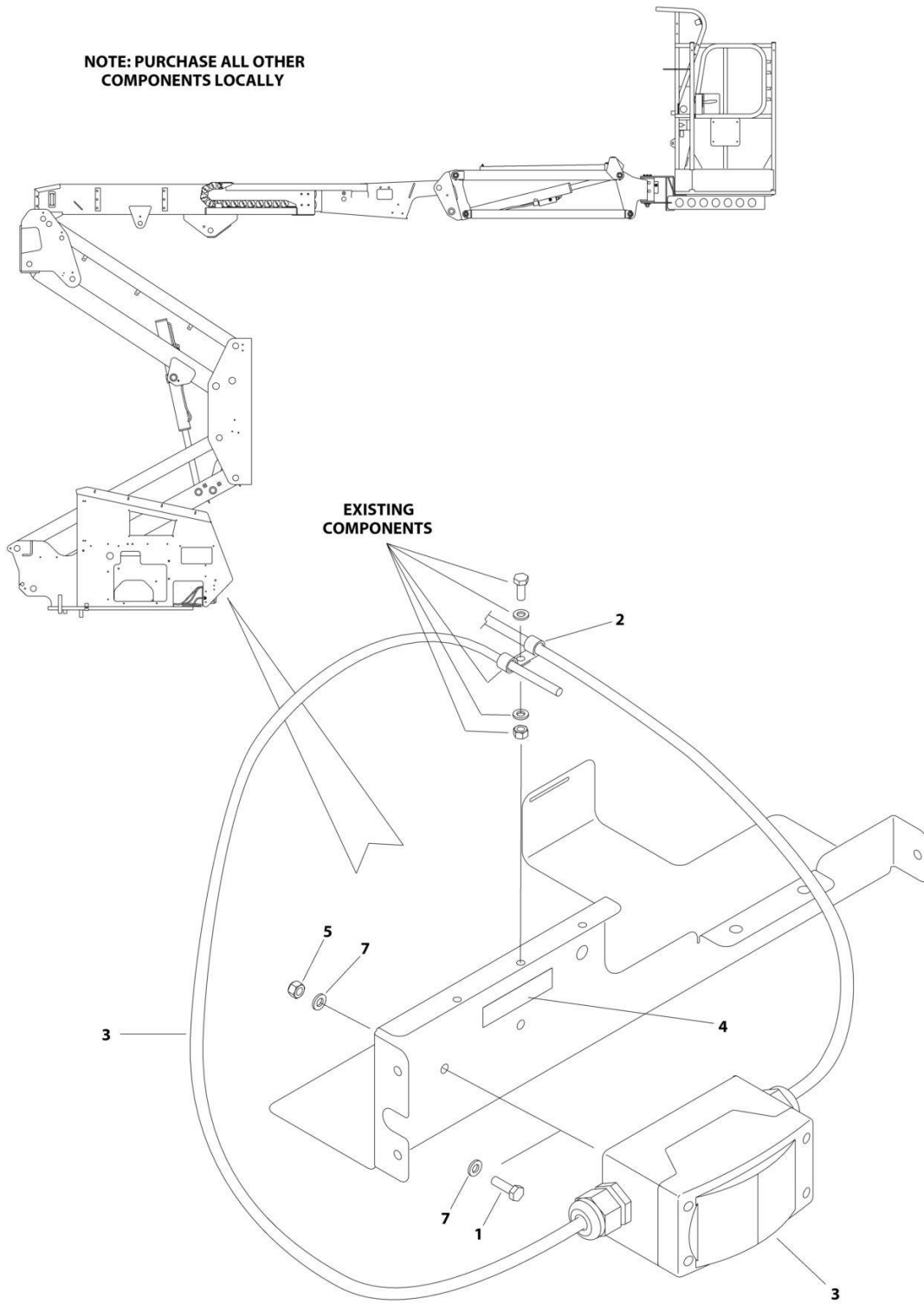
## SECTION 8 - ELECTRICAL

**FIGURE 8-1. AC BOX AT PLATFORM INSTALLATION - LOCALLY SUPPLIED COMPONENTS (ANSI EXPORT, AUSTRALIAN AND CHINA SPECS)**

ITEM	PART NUMBER	QTY	DESCRIPTION	REV
	1001119870	Ref	AC BOX AT PLATFORM INSTALLATION - LOCALLY SUPPLIED COMPONENTS	A
1	3251243	1	Decal - 120V-60Hz	

# SECTION 8 - ELECTRICAL

## FIGURE 8-2. AC BOX AT PLATFORM INSTALLATION - LOCALLY SUPPLIED (CE SPEC)



ART\_1001130588



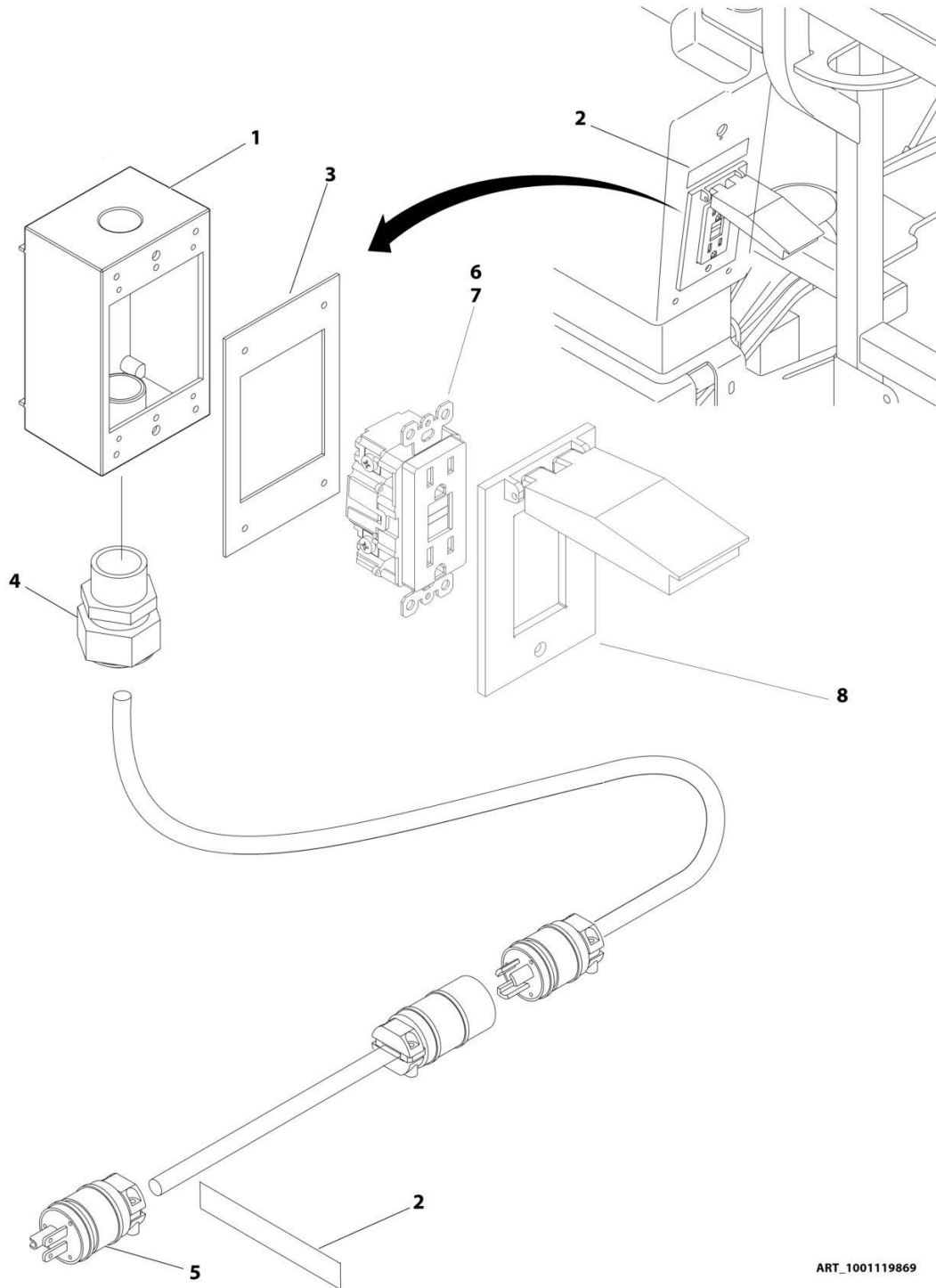
## SECTION 8 - ELECTRICAL

**FIGURE 8-2. AC BOX AT PLATFORM INSTALLATION - LOCALLY SUPPLIED (CE SPEC)**

ITEM	PART NUMBER	QTY	DESCRIPTION	REV
	1001130588	Ref	AC BOX AT PLATFORM INSTALLATION - LOCALLY SUPPLIED COMPONENTS	A
1	0760610	2	Bolt M6 x 20	
2	1320043	1	Clamp	
3	2902549	1	Breaker Box Kit (See Separate Breakdown in this Section)	
4	3252507	1	Decal - 220V - 50/60Hz	
5	3290605	2	Nut M6	
6	4460121	3	Cap, Wire (Not Shown - Located inside Receptacle Box)	
7	4811700	4	Washer M6	

## SECTION 8 - ELECTRICAL

FIGURE 8-3. AC BOX AT PLATFORM INSTALLATION - 110V (ANSI, ANSI EXPORT, CHINA, CSA AND JAPANESE SPECS)



ART\_100119869

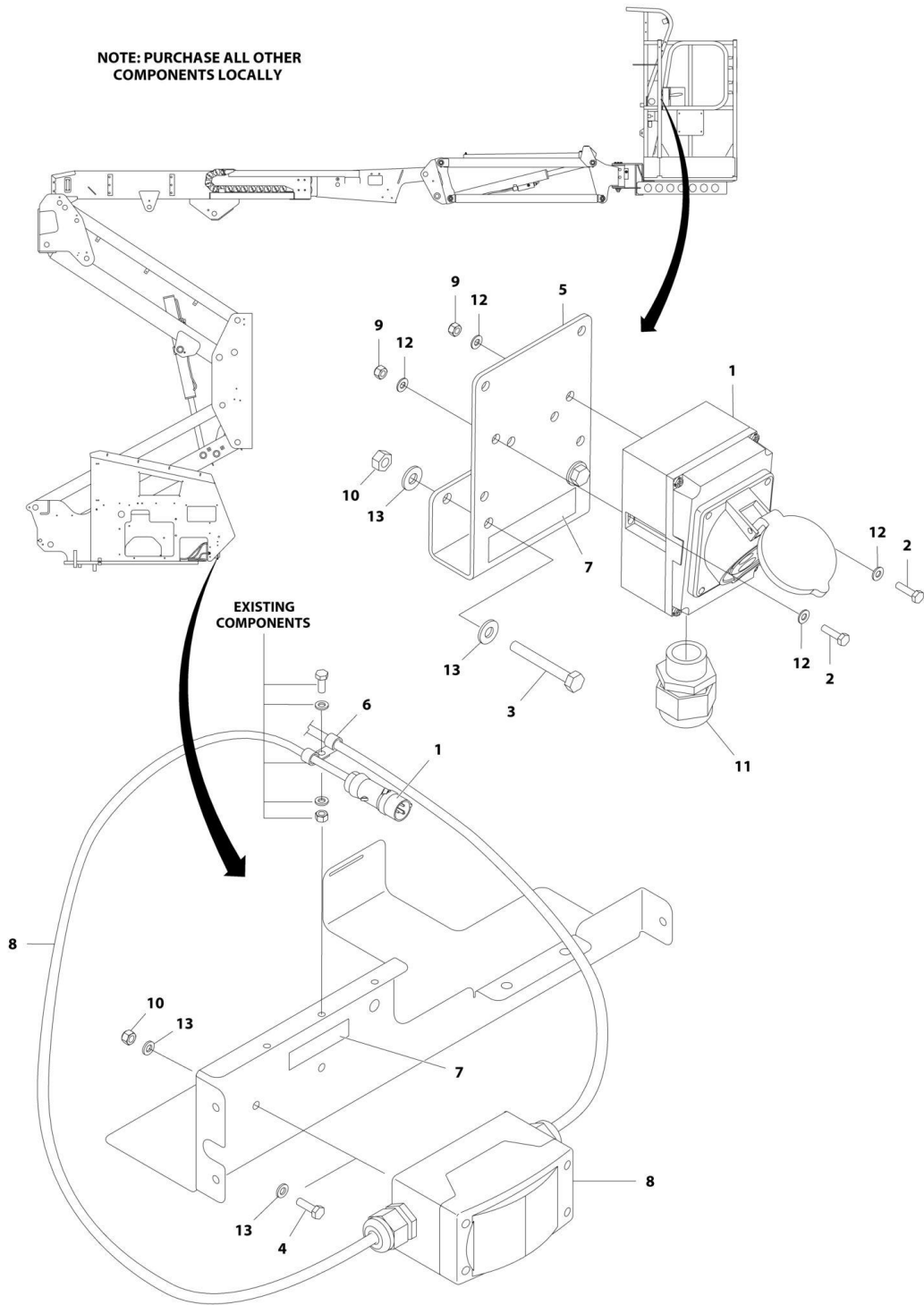
## SECTION 8 - ELECTRICAL

**FIGURE 8-3. AC BOX AT PLATFORM INSTALLATION - 110V (ANSI, ANSI EXPORT, CHINA, CSA AND JAPANESE SPECS)**

ITEM	PART NUMBER	QTY	DESCRIPTION	REV
	1001119869	Ref	AC BOX AT PLATFORM INSTALLATION - 110V	A
1	0860038	1	Box, Switch	
2	3251243	2	Decal - 120V - 60Hz	
3	3960422	1	Gasket	
4	4460071	1	Connector, Strain Relief	
5	4460205	1	Plug, Male	
6	4460315	3	Terminal, Spade	
7	4460346	1	Receptacle	
8	1001110873	1	Shield, Cover	

# SECTION 8 - ELECTRICAL

## FIGURE 8-4. AC BOX AT PLATFORM INSTALLATION - 110V IEC YELLOW WITHOUT 4000W GENERATOR (CE SPEC)



ART\_100119875

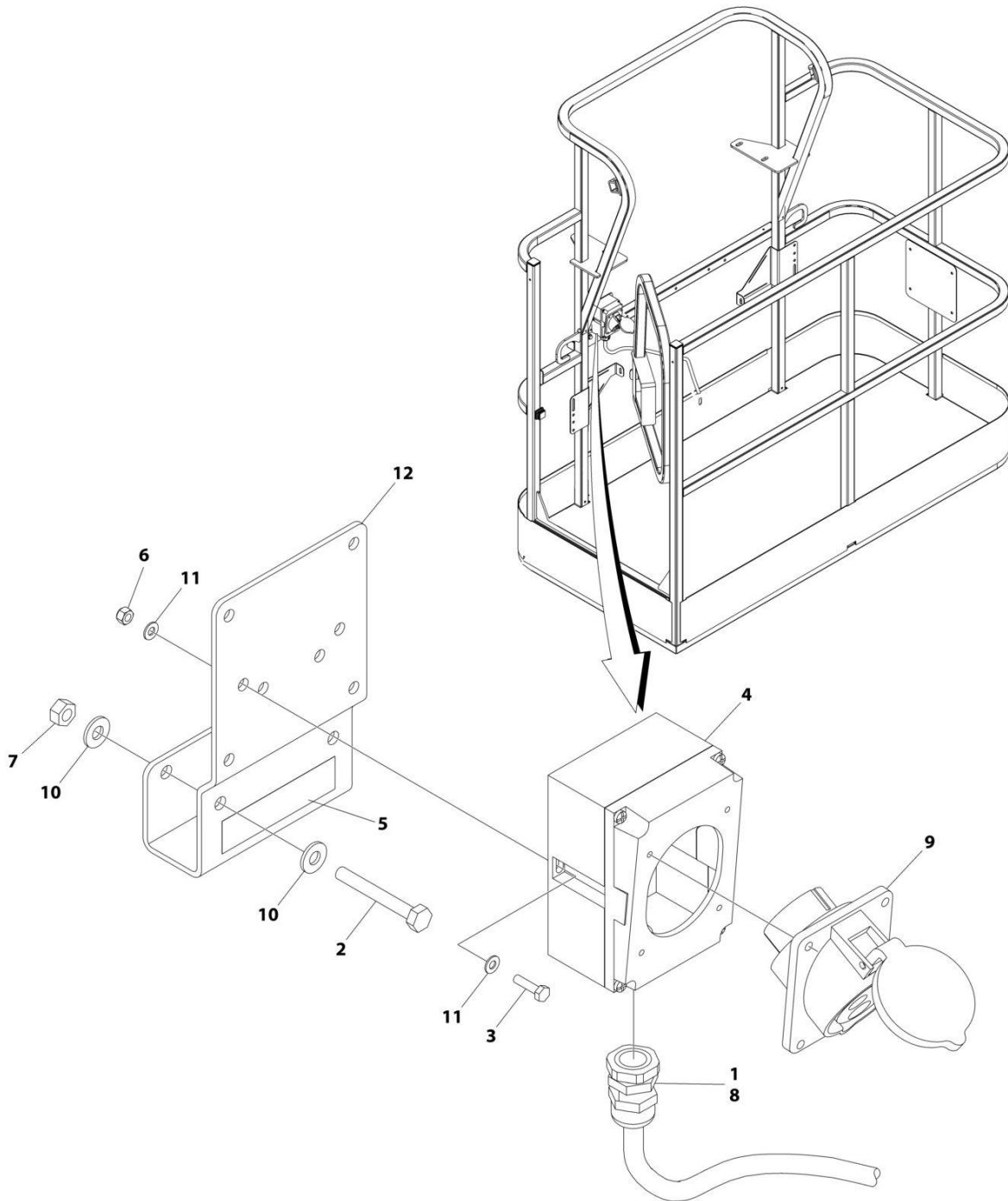
## SECTION 8 - ELECTRICAL

**FIGURE 8-4. AC BOX AT PLATFORM INSTALLATION - 110V IEC YELLOW WITHOUT 4000W GENERATOR (CE SPEC)**

ITEM	PART NUMBER	QTY	DESCRIPTION	REV
	1001119875	Ref	AC BOX AT PLATFORM INSTALLATION - 110V IEC YELLOW	B
1	0275216	1	Receptacle Box Kit (See Separate Breakdown in this Section)	
2	0700408	2	Bolt M4 x 16	
3	0700618	2	Bolt M6 x 50	
4	0760610	2	Bolt M6 x 20	
5	1001193018	1	Bracket	
6	1320043	1	Clamp	
7	1705325	2	Decal - 120V - 50Hz	
8	2902549	1	Breaker Box Kit (See Separate Breakdown in this Section)	
9	3290405	2	Nut M4	
10	3290605	4	Nut M6	
11	4460968	1	Connector, Strain Relief	
12	4811400	4	Washer M4	
13	4811700	8	Washer M6	

# SECTION 8 - ELECTRICAL

FIGURE 8-5. AC BOX AT PLATFORM INSTALLATION - 110V IEC YELLOW WITH 4000W GENERATOR (CE SPECS)



ART\_1001194203

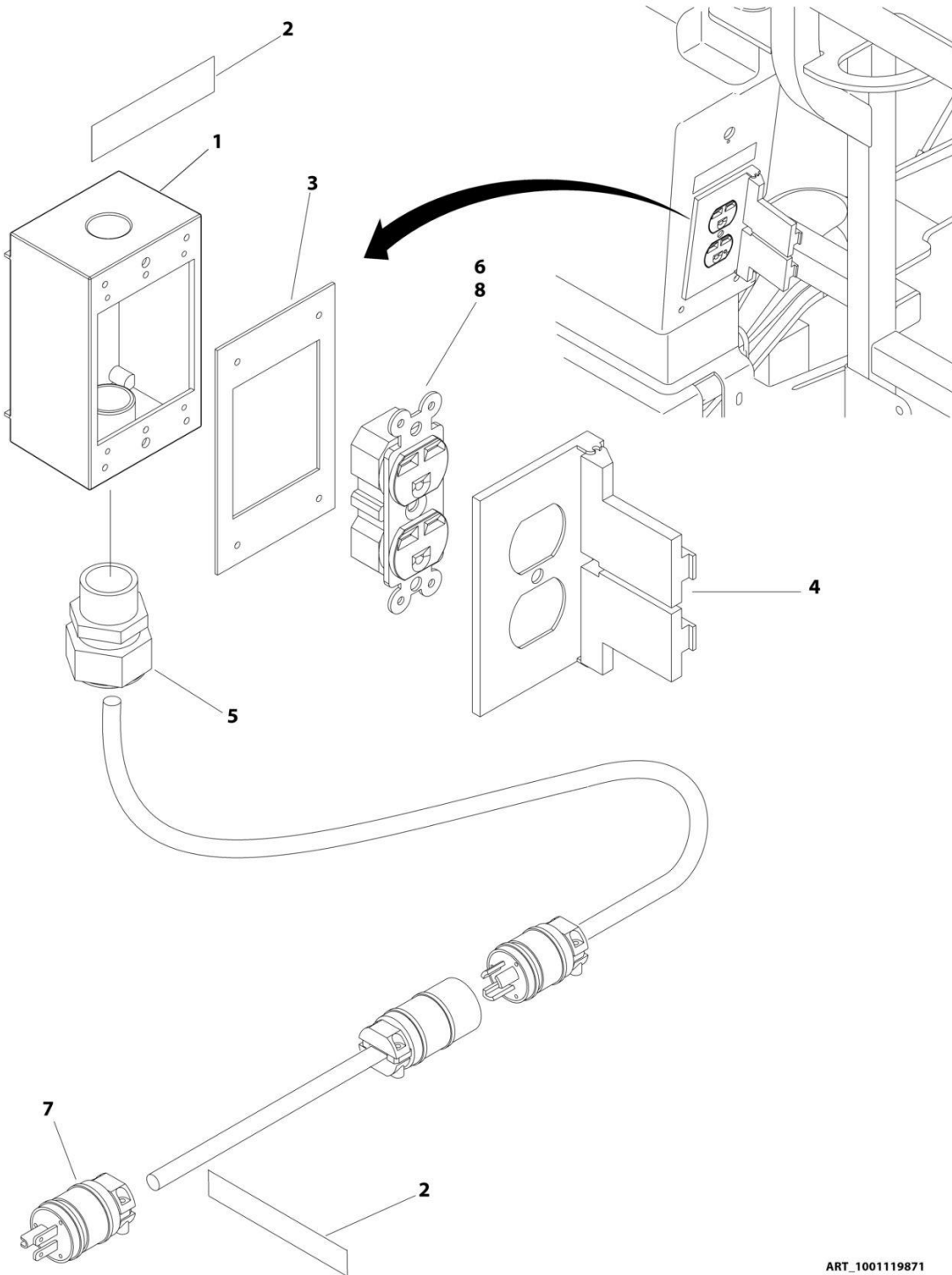
## SECTION 8 - ELECTRICAL

**FIGURE 8-5. AC BOX AT PLATFORM INSTALLATION - 110V IEC YELLOW WITH 4000W GENERATOR  
(CE SPECS)**

ITEM	PART NUMBER	QTY	DESCRIPTION	REV
	1001194203	Ref	AC BOX AT PLATFORM INSTALLATION	B
1	0100020	AR	Sealant, Pipe	
2	0641416	2	Bolt 1/4 x 2	
3	0700408	2	Bolt M4 x 16	
4	0861781	1	Box, Switch	
5	1705325	1	Decal - 110V	
6	3290405	2	Nut M4	
7	3311405	2	Nut 1/4	
8	4460968	1	Connector, Strain Relief	
9	4461198	1	Receptacle	
10	4711400	4	Washer 1/4	
11	4811400	4	Washer M4	
12	1001193018	1	Bracket, AC Receptacle	

# SECTION 8 - ELECTRICAL

## FIGURE 8-6. AC BOX AT PLATFORM INSTALLATION - 220V (CSA SPEC)



ART\_100119871



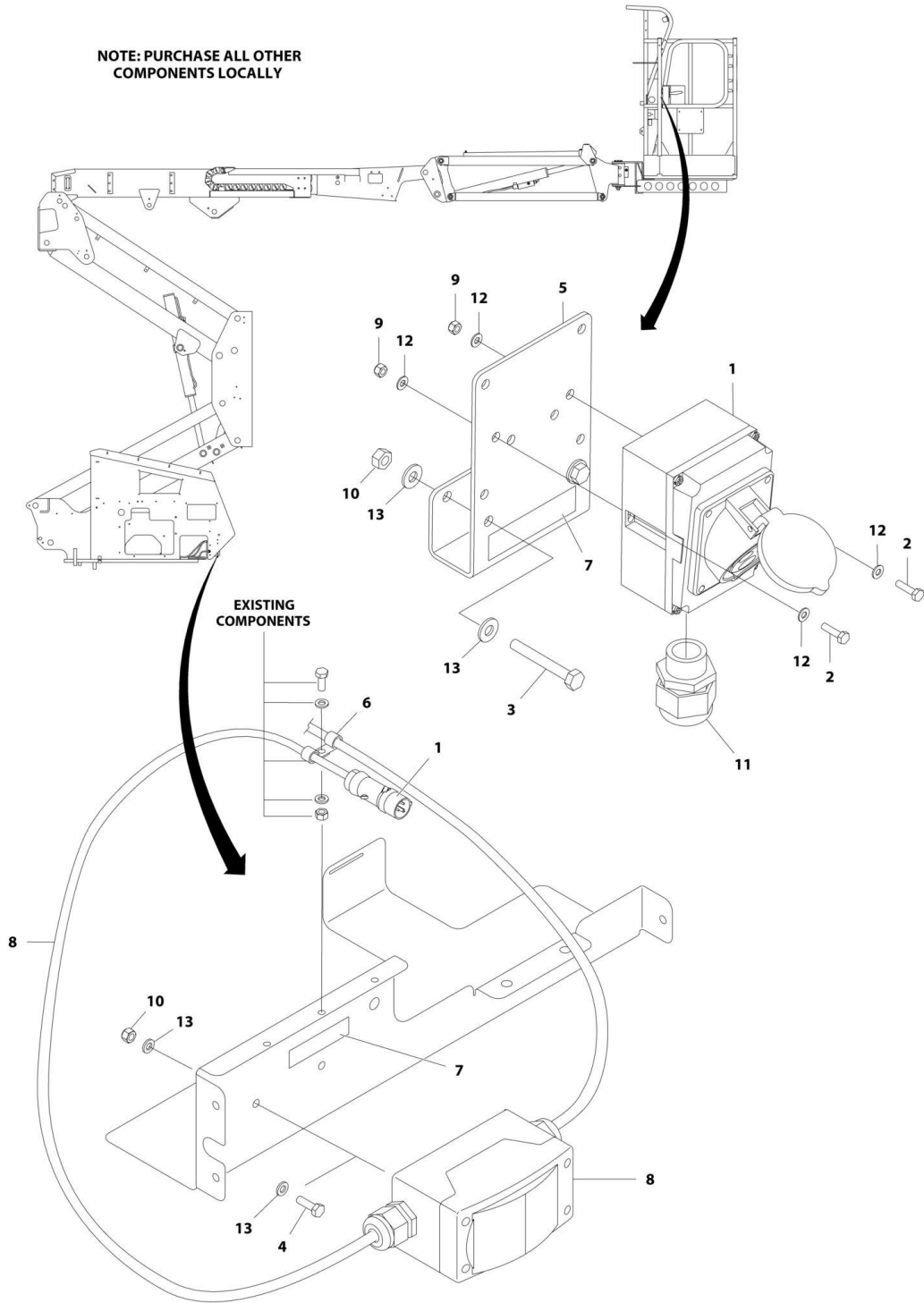
## SECTION 8 - ELECTRICAL

**FIGURE 8-6. AC BOX AT PLATFORM INSTALLATION - 220V (CSA SPEC)**

ITEM	PART NUMBER	QTY	DESCRIPTION	REV
	1001119871	Ref	AC BOX AT PLATFORM INSTALLATION - 220V	A
1	0860038	1	Box, Switch	
2	3252507	2	Decal - 220V - 50/60Hz	
3	3960422	1	Gasket	
4	4060092	1	Shield, Weather	
5	4460071	1	Connector, Strain Relief	
6	4460125	1	Receptacle	
7	4460233	1	Plug, Male	
8	4460315	3	Terminal, Spade	

# SECTION 8 - ELECTRICAL

## FIGURE 8-7. AC BOX AT PLATFORM INSTALLATION - 220V IEC BLUE WITHOUT 4000W GENERATOR (CE SPEC)



ART\_100119876

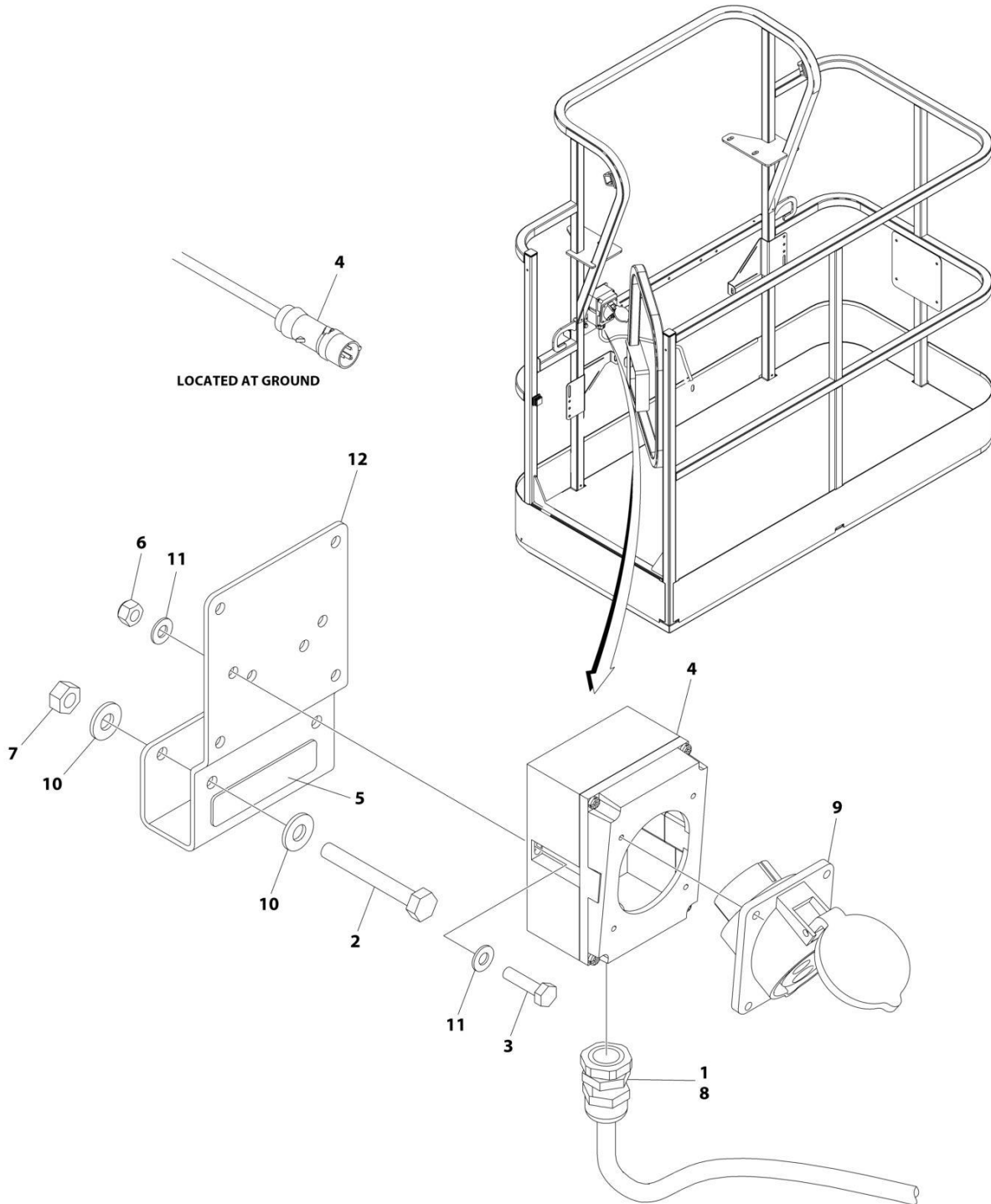
## SECTION 8 - ELECTRICAL

**FIGURE 8-7. AC BOX AT PLATFORM INSTALLATION - 220V IEC BLUE WITHOUT 4000W GENERATOR (CE SPEC)**

ITEM	PART NUMBER	QTY	DESCRIPTION	REV
	1001119876	Ref	AC BOX AT PLATFORM INSTALLATION - 220V IEC BLUE	B
1	0275217	1	Receptacle Box Kit (See Separate Breakdown in this Section)	
2	0700408	2	Bolt M4 x 16	
3	0700618	2	Bolt M6 x 50	
4	0760610	2	Bolt M6 x 20	
5	1001193018	1	Bracket	
6	1320043	1	Clamp	
7	3252507	2	Decal - 220V - 50/60Hz	
8	2902549	1	Breaker Box Kit (See Separate Breakdown in this Section)	
9	3290405	2	Nut M4	
10	3290605	4	Nut M6	
11	4460968	1	Connector, Strain Relief	
12	4811400	4	Washer M4	
13	4811700	8	Washer M6	

# SECTION 8 - ELECTRICAL

FIGURE 8-8. AC BOX AT PLATFORM INSTALLATION - 220V IEC BLUE WITH 4000W GENERATOR (CE SPECS)



ART\_1001194204

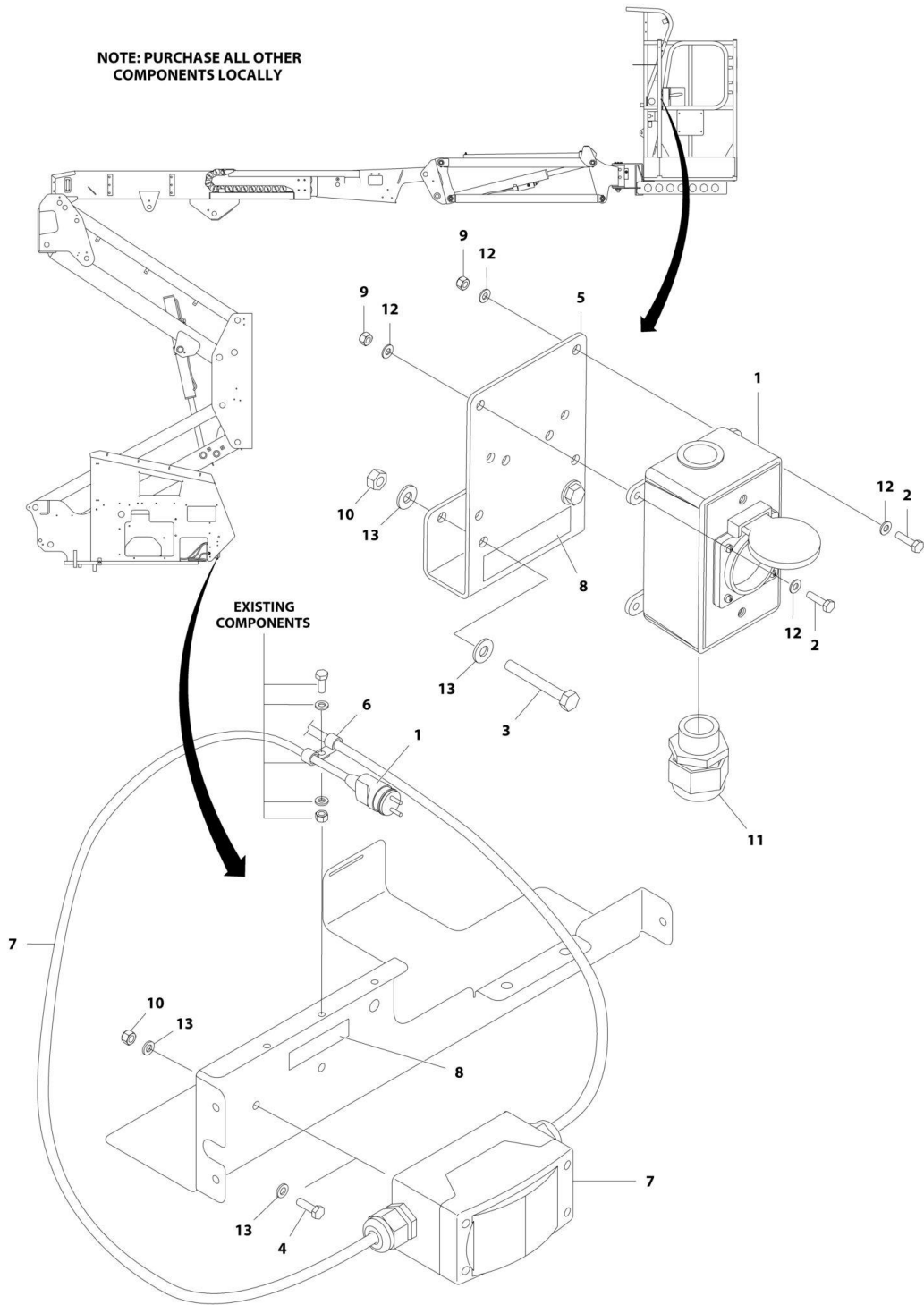
## SECTION 8 - ELECTRICAL

**FIGURE 8-8. AC BOX AT PLATFORM INSTALLATION - 220V IEC BLUE WITH 4000W GENERATOR  
(CE SPECS)**

ITEM	PART NUMBER	QTY	DESCRIPTION	REV
	1001194204	Ref	AC BOX AT PLATFORM INSTALLATION	B
1	0100020	AR	Sealant, Pipe	
2	0641416	2	Bolt 1/4 x 2	
3	0700408	2	Bolt M4 x 16	
4	0861781	1	Box, Switch	
5	3251242	1	Decal - 240V/50Hz	
6	3290405	2	Nut M4	
7	3311405	2	Nut 1/4	
8	4460968	1	Connector, Strain Relief	
9	4461201	1	Receptacle	
10	4711400	4	Washer 1/4	
11	4811400	4	Washer M4	
12	1001193018	1	Bracket, AC Receptacle	

# SECTION 8 - ELECTRICAL

## FIGURE 8-9. AC BOX AT PLATFORM INSTALLATION - 220V CEE7 POST GROUND 2 X 4 BOX WITHOUT 4000W GENERATOR (CE SPEC)



ART\_100119872

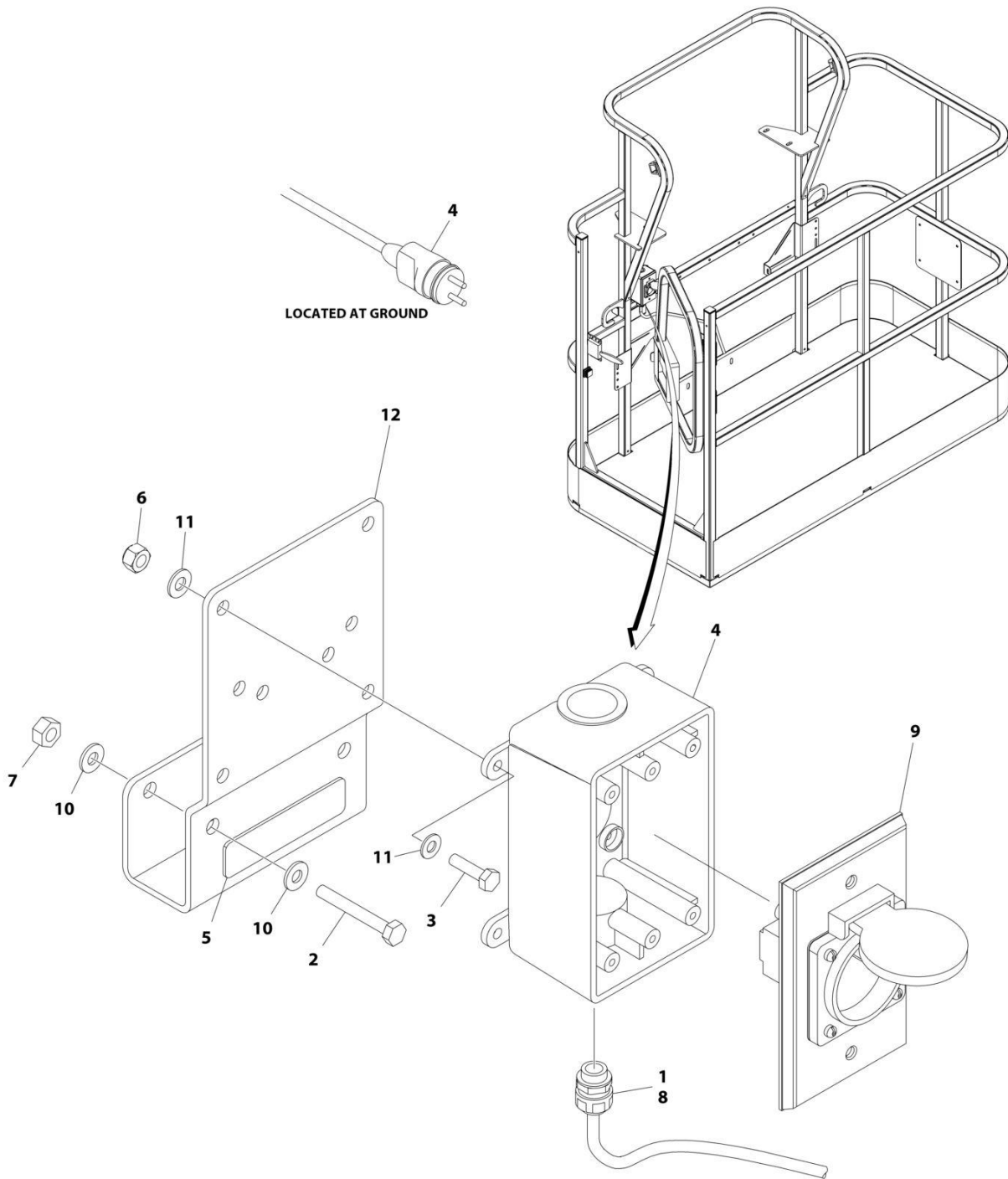
## SECTION 8 - ELECTRICAL

**FIGURE 8-9. AC BOX AT PLATFORM INSTALLATION - 220V CEE7 POST GROUND 2 X 4 BOX WITHOUT 4000W GENERATOR (CE SPEC)**

ITEM	PART NUMBER	QTY	DESCRIPTION	REV
	1001119872	Ref	AC BOX AT PLATFORM INSTALLATION - 220V CEE7 POST GROUND WITH 2IN X 4IN BOX	C
1	0275452	1	Receptacle Box Kit (See Separate Breakdown in this Section)	
2	0700408	4	Bolt M4 x 16	
3	0700618	2	Bolt M6 x 50	
4	0760610	2	Bolt M6 x 20	
5	1001193018	1	Bracket	
6	1320043	1	Clamp	
7	2902549	1	Breaker Box Kit (See Separate Breakdown in this Section)	
8	3252507	2	Decal - 220V - 50/60Hz	
9	3290405	4	Nut M4	
10	3290605	4	Nut M6	
11	4460662	1	Connector, Strain Relief	
12	4811400	8	Washer M4	
13	4811700	8	Washer M6	

# SECTION 8 - ELECTRICAL

FIGURE 8-10. AC BOX AT PLATFORM INSTALLATION - 220V CEE7 POST GROUND 2 X 4 BOX WITH 4000W GENERATOR (CE SPECS)



ART\_1001194197



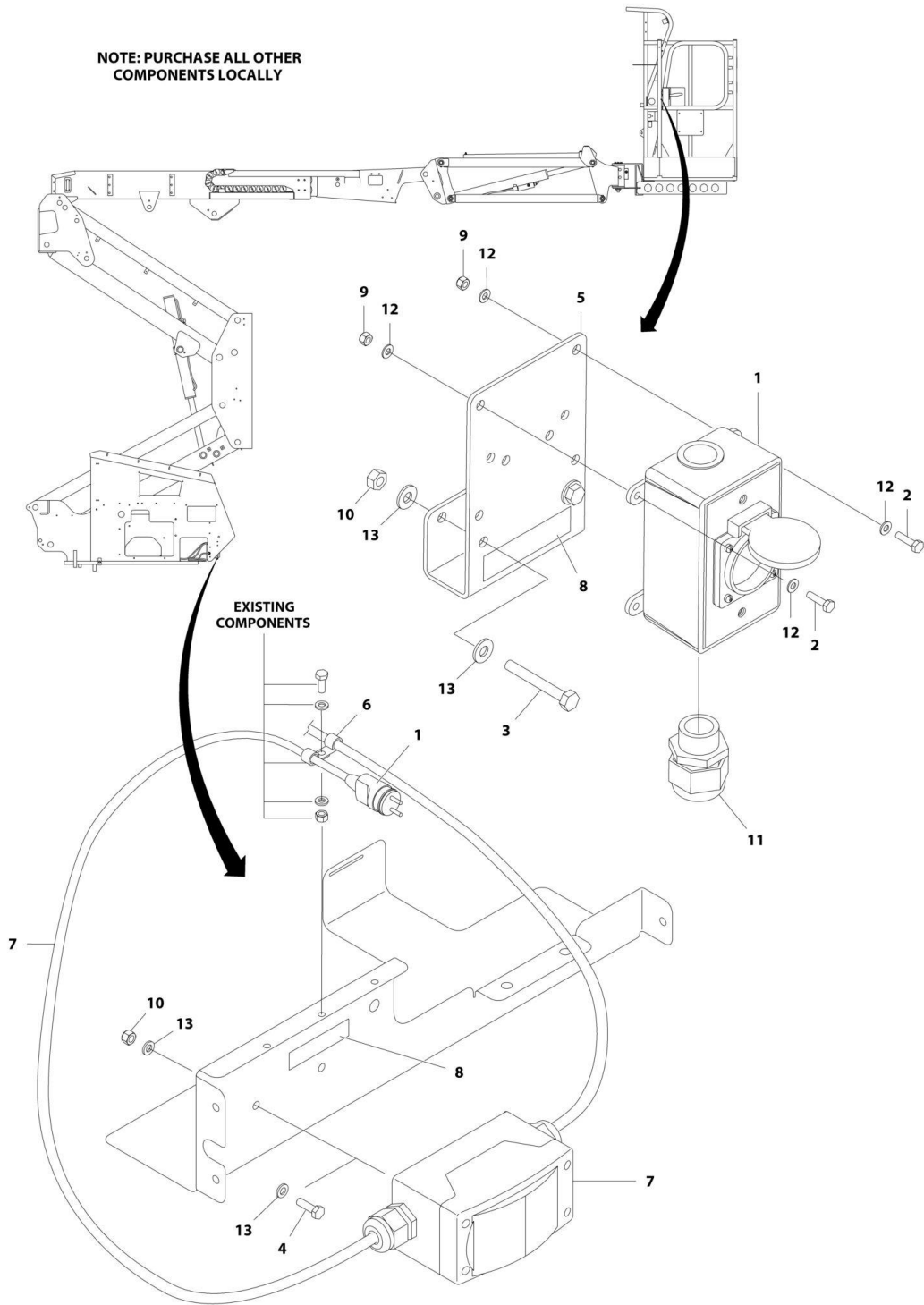
## SECTION 8 - ELECTRICAL

**FIGURE 8-10. AC BOX AT PLATFORM INSTALLATION - 220V CEE7 POST GROUND 2 X 4 BOX WITH 4000W GENERATOR (CE SPECS)**

ITEM	PART NUMBER	QTY	DESCRIPTION	REV
	1001194197	Ref	AC BOX AT PLATFORM INSTALLATION	B
1	0100020	AR	Sealant, Pipe	
2	0641416	2	Bolt 1/4 x 2	
3	0700408	4	Bolt M4 x 16	
4	0861731	1	Box, Switch	
5	3251242	1	Decal - 240V/50Hz	
6	3290405	4	Nut M4	
7	3311405	2	Nut 1/4	
8	4460662	1	Connector, Strain Relief	
9	4461244	1	Receptacle	
10	4711400	4	Washer 1/4	
11	4811400	8	Washer M4	
12	1001193018	1	Bracket, AC Receptacle	
13	4460806	2	Terminal, Fork (Not Shown)	
14	1001205958	1	Terminal (Not Shown)	

# SECTION 8 - ELECTRICAL

## FIGURE 8-11. AC BOX AT PLATFORM INSTALLATION - 220V CEE7 SIDE GROUND 2 X 4 BOX WITHOUT 4000W GENERATOR (CE SPEC)



ART\_100119873

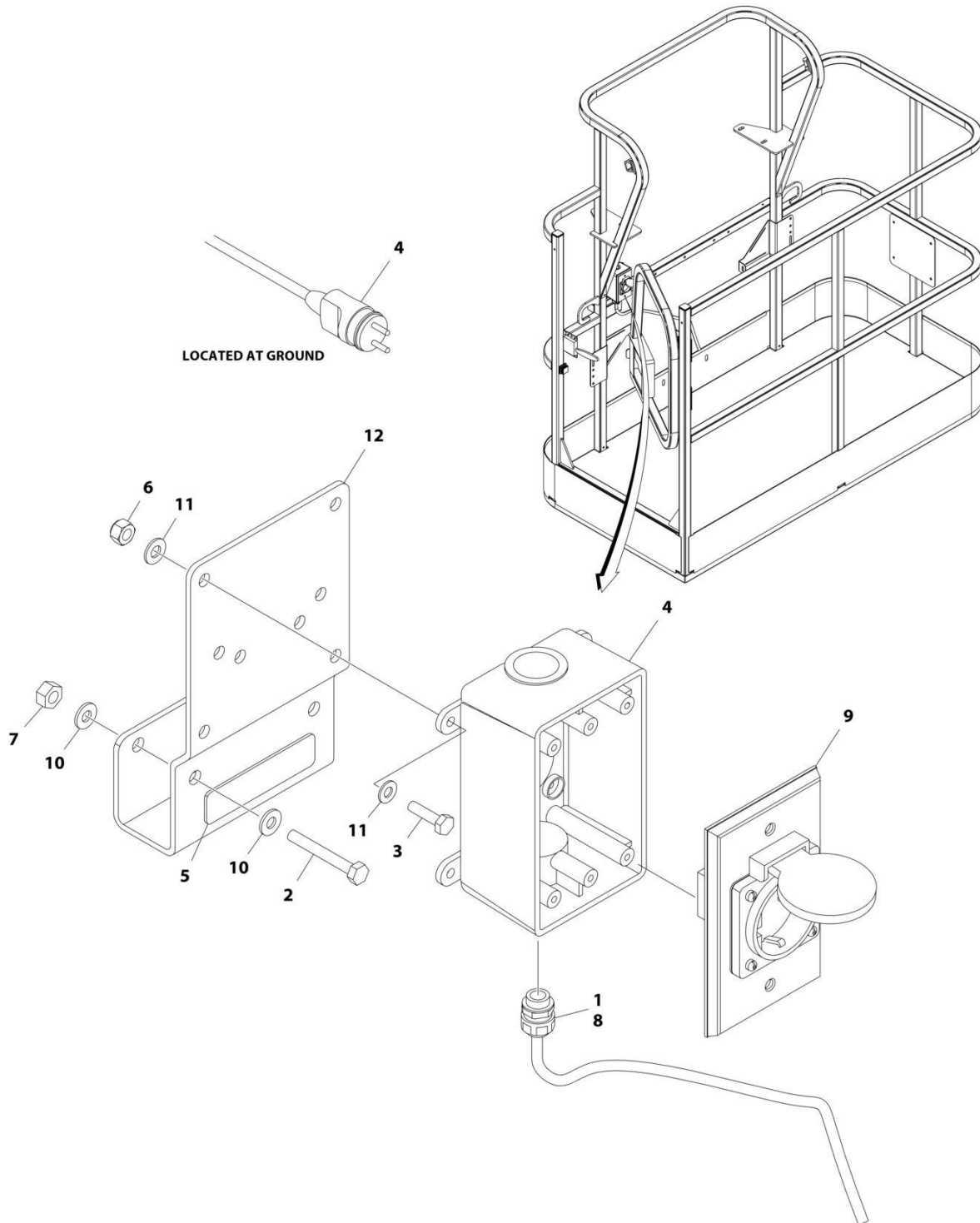
## SECTION 8 - ELECTRICAL

**FIGURE 8-11. AC BOX AT PLATFORM INSTALLATION - 220V CEE7 SIDE GROUND 2 X 4 BOX WITHOUT 4000W GENERATOR (CE SPEC)**

ITEM	PART NUMBER	QTY	DESCRIPTION	REV
	1001119873	Ref	AC BOX AT PLATFORM INSTALLATION - 220V CEE7 SIDE GROUND WITH 2IN X 4IN BOX	B
1	0275453	1	Receptacle Box Kit (See Separate Breakdown in this Section)	
2	0700408	4	Bolt, M4 x 16	
3	0700618	2	Bolt M6 x 50	
4	0760610	2	Bolt M6 x 20	
5	1001193018	1	Bracket	
6	1320043	1	Clamp	
7	2902549	1	Breaker Box Kit (See Separate Breakdown in this Section)	
8	3252507	2	Decal - 220V - 50/60Hz	
9	3290405	4	Nut M4	
10	3290605	4	Nut M6	
11	4460968	1	Connector, Strain Relief	
12	4811400	8	Washer M4	
13	4811700	8	Washer M6	

# SECTION 8 - ELECTRICAL

FIGURE 8-12. AC BOX AT PLATFORM INSTALLATION - 220V CEE7 SIDE GROUND 2 X 4 BOX WITH 4000W GENERATOR (CE SPECS)



ART\_1001194198

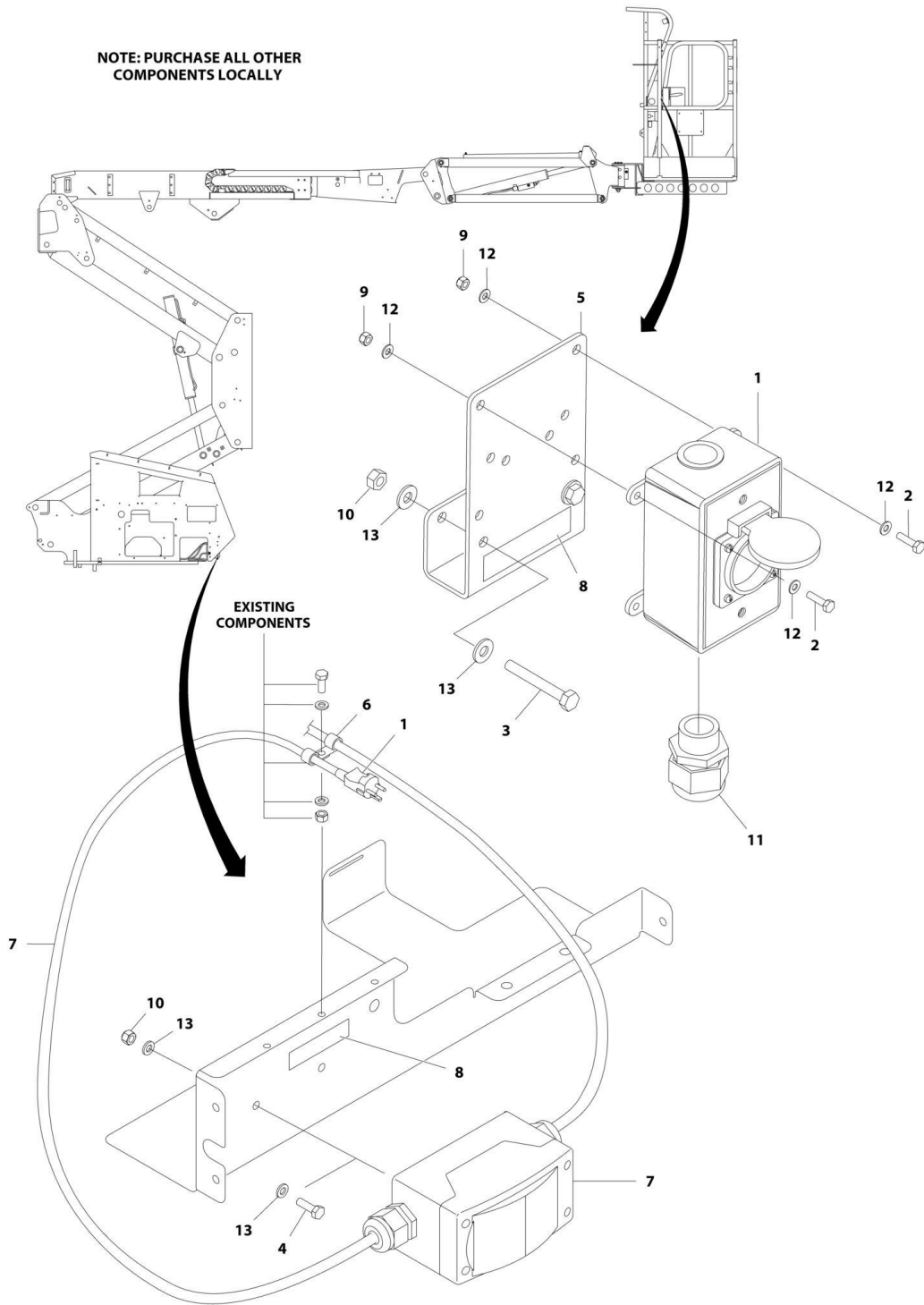
## SECTION 8 - ELECTRICAL

**FIGURE 8-12. AC BOX AT PLATFORM INSTALLATION - 220V CEE7 SIDE GROUND 2 X 4 BOX WITH 4000W GENERATOR (CE SPECS)**

ITEM	PART NUMBER	QTY	DESCRIPTION	REV
	1001194198	Ref	AC BOX AT PLATFORM INSTALLATION	B
1	0100020	AR	Sealant, Pipe	
2	0641416	2	Bolt 1/4 x 2	
3	0700408	4	Bolt M4 x 16	
4	0861731	1	Box, Switch	
5	3251242	1	Decal - 240V/50Hz	
6	3290405	4	Nut M4	
7	3311405	2	Nut 1/4	
8	4460662	1	Connector, Strain Relief	
9	4461245	1	Receptacle	
10	4711400	4	Washer 1/4	
11	4811400	8	Washer M4	
12	1001193018	1	Bracket, AC Receptacle	
13	4460806	2	Terminal, Fork (Not Shown)	
14	1001205958	1	Terminal (Not Shown)	

# SECTION 8 - ELECTRICAL

## FIGURE 8-13. AC BOX AT PLATFORM INSTALLATION - 220V AFSINT 107 KEYED GROUND WITHOUT 4000W GENERATOR (CE SPEC)



ART\_100119874

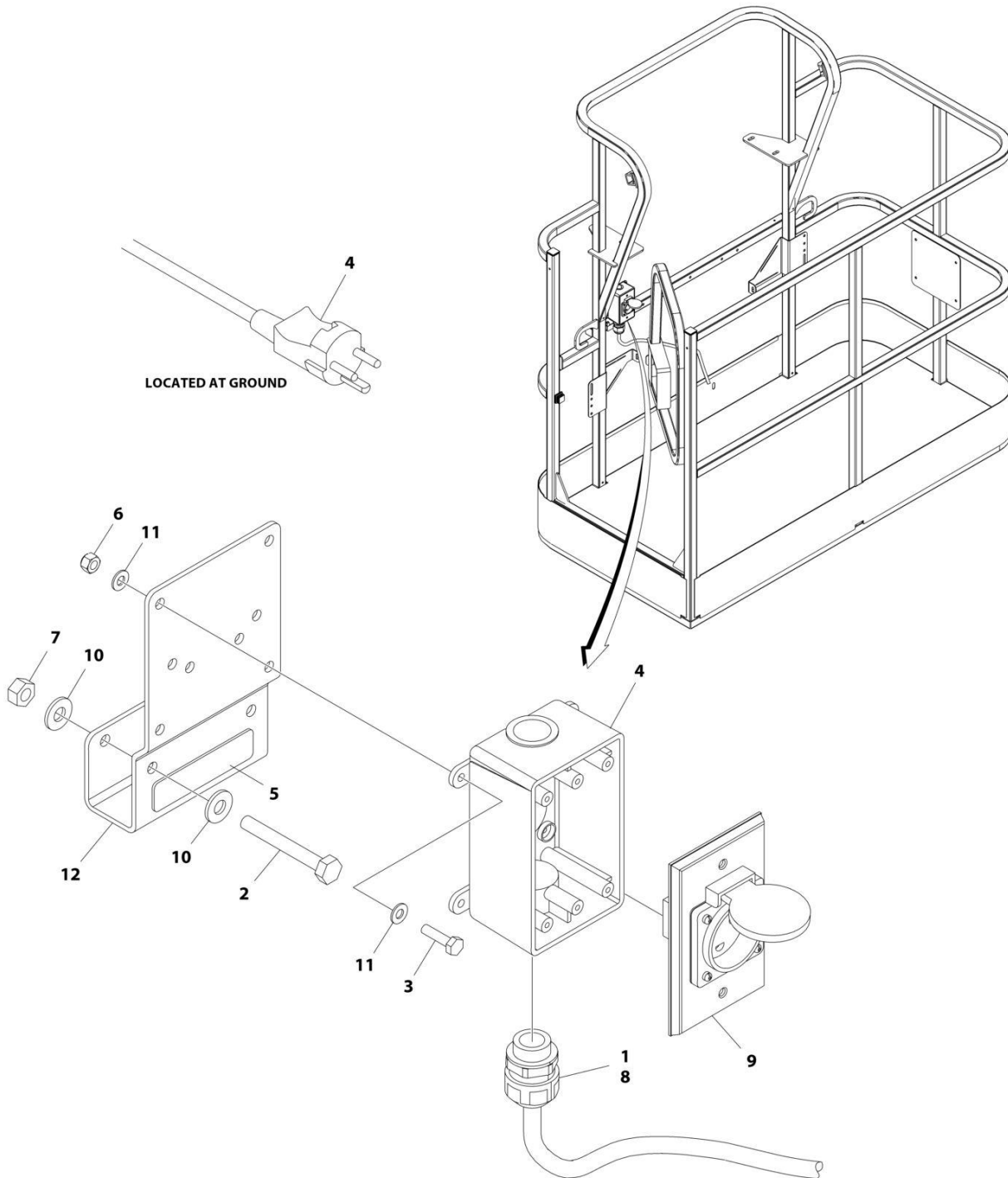
## SECTION 8 - ELECTRICAL

**FIGURE 8-13. AC BOX AT PLATFORM INSTALLATION - 220V AFSINT 107 KEYED GROUND  
WITHOUT 4000W GENERATOR (CE SPEC)**

ITEM	PART NUMBER	QTY	DESCRIPTION	REV
	1001119874	Ref	AC BOX AT PLATFORM INSTALLATION - 220V AFSINT 107 KEYED GROUND WITH 2IN X 4IN BOX	C
1	0275454	1	Receptacle Box Kit (See Separate Breakdown in this Section)	
2	0700408	4	Bolt M4 x 16	
3	0700618	2	Bolt M6 x 50	
4	0760610	2	Bolt M6 x 20	
5	1001193018	1	Bracket	
6	1320043	1	Clamp	
7	2902549	1	Breaker Box Kit (See Separate Breakdown in this Section)	
8	3252507	2	Decal - 220V - 50/60Hz	
9	3290405	4	Nut M4	
10	3290605	4	Nut M6	
11	4460662	1	Connector, Strain Relief	
12	4811400	8	Washer M4	
13	4811700	8	Washer M6	

# SECTION 8 - ELECTRICAL

FIGURE 8-14. AC BOX AT PLATFORM INSTALLATION - 220V AFSINT 107 KEYED GROUND WITH 4000W GENERATOR (CE SPECS)



ART\_1001194200



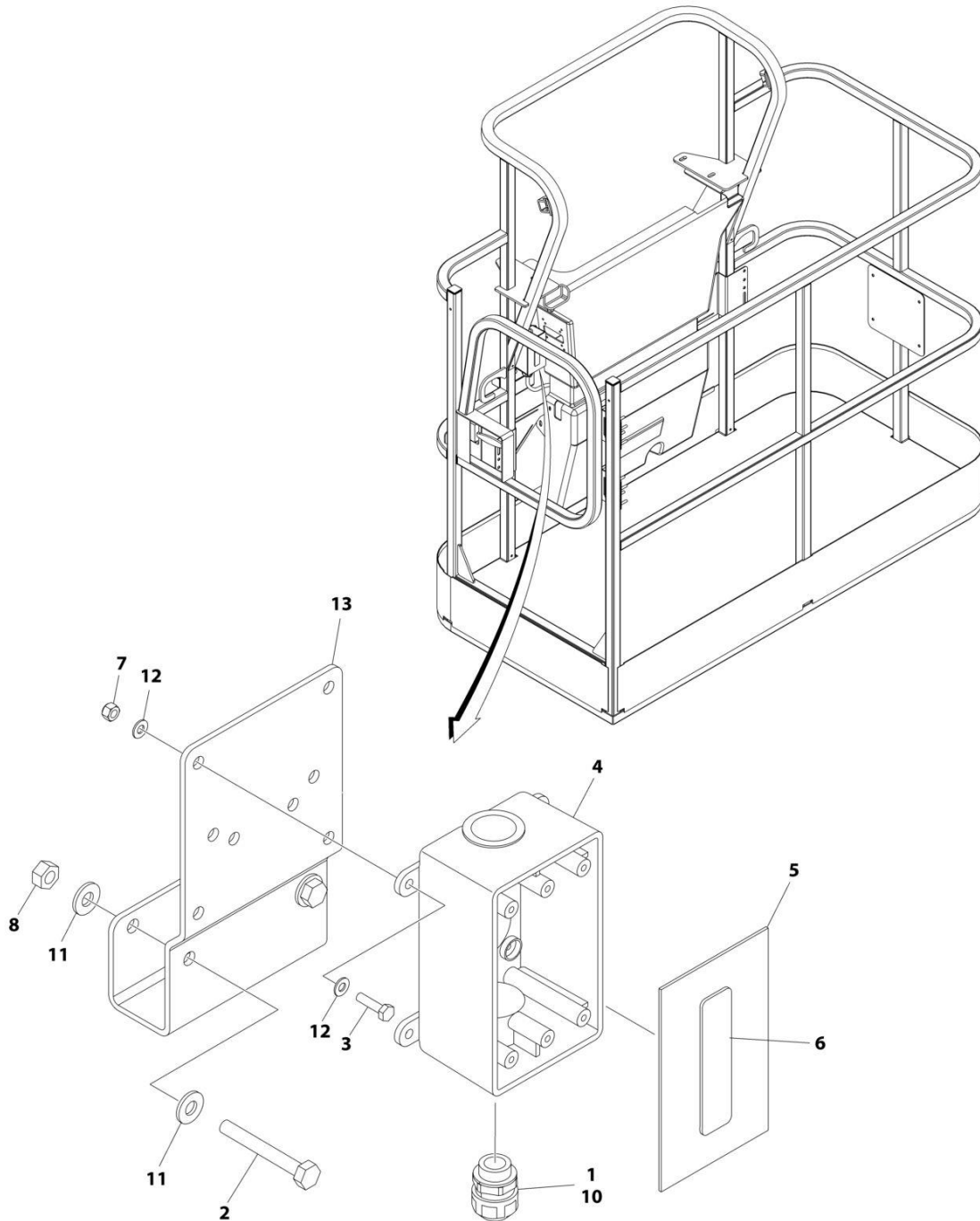
## SECTION 8 - ELECTRICAL

**FIGURE 8-14. AC BOX AT PLATFORM INSTALLATION - 220V AFSINT 107 KEYED GROUND WITH 4000W GENERATOR (CE SPECS)**

ITEM	PART NUMBER	QTY	DESCRIPTION	REV
	1001194200	Ref	AC BOX AT PLATFORM INSTALLATION	B
1	0100020	AR	Sealant, Pipe	
2	0641416	2	Bolt 1/4 x 2	
3	0700408	4	Bolt M4 x 16	
4	0861731	1	Box, Switch	
5	3251242	1	Decal - 240V/50Hz	
6	3290405	4	Nut M4	
7	3311405	2	Nut 1/4	
8	4460662	1	Connector, Strain Relief	
9	4461246	1	Receptacle	
10	4711400	4	Washer 1/4	
11	4811400	8	Washer M4	
12	1001193018	1	Bracket, AC Receptacle	
13	1001205958	1	Terminal (Not Shown)	

# SECTION 8 - ELECTRICAL

**FIGURE 8-15. AC BOX AT PLATFORM INSTALLATION - BOX WITH COVER WITH 4000W GENERATOR (ANSI EXPORT, AUSTRALIAN, CHINA AND JAPANESE SPECS)**



ART\_1001194365

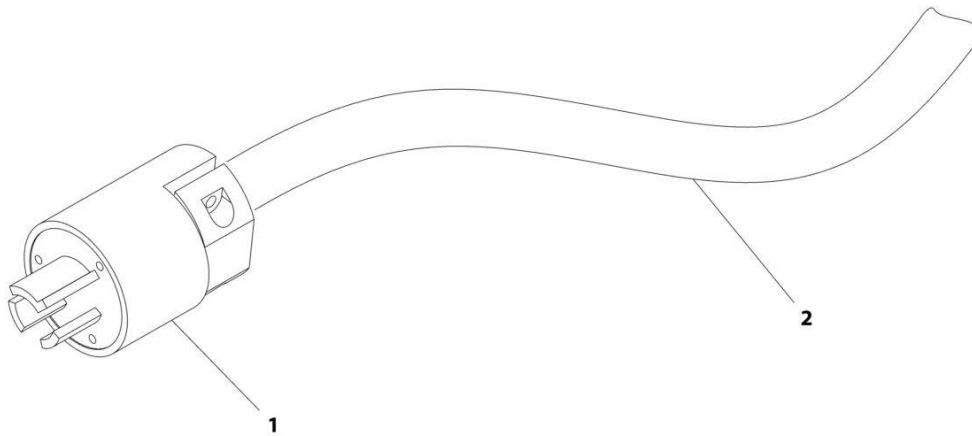
## SECTION 8 - ELECTRICAL

**FIGURE 8-15. AC BOX AT PLATFORM INSTALLATION - BOX WITH COVER WITH 4000W GENERATOR (ANSI EXPORT, AUSTRALIAN, CHINA AND JAPANESE SPECS)**

ITEM	PART NUMBER	QTY	DESCRIPTION	REV
	1001194365	Ref	AC BOX AT PLATFORM INSTALLATION - BOX WITH COVER (2X4 BOX)	A
1	0100020	AR	Sealant	
2	0641416	2	Bolt 1/4 x 2	
3	0700408	4	Bolt M4 x 16	
4	0861731	1	Box, Switch	
5	1670603	1	Cover	
6	3251242	1	Decal - 240V/50Hz	
7	3290405	4	Nut M4	
8	3311405	2	Nut 1/4	
9	4460384	3	Terminal (Not Shown)	
10	4460662	1	Connector, Strain Relief	
11	4711400	4	Washer 1/4	
12	4811400	8	Washer M4	
13	1001193018	1	Bracket, AC Receptacle	

## SECTION 8 - ELECTRICAL

FIGURE 8-16. AC POWER TO PLATFORM CABLE - MAIN BOOM (WITHOUT ARCTIC PACKAGE)  
(50HZ)



ART\_1001119140

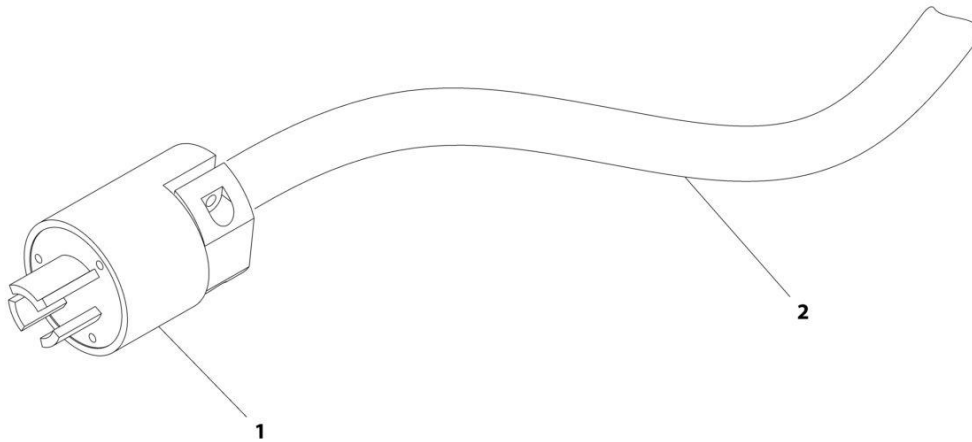
## SECTION 8 - ELECTRICAL

**FIGURE 8-16. AC POWER TO PLATFORM CABLE - MAIN BOOM (WITHOUT ARCTIC PACKAGE)  
(50HZ)**

ITEM	PART NUMBER	QTY	DESCRIPTION	REV
	1001119140	Ref	AC POWER TO PLATFORM CABLE - MAIN BOOM (WITHOUT ARCTIC PACKAGE)	C
1	1001120204	1	Plug, Male	
2	4923505	1	Cable, 14/3	

## SECTION 8 - ELECTRICAL

FIGURE 8-17. AC POWER TO PLATFORM CABLE - MAIN BOOM (WITH ARCTIC PACKAGE) (50HZ)



ART\_1001119955

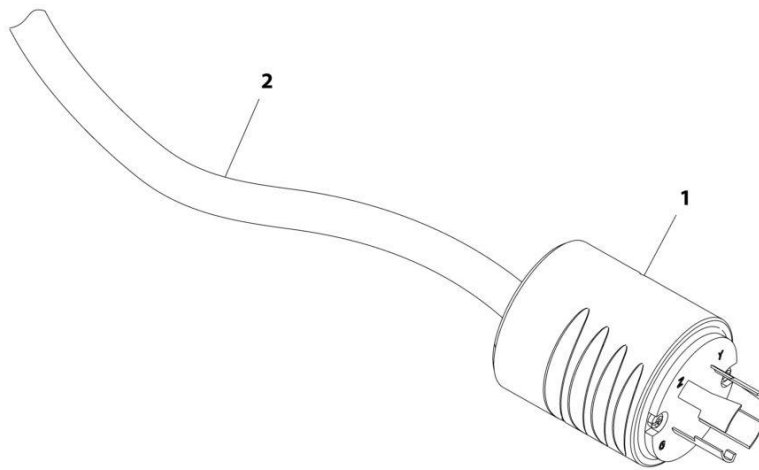
## SECTION 8 - ELECTRICAL

**FIGURE 8-17. AC POWER TO PLATFORM CABLE - MAIN BOOM (WITH ARCTIC PACKAGE) (50HZ)**

ITEM	PART NUMBER	QTY	DESCRIPTION	REV
	1001119955	Ref	AC POWER TO PLATFORM CABLE - MAIN BOOM (WITH ARCTIC PACKAGE)	B
1	1001120204	1	Plug, Male	
2	4923463	1	Cable, 12/3	

# SECTION 8 - ELECTRICAL

FIGURE 8-18. AC POWER TO PLATFORM CABLE - MAIN BOOM (60HZ)



ART\_1001157311



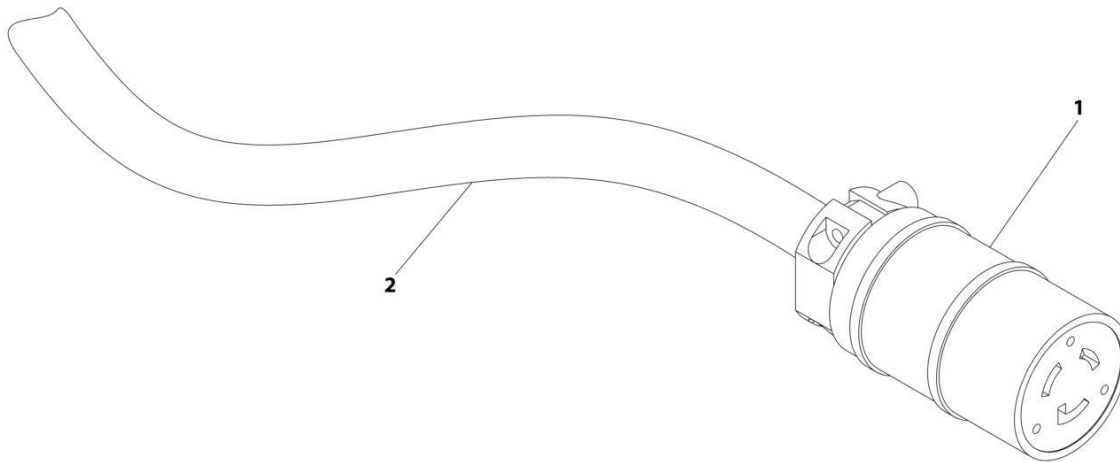
## SECTION 8 - ELECTRICAL

**FIGURE 8-18. AC POWER TO PLATFORM CABLE - MAIN BOOM (60HZ)**

ITEM	PART NUMBER	QTY	DESCRIPTION	REV
1	1001157311 4460962	Ref 1	AC POWER TO PLATFORM CABLE - MAIN BOOM (60Hz) Terminal	A
2	1001131968	22.2 ft /6.8m	Cable, 10/4	

## SECTION 8 - ELECTRICAL

FIGURE 8-19. AC POWER TO PLATFORM CABLE - TOWER BOOM (WITHOUT ARCTIC PACKAGE)  
(50HZ)



ART\_1001119139

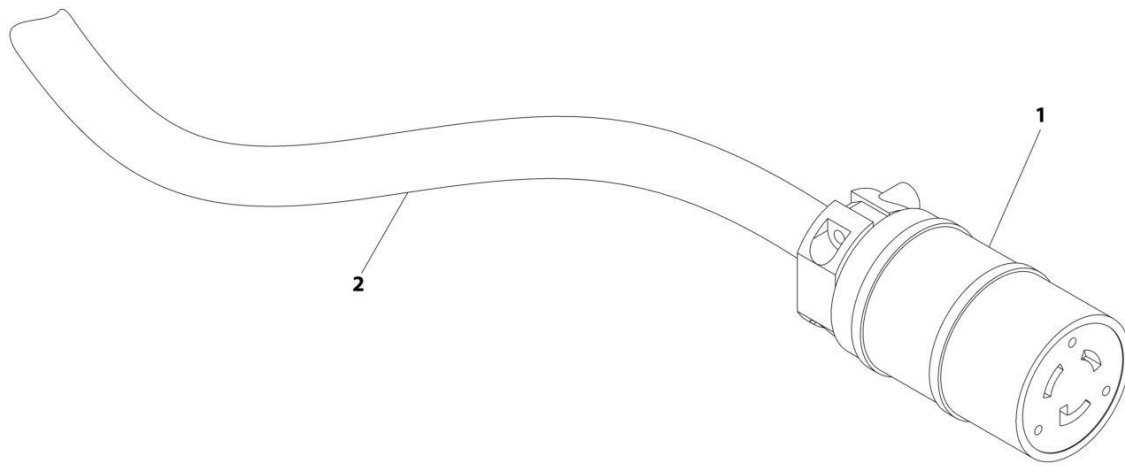
## SECTION 8 - ELECTRICAL

**FIGURE 8-19. AC POWER TO PLATFORM CABLE - TOWER BOOM (WITHOUT ARCTIC PACKAGE)  
(50HZ)**

ITEM	PART NUMBER	QTY	DESCRIPTION	REV
	1001119139	Ref	AC POWER TO PLATFORM CABLE - TOWER BOOM (WITHOUT ARCTIC PACKAGE)	B
1	1001120205	1	Connector, Female	
2	4923505	1	Cable, 14/3	

## SECTION 8 - ELECTRICAL

FIGURE 8-20. AC POWER TO PLATFORM CABLE - TOWER BOOM (WITH ARCTIC PACKAGE) (50HZ)



ART\_1001119956

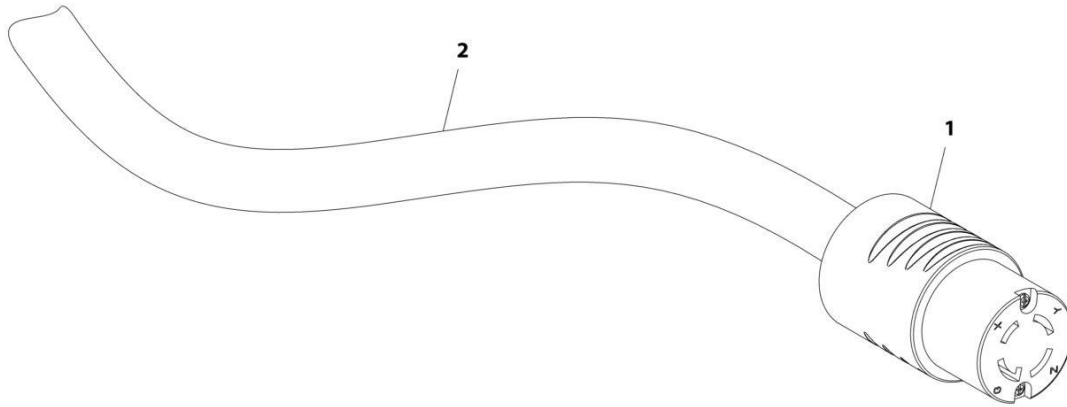
## SECTION 8 - ELECTRICAL

**FIGURE 8-20. AC POWER TO PLATFORM CABLE - TOWER BOOM (WITH ARCTIC PACKAGE) (50HZ)**

ITEM	PART NUMBER	QTY	DESCRIPTION	REV
	1001119956	Ref	AC POWER TO PLATFORM CABLE - TOWER BOOM (WITH ARCTIC PACKAGE)	A
1	1001120205	1	Connector, Female	
2	4923463	1	Cable, 12/3	

## SECTION 8 - ELECTRICAL

FIGURE 8-21. AC POWER TO PLATFORM CABLE - TOWER BOOM (60HZ)



ART\_1001157310

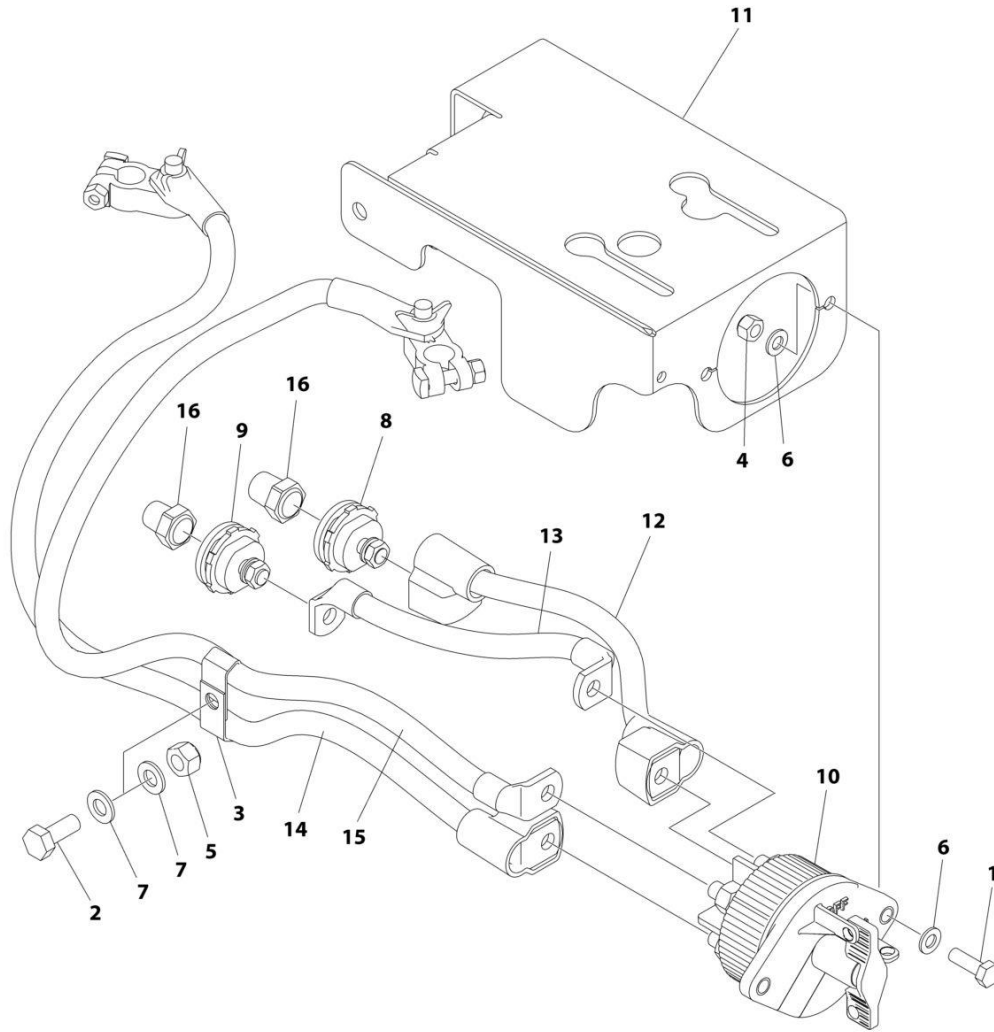
## SECTION 8 - ELECTRICAL

**FIGURE 8-21. AC POWER TO PLATFORM CABLE - TOWER BOOM (60HZ)**

ITEM	PART NUMBER	QTY	DESCRIPTION	REV
1	1001157310 4460963	Ref 1	AC POWER TO PLATFORM CABLE - TOWER BOOM (60Hz) Terminal	A
2	1001131968	29.1 ft /8.9m	Cable, 10/4	

# SECTION 8 - ELECTRICAL

## FIGURE 8-22. BATTERY DISCONNECT SWITCH



ART\_1001214397



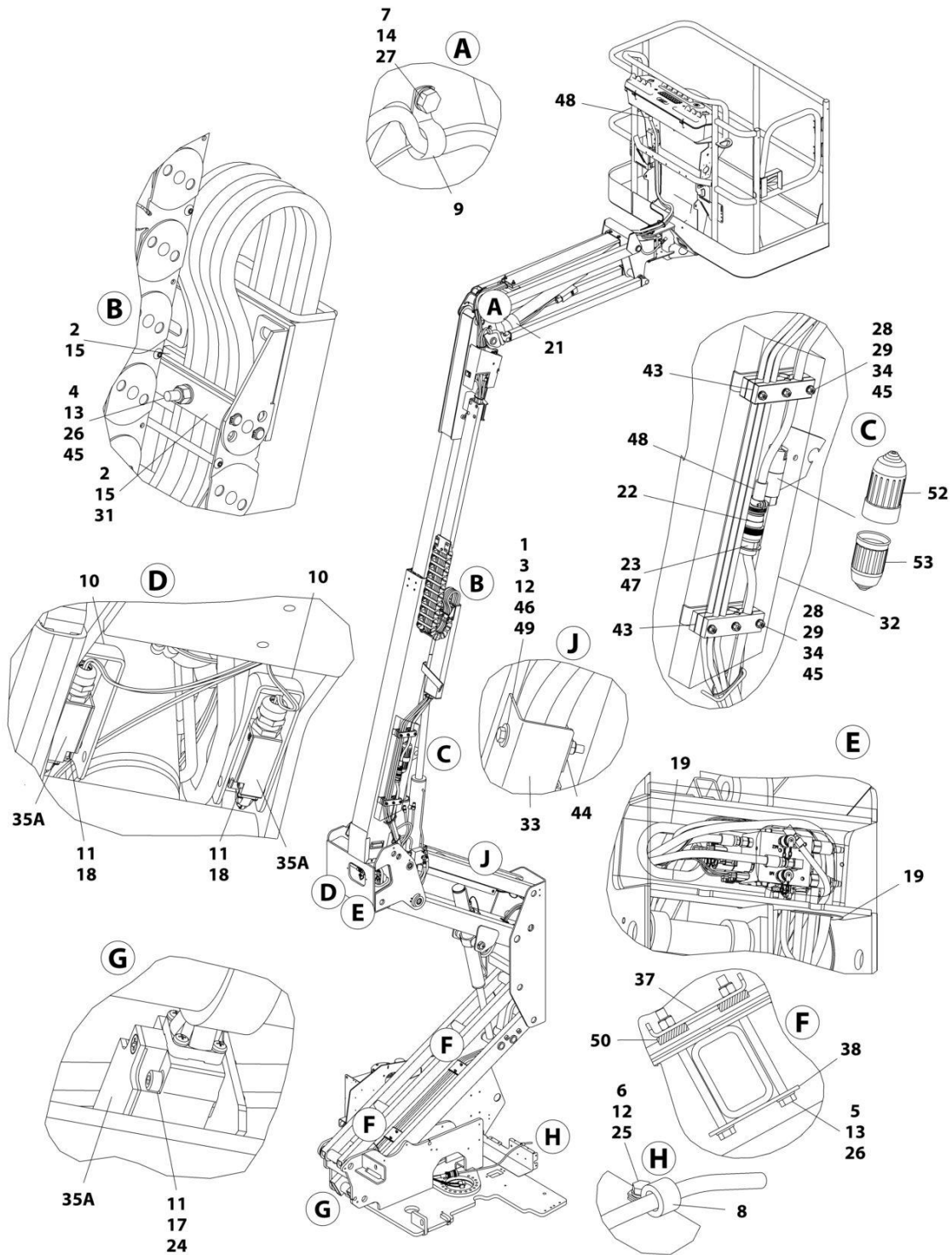
## SECTION 8 - ELECTRICAL

**FIGURE 8-22. BATTERY DISCONNECT SWITCH**

ITEM	PART NUMBER	QTY	DESCRIPTION	REV
	1001214397	Ref	BATTERY DISCONNECT SWITCH	A
1	0760812	2	Bolt M8 x 25	
2	0761012	1	Bolt M10 x 25	
3	1320223	2	Clamp	
4	3290805	2	Nut M8	
5	3291005	1	Nut M10	
6	4811900	4	Washer M8	
7	4812000	2	Washer M10	
8	1001214570	1	Connector (Red)	
9	1001214571	1	Connector (Black)	
10	1001225346	1	Switch	
11	1001226530	1	Mount	
12	1001237878	1	Cable, Battery Disconnect (Positive)	
13	1001237879	1	Cable, Battery Disconnect (Negative)	
14	1001237880	1	Cable (Positive)	
15	1001237881	1	Cable (Negative)	
16	1001206476	1	Connector	

# SECTION 8 - ELECTRICAL

FIGURE 8-23. BOOM CABLES, HARNESSES AND CLAMPS INSTALLATION - WITHOUT ARCTIC PACKAGE



ART\_1001115784

## SECTION 8 - ELECTRICAL

**FIGURE 8-23. BOOM CABLES, HARNESSSES AND CLAMPS INSTALLATION - WITHOUT ARCTIC PACKAGE**

ITEM	PART NUMBER	QTY	DESCRIPTION	REV
	1001115784	Ref	BOOM CABLES, HARNESSSES AND CLAMPS INSTALLATION - WITHOUT ARCTIC PACKAGE	G
1	0100011	AR	Compound, Locking	
2	0100081	1	Adhesive	
3	0760621	4	Bolt M6 x 65	
4	0700820	2	Bolt M8 x 60	
5	0700829	4	Bolt M8 x 120	
6	0760608	1	Bolt M6 x 16 (Not Shown - Use with Item 8)	
7	0761012	1	Bolt M10 x 25	
8	1320043	1	Clamp (Not Shown - Located at Rear of T/T)	
9	1320130	1	Clamp	
10	1670899	2	Cover, Switch	
11	3290405	6	Nut M4	
12	3290605	5	Nut M6	
13	3290805	6	Nut M8	
14	3291005	1	Nut M10	
15	3340939	4	Pad, Rubber	
17	4031510	2	Capscrew M4 x 30	
18	4031512	4	Capscrew M4 x 40	
19	4060808	1.8 ft /55cm	Flex-Trim	
20	4240018	AR	Tie-Strap (Not Shown)	
21	4240156	1	Strap, Cinch	
22	4460865	1	Connector - 19 Position	
23	4460866	1	Connector - 19 Position	
24	4811400	2	Washer M4	
25	4811700	2	Washer M6 (Not Shown - Use with Item 8)	
26	4811900	8	Washer M8	
27	4812000	2	Washer M10	
28	5260800	6	Nut M8	
29	5281920	6	Screw M8 x 80	
31	1001106757	2	Plate	
32	1001107152	1	Plate	
33	1001116433	2	Guard, Hose	
34	1001118274	6	Nut M8	
35	1001118292	1	Tower Boom Harness Assembly (Not Shown - See Separate Breakdown in this Section)	
35A	4360548	3	Switch, Limit	
37	1001118592	2	Plate, Hose Clamp	
38	1001118593	2	Plate, Hose Clamp	
39	1001119018	1	Ground to Platform Cable - Main (Not Shown - See Separate Breakdown in this Section)	
40	1001119019	1	Ground to Platform Cable - Tower (Not Shown - See Separate Breakdown in this Section)	
41	1001119139	1	AC Power to Platform Cable - Tower Boom (Not Shown - See Separate Breakdown in this Section)	
42	1001119140	1	AC Power to Platform Cable - Main Boom (Not Shown - See Separate Breakdown in this Section)	
43	1001119194	2	Clamp	
44	1001119197	4	Clamp	

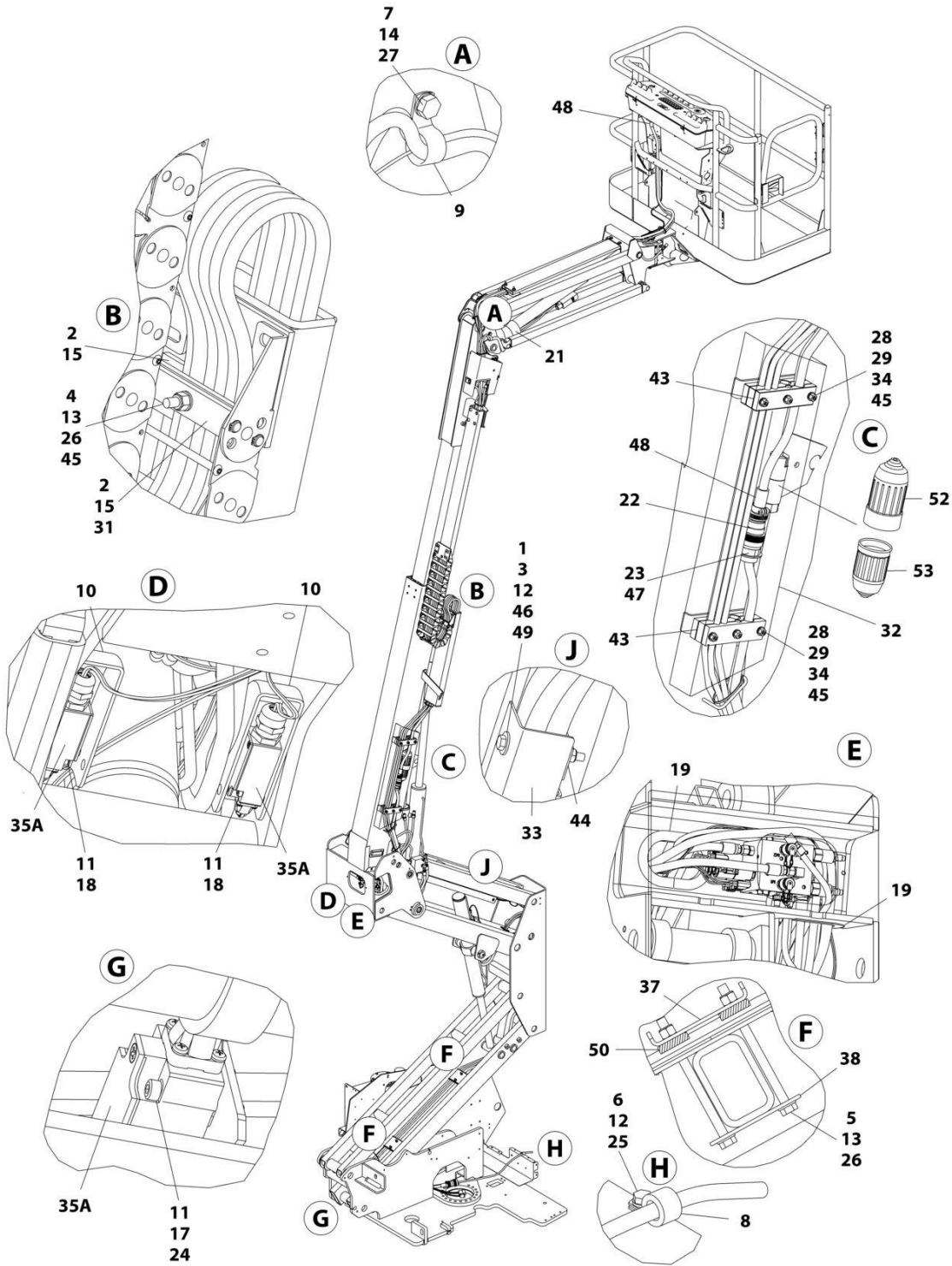
## SECTION 8 - ELECTRICAL

ITEM	PART NUMBER	QTY	DESCRIPTION	REV
45	1001119228	8	Nut M8	
46	0760605	2	Bolt M6 x 10	
47	2820031	AR	Heat Shrink	
48	4460473	1	Clamp, Cable	
49	4811702	10	Washer M6	
50	3340901	4	Pad, Rubber	
51	1001140524	1	Main Boom Harness Assembly (Not Shown - See Separate Breakdown in this Section)	
52	1671092	1	Cover, Connection	
53	1671093	1	Cover, Plug	



# SECTION 8 - ELECTRICAL

## FIGURE 8-24. BOOM CABLES, HARNESSES AND CLAMPS INSTALLATION - WITH ARCTIC PACKAGE



ART\_1001119937

## SECTION 8 - ELECTRICAL

### FIGURE 8-24. BOOM CABLES, HARNESSSES AND CLAMPS INSTALLATION - WITH ARCTIC PACKAGE

ITEM	PART NUMBER	QTY	DESCRIPTION	REV
	1001119937	Ref	BOOM CABLES, HARNESSSES AND CLAMPS INSTALLATION - WITH ARCTIC PACKAGE	G
1	0100011	AR	Compound, Locking	
2	0100081	1	Adhesive	
3	0760621	4	Bolt M6 x 65	
4	0700820	2	Bolt M8 x 60	
5	0700829	4	Bolt M8 x 120	
6	0760608	1	Bolt M6 x 16 (Not Shown - Use with Item 8)	
7	0761012	1	Bolt M10 x 25	
8	1320041	1	Clamp	
9	1320130	1	Clamp	
10	1670899	2	Cover, Switch	
11	3290405	6	Nut M4	
12	3290605	5	Nut M6	
13	3290805	6	Nut M8	
14	3291005	1	Nut M10	
15	3340939	4	Pad, Rubber	
17	4031510	2	Capscrew M4 x 30	
18	4031512	4	Capscrew M4 x 40	
19	4060808	1.8 ft /55cm	Flex-Trim	
20	4240018	AR	Tie-Strap (Not Shown)	
21	4240156	1	Strap, Cinch	
22	4460865	1	Connector - 19 Position	
23	4460866	1	Connector - 19 Position	
24	4811400	2	Washer M4	
25	4811700	2	Washer M6 (Not Shown - Use with Item 8)	
26	4811900	8	Washer M8	
27	4812000	2	Washer M10	
28	5260800	6	Nut M8	
29	5281920	6	Screw M8 x 80	
31	1001106757	2	Plate	
32	1001107152	1	Plate	
33	1001116433	2	Guard, Hose	
34	1001118274	6	Nut M8	
35	1001118292	1	Tower Boom Harness Assembly (Not Shown - See Separate Breakdown in this Section)	
35A	4360548	3	Switch, Limit	
37	1001118592	2	Plate, Hose Clamp	
38	1001118593	2	Plate, Hose Clamp	
39	1001119953	1	Ground to Platform Cable - Main (Not Shown - See Separate Breakdown in this Section)	
40	1001119954	1	Ground to Platform Cable - Tower (Not Shown - See Separate Breakdown in this Section)	
41	1001119955	1	AC Power to Platform Cable - Main Boom (Not Shown - See Separate Breakdown in this Section)	
42	1001119956	1	AC Power to Platform Cable - Tower Boom (Not Shown - See Separate Breakdown in this Section)	
43	1001119195	2	Clamp	
44	1001119197	4	Clamp	

## SECTION 8 - ELECTRICAL

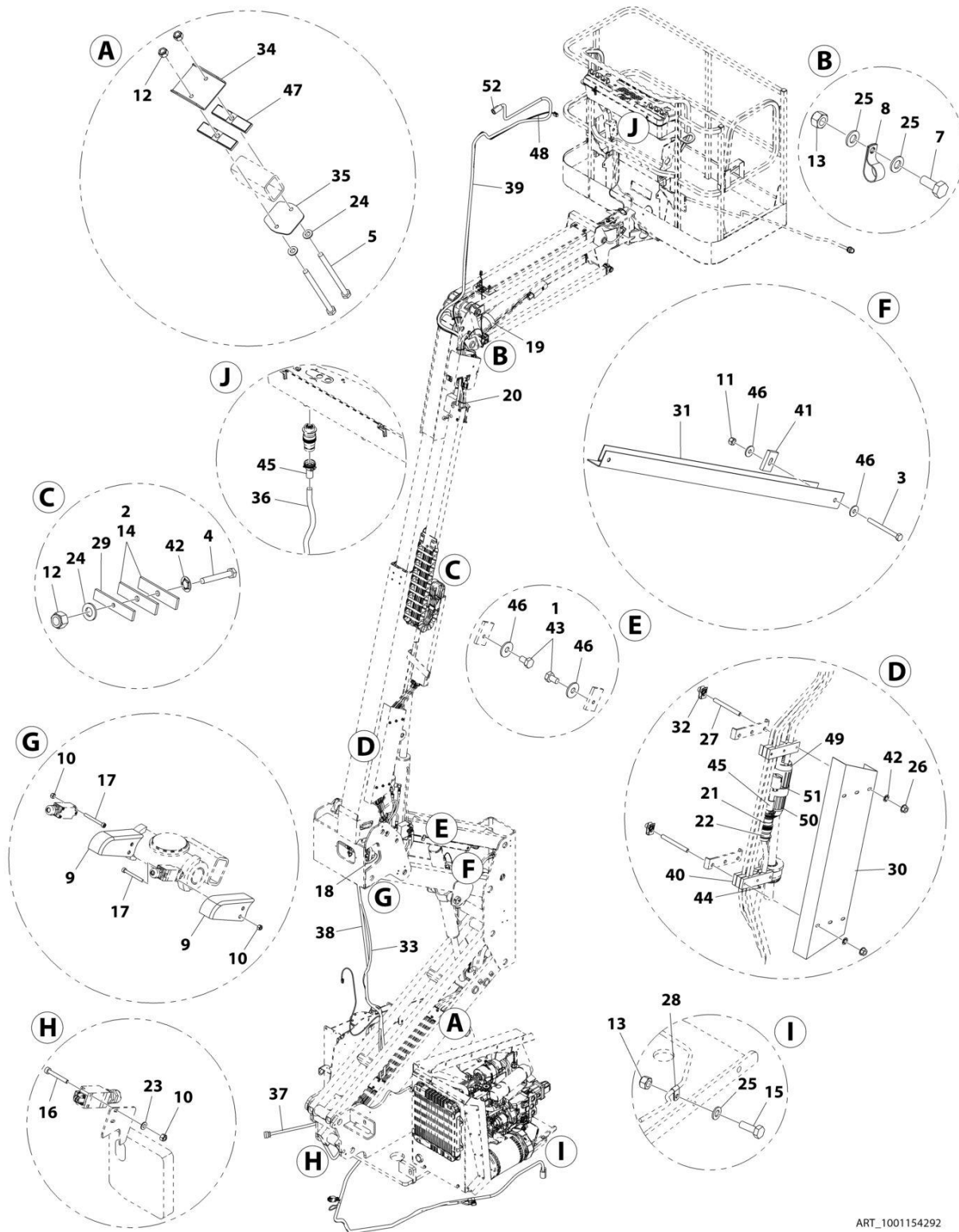
ITEM	PART NUMBER	QTY	DESCRIPTION	REV
45	1001119228	8	Nut M8	
46	0760605	2	Bolt M6 x 10	
47	2820031	AR	Heat Shrink	
48	4460473	1	Clamp, Cable	
49	4811702	10	Washer M6	
50	3340901	4	Pad, Rubber	
51	1001140524	1	Main Boom Harness Assembly (Not Shown - See Separate Breakdown in this Section)	
52	1671092	1	Cover, Connection	
53	1671093	1	Cover, Plug	





# SECTION 8 - ELECTRICAL

## FIGURE 8-25. BOOM CABLES AND CLAMPS INSTALLATION - 4000W, 50HZ - WITHOUT ARCTIC PACKAGE



ART\_1001154292

## SECTION 8 - ELECTRICAL

**FIGURE 8-25. BOOM CABLES AND CLAMPS INSTALLATION - 4000W, 50HZ - WITHOUT ARCTIC PACKAGE**

ITEM	PART NUMBER	QTY	DESCRIPTION	REV
	1001154292	Ref	BOOM CABLES AND CLAMPS INSTALLATION - 4000W, 50HZ - WITHOUT ARCTIC PACKAGE	B
1	0100011	AR	Compound, Locking	
2	0100081	AR	Adhesive	
3	0760621	4	Bolt M6 x 65	
4	0700820	2	Bolt M8 x 60	
5	0700829	4	Bolt M8 x 120	
7	0761012	1	Bolt M10 x 25	
8	1320130	1	Clamp	
9	1670899	2	Cover, Switch	
10	3290405	6	Nut M4	
11	3290605	4	Nut M6	
12	3290805	6	Nut M8	
13	3291005	2	Nut M10	
14	3340939	4	Pad, Rubber	
15	0761014	1	Bolt M10 x 30	
16	4031510	2	Capscrew M4 x 30	
17	4031512	4	Capscrew M4 x 40	
18	4060808	1.8 ft /55cm	Flex-Trim	
19	4240156	1	Strap, Cinch	
20	4240018	AR	Tie-Strap	
21	4460865	1	Connector - 19 Position	
22	4460866	1	Connector - 19 Position	
23	4811400	2	Washer M4	
24	4811900	8	Washer M8	
25	4812000	4	Washer M10	
26	5260800	6	Nut M8 Class 10	
27	5281920	6	Capscrew, Cup Point M8 x 80	
28	1320263	1	Clamp	
29	1001106757	2	Plate, Clamp	
30	1001107152	1	Plate, Shield	
31	1001116433	2	Guard, Hose	
32	1001118274	6	Nut M8	
33	1001118292	1	Harness, Tower Boom (See Separate Breakdown in this Section)	
34	1001118592	2	Plate, Hose Clamp	
35	1001118593	2	Plate, Hose Clamp	
36	1001119018	1	Harness Assembly - Main Boom (See Separate Breakdown in this Section)	
37	1001119019	1	Harness Assembly - Tower Boom (See Separate Breakdown in this Section)	
38	1001119139	1	Cable, AC Tower Boom (See Separate Breakdown in this Section)	
39	1001119140	1	Cable, AC Main Boom (See Separate Breakdown in this Section)	
40	1001119194	2	Plate, Hose Clamp	
41	1001119197	4	Clamp, Hose	
42	1001119228	8	Pushnut M8	
43	0760605	2	Bolt M6 x 10	
44	2820031	AR	Heat Shrink	
45	4460473	1	Clamp, Cable	
46	4811702	10	Washer M6	

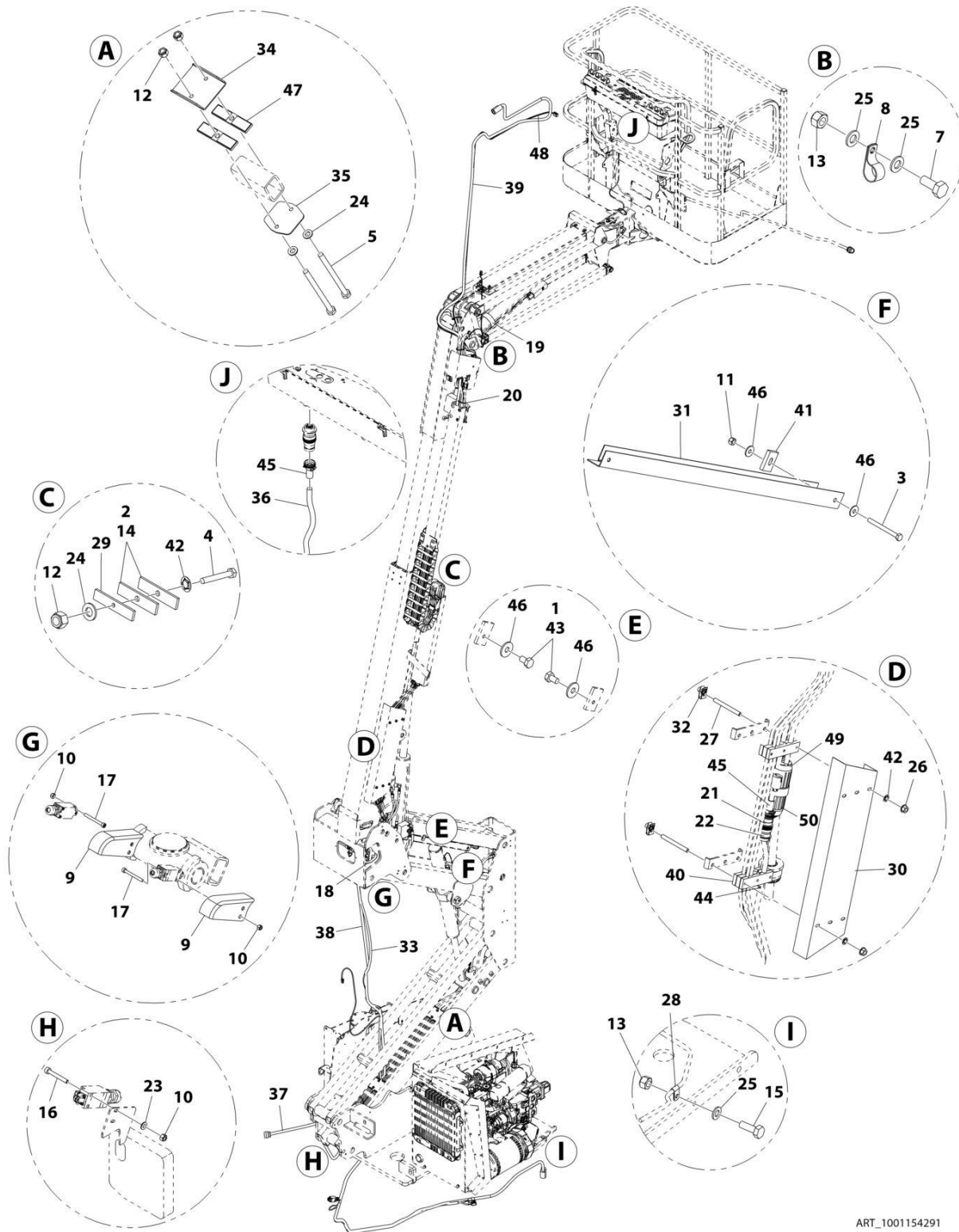
## SECTION 8 - ELECTRICAL

ITEM	PART NUMBER	QTY	DESCRIPTION	REV
47	3340901	4	Pad, Rubber	
48	1001140524	1	Main Boom Harness Assembly (Not Shown - See Separate Breakdown in this Section)	
49	1671092	1	Cover, Connector	
50	1671093	1	Cover, Plug	
51	4460709	1	Plug, Male - 250V	
52	4460710	1	Receptacle, Female - 250V	



# SECTION 8 - ELECTRICAL

## FIGURE 8-26. BOOM CABLES AND CLAMPS INSTALLATION - 4000W, 50HZ - WITH ARCTIC PACKAGE



ART\_1001154291

## SECTION 8 - ELECTRICAL

**FIGURE 8-26. BOOM CABLES AND CLAMPS INSTALLATION - 4000W, 50HZ - WITH ARCTIC PACKAGE**

ITEM	PART NUMBER	QTY	DESCRIPTION	REV
	1001154291	Ref	BOOM CABLES AND CLAMPS INSTALLATION - 4000W, 50HZ - WITH ARCTIC PACKAGE	B
1	0100011	AR	Compound, Locking	
2	0100081	AR	Adhesive	
3	0760621	4	Bolt M6 x 65	
4	0700820	2	Bolt M8 x 60	
5	0700829	4	Bolt M8 x 120	
7	0761012	1	Bolt M10 x 25	
8	1320130	1	Clamp	
9	1670899	2	Cover, Switch	
10	3290405	6	Nut M4	
11	3290605	4	Nut M6	
12	3290805	6	Nut M8	
13	3291005	2	Nut M10	
14	3340939	4	Pad, Rubber	
15	0761014	1	Bolt M10 x 30	
16	4031510	2	Capscrew M4 x 30	
17	4031512	4	Capscrew M4 x 40	
18	4060808	1.8 ft /55cm	Flex-Trim	
19	4240156	1	Strap, Cinch	
20	4240018	AR	Tie-Strap	
21	4460865	1	Connector - 19 Position	
22	4460866	1	Connector - 19 Position	
23	4811400	2	Washer M4	
24	4811900	8	Washer M8	
25	4812000	4	Washer M10	
26	5260800	6	Nut M8 Class 10	
27	5281920	6	Capscrew, Cup Point M8 x 80	
28	1320263	1	Clamp	
29	1001106757	2	Plate, Clamp	
30	1001107152	1	Plate, Shield	
31	1001116433	2	Guard, Hose	
32	1001118274	6	Nut M8	
33	1001118292	1	Harness, Tower Boom (See Separate Breakdown in this Section)	
34	1001118592	2	Plate, Hose Clamp	
35	1001118593	2	Plate, Hose Clamp	
36	1001119953	1	Harness Assembly - Main Boom (See Separate Breakdown in this Section)	
37	1001119954	1	Harness Assembly - Tower Boom (See Separate Breakdown in this Section)	
38	1001119956	1	Cable, AC Tower Boom (See Separate Breakdown in this Section)	
39	1001119955	1	Cable, AC Main Boom (See Separate Breakdown in this Section)	
40	1001119195	2	Plate, Hose Clamp	
41	1001119197	4	Clamp, Hose	
42	1001119228	8	Pushnut M8	
43	0760605	2	Bolt M6 x 10	
44	2820031	AR	Heat Shrink	
45	4460473	1	Clamp, Cable	
46	4811702	10	Washer M6	

## SECTION 8 - ELECTRICAL

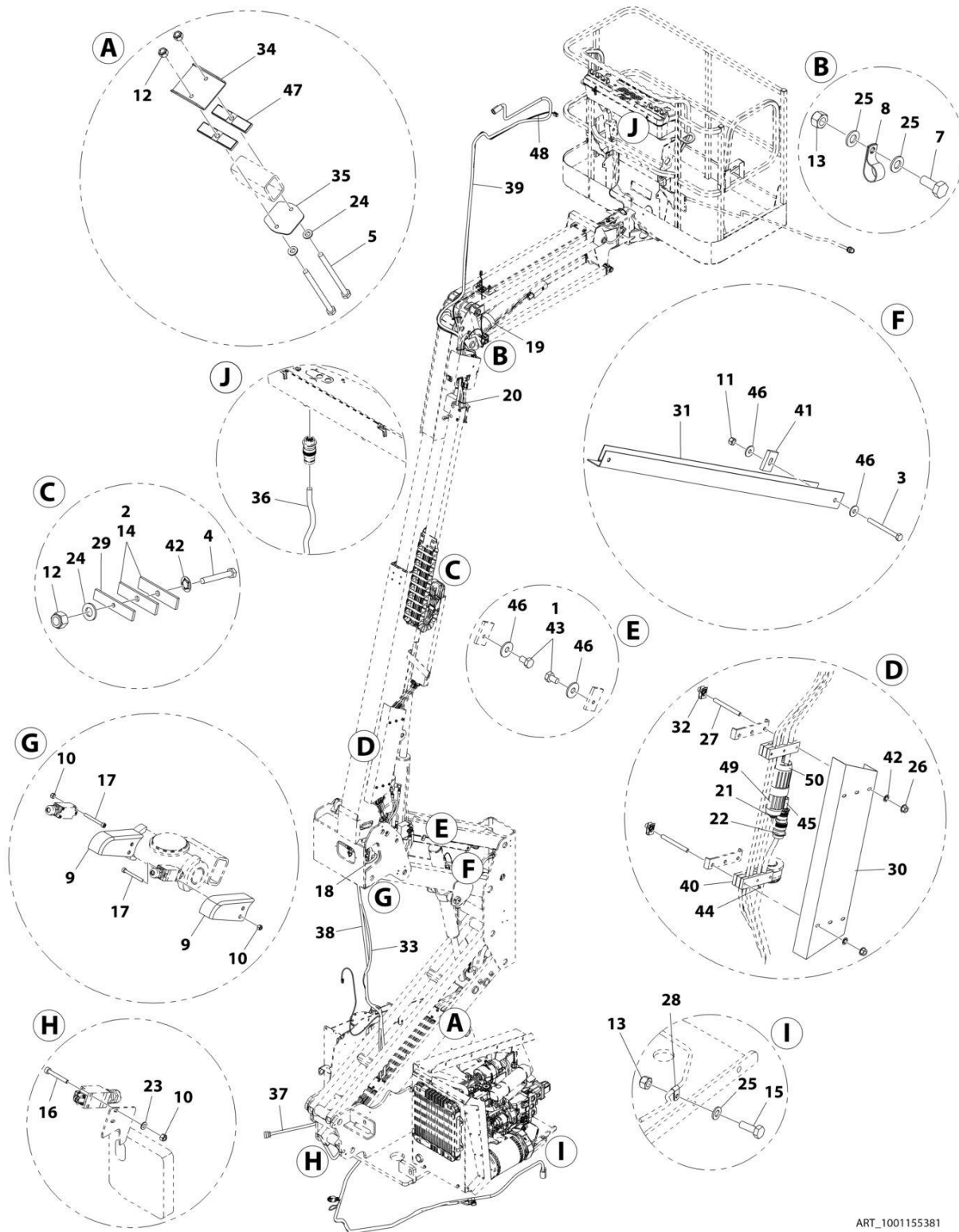
ITEM	PART NUMBER	QTY	DESCRIPTION	REV
47	3340901	4	Pad, Rubber	
48	1001140524	1	Main Boom Harness Assembly (Not Shown - See Separate Breakdown in this Section)	
49	1001156351	1	Cover, Connector	
50	1001156352	1	Cover, Plug	





# SECTION 8 - ELECTRICAL

## FIGURE 8-27. BOOM CABLES AND CLAMPS INSTALLATION - 4000W, 60HZ - WITHOUT ARCTIC PACKAGE



ART\_1001155381

## SECTION 8 - ELECTRICAL

**FIGURE 8-27. BOOM CABLES AND CLAMPS INSTALLATION - 4000W, 60HZ - WITHOUT ARCTIC PACKAGE**

ITEM	PART NUMBER	QTY	DESCRIPTION	REV
	1001155381	Ref	BOOM CABLES AND CLAMPS INSTALLATION - 4000W, 60HZ - WITHOUT ARCTIC PACKAGE	B
1	0100011	AR	Compound, Locking	
2	0100081	AR	Adhesive	
3	0760621	4	Bolt M6 x 65	
4	0700820	2	Bolt M8 x 60	
5	0700829	4	Bolt M8 x 120	
7	0761012	1	Bolt M10 x 25	
8	1320130	1	Clamp	
9	1670899	2	Cover, Switch	
10	3290405	6	Nut M4	
11	3290605	4	Nut M6	
12	3290805	6	Nut M8	
13	3291005	2	Nut M10	
14	3340939	4	Pad, Rubber	
15	0761014	1	Bolt M10 x 30	
16	4031510	2	Capscrew M4 x 30	
17	4031512	4	Capscrew M4 x 40	
18	4060808	1.8 ft /55cm	Flex-Trim	
19	4240156	1	Strap, Cinch	
20	4240018	AR	Tie-Strap	
21	4460865	1	Connector - 19 Position	
22	4460866	1	Connector - 19 Position	
23	4811400	2	Washer M4	
24	4811900	8	Washer M8	
25	4812000	4	Washer M10	
26	5260800	6	Nut M8 Class 10	
27	5281920	6	Capscrew, Cup Point M8 x 80	
28	8406110	1	Clamp	
29	1001106757	2	Plate, Clamp	
30	1001107152	1	Plate, Shield	
31	1001116433	2	Guard, Hose	
32	1001118274	6	Nut M8	
33	1001118292	1	Harness, Tower Boom (See Separate Breakdown in this Section)	
34	1001118592	2	Plate, Hose Clamp	
35	1001118593	2	Plate, Hose Clamp	
36	1001119018	1	Harness Assembly - Main Boom (See Separate Breakdown in this Section)	
37	1001119019	1	Harness Assembly - Tower Boom (See Separate Breakdown in this Section)	
38	1001157310	1	Cable, AC Tower Boom	
39	1001157311	1	Cable, AC Main Boom	
40	1001119194	2	Plate, Hose Clamp	
41	1001119197	4	Clamp, Hose	
42	1001119228	8	Pushnut M8	
43	0760605	2	Bolt M6 x 10	
44	2820031	AR	Heat Shrink	
45	4460473	1	Clamp, Cable	
46	4811702	10	Washer M6	

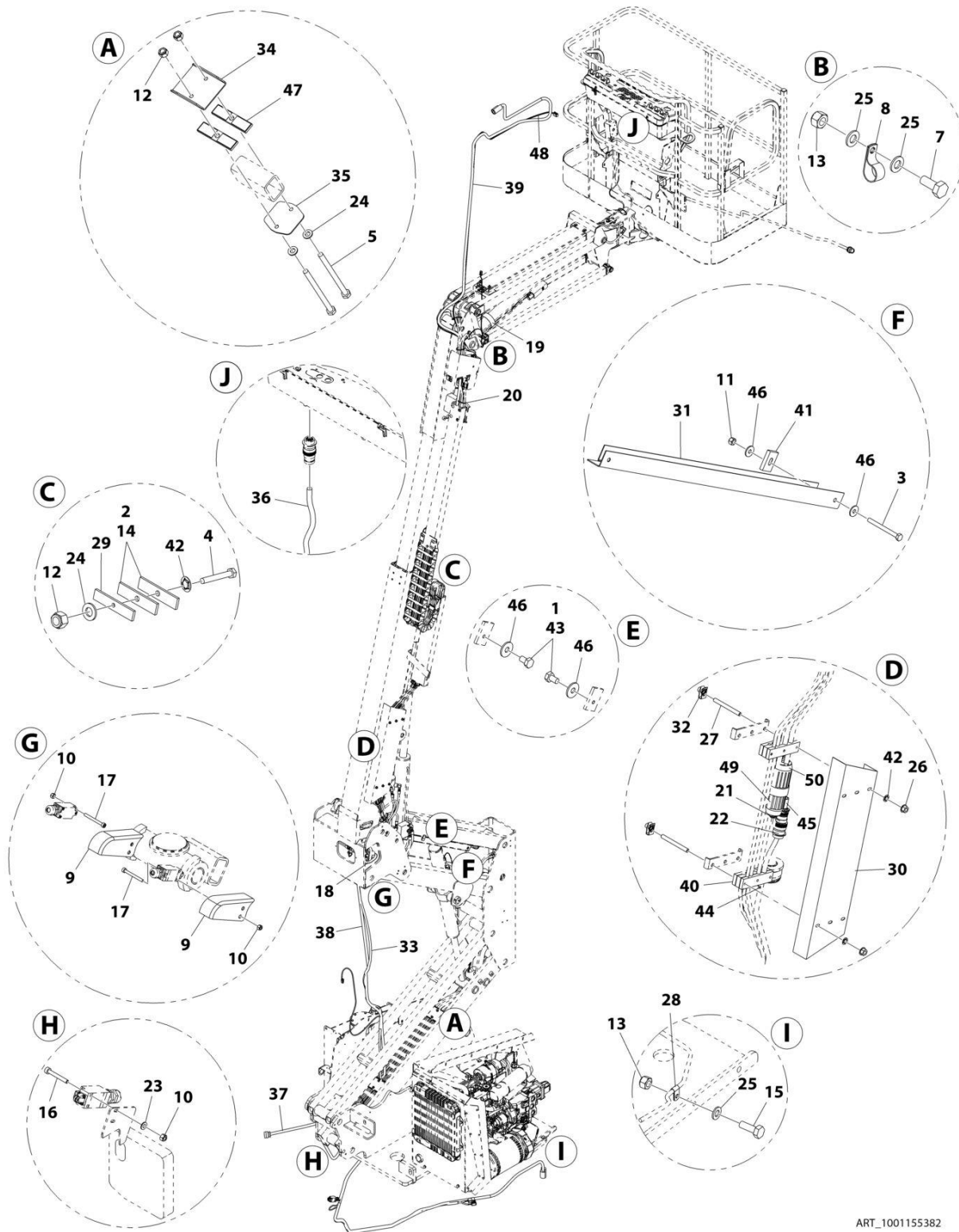
## SECTION 8 - ELECTRICAL

ITEM	PART NUMBER	QTY	DESCRIPTION	REV
47	3340901	4	Pad, Rubber	
48	1001140524	1	Main Boom Harness Assembly (Not Shown - See Separate Breakdown in this Section)	
49	1671092	1	Cover, Connector	
50	1671093	1	Cover, Plug	



# SECTION 8 - ELECTRICAL

## FIGURE 8-28. BOOM CABLES AND CLAMPS INSTALLATION - 4000W, 60HZ - WITH ARCTIC PACKAGE



ART\_1001155382

## SECTION 8 - ELECTRICAL

**FIGURE 8-28. BOOM CABLES AND CLAMPS INSTALLATION - 4000W, 60HZ - WITH ARCTIC PACKAGE**

ITEM	PART NUMBER	QTY	DESCRIPTION	REV
	1001155382	Ref	BOOM CABLES AND CLAMPS INSTALLATION - 4000W, 60HZ - WITH ARCTIC PACKAGE	B
1	0100011	AR	Compound, Locking	
2	0100081	AR	Adhesive	
3	0760621	4	Bolt M6 x 65	
4	0700820	2	Bolt M8 x 60	
5	0700829	4	Bolt M8 x 120	
7	0761012	1	Bolt M10 x 25	
8	1320130	1	Clamp	
9	1670899	2	Cover, Switch	
10	3290405	6	Nut M4	
11	3290605	4	Nut M6	
12	3290805	6	Nut M8	
13	3291005	2	Nut M10	
14	3340939	4	Pad, Rubber	
15	0761014	1	Bolt M10 x 30	
16	4031510	2	Capscrew M4 x 30	
17	4031512	4	Capscrew M4 x 40	
18	4060808	1.8 ft /55cm	Flex-Trim	
19	4240156	1	Strap, Cinch	
20	4240018	AR	Tie-Strap	
21	4460865	1	Connector - 19 Position	
22	4460866	1	Connector - 19 Position	
23	4811400	2	Washer M4	
24	4811900	8	Washer M8	
25	4812000	4	Washer M10	
26	5260800	6	Nut M8 Class 10	
27	5281920	6	Capscrew, Cup Point M8 x 80	
28	8406110	1	Clamp	
29	1001106757	2	Plate, Clamp	
30	1001107152	1	Plate, Shield	
31	1001116433	2	Guard, Hose	
32	1001118274	6	Nut M8	
33	1001118292	1	Harness, Tower Boom (See Separate Breakdown in this Section)	
34	1001118592	2	Plate, Hose Clamp	
35	1001118593	2	Plate, Hose Clamp	
36	1001119953	1	Harness Assembly - Main Boom (See Separate Breakdown in this Section)	
37	1001119954	1	Harness Assembly - Tower Boom (See Separate Breakdown in this Section)	
38	1001157310	1	Cable, AC Tower Boom	
39	1001157311	1	Cable, AC Main Boom	
40	1001119195	2	Plate, Hose Clamp	
41	1001119197	4	Clamp, Hose	
42	1001119228	8	Pushnut M8	
43	0760605	2	Bolt M6 x 10	
44	2820031	AR	Heat Shrink	
45	4460473	1	Clamp, Cable	
46	4811702	10	Washer M6	

## SECTION 8 - ELECTRICAL

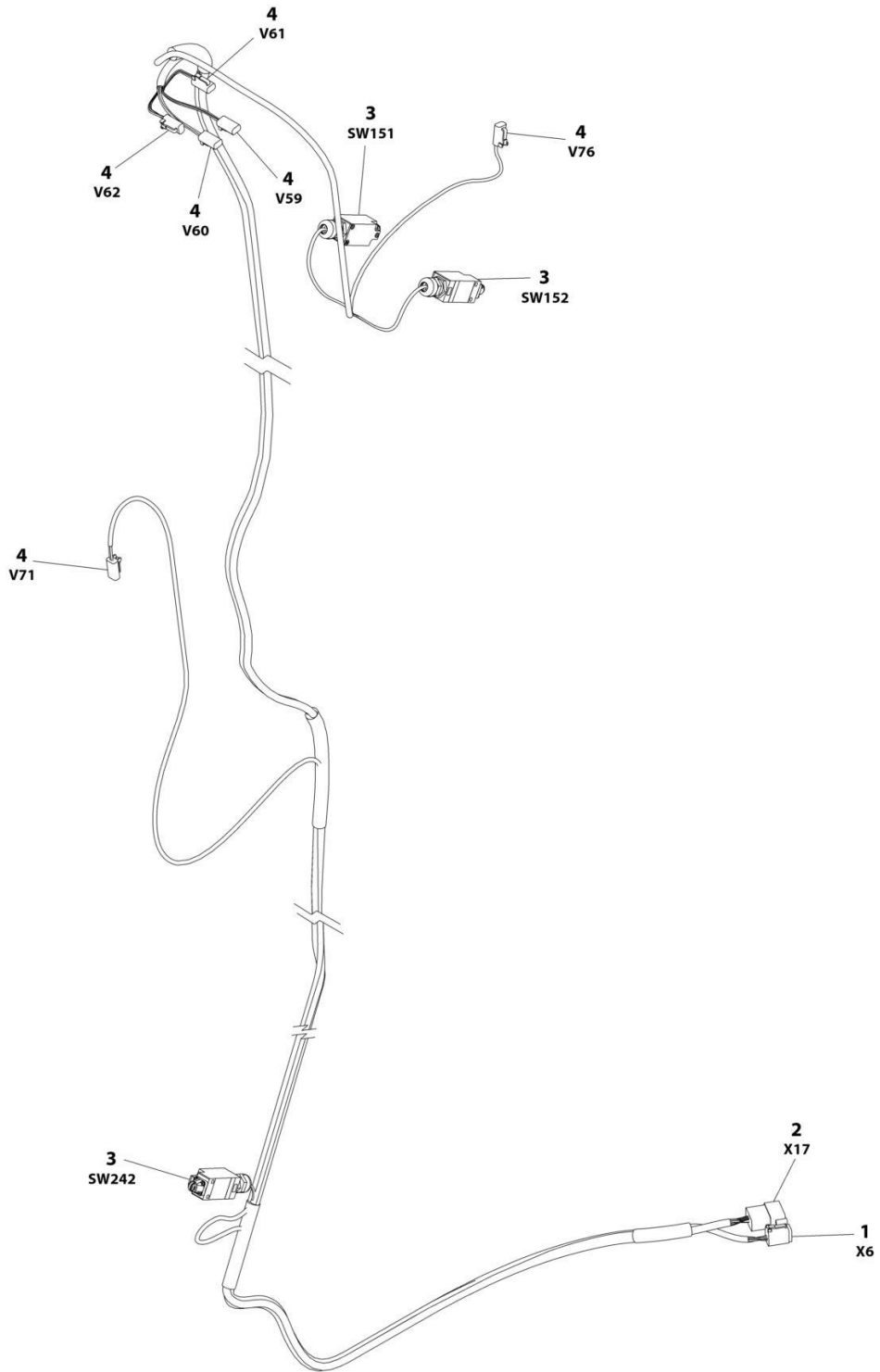
ITEM	PART NUMBER	QTY	DESCRIPTION	REV
47	3340901	4	Pad, Rubber	
48	1001140524	1	Main Boom Harness Assembly (See Separate Breakdown in this Section)	
49	1671092	1	Cover, Connector	
50	1671093	1	Cover, Plug	





# SECTION 8 - ELECTRICAL

## FIGURE 8-29. BOOM HARNESS - LIMIT SWITCHES AND UPRIGHT VALVE



ART\_1001118292

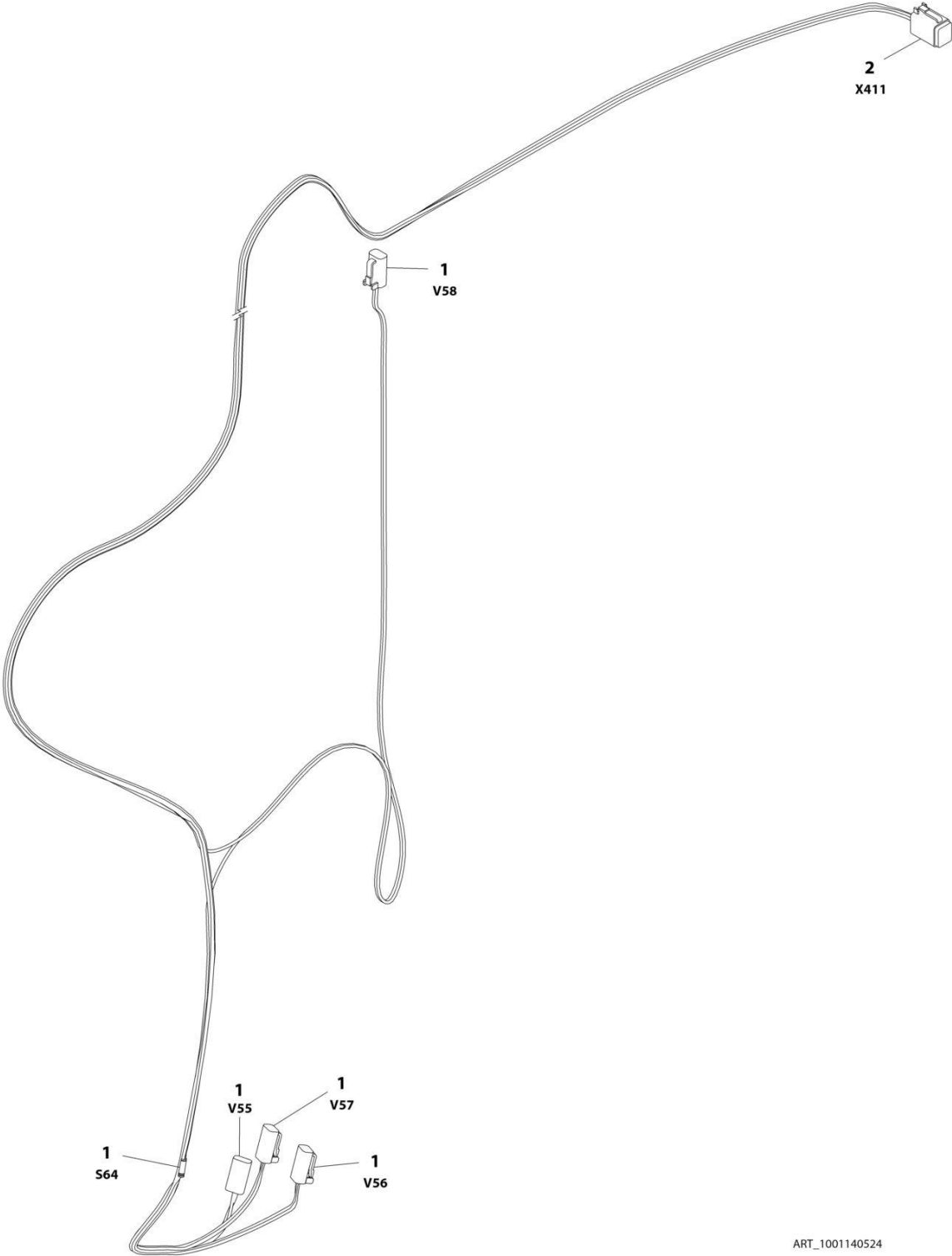
## SECTION 8 - ELECTRICAL

### FIGURE 8-29. BOOM HARNESS - LIMIT SWITCHES AND UPRIGHT VALVE

ITEM	PART NUMBER	QTY	DESCRIPTION	REV
	1001118292	Ref	BOOM HARNESS - LIMIT SWITCHES AND UPRIGHT VALVE	D
1	4460894	1	Plug, Male - 6 Position	
1	4460465	6	Socket, Female	
2	4460970	1	Receptacle, Female - 12 Position	
2	4460464	9	Pin, Male	
2	4460466	3	Plug, Terminal	
3	4360548	3	Switch, Limit	
3	4460968	3	Connector, Strain Relief	
3	0962449	3	Bushing	
4	4460891	6	Plug, Male - 2 Position	
4	4460465	12	Socket, Female	
5	1001257690	1	Connector, Strain Relief 90 (Not Shown)	

**SECTION 8 - ELECTRICAL**

**FIGURE 8-30. BOOM HARNESS - MAIN**



ART\_1001140524

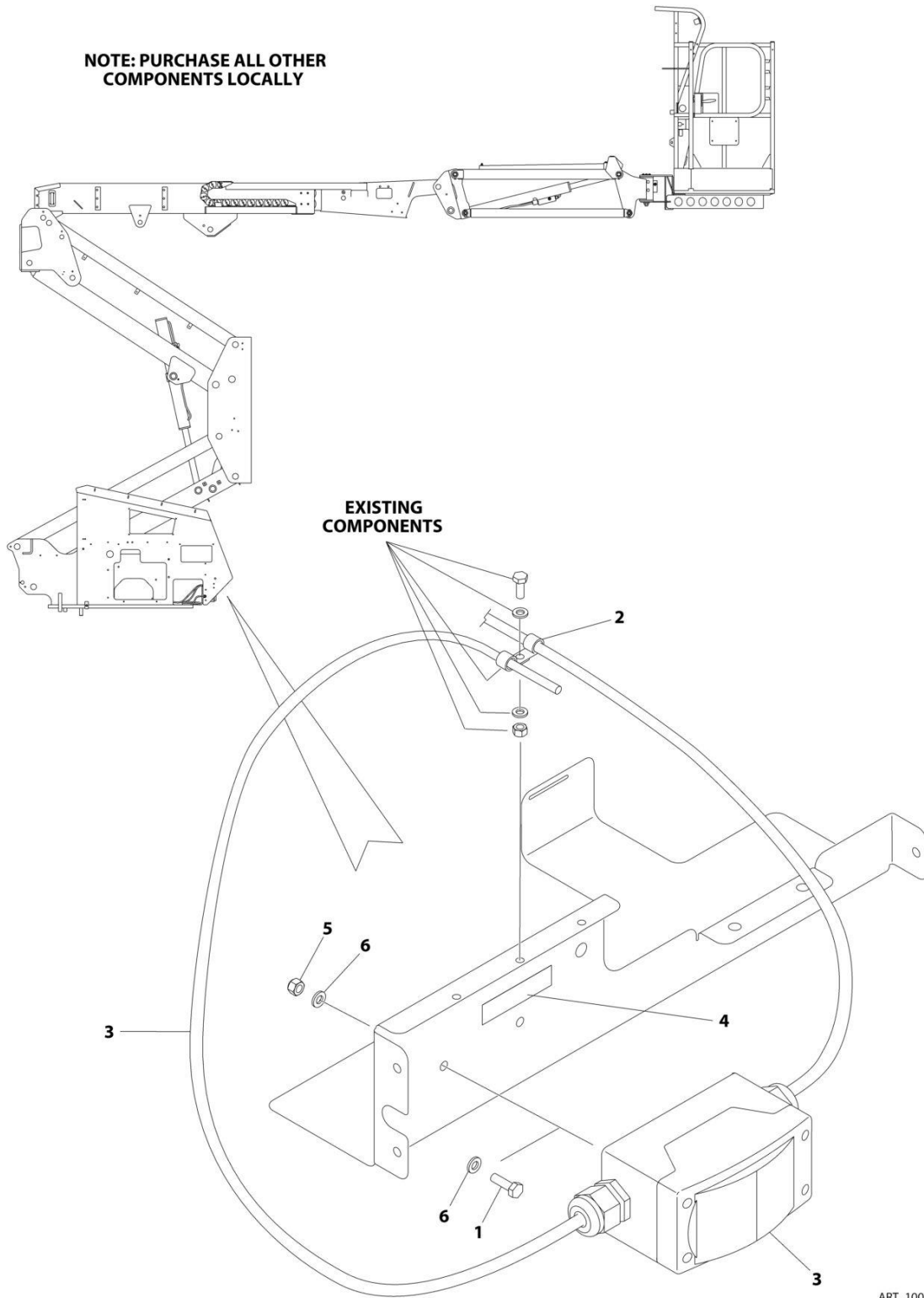
## SECTION 8 - ELECTRICAL

### FIGURE 8-30. BOOM HARNESS - MAIN

ITEM	PART NUMBER	QTY	DESCRIPTION	REV
	1001140524	Ref	BOOM HARNESS - MAIN	A
1	4460891	4	Plug, Male - 2 Position	
1	4460465	8	Socket, Female	
2	4460894	1	Plug, Male - 6 Position	
2	4460465	5	Socket, Female	
2	4460466	1	Plug, Terminal	

# SECTION 8 - ELECTRICAL

## FIGURE 8-31. BREAKER BOX INSTALLATION



ART\_1001188322

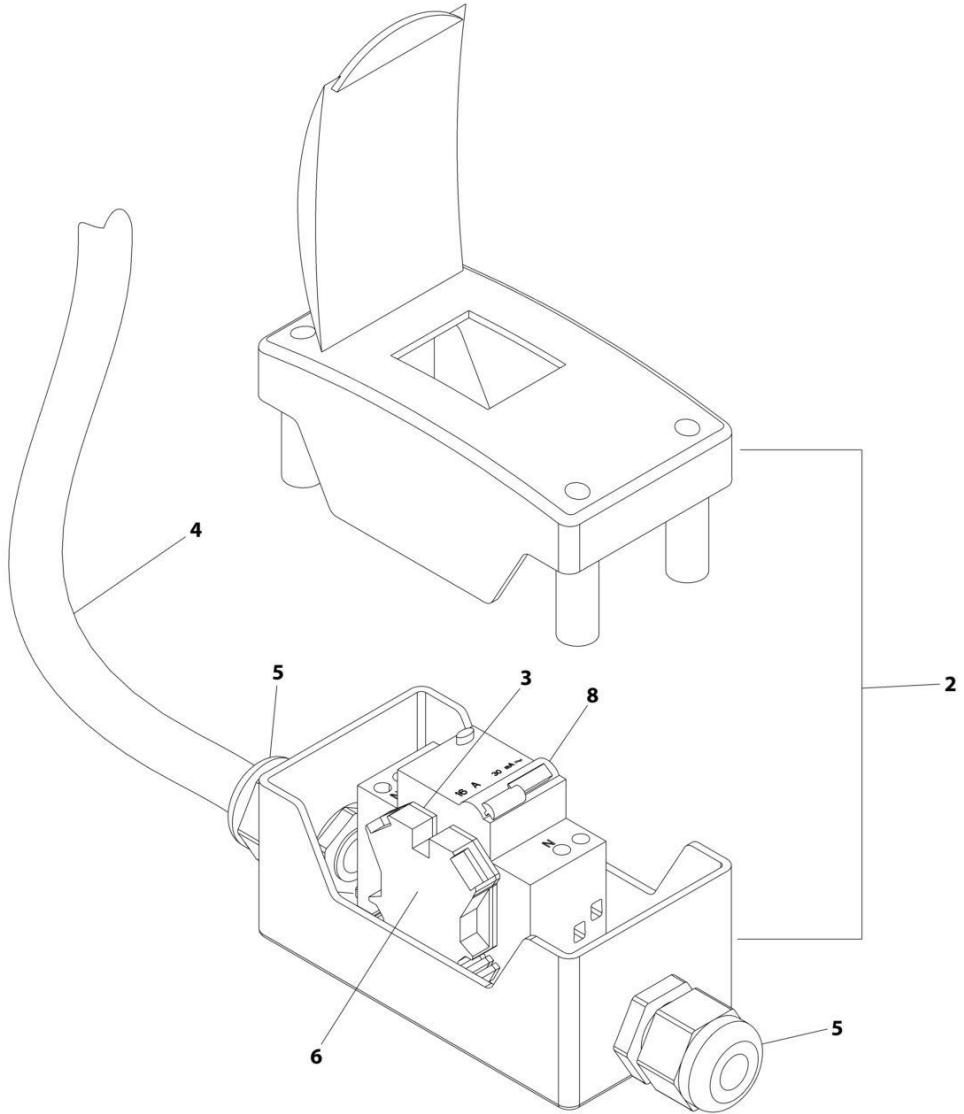
## SECTION 8 - ELECTRICAL

### FIGURE 8-31. BREAKER BOX INSTALLATION

ITEM	PART NUMBER	QTY	DESCRIPTION	REV
	1001188322	Ref	AC CIRCUIT BREAKER INSTALLATION	A
1	0760610	2	Bolt M6 x 20	
2	1320043	1	Clamp	
3	2902549	1	Breaker Box Kit (See Separate Breakdown in this Section)	
4	3252507	1	Decal - 220V-50/60Hz	
5	3290605	2	Nut M6	
6	4811700	4	Washer M6	

**SECTION 8 - ELECTRICAL**

**FIGURE 8-32. BREAKER BOX KIT (CE SPEC)**



ART\_2902549



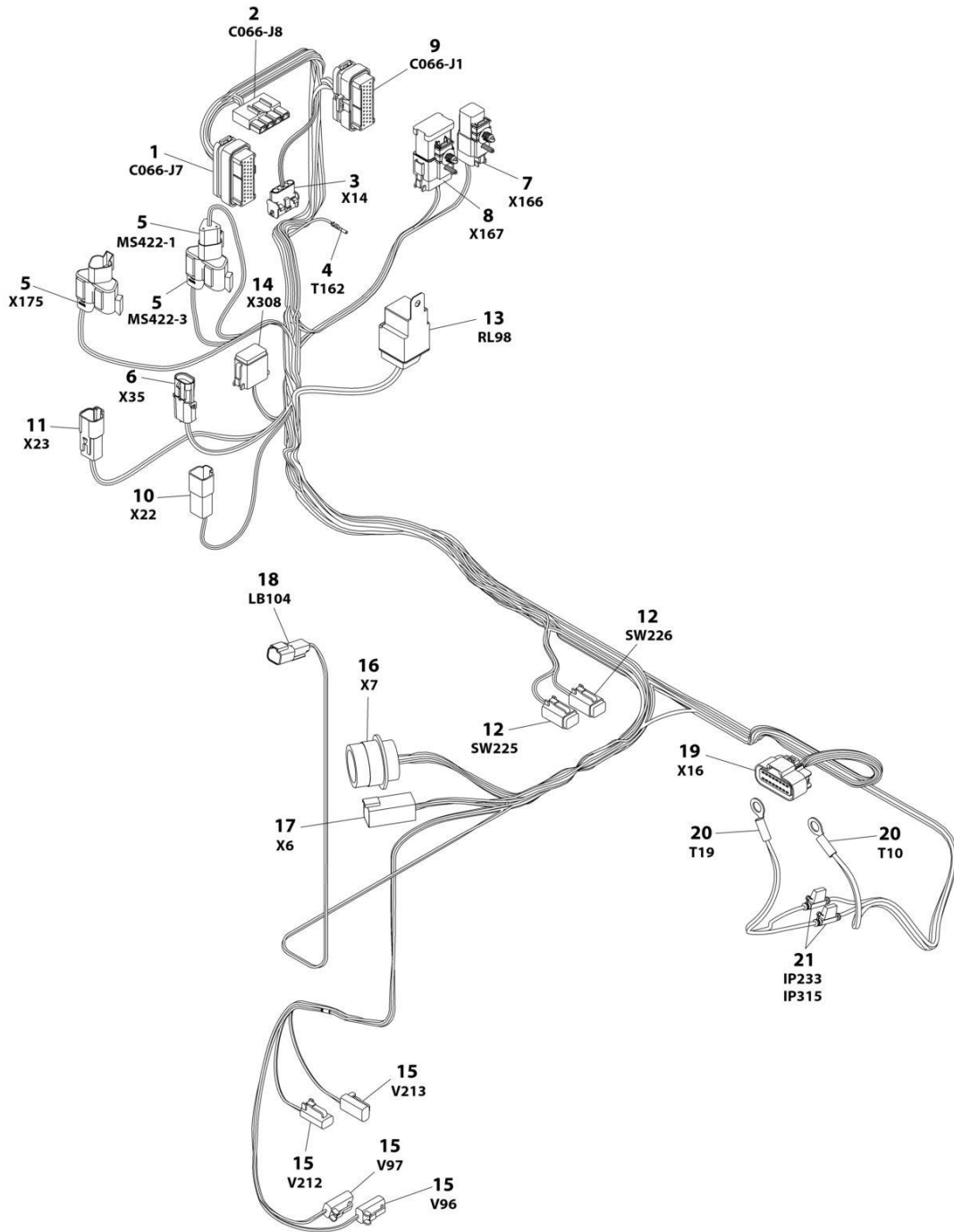
## SECTION 8 - ELECTRICAL

### FIGURE 8-32. BREAKER BOX KIT (CE SPEC)

ITEM	PART NUMBER	QTY	DESCRIPTION	REV
	2902549	Ref	BREAKER BOX KIT - 110/220V 16AMP BREAKER	F
2	0861880	1	Box	
3	4460956	1	Barrier, Terminal	
4	1060908	6 ft/1.8m	Cable, 12/3	
5	1001097150	2	Connector, Strain Relief	
6	4460957	1	Block, Terminal	
8	1001181045	1	Breaker, Combination 16Amp/30mAmp	

# SECTION 8 - ELECTRICAL

## FIGURE 8-33. CHASSIS HARNESS ASSEMBLY



ART\_1001188093

## SECTION 8 - ELECTRICAL

**FIGURE 8-33. CHASSIS HARNESS ASSEMBLY**

ITEM	PART NUMBER	QTY	DESCRIPTION	REV
	1001188093	Ref	CHASSIS HARNESS ASSEMBLY	D
1	4460873	1	Connector - 35 Position	
1	4460871	19	Socket, Female	
1	4460905	16	Seal, Plug	
2	4460878	1	Connector - 4 Position	
2	4460887	6	Terminal	
3	4460761	1	Connector - 4 Position	
3	4460227	4	Pin, Male	
4	4460871	1	Socket, Female	
5	1001116812	3	Plug, Male - 3 Position	
5	4460944	9	Socket, Female	
5	4460945	1	Receptacle, 3 Way	
6	4461157	1	Receptacle, Female - 2 Position	
6	4460979	1	Pin, Male	
6	1001116727	1	Seal, Plug	
7	4460894	1	Connector - 6 Position	
7	4460465	2	Socket, Female	
7	4460466	4	Plug, Terminal	
7	4460892	1	Connector - 6 Position Bussbar	
7	1001121172	1	Mount, Terminal	
8	4460836	1	Connector - 12 Position	
8	4460465	3	Socket, Female	
8	4460466	7	Plug, Terminal	
8	4460837	1	Connector	
8	1001121172	1	Mount, Terminal	
9	4460874	1	Connector - 35 Position	
9	4460871	21	Socket, Female	
9	4460905	14	Seal, Plug	
10	4460932	1	Receptacle, Female - 4 Position	
10	4460464	3	Pin, Female	
10	4460466	1	Plug, Terminal	
11	1001116811	1	Receptacle, Female - 4 Position	
11	4460508	3	Pin, Male	
11	4460466	1	Plug, Terminal	
12	4460884	2	Plug, Male - 4 Position	
12	4460465	6	Socket, Female	
12	4460466	2	Plug, Terminal	
13	1001117025	1	Relay and Connector Assembly	
13	1001116734	2	Terminal	
13	1001116732	2	Terminal	
14	4460930	1	Plug, Male - 8 Position	
14	4460465	2	Socket, Female	
14	4460466	6	Plug, Terminal	
15	4460891	4	Connector - 2 Position	
15	4460465	8	Socket, Female	
16	4460866	1	Connector - 19 Position	
16	4460943	3	Pin, Male	
16	4460464	6	Pin, Male	
16	4460508	4	Pin, Male	
16	4460466	6	Plug, Terminal	

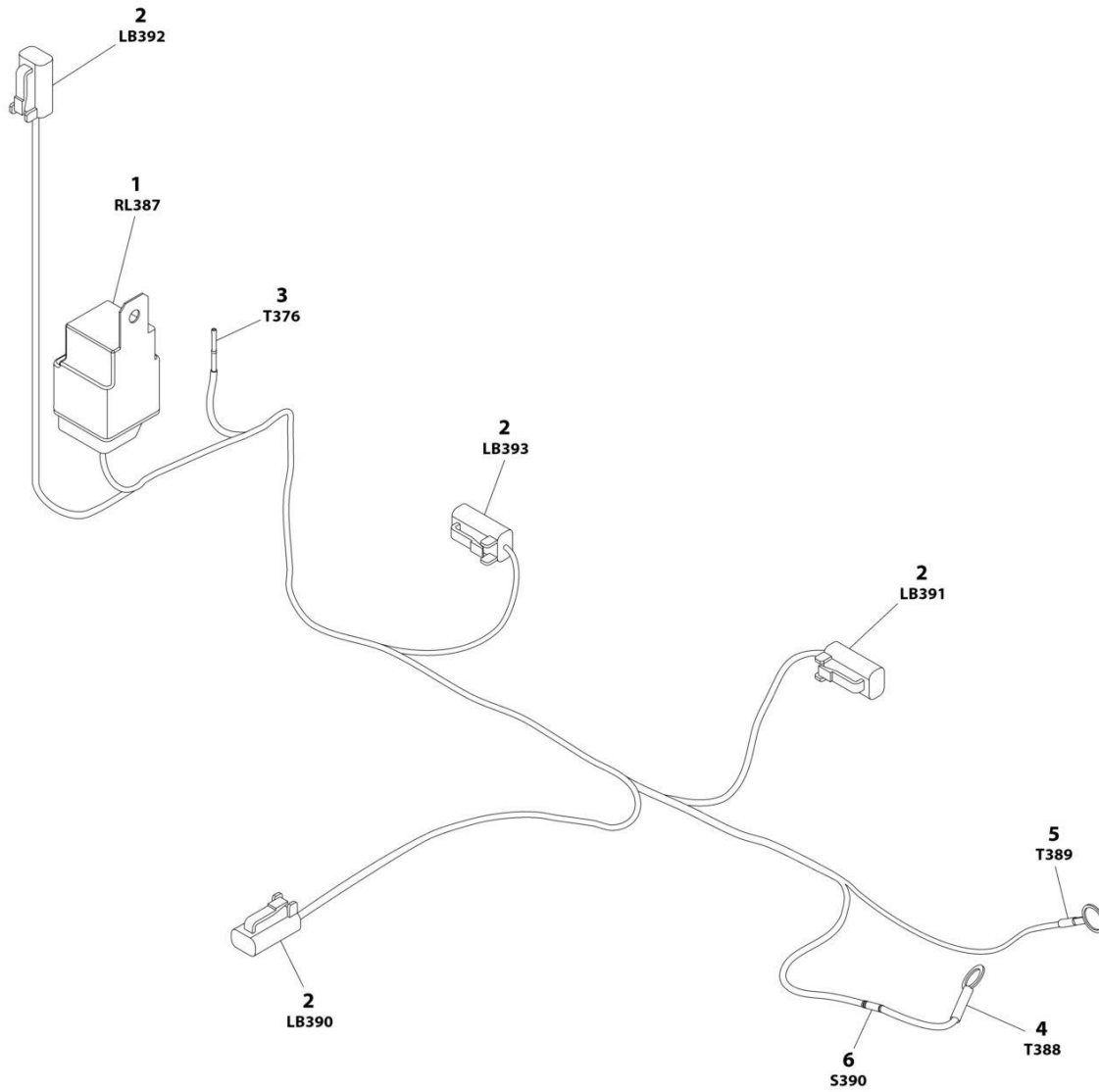
## SECTION 8 - ELECTRICAL

ITEM	PART NUMBER	QTY	DESCRIPTION	REV
17	4460899	1	Connector - 6 Position	
17	4460464	6	Pin, Male	
18	4460897	1	Connector - 2 Position	
18	4460464	2	Pin, Male	
19	4461110	1	Receptacle Female - 16 Position	
19	1001136231	1	Lock, Connector	
19	1001136232	1	Lock, Connector	
19	4461112	15	Terminal, Female	
19	4461113	15	Seal	
19	4461222	1	Plug	
20	8220164	2	Ring, Terminal	
21	2400066	2	Fuse Holder with Leads	



# SECTION 8 - ELECTRICAL

## FIGURE 8-34. CHASSIS LIGHT HARNESS



ART\_1001120299

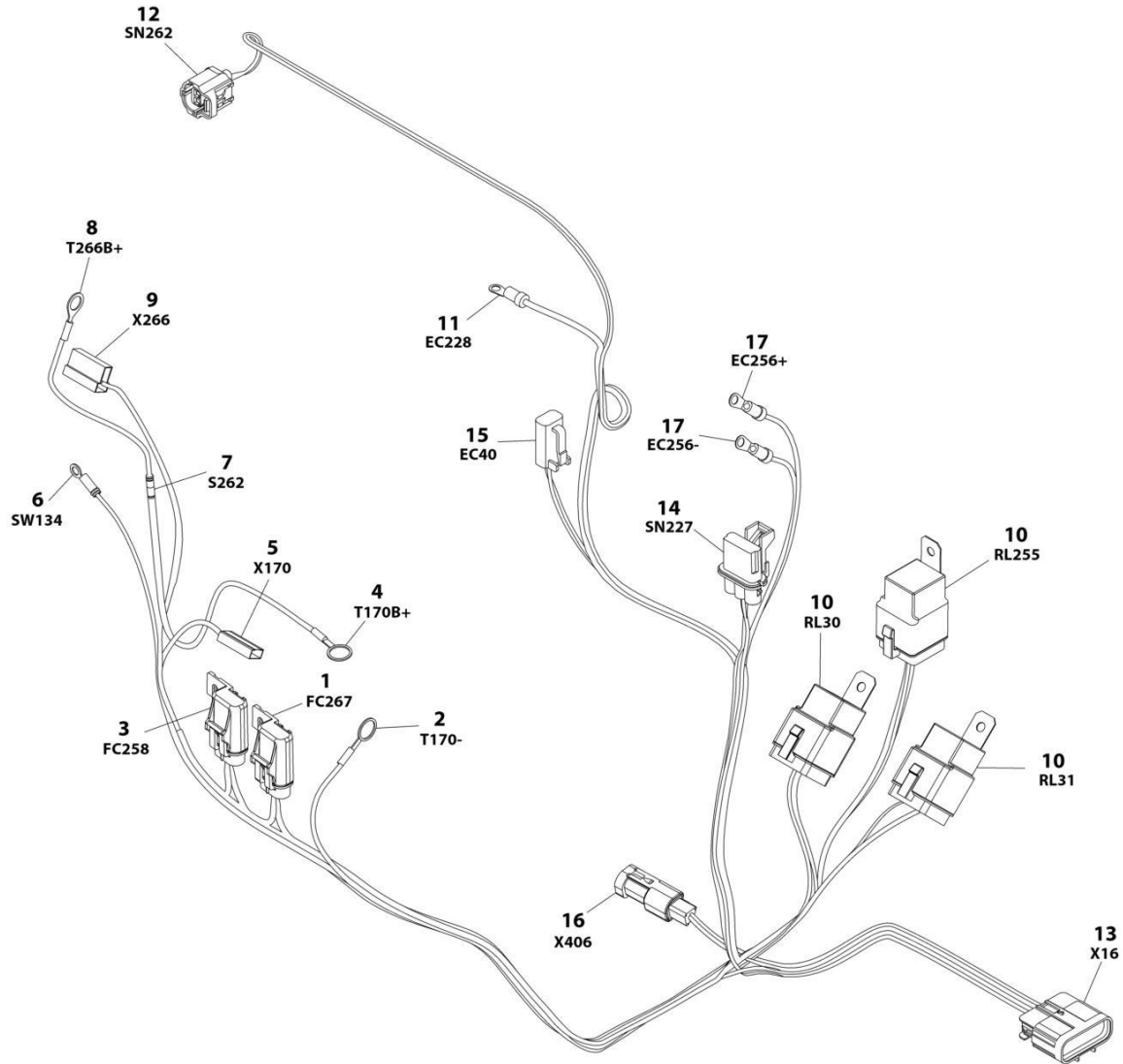
## SECTION 8 - ELECTRICAL

### FIGURE 8-34. CHASSIS LIGHT HARNESS

ITEM	PART NUMBER	QTY	DESCRIPTION	REV
	1001120299	Ref	CHASSIS LIGHT HARNESS	B
1	1001117025	1	Relay and Connector Assembly	
1	1001116734	2	Terminal	
1	1001116732	2	Terminal	
2	4460891	4	Plug, Male - 2 Position	
2	4460465	8	Socket, Female	
3	4460465	1	Socket, Female	
4	4460256	1	Ring, Terminal	
5	4460019	1	Ring, Terminal	
6	4460474	1	Terminal	

# SECTION 8 - ELECTRICAL

## FIGURE 8-35. ENGINE HARNESS - KUBOTA ENGINE



ART\_1001118638



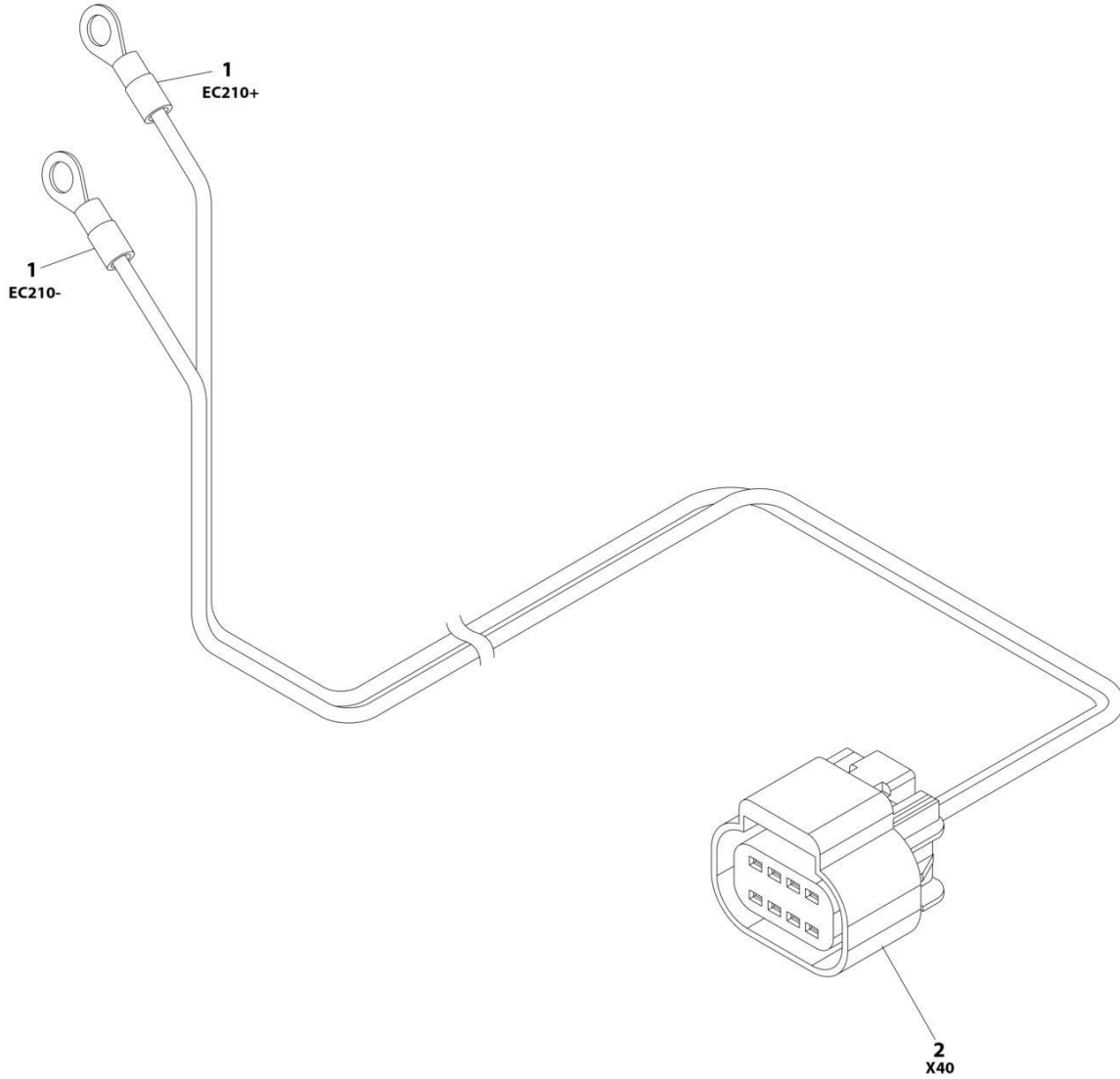
## SECTION 8 - ELECTRICAL

**FIGURE 8-35. ENGINE HARNESS - KUBOTA ENGINE**

ITEM	PART NUMBER	QTY	DESCRIPTION	REV
	1001118638	Ref	KUBOTA ENGINE HARNESS	G
1	1001117070	1	Connector, Fuseholder (Includes Fuse and Cap)	
1	1001116752	2	Terminal, Female	
2	4460256	1	Terminal	
3	1001118938	1	Connector, Fuseholder (Includes Fuse and Cap)	
3	1001116752	2	Terminal, Female	
4	8220164	1	Terminal	
5	1001118743	1	Connector, Receptacle	
5	1001118748	1	Terminal	
6	4460247	1	Terminal, Ring	
7	4460474	1	Terminal	
8	4460043	1	Terminal, Ring	
8	1001121574	1	Lock, Connector	
9	1001118744	1	Receptacle, Female - 2 Position	
9	1001118745	1	Terminal	
10	1001117025	3	Relay and Connector Assembly	
10	1001116734	6	Terminal	
10	1001116732	6	Terminal	
11	4460142	1	Terminal, Ring	
12	1001118657	1	Plug, Male - 2 Position (Green)	
12	1001118658	2	Socket, Female	
13	4461109	1	Plug, Male - 16 Position	
13	1001136232	1	Lock, Connector	
13	4461111	14	Terminal, Male	
13	4461113	14	Seal	
13	4461222	2	Plug	
14	1001117055	1	Plug, Male - 3 Position	
14	4460746	3	Socket, Female	
15	4460891	1	Plug, Male - 2 Position (Gray)	
15	4460465	2	Socket, Female	
16	4461095	1	Plug, Male - 3 Position	
16	4460944	2	Terminal , Gold	
16	4460466	1	Plug, Terminal	
17	4460042	2	Terminal, Ring	

# SECTION 8 - ELECTRICAL

## FIGURE 8-36. FUEL PUMP HARNESS - GM ENGINES



ART\_1001119778

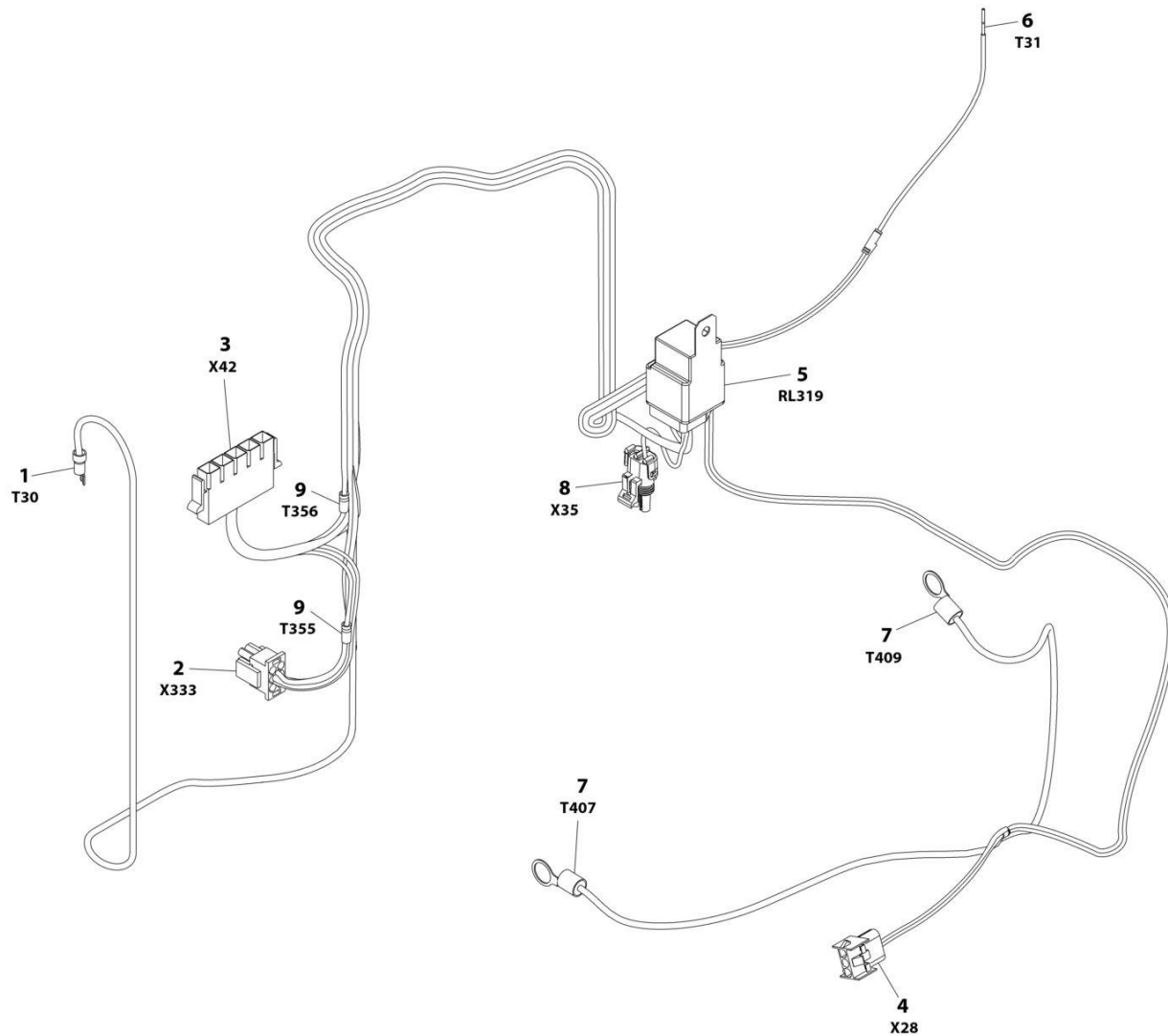
## SECTION 8 - ELECTRICAL

### FIGURE 8-36. FUEL PUMP HARNESS - GM ENGINES

ITEM	PART NUMBER	QTY	DESCRIPTION	REV
	1001119778	Ref	GM FUEL PUMP HARNESS	A
1	4460313	2	Terminal, Ring	
2	1001119799	1	Receptacle, Female - 8 Position	
2	4461112	2	Terminal, Female	
2	4461113	2	Seal	
2	4461222	6	Plug	

# SECTION 8 - ELECTRICAL

## FIGURE 8-37. GENERATOR HARNESS - 2500W



ART\_1001119773

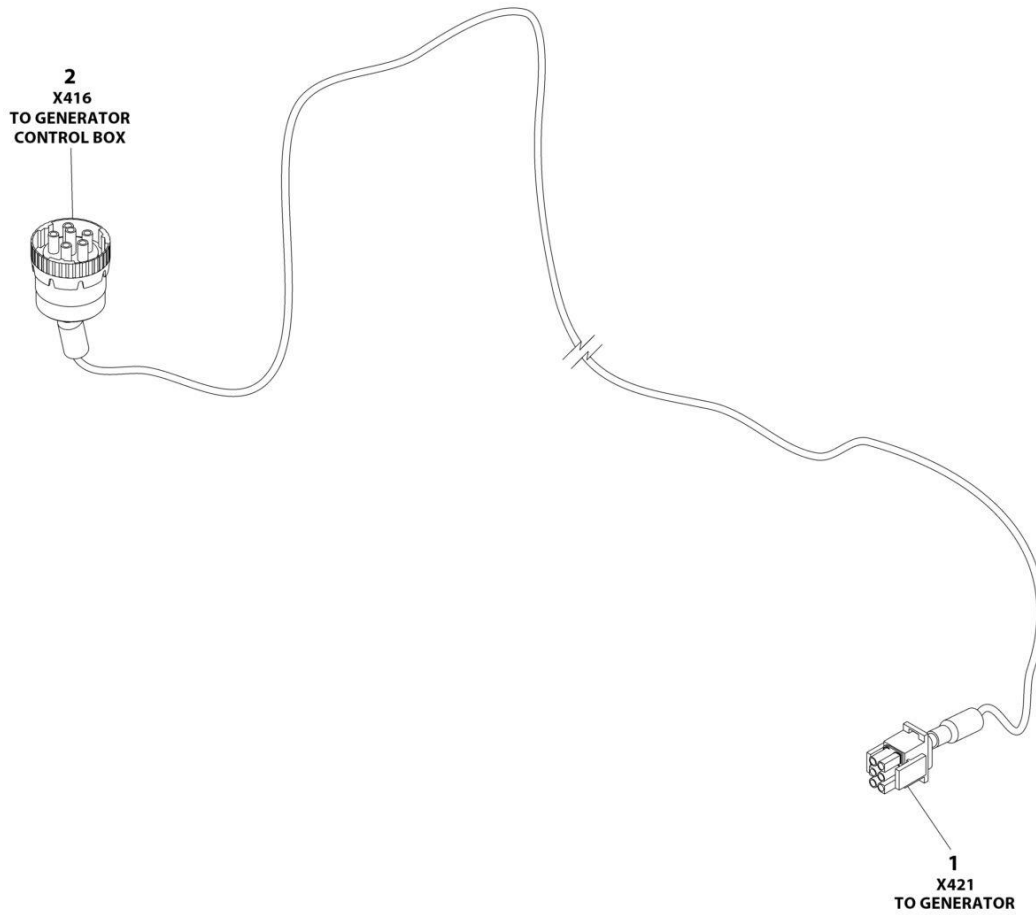
## SECTION 8 - ELECTRICAL

**FIGURE 8-37. GENERATOR HARNESS - 2500W**

ITEM	PART NUMBER	QTY	DESCRIPTION	REV
	1001119773	Ref	GENERATOR HARNESS - 2500W	C
1	4460806	1	Terminal	
2	4460225	1	Plug, Male - 6 Position	
2	4460705	1	Pin, Male	
2	4460267	3	Pin, Male	
2	4460268	2	Socket, Female	
3	4460972	1	Plug, Male - 5 Position	
3	4460973	1	Terminal 12Ga	
3	4460974	4	Terminal 16Ga	
4	4460445	1	Receptacle, Female - 3 Position	
4	4460268	3	Socket, Female	
5	1001117025	1	Relay and Connector Assembly	
5	1001116734	2	Terminal	
5	1001116732	2	Terminal	
6	4460465	1	Socket, Female Deutsch 16Ga	
7	8220029	2	Terminal	
8	4460742	1	Plug, Male - 2 Position	
8	4460743	1	Socket, Female	
8	1001116727	1	Seal, Plug	
9	4460121	2	Cap, Wire	

# SECTION 8 - ELECTRICAL

## FIGURE 8-38. GENERATOR HARNESS - 4000W



ART\_1001157916

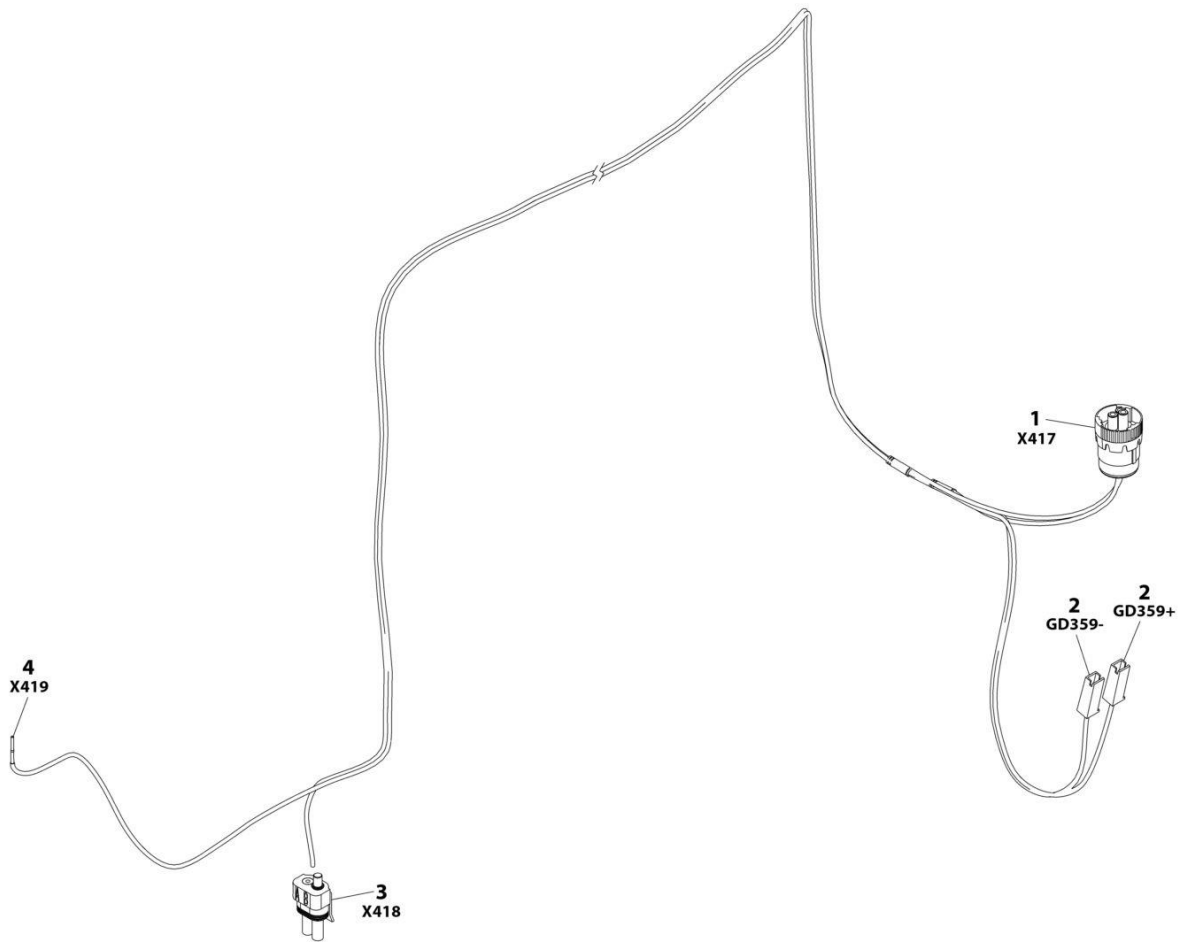
## SECTION 8 - ELECTRICAL

### FIGURE 8-38. GENERATOR HARNESS - 4000W

ITEM	PART NUMBER	QTY	DESCRIPTION	REV
	1001157916	Ref	GENERATOR HARNESS - 4000W	B
1	4460225	1	Plug, Male - 6 Position	
1	4460268	2	Socket, Female	
2	77363233	1	Connector	
2	4460465	2	Socket, Female	
2	4460466	4	Plug, Terminal	

# SECTION 8 - ELECTRICAL

## FIGURE 8-39. GENERATOR CONTROL HARNESS - 4000W



ART\_1001157915



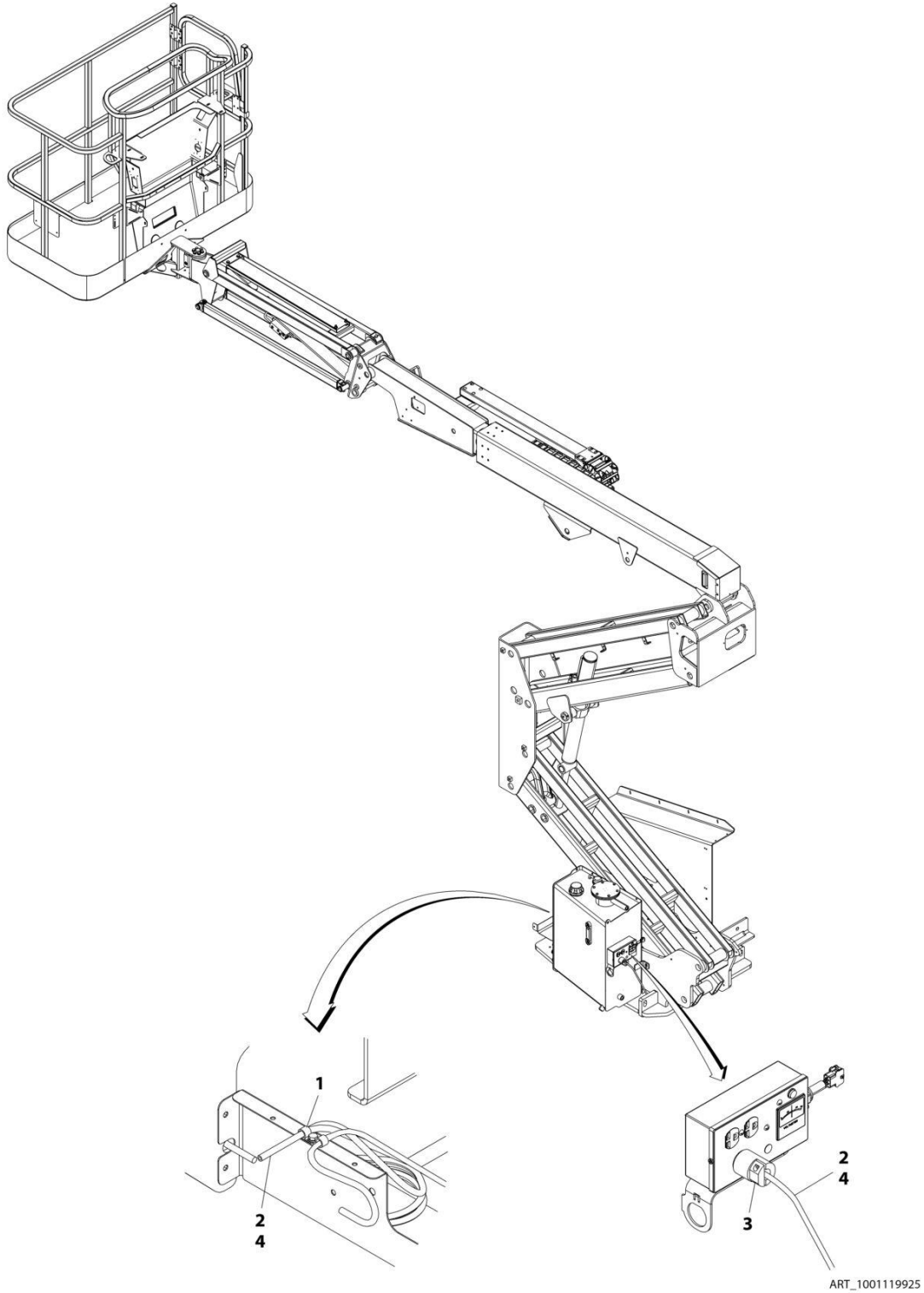
## SECTION 8 - ELECTRICAL

### FIGURE 8-39. GENERATOR CONTROL HARNESS - 4000W

ITEM	PART NUMBER	QTY	DESCRIPTION	REV
	1001157915	Ref	GENERATOR CONTROL HARNESS - 4000W	A
1	4460967	1	Connector	
1	4460466	1	Plug	
1	4460465	1	Socket	
2	4460260	2	Connector	
2	4460259	2	Terminal	
3	4460742	1	Connector	
3	4460457	1	Terminal	
3	1001116727	1	Plug	
4	4460465	1	Socket	

## SECTION 8 - ELECTRICAL

FIGURE 8-40. GENERATOR TO AC PLUG HARNESS - 2800W GENERATOR 220/50HZ (ANSI EXPORT, AUSTRALIAN, CE AND CHINA SPECS)



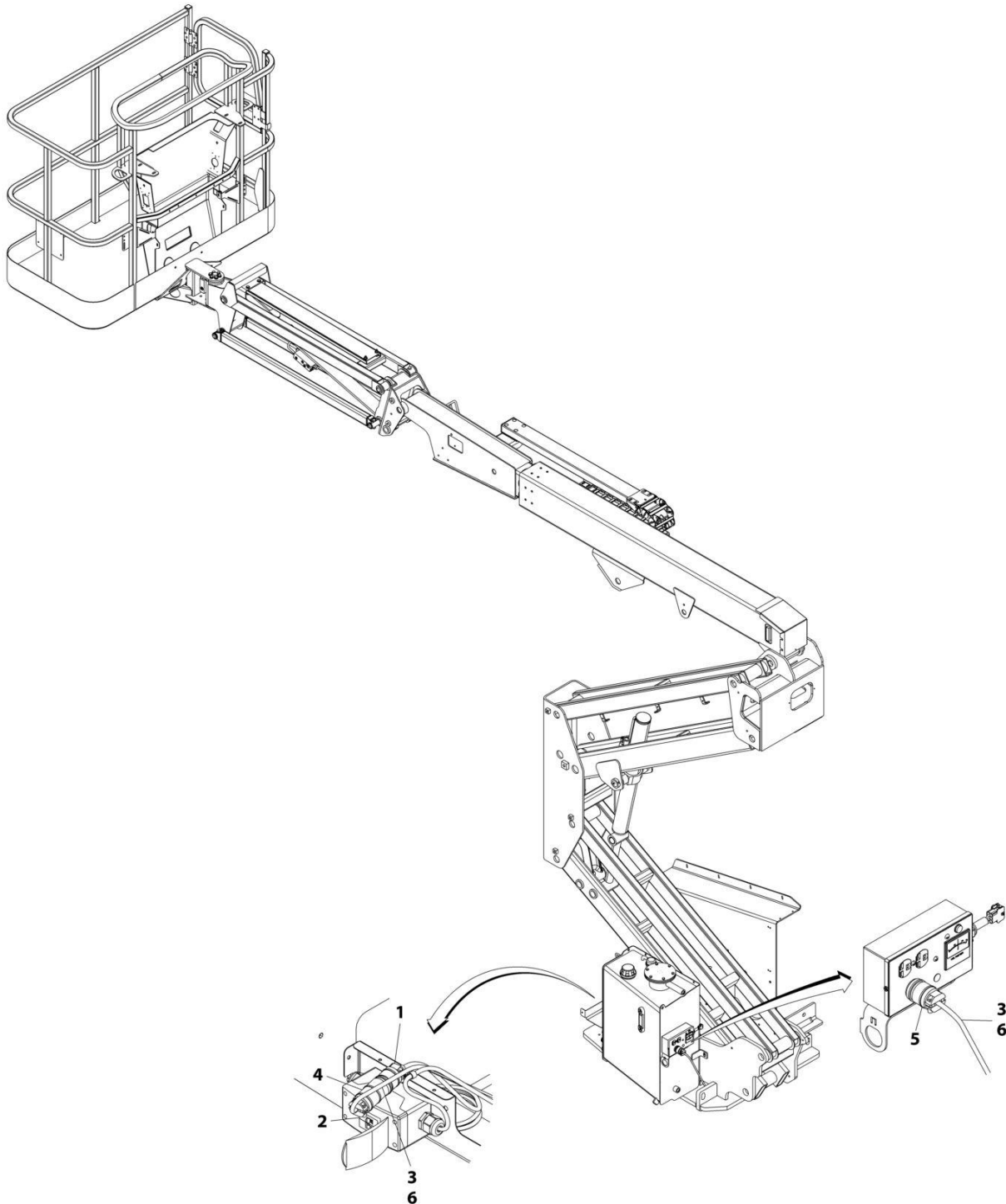
## SECTION 8 - ELECTRICAL

**FIGURE 8-40. GENERATOR TO AC PLUG HARNESS - 2800W GENERATOR 220/50HZ (ANSI EXPORT, AUSTRALIAN, CE AND CHINA SPECS)**

ITEM	PART NUMBER	QTY	DESCRIPTION	REV
	1001119925	Ref	GENERATOR TO AC PLUG HARNESS - 2800W GENERATOR 220/50HZ	A
1	1320043	1	Clamp	
2	1001119922	1	Harness, Generator to AC Plug	B
3	4460709	1	Plug, Male	
4	4923505	7 ft/2.13m	Cable, 14/3	

# SECTION 8 - ELECTRICAL

FIGURE 8-41. GENERATOR TO AC PLUG HARNESS - 2800W GENERATOR 110/50HZ (CE SPECS ONLY)



ART\_1001119927

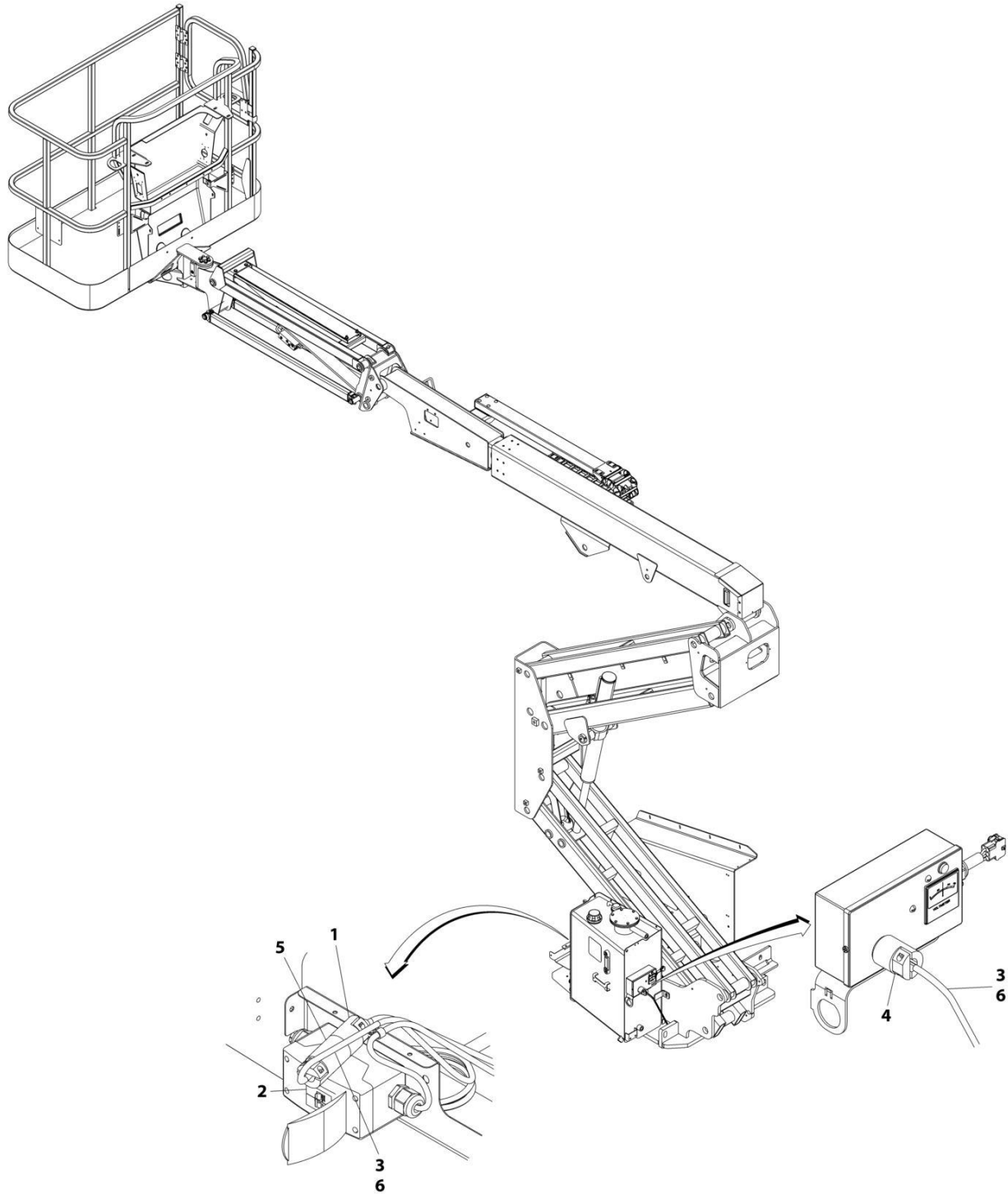
## SECTION 8 - ELECTRICAL

**FIGURE 8-41. GENERATOR TO AC PLUG HARNESS - 2800W GENERATOR 110/50HZ (CE SPECS ONLY)**

ITEM	PART NUMBER	QTY	DESCRIPTION	REV
	1001119927	Ref	GENERATOR TO AC PLUG HARNESS - 2800W GENERATOR 110/50HZ	A
1	4460205	1	Plug, Male	
2	1001109477	1	Breaker 10Amp	
3	1001119919	1	Harness, Generator to AC Plug	B
4	4460134	1	Plug, Female	
5	4460205	1	Plug, Male	
6	4923505	7 ft/2.13m	Cable, 14/3	

# SECTION 8 - ELECTRICAL

FIGURE 8-42. GENERATOR TO AC PLUG HARNESS - 2800W GENERATOR 220/50HZ (ANSI EXPORT, AUSTRALIAN, CE AND CHINA SPECS)



ART\_1001119928

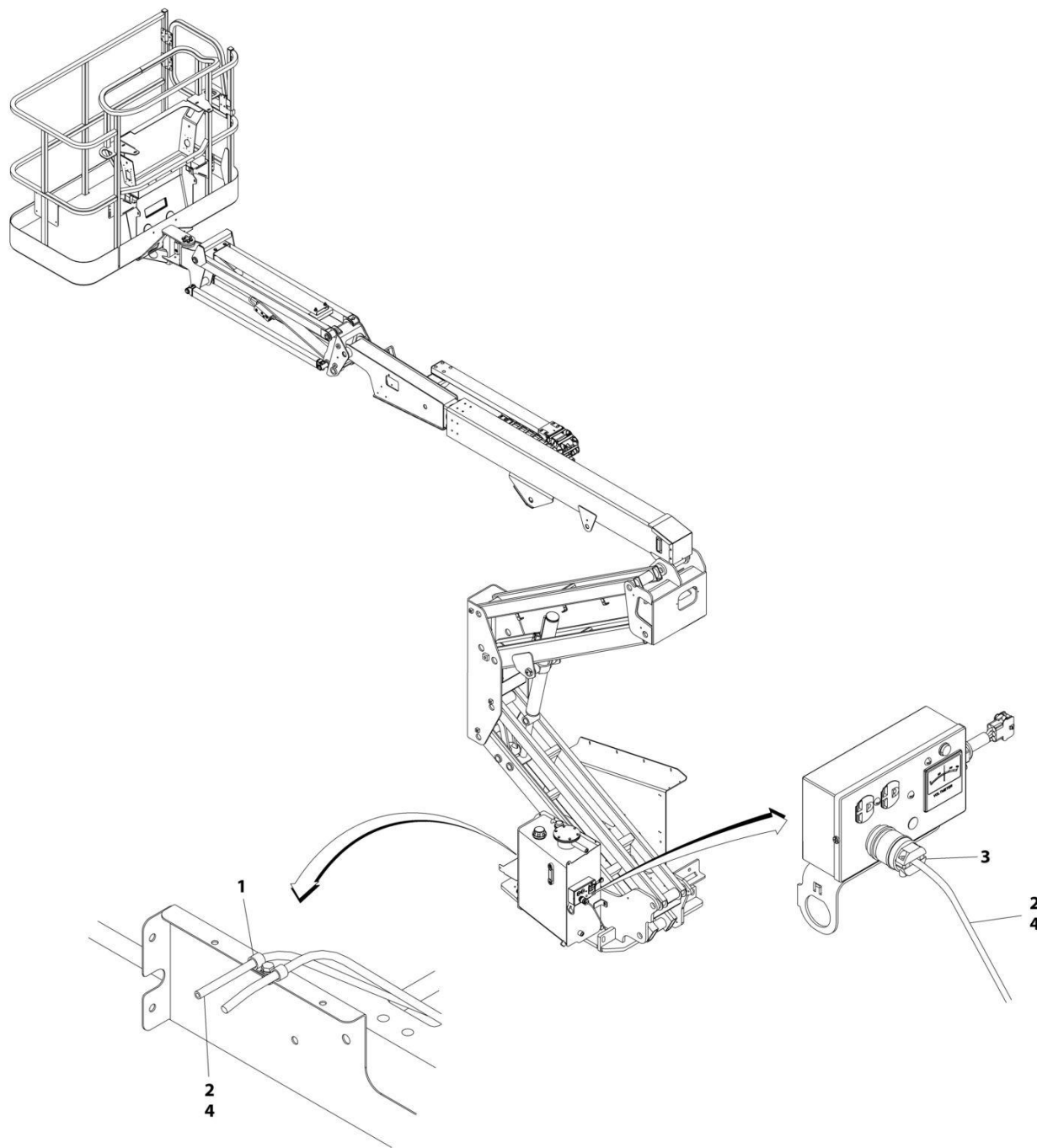
## SECTION 8 - ELECTRICAL

**FIGURE 8-42. GENERATOR TO AC PLUG HARNESS - 2800W GENERATOR 220/50HZ (ANSI EXPORT, AUSTRALIAN, CE AND CHINA SPECS)**

ITEM	PART NUMBER	QTY	DESCRIPTION	REV
	1001119928	Ref	GENERATOR TO AC PLUG HARNESS - 2800W GENERATOR 220/50HZ	B
1	4460709	1	Plug, Male	
2	1001109477	1	Breaker 10 Amp	
3	1001119920	1	Harness, Generator to AC Plug	A
4	4460709	1	Plug, Male	
5	4460710	1	Plug, Female	
6	4923505	6.8 ft/ 2.0m	Cable, 14/3	

# SECTION 8 - ELECTRICAL

FIGURE 8-43. GENERATOR TO AC PLUG HARNESS - 3500W GENERATOR 220/60HZ (ANSI EXPORT, CHINA AND CSA SPECS)



ART\_1001119924



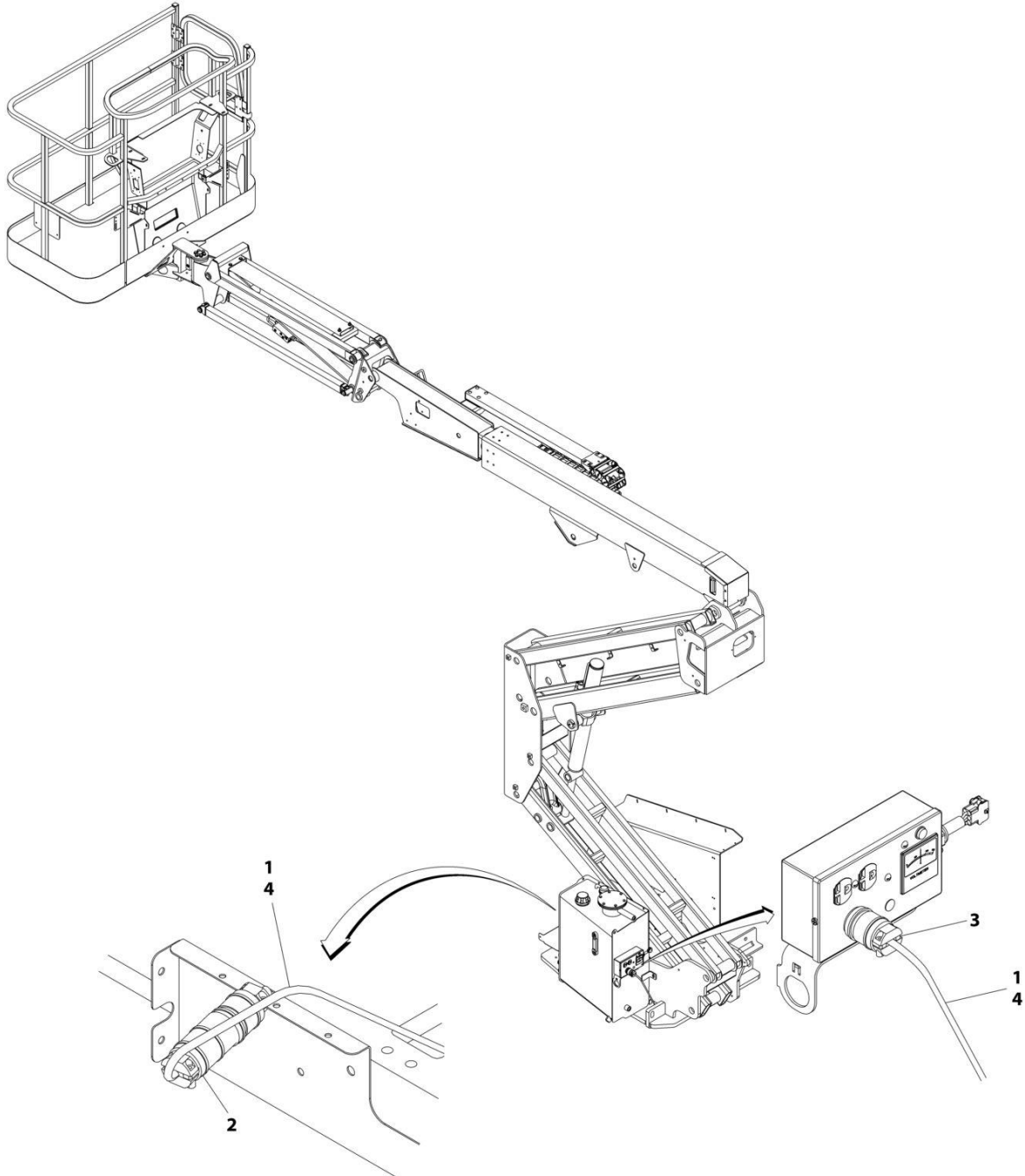
## SECTION 8 - ELECTRICAL

**FIGURE 8-43. GENERATOR TO AC PLUG HARNESS - 3500W GENERATOR 220/60HZ (ANSI EXPORT, CHINA AND CSA SPECS)**

ITEM	PART NUMBER	QTY	DESCRIPTION	REV
	1001119924	Ref	GENERATOR TO AC PLUG HARNESS - 3500W GENERATOR 220/60HZ	A
1	1320043	1	Clamp	
2	1001119921	1	Harness, Generator to AC Plug	A
3	4460205	1	Plug, Male	
4	4923505	7 ft/2.13m	Cable, 14/3	

# SECTION 8 - ELECTRICAL

**FIGURE 8-44. GENERATOR TO AC PLUG HARNESS - 3500W GENERATOR 110/60HZ (ANSI, ANSI EXPORT, CHINA, CSA AND JAPANESE SPECS)**



ART\_1001119923

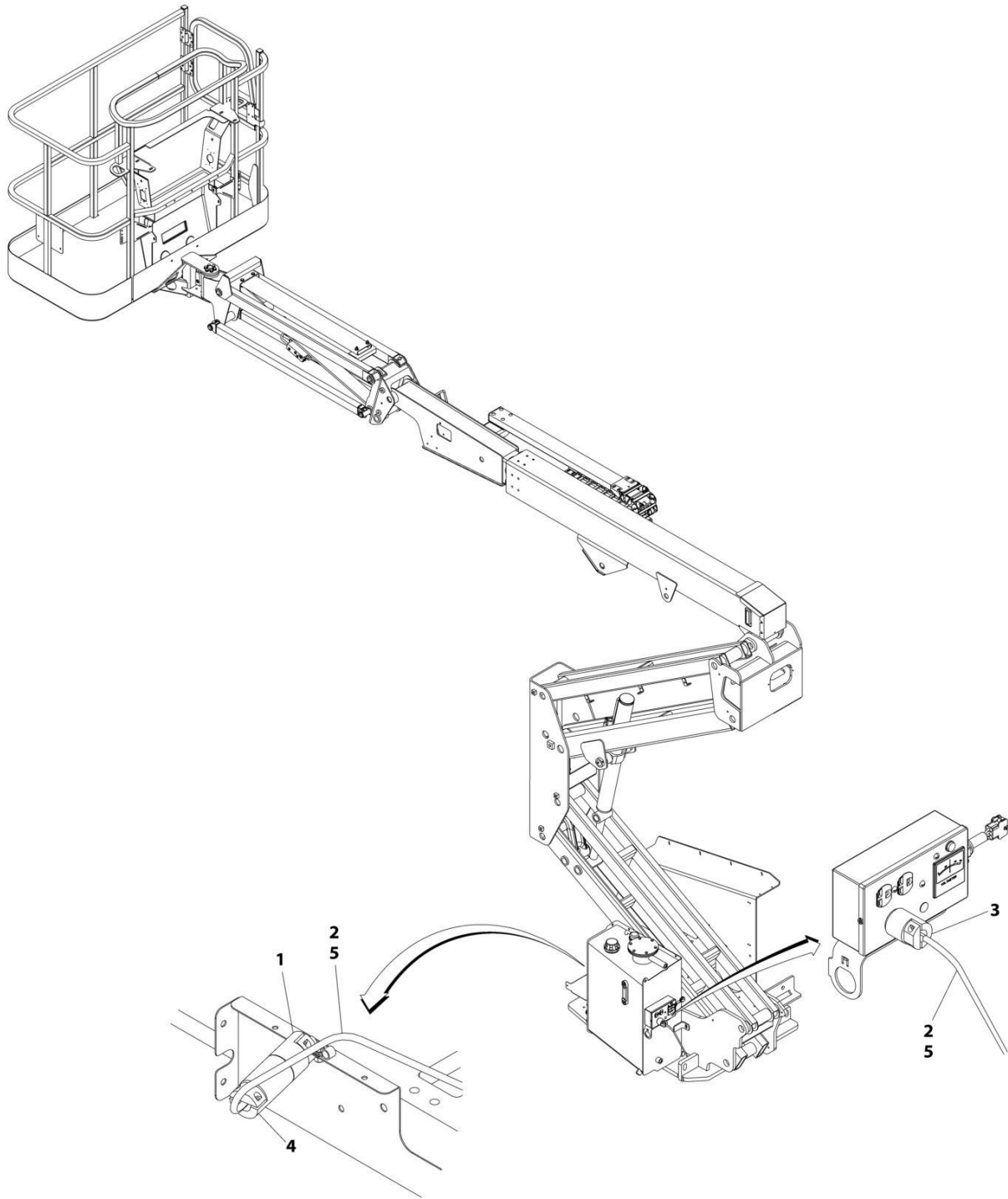
## SECTION 8 - ELECTRICAL

**FIGURE 8-44. GENERATOR TO AC PLUG HARNESS - 3500W GENERATOR 110/60HZ (ANSI, ANSI EXPORT, CHINA, CSA AND JAPANESE SPECS)**

ITEM	PART NUMBER	QTY	DESCRIPTION	REV
	1001119923	Ref	GENERATOR TO AC PLUG HARNESS - 3500W GENERATOR 110/60HZ	A
1	1001119919	1	Harness, Generator to AC Plug	B
2	4460134	1	Plug, Female	
3	4460205	1	Plug, Male	
4	4923505	7 ft/2.13m	Cable, 14/3	

# SECTION 8 - ELECTRICAL

FIGURE 8-45. GENERATOR TO AC PLUG HARNESS - 3500W GENERATOR 220/60HZ (ANSI EXPORT, CHINA AND CSA SPECS)



ART\_100119926

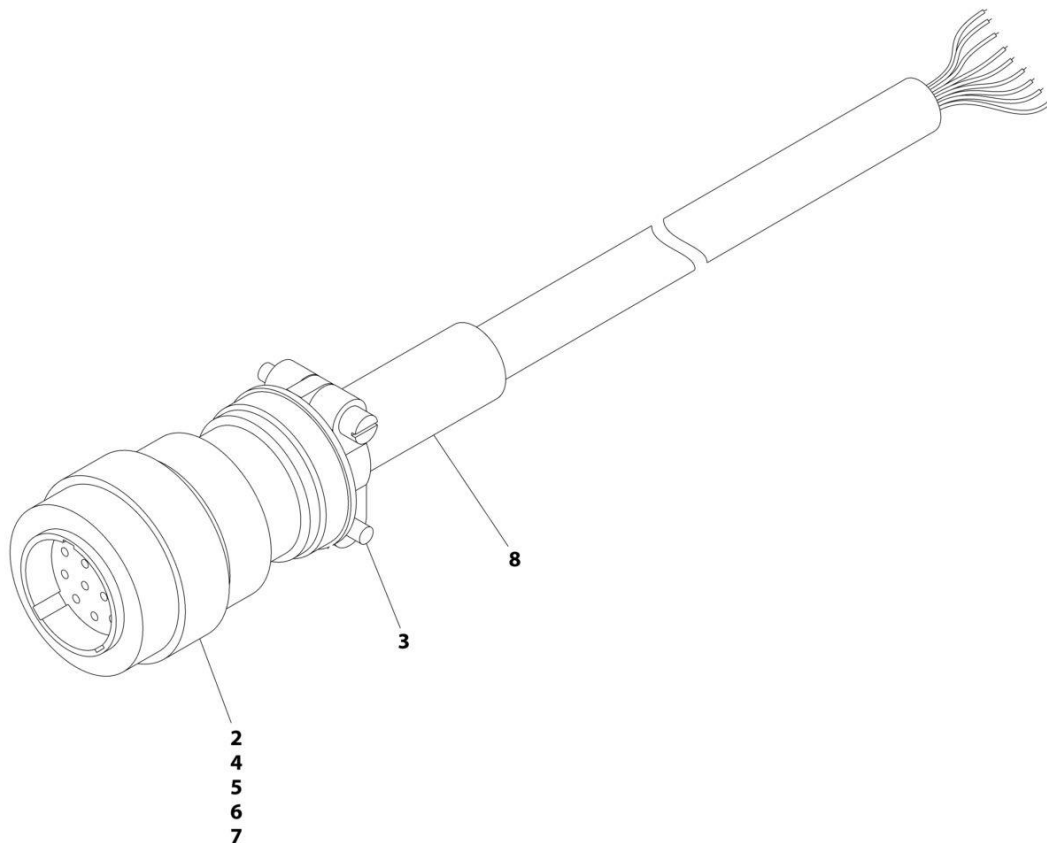
## SECTION 8 - ELECTRICAL

**FIGURE 8-45. GENERATOR TO AC PLUG HARNESS - 3500W GENERATOR 220/60HZ (ANSI EXPORT, CHINA AND CSA SPECS)**

ITEM	PART NUMBER	QTY	DESCRIPTION	REV
	1001119926	Ref	GENERATOR TO AC PLUG HARNESS - 3500W GENERATOR 220/60HZ	A
1	4460709	1	Plug, Male	
2	1001119920	1	Harness, Generator to AC Plug	A
3	4460709	1	Plug, Male	
4	4460710	1	Plug, Female	
5	4923505	6.8 ft/ 2.06m	Cable, 14/3	

## SECTION 8 - ELECTRICAL

FIGURE 8-46. GROUND TO PLATFORM CABLE - MAIN BOOM (WITHOUT ARCTIC PACKAGE)



ART\_1001119018

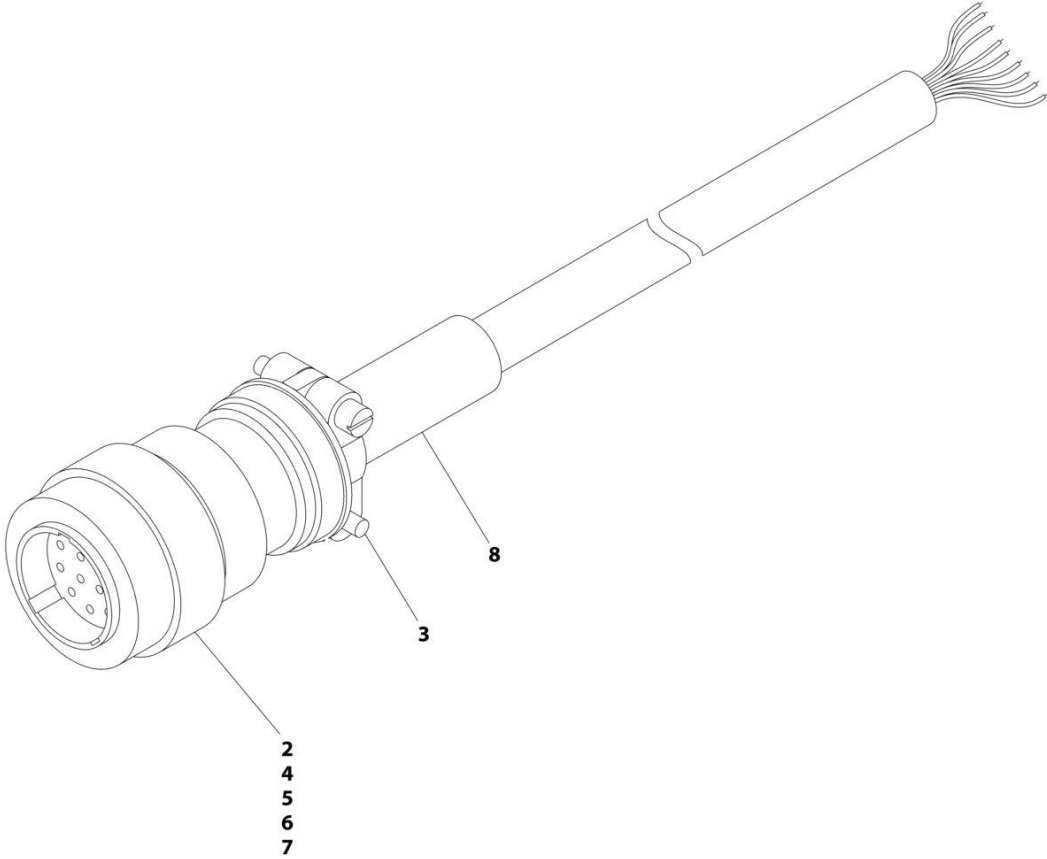
## SECTION 8 - ELECTRICAL

**FIGURE 8-46. GROUND TO PLATFORM CABLE - MAIN BOOM (WITHOUT ARCTIC PACKAGE)**

ITEM	PART NUMBER	QTY	DESCRIPTION	REV
	1001119018	Ref	GROUND TO PLATFORM CABLE - MAIN BOOM (WITHOUT ARCTIC PACKAGE)	C
2	4460865	1	Connector - 19 Position	
3	4460473	1	Clamp, Cable	
4	4460465	22	Socket, Female	
5	4460509	8	Socket, Female	
6	4460466	4	Plug, Terminal	
7	2820118	AR	Heat Shrink	
8	1001226400	1	Heat Shrink	

**SECTION 8 - ELECTRICAL**

**FIGURE 8-47. GROUND TO PLATFORM CABLE - MAIN BOOM (WITH ARCTIC PACKAGE)**



ART\_100119953



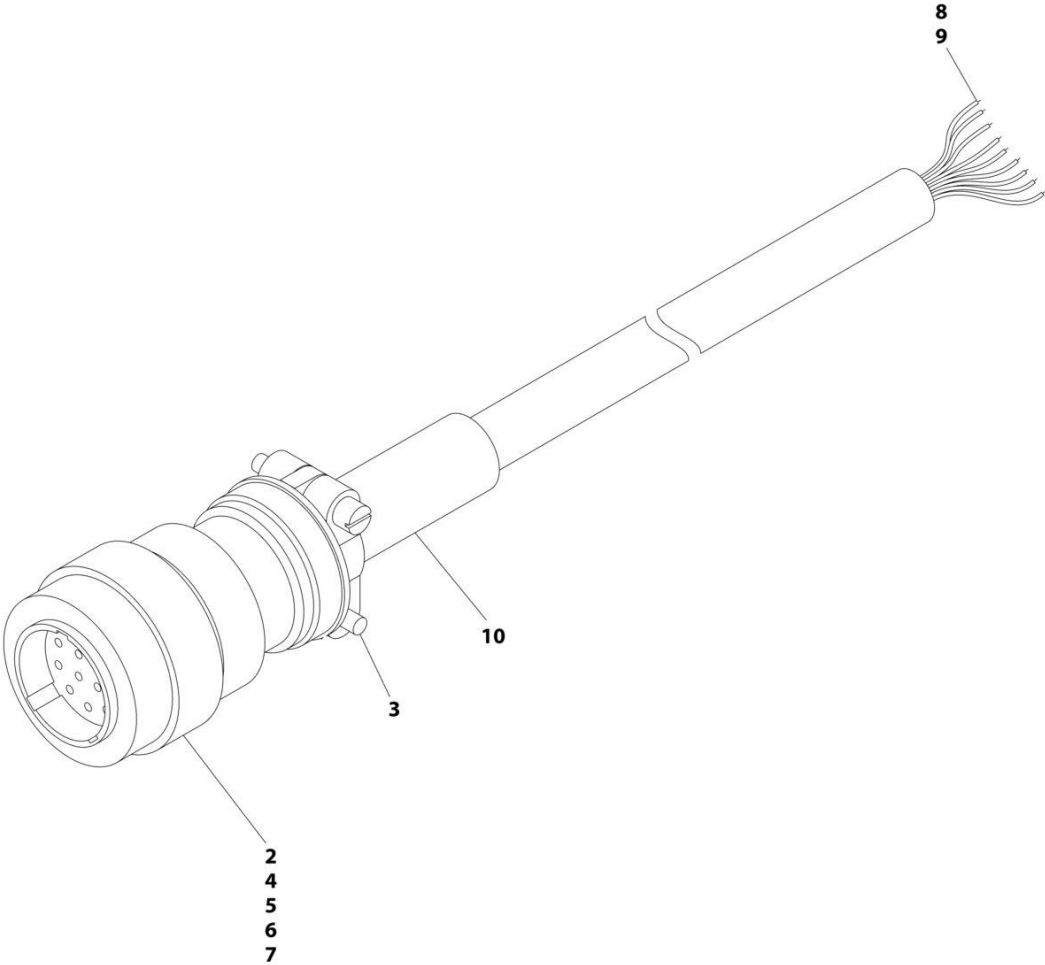
## SECTION 8 - ELECTRICAL

**FIGURE 8-47. GROUND TO PLATFORM CABLE - MAIN BOOM (WITH ARCTIC PACKAGE)**

ITEM	PART NUMBER	QTY	DESCRIPTION	REV
	1001119953	Ref	GROUND TO PLATFORM CABLE - MAIN BOOM (WITH ARCTIC PACKAGE)	D
2	4460865	1	Connector - 19 Position	
3	4460473	1	Clamp, Cable	
4	4460465	22	Socket, Female	
5	4460509	8	Socket, Female	
6	4460466	4	Plug, Terminal	
7	2820118	AR	Heat Shrink	
8	1001226400	1	Heat Shrink	

**SECTION 8 - ELECTRICAL**

**FIGURE 8-48. GROUND TO PLATFORM CABLE - TOWER BOOM (WITHOUT ARCTIC PACKAGE)**



ART\_100119019

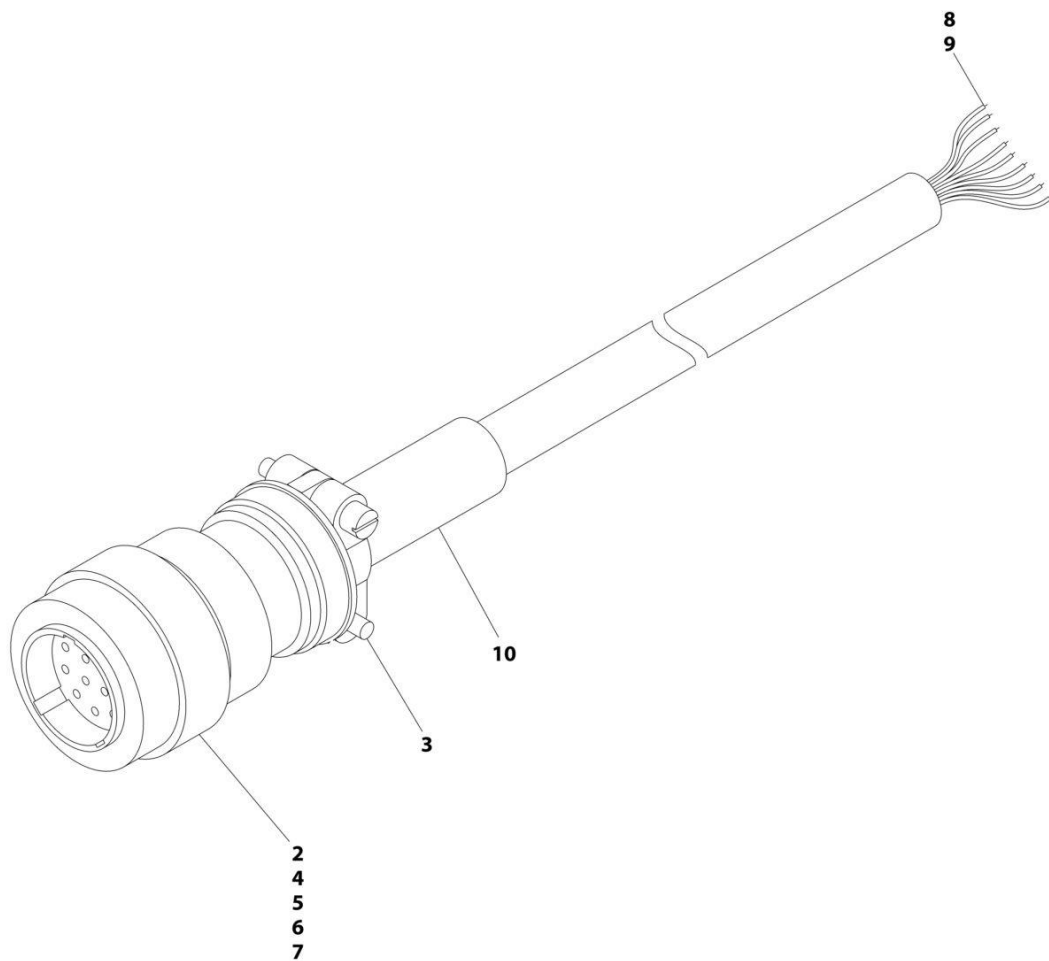
## SECTION 8 - ELECTRICAL

**FIGURE 8-48. GROUND TO PLATFORM CABLE - TOWER BOOM (WITHOUT ARCTIC PACKAGE)**

ITEM	PART NUMBER	QTY	DESCRIPTION	REV
	1001119019	Ref	GROUND TO PLATFORM CABLE - TOWER BOOM (WITHOUT ARCTIC PACKAGE)	B
2	4460865	1	Connector - 19 Position	
3	4460473	1	Clamp, Cable	
4	4460465	11	Socket, Female	
5	4460509	4	Socket, Female	
6	4460466	4	Plug, Terminal	
7	2820118	AR	Heat Shrink	
8	4460464	11	Pin, Male	
9	4460508	4	Pin, Male	
10	1001226400	1	Heat Shrink	

# SECTION 8 - ELECTRICAL

FIGURE 8-49. GROUND TO PLATFORM CABLE - TOWER BOOM (WITH ARCTIC PACKAGE)



ART\_1001119954

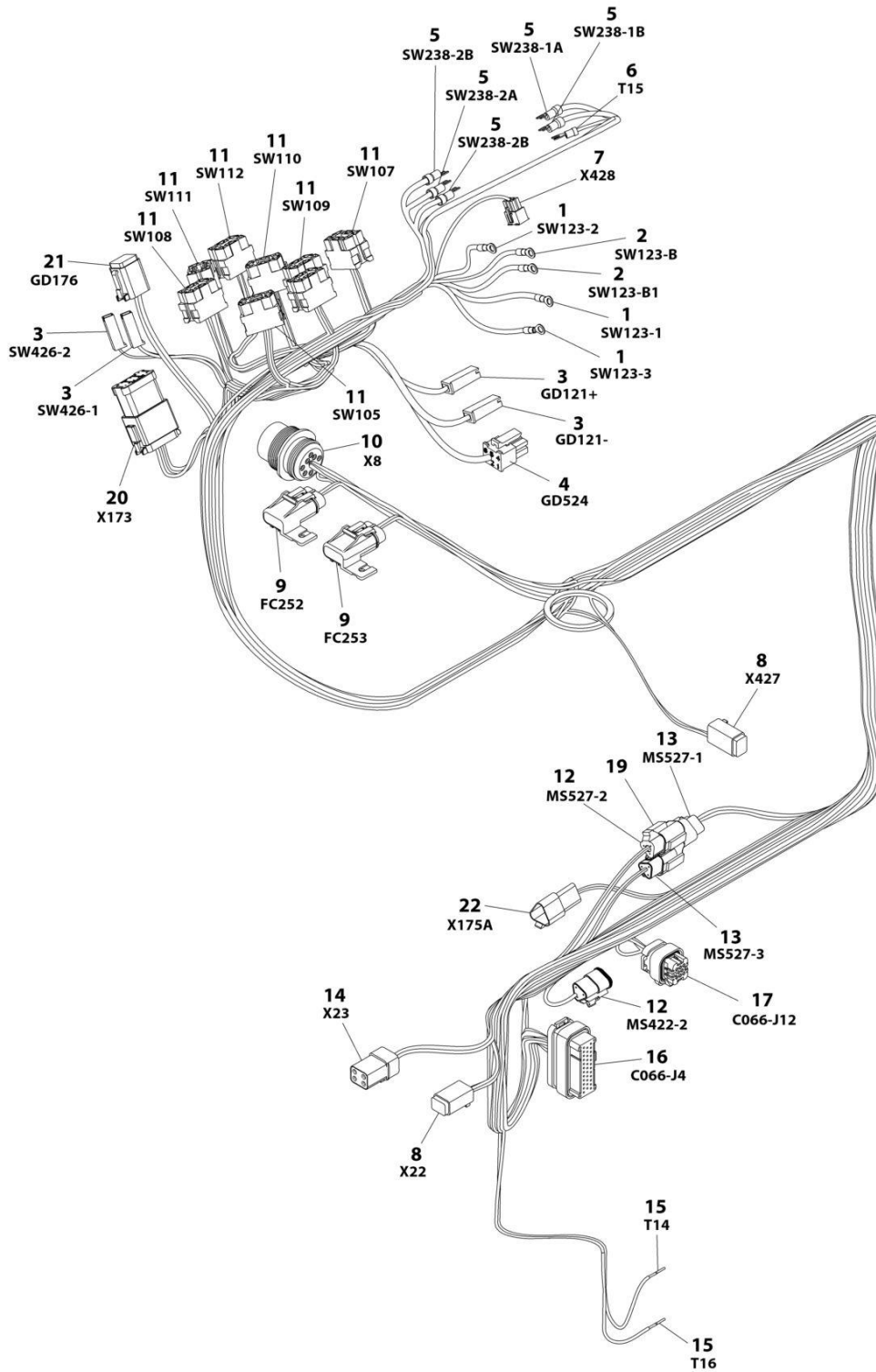
## SECTION 8 - ELECTRICAL

**FIGURE 8-49. GROUND TO PLATFORM CABLE - TOWER BOOM (WITH ARCTIC PACKAGE)**

ITEM	PART NUMBER	QTY	DESCRIPTION	REV
	1001119954	Ref	GROUND TO PLATFORM CABLE - TOWER BOOM (WITH ARCTIC PACKAGE)	C
2	4460865	1	Connector - 19 Position	
3	4460473	1	Clamp, Cable	
4	4460465	11	Socket, Female	
5	4460509	4	Socket, Female	
6	4460466	4	Plug, Terminal	
7	2820118	AR	Heat Shrink	
8	4460464	11	Pin, Male	
9	4460508	4	Pin, Male	
10	1001226400	1	Heat Shrink	

# SECTION 8 - ELECTRICAL

## FIGURE 8-50. GROUND CONTROL HARNESS



ART\_1001244526\_D

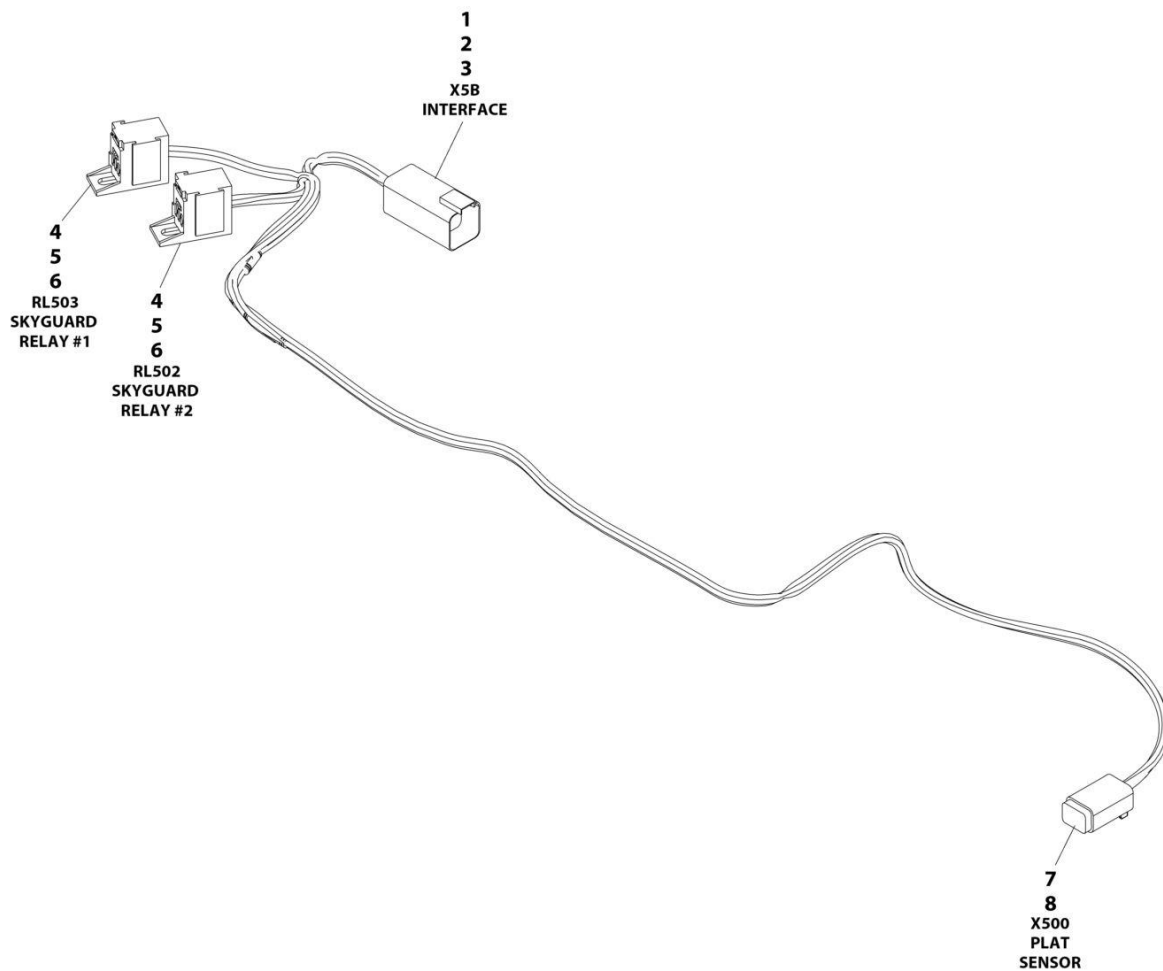
## SECTION 8 - ELECTRICAL

### FIGURE 8-50. GROUND CONTROL HARNESS

ITEM	PART NUMBER	QTY	DESCRIPTION	REV
	1001244526	Ref	GROUND CONTROL HARNESS	D
1	4460313	3	Terminal, Ring	
2	4460142	2	Terminal, Ring	
3	4460260	4	Connector	
3	4460259	6	Terminal	
4	1001237667	1	Connector - 6 Position	
4	1001237668	5	Terminal	
5	4460806	5	Terminal, Fork	
6	4460183	1	Terminal, Fork	
7	4460868	1	Connector - 6 Position	
7	4460877	4	Terminal	
8	4460884	2	Connector - 4 Position	
8	4460465	8	Socket, Female	
9	1001117078	2	Fuse Assembly with Cover	
9	1001116732	4	Terminal	
10	1001112612	1	Connector - 9 Position	
10	4460464	6	Pin, Male	
10	4460466	3	Plug, Terminal	
11	4460418	8	Connector - 6 Position	
11	4460419	31	Socket, Female	
12	4460539	2	Connector - 3 Position	
12	4460944	5	Socket, Female	
12	4460466	1	Seal, Plug	
13	1001116812	2	Plug, Male - 3 Position	
13	4460944	6	Socket, Female	
14	1001116810	1	Connector - 4 Position	
14	4460509	3	Terminal	
14	4460466	1	Seal, Plug	
15	4460465	2	Socket, Female	
16	4460876	1	Connector - 35 Position	
16	4460871	21	Socket, Female	
16	4460905	14	Seal, Plug	
17	1001113961	1	Connector - 8 Position	
17	4460871	6	Socket, Female	
17	4460905	2	Seal, Plug	
19	4460945	1	Receptacle, 3 Ways	
20	4460933	1	Connector	
20	4460465	12	Socket, Female	
20	1001119020	1	Connector	
21	4460894	1	Connector	
21	4460465	4	Socket, Female	
21	4460466	2	Seal, Plug	
22	1001144147	1	Connector	
22	4460943	3	Pin, Male	

# SECTION 8 - ELECTRICAL

## FIGURE 8-51. GENERATOR TO PLATFORM HARNESS



ART\_1001225580



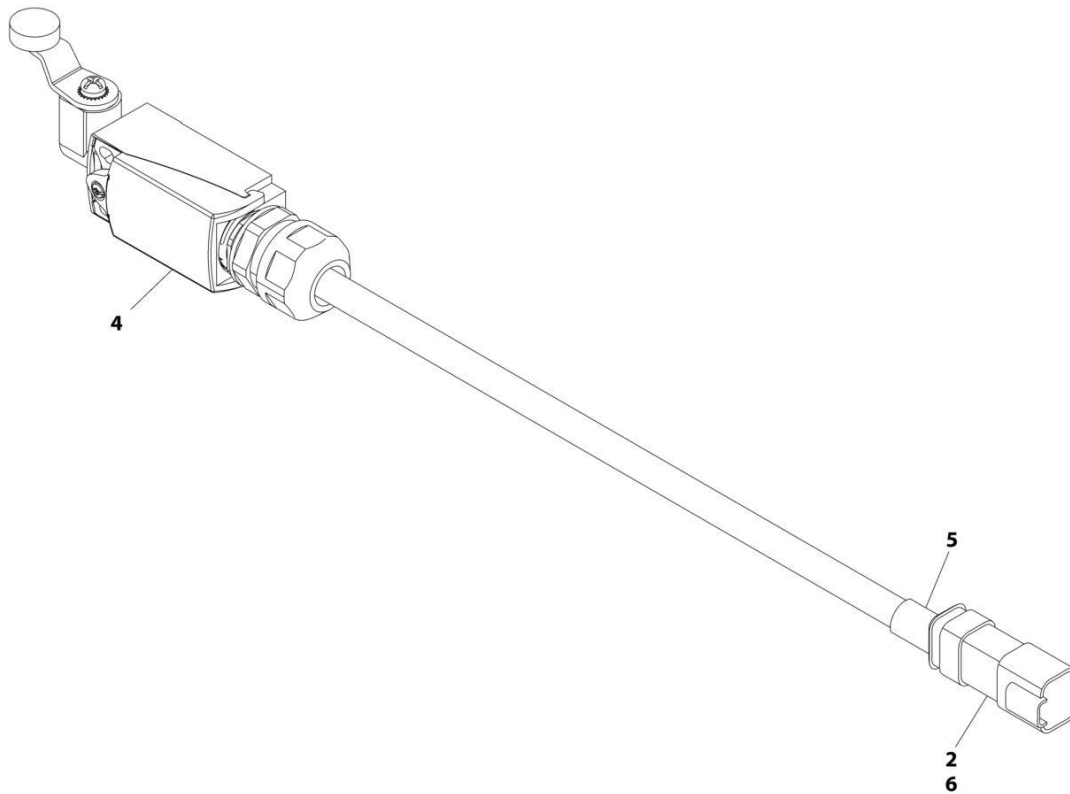
## SECTION 8 - ELECTRICAL

### FIGURE 8-51. GENERATOR TO PLATFORM HARNESS

ITEM	PART NUMBER	QTY	DESCRIPTION	REV
	1001225580	Ref	INTERFACE HARNESS - WITH 1 CELL LSS	D
1	4460899	1	Connector	
2	4460464	4	Terminal	
3	4460466	2	Plug	
4	1001186432	2	Connector	
5	1001116720	4	Terminal	
6	1001118388	4	Terminal	
7	4460884	1	Connector	
8	4460465	4	Terminal	

# SECTION 8 - ELECTRICAL

## FIGURE 8-52. LIMIT SWITCH HARNESS



ART\_1001119176

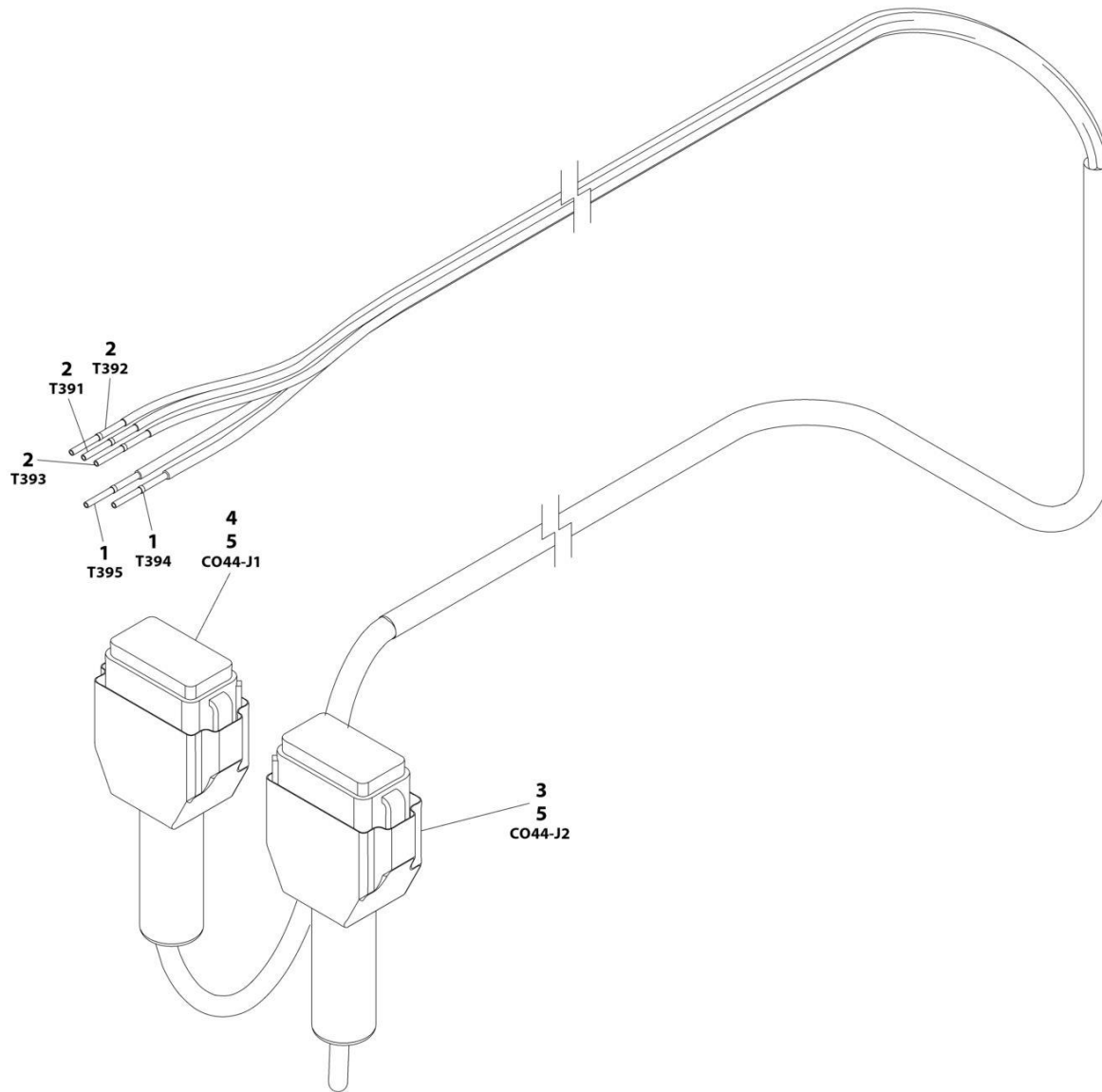
## SECTION 8 - ELECTRICAL

### FIGURE 8-52. LIMIT SWITCH HARNESS

ITEM	PART NUMBER	QTY	DESCRIPTION	REV
	1001119176	Ref	LIMIT SWITCH HARNESS	E
2	4460464	4	Pin, Male Deutsch 16Ga	
4	1001119170	1	Switch, Limit	
5	2820030	AR	Heat Shrink	
6	1001129407	1	Receptacle, Female - 4 Position	

# SECTION 8 - ELECTRICAL

## FIGURE 8-53. LSS HARNESS



ART\_1001120371

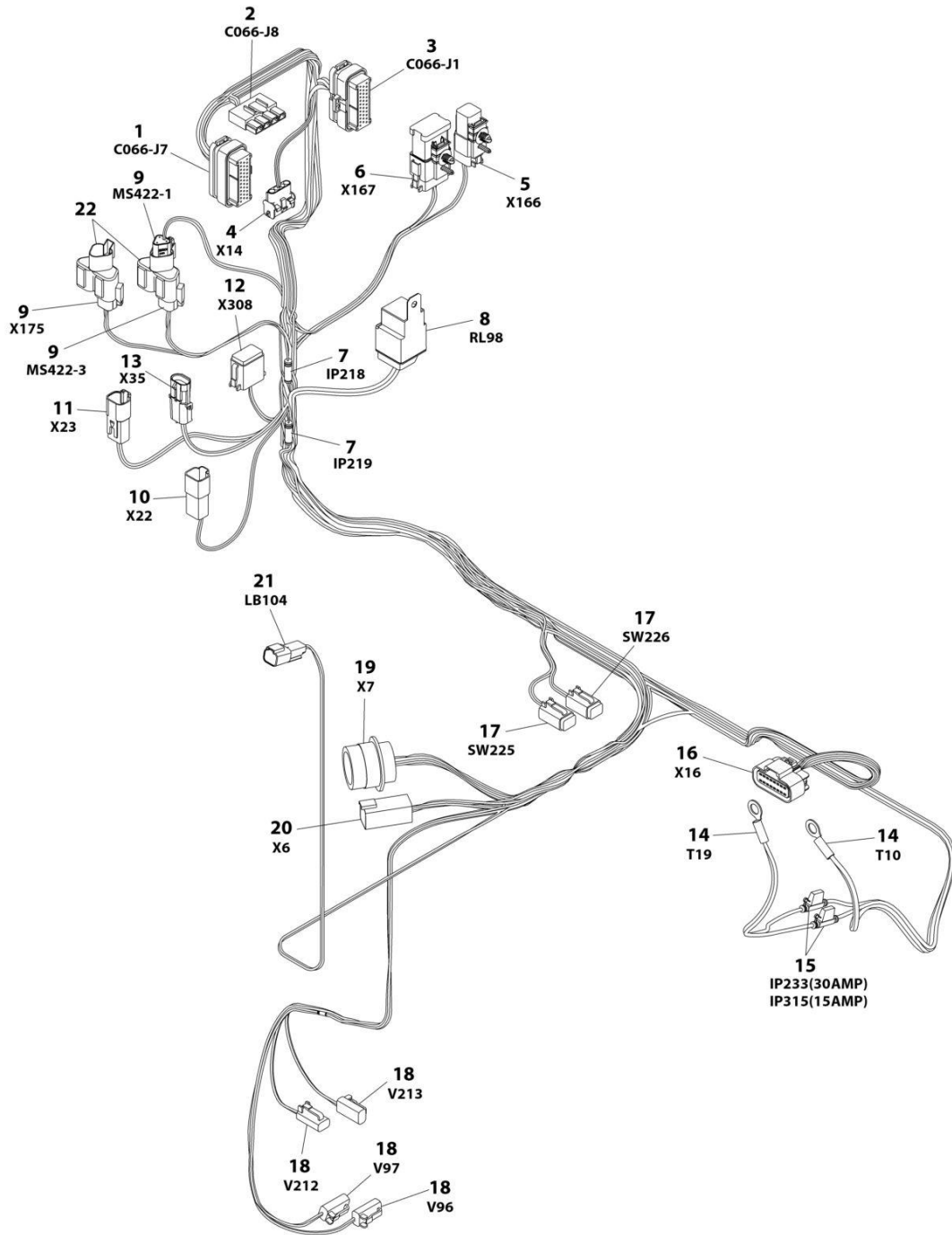
## SECTION 8 - ELECTRICAL

**FIGURE 8-53. LSS HARNESS**

ITEM	PART NUMBER	QTY	DESCRIPTION	REV
	1001120371	Ref	LSS HARNESS	B
1	4460465	2	Socket, Female	
2	4460944	3	Socket, Female	
3	4460836	1	Connector - 12 Position	
3	4460944	3	Socket, Female	
3	4460466	9	Plug, Terminal	
3	0840055	1	Boot	
4	4460933	1	Connector - 12 Position	
4	4460465	2	Socket, Female	
4	4460466	10	Plug, Terminal	
4	0840055	1	Boot	
5	2820030	AR	Heat Shrink	

# SECTION 8 - ELECTRICAL

## FIGURE 8-54. MID-ENGINE HARNESS



ART\_1001244527

## SECTION 8 - ELECTRICAL

### FIGURE 8-54. MID-ENGINE HARNESS

ITEM	PART NUMBER	QTY	DESCRIPTION	REV
	1001244527	Ref	MID-ENGINE HARNESS	B
1	4460873	1	Connector - 35 Position	
1	4460871	19	Socket, Female	
1	4460905	16	Seal, Plug	
2	4460878	1	Connector - 4 Position	
2	4460887	6	Terminal	
3	4460874	1	Connector - 35 Position	
3	4460871	22	Socket, Female	
3	4460905	13	Seal, Plug	
4	4460761	1	Connector - 4 Position	
4	4460227	4	Pin Male	
5	4460894	1	Connector - 6 Position	
5	4460465	2	Socket, Female	
5	4460466	3	Plug, Terminal	
5	4460892	1	Buss Bar - 6 Position	
5	1001121172	1	Bracket, Terminal	
6	4460836	1	Connector - 12 Position	
6	4460465	3	Socket, Female	
6	4460466	9	Plug, Terminal	
6	4460837	1	Connector - 12 Position	
6	1001121172	1	Bracket, Terminal	
7	3990010	2	Diode 10 Amp	
8	1001117025	1	Relay and Connector Assembly	
8	1001116734	1	Terminal	
8	1001116732	2	Terminal	
9	1001116812	3	Plug, Male - 3 Position	
9	4460944	9	Socket, Female	
10	4460932	1	Receptacle, Female - 4 Position	
10	4460464	4	Pin, Female	
11	1001116811	1	Receptacle, Female - 4 Position	
11	4460508	1	Pin, Male	
11	4460466	1	Plug, Terminal	
12	4460930	1	Plug, Male - 8 Position	
12	4460465	3	Socket, Female	
12	4460466	5	Plug, Terminal	
13	4461157	1	Receptacle, Female - 2 Position	
13	4460979	1	Pin, Male	
13	1001116727	1	Seal, Plug	
14	8220164	2	Ring, Terminal	
15	2400066	2	Fuse Holder with Cover and Leads	
15		Ref	Fuse 15 Amp	
15		Ref	Fuse 30 Amp	
16	4461110	1	Receptacle Female - 16 Position	
16	1001136231	1	Lock, Connector	
16	1001136232	1	Lock, Connector	
16	4461112	15	Terminal, Female	
16	4461113	15	Seal	
16	4461222	1	Plug	
17	4460884	2	Plug, male - 4 Position	
17	4460465	6	Socket, Female	

## SECTION 8 - ELECTRICAL

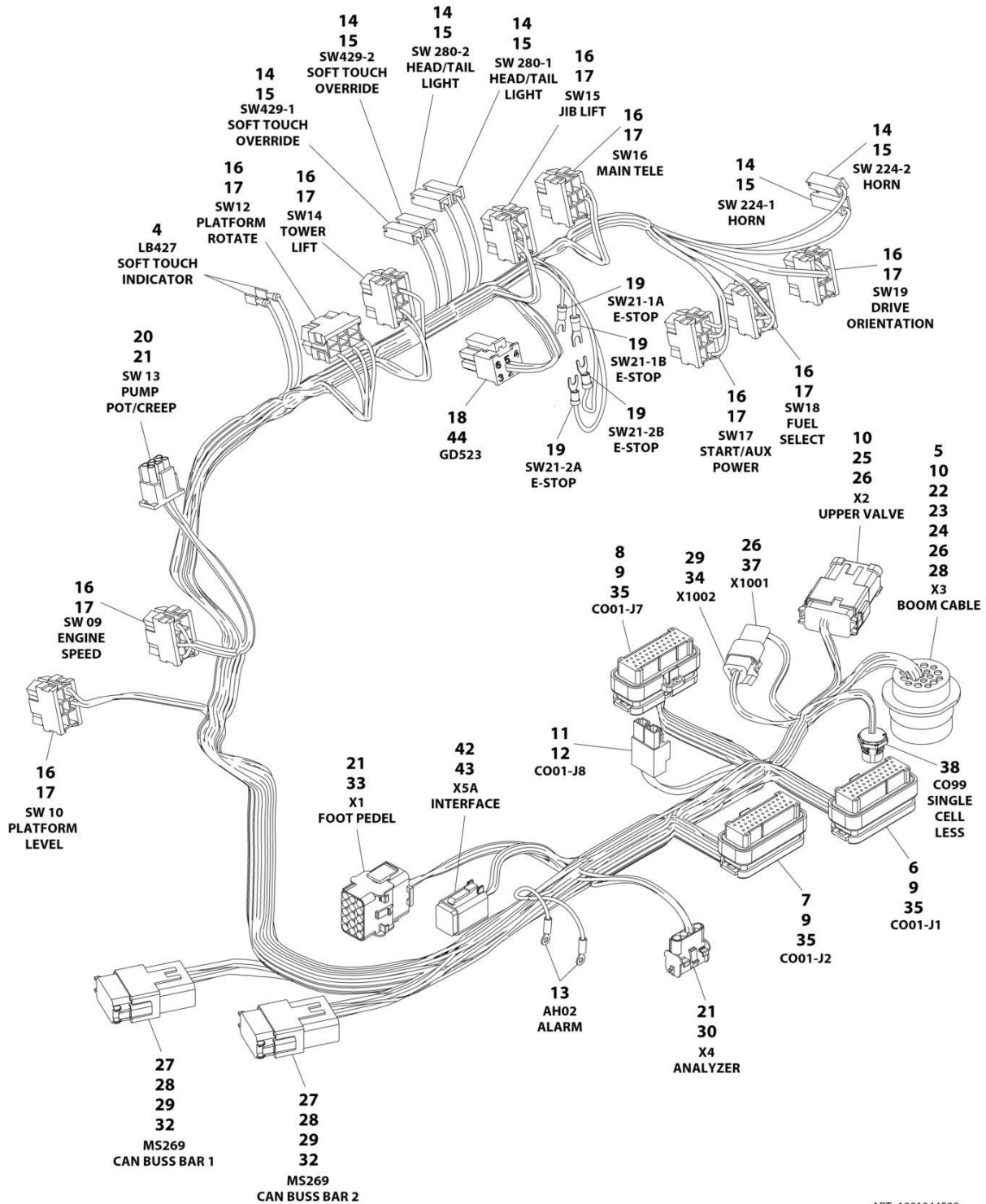
ITEM	PART NUMBER	QTY	DESCRIPTION	REV
17	4460466	2	Plug, Terminal	
18	4460891	4	Connector - 2 Position	
18	4460465	8	Socket, Female	
19	4460866	1	Connector - 19 Position	
19	4460943	3	Pin, Male	
19	4460464	6	Pin, Male	
19	4460508	4	Pin, Male	
19	4460466	6	Plug, terminal	
20	4460899	1	Connector - 6 Position	
20	4460464	6	Pin, Male	
21	4460897	1	Connector - 2 Position	
21	4460464	2	Pin, Male	
22	4460945	2	Connector - 3 Way	





# SECTION 8 - ELECTRICAL

## FIGURE 8-55. PLATFORM BOX HARNESS ASSEMBLY



ART\_1001244528

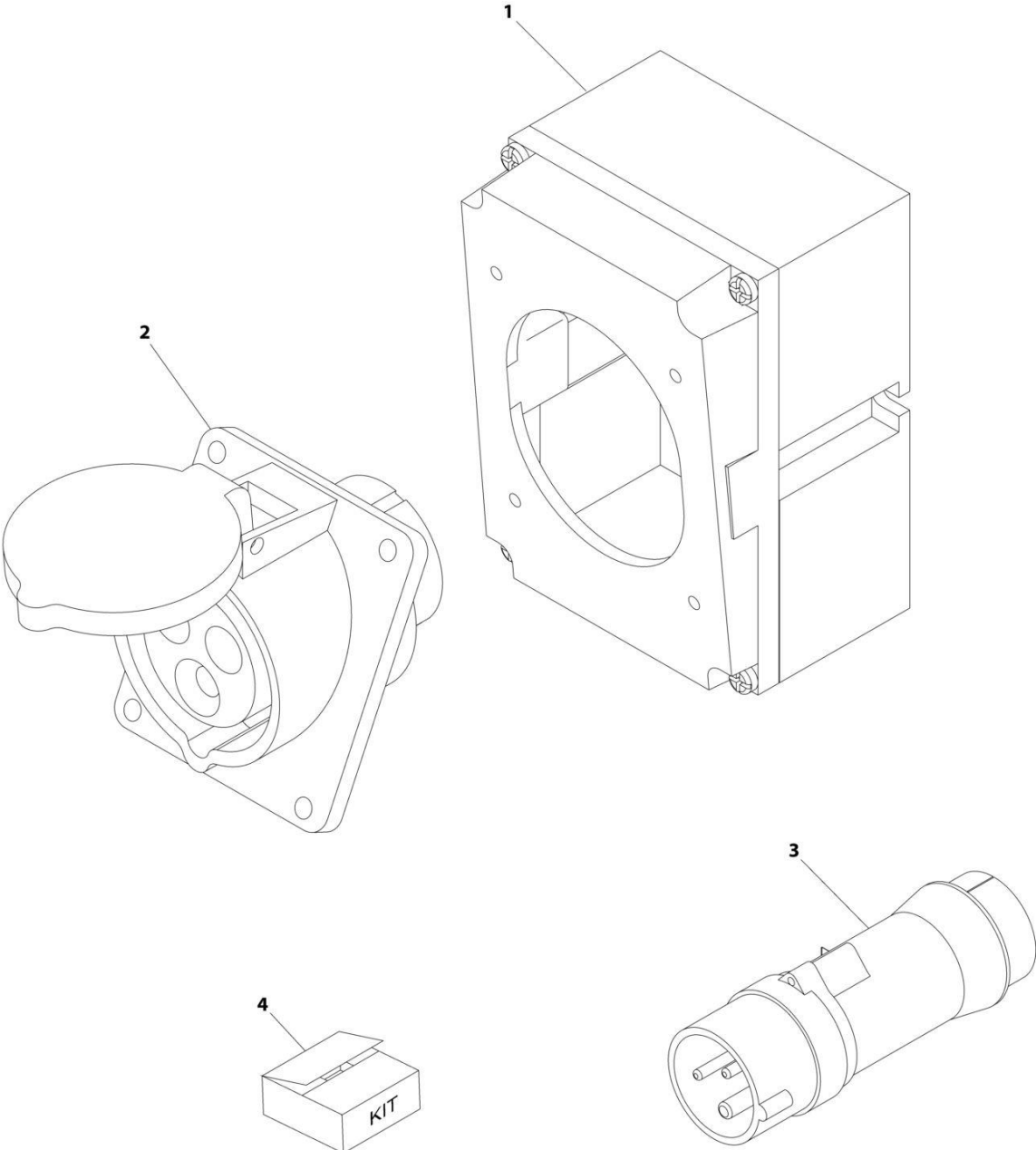
## SECTION 8 - ELECTRICAL

**FIGURE 8-55. PLATFORM BOX HARNESS ASSEMBLY**

ITEM	PART NUMBER	QTY	DESCRIPTION	REV
	1001244528	Ref	PLATFORM BOX HARNESS ASSEMBLY	B
4	4460016	2	Terminal, Receptacle	
5	4460866	1	Connector - 19 Position	
6	4460874	1	Connector - 35 Position (Natural)	
7	4460875	1	Connector - 35 Position (Gray)	
8	4460873	1	Connector - 35 Position (Black)	
9	4460871	58	Socket, Female	
10	4460464	14	Pin, Male	
11	4460879	1	Connector - 2 Position	
12	4460887	2	Terminal	
13	1001098122	2	Terminal	
14	4460260	6	Connector - 1 Position	
15	4460259	6	Terminal	
16	4460418	9	Connector - 6 Position	
17	4460419	25	Terminal	
18	1001237667	15	Connector - 6 Position	
19	4460888	4	Terminal, Fork	
20	4460225	1	Connector - 6 Position	
21	4460227	15	Pin, Male	
22	2820118	AR	Heat Shrink	
23	2820019	AR	Heat Shrink	
24	4460508	2	Pin, Male	
25	4460970	1	Connector - 12 Position	
26	4460943	9	Pin, Male	
27	4460933	2	Connector - 12 Position	
28	4460466	14	Plug, Terminal	
29	4460944	22	Socket, Female	
30	4460761	1	Connector - 4 Position	
32	1001119020	2	Connector - 12 Position Bussbar	
33	4460434	1	Connector - 15 Position	
34	4460539	1	Plug, Male - 3 Position	
35	4460905	49	Plug, Terminal	
37	4460536	1	Receptacle, Female - 3 Position	
38	1001213447	1	Receptacle, Female - 5 Position	
42	4460894	1	Receptacle, Female - 6 Position	
43	4460465	6	Socket, Female	
44	1001237668	4	Socket, Female	

**SECTION 8 - ELECTRICAL**

**FIGURE 8-56. RECEPTACLE BOX KIT - 110V IEC YELLOW (CE SPEC)**



ART\_0275216

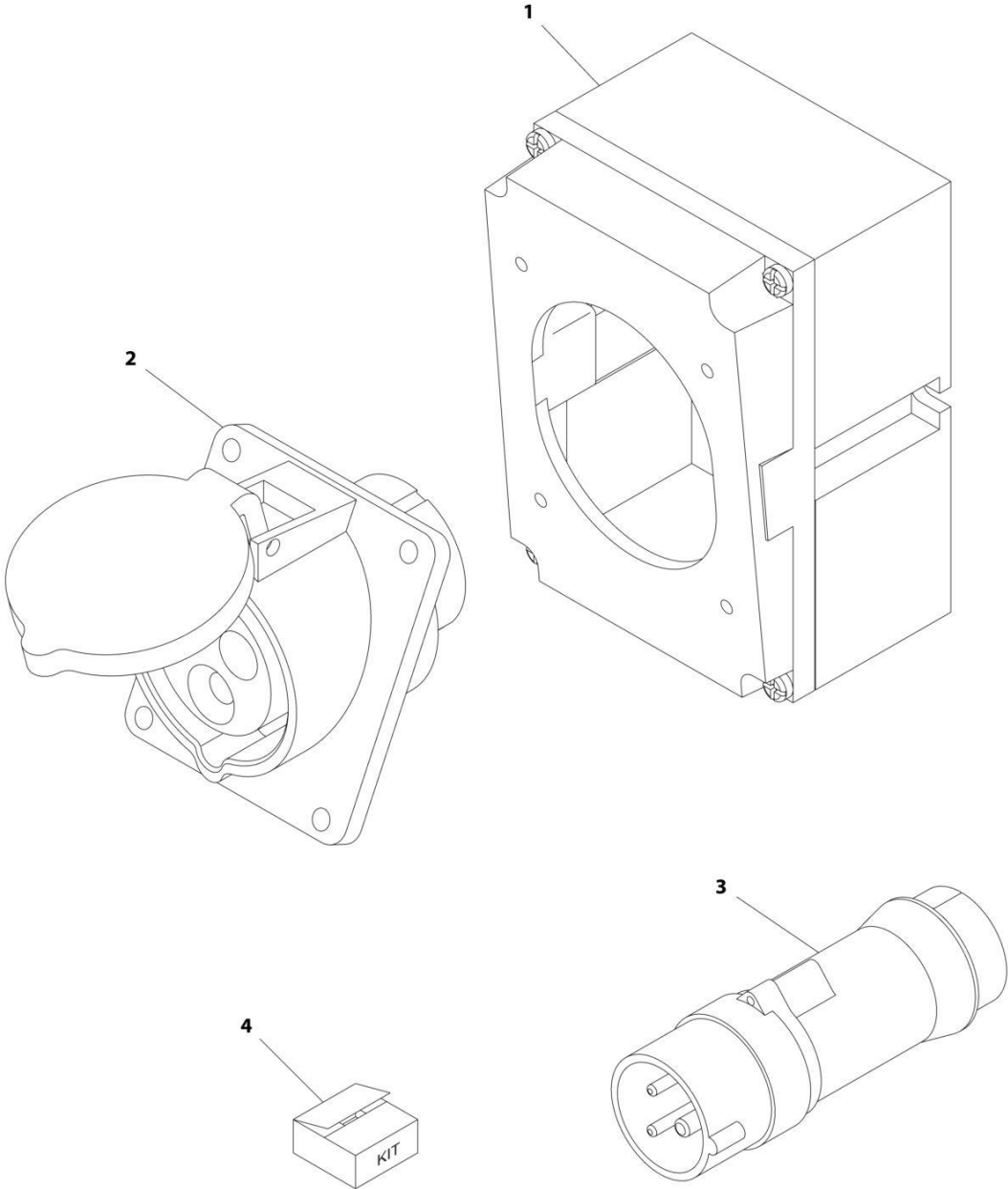
## SECTION 8 - ELECTRICAL

**FIGURE 8-56. RECEPTACLE BOX KIT - 110V IEC YELLOW (CE SPEC)**

ITEM	PART NUMBER	QTY	DESCRIPTION	REV
	0275216	Ref	RECEPTACLE BOX KIT - 110V IEC YELLOW	B
1	0861781	1	Box, Switch	
2	4461198	1	Receptacle	
3	4461196	1	Plug, Male	
4	1001100341	1	Plug and Socket Kit (Includes Items 1-3 and Female Plug p/n 4461197)	

**SECTION 8 - ELECTRICAL**

**FIGURE 8-57. RECEPTACLE BOX KIT - 220V IEC BLUE (CE SPEC)**



ART\_0275217

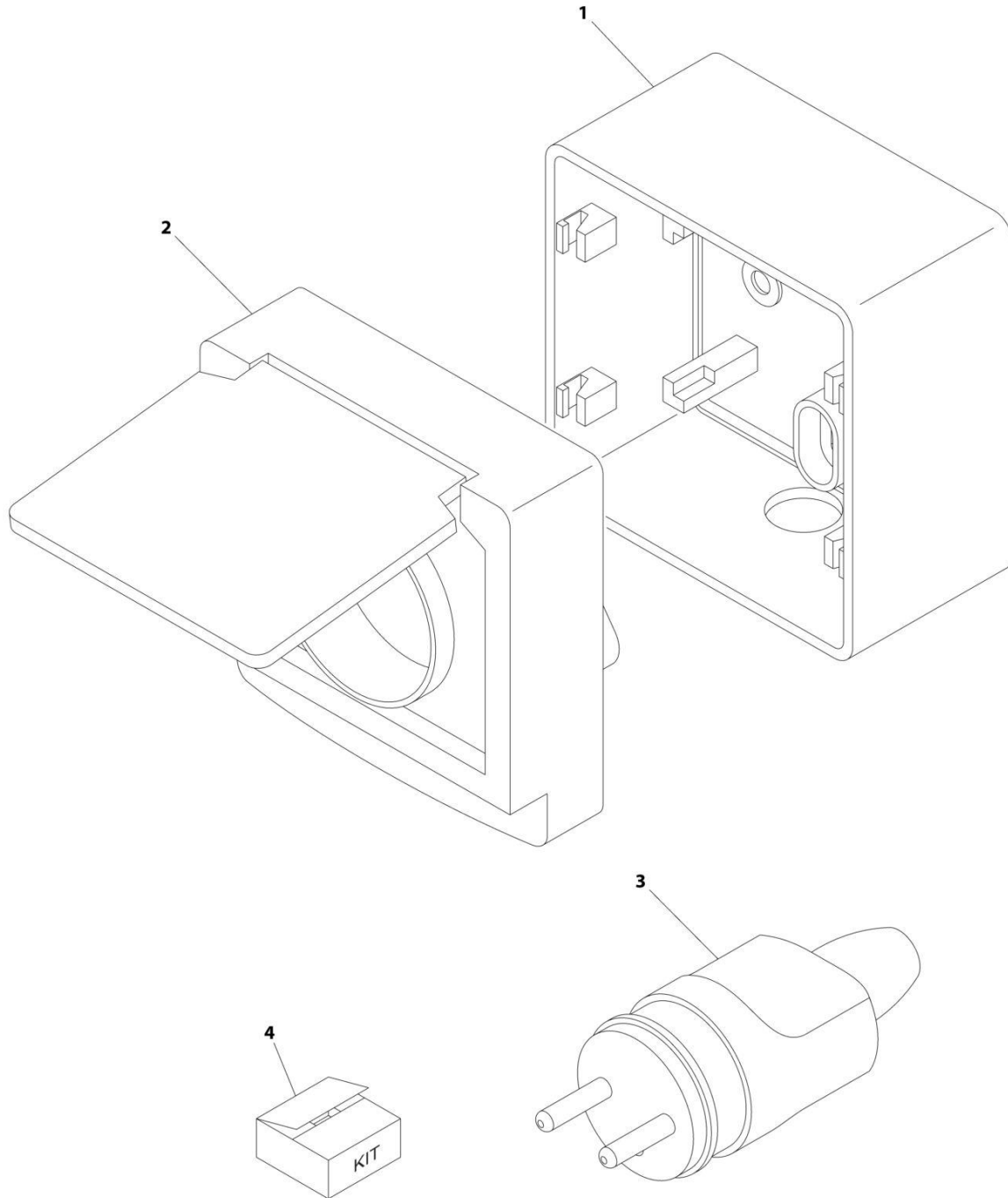
## SECTION 8 - ELECTRICAL

**FIGURE 8-57. RECEPTACLE BOX KIT - 220V IEC BLUE (CE SPEC)**

ITEM	PART NUMBER	QTY	DESCRIPTION	REV
	0275217	Ref	RECEPTACLE BOX KIT - 220V IEC BLUE	B
1	0861781	1	Box, Switch	
2	4461201	1	Receptacle	
3	4461199	1	Plug, Male	
4	1001100342	1	Plug and Socket Kit (Includes Items 1-3 and Female Plug p/n 4461200)	

# SECTION 8 - ELECTRICAL

FIGURE 8-58. RECEPTACLE BOX KIT - 220V CEE7 POST GROUND 70MM X 70MM BOX (CE SPEC)



ART\_0275218



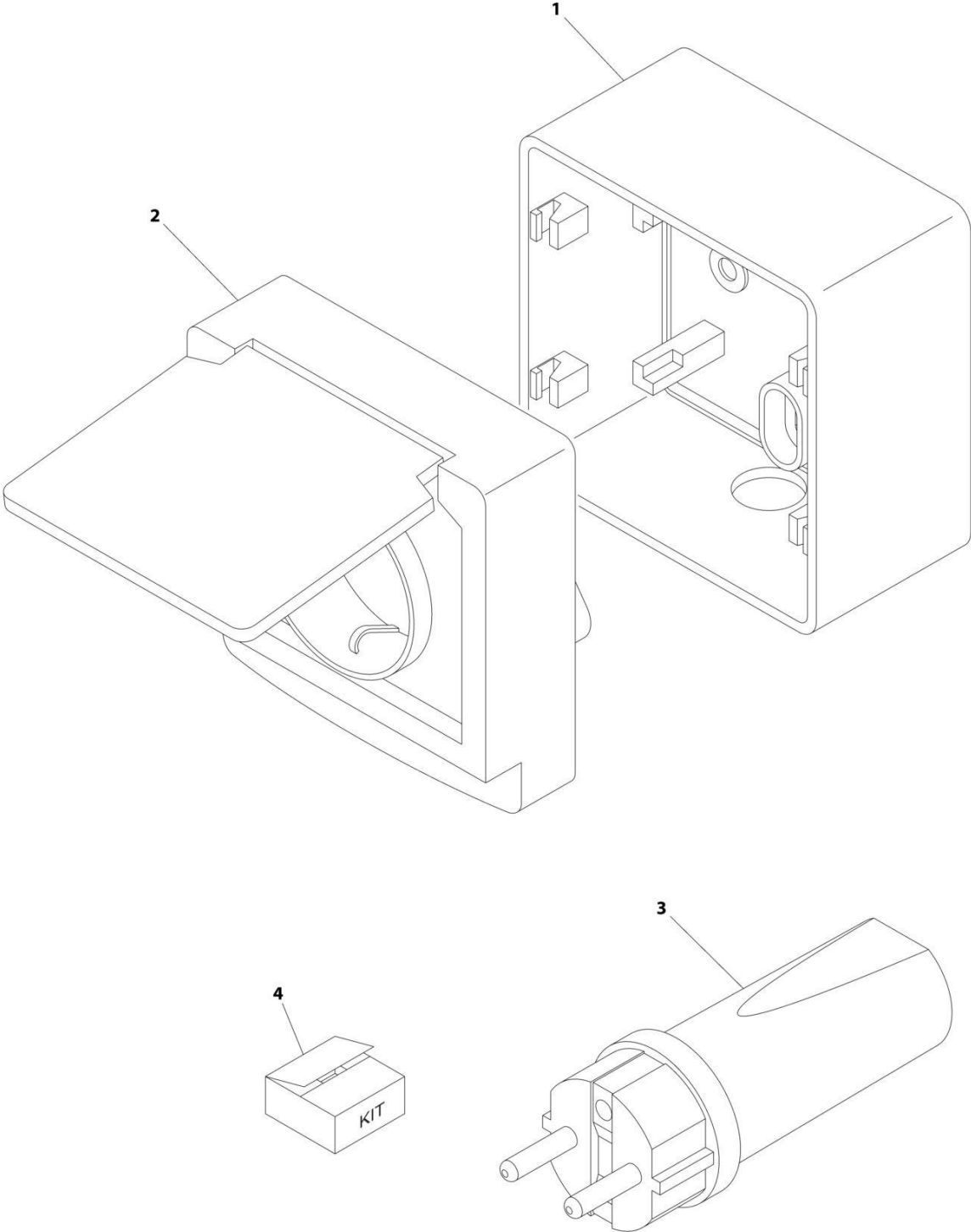
## SECTION 8 - ELECTRICAL

**FIGURE 8-58. RECEPTACLE BOX KIT - 220V CEE7 POST GROUND 70MM X 70MM BOX (CE SPEC)**

ITEM	PART NUMBER	QTY	DESCRIPTION	REV
	0275218	Ref	RECEPTACLE BOX KIT - 220V CEE7 POST GROUND 70X70 BOX	C
1	1001141967	1	Box, Switch	
2	1001141968	1	Receptacle	
3	4461205	1	Plug, Male	
4	1001141971	1	Plug and Socket Kit (Includes Items 1-3 and Female Plug p/n 4461206)	

**SECTION 8 - ELECTRICAL**

**FIGURE 8-59. RECEPTACLE BOX KIT - 220V CEE7 SIDE GROUND 70MM X 70MM BOX (CE SPEC)**



ART\_0275219

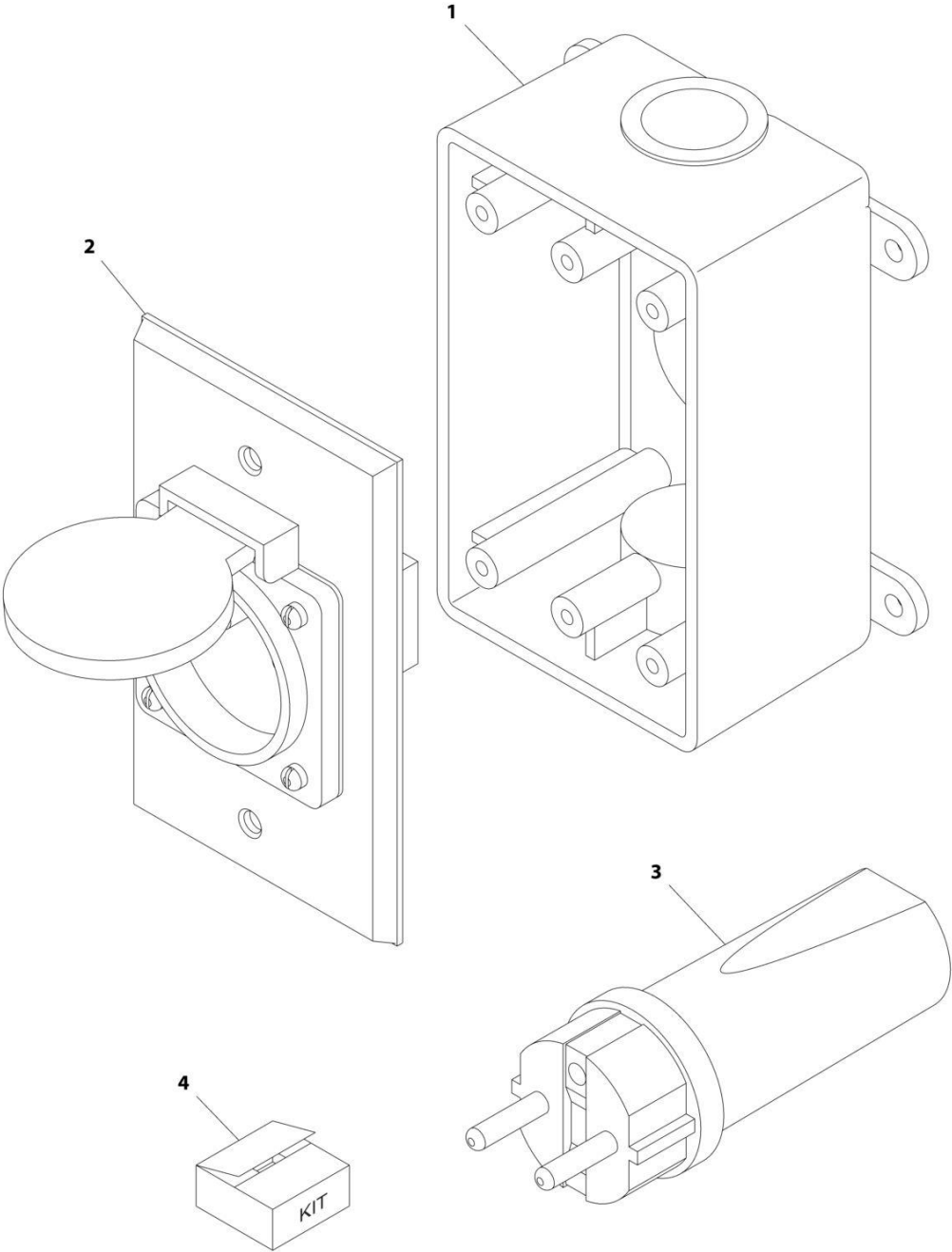
## SECTION 8 - ELECTRICAL

**FIGURE 8-59. RECEPTACLE BOX KIT - 220V CEE7 SIDE GROUND 70MM X 70MM BOX (CE SPEC)**

ITEM	PART NUMBER	QTY	DESCRIPTION	REV
	0275219	Ref	RECEPTACLE BOX KIT - 220V CEE7 SIDE GROUND 70MM X 70MM BOX	B
1	1001141967	1	Box, Switch	
2	1001141969	1	Receptacle	
3	4461205	1	Plug, Male	
4	1001141970	1	Plug and Socket Kit (Includes Items 1-3 and Female Plug p/n 4461206)	

**SECTION 8 - ELECTRICAL**

**FIGURE 8-60. RECEPTACLE BOX KIT - 220V CEE7 POST GROUND 2IN X 4IN BOX (CE SPEC)**



ART\_0275452

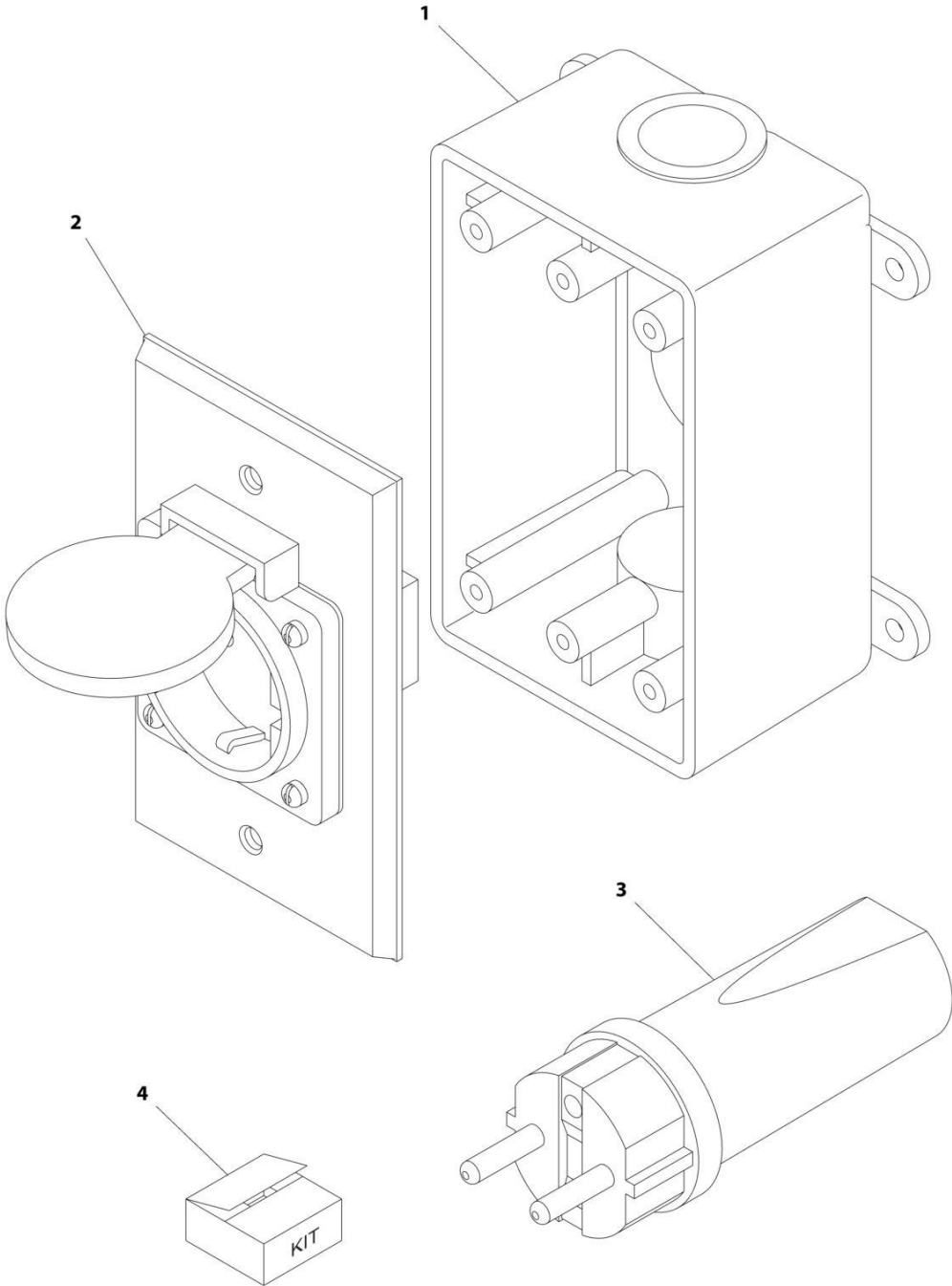
## SECTION 8 - ELECTRICAL

**FIGURE 8-60. RECEPTACLE BOX KIT - 220V CEE7 POST GROUND 2IN X 4IN BOX (CE SPEC)**

ITEM	PART NUMBER	QTY	DESCRIPTION	REV
	0275452	Ref	RECEPTACLE BOX KIT - 220V CEE7 POST GROUND	C
1	0861731	1	Box, Switch	
2	4461244	1	Receptacle	
3	4461205	1	Plug, Male	
4	1001100345	1	Plug and Socket Kit (Includes Items 1-3 and Female Plug p/n 4461206)	

**SECTION 8 - ELECTRICAL**

**FIGURE 8-61. RECEPTACLE BOX KIT - 220V CEE7 SIDE GROUND 2IN X 4IN BOX (CE SPEC)**



ART\_0275453

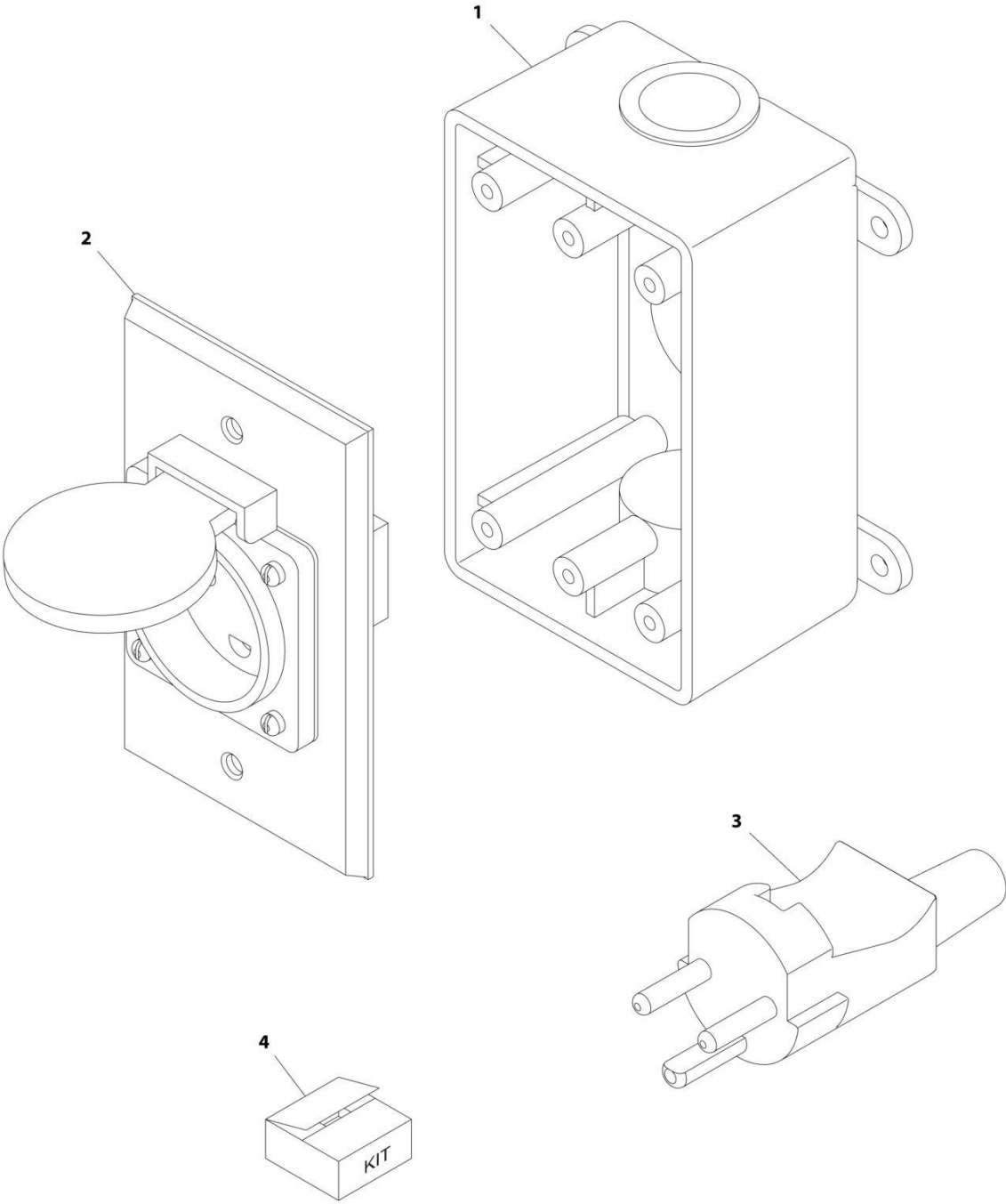
## SECTION 8 - ELECTRICAL

**FIGURE 8-61. RECEPTACLE BOX KIT - 220V CEE7 SIDE GROUND 2IN X 4IN BOX (CE SPEC)**

ITEM	PART NUMBER	QTY	DESCRIPTION	REV
	0275453	Ref	RECEPTACLE BOX KIT - 220V CEE7 SIDE GROUND	B
1	0861731	1	Box, Switch	
2	4461245	1	Receptacle	
3	4461205	1	Plug, Male	
4	1001100347	1	Plug and Socket Kit (Includes Items 1-3 and Female Plug p/n 4461206)	

**SECTION 8 - ELECTRICAL**

**FIGURE 8-62. RECEPTACLE BOX KIT - 220V AFSINT 107 (CE SPEC)**



ART\_0275454



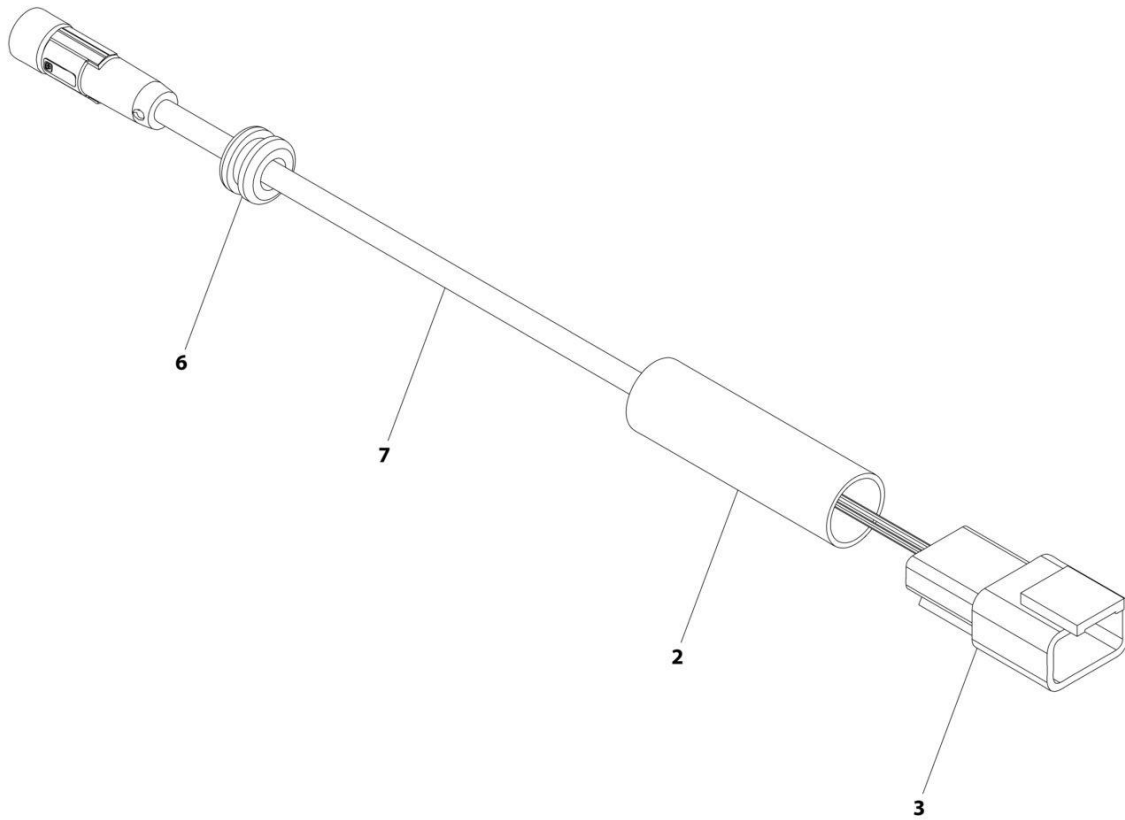
## SECTION 8 - ELECTRICAL

**FIGURE 8-62. RECEPTACLE BOX KIT - 220V AFSINT 107 (CE SPEC)**

ITEM	PART NUMBER	QTY	DESCRIPTION	REV
	0275454	Ref	RECEPTACLE BOX KIT - 220V AFSINT 107	B
1	0861731	1	Box, Switch	
2	4461246	1	Receptacle	
3	4461249	1	Plug, Male	
4	1001100346	1	Plug and Socket Kit (Includes Items 1-3 and Female Plug p/n 4461250)	

# SECTION 8 - ELECTRICAL

## FIGURE 8-63. SKYEYE EMITTER HARNESS



ART\_1001237864

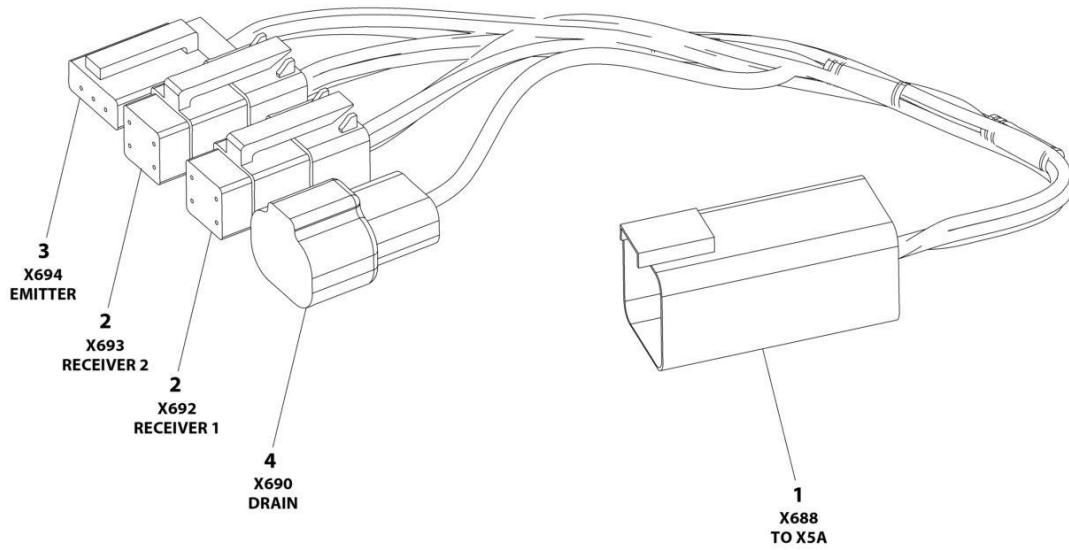
## SECTION 8 - ELECTRICAL

### FIGURE 8-63. SKYEYE EMITTER HARNESS

ITEM	PART NUMBER	QTY	DESCRIPTION	REV
	1001237864	Ref	SKYEYE EMITTER HARNESS	A
2	2820247	AR	Tubing, Heat Shrink	
3	4460910	1	Connector - 3 Position	
3	1001119620	3	Pin, Male	
6	1001227996	1	Grommet	
7	1001237862	1	Cable, M8 Female Cordset	

# SECTION 8 - ELECTRICAL

## FIGURE 8-64. SKYEYE INTERMEDIATE HARNESS



ART\_1001237865

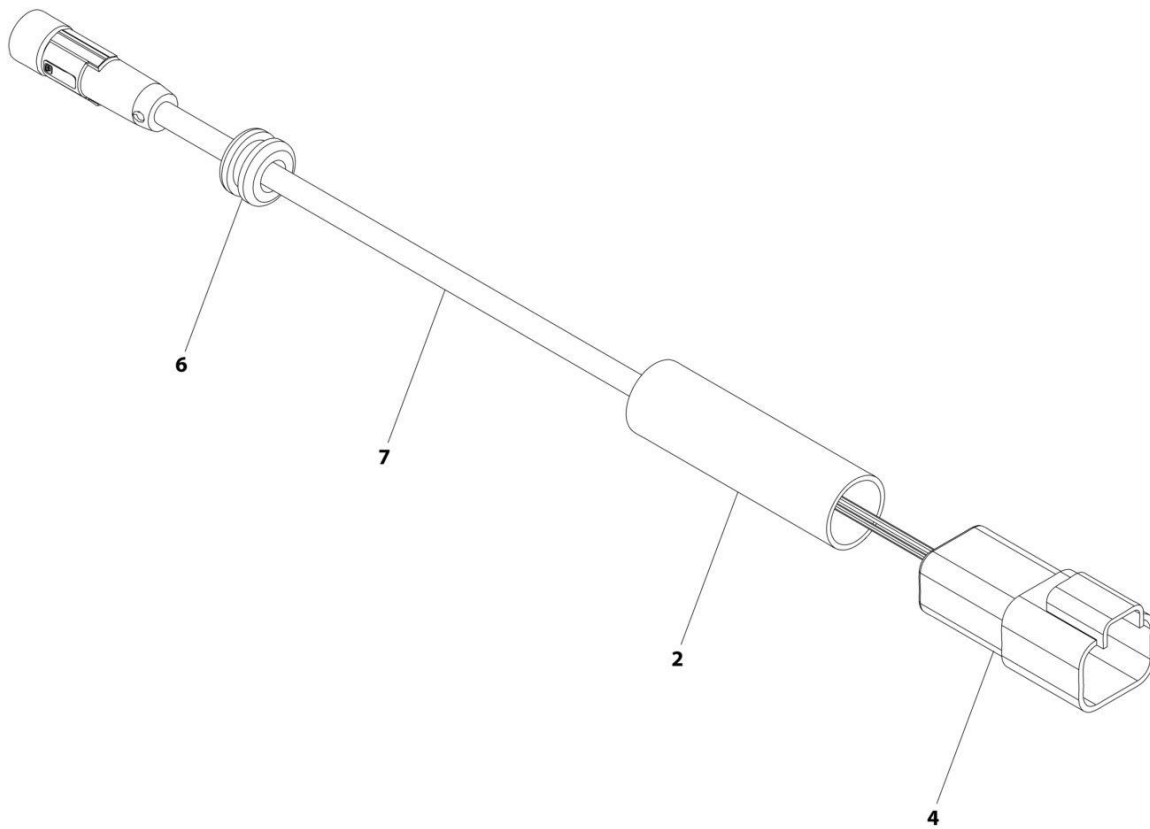
## SECTION 8 - ELECTRICAL

### FIGURE 8-64. SKYEYE INTERMEDIATE HARNESS

ITEM	PART NUMBER	QTY	DESCRIPTION	REV
	1001237865	Ref	SKYEYE INTERMEDIATE HARNESS	A
1	4460899	1	Connector - 6 Position	
1	4460943	4	Pin, Male	
1	4460466	2	Plug, Terminal	
2	4461077	2	Connector - 4 Position	
2	1001119619	8	Socket, Female	
3	4460911	1	Connector - 3 Position	
3	1001119619	3	Socket, Female	
4	1001187681	1	Connector - 2 Position	
4	4460941	1	Pin, Male	
4	4460466	1	Plug, Terminal	

# SECTION 8 - ELECTRICAL

## FIGURE 8-65. SKYEYE RECEIVER HARNESS



ART\_1001237863

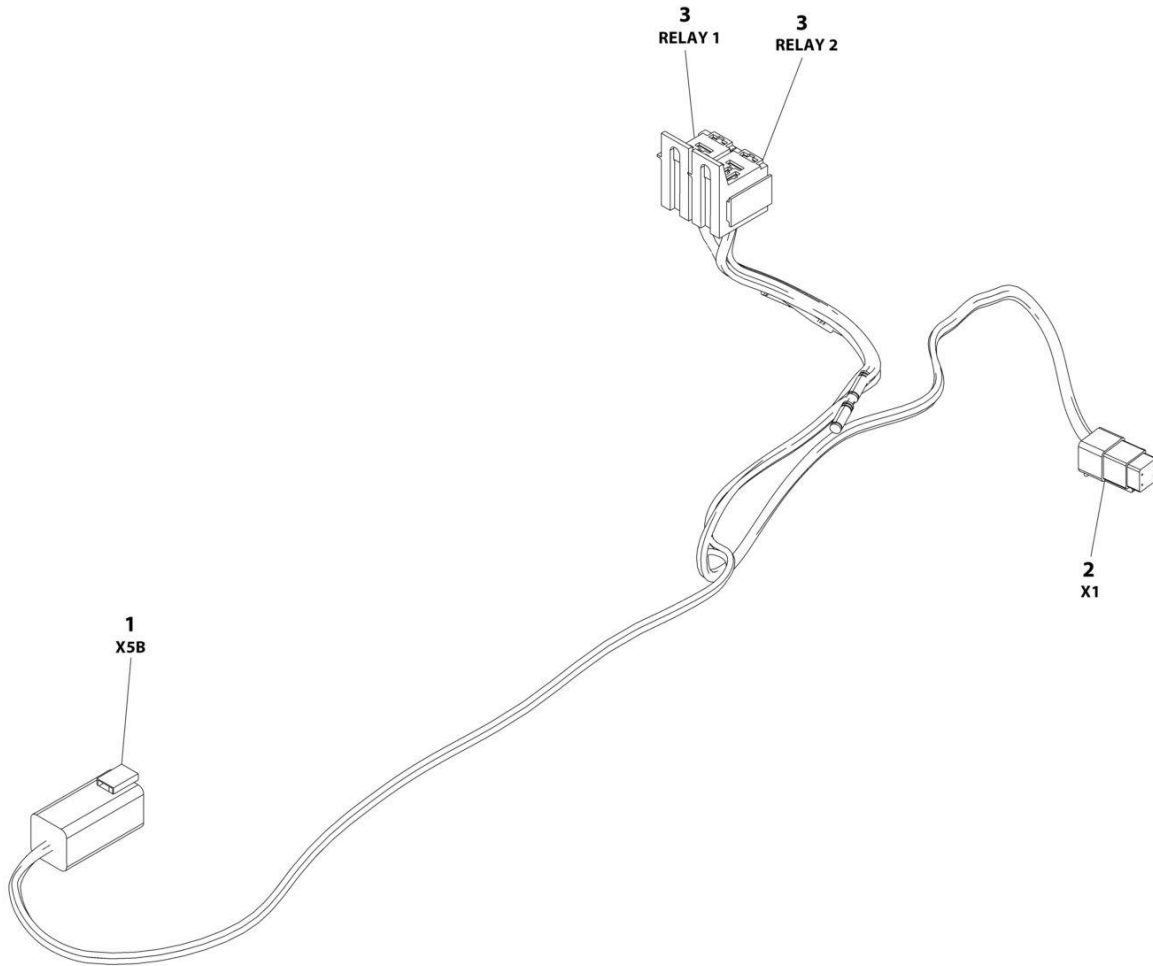
## SECTION 8 - ELECTRICAL

### FIGURE 8-65. SKYEYE RECEIVER HARNESS

ITEM	PART NUMBER	QTY	DESCRIPTION	REV
	1001237863	Ref	SKYEYE RECEIVER HARNESS	A
2	2820247	AR	Tubing, Heat Shrink	
4	1001097051	1	Connector - 4 Position	
4	1001119620	4	Pin, Male	
6	1001227996	1	Grommet	
7	1001237862	1	Cable, M8 Female Cordset	

# SECTION 8 - ELECTRICAL

## FIGURE 8-66. SKYLINE HARNESS



ART\_1001238418



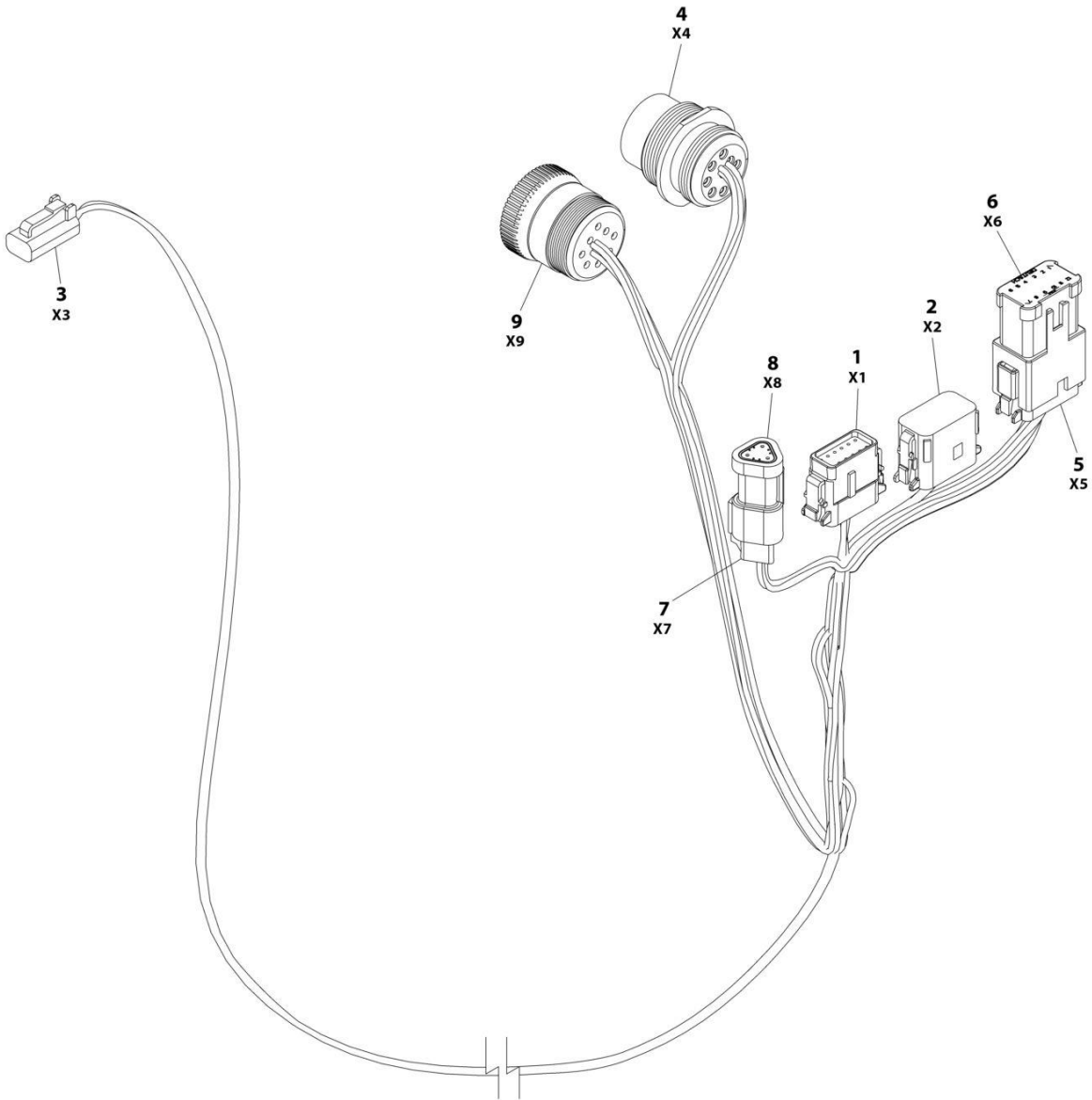
## SECTION 8 - ELECTRICAL

### FIGURE 8-66. SKYLINE HARNESS

ITEM	PART NUMBER	QTY	DESCRIPTION	REV
	1001238418	Ref	SKYLINE HARNESS	B
1	4460899	1	Connector - 6 Position	
1	4460464	4	Pin, Male	
1	4460466	2	Plug, Terminal	
2	4461077	1	Connector - 4 Position	
2	1001126009	4	Socket, Female	
3	1001186432	2	Plug, Relay	
3	1001118388	5	Terminal	
3	1001118384	3	Terminal	
3	3740086	2	Relay	

# SECTION 8 - ELECTRICAL

## FIGURE 8-67. STROBE LIGHT CONTROL (BLUE STROBE LIGHT)



ART\_1001142736

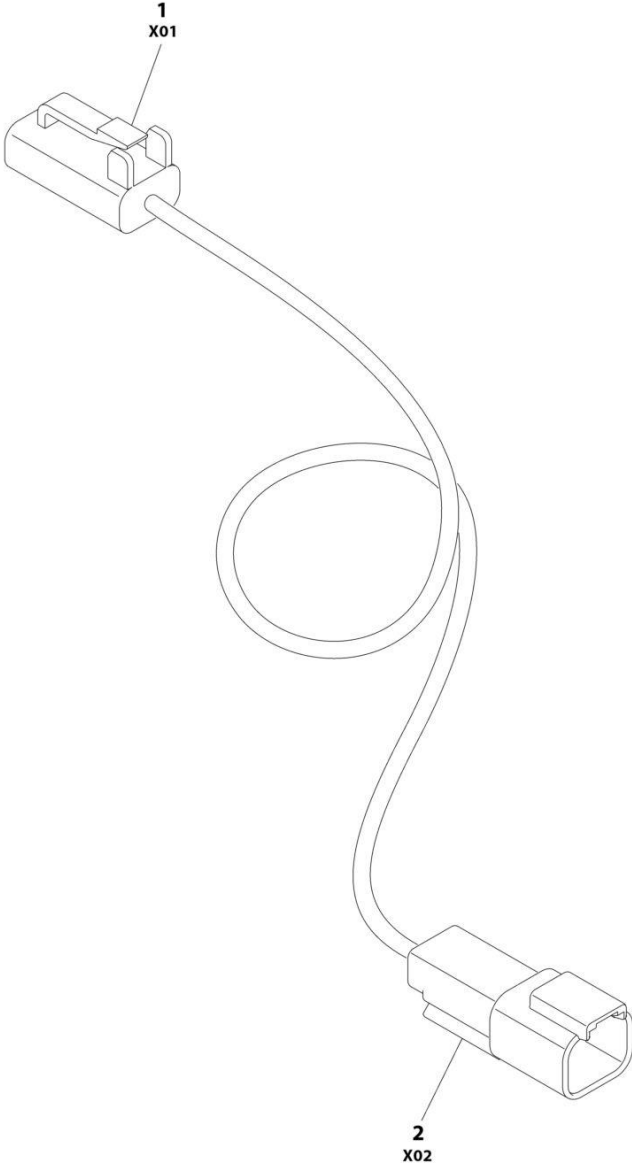
## SECTION 8 - ELECTRICAL

**FIGURE 8-67. STROBE LIGHT CONTROL (BLUE STROBE LIGHT)**

ITEM	PART NUMBER	QTY	DESCRIPTION	REV
	1001142736	Ref	STROBE LIGHT HARNESS	F
1	1001116808	1	Plug, Male - 12 Position	
1	4460928	3	Socket, Female	
1	4460518	9	Plug, Terminal	
2	1001116774	1	Plug, Male - 12 Position	
2	4460928	3	Socket, Female	
2	4460518	9	Plug, Terminal	
3	4460891	1	Plug, Male - 2 Position	
3	4460465	2	Socket, Female	
4	1001112612	1	Connector - 9 Position	
4	4460464	6	Pin, Male	
4	4460466	3	Plug, Terminal	
5	4460933	1	Plug, Male - 12 Position	
5	4460465	12	Socket, Female	
6	1001119020	1	Bussbar - 12 Position	
7	4461095	1	Plug, Male - 3 Position	
7	4460465	3	Socket, Female	
8	4461070	1	Bussbar - 3 Position	
9	1001112796	1	Connector - 9 Position	
9	4460465	6	Socket, Female	
9	4460466	3	Plug, Terminal	

**SECTION 8 - ELECTRICAL**

**FIGURE 8-68. STROBE LIGHT EXTENSION HARNESS (BLUE STROBE LIGHT ONLY)**



ART\_1001159027

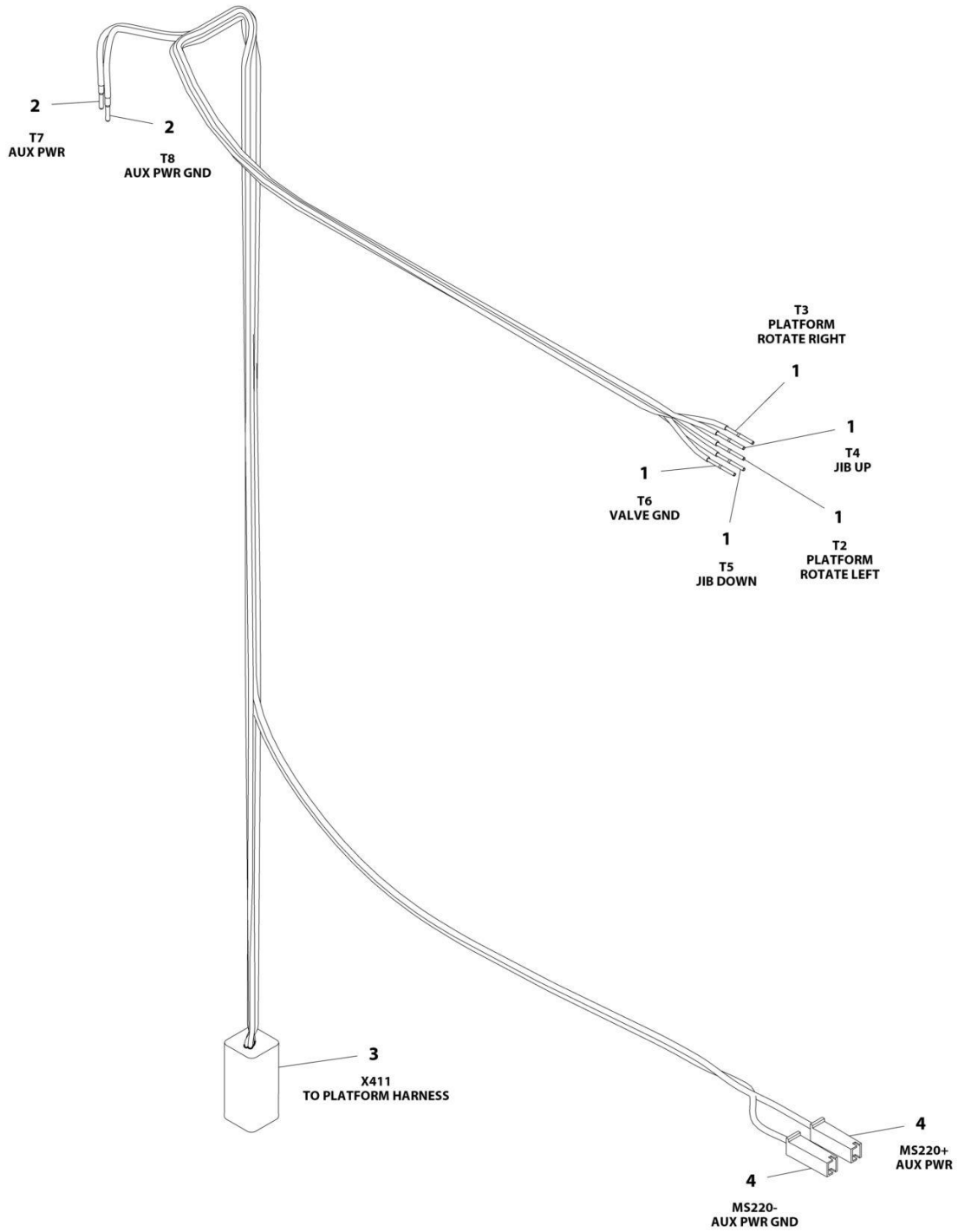
## SECTION 8 - ELECTRICAL

**FIGURE 8-68. STROBE LIGHT EXTENSION HARNESS (BLUE STROBE LIGHT ONLY)**

ITEM	PART NUMBER	QTY	DESCRIPTION	REV
	1001159027	Ref	STROBE LIGHT EXTENSION HARNESS (BLUE STROBE LIGHT ONLY)	B
1	4460891	1	Plug, Male - 2 Position	
1	4460465	2	Socket, Female	
2	4460897	1	Receptacle, Female	
2	4460464	2	Pin, Male	

# SECTION 8 - ELECTRICAL

## FIGURE 8-69. VALVE HARNESS - BOOM VALVE



ART\_1001140525

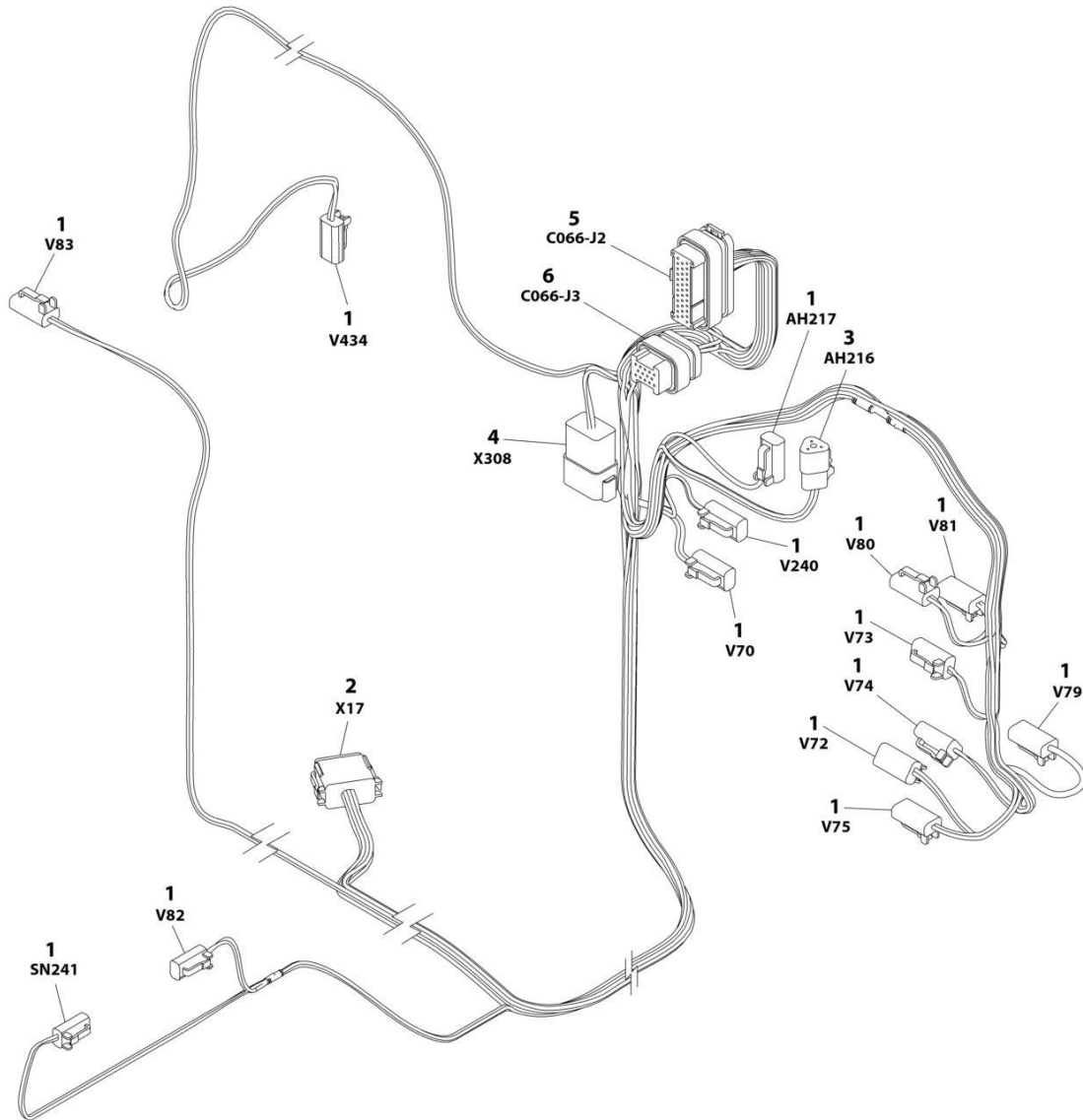
## SECTION 8 - ELECTRICAL

### FIGURE 8-69. VALVE HARNESS - BOOM VALVE

ITEM	PART NUMBER	QTY	DESCRIPTION	REV
	1001140525	Ref	BOOM HARNESS - UPPER BOOM VALVE	A
1	4460465	5	Socket, Female	
2	4460508	2	Pin, Male	
3	4460899	1	Connector - 6 Position	
3	4460464	5	Pin, Male	
3	4460466	1	Plug, Terminal	
4	4460260	2	Connector - 1 Position	
4	4460259	2	Terminal	

# SECTION 8 - ELECTRICAL

## FIGURE 8-70. VALVE HARNESS - MAIN CONTROL



ART\_1001244525



## SECTION 8 - ELECTRICAL

### FIGURE 8-70. VALVE HARNESS - MAIN CONTROL

ITEM	PART NUMBER	QTY	DESCRIPTION	REV
	1001244525	Ref	VALVE HARNESS	A
1	4460891	14	Plug, Male - 2 Position	
1	4460465	28	Socket, Female	
2	4460933	1	Plug, Male - 12 Position	
2	4460465	9	Socket, Female	
2	4460466	3	Plug, Terminal	
3	4460539	1	Connector - 3 Position	
3	4460465	3	Socket, Female	
4	4460931	1	Connector - 8 Position	
4	4460464	5	Pin, Male	
4	4460466	3	Plug, Terminal	
5	4460875	1	Connector - 35 Position	
5	4460871	28	Socket, Female	
5	4460905	7	Plug, Terminal	
6	4460872	1	Connector - 14 Position	
6	4460871	8	Socket, Female	
6	4460905	6	Plug, Terminal	

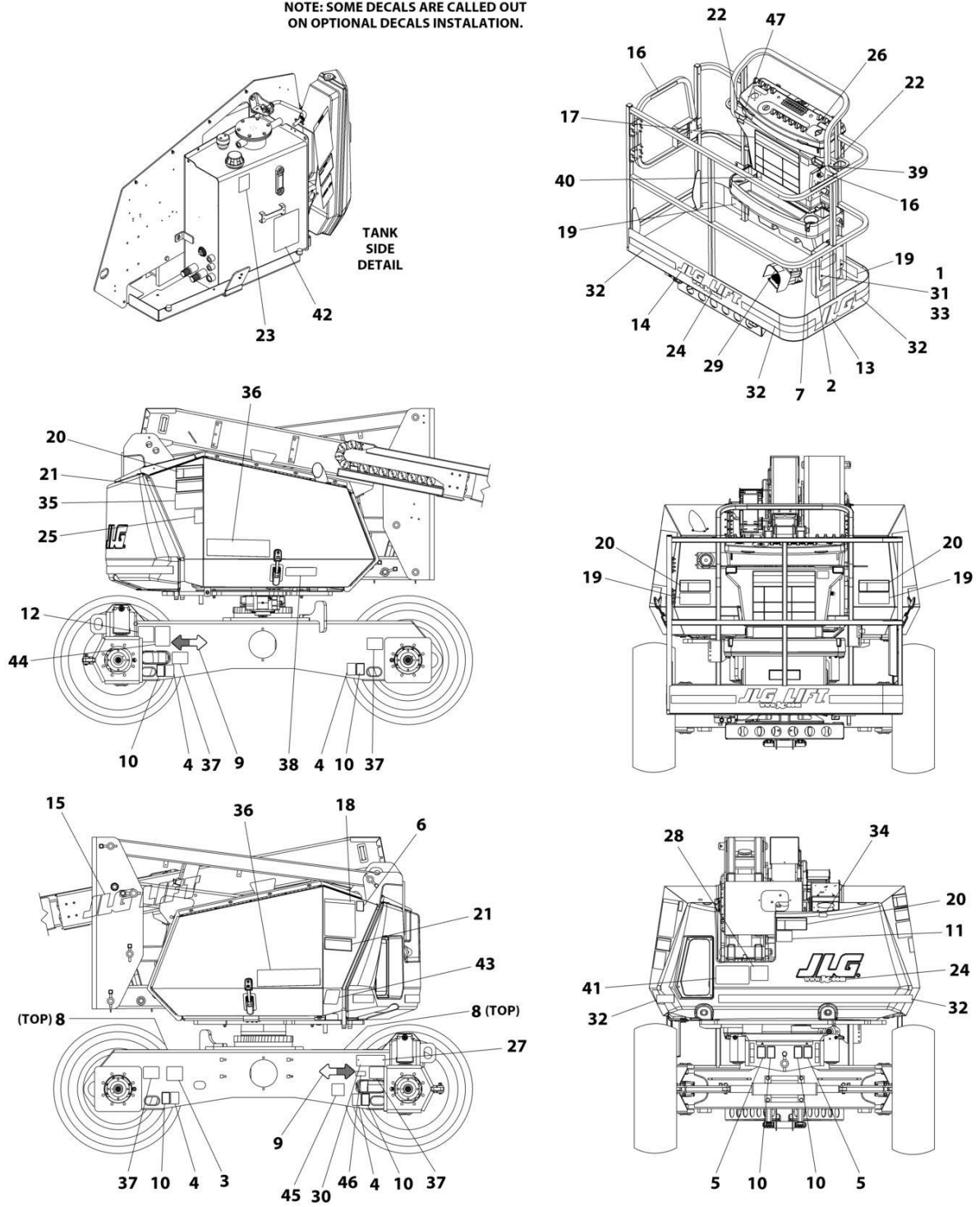


**SECTION 9 - DECALS**

# SECTION 9 - DECALS

## FIGURE 9-1. DECALS INSTALLATION - ANSI AND ANSI EXPORT SPECS (ENGLISH)

NOTE: SOME DECALS ARE CALLED OUT ON OPTIONAL DECALS INSTALLATION.



ART\_1001245868

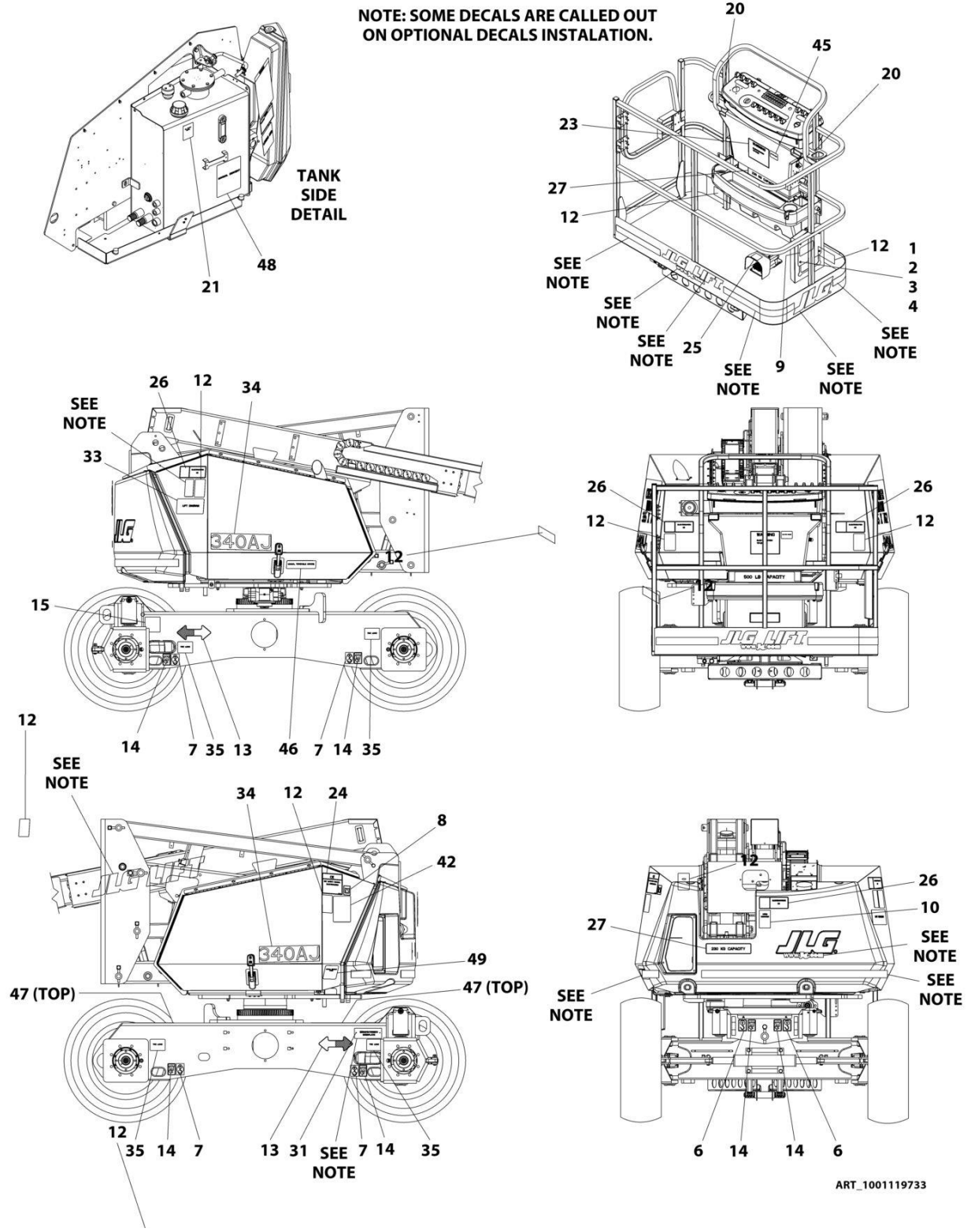
## SECTION 9 - DECALS

**FIGURE 9-1. DECALS INSTALLATION - ANSI AND ANSI EXPORT SPECS (ENGLISH)**

ITEM	PART NUMBER	QTY	DESCRIPTION	REV
	1001245868	Ref	DECALS INSTALLATION	D
1	0760610	4	Bolt M6 x 20	
2	0860520	1	Box, Manual Storage	
4	1701499	4	Decal - No Tie-Down/No Lift	
5	1701500	4	Decal - Lift	
6	1701504	1	Decal - Hydraulic Oil	
7	1701509	1	Decal - Manual	
8	1701529	2	Decal - Arrow	
9	1701642	2	Decal - Arrow	
10	1702300	8	Decal - Tie-Down	
11	1702391	1	Decal - Crushing	
12	See Note	1	Decal - Bar Code (Note: Not Available for Purchase)	
16	1702868	2	Decal - No Hands	
17	1703797	1	Decal - Danger/Warning	
18	1703798	1	Decal - Danger/Warning	
19	1703804	4	Decal - Warning Crushing	
20	1703805	4	Decal - Electrocutation	
21	1703953	2	Decal - Warning Crushing	
22	1704277	2	Decal - Lanyard Attach	
23	1704412	1	Decal - Hydraulic Oil	
26	1705351	1	Decal - Drive/Steer Instructions	
27	2080057	2	Fastener	
29	3252347	1	Nameplate - Footswitch	
31	3290605	4	Nut M6	
33	4811700	8	Washer M6	
35	1001119576	1	Decal - Lift Diagram	
36	1001119578	2	Decal - 340AJ <b>(Prior to SN 0300280427)</b>	
36	1001267323	2	Decal - 340AJ <b>(SN 0300280427 to Present)</b>	
37	1001119580	4	Decal - Tire Load	
38	1001119981	1	Decal - Manual Turntable Rotate	
39	1001120002	1	Decal - No Pipe Racks	
40	1001253920	1	Decal - Warning Single Capacity	
41	1001253921	1	Decal - Warning Single Capacity	
42	1001127549	1	Decal - Manual Descent	
43	1001127588	1	Decal - Manual Descent	
44	1001131269	1	Decal - Patent	
45	1001223055	1	Decal - Yearly Inspection	
46	1001223453	1	Decal - ICES	

# SECTION 9 - DECALS

## FIGURE 9-2. DECALS INSTALLATION - AUSTRALIAN SPEC (ENGLISH)



## SECTION 9 - DECALS

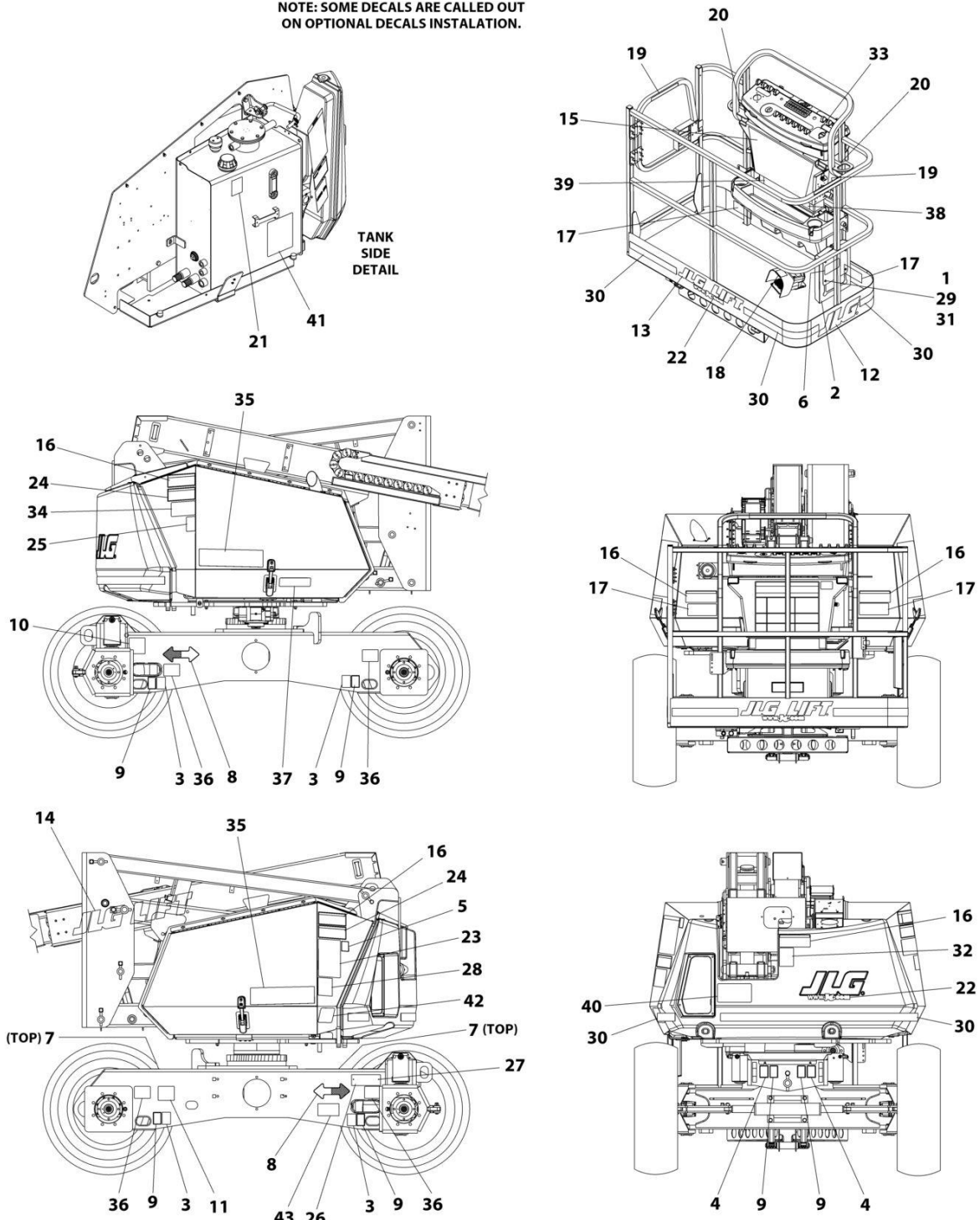
**FIGURE 9-2. DECALS INSTALLATION - AUSTRALIAN SPEC (ENGLISH)**

ITEM	PART NUMBER	QTY	DESCRIPTION	REV
	1001119733	Ref	DECALS INSTALLATION	H
1	0760610	4	Bolt M6 x 20	
2	4811700	8	Washer M6	
3	3290605	4	Nut M6	
4	0860520	1	Box, Manual Storage	
6	1701500	4	Decal - Lift	
7	1701499	4	Decal - No Tie-Down/No Lift	
8	1701504	1	Decal - Hydraulic Oil	
9	1701509	1	Decal - Manual	
10	1701517	1	Decal - Crushing	
12	1701518	6	Decal - Crushing	
13	1701642	2	Decal - Arrow	
14	1702300	8	Decal - Tie-Down	
15	See Note	1	Decal - Bar Code (Note: Not Available for Purchase)	
20	1704277	2	Decal - Lanyard Attach	
21	1704412	1	Decal - Hydraulic Oil	
23	1705921	1	Decal - Tipping/Electrocution	
24	1705822	1	Decal - Electrocution/Safety Manual	
25	1705828	1	Decal - Footswitch	
26	1705961	4	Decal - Electrocution	
27	1705978	2	Decal - Capacity 230KG	
31	2080057	2	Fastener	
33	1001119576	1	Decal - Lift Diagram	
34	1001119578	2	Decal - 340AJ <b>(Prior to SN 0300280427)</b>	
34	1001267323	2	Decal - 340AJ <b>(SN 0300280427 to Present)</b>	
35	1001119580	4	Decal - Tire Load	
42	1001112551	1	Decal - Emergency Controls	
45	1001120003	1	Decal - No Pipe Racks	
46	1001119981	1	Decal - Manual Turntable Rotate	
47	1701529	2	Decal - Arrow	
48	1001127549	1	Decal - Manual Descent	
49	1001127588	1	Decal - Manual Descent	

# SECTION 9 - DECALS

## FIGURE 9-3. DECALS INSTALLATION - BRAZIL SPEC (PORTUGUESE/SPANISH)

NOTE: SOME DECALS ARE CALLED OUT ON OPTIONAL DECALS INSTALLATION.



ART\_1001246463



## SECTION 9 - DECALS

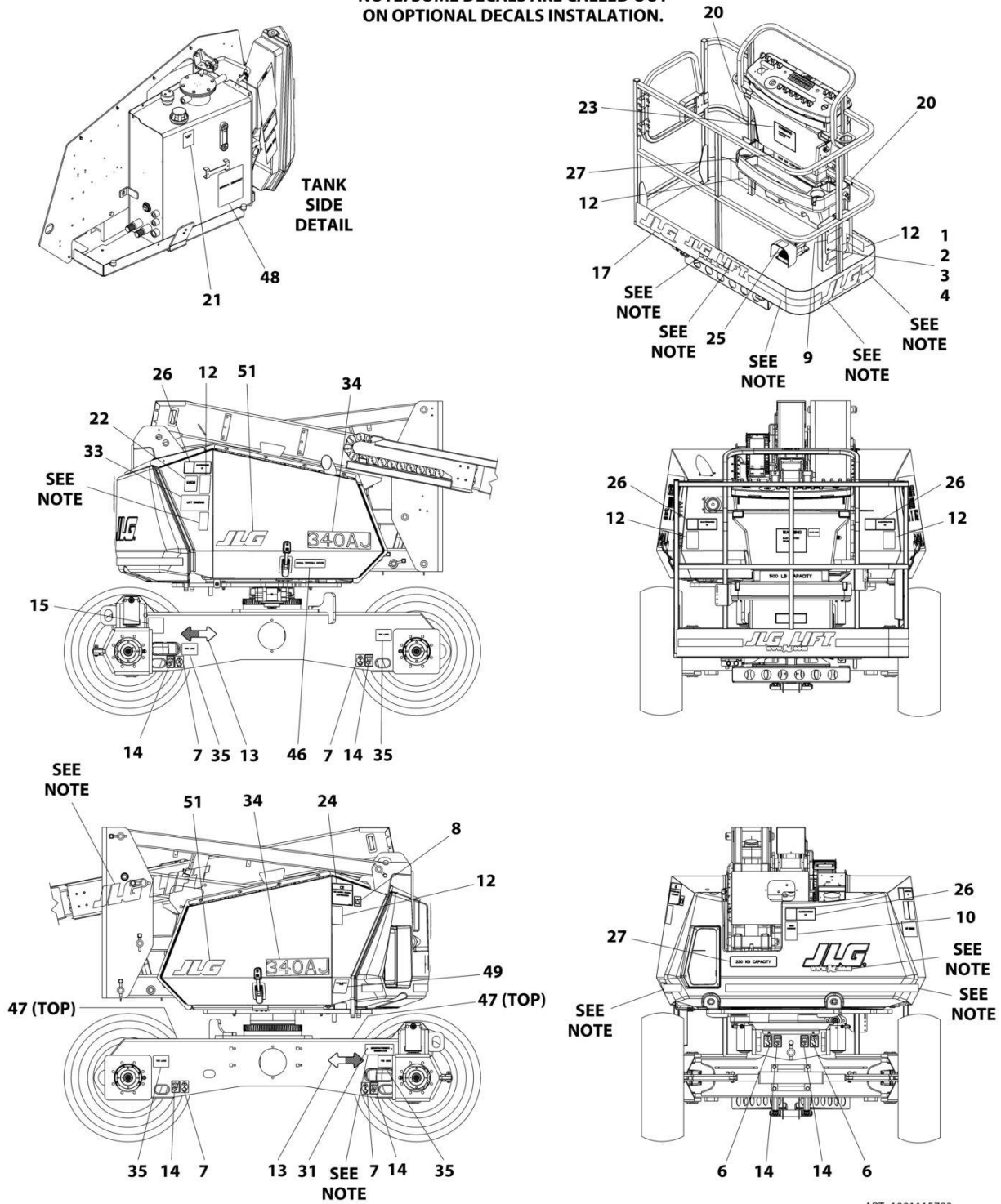
**FIGURE 9-3. DECALS INSTALLATION - BRAZIL SPEC (PORTUGUESE/SPANISH)**

ITEM	PART NUMBER	QTY	DESCRIPTION	REV
	1001246463	Ref	DECALS INSTALLATION	E
1	0760610	4	Bolt M6 x 20	
2	0860520	1	Box, Manual Storage	
3	1701499	4	Decal - No Tie-Down/No Lift	
4	1701500	4	Decal - Lift	
5	1701504	1	Decal - Hydraulic Oil	
6	1701509	1	Decal - Manual	
7	1701529	2	Decal - Arrow	
8	1701642	2	Decal - Arrow	
9	1702300	8	Decal - Tie-Down	
10	See Note	NSS	Decal - Bar Code (Note: Not Available for Purchase)	
15	1703928	1	Decal - Danger/Warning	
16	1703940	5	Decal - Electrocution	
17	1703952	4	Decal - Warning Crushing	
18	1703985	1	Nameplate - Footswitch	
19	1704002	1	Decal - No Hands	
20	1704277	2	Decal - Lanyard Attach	
21	1704412	1	Decal - Hydraulic Oil	
23	1705349	1	Decal - Warning Inspection	
24	1705903	2	Decal - Warning Crushing (Portuguese/English)	
24	1703946	2	Decal - Warning Crushing (Portuguese/Spanish)	
27	2080057	2	Fastener	
29	3290605	4	Nut M6	
31	4811700	8	Washer M6	
32	1001113170	1	Decal - Crushing	
33	1001113680	1	Decal - Drive/Steer Instructions	
34	1001119576	1	Decal - Lift Diagram	
35	1001119578	2	Decal - 340AJ <b>(Prior to SN 0300280427)</b>	
35	1001267323	2	Decal - 340AJ <b>(SN 0300280427 to Present)</b>	
36	1001119580	4	Decal - Tire Load	
37	1001119981	1	Decal - Manual Turntable Rotate	
38	1001120002	1	Decal - No Pipe Racks	
39	1001253928	1	Decal - Warning Single Capacity	
40	1001253929	1	Decal - Warning Single Capacity	
41	1001127549	1	Decal - Manual Descent	
42	1001127588	1	Decal - Manual Descent	
43	1001224052	1	Decal - Yearly Inspection	

# SECTION 9 - DECALS

## FIGURE 9-4. DECALS INSTALLATION - CE SPECS (ENGLISH)

NOTE: SOME DECALS ARE CALLED OUT ON OPTIONAL DECALS INSTALLATION.



ART\_1001115783

## SECTION 9 - DECALS

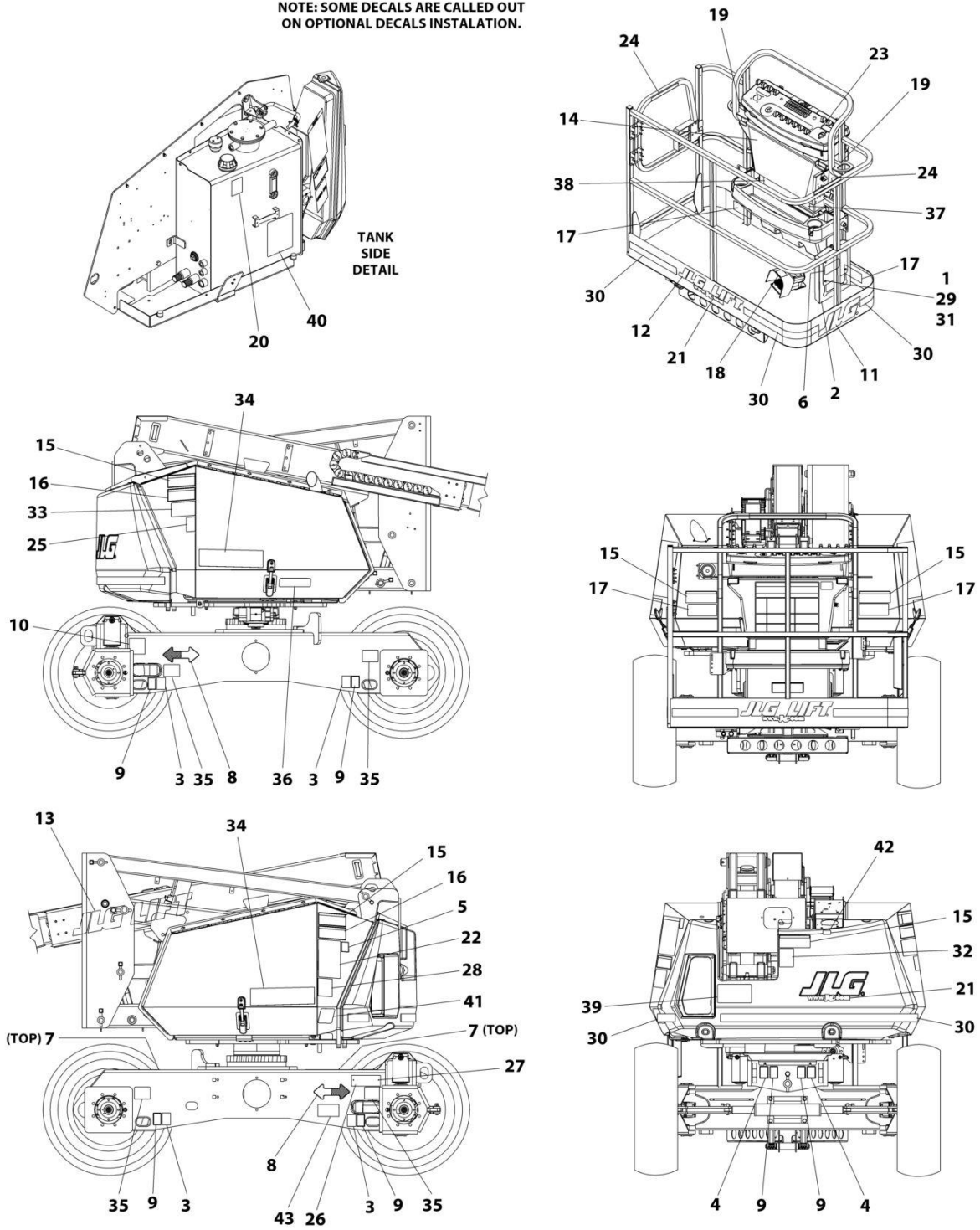
**FIGURE 9-4. DECALS INSTALLATION - CE SPECS (ENGLISH)**

ITEM	PART NUMBER	QTY	DESCRIPTION	REV
	1001115783	Ref	DECALS INSTALLATION	M
1	0760610	4	Bolt M6 x 20	
2	4811700	8	Washer M6	
3	3290605	4	Nut M6	
4	0860520	1	Box, Manual Storage	
6	1701500	4	Decal - Lift	
7	1701499	4	Decal - No Tie-Down/No Lift	
8	1701504	1	Decal - Hydraulic Oil	
9	1701509	1	Decal - Manual	
10	1701517	1	Decal - Crushing	
12	1701518	6	Decal - Crushing	
13	1701642	2	Decal - Arrow	
14	1702300	8	Decal - Tie-Down	
15	See Note	1	Decal - Bar Code (Note: Not Available for Purchase)	
17	1702773	1	Decal - JLG	
20	1704277	2	Decal - Lanyard Attach	
21	1704412	1	Decal - Hydraulic Oil	
22	1001130492	1	Decal - Sound Power	
23	1705921	1	Decal - Tipping/Electrocution	
24	1705822	1	Decal - Electrocution/Safety Manual	
25	1705828	1	Decal - Footswitch	
26	1705961	4	Decal - Electrocution	
27	1705978	2	Decal - Capacity 230KG	
31	2080057	2	Fastener	
33	1001119576	1	Decal - Lift Diagram	
34	1001119578	2	Decal - 340AJ ( <b>Prior to SN 0300280427</b> )	
34	1001267323	2	Decal - 340AJ ( <b>SN 0300280427 to Present</b> )	
35	1001119580	4	Decal - Tire Load	
46	1001119981	1	Decal - Manual Turntable Rotate	
47	1701529	2	Decal - Arrow	
48	1001127549	1	Decal - Manual Descent	
49	1001127588	1	Decal - Manual Descent	
51	1701435	2	Decal - JLG	

# SECTION 9 - DECALS

## FIGURE 9-5. DECALS INSTALLATION - CHINESE SPEC (CHINESE/ENGLISH)

NOTE: SOME DECALS ARE CALLED OUT ON OPTIONAL DECALS INSTALLATION.



ART\_1001246462

## SECTION 9 - DECALS

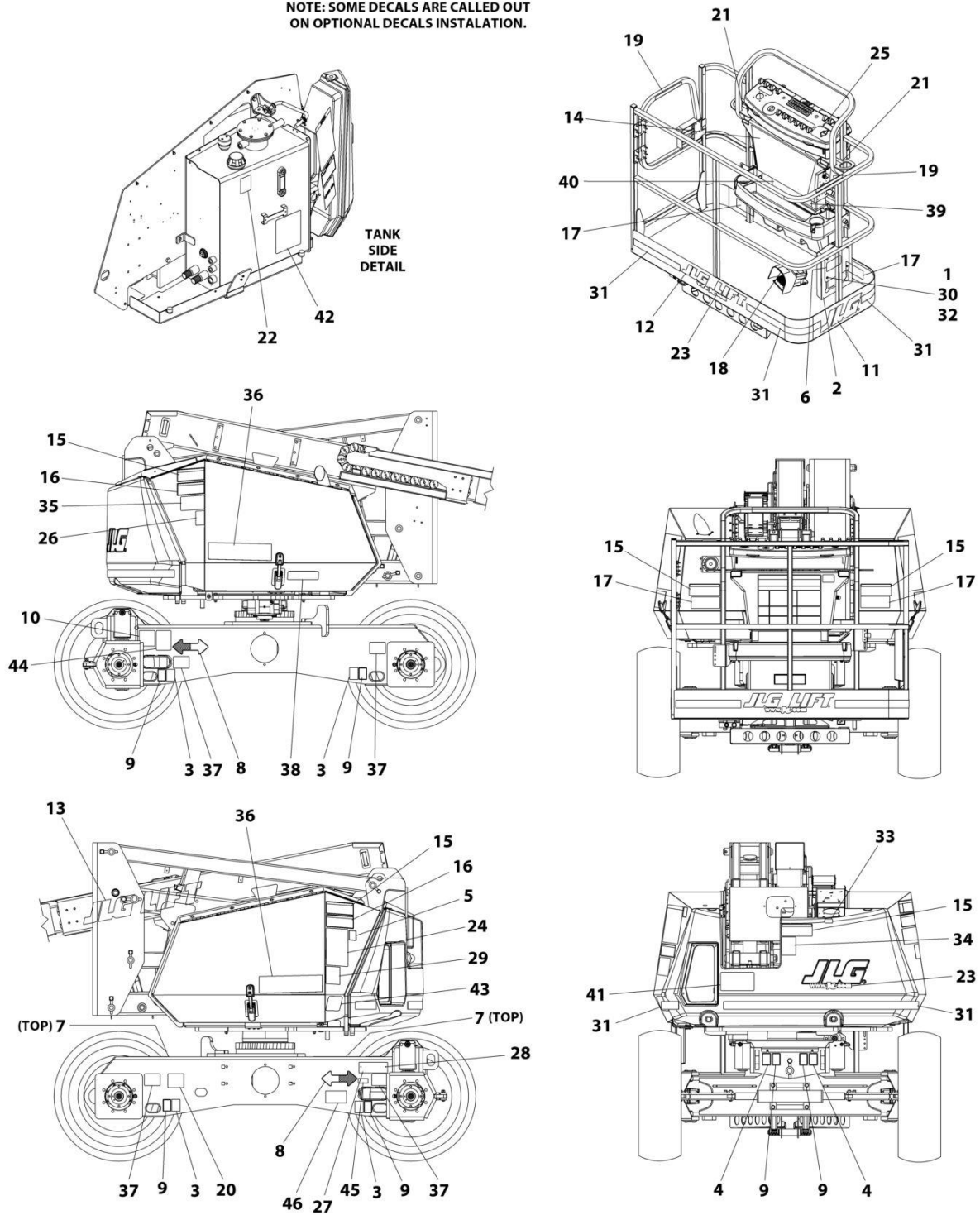
**FIGURE 9-5. DECALS INSTALLATION - CHINESE SPEC (CHINESE/ENGLISH)**

ITEM	PART NUMBER	QTY	DESCRIPTION	REV
	1001246462	Ref	DECALS INSTALLATION	D
1	0760610	4	Bolt M6 x 20	
2	0860520	1	Box, Manual Storage	
3	1701499	4	Decal - No Tie-Down/No Lift	
4	1701500	4	Decal - Lift	
5	1701504	1	Decal - Hydraulic Oil	
6	1701509	1	Decal - Manual	
7	1701529	2	Decal - Arrow	
8	1701642	2	Decal - Arrow	
9	1702300	8	Decal - Tie-Down	
10	See Note	NSS	Decal - Bar Code (Note: Not Available for Purchase)	
14	1703925	1	Decal - Warning/Danger	
15	1703937	5	Decal - Electrocution	
16	1703943	2	Decal - Warning Crushing	
17	1703949	4	Decal - Warning Crushing	
18	1703982	1	Nameplate - Footswitch	
19	1704277	2	Decal - Lanyard Attach	
20	1704412	1	Decal - Hydraulic Oil	
22	1705348	1	Decal - Warning Inspection	
23	1705430	1	Decal - Drive/Steer Instructions	
24	1705968	2	Decal - No Hands	
27	2080057	2	Fastener	
29	3290605	4	Nut M6	
31	4811700	8	Washer M6	
32	1001113168	1	Decal - Crushing	
33	1001119576	1	Decal - Lift Diagram	
34	1001119578	2	Decal - 340AJ ( <b>Prior to SN 0300280427</b> )	
34	1001267323	2	Decal - 340AJ ( <b>SN 0300280427 to Present</b> )	
35	1001119580	4	Decal - Tire Load	
36	1001119981	1	Decal - Manual Turntable Rotate	
37	1001120281	1	Decal - No Pipe Racks	
38	1001253926	1	Decal - Warning Single Capacity	
39	1001253927	1	Decal - Warning Single Capacity	
40	1001127549	1	Decal - Manual Descent	
41	1001127588	1	Decal - Manual Descent	
43	1001224050	1	Decal - Yearly Inspection	

# SECTION 9 - DECALS

## FIGURE 9-6. DECALS INSTALLATION - CSA SPEC (FRENCH/ENGLISH)

NOTE: SOME DECALS ARE CALLED OUT ON OPTIONAL DECALS INSTALLATION.



ART\_1001245869

## SECTION 9 - DECALS

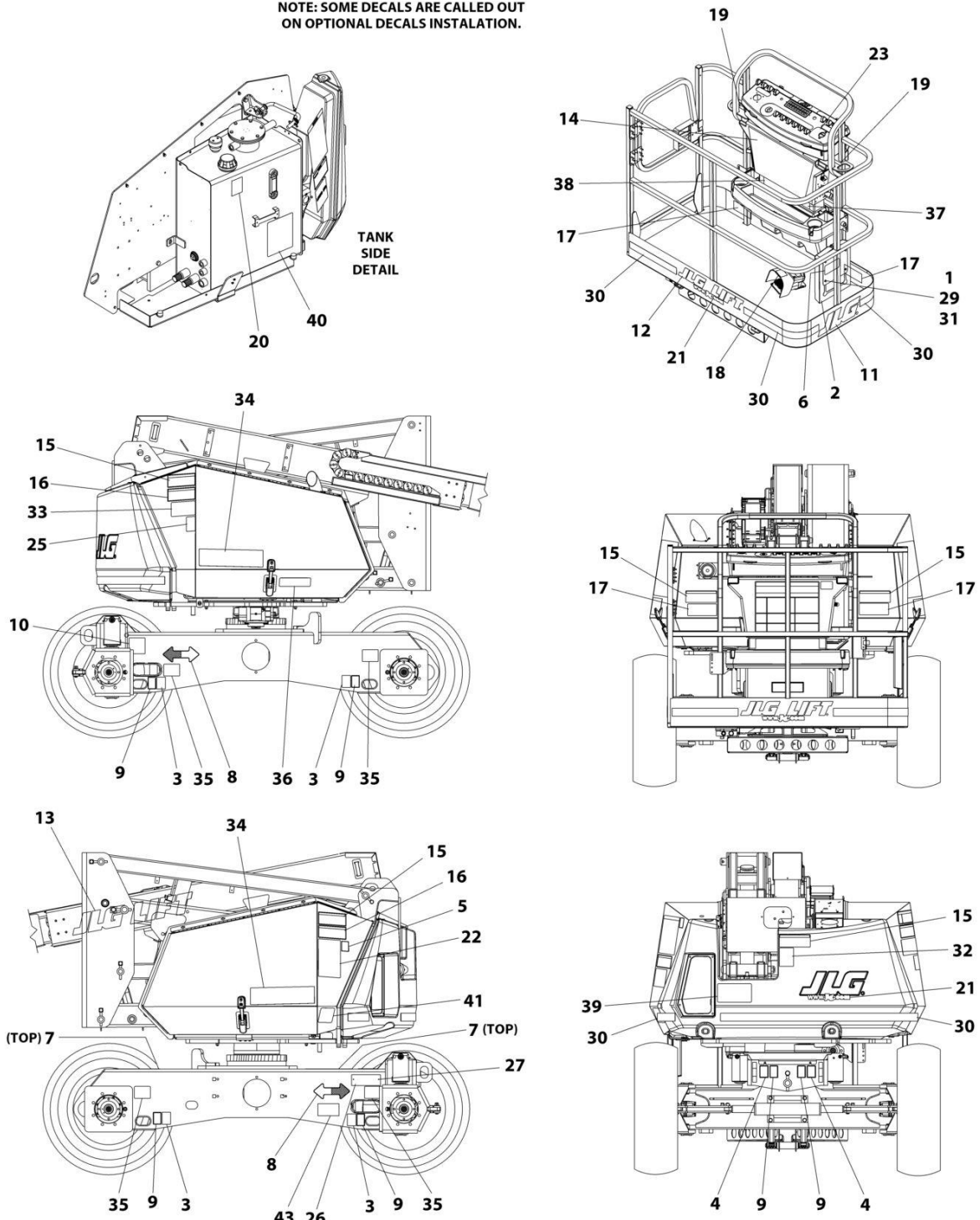
**FIGURE 9-6. DECALS INSTALLATION - CSA SPEC (FRENCH/ENGLISH)**

ITEM	PART NUMBER	QTY	DESCRIPTION	REV
	1001245869	Ref	DECALS INSTALLATION	D
1	0760610	4	Bolt M6 x 20	
2	0860520	1	Box, Manual Storage	
3	1701499	4	Decal - No Tie-Down/No Lift	
4	1701500	4	Decal - Lift	
5	1701504	1	Decal - Hydraulic Oil	
6	1701509	1	Decal - Manual	
7	1701529	2	Decal - Arrow	
8	1701642	2	Decal - Arrow	
9	1702300	8	Decal - Tie-Down	
10	See Note	NSS	Decal - Bar Code (Note: Not Available for Purchase)	
14	1703924	1	Decal - Warning/Danger	
15	1703936	5	Decal - Electrocution	
16	1703942	2	Decal - Warning Crushing	
17	1703948	4	Decal - Warning Crushing	
18	1703984	1	Nameplate - Footswitch	
19	1704000	2	Decal - No Hands	
21	1704277	2	Decal - Lanyard Attach	
22	1704412	1	Decal - Hydraulic Oil	
24	1705347	1	Decal - Warning Inspection	
25	1705429	1	Decal - Drive/Steer Instructions	
28	2080057	2	Fastener	
30	3290605	4	Nut M6	
32	4811700	8	Washer M6	
34	1001113169	1	Decal - Crushing	
35	1001119576	1	Decal - Lift Diagram	
36	1001119578	2	Decal - 340AJ ( <b>Prior to SN 0300280427</b> )	
36	1001267323	2	Decal - 340AJ ( <b>SN 0300280427 to Present</b> )	
37	1001119580	4	Decal - Tire Load	
38	1001119981	1	Decal - Manual Turntable Rotate	
39	1001120004	1	Decal - No Pipe Racks	
40	1001253922	1	Decal - Warning Single Capacity	
41	1001253923	1	Decal - Warning Single Capacity	
42	1001127549	1	Decal - Manual Descent	
43	1001127588	1	Decal - Manual Descent	
44	1001131269	1	Decal - Patent	
45	1001223453	1	Decal - ICES	
46	1001223971	1	Decal - Yearly Inspection	

# SECTION 9 - DECALS

## FIGURE 9-7. DECALS INSTALLATION - JAPANESE SPEC (JAPANESE)

NOTE: SOME DECALS ARE CALLED OUT ON OPTIONAL DECALS INSTALLATION.



ART\_1001246460



## SECTION 9 - DECALS

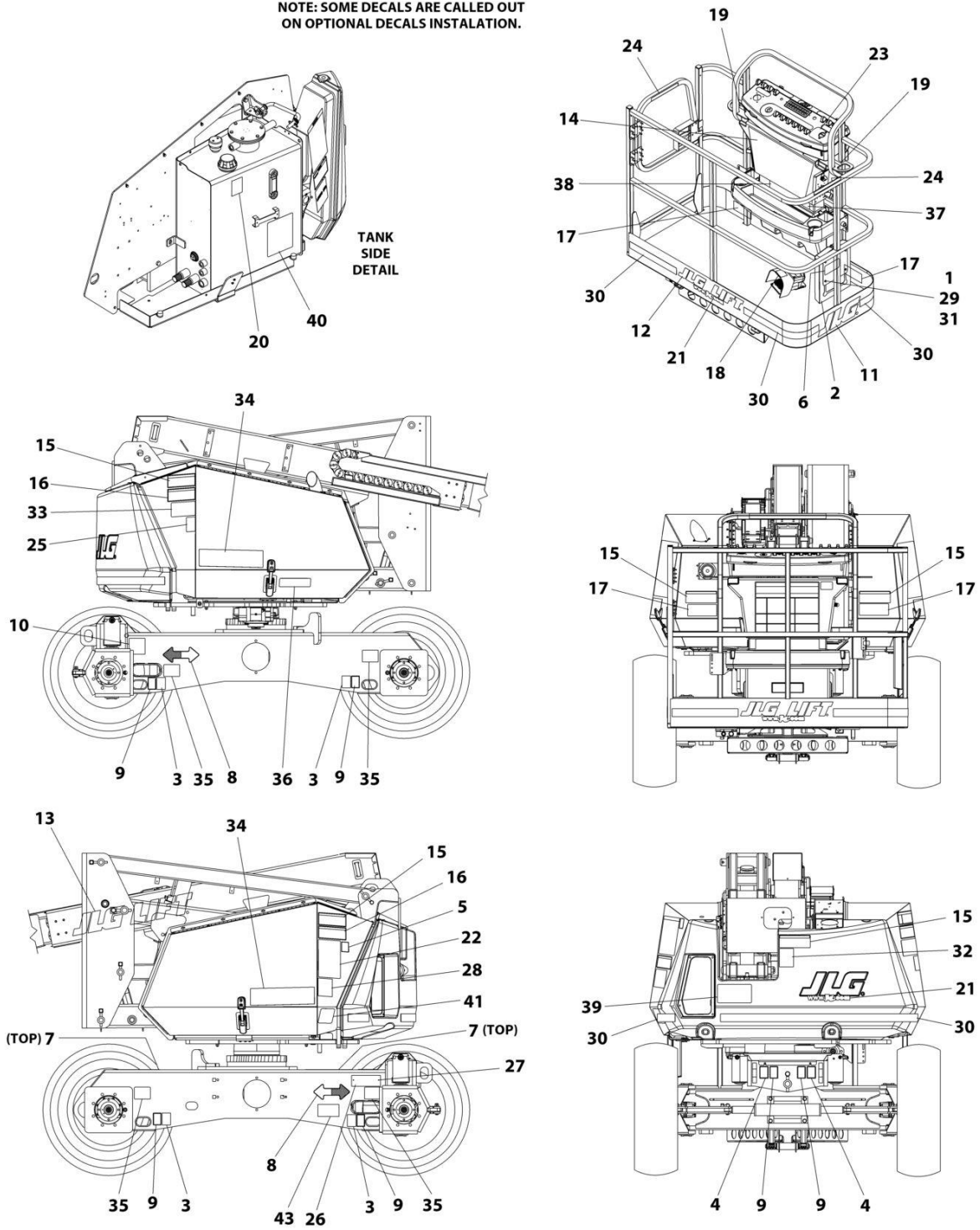
**FIGURE 9-7. DECALS INSTALLATION - JAPANESE SPEC (JAPANESE)**

ITEM	PART NUMBER	QTY	DESCRIPTION	REV
	1001246460	Ref	DECALS INSTALLATION	E
1	0760610	4	Bolt M6 x 20	
2	0860520	1	Box, Manual Storage	
3	1701499	4	Decal - No Tie-Down/No Lift	
4	1701500	4	Decal - Lift	
5	1701504	1	Decal - Hydraulic Oil	
6	1701509	1	Decal - Manual	
7	1701529	2	Decal - Arrow	
8	1701642	2	Decal - Arrow	
9	1702300	8	Decal - Tie-Down	
10	See Note	NSS	Decal - Bar Code (Note: Not Available for Purchase)	
14	1703926	1	Decal - Danger/Warning	
15	1703938	5	Decal - Electrocution	
16	1703944	2	Decal - Warning Crushing	
17	1703950	4	Decal - Warning Crushing	
18	1703980	1	Nameplate - Footswitch	
19	1704277	2	Decal - Lanyard Attach	
20	1704412	1	Decal - Hydraulic Oil	
22	1705344	1	Decal - Warning Inspection	
23	1705426	1	Decal - Drive/Steer Instructions	
27	2080057	2	Fastener	
29	3290605	4	Nut M6	
31	4811700	8	Washer M6	
32	1001113166	1	Decal - Crushing	
33	1001119576	1	Decal - Lift Diagram	
34	1001119578	2	Decal - 340AJ ( <b>Prior to SN 0300280427</b> )	
34	1001267323	2	Decal - 340AJ ( <b>SN 0300280427 to Present</b> )	
35	1001119580	4	Decal - Tire Load	
36	1001119981	1	Decal - Manual Turntable Rotate	
37	1001120279	1	Decal - No Pipe Racks	
38	1001253932	1	Decal - Warning Single Capacity	
39	1001253933	1	Decal - Warning Single Capacity	
40	1001127549	1	Decal - Manual Descent	
41	1001127588	1	Decal - Manual Descent	
43	1001224053	1	Decal - Yearly Inspection	

# SECTION 9 - DECALS

## FIGURE 9-8. DECALS INSTALLATION - KOREAN SPEC (KOREAN/ENGLISH)

NOTE: SOME DECALS ARE CALLED OUT ON OPTIONAL DECALS INSTALLATION.



ART\_1001246461

## SECTION 9 - DECALS

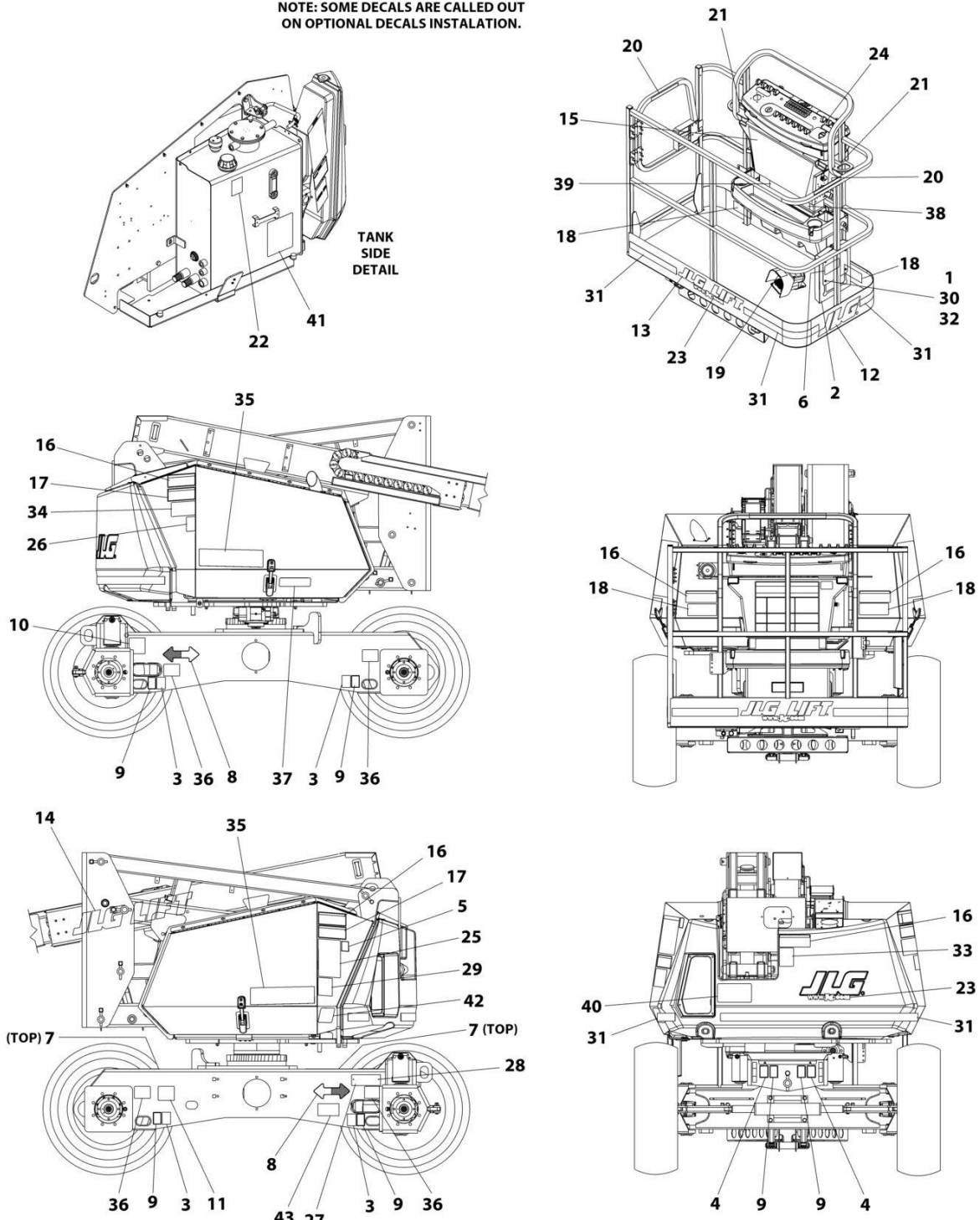
**FIGURE 9-8. DECALS INSTALLATION - KOREAN SPEC (KOREAN/ENGLISH)**

ITEM	PART NUMBER	QTY	DESCRIPTION	REV
	1001246461	Ref	DECALS INSTALLATION	E
1	0760610	4	Bolt M6 x 20	
2	0860520	1	Box, Manual Storage	
3	1701499	4	Decal - No Tie-Down/No Lift	
4	1701500	4	Decal - Lift	
5	1701504	1	Decal - Hydraulic Oil	
6	1701509	1	Decal - Manual	
7	1701529	2	Decal - Arrow	
8	1701642	2	Decal - Arrow	
9	1702300	8	Decal - Tie-Down	
10	See Note	NSS	Decal - Bar Code (Note: Not Available for Purchase)	
14	1703927	1	Decal - Danger/Warning	
15	1703939	5	Decal - Electrocution	
16	1703945	2	Decal - Warning Crushing	
17	1703951	4	Decal - Warning Crushing	
18	1703981	1	Nameplate - Footswitch	
19	1704277	2	Decal - Lanyard Attach	
20	1704412	1	Decal - Hydraulic Oil	
22	1705345	1	Decal - Warning Inspection	
23	1705427	1	Decal - Drive/Steer Instructions	
24	1705969	2	Decal - No Hands	
27	2080057	2	Fastener	
29	3290605	4	Nut M6	
31	4811700	8	Washer M6	
32	1001113509	1	Decal - Crushing	
33	1001119576	1	Decal - Lift Diagram	
34	1001119578	2	Decal - 340AJ ( <b>Prior to SN 0300280427</b> )	
34	1001267323	2	Decal - 340AJ ( <b>SN 0300280427 to Present</b> )	
35	1001119580	4	Decal - Tire Load	
36	1001119981	1	Decal - Manual Turntable Rotate	
37	1001120280	1	Decal - No Pipe Racks	
38	1001253924	1	Decal - Warning Single Capacity	
39	1001253925	1	Decal - Warning Single Capacity	
40	1001127549	1	Decal - Manual Descent	

# SECTION 9 - DECALS

## FIGURE 9-9. DECALS INSTALLATION - LATIN AMERICA SPEC (SPANISH/ENGLISH)

NOTE: SOME DECALS ARE CALLED OUT ON OPTIONAL DECALS INSTALLATION.



ART\_1001246464

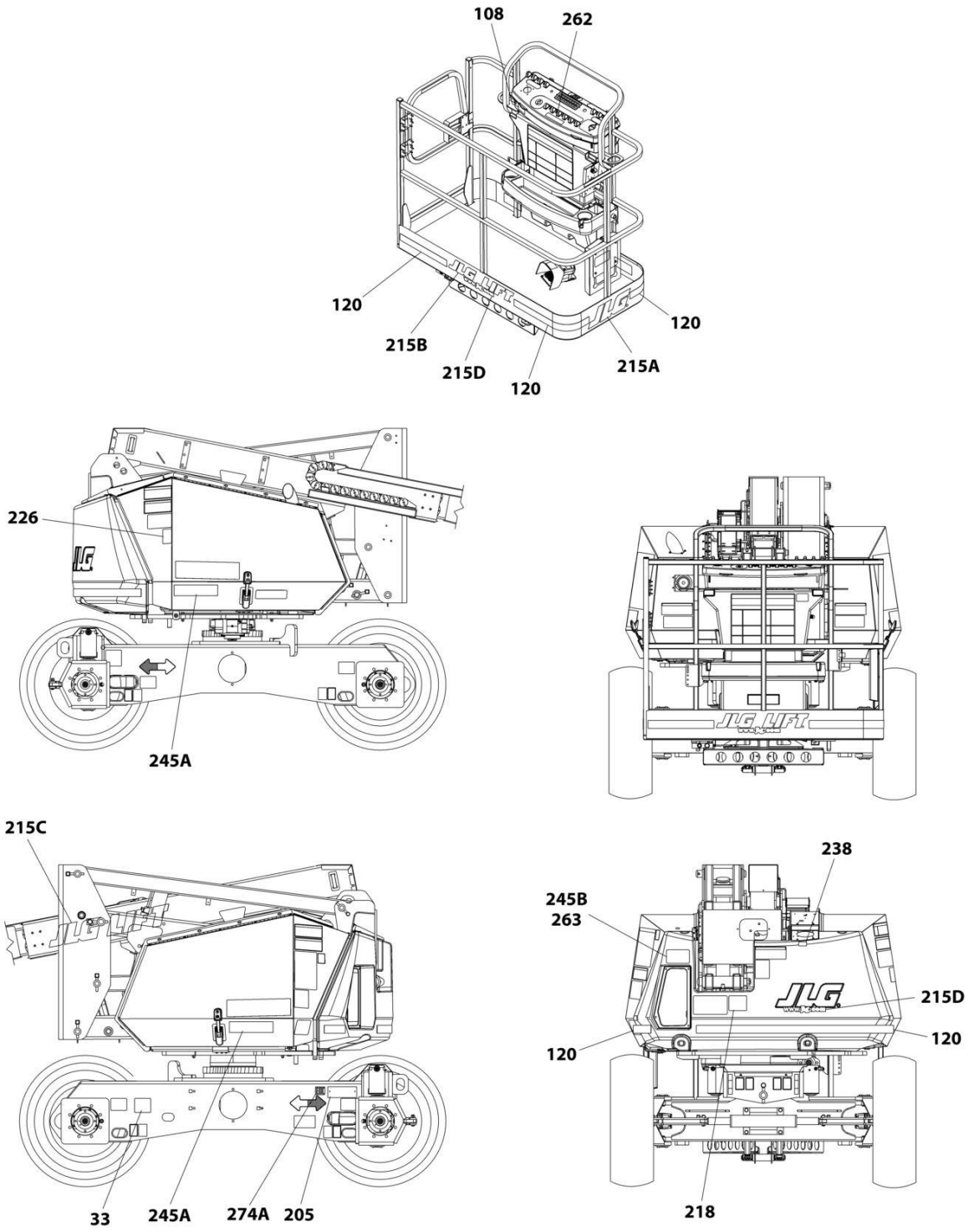
## SECTION 9 - DECALS

**FIGURE 9-9. DECALS INSTALLATION - LATIN AMERICA SPEC (SPANISH/ENGLISH)**

ITEM	PART NUMBER	QTY	DESCRIPTION	REV
	1001246464	Ref	DECALS INSTALLATION	D
1	0760610	4	Bolt M6 x 20	
2	0860520	1	Box, Manual Storage	
3	1701499	4	Decal - No Tie-Down/No Lift	
4	1701500	4	Decal - Lift	
5	1701504	1	Decal - Hydraulic Oil	
6	1701509	1	Decal - Manual	
7	1701529	2	Decal - Arrow	
8	1701642	2	Decal - Arrow	
9	1702300	8	Decal - Tie-Down	
10	See Note	NSS	Decal - Bar Code (Note: Not Available for Purchase)	
15	1703923	1	Decal - Danger/Warning	
16	1703935	5	Decal - Electrocution	
17	1703941	2	Decal - Warning Crushing	
18	1703947	4	Decal - Warning Crushing	
19	1703983	1	Nameplate - Footswitch	
20	1704001	2	Decal - No Hands	
21	1704277	2	Decal - Lanyard Attach	
22	1704412	1	Decal - Hydraulic Oil	
24	1705910	1	Decal - Drive/Steer Instructions	
25	1705917	1	Decal - Warning Inspection	
28	2080057	2	Fastener	
30	3290605	4	Nut M6	
32	4811700	8	Washer M6	
33	1001113171	1	Decal - Crushing	
34	1001119576	1	Decal - Lift Diagram	
35	1001119578	2	Decal - 340AJ ( <b>Prior to SN 0300280427</b> )	
35	1001267323	2	Decal - 340AJ ( <b>SN 0300280427 to Present</b> )	
36	1001119580	4	Decal - Tire Load	
37	1001119981	1	Decal - Manual Turntable Rotate	
38	1001120283	1	Decal - No Pipe Racks	
39	1001253930	1	Decal - Warning Single Capacity	
40	1001253931	1	Decal - Warning Single Capacity	
41	1001127549	1	Decal - Manual Descent	
42	1001127588	1	Decal - Manual Descent	
43	1001224049	1	Decal - Yearly Inspection	

# SECTION 9 - DECALS

## FIGURE 9-10. OPTIONAL DECALS INSTALLATION



ART\_DECAL\_OPTIONS

## SECTION 9 - DECALS

**FIGURE 9-10. OPTIONAL DECALS INSTALLATION**

ITEM	PART NUMBER	QTY	DESCRIPTION	REV
		Ref	OPTIONAL DECALS INSTALLATION	
33	1700818	2	Decal - Fuel (LP Gas Machines) (English Language) (ANSI, ANSI Export and CSA Specs)	
33	1704271	2	Decal - Fuel (LP Gas Machines) (English/French Languages) (CSA Specs)	
	1001119661	1	Decal - Fuel (LP Gas Machines) (English/Spanish Languages) (ANSI Export and China Specs)	
108	1001231801	1	Decal - Warning Proposition 65	
120	4420051	AR	Tape, Safety	
205	See Note	1	Nameplate - Manufacturers Serial Number (Note: Not Available for Purchase)	
215	1001110613	Ref	JLG Logo Installation	B
215A	1702773	1	Decal - JLG	
215B	1702774	1	Decal - JLG Lift	
215C	1702860	1	Decal - JLG Lift	
215D	1704885	2	Decal - Website	
218	3251813	1	Decal - USA (ANSI, ANSI Export and CSA Specs)	
226	1704972	1	Decal - Warning Explosion/Fire (ANSI Spec)	
226	1706098	1	Decal - Warning Explosion/Fire (Australian and CE Spec)	
226	1706059	1	Decal - Warning Explosion/Fire (Brazil Spec)	
226	1706064	1	Decal - Warning Explosion/Fire (CSA Spec)	
226	1706060	1	Decal - Warning Explosion/Fire (Chinese Spec)	
226	1706062	1	Decal - Warning Explosion/Fire (Japanese Spec)	
226	1706061	1	Decal - Warning Explosion/Fire (Korean Spec)	
226	1706063	1	Decal - Warning Explosion/Fire (Latin America Spec)	
238	1001108923	1	Decal - Low Sulfur Fuel Spec (ANSI and CSA Specs Only)	
238	1001139654	1	Decal - Ultra Low Sulfur Fuel Spec (CE and Japanese Specs Only)	
245	1001119459	Ref	Decal Installation - ClearSky (Machines with ClearSky Option)	
245A	1001116208	2	Decal - ClearSky	
245B	1001120989	1	Decal - Radio Frequency	
262	1001141300	1	Decal - SkyGuard Override	
263	1001197408	1	Decal - MSSO	
274	1001214030	1	Decal - EAC Installation (CIS and Russia Specs)	
274A	1001173703	1	Decal - EAC	





**SECTION 10 - RECOMMENDED SERVICE PARTS STOCK**

**SECTION 10 - RECOMMENDED SERVICE PARTS STOCK**

# SECTION 10 - RECOMMENDED SERVICE PARTS STOCK

## FIGURE 10-1. RECOMMEDED SERVICE PARTS STOCK

ITEM	PART NUMBER	QTY	DESCRIPTION	REV
		Ref	Note: The following list will service one machine (built to current production per date on the front cover) with emergency repair parts which can be installed in the field. Parts from the list should be replaced when inventory is depleted to keep service parts stock supplied. For further information, contact your JLG dealer or the JLG Industries Parts Department.	
		Ref	STANDARD PARTS	
	4360476	1	Block, Contact	
	7024884	1	Cartridge, Solenoid Valve	
	70002386	1	Coil	
	70002963	1	Coil	
	70002971	1	Coil	
	70003788	1	Coil	
	70002237	1	Diode	
	3990010	1	Diode 10 Amp	
	7015004	1	Element, Air Cleaner	
	70010383	1	Element, Filter (Includes O-Ring)	
	70002812	1	Hydraulic Breather/Filter Kit	
	2860030	1	Key, Replacement	
	1001117025	1	Relay and Connector Assembly	
	1001225346	1	Switch	
	4360475	1	Switch, Emergency Stop	
	4360469	1	Switch, Key	
	4360407	1	Switch, Potentiometer	
	4360328	1	Switch, Toggle	
	4360336	1	Switch, Toggle (Machines with Generator Option)	
	1001155045	1	Switch, Toggle	
	1001159256	1	Switch, Toggle	
	1001161709	1	Switch, Toggle	
		Ref	VARIABLE PARTS	
	1001109477	1	Breaker, 10Amp (100119927 and 100119928 Generator Harness)	
	1001181045	1	Breaker, Combination 16Amp/30mAmp (CE Specs)	
	70002240	1	Circuit Breaker (120V/50HZ Generators)	
	70000126	1	Circuit Breaker (220V/50HZ Generators)	
	1001166538	1	Drive/Steer Controller Assembly	
	70005296	1	Element (Kubota Engines)	
	7027972	1	Filter, Fuel (GM Engines)	
	1001190545	1	Filter, Fuel (Kubota Engines)	
	70002979	1	Filter, Oil (GM Engines)	
	70004395	1	Filter, Oil (Kubota Engines)	
	1001117174	1	Footswitch Assembly	
	2940074	1	Latch (Machines with Platform Gate)	
	1001166539	1	Lift/Swing Controller Assembly	
	1001142683	1	Module, Beacon Control	
	70003178	1	Module, Control (GM Engines)	
	1001120431	1	Module, Ground Control	
	1001118412	1	Module, Platform	
	3740080	1	Relay (Head/Tail Lights and Turntable Floodlights)	
	1001186431	1	Relay (SkyGuard)	

## SECTION 10 - RECOMMENDED SERVICE PARTS STOCK

ITEM	PART NUMBER	QTY	DESCRIPTION	REV
	3740086	1	Relay (SkyLine)	
	1001228225	1	Sensor, Emitter (SkyEye)	
	1001232667	1	Sensor, Proximity (SkyLine)	
	1001228224	1	Sensor, Receiver (SkyEye)	
	1001118580	1	Sensor, Speed (Kubota Engines)	
	70003064	1	Sensor, Water Temperature (Kubota Engines)	
	70004682	1	Switch, On/Off/Reset (4000W Generator)	
	4360387	1	Switch, Push Button (CE Specs)	
	4360522	1	Switch, Push Button (Head/Tail Lights and Turntable Floodlights)	



**SECTION 11 - SPECIAL OPTIONS**

## SECTION 11 - SPECIAL OPTIONS

FIGURE 11-1. SPECIAL OPTIONS

ITEM	PART NUMBER	QTY	DESCRIPTION	REV
		Ref	Note: This list is to accommodate machines ordered with special equipment. Options may not be applicable to all models. For more specific parts information contact JLG Parts Department.	
		Ref	MISCELLANEOUS SPECIAL OPTIONS	
		Ref	Air Line at Platform Installations	
	1001119028	Ref	Machines without Arctic Package	
	1001119378	Ref	Machines with Arctic Package	
	1001119803	Ref	Bellows Installations	
	1001148971	Ref	Bolt-on Lanyard Kit (Platform)	
	1001119962	Ref	Boom Wiper Installation	
	1001172045	Ref	Cable/Ladder Rack Installation	
		Ref	ClearSky Add-on Kit Options:	
	1001144010	Ref	ClearSky Add-on Kit - Gold (With UGM) (USA and Canada Specs Only)	
	1001118234	Ref	ClearSky Add-on Kit - Bronze (Without Non-ADE/UGM) (USA Specs Only)	
	1001118235	Ref	ClearSky Add-on Kit - Bronze (Without Non-ADE/UGM) (Canada Specs Only)	
		Ref	ClearSky Telematic Installation (Dealer Installed)	
	1001242192	Ref	ClearSky (Telematics) Access Control Installation Kit (Dealer Installed) (ANSI, ANSI Export and CSA Specs)	
	1001243183	Ref	ClearSky (Telematics) Added-on Kit (Dealer Installed) (ANSI, ANSI Export and CSA Specs)	
	1001243184	Ref	ClearSky (Telematics) Added-on Kit (Dealer Installed) (CE Specs)	
	1001246142	Ref	ClearSky (Telematics) Added-on Kit (Dealer Installed) (Australian Specs)	
		Ref	ClearSky Telematic Installation (Factory Installed)	
	1001227454	Ref	ClearSky (Telematics) Installation (Factory Installed) - Canbus Connection (ANSI and CSA Specs)	
	1001228956	Ref	ClearSky (Telematics) Installation (Factory Installed) - Canbus Connection (ANSI Export and CE Specs)	
	1001246486	Ref	ClearSky (Telematics) Installation (Factory Installed) - Canbus Connection (Australian Specs)	
	1001246487	Ref	ClearSky (Telematics) Installation (Factory Installed) - Canbus Connection (China Specs)	
	1001229107	Ref	ClearSky (Telematics) Installation (Factory Installed) - 3 Wire Connection (ANSI and CSA Specs)	
	1001233237	Ref	ClearSky (Telematics) Installation (Factory Installed) - 3 Wire Connection (ANSI Export and CE Specs)	
	1001262959	Ref	ClearSky Voltage Regulator Installation Kit	
	1001119397	Ref	Cribbing Switch Installation	
		Ref	Cold Weather Start Kits (Not Available on Australian and CE Spec Machines)	
	1001119989	Ref	Diesel Engine Machines	
	1001119987	Ref	Gas Engine Machines	
		Ref	Decal Kit Options:	
	1001241332	Ref	Decal Kit - (Service) Platform	
	1001241338	Ref	Decal Kit - (Service) Platform Console Kit	
	1001138005	Ref	Engine Air Flow Improvement Kit - GM Engines	
	1001119988	Ref	Engine Block Heater Installation (Gas Engine Machines)	
	1001186578	Ref	Fan Guard (Kubota Engines)	

## SECTION 11 - SPECIAL OPTIONS

ITEM	PART NUMBER	QTY	DESCRIPTION	REV
		Ref	Filter Kits:	
		Ref	Combined Filter Kit (Hydraulic/Air and Fuel/Engine Oil)	
	1001133070	1	Kubota Engines	
	1001151649	1	GM Engines	
	1001117294	Ref	Foot Switch Shield	
	1001209659	Ref	Fuel Cap Cover (Lockable) (Black)	
	1001209658	Ref	Fuel Cap Cover (Lockable) (Green)	
	1001205441	Ref	Fuel Cap Cover (Lockable) (Red)	
	1001120103	Ref	Ground Control Cover Installation	
	1001120197	Ref	Hourmeter for Generator Installation	
	1001157918	Ref	Hourmeter for Generator Installation (Kubota Engines Only)	
		Ref	Hose Kits	
	1001239566	Ref	Hose Kits - Platform Valve	
	1001239565	Ref	Hose Kits - Power-Track (Upper)	
	1001241392	Ref	Hostile Environment Kit	
	1001236951	Ref	Low Temperature Cutout Installation (Russian Specs)	
	1001195304	Ref	Platform Console Cover Installation	
	1580013	Ref	Platform Corner Storage Tray	
		Ref	Platform Mesh to Top Rail Installations (Side Entry Platforms) (ANSI, ANSI Export and China Specs)	
	0273147	Ref	30in x 4ft (76cm x 1.22m)	
	0273146	Ref	30in x 5ft (76cm x 1.52m)	
		Ref	Platform Plastic Mesh to Top Rail Installations (Side Entry Platforms) (ANSI, ANSI Export and CSA Specs)	
	1001266807	Ref	30in x 4ft (76cm x 1.22m)	
	1001266801	Ref	30in x 5ft (76cm x 1.52m)	
		Ref	Platform Mesh to Mid Rail Installations (Side Entry Platforms) (ANSI, ANSI Export, Australian and China Specs)	
	1001140318	Ref	30in x 4ft (76cm x 1.22m)	
	1001140315	Ref	30in x 5ft (76cm x 1.52m)	
		Ref	Platform Plastic Mesh to Mid Rail Installations (Side Entry Platforms) (ANSI, ANSI Export, and Australian Specs)	
	1001266969	Ref	30in x 4ft (76cm x 1.22m)	
	1001266799	Ref	30in x 5ft (76cm x 1.52m)	
	1001103558	Ref	Platform Rail Extension Installation (30in x 60in Platforms)	
	1001250035	Ref	Platform Sensor Retrofit Kit	
	1001209059	Ref	Platform Work Surface	
	1001120176	Ref	Security Lock (Programmable) (ANSI and CE Specs)	
	1001190900	Ref	Service Kits/ Tools	K
	1001241547	Ref	SkyEye Housing Kit (Left Side)	
	1001241548	Ref	SkyEye Housing Kit (Right Side)	
	1001247073	Ref	SkyEye Retrofit kit	
		Ref	SkyGuard Components Options:	
	1001207138	Ref	SkyGuard Complete Add-on Kit (Blue Strobe Light)	
	1001210035	Ref	SkyGuard Complete Add-on Kit (Red Strobe Light)	
	1001219694	Ref	SkyGuard Platform System Kit	
	1001149565	Ref	SkyGuard Platform Sensor Kit	
	1001207140	Ref	SkyGuard Strobe Light Kit (Blue)	
	1001210034	Ref	SkyGuard Strobe Light Kit (Red)	
	1001250595	Ref	SkyGuard 6-Pin Retrofit Installation Kit	
	1001249052	Ref	SkyGuard Retrofit Kit (Dealer Installed)	
	1001262016	Ref	SkyLine Kit (Dealer Installed)	

## SECTION 11 - SPECIAL OPTIONS

ITEM	PART NUMBER	QTY	DESCRIPTION	REV
		Ref	Tools for Service	
		Ref	Note: For cylinder repair tools, see individual cylinder assemblies.	
	1001249695	Ref	Analyzer and Cable Kit	
	1001249941	Ref	Analyzer and Cable Kit (Battery Powered)	
	1001160531	Ref	Turntable Bearing Kit	
	1001188446	Ref	Wear Pad kit - Boom	
	1001263178	Ref	White Noise Alarm	



**PART NUMBER INDEX**

## SECTION 11 - SPECIAL OPTIONS

0060044.....209, 213	0641813 .... 117, 139, 141	0760614 ..... 243, 245	1001094670.....209, 211
0100009.....247	0681608 ..... 217, 219	0760621 65, 67, 357, 361, 365, 369, 373, 377	1001096070..... 193
0100011 .... 13, 15, 17, 21, 39, 45, 55, 57, 65, 67, 79, 87, 89, 92, 113, 115, 117, 120, 124, 128, 132, 136, 139, 141, 144, 148, 165, 169, 173, 177, 181, 185, 189, 193, 197, 201, 203, 205, 207, 217, 219, 221, 223, 235, 237, 239, 263, 265, 357, 361, 365, 369, 373, 377	0700408 ... 319, 321, 325, 327, 329, 331, 333, 335, 337, 339, 341	0760812 ... 120, 144, 148, 193, 197, 207, 355	1001097051..... 457
0100019.....21, 49	0700510 ..... 299, 309	0760814 ..... 41, 120, 124, 128, 132, 136	1001097150..... 387
010002061, 63, 113, 115, 124, 128, 132, 136, 198, 259, 321, 327, 331, 335, 339, 341	0700608 ..... 45	0760815 ... 144, 148, 193, 197	1001097244..... 243, 245
0100035.....247, 257	0700610 .... 245, 299, 309	0760816 ..... 65, 67	1001097588..... 113, 115
010004865, 67, 113, 115, 124, 128, 132, 136, 144, 148, 247	0700615 ..... 83, 85	0760817 .... 120, 144, 148	1001098122..... 259, 437
0100051 ..... 113, 115	0700617 ..... 247	0761007 ..... 221	100109828..... 217, 219
010008195, 97, 357, 361, 365, 369, 373, 377	0700618 ... 319, 325, 329, 333, 337	0761009 ..... 92	1001100321..... 165, 173, 181, 189
0140011 ..... 247	0700620 ..... 45	0761010 ..... 13, 45, 205	1001100341..... 439
0140043.....65, 67	0700621 ..... 120	0761011 ..... 92, 201, 203	1001100342..... 441
0273146.....497	0700818 ..... 209, 211	0761012 ... 55, 57, 65, 67, 92, 201, 203, 298, 308, 355, 357, 361, 365, 369, 373, 377	1001100345..... 447
0273147.....497	0700820 ... 357, 361, 365, 369, 373, 377	0761014 . 15, 21, 45, 120, 144, 148, 201, 203, 217, 219, 365, 369, 373, 377	1001100346..... 451
0274661.....267	0700829 ... 357, 361, 365, 369, 373, 377	0761015 ..... 21, 201, 203, 205, 243, 245	1001100347..... 449
0275216.....319, 439	0701012 ... 165, 169, 173, 177, 181, 185, 189	0761016 ... 113, 115, 121, 124, 128, 132, 136	1001100825..... 144, 148, 155
0275217.....325, 441	0701015 .... 120, 144, 148	0761018 ..... 144, 148	1001102987..... 45
0275218.....443	0701016 ..... 55, 57	0761210 ..... 92, 205	1001103558..... 497
0275219.....445	0701017 ..... 144, 148	0761212 ... 201, 203, 205	1001106736..... 65, 67
0275452.....329, 447	0701018 ..... 92, 165, 169, 173, 177, 181, 185, 189, 209, 211	0761214 55, 57, 113, 115, 124, 128, 132, 136, 205	1001106757..... 357, 361, 365, 369, 373, 377
0275453.....333, 449	0701020 ..... 209, 211	0761215 ... 201, 203, 217, 219	1001107152..... 357, 361, 365, 369, 373, 377
0275454.....337, 451	0701022 ..... 55, 57	0761217 ... 113, 115, 124, 132	1001107781..... 49, 51
0340045 .... 120, 144, 148	0701027 ..... 205	0761614 ..... 15	1001108290..... 207
0361810 ..... 77	0701219 ... 165, 169, 173, 177, 181, 185, 189	0761615 ..... 205	1001108923..... 489
0400075.....77	0701220 ..... 13	0762014 ..... 87, 89	1001109477..... 407, 409, 492
0440271.....13	0701221 .... 120, 144, 148	0840055 ..... 431	1001109528..... 201, 203
0440274.....13	0701222 ..... 149	0860038 ... 198, 317, 323	1001110613..... 489
0440291.....13	0711227 ..... 207	0860520 ... 471, 473, 475, 477, 479, 481, 483, 485, 487	1001110873..... 198, 317
0440334..... 144, 148	0711426 ..... 49	0861731 ... 331, 335, 339, 341, 447, 449, 451	1001110922..... 21
0480100.....267	0711432 ..... 49	0861781 ... 321, 327, 439, 441	1001112551..... 473
0630518.....73, 257	0721004 ..... 61, 63	0861880 ..... 387	1001112607..... 201, 203
0630568.....248	0741607 ..... 193, 197	0902888 ..... 197	1001112796..... 461
0641404.....247, 265	0760410 ..... 81	0940048 ..... 205	1001113166..... 483
0641405.....265	0760505 ... 65, 67, 87, 89, 165, 169, 173, 177, 181, 185, 189	0961845 ... 235, 237, 239	1001113168..... 479
0641406.....241	0760605 ... 358, 362, 365, 369, 373, 377	0961947 ..... 213, 215	1001113169..... 481
0641408 .... 144, 148, 194	0760606 ... 113, 115, 166, 170, 174, 178, 182, 186, 190, 217, 219	0961948 ... 205, 207, 279, 281	1001113170..... 475
0641414.....263	0760607 ... 144, 148, 193, 197	0961950 ..... 15	1001113171..... 487
0641416 .... 321, 327, 331, 335, 339, 341	0760608 ... 65, 67, 92, 95, 97, 120, 124, 128, 132, 136, 144, 148, 357, 361	0961951 ... 209, 211, 275, 277, 283	1001113509..... 485
0641418.....235, 239	0760610 ... 77, 79, 87, 89, 95, 120, 144, 148, 217, 219, 243, 315, 319, 325, 329, 333, 337, 385, 471, 473, 475, 477, 479, 481, 483, 485, 487	0962140 ..... 13	1001113680..... 475
0641420.....237	0760612 .... 92, 107, 109, 120, 144, 148, 165, 169, 173, 177, 181, 185, 189	0962224 ..... 205	1001113961..... 425
0641506 .... 165, 169, 173, 177, 181, 185, 189		0962257 ..... 213, 215	1001114761..... 45
0641514.....267		0962259 ..... 205	1001115649..... 205
0641516.....197		0962292 ..... 209, 211	1001115650..... 205
0641605.....45		0962449 ..... 381	1001115657..... 205
0641609 .... 120, 144, 148		0962520 ..... 193, 197	1001115661..... 205
0641618..... 193, 197		1001091102 ..... 81	1001115663..... 205
0641807.....120			1001115669..... 205
			1001115672..... 201, 203, 205
			1001115766..... 201
			1001115769..... 55
			1001115770..... 21
			1001115771..... 13
			1001115772..... 15
			1001115773..... 33
			1001115780... 17, 45, 223
			1001115781..... 39
			1001115783..... 477
			1001115784..... 357
			1001115785..... 298
			1001115870..... 205

## SECTION 11 - SPECIAL OPTIONS

1001116208 ..... 489	1001117885..... 201, 203, 207	1001118657..... 395	1001119277 ..... 77
1001116228 ..... 223, 225	1001117897..... 55, 61	1001118658..... 395	1001119278 ..... 77
1001116339 ..... 55, 57, 59	1001118029..... 17, 19	1001118660..... 35	1001119280 ..... 77
1001116361 ..... 15, 273	1001118234..... 496	1001118665..... 205	1001119324 ..... 298, 308
1001116378 ..... 273	1001118235..... 496	1001118666..... 205	1001119365 ..... 298, 308
1001116433 ..... 357, 361, 365, 369, 373, 377	1001118262..... 61, 63	1001118675..... 145, 149	1001119369 ..... 211, 215
1001116487 ..... 45, 47	1001118274.. 39, 41, 207, 223, 357, 361, 365, 369, 373, 377	1001118720..... 170, 174, 186, 190	1001119370 ..... 203, 211
1001116546 ..... 205	1001118280..... 121, 144, 148	1001118743..... 395	1001119371 ..... 203
1001116547 ..... 205	1001118287..... 207	1001118744..... 395	1001119378 ..... 496
1001116548 ..... 205	1001118288..... 207	1001118745..... 395	1001119397 ..... 496
1001116549 ..... 205	1001118292..... 357, 361, 365, 369, 373, 377, 381	1001118746..... 121, 145, 149	1001119399 ..... 75
1001116550 ..... 209, 211	1001118361..... 92, 97	1001118748..... 395	1001119404 ..... 298, 308
1001116720 ..... 427	1001118384..... 459	1001118751..... 45	1001119449 ..... 298, 308
1001116727 ..... 389, 399, 403, 433	1001118388..... 427, 459	1001118875..... 145, 149	1001119455 ..... 298, 308
1001116732 ..... 389, 393, 395, 399, 425, 433	1001118394..... 209, 211	1001118881..... 145, 149	1001119459 ..... 298, 308
1001116734 ..... 389, 393, 395, 399, 433	1001118412..... 247, 492	1001118915..... 39	1001119494 ..... 121
1001116752 ..... 395	1001118453..... 121, 144, 148	1001118916..... 39	1001119495 ..... 121
1001116774 ..... 461	1001118459..... 92	1001118925..... 145, 149	1001119496 ..... 121
1001116788 ..... 13, 285	1001118482..... 209, 211	1001118938..... 395	1001119504 ..... 221
1001116793 ..... 21, 25	1001118502..... 55, 57	1001118961..... 49	1001119513 ..... 221
1001116808 ..... 461	1001118509..... 55, 57	1001118975..... 41	1001119525 ..... 298, 308
1001116810 ..... 425	1001118510..... 55, 57	1001119018..... 357, 365, 373, 417	1001119527 ... 55, 57, 65, 67, 221
1001116811 ..... 389, 433	1001118511..... 15	1001119019..... 357, 365, 373, 421	1001119546 ..... 298, 308
1001116812 ..... 389, 425, 433	1001118518..... 15	1001119020..... 425, 437, 461	1001119547 ..... 298, 308
1001116835 ..... 223	1001118519..... 15	1001119028..... 496	1001119548 ..... 298
1001116867 ..... 13	1001118527..... 144, 149	1001119035..... 298, 308	1001119550 ..... 299
1001116871 ..... 13	1001118528..... 144, 149	1001119068..... 298, 308	1001119551 ..... 165, 169, 173, 177, 181, 185, 189
1001116876 ..... 207	1001118529..... 145, 149	1001119069..... 298, 308	1001119552 ..... 299
1001116877 ..... 207	1001118530..... 145, 149	1001119070..... 298, 308	1001119553 ..... 165, 169, 173, 177, 181, 185, 189
1001116905 ..... 298, 308	1001118531..... 145, 149	1001119071..... 298, 308	1001119554 ..... 165, 169, 173, 177, 181, 185, 189
1001117025 ..... 389, 393, 395, 399, 433, 492	1001118532..... 145, 149	1001119072..... 92	1001119555 ..... 299
1001117028 ..... 117, 139, 141, 159	1001118533..... 145, 149	1001119077..... 95	1001119568 ..... 299
1001117029 ..... 117, 139, 141, 163	1001118539..... 145, 149	1001119080..... 92	1001119569 ..... 299
1001117030 ..... 21, 23	1001118540..... 145, 149	1001119083..... 92	1001119570 ..... 299
1001117055 ..... 395	1001118542..... 145, 149	1001119085..... 92	1001119572 ..... 299, 309
1001117070 ..... 395	1001118543..... 145, 149	1001119086..... 95	1001119576 ..... 471, 473, 475, 477, 479, 481, 483, 485, 487
1001117078 ..... 425	1001118547..... 145, 149	1001119087..... 95	1001119577 ..... 299, 309
1001117129 ..... 33, 35	1001118548..... 124, 128, 132, 136	1001119088..... 95	1001119578 ..... 471, 473, 475, 477, 479, 481, 483, 485, 487
1001117131 ..... 33	1001118579..... 145, 149	1001119089..... 97	1001119580 ..... 471, 473, 475, 477, 479, 481, 483, 485, 487
1001117132 ..... 33	1001118580..... 145, 149, 493	1001119090..... 97	1001119582 ..... 185
1001117142 ..... 13	1001118582..... 145, 149	1001119091..... 97	1001119583 ..... 169
1001117172 ..... 243, 245, 259	1001118592..... 357, 361, 365, 369, 373, 377	1001119092..... 92	1001119584 ..... 189
1001117174 ..... 243, 245, 247, 259, 492	1001118593..... 357, 361, 365, 369, 373, 377	1001119102..... 57	1001119585 ..... 173
1001117239 ..... 92	1001118594..... 121, 145, 149	1001119103..... 92	1001119586 ..... 177, 185
1001117240 ..... 77	1001118595..... 223	1001119104..... 92	1001119587 ..... 169
1001117243 ..... 92	1001118638..... 145, 149, 395	1001119139..... 349, 357, 365	1001119588 ..... 181, 189
1001117281 ..... 95, 97	1001118641..... 29	1001119140..... 343, 357, 365	1001119589 ..... 165, 173
1001117282 ..... 92	1001118642..... 35	1001119143..... 298, 308	1001119593 ..... 299, 309
1001117294 ..... 497	1001118644..... 31	1001119170... 65, 67, 429	1001119594 ..... 299, 309
1001117365 ..... 273	1001118646..... 113, 115, 124, 128, 132, 136	1001119176... 65, 67, 429	1001119595 ..... 299, 309
1001117366 ..... 273	1001118649..... 29	1001119194..... 357, 365, 373	1001119596 ..... 299, 309
1001117372 ..... 273	1001118650..... 35	1001119195..... 361, 369, 377	1001119597 ..... 299, 309
1001117640 ..... 201, 203, 279	1001118651..... 35	1001119197..... 357, 361, 365, 369, 373, 377	1001119598 ..... 299, 309
1001117869 ..... 15	1001118654..... 31	1001119228..... 358, 362, 365, 369, 373, 377	1001119600 ..... 299, 309
1001117884 ..... 201, 209		1001119237..... 298, 308	1001119602 ..... 299, 309
		1001119268..... 81	1001119603 ..... 299, 309
			1001119604 ..... 299, 309

## SECTION 11 - SPECIAL OPTIONS

1001119605.....299, 309	1001119953..... 361, 369, 377, 419	1001121678 .....29	1001138005.....496
1001119606.....299, 309	1001119954..... 361, 369, 377, 423	1001121719 ..... 177	1001138494.....235, 237
1001119607.....299, 309	1001119955..... 345, 361, 369	1001121720 ..... 165	1001138514.....235, 237
1001119608.....299, 309	1001119956..... 351, 361, 369	1001121721 ..... 181	1001139654.....489
1001119610.....299, 309	1001119962..... 496	1001121966 ..... 299, 309	1001140315.....497
1001119611.....299, 309	1001119981..... 471, 473, 475, 477, 479, 481, 483, 485, 487	1001122527 ..... 205, 281	1001140318.....497
1001119612.....299, 309	1001119987 ..... 496	1001123004 ..... 209, 211, 277	1001140429.....235, 237, 239
1001119613.....299, 309	1001119988 ..... 496	1001123018 ..... 121, 145, 149	1001140524.....358, 362, 366, 370, 374, 378, 383
1001119619.....455	1001119989 ..... 496	1001125108 ..... 299, 309	1001140525.....248, 465
1001119620.....453, 457	1001120002..... 471, 475	1001125118 ..... 166, 170, 174, 178, 182, 186, 190	1001141300.....489
1001119626.....299, 309	1001120003..... 473	1001125235 ..... 201, 203	1001141710.....65, 67
1001119627.....299, 309	1001120004..... 481	1001125249 ..... 299, 309	1001141967.....443, 445
1001119630.....299, 309	1001120007..... 145, 149	1001125291 ..... 65, 67	1001141968.....443
1001119633.....169, 177, 185	1001120013..... 155	1001126009 ..... 459	1001141969.....445
1001119634.....165, 173, 181, 189	1001120087..... 113, 115, 121, 124, 128, 132, 136, 145, 149	1001127115 ..... 45	1001141970.....445
1001119635..... 121	1001120090..... 113, 115, 121, 124, 128, 132, 136, 145, 149	1001127549 ..... 471, 473, 475, 477, 479, 481, 483, 485, 487	1001141971.....443
1001119636..... 121	1001120103..... 497	1001127588 ..... 471, 473, 475, 477, 479, 481, 483, 487	1001142683...83, 85, 492
1001119640..... 121	1001120176..... 497	1001127703 ..... 299, 309	1001142736...83, 85, 461
1001119641..... 121	1001120197..... 497	1001127705 ..... 299, 309	1001144010.....496
1001119643..... 121	1001120204..... 343, 345	1001128214 ..... 145, 149	1001144147.....425
1001119644..... 121	1001120205..... 349, 351	1001128781 ..... 55, 57	1001144433.....263
1001119649..... 121	1001120232..... 87	1001128782 ..... 55, 57	1001144629.....231, 233
1001119661.....489	1001120279..... 483	1001128798 ..... 61	1001146824..... 92
1001119698.....121, 145, 149	1001120280..... 485	1001128799 ..... 63	1001147141.....193
1001119699..... 121	1001120281..... 479	1001128801 ..... 113, 115	1001147233.....193, 197
1001119700..... 121	1001120283..... 487	1001128888 ..... 145, 149	1001147234.....193, 197
1001119701..... 121	1001120287..... 87	1001128931 ..... 113, 115	1001147365.....121, 145, 149
1001119727..... 121	1001120288..... 87, 89	1001128936 ..... 113, 115	1001147431.....193, 197
1001119730..... 121	1001120299...87, 89, 393	1001129043 ..... 63	1001147436.....197
1001119733.....473	1001120307..... 145, 149	1001129255 ..... 113, 115	1001147440.....95
1001119773.....165, 169, 173, 177, 181, 185, 189, 399	1001120328..... 263, 265	1001129256 ..... 113, 115	1001147441.....92, 95
1001119778.....113, 115, 397	1001120371..... 431	1001129407 ..... 429	1001147470.....103, 128
1001119799.....397	1001120424..... 308	1001130492 ..... 477	1001147471.....105, 136
1001119803.....496	1001120425..... 309	1001130588 ..... 315	1001147590.....92
1001119869.....317	1001120426..... 309	1001131168 ..... 247	1001147642.....121, 145, 149
1001119870.....313	1001120427..... 309	1001131269 ..... 471, 481	1001147643.....121, 145, 149
1001119871.....323	1001120428..... 309	1001131968 ..... 347, 353	1001148254.....113, 115, 117
1001119872.....329	1001120429..... 309	1001133070 ..... 497	1001148255.....107, 113
1001119873.....333	1001120430..... 308	1001136231 ..... 390, 433	1001148256.....109, 115
1001119874.....337	1001120431..65, 67, 492	1001136232 ..... 390, 395, 433	1001148660.....193
1001119875.....319	1001120450..... 121, 145, 149	1001136244 ..... 223, 227	1001148663.....197
1001119876.....325	1001120454..... 121	1001137326 ..... 121	1001148971.....496
1001119881.....178, 182, 186, 190	1001120466..... 269	1001137327 ..... 121	1001148975.....121
1001119882.....166, 170, 174	1001120474..... 269	1001137336 ..... 121	1001149144.....89
1001119902.....113, 115	1001120476..... 269	1001137337 ..... 107, 109	1001149147.....89
1001119919.....407, 413	1001120484..... 269	1001137367 ..... 113, 115	1001149379.....145, 149
1001119920.....409, 415	1001120749..... 95	1001137369 ..... 107, 109	1001149565.....497
1001119921.....411	1001120974..... 207, 287	1001137371 ..... 121	1001150619.....193
1001119922.....405	1001120976..... 201, 203, 283	1001137397 ..... 107, 109	1001151188.....155
1001119923.....413	1001120989..... 489	1001137398 ..... 121	1001151393.....75
1001119924.....411	1001121172..... 389, 433	1001137399 ..... 121	1001151649.....497
1001119925.....405	1001121221..... 299, 309	1001137400 ..... 121	1001152457.....198
1001119926.....415	1001121531..... 145, 149	1001137401 ..... 107, 109	1001153015.....49, 53
1001119927.....407	1001121574..... 395	1001137402 ..... 107, 109	1001153364.....49
1001119928.....409	1001121672..... 31	1001137451...95, 99, 101, 103, 105	1001153814.....197
1001119929.....121, 170, 174, 186, 190, 193, 197		1001137452...99, 101, 103, 105	1001154291.....369
1001119930..... 121		1001137673 ..... 263	1001154292.....365
1001119937.....361			1001155044.....247

## SECTION 11 - SPECIAL OPTIONS

1001156351 .....	370	1001194365.....	341	1001227985.....	261	1001243184 .....	496
1001156352 .....	370	1001194741.....	121	1001227987.....	261	1001244525 ..	65, 67, 467
1001156819 .....	113, 115	1001195234.....	117, 120	1001227996.....	453, 457	1001244526 ..	65, 67, 425
1001156823 .....	113, 115	1001195304.....	497	1001228215.....	239	1001244527 ..	65, 67, 433
1001157310 .....	353, 373, 377	1001196242.....	41	1001228224.....	261, 493	1001244528 .....	248, 437
1001157311 .....	347, 373, 377	1001197408.....	489	1001228225.....	261, 493	1001245389 .....	243, 245, 247
1001157915 .....	193, 198, 403	1001199306.....	277, 287	1001228627.....	217, 219	1001245407 .....	243
1001157916 .....	193, 198, 401	1001199460.....	277	1001228956.....	496	1001245427 .....	245
1001157918 .....	497	1001199461.....	287	1001229107.....	496	1001245438 .....	65
1001159027 .....	463	1001200472.....	45	1001229341.....	261	1001245657 .....	67
1001159256 .....	247, 492	1001200491.....	217, 219	1001231153.....	205	1001245868 .....	471
1001160531 .....	53, 498	1001200910.....	83	1001231609.....	37	1001245869 .....	481
1001161433 .....	99, 124	1001203719.....	65, 67	1001231610.....	37	1001246142 .....	496
1001161434 .....	101, 132	1001205441.....	497	1001231801.....	489	1001246142 .....	496
1001161709 .....	247, 492	1001205958.....	331, 335, 339	1001231886.....	79	1001246460 .....	483
1001166538 .....	247, 255, 492	1001206476.....	355	1001232164.....	261	1001246461 .....	485
1001166539 .....	247, 251, 492	1001206737.....	79	1001232165.....	261	1001246462 .....	479
1001168210 .....	275	1001207004.....	85	1001232642.....	265	1001246463 .....	475
1001170981 .....	145, 149	1001207138.....	497	1001232667.....	265, 493	1001246464 .....	487
1001171482 .....	69, 71	1001207140.....	497	1001233237.....	496	1001246486 .....	496
1001172045 .....	496	1001207227.....	83, 85	1001236087.....	257	1001246487 .....	496
1001172663 .....	217	1001208874.....	45	1001236093.....	73	1001247073 .....	497
1001172760 .....	247	1001209059.....	497	1001236433.....	73	1001247468 .....	219
1001173703 .....	489	1001209658.....	497	1001236552.....	265	1001249052 .....	497
1001174486 .....	113, 115	1001209659.....	497	1001236816.....	87	1001249695 .....	498
1001176469 .....	71	1001209659.....	497	1001236951.....	497	1001249941 .....	498
1001177156 .....	113, 115	1001209664.....	263	1001237544.....	257	1001250035 .....	497
1001181045 .....	387, 492	1001210034.....	497	1001237667.....	425, 437	1001250595 .....	497
1001182806 .....	79	1001210035.....	497	1001237668.....	425, 437	1001253920 .....	471
1001185281 .....	247	1001210829.....	45	1001237862.....	453, 457	1001253921 .....	471
1001186375 .....	235	1001211509.....	57, 63	1001237863.....	261, 457	1001253922 .....	481
1001186377 .....	237	1001213447.....	437	1001237864.....	261, 453	1001253923 .....	481
1001186386 .....	233	1001213882.....	247	1001237865.....	261, 455	1001253924 .....	485
1001186387 .....	231	1001214030.....	489	1001237878.....	355	1001253925 .....	485
1001186431 .....	263, 492	1001214397.....	355	1001237879.....	355	1001253926 .....	479
1001186432 .....	427, 459	1001214570.....	355	1001237880.....	355	1001253927 .....	479
1001186517 .....	263	1001214571.....	355	1001237881.....	355	1001253928 .....	475
1001186578 .....	496	1001215228.....	247	1001237999.....	145, 149, 151	1001253929 .....	475
100118674 .....	261	1001216630.....	217, 219	1001238001.....	139, 144	1001253930 .....	487
1001187681 .....	455	1001217227.....	217, 219	1001238002.....	141, 148	1001253931 .....	487
1001187807 .....	73, 257	1001217228.....	217, 219	1001238002.....	141, 148	1001253932 .....	483
1001188093 .....	389	1001217242.....	217, 219	1001238004.....	124, 132, 139	1001253933 .....	483
1001188322 .....	385	1001217243.....	217, 219	1001238005.....	128, 136, 141	1001254472 .....	265
1001188446 .....	498	1001217244.....	217, 219	1001238005.....	128, 136, 141	1001254473 .....	265
1001188622 .....	217, 219	1001217253.....	217, 219	1001238319.....	261	1001257690 .....	381
1001188844 .....	217, 219	1001217254.....	217, 219	1001238319.....	261	1001262016 .....	497
1001190545 .....	124, 128, 132, 136, 492	1001217267.....	217, 219	1001238418.....	265, 459	1001262959 .....	496
1001190609 .....	124, 128, 132, 136, 157	1001219694.....	497	1001238472.....	265	1001263178 .....	498
1001190663 .....	79	1001223055.....	471	1001238495.....	263	1001266040 .....	69, 71
1001190900 .....	497	1001223453.....	471, 481	1001238559.....	265	1001266041 .....	69
1001190985 .....	217, 219	1001223971.....	481	1001238749.....	73	1001266043 .....	71
1001193018 .....	319, 321, 325, 327, 329, 331, 333, 335, 337, 339, 341	1001224049.....	487	1001239565.....	497	1001266044 .....	65, 69
1001194197 .....	331	1001224050.....	479	1001239566.....	497	1001266045 .....	67, 71
1001194198 .....	335	1001224052.....	475	1001239804.....	37	1001266799 .....	497
1001194200 .....	339	1001224053.....	483	1001241332.....	496	1001266801 .....	497
1001194203 .....	321	1001224891.....	221	1001241338.....	496	1001266807 .....	497
1001194204 .....	327	1001225346.....	355, 492	1001241392.....	497	1001266969 .....	497
		1001225580.....	263, 427	1001241400.....	73, 257	1001267323 .....	471, 473, 475, 477, 479, 481, 483, 485, 487
		1001225990.....	201, 203, 275	1001241547.....	497	1001272533 .....	37
		1001226400.....	417, 419, 421, 423	1001241548.....	497	1060379 .....	267
		1001226530.....	355	1001241965.....	265	1060908 .....	387
		1001226872.....	239	1001242192.....	496	1060918 .....	243, 245, 259
		1001227454.....	496	1001242849.....	83	10837580 .....	47, 287
		1001227633.....	261	1001242850.....	85	1320012 .....	120, 144, 148
		1001227634.....	261	1001243034.....	149	1320016 .....	120
				1001243035.....	149		
				1001243183.....	496		

## SECTION 11 - SPECIAL OPTIONS

1320022..... 113, 115, 120, 124, 128, 132, 136	1702773 ..... 477, 489	1705822 ..... 473, 477	2420203..... 169, 177, 185
1320026..... 113, 115	1702774 ..... 489	1705828 ..... 473, 477	2460049..... 169, 177, 185
1320041 ..... 361	1702860 ..... 489	1705903 ..... 475	2540045.... 124, 128, 132, 136
1320043.... 124, 128, 132, 136, 315, 319, 325, 329, 333, 337, 357, 385, 405, 411	1702868 ..... 471	1705910 ..... 487	2560122..... 45
1320130.... 357, 361, 365, 369, 373, 377	1703162 .... 120, 144, 148	1705917 ..... 487	2560136..... 247
1320136.87, 89, 217, 219	1703797 ..... 471	1705921 ..... 473, 477	2600281..... 231, 233
1320220 ..... 41	1703798 ..... 471	1705961 ..... 473, 477	2720058.... 120, 124, 128, 132, 136
1320223..... 77, 120, 144, 148, 355	1703804 ..... 471	1705968 ..... 479	2720175..... 41
1320263..... 365, 369	1703805 ..... 471	1705969 ..... 485	2720271.... 120, 124, 128, 132, 136
1320274.... 124, 128, 132, 136	1703923 ..... 487	1705978 ..... 473, 477	2720615..... 120
1321283..... 113, 115	1703924 ..... 481	1706059 ..... 489	2820019..... 437
1321293..... 65, 67	1703925 ..... 479	1706060 ..... 489	2820030..... 429, 431
1321682.... 120, 144, 148	1703926 ..... 483	1706061 ..... 489	2820031.... 165, 169, 173, 177, 181, 185, 189, 193, 197, 358, 362, 365, 369, 373, 377
132171665, 67, 120, 144, 148, 298, 308	1703927 ..... 485	1706062 ..... 489	2820118.... 417, 419, 421, 423, 437
1340069.... 121, 144, 148	1703928 ..... 475	1706063 ..... 489	2820247..... 453, 457
1380136 ..... 45	1703935 ..... 487	1706064 ..... 489	2860030..... 75, 492
1580011 ..... 120	1703936 ..... 481	1706098 ..... 489	2900770.... 213, 275, 277, 287
1580012..... 241	1703937 ..... 479	1706510 ..... 267	2902549.... 315, 319, 325, 329, 333, 337, 385, 387
1580013..... 497	1703938 ..... 483	208004095, 99, 101, 103, 105, 107, 109, 231, 233, 269	2920028..... 247
1670603..... 341	1703939 ..... 485	2080057 ... 471, 473, 475, 477, 479, 481, 483, 485, 487	2920029..... 247
1670899.... 357, 361, 365, 369, 373, 377	1703940 ..... 475	2110808 ..... 298, 308	2920110..... 89
1671092.... 358, 362, 366, 374, 378	1703941 ..... 487	2110810 ..... 299, 309	2920113..... 89
1671093.... 358, 362, 366, 374, 378	1703942 ..... 481	2131216 ..... 298, 308	2920161..... 81
1700818 ..... 489	1703943 ..... 479	2180348 ... 113, 115, 124, 128, 132, 136	2920162.... 165, 169, 173, 177, 181, 185, 189
1701435 ..... 477	1703944 ..... 483	2180666 ... 124, 128, 132, 136	2940074.... 231, 233, 492
1701499.... 471, 473, 475, 477, 479, 481, 483, 485, 487	1703945 ..... 485	2220124 ..... 49	2940109..... 95, 97
1701500.... 471, 473, 475, 477, 479, 481, 483, 485, 487	1703946 ..... 475	2220290 ..... 41	3200378..... 120, 148
1701504.... 471, 473, 475, 477, 479, 481, 483, 485, 487	1703947 ..... 487	2220365 ..... 298, 308	3200425..... 120, 148
1701505 ..... 55	1703948 ..... 481	2220371 ..... 298, 308	3251102.... 165, 169, 173, 177, 181, 185, 189, 193, 197
1701509.... 471, 473, 475, 477, 479, 481, 483, 485, 487	1703949 ..... 479	2220373 ..... 298, 308	3251242.... 327, 331, 335, 339, 341
1701517 ..... 473, 477	1703950 ..... 483	2220374 ..... 298, 308	3251243.... 197, 313, 317
1701518 ..... 473, 477	1703951 ..... 485	2220415 ..... 298, 308	3251813..... 489
1701529.... 471, 473, 475, 477, 479, 481, 483, 485, 487	1703952 ..... 475	2220451 ..... 298, 308	3252347..... 471
1701542 ..... 57	1703953 ..... 471	2220466 ..... 298, 308	3252507.... 315, 323, 325, 329, 333, 337, 385
1701543 ..... 41	1703980 ..... 483	2220472 ..... 298, 308	3290405.. 65, 67, 81, 243, 245, 319, 321, 325, 327, 329, 331, 333, 335, 337, 339, 341, 357, 361, 365, 369, 373, 377
1701642.... 471, 473, 475, 477, 479, 481, 483, 485, 487	1703981 ..... 485	2220499 ..... 298, 308	3290505.. 92, 95, 97, 165, 169, 173, 177, 181, 185, 189, 193, 197
1702300.... 471, 473, 475, 477, 479, 481, 483, 485, 487	1703982 ..... 479	2220500 ..... 299, 309	3290601..... 79
1702391 ..... 471	1703983 ..... 487	2220501 ..... 298, 308	3290605.... 45, 65, 67, 77, 87, 89, 92, 95, 97, 107, 109, 113, 115, 120, 124, 128, 132, 136, 144, 148, 165, 169, 173, 177, 181, 185, 189, 217, 219, 243, 245, 299, 309, 315, 319, 325, 329, 333,
1702565 ..... 247	1703984 ..... 481	2220502 ..... 298, 308	
1702566 ..... 247	1703985 ..... 475	2220507 ..... 298, 308	
1702567 ..... 247	1704000 ..... 481	2220582 ..... 298, 308	
1702676 ..... 247	1704001 ..... 487	2220605 ..... 299, 309	
	1704002 ..... 475	2220635 ..... 299, 309	
	1704260 ..... 247	2220819 ..... 298, 308	
	1704271 ..... 489	2220828 ..... 298, 308	
	1704277 ... 471, 473, 475, 477, 479, 481, 483, 485, 487	2220881 ..... 273	
	1704412 ... 471, 473, 475, 477, 479, 481, 483, 485, 487	2220883 ..... 273, 275	
	1704885 ..... 489	2220885 ..... 273	
	1704972 ..... 489	2220940 ..... 299, 309	
	1705170 ..... 87, 89	2220947 ..... 298, 308	
	1705325 ..... 319, 321	2221041 ..... 298, 308	
	1705344 ..... 483	2221053 ..... 298, 308	
	1705345 ..... 485	2221060 ..... 298, 308	
	1705347 ..... 481	2221086 ..... 298, 308	
	1705348 ..... 479	2400066 ..... 390, 433	
	1705349 ..... 475		
	1705351 ..... 471		
	1705387 ..... 197		
	1705426 ..... 483		
	1705427 ..... 485		
	1705429 ..... 481		
	1705430 ..... 479		
	1705489 ..... 193		

## SECTION 11 - SPECIAL OPTIONS

337, 357, 361, 365, 369, 373, 377, 385, 471, 473, 475, 477, 479, 481, 483, 485, 487	3520030 ..... 92, 97	4360336..... 165, 169, 173, 177, 181, 185, 189, 193, 197, 245, 492	433, 434, 437, 455, 459, 461, 465, 467
3290606 ..... 235, 237	3520054 ..... 247	4360387 ..... 71, 247, 493	4460470 ..... 247
3290607 ..... 83, 85	3520072 ... 231, 233, 235, 237, 239	4360407 ..... 247, 492	4460471 ..... 247
3290805 65, 67, 120, 124, 128, 132, 136, 209, 211, 355, 357, 361, 365, 369, 373, 377	3520198 ... 231, 233, 235, 237, 239	4360469 ..... 75, 492	4460473 ... 358, 362, 365, 369, 373, 377, 417, 419, 421, 423
3290807 ..... 144, 148	3572551 ..... 209, 211	4360475.69, 71, 247, 492	4460474 ..... 393, 395
3291001 ..... 217, 219	3580317 ..... 193, 197	4360476.69, 71, 247, 492	4460488 ..... 83, 85, 247
3291005 ... 45, 55, 57, 65, 67, 77, 92, 120, 144, 148, 165, 169, 173, 177, 181, 185, 189, 201, 203, 205, 209, 211, 217, 219, 243, 245, 298, 308, 355, 357, 361, 365, 369, 373, 377	3580318 ..... 197	4360522 ..... 87, 89, 493	4460496 ..... 65, 67
3291201 ..... 217, 219	3580319 ..... 193	4360548..... 357, 361, 381	4460497 ..... 65, 67
3291205 ... 120, 144, 148, 165, 169, 173, 177, 181, 185, 189, 201, 203, 217, 219	3740080 ..... 87, 89, 492	4400275 ..... 41	4460508 ... 261, 389, 421, 423, 433, 434, 437, 465
3291605 ... 113, 115, 124, 128, 132, 136	3740086 ..... 459, 493	4400498 ..... 152	4460509 ... 417, 419, 421, 423, 425
3292001 ..... 83, 85	3760115 ..... 207	4420051 ..... 489	4460518 ..... 461
3300106 ... 29, 31, 33, 35, 37	3780182 ..... 13	4420062 ..... 267	4460536 ..... 437
3300151 .... 235, 237, 239	3790012 ..... 247	4460016 ..... 437	4460539 .... 425, 437, 467
3300408 ..... 73	3790152 .... 117, 139, 141	4460019 ..... 393	4460662 ... 329, 331, 335, 337, 339, 341
3300430 ..... 263	3820019 ..... 45	4460042 ..... 395	4460705 ..... 399
3311005 ..... 89, 197, 269	3820020 ..... 231, 233	4460043 ..... 395	4460708 ..... 247
3311405 ... 144, 148, 194, 265, 321, 327, 331, 335, 339, 341	3820032 ..... 55, 57, 77	4460071 .... 198, 243, 245, 259, 317, 323	4460709 ... 366, 405, 409, 415
3311505 ..... 267	3841143 ... 201, 203, 205, 217, 219	4460121 ..... 89, 315, 399	4460710 .... 366, 409, 415
3311508 ..... 197	3841203 .... 201, 203, 205	4460125 ..... 323	4460742 ..... 399, 403
3311601 ..... 248, 265	3841258 ..... 15, 205	4460134 ..... 407, 413	4460743 ..... 399
3311605 .... 120, 144, 148	3841520 ..... 13	4460142 ..... 395, 425	4460746 ..... 395
3321402 ..... 144, 148	3900085 ..... 83, 85	4460183 ..... 425	4460761 .... 389, 433, 437
3340758 ..... 205	3900349 ..... 247	4460205 .... 317, 407, 411, 413	4460806 ... 331, 335, 399, 425
3340860 ..... 209, 211	3910606 ..... 198	4460225 ..... 399, 401, 437	4460836 .... 389, 431, 433
3340901 ... 358, 362, 366, 370, 374, 378	3910804 ..... 75	4460226 .... 243, 245, 252, 255, 259	4460837 ..... 389, 433
3340939 ... 357, 361, 365, 369, 373, 377	3911036 ..... 89	4460227 .... 389, 433, 437	4460865 ... 357, 361, 365, 369, 373, 377, 417, 419, 421, 423
3380434 ..... 243, 245	3931010 ..... 269	4460233 ..... 323	4460866 ... 357, 361, 365, 369, 373, 377, 389, 434, 437
3422576 ..... 201, 203	3931016 ..... 197	4460234 ..... 247	4460868 ..... 425
3422582 ..... 201, 203	3931408 ..... 263	4460247 ..... 395	4460871 ..... 79, 389, 425, 433, 437, 467
3422592 ..... 15	3931832 ..... 49	4460256 ..... 393, 395	4460872 ..... 467
3422661 ..... 267	3960422 .... 198, 317, 323	4460259 .... 403, 425, 437, 465	4460873 .... 389, 433, 437
3422709 ..... 201, 203	3960464 ... 113, 115, 120, 124, 128, 132, 136, 144, 148	4460260 .... 403, 425, 437, 465	4460874 .... 389, 433, 437
3422745 ..... 207	3990010 ..... 433, 492	4460265 ..... 252, 255	4460875 ..... 437, 467
3422787 ..... 205	4010618 ..... 235, 237	4460267 ..... 399	4460876 ..... 425
3422788 ..... 205	4031505 ..... 261	4460268 ..... 399, 401	4460877 ..... 425
3422790 ..... 201, 203	4031510 ... 357, 361, 365, 369, 373, 377	4460313 ..... 397, 425	4460878 ..... 389, 433
3422791 ..... 209, 211	4031512 65, 67, 357, 361, 365, 369, 373, 377	4460315 ..... 317, 323	4460879 ..... 437
3422792 ..... 201, 203	4031516 ..... 265	4460316 ..... 198, 317	4460884 ... 389, 425, 427, 433
3422814 ..... 201, 203	4031707 ..... 144, 148	4460384 ..... 341	4460887 .... 389, 433, 437
3423081 ..... 13	4060092 ..... 323	4460418 ..... 425, 437	4460888 ..... 437
3430616 ..... 248	4060802 ... 165, 169, 173, 177, 181, 185, 189, 193, 197	4460419 ..... 425, 437	4460891 79, 81, 381, 383, 389, 393, 395, 434, 461, 463, 467
3470003 ..... 248	4060804 ..... 217, 219	4460428 ..... 247, 269	4460892 ..... 389, 433
3520028 ... 165, 169, 173, 177, 181, 185, 189, 247	4060805 ..... 217, 219	4460434 ..... 437	4460894 ... 381, 383, 389, 425, 433, 437
	4060808 ... 357, 361, 365, 369, 373, 377	4460445 ..... 399	4460897 .... 390, 434, 463
	4070897 ..... 207	4460464 ..... 403	4460899 ... 390, 427, 434, 455, 459, 465
	4070898 ..... 207	4460466 .... 243, 245, 259, 269, 381, 389, 390, 421, 423, 425, 427, 429, 433, 434, 437, 459, 461, 463, 465, 467	4460905 ... 389, 425, 433, 437, 467
	4100066 ..... 299, 309	4460467 ..... 403	4460910 ..... 453
	4240018 ... 298, 308, 357, 361, 365, 369, 373, 377	4460468 ..... 403	4460911 ..... 455
	4240032 ... 81, 83, 85, 87, 89, 247	4460469 ..... 403	
	4240033 ... 65, 67, 87, 89, 113, 115, 261, 263, 265	4460470 ..... 403	
	4240099 ..... 269	4460471 ..... 403	
	4240156 ... 357, 361, 365, 369, 373, 377	4460472 ..... 403	
	4360328 ..... 69, 71, 492	4460473 ..... 403	

## SECTION 11 - SPECIAL OPTIONS

4460928.....461	4740397 ... 165, 169, 173,	4922641 ... 165, 169, 173,	70002149.....160
4460930.....389, 433	177, 181, 185, 189,	177, 181, 185, 189,	70002150.....159
4460931.....467	193, 197, 247	193, 197	70002151.....159
4460932.....269, 389, 433	4740537 ..... 13	4923463 ..... 345, 351	70002152.....159
4460933.....247, 425, 431,	4740538 ..... 13	4923505 ... 343, 349, 405,	70002153.....159
437, 461, 467	4740539 ..... 13	407, 409, 411, 413, 415	70002154.....159
4460941 .....455	4740540 ..... 13	5221000 ..... 221	70002155.....159
4460942.....261	4751000 . 83, 85, 89, 197,	5240600 ..... 92	70002156.....159
4460943 83, 85, 389, 425,	269	5240800 ..... 193, 197	70002157.....159
434, 437, 455	4751400 ... 241, 243, 245,	5241000 ..... 15, 21	70002158.....159
4460944....389, 395, 425,	247	5241200 .... 207, 217, 219	70002159.....159
431, 433, 437	4751500 ..... 197, 267	5241400 ..... 49	70002160.....159
4460945.....389, 425, 434	4761400 .... 144, 148, 241	5241600 ..... 21	70002161.....159
4460956.....387	4791400 ..... 193, 197	5250608 ..... 120	70002163.....159
4460957.....387	4811400 65, 67, 243, 245,	5250808 ..... 223	70002164.....159
4460962.....347	319, 321, 325, 327,	5250810 39, 45, 223, 299,	70002165..... 159, 160
4460963.....353	329, 331, 333, 335,	309	70002166.....159
4460967.....403	337, 339, 341, 357,	5250812 ..... 120, 223	70002168.....159
4460968....319, 321, 325,	361, 365, 369, 373, 377	5251008 ..... 217, 219	70002169.....159
327, 333, 381	4811600 . 92, 95, 97, 193,	5251010 .... 17, 201, 203,	70002170.....159
4460970.....381, 437	197	207	70002172.....159
4460972.....399	4811700 ... 45, 65, 67, 79,	5251012 .... 15, 113, 115,	70002174.....160
4460973.....399	83, 85, 95, 97, 107,	124, 128, 132, 136, 207	70002175.....160
4460974.....399	109, 120, 144, 148,	5251016 ..... 217, 219	70002176.....160
4460979.....389, 433	235, 237, 299, 309,	5260800 ... 357, 361, 365,	70002177.....160
4461012.....243, 245	315, 319, 325, 329,	369, 373, 377	70002178.....160
4461070.....461	333, 337, 357, 361,	5281920 ... 357, 361, 365,	70002179.....160
4461077.....455, 459	385, 471, 473, 475,	369, 373, 377	70002180.....160
4461095.....395, 461	477, 479, 481, 483,	70000088 ..... 51	70002181.....160
4461109.....395	485, 487	70000089 ..... 51	70002185.....160
4461110.....390, 433	4811702 .... 77, 165, 169,	70000122 .. 169, 177, 185	70002186.....160
4461111.....395	173, 177, 181, 185,	70000123 . 165, 173, 181,	70002187.....160
4461112.....390, 397, 433	189, 217, 219, 358,	189	70002191.....160
4461113....390, 395, 397,	362, 365, 369, 373, 377	70000124 . 165, 173, 181,	70002192.....160
433	4811900 ..... 41, 120, 124,	189	70002237.. 165, 169, 173,
4461157.....389, 433	128, 132, 136, 144,	70000125 . 165, 173, 181,	177, 181, 185, 189, 492
4461196.....439	148, 193, 197, 355,	189	70002238.. 165, 173, 181,
4461198.....321, 439	357, 361, 365, 369,	70000126 . 165, 173, 181,	189
4461199.....441	373, 377	189, 492	70002240.. 169, 177, 185,
4461201.....327, 441	4811902 .... 45, 207, 209,	70000341 ..... 213	492
4461205....443, 445, 447,	211	70000681 ..... 53	70002311.....51
449	4812000 . 45, 77, 92, 113,	70000781 ..... 19	70002312.....51
4461222....390, 395, 397,	115, 120, 124, 128,	70001119 ..... 25	70002313.....51
433	132, 136, 144, 148,	70001140 ..... 151	70002315.....151
4461231.... 121, 145, 149	165, 169, 173, 177,	70001368 ..... 25	70002316.....151
4461232.... 121, 145, 149	181, 185, 189, 193,	70001697 ..... 215	70002317.....151
4461244 ..... 331, 447	197, 201, 203, 205,	70001934 ..... 151	70002318.....151
4461245.....335, 449	217, 219, 221, 243,	70001935 ..... 151	70002319.....151
4461246.....339, 451	245, 355, 357, 361,	70001958 ..... 159	70002320.....151
4461249.....451	365, 369, 373, 377	70001966 ..... 193, 197	70002321.....151
4520605.....33	4812002 ..... 55, 57, 223	70002063 ..... 19	70002322.....151
4640113.....33, 35, 37	4812100 .... 13, 120, 144,	70002112 ..... 59	70002323.....151
4640858.....273	148, 217, 219	70002132 ..... 159	70002327.....152
4641284.....299, 309	4812102 55, 57, 113, 115,	70002133 ..... 159	70002328.....152
4711400.... 194, 235, 237,	124, 128, 132, 136,	70002134 ..... 159	70002330.....152
239, 263, 265, 321,	165, 169, 173, 177,	70002135 ..... 159	70002334... 277, 279, 281
327, 331, 335, 339, 341	181, 185, 189	70002136 ..... 160	70002335.. 275, 277, 279,
4711600.... 193, 197, 248	4812300 ..... 92	70002137 ..... 159	281, 283, 287
4711800.....120	4812500 ... 113, 115, 124,	70002138 ..... 159	70002337..... 281, 285
4740086.....13	128, 132, 136	70002139 ..... 159	70002344.....279
4740158.....15	4845582 ..... 267	70002140 ..... 159	70002352.....283, 287
4740171.....49	4891500 ... 165, 169, 173,	70002141 ..... 159	70002354.....283
4740274.... 120, 144, 148	177, 181, 185, 189	70002142 ..... 159	70002364.....287
4740362.... 107, 109, 120,	4891600 ... 117, 139, 141,	70002145 ..... 160	70002366... 275, 283, 287
243, 245	217, 219	70002146 ..... 160	70002372.....277
	4891800 .... 117, 139, 141	70002147 ..... 159	70002373.....277
		70002148 ..... 159	70002375.....277



## SECTION 11 - SPECIAL OPTIONS

70002380 .....	285	70002966 .....	47	70003081 ...	275, 281, 283	70004098 .....	198
70002386 19, 45, 47, 225, 277, 279, 281, 492		70002967 .....	47	70003082 .....	279, 281	70004099 .....	193, 197
70002389 .....	287	70002968 .....	47	70003083 .....	279, 281	70004311 .....	151
70002410 .....	281	70002969 .....	47	70003084 .....	283	70004322 .....	215
70002412 .....	279	70002970 .....	47	70003085 .....	275, 283	70004323 .....	213, 215
70002413 .....	275	70002971 .....	47, 492	70003086 .....	283	70004395 .....	151, 492
70002577 .....	163	70002972 .....	47	70003088 .....	283	70004396 .....	151
70002601 .....	159	70002973 .....	47	70003089 ...	275, 283, 287	70004397 .....	151
70002603 .....	159	70002974 .....	47	70003090 ...	275, 283, 287	70004398 .....	151
70002643 .....	53	70002976 .....	47	70003091 ...	275, 283, 287	70004399 .....	151
70002644 .....	53	70002977 .....	47	70003092 ...	275, 283, 287	70004400 .....	151
70002645 .....	53	70002978 .....	19	70003093 ...	275, 277, 283	70004401 .....	152
70002646 .....	53	70002979 .....	121, 492	70003094 ...	275, 277, 283	70004524 .....	152
70002647 .....	53	70002980 .....	26	70003095 .....	285	70004536 .....	152
70002648 .....	53	70002981 .....	26	70003096 .....	285	70004537 .....	152
70002649 .....	53	70002982 .....	26	70003097 .....	285	70004538 .....	152
70002650 .....	53	70002983 .....	25	70003098 .....	285	70004539 .....	152
70002651 .....	53	70002984 .....	25	70003099 .....	285	70004541 .....	152
70002652 .....	53	70002985 .....	25	70003100 .....	285	70004542 .....	152
70002656 .....	53	70002986 .....	25	70003101 .....	285	70004543 .....	152
70002657 .....	53	70002987 .....	25	70003102 .....	285	70004544 .....	151
70002658 .....	53	70002988 .....	25	70003103 .....	279	70004676 .....	193, 197
70002659 .....	53	70002989 .....	25	70003104 .....	279	70004678 .....	193, 197
70002661 .....	53	70002990 .....	25	70003105 .....	279	70004679 .....	193, 197
70002663 .....	53	70002991 .....	25	70003106 .....	279	70004682 ..	193, 198, 493
70002664 .....	53	70002992 .....	25	70003108 .....	279	70004683 .....	193
70002665 .....	53	70002993 .....	25	70003109 .....	279	70004688 .....	193
70002666 .....	53	70002994 .....	25	70003110 .....	279	70004689 .....	193, 197
70002667 .....	53	70002995 .....	25	70003111 .....	279	70004690 .....	193
70002668 .....	53	70002996 .....	25	70003112 .....	279	70004691 .....	197
70002669 .....	53	70002997 .....	26	70003113 .....	279	70004692 .....	198
70002670 .....	53	70002998 .....	26	70003114 .....	287	70004738 .....	255
70002671 .....	53	70002999 .....	25	70003115 .....	287	70004739 .....	255
7000281 .....	26	70003000 .....	25	70003116 .....	287	70004740 .....	255
70002812 .....	59, 492	70003005 .....	23	70003117 .....	287	70004741 .....	255
70002838 .....	59	70003006 .....	23	70003118 .....	277, 287	70004742 .....	255
70002839 .....	59	70003007 .....	23	70003119 .....	287	70004743 .....	255
70002840 .....	59	70003008 .....	23	70003120 .....	287	70004744 .....	255
70002842 .....	273	70003009 .....	23	70003121 .....	287	70004745 .....	255
70002860 .....	163	70003010 .....	23	70003122 .....	277	70004746 .....	255
70002861 .....	163	70003011 .....	23	70003123 .....	277	70004747 .....	255
70002862 .....	163	70003012 .....	23	70003124 .....	277	70004748 .....	255
70002863 .....	159	70003013 .....	23	70003125 .....	277	70004749 .....	255
70002864 .....	160	70003014 .....	23	70003126 .....	277	70004750 .....	255
70002865 .....	160	70003016 .....	23	70003127 .....	277	70004751 .....	255
70002866 .....	160	70003060 .....	151	70003128 .....	277	70004752 .....	251
70002867 .....	160	70003061 .....	151	70003129 .....	277	70004753 .....	251
70002868 .....	160	70003062 .....	151	70003130 .....	277	70004754 .....	251
70002899 ..	121, 145, 149	70003063 .....	151	70003131 .....	275	70004755 .....	251
70002901 .....	157	70003064 .....	151, 493	70003132 .....	275	70004756 .....	251
70002902 ..	243, 245, 259	70003066 .....	152	70003133 .....	275	70004757 .....	251
70002903 ..	243, 245, 259	70003067 .....	152	70003134 .....	275	70004758 .....	251
70002904 ..	243, 245, 259	70003068 ..	177, 181, 185, 189	70003137 ...	169, 177, 185	70004759 .....	251
70002905 ..	243, 245, 259	70003069 ..	165, 169, 173, 177, 181, 185, 189	70003138 .....	53	70004760 .....	251
70002954 .....	227	70003070 ..	165, 169, 173	70003139 .....	53	70004761 .....	251
70002955 .....	19	70003071 .....	281	70003141 .....	53	70004762 .....	251
70002956 .....	19	70003072 .....	281	70003142 .....	53	70004763 .....	251
70002957 .....	19	70003073 .....	281	70003178 .....	121, 492	70004764 .....	251
70002958 .....	19	70003074 .....	281	70003179 .....	121	70004765 .....	251
70002959 .....	19	70003075 .....	281	70003453 .....	277	70004766 .....	251
70002960 .....	19	70003076 ..	277, 279, 281	70003708 .....	193, 197	70004767 .....	251
70002961 .....	19	70003077 .....	281, 285	70003709 .....	193, 197	70004768 .....	251
70002962 .....	19	70003078 .....	281, 285	70003757 .....	47	70004769 .....	251
70002963 ....	19, 227, 492	70003079 .....	281, 285	70003788 .....	47, 492	70004770 .....	251
70002964 .....	47	70003080 .....	281, 285	70004069 .....	157	70004771 .....	251
70002965 .....	47			70004070 .....	157	70004772 .....	251
				70004092 .....	193, 197	70004773 .....	251

## SECTION 11 - SPECIAL OPTIONS

70004774.....	252	7016319 .....	81	7021275 .....	159	7024884.....	277, 279, 281, 492
70004775.....	252	7016372 .....	81	7021653 .....	47	7025479.....	151
70005220.....	152	7016628 .....	89	70222301 .....	160	7026041.....	53
70005293.....	157	7017022 .....	26	7022301 .....	159	7026048.....	53
70005294.....	157	7017120 .....	213	7022326 .....	152	7026049.....	53
70005295.....	157	7017121 .....	213	7022340 .....	160	7026052.....	53
70005296.....	157, 492	7017122 .....	213, 215	7023124 .....	152	7026525.....	169, 177, 185
70005297.....	157	7017123 .....	213, 215	7023132 .....	151	7027350.....	53
70005695.....	275	7017126 .....	213, 215	7023134 .....	145, 149	7027351.....	53
70005722.....	45	7017127 .....	213	7023136 .....	151	7027352.....	53
70005973.....	275	7017172 .....	213, 215	7023139 .....	151	7027353.....	53
70005974.....	275	7017192 .....	213, 215	7023141 .....	151	7027359.....	53
70006269.....	221	7017196 .....	213, 215	7023144 .....	151	7027887....	165, 169, 173, 177, 181, 185, 189
70006280.....	221	7017402 .....	225, 227	7023145 .....	151	7027900.....	213, 215
70006353.....	275	7017406 .....	19, 47	7023148 .....	152	7027901.....	213, 215
70010383.....	45, 492	7017427 .....	227	7023149 .....	152	7027955.....	23
7001913.....	25	7017452 .....	225, 227	7023154 .....	151	7027956.....	23
70022565.....	279	7017467 .....	45	7023156 .....	151	7027957.....	23
70023370..	277, 279, 281, 287	7017496 .	19, 45, 47, 277, 279, 281	7023157 .....	151	7027958.....	23
70023371.....	283	7017498 .....	227	7023160 .....	151	7027959.....	23
7004035.....	51	7017901 .....	151	7023162 .....	151	7027972.....	121, 492
7004043.....	51	7017911 .....	151	7023163 .....	151	7028909.....	83, 85
7004044.....	51	7017934 .....	151	7023164 .....	151	77133089.....	298, 308
7007415.....	160	7017945 .....	151	7023165 .....	151	77363233.....	401
7007439.....	159, 160	7017945 .....	151	7023167 .....	151	8007941.....	23
7007446.....	159	7017954 .....	151	7023168 .....	151	80233041.....	299, 309
7007640.....	25	7017955 .....	151	7023170 .....	152	80325.....	92
7010543.19, 47, 225, 287		7017963 .....	152	7023170 .....	152	80334555.....	23
7011323.....	213	7020108 ...	165, 169, 173, 177, 181, 185, 189	7023964 .....	160	80633030.....	298, 308
7012513....	165, 169, 173, 177, 181, 185, 189	7020109 ...	165, 169, 173, 177, 181, 185, 189	7023970 .....	225	80673025... 120, 144, 148	
7012514....	165, 169, 173, 177, 181, 185, 189	7020110 ...	165, 169, 173, 177, 181, 185, 189	7024108 .....	26	8220029.....	399
7012941 .....	19, 225	7020111 ...	165, 169, 173, 177, 181, 185, 189	7024134 .....	26	8220164....	390, 395, 433
7012953.....	19, 225	7020152 ...	169, 177, 185	7024379 .....	51	8305919.....	247
7012955.....	225, 227	7020175 .....	69, 71	7024380 .....	51	8310668.....	221
7012967.....	45, 225, 227, 277, 279, 281	7020176 .....	69, 71	7024381 .....	51	8310686.....	299, 309
7012998.....	47, 227	7020190 ...	165, 169, 173, 177, 181, 185, 189	7024389 .....	51	83191040... 117, 139, 141	
7015004....	121, 144, 148, 492	7020192 ...	165, 173, 181, 189	7024390 .....	51	8405006.....	120
7015005.....	121, 144, 148			7024441 .....	59	8406110.....	373, 377
				7024453 .....	51	85941016..	120, 144, 148, 299, 309
				7024738 .....	25	91143172.....	299, 309
				7024741 .....	25		
				7024742 .....	25		
				7024744 .....	26		
				7024844 .....	19		





An Oshkosh Corporation Company

**Corporate Office**  
**JLG Industries, Inc.**  
**1 JLG Drive**  
**McConnellsburg, PA 17233-9533 USA**  
☎ **(717) 485-5161 (Corporate)**  
☎ **(877) 554-5438 (Customer Support)**  
📠 **(717) 485-6417**

**Visit our website for JLG Worldwide Locations.**  
**[www.jlg.com](http://www.jlg.com)**