



# Illustrated Parts Manual

***Models***  
***E400Anarrow***  
***E400AJPnarrow***

PVC  
2101

P/N  
31215961

May 31, 2021 - Rev B

***ANSI***

**CE**



***AS/NZS***



An Oshkosh Corporation Company

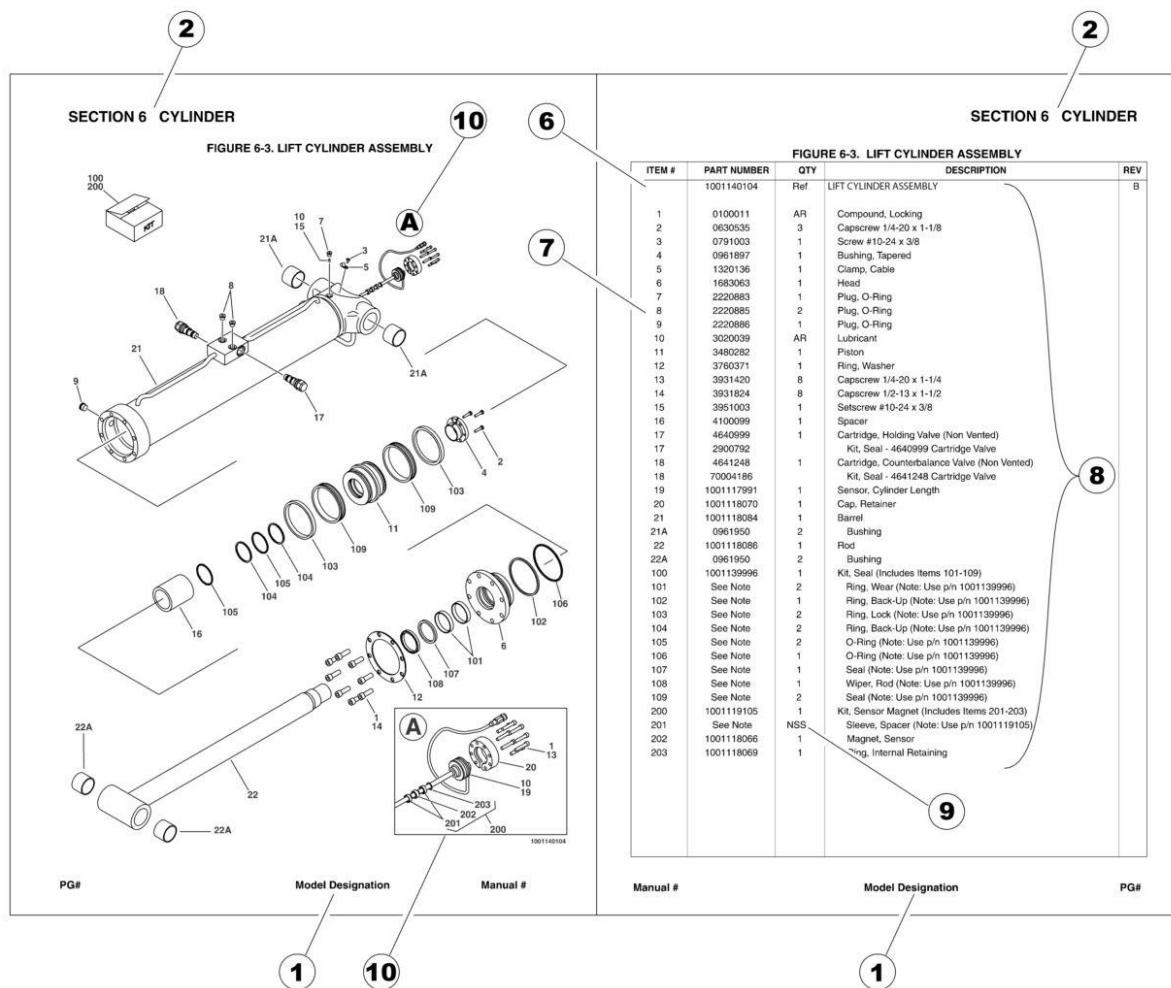


## **REVISION LOG**

December 30, 2020 - A - Original Issue of Manual (Edited to B/M 1001247556 Revision J)

May 31, 2021 - B - Revised Manual (Edited to B/M 1001247556 Revision J)

# GENERAL INFORMATION



## 1) MACHINE IDENTIFICATION

Machines are identified by model and in some cases a combination of models, serial number (SN) or regional standard (i.e ANSI, CE, CSA). Components may also be identified by SN or manufacturer. Common components that may be identified by these characteristics are engines and hydraulic components.

## 2) PARTS MANUAL ORGANIZATION

Product information in this manual is organized under section titles. Frame, Cylinder, Hydraulic and Electrical are a few examples. Each section is organized by figure and page number. The information within the Figure is then organized by item number, part number, description and corresponding illustration (s).

## 3) TABLE OF CONTENTS (NOT SHOWN)

A table of contents is found toward the beginning of the manual. Figure number, description and page number are provided for quick reference to the page containing the related information.

## 4) RECOMMENDED SPARE PARTS (NOT SHOWN)

The Recommended Spare Parts List, located near the end of the manual, reference most frequently used maintenance parts.

## 5) PART NUMBER INDEX (NOT SHOWN)

A numerical index listing all part numbers and the corresponding page number(s) appears at the back of the manual.

## GENERAL INFORMATION

### 6) NON-SERVICED PARTS

In some instances, it is necessary to display non-serviced parts, assemblies or installations. In the case of assemblies and installations there will be a Ref in the Qty. column. In case of parts that are not available for service within assemblies or components, there will be a NSS (Not Sold Separately) or NLA (No Longer Available) listed in the Qty. column of the manual.

### 7) PARTS LIST ITEM NUMBERS

Numbers shown in the item# column correspond to numbers used in the associated illustration (s). Item numbers which are missing from the sequence in the parts list are not used on that page.

### 8) INDENTED PARTS DESCRIPTION

An indented part description is included in the item under which it is indented.

### 9) ABBREVIATION AND SYMBOLS

AC.....	Alternating Current	L.....	Liter
ADE.....	Advanced Design Electronics	LB(LBS).....	Pounds
AG.....	Agricultural	LCD.....	Liquid Crystal Display
ANSI.....	American National Standards Institute	LED.....	Light Emitting Diodes
AR.....	As Required	LH.....	Left Hand
ASSY.....	Assembly	LRC.....	Low Rated Countries
AUS.....	Australia	LSS.....	Load Sensing System
AUX.....	Auxiliary	M(m).....	Metric/Meter
AWG.....	American Wire Gauge	MM(mm).....	Milimeter
B/M.....	Bill of Material	mA.....	Miliamps
CAC.....	Charge Air Cooler	NLA.....	No Longer Available
CE.....	European Conformity	NPT.....	National Pipe Threads
CCW.....	Counter Clockwise	NSS.....	Not Sold Separately
CM.....	Centimeter	OD.....	Outside Diameter
CW.....	Clockwise	ORB.....	O-Ring Boss
CSA.....	Canadian Standards Association	ORFS.....	O-Ring Face Seal
CYL.....	Cylinder	OZ (oz).....	Ounces
DIA.....	Diameter	PG.....	Page
DC.....	Direct Current	PN.....	Part Number
DEF.....	Diesel Exhaust Fluid	QT(qt.).....	Quarts
EMS.....	Emergency Stop	QTY.....	Quantity
ENG.....	Engine	REF.....	Reference
FT(ft).....	Feet	REV.....	Revision Level
GA(Ga).....	Gauge	RH.....	Right Hand
HRC.....	High Rated Countries	SAE.....	Society of Automotive Engineers
HVAC.....	Heating, Ventilating, and Air Conditioning	SN.....	Serial Number
HYD.....	Hydraulic	SPEC(S).....	Specifications
Hz.....	Hertz	T/T.....	Turntable
ID.....	Inside Diameter	UGM.....	Universal Ground Module
IN.....	inches	V.....	Volts
ISO.....	International Organization for Standards	W.....	Watts
JIC.....	Joint Industry Council	#.....	Number
KG.....	Kilogram		

### 10) ILLUSTRATION REFERENCE LETTERS

When necessary, illustrations may contain reference letters that are intended to track information (i. e. hoses, harnesses) from one point to another or to track visual enlargement of components to show details that may be located in another area on the illustration.

*Note: Due to continuous product improvements, JLG Industries, Inc. reserves the right to make specification changes without prior notification. Contact JLG Industries, Inc. for updated information.*



# TABLE OF CONTENTS

SECTION 1 - FRAME.....	11
FIGURE 1-1. STEERING INSTALLATION .....	12
FIGURE 1-2. HUB - SPINDLE ASSEMBLY - RH .....	14
FIGURE 1-3. HUB - SPINDLE ASSEMBLY - LH.....	16
FIGURE 1-4. DRIVE INSTALLATION - NON-UL SPECS.....	18
FIGURE 1-5. DRIVE INSTALLATION - UL SPECS.....	22
FIGURE 1-6. DRIVE HUB ASSEMBLY .....	26
FIGURE 1-7. DRIVE MOTOR ASSEMBLY .....	30
FIGURE 1-8. ELECTRICAL PLATE ASSEMBLY - LH.....	32
FIGURE 1-9. ELECTRICAL PLATE ASSEMBLY - LH - UL SPECS.....	34
FIGURE 1-10. ELECTRICAL PLATE ASSEMBLY - RH.....	36
FIGURE 1-11. ELECTRICAL PLATE ASSEMBLY - RH - UL SPECS .....	38
FIGURE 1-12. TIRE/WHEEL - SOLID NON-MARKING .....	40
FIGURE 1-13. MOTOR/PUMP/TANK - NON-UL SPECS.....	42
FIGURE 1-14. MOTOR/PUMP/TANK INSTALLATION - UL SPECS.....	44
FIGURE 1-15. MOTOR/PUMP ASSEMBLY .....	46
FIGURE 1-16. HYDRAULIC TANK ASSEMBLY.....	48
FIGURE 1-17. VALVE INSTALLATION - FRAME MOUNTED - E400ANARROW .....	50
FIGURE 1-18. VALVE INSTALLATION - FRAME MOUNTED - E400AJPNARROW.....	52
FIGURE 1-19. BRAKE/STEER VALVE ASSEMBLY .....	54
FIGURE 1-20. BATTERY BOX INSTALLATION - STANDARD (ALL SPECS EXCEPT AUSTRALIAN & CE SPECS).....	56
FIGURE 1-21. BATTERY BOX INSTALLATION - STANDARD (AUSTRALIAN & CE SPECS) .....	58
FIGURE 1-22. BATTERY BOX INSTALLATION - AGM BATTERIES (ALL SPECS EXCEPT AUSTRALIAN & CE SPECS) .....	60
FIGURE 1-23. BATTERY BOX INSTALLATION - AGM BATTERIES (AUSTRALIAN & CE SPECS) .....	62
FIGURE 1-24. BATTERY CHARGER INSTALLATION (ALL SPECS EXCEPT AUSTRALIAN & CE SPECS) .....	64
FIGURE 1-25. BATTERY CHARGER INSTALLATION - E400AJPNARROW (AUSTRALIAN SPEC) .....	66
FIGURE 1-26. BATTERY CHARGER INSTALLATION (ANSI EXPORT, CE AND CHINA SPECS) .....	68
FIGURE 1-27. INVERTER INSTALLATION .....	70
FIGURE 1-28. FRAME COVER INSTALLATION .....	72
SECTION 2 - TURNTABLE .....	75
FIGURE 2-1. VALVE INSTALLATION- TURNTABLE MOUNTED - E400ANARROW .....	76
FIGURE 2-2. VALVE INSTALLATION - TURNTABLE MOUNTED - E400AJPNARROW .....	78
FIGURE 2-3. MAIN CONTROL VALVE ASSEMBLY.....	80
FIGURE 2-4. RELEVELING VALVE ASSEMBLY.....	82
FIGURE 2-5. JIB VALVE ASSEMBLY .....	84
FIGURE 2-6. MOTION ALARM INSTALLATION.....	86
FIGURE 2-7. TURNTABLE BEARING AND SWING DRIVE INSTALLATION.....	88
FIGURE 2-8. SWING MOTOR ASSEMBLY .....	90
FIGURE 2-9. SWING BEARING ASSEMBLY .....	92
FIGURE 2-10. REMOTE BEARING LUBE INSTALLATION - OPTIONAL.....	94
FIGURE 2-11. DRIVE ORIENTATION INSTALLATION .....	96
FIGURE 2-12. GROUND CONTROL BOX INSTALLATION - E400ANARROW (ALL SPECS EXCEPT CE AND AUSTRALIAN SPECS) .....	98
FIGURE 2-13. GROUND CONTROL BOX INSTALLATION - E400ANARROW (CE SPEC) .....	100
FIGURE 2-14. GROUND CONTROL BOX INSTALLATION - E400AJPNARROW (ALL SPECS EXCEPT CE SPEC).....	102
FIGURE 2-15. GROUND CONTROL BOX INSTALLATION - E400AJPNARROW (CE SPEC) .....	104
FIGURE 2-16. GROUND CONTROL BOX ELECTRICAL ASSEMBLY - E400ANARROW (ALL SPECS EXCEPT CE AND AUSTRALIAN SPECS).....	106
FIGURE 2-17. GROUND CONTROL BOX ELECTRICAL ASSEMBLY - E400ANARROW (CE SPECS).....	108
FIGURE 2-18. GROUND CONTROL BOX ELECTRICAL ASSEMBLY - E400AJPNARROW (ALL SPECS EXCEPT CE SPECS) .....	110
FIGURE 2-19. GROUND CONTROL BOX ELECTRICAL ASSEMBLY - E400AJPNARROW (CE SPEC) .....	112
FIGURE 2-20. STROBE LIGHT INSTALLATION - AMBER .....	114
FIGURE 2-21. BEACON LIGHT INSTALLATION - BLUE .....	116
FIGURE 2-22. BEACON LIGHT INSTALLATION - RED .....	118
FIGURE 2-23. HOOD INSTALLATION.....	120
SECTION 3 - BOOM .....	123
FIGURE 3-1. BOOM AND CYLINDERS INSTALLATION - E400ANARROW .....	124
FIGURE 3-2. BOOM AND CYLINDERS INSTALLATION - E400AJPNARROW .....	126
FIGURE 3-3. MAIN BOOM ASSEMBLY - E400ANARROW.....	130
FIGURE 3-4. MAIN BOOM ASSEMBLY - E400AJPNARROW .....	132

# TABLE OF CONTENTS

FIGURE 3-5. JIB INSTALLATION .....	136
FIGURE 3-6. ROTATOR ASSEMBLY - E400ANARROW.....	138
FIGURE 3-7. ROTATOR ASSEMBLY - PLATFORM SUPPORT TO JIB - E400AJPNARROW .....	140
FIGURE 3-8. ROTATOR ASSEMBLY - MAIN BOOM TO JIB - E400AJPNARROW .....	142
FIGURE 3-9. PLATFORM SUPPORT INSTALLATION .....	144
FIGURE 3-10. BOOM LIMIT SWITCHES INSTALLATION .....	146
SECTION 4 - PLATFORM.....	149
FIGURE 4-1. PLATFORM ASSEMBLY - 4FT/1.22M - SIDE GATE ENTRY .....	150
FIGURE 4-2. PLATFORM ASSEMBLY - 5FT/1.52M - SIDE GATE ENTRY .....	152
FIGURE 4-3. PLATFORM ASSEMBLY - 5FT/1.52M - SIDE GATE ENTRY - W/STOP AND 1 CELL LSS.....	154
FIGURE 4-4. PLATFORM ASSEMBLY - 4FT/1.22M - DROP BAR ENTRY .....	156
FIGURE 4-5. PLATFORM ASSEMBLY - 5FT/1.52M - DROP BAR ENTRY .....	158
FIGURE 4-6. PLATFORM ASSEMBLY - 5FT/1.52M - DROP BAR ENTRY .....	160
FIGURE 4-7. PLATFORM CONSOLE AND FOOTSWITCH INSTALLATION - E400ANARROW - NON-UL LISTED (ALL SPEC EXCEPT AUSTRALIAN AND UL SPECS).....	162
FIGURE 4-8. PLATFORM CONSOLE AND FOOTSWITCH INSTALLATION - E400ANARROW - UL LISTED (ALL SPECS EXCEPTED AUSTRALIAN, CE AND JAPANESE SPECS).....	164
FIGURE 4-9. PLATFORM CONSOLE AND FOOTSWITCH INSTALLATION - E400AJPNARROW - NON-UL LISTED (ALL SPECS EXCEPT UL SPECS).....	166
FIGURE 4-10. PLATFORM CONSOLE AND FOOTSWITCH INSTALLATION - E400AJPNARROW - UL LISTED (ALL SPECS EXCEPTED AUSTRALIAN, CE AND JAPANESE SPECS).....	168
FIGURE 4-11. PLATFORM CONSOLE ASSEMBLY - E400ANARROW - NON-UL LISTED (ALL SPECS EXCEPT AUSTRALIAN AND UL SPECS).....	170
FIGURE 4-12. PLATFORM CONSOLE ASSEMBLY - E400ANARROW/E400AJPNARROW - UL LISTED (ALL SPECS EXCEPTED AUSTRALIAN, CE AND JAPANESE SPECS).....	174
FIGURE 4-13. PLATFORM CONSOLE ASSEMBLY - E400AJPNARROW - NON-UL LISTED (ALL SPECS EXCEPT UL SPECS) .....	178
FIGURE 4-14. LIGHT PANEL INSTALLATION.....	182
FIGURE 4-15. CONTROLLER ASSEMBLY - DRIVE AND STEER .....	184
FIGURE 4-16. CONTROLLER ASSEMBLY - LIFT AND SWING.....	186
FIGURE 4-17. FOOTSWITCH ASSEMBLY .....	190
FIGURE 4-18. TRAY ASSEMBLY.....	192
FIGURE 4-19. SKYEYE INSTALLATION.....	194
FIGURE 4-20. SKYGUARD BAR INSTALLATION.....	196
FIGURE 4-21. SKYLINE INSTALLATION.....	198
FIGURE 4-22. PIPE RACK INSTALLATION.....	200
FIGURE 4-23. SKYSENSE MID TUBE SENSOR ASSEMBLY .....	202
FIGURE 4-24. SKYSENSE OVERHEAD SENSOR ASSEMBLY.....	204
FIGURE 4-25. USB CHARGER INSTALLATION.....	206
SECTION 5 - CYLINDER.....	209
FIGURE 5-1. LEVEL (PLATFORM SLAVE) CYLINDER ASSEMBLY - E400ANARROW.....	210
FIGURE 5-2. LEVEL (PLATFORM SLAVE) CYLINDER ASSEMBLY - E400AJPNARROW .....	212
FIGURE 5-3. LIFT CYLINDER ASSEMBLY - JIB - E400AJPNARROW .....	214
FIGURE 5-4. LIFT CYLINDER ASSEMBLY - LOWER - E400ANARROW .....	216
FIGURE 5-5. CYLINDER ASSEMBLY - LOWER - E400AJPNARROW.....	218
FIGURE 5-6. LIFT CYLINDER ASSEMBLY - MID - E400ANARROW .....	220
FIGURE 5-7. LIFT CYLINDER ASSEMBLY - MID - E400AJPNARROW.....	222
FIGURE 5-8. LIFT CYLINDER - UPPER - E400ANARROW .....	224
FIGURE 5-9. LIFT CYLINDER - UPPER - E400AJPNARROW .....	226
FIGURE 5-10. MASTER CYLINDER ASSEMBLY - E400ANARROW .....	228
FIGURE 5-11. MASTER CYLINDER ASSEMBLY - E400AJPNARROW .....	230
FIGURE 5-12. STEER CYLINDER ASSEMBLY .....	232
FIGURE 5-13. TELESCOPE CYLINDER ASSEMBLY - E400ANARROW.....	234
FIGURE 5-14. TELESCOPE CYLINDER ASSEMBLY - E400AJPNARROW .....	236
FIGURE 5-15. COUNTERBALANCE VALVE ASSEMBLY .....	238
SECTION 6 - HYDRAULIC.....	241
FIGURE 6-1. HYDRAULIC DIAGRAM - E400ANARROW.....	242
FIGURE 6-2. HYDRAULIC DIAGRAM - E400AJPNARROW.....	246
SECTION 7 - ELECTRICAL.....	251



# TABLE OF CONTENTS

FIGURE 7-1. AC PLUGS AND SOCKETS INSTALLATION - AFSINT 107-2-01 KEYED GROUND - 2 X 4 BOX (CE SPEC).....	252
FIGURE 7-2. AC PLUGS AND SOCKETS INSTALLATION - CEE7 POST GROUND (CE SPEC).....	254
FIGURE 7-3. AC PLUGS AND SOCKETS INSTALLATION - CEE 7 SIDE GROUND (CE SPEC).....	256
FIGURE 7-4. AC PLUGS AND SOCKETS INSTALLATION - CEE7 POST GROUND - 2 X 4 BOX (CE SPEC).....	258
FIGURE 7-5. AC PLUGS AND SOCKETS INSTALLATION - CEE7 SIDE GROUND - 2 X 4 BOX (CE SPEC).....	260
FIGURE 7-6. AC PLUGS AND SOCKETS INSTALLATION - IEC 60309 BLUE (CE SPEC).....	262
FIGURE 7-7. AC PLUGS AND SOCKETS INSTALLATION - IEC 60309 YELLOW (CE SPEC).....	264
FIGURE 7-8. BATTERY CABLE KIT - E400ANARROW AND E400AJPNARROW.....	266
FIGURE 7-9. BATTERY CABLE KIT - E400ANARROW AND E400AJPNARROW - UL SPECS.....	268
FIGURE 7-10. BLUETOOTH MODULE INSTALLATION.....	270
FIGURE 7-11. BLUETOOTH MODULE HARNESS.....	272
FIGURE 7-12. BOOM CABLE - LOWER.....	274
FIGURE 7-13. BOOM CABLE - UPPER.....	276
FIGURE 7-14. BOOM LIMIT SWITCH HARNESS - LOWER.....	278
FIGURE 7-15. BOOM LIMIT SWITCH HARNESS - UPPER.....	280
FIGURE 7-16. BREAKER BOX KIT WITH ONE BREAKERS - CE SPEC.....	282
FIGURE 7-17. BREAKER BOX KIT WITH TWO BREAKERS - CE SPEC.....	284
FIGURE 7-18. CABLES AND CLAMPS INSTALLATION - E400ANARROW.....	286
FIGURE 7-19. CABLES AND CLAMPS INSTALLATION - E400AJPNARROW.....	288
FIGURE 7-20. CHARGER HARNESS.....	290
FIGURE 7-21. CHARGER CORD PLUG INSTALLATION - 110V - IEC 60309 - YELLOW (CE SPEC).....	292
FIGURE 7-22. CHARGER CORD PLUG INSTALLATION - 220V - AFSINT 107 KEYED GROUND (CE SPEC).....	294
FIGURE 7-23. CHARGER CORD PLUG INSTALLATION - 220V - CEE7 POST GROUND (CE SPEC).....	296
FIGURE 7-24. CHARGER CORD PLUG INSTALLATION - 220V - CEE7 SIDE GROUND (CE SPEC).....	298
FIGURE 7-25. CHARGER CORD PLUG INSTALLATION - 220V - IEC 60309 - BLUE (CE SPEC).....	300
FIGURE 7-26. CHARGER DC CONNECTION HARNESS.....	302
FIGURE 7-27. CHARGER EBOOM HARNESS.....	304
FIGURE 7-28. CHASSIS TO TURNTABLE HARNESS.....	306
FIGURE 7-29. GROUND CONTROL PANEL HARNESS.....	308
FIGURE 7-30. INVERTER HARNESS.....	310
FIGURE 7-31. INVERTER IGNITION HARNESS.....	312
FIGURE 7-32. LOWER BOOM 110V HARNESS ASSEMBLY.....	314
FIGURE 7-33. LOWER BOOM 220V HARNESS ASSEMBLY - CE SPEC.....	316
FIGURE 7-34. LOWER BOOM 220V HARNESS ASSEMBLY - CE SPEC.....	318
FIGURE 7-35. PLATFORM CONSOLE HARNESS - WITH 1 CELL LSS - E400ANARROW/E400AJPNARROW - NON-UL LISTED (ALL SPECS EXCEPT UL SPECS).....	320
FIGURE 7-36. PLATFORM CONSOLE HARNESS - WITH 1 CELL LSS - E400ANARROW/E400AJPNARROW - UL LISTED (ALL SPECS EXCEPT AUSTRALIAN, CE AND JAPANESE SPECS).....	324
FIGURE 7-37. PLUG AND RECEPTACLE INSTALLATION - 110V.....	328
FIGURE 7-38. PLUG AND RECEPTACLE INSTALLATION - 220V.....	330
FIGURE 7-39. PLUG AND RECEPTACLE INSTALLATION - SUPPLIED LOCALLY.....	332
FIGURE 7-40. PLUG AND RECEPTACLE 110V INSTALLATION - IEC 60309 - YELLOW (CE SPEC).....	334
FIGURE 7-41. PLUG AND RECEPTACLE 220V INSTALLATION - AFSINT 107 KEYED GROUND - 2 X 4 BOX (CE SPEC) ...	336
FIGURE 7-42. PLUG AND RECEPTACLE 220V INSTALLATION - CEE7 POST GROUND - 2 X 4 BOX (CE SPEC).....	338
FIGURE 7-43. PLUG AND RECEPTACLE 220VINSTALLATION - CEE7 POST GROUND - 70MM X 70MM BOX (CE SPEC).....	340
FIGURE 7-44. PLUG AND RECEPTACLE 220 INSTALLATION - CEE7 SIDE GROUND - 2 X 4 BOX (CE SPEC).....	342
FIGURE 7-45. PLUG AND RECEPTACLE 220VINSTALLATION - CEE7 SIDE GROUND - 70MM X 70MM BOX (CE SPEC) ..	344
FIGURE 7-46. PLUG AND RECEPTACLE 220VINSTALLATION - IEC 60309 - BLUE (CE SPEC).....	346
FIGURE 7-47. SKYEYE INTERMEDIATE HARNESS.....	348
FIGURE 7-48. SKYEYE RECEIVER HARNESS.....	350
FIGURE 7-49. SKYEYE EMITTER HARNESS.....	352
FIGURE 7-50. SKYGUARD HARNESS - WITH 1 CELL LSS.....	354
FIGURE 7-51. SKYLINE HARNESS.....	356
FIGURE 7-52. STEER/BRAKE HARNESS.....	358
FIGURE 7-53. TRACTION HARNESS.....	360
FIGURE 7-54. TURNTABLE HARNESS.....	362
FIGURE 7-55. UPPER BOOM 110V HARNESS ASSEMBLY.....	366
FIGURE 7-56. UPPER BOOM 220V HARNESS ASSEMBLY - CE SPEC.....	368
FIGURE 7-57. VALVE HARNESS.....	370
SECTION 8 - DECALS.....	373
FIGURE 8-1. DECAL INSTALLATION - ANSI SPEC.....	374
FIGURE 8-2. DECAL INSTALLATION - AUSTRALIAN SPEC.....	376
FIGURE 8-3. DECAL INSTALLATION - CE SPEC.....	378
FIGURE 8-4. DECAL INSTALLATION - CHINESE/ENGLISH.....	380
FIGURE 8-5. DECAL INSTALLATION - FRENCH/ENGLISH SPECS.....	382

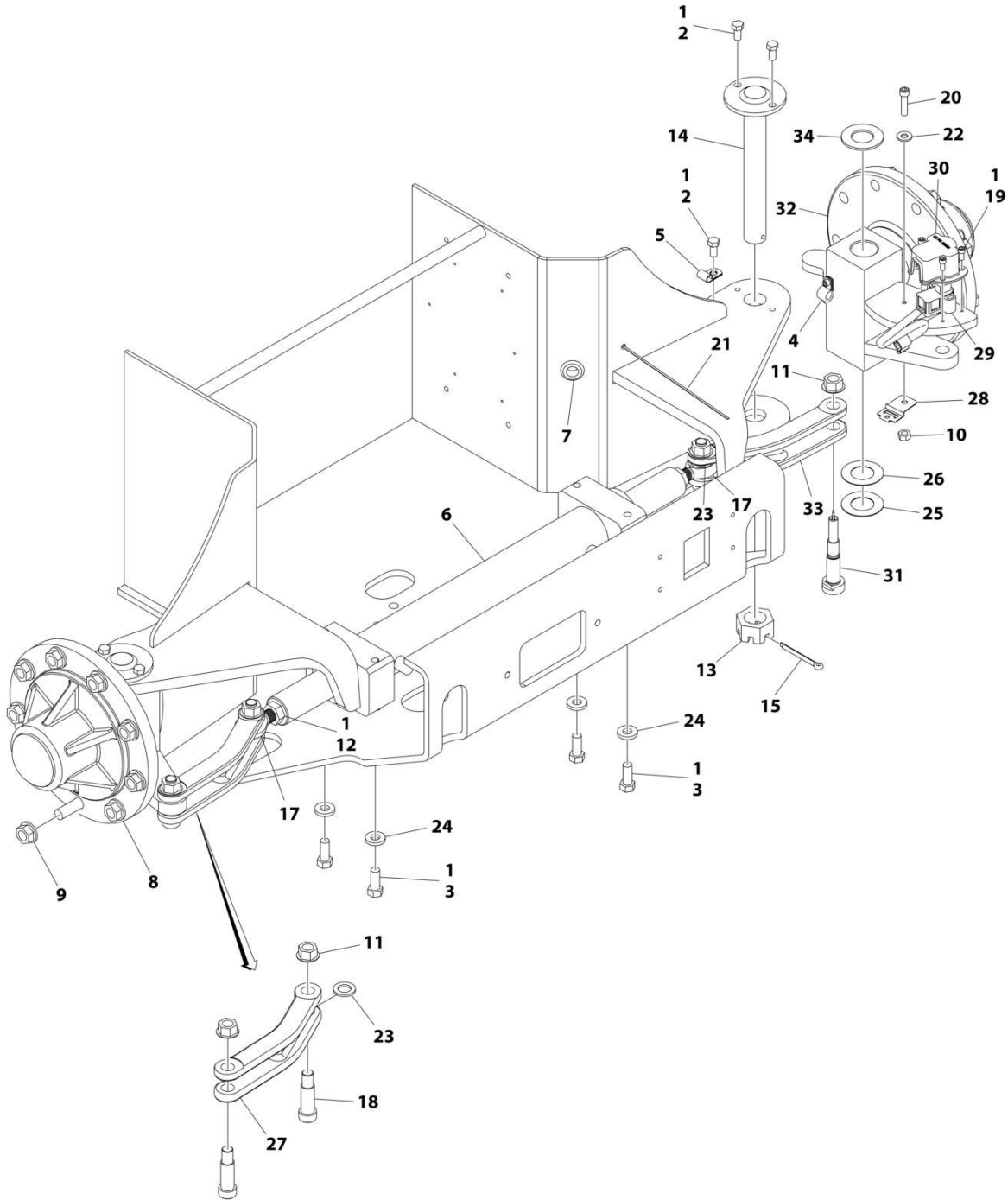
# TABLE OF CONTENTS

FIGURE 8-6. DECAL INSTALLATION - JAPANESE SPEC.....	384
FIGURE 8-7. DECAL INSTALLATION - KOREAN SPEC .....	386
FIGURE 8-8. DECAL INSTALLATION - SPANISH/ENGLISH SPECS.....	388
FIGURE 8-9. DECAL INSTALLATION - SPANISH/PORTUGUESE SPECS .....	390
FIGURE 8-10. DECAL INSTALLATION - OPTIONS.....	392
SECTION 9 - RECOMMENDED SERVICE PARTS STOCK.....	395
FIGURE 9-1. RECOMMENDED SERVICE PARTS STOCK.....	396
SECTION 10 - SPECIAL OPTIONS .....	399
FIGURE 10-1. SPECIAL OPTIONS .....	400
PART NUMBER INDEX.....	403

**SECTION 1 - FRAME**

# SECTION 1 - FRAME

## FIGURE 1-1. STEERING INSTALLATION



ART\_1001232204

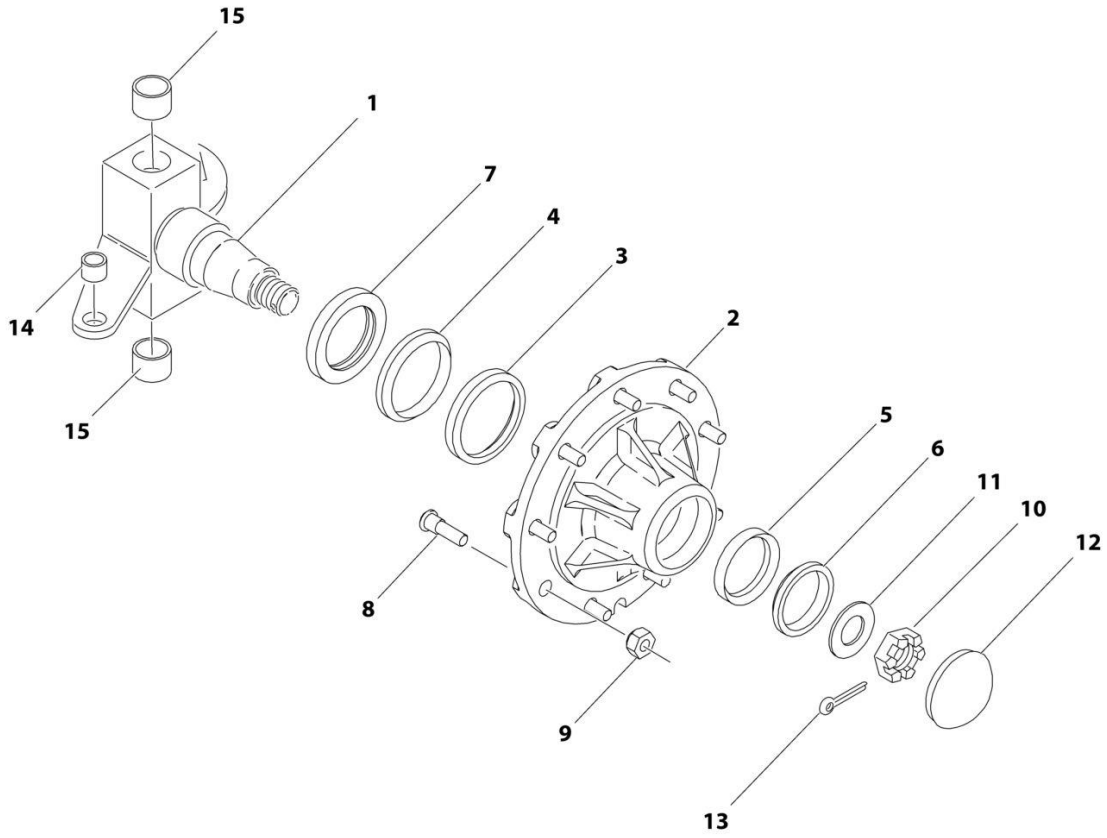
# SECTION 1 - FRAME

## FIGURE 1-1. STEERING INSTALLATION

ITEM	PART NUMBER	QTY	DESCRIPTION	REV
	1001232204	Ref	STEERING INSTALLATION	A
1	0100011	AR	Compound, Locking	
2	0641606	5	Bolt 3/8 X 3/4	
3	0681810	4	Bolt 1/2 X 1-1/4 Grade 8	
4	1320041	1	Clamp	
5	1320263	1	Clamp, Cable	
6	1683591	1	Steer Cylinder Assembly (See Separate Breakdown in CYLINDER SECTION)	
7	2540038	1	Grommet	
8	2780251	1	Hub - Spindle Assembly - RH (See Separate Breakdown in this Section)	
9	3300426	18	Nut 5/8	
10	3311405	1	Nut 1/4	
11	3312008	4	Nut 5/8	
12	3322202	2	Nut	
13	3323003	2	Nut 1-1/4	
14	3422692	2	Kingpin	
15	3450810	2	Pin, Cotter	
17	3841517	2	End, Tie-Rod	
18	3900109	3	Screw, Shoulder	
19	3931408	4	Capscrew 1/4 X 1/2	
20	3931416	1	Capscrew 1/4 x 1	
21	4240175	1	Tie-Strap	
22	4711400	1	Washer 1/4	
23	4740156	2	Washer	
24	4891800	4	Washer 1/2	
25	1001151395	1	Shim 18Ga	
26	1001151428	1	Shim 20Ga	
27	1001153023	1	Link	
28	1001153749	1	Clip, Connector	
29	1001161117	1	Switch, Angle Sensor	
29	4460536	1	Receptacle, Female - 3 Position	
29	4460464	3	Pin, Male	
30	1001169423	1	Cover	
31	1001180835	1	Pin	
32	1001180838	1	Hub - Spindle Assembly - LH (See Separate Breakdown in this Section)	
33	1001180840	1	Link	
34	1001193047	2	Bearing, Thrust	

# SECTION 1 - FRAME

## FIGURE 1-2. HUB - SPINDLE ASSEMBLY - RH



ART\_2780251

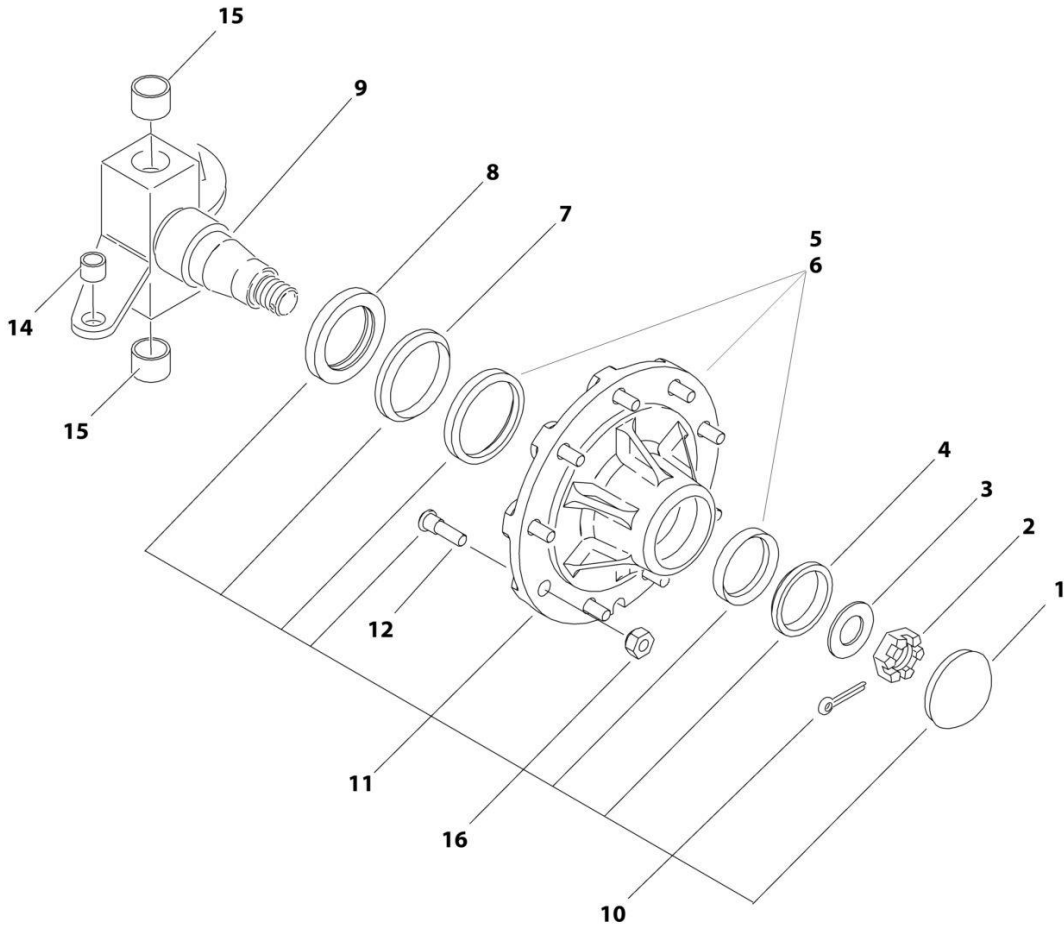
## SECTION 1 - FRAME

**FIGURE 1-2. HUB - SPINDLE ASSEMBLY - RH**

ITEM	PART NUMBER	QTY	DESCRIPTION	REV
	2780251	Ref	HUB - SPINDLE ASSEMBLY, RH	C
1	7023217	1	Spindle, R.H.	
2	7020035	1	Hub	
3	7020036	1	Cup, Bearing - Inner	
4	7020037	1	Cone, Bearing - Inner	
5	7020038	1	Cup, Bearing - Outer	
6	7020039	1	Cone, Bearing - Outer	
7	7020040	1	Seal	
8	7020041	9	Stud, Wheel	
9	7020042	9	Lugnut	
10	7020054	1	Nut, Castle	
11	7020055	1	Washer, Spindle	
12	7020137	1	Dust Cap	
13	7020140	1	Pin, Cotter	
14	0962140	1	Bushing	
15	0961951	2	Bushing	

# SECTION 1 - FRAME

## FIGURE 1-3. HUB - SPINDLE ASSEMBLY - LH



ART\_1001180838



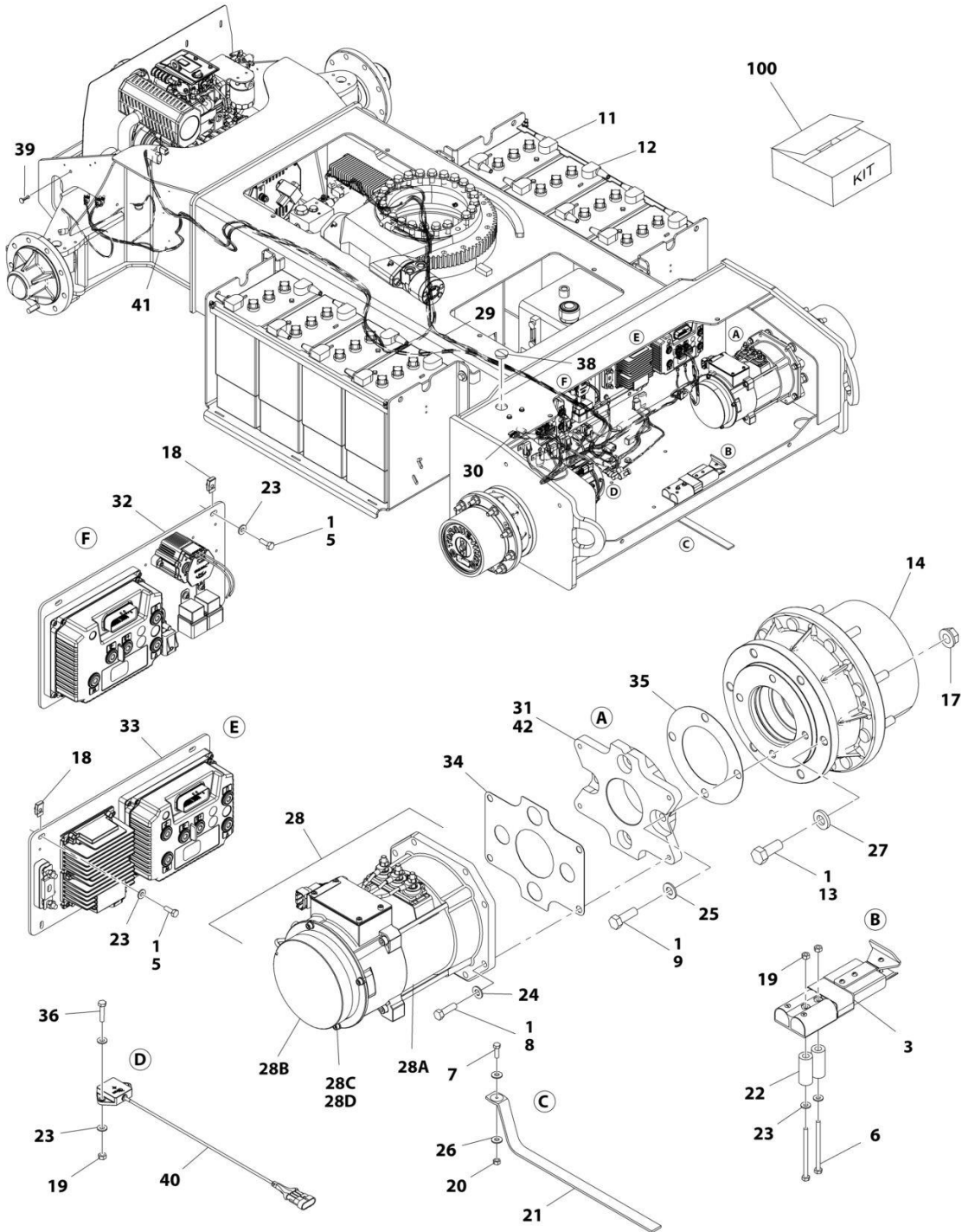
## SECTION 1 - FRAME

**FIGURE 1-3. HUB - SPINDLE ASSEMBLY - LH**

ITEM	PART NUMBER	QTY	DESCRIPTION	REV
	1001180838	Ref	SPINDLE, HUB	B
1	7020137	1	Dust Cap	
2	7020054	1	Nut, Castle	
3	7020055	1	Washer, Spindle	
4	7020039	1	Cone, Bearing - Outer	
5	See Note	NLA	Hub (Note: Use Item 11)	
6	See Note	1	Grease, Lithium (Note: Purchase Locally)	
7	7020037	1	Cone, Bearing - Inner	
8	7020040	1	Seal	
9	70005214	1	Spindle	
10	7020140	1	Pin, Cotter	
11	70005215	1	Hub Assembly (Includes Items 1,4,5,7,8 & 12))	
12	0630490	9	Stud, Wheel	
14	0962140	1	Bearing	
15	0961951	2	Bearing	
16	3300426	9	Lugnut (Note: Must be Purchased Separately)	

# SECTION 1 - FRAME

## FIGURE 1-4. DRIVE INSTALLATION - NON-UL SPECS



ART\_1001179134

# SECTION 1 - FRAME

## FIGURE 1-4. DRIVE INSTALLATION - NON-UL SPECS

ITEM	PART NUMBER	QTY	DESCRIPTION	REV
	1001179134	Ref	DRIVE INSTALLATION	K
1	0100011	AR	Compound, Locking	
3	0100048	AR	Compound, Silicone	
5	0641406	8	Bolt 1/4 X 3/4	
6	0641430	2	Bolt 1/4 X 3-3/4	
7	0641508	1	Bolt 5/16 X 1	
8	0641610	8	Bolt 3/8 X 1-1/4	
9	0641812	8	Bolt 1/2 X 1-1/2	
11	0840031	8	Boot, Terminal - "d" Shaped	
12	0840032	8	Boot, Terminal - "b" Shaped	
13	0682014	12	Bolt 5/8 X 1-3/4 Grade 8	
14	2780282	2	Drive Hub Assembly (See Separate Breakdown in this Section)	
17	3300426	18	Nut 5/8	
18	3300454	8	Nut 1/4	
19	3311401	4	Nut 1/4	
20	3311505	1	Nut 5/16	
21	4240084	1	Strap, Anti-Static	
22	4568114	2	Tube, Spacer	
23	4711400	14	Washer 1/4	
24	4711600	8	Washer 3/8	
25	4711800	8	Washer 1/2	
26	4751500	2	Washer 5/16	
27	4892000	12	Washer 5/8	
28	1001184854	2	Drive Motor and Brake Assembly	
28A	1001182550	2	Drive Motor Assembly (See Separate Breakdown in this Section)	
28B	1001184852	2	Drive Brake Assembly	
28B	70005415	2	O-Ring Between Brake and Motor (1 Per Assembly) (Not Shown)	
28C	4031707	8	Capscrew M6 x 16	
28D	1001109892	8	Washer M6	
29	1001178405	1	Chassis to Turntable Harness (See Separate Breakdown in ELECTRICAL Section)	
30	1001178629	1	Traction Harness (See Separate Breakdown in ELECTRICAL Section)	
31	1001219722	2	Adapter, Motor	
32	1001179060	1	Electrical Plate Assembly - LH (See Separate Breakdown in this Section)	
33	1001179061	1	Electrical Plate Assembly - RH (See Separate Breakdown in this Section)	
34	1001220271	2	Seal	
35	1001182960	2	Seal	
36	0641408	2	Bolt 1/4-20 x 1	
38	3520035	1	Cap-Plug	
39	4240175	1	Tie-Strap Clamp	
40	1001219601	1	Sensor	
40	See Note	1	Receptacle, Female - 4 Position (Note: Not Available for Purchase)	
40	1001196589	4	Terminal	
41	1001188528	1	Steer/Brake Harness (See Separate Breakdown in ELECTRICAL Section)	
42	0100020	AR	Sealant	

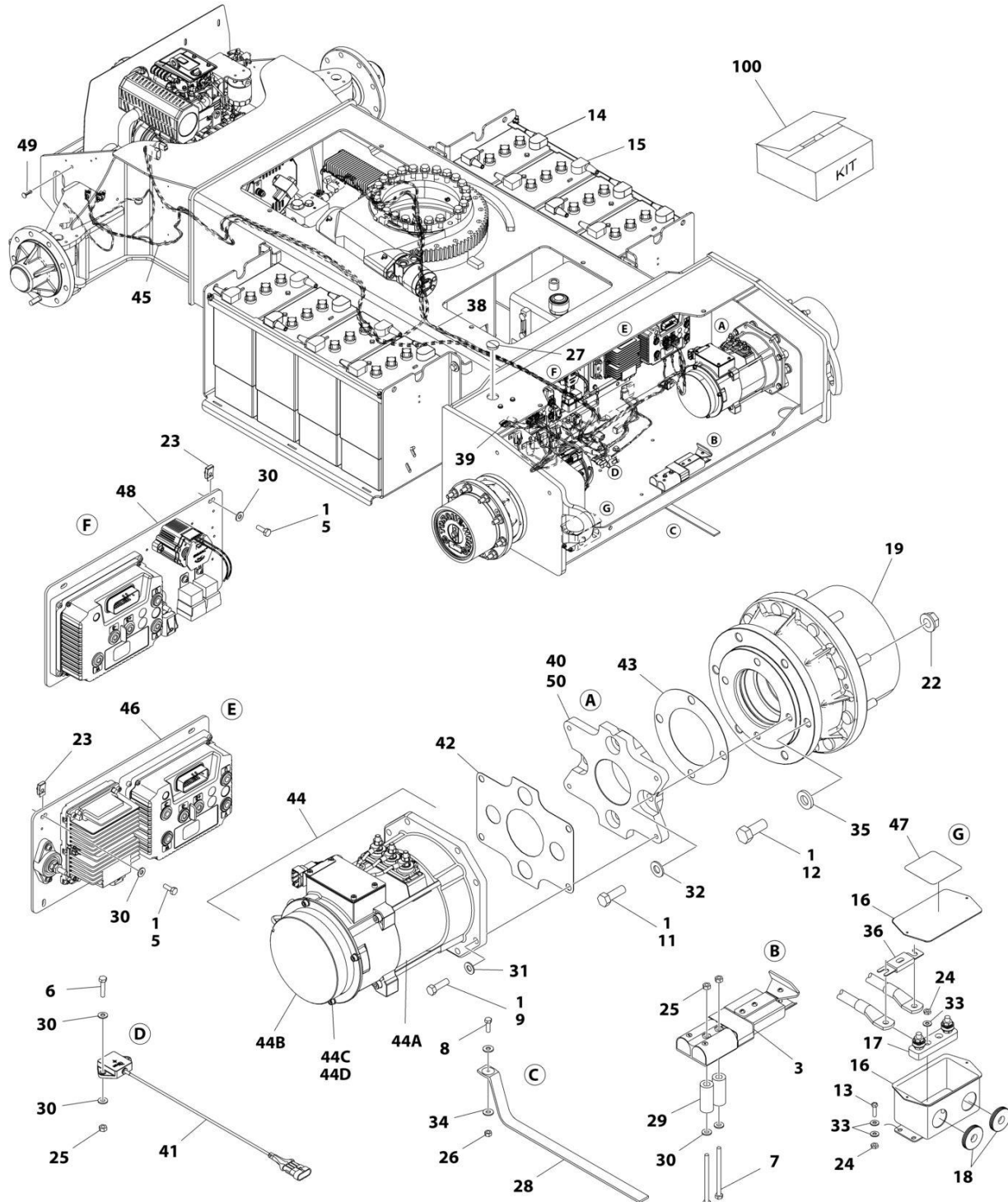
## SECTION 1 - FRAME

ITEM	PART NUMBER	QTY	DESCRIPTION	REV
100	1001190088	1	Battery Cable Kit (See Separate Breakdown in ELECTRICAL Section)	



# SECTION 1 - FRAME

## FIGURE 1-5. DRIVE INSTALLATION - UL SPECS



ART\_1001212453

# SECTION 1 - FRAME

## FIGURE 1-5. DRIVE INSTALLATION - UL SPECS

ITEM	PART NUMBER	QTY	DESCRIPTION	REV
	1001212453	Ref	DRIVE INSTALLATION	F
1	0100011	AR	Compound, Locking	
3	0100048	AR	Compound, Silicone	
5	0641406	8	Bolt 1/4 x 3/4	
6	0641408	2	Bolt 1/4 x 1	
7	0641430	2	Bolt 1/4 x 3-3/4	
8	0641508	1	Bolt 5/16 x 1	
9	0641610	8	Bolt 3/8 x 1-1/4	
11	0641812	8	Bolt 1/2 x 1-1/2	
12	0682014	12	Bolt 5/8 x 1-3/4 Grade 8	
13	0721006	4	Bolt #10 x 3/4	
14	0840031	8	Boot, Terminal - "d" Shaped	
15	0840032	8	Boot, Terminal - "b" Shaped	
16	0861375	1	Box	
17	2400044	1	Block, Fuse	
18	2540037	2	Grommet	
19	2780282	2	Drive Hub Assembly (See Separate Breakdown in this Section)	
22	3300426	18	Nut 5/8	
23	3300454	8	Nut 1/4	
24	3311001	6	Nut #10	
25	3311401	4	Nut 1/4	
26	3311505	1	Nut 5/16	
27	3520035	1	Cap-Plug	
28	4240084	1	Strap, Anti-Static	
29	4568114	2	Tube, Spacer	
30	4711400	14	Washer 1/4	
31	4711600	8	Washer 3/8	
32	4711800	8	Washer 1/2	
33	4751000	10	Washer, 10	
34	4751500	2	Washer 5/16	
35	4892000	12	Washer 5/8	
36	1001170365	1	Fuse 400 Amp	
38	1001178405	1	Chassis to Turntable Harness (See Separate Breakdown in ELECTRICAL Section)	
39	1001178629	1	Traction Harness (See Separate Breakdown in ELECTRICAL Section)	
40	1001219722	2	Adapter, Motor	
41	1001219601	1	Sensor	
41	See Note	1	Receptacle, Female - 4 Position (Note: Not Available for Purchase)	
41	1001196589	4	Terminal	
42	1001220271	2	Seal	
43	1001182960	2	Seal	
44	1001184854	2	Drive Motor and Brake Assembly	
44A	1001182550	2	Drive Motor Assembly (See Separate Breakdown in this Section)	
44B	1001184852	2	Drive Brake Assembly	
44B	70005415	2	O-Ring Between Brake and Motor (1 Per Assembly) (Not Shown)	
44C	4031707	8	Capscrew M6 x 16	
44D	1001109892	8	Washer M6	

## SECTION 1 - FRAME

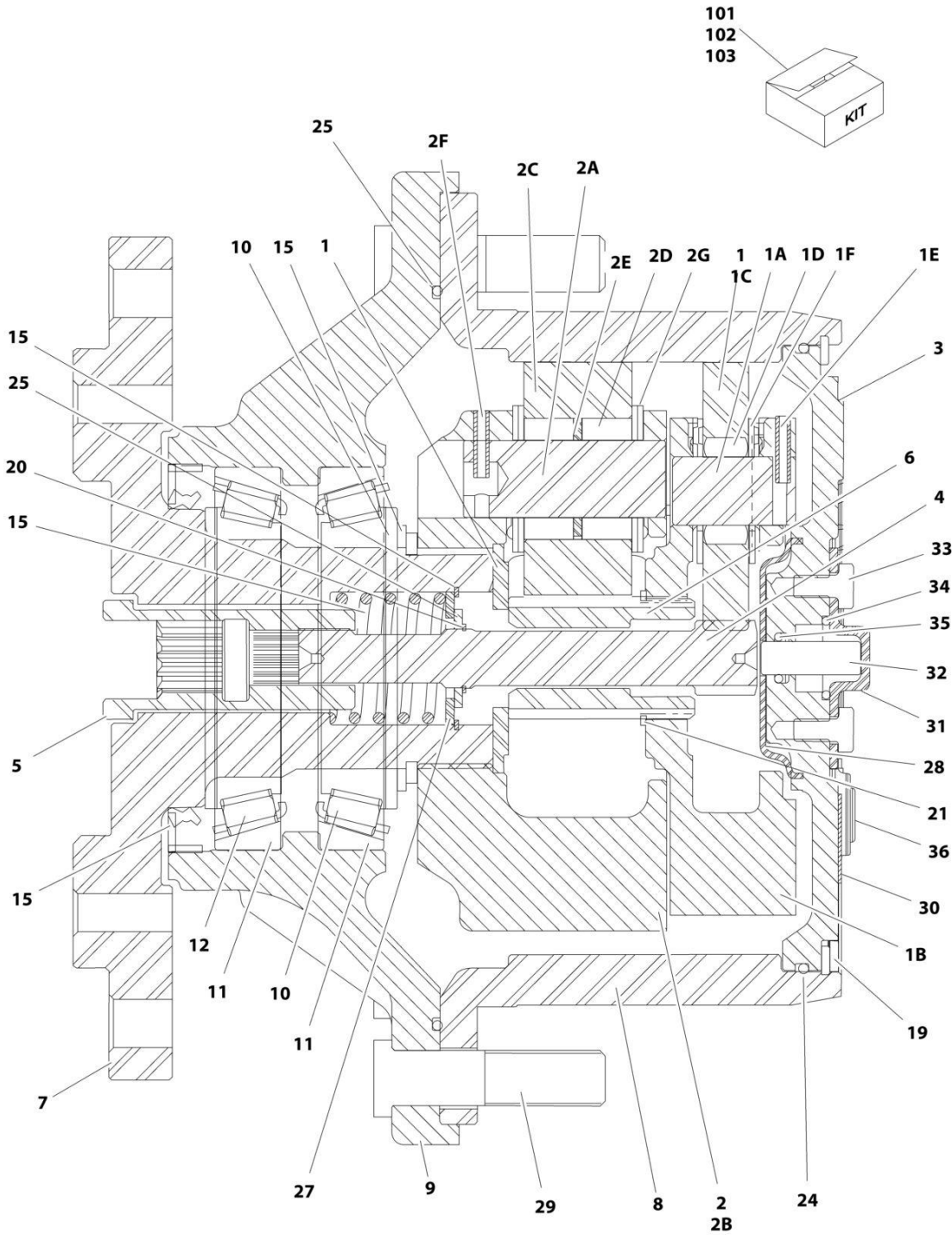
ITEM	PART NUMBER	QTY	DESCRIPTION	REV
45	1001188528	1	Steer/Brake Harness (See Separate Breakdown in ELECTRICAL Section)	
46	1001212456	1	Electrical Plate Assembly - RH (See Separate Breakdown in this Section)	
47	1001213626	1	Decal - 400 Amp Fuse	
48	1001214668	1	Electrical Plate Assembly - LH (See Separate Breakdown in this Section)	
49	4240175	1	Tie-Strap Clamp	
50	0100020	AR	Sealant	
100	1001212454	1	Battery Cable Kit (See Separate Breakdown in ELECTRICAL Section)	





# SECTION 1 - FRAME

## FIGURE 1-6. DRIVE HUB ASSEMBLY



ART\_2780282

# SECTION 1 - FRAME

## FIGURE 1-6. DRIVE HUB ASSEMBLY

ITEM	PART NUMBER	QTY	DESCRIPTION	REV
	2780282	Ref	DRIVE HUB ASSEMBLY	D
1	70001366	1	Carrier Sub Assembly	
1A	See Note	NSS	Shaft, Planet (Note: Use Item 1)	
1B	See Note	NSS	Carrier (Note: Use Item 1)	
1C	See Note	NSS	Gear, Planet (Note: Use Item 1)	
1D	See Note	NSS	Bearing, Needle (Note: Use Item 1)	
1E	See Note	NSS	Rollpin (Note: Use Item 1)	
1F	See Note	NSS	Thrustwasher (Note: Use Item 1)	
2	70001367	1	Carrier, Input	
2A	See Note	NSS	Shaft, Planet (Note: Use Item 2)	
2B	See Note	NSS	Carrier (Note: Use Item 2)	
2C	See Note	NSS	Gear, Planet (Note: Use Item 2)	
2D	See Note	NSS	Bearing, Needle (Note: Use Item 2)	
2E	See Note	NSS	Spacer, Thrust (Note: Use Item 2)	
2F	See Note	NSS	Rollpin (Note: Use Item 2)	
2G	See Note	NSS	Thrustwasher (Note: Use Item 2)	
2H	See Note	NSS	Thrustwasher (Note: Use Item 2)	
3	See Note	NSS	Cover (Note: Use Item 103)	
4	70001369	1	Shaft, Input	
5	70001370	1	Coupling	
6	70001371	1	Shaft, Sun Gear	
7	70001372	1	Spindle	
8	70001373	1	Gear, Ring	
9	See Note	NSS	Housing (Note: Not Available - Purchase Complete Assembly)	
10	See Note	NSS	Cone, Bearing (Note: Use Item 101)	
11	See Note	NSS	Cup, Bearing (Note: Use Item 101)	
12	See Note	NSS	Cone, Bearing (Note: Use Item 101)	
13	7017009	1	Thrustwasher	
15	See Note	NSS	Seal, Lip (Note: Use Item 102)	
16	70001374	1	Spring	
17	70001375	1	Ring, Retaining (Internal)	
18	See Note	NSS	Ring, Retaining (Note: Use Item 102)	
19	7024738	1	Ring, Retaining (Note: Use Item 102)	
20	70001376	1	Ring, Retaining (External)	
21	70001377	1	Ring, Retaining (External)	
22	7000281	4	Screw (Not Shown - ID Plate Screws)	
23	7017022	3	Screw (Not Shown - Located on Front of Hub)	
24	See Note	NSS	O-Ring (Note: Use Item 102)	
25	See Note	NSS	O-Ring (Note: Use Item 102)	
26	70001378	1	Spacer, Thrust	
27	70001379	1	Thrustwasher	
28	7024741	1	Spacer, Thrust	
29	7007640	9	Stud, Wheel	
30	See Note	NSS	Flange, Plate (Note: Use Item 103)	
31	See Note	NSS	Cap, Disengage (Note: Use Item 103)	
32	See Note	NSS	Pin, Dowel (Note: Use Item 103)	
33	See Note	NSS	Bolt (Note: Use Item 103)	
34	See Note	NSS	O-Ring (Note: Use Item 103)	
35	See Note	NSS	O-Ring (Note: Use Item 103)	
36	See Note	NSS	O-Ring (Note: Use Item 103)	

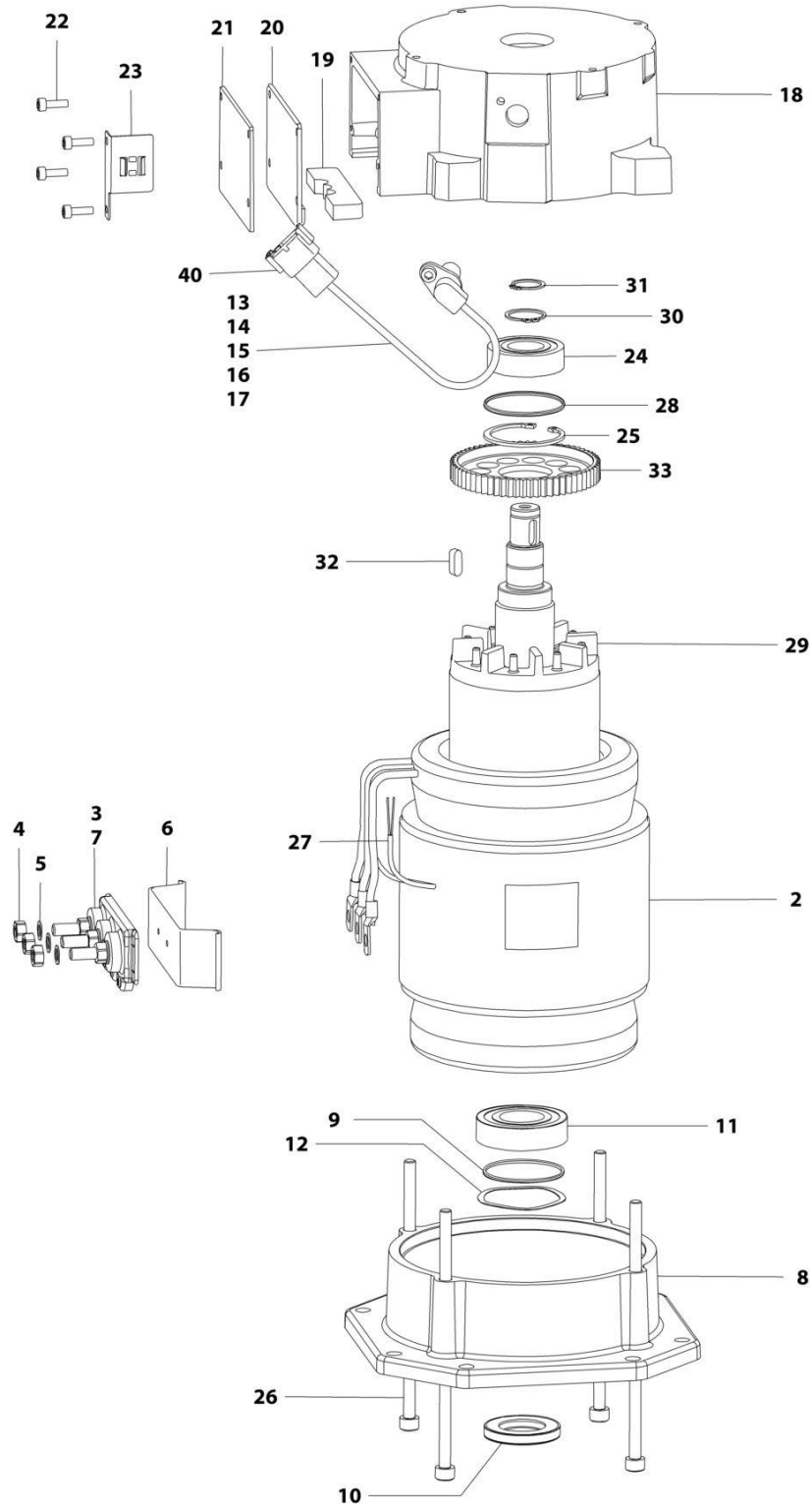
## SECTION 1 - FRAME

ITEM	PART NUMBER	QTY	DESCRIPTION	REV
101	7017007	1	Planet Gear Bearing Kit (Includes Items 10-12)	
102	70001380	1	Planet Gear Seal Kit (Includes Items 15, 18, 24 & 25)	
103	70001368	1	Cover/Cap/Disengage Kit (Includes Items 3 & 30-36)	



# SECTION 1 - FRAME

## FIGURE 1-7. DRIVE MOTOR ASSEMBLY



ART\_1001182550

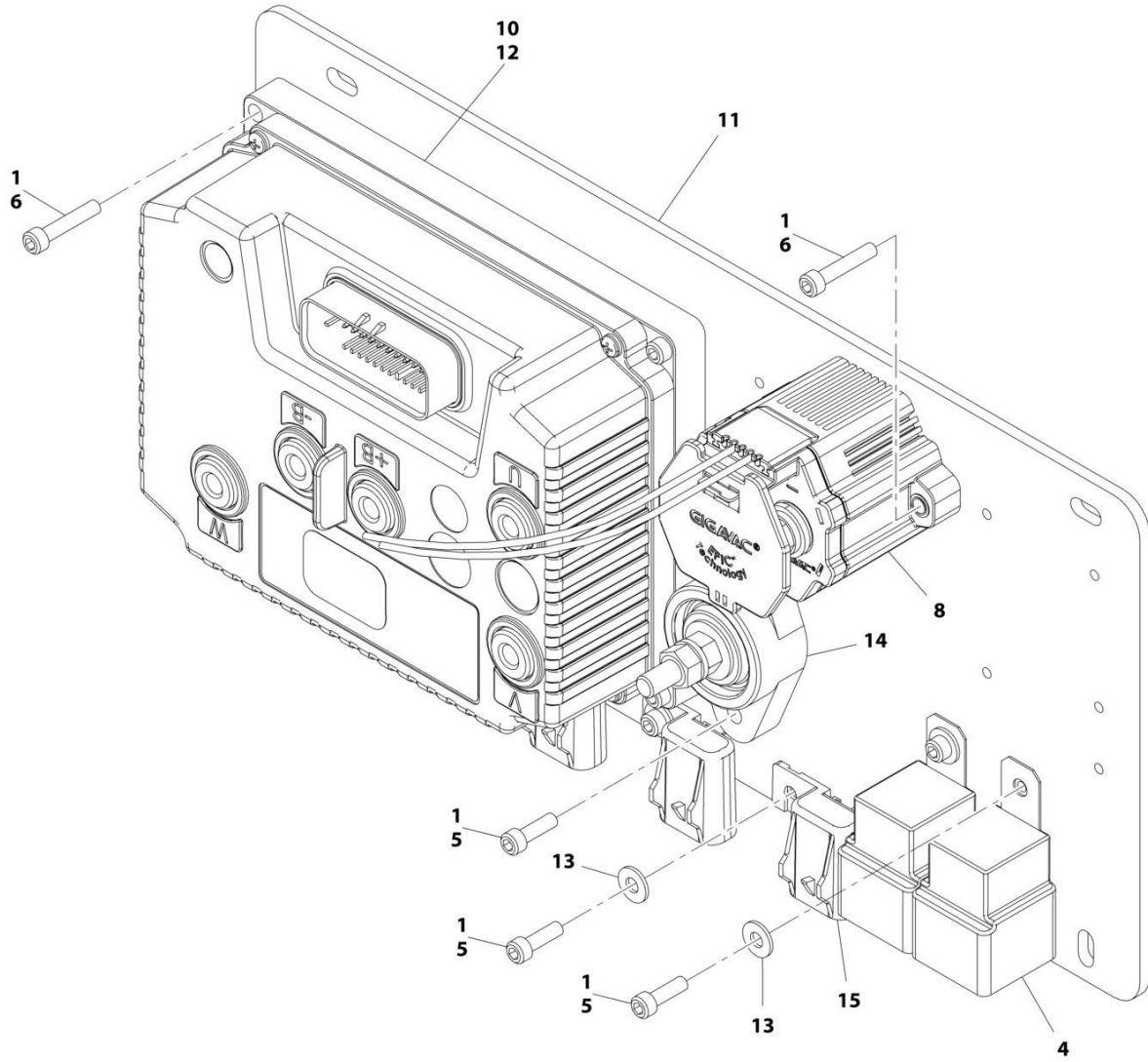
# SECTION 1 - FRAME

## FIGURE 1-7. DRIVE MOTOR ASSEMBLY

ITEM	PART NUMBER	QTY	DESCRIPTION	REV
	1001182550	Ref	DRIVE MOTOR ASSEMBLY	F
2	70005385	1	Stator	
3	70005386	1	Board, Terminal	
4	70005387	3	Nut M8	
5	70005388	3	Washer M8	
6	70005389	1	Base, Terminal	
7	70005390	2	Screw M5 x 14	
8	70005391	1	Plate, Drive End	
9	70004811	1	O-Ring	
10	70005392	1	Seal, Shaft	
11	70004809	1	Bearing	
12	70005393	1	Washer, Wavy	
13	70005394	1	Sensor (Includes Items 14-17)	
14	70005395	1	Screw M8 x 16	
15	70005396	1	Wedge	
16	70005397	1	Connector	
17	4460516	4	Pin, Male	
18	70005398	1	Shield, End	
19	70005399	1	Seal	
20	70005400	1	Seal	
21	70005401	1	Cover	
22	70005402	4	Screw M5 x 16	
23	70005403	1	Plate, Retaining	
24	70005404	1	Bearing	
25	70005405	1	Clip, Retainer	
26	70005406	4	Screw M8 x 180	
27	70005407	1	Temperature, Sensor	
28	70005408	1	O-Ring	
29	70005409	1	Rotor	
30	70004820	1	Clip, Retainer	
31	70005410	1	Clip, Retainer	
32	70005411	1	Key	
33	70005412	1	Gear	
40	1001190577	1	Connector - 8 Position	
40	4460516	8	Pin	

# SECTION 1 - FRAME

## FIGURE 1-8. ELECTRICAL PLATE ASSEMBLY - LH



ART\_1001179060



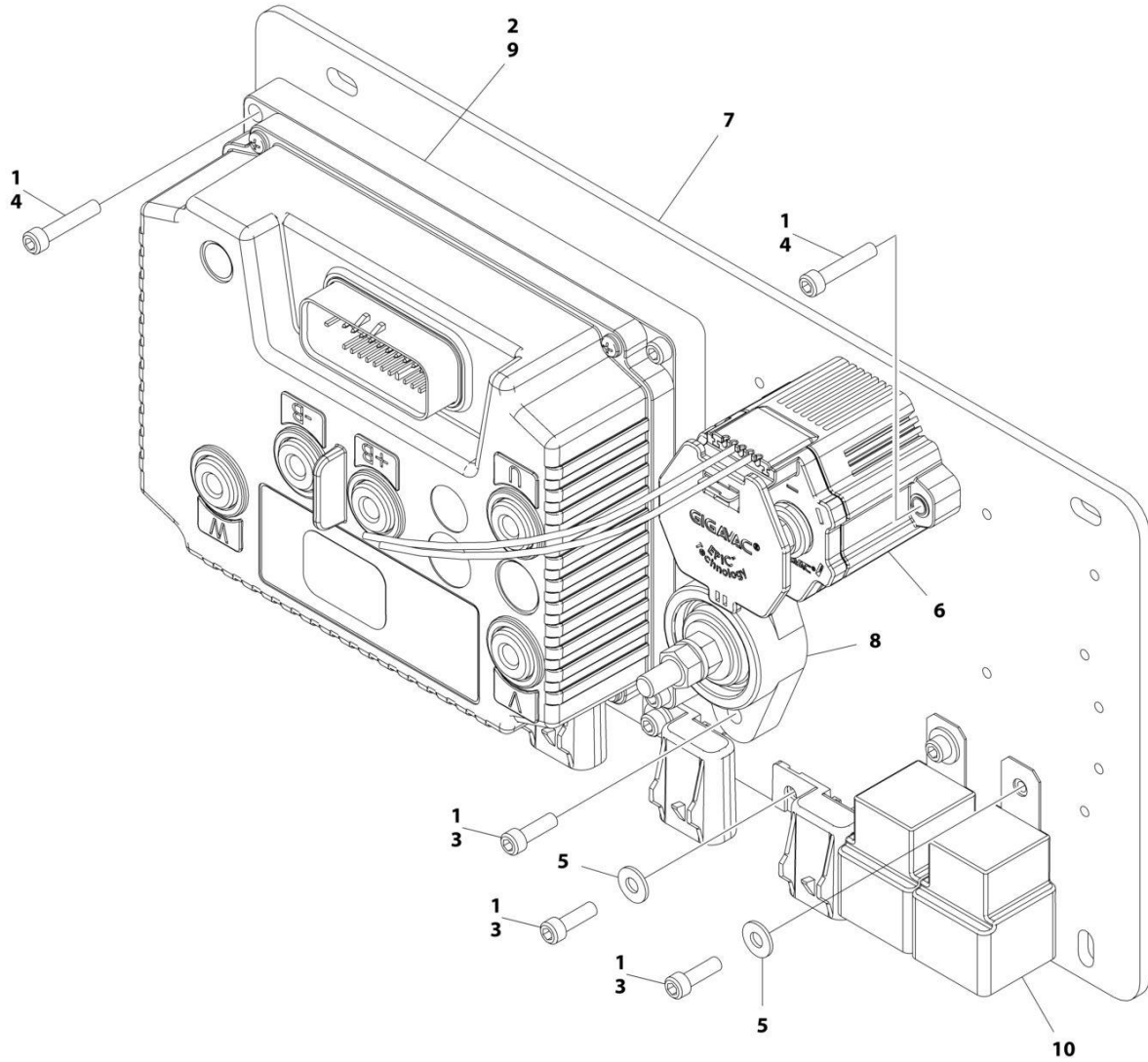
# SECTION 1 - FRAME

**FIGURE 1-8. ELECTRICAL PLATE ASSEMBLY - LH**

ITEM	PART NUMBER	QTY	DESCRIPTION	REV
	1001179060	Ref	ELECTRICAL PLATE ASSEMBLY	G
1	0100035	AR	Compound, Locking	
4	3740080	2	Relay	
5	3931010	8	Capscrew #10 X 5/8	
6	3931016	6	Capscrew #10 X 1	
8	1001170367	1	Relay, Contacter	
8	70004827	1	Receptacle, Female - 2 Position	
10	1001192212	1	Module, Drive	
11	1001179064	1	Plate	
12	0100083	AR	Grease, Heat Transfer	
13	4711000	6	Washer #10	
14	1001186860	1	Stud, Power Distribution	
15	1001217842	4	Fuseholder	

# SECTION 1 - FRAME

## FIGURE 1-9. ELECTRICAL PLATE ASSEMBLY - LH - UL SPECS



ART\_1001214668

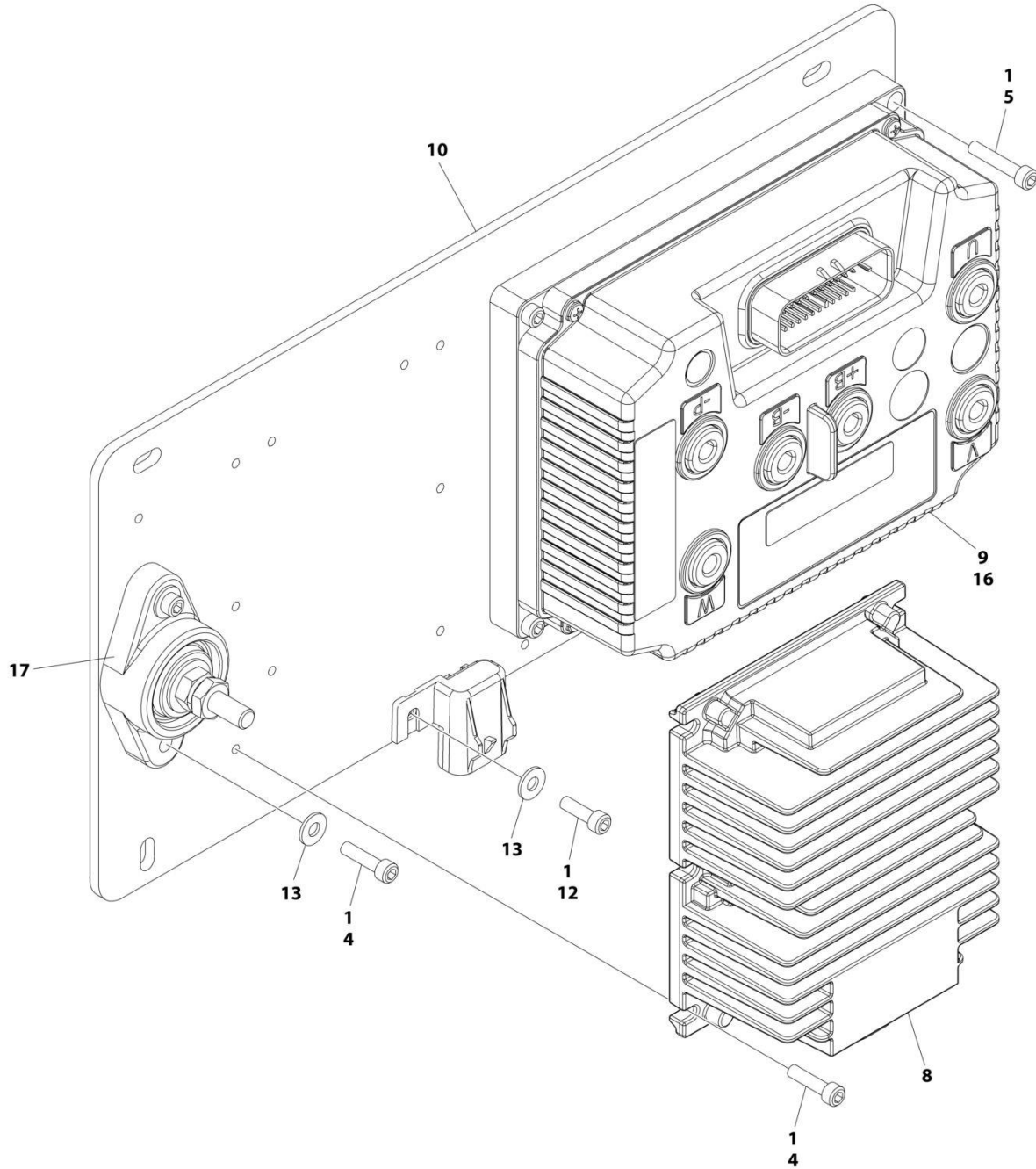
## SECTION 1 - FRAME

**FIGURE 1-9. ELECTRICAL PLATE ASSEMBLY - LH - UL SPECS**

ITEM	PART NUMBER	QTY	DESCRIPTION	REV
	1001214668	Ref	ELECTRICAL PLATE ASSEMBLY - LH	B
1	0100035	AR	Compound, Locking	
2	0100083	AR	Grease, Heat Transfer	
3	3931010	8	Capscrew #10 x 5/8	
4	3931016	6	Capscrew #10 x 1	
5	4711000	6	Washer #10	
6	1001272006	1	Relay, Contactor	
6	1001153612	1	Receptacle, Female - 2 Position	
7	1001179064	1	Plate	
8	1001186860	1	Stud, Power Distribution	
9	1001192212	1	Module, Drive	
10	1001214667	2	Relay	

# SECTION 1 - FRAME

## FIGURE 1-10. ELECTRICAL PLATE ASSEMBLY - RH



ART\_1001179061

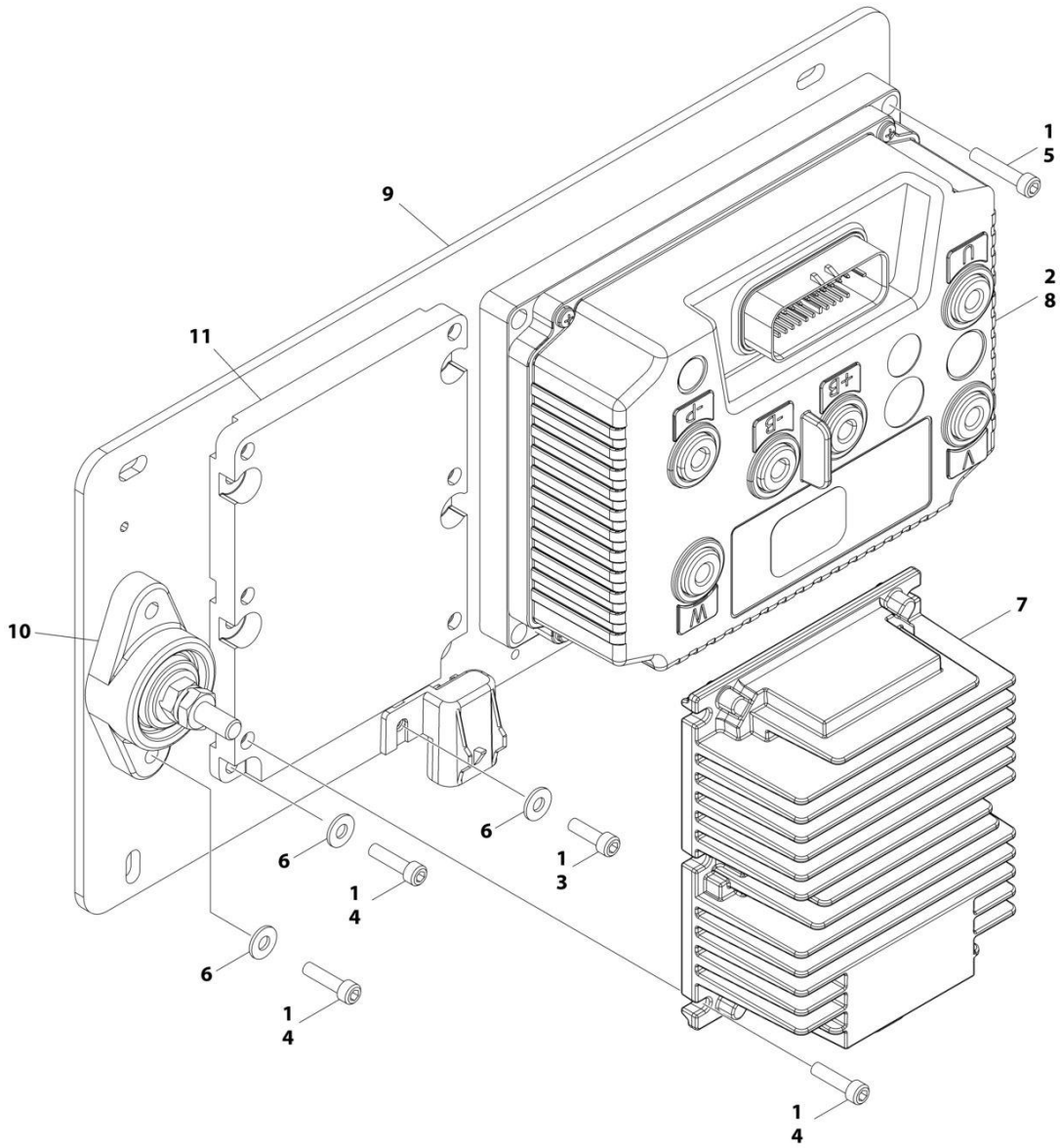
## SECTION 1 - FRAME

### FIGURE 1-10. ELECTRICAL PLATE ASSEMBLY - RH

ITEM	PART NUMBER	QTY	DESCRIPTION	REV
	1001179061	Ref	ELECTRICAL PLATE ASSEMBLY - RH	F
1	0100035	AR	Compound, Locking	
4	3931012	8	Capscrew #10 X 3/4	
5	3931016	4	Capscrew #10 X 1	
8	1001174447	1	Converter	
9	1001178339	1	Module, Drive	
10	1001179064	1	Plate	
12	3931010	1	Capscrew #10 X 5/8	
13	4711000	3	Washer #10	
16	0100083	AR	Grease, Heat Transfer	
17	1001212359	1	Stud, Power Distribution	

# SECTION 1 - FRAME

## FIGURE 1-11. ELECTRICAL PLATE ASSEMBLY - RH - UL SPECS



ART\_1001212456

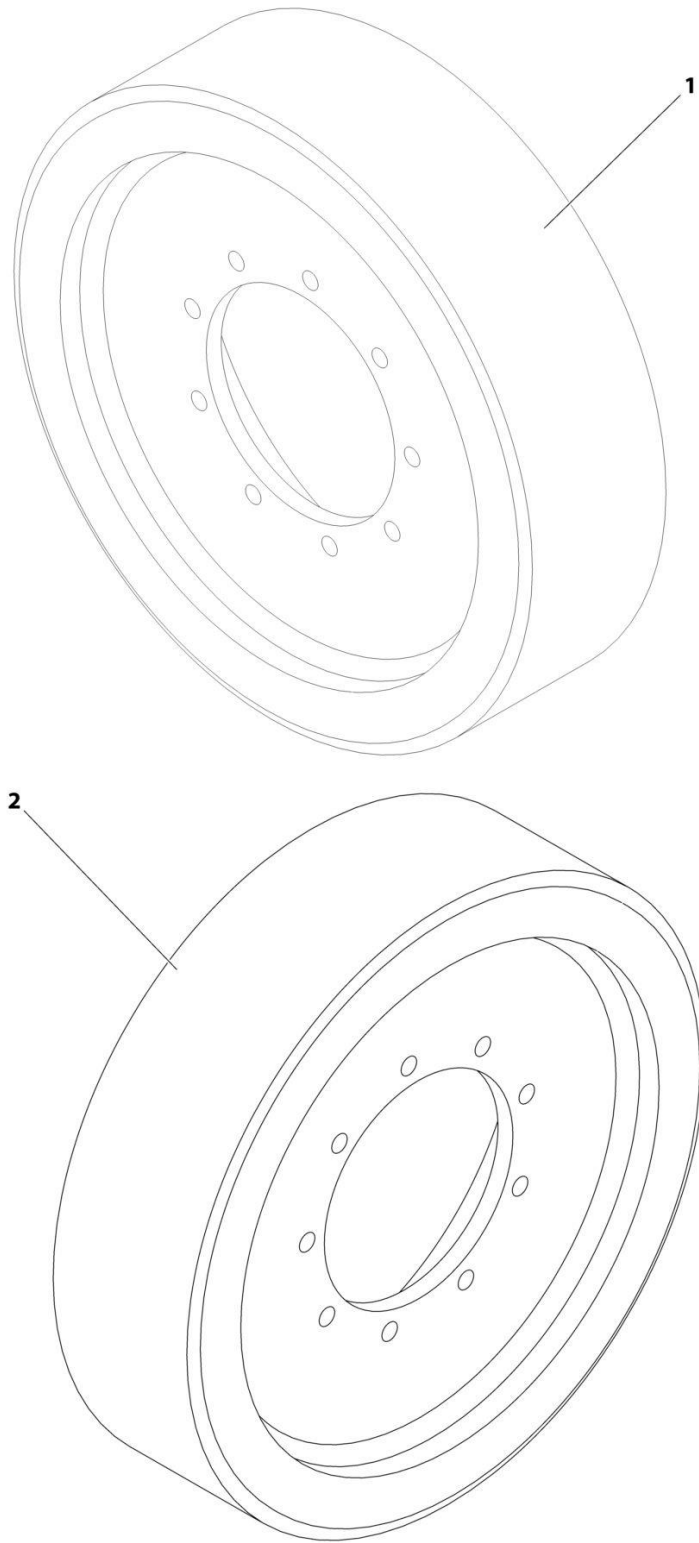
## SECTION 1 - FRAME

**FIGURE 1-11. ELECTRICAL PLATE ASSEMBLY - RH - UL SPECS**

ITEM	PART NUMBER	QTY	DESCRIPTION	REV
	1001212456	Ref	ELECTRICAL PLATE ASSEMBLY - RH	A
1	0100035	AR	Compound, Locking	
2	0100083	AR	Grease, Heat Transfer	
3	3931010	1	Capscrew #10 X 5/8	
4	3931012	14	Capscrew #10 X 3/4	
5	3931016	4	Capscrew #10 X 1	
6	4711000	9	Washer #10	
7	1001174447	1	Converter	
8	1001178339	1	Module, Drive	
9	1001179064	1	Plate	
10	1001212359	1	Stud	
11	1001212450	1	Insulate	

# SECTION 1 - FRAME

## FIGURE 1-12. TIRE/WHEEL - SOLID NON-MARKING



ART\_0270028



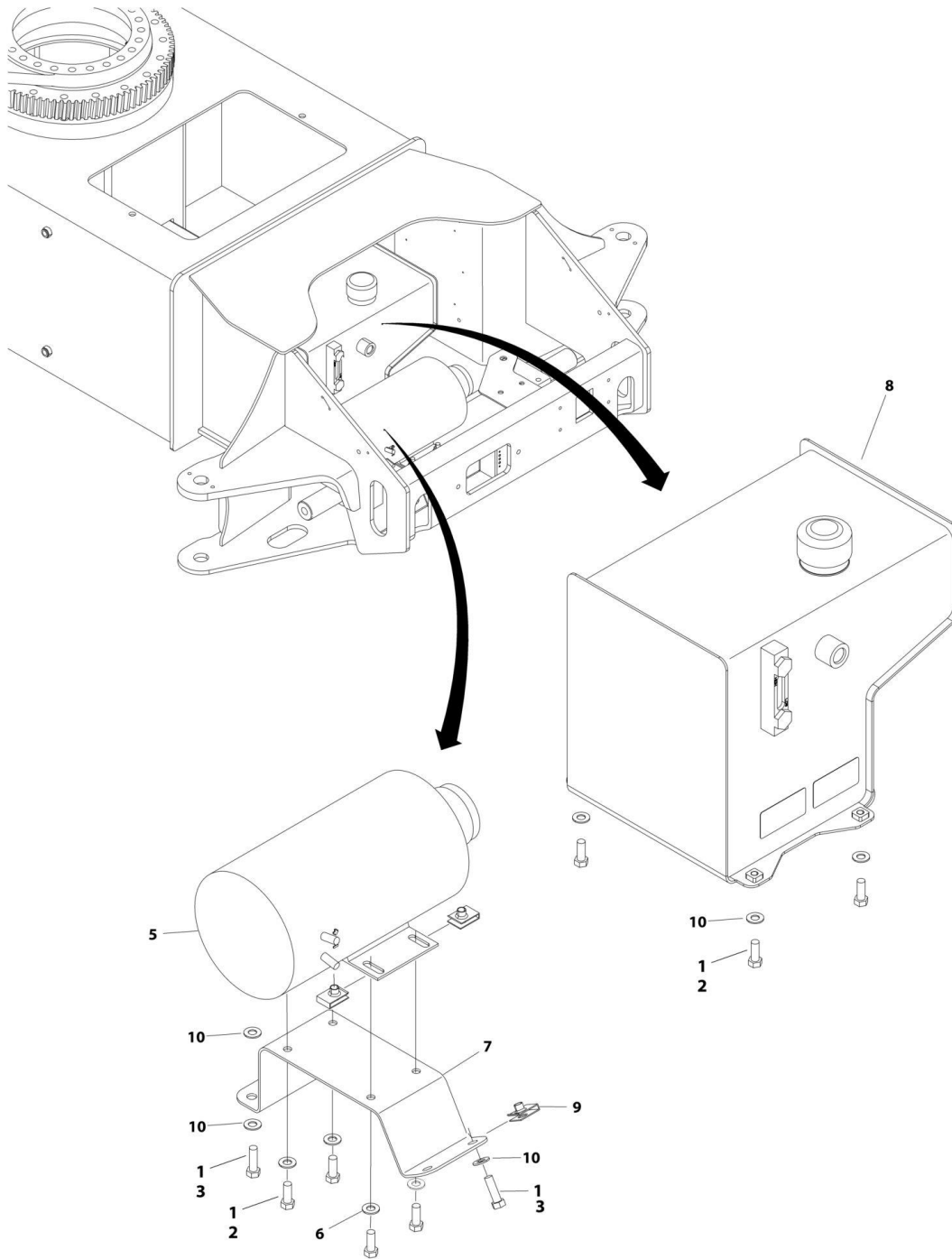
## SECTION 1 - FRAME

### FIGURE 1-12. TIRE/WHEEL - SOLID NON-MARKING

ITEM	PART NUMBER	QTY	DESCRIPTION	REV
	0270028	Ref	TIRE/WHEEL INSTALLATION - NON MARKING	C
		Ref	E400Anarrow/E400AJPnarrow Machines Only	
		Ref	Note: Must replace Tire and Wheel Assemblies in pairs per axle.	
1	1001110772	2	25 x 7 x 16 - Solideal Tire and Wheel (Drive Axle Tire)	
2	1001110774	2	22 x 6 x 17.75 - Solideal Tire and Wheel (Steer Axle Tire)	

# SECTION 1 - FRAME

## FIGURE 1-13. MOTOR/PUMP/TANK - NON-UL SPECS



ART\_1001166417

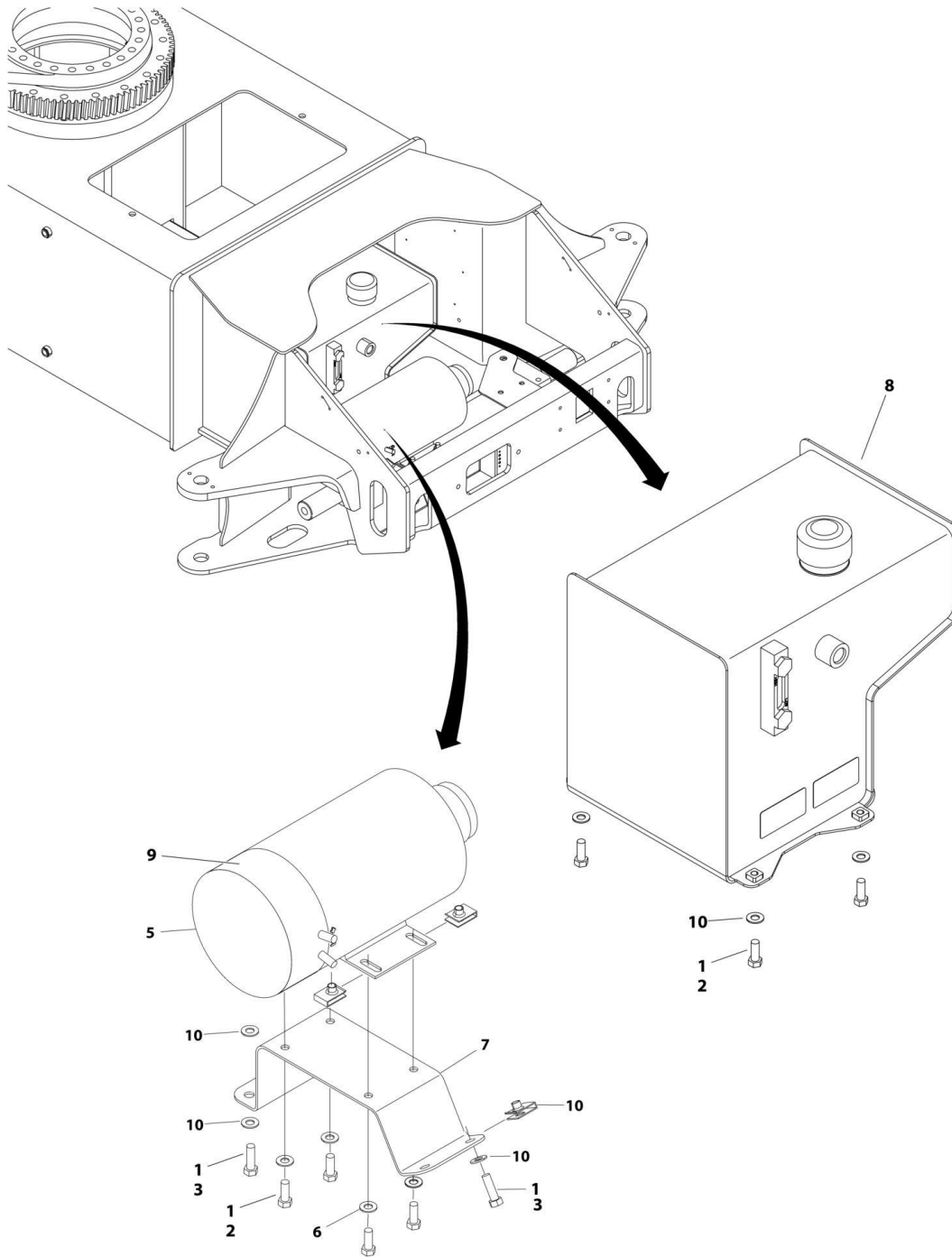
## SECTION 1 - FRAME

### FIGURE 1-13. MOTOR/PUMP/TANK - NON-UL SPECS

ITEM	PART NUMBER	QTY	DESCRIPTION	REV
	1001166417	Ref	MOTOR/PUMP/TANK INSTALLATION	F
1	0100011	AR	Compound, Locking	
2	0641608	8	Bolt 3/8 x 1	
3	0641610	4	Bolt 3/8 x 1-1/4	
5	3600289	1	Motor/Pump Assembly (See Separate Breakdown in this Section)	
6	4711600	4	Washer 3/8	
7	1001166419	1	Plate, Mounting	
8	1001171213	1	Tank, Hydraulic (See Separate Breakdown in this Section)	
9	88662523	8	Nut, Tinnerman	
10	4891600	8	Washer 3/8 Hardened	

# SECTION 1 - FRAME

## FIGURE 1-14. MOTOR/PUMP/TANK INSTALLATION - UL SPECS



ART\_1001167487

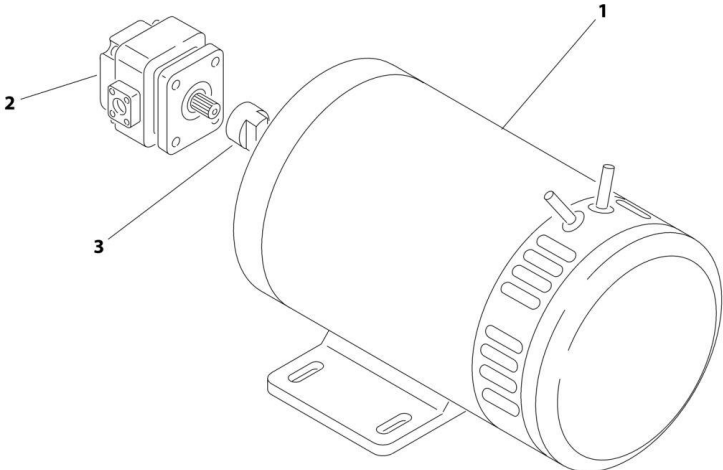
## SECTION 1 - FRAME

**FIGURE 1-14. MOTOR/PUMP/TANK INSTALLATION - UL SPECS**

ITEM	PART NUMBER	QTY	DESCRIPTION	REV
	1001167487	Ref	MOTOR/PUMP/TANK INSTALLATION	F
1	0100011	AR	Compound, Locking	
2	0641608	8	Bolt 3/8 x 1	
3	0641610	4	Bolt 3/8 x 1-1/4	
5	3600289	1	Motor/Pump Assembly (See Separate Breakdown in this Section)	
6	4751600	4	Washer 3/8	
7	1001166419	1	Plate, Mounting	
8	1001171213	1	Tank Hydraulic (See Separate Breakdown in this Section)	
9	0340048	1	Band, Motor	
10	88662523	8	Nut, Tinnerman	
11	4891600	8	Washer, 3/8 Hardened	

**SECTION 1 - FRAME**

**FIGURE 1-15. MOTOR/PUMP ASSEMBLY**



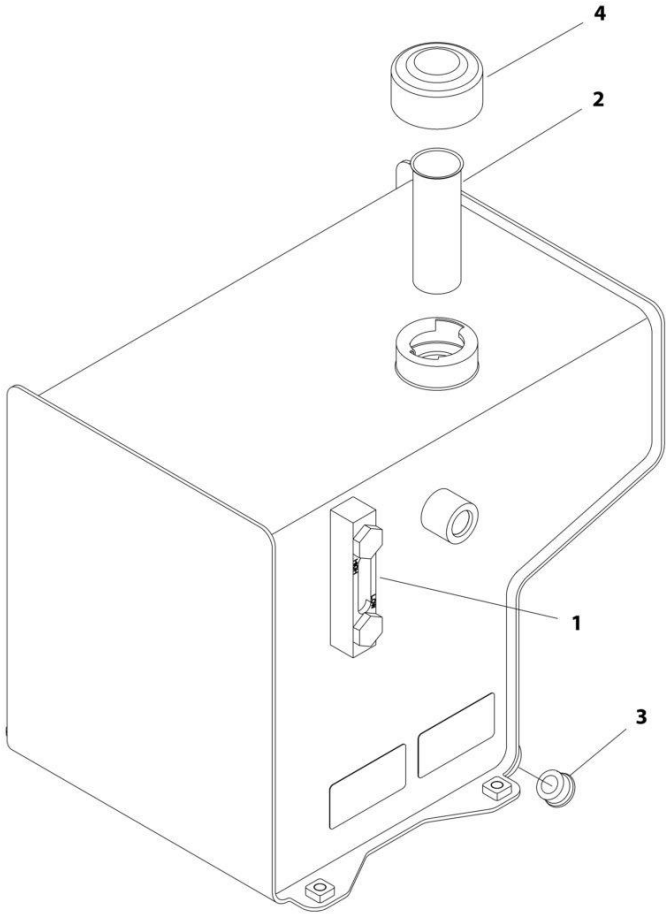
ART\_3600289

FIGURE 1-15. MOTOR/PUMP ASSEMBLY

ITEM	PART NUMBER	QTY	DESCRIPTION	REV
	3600289	Ref	MOTOR/PUMP ASSEMBLY	A
1	7021318	1	Motor Assembly	
1	7021361	1	Brush Kit	
1	70003171	1	Spring, Brush	
1	70001961	1	Seal, Oil	
2	7021319	1	Pump Assembly	
2	7021377	1	Seal Kit	
3	70002523	1	Coupling	

**SECTION 1 - FRAME**

**FIGURE 1-16. HYDRAULIC TANK ASSEMBLY**



ART\_1001171213

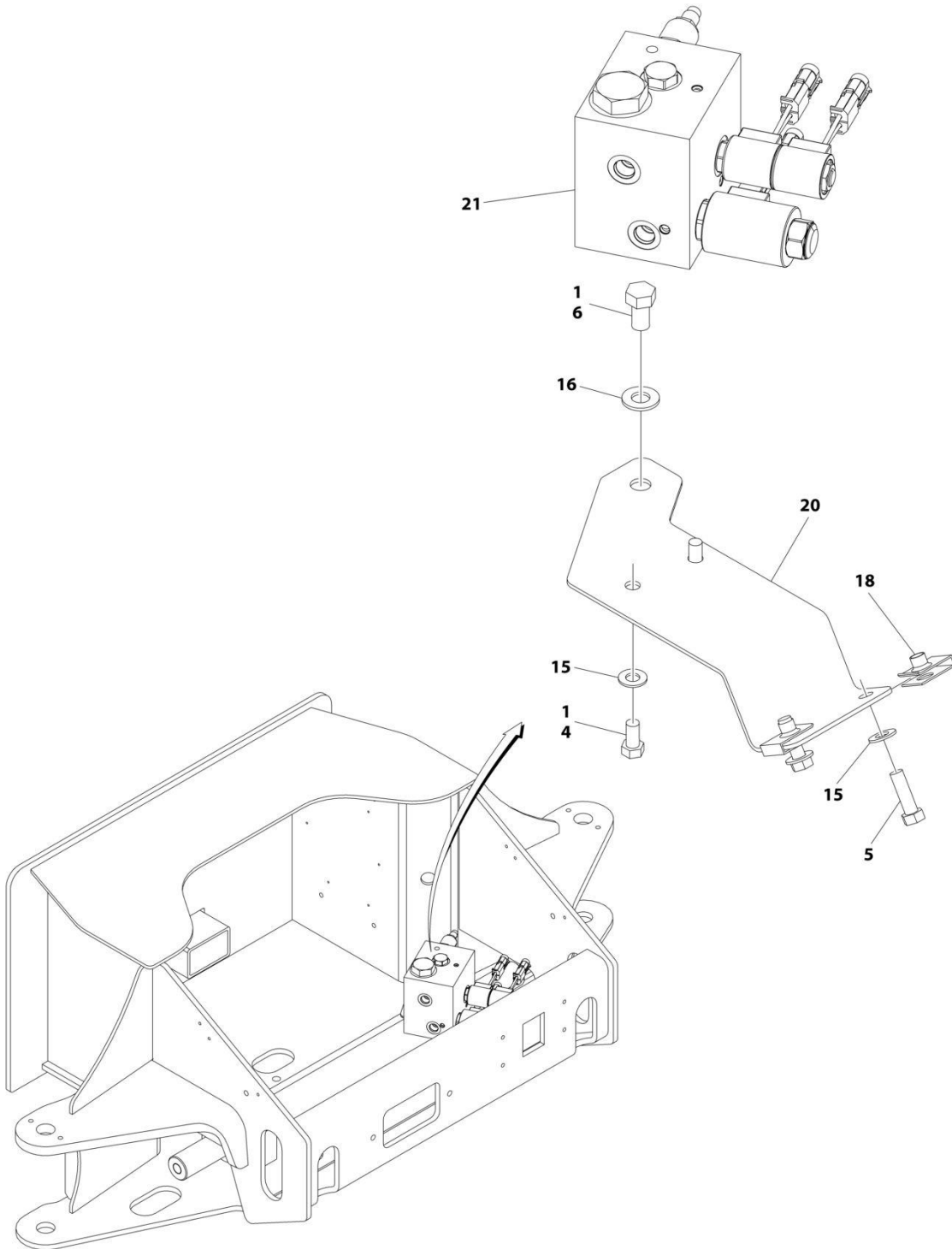


FIGURE 1-16. HYDRAULIC TANK ASSEMBLY

ITEM	PART NUMBER	QTY	DESCRIPTION	REV
	1001171213	Ref	HYDRAULIC TANK ASSEMBLY	A
1	70005101	1	Gauge, Sight	
2	7024445	1	Strainer	
3	70002112	1	Plug, Drain	
4	7024444	1	Cap, Filler	

# SECTION 1 - FRAME

FIGURE 1-17. VALVE INSTALLATION - FRAME MOUNTED - E400ANARROW



ART\_1001180930\_10F2

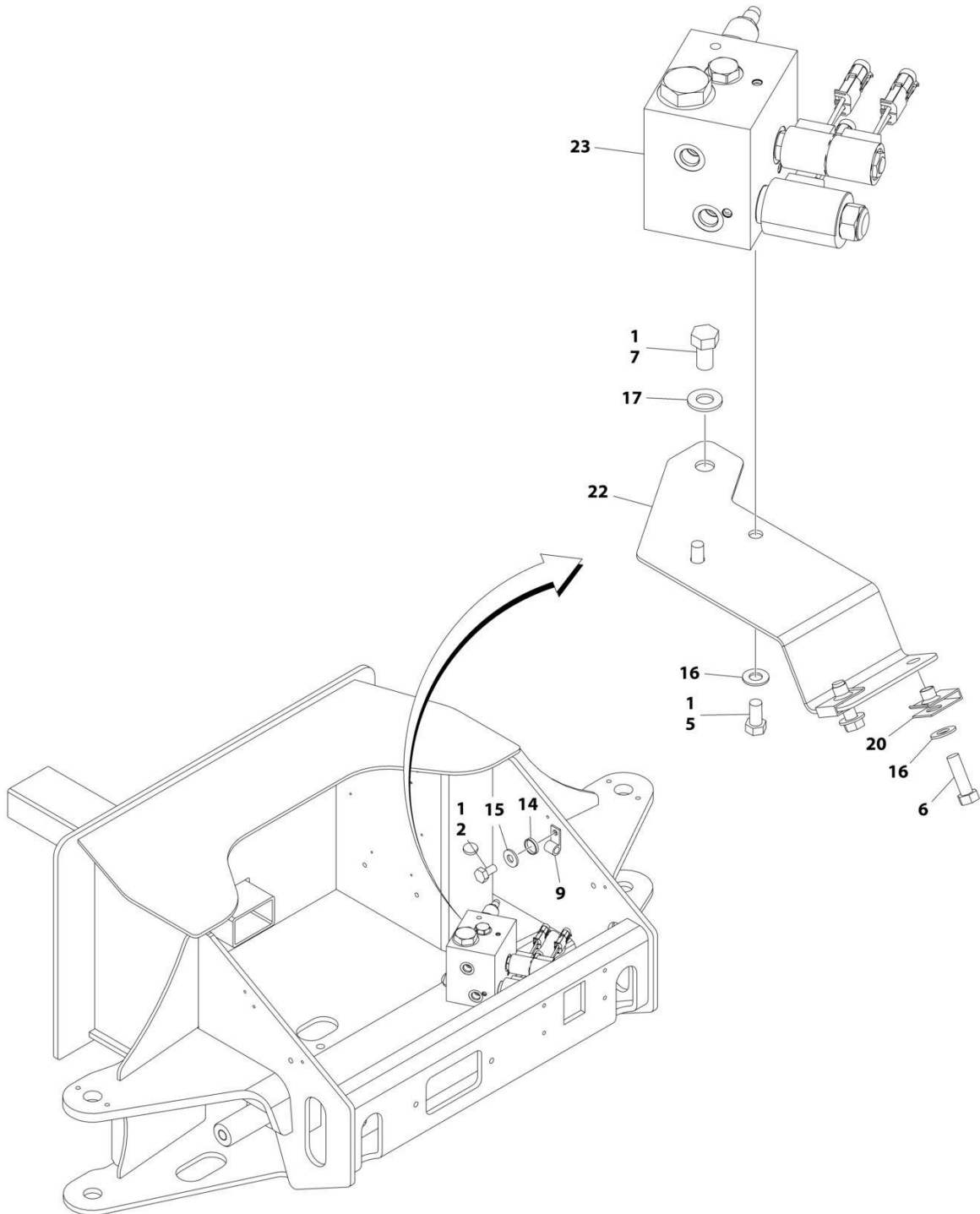
## SECTION 1 - FRAME

**FIGURE 1-17. VALVE INSTALLATION - FRAME MOUNTED - E400ANARROW**

ITEM	PART NUMBER	QTY	DESCRIPTION	REV
	1001180930	Ref	VALVE INSTALLATION - FRAME MOUNTED	B
1	0100011	AR	Compound, Locking	
4	0641606	2	Bolt 3/8 X 3/4	
5	0641610	2	Bolt 3/8 X 1-1/4	
6	0641807	1	Bolt 1/2 X 7/8	
15	4711600	4	Washer 3/8	
16	4711800	1	Washer 1/2	
18	88662523	2	Nut, Tinnerman	
20	1001166420	1	Bracket, Mounting	
21	1001177364	1	Steer/Brake Valve Assembly (See Separate Breakdown in this Section)	

# SECTION 1 - FRAME

FIGURE 1-18. VALVE INSTALLATION - FRAME MOUNTED - E400AJPNARROW



ART\_1001218367\_10F2

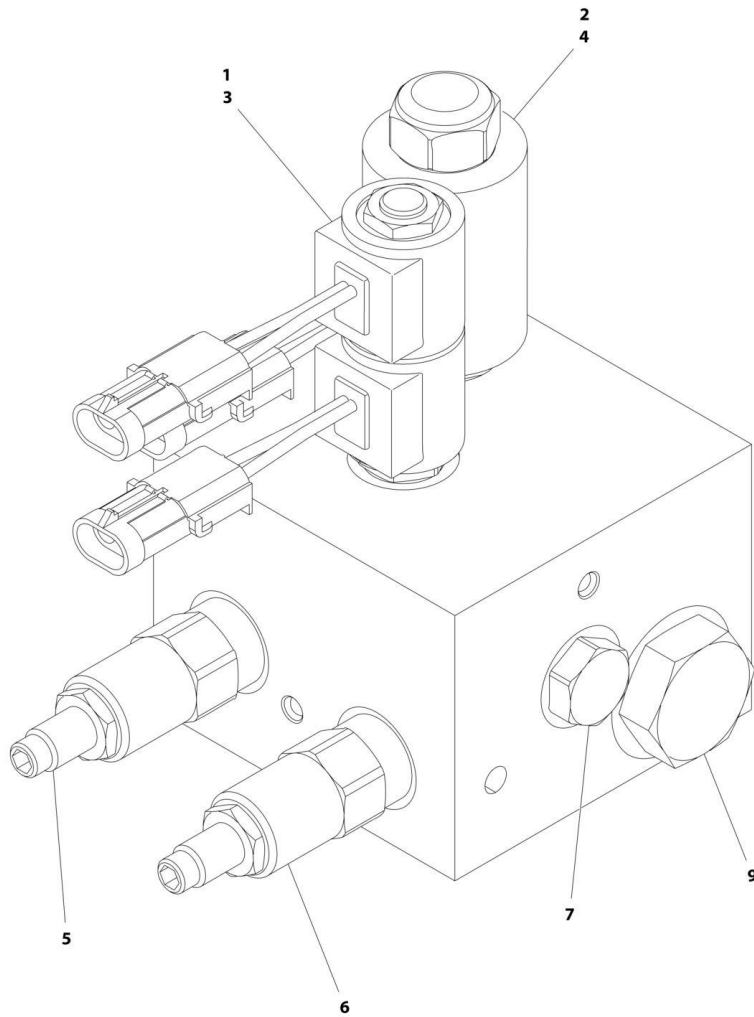
## SECTION 1 - FRAME

**FIGURE 1-18. VALVE INSTALLATION - FRAME MOUNTED - E400AJPNARROW**

ITEM	PART NUMBER	QTY	DESCRIPTION	REV
	1001218367	Ref	VALVE INSTALLATION - FRAME MOUNTED - E400AJPnarrow	A
1	0100011	AR	Compound, Locking	
2	0641404	1	Bolt, 1/4 x 1/2	
5	0641606	2	Bolt, 3/8 X 3/4	
6	0641610	2	Bolt, 3/8 X 1-1/4	
7	0641807	1	Bolt, 1/2 X 7/8	
9	1320040	1	Clamp	
14	4240032	1	Tie, Strap	
15	4711400	1	Washer, 1/4	
16	4711600	6	Washer, 3/8	
17	4711800	1	Washer, 1/2	
20	88662523	2	Nut, Tinnerman	
22	1001166420	1	Bracket, Mounting	
23	1001177364	1	Steer/Brake Valve Assembly (See Separate Breakdown in this Section)	

# SECTION 1 - FRAME

## FIGURE 1-19. BRAKE/STEER VALVE ASSEMBLY



ART\_100117364

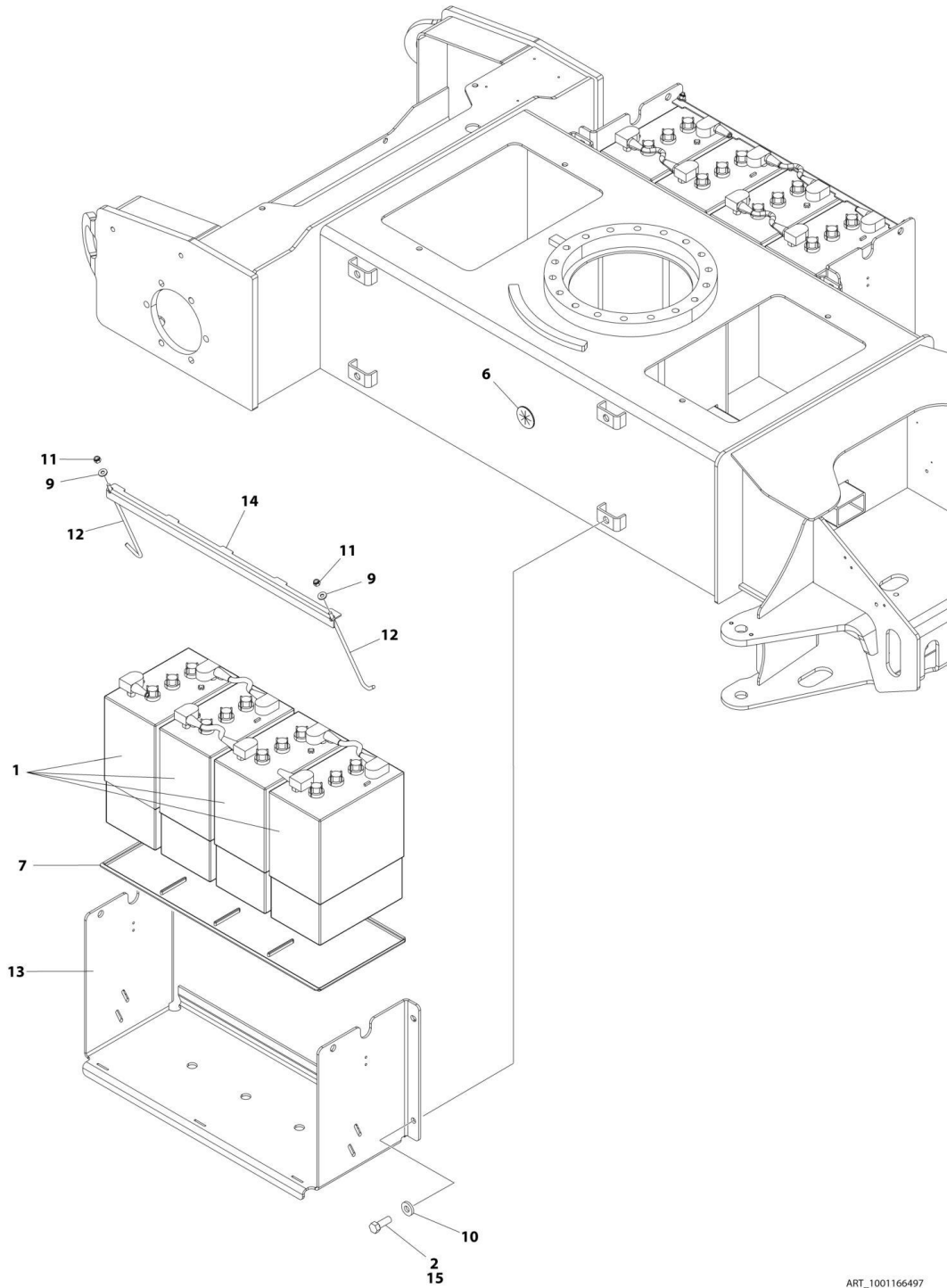
## SECTION 1 - FRAME

**FIGURE 1-19. BRAKE/STEER VALVE ASSEMBLY**

ITEM	PART NUMBER	QTY	DESCRIPTION	REV
	1001177364	Ref	BRAKE/STEER VALVE ASSEMBLY	G
1	7017433	1	Cartridge, without Coil (Steer)	
1	7017402	1	Seal Kit - 7017433 Cartridge	
2	7021611	1	Cartridge, Proportional without Coil (Flow Control)	
2	7012518	1	Seal Kit - 7021611 Cartridge	
3	7021609	2	Coil	
4	7021618	1	Coil	
5	7021659	1	Cartridge, Relief (Main)	
5	7012972	1	Seal Kit - 7021659	
6	7017488	1	Cartridge, Relief (Steer)	
6	7012998	1	Seal Kit - 7017488 Cartridge	
7	10837580	1	Cartridge, Load Shuttle	
7	7010543	1	Seal Kit - 7012941 Cartridge	
9	7021616	1	Cartridge, Filter	

# SECTION 1 - FRAME

FIGURE 1-20. BATTERY BOX INSTALLATION - STANDARD (ALL SPECS EXCEPT AUSTRALIAN & CE SPECS)



ART\_1001166497



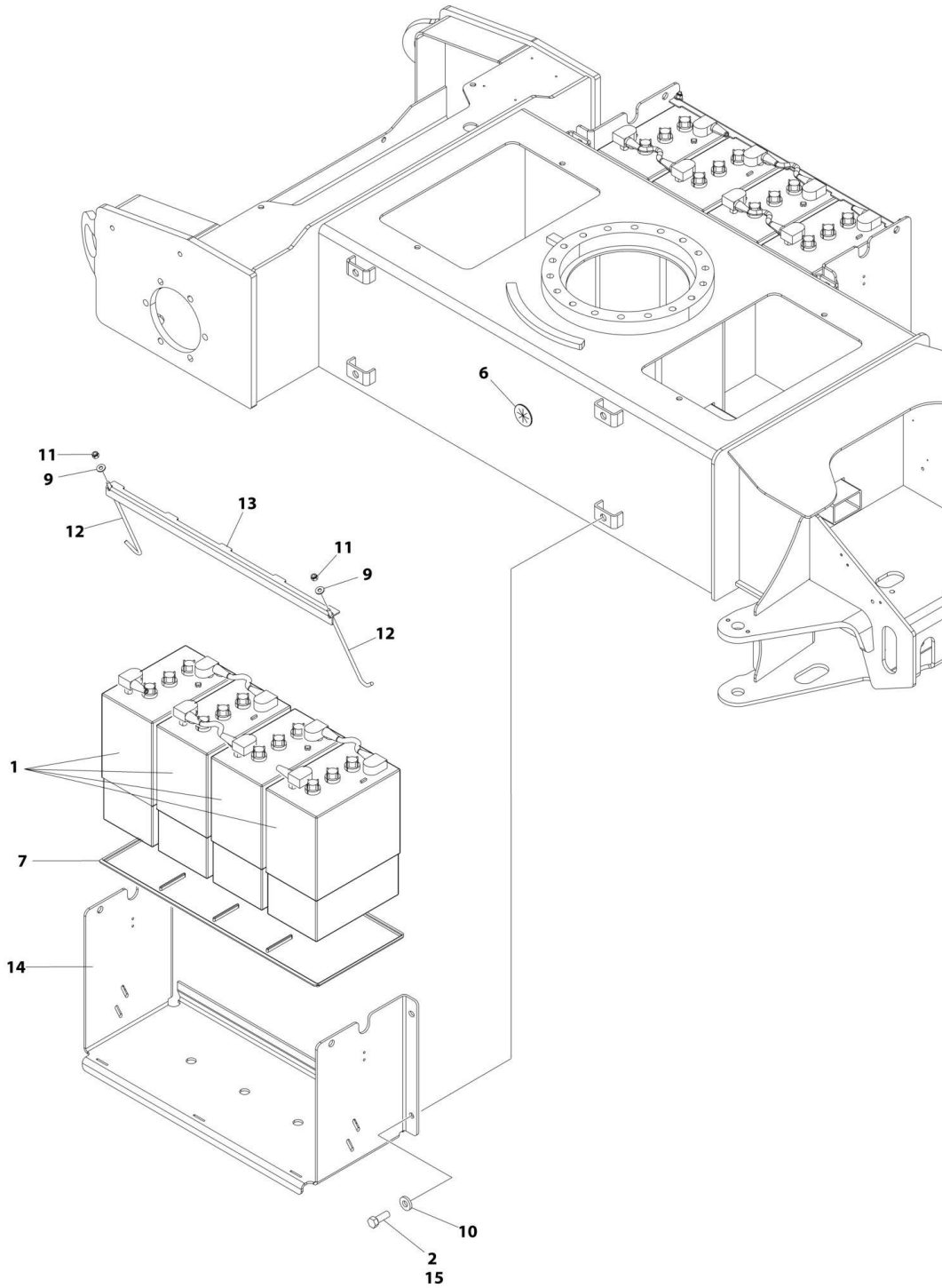
## SECTION 1 - FRAME

**FIGURE 1-20. BATTERY BOX INSTALLATION - STANDARD (ALL SPECS EXCEPT AUSTRALIAN & CE SPECS)**

ITEM	PART NUMBER	QTY	DESCRIPTION	REV
	1001166497	Ref	BATTERY BOX INSTALLATION	C
1	0400055	8	Battery (Wet)	
1	7016177	8	Battery (Dry)	
2	0641811	8	Bolt 1/2 X 1-3/8	
6	2540045	2	Grommet	
7	3000003	2	Liner, Battery Box	
9	4751500	4	Washer 5/16	
10	4891800	8	Washer 1/2 Hardened	
11	88521205	4	Nut 5/16	
12	1001093382	4	Bolt, J-Bolt	
13	1001166495	2	Tray, Battery	
14	1001166496	2	Battery Hold Down	
15	0100011	AR	Compound, Locking	

# SECTION 1 - FRAME

FIGURE 1-21. BATTERY BOX INSTALLATION - STANDARD (AUSTRALIAN & CE SPECS)



ART\_1001168670

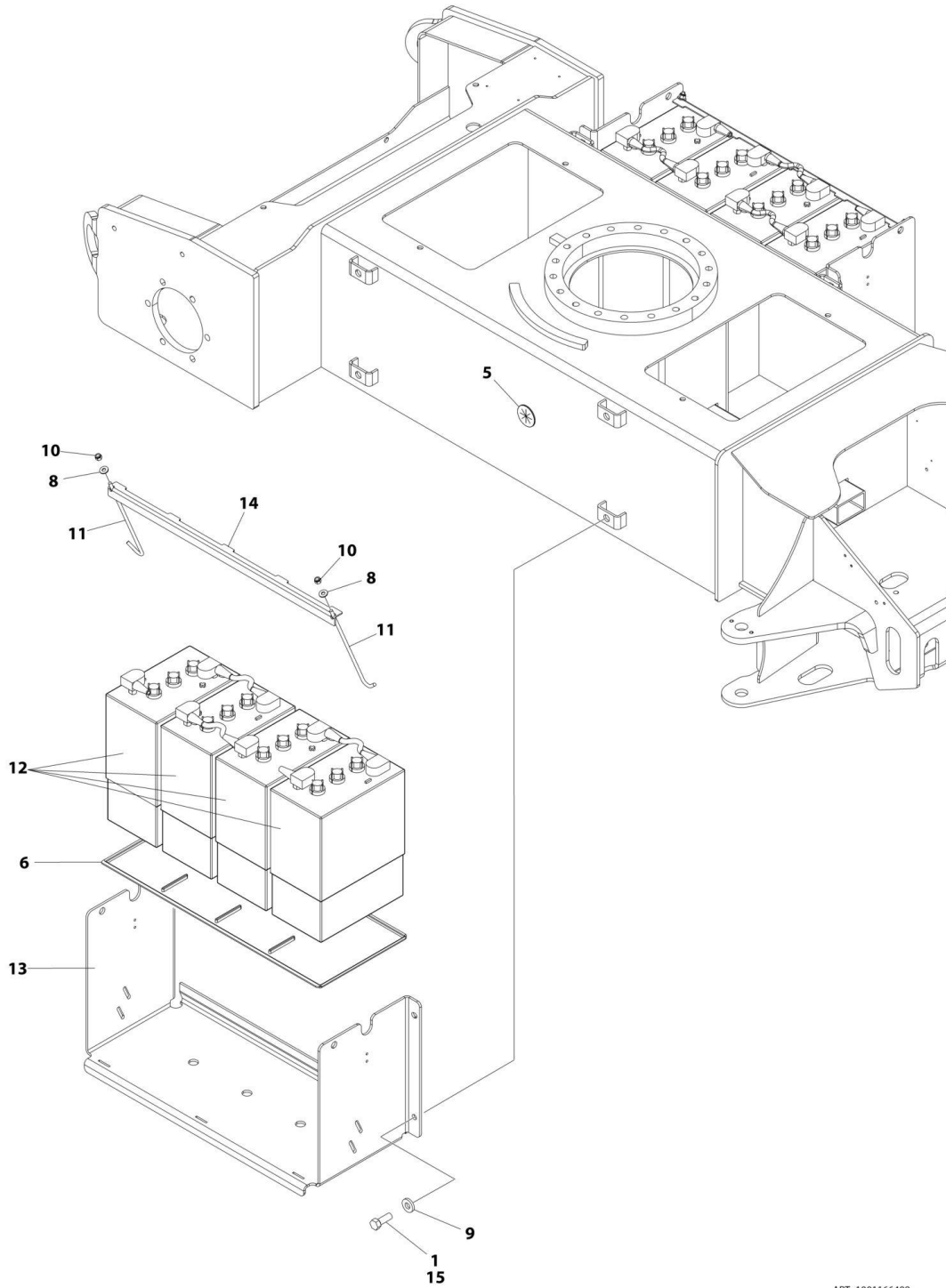
## SECTION 1 - FRAME

**FIGURE 1-21. BATTERY BOX INSTALLATION - STANDARD (AUSTRALIAN & CE SPECS)**

ITEM	PART NUMBER	QTY	DESCRIPTION	REV
	1001168670	Ref	BATTERY BOX INSTALLATION	C
1	0400055	8	Battery (Wet)	
1	7016177	8	Battery (Dry)	
2	0641811	8	Bolt 1/2 X 1-3/8	
6	2540045	2	Grommet	
7	3000003	2	Liner, Battery Box	
9	4751500	4	Washer 5/16	
10	4891800	8	Washer 1/2 Hardened	
11	88521205	4	Nut 5/16	
12	1001093382	4	Bolt, J-Bolt	
13	1001166496	2	Battery Hold Down	
14	1001168800	2	Tray, Battery	
15	0100011	AR	Compound, Locking	

# SECTION 1 - FRAME

## FIGURE 1-22. BATTERY BOX INSTALLATION - AGM BATTERIES (ALL SPECS EXCEPT AUSTRALIAN & CE SPECS)



ART\_1001166498

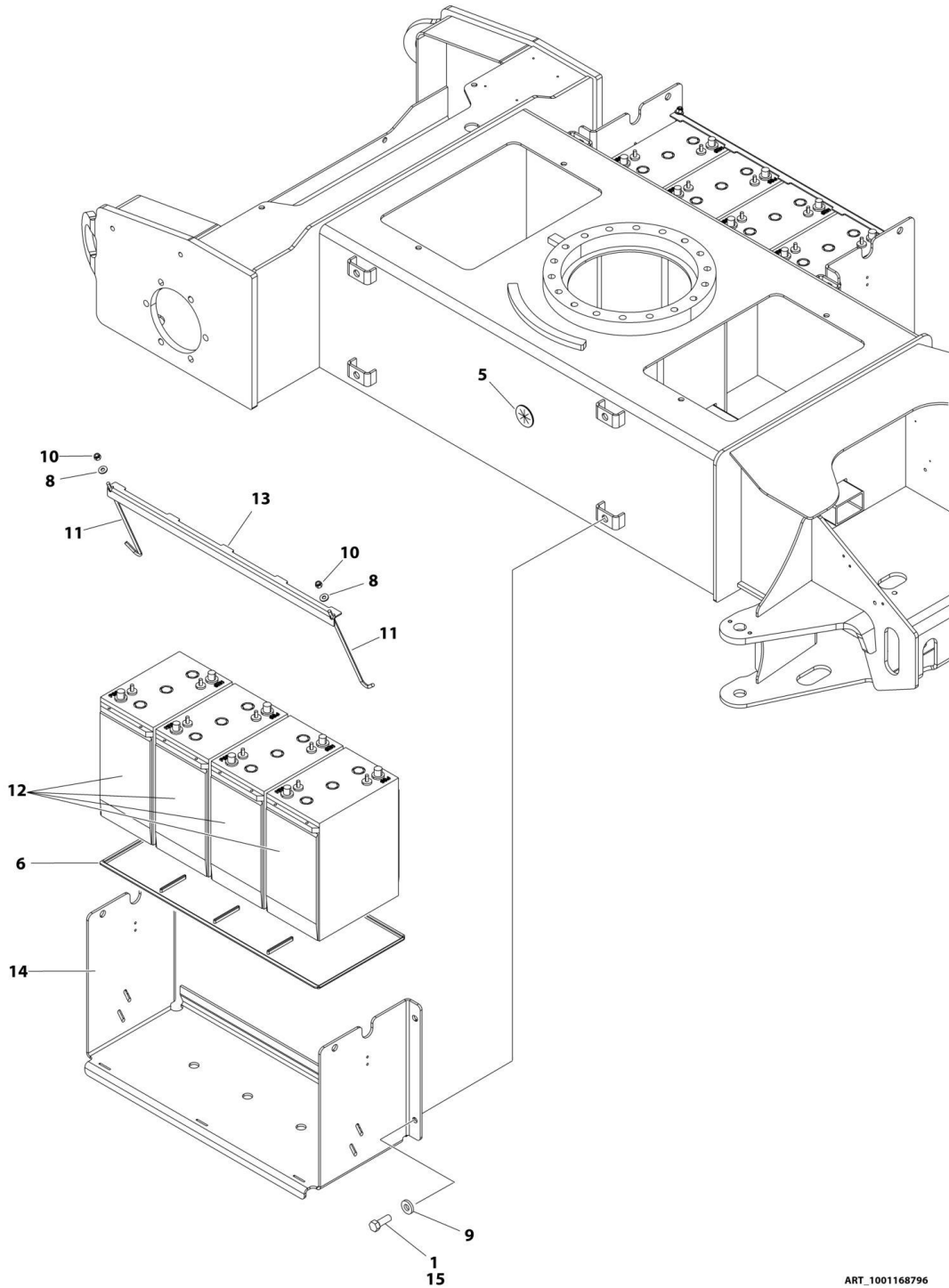
## SECTION 1 - FRAME

**FIGURE 1-22. BATTERY BOX INSTALLATION - AGM BATTERIES (ALL SPECS EXCEPT AUSTRALIAN & CE SPECS)**

ITEM	PART NUMBER	QTY	DESCRIPTION	REV
	1001166498	Ref	BATTERY BOX INSTALLATION - AGM BATTERIES	C
1	0641811	8	Bolt 1/2 X 1-3/8	
5	2540045	2	Grommet	
6	3000003	2	Liner, Battery Box	
8	4751500	4	Washer 5/16	
9	4891800	8	Washer 1/2 Hardened	
10	88521205	4	Nut 5/16	
11	1001093382	4	Bolt, J-Bolt	
12	1001114782	8	Battery (Wet) (AGM Batteries)	
13	1001166495	2	Tray, Battery	
14	1001166496	2	Battery Hold Down	
15	0100011	AR	Compound, Locking	

# SECTION 1 - FRAME

FIGURE 1-23. BATTERY BOX INSTALLATION - AGM BATTERIES (AUSTRALIAN & CE SPECS)



ART\_1001168796

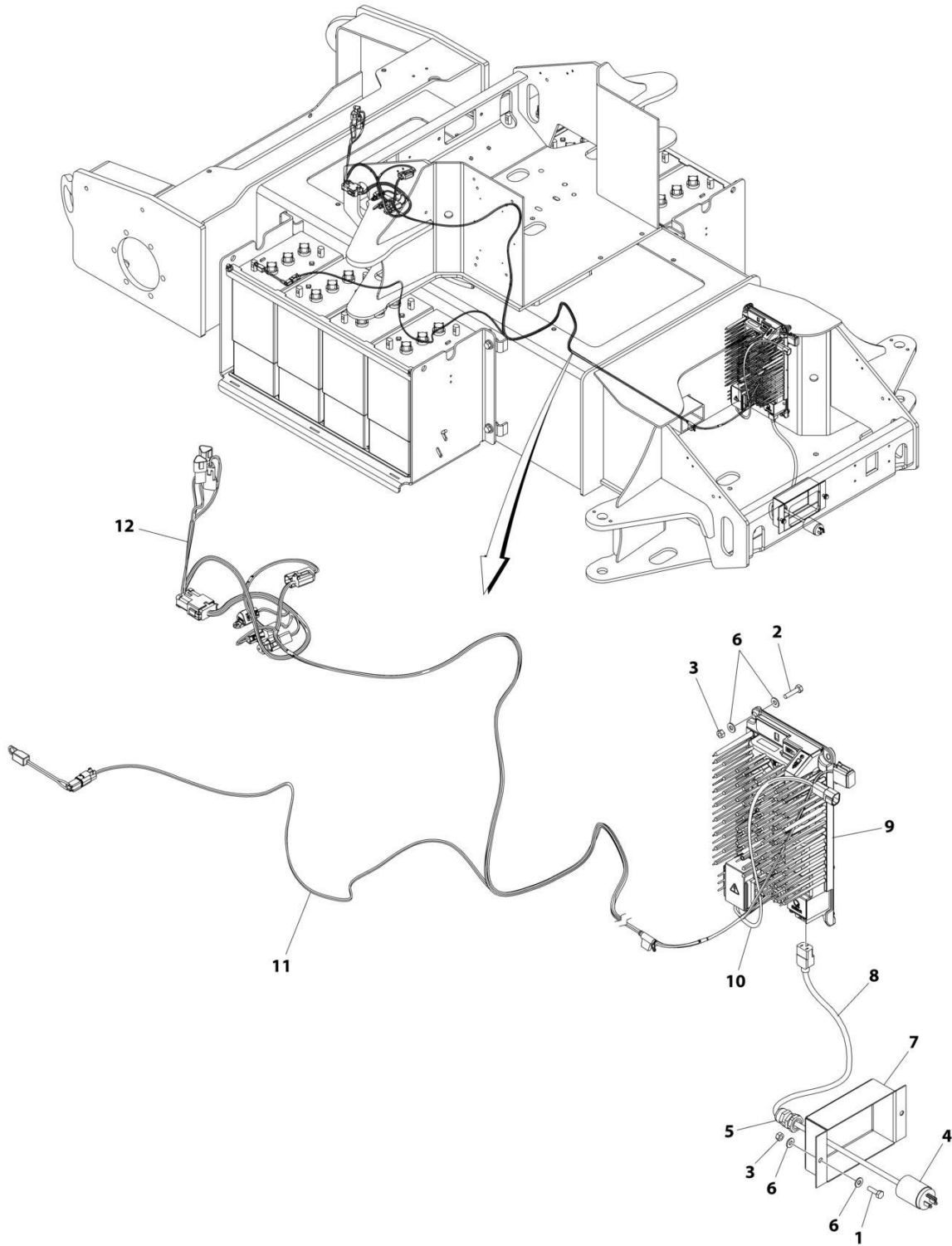
## SECTION 1 - FRAME

**FIGURE 1-23. BATTERY BOX INSTALLATION - AGM BATTERIES (AUSTRALIAN & CE SPECS)**

ITEM	PART NUMBER	QTY	DESCRIPTION	REV
	1001168796	Ref	BATTERY BOX INSTALLATION - AGM BATTERIES	C
1	0641811	8	Bolt 1/2 X 1-3/8	
5	2540045	2	Grommet	
6	3000003	2	Liner, Battery Box	
8	4751500	4	Washer 5/16	
9	4751800	8	Washer 1/2	
10	88521205	4	Nut 5/16	
11	1001093382	4	Bolt, J-Bolt	
12	1001114782	8	Battery	
13	1001166496	2	Battery Hold Down	
14	1001168800	2	Tray, Battery	
15	0100011	AR	Compound, Locking	

# SECTION 1 - FRAME

FIGURE 1-24. BATTERY CHARGER INSTALLATION (ALL SPECS EXCEPT AUSTRALIAN & CE SPECS)



ART\_1001251471



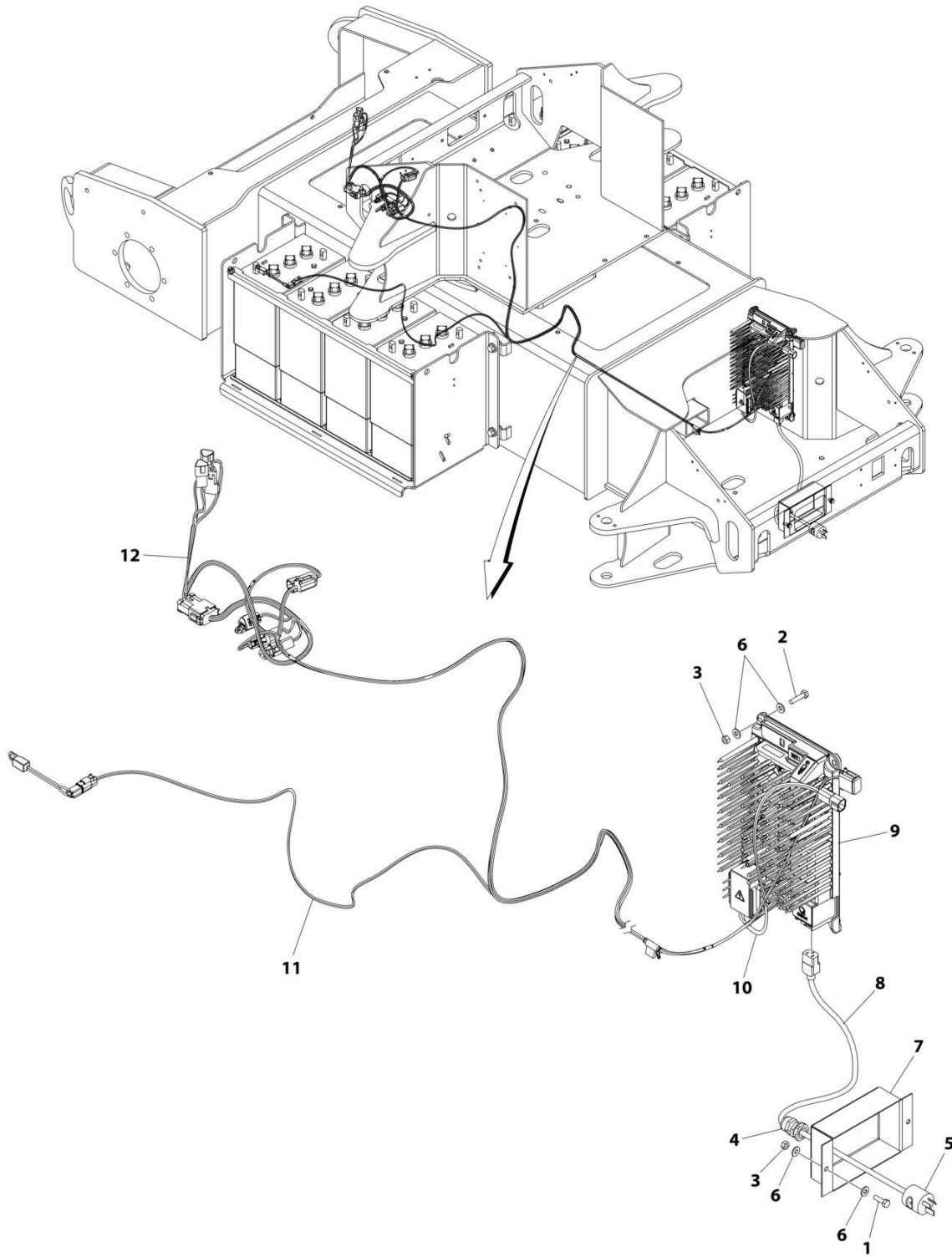
## SECTION 1 - FRAME

**FIGURE 1-24. BATTERY CHARGER INSTALLATION (ALL SPECS EXCEPT AUSTRALIAN & CE SPECS)**

ITEM	PART NUMBER	QTY	DESCRIPTION	REV
	1001251471	Ref	BATTERY CHARGER INSTALLATION	B
1	0641407	2	Bolt 1/4 x 7/8	
2	0641409	4	Bolt 1/4 x 1-1/8	
3	3311405	6	Nut 1/4	
4	4460138	1	Plug, AC	
5	4460428	1	Connector, Strain Relief	
6	4711400	12	Washer 1/4	
7	1001191212	1	Panel, Cable	
8	1001207970	1	AC Cord	
9	1001251382	1	Battery Charger Assembly	
10	1001260408	1	Harness, Charger DC Connection (See Separate Breakdown in ELECTRICAL Section)	
11	1001260531	1	Harness, Charger (See Separate Breakdown in ELECTRICAL Section)	
12	1001260532	1	Harness, EBOOM (See Separate Breakdown in ELECTRICAL Section)	

# SECTION 1 - FRAME

FIGURE 1-25. BATTERY CHARGER INSTALLATION - E400AJPNARROW (AUSTRALIAN SPEC)



ART\_1001251472

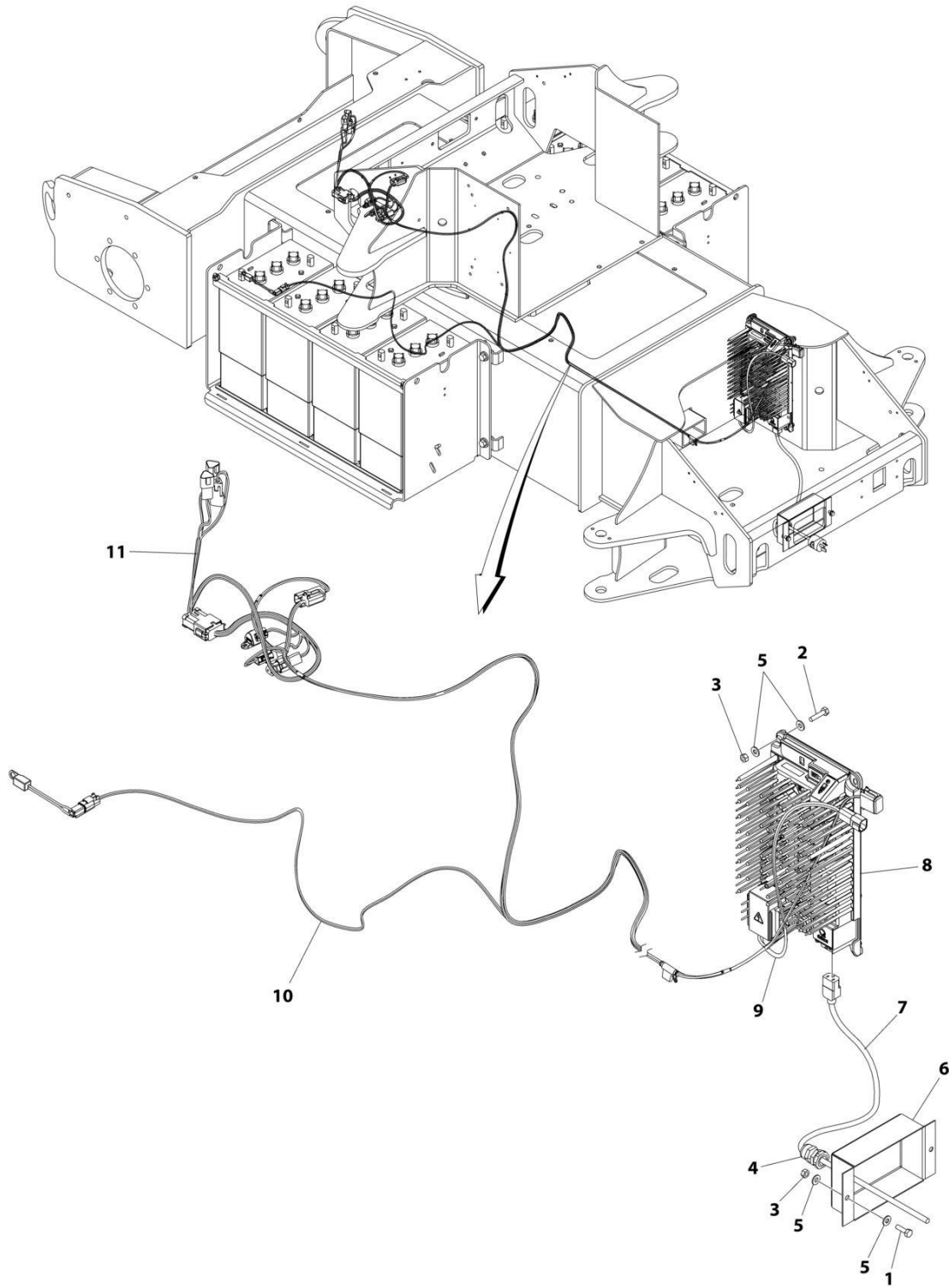
## SECTION 1 - FRAME

**FIGURE 1-25. BATTERY CHARGER INSTALLATION - E400AJPNARROW (AUSTRALIAN SPEC)**

ITEM	PART NUMBER	QTY	DESCRIPTION	REV
	1001251472	Ref	BATTERY CHARGER INSTALLATION	B
1	0641407	2	Bolt 1/4 x 7/8	
2	0641409	4	Bolt 1/4 x 1-1/8	
3	3311405	6	Nut 1/4	
4	4460428	1	Connector, Strain Relief	
5	4460805	1	Plug	
6	4711400	12	Washer 1/4	
7	1001191212	1	Panel, Cable	
8	1001207974	1	AC Cord	
9	1001251382	1	Battery Charger Assembly	
10	1001260408	1	Harness, Charger DC Connection (See Separate Breakdown in ELECTRICAL Section)	
11	1001260531	1	Harness, Charger (See Separate Breakdown in ELECTRICAL Section)	
12	1001260532	1	Harness, EBOOM (See Separate Breakdown in ELECTRICAL Section)	

# SECTION 1 - FRAME

FIGURE 1-26. BATTERY CHARGER INSTALLATION (ANSI EXPORT, CE AND CHINA SPECS)



ART\_1001251470

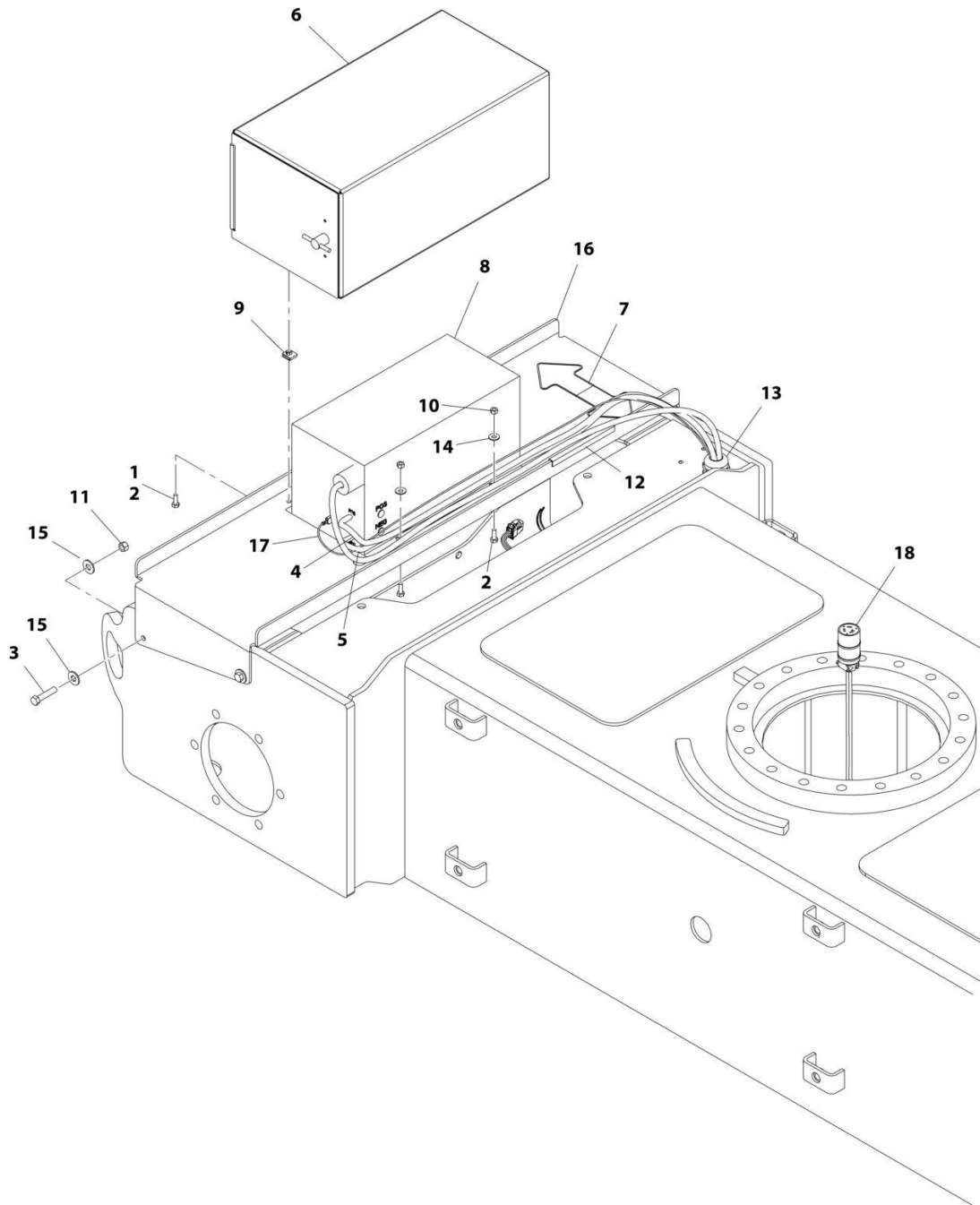
## SECTION 1 - FRAME

**FIGURE 1-26. BATTERY CHARGER INSTALLATION (ANSI EXPORT, CE AND CHINA SPECS)**

ITEM	PART NUMBER	QTY	DESCRIPTION	REV
	1001251470	Ref	BATTERY CHARGER INSTALLATION	B
1	0641407	2	Bolt 1/4 x 7/8	
2	0641409	4	Bolt 1/4 x 1-1/8	
3	3311405	6	Nut 1/4	
4	4460428	1	Connector, Strain Relief	
5	4711400	12	Washer 1/4	
6	1001191212	1	Panel, Cable	
7	1001207974	1	AC Cord	
8	1001251382	1	Battery Charger Assembly	
9	1001260408	1	Harness, Charger DC Connection (See Separate Breakdown in ELECTRICAL Section)	
10	1001260531	1	Harness, Charger (See Separate Breakdown in ELECTRICAL Section)	
11	1001260532	1	Harness, EBOOM (See Separate Breakdown in ELECTRICAL Section)	

# SECTION 1 - FRAME

## FIGURE 1-27. INVERTER INSTALLATION



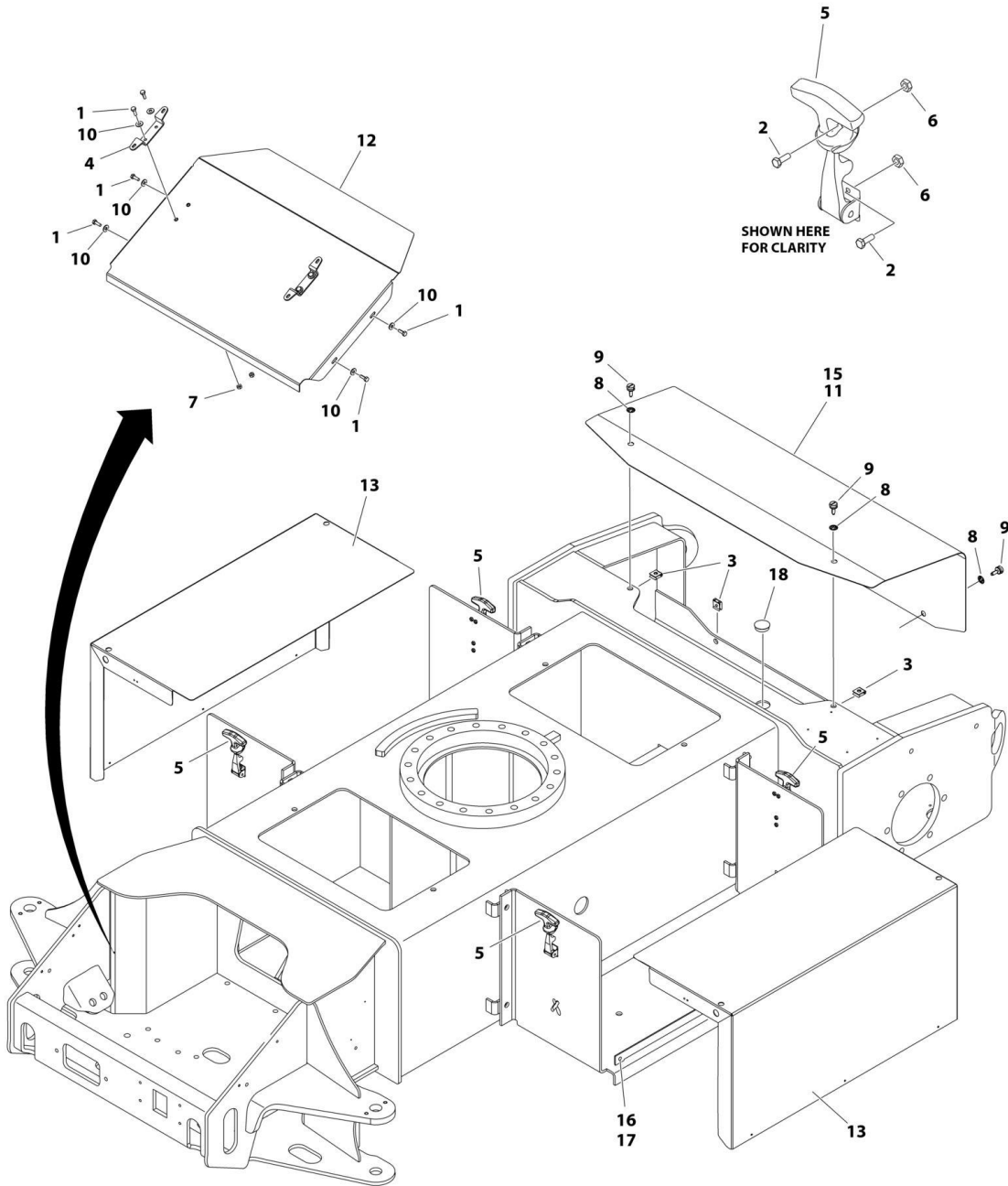
ART\_1001192501

FIGURE 1-27. INVERTER INSTALLATION

ITEM	PART NUMBER	QTY	DESCRIPTION	REV
	1001192501	Ref	INVERTER INSTALLATION	A
1	0100011	AR	Compound, Locking	
2	0641406	8	Bolt 1/4 X 3/4	
3	0641614	4	Bolt 3/8 X 1-3/4	
4	1060801	1	Cable, Battery	
5	1060802	1	Cable, Ground	
6	1670953	1	Cover	
7	1701642	1	Decal - Arrow	
8	2460037	1	Inverter	
9	3300353	4	Nut, Tinnerman	
10	3311405	4	Nut 1/4	
11	3311605	4	Nut 3/8	
12	4060805	6 in /150mm	Shield, Flex Trim	
13	4460426	1	Connector, Strain Relief	
14	4751400	4	Washer 1/4	
15	4751600	8	Washer 3/8	
16	1001167013	1	Bracket	
17	1001192293	1	Inverter Ignition Harness (See Separate Breakdown in ELECTRICAL SECTION)	
18	1001182296	1	Inverter Harness (See Separate Breakdown in ELECTRICAL SECTION)	

# SECTION 1 - FRAME

## FIGURE 1-28. FRAME COVER INSTALLATION



ART\_1001166312



## SECTION 1 - FRAME

**FIGURE 1-28. FRAME COVER INSTALLATION**

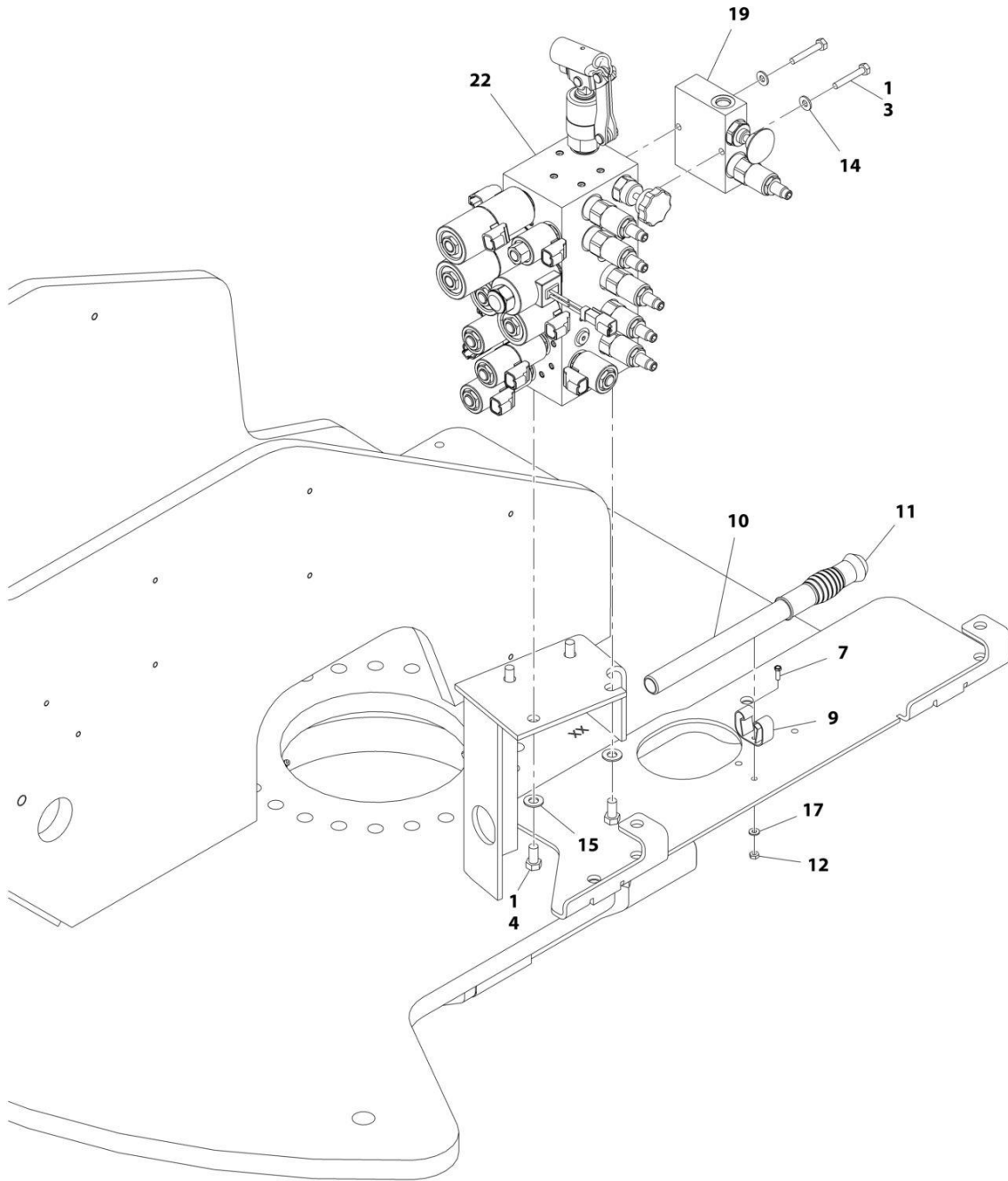
ITEM	PART NUMBER	QTY	DESCRIPTION	REV
	1001166312	Ref	FRAME COVER INSTALLATION	D
1	0641406	8	Bolt, 1/4 X 3/4	
2	0721004	16	Bolt, #10 X .500	
3	1380138	4	Clip, Receptacle	
4	2700093	2	Hook	
5	2940095	4	Latch	
6	3311005	16	Nut #10	
7	3311405	5	Nut 1/4	
8	3760308	4	Retainer	
9	3900174	4	Screw, Special	
10	4751400	8	Washer 1/4	
11	1001166296	1	Axle Cover	
12	1001166321	1	Cover	
13	1001166493	2	Battery Cover	
15	3960447	9.5 ft /2.9m	Seal	
16	3820019	6	Rivet	
17	1001175025	2	Brace, Battery Tray	
18	3520035	1	Plug, Cap	



**SECTION 2 - TURNTABLE**

# SECTION 2 - TURNTABLE

## FIGURE 2-1. VALVE INSTALLATION- TURNTABLE MOUNTED - E400ANARROW



ART\_1001180930\_20F2

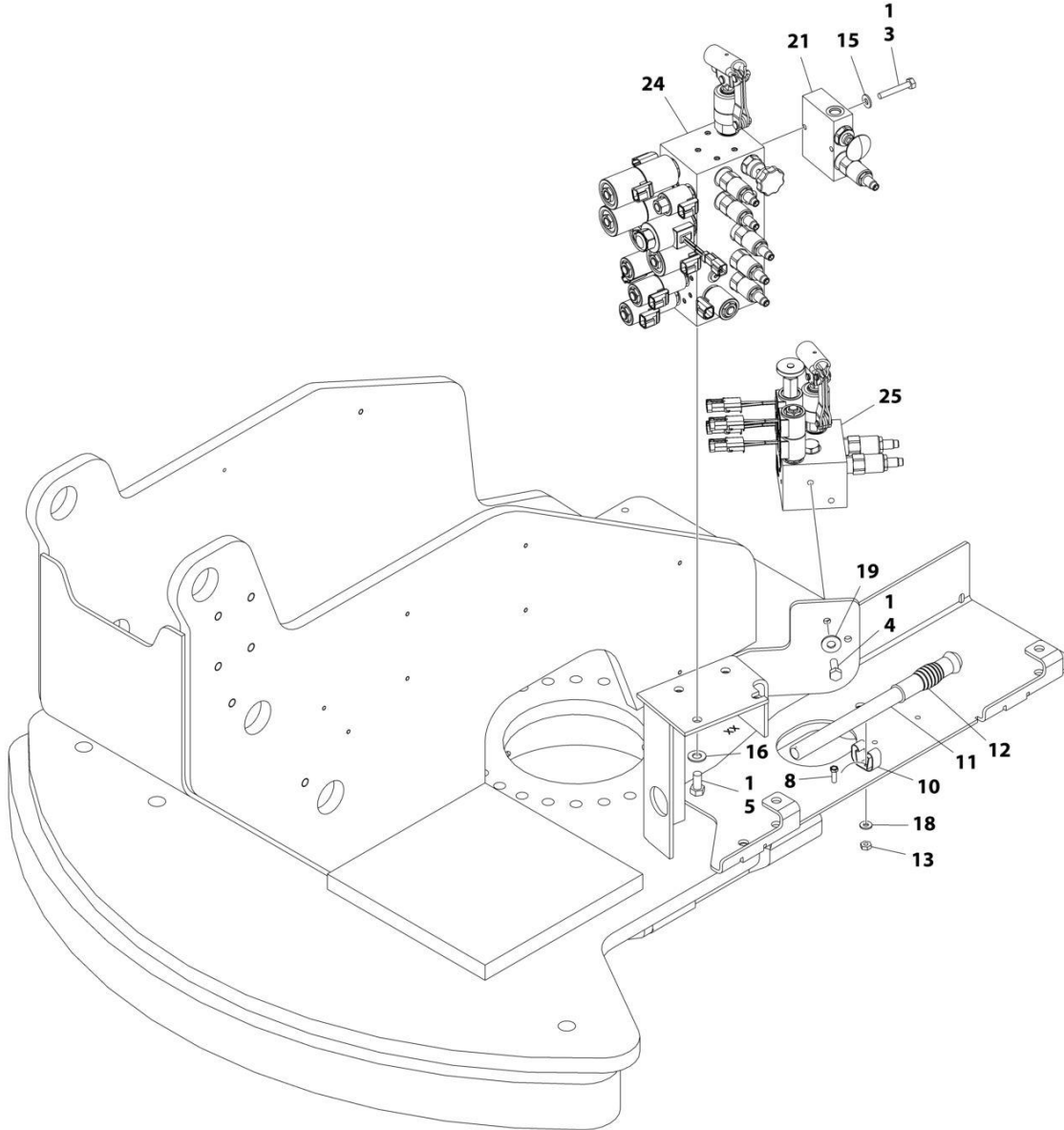
# SECTION 2 - TURNTABLE

**FIGURE 2-1. VALVE INSTALLATION- TURNTABLE MOUNTED - E400ANARROW**

ITEM	PART NUMBER	QTY	DESCRIPTION	REV
	1001180930	Ref	VALVE INSTALLATION- TURNTABLE MOUNTED	B
1	0100011	AR	Compound, Locking	
3	0641413	2	Bolt 1/4 X 1-5/8	
4	0641606	4	Bolt 3/8 X 3/4	
7	0720804	1	Bolt #8 X .500	
9	1380136	1	Clip, Gripper	
10	2560122	1	Handle	
11	2560123	1	Handle, Grip	
12	3310805	1	Nut #8	
14	4711400	2	Washer 1/4	
15	4711600	4	Washer 3/8	
17	4750800	1	Washer #8	
19	1001097777	1	Releveling Valve Assembly (See Separate Breakdown in this Section)	
22	1001180554	1	Main Control Valve Assembly (See Separate Breakdown in this Section)	

# SECTION 2 - TURNTABLE

## FIGURE 2-2. VALVE INSTALLATION - TURNTABLE MOUNTED - E400AJPNARROW



ART\_1001218367\_20F2

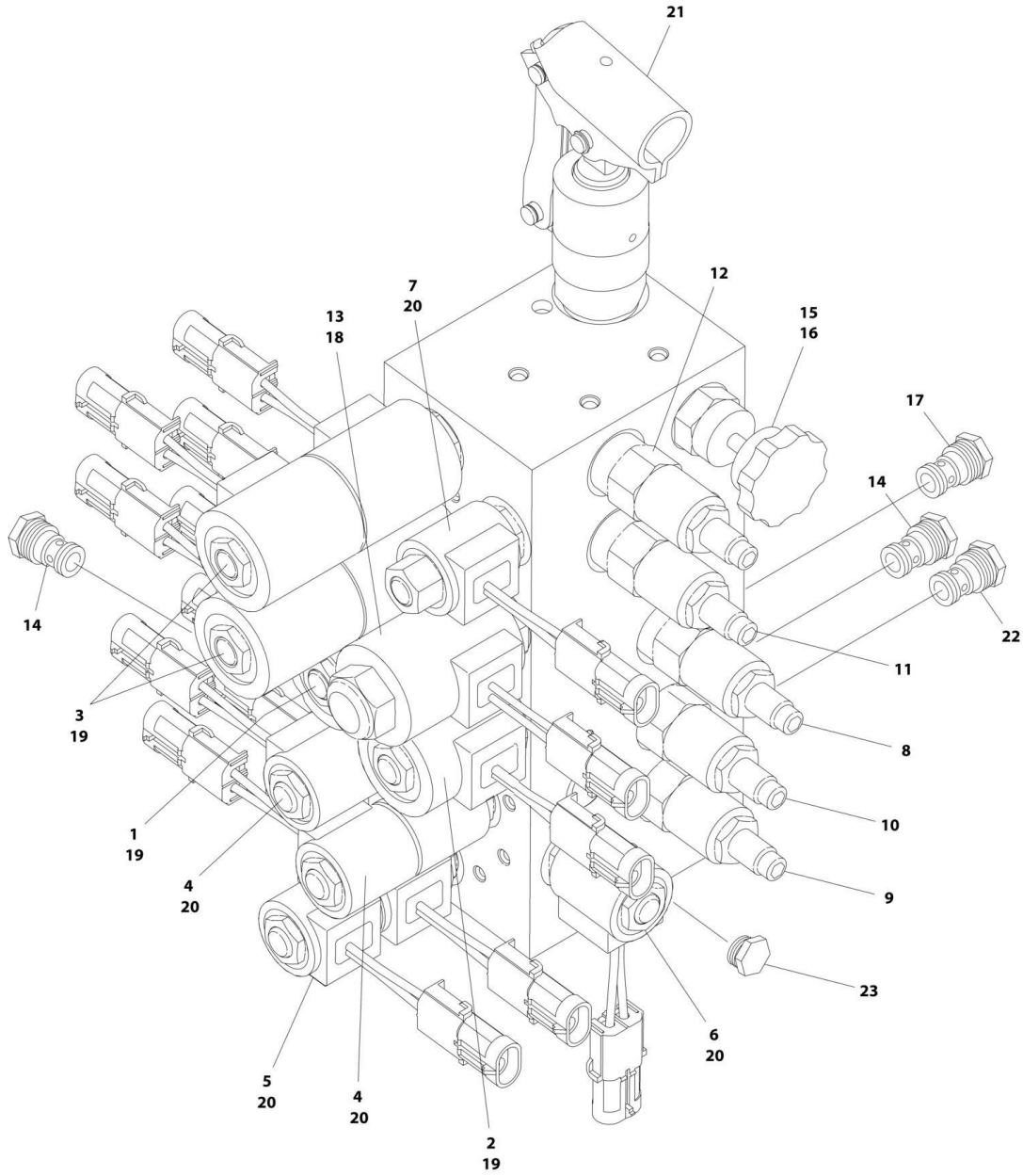
## SECTION 2 - TURNTABLE

**FIGURE 2-2. VALVE INSTALLATION - TURNTABLE MOUNTED - E400AJPNARROW**

ITEM	PART NUMBER	QTY	DESCRIPTION	REV
	1001218367	Ref	VALVE INSTALLATION - TURNTABLE MOUNTED	A
1	0100011	AR	Compound, Locking	
3	0641413	2	Bolt 1/4 X 1-5/8	
4	0641507	2	Bolt 5/16 X 7/8	
5	0641606	4	Bolt 3/8 X 3/4	
8	0720804	1	Bolt #8 X .500	
10	1380136	1	Clip, Gripper	
11	2560122	1	Handle	
12	2560123	1	Handle, Grip	
13	3310805	1	Nut #8	
15	4711400	2	Washer 1/4	
16	4711600	2	Washer 3/8	
18	4750800	1	Washer #8	
19	4751500	2	Washer 5/16	
21	1001097777	1	Releveling Valve Assembly (See Separate Breakdown in this Section)	
24	1001180554	1	Main Control Valve Assembly (See Separate Breakdown in this Section)	
25	1001216921	1	Jib Valve Assembly (See Separate Breakdown in this Section)	

# SECTION 2 - TURNTABLE

## FIGURE 2-3. MAIN CONTROL VALVE ASSEMBLY



ART\_1001180554



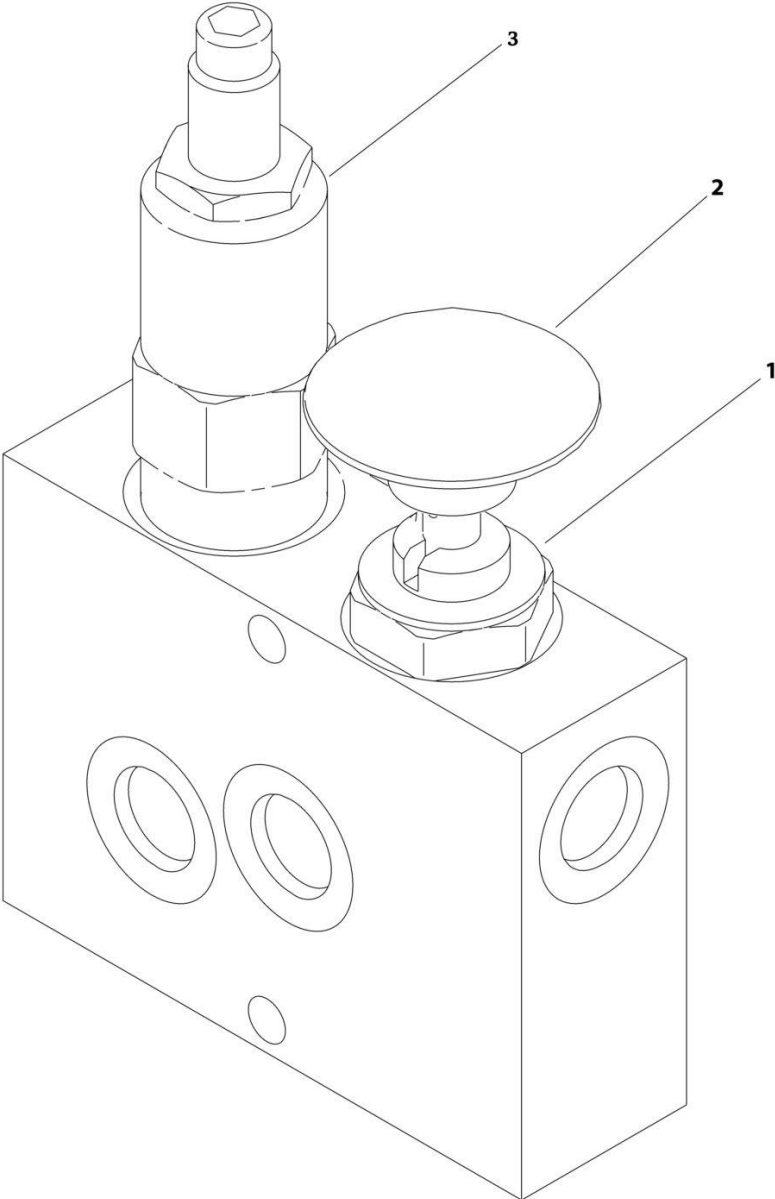
## SECTION 2 - TURNTABLE

**FIGURE 2-3. MAIN CONTROL VALVE ASSEMBLY**

ITEM	PART NUMBER	QTY	DESCRIPTION	REV
	1001180554	Ref	MAIN CONTROL VALVE ASSEMBLY	F
1	7022394	1	Cartridge without Coil (Telescope In)	
1	7012518	1	Seal Kit - 7022394 Cartridge	
2	7012995	1	Cartridge without Coil (Telescope Out)	
2	7012518	1	Seal Kit - 7012995 Cartridge	
3	7021603	2	Cartridge without Coil (Lower and Upper Lift)	
3	7012903	2	Seal Kit - 7021603 Cartridge	
4	7017452	2	Cartridge without Coil (Platform Level)	
4	7017402	2	Seal Kit - 7017452 Cartridge	
5	7017433	1	Cartridge without Coil (Swing)	
5	7017402	1	Seal Kit - 7017433 Cartridge	
6	7021604	1	Cartridge without Coil (Swing Arrest)	
6	7012953	1	Seal Kit - 7021604 Cartridge	
7	7017410	1	Cartridge without Coil (Bypass Unloading)	
7	7012967	1	Seal Kit - 7017410 Cartridge	
8	7017418	1	Cartridge (Telescope)	
8	7012998	1	Seal Kit - 7017418 Cartridge	
9	7017421	1	Cartridge (Platform Level Backward Piston End)	
9	7012998	1	Seal Kit - 7017421 Cartridge	
10	7017418	1	Cartridge (Platform Level Forward Rod End)	
10	7012998	1	Seal Kit - 7017418 Cartridge	
11	70001876	1	Cartridge (Lower Lift Down)	
11	7012998	1	Seal Kit - 70001876 Cartridge	
12	70002806	1	Cartridge (Upper Lift Down)	
12	7012998	1	Seal Kit - 70002806 Cartridge	
13	7021611	1	Cartridge without Coil (Flow Regulator)	
13	7012518	1	Seal Kit - 7021611 Cartridge	
14	7012914	2	Cartridge (Platform Level)	
14	7012918	2	Seal Kit - 7012914 Cartridge	
15	7012947	1	Cartridge (Emergency Descent)	
15	7012518	1	Seal Kit - 7012947 Cartridge	
16	7012961	1	Knob	
17	10837580	1	Cartridge (Telescope)	
17	7010543	1	Seal Kit - 10837580 Cartridge	
18	70005210	1	Coil	
19	7024883	6	Coil	
20	7024885	8	Coil	
21	70004019	1	Pump, Manual	
21	2900756	1	Seal Kit - 70004019 Pump	
21	2560122	1	Handle (Not Shown)	
21	1001114761	1	Handle, Grip (Red) (Not Shown)	
21	2560123	1	Handle, Grip (Black) (Not Shown)	
22	7012975	1	Cartridge (Check)	
22	7012540	1	Seal Kit - 7012975 Cartridge	
23	70000381	1	Plug, Cartridge	
24	70005091	1	Orifice (Swing) (Not Shown)	
25	70004884	1	Orifice (Platform) (Not Shown)	

**SECTION 2 - TURNTABLE**

**FIGURE 2-4. RELEVELING VALVE ASSEMBLY**



ART\_100109777

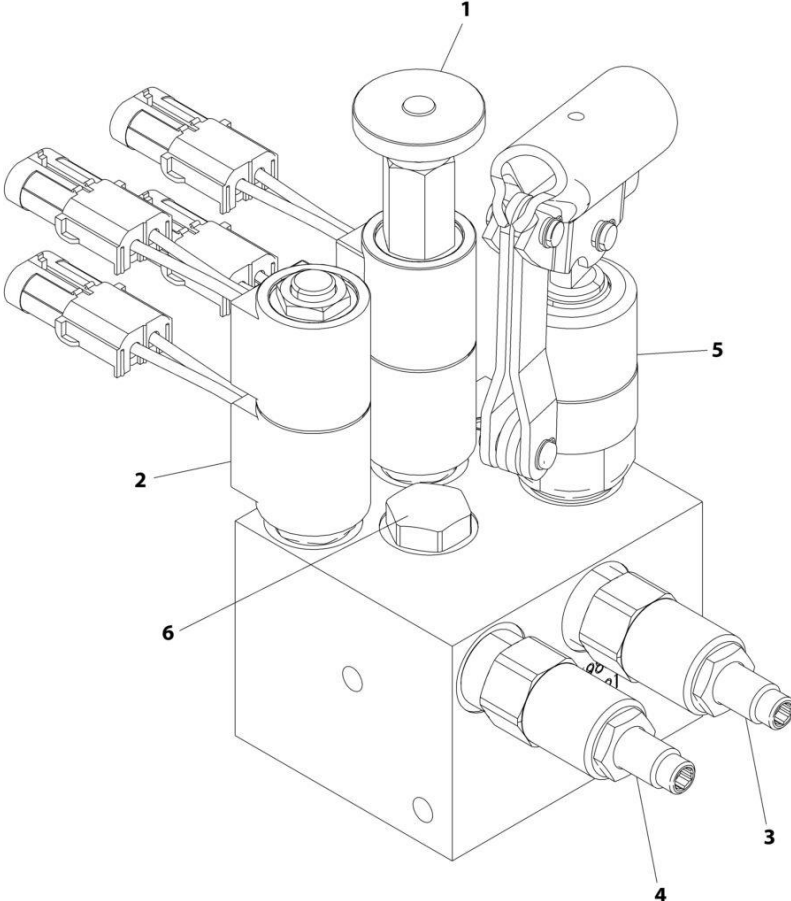
**SECTION 2 - TURNTABLE**

**FIGURE 2-4. RELEVELING VALVE ASSEMBLY**

ITEM	PART NUMBER	QTY	DESCRIPTION	REV
	1001097777	Ref	RELEVELING VALVE ASSEMBLY	C
1	7017466	1	Cartridge	
1	7017496	1	Seal Kit - 7017466 Cartridge	
2	7012959	1	Knob	
3	7024891	1	Cartridge	
3	7012953	1	Seal Kit - 7024891 Cartridge	

**SECTION 2 - TURNTABLE**

**FIGURE 2-5. JIB VALVE ASSEMBLY**



ART\_1001216921

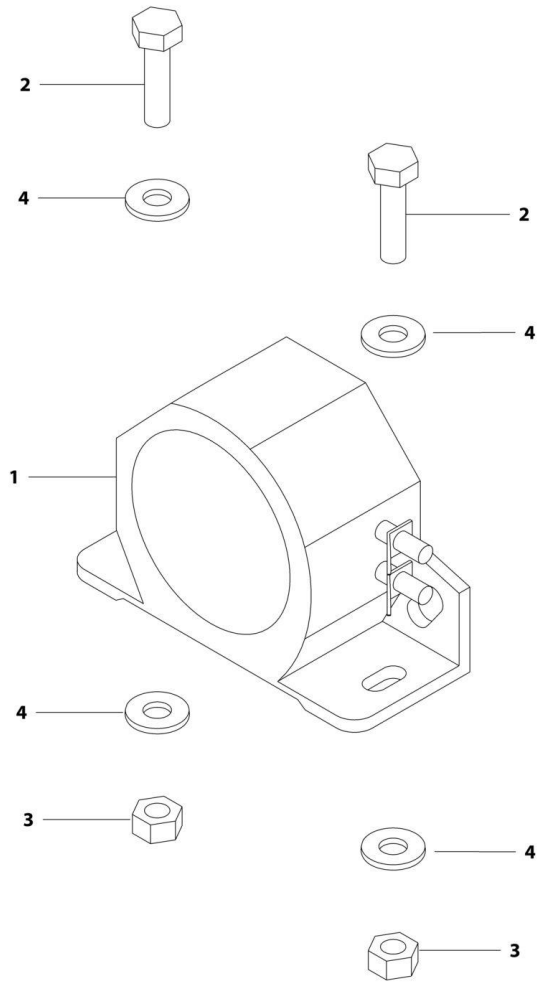
**SECTION 2 - TURNTABLE**

**FIGURE 2-5. JIB VALVE ASSEMBLY**

ITEM	PART NUMBER	QTY	DESCRIPTION	REV
	1001216921	Ref	JIB VALVE ASSEMBLY	B
1	70006346	1	Cartridge (Manual Override)	
1	7017402	1	Seal Kit - 70006346 Cartridge	
1	70006348	1	Coil Spacer	
1	7021609	1	Coil	
1	70006347	1	Coil Nut	
2	7017452	1	Cartridge	
2	7017402	1	Seal Kit - 7017452 Cartridge	
2	70006348	1	Coil Spacer	
2	7021609	1	Coil	
2	7022390	1	Coil Nut	
3	70006349	1	Cartridge	
3	7021653	1	Seal Kit - 70006349 Cartridge	
4	70002808	1	Cartridge	
4	7021653	1	Seal Kit - 70002808 Cartridge	
5	70005722	1	Cartridge	
5	7017496	1	Seal Kit - 70005722 Cartridge	
5	2560122	1	Handle	
5	1001114761	1	Grip, Handle (Red)	
5	2560123	1	Grip, Handle (Black)	
6	7024887	1	Cartridge	
6	7012998	1	Seal Kit - 7024887 Cartridge	

# SECTION 2 - TURNTABLE

## FIGURE 2-6. MOTION ALARM INSTALLATION



ART\_1001183367

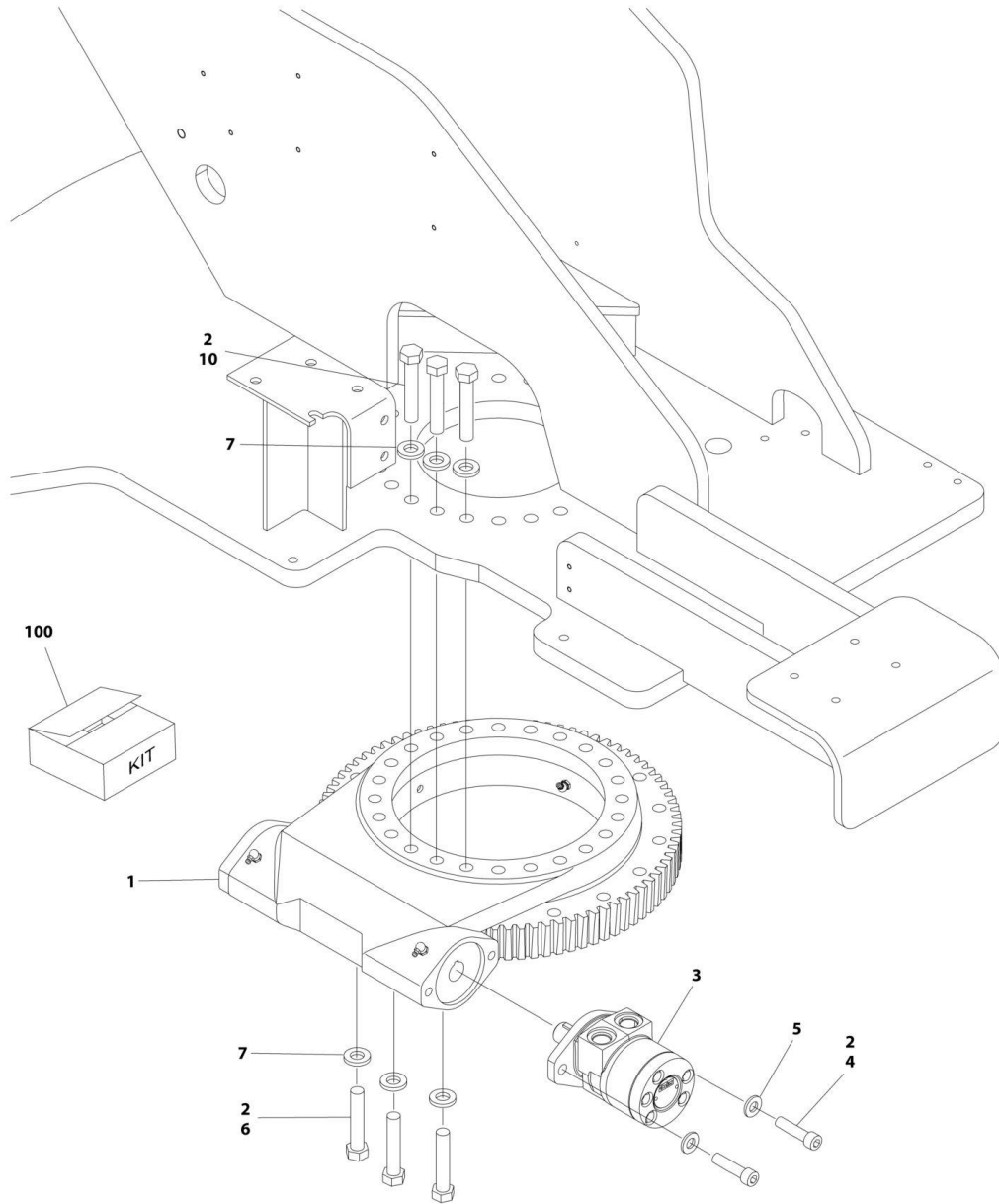
**SECTION 2 - TURNTABLE**

**FIGURE 2-6. MOTION ALARM INSTALLATION**

ITEM	PART NUMBER	QTY	DESCRIPTION	REV
	1001183367	Ref	MOTION ALARM INSTALLATION	A
1	0140043	1	Alarm, Motion	
2	0641406	2	Bolt 1/4 X 3/4	
3	3311405	2	Nut 1/4-20	
4	4711400	2	Washer 1/4	

# SECTION 2 - TURNTABLE

## FIGURE 2-7. TURNTABLE BEARING AND SWING DRIVE INSTALLATION



ART\_1001166395



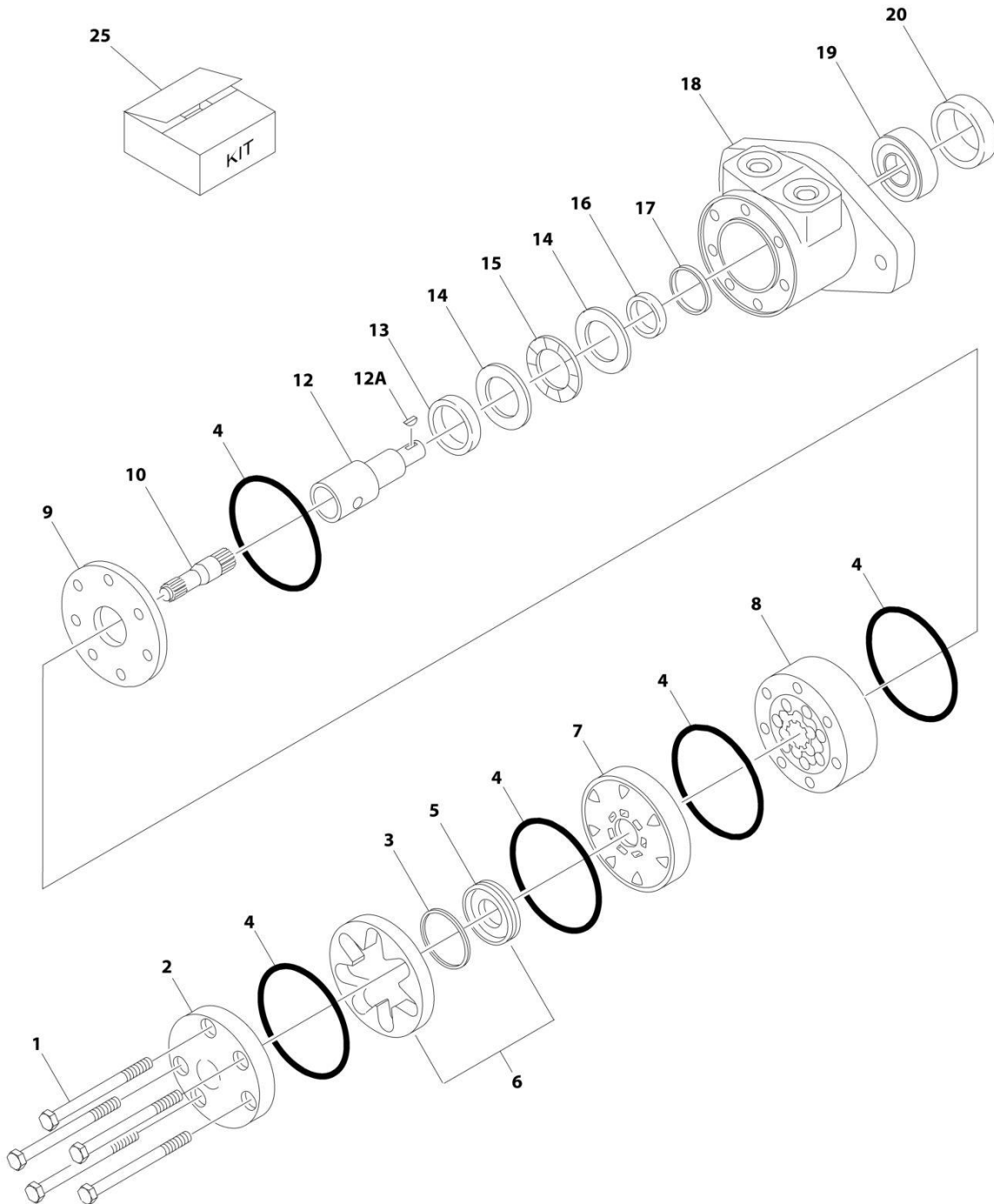
## SECTION 2 - TURNTABLE

**FIGURE 2-7. TURNTABLE BEARING AND SWING DRIVE INSTALLATION**

ITEM	PART NUMBER	QTY	DESCRIPTION	REV
	1001166395	Ref	TURNTABLE BEARING AND SWING DRIVE INSTALLATION	C
1	1001153017	1	Turntable Bearing and Worm Gear Assembly (See Separate Breakdown in this Section)	
2	0100019	AR	Compound, Locking	
3	1001104850	1	Swing Motor Assembly (See Separate Breakdown in this Section)	
4	3931832	2	Bolt 1/2 X 2	
5	4740171	2	Washer	
6	0682026	18	Bolt 5/8 X 3-1/4, Grade 8	
7	4892000	41	Washer 5/8	
10	0682028	23	Bolt 5/8 X 3-1/2, Grade 8	
100	1001160527	1	Turntable Bearing Replacement Kit (Includes Items 1, 4, 5, 6, 7 & 10)	

# SECTION 2 - TURNTABLE

## FIGURE 2-8. SWING MOTOR ASSEMBLY



ART\_1001104850

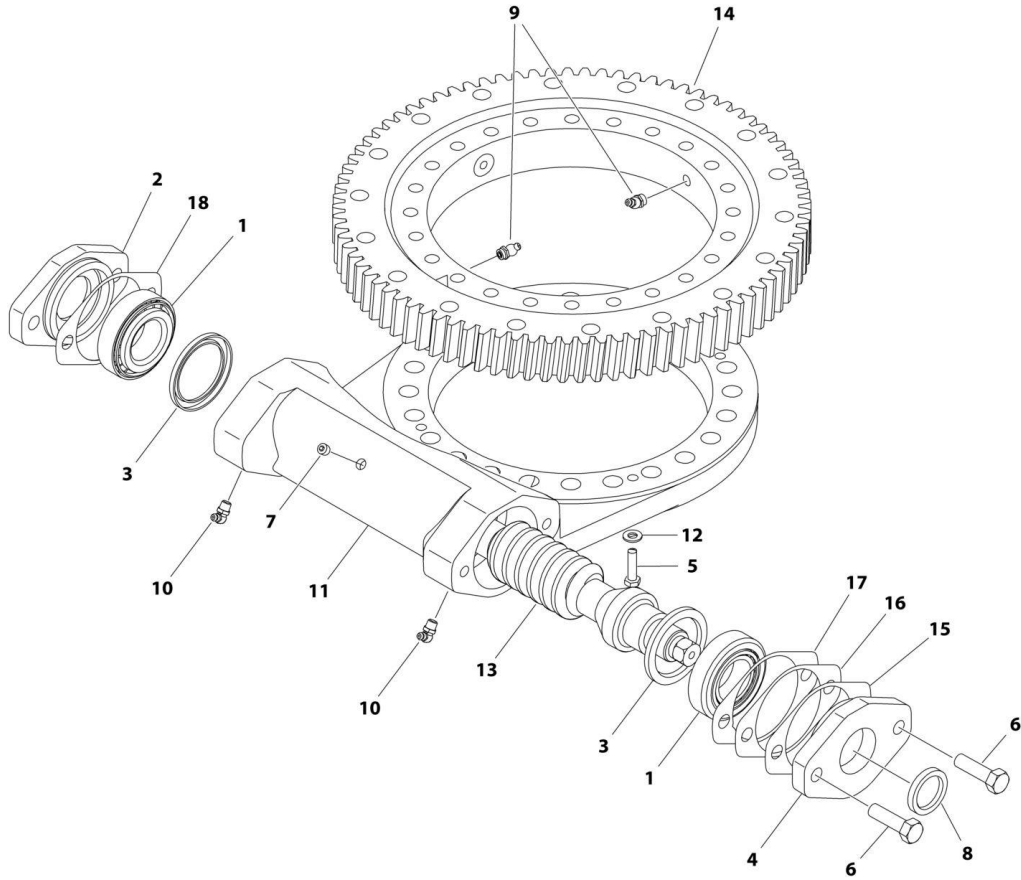
## SECTION 2 - TURNTABLE

### FIGURE 2-8. SWING MOTOR ASSEMBLY

ITEM	PART NUMBER	QTY	DESCRIPTION	REV
	1001104850	Ref	SWING MOTOR ASSEMBLY	A
1	See Note	5	Bolt (Note: Not Available for Purchase)	
2	7004035	1	Cover, End	
3	7023318	1	Seal, Commutator	
4	7004036	5	O-Ring	
5	See Note	NSS	Commutator (Note: Use Item 6)	
6	7024453	1	Commutator and Ring Assembly (Includes Item 5)	
7	7024379	1	Manifold	
8	70002206	1	Rotor Set	
9	7024380	1	Plate, Wear	
10	70002207	1	Link, Drive	
12	70000088	1	Shaft, Coupling	
12A	70000089	1	Key	
13	7024381	1	Bushing, Inner	
14	7004043	1	Thrustwasher	
15	7004044	1	Bearing, Thrust	
16	7004049	1	Seal, Inner Shaft	
17	7004045	1	Ring, Back-up	
18	See Note	NSS	Housing (Note: Not Available - Purchase Complete Motor)	
19	7024390	1	Bearing	
20	7004047	1	Seal, Outer Shaft	
25	7024389	1	Seal Kit (Includes Items 3, 4, 16, 17 & 20)	

# SECTION 2 - TURNTABLE

## FIGURE 2-9. SWING BEARING ASSEMBLY



ART\_1001153017

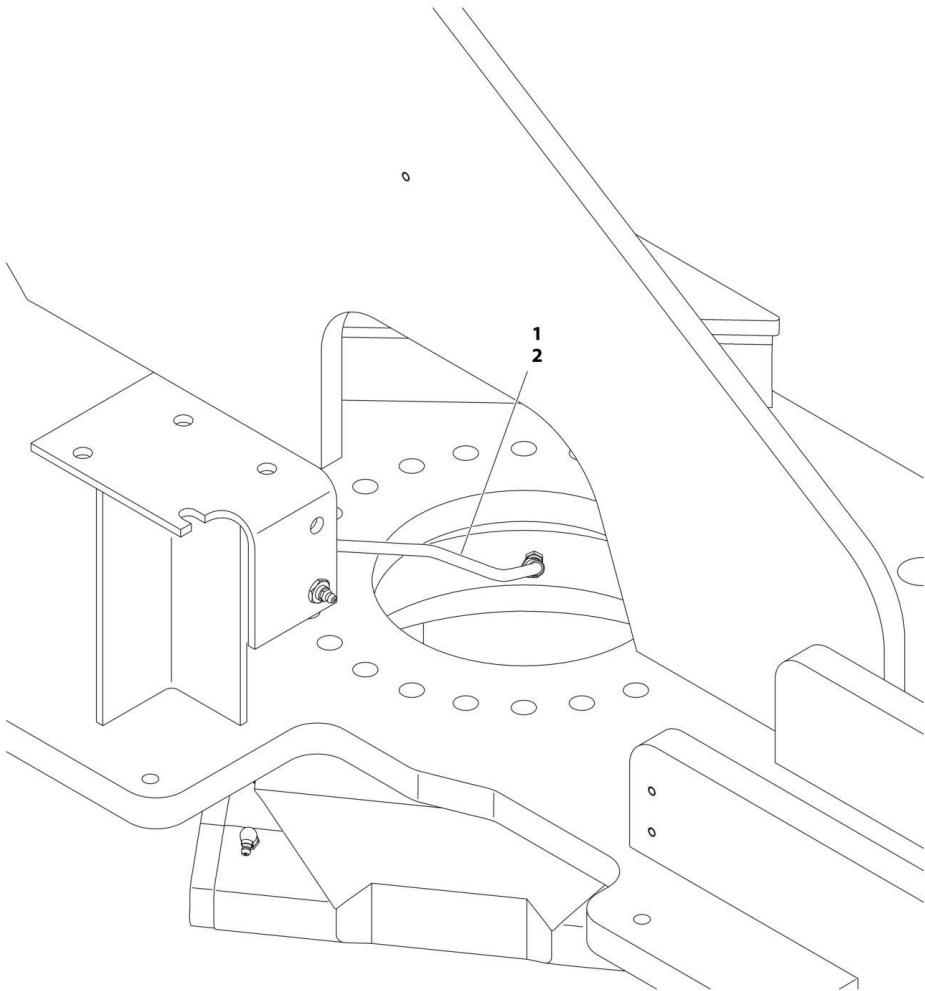
**SECTION 2 - TURNTABLE**

**FIGURE 2-9. SWING BEARING ASSEMBLY**

ITEM	PART NUMBER	QTY	DESCRIPTION	REV
	1001153017	Ref	SWING BEARING ASSEMBLY	B
1	7026042	2	Bearing, Cup	
1	7026043	2	Bearing, Cone	
2	7027356	1	Adapter, Motor	
3	7027361	2	Seal	
4	7027354	1	Cap, End	
5	0641510	2	Bolt 5/16 x 1-1/4	
6	0641812	2	Bolt 1/2 x 1-1/2	
7	70000865	1	Plug	
8	7027360	1	Seal	
9	2160003	2	Fitting, Grease - 45	
10	7027358	2	Fitting, Grease - 90	
11	See Note	NSS	Housing (Note: Not Sold Separate - Use 1001153017)	
12	4891500	1	Washer 5/16	
13	7027363	1	Gear, Worm	
14	70004159	1	Ring Gear	
15	7027352	AR	Gasket (.010 - Brown)	
16	7027351	AR	Gasket (.0075 - Clear)	
17	7027350	AR	Gasket (.005 - Blue)	
18	7027353	1	Gasket (.020 - Yellow)	

**SECTION 2 - TURNTABLE**

**FIGURE 2-10. REMOTE BEARING LUBE INSTALLATION - OPTIONAL**



ART\_1001166341

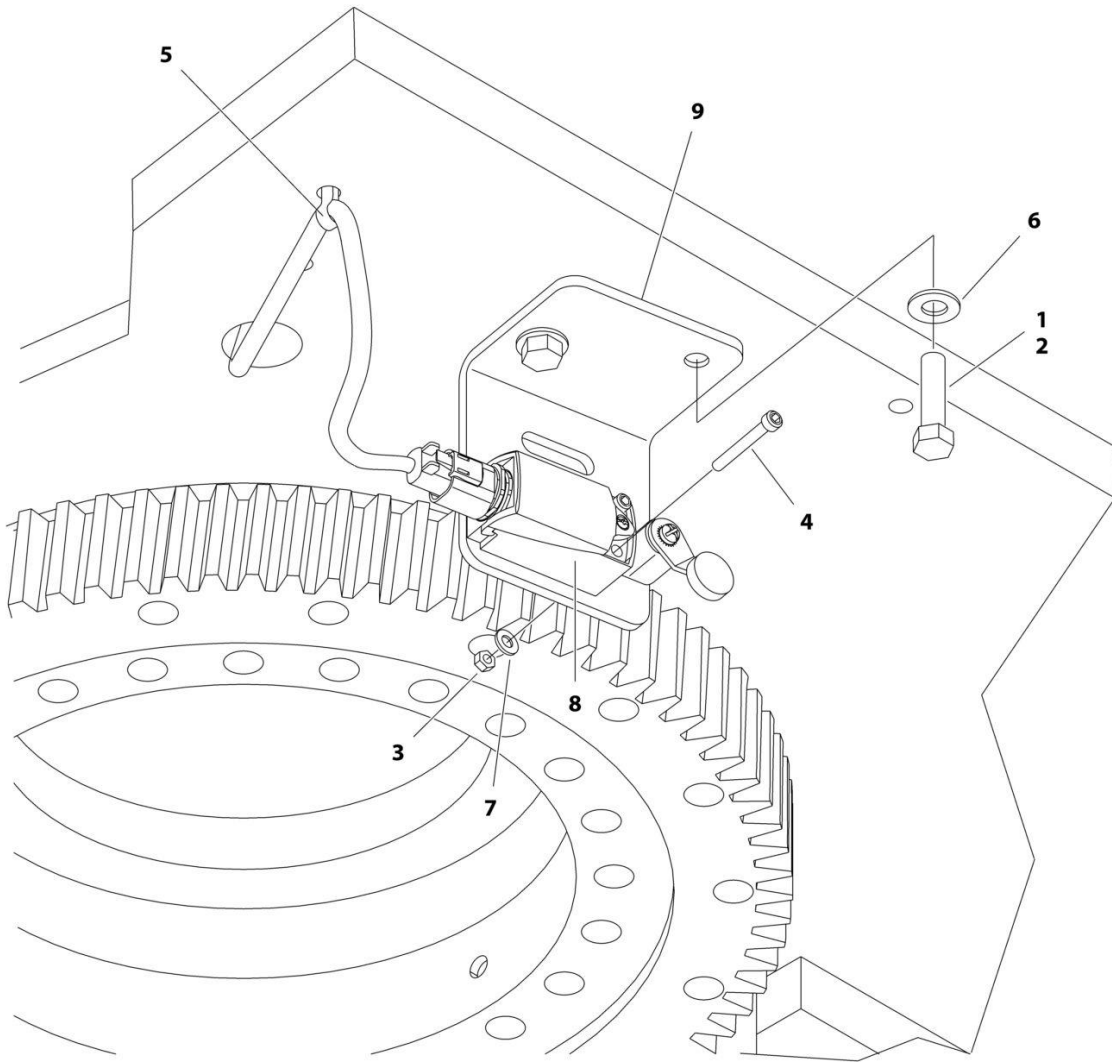
**SECTION 2 - TURNTABLE**

**FIGURE 2-10. REMOTE BEARING LUBE INSTALLATION - OPTIONAL**

<b>ITEM</b>	<b>PART NUMBER</b>	<b>QTY</b>	<b>DESCRIPTION</b>	<b>REV</b>
	1001166341	Ref	REMOTE BEARING LUBE INSTALLATION - OPTIONAL	B
1	1001157058	1	Hose, Remote Grease Line	
2	0100011	AR	Compound, Locking	

# SECTION 2 - TURNTABLE

## FIGURE 2-11. DRIVE ORIENTATION INSTALLATION



ART\_1001187790



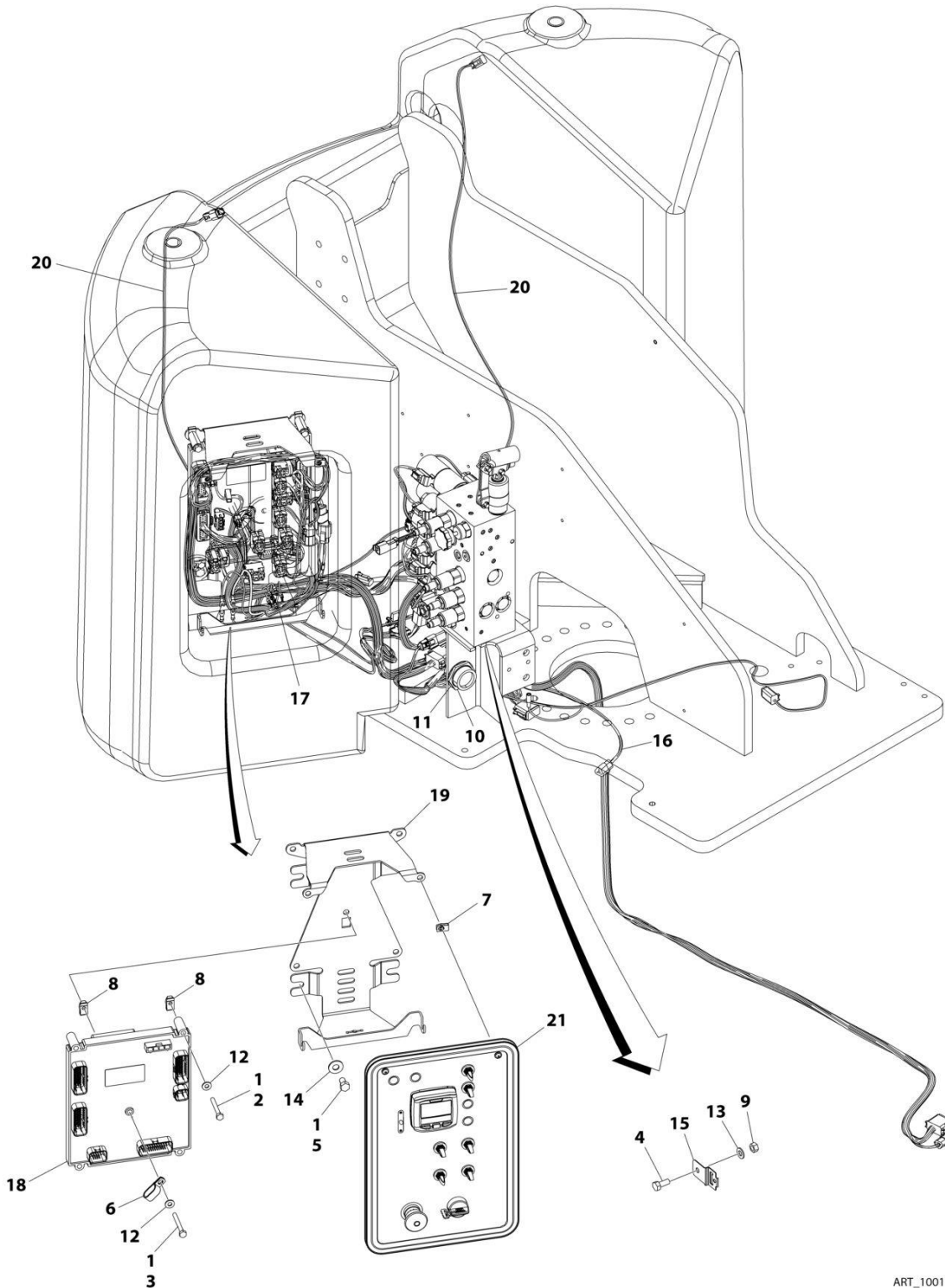
**SECTION 2 - TURNTABLE**

**FIGURE 2-11. DRIVE ORIENTATION INSTALLATION**

<b>ITEM</b>	<b>PART NUMBER</b>	<b>QTY</b>	<b>DESCRIPTION</b>	<b>REV</b>
	1001187790	Ref	DRIVE ORIENTATION INSTALLATION	B
1	0100011	AR	Compound, Locking	
2	0641608	2	Bolt 3/8 X 1	
3	3310805	2	Nut #8	
4	3930824	2	Bolt #8 X 1-1/2	
5	4240175	1	Tie, Strap	
6	4711600	2	Washer 3/8	
7	4750800	2	Washer #8	
8	1001116232	1	Switch, Limit	
9	1001171298	1	Bracket, Mounting	

## SECTION 2 - TURNTABLE

FIGURE 2-12. GROUND CONTROL BOX INSTALLATION - E400ANARROW (ALL SPECS EXCEPT CE AND AUSTRALIAN SPECS)



ART\_1001249175\_B

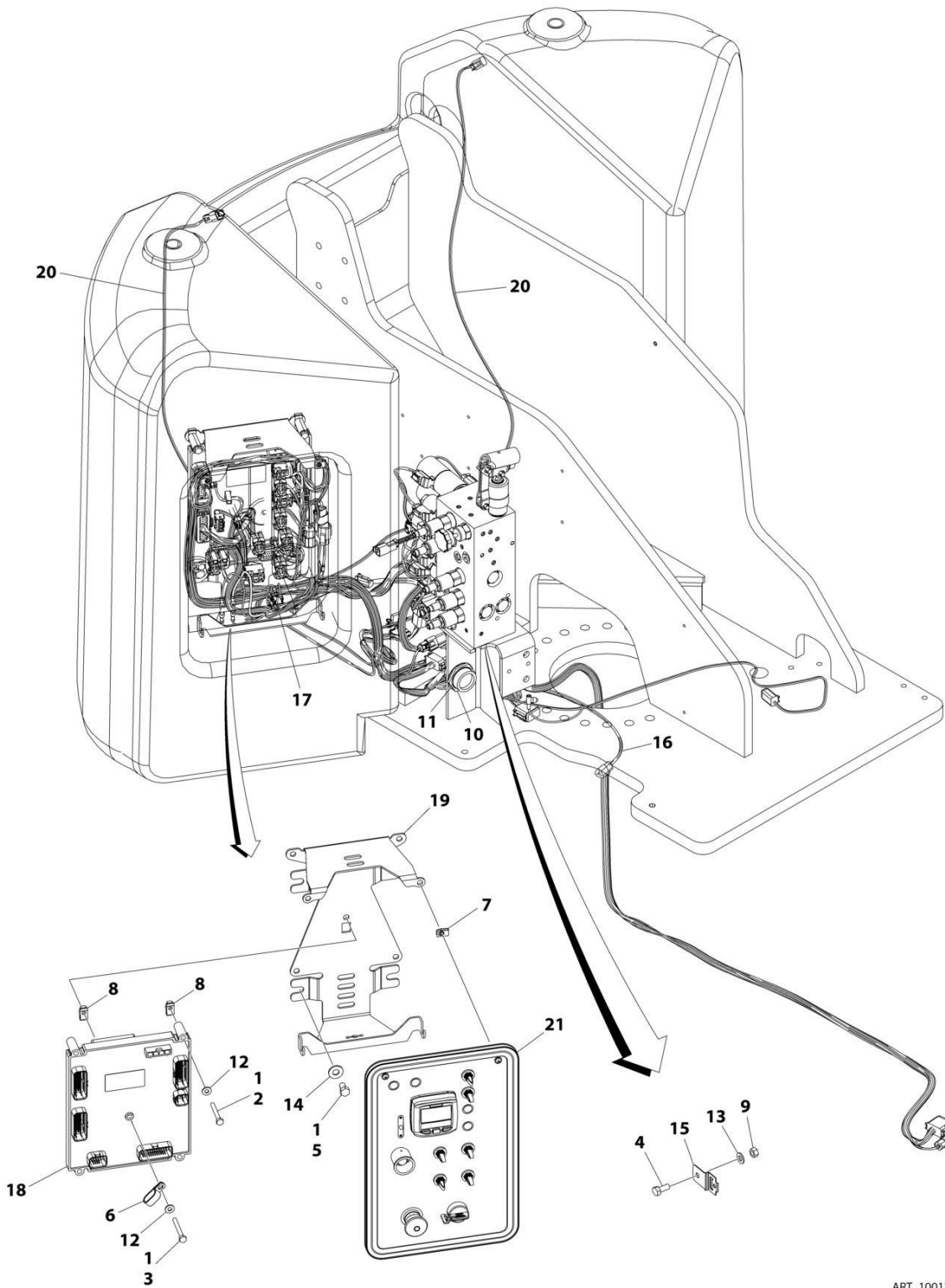
## SECTION 2 - TURNTABLE

**FIGURE 2-12. GROUND CONTROL BOX INSTALLATION - E400ANARROW (ALL SPECS EXCEPT CE AND AUSTRALIAN SPECS)**

ITEM	PART NUMBER	QTY	DESCRIPTION	REV
	1001249175	Ref	GROUND CONTROL BOX INSTALLATION	B
1	0100011	AR	Compound, Locking	
2	0641416	4	Bolt 1/4 X 2	
3	0641418	1	Bolt 1/4 X 2-1/4	
4	0641506	1	Bolt 5/16 X 3/4	
5	0641605	4	Bolt 3/8 X 5/8	
6	1321385	1	Clamp	
7	3300365	2	Nut, Special	
8	3300454	5	Nut 1/4	
9	3311505	1	Nut 5/16	
10	4460470	1	Nut	
11	4460471	1	Washer	
12	4711400	5	Washer 1/4	
13	4711500	1	Washer 5/16	
14	4751600	4	Washer 3/8	
15	1001153749	1	Clip	
16	1001178794	1	Harness, Valve (See Separate Breakdown in ELECTRICAL Section)	
17	1001179991	1	Harness, Ground Panel (See Separate Breakdown in ELECTRICAL Section)	
18	1001182700	1	Module, Ground Control (Note: Re-calibration Required when Replaced)	
19	1001188065	1	Bracket	
20	1001245677	1	Harness, Turntable (See Separate Breakdown in ELECTRICAL Section)	
21	1001266304	1	Ground Control Box Electrical Assembly (See Separate Breakdown in this Section)	

## SECTION 2 - TURNTABLE

FIGURE 2-13. GROUND CONTROL BOX INSTALLATION - E400ANARROW (CE SPEC)



ART\_1001249177\_B

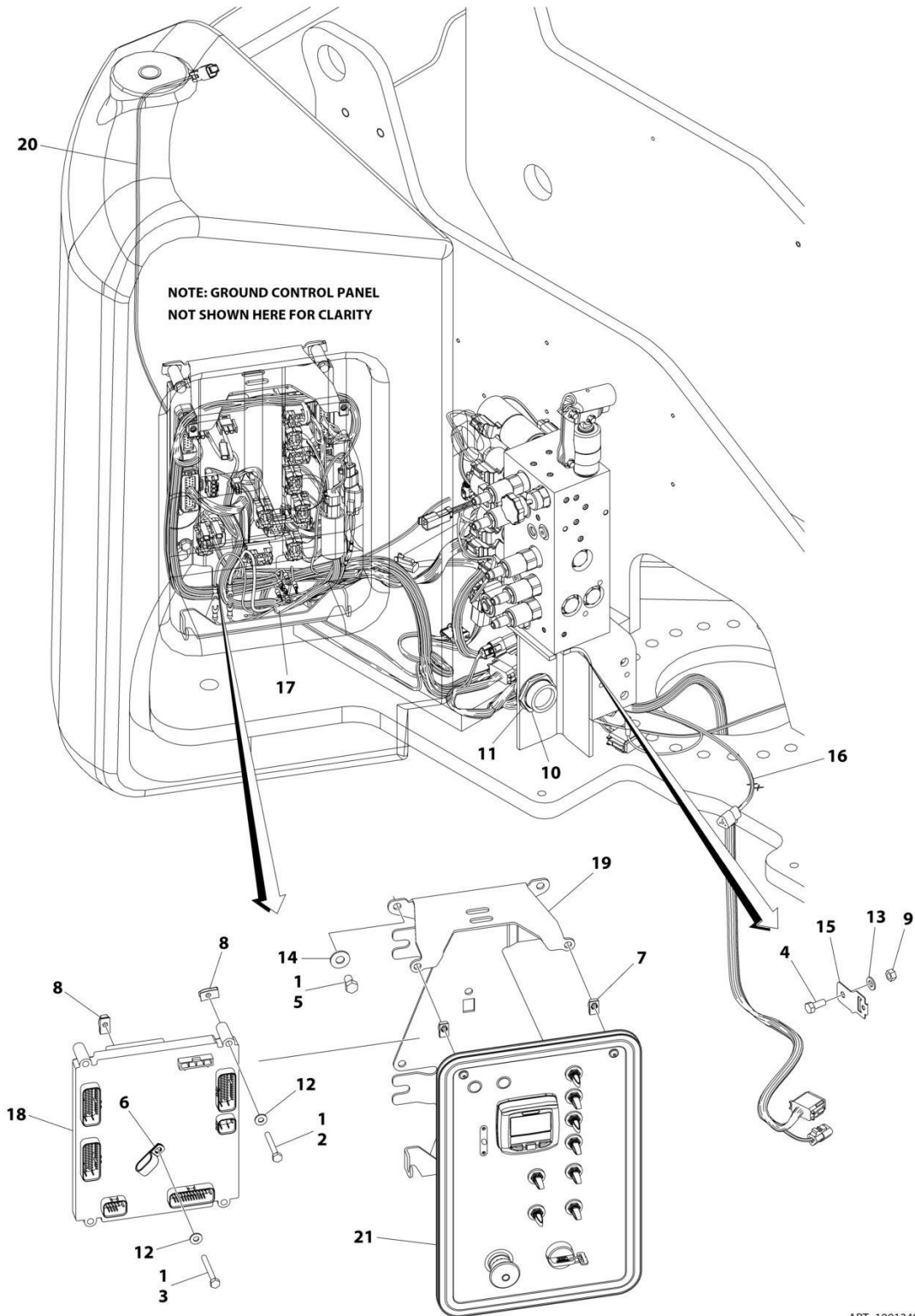
# SECTION 2 - TURNTABLE

**FIGURE 2-13. GROUND CONTROL BOX INSTALLATION - E400ANARROW (CE SPEC)**

ITEM	PART NUMBER	QTY	DESCRIPTION	REV
	1001249177	Ref	GROUND CONTROL BOX INSTALLATION	B
1	0100011	AR	Compound, Locking	
2	0641416	4	Bolt 1/4 X 2	
3	0641418	1	Bolt 1/4 X 2-1/4	
4	0641506	1	Bolt 5/16 X 3/4	
5	0641605	4	Bolt 3/8 X 5/8	
6	1321385	1	Clamp	
7	3300365	2	Nut, Special	
8	3300454	5	Nut 1/4	
9	3311505	1	Nut 5/16	
10	4460470	1	Nut	
11	4460471	1	Washer	
12	4711400	5	Washer 1/4	
13	4711500	1	Washer 5/16	
14	4751600	4	Washer 3/8	
15	1001153749	1	Clip	
16	1001178794	1	Harness, Valve (See Separate Breakdown in ELECTRICAL Section)	
17	1001179991	1	Harness, Ground Control Panel (See Separate Breakdown in ELECTRICAL Section)	
18	1001182700	1	Module, Ground Control (Note: Re-calibration Required when Replaced)	
19	1001188065	1	Bracket	
20	1001245677	1	Harness, Turntable (See Separate Breakdown in ELECTRICAL Section)	
21	1001266305	1	Ground Control Box Electrical Assembly (See Separate Breakdown in this Section)	

## SECTION 2 - TURNTABLE

FIGURE 2-14. GROUND CONTROL BOX INSTALLATION - E400AJPNARROW (ALL SPECS EXCEPT CE SPEC)



ART\_1001249163\_B

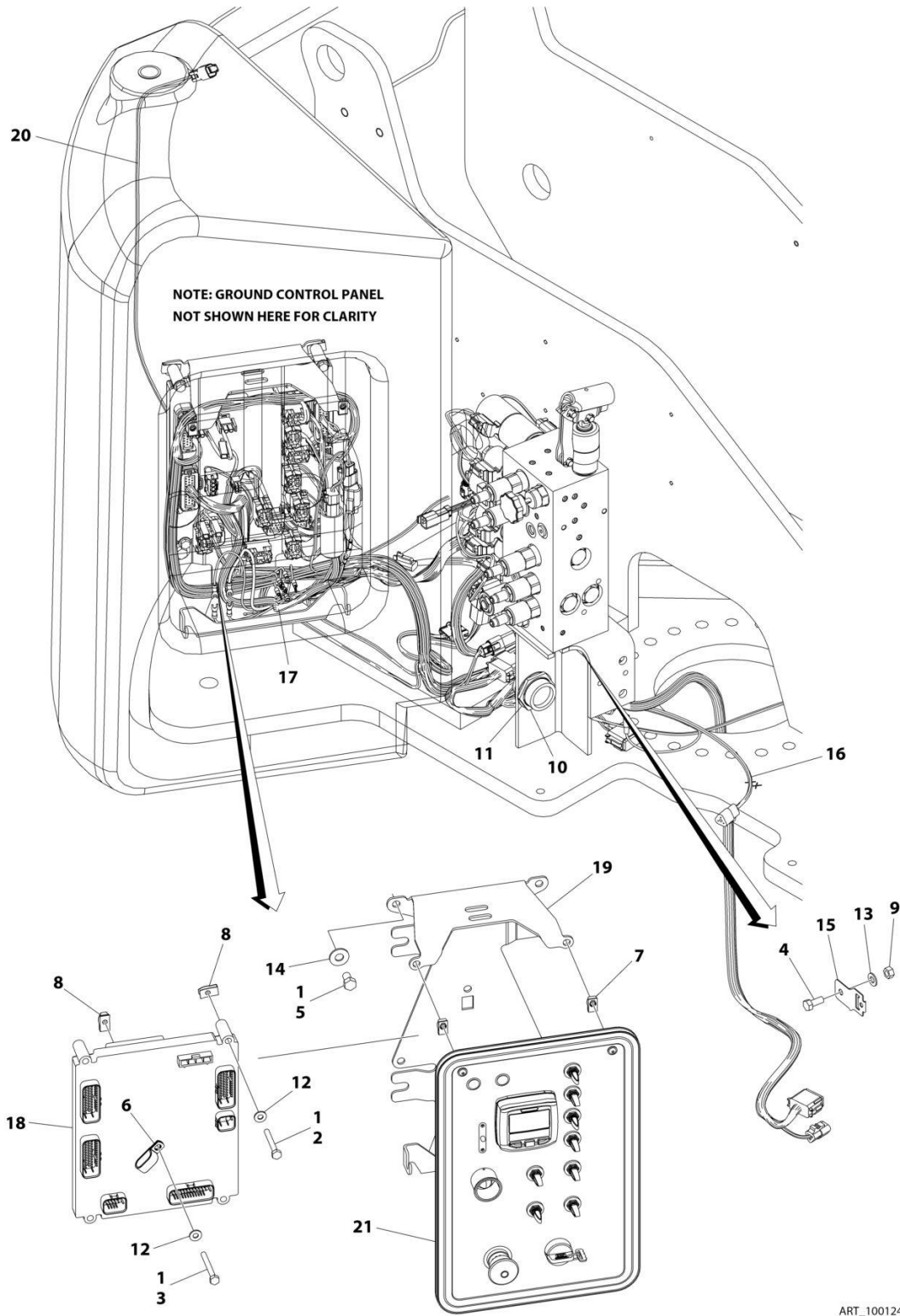
## SECTION 2 - TURNTABLE

**FIGURE 2-14. GROUND CONTROL BOX INSTALLATION - E400AJPNARROW (ALL SPECS EXCEPT CE SPEC)**

ITEM	PART NUMBER	QTY	DESCRIPTION	REV
	1001249163	Ref	GROUND CONTROL BOX INSTALLATION	B
1	0100011	AR	Compound, Locking	
2	0641416	4	Bolt 1/4 X 2	
3	0641418	1	Bolt 1/4 X 2-1/4	
4	0641506	1	Bolt 5/16 X 3/4	
5	0641605	4	Bolt 3/8 X 5/8	
6	1321385	1	Clamp	
7	3300365	2	Nut, Special	
8	3300454	5	Nut, 1/4-20	
9	3311505	1	Nut 5/16	
10	4460470	1	Nut, Terminal	
11	4460471	1	Washer, Lock	
12	4711400	5	Washer 1/4	
13	4711500	1	Washer 5/16	
14	4751600	4	Washer 3/8	
15	1001153749	1	Clip	
16	1001178794	1	Harness, Valve (See Separate Breakdown in ELECTRICAL Section)	
17	1001179991	1	Harness, Ground Panel (See Separate Breakdown in ELECTRICAL Section)	
18	1001182700	1	Module, Ground Control (Note: Re-calibration Required when Replaced)	
19	1001188065	1	Bracket	
20	1001245677	1	Harness, Turntable (See Separate Breakdown in ELECTRICAL Section)	
21	1001266302	1	Ground Control Box Electrical Assembly (See Separate Breakdown in this Section)	

## SECTION 2 - TURNTABLE

FIGURE 2-15. GROUND CONTROL BOX INSTALLATION - E400AJPNARROW (CE SPEC)





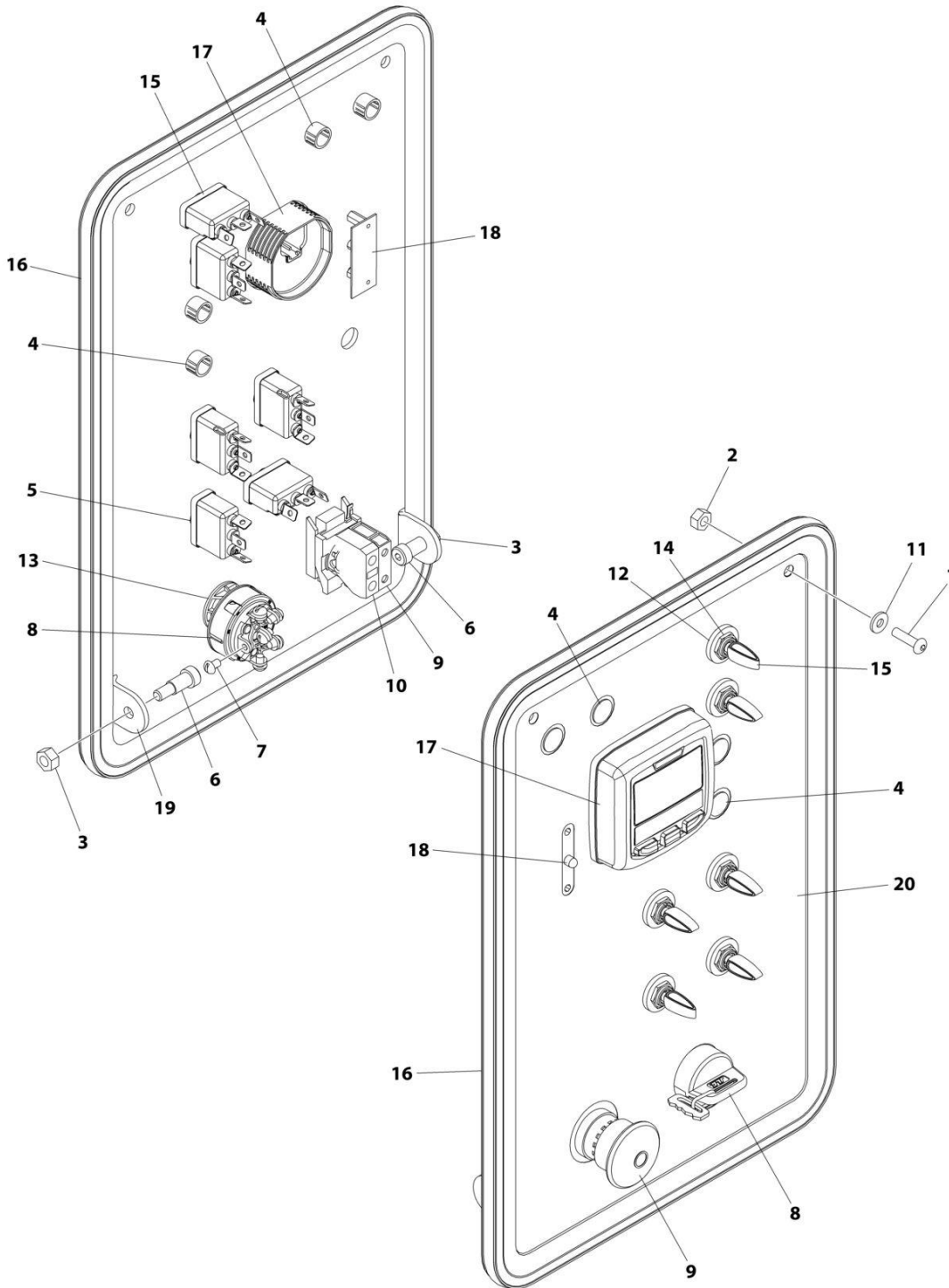
## SECTION 2 - TURNTABLE

**FIGURE 2-15. GROUND CONTROL BOX INSTALLATION - E400AJPNARROW (CE SPEC)**

ITEM	PART NUMBER	QTY	DESCRIPTION	REV
	1001249168	Ref	GROUND CONTROL BOX INSTALLATION	B
1	0100011	AR	Compound, Locking	
2	0641416	4	Bolt 1/4 X 2	
3	0641418	1	Bolt 1/4 X 2-1/4	
4	0641506	1	Bolt 5/16 X 3/4	
5	0641605	4	Bolt 3/8 X 5/8	
6	1321385	1	Clamp	
7	3300365	2	Nut, Special	
8	3300454	5	Nut, 1/4-20	
9	3311505	1	Nut 5/16	
10	4460470	1	Nut, Terminal	
11	4460471	1	Washer, Lock	
12	4711400	5	Washer 1/4	
13	4711500	1	Washer 5/16	
14	4751600	4	Washer 3/8	
15	1001153749	1	Clip	
16	1001178794	1	Harness, Valve (See Separate Breakdown in ELECTRICAL Section)	
17	1001179991	1	Harness, Ground Panel (See Separate Breakdown in ELECTRICAL Section)	
18	1001182700	1	Module, Ground Control (Note: Re-calibration Required when Replaced)	
19	1001188065	1	Bracket	
20	1001245677	1	Harness, Turntable (See Separate Breakdown in ELECTRICAL Section)	
21	1001266303	1	Ground Control Box Electrical Assembly (See Separate Breakdown in this Section)	

## SECTION 2 - TURNTABLE

FIGURE 2-16. GROUND CONTROL BOX ELECTRICAL ASSEMBLY - E400ANARROW (ALL SPECS EXCEPT CE AND AUSTRALIAN SPECS)



ART\_1001266304

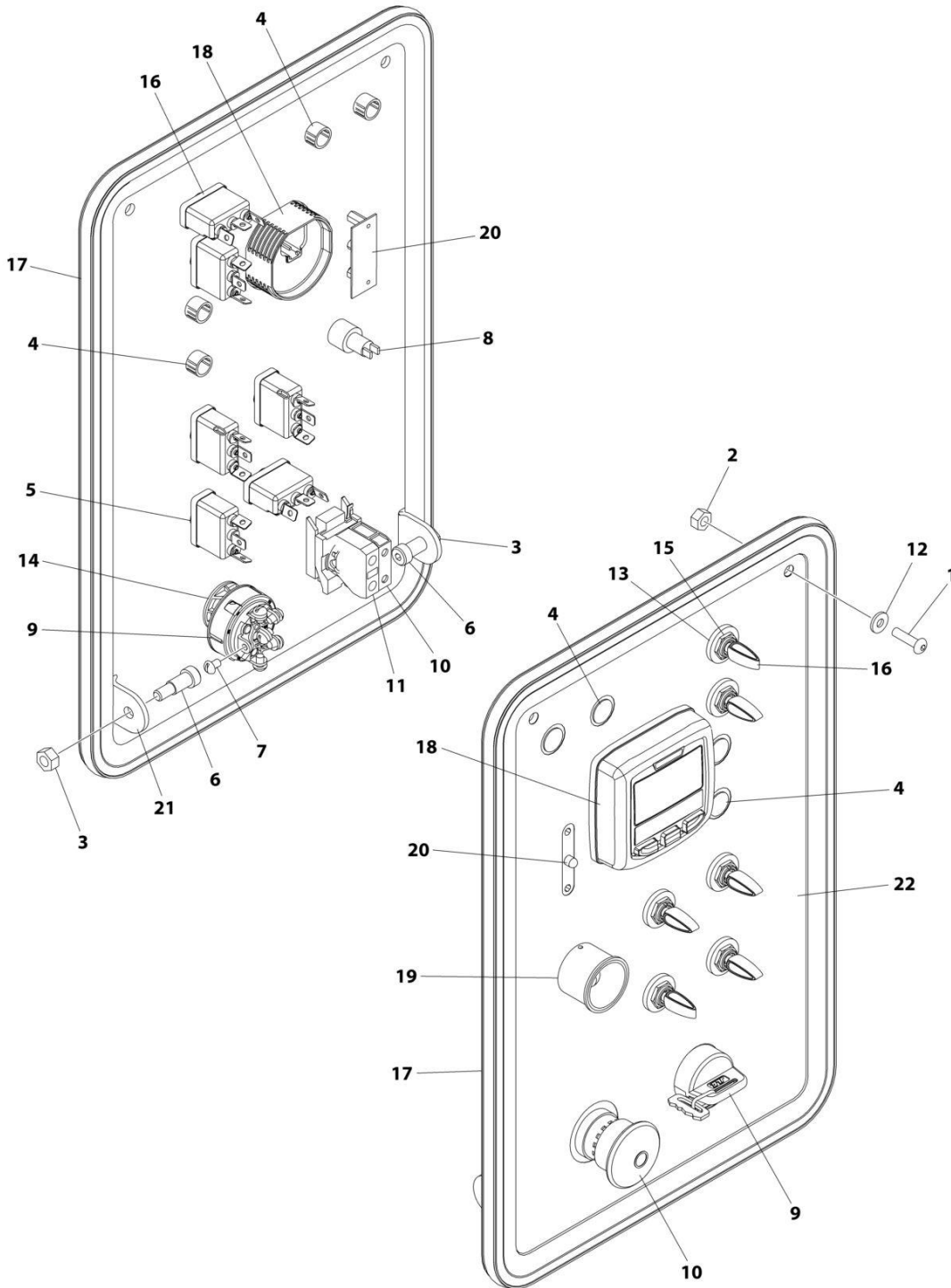
## SECTION 2 - TURNTABLE

**FIGURE 2-16. GROUND CONTROL BOX ELECTRICAL ASSEMBLY - E400ANARROW (ALL SPECS EXCEPT CE AND AUSTRALIAN SPECS)**

ITEM	PART NUMBER	QTY	DESCRIPTION	REV
	1001266304	Ref	GROUND CONTROL BOX ELECTRICAL ASSEMBLY	A
1	0630518	2	Bolt #10 x 3/4	
2	3311011	2	Nut	
3	3311405	2	Nut 1/4	
4	3520028	4	Plug, Hole 1/2	
5	3790012	6	O-Ring	
6	3900187	2	Screw	
7	3910804	6	Screw #8 x 1/4	
8	4360469	1	Keyswitch	
8	2860030	1	Key, Replacement (Set of 2)	
9	4360475	1	Switch, Emergency Stop	
9	7020175	1	Cap, Mushroom Head	
9	7020176	1	Block, Contact	
10	4360476	1	Block, Contact	
11	4740120	2	Washer	
12	4740397	6	Spacer	
13	1001151393	1	Shim, .063	
14	1001155044	6	Nut 15/32	
15	1001155045	6	Switch, Toggle	
16	1001166394	4 ft/1.2m	Seal	
17	1001171482	1	Display	
18	1001259489	1	P/C Board, Battery Charger	
19	1001266308	1	Panel, Ground Control	
20	1001266309	1	Decal - Ground Control	

# SECTION 2 - TURNTABLE

## FIGURE 2-17. GROUND CONTROL BOX ELECTRICAL ASSEMBLY - E400ANARROW (CE SPECS)



ART\_1001266305

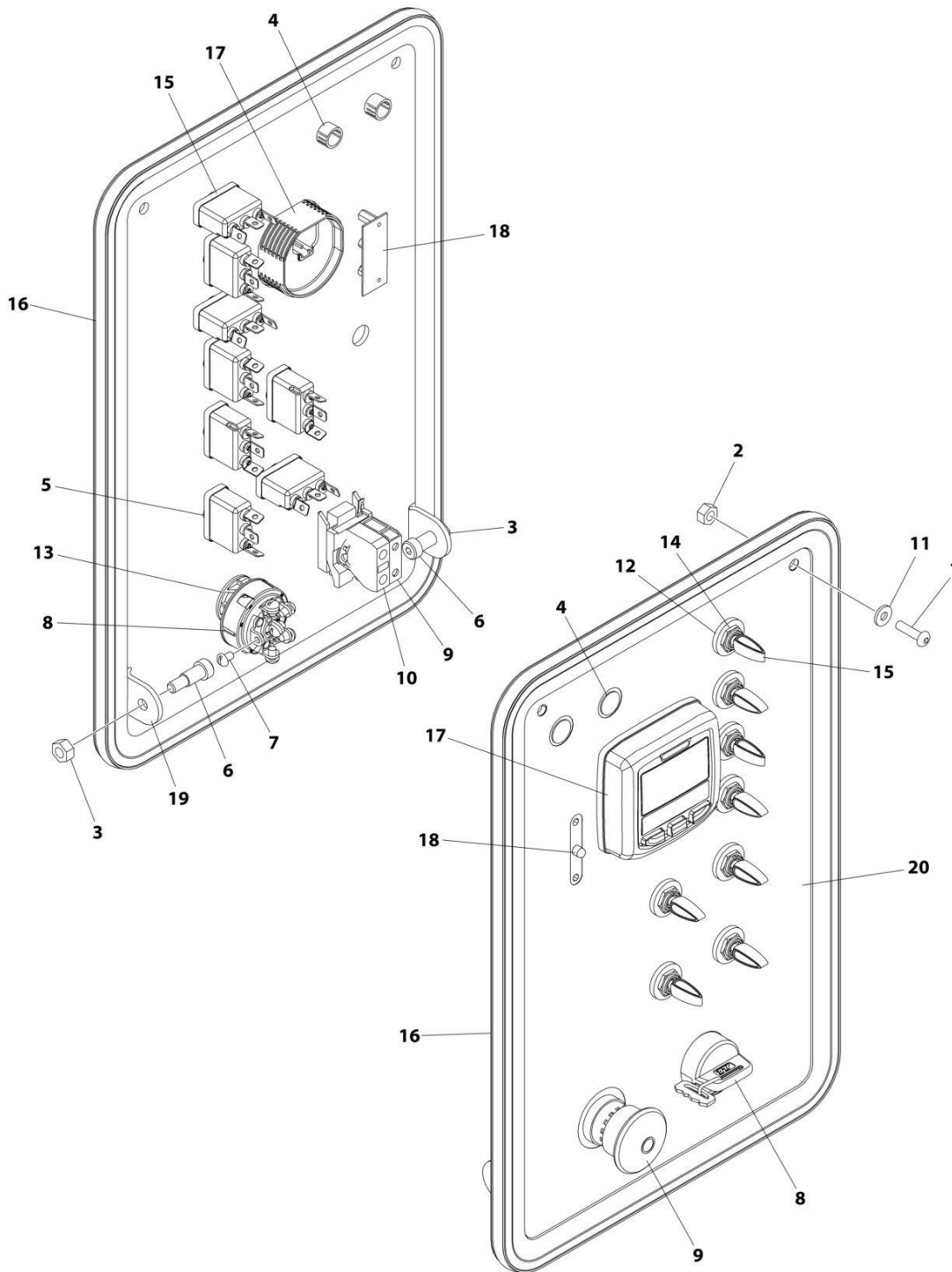
## SECTION 2 - TURNTABLE

**FIGURE 2-17. GROUND CONTROL BOX ELECTRICAL ASSEMBLY - E400ANARROW (CE SPECS)**

ITEM	PART NUMBER	QTY	DESCRIPTION	REV
	1001266305	Ref	GROUND CONTROL BOX ELECTRICAL ASSEMBLY	A
1	0630518	2	Bolt #10 x 3/4	
2	3311011	2	Nut	
3	3311405	2	Nut 1/4	
4	3520028	4	Plug, Hole 1/2	
5	3790012	6	O-Ring	
6	3900187	2	Screw	
7	3910804	6	Screw #8 x 1/4	
8	4360387	1	Switch, Push Button	
9	4360469	1	Keyswitch	
9	2860030	1	Key, Replacement (Set of 2)	
10	4360475	1	Switch, Emergency Stop	
10	7020175	1	Cap, Mushroom Head	
10	7020176	1	Block, Contact	
11	4360476	1	Block, Contact	
12	4740120	2	Washer	
13	4740397	6	Spacer	
14	1001151393	1	Shim, .063	
15	1001155044	6	Nut 15/32	
16	1001155045	6	Switch, Toggle	
17	1001166394	4 ft/1.2m	Seal	
18	1001171482	1	Display	
19	1001176469	1	Shroud	
20	1001259489	1	P/C Board, Battery Charger	
21	1001266308	1	Panel, Ground Control	
22	1001266310	1	Decal - Ground Control	

## SECTION 2 - TURNTABLE

FIGURE 2-18. GROUND CONTROL BOX ELECTRICAL ASSEMBLY - E400AJPNARROW (ALL SPECS EXCEPT CE SPECS)



ART\_1001266302

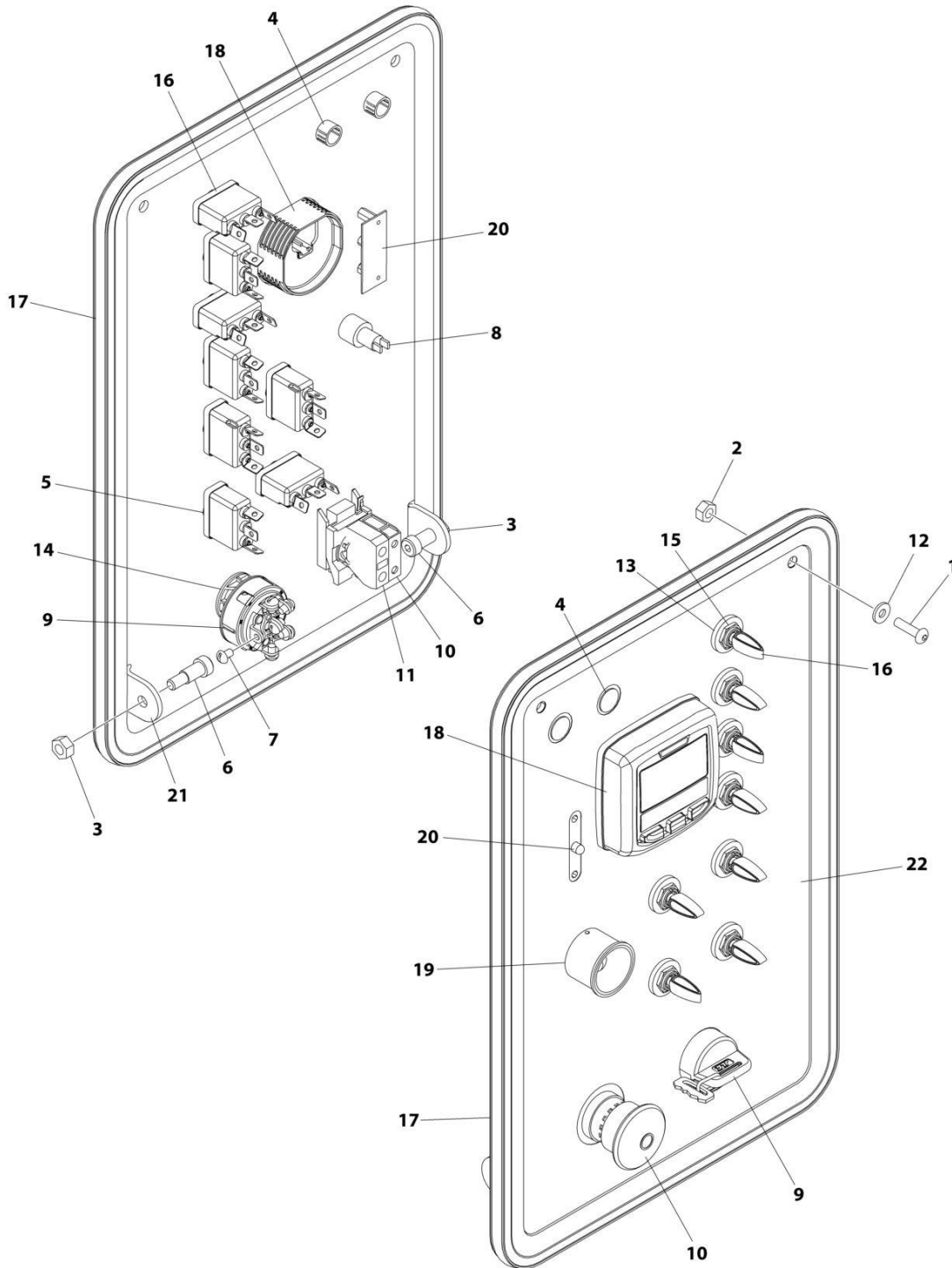
**SECTION 2 - TURNTABLE**

**FIGURE 2-18. GROUND CONTROL BOX ELECTRICAL ASSEMBLY - E400AJPNARROW (ALL SPECS EXCEPT CE SPECS)**

ITEM	PART NUMBER	QTY	DESCRIPTION	REV
	1001266302	Ref	GROUND CONTROL BOX ELECTRICAL ASSEMBLY	A
1	0630518	2	Bolt #10 x 3/4	
2	3311011	2	Nut	
3	3311405	2	Nut 1/4	
4	3520028	2	Plug, Hole 1/2	
5	3790012	8	O-Ring	
6	3900187	2	Screw	
7	3910804	6	Screw #8 x 1/4	
8	4360469	1	Keyswitch	
8	2860030	1	Key, Replacement (Set of 2)	
9	4360475	1	Switch, Emergency Stop	
9	7020175	1	Cap, Mushroom Head	
9	7020176	1	Block, Contact	
10	4360476	1	Block, Contact	
11	4740120	2	Washer	
12	4740397	8	Spacer	
13	1001151393	1	Shim, .063	
14	1001155044	8	Nut 15/32	
15	1001155045	8	Switch, Toggle	
16	1001166394	4 ft/1.2m	Seal	
17	1001171482	1	Display	
18	1001259489	1	P/C Board, Battery Charger	
19	1001266308	1	Panel, Ground Control	
20	1001266309	1	Decal - Ground Control	

# SECTION 2 - TURNTABLE

FIGURE 2-19. GROUND CONTROL BOX ELECTRICAL ASSEMBLY - E400AJPNARROW (CE SPEC)



ART\_1001266303



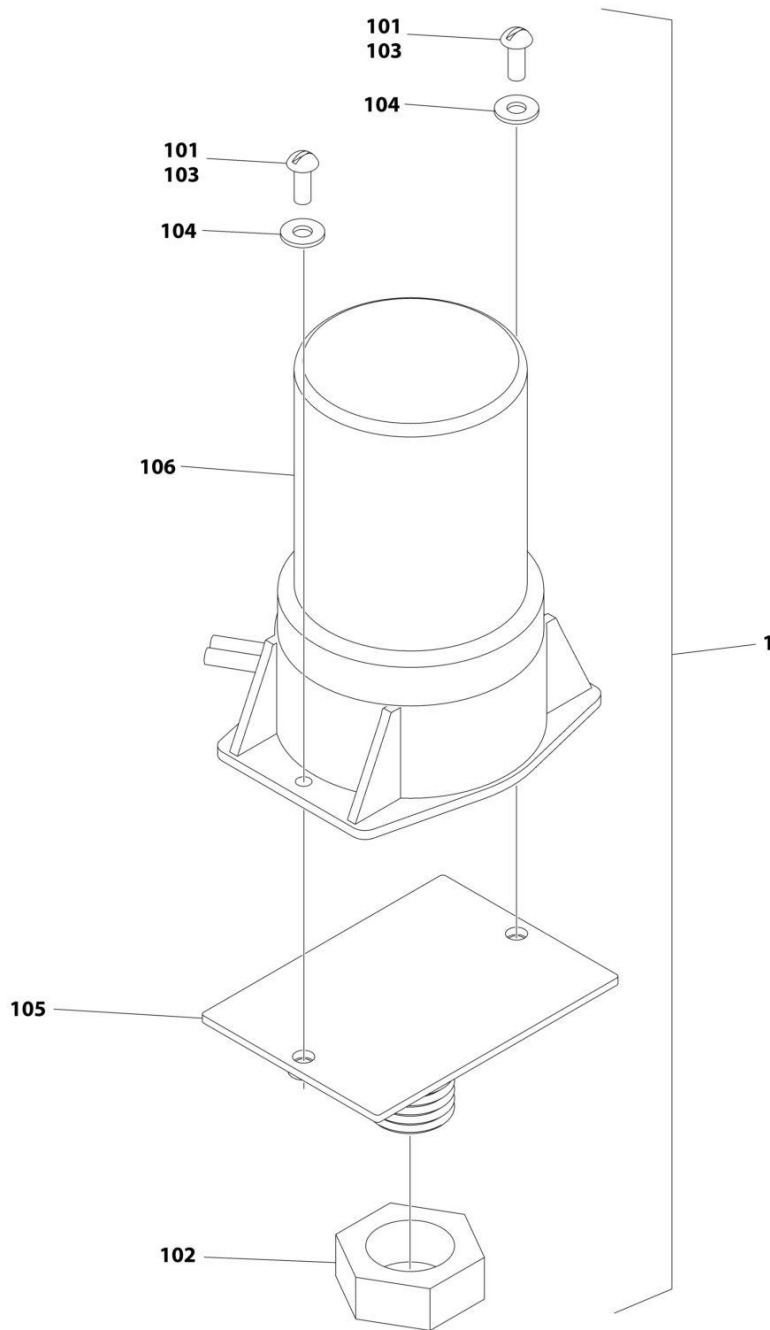
**SECTION 2 - TURNTABLE**

**FIGURE 2-19. GROUND CONTROL BOX ELECTRICAL ASSEMBLY - E400AJPNARROW (CE SPEC)**

ITEM	PART NUMBER	QTY	DESCRIPTION	REV
	1001266303	Ref	GROUND CONTROL BOX ELECTRICAL ASSEMBLY	A
1	0630518	2	Bolt #10 x 3/4	
2	3311011	2	Nut	
3	3311405	2	Nut 1/4	
4	3520028	2	Plug, Hole 1/2	
5	3790012	8	O-Ring	
6	3900187	2	Screw	
7	3910804	6	Screw #8 x 1/4	
8	4360387	1	Switch, Push Button	
9	4360469	1	Keyswitch	
9	2860030	1	Key, Replacement (Set of 2)	
10	4360475	1	Switch, Emergency Stop	
10	7020175	1	Cap, Mushroom Head	
10	7020176	1	Block, Contact	
11	4360476	1	Block, Contact	
12	4740120	2	Washer	
13	4740397	8	Spacer	
14	1001151393	1	Shim, .063	
15	1001155044	8	Nut 15/32	
16	1001155045	8	Switch, Toggle	
17	1001166394	4 ft/1.2m	Seal	
18	1001171482	1	Display	
19	1001176469	1	Shroud	
20	1001259489	1	P/C Board, Battery Charger	
21	1001266308	1	Panel, Ground Control	
22	1001266310	1	Decal - Ground Control	

# SECTION 2 - TURNTABLE

## FIGURE 2-20. STROBE LIGHT INSTALLATION - AMBER



ART\_1001191142

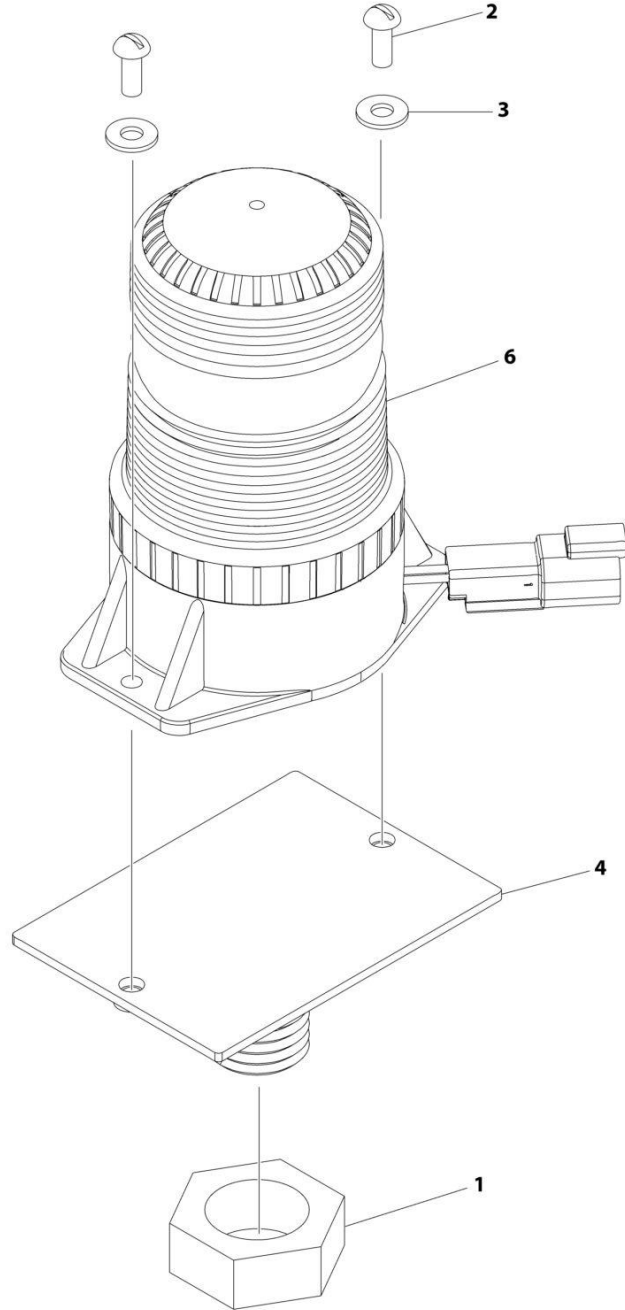
**SECTION 2 - TURNTABLE**

**FIGURE 2-20. STROBE LIGHT INSTALLATION - AMBER**

<b>ITEM</b>	<b>PART NUMBER</b>	<b>QTY</b>	<b>DESCRIPTION</b>	<b>REV</b>
	1001191142	Ref	STROBE LIGHT INSTALLATION - AMBER	A
1	1001191140	1	Strobe Light Assembly	A
101	0100035	AR	Compound, Locking	
102	3312602	1	Nut, Jam 1	
103	3900085	2	Screw #10 x 1/2	
104	4751000	2	Washer #10	
105	1001149994	1	Plate, Mount	
106	1001191139	1	Strobe Light/Harness Assembly	
106	4460891	1	Connector - 2 Position	
106	4460465	2	Socket, Female	

# SECTION 2 - TURNTABLE

## FIGURE 2-21. BEACON LIGHT INSTALLATION - BLUE



ART\_1001238557

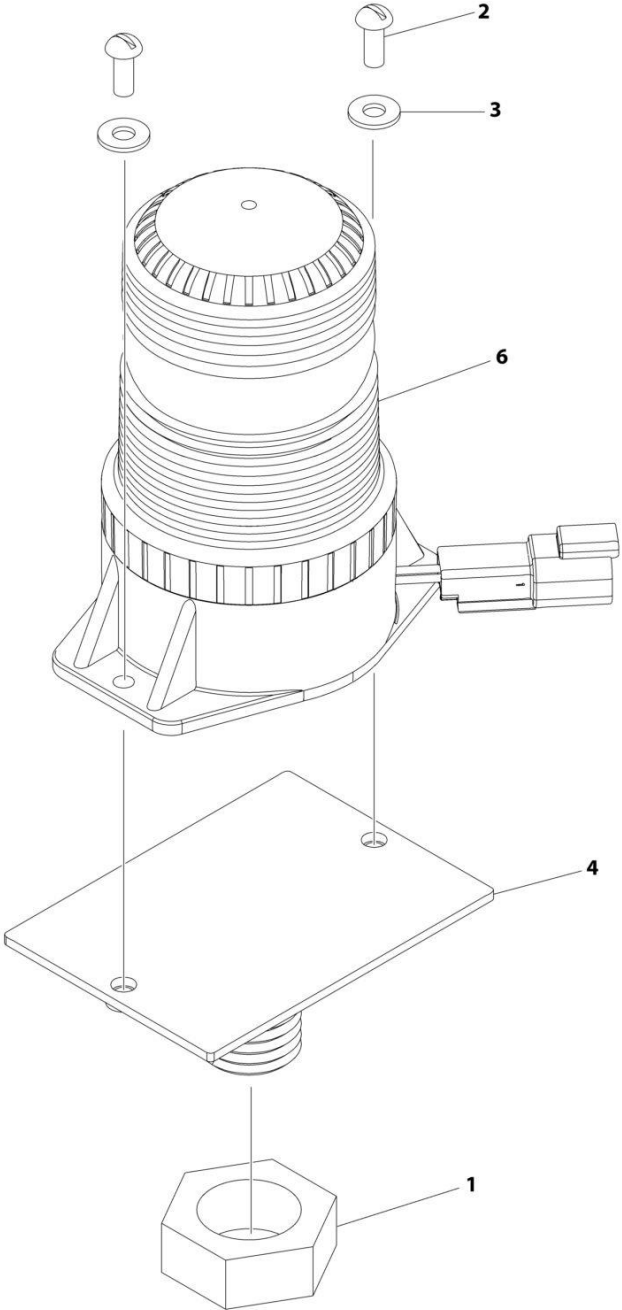
**SECTION 2 - TURNTABLE**

**FIGURE 2-21. BEACON LIGHT INSTALLATION - BLUE**

<b>ITEM</b>	<b>PART NUMBER</b>	<b>QTY</b>	<b>DESCRIPTION</b>	<b>REV</b>
	1001238557	Ref	BEACON LIGHT INSTALLATION – BLUE	A
	1001217005	Ref	BEACON LIGHT KIT - BLUE	B
1	3312602	1	Nut, Jam 1	
2	3900085	2	Screw #10 x 1/2	
3	4751000	2	Washer #10	
4	1001149994	1	Plate, Mount	
6	1001200910	1	Light, Beacon	
6	4460897	1	Connector - 2 Position	
6	4460943	2	Pin, Male	

**SECTION 2 - TURNTABLE**

**FIGURE 2-22. BEACON LIGHT INSTALLATION - RED**



ART\_1001238558

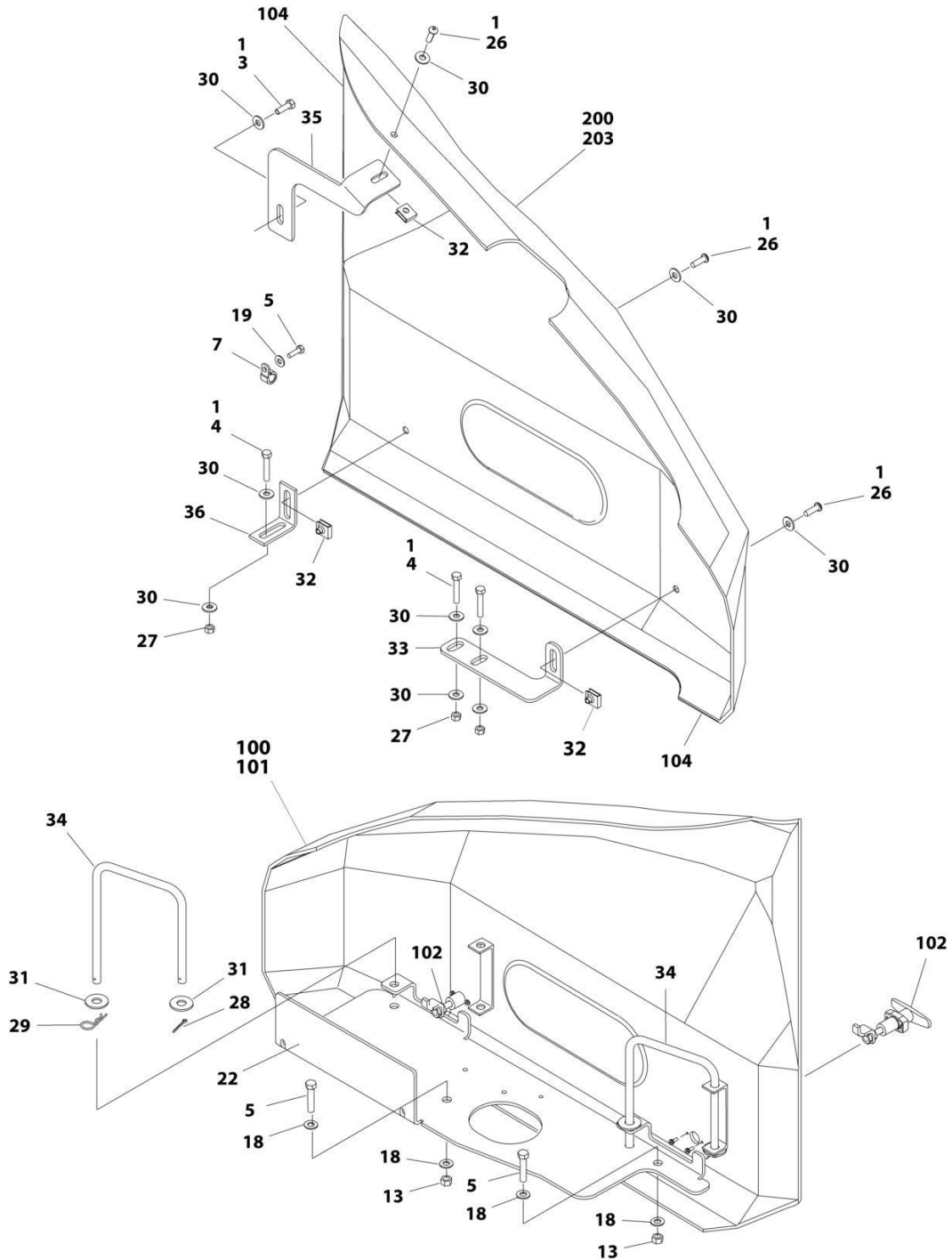
**SECTION 2 - TURNTABLE**

**FIGURE 2-22. BEACON LIGHT INSTALLATION - RED**

<b>ITEM</b>	<b>PART NUMBER</b>	<b>QTY</b>	<b>DESCRIPTION</b>	<b>REV</b>
	1001238558	Ref	BEACON LIGHT INSTALLATION – RED	A
1	3312602	1	Nut, Jam 1	
2	3900085	2	Screw #10 x 1/2	
3	4751000	2	Washer #10	
4	1001149994	1	Plate, Mount	
6	1001207004	1	Light, Beacon	
6	4460897	1	Connector - 2 Position	
6	4460943	2	Pin, Male	

# SECTION 2 - TURNTABLE

## FIGURE 2-23. HOOD INSTALLATION



ART\_1001166738



**SECTION 2 - TURNTABLE**

**FIGURE 2-23. HOOD INSTALLATION**

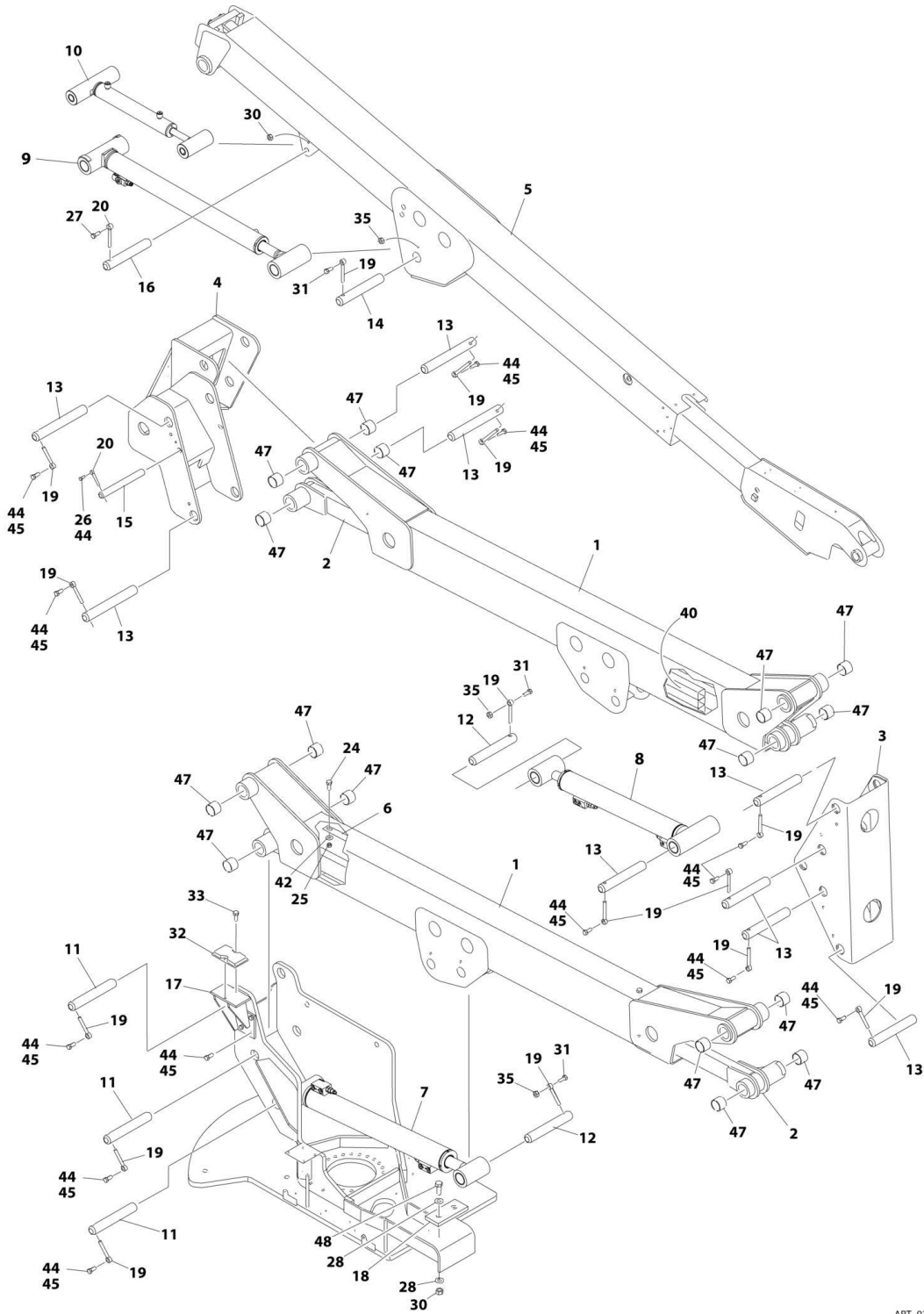
ITEM	PART NUMBER	QTY	DESCRIPTION	REV
	1001166738	Ref	HOOD INSTALLATION	E
1	0100011	AR	Compound, Locking	
3	0641508	1	Bolt 5/16 X 1	
4	0641514	3	Bolt 5/16 X 1-3/4	
5	0641613	2	Bolt 3/8 X 1-5/8	
7	1320041	1	Clamp	
13	3311602	2	Nut 3/8	
15	0641407	1	Bolt 1/4 X 7/8	
18	4711600	4	Washer 3/8	
19	4751400	1	Washer 1/4	
22	1001165963	1	Plate, Tray	
26	88261024	3	Screw 5/16 x 1	
27	3311501	3	Nut 5/16	
28	3420156	2	Pin, Cotter	
29	3450304	2	Pin, Cotter	
30	4751500	10	Washer 5/16	
31	4751800	2	Washer 1/2	
32	88662530	3	Nut, Tinnerman	
33	1001165981	1	Mount, Hood - Lower	
34	1001165985	2	Mount, Hood Swing	
35	1001182725	1	Mount, Hood	
36	1001183212	1	Bracket, Hood Mount	
100	1001176417	1	LH Side Hood Kit (Includes Items 101-104)	B
	See Note	Ref	Note: Replacement Decals Must be Ordered Separately - See DECAL SECTION.	
101	See Note	1	Hood, LH (Note: Use Item 100)	
102	2940071	2	Latch	
104	3960453	AR	Seal, Door	
200	1001176441	1	RH Side Hood Kit (Includes Items 203 & 205)	C
	See Note	Ref	Note: Replacement Decals Must be Ordered Separately - See DECAL SECTION.	
203	See Note	1	Hood, RH (Use Item 200)	
205	3960453	AR	Seal, Door	



**SECTION 3 - BOOM**

# SECTION 3 - BOOM

## FIGURE 3-1. BOOM AND CYLINDERS INSTALLATION - E400ANARROW



ART\_0270724

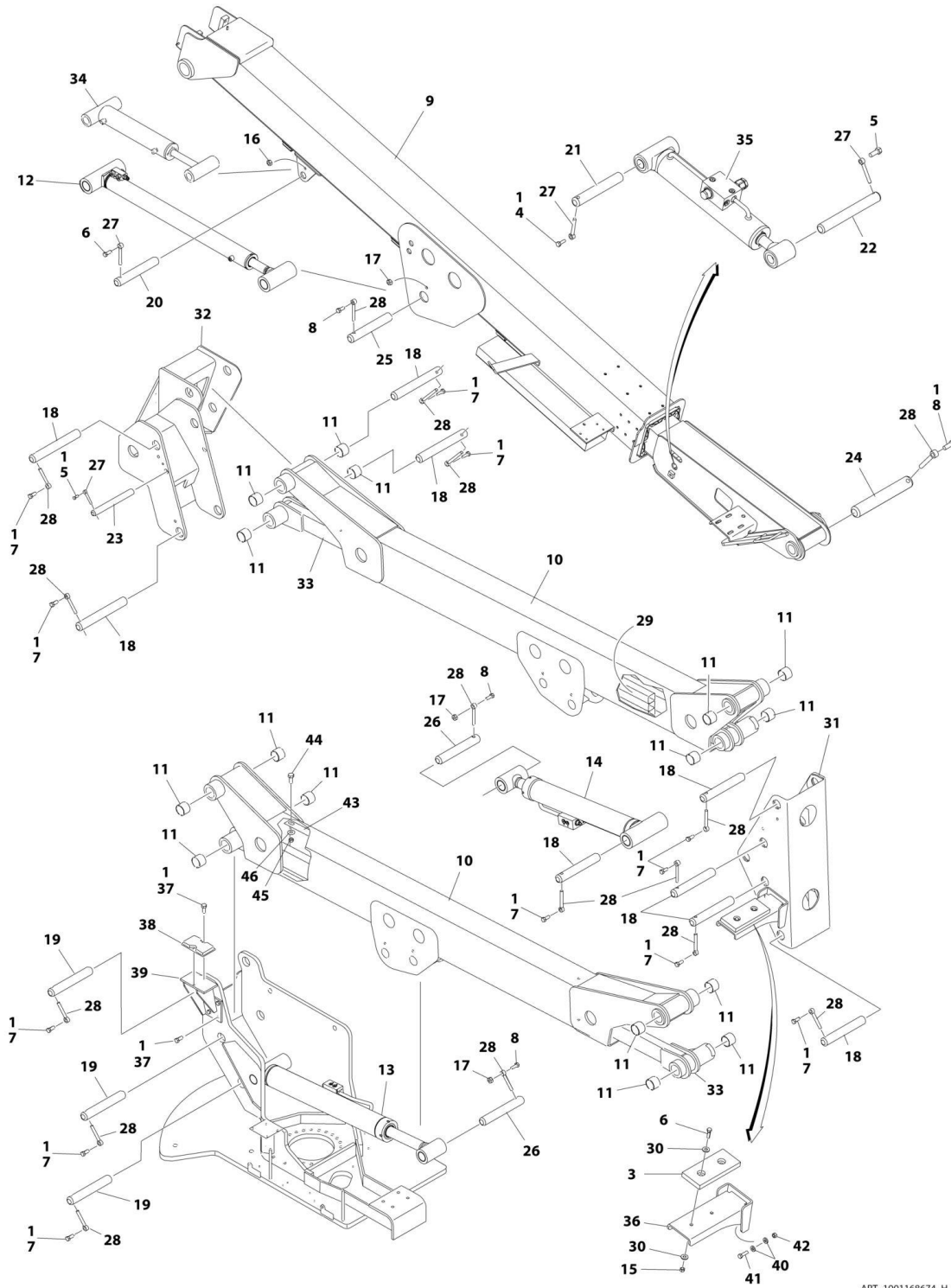
## SECTION 3 - BOOM

**FIGURE 3-1. BOOM AND CYLINDERS INSTALLATION - E400ANARROW**

ITEM	PART NUMBER	QTY	DESCRIPTION	REV
	0270724	Ref	BOOM AND CYLINDERS INSTALLATION	K
1	0801262	2	Boom Assembly - Tower	
2	4846209	2	Level Link	
3	4844303	1	Upright Weldment - Lower	
4	4844304	1	Upright Weldment - Upper	
5	0270725	1	Boom Assembly - Main (See Separate Breakdown in this Section)	
6	3536491	1	Plate	
7	1001228037	1	Lift Cylinder Assembly - Lower (See Separate Breakdown in CYLINDER SECTION)	
8	1001228038	1	Lift Cylinder Assembly - Mid (See Separate Breakdown in CYLINDER SECTION)	
9	1001251018	1	Lift Cylinder Assembly - Upper (See Separate Breakdown in CYLINDER SECTION)	
10	1001140597	1	Master Cylinder Assembly (See Separate Breakdown in CYLINDER SECTION)	
11	3422175	3	Pin	
12	3422176	2	Pin	
13	3422177	9	Pin	
14	3422178	1	Pin	
15	3422179	1	Pin	
16	3422180	1	Pin	
17	4844467	1	Boom Rest Weldment	
18	0561076	1	Block, Boom Rest	
19	3841203	15	Keeper, Pin - 1/2	
20	3841143	2	Keeper, Pin - 3/8	
24	0641506	4	Bolt 5/16 x 3/4	
25	3311505	4	Nut 5/16	
26	0641608	1	Bolt 3/8 x 1	
27	0641610	1	Bolt 3/8 x 1-1/4	
28	4751600	4	Washer 3/8	
30	3311605	3	Nut 3/8	
31	0641812	3	Bolt 1/2 x 1-1/2	
32	0940048	1	Bumper	
33	0641806	2	Bolt 1/2 x 3/4	
35	3311805	3	Nut 1/2	
40	4566427	1	Tube	
42	4751500	4	Washer 5/16	
44	0100011	AR	Compound, Locking	
45	0641810	15	Bolt 1/2 x 1-1/4	
47	0961950	16	Bushing	
48	0641614	2	Bolt 3/8 x 1-3/4	

# SECTION 3 - BOOM

## FIGURE 3-2. BOOM AND CYLINDERS INSTALLATION - E400AJPNARROW



ART\_1001168674\_H

## SECTION 3 - BOOM

**FIGURE 3-2. BOOM AND CYLINDERS INSTALLATION - E400AJPNARROW**

ITEM	PART NUMBER	QTY	DESCRIPTION	REV
	1001168674	Ref	BOOM AND CYLINDERS INSTALLATION	H
1	0100011	AR	Compound, Locking	
2	0271649	1	Jib Installation (Not Shown - See Separate Breakdown in this Section)	
3	0561076	1	Block, Boom Rest	
4	0641607	1	Bolt 3/8 x 7/8	
5	0641608	2	Bolt 3/8 x 1	
6	0641610	3	Bolt 3/8 x 1-1/4	
7	0641808	12	Bolt 1/2 x 1	
8	0641810	13	Bolt 1/2 x 1-1/4	
9	0801225	1	Boom Assembly - Main (See Separate Breakdown in this Section)	
10	0801227	1	Boom Assembly - Tower	
11	0961950	16	Bushing	
12	1001251016	1	Lift Cylinder Assembly - Upper (See Separate Breakdown in CYLINDER SECTION)	
13	1001228035	1	Lift Cylinder Assembly - Lower (See Separate Breakdown in CYLINDER SECTION)	
14	1001228036	1	Lift Cylinder Assembly - Mid (See Separate Breakdown in CYLINDER SECTION)	
15	3311601	2	Nut 3/8	
16	3311605	1	Nut 3/8	
17	3311805	3	Nut 1/2	
18	3422480	9	Pin	
19	3422481	3	Pin	
20	3422582	1	Pin	
21	3422669	1	Pin	
22	3422792	1	Pin	
23	3422806	1	Pin	
24	3422814	1	Pin	
25	3422844	1	Pin	
26	3422845	2	Pin	
27	3841143	4	Keeper, 3/8	
28	3841203	16	Keeper, 1/2	
29	4566427	1	Tube	
30	4751600	4	Washer 3/8	
31	4844427	1	Upright Weldment - Lower	
32	4846026	1	Upright Weldment - Upper	
33	4846209	2	Level Link	
34	1001140278	1	Master Cylinder Assembly (See Separate Breakdown in CYLINDER SECTION)	
35	1001140279	1	Platform Level Cylinder (See Separate Breakdown in CYLINDER SECTION)	
36	1001177483	1	Support, Boom Rest	
37	0641806	5	Bolt 1/2 x 3/4	
38	0940048	1	Bumper	
39	4844467	1	Boom Rest Weldment	
40	4891600	8	Washer 3/8	
41	0681610	4	Bolt 3/8 x 1-1/4, Grd 8	
42	3271605	4	Nut 3/8 Grd 8	
43	3536491	1	Plate	
44	0641506	4	Bolt 5/16 x 3/4	

## SECTION 3 - BOOM

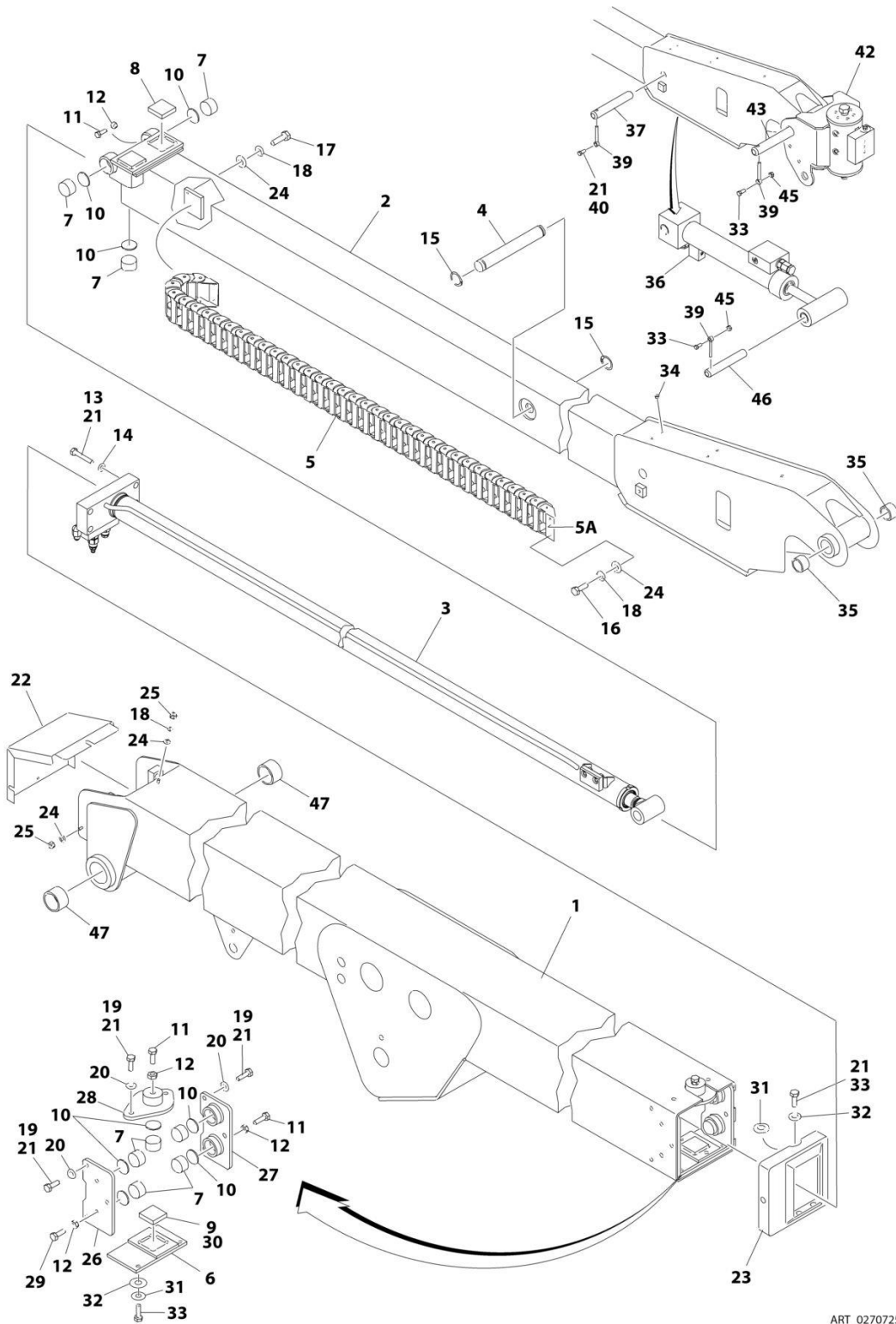
ITEM	PART NUMBER	QTY	DESCRIPTION	REV
45	3311505	4	Nut 5/16	
46	4751500	4	Washer 5/16	





# SECTION 3 - BOOM

## FIGURE 3-3. MAIN BOOM ASSEMBLY - E400ANARROW



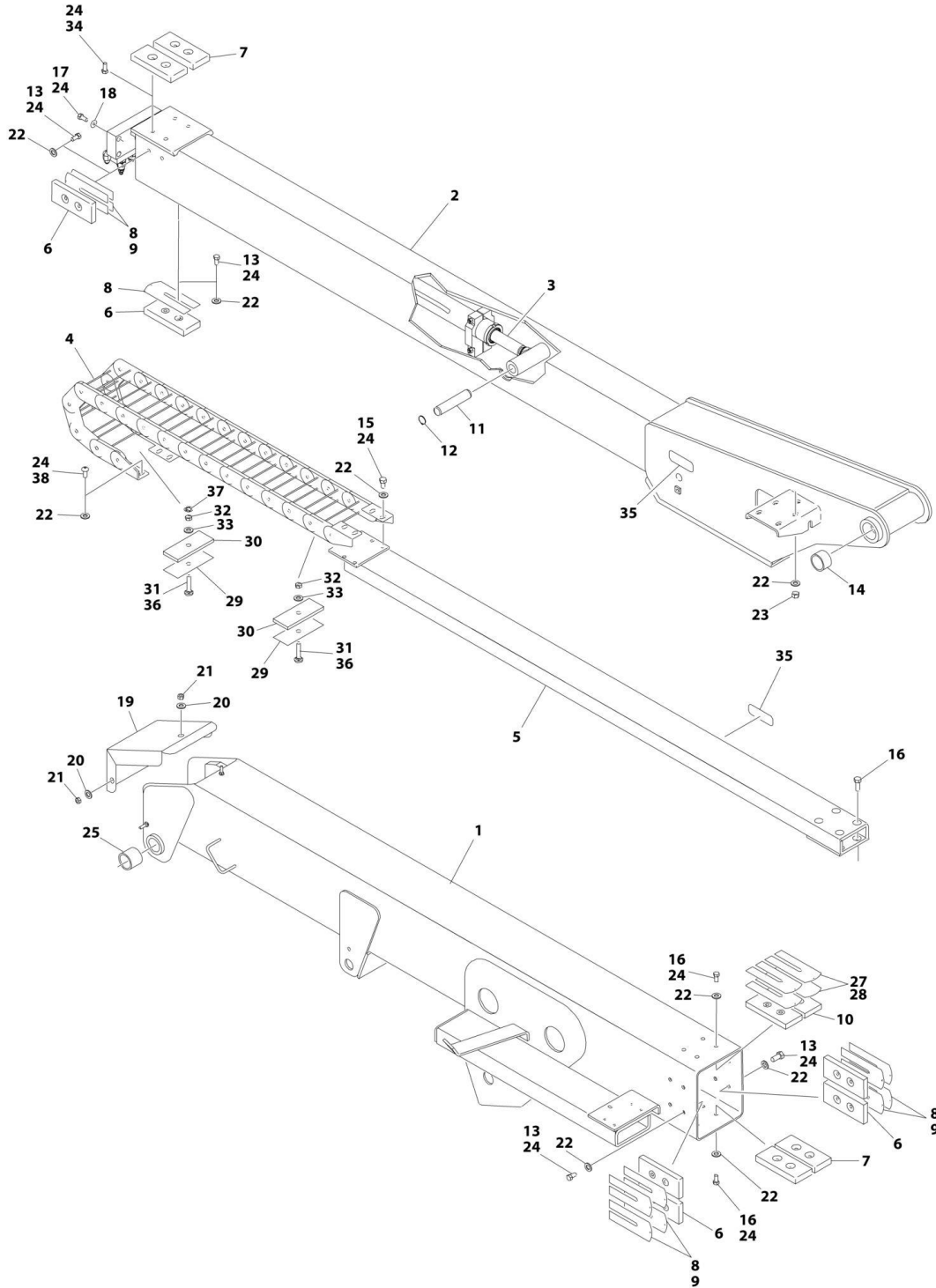
## SECTION 3 - BOOM

**FIGURE 3-3. MAIN BOOM ASSEMBLY - E400ANARROW**

ITEM	PART NUMBER	QTY	DESCRIPTION	REV
	0270725	Ref	MAIN BOOM ASSEMBLY - E400Anarrow	F
1	0801263	1	Base, Weldment	
2	0801267	1	Fly, Weldment	
3	1001251063	1	Telescope Cylinder Assembly (See Separate Breakdown in CYLINDER Section)	
4	3422901	1	Pin	
5	1180302	1	Powertrack Assembly	
5	7019698	1	Link, Repair	
5A	7019699	1	Feet, Mounting	
6	4844579	1	Holder, Wear Pad	
7	3340663	8	Pad, Wear (Base Front Top and Sides/Fly Rear Sides and Bottom)	
8	3340820	2	Pad, Wear (Fly Rear Top)	
9	3340682	1	Pad, Wear (Base Front Bottom)	
10	1760160	8	Disc	
11	0630487	6	Bolt 3/8 x 1-3/8	
12	3311602	8	Nut 3/8	
13	0641818	4	Bolt 1/2 x 2-1/4	
14	4761800	4	Washer 1/2	
15	3760115	2	Ring, Snap	
16	0641405	2	Bolt 1/4 x 5/8	
17	0641404	2	Bolt 1/4 x 1/2	
18	4761400	7	Washer 1/4	
19	0641606	7	Bolt 3/8 x 3/4	
20	4761600	7	Washer 3/8	
21	0100011	AR	Compound, Locking	
22	1670679	1	Cover, boom	
23	1670698	1	Cover, Boom	
24	4751400	7	Washer 1/4	
25	3311401	3	Nut 1/4	
26	1220038	1	Holder, Wear Pad (Base Front Left Side)	
27	1220039	1	Holder, Wear Pad (Base Front Right Side)	
28	1220040	1	Holder, Wear Pad (Base Front Top)	
29	0630399	2	Bolt 3/8 x 2-1/4	
30	0100009	AR	Silicone	
31	4740413	5	Washer, Spacer	
32	4751600	5	Washer 3/8	
33	0641608	7	Bolt 3/8 x 1	
34	3520034	4	Plug, Hole	
35	0961951	2	Bearing	
36	1001140598	1	Platform Level Cylinder Assembly (See Separate Breakdown in CYLINDER Section)	
37	3422181	1	Shaft, Pin	
39	3841143	3	Keeper	
40	0641607	1	Bolt 3/8 x 7/8	
42	0060052	1	Rotator Assembly (See Separate Breakdown in this Section)	
43	3422709	1	Shaft, Pin	
45	3311605	2	Nut 3/8-16	
46	3422180	1	Shaft, Pin	
47	0961950	2	Bearing	

# SECTION 3 - BOOM

## FIGURE 3-4. MAIN BOOM ASSEMBLY - E400AJPNARROW



ART\_0801225

## SECTION 3 - BOOM

### FIGURE 3-4. MAIN BOOM ASSEMBLY - E400AJPNARROW

ITEM	PART NUMBER	QTY	DESCRIPTION	REV
	0801225	Ref	MAIN BOOM ASSEMBLY	M
1	0801224	1	Base Weldment	
2	0801226	1	Weldment, Fly Boom	
3	1001251015	1	Cylinder, Telescope (See Separate Breakdown in CYLINDER SECTION)	
4	1001224891	1	Powertrack	
4	70001996	1	2ft Repair Section (Used on p/n 1001099834) (Includes 4 links, 10 pins, 10 washers, 10 snap rings, 2 Rod Carriers and 4 self-tapping screws)	
4	70001998	1	Bracket Kit (Used on p/n 1001099834) (Includes 2 Left and 2 Right Mounting Feet, 4 center pins, 4 center pin snap rings, 8 pins for bracket lockout, 8 washers and 8 snap rings)	
4	70006269	1	2ft Repair Section (Used on p/n 1001224891) (Includes 4 links, 10 pins, 10 washers, 10 snap rings, 2 Rod Carriers and 4 self-tapping screws)	
4	70006280	1	Bracket Kit (Used on p/n 1001224891) (Includes 2 Left and 2 Right Mounting Feet, 4 center pins, 4 center pin snap rings, 8 pins for bracket lockout, 8 washers and 8 snap rings)	
5	4846180	1	Weldment, Push Tube	
6	3340878	10	Pad, Wear	
7	3340884	4	Pad, Wear	
8	4070864	12	Shim 18 Gauge	
9	4070863	8	Shim 11 Gauge	
10	3340886	2	Pad, Wear	
11	3422804	1	Pin	
12	3760115	2	Ring, Retaining	
13	0641606	30	Bolt 3/8 x 3/4	
13	0641607	30	Bolt 3/8 x 7/8	
14	0961948	2	Bearing	
15	0641605	4	Bolt 3/8 x 5/8	
16	0641608	16	Bolt 3/8 x 1	
17	0641818	4	Bolt 1/2 x 2-1/4	
18	4761800	4	Washer 1/2	
19	1670959	1	Cover	
20	4761400	3	Washer 1/4	
21	3311401	3	Nut 1/4	
22	4711600	54	Washer 3/8	
23	3311605	4	Nut 3/8	
24	0100011	AR	Compound, Locking	
25	0961950	2	Bearing	
27	4070997	2	Shim 16 Gauge	
28	4070998	2	Shim 18 Gauge	
29	1001106757	2	Plate, Clamp	
30	3340939	4	Pad, Rubber	
31	0630401	2	Bolt 5/16 x 2	
32	3311505	2	Nut 5/16/18	
33	4711500	2	Washer 5/16	
34	0741606	6	Screw, Countersunk, 3/8 x 3/4	
35	4060804	16 in /41cm	Flex-Trim	
36	0100081	AR	Adhesive	
37	1001119228	1	Nut M8	

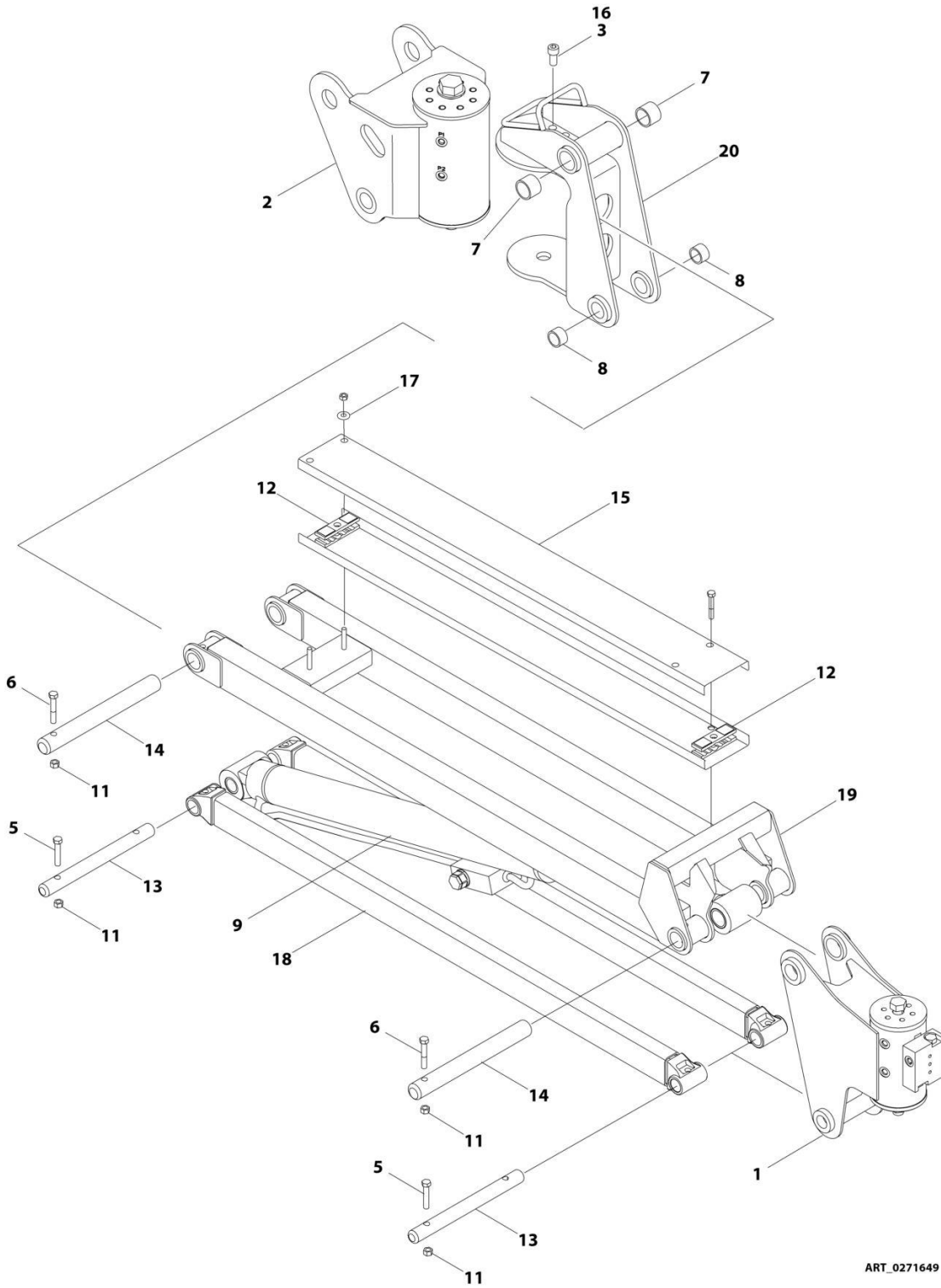
## SECTION 3 - BOOM

ITEM	PART NUMBER	QTY	DESCRIPTION	REV
38	0641605	4	Bolt 3/8 x 5/8	
38	88261026	4	Bolt 3/8 x 5/8	



# SECTION 3 - BOOM

## FIGURE 3-5. JIB INSTALLATION



ART\_0271649



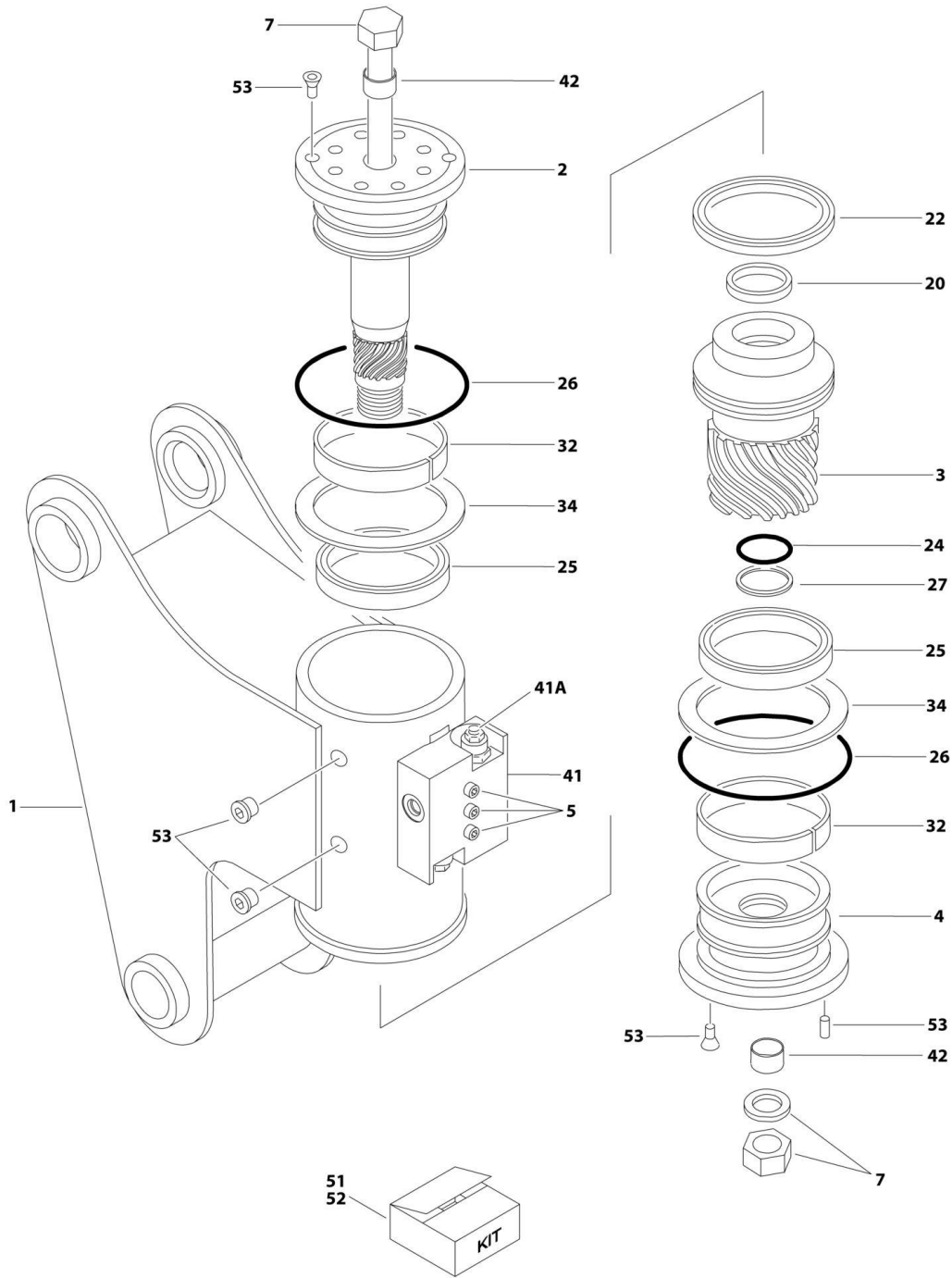
## SECTION 3 - BOOM

### FIGURE 3-5. JIB INSTALLATION

ITEM	PART NUMBER	QTY	DESCRIPTION	REV
	0271649	Ref	JIB INSTALLATION	D
1	0060044	1	Rotator Assembly - Jib to Platform Support (See Separate Breakdown in this Section)	
2	0060065	1	Rotator Assembly - Main Boom to Jib (See Separate Breakdown in this Section)	
3	0100011	AR	Compound, Locking	
4	0641516	2	Bolt 5/16 x 2	
5	0641616	4	Bolt 3/8 x 2	
6	0641618	2	Bolt 3/8 x 2-1/4	
7	0962292	2	Bushing	
8	0961951	2	Bushing	
9	1001140280	1	Jib Cylinder Assembly (See Separate Breakdown in CYLINDER SECTION)	
10	3311501	4	Nut 5/16	
11	3311605	6	Nut 3/8	
12	3340860	4	Clamp, Block	
13	3422791	2	Pin	
14	3422794	2	Pin	
15	3572551	2	Plate, Jib Cover	
16	3931816	8	Bolt 1/2 x 1	
17	4751500	4	Washer 5/16	
18	1001094670	2	Link, Lower	
19	4846278	1	Link, Upper	
20	4846502	1	Pivot	

# SECTION 3 - BOOM

## FIGURE 3-6. ROTATOR ASSEMBLY - E400ANARROW



ART\_0060052

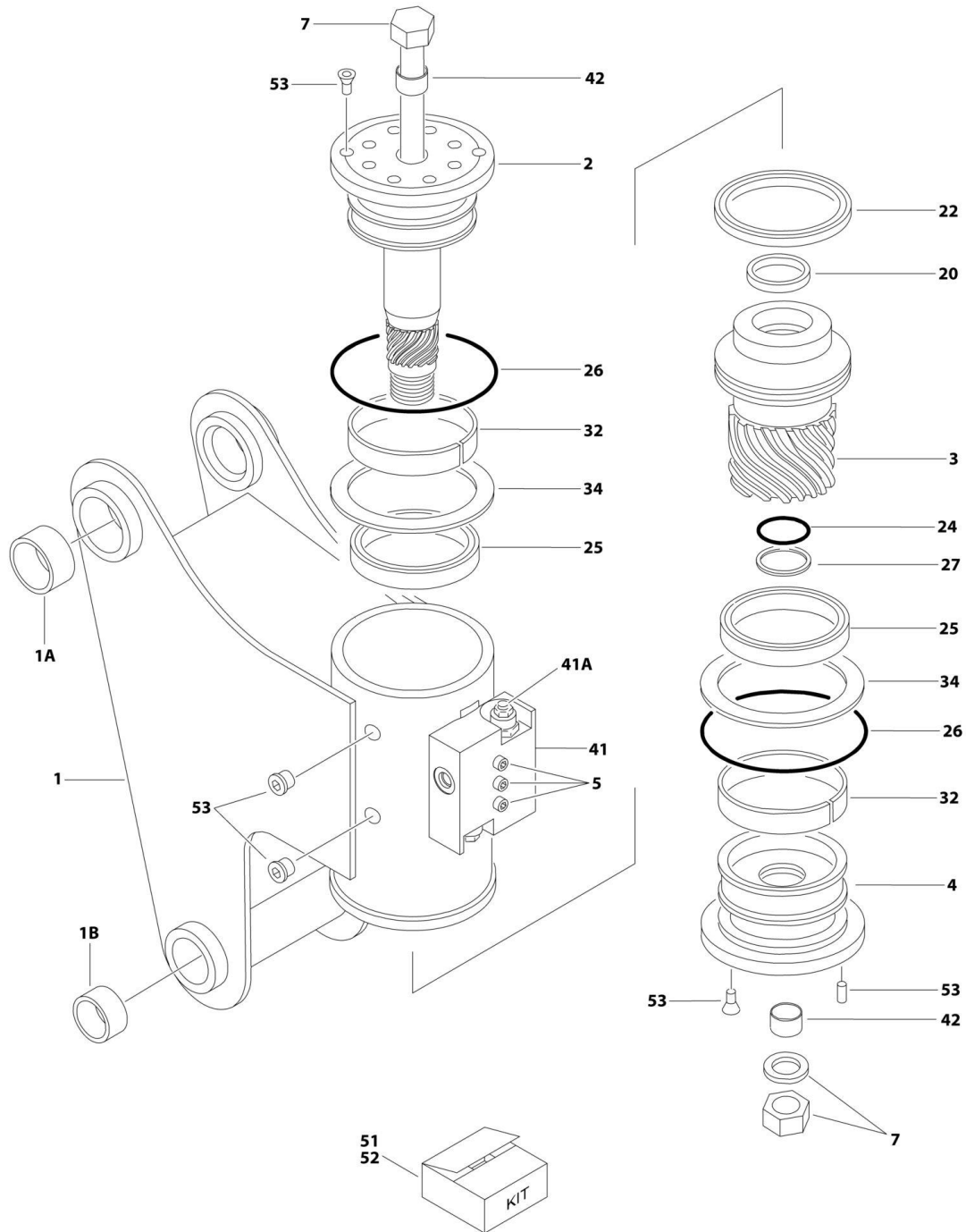
**SECTION 3 - BOOM**

**FIGURE 3-6. ROTATOR ASSEMBLY - E400ANARROW**

ITEM	PART NUMBER	QTY	DESCRIPTION	REV
	0060052	Ref	ROTATOR ASSEMBLY	F
1	See Note	1	Case/Bracket Weldment (Note: Not Available - Purchase Complete Assembly)	
2	7017120	1	Shaft (Rotator with Helac Control #26409)	
2	7017196	1	Shaft (Rotator with Helac Control #26966)	
3	7017121	1	Piston Sleeve (Rotator with Helac Control #26409)	
3	7027900	1	Piston Sleeve (Rotator with Helac Control #26966)	
4	7017153	1	Cap, End (Rotator with Helac Control #26409)	
4	7027901	1	Cap, End (Rotator with Helac Control #26966)	
5	See Note	3	Capscrew 1/4 x 1-1/2, Grade 8 (Note: Not Available - Purchase Locally)	
7	7017126	1	Tie Rod Assembly	
20	See Note	NSS	Seal, Rod (Note: Use Items 52)	
22	See Note	NSS	Seal, Piston (Note: Use Item 52)	
24	See Note	NSS	Seal, Cap (Note: Use Item 52)	
25	See Note	NSS	Packing, Bearing (Note: Use Item 52)	
26	See Note	NSS	Seal (Note: Use Item 52)	
27	See Note	NSS	Ring, Back-Up Cap (Note: Use Item 52)	
32	See Note	NSS	Bearing, Shaft (Note: Use Item 51)	
34	See Note	2	Washer, Thrust (Note: Use Item 51)	
41	7017172	1	Counterbalance Valve Assembly (Helac p/n 24327, 26553 or 26554 Stamped Beside Mounting Screws)	
41A	7011323	2	Valve, Cartridge (Helac p/n 24327 Valve)	
41A	2900770	2	Seal Kit - 7011323 Cartridge ( 1 Per Assembly)	
41A	7017192	2	Valve Cartridge (Helac p/n 26553 or 26554) (No Seal Kit Available)	
42	See Note	2	Bushing, Shaft (Note: Not Available for Purchase)	
51	7017122	1	Bearing Kit (Includes Items 32-34)	
52	7017127	1	Seal Kit - Standard (Includes Items 20,22,24,25,26 & 27)	
52	70000341	1	Seal Kit - Low Temperature (Includes Items 20,22,24,25,26 & 27)	
53	7017123	1	Hardware Kit	

# SECTION 3 - BOOM

FIGURE 3-7. ROTATOR ASSEMBLY - PLATFORM SUPPORT TO JIB - E400AJPNARROW



ART\_0060044

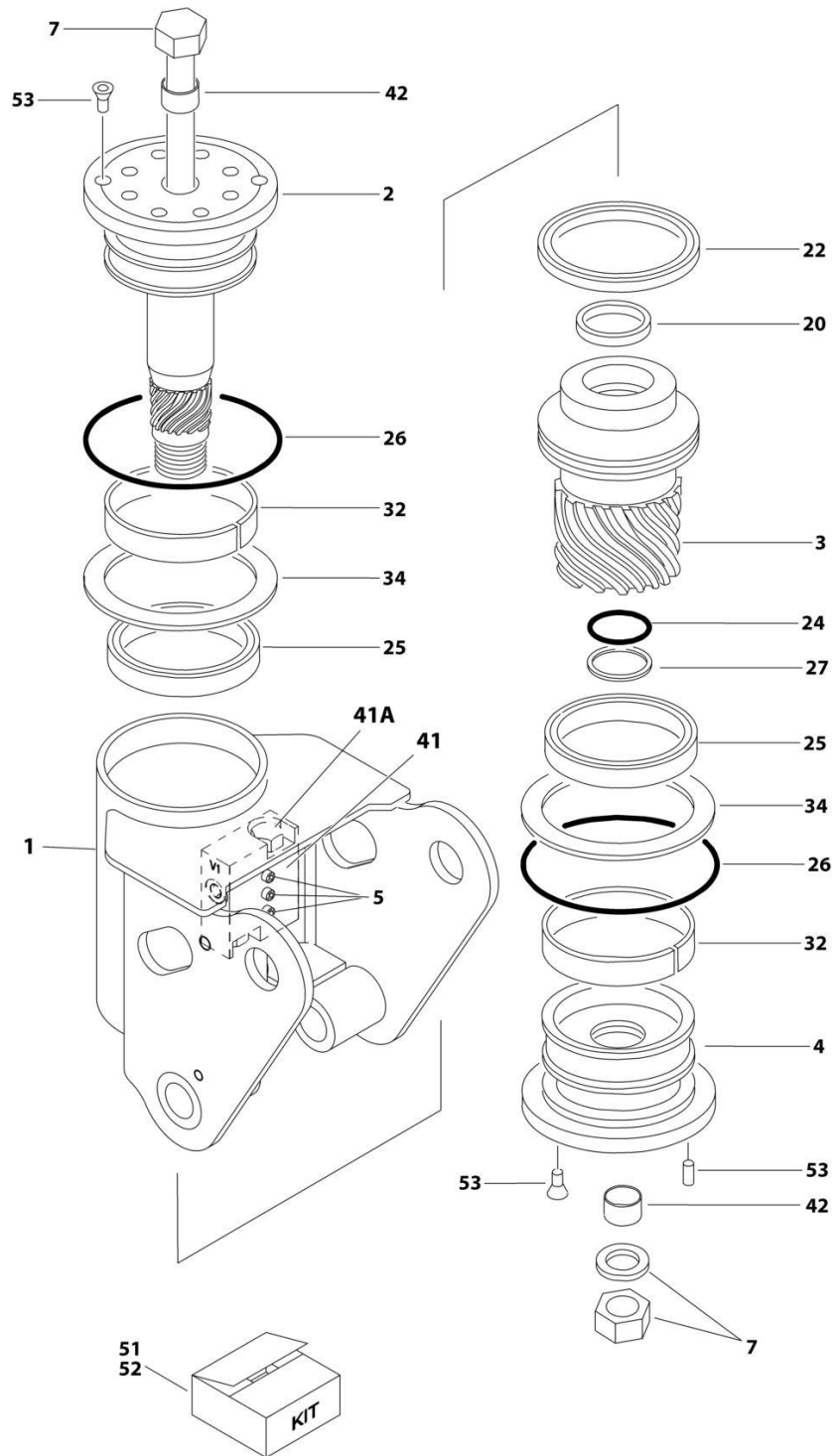
## SECTION 3 - BOOM

**FIGURE 3-7. ROTATOR ASSEMBLY - PLATFORM SUPPORT TO JIB - E400AJPNARROW**

ITEM	PART NUMBER	QTY	DESCRIPTION	REV
	0060044	Ref	ROTATOR ASSEMBLY	D
1	See Note	1	Case/Bracket Weldment (Note: Not Available - Purchase Complete Assembly)	
1A	0962257	2	Bushing	
1B	0961947	2	Bushing	
2	7017120	1	Shaft (Rotator with Helac Control #25928)	
2	7017196	1	Shaft (Rotator with Helac Control #26962)	
3	7017121	1	Piston Sleeve (Rotator with Helac Control #25928)	
3	7027900	1	Piston Sleeve (Rotator with Helac Control #26962)	
4	See Note	1	Cap, End (Rotator with Helac Control #25928) (Note: Use p/n 0060044)	
4	7027901	1	Cap, End (Rotator with Helac Control #26962)	
5	See Note	3	Capscrew 1/4 x 1-1/2, Grade 8 (Note: Not Available - Purchase Locally)	
7	7017126	1	Tie Rod Assembly	
20	See Note	NSS	Seal, Rod (Note: Use Item 52)	
22	See Note	NSS	Seal, Piston (Note: Use Item 52)	
24	See Note	NSS	Seal, Cap (Note: Use Item 52)	
25	See Note	NSS	Packing, Bearing (Note: Use Item 52)	
26	See Note	NSS	Seal (Note: Use Item 52)	
27	See Note	NSS	Ring, Back-Up Cap (Note: Use Item 52)	
32	See Note	NSS	Bearing, Shaft (Note: Use Item 51)	
34	See Note	2	Washer, Thrust (Note: Use Item 51)	
41	7017172	1	Counterbalance Valve Assembly (Helac p/n 24327, 26553 or 26554 Stamped Beside Mounting Screws)	
41A	7011323	2	Valve, Cartridge (Helac p/n 24327 Valve)	
41A	2900770	2	Seal Kit - 7011323 Cartridge (1 Per Assembly)	
41A	7017192	2	Valve Cartridge (Helac p/n 26553 or 26554) (No Seal Kit Available)	
42	70004323	1	Bushing, Shaft	
51	7017122	1	Bearing Kit (Includes Items 32-34)	
52	7017127	1	Seal Kit - Standard (Includes Items 20,22,24,25,26 & 27)	
52	70000341	1	Seal Kit - Low Temperature (Includes Items 20,22,24,25,26 & 27)	
53	7017123	1	Hardware Kit	

# SECTION 3 - BOOM

## FIGURE 3-8. ROTATOR ASSEMBLY - MAIN BOOM TO JIB - E400AJPNARROW



ART\_0060065

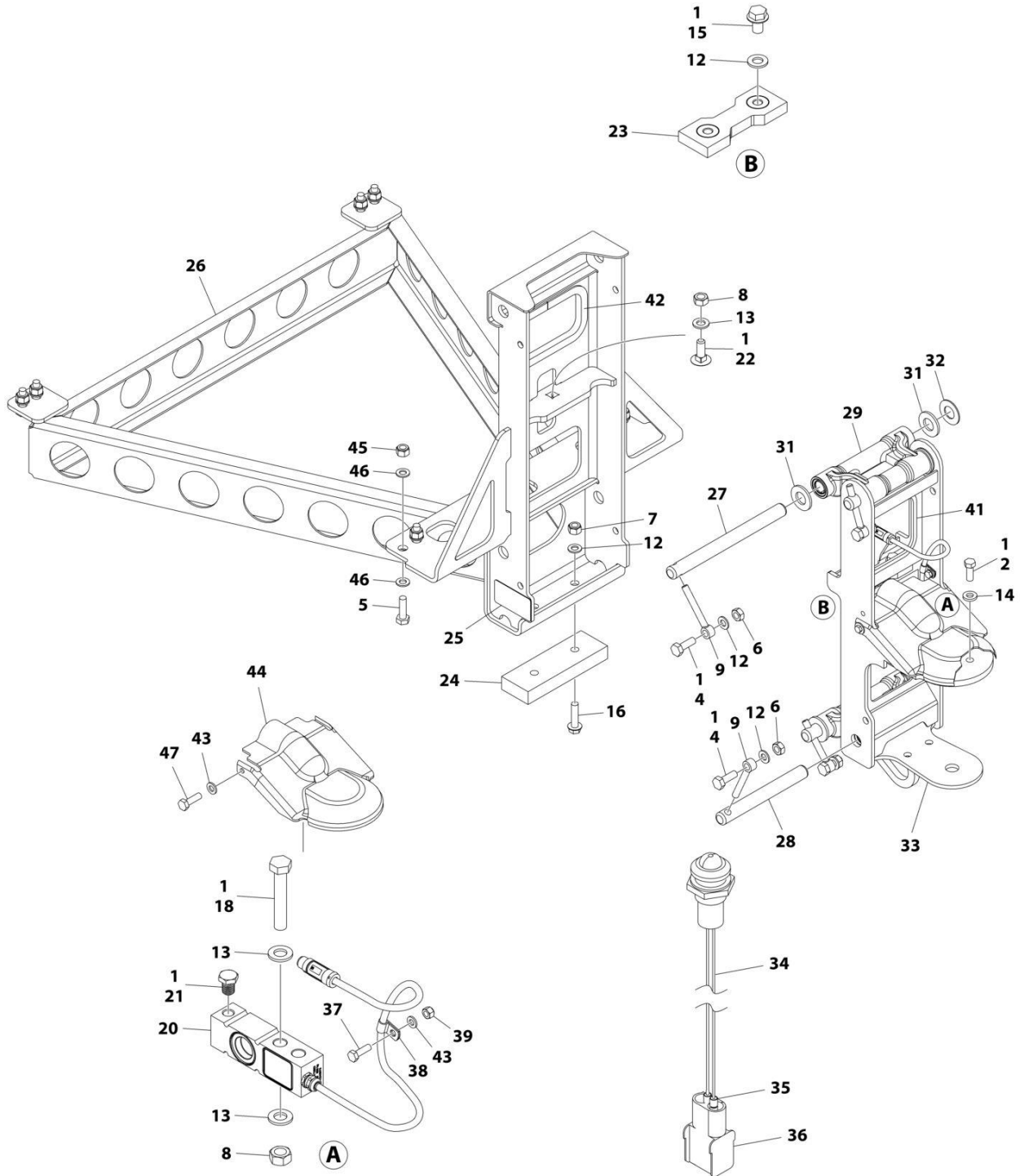
## SECTION 3 - BOOM

**FIGURE 3-8. ROTATOR ASSEMBLY - MAIN BOOM TO JIB - E400AJPNARROW**

ITEM	PART NUMBER	QTY	DESCRIPTION	REV
	0060065	Ref	ROTATOR ASSEMBLY - MAIN BOOM TO JIB	C
1	See Note	1	Case/Bracket Weldment (Note: Not Available - Purchase Complete Assembly)	
2	7017167	1	Shaft	
3	7017168	1	Piston Sleeve	
4	7017169	1	Cap, End	
5	See Note	3	Capscrew 1/4, Grade 8 (Note: Not Available - Purchase Locally)	
7	7017173	1	Tie Rod Assembly	
20	See Note	1	Seal, Rod (Note: Use Item 52)	
22	See Note	1	Seal, Piston (Note: Use Item 52)	
24	See Note	1	Seal, Cap (Note: Use Item 52)	
25	See Note	2	Packing, Bearing (Note: Use Item 52)	
26	See Note	2	Seal (Note: Use Item 52)	
27	See Note	1	Ring, Back-up (Note: Use Item 52)	
32	See Note	2	Bearing, Shaft (Note: Use Item 51)	
34	See Note	2	Washer, Thrust (Note: Use Item 51)	
41	7017172	1	Counterbalance Valve Assembly	
41A	7017192	2	Valve, Cartridge (No Seal Kit Available)	
42	See Note	2	Bushing, Shaft (Note: Not Available for Purchase)	
51	7017178	1	Bearing Kit (Includes Items 32-34)	
52	7017165	1	Seal Kit - Standard (Includes Items 20, 22 & 24-27,	
52	70000340	1	Seal Kit - Low Temperature (Includes Items 20,22 & 24-27)	
53	7017179	1	Hardware Kit	

# SECTION 3 - BOOM

## FIGURE 3-9. PLATFORM SUPPORT INSTALLATION



ART\_1001219016\_F

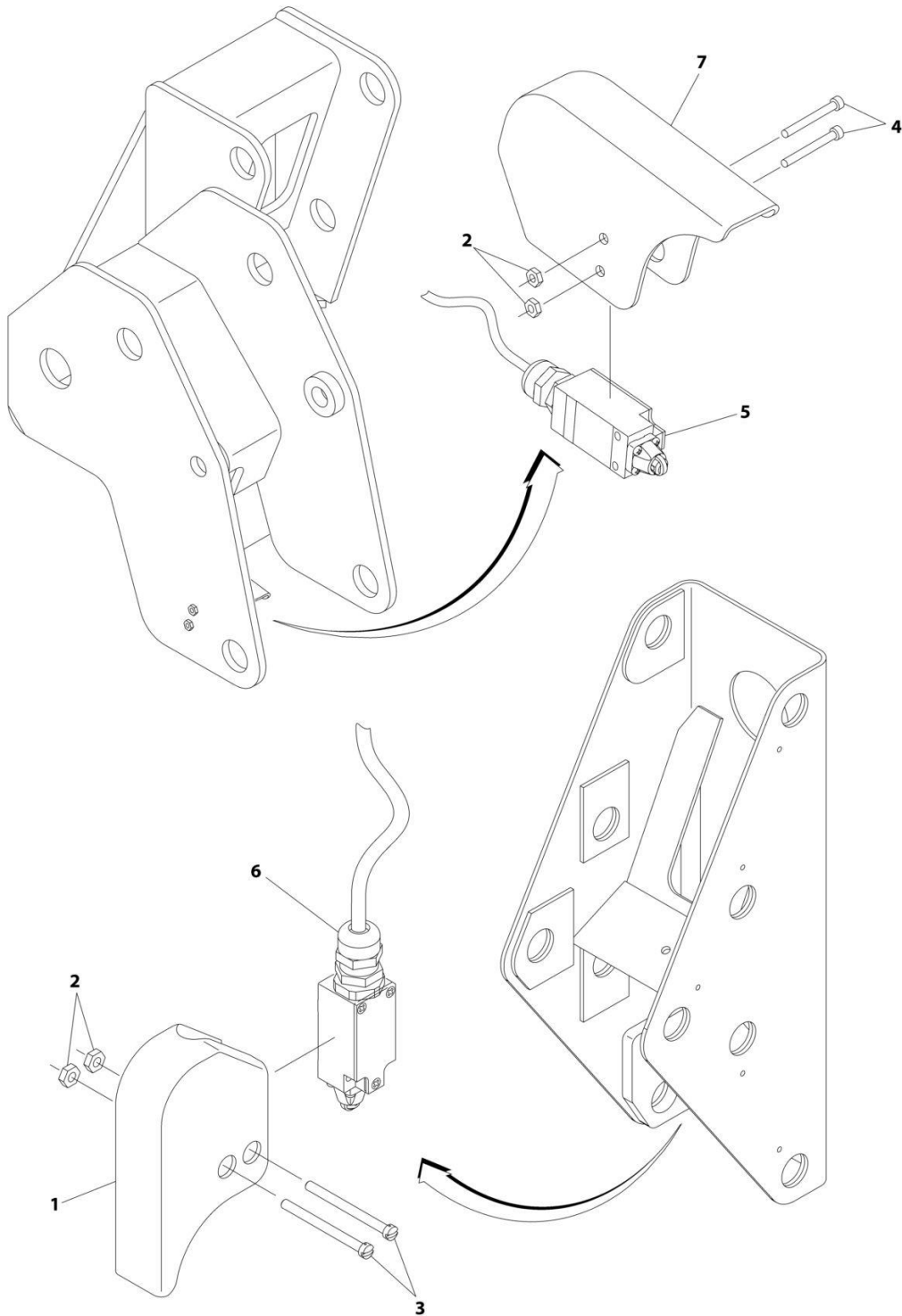


FIGURE 3-9. PLATFORM SUPPORT INSTALLATION

ITEM	PART NUMBER	QTY	DESCRIPTION	REV
	1001219016	Ref	PLATFORM SUPPORT INSTALLATION	F
1	0100011	AR	Compound, Locking	
2	0681608	6	Bolt 3/8 x 1	
4	0761014	4	Bolt M10 x 30	
5	0761215	8	Bolt M12 x 35	
6	3291001	4	Nut M10	
7	3291005	2	Nut M10	
8	3291201	3	Nut M12	
9	3841143	4	Keeper	
12	4812000	8	Washer M10	
13	4812100	5	Washer M12	
14	4891600	6	Washer 3/8	
15	5251008	2	Bolt M10 x 16	
16	5251016	2	Bolt M10 x 40	
18	1001098828	2	Bolt M12 x 70 Grade 10.9	
20	1001247468	1	Sensor, Load Cell	
21	1001188622	1	Screw M12	
22	1001188844	1	Bolt M12 x 35	
23	1001190985	1	Pad, Wear	
24	1001200491	1	Plate	
25	1001216630	2	Decal - Tie Down/No Lift	
26	1001217228	1	Platform Support	
27	1001217242	2	Pin	
28	1001217243	2	Pin	
29	1001217244	2	Link, LSS Assembly	
29	1001217413	4	Bearing	
29	1001217249	1	Seal	
31	1001217253	8	Bearing	
32	1001217254	4	Bearing	
33	1001217267	1	Support, Rotary	
34	2920151	1	Light	
35	4460226	2	Socket, Female	
36	4460424	1	Connector - 2 Position	
37	0760610	1	Bolt M6 x 20	
38	1320136	1	Clamp	
39	3290605	1	Nut	
41	4060804	1.5 ft/ 0.5m	Flex-Trim	
42	4060805	1.5 ft/ 0.5m	Flex-Trim	
43	4811702	3	Washer M6	
44	1001228627	1	Cover, Platform Support and LSS	
45	3291205	8	Nut M12	
46	5241200	16	Washer M12	
47	0760606	2	Bolt M6 x 12	

# SECTION 3 - BOOM

## FIGURE 3-10. BOOM LIMIT SWITCHES INSTALLATION



ART\_100118788

FIGURE 3-10. BOOM LIMIT SWITCHES INSTALLATION

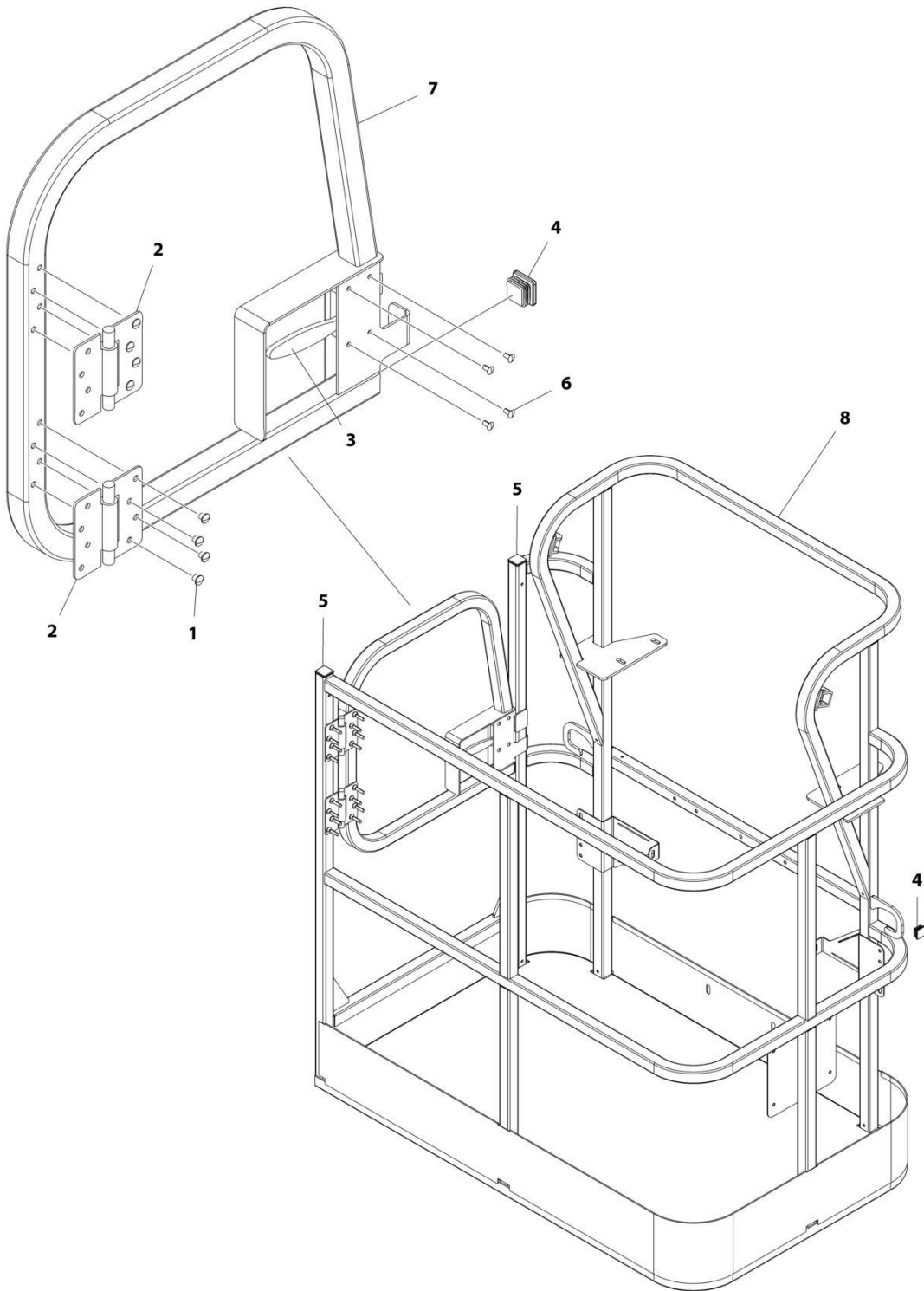
ITEM	PART NUMBER	QTY	DESCRIPTION	REV
	1001187788	Ref	BOOM LIMIT SWITCHES INSTALLATION	F
1	1670832	1	Cover, Switch - Lower	
2	3311005	AR	Nut #10	
2	3310805	AR	Nut #8	
3	3900104	AR	Screw #10 x 2-1/4	
3	3930828	AR	Screw #8 x 1-3/4	
4	3931028	2	Screw #10 x 1-3/4	
4	3930836	2	Screw #8 x 2-1/4	
5	1001187775	1	Limit Switch Harness - Upper (Includes Limit Switch) (See Separate Breakdown in ELECTRICAL SECTION)	
6	1001187776	1	Limit Switch Harness - Lower (Includes Limit Switch) (See Separate Breakdown in ELECTRICAL SECTION)	
7	1670833	1	Cover, Switch	
8	3310805	AR	Nut #8	



**SECTION 4 - PLATFORM**

# SECTION 4 - PLATFORM

## FIGURE 4-1. PLATFORM ASSEMBLY - 4FT/1.22M - SIDE GATE ENTRY



ART\_1001186387

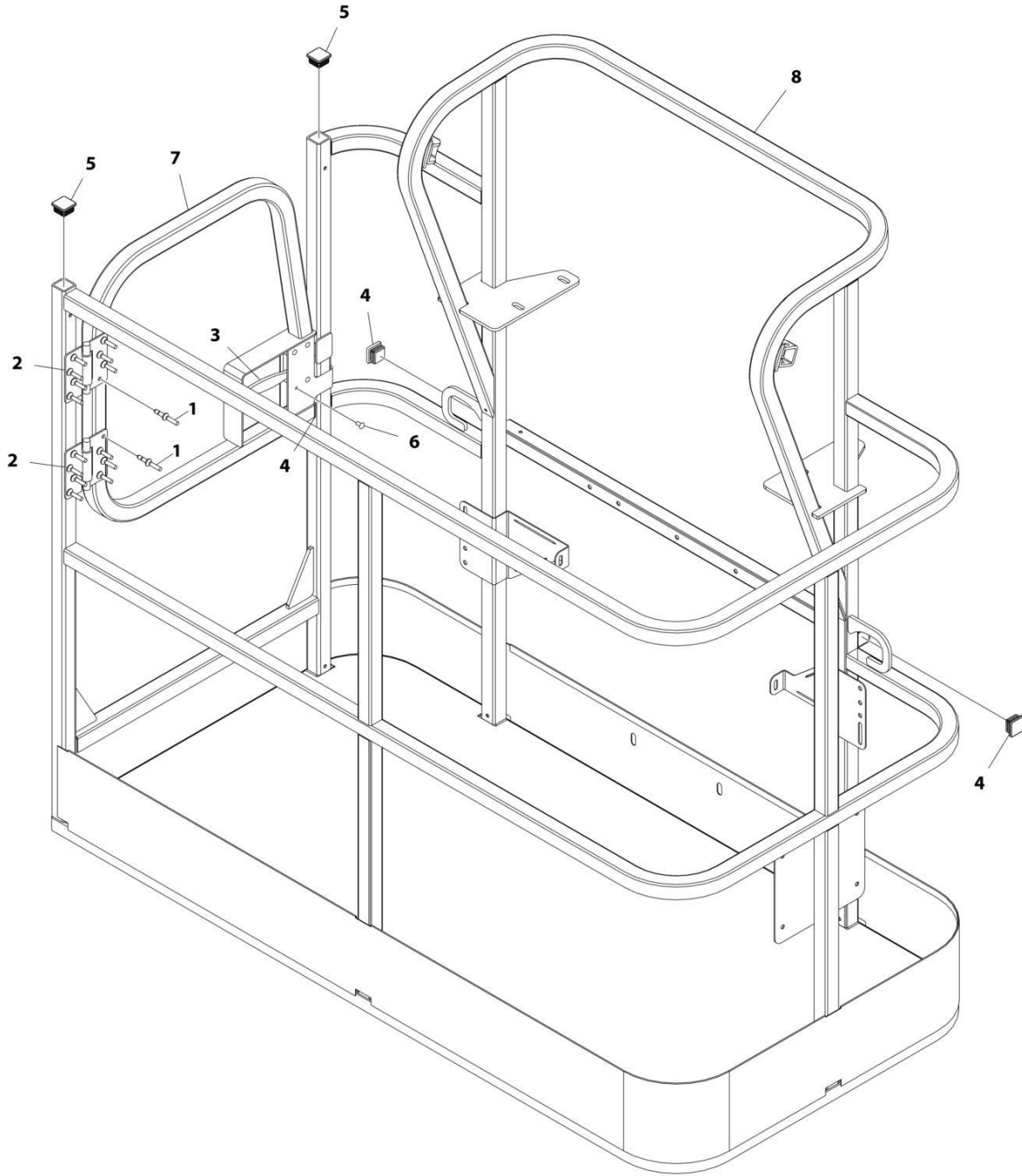
## SECTION 4 - PLATFORM

**FIGURE 4-1. PLATFORM ASSEMBLY - 4FT/1.22M - SIDE GATE ENTRY**

ITEM	PART NUMBER	QTY	DESCRIPTION	REV
	1001186387	Ref	PLATFORM ASSEMBLY	C
		Ref	Note: Platform and Mesh must be ordered separately for Platforms with Mesh. See SPECIAL OPTIONS SECTION for Mesh Installations.	
		Ref	Note: Replacement Decals Must be Ordered Separately - See DECALS SECTION.	
1	2080040	16	Fastener, Huck	
2	2600281	2	Hinge, Self-Closing	
3	2940074	1	Latch	
4	3520072	3	Plug	
5	3520198	2	Plug	
6	3820020	4	Rivet	
7	1001144629	1	Gate	
8	See Note	1	Platform (Note: Not Available - Purchase Platform Assembly)	

# SECTION 4 - PLATFORM

## FIGURE 4-2. PLATFORM ASSEMBLY - 5FT/1.52M - SIDE GATE ENTRY



ART\_1001186386



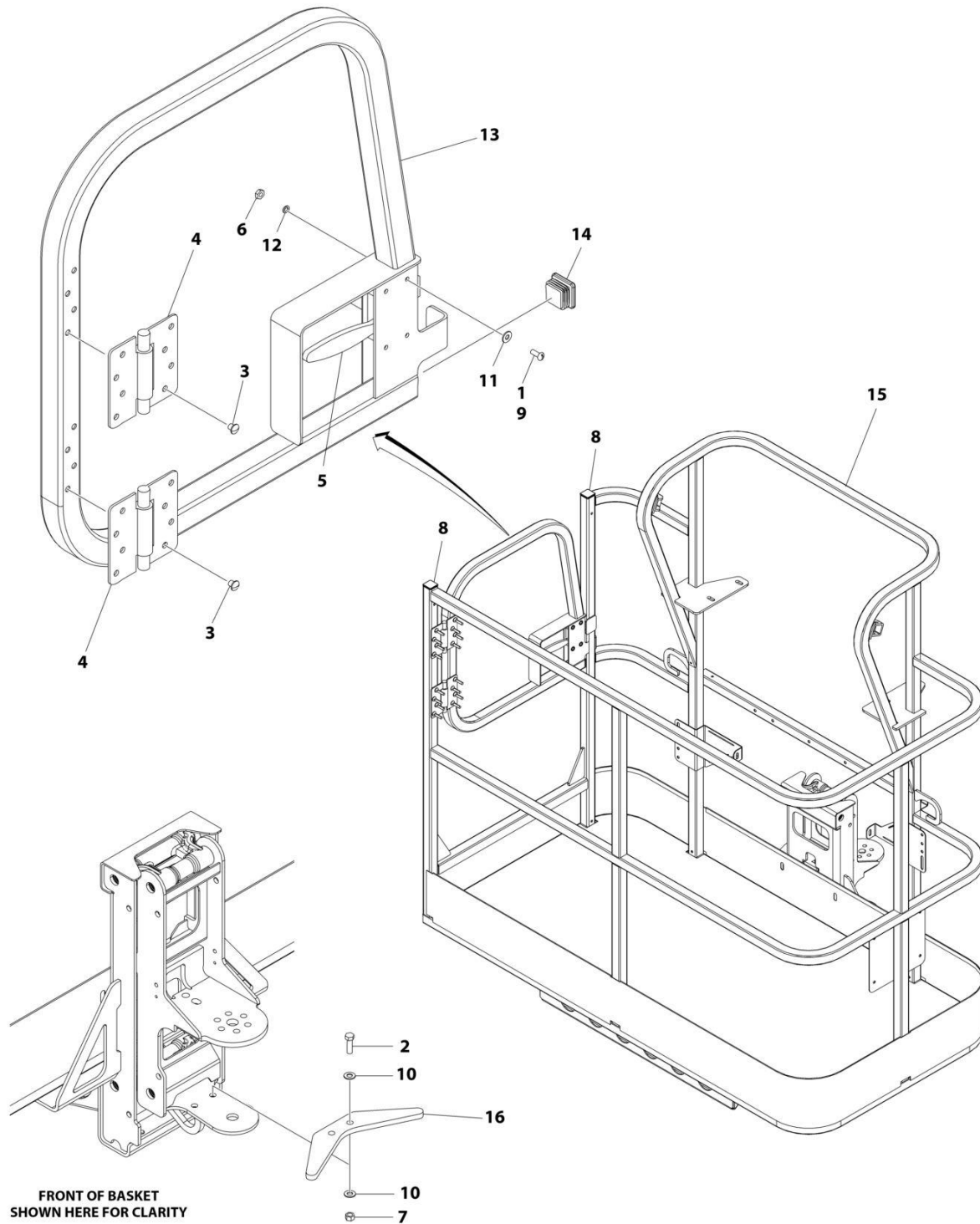
## SECTION 4 - PLATFORM

**FIGURE 4-2. PLATFORM ASSEMBLY - 5FT/1.52M - SIDE GATE ENTRY**

ITEM	PART NUMBER	QTY	DESCRIPTION	REV
	1001186386	Ref	PLATFORM ASSEMBLY	C
		Ref	Note: Platform and Mesh must be ordered separately for Platforms with Mesh. See SPECIAL OPTIONS SECTION for Mesh Installations.	
		Ref	Note: Replacement Decals Must be Ordered Separately - See DECALS SECTION.	
1	2080040	16	Fastener, Huck	
2	2600281	2	Hinge, Self-Closing	
3	2940074	1	Latch	
4	3520072	3	Plug	
5	3520198	2	Plug	
6	3820020	4	Rivet	
7	1001144629	1	Gate	
8	See Note	NSS	Platform (Note: Not Available - Purchase Platform Assembly)	

# SECTION 4 - PLATFORM

FIGURE 4-3. PLATFORM ASSEMBLY - 5FT/1.52M - SIDE GATE ENTRY - W/STOP AND 1 CELL LSS



ART\_1001222685

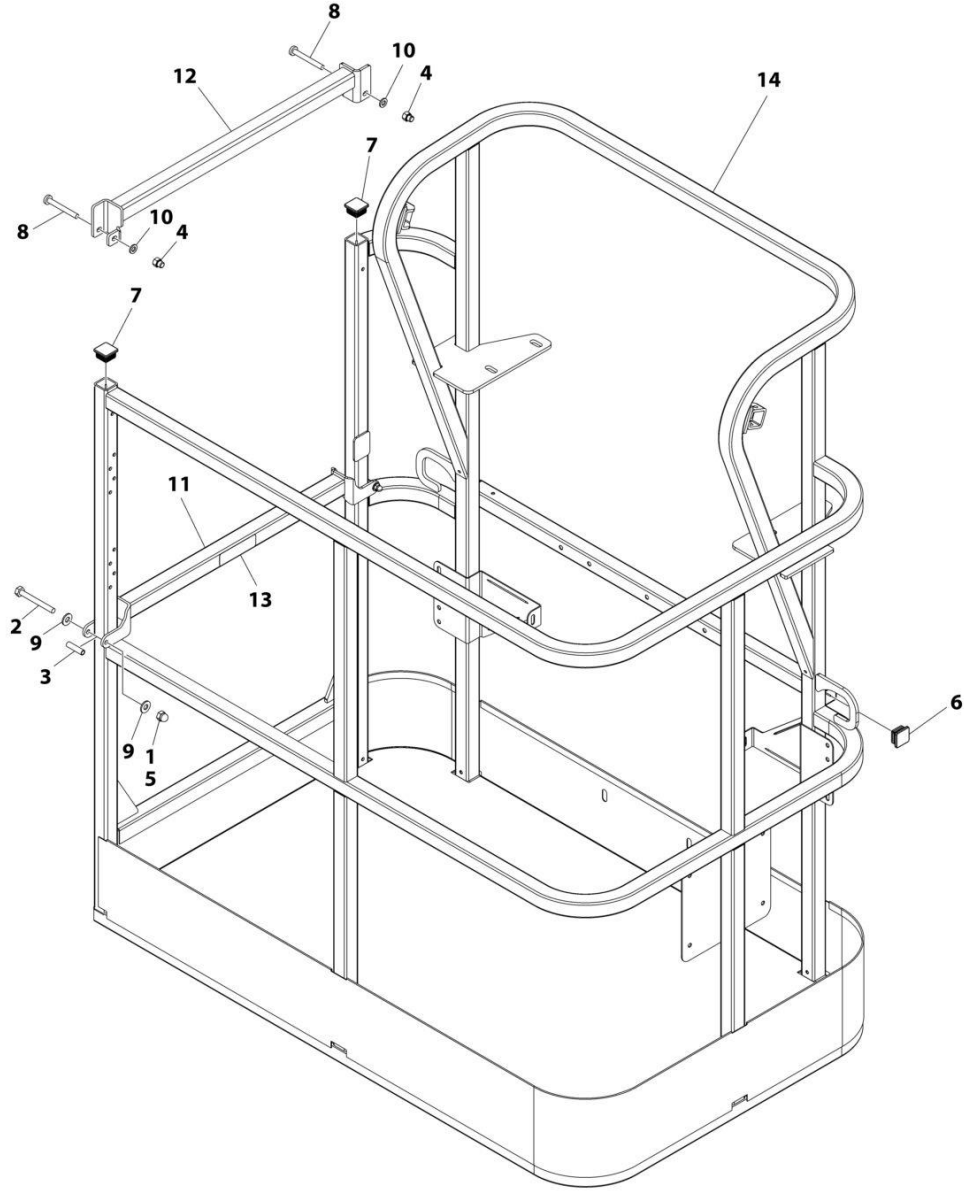
## SECTION 4 - PLATFORM

**FIGURE 4-3. PLATFORM ASSEMBLY - 5FT/1.52M - SIDE GATE ENTRY - W/STOP AND 1 CELL LSS**

ITEM	PART NUMBER	QTY	DESCRIPTION	REV
	1001222685	Ref	PLATFORM ASSEMBLY - 5ft/1.52m - SIDE GATE ENTRY - W/STOP AND 1 CELL LSS	A
		Ref	Note: Platform and Mesh must be ordered separately for Platforms with Mesh. See SPECTIAL OPTIONS SECTION for Mesh Installations.	
		Ref	Note: Replacement Decals Must be Ordered Separately - See DECAL SECTION.	
1	0100011	AR	Compound, Locking	
2	0641610	2	Bolt 3/8 x 1-1/4	
3	2080040	16	Fastener, Huck	
4	2600281	2	Hinge, Self-Closing	
5	2940074	1	Latch	
6	3311001	4	Nut #10	
7	3311605	2	Nut 3/8	
8	3520198	2	Cap-Plug	
9	3911008	4	Screw #10 x 1	
10	4711600	4	Washer 3/8	
11	4751000	4	Washer #10	
12	4761000	4	Washer #10	
13	1001144629	1	Gate Weldment	
14	1001144630	1	Cap-Plug	
15	See Note	1	Platform Weldment (Note: Not Available - Purchase Platform Assembly)	
16	1001217598	1	Stop	

# SECTION 4 - PLATFORM

FIGURE 4-4. PLATFORM ASSEMBLY - 4FT/1.22M - DROP BAR ENTRY



ART\_1001186375

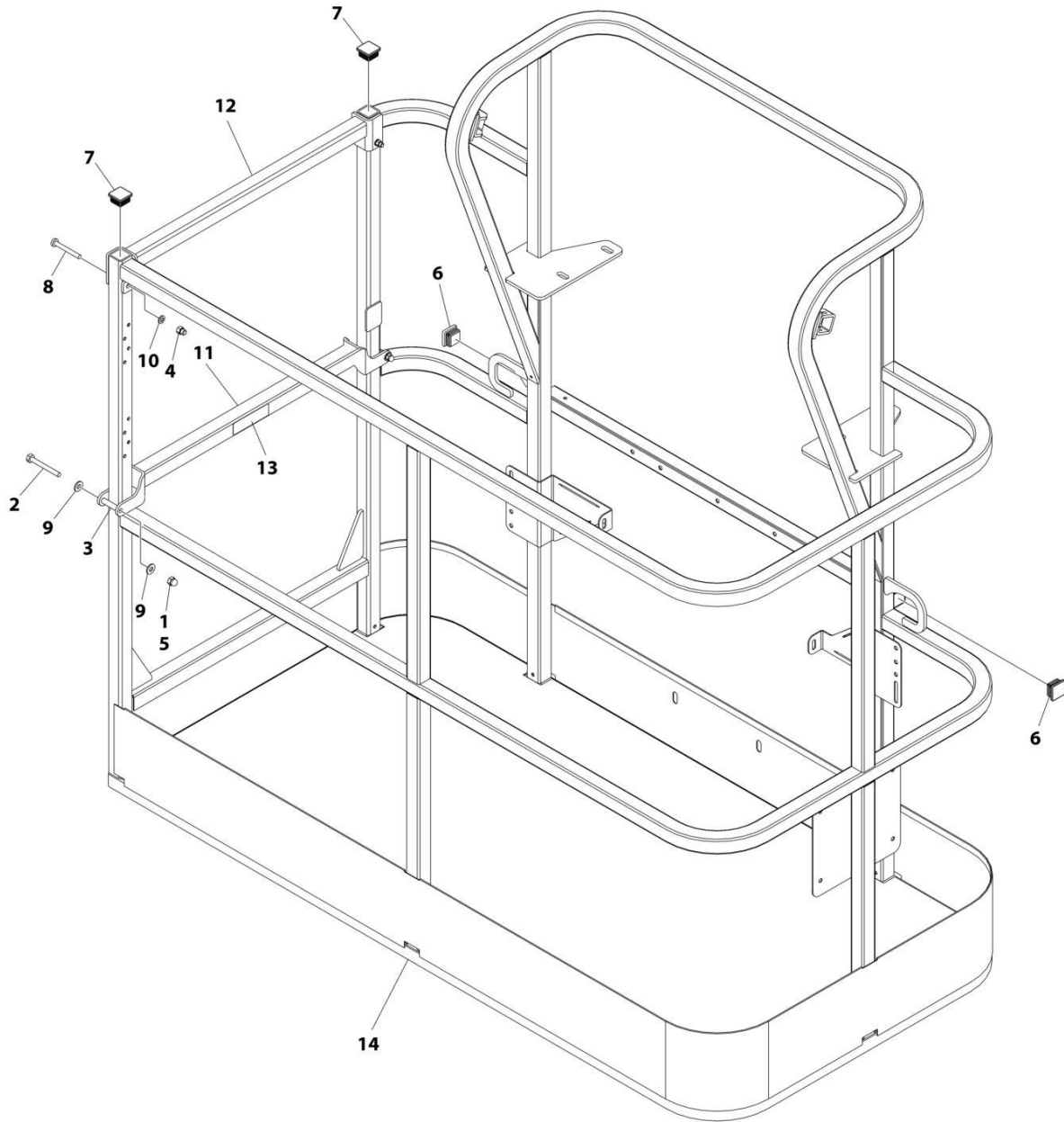
## SECTION 4 - PLATFORM

**FIGURE 4-4. PLATFORM ASSEMBLY - 4FT/1.22M - DROP BAR ENTRY**

ITEM	PART NUMBER	QTY	DESCRIPTION	REV
	1001186375	Ref	PLATFORM ASSEMBLY	B
		Ref	Note: Platform and Mesh must be ordered separately for Platforms with Mesh. See SPECIAL OPTIONS SECTION for Mesh Installations.	
		Ref	Note: Replacement Decals Must be Ordered Separately - See DECALS SECTION.	
1	0100011	AR	Compound, Locking	
2	0641418	2	Bolt 1/4 x 2-1/4	
3	0961845	2	Bushing	
4	3290606	2	Nut M6	
5	3300151	2	Nut 1/4	
6	3520072	2	Plug	
7	3520198	2	Plug	
8	4010618	2	Screw M6 x 50	
9	4711400	4	Washer 1/4	
10	4811700	2	Washer M6	
11	1001138494	1	Bar, Drop	
12	1001138514	1	Rail - Top	
13	1001140429	1	Decal - Drop Bar	
14	See Note	1	Platform (Note: Not Available - Purchase Platform Assembly)	

# SECTION 4 - PLATFORM

## FIGURE 4-5. PLATFORM ASSEMBLY - 5FT/1.52M - DROP BAR ENTRY



ART\_1001186377

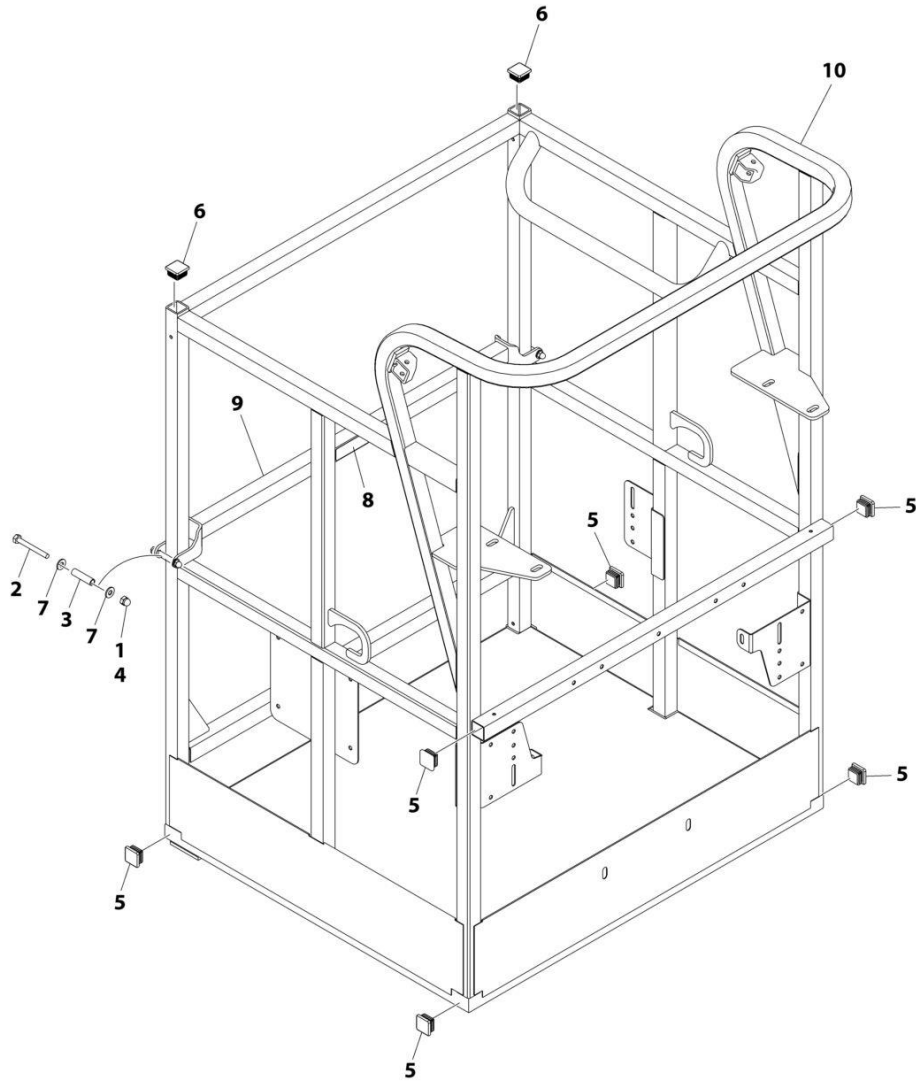
## SECTION 4 - PLATFORM

**FIGURE 4-5. PLATFORM ASSEMBLY - 5FT/1.52M - DROP BAR ENTRY**

ITEM	PART NUMBER	QTY	DESCRIPTION	REV
	1001186377	Ref	PLATFORM ASSEMBLY	C
		Ref	Note: Platform and Mesh must be ordered separately for Platforms with Mesh. See SPECIAL OPTIONS SECTION for Mesh Installations.	
		Ref	Note: Replacement Decals Must be Ordered Separately - See DECALS SECTION.	
1	0100011	AR	Compound, Locking	
2	0641420	2	Bolt 1/4 x 2-1/2	
3	0961845	2	Bushing	
4	3290606	2	Nut M6	
5	3300151	2	Nut 1/4	
6	3520072	2	Plug	
7	3520198	2	Plug	
8	4010618	2	Screw M6 x 50	
9	4711400	4	Washer 1/4	
10	4811700	2	Washer M6	
11	1001138494	1	Bar, Drop	
12	1001138514	1	Rail (Top)	
13	1001140429	1	Decal - Drop Bar	
14	See Note	NSS	Platform (Note: Not Available - Purchase Platform Assembly)	

# SECTION 4 - PLATFORM

FIGURE 4-6. PLATFORM ASSEMBLY - 5FT/1.52M - DROP BAR ENTRY



ART\_1001228215



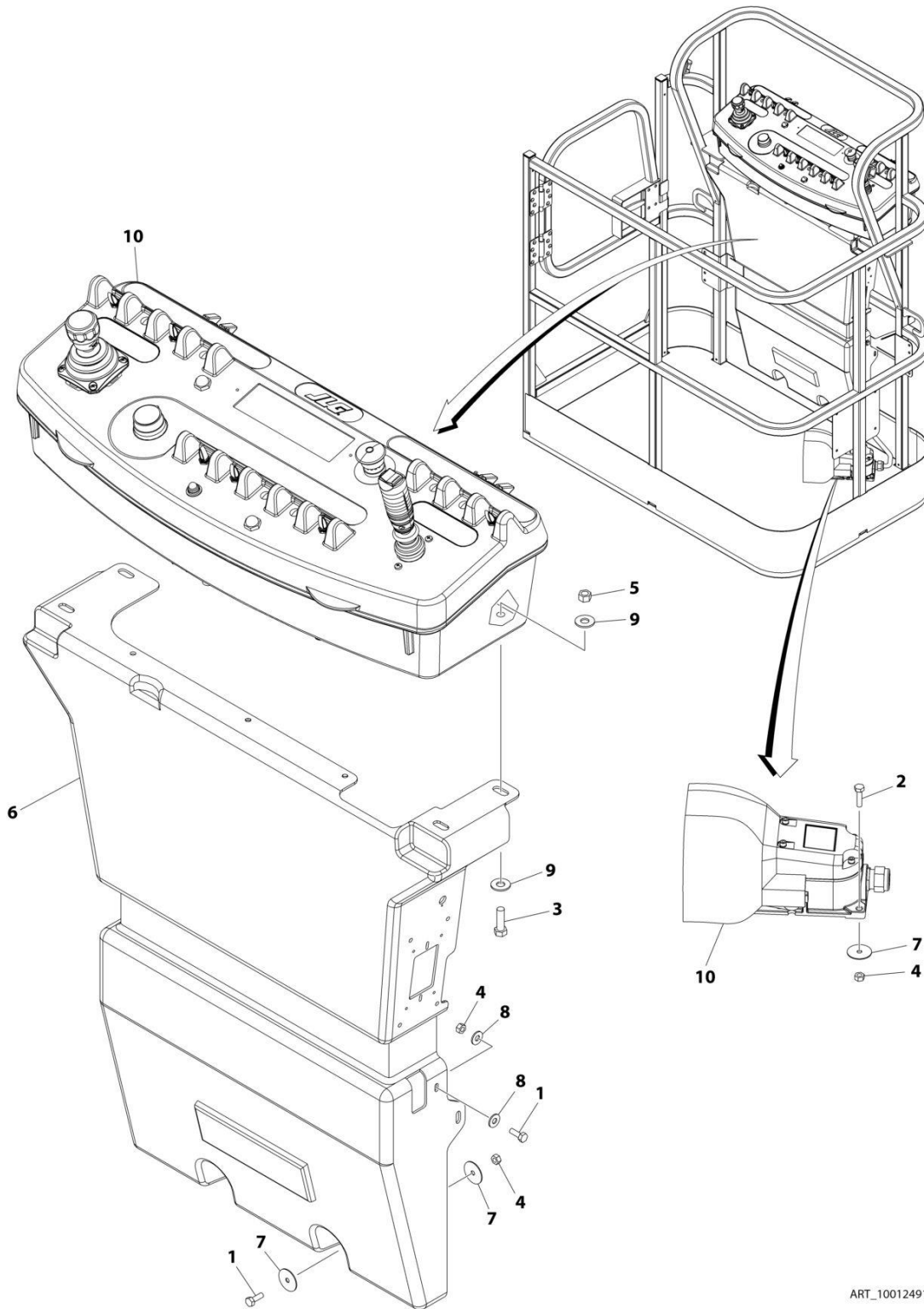
## SECTION 4 - PLATFORM

**FIGURE 4-6. PLATFORM ASSEMBLY - 5FT/1.52M - DROP BAR ENTRY**

ITEM	PART NUMBER	QTY	DESCRIPTION	REV
	1001228215	Ref	PLATFORM ASSEMBLY	A
	See Note	Ref	Note: Platform and Mesh must be ordered separately for Platforms with Mesh. See SPECIAL OPTIONS SECTION for Mesh Installations.	
	See Note	Ref	Note: Replacement Decals Must be Ordered Separately - See DECAL SECTION.	
1	0100011	AR	Compound, Locking	
2	0641418	2	Bolt 1/4 x 2-1/4	
3	0961845	2	Bushing	
4	3300151	2	Nut 1/4	
5	3520072	6	Cap, Plug	
6	3520198	2	Cap, Plug	
7	4711400	4	Washer 1/4	
8	1001140429	1	Decal - Drop Bar	
9	1001226872	1	Bar, Drop	
10	See Note	NSS	Platform (Note: Not Available - Purchase Platform Assembly)	

# SECTION 4 - PLATFORM

FIGURE 4-7. PLATFORM CONSOLE AND FOOTSWITCH INSTALLATION - E400ANARROW - NON-UL LISTED (ALL SPEC EXCEPT AUSTRALIAN AND UL SPECS)



ART\_1001249159

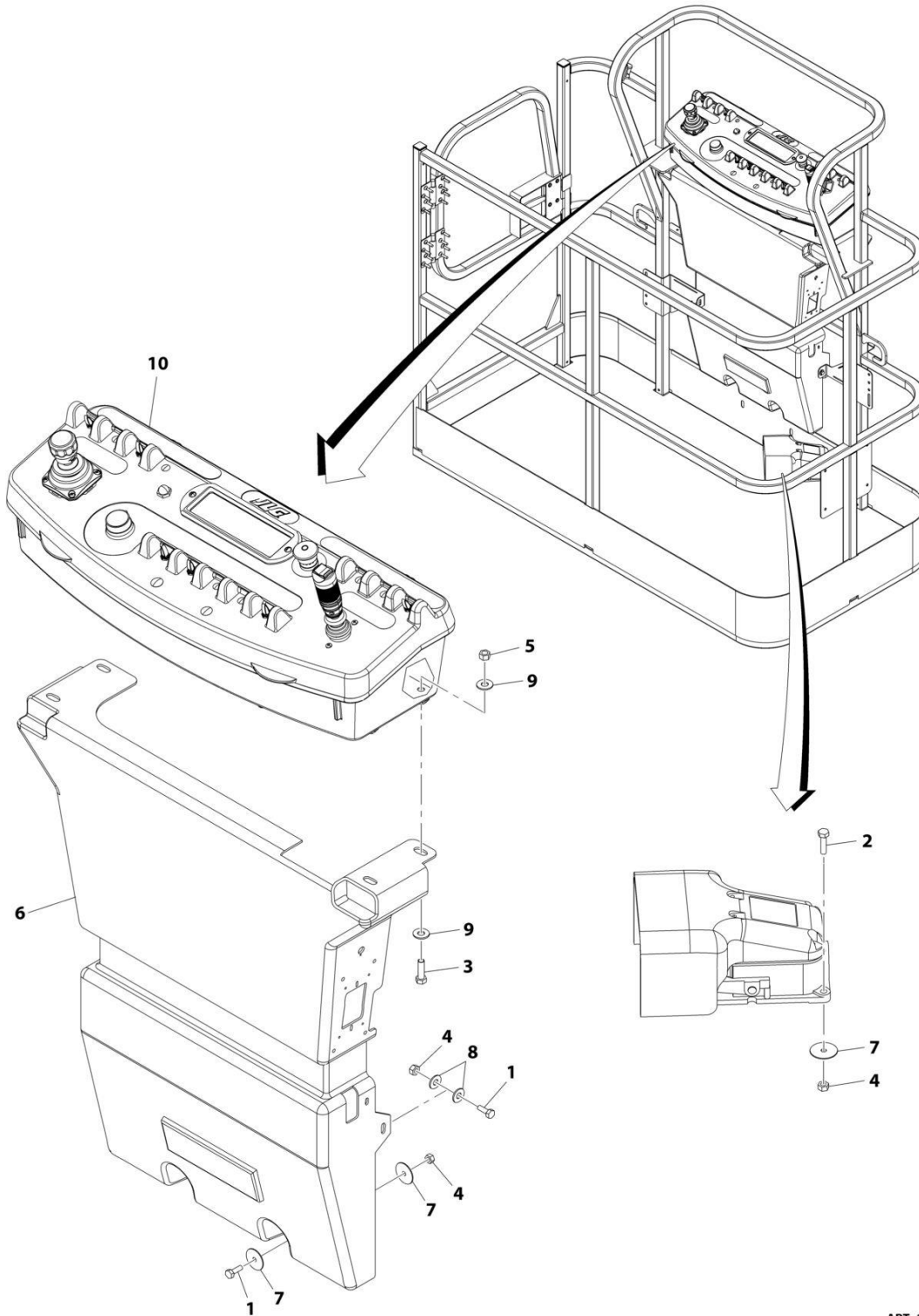
## SECTION 4 - PLATFORM

**FIGURE 4-7. PLATFORM CONSOLE AND FOOTSWITCH INSTALLATION - E400ANARROW - NON-UL LISTED (ALL SPEC EXCEPT AUSTRALIAN AND UL SPECS)**

ITEM	PART NUMBER	QTY	DESCRIPTION	REV
	1001249159	Ref	PLATFORM CONSOLE AND FOOTSWITCH INSTALLATION	A
1	0641406	4	Bolt 1/4 x 3/4	
2	0641408	3	Bolt 1/4 x 1	
3	0641610	4	Bolt 3/8 x 1	
4	3311405	7	Nut 1/4	
5	3311605	4	Nut 3/8	
6	3380434	1	Panel, Pedestal	
7	4740362	7	Washer 1/4	
8	4751400	4	Washer 1/4	
9	4751600	8	Washer 3/8	
10	1001249162	1	Platform Console Assembly (See Separate Breakdown in this Section)	

# SECTION 4 - PLATFORM

FIGURE 4-8. PLATFORM CONSOLE AND FOOTSWITCH INSTALLATION - E400ANARROW - UL LISTED (ALL SPECS EXCEPTED AUSTRALIAN, CE AND JAPANESE SPECS)



ART\_1001249153

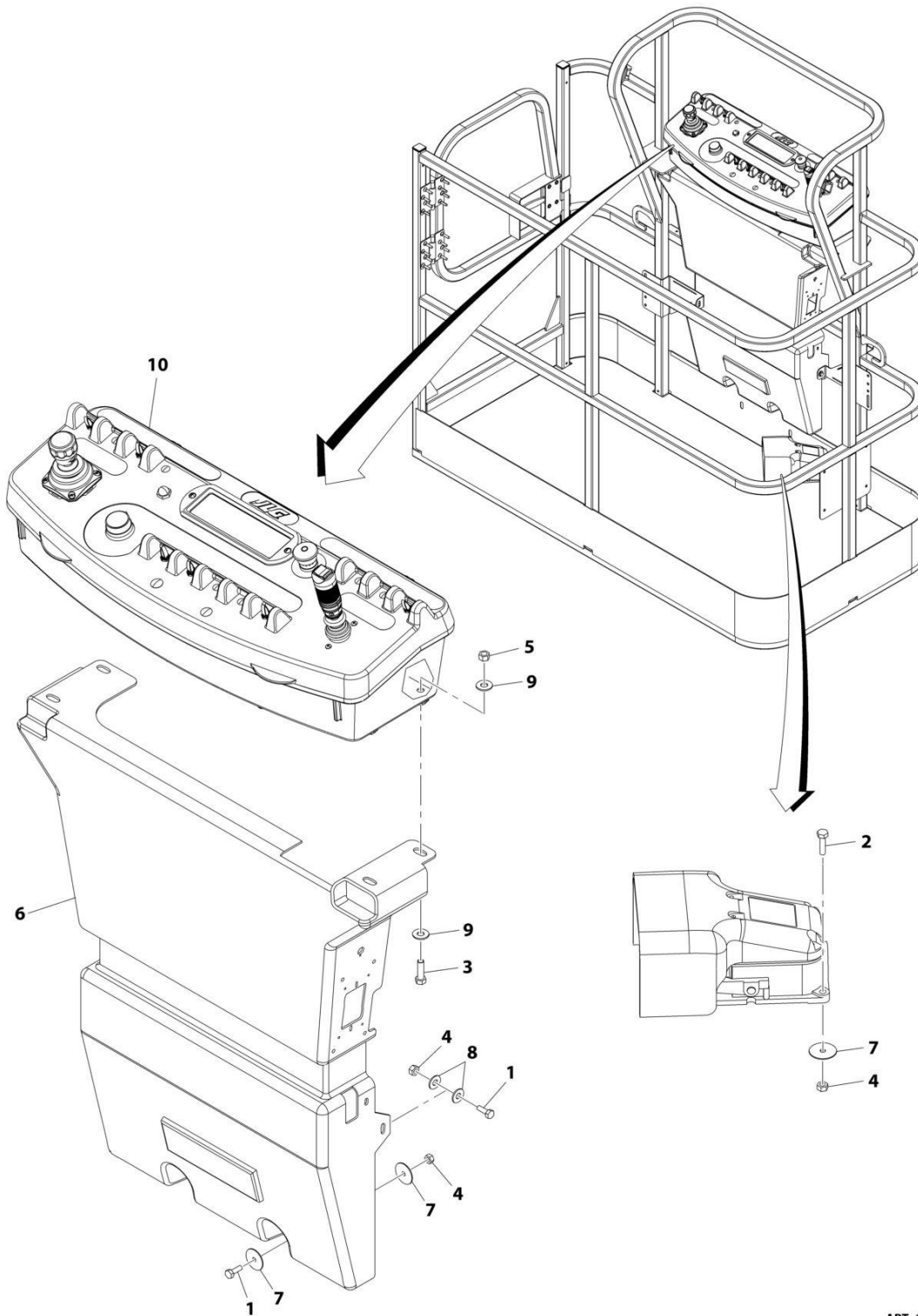
## SECTION 4 - PLATFORM

**FIGURE 4-8. PLATFORM CONSOLE AND FOOTSWITCH INSTALLATION - E400ANARROW - UL LISTED (ALL SPECS EXCEPTED AUSTRALIAN, CE AND JAPANESE SPECS)**

ITEM	PART NUMBER	QTY	DESCRIPTION	REV
	1001249153	Ref	PLATFORM CONSOLE AND FOOTSWITCH INSTALLATION	A
1	0641406	4	Bolt 1/4 X 3/4	
2	0641408	3	Bolt 1/4 X 1	
3	0641610	4	Bolt 3/8 X 1-1/4	
4	3311405	7	Nut 1/4	
5	3311605	4	Nut, 3/8	
6	3380434	1	Panel, Pedestal	
7	4740362	7	Washer 1/4	
8	4751400	4	Washer 1/4	
9	4751600	8	Washer 3/8	
10	1001249154	1	Platform Console Assembly (See Separate Breakdown in this Section)	

# SECTION 4 - PLATFORM

FIGURE 4-9. PLATFORM CONSOLE AND FOOTSWITCH INSTALLATION - E400AJPNARROW - NON-UL LISTED (ALL SPECS EXCEPT UL SPECS)



ART\_1001249157

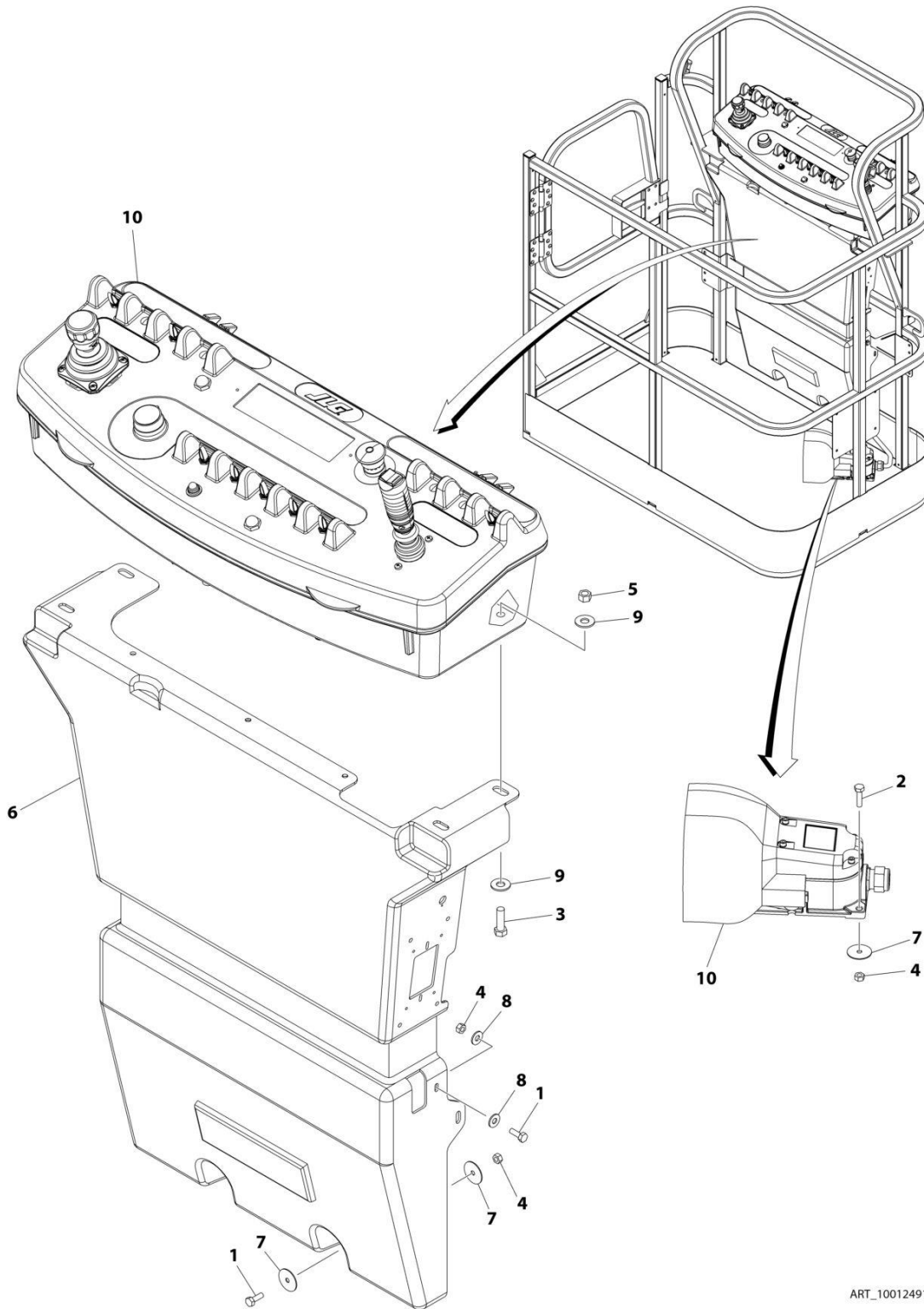
## SECTION 4 - PLATFORM

**FIGURE 4-9. PLATFORM CONSOLE AND FOOTSWITCH INSTALLATION - E400AJPNARROW - NON-UL LISTED (ALL SPECS EXCEPT UL SPECS)**

ITEM	PART NUMBER	QTY	DESCRIPTION	REV
	1001249157	Ref	PLATFORM CONSOLE AND FOOTSWITCH INSTALLATION	A
1	0641406	4	Bolt 1/4 X 3/4	
2	0641408	3	Bolt 1/4 X 1	
3	0641610	4	Bolt 3/8 X 1-1/4	
4	3311405	7	Nut 1/4	
5	3311605	4	Nut, 3/8	
6	3380434	1	Panel, Pedestal	
7	4740362	7	Washer 1/4	
8	4751400	4	Washer 1/4	
9	4751600	8	Washer 3/8	
10	1001249158	1	Platform Console Assembly (See Separate Breakdown in this Section)	

# SECTION 4 - PLATFORM

FIGURE 4-10. PLATFORM CONSOLE AND FOOTSWITCH INSTALLATION - E400AJPNARROW - UL LISTED (ALL SPECS EXCEPTED AUSTRALIAN, CE AND JAPANESE SPECS)



ART\_1001249155



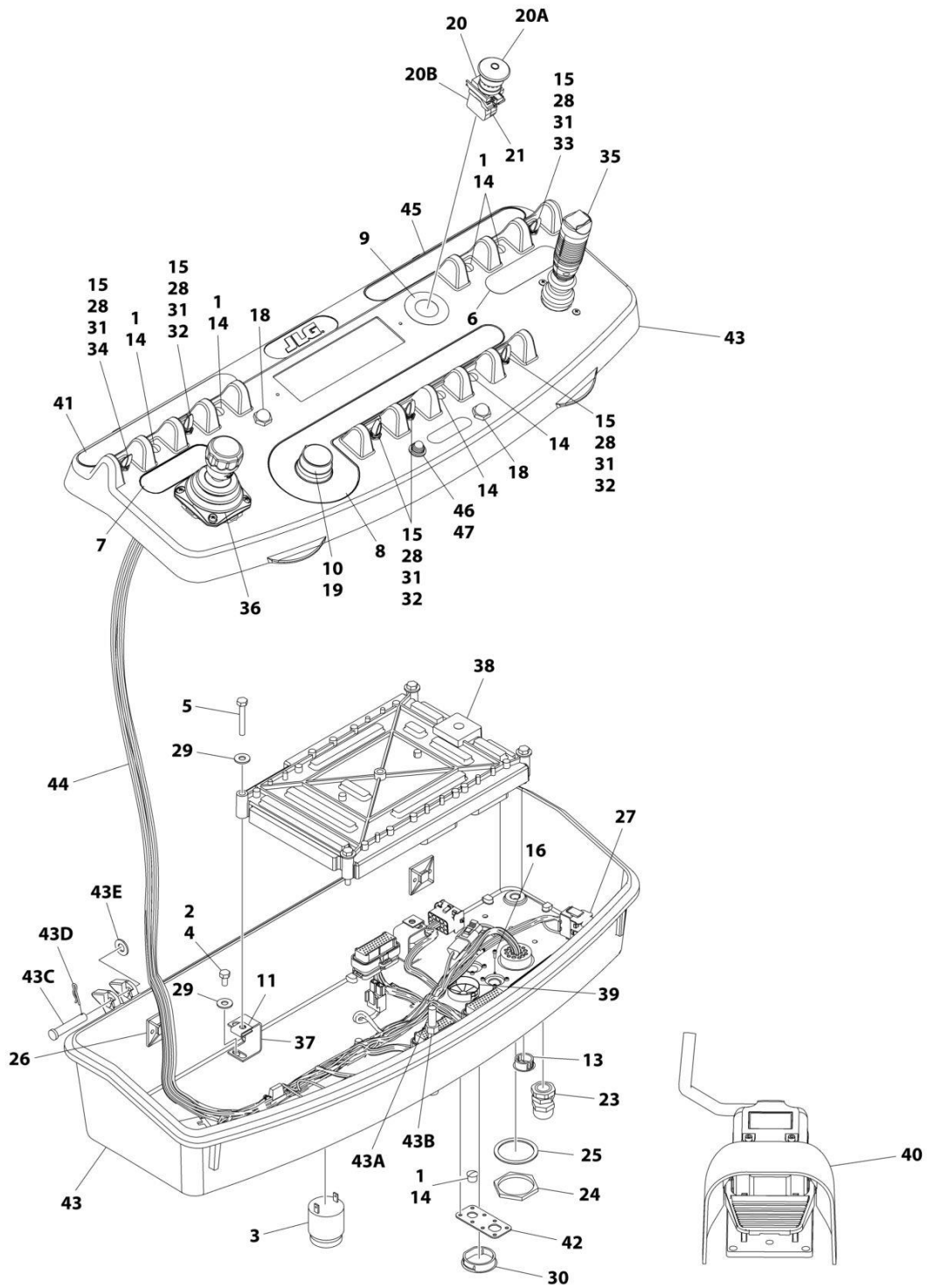
## SECTION 4 - PLATFORM

**FIGURE 4-10. PLATFORM CONSOLE AND FOOTSWITCH INSTALLATION - E400AJPNARROW - UL LISTED (ALL SPECS EXCEPTED AUSTRALIAN, CE AND JAPANESE SPECS)**

ITEM	PART NUMBER	QTY	DESCRIPTION	REV
	1001249155	Ref	PLATFORM CONSOLE AND FOOTSWITCH INSTALLATION	B
1	0641406	4	Bolt 1/4 X 3/4	
2	0641408	3	Bolt 1/4 X 1	
3	0641610	4	Bolt 3/8 X 1-1/4	
4	3311405	7	Nut 1/4	
5	3311605	4	Nut 3/8	
6	3380434	1	Panel, Pedestal	
7	4740362	7	Washer 1/4	
8	4751400	4	Washer 1/4	
9	4751600	8	Washer 3/8	
10	1001249154	1	Platform Console Assembly (See Separate Breakdown in this Section)	

# SECTION 4 - PLATFORM

FIGURE 4-11. PLATFORM CONSOLE ASSEMBLY - E400ANARROW - NON-UL LISTED (ALL SPECS EXCEPT AUSTRALIAN AND UL SPECS)



ART\_1001249162

## SECTION 4 - PLATFORM

**FIGURE 4-11. PLATFORM CONSOLE ASSEMBLY - E400ANARROW - NON-UL LISTED (ALL SPECS EXCEPT AUSTRALIAN AND UL SPECS)**

ITEM	PART NUMBER	QTY	DESCRIPTION	REV
	1001249162	Ref	PLATFORM CONSOLE ASSEMBLY	B
1	0100009	AR	Sealant	
2	0100035	AR	Compound, Locking	
3	0140011	1	Alarm	
4	0641404	4	Bolt 1/4 x 1/2	
5	0641414	4	Bolt 1/4 x 1-3/4	
6	1702565	1	Decal - Drive and Steer	
7	1702566	1	Decal - Lift and Swing	
8	1702567	1	Decal - Function Speed	
9	1704260	1	Decal - EMS	
10	2560136	1	Handle, Knob	
11	3300353	4	Nut, Tinnerman	
13	3520030	1	Plug, Hole	
14	3520054	7	Plug, Hole	
15	3790012	6	O-Ring	
16	3900349	8	Screw M2.5	
17	4240032	AR	Tie-Strap (Not Shown)	
18	4360387	2	Switch, Push Button	
19	4360407	1	Switch, Potentiometer	
20	4360475	1	Switch, Emergency Stop	
20A	7020175	1	Cap, Mushroom with Sealing Ring	
20B	7020176	1	Block, Contact	
21	4360476	1	Block, Contact	
22	4460234	4	Mount, Tie-Strap (Not Shown)	
23	4460428	1	Connector, Strain Relief	
24	4460470	1	Nut, Terminal	
25	4460471	1	Washer, Lock Terminal	
26	4460488	3	Base, Terminal Mounting	
27	4460708	1	Connector - 15 Position	
28	4740397	6	Spacer	
29	4751400	8	Washer 1/4	
30	1001110434	1	Plug, D-Shaped	
31	1001155044	6	Nut 15/32	
32	1001155045	4	Switch, Toggle	
33	1001159256	1	Switch, Toggle	
34	1001161710	1	Switch, Toggle	
35	1001166538	NLA	Controller Assembly - Drive and Steer (Use p/n 1001212415) (See Separate Breakdown in this Section)	
36	1001166539	NLA	Controller Assembly - Lift and Swing (Use p/n 1001129555) (See Separate Breakdown in this Section)	
37	1001172760	4	Bracket, Module	
38	1001182724	1	Module, PC (Note: Re-calibration Required when Replaced)	
39	1001185281	1	Plug, Bushing	
40	1001189039	1	Footswitch Assembly (See Separate Breakdown in this Section)	
41	1001193987	1	Decal - Horn and Drive Select	
42	1001213882	1	Mount, Connector	
43	1001215228	1	Console Box Assembly	
43A	0630568	1	Capscrew 3/8 x 4-1/2	
43B	3311601	1	Nut 3/8	

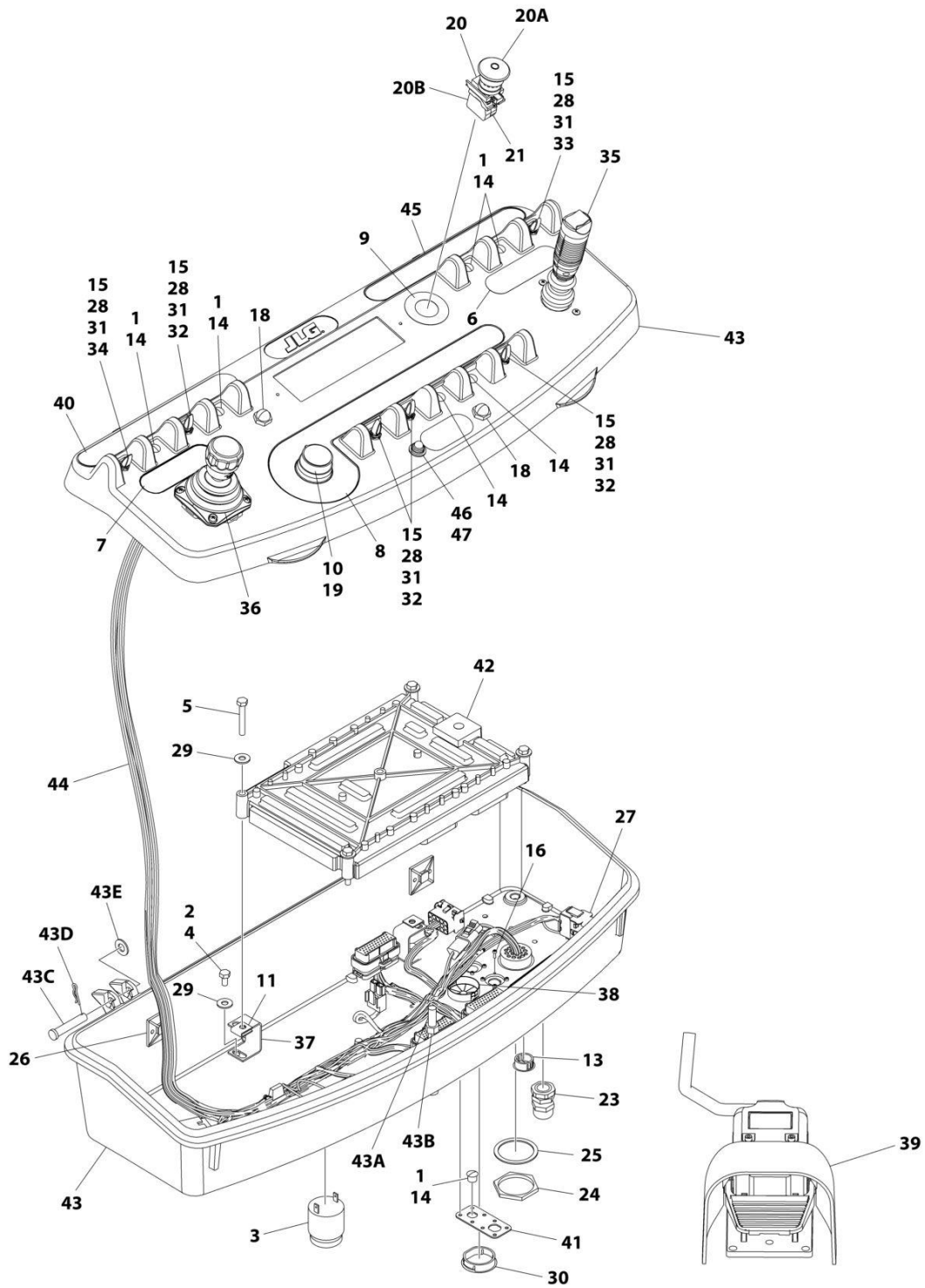
## SECTION 4 - PLATFORM

ITEM	PART NUMBER	QTY	DESCRIPTION	REV
43C	3430616	2	Pin, Clevis	
43D	3470003	2	Pin, Cotter	
43E	4711600	2	Washer 3/8	
44	1001245673	1	Platform Console Box Harness (See Separate Breakdown in ELECTRICAL SECTION)	
45	1001247538	1	Decal - Stop - Generator	
46	2920028	1	Light, Indicator	
47	2920029	1	Lamp, Bulb	



# SECTION 4 - PLATFORM

FIGURE 4-12. PLATFORM CONSOLE ASSEMBLY - E400ANARROW/E400AJPNARROW - UL LISTED  
(ALL SPECS EXCEPTED AUSTRALIAN, CE AND JAPANESE SPECS)



ART\_1001249154\_C

## SECTION 4 - PLATFORM

**FIGURE 4-12. PLATFORM CONSOLE ASSEMBLY - E400ANARROW/E400AJPNARROW - UL LISTED  
(ALL SPECS EXCEPTED AUSTRALIAN, CE AND JAPANESE SPECS)**

ITEM	PART NUMBER	QTY	DESCRIPTION	REV
	1001249154	Ref	PLATFORM CONSOLE ASSEMBLY	C
1	0100009	AR	Sealant	
2	0100035	AR	Compound, Locking	
3	0140011	1	Alarm	
4	0641404	4	Bolt 1/4 x 1/2	
5	0641414	4	Bolt 1/4 x 1-3/4	
6	1702565	1	Decal - Drive and Steer	
7	1702566	1	Decal - Lift and Swing	
8	1702567	1	Decal - Function Speed	
9	1704260	1	Decal - EMS	
10	2560136	1	Handle, Knob	
11	3300353	4	Nut	
13	3520030	1	Plug, Hole	
14	3520054	5	Plug, Hole	
15	3790012	8	O-Ring	
16	3900349	8	Screw M2.5	
17	4240032	AR	Tie-Strap (Not Shown)	
18	4360387	2	Switch, Push Button	
19	4360407	1	Switch, Potentiometer	
20	4360475	1	Switch, Emergency Stop	
20A	7020175	1	Cap, Mushroom with Sealing Ring	
20B	7020176	1	Block, Contact	
21	4360476	1	Block, Contact	
22	4460234	4	Mount, Tie-Strap (Not Shown)	
23	4460428	1	Connector, Strain Relief	
24	4460470	1	Nut	
25	4460471	1	Washer, Lock Terminal	
26	4460488	2	Base, Terminal Mounting	
27	4460708	1	Connector - 15 Position	
28	4740397	8	Spacer	
29	4751400	8	Washer 1/4	
30	1001110434	1	Plug, D-Shaped	
31	1001155044	8	Nut 15/32	
32	1001155045	6	Switch, Toggle	
33	1001159256	1	Switch, Toggle	
34	1001161710	1	Switch, Toggle	
35	1001166538	NLA	Controller Assembly - Drive and Steer (Use p/n 1001212415) (See Separate Breakdown in this Section)	
36	1001166539	NLA	Controller Assembly - Lift and Swing (Use p/n 1001129555) (See Separate Breakdown in this Section)	
37	1001172760	4	Bracket, Module	
38	1001185281	1	Plug, Bushing	
39	1001189039	1	Footswitch Assembly (See Separate Breakdown in this Section)	
40	1001193987	1	Decal - Horn and Drive Select	
41	1001213882	1	Mount, Connector	
42	1001215835	1	Module, PC (Note: Re-calibration Required when Replaced)	
43	1001215228	1	Console Box Assembly	
43A	0630568	1	Capscrew 3/8 x 4-1/2	
43B	3311601	1	Nut 3/8	

## SECTION 4 - PLATFORM

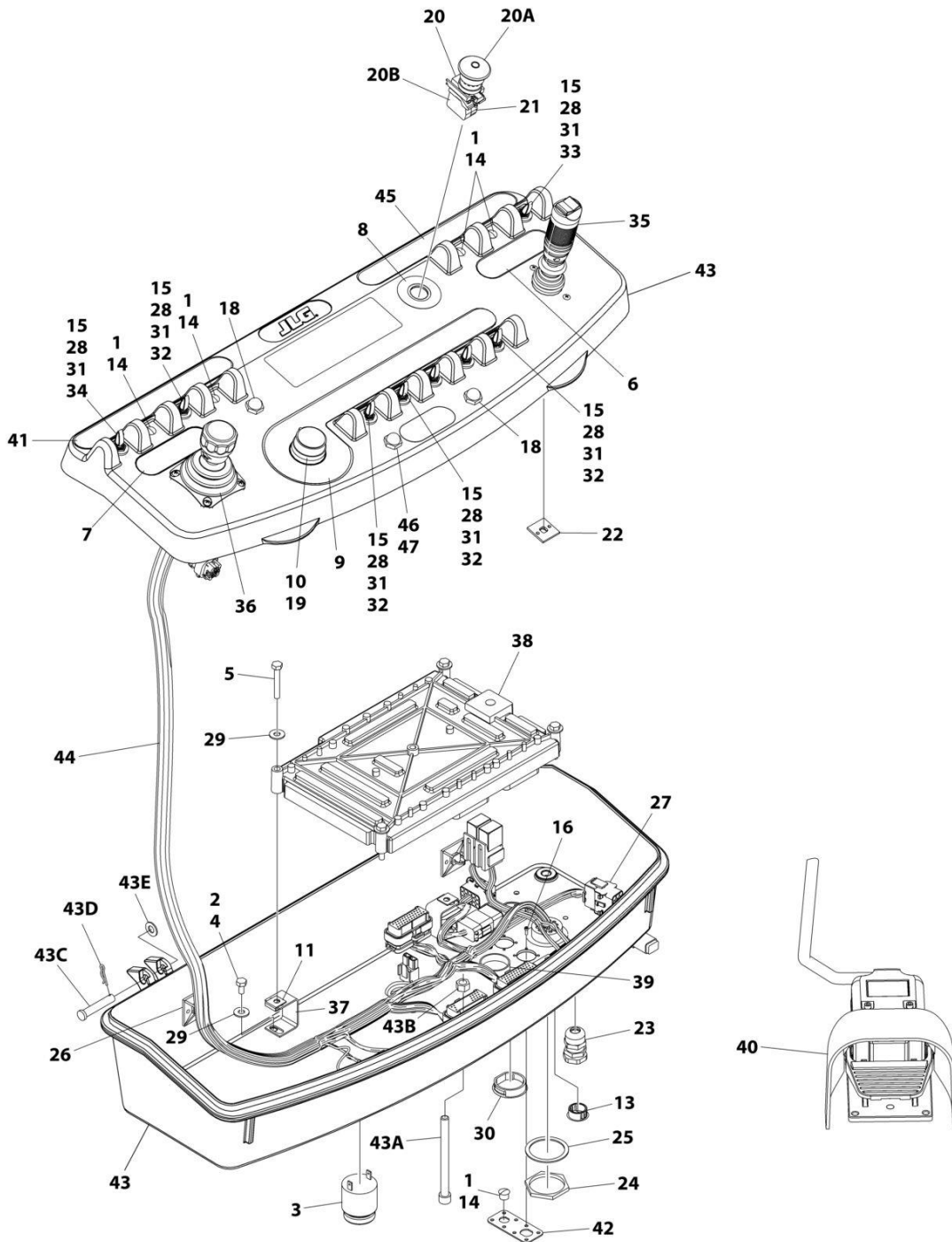
ITEM	PART NUMBER	QTY	DESCRIPTION	REV
43C	3430616	2	Pin, Clevis	
43D	3470003	2	Pin, Cotter	
43E	4711600	2	Washer 3/8	
44	1001272279	1	Harness, Platform Console Box (With 1 Cell LSS) (See Separate Breakdown in ELECTRICAL Section)	
45	1001247538	1	Decal - Stop - Generator	
46	2920028	1	Light, Indicator	
47	2920029	1	Lamp, Bulb	





# SECTION 4 - PLATFORM

## FIGURE 4-13. PLATFORM CONSOLE ASSEMBLY - E400AJPNARROW - NON-UL LISTED (ALL SPECS EXCEPT UL SPECS)



ART\_1001249158

## SECTION 4 - PLATFORM

**FIGURE 4-13. PLATFORM CONSOLE ASSEMBLY - E400AJPNARROW - NON-UL LISTED (ALL SPECS EXCEPT UL SPECS)**

ITEM	PART NUMBER	QTY	DESCRIPTION	REV
	1001249158	Ref	PLATFORM CONSOLE ASSEMBLY	B
1	0100009	AR	Sealant	
2	0100035	AR	Compound, Locking	
3	0140011	1	Alarm	
4	0641404	4	Bolt 1/4 x 1/2	
5	0641414	4	Bolt 1/4 x 1-3/4	
6	1702565	1	Decal - Drive and Steer	
7	1702566	1	Decal - Lift and Swing	
8	1704260	1	Decal - EMS	
9	1704422	1	Decal - Function Speed	
10	2560136	1	Handle, Knob	
11	3300353	4	Nut, Tinnerman	
13	3520030	1	Plug, Hole	
14	3520054	5	Plug, Hole	
15	3790012	8	O-Ring	
16	3900349	8	Screw M2.5	
17	4240032	AR	Tie-Strap (Not Shown)	
18	4360387	2	Switch, Push Button	
19	4360407	1	Switch, Potentiometer	
20	4360475	1	Switch, Emergency Stop	
20A	7020175	1	Cap, Mushroom with Sealing Ring	
20B	7020176	1	Block, Contact	
21	4360476	1	Block, Contact	
22	4460234	4	Mount, Tie-Strap (Not Shown)	
23	4460428	1	Connector, Strain Relief	
24	4460470	1	Nut, Terminal	
25	4460471	1	Washer, Lock Terminal	
26	4460488	2	Base, Terminal Mounting	
27	4460708	1	Connector - 15 Position	
28	4740397	8	Spacer	
29	4751400	8	Washer 1/4	
30	1001110434	1	Plug, D-Shaped	
31	1001155044	8	Nut 15/32	
32	1001155045	6	Switch, Toggle	
33	1001159256	1	Switch, Toggle	
34	1001161710	1	Switch, Toggle	
35	1001166538	NLA	Controller Assembly - Drive and Steer (Use p/n 1001212415) (See Separate Breakdown in this Section)	
36	1001166539	NLA	Controller Assembly - Lift and Swing (Use p/n 1001129555) (See Separate Breakdown in this Section)	
37	1001172760	4	Bracket, Module	
38	1001182724	1	Module, PC (Note: Re-calibration Required when Replaced)	
39	1001185281	1	Plug, Bushing	
40	1001189039	1	Footswitch Assembly (See Separate Breakdown in this Section)	
41	1001193987	1	Decal - Horn and Drive Select	
42	1001213882	1	Mount, Connector	
43	1001215228	1	Console Box Assembly	
43A	0630568	1	Capscrew 3/8 x 4-1/2	
43B	3311601	1	Nut 3/8	

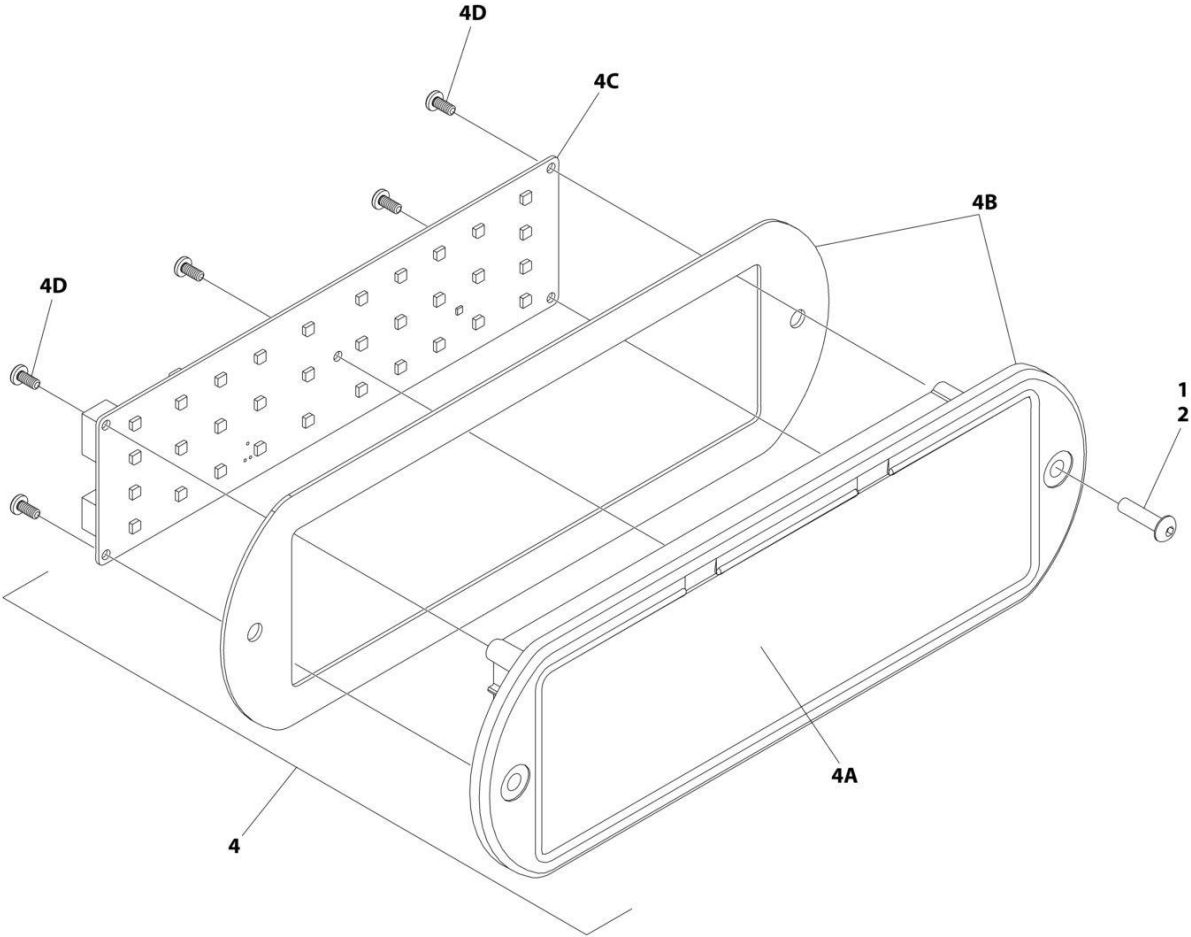
## SECTION 4 - PLATFORM

ITEM	PART NUMBER	QTY	DESCRIPTION	REV
43C	3430616	2	Pin, Clevis	
43D	3470003	2	Pin, Cotter	
43E	4711600	2	Washer 3/8	
44	1001245673	1	Harness, Platform Console Box (With 1 Cell LSS) (See Separate Breakdown in ELECTRICAL SECTION)	
45	1001247538	1	Decal - Stop - Generator	
46	2920028	1	Light, Indicator	
47	2920029	1	Lamp, Bulb	



**SECTION 4 - PLATFORM**

**FIGURE 4-14. LIGHT PANEL INSTALLATION**



ART\_1001245179

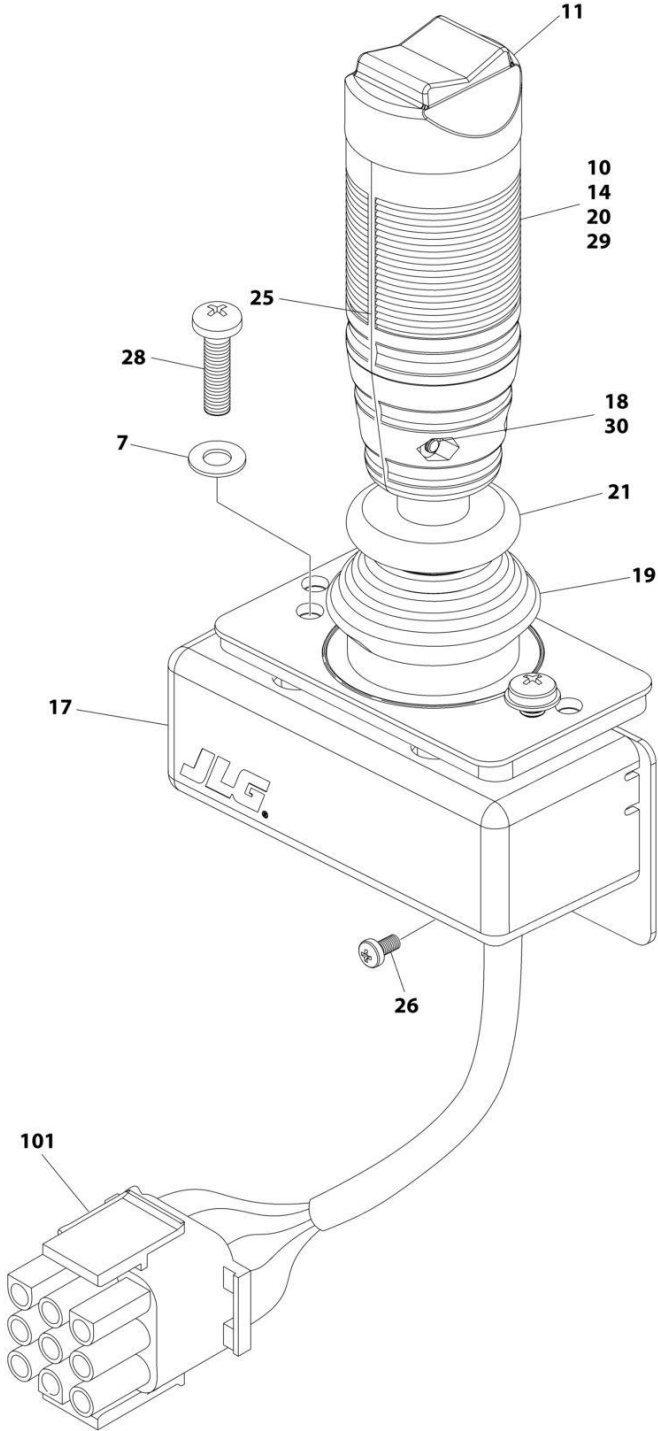
## SECTION 4 - PLATFORM

### FIGURE 4-14. LIGHT PANEL INSTALLATION

ITEM	PART NUMBER	QTY	DESCRIPTION	REV
	1001245179	Ref	LIGHT PANEL INSTALLATION	B
1	0100035	AR	Compound, Locking	
2	3911010	2	Screw #10 x 5/8	
4	1001245210	1	Light Panel Assembly	
4A	1001245164	1	Lens, I-Con	
4B	1001245173	1	Bezel (Includes Gasket)	
4C	1001238732	1	Panel, LED Light	
4D		Ref	Screw	

**SECTION 4 - PLATFORM**

**FIGURE 4-15. CONTROLLER ASSEMBLY - DRIVE AND STEER**



ART\_1001166538



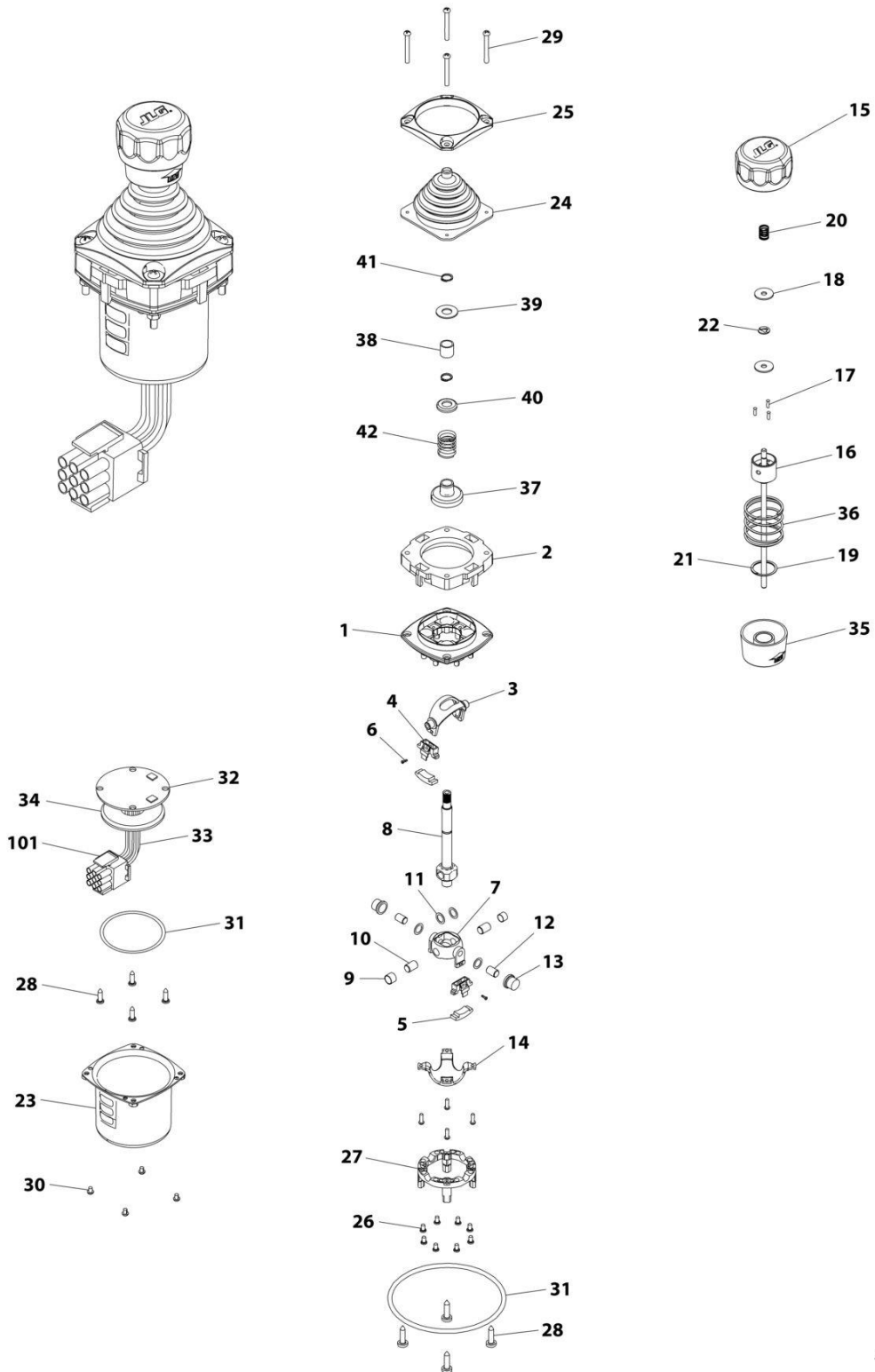
## SECTION 4 - PLATFORM

**FIGURE 4-15. CONTROLLER ASSEMBLY - DRIVE AND STEER**

ITEM	PART NUMBER	QTY	DESCRIPTION	REV
	1001166538	Ref	CONTROLLER ASSEMBLY - DRIVE AND STEER	G
		Ref	Note: For Replacement, Use p/n 1001212415.	
7	70004738	2	Washer	
10	70004739	1	Roller	
11	70004740	1	Boot, Switch	
14	70004741	2	Half, Handle	
17	70004742	1	Enclosure	
18	70004743	4	Nut	
19	70004744	NLA	Boot, Controller (Use p/n 70005230 Boot/Base Assembly)	
20	70004745	NLA	Tube, Locking (Use p/n 70005230 Boot/Base Assembly)	
21	70004746	NLA	Disc, Locking (Use p/n 70005230 Boot/Base Assembly)	
25	70004747	2	Seal, Rope	
26	70004748	1	Screw M3 x 6	
28	70004749	2	Screw M5 x 20	
29	70004750	1	Pin, Dowel	
30	70004751	4	Screw M3 x 16	
101	4460265	1	Connector - 9 Position	
101	4460226	7	Socket, Female	

# SECTION 4 - PLATFORM

## FIGURE 4-16. CONTROLLER ASSEMBLY - LIFT AND SWING



ART\_1001166539

## SECTION 4 - PLATFORM

**FIGURE 4-16. CONTROLLER ASSEMBLY - LIFT AND SWING**

ITEM	PART NUMBER	QTY	DESCRIPTION	REV
	1001166539	Ref	CONTROLLER ASSEMBLY	E
		Ref	Note: Original Equipment Controller May Have Been Replaced with Service Replacement Controller. Visually Identify Controller Before Ordering Parts.	
		Ref	Note: For Replacement, Use p/n 1001129555	
1	See Note	NSS	Main Cast Body (Note: Not Available - Purchase Complete Assembly)	
2	70004752	1	Adapter	
3	See Note	NSS	Pivot Arm, Plastic (Note: Not Available - Purchase Complete Assembly)	
4	See Note	NSS	Holder, Magnet (Note: Not Available - Purchase Complete Assembly)	
5	See Note	NSS	Arc, Magnet (Note: Not Available - Purchase Complete Assembly)	
6	See Note	NSS	Screw (Note: Not Available for Purchase)	
7	See Note	NSS	Pivot Arm, Cast (Note: Not Available - Purchase Complete Assembly)	
8	See Note	NSS	Shaft, Main (Note: Not Available - Purchase Complete Assembly)	
9	See Note	NSS	Bearing (Note: Not Available - Purchase Complete Assembly)	
10	See Note	NSS	Pin (Note: Not Available - Purchase Complete Assembly)	
11	See Note	NSS	Shim (Note: Not Available - Purchase Complete Assembly)	
12	See Note	NSS	Pin (Note: Not Available - Purchase Complete Assembly)	
13	See Note	NSS	Bearing (Note: Not Available - Purchase Complete Assembly)	
14	See Note	NSS	Dome, Centering (Note: Not Available - Purchase Complete Assembly)	
15	70004753	1	Cap	
16	70004754	1	Insert, Cap	
17	70004755	3	Pin	
18	70004756	2	Washer	
19	70004757	1	Pin, Centering	
20	70004758	1	Spring	
21	70004759	1	Ring, Retaining	
22	70004760	1	E-Ring	
23	70004761	1	Can, Enclosure	
24	70004762	1	Boot	
25	70004763	1	Bezel	
26	See Note	NSS	Screw (Note: Not Available for Purchase)	
27	See Note	NSS	Base Mounting (Note: Not Available - Purchase Complete Assembly)	
28	See Note	NSS	Screw (Note: Not Available for Purchase)	
29	70004764	4	Screw	
30	70004765	4	Screw	
31	70004766	1	O-Ring	
32	See Note	NSS	Plate (Note: Not Available - Purchase Complete Assembly)	
33	See Note	NSS	Harness (Note: Not Available - Purchase Complete Assembly)	
34	70004767	1	Grommet, Rubber	
35	70004768	1	Housing	
36	70004769	1	Spring	
37	70004770	1	Stopper	
38	70004771	1	Spacer	
39	70004772	1	Washer	
40	70004773	1	Disc	

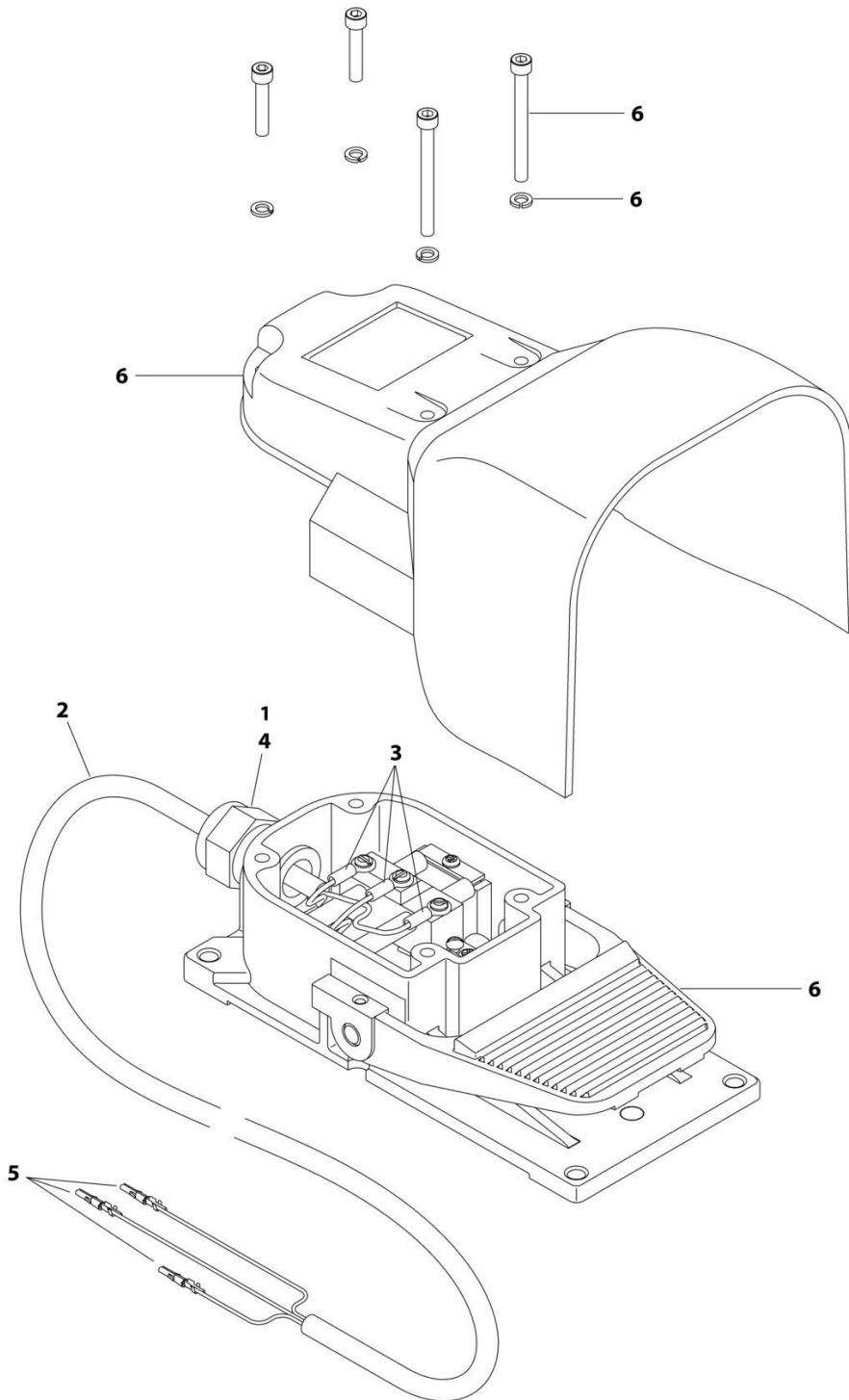
## SECTION 4 - PLATFORM

ITEM	PART NUMBER	QTY	DESCRIPTION	REV
41	70004774	2	Ring, Retaining	
42	70004775	1	Spring	
101	4460265	1	Connector - 9 Position	
101	4460226	6	Socket, Female	



# SECTION 4 - PLATFORM

## FIGURE 4-17. FOOTSWITCH ASSEMBLY



ART\_1001189039

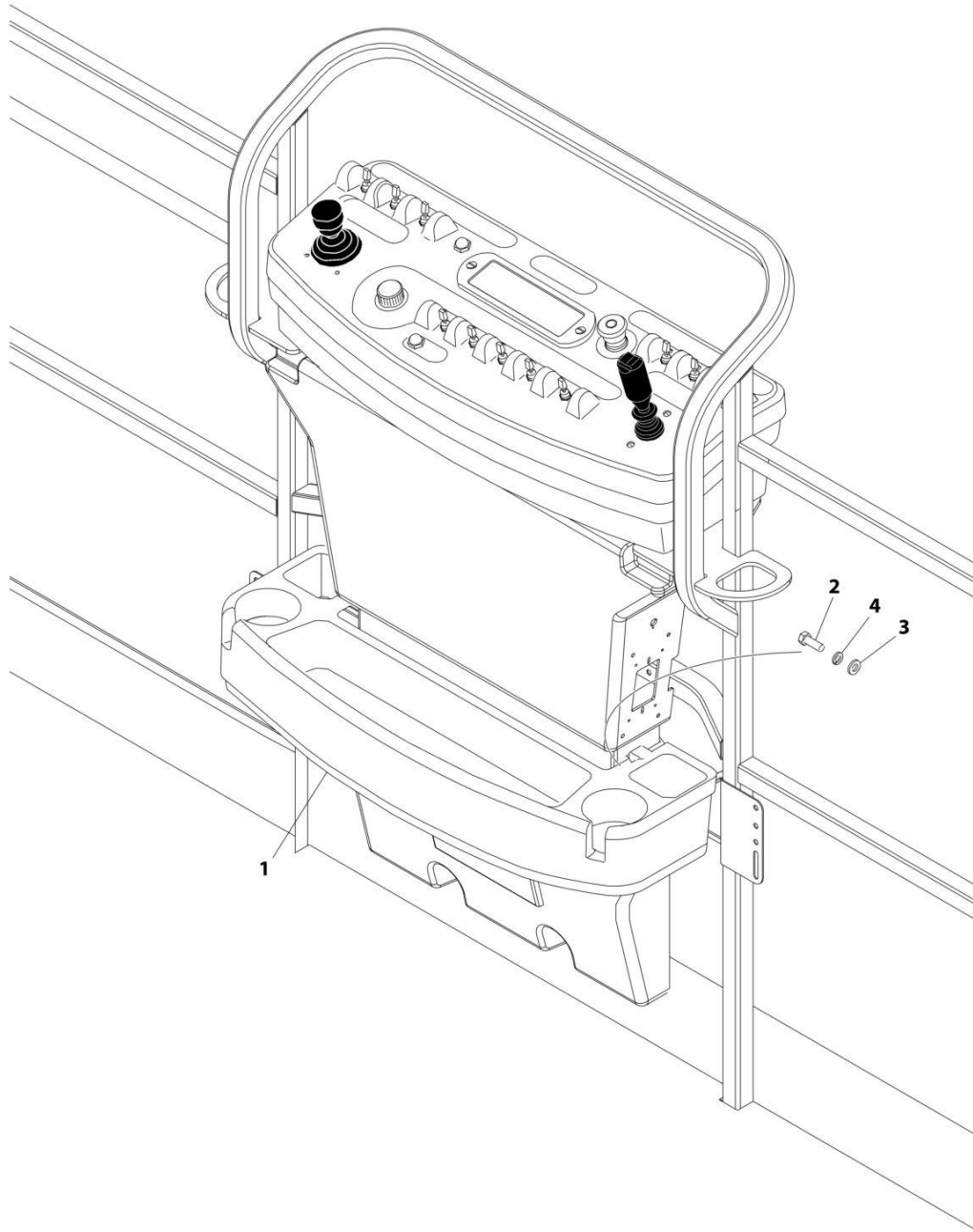
## SECTION 4 - PLATFORM

**FIGURE 4-17. FOOTSWITCH ASSEMBLY**

ITEM	PART NUMBER	QTY	DESCRIPTION	REV
	1001189039	Ref	FOOTSWITCH ASSEMBLY	A
1	0100020	AR	Sealant	
2	1060330	6 ft /1.8m	Cable, Electrical - 16/3	
3	4460042	3	Terminal	
4	4460071	1	Connector, Strain Relief	
5	4460226	3	Socket, Female	
6	1001117172	1	Footswitch	
6	70002902	1	Switch, 20Amp	
6	70002903	1	Gasket	
6	70002905	1	Cover	
6	70002904	1	Kit, Replacement Bolt	

# SECTION 4 - PLATFORM

## FIGURE 4-18. TRAY ASSEMBLY



ART\_1580012



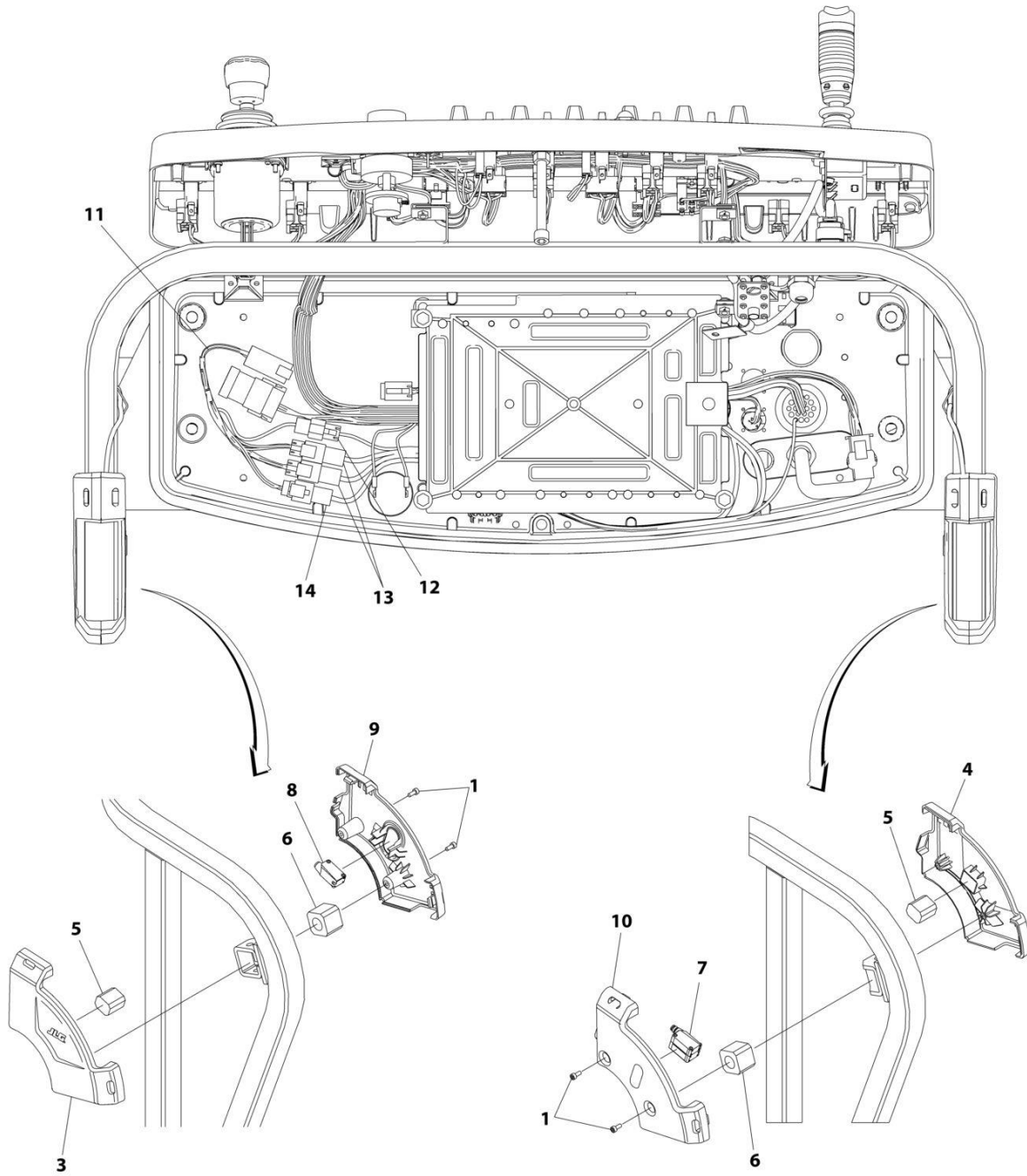
## SECTION 4 - PLATFORM

### FIGURE 4-18. TRAY ASSEMBLY

ITEM	PART NUMBER	QTY	DESCRIPTION	REV
	1580012	Ref	TRAY ASSEMBLY	C
1	See Note	NSS	Tray, Storage (Center) (Note: Purchase p/n 1580012)	
2	0641406	2	Bolt 1/4 x 3/4	
3	4751400	2	Washer 1/4	
4	4761400	2	Washer 1/4	

# SECTION 4 - PLATFORM

## FIGURE 4-19. SKYEYE INSTALLATION



ART\_1001229341

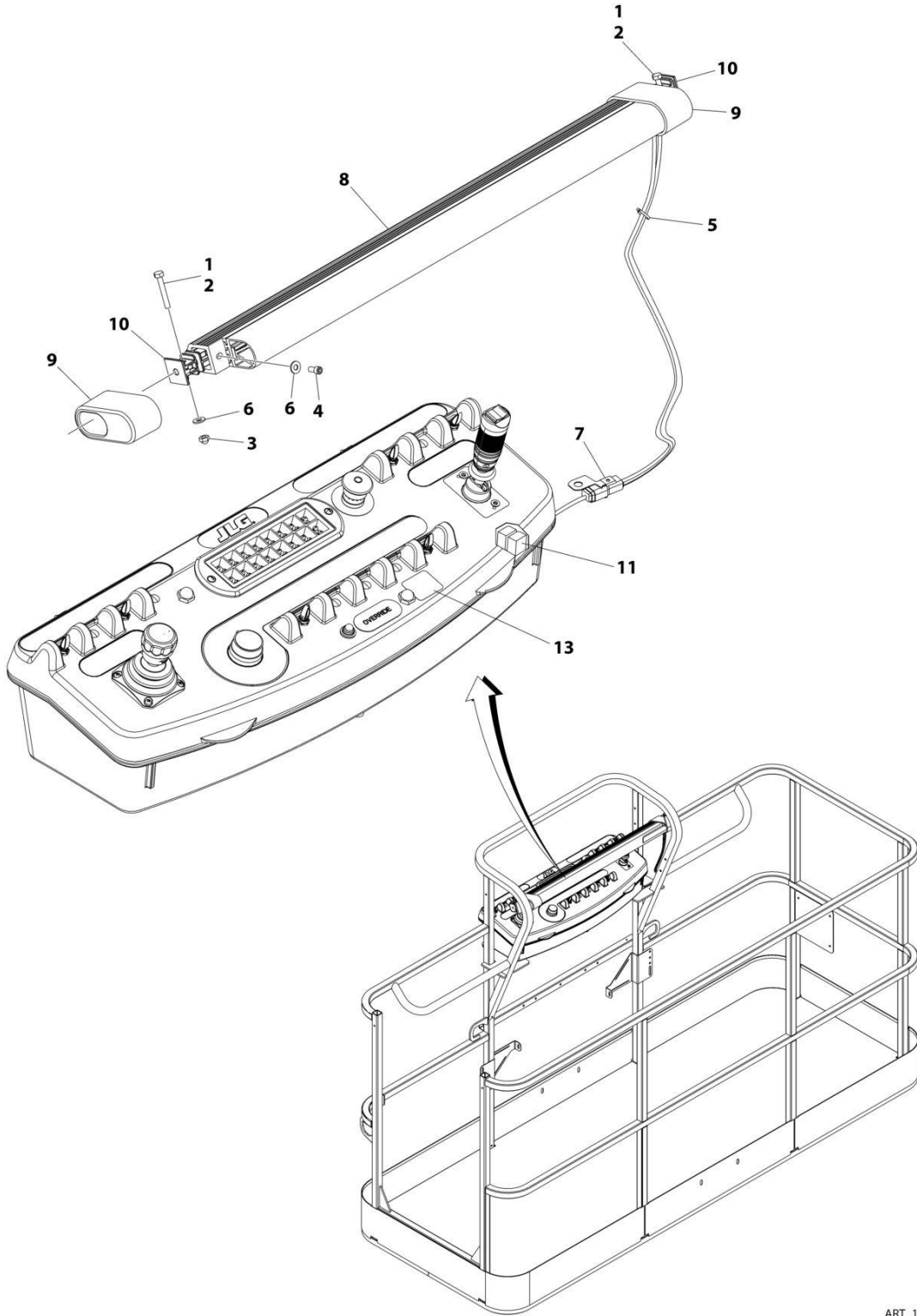
## SECTION 4 - PLATFORM

**FIGURE 4-19. SKYEYE INSTALLATION**

ITEM	PART NUMBER	QTY	DESCRIPTION	REV
	1001229341	Ref	SKYEYE INSTALLATION	B
1	4031505	4	Bolt M4 x 10	
2	4240033	AR	Tie-Strap (Not Shown)	
3	1001227633	1	Housing, LH Outer	
4	1001227634	1	Housing, RH Outer	
5	1001227985	2	Shim	
6	1001227987	2	Shim	
7	1001228224	2	Sensor, Receiver	
8	1001228225	1	Sensor, Emitter	
9	1001232164	1	Housing, LH Inner	
10	1001232165	1	Housing, RH Inner	
11	1001237865	1	Harness, Skyeeye Intermediate (See Separate Breakdown in ELECTRICAL Section)	
12	1001238319	NLA	Harness, Skyeeye Drain Jumper	
12	1001187674	1	Plug, Male - 2 Position	
12	4460942	1	Terminal	
12	4460466	1	Plug, Terminal	
12	4460508	1	Pin, Male	
13	1001237863	2	Harness, Skyeeye Receiver (See Separate Breakdown in ELECTRICAL Section)	
14	1001237864	1	Harness, Skyeeye Emitter (See Separate Breakdown in ELECTRICAL Section)	

# SECTION 4 - PLATFORM

## FIGURE 4-20. SKYGUARD BAR INSTALLATION



ART\_1001238495

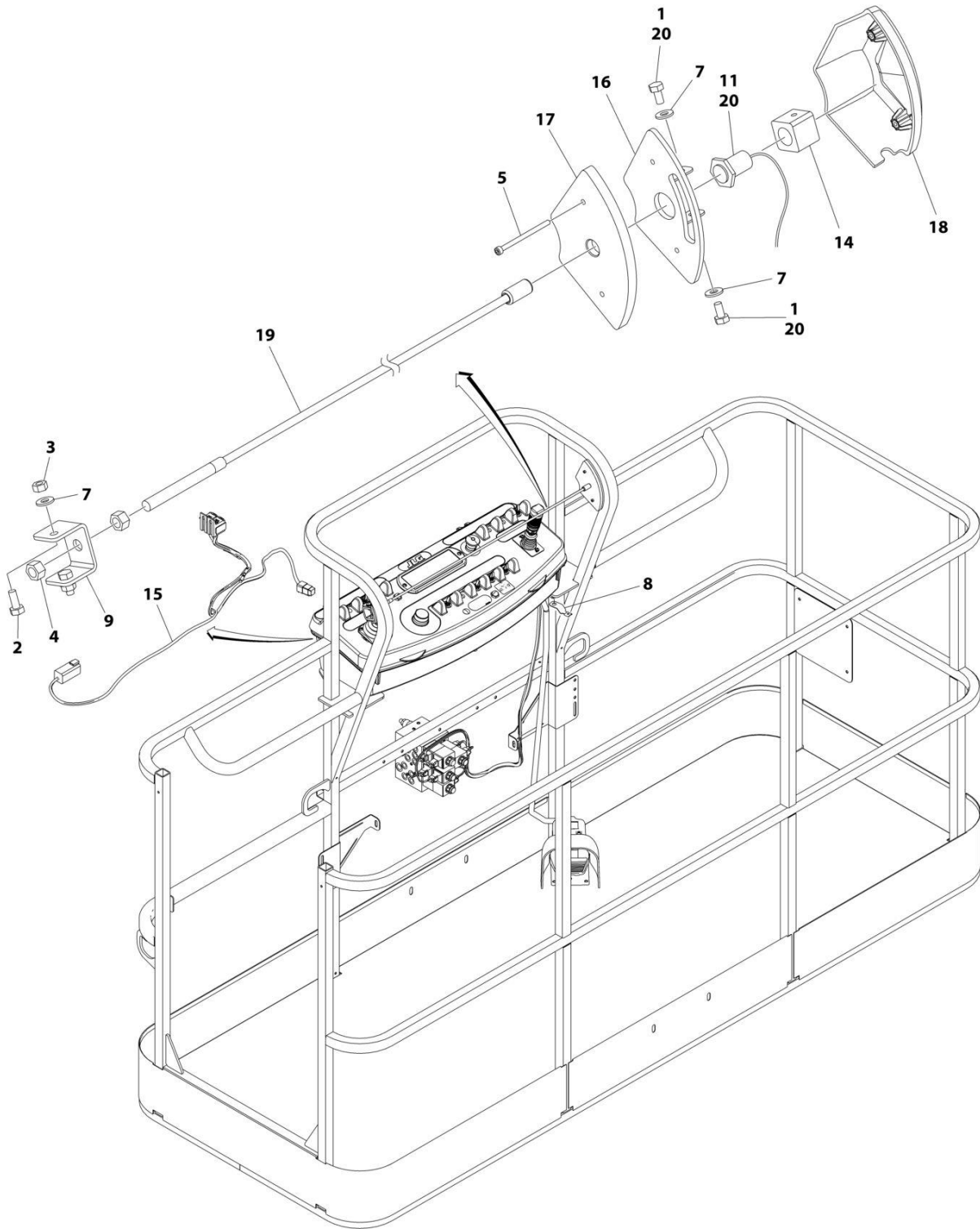
## SECTION 4 - PLATFORM

**FIGURE 4-20. SKYGUARD BAR INSTALLATION**

ITEM	PART NUMBER	QTY	DESCRIPTION	REV
	1001238495	Ref	SKYGUARD BAR INSTALLATION	A
1	0100011	AR	Compound, Locking	
2	0641414	2	Bolt 1/4 x 1-3/4	
3	3300430	2	Nut 1/4	
4	3931408	2	Capscrew 1/4 x 1/2	
5	4240033	8	Tie-Strap	
6	4711400	6	Washer 1/4	
7	1001120328	1	Mount	
8	1001137673	1	SkyGuard Switch Assembly	
9	1001186517	2	Cover, Platform Sensor	
10	1001209664	2	Support, Block	
11	1001186431	2	Relay	
12	1001225580	1	Interface Harness Assembly (Not Shown - Located Inside Console Box) (See Separate Breakdown in ELECTRICAL Section)	
13	1001144433	1	Decal - No Weight SkyGuard	

# SECTION 4 - PLATFORM

## FIGURE 4-21. SKYLINE INSTALLATION



ART\_1001238559\_D

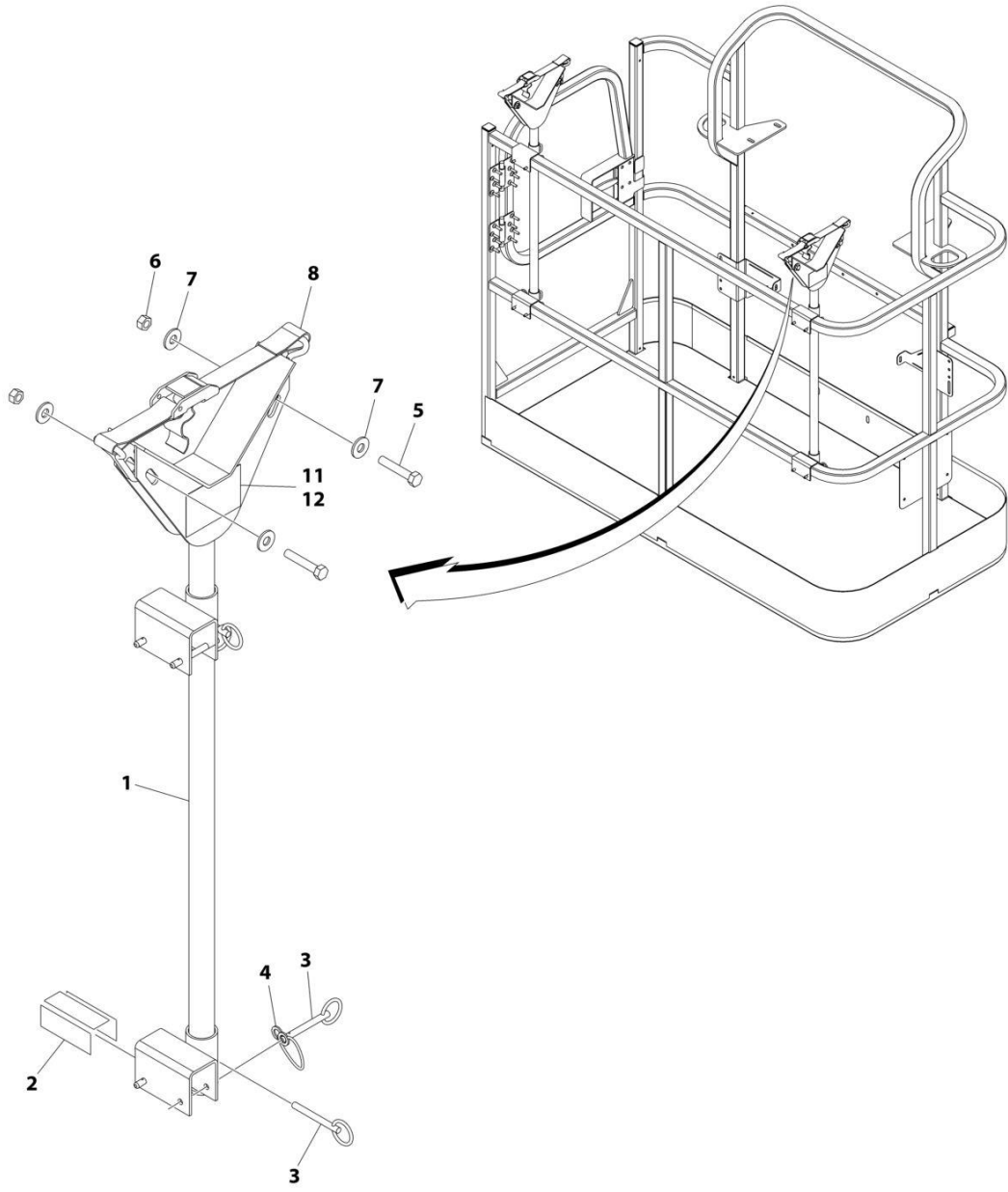
## SECTION 4 - PLATFORM

**FIGURE 4-21. SKYLINE INSTALLATION**

ITEM	PART NUMBER	QTY	DESCRIPTION	REV
	1001238559	Ref	SKYLINE INSTALLATION	D
1	0641404	2	Bolt 1/4 x 1/2	
2	0641405	2	Bolt 1/4 x 5/8	
3	3311405	2	Nut 1/4	
4	3311601	2	Nut 3/8	
5	4031516	2	Capscrew M4 x 60	
6	4240033	AR	Tie-Strap (Not Shown)	
7	4711400	4	Washer 1/4	
8	1001120328	1	Mount	
9	1001232642	1	Bracket	
11	1001232667	1	Sensor, Proximity	
14	1001236552	1	Block	
15	1001238418	1	Harness, Skyline (See Separate Breakdown in ELECTRICAL Section)	
16	1001238472	1	Mount	
17	1001254473	1	Housing, LH	
18	1001241965	1	Housing, RH	
19	1001254472	1	Rod	
20	0100011	AR	Compound, Locking	

# SECTION 4 - PLATFORM

## FIGURE 4-22. PIPE RACK INSTALLATION



ART\_0257728\_E



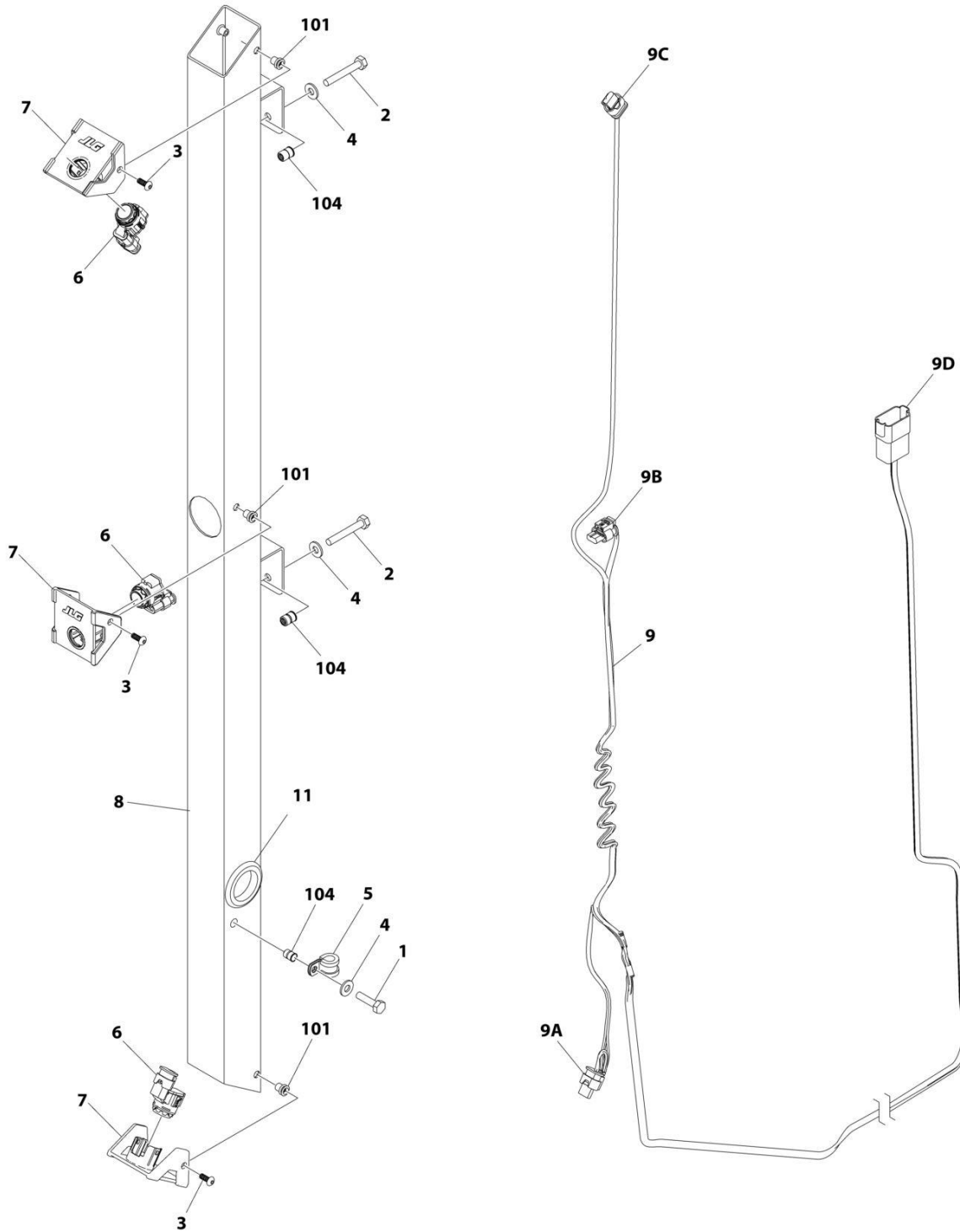
## SECTION 4 - PLATFORM

### FIGURE 4-22. PIPE RACK INSTALLATION

ITEM	PART NUMBER	QTY	DESCRIPTION	REV
	0257728	Ref	PIPE RACK INSTALLATION	E
1	4845582	2	Rack, Pipe	
2	4420062	AR	Tape	
3	3422661	10	Pin	
4	1060379	4	Lanyard	
5	0641514	4	Bolt 5/16 x 1-3/4	
6	3311505	4	Nut 5/16	
7	4751500	8	Washer 5/16	
8	0480100	2	Tie-Down	
11	1001252946	2	Decal - Capacity (500-600LBS/2227-272KG Zones)	
12	1001252947	2	Decal - Capacity (660-1000LBS/299-454KG Zones)	

# SECTION 4 - PLATFORM

## FIGURE 4-23. SKYSENSE MID TUBE SENSOR ASSEMBLY



ART\_1001243205

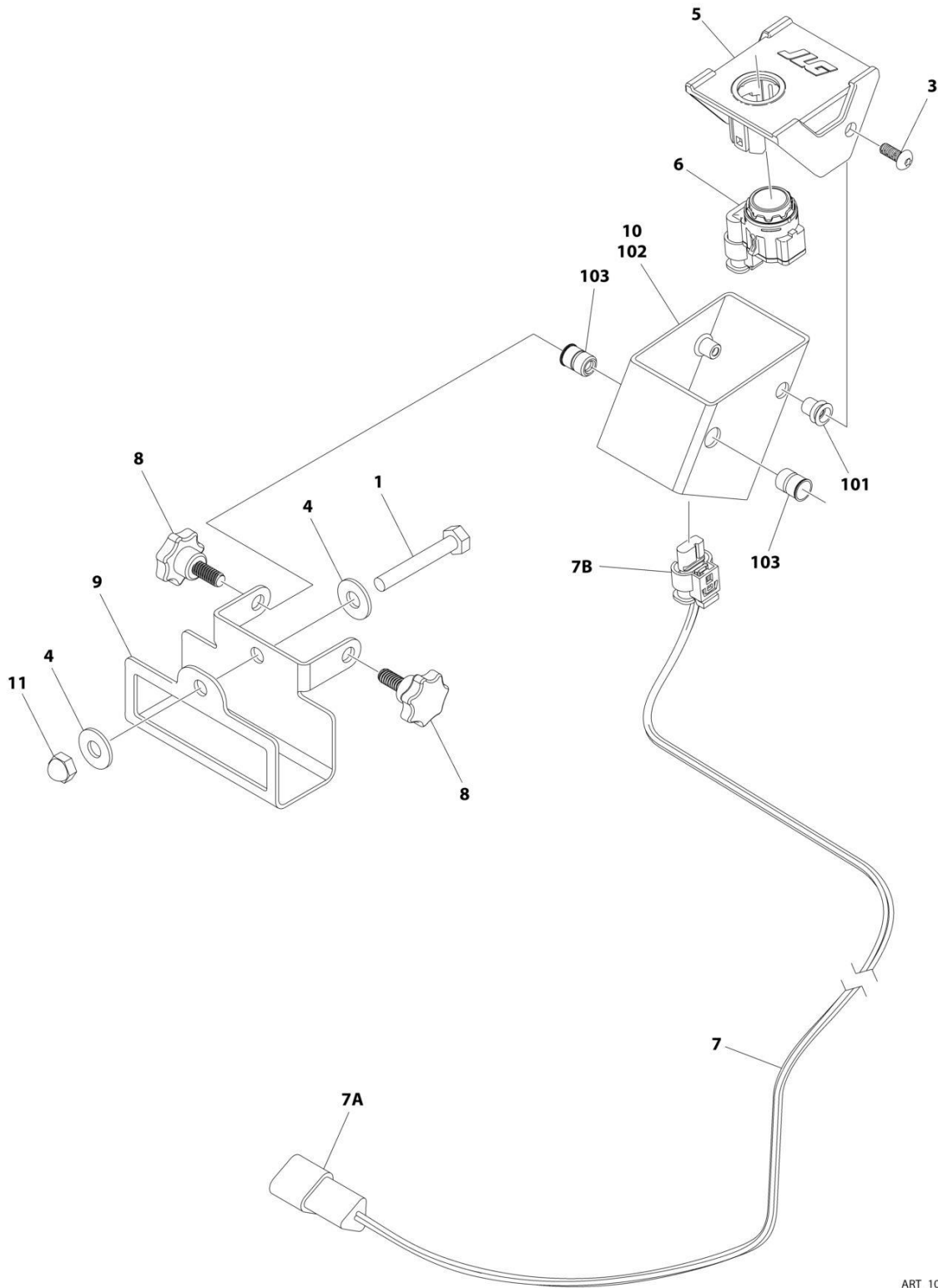
## SECTION 4 - PLATFORM

**FIGURE 4-23. SKYSENSE MID TUBE SENSOR ASSEMBLY**

ITEM	PART NUMBER	QTY	DESCRIPTION	REV
	1001243205	Ref	SKYSENSE MID TUBE SENSOR ASSEMBLY	C
1	0641408	1	Bolt 1/4 x 1	
2	0641414	2	Bolt 1/4 x 1-3/4	
3	1001260525	6	Screw #10 x 1/2	
4	4711400	3	Washer 1/4	
5	1001260524	1	Clamp	
6	1001237902	3	Sensor, SkySense	
7	1001241162	3	Mount, Sensor	
8	1001243092	1	Tube Assembly (Includes items 101 through 104)	C
9	1001244336	1	Harness, SkySense Mid Tube	D
9A	1001237898	1	Connector	
9A	1001237888	3	Terminal	
9B	1001237898	1	Connector	
9B	1001237888	3	Terminal	
9C	1001237898	1	Connector	
9C	1001237888	3	Terminal	
9D	4460931	1	Connector	
9D	4460943	7	Pin	
9D	4460466	1	Plug	
10	1001246389	1	Decal (Not Shown)	
11	1001247252	1	Grommet	
101	2080069	6	Fastener	
104	1001258730	3	Rivnut	

# SECTION 4 - PLATFORM

## FIGURE 4-24. SKYSENSE OVERHEAD SENSOR ASSEMBLY



ART\_1001244733

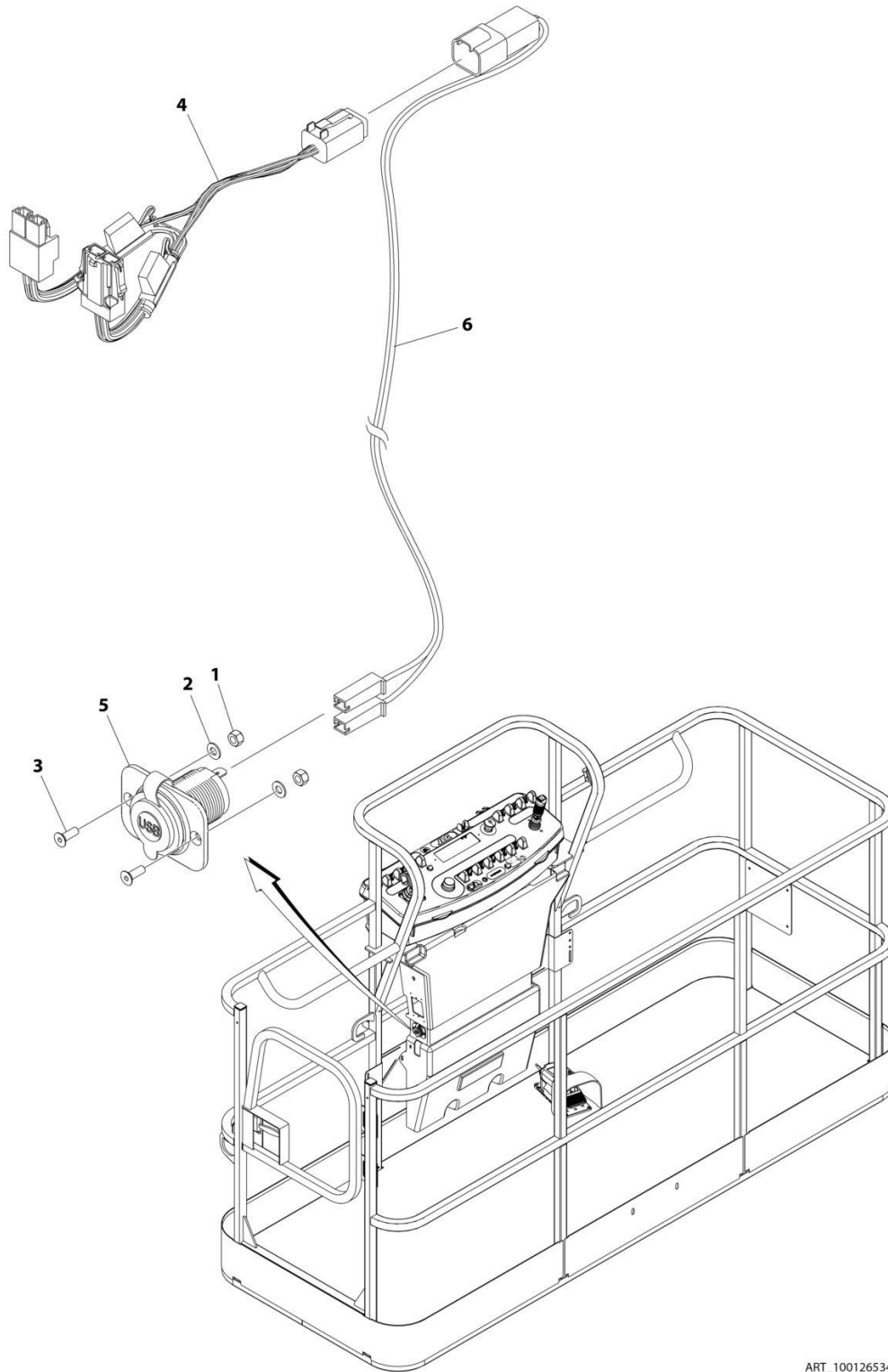
## SECTION 4 - PLATFORM

**FIGURE 4-24. SKYSENSE OVERHEAD SENSOR ASSEMBLY**

ITEM	PART NUMBER	QTY	DESCRIPTION	REV
	1001244733	Ref	SKYSENSE OVERHEAD SENSOR ASSEMBLY	D
1	0641414	1	Bolt 1/4 x 1-3/4	
3	1001260525	2	Screw #10 x 1/2	
4	4751400	2	Washer 1/4	
5	1001237891	1	Mount, Sensor	
6	1001237902	1	Sensor, SkySense	
7	1001244335	1	Harness, SkySense Overhead	D
7A	4460536	1	Connector	
7A	4460943	3	Pin	
7B	1001237898	1	Connector	
7B	1001237888	1	Terminal	
8	1001244671	2	Knob	
9	1001244709	1	Bracket, Mounting	
10	1001244732	1	Housing Assembly (Includes items 101 through 103)	B
11	3300430	1	Nut	
101	2080069	2	Fastener	
102	1001244710	1	Housing, Sensor	
103	1001258730	2	Rivnut	

# SECTION 4 - PLATFORM

## FIGURE 4-25. USB CHARGER INSTALLATION



ART\_1001265342

## SECTION 4 - PLATFORM

**FIGURE 4-25. USB CHARGER INSTALLATION**

ITEM	PART NUMBER	QTY	DESCRIPTION	REV
	1001265342	Ref	USB CHARGER INSTALLATION	A
1	3290405	2	Nut M4	
2	4811400	2	Washer M4	
3	1001097244	2	Screw M4 x 12	
4	1001120484	1	Harness, Work Lights	
4	4460879	1	Plug, Male - 2 Position	
4	4460887	2	Terminal	
4	2400060	2	Fuseholder Includes Cover	
4	8229249	2	Fuse, 3 Amp	
4	4460884	1	Connector - 4 Position	
4	4460465	4	Socket, Female	
4	1001120471	1	Connector - 2 Position	
4	1001120477	2	Terminal	
5	1001210636	1	Receptacle, USB	
6	1001265163	1	Harness, USB	A
6	4460260	2	Cover, Terminal	
6	4460259	2	Terminal	
6	4460932	1	Receptacle, Bussbar - 4 Position	
6	4460464	2	Pin, Male	
6	4460466	2	Plug, Terminal	

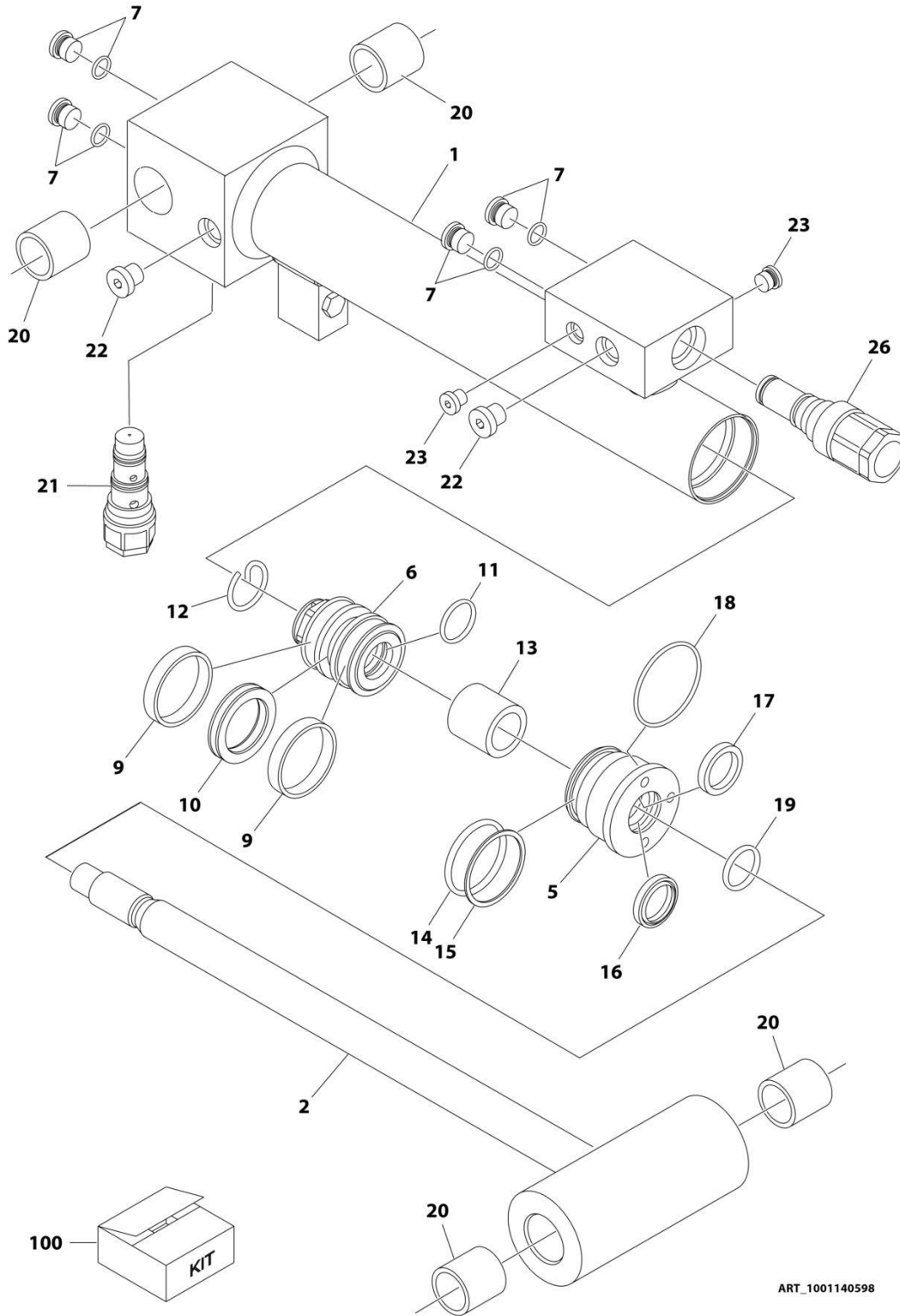




**SECTION 5 - CYLINDER**

# SECTION 5 - CYLINDER

## FIGURE 5-1. LEVEL (PLATFORM SLAVE) CYLINDER ASSEMBLY - E400ANARROW



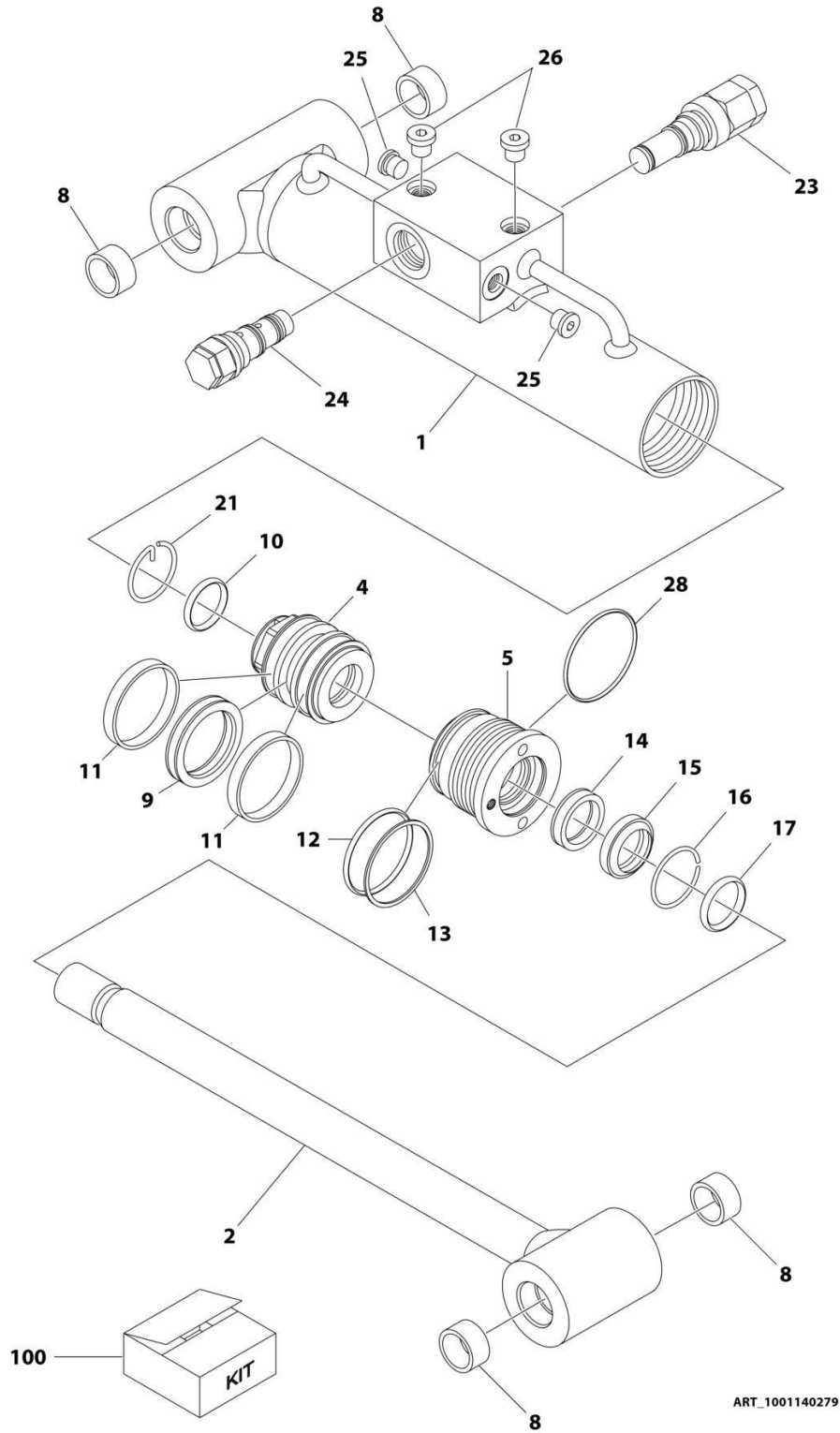
## SECTION 5 - CYLINDER

**FIGURE 5-1. LEVEL (PLATFORM SLAVE) CYLINDER ASSEMBLY - E400ANARROW**

ITEM	PART NUMBER	QTY	DESCRIPTION	REV
	1001140598	Ref	LEVEL (PLATFORM SLAVE) CYLINDER ASSEMBLY	B
		Ref	Note: Original Cylinder May Have Been Replaced with Service Replacement. Identify PN Stamped on Cylinder Before Ordering Parts.	
1	70004146	1	Barrel	
2	70004147	1	Rod	
5	70000739	1	Head	
6	70004141	1	Piston	
7	See Note	4	Plug (Note: Not Available for Purchase)	
9	See Note	NSS	Ring, Wear (Note: Use p/n 70004131)	
10	See Note	NSS	Seal, Piston (Note: Use p/n 70004131)	
11	70023094	NSS	O-Ring (Note: Use p/n 70004131)	
12	70004142	1	Retainer	
13	70004143	1	Spacer	
14	See Note	NSS	O-Ring (Note: Use p/n 70004131)	
15	See Note	NSS	Ring, Back-Up (Note: Use p/n 70004131)	
16	See Note	NSS	Wiper, Rod (Note: Use p/n 70004131)	
17	See Note	NSS	Seal, Rod (Note: Use p/n 70004131)	
18	See Note	NSS	O-Ring (Note: Use p/n 70004131)	
19	70000740	1	O-Ring	
20	0962356	4	Bushing	
21	4640509	1	Cartridge, Counterbalance Valve	
21	2900792	1	Seal Kit - 4640509 Valve	
22	70024262	2	Plug	
23	See Note	2	Plug (Note: Not Available for Purchase)	
26	4640932	1	Cartridge, Counterbalance Valve	
26	7011112	1	Seal Kit - 4640932 Valve	
100	70004131	1	Seal Kit (Includes Items 9-11 & 14-18)	

# SECTION 5 - CYLINDER

## FIGURE 5-2. LEVEL (PLATFORM SLAVE) CYLINDER ASSEMBLY - E400AJPNARROW



ART\_1001140279

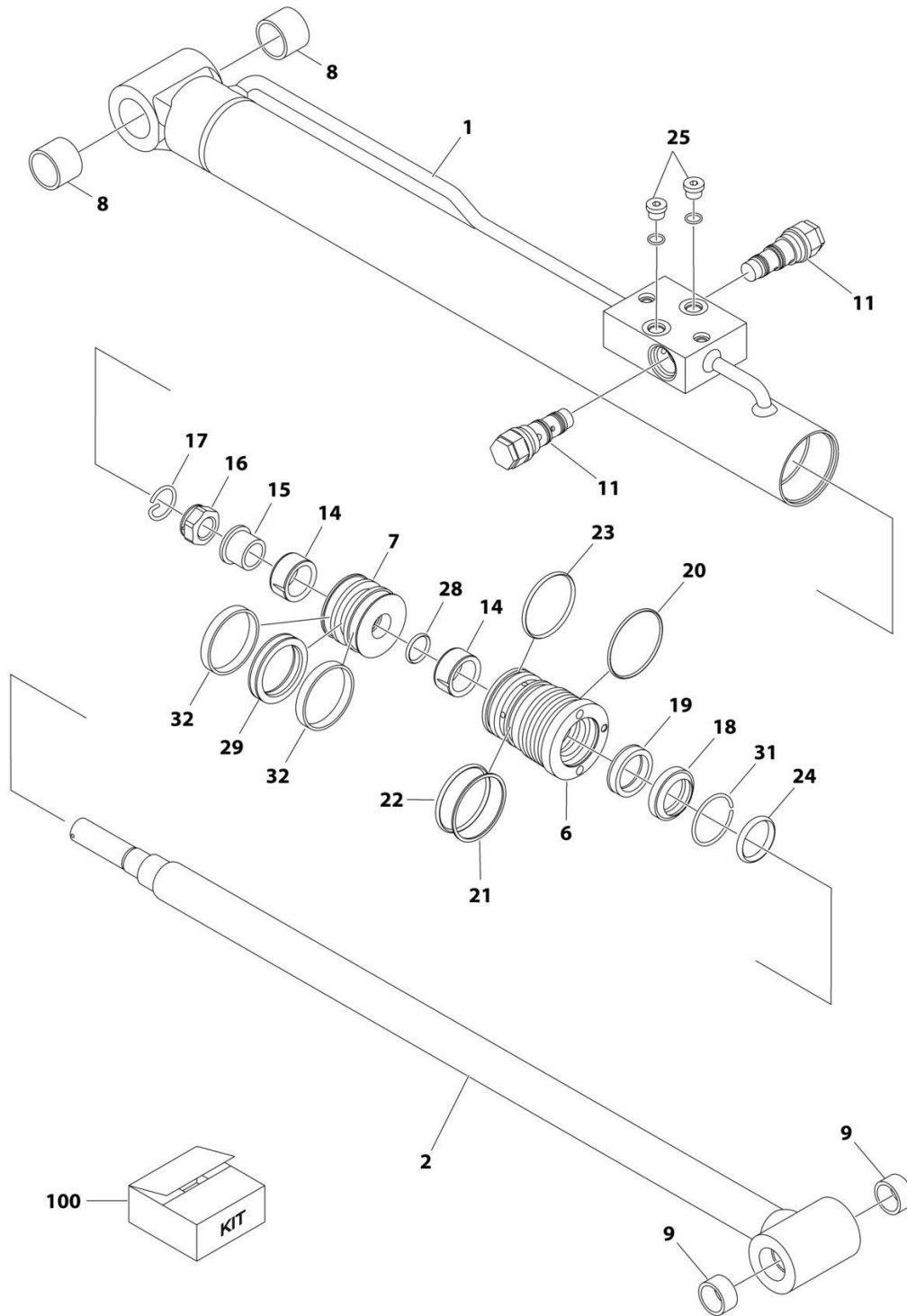
## SECTION 5 - CYLINDER

**FIGURE 5-2. LEVEL (PLATFORM SLAVE) CYLINDER ASSEMBLY - E400AJPNARROW**

ITEM	PART NUMBER	QTY	DESCRIPTION	REV
	1001140279	Ref	LEVEL (PLATFORM SLAVE) CYLINDER ASSEMBLY	B
		Ref	Note: Original Cylinder may have been replaced with Service Replacement. Identify PN Stamped on Cylinder Before Ordering Parts.	
1	70003846	1	Barrel	
2	70003847	1	Rod	
4	70003819	1	Piston	
5	7026082	1	Head	
8	0961951	4	Bushing	
9	See Note	NSS	Seal, Piston (Note: Use p/n 70003845)	
10	See Note	NSS	O-Ring (Note: Use p/n 70003845)	
11	See Note	NSS	Ring, Wear (Note: Use p/n 70003845)	
12	See Note	NSS	O-Ring (Note: Use p/n 70003845)	
13	See Note	NSS	Ring, Back-Up (Note: Use p/n 70003845)	
14	See Note	NSS	Seal, Rod (Note: Use p/n 70003845)	
15	See Note	NSS	Wiper, Rod (Note: Use p/n 70003845)	
16	70002217	1	Ring, Retaining	
17	7026084	1	O-Ring	
21	70002216	1	Retainer	
23	4640932	1	Cartridge, Counterbalance Valve	
23	7011112	1	Seal Kit - 4640932 Valve	
24	4641086	1	Cartridge, Counterbalance Valve	
24	2900792	1	Seal Kit - 4641086 Valve	
25	7024844	2	Plug	
26	See Note	2	Plug (Note: Not Available for Purchase)	
28	See Note	NSS	O-Ring (Note: Use p/n 70003845)	
100	70003845	1	Seal Kit (Includes Items 9-15 & 28)	

# SECTION 5 - CYLINDER

## FIGURE 5-3. LIFT CYLINDER ASSEMBLY - JIB - E400AJPNARROW



ART\_1001140280\_A

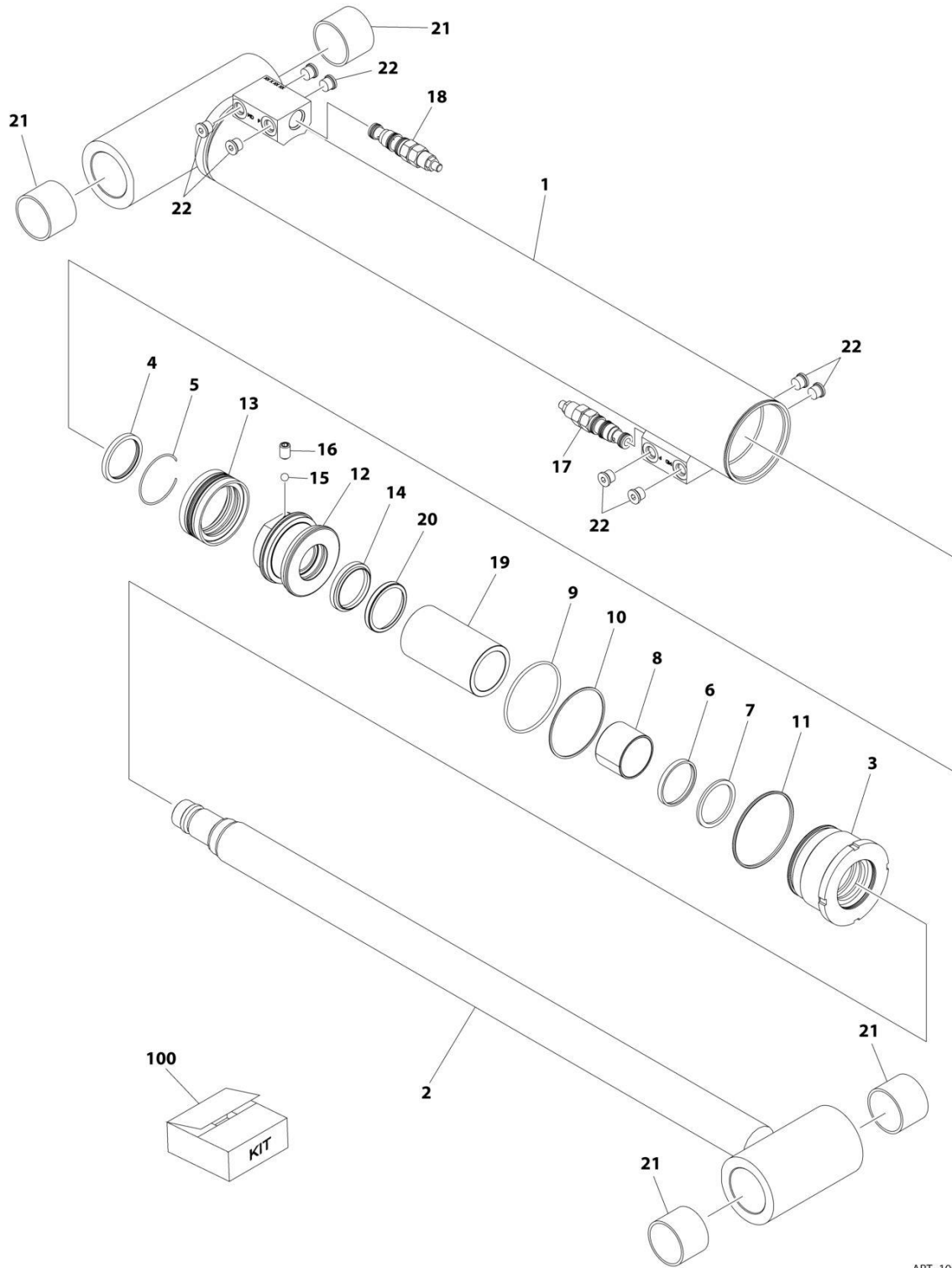
## SECTION 5 - CYLINDER

**FIGURE 5-3. LIFT CYLINDER ASSEMBLY - JIB - E400AJPNARROW**

ITEM	PART NUMBER	QTY	DESCRIPTION	REV
	1001140280	Ref	LIFT CYLINDER ASSEMBLY - JIB	A
		Ref	Note: Original Cylinder May Have Been Replaced with Service Replacement. Identify PN Stamped on Cylinder Before Ordering Parts.	
		Ref	Note: For Jib Cylinder with Manual Descent Valve see SPECIAL OPTIONS.	
1	70003863	1	Barrel	
2	70003864	1	Rod	
6	7026088	1	Head	
7	70003833	1	Piston	
8	0961951	2	Bushing	
9	0961947	2	Bushing	
11	4640509	2	Cartridge, Counterbalance Valve	
11	2900792	2	Seal Kit - 4640509	
14	7026090	2	Bushing	
15	7026091	1	Sleeve	
16	7026092	1	Nut	
17	70002223	1	Retainer	
18	See Note	NSS	Wiper, Rod (Note: Use p/n 70003836)	
19	See Note	NSS	Seal, Rod (Note: Use p/n 70003836)	
20	See Note	NSS	O-Ring (Note: Use p/n 70003836)	
21	See Note	NSS	Ring, Back-Up (Note: Use p/n 70003836)	
22	See Note	NSS	O-Ring (Note: Use p/n 70003836)	
23	See Note	1	O-Ring (Note: Use p/n 70003836)	
24	7026068	1	O-Ring	
25	7024844	2	Plug	
28	See Note	NSS	O-Ring (Note: Use p/n 70003836)	
29	See Note	NSS	Seal, Piston (Note: Use p/n 70003836)	
31	70002220	1	Ring, Retaining	
32	See Note	NSS	Ring, Wear (Note: Use p/n 70003836)	
100	70003836	1	Seal Kit (Includes Items 18-23, 28, 29 & 32)	

# SECTION 5 - CYLINDER

## FIGURE 5-4. LIFT CYLINDER ASSEMBLY - LOWER - E400ANARROW



ART\_1001228037



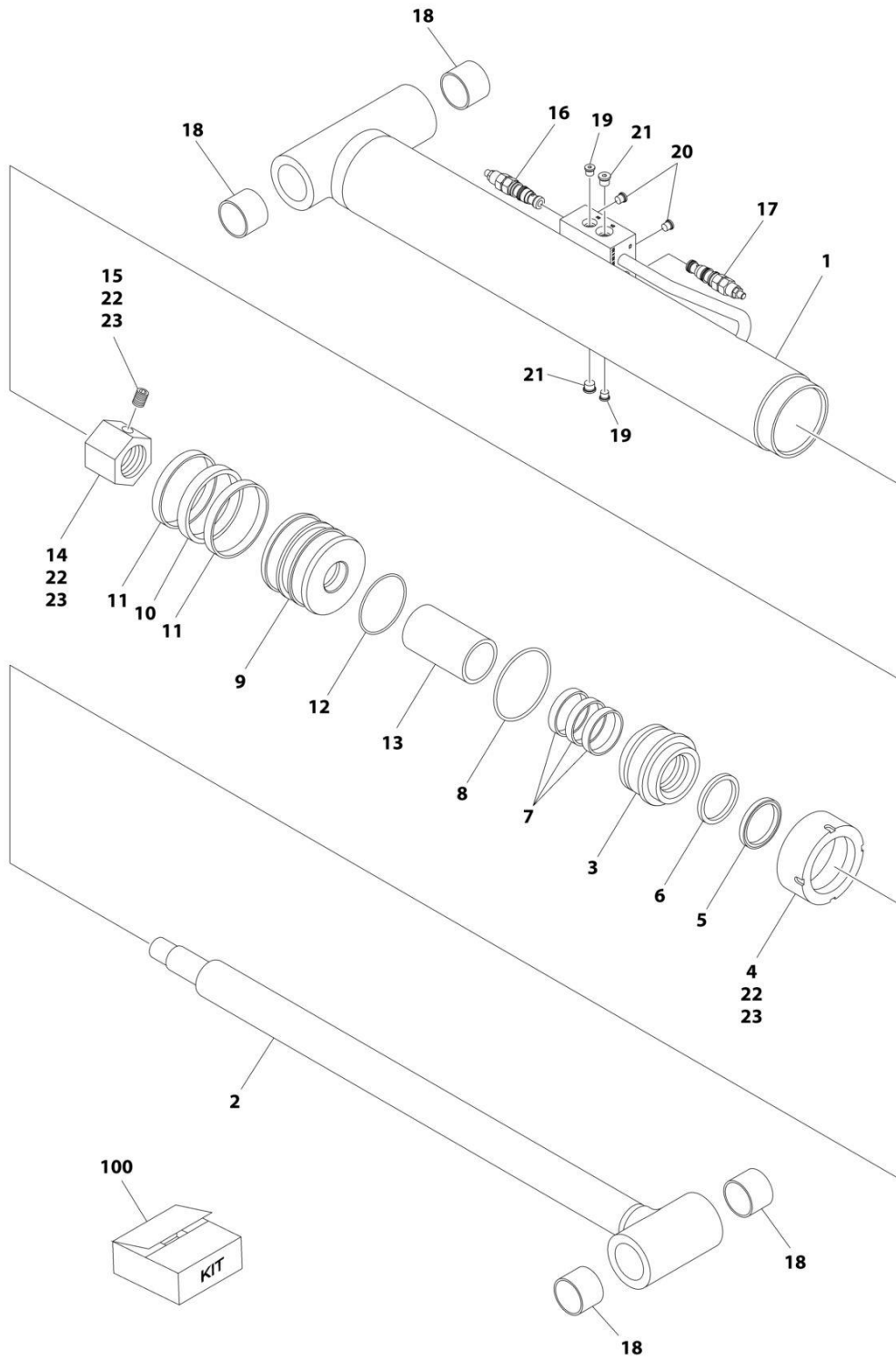
## SECTION 5 - CYLINDER

**FIGURE 5-4. LIFT CYLINDER ASSEMBLY - LOWER - E400ANARROW**

ITEM	PART NUMBER	QTY	DESCRIPTION	REV
	1001228037	Ref	LIFT CYLINDER ASSEMBLY - LOWER	A
		Ref	Note: Original Cylinder may have been replaced with Service Replacement. Identify PN Stamped on Cylinder Before Ordering Parts.	
1	See Note	NSS	Barrel (Note: Not Available for Purchase)	
2	70006593	1	Rod	
3	70006592	1	Head	
4	See Note	NSS	Wiper (Note: Use Item 100)	
5	70002412	1	Retainer	
6	See Note	NSS	Seal, Rod (Note: Use Item 100)	
7	See Note	NSS	Ring, Back-up (Note: Use Item 100)	
8	70006591	1	Bearing	
9	See Note	NSS	O-Ring (Note: Use Item 100)	
10	See Note	NSS	Ring, Back-up (Note: Use Item 100)	
11	70050801	1	O-Ring	
12	70006590	1	Piston	
13	See Note	NSS	Seal (Note: Use Item 100)	
14	See Note	NSS	O-Ring (Note: Use Item 100)	
15	70022564	1	Ball, Steel	
16	70006601	1	Setscrew	
17	4640634	1	Cartridge, Holding Valve	
17	2900770	1	Seal Kit - 4640634 Valve	
18	4641386	1	Cartridge, Holding Valve	
18	7011376	1	Seal Kit - 4641386 Valve	
19	70006589	1	Spacer	
20	70006588	1	O-Ring	
21	0961950	4	Bushing	
22	2220883	8	Plug, O-Ring	
100	70006587	1	Seal Kit (Includes Items 4, 6, 7, 9, 10, 13 & 14)	

# SECTION 5 - CYLINDER

## FIGURE 5-5. CYLINDER ASSEMBLY - LOWER - E400AJPNARROW



ART\_1001228035

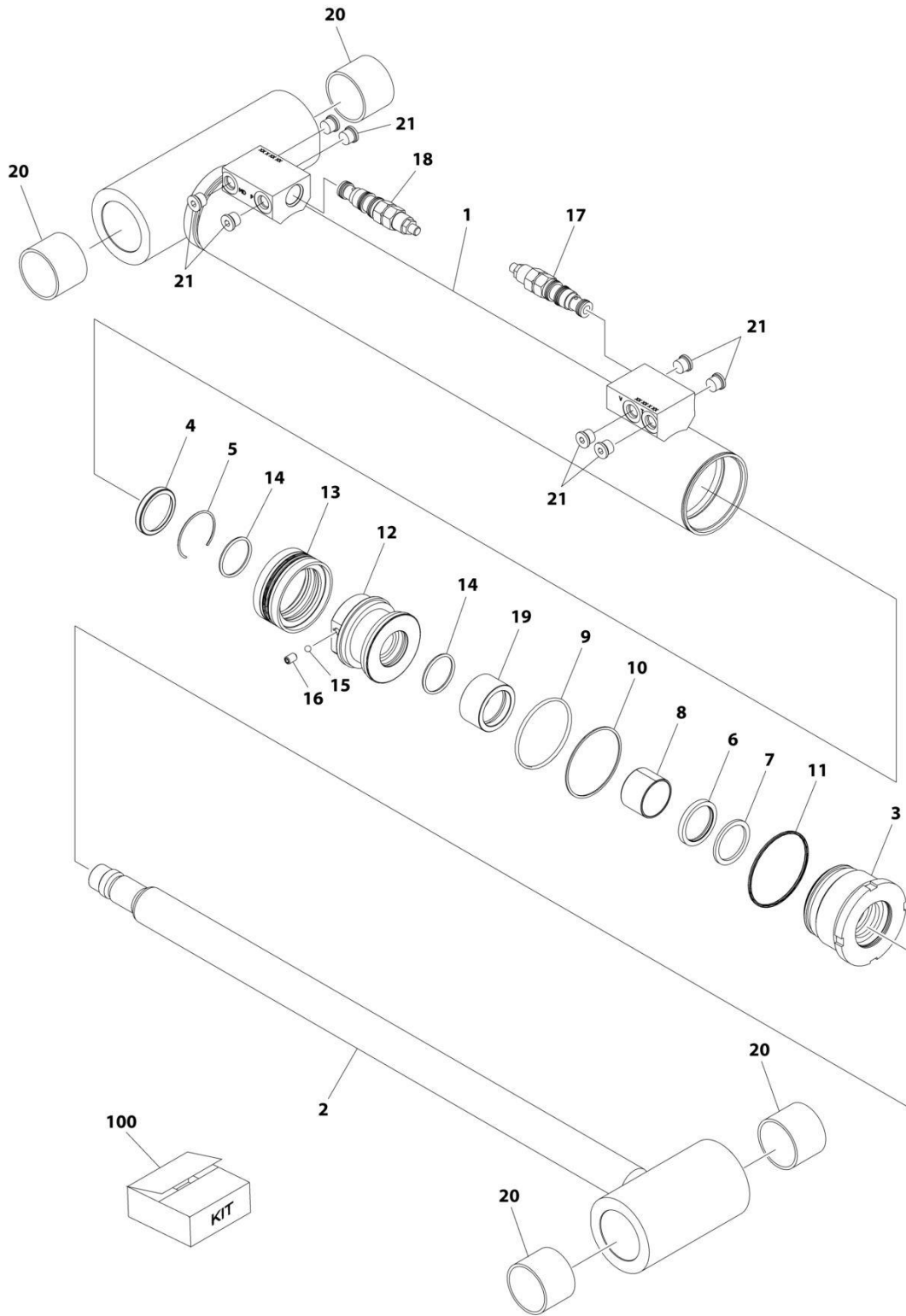
## SECTION 5 - CYLINDER

**FIGURE 5-5. CYLINDER ASSEMBLY - LOWER - E400AJPNARROW**

ITEM	PART NUMBER	QTY	DESCRIPTION	REV
	1001228035	Ref	LIFT CYLINDER ASSEMBLY - LOWER	C
		Ref	Note: Original Cylinder may have been replaced with Service Replacement. Identify PN Stamped on Cylinder Before Ordering Parts.	
1	See Note	NSS	Barrel Weldment (Note: Not Available for Purchase)	
2	70006535	1	Rod Weldment	
3	70006533	1	Head	
4	70006533	1	Retainer	
5	See Note	NSS	Wiper (Note: Use Item 100)	
6	See Note	NSS	Seal, Rod (Note: Use Item 100)	
7	See Note	NSS	Ring, Wear (Note: Use Item 100)	
8	See Note	NSS	O-Ring (Note: Use Item 100)	
9	70006532	1	Piston	
10	See Note	NSS	Seal (Note: Use Item 100)	
11	See Note	NSS	Ring, Wear (Note: Use Item 100)	
12	See Note	NSS	O-Ring (Note: Use Item 100)	
13	70006531	1	Spacer	
14	3300281	1	Nut	
15	3900170	1	Setscrew	
16	4640634	1	Cartridge, Holding Valve	
16	2900770	1	Seal Kit - 4640634 Valve	
17	4641386	1	Cartridge, Holding Valve	
17	7011376	1	Seal Kit - 4641386 Valve	
18	0961950	4	Bushing	
19	2220883	2	Plug, O-Ring	
20	2220883	2	Plug, O-Ring	
21	2220885	2	Plug, O-Ring	
22	0100011	AR	Compound, Locking	
23	0100038	AR	Primer, Locking	
100	2901806	1	Seal Kit (Includes Items 5-8 & 10-12)	

# SECTION 5 - CYLINDER

## FIGURE 5-6. LIFT CYLINDER ASSEMBLY - MID - E400ANARROW



ART\_1001228038

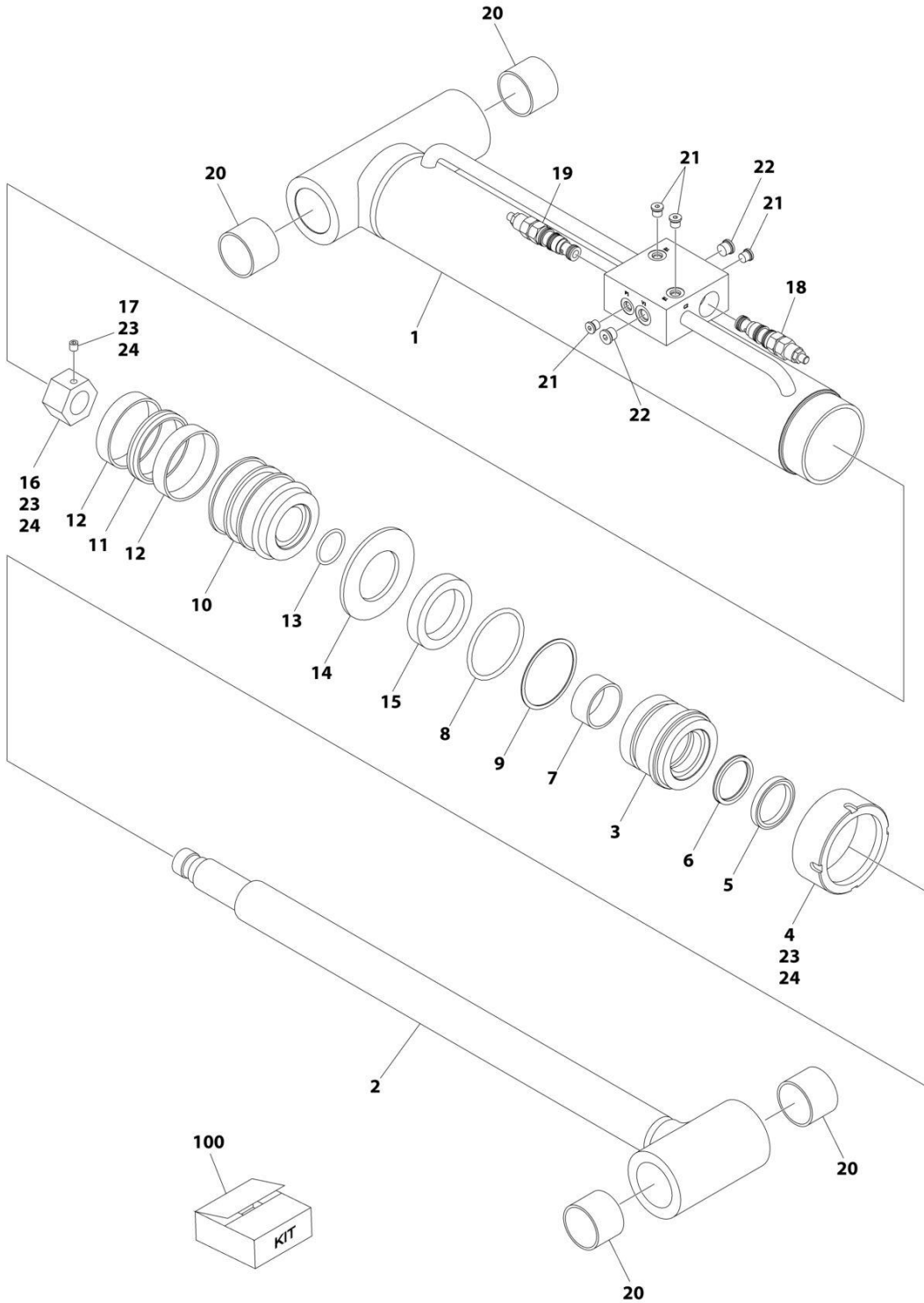
## SECTION 5 - CYLINDER

**FIGURE 5-6. LIFT CYLINDER ASSEMBLY - MID - E400ANARROW**

ITEM	PART NUMBER	QTY	DESCRIPTION	REV
	1001228038	Ref	LIFT CYLINDER ASSEMBLY - MID	A
		Ref	Note: Original Cylinder may have been replaced with Service Replacement. Identify PN Stamped on Cylinder Before Ordering Parts.	
1	See Note	NSS	Barrel Weldment (Note: Not Available for Purchase)	
2	70006600	1	Rod Weldment	
3	70006599	1	Head	
4	See Note	1	Wiper (Note: Use Item 100)	
5	70002373	1	Retainer	
6	See Note	NSS	Seal, Rod (Note: Use Item 100)	
7	See Note	NSS	Ring, Back-up (Note: Use Item 100)	
8	70005143	1	Bearing	
9	See Note	NSS	O-Ring (Note: Use Item 100)	
10	See Note	NSS	Ring, Back-up (Note: Use Item 100)	
11	70006598	1	O-Ring	
12	70006597	1	Piston	
13	See Note	NSS	Seal (Note: Use Item 100)	
14	See Note	NSS	O-Ring (Note: Use Item 100)	
15	70022564	1	Ball, Steel	
16	70006596	1	Setscrew	
17	4640634	1	Cartridge, Holding Valve	
17	2900770	1	Seal Kit - 4640634 Valve	
18	4641386	1	Cartridge, Holding Valve	
18	7011376	1	Seal Kit - 4641386 Valve	
19	70006595	1	Spacer	
20	0961950	4	Bushing	
21	2220885	8	Plug, O-Ring	
100	70006594	1	Seal Kit (Includes 4, 6, 7, 9, 10, 13 & 14)	

# SECTION 5 - CYLINDER

## FIGURE 5-7. LIFT CYLINDER ASSEMBLY - MID - E400AJPNARROW



ART\_1001228036

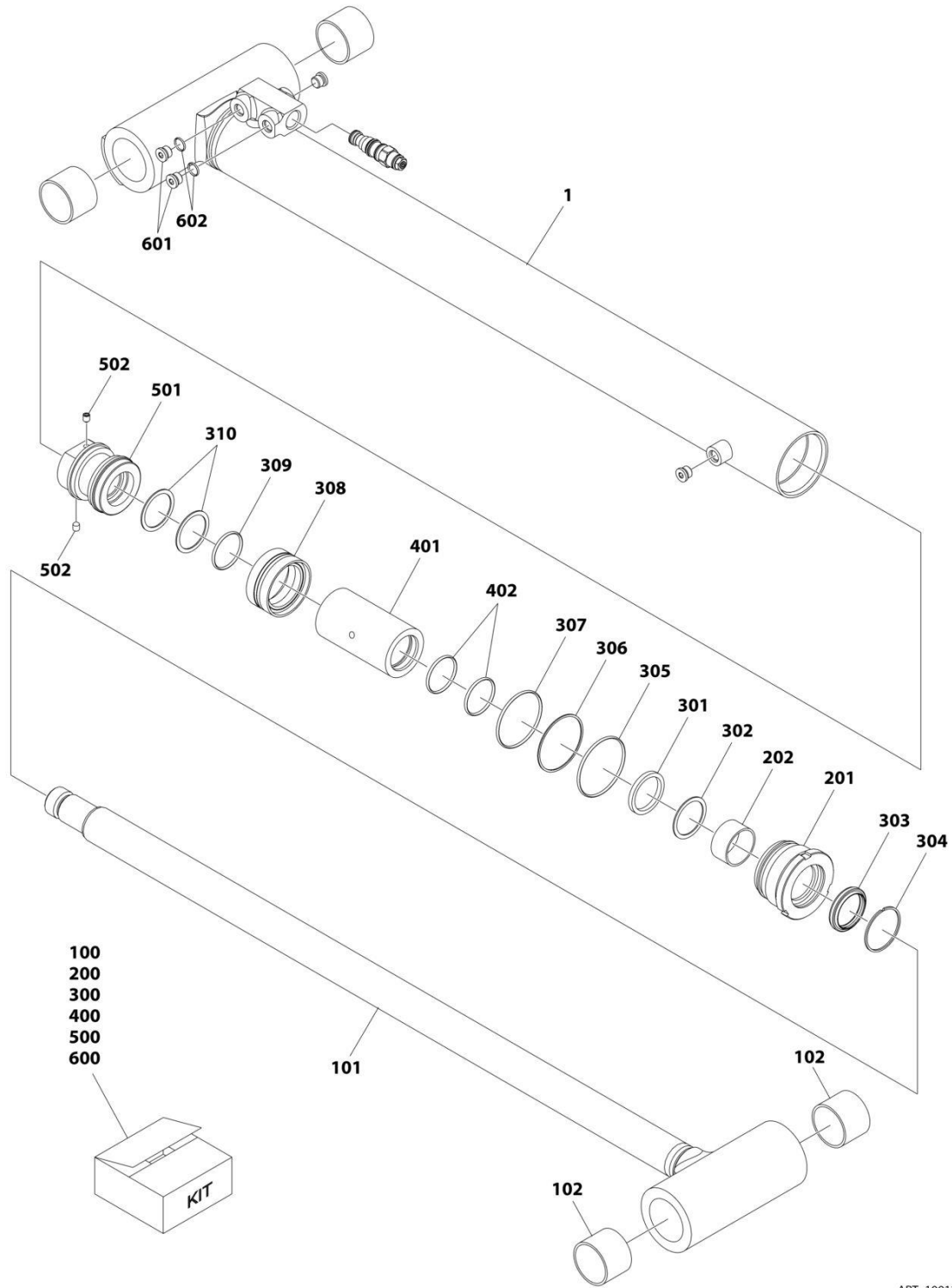
## SECTION 5 - CYLINDER

**FIGURE 5-7. LIFT CYLINDER ASSEMBLY - MID - E400AJPNARROW**

ITEM	PART NUMBER	QTY	DESCRIPTION	REV
	1001228036	Ref	LIFT CYLINDER ASSEMBLY - MID	F
		Ref	Note: Original Cylinder may have been replaced with Service Replacement. Identify PN Stamped on Cylinder Before Ordering Parts.	
1	See Note	NSS	Barrel Weldment (Note: Not Available for Purchase)	
2	70006543	1	Rod Weldment	
3	70006542	1	Head	
4	70006533	1	Retainer	
5	See Note	NSS	Wiper (Note: Use Item 100)	
6	See Note	NSS	Seal, Rod (Note: Use Item 100)	
7	See Note	NSS	Ring, Wear (Note: Use Item 100)	
8	See Note	NSS	O-Ring (Note: Use Item 100)	
9	See Note	NSS	Ring, Back-up (Note: Use Item 100)	
10	70006532	1	Piston	
11	See Note	NSS	Seal (Note: Use Item 100)	
12	See Note	NSS	Ring, Wear (Note: Use Item 100)	
13	See Note	NSS	O-Ring (Note: Use Item 100)	
14	4740207	1	Washer	
15	70006539	1	Spacer	
16	3300281	1	Nut	
17	3900170	1	Setscrew	
18	4640634	1	Cartridge, Holding Valve	
18	2900770	1	Seal Kit - 4640634 Valve	
19	4641386	1	Cartridge, Holding Valve	
19	7011376	1	Seal Kit - 4641386 Valve	
20	0961950	4	Bushing	
21	2220883	4	Plug, O-Ring	
22	2220885	2	Plug, O-Ring	
23	0100011	AR	Compound, Locking	
24	0100038	AR	Primer, Locking	
100	2901805	1	Seal Kit (Includes Items 5-9 & 11-13)	

# SECTION 5 - CYLINDER

## FIGURE 5-8. LIFT CYLINDER - UPPER - E400ANARROW



ART\_1001251018



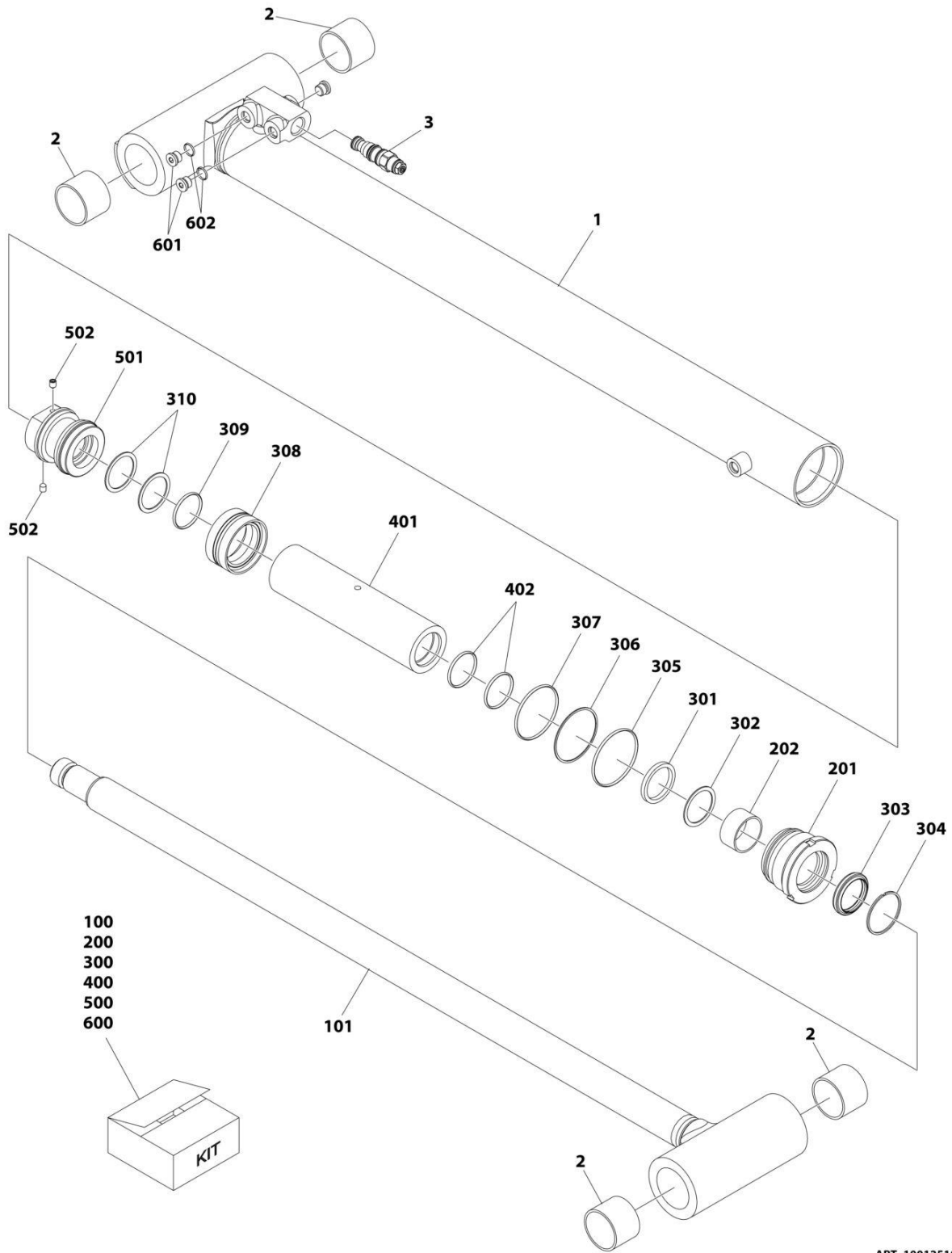
## SECTION 5 - CYLINDER

**FIGURE 5-8. LIFT CYLINDER - UPPER - E400ANARROW**

ITEM	PART NUMBER	QTY	DESCRIPTION	REV
	1001251018	Ref	LIFT CYLINDER ASSEMBLY - UPPER	B
		Ref	Note: Original Cylinder may have been replaced with Service Replacement. Identify PN Stamped on Cylinder Before Ordering Parts.	
1	See Note	NSS	Barrel (Note: Not Available for Purchase)	
100	70007367	1	Rod Assembly Kit (Includes Item 101)	
101	See Note	NSS	Rod Assembly (Note: Use p/n 70007367)	
102	See Note	NSS	Bushing (Note: Use p/n 70007367)	
200	70007368	1	Head Kit (Includes Items 201-202)	
201	See Note	NSS	Head (Note: Use p/n 70007368)	
202	See Note	NSS	Bushing (Note: Use p/n 70007368)	
300	70007369	1	Seal Kit (Includes Items 301-310)	
301	See Note	NSS	U-Packing (Note: Use Item 70007369)	
302	See Note	NSS	Ring, Back-up (Note: Use Item 7007369)	
303	See Note	NSS	Wiper, Rod (Note: Use Item 7007369)	
304	See Note	NSS	Ring, Retaining (Note: Use Item 7007369)	
305	See Note	NSS	O-Ring (Note: Use Item 7007369)	
306	See Note	NSS	Ring, Back-up (Note: Use Item 7007369)	
307	See Note	NSS	O-Ring (Note: Use Item 7007369)	
308	See Note	NSS	Seal, Compact (Note: Use Item 7007369)	
309	See Note	NSS	O-Ring (Note: Use Item 7007369)	
310	See Note	NSS	Ring, Back-up (Note: Use Item 7007369)	
400	70007370	1	Spacer Kit (Includes Items 401-402)	
401	See Note	NSS	Spacer (Note: Use p/n 70007370)	
402	See Note	NSS	O-Ring (Note: Use p/n 70007370)	
500	70007371	1	Piston Kit (Includes Items 501-502)	
501	See Note	NSS	Piston (Note: Use Item 7007371)	
502	See Note	NSS	Set Screw (Note: Use Item 7007371)	
600	70007372	1	Plug Kit (Includes Items 601-602)	
601	See Note	NSS	Plug (Note: Use Item 7007372)	
602	See Note	NSS	O-Ring (Note: Use Item 7007372)	

# SECTION 5 - CYLINDER

## FIGURE 5-9. LIFT CYLINDER - UPPER - E400AJPNARROW



ART\_1001251016

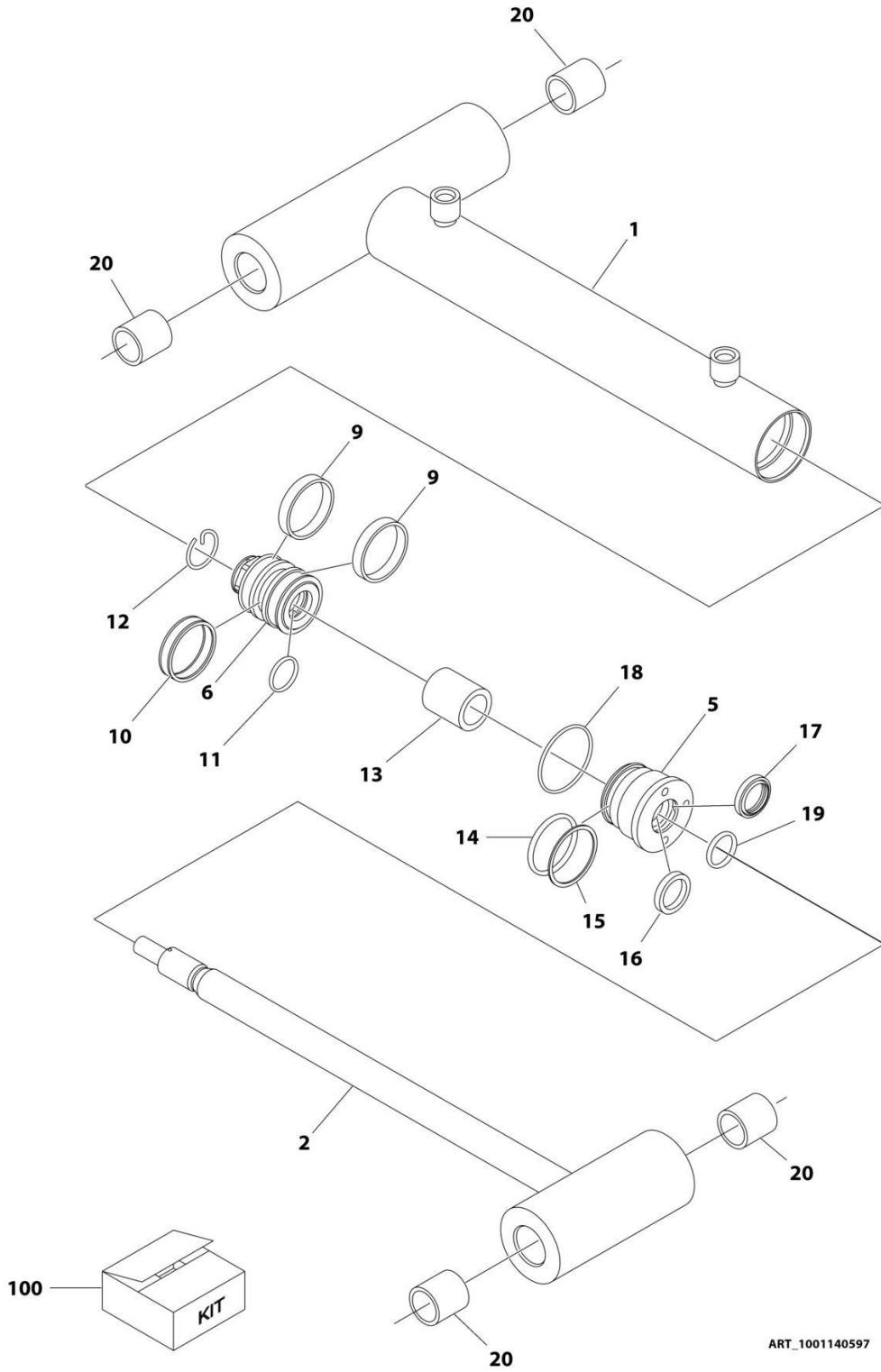
## SECTION 5 - CYLINDER

### FIGURE 5-9. LIFT CYLINDER - UPPER - E400AJPNARROW

ITEM	PART NUMBER	QTY	DESCRIPTION	REV
	1001251016	Ref	LIFT CYLINDER ASSEMBLY - UPPER	B
		Ref	Note: Original Cylinder may have been replaced with Service Replacement. Identify PN Stamped on Cylinder Before Ordering Parts.	
1	See Note	NSS	Barrel Weldment (Note: Not Available for Purchase)	
2	0961950	4	Bushing	
3	4640936	1	Valve, Counterbalance	
3	2900770	1	Seal Kit - 4640936 Valve	
100	70007373	1	Rod Assembly Kit (Includes Item 101)	
101	See Note	NSS	Rod Assembly (Note: Use p/n 70007373)	
200	70007368	1	Head Kit (Includes Items 201-202)	
201	See Note	NSS	Head (Note: Use p/n 70007368)	
202	See Note	NSS	Bushing (Note: Use p/n 70007368)	
300	70007369	1	Seal Kit (Includes Items 301-310)	
301	See Note	NSS	U-Packing (Note: Use Item 70007369)	
302	See Note	NSS	Ring, Back-up (Note: Use Item 7007369)	
303	See Note	NSS	Wiper, Rod (Note: Use Item 7007369)	
304	See Note	NSS	Ring, Retaining (Note: Use Item 7007369)	
305	See Note	NSS	O-Ring (Note: Use Item 7007369)	
306	See Note	NSS	Ring, Back-up (Note: Use Item 7007369)	
307	See Note	NSS	O-Ring (Note: Use Item 7007369)	
308	See Note	NSS	Seal, Compact (Note: Use Item 7007369)	
309	See Note	NSS	O-Ring (Note: Use Item 7007369)	
310	See Note	NSS	Ring, Back-up (Note: Use Item 7007369)	
400	70007374	1	Spacer Kit (Includes Items 401-402)	
401	See Note	NSS	Spacer (Note: Use Item 7007374)	
402	See Note	NSS	O-Ring (Note: Use Item 7007374)	
500	70007371	1	Piston Kit (Includes Items 501-502)	
501	See Note	NSS	Piston (Note: Use Item 7007371)	
502	See Note	NSS	Set Screw (Note: Use Item 7007371)	
600	70007372	1	Plug Kit (Includes Items 601-602)	
601	See Note	NSS	Plug (Note: Use Item 7007372)	
602	See Note	NSS	O-Ring (Note: Use Item 7007372)	

# SECTION 5 - CYLINDER

## FIGURE 5-10. MASTER CYLINDER ASSEMBLY - E400ANARROW



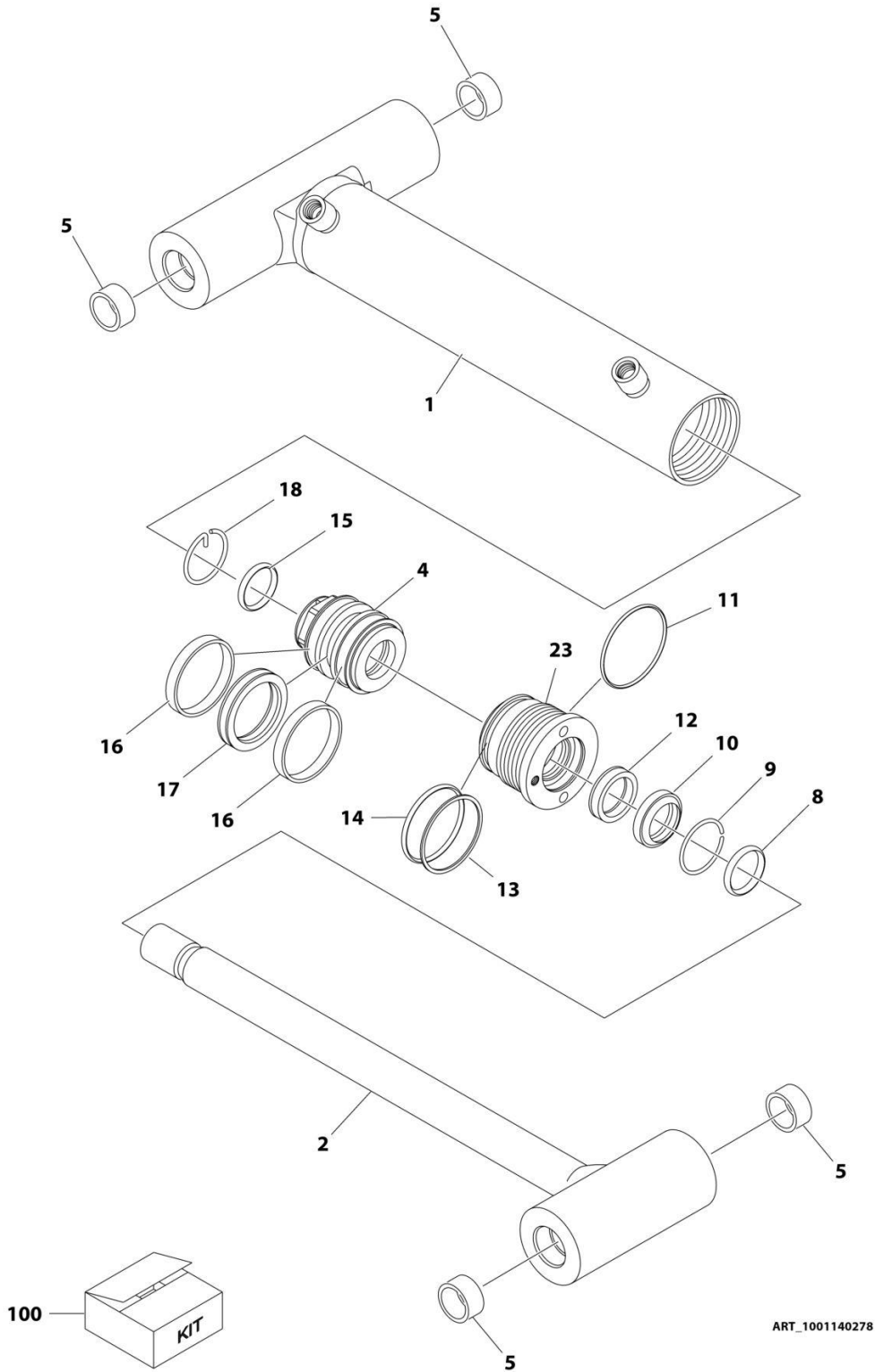
## SECTION 5 - CYLINDER

**FIGURE 5-10. MASTER CYLINDER ASSEMBLY - E400ANARROW**

ITEM	PART NUMBER	QTY	DESCRIPTION	REV
	1001140597	Ref	MASTER CYLINDER ASSEMBLY	A
		Ref	Note: Original Cylinder May Have Been Replaced with Service Replacement. Identify PN Stamped on Cylinder Before Ordering Parts.	
1	70004144	1	Barrel	
2	70004145	1	Rod	
5	70000739	1	Head	
6	70004141	1	Piston	
9	See Note	NSS	Ring, Wear (Note: Use p/n 70004130)	
10	See Note	NSS	Seal, Piston (Note: Use p/n 70004130)	
11	70023094	1	O-Ring	
12	70004142	1	Retainer	
13	70004143	1	Spacer	
14	See Note	NSS	O-Ring (Note: Use p/n 70004130)	
15	See Note	NSS	Ring, Back-Up (Note: Use p/n 70004130)	
16	See Note	NSS	Seal, Rod (Note: Use p/n 70004130)	
17	See Note	NSS	Wiper, Rod (Note: Use p/n 70004130)	
18	See Note	NSS	O-Ring (Note: Use p/n 70004130)	
19	See Note	NSS	O-Ring (Note: Use p/n 70004130)	
20	0962356	4	Bushing	
100	70004130	1	Seal Kit (Includes Items 9-11 & 14-18)	

# SECTION 5 - CYLINDER

## FIGURE 5-11. MASTER CYLINDER ASSEMBLY - E400AJPNARROW



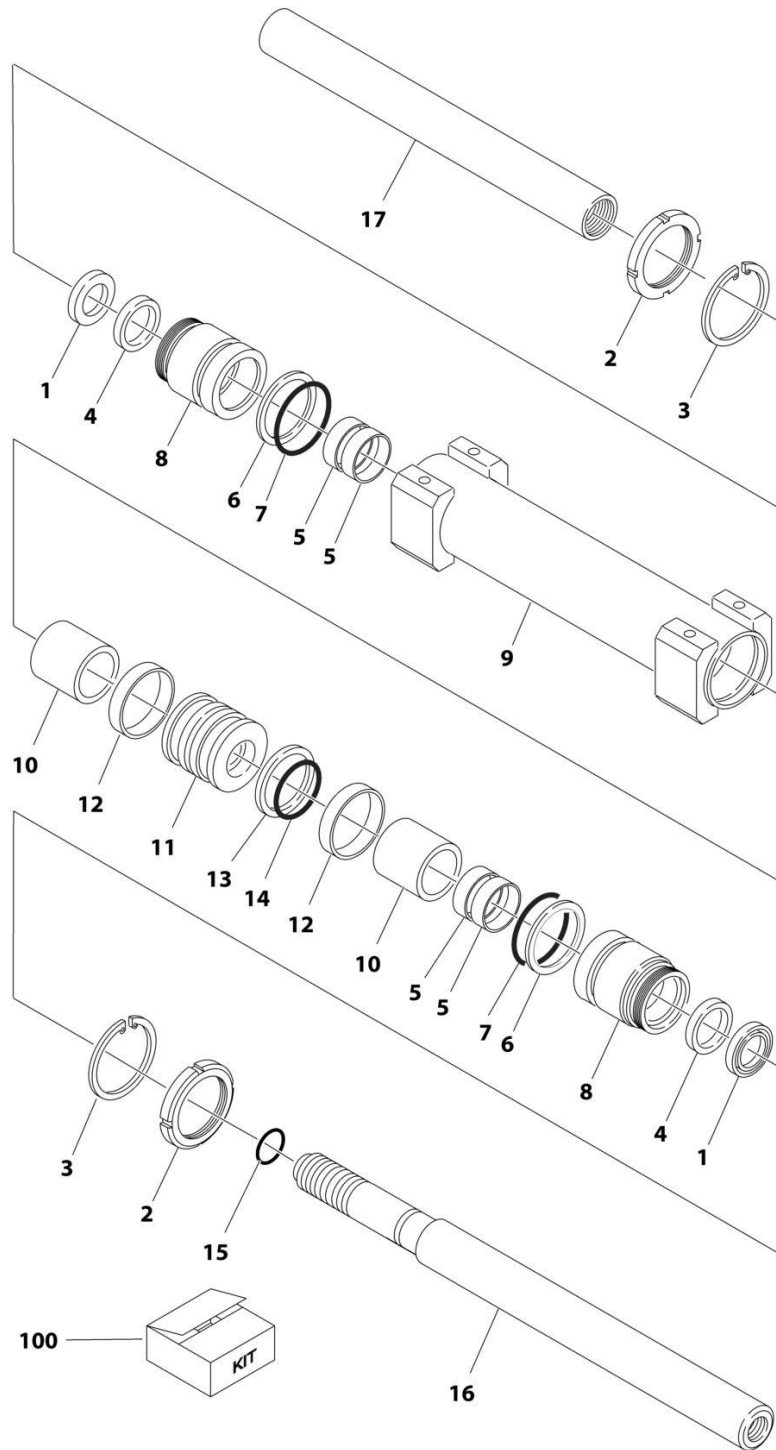
## SECTION 5 - CYLINDER

**FIGURE 5-11. MASTER CYLINDER ASSEMBLY - E400AJPNARROW**

ITEM	PART NUMBER	QTY	DESCRIPTION	REV
	1001140278	Ref	MASTER CYLINDER ASSEMBLY	A
		Ref	Note: Original Cylinder may have been replaced with Service Replacement. Identify PN Stamped on Cylinder Before Ordering Parts.	
1	70003843	1	Barrel	
2	70003844	1	Rod	
4	70003819	1	Piston	
5	0961951	4	Bushing	
8	7026084	1	O-Ring	
9	70002217	1	Ring, Retaining	
10	See Note	NSS	Wiper, Rod (Note: Use p/n 70003845)	
11	See Note	NSS	O-Ring (Note: Use p/n 70003845)	
12	See Note	NSS	Seal, Rod (Note: Use p/n 70003845)	
13	See Note	NSS	Ring, Back-Up (Note: Use p/n 70003845)	
14	See Note	NSS	O-Ring (Note: Use p/n 70003845)	
15	See Note	NSS	O-Ring (Note: Use p/n 70003845)	
16	See Note	NSS	Ring, Wear (Note: Use p/n 70003845)	
17	See Note	NSS	Seal, Piston (Note: Use p/n 70003845)	
18	70002216	1	Retainer	
23	7026082	1	Head	
100	70003845	1	Seal Kit (Includes Items 10-17)	

# SECTION 5 - CYLINDER

## FIGURE 5-12. STEER CYLINDER ASSEMBLY



ART\_1683591



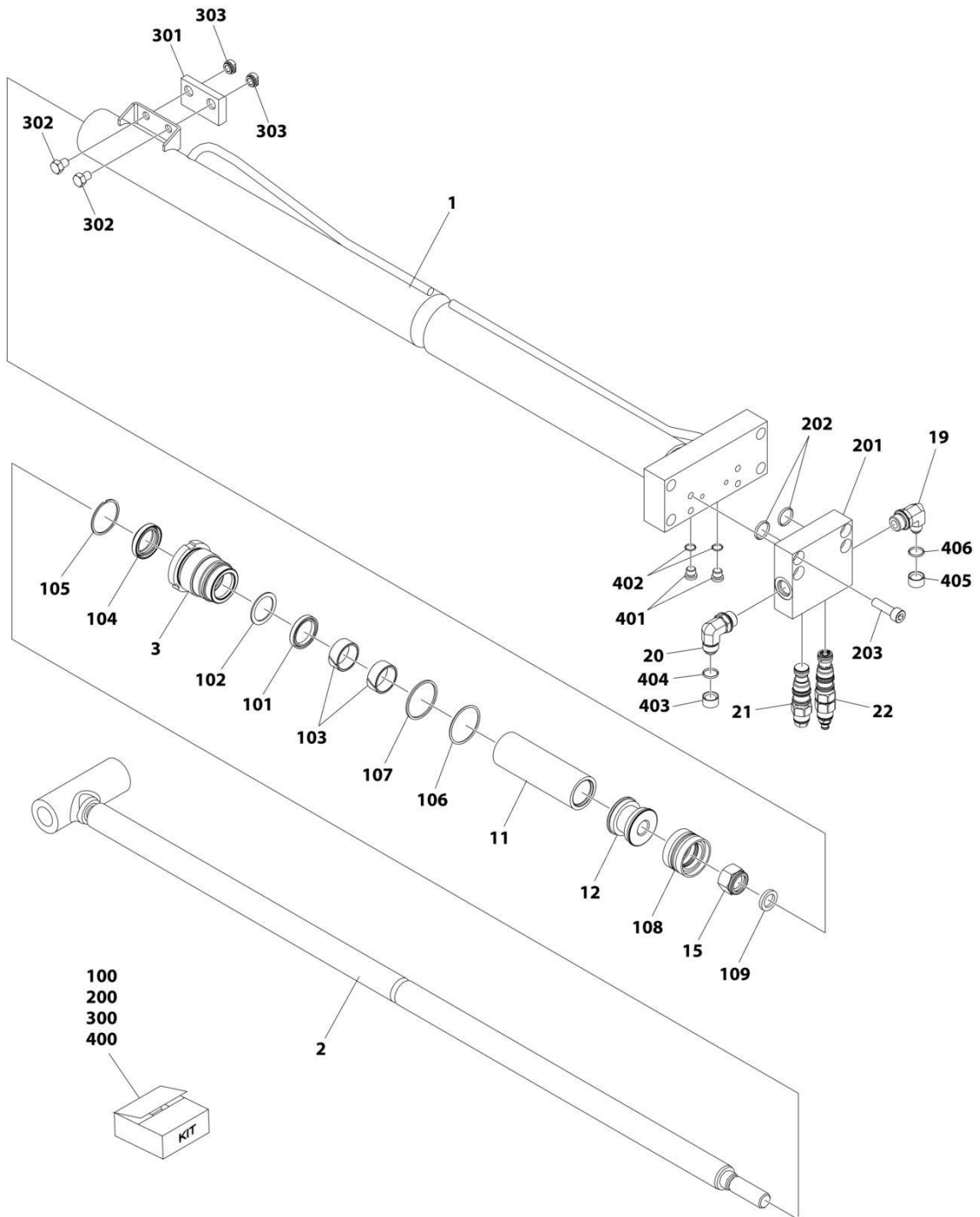
## SECTION 5 - CYLINDER

**FIGURE 5-12. STEER CYLINDER ASSEMBLY**

ITEM	PART NUMBER	QTY	DESCRIPTION	REV
	1683591	Ref	STEER CYLINDER ASSEMBLY	B
		Ref	Note: Original Cylinder May Have Been Replaced with Service Replacement. Identify PN Stamped on Cylinder Before Ordering Parts.	
1	See Note	2	Wiper (Note: Use p/n 7017246)	
2	7001630	2	Nut, Spanner	
3	7017247	2	Ring, Retaining	
4	See Note	2	Seal, Lip (Note: Use p/n 7017246)	
5	See Note	4	Ring, Wear (Note: Use p/n 7017246)	
6	See Note	2	Ring, Back-Up (Note: Use p/n 7017246)	
7	See Note	2	O-Ring (Note: Use p/n 7017246)	
8	7017248	2	Guide	
9	70003341	1	Barrel	
10	7017249	2	Tube	
11	7017250	1	Piston	
12	See Note	2	Ring, Wear (Note: Use p/n 7017246)	
13	See Note	1	Seal (Note: Use p/n 7017246)	
14	See Note	1	O-Ring (Note: Use p/n 7017246)	
15	See Note	1	O-Ring (Note: Use p/n 7017246)	
16	7017251	1	Rod - Male End	
17	7017252	1	Rod - Female End	
100	7017246	1	Seal Kit (Includes Items 1,4-7 & 12-15)	

# SECTION 5 - CYLINDER

## FIGURE 5-13. TELESCOPE CYLINDER ASSEMBLY - E400ANARROW



ART\_1001251063

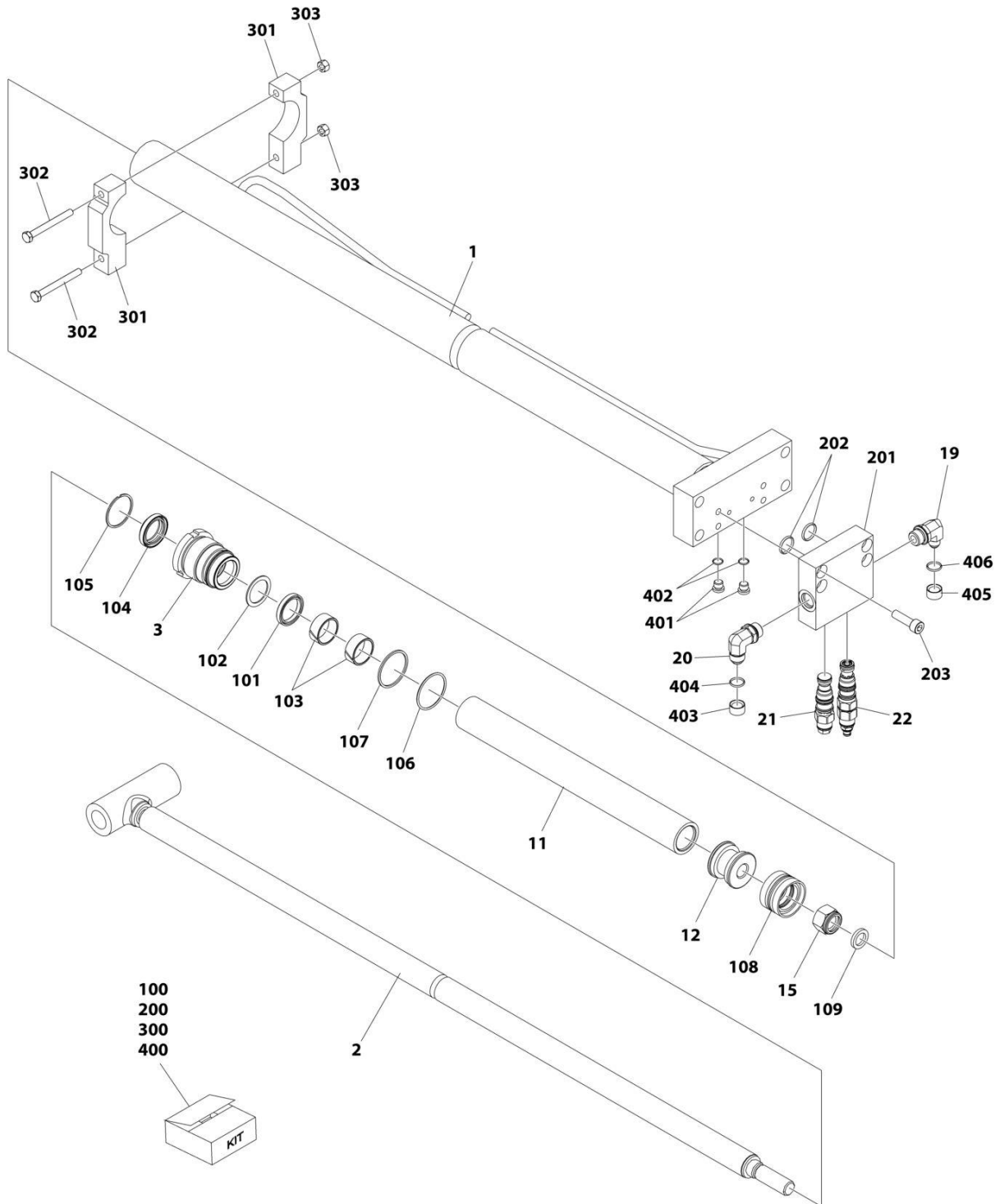
## SECTION 5 - CYLINDER

**FIGURE 5-13. TELESCOPE CYLINDER ASSEMBLY - E400ANARROW**

ITEM	PART NUMBER	QTY	DESCRIPTION	REV
	1001251063	Ref	TELESCOPE CYLINDER ASSEMBLY	B
		Ref	Note: Original Cylinder may have been replaced with Service Replacement. Identify PN Stamped on Cylinder Before Ordering Parts.	
1	See Note	NSS	Barrel (Note: Not Available for Purchase)	
2	70007378	1	Rod Assembly	
3	70007357	1	Rod Cover	
11	70007358	1	Spacer	
12	70007359	1	Piston	
15	70007360	1	Nut	
19	70007361	1	Port	
20	70007362	1	Port	
21	4640709	1	Cartridge	
22	4640495	1	Cartridge	
100	70007363	1	Seal Kit (Includes Items 100-109)	
101	See Note	NSS	U-Packing (Note: Use p/n 70007363)	
102	See Note	NSS	Ring, Back-up (Note: Use p/n 70007363)	
103	See Note	NSS	Ring, Wear (Note: Use p/n 70007363)	
104	See Note	NSS	Wiper, Dust (Note: Use p/n 70007363)	
105	See Note	NSS	Ring, Retaining (Note: Use p/n 70007363)	
106	See Note	NSS	O-Ring (Note: Use p/n 70007363)	
107	See Note	NSS	Ring, Back-up (Note: Use p/n 70007363)	
108	See Note	NSS	Seal, Compact (Note: Use p/n 70007363)	
109	See Note	NSS	O-Ring (Note: Use p/n 70007363)	
200	70007364	1	Block Kit (Includes Items 201-203)	
201	See Note	NSS	Block (Note: Use p/n 70007364)	
202	See Note	NSS	O-Ring (Note: Use p/n 70007364)	
203	See Note	NSS	Bolt (Note: Use p/n 70007364)	
300	70007365	1	Wear Pad Kit (Includes Items 301-303)	
301	See Note	NSS	Guide (Note: Use p/n 70007365)	
302	See Note	NSS	Bolt (Note: Use p/n 70007365)	
303	See Note	NSS	Nut (Note: Use p/n 70007365)	
400	70007366	1	Plug Kit (Includes Items 401-406)	
401	See Note	NSS	Plug (Note: Use p/n 70007366)	
402	See Note	NSS	O-Ring (Note: Use p/n 70007366)	
403	See Note	NSS	Dust Cap (Note: Use p/n 70007366)	
404	See Note	NSS	O-Ring (Note: Use p/n 70007366)	
405	See Note	NSS	Dust Cap (Note: Use p/n 70007366)	
406	See Note	NSS	O-Ring (Note: Use p/n 70007366)	

# SECTION 5 - CYLINDER

## FIGURE 5-14. TELESCOPE CYLINDER ASSEMBLY - E400AJPNARROW



ART\_1001251015

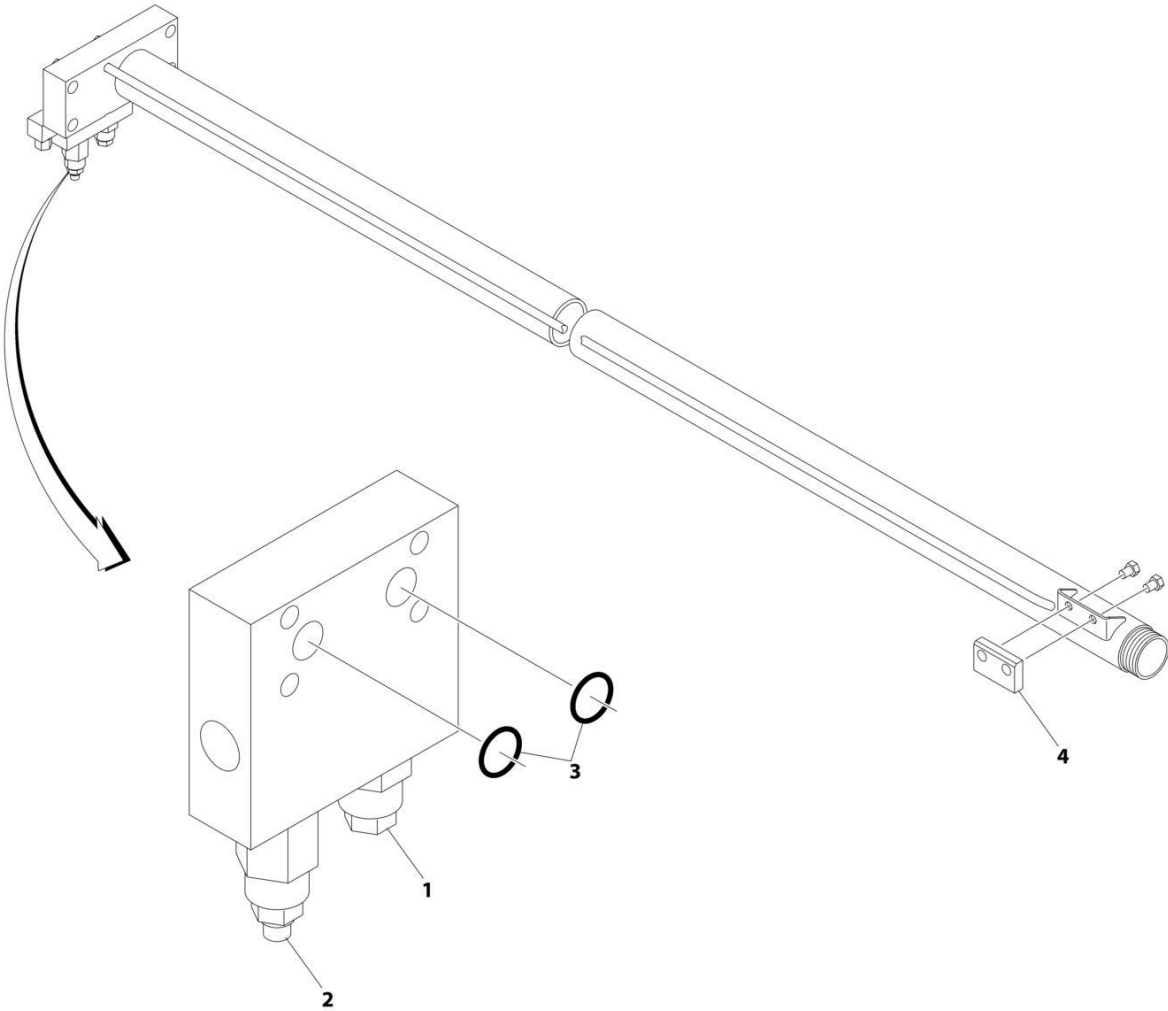
## SECTION 5 - CYLINDER

**FIGURE 5-14. TELESCOPE CYLINDER ASSEMBLY - E400AJPNARROW**

ITEM	PART NUMBER	QTY	DESCRIPTION	REV
	1001251015	Ref	TELESCOPE CYLINDER ASSEMBLY	B
		Ref	Note: Original Cylinder may have been replaced with Service Replacement. Identify PN Stamped on Cylinder Before Ordering Parts.	
1	See Note	NSS	Barrel Weldment (Note: Not Available for Purchase)	
2	70007379	1	Rod	
3	70007357	1	Head	
11	70007381	1	Spacer	
12	70007359	1	Piston	
15	70007360	2	Nut	
19	70007361	1	Fitting, 90 JIC/ORB	
20	70007362	1	Fitting, 90 JIC/ORB	
100	70007363	1	Seal Kit (Includes Items 101-109)	
101	See Note	NSS	U-Packing (Note: Use p/n 70007363)	
102	See Note	NSS	Ring, Back-up (Note: Use p/n 70007363)	
103	See Note	NSS	Ring, Wear (Note: Use p/n 70007363)	
104	See Note	NSS	Wiper, Rod (Note: Use p/n 70007363)	
105	See Note	NSS	Ring, Retaining (Note: Use p/n 70007363)	
106	See Note	NSS	O-Ring (Note: Use p/n 70007363)	
107	See Note	NSS	Ring, Back-up (Note: Use p/n 70007363)	
108	See Note	NSS	Seal, Compact (Note: Use p/n 70007363)	
109	See Note	NSS	O-Ring (Note: Use p/n 70007363)	
200	70007364	1	Block Kit (Includes Items 201-203)	
201	See Note	NSS	Block (Note: Use p/n 70007364)	
202	See Note	NSS	O-Ring (Note: Use p/n 70007364)	
203	See Note	NSS	Bolt (Note: Use p/n 70007364)	
300	70007380	1	Wear Pad Kit (Includes Items 301-303)	
301	See Note	NSS	Bracket (Note: Use p/n 70007380)	
302	See Note	NSS	Bolt (Note: Use p/n 70007380)	
303	See Note	NSS	Nut (Note: (Use p/n 70007380)	
400	70007366	1	Plug Kit (Includes Items 401-406)	
401	See Note	NSS	Plug (Note: Use p/n 70007366)	
402	See Note	NSS	O-Ring (Note: Use p/n 70007366)	
403	See Note	NSS	Dust Cap (Note: Use p/n 70007366)	
404	See Note	NSS	O-Ring (Note: Use p/n 70007366)	
405	See Note	NSS	Dust Cap (Note: Use p/n 70007366)	
406	See Note	NSS	O-Ring (Note: Use p/n 70007366)	

**SECTION 5 - CYLINDER**

**FIGURE 5-15. COUNTERBALANCE VALVE ASSEMBLY**



ART\_4640807

## SECTION 5 - CYLINDER

### FIGURE 5-15. COUNTERBALANCE VALVE ASSEMBLY

ITEM	PART NUMBER	QTY	DESCRIPTION	REV
	4640807	Ref	COUNTERBALANCE VALVE ASSEMBLY	D
1	4640771	1	Cartridge, Counterbalance	
1	2900770	1	Seal Kit - 4640771 Cartridge	
2	4640709	1	Cartridge, Vented Counterbalance	
2	2900770	1	Seal Kit - 4640709 Cartridge	
3	3790113	2	O-Ring (Between Valve and Cylinder Block)	

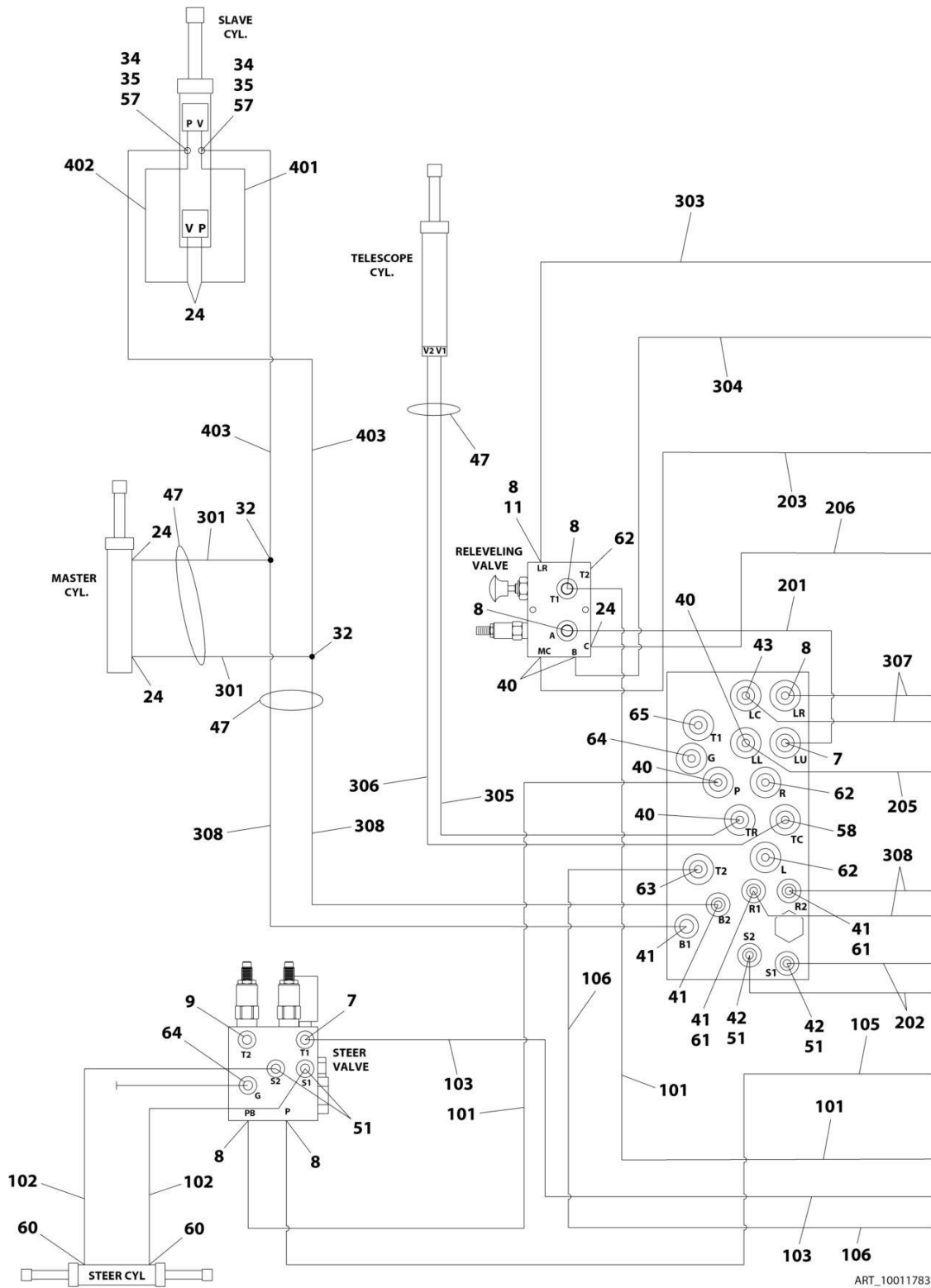




**SECTION 6 - HYDRAULIC**

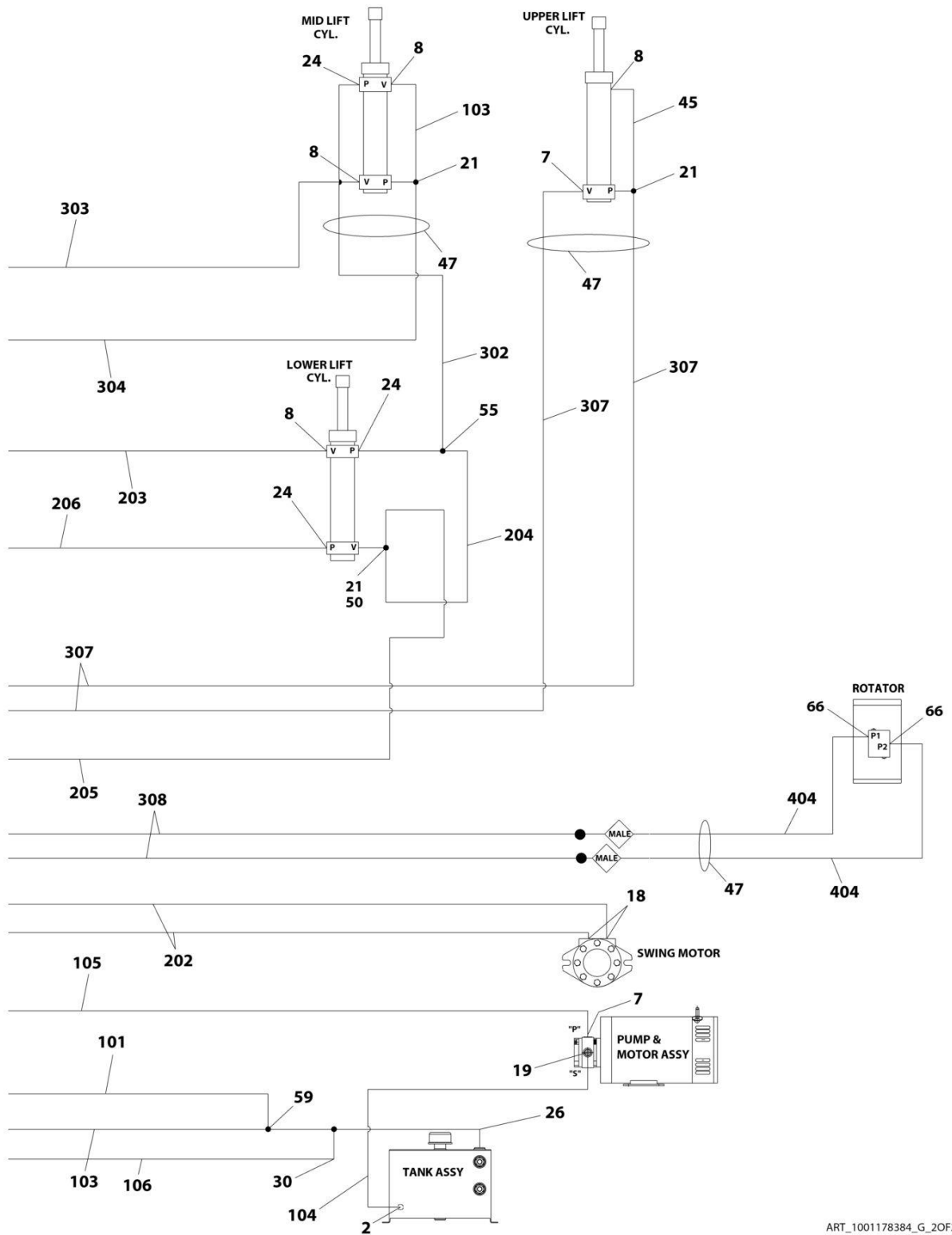
# SECTION 6 - HYDRAULIC

## FIGURE 6-1. HYDRAULIC DIAGRAM - E400ANARROW



ART\_1001178384\_G\_10F2

# SECTION 6 - HYDRAULIC



ART\_1001178384\_G\_2OF2

# SECTION 6 - HYDRAULIC

## FIGURE 6-1. HYDRAULIC DIAGRAM - E400ANARROW

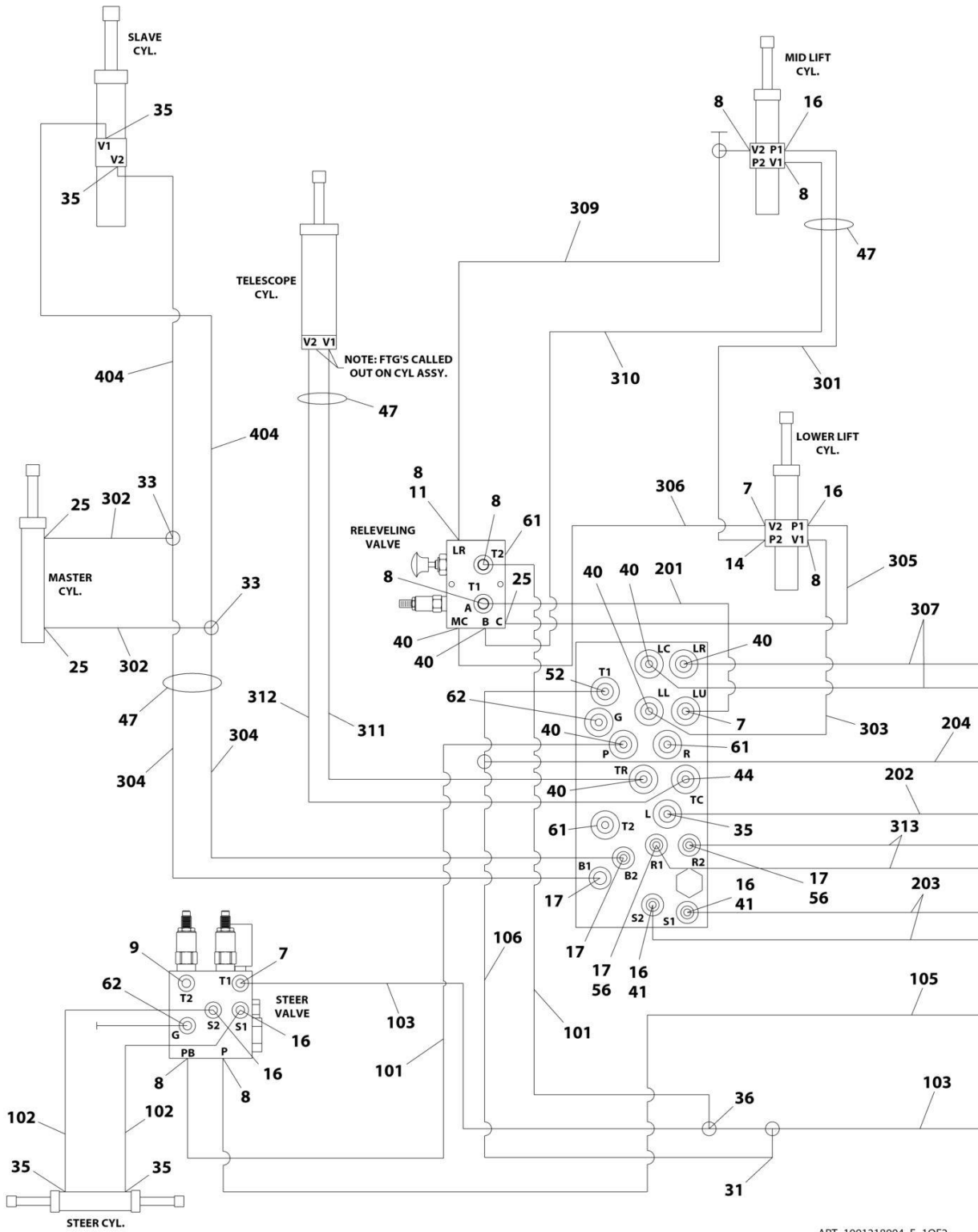
ITEM	PART NUMBER	QTY	DESCRIPTION	REV
	1001178384	Ref	HYDRAULIC DIAGRAM - E400AN	G
2	2220498	1	Fitting, 45 JIC/ORB	
7	2220371	4	Fitting, Straight, JIC/ORB	
8	2220473	10	Fitting, 90 JIC/ORB	
9	2220885	1	Plug	
11	2220507	1	Fitting, 90 JIC/JIC	
18	2221033	2	Fitting, Straight JIC/ORB	
19	2220593	1	Fitting, Straight JIC/ORB	
21	2220899	3	Fitting, Tee JIC/ORB/JIC	
24	2220472	8	Fitting, 90 JIC/ORB	
26	2220999	1	Fitting, Tee JIC/ORB/JIC	
30	2220386	1	Fitting, 90 JIC/JIC	
32	2220504	2	Fitting, Tee JIC/JIC/JIC	
34	2220727	2	Fitting, Reducer ORB	
35	2220684	2	Fitting, Tee NPT/JIC/JIC	
40	2220501	5	Fitting, 45 JIC/ORB	
41	2220502	4	Fitting, 45 JIC/ORB	
42	2220677	2	Fitting, 45 JIC/JIC	
43	2221147	1	Fitting, 90 JIC/ORB	
45	4566188	1	Tube	
47	4100026	13.7 ft /4.2m	Nylon, Sleeve	
49	1702124	1	Hose, Tag (Not Shown)	
50	2220609	1	Fitting, Straight JIC/JIC	
51	2220415	4	Fitting, Straight JIC/ORB	
55	2220605	1	Fitting, Tee JIC/JIC/JIC	
57	0100020	AR	Sealant	
58	2220600	1	Fitting, Straight JIC/ORB	
59	2221054	1	Fitting, Tee JIC/JIC/JIC	
60	2220582	2	Fitting, Straight JIC/ORB	
61	2220909	2	Fitting, Restrictor	
62	2220237	3	Plug, ORB	
63	1001136881	1	Fitting, 45 JIC/ORB	
64	2221086	2	Fitting, Nipple	
65	2220239	1	Plug, ORB	
66	2220940	2	Fitting, 90 JIC/ORB	
100	1001269310	1	Hose Kit - Frame (Not Shown)	
101	2750915	2	Hose	
102	2752453	2	Hose	
103	2752467	2	Hose	
104	2753973	1	Hose	
105	1001152635	1	Hose	
106	1001177666	1	Hose	
200	1001269311	1	Hose Kit - Turntable (Not Shown)	
201	2750910	1	Hose	
202	2752459	2	Hose	
203	2752475	1	Hose	
204	2752581	1	Hose	
205	2752620	1	Hose	
206	2752983	1	Hose	

## SECTION 6 - HYDRAULIC

ITEM	PART NUMBER	QTY	DESCRIPTION	REV
300	1001269312	1	Hose Kit - Boom (Lower) (Not Shown)	
301	2752437	2	Hose	
302	2752440	1	Hose	
303	2753334	1	Hose	
304	2753335	1	Hose	
305	2753474	1	Hose	
306	2753475	1	Hose	
307	2753519	2	Hose	
308	2753520	4	Hose	
400	1001269313	1	Hose Kit - Boom (Upper) (Not Shown)	
401	2752435	1	Hose	
402	2752573	1	Hose	
403	2753535	2	Hose	
404	1001185828	2	Hose	

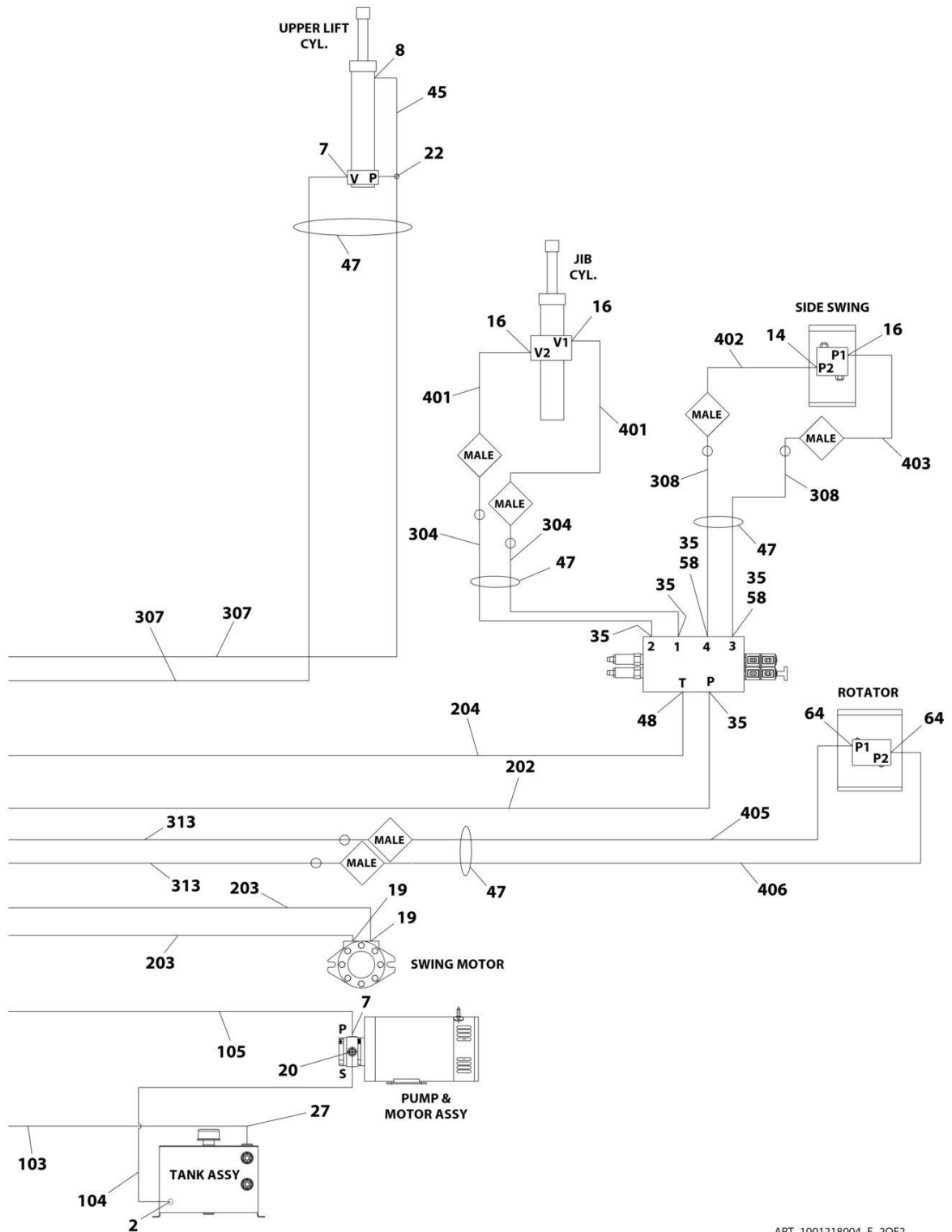
# SECTION 6 - HYDRAULIC

## FIGURE 6-2. HYDRAULIC DIAGRAM - E400AJPNARROW



ART\_1001218004\_E\_10F2

# SECTION 6 - HYDRAULIC



ART\_1001218004\_E\_2OF2

# SECTION 6 - HYDRAULIC

## FIGURE 6-2. HYDRAULIC DIAGRAM - E400AJPNARROW

ITEM	PART NUMBER	QTY	DESCRIPTION	REV
	1001218004	Ref	HYDRAULIC DIAGRAM - E400AJP/E400AJPnarrow	E
2	2220498	1	Fitting, 45 JIC/ORB	
7	2220371	4	Fitting, Straight JIC/ORB	
8	2220473	9	Fitting, 90 JIC/ORB	
9	2220885	1	Plug	
11	2220507	1	Fitting, 90 JIC/JIC	
14	2220466	2	Fitting, 90 JIC/ORB	
16	2220415	9	Fitting, Straight JIC/ORB	
17	2220502	4	Fitting, 45 JIC/ORB	
19	2221033	2	Fitting, Straight JIC/ORB	
20	2220593	1	Fitting, Straight JIC/ORB	
22	2220899	1	Fitting, Tee JIC/ORB/JIC	
25	2220472	3	Fitting, 90 JIC/ORB	
27	2220999	1	Fitting, Tee JIC/ORB/JIC	
31	2220386	1	Fitting, 90 JIC/JIC	
33	2220504	2	Fitting, Tee JIC/JIC/JIC	
35	2220582	11	Fitting, Straight JIC/ORB	
36	2221054	1	Fitting, Tee JIC/JIC/JIC	
40	2220501	7	Fitting, 45 JIC/ORB	
41	2220677	2	Fitting, 45 JIC/JIC	
44	2220600	1	Fitting, Straight JIC/ORB	
45	4567946	1	Tube	
47	4100026	17.2 ft/ 5.2m	Nylon, Sleeve	
48	2220373	1	Fitting, Straight JIC/ORB	
49	1702124	1	Hose, Tag (Not Shown)	
52	8760554	1	Fitting, Tee JIC/JIC/ ORB	
56	2220909	2	Fitting, Restrictor	
58	2221039	2	Fitting, Orifice	
61	2220237	3	Plug, ORB	
62	2221086	2	Fitting, Nipple	
64	2220940	2	Fitting, 90 JIC/ORB	
100	1001269314	1	Hose Kit - Frame (Not Shown)	
101	2750915	2	Hose	
102	2752453	2	Hose	
103	2752467	1	Hose	
104	2753973	1	Hose	
105	1001152635	1	Hose	
106	1001177666	1	Hose	
200	1001269315	1	Hose Kit - Turntable (Not Shown)	
201	2750910	1	Hose	
202	2752442	1	Hose	
203	2752459	2	Hose	
204	2752493	1	Hose	
300	1001269316	1	Hose Kit - Boom (Lower) (Not Shown)	
301	2751890	1	Hose	
302	2752437	2	Hose	
303	2752466	1	Hose	
304	2752571	4	Hose	
305	2752600	1	Hose	



## SECTION 6 - HYDRAULIC

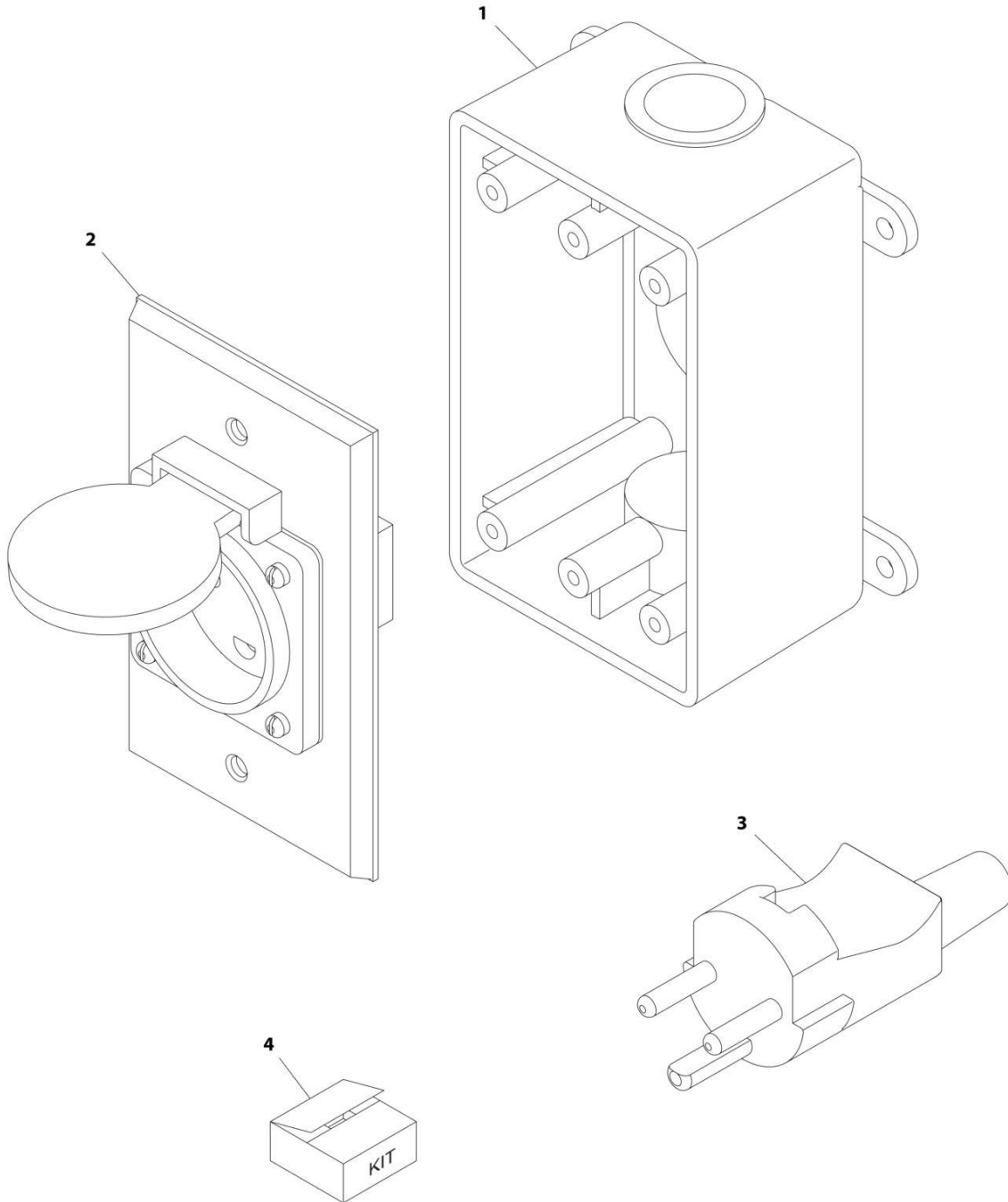
ITEM	PART NUMBER	QTY	DESCRIPTION	REV
306	2752611	1	Hose	
307	2752619	2	Hose	
308	2753332	2	Hose	
309	2753334	1	Hose	
310	2753335	1	Hose	
311	2753474	1	Hose	
312	2753475	1	Hose	
313	2753520	2	Hose	
400	1001269317	1	Hose Kit - Boom (Upper) (Not Shown)	
401	2753329	2	Hose	
402	2753330	1	Hose	
403	2753331	1	Hose	
404	2753333	2	Hose	
405	1001185828	1	Hose	
406	1001185829	1	Hose	



**SECTION 7 - ELECTRICAL**

# SECTION 7 - ELECTRICAL

FIGURE 7-1. AC PLUGS AND SOCKETS INSTALLATION - AFSINT 107-2-01 KEYED GROUND - 2 X 4 BOX (CE SPEC)



ART\_0275454

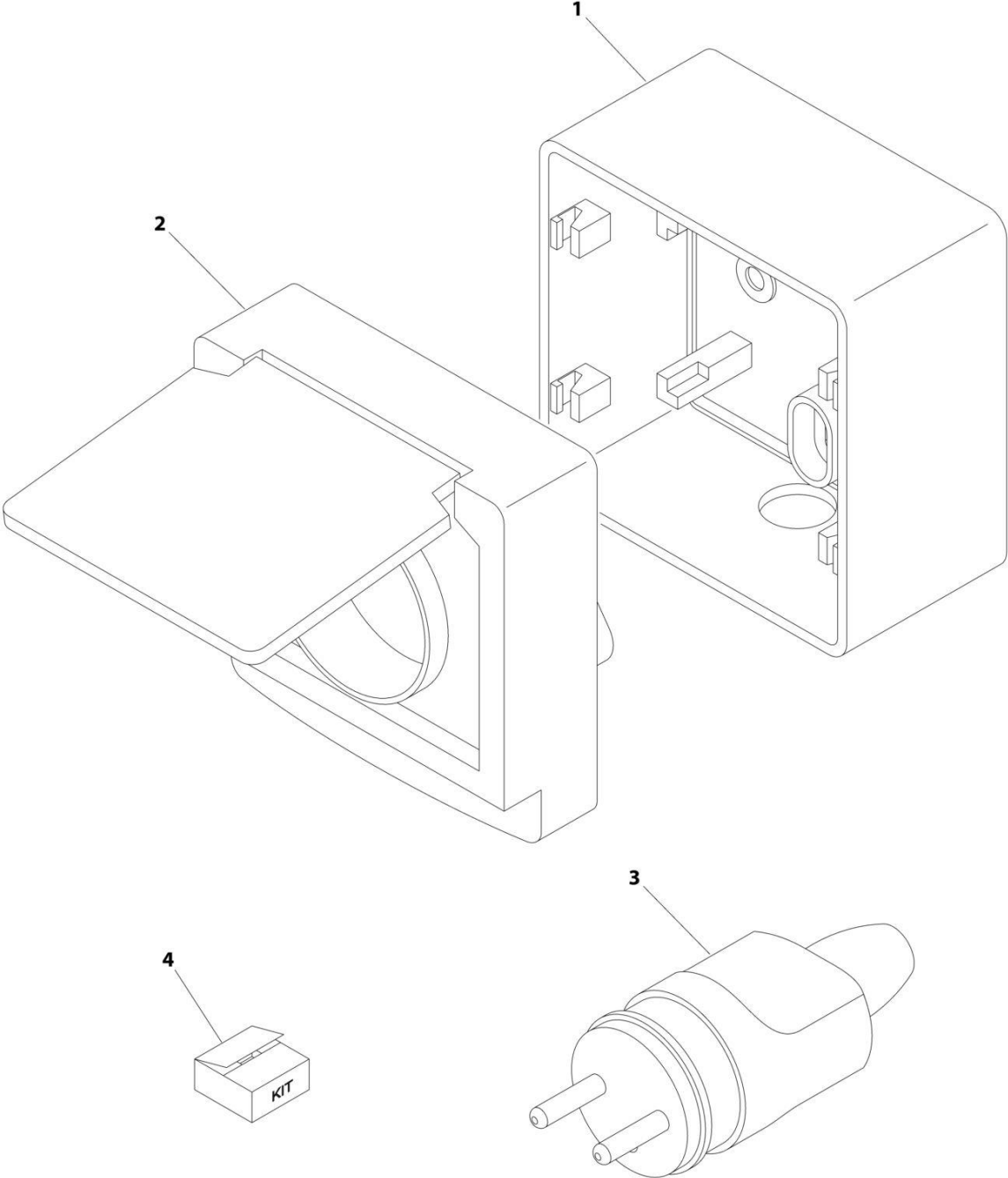
## SECTION 7 - ELECTRICAL

**FIGURE 7-1. AC PLUGS AND SOCKETS INSTALLATION - AFSINT 107-2-01 KEYED GROUND - 2 X 4 BOX (CE SPEC)**

ITEM	PART NUMBER	QTY	DESCRIPTION	REV
	0275454	Ref	RECEPTACLE BOX KIT - 220V AFSINT 107	B
1	0861731	1	Box, Switch	
2	4461246	1	Receptacle	
3	4461249	1	Plug, Male	
4	1001100346	1	Plug and Socket Kit (Includes Items 1-3 and Female Plug p/n 4461250)	

**SECTION 7 - ELECTRICAL**

**FIGURE 7-2. AC PLUGS AND SOCKETS INSTALLATION - CEE7 POST GROUND (CE SPEC)**



ART\_0275218\_C

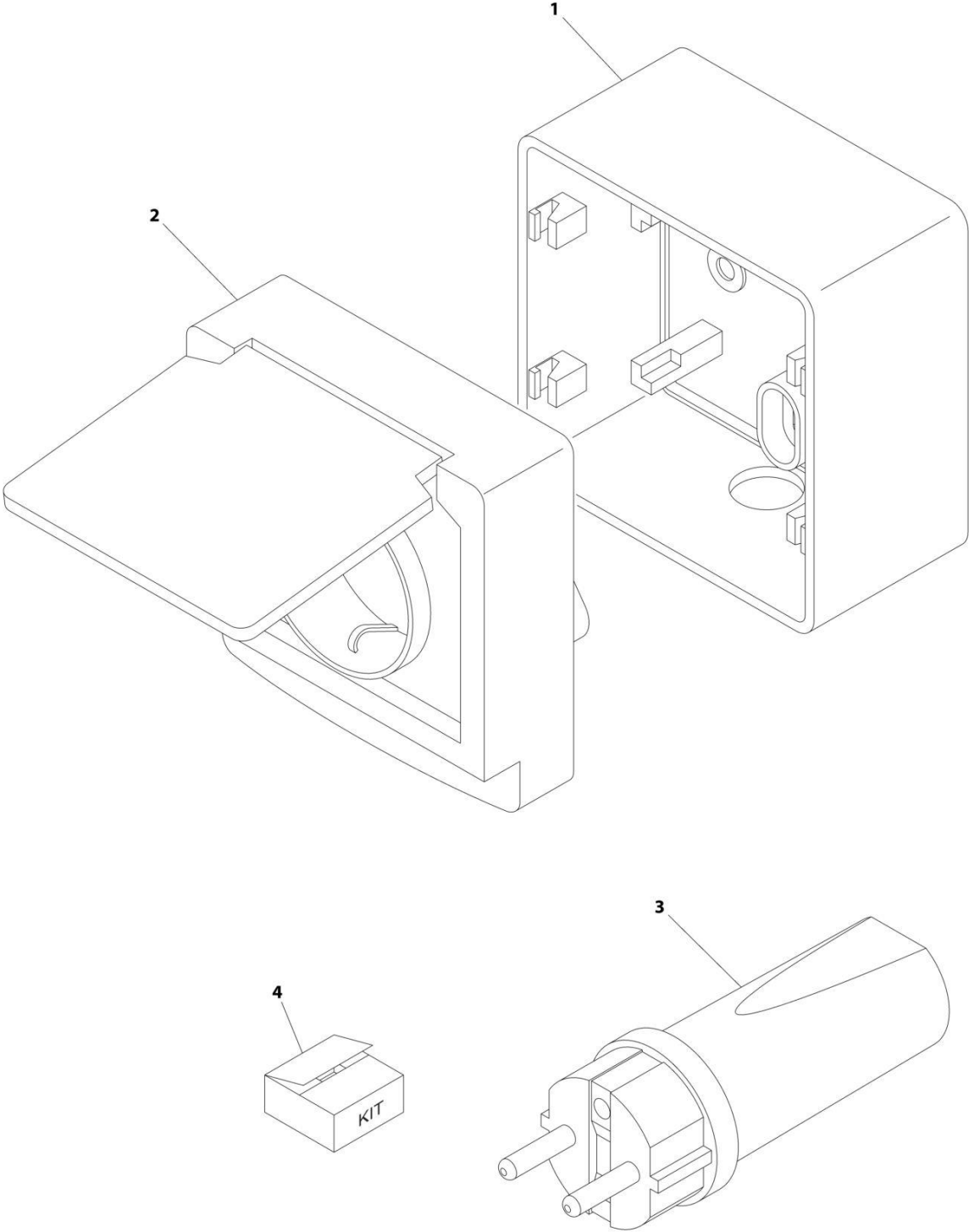
## SECTION 7 - ELECTRICAL

**FIGURE 7-2. AC PLUGS AND SOCKETS INSTALLATION - CEE7 POST GROUND (CE SPEC)**

ITEM	PART NUMBER	QTY	DESCRIPTION	REV
	0275218	Ref	RECEPTACLE BOX KIT - 220V CEE7 POST GROUND 70MM X 70MM BOX	C
1	1001141967	1	Box, Switch	
2	1001141968	1	Receptacle	
3	4461205	1	Plug, Male	
4	1001141971	1	Plug and Socket Kit (Includes Items 1-3 and Female Plug p/n 4461206)	

# SECTION 7 - ELECTRICAL

FIGURE 7-3. AC PLUGS AND SOCKETS INSTALLATION - CEE 7 SIDE GROUND (CE SPEC)



ART\_0275219



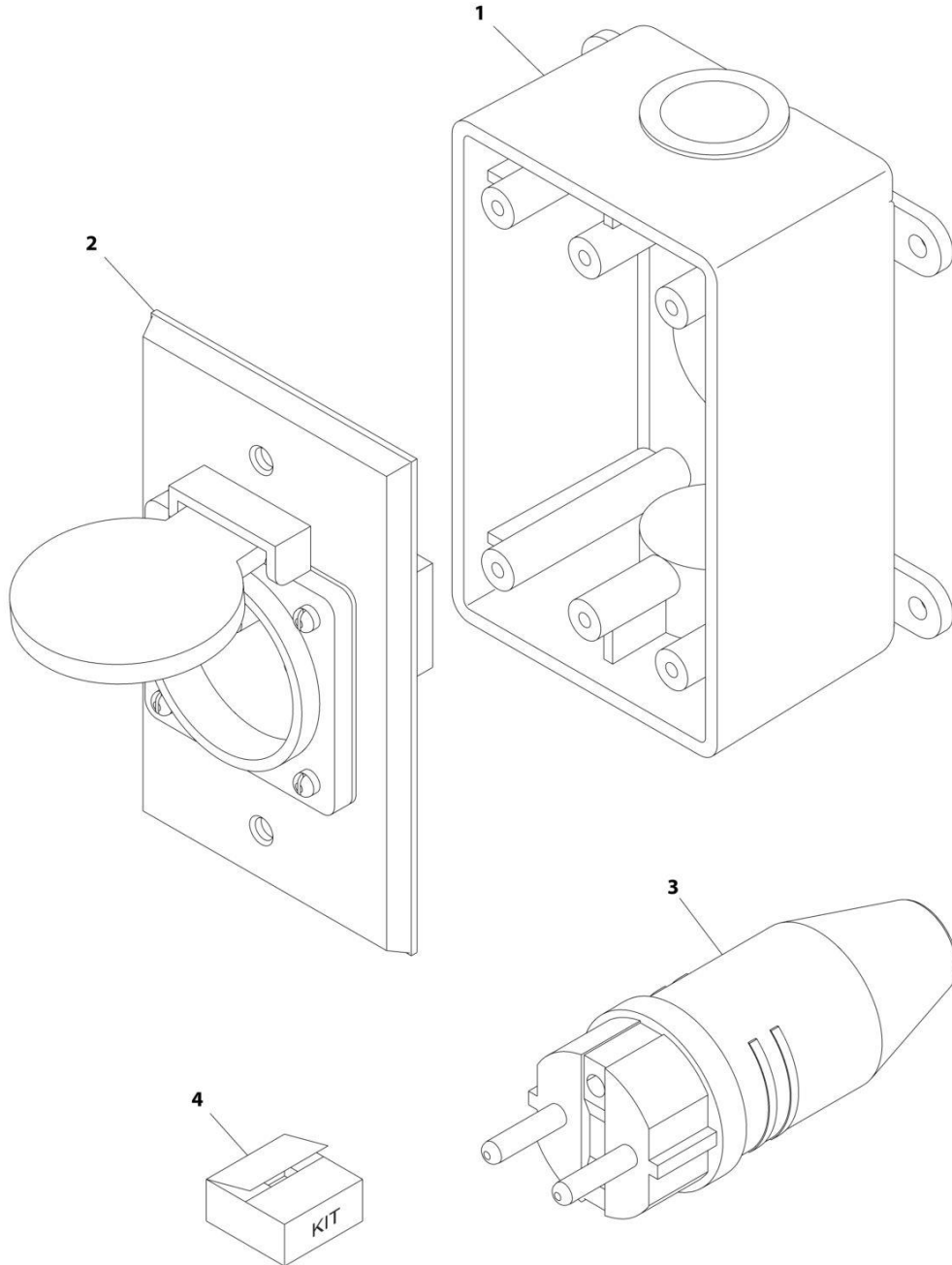
## SECTION 7 - ELECTRICAL

**FIGURE 7-3. AC PLUGS AND SOCKETS INSTALLATION - CEE 7 SIDE GROUND (CE SPEC)**

ITEM	PART NUMBER	QTY	DESCRIPTION	REV
	0275219	Ref	RECEPTACLE BOX KIT - 220V CEE7 SIDE GROUND 70MM X 70MM BOX	B
1	1001141967	1	Box, Switch	
2	1001141969	1	Receptacle	
3	4461205	1	Plug, Male	
4	1001141970	1	Plug and Socket Kit (Includes Items 1-3 and Female Plug p/n 4461206)	

# SECTION 7 - ELECTRICAL

FIGURE 7-4. AC PLUGS AND SOCKETS INSTALLATION - CEE7 POST GROUND - 2 X 4 BOX (CE SPEC)



ART\_0275452-C

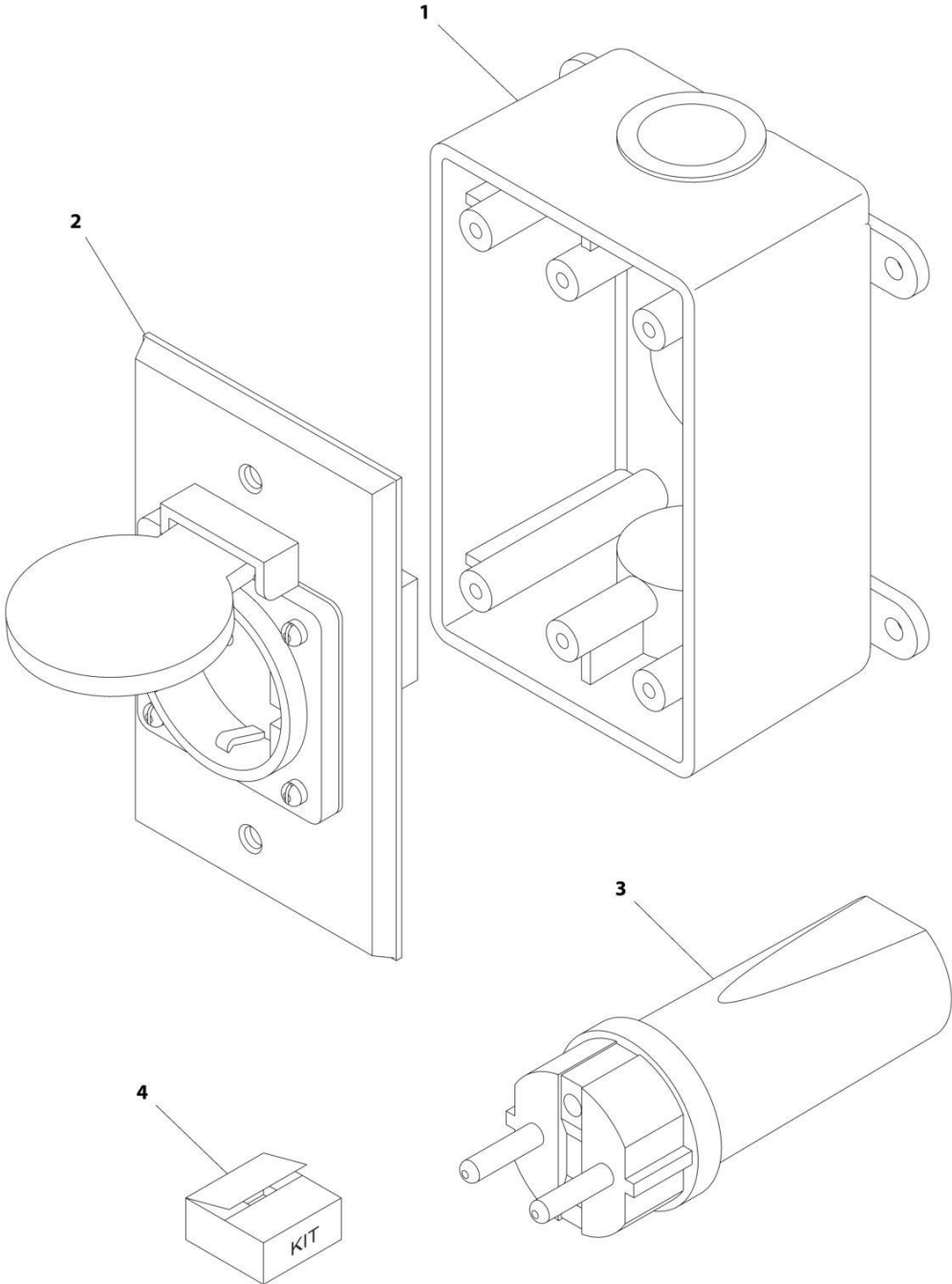
## SECTION 7 - ELECTRICAL

**FIGURE 7-4. AC PLUGS AND SOCKETS INSTALLATION - CEE7 POST GROUND - 2 X 4 BOX (CE SPEC)**

ITEM	PART NUMBER	QTY	DESCRIPTION	REV
	0275452	Ref	RECEPTACLE BOX KIT - 220V CEE7 POST GROUND 2IN X 4IN BOX	C
1	0861731	1	Box, Switch	
2	4461244	1	Receptacle	
3	4461205	1	Plug, Male	
4	1001100345	1	Plug and Socket Kit (Includes Items 1-3 and Female Plug p/n 4461203)	

# SECTION 7 - ELECTRICAL

FIGURE 7-5. AC PLUGS AND SOCKETS INSTALLATION - CEE7 SIDE GROUND - 2 X 4 BOX (CE SPEC)



ART\_0275453

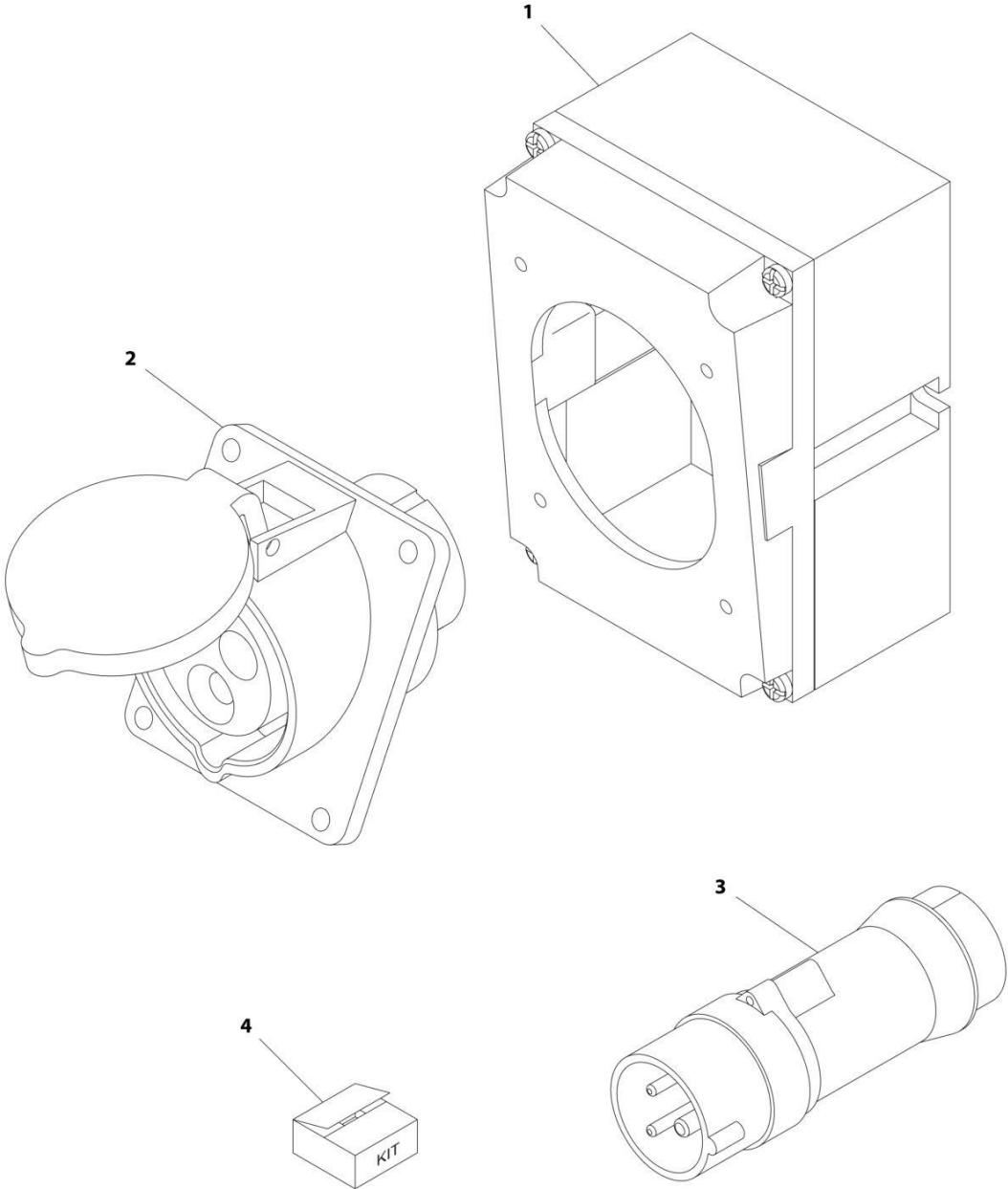
## SECTION 7 - ELECTRICAL

**FIGURE 7-5. AC PLUGS AND SOCKETS INSTALLATION - CEE7 SIDE GROUND - 2 X 4 BOX (CE SPEC)**

ITEM	PART NUMBER	QTY	DESCRIPTION	REV
	0275453	Ref	RECEPTACLE BOX KIT - 220V CEE7 SIDE GROUND	B
1	0861731	1	Box, Switch	
2	4461245	1	Receptacle	
3	4461205	1	Plug, Male	
4	1001100347	1	Plug and Socket Kit (Includes Items 1-3 and Female Plug p/n 4461206)	

**SECTION 7 - ELECTRICAL**

**FIGURE 7-6. AC PLUGS AND SOCKETS INSTALLATION - IEC 60309 BLUE (CE SPEC)**



ART\_0275217

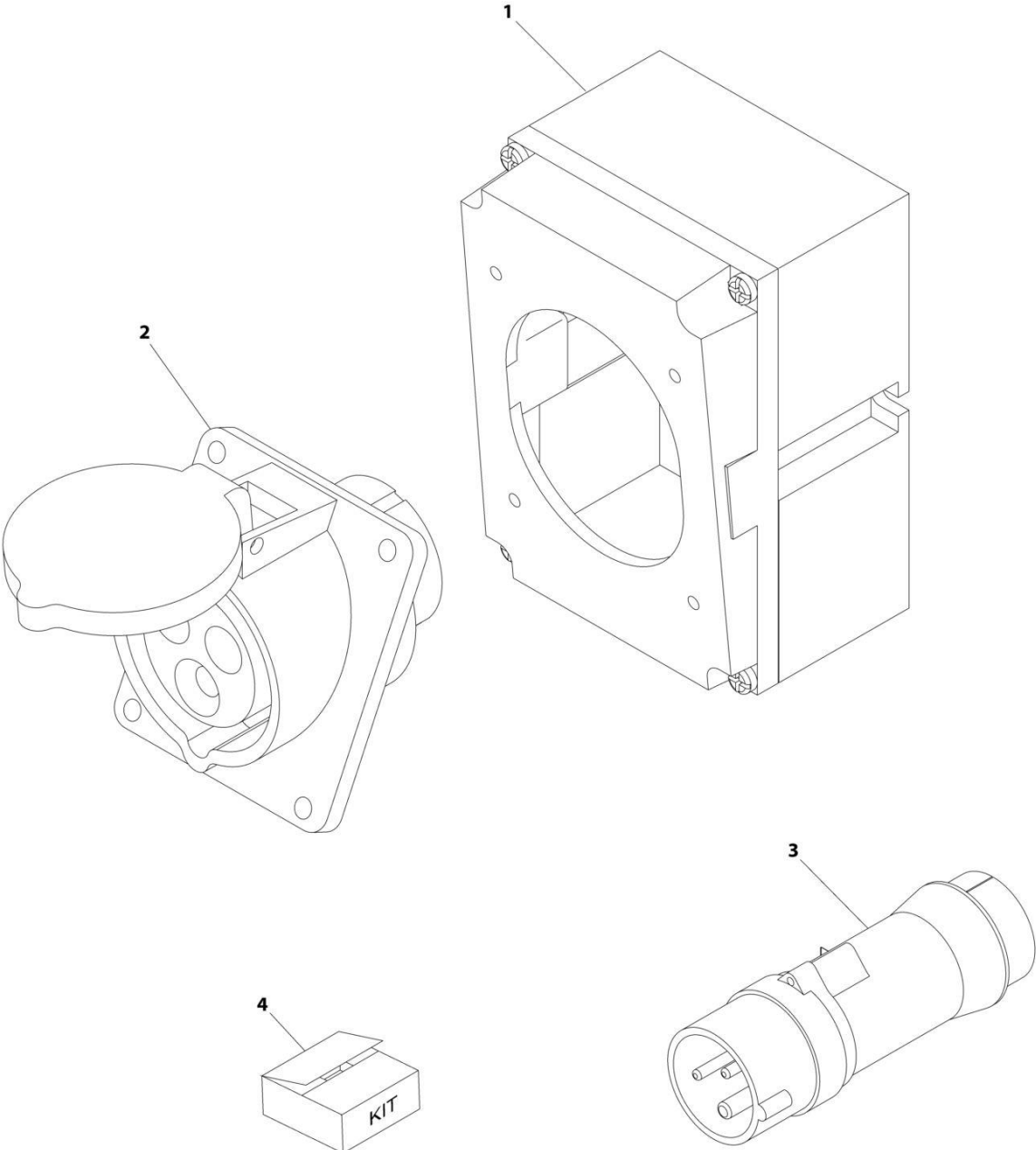
## SECTION 7 - ELECTRICAL

**FIGURE 7-6. AC PLUGS AND SOCKETS INSTALLATION - IEC 60309 BLUE (CE SPEC)**

ITEM	PART NUMBER	QTY	DESCRIPTION	REV
	0275217	Ref	RECEPTACLE BOX KIT - 220V IEC BLUE	B
1	0861781	1	Box, Switch	
2	4461201	1	Receptacle	
3	4461199	1	Plug, Male	
4	1001100342	1	Plug and Socket Kit (Includes Items 1-3 and Female Plug p/n 4461200)	

# SECTION 7 - ELECTRICAL

FIGURE 7-7. AC PLUGS AND SOCKETS INSTALLATION - IEC 60309 YELLOW (CE SPEC)



ART\_0275216



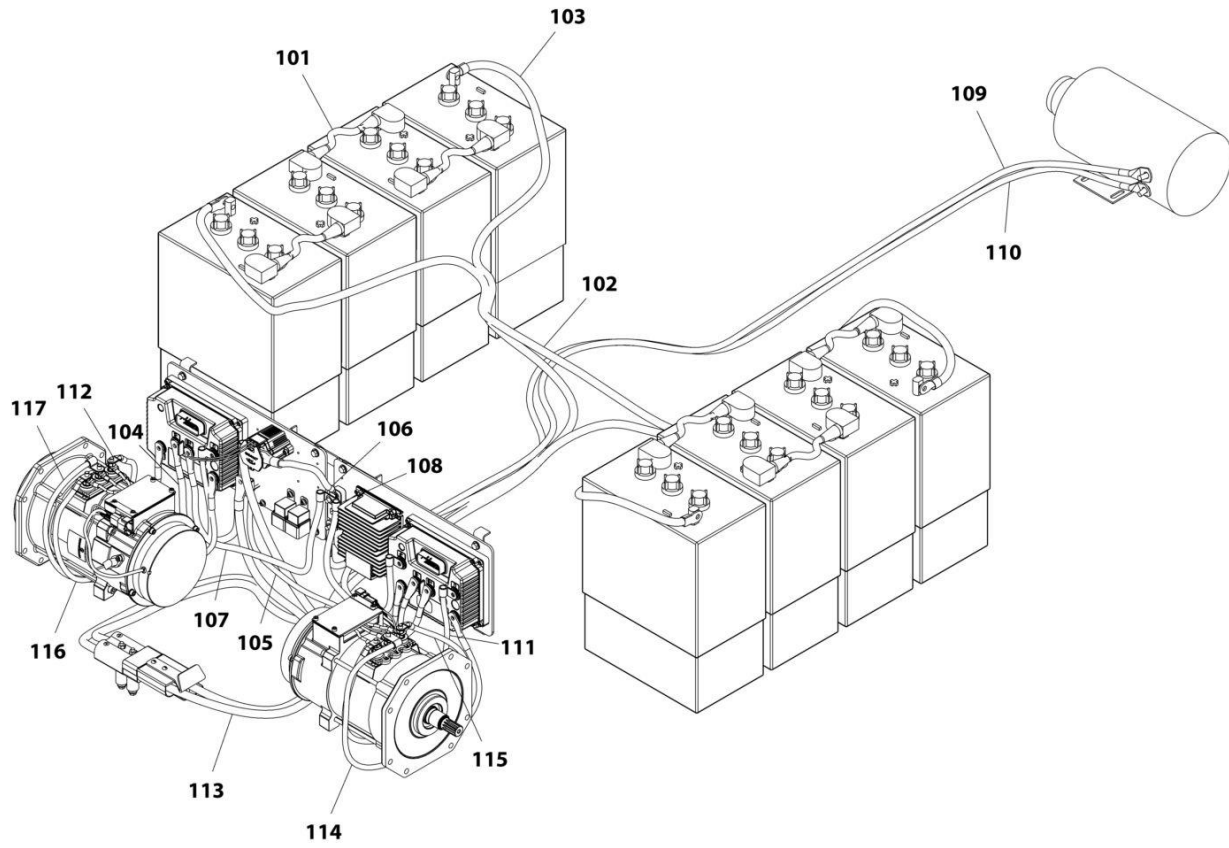
## SECTION 7 - ELECTRICAL

**FIGURE 7-7. AC PLUGS AND SOCKETS INSTALLATION - IEC 60309 YELLOW (CE SPEC)**

ITEM	PART NUMBER	QTY	DESCRIPTION	REV
	0275216	Ref	RECEPTACLE BOX KIT - 110V IEC YELLOW	B
1	0861781	1	Box, Switch	
2	4461198	1	Receptacle	
3	4461196	1	Plug, Male	
4	1001100341	1	Plug and Socket Kit (Includes Items 1-3 and Female Plug p/n 4461197)	

# SECTION 7 - ELECTRICAL

## FIGURE 7-8. BATTERY CABLE KIT - E400ANARROW AND E400AJPNARROW



ART\_1001190088

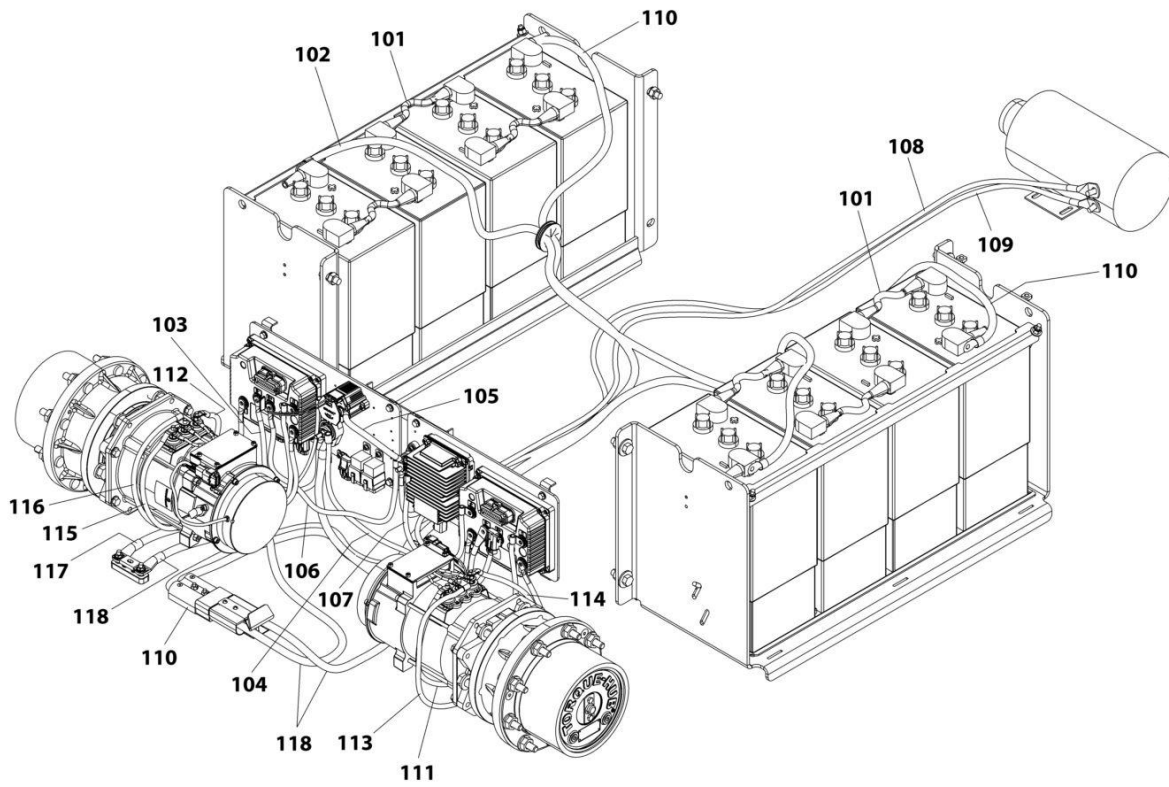
## SECTION 7 - ELECTRICAL

**FIGURE 7-8. BATTERY CABLE KIT - E400ANARROW AND E400AJPNARROW**

ITEM	PART NUMBER	QTY	DESCRIPTION	REV
	1001190088	Ref	BATTERY CABLE KIT	K
101	1001109833	6	Cable, Battery	
102	1001177245	1	Cable, Interconnect	
103	1001177246	1	Cable, Battery	
104	1001178394	1	Cable, Negative to LH Module	
105	1001178395	1	Cable, Negative to RH Module	
106	1001178396	1	Cable, Positive to Pump Motor Fuse	
107	1001178398	1	Cable, Positive to LH Module	
108	1001178399	1	Cable, Positive to RH Module	
109	1001178400	1	Cable, Pump Motor Positive	
110	1001178401	1	Cable, Pump Motor Negative	
111	1001178402	1	Cable, Motor R U	
112	1001178403	1	Cable, Motor L U	
113	1001178660	1	Cable, Battery	
114	1001189027	1	Cable, Motor R V	
115	1001189030	1	Cable, Motor R W	
116	1001189031	1	Cable, Motor L W	
117	1001189032	1	Cable, Motor L V	

# SECTION 7 - ELECTRICAL

## FIGURE 7-9. BATTERY CABLE KIT - E400ANARROW AND E400AJPNARROW - UL SPECS



ART\_1001212454

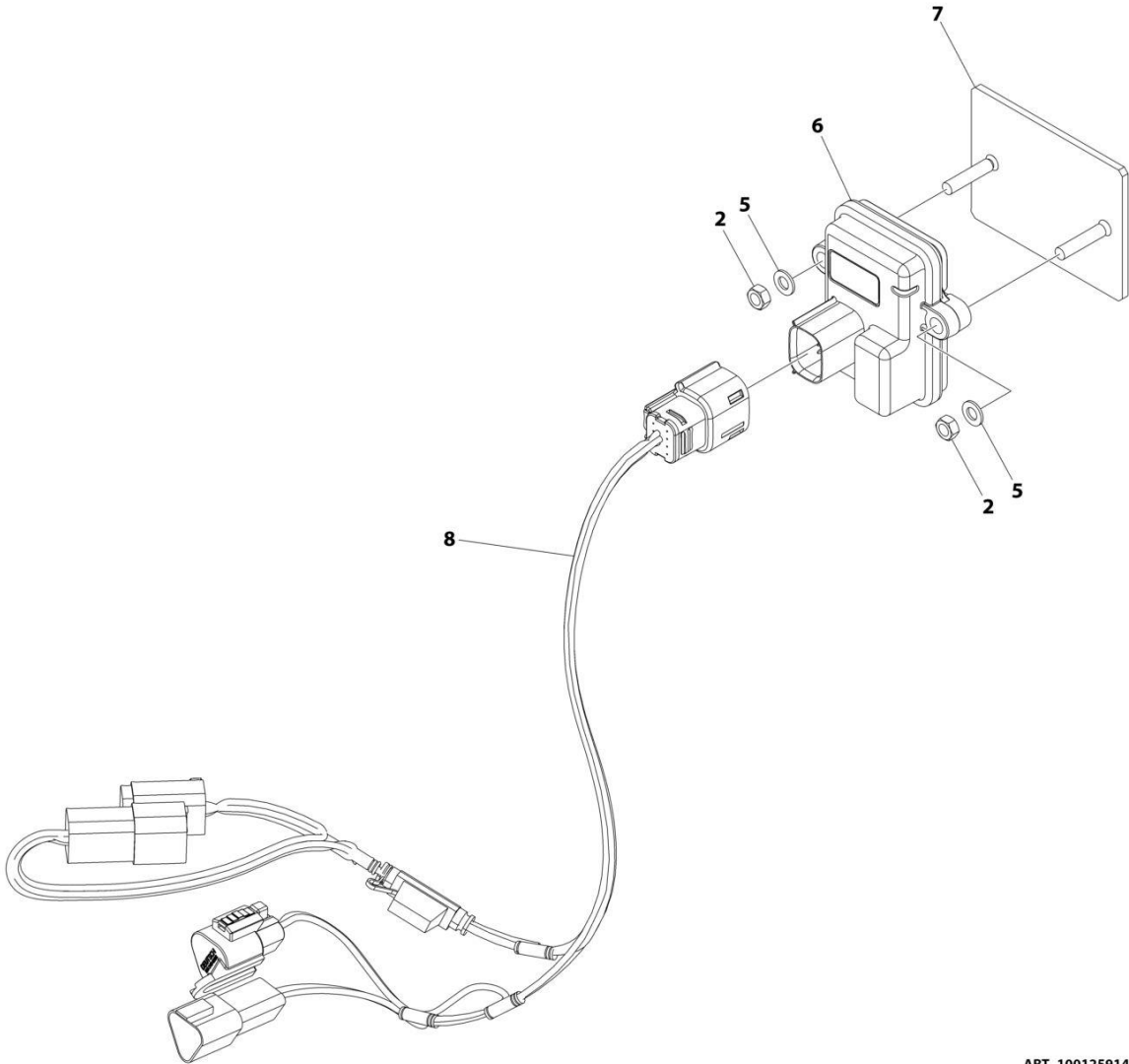
## SECTION 7 - ELECTRICAL

**FIGURE 7-9. BATTERY CABLE KIT - E400ANARROW AND E400AJPNARROW - UL SPECS**

ITEM	PART NUMBER	QTY	DESCRIPTION	REV
	1001212454	Ref	BATTERY CABLE KIT	F
101	1001109833	6	Cable, Battery	
102	1001177245	1	Cable, Interconnect	
103	1001178394	1	Cable, Negative to LH Module	
104	1001178395	1	Cable, Negative to RH Module	
105	1001178396	1	Cable, Positive to Pump Motor Fuse	
106	1001178398	1	Cable, Positive to LH Module	
107	1001178399	1	Cable, Positive to RH Module	
108	1001178400	1	Cable, Pump Motor Positive	
109	1001178401	1	Cable, Pump Motor Negative	
110	1001177246	1	Cable, Battery	
111	1001178402	1	Cable, Motor R U	
112	1001178403	1	Cable, Motor L U	
113	1001189027	1	Cable, Motor R V	
114	1001189030	1	Cable, Motor R W	
115	1001189031	1	Cable, Motor L W	
116	1001189032	1	Cable, Motor L V	
117	1001212455	1	Cable, Drive Jumper	
118	1001212480	1	Cable, Battery	

**SECTION 7 - ELECTRICAL**

**FIGURE 7-10. BLUETOOTH MODULE INSTALLATION**



ART\_1001259149

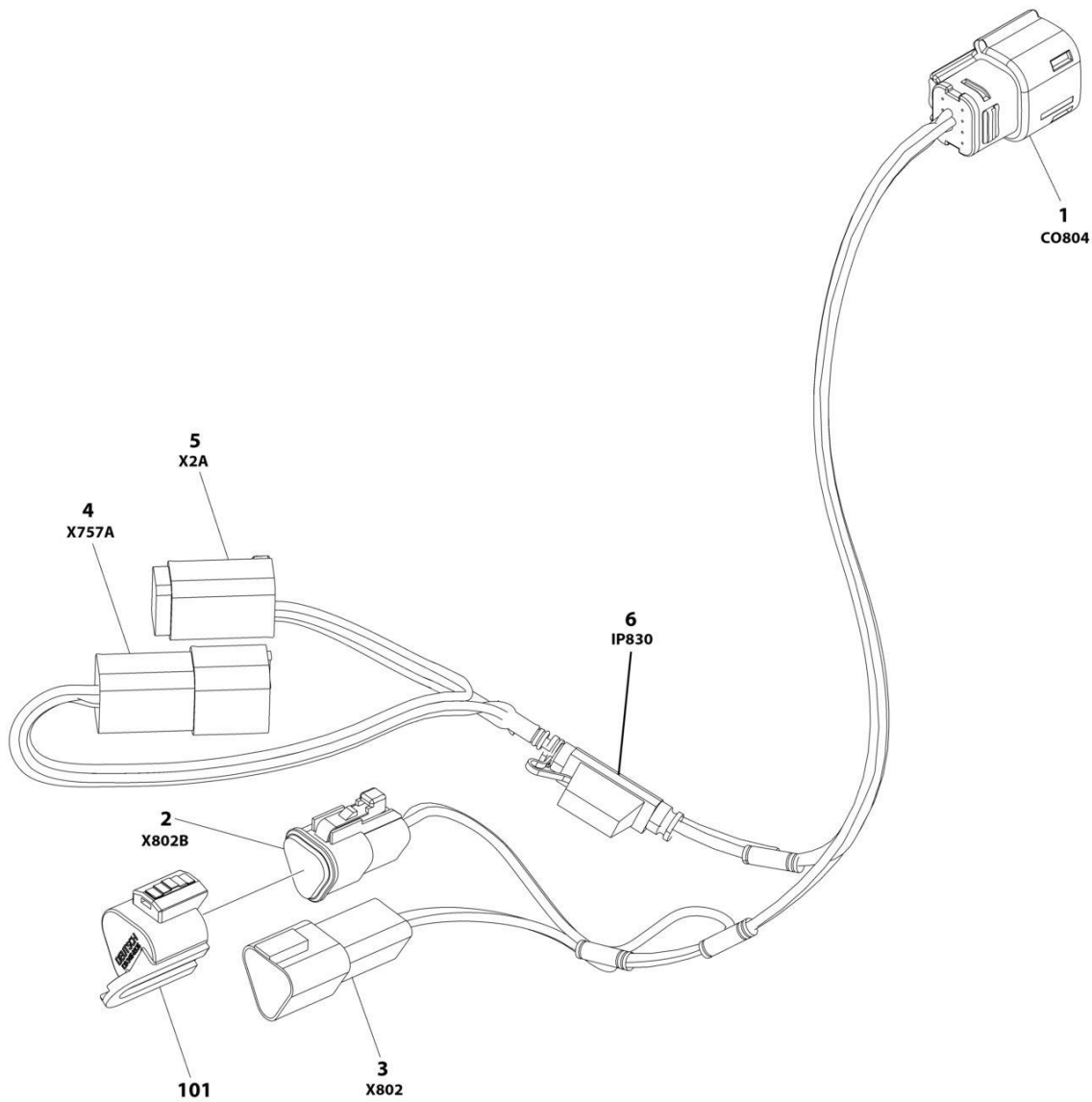
## SECTION 7 - ELECTRICAL

### FIGURE 7-10. BLUETOOTH MODULE INSTALLATION

ITEM	PART NUMBER	QTY	DESCRIPTION	REV
	1001259149	Ref	BLUETOOTH MODULE INSTALLATION	B
2	3290501	2	Nut M5	
5	4811600	2	Washer 5mm	
6	1001245293	1	Module, Bluetooth Control	
7	1001259155	1	Bracket, Module Mounting	
8	1001260414	1	Harness, Bluetooth Module (See Separate Breakdown in this Section)	

# SECTION 7 - ELECTRICAL

## FIGURE 7-11. BLUETOOTH MODULE HARNESS



ART\_1001260414



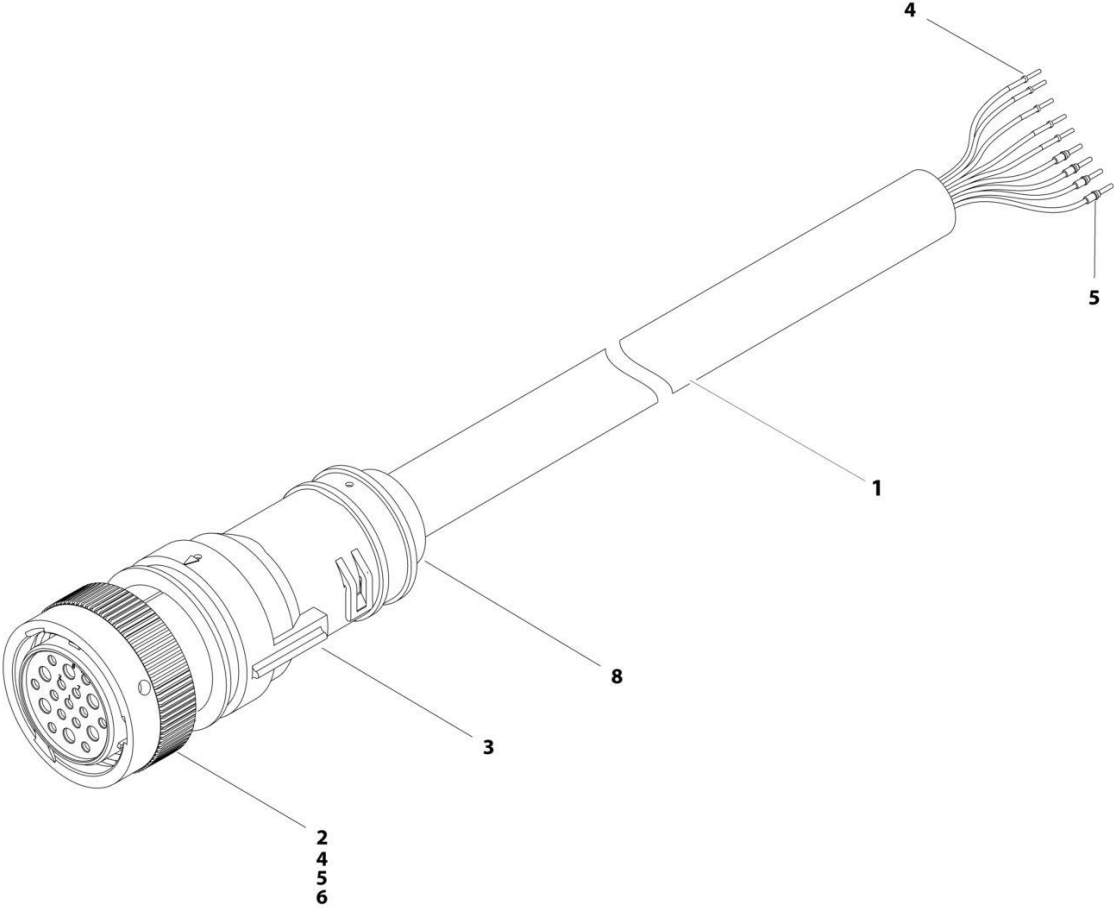
## SECTION 7 - ELECTRICAL

**FIGURE 7-11. BLUETOOTH MODULE HARNESS**

ITEM	PART NUMBER	QTY	DESCRIPTION	REV
	1001260414	Ref	BLUETOOTH MODULE HARNESS	B
1	1001205409	1	Connector	
1	1001162887	4	Terminal	
1	1001163340	4	Plug	
2	1001116812	1	Connector	
2	4460944	2	Socket	
2	4460466	1	Plug	
3	1001144147	1	Connector	
3	4460943	2	Pin	
3	4460466	1	Plug	
4	4460932	1	Connector	
4	4460464	4	Pin	
5	4460884	1	Connector	
5	4460465	4	Socket	
6	2400060	1	Fuse Holder	
6	1001196635	1	Fuse, 3 Amp	
101	1001144296	1	Dust Cap	

**SECTION 7 - ELECTRICAL**

**FIGURE 7-12. BOOM CABLE - LOWER**



ART\_1001183868

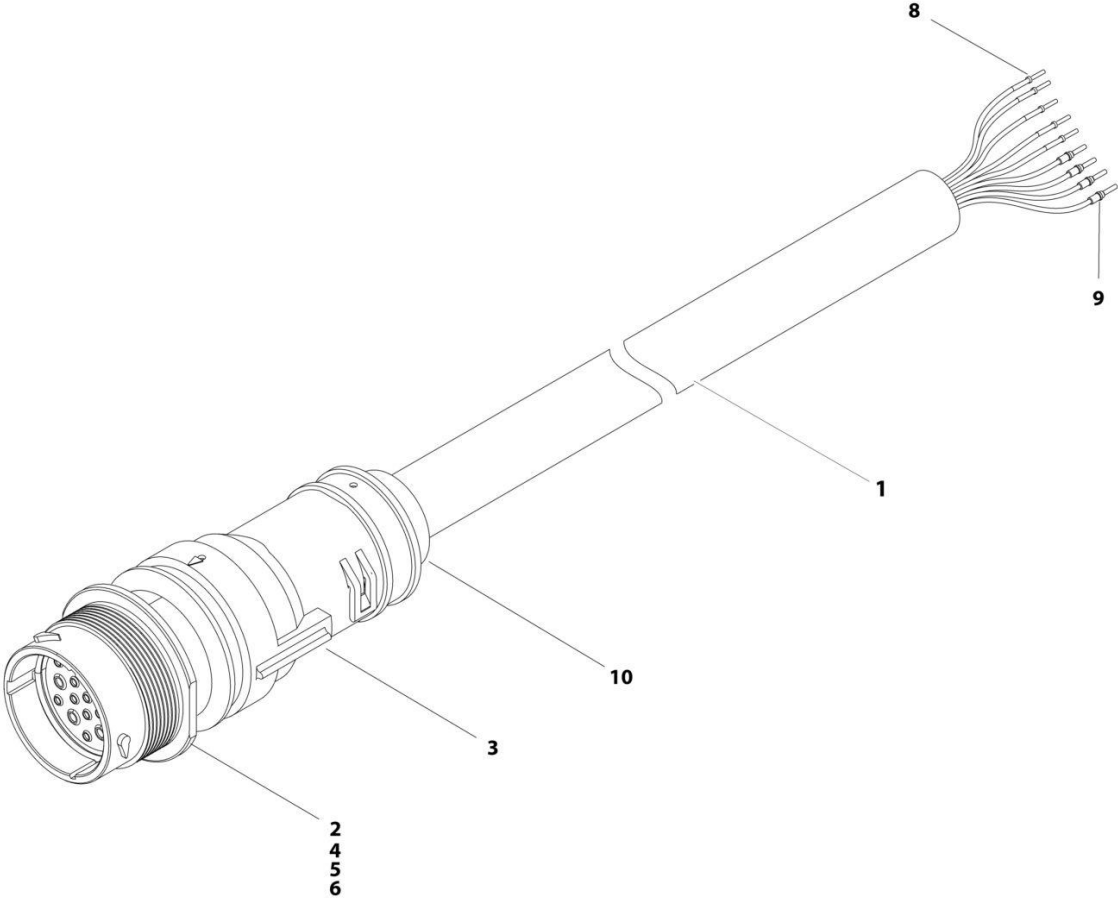
## SECTION 7 - ELECTRICAL

**FIGURE 7-12. BOOM CABLE - LOWER**

ITEM	PART NUMBER	QTY	DESCRIPTION	REV
1	1001183868	Ref	BOOM CABLE - LOWER	C
	1060896	32 ft /9.8m	Cable, Electrical	
2	1001188292	1	Connector - 19 Position	
3	1001188291	1	Connector, Backshell	
4	4460465	22	Socket, Female	
5	4460509	8	Socket, Female	
6	4460466	4	Plug, Seal	
7	2820118	6 in /15.3 cm	Insulator, Tubing (Not Shown)	
8	1001188354	1	Grommet	
9	4240033	2	Tie-Strap (Not Shown)	

**SECTION 7 - ELECTRICAL**

**FIGURE 7-13. BOOM CABLE - UPPER**



ART\_1001183867

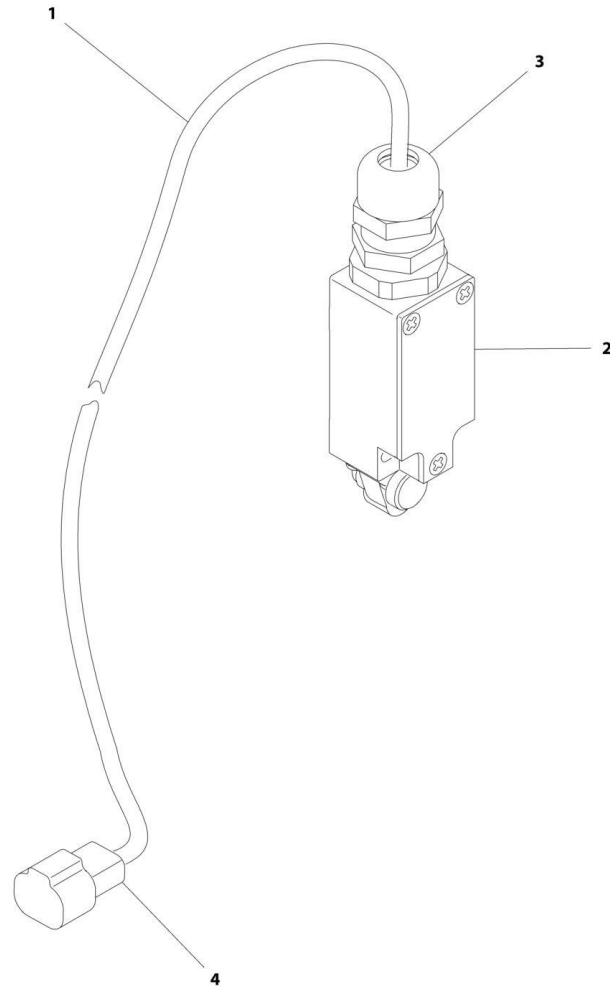
## SECTION 7 - ELECTRICAL

**FIGURE 7-13. BOOM CABLE - UPPER**

ITEM	PART NUMBER	QTY	DESCRIPTION	REV
	1001183867	Ref	BOOM CABLE - UPPER	D
1	1060896	25.5 ft /7.8m	Cable, Electrical	
2	1001188293	1	Connector - 19 Position	
3	1001188291	1	Connector, Backshell	
4	4460465	11	Socket, Female	
5	4460509	4	Socket, Female	
6	4460466	4	Plug, Seal	
7	2820118	6 in /15.3 cm	Insulator, Tubing (Not Shown)	
8	4460464	11	Pin, Male	
9	4460508	4	Pin, Male	
10	1001188354	1	Grommet	
11	4240033	2	Tie-Strap (Not Shown)	

# SECTION 7 - ELECTRICAL

## FIGURE 7-14. BOOM LIMIT SWITCH HARNESS - LOWER



ART\_1001187776

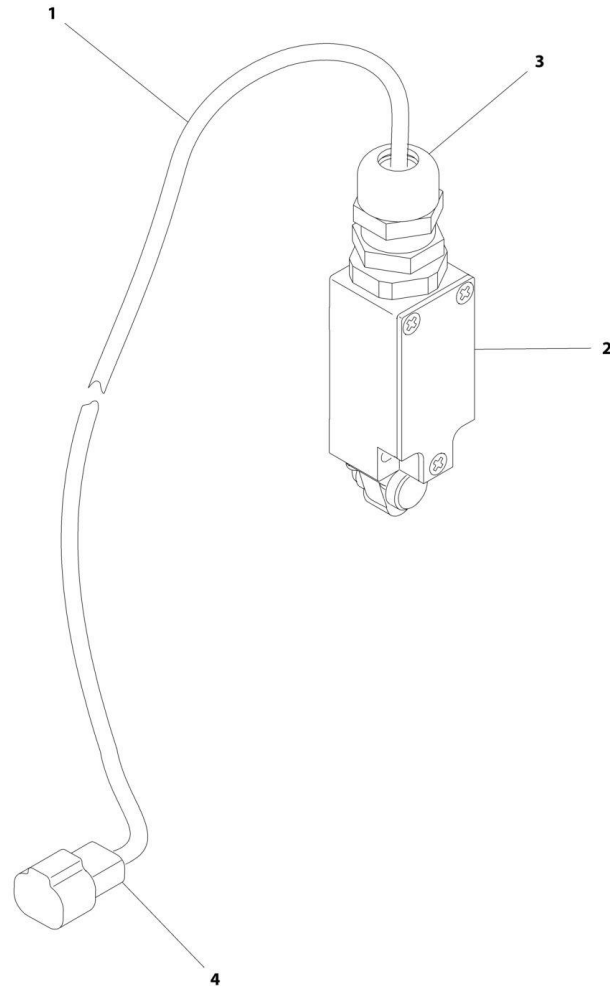
## SECTION 7 - ELECTRICAL

### FIGURE 7-14. BOOM LIMIT SWITCH HARNESS - LOWER

ITEM	PART NUMBER	QTY	DESCRIPTION	REV
	1001187776	Ref	BOOM LIMIT SWITCH HARNESS - LOWER	D
1	1060341	14 ft /4.3m	Cable, Electrical - 16/2	
2	4360548	1	Switch, Limit	
3	4460968	1	Connector, Strain Relief	
4	4460897	1	Connector- 2 Position	
4	4460464	2	Pin, Male	

# SECTION 7 - ELECTRICAL

## FIGURE 7-15. BOOM LIMIT SWITCH HARNESS - UPPER



ART\_100118775



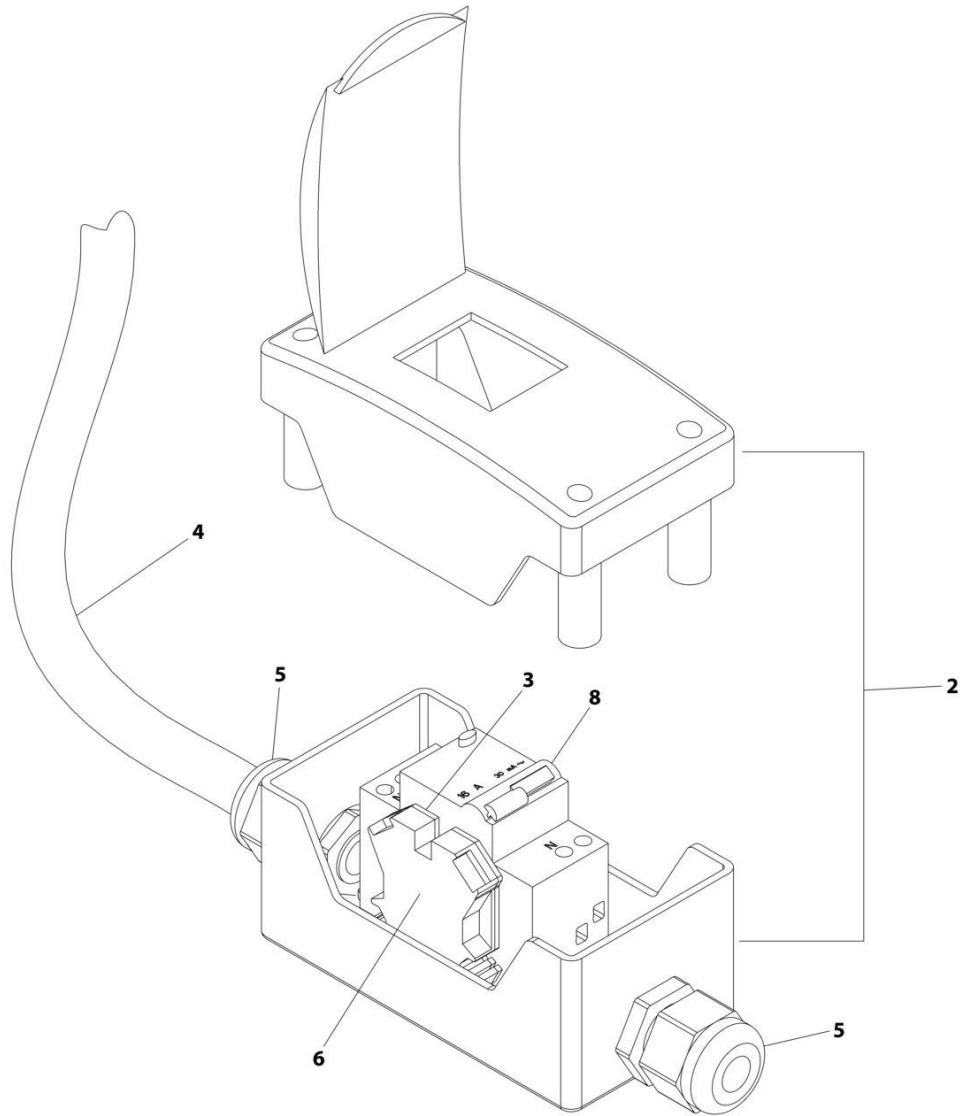
## SECTION 7 - ELECTRICAL

### FIGURE 7-15. BOOM LIMIT SWITCH HARNESS - UPPER

ITEM	PART NUMBER	QTY	DESCRIPTION	REV
	1001187775	Ref	BOOM LIMIT SWITCH HARNESS - UPPER	C
1	1060341	27 ft /8.23m	Cable, Electrical - 16/2	
2	4360548	1	Switch, Limit	
3	4460968	1	Connector, Strain Relief	
4	4460897	1	Connector - 2 Position	
4	4460464	2	Pin, Male	

**SECTION 7 - ELECTRICAL**

**FIGURE 7-16. BREAKER BOX KIT WITH ONE BREAKERS - CE SPEC**



ART\_2902549\_F

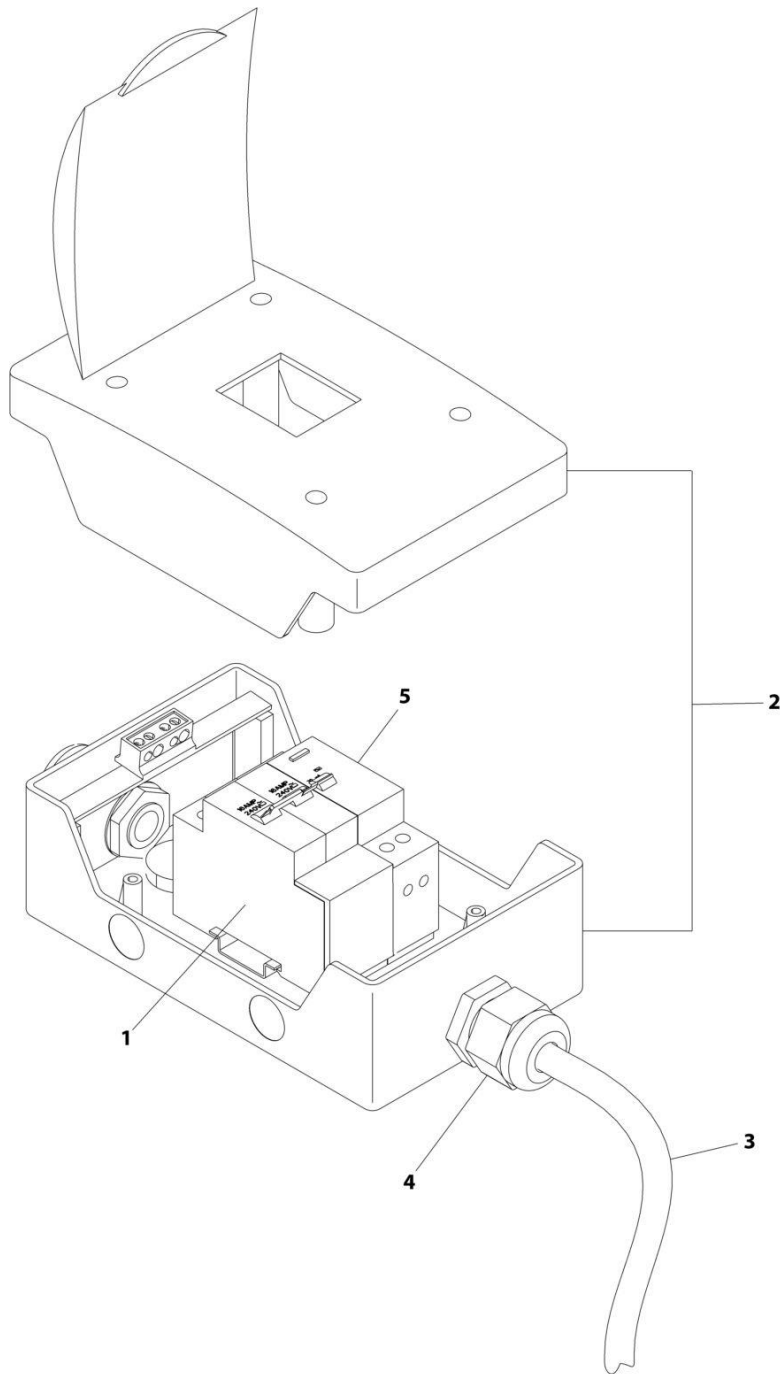
## SECTION 7 - ELECTRICAL

**FIGURE 7-16. BREAKER BOX KIT WITH ONE BREAKERS - CE SPEC**

ITEM	PART NUMBER	QTY	DESCRIPTION	REV
	2902549	Ref	BREAKER BOX KIT	F
2	0861880	1	Box	
3	4460956	1	Barrier, Terminal	
4	1060908	6 ft/1.8m	Cable, 12/3	
5	1001097150	2	Connector, Strain Relief	
6	4460957	1	Block, Terminal	
8	1001181045	1	Breaker, 16Amp	

# SECTION 7 - ELECTRICAL

## FIGURE 7-17. BREAKER BOX KIT WITH TWO BREAKERS - CE SPEC



ART\_1001152485\_F

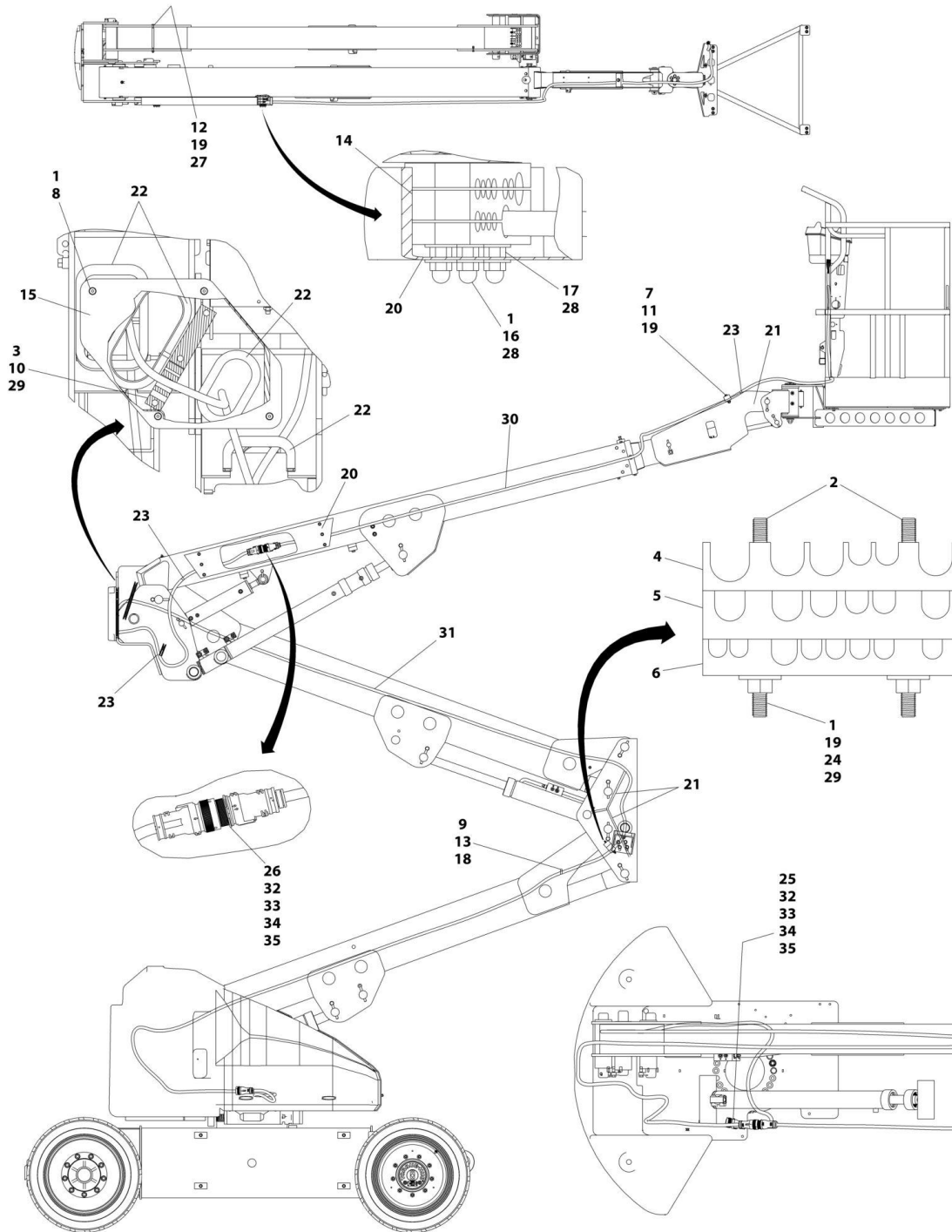
## SECTION 7 - ELECTRICAL

**FIGURE 7-17. BREAKER BOX KIT WITH TWO BREAKERS - CE SPEC**

ITEM	PART NUMBER	QTY	DESCRIPTION	REV
	1001152485	Ref	BREAKER BOX KIT WITH TWO BREAKERS	F
1	1001189172	1	Breaker 16Amp Double	
2	1001152483	1	Box	
3	1060908	6 ft/1.8m	Cable, 12/3	
4	1001097150	2	Connector, Strain Relief	
5	1001189171	1	Breaker, 30mA	

# SECTION 7 - ELECTRICAL

## FIGURE 7-18. CABLES AND CLAMPS INSTALLATION - E400ANARROW



ART\_1001183521

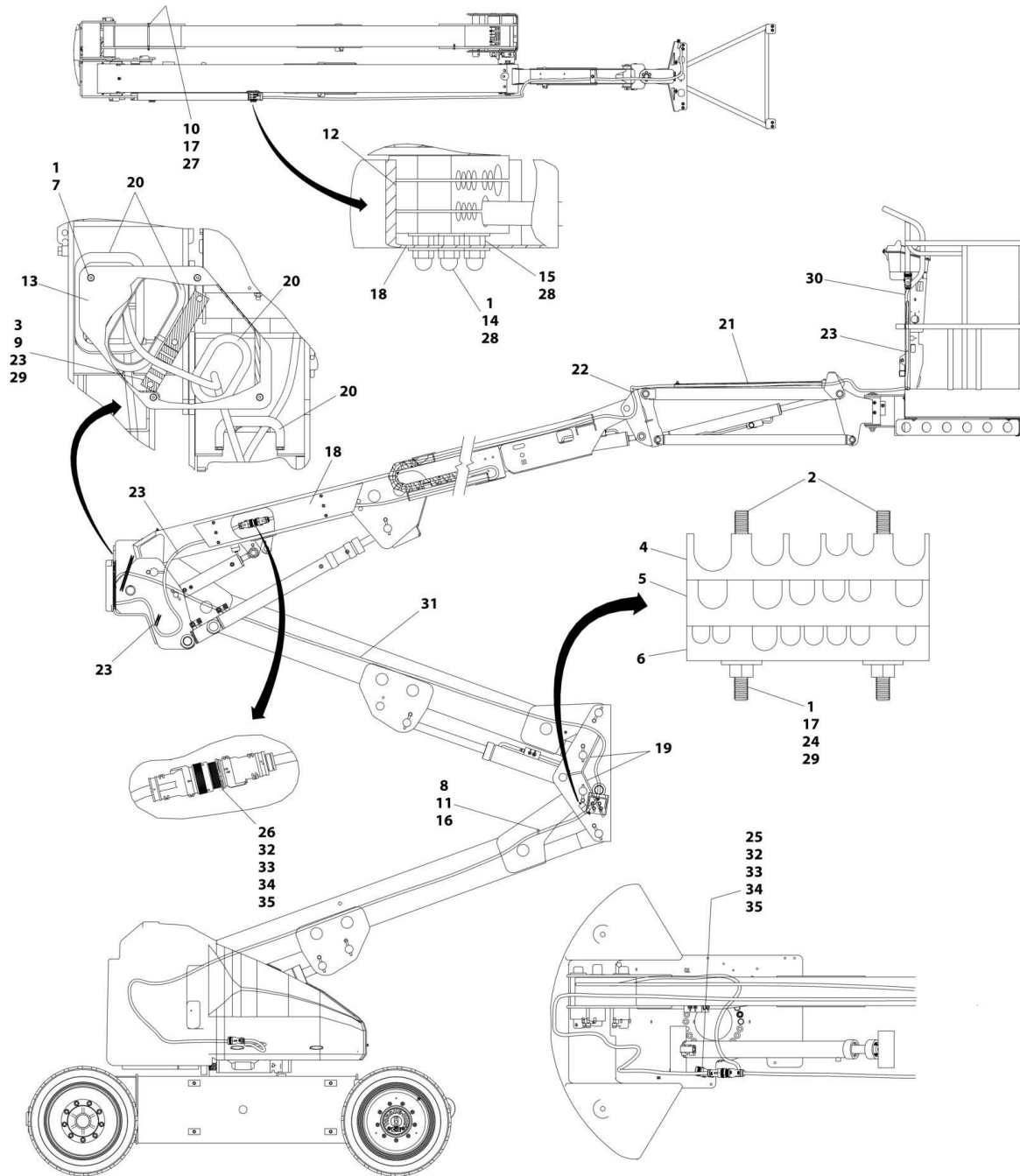
## SECTION 7 - ELECTRICAL

**FIGURE 7-18. CABLES AND CLAMPS INSTALLATION - E400ANARROW**

ITEM	PART NUMBER	QTY	DESCRIPTION	REV
	1001183521	Ref	CABLES AND CLAMPS INSTALLATION	C
1	0100011	AR	Compound, Locking	
2	0100019	AR	Compound, Locking	
3	0561317	1	Block, Hose Clamp	
4	0561384	1	Block, Hose Clamp	
5	0561385	1	Block, Hose Clamp	
6	0561386	1	Block, Hose Clamp	
7	0561424	1	Block, Hose Clamp	
8	0630467	4	Capscrew, Button 5-16 x 1/2	
9	0641410	1	Bolt 1/4 x 1-1/4	
10	0641514	3	Bolt 5/16 x 1-3/4	
11	0641516	1	Bolt 5/16 x 2	
12	0641560	1	Bolt 5/16 x 7-1/2	
13	1320043	1	Clamp, Cable	
14	1320260	2	Block, Hose Clamp	
15	1670697	1	Cover, Hose	
16	3300151	6	Nut 1/4	
17	3311401	6	Nut 1/4	
18	3311405	1	Nut 1/4	
19	3311505	4	Nut 5/16	
20	3536999	1	Shield	
21	4060805	2 ft /0.61m	Trim, Flex	
22	4060808	6 ft /1.83m	Trim, Flex	
23	4240099	AR	Tie, Strap	
24	4300140	2	Stud 5/16 x 3-5/8	
25	1001188292	1	Connector - 19 Position	
26	1001188293	1	Connector - 19 Position	
27	4566243	1	Roller	
28	4751400	12	Washer 1/4	
29	4751500	8	Washer 5/16	
30	1001183867	1	Harness Assembly - Upper Boom (See Separate Breakdown in this Section)	
31	1001183868	1	Harness Assembly - Lower Boom (See Separate Breakdown in this Section)	
32	4240033	AR	Tie-Strap	
33	4460466	8	Terminal	
34	1001188291	2	Connector, Backshell	
35	1001188354	2	Grommet	

# SECTION 7 - ELECTRICAL

## FIGURE 7-19. CABLES AND CLAMPS INSTALLATION - E400AJPNARROW



ART\_1001183520



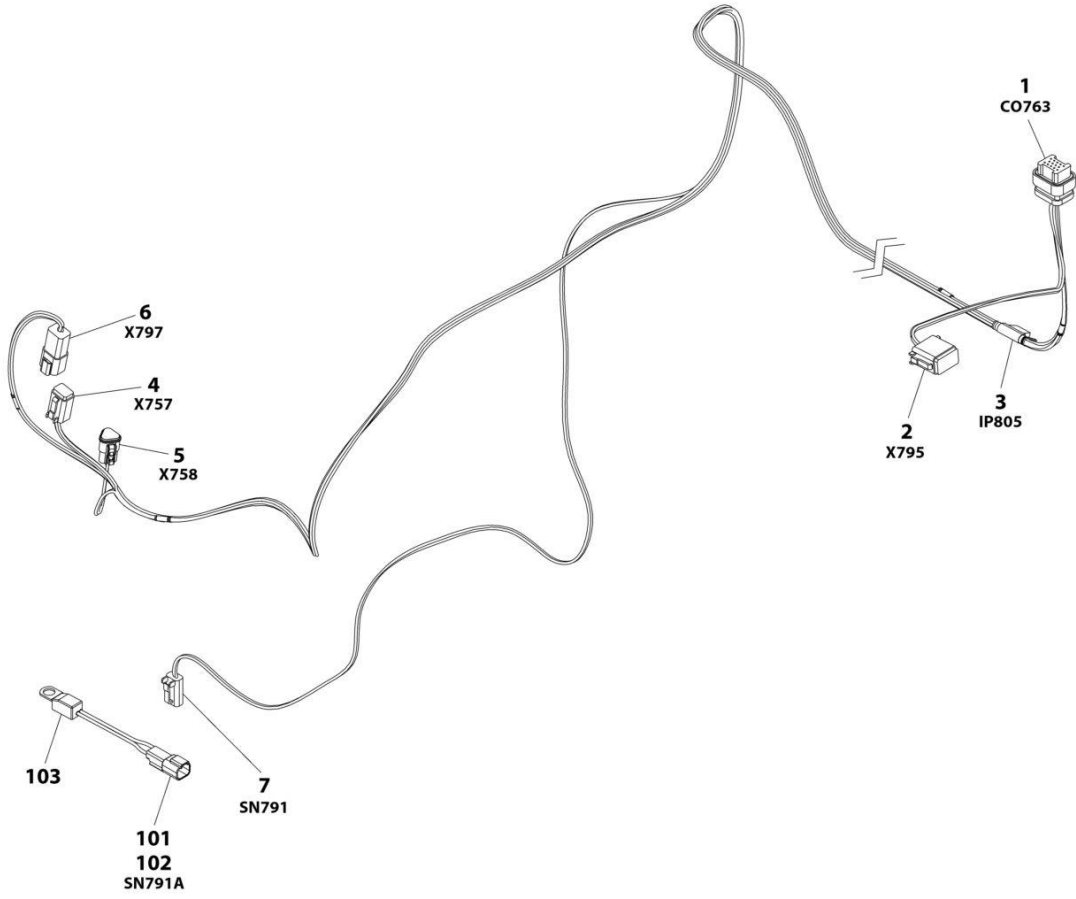
## SECTION 7 - ELECTRICAL

**FIGURE 7-19. CABLES AND CLAMPS INSTALLATION - E400AJPNARROW**

ITEM	PART NUMBER	QTY	DESCRIPTION	REV
	1001183520	Ref	CABLES AND CLAMPS INSTALLATION	C
1	0100011	AR	Compound, Locking	
2	0100019	AR	Compound, Locking	
3	0561317	1	Block, Hose Clamp	
4	0561384	1	Block, Hose Clamp	
5	0561385	1	Block, Hose Clamp	
6	0561386	1	Block, Hose Clamp	
7	0630467	4	Capscrew, Button 5-16 x 1/2	
8	0641410	1	Bolt 1/4 x 1-1/4	
9	0641514	3	Bolt 5/16 x 1-3/4	
10	0641560	1	Bolt 5/16 x 7-1/2	
11	1320043	1	Clamp, Cable	
12	1320260	2	Block, Hose Clamp	
13	1670697	1	Cover, Hose	
14	3300151	6	Nut 1/4	
15	3311401	6	Nut 1/4	
16	3311405	1	Nut 1/4	
17	3311505	3	Nut 5/16	
18	3571462	1	Shield	
19	4060805	1.5 ft /0.46m	Trim, Flex	
20	4060808	6 ft /1.83m	Trim, Flex	
21	4100065	1	Sleeve, Hose	
22	4100067	AR	Sleeve, Hose	
23	4240099	AR	Tie, Strap	
24	4300140	2	Stud 5/16 x 3-5/8	
25	1001188292	1	Connector - 19 Position	
26	1001188293	1	Connector - 19 Position	
27	4566243	1	Roller	
28	4751400	12	Washer 1/4	
29	4751500	5	Washer 5/16	
30	1001183867	1	Harness Assembly - Upper Boom (See Separate Breakdown in this Section)	
31	1001183868	1	Harness Assembly - Lower Boom (See Separate Breakdown in this Section)	
32	4240033	AR	Tie-Strap	
33	4460466	8	Terminal	
34	1001188291	2	Connector, Backshell	
35	1001188354	2	Grommet	

# SECTION 7 - ELECTRICAL

## FIGURE 7-20. CHARGER HARNESS



ART\_1001260531

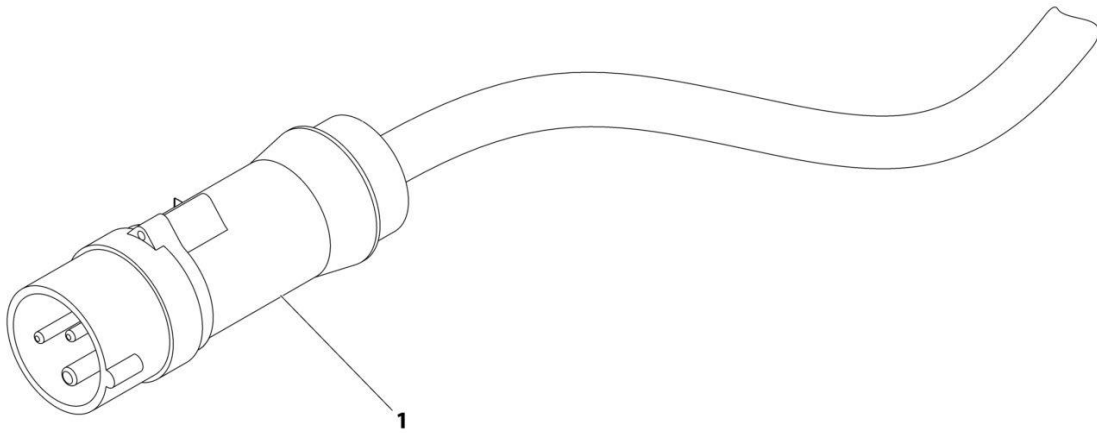
## SECTION 7 - ELECTRICAL

### FIGURE 7-20. CHARGER HARNESS

ITEM	PART NUMBER	QTY	DESCRIPTION	REV
	1001260531	Ref	CHARGER HARNESS	A
1	4460872	1	Connector	
1	4460905	5	Plug	
1	4460871	9	Socket	
2	4460930	1	Connector	
2	4460465	3	Socket	
2	4460466	5	Plug	
3	2400060	1	Fuse Holder	
3	1001196634	1	Fuse, 2AMP	
4	4460884	1	Connector	
4	4460465	3	Socket	
5	1001116812	1	Connector	
5	4460944	2	Socket	
5	4460466	1	Plug	
6	4460932	1	Connector	
6	4460464	4	Pin	
7	4460891	1	Connector	
7	4460465	3	Socket	
101	4460464	2	Pin	
102	4460897	1	Connector	
103	1001102771	1	Sensor, Temperature	

## SECTION 7 - ELECTRICAL

FIGURE 7-21. CHARGER CORD PLUG INSTALLATION - 110V - IEC 60309 - YELLOW (CE SPEC)



ART\_0275666

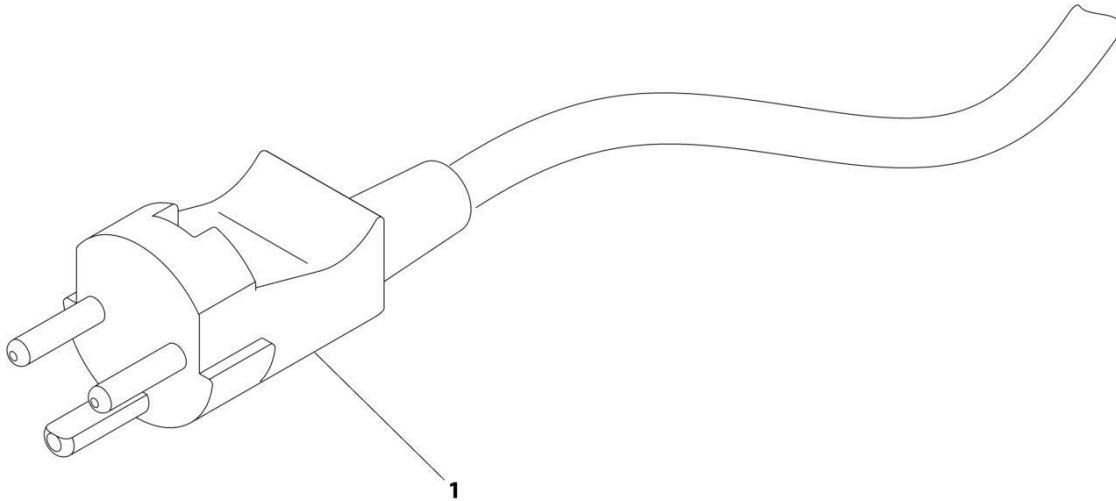
## SECTION 7 - ELECTRICAL

**FIGURE 7-21. CHARGER CORD PLUG INSTALLATION - 110V - IEC 60309 - YELLOW (CE SPEC)**

ITEM	PART NUMBER	QTY	DESCRIPTION	REV
	0275666	Ref	CHARGER CORD PLUG INSTALLATION - 110V IEC YELLOW	B
1	4461196	1	PLUG Plug	

## SECTION 7 - ELECTRICAL

FIGURE 7-22. CHARGER CORD PLUG INSTALLATION - 220V - AFSINT 107 KEYED GROUND (CE SPEC)



ART\_0275665

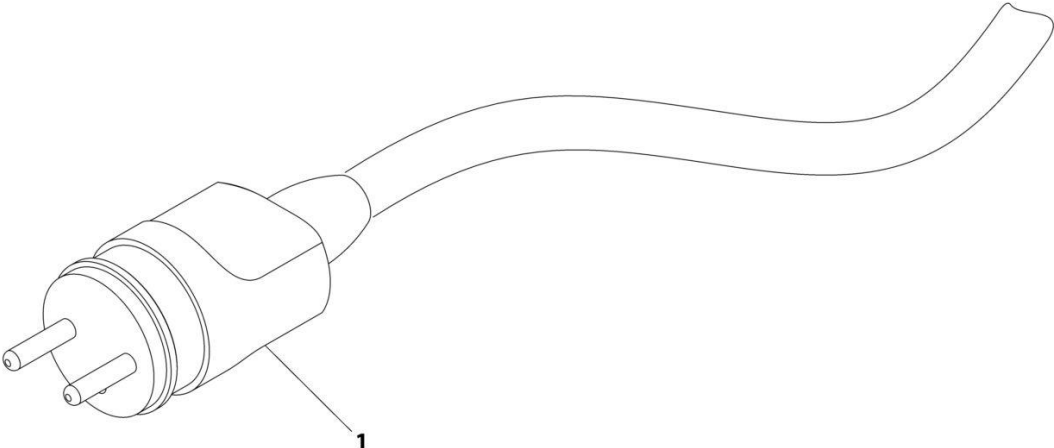
## SECTION 7 - ELECTRICAL

**FIGURE 7-22. CHARGER CORD PLUG INSTALLATION - 220V - AFSINT 107 KEYED GROUND (CE SPEC)**

ITEM	PART NUMBER	QTY	DESCRIPTION	REV
	0275665	Ref	CHARGER CORD PLUG INSTALLATION - 220V AFSINT 107 KEYED GROUND	B
1	4461249	1	Plug	

**SECTION 7 - ELECTRICAL**

**FIGURE 7-23. CHARGER CORD PLUG INSTALLATION - 220V - CEE7 POST GROUND (CE SPEC)**



ART\_0275663-C



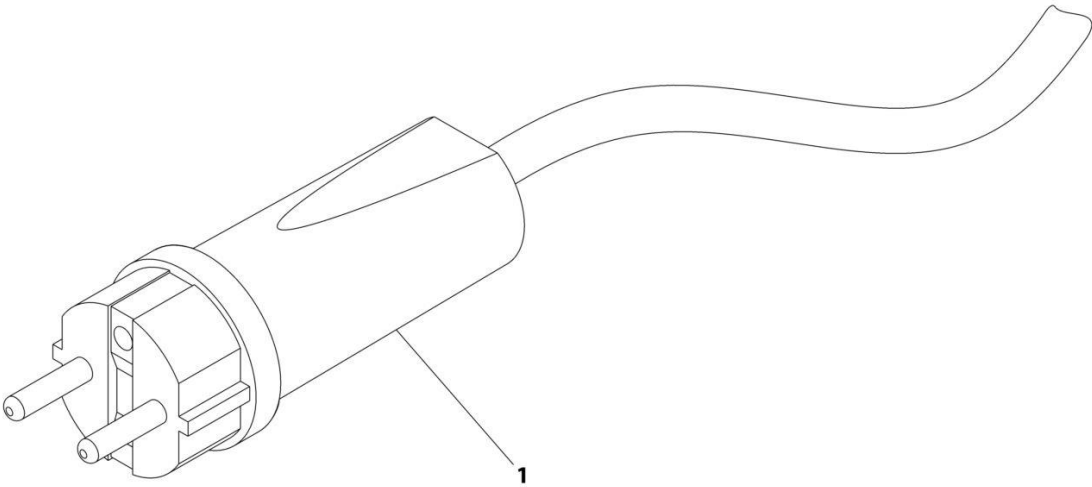
## SECTION 7 - ELECTRICAL

**FIGURE 7-23. CHARGER CORD PLUG INSTALLATION - 220V - CEE7 POST GROUND (CE SPEC)**

ITEM	PART NUMBER	QTY	DESCRIPTION	REV
1	0275663 4461205	Ref 1	CHARGER CORD PLUG INSTALLATION - 220V POST GROUND Plug	C

**SECTION 7 - ELECTRICAL**

**FIGURE 7-24. CHARGER CORD PLUG INSTALLATION - 220V - CEE7 SIDE GROUND (CE SPEC)**



ART\_0275664

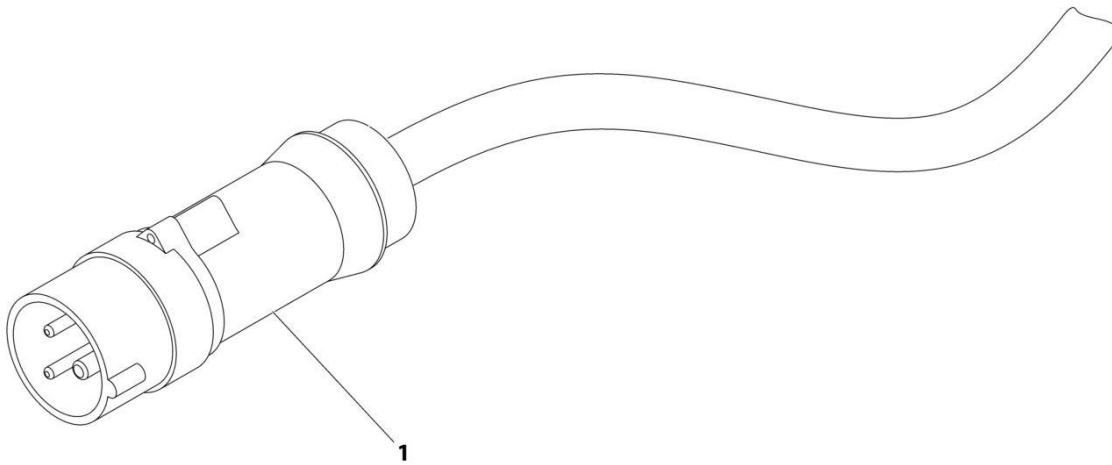
## SECTION 7 - ELECTRICAL

**FIGURE 7-24. CHARGER CORD PLUG INSTALLATION - 220V - CEE7 SIDE GROUND (CE SPEC)**

ITEM	PART NUMBER	QTY	DESCRIPTION	REV
	0275664	Ref	CHARGER CORD PLUG INSTALLATION - 220V CEE7 SIDE GROUND	A
1	4461205	1	Plug	

## SECTION 7 - ELECTRICAL

FIGURE 7-25. CHARGER CORD PLUG INSTALLATION - 220V - IEC 60309 - BLUE (CE SPEC)



ART\_0275667

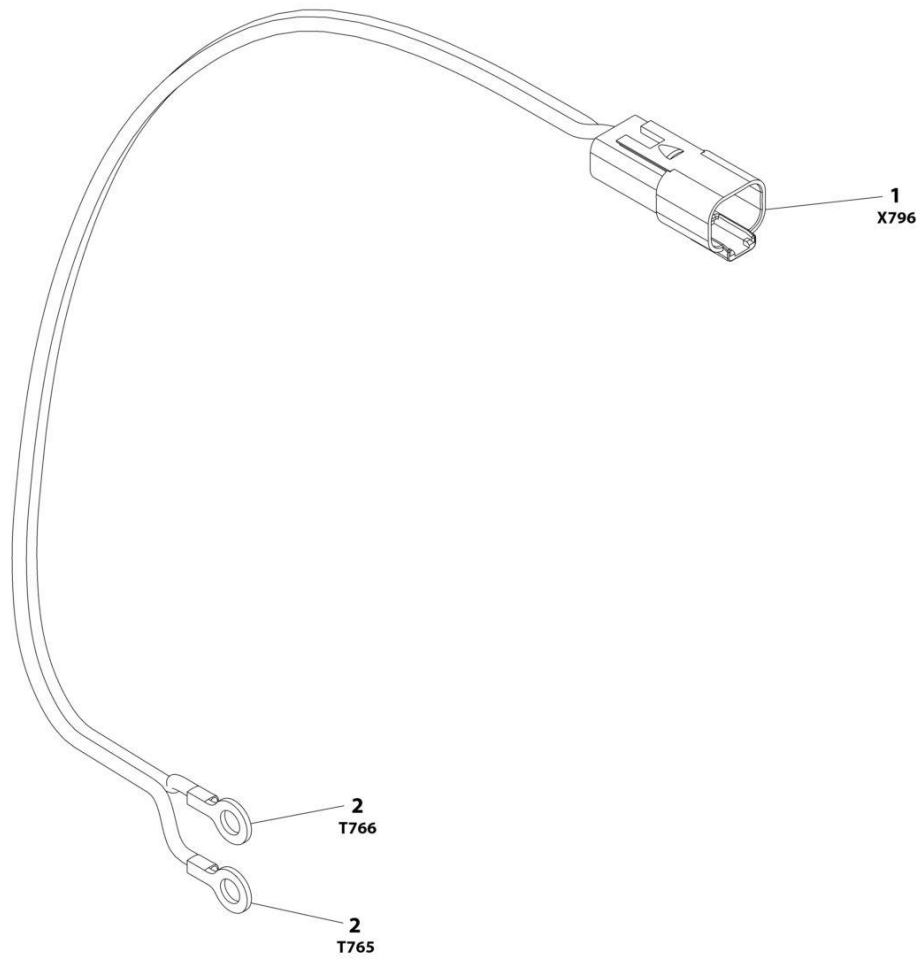
## SECTION 7 - ELECTRICAL

**FIGURE 7-25. CHARGER CORD PLUG INSTALLATION - 220V - IEC 60309 - BLUE (CE SPEC)**

ITEM	PART NUMBER	QTY	DESCRIPTION	REV
1	0275667 4461199	Ref 1	CHARGER CORD PLUG INSTALLATION - 220V IEC BLUE PLUG Plug	B

# SECTION 7 - ELECTRICAL

## FIGURE 7-26. CHARGER DC CONNECTION HARNESS



ART\_1001260408

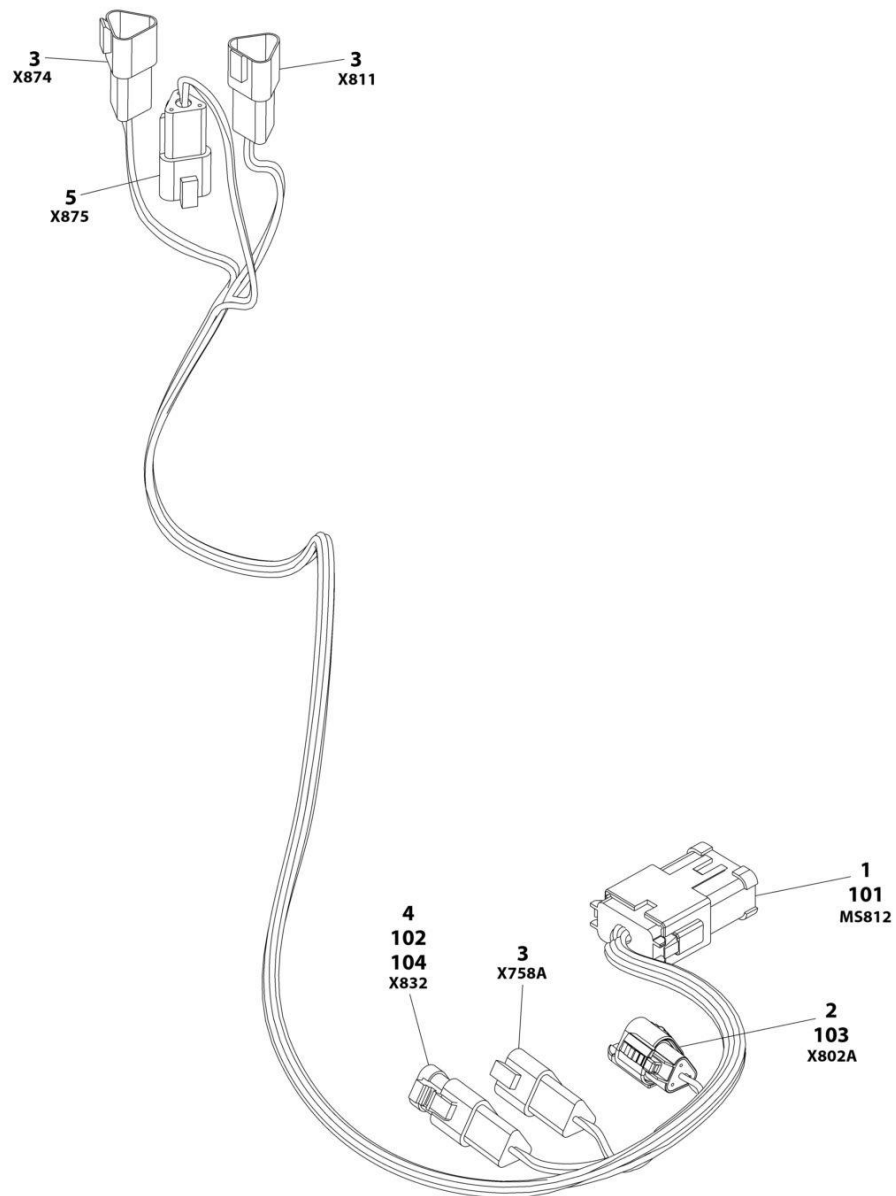
## SECTION 7 - ELECTRICAL

### FIGURE 7-26. CHARGER DC CONNECTION HARNESS

ITEM	PART NUMBER	QTY	DESCRIPTION	REV
	1001260408	Ref	CHARGER DC CONNECTION HARNESS	A
1	1001116811	1	Connector	
1	4460508	2	Pin	
1	4460466	2	Plug	
2	4460312	2	Terminal Ring	

# SECTION 7 - ELECTRICAL

## FIGURE 7-27. CHARGER EBOOM HARNESS



ART\_1001260532



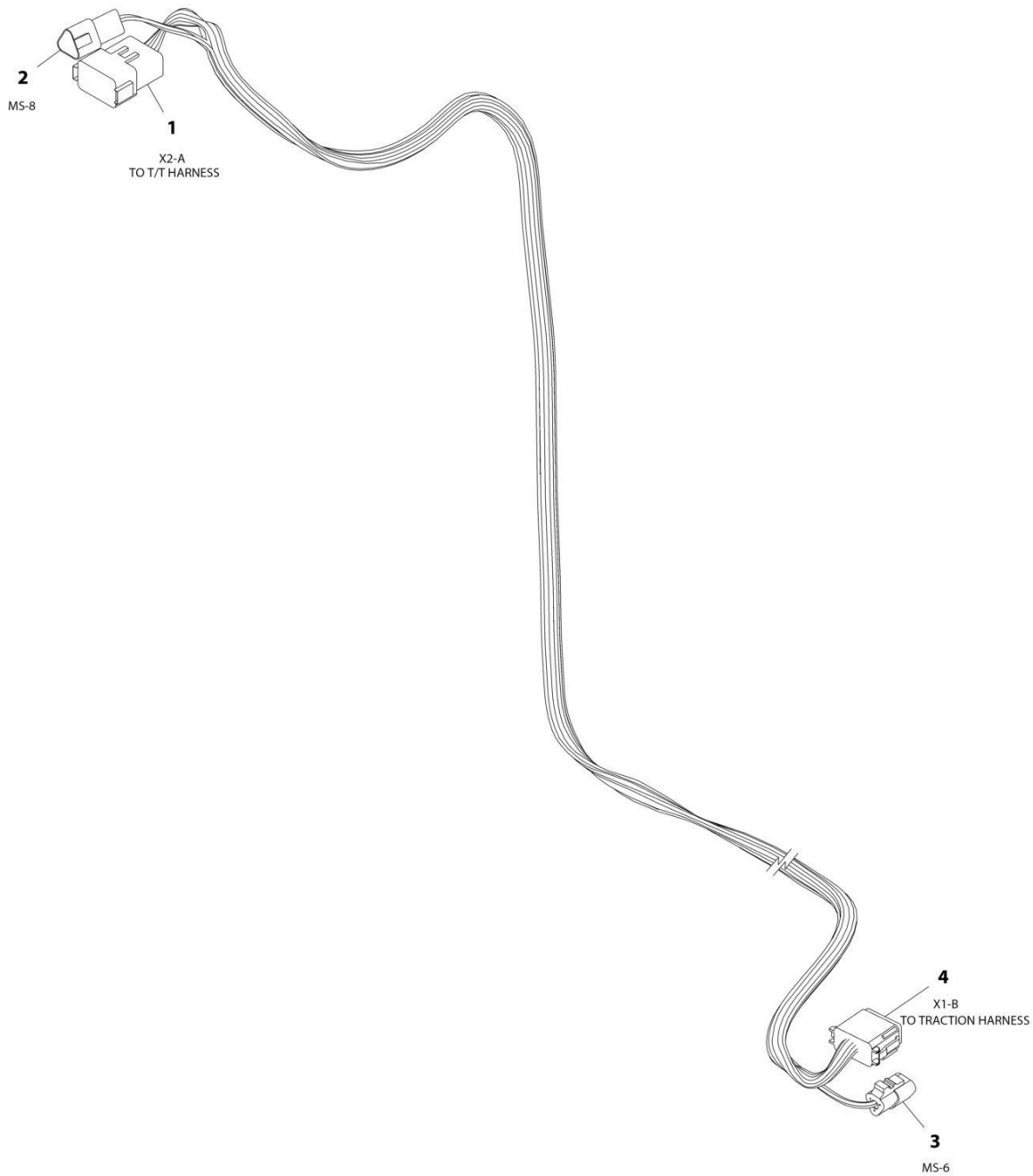
## SECTION 7 - ELECTRICAL

### FIGURE 7-27. CHARGER EBOOM HARNESS

ITEM	PART NUMBER	QTY	DESCRIPTION	REV
	1001260532	Ref	CHARGER EBOOM HARNESS	B
1	4460933	1	Connector	
1	4460465	12	Socket	
2	1001116812	1	Connector	
2	4460944	2	Socket	
2	4460466	1	Plug	
3	1001144147	3	Connector	
3	4460943	6	Pin	
3	4460466	3	Plug	
4	1001144147	1	Connector	
4	4460943	2	Pin	
4	4460466	1	Plug	
5	4460536	1	Connector	
5	4460943	2	Pin	
5	4460466	1	Plug	
101	1001125677	1	Connector, Buss Bar	
102	1001116812	1	Connector	
103	1001144296	1	Dust Cap	
104	4460466	3	Plug	

# SECTION 7 - ELECTRICAL

## FIGURE 7-28. CHASSIS TO TURNTABLE HARNESS



ART\_1001178405

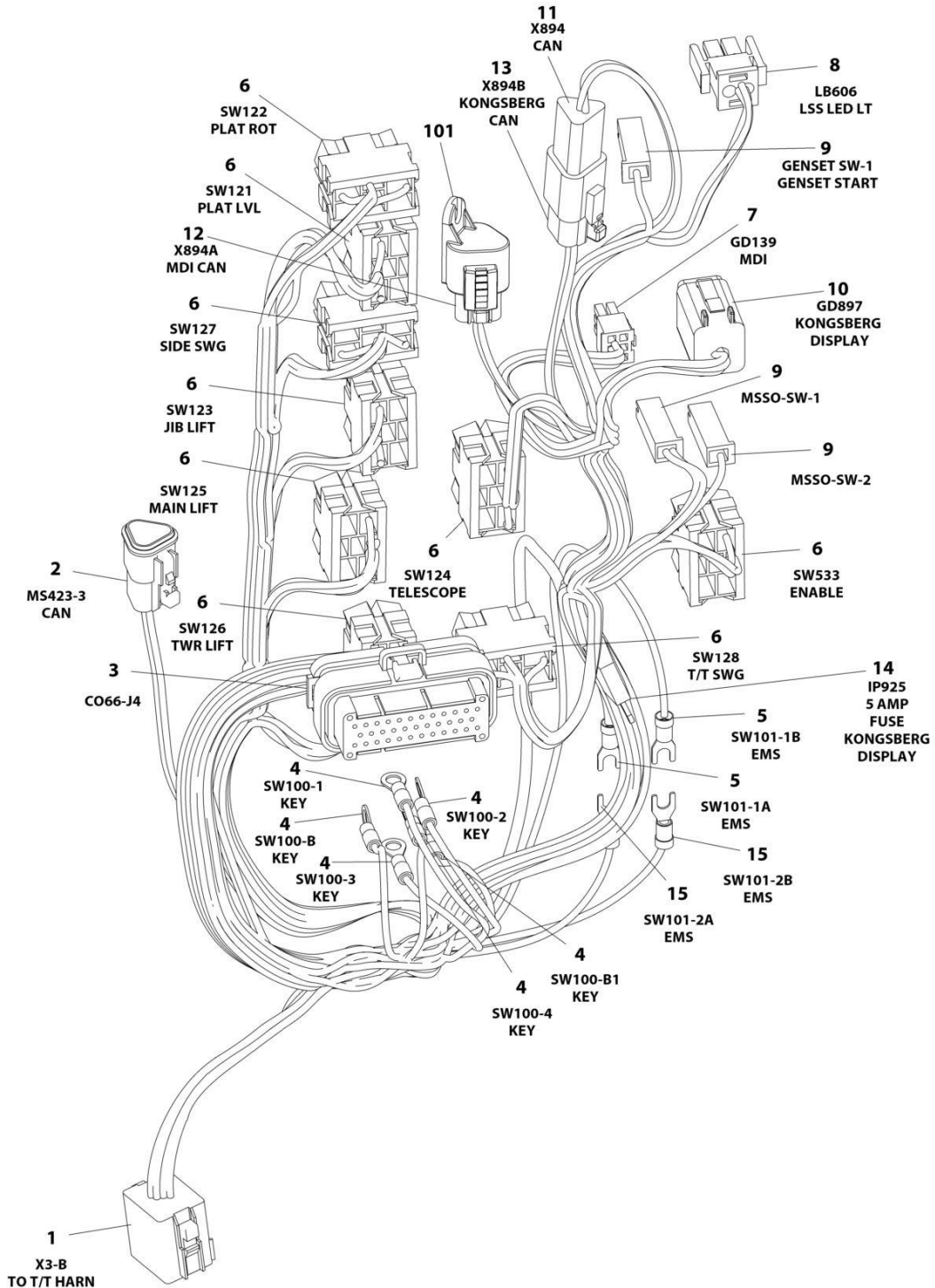
## SECTION 7 - ELECTRICAL

**FIGURE 7-28. CHASSIS TO TURNTABLE HARNESS**

ITEM	PART NUMBER	QTY	DESCRIPTION	REV
	1001178405	Ref	CHASSIS TO TURNTABLE HARNESS	G
1	4460950	1	Connector - 12 Position	
1	1001157891	4	Terminal	
1	4460464	5	Pin, Male	
1	4460941	1	Terminal	
1	4460943	2	Pin, Male	
2	1001144147	1	Receptacle, Female - 3 Position	
2	4460943	3	Pin, Male	
3	4460539	1	Plug, Male - 3 Position	
3	4460944	3	Socket, Female	
4	4460836	1	Connector - 12 Position	
4	1001157890	4	Terminal	
4	4460465	5	Socket, Female	
4	4460942	1	Terminal	
4	4460944	2	Socket, Female	

# SECTION 7 - ELECTRICAL

## FIGURE 7-29. GROUND CONTROL PANEL HARNESS



ART\_1001179991

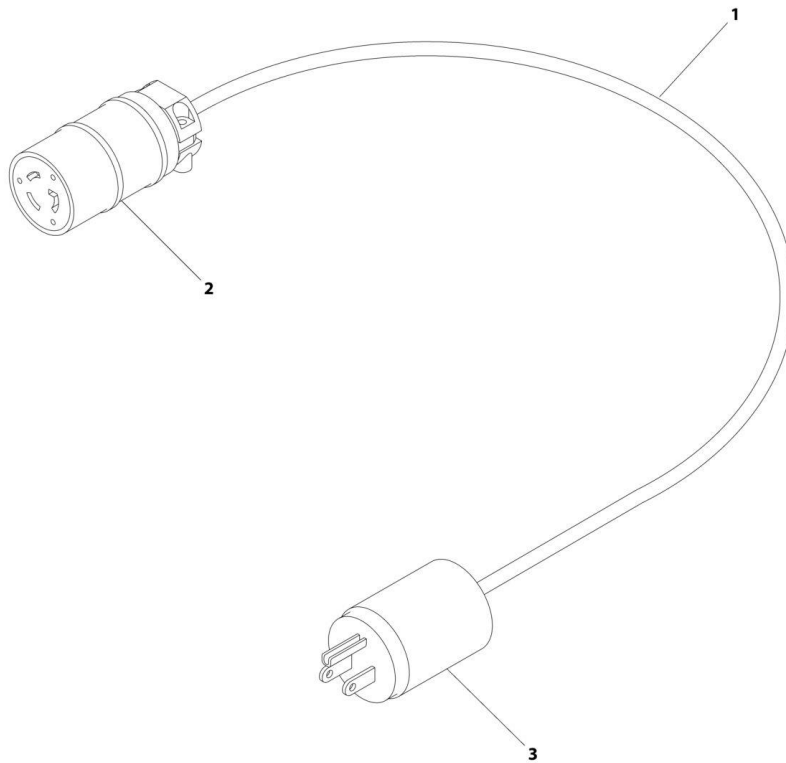
## SECTION 7 - ELECTRICAL

### FIGURE 7-29. GROUND CONTROL PANEL HARNESS

ITEM	PART NUMBER	QTY	DESCRIPTION	REV
	1001179991	Ref	GROUND CONTROL PANEL HARNESS	L
1	4460851	1	Connector - 8 Position	
2	1001157890	1	Socket, Female	
4	1001116692	1	Socket, Female	
1	4460465	1	Socket, Female	
1	4460466	1	Plug, Terminal	
2	1001116812	1	Plug, Male - 3 Position	
2	4460944	2	Socket, Female	
2	4460466	1	Plug, Terminal	
3	4460876	1	Connector - 35 Position	
3	4460871	23	Socket, Female	
3	4460905	12	Plug, Terminal	
4	4460313	6	Terminal, Ring	
5	4460806	2	Terminal, Fork	
6	4460418	9	Connector - 6 Position	
6	4460419	18	Terminal	
6	1001159186	17	Terminal	
7	4460868	1	Plug, Male - 6 Position	
7	4460877	4	Terminal	
8	4460320	1	Plug, Male - 2 Position	
8	4460227	2	Pin, Male	
9	4460260	3	Housing, Terminal	
9	4460259	3	Terminal	
10	4460894	1	Connector	
10	4460465	4	Socket, Female	
10	4460466	2	Plug, Terminal	
11	1001144147	1	Connector	
11	4460943	2	Pin, Male	
11	4460466	1	Plug, Terminal	
12	1001116812	1	Connector	
12	4460944	2	Socket, Female	
12	4460466	1	Plug, Terminal	
13	1001116812	1	Connector	
13	4460944	2	Socket, Female	
13	4460466	1	Plug, Terminal	
14	2400060	1	Fuseholder (Includes Cover) (PVC 2201 to Present)	
14	8229242	1	Fuse 5A (PVC 2201 to Present)	
15	4460183	2	Terminal, Fork	
101	1001144296	1	Dust Cap	

# SECTION 7 - ELECTRICAL

## FIGURE 7-30. INVERTER HARNESS



ART\_1001182296

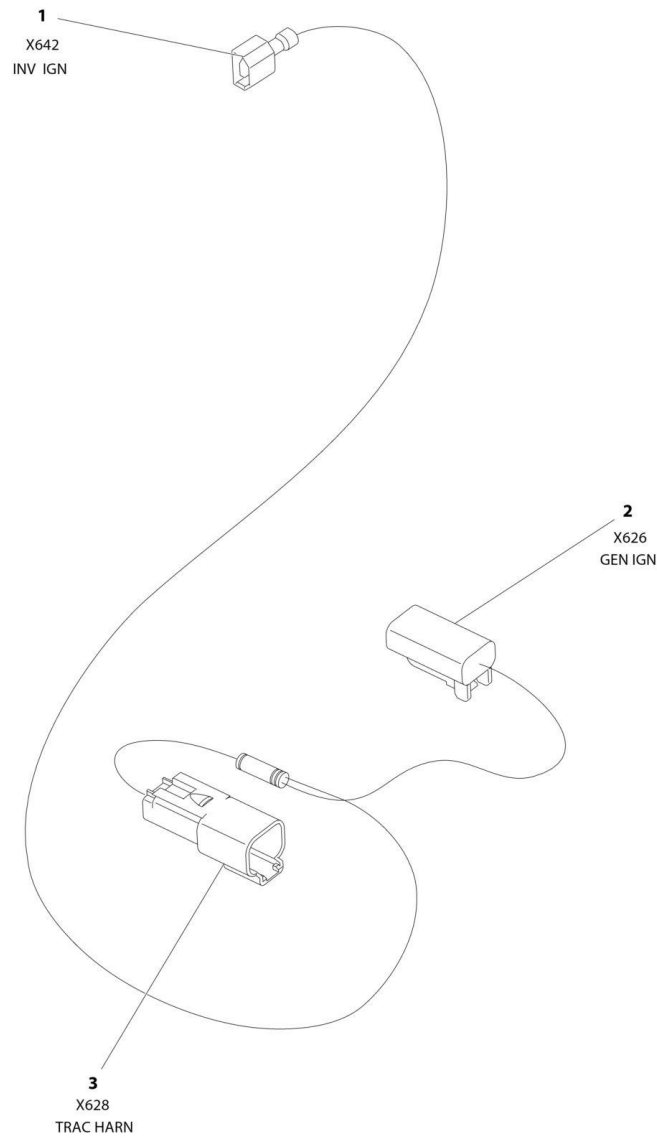
## SECTION 7 - ELECTRICAL

### FIGURE 7-30. INVERTER HARNESS

ITEM	PART NUMBER	QTY	DESCRIPTION	REV
1	1001182296 1060494	Ref 115 in /292cm	INVERTER HARNESS Cable, Electrical 12/3	A
2	4460134	1	Connector, Female	
3	4460138	1	Plug, Connector	

# SECTION 7 - ELECTRICAL

## FIGURE 7-31. INVERTER IGNITION HARNESS



ART\_1001192293



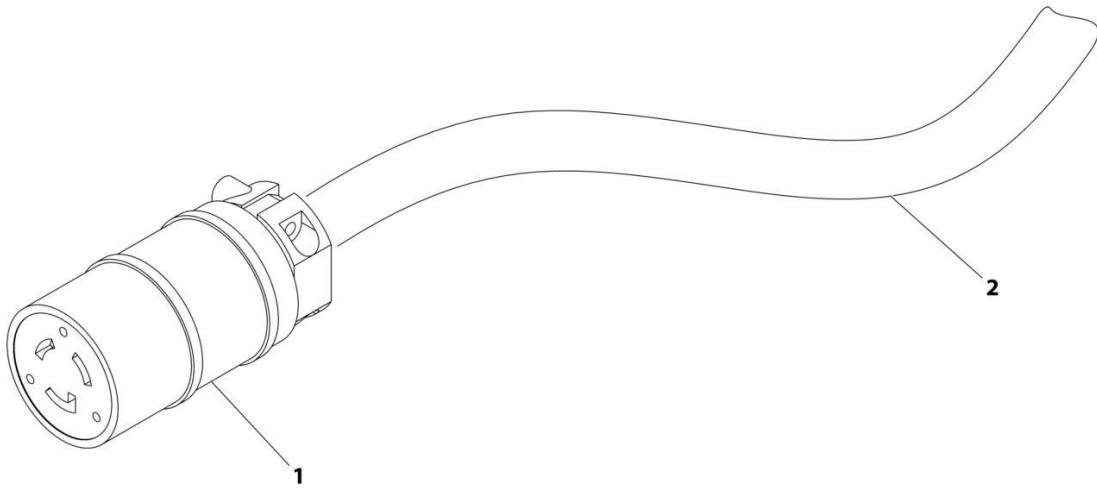
## SECTION 7 - ELECTRICAL

### FIGURE 7-31. INVERTER IGNITION HARNESS

ITEM	PART NUMBER	QTY	DESCRIPTION	REV
	1001192293	Ref	INVERTER IGNITION HARNESS	C
1	1001193545	1	Terminal	
2	4460891	1	Plug, Male - 2 Position	
2	4460465	1	Socket, Female	
2	4460466	1	Plug, Terminal	
3	4460897	1	Receptacle, Female - 2 Position	
3	4460464	1	Pin, Male	
3	4460466	1	Plug, Seal	

# SECTION 7 - ELECTRICAL

## FIGURE 7-32. LOWER BOOM 110V HARNESS ASSEMBLY



ART\_4922611

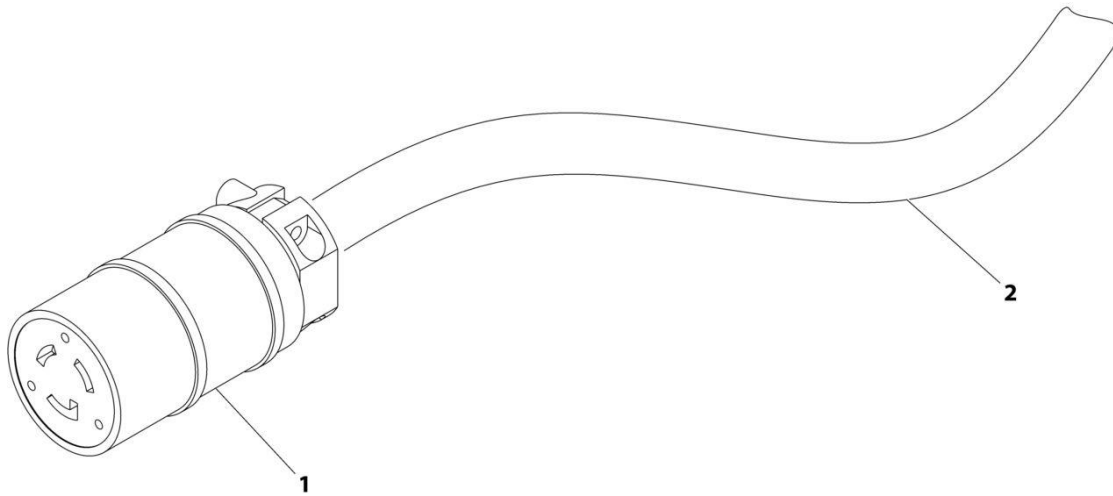
## SECTION 7 - ELECTRICAL

### FIGURE 7-32. LOWER BOOM 110V HARNESS ASSEMBLY

ITEM	PART NUMBER	QTY	DESCRIPTION	REV
	4922611	Ref	LOWER BOOM 110V HARNESS ASSEMBLY	1
1	4460134	1	Connector, Female	
2	1060494	32.5 ft /9.9m	Electrical Cable, 12/3	

## SECTION 7 - ELECTRICAL

FIGURE 7-33. LOWER BOOM 220V HARNESS ASSEMBLY - CE SPEC



ART\_4922609

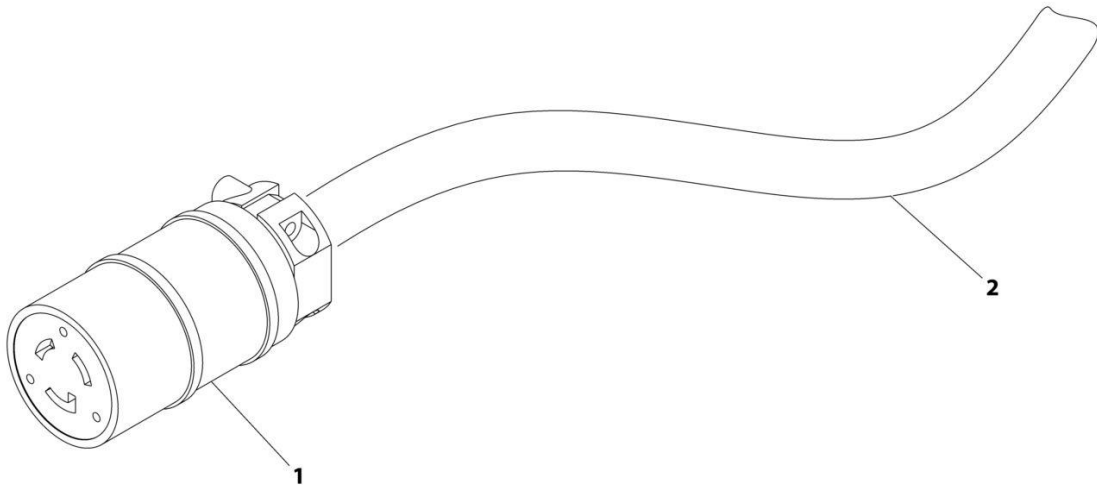
## SECTION 7 - ELECTRICAL

**FIGURE 7-33. LOWER BOOM 220V HARNESS ASSEMBLY - CE SPEC**

ITEM	PART NUMBER	QTY	DESCRIPTION	REV
	4922609	Ref	LOWER BOOM 220V HARNESS ASSEMBLY - CE SPEC	1
1	4460710	1	Connector, Female	
2	1060461	37 ft /11.3m	Electrical Cable, 12/3	

## SECTION 7 - ELECTRICAL

FIGURE 7-34. LOWER BOOM 220V HARNESS ASSEMBLY - CE SPEC



ART\_4922612

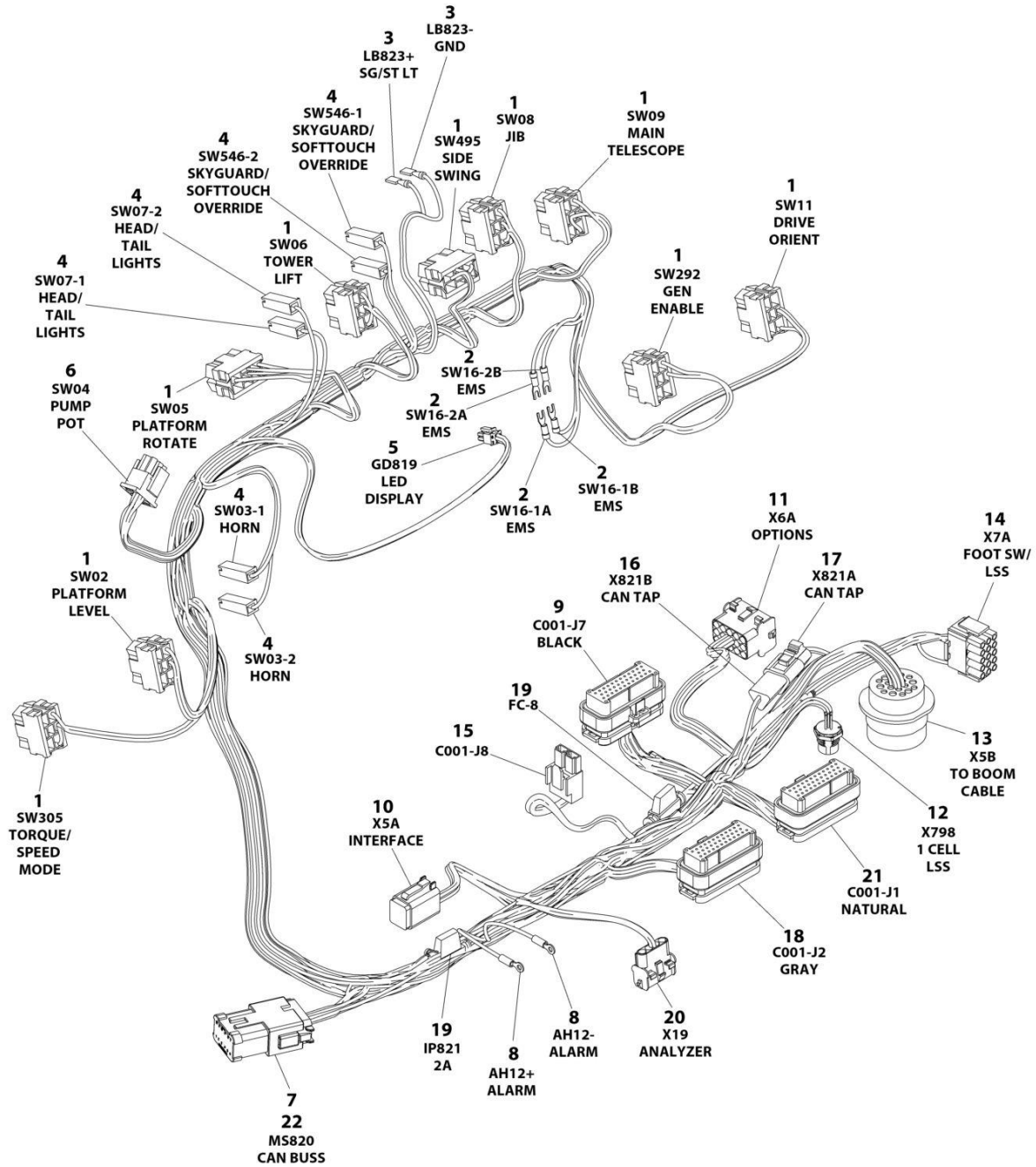
## SECTION 7 - ELECTRICAL

**FIGURE 7-34. LOWER BOOM 220V HARNESS ASSEMBLY - CE SPEC**

ITEM	PART NUMBER	QTY	DESCRIPTION	REV
	4922612	Ref	LOWER BOOM 220V HARNESS ASSEMBLY	2
1	4460710	1	Connector, Female	
2	1060461	32.5 ft /9.9m	Electrical Cable, 12/3	

# SECTION 7 - ELECTRICAL

**FIGURE 7-35. PLATFORM CONSOLE HARNESS - WITH 1 CELL LSS - E400ANARROW/E400AJPNARROW - NON-UL LISTED (ALL SPECS EXCEPT UL SPECS)**



ART\_1001245673



## SECTION 7 - ELECTRICAL

**FIGURE 7-35. PLATFORM CONSOLE HARNESS - WITH 1 CELL LSS -  
E400ANARROW/E400AJPNARROW - NON-UL LISTED (ALL SPECS EXCEPT UL SPECS)**

ITEM	PART NUMBER	QTY	DESCRIPTION	REV
	1001245673	Ref	PLATFORM CONSOLE HARNESS	D
1	4460418	9	Connector - 6 Position	
1	4460419	14	Terminal	
1	1001159186	18	Terminal	
2	4460888	4	Terminal, Fork	
3	4460016	2	Terminal	
4	4460260	6	Housing, Terminal	
4	4460259	8	Terminal	
5	1001237667	1	Connector - 6 Position	
5	1001237668	4	Terminal	
6	4460225	1	Connector - 6 Position	
6	4460267	7	Socket, Female	
7	4460933	1	Plug, Male - 12 Position	
7	4460465	10	Socket, Female	
7	4460466	2	Plug, Terminal	
8	1001098122	2	Terminal, Ring	
9	4460873	1	Connector - 35 Position	
9	4460871	21	Socket, Female	
9	4460905	14	Plug, Terminal	
10	4460894	1	Plug, Male - 6 Position	
10	4460465	6	Socket, Female	
11	4460708	1	Connector - 15 Position	
11	4460226	12	Socket, Female	
12	1001213447	1	Connector, Female - 5 Position	
13	4460866	1	Connector - 19 Position	
13	4460466	7	Plug, Terminal	
13	4460464	10	Pin, Male	
13	4460508	2	Pin, Male	
14	4460434	1	Plug, Male - 15 Position	
14	4460227	9	Pin, Male	
15	4460879	1	Plug, Male - 2 Position	
15	4460887	2	Terminal	
16	4460536	1	Receptacle, Female - 3 Position	
16	4460464	2	Pin, Male	
16	4460466	1	Plug, Terminal	
17	4460539	1	Plug, Male - 3 Position	
17	4460465	2	Socket, Female	
17	4460466	1	Plug, Terminal	
18	4460875	1	Connector - 35 Position	
18	4460905	24	Plug, Terminal	
18	4460871	11	Socket, Female	
19	2400060	2	Holder, Fuse	
19	8229242	1	Fuse - 5Amp	
19	See Note	1	Fuse - 2Amp (Note: Purchase Locally)	
20	4460761	1	Receptacle, Female - 4 Position	
20	4460227	4	Pin, Male	
21	4460874	1	Connector - 35 Position	
21	4460871	24	Socket, Female	
21	4460905	11	Plug, Terminal	

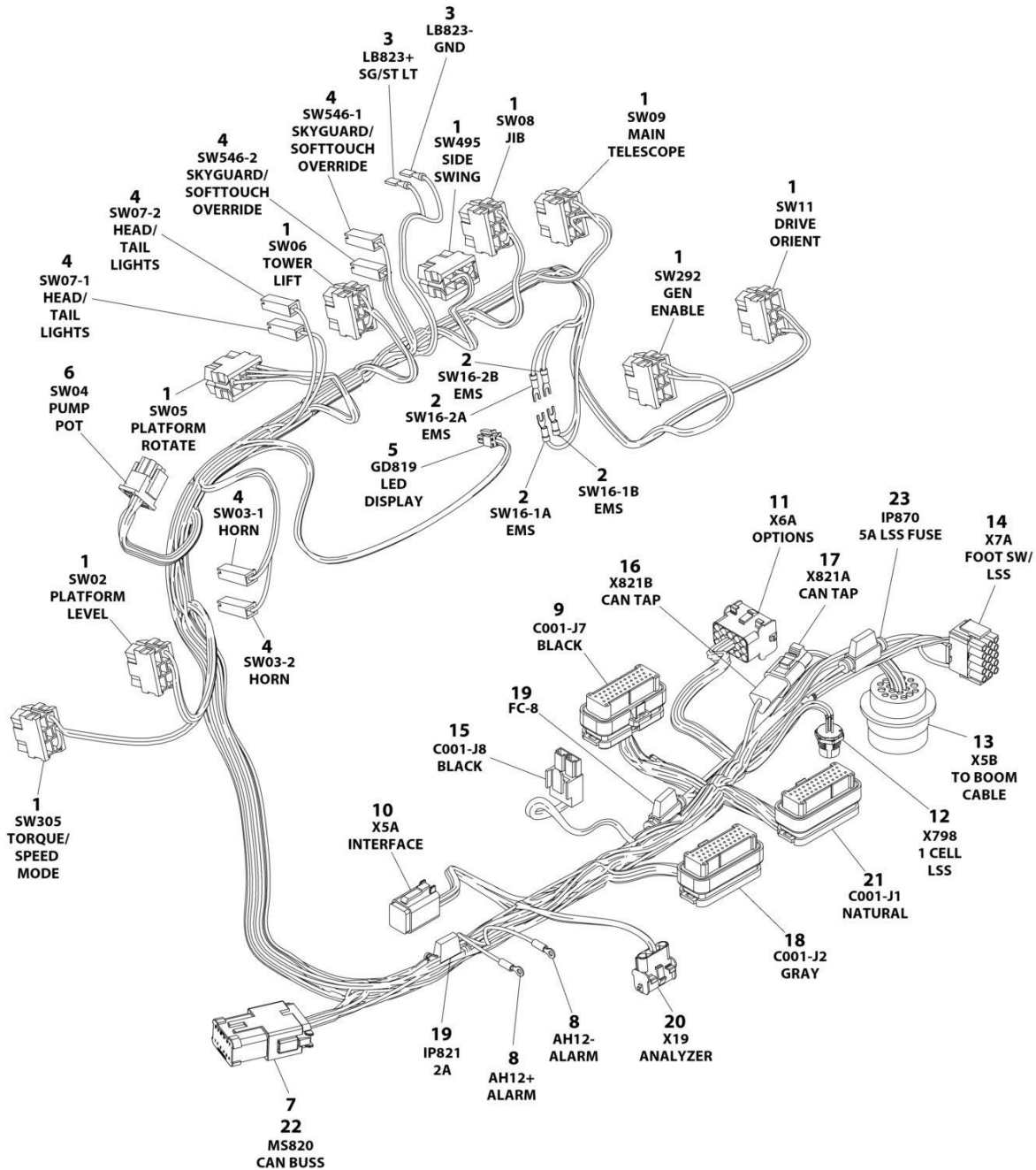
## SECTION 7 - ELECTRICAL

ITEM	PART NUMBER	QTY	DESCRIPTION	REV
22	1001125677	1	Connector, Bussbar	



# SECTION 7 - ELECTRICAL

**FIGURE 7-36. PLATFORM CONSOLE HARNESS - WITH 1 CELL LSS - E400ANARROW/E400AJPNARROW - UL LISTED (ALL SPECS EXCEPT AUSTRALIAN, CE AND JAPANESE SPECS)**



ART\_1001272279

## SECTION 7 - ELECTRICAL

**FIGURE 7-36. PLATFORM CONSOLE HARNESS - WITH 1 CELL LSS -  
E400ANARROW/E400AJPNARROW - UL LISTED (ALL SPECS EXCEPT AUSTRALIAN, CE AND  
JAPANESE SPECS)**

ITEM	PART NUMBER	QTY	DESCRIPTION	REV
	1001272279	Ref	PLATFORM CONSOLE HARNESS (UL SPECS)	B
1	4460418	9	Connector - 6 Position	
1	4460419	14	Terminal	
1	1001159186	17	Terminal	
2	4460888	4	Terminal, Fork	
3	4460016	2	Terminal	
4	4460260	6	Housing, Terminal	
4	4460259	8	Terminal	
5	1001237667	1	Connector - 6 Position	
5	1001237668	4	Terminal	
6	4460225	1	Connector - 6 Position	
6	4460267	7	Socket, Female	
7	4460933	1	Plug, Male - 12 Position	
7	4460465	10	Socket, Female	
7	4460466	2	Plug, Terminal	
8	1001098122	2	Terminal, Ring	
9	4460873	1	Connector - 35 Position	
9	4460871	21	Socket, Female	
9	4460905	14	Plug, Terminal	
10	4460894	1	Plug, Male - 6 Position	
10	4460465	6	Socket, Female	
11	4460708	1	Connector - 15 Position	
11	4460268	10	Socket, Female	
12	1001213447	1	Connector, Female - 5 Position	
13	4460866	1	Connector - 19 Position	
13	4460466	7	Plug, Terminal	
13	4460464	10	Pin, Male	
13	4460508	2	Pin, Male	
14	4460434	1	Plug, Male - 15 Position	
14	4460294	9	Pin, Male	
15	4460879	1	Plug, Male - 2 Position	
15	4460887	2	Terminal	
16	4460536	1	Receptacle, Female - 3 Position	
16	4460464	2	Pin, Male	
16	4460466	1	Plug, Terminal	
17	4460539	1	Plug, Male - 3 Position	
17	4460465	2	Socket, Female	
17	4460466	1	Plug, Terminal	
18	4460875	1	Connector - 35 Position	
18	4460905	24	Plug, Terminal	
18	4460871	11	Socket, Female	
19	2400060	2	Holder, Fuse	
19	8229242	1	Fuse - 5Amp	
19	See Note	1	Fuse - 2Amp (Note: Purchase Locally)	
20	4460761	1	Receptacle, Female - 4 Position	
20	4460294	4	Pin, Male	
21	4460874	1	Connector - 35 Position	
21	4460871	24	Socket, Female	

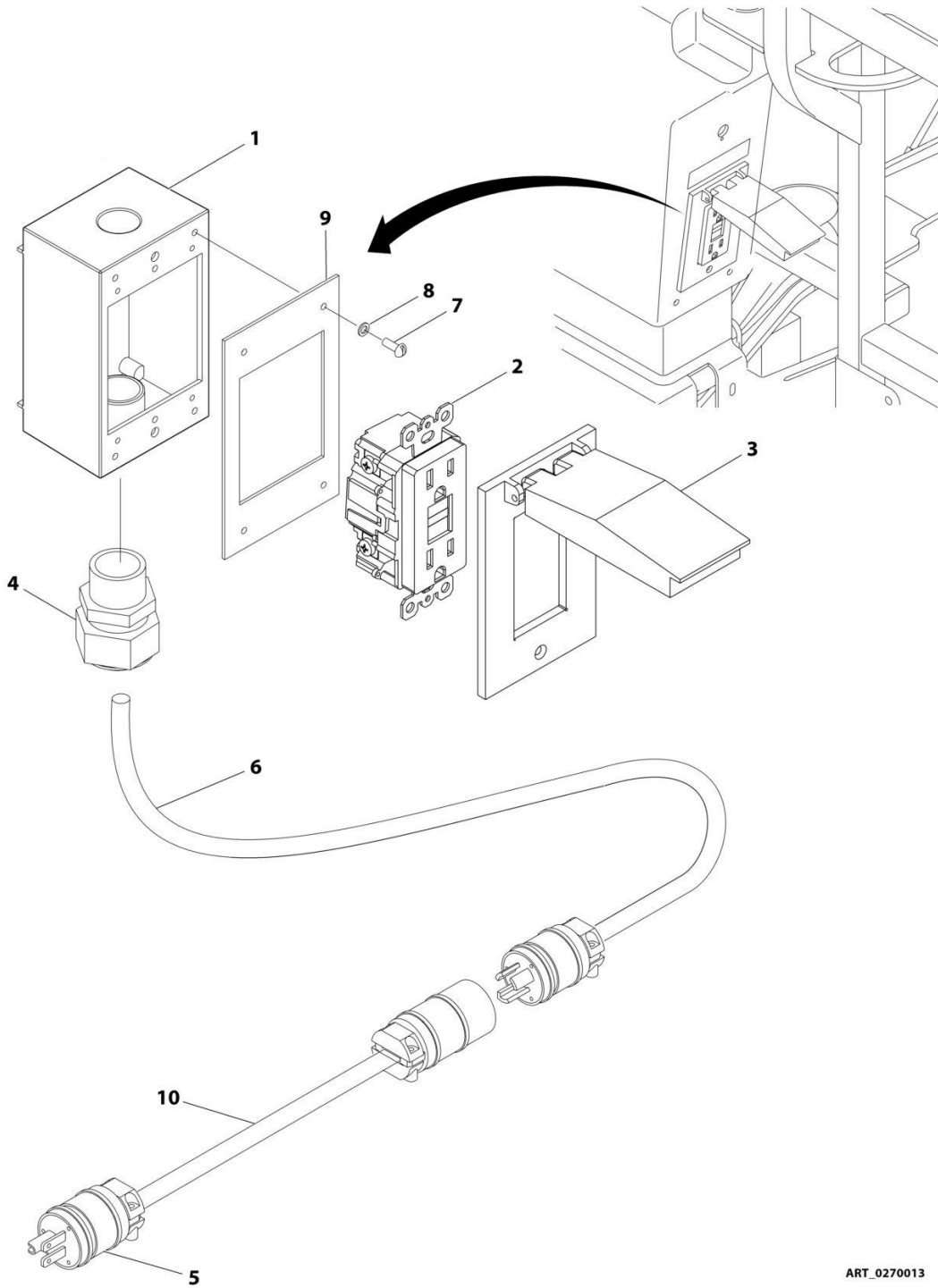
## SECTION 7 - ELECTRICAL

ITEM	PART NUMBER	QTY	DESCRIPTION	REV
21	4460905	11	Plug, Terminal	
22	1001125677	1	Connector, Bussbar	
23	2400060	1	Fuse Holder	
23	8229242	1	Fuse, 5A	



# SECTION 7 - ELECTRICAL

## FIGURE 7-37. PLUG AND RECEPTACLE INSTALLATION - 110V



ART\_0270013



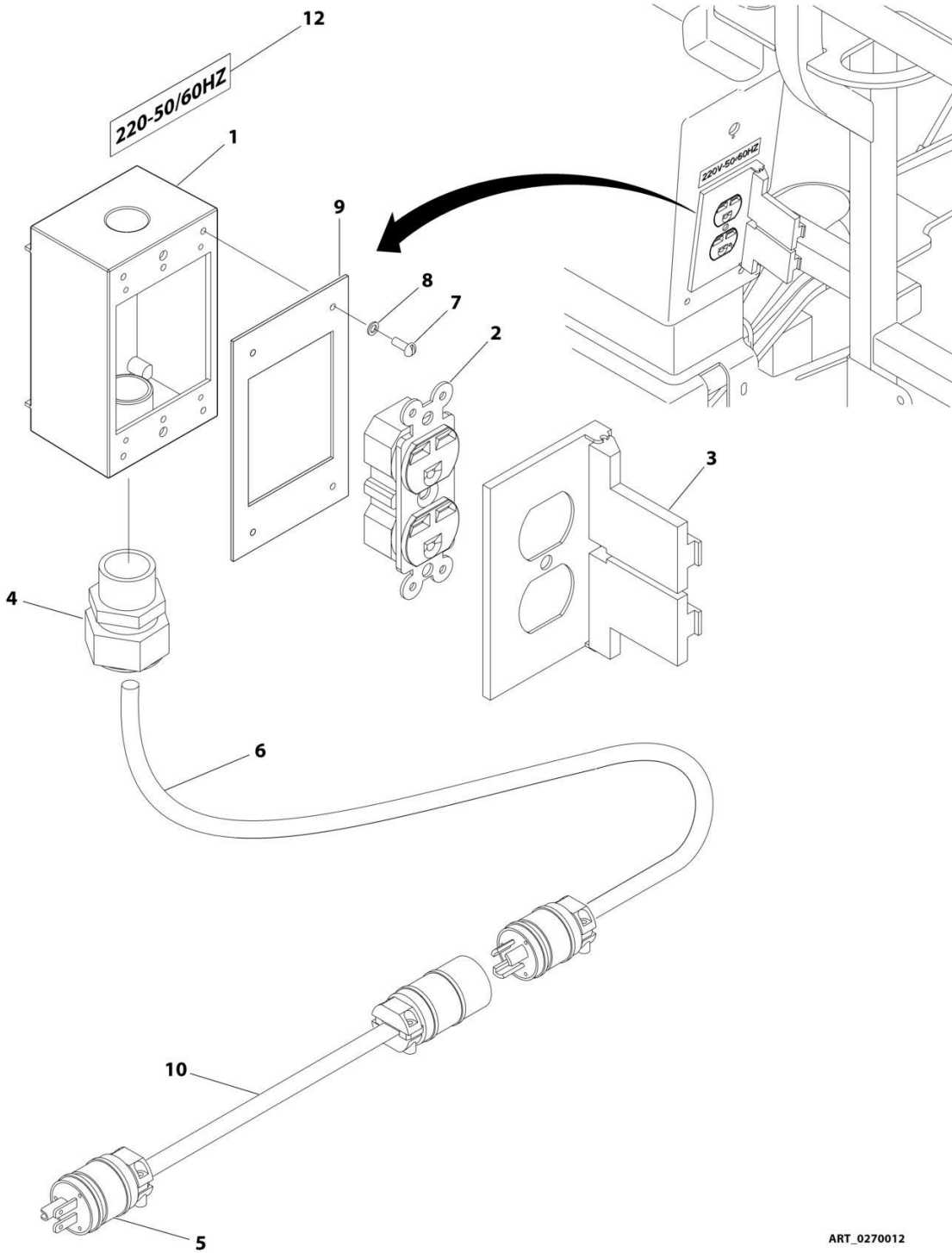
## SECTION 7 - ELECTRICAL

**FIGURE 7-37. PLUG AND RECEPTACLE INSTALLATION - 110V**

ITEM	PART NUMBER	QTY	DESCRIPTION	REV
	0270013	Ref	PLUG AND RECEPTACLE INSTALLATION - 110V	5
1	0860038	1	Box, Switch	
2	4460346	1	Receptacle	
3	1001110873	1	Shield, Cover	
4	4460071	1	Connector, Strain Relief	
5	4460205	1	Plug, Male	
6	4922608	1	Main Boom 110V Harness Assembly (See Separate Breakdown in this Section)	
7	3910610	4	Screw, Self-tapping, #6 x 5/8	
8	4760600	4	Washer #6	
9	3960422	1	Gasket	
10	4922611	1	Lower Boom 110V Harness Assembly (See Separate Breakdown in this Section)	

# SECTION 7 - ELECTRICAL

## FIGURE 7-38. PLUG AND RECEPTACLE INSTALLATION - 220V



ART\_0270012

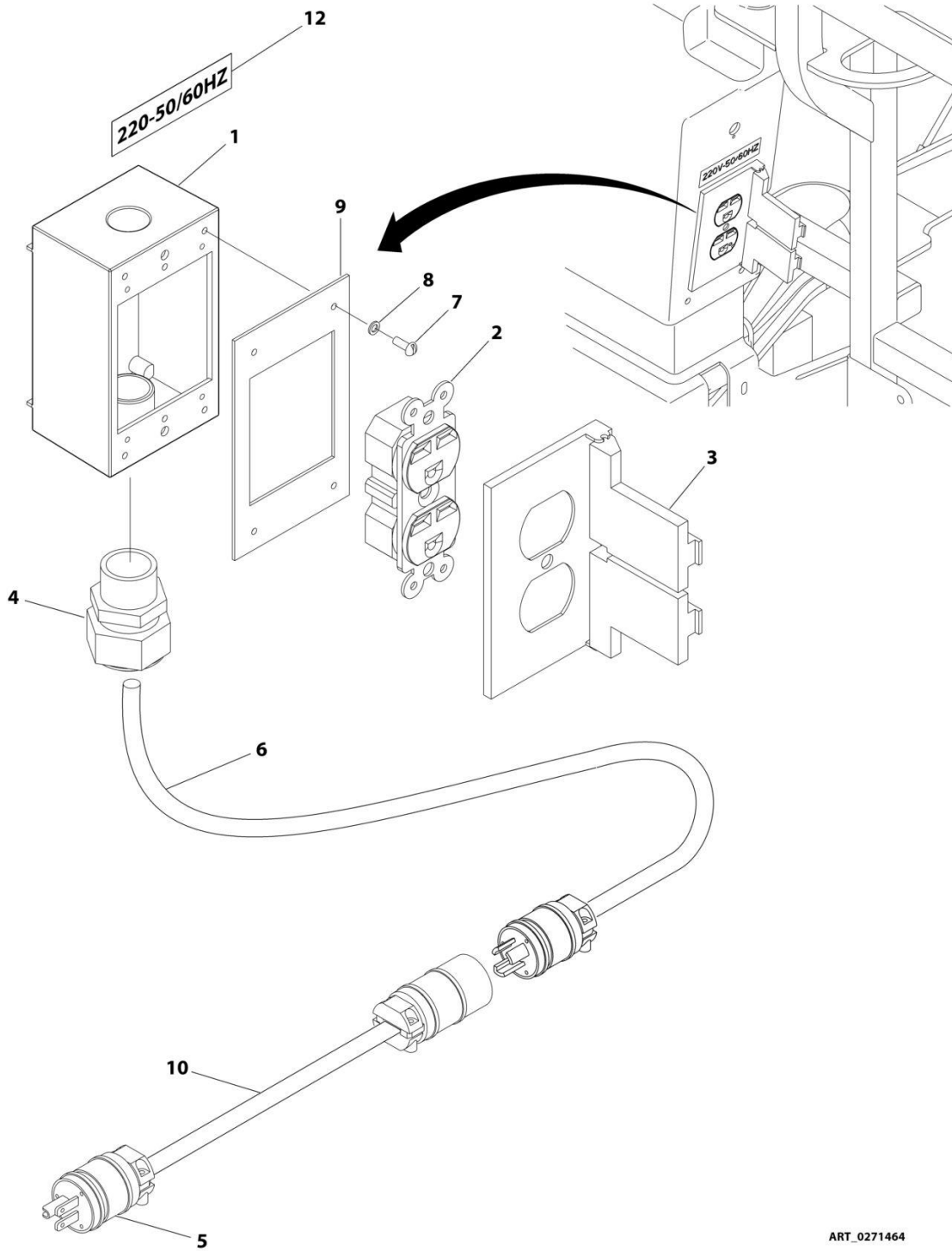
## SECTION 7 - ELECTRICAL

**FIGURE 7-38. PLUG AND RECEPTACLE INSTALLATION - 220V**

ITEM	PART NUMBER	QTY	DESCRIPTION	REV
	0270012	Ref	PLUG AND RECEPTACLE INSTALLATION - 220V	4
1	0860038	1	Box, Switch	
2	4460125	1	Receptacle	
3	4060092	1	Shield, Cover	
4	4460071	1	Connector, Strain Relief	
5	4460233	1	Plug, Male	
6	4922608	1	Main Boom 110V Harness Assembly (See Separate Breakdown in this Section)	
7	3910610	4	Screw, Self-tapping, #6 x 5/8	
8	4760600	4	Washer #6	
9	3960422	1	Gasket	
10	4922611	1	Lower Boom 110V Harness Assembly (See Separate Breakdown in this Section)	
12	3252507	1	Decal - 220V-50/60 Hz	

# SECTION 7 - ELECTRICAL

FIGURE 7-39. PLUG AND RECEPTACLE INSTALLATION - SUPPLIED LOCALLY



ART\_0271464

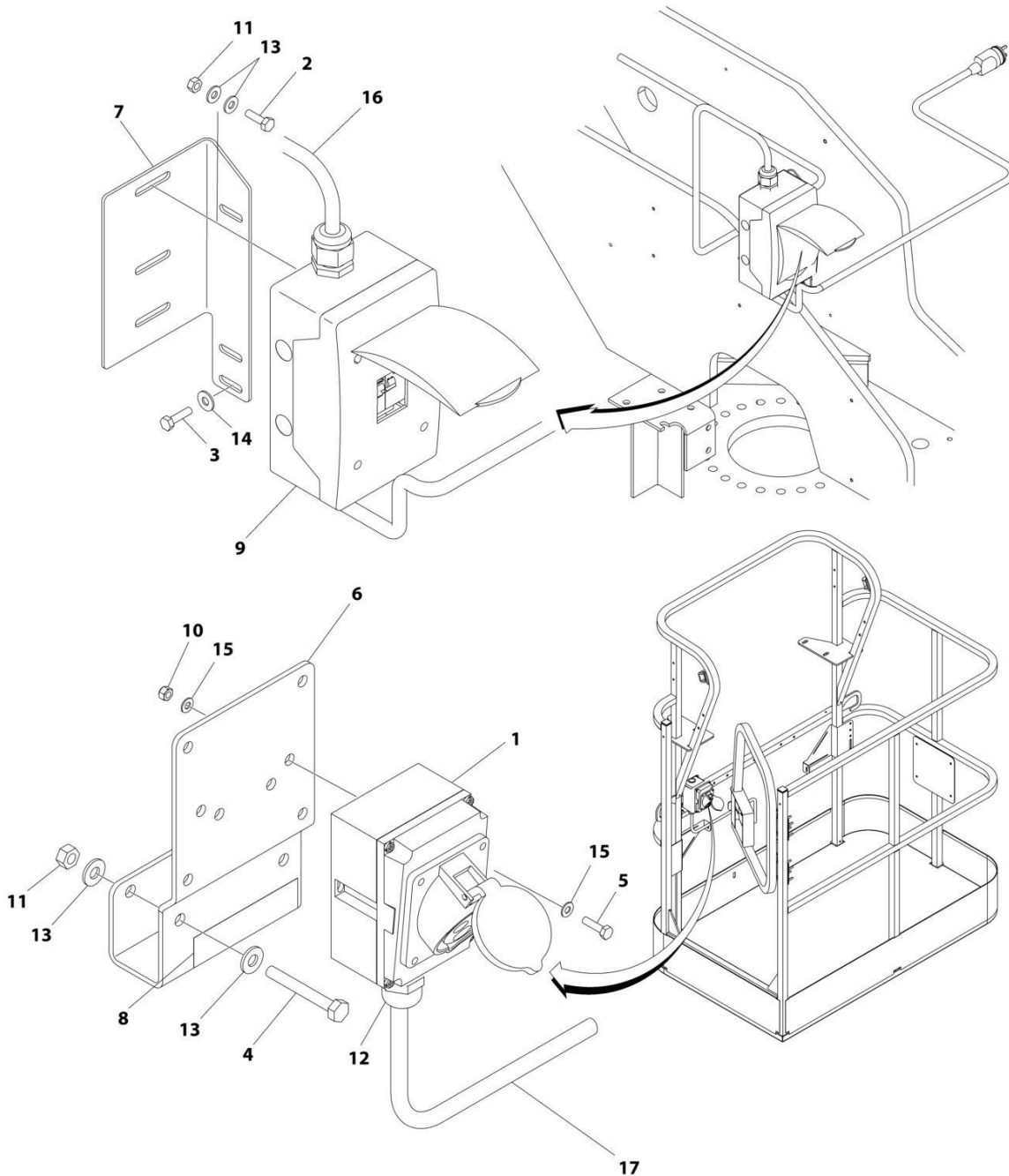
## SECTION 7 - ELECTRICAL

**FIGURE 7-39. PLUG AND RECEPTACLE INSTALLATION - SUPPLIED LOCALLY**

ITEM	PART NUMBER	QTY	DESCRIPTION	REV
	0271464	Ref	PLUG AND RECEPTACLE INSTALLATION - SUPPLIED LOCALLY	2
1	See Note	1	Box, Switch (Note: Supplied Locally)	
2	See Note	1	Receptacle (Note: Supplied Locally)	
3	See Note	1	Shield, Cover (Note: Supplied Locally)	
4	See Note	1	Connector, Strain Relief (Note: Supplied Locally)	
5	See Note	1	Plug, Male (Note: Supplied Locally)	
6	4922610	1	Main Boom 220V Harness Assembly - CE Spec (See Separate Breakdown in this Section)	
7	See Note	4	Screw, Self-tapping, #6 x 5/8 (Note: Supplied Locally)	
8	See Note	4	Washer #6 (Note: Supplied Locally)	
9	See Note	1	Gasket (Note: Supplied Locally)	
10	4922612	1	Lower Boom 220V Harness Assembly - CE Spec (See Separate Breakdown in this Section)	
12	See Note	1	Decal - 220V-50/60Hz (Note: Supplied Locally)	

# SECTION 7 - ELECTRICAL

FIGURE 7-40. PLUG AND RECEPTACLE 110V INSTALLATION - IEC 60309 - YELLOW (CE SPEC)



ART\_1001166263

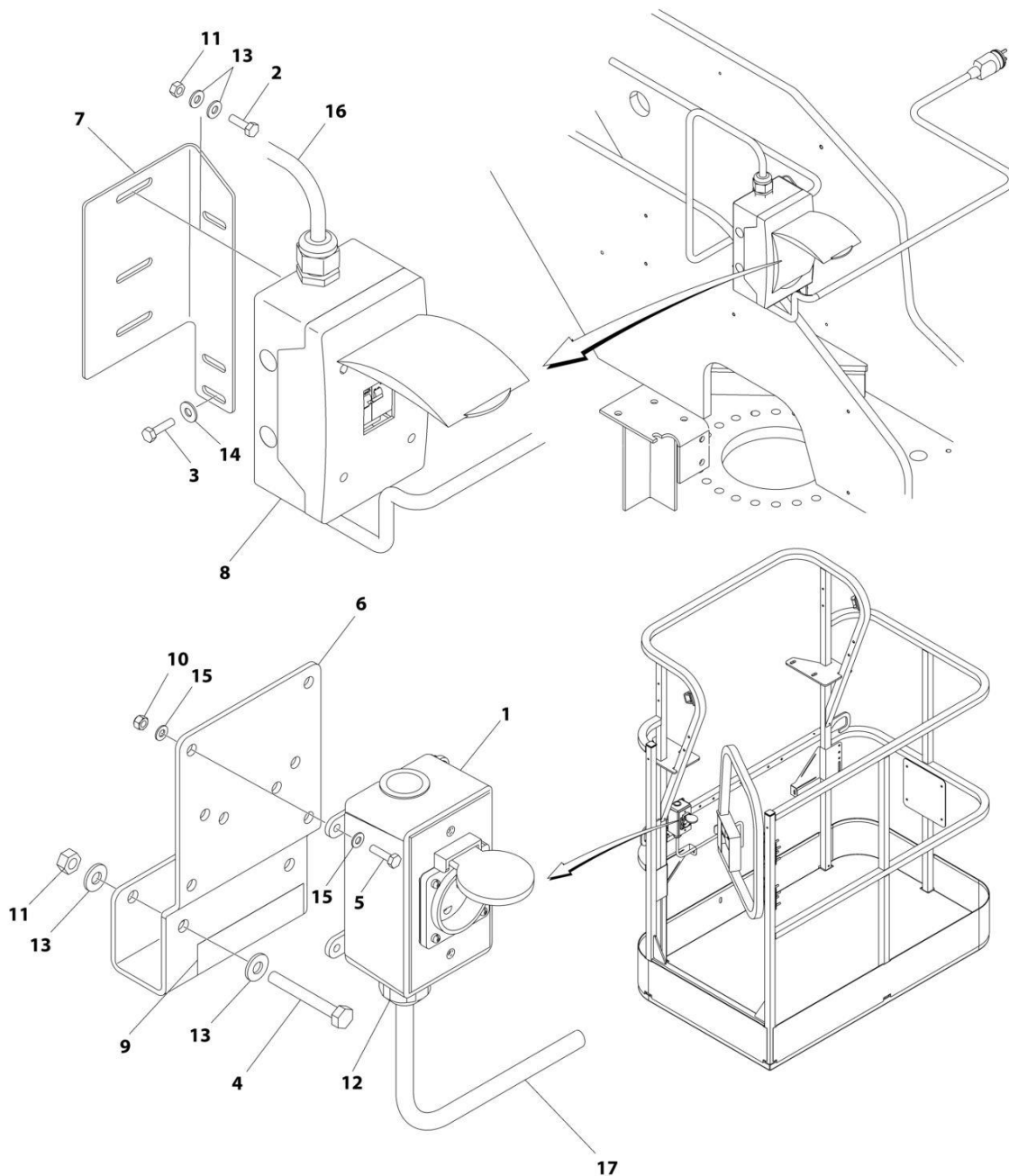
## SECTION 7 - ELECTRICAL

**FIGURE 7-40. PLUG AND RECEPTACLE 110V INSTALLATION - IEC 60309 - YELLOW (CE SPEC)**

ITEM	PART NUMBER	QTY	DESCRIPTION	REV
	1001166263	Ref	PLUG AND RECEPTACLE 110V INSTALLATION - IEC 60309 - YELLOW	C
1	0275216	1	AC Plugs and Sockets Installation (See Separate Breakdown in this Section)	
2	0641407	2	Bolt 1/4 x 7/8	
3	0641408	2	Bolt 1/4 x 1	
4	0641416	2	Bolt 1/4 x 2	
5	0700408	2	Bolt M4 x 16	
6	1001193018	1	Bracket	
7	1001178491	1	Bracket	
8	1705325	2	Decal - 120V - 50 Hz	
9	2902549	1	Breaker Box Kit with Two Breakers (See Separate Breakdown in this Section)	
10	3290405	2	Nut M4	
11	3311405	4	Nut 1/4	
12	4460968	1	Connector, Strain Relief	
13	4711400	8	Washer 1/4	
14	4751400	2	Washer 1/4	
15	4811400	4	Washer M4	
16	4922609	1	Lower Boom 220V Harness Assembly (See Separate Breakdown in this Section)	
17	4922610	1	Main Boom 220V Harness Assembly (See Separate Breakdown in this Section)	

# SECTION 7 - ELECTRICAL

FIGURE 7-41. PLUG AND RECEPTACLE 220V INSTALLATION - AFSINT 107 KEYED GROUND - 2 X 4 BOX (CE SPEC)



ART\_1001166259



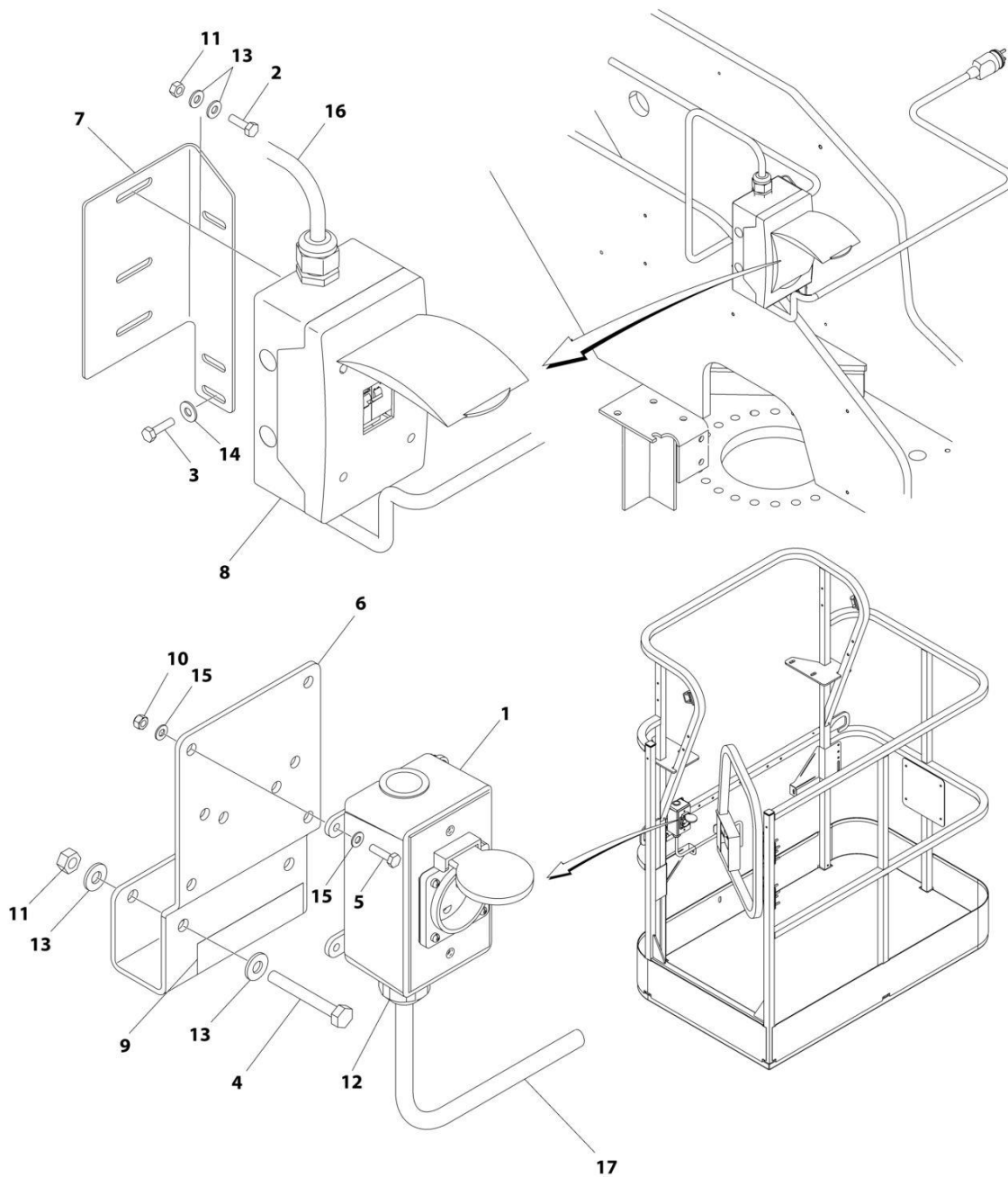
## SECTION 7 - ELECTRICAL

**FIGURE 7-41. PLUG AND RECEPTACLE 220V INSTALLATION - AFSINT 107 KEYED GROUND - 2 X 4 BOX (CE SPEC)**

ITEM	PART NUMBER	QTY	DESCRIPTION	REV
	1001166259	Ref	PLUG AND RECEPTACLE 220V INSTALLATION - AFSINT 107 KEYED GROUND - 2 X 4 BOX	C
1	0275454	1	AC Plugs and Sockets Installation (See Separate Breakdown in this Section)	
2	0641407	2	Bolt 1/4 x 7/8	
3	0641408	2	Bolt 1/4 x 1	
4	0641416	2	Bolt 1/4 x 2	
5	0700408	4	Bolt M4 x 16	
6	1001193018	1	Bracket	
7	1001178491	1	Bracket	
8	2902549	1	Breaker Box Kit with Two Breakers (See Separate Breakdown in this Section)	
9	3252507	2	Decal - 220V - 50/60 Hz	
10	3290405	4	Nut M4	
11	3311405	4	Nut 1/4	
12	4460662	1	Connector, Strain Relief	
13	4711400	8	Washer 1/4	
14	4751400	2	Washer 1/4	
15	4811400	8	Washer M4	
16	4922609	1	Lower Boom 220V Harness Assembly (See Separate Breakdown in this Section)	
17	4922610	1	Main Boom 220V Harness Assembly (See Separate Breakdown in this Section)	

# SECTION 7 - ELECTRICAL

FIGURE 7-42. PLUG AND RECEPTACLE 220V INSTALLATION - CEE7 POST GROUND - 2 X 4 BOX (CE SPEC)



ART\_1001166251

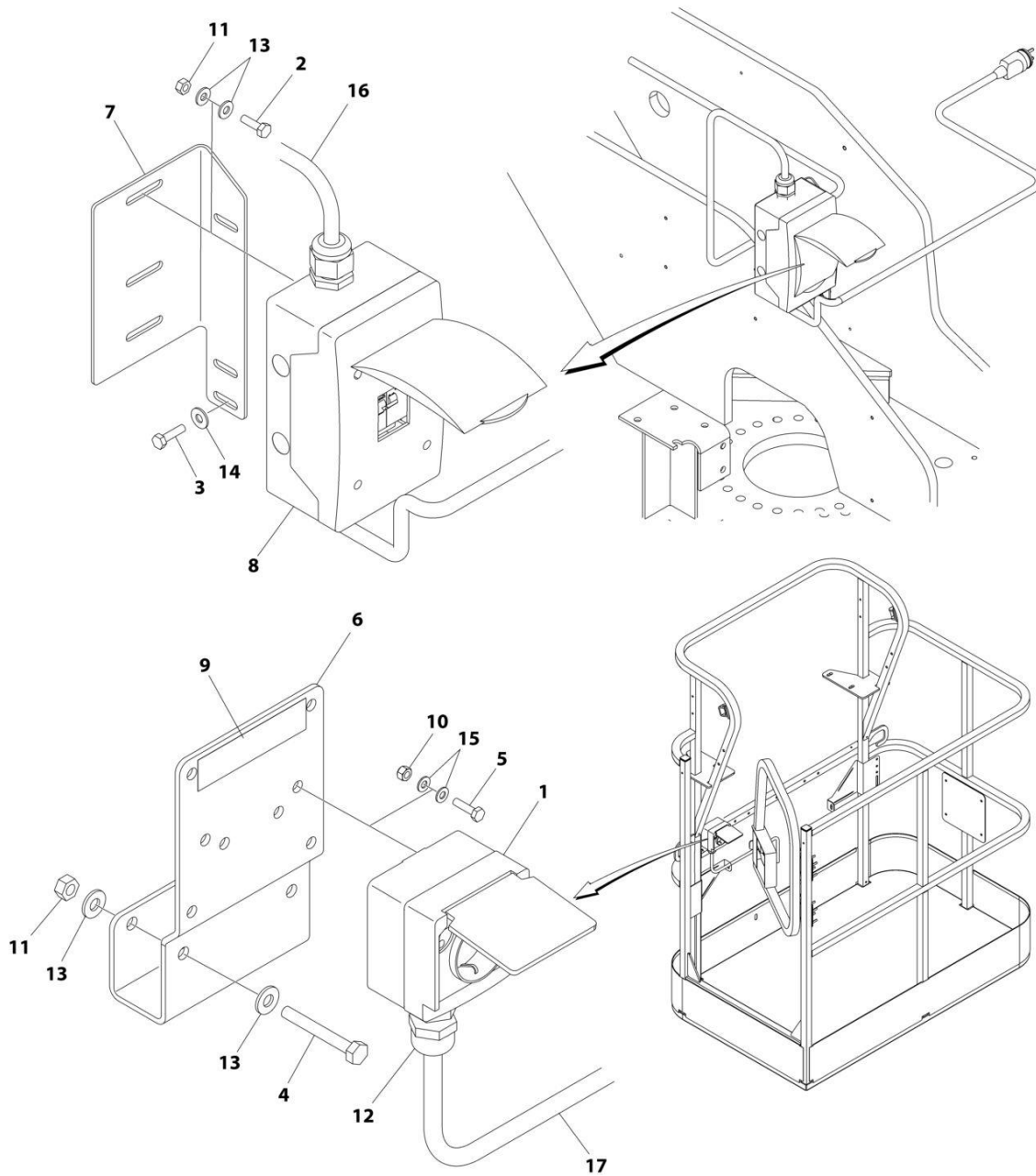
## SECTION 7 - ELECTRICAL

**FIGURE 7-42. PLUG AND RECEPTACLE 220V INSTALLATION - CEE7 POST GROUND - 2 X 4 BOX  
(CE SPEC)**

ITEM	PART NUMBER	QTY	DESCRIPTION	REV
	1001166251	Ref	PLUG AND RECEPTACLE 220V INSTALLATION - CEE7 POST GROUND - 2 X 4 BOX	C
1	0275452	1	AC Plugs and Sockets Installation (See Separate Breakdown in this Section)	
2	0641407	2	Bolt 1/4 x 7/8	
3	0641408	2	Bolt 1/4 x 1	
4	0641416	2	Bolt 1/4 x 2	
5	0700408	4	Bolt M4 x 16	
6	1001193018	1	Bracket	
7	1001178491	1	Bracket	
8	2902549	1	Breaker Box Kit with Two Breakers (See Separate Breakdown in this Section)	
9	3252507	2	Decal - 220V - 50/60Hz	
10	3290405	4	Nut M4	
11	3311405	4	Nut 1/4	
12	4460662	1	Connector, Strain Relief	
13	4711400	8	Washer 1/4	
14	4751400	2	Washer 1/4	
15	4811400	8	Washer M4	
16	4922609	1	Lower Boom 220V Harness Assembly (See Separate Breakdown in this Section)	
17	4922610	1	Main Boom 220V Harness Assembly (See Separate Breakdown in this Section)	

# SECTION 7 - ELECTRICAL

FIGURE 7-43. PLUG AND RECEPTACLE 220V INSTALLATION - CEE7 POST GROUND - 70MM X 70MM BOX (CE SPEC)



ART\_1001166261

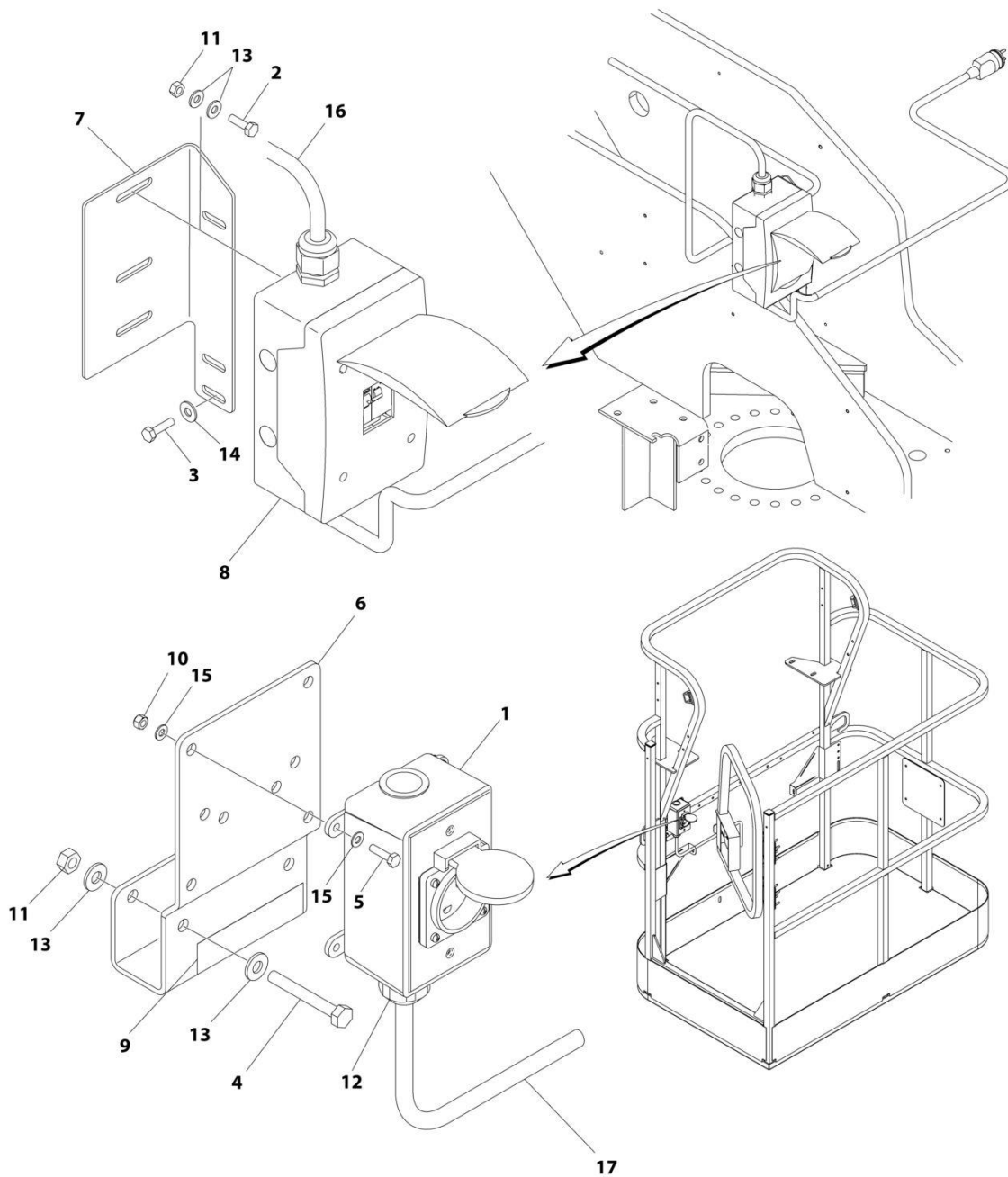
## SECTION 7 - ELECTRICAL

**FIGURE 7-43. PLUG AND RECEPTACLE 220V INSTALLATION - CEE7 POST GROUND - 70MM X 70MM BOX (CE SPEC)**

ITEM	PART NUMBER	QTY	DESCRIPTION	REV
	1001166261	Ref	PLUG AND RECEPTACLE 220V INSTALLATION - CEE7 POST GROUND - 70MM X 70MM BOX	C
1	0275218	1	AC Plugs and Sockets Installation (See Separate Breakdown in this Section)	
2	0641407	2	Bolt 1/4 x 7/8	
3	0641408	2	Bolt 1/4 x 1	
4	0641416	2	Bolt 1/4 x 2	
5	0700408	2	Bolt M4 x 16	
6	1001193018	1	Bracket	
7	1001178491	1	Bracket	
8	2902549	1	Breaker Box Kit with Two Breakers (See Separate Breakdown in this Section)	
9	3252507	2	Decal - 220V - 50/60 Hz	
10	3290405	2	Nut M4	
11	3311405	4	Nut 1/4	
12	4460968	1	Connector, Strain Relief	
13	4711400	8	Washer 1/4	
14	4751400	2	Washer 1/4	
15	4811400	4	Washer 4mm	
16	4922609	1	Lower Boom 220V Harness Assembly (See Separate Breakdown in this Section)	
17	4922610	1	Main Boom 220V Harness Assembly (See Separate Breakdown in this Section)	

# SECTION 7 - ELECTRICAL

FIGURE 7-44. PLUG AND RECEPTACLE 220 INSTALLATION - CEE7 SIDE GROUND - 2 X 4 BOX (CE SPEC)



ART\_1001166258

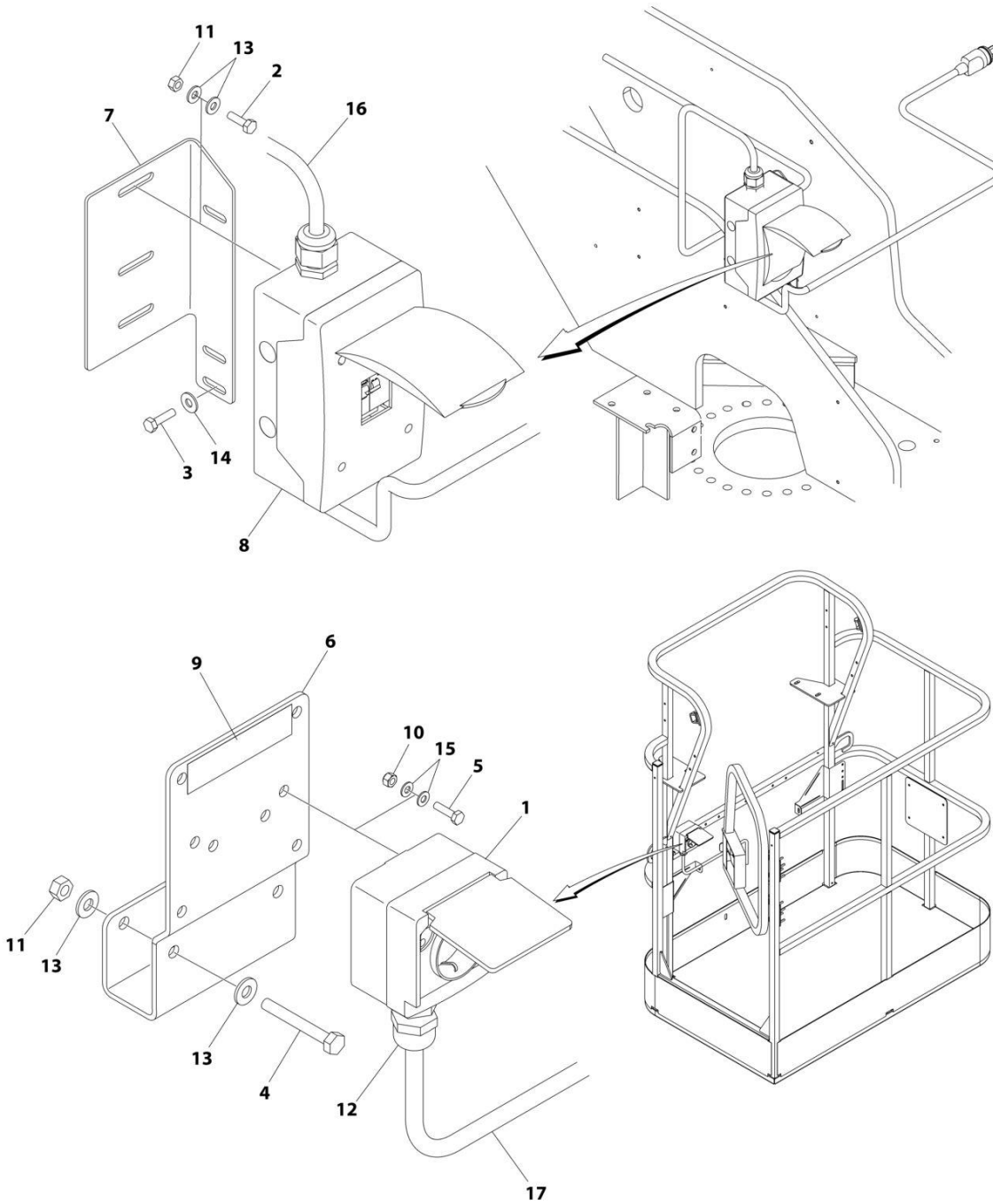
## SECTION 7 - ELECTRICAL

**FIGURE 7-44. PLUG AND RECEPTACLE 220 INSTALLATION - CEE7 SIDE GROUND - 2 X 4 BOX (CE SPEC)**

ITEM	PART NUMBER	QTY	DESCRIPTION	REV
	1001166258	Ref	PLUG AND RECEPTACLE 220 INSTALLATION - CEE7 SIDE GROUND - 2 X 4 BOX	D
1	0275453	1	AC Plugs and Sockets Installation (See Separate Breakdown in this Section)	
2	0641407	2	Bolt 1/4 x 7/8	
3	0641408	2	Bolt 1/4 x 1	
4	0641416	2	Bolt 1/4 x 2	
5	0700408	4	Bolt M4 x 16	
6	1001193018	1	Bracket	
7	1001178491	1	Bracket	
8	1001152485	1	Breaker Box Kit with Three Breakers (See Separate Breakdown in this Section)	
9	3252507	2	Decal - 220V - 50/60 Hz	
10	3290405	4	Nut M4	
11	3311405	4	Nut 1/4	
12	4460662	1	Connector, Strain Relief	
13	4711400	8	Washer 1/4	
14	4751400	2	Washer 1/4	
15	4811400	8	Washer M4	
16	4922609	1	Lower Boom 220V Harness Assembly (See Separate Breakdown in this Section)	
17	4922610	1	Main Boom 220V Harness Assembly (See Separate Breakdown in this Section)	

# SECTION 7 - ELECTRICAL

FIGURE 7-45. PLUG AND RECEPTACLE 220V INSTALLATION - CEE7 SIDE GROUND - 70MM X 70MM BOX (CE SPEC)



ART\_1001166262



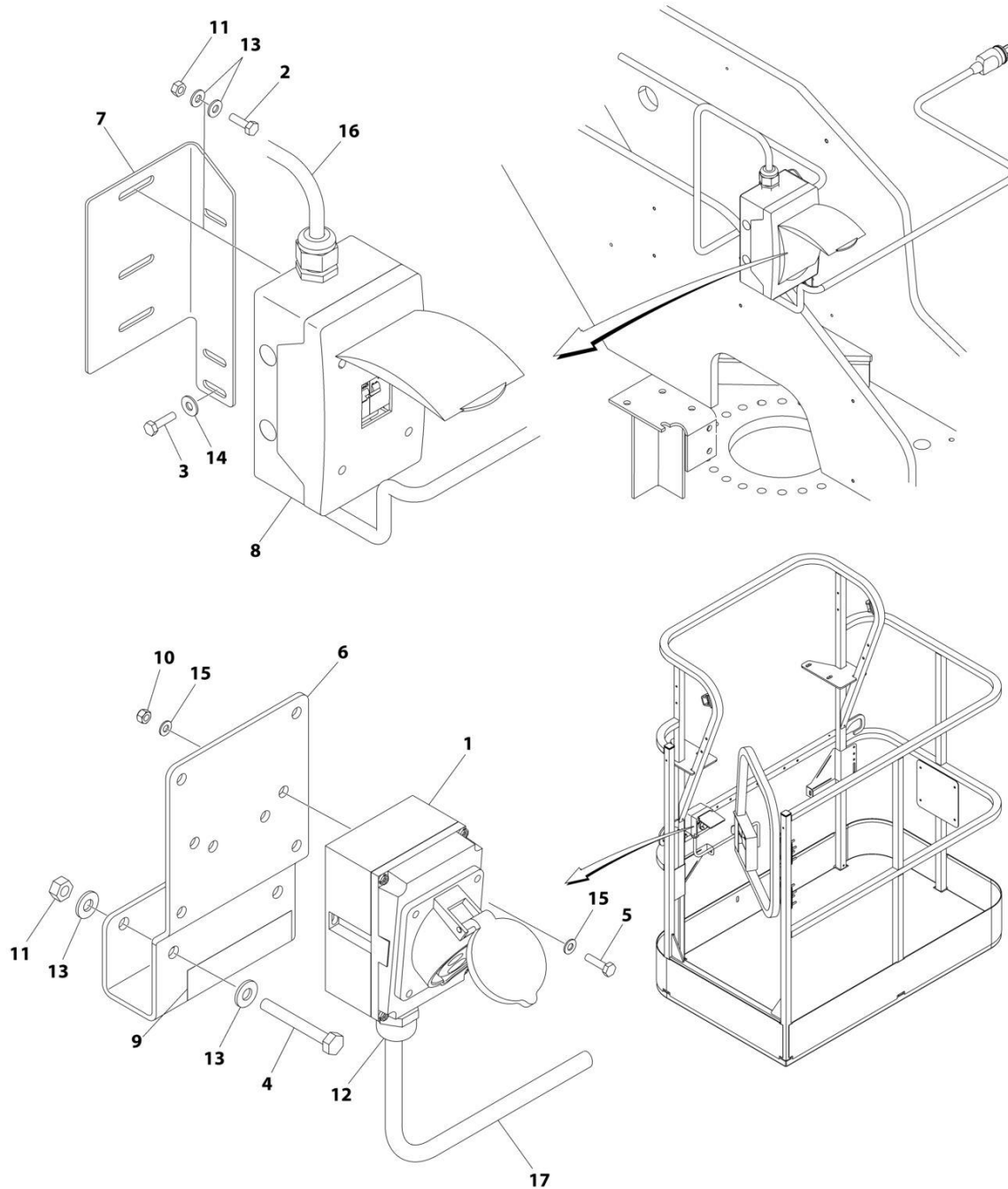
## SECTION 7 - ELECTRICAL

**FIGURE 7-45. PLUG AND RECEPTACLE 220V INSTALLATION - CEE7 SIDE GROUND - 70MM X 70MM BOX (CE SPEC)**

ITEM	PART NUMBER	QTY	DESCRIPTION	REV
	1001166262	Ref	PLUG AND RECEPTACLE 220V INSTALLATION - CEE7 SIDE GROUND - 70MM X 70MM BOX	C
1	0275219	1	AC Plugs and Sockets Installation (See Separate Breakdown in this Section)	
2	0641407	2	Bolt 1/4 x 7/8	
3	0641408	2	Bolt 1/4 x 1	
4	0641416	2	Bolt 1/4 x 2	
5	0700408	2	Bolt M4 x 16	
6	1001193018	1	Bracket	
7	1001178491	1	Bracket	
8	1001152485	1	Breaker Box Kit with Three Breakers (See Separate Breakdown in this Section)	
9	3252507	2	Decal - 220V - 50/60 Hz	
10	3290405	2	Nut M4	
11	3311405	4	Nut M4	
12	4460968	1	Connector, Strain Relief	
13	4711400	8	Washer 1/4	
14	4751400	2	Washer 1/4	
15	4811400	4	Washer M4	
16	4922609	1	Lower Boom 220V Harness Assembly (See Separate Breakdown in this Section)	
17	4922610	1	Main Boom 220V Harness Assembly (See Separate Breakdown in this Section)	

# SECTION 7 - ELECTRICAL

FIGURE 7-46. PLUG AND RECEPTACLE 220V INSTALLATION - IEC 60309 - BLUE (CE SPEC)



ART\_1001166260

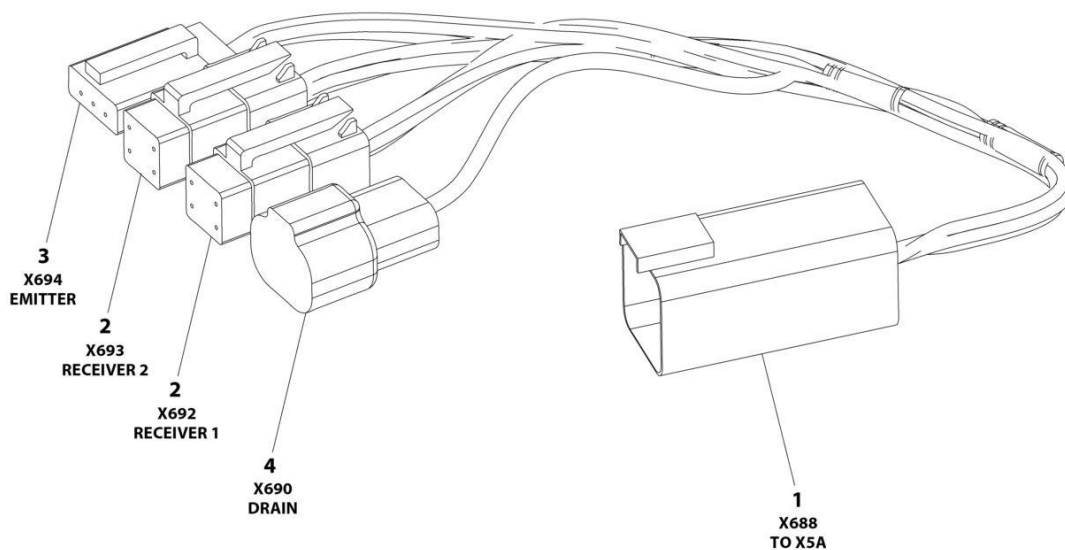
## SECTION 7 - ELECTRICAL

**FIGURE 7-46. PLUG AND RECEPTACLE 220V INSTALLATION - IEC 60309 - BLUE (CE SPEC)**

ITEM	PART NUMBER	QTY	DESCRIPTION	REV
	1001166260	Ref	PLUG AND RECEPTACLE 220V INSTALLATION - IEC 60309 - BLUE	C
1	0275217	1	AC Plugs and Sockets Installation (See Separate Breakdown in this Section)	
2	0641407	2	Bolt 1/4 x 7/8	
3	0641408	2	Bolt 1/4 x 1	
4	0641416	2	Bolt 1/4 x 2	
5	0700408	2	Bolt M4 x 16	
6	1001193018	1	Bracket	
7	1001178491	1	Bracket	
8	2902549	1	Breaker Box Kit with One Breakers (See Separate Breakdown in this Section)	
9	3252507	2	Decal - 220V - 50/60 Hz	
10	3290405	2	Nut M4	
11	3311405	4	Nut M4	
12	4460968	1	Connector, Strain Relief	
13	4711400	8	Washer 1/4	
14	4751400	2	Washer 1/4	
15	4811400	4	Washer M4	
16	4922609	1	Lower Boom 220V Harness Assembly (See Separate Breakdown in this Section)	
17	4922610	1	Main Boom 220V Harness Assembly (See Separate Breakdown in this Section)	

# SECTION 7 - ELECTRICAL

## FIGURE 7-47. SKYEYE INTERMEDIATE HARNESS



ART\_1001237865

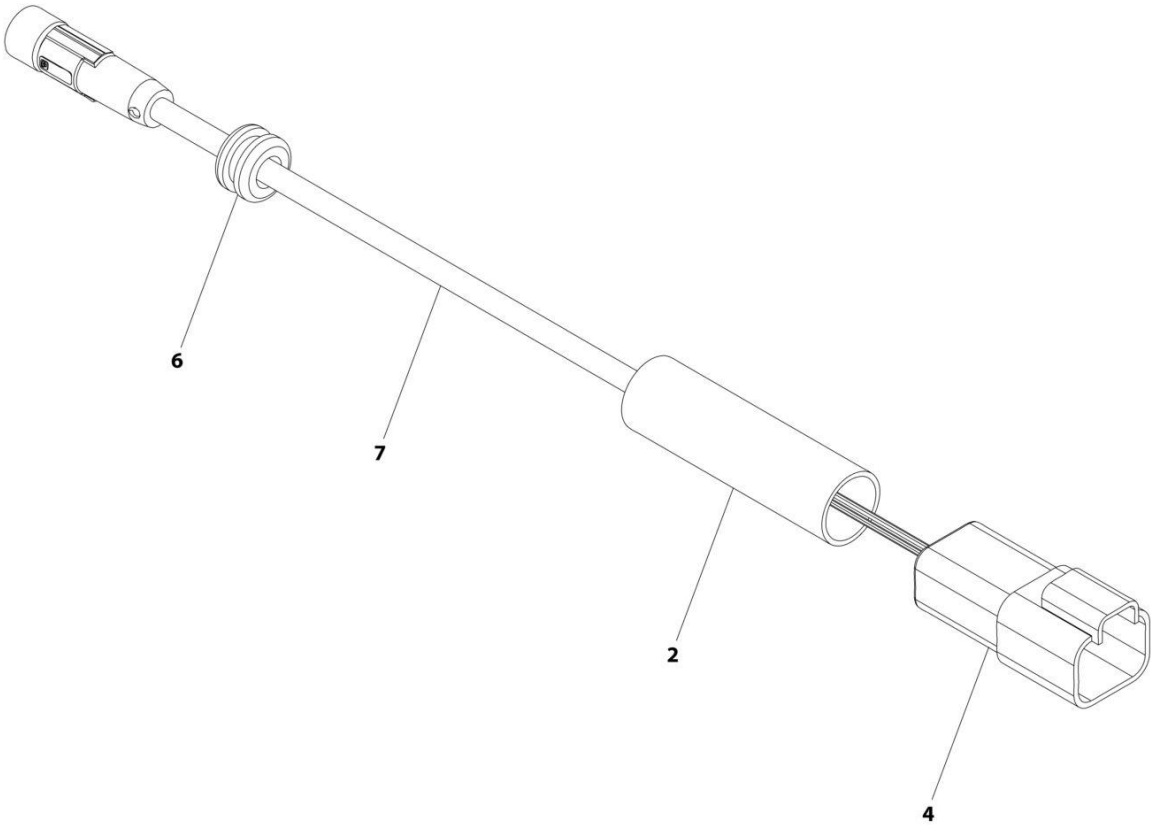
## SECTION 7 - ELECTRICAL

### FIGURE 7-47. SKYEYE INTERMEDIATE HARNESS

ITEM	PART NUMBER	QTY	DESCRIPTION	REV
	1001237865	Ref	SKYEYE INTERMEDIATE HARNESS	A
1	4460899	1	Connector - 6 Position	
1	4460943	4	Pin, Male	
1	4460466	2	Plug, Terminal	
2	4461077	2	Connector - 4 Position	
2	1001119619	8	Socket, Female	
3	4460911	1	Connector - 3 Position	
3	1001119619	3	Socket, Female	
4	1001187681	1	Connector - 2 Position	
4	4460941	1	Pin, Male	
4	4460466	1	Plug, Terminal	

**SECTION 7 - ELECTRICAL**

**FIGURE 7-48. SKYEYE RECEIVER HARNESS**



ART\_1001237863

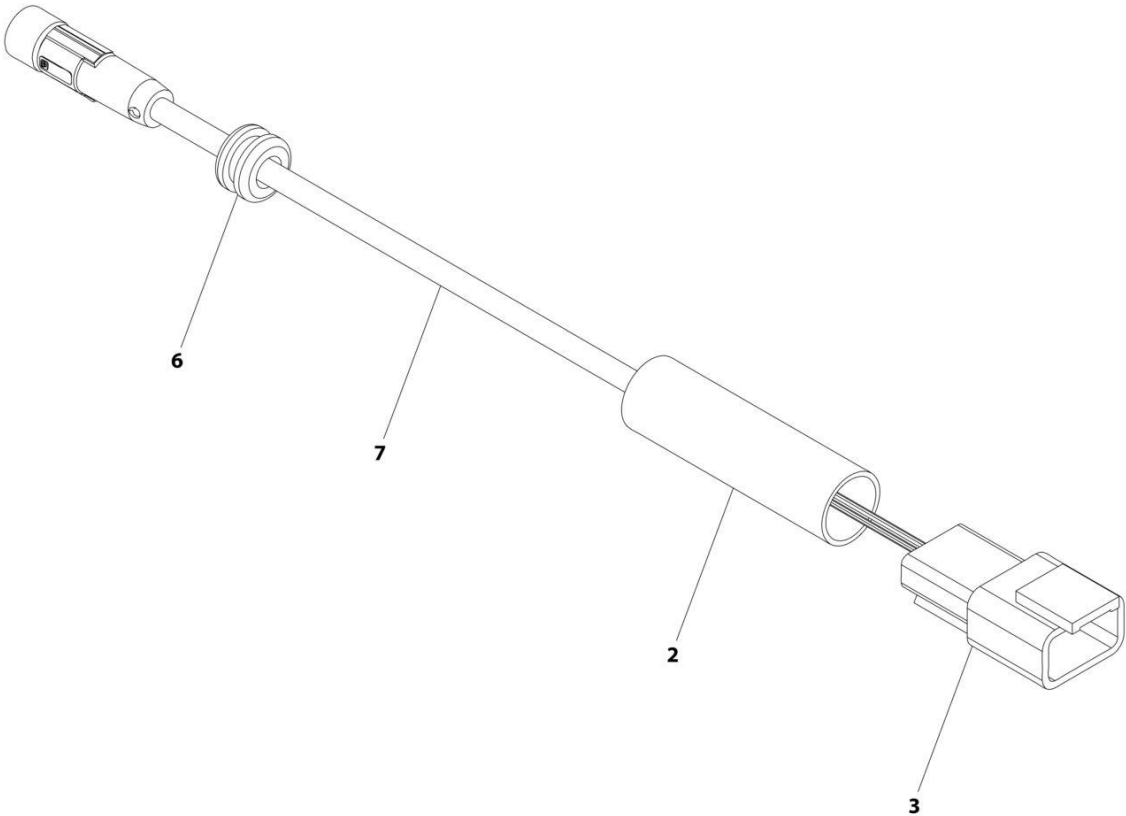
## SECTION 7 - ELECTRICAL

### FIGURE 7-48. SKYEYE RECEIVER HARNESS

ITEM	PART NUMBER	QTY	DESCRIPTION	REV
	1001237863	Ref	SKYEYE RECEIVER HARNESS	A
2	2820247	AR	Tubing, Heat Shrink	
4	1001097051	1	Connector - 4 Position	
4	1001119620	4	Pin, Male	
6	1001227996	1	Grommet	
7	1001237862	1	Cable, M8 Female Cordset	

**SECTION 7 - ELECTRICAL**

**FIGURE 7-49. SKYEYE EMITTER HARNESS**



ART\_1001237864



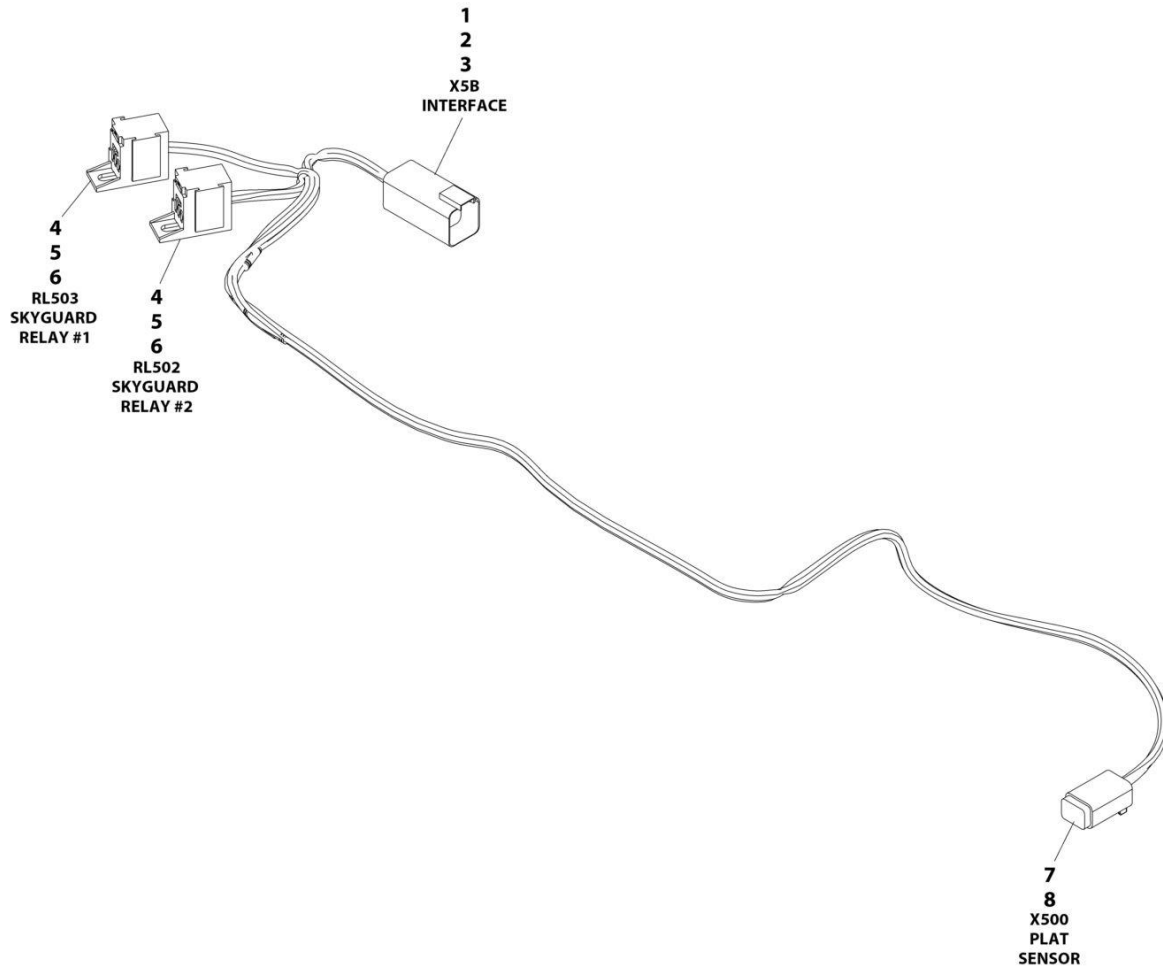
## SECTION 7 - ELECTRICAL

### FIGURE 7-49. SKYEYE EMITTER HARNESS

ITEM	PART NUMBER	QTY	DESCRIPTION	REV
	1001237864	Ref	SKYEYE EMITTER HARNESS	A
2	2820247	AR	Tubing, Heat Shrink	
3	4460910	1	Connector - 3 Position	
3	1001119620	3	Pin, Male	
6	1001227996	1	Grommet	
7	1001237862	1	Cable, M8 Female Cordset	

# SECTION 7 - ELECTRICAL

## FIGURE 7-50. SKYGUARD HARNESS - WITH 1 CELL LSS



ART\_1001225580

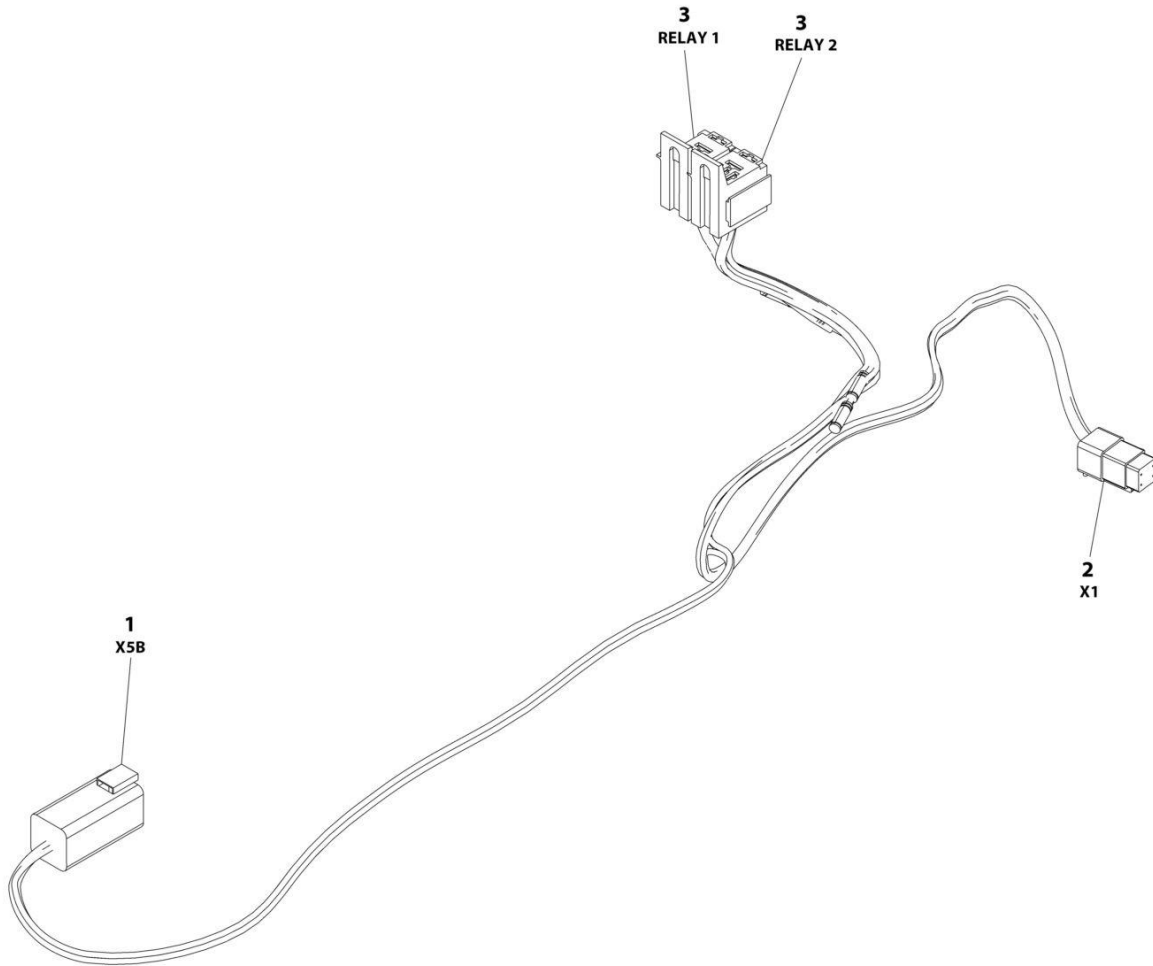
## SECTION 7 - ELECTRICAL

### FIGURE 7-50. SKYGUARD HARNESS - WITH 1 CELL LSS

ITEM	PART NUMBER	QTY	DESCRIPTION	REV
	1001225580	Ref	INTERFACE HARNESS - WITH 1 CELL LSS	D
1	4460899	1	Connector	
2	4460464	4	Terminal	
3	4460466	2	Plug	
4	1001186432	2	Connector	
5	1001116720	4	Terminal	
6	1001118388	4	Terminal	
7	4460884	1	Connector	
8	4460465	4	Terminal	

# SECTION 7 - ELECTRICAL

## FIGURE 7-51. SKYLINE HARNESS



ART\_1001238418

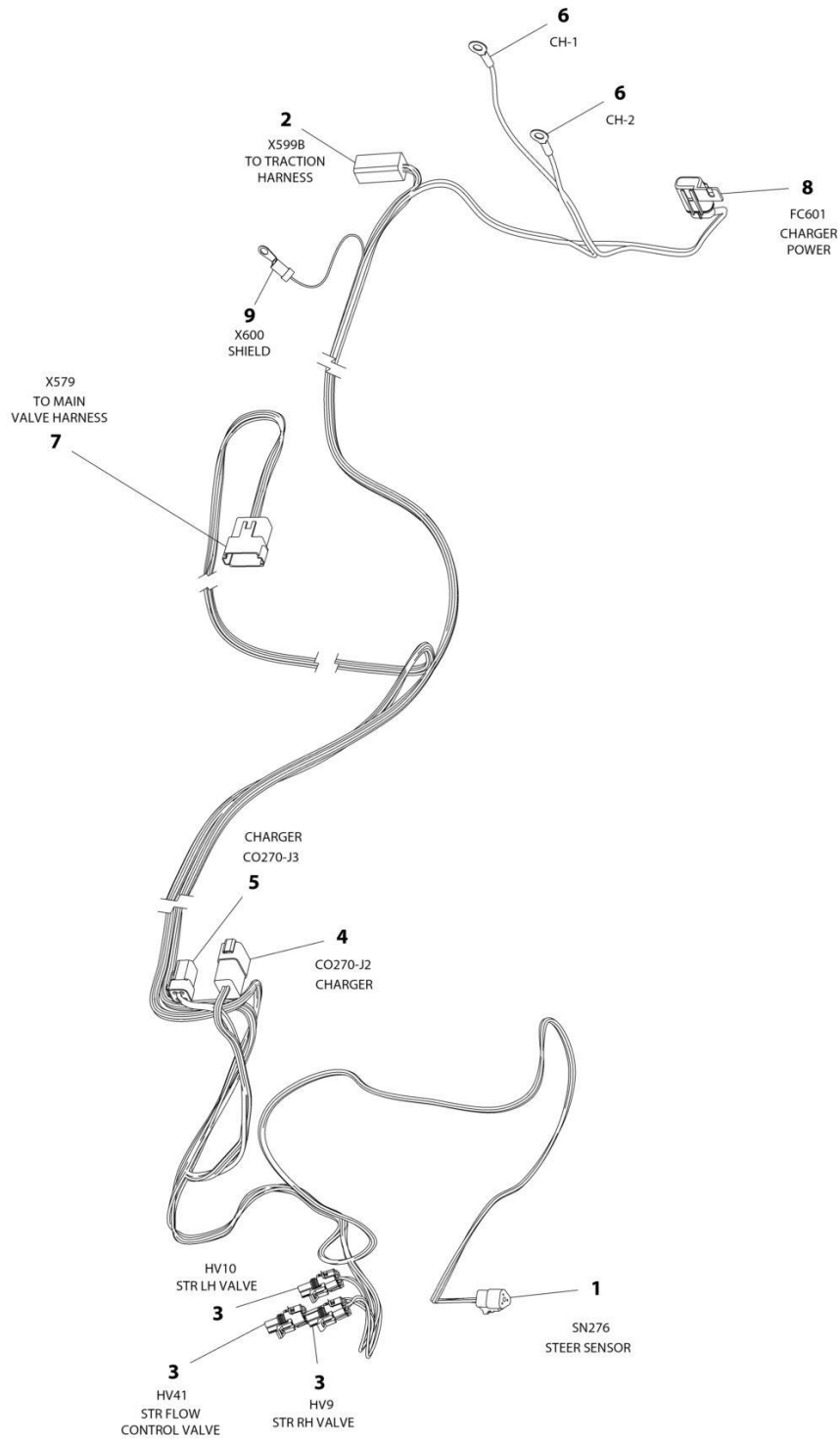
## SECTION 7 - ELECTRICAL

### FIGURE 7-51. SKYLINE HARNESS

ITEM	PART NUMBER	QTY	DESCRIPTION	REV
	1001238418	Ref	SKYLINE HARNESS	B
1	4460899	1	Connector - 6 Position	
1	4460464	4	Pin, Male	
1	4460466	2	Plug, Terminal	
2	4461077	1	Connector - 4 Position	
2	1001126009	4	Socket, Female	
3	1001186432	2	Plug, Relay	
3	1001118388	5	Terminal	
3	1001118384	3	Terminal	
3	3740086	2	Relay	

# SECTION 7 - ELECTRICAL

## FIGURE 7-52. STEER/BRAKE HARNESS



ART\_1001188528

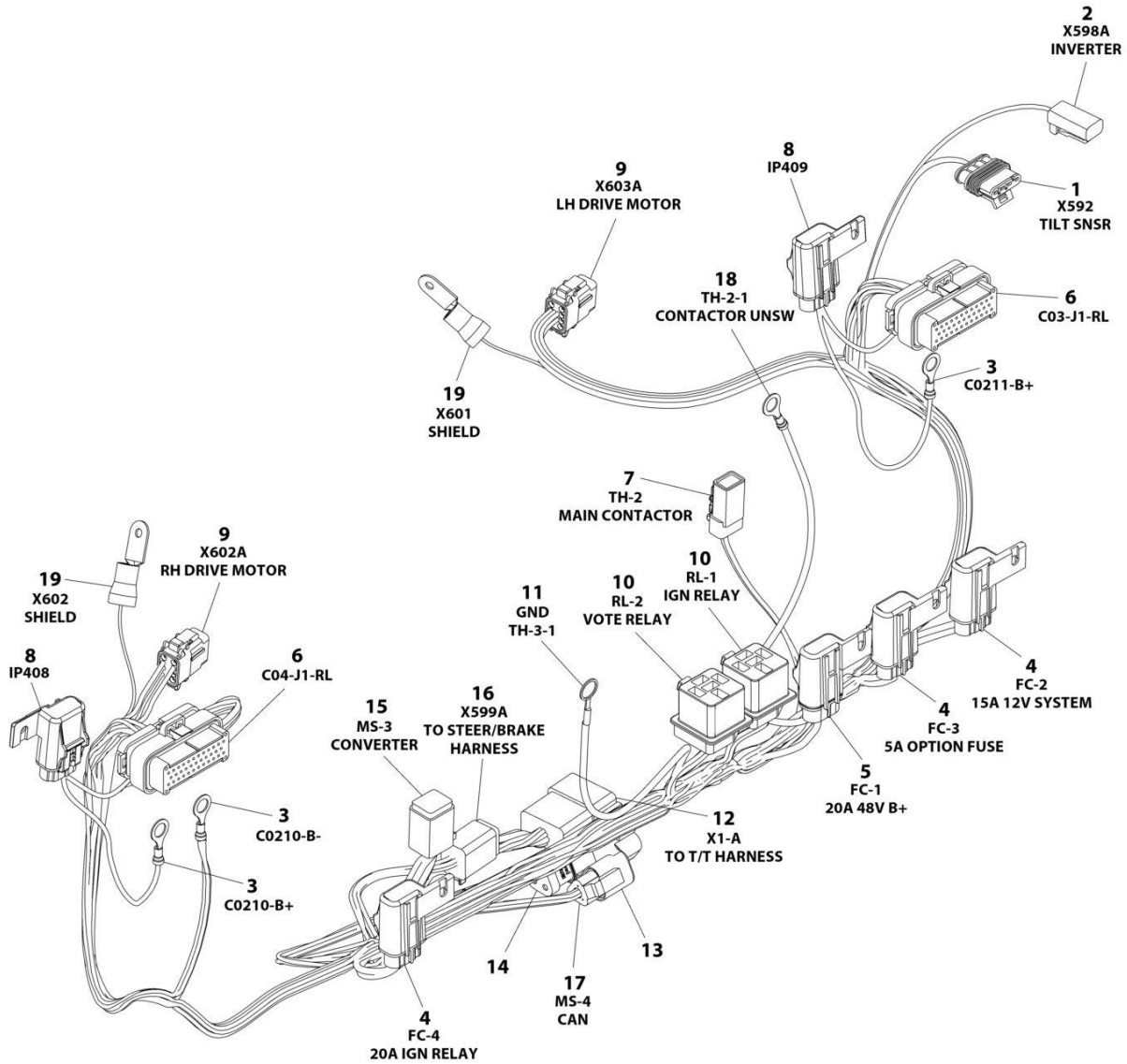
## SECTION 7 - ELECTRICAL

### FIGURE 7-52. STEER/BRAKE HARNESS

ITEM	PART NUMBER	QTY	DESCRIPTION	REV
	1001188528	Ref	STEER/BRAKE HARNESS	1
1	4460539	1	Plug, Male - 4 Position	
1	4460465	3	Socket, Female	
2	4460899	1	Receptacle, Female - 6 Position	
2	4460464	5	Pin, Male	
2	4460466	1	Plug, Terminal	
3	4460742	3	Plug, Male - 2 Position	
3	4460743	6	Socket, Female	
4	4460931	1	Receptacle, Female - 8 Position	
4	4460464	6	Pin, Male	
4	4460466	2	Plug, Terminal	
5	1001116810	1	Plug, Male - 4 Position	
5	4460509	2	Terminal	
5	4460466	2	Plug, Terminal	
6	8220045	2	Ring, Terminal	
7	4460970	1	Receptacle, Female - 12 Position	
7	4460464	9	Pin, Male	
7	4460466	3	Plug, Terminal	
8	1001217844	1	Fuseholder	
8	1001217842	1	Cover	
8	8229236	1	Fuse - 30Amp	
8	1001170762	1	Fuse - 30Amp	
8	1001116734	2	Terminal, Female	
9	4460142	1	Terminal, Ring	

# SECTION 7 - ELECTRICAL

## FIGURE 7-53. TRACTION HARNESS



ART\_1001178629



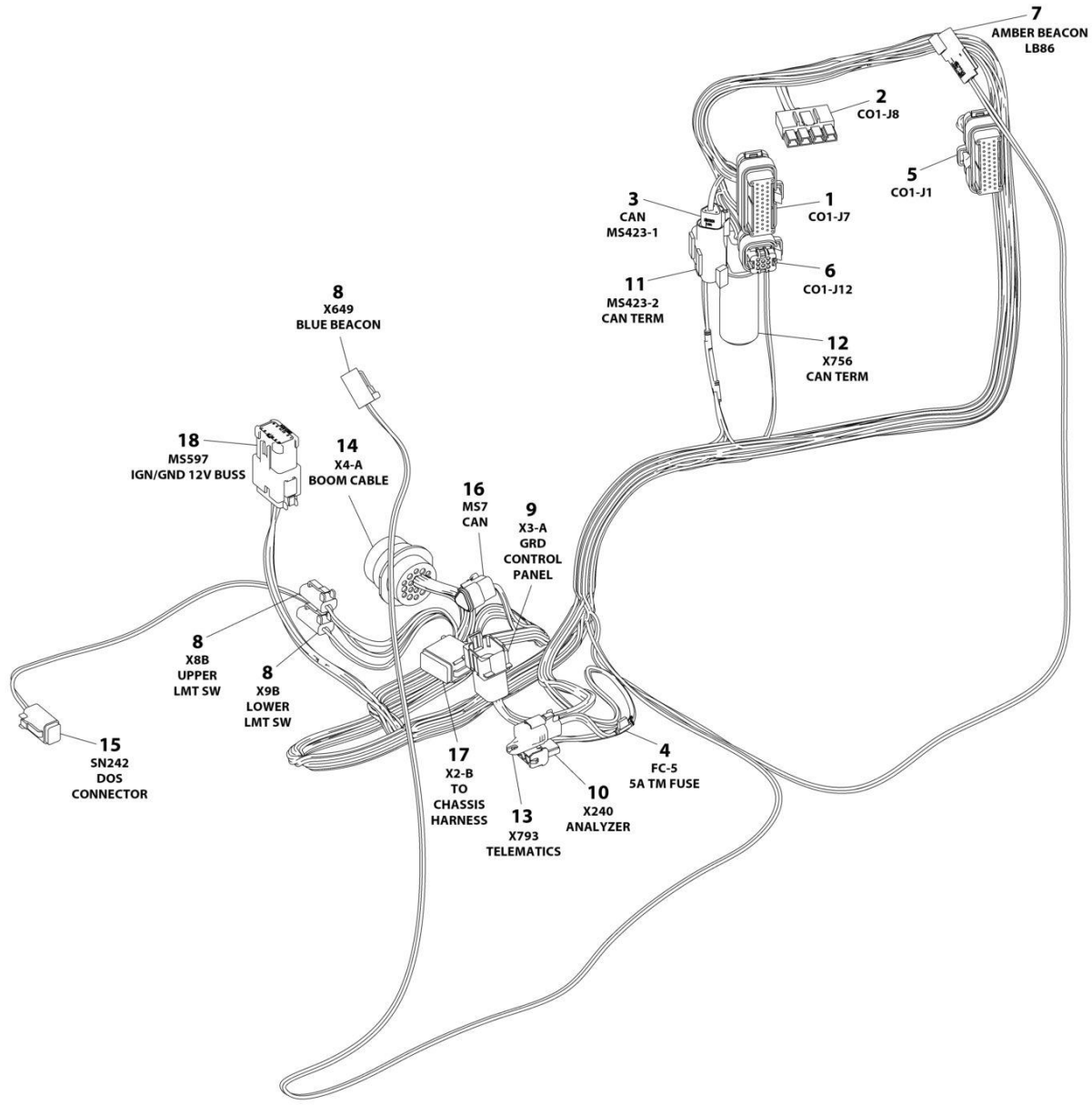
## SECTION 7 - ELECTRICAL

### FIGURE 7-53. TRACTION HARNESS

ITEM	PART NUMBER	QTY	DESCRIPTION	REV
	1001178629	Ref	TRACTION HARNESS	N
1	1001103012	1	Connector - 4 Position	
1	1001107854	4	Socket, Female	
2	4460891	1	Plug, Male - 2 Position	
2	4460465	1	Socket, Female	
2	4460466	1	Plug, Terminal	
3	4460670	3	Terminal, Ring	
4	1001217844	3	Fuseholder	
4	1001217842	3	Cover	
4	8229261	1	Fuse - 5Amp	
4	8229237	1	Fuse - 15Amp	
4	8229235	1	Fuse - 20Amp	
4	1001170761	1	Fuse - 20Amp	
4	1001116734	6	Terminal, Female	
5	1001217844	1	Fuseholder	
5	1001217842	1	Cover	
5	8229235	1	Fuse - 20Amp	
5	1001116734	2	Terminal, Female	
6	4460873	1	Connector - 35 Position	
6	4460871	11	Terminal, Female	
6	4460905	24	Seal, Terminal	
7	1001126245	1	Connector - 2 Position	
7	1001126008	2	Terminal	
8	1001217843	2	Fuseholder	
8	1001217842	2	Cover	
8	8229234	2	Fuse - 10Amp	
8	1001116733	4	Terminal	
9	1001190577	2	Plug, Male - 8 Position	
9	1001126008	16	Terminal	
10	1001203734	2	Plug, Relay	
10	1001116732	8	Terminal	
11	4460019	1	Terminal, Ring	
12	4460950	1	Connector - 12 Position	
12	1001157891	4	Terminal	
12	1001116693	4	Pin, Male	
12	4460464	2	Pin, Male	
12	4460943	2	Pin, Male	
13	4460945	1	Receptacle, 3 Way	
14	1001116815	1	Resistor, 3 Position	
15	4460894	1	Plug, Male - 6 Position	
15	1001157890	5	Terminal	
15	1001116692	1	Socket, Female	
16	4460894	1	Plug, Male - 6 Position	
16	4460465	4	Socket, Female	
16	4460466	2	Plug, Terminal	
17	1001116812	1	Plug, Male - 3 Position	
17	4460944	3	Socket, Female	
18	4460738	1	Terminal, Ring	
19	1001260275	2	Terminal, Ring	

# SECTION 7 - ELECTRICAL

## FIGURE 7-54. TURNTABLE HARNESS



ART\_1001245677

## SECTION 7 - ELECTRICAL

### FIGURE 7-54. TURNTABLE HARNESS

ITEM	PART NUMBER	QTY	DESCRIPTION	REV
	1001245677	Ref	TURNTABLE HARNESS	A
1	4460873	1	Connector - 35 Position	
1	4460871	16	Socket, Female	
1	4460905	19	Plug, Terminal	
2	4460878	1	Connector - 4 Position	
2	4460887	4	Terminal	
3	1001116812	1	Plug, Male -3 Position	
3	4460944	2	Socket, Female	
3	4460466	1	Plug, Terminal	
3	4460945	1	Receptacle, 3 Way	
4	2400060	1	Fuseholder with Cover	
4	8229242	1	Fuse - 5Amp	
5	4460874	1	Connector - 35 Position	
5	4460871	9	Socket, Female	
5	4460905	26	Plug, Terminal	
6	1001113961	1	Plug, Male - 8 Position	
6	4460871	3	Socket, Female	
6	4460905	5	Plug, Terminal	
7	4460897	1	Receptacle, Female - 2 Position	
7	4460464	2	Pin, Male	
8	4460891	3	Plug, Male - 2 Position	
8	4460465	6	Socket, Female	
9	1001116813	1	Receptacle, Female - 8 Position	
9	1001116693	5	Pin, Male	
9	1001157891	2	Terminal	
9	4460466	1	Plug, Terminal	
10	4460761	1	Connector - 4 Position	
10	4460227	4	Pin, Male	
11	4460539	1	Plug, Male - 3 Position	
11	4460944	2	Socket, Female	
11	4460466	1	Plug, Terminal	
12	4460884	1	Plug, Male - 4 Position	
12	4460465	4	Socket, Female	
12	1001186231	1	Connector, Fuse/Diode Can	
13	4460884	1	Plug, Male - 4 Position	
13	4460465	3	Socket, Female	
13	4460942	1	Socket, Female	
13	1001192401	1	Connector, Dust Cap	
14	4460866	1	Connector - 19 Position	
14	4460943	2	Pin, Male	
14	4460508	4	Pin, Male	
14	4460464	7	Pin, Male	
14	4460466	6	Plug, Terminal	
15	4460884	1	Connector - 4 Position	
15	4460465	2	Socket, Female	
15	4460466	2	Plug, Terminal	
16	1001116812	1	Plug, Male -3 Position	
16	4460944	3	Socket, Female	
17	4460836	1	Plug, Male - 12 Position	
17	1001157890	5	Socket, Female	

## SECTION 7 - ELECTRICAL

ITEM	PART NUMBER	QTY	DESCRIPTION	REV
17	4460944	2	Socket, Female	
17	1001116692	5	Socket, Female	
18	4460933	1	Plug, Male - 12 Position	
18	4460942	4	Socket, Female	
18	4460465	2	Socket, Female	
18	4460466	6	Plug, Terminal	
18	1001125677	1	Buss Bar	



## SECTION 7 - ELECTRICAL

FIGURE 7-55. UPPER BOOM 110V HARNESS ASSEMBLY



ART\_4922608

## SECTION 7 - ELECTRICAL

### FIGURE 7-55. UPPER BOOM 110V HARNESS ASSEMBLY

ITEM	PART NUMBER	QTY	DESCRIPTION	REV
	4922608	Ref	UPPER BOOM 110V HARNESS ASSEMBLY	2
1	4460205	1	Plug, Male	
4	1060494	27.2 ft /8.3m	Electrical Cable, 12/3	

## SECTION 7 - ELECTRICAL

FIGURE 7-56. UPPER BOOM 220V HARNESS ASSEMBLY - CE SPEC



ART\_4922610



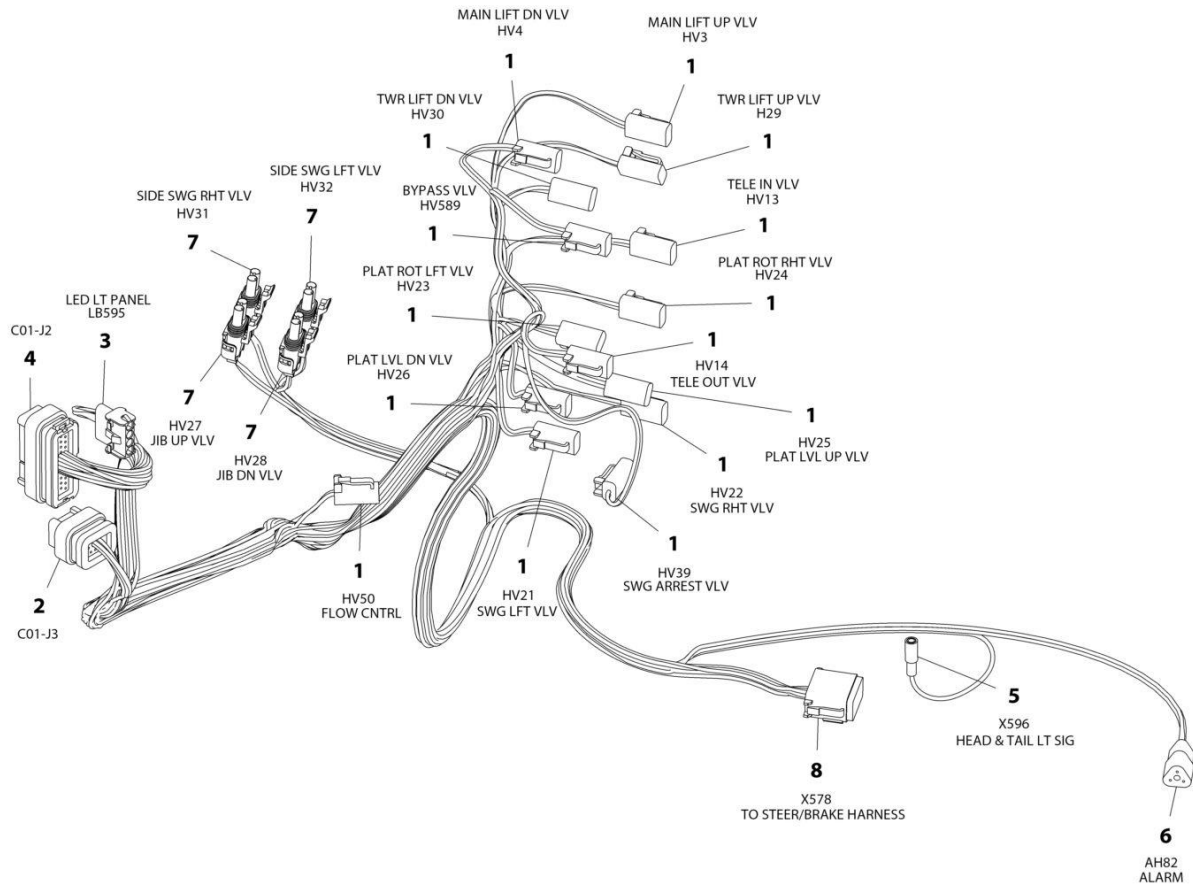
## SECTION 7 - ELECTRICAL

**FIGURE 7-56. UPPER BOOM 220V HARNESS ASSEMBLY - CE SPEC**

ITEM	PART NUMBER	QTY	DESCRIPTION	REV
	4922610	Ref	BOOM 220V HARNESS ASSEMBLY - CE SPEC	1
1	4460709	1	Plug, Male	
4	1060461	28 ft/8.5m	Electrical Cable, 12/3	

# SECTION 7 - ELECTRICAL

## FIGURE 7-57. VALVE HARNESS



ART\_1001178794

## SECTION 7 - ELECTRICAL

### FIGURE 7-57. VALVE HARNESS

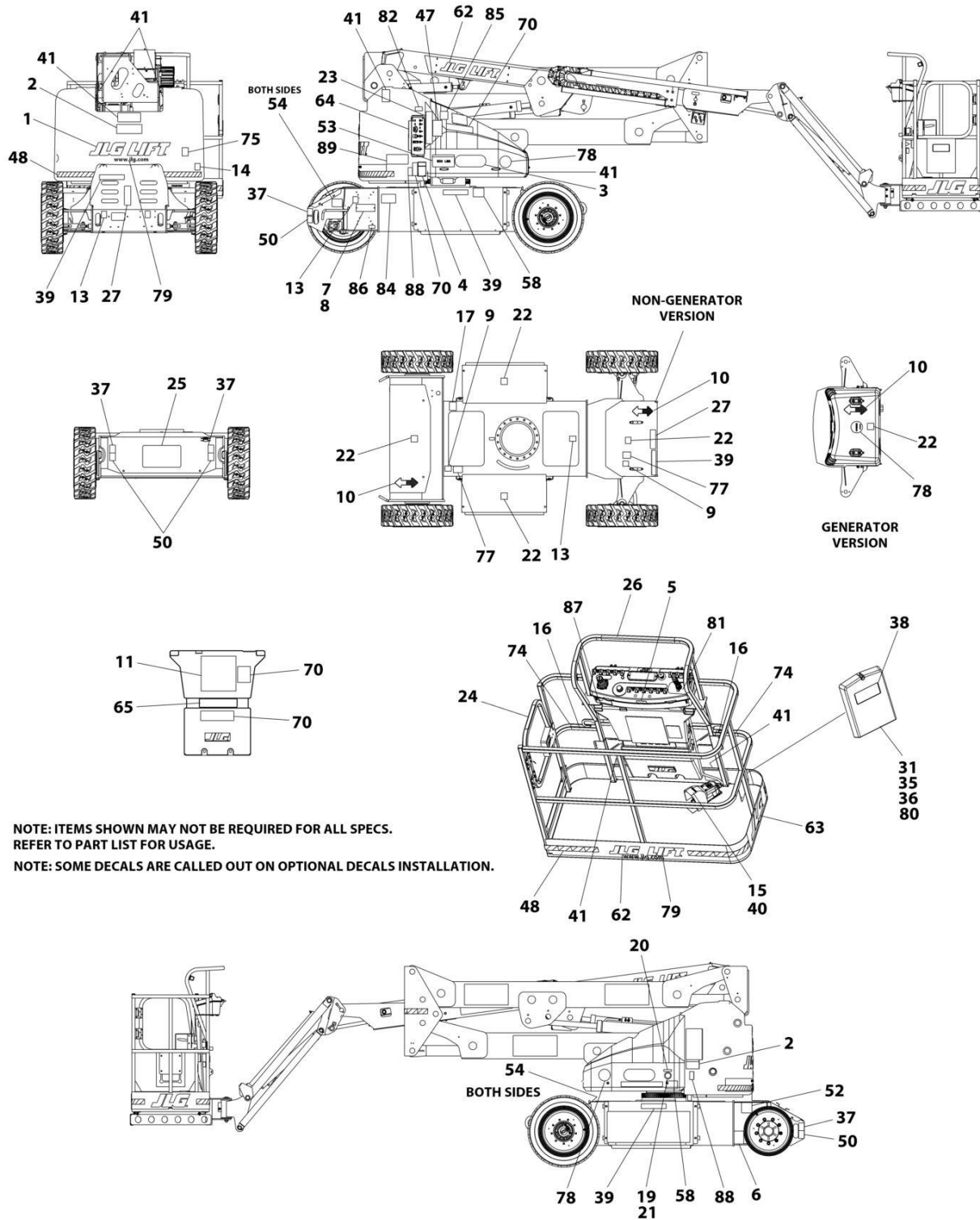
ITEM	PART NUMBER	QTY	DESCRIPTION	REV
	1001178794	Ref	VALVE HARNESS	1
1	4460891	15	Plug, Male - 2 Position	
1	4460465	30	Socket, Female	
2	4460872	1	Connector - 14 Position	
2	4460871	6	Socket, Female	
2	4460905	8	Plug, Terminal	
3	4460761	1	Connector - 4 Position	
3	4460226	4	Socket, Female	
4	4460875	1	Connector - 35 Position	
4	4460871	30	Socket, Female	
4	4460905	5	Plug, Terminal	
5	8220068	1	Connector - 1 Position	
6	4460539	1	Plug, Male - 3 Position	
6	4460465	3	Socket, Female	
7	4460742	4	Plug, Male - 2 Position	
7	4460743	8	Socket, Female	
7	4460458	8	Seal, Terminal	
8	4460933	1	Plug, Male - 12 Position	
8	1001116692	9	Socket, Female	
8	4460466	3	Plug, Terminal	



**SECTION 8 - DECALS**

# SECTION 8 - DECALS

## FIGURE 8-1. DECAL INSTALLATION - ANSI SPEC



NOTE: ITEMS SHOWN MAY NOT BE REQUIRED FOR ALL SPECS.  
REFER TO PART LIST FOR USAGE.  
NOTE: SOME DECALS ARE CALLED OUT ON OPTIONAL DECALS INSTALLATION.

ART\_1001249184

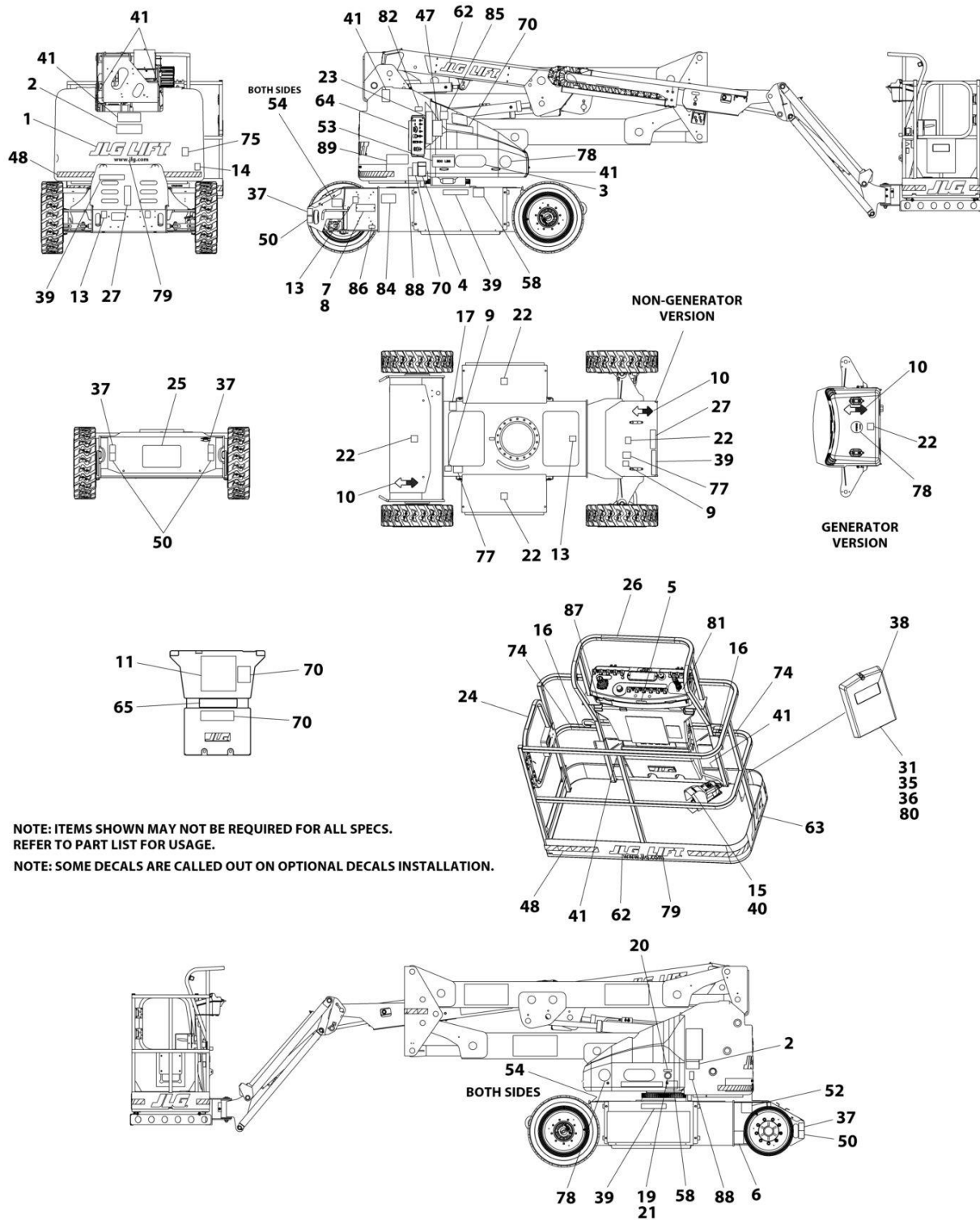
## SECTION 8 - DECALS

**FIGURE 8-1. DECAL INSTALLATION - ANSI SPEC**

ITEM	PART NUMBER	QTY	DESCRIPTION	REV
	1001248659	Ref	DECAL INSTALLATION - REFERENCE CHART	E
	1001249184	Ref	DECAL INSTALLATION	C
2	1703805	2	Decal - Electrocution	
4	1703798	1	Decal - Crushing	
6	1001131269	1	Decal - Patent	
8	3820001	2	Rivet	
9	1701504	1	Decal - Hydraulic Oil	
10	1701642	2	Decal - Arrow	
11	1703797	1	Decal - Caution/Danger	
13	1701644	2	Decal - Charger	
16	1704277	2	Decal - Attach Lanyard	
19	0961127	1	Bushing, Snap	
20	3251243	1	Nameplate 120V-60Hz	
21	0100010	AR	Adhesive	
22	1701691	4	Decal - No Step	
23	1001104864	1	Decal - Manual Descent	
24	1702868	2	Decal - No Hands	
25	1001193949	1	Decal - Cable Routing	
27	1704446	1	Decal - Charger	
31	0860520	1	Box, Manual Storage	
35	4751400	4	Washer 1/4	
36	3311405	4	Nut 1/4	
37	1701500	4	Decal - Lift	
38	1701509	1	Decal - Manual	
39	1703813	3	Decal - Danger	
40	3252347	1	Nameplate - Footswitch	
41	1703804	6	Decal - Crushing Hazard	
47	1702265	1	Decal - Boom Sequence	
50	1702300	4	Decal - Tie Down	
52	See Note	1	Decal - Bar Code (Note: Not Available for Purchase)	
53	1001253921	1	Decal - 500 LBS Max Capacity	
65	1001253920	1	Decal - 500 LBS Max Capacity	
77	1704412	1	Decal - Oil Type	
79	1704885	2	Decal - Website	
80	0641406	4	Bolt 1/4 x 3/4	
81	1705351	1	Decal - Drive/Steer Instruction	
84	1001223055	1	Decal - Yearly Inspection	
85	1001222801	1	Decal - Manual Jib Pump	
86	1001228370	1	Decal - CSA ICES	
87	1001231801	1	Decal - Prop 65 Warning	

# SECTION 8 - DECALS

## FIGURE 8-2. DECAL INSTALLATION - AUSTRALIAN SPEC



NOTE: ITEMS SHOWN MAY NOT BE REQUIRED FOR ALL SPECS.  
 REFER TO PART LIST FOR USAGE.  
 NOTE: SOME DECALS ARE CALLED OUT ON OPTIONAL DECALS INSTALLATION.

ART\_1001178378



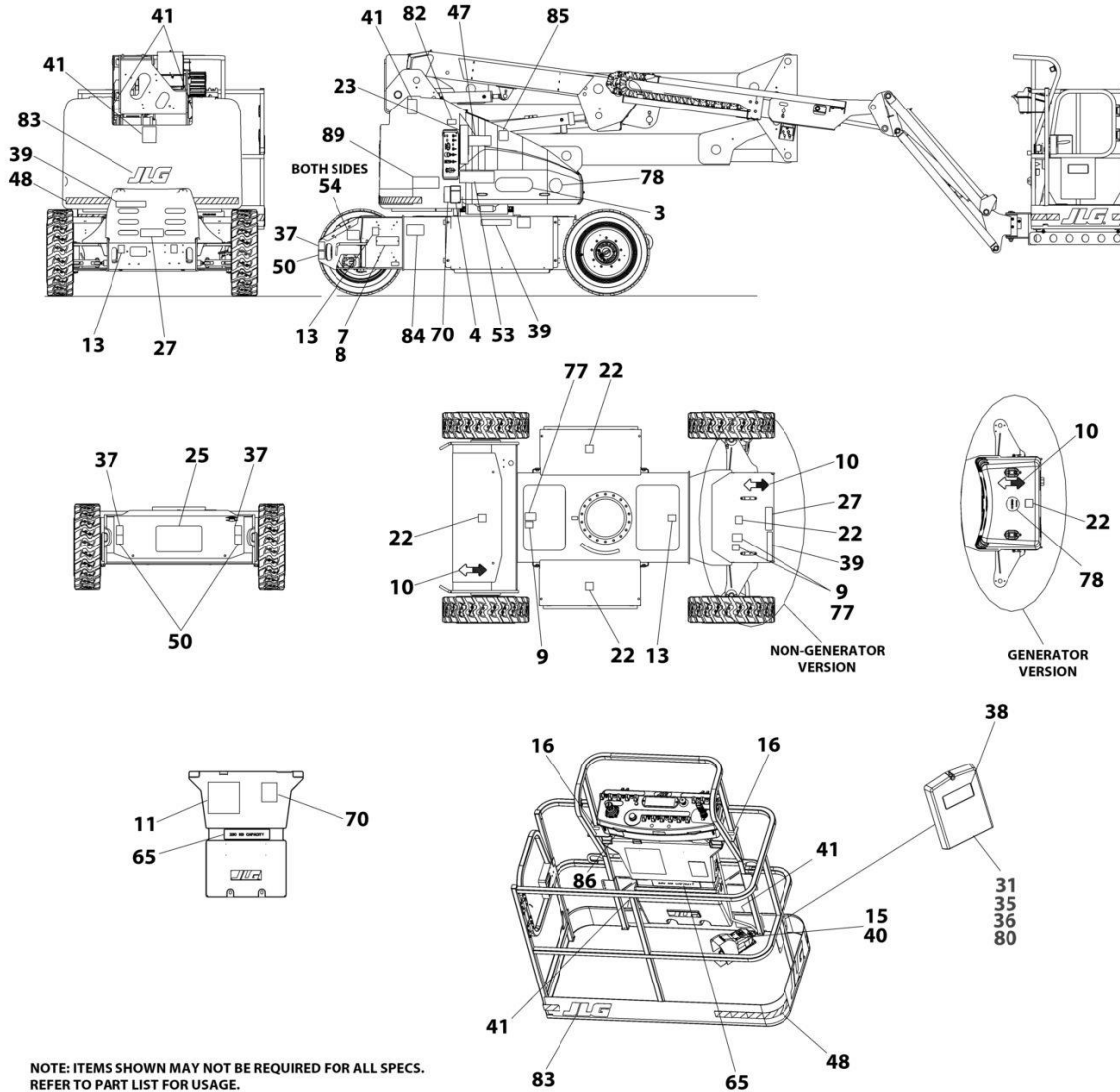
## SECTION 8 - DECALS

**FIGURE 8-2. DECAL INSTALLATION - AUSTRALIAN SPEC**

ITEM	PART NUMBER	QTY	DESCRIPTION	REV
	1001248659	Ref	DECAL INSTALLATION - REFERENCE CHART	E
	1001178378	Ref	DECAL INSTALLATION	I
4	1705822	1	Decal - Danger/Caution	
8	3820001	2	Rivet	
9	1701504	1	Decal - Hydraulic Oil	
10	1701642	2	Decal - Arrow	
11	1705921	1	Decal - Danger/Caution	
13	1701644	2	Decal - Charger	
15	1705828	1	Decal - Footswitch	
16	1704277	2	Decal - Attach Lanyard	
19	0961127	1	Bushing, Snap	
21	0100010	AR	Adhesive	
22	1701691	4	Decal - No Step	
23	1001104864	1	Decal - Manual Descent	
25	1001193949	1	Decal - Cable Routing	
27	1706378	1	Decal - Charging Instructions	
31	0860520	1	Box, Manual Storage	
35	4751400	4	Washer 1/4	
36	3311405	4	Nut 1/4	
37	1703811	4	Decal - Lift	
38	1701509	1	Decal - Manual	
39	1705670	AR	Decal - Explosion Warning	
41	1701518	6	Decal - Crushing Hazard	
47	1705977	1	Decal - Upright Level Over-Ride	
50	1703814	4	Decal - Tie Down	
52	See Note	1	Decal - Bar Code (Note: Not Available for Purchase)	
53	1705978	1	Decal - Capacity	
65	1705978	1	Decal - Capacity	
77	1704412	1	Decal - Oil Type	
79	1704885	2	Decal - Website	
80	0641406	4	Bolt 1/4 x 3/4	
85	1001222801	1	Decal - Manual Jib Pump	

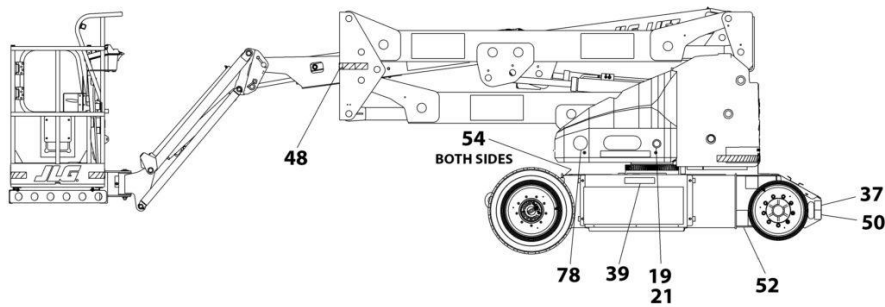
# SECTION 8 - DECALS

## FIGURE 8-3. DECAL INSTALLATION - CE SPEC



NOTE: ITEMS SHOWN MAY NOT BE REQUIRED FOR ALL SPECS.  
REFER TO PART LIST FOR USAGE.

NOTE: SOME DECALS ARE CALLED OUT ON OPTIONAL DECALS INSTALLATION.



ART\_1001190003

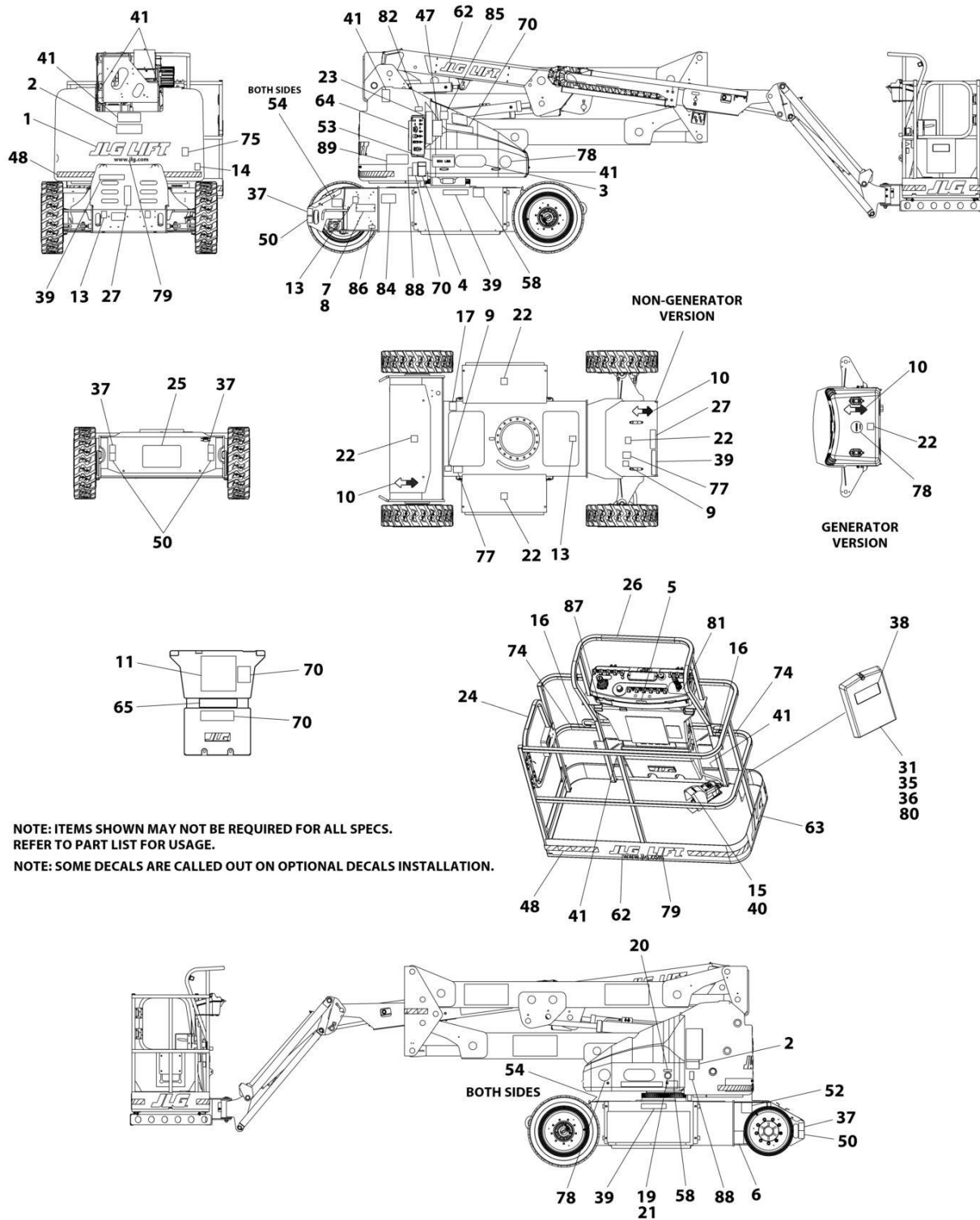
## SECTION 8 - DECALS

**FIGURE 8-3. DECAL INSTALLATION - CE SPEC**

ITEM	PART NUMBER	QTY	DESCRIPTION	REV
	1001217465	Ref	DECAL INSTALLATION - REFERENCE CHART	F
	1001190003	Ref	DECAL INSTALLATION	H
4	1705822	1	Decal - Danger/Caution	
8	3820001	2	Rivet	
9	1701504	1	Decal - Hydraulic Oil	
10	1701642	2	Decal - Arrow	
11	1705921	1	Decal - Danger/Caution	
13	1701644	2	Decal - Charger	
15	1705828	1	Decal - Footswitch	
16	1704277	2	Decal - Attach Lanyard	
19	0961127	1	Bushing, Snap	
21	0100010	AR	Adhesive	
22	1701691	4	Decal - No Step	
23	1001104864	1	Decal - Manual Descent	
25	1001193949	1	Decal - Cable Routing	
27	1706378	1	Decal - Charging Instructions	
31	0860520	1	Box, Manual Storage	
35	4751400	4	Washer 1/4	
36	3311405	4	Nut 1/4	
37	1703811	4	Decal - Lift	
38	1701509	1	Decal - Manual	
39	1705670	3	Decal - Explosion Warning	
41	1701518	6	Decal - Crushing Hazard	
47	1705977	1	Decal - Upright Level Over-Ride	
50	1703814	4	Decal - Tie Down	
52	See Note	1	Decal - Bar Code (Note: Not Available for Purchase)	
53	1705978	1	Decal - Capacity	
65	1705978	1	Decal - Capacity	
77	1704412	1	Decal - Oil Type	
80	0641406	4	Bolt 1/4 x 3/4	
83	1702773	1	Decal - JLG 5in	
85	1001222801	1	Decal - Manual Jib Pump	

# SECTION 8 - DECALS

## FIGURE 8-4. DECAL INSTALLATION - CHINESE/ENGLISH



NOTE: ITEMS SHOWN MAY NOT BE REQUIRED FOR ALL SPECS.  
REFER TO PART LIST FOR USAGE.  
NOTE: SOME DECALS ARE CALLED OUT ON OPTIONAL DECALS INSTALLATION.

ART\_1001254179

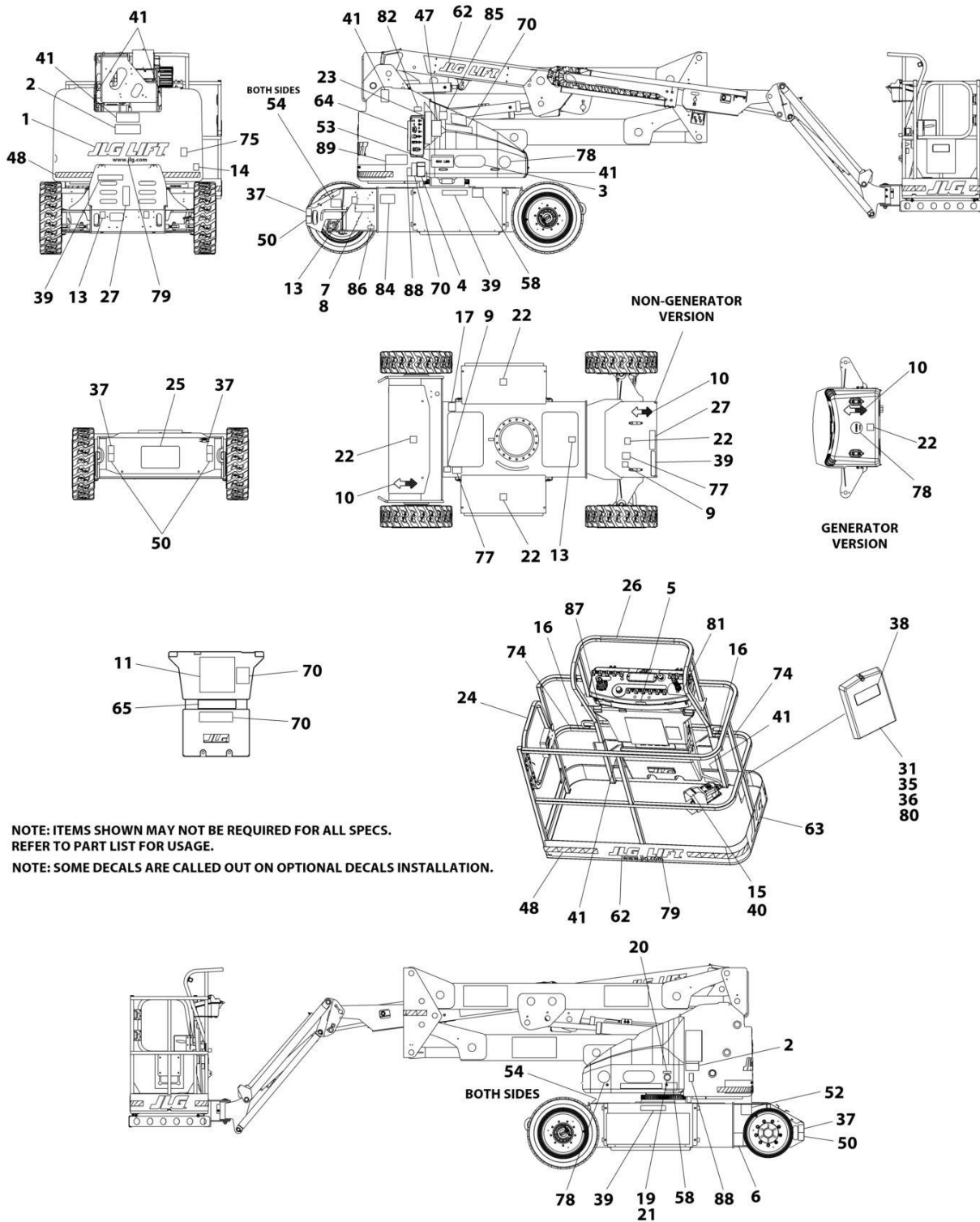
## SECTION 8 - DECALS

**FIGURE 8-4. DECAL INSTALLATION - CHINESE/ENGLISH**

ITEM	PART NUMBER	QTY	DESCRIPTION	REV
	1001248659	Ref	DECAL INSTALLATION - REFERENCE CHART	E
	1001254179	Ref	DECAL INSTALLATION - CHINESE/ENGLISH	B
2	1703937	2	Decal - Electrocution	
4	1703931	1	Decal - Danger/Caution	
8	3820001	2	Rivet	
9	1701504	1	Decal - Hydraulic Oil	
10	1701642	2	Decal - Arrow	
11	1703925	1	Decal - Caution/Danger	
13	1701644	2	Decal - Charger	
15	1703982	1	Decal - Footswitch	
16	1704277	2	Decal - Attach Lanyard	
19	0961127	1	Bushing, Snap	
21	0100010	AR	Adhesive	
22	1701691	4	Decal - No Step	
23	1001104864	1	Decal - Manual Descent	
25	1001193949	1	Decal - Cable Routing	
27	1704419	1	Decal - Charger	
31	0860520	1	Box, Manual Storage	
35	4751400	4	Washer 1/4	
36	3311405	4	Nut 1/4	
37	1701500	4	Decal - Lift	
38	1701509	1	Decal - Manual	
39	1704344	3	Decal - Explosion Warning	
41	1703949	6	Decal - Crushing Hazard	
47	1703988	1	Decal - Upright Level Override	
50	1702300	4	Decal - Tie Down	
52	See Note	1	Decal - Bar Code (Note: Not Available for Purchase)	
53	1001253927	1	Decal - 500 LBS. Max Capacity	
65	1001253926	2	Decal - 500 LBS. Max Capacity	
77	1704412	1	Decal - Oil Type	
79	1704885	2	Decal - Website	
80	0641406	4	Bolt 1/4 x 3/4	
81	1705430	1	Decal - Drive/Steer Instruction	
84	1001224050	1	Decal - Yearly Inspection	
85	1001222801	1	Decal - Manual Jib Pump	

# SECTION 8 - DECALS

## FIGURE 8-5. DECAL INSTALLATION - FRENCH/ENGLISH SPECS



NOTE: ITEMS SHOWN MAY NOT BE REQUIRED FOR ALL SPECS.  
REFER TO PART LIST FOR USAGE.

NOTE: SOME DECALS ARE CALLED OUT ON OPTIONAL DECALS INSTALLATION.

ART\_1001249186

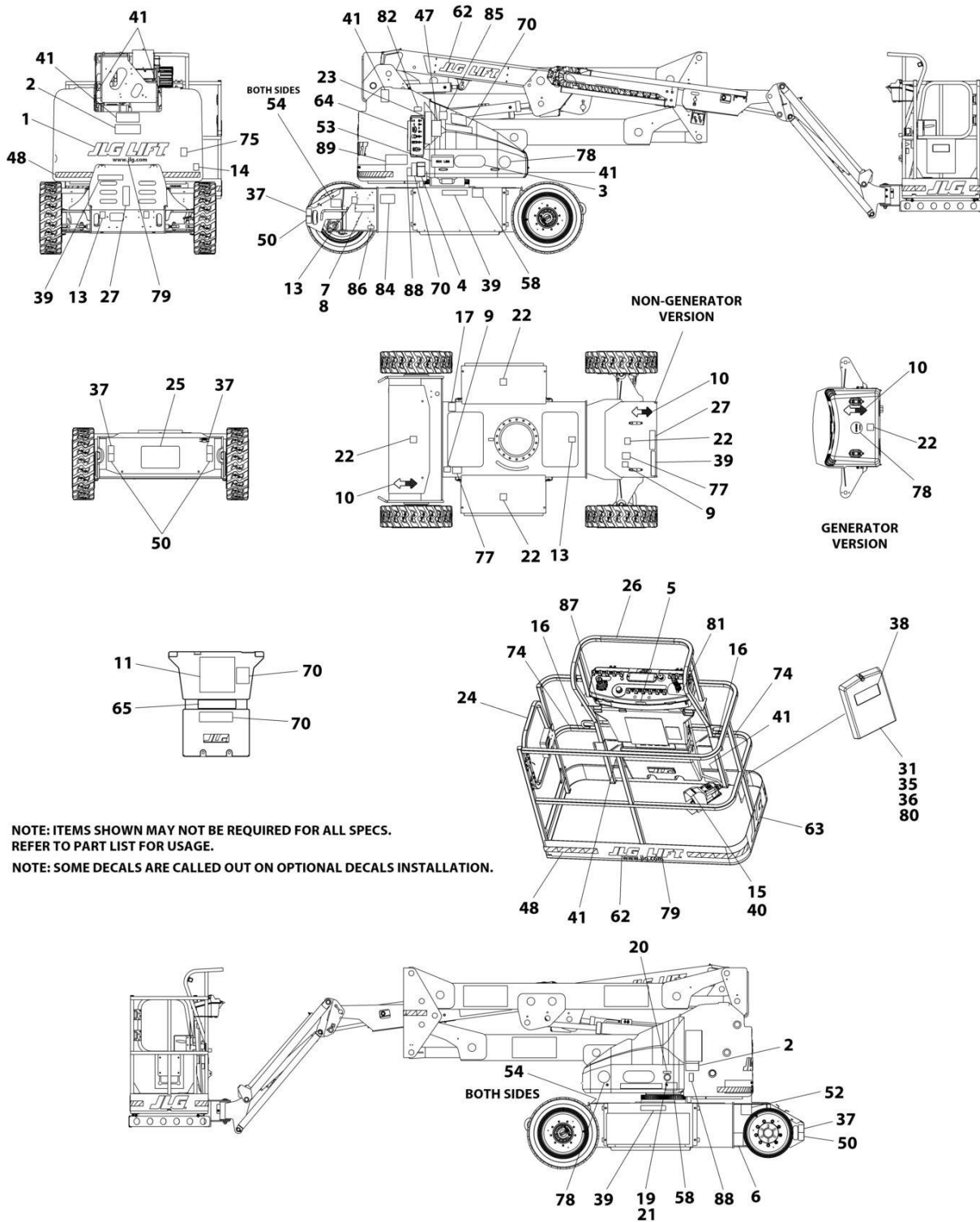
## SECTION 8 - DECALS

**FIGURE 8-5. DECAL INSTALLATION - FRENCH/ENGLISH SPECS**

ITEM	PART NUMBER	QTY	DESCRIPTION	REV
	1001248659	Ref	DECAL INSTALLATION - REFERENCE CHART	E
	1001249186	Ref	DECAL INSTALLATION	C
2	1703936	2	Decal - Electrocution	
4	1703930	1	Decal - Danger/Caution	
6	1700584	1	Decal - Patent	
8	3820001	2	Rivet	
9	1701504	1	Decal - Hydraulic Oil	
10	1701642	2	Decal - Arrow	
11	1703924	1	Decal - Caution/Danger	
13	1701644	2	Decal - Charger	
15	1703984	1	Decal - Footswitch	
16	1704277	2	Decal - Attach Lanyard	
19	0961127	1	Bushing, Snap	
20	3251243	1	Nameplate - 120V/60HZ	
21	0100010	AR	Adhesive	
22	1701691	4	Decal - No Step	
23	1001104864	1	Decal - Manual Descent	
24	1704000	2	Decal - No Hands	
25	1001193949	1	Decal - Cable Routing	
27	1704452	1	Decal - Charger	
31	0860520	1	Box, Manual Storage	
35	4751400	4	Washer 1/4	
36	3311405	4	Nut 1/4	
37	1701500	4	Decal - Lift	
38	1701509	1	Decal - Manual	
39	1704340	3	Decal - Explosion Warning	
41	1703948	6	Decal - Crushing Hazard	
47	1702265	1	Decal - Boom Sequence	
50	1702300	4	Decal - Tie Down	
52	See Note	1	Decal - Bar Code (Note: Not Available for Purchase)	
53	1001253923	1	Decal - 500 LBS. Max Capacity	
65	1001253922	1	Decal - 500 LBS. Max Capacity	
77	1704412	1	Decal - Oil Type	
79	1704885	2	Decal - Website	
80	0641406	4	Bolt 1/4 x 3/4	
81	1705429	1	Decal - Drive/Steer Instruction	
84	1001223971	1	Decal - Yearly Inspection	
85	1001222801	1	Decal - Manual Jib Pump	
86	1001228370	1	Decal - CSA ICES	

# SECTION 8 - DECALS

## FIGURE 8-6. DECAL INSTALLATION - JAPANESE SPEC



ART\_1001249187



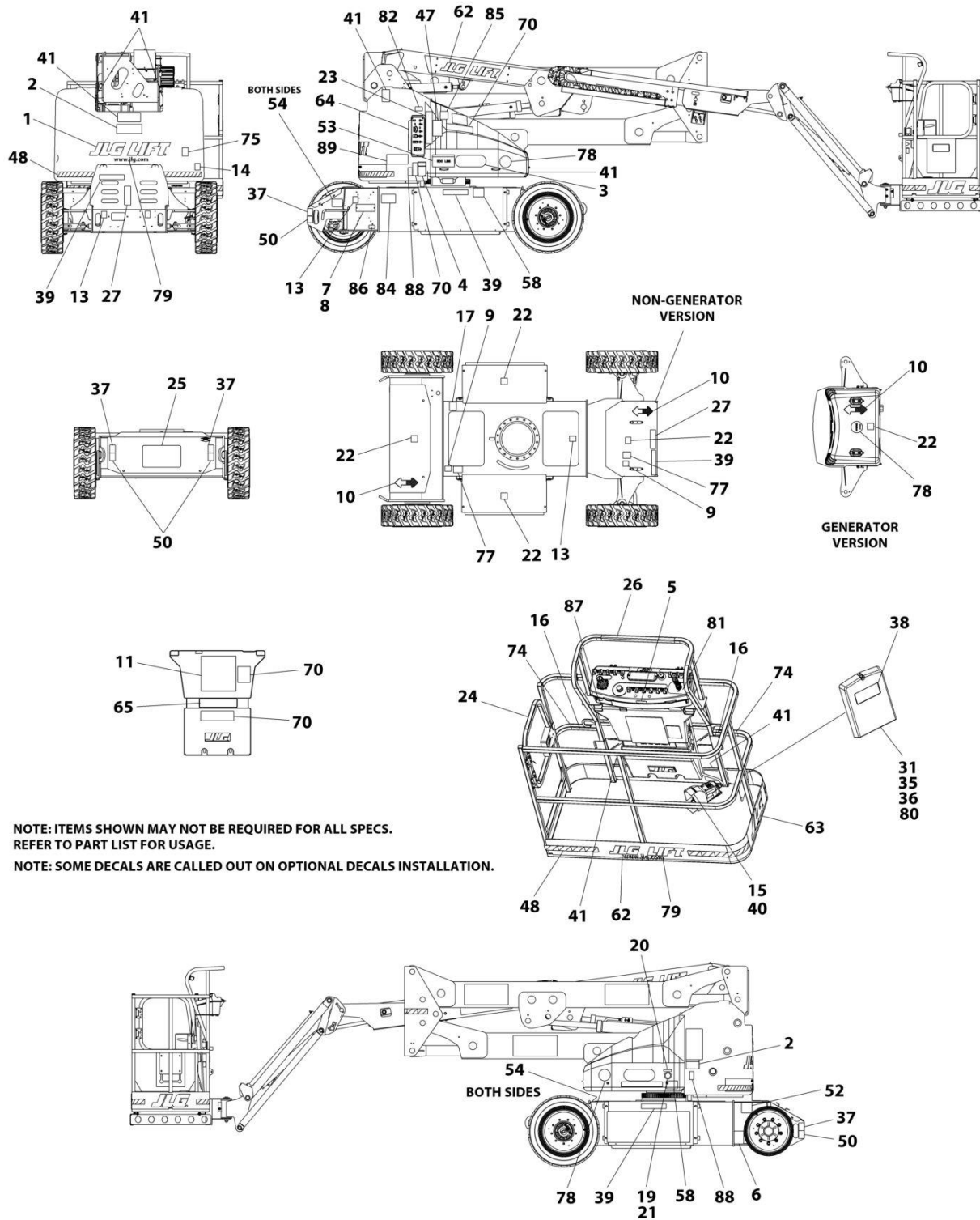
## SECTION 8 - DECALS

**FIGURE 8-6. DECAL INSTALLATION - JAPANESE SPEC**

ITEM	PART NUMBER	QTY	DESCRIPTION	REV
	1001248659	Ref	DECAL INSTALLATION - REFERENCE CHART	E
	1001249187	Ref	DECAL INSTALLATION	D
2	1703938	2	Decal - Electrocution	
4	1703932	1	Decal - Danger/Caution	
8	3820001	2	Rivet	
9	1701504	1	Decal - Hydraulic Oil	
10	1701642	2	Decal - Arrow	
11	1703926	1	Decal - Caution/Danger	
13	1701644	2	Decal - Charger	
15	1703980	1	Decal - Footswitch	
16	1704277	2	Decal - Attach Lanyard	
19	0961127	1	Bushing, Snap	
21	0100010	AR	Adhesive	
22	1701691	4	Decal - No Step	
23	1001104864	1	Decal - Manual Descent	
25	1001193949	1	Decal - Cable Routing	
27	1704417	1	Decal - Charger	
31	0860520	1	Box, Manual Storage	
35	4751400	4	Washer 1/4	
36	3311405	4	Nut 1/4	
37	1701500	4	Decal - Lift	
38	1701509	1	Decal - Manual	
39	1704342	3	Decal - Explosion Warning	
41	1703950	6	Decal - Crushing Hazard	
47	1702271	1	Decal	
50	1702300	4	Decal - Tie Down	
52	See Note	1	Decal - Bar Code (Note: Not Available for Purchase)	
53	1001253933	1	Decal - 500 LBS. Max Capacity	
65	1001253932	2	Decal - 500 LBS. Max Capacity	
77	1704412	1	Decal - Oil Type	
79	1704885	2	Decal - Website	
80	0641406	4	Bolt 1/4 x 3/4	
81	1705426	1	Decal - Drive/Steer Instruction	
84	1001224053	1	Decal - Yearly Inspection	
85	1001222801	1	Decal - Manual Jib Pump	

# SECTION 8 - DECALS

## FIGURE 8-7. DECAL INSTALLATION - KOREAN SPEC



NOTE: ITEMS SHOWN MAY NOT BE REQUIRED FOR ALL SPECS.  
REFER TO PART LIST FOR USAGE.  
NOTE: SOME DECALS ARE CALLED OUT ON OPTIONAL DECALS INSTALLATION.

ART\_1001254178

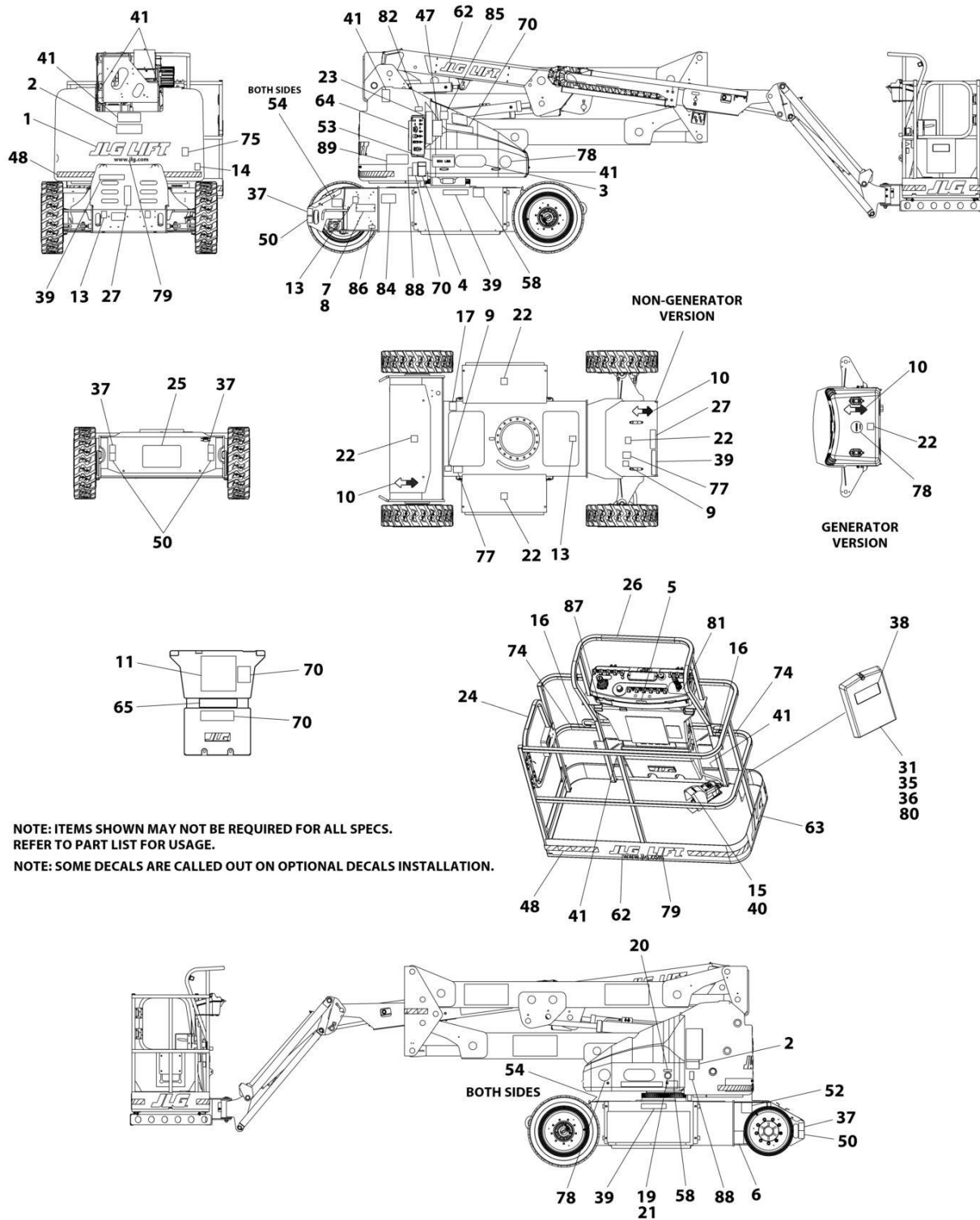
## SECTION 8 - DECALS

**FIGURE 8-7. DECAL INSTALLATION - KOREAN SPEC**

ITEM	PART NUMBER	QTY	DESCRIPTION	REV
	1001248659	Ref	DECAL INSTALLATION - REFERENCE CHART	E
	1001254178	Ref	DECAL INSTALLATION - KOREAN SPEC	B
2	1703939	2	Decal - Electrocution	
4	1703933	1	Decal - Danger/Caution	
8	3820001	2	Rivet	
9	1701504	1	Decal - Hydraulic Oil	
10	1701642	2	Decal - Arrow	
11	1703927	1	Decal - Caution/Danger	
13	1701644	2	Decal - Charger	
15	1703981	1	Decal - Footswitch	
16	1704277	2	Decal - Attach Lanyard	
19	0961127	1	Bushing, Snap	
21	0100010	AR	Adhesive	
22	1701691	4	Decal - No Step	
23	1001104864	1	Decal - Manual Descent	
25	1001193949	1	Decal - Cable Routing	
27	1704418	1	Decal - Charger	
31	0860520	1	Box, Manual Storage	
35	4751400	4	Washer 1/4	
36	3311405	4	Nut 1/4	
37	1701500	4	Decal - Lift	
38	1701509	1	Decal - Manual	
39	1704343	3	Decal - Explosion Warning	
41	1703951	6	Decal - Crushing Hazard	
47	1703987	1	Decal - Upright Level Override	
50	1702300	4	Decal - Tie Down	
52	See Note	1	Decal - Bar Code (Note: Not Available for Purchase)	
53	1001253925	1	Decal - 500 LBS. Max Capacity	
65	1001253924	1	Decal - 500 LBS. Max Capacity	
77	1704412	1	Decal - Oil Type	
79	1704885	2	Decal - Website	
80	0641406	4	Bolt 1/4 x 3/4	
81	1705427	1	Decal - Drive/Steer Instruction	
84	1001224048	1	Decal - Yearly Inspection	
85	1001222801	1	Decal - Manual Jib Pump	

# SECTION 8 - DECALS

## FIGURE 8-8. DECAL INSTALLATION - SPANISH/ENGLISH SPECS



NOTE: ITEMS SHOWN MAY NOT BE REQUIRED FOR ALL SPECS.  
REFER TO PART LIST FOR USAGE.  
NOTE: SOME DECALS ARE CALLED OUT ON OPTIONAL DECALS INSTALLATION.

ART\_1001249189

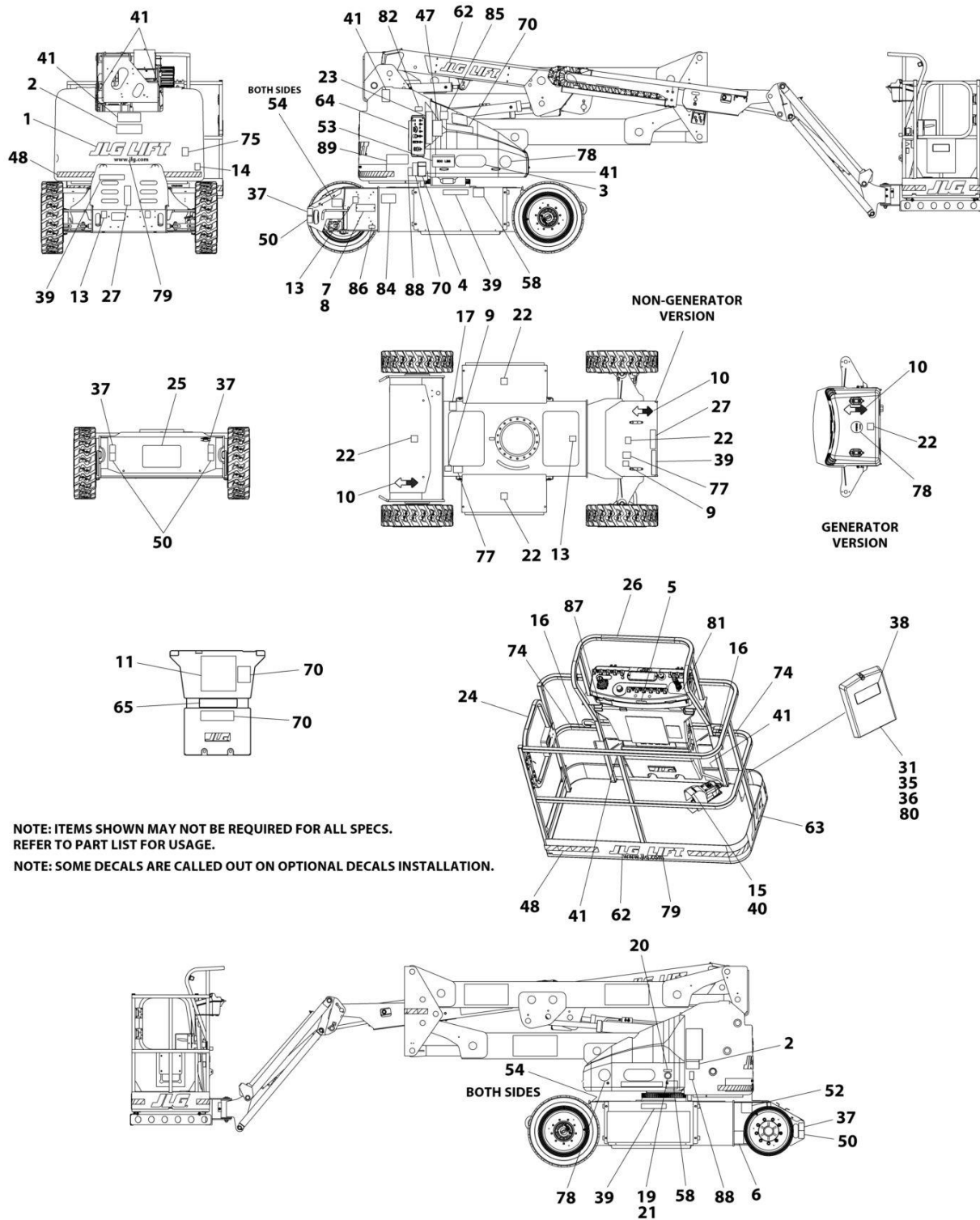
## SECTION 8 - DECALS

**FIGURE 8-8. DECAL INSTALLATION - SPANISH/ENGLISH SPECS**

ITEM	PART NUMBER	QTY	DESCRIPTION	REV
	1001248659	Ref	DECAL INSTALLATION - REFERENCE CHART	E
	1001249189	Ref	DECAL INSTALLATION	C
2	1703935	2	Decal - Electrocution	
4	1703929	1	Decal - Danger/Caution	
8	3820001	2	Rivet	
9	1701504	1	Decal - Hydraulic Oil	
10	1701642	2	Decal - Arrow	
11	1703923	1	Decal - Caution/Danger	
13	1701644	2	Decal - Charger	
15	1703983	1	Decal - Footswitch	
16	1704277	2	Decal - Attach Lanyard	
19	0961127	1	Bushing, Snap	
20	3251243	1	Nameplate - 120V/60HZ	
21	0100010	AR	Adhesive	
22	1701691	4	Decal - No Step	
23	1001104864	1	Decal - Manual Descent	
24	1704001	2	Decal - No Hands	
25	1001193949	1	Decal - Cable Routing	
27	1704454	1	Decal - Charger	
31	0860520	1	Box, Manual Storage	
35	4751400	4	Washer 1/4	
36	3311405	4	Nut 1/4	
37	1701500	4	Decal - Lift	
38	1701509	1	Decal - Manual	
39	1704339	3	Decal - Explosion Warning	
41	1703947	6	Decal - Crushing Hazard	
47	1702265	1	Decal - Boom Sequence	
50	1702300	4	Decal - Tie Down	
52	See Note	1	Decal - Bar Code (Note: Not Available for Purchase)	
53	1001253931	1	Decal - 500 LBS. Max Capacity	
65	1001253930	2	Decal - 500 LBS. Max Capacity	
77	1704412	1	Decal - Oil Type	
79	1704885	2	Decal - Website	
80	0641406	4	Bolt 1/4 x 3/4	
81	1705910	1	Decal - Drive/Steer Instruction	
84	1001224049	1	Decal - Yearly Inspection	
85	1001222801	1	Decal - Manual Jib Pump	

# SECTION 8 - DECALS

## FIGURE 8-9. DECAL INSTALLATION - SPANISH/PORTUGUESE SPECS



NOTE: ITEMS SHOWN MAY NOT BE REQUIRED FOR ALL SPECS.  
REFER TO PART LIST FOR USAGE.  
NOTE: SOME DECALS ARE CALLED OUT ON OPTIONAL DECALS INSTALLATION.

ART\_1001248655

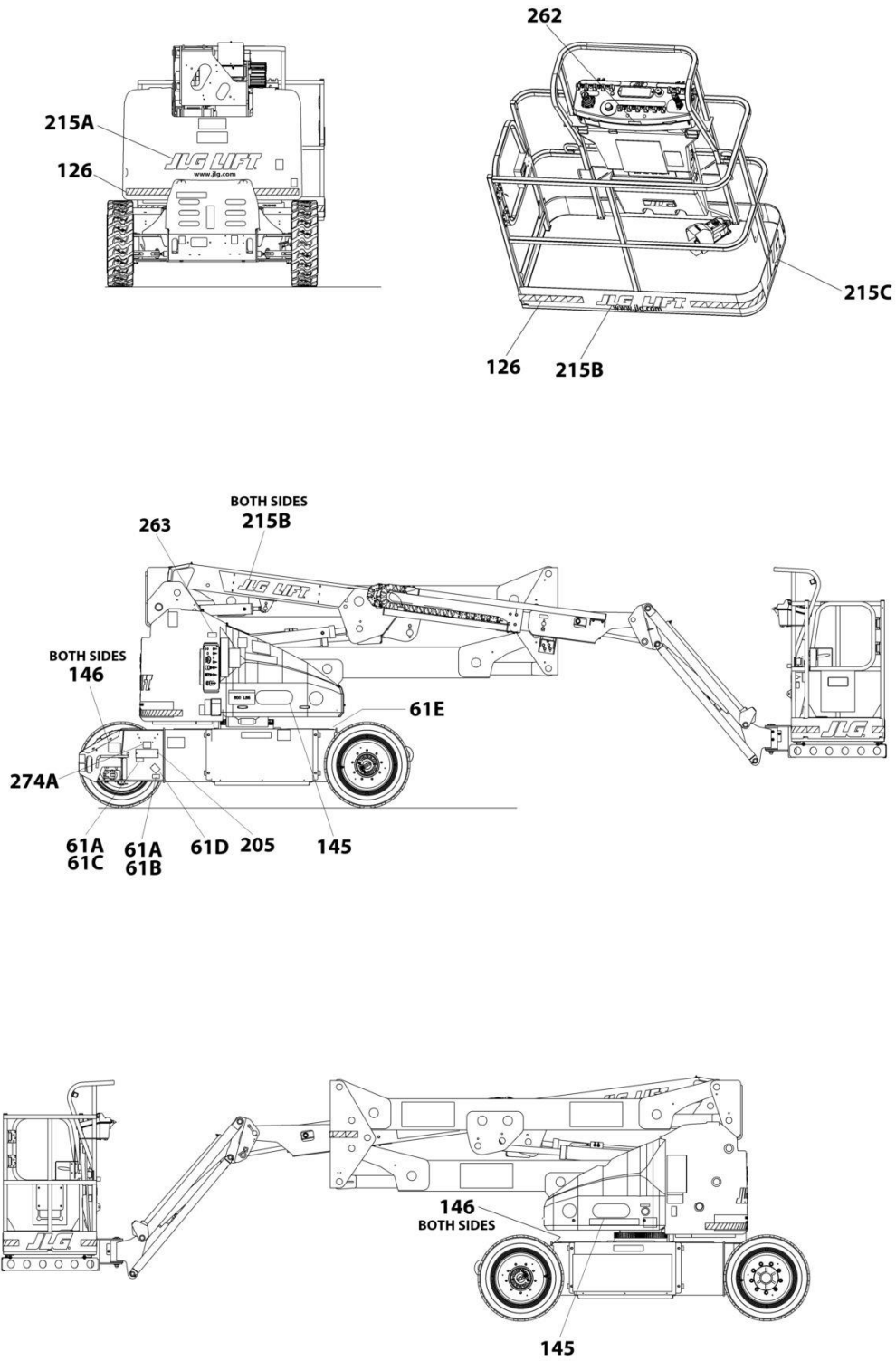
## SECTION 8 - DECALS

**FIGURE 8-9. DECAL INSTALLATION - SPANISH/PORTUGUESE SPECS**

ITEM	PART NUMBER	QTY	DESCRIPTION	REV
	1001248659	Ref	DECAL INSTALLATION - REFERENCE CHART	E
	1001248655	Ref	DECAL INSTALLATION	E
2	1703940	2	Decal - Electrocution	
4	1703934	1	Decal - Danger/Caution	
8	3820001	2	Rivet	
9	1701504	1	Decal - Hydraulic Oil	
10	1701642	1	Decal - Arrow	
11	1703928	1	Decal - Caution/Danger	
13	1701644	2	Decal - Charger	
15	1703985	1	Decal - Footswitch	
16	1704277	2	Decal - Footswitch	
19	0961127	1	Bushing, Snap	
20	3251243	1	Nameplate - 120V/60HZ	
21	0100010	AR	Adhesive	
22	1701691	4	Decal - No Step	
23	1001104864	1	Decal - Manual Descent	
24	1704002	2	Decal - No Hands	
25	1001193949	1	Decal - Cable Routing	
27	1704453	1	Decal - Charger	
31	0860520	1	Box, Manual Storage	
35	4751400	4	Washer 1/4	
36	3311405	4	Nut 1/4	
37	1701500	4	Decal - Lift	
38	1701509	1	Decal - Manual	
39	1704341	3	Decal - Explosion Warning	
41	1703952	6	Decal - Crushing Hazard	
47	1703991	1	Decal - Boom Sequence	
50	1702300	4	Decal - Tie Down	
52	See Note	1	Decal - Bar Code (Note: Not Available for Purchase)	
53	1001253929	1	Decal - 500 LBS. Max Capacity	
65	1001253928	2	Decal - 500 LBS. Max Capacity	
77	1704412	1	Decal - Oil Type	
79	1704885	2	Decal - Website	
80	0641406	4	Bolt 1/4 x 3/4	
81	1001113680	1	Decal - Drive/Steer Instruction	
84	1001224052	1	Decal - Yearly Inspection	
85	1001222801	1	Decal - Manual Jib Pump	

# SECTION 8 - DECALS

## FIGURE 8-10. DECAL INSTALLATION - OPTIONS



ART\_DECAL\_OPTIONS



## SECTION 8 - DECALS

### FIGURE 8-10. DECAL INSTALLATION - OPTIONS

ITEM	PART NUMBER	QTY	DESCRIPTION	REV
	1001247556	Ref	DECAL INSTALLATION - REFERENCE CHART	J
	1001248659	Ref	DECAL INSTALLATION - OPTIONS	B
61	0270433	Ref	Decal Installation - UL Tags	B
61A	3820001	8	Rivet	
61B	3252331	1	Nameplate, Battery Information	
61C	3252780	1	Nameplate, UL Certification	
61D	1702251	2	Nameplate, EE	
61E	1001213625	1	Decal - Replacement Fuse 400 Amp	
126	0259550	Ref	Warning Strip Installation (Not Shown)	2
126	4420051	17.5 ft/ 5.33m	Tape, Safety	
145	1704900	2	Decal - Model Designation (E400Anarrow) <b>(Prior to SN 0300280487)</b>	
145	1001272054	2	Decal - Model Designation (E400Anarrow) <b>(SN 0300280487 to Present)</b>	
145	1704792	2	Decal - Model Designation (E400AJPnarrow) <b>(Prior to SN 0300280487)</b>	
145	1001272053	2	Decal - Model Designation (E400AJPnarrow) <b>(SN 0300280487 to Present)</b>	
146	1001262663	4	Decal - Tire Load	
205	See Note	1	Nameplate - Serial Number (Note: Not Available for Purchase)	
215	0270273	Ref	Decal Installation - JLG Logo (E400Anarrow) (Not Shown)	C
215	0270274	Ref	Decal Installation - JLG Logo (E400AJPnarrow) (Not Shown)	C
215A	1702860	1	Decal - JLG Lift	
215B	1702774	3	Decal - JLG Lift	
215C	1702773	1	Decal - JLG (E400Anarrow)	
215C	1704200	1	Decal - Jib Plus (E400AJPnarrow)	
262	1001141300	1	Decal - Platform Sensor Override	
263	1001189882	1	Decal - MSSO Instructions	
274	1001214031	Ref	Decal - EAC Installation (CIS and Russia Specs)	
274A	1001173703	1	Decal - EAC	



## **SECTION 9 - RECOMMENDED SERVICE PARTS STOCK**

## **SECTION 9 - RECOMMENDED SERVICE PARTS STOCK**

# SECTION 9 - RECOMMENDED SERVICE PARTS STOCK

FIGURE 9-1. RECOMMENDED SERVICE PARTS STOCK

ITEM	PART NUMBER	QTY	DESCRIPTION	REV
		Ref	Note: The following list will service one machine (built to current production per date on the front cover) with emergency repair parts which can be installed in the field. Parts from the list should be replaced when inventory is depleted to keep service parts stock supplied. For further information, contact your JLG dealer or the JLG Industries Parts Department.	
		Ref	STANDARD PARTS	
	4360476	1	Block, Contact	
	7021616	1	Cartridge, Filter	
	7021609	1	Coil	
	7021618	1	Coil	
	7024883	1	Coil	
	7024885	1	Coil	
	70005210	1	Coil	
	See Note	2	Fuse - 2Amp (Note: Purchase Locally)	
	8229242	2	Fuse 5Amp	
	8229261	2	Fuse - 5Amp	
	8229234	2	Fuse 10 Amp	
	8229237	2	Fuse - 15Amp	
	8229235	2	Fuse - 20Amp	
	8229236	2	Fuse - 30Amp	
	2860030	1	Key, Replacement	
	4360469	1	Keypad	
	4360475	1	Switch, Emergency Stop	
	4360407	1	Switch, Potentiometer	
	4360387	1	Switch, Push Button	
	1001155045	1	Switch, Toggle	
	1001159256	1	Switch, Toggle	
	1001161710	1	Switch, Toggle	
		Ref	VARIABLE PARTS	
	1001189172	1	Breaker 16Amp Double (CE Specs)	
	1001181045	1	Breaker, 16Amp (CE Specs)	
	1001189171	1	Breaker, 30mA (CE Specs)	
	1001166538	1	Controller Assembly - Drive and Steer	
	1001166539	1	Controller Assembly - Lift and Swing	
	1001189039	1	Footswitch Assembly	
	8229249	2	Fuse, 3 Amp (USB Charger)	
	1001196635	2	Fuse, 3 Amp (Bluetooth Module)	
	1001170365	2	Fuse 400 Amp (UL Specs)	
	2940074	1	Latch (Platforms with Side Entry Gates)	
	1001245293	1	Module, Bluetooth Control	
	1001178339	1	Module, Drive	
	1001192212	1	Module, Drive	
	1001182700	1	Module, Ground Control	
	1001182724	1	Module, PC (Non-UL Listed Machines)	
	1001215835	1	Module, PC (UL Listed Machines)	
	3740080	1	Relay (All Specs Except UL Specs)	
	1001186431	1	Relay (SkyGuard)	
	3740086	1	Relay (SkyLine)	

## SECTION 9 - RECOMMENDED SERVICE PARTS STOCK

ITEM	PART NUMBER	QTY	DESCRIPTION	REV
	1001214667	1	Relay (UL Specs)	
	1001170367	1	Relay, Contactor (All Specs Except UL Specs)	
	1001272006	1	Relay, Contactor (UL Specs)	
	70005394	1	Sensor	
	1001219601	1	Sensor	
	1001228225	1	Sensor, Emitter (SkyEye)	
	1001247468	1	Sensor, Load Cell	
	1001232667	1	Sensor, Proximity (SkyLine)	
	1001228224	1	Sensor, Receiver (SkyEye)	
	1001237902	1	Sensor, SkySense	
	1001161117	1	Switch, Angle Sensor	
	70005407	1	Temperature, Sensor	



**SECTION 10 - SPECIAL OPTIONS**

## SECTION 10 - SPECIAL OPTIONS

**FIGURE 10-1. SPECIAL OPTIONS**

ITEM	PART NUMBER	QTY	DESCRIPTION	REV
		Ref	MISCELLANEOUS SPECIAL OPTIONS	
		Ref	Note: This list is to accommodate machines ordered with special equipment. Options may not be applicable to all models. For more specific parts information contact JLG Parts Department.	
	0271801	Ref	Airline Installation - 1/2in (E400Anarrow Model)	
	1001218503	Ref	Alert Beacon Kit (Red)	
	1001148971	Ref	Bolt-On Lanyard Kit	
		Ref	ClearSky (Telematics) Installations (Dealer Installed)	
	1001243575	Ref	ClearSky (Telematics) Access Control Installation Kit (Dealer Installed) (ANSI, ANSI Export, CE and CSA Specs)	
	1001250537	Ref	ClearSky (Telematics) Added-on Kit (Dealer Installed) (ANSI and CSA Specs)	
	1001247426	Ref	ClearSky (Telematics) Added-on Kit (Dealer Installed) (Australian Specs)	
	1001254285	Ref	ClearSky (Telematics) Added-on Kit (Dealer Installed) (CE Specs)	
	1001247427	Ref	ClearSky (Telematics) Added-on Kit (Dealer Installed) (Chinese Specs)	
	1001230504	Ref	ClearSky Telematics Installation - 3 Wire Connection (Dealer Installed) (ANSI Specs)	
	1001234102	Ref	ClearSky Telematics Installation - 3 Wire Connection (Dealer Installed) (ANSI Export & CE Specs)	
	1001265360	Ref	ClearSky Telematics Installation - Canbus (Dealer Installed) (ANSI Specs)	
	1001237110	Ref	ClearSky Telematics Installation - Canbus (Dealer Installed) (ANSI Export & CE Specs)	
		Ref	ClearSky Telematics (Factory Installed)	
	1001229107	Ref	ClearSky Telematics Installation - 3 Wire Connection (Factory Installed) (ANSI and CSA Specs Only)	
	1001233237	Ref	ClearSky Telematics Installation - 3 Wire Connection (Factory Installed) (ANSI Export and CE Specs Only)	
	1001235649	Ref	ClearSky Telematics Installation - Canbus (Factory Installed) (All Specs Except China)	
	1001246541	Ref	ClearSky Telematics Installation - Canbus (Factory Installed) (Australian Specs)	
	1001236535	Ref	ClearSky Telematics Installation - Canbus (Factory Installed) (ANSI Export & CE Specs)	
	1001246542	Ref	ClearSky Telematics Installation - Canbus (Factory Installed) (China Specs)	
	1001262959	Ref	ClearSky Voltage Regulator Installation Kit	
	1001195304	Ref	Console Cover	
		Ref	Cylinder Bellows Installations	
	0259397	Ref	Cylinder Bellows Installations (E400Anarrow)	
	0271251	Ref	Cylinder Bellows Installations (E400AJNarrow)	
		Ref	Decal Installations	
	1001229690	Ref	Decal - ClearSky Installation (ANSI, ANSI Export, Australian, CE, China and CSA Specs Only)	
	1702868	Ref	Decal - No Hands (English) (ANSI Spec) (Used with Platform Padding or Mesh to Top Rail)	
	1704000	Ref	Decal - No Hands (English and French) (CSA Spec) (Used with Platform Padding or Mesh to Top Rail)	
	1001198649	Ref	Decal Kit - E/M400	
	1001108727	Ref	Decal Kit - Platform	



## SECTION 10 - SPECIAL OPTIONS

ITEM	PART NUMBER	QTY	DESCRIPTION	REV
	1001223824	Ref	Decal Kit - Platform Console	
	1001152523	Ref	Fire Extinguisher Installation (Platform Mounted)	
	1001191314	Ref	Headlight and Taillights Installation	
	1001251369	Ref	Hood Kit	
		Ref	<b>Hose Kits:</b>	
	1001269312	Ref	Hose Kit - Boom (Lower & Mid) (E400Anarrow)	
	1001269316	Ref	Hose Kit - Boom (Lower & Mid) (E400AJPnarrow)	
	1001269313	Ref	Hose Kit - Boom (Upper) (E400Anarrow)	
	1001269317	Ref	Hose Kit - Boom (Upper) (E400AJPnarrow)	
	1001269310	Ref	Hose Kit - Frame (E400Anarrow)	
	1001269314	Ref	Hose Kit - Frame (E400AJPnarrow)	
	1001269311	Ref	Hose Kit - Turntable (E400Anarrow)	
	1001269315	Ref	Hose Kit - Turntable (E400AJPnarrow)	
	1001151286	Ref	Jib Cylinder with Manual Descent Valve Kit	
	1001237443	Ref	Mid Lift Cylinder Service Kit (E400Anarrow Only)	
	1001259112	Ref	Operator Access Control	
		Ref	Platform Entry Kits	
	1001142504	Ref	Drop Bar (Replacing Swing Gate with Drop Bar)	
	1001142505	Ref	Swing Gate (Replacing Drop Bar with Swing Gate)	
		Ref	Platform Mesh To Mid Rail Add-on Kits	
	1001214478	Ref	30in X 4ft (76cm x 1.22m)	
	1001214515	Ref	30in X 5ft (76cm x 1.52m)	
		Ref	Platform Mesh To Mid Rail Installations	
	1001140318	Ref	30in x 4ft (76cm x 1.22m)	
	1001140315	Ref	30in x 5ft (76cm x 1.52m)	
		Ref	Platform Plastic Mesh To Mid Rail Installations	
	1001266969	Ref	30in x 4ft (76cm x 1.22m)	
	1001266799	Ref	30in x 5ft (76cm x 1.52m)	
		Ref	Platform Mesh Top Rail Add-on Kits	
	1001214552	Ref	30in X 4ft (76cm x 1.22m)	
	1001214559	Ref	30in X 5ft (76cm x 1.52m)	
		Ref	Platform Mesh Top Rail Installations	
	0273147	Ref	30in x 4ft (76cm x 1.22m)	
	0273146	Ref	30in x 5ft (76cm x 1.52m)	
		Ref	Platform Plastic Mesh Top Rail Installations	
	1001266807	Ref	30in x 4ft (76cm x 1.22m)	
	1001266801	Ref	30in x 5ft (76cm x 1.52m)	
	1001250035	Ref	Platform Sensor Retrofit Kit	
	1001239570	Ref	Platform Valve Service Kit E400AJPnarrow	
	1001120466	Ref	Platform Worklights Installation	
	1001209059	Ref	Platform Work Surface Installation	
	1001212202	Ref	Rotator Actuator Protection Kit	
	1001190896	Ref	Service Tool/Kits	Q
	1001241547	Ref	SkyEye Housing Kit - LH Side	
	1001241548	Ref	SkyEye Housing Kit - RH Side	
	1001247073	Ref	SkyEye Retrofit Kit	
	1001218502	Ref	SkyGuard with Beacon (Blue)	
	1001218499	Ref	SkyGuard without Beacon	
	1001250959	Ref	SkyGuard 6-Pin Retrofit Installation Kit	
	1001249052	Ref	SkyGuard Retrofit Kit	
	1001262016	Ref	SkyLine Add-on Kit	

## SECTION 10 - SPECIAL OPTIONS

ITEM	PART NUMBER	QTY	DESCRIPTION	REV
	1001252033	Ref	SkySense Enhanced Detection System (EDS) Level 1 (2-Bar) Add-on Kit (Dealer Installed)	
	1001252034	Ref	SkySense Enhanced Detection System (EDS) Level 2 (3-Bar) Add-on Kit (Dealer Installed)	
		Ref	Strobe Light Installations (Amber) Options:	
	1001191144	Ref	Strobe Light Installation (Amber) Platform Mounted	
	1001191145	Ref	Strobe Light Installation (Amber) Platform/Ground Mounted	
	1001243183	Ref	Telematics Access Control Canbus Add-on Kit (ANSI & CSA Specs)	
	1001243184	Ref	Telematics Access Control Canbus Add-on Kit (CE Specs)	
		Ref	Tools for Service	
	1001249695	Ref	Analyzer and Cable Kit	
	1001249941	Ref	Analyzer and Cable Kit (Battery Powered)	
	2915230	Ref	Battery Charger Reprogram Controller Kit	
	1001137005	Ref	Software Cable Kit	
	1001160527	Ref	Turntable Bearing Replacement Kit	
	1001239568	Ref	Upper Powertrack Service Kit E400 Narrow	
	1001198659	Ref	Upper Powertrack Service Kit E400AJnarrow	
	1001239569	Ref	Upper Powertrack Service Kit E400AJPnarrow	
	1001241268	Ref	Wear Pad Kit E400Anarrow	
	1001241269	Ref	Wear Pad Kit E400AJPnarrow	
	1001235847	Ref	White Noise Alarm (Dealer Installed)	
	1001231804	Ref	White Noise Alarm (Factory Installed)	
	1001235848	Ref	White Noise Ambient Alarm (Dealer Installed)	
	1001231870	Ref	White Noise Ambient Alarm (Factory Installed)	

**PART NUMBER INDEX**

## SECTION 10 - SPECIAL OPTIONS

0060044.....	137, 141	0630467.....	287, 289	0682014.....	19, 23	1001106757.....	133
0060052.....	131, 139	0630487.....	131	0682026.....	89	1001107854.....	361
0060065.....	137, 143	0630490.....	17	0682028.....	89	1001108727.....	400
0100009.....	131, 171, 175, 179	0630518... ..	107, 109, 111, 113	0700408 ... ..	335, 337, 339, 341, 343, 345, 347	1001109833.....	267, 269
0100010.....	375, 377, 379, 381, 383, 385, 387, 389, 391	0630568.... ..	171, 175, 179	0720804.....	77, 79	1001109892.....	19, 23
0100011.....	13, 19, 23, 43, 45, 51, 53, 57, 59, 61, 63, 71, 77, 79, 95, 97, 99, 101, 103, 105, 121, 125, 127, 131, 133, 137, 145, 155, 157, 159, 161, 197, 199, 219, 223, 287, 289	0641404.....	53, 131, 171, 175, 179, 199	0721004.....	73	1001110434.....	171, 175, 179
0100019.....	89, 287, 289	0641405.....	131, 199	0721006.....	23	1001110772.....	41
0100020.....	19, 24, 191, 244	0641406... ..	19, 23, 71, 73, 87, 163, 165, 167, 169, 193, 375, 377, 379, 381, 383, 385, 387, 389, 391	0741606.....	133	1001110774.....	41
0100035.....	33, 35, 37, 39, 115, 171, 175, 179, 183	0641407. 65, 67, 69, 121, 335, 337, 339, 341, 343, 345, 347	0641408 19, 23, 163, 165, 167, 169, 203, 335, 337, 339, 341, 343, 345, 347	0760606.....	145	1001110873.....	329
0100038.....	219, 223	0641409.....	65, 67, 69	0760610.....	145	1001113680.....	391
0100048.....	19, 23	0641410.....	287, 289	0761014.....	145	1001113961.....	363
0100081.....	133	0641413.....	77, 79	0761215.....	145	1001114761.....	81, 85
0100083.....	33, 35, 37, 39	0641414 ... ..	171, 175, 179, 197, 203, 205	0801224.....	133	1001114782.....	61, 63
0140011.....	171, 175, 179	0641416.....	99, 101, 103, 105, 335, 337, 339, 341, 343, 345, 347	0801225.....	127, 133	1001116232.....	97
0140043.....	87	0641418.....	99, 101, 103, 105, 157, 161	0801226.....	133	1001116692.....	309, 361, 364, 371
0257728.....	201	0641420.....	159	0801227.....	127	1001116693.....	361, 363
0259397.....	400	0641430.....	19, 23	0801262.....	125	1001116720.....	355
0259550.....	393	0641506.....	99, 101, 103, 105, 125, 127	0801263.....	131	1001116732.....	361
0270012.....	331	0641507.....	79	0801267.....	131	1001116733.....	361
0270013.....	329	0641508.....	19, 23, 121	0840031.....	19, 23	1001116734.....	359, 361
0270028.....	41	0641510.....	93	0840032.....	19, 23	1001116810.....	359
0270273.....	393	0641514... ..	121, 201, 287, 289	0860038.....	329, 331	1001116811.....	303
0270274.....	393	0641516.....	137, 287	0860520 ... ..	375, 377, 379, 381, 383, 385, 387, 389, 391	1001116812.....	273, 291, 305, 309, 361, 363
0270433.....	393	0641560.....	287, 289	0861375.....	23	1001116813.....	363
0270724.....	125	0641605.....	99, 101, 103, 105, 133, 134	0861731 ....	253, 259, 261	1001116815.....	361
0270725.....	125, 131	0641606... ..	13, 51, 53, 77, 79, 131, 133	0861781.....	263, 265	1001117172.....	191
0271251.....	400	0641607 ... ..	127, 131, 133	0861880.....	283	1001118384.....	357
0271464.....	333	0641608. 43, 45, 97, 125, 127, 131, 133	0641610 ... ..	0940048.....	125, 127	1001118388.....	355, 357
0271649.....	127, 137	0641616.....	137	0961127 ... ..	375, 377, 379, 381, 383, 385, 387, 389, 391	1001119228.....	133
0271801.....	400	0641618.....	137	0961845 ....	157, 159, 161	1001119619.....	349
0273146.....	401	0641806.....	125, 127	0961947.....	141, 215	1001119620.....	351, 353
0273147.....	401	0641807.....	51, 53	0961948.....	133	1001120328.....	197, 199
0275216.....	265, 335	0641808.....	127	0961950 ... ..	125, 127, 131, 133, 217, 219, 221, 223, 227	1001120466.....	401
0275217.....	263, 347	0641810.....	125, 127	0961951 15, 17, 131, 137, 213, 215, 231	0961951 15, 17, 131, 137, 213, 215, 231	1001120471.....	207
0275218.....	255, 341	0641811 ... ..	57, 59, 61, 63	0962140.....	15, 17	1001120477.....	207
0275219.....	257, 345	0641812 ... ..	19, 23, 93, 125	0962257.....	141	1001120484.....	207
0275452.....	259, 339	0641818.....	131, 133	0962292.....	137	1001125677.....	305, 322, 326, 364
0275453.....	261, 343	0641816.....	137	0962356.....	211, 229	1001126008.....	361
0275454.....	253, 337	0641806.....	125, 127	1001093382 ... ..	57, 59, 61, 63	1001126009.....	357
0275663.....	297	0641807.....	51, 53	1001094670.....	137	1001126245.....	361
0275664.....	299	0641808.....	127	1001097051.....	351	1001131269.....	375
0275665.....	295	0641810.....	125, 127	1001097150.....	283, 285	1001136881.....	244
0275666.....	293	0641811 ... ..	57, 59, 61, 63	1001097244.....	207	1001137005.....	402
0275667.....	301	0641812 ... ..	19, 23, 93, 125	1001097777 ... ..	77, 79, 83	1001137673.....	197
0340048.....	45	0641818.....	131, 133	1001098122.....	321, 325	1001138494.....	157, 159
0400055.....	57, 59	0641816.....	137	1001098828.....	145	1001138514.....	157, 159
0480100.....	201	0641818.....	131, 133	1001100341.....	265	1001140278.....	127, 231
0561076.....	125, 127	0681608.....	145	1001100342.....	263	1001140279.....	127, 213
0561317.....	287, 289	0681610.....	127	1001100345.....	259	1001140280.....	137, 215
0561384.....	287, 289	0681610.....	127	1001100346.....	253	1001140315.....	401
0561385.....	287, 289	0681810.....	125, 127	1001100347.....	261	1001140318.....	401
0561386.....	287, 289	0681811 ... ..	57, 59, 61, 63	1001102771.....	291	1001140429.....	157, 159, 161
0561424.....	287	0681812 ... ..	19, 23, 93, 125	1001103012.....	361	1001140597.....	125, 229
0630399.....	131	0681818.....	131, 133	1001104850.....	89, 91	1001140598.....	131, 211
0630401.....	133	0681608.....	145	1001104864.....	375, 377, 379, 381, 383, 385, 387, 389, 391	1001141300.....	393

## SECTION 10 - SPECIAL OPTIONS

1001142505 ..... 401	1001166493..... 73	1001180838..... 13, 17	1001190985 ..... 145
1001144147 ..... 273, 305, 307, 309	1001166495..... 57, 61	1001180840..... 13	1001191139 ..... 115
1001144296 ..... 273, 305, 309	1001166496..... 57, 59, 61, 63	1001180930..... 51, 77	1001191140 ..... 115
1001144433 ..... 197	1001166497..... 57	1001181045..... 283, 396	1001191142 ..... 115
1001144629 ..... 151, 153, 155	1001166498..... 61	1001182296..... 71, 311	1001191144 ..... 402
1001144630 ..... 155	1001166538..... 171, 175, 179, 185, 396	1001182550..... 19, 23, 31	1001191145 ..... 402
1001148971 ..... 400	1001166539..... 171, 175, 179, 187, 396	1001182700 99, 101, 103, 105, 396	1001191212 .... 65, 67, 69
1001149994 ..... 115, 117, 119	1001166738..... 121	1001182724..... 171, 179, 396	1001191314 ..... 401
1001151286 ..... 401	1001167013..... 71	1001182725..... 121	1001192212 .. 33, 35, 396
1001151393 ..... 107, 109, 111, 113	1001167487..... 45	1001182960..... 19, 23	1001192293 ..... 71, 313
1001151395 ..... 13	1001168670..... 59	1001183212..... 121	1001192401 ..... 363
1001151428 ..... 13	1001168674..... 127	1001183367..... 87	1001192501 ..... 71
1001152483 ..... 285	1001168796..... 63	1001183520..... 289	1001193018 ..... 335, 337, 339, 341, 343, 345, 347
1001152485 ..... 285, 343, 345	1001168800..... 59, 63	1001183521..... 287	1001193047 ..... 13
1001152523 ..... 401	1001169423..... 13	1001183867..... 277, 287, 289	1001193545 ..... 313
1001152635 ..... 244, 248	1001170365..... 23, 396	1001183868..... 275, 287, 289	1001193949 ..... 375, 377, 379, 381, 383, 385, 387, 389, 391
1001153017 ..... 89, 93	1001170367..... 33, 397	1001184852..... 19, 23	1001193987 ..... 171, 175, 179
1001153023 ..... 13	1001170761..... 361	1001184854..... 19, 23	1001195304 ..... 400
1001153612 ..... 35	1001170762..... 359	1001185281 ..... 171, 175, 179	1001196589 ..... 19, 23
1001153749 .. 13, 99, 101, 103, 105	1001171213..... 43, 45, 49	1001185828..... 245, 249	1001196634 ..... 291
1001155044 ..... 107, 109, 111, 113, 171, 175, 179	1001171298..... 97	1001185829..... 249	1001196635 ..... 273, 396
1001155045 ..... 107, 109, 111, 113, 171, 175, 179, 396	1001171482..... 107, 109, 111, 113	1001186231..... 363	1001198649 ..... 400
1001157058 ..... 95	1001172760..... 171, 175, 179	1001186375..... 157	1001198659 ..... 402
1001157890 ..... 307, 309, 361, 363	1001173703..... 393	1001186377..... 159	1001200491 ..... 145
1001157891 ..... 307, 361, 363	1001174447..... 37, 39	1001186386..... 153	1001200910 ..... 117
1001159186 ..... 309, 321, 325	1001175025..... 73	1001186387..... 151	1001203734 ..... 361
1001159256 ..... 171, 175, 179, 396	1001176417..... 121	1001186431 ..... 197, 396	1001205409 ..... 273
1001160527 ..... 89, 402	1001176441..... 121	1001186432..... 355, 357	1001207004 ..... 119
1001161117 ..... 13, 397	1001176469..... 109, 113	1001186517..... 197	1001207970 ..... 65
1001161710 ..... 171, 175, 179, 396	1001177245..... 267, 269	1001186600..... 33, 35	1001207974 ..... 67, 69
1001162887 ..... 273	1001177246..... 267, 269	1001186860..... 33, 35	1001209059 ..... 401
1001163340 ..... 273	1001177364..... 51, 53, 55	1001187674..... 195	1001209664 ..... 197
1001165963 ..... 121	1001177483..... 127	1001187681..... 349	1001210636 ..... 207
1001165981 ..... 121	1001177666..... 244, 248	1001187775..... 147, 281	1001212202 ..... 401
1001165985 ..... 121	1001178339... 37, 39, 396	1001187776..... 147, 279	1001212359 ..... 37, 39
1001166251 ..... 339	1001178378..... 377	1001187788..... 147	1001212450 ..... 39
1001166258 ..... 343	1001178384..... 244	1001187790..... 97	1001212453 ..... 23
1001166259 ..... 337	1001178384..... 244	1001188065 99, 101, 103, 105	1001212454 ..... 24, 269
1001166260 ..... 347	1001178394..... 267, 269	1001188291..... 275, 277, 287, 289	1001212455 ..... 269
1001166261 ..... 341	1001178395..... 267, 269	1001188292..... 275, 287, 289	1001212456 ..... 24, 39
1001166262 ..... 345	1001178396..... 267, 269	1001188293..... 277, 287, 289	1001212480 ..... 269
1001166263 ..... 335	1001178398..... 267, 269	1001188354..... 275, 277, 287, 289	1001213447 ..... 321, 325
1001166296 ..... 73	1001178399..... 267, 269	1001188528... 19, 24, 359	1001213625 ..... 393
1001166312 ..... 73	1001178400..... 267, 269	1001188622..... 145	1001213626 ..... 24
1001166321 ..... 73	1001178401..... 267, 269	1001188844..... 145	1001213882 ..... 171, 175, 179
1001166341 ..... 95	1001178402..... 267, 269	1001189027..... 267, 269	1001214031 ..... 393
1001166394 ..... 107, 109, 111, 113	1001178403..... 267, 269	1001189030..... 267, 269	1001214478 ..... 401
1001166395 ..... 89	1001178405... 19, 23, 307	1001189031..... 267, 269	1001214515 ..... 401
1001166417 ..... 43	1001178491..... 335, 337, 339, 341, 343, 345, 347	1001189032..... 267, 269	1001214552 ..... 401
1001166419 ..... 43, 45	1001178629... 19, 23, 361	1001189039..... 267, 269	1001214559 ..... 401
1001166420 ..... 51, 53	1001178660..... 267	1001189171 ..... 171, 175, 179, 191, 396	1001214667 ..... 35, 397
	1001178794 99, 101, 103, 105, 371	1001189172..... 285, 396	1001214668 ..... 24, 35
	1001179060..... 19, 33	1001189882..... 393	1001215228 ..... 171, 175, 179
	1001179061..... 19, 37	1001190003..... 379	1001215835 ..... 175, 396
	1001179064..... 33, 35, 37, 39	1001190088..... 20, 267	1001216630 ..... 145
	1001179134..... 19	1001190577..... 31, 361	1001216921 ..... 79, 85
	1001179991 99, 101, 103, 105, 309	1001190896..... 401	1001217005 ..... 117
	1001180554..... 77, 79, 81		1001217228 ..... 145
	1001180835..... 13		1001217242 ..... 145
			1001217243 ..... 145
			1001217244 ..... 145

## SECTION 10 - SPECIAL OPTIONS

1001217249.....145	1001237110.....400	1001249153.....165	1001260532....65, 67, 69, 305
1001217253.....145	1001237443.....401	1001249154.....165, 169, 175	1001262016.....401
1001217254.....145	1001237667.....321, 325	1001249155.....169	1001262663.....393
1001217267.....145	1001237668.....321, 325	1001249157.....167	1001262959.....400
1001217413.....145	1001237862.....351, 353	1001249158.....167, 179	1001265163.....207
1001217465.....379	1001237863.....195, 351	1001249159.....163	1001265342.....207
1001217598.....155	1001237864.....195, 353	1001249162.....163, 171	1001265360.....400
1001217842.33, 359, 361	1001237865.....195, 349	1001249163.....103	1001266302.....103, 111
1001217843.....361	1001237888.....203, 205	1001249168.....105	1001266303.....105, 113
1001217844.....359, 361	1001237891.....205	1001249175.....99	1001266304.....99, 107
1001218004.....248	1001237898.....203, 205	1001249177.....101	1001266305.....101, 109
1001218367.....53, 79	1001237902.....203, 205, 397	1001249184.....375	1001266308.....107, 109, 111, 113
1001218499.....401	1001238319.....195	1001249186.....383	1001266309.....107, 111
1001218502.....401	1001238418.....199, 357	1001249187.....385	1001266310.....109, 113
1001218503.....400	1001238472.....199	1001249189.....389	1001266799.....401
1001219016.....145	1001238495.....197	1001249695.....402	1001266801.....401
1001219601...19, 23, 397	1001238557.....117	1001249941.....402	1001266807.....401
1001219722.....19, 23	1001238558.....119	1001250035.....401	1001266969.....401
1001220271.....19, 23	1001238559.....199	1001250537.....400	1001269310.....244, 401
1001222685.....155	1001238732.....183	1001250959.....401	1001269311.....244, 401
1001222801.....375, 377, 379, 381, 383, 385, 387, 389, 391	1001239568.....402	1001251015.....133, 237	1001269312.....245, 401
1001223055.....375	1001239569.....402	1001251016.....127, 227	1001269313.....245, 401
1001223824.....401	1001239570.....401	1001251018.....125, 225	1001269314.....248, 401
1001223971.....383	1001241162.....203	1001251063.....131, 235	1001269315.....248, 401
1001224048.....387	1001241268.....402	1001251369.....401	1001269316.....248, 401
1001224049.....389	1001241269.....402	1001251382....65, 67, 69	1001269317.....249, 401
1001224050.....381	1001241547.....401	1001251470.....69	1001272006.....35, 397
1001224052.....391	1001241548.....401	1001251471.....65	1001272053.....393
1001224053.....385	1001241965.....199	1001251472.....67	1001272054.....393
1001224891.....133	1001243092.....203	1001252033.....402	1001272279.....176, 325
1001225580.....197, 355	1001243183.....402	1001252034.....402	1060330.....191
1001226872.....161	1001243184.....402	1001252946.....201	1060341.....279, 281
1001227633.....195	1001243205.....203	1001252947.....201	1060379.....201
1001227634.....195	1001243575.....400	1001253920.....375	1060461.....317, 319, 369
1001227985.....195	1001244335.....205	1001253921.....375	1060494.....311, 315, 367
1001227987.....195	1001244336.....203	1001253922.....383	1060801.....71
1001227996.....351, 353	1001244671.....205	1001253923.....383	1060802.....71
1001228035.....127, 219	1001244709.....205	1001253924.....387	1060896.....275, 277
1001228036.....127, 223	1001244710.....205	1001253925.....387	1060908.....283, 285
1001228037.....125, 217	1001244732.....205	1001253926.....381	10837580.....55, 81
1001228038.....125, 221	1001244733.....205	1001253927.....381	1180302.....131
1001228215.....161	1001245164.....183	1001253928.....391	1220038.....131
1001228224.....195, 397	1001245173.....183	1001253929.....391	1220039.....131
1001228225.....195, 397	1001245179.....183	1001253930.....389	1220040.....131
1001228370.....375, 383	1001245210.....183	1001253931.....389	1320040.....53
1001228627.....145	1001245293.....271, 396	1001253932.....385	1320041.....13, 121
1001229107.....400	1001245673.....172, 180, 321	1001253933.....385	1320043.....287, 289
1001229341.....195	1001245677.99, 101, 103, 105, 363	1001254178.....387	1320136.....145
1001229690.....400	1001246389.....203	1001254179.....381	1320260.....287, 289
1001230504.....400	1001246389.....203	1001254285.....400	1320263.....13
1001231801.....375	1001246541.....400	1001254472.....199	1321385.....99, 101, 103, 105
1001231804.....402	1001246541.....400	1001254473.....199	1380136.....77, 79
1001231804.....402	1001246542.....400	1001258730.....203, 205	1380138.....73
1001232164.....195	1001247073.....401	1001259112.....401	1580012.....193
1001232165.....195	1001247252.....203	1001259149.....271	1670679.....131
1001232204.....13	1001247426.....400	1001259155.....271	1670697.....287, 289
1001232642.....199	1001247427.....400	1001259489.....107, 109, 111, 113	1670698.....131
1001232667.....199, 397	1001247468.....145, 397	1001260275.....361	1670832.....147
1001233237.....400	1001247538.....172, 176, 180	1001260408...65, 67, 69, 303	1670833.....147
1001234102.....400	1001247556.....393	1001260414.....271, 273	1670953.....71
1001235649.....400	1001248655.....391	1001260524.....203	1670959.....133
1001235847.....402	1001248659.....375, 377, 381, 383, 385, 387, 389, 391, 393	1001260525.....203, 205	1683591.....13, 233
1001235848.....402	1001249052.....401	1001260531...65, 67, 69, 291	1700584.....383
1001236535.....400			
1001236552.....199			

## SECTION 10 - SPECIAL OPTIONS

1701500 ... 375, 381, 383, 385, 387, 389, 391	1703985 ..... 391	2220600..... 244, 248	2820247 ..... 351, 353
1701504 ... 375, 377, 379, 381, 383, 385, 387, 389, 391	1703987 ..... 387	2220605..... 244	2860030 ... 107, 109, 111, 113, 396
1701509 ... 375, 377, 379, 381, 383, 385, 387, 389, 391	1703988 ..... 381	2220609..... 244	2900756 ..... 81
1701518 ..... 377, 379	1703991 ..... 391	2220677 ..... 244, 248	2900770 ... 139, 141, 217, 219, 221, 223, 227, 239
1701642 ..... 71, 375, 377, 379, 381, 383, 385, 387, 389, 391	1704000 ..... 383, 400	2220684..... 244	2900792 .... 211, 213, 215
1701644 ... 375, 377, 379, 381, 383, 385, 387, 389, 391	1704001 ..... 389	2220727 ..... 244	2901805 ..... 223
1701691 ... 375, 377, 379, 381, 383, 385, 387, 389, 391	1704002 ..... 391	2220883..... 217, 219, 223	2901806 ..... 219
1702124 ..... 244, 248	1704200 ..... 393	2220885.... 219, 221, 223, 244, 248	2902549 ... 283, 335, 337, 339, 341, 347
1702251 ..... 393	1704260 ... 171, 175, 179	2220899 ..... 244, 248	2915230 ..... 402
1702265 .... 375, 383, 389	1704277 ... 375, 377, 379, 381, 383, 385, 387, 389, 391	2220909..... 244, 248	2920028 .... 172, 176, 180
1702271 ..... 385	1704339 ..... 389	2220940..... 244, 248	2920029 .... 172, 176, 180
1702300 ... 375, 381, 383, 385, 387, 389, 391	1704340 ..... 383	2220999..... 244, 248	2920151 ..... 145
1702565 .... 171, 175, 179	1704341 ..... 391	2221033..... 244, 248	2940071 ..... 121
1702566 .... 171, 175, 179	1704342 ..... 385	2221039..... 248	2940074 ... 151, 153, 155, 396
1702567 ..... 171, 175	1704343 ..... 387	2221054..... 244, 248	2940095 ..... 73
1702773 ..... 379, 393	1704344 ..... 381	2221086..... 244, 248	3000003 .... 57, 59, 61, 63
1702774 ..... 393	1704412 ... 375, 377, 379, 381, 383, 385, 387, 389, 391	2221147 ..... 244	3251243 ... 375, 383, 389, 391
1702860 ..... 393	1704417 ..... 385	2400044..... 23	3252331 ..... 393
1702868 ..... 375, 400	1704418 ..... 387	2400060.... 207, 273, 291, 309, 321, 325, 326, 363	3252347 ..... 375
1703797 ..... 375	1704419 ..... 381	2460037 ..... 71	3252507 ... 331, 337, 339, 341, 343, 345, 347
1703798 ..... 375	1704422 ..... 179	2540037 ..... 23	3252780 ..... 393
1703804 ..... 375	1704446 ..... 375	2540038..... 13	3271605 ..... 127
1703805 ..... 375	1704446 ..... 375	2540045.... 57, 59, 61, 63	3290405 ... 207, 335, 337, 339, 341, 343, 345, 347
1703811 ..... 377, 379	1704452 ..... 383	2560122.... 77, 79, 81, 85	3290501 ..... 271
1703813 ..... 375	1704452 ..... 383	2560123.... 77, 79, 81, 85	3290605 ..... 145
1703814 ..... 377, 379	1704453 ..... 391	2560136.... 171, 175, 179	3290606 ..... 157, 159
1703923 ..... 389	1704454 ..... 389	2600281.... 151, 153, 155	3291001 ..... 145
1703924 ..... 383	1704792 ..... 393	2700093..... 73	3291005 ..... 145
1703925 ..... 381	1704885 ... 375, 377, 381, 383, 385, 387, 389, 391	2750910..... 244, 248	3291201 ..... 145
1703926 ..... 385	1704900 ..... 393	2750915..... 244, 248	3291205 ..... 145
1703927 ..... 387	1705325 ..... 335	2751890..... 248	3300151 ... 157, 159, 161, 287, 289
1703928 ..... 391	1705351 ..... 375	2752435..... 245	3300281 ..... 219, 223
1703929 ..... 389	1705351 ..... 375	2752437..... 245, 248	3300353 .... 71, 171, 175, 179
1703930 ..... 383	1705426 ..... 385	2752440..... 245	3300365 .... 99, 101, 103, 105
1703931 ..... 381	1705427 ..... 387	2752442..... 248	3300426 ... 13, 17, 19, 23
1703932 ..... 385	1705429 ..... 383	2752453..... 244, 248	3300430 ..... 197, 205
1703933 ..... 387	1705430 ..... 381	2752459..... 244, 248	3300454 . 19, 23, 99, 101, 103, 105
1703934 ..... 391	1705670 ..... 377, 379	2752466..... 248	3310805 ... 77, 79, 97, 147
1703935 ..... 389	1705822 ..... 377, 379	2752467..... 244, 248	3311001 ..... 23, 155
1703936 ..... 383	1705828 ..... 377, 379	2752475..... 244	3311005 ..... 73, 147
1703937 ..... 381	1705910 ..... 389	2752493..... 248	3311011 ... 107, 109, 111, 113
1703938 ..... 385	1705921 ..... 377, 379	2752493..... 248	3311401 19, 23, 131, 133, 287, 289
1703939 ..... 387	1705977 ..... 377, 379	2752571..... 245	3311405 ... 13, 65, 67, 69, 71, 73, 87, 107, 109, 111, 113, 163, 165, 167, 169, 199, 287, 289, 335, 337, 339, 341, 343, 345, 347, 375, 377, 379, 381, 383, 385, 387, 389, 391
1703940 ..... 391	1705978 ..... 377, 379	2752581..... 244	3311501 ..... 121, 137
1703947 ..... 389	1706378 ..... 377, 379	2752600..... 248	3311505 . 19, 23, 99, 101, 103, 105, 125, 128, 133, 201, 287, 289
1703948 ..... 383	1760160 ..... 131	2752611..... 249	
1703949 ..... 381	2080040 ... 151, 153, 155	2752619..... 249	
1703950 ..... 385	2080069 ..... 203, 205	2752620..... 244	
1703951 ..... 387	2160003 ..... 93	2752983..... 244	
1703952 ..... 391	2220237 ..... 244, 248	2753329..... 249	
1703980 ..... 385	2220239 ..... 244	2753330..... 249	
1703981 ..... 387	2220371 ..... 244, 248	2753331..... 249	
1703982 ..... 381	2220373 ..... 248	2753332..... 249	
1703983 ..... 389	2220386 ..... 244, 248	2753333..... 249	
1703984 ..... 383	2220415 ..... 244, 248	2753334..... 245, 249	
	2220466 ..... 248	2753335..... 245, 249	
	2220472 ..... 244, 248	2753474..... 245, 249	
	2220473 ..... 244, 248	2753475..... 245, 249	
	2220498 ..... 244, 248	2753519..... 245	
	2220501 ..... 244, 248	2753520..... 245, 249	
	2220502 ..... 244, 248	2753535..... 245	
	2220504 ..... 244, 248	2753973..... 244, 248	
	2220507 ..... 244, 248	2780251 ..... 13, 15	
	2220582 ..... 244, 248	2780282 ..... 19, 23, 27	
	2220593 ..... 244, 248	2820118..... 275, 277	

## SECTION 10 - SPECIAL OPTIONS

3311601.... 127, 171, 175, 179, 199	3760308 ..... 73	4360407 ... 171, 175, 179, 396	4460508.... 195, 277, 303, 321, 325, 363
3311602..... 121, 131	3790012... 107, 109, 111, 113, 171, 175, 179	4360469 ... 107, 109, 111, 113, 396	4460509.... 275, 277, 359
3311605..... 71, 125, 127, 131, 133, 137, 155, 163, 165, 167, 169	3790113 ..... 239	4360475 ... 107, 109, 111, 113, 171, 175, 179, 396	4460516..... 31
3311805..... 125, 127	3820001 ... 375, 377, 379, 381, 383, 385, 387, 389, 391, 393	4360476 ... 107, 109, 111, 113, 171, 175, 179, 396	4460536..... 13, 205, 305, 321, 325
3312008..... 13	3820019 ..... 73	4360548 ..... 279, 281	4460539.... 307, 321, 325, 359, 363, 371
3312602..... 115, 117, 119	3820020 ..... 151, 153	4420051 ..... 393	4460662.... 337, 339, 343
3322202..... 13	3841143 ... 125, 127, 131, 145	4420062 ..... 201	4460670..... 361
3323003..... 13	3841203 ..... 125, 127	4460016 ..... 321, 325	4460708.... 171, 175, 179, 321, 325
3340663..... 131	3841517 ..... 13	4460019 ..... 361	4460709..... 369
3340682..... 131	3900085 ... 115, 117, 119	4460042 ..... 191	4460710..... 317, 319
3340820..... 131	3900104 ..... 147	4460071 ... 191, 329, 331	4460738..... 361
3340860..... 137	3900109 ..... 13	4460125 ..... 331	4460742..... 359, 371
3340878..... 133	3900170 ..... 219, 223	4460134 ..... 311, 315	4460743..... 359, 371
3340884..... 133	3900174 ..... 73	4460138 ..... 65, 311	4460761.... 321, 325, 363, 371
3340886..... 133	3900187 ... 107, 109, 111, 113	4460142 ..... 359	4460805..... 67
3340939..... 133	3900349 ... 171, 175, 179	4460183 ..... 309	4460806..... 309
3380434.... 163, 165, 167, 169	3910610 ..... 329, 331	4460205 ..... 329, 367	4460806..... 309
3420156..... 121	3910804 ... 107, 109, 111, 113	4460225 ..... 321, 325	4460836..... 307, 363
3422175..... 125	3911008 ..... 155	4460226 ... 145, 185, 188, 191, 321, 371	4460851..... 309
3422176..... 125	3911010 ..... 183	4460227 ... 309, 321, 363	4460866.... 321, 325, 363
3422177..... 125	3930824 ..... 97	4460233 ..... 331	4460868..... 309
3422178..... 125	3930828 ..... 147	4460234 ... 171, 175, 179	4460871.... 291, 309, 321, 325, 361, 363, 371
3422179..... 125	3930836 ..... 147	4460259 ... 207, 309, 321, 325	4460872..... 291, 371
3422180..... 125, 131	3931010 ... 33, 35, 37, 39	4460260 ... 207, 309, 321, 325	4460873.... 321, 325, 361, 363
3422181..... 131	3931012 ..... 37, 39	4460265 ..... 185, 188	4460874.... 321, 325, 363
3422480..... 127	3931016 ... 33, 35, 37, 39	4460267 ..... 321, 325	4460875.... 321, 325, 371
3422481..... 127	3931028 ..... 147	4460268 ..... 325	4460876..... 309
3422582..... 127	3931408 ..... 13, 197	4460294 ..... 325	4460877..... 309
3422661..... 201	3931416 ..... 13	4460312 ..... 303	4460878..... 363
3422669..... 127	3931816 ..... 137	4460313 ..... 309	4460879.... 207, 321, 325
3422692..... 13	3931832 ..... 89	4460320 ..... 309	4460884.... 207, 273, 291, 355, 363
3422709..... 131	3960422 ..... 329, 331	4460346 ..... 329	4460887.... 207, 321, 325, 363
3422791..... 137	3960447 ..... 73	4460418 ... 309, 321, 325	4460888..... 321, 325
3422792..... 127	3960453 ..... 121	4460419 ... 309, 321, 325	4460891.... 115, 291, 313, 361, 363, 371
3422794..... 137	4010618 ..... 157, 159	4460424 ..... 145	4460894.... 309, 321, 325, 361
3422804..... 133	4031505 ..... 195	4460426 ..... 71	4460897.... 117, 119, 279, 281, 291, 313, 363
3422806..... 127	4031516 ..... 199	4460428 . 65, 67, 69, 171, 175, 179	4460899.... 349, 355, 357, 359
3422814..... 127	4031707 ..... 19, 23	4460434 ..... 321, 325	4460905.... 291, 309, 321, 325, 326, 361, 363, 371
3422844..... 127	4060092 ..... 331	4460458 ..... 371	4460910..... 353
3422845..... 127	4060804 ..... 133, 145	4460464 .... 13, 207, 273, 277, 279, 281, 291, 307, 313, 321, 325, 355, 357, 359, 361, 363	4460911..... 349
3422901..... 131	4060805 .... 71, 145, 287, 289	4460465 ... 115, 207, 273, 275, 277, 291, 305, 307, 309, 313, 321, 325, 355, 359, 361, 363, 364, 371	4460930..... 291
3430616.... 172, 176, 180	4060808 ..... 287, 289	4460466 ... 195, 203, 207, 273, 275, 277, 287, 289, 291, 303, 305, 309, 313, 321, 325, 349, 355, 357, 359, 361, 363, 364, 371	4460931..... 203, 359
3450304..... 121	4070863 ..... 133	4460470 .... 99, 101, 103, 105, 171, 175, 179	4460932.... 207, 273, 291
3450810..... 13	4070864 ..... 133	4460471 .... 99, 101, 103, 105, 171, 175, 179	4460933.... 305, 321, 325, 364, 371
3470003.... 172, 176, 180	4070997 ..... 133	4460488 .... 171, 175, 179	4460941..... 307, 349
3520028.... 107, 109, 111, 113	4070998 ..... 133		4460942.... 195, 307, 363, 364
3520030.... 171, 175, 179	4100026 ..... 244, 248		4460943.... 117, 119, 203, 205, 273, 305, 307, 309, 349, 361, 363
3520034..... 131	4100065 ..... 289		4460944.... 273, 291, 305, 307, 309, 361, 363, 364
3520035..... 19, 23, 73	4100067 ..... 289		4460945..... 361, 363
3520054.... 171, 175, 179	4240032 .... 53, 171, 175, 179		
3520072.... 151, 153, 157, 159, 161	4240033 ... 195, 197, 199, 275, 277, 287, 289		
3520198.... 151, 153, 155, 157, 159, 161	4240084 ..... 19, 23		
3536491..... 125, 127	4240099 ..... 287, 289		
3536999..... 287	4240175 ... 13, 19, 24, 97		
3571462..... 289	4300140 ..... 287, 289		
3572551..... 137	4360387 ... 109, 113, 171, 175, 179, 396		
3600289..... 43, 45, 47			
3740080..... 33, 396			
3740086..... 357, 396			
3760115..... 131, 133			



## SECTION 10 - SPECIAL OPTIONS

4460950 .....	307, 361	379, 381, 383, 385,	70001378.....	27	70004757.....	187
4460956 .....	283	387, 389, 391	70001379.....	27	70004758.....	187
4460957 .....	283	4751500 ... 19, 23, 57, 59,	70001380.....	28	70004759.....	187
4460968 ... 279, 281, 335,		61, 63, 79, 121, 125,	70001876.....	81	70004760.....	187
341, 345, 347		128, 137, 201, 287, 289	70001961.....	47	70004761.....	187
4460970 .....	359	4751600 . 45, 71, 99, 101,	70001996.....	133	70004762.....	187
4461077 .....	349, 357	103, 105, 125, 127,	70001998.....	133	70004763.....	187
4461196 .....	265, 293	131, 163, 165, 167, 169	70002112.....	49	70004764.....	187
4461198 .....	265	4751800 ..... 63, 121	70002206.....	91	70004765.....	187
4461199 .....	263, 301	4760600 ..... 329, 331	70002207.....	91	70004766.....	187
4461201 .....	263	4761000 ..... 155	70002216.....	213, 231	70004767.....	187
4461205 ... 255, 257, 259,		4761400 .... 131, 133, 193	70002217.....	213, 231	70004768.....	187
261, 297, 299		4761600 ..... 131	70002220.....	215	70004769.....	187
4461244 .....	259	4761800 ..... 131, 133	70002223.....	215	70004770.....	187
4461245 .....	261	4811400 ... 207, 335, 337,	70002373.....	221	70004771.....	187
4461246 .....	253	339, 341, 343, 345, 347	70002412.....	217	70004772.....	187
4461249 .....	253, 295	4811600 ..... 271	70002523.....	47	70004773.....	187
4566188 .....	244	4811700 ..... 157, 159	70002806.....	81	70004774.....	188
4566243 .....	287, 289	4811702 ..... 145	70002808.....	85	70004775.....	188
4566427 .....	125, 127	4812000 ..... 145	7000281.....	27	70004809.....	31
4567946 .....	248	4812100 ..... 145	70002902.....	191	70004811.....	31
4568114 .....	19, 23	4844303 ..... 125	70002903.....	191	70004820.....	31
4640495 .....	235	4844304 ..... 125	70002904.....	191	70004827.....	33
4640509 .....	211, 215	4844427 ..... 127	70002905.....	191	70004884.....	81
4640634 ... 217, 219, 221,		4844467 ..... 125, 127	70003171.....	47	70005091.....	81
223		4844579 ..... 131	70003341.....	233	70005101.....	49
4640709 .....	235, 239	4845582 ..... 201	70003819.....	213, 231	70005143.....	221
4640771 .....	239	4846026 ..... 127	70003833.....	215	70005210.....	81, 396
4640807 .....	239	4846180 ..... 133	70003836.....	215	70005214.....	17
4640932 .....	211, 213	4846209 ..... 125, 127	70003843.....	231	70005215.....	17
4640936 .....	227	4846278 ..... 137	70003844.....	231	70005385.....	31
4641086 .....	213	4846502 ..... 137	70003845.....	213, 231	70005386.....	31
4641386 ... 217, 219, 221,		4891500 ..... 93	70003846.....	213	70005387.....	31
223		4891600 43, 45, 127, 145	70003847.....	213	70005388.....	31
4711000 .... 33, 35, 37, 39		4891800 .... 13, 57, 59, 61	70003863.....	215	70005389.....	31
4711400 ... 13, 19, 23, 53,		4892000 ..... 19, 23, 89	70003864.....	215	70005390.....	31
65, 67, 69, 77, 79, 87,		4922608 .... 329, 331, 367	70004019.....	81	70005391.....	31
99, 101, 103, 105, 157,		4922609 ... 317, 335, 337,	70004130.....	229	70005392.....	31
159, 161, 197, 199,		339, 341, 343, 345, 347	70004131.....	211	70005393.....	31
203, 335, 337, 339,		4922610 ... 333, 335, 337,	70004141.....	211, 229	70005394.....	31, 397
341, 343, 345, 347		339, 341, 343, 345,	70004142.....	211, 229	70005395.....	31
4711500 ..... 99, 101, 103,		347, 369	70004143.....	211, 229	70005396.....	31
105, 133		4922611 .... 315, 329, 331	70004144.....	229	70005397.....	31
4711600 ... 19, 23, 43, 51,		4922612 ..... 319, 333	70004145.....	229	70005398.....	31
53, 77, 79, 97, 121,		5241200 ..... 145	70004146.....	211	70005399.....	31
133, 155, 172, 176, 180		5251008 ..... 145	70004147.....	211	70005400.....	31
4711800 .... 19, 23, 51, 53		5251016 ..... 145	70004159.....	93	70005401.....	31
4740120 ... 107, 109, 111,		70000088 ..... 91	70004323.....	141	70005402.....	31
113		70000089 ..... 91	70004738.....	185	70005403.....	31
4740156 .....	13	70000340 ..... 143	70004739.....	185	70005404.....	31
4740171 .....	89	70000341 ..... 139, 141	70004740.....	185	70005405.....	31
4740207 .....	223	70000381 ..... 81	70004741.....	185	70005406.....	31
4740362 ... 163, 165, 167,		70000739 ..... 211, 229	70004742.....	185	70005407.....	31, 397
169		70000740 ..... 211	70004743.....	185	70005408.....	31
4740397 ... 107, 109, 111,		70000865 ..... 93	70004744.....	185	70005409.....	31
113, 171, 175, 179		70001366 ..... 27	70004745.....	185	70005410.....	31
4740413 .....	131	70001367 ..... 27	70004746.....	185	70005411.....	31
4750800 ..... 77, 79, 97		70001368 ..... 28	70004747.....	185	70005412.....	31
4751000 ..... 23, 115, 117,		70001369 ..... 27	70004748.....	185	70005415.....	19, 23
119, 155		70001370 ..... 27	70004749.....	185	70005722.....	85
475140071, 73, 121, 131,		70001371 ..... 27	70004750.....	185	70006269.....	133
163, 165, 167, 169,		70001372 ..... 27	70004751.....	185	70006280.....	133
171, 175, 179, 193,		70001373 ..... 27	70004752.....	187	70006346.....	85
205, 287, 289, 335,		70001374 ..... 27	70004753.....	187	70006347.....	85
337, 339, 341, 343,		70001375 ..... 27	70004754.....	187	70006348.....	85
345, 347, 375, 377,		70001376 ..... 27	70004755.....	187	70006349.....	85
		70001377 ..... 27	70004756.....	187	70006531.....	219

## SECTION 10 - SPECIAL OPTIONS

70006532.....	219, 223	7004044.....	91	7017250.....	233	7024390.....	91
70006533.....	219, 223	7004045.....	91	7017251.....	233	7024444.....	49
70006535.....	219	7004047.....	91	7017252.....	233	7024445.....	49
70006539.....	223	7004049.....	91	7017402.....	55, 81, 85	7024453.....	91
70006542.....	223	70050801.....	217	7017410.....	81	7024738.....	27
70006543.....	223	7007640.....	27	7017418.....	81	7024741.....	27
70006587.....	217	7010543.....	55, 81	7017421.....	81	7024844.....	213, 215
70006588.....	217	7011112.....	211, 213	7017433.....	55, 81	7024883.....	81, 396
70006589.....	217	7011323.....	139, 141	7017452.....	81, 85	7024885.....	81, 396
70006590.....	217	7011376 ...	217, 219, 221, 223	7017466.....	83	7024887.....	85
70006591.....	217	7012518.....	55, 81	7017488.....	55	7024891.....	83
70006592.....	217	7012540.....	81	7017496.....	83, 85	7026042.....	93
70006593.....	217	7012903.....	81	7019698.....	131	7026043.....	93
70006594.....	221	7012914.....	81	7019699.....	131	7026068.....	215
70006595.....	221	7012918.....	81	7020035.....	15	7026082.....	213, 231
70006596.....	221	7012918.....	81	7020036.....	15	7026084.....	213, 231
70006597.....	221	7012947.....	81	7020037.....	15, 17	7026088.....	215
70006598.....	221	7012953.....	81, 83	7020038.....	15	7026090.....	215
70006599.....	221	7012959.....	83	7020039.....	15, 17	7026091.....	215
70006600.....	221	7012961.....	81	7020040.....	15, 17	7026092.....	215
70006601.....	217	7012967.....	81	7020041.....	15	7027350.....	93
70007357.....	235, 237	7012972.....	55	7020042.....	15	7027351.....	93
70007358.....	235	7012975.....	81	7020054.....	15, 17	7027352.....	93
70007359.....	235, 237	7012995.....	81	7020055.....	15, 17	7027353.....	93
70007360.....	235, 237	7012998.....	55, 81, 85	7020137.....	15, 17	7027354.....	93
70007361.....	235, 237	7016177.....	57, 59	7020140.....	15, 17	7027356.....	93
70007362.....	235, 237	7017007.....	28	7020175 ...	107, 109, 111, 113, 171, 175, 179	7027358.....	93
70007363.....	235, 237	7017009.....	27	7020176 ...	107, 109, 111, 113, 171, 175, 179	7027360.....	93
70007364.....	235, 237	7017022.....	27	7021318.....	47	7027361.....	93
70007365.....	235	7017120.....	139, 141	7021319.....	47	7027363.....	93
70007366.....	235, 237	7017121.....	139, 141	7021361.....	47	7027900.....	139, 141
70007367.....	225	7017122.....	139, 141	7021377.....	47	7027901.....	139, 141
70007368.....	225, 227	7017123.....	139, 141	7021603.....	81	8220045.....	359
70007369.....	225, 227	7017126.....	139, 141	7021604.....	81	8220068.....	371
70007370.....	225	7017127.....	139, 141	7021609.....	55, 85, 396	8229234.....	361, 396
70007371.....	225, 227	7017153.....	139	7021611.....	55, 81	8229235.....	361, 396
70007372.....	225, 227	7017165.....	143	7021616.....	55, 396	8229236.....	359, 396
70007373.....	227	7017167.....	143	7021618.....	55, 396	8229237.....	361, 396
70007374.....	227	7017169.....	143	7021653.....	85	8229242... 309, 321, 325, 326, 363, 396	
70007378.....	235	7017172 ...	139, 141, 143	7021659.....	55	8229249.....	207, 396
70007379.....	237	7017173.....	143	7022390.....	85	8229261.....	361, 396
70007380.....	237	7017178.....	143	7022394.....	81	8760554.....	248
70007381.....	237	7017179.....	143	7023217.....	15	88261024.....	121
7001630.....	233	7017192 ...	139, 141, 143	7023318.....	91	88261026.....	134
70022564.....	217, 221	7017196.....	139, 141	7024379.....	91	88521205... 57, 59, 61, 63	
70023094.....	211, 229	7017246.....	233	7024380.....	91	88662523... 43, 45, 51, 53	
70024262.....	211	7017247.....	233	7024381.....	91	88662530.....	121
7004035.....	91	7017248.....	233	7024389.....	91		
7004036.....	91	7017249.....	233				
7004043.....	91						





**Corporate Office**  
**JLG Industries, Inc.**  
**1 JLG Drive**  
**McConnellsburg, PA 17233-9533 USA**  
☎ **(717) 485-5161 (Corporate)**  
☎ **(877) 554-5438 (Customer Support)**  
📠 **(717) 485-6417**

**Visit our website for JLG Worldwide Locations.**  
**[www.jlg.com](http://www.jlg.com)**



**OSHKOSH™**