



Illustrated Parts Manual

Models **T350** **T500J**

PVC
2101

P/N
31219045

January 9, 2023 - Rev D

ANSI

CE



AS/NZS



An Oshkosh Corporation Company

REVISION LOG

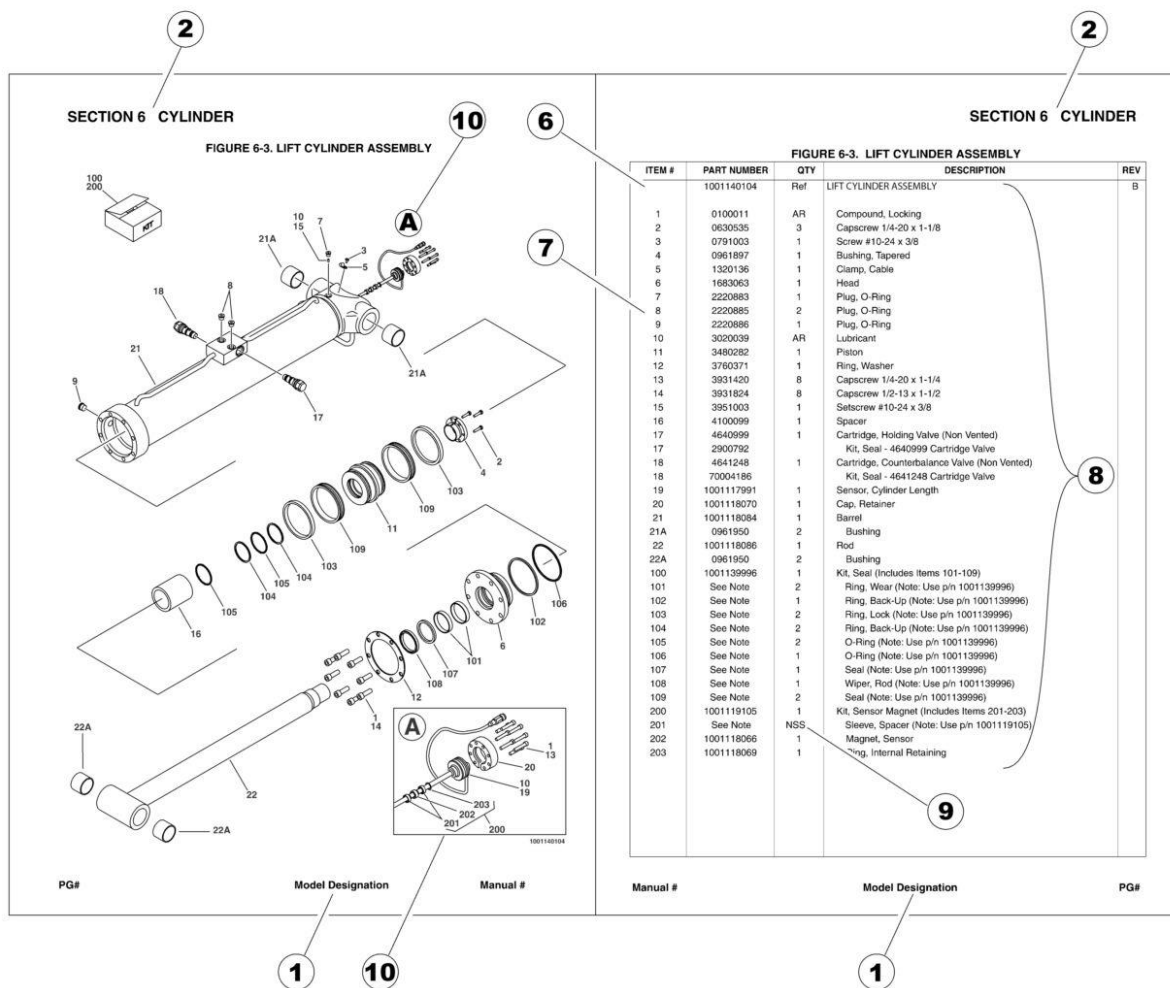
January 1, 2021 - A - Original Issue of Manual (Edited to 0010612 Rev AG)

May 31, 2021 - B - Revised Manual (Edited to 0010612 Rev AG)

May 10, 2022 - C - Revised Manual (Edited to 0010612 Rev AH)

January 9, 2023 - D - Revised Manual (Edited to 0010612 Rev AH)

GENERAL INFORMATION



1) MACHINE IDENTIFICATION

Machines are identified by model and in some cases a combination of models, serial number (SN) or regional standard (i.e ANSI, CE, CSA). Components may also be identified by SN or manufacturer. Common components that may be identified by these characteristics are engines and hydraulic components.

2) PARTS MANUAL ORGANIZATION

Product information in this manual is organized under section titles. Frame, Cylinder, Hydraulic and Electrical are a few examples. Each section is organized by figure and page number. The information within the Figure is then organized by item number, part number, description and corresponding illustration (s).

3) TABLE OF CONTENTS (NOT SHOWN)

A table of contents is found toward the beginning of the manual. Figure number, description and page number are provided for quick reference to the page containing the related information.

4) RECOMMENDED SPARE PARTS (NOT SHOWN)

The Recommended Spare Parts List, located near the end of the manual, reference most frequently used maintenance parts.

5) PART NUMBER INDEX (NOT SHOWN)

A numerical index listing all part numbers and the corresponding page number(s) appears at the back of the manual.

GENERAL INFORMATION

6) NON-SERVICED PARTS

In some instances, it is necessary to display non-serviced parts, assemblies or installations. In the case of assemblies and installations there will be a Ref in the Qty. column. In case of parts that are not available for service within assemblies or components, there will be a NSS (Not Sold Separately) or NLA (No Longer Available) listed in the Qty. column of the manual.

7) PARTS LIST ITEM NUMBERS

Numbers shown in the item# column correspond to numbers used in the associated illustration (s). Item numbers which are missing from the sequence in the parts list are not used on that page.

8) INDENTED PARTS DESCRIPTION

An indented part description is included in the item under which it is indented.

9) ABBREVIATION AND SYMBOLS

AC.....	Alternating Current	L.....	Liter
ADE.....	Advanced Design Electronics	LB(LBS).....	Pounds
AG.....	Agricultural	LCD.....	Liquid Crystal Display
ANSI.....	American National Standards Institute	LED.....	Light Emitting Diodes
AR.....	As Required	LH.....	Left Hand
ASSY.....	Assembly	LRC.....	Low Rated Countries
AUS.....	Australia	LSS.....	Load Sensing System
AUX.....	Auxiliary	M(m).....	Metric/Meter
AWG.....	American Wire Gauge	MM(mm).....	Milimeter
B/M.....	Bill of Material	mA.....	Miliamps
CAC.....	Charge Air Cooler	NLA.....	No Longer Available
CE.....	European Conformity	NPT.....	National Pipe Threads
CCW.....	Counter Clockwise	NSS.....	Not Sold Separately
CM.....	Centimeter	OD.....	Outside Diameter
CW.....	Clockwise	ORB.....	O-Ring Boss
CSA.....	Canadian Standards Association	ORFS.....	O-Ring Face Seal
CYL.....	Cylinder	OZ (oz).....	Ounces
DIA.....	Diameter	PG.....	Page
DC.....	Direct Current	PN.....	Part Number
DEF.....	Diesel Exhaust Fluid	QT(qt.).....	Quarts
EMS.....	Emergency Stop	QTY.....	Quantity
ENG.....	Engine	REF.....	Reference
FT(ft).....	Feet	REV.....	Revision Level
GA(Ga).....	Gauge	RH.....	Right Hand
HRC.....	High Rated Countries	SAE.....	Society of Automotive Engineers
HVAC.....	Heating, Ventilating, and Air Conditioning	SN.....	Serial Number
HYD.....	Hydraulic	SPEC(S).....	Specifications
Hz.....	Hertz	T/T.....	Turntable
ID.....	Inside Diameter	UGM.....	Universal Ground Module
IN.....	inches	V.....	Volts
ISO.....	International Organization for Standards	W.....	Watts
JIC.....	Joint Industry Council	#.....	Number
KG.....	Kilogram		

10) ILLUSTRATION REFERENCE LETTERS

When necessary, illustrations may contain reference letters that are intended to track information (i. e. hoses, harnesses) from one point to another or to track visual enlargement of components to show details that may be located in another area on the illustration.

Note: Due to continuous product improvements, JLG Industries, Inc. reserves the right to make specification changes without prior notification. Contact JLG Industries, Inc. for updated information.

TABLE OF CONTENTS

SECTION 1 - FRAME.....	11
FIGURE 1-1. TONGUE JACK INSTALLATIONS (T350)	12
FIGURE 1-2. TONGUE JACK INSTALLATIONS (T500J WITH BALL HITCH) (ANSI, ANSI EXPORT AND CSA SPECS)	14
FIGURE 1-3. TONGUE JACK INSTALLATIONS (T500J WITH BALL HITCH) (AUSTRALIAN AND SOUTH AFRICAN SPECS) ..	16
FIGURE 1-4. TONGUE JACK INSTALLATIONS (T500J WITH COMBINATION HITCH)	18
FIGURE 1-5. AXLE AND TONGUE INSTALLATION WITH ELECTRIC BRAKES (T350).....	20
FIGURE 1-6. AXLE AND TONGUE INSTALLATION WITH ELECTRIC BRAKES (T500J WITH 2IN BALL).....	22
FIGURE 1-7. AXLE AND TONGUE INSTALLATION WITH ELECTRIC BRAKES (T500J WITH 50MM BALL)	24
FIGURE 1-8. AXLE AND TONGUE INSTALLATION WITH HYDRAULIC BRAKES (T350 WITH 2IN BALL)	26
FIGURE 1-9. AXLE AND TONGUE INSTALLATION WITH HYDRAULIC BRAKES (T350 WITH 2IN BALL AND COLLAR).....	28
FIGURE 1-10. AXLE AND TONGUE INSTALLATION WITH HYDRAULIC BRAKES (T500J WITH 2IN BALL).....	30
FIGURE 1-11. AXLE AND TONGUE INSTALLATION WITH HYDRAULIC BRAKES (T500J WITH 2IN BALL AND COLLAR)	32
FIGURE 1-12. AXLE AND TONGUE INSTALLATION WITH HYDRAULIC BRAKES (T350 WITH 50MM BALL)	34
FIGURE 1-13. AXLE AND TONGUE INSTALLATION WITH MECHANICAL BRAKES (T350 WITH 50MM BALL)	38
FIGURE 1-14. AXLE AND TONGUE INSTALLATION WITH MECHANICAL BRAKES (T500J WITH 50MM BALL).....	40
FIGURE 1-15. HYDRAULIC BRAKE COUPLER ASSEMBLY (T350 AND T500J WITH 2 IN BALL)	42
FIGURE 1-16. HYDRAULIC BRAKE COUPLER ASSEMBLY (T500J WITH 50MM BALL).....	44
FIGURE 1-17. HYDRAULIC BRAKE COUPLER ASSEMBLY (T350 AND T500J WITH 2 INCH BALL AND COLLAR)	46
FIGURE 1-18. HYDRAULIC BRAKE COUPLER ASSEMBLY (T350 WITH 50MM BALL)	48
FIGURE 1-19. TRANSPORT LOCK ASSEMBLY (T350)	50
FIGURE 1-20. TRANSPORT LOCK ASSEMBLY (T500J).....	52
FIGURE 1-21. AXLE INSTALLATION (T350 WITH ELECTRIC BRAKES).....	54
FIGURE 1-22. AXLE INSTALLATION (T500J WITH ELECTRIC BRAKES).....	56
FIGURE 1-23. AXLE INSTALLATION (T350 WITH HYDRAULIC BRAKES).....	58
FIGURE 1-24. AXLE INSTALLATION (T500J WITH HYDRAULIC BRAKES).....	60
FIGURE 1-25. AXLE INSTALLATION (T350 WITH MECHANICAL BRAKES).....	62
FIGURE 1-26. AXLE INSTALLATION (T500J WITH MECHANICAL BRAKES).....	64
FIGURE 1-27. ELECTRIC BRAKE AND AXLE ASSEMBLY (T350).....	66
FIGURE 1-28. ELECTRIC BRAKE AND AXLE ASSEMBLY (T500J).....	70
FIGURE 1-29. HYDRAULIC BRAKE AND AXLE ASSEMBLY (T350).....	74
FIGURE 1-30. HYDRAULIC BRAKE AND AXLE ASSEMBLY (T500J).....	78
FIGURE 1-31. MECHANICAL BRAKE ASSEMBLY (T350).....	82
FIGURE 1-32. MECHANICAL BRAKE ASSEMBLY (T500J).....	84
FIGURE 1-33. TIRE AND WHEEL INSTALLATION - 185R14C (T350)	86
FIGURE 1-34. TIRE AND WHEEL INSTALLATION - 215-75-R14 (T350).....	88
FIGURE 1-35. TIRE AND WHEEL INSTALLATION - 225-75-R15 (T500J).....	90
FIGURE 1-36. TIRE AND WHEEL INSTALLATION - 225-75-R16 (T500J).....	92
FIGURE 1-37. CHASSIS DRIVE INSTALLATION (OPTIONAL) (T350 ALL SPECS EXCEPT SOUTH AFRICA SPECS).....	94
FIGURE 1-38. CHASSIS DRIVE INSTALLATION (OPTIONAL) (T350 SOUTH AFRICAN SPECS).....	98
FIGURE 1-39. CHASSIS DRIVE INSTALLATION (OPTIONAL) (T500J ALL SPECS EXCEPT SOUTH AFRICAN SPECS)	102
FIGURE 1-40. CHASSIS DRIVE INSTALLATION (OPTIONAL) (T500J SOUTH AFRICAN SPECS)	106
FIGURE 1-41. DRIVE ENABLE VALVE ASSEMBLY (USED WITH DRIVE OPTION ONLY)	110
FIGURE 1-42. DRIVE DIRECTIONAL VALVE ASSEMBLY (USED WITH DRIVE OPTION ONLY).....	112
FIGURE 1-43. DRIVE MOTOR ASSEMBLY (USED WITH DRIVE OPTION ONLY).....	114
FIGURE 1-44. CONTROL VALVES INSTALLATION (T350 ELECTRIC POWERED).....	116
FIGURE 1-45. CONTROL VALVES INSTALLATION (T350 GAS POWERED).....	118
FIGURE 1-46. CONTROL VALVES INSTALLATION (T500J ELECTRIC POWERED).....	120
FIGURE 1-47. CONTROL VALVES INSTALLATION (T500J GAS POWERED).....	122
FIGURE 1-48. CONTROL VALVE ASSEMBLY (T350 ELECTRIC POWERED MACHINES)	124
FIGURE 1-49. CONTROL VALVE ASSEMBLY (T350 GAS POWERED MACHINES)	128
FIGURE 1-50. CONTROL VALVE ASSEMBLY (T500J ELECTRIC POWERED MACHINES)	132
FIGURE 1-51. CONTROL VALVE ASSEMBLY (T500J GAS POWERED MACHINES).....	136
FIGURE 1-52. CONTROL MODULE INSTALLATION (ELECTRIC POWERED MACHINES)	140
FIGURE 1-53. CONTROL MODULE INSTALLATION (GAS MACHINES)	142
FIGURE 1-54. ENGINE INSTALLATION (T350 GAS POWERED MACHINES)	144
FIGURE 1-55. ENGINE INSTALLATION (T500J GAS POWERED MACHINES).....	146
FIGURE 1-56. ENGINE ASSEMBLY (GAS POWERED MACHINES).....	148
FIGURE 1-57. GAS ENGINE COMPONENTS	150
FIGURE 1-58. BATTERIES INSTALLATION (ELECTRIC POWERED MACHINES) (STANDARD BATTERIES)	154
FIGURE 1-59. BATTERIES INSTALLATION (ELECTRIC POWERED MACHINES) (AGM BATTERIES)	156
FIGURE 1-60. BATTERY CHARGER INSTALLATION-DELTA-Q (ELECTRIC POWERED MACHINES) (ANSI, ANSI EXPORT AND CSA SPECS)	158
FIGURE 1-61. BATTERY CHARGER INSTALLATION-DELTA-Q (ELECTRIC POWERED MACHINES) (ANSI EXPORT, AUSTRALIAN AND SOUTH AFRICAN SPECS)	160

TABLE OF CONTENTS

FIGURE 1-62. BATTERY CHARGER INSTALLATION - PRO CHARGING (ELECTRIC POWERED MACHINES) (ANSI, ANSI EXPORT AND CSA SPECS)	162
FIGURE 1-63. TAILLIGHTS AND MARKERS INSTALLATION (T350) (ANSI, ANSI EXPORT AND CSA SPECS)	164
FIGURE 1-64. TAILLIGHTS AND MARKERS INSTALLATION (T350) (AUSTRALIAN AND SOUTH AFRICA SPECS)	166
FIGURE 1-65. TAILLIGHTS AND MARKERS INSTALLATION (T500J) (ANSI, ANSI EXPORT AND CSA SPECS).....	168
FIGURE 1-66. TAILLIGHTS AND MARKERS INSTALLATION (T500J) (AUSTRALIAN AND SOUTH AFRICA SPECS)	170
FIGURE 1-67. OUTRIGGERS INSTALLATION (T350) (ALL SPECS EXCEPT AUSTRALIAN SPECS)	172
FIGURE 1-68. OUTRIGGERS INSTALLATION (T350) (AUSTRALIAN SPECS).....	174
FIGURE 1-69. OUTRIGGERS INSTALLATION (T500J) (ALL SPECS EXCEPT AUSTRALIAN SPECS)	176
FIGURE 1-70. OUTRIGGERS INSTALLATION (T500J) (AUSTRALIAN SPECS).....	178
FIGURE 1-71. OUTRIGGER (NON-MARKING) PADS AND STORAGE TRAY INSTALLATION (OPTIONAL).....	180
FIGURE 1-72. FENDERS INSTALLATION (T350 WITHOUT MUDFLAPS)	182
FIGURE 1-73. FENDERS INSTALLATION (T350 WITH MUDFLAPS)	184
FIGURE 1-74. FENDERS INSTALLATION (T500J WITHOUT MUDFLAPS).....	186
FIGURE 1-75. FENDERS INSTALLATION (T500J WITH MUDFLAPS)	188
FIGURE 1-76. FRAME COVERS INSTALLATION (T350 ELECTRIC POWERED MACHINES)	190
FIGURE 1-77. FRAME COVERS INSTALLATION (T350 GAS POWERED MACHINES)	192
FIGURE 1-78. FRAME COVERS INSTALLATION (T500J ELECTRIC POWERED MACHINES)	194
FIGURE 1-79. FRAME COVERS INSTALLATION (T500J GAS POWERED MACHINES)	196
FIGURE 1-80. SPARE TIRE INSTALLATION (185R14C TIRE) (OPTIONAL).....	198
FIGURE 1-81. SPARE TIRE INSTALLATION (215-75R14 TIRE) (OPTIONAL)	200
FIGURE 1-82. SPARE TIRE INSTALLATION (225-75R15 TIRE) (OPTIONAL)	202
FIGURE 1-83. SPARE TIRE INSTALLATION (225-75R16C TIRE) (OPTIONAL).....	204
FIGURE 1-84. SPARE TIRE INSTALLATION (T350) (CARRIER ONLY OPTIONAL)	206
FIGURE 1-85. SPARE TIRE INSTALLATION (T500J) (CARRIER ONLY OPTIONAL)	208
FIGURE 1-86. WHEEL CHOCK INSTALLATION WITH SPARE TIRE (OPTIONAL).....	210
FIGURE 1-87. WHEEL CHOCK INSTALLATION WITHOUT SPARE TIRE (OPTIONAL)	212
FIGURE 1-88. SIDE GUARDS INSTALLATION (T350) (OPTIONAL).....	214
FIGURE 1-89. SIDE GUARDS INSTALLATION (T500J) (OPTIONAL).....	216
SECTION 2 - TURNTABLE	219
FIGURE 2-1. SWING DRIVE AND TURNTABLE BEARING INSTALLATION (T350 WITH DOHI BEARING).....	220
FIGURE 2-2. SWING DRIVE AND TURNTABLE BEARING INSTALLATION (T350 WITH JING WEI BEARING).....	222
FIGURE 2-3. SWING DRIVE AND TURNTABLE BEARING INSTALLATION (T500J WITH DOHI BEARING).....	224
FIGURE 2-4. SWING DRIVE AND TURNTABLE BEARING INSTALLATION (T500J WITH JING WEI BEARING).....	226
FIGURE 2-5. TURNTABLE BEARING ASSEMBLY - DOHI (T350)	228
FIGURE 2-6. TURNTABLE BEARING ASSEMBLY - JING WEI (T350)	230
FIGURE 2-7. TURNTABLE BEARING ASSEMBLY - DOHI (T500J)	232
FIGURE 2-8. TURNTABLE BEARING ASSEMBLY - JING WEI (T500J).....	234
FIGURE 2-9. SWING MOTOR ASSEMBLY (PARKER).....	236
FIGURE 2-10. GROUND CONTROL INSTALLATION (T350 ELECTRIC POWERED MACHINES) (ALL SPECS EXCEPT AUSTRALIAN SPECS)	238
FIGURE 2-11. GROUND CONTROL INSTALLATION (T350 ELECTRIC POWERED MACHINES) (AUSTRALIAN SPECS)	240
FIGURE 2-12. GROUND CONTROL INSTALLATION (T350 ENGINE POWERED MACHINES) (ALL SPECS EXCEPT AUSTRALIAN SPECS)	242
FIGURE 2-13. GROUND CONTROL INSTALLATION (T350 ENGINE POWERED MACHINES) (AUSTRALIAN SPECS)	244
FIGURE 2-14. GROUND CONTROL INSTALLATION (T500J ELECTRIC POWERED MACHINES) (ALL SPECS EXCEPT AUSTRALIAN SPECS)	246
FIGURE 2-15. GROUND CONTROL INSTALLATION (T500J ELECTRIC POWERED MACHINES) (AUSTRALIAN SPECS).....	248
FIGURE 2-16. GROUND CONTROL INSTALLATION (T500J ENGINE POWERED MACHINES) (ALL SPECS EXCEPT AUSTRALIAN SPECS)	250
FIGURE 2-17. GROUND CONTROL INSTALLATION (T500J ENGINE POWERED MACHINES) (AUSTRALIAN SPECS).....	252
FIGURE 2-18. GROUND CONTROL BOX ASSEMBLY	254
FIGURE 2-19. MOTION ALARM INSTALLATION (OPTIONAL)	256
FIGURE 2-20. ALARM AND STROBE LIGHT INSTALLATION (OPTIONAL).....	258
FIGURE 2-21. STROBE LIGHT INSTALLATION (OPTIONAL)	260
FIGURE 2-22. ACCESSORY TRAY INSTALLATION (OPTIONAL).....	262
FIGURE 2-23. 3000W GENERATOR INSTALLATION (OPTIONAL).....	264
SECTION 3 - BOOM.....	267
FIGURE 3-1. BOOM ASSEMBLY AND INSTALLATION (T350 ANSI, ANSI EXPORT AND CSA SPECS).....	268
FIGURE 3-2. BOOM ASSEMBLY AND INSTALLATION (T350 AUSTRALIAN AND SOUTH AFRICAN SPECS).....	272
FIGURE 3-3. BOOM ASSEMBLY AND INSTALLATION WITH AIR AND SINGLE WATER LINE (T500J ANSI, ANSI EXPORT AND CSA SPECS).....	276

TABLE OF CONTENTS

FIGURE 3-4. BOOM ASSEMBLY AND INSTALLATION WITH AIR AND DUAL WATER LINE (T500J ANSI, ANSI EXPORT AND CSA SPECS).....	280
FIGURE 3-5. BOOM ASSEMBLY AND INSTALLATION WITH AIR AND SINGLE WATER LINE (T500J AUSTRALIAN AND SOUTH AFRICAN SPECS)	284
FIGURE 3-6. MAIN BOOM ASSEMBLY (T350)	288
FIGURE 3-7. MAIN BOOM ASSEMBLY (T500J WITH SINGLE WATER LINE)	290
FIGURE 3-8. MAIN BOOM ASSEMBLY (T500J WITH DUAL WATER LINES).....	292
FIGURE 3-9. MATERIAL HOOK INSTALLATION (OPTIONAL).....	294
SECTION 4 - PLATFORM.....	297
FIGURE 4-1. PLATFORM ASSEMBLY	298
FIGURE 4-2. PLATFORM MOUNT INSTALLATION (WITHOUT ROTATOR).....	300
FIGURE 4-3. PLATFORM MOUNT INSTALLATION (WITHOUT ROTATOR) (RENTAL SPEC)	302
FIGURE 4-4. PLATFORM MOUNT INSTALLATION (WITH ROTATOR)	304
FIGURE 4-5. PLATFORM MOUNT INSTALLATION (WITH ROTATOR) (RENTAL SPEC).....	306
FIGURE 4-6. PLATFORM ROTATOR ASSEMBLY (OPTIONAL)	308
FIGURE 4-7. CONSOLE BOX INSTALLATION (ELECTRIC POWERED MACHINES WITHOUT DRIVE-OPTION).....	310
FIGURE 4-8. CONSOLE BOX INSTALLATION (ELECTRIC POWERED MACHINES WITH DRIVE OPTION)	312
FIGURE 4-9. CONSOLE BOX INSTALLATION (ENGINE POWERED MACHINES WITHOUT DRIVE OPTION)	314
FIGURE 4-10. CONSOLE BOX INSTALLATION (ENGINE POWERED MACHINES WITH DRIVE OPTION)	316
FIGURE 4-11. CONSOLE BOX ASSEMBLY (ELECTRIC POWERED MACHINES WITHOUT DRIVE OPTION)	318
FIGURE 4-12. CONSOLE BOX ASSEMBLY (ELECTRIC POWERED MACHINES WITH DRIVE OPTION).....	320
FIGURE 4-13. CONSOLE BOX ASSEMBLY (ENGINE POWERED MACHINES WITHOUT DRIVE OPTION)	322
FIGURE 4-14. CONSOLE BOX ASSEMBLY (ENGINE POWERED MACHINES WITH DRIVE OPTION).....	324
SECTION 5 - CYLINDER	327
FIGURE 5-1. BRAKE RELEASE CYLINDER ASSEMBLY	328
FIGURE 5-2. DRIVE ENGAGE CYLINDER ASSEMBLY (T350).....	330
FIGURE 5-3. DRIVE ENGAGE CYLINDER ASSEMBLY (T500J)	332
FIGURE 5-4. JIB CYLINDER ASSEMBLY (T500J ONLY)	334
FIGURE 5-5. PLATFORM LEVEL (SLAVE) CYLINDER ASSEMBLY (T350).....	336
FIGURE 5-6. PLATFORM LEVEL (SLAVE) CYLINDER ASSEMBLY (T500J).....	338
FIGURE 5-7. LIFT CYLINDER ASSEMBLY (T350).....	340
FIGURE 5-8. LIFT CYLINDER ASSEMBLY (T500J).....	342
FIGURE 5-9. MASTER CYLINDER ASSEMBLY (T350)	344
FIGURE 5-10. MASTER CYLINDER ASSEMBLY (T500J)	346
FIGURE 5-11. OUTRIGGER CYLINDER ASSEMBLY (T350)	348
FIGURE 5-12. OUTRIGGER CYLINDER ASSEMBLY (T500J).....	350
FIGURE 5-13. TELESCOPE CYLINDER ASSEMBLY (T350).....	352
FIGURE 5-14. TELESCOPE CYLINDER ASSEMBLY (T500J).....	354
SECTION 6 - HYDRAULIC	357
FIGURE 6-1. HYDRAULIC DIAGRAM - BOOM (T350).....	358
FIGURE 6-2. HYDRAULIC DIAGRAM - BOOM (T500J)	360
FIGURE 6-3. HYDRAULIC DIAGRAM - CHASSIS (T350 ELECTRIC POWERED MACHINES)	362
FIGURE 6-4. HYDRAULIC DIAGRAM - BOOM AND CHASSIS (T350 ENGINE POWERED MACHINES).....	364
FIGURE 6-5. HYDRAULIC DIAGRAM - CHASSIS (T500J ELECTRIC POWERED MACHINES) (ANSI, ANSI EXPORT AND CSA SPECS)	366
FIGURE 6-6. HYDRAULIC DIAGRAM - CHASSIS (T500J ELECTRIC POWERED MACHINES) (AUSTRALIAN AND SOUTH AFRICAN SPECS).....	368
FIGURE 6-7. HYDRAULIC DIAGRAM - CHASSIS (T500J ENGINE POWERED MACHINES) (ANSI, ANSI EXPORT AND CSA SPECS)	370
FIGURE 6-8. HYDRAULIC DIAGRAM - CHASSIS (T500J ENGINE POWERED MACHINES) (AUSTRALIAN AND SOUTH AFRICAN SPECS).....	372
FIGURE 6-9. HYDRAULIC DIAGRAM - DRIVE AND SET (T350 ELECTRIC POWERED MACHINES).....	374
FIGURE 6-10. HYDRAULIC DIAGRAM - DRIVE AND SET (T350 ENGINE POWERED MACHINES).....	378
FIGURE 6-11. HYDRAULIC DIAGRAM - DRIVE AND SET (T500J ELECTRIC POWERED MACHINES).....	382
FIGURE 6-12. HYDRAULIC DIAGRAM - DRIVE AND SET (T500J ENGINE POWERED MACHINES).....	386
SECTION 7 - ELECTRICAL	389
FIGURE 7-1. ELECTRICAL COMPONENTS INSTALLATION - ELECTRIC POWERED MACHINES.....	390
FIGURE 7-2. ELECTRICAL COMPONENTS INSTALLATION - ENGINE POWERED MACHINES.....	394
FIGURE 7-3. AC BOX AT PLATFORM INSTALLATION - 110V GFI.....	398

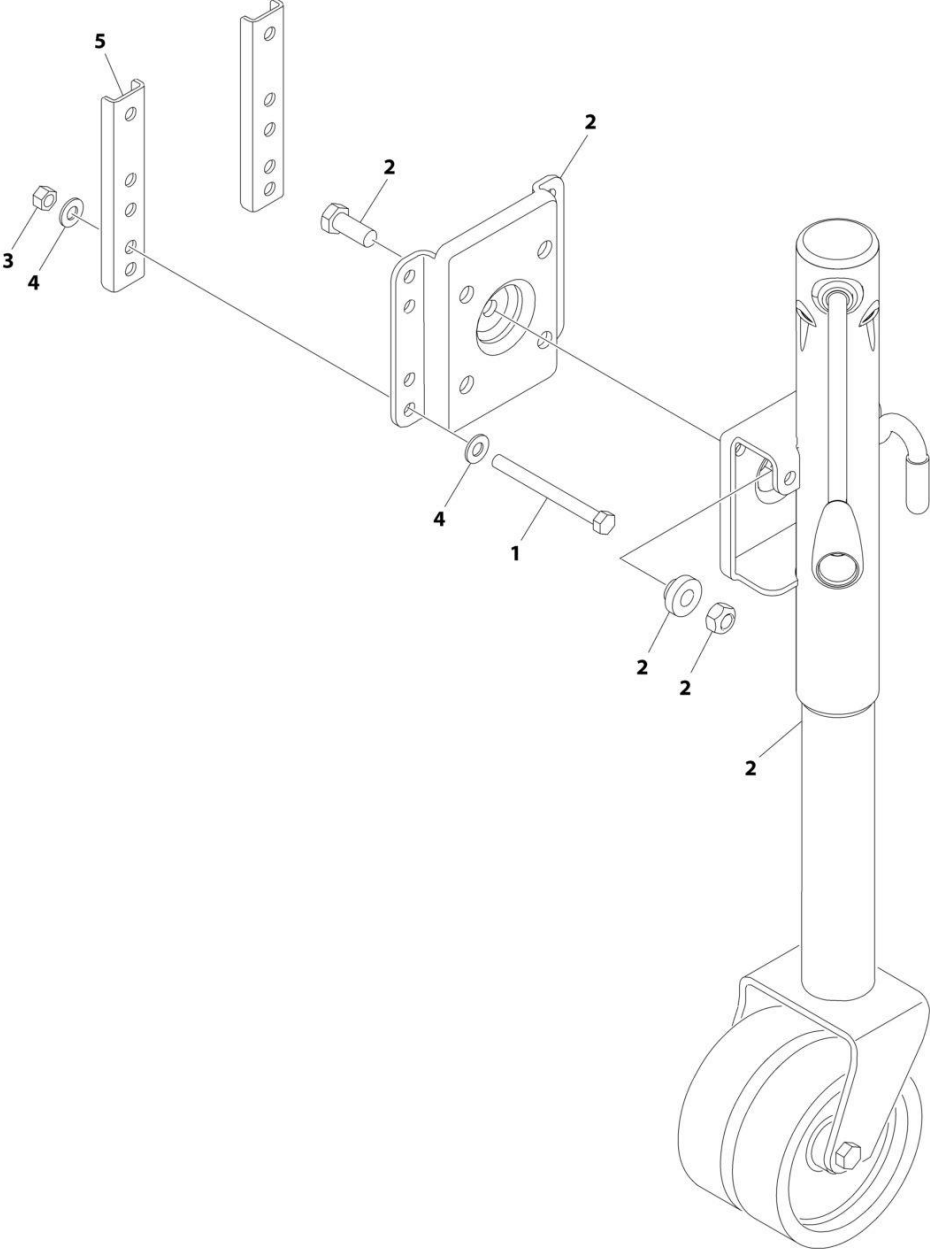
TABLE OF CONTENTS

FIGURE 7-4. AC BOX AT PLATFORM INSTALLATION - LOCALLY SUPPLIED COMPONENTS	400
FIGURE 7-5. BATTERY CABLE KIT (ELECTRIC POWERED MACHINES)	402
FIGURE 7-6. BOOM CABLE, HARNESS (T350)	404
FIGURE 7-7. BOOM CABLE, HARNESS (T500J)	406
FIGURE 7-8. DRIVE OPTION HARNESS.....	408
FIGURE 7-9. ENGINE HARNESS (GAS POWERED MACHINES)	410
FIGURE 7-10. FRAME HARNESS - ELECTRICAL POWERED MACHINES	412
FIGURE 7-11. FRAME HARNESS - GAS POWERED MACHINES.....	414
FIGURE 7-12. GROUND CONTROL BOX HARNESS (ELECTRIC POWERED MACHINES)	416
FIGURE 7-13. GROUND CONTROL BOX HARNESS (ENGINE POWERED MACHINES)	418
FIGURE 7-14. HOOK HARNESS.....	420
FIGURE 7-15. LIFT DOWN PROP VALVE, HARNESS (T350)	422
FIGURE 7-16. LIFT DOWN PROP VALVE, HARNESS (T500J).....	424
FIGURE 7-17. LIGHTS HARNESS (T350) (ANSI, ANSI EXPORT AND CSA SPECS)	426
FIGURE 7-18. LIGHTS HARNESS (T500J) (ANSI, ANSI EXPORT AND CSA SPECS)	428
FIGURE 7-19. LIGHT HARNESS - CENTER BRAKE LIGHT (T350) (ANSI, ANSI EXPORT AND CSA SPECS)	430
FIGURE 7-20. LIGHT HARNESS - CENTER BRAKE LIGHT (T350) (AUSTRALIAN AND SOUTH AFRICAN SPECS)	432
FIGURE 7-21. LIGHT HARNESS - CENTER BRAKE LIGHT (T500J) (ANSI, ANSI EXPORT AND CSA SPECS)	434
FIGURE 7-22. LIGHT HARNESS - CENTER BRAKE LIGHT (T500J) (AUSTRALIAN AND SOUTH AFRICAN SPECS)	436
FIGURE 7-23. MAIN CONTROL VALVE HARNESS	438
FIGURE 7-24. OUTRIGGER JACK & VALVE HARNESS.....	440
FIGURE 7-25. PLATFORM BOX HARNESS (ELECTRIC POWERED MACHINES WITHOUT DRIVE OPTION).....	442
FIGURE 7-26. PLATFORM BOX HARNESS (ELECTRIC POWERED MACHINES WITH DRIVE OPTION)	444
FIGURE 7-27. PLATFORM BOX HARNESS (ENGINE POWERED MACHINES WITHOUT DRIVE OPTION).....	446
FIGURE 7-28. PLATFORM BOX HARNESS (ENGINE POWERED MACHINES WITH DRIVE OPTION)	448
FIGURE 7-29. STROBE LIGHT AND ALARM HARNESS	450
FIGURE 7-30. TELESCOPE LIMIT SWITCH HARNESS (T350).....	452
FIGURE 7-31. TELESCOPE LIMIT SWITCH HARNESS (T500J)	454
FIGURE 7-32. TRANSPORT LIMIT SWITCH HARNESS (T350).....	456
FIGURE 7-33. TRANSPORT LIMIT SWITCH HARNESS (T500J).....	458
SECTION 8 - DECALS	461
FIGURE 8-1. DECAL INSTALLATION (ANSI SPEC) (ENGLISH LANGUAGE).....	462
FIGURE 8-2. DECAL INSTALLATION (AUSTRALIAN SPEC) (ENGLISH LANGUAGE).....	464
FIGURE 8-3. DECAL INSTALLATION (BRAZIL SPECS) (SPANISH/ENGLISH LANGUAGES)	466
FIGURE 8-4. DECAL INSTALLATION (BRAZIL SPECS) (SPANISH/ENGLISH LANGUAGES)	470
FIGURE 8-5. DECAL INSTALLATION (CSA SPECS) (FRENCH/ENGLISH LANGUAGES)	474
FIGURE 8-6. DECAL INSTALLATION (LATIN AMERICAN SPECS) (SPANISH/ENGLISH LANGUAGES).....	478
FIGURE 8-7. DECAL INSTALLATION (SOUTH AFRICAN SPECS).....	480
FIGURE 8-8. DECAL INSTALLATION - OPTIONS.....	482
FIGURE 8-9. DECAL MOUNTING PLATE INSTALLATION	486
FIGURE 8-10. DECAL TAGS INSTALLATION (T350).....	488
FIGURE 8-11. DECAL TAGS INSTALLATION (T500J)	490
SECTION 9 - RECOMMENDED SERVICE PARTS STOCK.....	493
FIGURE 9-1. RECOMMENDED SERVICE PARTS STOCK.....	494
SECTION 10 - SPECIAL OPTIONS	497
FIGURE 10-1. SPECIAL OPTIONS	498
PART NUMBER INDEX.....	501

SECTION 1 - FRAME

SECTION 1 - FRAME

FIGURE 1-1. TONGUE JACK INSTALLATIONS (T350)



ART_0274306

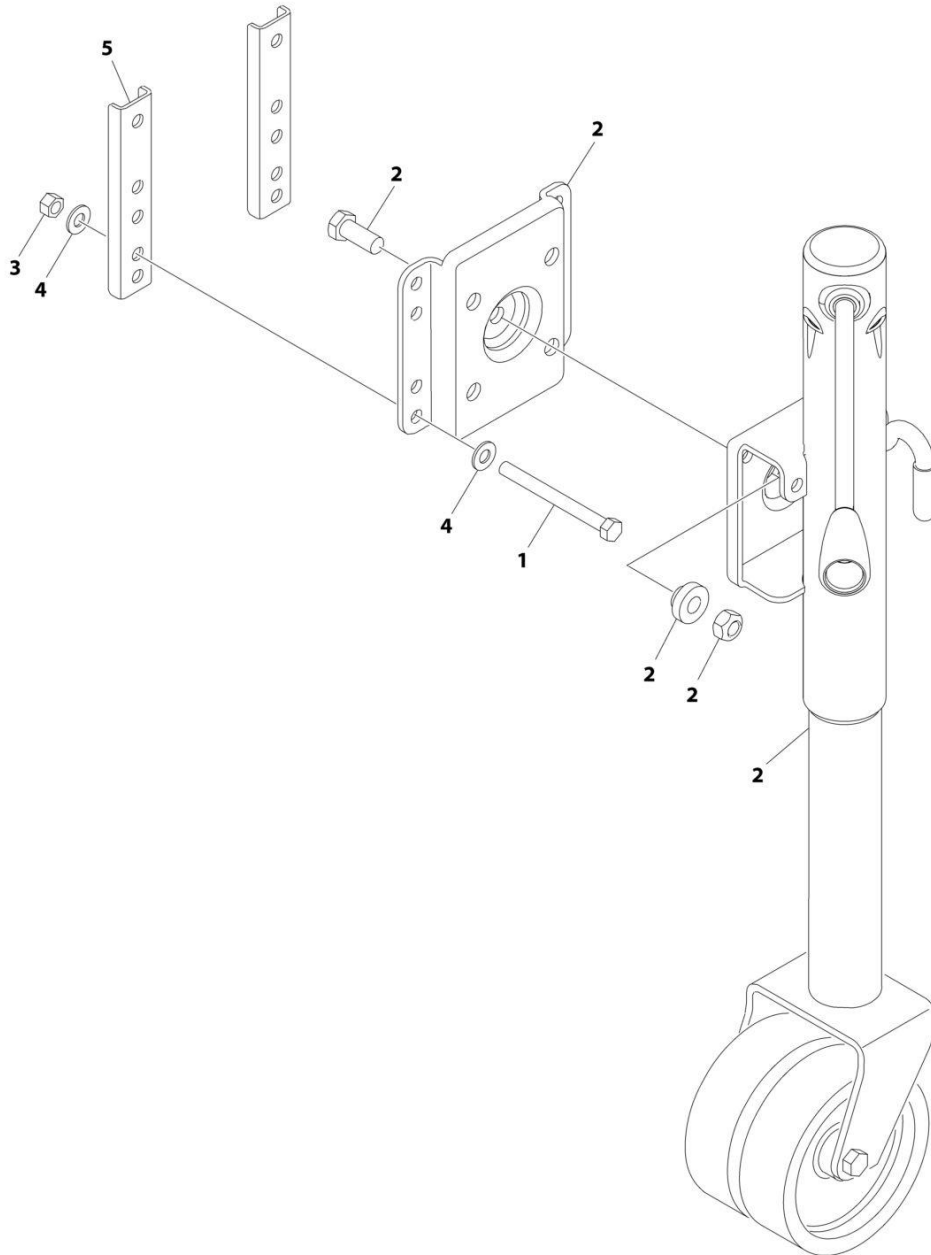
SECTION 1 - FRAME

FIGURE 1-1. TONGUE JACK INSTALLATIONS (T350)

ITEM	PART NUMBER	QTY	DESCRIPTION	REV
	0274306	Ref	JACK INSTALLATION	C
1	0641632	4	Bolt 3/8 x 4	
1	0641630	4	Bolt 3/8 x 3-3/4	
1	0641638	4	Bolt 3/8 x 4-3/4	
2	2840026	1	Jack Assembly (No Service Parts Available Due to the Variety of Jacks Used by either JLG or Supplier. Replace Complete Assembly)	
3	3311605	4	Nut 3/8	
4	4751600	8	Washer 3/8	
5	7027727	2	Strap, Mounting	

SECTION 1 - FRAME

FIGURE 1-2. TONGUE JACK INSTALLATIONS (T500J WITH BALL HITCH) (ANSI, ANSI EXPORT AND CSA SPECS)



ART_0274308

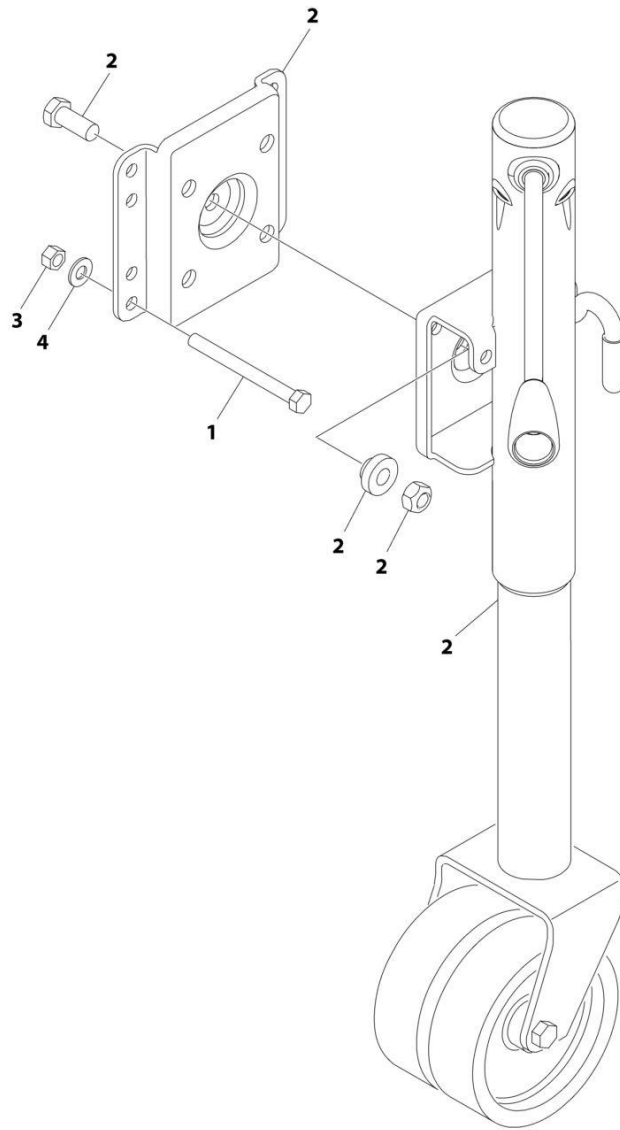
SECTION 1 - FRAME

FIGURE 1-2. TONGUE JACK INSTALLATIONS (T500J WITH BALL HITCH) (ANSI, ANSI EXPORT AND CSA SPECS)

ITEM	PART NUMBER	QTY	DESCRIPTION	REV
	0274308	Ref	JACK INSTALLATION	B
1	0641632	4	Bolt 3/8 x 4	
1	0641630	4	Bolt 3/8 x 3-3/4	
1	0641638	4	Bolt 3/8 x 4-3/4	
2	2840026	1	Jack Assembly (No Service Parts Available Due to the Variety of Jacks Used by either JLG or Supplier. Replace Complete Assembly)	
3	3311605	4	Nut 3/8	
4	4751600	8	Washer 3/8	
5	7027727	2	Strap, Mounting	

SECTION 1 - FRAME

FIGURE 1-3. TONGUE JACK INSTALLATIONS (T500J WITH BALL HITCH) (AUSTRALIAN AND SOUTH AFRICAN SPECS)



ART_0274486

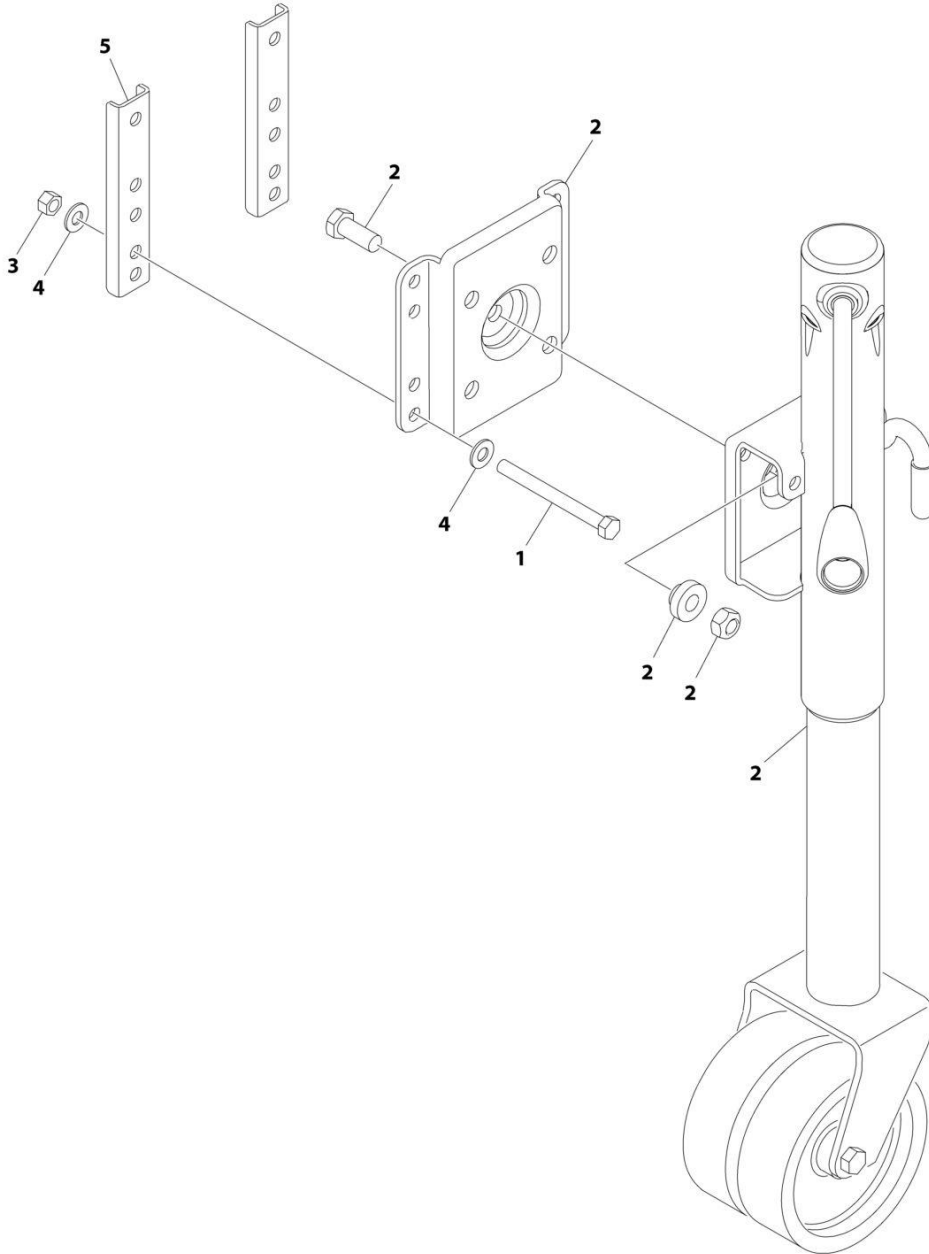
SECTION 1 - FRAME

FIGURE 1-3. TONGUE JACK INSTALLATIONS (T500J WITH BALL HITCH) (AUSTRALIAN AND SOUTH AFRICAN SPECS)

ITEM	PART NUMBER	QTY	DESCRIPTION	REV
	0274486	Ref	JACK INSTALLATION	B
1	0641640	4	Bolt 3/8 x 5	
2	2840026	1	Jack Assembly (No Service Parts Available Due to the Variety of Jacks Used by either JLG or Supplier. Replace Complete Assembly)	
3	3311605	4	Nut 3/8	
4	4751600	4	Washer 3/8	

SECTION 1 - FRAME

FIGURE 1-4. TONGUE JACK INSTALLATIONS (T500J WITH COMBINATION HITCH)



ART_0274453

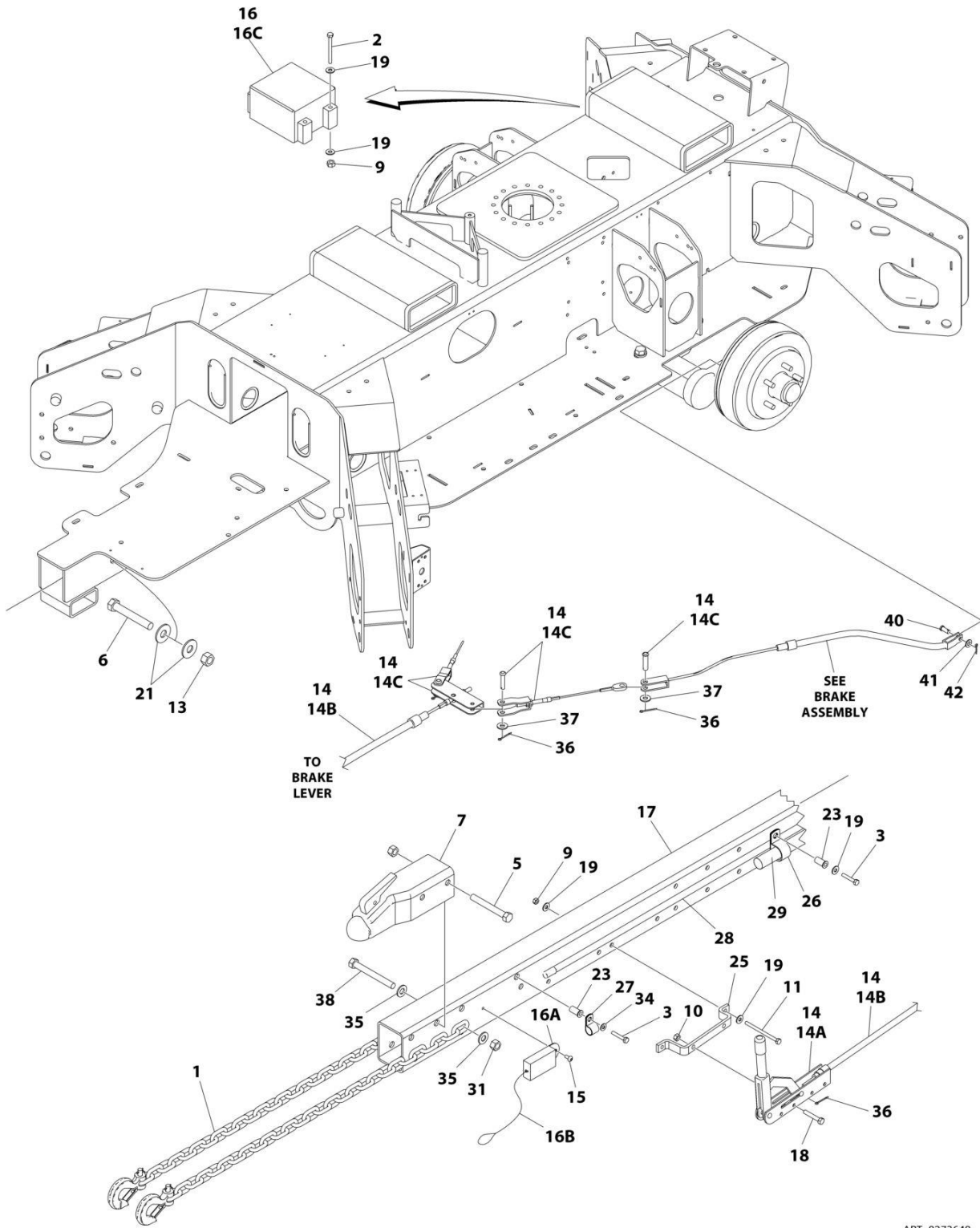
SECTION 1 - FRAME

FIGURE 1-4. TONGUE JACK INSTALLATIONS (T500J WITH COMBINATION HITCH)

ITEM	PART NUMBER	QTY	DESCRIPTION	REV
	0274453	Ref	JACK INSTALLATION	C
1	0641632	4	Bolt 3/8 x 4	
1	0641630	4	Bolt 3/8 x 3-3/4	
1	0641638	4	Bolt 3/8 x 4-3/4	
2	2840026	1	Jack Assembly (No Service Parts Available Due to the Variety of Jacks Used by either JLG or Supplier. Replace Complete Assembly)	
3	3311605	4	Nut 3/8	
4	4751600	8	Washer 3/8	
5	7027727	2	Strap, Mounting	

SECTION 1 - FRAME

FIGURE 1-5. AXLE AND TONGUE INSTALLATION WITH ELECTRIC BRAKES (T350)



ART_0273648

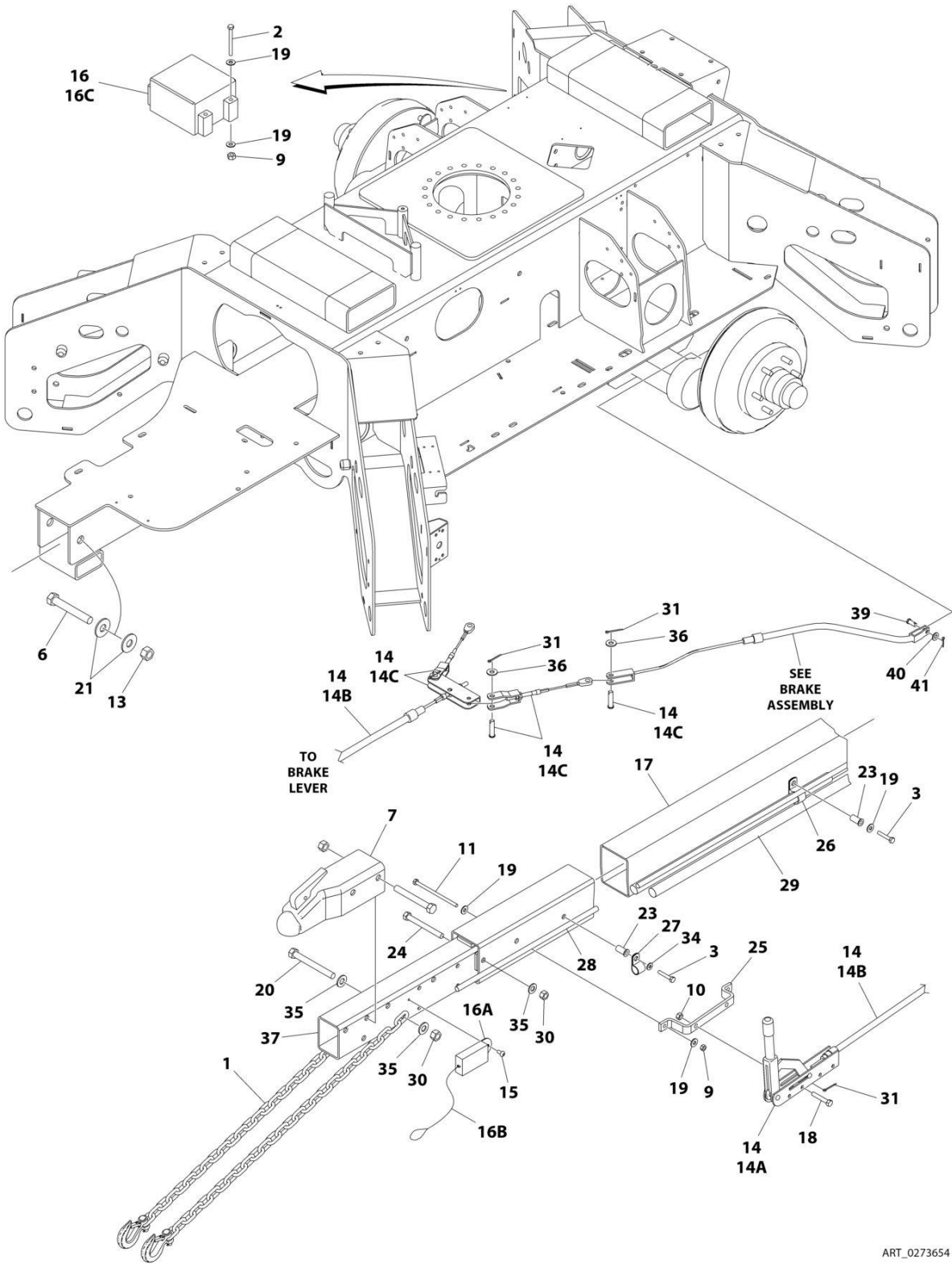
SECTION 1 - FRAME

FIGURE 1-5. AXLE AND TONGUE INSTALLATION WITH ELECTRIC BRAKES (T350)

ITEM	PART NUMBER	QTY	DESCRIPTION	REV
	0273648	Ref	ELECTRIC BRAKE AND TONGUE INSTALLATION	I
1	70212	2	Chain, Safety with Hook	
2	0641422	4	Bolt 1/4 x 2-3/4	
3	0641412	3	Bolt 1/4 x 1-1/2	
5	0641832	2	Bolt 1/2 x 4	
6	0642240	2	Bolt 3/4 x 5	
7	1660273	1	Coupler Assembly - Electric Brake (No Repair Parts Available)	
9	3311405	6	Nut 1/4	
10	3311505	2	Nut 5/16	
11	0641430	2	Bolt 1/4 x 3-3/4	
13	3312205	2	Nut 3/4	
14	3890043	1	Parking Brake Cable Assembly	
14A	2980123	1	Handle Assembly (Serviced as Assembly Only)	
14B	3890045	1	Cable, Brake (Handle to Splitter)	
14C	3890049	1	Brake, Cable Assembly (Splitter to Drum Brake) (Includes Splitter, Hardware and RH & LH Cables. Does NOT Include Cables Entering Drums - See Brake Assembly)	
15	4191706	1	Screw M6 x 12	
16	4360570	1	Breakaway Switch Kit	
16A	71820	1	Switch, Replacement Breakaway	
16B	71820-1	1	Replacement Switch Pin and Cable	
16C	See Note	NSS	Charger, Replacement Battery (Note: Not Available - Purchase Complete Kit p/n 4360570)	
17	4569512	1	Tongue	
18	0641514	2	Bolt 5/16 x 1-3/4	
19	4751400	14	Washer 1/4	
21	4752200	4	Washer 3/4	
23	8580420	3	Wellnut 1/4	
25	0903108	1	Bracket, Parking Brake	
26	1320060	2	Clamp	
27	1320061	1	Clamp	
28	1560016	1	Conduit	
29	1560017	1	Conduit	
31	3311805	1	Nut 1/2	
32	4240032	AR	Tie-Strap (Not Shown)	
33	4240033	AR	Tie-Strap (Not Shown)	
34	4711400	1	Washer 1/4	
35	4711800	2	Washer 1/2	
36	3450304	5	Pin, Cotter	
37	4751500	4	Washer 5/16	
38	0641836	1	Bolt 1/2 x 4-1/2	
39	4923202	1	Trailer Plug Harness (6 Way) (Not Shown)	
40	3430506	2	Pin, Clevis	
41	4711500	2	Washer 5/16	
42	3450302	2	Pin, Cotter	

SECTION 1 - FRAME

FIGURE 1-6. AXLE AND TONGUE INSTALLATION WITH ELECTRIC BRAKES (T500J WITH 2IN BALL)



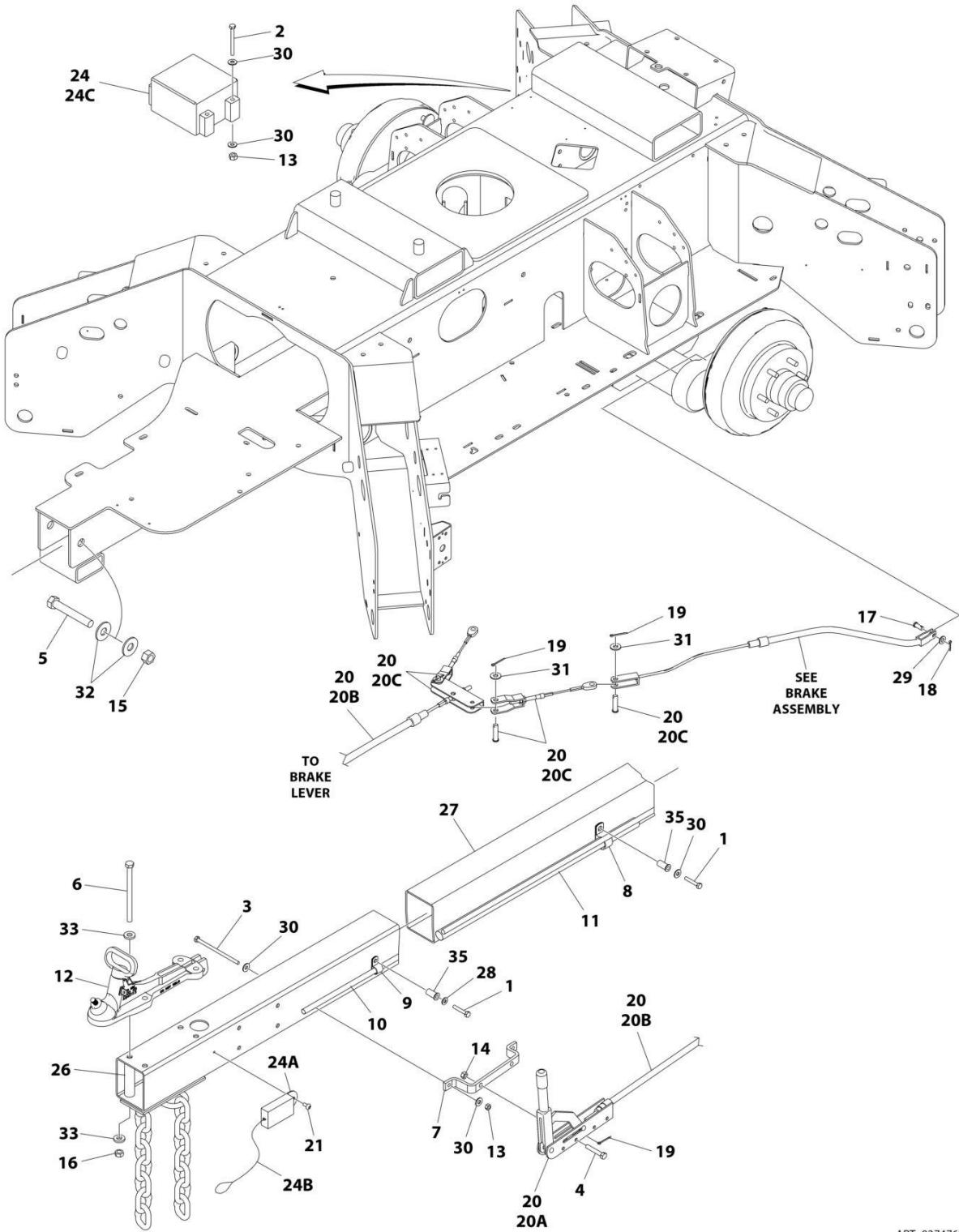
SECTION 1 - FRAME

FIGURE 1-6. AXLE AND TONGUE INSTALLATION WITH ELECTRIC BRAKES (T500J WITH 2IN BALL)

ITEM	PART NUMBER	QTY	DESCRIPTION	REV
	0273654	Ref	ELECTRIC BRAKE AND TONGUE INSTALLATION	I
1	70212	2	Chain, Safety with Hook	
2	0641422	4	Bolt 1/4 x 2-3/4	
3	0641412	4	Bolt 1/4 x 1-1/2	
6	0642240	2	Bolt 3/4 x 5	
7	1660273	1	Coupler Assembly - Electric Brake (No Repair Parts Available)	
9	3311405	6	Nut 1/4	
10	3311505	2	Nut 5/16	
11	0641438	2	Bolt 1/4 x 4-3/4	
13	3312205	2	Nut 3/4	
14	3890044	1	Parking Brake Cable Assembly	
14A	2980123	1	Handle Assembly (Serviced as Assembly Only)	
14B	3890046	1	Cable, Brake (Handle to Splitter)	
14C	3890050	1	Brake, Cable Assembly (Splitter to Drum Brake) (Includes Splitter, Hardware and RH & LH Cables. Does NOT Include Cables Entering Drums - See Brake Assembly)	
15	4191706	1	Screw M6 x 12	
16	4360570	1	Breakaway Switch Kit	
16A	71820	1	Switch, Replacement Breakaway	
16B	71820-1	1	Replacement Switch Pin and Cable	
16C	See Note	NSS	Charger, Replacement Battery (Note: Not Available - Purchase Complete Kit p/n 4360570)	
17	4568986	1	Tongue	
18	0641514	2	Bolt 5/16 x 1-3/4	
19	4751400	15	Washer 1/4	
20	0641836	1	Bolt 1/2 x 4-1/2	
21	4752200	4	Washer 3/4	
23	8580420	4	Wellnut 1/4	
24	0641838	2	Bolt 1/2 x 4-3/4	
25	0903108	1	Bracket, Parking Brake	
26	1320060	3	Clamp	
27	1320061	1	Clamp	
28	1560016	1	Conduit	
29	1560017	2	Conduit	
30	3311805	3	Nut 1/2	
31	3450304	5	Pin, Cotter	
32	4240032	AR	Tie-Strap (Not Shown)	
33	4240033	AR	Tie-Strap (Not Shown)	
34	4711400	1	Washer 1/4	
35	4711800	4	Washer 1/2	
36	4751500	4	Washer 5/16	
37	0080291	1	Adapter, Tongue	
38	4923203	1	Trailer Plug Harness (6 Way) (Not Shown)	
39	3430506	2	Pin, Clevis	
40	4711500	2	Washer 5/16	
41	3450302	2	Pin, Cotter	

SECTION 1 - FRAME

FIGURE 1-7. AXLE AND TONGUE INSTALLATION WITH ELECTRIC BRAKES (T500J WITH 50MM BALL)



ART_0274767

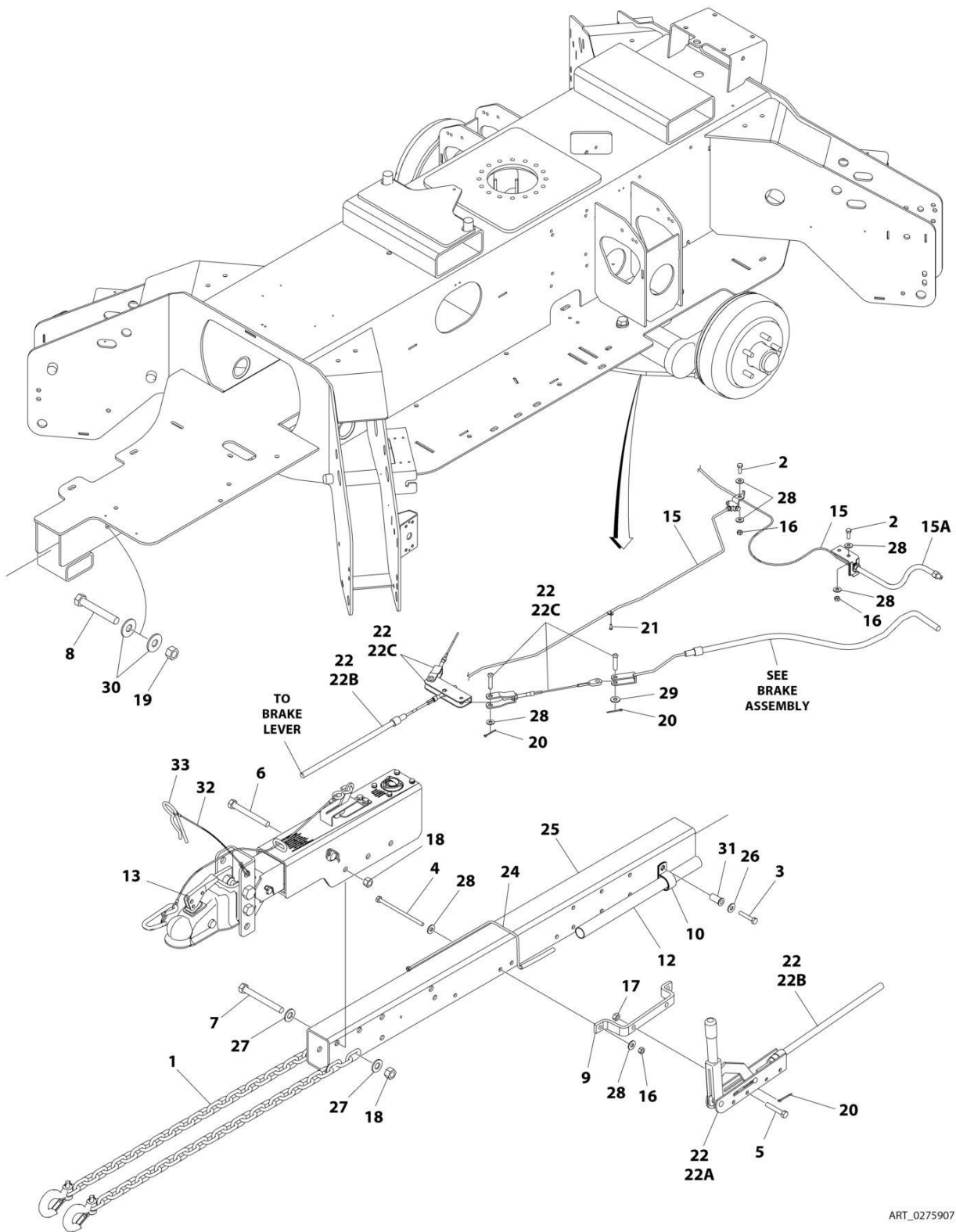
SECTION 1 - FRAME

FIGURE 1-7. AXLE AND TONGUE INSTALLATION WITH ELECTRIC BRAKES (T500J WITH 50MM BALL)

ITEM	PART NUMBER	QTY	DESCRIPTION	REV
	0274767	Ref	ELECTRIC BRAKE AND TONGUE INSTALLATION	E
1	0641412	4	Bolt 1/4 x 1-1/2	
2	0641422	4	Bolt 1/4 x 2-3/4	
3	0641438	2	Bolt 1/4 x 4-3/4	
4	0641514	2	Bolt 5/16 x 1-3/4	
5	0642246	2	Bolt 3/4 x 5-3/4	
6	0711234	4	Bolt M12 x 170	
7	0903108	1	Bracket, Parking Brake	
8	1320060	3	Clamp	
9	1320061	1	Clamp	
10	1560016	1	Conduit	
11	1560017	2	Conduit	
12	1660297	1	Coupler Assembly - Electric Brake (No Repair Parts Available)	
13	3311405	6	Nut 1/4	
14	3311505	2	Nut 5/16	
15	3312205	2	Nut 3/4	
16	3331211	4	Nut M12	
17	3430506	2	Pin, Clevis	
18	3450302	2	Pin, Cotter	
19	3450304	3	Pin, Cotter	
20	3890044	1	Parking Brake Cable Assembly	
20A	2980123	1	Handle Assembly (Serviced as Assembly Only)	
20B	3890046	1	Cable, Brake (Handle to Splitter)	
20C	3890050	1	Brake, Cable Assembly (Splitter to Drum Brake) (Includes Splitter, Hardware and RH & LH Cable. Does not Include Cable Entering Drums - See Brake Assembly)	
21	4191706	1	Screw M6 x 12	
22	4240032	AR	Tie-Strap (Not Shown)	
23	4240033	AR	Tie-Strap (Not Shown)	
24	4360570	1	Breakaway Switch Kit	
24A	71820	1	Switch, Replacement Breakaway	
24B	71820-1	1	Replacement Switch Pin and Cable	
24C	See Note	1	Charger, Replacement Battery (Note: Not Available - Purchase Complete Kit p/n 4360570)	
26	4569438	4	Spacer	
27	4569445	1	Tongue	
28	4711400	1	Washer 1/4	
29	4711500	2	Washer 5/16	
30	4751400	15	Washer 1/4	
31	4751500	2	Washer 5/16	
32	4752200	4	Washer 3/4	
33	4891800	8	Washer 1/2	
34	4923318	1	Trailer Plug Harness (Not Shown)	
35	8580420	4	Wellnut 1/2	

SECTION 1 - FRAME

FIGURE 1-8. AXLE AND TONGUE INSTALLATION WITH HYDRAULIC BRAKES (T350 WITH 2IN BALL)



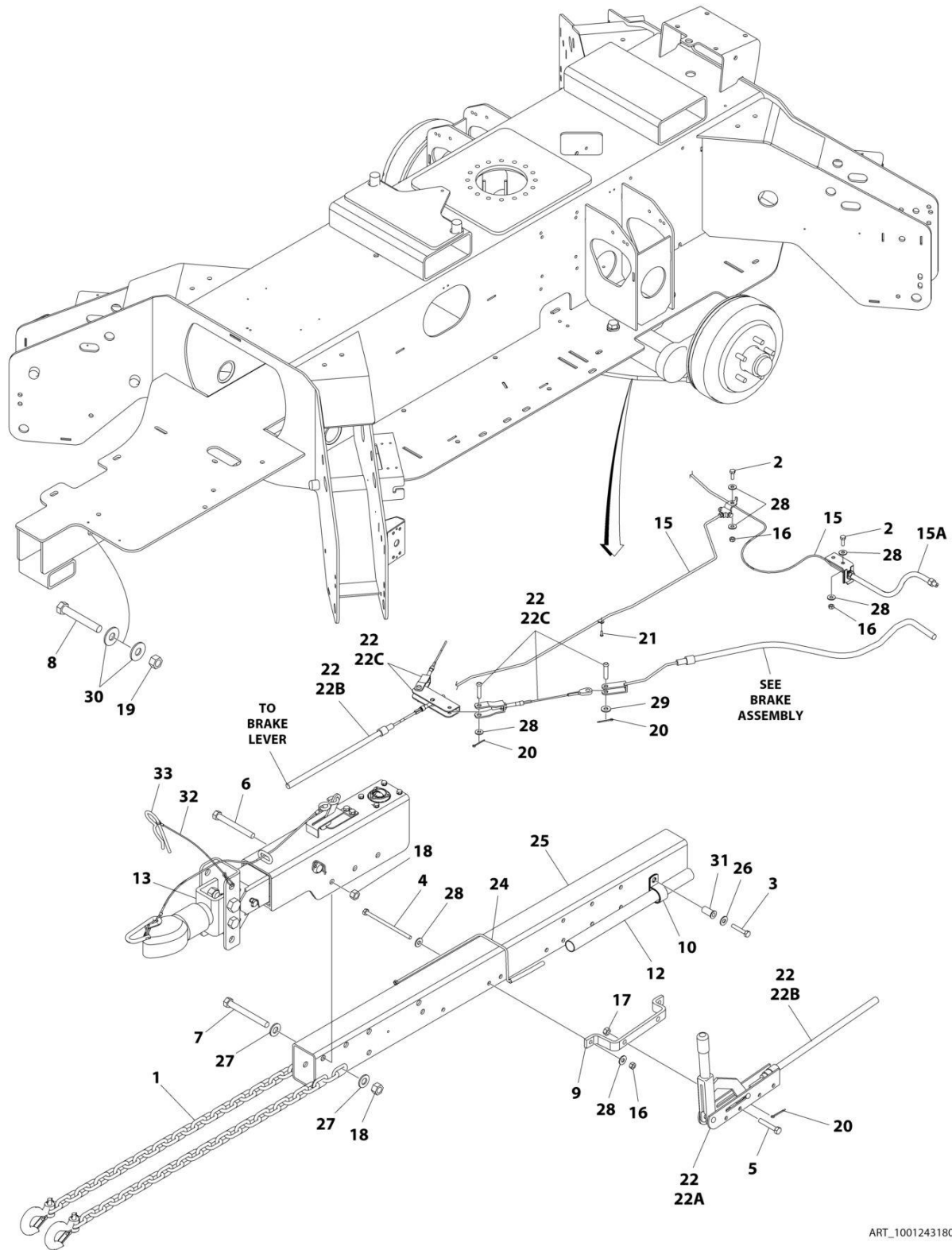
SECTION 1 - FRAME

FIGURE 1-8. AXLE AND TONGUE INSTALLATION WITH HYDRAULIC BRAKES (T350 WITH 2IN BALL)

ITEM	PART NUMBER	QTY	DESCRIPTION	REV
	0275907	Ref	HYDRAULIC BRAKE AND TONGUE INSTALLATIONS	E
1	70212	2	Chain, Safety with Hook	
2	0641406	5	Bolt 1/4 x 3/4	
3	0641412	2	Bolt 1/4 x 1-1/2	
4	0641430	2	Bolt 1/4 x 3-3/4	
5	0641514	2	Bolt 5/16 x 1-3/4	
6	0641836	3	Bolt 1/2 x 4-1/2	
7	0641838	1	Bolt 1/2 x 4-3/4	
8	0642240	2	Bolt 3/4 x 5	
9	0903108	1	Bracket, Parking Brake	
10	1320060	2	Clamp	
12	1560017	1	Conduit	
13	1001116350	1	Coupler Assembly (See Separate Breakdown in this Section)	
14	2300006	AR	Fluid, Brake - DOT3 (Not Shown)	
15	2902349	1	Brake Line Kit (Includes qty 2 of these items: 12in Steel Lines with Fittings, 18in Hoses, Mounting Angles and Clamps. Also, Includes qty 1 Tee Fitting with Mounting Bracket)	
15A	7027890	2	Replacement Hose Only	
16	3311405	7	Nut 1/4	
17	3311505	2	Nut 5/16	
18	3311805	4	Nut 1/2	
19	3312205	2	Nut 3/4	
20	3450304	5	Pin, Cotter	
21	3820017	2	Rivet	
22	3890041	1	Parking Brake Cable Assembly	
22A	2980123	1	Handle Assembly (Serviced as Assembly Only)	
22B	3890045	1	Cable, Brake (Handle to Splitter)	
22C	3890047	1	Brake, Cable Assembly (Splitter to Drum Brake) (Includes Splitter, Hardware and RH & LH Cables. Does NOT Include Cables Entering Drums - See Brake Assembly)	
23	4240032	AR	Tie-Strap (Not Shown)	
24	4569096	1	Brake Line	
25	4569512	1	Tongue	
26	4711400	2	Washer 1/4	
27	4711800	2	Washer 1/2	
28	4751400	16	Washer 1/4	
29	4751500	2	Washer 5/16	
30	4752200	4	Washer 3/4	
31	8580420	2	Wellnut 1/2	
32	1060799	1	Lanyard	
33	3420592	1	Hairpin	

SECTION 1 - FRAME

FIGURE 1-9. AXLE AND TONGUE INSTALLATION WITH HYDRAULIC BRAKES (T350 WITH 2IN BALL AND COLLAR)



ART_1001243180

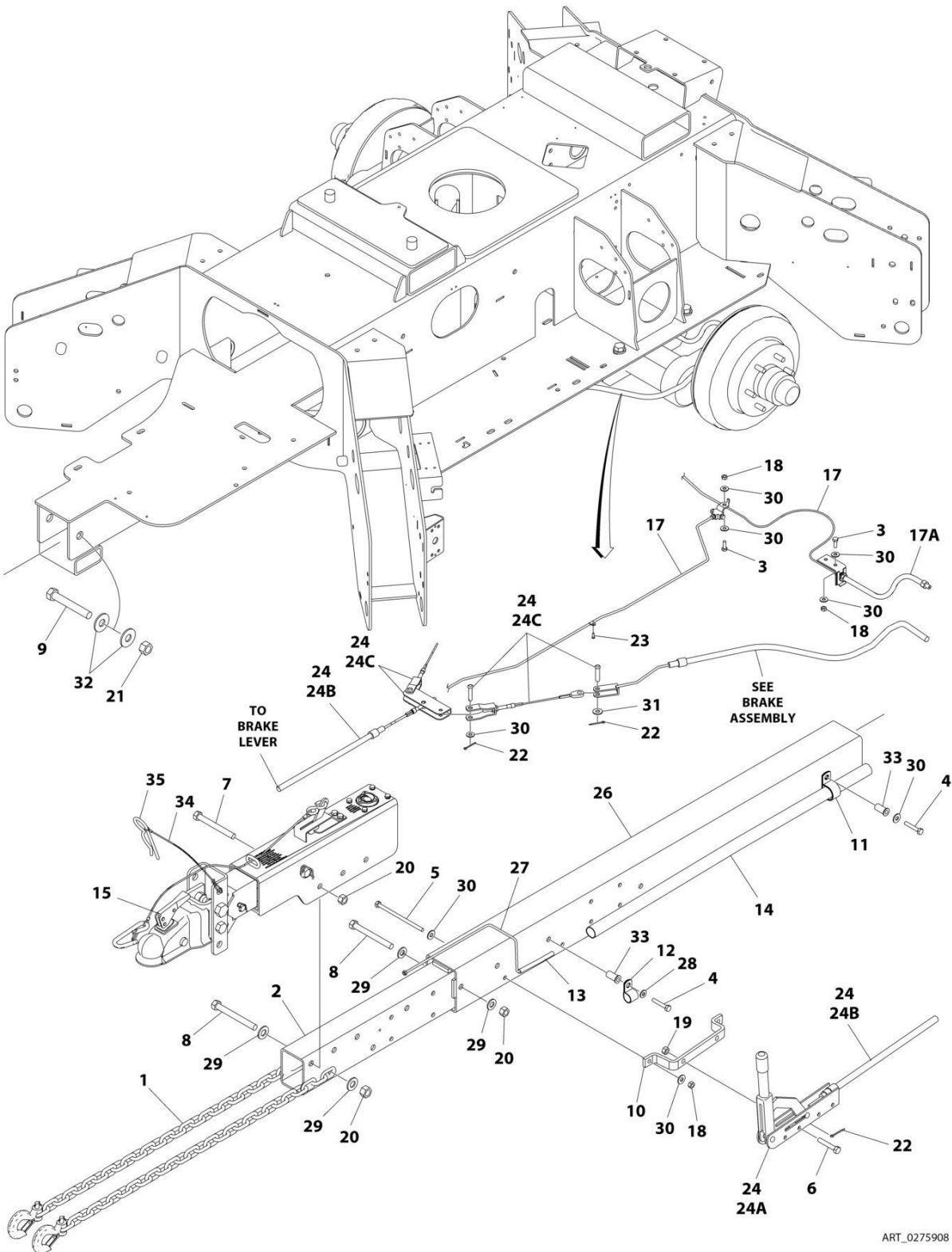
SECTION 1 - FRAME

FIGURE 1-9. AXLE AND TONGUE INSTALLATION WITH HYDRAULIC BRAKES (T350 WITH 2IN BALL AND COLLAR)

ITEM	PART NUMBER	QTY	DESCRIPTION	REV
	1001243180	Ref	HYDRAULIC BRAKE AND TONGUE INSTALLATIONS	A
1	70212	2	Chain, Safety with Hook	
2	0641406	5	Bolt 1/4 x 3/4	
3	0641412	2	Bolt 1/4 x 1-1/2	
4	0641430	2	Bolt 1/4 x 3-3/4	
5	0641514	2	Bolt 5/16 x 1-3/4	
6	0641836	3	Bolt 1/2 x 4-1/2	
7	0641838	1	Bolt 1/2 x 4-3/4	
8	0642240	2	Bolt 3/4 x 5	
9	0903108	1	Bracket, Parking Brake	
10	1320060	2	Clamp	
12	1560017	1	Conduit	
13	1001243182	1	Coupler Assembly (See Separate Breakdown in this Section)	
14	2300006	AR	Fluid, Brake - DOT3 (Not Shown)	
15	2902349	1	Brake Line Kit (Includes qty 2 of these items: 12in Steel Lines with Fittings, 18in Hoses, Mounting Angles and Clamps. Also, Includes qty 1 Tee Fitting with Mounting Bracket)	
15A	7027890	2	Replacement Hose Only	
16	3311405	7	Nut 1/4	
17	3311505	2	Nut 5/16	
18	3311805	4	Nut 1/2	
19	3312205	2	Nut 3/4	
20	3450304	5	Pin, Cotter	
21	3820017	2	Rivet	
22	3890041	1	Parking Brake Cable Assembly	
22A	2980123	1	Handle Assembly (Serviced as Assembly Only)	
22B	3890045	1	Cable, Brake (Handle to Splitter)	
22C	3890047	1	Brake, Cable Assembly (Splitter to Drum Brake) (Includes Splitter, Hardware and RH & LH Cables. Does NOT Includes Cables Entering Drums - See Brake Assembly)	
23	4240032	AR	Tie-Strap (Not Shown)	
24	4569096	1	Brake Line	
25	4569512	1	Tongue	
26	4711400	2	Washer 1/4	
27	4711800	2	Washer 1/2	
28	4751400	16	Washer 1/4	
29	4751500	2	Washer 5/16	
30	4752200	4	Washer 3/4	
31	8580420	2	Wellnut 1/4	
32	1060799	1	Lanyard	
33	3420592	1	Hairpin	

SECTION 1 - FRAME

FIGURE 1-10. AXLE AND TONGUE INSTALLATION WITH HYDRAULIC BRAKES (T500J WITH 2IN BALL)



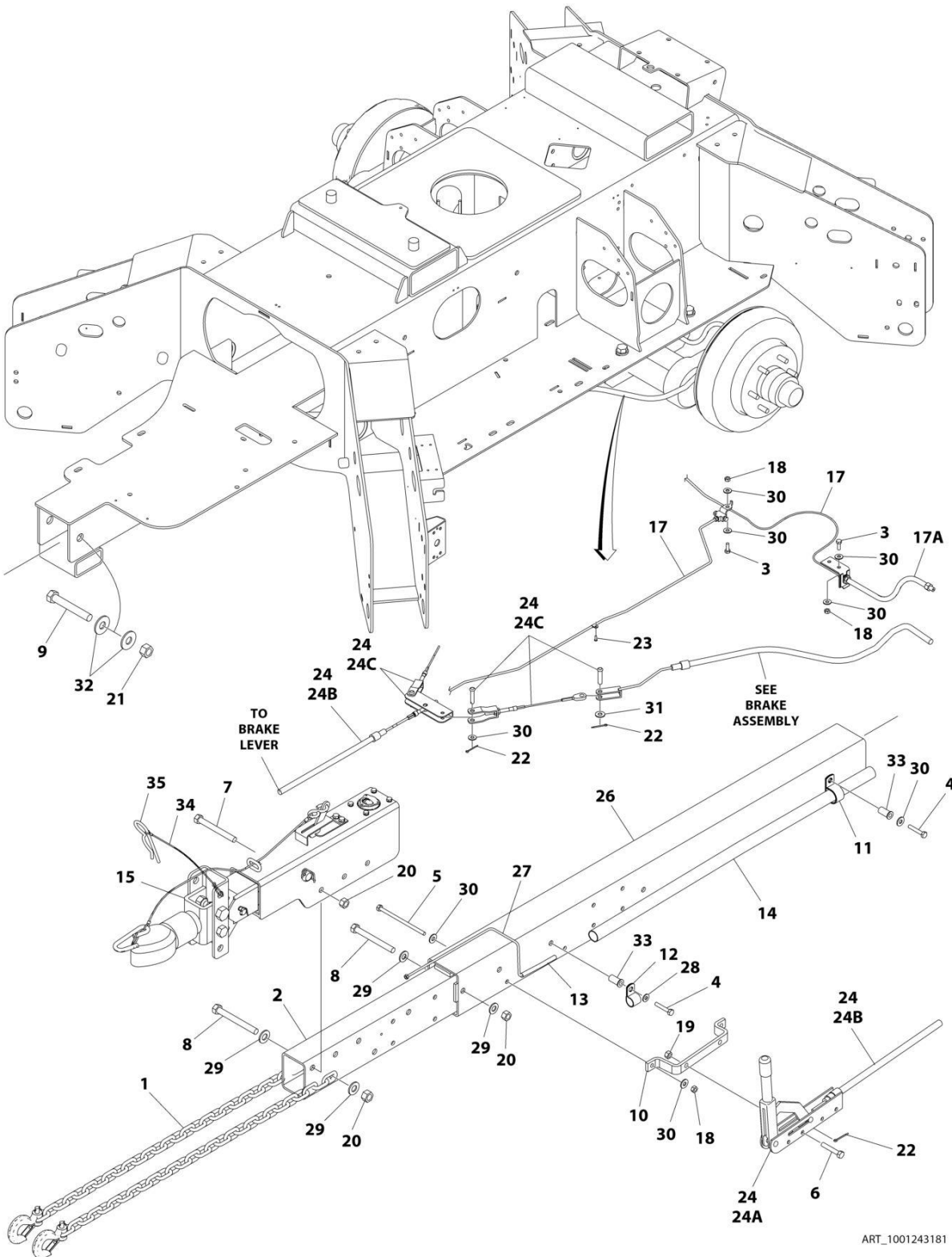
SECTION 1 - FRAME

FIGURE 1-10. AXLE AND TONGUE INSTALLATION WITH HYDRAULIC BRAKES (T500J WITH 2IN BALL)

ITEM	PART NUMBER	QTY	DESCRIPTION	REV
	0275908	Ref	HYDRAULIC BRAKE AND TONGUE INSTALLATIONS	E
1	70212	2	Chain, Safety with Hook	
2	0080291	1	Adapter, Tongue	
3	0641406	5	Bolt 1/4 x 3/4	
4	0641412	4	Bolt 1/4 x 1-1/2	
5	0641438	2	Bolt 1/4 x 4-3/4	
6	0641514	2	Bolt 5/16 x 1-3/4	
7	0641836	3	Bolt 1/2 x 4-1/2	
8	0641838	3	Bolt 1/2 x 4-3/4	
9	0642244	2	Bolt 3/4 x 5-1/2	
10	0903108	1	Bracket, Parking Brake	
11	1320060	3	Clamp	
12	1320061	1	Clamp	
13	1560016	1	Conduit	
14	1560017	2	Conduit	
15	1001116350	1	Coupler Assembly	
16	2300006	AR	Fluid, Brake - DOT3 (Not Shown)	
17	2902349	1	Brake Line Kit (Includes qty 2 of these items: 12in Steel Lines with Fittings, 18in Hoses, Mounting Angles and Clamps. Also, Includes qty 1 Tee Fitting with Mounting Bracket)	
17A	7027890	2	Replacement Hose Only	
18	3311405	7	Nut 1/4	
19	3311505	2	Nut 5/16	
20	3311805	6	Nut 1/2	
21	3312205	2	Nut 3/4	
22	3450304	5	Pin, Cotter	
23	3820017	2	Rivet	
24	3890042	1	Parking Brake Cable Assembly	
24A	2980123	1	Handle Assembly (Serviced as Assembly Only)	
24B	3890046	1	Cable, Brake (Handle to Splitter)	
24C	3890048	1	Brake, Cable Assembly (Splitter to Drum Brake) (Includes Splitter, Hardware and RH & LH Cable. Does NOT Includes Cables Entering Drums - See Brake Assembly)	
25	4240032	1	Tie-Strap (Not Shown)	
26	4568986	1	Tongue	
27	4569097	1	Brake Line	
28	4711400	1	Washer 1/4	
29	4711800	6	Washer 1/2	
30	4751400	19	Washer 1/4	
31	4751500	2	Washer 5/16	
32	4752200	4	Washer 3/4	
33	8580420	4	Wellnut 1/4	
34	1060799	1	Lanyard	
35	3420592	1	Hairpin	

SECTION 1 - FRAME

FIGURE 1-11. AXLE AND TONGUE INSTALLATION WITH HYDRAULIC BRAKES (T500J WITH 2IN BALL AND COLLAR)



ART_1001243181

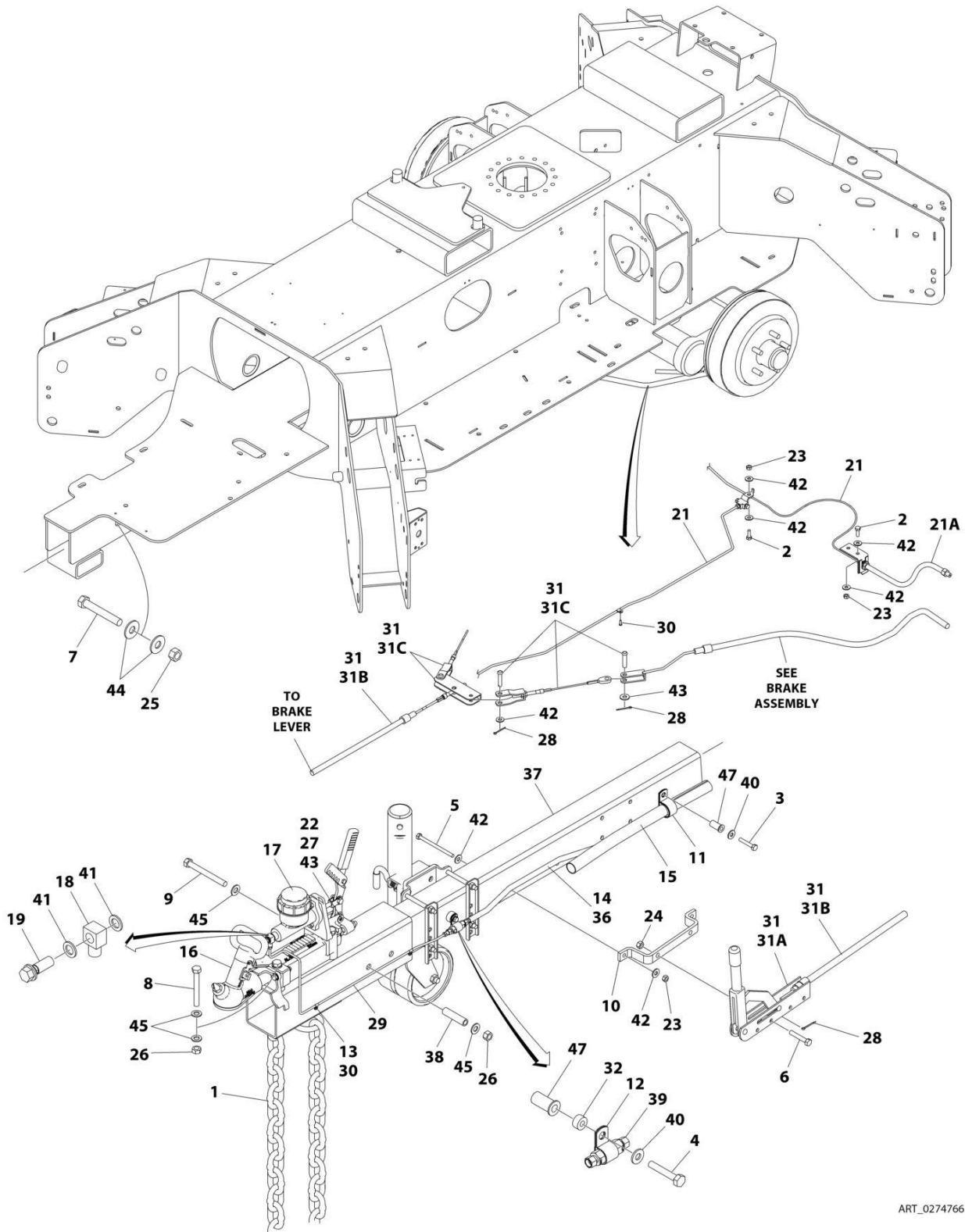
SECTION 1 - FRAME

FIGURE 1-11. AXLE AND TONGUE INSTALLATION WITH HYDRAULIC BRAKES (T500J WITH 2IN BALL AND COLLAR)

ITEM	PART NUMBER	QTY	DESCRIPTION	REV
	1001243181	Ref	HYDRAULIC BRAKE AND TONGUE INSTALLATIONS	A
1	70212	2	Chain, Safety with Hook	
2	0080291	1	Adapter, Tongue	
3	0641406	5	Bolt 1/4 x 3/4	
4	0641412	4	Bolt 1/4 x 1-1/2	
5	0641438	2	Bolt 1/4 x 4-3/4	
6	0641514	2	Bolt 5/16 x 1-3/4	
7	0641836	3	Bolt 1/2 x 4-1/2	
8	0641838	3	Bolt 1/2 x 4-3/4	
9	0642244	2	Bolt 3/4 x 5-1/2	
10	0903108	1	Bracket, Parking Brake	
11	1320060	3	Clamp	
12	1320061	1	Clamp	
13	1560016	1	Conduit	
14	1560017	2	Conduit	
15	1001243182	1	Coupler Assembly (See Separate Breakdown in this Section)	
16	2300006	AR	Fluid, Brake - DOT3 (Not Shown)	
17	2902349	1	Brake Line Kit (Includes qty 2 of these items: 12in Steel Lines with Fittings, 18in Hoses, Mounting Angles and Clamps. Also, Includes qty 1 Tee Fitting with Mounting Bracket)	
17A	7027890	1	Replacement Hose Only	
18	3311405	7	Nut 1/4	
19	3311505	2	Nut 5/16	
20	3311805	6	Nut 1/2	
21	3312205	2	Nut 3/4	
22	3450304	5	Pin, Cotter	
23	3820017	2	Rivet	
24	3890042	1	Parking Brake Cable Assembly	
24A	2980123	1	Handle Assembly (Serviced as Assembly Only)	
24B	3890046	1	Cable, Brake (Handle to Splitter)	
24C	3890048	1	Brake, Cable Assembly (Splitter to Drum Brake) (Includes Splitter, Hardware and RH & LH Cable. Does NOT Includes Cables Entering Drums - See Brake Assembly)	
25	4240032	1	Tie-Strap (Not Shown)	
26	4568986	1	Tongue	
27	4569097	1	Brake Line	
28	4711400	1	Washer 1/4	
29	4711800	6	Washer 1/2	
30	4751400	19	Washer 1/4	
31	4751500	2	Washer 5/16	
32	4752200	4	Washer 3/4	
33	8580420	4	Wellnut 1/4	
34	1060799	1	Lanyard	
35	3420592	1	Hairpin	

SECTION 1 - FRAME

FIGURE 1-12. AXLE AND TONGUE INSTALLATION WITH HYDRAULIC BRAKES (T350 WITH 50MM BALL)



SECTION 1 - FRAME

FIGURE 1-12. AXLE AND TONGUE INSTALLATION WITH HYDRAULIC BRAKES (T350 WITH 50MM BALL)

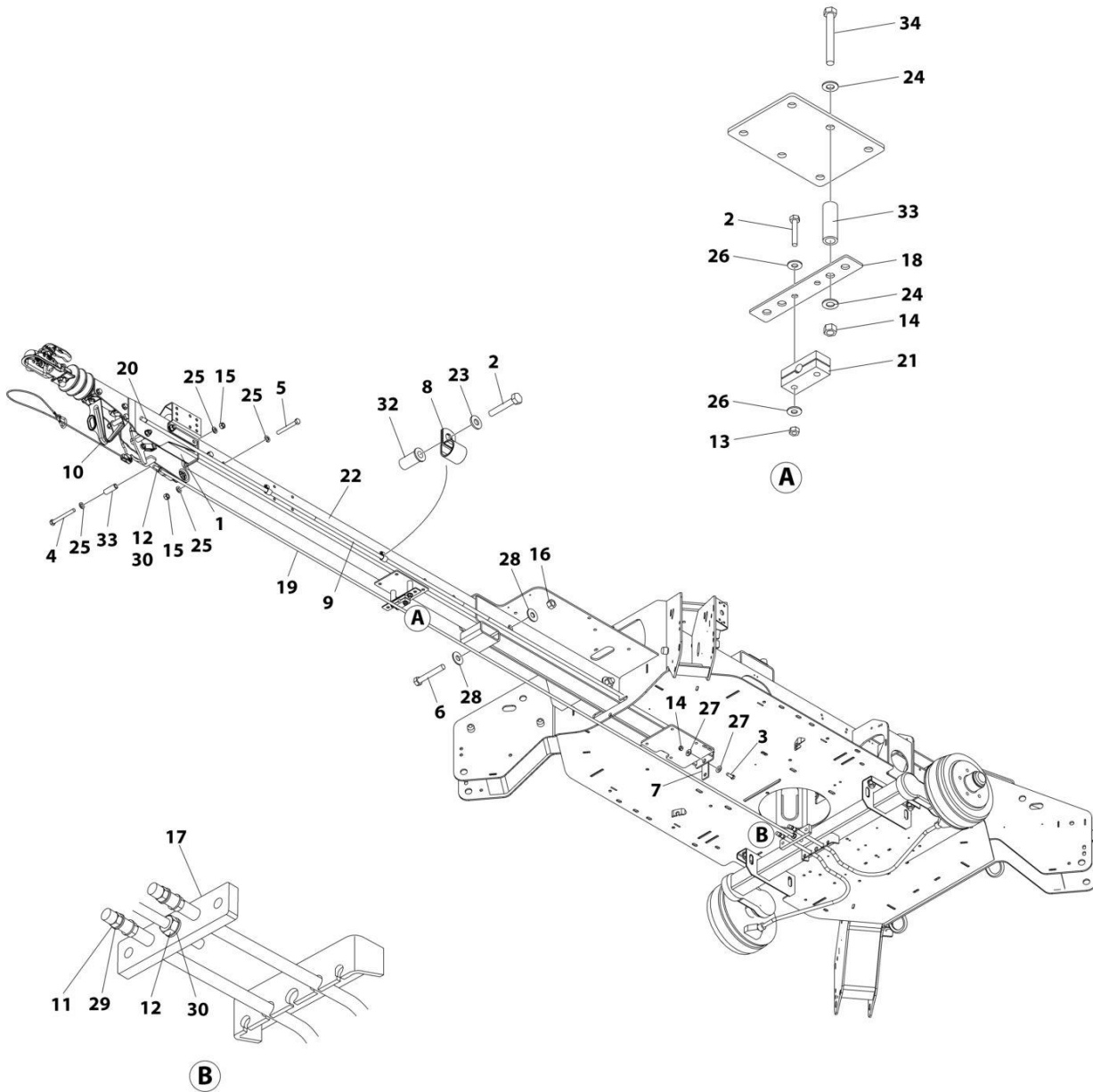
ITEM	PART NUMBER	QTY	DESCRIPTION	REV
	0274766	Ref	HYDRAULIC BRAKE AND TONGUE INSTALLATIONS	F
1	0080282	1	Adapter, Tongue	
2	0641406	5	Bolt 1/4 x 3/4	
3	0641412	2	Bolt 1/4 x 1-1/2	
4	0641416	1	Bolt 1/4 x 2	
5	0641430	2	Bolt 1/4 x 3-3/4	
6	0641514	2	Bolt 5/16 x 1-3/4	
7	0642240	2	Bolt 3/4 x 5	
8	0711227	4	Bolt M12 x 100	
9	0711229	2	Bolt M12 x 120	
10	0903108	1	Bracket, Parking Brake	
11	1320060	2	Clamp	
12	1320061	1	Clamp	
13	1321676	2	Clamp	
14	1560016	1	Conduit	
15	1560017	1	Conduit	
16	1660298	1	Coupler Assembly (Note: No Service Parts Available. Purchase Complete Assembly)	
17	1684524	1	Cylinder Assembly - Master Brake (Note: No Service Parts Available. Purchase Complete Assembly)	
18	2221272	1	Fitting	
19	2221273	1	Fitting	
20	2300006	AR	Fluid, Brake - DOT3 (Not Shown)	
21	2902349	1	Brake Line Kit (Includes qty 2 of these items: 12in Steel Lines with Fittings, 18in Hoses, Mounting Angles and Clamps. Also, Includes qty 1 Tee Fitting with Mounting Bracket)	
21A	7027890	2	Replacement Hose Only	
22	2980130	1	Lever, Pivot	
23	3311405	7	Nut 1/4	
24	3311505	2	Nut 5/16	
25	3312205	2	Nut 3/4	
26	3331211	6	Nut M12	
27	3371910	1	Pin, Roll	
28	3450304	5	Pin, Cotter	
29	3460557	1	Pipe, Brake Line Assembly	
30	3820017	4	Rivet, Pop	
31	3890041	1	Parking Brake Cable Assembly	
31A	2980123	1	Handle Assembly (Serviced as Assembly Only)	
31B	3890045	1	Cable, Brake (Handle to Splitter)	
31C	3890047	1	Brake, Cable Assembly (Splitter to Drum Brake) (Includes Splitter, Hardware and RH & LH Cable. Does NOT Includes Cables Entering Drums - See Brake Assembly)	
32	4071122	1	Shim, Spacer	
33	4240032	AR	Tie-Strap (Not Shown)	
34	4240033	AR	Tie-Strap (Not Shown)	
35	4460121	6	Terminal, Wire Cap (Not Shown)	
36	4569096	1	Tube, Hydraulic Brake	
37	4569447	1	Tongue	
38	4569450	2	Tube, Spacer	
39	4641496	1	Valve, 10lb. Residual Pressure	

SECTION 1 - FRAME

ITEM	PART NUMBER	QTY	DESCRIPTION	REV
40	4711400	3	Washer 1/4	
41	4740571	2	Washer, Copper Brake	
42	4751400	16	Washer 1/4	
43	4751500	4	Washer 5/16	
44	4752200	4	Washer 3/4	
45	4812100	10	Washer M12	
46	4923317	1	Trailer Plug Harness (Not Shown)	
47	8580420	3	Wellnut	

SECTION 1 - FRAME

FIGURE 1-13. AXLE AND TONGUE INSTALLATION WITH MECHANICAL BRAKES (T350 WITH 50MM BALL)



ART_0273651

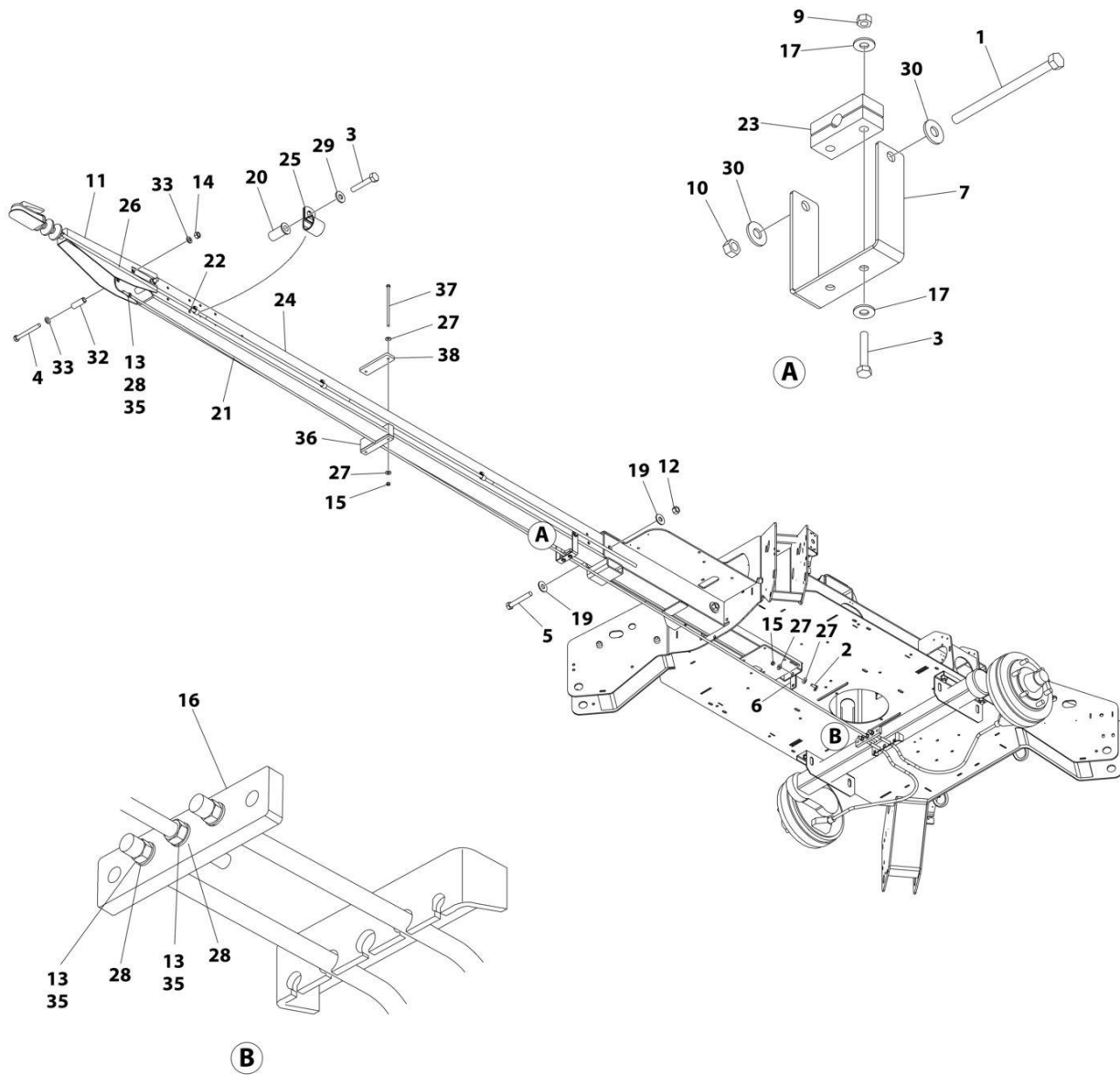
SECTION 1 - FRAME

FIGURE 1-13. AXLE AND TONGUE INSTALLATION WITH MECHANICAL BRAKES (T350 WITH 50MM BALL)

ITEM	PART NUMBER	QTY	DESCRIPTION	REV
	0273651	Ref	MECHANICAL BRAKE AND TONGUE INSTALLATIONS	H
1	1001227795	1	Adapter, Hitch	
2	0641412	4	Bolt 1/4 x 1-1/2	
3	0641608	1	Bolt 3/8 x 1	
4	0711228	2	Bolt M12 x 110	
5	0711227	2	Bolt M12 x 100	
6	0642240	2	Bolt 3/4 x 5	
7	0903215	1	Bracket, Brake Rod Support (Without Drive Option Only)	
8	1320061	2	Clamp	
9	1560016	3	Conduit	
10	1001214168	1	Coupler Assembly - Hydraulic Brake (See Separate Breakdown in this Section)	
11	3290801	4	Nut M8	
12	3291001	3	Nut M10	
13	3311405	2	Nut 1/4	
14	3311605	3	Nut 3/8	
15	3331217	4	Nut M12	
16	3312205	2	Nut 3/4	
17	3575853	1	Plate, Equalizer (Parking Brake) (Without Drive Option Only)	
18	3575869	1	Plate, Support (Parking Brake)	
19	3841696	1	Rod (Without Drive Option Only)	
20	4240032	AR	Tie-Strap (Not Shown)	
21	4341040	1	Support, Brake Rod	
22	4569182	1	Tube, Tongue	
23	4711400	2	Washer 1/4	
24	4711600	4	Washer 3/8	
25	4812100	8	Washer M12	
26	4751400	4	Washer 1/4	
27	4751600	2	Washer 3/8	
28	4752200	4	Washer 3/4	
29	4811900	4	Washer M8	
30	4812000	3	Washer M10	
31	1001155254	1	Harness, Trailer to Tow Vehicle (Not Shown)	
32	8580420	2	Wellnut 1/4	
33	4220259	4	Stop, Hitch	
34	0641624	2	Bolt 3/8 x 3	

SECTION 1 - FRAME

FIGURE 1-14. AXLE AND TONGUE INSTALLATION WITH MECHANICAL BRAKES (T500J WITH 50MM BALL)



ART_0273657

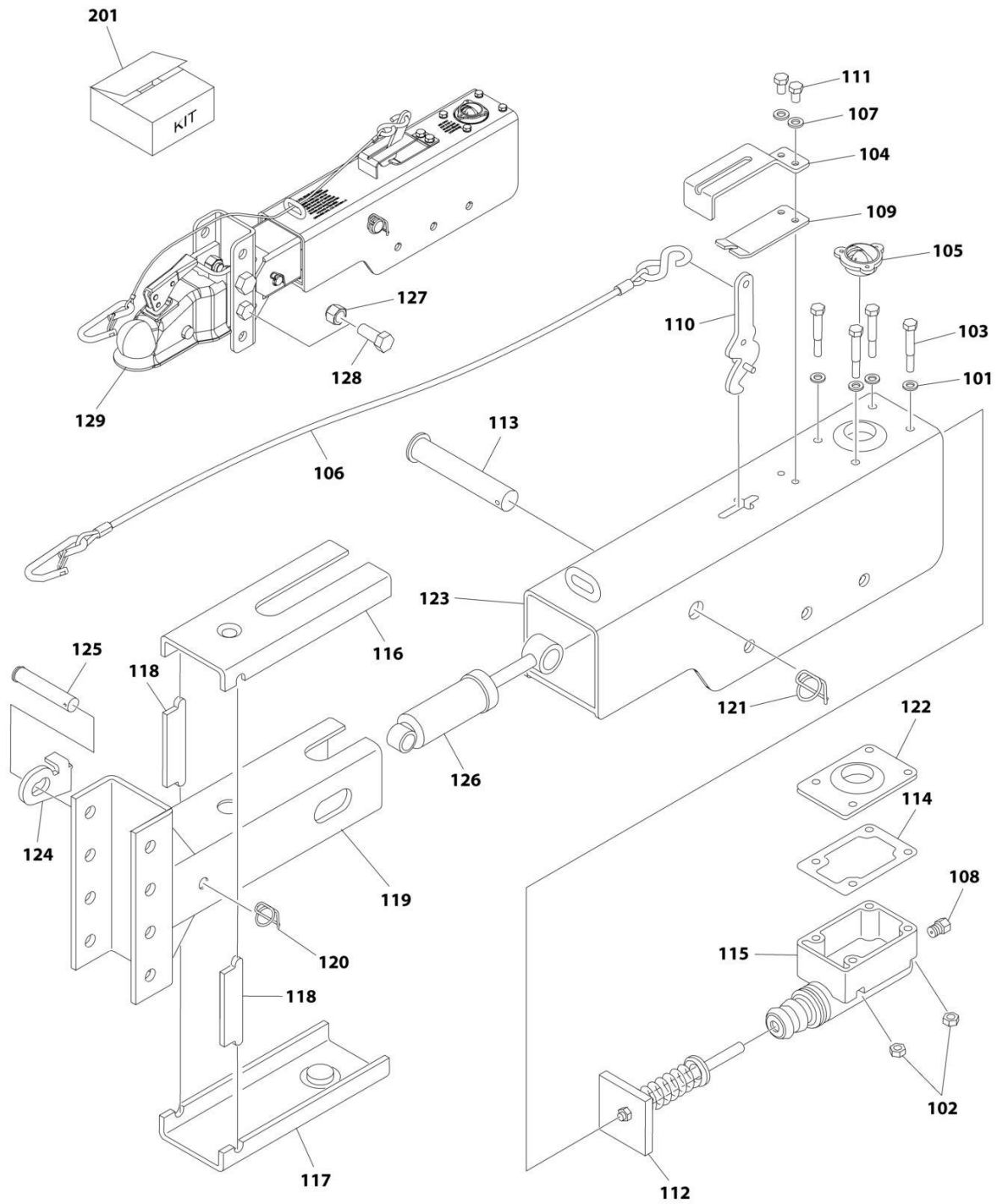
SECTION 1 - FRAME

FIGURE 1-14. AXLE AND TONGUE INSTALLATION WITH MECHANICAL BRAKES (T500J WITH 50MM BALL)

ITEM	PART NUMBER	QTY	DESCRIPTION	REV
	0273657	Ref	MECHANICAL BRAKE AND TONGUE INSTALLATIONS	G
1	0641538	1	Bolt 5/16 x 4-3/4	
2	0641608	1	Bolt 3/8 x 1	
3	0641412	5	Bolt 1/4 x 1-1/2	
4	0711631	2	Bolt M16 x 140	
5	0642244	2	Bolt 3/4 x 5-1/2	
6	0903215	1	Bracket, Brake Rod Support (Without Drive Option Only)	
7	0903216	1	Bracket, Support	
9	3311405	2	Nut 1/4	
10	3311505	1	Nut 5/16	
11	1660283	1	Coupler Assembly - Hydraulic Brake (See Separate Breakdown in this Section)	
12	3312205	2	Nut 3/4	
13	3291001	7	Nut M10	
14	3291601	2	Nut M16	
15	3311605	3	Nut 3/8	
16	3575853	1	Plate, Brake Equalizer	
17	4751400	4	Washer 1/4	
19	4752200	4	Washer 3/4	
20	8580420	3	Wellnut 1/4	
21	3841697	1	Rod (Without Drive Option Only)	
22	4240032	AR	Tie-Strap (Not Shown)	
23	4341040	1	Support, Brake Rod	
24	4569220	1	Tube, Tongue	
25	1320061	3	Clamp	
26	1560016	4	Conduit	
27	4751600	6	Washer 3/8	
28	4812000	7	Washer M10	
29	4711400	3	Washer 1/4	
30	4751500	2	Washer 5/16	
31	1001165365	1	Harness, Trailer to Tow Vehicle (Not Shown)	
32	4220260	2	Stop, Hitch	
33	4812300	4	Washer M16	
35	0100011	AR	Compound, Locking	
36	1001186711	1	Support, Brake Rod	
37	0641668	2	Bolt 3/8 x 8-1/2	
38	3575786	1	Bar, Tube Mount	

SECTION 1 - FRAME

FIGURE 1-15. HYDRAULIC BRAKE COUPLER ASSEMBLY (T350 AND T500J WITH 2 IN BALL)



ART_1001116350

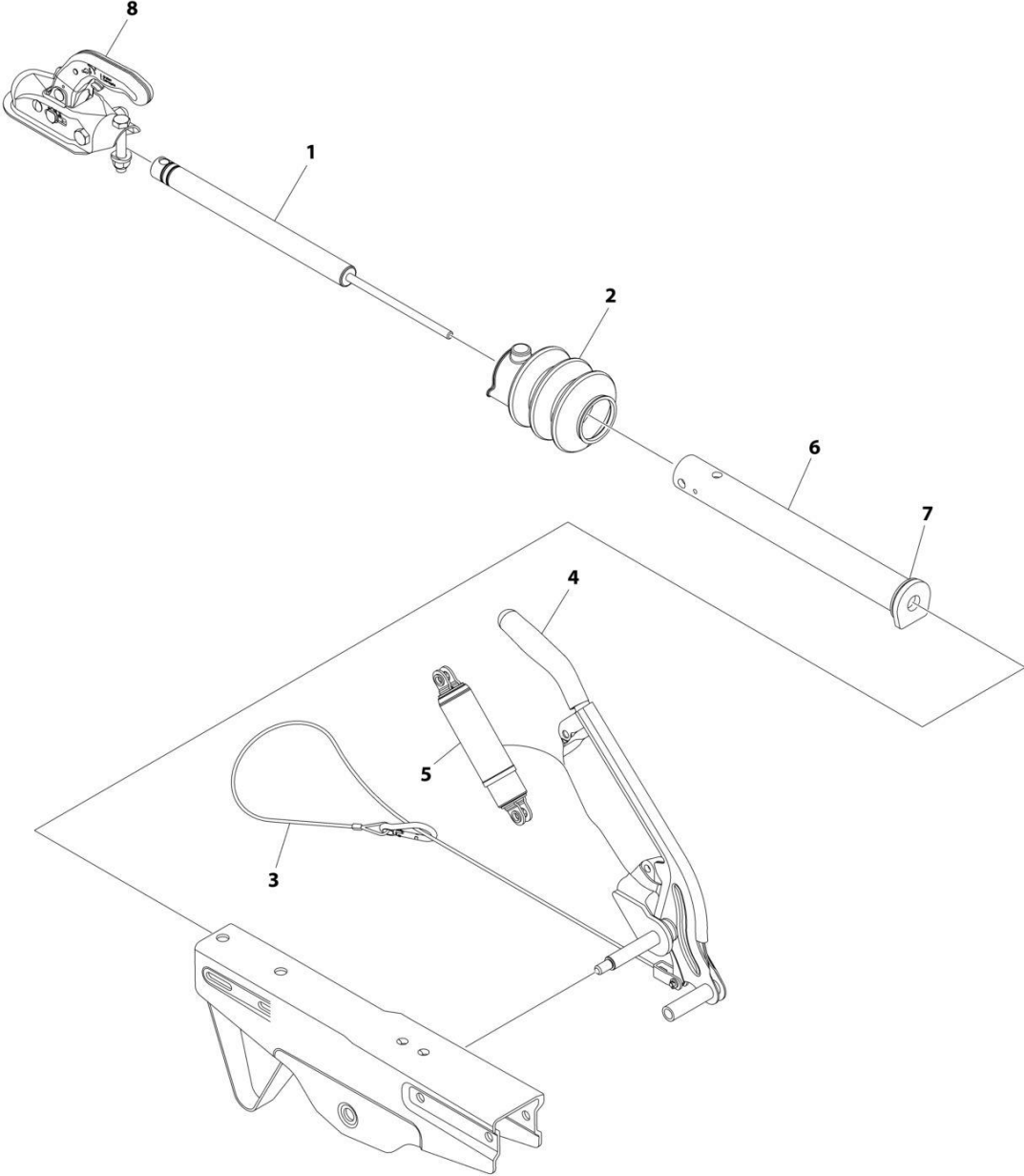
SECTION 1 - FRAME

FIGURE 1-15. HYDRAULIC BRAKE COUPLER ASSEMBLY (T350 AND T500J WITH 2 IN BALL)

ITEM	PART NUMBER	QTY	DESCRIPTION	REV
	1001116350	Ref	HYDRAULIC BRAKE COUPLER ASSEMBLY	B
101	4761400	4	Washer 1/4	
102	3311401	4	Nut 1/4	
103	0641416	4	Bolt 1/4 x 2	
104	7026372	1	Guide, Emergency Lever	
105	19616	1	Cap, Master Cylinder (Includes Diaphragm and O-Ring)	
106	19613	1	Cable with Hooks	
107	70002632	2	Lockwasher 5/16in	
108	7026355	1	Fitting with Orifice	
109	70002633	1	Plate, Emergency Lever Spring	
110	70002634	1	Lever, Emergency	
111	0641505	2	Bolt 5/16 x 5/8	
112	70002635	1	Push Rod (Master Cylinder)	
113	7026367	1	Pin	
114	7026370	1	Gasket (Master Cylinder)	
115	19611	1	Reservoir (Master Cylinder)	
116	7026358	1	Slider, Upper	
117	7026359	1	Slider, Lower	
118	7026360	2	Spacer, Side	
119	70002636	1	Slider, Channel Centered	
120	70002637	1	Ring Lock, Cotter	
121	70002638	1	Ring Lock, Cotter	
122	70002639	1	Cover (Master Cylinder)	
123	70002631	1	Case, Outer	
124	70002640	1	Lever, Lock Out	
125	70002641	1	Pin	
126	7026353	1	Shock, Damper	
127	70002628	4	Nut 5/8	
128	70002629	4	Bolt 5/8 x 1-1/2	
129	70002630	1	2in Coupler	
201	70002722	1	Actuator Replacement Kit (Includes Items 116, 117 & 118)	

SECTION 1 - FRAME

FIGURE 1-16. HYDRAULIC BRAKE COUPLER ASSEMBLY (T500J WITH 50MM BALL)



ART_1660283

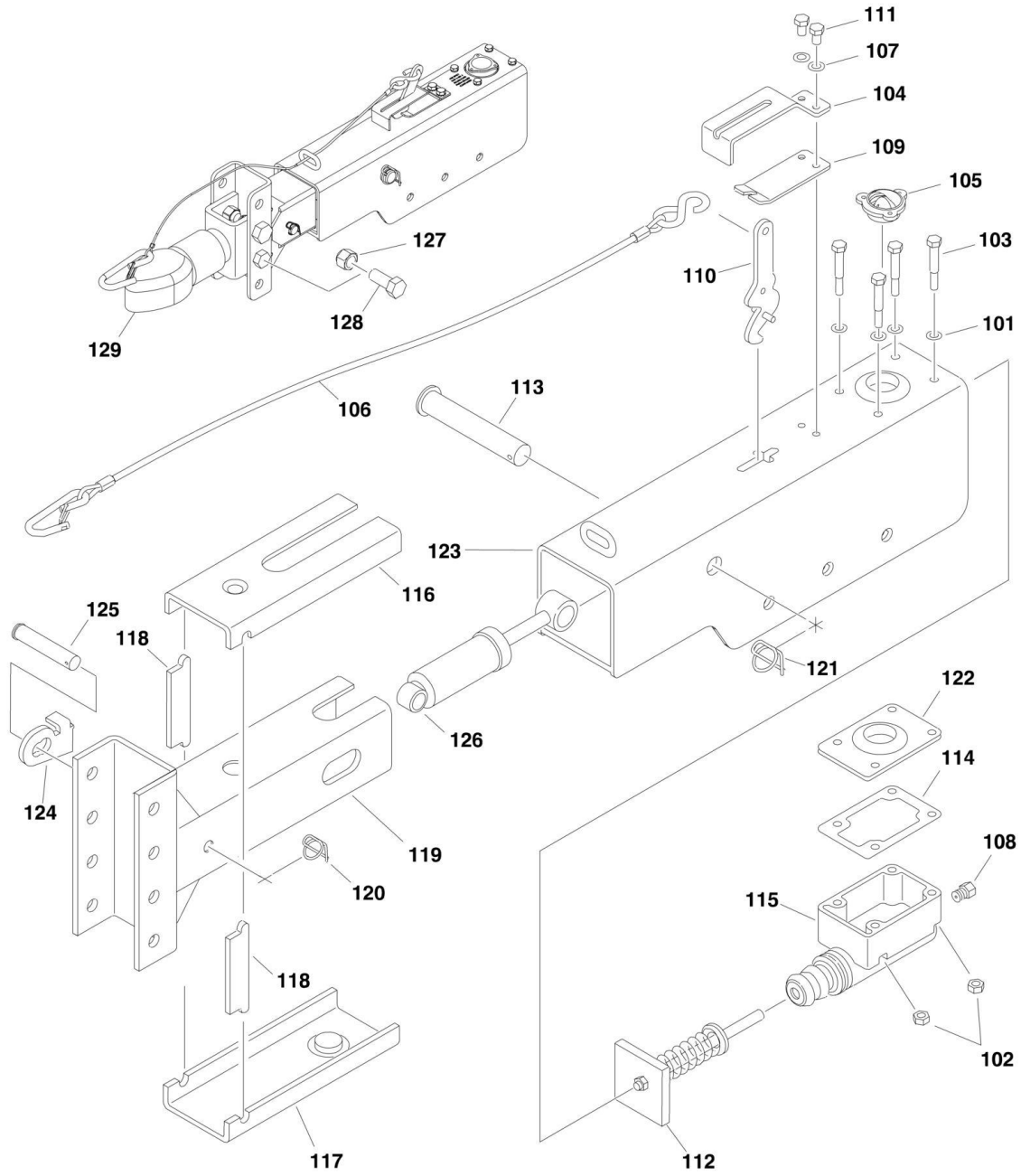
SECTION 1 - FRAME

FIGURE 1-16. HYDRAULIC BRAKE COUPLER ASSEMBLY (T500J WITH 50MM BALL)

ITEM	PART NUMBER	QTY	DESCRIPTION	REV
	1660283	Ref	COUPLER ASSEMBLY - HYDRAULIC BRAKE	B
1	70000037	1	Spring, Gas	
2	70000030	1	Boot	
3	70000031	1	Cable, Breakaway	
4	70000032	1	Brake Lever Assembly	
5	70000038	1	Brake Cylinder Assembly	
6	70000039	1	Tube, Draw (Includes Item 7)	
7	70000035	1	Stop-Ring (Use p/n 70004697)	
8	70000040	1	Coupling Head	

SECTION 1 - FRAME

FIGURE 1-17. HYDRAULIC BRAKE COUPLER ASSEMBLY (T350 AND T500J WITH 2 INCH BALL AND COLLAR)



ART_1001243182

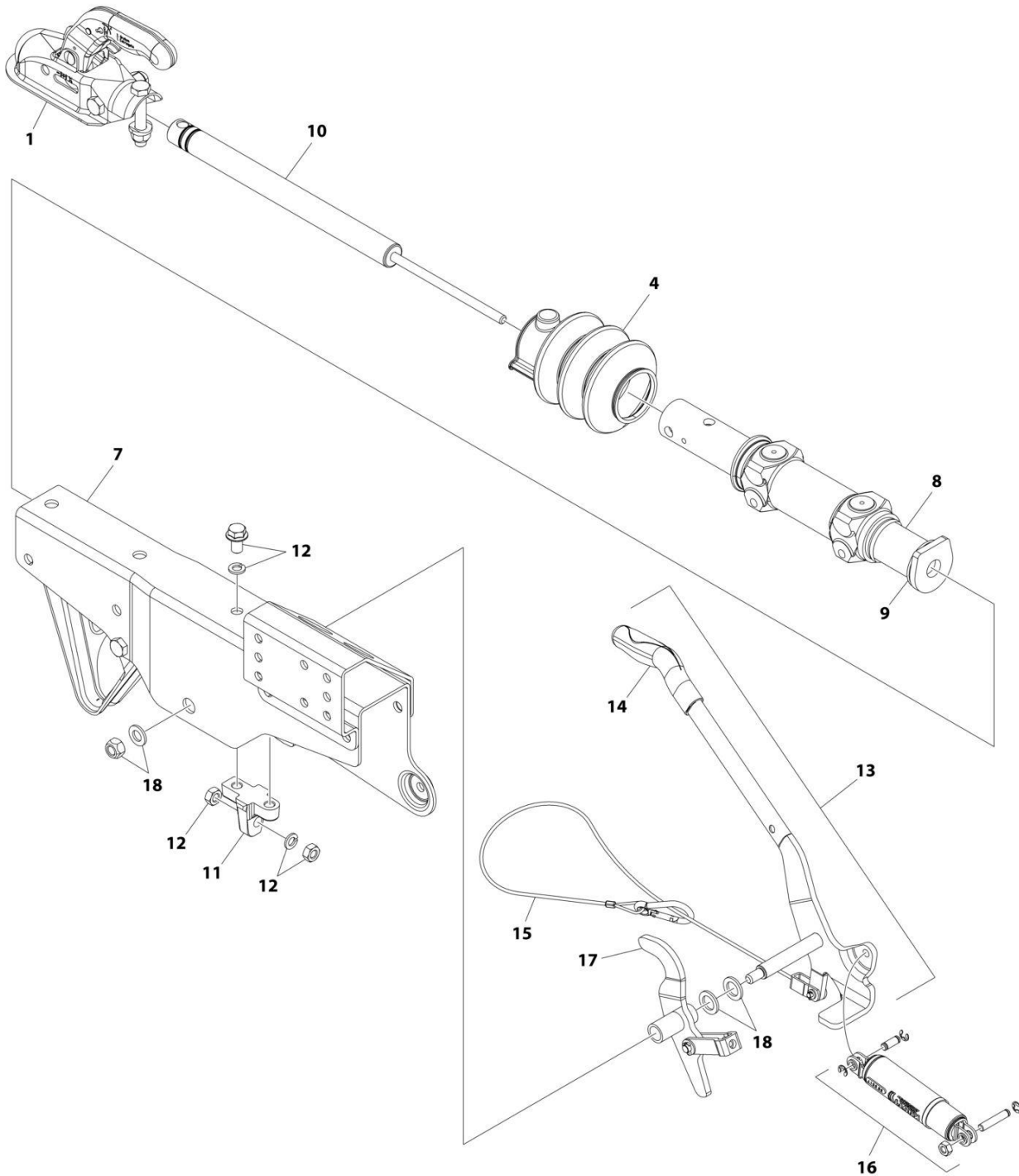
SECTION 1 - FRAME

FIGURE 1-17. HYDRAULIC BRAKE COUPLER ASSEMBLY (T350 AND T500J WITH 2 INCH BALL AND COLLAR)

ITEM	PART NUMBER	QTY	DESCRIPTION	REV
	1001243182	Ref	HYDRAULIC BRAKE COUPLER WITH 2 INCH BALL AND COLLAR ASSEMBLY	B
101	4761400	4	Washer 1/4	
102	3311401	4	Nut 1/4	
103	0641416	4	Bolt 1/4 x 2	
104	7026372	1	Guide, Emergency Lever	
105	19616	1	Cap, Master Cylinder (Includes Diaphragm and O-Ring)	
106	19613	1	Cable with Hooks	
107	70002632	2	Lockwasher 5/16in	
108	7026355	1	Fitting with Orifice	
109	70002633	1	Plate, Emergency Lever Spring	
110	70002634	1	Lever, Emergency	
111	0641505	2	Bolt 5/16 x 5/8	
112	70002635	1	Push Rod (Master Cylinder)	
113	7026367	1	Pin	
114	7026370	1	Gasket (Master Cylinder)	
115	19611	1	Reservoir (Master Cylinder)	
116	7026358	1	Slider, Upper	
117	7026359	1	Slider, Lower	
118	7026360	2	Spacer, Side	
119	70002636	1	Slider, Channel Centered	
120	70002637	1	Ring Lock, Cotter	
121	70002638	1	Ring Lock, Cotter	
122	70002639	1	Cover (Master Cylinder)	
123	70002631	1	Case, Outer	
124	70002640	1	Lever, Lock Out	
125	70002641	1	Pin	
126	7026353	1	Shock, Damper	
127	70002628	4	Nut 5/8	
128	70002629	4	Bolt 5/8 x 1-1/2	
129	70006984	1	2in Coupler	

SECTION 1 - FRAME

FIGURE 1-18. HYDRAULIC BRAKE COUPLER ASSEMBLY (T350 WITH 50MM BALL)



ART_1001214168

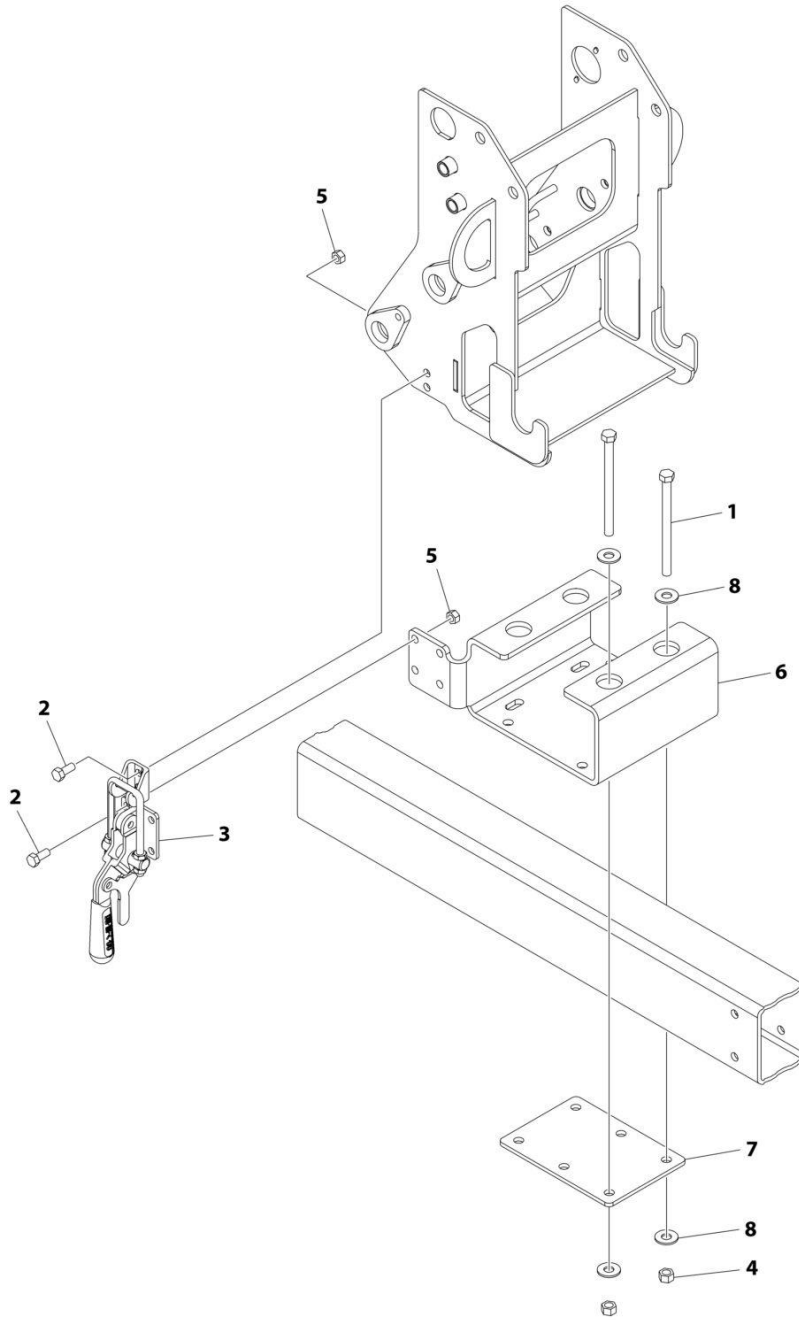
SECTION 1 - FRAME

FIGURE 1-18. HYDRAULIC BRAKE COUPLER ASSEMBLY (T350 WITH 50MM BALL)

ITEM	PART NUMBER	QTY	DESCRIPTION	REV
	1001214168	Ref	HYDRAULIC BRAKE COUPLER WITH 50MM BALL ASSEMBLY	A
1	70005987	1	Coupling Head	
2	70005988	2	Bolt (Not Shown)	
2	70005989	1	Caliper (Not Shown)	
2	70004713	2	Locknut (Not Shown)	
2	70005990	1	Protective Cap (Not Shown)	
3	70005991	1	Support (Not Shown)	
4	70000030	1	Bellow	
5	See Note	NSS	Ribbon Cable (Not Shown) (Note: Not Available for Purchase)	
6	70005992	1	Guide Bearing (Not Shown)	
7	See Note	NSS	Housing (Note: Not Available for Purchase)	
8	70000034	1	Tube, Draw	
9	70000035	1	Stop-Ring	
10	70004703	1	Spring, Gas	
11	70004705	1	Spring, Gas Mounting	
12	70004708	1	Bolt	
12	70004711	1	Spring, Ring	
12	70004709	2	Nut	
12	70004710	1	Spring, Ring	
13	70005993	1	Lever, Handbrake	
14	70005994	1	Handle	
15	70000031	1	Cable	
16	70005995	1	Sleeve, Spring	
17	70004701	1	Lever, Transmission	
18	70005996	1	Washer	
18	70005997	1	Washer	
18	70005998	1	Washer	
18	70004713	1	Locknut	

SECTION 1 - FRAME

FIGURE 1-19. TRANSPORT LOCK ASSEMBLY (T350)



ART_0273627

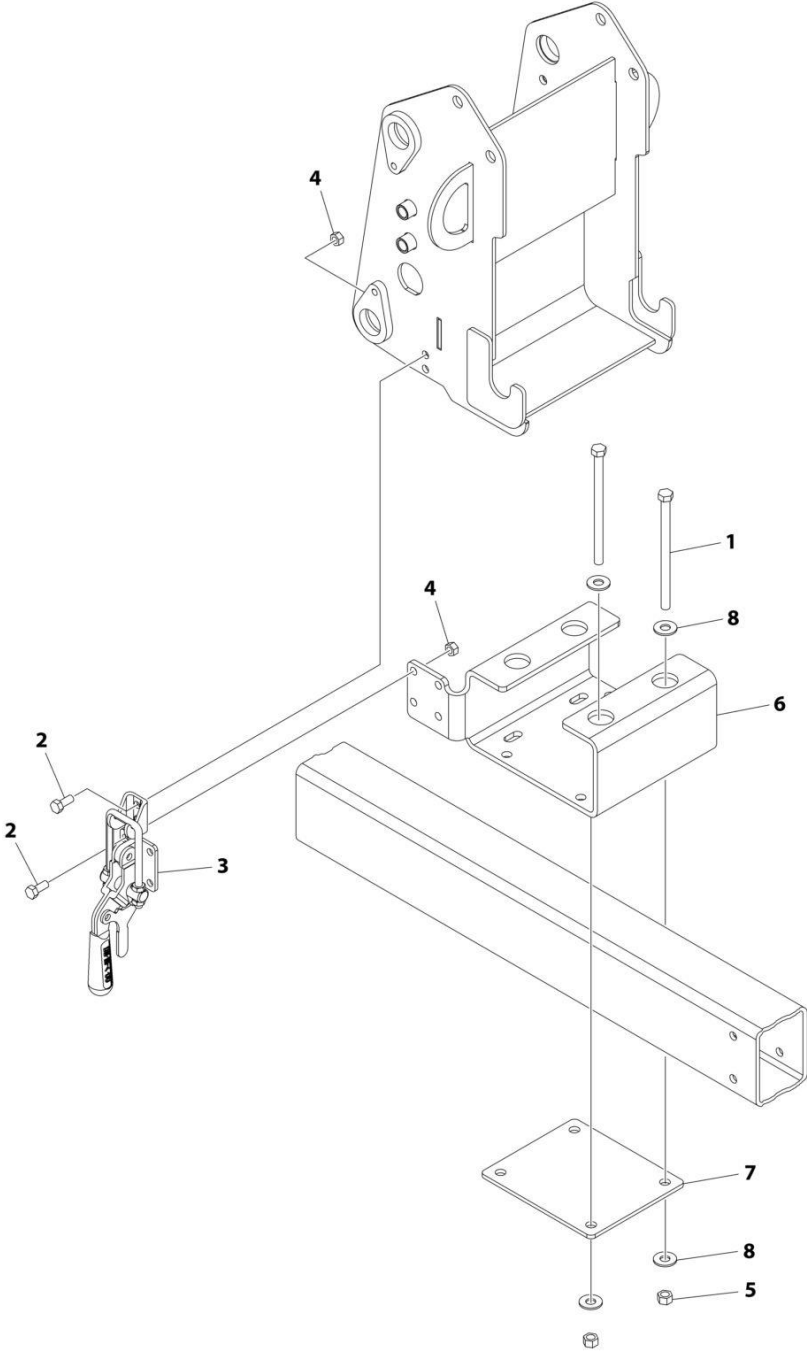
SECTION 1 - FRAME

FIGURE 1-19. TRANSPORT LOCK ASSEMBLY (T350)

ITEM	PART NUMBER	QTY	DESCRIPTION	REV
	0273627	Ref	TRANSPORT LOCK ASSEMBLY	E
1	0641640	4	Bolt 3/8 x 5	
2	0681506	6	Bolt 5/16 x 3/4	
3	2940159	1	Latch, Manual Clamp	
4	3311605	4	Nut 3/8	
5	3271505	6	Nut 5/16	
6	3575420	1	Plate, Transport Lock	
7	3575719	1	Plate, Mounting	
8	4751600	8	Washer 3/8	

SECTION 1 - FRAME

FIGURE 1-20. TRANSPORT LOCK ASSEMBLY (T500J)



ART_0274395

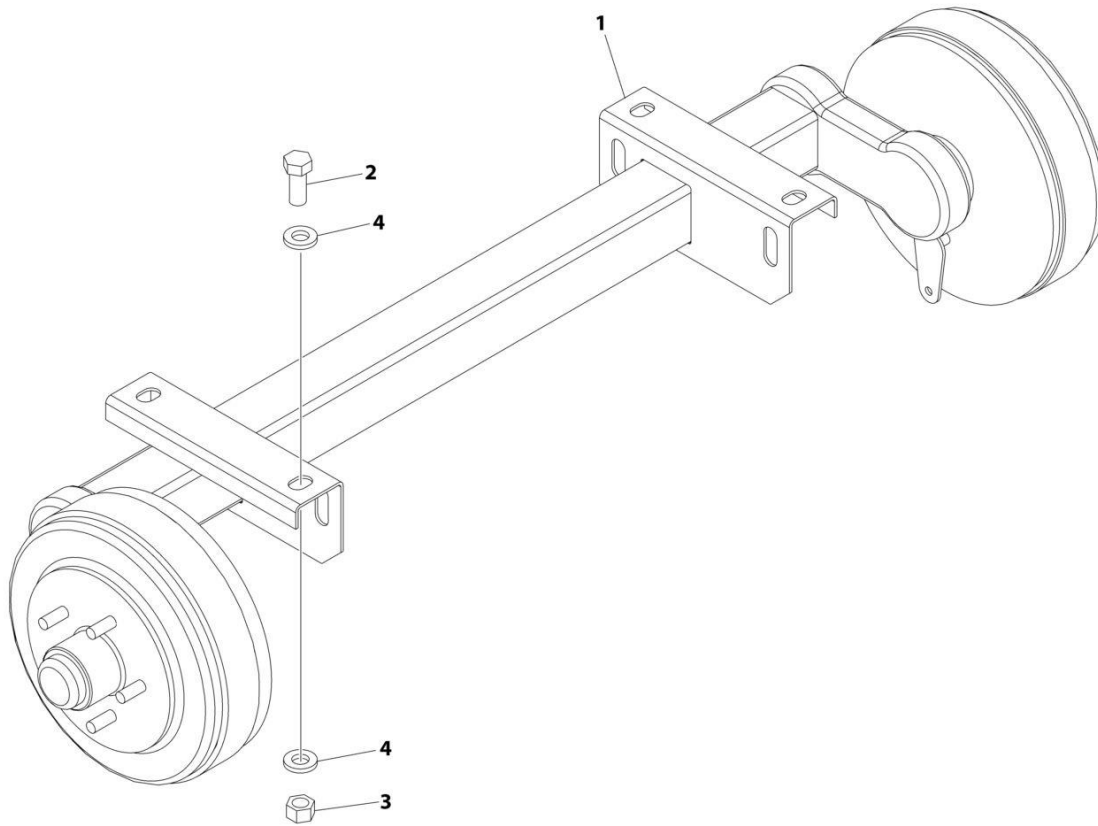
SECTION 1 - FRAME

FIGURE 1-20. TRANSPORT LOCK ASSEMBLY (T500J)

ITEM	PART NUMBER	QTY	DESCRIPTION	REV
	0274395	Ref	TRANSPORT LOCK ASSEMBLY	B
1	0641646	4	Bolt 3/8 x 5-3/4	
2	0681506	6	Bolt 5/16 x 3/4	
3	2940159	1	Latch, Manual Clamp	
4	3271505	6	Nut 5/16	
5	3311605	4	Nut 3/8	
6	3575420	1	Plate, Transport Lock	
7	3575783	1	Plate, Mounting	
8	4751600	8	Washer 3/8	

SECTION 1 - FRAME

FIGURE 1-21. AXLE INSTALLATION (T350 WITH ELECTRIC BRAKES)



ART_0273699

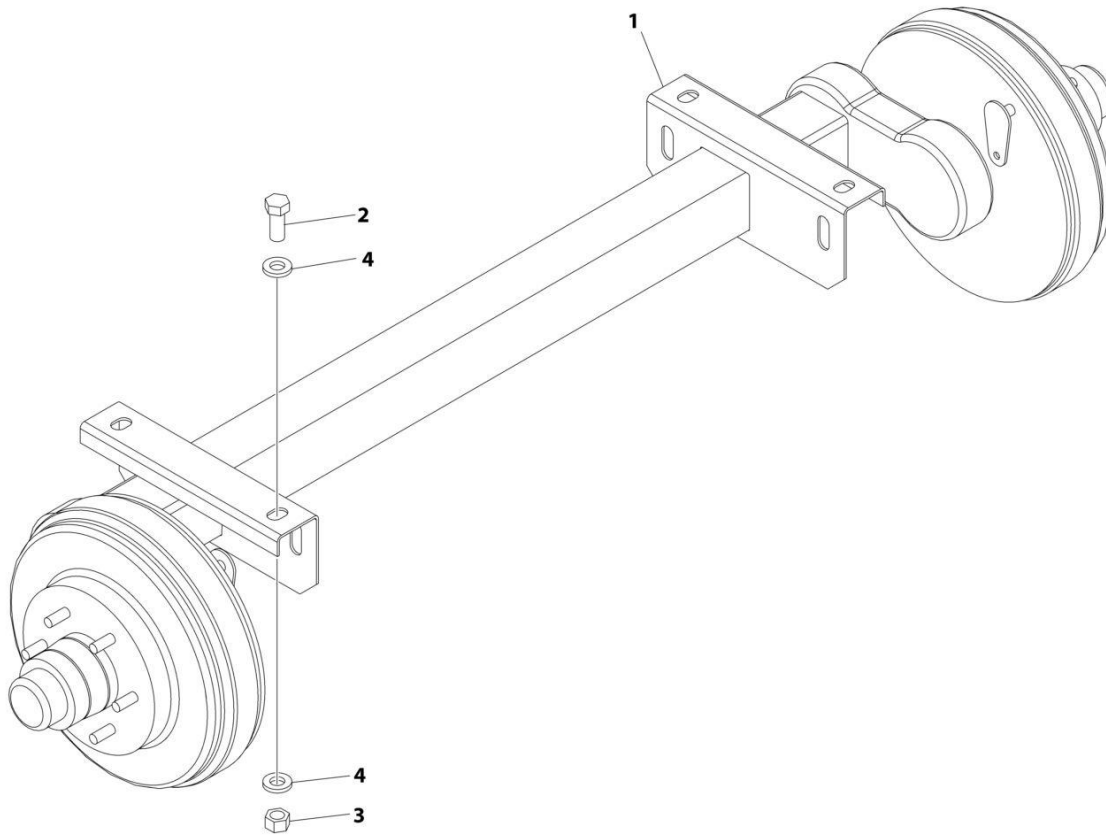
SECTION 1 - FRAME

FIGURE 1-21. AXLE INSTALLATION (T350 WITH ELECTRIC BRAKES)

ITEM	PART NUMBER	QTY	DESCRIPTION	REV
	0273699	Ref	AXLE INSTALLATION	B
1	0280158	1	Axle Assembly - Electric Brake (See Separate Breakdown in this Section)	
2	0642012	4	Bolt 5/8 x 1-1/2	
3	3312005	4	Nut 5/8	
4	4892000	8	Washer 5/8	

SECTION 1 - FRAME

FIGURE 1-22. AXLE INSTALLATION (T500J WITH ELECTRIC BRAKES)



ART_0273700

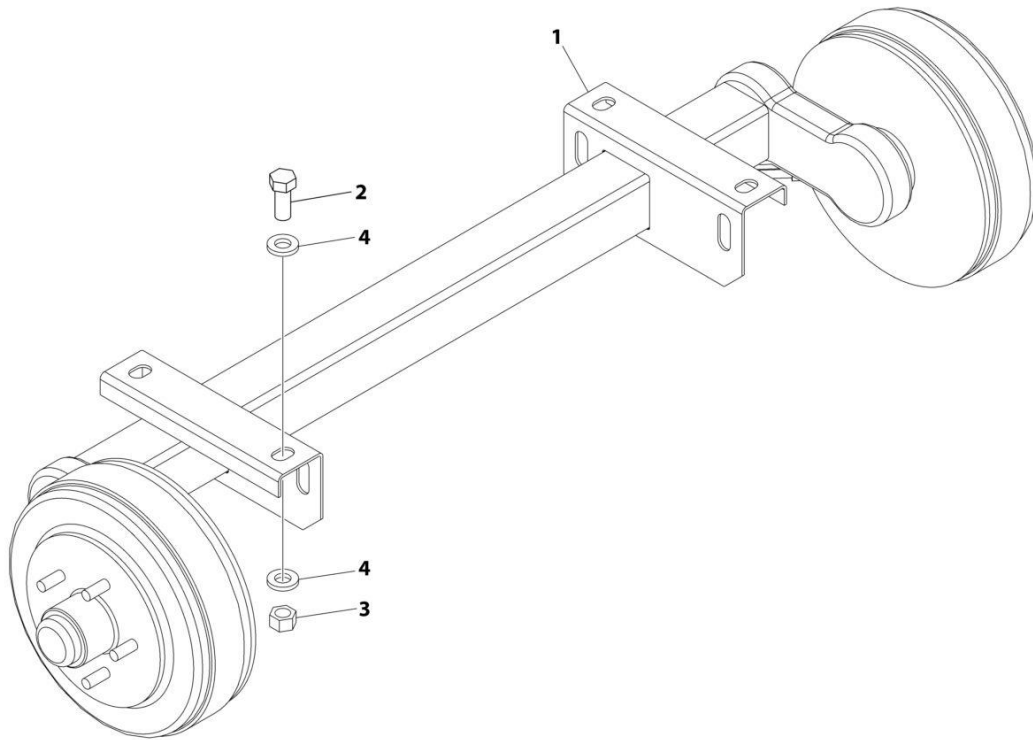
SECTION 1 - FRAME

FIGURE 1-22. AXLE INSTALLATION (T500J WITH ELECTRIC BRAKES)

ITEM	PART NUMBER	QTY	DESCRIPTION	REV
	0273700	Ref	AXLE INSTALLATION	B
1	0280159	1	Axle Assembly - Electric Brake (See Separate Breakdown in this Section)	
2	0642012	4	Bolt 5/8 x 1-1/2	
3	3312005	4	Nut 5/8	
4	4892000	8	Washer 5/8	

SECTION 1 - FRAME

FIGURE 1-23. AXLE INSTALLATION (T350 WITH HYDRAULIC BRAKES)



ART_0273608

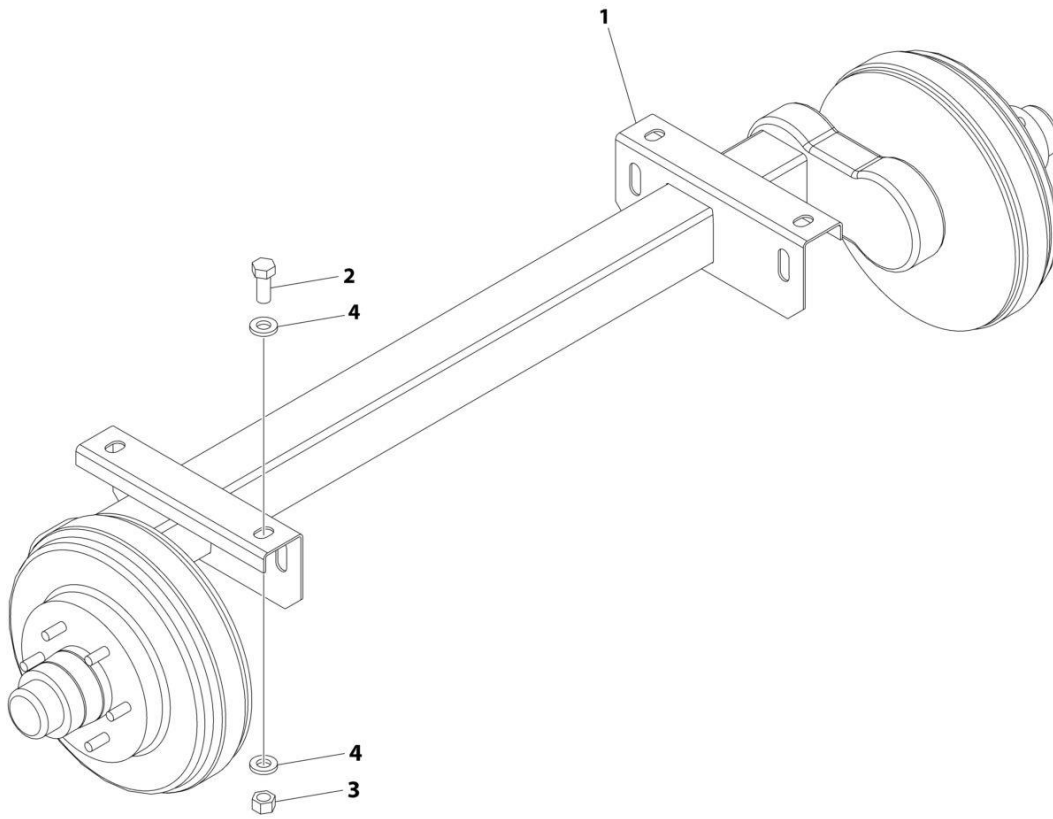
SECTION 1 - FRAME

FIGURE 1-23. AXLE INSTALLATION (T350 WITH HYDRAULIC BRAKES)

ITEM	PART NUMBER	QTY	DESCRIPTION	REV
	0273608	Ref	AXLE INSTALLATION	B
1	0280154	1	Axle Assembly - Hydraulic Brakes (See Separate Breakdown in this Section)	
2	0642012	4	Bolt 5/8 x 1-1/2	
3	3312005	4	Nut 5/8	
4	4892000	8	Washer 5/8	

SECTION 1 - FRAME

FIGURE 1-24. AXLE INSTALLATION (T500J WITH HYDRAULIC BRAKES)



ART_0273609

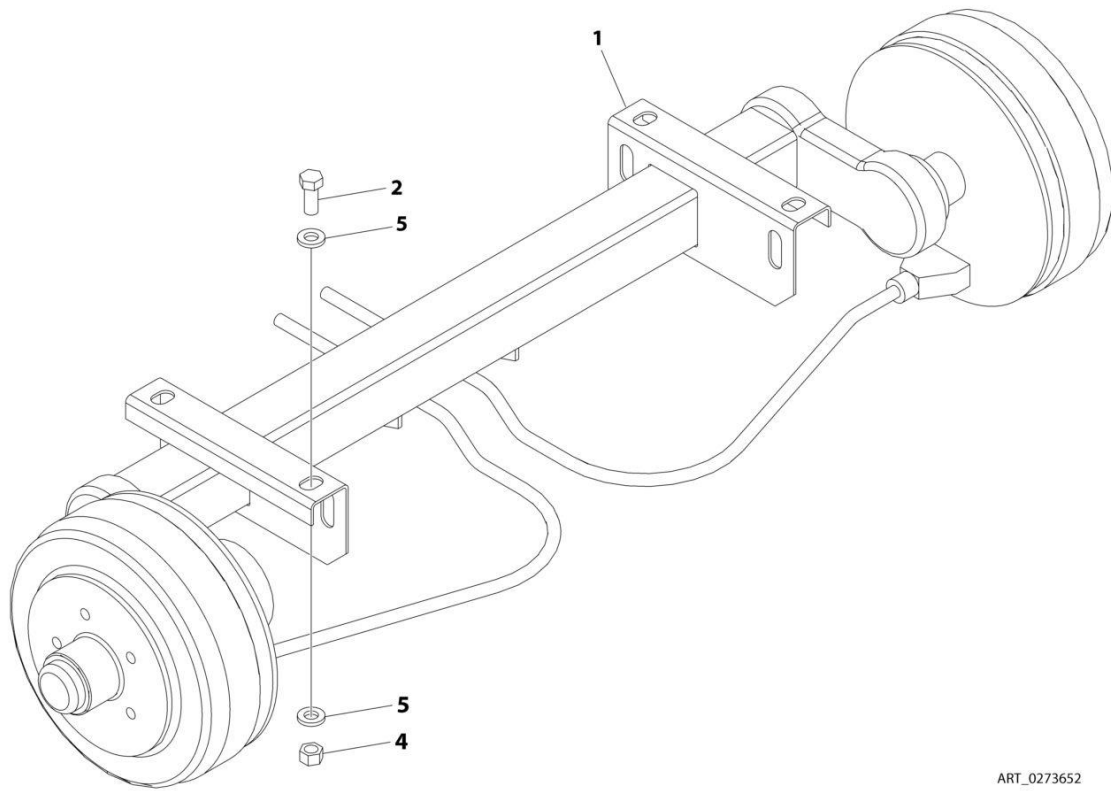
SECTION 1 - FRAME

FIGURE 1-24. AXLE INSTALLATION (T500J WITH HYDRAULIC BRAKES)

ITEM	PART NUMBER	QTY	DESCRIPTION	REV
	0273609	Ref	AXLE INSTALLATION	B
1	0280155	1	Axle Assembly - Hydraulic Brakes (See Separate Breakdown in this Section)	
2	0642012	4	Bolt 5/8 x 1-1/2	
3	3312005	4	Nut 5/8	
4	4892000	8	Washer 5/8	

SECTION 1 - FRAME

FIGURE 1-25. AXLE INSTALLATION (T350 WITH MECHANICAL BRAKES)



ART_0273652

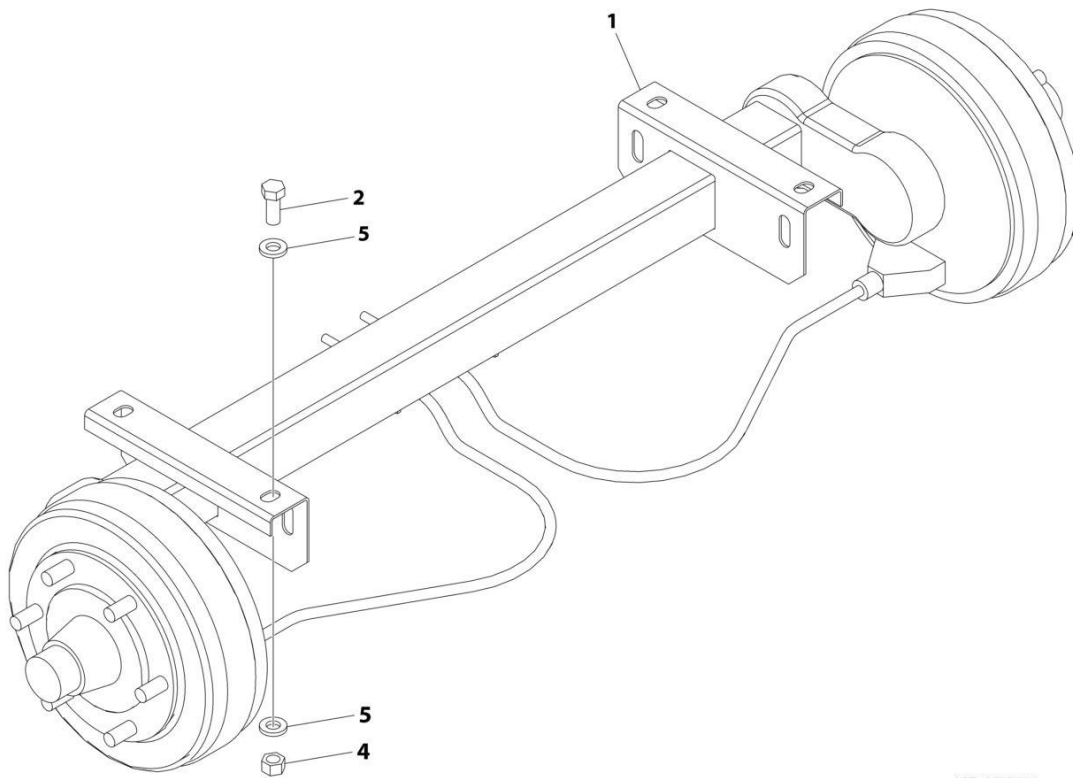
SECTION 1 - FRAME

FIGURE 1-25. AXLE INSTALLATION (T350 WITH MECHANICAL BRAKES)

ITEM	PART NUMBER	QTY	DESCRIPTION	REV
	0273652	Ref	AXLE INSTALLATION	D
1	0280186	1	Axle Assembly - Mechanical Brakes (See Separate Breakdown in this Section)	
2	0642012	4	Bolt 5/8 x 1-1/2	
3	3312005	4	Nut 5/8	
4	4892000	8	Washer 5/8	

SECTION 1 - FRAME

FIGURE 1-26. AXLE INSTALLATION (T500J WITH MECHANICAL BRAKES)



ART_0273656

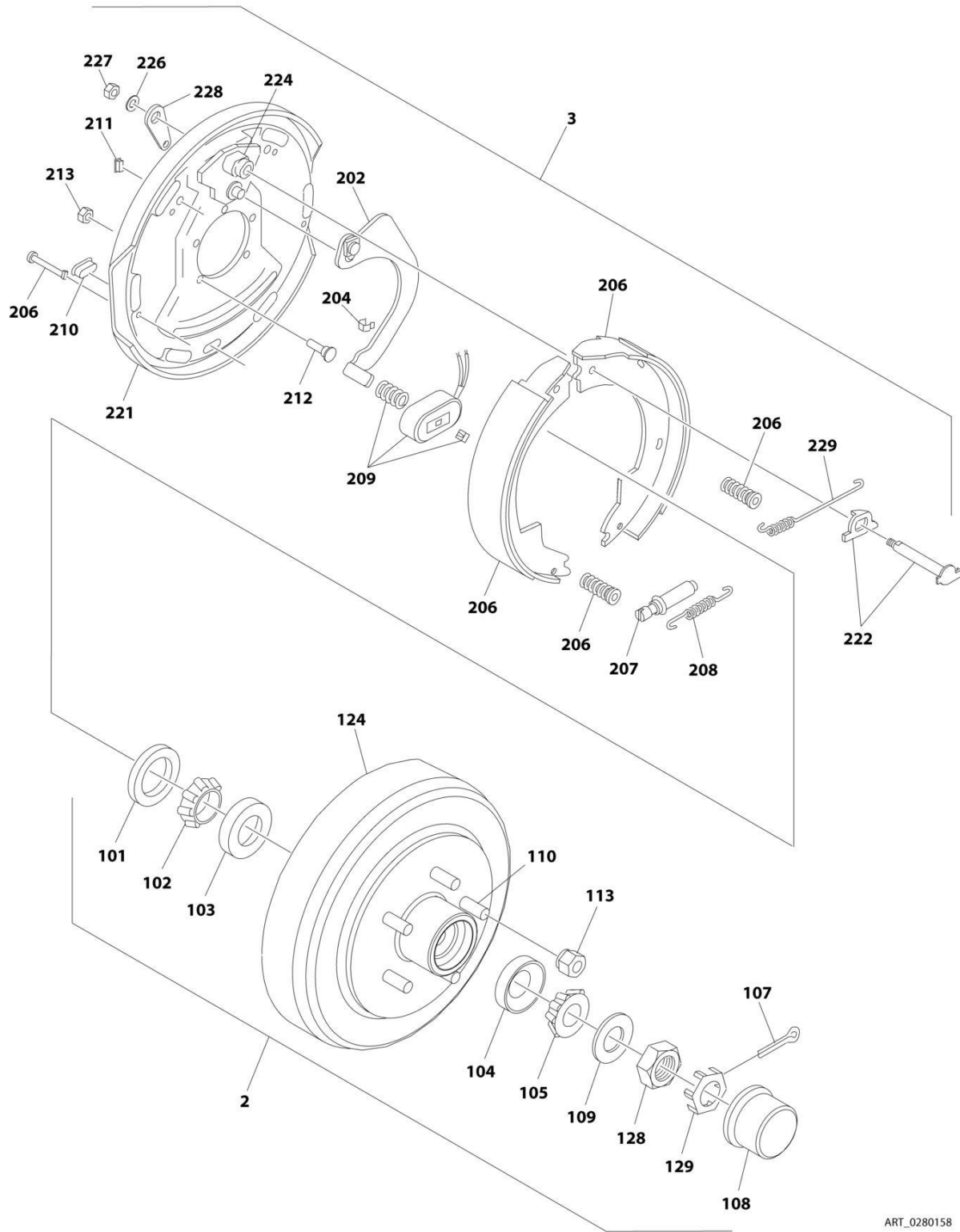
SECTION 1 - FRAME

FIGURE 1-26. AXLE INSTALLATION (T500J WITH MECHANICAL BRAKES)

ITEM	PART NUMBER	QTY	DESCRIPTION	REV
	0273656	Ref	AXLE INSTALLATION	D
1	0280187	1	Axle Assembly - Mechanical Brakes (See Separate Breakdown in this Section)	
2	0642012	4	Bolt 5/8 x 1-1/2	
3	3312005	4	Nut 5/8	
4	4892000	8	Washer 5/8	

SECTION 1 - FRAME

FIGURE 1-27. ELECTRIC BRAKE AND AXLE ASSEMBLY (T350)



ART_0280158

SECTION 1 - FRAME

FIGURE 1-27. ELECTRIC BRAKE AND AXLE ASSEMBLY (T350)

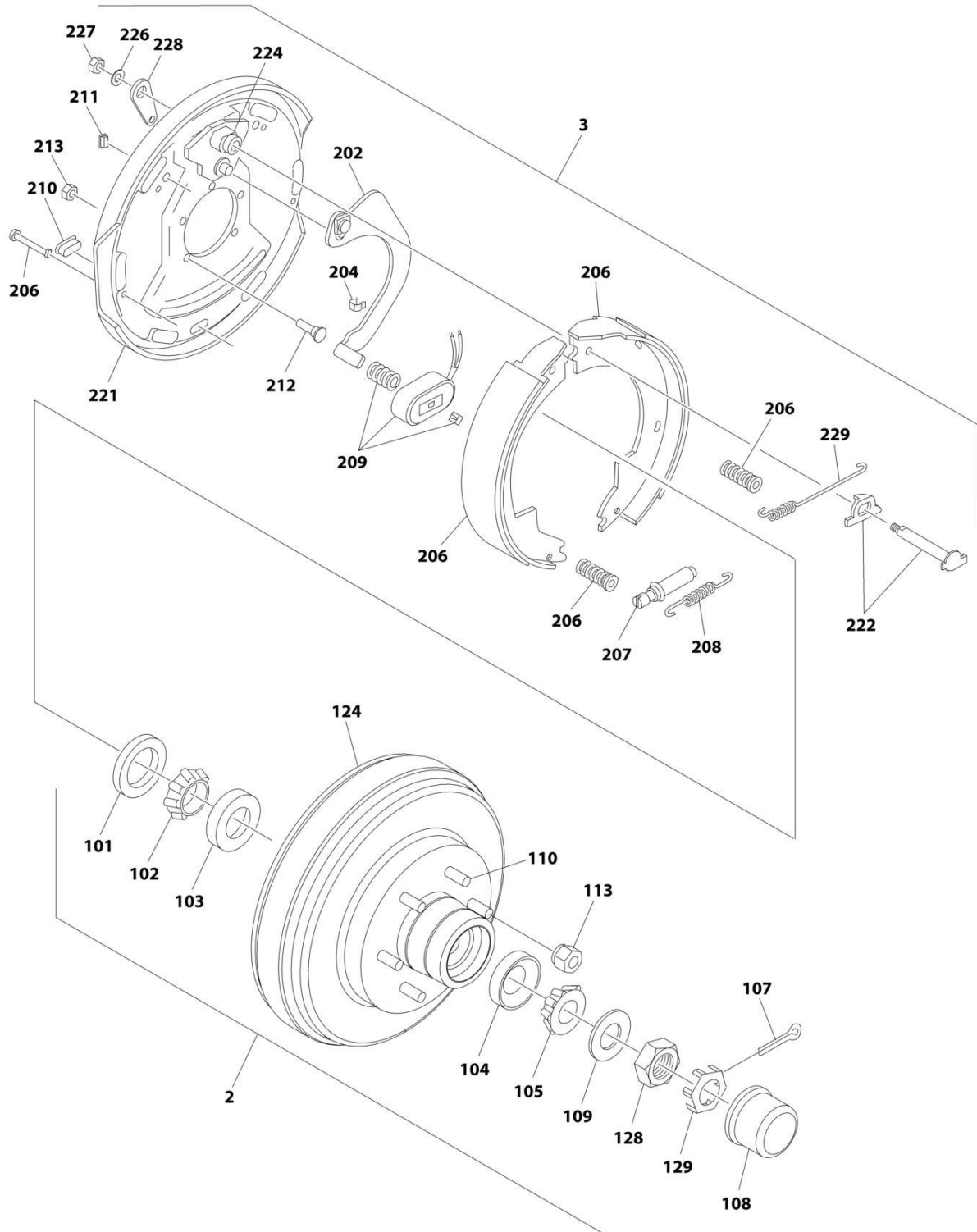
ITEM	PART NUMBER	QTY	DESCRIPTION	REV
	0280158	Ref	AXLE ASSEMBLY	C
		Ref	Note: Front/Rear and Left/Right are determined by facing the Tow Vehicle.	
1	See Note	1	Axle (Not Shown) (Note: Not Available - Purchase Complete Axle Assembly)	
2	70001003	2	Drum Assembly (Includes Item 101-129)	
3		Ref	Electric Brake Assembly (Includes Item 202-229)	
3	7027665	1	Electric Brake Assembly Left Side	
3	7027666	1	Electric Brake Assembly Right Side	
		Ref	DRUM ASSEMBLY	
101	7027647	1	Seal (1 Per Assembly)	
102	7027648	1	Cone, Inner (1 Per Assembly)	
103	7027649	1	Cup, Inner (1 Per Assembly)	
104	7027650	1	Cup, Outer (1 Per Assembly)	
105	7027651	1	Cone, Outer (1 Per Assembly)	
107	80317	2	Pin, Cotter (1 Per Assembly)	
108	7027652	1	Cap (1 Per Assembly)	
109	See Note	2	Washer, Spindle (1 Per Assembly) (Note: Not available for purchase)	
110		Ref	Stud, Wheel Options:	
		Ref	Note: Please verify the length of your original stud before ordering.	
110	7026390	10	2in Stud (5 Per Assembly)	
110	70003756	10	2-5/8in Stud (5 Per Assembly)	
113	7026313	10	Lugnut (5 Per Assembly)	
		Ref	Note: See SPECIAL OPTIONS SECTION for Security Wheel Locks.	
124	7027653	2	Hub and Drum (1 Per Assembly)	
128	7027692	2	Nut, Spindle (1 Per Assembly)	
129	7027693	2	Retainer, Nut Spindle (1 Per Assembly)	
		Ref	ELECTRIC BRAKE ASSEMBLIES	
	7027665	1	Electric Brake Assemblies Left Side	
	7027666	1	Electric Brake Assemblies Right Side	
		Ref	Note: Front/Rear and Left/Right are determined by facing the Tow Vehicle.	
202		Ref	Lever, Actuating Options:	
202	7027667	1	Lever, Actuating Left Side	
202	7027668	1	Lever, Actuating Right Side	
204	7026393	1	Clip, Wire	
206	7027669	1	Brake Shoe Assembly (Includes 1 Primary & 1 Secondary Brake Shoe with Lining, 2 Pins, 2 Springs & 2 Cups)	
207	7026395	1	Adjuster Assembly	
208	7026396	1	Spring, Adjuster	
209	7027671	1	Magnet Assembly (Includes 1 each of Magnet, Spring and Clip)	
210	See Note	1	Plug, Adjuster Slot (Note: Not Available - Purchase Locally)	
211	See Note	1	Grommet (Note: Not Available - Purchase Locally)	
212	See Note	4	Bolt, Mounting (Note: Not Available - Purchase Locally)	
213	See Note	4	Nut	
221	See Note	1	Plate, Backing (Note: Not Available - Purchase Complete Assy)	
222		Ref	Actuating Cam and Pin Options:	
222	7027672	1	Left Side	

SECTION 1 - FRAME

ITEM	PART NUMBER	QTY	DESCRIPTION	REV
222	7027673	1	Right Side	
224	See Note	1	Anchor Post and Nut (Note: Not Available - Purchase Complete Assy)	
226	See Note	1	Washer, Anchor (Note: Not Available - Purchase Locally)	
227	See Note	1	Locknut (Note: Not Available - Purchase Locally)	
228	7027678	1	Lever, Parking Brake	
229	7027674	2	Spring, Retractor	

SECTION 1 - FRAME

FIGURE 1-28. ELECTRIC BRAKE AND AXLE ASSEMBLY (T500J)



ART_0280159

SECTION 1 - FRAME

FIGURE 1-28. ELECTRIC BRAKE AND AXLE ASSEMBLY (T500J)

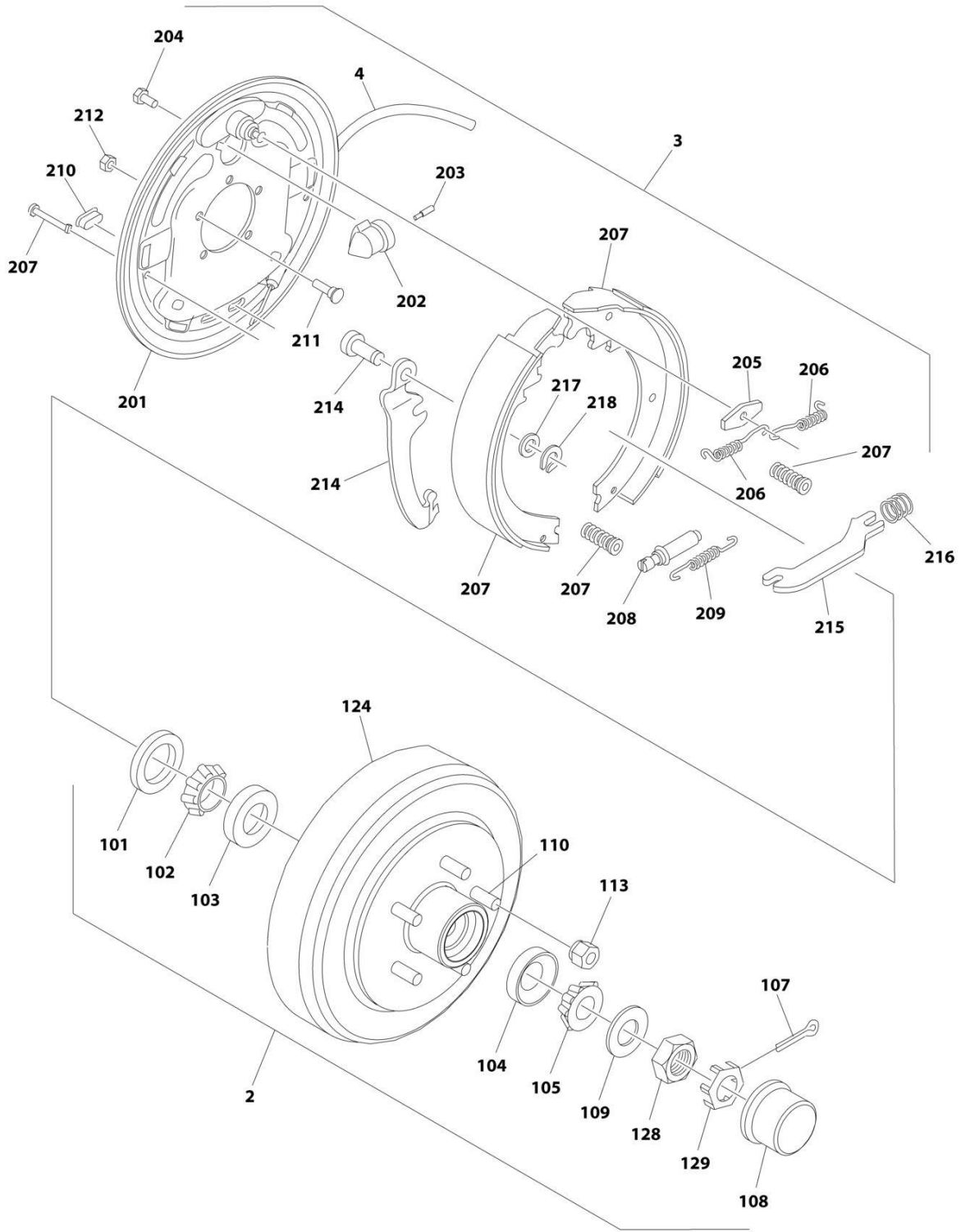
ITEM	PART NUMBER	QTY	DESCRIPTION	REV
	0280159	Ref	AXLE ASSEMBLY	B
		Ref	Note: Front/Rear and Left/Right are determined by facing the Tow Vehicle.	
1	See Note	1	Axle (Not Shown) (Note: Not Available - Purchase Complete Axle Assembly)	
2	See Note	2	Drum Assembly (Note: Not Available - Purchase individual parts)	
3		Ref	Electric Brake Assembly (Includes Item 202-229)	
3	7027675	1	Electric Brake Assembly Left Side	
3	7027676	1	Electric Brake Assembly Right Side	
		Ref	DRUM ASSEMBLY	
101	7027654	1	Seal (1 Per Assembly)	
102	7026384	1	Cone, Inner (1 Per Assembly)	
103	7026385	1	Cup, Inner (1 Per Assembly)	
104	7027655	1	Cup, Outer (1 Per Assembly)	
105	7027656	1	Cone, Outer (1 Per Assembly)	
107	80317	2	Pin, Cotter (1 Per Assembly)	
108	7027511	2	Cap (1 Per Assembly)	
109	See Note	1	Washer, Spindle (1 Per Assembly) (Note: Not available for purchase)	
110		Ref	Stud, Wheel Options:	
		Ref	Note: Please verify the length of your original stud before ordering.	
110	7026390	12	2in Stud (6 Per Assembly)	
110	70003756	12	2-5/8in Stud (6 Per Assembly)	
113	7026313	12	Lugnut (6 Per Assembly)	
		Ref	Note: See SPECIAL OPTIONS SECTION for Security Wheel Locks.	
124	7027657	2	Hub and Drum (1 Per Assembly)	
128	7027692	2	Nut, Spindle (1 Per Assembly)	
129	7027693	2	Retainer, Nut Spindle (1 Per Assembly)	
		Ref	ELECTRIC BRAKE ASSEMBLIES	
	7027675	1	Electric Brake Assemblies Left Side	
	7027676	1	Electric Brake Assemblies Right Side	
		Ref	Note: Front/Rear and Left/Right are determined by facing the Tow Vehicle.	
202		Ref	Lever, Actuating Options:	
202	7026391	1	Lever, Actuating Left Side	
202	7026392	1	Lever, Actuating Right Side	
204	7026393	2	Clip, Wire	
206	70132	1	Brake Shoe Assembly (Includes 1 Primary & 1 Secondary Brake Shoe with Lining, 2 Pins, 2 Springs & 2 Cups)	
207	7026395	1	Adjuster Assembly	
208	7026396	1	Spring, Adjuster	
209	7027677	1	Magnet Assembly (Includes 1 each of Magnet, Spring and Clip)	
210	See Note	1	Plug, Adjuster Slot (Note: Not Available - Purchase Locally)	
211	See Note	1	Grommet (Note: Not Available - Purchase Locally)	
212	See Note	4	Bolt, Mounting (Note: Not Available - Purchase Locally)	
213	See Note	4	Nut	
221	See Note	1	Plate, Backing (Note: Not Available - Purchase Complete Assy)	
222		Ref	Actuating Cam and Pin Options:	
222	7027672	1	Left Side	

SECTION 1 - FRAME

ITEM	PART NUMBER	QTY	DESCRIPTION	REV
222	7027673	1	Right Side	
224	See Note	1	Anchor Post and Nut (Note: Not Available - Purchase Complete Assy)	
226	See Note	1	Washer, Anchor (Note: Not Available - Purchase Locally)	
227	See Note	1	Locknut (Note: Not Available - Purchase Locally)	
228	7027678	1	Lever, Parking Brake	
229	7027679	2	Spring, Retractor	

SECTION 1 - FRAME

FIGURE 1-29. HYDRAULIC BRAKE AND AXLE ASSEMBLY (T350)



ART_0280154

SECTION 1 - FRAME

FIGURE 1-29. HYDRAULIC BRAKE AND AXLE ASSEMBLY (T350)

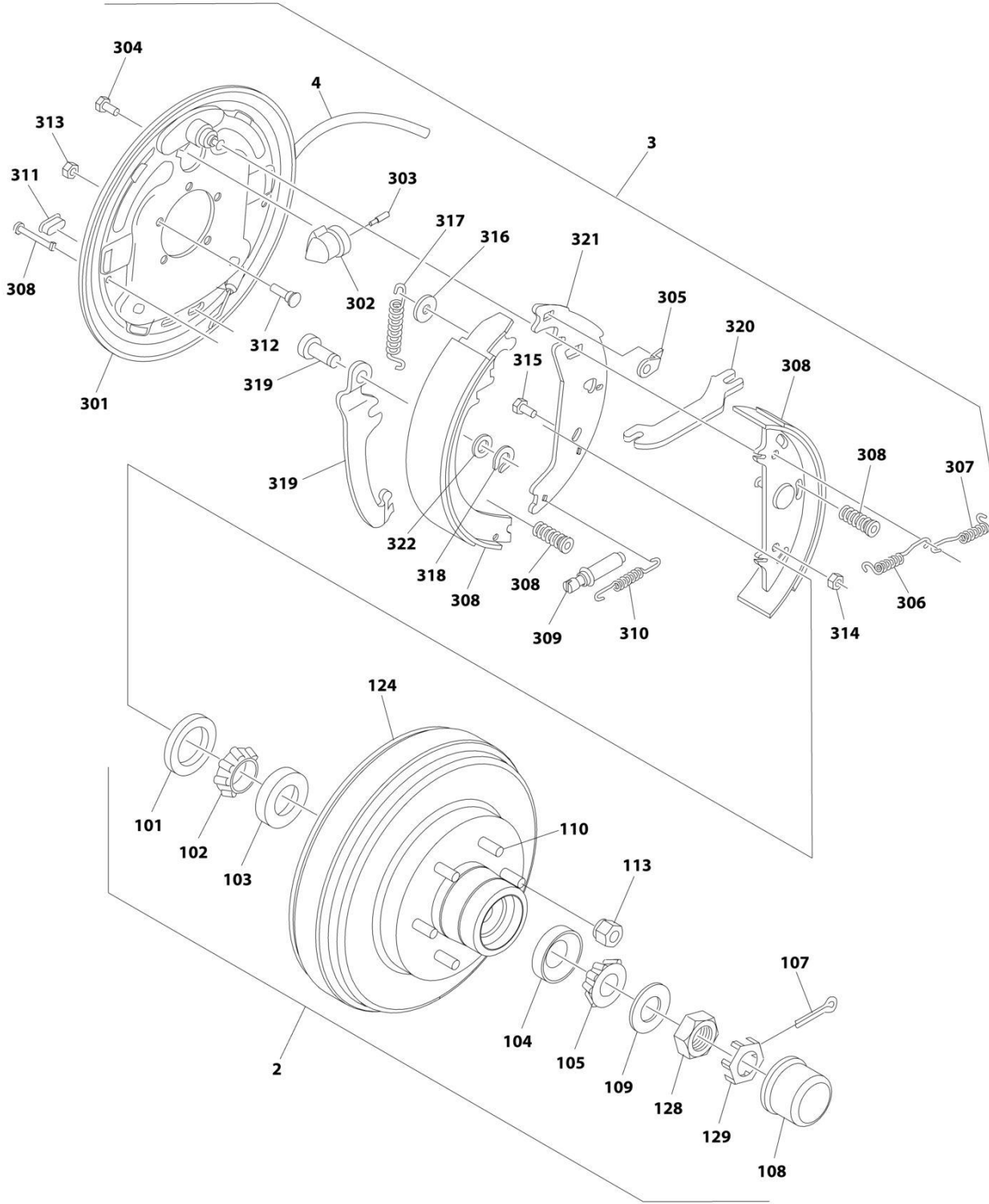
ITEM	PART NUMBER	QTY	DESCRIPTION	REV
	0280154	Ref	HYDRAULIC BRAKE ASSEMBLY	C
		Ref	Note: Front/Rear and Left/Right are determined by facing the Tow Vehicle.	
1	See Note	1	Axle (Not Shown) (Note: Not Available - Purchase Complete Assembly)	
2	See Note	2	Drum Assembly (Includes Item 101-129) (Note: Not Available - Purchase individual parts)	
3		Ref	Hydraulic Brake Assembly	
3	7027640	1	Hydraulic Brake Assembly Left Side (Includes Item 201-218)	
3	7027641	1	Hydraulic Brake Assembly Right Side (Includes Item 201-218)	
4	70000015	2	Cable, Parking Brake	
		Ref	DRUM ASSEMBLY	
101	7027647	1	Seal (1 Per Assembly)	
102	7027648	1	Cone, Inner (1 Per Assembly)	
103	7027649	1	Cup, Inner (1 Per Assembly)	
104	7027650	1	Cup, Outer (1 Per Assembly)	
105	7027651	1	Cone, Outer (1 Per Assembly)	
107	80317	2	Pin, Cotter (1 Per Assembly)	
108	7027652	1	Cap (1 Per Assembly)	
109	70000131	1	Washer, Spindle (1 Per Assembly)	
110		Ref	Stud, Wheel Options:	
		Ref	Note: Please verify the length of your original stud before ordering.	
110	7026390	10	2in Stud (5 Per Assembly)	
110	70003756	10	2-5/8in Stud (5 Per Assembly)	
113	7026313	10	Lugnut (5 Per Assembly)	
		Ref	Note: See DECAL SECTION for Security Wheel Locks.	
124	7027653	1	Hub and Drum (1 Per Assembly)	
128	7027692	2	Nut, Spindle (1 Per Assembly)	
129	7027693	2	Retainer, Nut Spindle (1 Per Assembly)	
	7027640	1	HYDRAULIC BRAKE ASSEMBLIES	
		Ref	Note: Front/Rear and Left/Right are determined by facing the Tow Vehicle.	
201	See Note	1	Plate, Backing (Note: Not Available - Purchase Complete Assy)	
202		Ref	Cylinder, Uni-Servo Wheel Options:	
202	70145	1	Left Side	
202	70144	1	Right Side	
203	7026399	1	Pin, Push	
204	See Note	1	Screw and Washer (Note: Not Available - Purchase Locally)	
205	See Note	1	Washer, Anchor (Note: Not Available - Purchase Locally)	
206	7026394	2	Spring, Retractor	
207	7027642	1	Brake Shoe Assembly (Includes 1 Primary & 1 Secondary Brake Shoe with Lining, 2 Pins, 2 Springs & 2 Cups)	
208	7026395	1	Adjuster Assembly	
209	7026396	1	Spring, Adjuster	
210	See Note	1	Plug, Adjuster Slot (Note: Not Available - Purchase Locally)	
211	See Note	4	Bolt, Mounting (Note: Not Available - Purchase Locally)	
212	See Note	4	Nut (Note: Not Available - Purchase Locally)	
214		Ref	Lever, Parking Brake Actuating Options:	
214	7027643	1	Left Side	
214	7027644	1	Right Side	

SECTION 1 - FRAME

ITEM	PART NUMBER	QTY	DESCRIPTION	REV
215	7027645	1	Strut	
216	7027646	1	Spring, Strut	
217	70001658	1	Washer	
218	70001659	1	Retainer	

SECTION 1 - FRAME

FIGURE 1-30. HYDRAULIC BRAKE AND AXLE ASSEMBLY (T500J)



ART_0280155

SECTION 1 - FRAME

FIGURE 1-30. HYDRAULIC BRAKE AND AXLE ASSEMBLY (T500J)

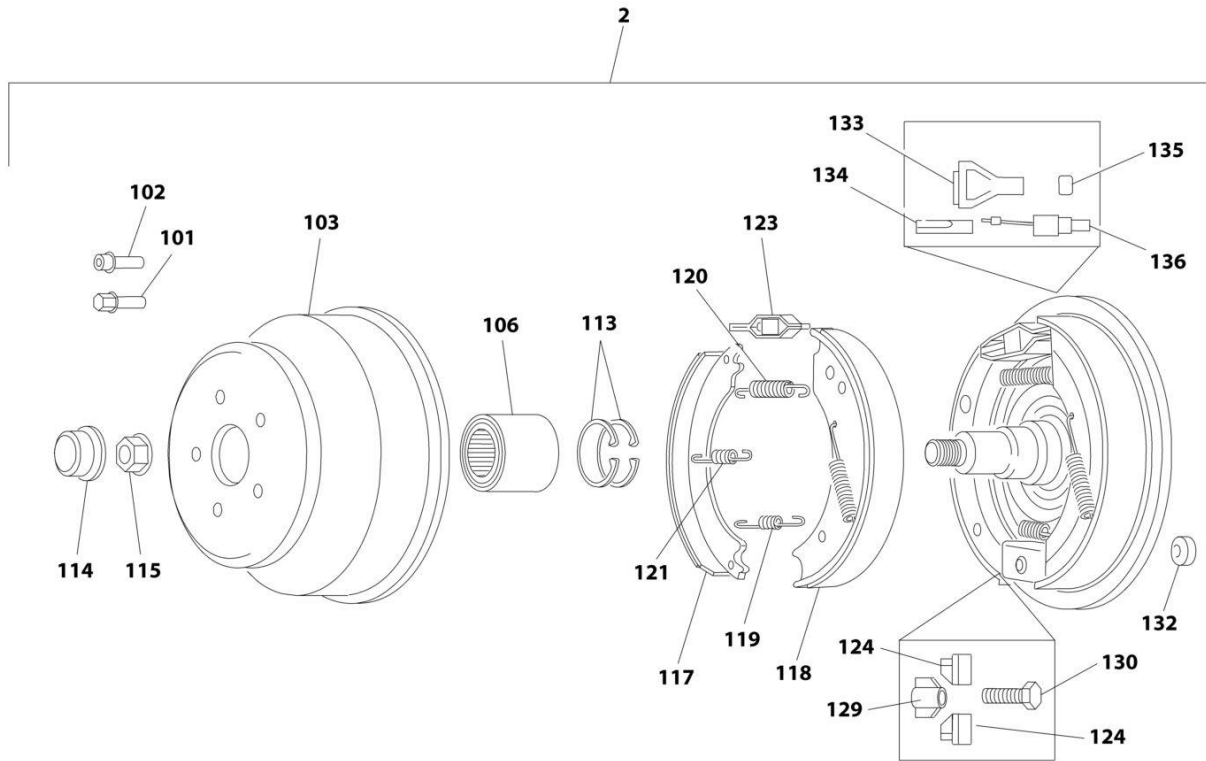
ITEM	PART NUMBER	QTY	DESCRIPTION	REV
	0280155	Ref	HYDRAULIC BRAKE ASSEMBLY	C
		Ref	Note: Front/Rear and Left/Right are determined by facing the Tow Vehicle.	
1	See Note	1	Axle (Not Shown) (Note: Not Available - Purchase Complete Assembly)	
2	See Note	2	Drum Assembly (Includes Item 101-129) (Note: Not Available - Purchase individual parts)	
3		Ref	Hydraulic Brake Assembly	
3	70001005	1	Hydraulic Brake Assembly Left Side (Includes Item 301-322)	
3	70001006	1	Hydraulic Brake Assembly Right Side (Includes Item 301-322)	
4	70000016	2	Cable, Parking Brake	
		Ref	DRUM ASSEMBLY	
101	7027654	1	Seal (1 Per Assembly)	
102	7026384	1	Cone, Inner (1 Per Assembly)	
103	7026385	1	Cup, Inner (1 Per Assembly)	
104	7027655	1	Cup, Outer (1 Per Assembly)	
105	7027656	1	Cone, Outer (1 Per Assembly)	
107	80317	2	Pin, Cotter (1 Per Assembly)	
108	7027511	1	Cap (1 Per Assembly)	
109	70000131	1	Washer, Spindle (1 Per Assembly)	
110		Ref	Stud, Wheel Options:	
		Ref	Note: Please verify the length of your original stud before ordering.	
110	7026390	12	2in Stud (6 Per Assembly)	
110	70003756	12	2-5/8in Stud (6 Per Assembly)	
113	7026313	12	Lugnut (6 Per Assembly)	
		Ref	Note: See DECAL SECTION for Security Wheel Locks.	
124	7027657	1	Hub and Drum (1 Per Assembly)	
128	7027692	2	Nut, Spindle (1 Per Assembly)	
129	7027693	2	Retainer, Nut Spindle (1 Per Assembly)	
		Ref	HYDRAULIC BRAKE ASSEMBLIES	
	70001005	1	Hydraulic Brake Assemblies Left Side	
	70001006	1	Hydraulic Brake Assemblies Right Side	
		Ref	Note: Front/Rear and Left/Right are determined by facing the Tow Vehicle.	
301	See Note	1	Plate, Backing (Note: Not Available - Purchase Complete Assy)	
302		Ref	Cylinder, Uni-Servo Wheel Options:	
302	70145	1	Left Side	
302	70144	1	Right Side	
303	7026399	1	Pin, Push	
304	See Note	1	Screw and Washer (Note: Not Available - Purchase Locally)	
305	7027500	1	Link, Travel	
306	7027501	1	Spring, Retractor	
307	7027502	1	Spring, Lever Return	
308		Ref	Brake Shoe Assembly Options (Includes 1 Primary & 1 Secondary Brake Shoe with Lining, 2 Pins, 2 Springs & 2 Cups):	
308	7027503	1	Left Side	
308	7027504	1	Right Side	
309	7027505	1	Adjuster Assembly	
310	7027506	1	Spring, Adjuster	
311	See Note	1	Plug, Adjuster Slot (Note: Not Available - Purchase Locally)	

SECTION 1 - FRAME

ITEM	PART NUMBER	QTY	DESCRIPTION	REV
312	See Note	4	Bolt, Mounting (Note: Not Available - Purchase Locally)	
313	See Note	4	Nut (Note: Not Available - Purchase Locally)	
314	See Note	1	Locknut (Note: Not Available - Purchase Locally)	
315	See Note	1	Bolt (Note: Not Available - Purchase Locally)	
316	See Note	1	Washer (Note: Not Available - Purchase Locally)	
317	7027508	1	Spring, Primary Shoe Return	
318	70001659	1	Retainer	
319		Ref	Lever, Parking Brake Actuating Options:	
319	7027662	1	Left Side	
319	7027663	1	Right Side	
320	70001007	1	Strut	
321	7027507	1	Lever, Shoe	
322	70001658	1	Washer	

SECTION 1 - FRAME

FIGURE 1-31. MECHANICAL BRAKE ASSEMBLY (T350)



ART_0280186

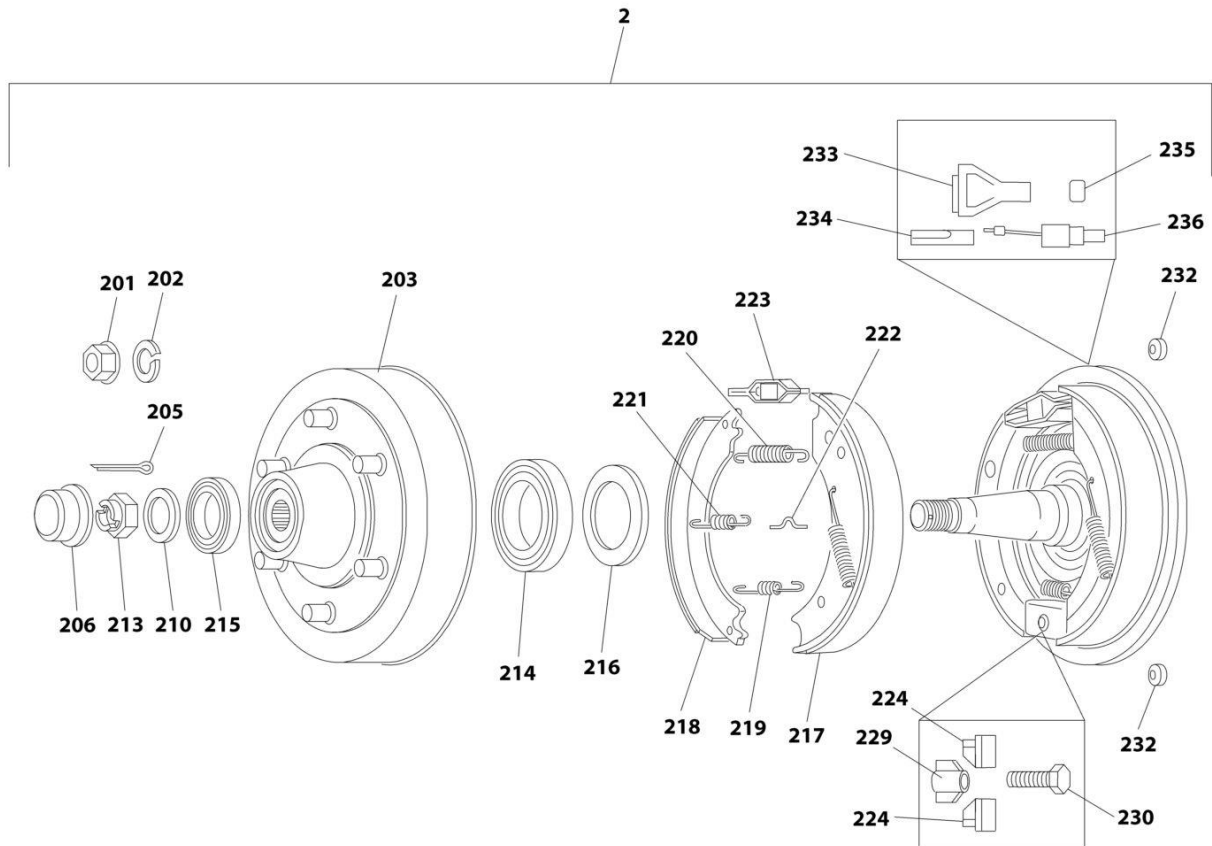
SECTION 1 - FRAME

FIGURE 1-31. MECHANICAL BRAKE ASSEMBLY (T350)

ITEM	PART NUMBER	QTY	DESCRIPTION	REV
	0280186	Ref	AXLE ASSEMBLY	D
		Ref	Note: Front/Rear and Left/Right are determined by facing the Tow Vehicle.	
1	See Note	1	Axle (Not Shown) (Note: Not Available - Purchase Complete Assembly)	
2		Ref	Mechanical Brake Assembly Options:	
2	7027885	1	Mechanical Brake Assembly Right Side (Includes Item 101-136)	
2	0277886	1	Mechanical Brake Assembly Left Side (Includes Item 101-136)	
		Ref	MECHANICAL BRAKE ASSEMBLY	
	7027885	1	Mechanical Brake Assembly Right Side	
	7027886	1	Mechanical Brake Assembly Left Side	
		Ref	Note: Front/Rear and Left/Right are determined by facing the Tow Vehicle.	
101	7027801	5	Screw, Spherical Flanged	
102	7027802	5	Screw, Conical Flanged	
103	7027821	1	Hub/Drum Assembly	
106	7027805	1	Bearing	
113	7027806	2	Circle Clip	
114	7027803	1	Cap, Dust	
115	70005478	1	Nut, Flanged	
117	7027807	1	Shoe, Brake (Smaller of the 2 Shoes)	
118	7027808	1	Shoe, Brake (Larger of the 2 Shoes)	
119	7027809	1	Spring, Tension (Top)	
120	7027810	1	Spring, Tension (Bottom)	
121	7027811	1	Spring, Compression (Center)	
123	7027812	1	Spreader, Compression Spring	
124	7027813	2	Key, Adjusting	
129	7027814	1	Bolt, Adjusting	
130	7027815	1	Bolt	
132	7027816	2	Plug, Adjustment Hole	
133	7027817	1	Shield, Protective	
134	7027818	1	Drawbar Eye	
135	7027819	1	Sleeve, Protective	
136	7027820	1	Cable, Brake	

SECTION 1 - FRAME

FIGURE 1-32. MECHANICAL BRAKE ASSEMBLY (T500J)



ART_0280187

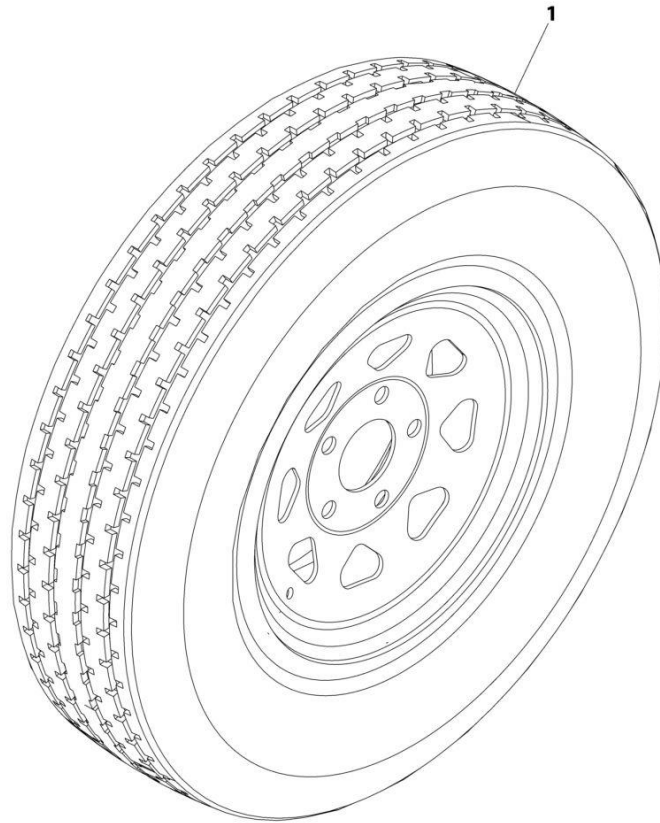
SECTION 1 - FRAME

FIGURE 1-32. MECHANICAL BRAKE ASSEMBLY (T500J)

ITEM	PART NUMBER	QTY	DESCRIPTION	REV
	0280187	Ref	AXLE ASSEMBLY	C
		Ref	Note: Front/Rear and Left/Right are determined by facing the Tow Vehicle.	
1	See Note	1	Axle (Not Shown) (Note: Not Available - Purchase Complete Assembly)	
2		Ref	Mechanical Brake Assembly Options:	
2	7027883	1	Mechanical Brake Assembly Right Side (Includes Item 201-236)	
2	7027884	1	Mechanical Brake Assembly Left Side (Includes Item 201-236)	
		Ref	MECHANICAL BRAKE ASSEMBLY	
	7027883	1	Mechanical Brake Assembly Right Side	
	7027884	1	Mechanical Brake Assembly Left Side	
		Ref	Note: Front/Rear and Left/Right are determined by facing the Tow Vehicle.	
201	7027822	6	Nut, Flanged	
202	7027823	6	Lockwasher	
203	7027826	1	Hub/Drum Assembly	
205	7027824	1	Pin, Cotter	
206	7027825	1	Cap, Dust	
210	7027827	1	Washer	
213	7027828	1	Nut, Castle	
214	7027829	1	Bearing (Inner)	
215	7027830	1	Bearing (Outer)	
216	7027831	1	Washer	
217	70003038	1	Shoe, Brake (Larger of the 2 Shoes) (was p/n 7027832)	
218	70003038	1	Shoe, Brake (Smaller of the 2 Shoes) (was p/n 7027833)	
219	7027834	1	Spring, Tension (Bottom)	
220	7027835	1	Spring, Tension (Top)	
221	7027836	1	Spring, Compression (Center)	
222	7027837	1	Clip, Spring	
223	7027838	1	Spreader, Compression Spring	
224	7027839	2	Key, Adjusting	
229	7027840	1	Bolt, Adjusting	
230	7027841	1	Bolt	
232	7027842	2	Plug, Adjustment Hole	
233	7027843	1	Shield, Protective	
234	7027844	1	Drawbar Eye	
235	7027845	1	Sleeve, Protective	
236	7027846	1	Cable, Brake	

SECTION 1 - FRAME

FIGURE 1-33. TIRE AND WHEEL INSTALLATION - 185R14C (T350)



ART_0274351

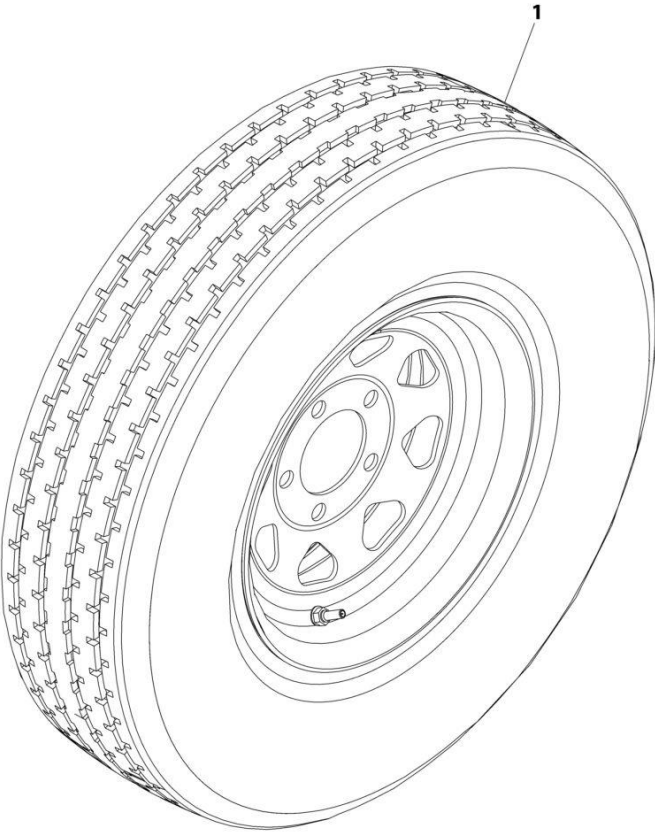
SECTION 1 - FRAME

FIGURE 1-33. TIRE AND WHEEL INSTALLATION - 185R14C (T350)

ITEM	PART NUMBER	QTY	DESCRIPTION	REV
	0274351	Ref	TIRE AND WHEEL INSTALLATION	D
1	4520377	2	Tire and Wheel Assembly - 185R14C (Serviced as an Assembly Only)	
2	1706705	2	Decal - Tire Pressure (Not Shown Located on Frame Below VIN Plate)	

SECTION 1 - FRAME

FIGURE 1-34. TIRE AND WHEEL INSTALLATION - 215-75-R14 (T350)



ART_0275210

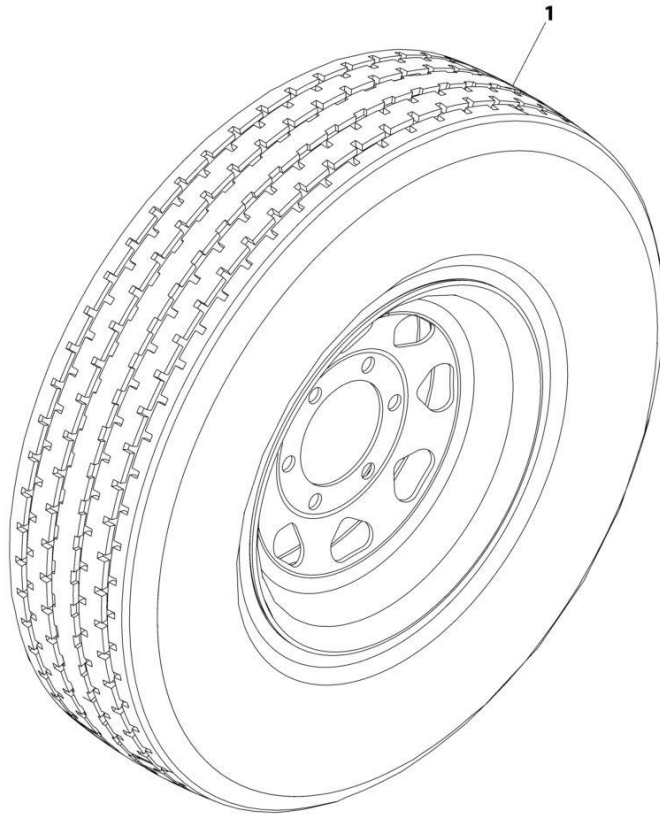
SECTION 1 - FRAME

FIGURE 1-34. TIRE AND WHEEL INSTALLATION - 215-75-R14 (T350)

ITEM	PART NUMBER	QTY	DESCRIPTION	REV
	0275210	Ref	TIRE AND WHEEL INSTALLATION	C
1	1001109586	2	Tire and Wheel Assembly	
1	70002204	2	Tire, Replacement (215-75-R14)	
1	70002205	2	Wheel, Replacement (14 x 6)	

SECTION 1 - FRAME

FIGURE 1-35. TIRE AND WHEEL INSTALLATION - 225-75-R15 (T500J)



ART_0275211

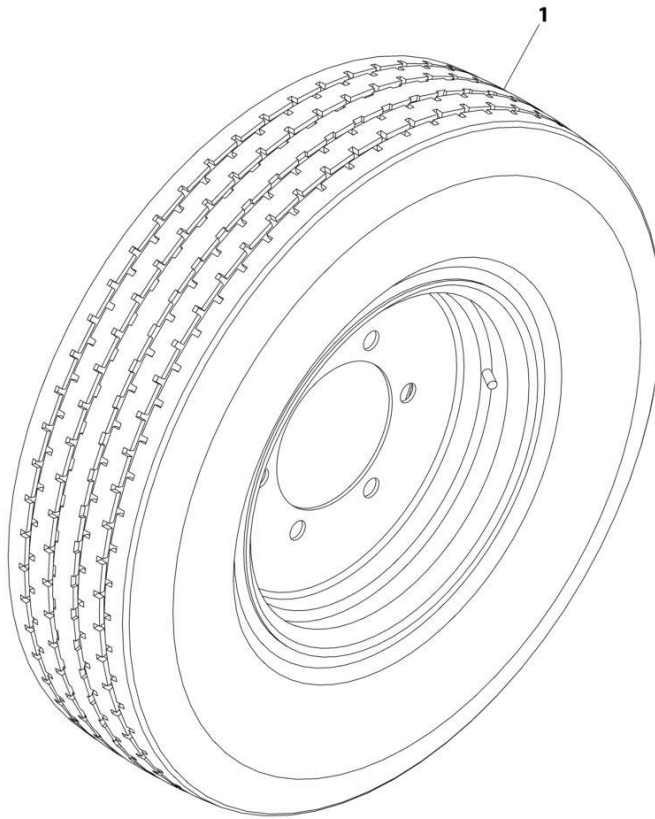
SECTION 1 - FRAME

FIGURE 1-35. TIRE AND WHEEL INSTALLATION - 225-75-R15 (T500J)

ITEM	PART NUMBER	QTY	DESCRIPTION	REV
1	0275211 4520614	Ref 2	TIRE AND WHEEL INSTALLATION Tire and Wheel Assembly (225-75-R15) (Serviced as an assembly Only)	B

SECTION 1 - FRAME

FIGURE 1-36. TIRE AND WHEEL INSTALLATION - 225-75-R16 (T500J)



ART_0274352

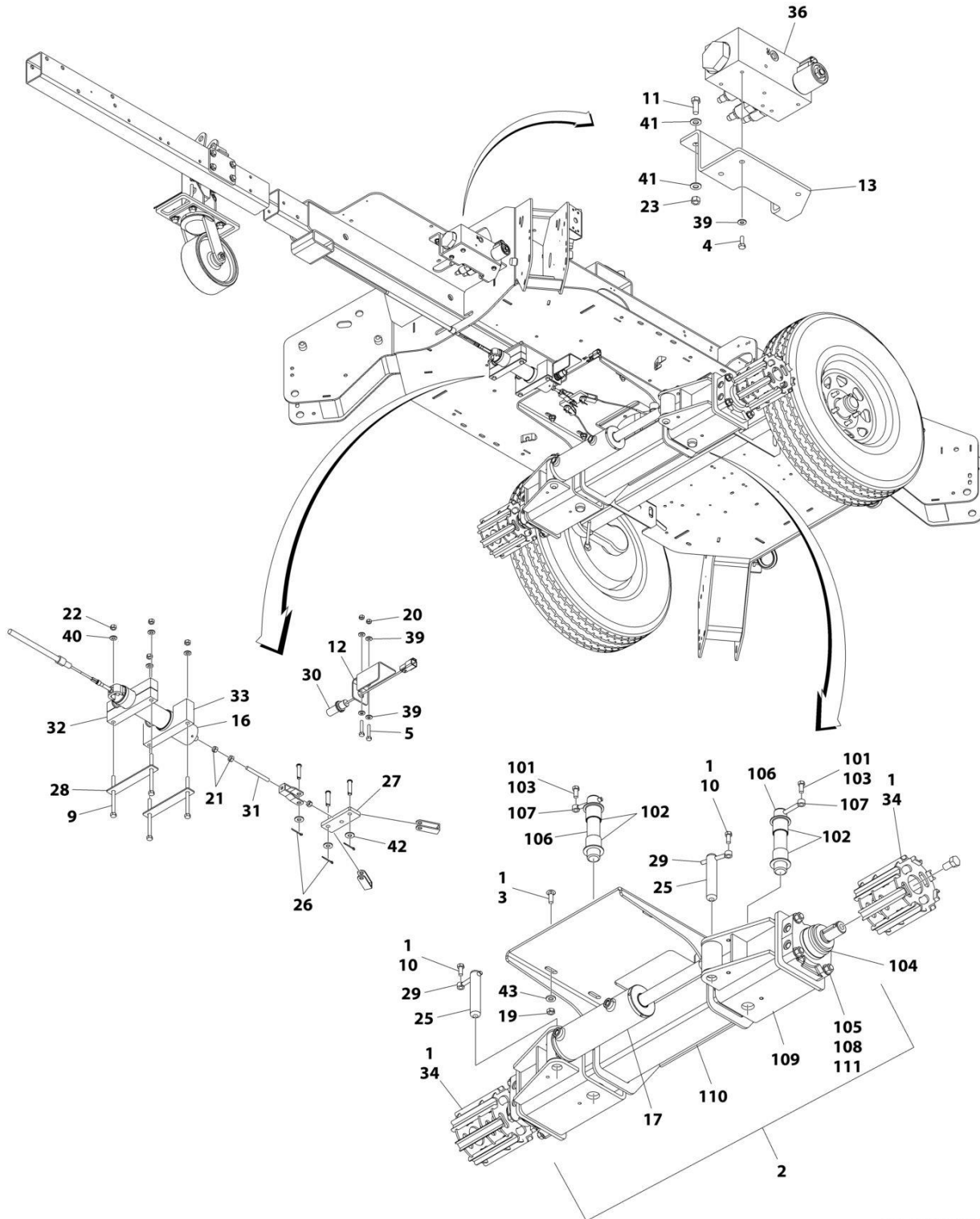
SECTION 1 - FRAME

FIGURE 1-36. TIRE AND WHEEL INSTALLATION - 225-75-R16 (T500J)

ITEM	PART NUMBER	QTY	DESCRIPTION	REV
	0274352	Ref	TIRE AND WHEEL INSTALLATION	E
1	4520378	2	Tire and Wheel Assembly - 225-R16C (Serviced as an Assembly Only)	
2	1706706	2	Decal - Tire Pressure (Not Shown Located on Frame Below VIN Plate)	

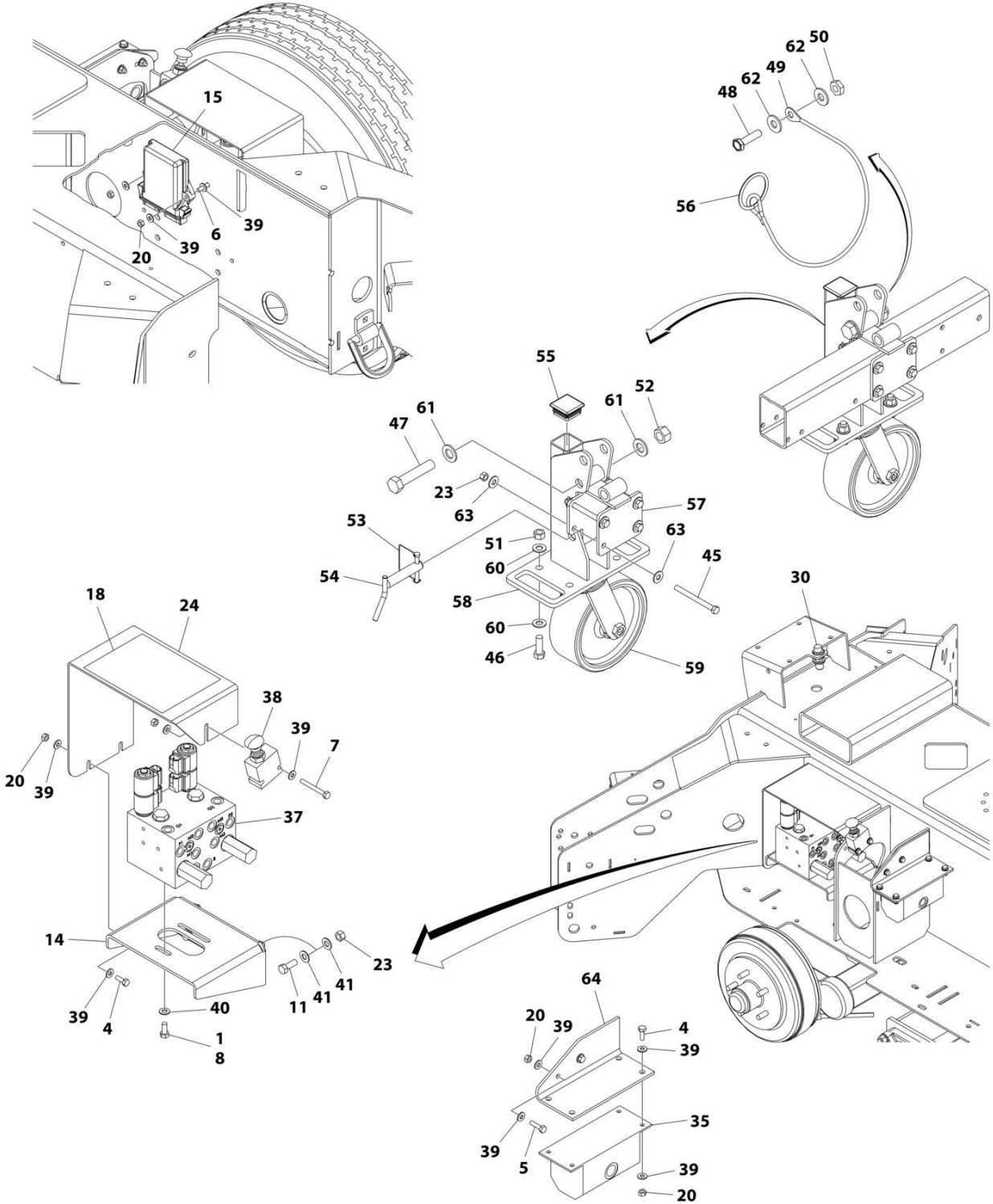
SECTION 1 - FRAME

FIGURE 1-37. CHASSIS DRIVE INSTALLATION (OPTIONAL) (T350 ALL SPECS EXCEPT SOUTH AFRICA SPECS)



ART_0274679_10F2

SECTION 1 - FRAME



ART_0274679_20F2

SECTION 1 - FRAME

FIGURE 1-37. CHASSIS DRIVE INSTALLATION (OPTIONAL) (T350 ALL SPECS EXCEPT SOUTH AFRICA SPECS)

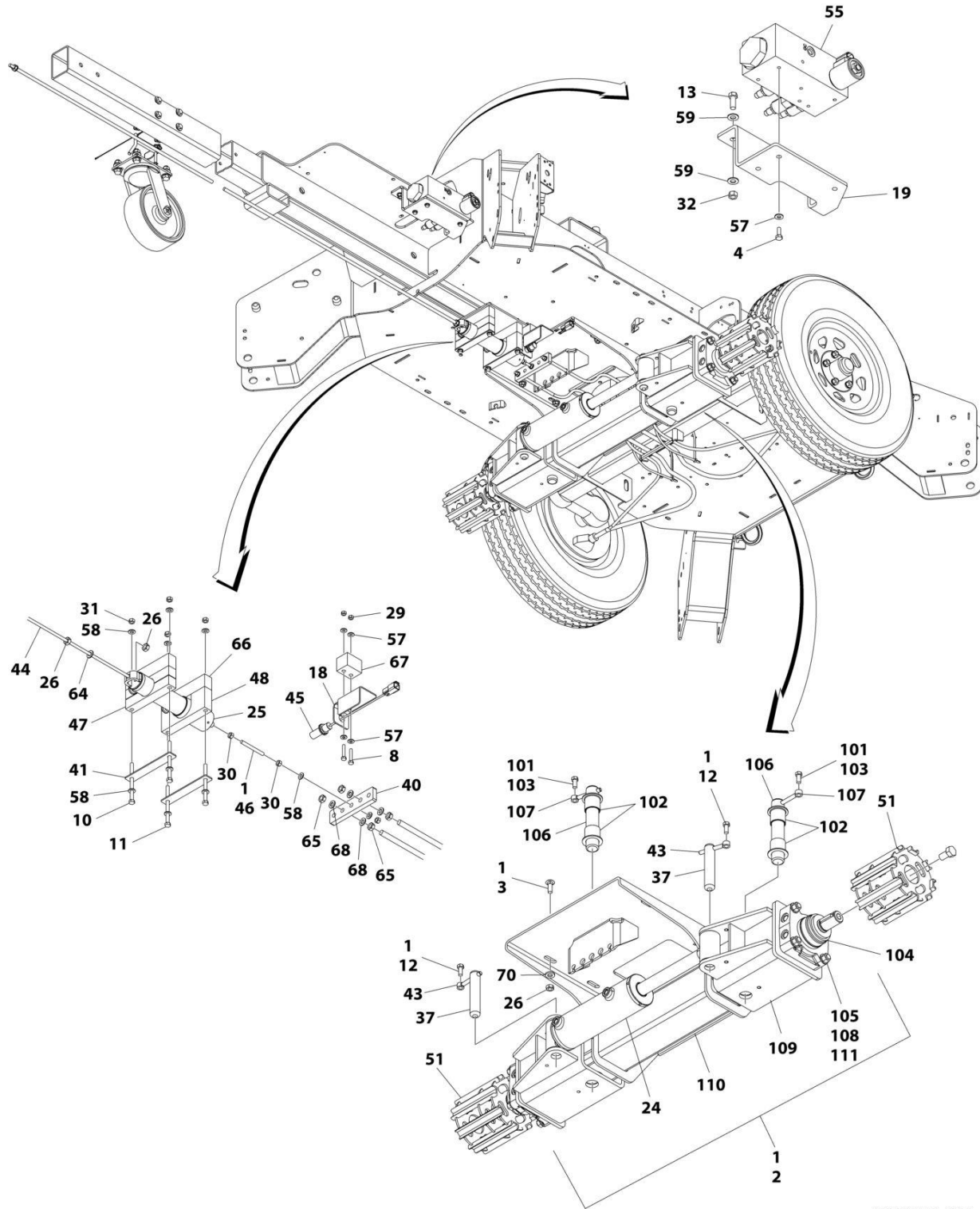
ITEM	PART NUMBER	QTY	DESCRIPTION	REV
	0274679	Ref	CHASSIS DRIVE INSTALLATION (OPTIONAL)	H
1	0100011	AR	Compound, Locking	
2	0274806	1	Drive Assembly (See Items 101-111 for Breakdown)	
3	0630613	6	Bolt M10 x 30	
4	0641406	9	Bolt 1/4 x 3/4	
5	0641408	4	Bolt 1/4 x 1	
6	0641410	2	Bolt 1/4 x 1-1/4	
7	0641418	2	Bolt 1/4 x 2-1/4	
8	0641506	3	Bolt 5/16 x 3/4	
9	0641526	4	Bolt 5/16 x 3-1/4	
10	0641607	2	Bolt 3/8 x 7/8	
11	0641608	6	Bolt 3/8 x 1	
12	0903284	1	Bracket, Switch Mounting	
13	0903298	1	Bracket, Valve Mounting	
14	0903299	1	Bracket, Drive Valve Mounting	
15	1600392	1	Module, Drive Propulsion	
16	1001193948	1	Brake Release Cylinder Assembly (See Separate Breakdown in CYLINDER Section)	
17	1684467	1	Drive Engage Cylinder Assembly (See Separate Breakdown in CYLINDER Section)	
18	1706701	1	Decal - Drive Set	
19	3291001	6	Nut M10	
20	3311405	14	Nut 1/4	
21	3311501	3	Nut 5/16	
22	3311505	4	Nut 5/16	
23	3311605	10	Nut 3/8	
24	3380624	1	Cover	
25	3422351	2	Pin, Steer	
26	3450304	3	Pin, Cotter 3/32 x 1	
27	3576092	1	Plate, Equalizer	
28	3576136	2	Plate, Strap	
29	3841143	2	Keeper, Pin	
30	4000008	2	Sensor, Proximity	
31	4300115	1	Stud	
32	4341097	1	Support, Cylinder Slide	
33	4341116	1	Support, Cylinder Slide	
34	4520338	2	Disc, Friction Drive	
35	4641418	1	Valve Assembly - Flow Divider	
36	4641419	1	Valve Assembly - Drive Enable (See Separate Breakdown in this Section)	
37	4641420	1	Valve Assembly - Drive Directional (See Separate Breakdown in this Section)	
38	4640866	1	Valve Assembly - Manual Pull	
38	7017466	1	Cartridge	
38	2900708	1	Seal Kit - 7017466 Cartridge	
38	7012959	1	Knob	
39	4711400	31	Washer 1/4	
40	4711500	7	Washer 5/16	
41	4711600	12	Washer 3/8	
42	4751500	3	Washer 5/16	

SECTION 1 - FRAME

ITEM	PART NUMBER	QTY	DESCRIPTION	REV
43	4891700	6	Washer 7/16	
44	4923340	1	Harness, Drive and Set (Not Shown - See Separate Breakdown in ELECTRICAL Section)	
45	0641634	4	Bolt 3/8 x 4-1/2	
46	0641812	4	Bolt 1/2 x 1-1/2	
47	0642230	1	Bolt 3/4 x 3-3/4	
48	0721006	1	Screw #10 x 3/4	
49	1060584	1	Cable, Lanyard	
50	3311005	1	Nut #10	
51	3311805	4	Nut 1/2	
52	3312205	1	Nut 3/4	
53	3421565	1	Snap-Pin	
54	3423249	1	Pin, Drive Motor Pivot	
55	3520071	1	Cap-Plug	
56	3760170	1	Ring, Split	
57	4341148	1	Mount, Wheel Drive Pivot	
58	4341149	1	Mount, Wheel Drive	
59	4520591	1	Wheel, Drive	
60	4711800	8	Washer 1/2	
61	4712200	2	Washer 3/4	
62	4751000	2	Washer #10	
63	4751600	8	Washer 3/8	
64	0903356	1	Bracket, Mounting	
	0274806		DRIVE ASSEMBLY	D
101	0100011	1	Compound, Locking	
102	0440321	4	Bearing, Flanged	
103	0641607	2	Bolt 3/8 x 7/8	
104	3160327	2	Drive Motor Assembly (See Separate Breakdown in this Section)	
105	3311805	8	Nut 1/2	
106	3422709	2	Pin, Slider	
107	3841143	2	Keeper, Pin	
108	3931840	8	Capscrew 1/2 x 2-1/2	
109	4130417	2	Spindle, Drive/Set	
110	4341092	1	Mount, Motor	
111	4711800	8	Washer 1/2	

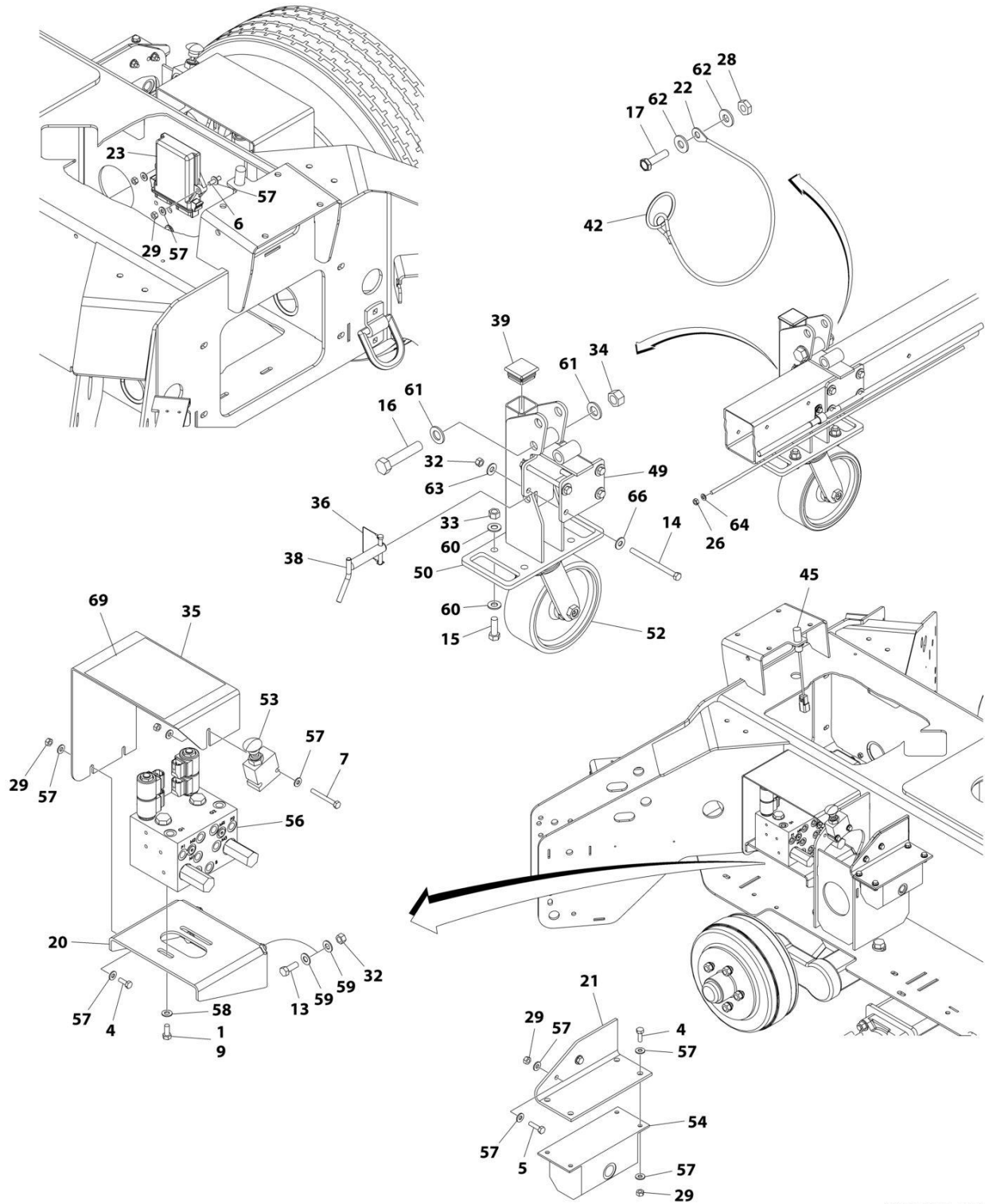
SECTION 1 - FRAME

FIGURE 1-38. CHASSIS DRIVE INSTALLATION (OPTIONAL) (T350 SOUTH AFRICAN SPECS)



ART_0275380_10F2

SECTION 1 - FRAME



ART_0275380_20F2

SECTION 1 - FRAME

FIGURE 1-38. CHASSIS DRIVE INSTALLATION (OPTIONAL) (T350 SOUTH AFRICAN SPECS)

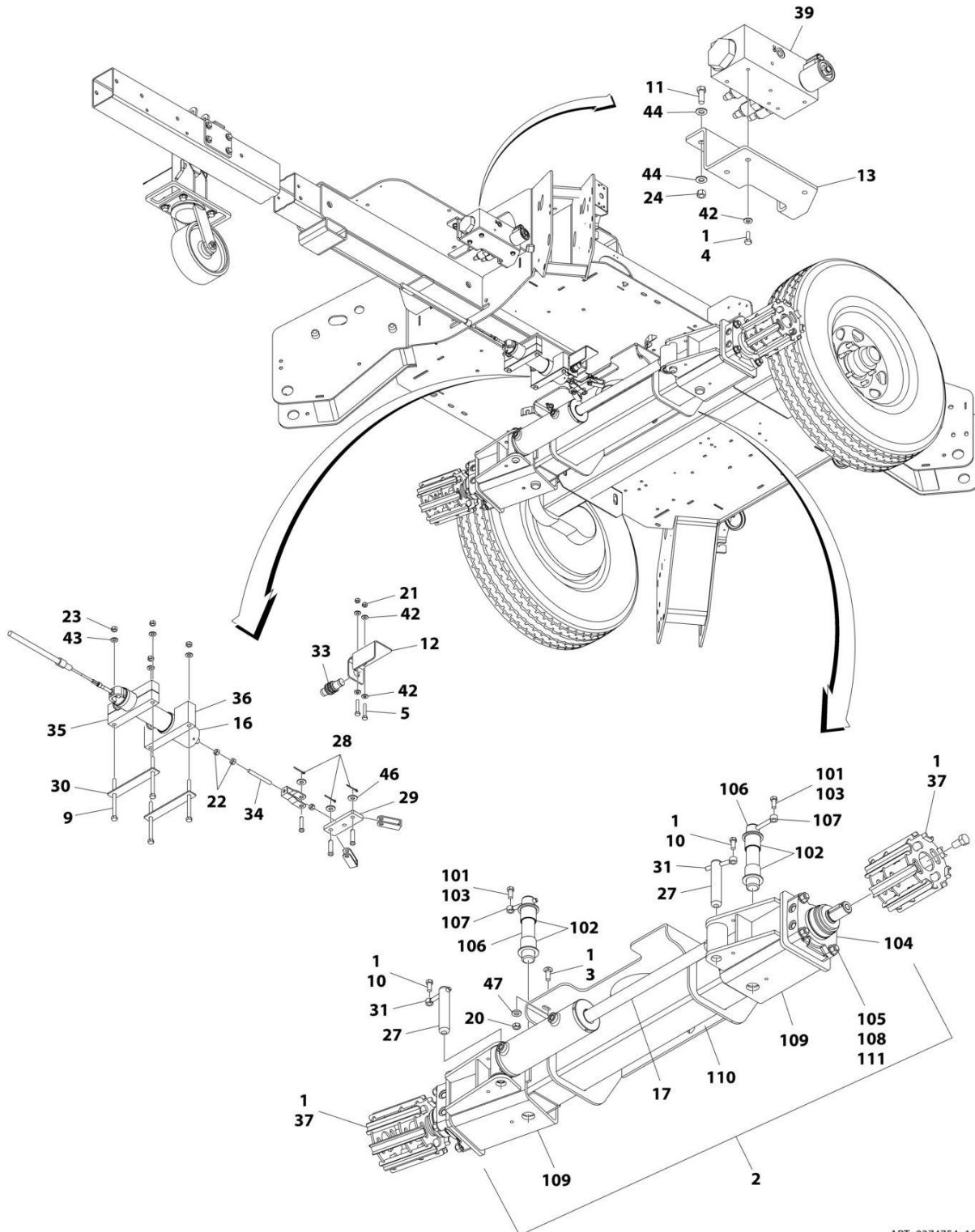
ITEM	PART NUMBER	QTY	DESCRIPTION	REV
	0275380	Ref	CHASSIS DRIVE INSTALLATION (OPTIONAL)	G
1	0100011	AR	Compound, Locking	
2	0275391	1	Drive Assembly (See Items 101-111 for Breakdown)	
3	0630613	6	Bolt M10 x 30	
4	0641406	9	Bolt 1/4 x 3/4	
5	0641408	2	Bolt 1/4 x 1	
6	0641410	2	Bolt 1/4 x 1-1/4	
7	0641418	2	Bolt 1/4 x 2-1/4	
8	0641420	2	Bolt 1/4 x 2-1/2	
9	0641506	3	Bolt 5/16 x 3/4	
10	0641538	2	Bolt 5/16 x 4-3/4	
11	0641540	2	Bolt 5/16 x 5	
12	0641607	2	Bolt 3/8 x 7/8	
13	0641608	6	Bolt 3/8 x 1	
14	0641634	4	Bolt 3/8 x 1/2	
15	0641812	4	Bolt 1/2 x 1-1/2	
16	0642230	1	Bolt 3/4 x 3-3/4	
17	0721006	1	Screw #10 x 3/4	
18	0903284	1	Bracket, Switch Mounting	
19	0903298	1	Bracket, Valve Mounting	
20	0903299	1	Bracket, Drive Valve Mounting	
21	0903356	1	Bracket, Mounting	
22	1060584	1	Cable, Lanyard	
23	1600392	1	Module, Drive Propulsion	
24	1684467	1	Drive Engage Cylinder Assembly (See Separate Breakdown in CYLINDER Section)	
25	1001193948	1	Brake Release Cylinder Assembly (See Separate Breakdown in CYLINDER Section)	
26	3291001	AR	Nut M10	
28	3311005	1	Nut M10	
29	3311405	14	Nut 1/4	
30	3311501	3	Nut 5/16	
31	3311505	4	Nut 5/16	
32	3311605	10	Nut 3/8	
33	3311805	4	Nut 1/2	
34	3312205	1	Nut 3/4	
35	3380624	1	Cover	
36	3421565	1	Snap-Pin	
37	3422351	2	Pin, Steer	
38	3423249	1	Pin, Drive Motor Pivot	
39	3520071	1	Cap-Plug	
40	3575853	1	Plate, Equalizer	
41	3576136	2	Plate, Strap	
42	3760170	1	Ring, Split	
43	3841143	2	Keeper, Pin	
44	3841740	1	Brake Rod/Cable	
45	4000008	2	Sensor, Proximity	
46	4300115	1	Stud	
47	4341097	1	Support, Cylinder Slide	
48	4341116	1	Support, Cylinder Slide	

SECTION 1 - FRAME

ITEM	PART NUMBER	QTY	DESCRIPTION	REV
49	4341148	1	Mount, Wheel Drive Pivot	
50	4341149	1	Mount, Wheel Drive	
51	4520338	2	Disc, Friction Drive	
52	4520591	1	Wheel, Drive	
53	4640866	1	Valve Assembly - Manual Pull	
53	7017466	1	Cartridge	
53	2900708	1	Seal Kit - 7017466 Cartridge	
53	7012959	1	Knob	
54	4641418	1	Valve Assembly - Flow Divider	
55	4641419	1	Valve Assembly - Drive Enable (See Separate Breakdown in this Section)	
56	4641420	1	Valve Assembly - Drive Directional (See Separate Breakdown in this Section)	
57	4711400	31	Washer 1/4	
58	4711500	13	Washer 5/16	
59	4711600	12	Washer 3/8	
60	4711800	8	Washer 1/2	
61	4712200	2	Washer 3/4	
62	4751000	2	Washer #10	
63	4751600	8	Washer 3/8	
64	4812000	2	Washer M10	
65	3290801	4	Nut M8	
66	4220304	2	Spacer, Brake Cylinder Pad	
67	4220305	1	Spacer, Switch Mounting	
68	4811900	2	Washer M8	
69	1706701	1	Decal - Drive Set	
70	4891700	6	Washer 7/16	
71	4240127	1	Tie-Strap (Not Shown)	
72	4060804	AR	Flex-Trim (Not Shown - Located on Frame)	
	0275391	Ref	DRIVE ASSEMBLY	C
101	0100011	AR	Compound, Locking	
102	0440321	4	Bearing, Flanged	
103	0641607	2	Bolt 3/8 x 7/8	
104	3160327	2	Drive Motor Assembly (See Separate Breakdown in this Section)	
105	3311805	8	Nut 1/2	
106	3422709	2	Pin, Slider	
107	3841143	2	Keeper, Pin	
108	3931840	8	Capscrew 1/2 x 2-1/2	
109	4130417	2	Spindle, Drive/Set	
110	4341267	1	Mount, Motor	
111	4711800	8	Washer 1/2	

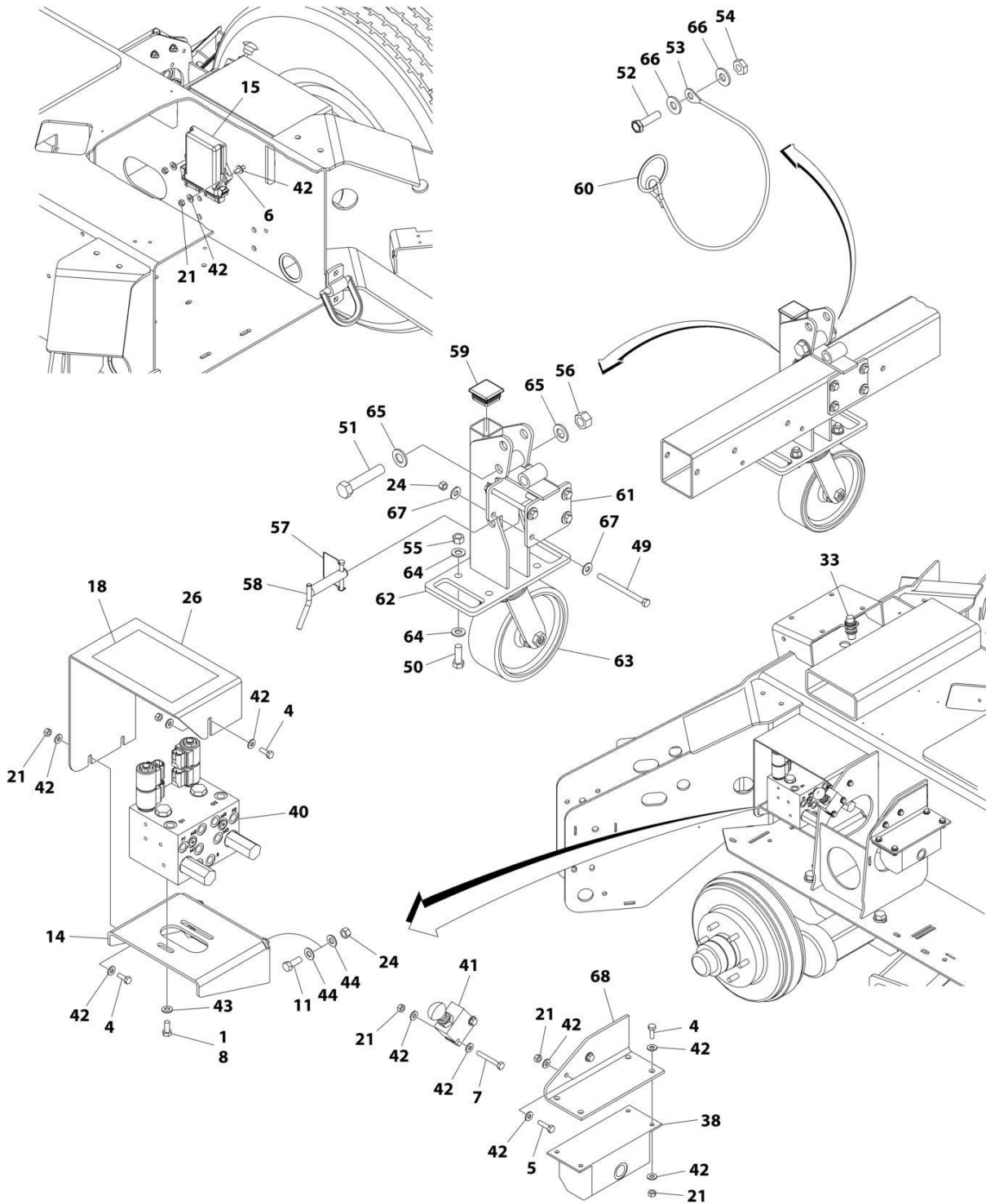
SECTION 1 - FRAME

FIGURE 1-39. CHASSIS DRIVE INSTALLATION (OPTIONAL) (T500J ALL SPECS EXCEPT SOUTH AFRICAN SPECS)



ART_0274754_10F2

SECTION 1 - FRAME



ART_0274754_20F2

SECTION 1 - FRAME

FIGURE 1-39. CHASSIS DRIVE INSTALLATION (OPTIONAL) (T500J ALL SPECS EXCEPT SOUTH AFRICAN SPECS)

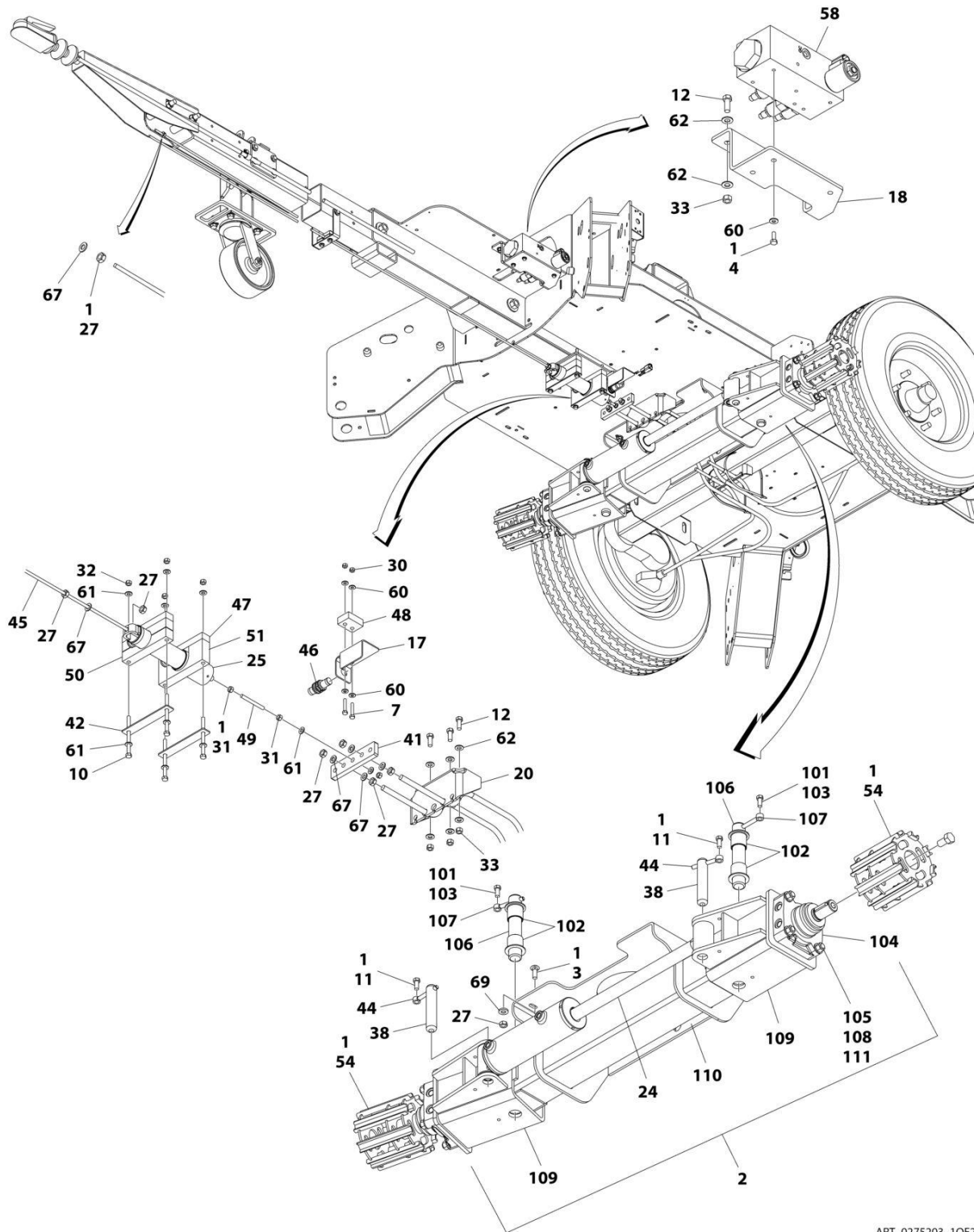
ITEM	PART NUMBER	QTY	DESCRIPTION	REV
	0274754	Ref	CHASSIS DRIVE INSTALLATION (OPTIONAL)	H
1	0100011	AR	Compound, Locking	
2	0274803	1	Drive Assembly (See Items 101-111 for Breakdown)	
3	0630613	4	Bolt M10 x 30	
4	0641406	10	Bolt 1/4 x 3/4	
5	0641408	4	Bolt 1/4 x 1	
6	0641410	2	Bolt 1/4 x 1-1/4	
7	0641418	2	Bolt 1/4 x 2-1/4	
8	0641506	3	Bolt 5/16 x 3/4	
9	0641526	4	Bolt 5/16 x 3-1/4	
10	0641607	2	Bolt 3/8 x 7/8	
11	0641608	6	Bolt 3/8 x 1	
12	0903284	1	Bracket, Switch Mounting	
13	0903298	1	Bracket, Valve Mounting	
14	0903299	1	Bracket, Drive Valve Mounting	
15	1600392	1	Module, Drive Propulsion	
16	1001193948	1	Brake Release Cylinder Assembly (See Separate Breakdown in CYLINDER Section)	
17	1684468	1	Drive Engage Cylinder Assembly (See Separate Breakdown in CYLINDER Section)	
18	1706701	1	Decal - Drive Set	
20	3291001	4	Nut M10	
21	3311405	15	Nut 1/4	
22	3311501	3	Nut 5/16	
23	3311505	4	Nut 5/16	
24	3311605	10	Nut 3/8	
26	3380624	1	Cover	
27	3422351	2	Pin, Steer	
28	3450304	3	Pin, Cotter 3/32 x 1	
29	3576092	1	Plate, Equalizer	
30	3576136	2	Plate, Strap	
31	3841143	2	Keeper, Pin	
33	4000008	2	Sensor, Proximity	
34	4300115	1	Stud	
35	4341097	1	Support, Cylinder Slide	
36	4341116	1	Support, Cylinder Slide	
37	4520338	2	Disc, Friction Drive	
38	4641418	1	Valve Assembly - Flow Divider	
39	4641419	1	Valve Assembly - Drive Enable (See Separate Breakdown in this Section)	
40	4641420	1	Valve Assembly - Drive Directional (See Separate Breakdown in this Section)	
41	4640866	1	Valve Assembly - Manual Pull	
41	7017466	1	Cartridge	
41	2900708	1	Seal Kit - 7017466 Cartridge	
41	7012959	1	Knob	
42	4711400	33	Washer 1/4	
43	4711500	7	Washer 5/16	
44	4711600	12	Washer 3/8	
46	4751500	3	Washer 5/16	

SECTION 1 - FRAME

ITEM	PART NUMBER	QTY	DESCRIPTION	REV
47	4891700	4	Washer 7/16	
48	4923340	1	Harness, Drive and Set (Not Shown - See Separate Breakdown in ELECTRICAL Section)	
49	0641640	4	Bolt 3/8 x 4	
50	0641812	4	Bolt 1/2 x 1-1/2	
51	0642230	1	Bolt 3/4 x 3-3/4	
52	0721006	1	Screw #10 x 3/4	
53	1060584	1	Cable, Lanyard	
54	3311005	1	Nut #10	
55	3311805	4	Nut 1/2	
56	3312205	1	Nut 3/4	
57	3421565	1	Snap-Pin	
58	3423249	1	Pin, Drive Motor Pivot	
59	3520071	1	Cap-Plug	
60	3760170	1	Ring, Split	
61	4341150	1	Mount, Wheel Drive Pivot	
62	4341151	1	Mount, Wheel Drive	
63	4520591	1	Wheel, Drive	
64	4711800	8	Washer 1/2	
65	4712200	2	Washer 3/4	
66	4751000	2	Washer #10	
67	4751600	8	Washer 3/8	
68	0903356	1	Bracket, Mounting	
	0274803	Ref	DRIVE ASSEMBLY	D
101	0100011	1	Compound, Locking	
102	0440321	4	Bearing, Flanged	
103	0641607	2	Bolt 3/8 x 7/8	
104	3160327	2	Drive Motor Assembly (See Separate Breakdown in this Section)	
105	3311805	8	Nut 1/2	
106	3422709	2	Pin, Slider	
107	3841143	2	Keeper, Pin	
108	3931840	8	Capscrew 1/2 x 2-1/2	
109	4130417	2	Spindle, Drive/Set	
110	4341113	1	Mount, Motor	
111	4711800	8	Washer 1/2	

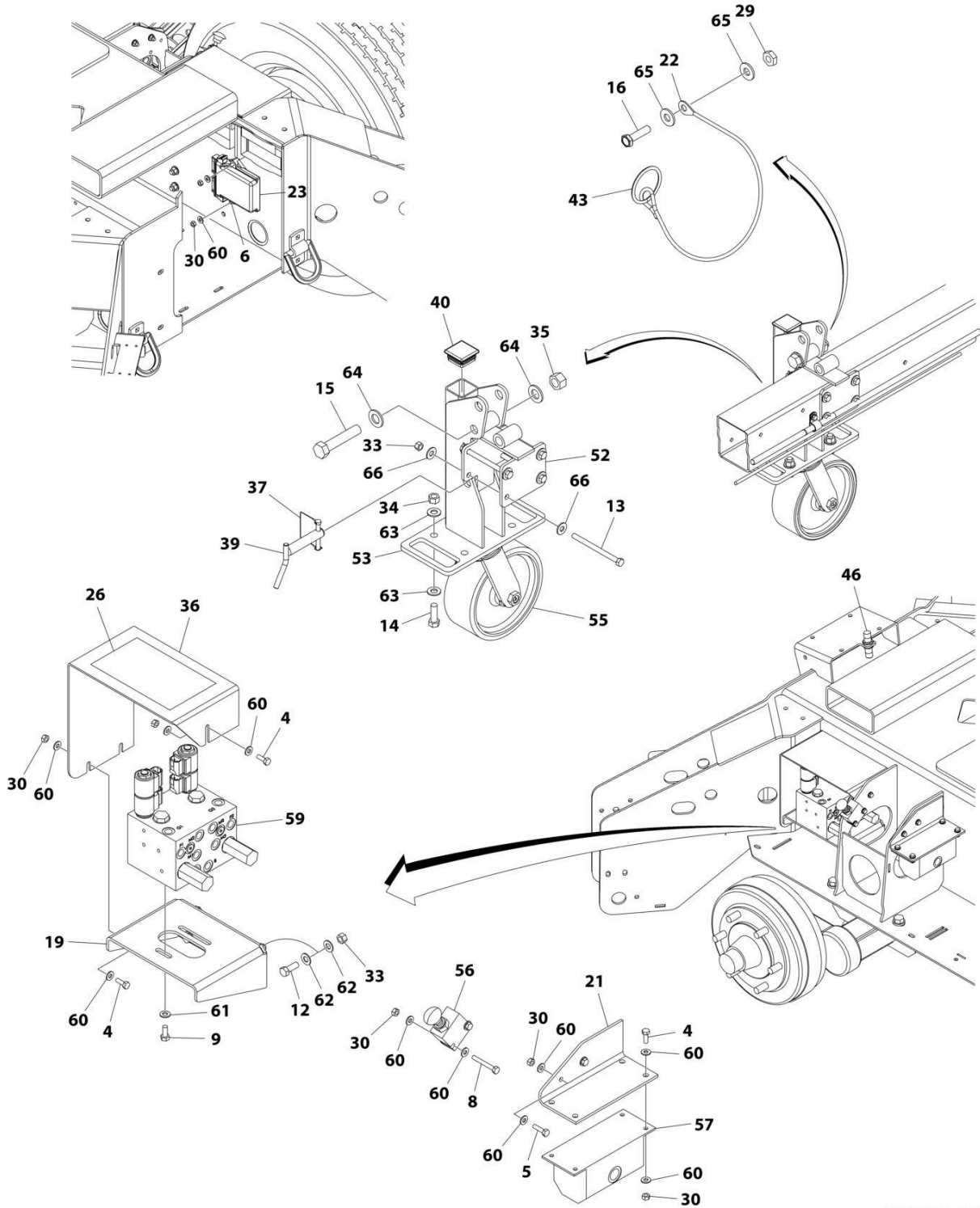
SECTION 1 - FRAME

FIGURE 1-40. CHASSIS DRIVE INSTALLATION (OPTIONAL) (T500J SOUTH AFRICAN SPECS)



ART_0275203_10F2

SECTION 1 - FRAME



ART_0275203_20F2

SECTION 1 - FRAME

FIGURE 1-40. CHASSIS DRIVE INSTALLATION (OPTIONAL) (T500J SOUTH AFRICAN SPECS)

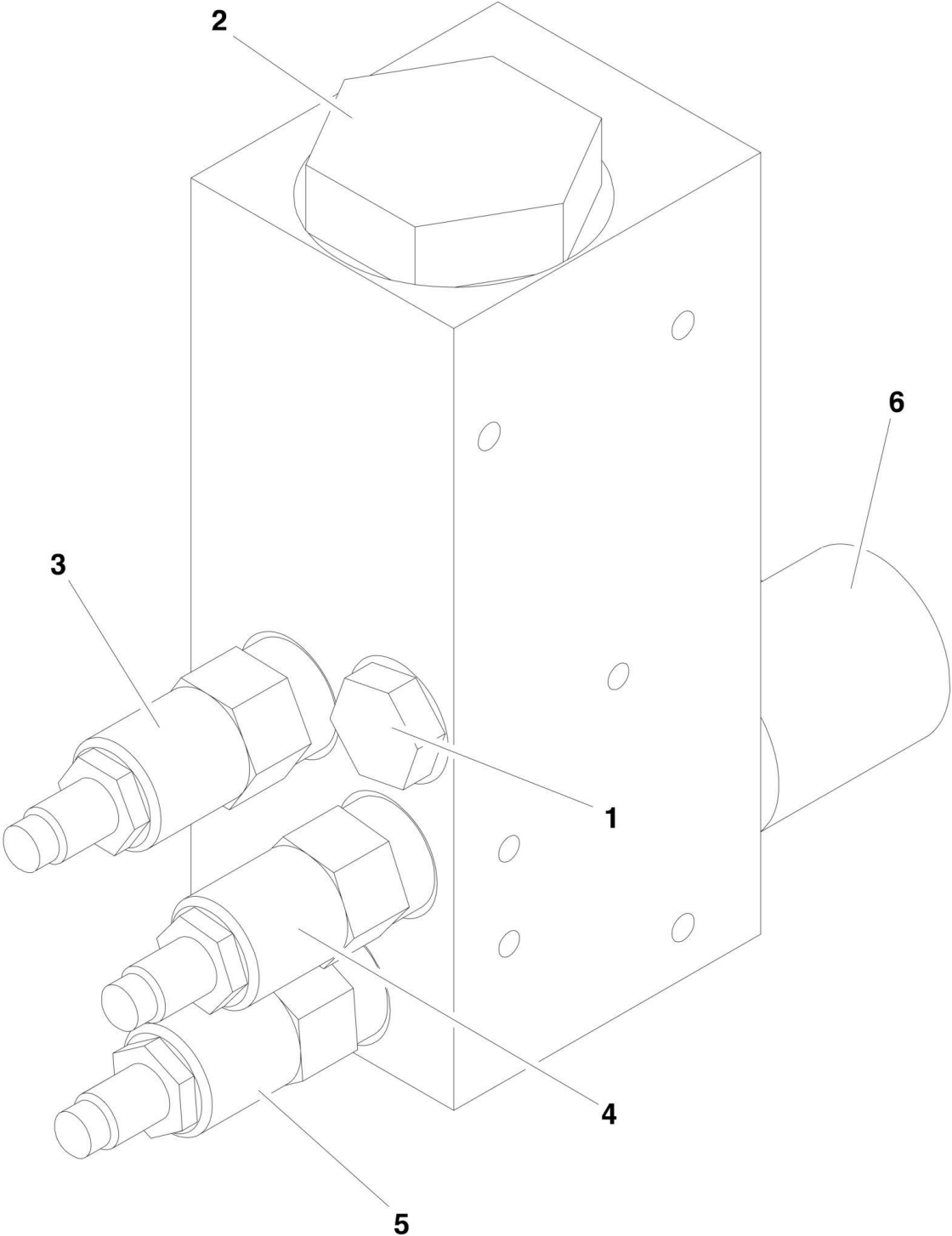
ITEM	PART NUMBER	QTY	DESCRIPTION	REV
	0275203	Ref	CHASSIS DRIVE INSTALLATION (OPTIONAL)	E
1	0100011	AR	Compound, Locking	
2	0274803	1	Drive Assembly (See Items 101-111 for Breakdown)	
3	0630613	4	Bolt M10 x 30	
4	0641406	10	Bolt 1/4 x 3/4	
5	0641408	4	Bolt 1/4 x 1	
6	0641410	2	Bolt 1/4 x 1-1/4	
7	0641412	2	Bolt 1/4 x 1-1/2	
8	0641416	2	Bolt 1/4 x 2	
9	0641506	3	Bolt 5/16 x 3/4	
10	0641536	4	Bolt 5/16 x 4-1/4	
11	0641607	2	Bolt 3/8 x 7/8	
12	0641608	6	Bolt 3/8 x 1	
13	0641640	4	Bolt 3/8 x 5	
14	0641812	4	Bolt 1/2 x 1-1/2	
15	0642230	1	Bolt 3/4 x 3-3/4	
16	0721006	1	Screw #10 x 3/4	
17	0903284	1	Bracket, Switch Mounting	
18	0903298	1	Bracket, Valve Mounting	
19	0903299	1	Bracket, Drive Valve Mounting	
20	0903331	1	Bracket, Cable	
21	0903356	1	Bracket, Mounting	
22	1060584	1	Cable, Lanyard	
23	1600392	1	Module, Drive Propulsion	
24	1684468	1	Drive Engage Cylinder Assembly (See Separate Breakdown in CYLINDER Section)	
25	1001193948	1	Brake Release Cylinder Assembly (See Separate Breakdown in CYLINDER Section)	
26	1706701	1	Decal - Drive Set	
27	3291001	11	Nut M10	
28	3311005	1	Nut #10	
30	3311405	16	Nut 1/4	
31	3311501	3	Nut 5/16	
32	3311505	4	Nut 5/16	
33	3311605	10	Nut 3/8	
34	3311805	4	Nut 1/2	
35	3312205	1	Nut 3/4	
36	3380624	1	Cover	
37	3421565	1	Snap-Pin	
38	3422351	2	Pin, Steer	
39	3423249	1	Pin, Drive Motor Pivot	
40	3520071	1	Cap-Plug	
41	3575853	1	Plate, Equalizer	
42	3576136	2	Plate, Strap	
43	3760170	1	Ring, Split	
44	3841143	4	Keeper, Pin	
45	3841730	1	Brake Rod/Cable	
46	4000008	2	Sensor, Proximity	
47	4220296	2	Spacer, Brake Cylinder Pad	
48	4220297	1	Spacer, Switch Mounting	

SECTION 1 - FRAME

ITEM	PART NUMBER	QTY	DESCRIPTION	REV
49	4300115	1	Stud	
50	4341097	1	Support, Cylinder Slide	
51	4341116	1	Support, Cylinder Slide	
52	4341150	1	Mount, Wheel Drive Pivot	
53	4341151	1	Mount, Wheel Drive	
54	4520338	2	Disc, Friction Drive	
55	4520591	1	Wheel, Drive	
56	4640866	1	Valve Assembly - Manual Pull	
56	7017466	1	Cartridge	
56	2900708	1	Seal Kit - 7017466 Cartridge	
56	7012959	1	Knob	
57	4641418	1	Valve Assembly - Flow Divider	
58	4641419	1	Valve Assembly - Drive Enable (See Separate Breakdown in this Section)	
59	4641420	1	Valve Assembly - Drive Directional (See Separate Breakdown in this Section)	
60	4711400	33	Washer 1/4	
61	4711500	13	Washer 5/16	
62	4711600	18	Washer 3/8	
63	4711800	8	Washer 1/2	
64	4712200	2	Washer 3/4	
65	4751000	2	Washer #10	
66	4751600	8	Washer 3/8	
67	4812000	6	Washer M10	
68	4923340	1	Harness, Drive and Set (Not Shown - See Separate Breakdown in ELECTRICAL Section)	
69	4891700	4	Washer 7/16	
70	4240127	2	Tie-Strap (Not Shown)	
71	4060804	AR	Flex-Trim (Not Shown - Located on Frame)	
	0274803	Ref	DRIVE ASSEMBLY	D
101	0100011	AR	Compound, Locking	
102	0440321	4	Bearing, Flanged	
103	0641607	2	Bolt 3/8 x 7/8	
104	3160327	2	Drive Motor Assembly (See Separate Breakdown in this Section)	
105	3311805	8	Nut 1/2	
106	3422709	2	Pin, Slider	
107	3841143	2	Keeper, Pin	
108	3931840	8	Capscrew 1/2 x 2-1/2	
109	4130417	2	Spindle, Drive/Set	
110	4341113	1	Mount, Motor	
111	4711800	8	Washer 1/2	

SECTION 1 - FRAME

FIGURE 1-41. DRIVE ENABLE VALVE ASSEMBLY (USED WITH DRIVE OPTION ONLY)



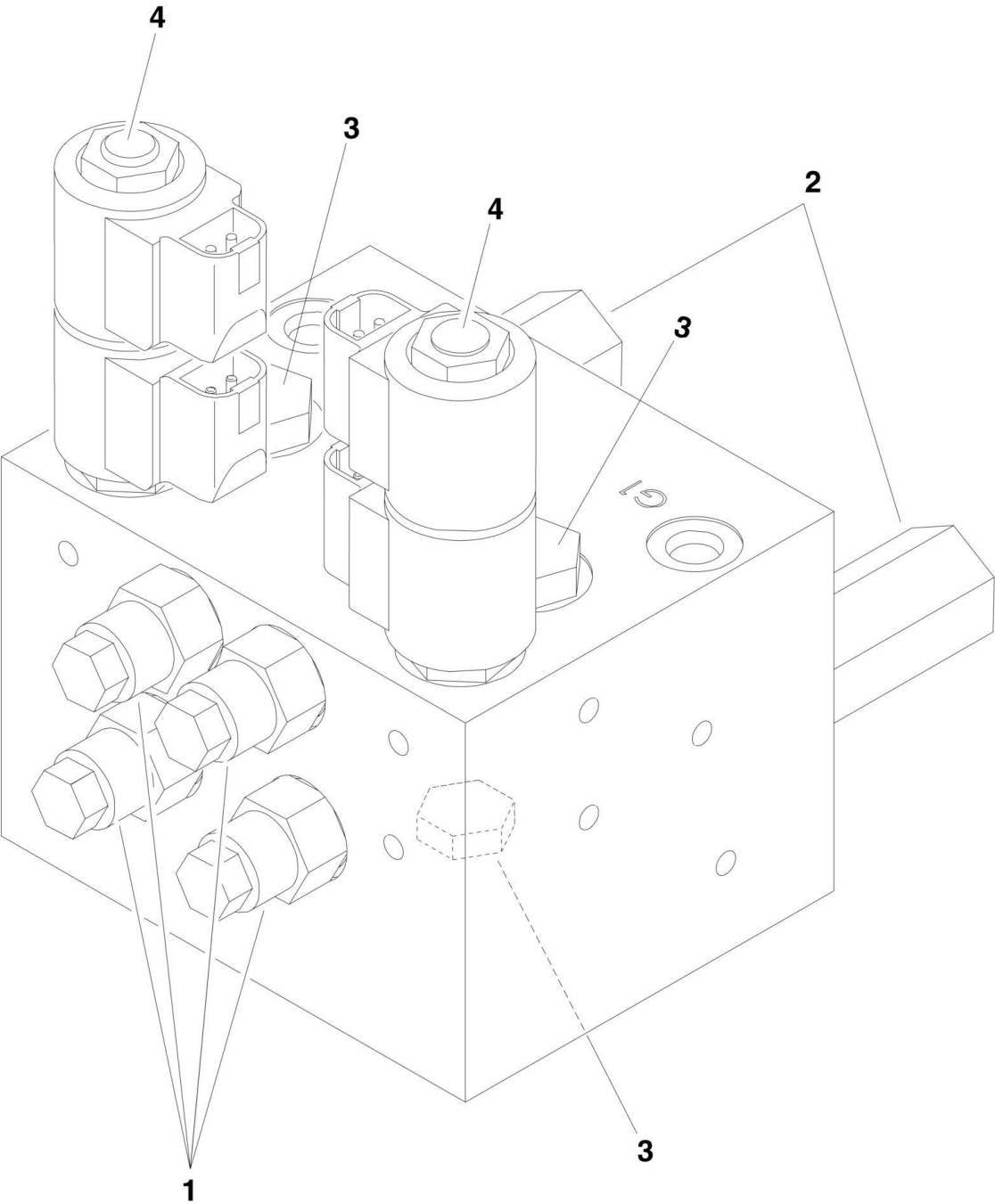
SECTION 1 - FRAME

FIGURE 1-41. DRIVE ENABLE VALVE ASSEMBLY (USED WITH DRIVE OPTION ONLY)

ITEM	PART NUMBER	QTY	DESCRIPTION	REV
	4641419	Ref	DRIVE ENABLE VALVE ASSEMBLY	B
1	4641129	1	Cartridge, Check Valve	
1	7012998	1	Seal Kit - 4641129 Cartridge	
2	2915194	1	Element, Filter (Includes p/n 70000065 O-Ring) (was p/n 7027634)	
2	See Note	1	Adapter (Note: Not Available - Purchase p/n 2915194)	
2	See Note	1	Retainer (Note: Not Available - Purchase p/n 2915194)	
2	See Note	1	Plug (Note: Not Available - Purchase p/n 2915194)	
3	7024893	1	Cartridge, Pressure Relief Valve	
3	7021653	1	Seal Kit - 7024893 Cartridge	
4	7024894	1	Cartridge, Relief Valve	
4	7012998	1	Seal Kit - 7024894 Cartridge	
5	7017418	1	Cartridge, Relief Valve	
5	7012998	1	Seal Kit - 7017418 Cartridge	
6	8036580	1	Cartridge, Solenoid Cartridge	
6	7012903	1	Seal Kit - 8036580 Cartridge	
6	7024883	1	Coil	

SECTION 1 - FRAME

FIGURE 1-42. DRIVE DIRECTIONAL VALVE ASSEMBLY (USED WITH DRIVE OPTION ONLY)



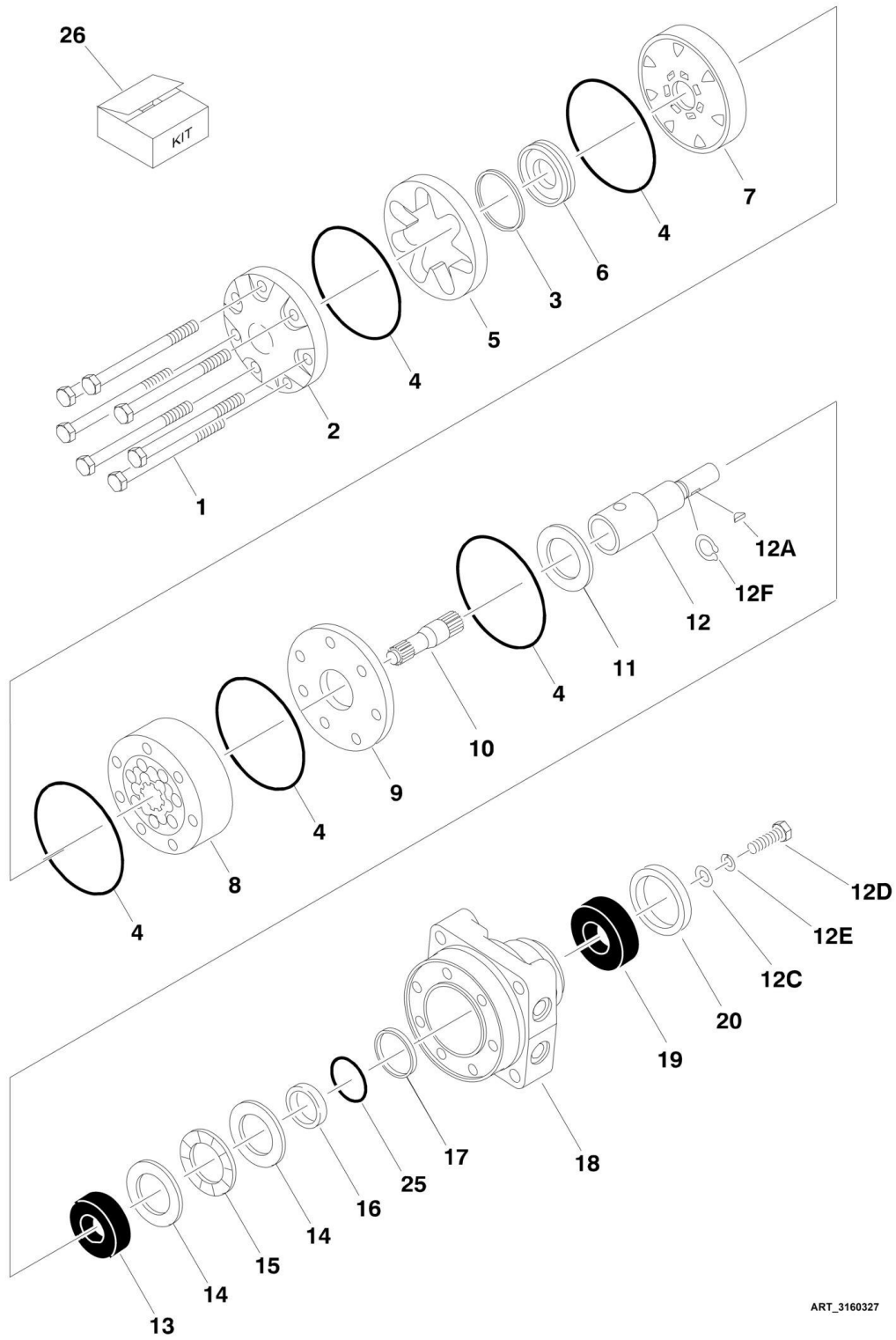
SECTION 1 - FRAME

FIGURE 1-42. DRIVE DIRECTIONAL VALVE ASSEMBLY (USED WITH DRIVE OPTION ONLY)

ITEM	PART NUMBER	QTY	DESCRIPTION	REV
	4641420	Ref	DRIVE DIRECTIONAL VALVE ASSEMBLY	B
1	70002815	4	Cartridge, Counterbalance Valve	
1	Not Required	0	Seal Kit - Cartridge	
2	7024898	2	Cartridge, Valve	
2	7012518	2	Seal Kit - 7024898 Cartridge	
3	7010542	3	Cartridge, Load Sensing Valve	
3	7010543	3	Seal Kit - 7010542 Cartridge	
4	7024899	2	Cartridge, Solenoid Cartridge	
4	7017402	2	Seal Kit - Cartridge	
4	7024885	4	Coil	
5	See Note	2	Orifice (.40) (Not Shown) (Note: Not available for purchase)	

SECTION 1 - FRAME

FIGURE 1-43. DRIVE MOTOR ASSEMBLY (USED WITH DRIVE OPTION ONLY)



ART_3160327

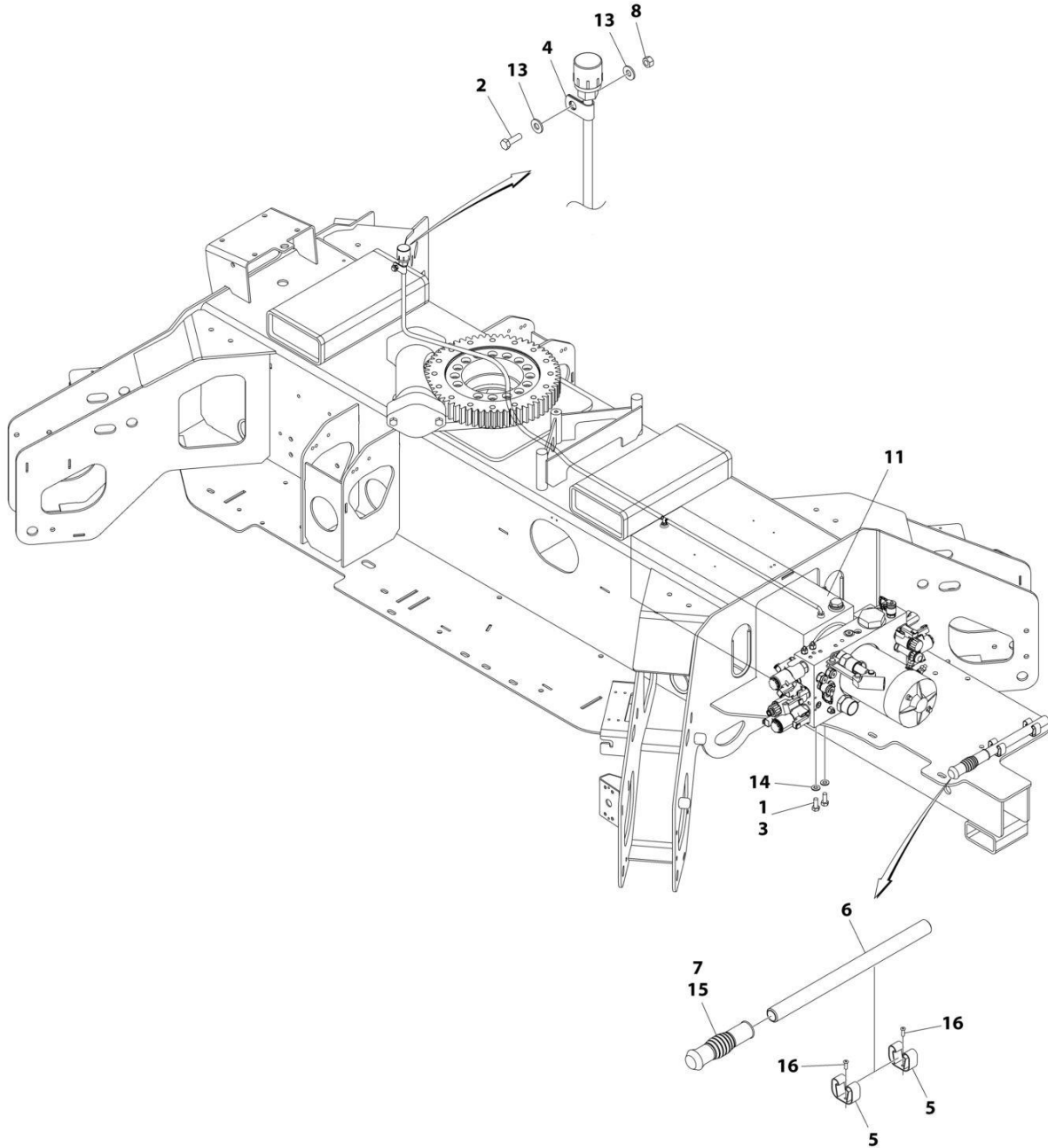
SECTION 1 - FRAME

FIGURE 1-43. DRIVE MOTOR ASSEMBLY (USED WITH DRIVE OPTION ONLY)

ITEM	PART NUMBER	QTY	DESCRIPTION	REV
	3160327	Ref	DRIVE MOTOR ASSEMBLY	B
1	70000287	7	Bolt	
2	7023328	1	Cover	
3	7023412	1	Seal, Commutator	
4	7023412	5	Ring, Seal	
5	7023315	1	Commutator (Includes Item 6)	
6	7023315	1	Ring, Commutator (Includes Item 5)	
7	70000277	1	Manifold	
8	70000288	1	Rotor Set	
9	7023311	1	Plate, Wear	
10	See Note	1	Link, Drive (Note: Not Available - Purchase Complete Drive Motor p/n 3160327)	
11	7023308	1	Bearing, Thrust	
12	70000281	1	Shaft	
12A	70000282	1	Key, Shaft	
12C	70000283	1	Washer, Shaft	
12D	70000284	1	Bolt, Shaft	
12E	70000285	1	Lockwasher, Shaft	
12F	70000286	1	Ring, Shaft Retaining	
13	7023405	1	Bearing, Inner	
14	7023406	2	Thrustwasher	
15	7023407	1	Bearing, Thrust	
16	7023412	1	Seal	
17	7023412	1	Washer, Backup	
18	70000280	1	Housing	
19	7023408	1	Bearing, Outer	
20	7023412	1	Seal, Dirt and Water	
25	7023412	1	Washer, Backup	
26	7023412	1	Seal Kit (Includes Items 3, 4 16, 17 & 25)	

SECTION 1 - FRAME

FIGURE 1-44. CONTROL VALVES INSTALLATION (T350 ELECTRIC POWERED)



ART_0273616

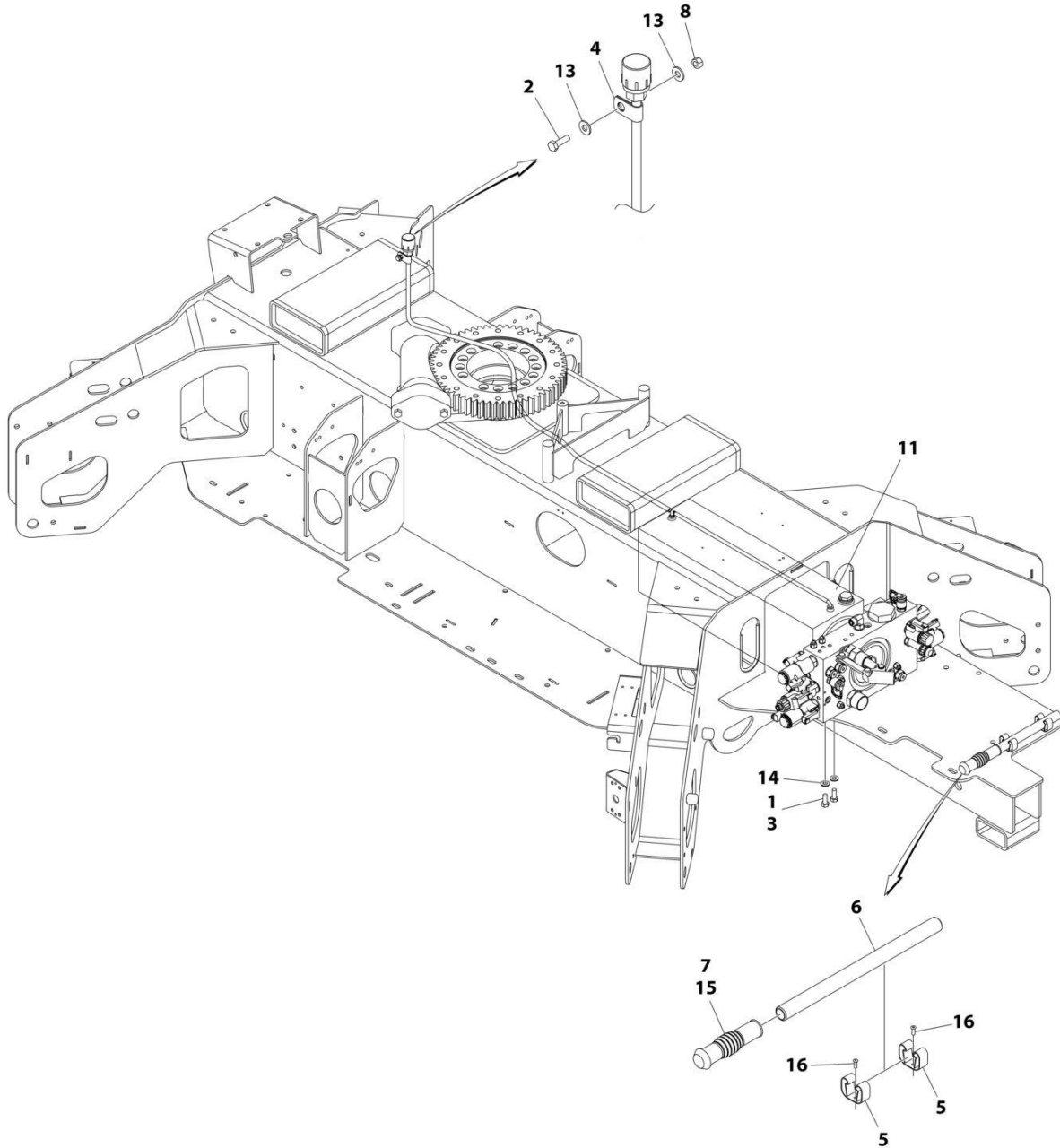
SECTION 1 - FRAME

FIGURE 1-44. CONTROL VALVES INSTALLATION (T350 ELECTRIC POWERED)

ITEM	PART NUMBER	QTY	DESCRIPTION	REV
	0273616	Ref	CONTROL VALVE INSTALLATION	F
1	0100011	AR	Compound, Locking	
2	0700610	1	Bolt M6 x 20	
3	0760810	3	Bolt M8 x 20	
4	8406110	1	Clamp	
5	1380136	2	Clip, Gripper	
6	2560122	1	Handle	
7	2560123	1	Grip, Handle	
8	3290605	1	Nut M6	
11	4641342	1	Control Valve Assembly (See Separate Breakdown in this Section)	
13	4711400	2	Washer 1/4	
14	4811900	3	Washer M8	
15	0100081	AR	Adhesive	
16	3820017	2	Rivet	

SECTION 1 - FRAME

FIGURE 1-45. CONTROL VALVES INSTALLATION (T350 GAS POWERED)



ART_0273618

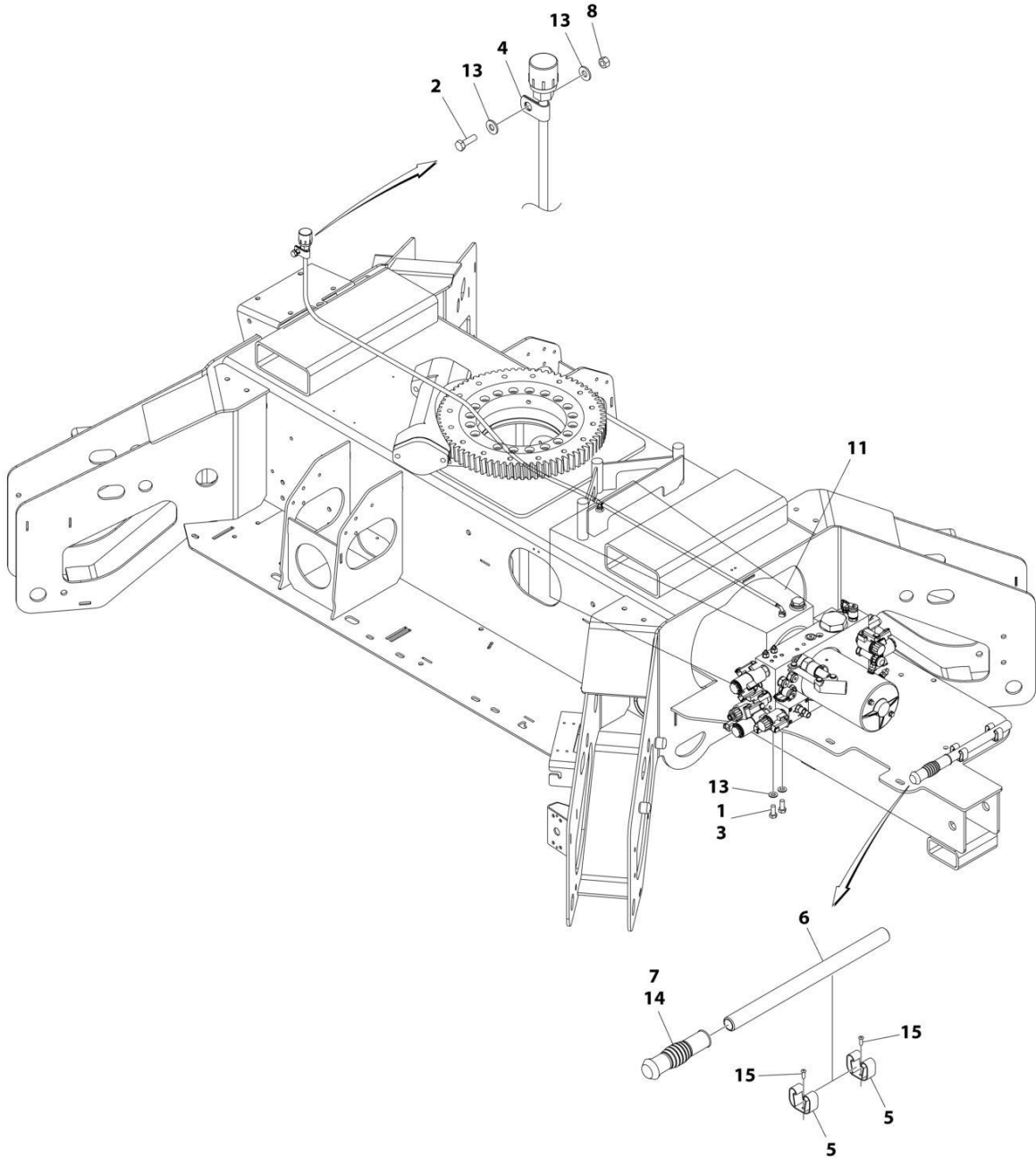
SECTION 1 - FRAME

FIGURE 1-45. CONTROL VALVES INSTALLATION (T350 GAS POWERED)

ITEM	PART NUMBER	QTY	DESCRIPTION	REV
	0273618	Ref	CONTROL VALVE INSTALLATION	E
1	0100011	AR	Compound, Locking	
2	0700610	1	Bolt M6 x 20	
3	0760810	3	Bolt M8 x 20	
4	1320263	1	Clamp	
5	1380136	2	Clip, Gripper	
6	2560122	1	Handle	
7	2560123	1	Grip, Handle	
8	3290605	1	Nut M6	
11	4641344	1	Control Valve Assembly (See Separate Breakdown in this Section)	
13	4711400	2	Washer 1/4	
14	4811900	3	Washer M8	
15	0100081	AR	Adhesive	
16	3820017	2	Rivet	

SECTION 1 - FRAME

FIGURE 1-46. CONTROL VALVES INSTALLATION (T500J ELECTRIC POWERED)



ART_0273617

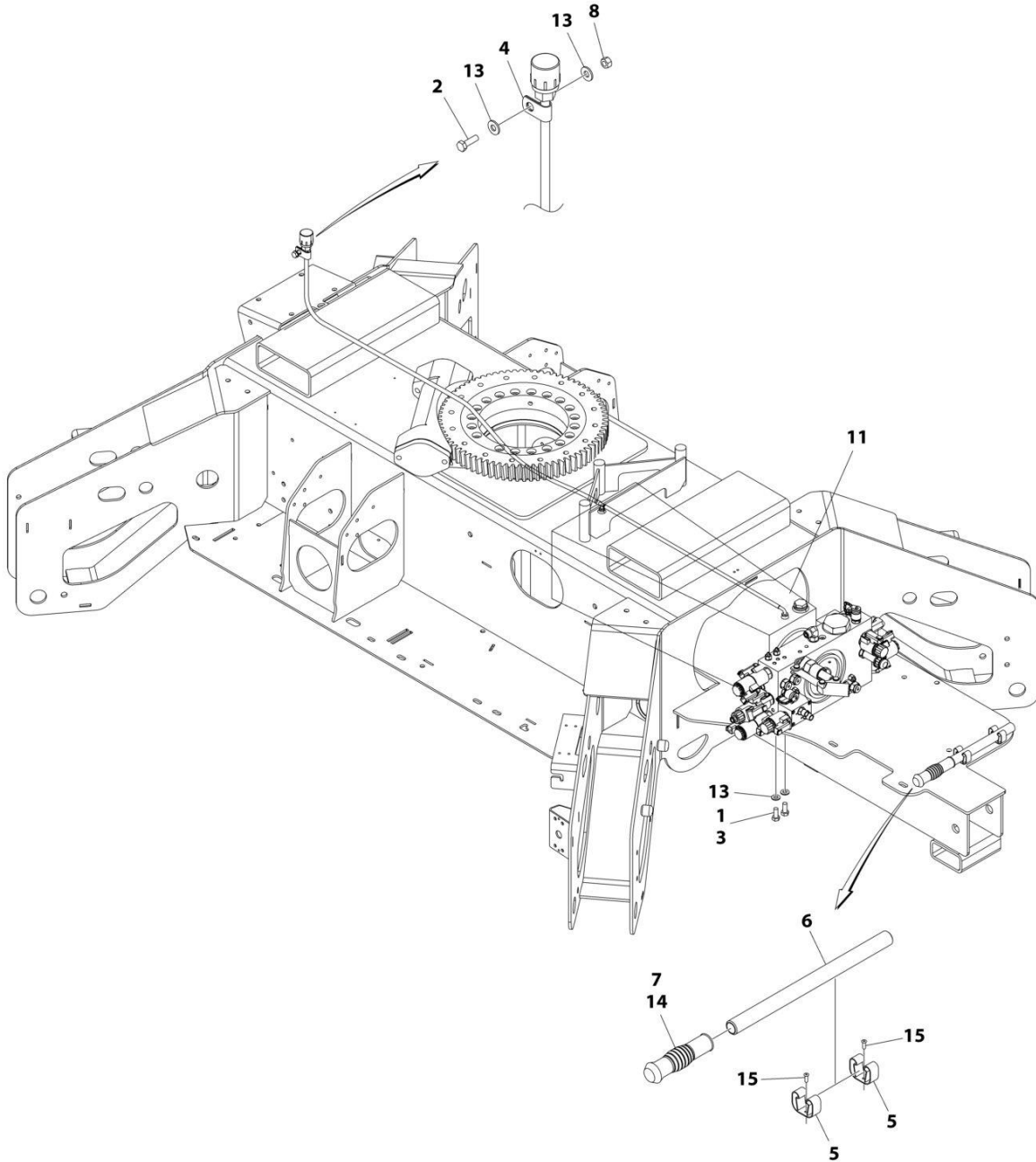
SECTION 1 - FRAME

FIGURE 1-46. CONTROL VALVES INSTALLATION (T500J ELECTRIC POWERED)

ITEM	PART NUMBER	QTY	DESCRIPTION	REV
	0273617	Ref	CONTROL VALVE INSTALLATION	F
1	0100011	AR	Compound, Locking	
2	0700812	1	Bolt M8 x 25	
3	0760810	3	Bolt M8 x 20	
4	8406110	1	Clamp	
5	1380136	2	Clip, Gripper	
6	2560122	1	Handle	
7	2560123	1	Grip, Handle	
8	3290805	1	Nut M8	
11	4641343	1	Control Valve Assembly (See Separate Breakdown in this Section)	
13	4811900	5	Washer M8	
14	0100081	AR	Adhesive	
15	3820017	2	Rivet	

SECTION 1 - FRAME

FIGURE 1-47. CONTROL VALVES INSTALLATION (T500J GAS POWERED)



ART_0273619

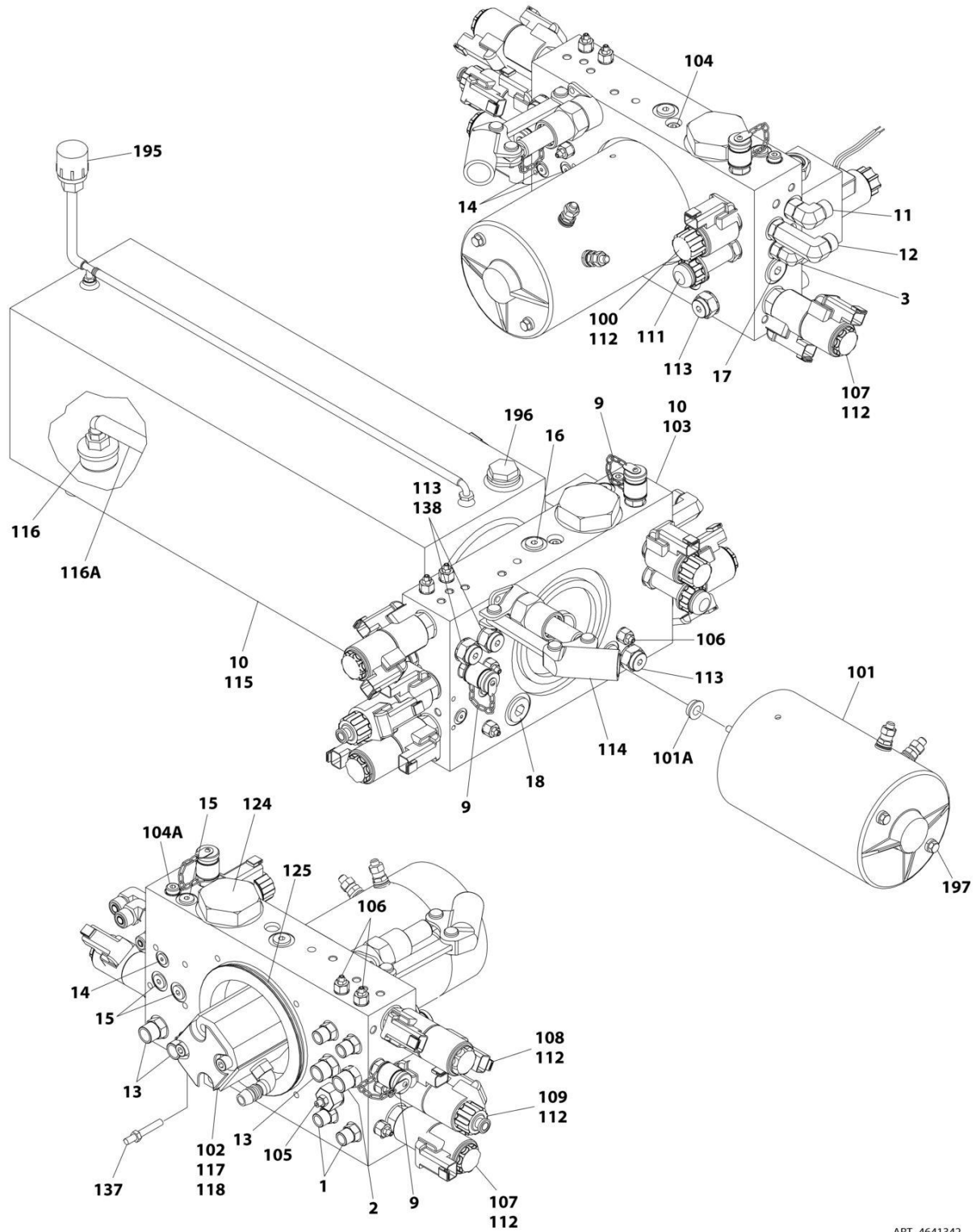
SECTION 1 - FRAME

FIGURE 1-47. CONTROL VALVES INSTALLATION (T500J GAS POWERED)

ITEM	PART NUMBER	QTY	DESCRIPTION	REV
	0273619	Ref	CONTROL VALVE INSTALLATION	E
1	0100011	AR	Compound, Locking	
2	0700812	1	Bolt M8 x 25	
3	0760810	3	Bolt M8 x 20	
4	1320263	1	Clamp	
5	1380136	2	Clip, Gripper	
6	2560122	1	Handle	
7	2560123	1	Grip, Handle	
8	3290805	1	Nut M8	
11	4641345	1	Control Valve Assembly (See Separate Breakdown in this Section)	
13	4811900	5	Washer M8	
14	0100081	AR	Adhesive	
15	3820017	2	Rivet	

SECTION 1 - FRAME

FIGURE 1-48. CONTROL VALVE ASSEMBLY (T350 ELECTRIC POWERED MACHINES)



ART_4641342

SECTION 1 - FRAME

FIGURE 1-48. CONTROL VALVE ASSEMBLY (T350 ELECTRIC POWERED MACHINES)

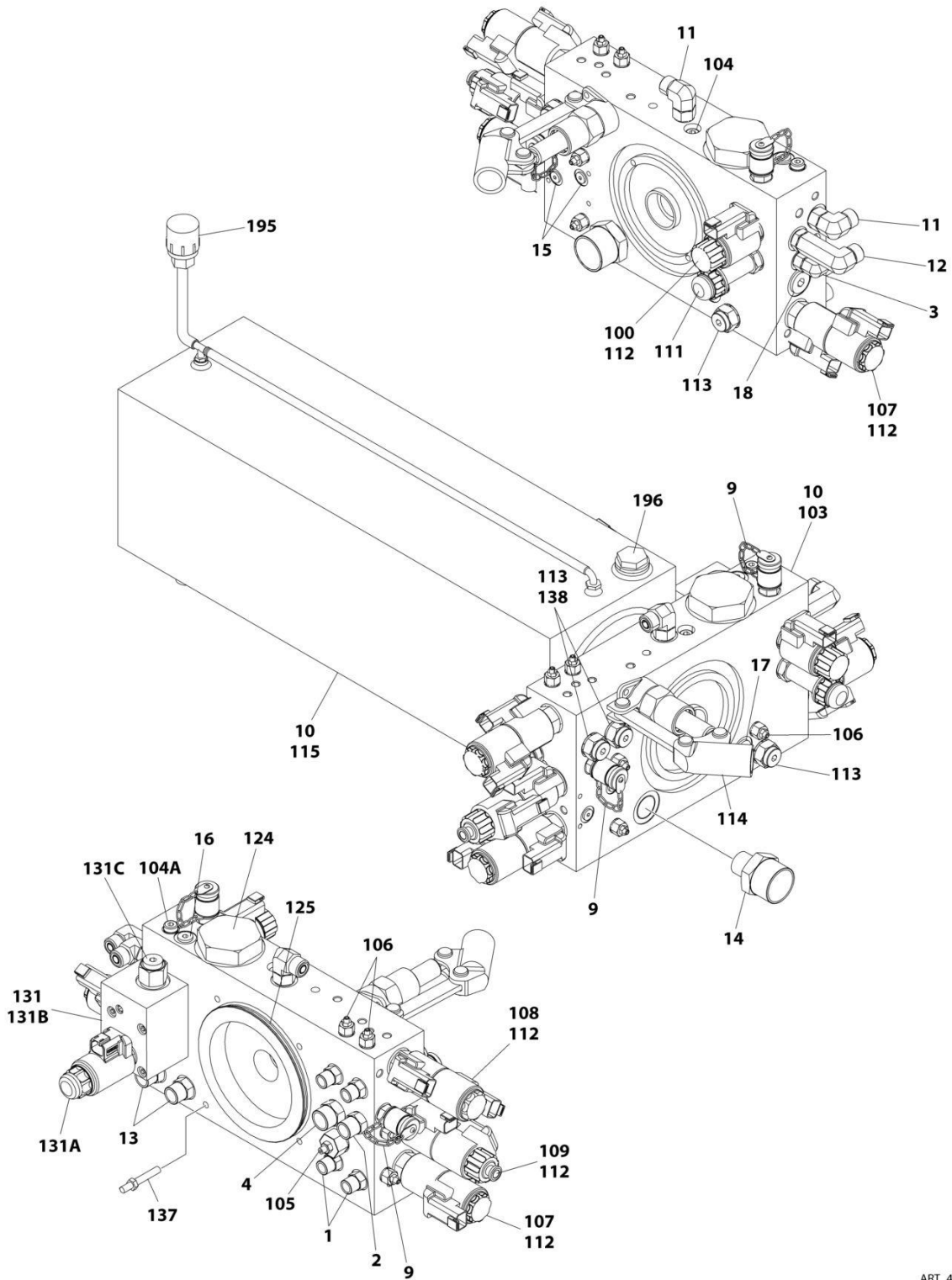
ITEM	PART NUMBER	QTY	DESCRIPTION	REV
	4641342	Ref	VALVE AND FITTINGS SUBASSEMBLY	E
1	2110404	4	Fitting, Straight	
2	2110604	1	Fitting, Straight	
3	2130404	1	Fitting, Elbow	
9	2221086	3	Fitting, Test Port	
10	4641325	1	Valve Assembly Less Fittings (Includes Items 101-197)	
11	2130606	1	Fitting, Elbow	
12	2170206	1	Fitting, Long Elbow	
13	2110606	3	Fitting, Straight	
14	2220881	3	Plug	
15	2220883	3	Plug	
16	2220885	2	Plug	
17	2220886	1	Plug	
18	2220887	1	Plug	
100	4641325	NSS	Control Valve Assembly (Note: Use p/n 4641342 When replacing complete Assembly)	D
101	7027617	1	Motor Assembly	
101	See Note	1	Brush Kit (Note: Not Available - Purchase Complete Motor Assembly p/n 7027617)	
101A	7027618	1	Coupling	
102	7027619	1	Pump	
102	See Note	1	Seal Kit - Pump (Note: Not Available - Purchase Pump p/n 7027619)	
103	See Note	1	Block, Valve (Note: Not Available - Purchase Complete Valve Assembly)	
104	7027620	1	Cartridge, Relief Valve	
104	See Note	1	Seal Kit (Note: Not Available - Purchase Relief Valve Cartridge p/n 7027620)	
104A	7027621	1	Cartridge, Relief Valve	
104A	See Note	1	Seal Kit (Note: Not Available - Purchase Relief Valve Cartridge p/n 7027621)	
105	7027622	1	Cartridge, Valve	
105	See Note	1	Seal Kit (Note: Not Available - Purchase Cartridge Valve p/n 7027622)	
106	7027623	7	Cartridge, Valve	
106	See Note	7	Seal Kit (Note: Not Available - Purchase Cartridge Valve p/n 7027623)	
107	7027624	2	Cartridge, Solenoid Less Coil (Swing and Leveling Jacks)	
107	70002227	2	Nut, Coil	
107	70000100	2	Seal Kit	
108	7027625	1	Cartridge, Solenoid Less Coil (Level)	
108	70002227	1	Nut, Coil	
108	70000100	1	Seal Kit	
109	7027626	1	Cartridge, Solenoid Less Coil (Tele)	
109	70002228	1	Nut, Coil	
109	70000100	1	Seal Kit	
110	7024500	1	Cartridge, Solenoid Less Coil (Lift Up)	
110	70002230	1	Nut, Coil	
110	7024505	1	Seal Kit	
111	7027627	1	Cartridge (Manual Descent)	
111	70002229	1	Nut, Coil	

SECTION 1 - FRAME

ITEM	PART NUMBER	QTY	DESCRIPTION	REV
111	7024505	1	Seal Kit	
112	7027628	9	Coil	
113	7027629	3	Cartridge, Valve	
113	7024505	3	Seal Kit	
114	7027630	1	Cartridge, Manual Hand Pump Valve (Manual Descent)	
114	See Note	1	Seal Kit (Note: Not Available - Purchase Manual Pump Valve Cartridge p/n 7027630)	
115		Ref	Tank Options:	
115	7027631	1	Tank T350	
115	7027639	1	Tank T500J	
116	7027632	1	Filter, Hydraulic (Suction)	
116A	7027633	1	Tube, Suction	
117	See Note	2	Capscrew 8mm x 90mm (for Pump) (Note: Not available for purchase)	
118	See Note	1	Ring, Seal (Note: Not available for purchase)	
124	2915194	1	Element, Filter (Includes p/n 7000065 O-Ring) (Was p/n 7027634)	
124	See Note	1	Adapter (Note: Not Available - Purchase Filter Element p/n 2915194)	
124	70002282	1	Fitting, Plug	
124	70003615	1	Retainer, Filter Element Contamination	
125	7027635	1	O-Ring	
137	70000894	4	Nut	
137	70000895	4	Stud	
138	7027636	2	Orifice	
195	7027638	1	Breather	
196	70000378	1	Dipstick	
197	See Note	1	Bolt M6 x 200 (Note: Not available for purchase)	

SECTION 1 - FRAME

FIGURE 1-49. CONTROL VALVE ASSEMBLY (T350 GAS POWERED MACHINES)



ART_4641344

SECTION 1 - FRAME

FIGURE 1-49. CONTROL VALVE ASSEMBLY (T350 GAS POWERED MACHINES)

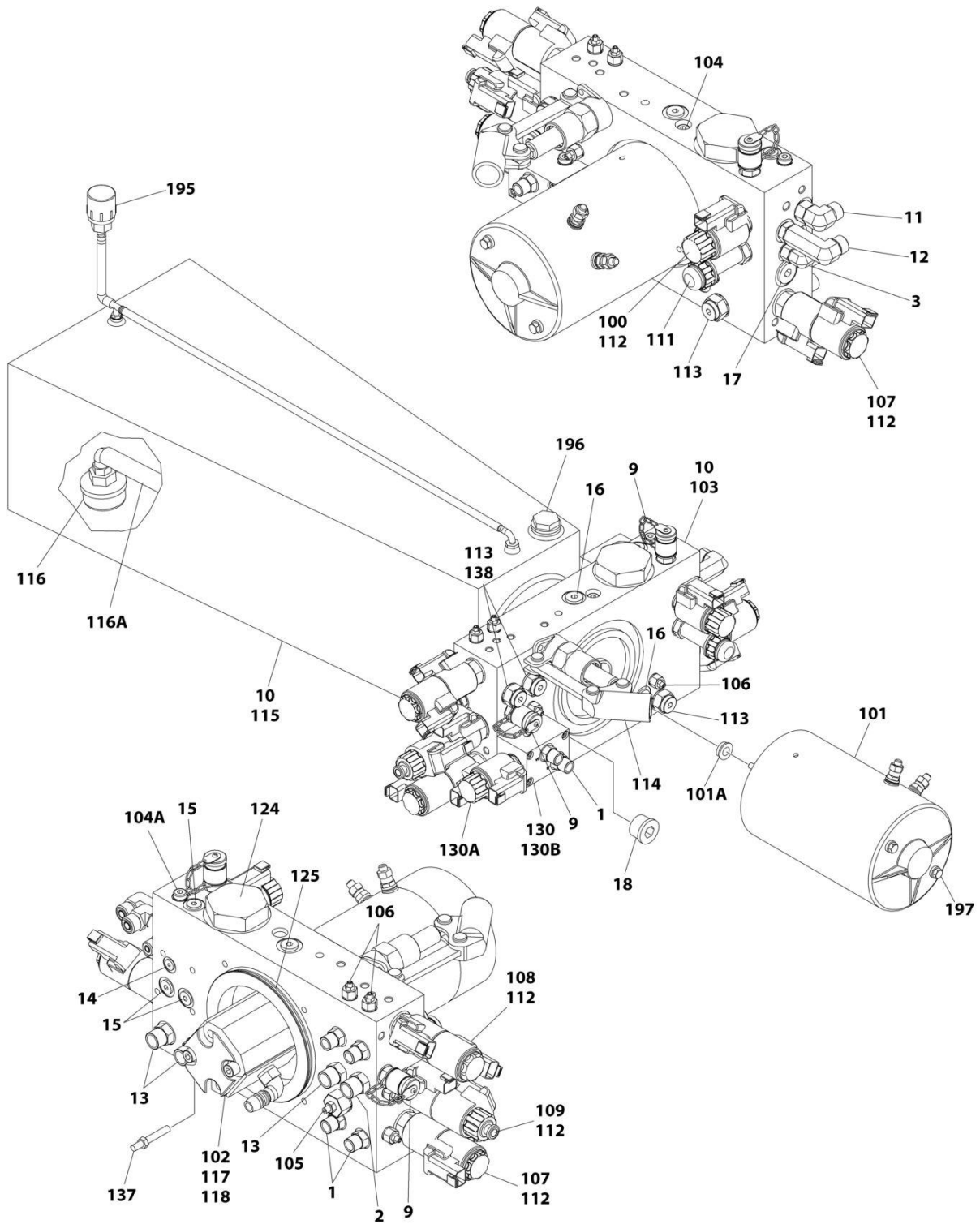
ITEM	PART NUMBER	QTY	DESCRIPTION	REV
	4641344	Ref	VALVE AND FITTINGS SUBASSEMBLY	H
1	2110404	4	Fitting, Straight	
2	2110604	1	Fitting, Straight	
3	2130404	1	Fitting, Elbow	
4	2110806	1	Fitting, Straight	
9	2221086	3	Fitting, Test Port	
10		Ref	Valve Assembly Less Fittings (Includes Items 103-196)	
10	1001228194	Ref	Valve Assembly Less Fittings	
10	1001228195	Ref	Valve Assembly Less Fittings	
11	2130606	2	Fitting, Elbow	
12	2170206	1	Fitting, Long Elbow	
13	2110606	2	Fitting, Straight	
14	2111610	1	Fitting, Straight	
15	2220881	2	Plug	
16	2220883	1	Plug	
17	2220885	1	Plug	
18	2220886	1	Plug	
100	4641327	NSS	Control Valve Assembly (Note: Use p/n 4641344 When replacing complete Assembly)	E
103	See Note	1	Block, Valve (Note: Not Available - Purchase Complete Valve Assembly)	
104	7027620	1	Cartridge, Relief Valve	
104	See Note	1	Seal Kit (Note: Not Available - Purchase Relief Valve Cartridge p/n 7027620)	
104A	7027621	1	Cartridge, Relief Valve	
104A	See Note	1	Seal Kit (Note: Not Available - Purchase Relief Valve Cartridge p/n 7027621)	
105	7027622	1	Cartridge, Valve	
105	See Note	1	Seal Kit (Note: Not Available - Purchase Cartridge Valve p/n 7027622)	
106	7027623	7	Cartridge, Valve	
106	See Note	7	Seal Kit (Note: Not Available - Purchase Cartridge Valve p/n 7027623)	
107	7027624	2	Cartridge, Solenoid Less Coil (Swing and Leveling Jacks)	
107	70002227	2	Nut, Coil	
107	70000100	2	Seal Kit	
108	7027625	1	Cartridge, Solenoid Less Coil (Level)	
108	70002227	1	Nut, Coil	
108	70000100	1	Seal Kit	
109	7027626	1	Cartridge, Solenoid Less Coil (Tele)	
109	70002228	1	Nut, Coil	
109	70000100	1	Seal Kit	
110	7024500	1	Cartridge, Solenoid Less Coil (Lift Up)	
110	70002230	1	Nut, Coil	
110	7024505	1	Seal Kit	
111	7027627	1	Cartridge (Manual Descent)	
111	70002229	1	Nut, Coil	
111	7024505	1	Seal Kit	
112	7027628	9	Coil	
113	7027629	3	Cartridge, Valve	
113	7024505	3	Seal Kit	

SECTION 1 - FRAME

ITEM	PART NUMBER	QTY	DESCRIPTION	REV
114	7027630	1	Cartridge, Manual Hand Pump Valve (Manual Descent)	
114	See Note	1	Seal Kit (Note: Not Available - Purchase Manual Pump Valve Cartridge p/n 7027630)	
115		Ref	Tank Options:	
115	7027631	1	Tank T350	
115	7027639	1	Tank T500J	
124	2915194	1	Element, Filter (Includes p/n 70000065 O-Ring) (Was p/n 7027634)	
124	See Note	1	Adapter (Note: Not Available - Purchase Filter Element p/n 2915194)	
124	70003615	1	Retainer, Filter Element Contamination	
125	7027635	1	O-Ring	
131	7027691	1	Valve Block Assembly (Proportional)	
131A	70000025	1	Cartridge, Solenoid Less Coil	
131A	7026623	1	Seal Kit	
131A	70000026	1	Coil	
131B	70000028	1	Cartridge, Valve (Check)	
131B	See Note	1	Seal Kit (Note: Not Available - Purchase Cartridge Valve p/n 70000028)	
131C	70000027	1	Compensator	
137	70000894	4	Nut	
137	70000895	4	Stud	
138	7027636	2	Orifice	
195	7027638	1	Breather	
196	70000378	1	Dipstick	

SECTION 1 - FRAME

FIGURE 1-50. CONTROL VALVE ASSEMBLY (T500J ELECTRIC POWERED MACHINES)



ART_4641343

SECTION 1 - FRAME

FIGURE 1-50. CONTROL VALVE ASSEMBLY (T500J ELECTRIC POWERED MACHINES)

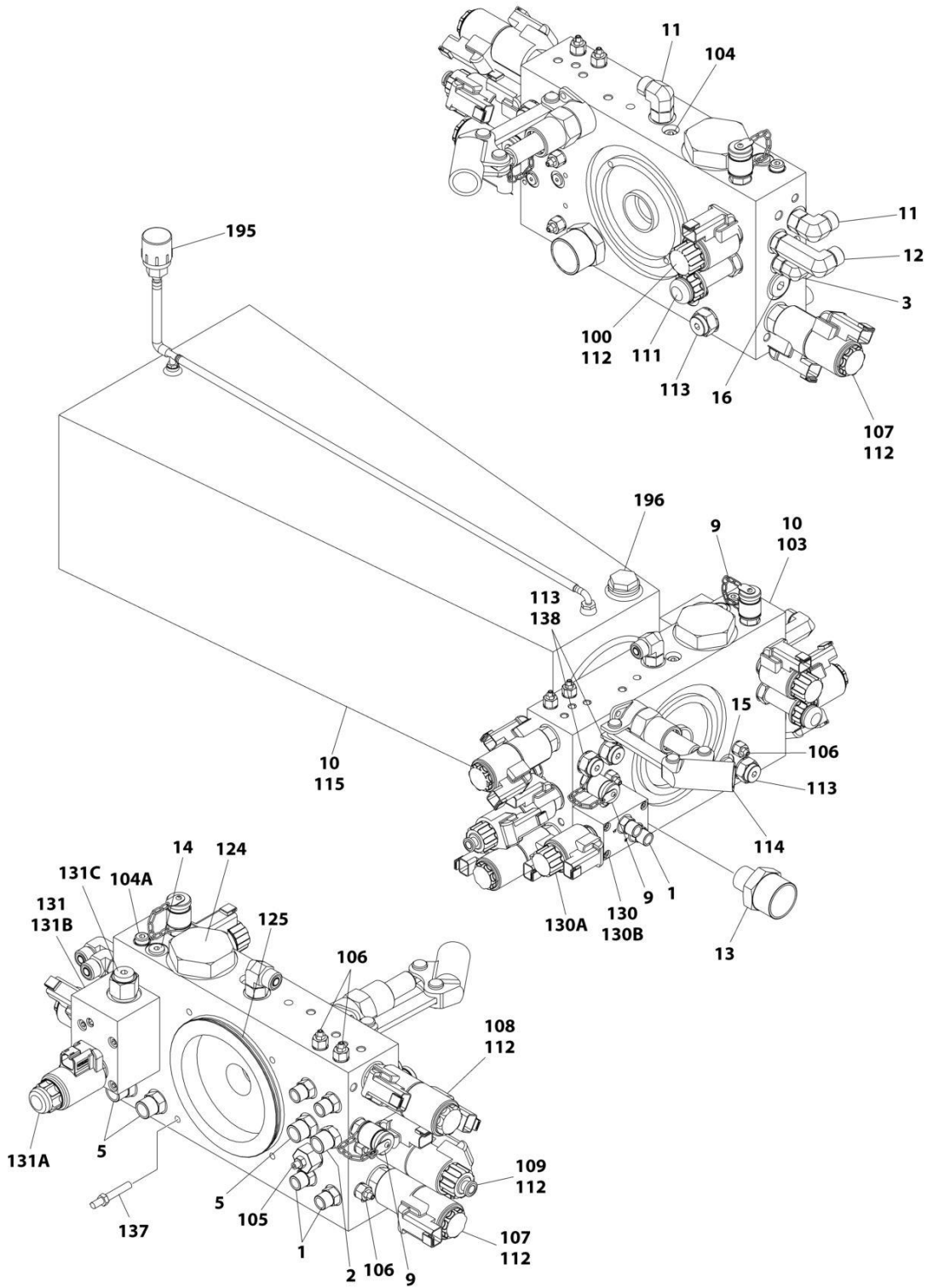
ITEM	PART NUMBER	QTY	DESCRIPTION	REV
	4641343	Ref	VALVE AND FITTINGS SUBASSEMBLY	E
1	2110404	6	Fitting, Straight	
2	2110604	1	Fitting, Straight	
3	2130404	1	Fitting, Elbow	
9	2221086	3	Fitting, Test Port	
10	4641326	1	Valve Assembly Less Fittings (Includes Items 101-197)	
11	2130606	1	Fitting, Elbow	
12	2170206	1	Fitting, Long Elbow	
13	2110606	3	Fitting, Straight	
14	2220881	1	Plug	
15	2220883	3	Plug	
16	2220885	2	Plug	
17	2220886	1	Plug	
18	2220887	1	Plug	
100	4641326	NSS	Control Valve Assembly (Note: Use p/n 4641343 When replacing complete Assembly)	D
101	7027617	1	Motor Assembly	
101	See Note	1	Brush Kit (Note: Not Available - Purchase Complete Motor Assembly p/n 7027617)	
101A	7027618	1	Coupling	
102	7027619	1	Pump	
102	See Note	1	Seal Kit - Pump (Note: Not Available - Purchase Pump p/n 7027619)	
103	See Note	1	Block, Valve (Note: Not Available - Purchase Complete Valve Assembly)	
104	7027620	1	Cartridge, Relief Valve	
104	See Note	1	Seal Kit (Note: Not Available - Purchase Relief Valve Cartridge p/n 7027620)	
104A	7027621	1	Cartridge, Relief Valve	
104A	See Note	1	Seal Kit (Note: Not Available - Purchase Relief Valve Cartridge p/n 7027621)	
105	7027622	1	Cartridge, Valve	
105	See Note	1	Seal Kit (Note: Not Available - Purchase Cartridge Valve p/n 7027622)	
106	7027623	7	Cartridge, Valve	
106	See Note	7	Seal Kit (Note: Not Available - Purchase Cartridge Valve p/n 7027623)	
107	7027624	2	Cartridge, Solenoid Less Coil (Swing and Leveling Jacks)	
107	70002227	2	Nut, Coil	
107	70000100	2	Seal Kit	
108	7027625	1	Cartridge, Solenoid Less Coil (Level)	
108	70002227	1	Nut, Coil	
108	70000100	1	Seal Kit	
109	7027626	1	Cartridge, Solenoid Less Coil (Tele)	
109	70002228	1	Nut, Coil	
109	70000100	1	Seal Kit	
110	7024500	1	Cartridge, Solenoid Less Coil (Lift Up)	
110	70002230	1	Nut, Coil	
110	7024505	1	Seal Kit	
111	7027627	1	Cartridge (Manual Descent)	
111	70002229	1	Nut, Coil	

SECTION 1 - FRAME

ITEM	PART NUMBER	QTY	DESCRIPTION	REV
111	7024505	1	Seal Kit	
112	7027628	9	Coil	
113	7027629	3	Cartridge, Valve	
113	7024505	3	Seal Kit	
114	7027630	1	Cartridge, Manual Hand Pump Valve (Manual Descent)	
114	See Note	1	Seal Kit (Note: Not Available - Purchase Manual Pump Valve Cartridge p/n 7027630)	
115		Ref	Tank Options:	
115	7027631	1	Tank T350	
115	7027639	1	Tank T500J	
116	7027632	1	Filter, Hydraulic (Suction)	
116A	7027633	1	Tube, Suction	
117	See Note	2	Capscrew 8mm x 90mm (for Pump) (Note: Not available for purchase)	
118	See Note	1	Ring, Seal (Note: Not available for purchase)	
124	2915194	1	Element, Filter (Includes p/n 70000065 O-Ring) (Was p/n 7027634)	
124	See Note	1	Adapter (Note: Not Available - Purchase Filter Element p/n 2915194)	
124	70002282	1	Fitting, Plug	
124	70003615	1	Retainer, Filter Element Contamination	
125	7027635	1	O-Ring	
130	7027690	1	Valve Block Assembly (Jib)	
30A	7024500	1	Cartridge, Solenoid Less Coil	
30A	70002230	1	Nut, Coil	
30A	7024505	1	Seal Kit	
30A	7027628	1	Coil	
30B	See Note	1	Cartridge, Valve (Note: Not Available - Purchase Complete Valve Block Assembly p/n 7027690)	
30B	See Note	1	Seal Kit (Note: Not Available - Purchase Complete Valve Block Assembly p/n 7027690)	
137	70000894	4	Nut	
137	70000895	4	Stud	
138	7027636	2	Orifice	
195	7027638	1	Breather	
196	70000378	1	Dipstick	
197	See Note	1	Bolt M6 x 200 (Note: Not available for purchase)	

SECTION 1 - FRAME

FIGURE 1-51. CONTROL VALVE ASSEMBLY (T500J GAS POWERED MACHINES)



ART_4641345

SECTION 1 - FRAME

FIGURE 1-51. CONTROL VALVE ASSEMBLY (T500J GAS POWERED MACHINES)

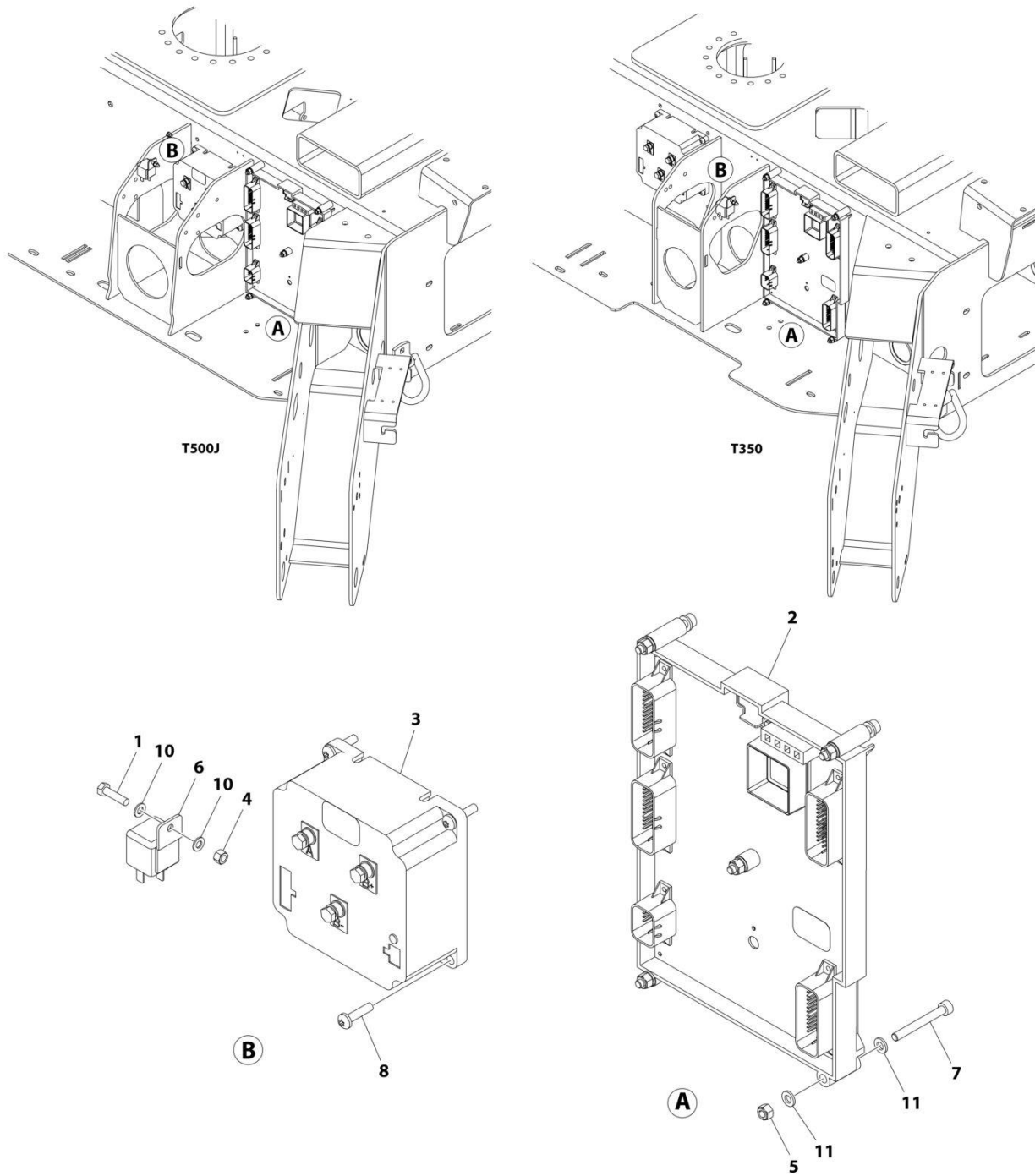
ITEM	PART NUMBER	QTY	DESCRIPTION	REV
	4641345	Ref	VALVE AND FITTINGS SUBASSEMBLY	H
1	2110404	6	Fitting, Straight	
2	2110604	1	Fitting, Straight	
3	2130404	1	Fitting, Elbow	
5	2110606	3	Fitting, Straight	
9	2221086	3	Fitting, Test Port	
10	1001228195	1	Valve Assembly Less Fittings	
11	2130606	2	Fitting, Elbow	
12	2170206	1	Fitting, Long Elbow	
13	2111610	1	Fitting, Straight	
14	2220883	1	Plug	
15	2220885	1	Plug	
16	2220886	1	Plug	
100	4641328	NSS	Control Valve Assembly (Note: Use p/n 4641345 When replacing complete Assembly)	E
103	See Note	1	Block, Valve (Note: Not Available - Purchase Complete Valve Assembly)	
104	7027620	1	Cartridge, Relief Valve	
104	See Note	1	Seal Kit (Note: Not Available - Purchase Relief Valve Cartridge p/n 7027620)	
104A	7027621	1	Cartridge, Relief Valve	
104A	See Note	1	Seal Kit (Note: Not Available - Purchase Relief Valve Cartridge p/n 7027621)	
105	7027622	1	Cartridge, Valve	
105	See Note	1	Seal Kit (Note: Not Available - Purchase Cartridge Valve p/n 7027622)	
106	7027623	7	Cartridge, Valve	
106	See Note	7	Seal Kit (Note: Not Available - Purchase Cartridge Valve p/n 7027623)	
107	7027624	2	Cartridge, Solenoid Less Coil (Swing and Leveling Jacks)	
107	70002227	2	Nut, Coil	
107	70000100	2	Seal Kit	
108	7027625	1	Cartridge, Solenoid Less Coil (Level)	
108	70002227	1	Nut, Coil	
108	70000100	1	Seal Kit	
109	7027626	1	Cartridge, Solenoid Less Coil (Tele)	
109	70002228	1	Nut, Coil	
109	70000100	1	Seal Kit	
110	7024500	1	Cartridge, Solenoid Less Coil (Lift Up)	
110	70002230	1	Nut, Coil	
110	7024505	1	Seal Kit	
111	7027627	1	Cartridge (Manual Descent)	
111	70002229	1	Nut, Coil	
111	7024505	1	Seal Kit	
112	7027628	9	Coil	
113	7027629	3	Cartridge, Valve	
113	7024505	3	Seal Kit	
114	7027630	1	Cartridge, Manual Hand Pump Valve (Manual Descent)	
114	See Note	1	Seal Kit (Note: Not Available - Purchase Manual Pump Valve Cartridge p/n 7027630)	
115		Ref	Tank Options:	

SECTION 1 - FRAME

ITEM	PART NUMBER	QTY	DESCRIPTION	REV
115	7027631	1	Tank T350	
115	7027639	1	Tank T500J	
124	2915194	1	Element, Filter (Includes p/n 7000065 O-Ring) (Was p/n 7027634)	
124	See Note	1	Adapter (Note: Not Available - Purchase Filter Element p/n 2915194)	
124	70003615	1	Retainer, Filter Element Contamination	
125	7027635	1	O-Ring	
130	7027690	1	Valve Block Assembly (Jib)	
130A	7024500	1	Cartridge, Solenoid Less Coil	
130A	70002230	1	Nut, Coil	
130A	7024505	1	Seal Kit	
130A	7027628	1	Coil	
130B	See Note	1	Cartridge, Valve (Note: Not Available - Purchase Complete Valve Block Assembly p/n 7027690)	
130B	See Note	1	Seal Kit (Note: Not Available - Purchase Complete Valve Block Assembly p/n 7027690)	
131	7027691	1	Valve Block Assembly (Proportional)	
131A	70000025	1	Cartridge, Solenoid Less Coil	
131A	7026623	1	Seal Kit	
131A	70000026	1	Coil	
131B	70000028	1	Cartridge, Valve (Check)	
131B	See Note	1	Seal Kit (Note: Not Available - Purchase Cartridge Valve p/n 70000028)	
131C	70000027	1	Compensator	
137	70000894	4	Nut	
137	70000895	4	Stud	
138	7027636	2	Orifice	
195	7027638	1	Breather	
196	70000378	1	Dipstick	

SECTION 1 - FRAME

FIGURE 1-52. CONTROL MODULE INSTALLATION (ELECTRIC POWERED MACHINES)



ART_0275776

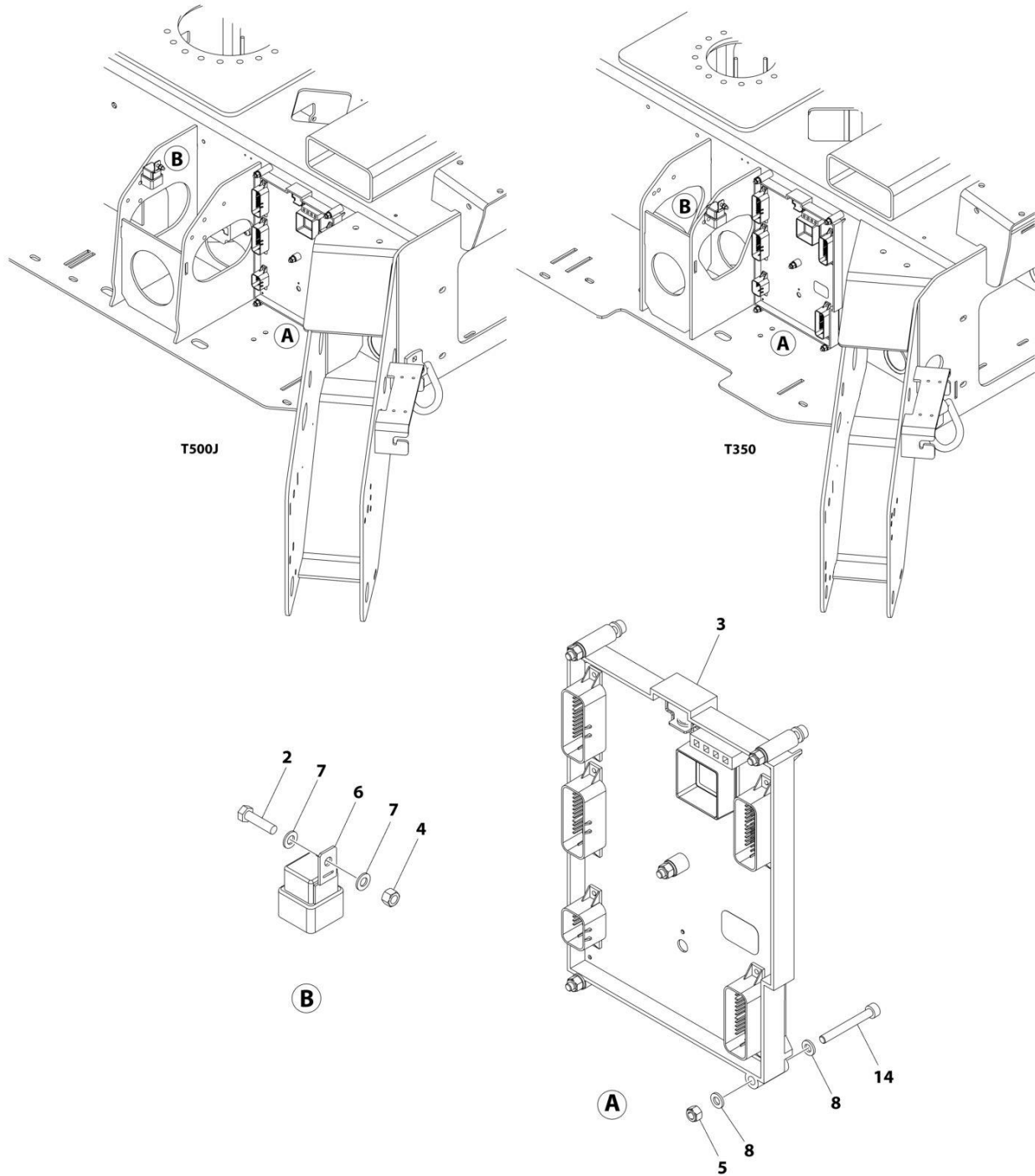
SECTION 1 - FRAME

FIGURE 1-52. CONTROL MODULE INSTALLATION (ELECTRIC POWERED MACHINES)

ITEM	PART NUMBER	QTY	DESCRIPTION	REV
	0275776	Ref	CONTROL MODULE INSTALLATION	F
1	0700510	1	Bolt M5 x 20	
2	1600370	1	Module, Ground Control (Note: Control System must be recalibrated when Module is replaced)	
3	1600412	1	Controller, Sevcon (Note: Control System must be recalibrated when Module is replaced)	
4	3290507	1	Nut M5	
5	3290605	5	Nut M6	
6	3740145	1	Relay	
7	4031714	5	Capscrew M6 x 50	
8	4191709	4	Capscrew M6 x 25	
10	4811600	2	Washer M5	
11	4811700	10	Washer M10	
12	4923041	1	Harness, Jack and Valve (Not Shown - See Separate Breakdown in ELECTRICAL Section)	
13	4923109	1	Harness, Main Valve (Not Shown - See Separate Breakdown in ELECTRICAL Section)	
14	4923427	1	Harness, Frame (Not Shown - See Separate Breakdown in ELECTRICAL Section)	

SECTION 1 - FRAME

FIGURE 1-53. CONTROL MODULE INSTALLATION (GAS MACHINES)



ART_0273794

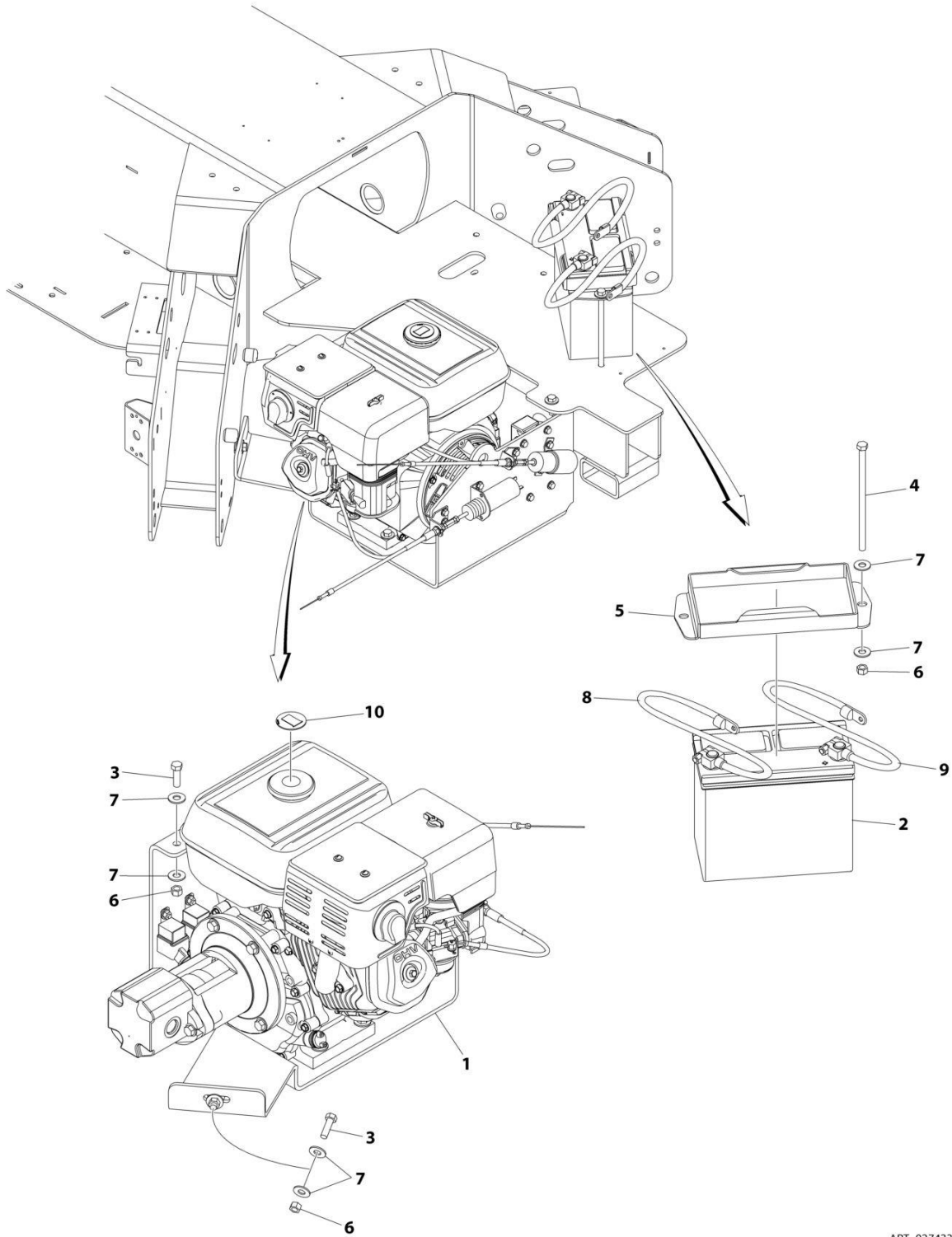
SECTION 1 - FRAME

FIGURE 1-53. CONTROL MODULE INSTALLATION (GAS MACHINES)

ITEM	PART NUMBER	QTY	DESCRIPTION	REV
	0273794	Ref	CONTROL MODULE INSTALLATION	F
2	0700510	1	Bolt M5 x 20	
3	1600370	1	Module, Ground Control (Note: Control System must be recalibrated when Module is replaced)	
4	3290507	1	Nut M5	
5	3290605	5	Nut M6	
6	3740049	1	Relay	
7	4811600	2	Washer M5	
8	4811700	10	Washer M6	
9	4923041	1	Harness, Jack and Valve (Not Shown - See Separate Breakdown in ELECTRICAL Section)	
11	4923109	1	Harness, Main Valve (Not Shown - See Separate Breakdown in ELECTRICAL Section)	
12	4923130	1	Harness, Frame (Not Shown - See Separate Breakdown in ELECTRICAL Section)	
14	4031714	5	Capscrew M6 x 50	

SECTION 1 - FRAME

FIGURE 1-54. ENGINE INSTALLATION (T350 GAS POWERED MACHINES)



ART_0274336

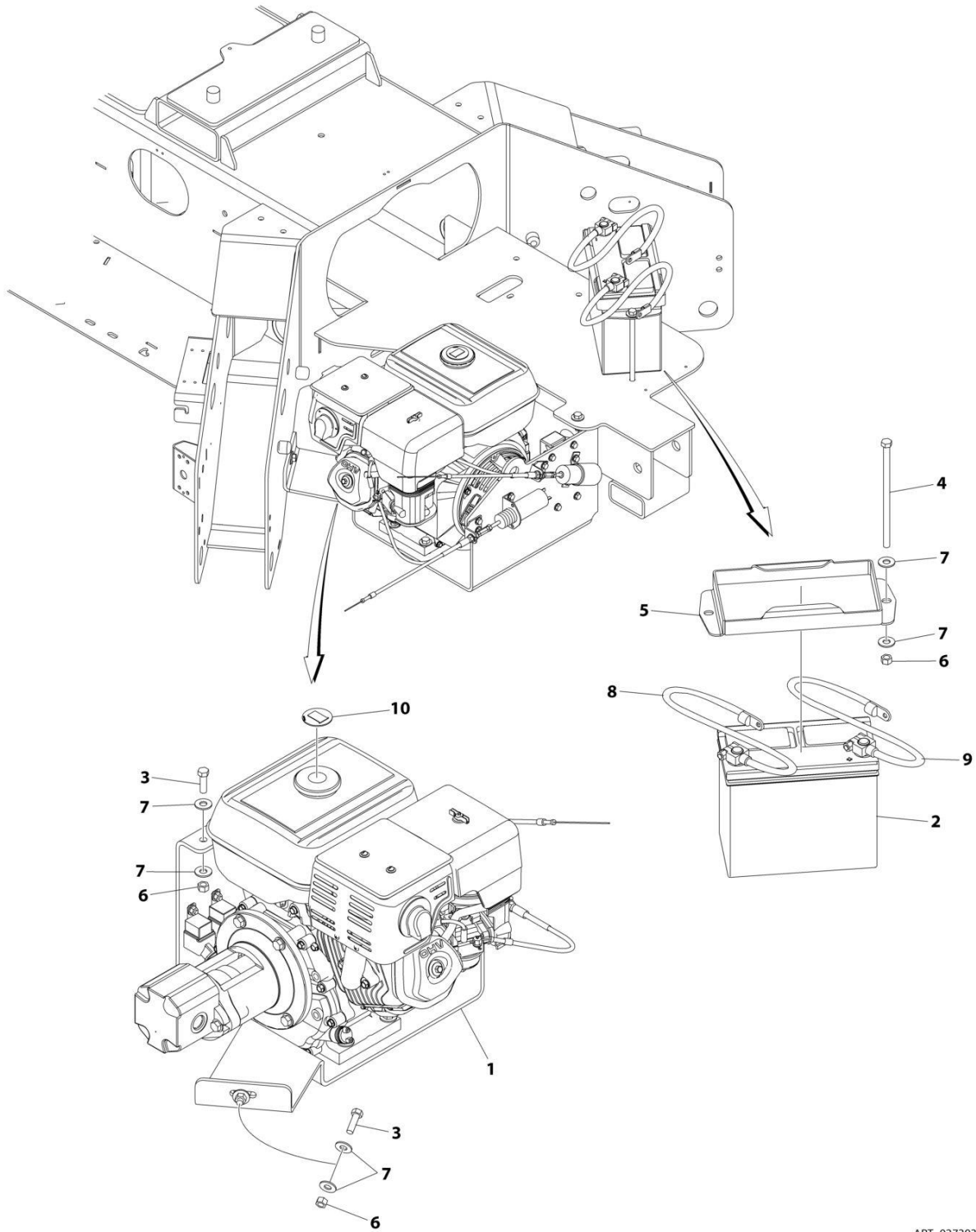
SECTION 1 - FRAME

FIGURE 1-54. ENGINE INSTALLATION (T350 GAS POWERED MACHINES)

ITEM	PART NUMBER	QTY	DESCRIPTION	REV
	0274336	Ref	ENGINE INSTALLATION	H
1	0273763	1	Engine Assembly (See Separate Breakdown in this Section)	
2	0400201	1	Battery	
3	0641610	3	Bolt 3/8 x 1-1/4	
4	0641660	2	Bolt 3/8 x 7-1/2	
5	0902659	1	Bracket, Battery Hold-Down	
6	3311605	5	Nut 3/8	
7	4751600	13	Washer 3/8	
8	4923153	1	Cable, Battery Ground	
9	4923154	1	Cable, Battery Power	
10	1706260	1	Decal - Fuel	
12	1001128929	1	Engine Harness (Not Shown - See Separate Breakdown in ELECTRICAL Section)	

SECTION 1 - FRAME

FIGURE 1-55. ENGINE INSTALLATION (T500J GAS POWERED MACHINES)



ART_0273939

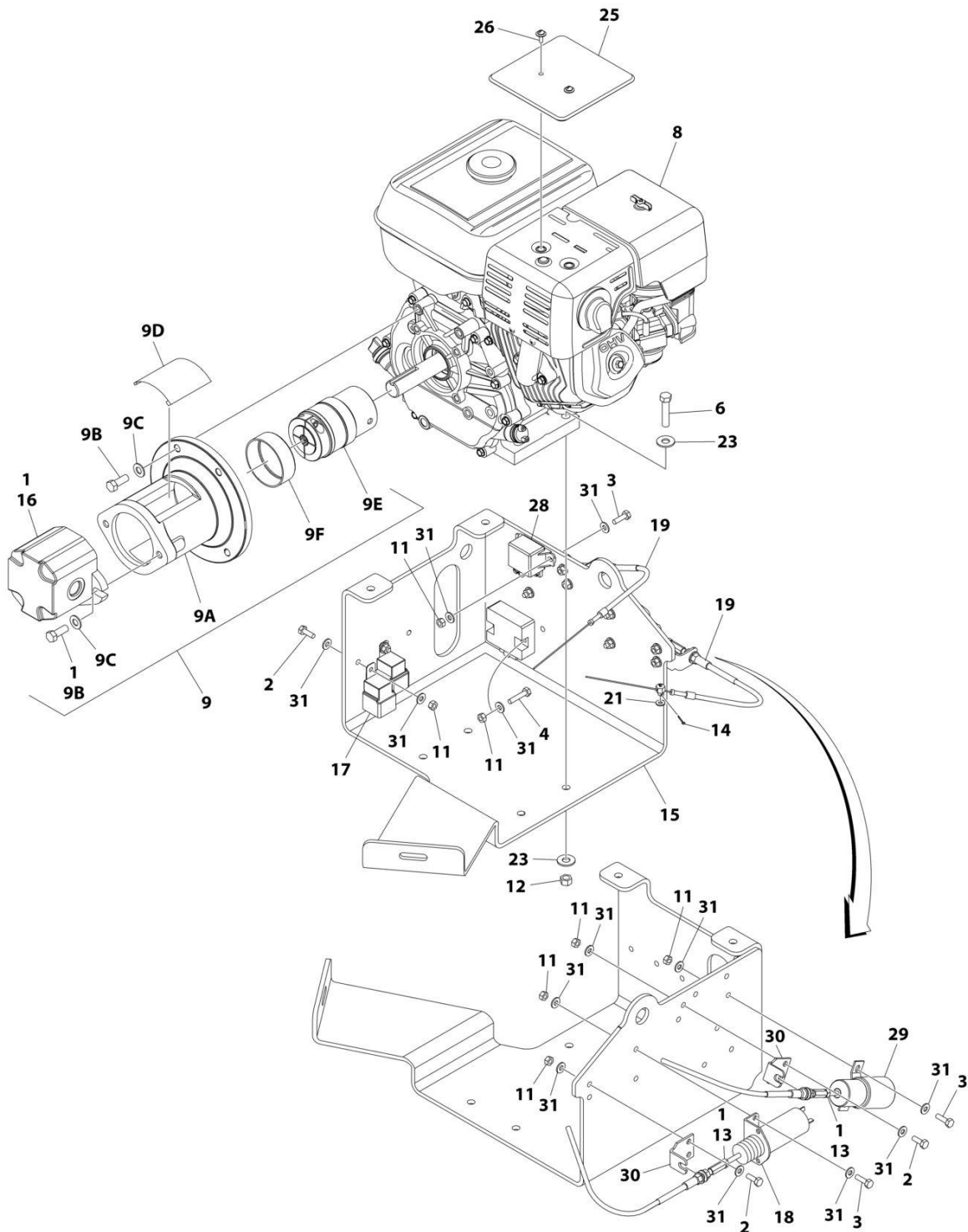
SECTION 1 - FRAME

FIGURE 1-55. ENGINE INSTALLATION (T500J GAS POWERED MACHINES)

ITEM	PART NUMBER	QTY	DESCRIPTION	REV
	0273939	Ref	ENGINE INSTALLATION	K
1	0273763	1	Engine Assembly (See Separate Breakdown in this Section)	
2	0400201	1	Battery	
3	0641610	3	Bolt 3/8 x 1-1/4	
4	0641660	2	Bolt 3/8 x 7-1/2	
5	0902659	1	Bracket, Battery Hold-Down	
6	3311605	5	Nut 3/8	
7	4751600	10	Washer 3/8	
8	4923153	1	Cable, Battery Ground	
9	4923154	1	Cable, Battery Power	
10	1706260	1	Decal - Fuel	
11	1001128929	1	Engine Harness (Not Shown - See Separate Breakdown in ELECTRICAL Section)	

SECTION 1 - FRAME

FIGURE 1-56. ENGINE ASSEMBLY (GAS POWERED MACHINES)



ART_0273763

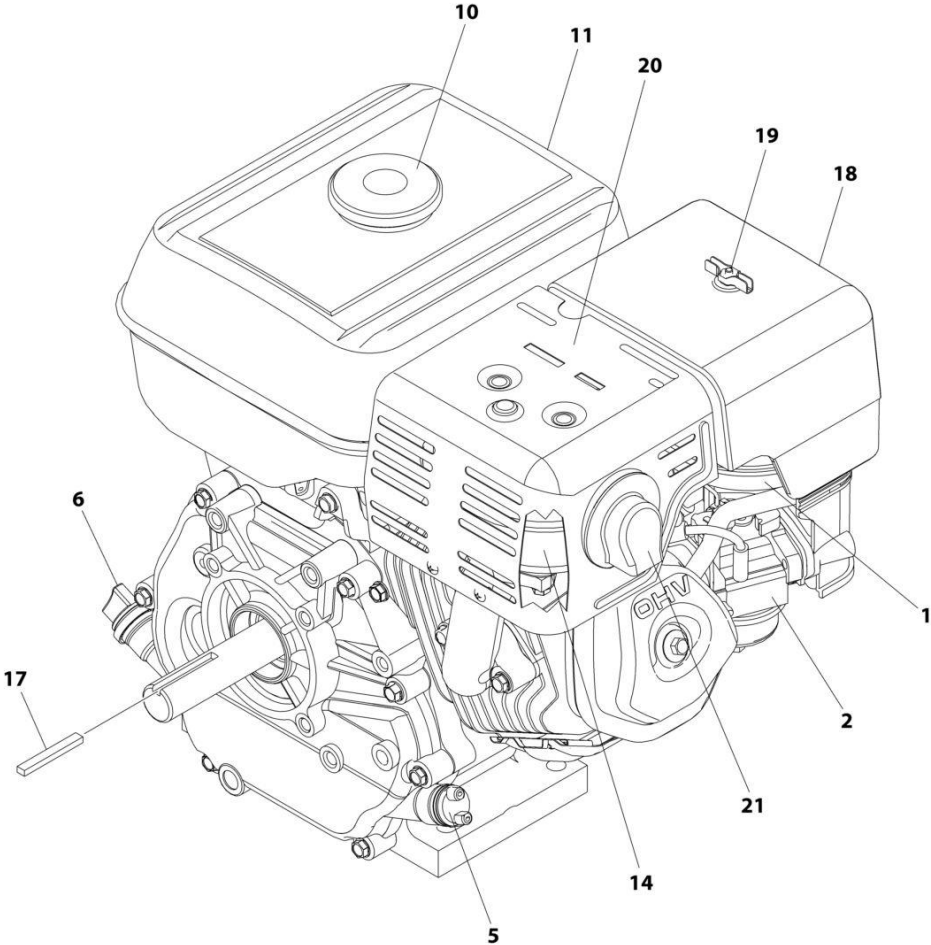
SECTION 1 - FRAME

FIGURE 1-56. ENGINE ASSEMBLY (GAS POWERED MACHINES)

ITEM	PART NUMBER	QTY	DESCRIPTION	REV
	0273763	Ref	HONDA ENGINE ASSEMBLY	L
1	0100011	AR	Compound, Locking	
2	0641406	AR	Bolt 1/4 x 3/4	
3	0641407	2	Bolt 1/4 x 7/8	
4	0641410	2	Bolt 1/4 x 1-1/4	
6	0641614	4	Bolt 3/8 x 1-3/4	
8	1001288458	1	Engine Components (GX390)	
8	1001127719	1	Engine Components (GX270)	
9	2902333	1	Pump Coupling Kit	
9A	7027326	1	Housing and Bolt Kit	
9B	0641608	6	Bolt 3/8 x 1	
9C	4711600	6	Washer 3/8	
9D	70001008	1	Cover	
9E	7027327	1	Coupling	
9F	7027328	1	Neoprene with Metal Ring	
11	3311405	AR	Nut 1/4	
12	3311605	4	Nut 3/8	
13	3321401	2	Nut 1/4	
14	3450202	1	Pin, Cotter	
15	1001287768	1	Plate, Motor Mounting	
16	3600403	1	Gear Pump Assembly (No Serviceable Parts - Replace Complete Part)	
17	3740080	2	Relay	
18	3740144	1	Actuator, Solenoid (Choke)	
19	3890065	2	Cable, Throttle	
21	4751200	1	Washer #12	
23	4751600	8	Washer 3/8	
25	2820179	1	Shield, Heat (Top)	
26	3900184	2	Screw #10-24NC x 5/8in	
28	3740112	1	Relay	
29	3740148	1	Actuator, Solenoid (Throttle)	
30	0903597	2	Bracket, Cable Mount	
31	4711400	4	Washer 1/4	

SECTION 1 - FRAME

FIGURE 1-57. GAS ENGINE COMPONENTS



ART_1001127719

SECTION 1 - FRAME

FIGURE 1-57. GAS ENGINE COMPONENTS

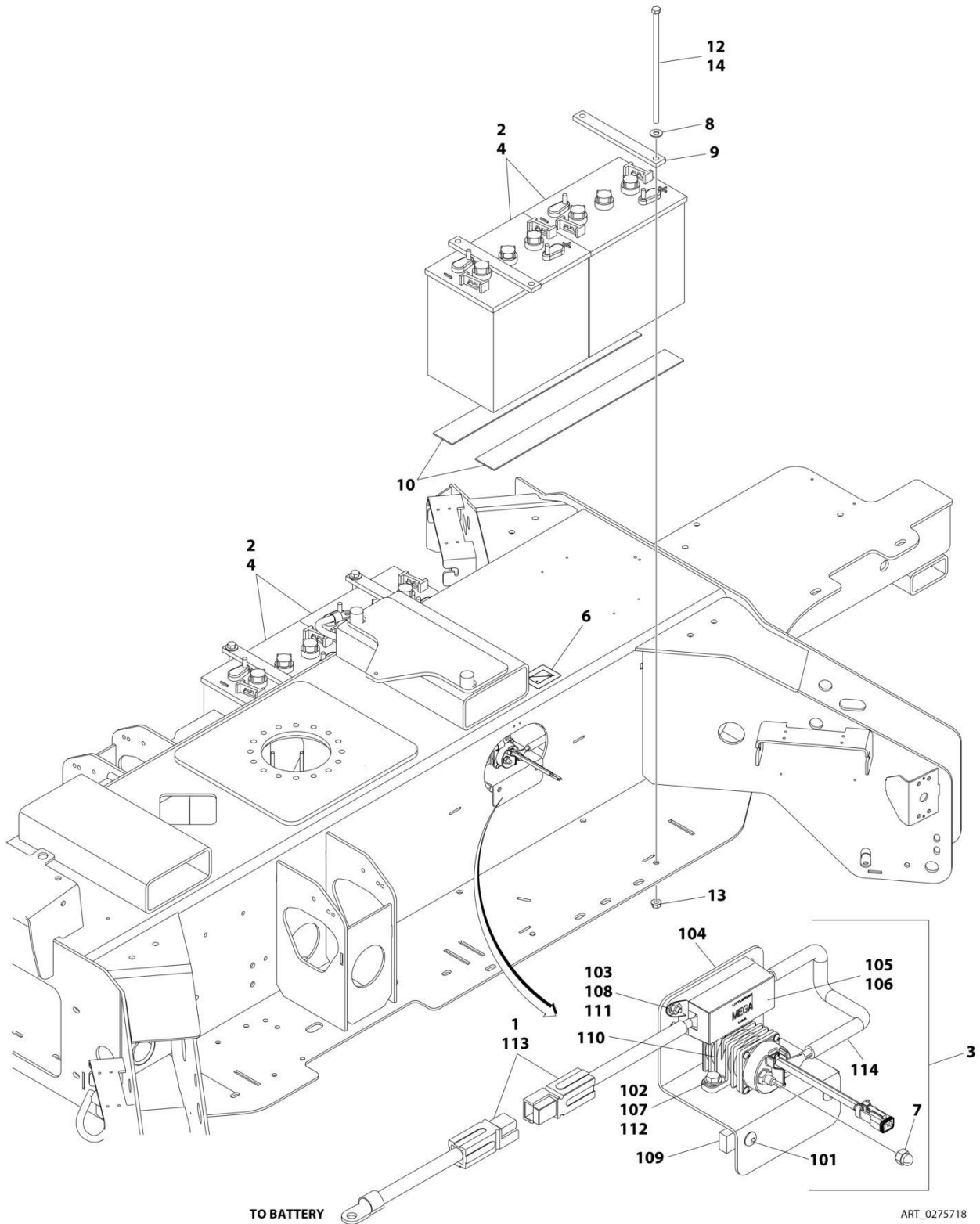
ITEM	PART NUMBER	QTY	DESCRIPTION	REV
	1001127719	Ref	ENGINE COMPONENTS	A
1	70001453	1	Filter Assembly, Inner Air	
1	7027372	1	Filter Assembly, Outer Air	
2	70003493	1	Carburetor, Replacement (See Service and Maintenance Manual for Instructions when Replacing Complete Assembly)	
2	7027373	1	Gasket Set - Carburetor	
2	7027374	1	Valve Set - Carburetor	
2	70003549	1	Float Set - Carburetor	
2	70003495	1	Gasket, Carburetor to Insulator	
2	70003496	1	Gasket, Insulator to Block	
2	70003494	1	Spacer, Carburetor	
2	7027379	1	Cup, Fuel Strainer	
2	See Note	NSS	Remote Choke Assembly (Note: Use p/n 70003493)	
2	7027381	1	Rod, Governor	
2	7027382	1	Spring, Governor	
2	7027383	1	Spring, Throttle Return (Long)	
2	7023519	1	Control, Throttle (Mechanical)	
2	7027385	1	Spring, Return (Short) (Part of Throttle Control)	
5	70003488	1	Plug, Oil Fill	
6	70003489	1	Dipstick	
7	70003487	1	Switch, Oil Pressure Options (Not Shown)	
8		Ref	Plug, Spark Options (Not Shown):	
8	7027391	1	Denso Brand	
8	70002770	1	NGK Brand	
9	70003512	1	Flywheel (Not Shown)	
9	7027392	1	Key, Flywheel (Not Shown)	
9	70003511	1	Fan, Cooling (Not Shown)	
10	70003508	1	Cap, Fuel	
10	70003506	1	Gasket, Fuel Cap (Part of 70003508 Cap)	
10	70003509	1	Strainer/Filter, Fuel Cap	
11	70003510	1	Tank, Fuel	
11	70003505	1	Fitting, Fuel Tank Outlet	
11	70003507	1	O-Ring (Used at Fuel Tank Outlet)	
12	7027396	1	Coil, Charging (Not Shown)	
12	70003516	1	Coil, Ignition (Not Shown)	
12	70003514	1	Suppressor, Noise (Not Shown)	
12	70003517	1	Wiring Harness (Not Shown)	
13	70003531	1	Decal - Caution (Not Shown - Located Near Exhaust Outlet)	
13	70003529	1	Decal - Choke (Not Shown)	
13	70003530	1	Decal - Throttle Indication (Not Shown)	
13	70003532	1	Decal - Operator Caution (Not Shown)	
14	70003500	1	Muffler	
14	70003503	1	Gasket, Exhaust Pipe to Block	
14	7027603	1	Gasket, Exhaust Pipe to Muffler	
14	70003504	1	Arrester, Spark	
15	70003490	1	Pull Start Assembly (Includes Case Cover, Pulley, Recoil, Pull Cord, Starter Ratchet, Ratchet Springs and Spring Retainer) (Not Shown)	
15	70003492	1	Rope, Recoil	
16	70003518	1	Starter, Electrical (Not Shown)	

SECTION 1 - FRAME

ITEM	PART NUMBER	QTY	DESCRIPTION	REV
16	7027606	1	Contacto Assembly	
17	See Note	NSS	Key, Shaft (Note: Not available for purchase)	
18	See Note	NSS	Cover, Air Cleaner/Carburetor (1001127719 Engine) (Note: Not available for purchase)	
18	70001453	1	Element, Air Cleaner (Includes Element, Outside Band Filter and Grommet)	
18	7027372	1	Filter, Outer Band (Part of p/n 70001453)	
18	70003497	1	Gasket, Air Cleaner to Carburetor	
19	70003498	1	Nut Housing/Cover	
19	70003499	1	Nut, Filter	
20	70003501	1	Shield, Muffler Cover	
21	70003502	1	Cap, Muffler Cover	
22	70003521	1	Key Switch (Not Shown)	
22	70003522	1	Fuse 5A (Not Shown)	
22	70003550	1	Key (Not Shown)	
22	70003520	1	Rectifier (Not Shown)	

SECTION 1 - FRAME

FIGURE 1-58. BATTERIES INSTALLATION (ELECTRIC POWERED MACHINES) (STANDARD BATTERIES)



TO BATTERY

ART_0275718

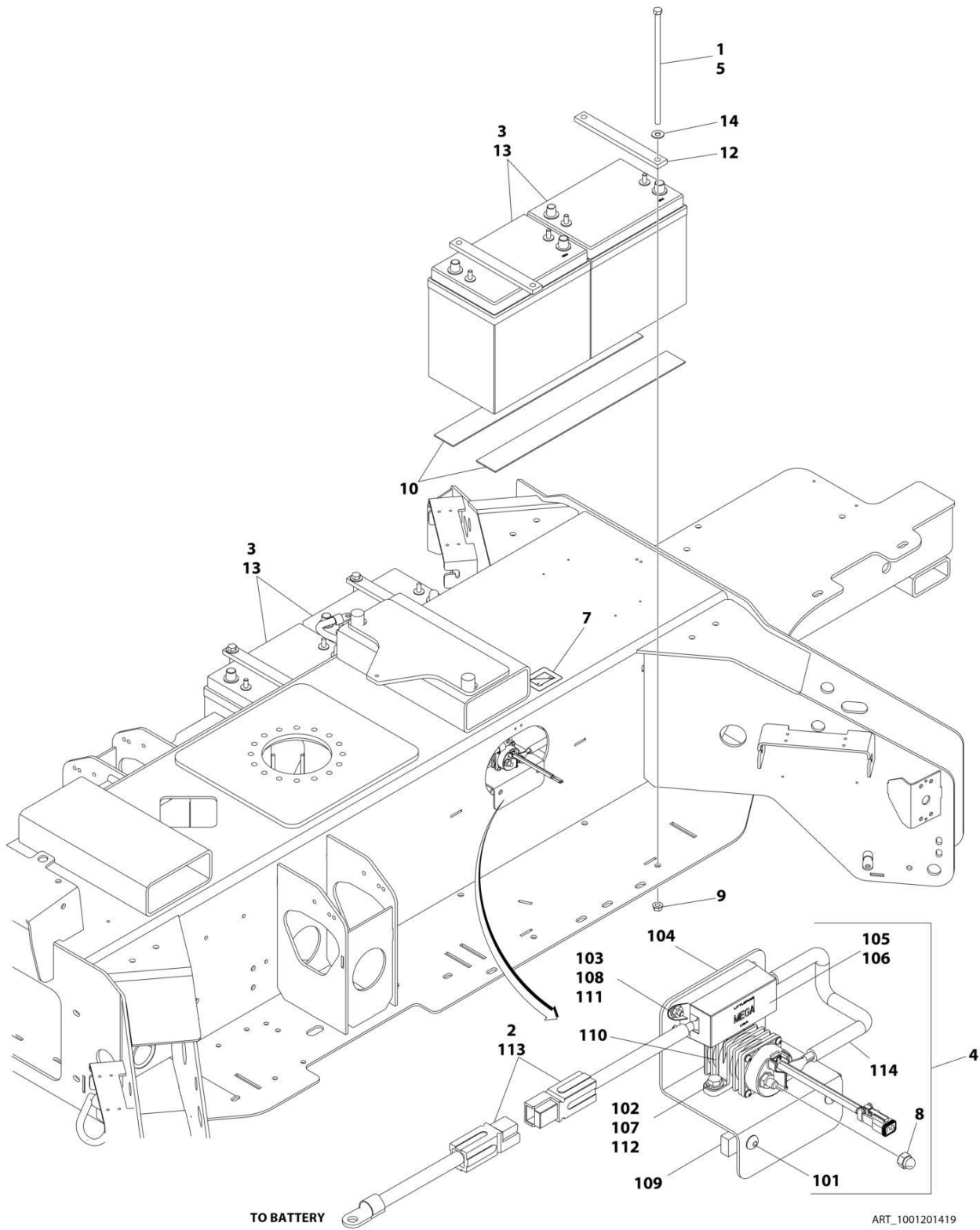
SECTION 1 - FRAME

FIGURE 1-58. BATTERIES INSTALLATION (ELECTRIC POWERED MACHINES) (STANDARD BATTERIES)

ITEM	PART NUMBER	QTY	DESCRIPTION	REV
	0275718	Ref	BATTERIES INSTALLATION	F
1	0100048	AR	Grease, Dielectric (Not Shown)	
2	0100051	AR	Grease, Battery Terminal	
3	0275439	1	Contactator Assembly (Includes Item 101-114)	
4	0400215	4	Battery, 6 Volt /220 Amp	
5	1701644	1	Decal - Battery Charger (Not Shown)	
6	1702155	1	Decal - Battery Disconnect	
7	3300506	2	Nut 5/16	
8	4751600	8	Washer 3/8	
9	1001104509	4	Plate, Hold-Down	
10	4420038	80 in/2m	Tape, Rubber	
11	4923428	1	Battery Cables Kit (Not Shown - See Separate Breakdown in ELECTRICAL Section)	
12	0641688	1	Bolt 3/8 x 11	
13	3311608	8	Nut 3/8	
14	0100011	AR	Compound, Locking	
	0275439	Ref	CONTACTOR ASSEMBLY	C
101	0630468	2	Screw 5/16 x 1	
102	0641407	2	Bolt 1/4 x 7/8	
103	0721004	2	Screw #10 x 1/2	
104	0903560	1	Bracket	
105	2400087	1	Fuse - 300 Amp	
106	2400088	1	Fuseholder	
107	3311405	2	Nut 1/4	
108	3311005	2	Nut #10	
109	3576773	1	Bar, Clamping	
110	3740150	1	Relay	
111	4711000	2	Washer #10	
112	4711400	2	Washer 1/4	
113	4923545	1	Cable, Electrical (Fuse to Battery B+)	
114	4923570	1	Cable, Electrical	

SECTION 1 - FRAME

FIGURE 1-59. BATTERIES INSTALLATION (ELECTRIC POWERED MACHINES) (AGM BATTERIES)



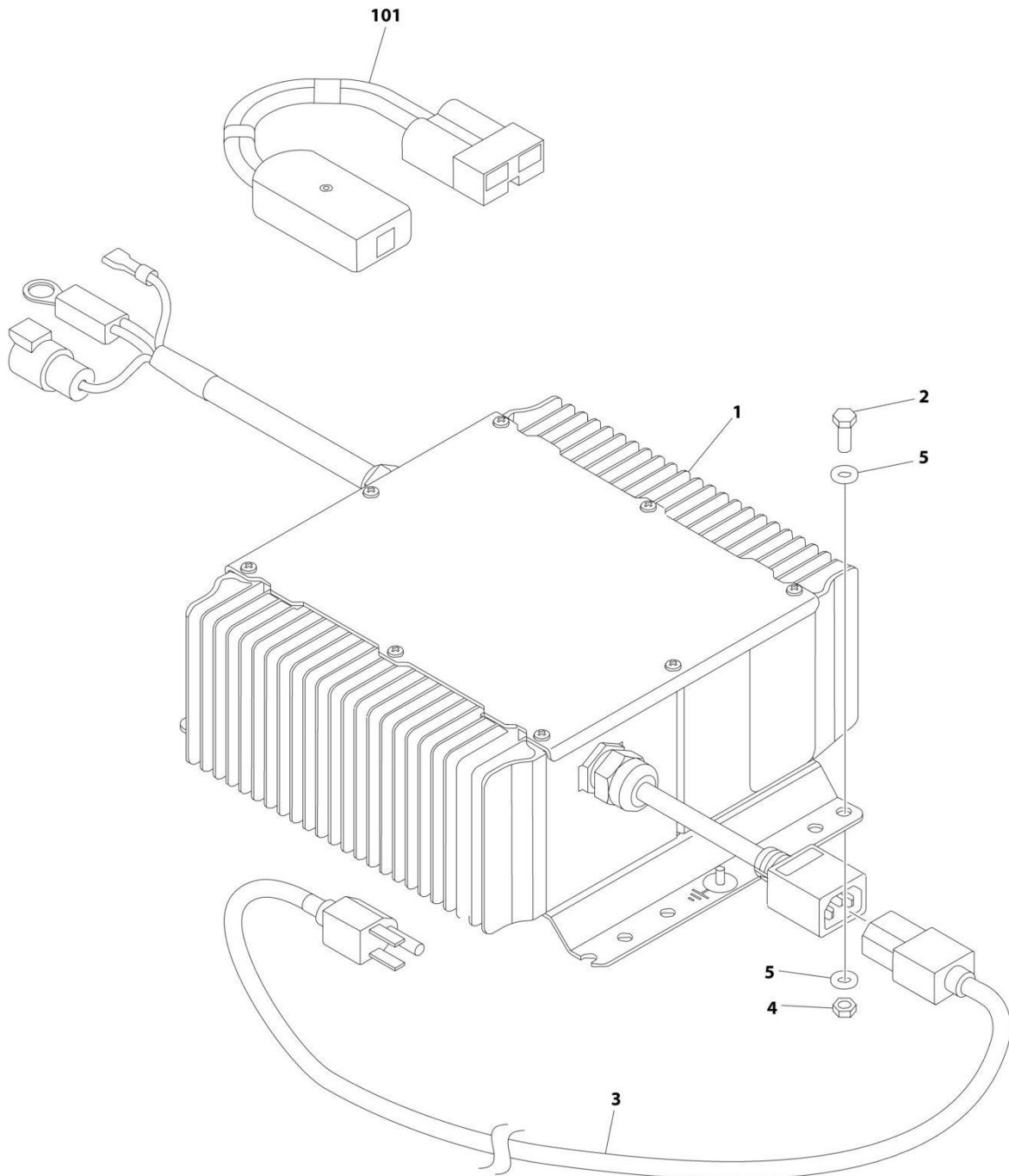
SECTION 1 - FRAME

FIGURE 1-59. BATTERIES INSTALLATION (ELECTRIC POWERED MACHINES) (AGM BATTERIES)

ITEM	PART NUMBER	QTY	DESCRIPTION	REV
	1001201419	Ref	BATTERIES INSTALLATION	B
1	0100011	AR	Compound, Locking	
2	0100048	AR	Grease, Dielectric	
3	0100051	AR	Grease, Battery Terminal	
4	0275439	1	Contractor Assembly (See Item 101-114)	
5	0641692	8	Bolt 3/8 x 11-1/2	
6	1701644	1	Decal - Battery Charger (Not Shown)	
7	1702155	1	Decal - Battery Disconnect	
8	3300506	2	Nut 5/16	
9	3311608	8	Nut 3/8	
10	4420038	80 in/2m	Tape, Rubber	
11	4923428	1	Battery Cables Kit (Not Shown - See Separate Breakdown in ELECTRICAL Section)	
12	1001104509	4	Plate, Hold-Down	
13	1001112112	4	Battery - AGM - 6V/220Amp	
14	4751600	8	Washer 3/8	
	0275439	Ref	CONTACTOR ASSEMBLY	C
101	0630468	2	Screw 5/16 x 1	
102	0641407	2	Bolt 1/4 x 7/8	
103	0721004	2	Screw #10 x 1/2	
104	0903560	1	Bracket	
105	2400087	1	Fuse - 300 Amp	
106	2400088	1	Fuseholder	
107	3311405	2	Nut 1/4	
108	3311005	2	Nut #10	
109	3576773	1	Bar, Clamping	
110	3740150	1	Relay	
111	4711000	2	Washer #10	
112	4711400	2	Washer 1/4	
113	4923545	1	Cable, Electrical (Fuse to Battery B+)	
114	4923570	1	Cable, Electrical	

SECTION 1 - FRAME

FIGURE 1-60. BATTERY CHARGER INSTALLATION-DELTA-Q (ELECTRIC POWERED MACHINES)
(ANSI, ANSI EXPORT AND CSA SPECS)



ART_0274380

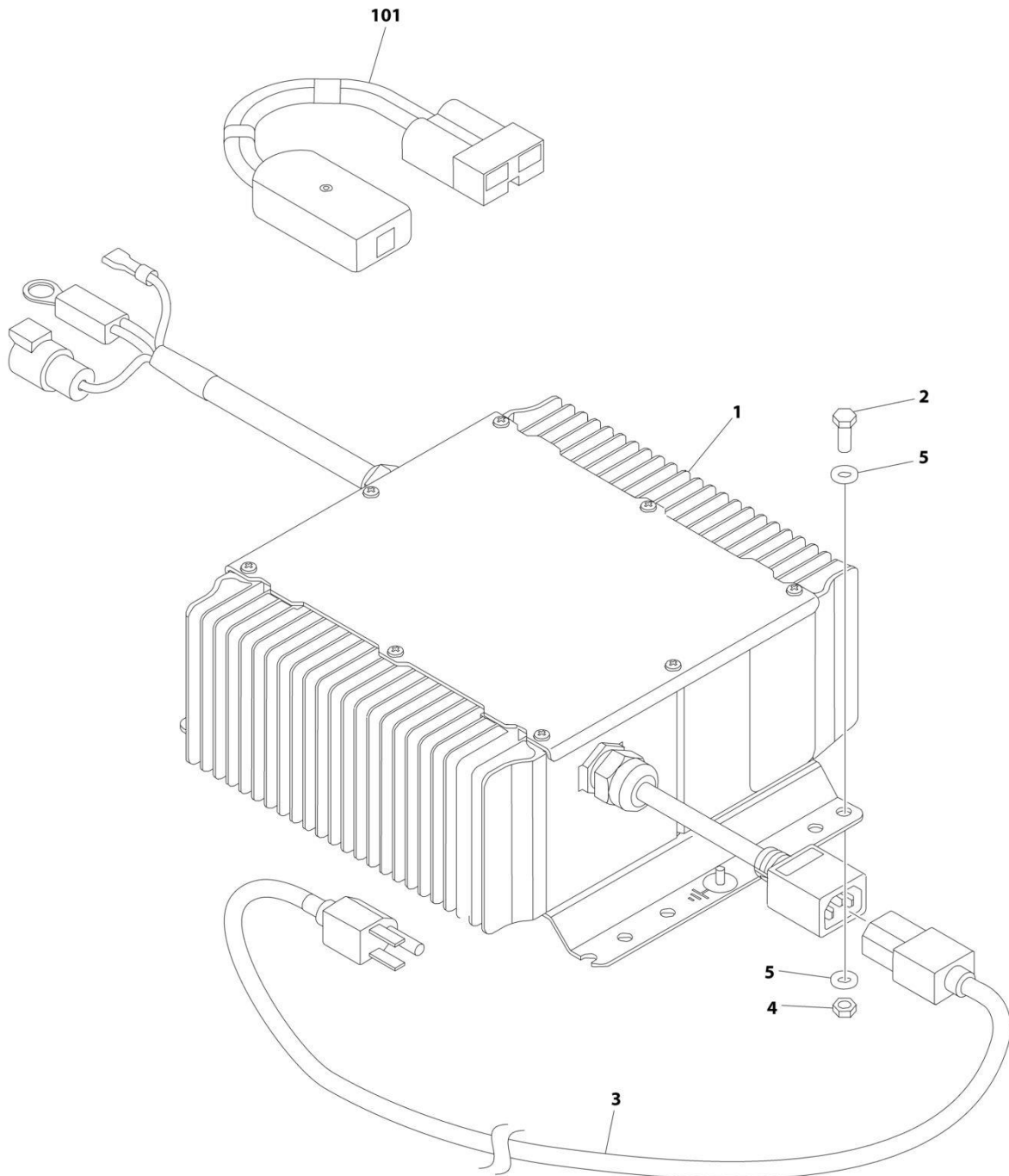
SECTION 1 - FRAME

**FIGURE 1-60. BATTERY CHARGER INSTALLATION-DELTA-Q (ELECTRIC POWERED MACHINES)
(ANSI, ANSI EXPORT AND CSA SPECS)**

ITEM	PART NUMBER	QTY	DESCRIPTION	REV
	0274380	Ref	BATTERY CHARGER INSTALLATION	B
1	0400236	1	Battery Charger Assembly (No Serviceable Parts Available)	
2	0641406	4	Bolt 1/4 x 3/4	
3	1060688	1	AC Extension Cord	
4	3311405	4	Nut 1/4	
5	4711400	8	Washer 1/4	
101	1600466	1	BATTERY CHARGER REPROGRAM CONTROLLER (USE P/N 2915230)	

SECTION 1 - FRAME

**FIGURE 1-61. BATTERY CHARGER INSTALLATION-DELTA-Q (ELECTRIC POWERED MACHINES)
(ANSI EXPORT, AUSTRALIAN AND SOUTH AFRICAN SPECS)**



ART_0274731

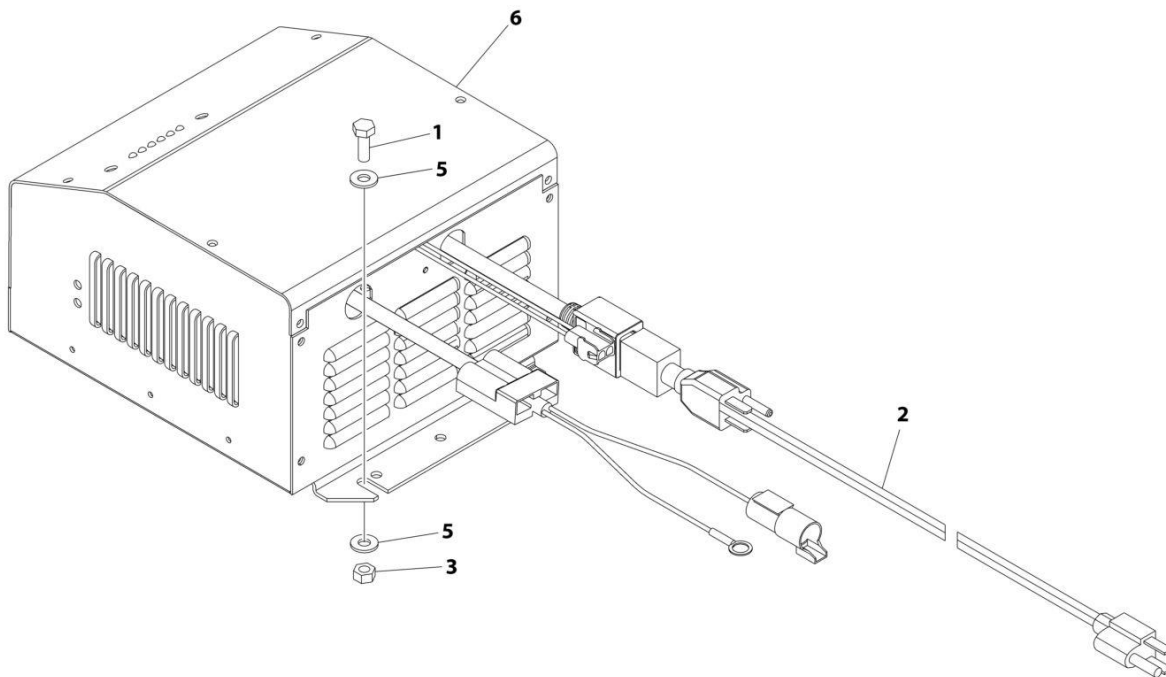
SECTION 1 - FRAME

**FIGURE 1-61. BATTERY CHARGER INSTALLATION-DELTA-Q (ELECTRIC POWERED MACHINES)
(ANSI EXPORT, AUSTRALIAN AND SOUTH AFRICAN SPECS)**

ITEM	PART NUMBER	QTY	DESCRIPTION	REV
	0274731	Ref	BATTERY CHARGER INSTALLATION	B
1	0400236	1	Battery Charger Assembly (No Serviceable Parts Available)	
2	0641406	4	Bolt 1/4 x 3/4	
3	1060689	1	AC Extension Cord	
4	3311405	4	Nut 1/4	
5	4711400	8	Washer 1/4	
101	1600466	1	BATTERY CHARGER REPROGRAM CONTROLLER (USE P/N 2915230)	

SECTION 1 - FRAME

FIGURE 1-62. BATTERY CHARGER INSTALLATION - PRO CHARGING (ELECTRIC POWERED MACHINES) (ANSI, ANSI EXPORT AND CSA SPECS)



ART_1001131393

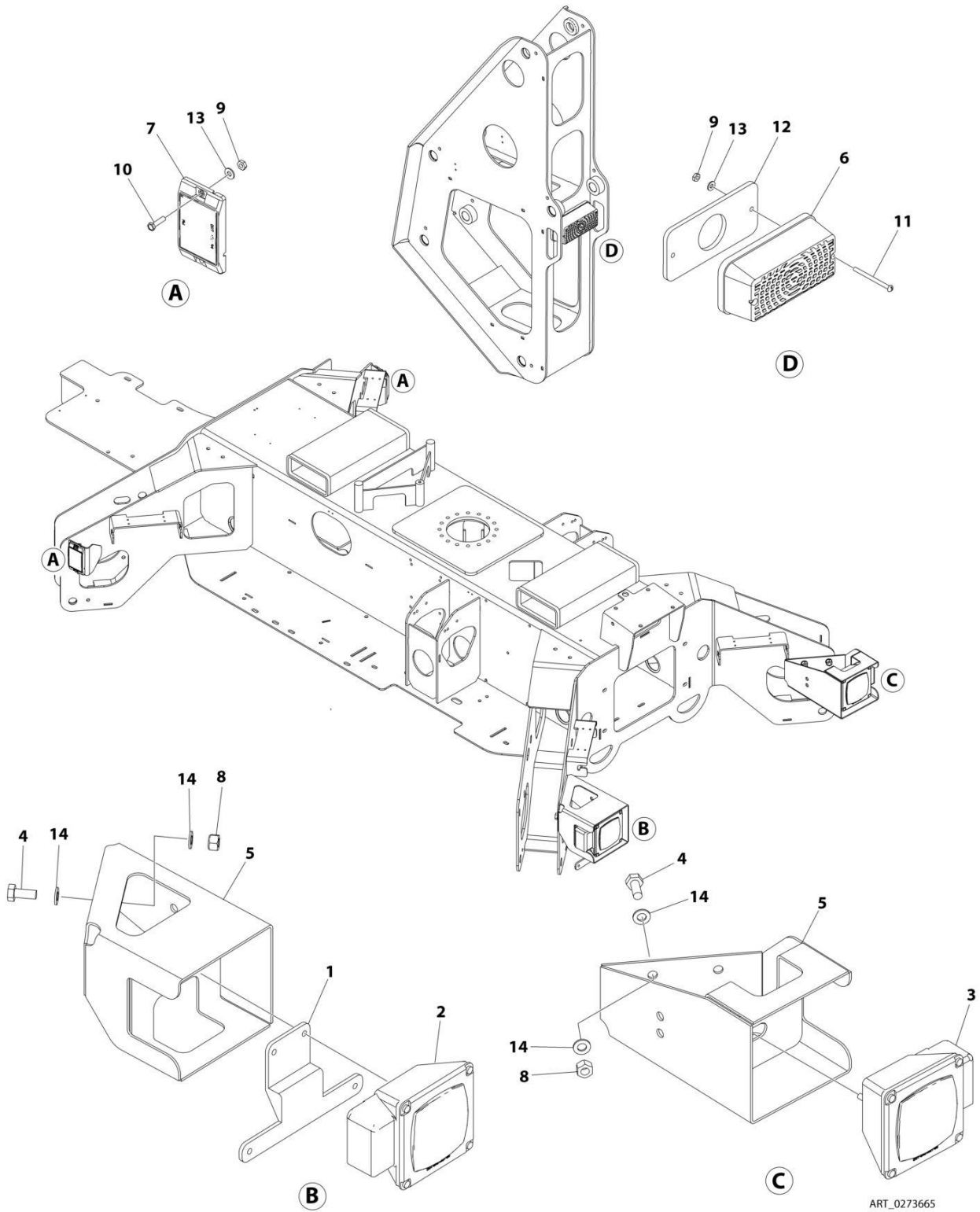
SECTION 1 - FRAME

FIGURE 1-62. BATTERY CHARGER INSTALLATION - PRO CHARGING (ELECTRIC POWERED MACHINES) (ANSI, ANSI EXPORT AND CSA SPECS)

ITEM	PART NUMBER	QTY	DESCRIPTION	REV
	1001131393	Ref	BATTERY CHARGER INSTALLATION	A
1	0641406	4	Bolt 1/4 x 3/4	
2	1060688	1	AC Extension Cord	
3	3311405	4	Nut 1/4	
4	4240033	AR	Tie-Strap (Not Shown)	
5	4711400	8	Washer 1/4	
6	1001133506	NLA	Battery Charger Assembly (No Serviceable Parts Available) (Use P/N 1001134313)	

SECTION 1 - FRAME

FIGURE 1-63. TAILLIGHTS AND MARKERS INSTALLATION (T350) (ANSI, ANSI EXPORT AND CSA SPECS)



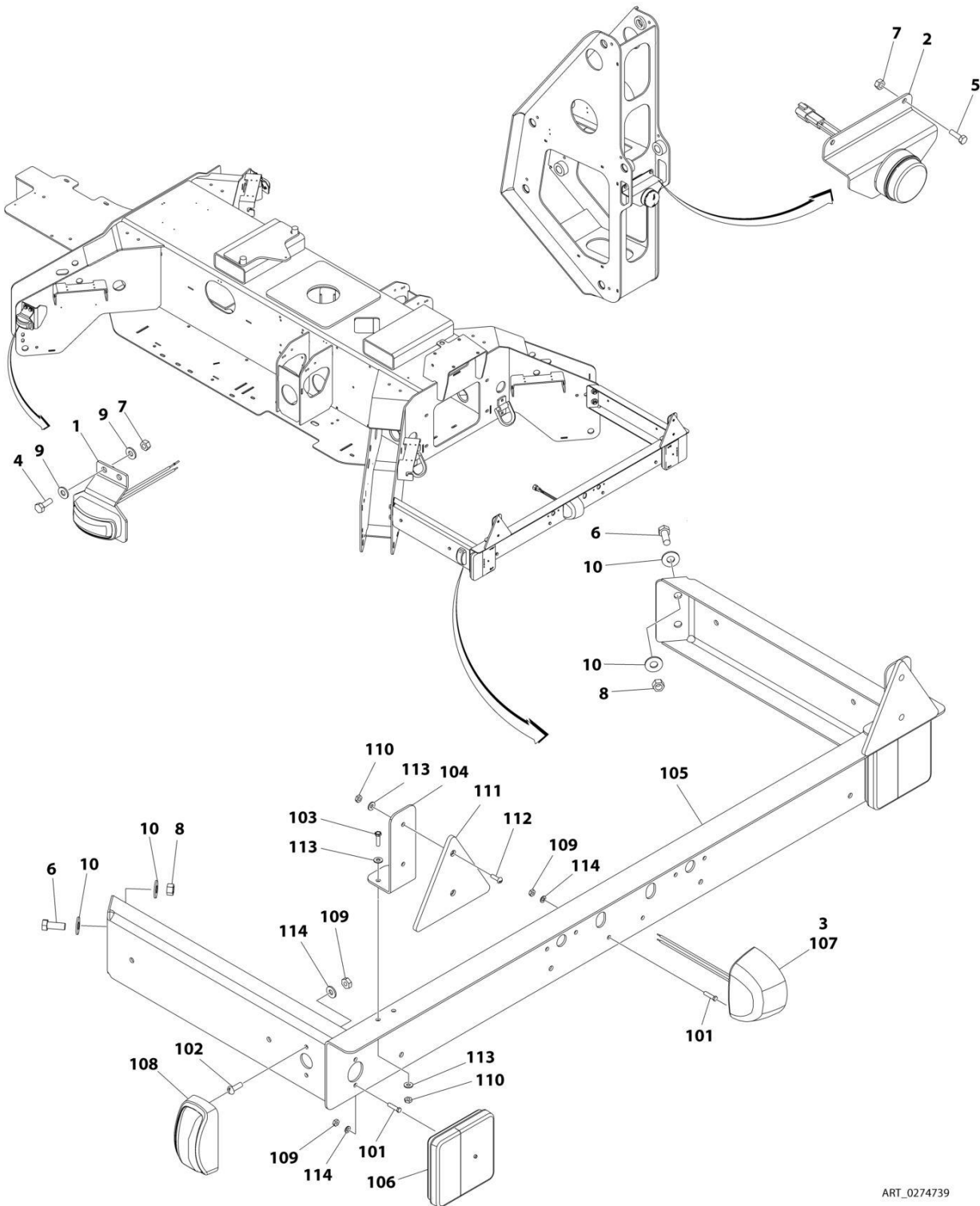
SECTION 1 - FRAME

FIGURE 1-63. TAILLIGHTS AND MARKERS INSTALLATION (T350) (ANSI, ANSI EXPORT AND CSA SPECS)

ITEM	PART NUMBER	QTY	DESCRIPTION	REV
	0273665	Ref	TAILLIGHTS AND MARKERS INSTALLATION	E
1	71101	1	Bracket, License Plate	
2	71906	1	Taillight Assembly with License Plate Light (Road Side)	
2	7026341	1	Bulb, Stop/Turn/Taillight	
2	7026342	1	Bulb, Side Marker Light	
2	7026343	1	Lens, Red Taillight	
2	7026340	1	Lens, Red Side Marker	
3	71907	1	Taillight Assembly without License Plate Light (Curb Side)	
3	7026341	1	Bulb, Stop/Turn/Taillight	
3	7026342	1	Bulb, Side Marker Light	
3	7026343	1	Lens, Red Taillight	
3	7026340	1	Lens, Red Side Marker	
4	0761012	4	Screw M10 x 25	
5	0903107	2	Bracket, Taillight	
6	2920113	1	Taillight, Boom	
7	2920179	2	Side Marker Light/Reflector Assembly	
7	7027717	2	Bulb (1 Per Assembly)	
8	3291005	4	Nut M10	
9	3311005	6	Nut#10	
10	0721006	4	Screw #10 x 3/4	
11	3911040	2	Screw #10 x 2-1/2	
12	3960461	1	Seal, Gasket	
13	4751000	6	Washer #10	
14	4812000	8	Washer M10	
15	4923148	1	Harness, Lights (Not Shown - See Separate Breakdown in ELECTRICAL Section)	

SECTION 1 - FRAME

FIGURE 1-64. TAILLIGHTS AND MARKERS INSTALLATION (T350) (AUSTRALIAN AND SOUTH AFRICA SPECS)



ART_0274739

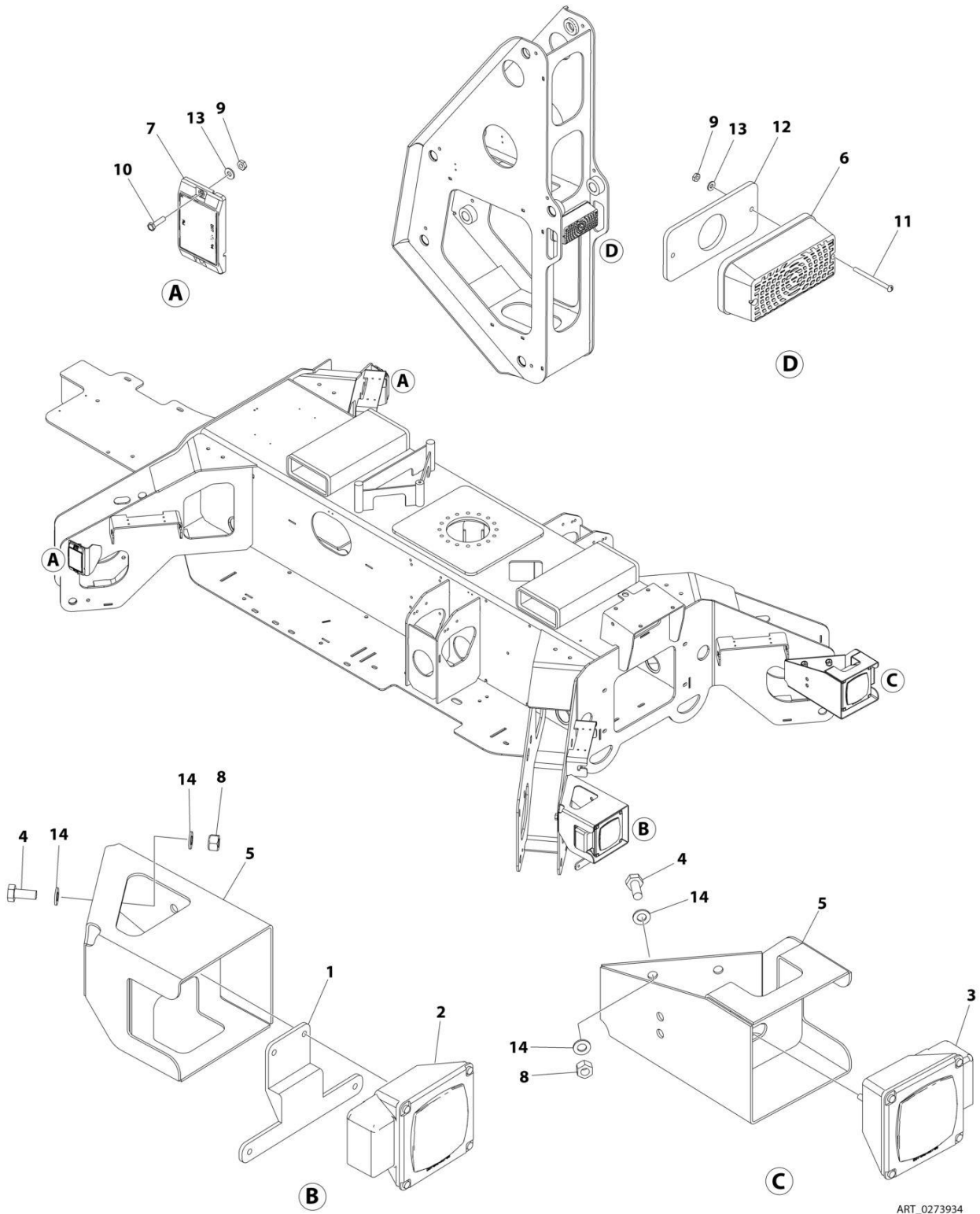
SECTION 1 - FRAME

FIGURE 1-64. TAILLIGHTS AND MARKERS INSTALLATION (T350) (AUSTRALIAN AND SOUTH AFRICA SPECS)

ITEM	PART NUMBER	QTY	DESCRIPTION	REV
	0274739	Ref	TAILLIGHTS AND MARKERS INSTALLATION	C
1	0274539	2	Side Marker Light Assembly	
1	1001228138	2	Lamp Only (1 Per Assembly)	
1	70000095	2	Bulb (1 Per Assembly)	
2	0274638	1	Light Assembly, Rear	
2	1001228139	1	Lamp Only (1 Per Assembly)	
2	70000098	1	Bulb (1 Per Assembly)	
3	0274741	1	Rear Light Bracket Assembly (See Items 101-115 for Breakdown)	
4	0641406	4	Bolt 1/4 x 3/4	
5	0641407	2	Bolt 1/4 x 7/8	
6	0641608	4	Bolt 3/8 x 1	
7	3311405	6	Nut 1/4	
8	3311605	4	Nut 3/8	
9	4711400	8	Washer 1/4	
10	4751600	8	Washer 3/8	
	0274741	Ref	REAR LIGHT BRACKET ASSEMBLY	C
101	0700408	6	Bolt M4 x 16	
102	0700410	4	Bolt M4 x 20	
103	0721006	4	Screw #10 x 3/4	
104	0903177	2	Plate, Reflector Mounting	
105	0940136	1	Bar, Light	
106	2920180	2	Taillight	
106	70000092	2	Bulb (Double Contact) (1 Per Assembly)	
106	70000093	2	Bulb (Single Contact) (1 Per Assembly)	
107	2920183	1	License Plate Light	
107	70000096	1	Bulb (1 Per Assembly)	
108	2920184	2	Side Marker Light	
108	70000097	2	Bulb (1 Per Assembly)	
109	3290405	10	Nut M4	
110	3311005	8	Nut #10	
111	3700012	2	Reflector, Red Triangle	
112	3911010	4	Screw #10 x 5/8	
113	4751000	12	Washer #10	
114	4811400	14	Washer M4	
115	1001224595	1	Harness, Trailer Light (Not Shown)	

SECTION 1 - FRAME

FIGURE 1-65. TAILLIGHTS AND MARKERS INSTALLATION (T500J) (ANSI, ANSI EXPORT AND CSA SPECS)



ART_0273934

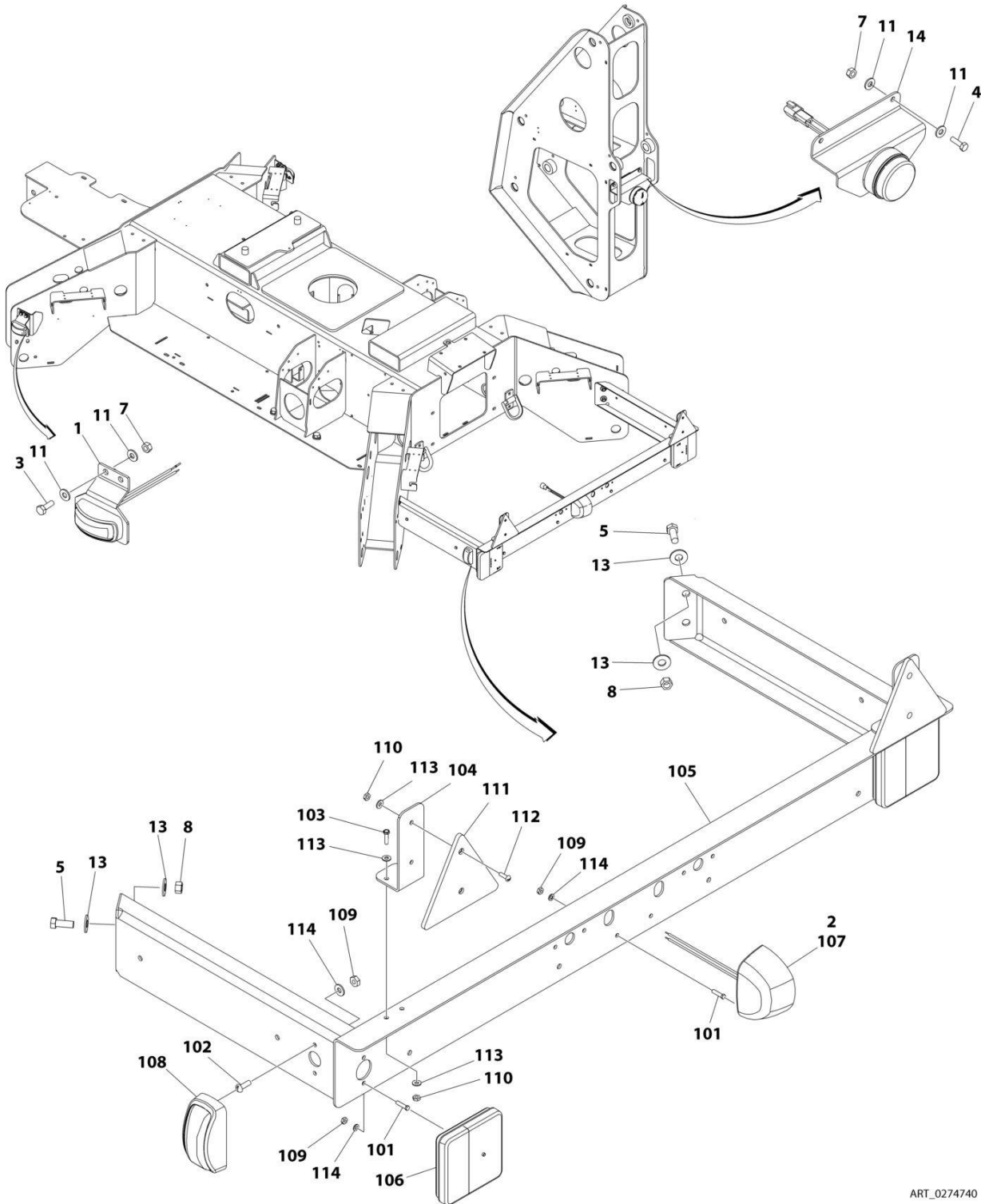
SECTION 1 - FRAME

FIGURE 1-65. TAILLIGHTS AND MARKERS INSTALLATION (T500J) (ANSI, ANSI EXPORT AND CSA SPECS)

ITEM	PART NUMBER	QTY	DESCRIPTION	REV
	0273934	Ref	TAILLIGHTS AND MARKERS INSTALLATION	E
1	71101	1	Bracket, License Plate	
2	71906	1	Taillight Assembly with License Plate Light (Road Side)	
2	7026341	1	Bulb, Stop/Turn/Taillight	
2	7026342	1	Bulb, Side Marker Light	
2	7026343	1	Lens, Red Taillight	
2	7026340	1	Lens, Red Side Marker	
3	71907	1	Taillight Assembly without License Plate Light (Curb Side)	
3	7026341	1	Bulb, Stop/Turn/Taillight	
3	7026342	1	Bulb, Side Marker Light	
3	7026343	1	Lens, Red Taillight	
3	7026340	1	Lens, Red Side Marker	
4	0761012	4	Screw M10 x 25	
5	0903107	2	Bracket, Taillight	
6	2920113	1	Taillight, Boom	
7	2920179	2	Side Marker Light/Reflector Assembly	
7	7027717	2	Bulb (1 Per Assembly)	
8	3291005	4	Nut M10	
9	3311005	6	Nut #10	
10	0721006	4	Screw #10 x 3/4	
11	3911040	2	Screw #10 x 2-1/2	
12	3960461	1	Seal, Gasket	
13	4751000	6	Washer #10	
14	4812000	8	Washer M10	
15	4923149	1	Harness, Lights (Not Shown - See Separate Breakdown in ELECTRICAL Section)	

SECTION 1 - FRAME

FIGURE 1-66. TAILLIGHTS AND MARKERS INSTALLATION (T500J) (AUSTRALIAN AND SOUTH AFRICA SPECS)



ART_0274740

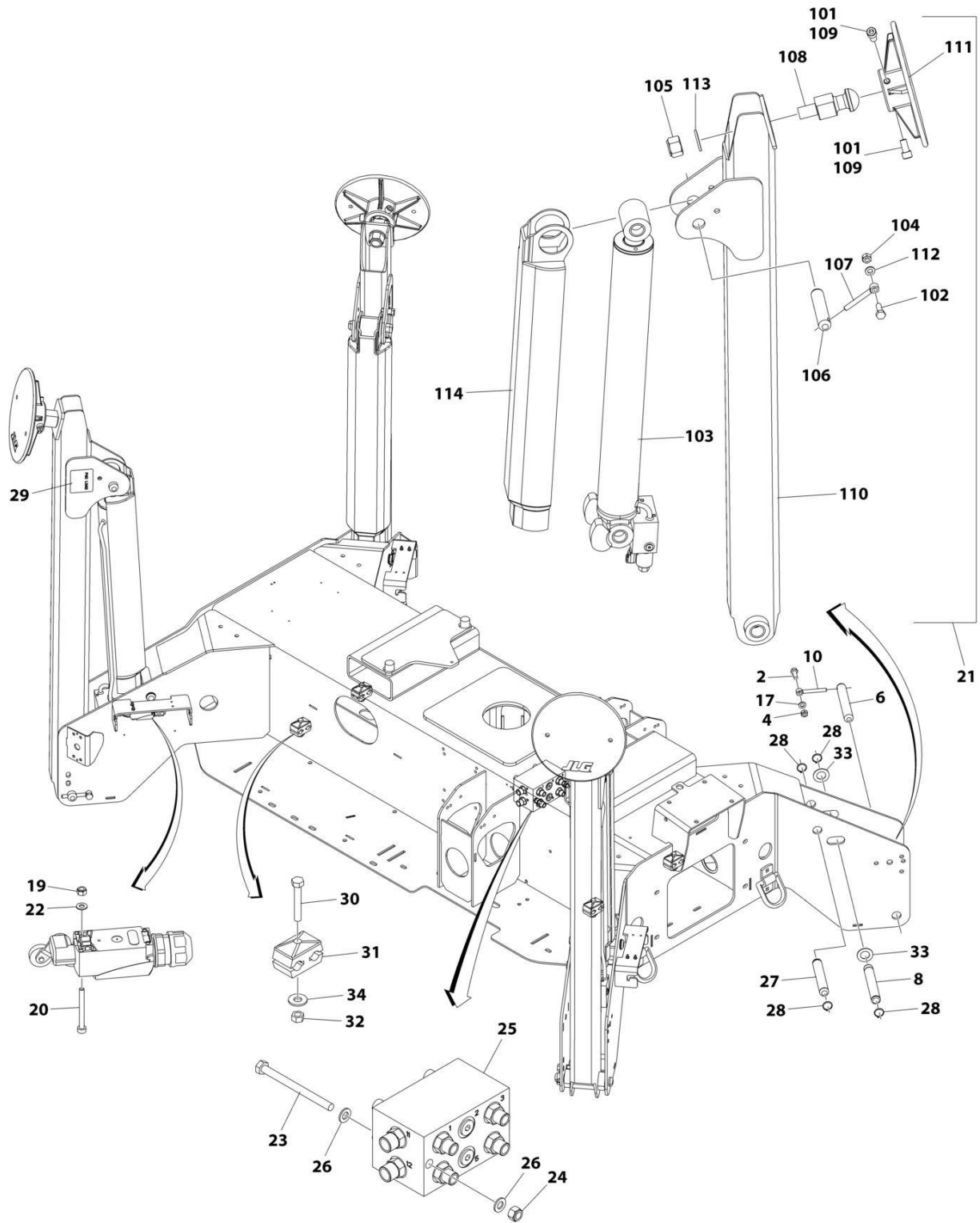
SECTION 1 - FRAME

FIGURE 1-66. TAILLIGHTS AND MARKERS INSTALLATION (T500J) (AUSTRALIAN AND SOUTH AFRICA SPECS)

ITEM	PART NUMBER	QTY	DESCRIPTION	REV
	0274740	Ref	TAILLIGHTS AND MARKERS INSTALLATION	C
1	0274539	2	Side Marker Light Assembly	
1	1001228138	2	Lamp Only (1 Per Assembly)	
1	70000095	2	Bulb (1 Per Assembly)	
2	0274741	1	Rear Light Bracket Assembly (See Items 101-115 for Breakdown)	
3	0641406	4	Bolt 1/4 x 3/4	
4	0641407	2	Bolt 1/4 x 7/8	
5	0641608	4	Bolt 3/8 x 1	
6	3311005	4	Nut #10	
7	3311405	6	Nut 1/4	
8	3311605	4	Nut 3/8	
9	3700014	2	Reflector (White)	
10	3911010	2	Screw #10 x 5/8	
11	4711400	8	Washer 1/4	
12	4751000	2	Washer #10	
13	4751600	6	Washer 3/8	
14	0274638	1	Light Assembly, Rear	
14	1001228139	1	Lamp Only (1 Per Assembly)	
14	70000098	1	Bulb (1 Per Assembly)	
	0274741	Ref	REAR LIGHT BRACKET ASSEMBLY	C
101	0700408	6	Bolt M4 x 16	
102	0700410	4	Bolt M4 x 20	
103	0721006	4	Screw #10 x 3/4	
104	0903177	2	Plate, Reflector Mounting	
105	0940136	1	Bar, Light	
106	2920180	2	Taillight	
106	70000092	2	Bulb (Double Contact) (1 Per Assembly)	
106	70000093	2	Bulb (Single Contact) (1 Per Assembly)	
107	2920183	1	License Plate Light	
107	70000096	1	Bulb (1 Per Assembly)	
108	2920184	2	Side Marker Light	
108	70000097	2	Bulb (1 Per Assembly)	
109	3290405	10	Nut M4	
110	3311005	8	Locknut #10-24NC	
111	3700012	2	Reflector, Red Triangle	
112	3911010	4	Screw #10 x 5/8	
113	4751000	12	Washer #10	
114	4811400	14	Washer M4	
115	1001224595	1	Harness, Trailer Light (Not Shown)	

SECTION 1 - FRAME

FIGURE 1-67. OUTRIGGERS INSTALLATION (T350) (ALL SPECS EXCEPT AUSTRALIAN SPECS)



ART_0273712

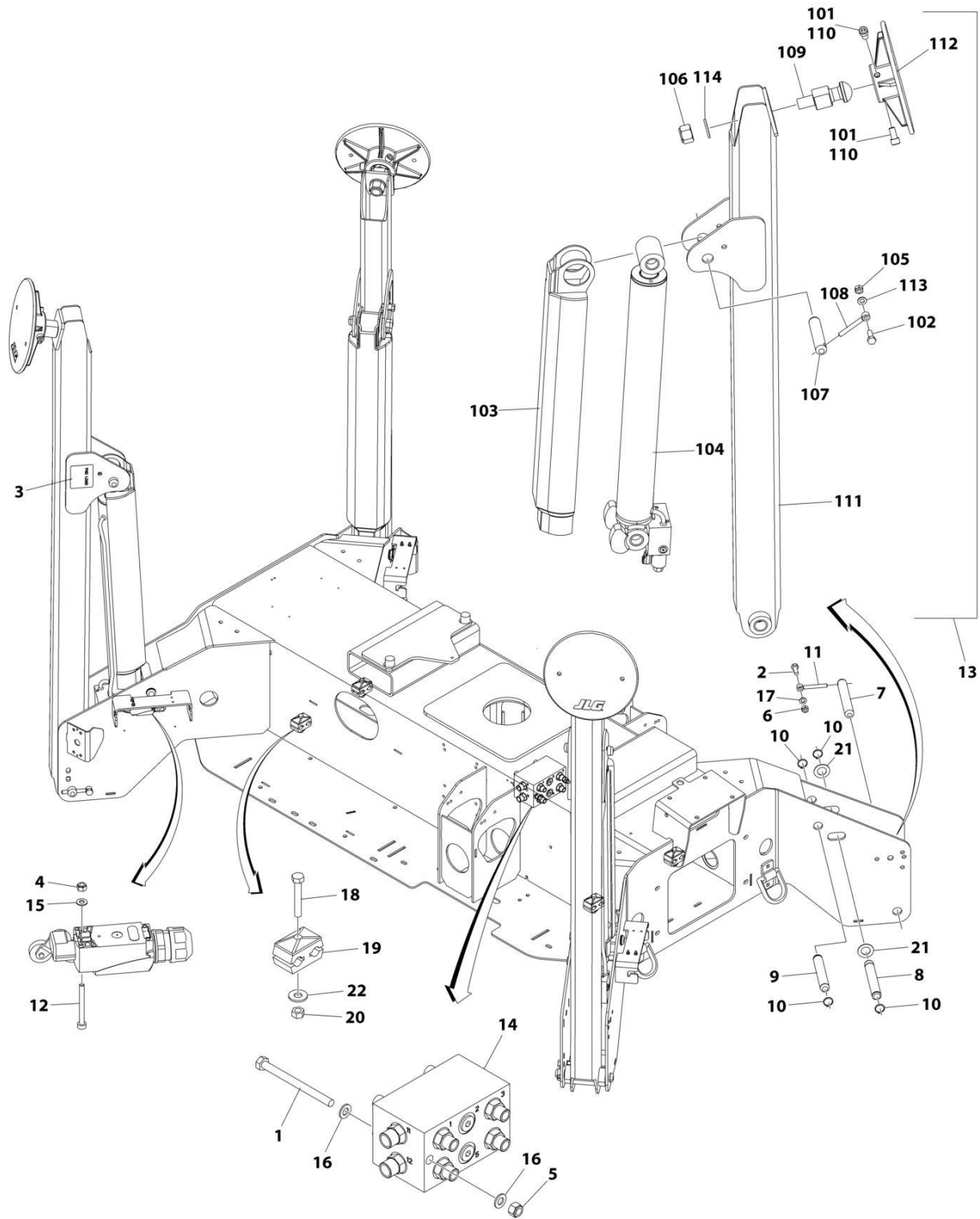
SECTION 1 - FRAME

FIGURE 1-67. OUTRIGGERS INSTALLATION (T350) (ALL SPECS EXCEPT AUSTRALIAN SPECS)

ITEM	PART NUMBER	QTY	DESCRIPTION	REV
	0273712	Ref	OUTRIGGER INSTALLATION	G
2	0701014	4	Bolt M10 x 30	
4	3291007	4	Nut M10	
6	3422426	4	Pin	
8	3423148	4	Pin	
10	3841143	4	Keeper, Pin	
17	4812000	4	Washer M10	
19	3290405	8	Nut M4	
20	4031512	8	Capscrew M4 x 40	
21	4210012	4	Outrigger Sub-Assembly (See Items 101-114 for Breakdown)	
22	4811400	8	Washer M4	
23	0700827	2	Bolt M8 x 100	
24	3290805	2	Nut M8	
25	4641380	1	Valve Assembly - Outrigger	
25	2220885	4	Plug	
25	2110406	6	Fitting, Straight	
25	2110606	2	Fitting, Straight	
26	4811900	4	Washer M8	
27	3423185	4	Pin	
28	3760115	16	Ring, Retaining	
29	1706121	4	Decal - Pad Load	
30	0641516	4	Bolt 5/16 x 2	
31	1320159	4	Clamp	
32	3311505	4	Nut 5/16	
33	4740446	8	Thrustwasher	
34	4751500	4	Washer	
	4210012	Ref	OUTRIGGER SUB-ASSEMBLY	G
		Ref	Note: Qtys shown are for one sub-assembly. Four sub-assemblies required per machine.	
101	0100011	AR	Compound, Locking	
102	0701014	1	Bolt M10 x 30	
103	1684442	1	Cylinder Assembly - Outrigger (See Separate Breakdown in CYLINDER Section)	
104	3291007	1	Nut M10	
105	3292405	1	Nut M24	
106	3422429	1	Pin	
107	3841143	1	Keeper, Pin	
108	3841655	1	Rod	
109	3931816	3	Capscrew 1/2 x 1	
110	4210006	1	Stabilizer	
111	4220207	1	Pad, Outrigger	
112	4812000	1	Washer M10	
113	4812700	1	Washer M24	
114	1671172	1	Cover	

SECTION 1 - FRAME

FIGURE 1-68. OUTRIGGERS INSTALLATION (T350) (AUSTRALIAN SPECS)



ART_0274375

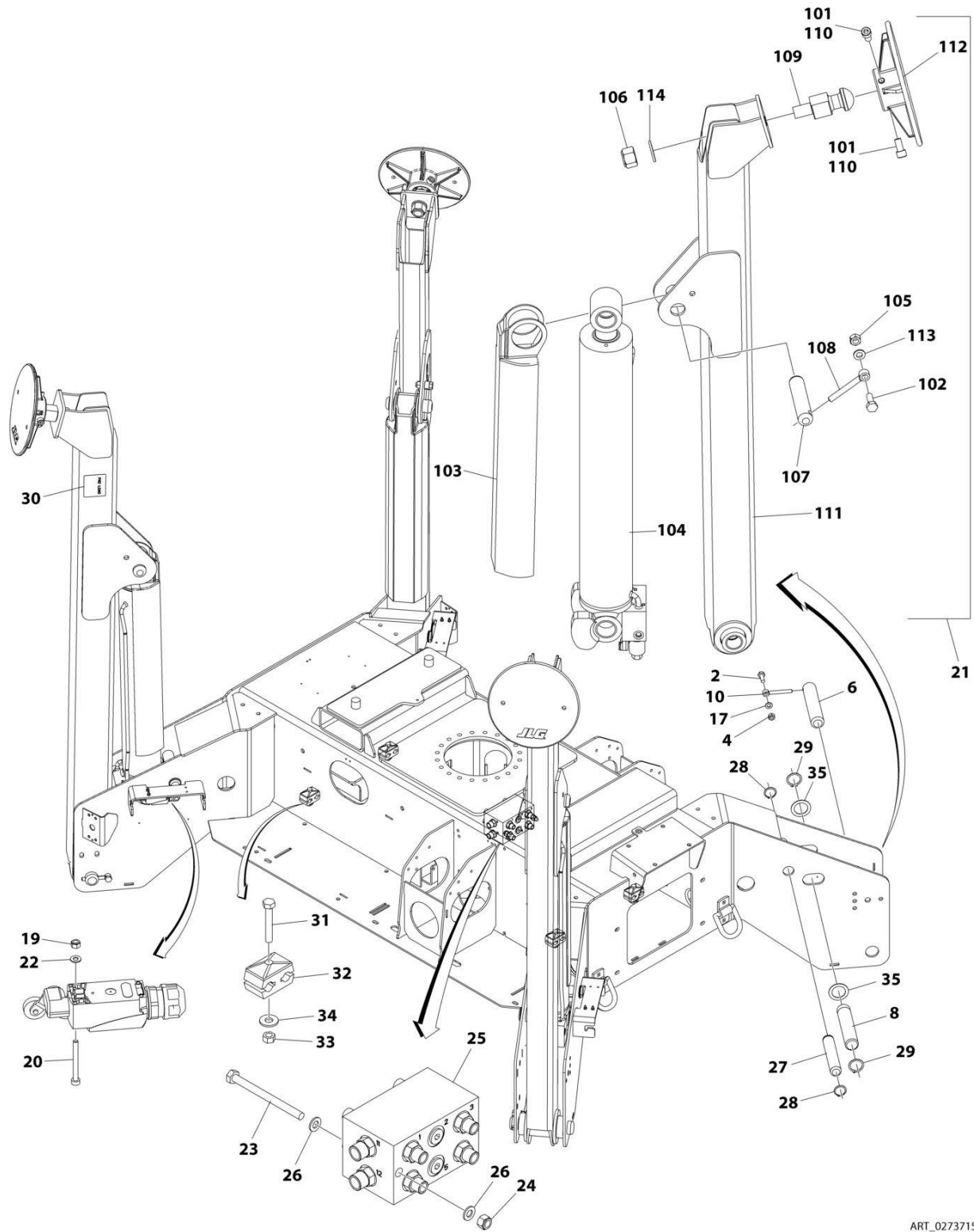
SECTION 1 - FRAME

FIGURE 1-68. OUTRIGGERS INSTALLATION (T350) (AUSTRALIAN SPECS)

ITEM	PART NUMBER	QTY	DESCRIPTION	REV
	0274375	Ref	OUTRIGGER INSTALLATION	B
1	0700827	2	Bolt M8 x 100	
2	0701014	4	Bolt M10 x 30	
3	1706121	4	Decal - Pad Load	
4	3290405	8	Nut M4	
5	3290805	2	Nut M8	
6	3291007	4	Nut M10	
7	3422426	4	Pin	
8	3423148	4	Pin	
9	3423185	4	Pin	
10	3760115	16	Ring, Retaining	
11	3841143	4	Keeper, Pin	
12	4031512	8	Capscrew M4 x 40	
13	4210019	4	Outrigger Sub-Assembly (See Items 101-114 for Breakdown)	
14	4641380	1	Valve Assembly - Outrigger	
14	2220885	4	Plug	
14	2110406	6	Fitting, Straight	
14	2110606	2	Fitting, Straight	
15	4811400	8	Washer M4	
16	4811900	4	Washer M8	
17	4812000	4	Washer M10	
18	0641516	4	Bolt 5/16 x 2	
19	1320159	4	Clamp	
20	3311505	4	Nut 5/16	
21	4740446	8	Thrustwasher	
22	4751500	4	Washer 5/16	
	4210019	Ref	OUTRIGGER SUB-ASSEMBLY	F
		Ref	Note: Qtys shown are for one sub-assembly. Four sub-assemblies required per machine.	
101	0100011	AR	Compound, Locking	
102	0701014	1	Bolt M10 x 30	
103	1671172	1	Cover	
104	1684442	1	Cylinder Assembly - Outrigger (See Separate Breakdown in CYLINDER Section)	
105	3291007	1	Nut M10	
106	3292405	1	Nut M24	
107	3422429	1	Pin	
108	3841143	1	Keeper, Pin	
109	3841655	1	Rod	
110	3931816	3	Capscrew 1/2 x 1	
111	4210018	1	Stabilizer	
112	4220207	1	Pad, Outrigger	
113	4812000	1	Washer M10	
114	4812700	1	Washer M24	

SECTION 1 - FRAME

FIGURE 1-69. OUTRIGGERS INSTALLATION (T500J) (ALL SPECS EXCEPT AUSTRALIAN SPECS)



ART_0273715

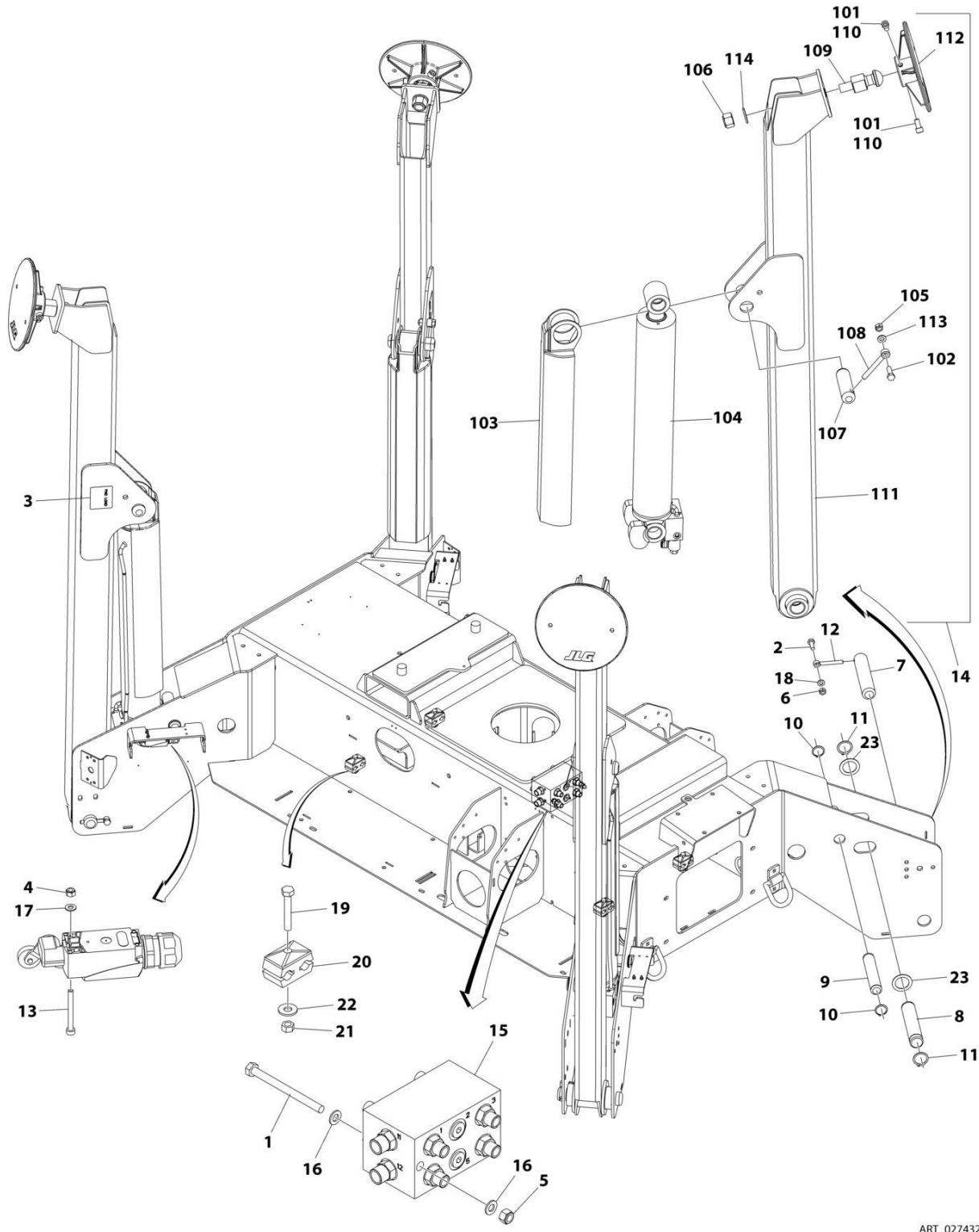
SECTION 1 - FRAME

FIGURE 1-69. OUTRIGGERS INSTALLATION (T500J) (ALL SPECS EXCEPT AUSTRALIAN SPECS)

ITEM	PART NUMBER	QTY	DESCRIPTION	REV
	0273715	Ref	OUTRIGGER INSTALLATION	I
2	0701014	4	Bolt M10 x 30	
4	3291007	4	Nut M10	
6	3421986	4	Pin	
8	3423147	4	Pin	
10	3841143	4	Keeper, Pin	
17	4812000	4	Washer M10	
19	3290405	8	Nut M4	
20	4031512	8	Capscrew M4 x 40	
21	4210025	4	Outrigger Sub-Assembly (See Items 101-114 for Breakdown)	
22	4811400	8	Washer M4	
23	0700827	2	Bolt M8 x 100	
24	3290805	2	Nut M8	
25	4641380	1	Valve Assembly - Outrigger	
25	2220885	4	Plug	
25	2110406	6	Fitting, Straight	
25	2110606	2	Fitting, Straight	
26	4711400	4	Washer 1/4	
27	3423186	4	Pin	
28	3760133	8	Ring, Retaining	
29	3760237	8	Ring, Retaining	
30	1706264	4	Decal - Pad Load	
31	0641516	4	Bolt 5/16 x 2	
32	1320159	4	Clamp	
33	3311505	4	Nut 5/16	
34	4751500	4	Washer	
35	4740333	8	Thrustwasher	
	4210025	Ref	OUTRIGGER SUB-ASSEMBLY	C
		Ref	Note: Qtys shown are for one sub-assembly. Four sub-assemblies required per machine.	
101	0100011	AR	Compound, Locking	
102	0701216	1	Bolt M12 x 40	
103	1671171	1	Cover	
104	1684443	1	Cylinder Assembly - Outrigger (See Separate Breakdown in CYLINDER Section)	
105	3291207	1	Nut M12	
106	3292405	1	Nut M24	
107	3423146	1	Pin	
108	3841203	1	Keeper, Pin	
109	3841655	1	Rod	
110	3931816	3	Capscrew 1/2 x 1	
111	4210024	1	Stabilizer	
112	4220207	1	Pad, Outrigger	
113	4812100	1	Washer M12	
114	4812700	1	Washer M24	

SECTION 1 - FRAME

FIGURE 1-70. OUTRIGGERS INSTALLATION (T500J) (AUSTRALIAN SPECS)



ART_0274321

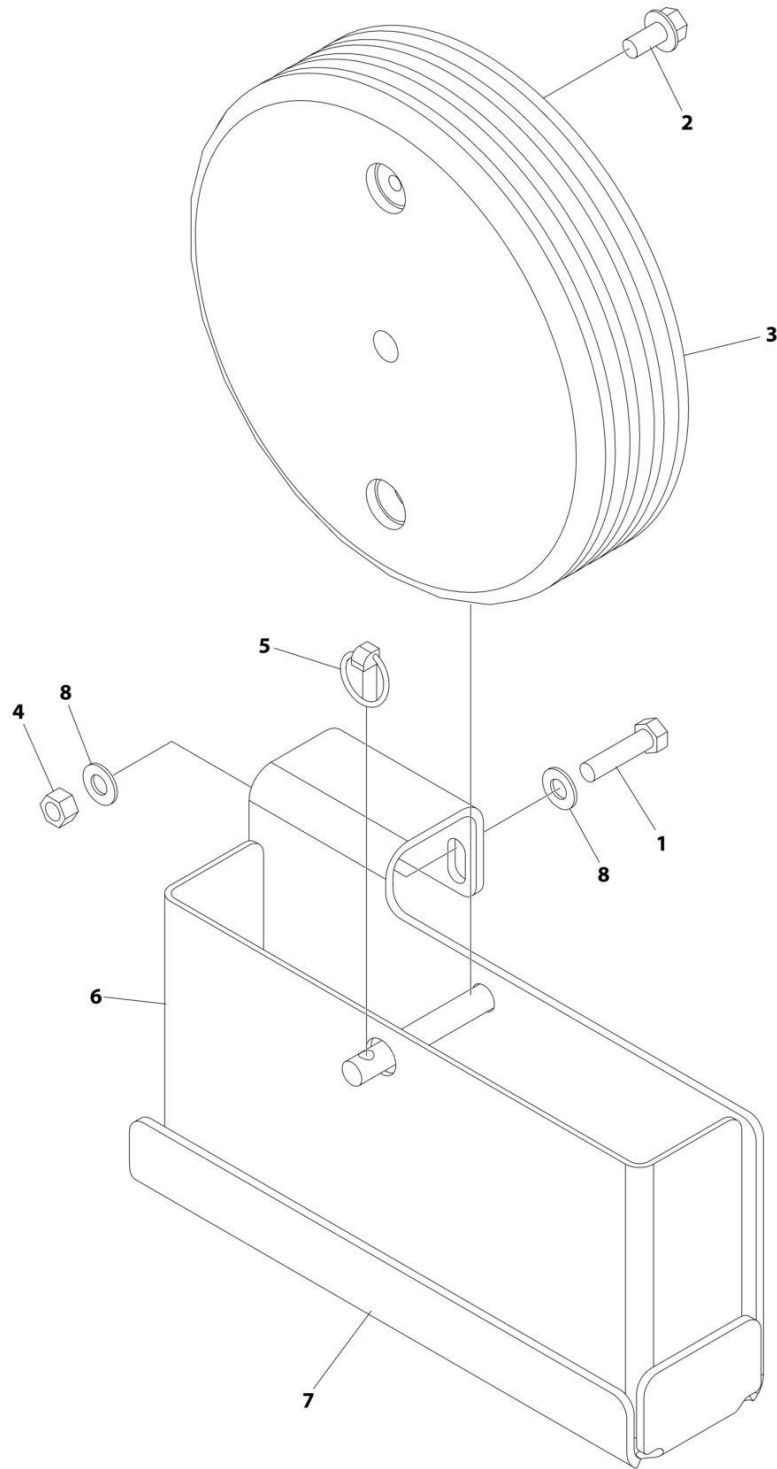
SECTION 1 - FRAME

FIGURE 1-70. OUTRIGGERS INSTALLATION (T500J) (AUSTRALIAN SPECS)

ITEM	PART NUMBER	QTY	DESCRIPTION	REV
	0274321	Ref	OUTRIGGER INSTALLATION	D
1	0700827	2	Bolt M8 x 100	
2	0701014	4	Bolt M10 x 30	
3	1706264	4	Decal - Pad Load	
4	3290405	8	Nut M4	
5	3290805	2	Nut M8	
6	3291007	4	Nut M10	
7	3421986	4	Pin	
8	3423147	4	Pin	
9	3423186	4	Pin	
10	3760133	8	Ring, Retaining	
11	3760237	8	Ring, Retaining	
12	3841143	4	Keeper, Pin	
13	4031512	8	Capscrew M4 x 40	
14	4210027	4	Outrigger Sub-Assembly (See Items 101-114 for Breakdown)	
15	4641380	1	Valve Assembly - Outrigger	
15	2220885	4	Plug	
15	2110406	6	Fitting, Straight	
15	2110606	2	Fitting, Straight	
16	4811400	8	Washer M4	
17	4711400	4	Washer 1/4	
18	4812000	4	Washer M10	
19	0641516	4	Bolt 5/16 x 2	
20	1320159	4	Clamp	
21	3311505	4	Nut 5/16	
22	4751500	4	Washer 5/16	
23	4740333	8	Thrustwasher	
	4210027	Ref	OUTRIGGER SUB-ASSEMBLY	D
		Ref	Note: Qtys shown are for one sub-assembly. Four sub-assemblies required per machine.	
101	0100011	AR	Compound, Locking	
102	0701216	1	Bolt M12 x 40	
103	1671171	1	Cover	
104	1684443	1	Cylinder Assembly Options (See Separate Breakdown in CYLINDER Section)	
105	3291207	1	Nut M12	
106	3292405	1	Nut M24	
107	3423146	1	Pin	
108	3841203	1	Keeper Pin	
109	3841655	1	Rod	
110	3931816	3	Capscrew 1/2 x 1	
111	4210026	1	Stabilizer	
112	4220207	1	Pad, Outrigger	
113	4812100	1	Washer M12	
114	4812700	1	Washer M24	

SECTION 1 - FRAME

FIGURE 1-71. OUTRIGGER (NON-MARKING) PADS AND STORAGE TRAY INSTALLATION (OPTIONAL)



ART_0274293

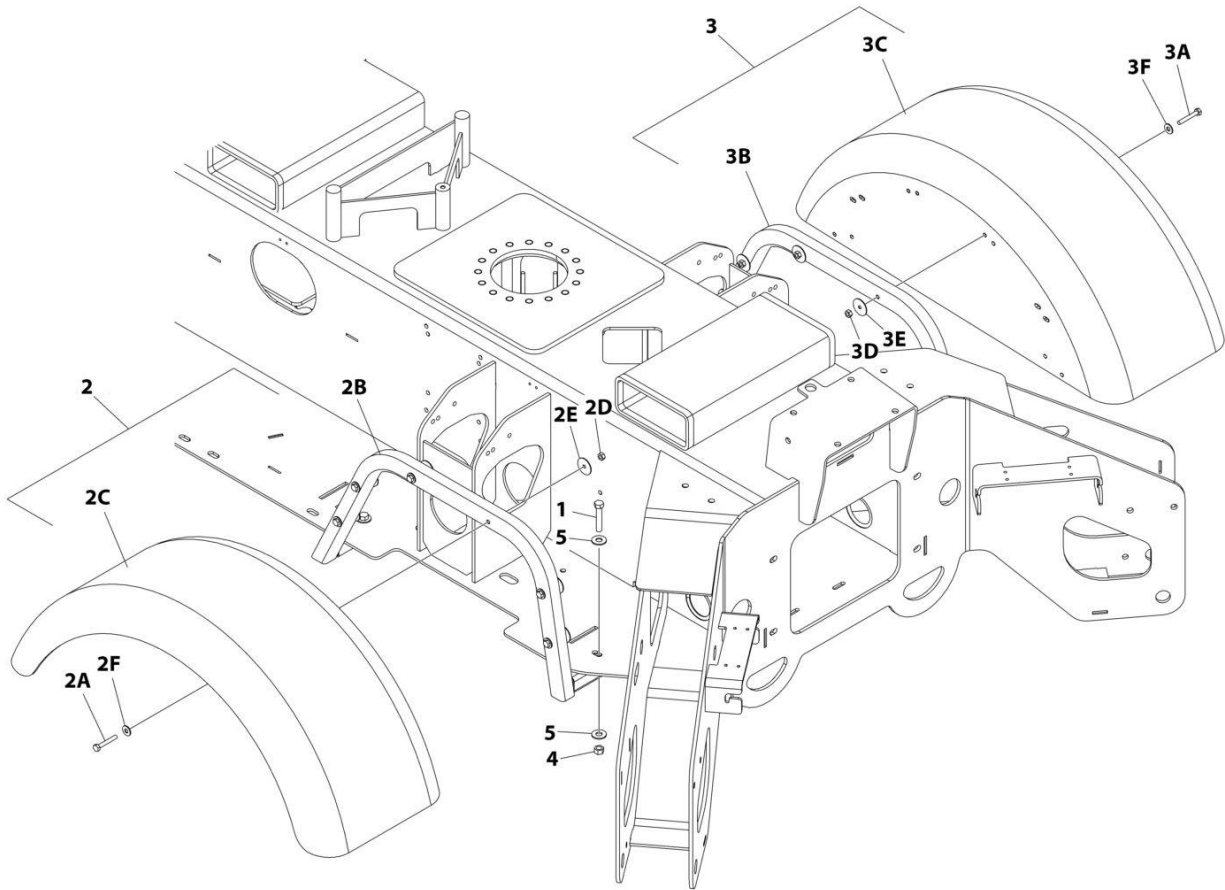
SECTION 1 - FRAME

**FIGURE 1-71. OUTRIGGER (NON-MARKING) PADS AND STORAGE TRAY INSTALLATION
(OPTIONAL)**

ITEM	PART NUMBER	QTY	DESCRIPTION	REV
	0274293	Ref	NON-MARKING OUTRIGGER PAD INSTALLATION (OPTIONAL)	C
1	0641612	2	Bolt 3/8 x 1-1/2	
2	0811606	8	Screw 3/8 x 3/4	
3	1671185	4	Cover, Outrigger Pad	
4	3311605	2	Nut 3/8	
5	3421970	1	Snap-Pin	
6	3575790	1	Cover, Storage Box	
7	1001094614	1	Tray, Storage	
8	4711600	4	Washer 3/8	

SECTION 1 - FRAME

FIGURE 1-72. FENDERS INSTALLATION (T350 WITHOUT MUDFLAPS)



ART_0273625

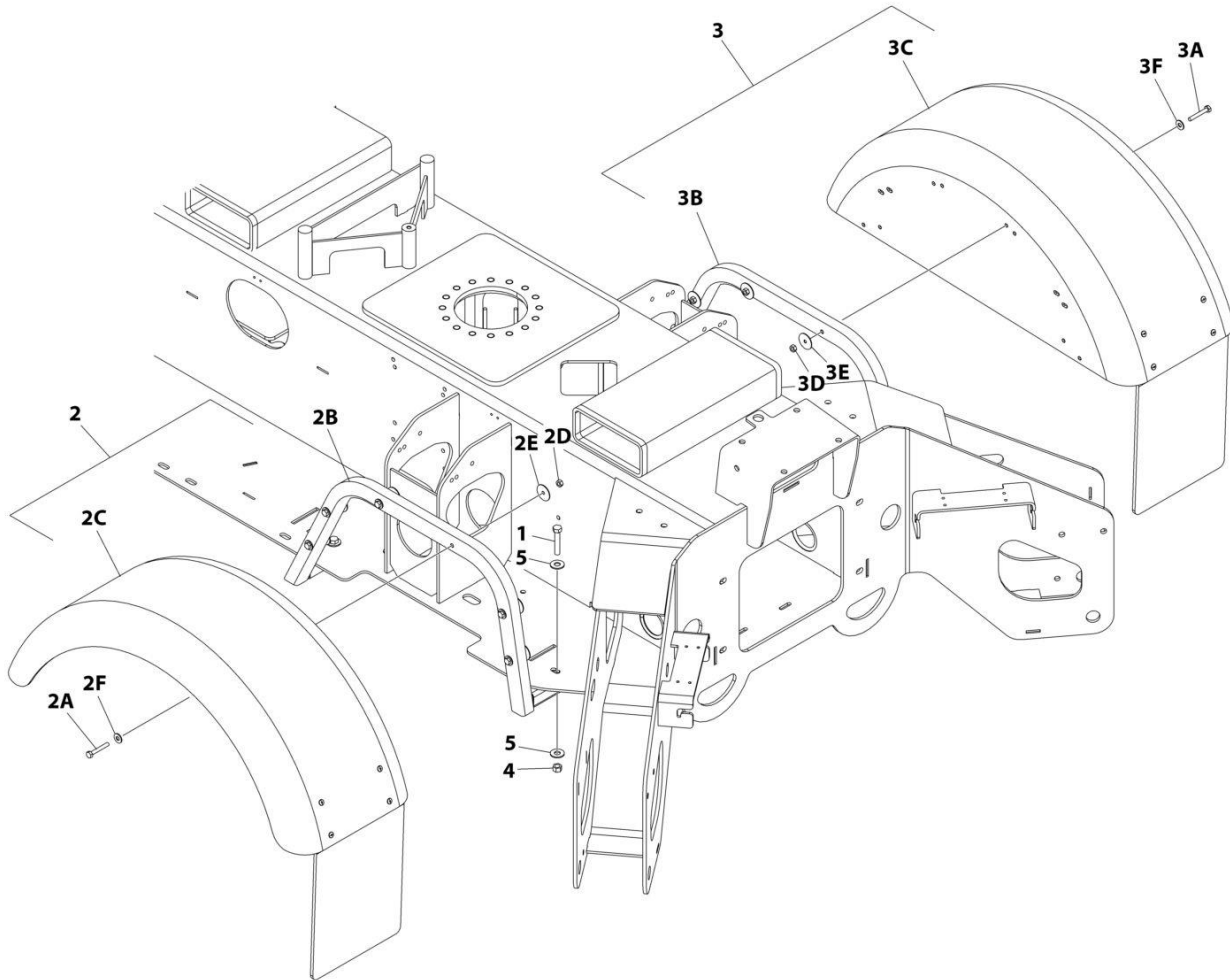
SECTION 1 - FRAME

FIGURE 1-72. FENDERS INSTALLATION (T350 WITHOUT MUDFLAPS)

ITEM	PART NUMBER	QTY	DESCRIPTION	REV
	0273625	Ref	FENDERS INSTALLATION	E
		Ref	Note: Front/Rear and Left/Right are determined by facing the Tow Vehicle.	
1	0641616	4	Bolt 3/8 x 2	
2	2090052	1	Fender Assembly (LH Side)	
2A	0641414	6	Bolt 1/4 x 1-3/4	
2B	0903111	1	Bracket, Fender	
2C	2090043	1	Fender (LH)	
2D	3311405	6	Nut 1/4	
2E	4740362	6	Washer 1/4	
2F	4751400	6	Washer 1/4	
3	2090053	1	Fender Assembly (RH Side)	
3A	0641414	6	Bolt 1/4 x 1-3/4	
3B	0903112	1	Bracket, Fender	
3C	2090043	1	Fender (RH)	
3D	3311405	6	Nut 1/4	
3E	4740362	6	Washer 1/4	
3F	4751400	6	Washer 1/4	
4	3311605	4	Nut 3/8	
5	4751600	8	Washer 3/8	

SECTION 1 - FRAME

FIGURE 1-73. FENDERS INSTALLATION (T350 WITH MUDFLAPS)



ART_0274433

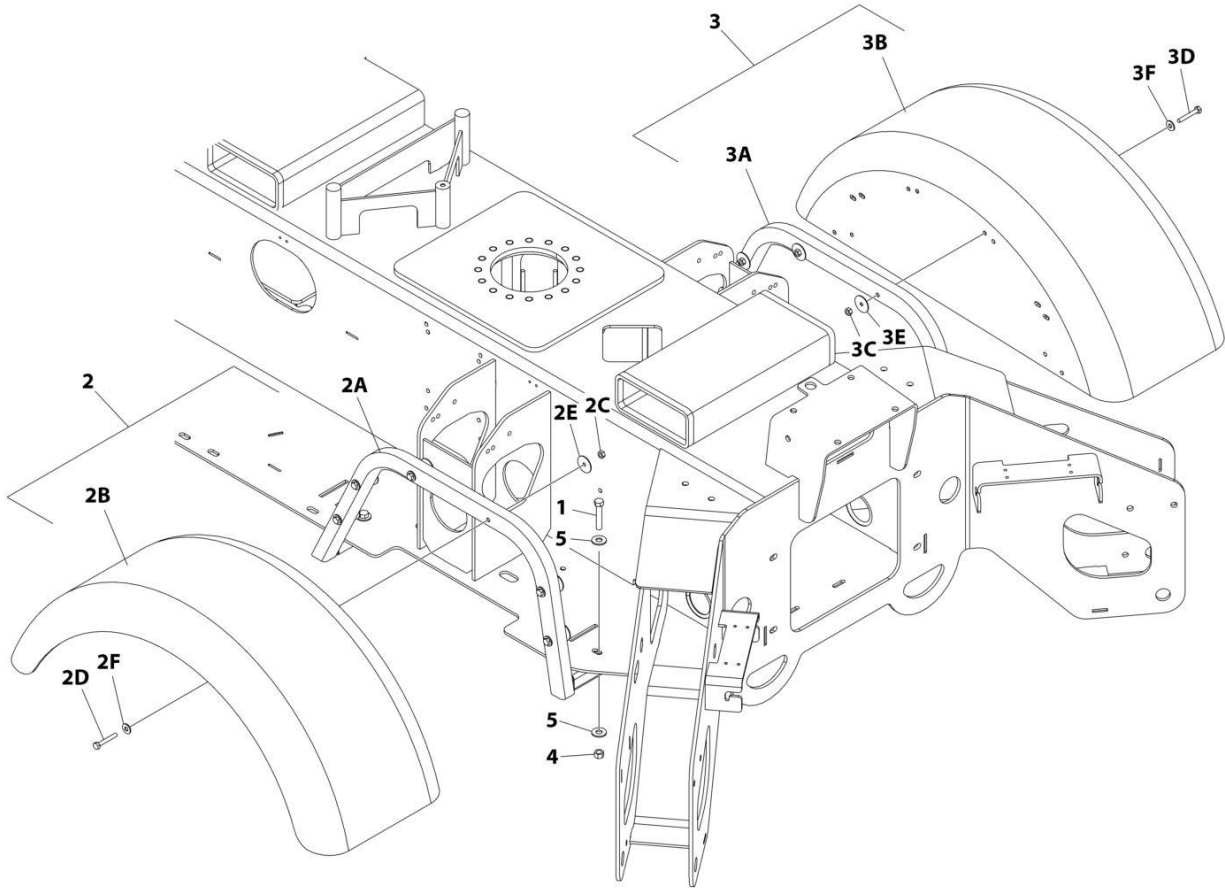
SECTION 1 - FRAME

FIGURE 1-73. FENDERS INSTALLATION (T350 WITH MUDFLAPS)

ITEM	PART NUMBER	QTY	DESCRIPTION	REV
	0274433	Ref	FENDERS INSTALLATION	B
		Ref	Note: Front/Rear and Left/Right are determined by facing the Tow Vehicle.	
1	0641616	4	Bolt 3/8 x 2	
2	2090058	1	Fender Assembly (LH Side)	
2A	0641414	6	Bolt 1/4 x 1-3/4	
2B	0903111	1	Bracket, Fender	
2C	2090054	1	Fender (LH)	
2D	3311405	6	Nut 1/4	
2E	4740362	6	Washer 1/4	
2F	4751400	6	Washer 1/4	
3	2090059	1	Fender Assembly (RH Side)	
3A	0641414	6	Bolt 1/4 x 1-3/4	
3B	0903112	1	Bracket, Fender	
3C	2090055	1	Fender (RH)	
3D	3311405	6	Nut 1/4	
3E	4740362	6	Washer 1/4	
3F	4751400	6	Washer 1/4	
4	3311605	4	Nut 3/8	
5	4751600	8	Washer 3/8	

SECTION 1 - FRAME

FIGURE 1-74. FENDERS INSTALLATION (T500J WITHOUT MUDFLAPS)



ART_0273946

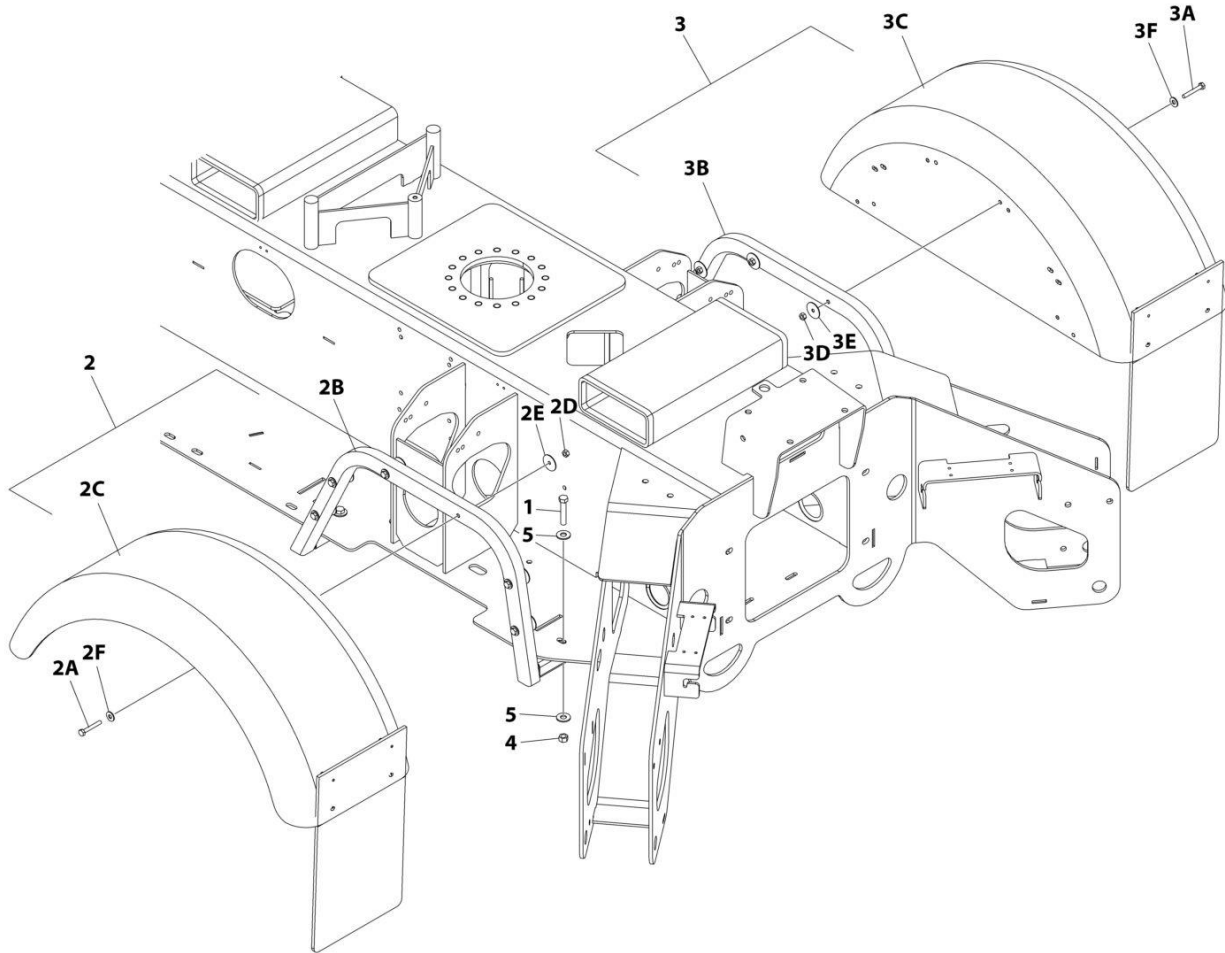
SECTION 1 - FRAME

FIGURE 1-74. FENDERS INSTALLATION (T500J WITHOUT MUDFLAPS)

ITEM	PART NUMBER	QTY	DESCRIPTION	REV
	0273946	Ref	FENDERS INSTALLATION	D
		Ref	Note: Front/Rear and Left/Right are determined by facing the Tow Vehicle.	
1	0641616	4	Bolt 3/8 x 2	
2	2090050	1	Fender Assembly (LH Side)	
2A	0903111	1	Bracket, Fender	
2B	2090043	1	Fender (LH)	
2C	3311405	6	Nut 1/4	
2D	0641414	6	Bolt 1/4 x 1-3/4	
2E	4740362	6	Washer 1/4	
2F	4751400	6	Washer 1/4	
3	2090051	1	Fender Assembly (RH Side)	
3A	0903112	1	Bracket, Fender	
3B	2090043	1	Fender (RH)	
3C	3311405	6	Nut 1/4	
3D	0641414	6	Bolt 1/4 x 1-3/4	
3E	4740362	6	Washer 1/4	
3F	4751400	6	Washer 1/4	
4	3311605	4	Nut 3/8	
5	4751600	8	Washer 3/8	

SECTION 1 - FRAME

FIGURE 1-75. FENDERS INSTALLATION (T500J WITH MUDFLAPS)



ART_0274434

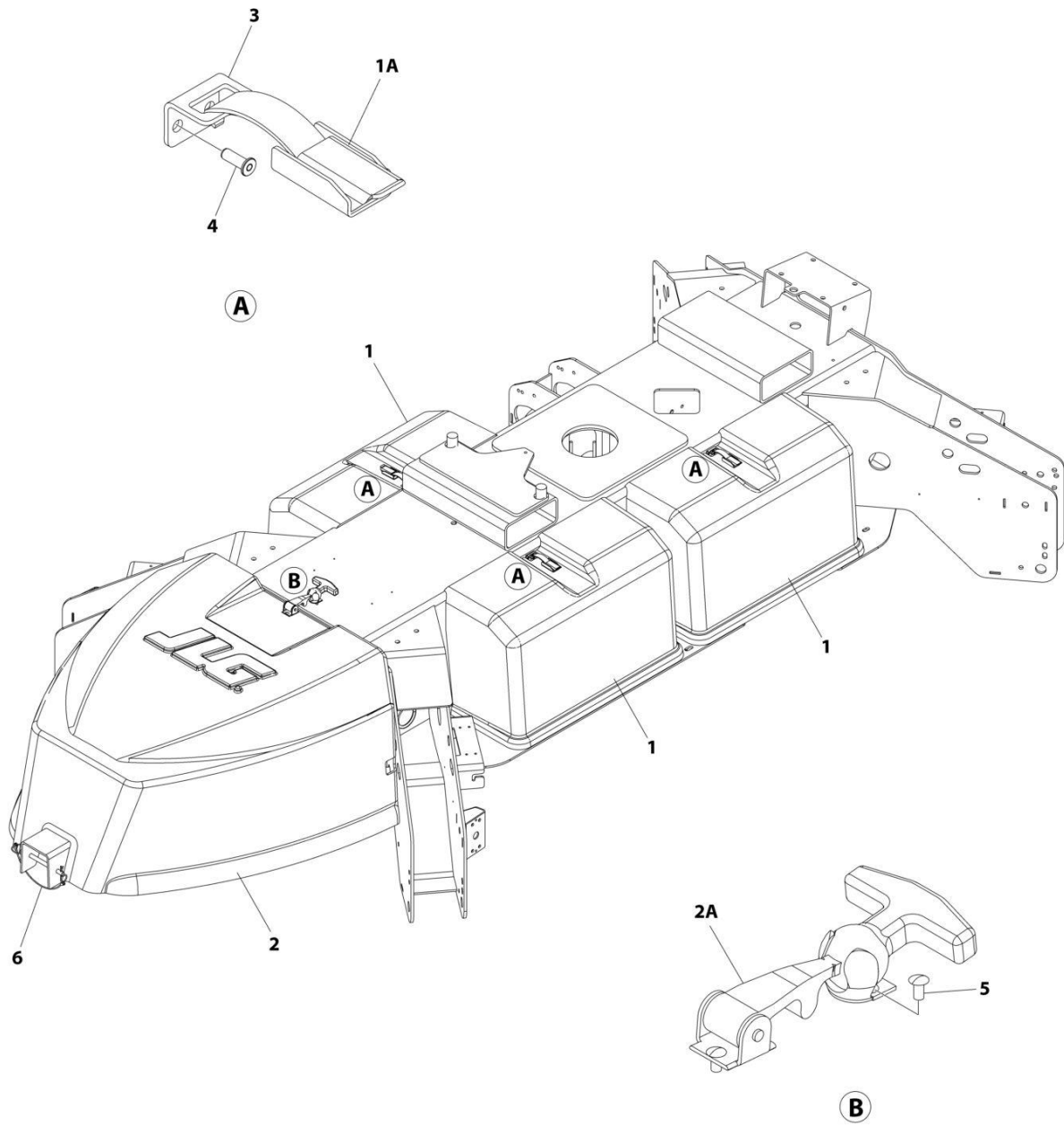
SECTION 1 - FRAME

FIGURE 1-75. FENDERS INSTALLATION (T500J WITH MUDFLAPS)

ITEM	PART NUMBER	QTY	DESCRIPTION	REV
	0274434	Ref	FENDERS INSTALLATION	B
		Ref	Note: Front/Rear and Left/Right are determined by facing the Tow Vehicle.	
1	0641616	4	Bolt 3/8 x 2	
2	2090056	1	Fender Assembly (LH Side)	
2A	0641414	6	Bolt 1/4 x 1-3/4	
2B	0903111	1	Bracket, Fender	
2C	2090054	1	Fender (LH)	
2D	3311405	6	Nut 1/4	
2E	4740362	6	Washer 1/4	
2F	4751400	6	Washer 1/4	
3	2090057	1	Fender Assembly (RH Side)	
3A	0641414	6	Bolt 1/4 x 1-3/4	
3B	0903112	1	Bracket, Fender	
3C	2090055	1	Fender (RH)	
3D	3311405	6	Nut 1/4	
3E	4740362	6	Washer 1/4	
3F	4751400	6	Washer 1/4	
4	3311605	4	Nut 3/8	
5	4751600	8	Washer 3/8	

SECTION 1 - FRAME

FIGURE 1-76. FRAME COVERS INSTALLATION (T350 ELECTRIC POWERED MACHINES)



ART_0273606

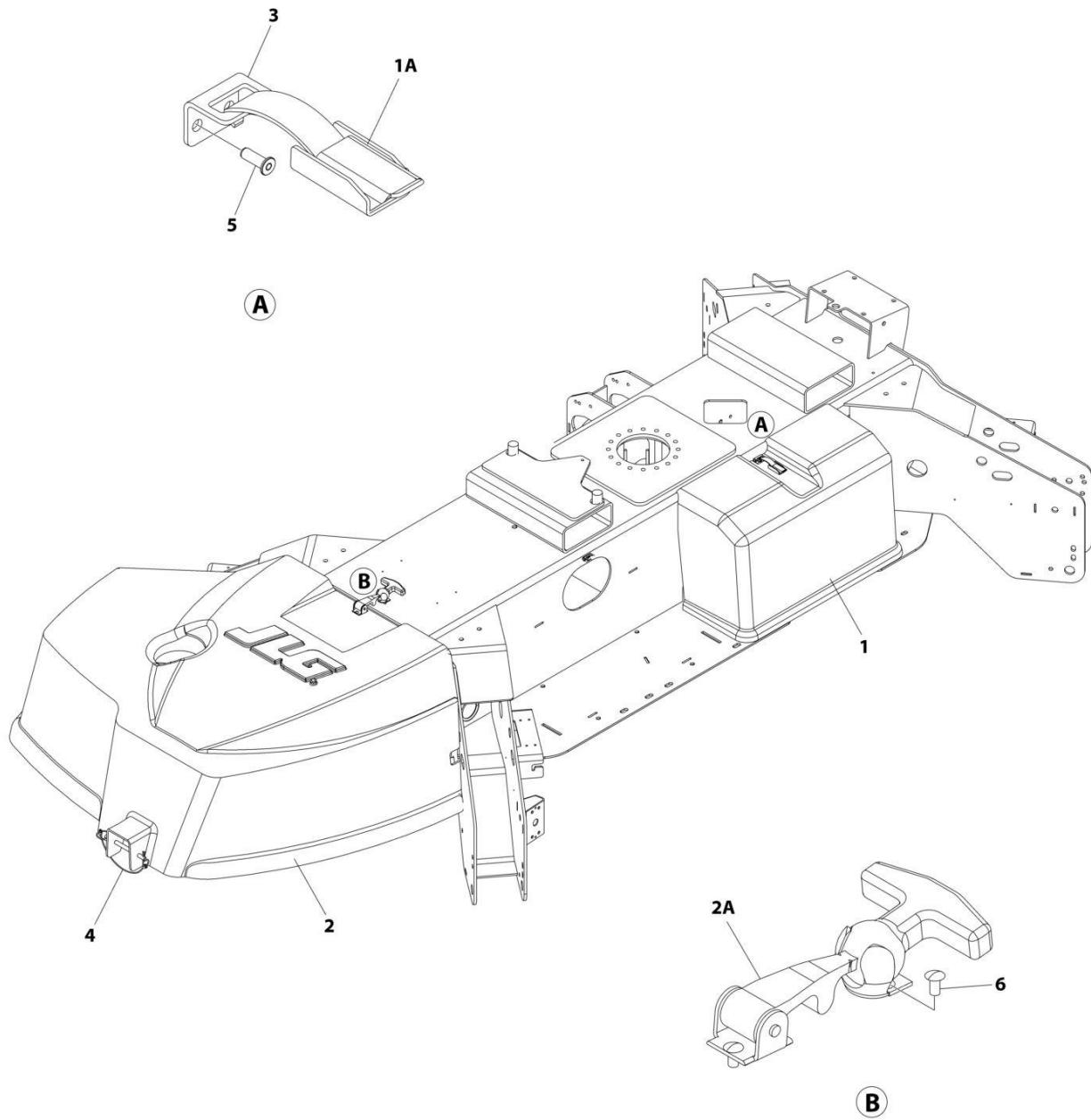
SECTION 1 - FRAME

FIGURE 1-76. FRAME COVERS INSTALLATION (T350 ELECTRIC POWERED MACHINES)

ITEM	PART NUMBER	QTY	DESCRIPTION	REV
	0273606	Ref	FRAME COVERS INSTALLATION	D
1	1671211	3	Module/Battery Cover Assembly	
1A	2940157	3	Latch (1 Per Assembly)	
2	1671148	1	Pump Cover Assembly	
2A	2940095	1	Latch	
3	2940178	3	Latch Keeper	
4	3820017	6	Rivet	
5	3820020	2	Rivet	
6	3423159	1	Pin, Hitch (Includes Cotter Pin)	

SECTION 1 - FRAME

FIGURE 1-77. FRAME COVERS INSTALLATION (T350 GAS POWERED MACHINES)



ART_0273607

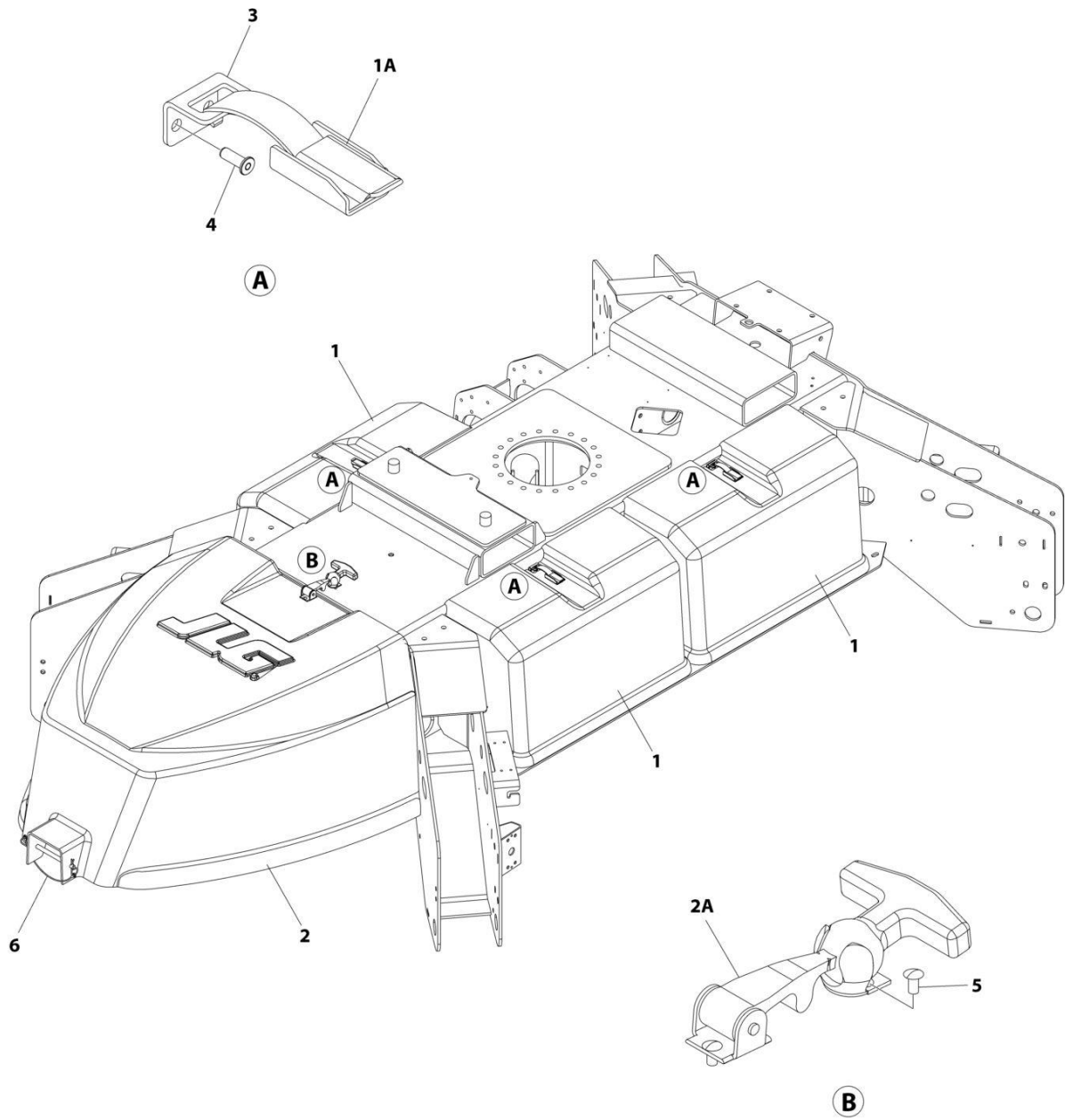
SECTION 1 - FRAME

FIGURE 1-77. FRAME COVERS INSTALLATION (T350 GAS POWERED MACHINES)

ITEM	PART NUMBER	QTY	DESCRIPTION	REV
	0273607	Ref	FRAME COVERS INSTALLATION	C
1	1671221	1	Module/Battery Cover Assembly	
1A	2940157	1	Latch (1 Per Assembly)	
2	1671160	1	Pump Cover Assembly	
2A	2940095	1	Latch	
3	2940178	1	Latch Keeper	
4	3423159	1	Pin, Hitch (Includes Cotter Pin)	
5	3820017	2	Rivet	
6	3820020	2	Rivet	

SECTION 1 - FRAME

FIGURE 1-78. FRAME COVERS INSTALLATION (T500J ELECTRIC POWERED MACHINES)



ART_0274338

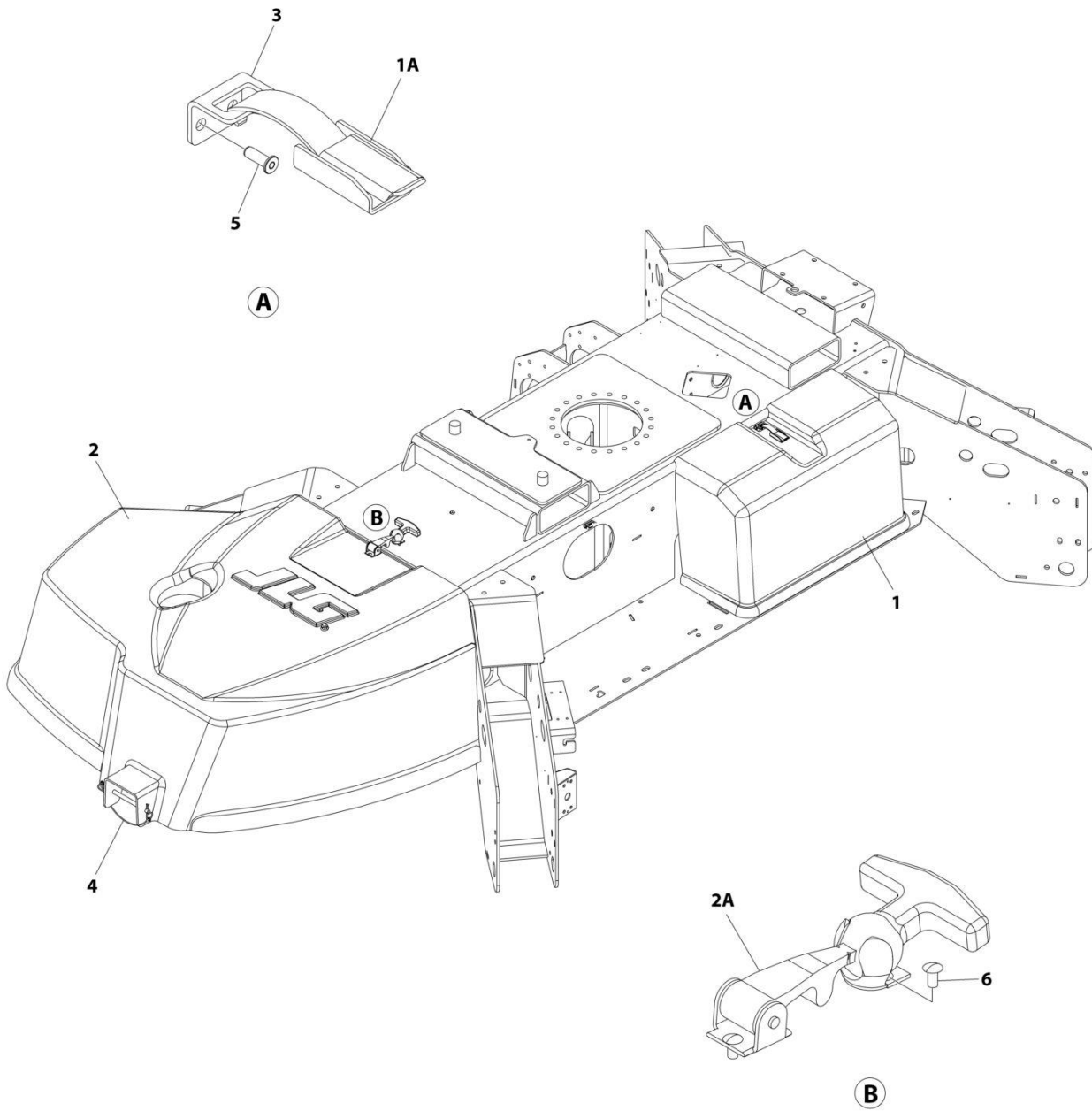
SECTION 1 - FRAME

FIGURE 1-78. FRAME COVERS INSTALLATION (T500J ELECTRIC POWERED MACHINES)

ITEM	PART NUMBER	QTY	DESCRIPTION	REV
	0274338	Ref	FRAME COVERS INSTALLATION	B
1	1671211	3	Module/Battery Cover Assembly	
1A	2940157	3	Latch (1 Per Assembly)	
2	1671187	1	Pump Cover Assembly	
2A	2940095	1	Latch	
3	2940178	3	Latch Keeper	
4	3820017	6	Rivet	
5	3820020	2	Rivet	
6	3423159	1	Pin, Hitch (Includes Cotter Pin)	

SECTION 1 - FRAME

FIGURE 1-79. FRAME COVERS INSTALLATION (T500J GAS POWERED MACHINES)



ART_0274339

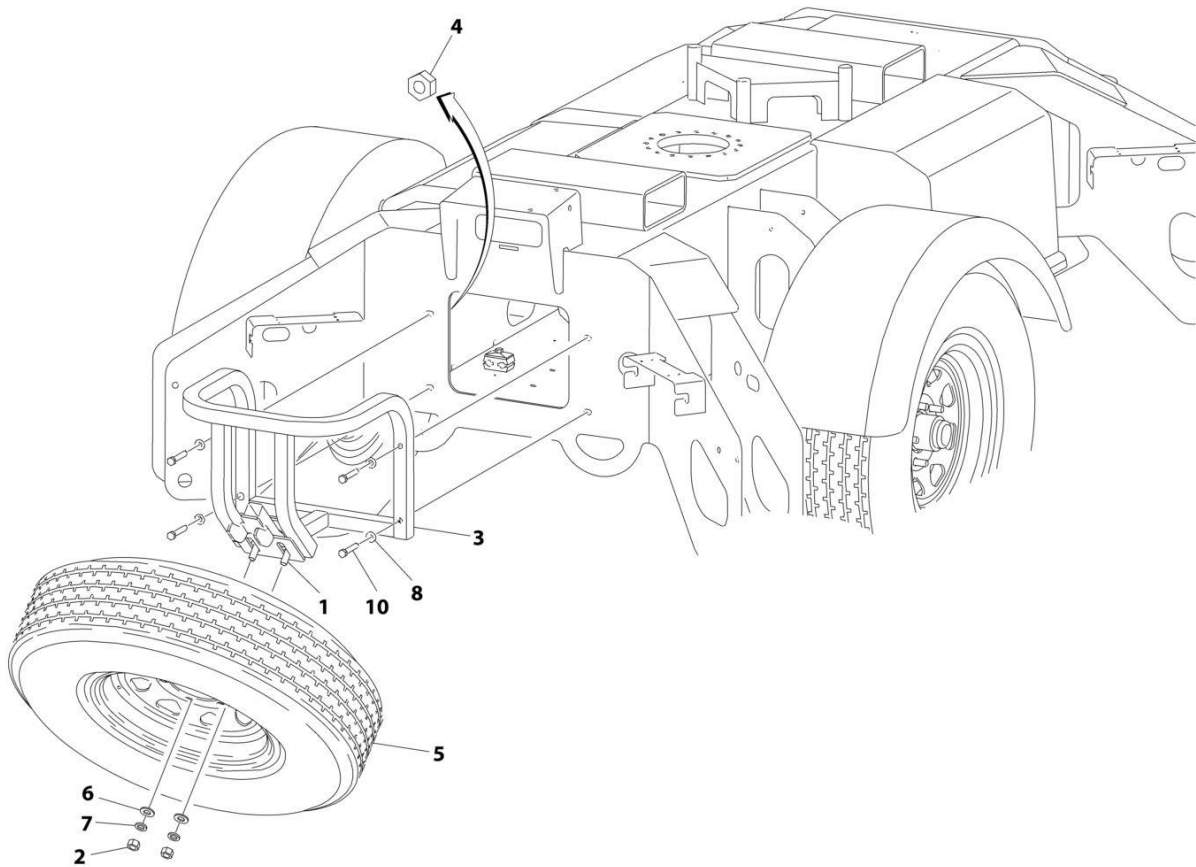
SECTION 1 - FRAME

FIGURE 1-79. FRAME COVERS INSTALLATION (T500J GAS POWERED MACHINES)

ITEM	PART NUMBER	QTY	DESCRIPTION	REV
	0274339	Ref	FRAME COVERS INSTALLATION	B
1	1671221	1	Module/Battery Cover Assembly	
1A	2940157	1	Latch (1 Per Assembly)	
2	1671189	1	Pump Cover Assembly	
2A	2940095	1	Latch	
3	2940178	1	Latch Keeper	
4	3423159	1	Pin, Hitch (Includes Cotter Pin)	
5	3820017	2	Rivet	
6	3820020	2	Rivet	

SECTION 1 - FRAME

FIGURE 1-80. SPARE TIRE INSTALLATION (185R14C TIRE) (OPTIONAL)



ART_0274329

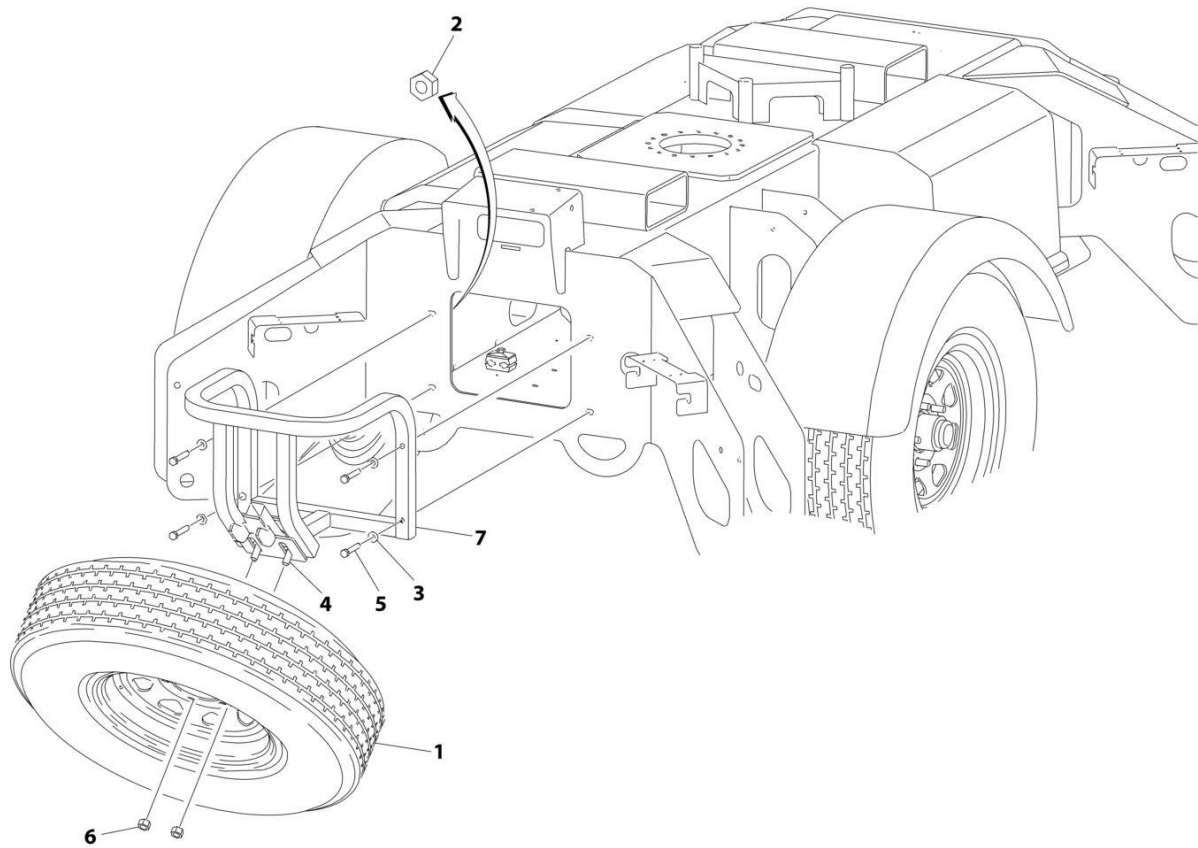
SECTION 1 - FRAME

FIGURE 1-80. SPARE TIRE INSTALLATION (185R14C TIRE) (OPTIONAL)

ITEM	PART NUMBER	QTY	DESCRIPTION	REV
	0274329	Ref	SPARE TIRE INSTALLATION (OPTIONAL)	C
1	0630607	2	Bolt 1/2 x 4	
2	3321801	2	Nut 1/2	
3	4341181	1	Bracket, Spare Tire Mounting	
4	3311605	4	Nut 3/8	
5	4520377	1	Tire and Wheel Assembly	
6	4711800	2	Washer 1/2	
7	4761800	2	Washer 1/2	
8	4711600	8	Washer 3/8	
10	0641617	4	Bolt 3/8 x 2-1/2	

SECTION 1 - FRAME

FIGURE 1-81. SPARE TIRE INSTALLATION (215-75R14 TIRE) (OPTIONAL)



ART_0275632

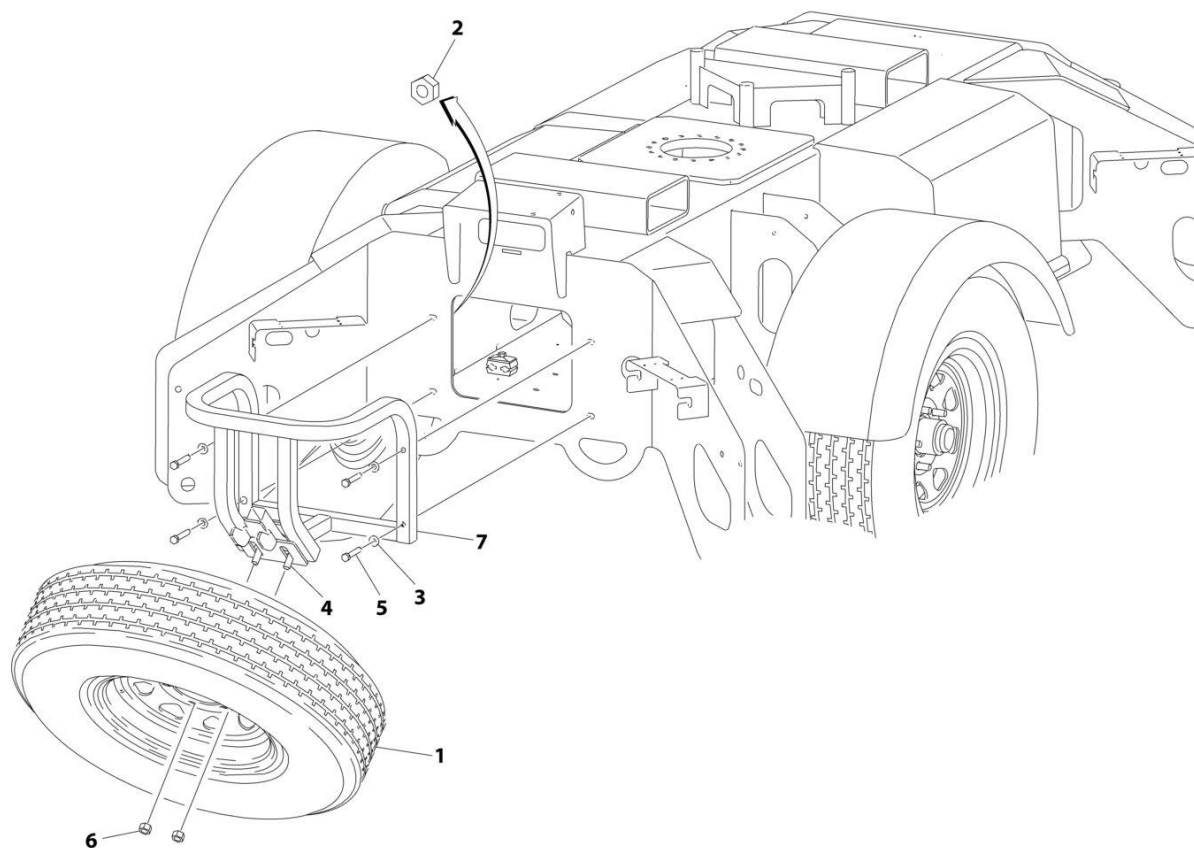
SECTION 1 - FRAME

FIGURE 1-81. SPARE TIRE INSTALLATION (215-75R14 TIRE) (OPTIONAL)

ITEM	PART NUMBER	QTY	DESCRIPTION	REV
	0275632	Ref	SPARE TIRE INSTALLATION (OPTIONAL)	C
1	1001109586	1	Tire and Wheel Assembly	
2	3311605	4	Nut 3/8	
3	4711600	8	Washer 3/8	
4	0630607	2	Bolt 1/2 x 4	
5	0641617	4	Bolt 3/8 x 2-1/2	
6	3300407	2	Lugnut	
7	4341181	1	Bracket, Spare Tire Mounting	

SECTION 1 - FRAME

FIGURE 1-82. SPARE TIRE INSTALLATION (225-75R15 TIRE) (OPTIONAL)



ART_0275633

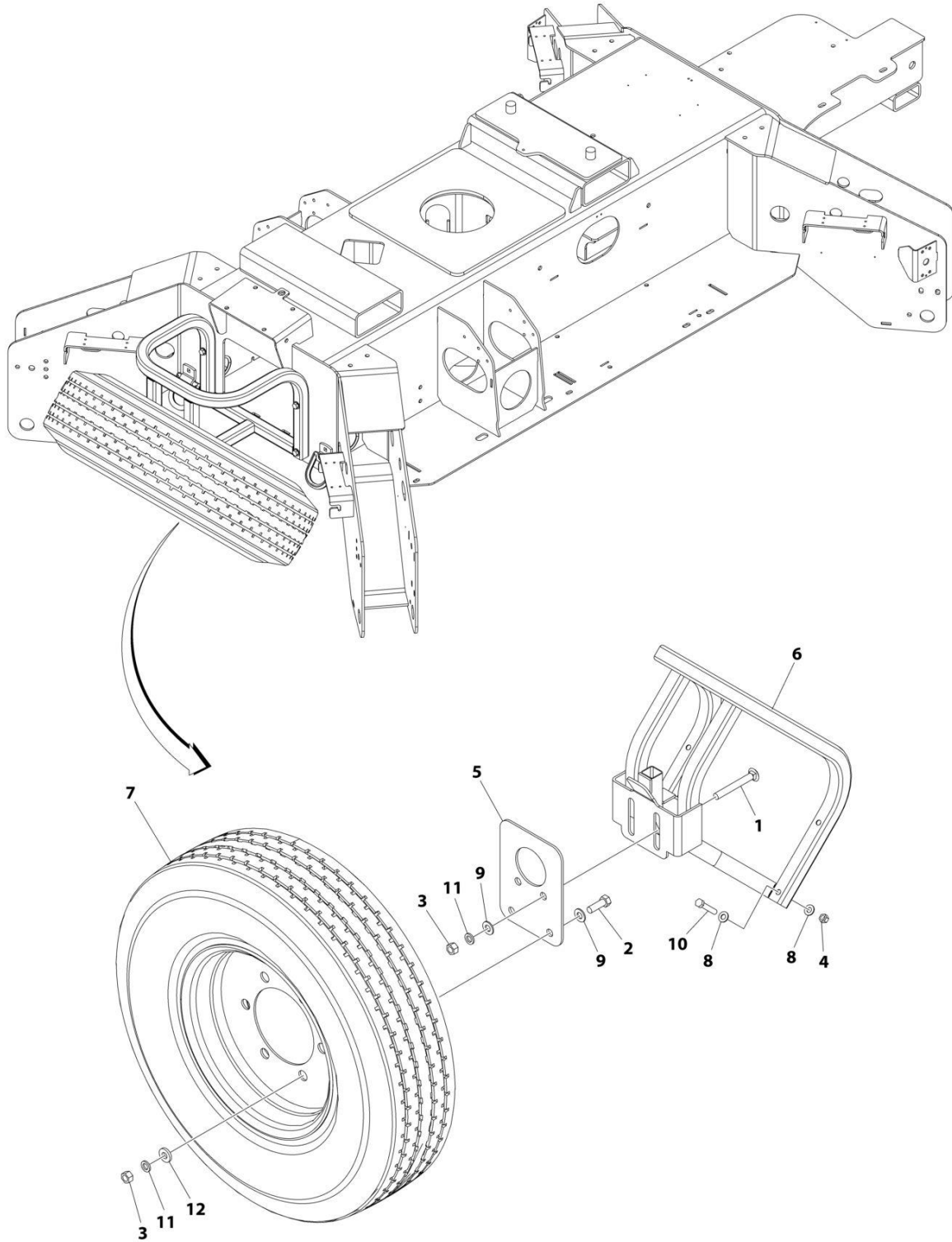
SECTION 1 - FRAME

FIGURE 1-82. SPARE TIRE INSTALLATION (225-75R15 TIRE) (OPTIONAL)

ITEM	PART NUMBER	QTY	DESCRIPTION	REV
	0275633	Ref	SPARE TIRE INSTALLATION (OPTIONAL)	C
1	4520614	1	Tire and Wheel Assembly	
2	3311605	4	Nut 3/8	
3	4711600	8	Washer 3/8	
4	0630607	2	Bolt 1/2 x 4	
5	0641617	4	Bolt 3/8 x 2-1/2	
6	3300407	2	Lugnut	
7	4341181	1	Bracket, Spare Tire Mounting	

SECTION 1 - FRAME

FIGURE 1-83. SPARE TIRE INSTALLATION (225-75R16C TIRE) (OPTIONAL)



ART_0274330

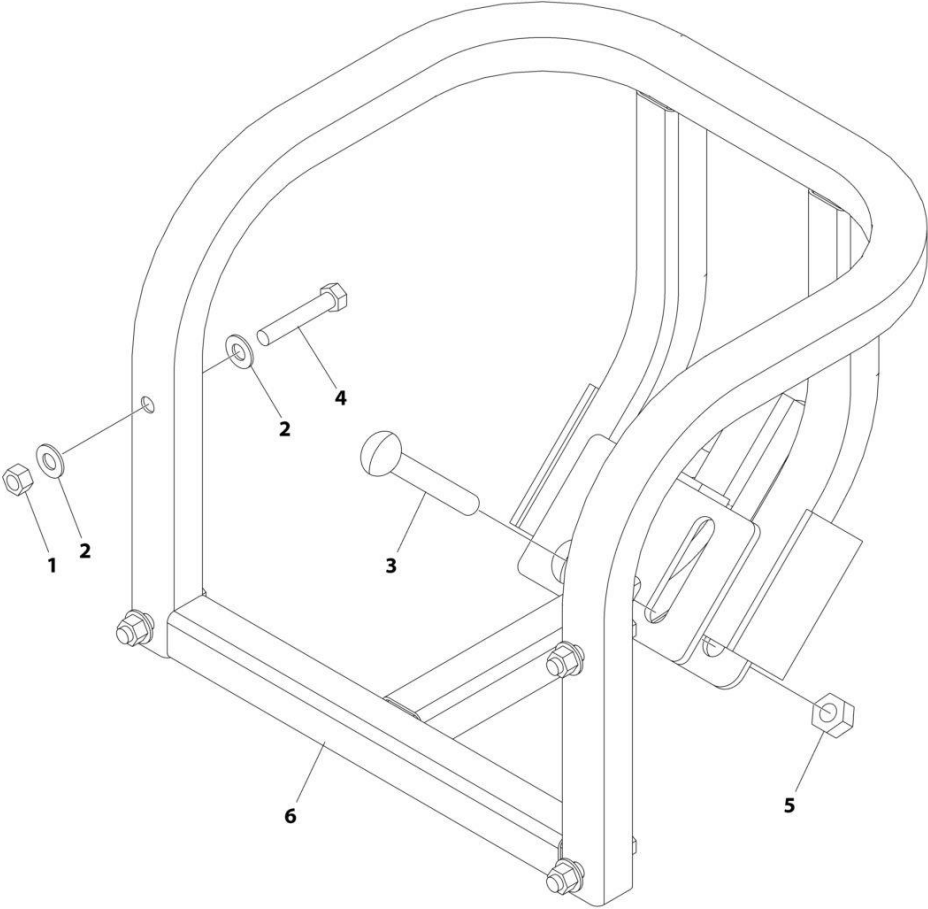
SECTION 1 - FRAME

FIGURE 1-83. SPARE TIRE INSTALLATION (225-75R16C TIRE) (OPTIONAL)

ITEM	PART NUMBER	QTY	DESCRIPTION	REV
	0274330	Ref	SPARE TIRE INSTALLATION (OPTIONAL)	E
1	0630607	2	Bolt 1/2 x 4	
2	0651812	2	Bolt 1/2 x 1- 1/2	
3	3321801	4	Nut 1/2-20	
4	3311605	4	Nut 3/8	
5	3576437	1	Plate, Wheel Adapter	
6	4341181	1	Bracket, Spare Tire Mounting	
7	4520378	1	Tire and Wheel Assembly	
8	4711600	8	Washer 3/8	
9	4711800	4	Washer 1/2	
10	0641617	4	Bolt 3/8 x 2-1/2	
11	4761800	4	Washer 1/2	
12	4891800	2	Washer 1/2	

SECTION 1 - FRAME

FIGURE 1-84. SPARE TIRE INSTALLATION (T350) (CARRIER ONLY OPTIONAL)



ART_0275627

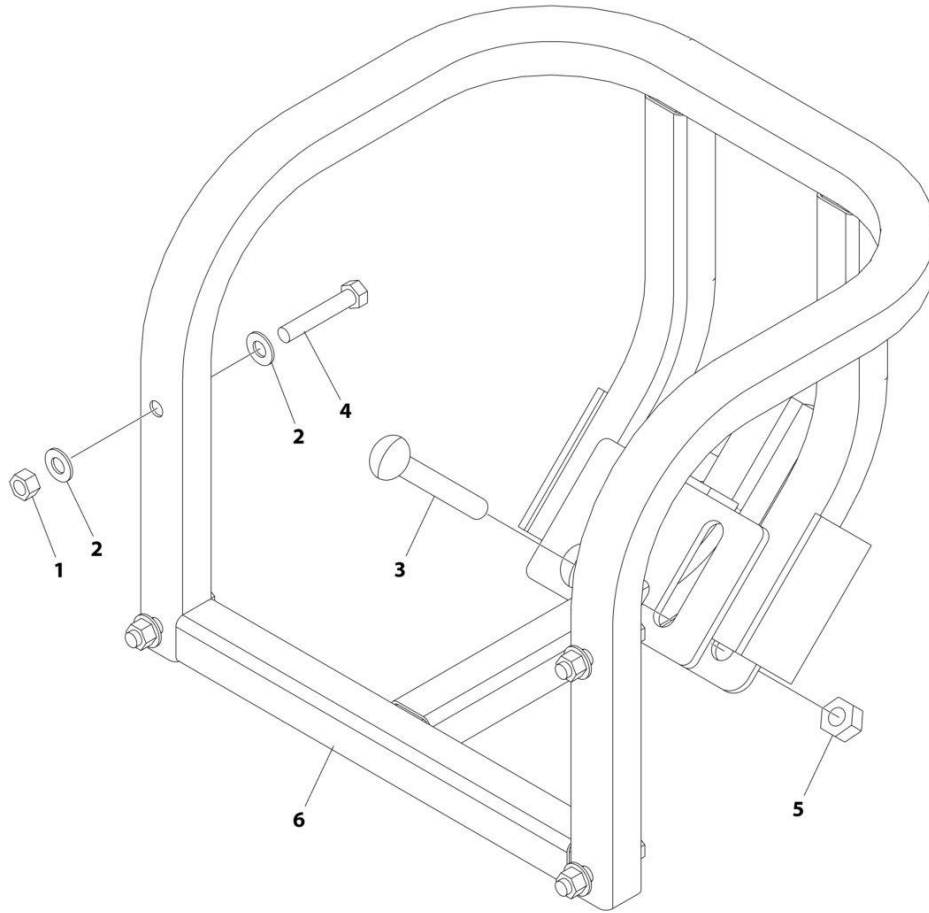
SECTION 1 - FRAME

FIGURE 1-84. SPARE TIRE INSTALLATION (T350) (CARRIER ONLY OPTIONAL)

ITEM	PART NUMBER	QTY	DESCRIPTION	REV
	0275627	Ref	SPARE TIRE INSTALLATION (CARRIER ONLY)	A
1	3311605	4	Nut 3/8	
2	4711600	8	Washer 3/8	
3	0630607	2	Bolt 1/2 x 4	
4	0641617	4	Bolt 3/8 x 2-1/8	
5	3300407	2	Lugnut	
6	4341181	1	Mount	

SECTION 1 - FRAME

FIGURE 1-85. SPARE TIRE INSTALLATION (T500J) (CARRIER ONLY OPTIONAL)



ART_0275628

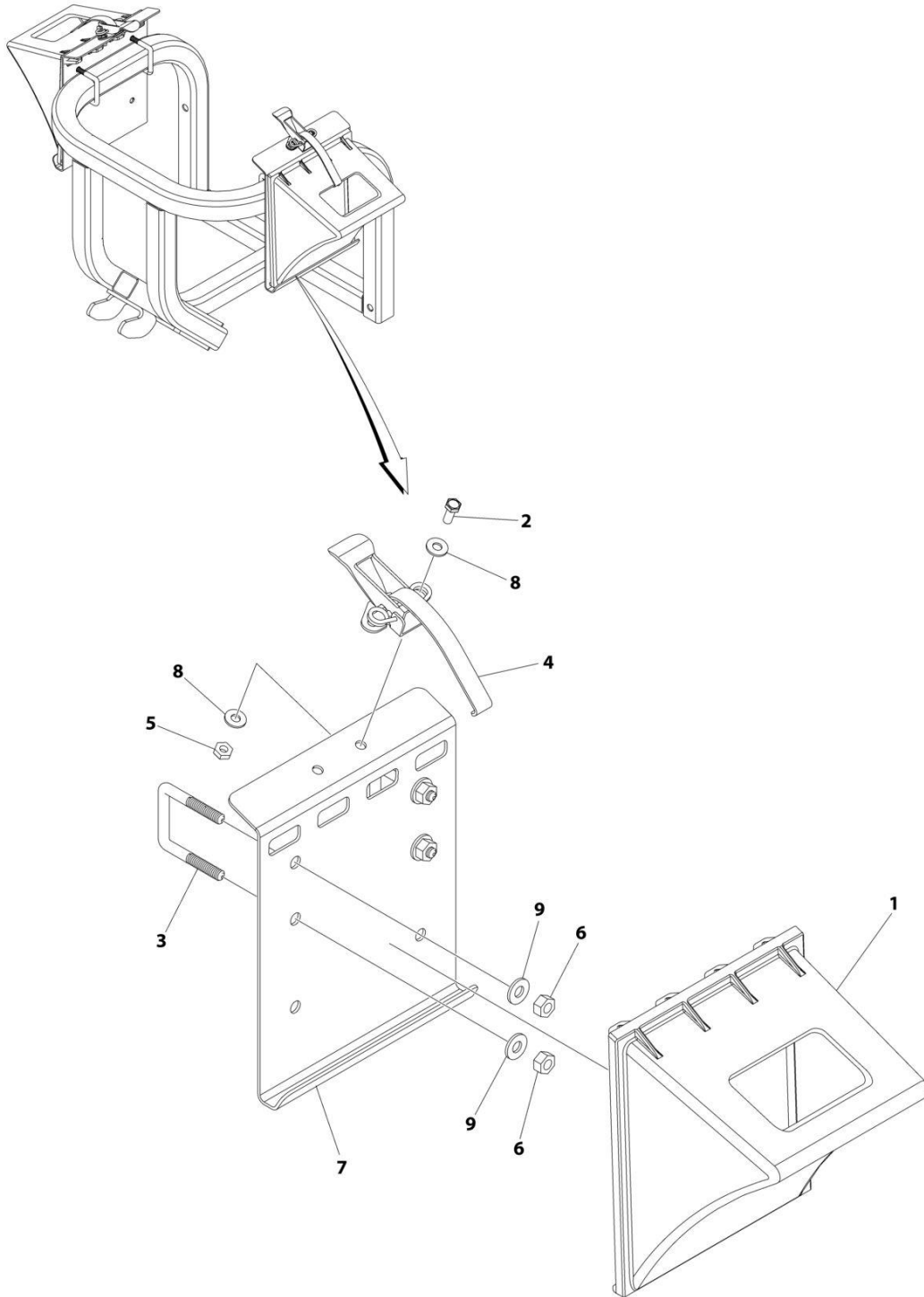
SECTION 1 - FRAME

FIGURE 1-85. SPARE TIRE INSTALLATION (T500J) (CARRIER ONLY OPTIONAL)

ITEM	PART NUMBER	QTY	DESCRIPTION	REV
	0275628	Ref	SPARE TIRE INSTALLATION (CARRIER ONLY)	A
1	3311605	4	Nut 3/8	
2	4711600	8	Washer 3/8	
3	0630607	2	Bolt 1/2 x 4	
4	0641617	4	Bolt 3/8 x 2-1/8	
5	3300407	2	Lugnut	
6	4341181	1	Mount	

SECTION 1 - FRAME

FIGURE 1-86. WHEEL CHOCK INSTALLATION WITH SPARE TIRE (OPTIONAL)



ART_0274520

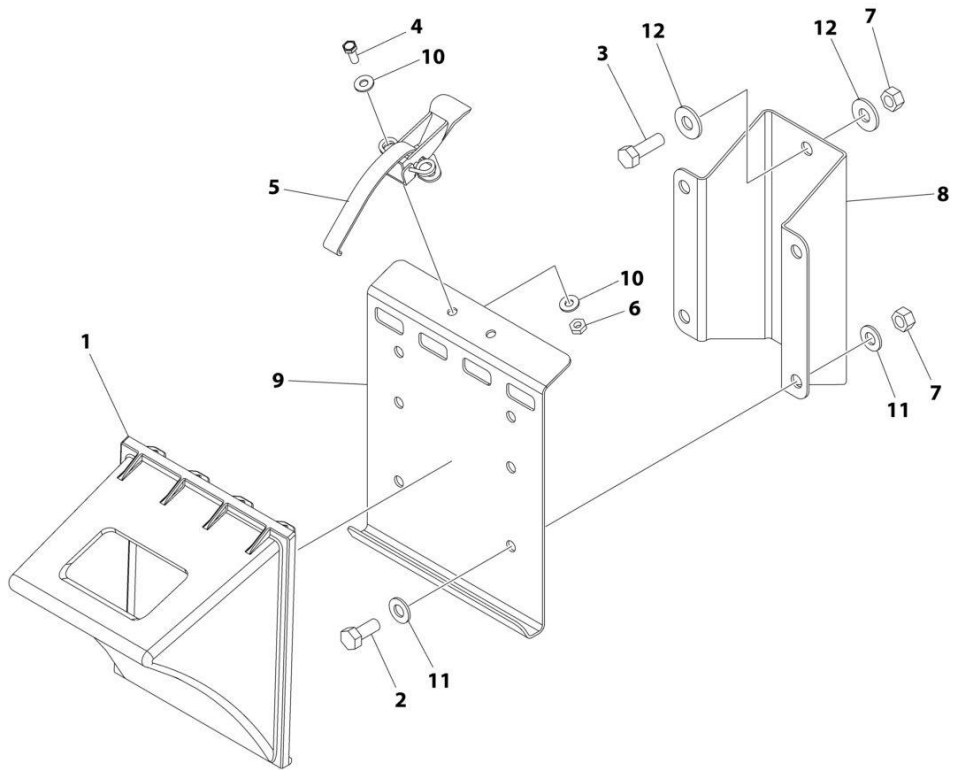
SECTION 1 - FRAME

FIGURE 1-86. WHEEL CHOCK INSTALLATION WITH SPARE TIRE (OPTIONAL)

ITEM	PART NUMBER	QTY	DESCRIPTION	REV
	0274520	Ref	WHEEL CHOCK INSTALLATION WITH SPARE TIRE (OPTIONAL)	B
1	0240116	2	Chock, Wheel	
2	0721004	4	Screw #10 x 1/2	
3	1320302	4	U-Clamp	
4	2940177	2	Latch, Draw	
5	3311005	4	Nut #10	
6	3311405	8	Nut 1/4	
7	4341054	2	Mount, Wheel Chock Stowage	
8	4711000	8	Washer #10	
9	4711400	8	Washer 1/4	

SECTION 1 - FRAME

FIGURE 1-87. WHEEL CHOCK INSTALLATION WITHOUT SPARE TIRE (OPTIONAL)



ART_0273624

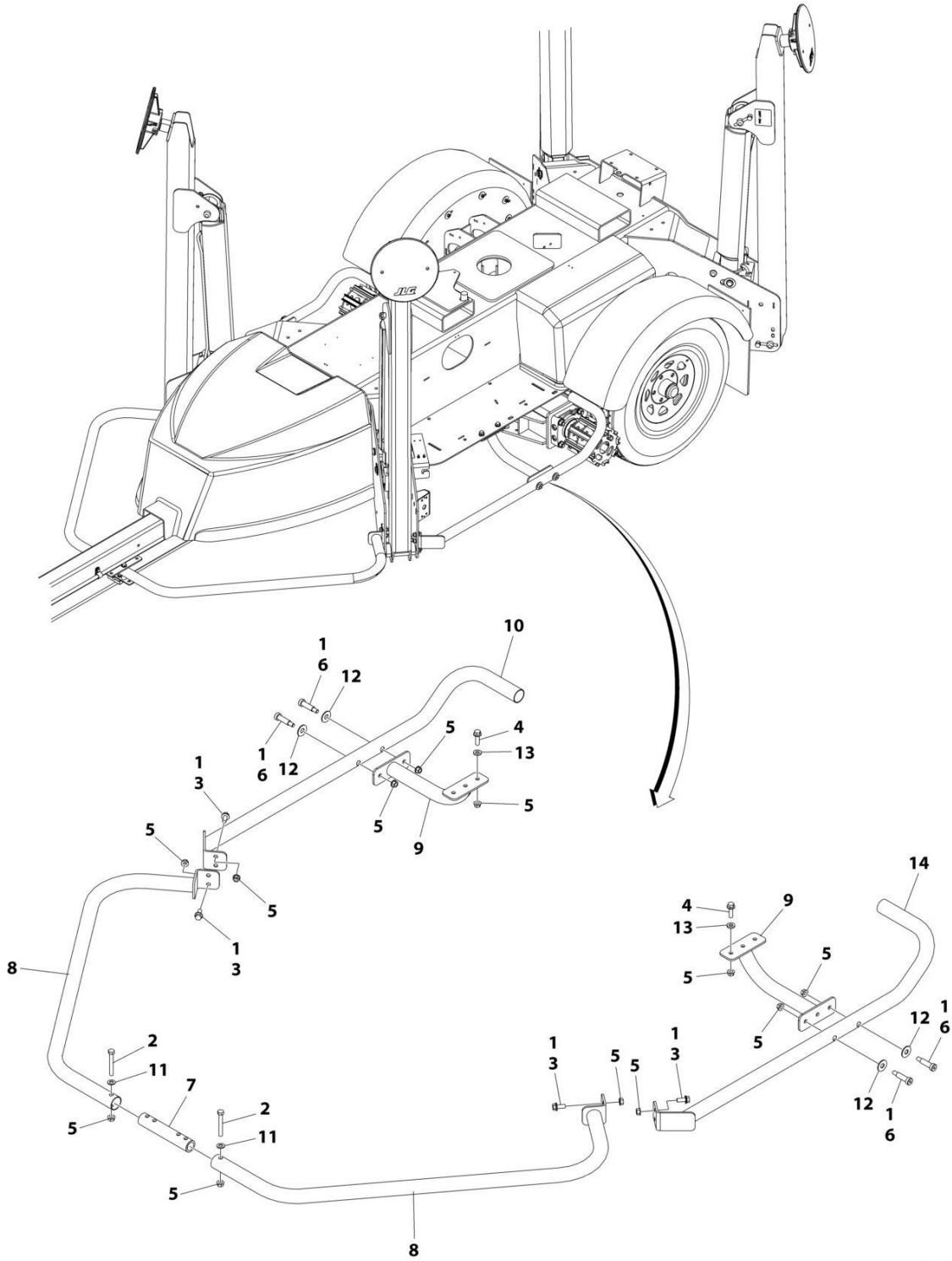
SECTION 1 - FRAME

FIGURE 1-87. WHEEL CHOCK INSTALLATION WITHOUT SPARE TIRE (OPTIONAL)

ITEM	PART NUMBER	QTY	DESCRIPTION	REV
	0273624	Ref	WHEEL CHOCK INSTALLATION WITHOUT SPARE TIRE (OPTIONAL)	A
1	0240116	2	Chock, Wheel	
2	0641506	8	Bolt 5/16 x 3/4	
3	0641508	4	Bolt 5/16 x 1	
4	0721004	4	Screw #10 x 1/2	
5	2940177	2	Latch, Draw	
6	3311005	4	Nut #10	
7	3311505	12	Nut 5/16	
8	4341053	2	Bracket, Mounting	
9	4341054	2	Mount, Wheel Chock Stowage	
10	4711000	8	Washer #10	
11	4711500	16	Washer 5/16	
12	4751500	8	Washer 5/16	

SECTION 1 - FRAME

FIGURE 1-88. SIDE GUARDS INSTALLATION (T350) (OPTIONAL)



ART_0273680

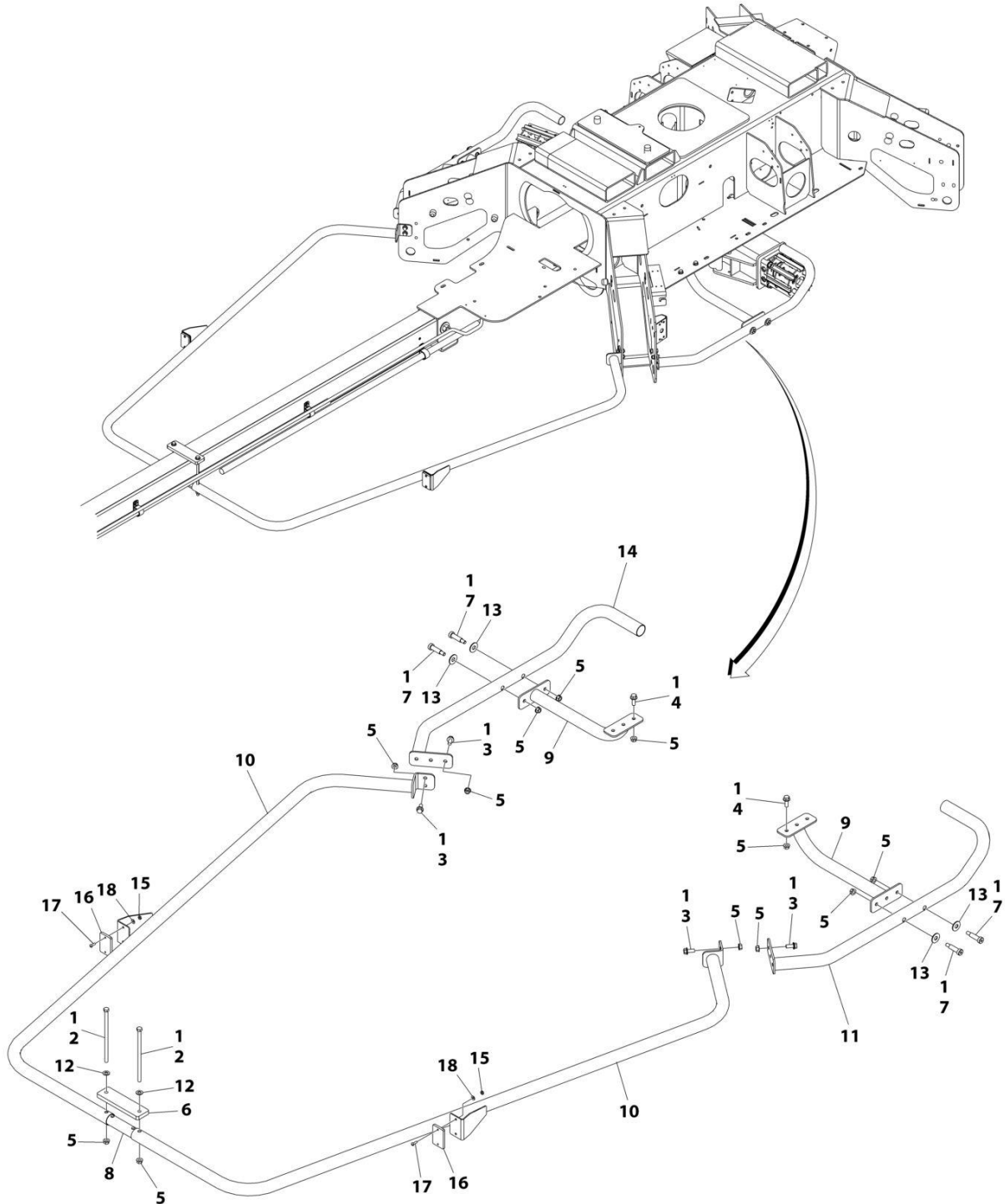
SECTION 1 - FRAME

FIGURE 1-88. SIDE GUARDS INSTALLATION (T350) (OPTIONAL)

ITEM	PART NUMBER	QTY	DESCRIPTION	REV
	0273680	Ref	SIDE GUARDS INSTALLATION	E
1	0100011	AR	Compound, Locking	
2	0681622	2	Bolt 3/8 x 2-3/4 Grd8	
3	0811607	8	Screw 3/8 x 7/8	
4	0811610	4	Screw 3/8 x 1-1/4	
5	3311608	18	Nut 3/8	
6	3900270	4	Bolt 1/2 x 1-1/2	
7	4341009	1	Mount, Tube	
8	4569188	2	Guard (Tongue to O/R)	
9	4569194	2	Support, Guard	
10	4569398	1	Guard (O/R to Fender)	
11	4711600	2	Washer 3/8	
12	4751700	4	Washer 7/16	
13	4891600	4	Washer 3/8	
14	4569400	1	Guard (O/R to Fender)	

SECTION 1 - FRAME

FIGURE 1-89. SIDE GUARDS INSTALLATION (T500J) (OPTIONAL)



ART_0274773

SECTION 1 - FRAME

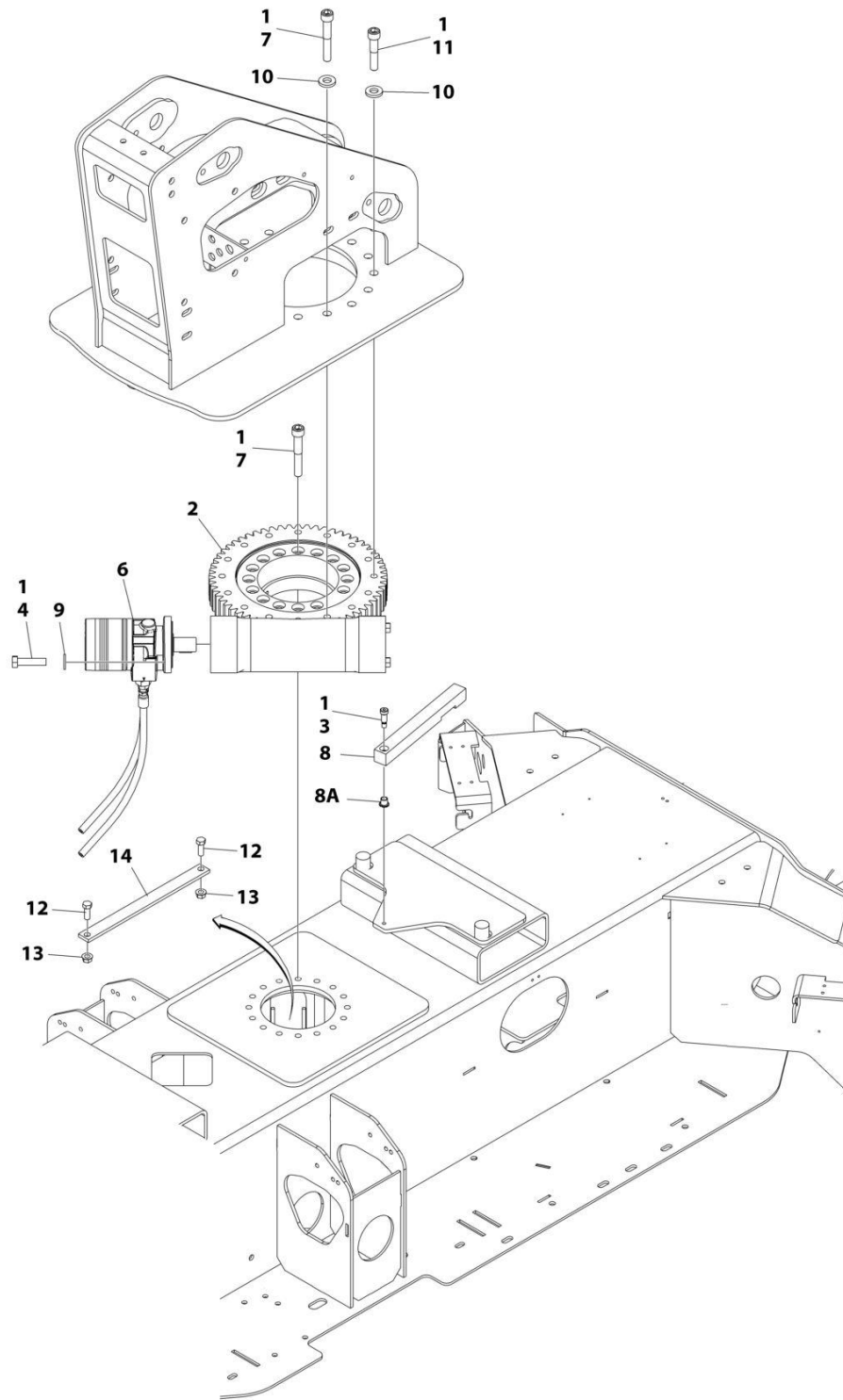
FIGURE 1-89. SIDE GUARDS INSTALLATION (T500J) (OPTIONAL)

ITEM	PART NUMBER	QTY	DESCRIPTION	REV
	0274773	Ref	SIDE GUARDS INSTALLATION	C
1	0100011	AR	Compound, Locking	
2	0681660	2	Bolt 3/8 x 7-1/2 Grd8	
3	0811607	8	Screw 3/8 x 7/8	
4	0811608	4	Screw 3/8 x 1	
5	3311608	18	Nut 3/8	
6	3575786	1	Bar	
7	3900270	4	Bolt 1/2 x 1-1/2	
8	4341009	1	Mount, Tube	
9	4569195	2	Support, Guard	
10	4569197	2	Guard (Tongue to O/R)	
11	4569405	AR	Guard (O/R to Fender)	
12	4711600	2	Washer 3/8	
13	4751700	4	Washer 7/16	
14	4569407	1	Guard (O/R to Fender)	
15	3311005	4	Nut #10	
16	3700014	2	Reflector	
17	3911010	4	Screw #10 x 5/8	
18	4751000	AR	Washer #10	

SECTION 2 - TURNTABLE

SECTION 2 - TURNTABLE

FIGURE 2-1. SWING DRIVE AND TURNTABLE BEARING INSTALLATION (T350 WITH DOHI BEARING)



ART_0273612

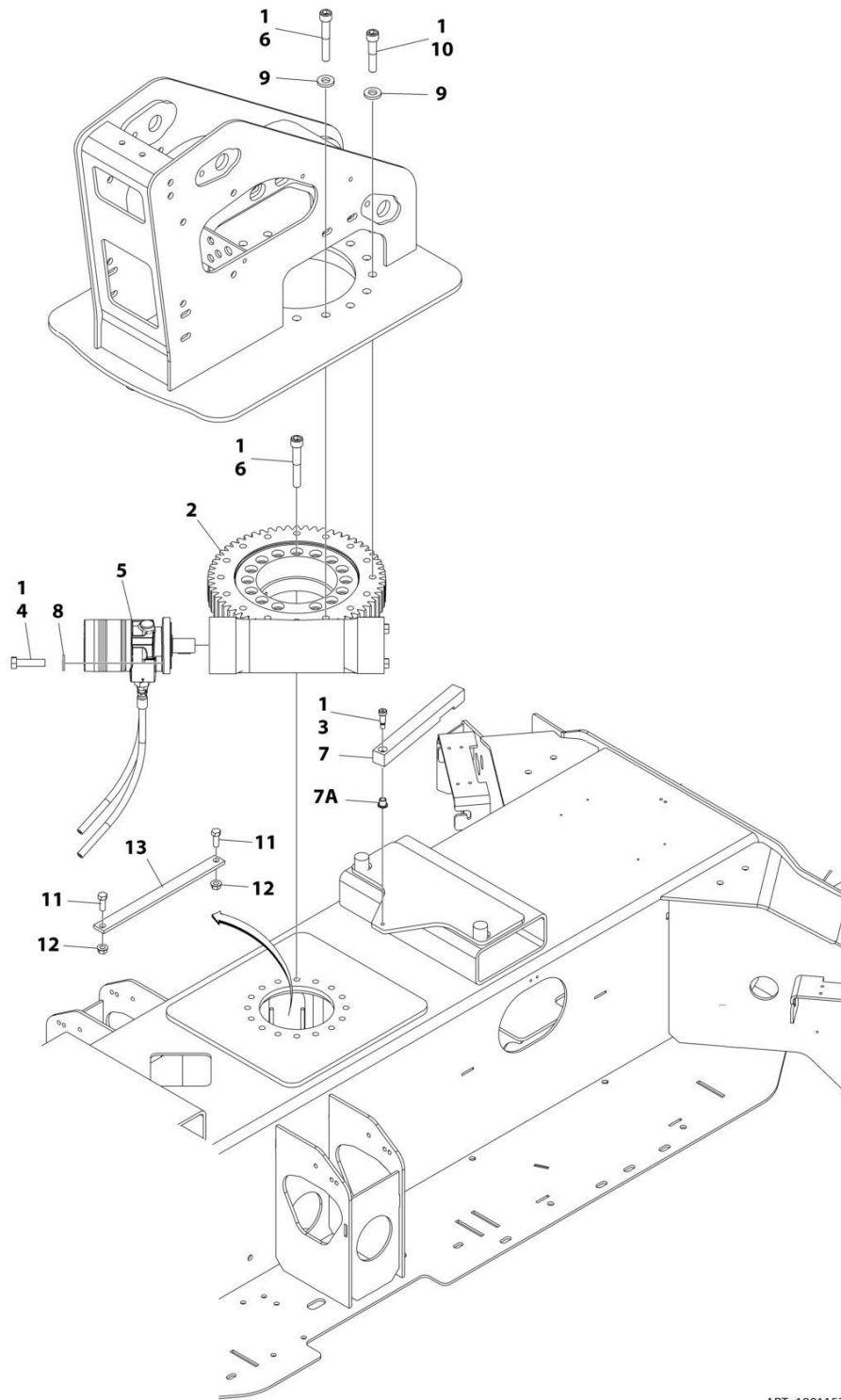
SECTION 2 - TURNTABLE

FIGURE 2-1. SWING DRIVE AND TURNTABLE BEARING INSTALLATION (T350 WITH DOHI BEARING)

ITEM	PART NUMBER	QTY	DESCRIPTION	REV
	0273612	Ref	SWING DRIVE AND TURNTABLE BEARING INSTALLATION	H
1	0100019	AR	Compound, Locking	
2	0440285	1	Turntable Bearing Assembly (See Separate Breakdown in this Section)	
		Ref	Note: Original Equipment Bearing p/n 0400285 may have been replaced with Service Replacement bearing Kit p/n 1001160525. Visually identify the p/n tag on bearing before ordering parts.	
3	0630183	1	Screw 3/8 x 1	
4	0681816	2	Bolt 1/2 x 2 Grade 8	
6	3160331	1	Swing Motor Assembly (See Separate Breakdown in this Section)	
7	3900360	29	Capscrew M14 x 90	
8	4220255	1	Stop, Swing	
8A	0962447	1	Bushing	
9	4740171	2	Washer	
10	4891900	16	Washer 9/16	
11	3900368	2	Capscrew M14 x 70	
12	0641608	2	Bolt 3/8 x 1	
13	3311608	2	Nut 3/8	
14	4240173	1	Strap, Hose	

SECTION 2 - TURNTABLE

FIGURE 2-2. SWING DRIVE AND TURNTABLE BEARING INSTALLATION (T350 WITH JING WEI BEARING)



ART_1001153360

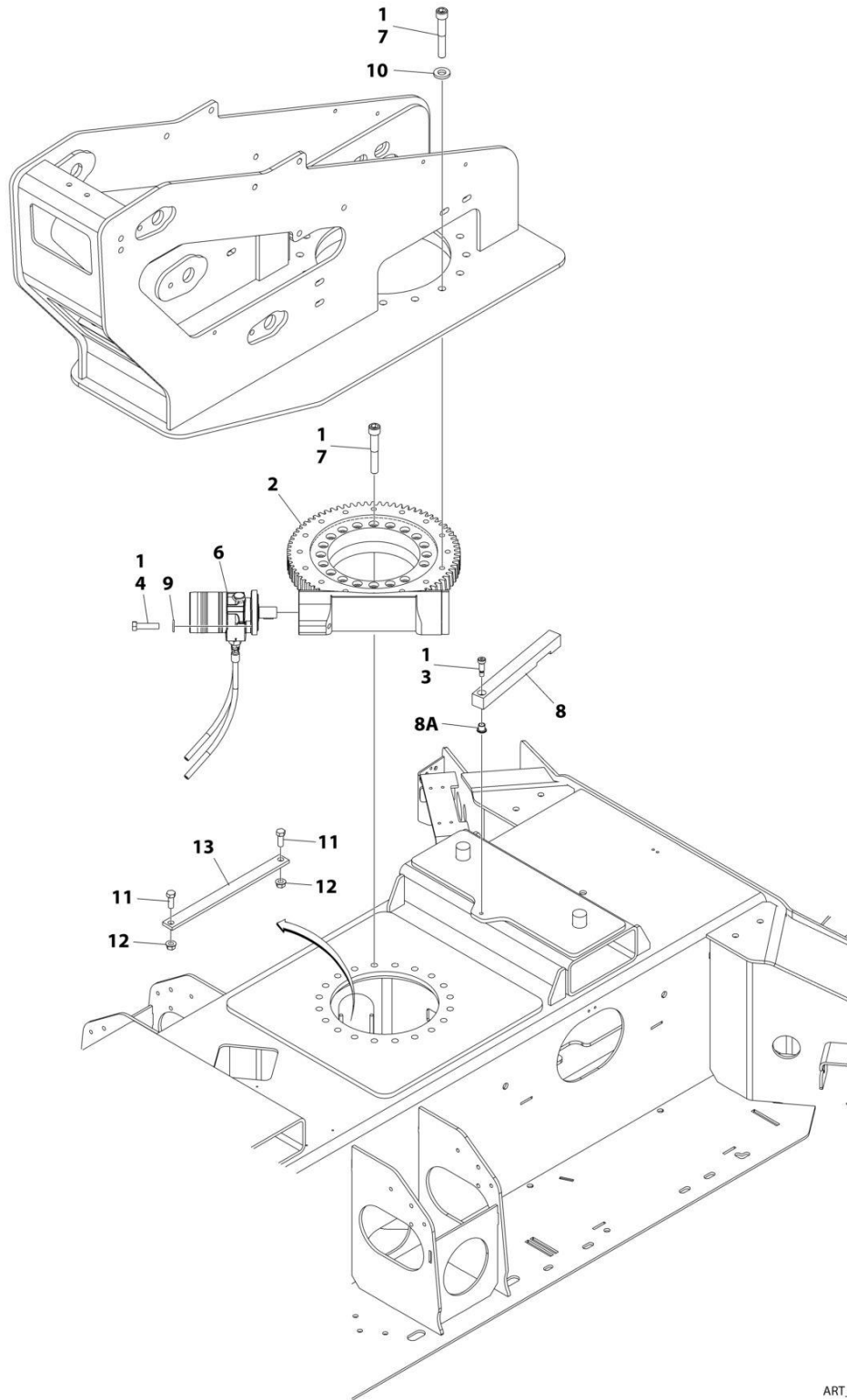
SECTION 2 - TURNTABLE

FIGURE 2-2. SWING DRIVE AND TURNTABLE BEARING INSTALLATION (T350 WITH JING WEI BEARING)

ITEM	PART NUMBER	QTY	DESCRIPTION	REV
	1001153360	Ref	SWING DRIVE AND TURNTABLE BEARING INSTALLATION	B
1	0100019	AR	Compound, Locking	
2	1001153011	1	Turntable Bearing Assembly (See Separate Breakdown in this Section)	
3	0630183	1	Screw 3/8 x 1	
4	0681816	2	Bolt 1/2 x 2 Grade 8	
5	3160331	1	Swing Motor Assembly (See Separate Breakdown in this Section)	
6	3600360	29	Capscrew M14 x 90	
7	4220255	1	Stop, Swing	
7A	0962447	1	Bushing	
8	4740171	2	Washer	
9	4891900	16	Washer 9/16	
10	3900368	2	Capscrew M14 x 70	
11	0641608	2	Bolt 3/8 x 1	
12	3311608	2	Nut 3/8	
13	4240173	1	Strap, Hose	

SECTION 2 - TURNTABLE

FIGURE 2-3. SWING DRIVE AND TURNTABLE BEARING INSTALLATION (T500J WITH DOHI BEARING)



ART_0273613

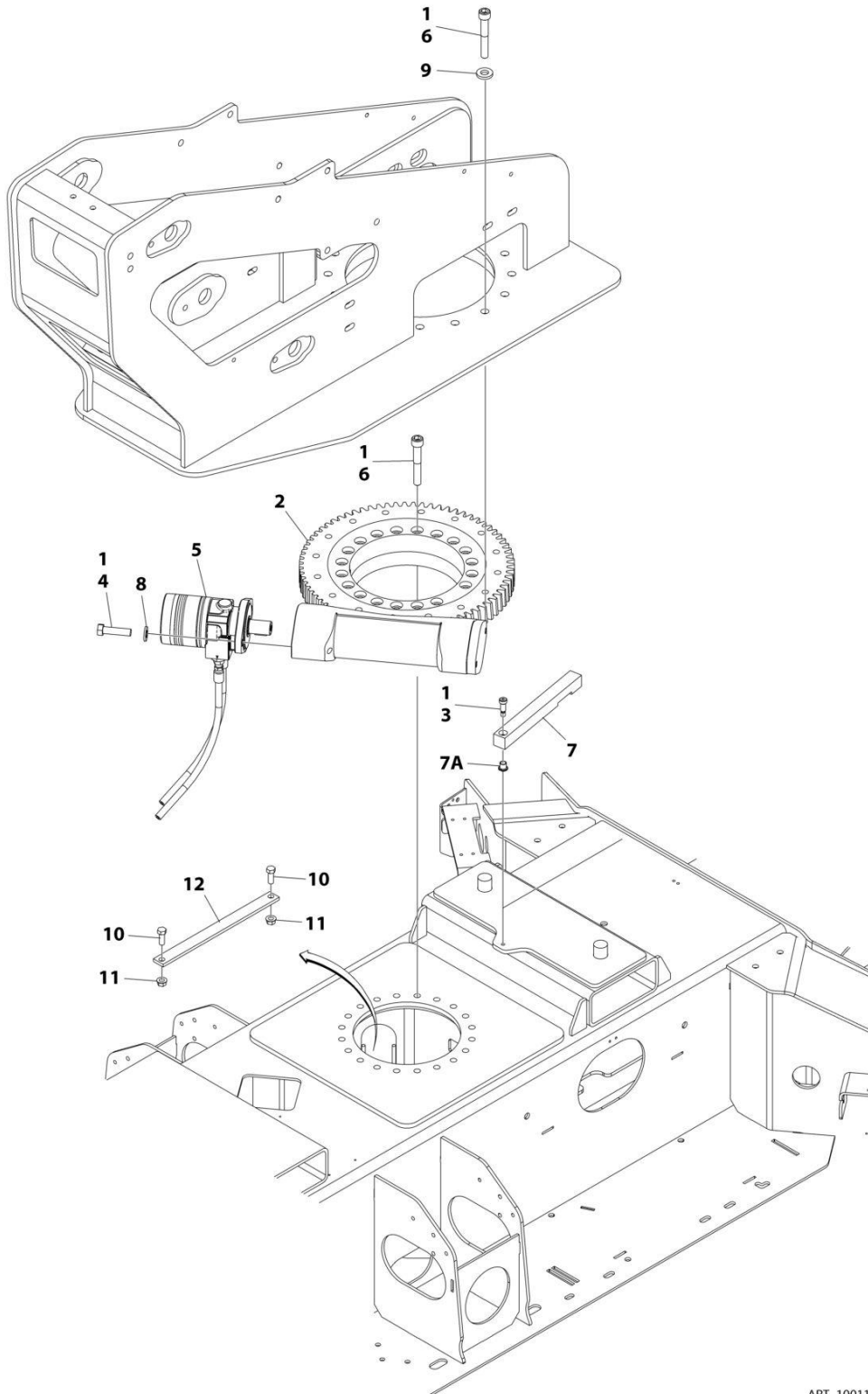
SECTION 2 - TURNTABLE

FIGURE 2-3. SWING DRIVE AND TURNTABLE BEARING INSTALLATION (T500J WITH DOHI BEARING)

ITEM	PART NUMBER	QTY	DESCRIPTION	REV
	0273613	Ref	SWING DRIVE AND TURNTABLE BEARING INSTALLATION	I
1	0100019	AR	Compound, Locking	
2	0440286	1	Turntable Bearing Assembly (See Separate Breakdown in this Section)	
		Ref	Note: Original Equipment Bearing p/n 0400286 may have been replaced with Service Replacement bearing Kit p/n 1001160526. Visually identify the p/n tag on bearing before ordering parts.	
3	0630183	1	Screw 3/8 x 1	
4	0681816	2	Bolt 1/2 x 2 Grade 8	
6	3160331	1	Swing Motor Assembly (See Separate Breakdown in this Section)	
7	3900360	35	Capscrew M14 x 90	
8	4220255	1	Stop, Swing	
8A	0962447	1	Bushing	
9	4740171	2	Washer	
10	4891900	16	Washer 9/16	
11	0641608	2	Bolt 3/8 x 1	
12	3311608	2	Nut 3/8	
13	4240173	1	Strap, Hose	

SECTION 2 - TURNTABLE

FIGURE 2-4. SWING DRIVE AND TURNTABLE BEARING INSTALLATION (T500J WITH JING WEI BEARING)



ART_1001153363

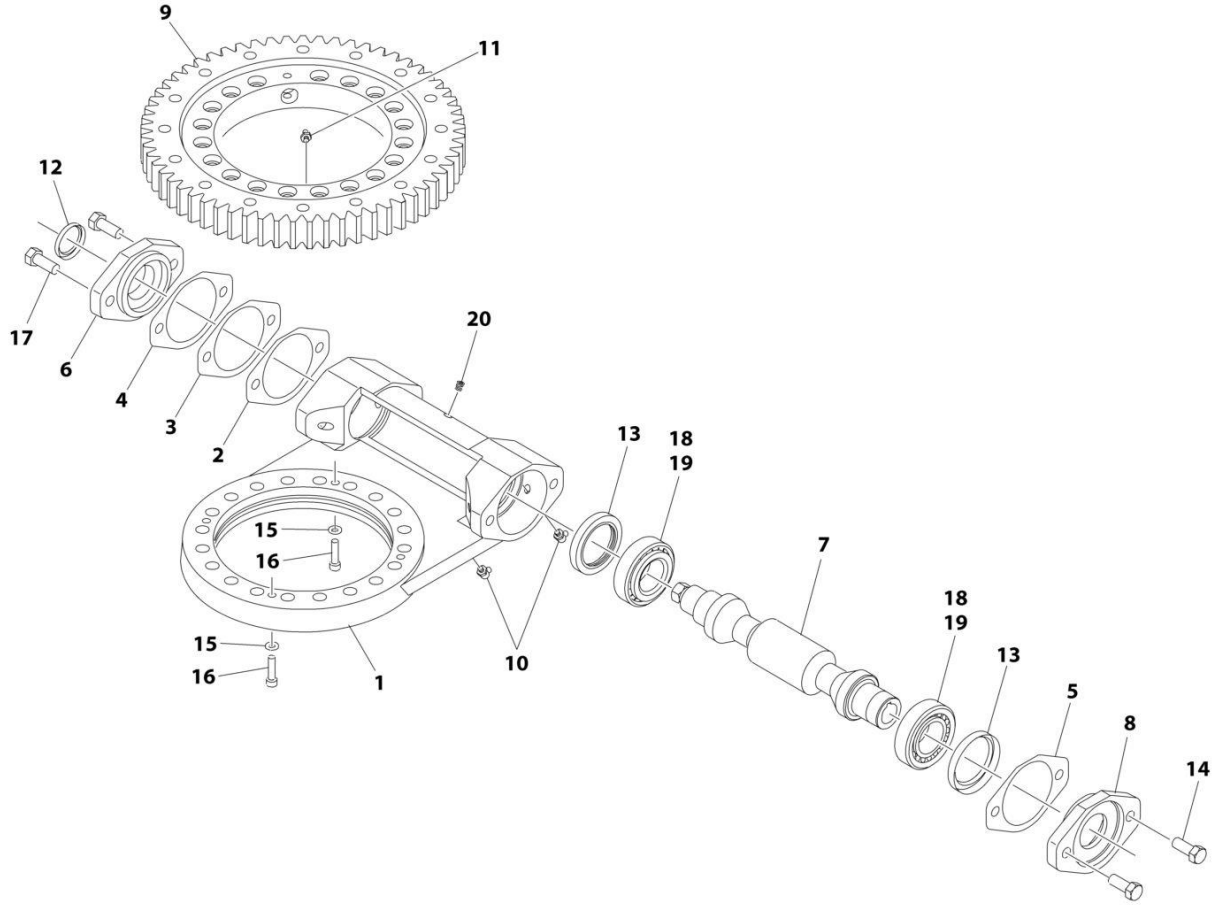
SECTION 2 - TURNTABLE

FIGURE 2-4. SWING DRIVE AND TURNTABLE BEARING INSTALLATION (T500J WITH JING WEI BEARING)

ITEM	PART NUMBER	QTY	DESCRIPTION	REV
	1001153363	Ref	SWING DRIVE AND TURNTABLE BEARING INSTALLATION	B
1	0100019	AR	Compound, Locking	
2	1001153014	1	Turntable Bearing Assembly (See Separate Breakdown in this Section)	
3	0630183	1	Screw 3/8 x 1	
4	0681816	2	Bolt 1/2 x 2 Grade 8	
5	3160331	1	Swing Motor Assembly (See Separate Breakdown in this Section)	
6	3900360	35	Capscrew M14 x 90	
7	4220255	1	Stop, Swing	
7A	0962447	1	Bushing	
8	4740171	2	Washer	
9	4891900	16	Washer 9/16	
10	0641608	2	Bolt 3/8 x 1	
11	3311608	2	Nut 3/8	
12	4240173	1	Strap, Hose	

SECTION 2 - TURNTABLE

FIGURE 2-5. TURNTABLE BEARING ASSEMBLY - DOHI (T350)



ART_0440285

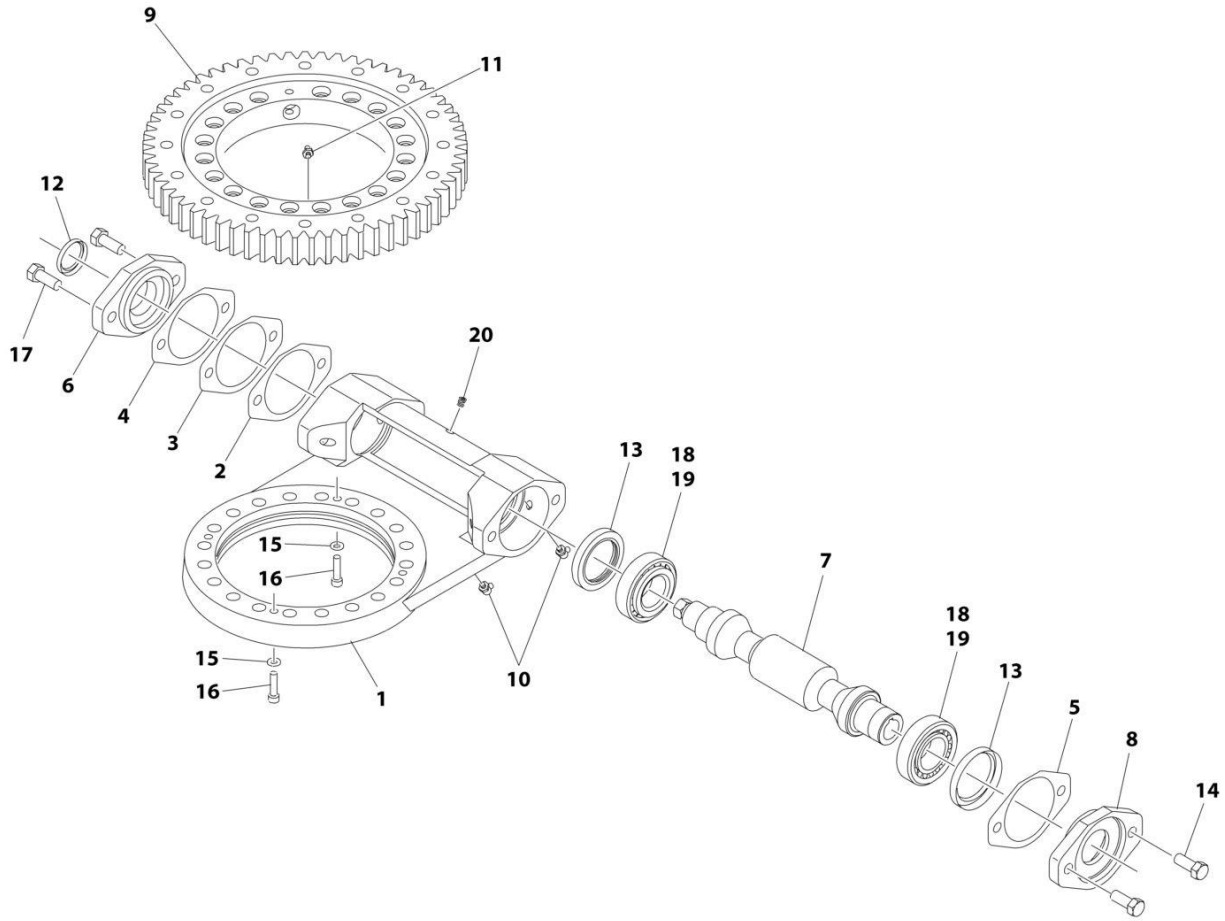
SECTION 2 - TURNTABLE

FIGURE 2-5. TURNTABLE BEARING ASSEMBLY - DOHI (T350)

ITEM	PART NUMBER	QTY	DESCRIPTION	REV
	0440285	Ref	TURNTABLE BEARING ASSEMBLY	J
1	See Note	1	Housing (Note: Not Available - Purchase Complete Bearing Assembly)	
2	7027350	AR	Gasket (Blue.005)	
3	7027351	AR	Gasket (Clear.0075)	
4	7027352	AR	Gasket (Brown.010)	
5	7027353	AR	Gasket (Yellow.020)	
6	7027354	1	Cap	
7	7027355	1	Shaft, Worm Drive	
8	7027356	1	Adapter, Motor	
9	7027357	1	Bearing, Slew	
10	7027358	3	Fitting, Grease - Elbow	
11	See Note	1	Fitting, Grease - Straight (Note: Not Available - Purchase Locally)	
12	7027360	1	Seal	
13	7027361	1	Seal	
14	0641808	2	Bolt 1/2 x 1	
15	4751500	2	Washer 5/16	
16	70000864	2	Capscrew 1/4 x 1-1/8	
17	0681812	2	Bolt 1/2 x 1-1/2 Grade 8	
18	7026042	2	Cup, Bearing	
19	7026043	2	Cone, Bearing	
20	See Note	1	Plug (Note: Not Available - Purchase Locally)	

SECTION 2 - TURNTABLE

FIGURE 2-6. TURNTABLE BEARING ASSEMBLY - JING WEI (T350)



ART_1001153011

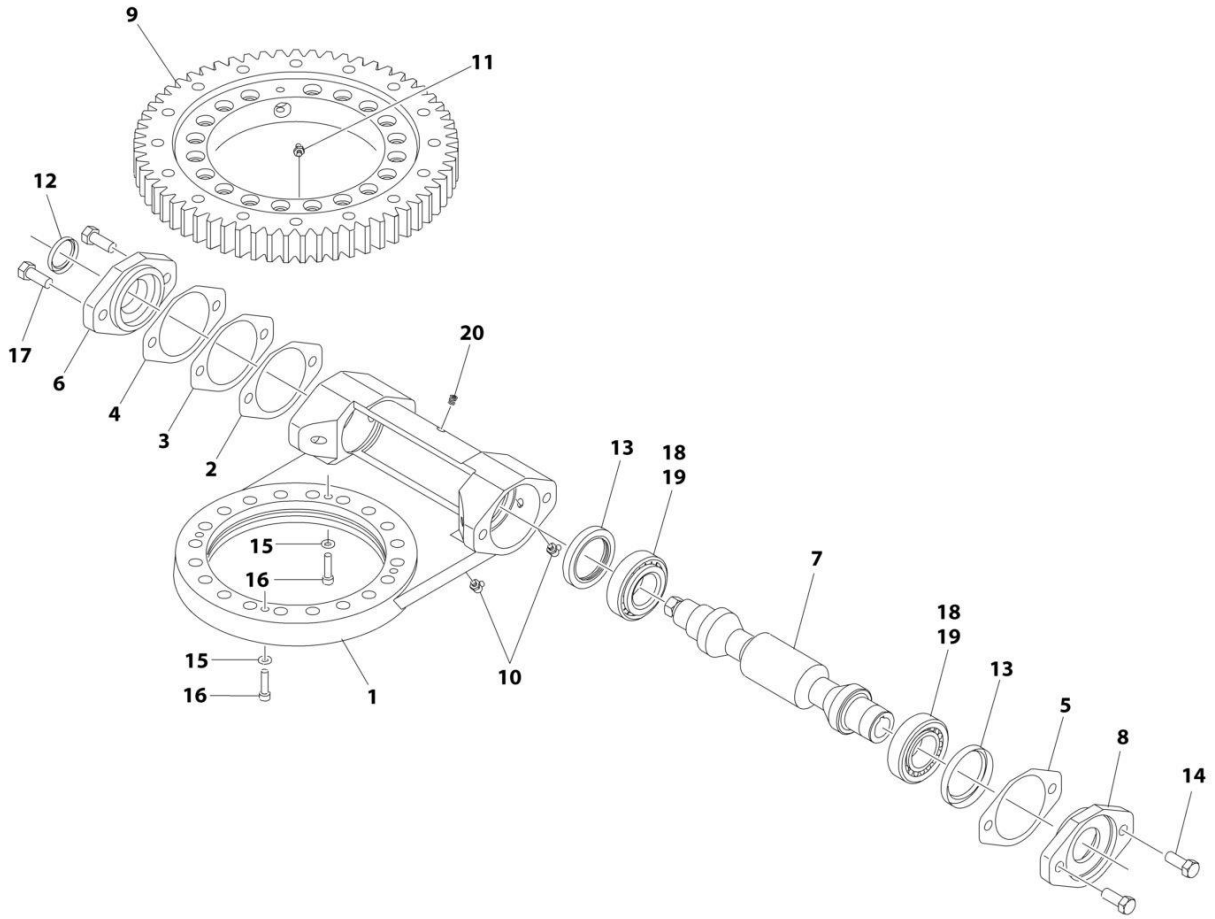
SECTION 2 - TURNTABLE

FIGURE 2-6. TURNTABLE BEARING ASSEMBLY - JING WEI (T350)

ITEM	PART NUMBER	QTY	DESCRIPTION	REV
	1001153011	Ref	TURNTABLE BEARING ASSEMBLY	C
1	See Note	1	Housing (Note: Not Available - Purchase Complete Bearing Assembly)	
2	7027350	AR	Gasket (Blue.005)	
3	7027351	AR	Gasket (Clear.0075)	
4	7027352	AR	Gasket (Brown.010)	
5	7027353	AR	Gasket (Yellow.020)	
6	7027354	1	Cap	
7	7027355	1	Shaft, Worm Drive	
8	7027356	1	Adapter, Motor	
9	70004156	1	Bearing, Slew	
10	7027358	3	Fitting, Grease - Elbow	
11	See Note	1	Fitting, Grease - Straight (Note: Not Available - Purchase Locally)	
12	7027360	1	Seal	
13	7027361	1	Seal	
14	0641808	2	Bolt 1/2 x 1	
15	4751500	2	Washer 5/16	
16	70000864	2	Capscrew 1/4 x 1-1/8	
17	0681812	2	Bolt 1/2 x 1-1/2 Grade 8	
18	7026042	2	Cup, Bearing	
19	7026043	2	Cone, Bearing	
20	See Note	1	Plug (Note: Not Available - Purchase Locally)	

SECTION 2 - TURNTABLE

FIGURE 2-7. TURNTABLE BEARING ASSEMBLY - DOHI (T500J)



ART_0440286

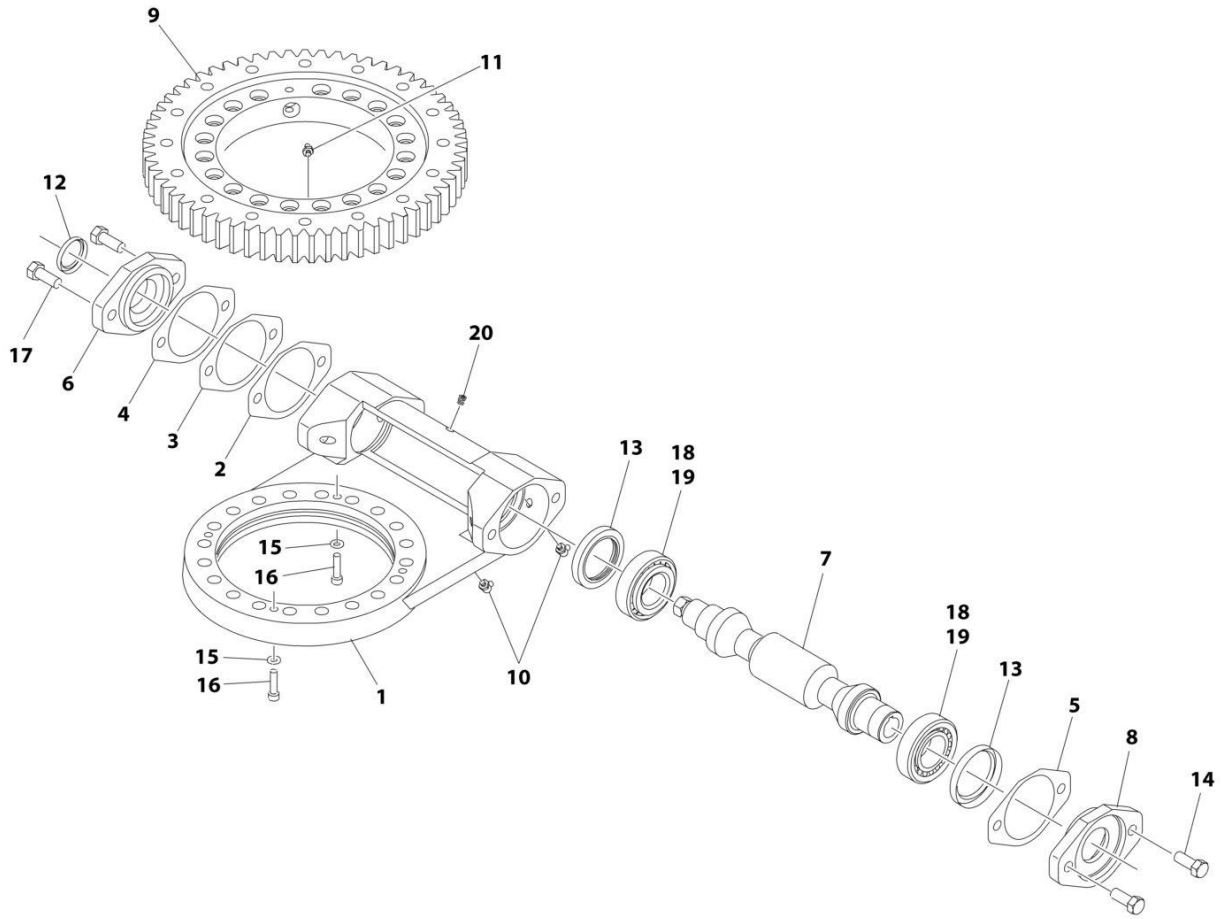
SECTION 2 - TURNTABLE

FIGURE 2-7. TURNTABLE BEARING ASSEMBLY - DOHI (T500J)

ITEM	PART NUMBER	QTY	DESCRIPTION	REV
	0440286	Ref	TURNTABLE BEARING ASSEMBLY	K
1	See Note	1	Housing (Note: Not Available - Purchase Complete Bearing Assembly)	
2	7027350	AR	Gasket (Blue.005)	
3	7027351	AR	Gasket (Clear.0075)	
4	7027352	AR	Gasket (Brown.010)	
5	7027353	AR	Gasket (Yellow.020)	
6	7027354	1	Cap	
7	7027363	1	Shaft, Worm Drive	
8	7027356	1	Adapter, Motor	
9	7027364	1	Bearing, Slew	
10	7027358	3	Fitting, Grease - Elbow	
11	See Note	1	Fitting, Grease - Straight (Note: Not Available - Purchase Locally)	
12	7027360	1	Seal	
13	7027361	1	Seal	
14	0641810	2	Bolt 1/2 x 1-1/4	
15	4751500	2	Washer 5/16	
16	88212228	2	Capscrew 5/16 x 1-1/4	
17	0681812	2	Bolt 1/2 x 1-1/2 Grade 8	
18	7026042	2	Cup, Bearing	
19	7026043	2	Cone, Bearing	
20	See Note	1	Plug (Note: Not Available - Purchase Locally)	

SECTION 2 - TURNTABLE

FIGURE 2-8. TURNTABLE BEARING ASSEMBLY - JING WEI (T500J)



ART_1001153014

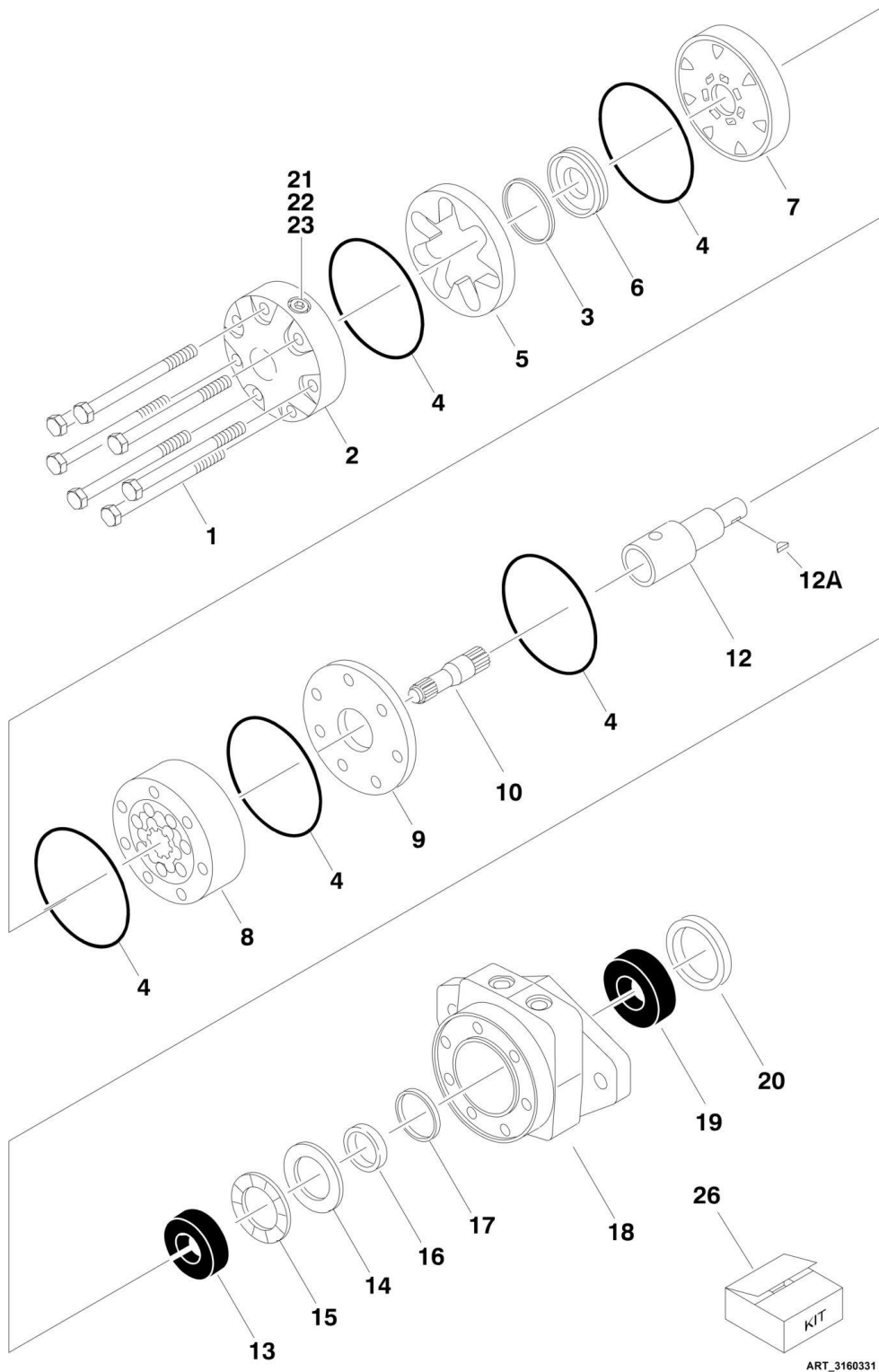
SECTION 2 - TURNTABLE

FIGURE 2-8. TURNTABLE BEARING ASSEMBLY - JING WEI (T500J)

ITEM	PART NUMBER	QTY	DESCRIPTION	REV
	1001153014	Ref	TURNTABLE BEARING ASSEMBLY	B
1	See Note	1	Housing (Note: Not Available - Purchase Complete Bearing Assembly)	
2	7027350	AR	Gasket (Blue.005)	
3	7027351	AR	Gasket (Clear.0075)	
4	7027352	AR	Gasket (Brown.010)	
5	7027353	AR	Gasket (Yellow.020)	
6	7027354	1	Cap	
7	7027363	1	Shaft, Worm Drive	
8	7027356	1	Adapter, Motor	
9	70004157	1	Bearing, Slew	
10	7027358	3	Fitting, Grease - Elbow	
11	See Note	1	Fitting, Grease - Straight (Note: Not Available - Purchase Locally)	
12	7027360	1	Seal	
13	7027361	1	Seal	
14	0641810	2	Bolt 1/2 x 1-1/4	
15	4751500	2	Washer 5/16	
16	88212228	2	Capscrew 5/16 x 1-1/4	
17	0681812	2	Bolt 1/2 x 1-1/2 Grade 8	
18	7026042	2	Cup, Bearing	
19	7026043	2	Cone, Bearing	
20	See Note	1	Plug (Note: Not Available - Purchase Locally)	

SECTION 2 - TURNTABLE

FIGURE 2-9. SWING MOTOR ASSEMBLY (PARKER)



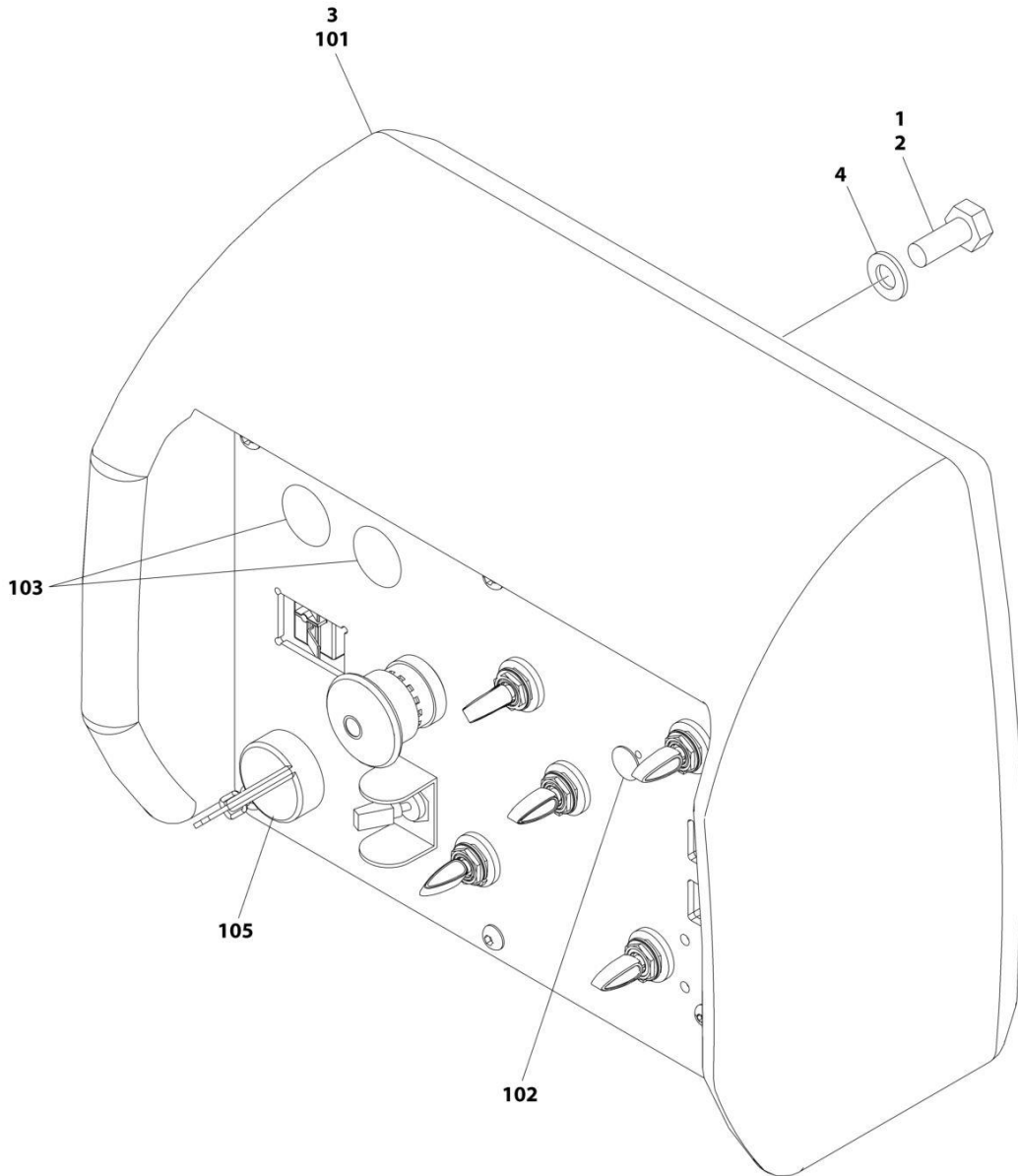
SECTION 2 - TURNTABLE

FIGURE 2-9. SWING MOTOR ASSEMBLY (PARKER)

ITEM	PART NUMBER	QTY	DESCRIPTION	REV
	3160331	Ref	SWING DRIVE MOTOR ASSEMBLY	B
1	7024382	7	Bolt	
2	7004035	1	Cover	
3	7024396	1	Seal, Commutator	
4	7024396	5	Ring, Seal	
5	7024453	1	Commutator (Includes Item 6)	
6	7024453	1	Ring, Commutator (Includes Item 5)	
7	7024379	1	Manifold	
8	7024383	1	Rotor Set	
9	7024380	1	Plate, Wear	
10	7024384	1	Link, Drive	
12	70000088	1	Shaft	
12A	70000089	1	Key, Shaft	
13	7024381	1	Bearing, Inner	
14	7004043	1	Thrustwasher	
15	7004044	1	Bearing, Thrust	
16	7024396	1	Seal, Inner	
17	7024396	1	Washer, Backup	
18	80234299	1	Housing	
19	7024390	1	Bearing, Outer	
20	7024396		Seal, Dirt and Water	
21	7010795	2	Plug (Includes O-Ring)	
22	7024387	2	O-Ring	
23	7024388	2	Spring	
26	7024396	1	Seal Kit (Includes Items 3, 4, 16, 17 & 20)	

SECTION 2 - TURNTABLE

FIGURE 2-10. GROUND CONTROL INSTALLATION (T350 ELECTRIC POWERED MACHINES) (ALL SPECS EXCEPT AUSTRALIAN SPECS)



ART_0273615

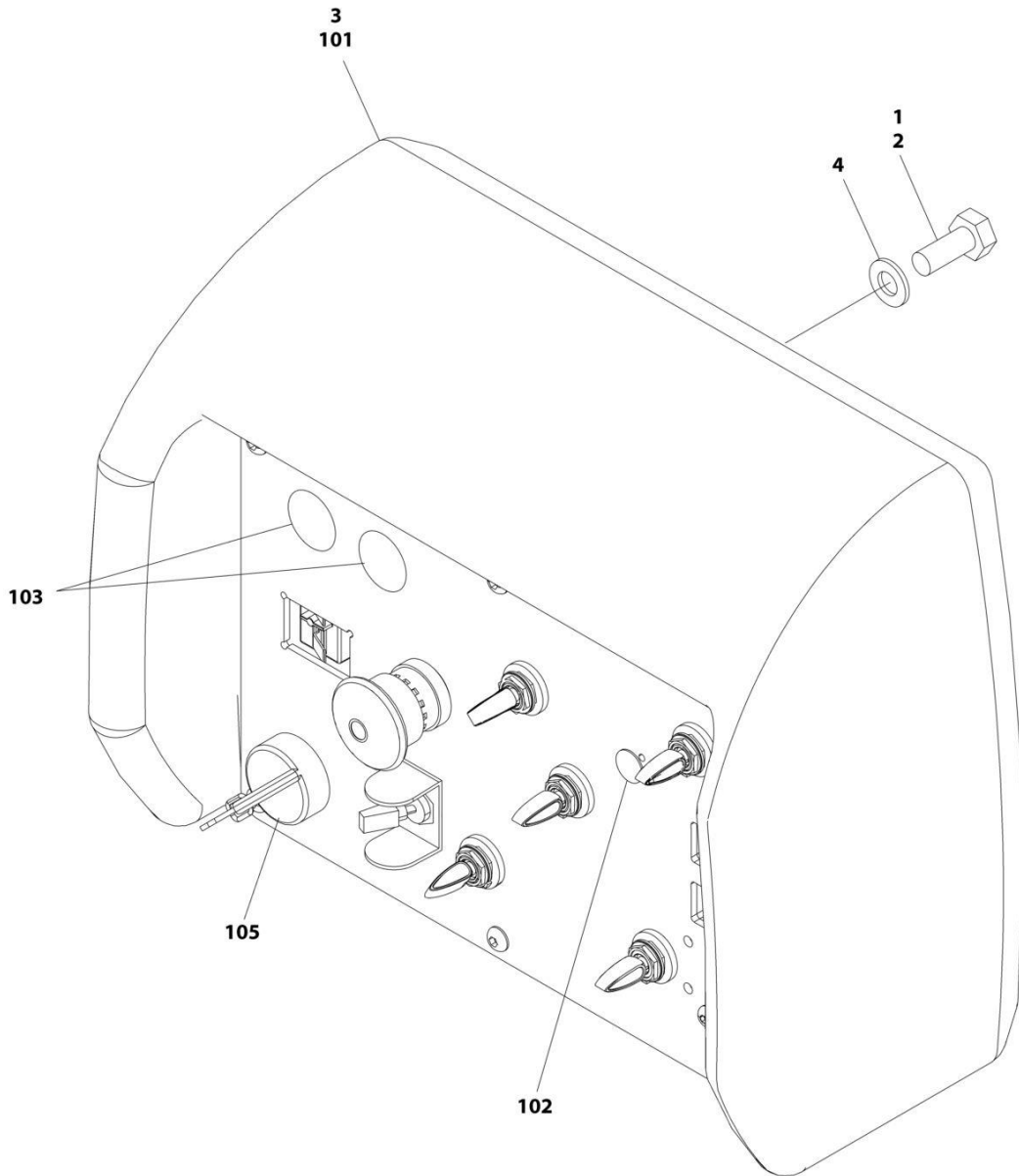
SECTION 2 - TURNTABLE

FIGURE 2-10. GROUND CONTROL INSTALLATION (T350 ELECTRIC POWERED MACHINES) (ALL SPECS EXCEPT AUSTRALIAN SPECS)

ITEM	PART NUMBER	QTY	DESCRIPTION	REV
	0273615	Ref	GROUND CONTROL BOX INSTALLATION	B
1	0100035	AR	Compound, Locking	
2	0761012	4	Bolt M10 x 25	
3	0861663	1	Ground Control Box Sub-Assembly (See Items 101-105)	
4	4812000	4	Washer M10	
5	4240175	1	Tie-Strap (Not Shown)	
	0861663	Ref	GROUND CONTROL BOX SUB-ASSEMBLY	K
101	0861648	1	Ground Control Box Assembly (See Separate Breakdown in this Section)	
102	3520028	1	Plug	
103	3520030	2	Plug	
104	4923118	1	Ground Control Box Harness (Not Shown - See Separate Breakdown in ELECTRICAL Section)	
105	4360469	1	Keyswitch	
105	2860030	1 Set	Key, Replacement	

SECTION 2 - TURNTABLE

FIGURE 2-11. GROUND CONTROL INSTALLATION (T350 ELECTRIC POWERED MACHINES)
(AUSTRALIAN SPECS)



ART_0274111

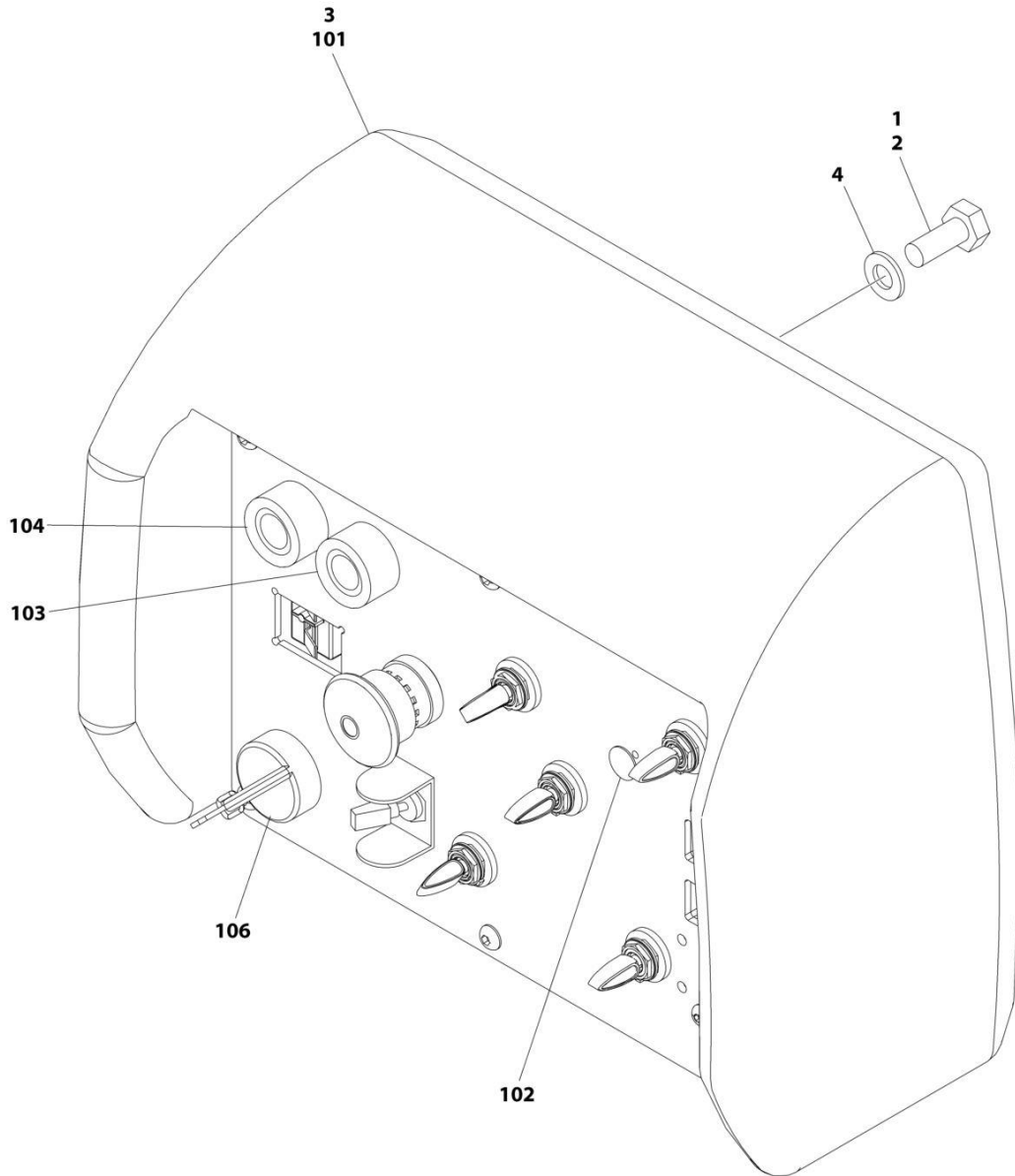
SECTION 2 - TURNTABLE

**FIGURE 2-11. GROUND CONTROL INSTALLATION (T350 ELECTRIC POWERED MACHINES)
(AUSTRALIAN SPECS)**

ITEM	PART NUMBER	QTY	DESCRIPTION	REV
	0274111	Ref	GROUND CONTROL BOX INSTALLATION	B
1	0100035	AR	Compound, Locking	
2	0761012	4	Bolt M10 x 25	
3	0861671	1	Ground Control Box Sub-Assembly (See Items 101-105)	
4	4812000	4	Washer M10	
5	4240175	1	Tie-Strap (Not Shown)	
	0861671	Ref	GROUND CONTROL BOX SUB-ASSEMBLY	H
101	0861648	1	Ground Control Box Assembly (See Separate Breakdown in this Section)	
102	3520028	1	Plug	
103	3520030	2	Plug	
104	4923118	1	Ground Control Box Harness (Not Shown - See Separate Breakdown in ELECTRICAL Section)	
105	4360470	1	Keyswitch	
105	2860030	1 Set	Key, Replacement	

SECTION 2 - TURNTABLE

FIGURE 2-12. GROUND CONTROL INSTALLATION (T350 ENGINE POWERED MACHINES) (ALL SPECS EXCEPT AUSTRALIAN SPECS)



ART_0273960

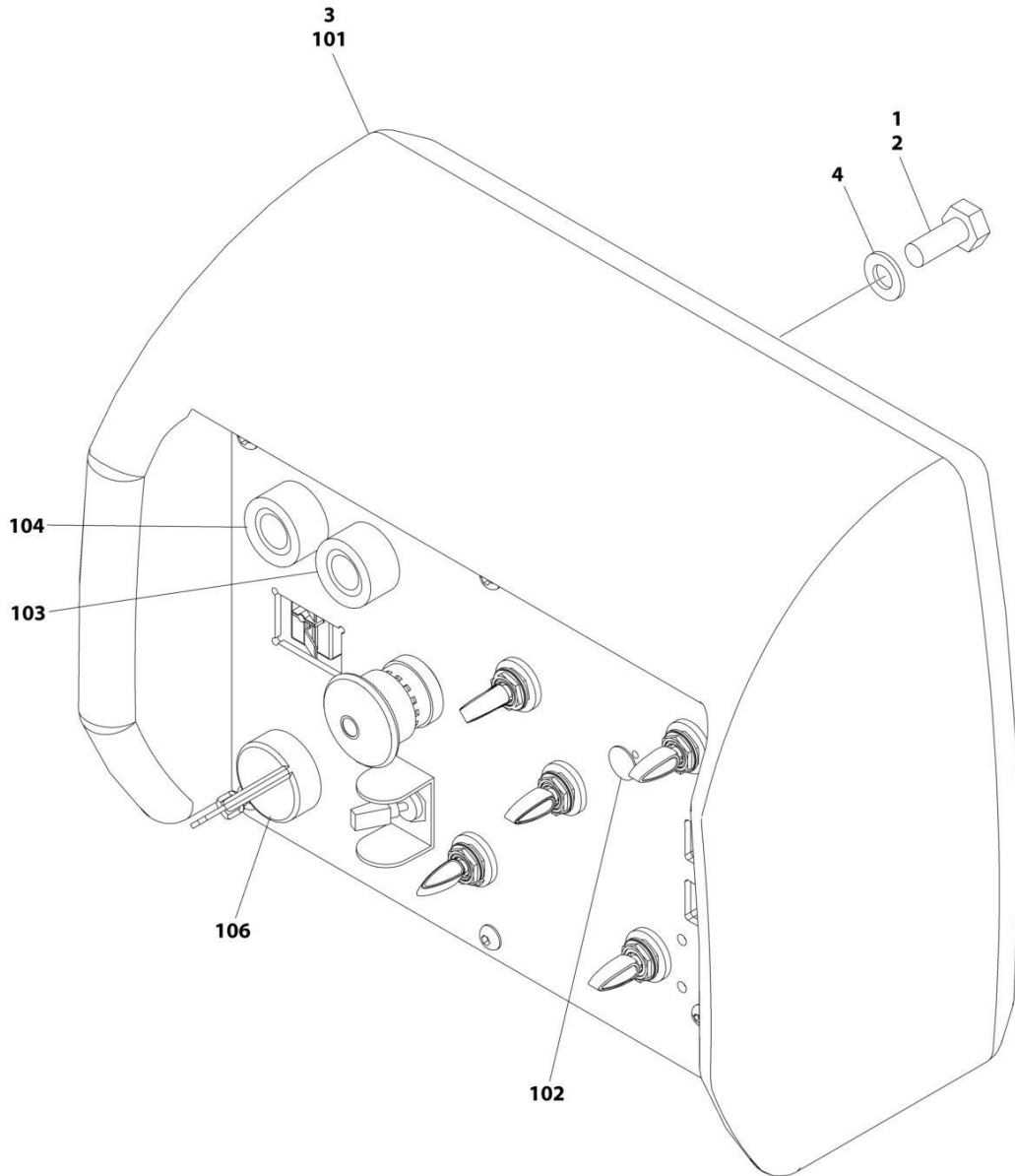
SECTION 2 - TURNTABLE

FIGURE 2-12. GROUND CONTROL INSTALLATION (T350 ENGINE POWERED MACHINES) (ALL SPECS EXCEPT AUSTRALIAN SPECS)

ITEM	PART NUMBER	QTY	DESCRIPTION	REV
	0273960	Ref	GROUND CONTROL BOX INSTALLATION	B
1	0100035	AR	Compound, Locking	
2	0761012	4	Bolt M10 x 25	
3	0861661	1	Ground Control Box Sub-Assembly (See Items 101-106)	
4	4812000	4	Washer M10	
5	4240175	1	Tie-Strap (Not Shown)	
	0861661	Ref	GROUND CONTROL BOX SUB-ASSEMBLY	K
101	0861648	1	Ground Control Box Assembly (See Separate Breakdown in this Section)	
102	3520028	1	Plug	
103	4360564	1	Switch, Push (Yellow)	
104	4360565	1	Switch, Push (Black)	
105	4923125	1	Ground Control Box Harness (Not Shown - See Separate Breakdown in ELECTRICAL Section)	
106	4360469	1	Keyswitch	
106	2860030	1 Set	Key, Replacement	

SECTION 2 - TURNTABLE

FIGURE 2-13. GROUND CONTROL INSTALLATION (T350 ENGINE POWERED MACHINES)
(AUSTRALIAN SPECS)



ART_0274112

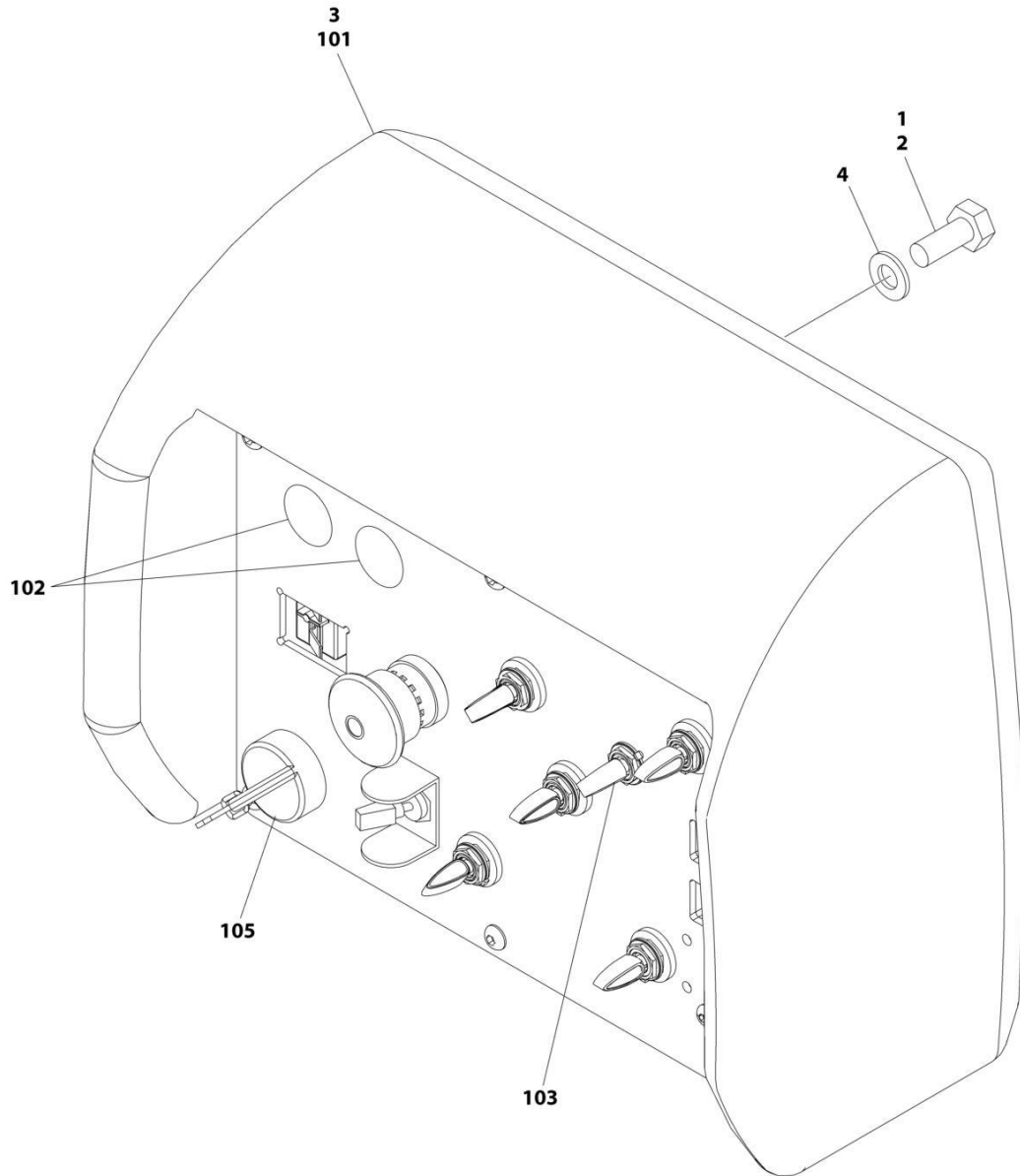
SECTION 2 - TURNTABLE

**FIGURE 2-13. GROUND CONTROL INSTALLATION (T350 ENGINE POWERED MACHINES)
(AUSTRALIAN SPECS)**

ITEM	PART NUMBER	QTY	DESCRIPTION	REV
	0274112	Ref	GROUND CONTROL BOX INSTALLATION	B
1	0100035	AR	Compound, Locking	
2	0761012	4	Bolt M10 x 25	
3	0861672	1	Ground Control Box Sub-Assembly (See Items 101-106)	
4	4812000	4	Washer M10	
5	4240175	1	Tie-Strap (Not Shown)	
	0861672	Ref	GROUND CONTROL BOX SUB-ASSEMBLY	H
101	0861648	1	Ground Control Box Assembly (See Separate Breakdown in this Section)	
102	3520028	1	Plug	
103	4360564	1	Switch, Push (Yellow)	
104	4360565	1	Switch, Push (Black)	
105	4923125	1	Ground Control Box Harness (Not Shown - See Separate Breakdown in ELECTRICAL Section)	
106	4360470	1	Keyswitch	
106	2860030	1 Set	Key, Replacement	

SECTION 2 - TURNTABLE

FIGURE 2-14. GROUND CONTROL INSTALLATION (T500J ELECTRIC POWERED MACHINES) (ALL SPECS EXCEPT AUSTRALIAN SPECS)



ART_0273961

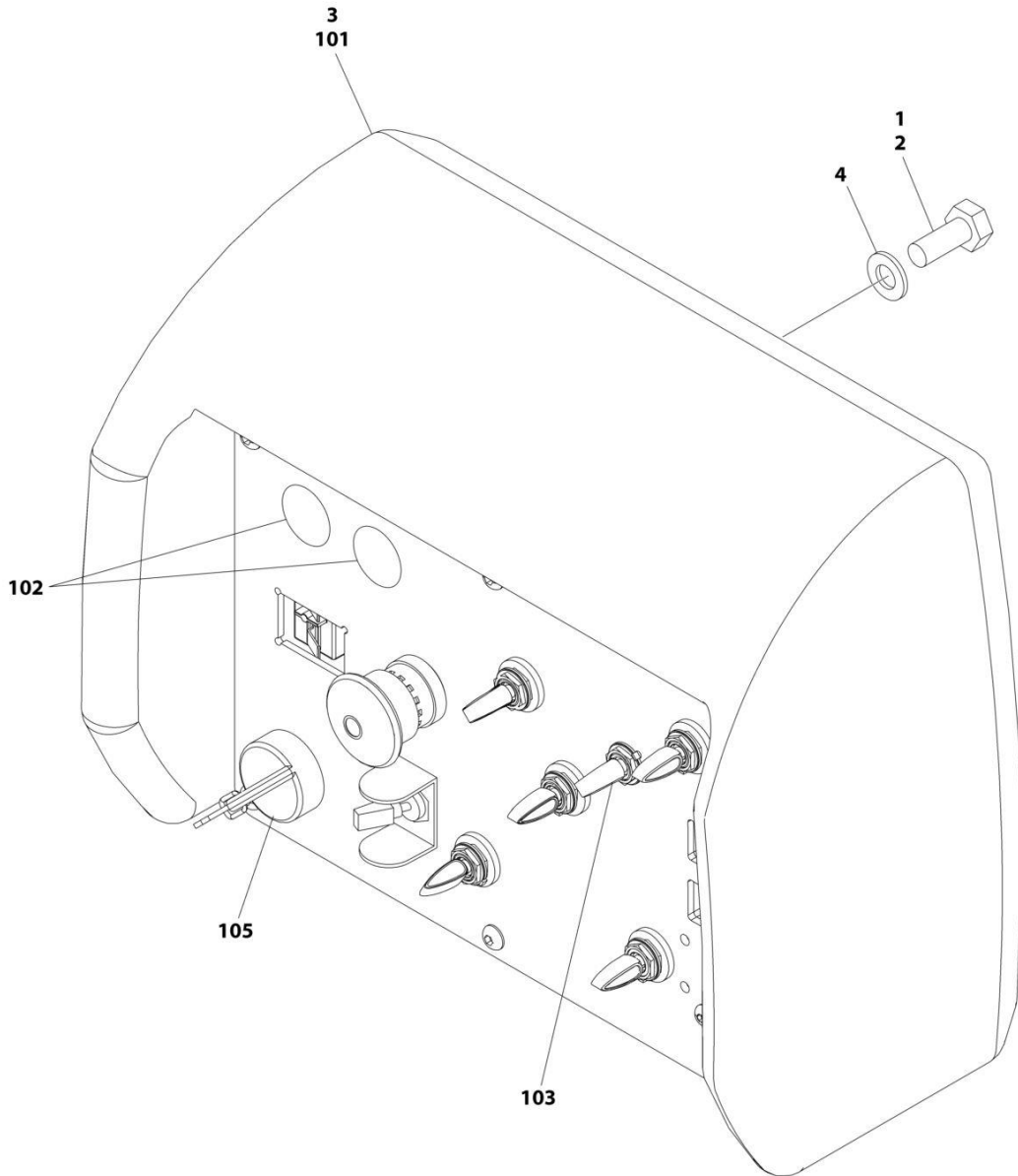
SECTION 2 - TURNTABLE

FIGURE 2-14. GROUND CONTROL INSTALLATION (T500J ELECTRIC POWERED MACHINES) (ALL SPECS EXCEPT AUSTRALIAN SPECS)

ITEM	PART NUMBER	QTY	DESCRIPTION	REV
	0273961	Ref	GROUND CONTROL BOX INSTALLATION	B
1	0100035	AR	Compound, Locking	
2	0761012	4	Bolt M10 x 25	
3	0861662	1	Ground Control Box Sub-Assembly (See Items 101-105)	
4	4812000	4	Washer M10	
5	4240175	1	Tie-Strap (Not Shown)	
	0861662	Ref	GROUND CONTROL BOX SUB-ASSEMBLY	K
101	0861648	1	Ground Control Box Assembly (See Separate Breakdown in this Section)	
102	3520030	2	Plug	
103	4360328	1	Switch, Toggle	
104	4923118	1	Ground Control Box Harness (Not Shown - See Separate Breakdown in ELECTRICAL Section)	
105	4360469	1	Keyswitch	
105	2860030	1 Set	Key, Replacement	

SECTION 2 - TURNTABLE

FIGURE 2-15. GROUND CONTROL INSTALLATION (T500J ELECTRIC POWERED MACHINES)
(AUSTRALIAN SPECS)



ART_0274113

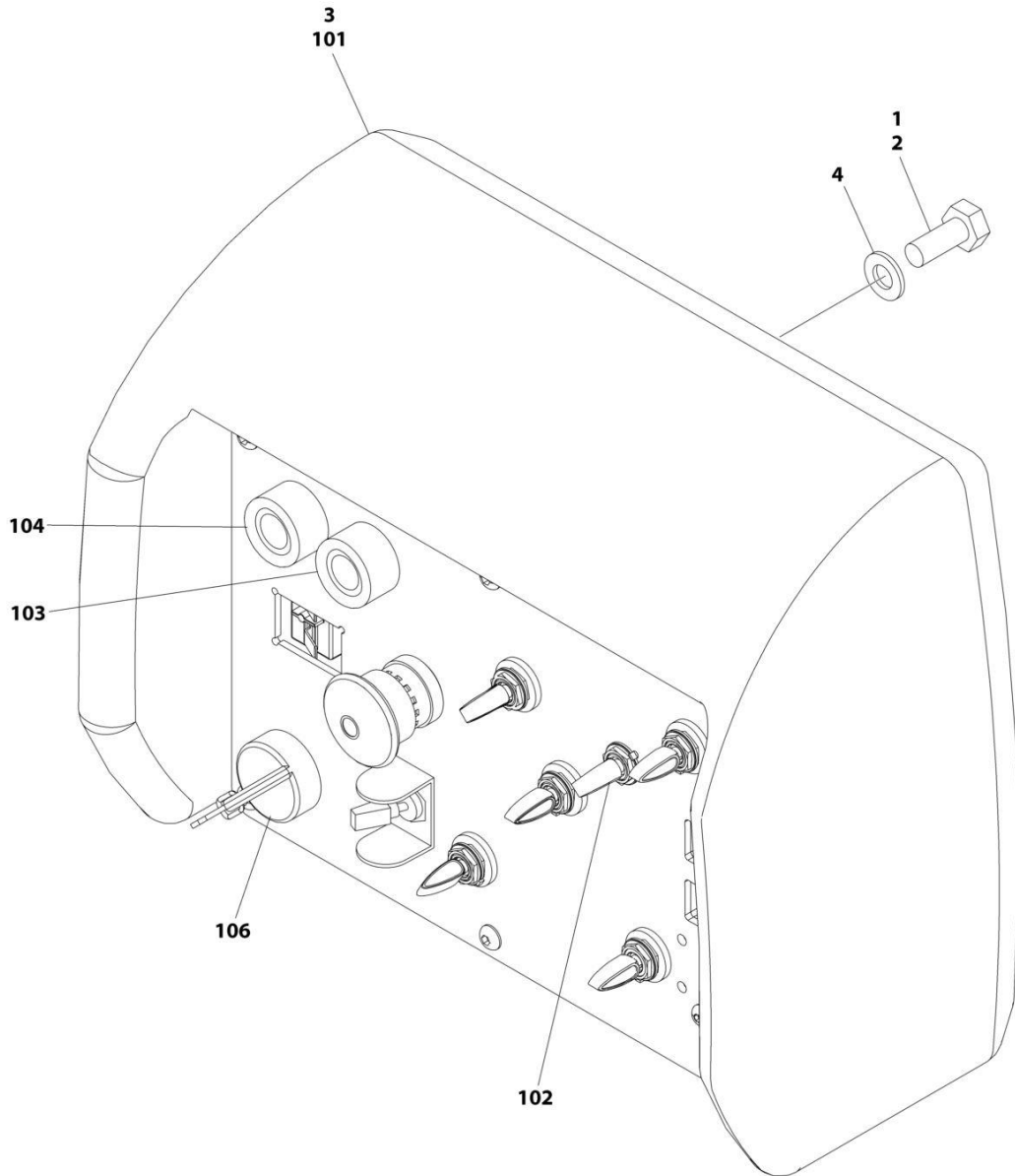
SECTION 2 - TURNTABLE

**FIGURE 2-15. GROUND CONTROL INSTALLATION (T500J ELECTRIC POWERED MACHINES)
(AUSTRALIAN SPECS)**

ITEM	PART NUMBER	QTY	DESCRIPTION	REV
	0274113	Ref	GROUND CONTROL BOX INSTALLATION	B
1	0100035	AR	Compound, Locking	
2	0761012	4	Bolt M10 x 25	
3	0861673	1	Ground Control Box Sub-Assembly (See Items 101-105)	
4	4812000	4	Washer M10	
5	4240175	1	Tie-Strap (Not Shown)	
	0861673	Ref	GROUND CONTROL BOX SUB-ASSEMBLY	H
101	0861648	1	Ground Control Box Assembly (See Separate Breakdown in this Section)	
102	3520030	2	Plug	
103	4360328	1	Switch, Toggle	
104	4923118	1	Ground Control Box Harness (Not Shown - See Separate Breakdown in ELECTRICAL Section)	
105	4360470	1	Keyswitch	
105	2860030	1 Set	Key, Replacement	

SECTION 2 - TURNTABLE

FIGURE 2-16. GROUND CONTROL INSTALLATION (T500J ENGINE POWERED MACHINES) (ALL SPECS EXCEPT AUSTRALIAN SPECS)



ART_0273962

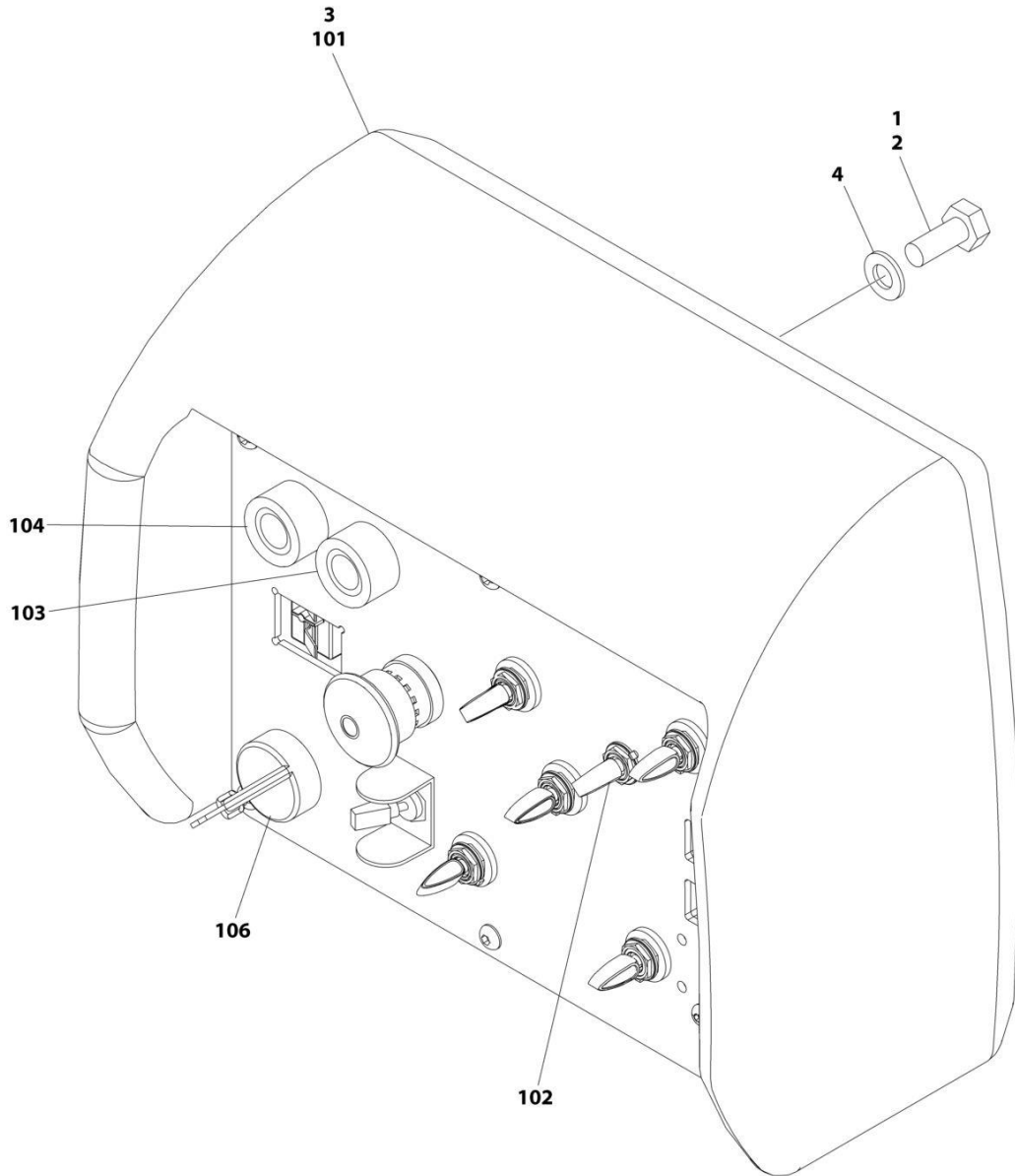
SECTION 2 - TURNTABLE

FIGURE 2-16. GROUND CONTROL INSTALLATION (T500J ENGINE POWERED MACHINES) (ALL SPECS EXCEPT AUSTRALIAN SPECS)

ITEM	PART NUMBER	QTY	DESCRIPTION	REV
	0273962	Ref	GROUND CONTROL BOX INSTALLATION	B
1	0100035	AR	Compound, Locking	
2	0761012	4	Bolt M10 x 25	
3	0861649	1	Ground Control Box Sub-Assembly (See Items 101-106)	
4	4812000	4	Washer M10	
5	4240175	1	Tie-Strap (Not Shown)	
	0861649	Ref	GROUND CONTROL BOX SUB-ASSEMBLY	K
101	0861648	1	Ground Control Box Assembly (See Separate Breakdown in this Section)	
102	4360328	1	Switch, Toggle	
103	4360564	1	Switch, Push (Yellow)	
104	4360565	1	Switch, Push (Black)	
105	4923125	1	Ground Control Box Harness (Not Shown - See Separate Breakdown in ELECTRICAL Section)	
106	4360469	1	Keyswitch	
106	2860030	1 Set	Key, Replacement	

SECTION 2 - TURNTABLE

FIGURE 2-17. GROUND CONTROL INSTALLATION (T500J ENGINE POWERED MACHINES)
(AUSTRALIAN SPECS)



ART_0274114

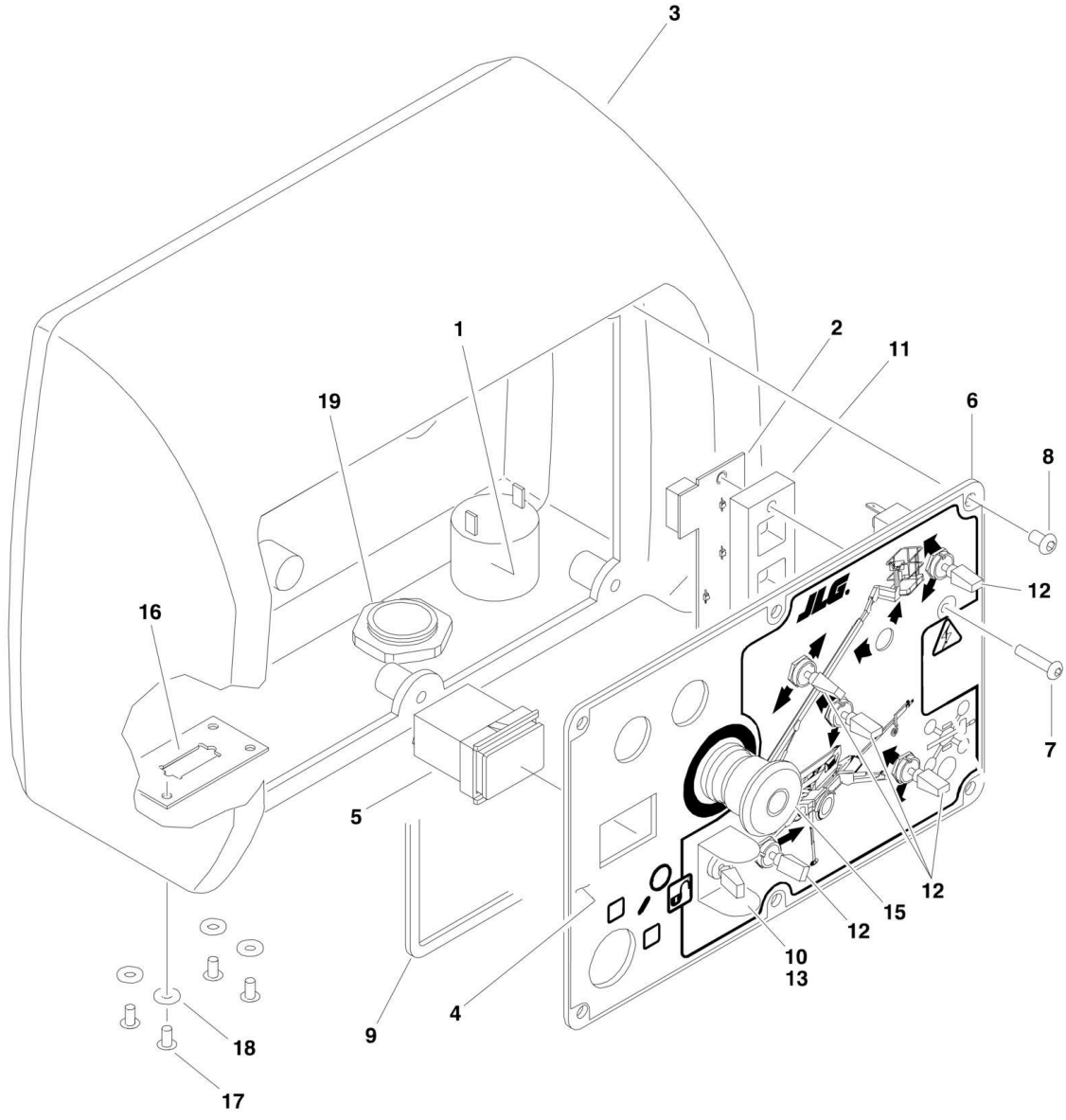
SECTION 2 - TURNTABLE

**FIGURE 2-17. GROUND CONTROL INSTALLATION (T500J ENGINE POWERED MACHINES)
(AUSTRALIAN SPECS)**

ITEM	PART NUMBER	QTY	DESCRIPTION	REV
	0274114	Ref	GROUND CONTROL BOX INSTALLATION	B
1	0100035	AR	Compound, Locking	
2	0761012	4	Bolt M10 x 25	
3	0861674	1	Ground Control Box Sub-Assembly (See Items 101-106)	
4	4812000	4	Washer M10	
5	4240175	1	Tie-Strap (Not Shown)	
	0861674	Ref	GROUND CONTROL BOX SUB-ASSEMBLY	H
101	0861648	1	Ground Control Box Assembly (See Separate Breakdown in this Section)	
102	4360328	1	Switch, Toggle	
103	4360564	1	Switch, Push (Yellow)	
104	4360565	1	Switch, Push (Black)	
105	4923125	1	Ground Control Box Harness (Not Shown - See Separate Breakdown in ELECTRICAL Section)	
106	4360470	1	Keyswitch	
106	2860030	1 Set	Key, Replacement	

SECTION 2 - TURNTABLE

FIGURE 2-18. GROUND CONTROL BOX ASSEMBLY



ART_0861648

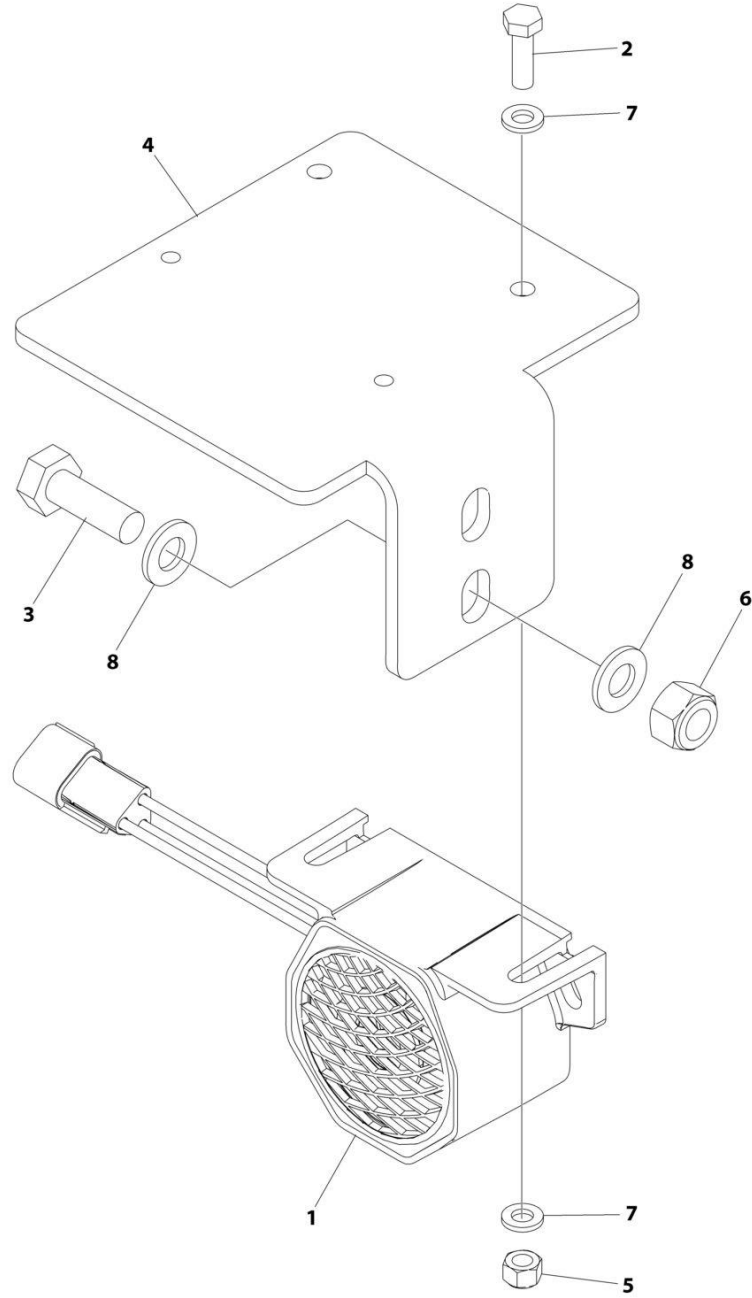
SECTION 2 - TURNTABLE

FIGURE 2-18. GROUND CONTROL BOX ASSEMBLY

ITEM	PART NUMBER	QTY	DESCRIPTION	REV
	0861648	Ref	GROUND CONTROL BOX ASSEMBLY	L
1	0140011	1	Alarm	
2	0610170	1	PC Board	
3	0861647	1	Box	
4	1705971	1	Decal	
5	2420172	1	Hourmeter	
6	3575358	1	Plate, Switch Mounting	
7	3900352	2	Screw M5 x 25	
8	3900358	6	Screw M6 x 10	
9	3960587	1	Seal	
10	4060906	1	Guard, Switch	
11	4220210	1	Block, PC Board Mounting	
12	4360328	5	Switch, Toggle	
13	4360330	1	Switch, Toggle	
15		Ref	Switch, Emergency Stop	
15	4360475	1	Cap, Replacement	
15	7020175	1	Block, Replacement Contact	
15	7020176	1	Plate, Plug Mounting	
16	3575623	1	Rivet	
17	3820020	4	Washer #10	
18	4711000	4	Connector, Strain Relief	
19	4460386	1	Connector, Strain Relief	

SECTION 2 - TURNTABLE

FIGURE 2-19. MOTION ALARM INSTALLATION (OPTIONAL)



ART_0275048

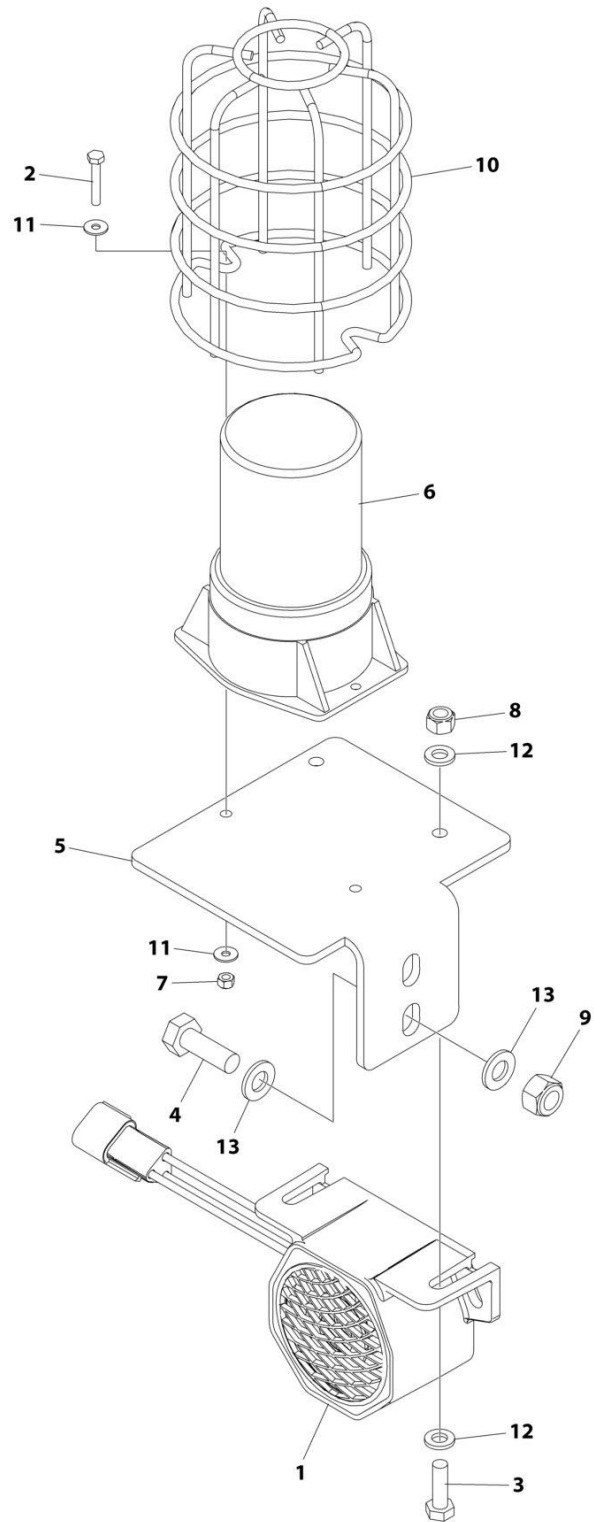
SECTION 2 - TURNTABLE

FIGURE 2-19. MOTION ALARM INSTALLATION (OPTIONAL)

ITEM	PART NUMBER	QTY	DESCRIPTION	REV
	0275048	Ref	MOTION ALARM INSTALLATION (OPTIONAL)	D
1	0140043	1	Alarm	
2	0700610	2	Bolt M6 x 20	
3	0701014	2	Bolt M10 x 30	
4	0903087	1	Bracket, Mounting	
5	3290605	2	Nut M6	
6	3291005	2	Nut M10	
7	4811700	4	Washer M6	
8	4812000	4	Washer M10	
9	4923128	1	Harness, Strobe/Alarm (Not Shown - See Separate Breakdown in ELECTRICAL Section)	

SECTION 2 - TURNTABLE

FIGURE 2-20. ALARM AND STROBE LIGHT INSTALLATION (OPTIONAL)



ART_0273669

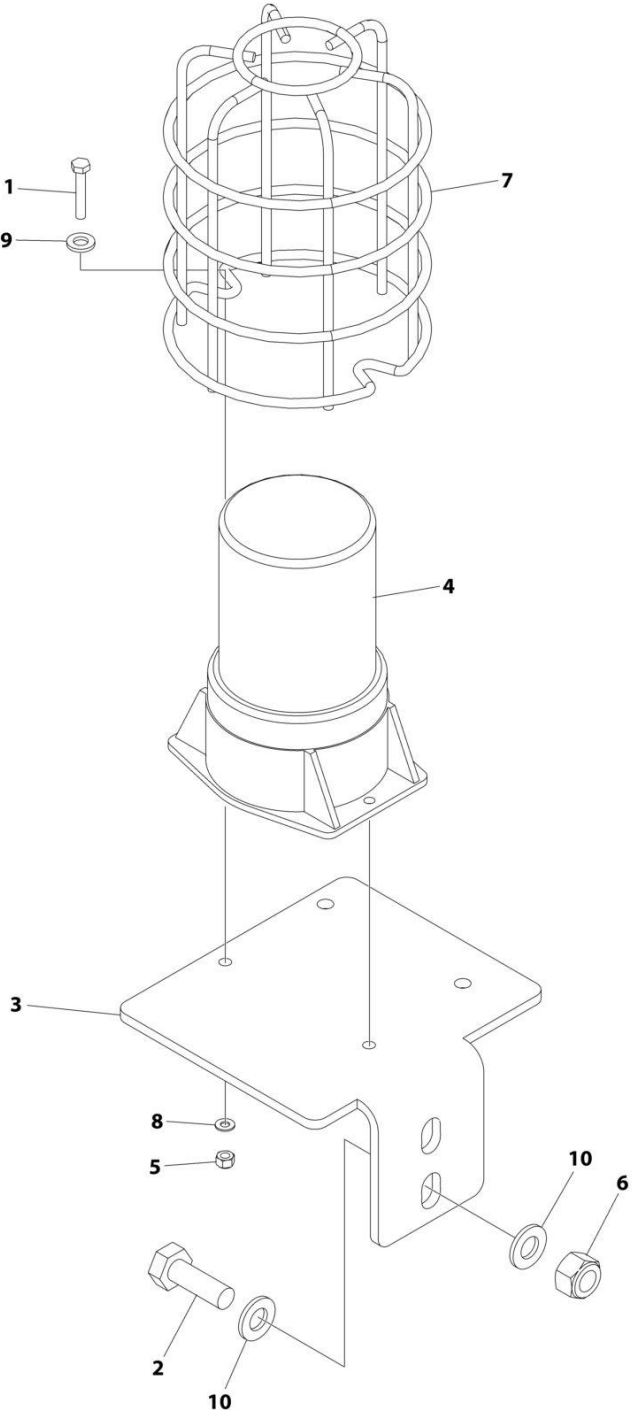
SECTION 2 - TURNTABLE

FIGURE 2-20. ALARM AND STROBE LIGHT INSTALLATION (OPTIONAL)

ITEM	PART NUMBER	QTY	DESCRIPTION	REV
	0273669	Ref	ALARM AND STROBE LIGHT INSTALLATION (OPTIONAL)	G
1	0140043	1	Alarm	
2	0700412	2	Bolt M4 x 25	
3	0700610	2	Bolt M6 x 20	
4	0701014	2	Bolt M10 x 30	
5	0903087	1	Bracket, Mounting	
6	2920161	1	Strobe Light Assembly	
6	7016319	1	Bulb	
6	7016372	1	Lens	
7	3290405	2	Nut M4	
8	3290605	2	Nut M6	
9	3291005	2	Nut M10	
10	4060865	1	Guard, Strobe	
11	4811400	2	Washer M4 (Regular)	
11	1001091102	4	Washer M4 (Large)	
12	4811700	AR	Washer M6	
13	4812000	4	Washer M10	
14	4923128	1	Harness, Strobe/Alarm (Not Shown - See Separate Breakdown in ELECTRICAL Section)	

SECTION 2 - TURNTABLE

FIGURE 2-21. STROBE LIGHT INSTALLATION (OPTIONAL)



ART_0275030

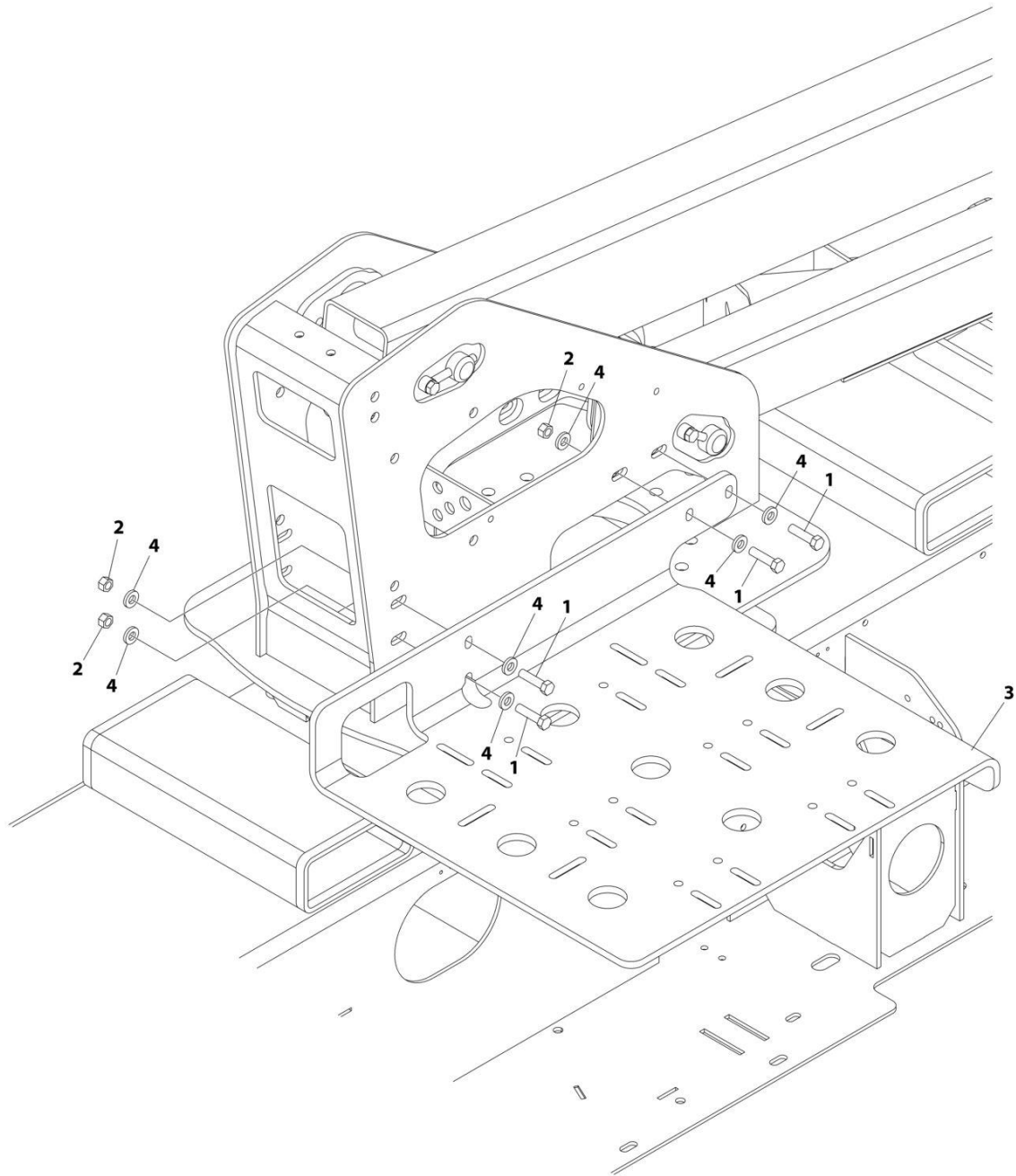
SECTION 2 - TURNTABLE

FIGURE 2-21. STROBE LIGHT INSTALLATION (OPTIONAL)

ITEM	PART NUMBER	QTY	DESCRIPTION	REV
	0275030	Ref	STROBE LIGHT INSTALLATION (OPTIONAL)	D
1	0700412	2	Bolt M4 x 25	
2	0701014	2	Bolt M10 x 30	
3	0903087	1	Bracket, Mounting	
4	2920161	1	Strobe Light Assembly	
4	7016319	1	Bulb	
4	7016372	1	Lens	
5	3290405	2	Nut M4	
6	3291005	2	Nut M10	
7	4060865	1	Guard, Strobe	
8	4811400	2	Washer M4	
9	4811700	2	Washer M6	
10	4812000	4	Washer M10	
11	4923128	1	Harness, Strobe/Alarm (Not Shown - See Separate Breakdown in ELECTRICAL Section)	
12	4460121	3	Cap, Terminal (Not Shown)	

SECTION 2 - TURNTABLE

FIGURE 2-22. ACCESSORY TRAY INSTALLATION (OPTIONAL)



ART_0274290

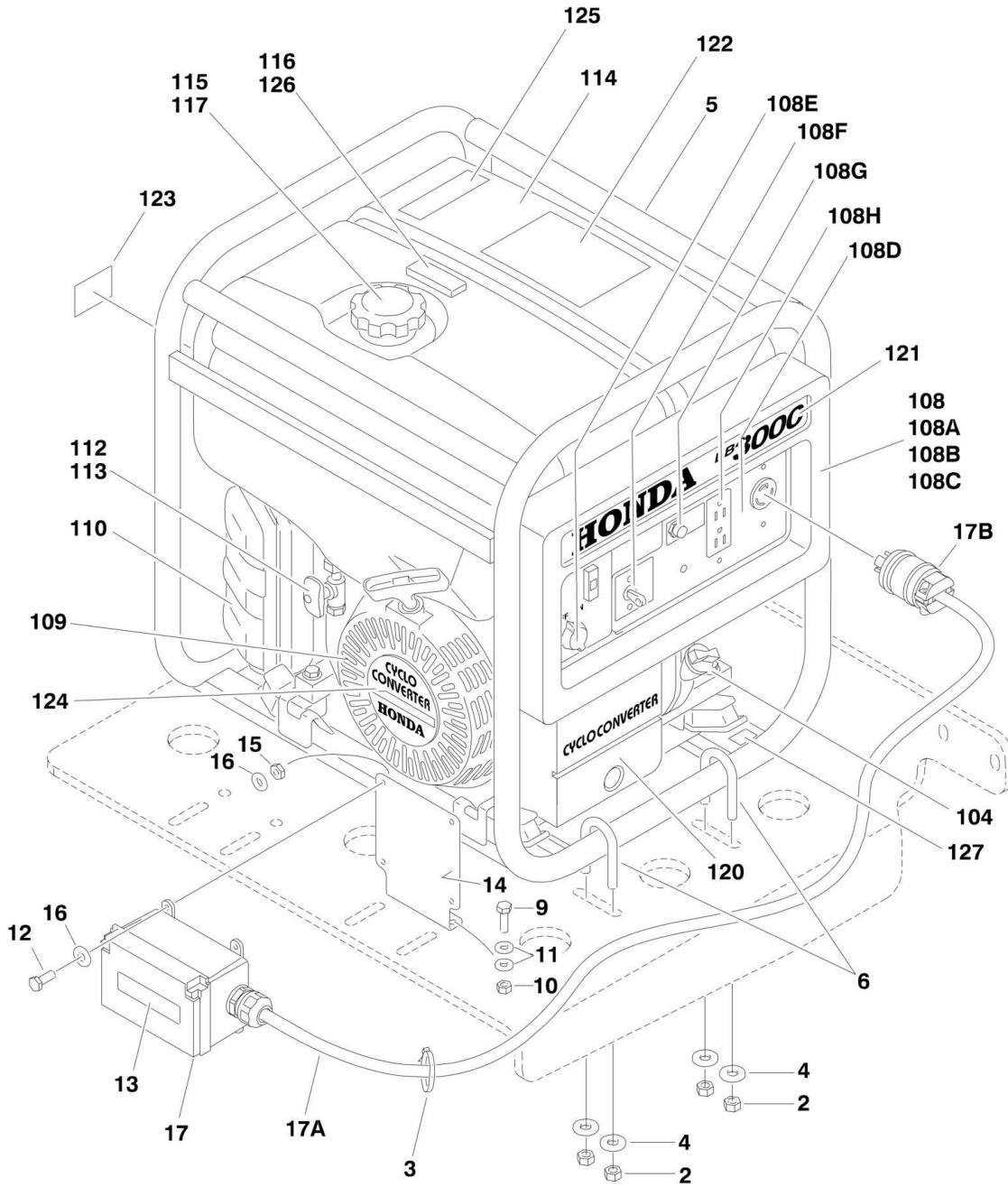
SECTION 2 - TURNTABLE

FIGURE 2-22. ACCESSORY TRAY INSTALLATION (OPTIONAL)

ITEM	PART NUMBER	QTY	DESCRIPTION	REV
	0274290	Ref	ACCESSORY TRAY INSTALLATION (OPTIONAL)	C
1	0641612	4	Bolt 3/8 x 1-1/2	
2	3311605	4	Nut 3/8	
3	4341400	1	Mount, Accessory Tray	
4	4891600	8	Washer 3/8	

SECTION 2 - TURNTABLE

FIGURE 2-23. 3000W GENERATOR INSTALLATION (OPTIONAL)



SECTION 2 - TURNTABLE

FIGURE 2-23. 3000W GENERATOR INSTALLATION (OPTIONAL)

ITEM	PART NUMBER	QTY	DESCRIPTION	REV
	1001120260	Ref	GENERATOR INSTALLATION (ANSI, ANSI EXPORT AND CSA SPECS ONLY - NOT AVAILABLE IN CALIFORNIA)	D
2	3311505	8	Nut 5/16	
3	4240033	AR	Tie-Strap	
4	4751500	8	Washer 5/16	
5	1001130309	1	Generator Assembly - 3000W (See Items 101-127 for Breakdown)	
6	1001120264	4	U-Bolt 5/16 X 1	
9	0641407	2	Bolt 1/4 x 7/8	
10	3311405	2	Nut 1/4	
11	4711400	4	Washer 1/4	
12	0721004	4	Screw #10 x 1/2	
13	3252761	1	Decal - 120V	
14	1001131326	1	Plate, Mounting	
15	3311005	4	Nut #10	
16	4711000	4	Washer M10	
17	1001131595	1	Electrical Assembly	
17	0861731	1	Box, Receptacle	
17	1671207	1	Cover, Receptacle Box	
17	4460346	1	Receptacle, GFI	
17	4460662	1	Connector, Strain Relief	
17A	1060908	44 in/1.1m	Cable, 12/3	
17B	1001131740	1	Plug	
	1001130309	Ref	3000W GENERATOR ASSEMBLY	B
101		Ref	Gasket Options (Not Shown):	
101	70003558	1	Gasket, Cylinder Head	
101	70003559	1	Gasket, Cylinder Head Cover	
101	70003560	1	Gasket, Exhaust (Exhaust Pipe to Cylinder Head)	
102		Ref	Plug, Spark (Not Shown)	
102	7027391	1	Denso Brand	
102	70002770	1	NGK Brand	
103	70003561	1	Switch Assembly, Oil Level (Not Shown)	
103	70003507	1	O-Ring	
104	70002771	1	Cap, Oil Filler	
105	7027388	1	Cap, Secondary Oil Filler (Not Shown)	
106	70003565	1	Carburetor Assembly (Not Shown)	
106	70003562	1	Gasket Set - Carburetor	
106	70003563	1	Float Set - Carburetor	
106	70003564	1	Screw Set - Drain	
106	70003566	1	Insulator, Carburetor (Not Shown)	
106	70002776	1	Gasket, Insulator to Block (Not Shown)	
106	70003567	1	Spacer, Carburetor (Not Shown)	
106	70002777	1	Gasket, Carburetor to Insulator (Not Shown)	
107	70003568	1	Coil, Charging (Not Shown)	
107	7027398	1	Suppressor, Noise (Not Shown)	
108	70003572	1	Control Box Assembly	
108A	70003569	1	Module, Ignition	
108B	70003570	1	Harness, Wiring	
108C	70003571	1	Harness, Secondary Wiring	
108D	70003573	1	Decal - Control Panel	
108E	70002783	1	Switch, Engine Stop	

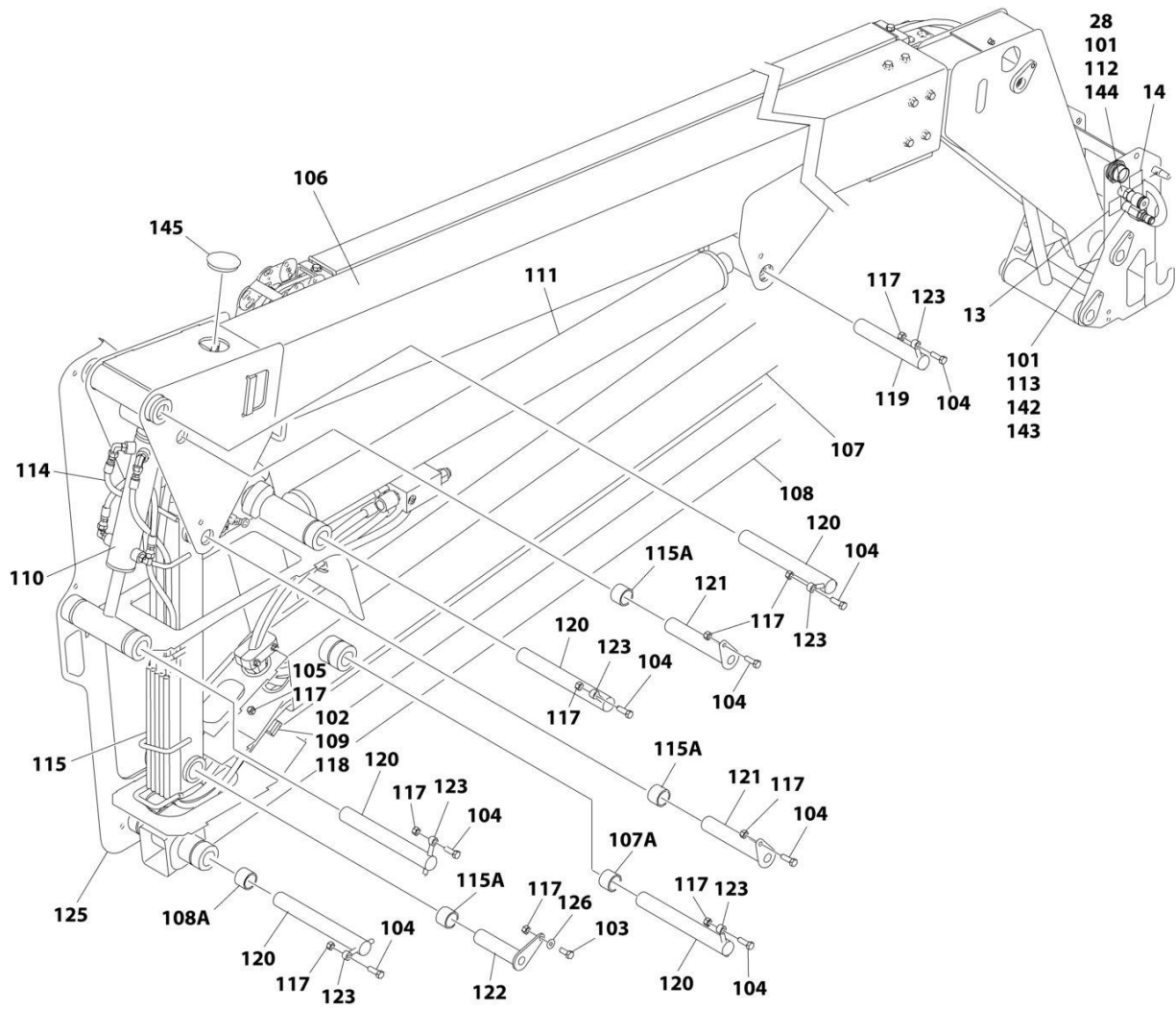
SECTION 2 - TURNTABLE

ITEM	PART NUMBER	QTY	DESCRIPTION	REV
108F	70003574	1	Breaker, Circuit (20A)	
108G	70003575	1	Protector, Circuit (20A)	
108H	70003576	1	Receptacle (20A-125V)	
109	70003577	1	Starter Assy (Recoil)	
109	70003578	1	Spring, Recoil Starter	
109	70003579	1	Handle, Recoil Starter Rope	
109	70002774	1	Rope, Recoil Starter	
110	70003582	1	Cover, Air Cleaner	
110	70003581	4	Spring, Air Cleaner Housing/Cover	
110	70003583	1	Seal, Air Cleaner Cover	
110	70003580	1	Element, Air Cleaner (Inner)	
110	70003584	1	Element, Air Cleaner (Outer)	
111	70003585	1	Muffler (Not Shown)	
111	70003588	1	Gasket, Exhaust Pipe to Block (Not Shown)	
111	70003589	1	Arrester, Spark (Not Shown)	
111	70003586		Shield, Muffler (Outer) (Not Shown)	
111	70003587		Shield, Muffler (Inner) (Not Shown)	
112	70003590	1	Assembly, Petcock	
113	70003591	1	Screen, Fuel Strainer	
114	70003592	1	Tank, Fuel	
115	70003593	1	Cap, Fuel Filler	
116	70003594	1	Gauge, Fuel	
117	7027395	1	Filter, Fuel Tank	
118	70003595	1	Cable, Ground (Frame) (Not Shown)	
119	70003596	1	Generator Assembly (Not Shown)	
119	70003597	1	Grommet, AC Cord (Not Shown)	
120	70003598	1	Cycloconverter, Unit	
121	70003599	1	Decal - Generator Model	
122	70003600	1	Decal - Operator Warning	
123	70003601	1	Decal - Choke	
124	70003602	1	Decal - Cycloconverter	
125	70003603	1	Decal - Exhaust Caution	
126	70003604	1	Decal - Fuel Indication	
127	70003605	1	Decal - Oil Caution	

SECTION 3 - BOOM

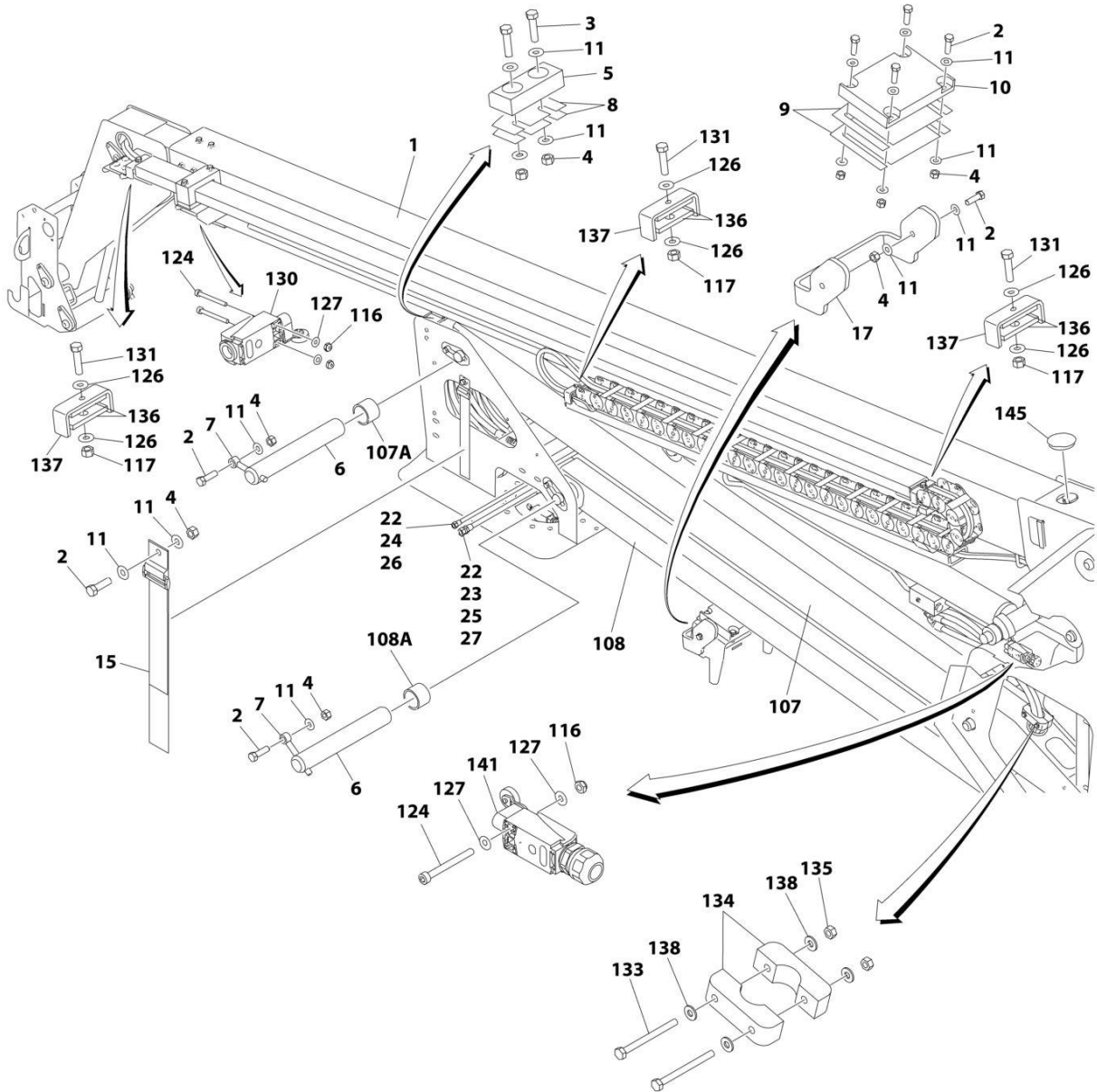
SECTION 3 - BOOM

FIGURE 3-1. BOOM ASSEMBLY AND INSTALLATION (T350 ANSI, ANSI EXPORT AND CSA SPECS)



ART_0274325_1OF2

SECTION 3 - BOOM



ART_0274325_20F2

SECTION 3 - BOOM

FIGURE 3-1. BOOM ASSEMBLY AND INSTALLATION (T350 ANSI, ANSI EXPORT AND CSA SPECS)

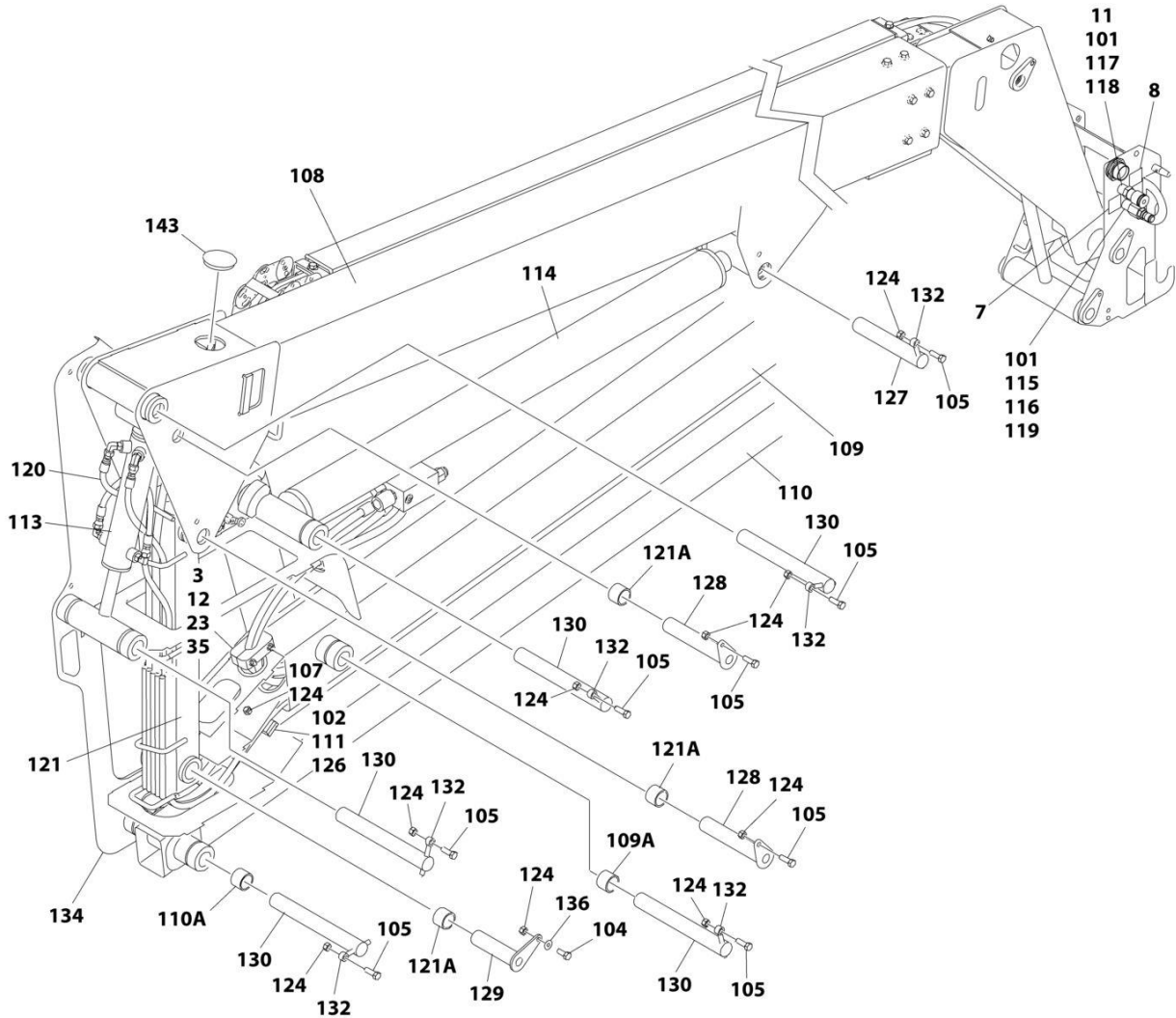
ITEM	PART NUMBER	QTY	DESCRIPTION	REV
	0274325	Ref	BOOM INSTALLATION	I
1	0274327	1	Boom Assembly (See Items 101-145 for Breakdown)	
2	0641610	9	Bolt 3/8 x 1-1/4	
3	0641612	2	Bolt 3/8 x 1-1/2	
4	3311605	11	Nut 3/8	
5	3340843	1	Pad, Wear	
6	3423201	2	Pin	
7	3841143	2	Keeper, Pin	
8	4071082	2	Shim	
9	4071083	2	Shim	
10	4220211	1	Pad, Boom Rest	
11	4711600	20	Washer 3/8	
13	1706261	1	Nameplate - Pressure Washer	
14	1706262	1	Nameplate - Air Compressor	
15	4240003	1	Strap, Cinch	
17	3575803	1	Plate, Boom Stop	
22	0100020	AR	Sealant, Pipe	
23	2221209	1	Fitting, Coupler	
24	2221212	1	Fitting, Nipple	
25	2221213	1	Fitting, Female Coupler	
26	1706625	1	Decal - Air	
27	1706626	1	Decal - Water	
28	2220003	1	Fitting, Swivel	
	0274327	Ref	BOOM ASSEMBLY	S
101	0100020	AR	Sealant, Pipe	
102	0100081	AR	Adhesive	
103	0641607	1	Bolt 3/8 x 7/8	
104	0641609	8	Bolt 3/8 x 1-1/8	
105	0641620	1	Bolt 3/8 x 2-1/2	
106	0801426	1	Main Boom Assembly (See Separate Breakdown in this Section)	
107	0801429	1	Tube, Tower (Top)	D
107A	0961951	4	Bushing	
108	0801516	1	Tube, Tower (Bottom)	
108A	0961951	4	Bushing	
109	1320289	1	Clamp	
110	1684415	1	Master Cylinder Assembly (See Separate Breakdown in this Section)	
111	1684433	1	Lift Cylinder Assembly (See Separate Breakdown in this Section)	
112	2754171	1	Hose, Air Line	
113	2754172	1	Hose, Water Line	
115	3010127	1	Link, Timing	C
115A	0961951	4	Bushing	
116	3290405	4	Nut M4	
117	3311605	13	Nut 3/8	
118	3340943	2	Pad, Rubber	
119	3422333	1	Pin	
120	3423200	5	Pin	
121	3423102	2	Pin	
122	3423103	1	Pin	
123	3841143	6	Keeper, Pin	

SECTION 3 - BOOM

ITEM	PART NUMBER	QTY	DESCRIPTION	REV
124	4031512	4	Capscrew M4 x 40	
125	4630001	1	Upright	
126	4711600	7	Washer 3/8	
127	4811400	6	Washer M4	
128	4923100	1	Harness, Lift Down Prop Valve (Not Shown - See Separate Breakdown in ELECTRICAL Section)	
129	4923185	1	Harness, Center Brake Light (Not Shown - See Separate Breakdown in ELECTRICAL Section)	
130	4923192	1	Harness, Telescope Limit Switch (Not Shown - See Separate Breakdown in ELECTRICAL Section)	
131	0641616	3	Bolt 3/8 x 2	
133	0641424	2	Bolt 1/4 x 3	
134	1321318	2	Clamp, Hose	
135	3311405	2	Nut 1/4	
136	3340941	6	Pad, Rubber	
137	3575021	3	Plate, Clamping	
138	4711400	4	Washer 1/4	
139	4923040	1	Harness, Boom Cable (Not Shown - See Separate Breakdown in ELECTRICAL Section)	
140	4923104	1	Harness, AC Cable (Not Shown)	
141	4923112	1	Harness, Transport Limit Switch (Not Shown - See Separate Breakdown in ELECTRICAL Section)	
142	2220364	1	Fitting, Coupler	
143	2221210	1	Fitting, Nipple	
144	2221211	1	Fitting, Female Coupler	
145	1001092012	1	Plug, Hole	

SECTION 3 - BOOM

FIGURE 3-2. BOOM ASSEMBLY AND INSTALLATION (T350 AUSTRALIAN AND SOUTH AFRICAN SPECS)



ART_1001229944_10F2

SECTION 3 - BOOM

FIGURE 3-2. BOOM ASSEMBLY AND INSTALLATION (T350 AUSTRALIAN AND SOUTH AFRICAN SPECS)

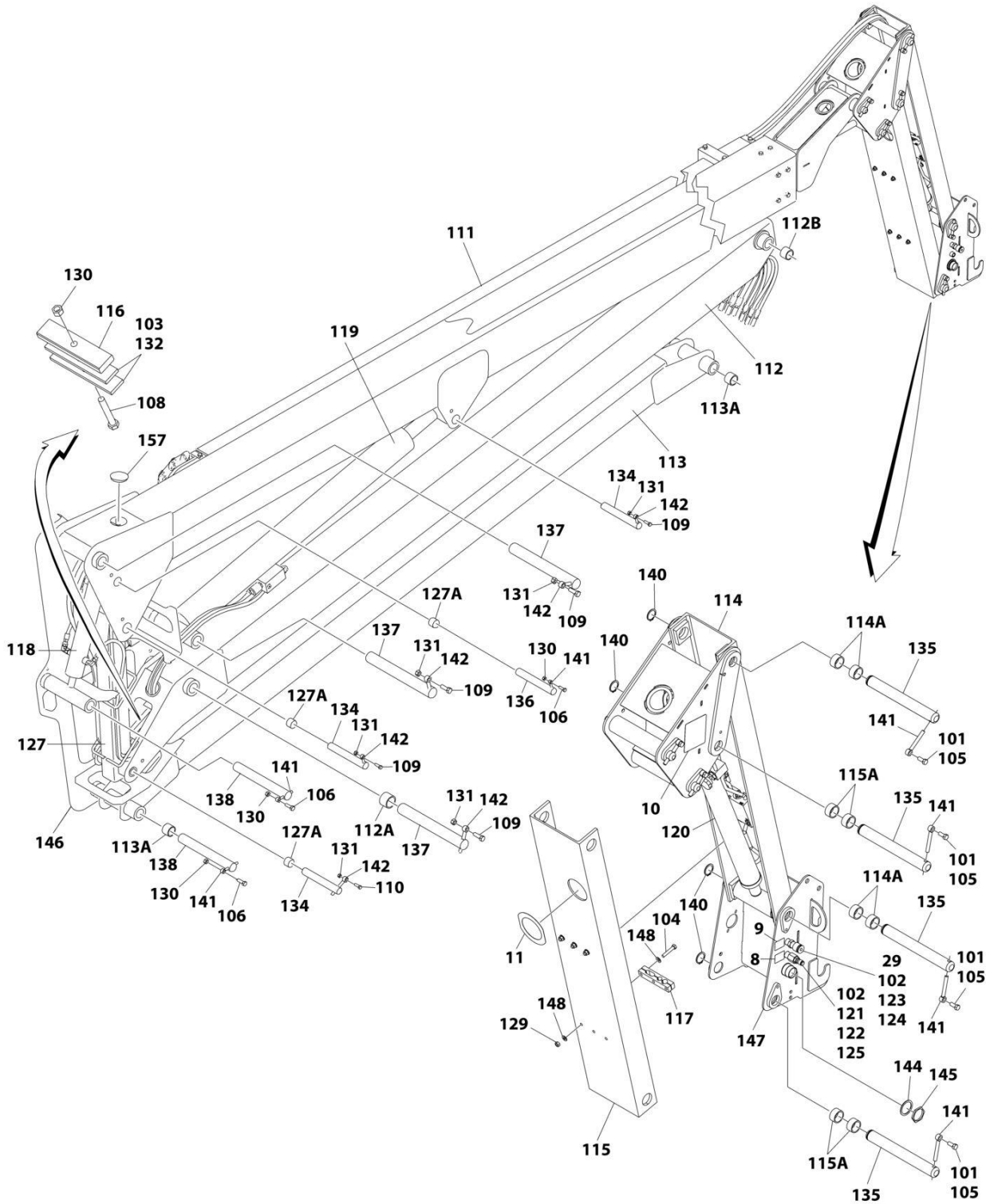
ITEM	PART NUMBER	QTY	DESCRIPTION	REV
	1001229944	Ref	BOOM INSTALLATION	B
1	0100020	AR	Sealant, Pipe	
3	0641610	9	Bolt 3/8 x 1-1/4	
4	0641612	2	Bolt 3/8 x 1-1/2	
7	1706261	1	Nameplate - Pressure Washer	
8	1706262	1	Nameplate - Air Compressor	
9	1706625	1	Decal - Air	
10	1706626	1	Decal - Water	
11	2220003	1	Fitting, Swivel	
12	2221209	1	Fitting, Coupler	
13	2221212	1	Fitting, Nipple	
14	2221213	1	Fitting, Female Coupler	
15	3311605	11	Nut 3/8	
16	3340843	1	Pad, Wear	
18	3423201	2	Pin	
19	3575803	1	Plate, Boom Stop	
20	3841143	2	Keeper, Pin	
21	4071082	2	Shim	
22	4071083	2	Shim	
23	4220211	1	Pad, Boom Rest	
24	4240003	1	Strap, Cinch	
26	4711600	20	Washer 3/8	
28	1001224911	1	Boom Assembly (See Items 101-144 for Breakdown)	
	1001224911	Ref	BOOM ASSEMBLY	A
101	0100020	AR	Sealant, Pipe	
102	0100081	AR	Adhesive	
103	0641424	2	Bolt 1/4 x 3	
104	0641607	1	Bolt 3/8 x 7/8	
105	0641609	8	Bolt 3/8 x 1-1/8	
106	0641616	3	Bolt 3/8 x 2	
107	0641620	1	Bolt 3/8 x 2-1/2	
108	0801426	1	Main Boom Assembly (See Separate Breakdown in this Section)	
109	0801429	1	Tube, Tower (Top)	D
109A	0961951	4	Bushing	
110	0801516	1	Tube, Tower (Bottom)	
110A	0961951	4	Bushing	
111	1320289	1	Clamp	
112	1321318	2	Clamp, Hose	
113	1684415	1	Master Cylinder Assembly (See Separate Breakdown in this Section)	
114	1684433	1	Lift Cylinder Assembly (See Separate Breakdown in this Section)	
115	2220364	1	Fitting, Coupler	
116	2221210	1	Fitting, Nipple	
117	2221211	1	Fitting, Female Coupler	
118	2754171	1	Hose, Air Line	
119	2754172	1	Hose, Water Line	
121	3010127	1	Link, Timing	C
121A	0961951	4	Bushing	
122	3290405	4	Nut M4	

SECTION 3 - BOOM

ITEM	PART NUMBER	QTY	DESCRIPTION	REV
123	3311405	2	Nut 1/4	
124	3311605	13	Nut 3/8	
125	3340941	6	Pad, Rubber	
126	3340943	2	Pad, Rubber	
127	3422333	1	Pin	
128	3423102	2	Pin	
129	3423103	1	Pin	
130	3423200	5	Pin	
131	3575021	3	Plate, Clamping	
132	3841143	6	Keeper, Pin	
133	4031512	4	Capscrew M4 x 40	
134	4630001	1	Upright	
135	4711400	4	Washer 1/4	
136	4711600	7	Washer 3/8	
137	4811400	6	Washer M4	
138	4923040	1	Harness, Boom Cable (Not Shown - See Separate Breakdown in ELECTRICAL Section)	
139	4923100	1	Harness, Lift Down Prop Valve (Not Shown - See Separate Breakdown in ELECTRICAL Section)	
140	4923104	1	Harness, AC Cable (Not Shown)	
141	4923112	1	Harness, Transport Limit Switch (Not Shown - See Separate Breakdown in ELECTRICAL Section)	
142	4923192	1	Harness, Telescope Limit Switch (Not Shown - See Separate Breakdown in ELECTRICAL Section)	
143	1001092012	1	Plug, Hole	
144	1001224593	1	Harness, Center Brake Light (Not Shown - See Separate Breakdown in ELECTRICAL Section)	

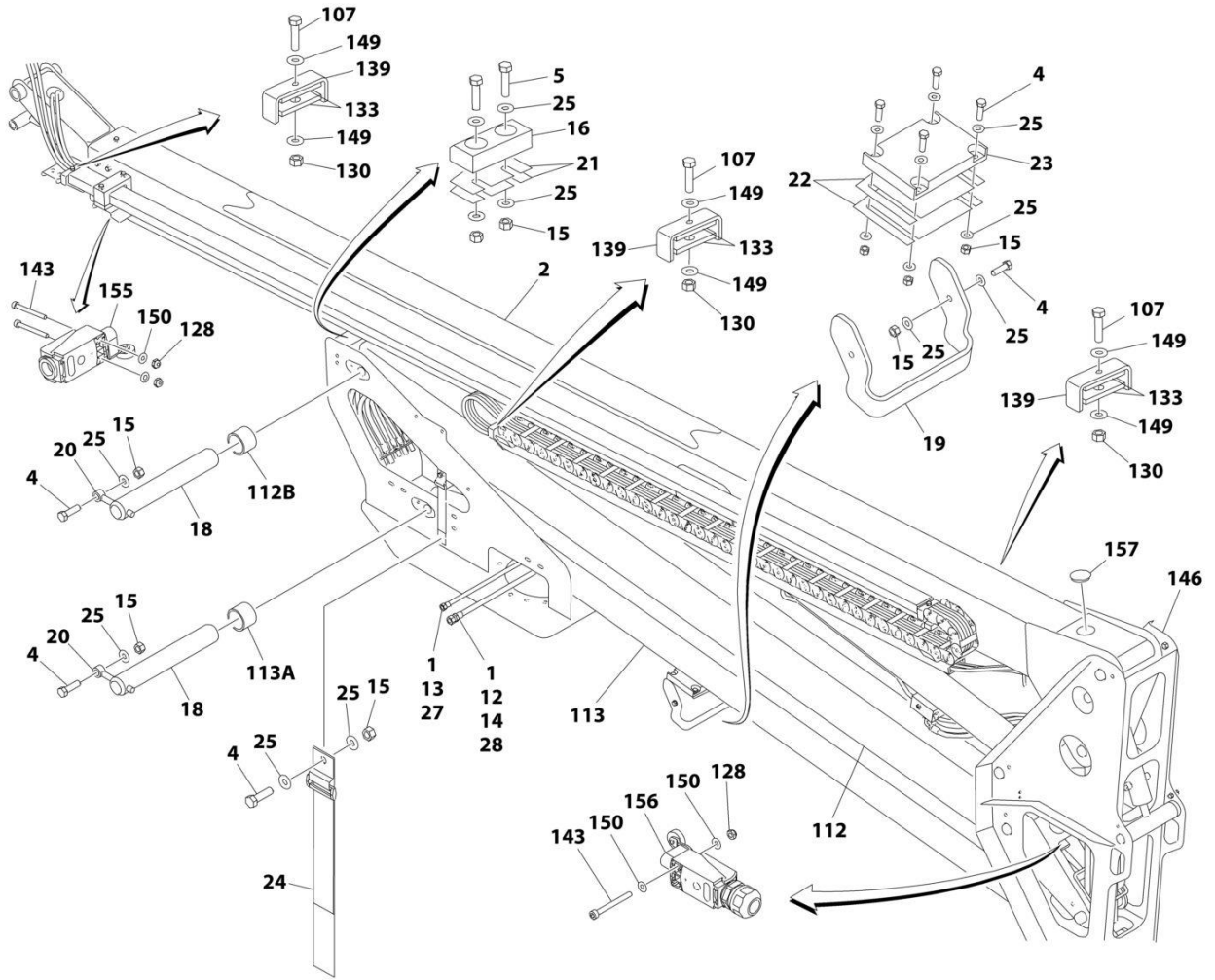
SECTION 3 - BOOM

FIGURE 3-3. BOOM ASSEMBLY AND INSTALLATION WITH AIR AND SINGLE WATER LINE (T500J ANSI, ANSI EXPORT AND CSA SPECS)



ART_0275009_10F2

SECTION 3 - BOOM



ART_0275009_20F2

SECTION 3 - BOOM

FIGURE 3-3. BOOM ASSEMBLY AND INSTALLATION WITH AIR AND SINGLE WATER LINE (T500J ANSI, ANSI EXPORT AND CSA SPECS)

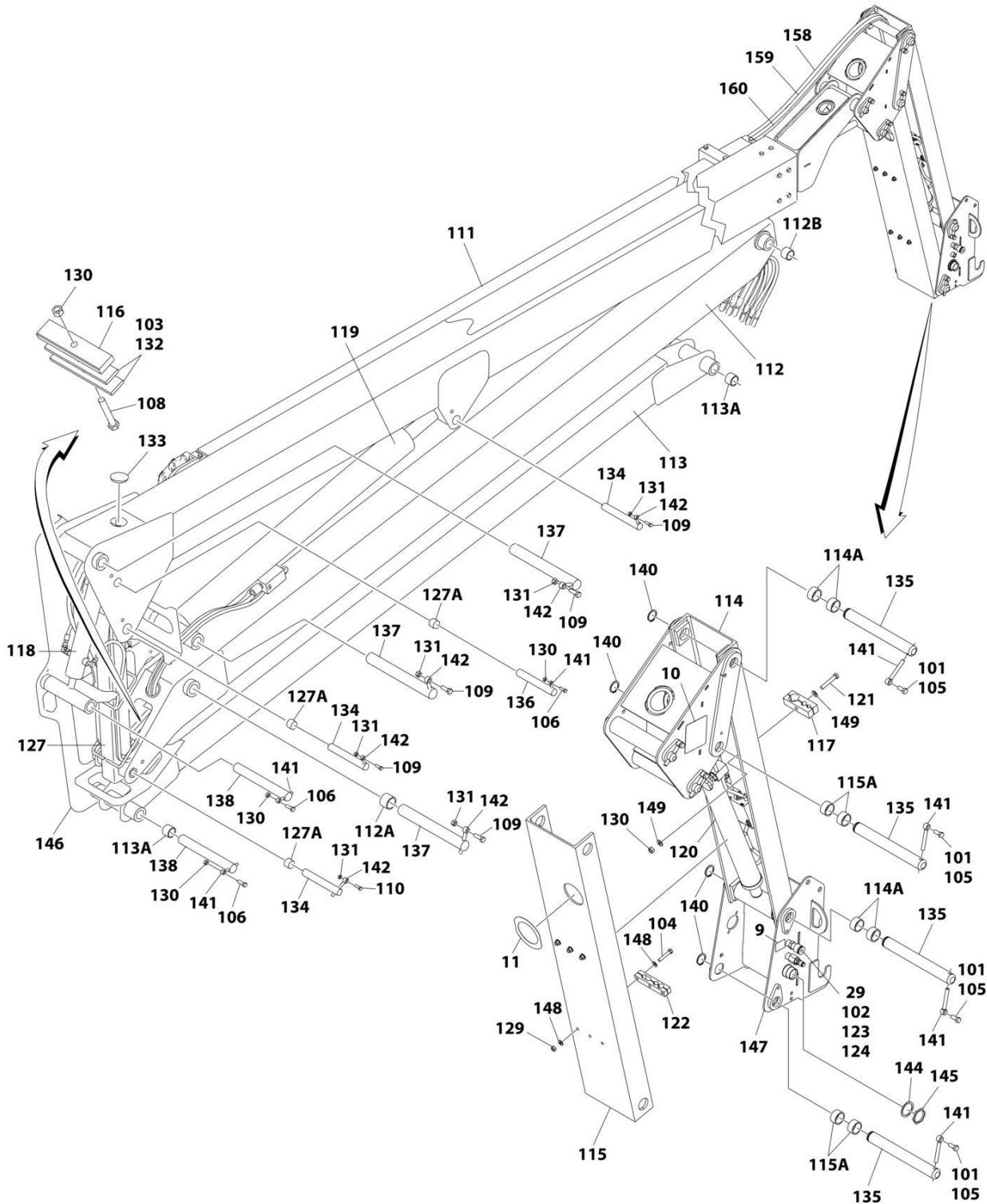
ITEM	PART NUMBER	QTY	DESCRIPTION	REV
	0275009	Ref	BOOM INSTALLATION	E
1	0100020	AR	Sealant, Pipe	
2	0275008	1	Boom Assembly (See Items 101-157 for Breakdown)	
4	0641610	9	Bolt 3/8 x 1-1/4	
5	0641612	2	Bolt 3/8 x 1-1/2	
8	1706261	1	Nameplate - Pressure Washer	
9	1706262	1	Nameplate - Air Compressor	
10	1706337	1	Decal - Jib Manual Descent	
11	1706349	1	Decal - Manual Descent Arrows	
12	2221209	1	Fitting, Coupler	
13	2221212	1	Fitting, Nipple	
14	2221213	1	Fitting, Female Coupler	
15	3311605	11	Nut 3/8	
16	3340843	1	Pad, Wear	
18	3423203	2	Pin	
19	3575804	1	Plate, Boom Stop	
20	3841143	2	Keeper, Pin	
21	4071082	2	Shim	
22	4071083	2	Shim	
23	4220211	1	Pad, Boom Rest	
24	4240003	1	Strap, Cinch	
25	4711600	20	Washer 3/8	
27	1706625	1	Decal - Air	
28	1706626	1	Decal - Water	
29	2220003	1	Fitting, Swivel	
	0275008	Ref	BOOM ASSEMBLY	N
101	0100011	AR	Compound, Locking	
102	0100020	AR	Sealant, Pipe	
103	0100081	AR	Adhesive	
104	0641514	6	Bolt 5/16 x 1-3/4	
105	0641607	4	Bolt 3/8 x 7/8	
106	0641610	3	Bolt 3/8 x 1-1/4	
107	0641616	3	Bolt 3/8 x 2	
108	0641620	1	Bolt 3/8 x 2-1/2	
109	0641811	5	Bolt 1/2 x 1-3/8	
110	0641812	1	Bolt 1/2 x 1-1/2	
111	0801423	1	Main Boom Assembly (See Separate Breakdown in this Section)	
112	1001274196	1	Tube, Tower (Top)	A
112A	0961948	2	Bushing	
112B	0961951	2	Bushing	
113	0801451	1	Tube, Tower (Bottom)	E
113A	0961951	4	Bushing	
114	1271585	1	Channel, Jib (Top)	
114A	0962257	4	Bushing	
115	1271633	1	Channel, Jib (Bottom)	
115A	0962257	4	Bushing	
116	1320294	1	Bar, Clamp	
117	1321137	2	Block, Clamp	
118	1684398	1	Master Cylinder Assembly (See Separate Breakdown in	

SECTION 3 - BOOM

ITEM	PART NUMBER	QTY	DESCRIPTION	REV
119	1684434	1	CYLINDER Section) Lift Cylinder Assembly (See Separate Breakdown in CYLINDER Section)	
120	1684494	1	Jib Cylinder Assembly (See Separate Breakdown in CYLINDER Section)	
121	2220364	1	Fitting, Coupler	
122	2221210	1	Fitting, Nipple	
123	2221211	1	Fitting, Female Coupler	
124	2754173	1	Hose, Air Line	
125	2754174	1	Hose, Water Line	
127	3010130	1	Link, Timing	
127A	0961948	4	Bushing	C
128	3290405	4	Nut M4	
129	3311505	6	Nut 5/16	
130	3311605	7	Nut 3/8	
131	3311805	6	Nut 1/2	
132	3340942	2	Pad, Rubber	
133	3340943	6	Pad, Rubber	
134	3422796	3	Pin	
135	3423156	4	Pin	
136	3423201	1	Pin	
137	3423202	3	Pin	
138	3423204	2	Pin	
139	3575887	3	Plate, Clamping	
140	3760133	4	Ring, Retaining	
141	3841143	7	Keeper, Pin	
142	3841203	6	Keeper, Pin	
143	4031512	4	Capscrew M4 x 40	
144	4460496	1	Lockwasher, Terminal	
145	4460497	1	Nut, Terminal	
146	4630003	1	Upright	
147	4630005	1	Pivot	
148	4711500	12	Washer 5/16	
149	4711600	6	Washer 3/8	
150	4811400	6	Washer M4	
151	4923101	1	Harness, Lift Down Prop Valve (Not Shown - See Separate Breakdown in ELECTRICAL Section)	
152	4923102	1	Harness, Boom Cable (Not Shown - See Separate Breakdown in ELECTRICAL Section)	
153	4923111	1	Harness, AC Cable (Not Shown)	
154	4923184	1	Harness, Center Brake Light (Not Shown - See Separate Breakdown in ELECTRICAL Section)	
155	4923193	1	Harness, Telescope Limit Switch (Not Shown - See Separate Breakdown in ELECTRICAL Section)	
156	4923217	1	Harness, Transport Limit Switch (Not Shown - See Separate Breakdown in ELECTRICAL Section)	
157	1001092012	1	Plug, Hole	

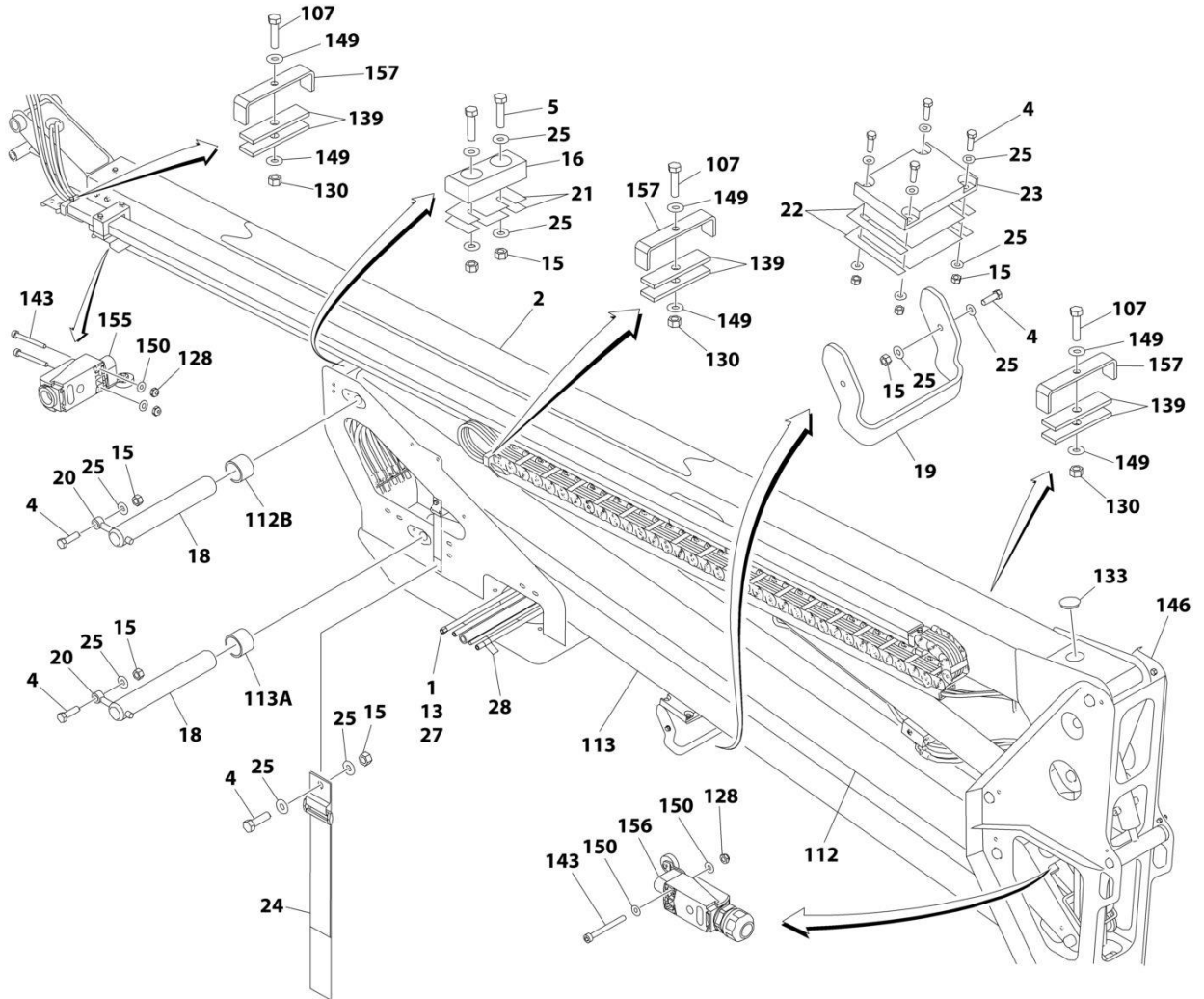
SECTION 3 - BOOM

FIGURE 3-4. BOOM ASSEMBLY AND INSTALLATION WITH AIR AND DUAL WATER LINE (T500J ANSI, ANSI EXPORT AND CSA SPECS)



ART_1001114580_10F2

SECTION 3 - BOOM



ART_100114580_2OF2

SECTION 3 - BOOM

FIGURE 3-4. BOOM ASSEMBLY AND INSTALLATION WITH AIR AND DUAL WATER LINE (T500J ANSI, ANSI EXPORT AND CSA SPECS)

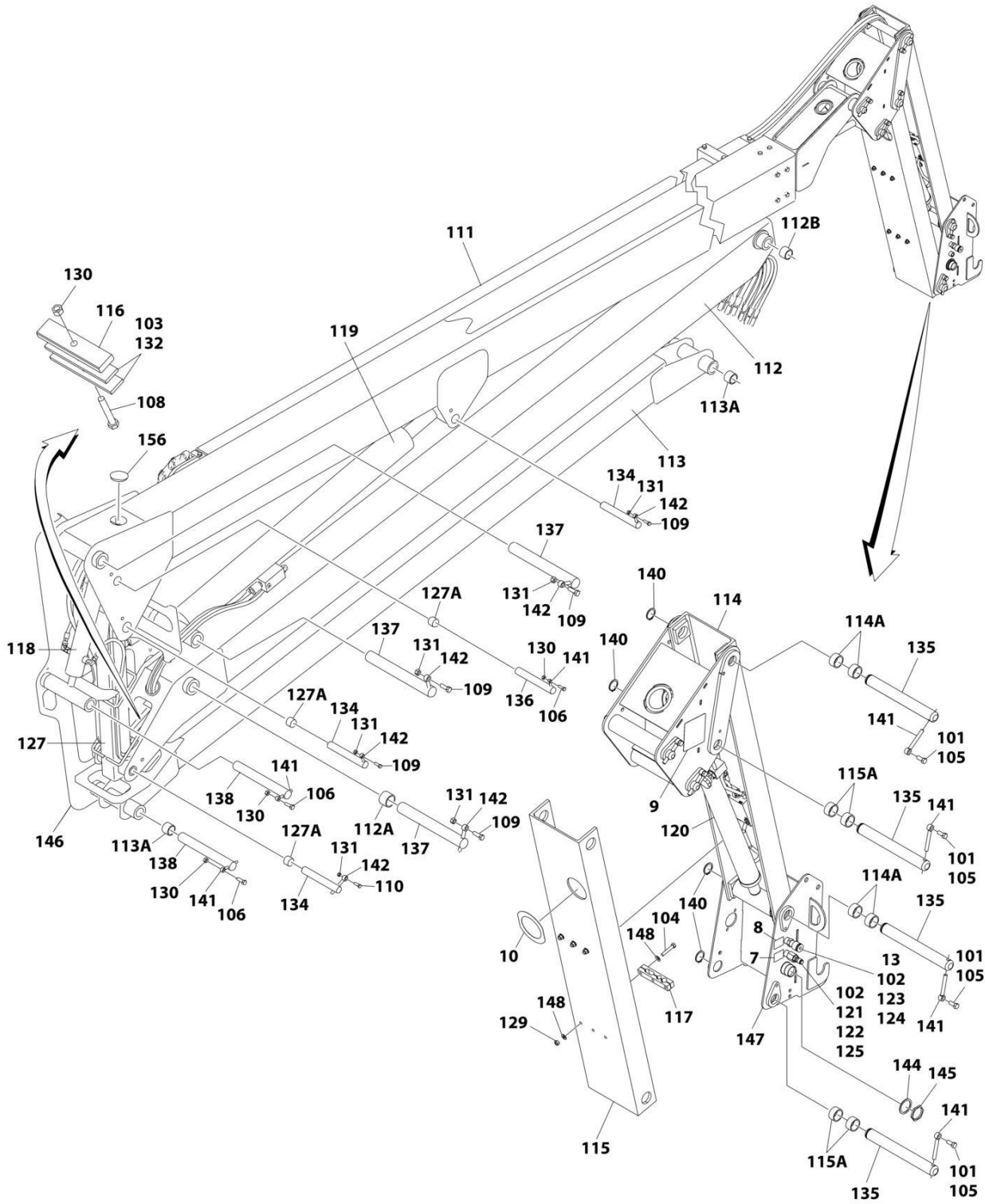
ITEM	PART NUMBER	QTY	DESCRIPTION	REV
	1001114580	Ref	BOOM INSTALLATION	C
1	0100020	AR	Sealant, Pipe	
2	1001114581	1	Boom Assembly (See Items 101-160 for Breakdown)	
4	0641610	9	Bolt 3/8 x 1-1/4	
5	0641612	2	Bolt 3/8 x 1-1/2	
8	1001115241	2	Decal - Capacity Reduction	
9	1706262	1	Nameplate - Air Compressor	
10	1706337	1	Decal - Jib Manual Descent	
11	1706349	1	Decal - Manual Descent Arrows	
13	2221212	1	Fitting, Nipple	
15	3311605	11	Nut 3/8	
16	3340843	1	Pad, Wear	
18	3423203	2	Pin	
19	3575804	2	Plate, Boom Stop	
20	3841143	2	Keeper, Pin	
21	4071082	2	Shim	
22	4071083	2	Shim	
23	4220211	1	Pad, Boom Rest	
24	4240003	1	Strap, Cinch	
25	4711600	20	Washer 3/8	
27	1706625	1	Decal - Air	
28	1706626	1	Decal - Water	
29	2220003	1	Fitting, Swivel	
	1001114581	Ref	BOOM ASSEMBLY	K
101	0100011	AR	Compound, Locking	
102	0100020	AR	Sealant, Pipe	
103	0100081	AR	Adhesive	
104	0641514	6	Bolt 5/16 x 1-3/4	
105	0641607	4	Bolt 3/8 x 7/8	
106	0641610	3	Bolt 3/8 x 1-1/4	
107	0641616	3	Bolt 3/8 x 2	
108	0641620	1	Bolt 3/8 x 2-1/2	
109	0641811	5	Bolt 1/2 x 1-3/8	
110	0641812	1	Bolt 1/2 x 1-1/2	
111	1001114582	1	Main Boom Assembly (See Separate Breakdown in this Section)	
112	1001274196	1	Tube, Tower (Top)	A
112A	0961948	2	Bushing	
112B	0961951	2	Bushing	
113	0801451	1	Tube, Tower (Bottom)	E
113A	0961951	4	Bushing	
114	1271585	1	Channel, Jib (Top)	A
114A	0962257	4	Bushing	
115	1271633	1	Channel, Jib (Bottom)	A
115A	0962257	4	Bushing	
116	1320294	1	Bar, Clamp	
117	1001115151	2	Block, Clamp (Boom with Air and Dual Water Lines to Platform)	
118	1684398	1	Master Cylinder Assembly (See Separate Breakdown in CYLINDER Section)	
119	1684434	1	Lift Cylinder Assembly (See Separate Breakdown in CYLINDER	

SECTION 3 - BOOM

ITEM	PART NUMBER	QTY	DESCRIPTION	REV
120	1684494	1	Section) Jib Cylinder Assembly (See Separate Breakdown in CYLINDER Section)	
121	0641618	2	Bolt 3/8 x 2-1/4	
122	1321137	2	Block, Clamp	
123	2221211	1	Fitting, Female Coupler	
124	2754173	1	Hose, Air Line	
127	3010130	1	Link, Timing	
127A	0961948	4	Bushing	
128	3290405	4	Nut M4	
129	3311505	6	Nut 5/16	
130	3311605	9	Nut 3/8	
131	3311805	6	Nut 1/2	
132	3340942	2	Pad, Rubber	
133	1001092012	1	Plug, Hole	
134	3422796	3	Pin	
135	3423156	4	Pin	
136	3423201	1	Pin	
137	3423202	3	Pin	
138	3423204	2	Pin	
139	1001114739	6	Pad, Rubber	
140	3760133	4	Ring, Retaining	
141	3841143	7	Keeper, Pin	
142	3841203	6	Keeper, Pin	
143	4031512	4	Capscrew M4 x 40	
144	4460496	1	Lockwasher, Terminal	
145	4460497	1	Nut, Terminal	
146	4630003	1	Upright	
147	4630005	1	Pivot	
148	4711500	12	Washer 5/16	
149	4711600	10	Washer 3/8	
150	4811400	6	Washer M4	
151	4923101	1	Harness, Lift Down Prop Valve (Not Shown - See Separate Breakdown in ELECTRICAL Section)	
152	4923102	1	Harness, Boom Cable (Not Shown - See Separate Breakdown in ELECTRICAL Section)	
153	4923111	1	Harness, AC Cable (Not Shown)	
154	4923184	1	Harness, Center Brake Light (Not Shown - See Separate Breakdown in ELECTRICAL Section)	
155	4923193	1	Harness, Telescope Limit Switch (See Separate Breakdown in ELECTRICAL Section)	
156	4923217	1	Harness, Transport Limit Switch (See Separate Breakdown in ELECTRICAL Section)	
157	1001114740	3	Plate, Clamping	
158	1001114583	1	Hose, Water Line 3/4	
159	1001114584	1	Hose, Water Line 3/8	
160	1001114585	1	Cable, Control	

SECTION 3 - BOOM

FIGURE 3-5. BOOM ASSEMBLY AND INSTALLATION WITH AIR AND SINGLE WATER LINE (T500J AUSTRALIAN AND SOUTH AFRICAN SPECS)



ART_1001229945_10F2

SECTION 3 - BOOM

FIGURE 3-5. BOOM ASSEMBLY AND INSTALLATION WITH AIR AND SINGLE WATER LINE (T500J AUSTRALIAN AND SOUTH AFRICAN SPECS)

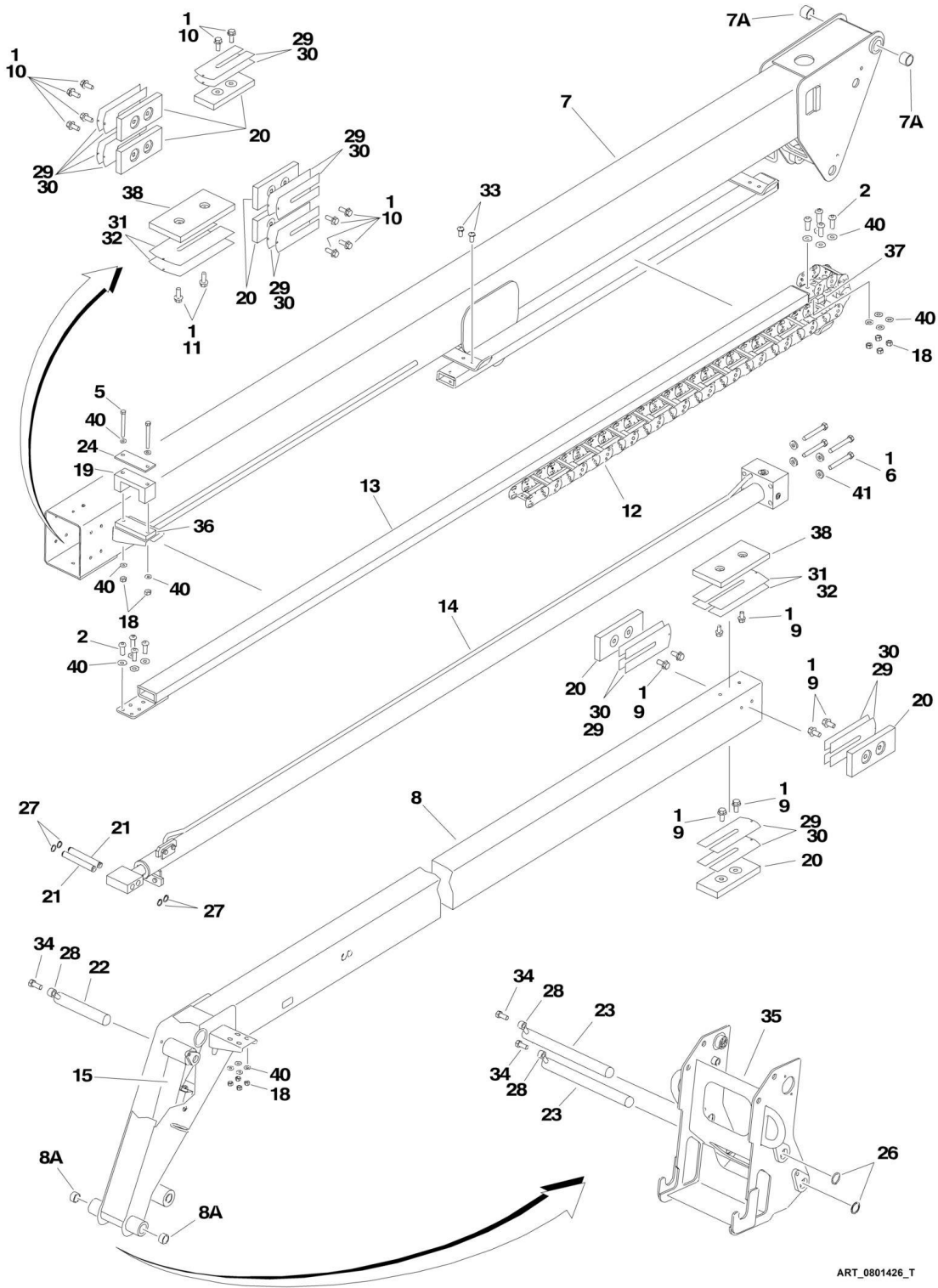
ITEM	PART NUMBER	QTY	DESCRIPTION	REV
	1001229945	Ref	BOOM INSTALLATION	B
1	0100020	AR	Sealant, Pipe	
3	0641610	9	Bolt 3/8 x 1-1/4	
4	0641612	2	Bolt 3/8 x 1-1/2	
7	1706261	1	Nameplate - Pressure Washer	
8	1706262	1	Nameplate - Air Compressor	
9	1706337	1	Decal - Jib Manual Descent	
10	1706349	1	Decal - Manual Descent Arrows	
11	1706625	1	Decal - Air	
12	1706626	1	Decal - Water	
13	2220003	1	Fitting, Swivel	
14	2221209	1	Fitting, Coupler	
15	2221212	1	Fitting, Nipple	
16	2221213	1	Fitting, Female Coupler	
17	3311605	11	Nut 3/8	
18	3340843	1	Pad, Wear	
20	3423203	2	Pin	
21	3575804	2	Plate, Boom Stop	
22	3841143	2	Keeper, Pin	
23	4071082	2	Shim	
24	4071083	2	Shim	
25	4220211	1	Pad, Boom Rest	
26	4240003	1	Strap, Cinch	
27	4711600	20	Washer 3/8	
29	1001224913	1	Boom Assembly (See Items 101-157 for Breakdown)	
	1001224913	Ref	BOOM ASSEMBLY	C
101	0100011	AR	Compound, Locking	
102	0100020	AR	Sealant, Pipe	
103	0100081	AR	Adhesive	
104	0641514	6	Bolt 5/16 x 1-3/4	
105	0641607	4	Bolt 3/8 x 7/8	
106	0641610	3	Bolt 3/8 x 1-1/4	
107	0641616	3	Bolt 3/8 x 2	
108	0641620	1	Bolt 3/8 x 2-1/2	
109	0641811	5	Bolt 1/2 x 1-3/8	
110	0641812	1	Bolt 1/2 x 1-1/2	
111	0801423	1	Main Boom Assembly (See Separate Breakdown in this Section)	
112	1001274196	1	Tube, Tower (Top)	A
112A	0961948	2	Bushing	
112B	0961951	2	Bushing	
113	0801451	1	Tube, Tower (Bottom)	E
113A	0961951	4	Bushing	
114	1271585	1	Channel, Jib (Top)	A
114A	0962257	4	Bushing	
115	1271633	1	Channel, Jib (Bottom)	A
115A	0962257	4	Bushing	
116	1320294	1	Bar, Clamp	
117	1321137	2	Block, Clamp	
118	1684398	1	Master Cylinder Assembly (See Separate Breakdown in	

SECTION 3 - BOOM

ITEM	PART NUMBER	QTY	DESCRIPTION	REV
119	1684434	1	CYLINDER Section) Lift Cylinder Assembly (See Separate Breakdown in CYLINDER Section)	C
120	1684494	1	Jib Cylinder Assembly (See Separate Breakdown in CYLINDER Section)	
121	2220364	1	Fitting, Coupler	
122	2221210	1	Fitting, Nipple	
123	2221211	1	Fitting, Female Coupler	
124	2754173	1	Hose, Air Line	
125	2754174	1	Hose, Water Line	
127	3010130	1	Link, Timing	
127A	0961948	4	Bushing	
128	3290405	4	Nut M4	
129	3311505	6	Nut 5/16	
130	3311605	7	Nut 3/8	
131	3311805	6	Nut 1/2	
132	3340942	2	Pad, Rubber	
133	3340943	6	Pad, Rubber	
134	3422796	3	Pin	
135	3423156	4	Pin	
136	3423201	1	Pin	
137	3423202	3	Pin	
138	3423204	2	Pin	
139	3575887	3	Plate, Clamping	
140	3760133	4	Ring, Retaining	
141	3841143	7	Keeper, Pin	
142	3841203	6	Keeper, Pin	
143	4031512	4	Capscrew M4 x 40	
144	4460496	1	Lockwasher, Terminal	
145	4460497	1	Nut, Terminal	
146	4630003	1	Upright	
147	4630005	1	Pivot	
148	4711500	12	Washer 5/16	
149	4711600	6	Washer 3/8	
150	4811400	6	Washer M4	
151	4923101	1	Harness, Lift Down Prop Valve (Not Shown - See Separate Breakdown in ELECTRICAL Section)	
152	4923102	1	Harness, Boom Cable (Not Shown - See Separate Breakdown in ELECTRICAL Section)	
153	4923111	1	Harness, AC Cable (Not Shown)	
154	4923193	1	Harness, Telescope Limit Switch (See Separate Breakdown in ELECTRICAL Section)	
155	4923217	1	Harness, Transport Limit Switch (See Separate Breakdown in ELECTRICAL Section)	
156	1001092012	1	Plug, Hole	
157	1001224594	1	Harness, Center Brake Light (Not Shown - See Separate Breakdown in ELECTRICAL Section)	

SECTION 3 - BOOM

FIGURE 3-6. MAIN BOOM ASSEMBLY (T350)



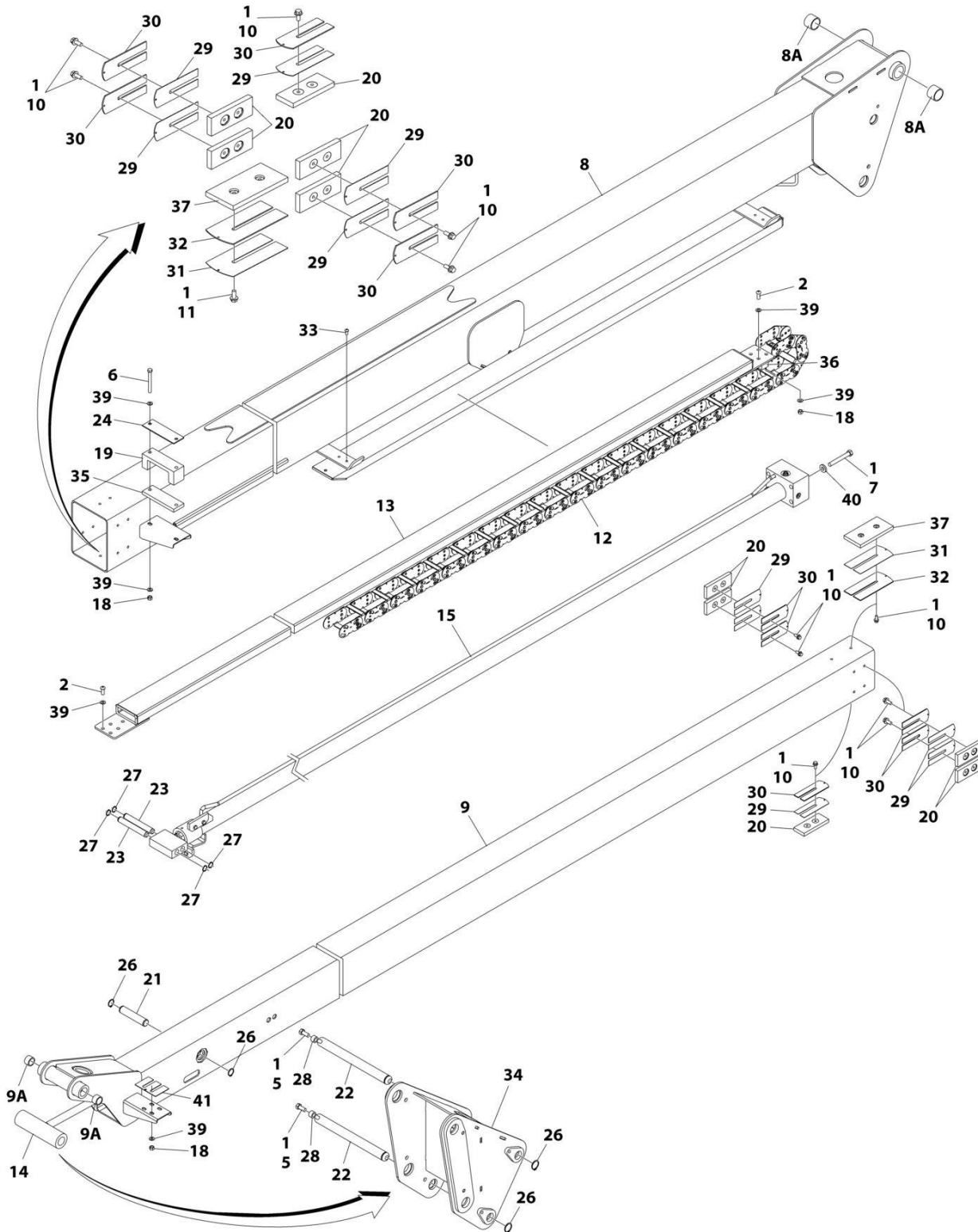
SECTION 3 - BOOM

FIGURE 3-6. MAIN BOOM ASSEMBLY (T350)

ITEM	PART NUMBER	QTY	DESCRIPTION	REV
	0801426	Ref	BOOM ASSEMBLY	T
1	0100011	AR	Compound, Locking	
2	3900316	8	Screw 3/8 x 1	
5	0641628	2	Bolt 3/8 x 3-1/2	
6	0641830	4	Bolt 1/2 x 3-3/4	
7	0801427	1	Base, Boom	
7A	0961951	2	Bushing	
8	0801428	1	Fly, Boom	
8A	0961947	2	Bushing	
9	0811606	8	Screw 3/8 x 3/4	
10	0811607	10	Screw 3/8 x 7/8	
11	0811608	2	Screw 3/8 x 1	
12	1001255963	1	Power Track	
13	1180394	1	Tube, Push	
14	1684367	1	Telescope Cylinder Assembly (See Separate Breakdown in CYLINDER Section)	
15	1684373	1	Platform Level Cylinder Assembly (See Separate Breakdown in CYLINDER Section)	
18	3311605	10	Nut 3/8	
19	3340764	1	Pad	
20	3340881	8	Pad, Wear	
21	3423101	2	Pin	
22	3423104	1	Pin	
23	3423105	2	Pin	
24	3538758	1	Plate	
26	3760115	2	Ring, Retaining	
27	3760351	4	Ring, Retaining	
28	3841143	3	Keeper, Pin	
29	4070897	8	Shim #18 Gauge	
30	4070898	8	Shim #11 Gauge	
31	4071039	2	Shim 18 Gauge	
32	4071040	2	Shim #11 Gauge	
33	3900283	2	Screw 3/8 x 3/4	
34	0641607	3	Bolt 3/8 x 7/8	
35	4630002	1	Pivot	
36	4700017	1	Pad, Wear	
37	4700018	1	Pad, Wear	
38	4700019	2	Pad, Wear	
40	4711600	18	Washer 3/8	
41	4891800	4	Washer 1/2	
44	4460497	1	Nut, Terminal (Not Shown)	
45	4460496	1	Lockwasher, Terminal (Not Shown)	

SECTION 3 - BOOM

FIGURE 3-7. MAIN BOOM ASSEMBLY (T500J WITH SINGLE WATER LINE)



ART_0801423_P

SECTION 3 - BOOM

FIGURE 3-7. MAIN BOOM ASSEMBLY (T500J WITH SINGLE WATER LINE)

ITEM	PART NUMBER	QTY	DESCRIPTION	REV
	0801423	Ref	BOOM ASSEMBLY	P
1	0100011	AR	Compound, Locking	
2	3900316	8	Screw 3/8 x 1	
5	0641607	2	Bolt 3/8 x 7/8	
6	0641628	2	Bolt 3/8 x 3-1/2	
7	0641830	4	Bolt 1/2 x 3-3/4	
8	0801424	1	Base, Boom	
8A	0961948	2	Bushing	
9	0801425	1	Fly, Boom	
9A	0962292	2	Bushing	
10	0811607	22	Screw 3/8 x 7/8	
11	0811608	2	Screw 3/8 x 1	
12	1001255962	1	Power Track	
13	1180398	1	Tube, Push	
14	1684397	1	Platform Level Cylinder Assembly (See Separate Breakdown in CYLINDER Section)	
15	1684402	1	Telescope Cylinder Assembly (See Separate Breakdown in CYLINDER Section)	
18	3311605	10	Nut 3/8	
19	4220254	1	Pad	
20	3340881	10	Pad, Wear	
21	3422745	1	Pin	
22	3423105	2	Pin	
23	3423161	2	Pin	
24	3575889	1	Plate	
26	3760115	4	Ring, Retaining	
27	3760351	4	Ring, Retaining	
28	3841143	2	Keeper, Pin	
29	4070897	10	Shim #18 Gauge	
30	4070898	10	Shim #11 Gauge	
31	4071039	2	Shim #18 Gauge	
32	4071040	2	Shim #11 Gauge	
33	3900283	2	Screw 3/8 x 3/4	
34	4630004	1	Pivot	
35	4700037	1	Pad, Wear	
36	4700018	1	Pad, Wear	
37	4700019	2	Pad, Wear	
39	4711600	18	Washer 3/8	
40	4891800	4	Washer 1/2	
41	4071117	1	Shim	

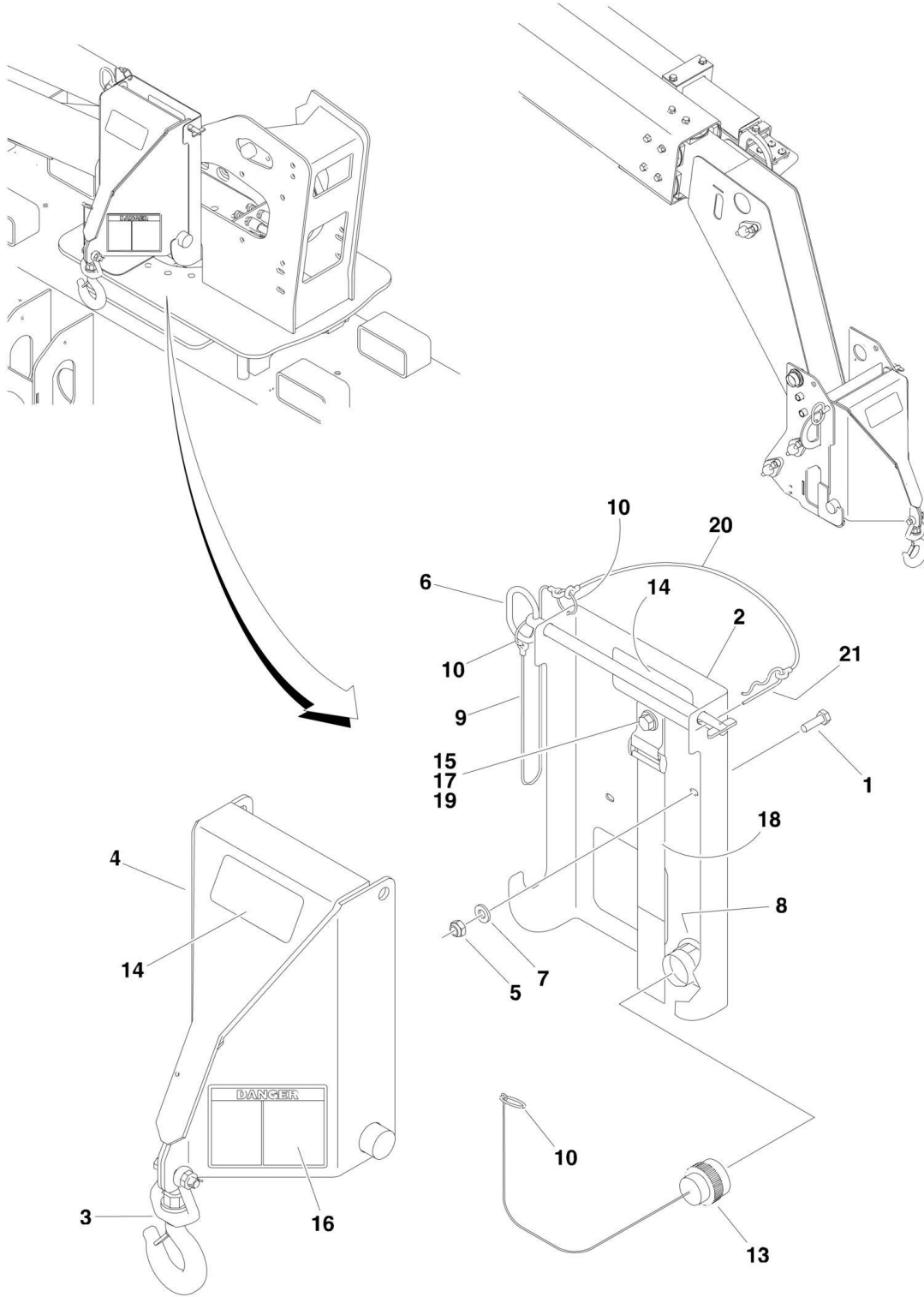
SECTION 3 - BOOM

FIGURE 3-8. MAIN BOOM ASSEMBLY (T500J WITH DUAL WATER LINES)

ITEM	PART NUMBER	QTY	DESCRIPTION	REV
	1001114582	Ref	BOOM ASSEMBLY	E
1	0100011	AR	Compound, Locking	
2	3900316	8	Screw 3/8 x 1	
3	0641634	4	Bolt 3/8 x 4-1/4	
4	1001114667	1	Pad, Push Tube	
5	0641607	2	Bolt 3/8 x 7/8	
7	0641830	4	Bolt 1/2 x 3-3/4	
8	1001114587	1	Base, Boom	
8A	0961948	2	Bushing	
9	1001114588	1	Fly, Boom	
9A	0962292	2	Bushing	
10	0811607	22	Screw 3/8 x 7/8	
11	0811608	2	Screw 3/8 x 1	
12	1001224893	1	Power Track	
12	70002532	AR	Repair Section	
13	1001114589	1	Tube, Push	
14	1684397	1	Platform Level Cylinder Assembly (See Separate Breakdown in CYLINDER Section)	
15	1684402	1	Telescope Cylinder Assembly (See Separate Breakdown in CYLINDER Section)	
16	1001114670	1	Plate	
17	1001114755	1	Pad, Wear	
18	3311605	10	Nut 3/8	
19	1001114756	1	Pad, Wear	
20	3340881	10	Pad, Wear	
21	3422745	1	Pin	
22	3423105	2	Pin	
23	3423161	2	Pin	
26	3760115	4	Ring, Retaining	
27	3760351	4	Ring, Retaining	
28	3841143	2	Keeper, Pin	
29	4070897	10	Shim #18 Gauge	
30	4070898	10	Shim #11 Gauge	
31	4071039	2	Shim #18 Gauge	
32	4071040	2	Shim #11 Gauge	
33	3900283	2	Screw 3/8 x 3/4	
34	4630004	1	Pivot	
37	4700019	2	Pad, Wear	
39	4711600	18	Washer 3/8	
40	4891800	4	Washer 1/2	
41	4071117	1	Shim	

SECTION 3 - BOOM

FIGURE 3-9. MATERIAL HOOK INSTALLATION (OPTIONAL)



SECTION 3 - BOOM

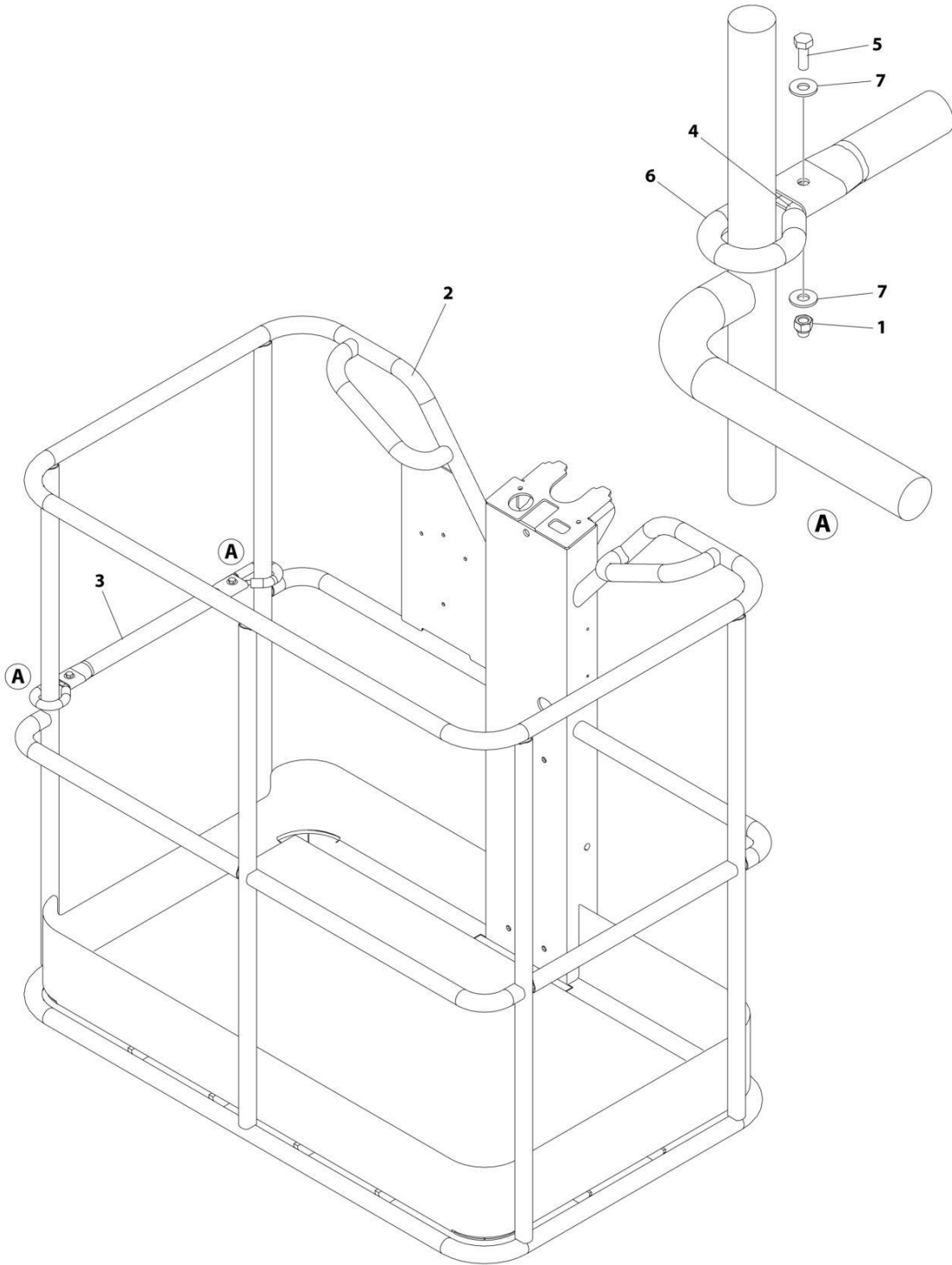
FIGURE 3-9. MATERIAL HOOK INSTALLATION (OPTIONAL)

ITEM	PART NUMBER	QTY	DESCRIPTION	REV
	0273678	Ref	MATERIAL HOOK INSTALLATION (OPTIONAL)	1
1	0700610	2	Bolt M6 x 20	
1	0641407	2	Bolt 1/4 x 7/8	
2	0903075	1	Bracket	
3	2700108	1	Hook, Swivel	
4	2700104	1	Attachment, Hook	
5	3290605	2	Nut M6	
5	3311405	2	Nut 1/4	
6	3423100	2	Pin, Gravity	
7	4811700	4	Washer M6	
7	4711400	4	Washer 1/4	
8	4923124	1	Harness, Hook Cable (See Separate Breakdown in ELECTRICAL Section)	
9	1060697	1	Lanyard	
10	3760170	3	Ring, Split	
13	4461065	1	Cap, Terminal Dust with Lanyard	
14	1706313	2	Decal - Hook Capacity	
15	0641606	1	Bolt 3/8 x 3/4	
16	1706128	1	Decal - Electrocution	
17	3311605	1	Nut 3/8	
18	4240003	1	Strap, Cinch	
19	4711600	2	Washer 3/8	
20	1060799	2	Lanyard	
21	8310264	2	Hairpin	

SECTION 4 - PLATFORM

SECTION 4 - PLATFORM

FIGURE 4-1. PLATFORM ASSEMBLY



ART_1001214179

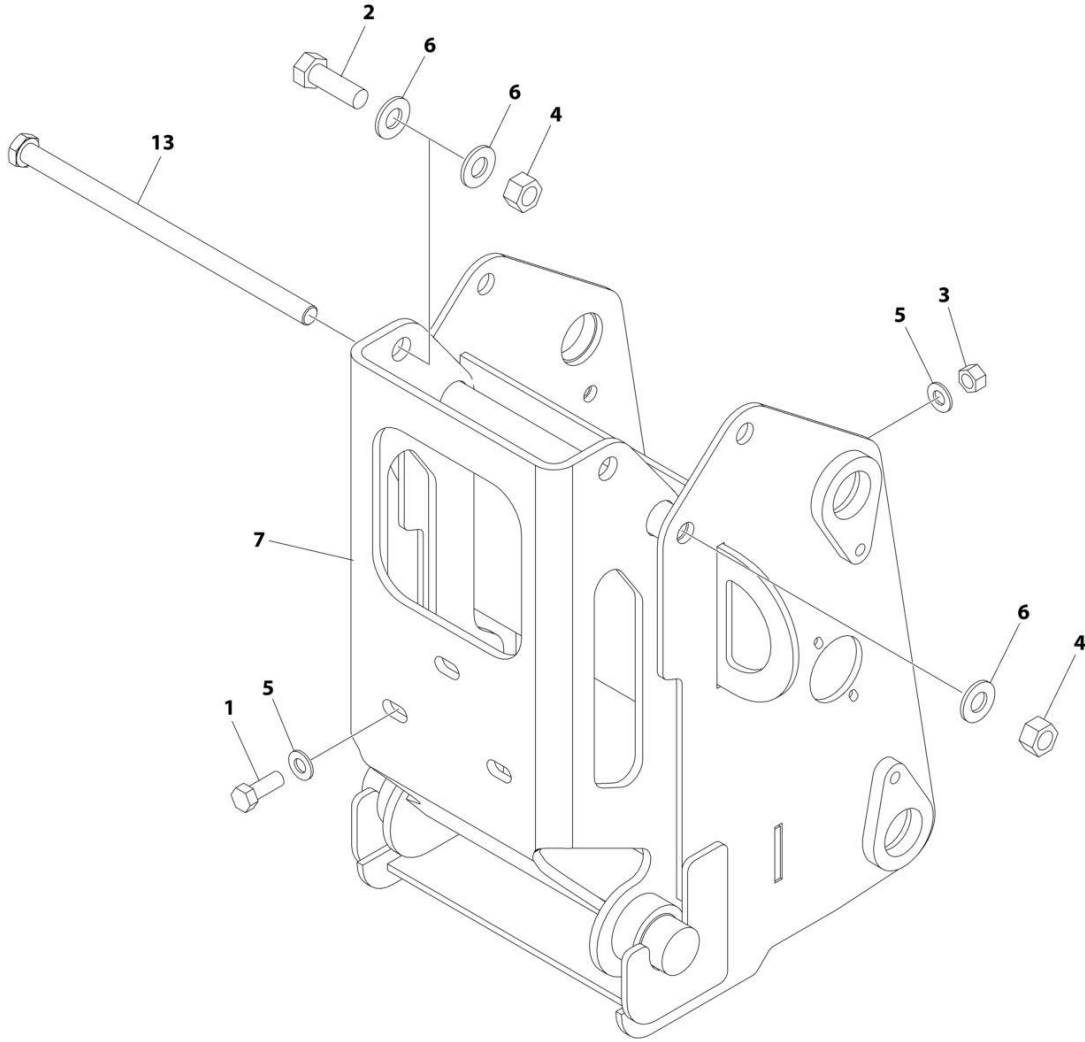
SECTION 4 - PLATFORM

FIGURE 4-1. PLATFORM ASSEMBLY

ITEM	PART NUMBER	QTY	DESCRIPTION	REV
	1001214179	Ref	PLATFORM ASSEMBLY	D
1	2080063	2	Nut 1/4	
2	See Note	NSS	Platform (Note: Not Available - Purchase Complete Platform Assembly)	
3	3641585	1	Tube, Gate	
4	3841692	2	Rod, Gate	
5	0641406	2	Bolt 1 /4	
6	1560010	14 in/ 36cm	Conduit	
7	4751400	4	Washer 1/4	

SECTION 4 - PLATFORM

FIGURE 4-2. PLATFORM MOUNT INSTALLATION (WITHOUT ROTATOR)



ART_1001091364_D

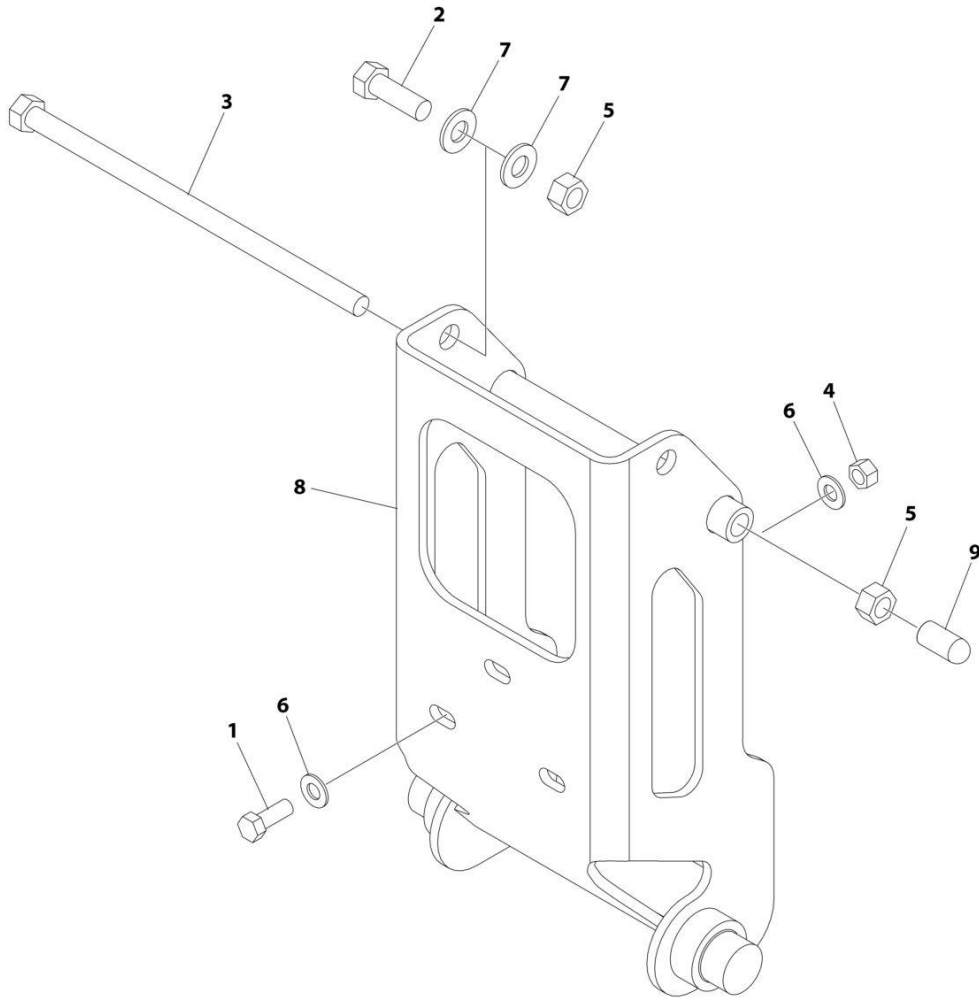
SECTION 4 - PLATFORM

FIGURE 4-2. PLATFORM MOUNT INSTALLATION (WITHOUT ROTATOR)

ITEM	PART NUMBER	QTY	DESCRIPTION	REV
	1001091364	Ref	PLATFORM MOUNT INSTALLATION	D
1	0641608	3	Bolt 3/8 x 1	
2	0641812	2	Bolt 1/2 x 1-1/2	
3	3311605	3	Nut 3/8	
4	3311805	3	Nut 1/2	
5	4711600	6	Washer 3/8	
6	4711800	5	Washer 1/2	
7	1001091500	1	Support, Platform	
13	1001266623	1	Bolt 1/2 x 9-1/2	

SECTION 4 - PLATFORM

FIGURE 4-3. PLATFORM MOUNT INSTALLATION (WITHOUT ROTATOR) (RENTAL SPEC)



ART_1001263541

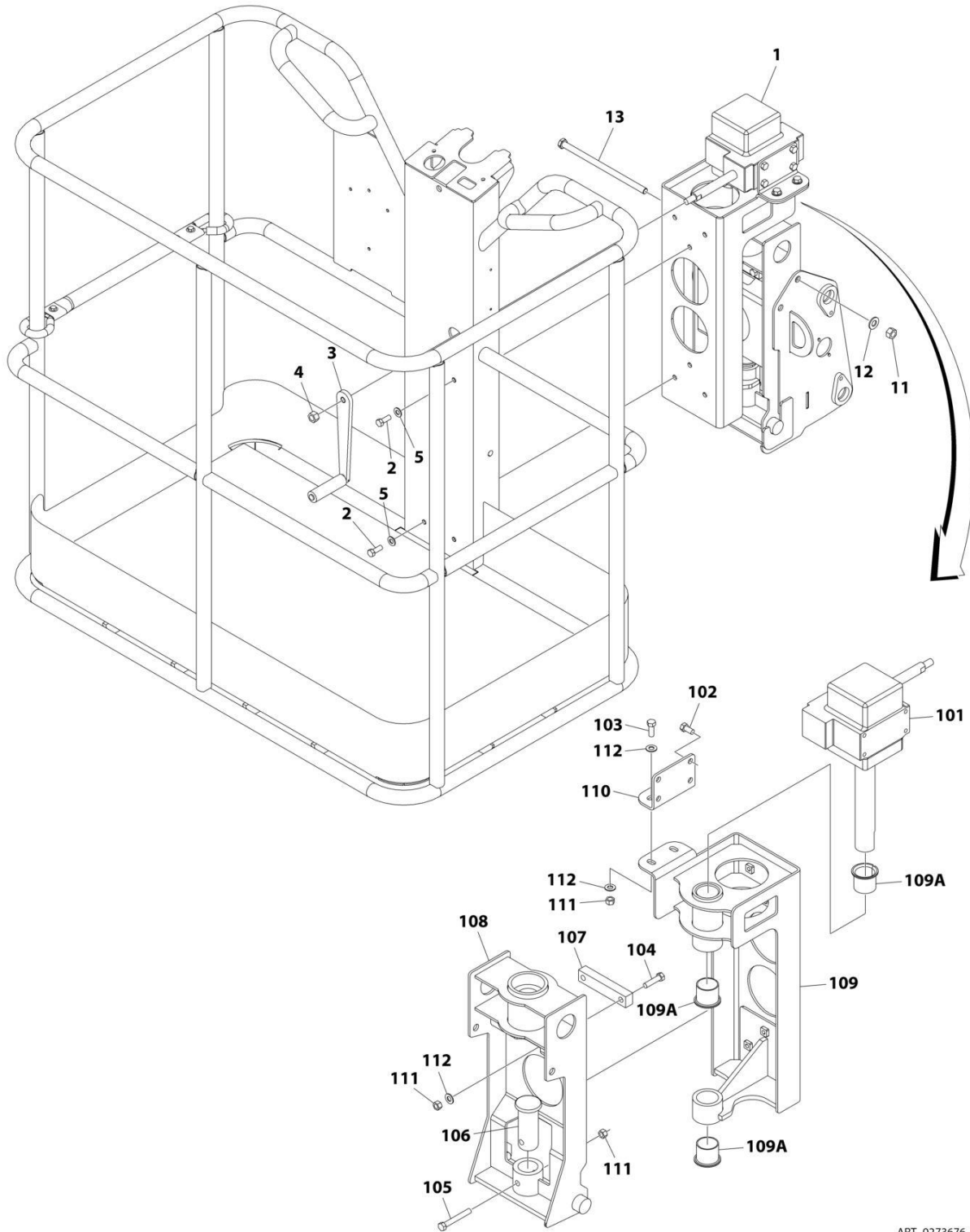
SECTION 4 - PLATFORM

FIGURE 4-3. PLATFORM MOUNT INSTALLATION (WITHOUT ROTATOR) (RENTAL SPEC)

ITEM	PART NUMBER	QTY	DESCRIPTION	REV
	1001263541	Ref	PLATFORM MOUNT INSTALLATION (WITHOUT ROTATOR)	B
1	0641608	3	Bolt 3/8 x 1	
2	0641812	2	Bolt 1/2 x 1-1/2	
3	1001266623	1	Bolt 1/2 - 13.9	
4	3311605	3	Nut 3/8	
5	3311805	3	Nut 1/2	
6	4711600	6	Washer 3/8	
7	4711800	5	Washer 1/2	
8	1001091500	1	Support, Platform	
9	1001263724	1	Cap	

SECTION 4 - PLATFORM

FIGURE 4-4. PLATFORM MOUNT INSTALLATION (WITH ROTATOR)



ART_0273676_D

SECTION 4 - PLATFORM

FIGURE 4-4. PLATFORM MOUNT INSTALLATION (WITH ROTATOR)

ITEM	PART NUMBER	QTY	DESCRIPTION	REV
	0273676	Ref	PLATFORM MOUNT INSTALLATION	D
1	0060080	NLA	Rotator Sub-Assembly (Note: See Items 101-112). Not available as an assembly. Purchase individual Components.	
2	0641608	6	Bolt 3/8 x 1	
3	2560184	1	Handle	
4	3271805	1	Nut 1/2 GRD8	
5	4711600	6	Washer 3/8	
11	3311805	1	Nut 1/2	
12	4711800	1	Washer 1/2	
13	1001266623	1	Bolt 1/2 x 9-1/2	
	0060080	Ref	ROTATOR SUB-ASSEMBLY (OPTIONAL)	B
101	0060081	1	Rotator Assembly (See Separate Breakdown in this Section)	
102	0641606	4	Bolt 3/8 x 3/4	
103	0641608	2	Bolt 3/8 x 1	
104	0641612	2	Bolt 3/8 x 1-1/2	
105	0641622	1	Bolt 3/8 x 2-3/4	
106	3423106	1	Pin	
107	3575058	1	Bar, Stop	
108	4340799	1	Pivot (Boom to Rotator Sub-Assembly)	
109	4340800	1	Pivot (Rotator Sub-Assembly to Platform)	
109A	0440319	3	Bushing, Flanged	
110	0903199	1	Bracket	
111	3311605	5	Nut 3/8	
112	4711600	6	Washer 3/8	

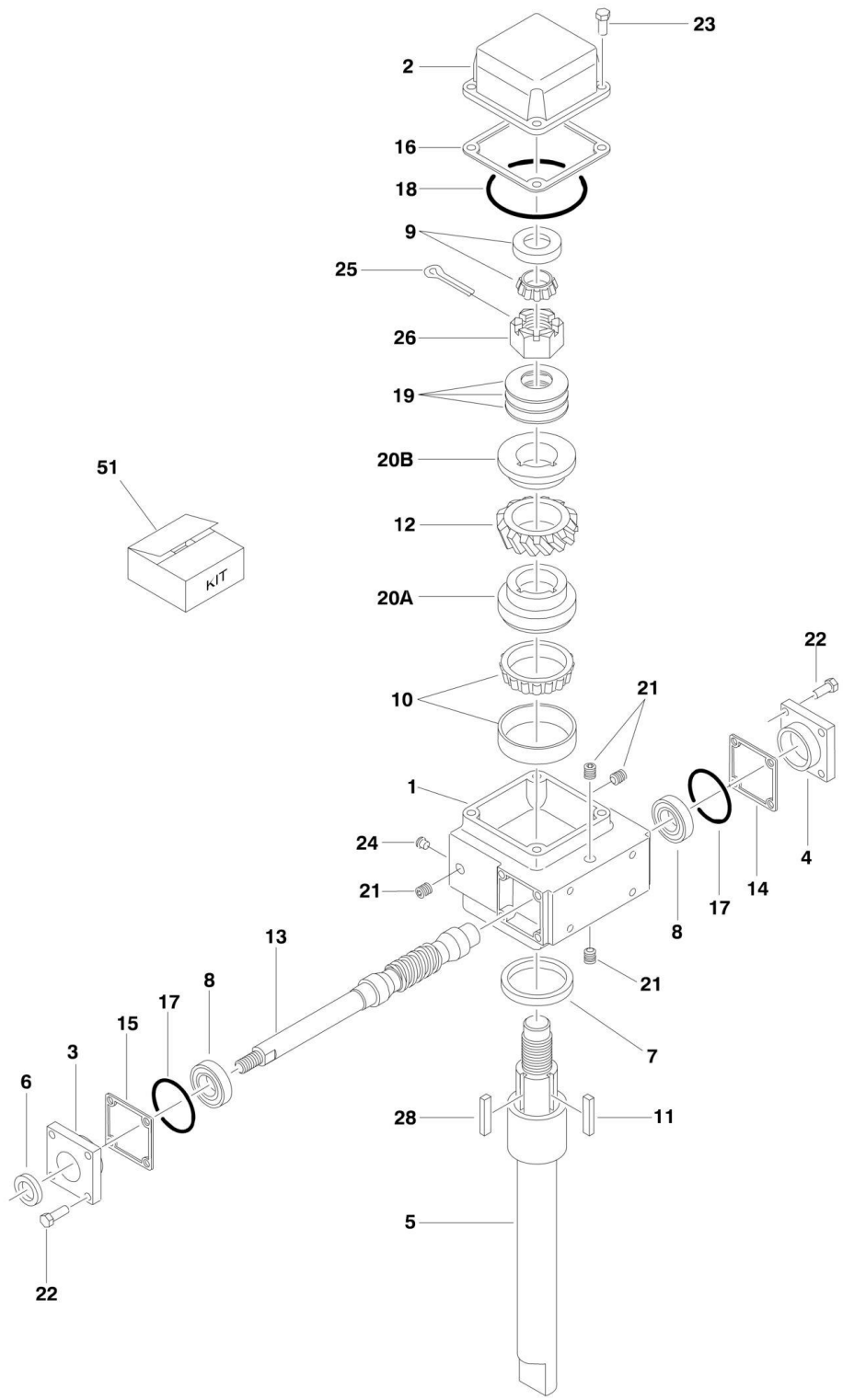
SECTION 4 - PLATFORM

FIGURE 4-5. PLATFORM MOUNT INSTALLATION (WITH ROTATOR) (RENTAL SPEC)

ITEM	PART NUMBER	QTY	DESCRIPTION	REV
	1001263540	Ref	PLATFORM MOUNT INSTALLATION (WITH ROTATOR)	B
1	0060080	1	Rotator Sub-Assembly (Note: See Items 101-112). Not available as an assembly. Purchase individual Components.	
2	0641608	6	Bolt 3/8 x 1	
3	1001266623	6	Bolt 3/8 x 1	
4	2560184	1	Handle	
5	3271805	1	Nut 1/2 GRD8	
6	3311805	1	Nut 1/2	
7	4711600	6	Washer 3/8	
8	1001263724	1	Cap	
9	4711800	1	Washer 1/2	
	0060080	1	ROTATOR SUB-ASSEMBLY (OPTIONAL)	B
101	0060081	1	Rotator Assembly (See Separate Breakdown in this Section)	
102	0641606	4	Bolt 3/8 x 3/4	
103	0641608	2	Bolt 3/8 x 1	
104	0641612	2	Bolt 3/8 x 1-1/2	
105	0641622	1	Bolt 3/8 x 2-3/4	
106	3423106	1	Pin	
107	3575058	1	Bar, Stop	
108	4340799	1	Pivot (Boom to Rotator Sub-Assembly)	
109	4340800	1	Pivot (Rotator Sub-Assembly to Platform)	
109A	0440319	3	Bushing, Flanged	
110	0903199	1	Bracket	
111	3311605	5	Nut 3/8	
112	4711600	6	Washer 3/8	

SECTION 4 - PLATFORM

FIGURE 4-6. PLATFORM ROTATOR ASSEMBLY (OPTIONAL)



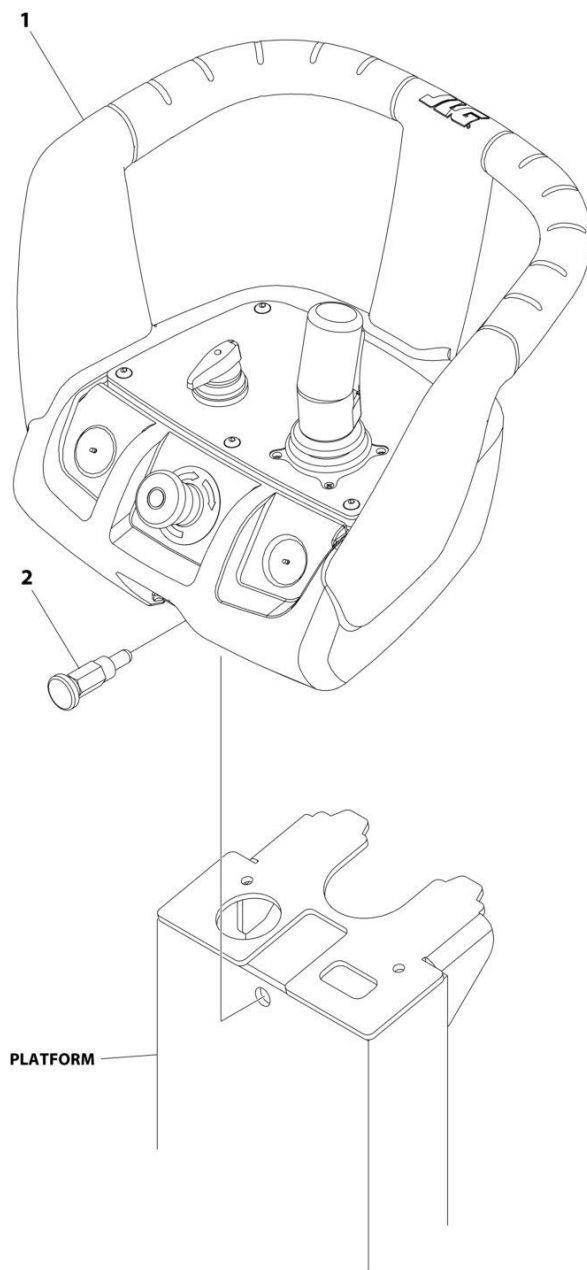
SECTION 4 - PLATFORM

FIGURE 4-6. PLATFORM ROTATOR ASSEMBLY (OPTIONAL)

ITEM	PART NUMBER	QTY	DESCRIPTION	REV
	0060081	Ref	PLATFORM ROTATOR ASSEMBLY	C
1	See Note	1	Housing (Note: Not Available - Purchase Complete Platform Rotator Assembly p/n 0060081)	
2	7027742	1	Cover (Slow Speed)	
3	7027743	1	Cap (High Speed Open)	
4	7027744	1	Cap (High Speed Closed)	
5	7027745	1	Shaft (Slow Speed)	
6	7027746	1	Seal (High Speed)	
7	7027747	1	Seal (Low Speed)	
8	7027748	2	Bearing (High Speed)	
9	7027749	1	Cup, Bearing (Slow Speed)	
9	7027750	1	Cone, Bearing (Slow Speed)	
10	7027751	1	Cup, Bearing (Slow Speed)	
10	7027752	1	Cone (Slow Speed)	
11	7027753	1	Key	
12	7027899	1	Worm Gear (Slow Speed)	
13	7027755	1	Shaft, Worm Gear (High Speed)	
14	7027756	1	Gasket (High Speed)	
15	7027756	1	Gasket (High Speed)	
16	7027757	2	Gasket (Slow Speed)	
17	7027758	2	O-Ring (High Speed)	
18	7027759	1	O-Ring (Slow Speed)	
19	7027760	3	Washer, Belleville	
20		Ref	Hub, Gear Options:	
20A	7027899	1	Exterior Side	
20B	7027899	1	Nut Side	
21	See Note	6	Plug (Note: Not Available - Purchase Locally)	
22	0641506	8	Bolt 5/16i x 3/4	
23	0941516	4	Bolt 5/16 x 2	
24	See Note	4	Plug, Button (Note: Not Available - Purchase Locally)	
25	See Note	1	Pin, Cotter (Note: Not Available - Purchase Locally)	
26	7027763	1	Nut 1 1/4	
27	7027897	AR	Grease, Mobile SHC007 with Borate (Not Shown)	
28	7027768	1	Key	
51	7027899	1	Gear and Hub Kit (Includes Items 11, 12, 20A, 20B & 28)	

SECTION 4 - PLATFORM

FIGURE 4-7. CONSOLE BOX INSTALLATION (ELECTRIC POWERED MACHINES WITHOUT DRIVE-OPTION)



ART_0273941

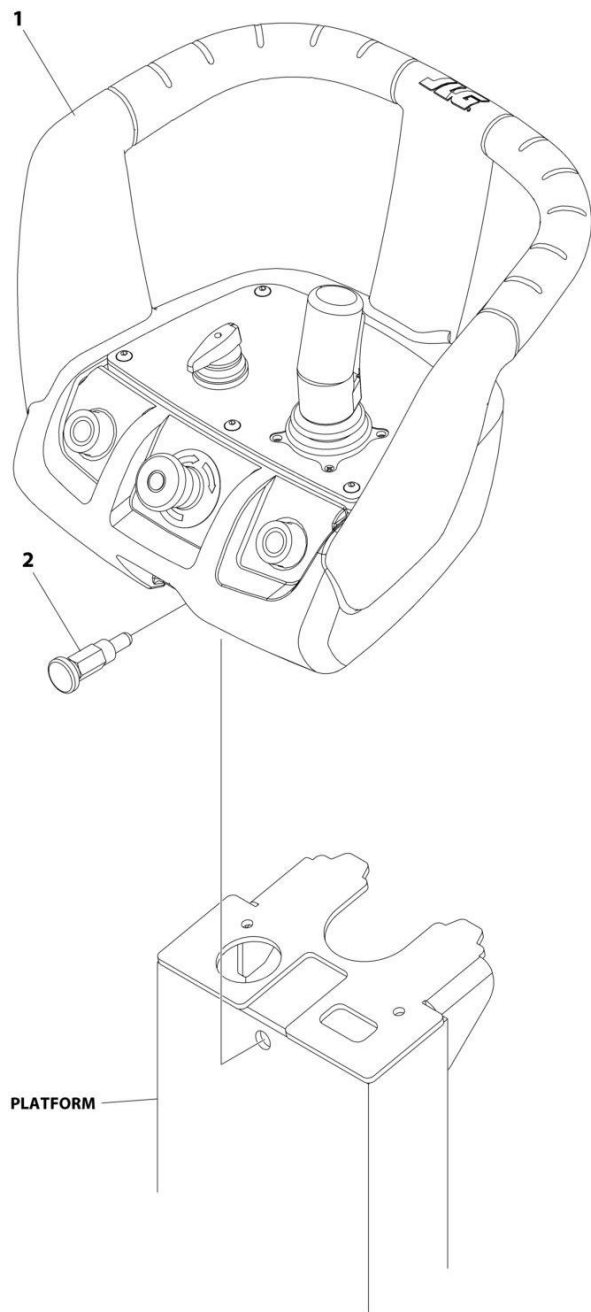
SECTION 4 - PLATFORM

FIGURE 4-7. CONSOLE BOX INSTALLATION (ELECTRIC POWERED MACHINES WITHOUT DRIVE-OPTION)

ITEM	PART NUMBER	QTY	DESCRIPTION	REV
	0273941	Ref	CONSOLE BOX INSTALLATION (ELECTRIC POWERED MACHINES WITHOUT DRIVE-OPTION)	B
1	0275413	1	Console Box Assembly (See Separate Breakdown in this Section)	
2	2940160	1	Latch	

SECTION 4 - PLATFORM

FIGURE 4-8. CONSOLE BOX INSTALLATION (ELECTRIC POWERED MACHINES WITH DRIVE OPTION)



ART_0274026

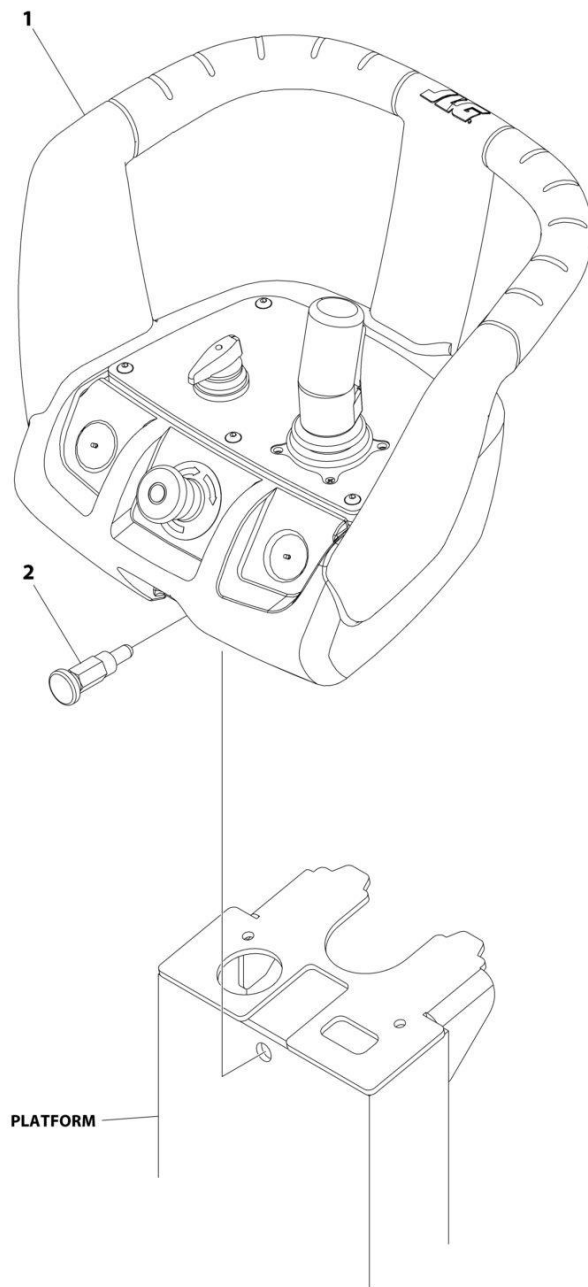
SECTION 4 - PLATFORM

FIGURE 4-8. CONSOLE BOX INSTALLATION (ELECTRIC POWERED MACHINES WITH DRIVE OPTION)

ITEM	PART NUMBER	QTY	DESCRIPTION	REV
	0274026	Ref	CONSOLE BOX INSTALLATION (ELECTRIC POWERED MACHINES WITH DRIVE OPTION)	B
1	0275414	1	Console Box Assembly (See Separate Breakdown in this Section)	
2	2940160	1	Latch	

SECTION 4 - PLATFORM

FIGURE 4-9. CONSOLE BOX INSTALLATION (ENGINE POWERED MACHINES WITHOUT DRIVE OPTION)



ART_0274030

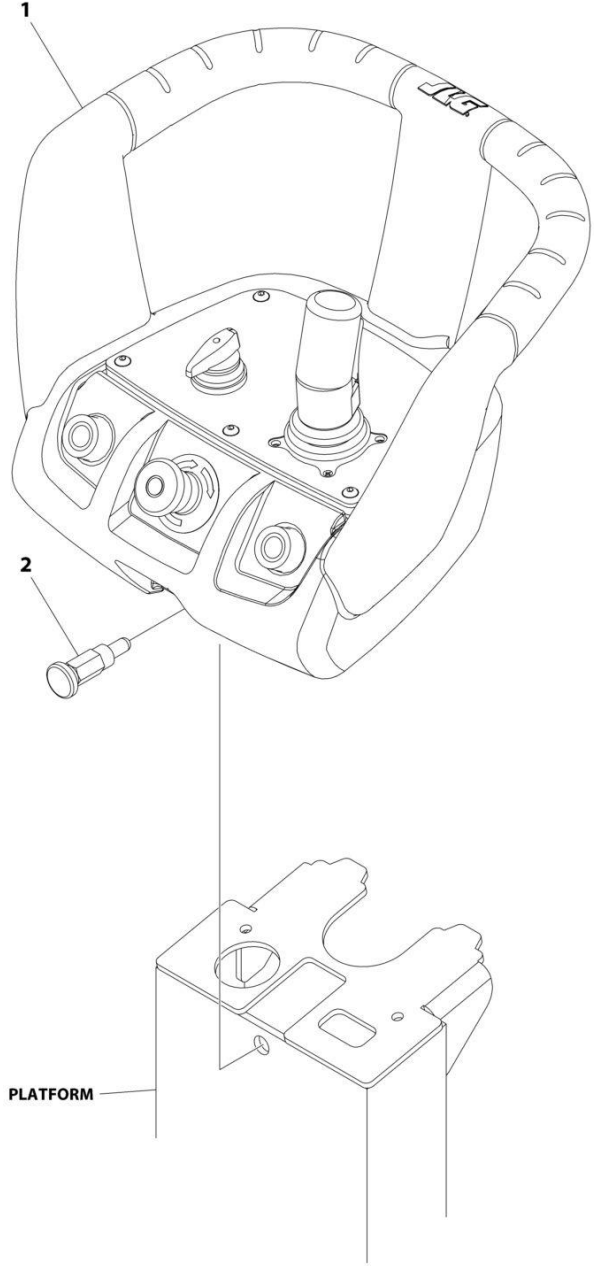
SECTION 4 - PLATFORM

FIGURE 4-9. CONSOLE BOX INSTALLATION (ENGINE POWERED MACHINES WITHOUT DRIVE OPTION)

ITEM	PART NUMBER	QTY	DESCRIPTION	REV
	0274030	Ref	CONSOLE BOX INSTALLATION (ENGINE POWERED MACHINES WITHOUT DRIVE OPTION)	B
1	0275414	1	Console Box Assembly (See Separate Breakdown in this Section)	
2	2940160	1	Latch	

SECTION 4 - PLATFORM

FIGURE 4-10. CONSOLE BOX INSTALLATION (ENGINE POWERED MACHINES WITH DRIVE OPTION)



ART_0274028

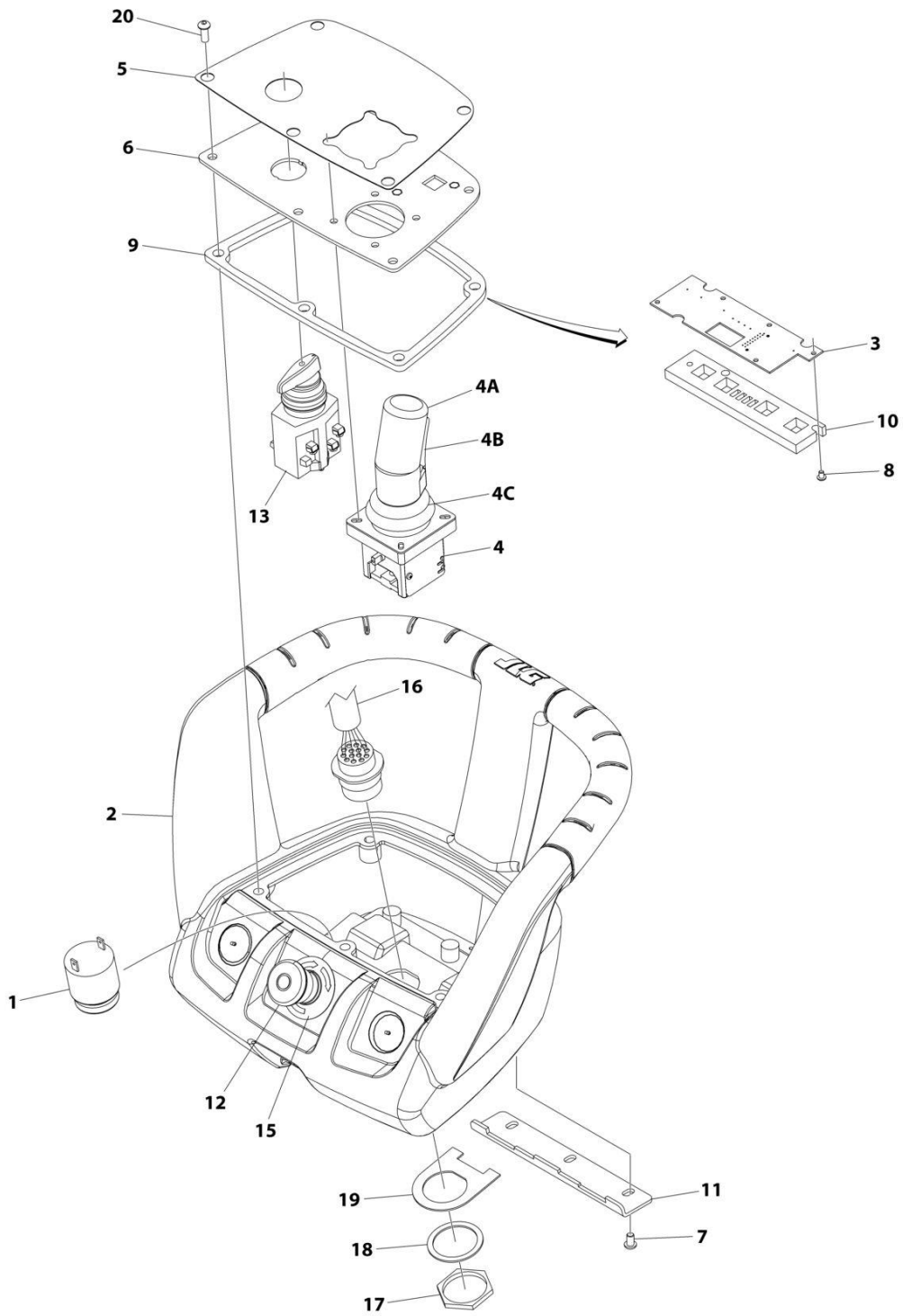
SECTION 4 - PLATFORM

FIGURE 4-10. CONSOLE BOX INSTALLATION (ENGINE POWERED MACHINES WITH DRIVE OPTION)

ITEM	PART NUMBER	QTY	DESCRIPTION	REV
	0274028	Ref	CONSOLE BOX INSTALLATION (ENGINE POWERED MACHINES WITH DRIVE OPTION)	B
1	0275416	1	Console Box Assembly (See Separate Breakdown in this Section)	
2	2940160	1	Latch	

SECTION 4 - PLATFORM

FIGURE 4-11. CONSOLE BOX ASSEMBLY (ELECTRIC POWERED MACHINES WITHOUT DRIVE OPTION)



ART_0275413

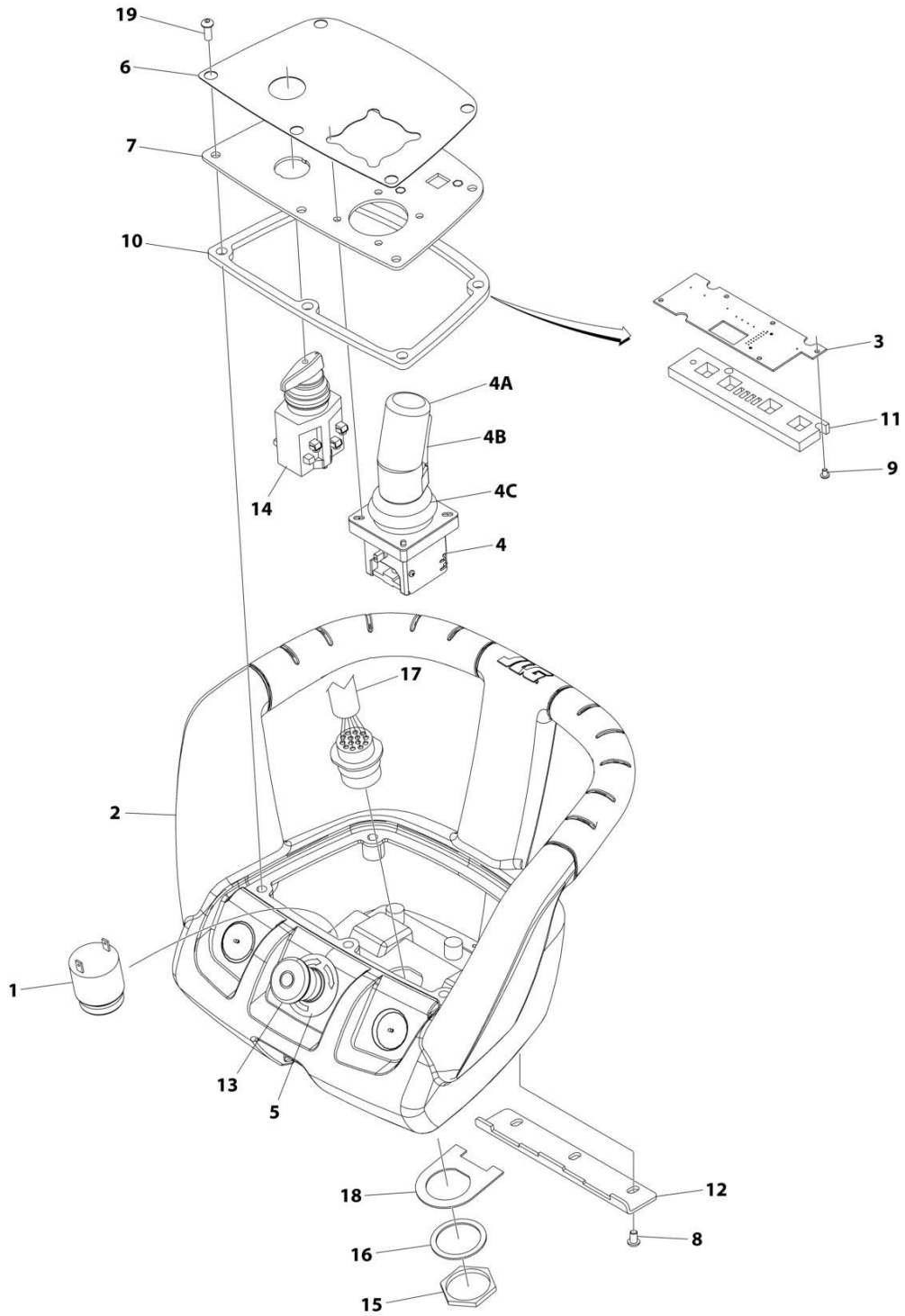
SECTION 4 - PLATFORM

FIGURE 4-11. CONSOLE BOX ASSEMBLY (ELECTRIC POWERED MACHINES WITHOUT DRIVE OPTION)

ITEM	PART NUMBER	QTY	DESCRIPTION	REV
	0275413	Ref	CONSOLE BOX ASSEMBLY	E
1	0140011	1	Alarm	
2	0861655	1	Box	
3	1600369	1	Module, PC Board	
4	1600452	1	Controller	
4A	7027371	1	Boot (Black)	
4A	7027766	1	Ring, Boot Retaining	
4B	7027367	1	Switch, Push Button (Enable)	
4B	7027765	1	Lever, Enable	
4C	70000682	1	Boot, Panel	
5	1705950	1	Decal - Faceplate	
6	3575304	1	Faceplate	
7	3900358	3	Screw M6 x 10	
8	3900359	3	Screw M4 x 6	
9	3960604	1	Seal, Adhesive Backed	
10	3960584	1	Seal, Foam Gasket	
11	4340871	1	Mount	
12	4360562	1	Switch, Emergency Stop	
13	4360612	1	Switch, Rotary	
15	1706898	1	Decal - Emergency Stop	
16	4923116	1	Harness, Platform Box (See Separate Breakdown in ELECTRICAL Section)	
17	4460497	1	Nut, Terminal	
18	4460496	1	Lockwasher, Terminal	
19	3575796	1	Plate with D Shaped Slot	
20	3900357	5	Screw M6 x 16	

SECTION 4 - PLATFORM

FIGURE 4-12. CONSOLE BOX ASSEMBLY (ELECTRIC POWERED MACHINES WITH DRIVE OPTION)



ART_0275417

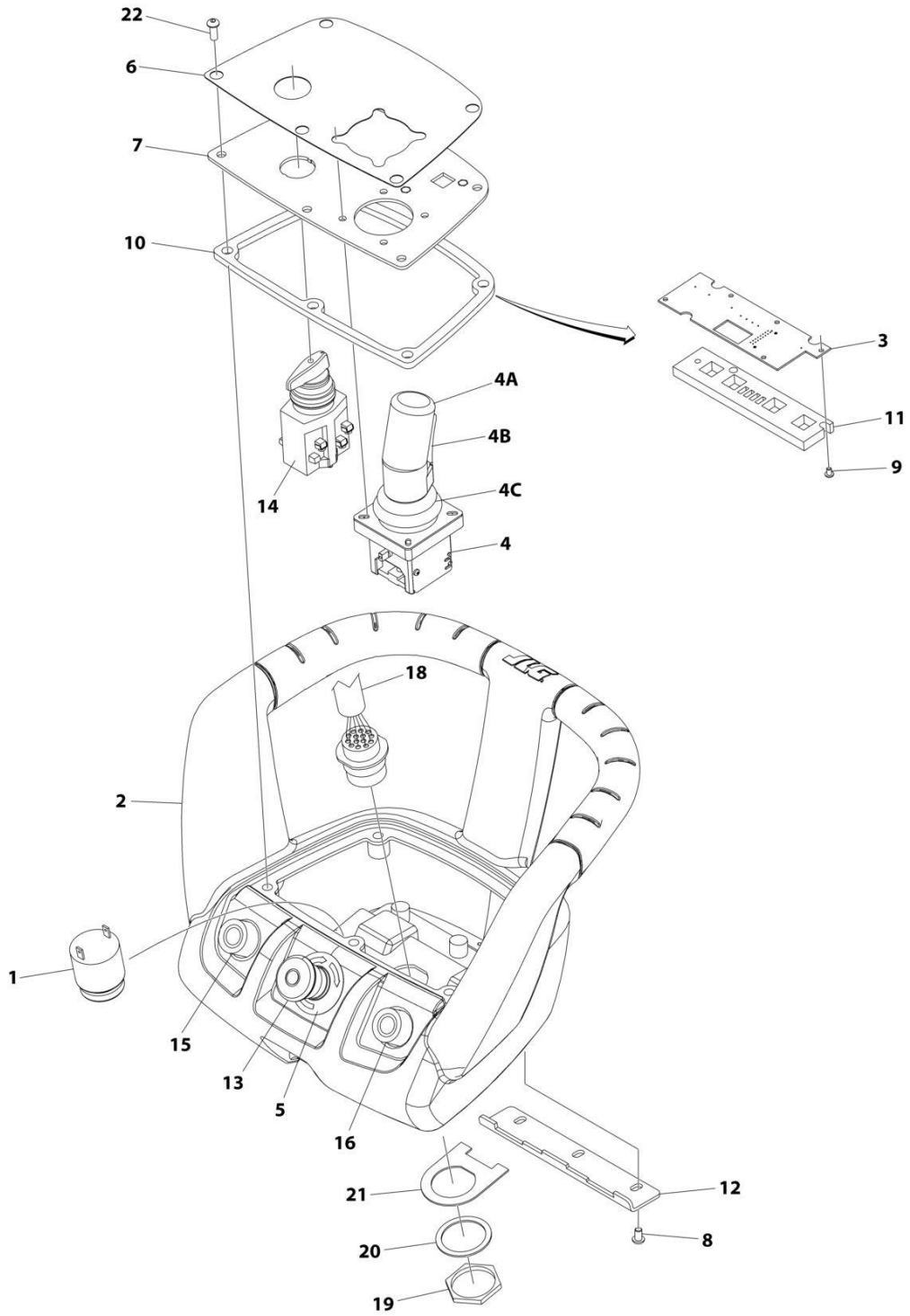
SECTION 4 - PLATFORM

FIGURE 4-12. CONSOLE BOX ASSEMBLY (ELECTRIC POWERED MACHINES WITH DRIVE OPTION)

ITEM	PART NUMBER	QTY	DESCRIPTION	REV
	0275417	Ref	CONSOLE BOX ASSEMBLY	D
1	0140011	1	Alarm	
2	0861655	1	Box	
3	1600369	1	Module, PC Board	
4	1600453	1	Controller	
4A	7027368	1	Boot (Green)	
4A	7027766	1	Ring, Boot Retaining	
4A	7027369	1	Switch, Push Button (Drive)	
4A	7027370	1	Actuator	
4B	7027765	1	Level, Enable	
4B	7027367	1	Switch, Push Button (Enable)	
4C	70000682	1	Boot, Panel	
5	1706898	1	Decal - Emergency Stop	
6	1706002	1	Decal - Faceplate	
7	3575304	1	Faceplate	
8	3900358	3	Screw M6 x 10	
9	3900359	3	Screw M4 x 6	
10	3960604	1	Seal, Adhesive Backed	
11	3960584	1	Seal, Foam Gasket	
12	4340871	1	Mount	
13	4360562	1	Switch, Emergency Stop	
14	4360620	1	Switch, Rotary	
15	4460497	1	Nut, Terminal	
16	4460496	1	Lockwasher, Terminal	
17	4923127	1	Harness, Platform Box (See Separate Breakdown in ELECTRICAL Section)	
18	3575796	1	Plate with D Shaped Slot	
19	3900357	5	Screw M6 x 16	

SECTION 4 - PLATFORM

FIGURE 4-13. CONSOLE BOX ASSEMBLY (ENGINE POWERED MACHINES WITHOUT DRIVE OPTION)



ART_0275414

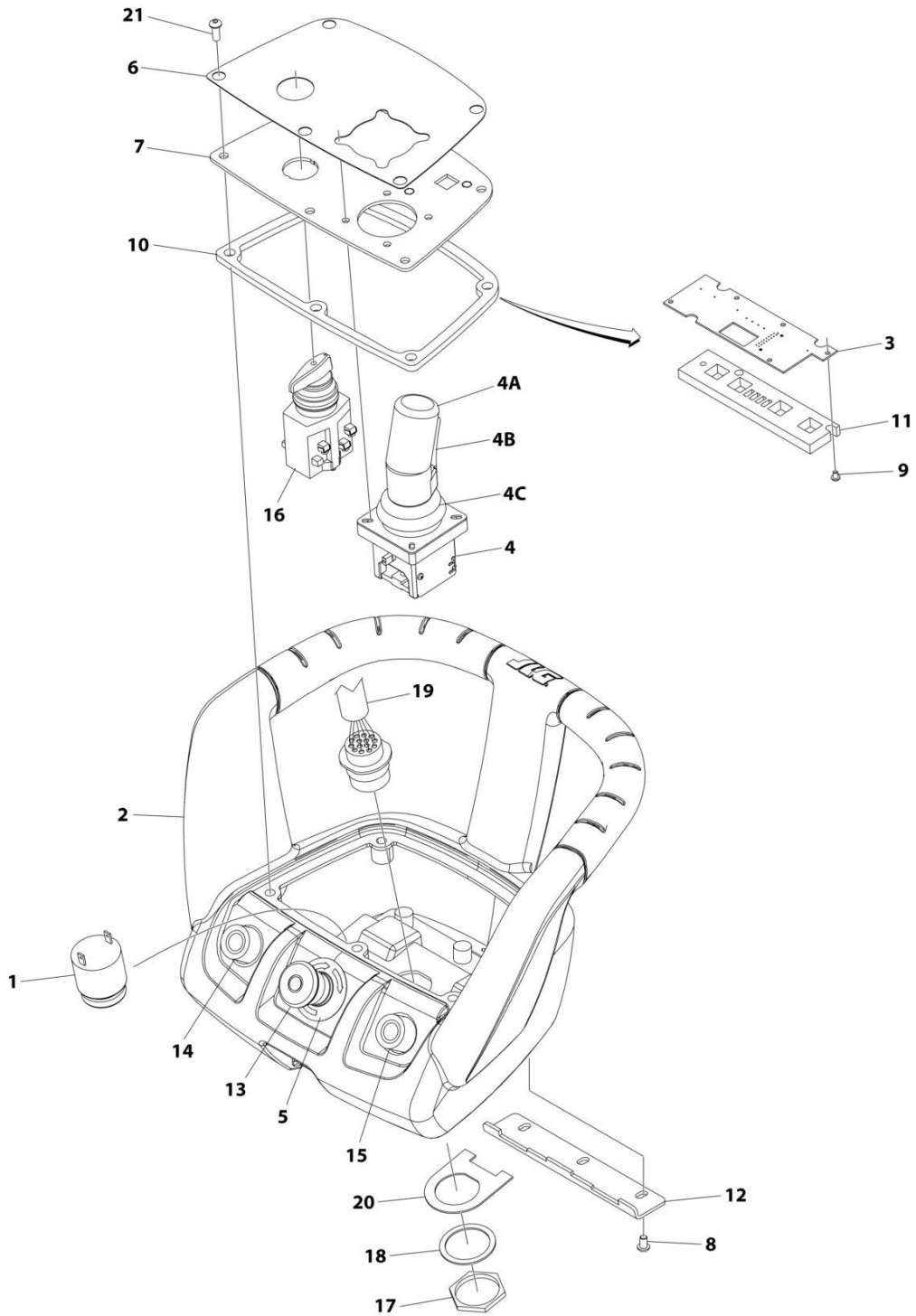
SECTION 4 - PLATFORM

FIGURE 4-13. CONSOLE BOX ASSEMBLY (ENGINE POWERED MACHINES WITHOUT DRIVE OPTION)

ITEM	PART NUMBER	QTY	DESCRIPTION	REV
	0275414	Ref	CONSOLE BOX ASSEMBLY	D
1	0140011	1	Alarm	
2	0861655	1	Box	
3	1600369	1	Module, PC Board	
4	1600452	1	Controller	
4A	7027371	1	Boot (Black)	
4A	7027766	1	Ring, Boot Retaining	
4B	7027367	1	Switch, Push Button (Enable)	
4B	7027765	1	Lever, Enable	
4C	70000682	1	Boot, Panel	
5	1706898	1	Decal - Emergency Stop	
6	1705950	1	Decal - Faceplate	
7	3575304	1	Faceplate	
8	3900358	3	Screw M6 x 10	
9	3900359	3	Screw M4 x 6	
10	3960604	1	Seal, Adhesive Backed	
11	3960584	1	Seal, Foam Gasket	
12	4340871	1	Mount	
13	4360562	1	Switch, Emergency Stop	
14	4360612	1	Switch, Rotary	
15	4360564	1	Switch, Push Button (Black)	
16	4360565	1	Switch, Push Button (Yellow)	
18	4923117	1	Harness, Platform Box (See Separate Breakdown in ELECTRICAL Section)	
19	4460497	1	Nut, Terminal	
20	4460496	1	Lockwasher, Terminal	
21	3575796	1	Plate with D Shaped Slot	
22	3900357	5	Screw M6 x 16	

SECTION 4 - PLATFORM

FIGURE 4-14. CONSOLE BOX ASSEMBLY (ENGINE POWERED MACHINES WITH DRIVE OPTION)



ART_0275416

SECTION 4 - PLATFORM

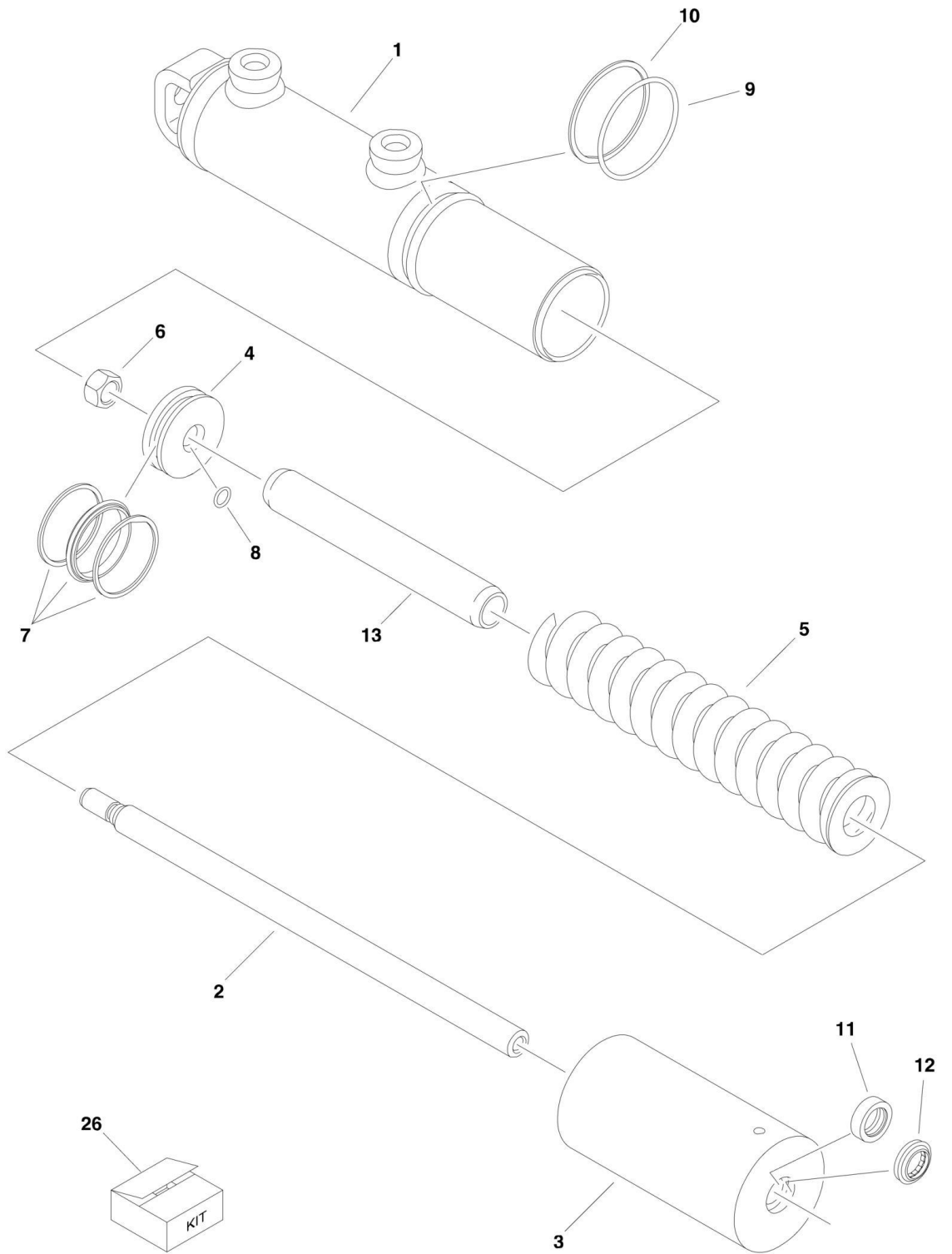
FIGURE 4-14. CONSOLE BOX ASSEMBLY (ENGINE POWERED MACHINES WITH DRIVE OPTION)

ITEM	PART NUMBER	QTY	DESCRIPTION	REV
	0275416	Ref	CONSOLE BOX ASSEMBLY	D
1	0140011	1	Alarm	
2	0861655	1	Box	
3	1600369	1	Module, PC Board	
4	1600453	1	Controller	
4A	7027368	1	Boot (Green)	
4A	7027766	1	Ring, Boot Retaining	
4A	7027369	1	Switch, Push Button (Drive)	
4A	7027370	1	Actuator	
4B	7027765	1	Lever, Enable	
4B	7027367	1	Switch, Push Button (Enable)	
4C	70000682	1	Boot, Panel	
5	1706898	1	Decal - Emergency Stop	
6	1706002	1	Decal - Faceplate	
7	3575304	1	Faceplate	
8	3900358	3	Screw M6 x 10	
9	3900359	3	Screw M4 x 6	
10	3960604	1	Seal, Adhesive Backed	
11	3960584	1	Seal, Foam Gasket	
12	4340871	1	Mount	
13	4360562	1	Switch, Emergency Stop	
14	4360564	1	Switch, Push Button (Black)	
15	4360565	1	Switch, Push Button (Yellow)	
16	4360620	1	Switch, Rotary	
17	4460497	1	Nut, Terminal	
18	4460496	1	Lockwasher, Terminal	
19	4923126	1	Harness, Platform Box (See Separate Breakdown in ELECTRICAL Section)	
20	3575796	1	Plate with D Shaped Slot	
21	3900357	5	Screw M6 x 16	

SECTION 5 - CYLINDER

SECTION 5 - CYLINDER

FIGURE 5-1. BRAKE RELEASE CYLINDER ASSEMBLY



ART_1001193948

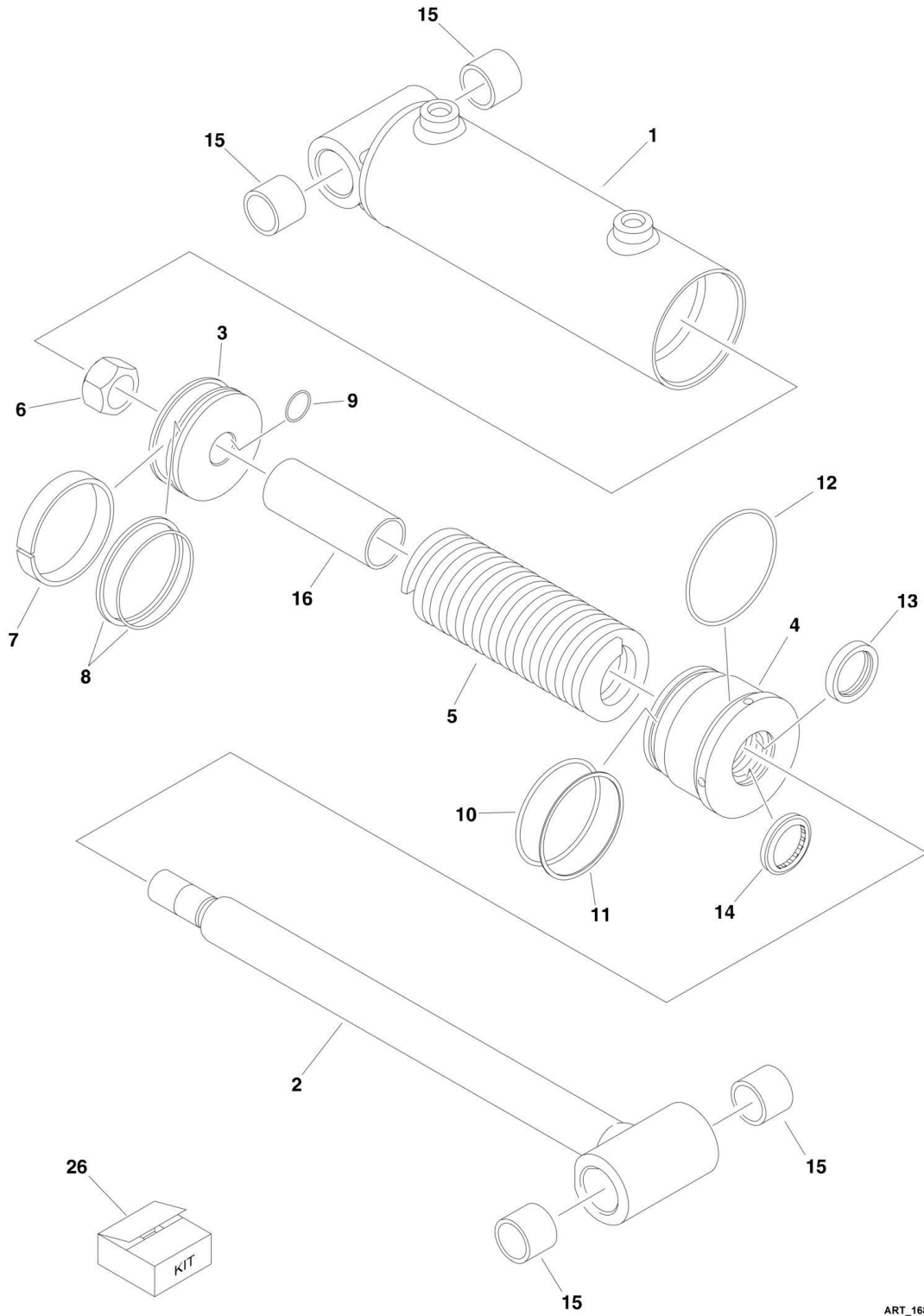
SECTION 5 - CYLINDER

FIGURE 5-1. BRAKE RELEASE CYLINDER ASSEMBLY

ITEM	PART NUMBER	QTY	DESCRIPTION	REV
	1001193948	Ref	BRAKE RELEASE CYLINDER ASSEMBLY	B
		Ref	Note: Original Cylinder May Have Been Replaced with Service Replacement. Identify PN Stamped on Cylinder Before Ordering Parts.	
1	70000112	1	Barrel	
2	70000115	1	Rod	
3	70000116	1	Head	
4	70000117	1	Piston	
5	70000114	1	Spring	
6	70000113	1	Nut	
7	70000111	1	O-Ring	
7	70000111	2	Ring, Back-up	
8	70000111	1	O-Ring	
9	70000111	1	O-Ring	
10	70000111	1	Ring, Back-up	
11	70000111	1	Seal, Rod	
12	70000111	1	Wiper	
13	70000118	1	Spacer	
26	70000111	1	Seal Kit - Cylinder (Includes Items 7-12)	

SECTION 5 - CYLINDER

FIGURE 5-2. DRIVE ENGAGE CYLINDER ASSEMBLY (T350)



ART_1684467

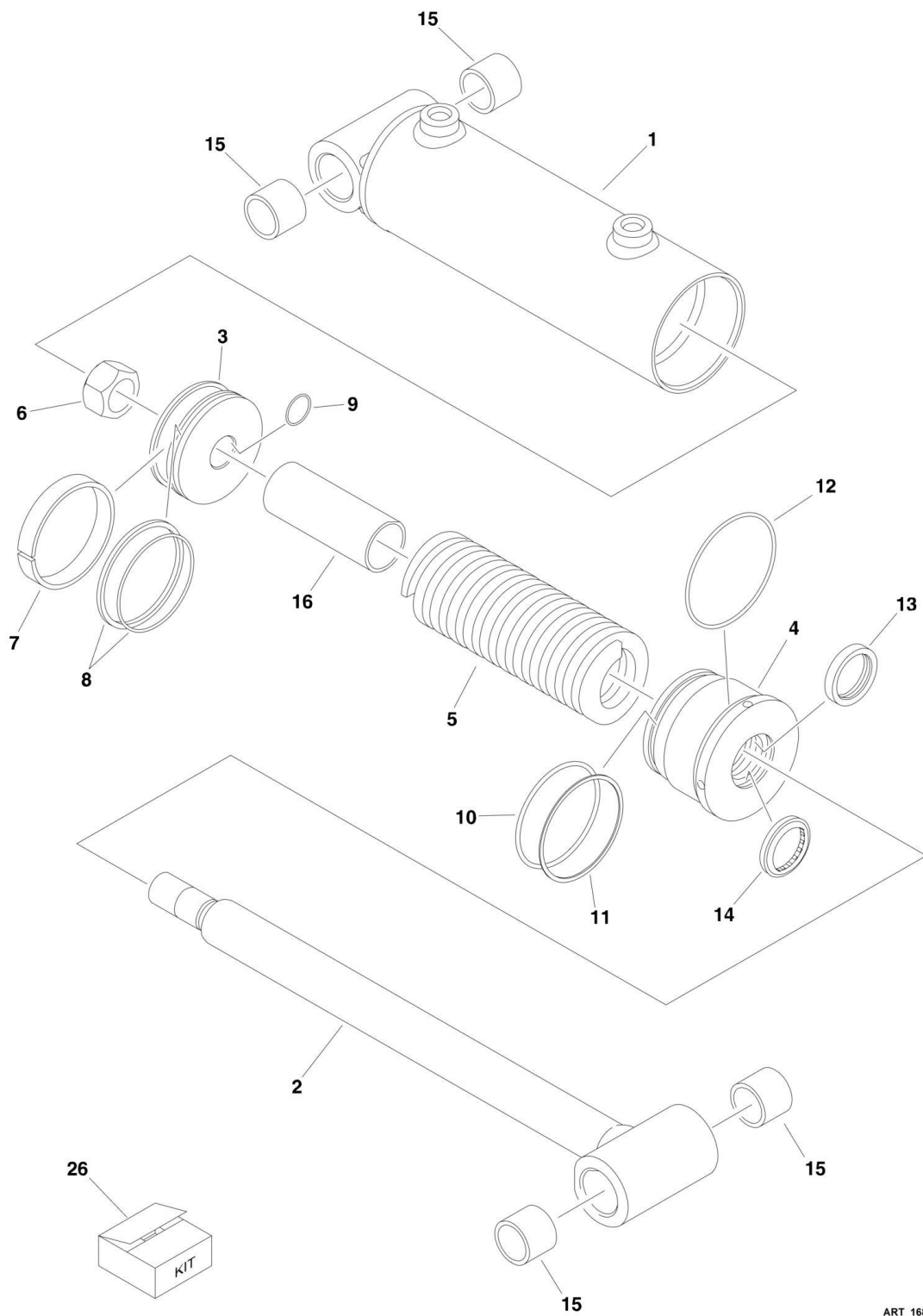
SECTION 5 - CYLINDER

FIGURE 5-2. DRIVE ENGAGE CYLINDER ASSEMBLY (T350)

ITEM	PART NUMBER	QTY	DESCRIPTION	REV
	1684467	Ref	DRIVE ENGAGE CYLINDER ASSEMBLY	A
		Ref	Note: Original Cylinder May Have Been Replaced with Service Replacement. Identify PN Stamped on Cylinder Before Ordering Parts.	
1	70000984	1	Barrel	
2	70000983	1	Rod	
3	70000981	1	Piston	
4	70000982	1	Head	
5	70000985	1	Spring	
6	7017335	1	Locknut	
7	70000979	1	Ring, Wear	
8	70000979	1	Seal, Piston	
9	70000979	1	O-Ring	
10	70000979	1	O-Ring	
11	70000979	1	Seal	
12	70000979	1	O-Ring	
13	70000979	1	Seal, Rod	
14	70000979	1	Wiper	
15	70000986	4	Bushing	
16	70000980	1	Spacer	
26	70000979	1	Seal Kit (Includes Items 7-14)	

SECTION 5 - CYLINDER

FIGURE 5-3. DRIVE ENGAGE CYLINDER ASSEMBLY (T500J)



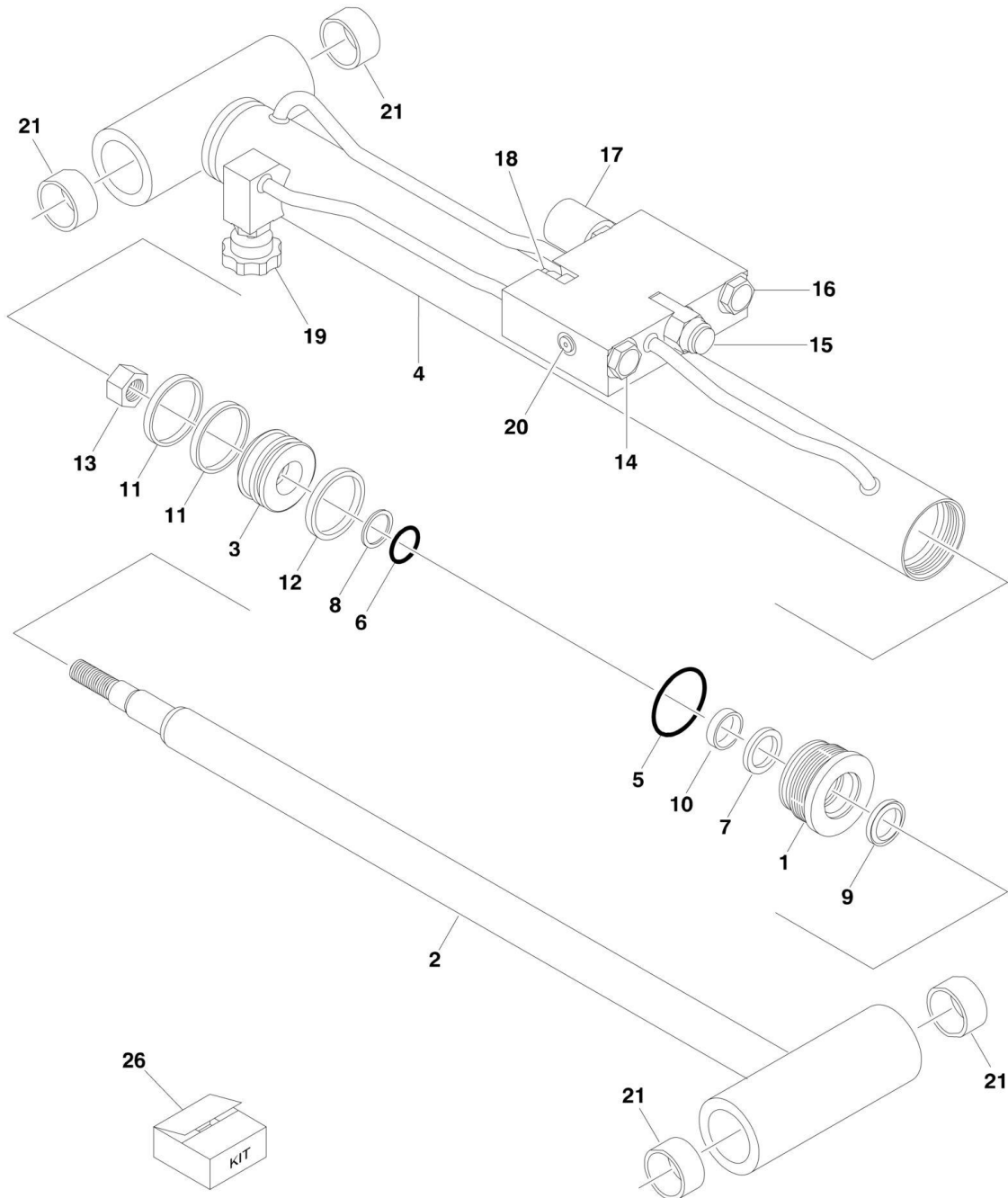
SECTION 5 - CYLINDER

FIGURE 5-3. DRIVE ENGAGE CYLINDER ASSEMBLY (T500J)

ITEM	PART NUMBER	QTY	DESCRIPTION	REV
	1684468	Ref	DRIVE ENGAGE CYLINDER ASSEMBLY	A
		Ref	Note: Original Cylinder May Have Been Replaced with Service Replacement. Identify PN Stamped on Cylinder Before Ordering Parts.	
1	70000984	1	Barrel	
2	70000987	1	Rod T500J	
3	70000981	1	Piston	
4	70000982	1	Head	
5	70000985	1	Spring	
6	7017335	1	Locknut	
7	70000979	1	Ring, Wear	
8	70000979	1	Seal, Piston	
9	70000979	1	O-Ring	
10	70000979	1	O-Ring	
11	70000979	1	Seal	
12	70000979	1	O-Ring	
13	70000979	1	Seal, Rod	
14	70000979	1	Wiper	
15	70000986	4	Bushing	
16	70000980	1	Spacer	
26	70000979	1	Seal Kit (Includes Items 7-14)	

SECTION 5 - CYLINDER

FIGURE 5-4. JIB CYLINDER ASSEMBLY (T500J ONLY)



ART_1684494

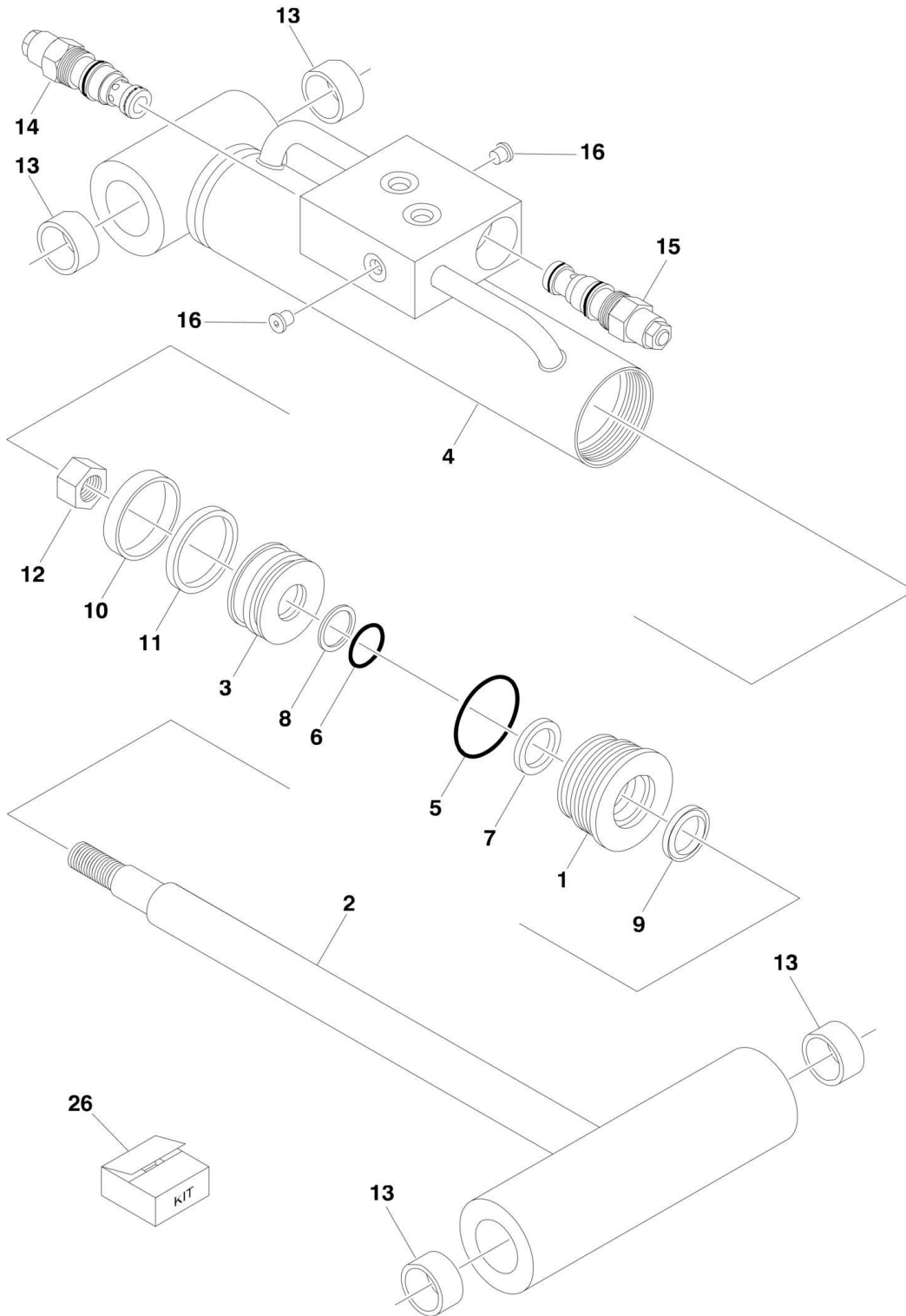
SECTION 5 - CYLINDER

FIGURE 5-4. JIB CYLINDER ASSEMBLY (T500J ONLY)

ITEM	PART NUMBER	QTY	DESCRIPTION	REV
	1684494	Ref	JIB CYLINDER ASSEMBLY	B
		Ref	Note: Original Cylinder May Have Been Replaced with Service Replacement. Identify PN Stamped on Cylinder Before Ordering Parts.	
1	7027342	1	Head	
2	7027708	1	Rod	
3	7027338	1	Piston	
4	70000190	1	Barrel	
5	7027711	1	O-Ring	
6	7027711	1	O-Ring	
7	7027711	1	Seal, Rod	
8	7027711	1	Ring, Back-up	
9	7027711	1	Wiper, Rod	
10	7027711	1	Ring, Wear	
11	7027711	2	Ring, Wear	
12	7027711	1	Seal, Piston	
13	7027710	1	Nut	
14	7012975	1	Cartridge, Check	
14	7012540	1	Seal Kit - 7012975 Cartridge	
15	7024888	1	Cartridge, Relief	
15	7012972	1	Seal Kit - 7024888 Cartridge	
16	7024887	1	Cartridge, Check	
16	7012998	1	Seal Kit - 7024887 Cartridge	
17	7024884	1	Cartridge, Solenoid Less Coil	
17	7012967	1	Seal Kit - 7024884 Cartridge	
17	7024885	1	Coil	
18	7011380	1	Cartridge, Counterbalance	
18	2900770	1	Seal Kit - 7011380 Cartridge	
19	4640902	1	Cartridge, Needle Valve	
19	7012953	1	Seal Kit - 4640902 Cartridge	
19	7012961	1	Knob	
20	2220881	4	Plug	
21	0962257	4	Bushing	
26	7027711	1	Seal Kit (Includes Items 5-12)	

SECTION 5 - CYLINDER

FIGURE 5-5. PLATFORM LEVEL (SLAVE) CYLINDER ASSEMBLY (T350)



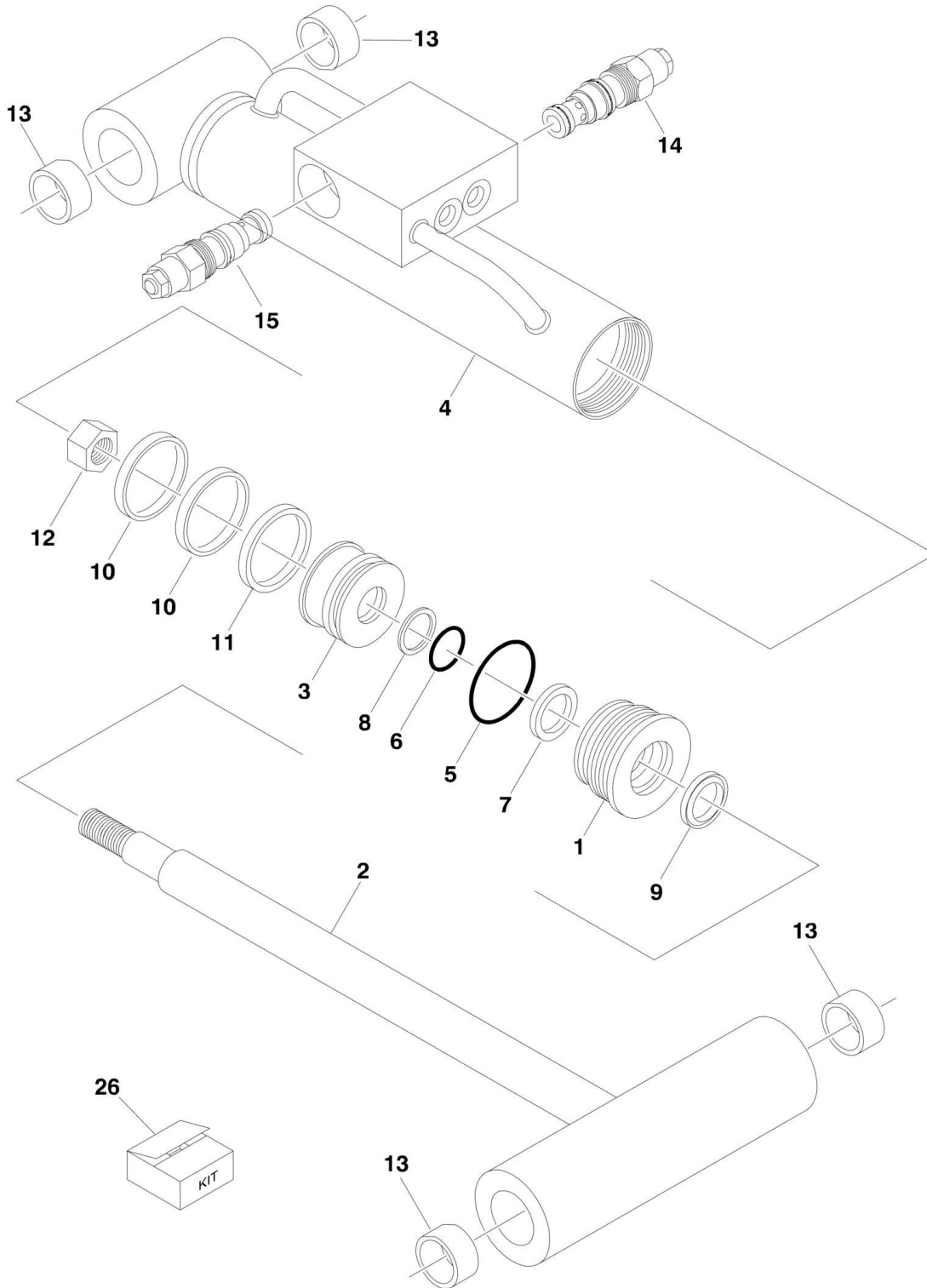
SECTION 5 - CYLINDER

FIGURE 5-5. PLATFORM LEVEL (SLAVE) CYLINDER ASSEMBLY (T350)

ITEM	PART NUMBER	QTY	DESCRIPTION	REV
	1684373	Ref	LEVEL (PLATFORM SLAVE) CYLINDER ASSEMBLY	D
		Ref	Note: Original Cylinder May Have Been Replaced with Service Replacement. Identify PN Stamped on Cylinder Before Ordering Parts.	
1	7027336	1	Head	
2	7027348	1	Rod	
3	7027338	1	Piston	
4	7027349	1	Barrel	
5	7027341	1	O-Ring	
6	7027341	1	O-Ring	
7	7027341	1	Seal, Rod	
8	7027341	1	Ring, Back-up	
9	7027341	1	Wiper	
10	7027341	1	Ring, Wear	
11	7027341	1	Seal, Piston	
12	7027340	1	Locknut	
13	0961947	4	Bushing	
14	7011377	1	Cartridge	
14	7011358	1	Seal Kit - 7011377 Cartridge	
15	7011378	1	Cartridge	
15	2900770	1	Seal Kit - 7011378 Cartridge	
16	2220881	2	Plug	
26	7027341	1	Seal Kit (Includes Items 5-11)	

SECTION 5 - CYLINDER

FIGURE 5-6. PLATFORM LEVEL (SLAVE) CYLINDER ASSEMBLY (T500J)



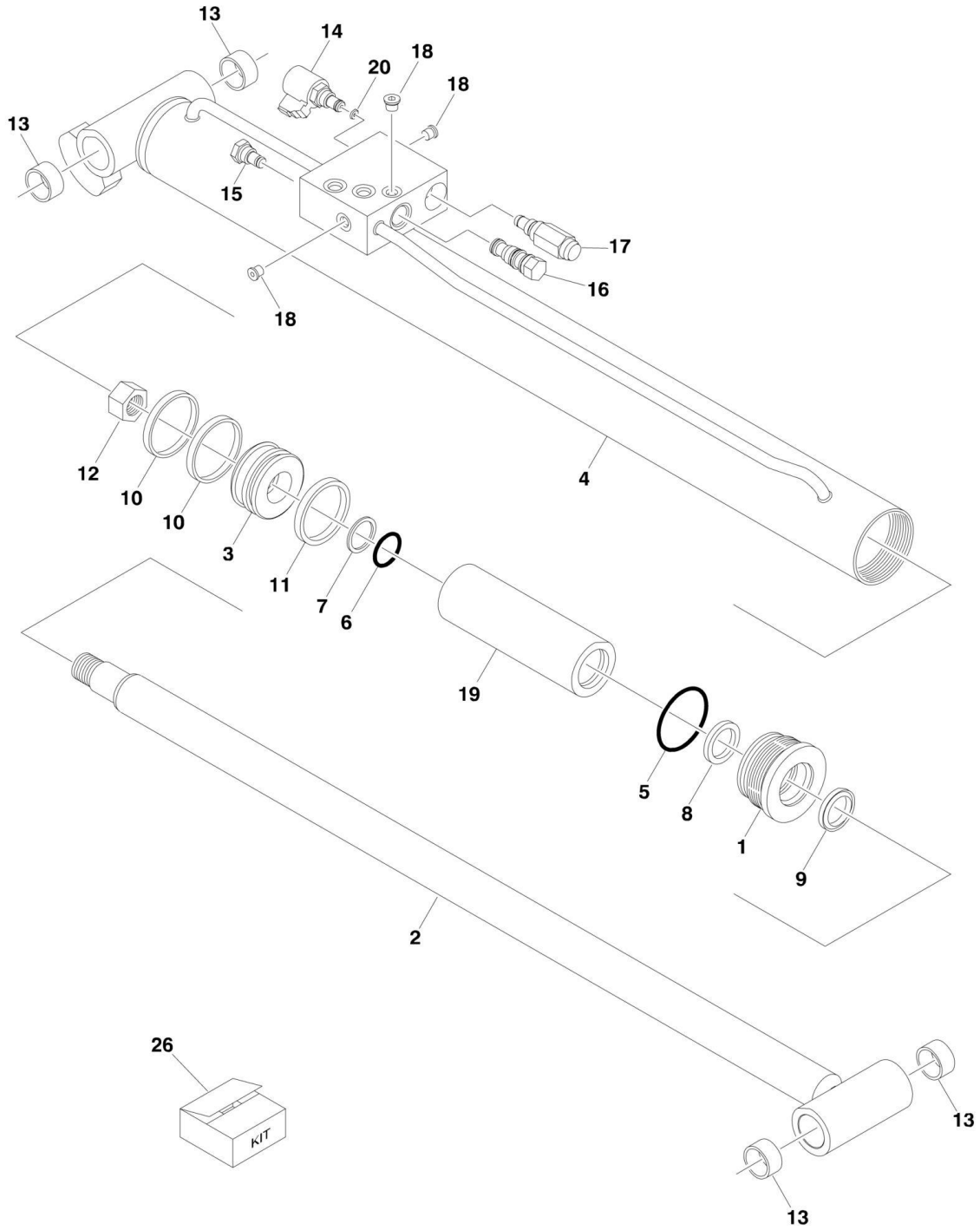
SECTION 5 - CYLINDER

FIGURE 5-6. PLATFORM LEVEL (SLAVE) CYLINDER ASSEMBLY (T500J)

ITEM	PART NUMBER	QTY	DESCRIPTION	REV
	1684397	Ref	LEVEL (PLATFORM SLAVE) CYLINDER ASSEMBLY	D
		Ref	Note: Original Cylinder May Have Been Replaced with Service Replacement. Identify PN Stamped on Cylinder Before Ordering Parts.	
1	7027694	1	Head	
2	7027695	1	Rod	
3	7027696	1	Piston	
4	7027697	1	Barrel	
5	7027698	1	O-Ring	
6	7027698	1	O-Ring	
7	7027698	1	Seal, Rod	
8	7027698	1	Ring, Back-up	
9	7027698	1	Wiper	
10	7027698	2	Ring, Wear	
11	7027698	1	Seal, Piston	
12	7027340	1	Locknut	
13	0961947	4	Bushing	
14	7011377	1	Cartridge	
14	7011358	1	Seal Kit - 7011377 Cartridge	
15	7011378	1	Cartridge	
15	2900770	1	Seal Kit - 7011378 Cartridge	
26	7027698	1	Seal Kit (Includes Items 5-11)	

SECTION 5 - CYLINDER

FIGURE 5-7. LIFT CYLINDER ASSEMBLY (T350)



ART_1684433

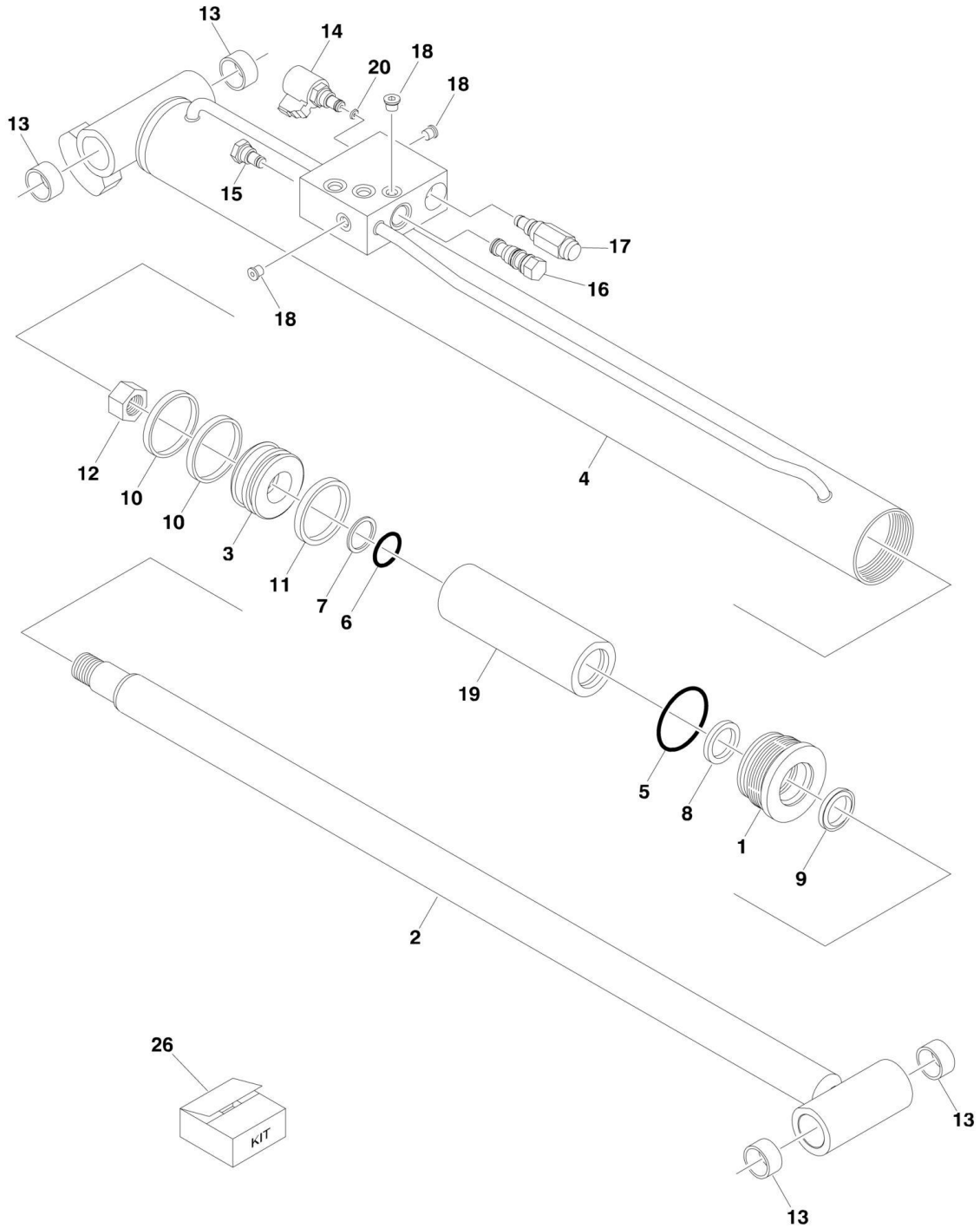
SECTION 5 - CYLINDER

FIGURE 5-7. LIFT CYLINDER ASSEMBLY (T350)

ITEM	PART NUMBER	QTY	DESCRIPTION	REV
	1684433	Ref	LIFT CYLINDER ASSEMBLY	F
		Ref	Note: Original Cylinder May Have Been Replaced with Service Replacement. Identify PN Stamped on Cylinder Before Ordering Parts.	
1	7027329	1	Head	
2	7027330	1	Rod	
3	7027331	1	Piston	
4	7027332	1	Barrel	
5	See Note	1	O-Ring (Note: Use Item 26)	
6	See Note	1	O-Ring (Note: Use Item 26)	
7	See Note	1	Ring, Back-up (Note: Use Item 26)	
8	See Note	1	Seal, Rod (Note: Use Item 26)	
9	See Note	1	Wiper (Note: Use Item 26)	
10	See Note	2	Ring, Wear (Note: Use Item 26)	
11	See Note	1	Seal, Piston (Note: Use Item 26)	
12	7027334	1	Locknut	
13	0962257	4	Bushing	
14	7024884	1	Cartridge Less Coil	
14	7012967	1	Seal Kit - 7024884 Cartridge	
14	7024885	1	Coil	
15	7012955	1	Cartridge, Check	
15	7012967	1	Seal Kit - 7012955 Cartridge	
16	4640438	1	Cartridge, Pilot Check	
16	2900770	1	Seal Kit - 4640438 Cartridge	
17	7024886	1	Cartridge, Relief	
17	7012972	1	Seal Kit - 7024886 Cartridge	
18	2220883	3	Plug	
19	See Note	1	Spacer (Note: Not available for purchase)	
20	70004315	1	Orifice	
26	7027335	1	Seal Kit (Includes Items 5-11)	

SECTION 5 - CYLINDER

FIGURE 5-8. LIFT CYLINDER ASSEMBLY (T500J)



ART_1684434

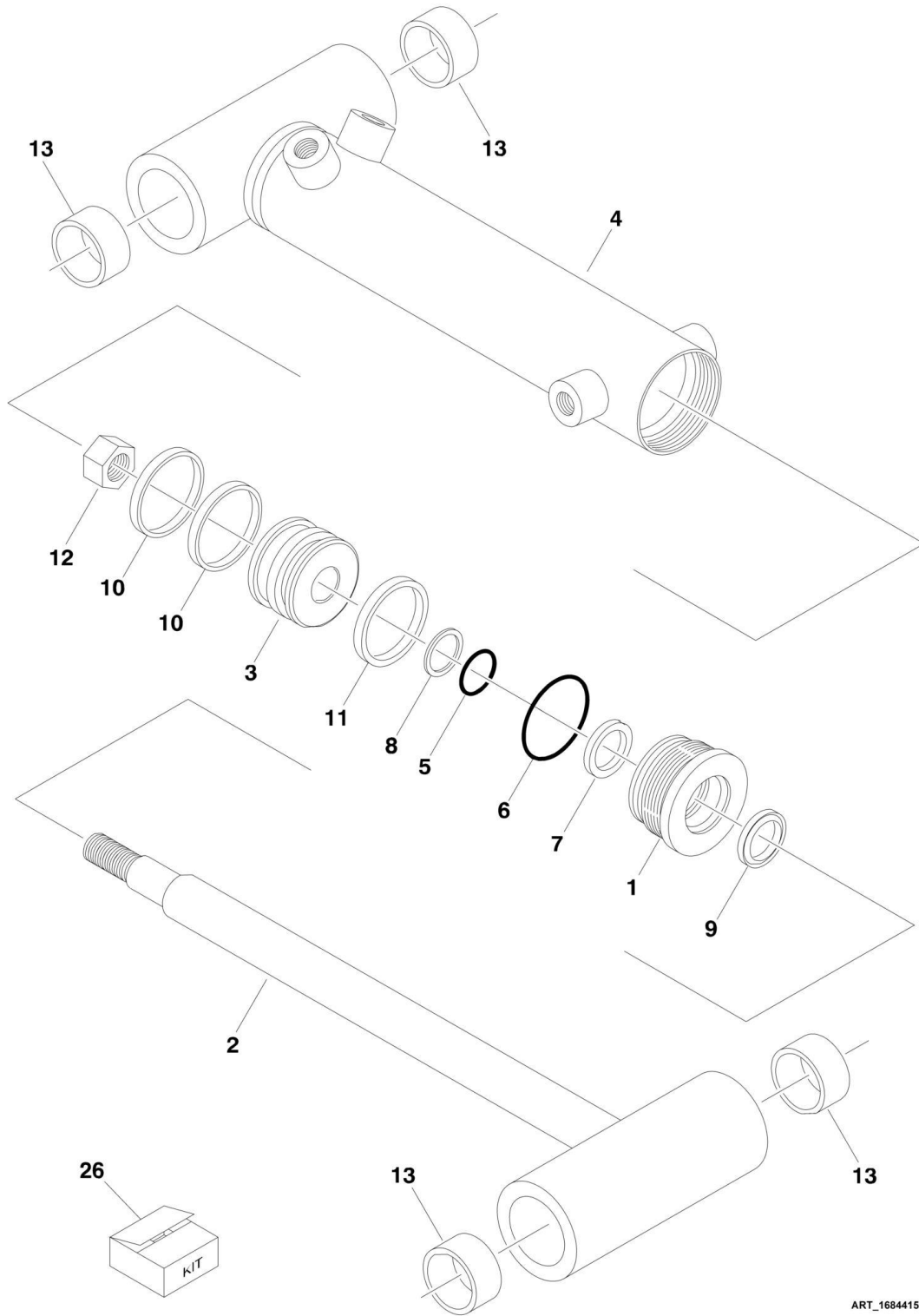
SECTION 5 - CYLINDER

FIGURE 5-8. LIFT CYLINDER ASSEMBLY (T500J)

ITEM	PART NUMBER	QTY	DESCRIPTION	REV
	1684434	Ref	LIFT CYLINDER ASSEMBLY	F
		Ref	Note: Original Cylinder May Have Been Replaced with Service Replacement. Identify PN Stamped on Cylinder Before Ordering Parts.	
1	7027712	1	Head	
2	7027713	1	Rod	
3	7027714	1	Piston	
4	7027715	1	Barrel	
5	See Note	1	O-Ring (Note: Use Item 26)	
6	See Note	1	O-Ring (Note: Use Item 26)	
7	See Note	1	Ring, Back-up (Note: Use Item 26)	
8	See Note	1	Seal, Rod (Note: Use Item 26)	
9	See Note	1	Wiper (Note: Use Item 26)	
10	See Note	2	Ring, Wear (Note: Use Item 26)	
11	See Note	1	Seal, Piston (Note: Use Item 26)	
12	7027334	1	Locknut	
13	0961948	4	Bushing	
14	7024884	1	Cartridge Less Coil	
14	7012967	1	Seal Kit - 7024884 Cartridge	
14	7024885	1	Coil	
15	7012955	1	Cartridge, Check	
15	7012967	1	Seal Kit - 7012955 Cartridge	
16	4640438	1	Cartridge, Pilot Check	
16	2900770	1	Seal Kit - 4640438 Cartridge	
17	7024886	1	Cartridge, Relief	
17	7012972	1	Seal Kit - 7024886 Cartridge	
18	2220883	3	Plug	
19	See Note	1	Spacer (Note: Not available for purchase)	
20	70004315	1	Orifice	
26	7027716	1	Seal Kit (Includes Items 5-11)	

SECTION 5 - CYLINDER

FIGURE 5-9. MASTER CYLINDER ASSEMBLY (T350)



ART_1684415

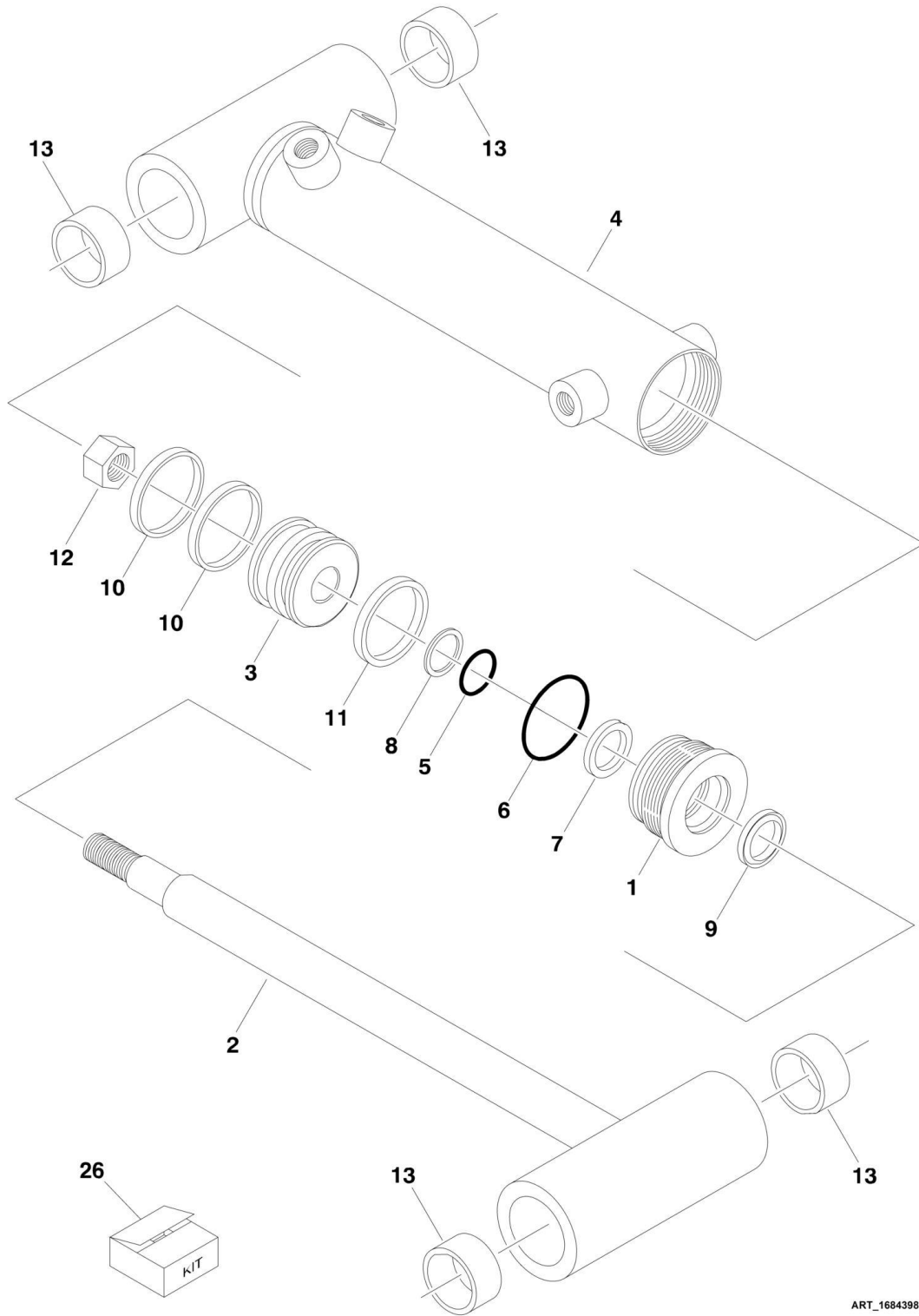
SECTION 5 - CYLINDER

FIGURE 5-9. MASTER CYLINDER ASSEMBLY (T350)

ITEM	PART NUMBER	QTY	DESCRIPTION	REV
	1684415	Ref	MASTER CYLINDER ASSEMBLY Note: Original Cylinder May Have Been Replaced with Service Replacement. Identify PN Stamped on Cylinder Before Ordering Parts.	C
		Ref		
1	7027336	1	Head	
2	7027337	1	Rod	
3	7027338	1	Piston	
4	7027339	1	Barrel	
5	See Note	1	O-Ring (Note: Use Item 26)	
6	See Note	1	O-Ring (Note: Use Item 26)	
7	See Note	1	Seal, Rod (Note: Use Item 26)	
8	See Note	1	Ring, Back-up (Note: Use Item 26)	
9	See Note	1	Wiper (Note: Use Item 26)	
10	See Note	1	Ring, Wear (Note: Use Item 26)	
11	See Note	1	Seal, Piston (Note: Use Item 26)	
12	7027340	1	Locknut	
13	0962257	4	Bushing	
26	7027341	1	Seal Kit (Includes Items 5-11)	

SECTION 5 - CYLINDER

FIGURE 5-10. MASTER CYLINDER ASSEMBLY (T500J)



ART_1684398

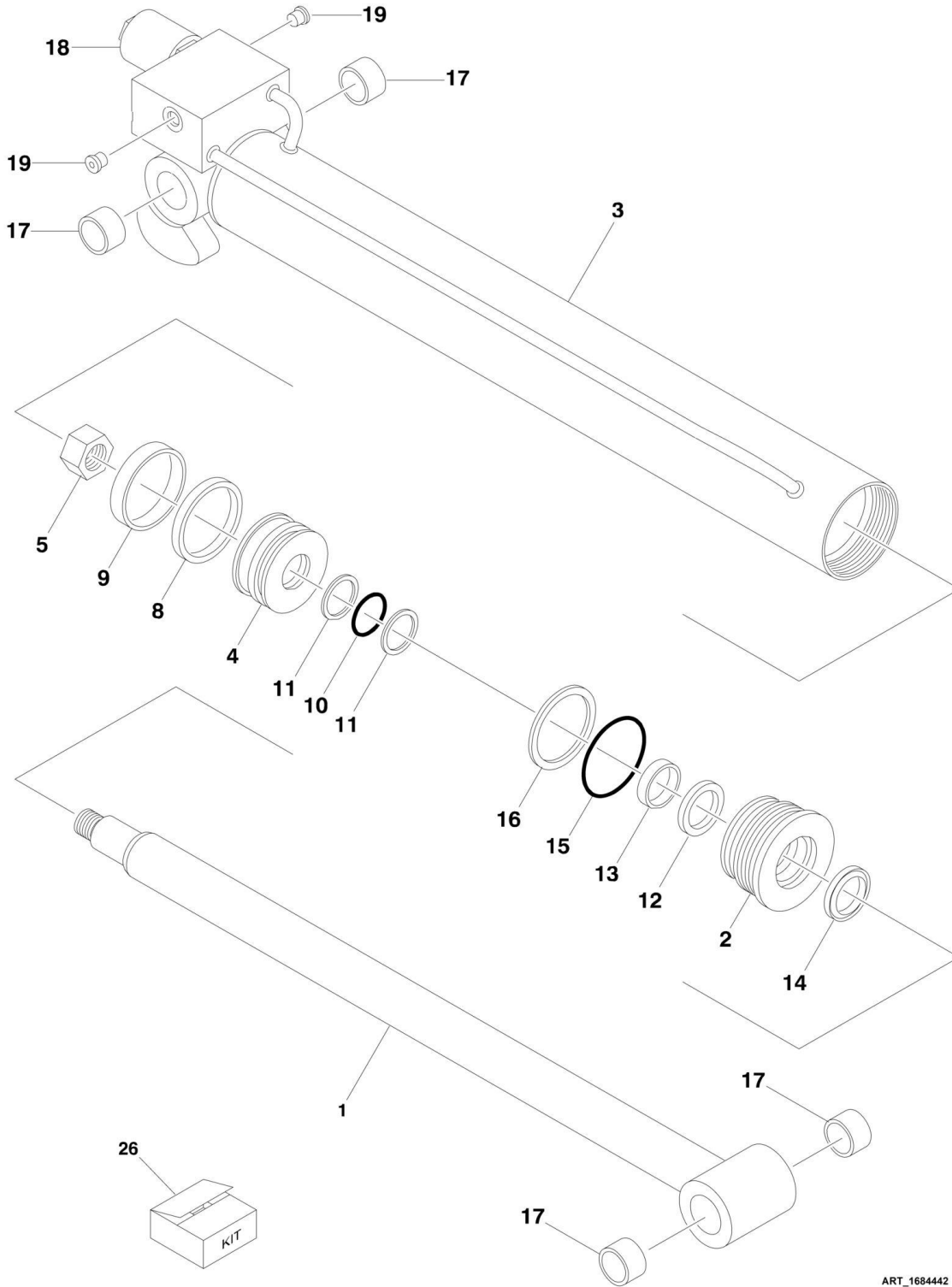
SECTION 5 - CYLINDER

FIGURE 5-10. MASTER CYLINDER ASSEMBLY (T500J)

ITEM	PART NUMBER	QTY	DESCRIPTION	REV
	1684398	Ref	MASTER CYLINDER ASSEMBLY	C
		Ref	Note: Original Cylinder May Have Been Replaced with Service Replacement. Identify PN Stamped on Cylinder Before Ordering Parts.	
1	7027694	1	Head	
2	7027699	1	Rod	
3	7027696	1	Piston	
4	7027700		Barrel	
5	See Note	1	O-Ring (Note: Use Item 26)	
6	See Note	1	O-Ring (Note: Use Item 26)	
7	See Note	1	Seal, Rod (Note: Use Item 26)	
8	See Note	1	Ring, Back-up (Note: Use Item 26)	
9	See Note	1	Wiper (Note: Use Item 26)	
10	See Note	2	Ring, Wear (Note: Use Item 26)	
11	See Note	1	Seal, Piston (Note: Use Item 26)	
12	7027340	1	Locknut	
13	0962257	4	Bushing	
26	7027698	1	Seal Kit (Includes Items 5-11)	

SECTION 5 - CYLINDER

FIGURE 5-11. OUTRIGGER CYLINDER ASSEMBLY (T350)



ART_1684442

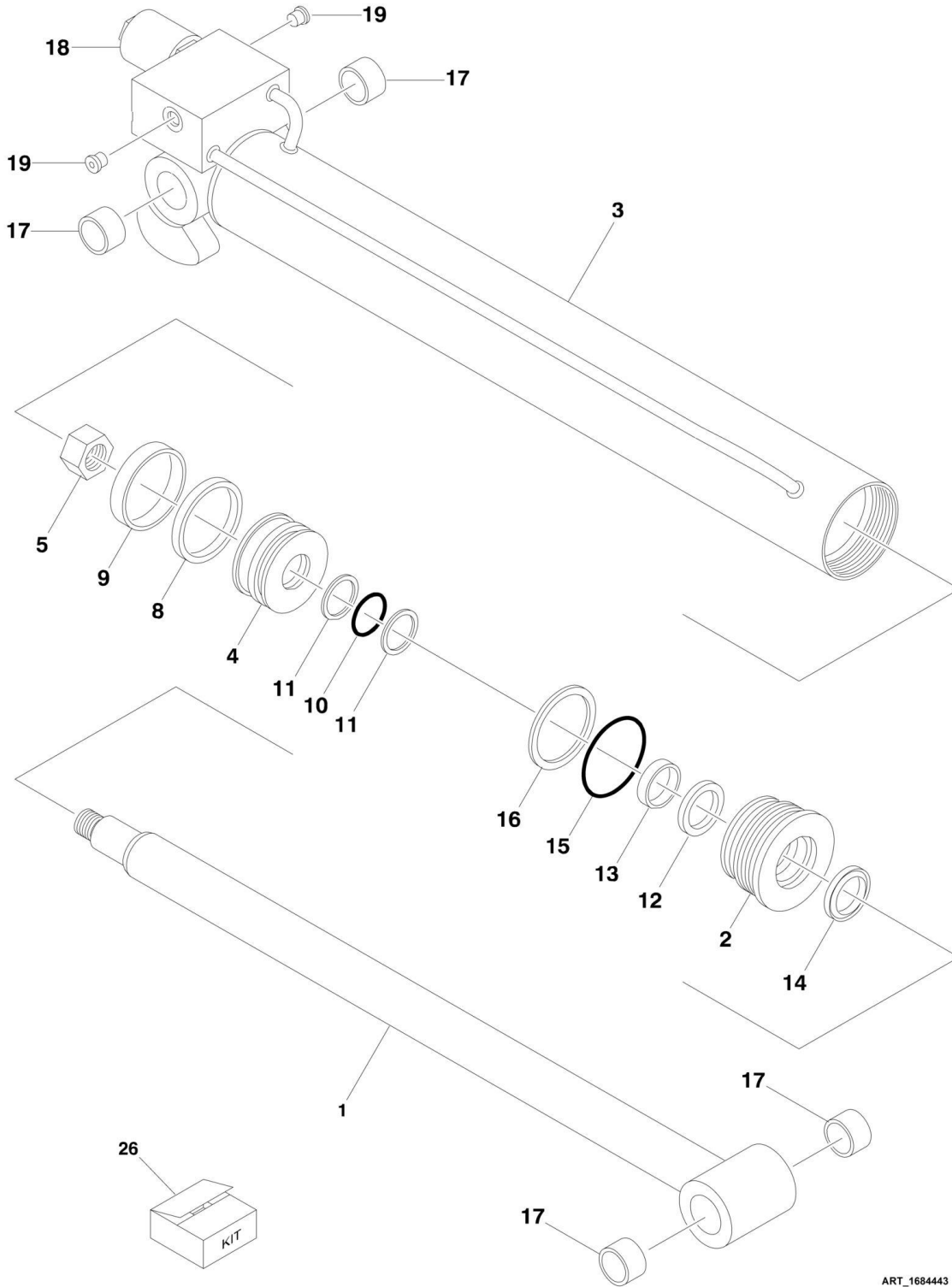
SECTION 5 - CYLINDER

FIGURE 5-11. OUTRIGGER CYLINDER ASSEMBLY (T350)

ITEM	PART NUMBER	QTY	DESCRIPTION	REV
	1684442	Ref	OUTRIGGER CYLINDER ASSEMBLY	E
		Ref	Note: Original Cylinder May Have Been Replaced with Service Replacement. Identify PN Stamped on Cylinder Before Ordering Parts.	
1	7027315	1	Rod	
2	7027316	1	Head	
3	7027317	1	Barrel	
4	7027318	1	Piston	
5	7023391	1	Locknut	
8	See Note	1	T-Seal (Note: Use Item 26)	
9	See Note	1	Ring, Wear (Note: Use Item 26)	
10	See Note	1	O-Ring (Note: Use Item 26)	
11	See Note	2	Ring, Back-up (Note: Use Item 26)	
12	See Note	1	Seal, Rod (Note: Use Item 26)	
13	See Note	1	Ring, Wear (Note: Use Item 26)	
14	See Note	1	Wiper (Note: Use Item 26)	
15	See Note	1	O-Ring (Note: Use Item 26)	
16	See Note	1	Ring, Back-up (Note: Use Item 26)	
17	0962292	4	Bushing	
18	7024882	1	Cartridge Less Coil	
18	7012953	1	Seal Kit - 7024882 Cartridge	
18	7024883	1	Coil (Note: Orient Electrical Connector Toward Center of Cams.)	
19	See Note	2	Plug (Note: Not available for purchase)	
26	7027319	1	Seal Kit (Includes Items 8-16)	

SECTION 5 - CYLINDER

FIGURE 5-12. OUTRIGGER CYLINDER ASSEMBLY (T500J)



ART_1684443

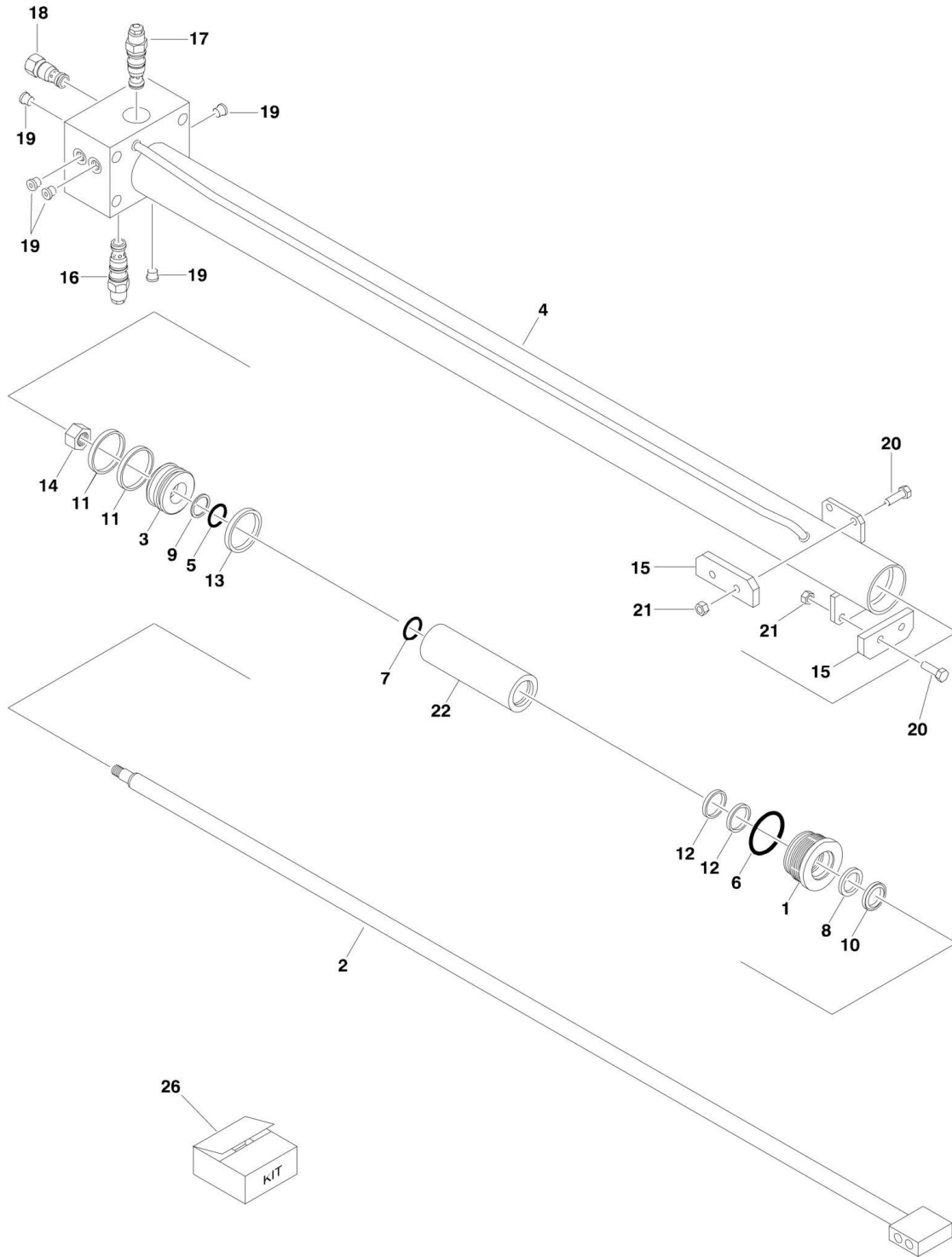
SECTION 5 - CYLINDER

FIGURE 5-12. OUTRIGGER CYLINDER ASSEMBLY (T500J)

ITEM	PART NUMBER	QTY	DESCRIPTION	REV
	1684443	Ref	OUTRIGGER CYLINDER ASSEMBLY	E
		Ref	Note: Original Cylinder May Have Been Replaced with Service Replacement. Identify PN Stamped on Cylinder Before Ordering Parts.	
1	7027320	1	Rod	
2	7027321	1	Head	
3	7027322	1	Barrel	
4	7027323	1	Piston	
5	7027324	1	Locknut	
8	See Note	1	T-Seal (Note: Use Item 26)	
9	See Note	1	Ring, Wear (Note: Use Item 26)	
10	See Note	1	O-Ring (Note: Use Item 26)	
11	See Note	2	Ring, Back-up (Note: Use Item 26)	
12	See Note	1	Seal, Rod (Note: Use Item 26)	
13	See Note	1	Ring, Wear (Note: Use Item 26)	
14	See Note	1	Wiper (Note: Use Item 26)	
15	See Note	1	O-Ring (Note: Use Item 26)	
16	See Note	1	Ring, Back-up (Note: Use Item 26)	
17	0961948	4	Bushing	
18	7024882	1	Cartridge Less Coil	
18	7012953	1	Seal Kit - 7024882 Cartridge	
18	7024883	1	Coil (Note: Orient Electrical Connector Toward Center of Cams.)	
19	See Note	2	Plug (Note: Not available for purchase)	
26	7027325	1	Seal Kit (Includes Items 8-16)	

SECTION 5 - CYLINDER

FIGURE 5-13. TELESCOPE CYLINDER ASSEMBLY (T350)



ART_1684367

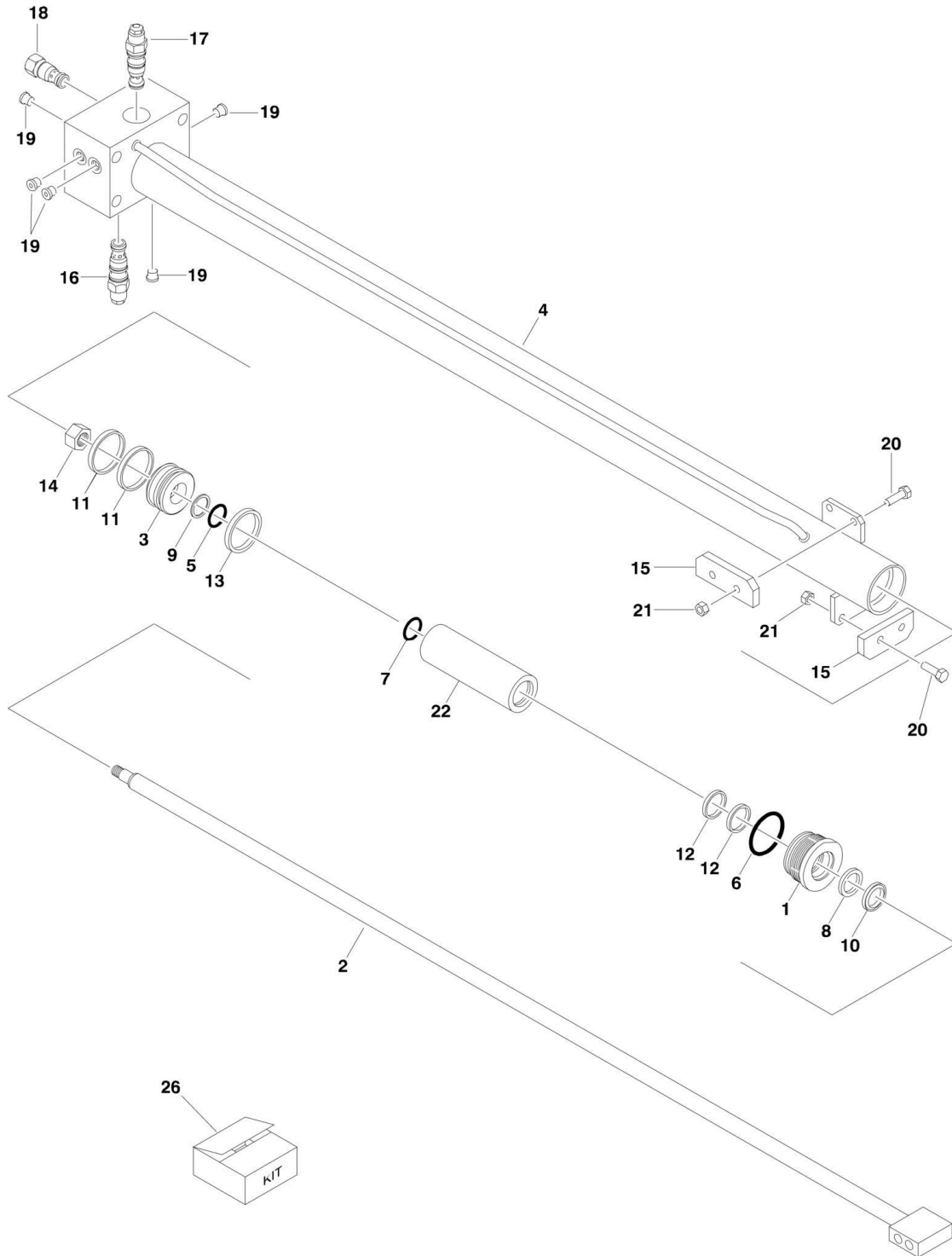
SECTION 5 - CYLINDER

FIGURE 5-13. TELESCOPE CYLINDER ASSEMBLY (T350)

ITEM	PART NUMBER	QTY	DESCRIPTION	REV
	1684367	Ref	TELESCOPE CYLINDER ASSEMBLY	E
		Ref	Note: Original Cylinder May Have Been Replaced with Service Replacement. Identify PN Stamped on Cylinder Before Ordering Parts.	
1	7027342	1	Head	
2	7027343	1	Rod	
3	7027344	1	Piston	
4	7027345	1	Barrel	
5	See Note	1	O-Ring (Note: Use Item 26)	
6	See Note	1	O-Ring (Note: Use Item 26)	
7	See Note	1	O-Ring (Note: Use Item 26)	
8	See Note	1	Seal, Rod (Note: Use Item 26)	
9	See Note	1	Ring, Back-up (Note: Use Item 26)	
10	See Note	1	Wiper (Note: Use Item 26)	
11	See Note	2	Ring, Wear (Note: Use Item 26)	
12	See Note	2	Ring, Wear (Note: Use Item 26)	
13	See Note	1	Seal, Piston (Note: Use Item 26)	
14	7027340	1	Locknut	
15	7027346	2	Pad, Wear	
16	7011377	2	Cartridge, Counterbalance	
16	7011358	2	Seal Kit - 7011377 Cartridge	
17	7011379	2	Cartridge, Counterbalance	
17	2900770	2	Seal Kit - 7011379 Cartridge	
18	4641285	1	Cartridge, Shuttle	
18	7011311	1	Seal Kit - 4641285 Cartridge	
19	2220883	5	Plug	
20	0641510	4	Bolt 5/16 x 1 1/4	
21	3311505	4	Nut 5/16	
22	See Note	1	Spacer (Note: Not available for purchase)	
26	7027347	1	Seal Kit (Includes Items 5-13)	

SECTION 5 - CYLINDER

FIGURE 5-14. TELESCOPE CYLINDER ASSEMBLY (T500J)



ART_1684402

SECTION 5 - CYLINDER

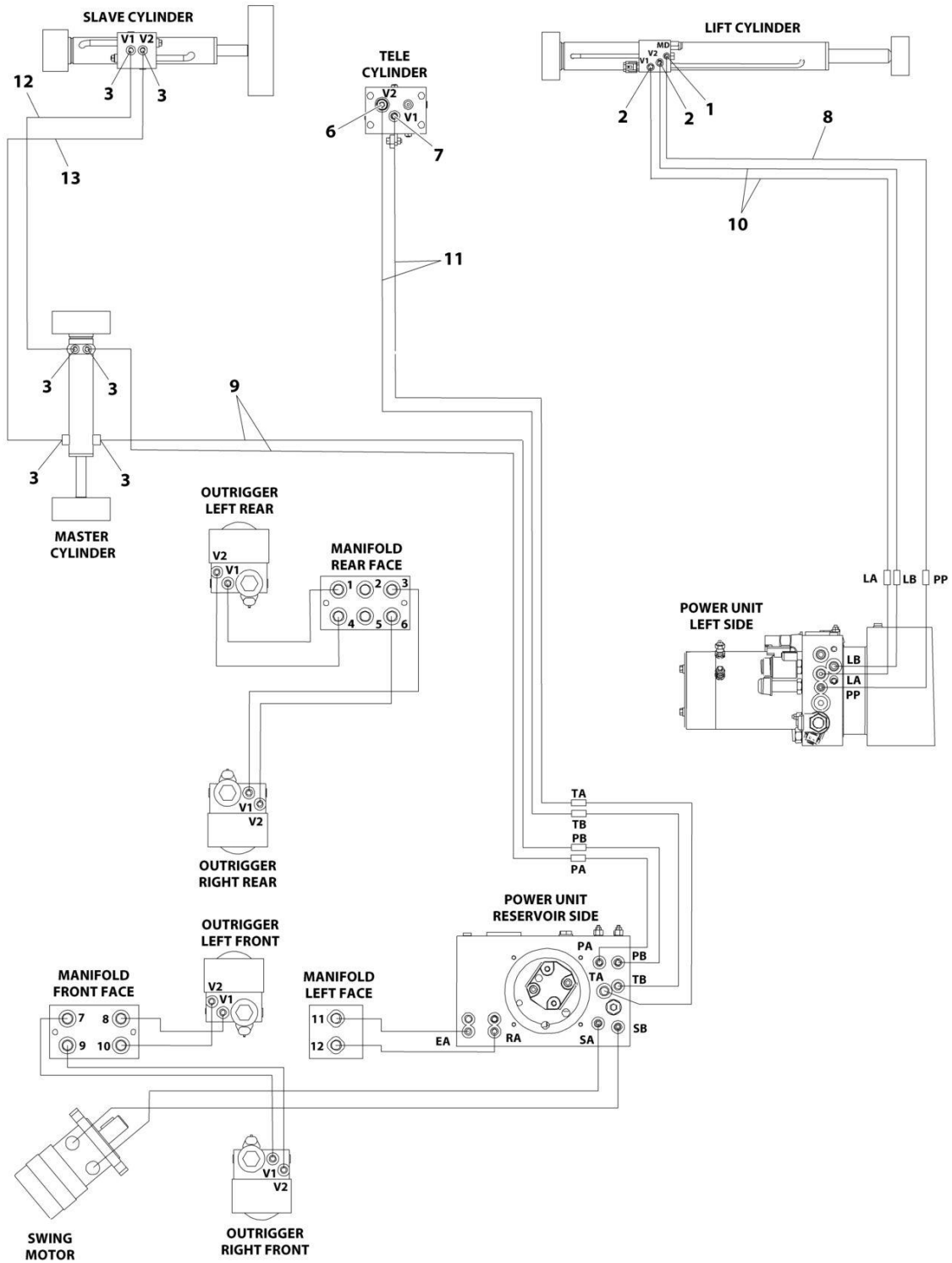
FIGURE 5-14. TELESCOPE CYLINDER ASSEMBLY (T500J)

ITEM	PART NUMBER	QTY	DESCRIPTION	REV
	1684402	Ref	TELESCOPE CYLINDER ASSEMBLY	F
		Ref	Note: Original Cylinder May Have Been Replaced with Service Replacement. Identify PN Stamped on Cylinder Before Ordering Parts.	
1	7027701	1	Head	
2	7027702	1	Rod	
3	7027703	1	Piston	
4	7027704	1	Barrel	
5	See Note	1	O-Ring (Note: Use Item 26)	
6	See Note	1	O-Ring (Note: Use Item 26)	
7	See Note	1	O-Ring (Note: Use Item 26)	
8	See Note	1	Seal, Rod (Note: Use Item 26)	
9	See Note	1	Ring, Back-up (Note: Use Item 26)	
10	See Note	1	Wiper (Note: Use Item 26)	
11	See Note	2	Ring, Wear (Note: Use Item 26)	
12	See Note	2	Ring, Wear (Note: Use Item 26)	
13	See Note	1	Seal, Piston (Note: Use Item 26)	
14	7027705	1	Locknut	
15	7027706	2	Pad, Wear	
16	7011377	2	Cartridge, Counterbalance	
16	7011358	2	Seal Kit - 7011377 Cartridge	
17	7011379	2	Cartridge, Counterbalance	
17	2900770	2	Seal Kit - 7011379 Cartridge	
18	4641285	1	Cartridge, Shuttle	
18	7011311	1	Seal Kit - 4641285 Cartridge	
19	2220883	5	Plug	
20	0641510	4	Bolt 5/16 x 1 1/4	
21	3311505	4	Nut 5/16	
22	See Note	1	Spacer (Note: Not available for purchase)	
26	7027707	1	Seal Kit (Includes Items 5-13)	

SECTION 6 - HYDRAULIC

SECTION 6 - HYDRAULIC

FIGURE 6-1. HYDRAULIC DIAGRAM - BOOM (T350)



ART_2792640

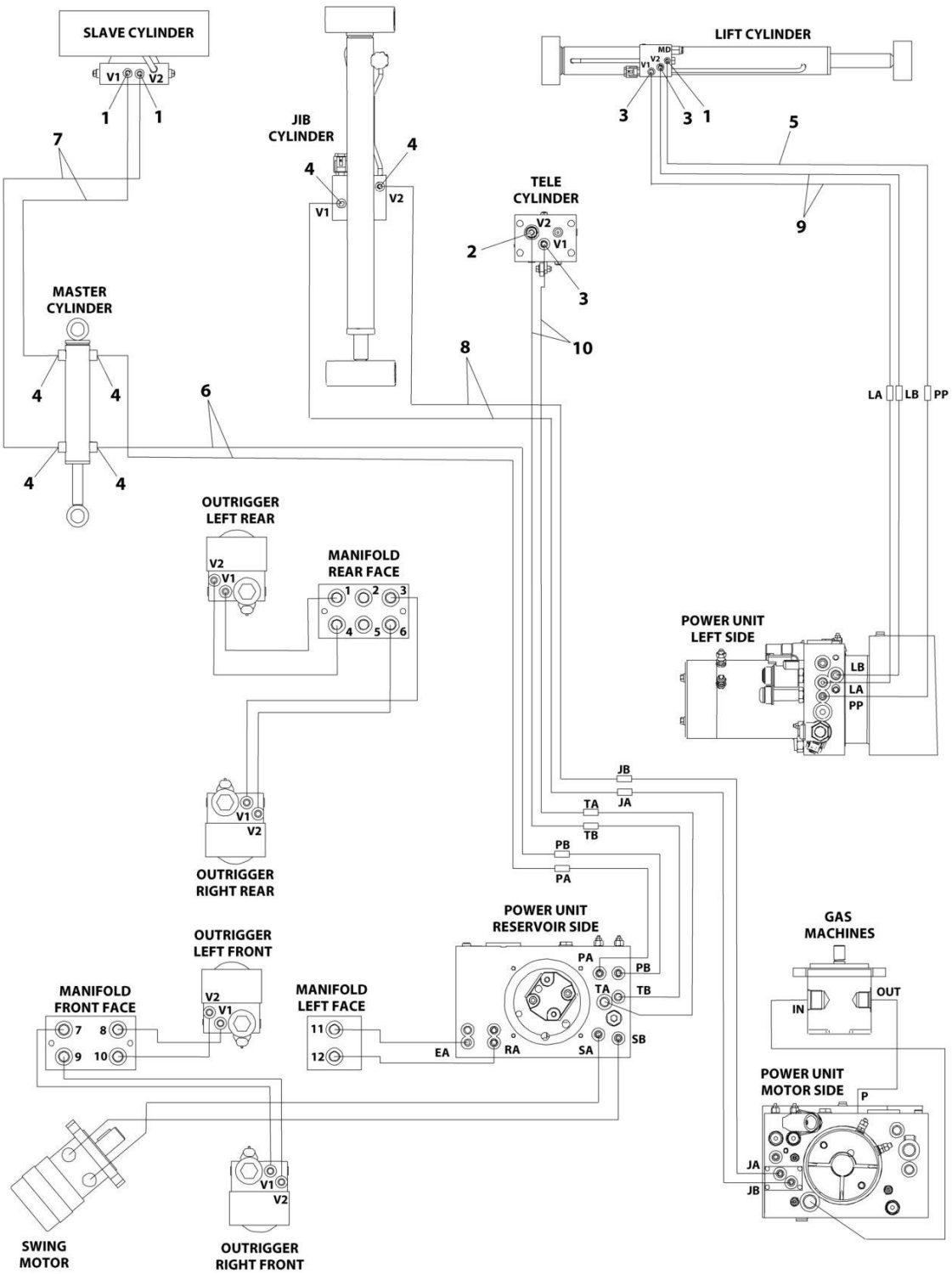
SECTION 6 - HYDRAULIC

FIGURE 6-1. HYDRAULIC DIAGRAM - BOOM (T350)

ITEM	PART NUMBER	QTY	DESCRIPTION	REV
	2792640	Ref	HYDRAULIC DIAGRAM - BOOM	1
	1283400	Ref	HYDRAULIC DIAGRAM - CHART DRAWING	E
1	2110404	1	Fitting, Straight ORFS/ORB	
2	2110606	2	Fitting, Straight ORFS/ORB	
3	2130404	6	Fitting, 90 ORFS/ORB	
6	2130604	1	Fitting, 90 ORFS/ORB	
7	2130606	1	Fitting, 90 ORFS/ORB	
8	2754209	1	Hose	
9	2754204	2	Hose	
10	2754213	2	Hose	
11	2754211	2	Hose	
12	2754205	1	Hose	
13	2754206	1	Hose	

SECTION 6 - HYDRAULIC

FIGURE 6-2. HYDRAULIC DIAGRAM - BOOM (T500J)



ART_2792641

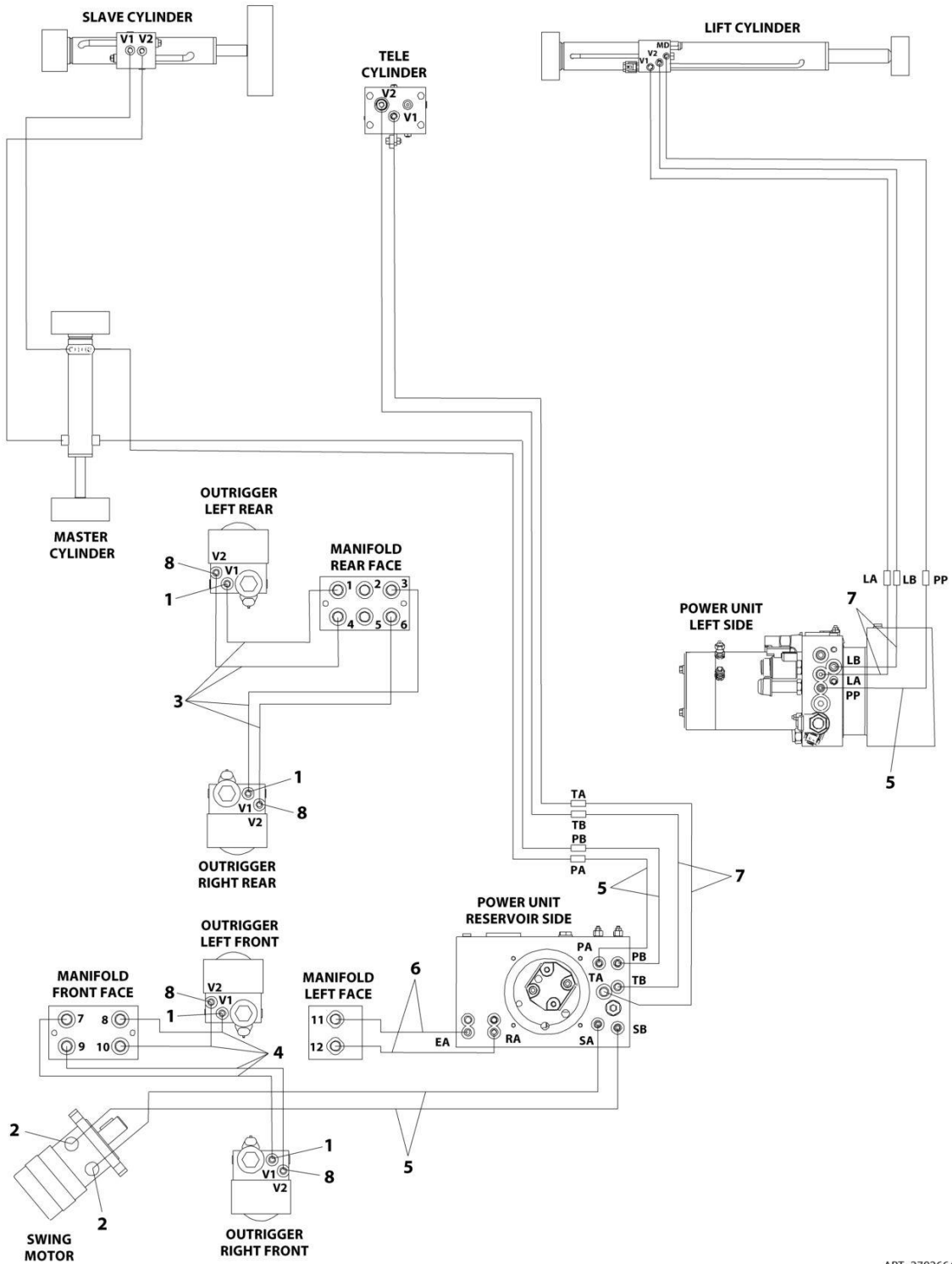
SECTION 6 - HYDRAULIC

FIGURE 6-2. HYDRAULIC DIAGRAM - BOOM (T500J)

ITEM	PART NUMBER	QTY	DESCRIPTION	REV
	2792641	Ref	HYDRAULIC DIAGRAM - BOOM	3
	1283401	Ref	HYDRAULIC DIAGRAM - CHART DRAWING	F
1	2110404	3	Fitting, Straight	
2	2110604	1	Fitting, Straight	
3	2110606	3	Fitting, Straight	
4	2130404	6	Fitting, 90	
5	2754210	1	Hose	
6	2754207	2	Hose	
7	2754264	2	Hose	
8	2754208	2	Hose	
9	2754214	2	Hose	
10	2754212	2	Hose	

SECTION 6 - HYDRAULIC

FIGURE 6-3. HYDRAULIC DIAGRAM - CHASSIS (T350 ELECTRIC POWERED MACHINES)



ART_2792664

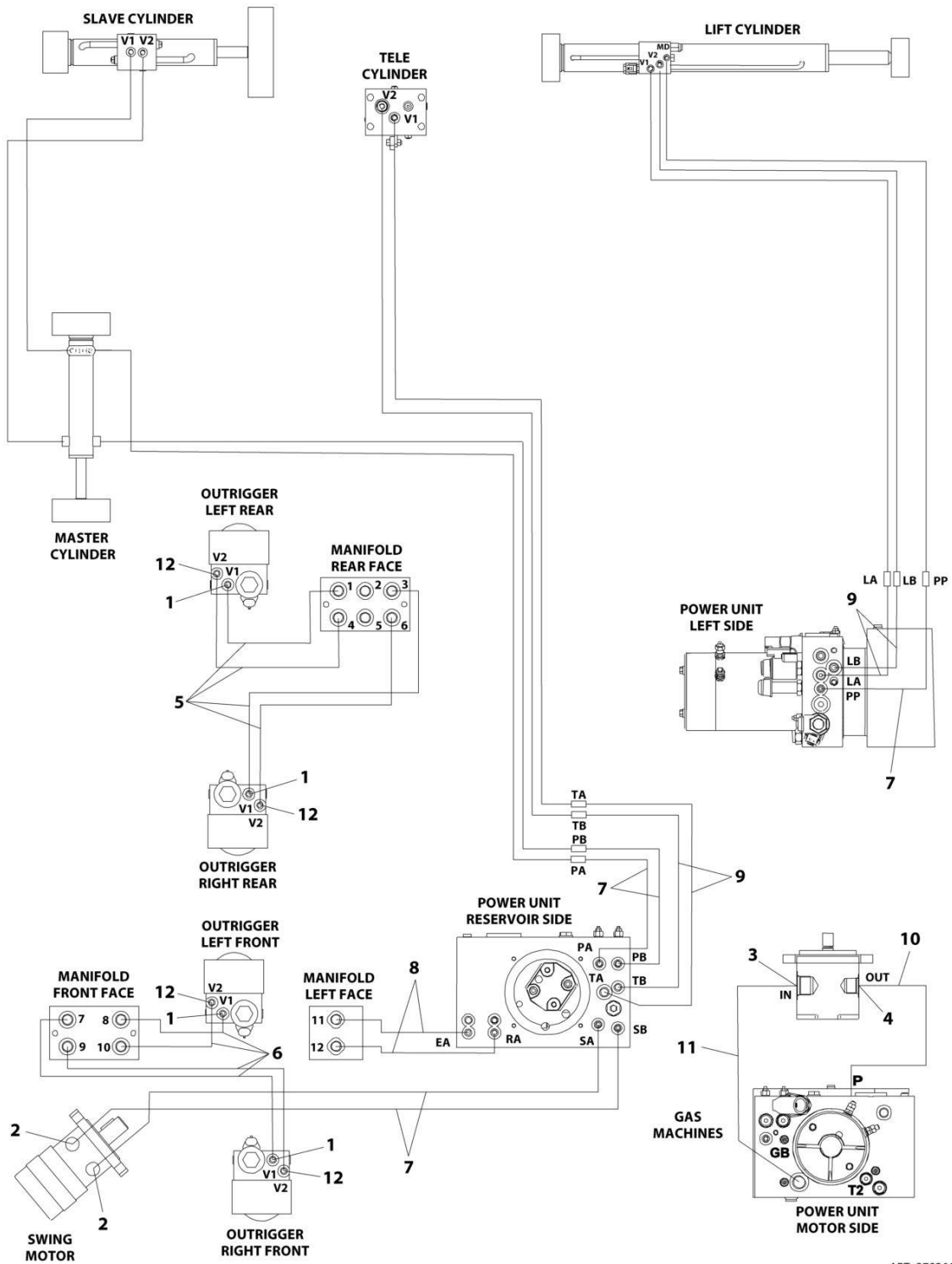
SECTION 6 - HYDRAULIC

FIGURE 6-3. HYDRAULIC DIAGRAM - CHASSIS (T350 ELECTRIC POWERED MACHINES)

ITEM	PART NUMBER	QTY	DESCRIPTION	REV
	2792664	Ref	HYDRAULIC DIAGRAM	2
	1283400	Ref	HYDRAULIC DIAGRAM - CHART DRAWING	E
1	2110404	4	Fitting, Straight	
2	2110410	2	Fitting, Straight	
3	2753555	4	Hose	
4	2753545	4	Hose	
5	2753550	5	Hose	
6	2753851	2	Hose	
7	2753563	4	Hose	
8	2150404	4	Fitting, Elbow	

SECTION 6 - HYDRAULIC

FIGURE 6-4. HYDRAULIC DIAGRAM - BOOM AND CHASSIS (T350 ENGINE POWERED MACHINES)



ART_2792665

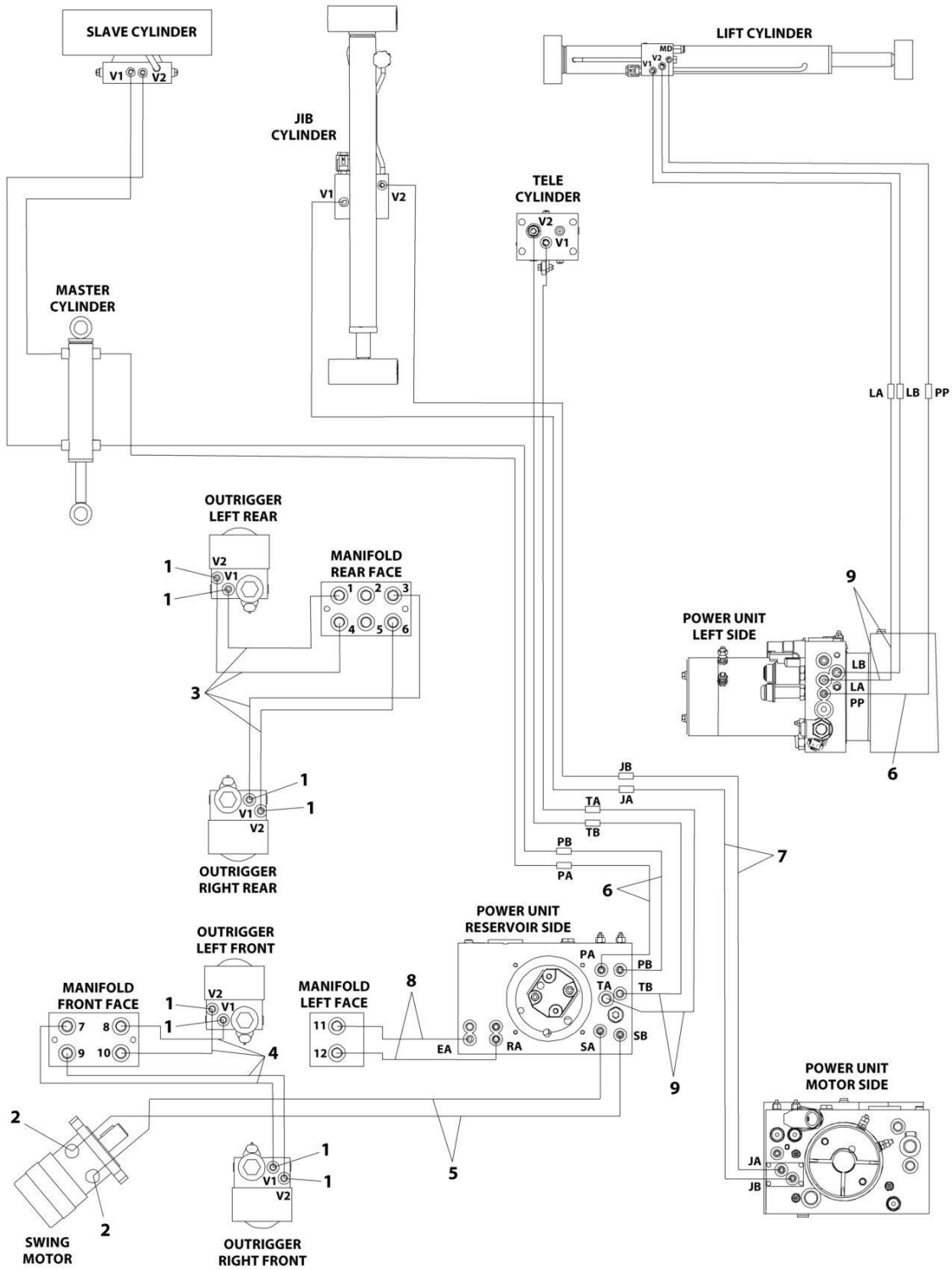
SECTION 6 - HYDRAULIC

FIGURE 6-4. HYDRAULIC DIAGRAM - BOOM AND CHASSIS (T350 ENGINE POWERED MACHINES)

ITEM	PART NUMBER	QTY	DESCRIPTION	REV
	2792665	Ref	HYDRAULIC DIAGRAM	4
	1283400	Ref	HYDRAULIC DIAGRAM - CHART DRAWING	E
1	2110404	4	Fitting, Straight	
2	2110410	2	Fitting, Straight	
3	2151612	1	Fitting, 45	
4	2130610	1	Fitting, 90	
5	2753555	4	Hose	
6	2753545	4	Hose	
7	2753550	5	Hose	
8	2753851	2	Hose	
9	2753563	4	Hose	
10	2753626	1	Hose	
11	1001110688	1	Hose	
12	2150404	4	Fitting, Elbow	

SECTION 6 - HYDRAULIC

FIGURE 6-5. HYDRAULIC DIAGRAM - CHASSIS (T500J ELECTRIC POWERED MACHINES) (ANSI, ANSI EXPORT AND CSA SPECS)



ART_2792668

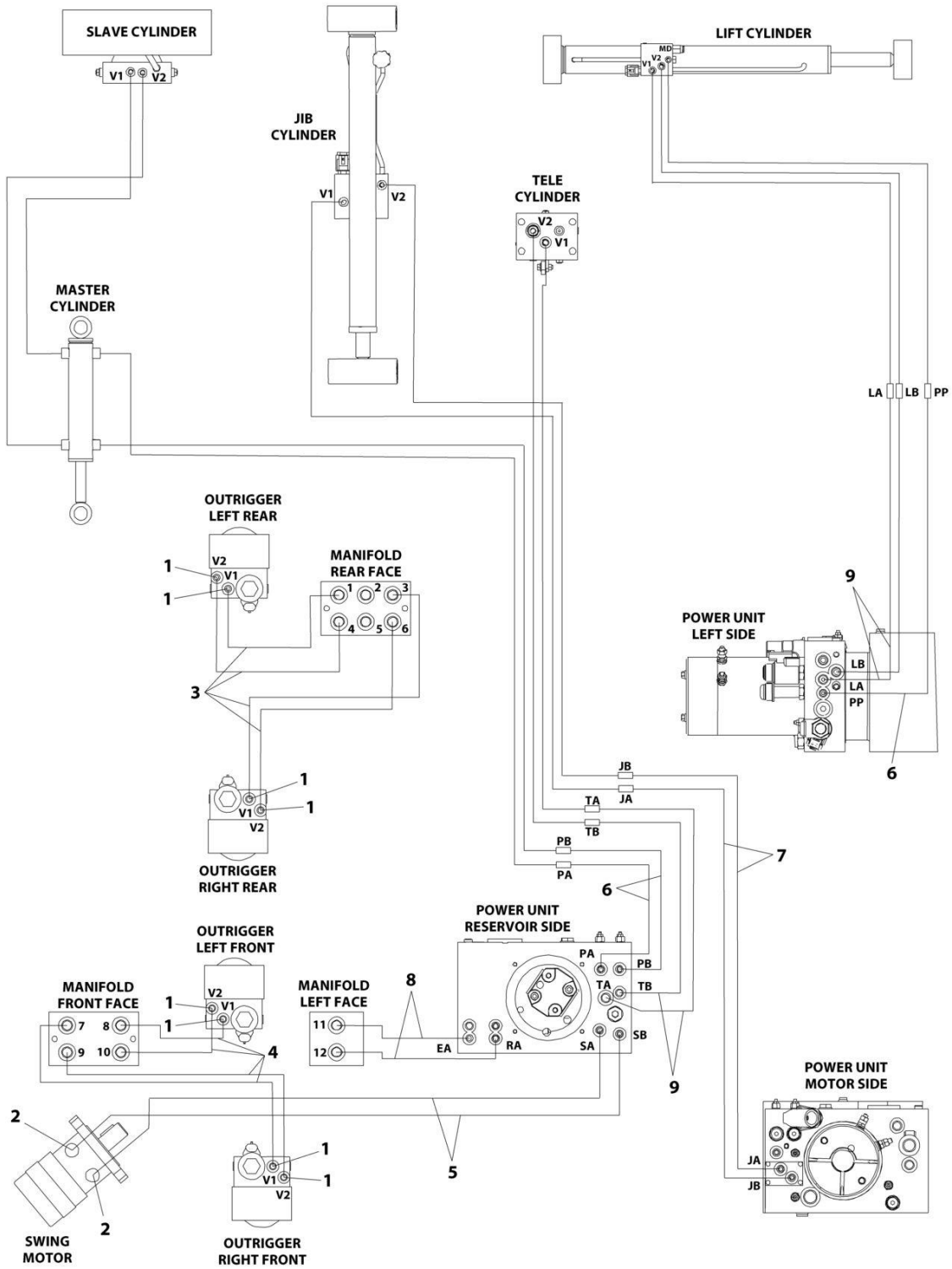
SECTION 6 - HYDRAULIC

FIGURE 6-5. HYDRAULIC DIAGRAM - CHASSIS (T500J ELECTRIC POWERED MACHINES) (ANSI, ANSI EXPORT AND CSA SPECS)

ITEM	PART NUMBER	QTY	DESCRIPTION	REV
	2792668	Ref	HYDRAULIC DIAGRAM - CHASSIS	2
	1283401	Ref	HYDRAULIC DIAGRAM - CHART DRAWING	F
1	2110404	8	Fitting, Straight	
2	2110410	2	Fitting, Straight	
3	2753540	4	Hose	
4	2753541	4	Hose	
5	2753622	2	Hose	
6	2753784	3	Hose	
7	2754263	2	Hose	
8	2754265	2	Hose	
9	2753727	4	Hose	

SECTION 6 - HYDRAULIC

FIGURE 6-6. HYDRAULIC DIAGRAM - CHASSIS (T500J ELECTRIC POWERED MACHINES)
(AUSTRALIAN AND SOUTH AFRICAN SPECS)



ART_2792672

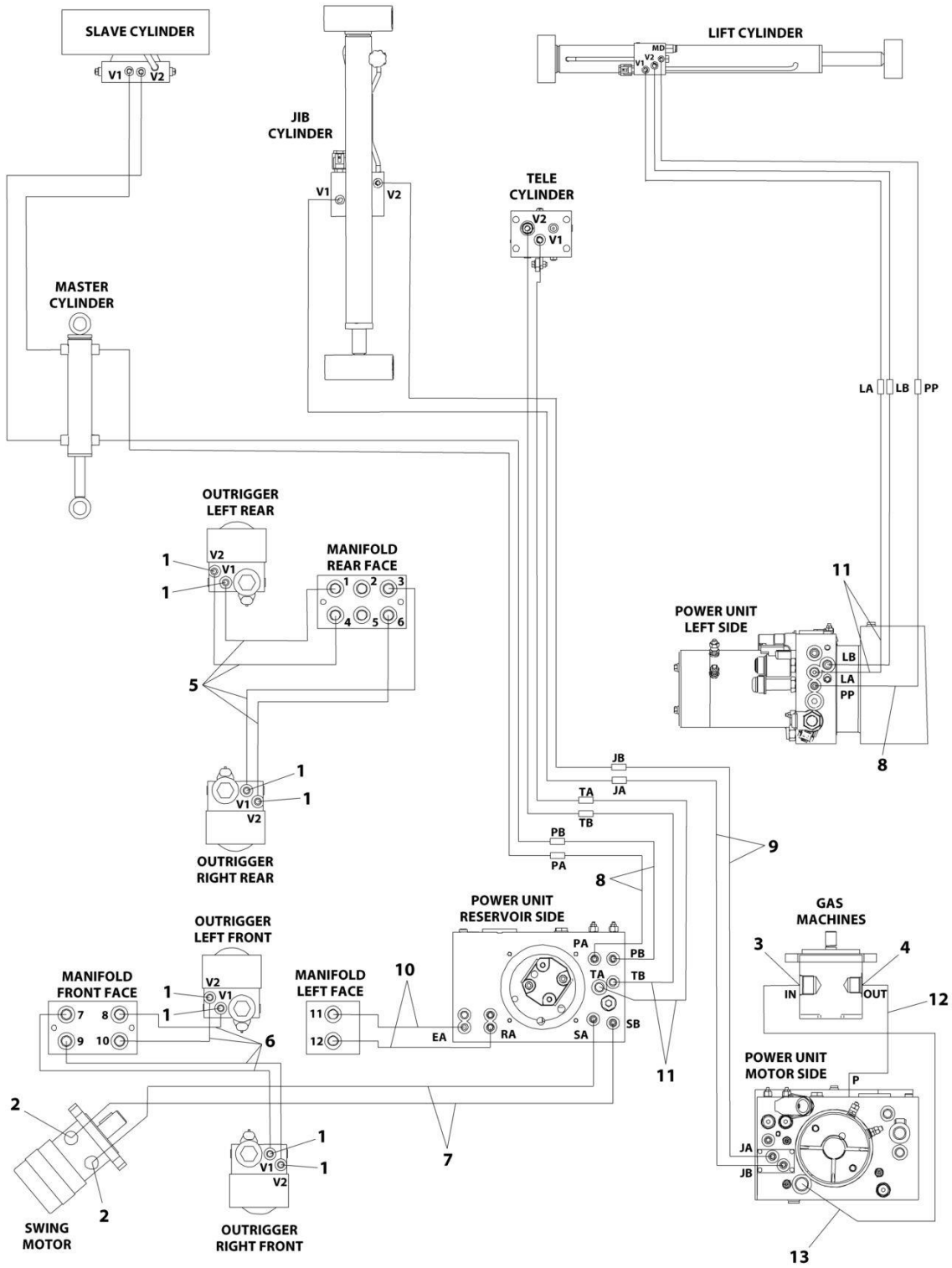
SECTION 6 - HYDRAULIC

**FIGURE 6-6. HYDRAULIC DIAGRAM - CHASSIS (T500J ELECTRIC POWERED MACHINES)
(AUSTRALIAN AND SOUTH AFRICAN SPECS)**

ITEM	PART NUMBER	QTY	DESCRIPTION	REV
	2792672	Ref	HYDRAULIC DIAGRAM - CHASSIS	B
	1283401	Ref	HYDRAULIC DIAGRAM - CHART DRAWING	F
1	2110404	8	Fitting, Straight	
2	2110410	2	Fitting, Straight	
3	2753540	4	Hose	
4	2754469	4	Hose	
5	2753550	2	Hose	
6	2753785	3	Hose	
7	2754470	2	Hose	
8	2754471	2	Hose	
9	2754472	4	Hose	

SECTION 6 - HYDRAULIC

FIGURE 6-7. HYDRAULIC DIAGRAM - CHASSIS (T500J ENGINE POWERED MACHINES) (ANSI, ANSI EXPORT AND CSA SPECS)



ART_2792669

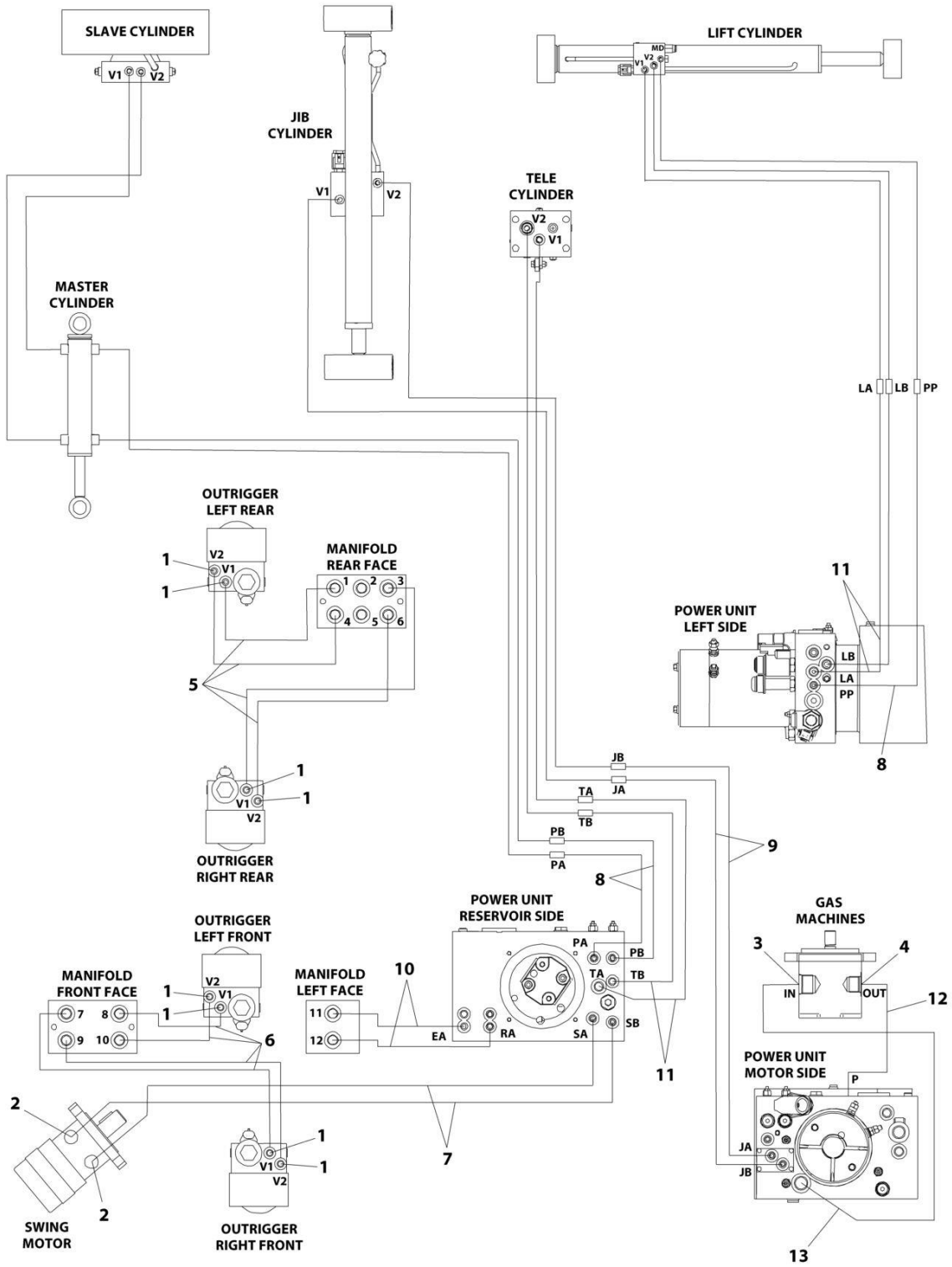
SECTION 6 - HYDRAULIC

FIGURE 6-7. HYDRAULIC DIAGRAM - CHASSIS (T500J ENGINE POWERED MACHINES) (ANSI, ANSI EXPORT AND CSA SPECS)

ITEM	PART NUMBER	QTY	DESCRIPTION	REV
	2792669	Ref	HYDRAULIC DIAGRAM - CHASSIS	4
	1283401	Ref	HYDRAULIC DIAGRAM - CHART DRAWING	F
1	2110404	8	Fitting, Straight	
2	2110410	2	Fitting, Straight	
3	2151612	1	Fitting, Straight	
4	2130610	1	Fitting, Straight	
5	2753540	4	Hose	
6	2753541	4	Hose	
7	2753622	2	Hose	
8	2753784	3	Hose	
9	2754263	2	Hose	
10	2754265	2	Hose	
11	2753727	4	Hose	
12	2753626	1	Hose	
13	1001110688	1	Hose	

SECTION 6 - HYDRAULIC

FIGURE 6-8. HYDRAULIC DIAGRAM - CHASSIS (T500J ENGINE POWERED MACHINES) (AUSTRALIAN AND SOUTH AFRICAN SPECS)



ART_2792673

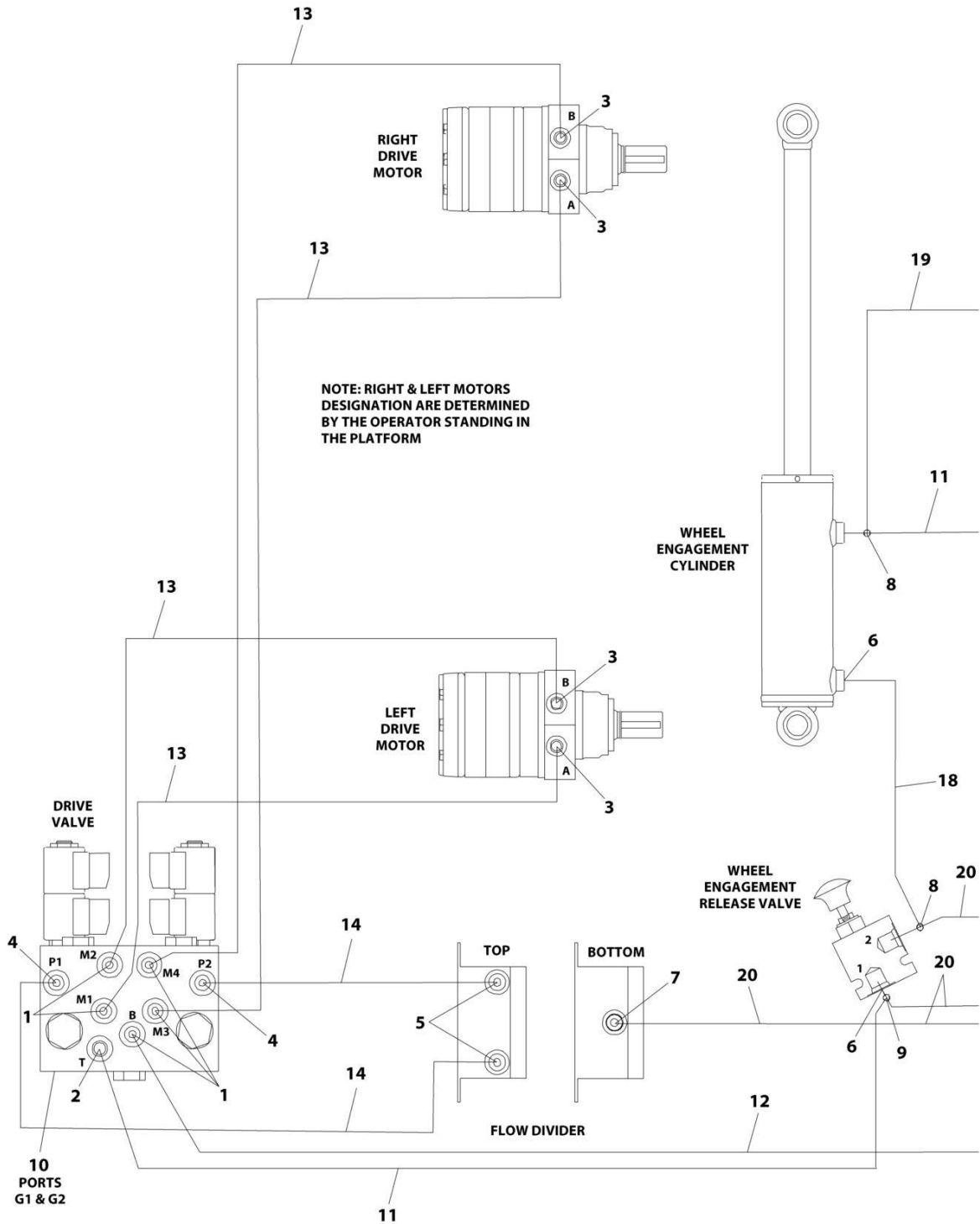
SECTION 6 - HYDRAULIC

**FIGURE 6-8. HYDRAULIC DIAGRAM - CHASSIS (T500J ENGINE POWERED MACHINES)
(AUSTRALIAN AND SOUTH AFRICAN SPECS)**

ITEM	PART NUMBER	QTY	DESCRIPTION	REV
	2792673	Ref	HYDRAULIC DIAGRAM - CHASSIS	B
	1283401	Ref	HYDRAULIC DIAGRAM - CHART DRAWING	F
1	2110404	8	Fitting, Straight	
2	2110410	2	Fitting, Straight	
3	2151612	1	Fitting, Straight	
4	2130610	1	Fitting, Straight	
5	2753540	4	Hose	
6	2754469	4	Hose	
7	2753550	2	Hose	
8	2753785	3	Hose	
9	2754470	2	Hose	
10	2754471	2	Hose	
11	2754472	4	Hose	
12	2753626	1	Hose	
13	2754339	1	Hose	

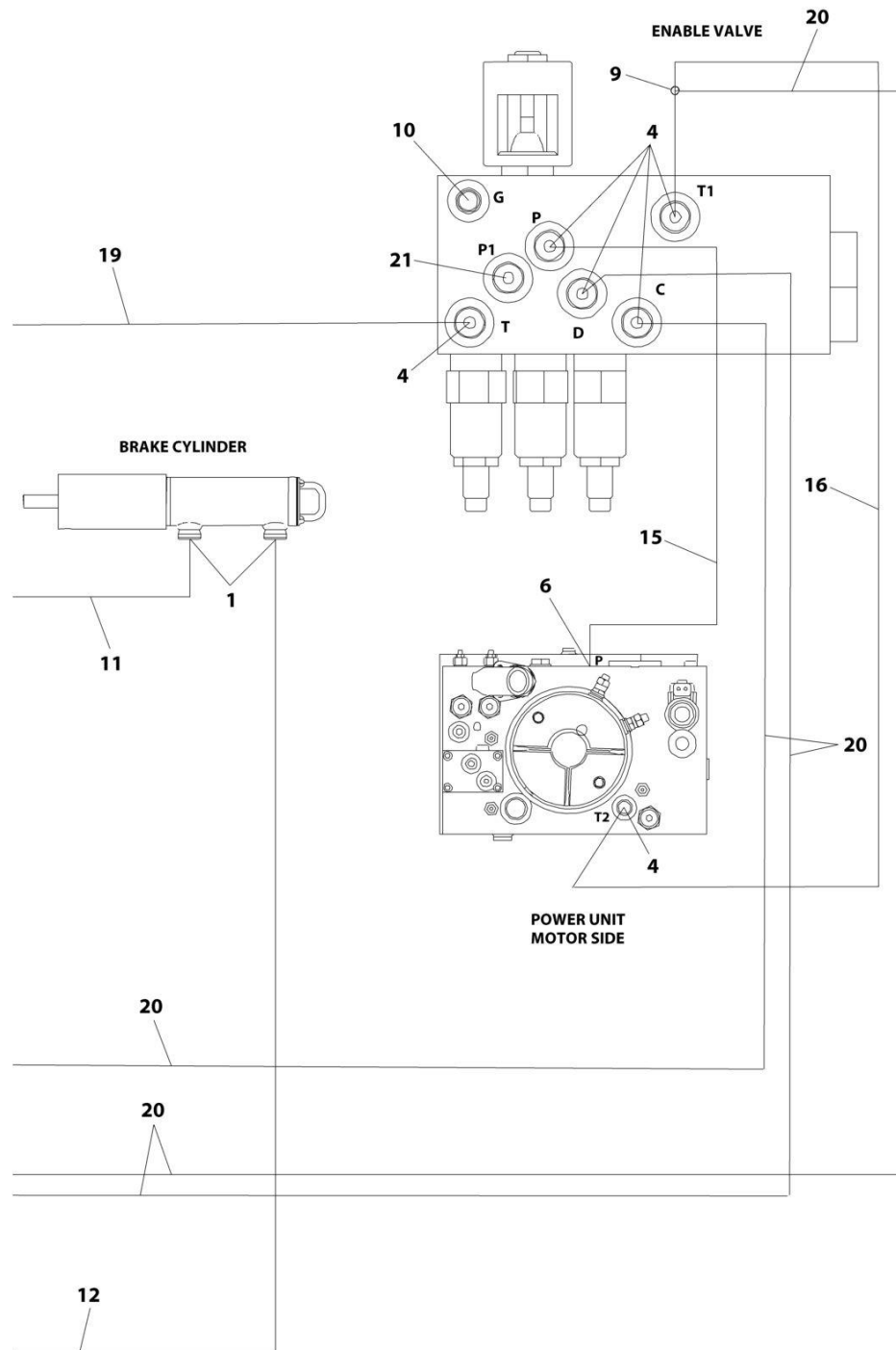
SECTION 6 - HYDRAULIC

FIGURE 6-9. HYDRAULIC DIAGRAM - DRIVE AND SET (T350 ELECTRIC POWERED MACHINES)



ART_2792674_10F2

SECTION 6 - HYDRAULIC



ART_2792674_20F2

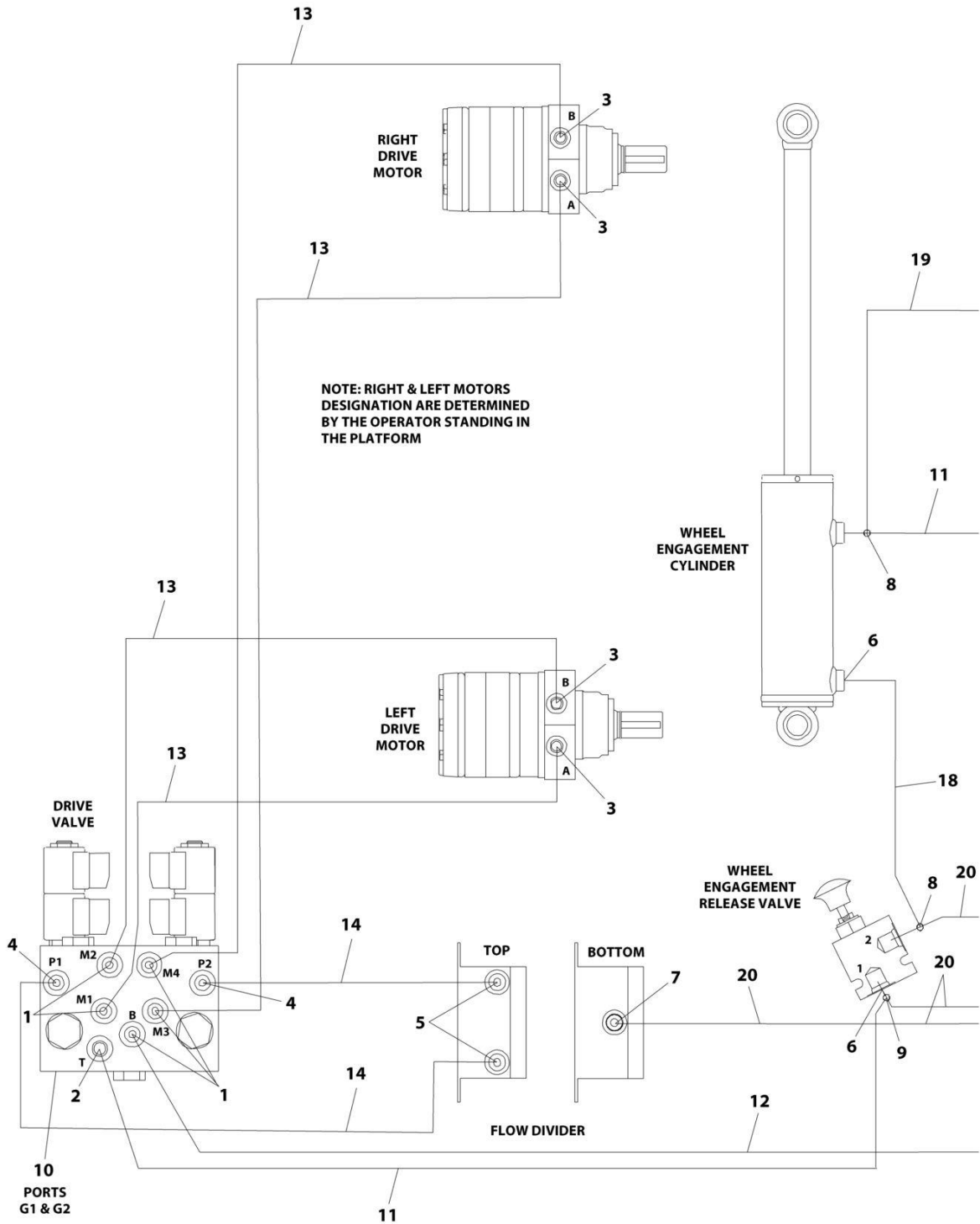
SECTION 6 - HYDRAULIC

FIGURE 6-9. HYDRAULIC DIAGRAM - DRIVE AND SET (T350 ELECTRIC POWERED MACHINES)

ITEM	PART NUMBER	QTY	DESCRIPTION	REV
	2792674	Ref	HYDRAULIC DIAGRAM - DRIVE AND SET	B
	1283400	Ref	HYDRAULIC DIAGRAM - CHART DRAWING	F
1	2110404	7	Fitting, Straight	
2	2110406	1	Fitting, Straight	
3	2110410	4	Fitting, Straight	
4	2110606	8	Fitting, Straight	
5	2110608	2	Fitting, Straight	
6	2130606	2	Fitting, Elbow	
7	2130608	1	Fitting, Elbow	
8	2170306	2	Fitting, Tee	
9	2170706	2	Fitting, Tee	
10	2221086	4	Fitting, Adapter	
11	2754676	2	Hose	
12	2753545	1	Hose	
13	2753622	4	Hose	
14	2754644	2	Hose	
15	2753625	1	Hose	
16	2753673	1	Hose	
18	2754265	1	Hose	
19	2753731	1	Hose	
20	2754645	3	Hose	
21	2220237	1	Fitting, Plug Adapter	

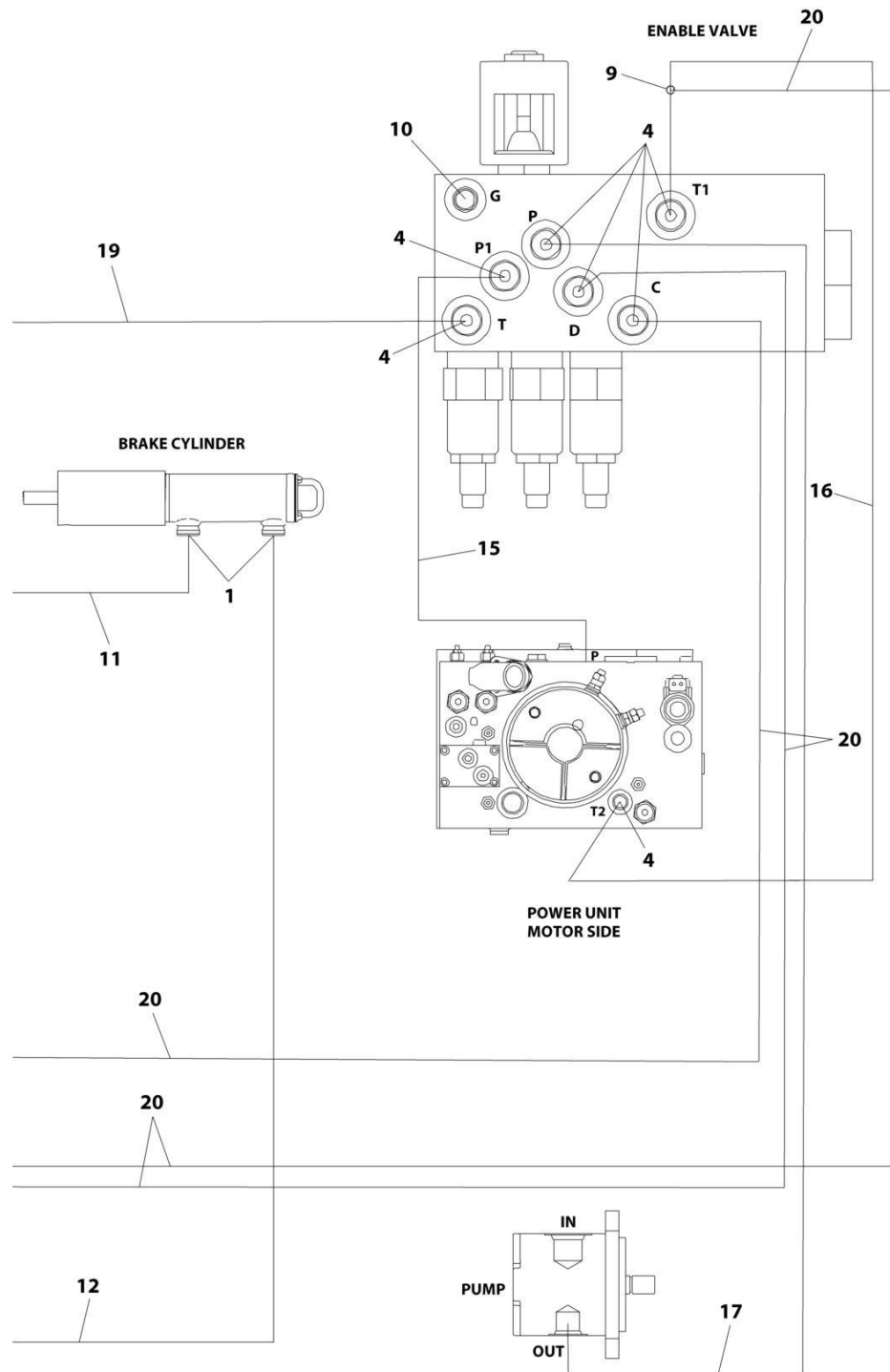
SECTION 6 - HYDRAULIC

FIGURE 6-10. HYDRAULIC DIAGRAM - DRIVE AND SET (T350 ENGINE POWERED MACHINES)



ART_2792675_10F2

SECTION 6 - HYDRAULIC



ART_2792675_2OF2

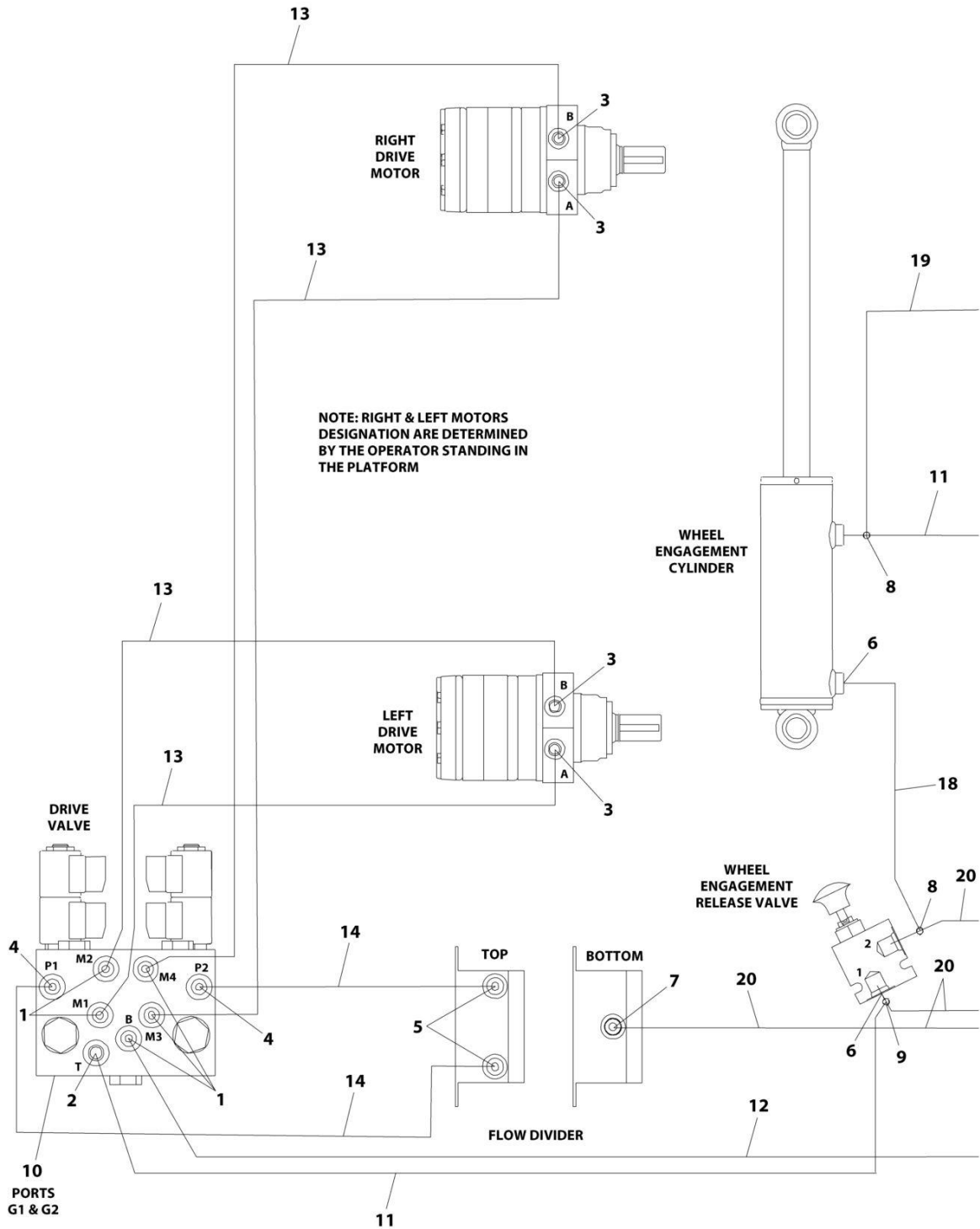
SECTION 6 - HYDRAULIC

FIGURE 6-10. HYDRAULIC DIAGRAM - DRIVE AND SET (T350 ENGINE POWERED MACHINES)

ITEM	PART NUMBER	QTY	DESCRIPTION	REV
	2792675	Ref	HYDRAULIC DIAGRAM - DRIVE AND SET	B
	1283400	Ref	HYDRAULIC DIAGRAM - CHART DRAWING	F
1	2110404	7	Fitting, Straight	
2	2110406	1	Fitting, Straight	
3	2110410	4	Fitting, Straight	
4	2110606	9	Fitting, Straight	
5	2110608	2	Fitting, Straight	
6	2130606	2	Fitting, Elbow	
7	2130608	2	Fitting, Elbow	
8	2170306	2	Fitting, Tee	
9	2170706	2	Fitting, Tee	
10	2221086	4	Fitting, Adapter	
11	2754676	2	Hose	
12	2753545	1	Hose	
13	2753622	4	Hose	
14	2754644	2	Hose	
15	2753625	1	Hose	
16	2753673	1	Hose	
17	2753730	1	Hose	
18	2754265	1	Hose	
19	2753731	1	Hose	
20	2754645	3	Hose	

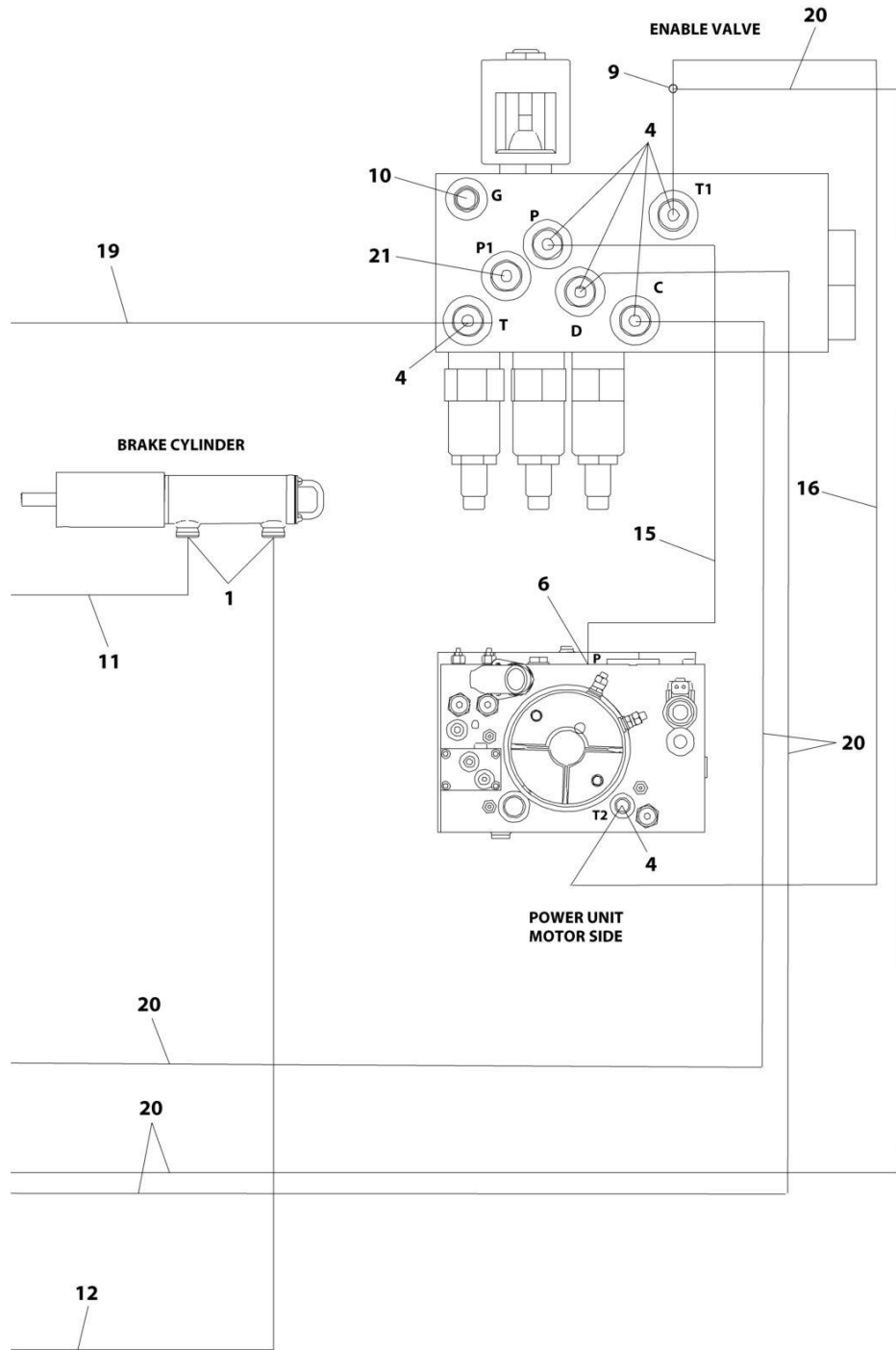
SECTION 6 - HYDRAULIC

FIGURE 6-11. HYDRAULIC DIAGRAM - DRIVE AND SET (T500J ELECTRIC POWERED MACHINES)



ART_2792676_10F2

SECTION 6 - HYDRAULIC



ART_2792676_20F2

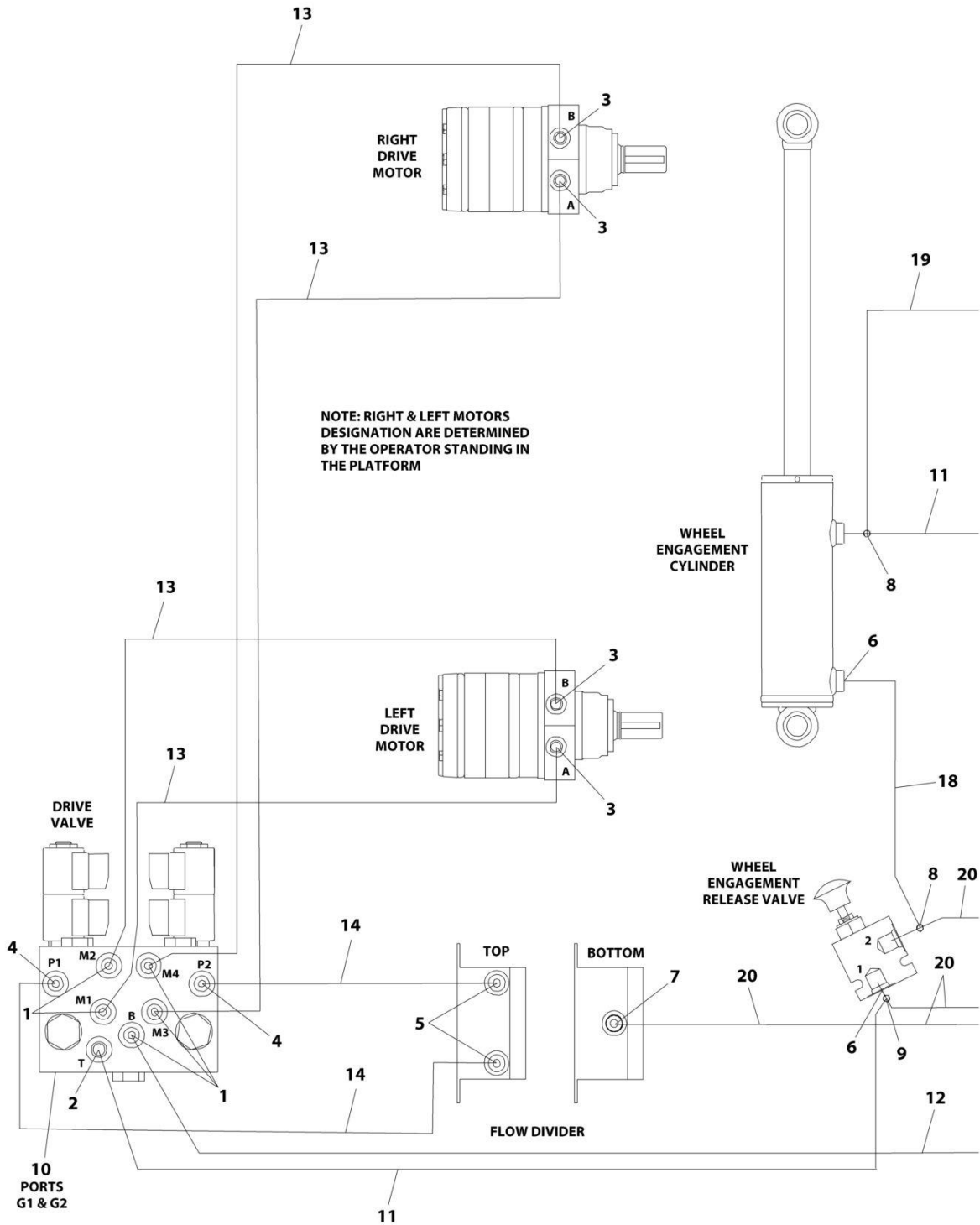
SECTION 6 - HYDRAULIC

FIGURE 6-11. HYDRAULIC DIAGRAM - DRIVE AND SET (T500J ELECTRIC POWERED MACHINES)

ITEM	PART NUMBER	QTY	DESCRIPTION	REV
	2792676	Ref	HYDRAULIC DIAGRAM - DRIVE AND SET	B
	1283401	Ref	HYDRAULIC DIAGRAM - CHART DRAWING	F
1	2110404	7	Fitting, Straight	
2	2110406	1	Fitting, Straight	
3	2110410	4	Fitting, Straight	
4	2110606	8	Fitting, Straight	
5	2110608	2	Fitting, Straight	
6	2130606	2	Fitting, Elbow	
7	2130608	2	Fitting, Elbow	
8	2170306	2	Fitting, Tee	
9	2170706	2	Fitting, Tee	
10	2221086	4	Fitting, Adapter	
11	2754643	2	Hose	
12	2753545	1	Hose	
13	2753622	4	Hose	
14	2754644	2	Hose	
15	2753625	1	Hose	
16	2753673	1	Hose	
18	2754265	1	Hose	
19	2753731	1	Hose	
20	2754645	3	Hose	
21	2220237	1	Fitting, Plug Adapter	

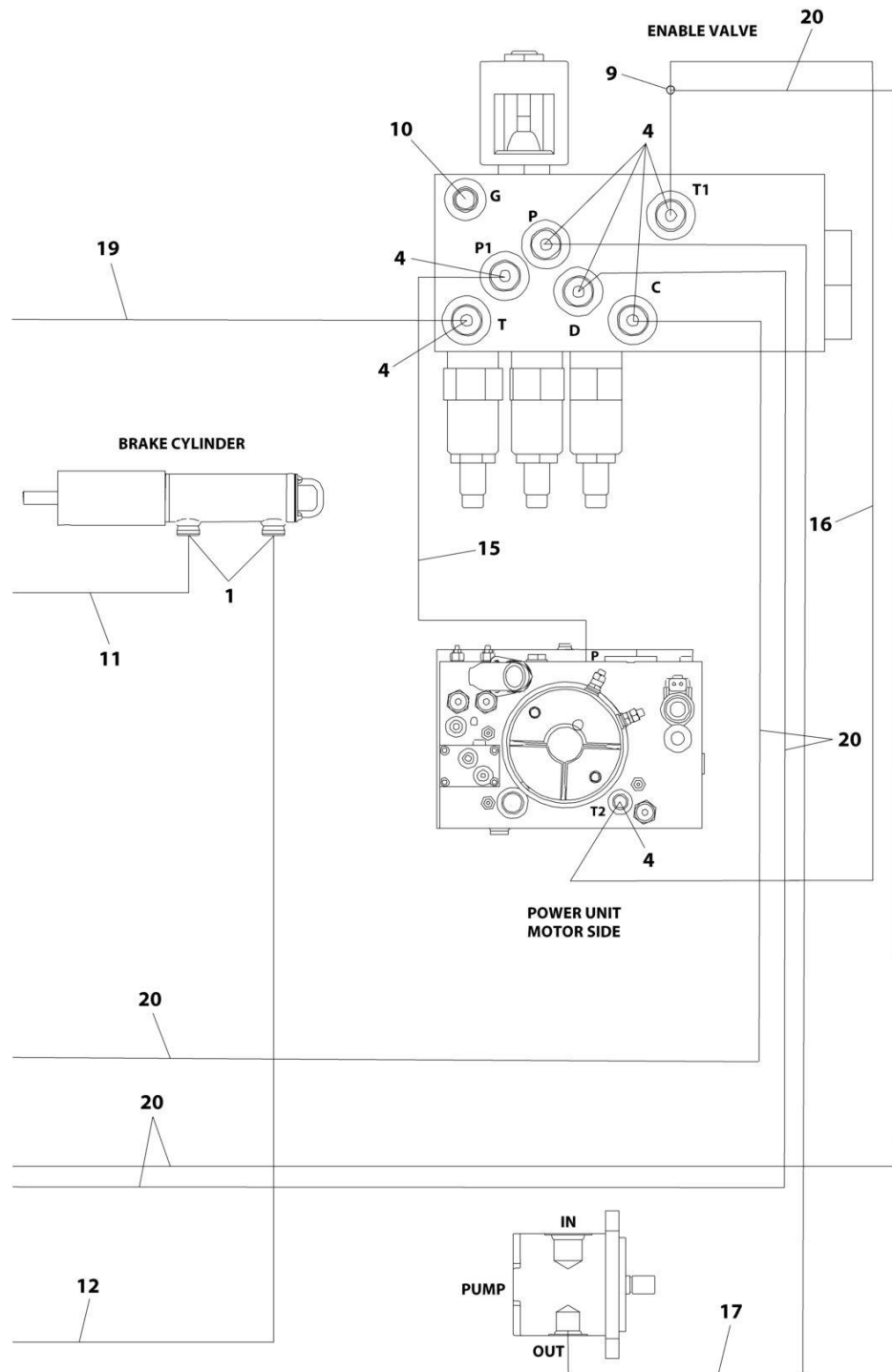
SECTION 6 - HYDRAULIC

FIGURE 6-12. HYDRAULIC DIAGRAM - DRIVE AND SET (T500J ENGINE POWERED MACHINES)



ART_2792677_10F2

SECTION 6 - HYDRAULIC



ART_2792677_2OF2

SECTION 6 - HYDRAULIC

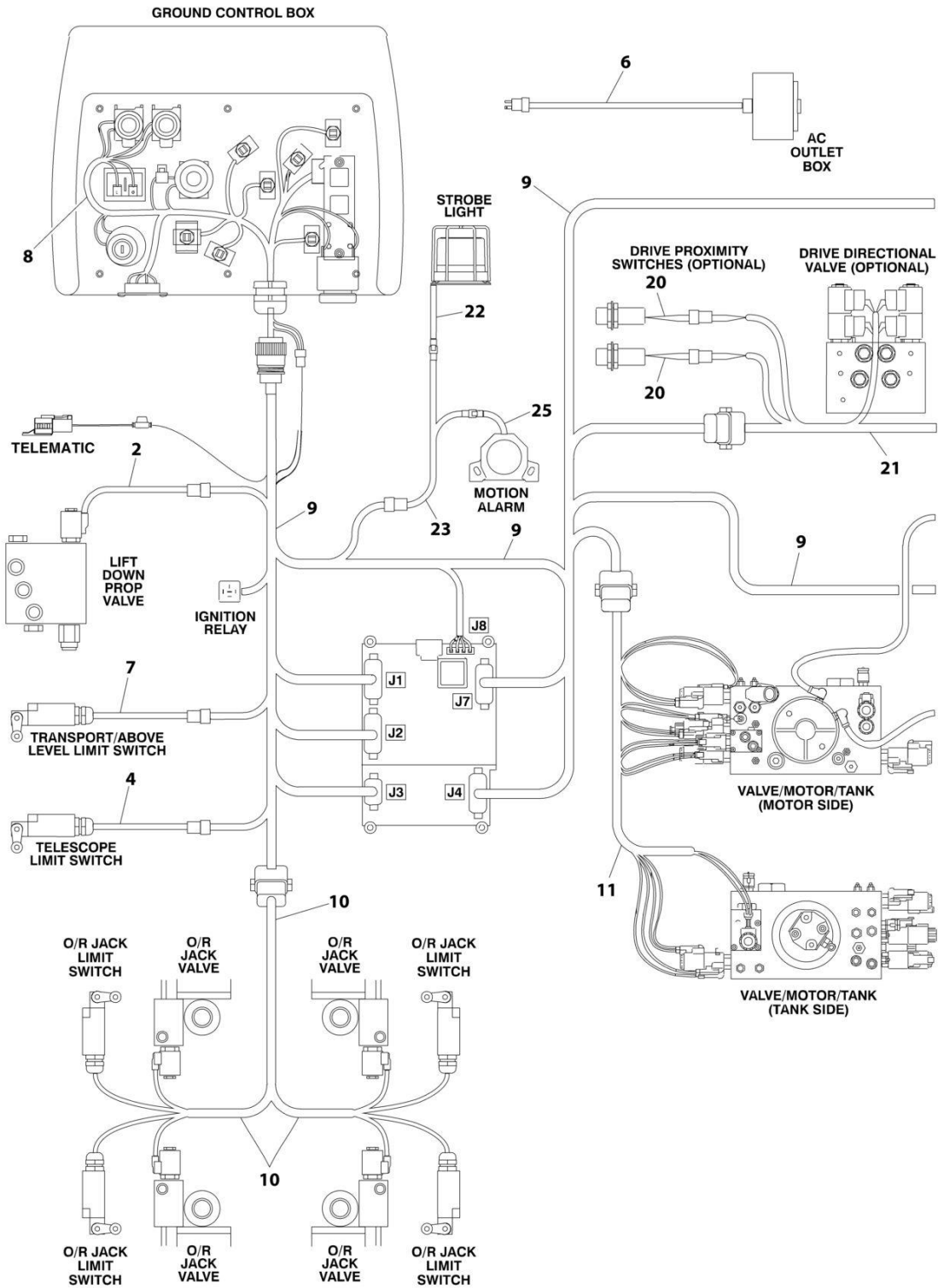
FIGURE 6-12. HYDRAULIC DIAGRAM - DRIVE AND SET (T500J ENGINE POWERED MACHINES)

ITEM	PART NUMBER	QTY	DESCRIPTION	REV
	2792677	Ref	HYDRAULIC DIAGRAM - DRIVE AND SET	B
	1283401	Ref	HYDRAULIC DIAGRAM - CHART DRAWING	F
1	2110404	7	Fitting, Straight	
2	2110406	1	Fitting, Straight	
3	2110410	4	Fitting, Straight	
4	2110606	9	Fitting, Straight	
5	2110608	2	Fitting, Straight	
6	2130606	2	Fitting, Elbow	
7	2130608	1	Fitting, Elbow	
8	2170306	2	Fitting, Tee	
9	2170706	2	Fitting, Tee	
10	2221086	4	Fitting, Adapter	
11	2754643	2	Hose	
12	2753545	1	Hose	
13	2753622	4	Hose	
14	2754644	2	Hose	
15	2753625	1	Hose	
16	2753673	1	Hose	
17	2753730	1	Hose	
18	2754265	1	Hose	
19	2753731	1	Hose	
20	2754645	3	Hose	

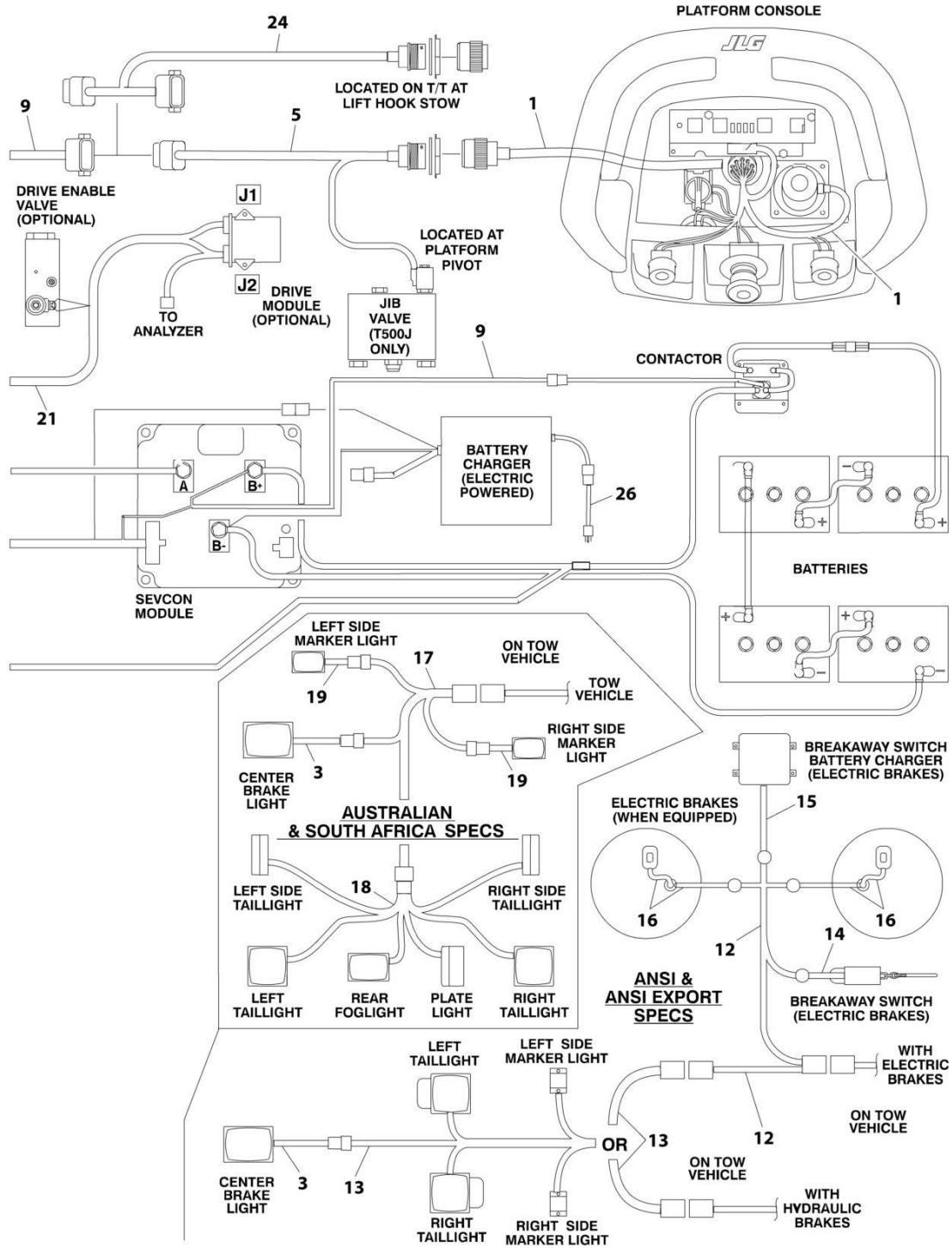
SECTION 7 - ELECTRICAL

SECTION 7 - ELECTRICAL

FIGURE 7-1. ELECTRICAL COMPONENTS INSTALLATION - ELECTRIC POWERED MACHINES



SECTION 7 - ELECTRICAL



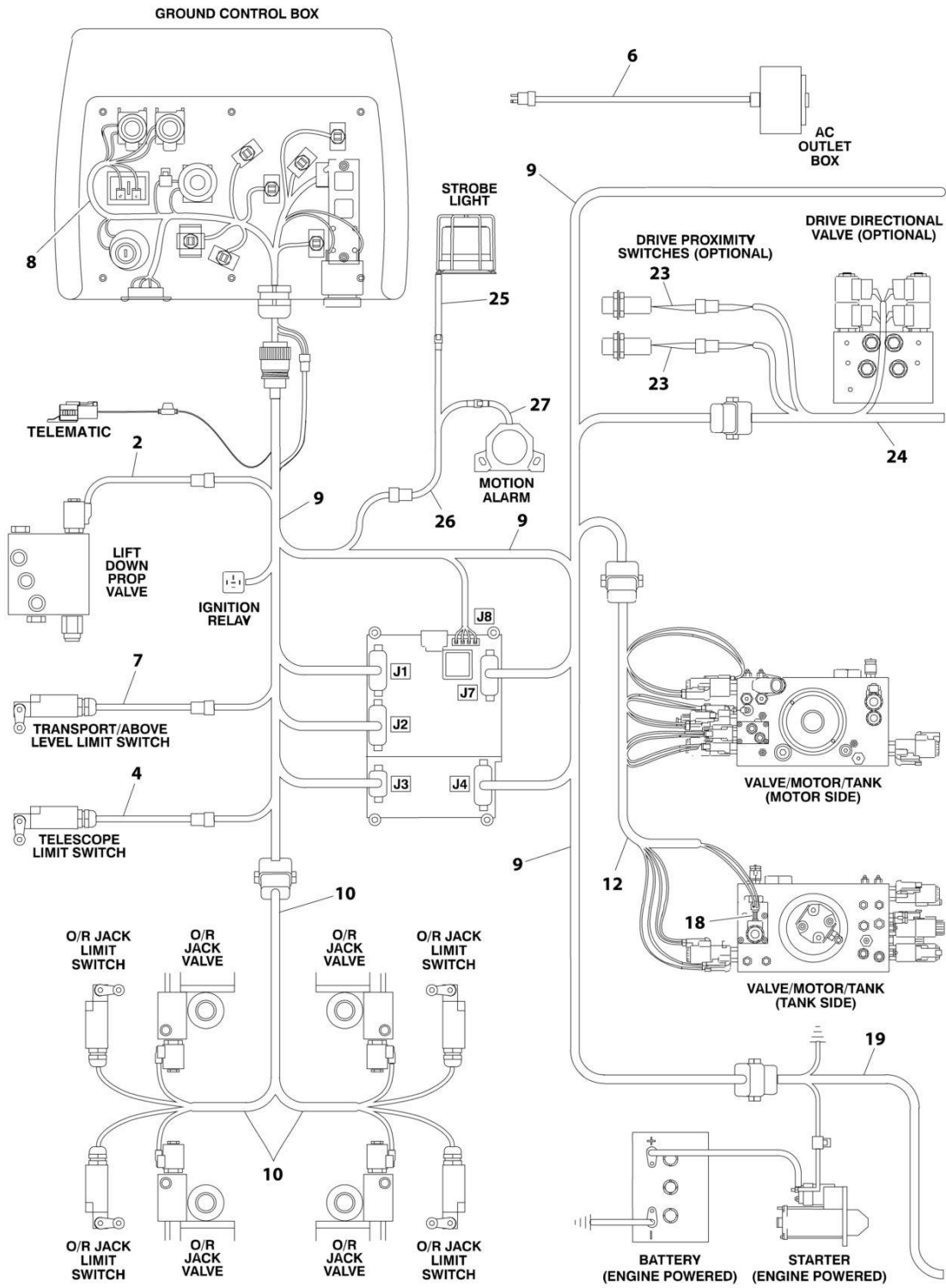
SECTION 7 - ELECTRICAL

FIGURE 7-1. ELECTRICAL COMPONENTS INSTALLATION - ELECTRIC POWERED MACHINES

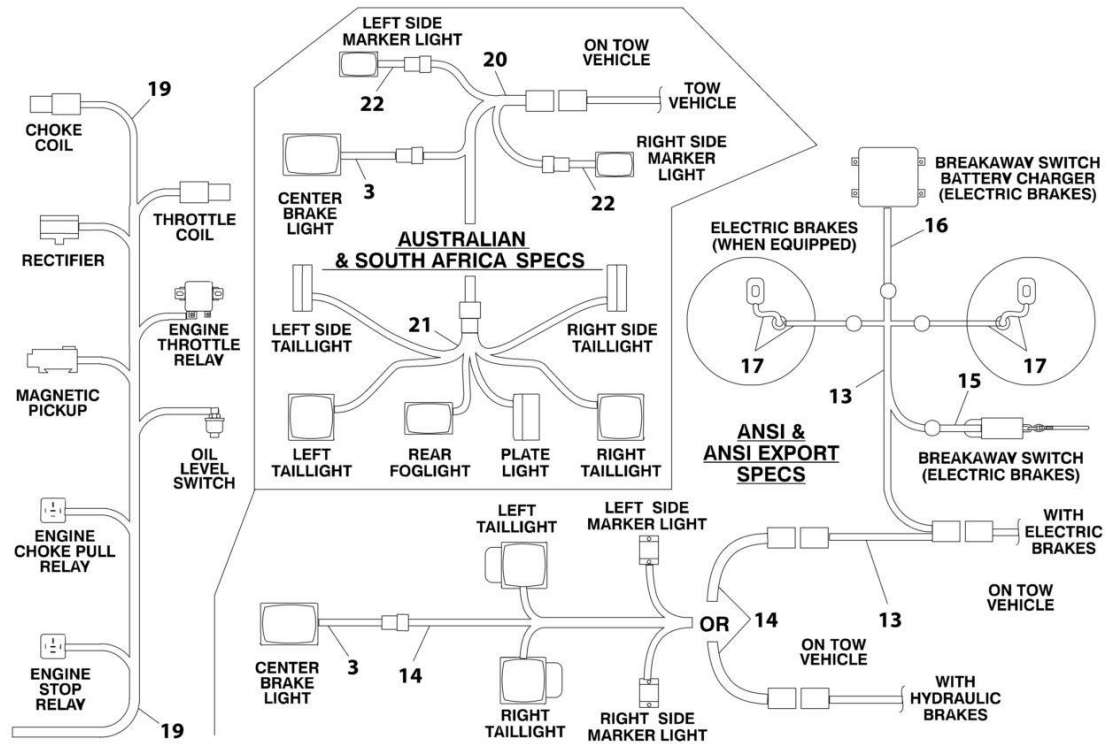
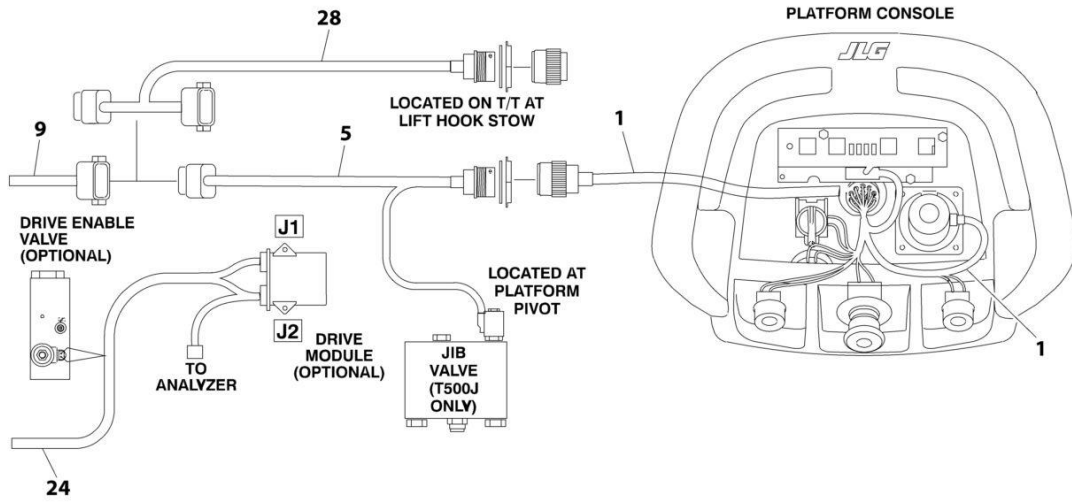
ITEM	PART NUMBER	QTY	DESCRIPTION	REV
1		Ref	Harness, Platform Console Box (Internal and Pig-Tail) (See Separate Breakdown in this Section)	
2	See Note	NSS	Harness, Lift Down Prop Valve (Note: Purchase Coil)	
3	See Note	NSS	Harness, Center Brake Light (Note:Purchase Complete Light)	
4		Ref	Harness, Telescope Limit Switch (See Separate Breakdown in this Section)	
5		Ref	Harness, Boom Cable (See Separate Breakdown in this Section)	
6		Ref	Harness, AC Cable (See Boom Section)	
7		Ref	Harness, Transport Limit Switch (See Separate Breakdown in this Section)	
8		Ref	Harness, Ground Control Box (See Separate Breakdown in this Section)	
9		Ref	Harness, Frame (See Separate Breakdown in this Section)	
10		Ref	Harness, Outrigger Jack and Valve (See Separate Breakdown in this Section)	
11		Ref	Harness, Main Valve (See Separate Breakdown in this Section)	
12	See Note	NSS	Harness, Trailer To Tow Vehicle (Machines with Electric Brakes) (Note: Not Available - Purchase Locally)	
13		Ref	Harness, Lights (See Separate Breakdown in this Section)	
14	See Note	NSS	Harness, Breakaway Switch (Machines with Electric Brakes) (Note: Not Available for Purchase)	
15	See Note	NSS	Harness, Breakaway Battery Charger (Machines with Electric Brakes) (Note: Not Available for Purchase)	
16	See Note	NSS	Harness, Brake Magnet (Machines with Electric Brakes) (Note: Not Available for Purchase)	
17		Ref	Harness, Trailer to Tow Vehicle (See Frame Section)	
18	See Note	NSS	Harness, Rear Lights (Note: Not Available for Purchase)	
19	See Note	NSS	Harness, Side Marker Lights (Note: Purchase Complete Light)	
20	See Note	NSS	Proximity Sensor Harness (Note: Not Available - Purchase Sensor)	
21		Ref	Drive Option Harness (See Separate Breakdown in this Section)	
22	See Note	NSS	Strobe Light Harness (Note: Part of Strobe Light)	
23		Ref	Strobe and Alarm Harness (See Separate Breakdown in this Section)	
24		Ref	Hook Harness (See Separate Breakdown in this Section)	
25	See Note	NSS	Alarm Harness (Note: Not Available - Purchase Alarm)	
26		Ref	AC Charger Extension COrd (See Frame Section)	

SECTION 7 - ELECTRICAL

FIGURE 7-2. ELECTRICAL COMPONENTS INSTALLATION - ENGINE POWERED MACHINES



SECTION 7 - ELECTRICAL



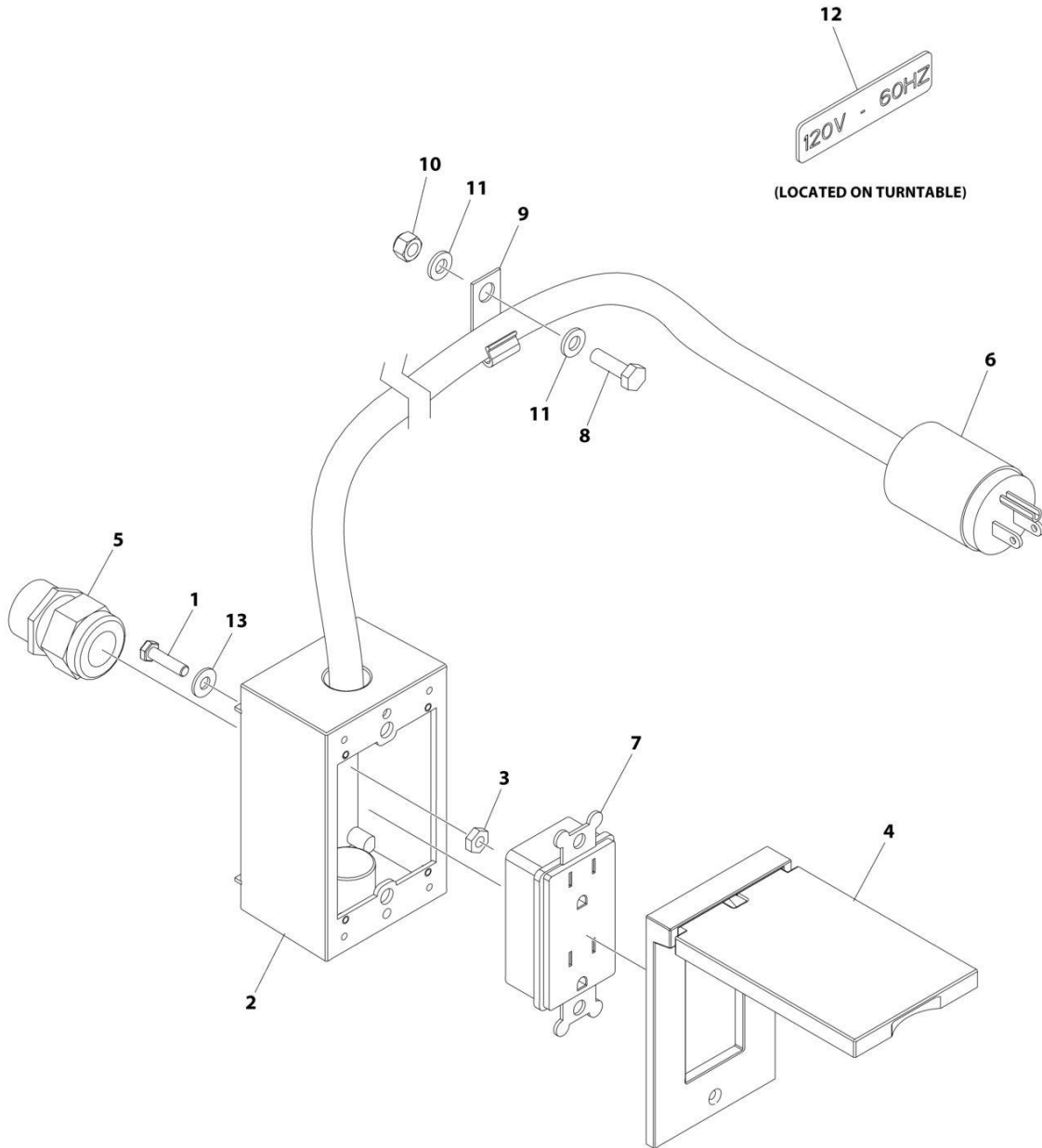
SECTION 7 - ELECTRICAL

FIGURE 7-2. ELECTRICAL COMPONENTS INSTALLATION - ENGINE POWERED MACHINES

ITEM	PART NUMBER	QTY	DESCRIPTION	REV
1		Ref	Harness, Console Box (Internal and Pig-Tail) (See Separate Breakdown in this Section)	
2	See Note	NSS	Harness, Lift Down Prop Valve (Note: Not Available - Purchase Coil)	
3	See Note	NSS	Harness, Center Brake Light (Note: Purchase Complete Light)	
4		Ref	Harness, Telescope Limit Switch (See Separate Breakdown in this Section)	
5		Ref	Harness, Boom Cable (See Separate Breakdown in this Section)	
6		Ref	Harness, AC Cable (See Boom Section)	
7		Ref	Harness, Transport Limit Switch (See Separate Breakdown in this Section)	
8		Ref	Harness, Ground Control Box (See Separate Breakdown in this Section)	
9		Ref	Harness, Frame (See Separate Breakdown in this Section)	
10		Ref	Harness, Outrigger Jack and Valve (See Separate Breakdown in this Section)	
12		Ref	Harness, Main Valve (See Separate Breakdown in this Section)	
13	See Note	NSS	Harness, Trailer To Tow Vehicle (Machines with Electric Brakes) (Note: Not Available - Purchase Locally)	
14		Ref	Harness, Lights (See Separate Breakdown in this Section)	
15	See Note	NSS	Harness, Breakaway Switch (Machines with Electric Brakes) (Note: Not Available for Purchase)	
16	See Note	NSS	Harness, Breakaway Battery Charger (Machines with Electric Brakes) (Note: Not Available for Purchase)	
17	See Note	NSS	Harness, Brake Magnet (Machines with Electric Brakes) (Note: Not Available for Purchase)	
18	See Note	NSS	Dump Valve Harness (Note: Not Available for Purchase)	
19		Ref	Harness, Engine (See Separate Breakdown in this Section)	
20		Ref	Harness, Trailer to Tow Vehicle (See Frame Section)	
21	See Note	NSS	Harness, Rear Lights (Note: Purchase Complete Light)	
22	See Note	NSS	Harness, Side Marker Lights (Note: Purchase Complete Light)	
23	See Note	NSS	Proximity Sensor Harness (Note: Purchase Complete Sensor)	
24		Ref	Drive Option Harness (See Separate Breakdown in this Section)	
25	See Note	NSS	Strobe Light Harness (Note: Not Available - Part of Strobe Light)	
26		Ref	Strobe and Alarm Harness (See Separate Breakdown in this Section)	
27	See Note	NSS	Alarm Harness (Note: Not Available - Purchase Alarm)	
28		Ref	Hook Harness (See Separate Breakdown in this Section)	

SECTION 7 - ELECTRICAL

FIGURE 7-3. AC BOX AT PLATFORM INSTALLATION - 110V GFI



ART_0273663

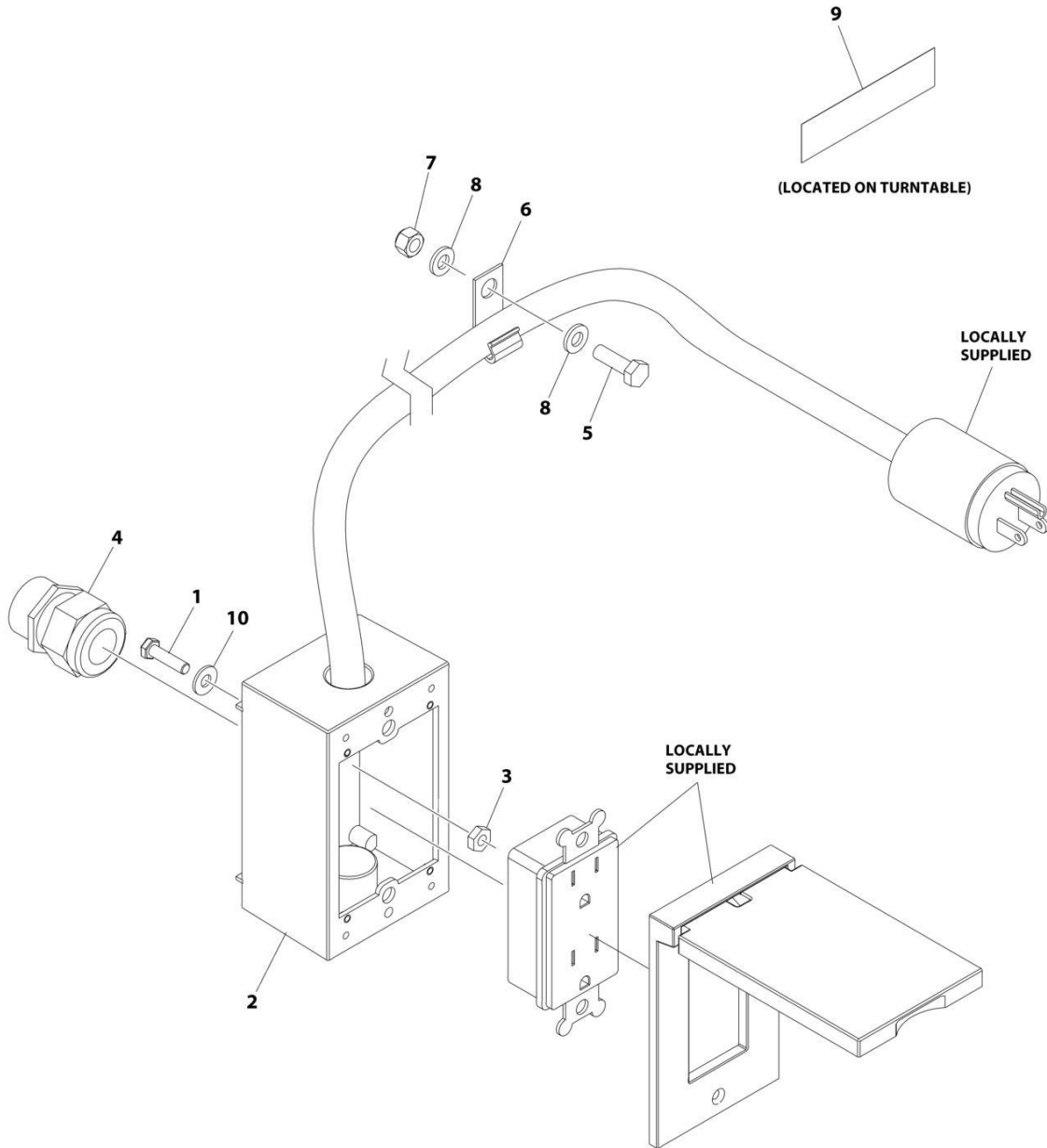
SECTION 7 - ELECTRICAL

FIGURE 7-3. AC BOX AT PLATFORM INSTALLATION - 110V GFI

ITEM	PART NUMBER	QTY	DESCRIPTION	REV
	0273663	Ref	AC BOX AT PLATFORM INSTALLATION	F
1	0721006	2	Screw #10 x 3/4	
2	0860038	1	Box, Switch	
3	3311005	2	Nut #10	
4	1001110873	1	Cover, Receptacle	
5	4460071	1	Connector, Strain Relief	
6	4460138	1	Plug	
7	4460346	1	Terminal, Receptacle (110V GFI)	
8	0700610	1	Bolt M6 x 20	
9	1320222	1	J-Clip	
10	3290605	1	Nut M6	
11	4811700	2	Washer M6	
12	3251243	1	Decal - 120V - 60HZ	
13	4711000	2	Washer #10	

SECTION 7 - ELECTRICAL

FIGURE 7-4. AC BOX AT PLATFORM INSTALLATION - LOCALLY SUPPLIED COMPONENTS



ART_0273664

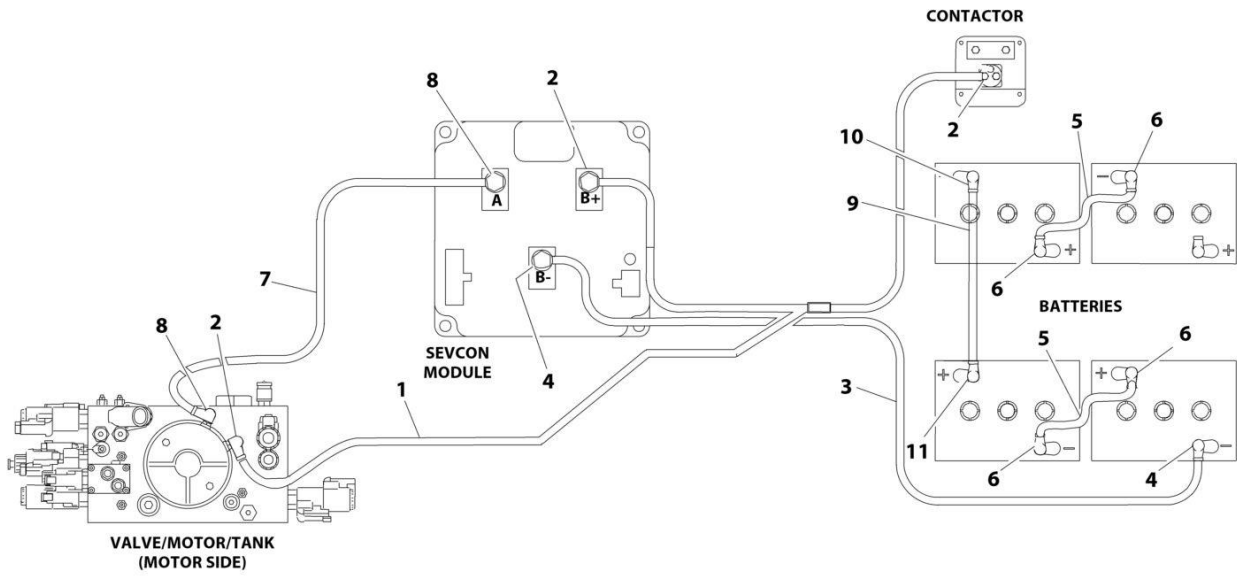
SECTION 7 - ELECTRICAL

FIGURE 7-4. AC BOX AT PLATFORM INSTALLATION - LOCALLY SUPPLIED COMPONENTS

ITEM	PART NUMBER	QTY	DESCRIPTION	REV
	0273664	Ref	AC BOX AT PLATFORM INSTALLATION	E
1	0721006	2	Screw #10 x 3/4	
2	0860038	1	Box, Switch	
3	3311005	2	Nut #10	
4	4460071	1	Connector, Strain Relief	
5	0700610	1	Bolt M6 x 20	
6	1320222	1	J-Clip	
7	3290605	1	Nut M6	
8	4811700	2	Washer M6	
9	3252507	1	Decal, 220V	
10	4711000	2	Washer #10	

SECTION 7 - ELECTRICAL

FIGURE 7-5. BATTERY CABLE KIT (ELECTRIC POWERED MACHINES)



ART_4923428

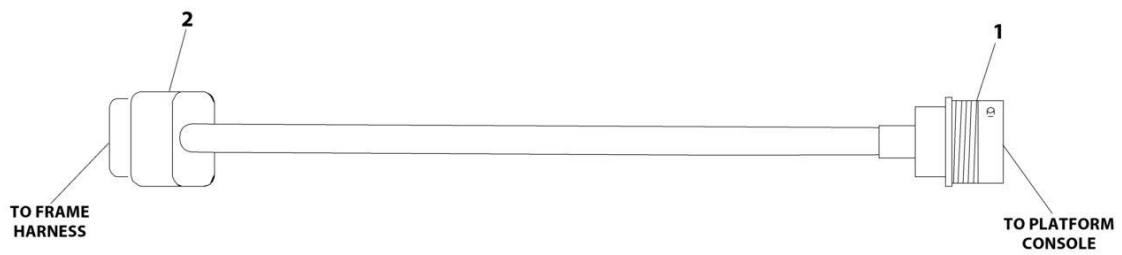
SECTION 7 - ELECTRICAL

FIGURE 7-5. BATTERY CABLE KIT (ELECTRIC POWERED MACHINES)

ITEM	PART NUMBER	QTY	DESCRIPTION	REV
	4923428	Ref	BATTERY CABLE KIT (ELECTRIC POWERED MACHINES)	D
1	See Note	1	Battery Cable - Contactor To Sevcon "B+" to Pump + (Note : Not Available for Purchase)	
2	70000235	3	Boot (Red)	
3	See Note	1	Battery Cable - Batteries to Sevcon Controller (Note : Not Available for Purchase)	
4	70000236	2	Boot (Black)	
5	See Note	2	Harness, Jumper (Note : Not Available for Purchase)	
6	70000235	4	Boot (Red)	
7	See Note	1	Cable, Electrical (Black) - Sevcon "A" to Pump - (Note : Not Available for Purchase)	
8	70000236	2	Boot (Black)	
9	See Note	1	Cable, Battery (Note : Not Available for Purchase)	
10	70000236	1	Boot (Black)	
11	70000235	1	Boot (Red)	

SECTION 7 - ELECTRICAL

FIGURE 7-6. BOOM CABLE, HARNESS (T350)



ART_4923040

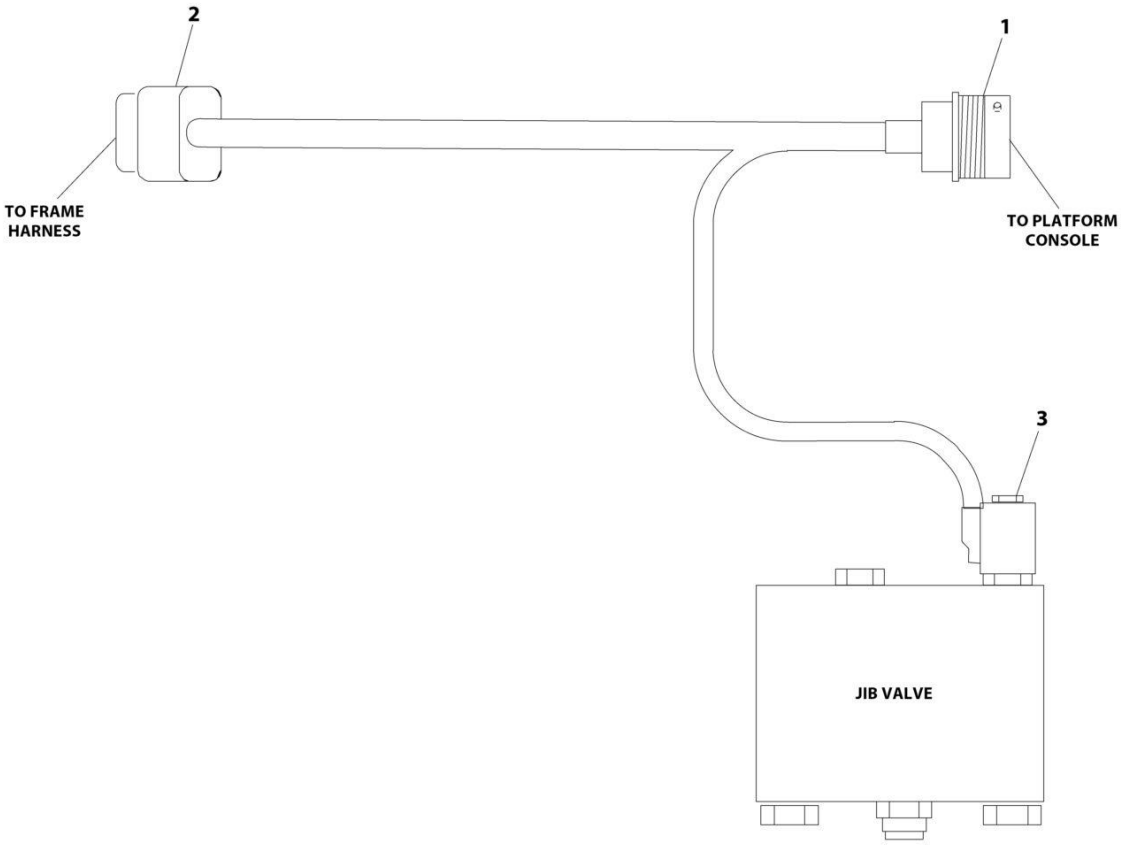
SECTION 7 - ELECTRICAL

FIGURE 7-6. BOOM CABLE, HARNESS (T350)

ITEM	PART NUMBER	QTY	DESCRIPTION	REV
	4923040	Ref	BOOM CABLE, HARNESS	D
1	4461016	1	Connector - 14 Position	
1	4460464	9	Pin, Male	
1	4460941	3	Pin, Gold Male	
1	3730119	1	Resistor	
2	4460933	1	Connector - 12 Position	
2	4460465	9	Socket, Female	
2	4460942	3	Socket, Gold Female	

SECTION 7 - ELECTRICAL

FIGURE 7-7. BOOM CABLE, HARNESS (T500J)



ART_4923102

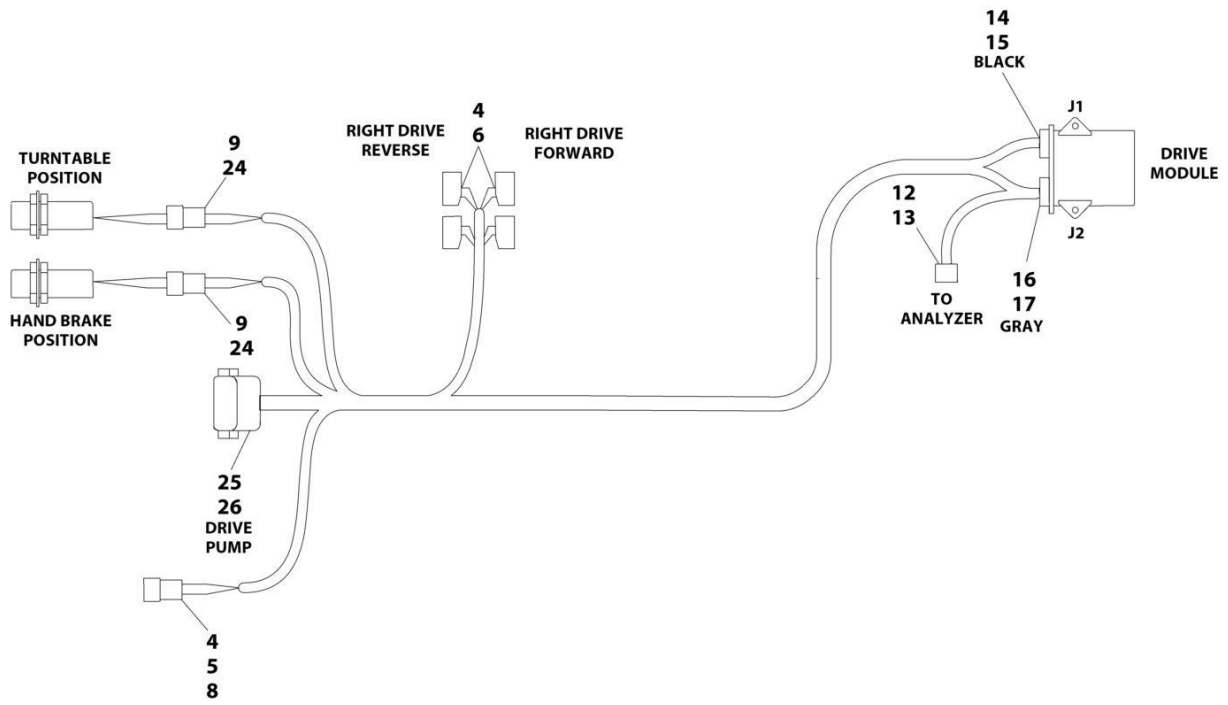
SECTION 7 - ELECTRICAL

FIGURE 7-7. BOOM CABLE, HARNESS (T500J)

ITEM	PART NUMBER	QTY	DESCRIPTION	REV
	4923102	Ref	BOOM CABLE, HARNESS	F
1	4461016	1	Connector - 14 Position	
1	4460464	9	Pin, Male	
1	4460941	3	Pin, Gold Male	
1	3730119	1	Resistor	
2	4460933	1	Connector - 12 Position	
2	4460465	9	Socket, Female	
2	4460942	3	Socket, Gold Female	
3	4460891	1	Connector - 2 Position	
3	4460465	2	Socket, Female	

SECTION 7 - ELECTRICAL

FIGURE 7-8. DRIVE OPTION HARNESS



ART_4923340

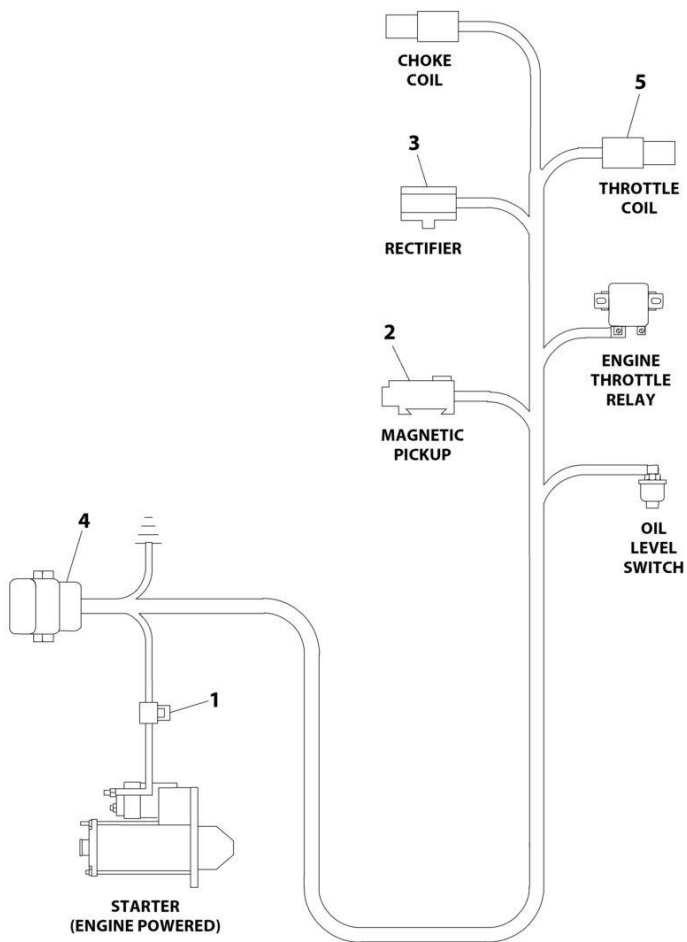
SECTION 7 - ELECTRICAL

FIGURE 7-8. DRIVE OPTION HARNESS

ITEM	PART NUMBER	QTY	DESCRIPTION	REV
	4923340	Ref	DRIVE OPTION HARNESS	D
4	4460465	12	Socket, Female	
5	4460944	3	Socket, Gold Female	
6	4460891	5	Plug, Male - 2 Position	
8	4460894	1	Connector - 6 Position	
9	4461077	2	Plug, Male - 4 Position	
12	4460227	4	Pin, Male	
13	4460761	1	Receptacle, Female - 4 Position	
14	4460909	1	Plug, Male - 12 Position (Black)	
15	4460928	11	Socket, Female	
16	4460908	1	Plug, Male - 12 Position (Gray)	
17	4460918	6	Socket, Female	
24	See Note	Ref	Deutsch, 20-16 Gold Socket	
25	3990013	1	Diode 1 Amp	
26	2820026	0.25 in	Insulator	

SECTION 7 - ELECTRICAL

FIGURE 7-9. ENGINE HARNESS (GAS POWERED MACHINES)



ART_1001128929

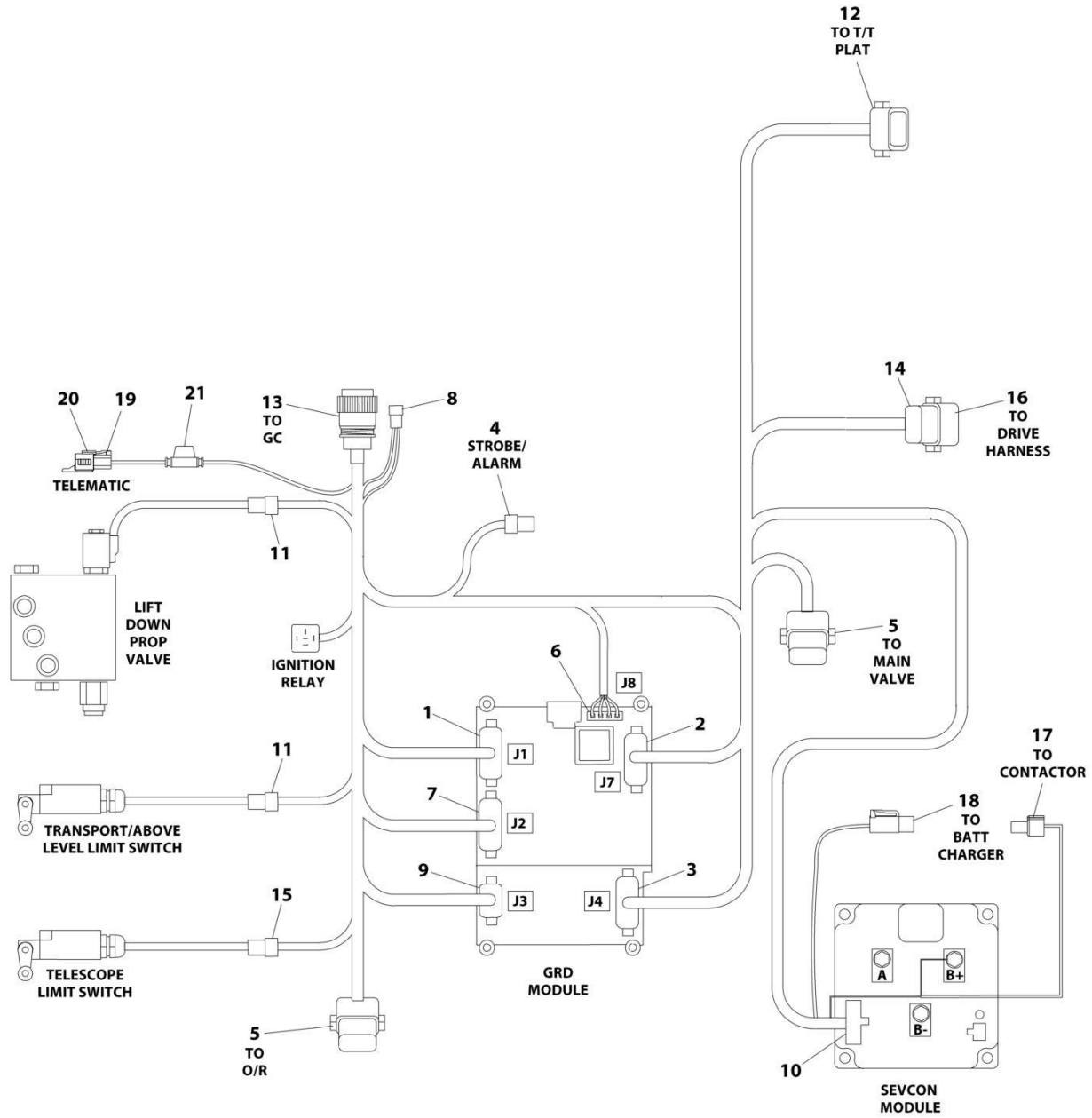
SECTION 7 - ELECTRICAL

FIGURE 7-9. ENGINE HARNESS (GAS POWERED MACHINES)

ITEM	PART NUMBER	QTY	DESCRIPTION	REV
	1001128929	Ref	ENGINE HARNESS	E
	3990010	2	Diode, 6Amp	
1	2400057	1	Fuse 15 Amp	
1	2400060	1	Fuseholder	
2	4461047	1	Plug, Male - 2 Position	
2	4461046	2	Terminal, Spade	
3	4461049	1	Receptacle, Female - 6 Position	
3	4461048	5	Terminal, Slip-On	
4	4460930	1	Connector - 8 Position	
4	4460965	7	Socket, Female	
5	4460959	1	Plug, Male - 3 Position	
5	4460457	3	Socket, Female	
5	4460458	3	Seal, Terminal	

SECTION 7 - ELECTRICAL

FIGURE 7-10. FRAME HARNESS - ELECTRICAL POWERED MACHINES



ART_4923427

SECTION 7 - ELECTRICAL

FIGURE 7-10. FRAME HARNESS - ELECTRICAL POWERED MACHINES

ITEM	PART NUMBER	QTY	DESCRIPTION	REV
	4923427	Ref	FRAME HARNESS	G
	3990010	2	Diode, 6 Amp	
1	4460874	1	Connector - 35 Position (Natural)	
1	4460871	AR	Socket, Female	
2	4460873	1	Connector - 35 Position (Black)	
2	4460871	AR	Socket, Female	
3	4460876	1	Connector - 35 Position (Blue)	
3	4460871	AR	Socket, Female	
4	4460932	1	Connector - 4 Position	
4	4460464	4	Pin, Male	
5	4460970	2	Connector - 12 Position	
5	4460464	22	Pin, Male	
6	4460878	1	Plug, Male - 4 Position	
6	4460887	AR	Clip, Terminal	
6	4461271	2	Molex, Terminal	
6	3990112	1	Varistor	
7	4460875	1	Connector - 35 Position (Gray)	
7	4460871	21	Socket, Female	
8	4461018	1	Connector - 2 Position	
8	4460509	2	Socket, Female	
9	4460872	1	Connector - 14 Position (Black)	
9	4460871	AR	Socket, Female	
10	4461051	1	Connector - 12 Position	
10	4461023	3	Socket, Female	
11	4460897	2	Connector - 2 Position	
11	4460464	4	Pin, Male	
12	4460970	1	Connector - 12 Position	
12	4460464	8	Pin, Male	
12	4460943	3	Pin, Gold Male	
13	4461020	1	Connector - 31 Position	
13	4460465	AR	Socket, Female	
14	4460899	1	Connector - 6 Position	
14	4460464	2	Pin, Male	
14	4460841	3	Pin, Gold Male	
15	4460891	1	Connector - 2 Position	
15	4460465	2	Socket, Female	
16	4460894	1	Connector - 6 Position (Used when not Equipped with Drive Option)	
16	4460466	6	Seal, Plug	
17	4460897	1	Connector - 2 Position	
17	4460464	2	Pin, Male	
18	4461261	1	Connector, Male Deustch	
18	4460509	1	Socket, Female	
19	4460884	1	Pin, Male - 4 Position	
19	4460465	4	Socket, Female	
20	1001192401	1	Connector Dust Cap	
21	8229242	1	Fuse, 5 Amp	
21	2400060	1	Fuseholder	

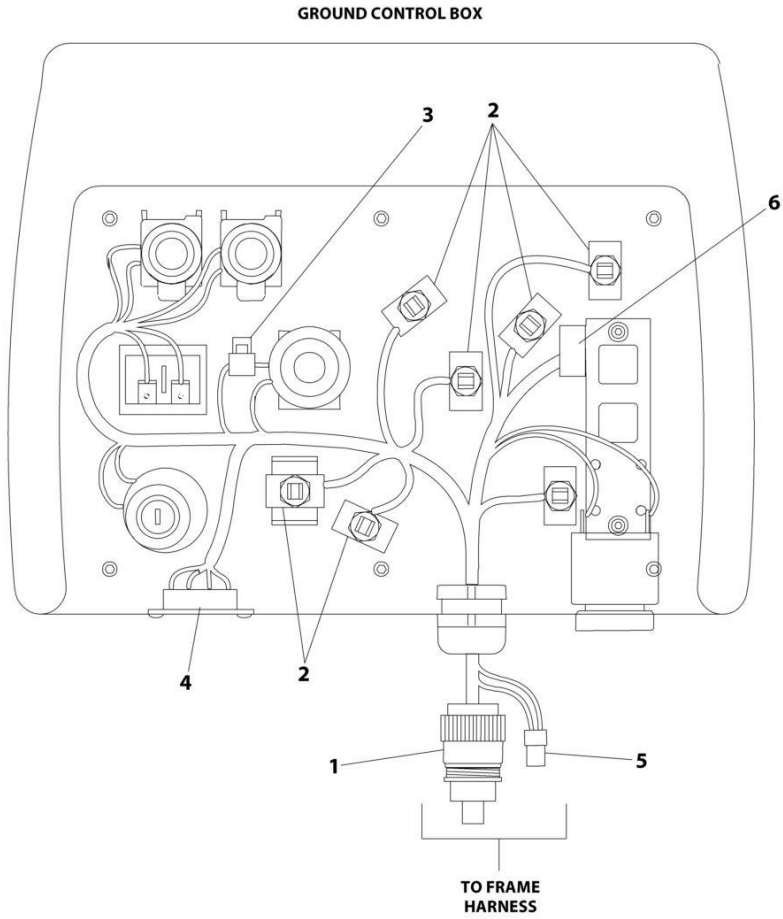
SECTION 7 - ELECTRICAL

FIGURE 7-11. FRAME HARNESS - GAS POWERED MACHINES

ITEM	PART NUMBER	QTY	DESCRIPTION	REV
	4923130	Ref	FRAME HARNESS	H
	3990010	2	Diode, 6 Amp	
1	4460874	1	Connector - 35 Position (Natural)	
1	4460871	AR	Socket, Female	
2	4460873	1	Connector - 35 Position (Black)	
2	4460871	AR	Socket, Female	
3	4460876	1	Connector - 35 Position (Blue)	
3	4460871	AR	Socket, Female	
4	4460932	1	Connector - 4 Position	
4	4460464	4	Pin, Male	
5	4460970	2	Connector - 12 Position	
5	4460464	22	Pin, Male	
6	4460878	1	Plug, Male - 4 Position	
6	4460887	AR	Clip, Terminal	
6	4461271	2	Molex, Terminal	
6	3990111	1	Varistor	
7	4460875	1	Connector - 35 Position (Gray)	
7	4460871	21	Socket, Female	
8	4461018	1	Connector - 2 Position	
8	4460509	2	Socket, Female	
9	4460872	1	Connector - 14 Position (Black)	
9	4460871	AR	Socket, Female	
10	4460897	2	Connector - 2 Position	
10	4460464	4	Pin, Male	
11	4460970	1	Connector - 12 Position	
11	4460464	8	Pin, Male	
11	4460943	3	Pin, Gold Male	
12	4461020	1	Connector - 31 Position	
12	4460465	AR	Socket, Female	
13	4460899	1	Connector - 6 Position	
13	4460464	2	Pin, Male	
13	4460841	3	Pin, Gold Male	
15	4460891	1	Connector - 2 Position	
14	4460931	1	Connector - 8 Position	
14	4460464	1	Pin, Male	
15	4460465	2	Socket, Female	
16	4460894	1	Connector - 6 Position (Used when not Equipped with Drive Option)	
16	4460466	6	Seal, Plug	
17	4460884	1	Pin, Male - 4 Position	
17	4460465	4	Socket, Female	
18	1001192401	1	Connector Dust Cap	
19	8229242	1	Fuse, 5 Amp	
19	2400060	1	Fuseholder	

SECTION 7 - ELECTRICAL

FIGURE 7-12. GROUND CONTROL BOX HARNESS (ELECTRIC POWRED MACHINES)



ART_4923118

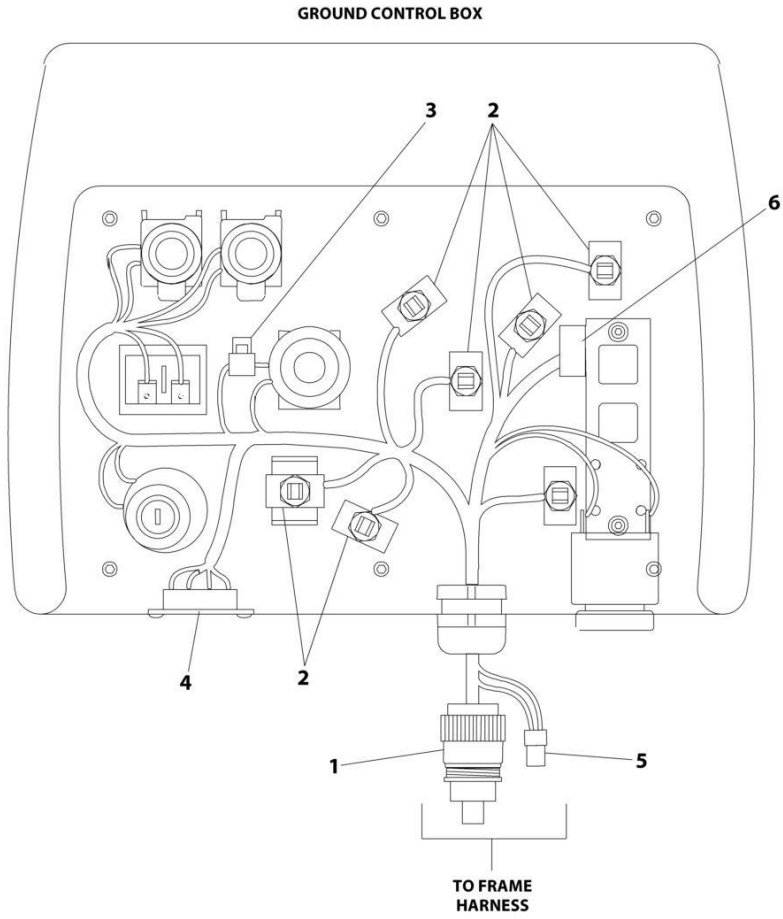
SECTION 7 - ELECTRICAL

FIGURE 7-12. GROUND CONTROL BOX HARNESS (ELECTRIC POWRED MACHINES)

ITEM	PART NUMBER	QTY	DESCRIPTION	REV
	4923118	Ref	GROUND CONTROL BOX HARNESS (ELECTRIC POWERED MACHINES)	C
1	4461019	1	Connector - 31 Position	
1	4460464	30	Pin, Male	
2	4460418	6	Connector, Terminal	
2	4460419	18	Terminal, Connector	
3	2400066	1	Fuseholder with Cover	
3	2400065	1	Fuse - 30 Amp	
4	4460761	1	Receptacle, Female - 4 Position	
4	4460227	4	Pin, Terminal	
5	4461017	1	Connector - 2 Position	
5	4460508	2	Terminal	
6	4461041	1	Connector - 8 Position	
6	4461023	7	Socket, Female	

SECTION 7 - ELECTRICAL

FIGURE 7-13. GROUND CONTROL BOX HARNESS (ENGINE POWERED MACHINES)



ART_4923125

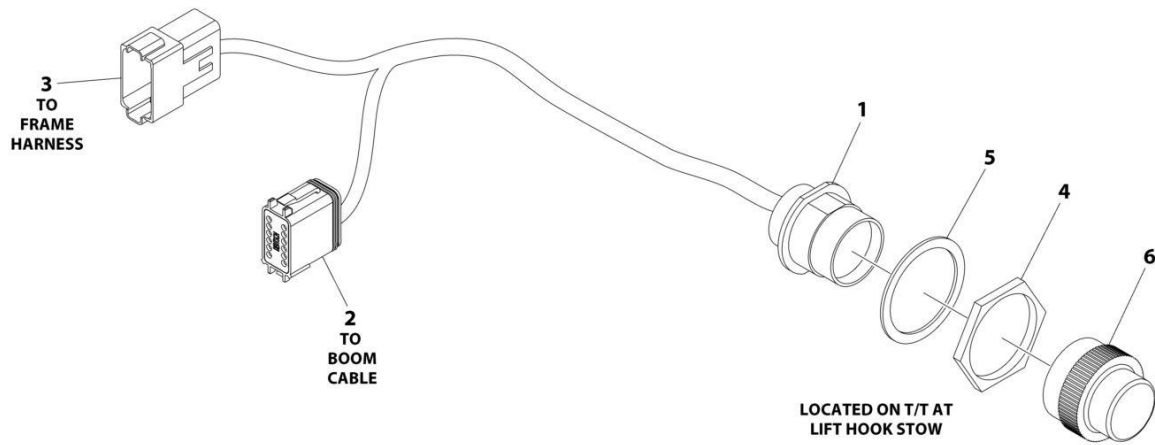
SECTION 7 - ELECTRICAL

FIGURE 7-13. GROUND CONTROL BOX HARNESS (ENGINE POWERED MACHINES)

ITEM	PART NUMBER	QTY	DESCRIPTION	REV
	4923125	Ref	GROUND CONTROL BOX HARNESS (ENGINE POWERED MACHINES)	C
1	4461019	1	Connector - 31 Position	
1	4460464	30	Pin, Male	
2	4460418	6	Connector, Terminal	
2	4460419	18	Terminal, Connector	
3	2400066	1	Fuseholder with Cover	
3	2400065	1	Fuse - 30 Amp	
4	4460761	1	Receptacle, Female - 4 Position	
4	4460227	4	Pin, Terminal	
5	4461017	1	Connector - 2 Position	
5	4460508	2	Terminal	
6	4461041	1	Connector - 8 Position	
6	4461023	7	Socket, Female	

SECTION 7 - ELECTRICAL

FIGURE 7-14. HOOK HARNESS



ART_4923124

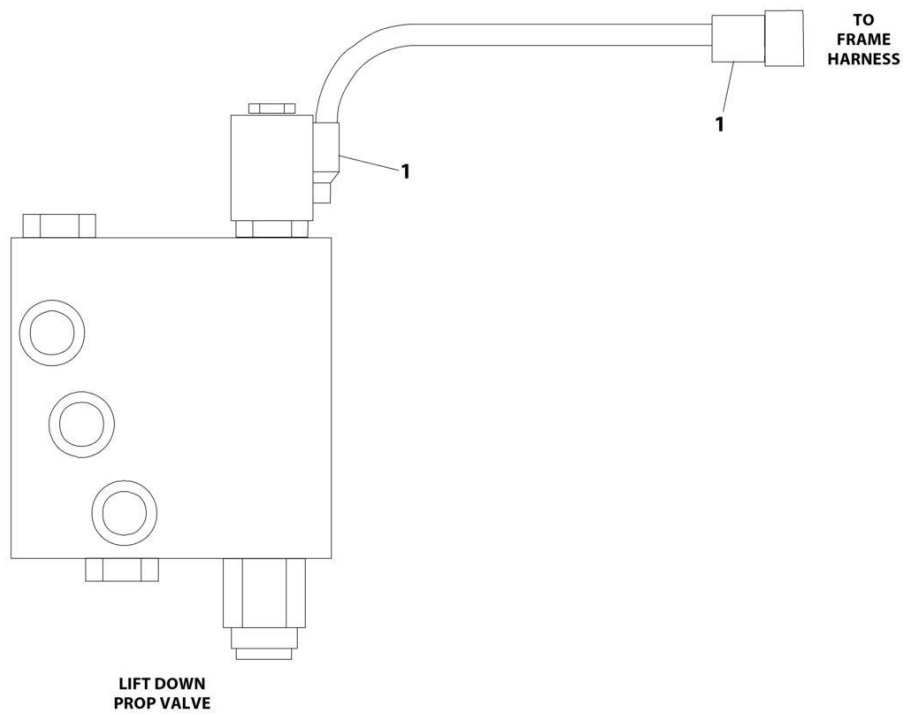
SECTION 7 - ELECTRICAL

FIGURE 7-14. HOOK HARNESS

ITEM	PART NUMBER	QTY	DESCRIPTION	REV
	4923124	Ref	HOOK HARNESS	E
1	4461016	1	Connector - 14 Position	
1	4460464	9	Pin, Male	
1	4460941	3	Pin, Gold Male	
2	4460970	1	Connector - 12 Position	
2	4460464	9	Pin, Male	
2	4460943	3	Pin, Gold Male	
3	4460933	1	Connector - 12 Position	
3	4460465	9	Socket, Female	
3	4460942	3	Socket, Gold Female	
4	4460470	1	Nut, Terminal	
5	4460471	1	Washer, Terminal	
6	4461065	1	Cap, Dust	

SECTION 7 - ELECTRICAL

FIGURE 7-15. LIFT DOWN PROP VALVE, HARNESS (T350)



ART_4923100

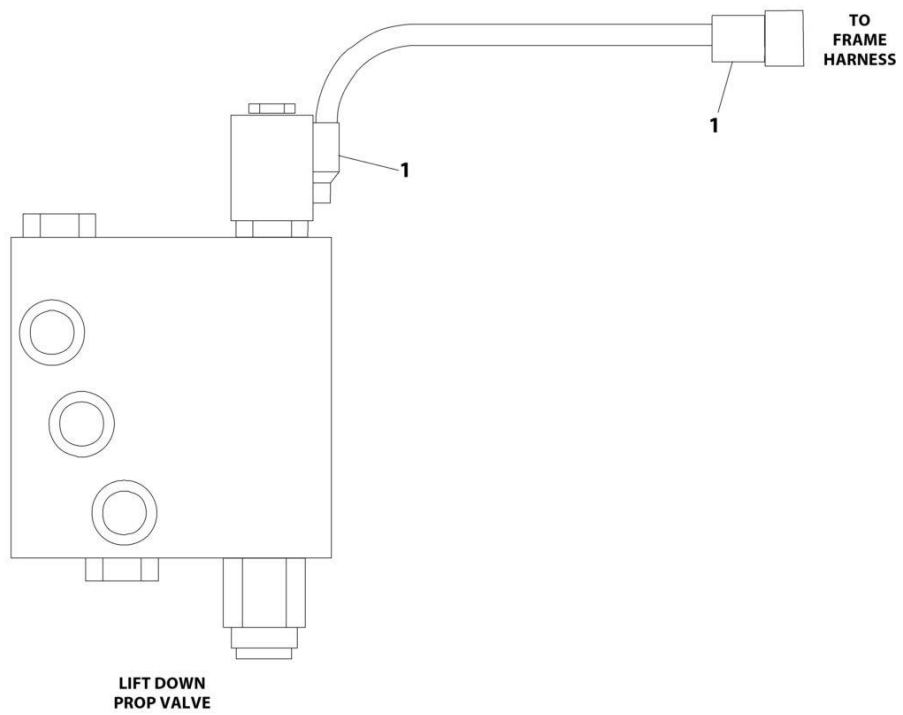
SECTION 7 - ELECTRICAL

FIGURE 7-15. LIFT DOWN PROP VALVE, HARNESS (T350)

ITEM	PART NUMBER	QTY	DESCRIPTION	REV
	4923100	Ref	LIFT DOWN PROP VALVE, HARNESS	C
1	4460891	2	Plug, Male - 2 Position	
1	4460465	4	Socket, Female	

SECTION 7 - ELECTRICAL

FIGURE 7-16. LIFT DOWN PROP VALVE, HARNESS (T500J)



ART_4923101

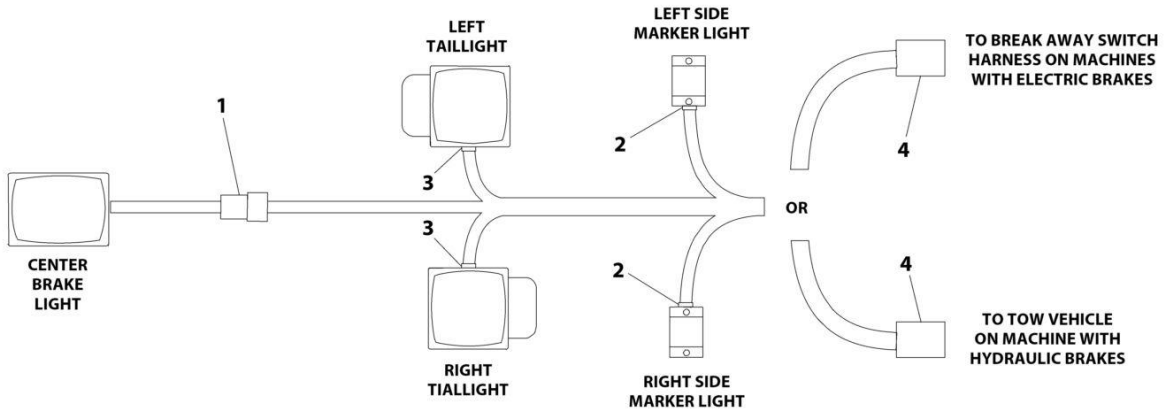
SECTION 7 - ELECTRICAL

FIGURE 7-16. LIFT DOWN PROP VALVE, HARNESS (T500J)

ITEM	PART NUMBER	QTY	DESCRIPTION	REV
	4923101	Ref	LIFT DOWN PROP VALVE, HARNESS	C
1	4460891	2	Plug, Male - 2 Position	
1	4460465	4	Socket, Female	

SECTION 7 - ELECTRICAL

FIGURE 7-17. LIGHTS HARNESS (T350) (ANSI, ANSI EXPORT AND CSA SPECS)



ART_4923148

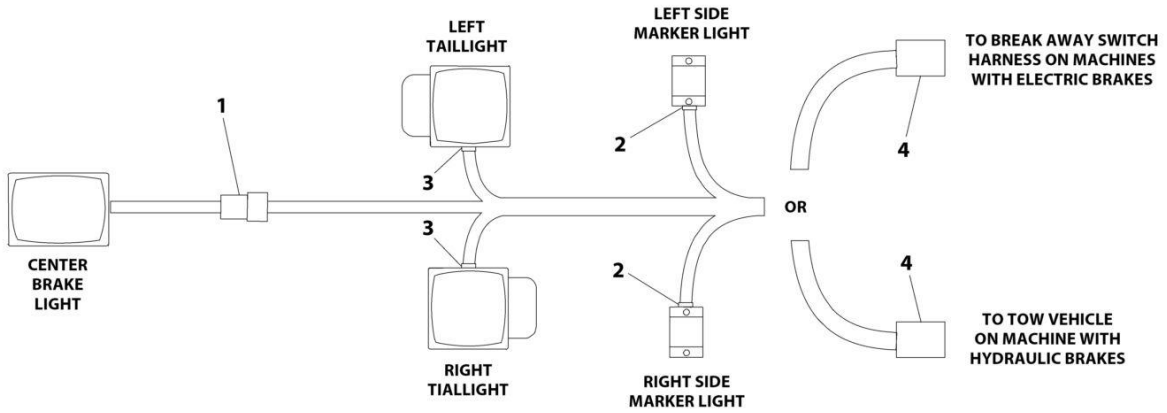
SECTION 7 - ELECTRICAL

FIGURE 7-17. LIGHTS HARNESS (T350) (ANSI, ANSI EXPORT AND CSA SPECS)

ITEM	PART NUMBER	QTY	DESCRIPTION	REV
	4923148	Ref	LIGHTS HARNESS	E
1	4460932	1	Receptacle, Female - 4 Position	
1	4460464	4	Pin, Male	
2	4460248	2	Connector, Butt Splice	
2	4460313	2	Ring, Terminal	
3	4460256	2	Ring, Terminal	
4	See Note	1	Receptacle, Female - Flat 4 Way (Note : Not available for purchase)	

SECTION 7 - ELECTRICAL

FIGURE 7-18. LIGHTS HARNESS (T500J) (ANSI, ANSI EXPORT AND CSA SPECS)



ART_4923149

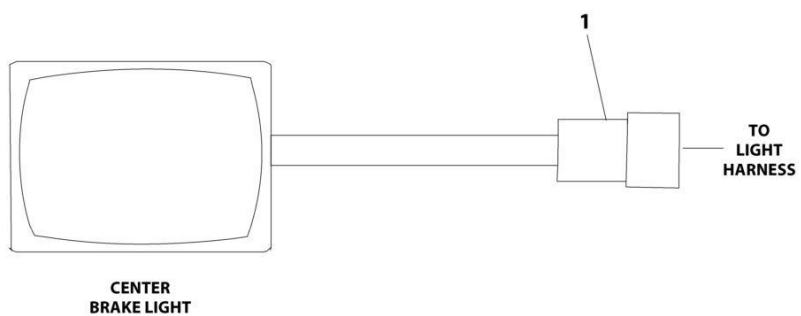
SECTION 7 - ELECTRICAL

FIGURE 7-18. LIGHTS HARNESS (T500J) (ANSI, ANSI EXPORT AND CSA SPECS)

ITEM	PART NUMBER	QTY	DESCRIPTION	REV
	4923149	Ref	LIGHTS HARNESS	F
1	4460932	1	Receptacle, Female - 4 Position	
1	4460464	4	Pin, Male	
2	4460248	2	Connector, Butt Splice	
2	4460313	2	Ring, Terminal	
3	4460256	2	Ring, Terminal	
4	See Note	1	Receptacle, Female - Flat 4 Way (Note : Not available for purchase)	

SECTION 7 - ELECTRICAL

FIGURE 7-19. LIGHT HARNESS - CENTER BRAKE LIGHT (T350) (ANSI, ANSI EXPORT AND CSA SPECS)



ART_4923185

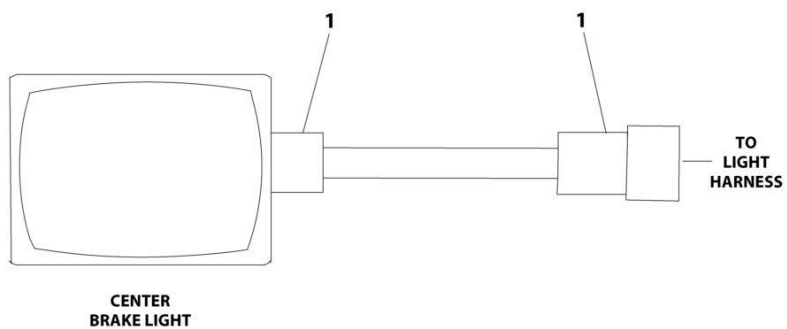
SECTION 7 - ELECTRICAL

FIGURE 7-19. LIGHT HARNESS - CENTER BRAKE LIGHT (T350) (ANSI, ANSI EXPORT AND CSA SPECS)

ITEM	PART NUMBER	QTY	DESCRIPTION	REV
	4923185	Ref	LIGHT HARNESS	C
1	4460884	1	Plug, Male - 4 Position	
1	4460465	4	Socket, Female	
5	1001253644	1	Controller, Logic Circuit (Not Shown)	

SECTION 7 - ELECTRICAL

FIGURE 7-20. LIGHT HARNESS - CENTER BRAKE LIGHT (T350) (AUSTRALIAN AND SOUTH AFRICAN SPECS)



ART_1001224593

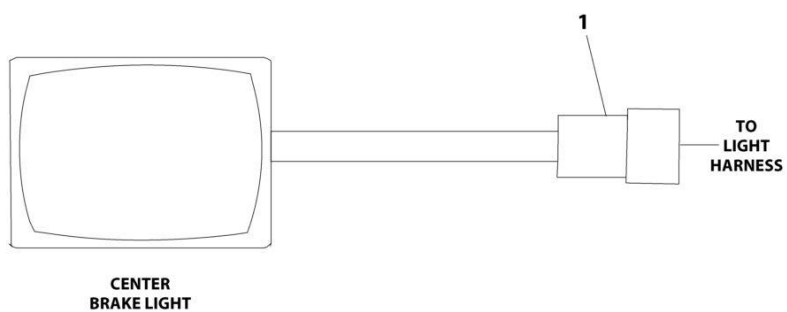
SECTION 7 - ELECTRICAL

FIGURE 7-20. LIGHT HARNESS - CENTER BRAKE LIGHT (T350) (AUSTRALIAN AND SOUTH AFRICAN SPECS)

ITEM	PART NUMBER	QTY	DESCRIPTION	REV
	1001224593	Ref	LIGHT HARNESS	C
1	4460539	2	Plug, Male - 3 Position	
1	4460465	6	Socket, Female	

SECTION 7 - ELECTRICAL

FIGURE 7-21. LIGHT HARNESS - CENTER BRAKE LIGHT (T500J) (ANSI, ANSI EXPORT AND CSA SPECS)



ART_4923184

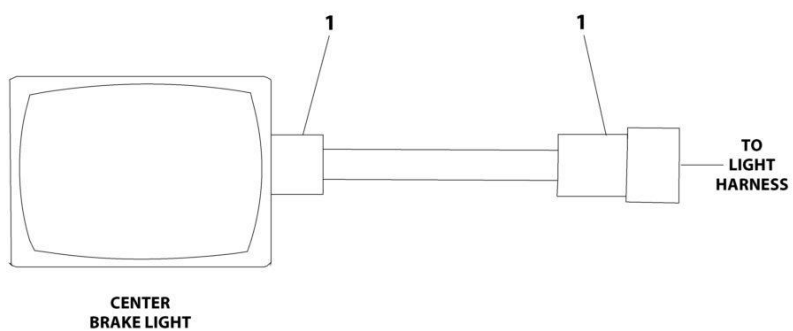
SECTION 7 - ELECTRICAL

FIGURE 7-21. LIGHT HARNESS - CENTER BRAKE LIGHT (T500J) (ANSI, ANSI EXPORT AND CSA SPECS)

ITEM	PART NUMBER	QTY	DESCRIPTION	REV
	4923184	Ref	LIGHT HARNESS	C
1	4460884	1	Plug, Male - 2 Position	
1	4460465	4	Socket, Female	
5	1001253644	1	Controller, Logic Circuit (Not Shown)	

SECTION 7 - ELECTRICAL

FIGURE 7-22. LIGHT HARNESS - CENTER BRAKE LIGHT (T500J) (AUSTRALIAN AND SOUTH AFRICAN SPECS)



ART_1001224594

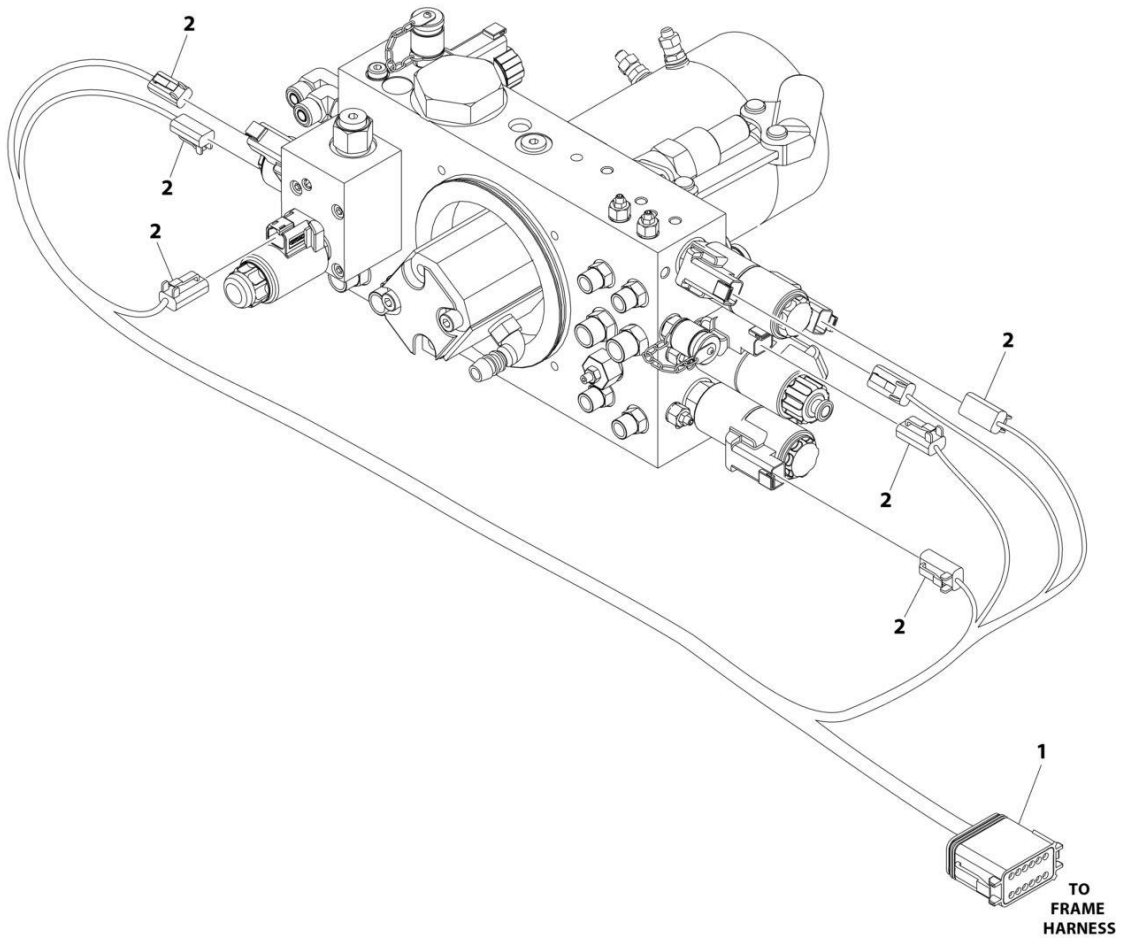
SECTION 7 - ELECTRICAL

FIGURE 7-22. LIGHT HARNESS - CENTER BRAKE LIGHT (T500J) (AUSTRALIAN AND SOUTH AFRICAN SPECS)

ITEM	PART NUMBER	QTY	DESCRIPTION	REV
	1001224594	Ref	LIGHT HARNESS	C
1	4460539	2	Plug, Male - 3 Position	
1	4460465	6	Socket, Female	

SECTION 7 - ELECTRICAL

FIGURE 7-23. MAIN CONTROL VALVE HARNESS



ART_4923109

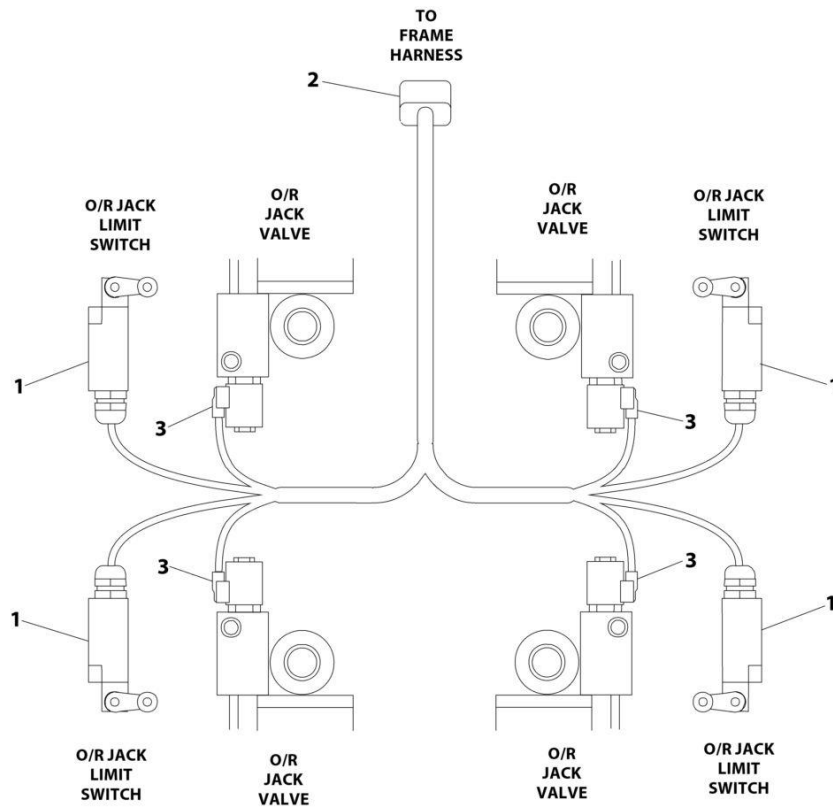
SECTION 7 - ELECTRICAL

FIGURE 7-23. MAIN CONTROL VALVE HARNESS

ITEM	PART NUMBER	QTY	DESCRIPTION	REV
	4923109	Ref	MAIN CONTROL VALVE HARNESS	C
1	4460933	1	Connector - 12 Position (Gray)	
1	4460465	12	Socket, Female	
2	4460891	11	Plug, Male - 2 Position	
2	4460465	22	Socket, Female	

SECTION 7 - ELECTRICAL

FIGURE 7-24. OUTRIGGER JACK & VALVE HARNESS



ART_4923041

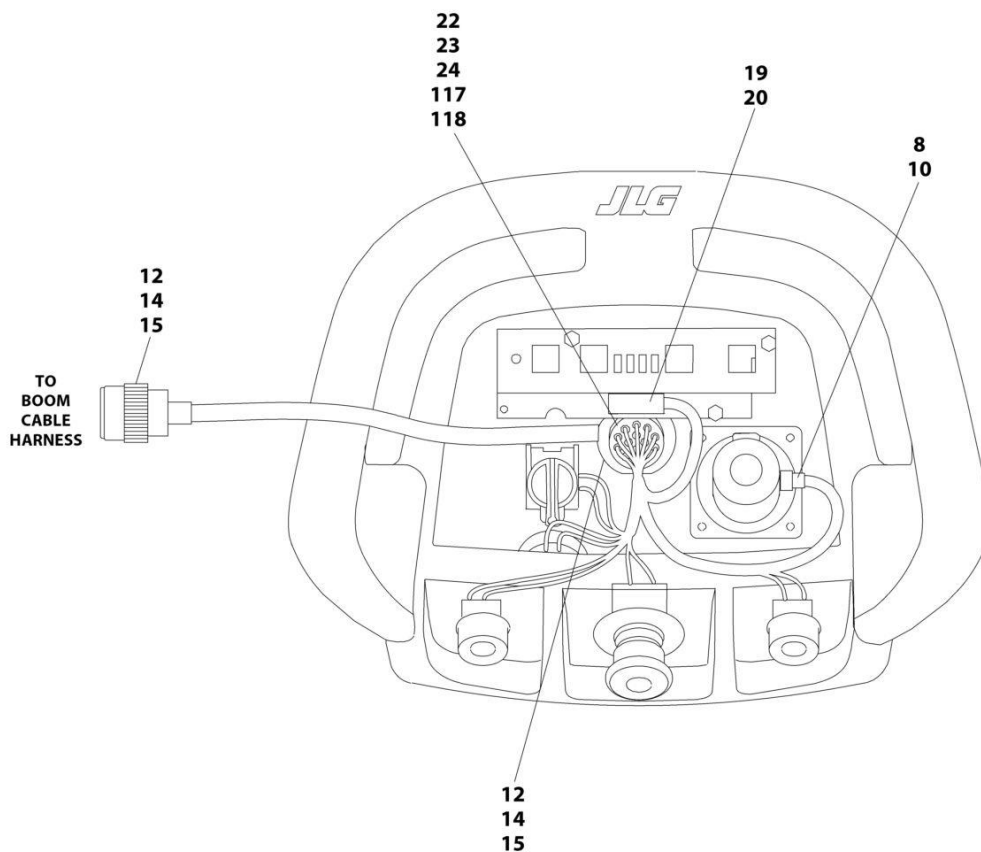
SECTION 7 - ELECTRICAL

FIGURE 7-24. OUTRIGGER JACK & VALVE HARNESS

ITEM	PART NUMBER	QTY	DESCRIPTION	REV
	4923041	Ref	OUTRIGGER HARNESS	D
1	4360577	4	Switch, Limit	
2	4460933	1	Connector - 12 Position (Gray)	
2	4460465	10	Socket, Female	
2	4460942	2	Socket, Gold Female	
3	4460891	4	Plug, Male - 2 Position	
3	4460465	8	Socket, Female	

SECTION 7 - ELECTRICAL

FIGURE 7-25. PLATFORM BOX HARNESS (ELECTRIC POWERED MACHINES WITHOUT DRIVE OPTION)



ART_4923116

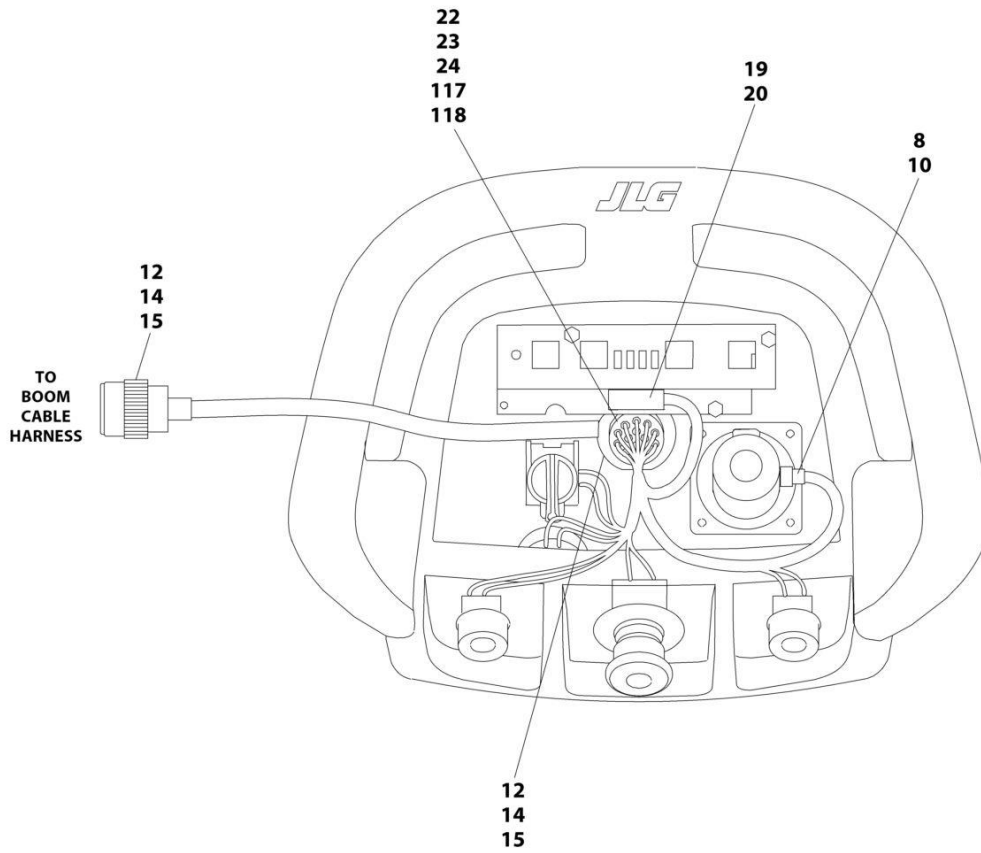
SECTION 7 - ELECTRICAL

FIGURE 7-25. PLATFORM BOX HARNESS (ELECTRIC POWERED MACHINES WITHOUT DRIVE OPTION)

ITEM	PART NUMBER	QTY	DESCRIPTION	REV
	4923116	Ref	PLATFORM BOX HARNESS	F
8	4461024	1	Connector - 10 Position	
10	4461025	6	Pin, Male	
12	4461015	2	Connector - 14 Position	
14	4460465	18	Socket, Female	
15	4460944	6	Socket, Female (Gold)	
19	4461057	1	Connector - 16 Position	
20	4461058	12	Socket, Female	
22	4461016	1	Connector - 14 Position	
23	4460464	6	Pin, Male	
24	4460943	2	Pin, Gold Male	
117	4460497	1	Nut, Terminal (Part of Console Box Assembly)	
118	4460496	1	Washer, Terminal (Part of Console Box Assembly)	

SECTION 7 - ELECTRICAL

FIGURE 7-26. PLATFORM BOX HARNESS (ELECTRIC POWERED MACHINES WITH DRIVE OPTION)



ART_4923127

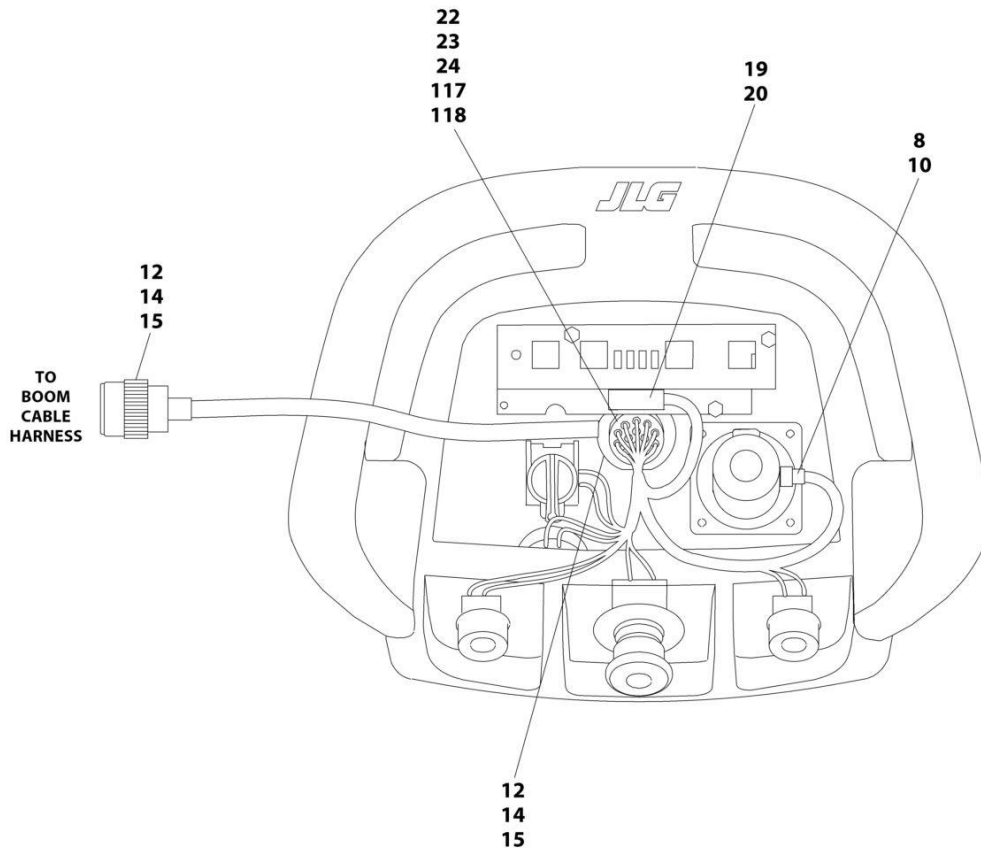
SECTION 7 - ELECTRICAL

FIGURE 7-26. PLATFORM BOX HARNESS (ELECTRIC POWERED MACHINES WITH DRIVE OPTION)

ITEM	PART NUMBER	QTY	DESCRIPTION	REV
	4923127	Ref	PLATFORM BOX HARNESS	E
8	4461024	1	Connector - 10 Position	
10	4461025	8	Pin, Male	
12	4461015	2	Connector - 10 Position	
14	4460465	18	Socket, Female	
15	4460944	6	Socket, Female (Gold)	
19	4461057	1	Connector - 16 Position	
20	4461058	13	Socket, Female	
22	4461016	1	Connector - 14 Position	
23	4460464	6	Pin, Male	
24	4460943	2	Pin, Gold Male	
117	4460497	1	Nut, Terminal (Part of Console Box Assembly)	
118	4460496	1	Washer, Terminal (Part of Console Box Assembly)	

SECTION 7 - ELECTRICAL

FIGURE 7-27. PLATFORM BOX HARNESS (ENGINE POWERED MACHINES WITHOUT DRIVE OPTION)



ART_4923117

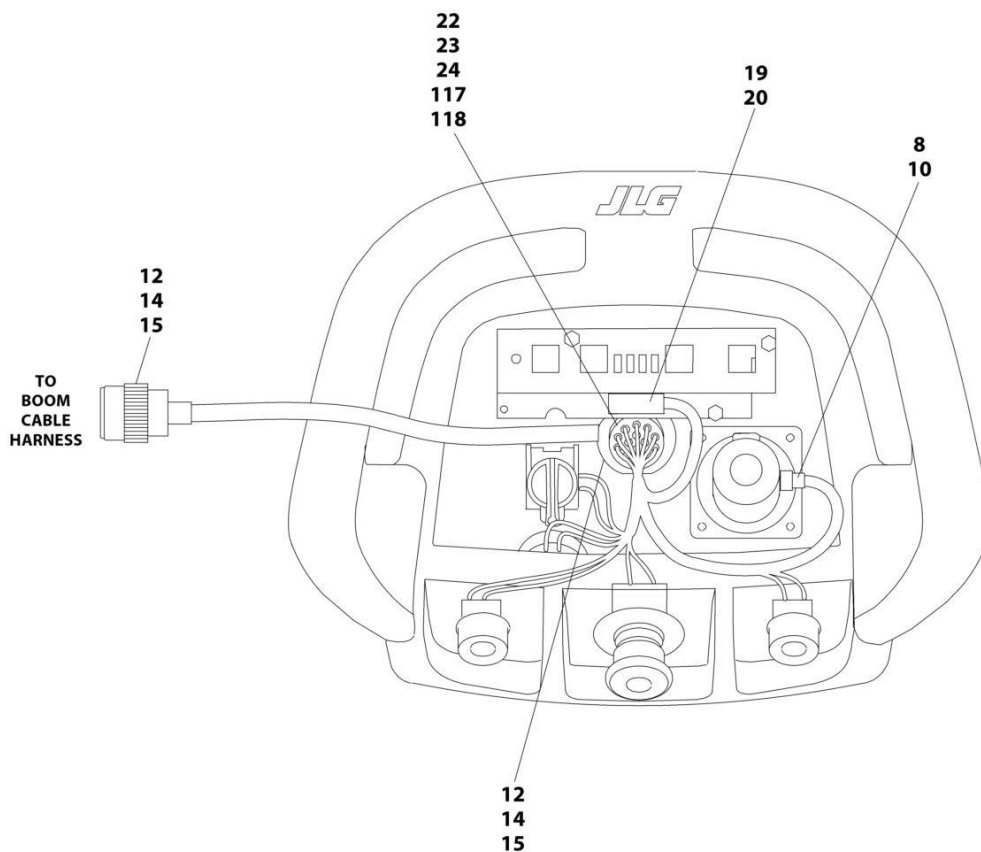
SECTION 7 - ELECTRICAL

FIGURE 7-27. PLATFORM BOX HARNESS (ENGINE POWERED MACHINES WITHOUT DRIVE OPTION)

ITEM	PART NUMBER	QTY	DESCRIPTION	REV
	4923117	Ref	PLATFORM BOX HARNESS	E
8	4461024	1	Connector - 10 Position	
10	4461025	6	Pin, Male	
12	4461015	2	Connector - 10 Position	
14	4460465	18	Socket, Female	
15	4460944	6	Socket, Female (Gold)	
19	4461057	1	Connector - 16 Position	
20	4461058	14	Socket, Female	
21	4461016	1	Connector - 14 Position	
22	4460464	6	Pin, Male	
23	4460943	2	Pin, Gold Male	
117	4460497	1	Nut, Terminal (Part of Console Box Assembly)	
118	4460496	1	Washer, Terminal (Part of Console Box Assembly)	

SECTION 7 - ELECTRICAL

FIGURE 7-28. PLATFORM BOX HARNESS (ENGINE POWERED MACHINES WITH DRIVE OPTION)



ART_4923126

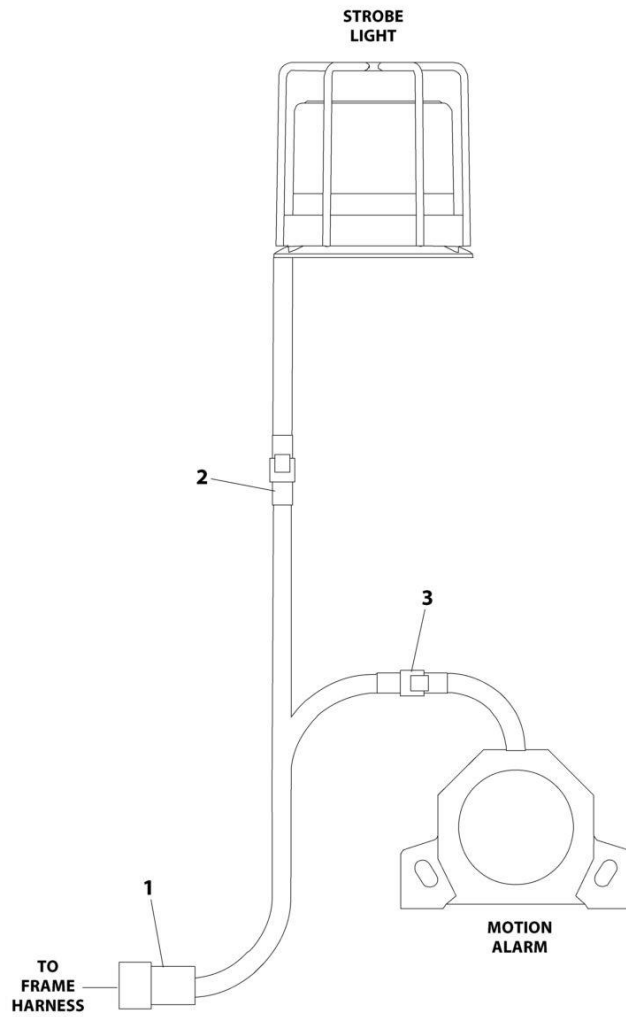
SECTION 7 - ELECTRICAL

FIGURE 7-28. PLATFORM BOX HARNESS (ENGINE POWERED MACHINES WITH DRIVE OPTION)

ITEM	PART NUMBER	QTY	DESCRIPTION	REV
	4923126	Ref	PLATFORM BOX HARNESS	E
8	4461024	1	Connector - 10 Position	
10	4461025	8	Pin, Male	
12	4461015	2	Connector - 10 Position	
14	4460465	18	Socket, Female	
15	4460944	6	Socket, Female (Gold)	
19	4461057	1	Connector - 16 Position	
20	4461058	15	Socket, Female	
21	4461016	1	Connector - 14 Position	
22	4460464	6	Pin, Male	
23	4460943	2	Pin, Gold Male	
117	4460497	1	Nut, Terminal (Part of Console Box Assembly)	
118	4460496	1	Washer, Terminal (Part of Console Box Assembly)	

SECTION 7 - ELECTRICAL

FIGURE 7-29. STROBE LIGHT AND ALARM HARNESS



ART_4923128

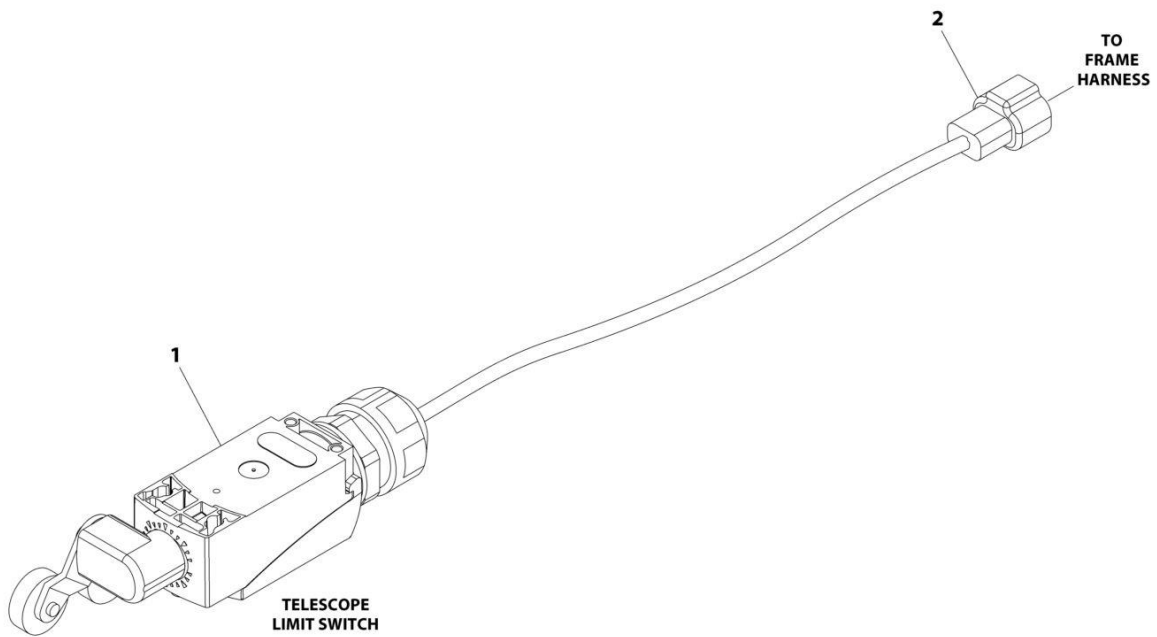
SECTION 7 - ELECTRICAL

FIGURE 7-29. STROBE LIGHT AND ALARM HARNESS

ITEM	PART NUMBER	QTY	DESCRIPTION	REV
	4923128	Ref	STROBE LIGHT AND ALARM HARNESS	B
1	4460884	1	Plug, Male - 2 Position	
1	4460465	4	Socket, Female	
2	4460897	1	Receptacle, Female - 2 Position	
2	4460464	4	Pin, Male	
3	4460539	1	Plug, Male - 3 Position	
3	4460465	3	Socket, Female	

SECTION 7 - ELECTRICAL

FIGURE 7-30. TELESCOPE LIMIT SWITCH HARNESS (T350)



ART_4923192

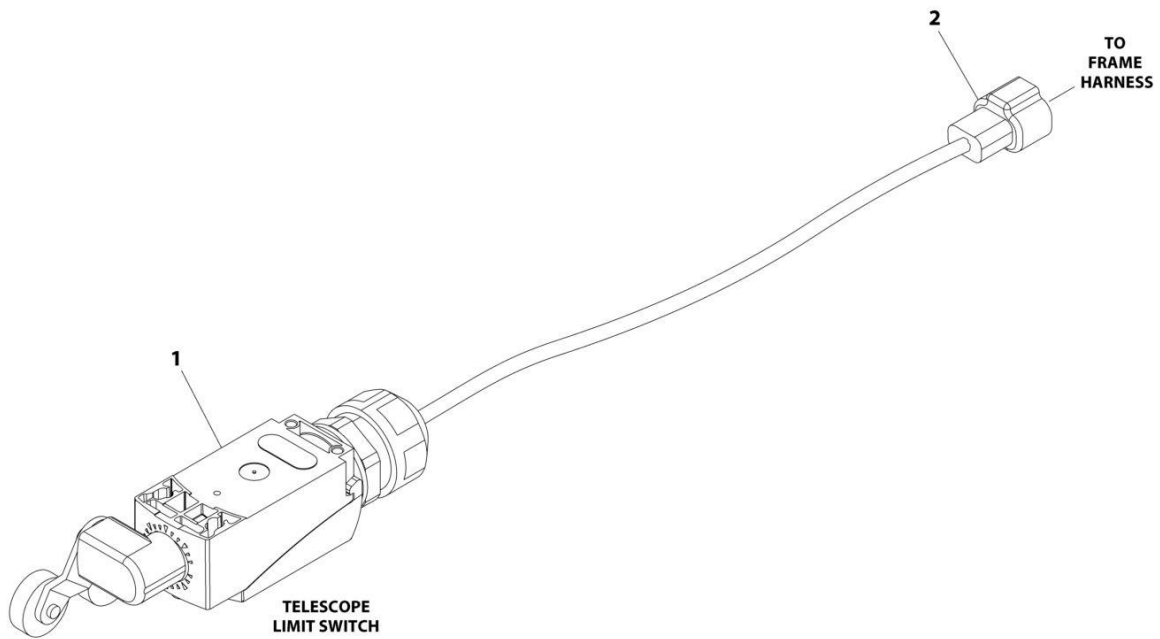
SECTION 7 - ELECTRICAL

FIGURE 7-30. TELESCOPE LIMIT SWITCH HARNESS (T350)

ITEM	PART NUMBER	QTY	DESCRIPTION	REV
	4923192	Ref	TELESCOPE LIMIT SWITCH HARNESS	A
1	4360577	1	Switch, Light	
2	4460897	1	Receptacle, Female - 2 Position	
2	4460464	2	Pin, Male	

SECTION 7 - ELECTRICAL

FIGURE 7-31. TELESCOPE LIMIT SWITCH HARNESS (T500J)



ART_4923193

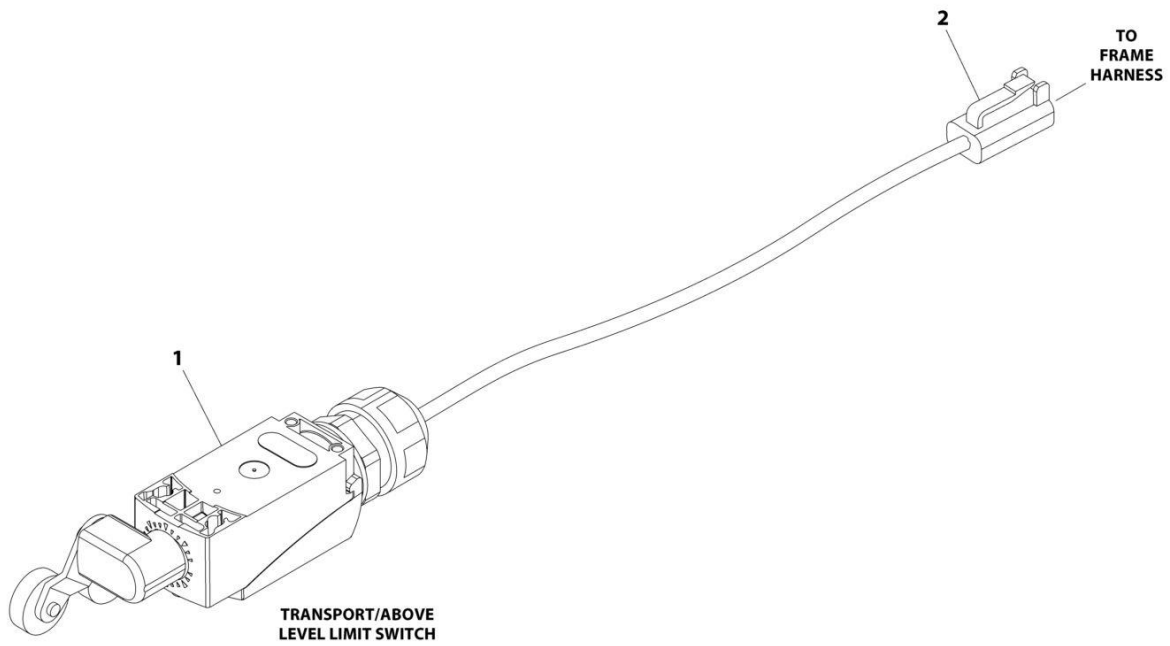
SECTION 7 - ELECTRICAL

FIGURE 7-31. TELESCOPE LIMIT SWITCH HARNESS (T500J)

ITEM	PART NUMBER	QTY	DESCRIPTION	REV
	4923193	Ref	TELESCOPE LIMIT SWITCH HARNESS	A
1	4360577	1	Switch, Light	
2	4460897	1	Receptacle, Female - 2 Position	
2	4460464	2	Pin, Male	

SECTION 7 - ELECTRICAL

FIGURE 7-32. TRANSPORT LIMIT SWITCH HARNESS (T350)



ART_4923112

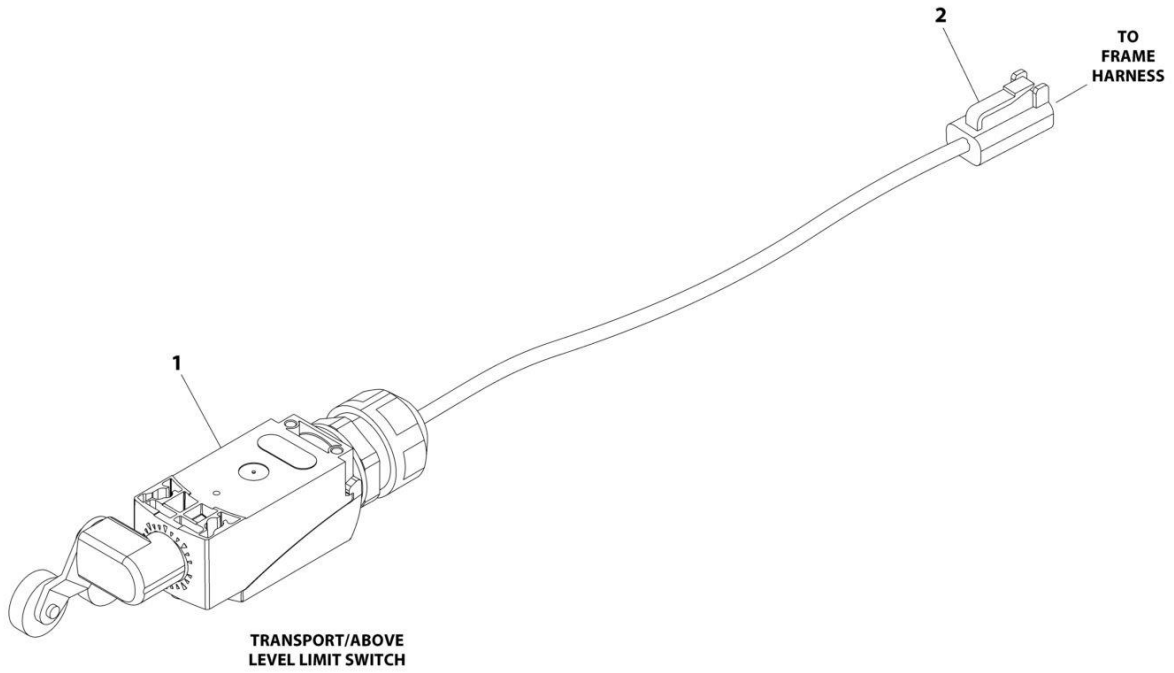
SECTION 7 - ELECTRICAL

FIGURE 7-32. TRANSPORT LIMIT SWITCH HARNESS (T350)

ITEM	PART NUMBER	QTY	DESCRIPTION	REV
	4923112	Ref	TRANSPORT LIMIT SWITCH HARNESS	E
1	4360577	1	Switch, Limit	
2	4460891	1	Connector - 2 Position	
2	4460465	2	Socket, Female	

SECTION 7 - ELECTRICAL

FIGURE 7-33. TRANSPORT LIMIT SWITCH HARNESS (T500J)



ART_4923217

SECTION 7 - ELECTRICAL

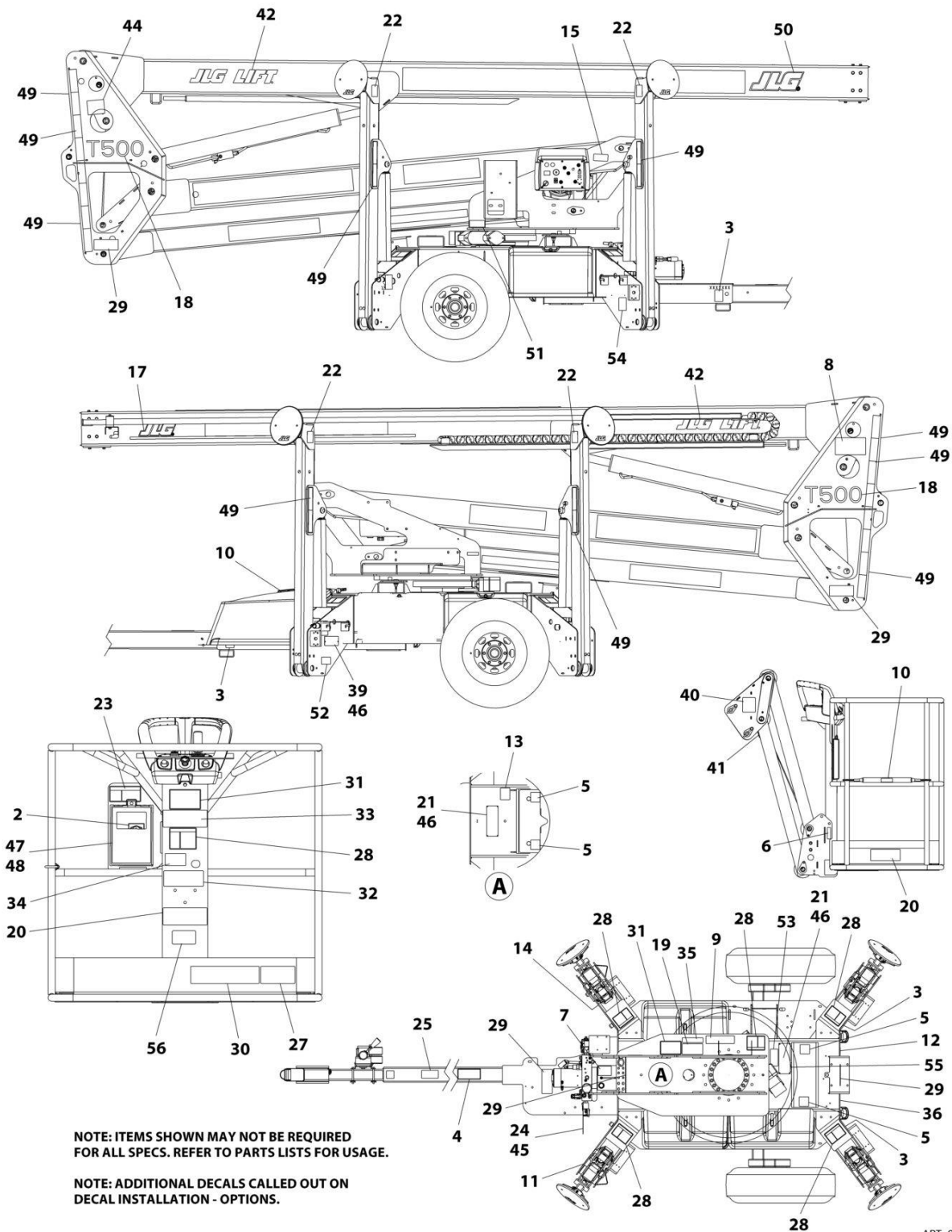
FIGURE 7-33. TRANSPORT LIMIT SWITCH HARNESS (T500J)

ITEM	PART NUMBER	QTY	DESCRIPTION	REV
	4923217	Ref	TRANSPORT LIMIT SWITCH HARNESS	B
1	4360577	1	Switch, Limit	
2	4460891	1	Connector - 2 Position	
2	4460465	2	Socket, Female	

SECTION 8 - DECALS

SECTION 8 - DECALS

FIGURE 8-1. DECAL INSTALLATION (ANSI SPEC) (ENGLISH LANGUAGE)



NOTE: ITEMS SHOWN MAY NOT BE REQUIRED FOR ALL SPECS. REFER TO PARTS LISTS FOR USAGE.

NOTE: ADDITIONAL DECALS CALLED OUT ON DECAL INSTALLATION - OPTIONS.

ART_0274522

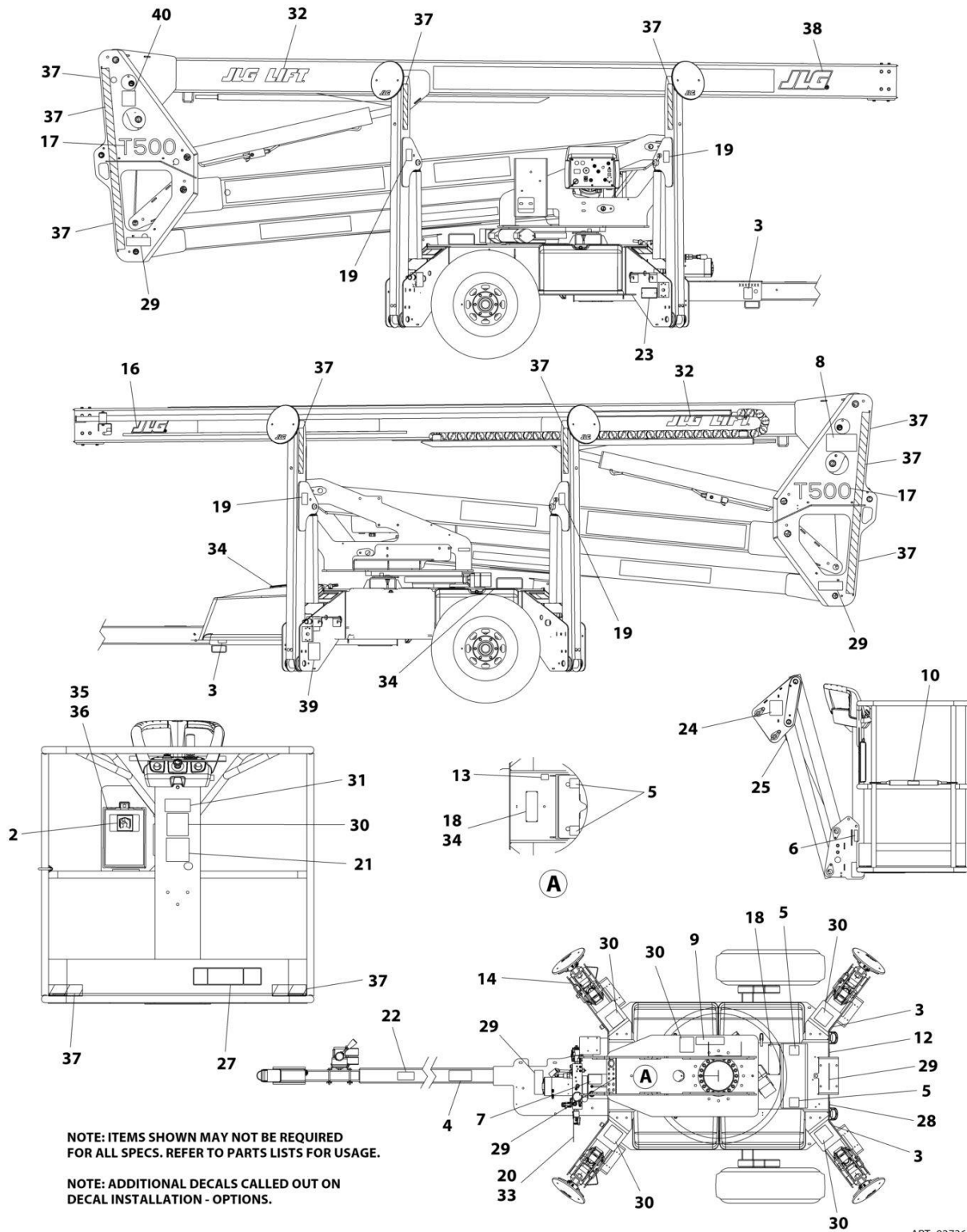
SECTION 8 - DECALS

FIGURE 8-1. DECAL INSTALLATION (ANSI SPEC) (ENGLISH LANGUAGE)

ITEM	PART NUMBER	QTY	DESCRIPTION	REV
	0274522	Ref	DECAL INSTALLATION	V
1	2902428	Ref	Decal Kit - Master (Not Shown)	
2	1701640	1	Decal - Manual	
3	1703814	4	Decal - Tie-Down	
4	1706384	1	Decal - Manual Descent Inside	
5	1704016	1	Decal - Forklift	
6	1704277	2	Decal - Lanyard Attach	
7	1704412	1	Decal - Hydraulic Oil	
8	1706629	1	Decal - Lift Diagram	
9	1706372	1	Decal - Platform Entry Instructions	
10	1706385	1	Decal - Drop Bar	
11	1001131269	1	Decal - Patent	
14	See Note	NSS	Decal- Barcode (Note: Not Available for Purchase)	
19	1706106	1	Decal - Capacity (Ground Control Location)	
20	1706107	2	Decal - Capacity (Platform Location)	
24	1706139	1	Decal - Manual Descent	
25	1001260244	1	Decal - Parking Brake	
26	2902430	Ref	Decal Kit - ANSI English (Not Shown)	
27	1706112	1	Decal - Speed Limit	
28	1706128	6	Decal - Electrocution	
29	1706099	5	Decal - Warning Crushing	
30	1706111	1	Decal - Warning Machine Operation	
31	1706135	2	Decal - Warning Inspection	
32	1706386	1	Decal - Fall Hazard	
33	1706387	1	Decal - Crushing	
34	1706108	1	Decal - Legend (Platform)	
35	1706109	1	Decal - Legend (Ground Control)	
36	1703813	1	Decal - Battery Ventilation (Electric Machines Only)	
44	3251813	1	Decal - USA	
45	3760170	1	Ring, Split	
46	3820001	6	Rivet	
47	3820032	4	Rivet	
48	8990147	1	Box, Manual Storage	
48	70003486	1	Clip, Manual Holder	
49	1705817	17 ft/ 2.5m	Tape, Reflective	
53	1001214673	1	Decal - Temperature	
54	1001289470	1	Decal - Yearly Inspection	

SECTION 8 - DECALS

FIGURE 8-2. DECAL INSTALLATION (AUSTRALIAN SPEC) (ENGLISH LANGUAGE)



ART_0273631

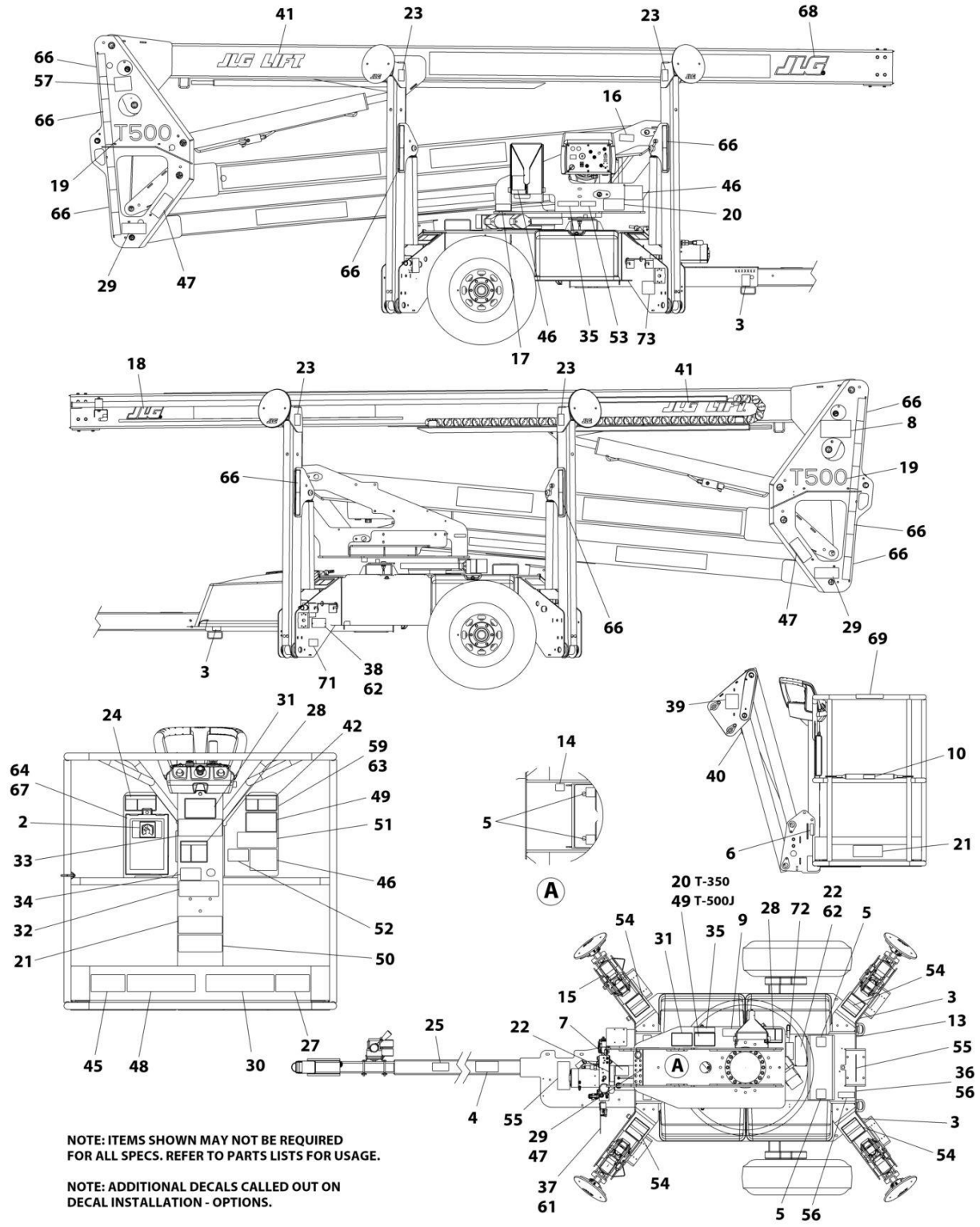
SECTION 8 - DECALS

FIGURE 8-2. DECAL INSTALLATION (AUSTRALIAN SPEC) (ENGLISH LANGUAGE)

ITEM	PART NUMBER	QTY	DESCRIPTION	REV
	0273631	Ref	DECAL INSTALLATION	K
1	2902428	Ref	Decal Kit - Master (Not Shown)	
2	1701640	1	Decal - Manual	
3	1703814	4	Decal - Tie-Down	
4	1706384	1	Decal - Manual Descent Inside	
5	1703817	4	Decal - Forklift	
6	1704277	2	Decal - Lanyard Attach	
7	1704412	1	Decal - Hydraulic Oil	
8	1706629	1	Decal - Lift Diagram	
9	1706372	1	Decal - Platform Entry Instructions	
10	1706493	1	Decal - Drop Bar	
14	See Note	NSS	Decal - Barcode (Note: Not Available for Purchase)	
20	1706139	1	Decal - Manual Descent	
21	1706314	1	Decal - Capacity (Platform Location)	
22	1001260244	1	Decal - Parking Brake	
26	2902411	Ref	Decal Kit - Australian English (Not Shown)	
27	1706320	1	Decal - Warning Machine Operation	
28	1705670	1	Decal - Fire Hazard (Electric Machines Only)	
29	1706315	5	Decal - Warning Crushing	
30	1706317	6	Decal - Electrocution	
31	1706497	1	Decal - Warning Crushing	
33	3760170	1	Ring, Split	
34	3820001	6	Rivet	
35	3820032	4	Rivet	
36	8990147	1	Box, Manual Storage	
36	70003486	2	Clip, Manual Holder	
37	4420051	12 ft/3.7m	Tape, Reflective	

SECTION 8 - DECALS

FIGURE 8-3. DECAL INSTALLATION (BRAZIL SPECS) (SPANISH/ENGLISH LANGUAGES)



SECTION 8 - DECALS

FIGURE 8-3. DECAL INSTALLATION (BRAZIL SPECS) (SPANISH/ENGLISH LANGUAGES)

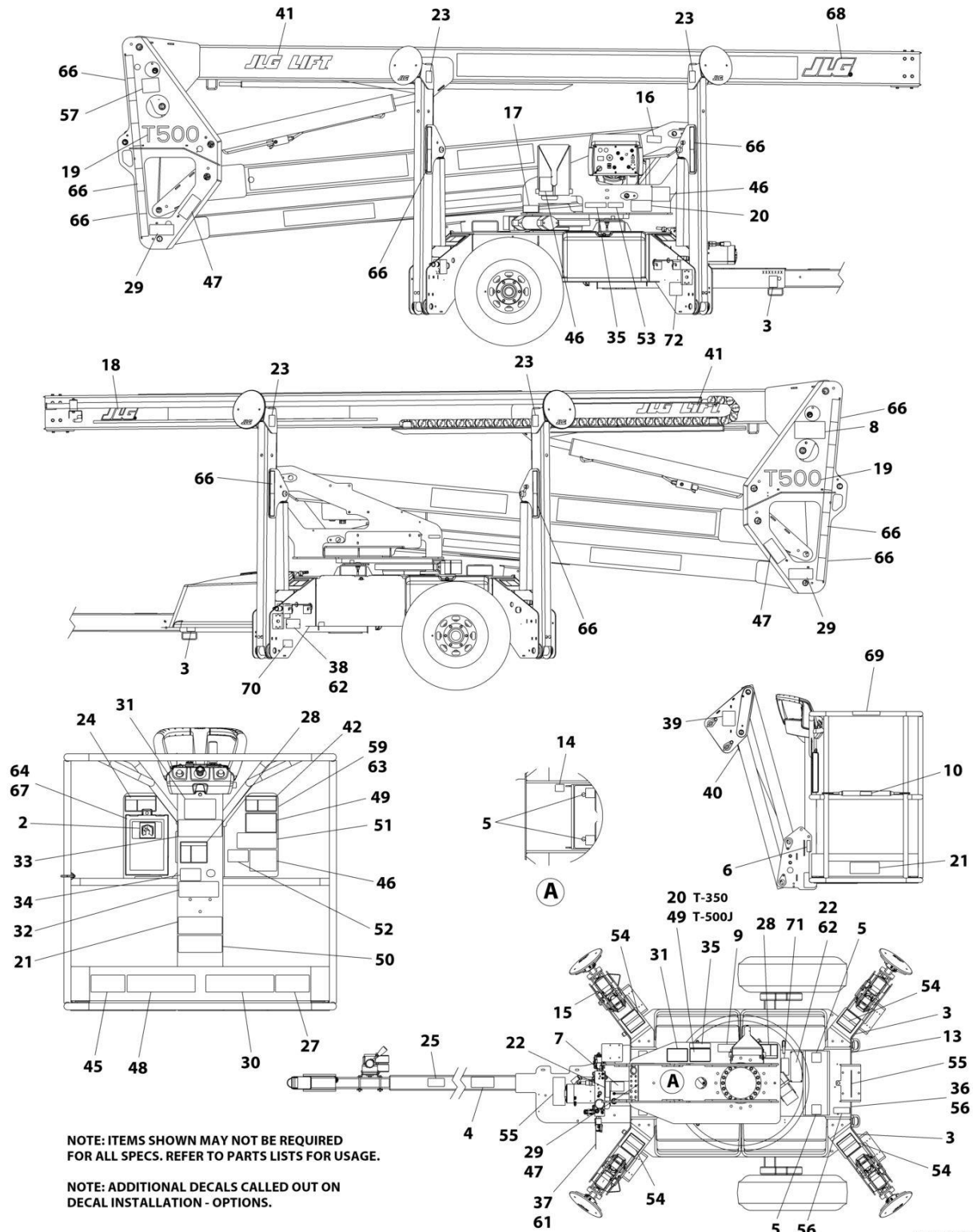
ITEM	PART NUMBER	QTY	DESCRIPTION	REV
	0273644	Ref	DECAL INSTALLATION	N
1	2902428	Ref	Decal Master Kit (Not Shown)	
2	1701640	1	Decal - Manual	
3	1703814	4	Decal - Tie Down	
4	1706384	1	Decal - Manual Descent Inside	
5	1703817	4	Decal - Forklift	
5	1704016	1	Decal - Forklift	
6	1704277	2	Decal - Lanyard Attach	
7	1704412	1	Decal - Hydraulic Oil	
8	1706629	1	Decal - Lift Diagram	
9	1706372	1	Decal - Platform Entry Instructions	
10	1706385	1	Decal - Drop Bar	
15	See Note	NSS	Decal - Bar Code (Note: Not Available for Purchase)	
20	1706106	1	Decal - Capacity (Ground Control)	
21	1706107	2	Decal - Capacity (Platform)	
25	1001260244	1	Decal - Parking Brake	
26	2902430	Ref	Decal Kit - Brazil English (Not Shown)	
27	1706112	1	Decal - Speed Limit	
28	1706128	2	Decal - Electrocution	
29	1706099	3	Decal - Warning Crushing	
30	1706111	1	Decal - Warning Machine Operation	
31	1706135	2	Decal - Warning Inspection	
32	1706386	1	Decal - Fall Hazard	
33	1706387	1	Decal - Crushing	
34	1706108	1	Decal - Legend (Platform)	
35	1706109	1	Decal - Legend (Ground Control)	
36	1703813	1	Decal - Warning Battery Ventilation	
37	1706139	1	Decal - Manual Descent	
44	2902447	Ref	Decal Kit - Brazil Portuguese (Not Shown)	
45	1706524	1	Decal - Speed Limit	
46	1706527	3	Decal - Electrocution	
47	1706528	3	Decal - Warning Crushing	
48	1706529	1	Decal - Warning Machine Operation	
49	1706530	2	Decal - Warning Inspection	
50	1706531	1	Decal - Fall Hazard	
51	1706532	1	Decal - Crushing	
52	1706533	1	Decal - Legend (Platform)	
53	1706534	1	Decal - Legend (Ground Control)	
54	1706657	4	Decal - Electrocution	
55	1706658	2	Decal - Warning Crushing	
56	1703832	1	Decal - Warning Battery Ventilation	
57	3251813	1	Decal - USA	
59	3576102	1	Mount - Decal	
61	3760170	1	Ring, Split	
62	3820001	6	Rivet	
63	3820021	2	Rivet	
64	3820032	4	Rivet	
66	1705817	17 ft/5.2m	Decal, Tape, Red-White Alternating	
67	8990147	1	Holder, Manual	
67	70003486	2	Clip, Manual Holder	

SECTION 8 - DECALS

ITEM	PART NUMBER	QTY	DESCRIPTION	REV
69	1706496	1	Decal - Drop Bar	
72	1001214673	1	Decal - Temperature	
73	1001290808	1	Decal - Yearly Inspection	

SECTION 8 - DECALS

FIGURE 8-4. DECAL INSTALLATION (BRAZIL SPECS) (SPANISH/ENGLISH LANGUAGES)



ART_0273640

SECTION 8 - DECALS

FIGURE 8-4. DECAL INSTALLATION (BRAZIL SPECS) (SPANISH/ENGLISH LANGUAGES)

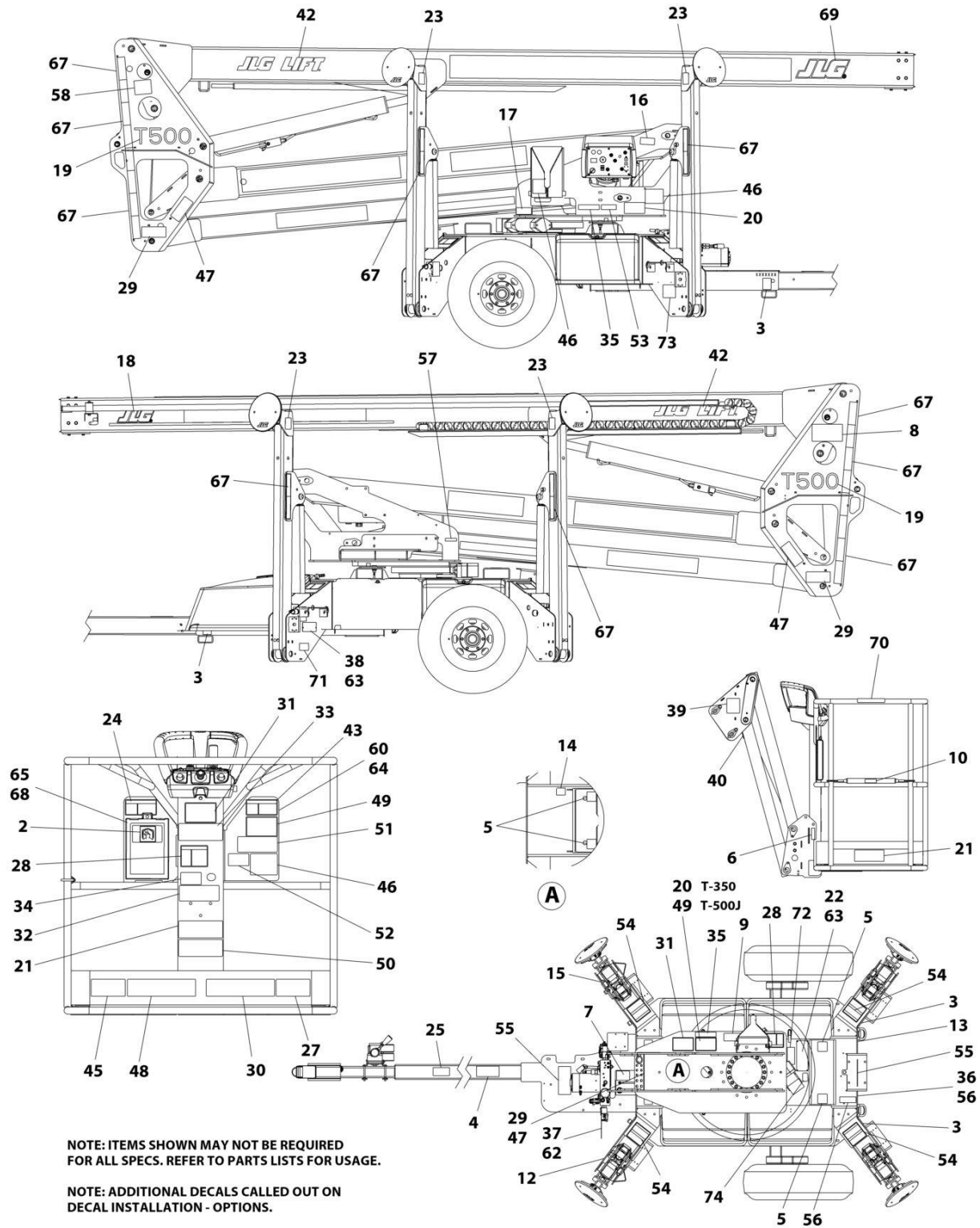
ITEM	PART NUMBER	QTY	DESCRIPTION	REV
	0273640	Ref	DECAL INSTALLATION	N
1	2902428	Ref	Decal Kit - Master (Not Shown)	
2	1701640	1	Decal - Manual	
3	1703814	4	Decal - Tie Down	
4	1706384	1	Decal - Manual Descent Inside	
5	1704016	1	Decal - Forklift	
6	1704277	2	Decal - Lanyard Attach	
7	1704412	1	Decal - Hydraulic Oil Chart	
8	1706629	1	Decal - Lift Diagram	
9	1706372	1	Decal - Platform Entry Instructions	
10	1706385	1	Decal - Drop Bar	
15	See Note	NSS	Decal - Bar Code (Note: Not Available for Purchase)	
20	1706106	1	Decal - Capacity (Ground Control)	
21	1706107	2	Decal - Capacity (Platform)	
25	1001260244	1	Decal - Parking Brake	
26	2902430	Ref	Decal Kit - Brazil English (Not Shown)	
27	1706112	1	Decal - Speed Limit	
28	1706128	2	Decal - Electrocution	
29	1706099	3	Decal - Warning Crushing	
30	1706111	1	Decal - Warning Machine Operation	
31	1706135	2	Decal - Warning Inspection	
32	1706386	1	Decal - Fall Hazard	
33	1706387	1	Decal - Crushing	
34	1706108	1	Decal - Legend (Platform)	
35	1706109	1	Decal - Legend (Ground Control)	
36	1703813	1	Decal - Warning Battery Ventilation	
37	1706139	1	Decal - Manual Descent	
44	2902454	Ref	Decal Kit - Brazil Portuguese (Not Shown)	
45	1706427	1	Decal - Speed Limit	
46	1706430	3	Decal - Electrocution	
47	1706431	3	Decal - Warning Crushing	
48	1706432	1	Decal - Warning Machine Operation	
49	1706433	2	Decal - Warning Inspection	
50	1706434	1	Decal - Fall Hazard	
51	1706435	1	Decal - Crushing	
52	1706436	1	Decal - Legend (Platform)	
53	1706437	1	Decal - Legend (Ground Control)	
54	1706664	4	Decal - Electrocution	
55	1706665	2	Decal - Warning Crushing	
56	1703840	1	Decal - Warning Battery Ventilation	
57	3251813	1	Decal - USA	
59	3576102	1	Mount - Decal	
61	3760170	1	Ring, Split	
62	3820001	6	Rivet	
63	3820021	2	Rivet	
64	3820032	4	Rivet	
66	1705817	17 ft/5.2m	Decal, Tape, Red-White Alternating	
67	8990147	1	Holder, Manual	
67	70003486	2	Clip, Manual Holder	
69	1706494	1	Decal - Drop Bar	

SECTION 8 - DECALS

ITEM	PART NUMBER	QTY	DESCRIPTION	REV
71	1001214673	1	Decal - Temperature	
72	1001290664	1	Decal - Yearly Inspection	

SECTION 8 - DECALS

FIGURE 8-5. DECAL INSTALLATION (CSA SPECS) (FRENCH/ENGLISH LANGUAGES)



ART_0273641

SECTION 8 - DECALS

FIGURE 8-5. DECAL INSTALLATION (CSA SPECS) (FRENCH/ENGLISH LANGUAGES)

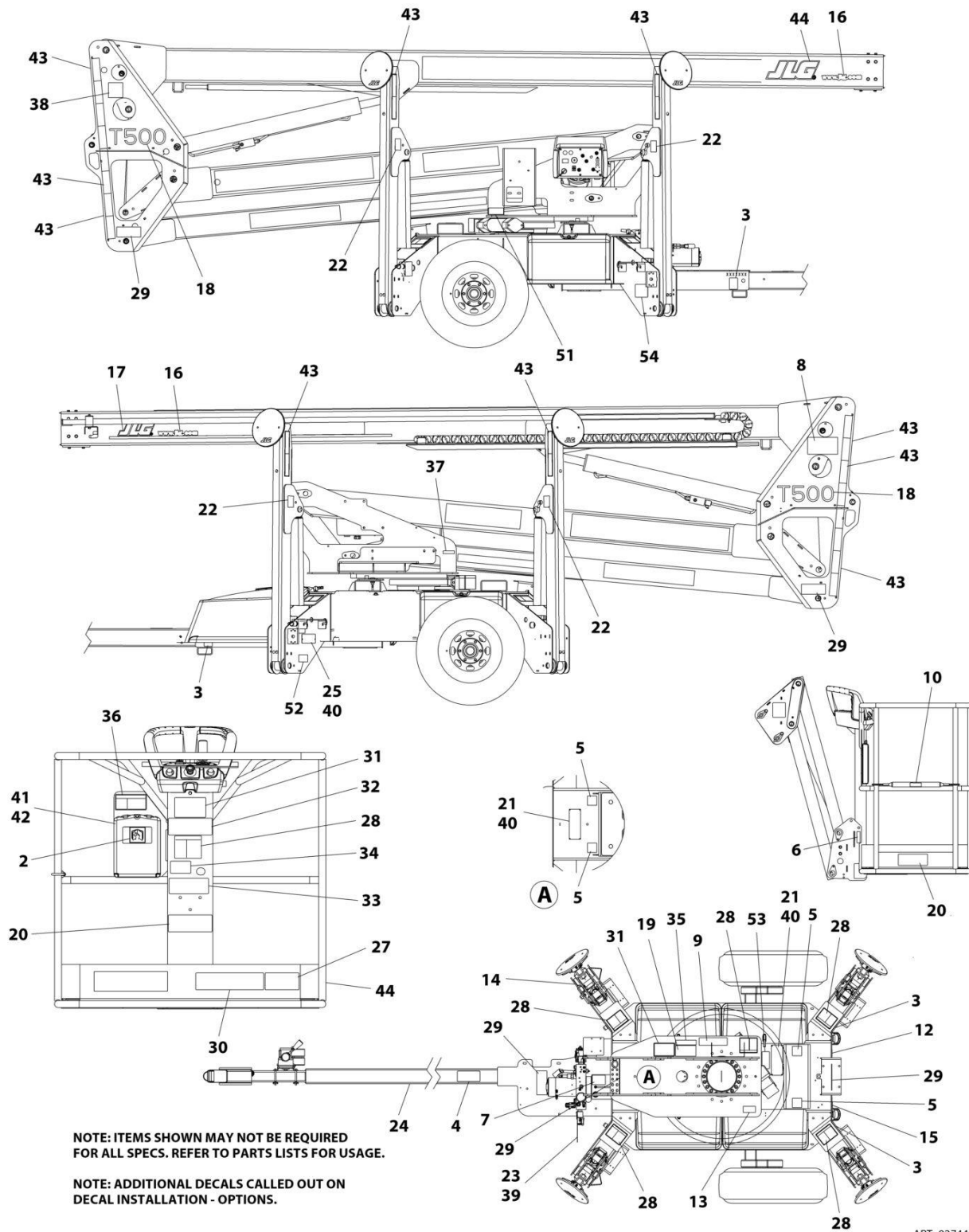
ITEM	PART NUMBER	QTY	DESCRIPTION	REV
	0273641	Ref	DECAL INSTALLATION	0
1	2902428	Ref	Decal Kit - Master (Not Shown)	
2	1701640	1	Decal - Manual	
3	1703814	4	Decal - Tie Down	
4	1706384	1	Decal - Manual Descent Inside	
5	1704016	1	Decal - Forklift	
6	1704277	2	Decal - Lanyard Attach	
7	1704412	1	Decal - Hydraulic Oil Chart	
8	1706629	1	Decal - Lift Diagram	
9	1706372	1	Decal - Platform Entry Instructions	
10	1706385	1	Decal - Drop Bar	
12	1001131269	1	Decal - Patent	
15	See Note	NSS	Decal - Bar Code (Note: Not Available for Purchase)	
20	1706106	1	Decal - Capacity (Ground Control)	
21	1706107	2	Decal - Capacity (Platform)	
25	1001260244	1	Decal - Parking Brake	
26	2902430	Ref	Decal Kit - Brazil English (Not Shwon)	
27	1706112	2	Decal - Speed Limit	
28	1706128	3	Decal - Electrocution	
29	1706099	1	Decal - Warning Crushing	
30	1706111	1	Decal - Warning Machine Operation	
31	1706135	2	Decal - Warning Inspection	
32	1706386	1	Decal - Fall Hazard	
33	1706387	1	Decal - Crushing	
34	1706108	1	Decal - Legend (Platform)	
35	1706109	1	Decal - Legend (Ground Control)	
36	1703813	1	Decal - Warning Battery Ventilation	
37	1706139	1	Decal - Manual Descent	
44	2902442	Ref	Decal Kit - Brazil Portuguese (Not Shown)	
45	1706513	1	Decal - Speed Limit	
46	1706516	3	Decal - Electrocution	
47	1706517	3	Decal - Warning Crushing	
48	1706518	1	Decal - Warning Machine Operation	
49	1706519	2	Decal - Warning Inspection	
50	1706520	1	Decal - Fall Hazard	
51	1706521	1	Decal - Crushing	
52	1706522	1	Decal - Legend (Platform)	
53	1706523	1	Decal - Legend (Ground Control)	
54	1706565	4	Decal - Electrocution	
55	1706569	2	Decal - Warning Crushing	
56	1703864	1	Decal - Warning Battery Ventilation	
58	3251813	1	Decal - USA	
60	3576102	1	Mount - Decal	
62	3760170	1	Ring, Split	
63	3820001	6	Rivet	
64	3820021	2	Rivet	
65	3820032	4	Rivet	
67	1705817	17 ft/ 5.2m	Decal, Tape, Red-White Alternating	
68	8990147	1	Holder, Manual	

SECTION 8 - DECALS

ITEM	PART NUMBER	QTY	DESCRIPTION	REV
68	70003486	2	Clip, Manual Holder	
70	1706495	1	Decal - Drop Bar	
72	1001214673	1	Decal - Temperature	
	1001290807	1	Decal - Yearly Inspection	

SECTION 8 - DECALS

FIGURE 8-6. DECAL INSTALLATION (LATIN AMERICAN SPECS) (SPANISH/ENGLISH LANGUAGES)



NOTE: ITEMS SHOWN MAY NOT BE REQUIRED FOR ALL SPECS. REFER TO PARTS LISTS FOR USAGE.

NOTE: ADDITIONAL DECALS CALLED OUT ON DECAL INSTALLATION - OPTIONS.

ART_0274482

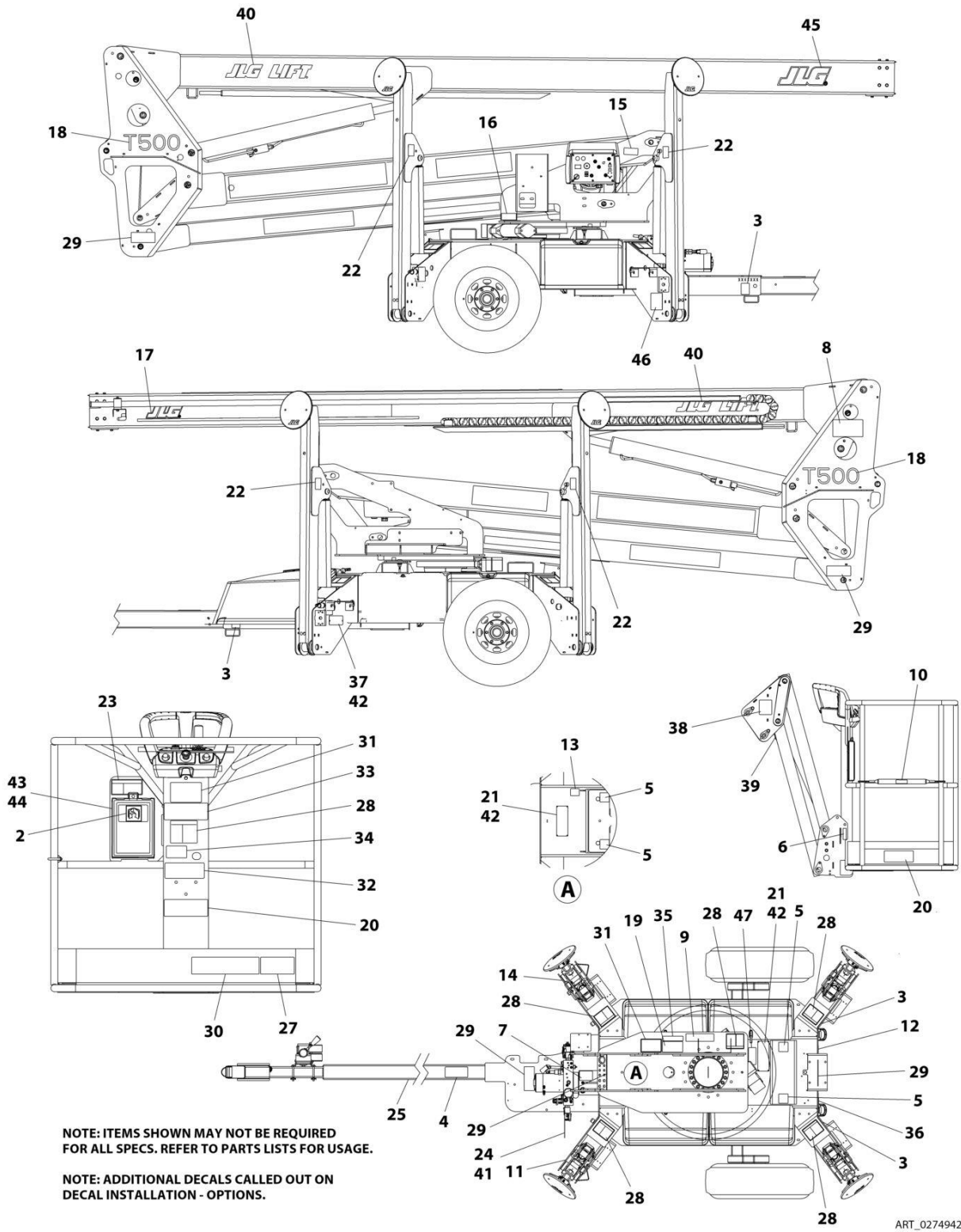
SECTION 8 - DECALS

FIGURE 8-6. DECAL INSTALLATION (LATIN AMERICAN SPECS) (SPANISH/ENGLISH LANGUAGES)

ITEM	PART NUMBER	QTY	DESCRIPTION	REV
	0274482	Ref	DECAL INSTALLATION	K
1	2902428	Ref	Decal Kit - Master (Not Shown)	
2	1701640	1	Decal - Manual	
3	1703814	4	Decal - Tie Down	
4	1706384	1	Decal - Manual Descent Inside	
5	1703817	4	Decal - Forklift	
5	1704016	1	Decal - Forklift	
6	1704277	2	Decal - Lanyard Attach	
7	1704412	1	Decal - Hydraulic Oil Chart	
8	1706120	1	Decal - Lift Diagram	
9	1706372	1	Decal - Platform Entry Instruction	
10	1706494	1	Decal - Drop Bar	
14	See Note	1	Decal - Bar Code (Note: Not Available for Purchase)	
15	1703840	1	Decal - Warning Battery Ventilation	
19	1706106	1	Decal - Capacity (Ground Control)	
20	1706107	2	Decal - Capacity (Platform)	
23	1706139	1	Decal - Manual Descent	
24	1001260244	1	Decal - Parking Brake	
25	See Note	1	Decal - Vin Tag (Note: Not Available for Purchase)	
26	2902425	Ref	Decal Kit - Latin American Spanish (Not Shown)	
27	1706427	1	Decal - Speed Limit	
28	1706430	6	Decal - Electrocution	
29	1706431	5	Decal - Warning Crushing	
30	1706432	1	Decal - Warning Machine Operation	
31	1706433	2	Decal - Warning Inspection	
32	1706434	1	Decal - Fall Hazard	
33	1706435	1	Decal - Crushing	
34	1706436	1	Decal - Legend (Platform)	
35	1706437	1	Decal - Legend (Ground Control)	
37	3251243	1	Nameplate - 120V/60Hz	
38	3251813	1	Decal - USA	
39	3760170	1	Ring, Split	
40	3820001	6	Rivet	
41	3820032	4	Rivet	
42	8990147	1	Holder, Manual	
42	70003486	2	Clip, Manual Holder	
43	1705817	12 ft/3.7m	Tape, Safety	
53	1001214673	1	Decal - Temperature	
54	1001290664	1	Decal - Yearly Inspection	

SECTION 8 - DECALS

FIGURE 8-7. DECAL INSTALLATION (SOUTH AFRICAN SPECS)



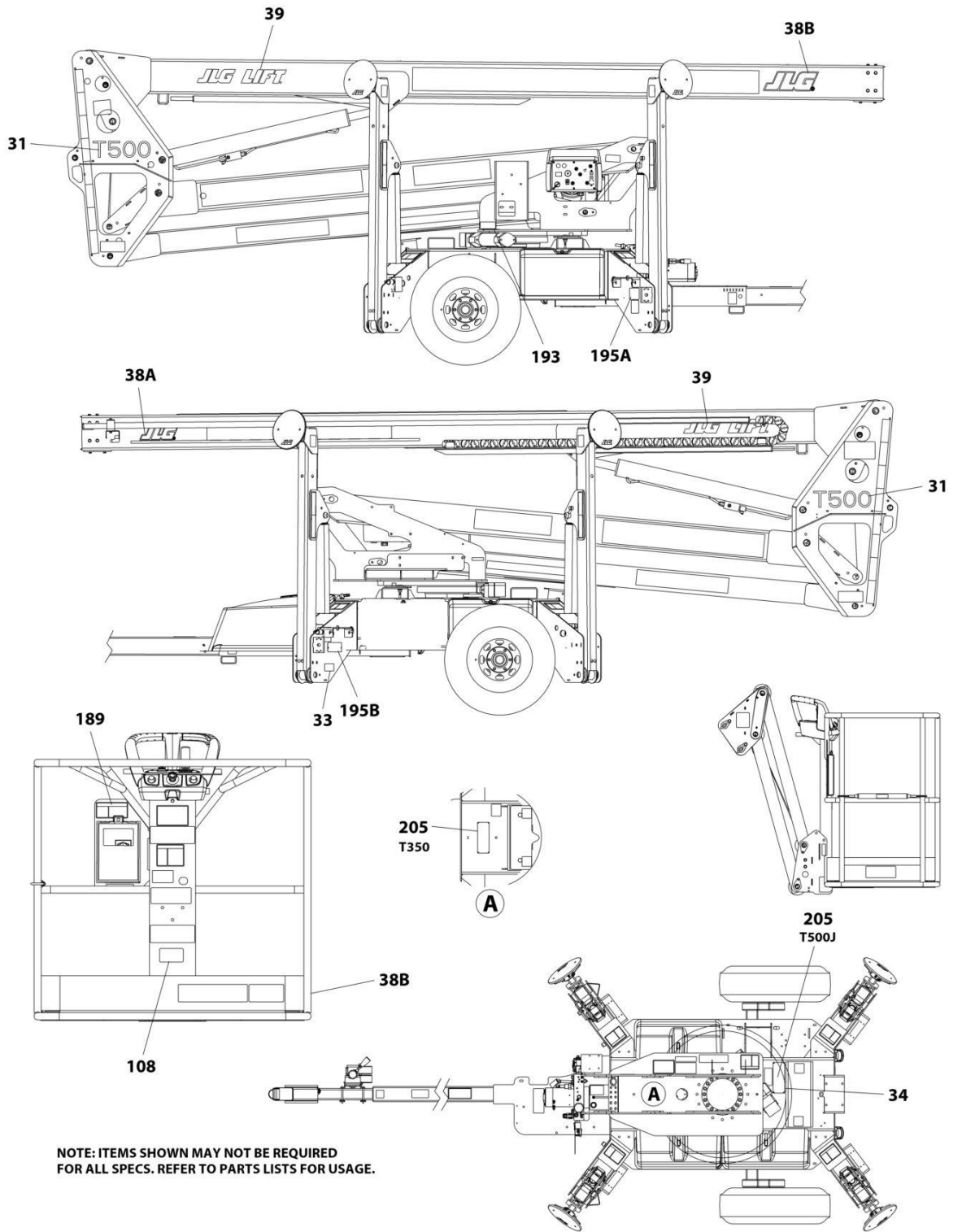
SECTION 8 - DECALS

FIGURE 8-7. DECAL INSTALLATION (SOUTH AFRICAN SPECS)

ITEM	PART NUMBER	QTY	DESCRIPTION	REV
	0274942	Ref	DECAL INSTALLATION	1
1	2902428	Ref	Decal Kit - Master (Not Shown)	
2	1701640	1	Decal - Manual	
3	1703814	4	Decal - Tie Down	
4	1706384	1	Decal - Manual Descent Inside	
5	1703817	4	Decal - Forklift	
6	1704277	2	Decal - Lanyard Attach	
7	1704412	1	Decal - Hydraulic Oil Chart	
8	1706629	1	Decal - Lift Diagram	
9	1706372	1	Decal - Platform Entry Instruction	
10	1706385	1	Decal - Drop Bar	
14	See Note	NSS	Decal - Bar Code (Note: Not Available for Purchase)	
15		Ref	Decal - Warning Prop	
16		Ref	Decal - Alternative Service	
19	1706106	1	Decal - Capacity (Ground Control)	
20	1706107	2	Decal - Capacity (Platform)	
24	1706139	1	Decal - Manual Descent	
25	1001260244	1	Decal - Parking Brake	
26	2902546	Ref	Decal Kit - South African (Not Shown)	
27	1706961	1	Decal - Speed Limit	
28	1706128	6	Decal - Electrocution	
29	1706099	5	Decal - Warning Crushing	
30	1706111	1	Decal - Warning Machine Operation	
31	1706135	2	Decal - Warning Inspection	
32	1706386	1	Decal - Fall Hazard	
33	1706387	1	Decal - Crushing	
34	1706108	1	Decal - Legend (Platform)	
35	1706109	1	Decal - Legend (Ground Control)	
36	1703813	1	Decal - Warning Battery Ventilation	
41	3760170	1	Ring, Split	
42	3820001	6	Rivet	
43	3820032	4	Rivet	
44	8990147	1	Holder, Manual	
44	70003486	2	Clip, Manual Holder	
47	1001214673	1	Decal - Temperature	

SECTION 8 - DECALS

FIGURE 8-8. DECAL INSTALLATION - OPTIONS



NOTE: ITEMS SHOWN MAY NOT BE REQUIRED FOR ALL SPECS. REFER TO PARTS LISTS FOR USAGE.

ART_DECAL_OPTIONS

SECTION 8 - DECALS

FIGURE 8-8. DECAL INSTALLATION - OPTIONS

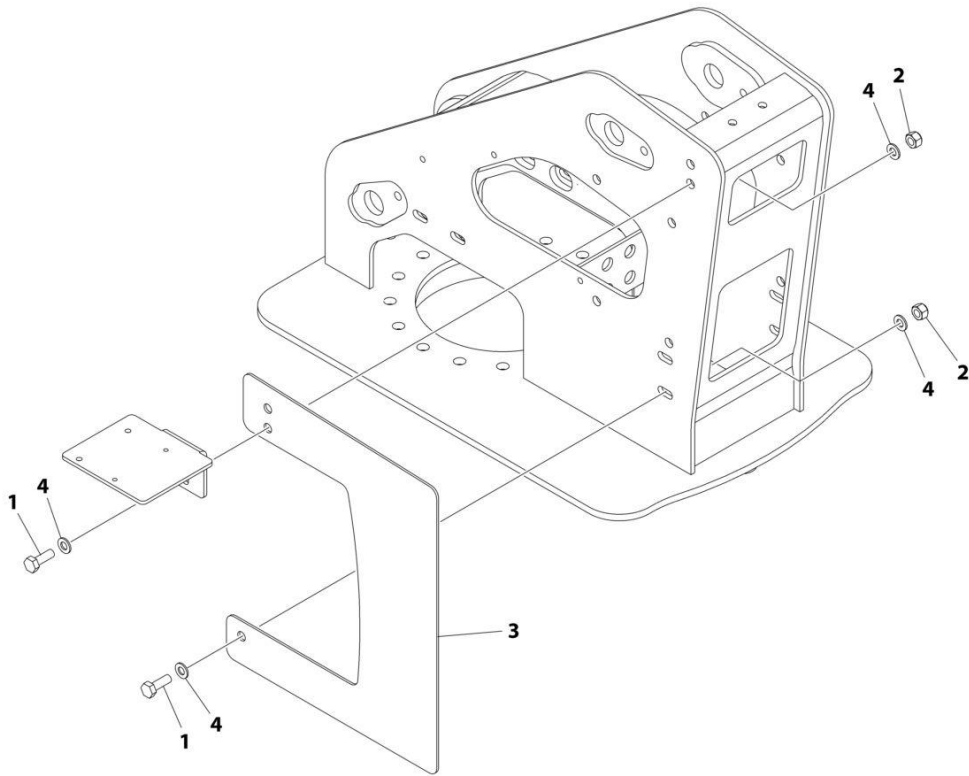
ITEM	PART NUMBER	QTY	DESCRIPTION	REV
31		Ref	DECAL INSTALLATION - OPTIONS	
31		Ref	Decal - Model Options:	
31	1001272056	2	Decal - Model (T350)	
31	1001272057	2	Decal - Model (T500J)	
33		Ref	Decal - Vehicle Placard Options (ANSI, ANSI Export & CSA Specs):	
33	1001112470	1	Decal - Vehicle Placard (T350)	
33	1001112471	1	Decal - Vehicle Placard (T500J)	
34		Ref	Decal - ICES Options (ANSI & CSA Specs):	
34	1001228370	1	Decal - ICES 001	
34	1001223453	1	Decal - ICES 002	
38	0273670	Ref	Decals Installation - JLG (Not Shown)	
38A	1705754	1	Decal - JLG	
38B	1702773	1	Decal - JLG	
39	1702774	2	Decal - JLG Lift	
108	1001231801	1	Decal - Prop 65	
189		Ref	Decal - Tip Over Options:	
189		Ref	Decal - Tip Over Options (Machines without Drive):	
189	1706127	1	Decal - Tip Over (ANSI & ANSI Export, South African Specs)(English Language)	
189	0274830	Ref	Decal - Tip Over (Brazil Specs) (Portuguese & English Languages)	
189	1706127	1	Decal - Tip Over (English Language)	
189	1706425	1	Decal - Tip Over (Portuguese Language)	
189	0274832	Ref	Decal - Tip Over (Brazil Specs) (Spanish & English Languages)	
189	1706127	1	Decal - Tip Over (English Language)	
189	1706428	1	Decal - Tip Over (Spanish Language)	
189	0274819	Ref	Decal - Tip Over (CSA Specs) (French & English Languages)	
189	1706127	1	Decal - Tip Over (English Language)	
189	1706514	1	Decal - Tip Over (French Language)	
189	1706428	1	Decal - Tip Over (Latin American Specs) (Spanish Language)	
189		Ref	Decal - Tip Over Options (Machines with Drive):	
189	1706133	1	Decal - Tip Over (ANSI & ANSI Export, South African Specs)(English Language)	
189	0274831	Ref	Decal - Tip Over (Brazil Specs) (Portuguese & English Languages)	
189	1706127	1	Decal - Tip Over (English Language)	
189	1706426	1	Decal - Tip Over (Portuguese Language)	
189	0274833	Ref	Decal - Tip Over (Brazil Specs) (Spanish & English Languages)	
189	1706133	1	Decal - Tip Over (French Language)	
189	1706429	1	Decal - Tip Over (Spanish Language)	
189	0274828	Ref	Decal - Tip Over (CSA Specs) (French & English Languages)	
189	1706133	1	Decal - Tip Over (English Language)	
189	1706515	1	Decal - Tip Over (French Language)	
189	1706429	1	Decal - Tip Over (Latin American Specs) (Spanish Language)	
193		Ref	Decal - Service Support Options (ABSI & CSA Specs):	
193	1705304	1	Decal - Service Support (8HR)	
193	1706922	1	Decal - Service Support (24HR)	
195		Ref	Nameplate - VIN Tag Options:	
195	See Note	NSS	Nameplate - VIN Tag (ANSI, ANSI Export & CSA Specs) (Note: Not Available for Purchase)	

SECTION 8 - DECALS

ITEM	PART NUMBER	QTY	DESCRIPTION	REV
195	0274915	Ref	Nameplate/Decals - VIN Tag (T350 Australian Specs)	
195A	See Note	NSS	Nameplate - VIN Tag (Australian Specs) (Note: Not Available for Purchase)	
195B	1001112110	1	Decal -Tire (T350 Australian Specs)	
195	0274921	Ref	Nameplate/Decals - VIN Tag (T500J Australian Specs)	
195A	See Note	NSS	Nameplate - VIN Tag (Australian Specs) (Note: Not Available for Purchase)	
195B	1706691	1	Decal - Tire (T500J Australian Specs)	
195	0275782	Ref	Nameplate/Decals - VIN Tag (T350 South African Specs)	
195A	See Note	NSS	Nameplate - VIN Tag (South African Specs) (Note: Not Available for Purchase)	
195B	1001112110	1	Decal -Tire (T350 South African Specs)	
195	0272783	Ref	Nameplate/Decals - VIN Tag (T500J South African Specs)	
195A	See Note	NSS	Nameplate - VIN Tag (South African Specs) (Note: Not Available for Purchase)	
195B	1706691	1	Decal - Tire (T500J South African Specs)	
205		Ref	Nameplate - Manufacturers Serial Number	

SECTION 8 - DECALS

FIGURE 8-9. DECAL MOUNTING PLATE INSTALLATION



ART_0275836

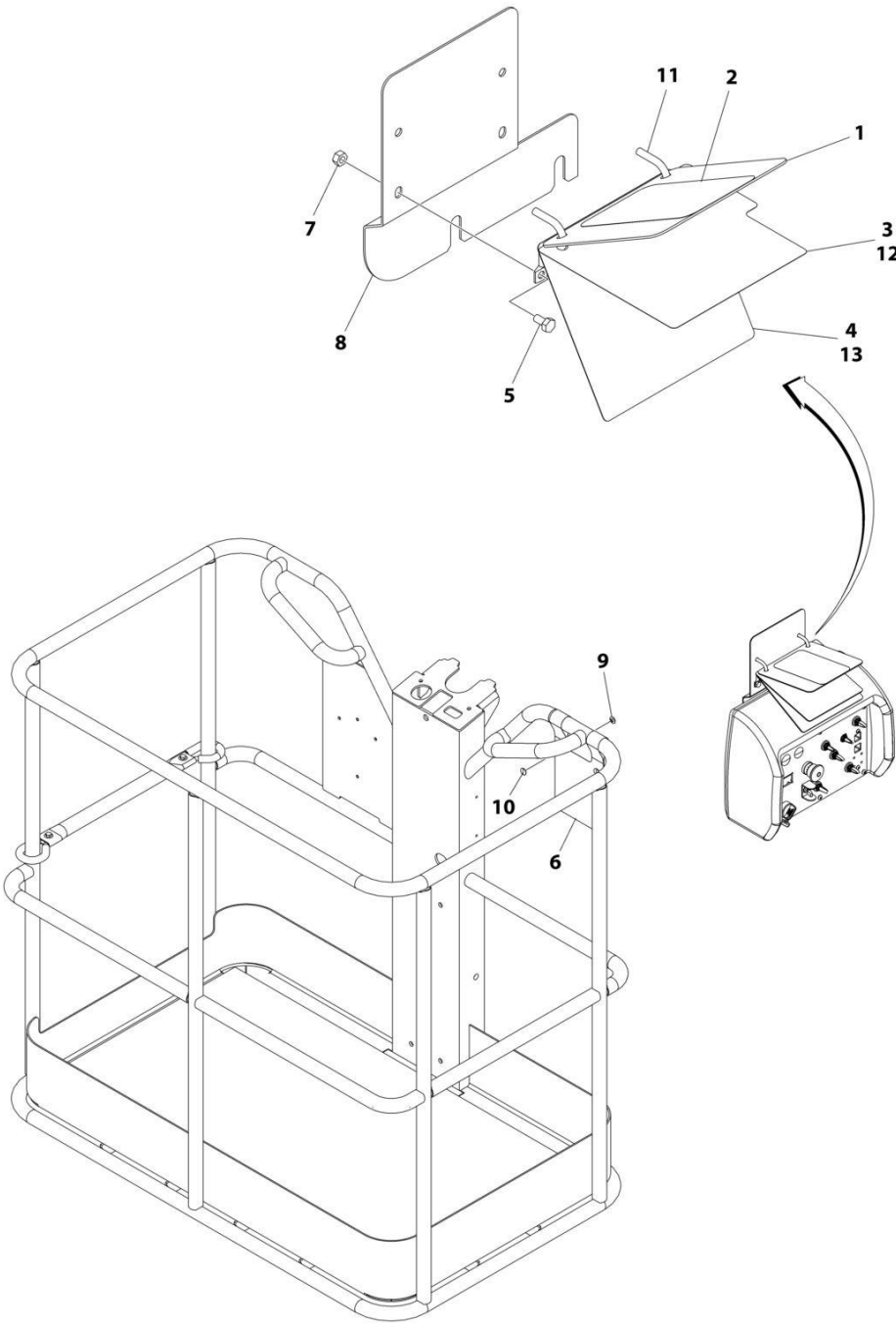
SECTION 8 - DECALS

FIGURE 8-9. DECAL MOUNTING PLATE INSTALLATION

ITEM	PART NUMBER	QTY	DESCRIPTION	REV
	0275836	Ref	DECAL MOUNTING PLATE INSTALLATION	A
1	0701014	3	Bolt M10 x 30	
2	3291005	3	Nut M10	
3	3576114	1	Plate, Decal Mounting	
4	4812000	6	Washer M10	

SECTION 8 - DECALS

FIGURE 8-10. DECAL TAGS INSTALLATION (T350)



ART_0275582_B

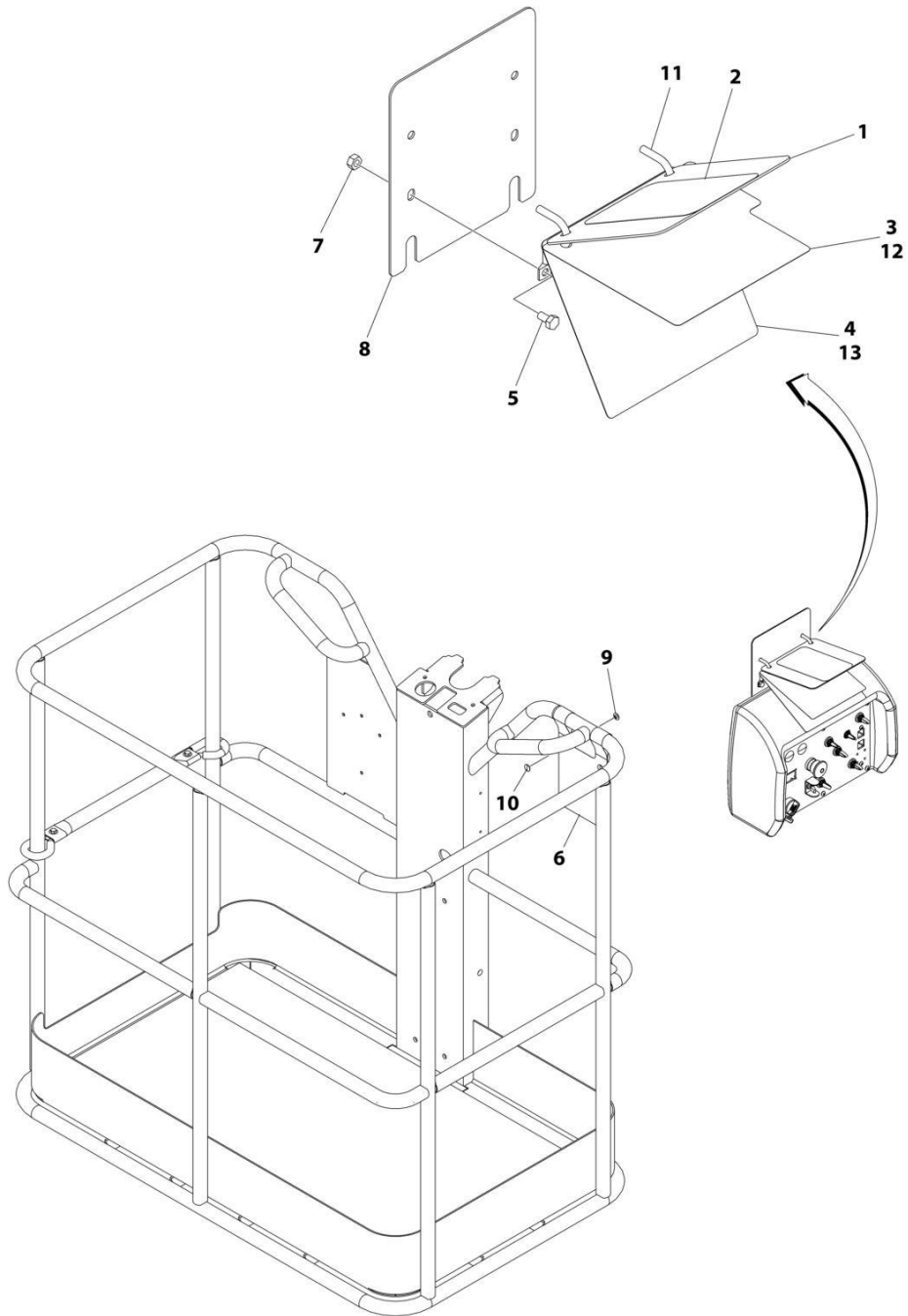
SECTION 8 - DECALS

FIGURE 8-10. DECAL TAGS INSTALLATION (T350)

ITEM	PART NUMBER	QTY	DESCRIPTION	REV
	0275582	Ref	DECAL TAGS INSTALLATION	B
1	3576892	1	Cover	
2	1706926	1	Decal - Flash Codes	
3	1001266160	1	Decal - Start Tag	
4	1001266161	1	Decal - Finish Tag	
5	0641404	2	Bolt 1/4 x 1/2	
6	1706897	1	Decal - Start Tag	
7	3311405	2	Nut 1/4	
8	3577000	1	Plate Mounting	
9	3820038	2	Rivet	
10	3820039	2	Rivet	
11	91163087	2	Bracket	
12	1001266072	1	Plate, Decal	
13	1001266077	1	Plate, Decal	

SECTION 8 - DECALS

FIGURE 8-11. DECAL TAGS INSTALLATION (T500J)



ART_0275642_B

SECTION 8 - DECALS

FIGURE 8-11. DECAL TAGS INSTALLATION (T500J)

ITEM	PART NUMBER	QTY	DESCRIPTION	REV
	0275642	Ref	DECAL TAGS INSTALLATION	B
1	3576892	1	Cover	
2	1706926	1	Decal - Flash Codes	
3	1001266160	1	Decal - Start Tag	
4	1001266161	1	Decal - Finish Tag	
5	0641404	2	Bolt 1/4 x 1/2	
6	1706897	1	Decal - Start Tag	
7	3311405	2	Nut 1/4	
8	3576891	1	Plate, Mounting	
9	3820038	2	Rivet	
10	3820039	2	Rivet	
11	91163087	2	Bracket	
12	1001266072	1	Plate, Decal	
13	1001266077	1	Plate, Decal	

SECTION 9 - RECOMMENDED SERVICE PARTS STOCK

SECTION 9 - RECOMMENDED SERVICE PARTS STOCK

SECTION 9 - RECOMMENDED SERVICE PARTS STOCK

FIGURE 9-1. RECOMMENDED SERVICE PARTS STOCK

ITEM	PART NUMBER	QTY	DESCRIPTION	REV
		Ref	Note: The following list will service one machine (built to current production per date on the front cover) with emergency repair parts which can be installed in the field. Parts from the list should be replaced when inventory is depleted to keep service parts stock supplied. For further information, contact your JLG dealer or the JLG Industries Parts Department.	
		Ref	STANDARD PARTS	
	3740145	1	Relay	
	2915194	1	Element, Filter	
	7024883	1	Coil	
	7024885	1	Coil	
	7027628	1	Coil	
	7027638	1	Breather	
	70000026	1	Coil	
	4360328	1	Switch, Toggle	
	4360330	1	Switch, Toggle	
	4360475	1	Switch, Emergency Stop	
	2860030	1 Set	Key, Replacement	
	7027367	1	Switch, Push Button	
	4360562	1	Switch, Emergency Stop	
	2400065	1	Fuse 30 Amp	
	3990010	1	Diode 6 Amp	
	2400057	1	Fuse 15 Amp	
		Ref	VARIABLE PARTS	
	71820	1	Switch, Breakaway (With Electric Brakes)	
	1600392	1	Module, Drive Propulsion (With Drive Option)	
	4000008	1	Sensor, Proximity (With Drive Option)	
	1600370	1	Module, Ground Control	
	1600371	1	Controller Sevcon (Electric Machines without Drive Option)	
	1600412	1	Controller Sevcon (Electric Machines with Drive Option)	
	3740080	1	Relay (Gas Machines)	
	3740112	1	Relay (Gas Machines)	
	3740144	1	Actuator, Solenoid (Gas Machines)	
	3740148	1	Actuator, Solenoid (Gas Machines)	
	70001453	1	Filter Assembly, Air Cleaner (Gas Machines)	
	70003516	1	Coil, Ignition (Gas Machines)	
	70003521	1	Switch, Key (Gas Machines)	
	70003550	1	Key, Replacement (Gas Machines)	
	70003522	2	Fuse (Gas Machines)	
	2400087	2	Fuse (Electric Machines)	
	3740150	1	Relay (Electric Machines)	
	0610170	1	PC Board (Ground Control)	
	4360564	1	Switch, Push Button (Gas Machines)	
	4360565	1	Switch, Push Button (Gas Machines)	
	4360469	1	Keyswitch (ANSI and ANSI Export Specs)	
	4360470	1	Keyswitch (CE and Australian Specs)	
	1600369	1	PC Board (Platform)	
	1600452	1	Controller without Drive Function	
	1600453	1	Controller with Drive Function	

SECTION 9 - RECOMMENDED SERVICE PARTS STOCK

ITEM	PART NUMBER	QTY	DESCRIPTION	REV
	7027369	1	Switch, Push Button (With Drive Function)	
	4360612	1	Switch, Rotary (Without Drive Option)	
	4360620	1	Switch, Rotary (With Drive Option)	
	4360577	1	Switch, Limit	

SECTION 10 - SPECIAL OPTIONS

SECTION 10 - SPECIAL OPTIONS

FIGURE 10-1. SPECIAL OPTIONS

ITEM	PART NUMBER	QTY	DESCRIPTION	REV
		Ref	Note: This list is to accommodate machines ordered with special equipment. Options may not be applicable to all models. For more specific parts information contact JLG Parts Department	
		Ref	MISCELLANEOUS SPECIAL OPTIONS	
		Ref	ClearSky Telematics Options:	
	1001230504	Ref	ClearSky Telematics Add-on Kit (Dealer Installed) - 3 Wire (ANSI and CSA Specs)	
	1001263543	Ref	ClearSky Telematics Installation (Factory Installed) - Canbus 4G (ANSI and CSA Specs)	
	1001265363	Ref	ClearSky Telematics Add-on Kit (Dealer Installed) - Canbus 4G (ANSI and CSA Specs)	
	1001229709	Ref	Decal - ClearSky (ANSI, ANSI Export, CSA and South Africa Specs)	
		Ref	Decal Kits	
	2902430	Ref	Decal Kit - Country Specs (ANSI Specs) (English Language)	
	2902411	Ref	Decal Kit - Country Spec (Australian Specs) (English Language)	
	2902447	Ref	Decal Kit - Country Spec (Brazil Specs) (Portuguese Language)	
	2902425	Ref	Decal Kit - Country Spec (Brazil Specs) (Spanish Language)	
	2902442	Ref	Decal Kit - Country Spec (CSA Specs) (French Language)	
	2902454	Ref	Decal Kit - Country Spec (Latin American Specs) (Spanish/English Dual Language)	
	2902546	Ref	Decal Kit - Country Spec (South African Specs) (English Language)	
	2902428	Ref	Decal Kit - Master	
		Ref	Electrical Connector Kits	
	1001148902	Ref	Amp/Tyco Electrical Connector Kit	
	1001148903	Ref	Deutsch DT Electrical Connector Kit	
	1001148904	Ref	Deutsch HD Electrical Connector Kit	
	1001148905	Ref	Packard Electrical Connector Kit	
	1001148906	Ref	Various Electrical Connectors Kit	
		Ref	Filter Kits:	
		Ref	Combined Filter Kit (Hydraulic/Air and Fuel)	
	1001091767	1	Electric Engines	
	1001091766	1	Honda Engines	
	3128958	Ref	Inspection Packet	
	0274748	Ref	Lifting Lugs Installation	
	0274480	Ref	Panel Tray Installation	
	1001267933	Ref	Platform Mount Kit (Dealer installed)	
	2902375	Ref	Security Kit	
		Ref	Customer Please Note: Make note of key # upon receipt of new locks. New keys can only be ordered if the customer has the actual key # printed on the key. Otherwise, the entire lock needs ordered. The only way to remove the locks without a key is have them serviced by a locksmith.	
	2940169	1	Lock, Hitch Ball	
	2940170	1	Lock, Wheel Bolt	
	1001213280	Ref	Security Kit (Compact Power/Home Depot)	
	1001213281	1	Latch, Trailer Coupler Lock	
	1001213282	1	Latch , Trailer Wheel Lock	
	1001268363	Ref	Service Kits & Tools	A
	0274573	Ref	Theft Recovery System (ANSI and CSA Specs Only)	

SECTION 10 - SPECIAL OPTIONS

ITEM	PART NUMBER	QTY	DESCRIPTION	REV
	1001101195	1	Transmitter	
	1001137282	Ref	Theft Recovery System Mounting Bracket Kit (Use p/n 1001157081)	
		Ref	Tools for Service	
	1001249695	1	Analyzer and Cable Kit	
	8896941	1	Wire Stripper	
	7002821	1	Wire Crimper (To install wire ends to wires)	
	7002823	1	Pin/Socket Extractor - Universal (To Remove Pins/Sockets from Connectors)	
	4460467	1	Extractor - 16-18 Gauge (For Removal of Pin/Sockets from Deutsch Connectors)	
	4460510	1	Extractor - 12-14 Gauge (For Removal of Pin/Sockets from Deutsch Connectors)	
	7002822	1	Screwdriver, Potentiometer (To Adjust Drive Controllers)	
	7016654	1	Screwdriver, Magnetic	
	7004275	1	Seal Installation Tool - 1in	
	7004276	1	Seal Installation Tool - 1-1/2in	
	7002826	1	Seal Installation Tool - 2in	
	2915205	1	Service Kit, Contactor	
	2915230	1	Delta-Q Charger Reprogram Controller Kit	
	4923341	1	Harness, Outrigger Manual Retract Service	
	1001137005	1	USB to RS232 Drive Installation (Service Kit)	
	31201317	Ref	Video	
	1001262959	Ref	Voltage Regulator Relocation Kit (ClearSky)	

PART NUMBER INDEX

SECTION 10 - SPECIAL OPTIONS

0060080.....305, 307	0273939.....147	0275048.....257	0641424.....271, 274
0060081.....305, 307, 309	0273941.....311	0275203.....108	0641430.....21, 27, 29, 35
0080282.....35	0273946.....187	0275210.....89	0641438.....23, 25, 31, 33
0080291.....23, 31, 33	0273960.....243	0275211.....91	0641505.....43, 47
0100011...41, 96, 97, 100, 101, 104, 105, 108, 109, 117, 119, 121, 123, 149, 155, 157, 173, 175, 177, 179, 215, 217, 278, 282, 286, 289, 291, 293	0273961.....247	0275380.....100	0641506.....96, 100, 104, 108, 213, 309
0100019....221, 223, 225, 227	0273962.....251	0275391.....100, 101	0641508.....213
0100020....270, 274, 278, 282, 286	0274026.....313	0275413.....311, 319	0641510.....353, 355
0100035....239, 241, 243, 245, 247, 249, 251, 253	0274028.....317	0275414...313, 315, 323	0641514....21, 23, 25, 27, 29, 31, 33, 35, 278, 282, 286
0100048.....155, 157	0274030.....315	0275416.....317, 325	0641516....173, 175, 177, 179
0100051.....155, 157	0274111.....241	0275417.....321	0641526.....96, 104
0100081....117, 119, 121, 123, 270, 274, 278, 282, 286	0274112.....245	0275439.....155, 157	0641536.....108
0140011....255, 319, 321, 323, 325	0274113.....249	0275582.....489	0641538.....41, 100
0140043.....257, 259	0274114.....253	0275627.....207	0641540.....100
0240116.....211, 213	0274290.....263	0275628.....209	0641606....295, 305, 307
0272783.....484	0274293.....181	0275632.....201	064160796, 97, 100, 101, 104, 105, 108, 109, 270, 274, 278, 282, 286, 289, 291, 293
0273606.....191	0274306.....13	0275633.....203	0641608...39, 41, 96, 100, 104, 108, 149, 167, 171, 221, 223, 225, 227, 301, 303, 305, 307
0273607.....193	0274308.....15	0275642.....491	0641609.....270, 274
0273608.....59	0274321.....179	0275718.....155	0641610....145, 147, 270, 274, 278, 282, 286
0273609.....61	0274321.....179	0275776.....141	0641612....181, 263, 270, 274, 278, 282, 286, 305, 307
0273612.....221	0274325.....270	0275782.....484	0641614.....149
0273613.....225	0274327.....270	0275836.....487	0641616....183, 185, 187, 189, 271, 274, 278, 282, 286
0273615.....239	0274329.....199	0275907.....27	0641617....199, 201, 203, 205, 207, 209
0273616.....117	0274330.....205	0275908.....31	0641618.....283
0273617.....121	0274336.....145	0277886.....83	0641620....270, 274, 278, 282, 286
0273618.....119	0274338.....195	0280154.....59, 75	0641622.....305, 307
0273619.....123	0274339.....197	0280155.....61, 79	0641624.....39
0273624.....213	0274351.....87	0280158.....55, 67	0641628.....289, 291
0273625.....183	0274352.....93	0280159.....57, 71	0641630.....13, 15, 19
0273627.....51	0274375.....175	0280186.....63, 83	0641632.....13, 15, 19
0273631.....465	0274395.....53	0280187.....65, 85	0641634.....97, 100, 293
0273640.....471	0274433.....185	0400201.....145, 147	0641638.....13, 15, 19
0273641.....475	0274434.....189	0400215.....155	0641640...17, 51, 105, 108
0273644.....467	0274453.....19	0400236.....159, 161	0641646.....53
0273648.....21	0274480.....498	0440285.....221, 229	0641660.....145, 147
0273651.....39	0274482.....479	0440286.....225, 233	0641668.....41
0273652.....63	0274486.....17	0440319.....305, 307	0641688.....155
0273654.....23	0274520.....211	0440321....97, 101, 105, 109	0641692.....157
0273656.....65	0274522.....463	0610170.....255, 494	0641808.....229, 231
0273657.....41	0274539.....167, 171	0630183...221, 223, 225, 227	0641810.....233, 235
0273663.....399	0274573.....498	0630468.....155, 157	0641811....278, 282, 286
0273664.....401	0274638.....167, 171	0630607...199, 201, 203, 205, 207, 209	0641812....97, 100, 105, 108, 278, 282, 286, 301, 303
0273665.....165	0274679.....96	0630613....96, 100, 104, 108	0641830....289, 291, 293
0273669.....259	0274731.....161	0641404.....489, 491	0641832.....21
0273670.....483	0274739.....167	0641406...27, 29, 31, 33, 35, 96, 100, 104, 108, 149, 159, 161, 163, 167, 171, 299	0641836....21, 23, 27, 29, 31, 33
0273676.....305	0274740.....171	0641408....96, 100, 104, 108	0641838....23, 27, 29, 31, 33
0273678.....295	0274741.....167, 171	0641410....96, 100, 104, 108, 149	
0273680.....215	0274748.....498	0641412...21, 23, 25, 27, 29, 31, 33, 35, 39, 41, 108	
0273699.....55	0274754.....104	0641414...183, 185, 187, 189	
0273700.....57	0274766.....35	0641416..35, 43, 47, 108	
0273712.....173	0274767.....25	0641418....96, 100, 104	
0273715.....177	0274773.....217	0641420.....100	
0273763....145, 147, 149	0274803...104, 105, 108, 109	0641422.....21, 23, 25	
0273794.....143	0274806.....96, 97		
0273934.....169	0274819.....483		
	0274828.....483		
	0274830.....483		
	0274831.....483		
	0274832.....483		
	0274833.....483		
	0274915.....484		
	0274921.....484		
	0274942.....481		
	0275008.....278		
	0275009.....278		
	0275030.....261		

SECTION 10 - SPECIAL OPTIONS

0642012 ... 55, 57, 59, 61, 63, 65	0861662 247	1001114585 283	1001231801 483
0642230 97, 100, 105, 108	0861663 239	1001114587 293	1001243180 29
0642240 ... 21, 23, 27, 29, 35, 39	0861671 241	1001114588 293	1001243181 33
0642244 31, 33, 41	0861672 245	1001114589 293	1001243182 ... 29, 33, 47
0642246 25	0861673 249	1001114667 293	1001249695 499
0651812 205	0861674 253	1001114670 293	1001253644 431, 435
0681506 51, 53	0861731 265	1001114739 283	1001255962 291
0681622 215	0902659 145, 147	1001114740 283	1001255963 289
0681660 217	0903075 295	1001114755 293	1001260244 463, 465, 467, 471, 475, 479, 481
0681812 ... 229, 231, 233, 235	0903087 ... 257, 259, 261	1001114756 293	1001262959 499
0681816 ... 221, 223, 225, 227	0903107 165, 169	1001115151 282	1001263540 307
0700408 167, 171	0903108 ... 21, 23, 25, 27, 29, 31, 33, 35	1001115241 282	1001263541 303
0700410 167, 171	0903111 ... 183, 185, 187, 189	1001116350 27, 31, 43	1001263543 498
0700412 259, 261	0903112 ... 183, 185, 187, 189	1001120260 265	1001263724 303, 307
0700510 141, 143	0903177 167, 171	1001120264 265	1001265363 498
0700610 ... 117, 119, 257, 259, 295, 399, 401	0903199 305, 307	1001127719 149, 151	1001266072 489, 491
0700812 121, 123	0903215 39, 41	1001128929 145, 147, 411	1001266077 489, 491
0700827 ... 173, 175, 177, 179	0903216 41	1001130309 265	1001266160 489, 491
0701014 ... 173, 175, 177, 179, 257, 259, 261, 487	0903284 96, 100, 104, 108	1001131269 463, 475	1001266161 489, 491
0701216 177, 179	0903298 96, 100, 104, 108	1001131326 265	1001266623 301, 303, 305, 307
0711227 35, 39	0903299 96, 100, 104, 108	1001131393 163	1001267933 498
0711228 39	0903331 108	1001131595 265	1001268363 498
0711229 35	0903356 97, 100, 105, 108	1001131740 265	1001272056 483
0711234 25	0903560 155, 157	1001133506 163	1001272057 483
0711631 41	0903597 149	1001137005 499	1001274196 278, 282, 286
0721004 ... 155, 157, 211, 213, 265	0940136 167, 171	1001137282 499	1001287768 149
0721006 97, 100, 105, 108, 165, 167, 169, 171, 399, 401	0941516 309	1001148902 498	1001288458 149
0760810 ... 117, 119, 121, 123	0961947 ... 289, 337, 339	1001148903 498	1001289470 463
0761012 ... 165, 169, 239, 241, 243, 245, 247, 249, 251, 253	0961948 ... 278, 279, 282, 283, 286, 287, 291, 293, 343, 351	1001148904 498	1001290664 472, 479
0801423 278, 286, 291	0961951 ... 270, 274, 278, 282, 286, 289	1001148905 498	1001290807 476
0801424 291	0962257 ... 278, 282, 286, 335, 341, 345, 347	1001148906 498	1001290808 468
0801425 291	0962292 291, 293, 349	1001153011 223, 231	1060584 97, 100, 105, 108
0801426 270, 274, 289	0962447 ... 221, 223, 225, 227	1001153014 227, 235	1060688 159, 163
0801427 289	1001091102 259	1001153360 223	1060689 161
0801428 289	1001091364 301	1001155254 39	1060697 295
0801429 270, 274	1001091500 301, 303	1001165365 41	1060799 ... 27, 29, 31, 33, 295
0801451 278, 282, 286	1001091766 498	1001186711 41	1060908 265
0801516 270, 274	1001091767 498	1001192401 413, 415	1180394 289
0811606 181, 289	1001092012 271, 275, 279, 283, 287	1001193948 96, 100, 104, 108, 329	1180398 291
0811607 ... 215, 217, 289, 291, 293	1001094614 181	1001201419 157	1271585 278, 282, 286
0811608 ... 217, 289, 291, 293	1001101195 499	1001213280 498	1271633 278, 282, 286
0811610 215	1001104509 155, 157	1001213282 498	1283400 ... 359, 363, 365, 376, 380
0860038 399, 401	1001109586 89, 201	1001214168 39, 49	1283401 ... 361, 367, 369, 371, 373, 384, 388
0861647 255	1001110688 365, 371	1001214179 299	1320060 ... 21, 23, 25, 27, 29, 31, 33, 35
0861648 ... 239, 241, 243, 245, 247, 249, 251, 253, 255	1001110873 399	1001214673 463, 468, 472, 476, 479, 481	1320061 ... 21, 23, 25, 31, 33, 35, 39, 41
0861649 251	1001112110 484	1001223453 483	1320159 ... 173, 175, 177, 179
0861655 ... 319, 321, 323, 325	1001112112 157	1001224593 275, 433	1320222 399, 401
0861661 243	1001112470 483	1001224594 287, 437	1320263 119, 123
	1001112471 483	1001224595 167, 171	1320289 270, 274
	1001114580 282	1001224893 293	1320294 278, 282, 286
	1001114581 282	1001224911 274	1320302 211
	1001114582 282, 293	1001224913 286	1321137 ... 278, 283, 286
	1001114583 283	1001227795 39	1321318 271, 274
	1001114584 283	1001228138 167, 171	1321676 35
		1001228139 167, 171	1380136 ... 117, 119, 121, 123
		1001228194 129	1560010 299
		1001228195 129, 137	
		1001228370 483	
		1001229709 498	
		1001229944 274	
		1001229945 286	
		1001230504 498	

SECTION 10 - SPECIAL OPTIONS

1560016.....21, 23, 25, 31, 33, 35, 39, 41	1705670..... 465	1706493 465	2110406.... 173, 175, 177, 179, 376, 380, 384, 388
1560017.....21, 23, 25, 27, 29, 31, 33, 35	1705754 483	1706494 471, 479	2110410.... 363, 365, 367, 369, 371, 373, 376, 380, 384, 388
1600369.... 319, 321, 323, 325, 494	1705817 ... 463, 467, 471, 475, 479	1706495 476	2110604.... 125, 129, 133, 137, 361
1600370.... 141, 143, 494	1705950 319, 323	1706496 468	2110606.... 125, 129, 133, 137, 173, 175, 177, 179, 359, 361, 376, 380, 384, 388
1600371.....494	1705971 255	1706497 465	2110608.... 376, 380, 384, 388
1600392.....96, 100, 104, 108, 494	1706002 321, 325	1706513 475	2110806..... 129
1600412..... 141, 494	1706099 ... 463, 467, 471, 475, 481	1706514 483	2111610..... 129, 137
1600452.... 319, 323, 494	1706106 ... 463, 467, 471, 475, 479, 481	1706515 483	2130404.... 125, 129, 133, 137, 359, 361
1600453.... 321, 325, 494	1706107 ... 463, 467, 471, 475, 479, 481	1706516 475	2130604..... 359
1600466..... 159, 161	1706108 ... 463, 467, 471, 475, 481	1706517 475	2130606.... 125, 129, 133, 137, 359, 376, 380, 384, 388
1660273..... 21, 23	1706109 ... 463, 467, 471, 475, 481	1706518 475	2130608.... 376, 380, 384, 388
1660283..... 41, 45	1706111 ... 463, 467, 471, 475, 481	1706519 475	2130610.... 365, 371, 373
1660297..... 25	1706112 ... 463, 467, 471, 475	1706520 475	2150404..... 363, 365
1660298..... 35	1706120 479	1706521 475	2151612.... 365, 371, 373
1671148..... 191	1706121 173, 175	1706522 475	2170206.... 125, 129, 133, 137
1671160..... 193	1706127 483	1706523 475	2170306.... 376, 380, 384, 388
1671171..... 177, 179	1706128 ... 295, 463, 467, 471, 475, 481	1706524 467	2170706.... 376, 380, 384, 388
1671172..... 173, 175	1706133 483	1706527 467	2220003.... 270, 274, 278, 282, 286
1671185..... 181	1706135 ... 463, 467, 471, 475, 481	1706528 467	2220237..... 376, 384
1671187 195	1706139 ... 463, 465, 467, 471, 475, 479, 481	1706529 467	2220364.... 271, 274, 279, 287
1671189..... 197	1706260 145, 147	1706530 467	2220881.... 125, 129, 133, 335, 337
1671207 265	1706261 ... 270, 274, 278, 286	1706531 467	2220883.... 125, 129, 133, 137, 341, 343, 353, 355
1671211 191, 195	1706262 ... 270, 274, 278, 282, 286	1706532 467	2220885.... 125, 129, 133, 137, 173, 175, 177, 179
1671221 193, 197	1706264 177, 179	1706533 467	2220886.... 125, 129, 133, 137
1684367..... 289, 353	1706313 295	1706534 467	2220887..... 125, 133
1684373..... 289, 337	1706314 465	1706565 475	2221086.... 125, 129, 133, 137, 376, 380, 384, 388
1684397.... 291, 293, 339	1706315 465	1706569 475	2221209.... 270, 274, 278, 286
1684398.... 278, 282, 286, 347	1706317 465	1706625 ... 270, 274, 278, 282, 286	2221210.... 271, 274, 279, 287
1684402.... 291, 293, 355	1706320 465	1706626 ... 270, 274, 278, 282, 286	2221211.... 271, 274, 279, 283, 287
1684415.... 270, 274, 345	1706337 ... 278, 282, 286	1706629 ... 463, 465, 467, 471, 475, 481	2221212.... 270, 274, 278, 282, 286
1684433.... 270, 274, 341	1706349 ... 278, 282, 286	1706701 96, 101, 104, 108	2221213.... 270, 274, 278, 286
1684434.... 279, 282, 287, 343	1706372 ... 463, 465, 467, 471, 475, 479, 481	1706705 87	2221272..... 35
1684442.... 173, 175, 349	1706384 ... 463, 465, 467, 471, 475, 479, 481	1706706 93	2221273..... 35
1684443.... 177, 179, 351	1706385 ... 463, 467, 471, 475, 481	1706897 489, 491	2300006.... 27, 29, 31, 33, 35
1684467 96, 100, 331	1706386 ... 463, 467, 471, 475, 481	1706898 ... 319, 321, 323, 325	2400057..... 411, 494
1684468.... 104, 108, 333	1706387 ... 463, 467, 471, 475, 481	1706922 483	2400060.... 411, 413, 415
1684494.... 279, 283, 287, 335	1706425 483	1706926 489, 491	2400065.... 417, 419, 494
1684524..... 35	1706426 483	1706961 481	2400066..... 417, 419
1701640.... 463, 465, 467, 471, 475, 479, 481	1706427 471, 479	19611 43, 47	2400087.... 155, 157, 494
1701644..... 155, 157	1706428 483	19613 43, 47	
1702155..... 155, 157	1706429 483	19616 43, 47	
1702773..... 483	1706430 471, 479	2080063 299	
1702774..... 483	1706431 471, 479	2090043 183, 187	
1703813.... 463, 467, 471, 475, 481	1706432 471, 479	2090050 187	
1703814.... 463, 465, 467, 471, 475, 479, 481	1706433 471, 479	2090051 187	
1703817 465, 467, 479, 481	1706434 471, 479	2090052 183	
1703832..... 467	1706435 471, 479	2090053 183	
1703840..... 471, 479	1706436 471, 479	2090054 185, 189	
1703864..... 475	1706437 471, 479	2090055 185, 189	
1704016.... 463, 467, 471, 475, 479		2090056 189	
1704277 463, 465, 467, 471, 475, 479, 481		2090057 189	
1704412.... 463, 465, 467, 471, 475, 479, 481		2090058 185	
1705304..... 483		2090059 185	
		2110404 ... 125, 129, 133, 137, 359, 361, 363, 365, 367, 369, 371, 373, 376, 380, 384, 388	

SECTION 10 - SPECIAL OPTIONS

2400088 155, 157	2792669 371	3252507 401	3312005 ... 55, 57, 59, 61,
2420172 255	2792672 369	3252761 265	63, 65
2560122 ... 117, 119, 121,	2792673 373	3271505 51, 53	3312205 ... 21, 23, 25, 27,
123	2792674 376	3271805 305, 307	29, 31, 33, 35, 39, 41,
2560123 ... 117, 119, 121,	2792675 380	3290405 ... 167, 171, 173,	97, 100, 105, 108
123	2792676 384	175, 177, 179, 259,	3321401 149
2560184 305, 307	2792677 388	261, 270, 274, 279,	3321801 199, 205
2700104 295	2820026 409	283, 287	3331211 25, 35
2700108 295	2820179 149	3290507 141, 143	3331217 39
2753540 ... 367, 369, 371,	2840026 ... 13, 15, 17, 19	3290605 ... 117, 119, 141,	3340764 289
373	2860030 ... 239, 241, 243,	143, 257, 259, 295,	3340843 ... 270, 274, 278,
2753541 367, 371	245, 247, 249, 251,	399, 401	282, 286
2753545 ... 363, 365, 376,	253, 494	3290801 39, 101	3340881 ... 289, 291, 293
380, 384, 388	2900708 96, 101, 104,	3290805 ... 121, 123, 173,	3340941 271, 275
2753550 ... 363, 365, 369,	109	175, 177, 179	3340942 ... 279, 283, 287
373	2900770 ... 335, 337, 339,	3291001 ... 39, 41, 96, 100,	3340943 ... 270, 275, 279,
2753555 363, 365	341, 343, 353, 355	104, 108	287
2753563 363, 365	2902333 149	3291005 ... 165, 169, 257,	3371910 35
2753622 ... 367, 371, 376,	2902349 ... 27, 29, 31, 33,	259, 261, 487	3380624 96, 100, 104,
380, 384, 388	35	3291007 ... 173, 175, 177,	108
2753625 ... 376, 380, 384,	2902375 498	179	3420592 ... 27, 29, 31, 33
388	2902411 465, 498	3291207 177, 179	3421565 97, 100, 105,
2753626 ... 365, 371, 373	2902425 479, 498	3291601 41	108
2753673 ... 376, 380, 384,	2902428 ... 463, 465, 467,	3292405 ... 173, 175, 177,	3421970 181
388	471, 475, 479, 481, 498	179	3421986 177, 179
2753727 367, 371	2902430 ... 463, 467, 471,	3300407 ... 201, 203, 207,	3422333 270, 275
2753730 380, 388	475, 498	209	3422351 96, 100, 104,
2753731 ... 376, 380, 384,	2902442 475, 498	3300506 155, 157	108
388	2902447 467, 498	3311005 ... 97, 100, 105,	3422426 173, 175
2753784 367, 371	2902454 471, 498	108, 155, 157, 165,	3422429 173, 175
2753785 369, 373	2902546 481, 498	167, 169, 171, 211,	3422709 97, 101, 105,
2753851 363, 365	2915194 ... 111, 126, 130,	213, 217, 265, 399, 401	109
2754171 270, 274	134, 138, 494	3311401 43, 47	3422745 291, 293
2754172 270, 274	2915205 499	3311405 ... 21, 23, 25, 27,	3422796 ... 279, 283, 287
2754173 ... 279, 283, 287	2915230 499	29, 31, 33, 35, 39, 41,	3423100 295
2754174 279, 287	2920113 165, 169	96, 100, 104, 108, 149,	3423101 289
2754204 359	2920161 259, 261	155, 157, 159, 161,	3423102 270, 275
2754205 359	2920179 165, 169	163, 167, 171, 183,	3423103 270, 275
2754206 359	2920180 167, 171	185, 187, 189, 211,	3423104 289
2754207 361	2920183 167, 171	265, 271, 275, 295,	3423105 ... 289, 291, 293
2754208 361	2920184 167, 171	489, 491	3423106 305, 307
2754209 359	2940095 ... 191, 193, 195,	3311501 ... 96, 100, 104,	3423146 177, 179
2754210 361	197	108	3423147 177, 179
2754211 359	2940157 ... 191, 193, 195,	3311505 ... 21, 23, 25, 27,	3423148 173, 175
2754212 361	197	29, 31, 33, 35, 41, 96,	3423156 ... 279, 283, 287
2754213 359	2940159 51, 53	100, 104, 108, 173,	3423159 ... 191, 193, 195,
2754214 361	2940160 ... 311, 313, 315,	175, 177, 179, 213,	197
2754263 367, 371	317	265, 279, 283, 287,	3423161 291, 293
2754264 361	2940169 498	353, 355	3423185 173, 175
2754265 ... 367, 371, 376,	2940170 498	3311605 ... 13, 15, 17, 19,	3423186 177, 179
380, 384, 388	2940177 211, 213	39, 41, 51, 53, 96, 100,	3423200 270, 275
2754339 373	2940178 ... 191, 193, 195,	104, 108, 145, 147,	3423201 ... 270, 274, 279,
2754469 369, 373	197	149, 167, 171, 181,	283, 287
2754470 369, 373	2980123 ... 21, 23, 25, 27,	183, 185, 187, 189,	3423202 ... 279, 283, 287
2754471 369, 373	29, 31, 33, 35	199, 201, 203, 205,	3423203 ... 278, 282, 286
2754472 369, 373	2980130 35	207, 209, 263, 270,	3423204 ... 279, 283, 287
2754643 384, 388	3010127 270, 274	274, 275, 278, 279,	3423249 ... 97, 100, 105,
2754644 ... 376, 380, 384,	3010130 ... 279, 283, 287	282, 283, 286, 287,	108
388	31201317 499	289, 291, 293, 295,	3430506 21, 23, 25
2754645 ... 376, 380, 384,	3128958 498	301, 303, 305, 307	3450202 149
388	3160327 ... 97, 101, 105,	3311608 ... 155, 157, 215,	3450302 21, 23, 25
2754676 376, 380	109, 115	217, 221, 223, 225, 227	3450304 ... 21, 23, 25, 27,
2792640 359	3160331 ... 221, 223, 225,	3311805 ... 21, 23, 27, 29,	29, 31, 33, 35, 96, 104
2792641 361	227, 237	31, 33, 97, 100, 101,	3460557 35
2792664 363	3251243 399, 479	105, 108, 109, 279,	3520028 ... 239, 241, 243,
2792665 365	3251813 ... 463, 467, 471,	283, 287, 301, 303,	245
2792668 367	475, 479	305, 307	

SECTION 10 - SPECIAL OPTIONS

3520030.....239, 241, 247, 249	3820039..... 489, 491	4070898 289, 291, 293	4341181.... 199, 201, 203, 205, 207, 209
3520071.....97, 100, 105, 108	384114396, 97, 100, 101, 104, 105, 108, 109, 173, 175, 177, 179, 270, 274, 275, 278, 279, 282, 283, 286, 287, 289, 291, 293	4071039 289, 291, 293	4341267..... 101
3538758.....289	3841203 ... 177, 179, 279, 283, 287	4071040 289, 291, 293	4341400.....263
3575021.....271, 275	3841655 ... 173, 175, 177, 179	4071082 ... 270, 274, 278, 282, 286	4360328.... 247, 249, 251, 253, 255, 494
3575058.....305, 307	3841692 299	4071083 ... 270, 274, 278, 282, 286	4360330.....255, 494
3575304.... 319, 321, 323, 325	3841696 39	4071117 291, 293	4360469.... 239, 243, 247, 251, 494
3575358.....255	3841697 41	4071122 35	4360470.... 241, 245, 249, 253, 494
3575420.....51, 53	3841730 108	4130417 97, 101, 105, 109	4360475.....255, 494
3575623.....255	3841740 100	4191706 21, 23, 25	4360562.... 319, 321, 323, 325, 494
3575719.....51	3890041 27, 29, 35	4191709 141	4360564.... 243, 245, 251, 253, 323, 325, 494
3575783.....53	3890042 31, 33	4210006 173	4360565.... 243, 245, 251, 253, 323, 325, 494
3575786..... 41, 217	3890043 21	4210012 173	4360570.....21, 23, 25
3575790..... 181	3890044 23, 25	4210018 175	4360577.... 441, 453, 455, 457, 459, 495
3575796.... 319, 321, 323, 325	3890045 21, 27, 29, 35	4210019 175	4360612.... 319, 323, 495
3575803.....270, 274	3890046 ... 23, 25, 31, 33	4210024 177	4360620.... 321, 325, 495
3575804.... 278, 282, 286	3890047 27, 29, 35	4210025 177	4420038..... 155, 157
3575853.39, 41, 100, 108	3890048 31, 33	4210026 179	4420051..... 465
3575869.....39	3890049 21	4210027 179	4460071..... 399, 401
3575887.....279, 287	3890050 23, 25	4220207 ... 173, 175, 177, 179	4460121..... 35, 261
3575889.....291	3890065 149	4220210 255	4460138..... 399
3576092.....96, 104	3900184 149	4220211 ... 270, 274, 278, 282, 286	4460227.... 409, 417, 419
3576102.... 467, 471, 475	3900270 215, 217	4220254 291	4460248..... 427, 429
3576114.....487	3900283 ... 289, 291, 293	4220255 ... 221, 223, 225, 227	4460256..... 427, 429
3576136.... 96, 100, 104, 108	3900316 ... 289, 291, 293	4220296 108	4460313..... 427, 429
3576437.....205	3900352 255	4220297 108	4460346..... 265, 399
3576773..... 155, 157	3900357 ... 319, 321, 323, 325	4220304 101	4460386.....255
3576891.....491	3900358 ... 255, 319, 321, 323, 325	4220305 101	4460418..... 417, 419
3576892..... 489, 491	3900359 ... 319, 321, 323, 325	4240003 ... 270, 274, 278, 282, 286, 295	4460419..... 417, 419
3577000.....489	3900360 221, 225, 227	4240032 ... 21, 23, 25, 27, 29, 31, 33, 35, 39, 41	4460457..... 411
3600360.....223	3900368 221, 223	4240033 ... 21, 23, 25, 35, 163, 265	4460458..... 411
3600403..... 149	3911010 167, 171, 217	4240127 101, 109	4460464.... 405, 407, 413, 415, 417, 419, 421, 427, 429, 443, 445, 447, 449, 451, 453, 455
3641585.....299	3911040 165, 169	4240173 ... 221, 223, 225, 227	4460465.... 405, 407, 409, 413, 415, 421, 423, 425, 431, 433, 435, 437, 439, 441, 443, 445, 447, 449, 451, 457, 459
3700012..... 167, 171	3931816 ... 173, 175, 177, 179	4240175 ... 239, 241, 243, 245, 247, 249, 251, 253	4460466..... 413, 415
3700014..... 171, 217	3931840 97, 101, 105, 109	4300115 96, 100, 104, 109	4460467..... 499
3730119..... 405, 407	3960461 165, 169	4340799 305, 307	4460470..... 421
3740049..... 143	3960584 ... 319, 321, 323, 325	4340800 305, 307	4460471..... 421
3740080..... 149, 494	3960587 255	4340871 ... 319, 321, 323, 325	4460496.... 279, 283, 287, 289, 319, 321, 323, 325, 443, 445, 447, 449
3740112..... 149, 494	3960604 ... 319, 321, 323, 325	4341009 215, 217	4460497.... 279, 283, 287, 289, 319, 321, 323, 325, 443, 445, 447, 449
3740144..... 149, 494	3990010 ... 411, 413, 415, 494	4341040 39, 41	4460508..... 417, 419
3740145..... 141, 494	3990013 409	4341053 213	4460509..... 413, 415
3740148..... 149, 494	3990111 415	4341054 211, 213	4460510..... 499
3740150.... 155, 157, 494	3990112 413	4341092 97	4460539.... 433, 437, 451
3760115.... 173, 175, 289, 291, 293	4000008 96, 100, 104, 108, 494	4341097 96, 100, 104, 109	4460662..... 265
3760133.... 177, 179, 279, 283, 287	4031512 ... 173, 175, 177, 179, 271, 275, 279, 283, 287	4341113 105, 109	4460761.... 409, 417, 419
3760170.....97, 100, 105, 108, 295, 463, 465, 467, 471, 475, 479, 481	4031714 141, 143	4341116 96, 100, 104, 109	4460841..... 413, 415
3760237 177, 179	4060804 101, 109	4341148 97, 101	4460871..... 413, 415
3760351 289, 291, 293	4060865 259, 261	4341149 97, 101	4460872..... 413, 415
3820001 463, 465, 467, 471, 475, 479, 481	4060906 255	4341150 105, 109	
3820017 27, 29, 31, 33, 35, 117, 119, 121, 123, 191, 193, 195, 197	4070897 289, 291, 293	4341151 105, 109	
3820020.... 191, 193, 195, 197, 255			
3820021 467, 471, 475			
3820032.... 463, 465, 467, 471, 475, 479, 481			
3820038.....489, 491			

SECTION 10 - SPECIAL OPTIONS

4460873	413, 415	4520591	97, 101, 105, 109	201, 203, 205, 207, 209, 215, 217, 270, 271, 274, 275, 278, 279, 282, 283, 286, 287, 289, 291, 293, 295, 301, 303, 305, 307	4892000 ...	55, 57, 59, 61, 63, 65	
4460874	413, 415	4520614	91, 203	4711800.....	21, 23, 27, 29, 31, 33, 97, 101, 105, 109, 199, 205, 301, 303, 305, 307	4923040	271, 275, 405
4460875	413, 415	4568986	23, 31, 33	4740171	221, 223, 225, 227	4923041	141, 143, 441
4460876	413, 415	4569096	27, 29, 35	4740333.....	177, 179	4923100	271, 275, 423
4460878	413, 415	4569097	31, 33	4740362.....	183, 185, 187, 189	4923101 ...	279, 283, 287, 425
4460884 ...	413, 415, 431, 435, 451	4569182	39	4740446.....	173, 175	4923102 ...	279, 283, 287, 407
4460887	413, 415	4569188	215	4740571.....	36	4923104	271, 275
4460891 ...	407, 409, 413, 415, 423, 425, 439, 441, 457, 459	4569194	215	4751000.....	97, 101, 105, 109, 165, 167, 169, 171, 217	4923109	141, 143, 439
4460894	409, 413, 415	4569195	217	4751200.....	149	4923111	279, 283, 287
4460897 ...	413, 415, 451, 453, 455	4569197	217	4751400.....	21, 23, 25, 27, 29, 31, 33, 36, 39, 41, 183, 185, 187, 189, 299	4923112	271, 275, 457
4460899	413, 415	4569220	41	4751500.....	21, 23, 25, 27, 29, 31, 33, 36, 41, 96, 104, 173, 175, 177, 179, 213, 229, 231, 233, 235, 265	4923116	319, 443
4460908	409	4569398	215	4751600.....	13, 15, 17, 19, 39, 41, 51, 53, 97, 101, 105, 109, 145, 147, 149, 155, 157, 167, 171, 183, 185, 187, 189	4923117	323, 447
4460909	409	4569400	215	4751700.....	215, 217	4923118 ...	239, 241, 247, 249, 417
4460918	409	4569405	217	4752200.....	21, 23, 25, 27, 29, 31, 33, 36, 39, 41	4923124	295, 421
4460928	409	4569438	25	4761400.....	43, 47	4923125 ...	243, 245, 251, 253, 419
4460930	411	4569445	25	4761800.....	199, 205	4923126	325, 449
4460931	415	4569447	35	4811400.....	167, 171, 173, 175, 177, 179, 259, 261, 271, 275, 279, 283, 287	4923127	321, 445
4460932 ...	413, 415, 427, 429	4569450	35	4811600.....	141, 143	4923128 ...	257, 259, 261, 451
4460933 ...	405, 407, 421, 439, 441	4569512	21, 27, 29	4811700.....	141, 143, 257, 259, 261, 295, 399, 401	4923130	143, 415
4460941	405, 407, 421	4630001	271, 275	4811900.....	39, 101, 117, 119, 121, 123, 173, 175	4923148	165, 427
4460942 ...	405, 407, 421, 441	4630002	289	4812000.....	39, 41, 101, 109, 165, 169, 173, 175, 177, 179, 239, 241, 243, 245, 247, 249, 251, 253, 257, 259, 261, 487	4923149	169, 429
4460943 ...	413, 415, 421, 443, 445, 447, 449	4630003 ...	279, 283, 287	4812100.....	36, 39, 177, 179	4923153	145, 147
4460944 ...	409, 443, 445, 447, 449	4630004	291, 293	4812300.....	41	4923154	145, 147
4460959	411	4630005 ...	279, 283, 287	4812700.....	173, 175, 177, 179	4923184	279, 283, 435
4460965	411	4640438	341, 343	4891600.....	215, 263	4923185	271, 431
4460970	413, 415, 421	4640866	96, 101, 104, 109	4891700.....	97, 101, 105, 109	4923192	271, 275, 453
4461015 ...	443, 445, 447, 449	4640902	335	4891800.....	25, 205, 289, 291, 293	4923193 ...	279, 283, 287, 455
4461016 ...	405, 407, 421, 443, 445, 447, 449	4641129	111	4891900.....	221, 223, 225, 227	4923202	21
4461017	417, 419	4641285	353, 355	4892000.....	25, 205, 289, 291, 293	4923203	23
4461018	413, 415	4641325	125	48923427	155, 157, 403	4923217 ...	279, 283, 287, 459
4461019	417, 419	4641326	133	48923428	155, 157, 403	4923317	36
4461020	413, 415	4641327	129	48923545	155, 157	4923318	25
4461023	413, 417, 419	4641328	137	48923570	155, 157	4923340	97, 105, 109, 409
4461024 ...	443, 445, 447, 449	4641342	117, 125	70000015	75	4923341	499
4461025 ...	443, 445, 447, 449	4641343	121, 133	70000016	79	4923427	141, 413
4461041	417, 419	4641344	119, 129	70000025	130, 138	4923428	155, 157, 403
4461046	411	4641345	123, 137	70000026 ..	130, 138, 494	4923545	155, 157
4461047	411	4641380 ...	173, 175, 177, 179	70000027	130, 138	4923570	155, 157
4461048	411	4641418	96, 101, 104, 109	70000028	130, 138	70000015	75
4461049	411	4641419	96, 101, 104, 109, 111	70000030	45, 49	70000016	79
4461051	413	4641420	96, 101, 104, 109, 113	70000032	45	70000025	130, 138
4461057 ...	443, 445, 447, 449	4641496	35	70000033	45	70000026 ..	130, 138, 494
4461058 ...	443, 445, 447, 449	4700017	289	70000034	49	70000027	130, 138
4461065	295, 421	4700018	289, 291	70000035	45, 49	70000028	130, 138
4461077	409	4700019 ...	289, 291, 293	70000037	45	70000030	45, 49
4461261	413	4700037	291	70000038	45	70000031	45, 49
4461271	413, 415	4711000 ...	155, 157, 211, 213, 255, 265, 399, 401	70000039	45	70000032	45
4520338	96, 101, 104, 109	4711400 ...	21, 23, 25, 27, 29, 31, 33, 36, 39, 41, 96, 101, 104, 109, 117, 119, 149, 155, 157, 159, 161, 163, 167, 171, 177, 179, 211, 265, 271, 275, 295	70000040	45	70000033	45
4520377	87, 199	4711500 ...	21, 23, 25, 96, 101, 104, 109, 213, 279, 283, 287	70000088	237	70000034	49
4520378	93, 205	4711600.....	39, 96, 101, 104, 109, 149, 181, 199,	70000089	237	70000035	45, 49

SECTION 10 - SPECIAL OPTIONS

70000096.....	167, 171	70002630.....	43	70003564.....	265	70005997.....	49
70000097.....	167, 171	70002631.....	43, 47	70003565.....	265	70005998.....	49
70000098.....	167, 171	70002632.....	43, 47	70003566.....	265	70006984.....	47
70000100..	125, 129, 133, 137	70002633.....	43, 47	70003567.....	265	7002821.....	499
70000111.....	329	70002634.....	43, 47	70003568.....	265	7002822.....	499
70000112.....	329	70002635.....	43, 47	70003569.....	265	7002823.....	499
70000113.....	329	70002636.....	43, 47	70003570.....	265	7002826.....	499
70000114.....	329	70002637.....	43, 47	70003571.....	265	7004035.....	237
70000115.....	329	70002638.....	43, 47	70003572.....	265	7004043.....	237
70000116.....	329	70002639.....	43, 47	70003573.....	265	7004044.....	237
70000117.....	329	70002640.....	43, 47	70003574.....	266	7004275.....	499
70000118.....	329	70002641.....	43, 47	70003575.....	266	7004276.....	499
70000131.....	75, 79	70002722.....	43	70003576.....	266	7010542.....	113
70000190.....	335	70002770.....	151, 265	70003577.....	266	7010543.....	113
70000235.....	403	70002771.....	265	70003578.....	266	7010795.....	237
70000236.....	403	70002774.....	266	70003579.....	266	7011311.....	353, 355
70000277.....	115	70002776.....	265	70003580.....	266	7011358....	337, 339, 353, 355
70000280.....	115	70002777.....	265	70003581.....	266	7011377....	337, 339, 353, 355
70000281.....	115	70002783.....	265	70003582.....	266	7011378.....	337, 339
70000282.....	115	70002815.....	113	70003583.....	266	7011379.....	353, 355
70000283.....	115	70003038.....	85	70003584.....	266	7011380.....	335
70000284.....	115	70003486. 463, 465, 467, 471, 476, 479, 481		70003585.....	266	7012518.....	113
70000285.....	115	70003487.....	151	70003586.....	266	7012540.....	335
70000286.....	115	70003488.....	151	70003587.....	266	7012903.....	111
70000287.....	115	70003489.....	151	70003588.....	266	7012953....	335, 349, 351
70000288.....	115	70003490.....	151	70003589.....	266	7012955.....	341, 343
70000378..	126, 130, 134, 138	70003492.....	151	70003590.....	266	7012959....	96, 101, 104, 109
70000682..	319, 321, 323, 325	70003493.....	151	70003591.....	266	7012961.....	335
70000864.....	229, 231	70003494.....	151	70003592.....	266	7012967....	335, 341, 343
70000894..	126, 130, 134, 138	70003495.....	151	70003593.....	266	7012972....	335, 341, 343
70000895..	126, 130, 134, 138	70003496.....	151	70003594.....	266	7012975.....	335
70000979.....	331, 333	70003497.....	152	70003595.....	266	7012998.....	111, 335
70000980.....	331, 333	70003498.....	152	70003596.....	266	70132.....	71
70000981.....	331, 333	70003499.....	152	70003597.....	266	70144.....	75, 79
70000982.....	331, 333	70003500.....	151	70003598.....	266	70145.....	75, 79
70000983.....	331	70003501.....	152	70003599.....	266	7016319.....	259, 261
70000984.....	331, 333	70003502.....	152	70003600.....	266	7016372.....	259, 261
70000985.....	331, 333	70003503.....	151	70003601.....	266	7016654.....	499
70000986.....	331, 333	70003504.....	151	70003602.....	266	7017335.....	331, 333
70000987.....	333	70003505.....	151	70003603.....	266	7017402.....	113
70001003.....	67	70003506.....	151	70003604.....	266	7017418.....	111
70001005.....	79	70003507.....	151, 265	70003605.....	266	7017466....	96, 101, 104, 109
70001006.....	79	70003508.....	151	70003615 .	126, 130, 134, 138	7020175.....	255
70001007.....	80	70003509.....	151	70003756 ..	67, 71, 75, 79	7020176.....	255
70001008.....	149	70003510.....	151	70004156.....	231	70212..	21, 23, 27, 29, 31, 33
70001453..	151, 152, 494	70003511.....	151	70004157.....	235	7021653.....	111
70001658.....	76, 80	70003512.....	151	70004315.....	341, 343	7023308.....	115
70001659.....	76, 80	70003514.....	151	70004701.....	49	7023311.....	115
70002204.....	89	70003516.....	151, 494	70004703.....	49	7023315.....	115
70002205.....	89	70003517.....	151	70004705.....	49	7023328.....	115
70002227..	125, 129, 133, 137	70003518.....	151	70004708.....	49	7023391.....	349
70002228..	125, 129, 133, 137	70003520.....	152	70004709.....	49	7023405.....	115
70002229..	125, 129, 133, 137	70003521.....	152, 494	70004710.....	49	7023406.....	115
70002230..	125, 129, 133, 134, 137, 138	70003522.....	152, 494	70004711.....	49	7023407.....	115
70002282.....	126, 134	70003529.....	151	70004713.....	49	7023408.....	115
70002532.....	293	70003530.....	151	70005478.....	83	7023412.....	115
70002628.....	43, 47	70003531.....	151	70005987.....	49	7023519.....	151
70002629.....	43, 47	70003532.....	151	70005988.....	49	7024379.....	237
		70003533.....	151	70005989.....	49	7024380.....	237
		70003549.....	151	70005990.....	49	7024381.....	237
		70003550.....	152, 494	70005991.....	49	7024382.....	237
		70003558.....	265	70005992.....	49	7024383.....	237
		70003559.....	265	70005993.....	49		
		70003560.....	265	70005994.....	49		
		70003561.....	265	70005995.....	49		
		70003562.....	265	70005996.....	49		

SECTION 10 - SPECIAL OPTIONS

7024384	237	7027331	341	7027506.....	79	7027669.....	67
7024387	237	7027332	341	7027507.....	80	7027671.....	67
7024388	237	7027334	341, 343	7027508.....	80	7027672.....	67, 71
7024390	237	7027335	341	7027511.....	71, 79	7027673.....	68, 72
7024396	237	7027336	337, 345	7027603.....	151	7027674.....	68
7024453	237	7027337	345	7027606.....	152	7027675.....	71
7024500 ...	125, 129, 133, 134, 137, 138	7027338	335, 337, 345	7027617.....	125, 133	7027676.....	71
7024505 ...	125, 126, 129, 133, 134, 137, 138	7027339	345	7027618.....	125, 133	7027677.....	71
7024882	349, 351	7027340 ...	337, 339, 345, 347, 353	7027619.....	125, 133	7027678.....	68, 72
7024883 ...	111, 349, 351, 494	7027341	337, 345	7027620....	125, 129, 133, 137	7027679.....	72
7024884	335, 341, 343	7027342	335, 353	7027621....	125, 129, 133, 137	7027690.....	134, 138
7024885 ...	113, 335, 341, 343, 494	7027343	353	7027622....	125, 129, 133, 137	7027691.....	130, 138
7024886	341, 343	7027344	353	7027622....	125, 129, 133, 137	7027692....	67, 71, 75, 79
7024887	335	7027345	353	7027623....	125, 129, 133, 137	7027693....	67, 71, 75, 79
7024888	335	7027346	353	7027623....	125, 129, 133, 137	7027694.....	339, 347
7024893	111	7027347	353	7027624....	125, 129, 133, 137	7027695.....	339
7024894	111	7027348	337	7027624....	125, 129, 133, 137	7027696.....	339, 347
7024898	113	7027349	337	7027625....	125, 129, 133, 137	7027697.....	339
7024899	113	7027350 ...	229, 231, 233, 235	7027625....	125, 129, 133, 137	7027698.....	339, 347
7026042 ...	229, 231, 233, 235	7027351 ...	229, 231, 233, 235	7027626....	125, 129, 133, 137	7027699.....	347
7026043 ...	229, 231, 233, 235	7027352 ...	229, 231, 233, 235	7027626....	125, 129, 133, 137	7027700.....	347
7026313	67, 71, 75, 79	7027353 ...	229, 231, 233, 235	7027627....	125, 129, 133, 137	7027701.....	355
7026340	165, 169	7027354 ...	229, 231, 233, 235	7027627....	125, 129, 133, 137	7027702.....	355
7026341	165, 169	7027355	229, 231	7027628....	126, 129, 134, 137, 138, 494	7027703.....	355
7026342	165, 169	7027356 ...	229, 231, 233, 235	7027629....	126, 129, 134, 137	7027704.....	355
7026343	165, 169	7027357	229	7027630....	126, 130, 134, 137	7027705.....	355
7026353	43, 47	7027358 ...	229, 231, 233, 235	7027631....	126, 130, 134, 138	7027706.....	355
7026355	43, 47	7027360 ...	229, 231, 233, 235	7027632.....	126, 134	7027707.....	355
7026358	43, 47	7027361 ...	229, 231, 233, 235	7027633.....	126, 134	7027708.....	335
7026359	43, 47	7027363	233, 235	7027635....	126, 130, 134, 138	7027710.....	335
7026360	43, 47	7027364	233	7027636....	126, 130, 134, 138	7027711.....	335
7026367	43, 47	7027367 ...	319, 321, 323, 325, 494	7027638....	126, 130, 134, 138, 494	7027712.....	343
7026370	43, 47	7027368	321, 325	7027639....	126, 130, 134, 138	7027713.....	343
7026372	43, 47	7027369 ...	321, 325, 495	7027640.....	75	7027714.....	343
7026384	71, 79	7027370	321, 325	7027641.....	75	7027715.....	343
7026385	71, 79	7027371	319, 323	7027642.....	75	7027716.....	343
7026390	67, 71, 75, 79	7027372	151, 152	7027643.....	75	7027717.....	165, 169
7026391	71	7027373	151	7027644.....	75	7027727.....	13, 15, 19
7026392	71	7027374	151	7027645.....	76	7027742.....	309
7026393	67, 71	7027379	151	7027646.....	76	7027743.....	309
7026394	75	7027381	151	7027647.....	67, 75	7027744.....	309
7026395	67, 71, 75	7027382	151	7027648.....	67, 75	7027745.....	309
7026396	67, 71, 75	7027383	151	7027649.....	67, 75	7027746.....	309
7026399	75, 79	7027385	151	7027650.....	67, 75	7027747.....	309
7026623	130, 138	7027388	265	7027651.....	67, 75	7027748.....	309
7027315	349	7027391	151, 265	7027652.....	67, 75	7027749.....	309
7027316	349	7027392	151	7027653.....	67, 75	7027750.....	309
7027317	349	7027395	266	7027654.....	71, 79	7027751.....	309
7027318	349	7027396	151	7027655.....	71, 79	7027752.....	309
7027319	349	7027398	265	7027656.....	71, 79	7027753.....	309
7027320	351	7027500	79	7027657.....	71, 79	7027755.....	309
7027321	351	7027501	79	7027662.....	80	7027756.....	309
7027322	351	7027502	79	7027663.....	80	7027757.....	309
7027323	351	7027503	79	7027665.....	67	7027758.....	309
7027324	351	7027504	79	7027666.....	67	7027759.....	309
7027325	351	7027505	79	7027667.....	67	7027760.....	309
7027326	149			7027668.....	67	7027763.....	309
7027327	149					7027765... 319, 321, 323, 325	
7027328	149					7027766... 319, 321, 323, 325	
7027329	341					7027768.....	309
7027330	341					7027801.....	83
						7027802.....	83
						7027803.....	83
						7027805.....	83
						7027806.....	83

SECTION 10 - SPECIAL OPTIONS

7027807.....	83	7027823.....	85	7027841.....	85	71820-1.....	21, 23, 25
7027808.....	83	7027824.....	85	7027842.....	85	71906.....	165, 169
7027809.....	83	7027825.....	85	7027843.....	85	71907.....	165, 169
7027810.....	83	7027826.....	85	7027844.....	85	80234299.....	237
7027811.....	83	7027827.....	85	7027845.....	85	80317.....	67, 71, 75, 79
7027812.....	83	7027828.....	85	7027846.....	85	8036580.....	111
7027813.....	83	7027829.....	85	7027883.....	85	8229242.....	413, 415
7027814.....	83	7027830.....	85	7027884.....	85	8310264.....	295
7027815.....	83	7027831.....	85	7027885.....	83	8406110.....	117, 121
7027816.....	83	7027834.....	85	7027886.....	83	8580420....	21, 23, 25, 27, 29, 31, 33, 36, 39, 41
7027817.....	83	7027835.....	85	7027890 ...	27, 29, 31, 33, 35	88212228.....	233, 235
7027818.....	83	7027836.....	85	7027897.....	309	8896941.....	499
7027819.....	83	7027837.....	85	7027899.....	309	8990147....	463, 465, 467, 471, 475, 479, 481
7027820.....	83	7027838.....	85	71101.....	165, 169	91163087.....	489, 491
7027821.....	83	7027839.....	85	71820.....	21, 23, 25, 494		
7027822.....	85	7027840.....	85				



**Corporate Office
JLG Industries, Inc.
1 JLG Drive
McConnellsburg, PA 17233-9533 USA
☎ (717) 485-5161 (Corporate)
☎ (877) 554-5438 (Customer Support)
📠 (717) 485-6417**

**Visit our website for JLG Worldwide Locations.
www.jlg.com**



OSHKOSH™