



Illustrated Parts Manual

***Model
340AJ***

**PVC
2107**

**P/N
31217470**

November 15, 2022 - Rev B

ANSI

CE



**UK
CA**

AS/NZS



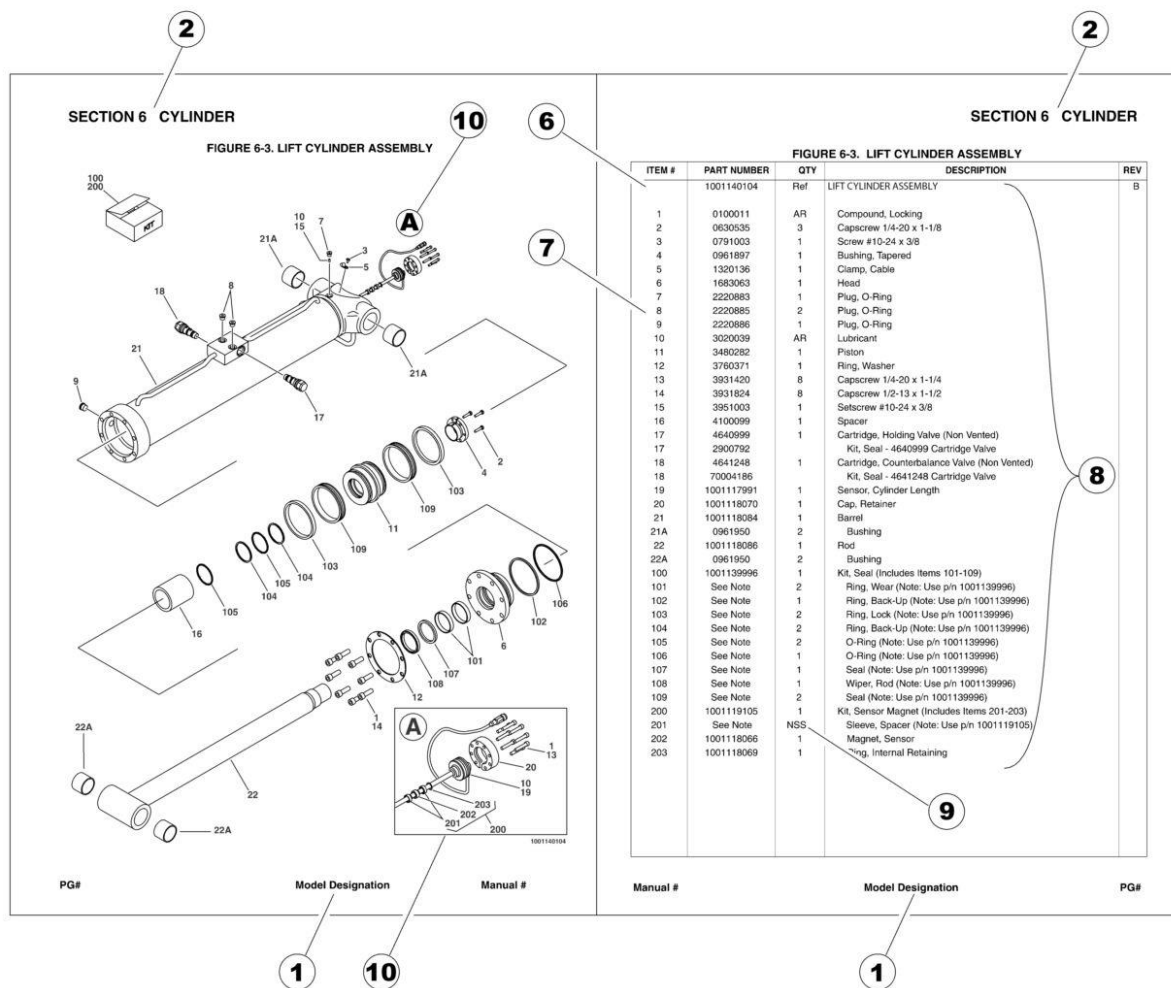
An Oshkosh Corporation Company

REVISION LOG

July 1, 2021 - A - Original Issue of Manual (Edited to B/M 1001247170 Rev G)

November 15, 2022 - B - Revised Manual (Edited to B/M 1001247170 Rev G)

GENERAL INFORMATION



1) MACHINE IDENTIFICATION

Machines are identified by model and in some cases a combination of models, serial number (SN) or regional standard (i.e ANSI, CE, CSA). Components may also be identified by SN or manufacturer. Common components that may be identified by these characteristics are engines and hydraulic components.

2) PARTS MANUAL ORGANIZATION

Product information in this manual is organized under section titles. Frame, Cylinder, Hydraulic and Electrical are a few examples. Each section is organized by figure and page number. The information within the Figure is then organized by item number, part number, description and corresponding illustration (s).

3) TABLE OF CONTENTS (NOT SHOWN)

A table of contents is found toward the beginning of the manual. Figure number, description and page number are provided for quick reference to the page containing the related information.

4) RECOMMENDED SPARE PARTS (NOT SHOWN)

The Recommended Spare Parts List, located near the end of the manual, reference most frequently used maintenance parts.

5) PART NUMBER INDEX (NOT SHOWN)

A numerical index listing all part numbers and the corresponding page number(s) appears at the back of the manual.

GENERAL INFORMATION

6) NON-SERVICED PARTS

In some instances, it is necessary to display non-serviced parts, assemblies or installations. In the case of assemblies and installations there will be a Ref in the Qty. column. In case of parts that are not available for service within assemblies or components, there will be a NSS (Not Sold Separately) or NLA (No Longer Available) listed in the Qty. column of the manual.

7) PARTS LIST ITEM NUMBERS

Numbers shown in the item# column correspond to numbers used in the associated illustration (s). Item numbers which are missing from the sequence in the parts list are not used on that page.

8) INDENTED PARTS DESCRIPTION

An indented part description is included in the item under which it is indented.

9) ABBREVIATION AND SYMBOLS

| | | | |
|-------------|--|--------------|---------------------------------|
| AC..... | Alternating Current | L..... | Liter |
| ADE..... | Advanced Design Electronics | LB(LBS)..... | Pounds |
| AG..... | Agricultural | LCD..... | Liquid Crystal Display |
| ANSI..... | American National Standards Institute | LED..... | Light Emitting Diodes |
| AR..... | As Required | LH..... | Left Hand |
| ASSY..... | Assembly | LRC..... | Low Rated Countries |
| AUS..... | Australia | LSS..... | Load Sensing System |
| AUX..... | Auxiliary | M(m)..... | Metric/Meter |
| AWG..... | American Wire Gauge | MM(mm)..... | Milimeter |
| B/M..... | Bill of Material | mA..... | Miliamps |
| CAC..... | Charge Air Cooler | NLA..... | No Longer Available |
| CE..... | European Conformity | NPT..... | National Pipe Threads |
| CCW..... | Counter Clockwise | NSS..... | Not Sold Separately |
| CM..... | Centimeter | OD..... | Outside Diameter |
| CW..... | Clockwise | ORB..... | O-Ring Boss |
| CSA..... | Canadian Standards Association | ORFS..... | O-Ring Face Seal |
| CYL..... | Cylinder | OZ (oz)..... | Ounces |
| DIA..... | Diameter | PG..... | Page |
| DC..... | Direct Current | PN..... | Part Number |
| DEF..... | Diesel Exhaust Fluid | QT(qt.)..... | Quarts |
| EMS..... | Emergency Stop | QTY..... | Quantity |
| ENG..... | Engine | REF..... | Reference |
| FT(ft)..... | Feet | REV..... | Revision Level |
| GA(Ga)..... | Gauge | RH..... | Right Hand |
| HRC..... | High Rated Countries | SAE..... | Society of Automotive Engineers |
| HVAC..... | Heating, Ventilating, and Air Conditioning | SN..... | Serial Number |
| HYD..... | Hydraulic | SPEC(S)..... | Specifications |
| Hz..... | Hertz | T/T..... | Turntable |
| ID..... | Inside Diameter | UGM..... | Universal Ground Module |
| IN..... | inches | V..... | Volts |
| ISO..... | International Organization for Standards | W..... | Watts |
| JIC..... | Joint Industry Council | #..... | Number |
| KG..... | Kilogram | | |

10) ILLUSTRATION REFERENCE LETTERS

When necessary, illustrations may contain reference letters that are intended to track information (i. e. hoses, harnesses) from one point to another or to track visual enlargement of components to show details that may be located in another area on the illustration.

Note: Due to continuous product improvements, JLG Industries, Inc. reserves the right to make specification changes without prior notification. Contact JLG Industries, Inc. for updated information.

TABLE OF CONTENTS

| | |
|--|-----|
| SECTION 1 - FRAME..... | 11 |
| FIGURE 1-1. STEERING INSTALLATION | 12 |
| FIGURE 1-2. OSCILLATING AXLE INSTALLATION..... | 14 |
| FIGURE 1-3. DRIVE VALVES INSTALLATION..... | 16 |
| FIGURE 1-4. FLOW DIVIDER VALVE ASSEMBLY | 18 |
| FIGURE 1-5. DRIVE INSTALLATION..... | 20 |
| FIGURE 1-6. DRIVE MOTOR ASSEMBLY | 22 |
| FIGURE 1-7. DRIVE HUB/BRAKE ASSEMBLY | 24 |
| FIGURE 1-8. TIRE AND WHEEL INSTALLATION - 7X18 SOLID CUSHION | 28 |
| FIGURE 1-9. TIRE AND WHEEL INSTALLATION - 7X18 SOLID CUSHION NON-MARKING..... | 30 |
| FIGURE 1-10. TIRE AND WHEEL INSTALLATION - 9X20 FOAM-FILLED..... | 32 |
| FIGURE 1-11. TIRE AND WHEEL INSTALLATION - 9X20 FOAM-FILLED NON-MARKING | 34 |
| FIGURE 1-12. TIRE AND WHEEL INSTALLATION - 33 X 12LL500 TURF/SAND FOAM FILLED..... | 36 |
| FIGURE 1-13. FRAME SHIELDS INSTALLATION..... | 38 |
| FIGURE 1-14. LP TANK ASSEMBLY..... | 40 |
| SECTION 2 - TURNTABLE..... | 43 |
| FIGURE 2-1. CONTROL VALVE AND CHARGE FILTER INSTALLATION | 44 |
| FIGURE 2-2. MAIN CONTROL VALVE ASSEMBLY..... | 46 |
| FIGURE 2-3. SWING DRIVE INSTALLATION (JING WEI) | 48 |
| FIGURE 2-4. SWING MOTOR ASSEMBLY | 50 |
| FIGURE 2-5. SWING BEARING ASSEMBLY | 52 |
| FIGURE 2-6. TANK INSTALLATION (DIESEL MACHINES)..... | 54 |
| FIGURE 2-7. TANK INSTALLATION (GAS MACHINES) | 56 |
| FIGURE 2-8. HYDRAULIC TANK ASSEMBLY..... | 58 |
| FIGURE 2-9. FUEL TANK ASSEMBLY (DIESEL MACHINES)..... | 60 |
| FIGURE 2-10. FUEL TANK ASSEMBLY (GAS MACHINES) | 62 |
| FIGURE 2-11. ELECTRICAL COMPONENTS INSTALLATION (ALL SPECS EXCEPT CE & UK CA)..... | 64 |
| FIGURE 2-12. ELECTRICAL COMPONENTS INSTALLATION (CE & UK CA SPEC)..... | 66 |
| FIGURE 2-13. GROUND CONTROL BOX ASSEMBLY - DISPLAY WITH BUTTONS (ALL SPECS EXCEPT CE & UK CA SPECS) | 68 |
| FIGURE 2-14. GROUND CONTROL BOX ASSEMBLY - DISPLAY WITHOUT BUTTONS (ALL SPECS EXCEPT CE & UK CA SPECS) | 70 |
| FIGURE 2-15. GROUND CONTROL BOX ASSEMBLY - DISPLAY WITH BUTTONS (CE & UK CA SPECS)..... | 72 |
| FIGURE 2-16. GROUND CONTROL BOX ASSEMBLY - DISPLAY WITHOUT BUTTONS (CE & UK CA SPECS) | 74 |
| FIGURE 2-17. LIGHT PANEL INSTALLATION | 76 |
| FIGURE 2-18. KEY SWITCH INSTALLATION | 78 |
| FIGURE 2-19. BATTERY INSTALLATION..... | 80 |
| FIGURE 2-20. WHITE NOISE ALARM INSTALLATION..... | 82 |
| FIGURE 2-21. STROBE LIGHT INSTALLATION (AMBER) (OPTIONAL)..... | 84 |
| FIGURE 2-22. STROBE LIGHT INSTALLATION (BLUE) (OPTIONAL) | 86 |
| FIGURE 2-23. STROBE LIGHT INSTALLATION (RED) (OPTIONAL) | 88 |
| FIGURE 2-24. TURNTABLE FLOODLIGHT INSTALLATION (OPTIONAL)..... | 90 |
| FIGURE 2-25. HEAD AND TAIL LIGHT INSTALLATION (OPTIONAL)..... | 92 |
| FIGURE 2-26. HOODS INSTALLATION | 94 |
| FIGURE 2-27. ENGINE SIDE HOOD ASSEMBLY | 98 |
| FIGURE 2-28. TANK SIDE HOOD ASSEMBLY | 100 |
| FIGURE 2-29. HOOD COMPONENTS - KUBOTA ENGINE (WITHOUT ARCTIC PACKAGE) | 102 |
| FIGURE 2-30. HOOD COMPONENTS - KUBOTA ENGINE (WITH ARCTIC PACKAGE) | 104 |
| FIGURE 2-31. HOOD COMPONENTS - KUBOTA ENGINE WITH 4000W GENERATOR (WITHOUT ARCTIC PACKAGE) | 106 |
| FIGURE 2-32. HOOD COMPONENTS - KUBOTA ENGINE WITH 4000W GENERATOR (WITH ARCTIC PACKAGE) | 108 |
| FIGURE 2-33. HOOD COMPONENTS - GM ENGINE (WITHOUT ARCTIC PACKAGE) | 110 |
| FIGURE 2-34. HOOD COMPONENTS - GM ENGINE (WITH ARCTIC PACKAGE)..... | 112 |
| SECTION 3 - ENGINE | 115 |
| FIGURE 3-1. GM ENGINE INSTALLATION (WITHOUT ARCTIC PACKAGE)..... | 116 |
| FIGURE 3-2. GM ENGINE INSTALLATION (WITH ARCTIC PACKAGE) | 118 |
| FIGURE 3-3. GM ENGINE AND PUMP SUB-ASSEMBLY..... | 120 |
| FIGURE 3-4. GM ENGINE ASSEMBLY | 122 |
| FIGURE 3-5. KUBOTA ENGINE INSTALLATION (WITHOUT ARCTIC PACKAGE)..... | 126 |
| FIGURE 3-6. KUBOTA ENGINE INSTALLATION WITH 4000W GENERATOR (WITHOUT ARCTIC PACKAGE) | 130 |
| FIGURE 3-7. KUBOTA ENGINE INSTALLATION (WITH ARCTIC PACKAGE)..... | 134 |
| FIGURE 3-8. KUBOTA ENGINE INSTALLATION WITH 4000W GENERATOR (WITH ARCTIC PACKAGE) | 138 |

TABLE OF CONTENTS

| | |
|--|---------|
| FIGURE 3-9. KUBOTA ENGINE AND PUMP SUB-ASSEMBLY | 142 |
| FIGURE 3-10. KUBOTA ENGINE WITH 4000W GENERATOR AND PUMP SUB-ASSEMBLY | 144 |
| FIGURE 3-11. KUBOTA ENGINE ASSEMBLY | 146 |
| FIGURE 3-12. KUBOTA ENGINE ASSEMBLY WITH 4000W GENERATOR | 150 |
| FIGURE 3-13. KUBOTA ENGINE COMPONENTS | 154 |
| FIGURE 3-14. CATALYTIC MUFFLER INSTALLATION - KUBOTA ENGINE (OPTIONAL)..... | 158 |
| FIGURE 3-15. FUEL/WATER SEPARATOR ASSEMBLY (KUBOTAT ENGNIES) (PVC2007) | 160 |
| FIGURE 3-16. AXIAL PUMP ASSEMBLY | 162 |
| FIGURE 3-17. GEAR PUMP ASSEMBLY | 166 |
| FIGURE 3-18. 2800W GENERATOR INSTALLATION - GM ENGINE MACHINES 220V/50HZ GENERATOR (ANSI EXPORT AND CHINA SPECS) | 168 |
| FIGURE 3-19. 2800W GENERATOR INSTALLATION - KUBOTA ENGINE MACHINES 120V/50HZ GENERATOR | 172 |
| FIGURE 3-20. 2800W GENERATOR INSTALLATION - KUBOTA ENGINE MACHINES 220V/50HZ GENERATOR (ANSI EXPORT, AUSTRALIAN, CHINA, CE & UK CA SPECS) | 176 |
| FIGURE 3-21. 3500W GENERATOR INSTALLATION - GM ENGINE MACHINES 120V/60HZ GENERATOR (ANSI, ANSI EXPORT, CHINA, CSA AND JAPANESE SPECS)..... | 180 |
| FIGURE 3-22. 3500W GENERATOR INSTALLATION - GM ENGINE MACHINES 220V/60HZ GENERATOR (ANSI EXPORT, CHINA AND CSA SPECS)..... | 184 |
| FIGURE 3-23. 3500W GENERATOR INSTALLATION - KUBOTA ENGINE MACHINES 120V/60HZ GENERATOR (ANSI, ANSI EXPORT, CHINA, CSA AND JAPANESE SPECS)..... | 188 |
| FIGURE 3-24. 3500W GENERATOR INSTALLATION - KUBOTA ENGINE MACHINES 220V/60HZ GENERATOR (ANSI EXPORT, CHINA AND CSA SPECS) | 192 |
| FIGURE 3-25. 4000W GENERATOR INSTALLATION - KUBOTA ENGINE MACHINES 220V/50HZ GENERATOR (ANSI EXPORT, AUSTRALIAN, CHINA, JAPANESE, CE & UK CA SPECS)..... | 196 |
| FIGURE 3-26. 4000W GENERATOR INSTALLATION - KUBOTA ENGINE MACHINES 110V/60HZ GENERATOR (ANSI, ANSI EXPORT, CHINA, CSA AND JAPANESE SPECS)..... | 200 |
| SECTION 4 - BOOM..... | 203 |
| FIGURE 4-1. BOOM AND CYLINDERS INSTALLATION - WITHOUT ARCTIC PACKAGE | 204 |
| FIGURE 4-2. BOOM AND CYLINDERS INSTALLATION - WITH ARCTIC PACKAGE | 206 |
| FIGURE 4-3. TOWER BOOM ASSEMBLY | 208 |
| FIGURE 4-4. MAIN BOOM ASSEMBLY | 210 |
| FIGURE 4-5. JIB ASSEMBLY - WITHOUT ARCTIC PACKAGE..... | 212 |
| FIGURE 4-6. JIB ASSEMBLY - WITH ARCTIC PACKAGE | 214 |
| FIGURE 4-7. PLATFORM ROTATOR ASSEMBLY - WITHOUT ARCTIC PACKAGE | 216 |
| FIGURE 4-8. PLATFORM ROTATOR ASSEMBLY - WITH ARCTIC PACKAGE | 218 |
| FIGURE 4-9. PLATFORM SUPPORT INSTALLATION - WITH 1 CELL LSS (PVC 2001)..... | 220 |
| FIGURE 4-10. PLATFORM SUPPORT INSTALLATION - WITH 1 CELL LSS (PVC 2007)..... | 222 |
| FIGURE 4-11. POWER TRACK INSTALLATION..... | 224 |
| FIGURE 4-12. CONTROL VALVES INSTALLATION - BOOM..... | 226 |
| FIGURE 4-13. FLY BOOM VALVE ASSEMBLY | 228 |
| FIGURE 4-14. BOOM UPRIGHT VALVE ASSEMBLY | 230 |
| SECTION 5 - PLATFORM | 233 |
| FIGURE 5-1. PLATFORM ASSEMBLY - 30IN X 4FT (76CM X 1.22M) - GATE ENTRY | 234 |
| FIGURE 5-2. PLATFORM ASSEMBLY - 30IN X 5FT (76CM X 1.52M) - GATE ENTRY | 236 |
| FIGURE 5-3. PLATFORM ASSEMBLY - 30IN X 4FT (76CM X 1.22M) - DROP BAR ENTRY | 238 |
| FIGURE 5-4. PLATFORM ASSEMBLY - 30IN X 5FT (76CM X 1.52M) - DROP BAR ENTRY | 240 |
| FIGURE 5-5. PLATFORM ASSEMBLY - 30IN X 3FT (76CM X .91M) - DROP BAR ENTRY | 242 |
| FIGURE 5-6. TRAY INSTALLATION..... | 244 |
| FIGURE 5-7. CONSOLE AND FOOTSWITCH INSTALLATION - DIESEL MACHINES | 246 |
| FIGURE 5-8. CONSOLE AND FOOTSWITCH INSTALLATION - GAS MACHINES..... | 248 |
| FIGURE 5-9. CONSOLE ASSEMBLY | 250 |
| FIGURE 5-10. LIFT/SWING CONTROLLER ASSEMBLY | 254 |
| FIGURE 5-11. DRIVE/STEER CONTROLLER ASSEMBLY | 258 |
| FIGURE 5-12. LIGHT PANEL INSTALLATION..... | 260 |
| FIGURE 5-13. FOOTSWITCH ASSEMBLY | 262 |
| FIGURE 5-14. SKYEYE INSTALLATION..... | 264 |
| FIGURE 5-15. SKYGUARD BAR INSTALLATION..... | 266 |
| FIGURE 5-16. SKYLINE INSTALLATION | 268 |
| FIGURE 5-17. PIPE RACK INSTALLATION (AUSTRALIAN SPEC)..... | 270 |
| FIGURE 5-18. WORKLIGHTS INSTALLATION (OPTIONAL)..... | 272 |
| SECTION 6 - CYLINDER..... | 275 |

TABLE OF CONTENTS

| | |
|---|-----|
| FIGURE 6-1. AXLE LOCKOUT CYLINDER ASSEMBLY | 276 |
| FIGURE 6-2. LEVEL (PLATFORM SLAVE) CYLINDER ASSEMBLY | 278 |
| FIGURE 6-3. LIFT (JIB) CYLINDER ASSEMBLY | 280 |
| FIGURE 6-4. LIFT (MAIN BOOM) CYLINDER ASSEMBLY | 282 |
| FIGURE 6-5. LIFT (TOWER BOOM) CYLINDER ASSEMBLY | 284 |
| FIGURE 6-6. MASTER CYLINDER ASSEMBLY | 286 |
| FIGURE 6-7. STEER CYLINDER ASSEMBLY | 288 |
| FIGURE 6-8. TELESCOPE CYLINDER ASSEMBLY | 290 |
| | |
| SECTION 7 - HYDRAULIC | 293 |
| | |
| FIGURE 7-1. HYDRAULIC INSTALLATION - WITHOUT ARCTIC PACKAGE | 294 |
| FIGURE 7-2. HYDRAULIC INSTALLATION - WITH ARCTIC PACKAGE | 304 |
| | |
| SECTION 8 - ELECTRICAL | 315 |
| | |
| FIGURE 8-1. AC BOX AT PLATFORM INSTALLATION - LOCALLY SUPPLIED COMPONENTS (ANSI EXPORT, AUSTRALIAN AND CHINA SPECS)..... | 316 |
| FIGURE 8-2. AC BOX AT PLATFORM INSTALLATION - LOCALLY SUPPLIED (CE & UK CA SPEC)..... | 318 |
| FIGURE 8-3. AC BOX AT PLATFORM INSTALLATION - 110V (ANSI, ANSI EXPORT, CHINA, CSA AND JAPANESE SPECS) | 320 |
| FIGURE 8-4. AC BOX AT PLATFORM INSTALLATION - 110V IEC YELLOW WITHOUT 4000W GENERATOR (CE & UK CA SPEC)..... | 322 |
| FIGURE 8-5. AC BOX AT PLATFORM INSTALLATION - 110V IEC YELLOW WITH 4000W GENERATOR (CE & UK CA SPECS) | 324 |
| FIGURE 8-6. AC BOX AT PLATFORM INSTALLATION - 220V (CSA SPEC) | 326 |
| FIGURE 8-7. AC BOX AT PLATFORM INSTALLATION - 220V IEC BLUE WITHOUT 4000W GENERATOR (CE & UK CA SPEC) | 328 |
| FIGURE 8-8. AC BOX AT PLATFORM INSTALLATION - 220V IEC BLUE WITH 4000W GENERATOR (CE & UK CA SPECS) | 330 |
| FIGURE 8-9. AC BOX AT PLATFORM INSTALLATION - 220V CEE7 POST GROUND 2 X 4 BOX WITHOUT 4000W GENERATOR (CE & UK CA SPEC)..... | 332 |
| FIGURE 8-10. AC BOX AT PLATFORM INSTALLATION - 220V CEE7 POST GROUND 2 X 4 BOX WITH 4000W GENERATOR (CE & UK CA SPECS)..... | 334 |
| FIGURE 8-11. AC BOX AT PLATFORM INSTALLATION - 220V CEE7 SIDE GROUND 2 X 4 BOX WITHOUT 4000W GENERATOR (CE & UK CA SPEC)..... | 336 |
| FIGURE 8-12. AC BOX AT PLATFORM INSTALLATION - 220V CEE7 SIDE GROUND 2 X 4 BOX WITH 4000W GENERATOR (CE & UK CA SPECS)..... | 338 |
| FIGURE 8-13. AC BOX AT PLATFORM INSTALLATION - 220V AFSINT 107 KEYED GROUND WITHOUT 4000W GENERATOR (CE & UK CA SPEC)..... | 340 |
| FIGURE 8-14. AC BOX AT PLATFORM INSTALLATION - 220V AFSINT 107 KEYED GROUND WITH 4000W GENERATOR (CE & UK CA SPECS)..... | 342 |
| FIGURE 8-15. AC BOX AT PLATFORM INSTALLATION - BOX WITH COVER WITH 4000W GENERATOR (ANSI EXPORT, AUSTRALIAN, CHINA AND JAPANESE SPECS)..... | 344 |
| FIGURE 8-16. AC POWER TO PLATFORM CABLE - MAIN BOOM (WITHOUT ARCTIC PACKAGE) (50HZ)..... | 346 |
| FIGURE 8-17. AC POWER TO PLATFORM CABLE - MAIN BOOM (WITH ARCTIC PACKAGE) (50HZ) | 348 |
| FIGURE 8-18. AC POWER TO PLATFORM CABLE - MAIN BOOM (60HZ) | 350 |
| FIGURE 8-19. AC POWER TO PLATFORM CABLE - TOWER BOOM (WITHOUT ARCTIC PACKAGE) (50HZ) | 352 |
| FIGURE 8-20. AC POWER TO PLATFORM CABLE - TOWER BOOM (WITH ARCTIC PACKAGE) (50HZ) | 354 |
| FIGURE 8-21. AC POWER TO PLATFORM CABLE - TOWER BOOM (60HZ) | 356 |
| FIGURE 8-22. BATTERY DISCONNECT SWITCH..... | 358 |
| FIGURE 8-23. BOOM CABLES, HARNESSES AND CLAMPS INSTALLATION - WITHOUT ARCTIC PACKAGE | 360 |
| FIGURE 8-24. BOOM CABLES, HARNESSES AND CLAMPS INSTALLATION - WITH ARCTIC PACKAGE | 364 |
| FIGURE 8-25. BOOM CABLES AND CLAMPS INSTALLATION - 4000W, 50HZ - WITHOUT ARCTIC PACKAGE..... | 368 |
| FIGURE 8-26. BOOM CABLES AND CLAMPS INSTALLATION - 4000W, 50HZ - WITH ARCTIC PACKAGE | 372 |
| FIGURE 8-27. BOOM CABLES AND CLAMPS INSTALLATION - 4000W, 60HZ - WITHOUT ARCTIC PACKAGE | 376 |
| FIGURE 8-28. BOOM CABLES AND CLAMPS INSTALLATION - 4000W, 60HZ - WITH ARCTIC PACKAGE | 380 |
| FIGURE 8-29. BOOM HARNESS - LIMIT SWITCHES AND UPRIGHT VALVE | 384 |
| FIGURE 8-30. BOOM HARNESS - MAIN..... | 386 |
| FIGURE 8-31. BREAKER BOX INSTALLATION..... | 388 |
| FIGURE 8-32. BREAKER BOX KIT (CE & UK CA SPEC) | 390 |
| FIGURE 8-33. CHASSIS HARNESS ASSEMBLY | 392 |
| FIGURE 8-34. CHASSIS LIGHT HARNESS | 396 |
| FIGURE 8-35. ENGINE HARNESS - KUBOTA ENGINE | 398 |
| FIGURE 8-36. FUEL PUMP HARNESS - GM ENGINES | 400 |
| FIGURE 8-37. GENERATOR HARNESS - 2500W..... | 402 |
| FIGURE 8-38. GENERATOR HARNESS - 4000W..... | 404 |

TABLE OF CONTENTS

| | |
|---|-----|
| FIGURE 8-39. GENERATOR CONTROL HARNESS - 4000W..... | 406 |
| FIGURE 8-40. GENERATOR TO AC PLUG HARNESS - 2800W GENERATOR 220/50HZ (ANSI EXPORT, AUSTRALIAN, CHINA, CE & UK CA SPECS) | 408 |
| FIGURE 8-41. GENERATOR TO AC PLUG HARNESS - 2800W GENERATOR 110/50HZ (CE & UK CA SPECS ONLY)..... | 410 |
| FIGURE 8-42. GENERATOR TO AC PLUG HARNESS - 2800W GENERATOR 220/50HZ (ANSI EXPORT, AUSTRALIAN, CHINA, CE & UK CA SPECS) | 412 |
| FIGURE 8-43. GENERATOR TO AC PLUG HARNESS - 3500W GENERATOR 220/60HZ (ANSI EXPORT, CHINA AND CSA SPECS)..... | 414 |
| FIGURE 8-44. GENERATOR TO AC PLUG HARNESS - 3500W GENERATOR 110/60HZ (ANSI, ANSI EXPORT, CHINA, CSA AND JAPANESE SPECS)..... | 416 |
| FIGURE 8-45. GENERATOR TO AC PLUG HARNESS - 3500W GENERATOR 220/60HZ (ANSI EXPORT, CHINA AND CSA SPECS)..... | 418 |
| FIGURE 8-46. GROUND TO PLATFORM CABLE - MAIN BOOM (WITHOUT ARCTIC PACKAGE) | 420 |
| FIGURE 8-47. GROUND TO PLATFORM CABLE - MAIN BOOM (WITH ARCTIC PACKAGE) | 422 |
| FIGURE 8-48. GROUND TO PLATFORM CABLE - TOWER BOOM (WITHOUT ARCTIC PACKAGE)..... | 424 |
| FIGURE 8-49. GROUND TO PLATFORM CABLE - TOWER BOOM (WITH ARCTIC PACKAGE) | 426 |
| FIGURE 8-50. GROUND CONTROL HARNESS..... | 428 |
| FIGURE 8-51. GENERATOR TO PLATFORM HARNESS | 430 |
| FIGURE 8-52. LIMIT SWITCH HARNESS | 432 |
| FIGURE 8-53. LSS HARNESS | 434 |
| FIGURE 8-54. MID-ENGINE HARNESS..... | 436 |
| FIGURE 8-55. PLATFORM BOX HARNESS ASSEMBLY | 440 |
| FIGURE 8-56. RECEPTACLE BOX KIT - 110V IEC YELLOW (CE & UK CA SPEC)..... | 442 |
| FIGURE 8-57. RECEPTACLE BOX KIT - 220V IEC BLUE (CE & UK CA SPEC) | 444 |
| FIGURE 8-58. RECEPTACLE BOX KIT - 220V CEE7 POST GROUND 70MM X 70MM BOX (CE & UK CA SPEC) | 446 |
| FIGURE 8-59. RECEPTACLE BOX KIT - 220V CEE7 SIDE GROUND 70MM X 70MM BOX (CE & UK CA SPEC) | 448 |
| FIGURE 8-60. RECEPTACLE BOX KIT - 220V CEE7 POST GROUND 2IN X 4IN BOX (CE & UK CA SPEC)..... | 450 |
| FIGURE 8-61. RECEPTACLE BOX KIT - 220V CEE7 SIDE GROUND 2IN X 4IN BOX (CE & UK CA SPEC) | 452 |
| FIGURE 8-62. RECEPTACLE BOX KIT - 220V AFSINT 107 (CE & UK CA SPEC) | 454 |
| FIGURE 8-63. SKYEYE EMITTER HARNESS | 456 |
| FIGURE 8-64. SKYEYE INTERMEDIATE HARNESS | 458 |
| FIGURE 8-65. SKYEYE RECEIVER HARNESS..... | 460 |
| FIGURE 8-66. SKYLINE HARNESS | 462 |
| FIGURE 8-67. STROBE LIGHT CONTROL (BLUE STROBE LIGHT)..... | 464 |
| FIGURE 8-68. STROBE LIGHT EXTENSION HARNESS (BLUE STROBE LIGHT ONLY)..... | 466 |
| FIGURE 8-69. VALVE HARNESS - BOOM VALVE | 468 |
| FIGURE 8-70. VALVE HARNESS - MAIN CONTROL | 470 |
| FIGURE 8-71. TILT SENSOR HARNESS..... | 472 |
| SECTION 9 - DECALS | 475 |
| FIGURE 9-1. DECALS INSTALLATION - ANSI AND ANSI EXPORT SPECS (ENGLISH)..... | 476 |
| FIGURE 9-2. DECALS INSTALLATION - AUSTRALIAN SPEC (ENGLISH) | 478 |
| FIGURE 9-3. DECALS INSTALLATION - BRAZIL SPEC (PORTUGUESE/SPANISH) | 480 |
| FIGURE 9-4. DECALS INSTALLATION - CE & UK CA SPECS (ENGLISH) | 482 |
| FIGURE 9-5. DECALS INSTALLATION - CHINESE SPEC (CHINESE/ENGLISH) | 484 |
| FIGURE 9-6. DECALS INSTALLATION - CSA SPEC (FRENCH/ENGLISH)..... | 486 |
| FIGURE 9-7. DECALS INSTALLATION - JAPANESE SPEC (JAPANESE) | 488 |
| FIGURE 9-8. DECALS INSTALLATION - KOREAN SPEC (KOREAN/ENGLISH)..... | 490 |
| FIGURE 9-9. DECALS INSTALLATION - LATIN AMERICA SPEC (SPANISH/ENGLISH)..... | 492 |
| FIGURE 9-10. OPTIONAL DECALS INSTALLATION..... | 494 |
| SECTION 10 - RECOMMENDED SERVICE PARTS STOCK | 497 |
| FIGURE 10-1. RECOMMENDED SERVICE PARTS STOCK | 498 |
| SECTION 11 - SPECIAL OPTIONS/ACCESSORIES/KITS..... | 501 |
| FIGURE 11-1. SPECIAL OPTIONS/ACCESSORIES/KITS..... | 502 |
| PART NUMBER INDEX..... | 505 |

SECTION 1 - FRAME

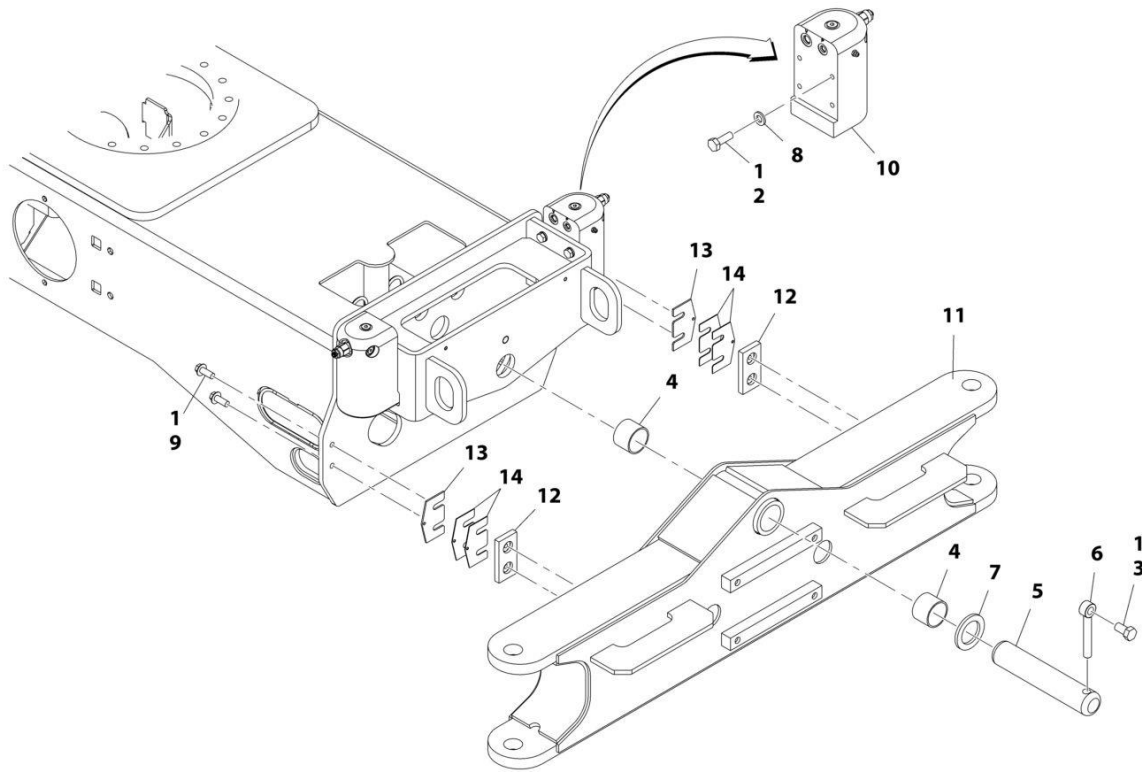
SECTION 1 - FRAME

FIGURE 1-1. STEERING INSTALLATION

| ITEM | PART NUMBER | QTY | DESCRIPTION | REV |
|------|-------------|-----|--|-----|
| | 1001115771 | Ref | STEERING INSTALLATION | C |
| 1 | 0100011 | AR | Compound, Locking | |
| 2 | 0440271 | 2 | Thrustwasher .250 | |
| 3 | 0440274 | 2 | Bearing | |
| 4 | 0440291 | 2 | Bearing | |
| 5 | 0701220 | 4 | Bolt M12 x 60 | |
| 6 | 0761010 | 20 | Bolt M16 x 20 | |
| 7 | 0962140 | 2 | Bushing | |
| 9 | 3423081 | 4 | Kingpin | |
| 10 | 3780182 | 2 | O-Ring | |
| 11 | 3841520 | 4 | Keeper, Pin | |
| 12 | 4740086 | 4 | Thrustwasher .0625 | |
| 13 | 4740537 | 2 | Thrustwasher .625 | |
| 14 | 4740538 | 2 | Thrustwasher .125 | |
| 15 | 4740539 | 2 | Thrustwasher .188 | |
| 16 | 4740540 | 2 | Thrustwasher .250 | |
| 17 | 4812100 | 4 | Washer M12 | |
| 18 | 1001116788 | 1 | Steer Cylinder Assembly (See Separate Breakdown in CYLINDER SECTION) | |
| 19 | 1001116867 | 4 | Pin, Pivot | |
| 20 | 1001116871 | 2 | Link, Tie-Rod | |
| 21 | 1001117142 | 2 | Spindle | |

SECTION 1 - FRAME

FIGURE 1-2. OSCILLATING AXLE INSTALLATION



ART_1001115772

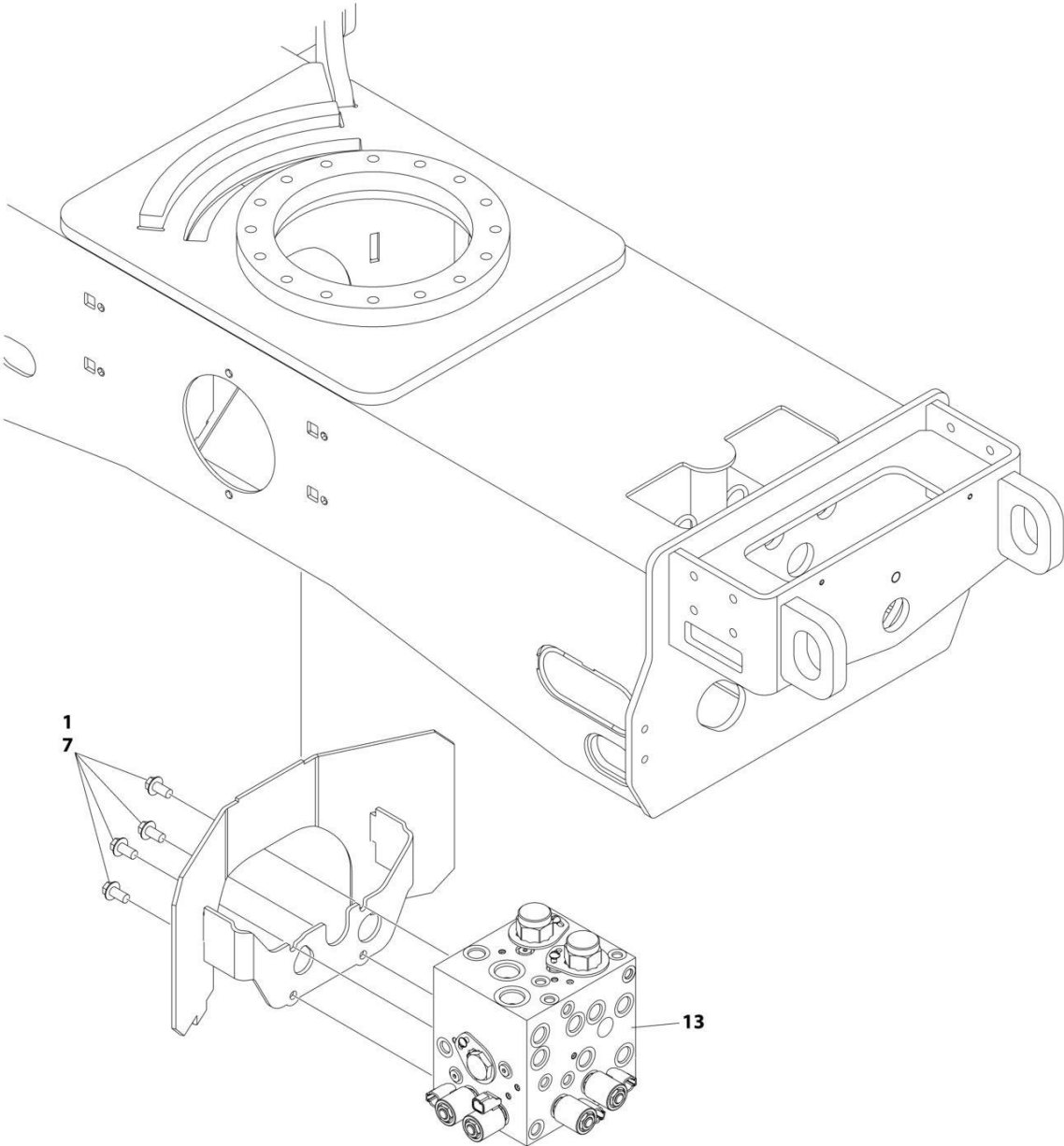
SECTION 1 - FRAME

FIGURE 1-2. OSCILLATING AXLE INSTALLATION

| ITEM | PART NUMBER | QTY | DESCRIPTION | REV |
|------|-------------|-----|--|-----|
| | 1001115772 | Ref | OSCILLATING AXLE INSTALLATION | B |
| 1 | 0100011 | AR | Compound, Locking | |
| 2 | 0761014 | 8 | Bolt M10 x 30 | |
| 3 | 0761614 | 1 | Bolt M16 x 30 | |
| 4 | 0961950 | 2 | Bushing | |
| 5 | 3422592 | 1 | Pin, Axle Pivot | |
| 6 | 3841258 | 1 | Keeper, Pin | |
| 7 | 4740158 | 1 | Thrustwasher | |
| 8 | 5241000 | 8 | Washer M10 | |
| 9 | 5251012 | 4 | Bolt M10 x 25 | |
| 10 | 1001116361 | 2 | Lockout Cylinder Assembly (See Separate Breakdown in CYLINDER SECTION) | |
| 11 | 1001117869 | 1 | Axle Weldment | |
| 12 | 1001118511 | 2 | Pad, Wear | |
| 13 | 1001118518 | 2 | Shim 11Ga | |
| 14 | 1001118519 | 4 | Shim 16Ga | |

SECTION 1 - FRAME

FIGURE 1-3. DRIVE VALVES INSTALLATION



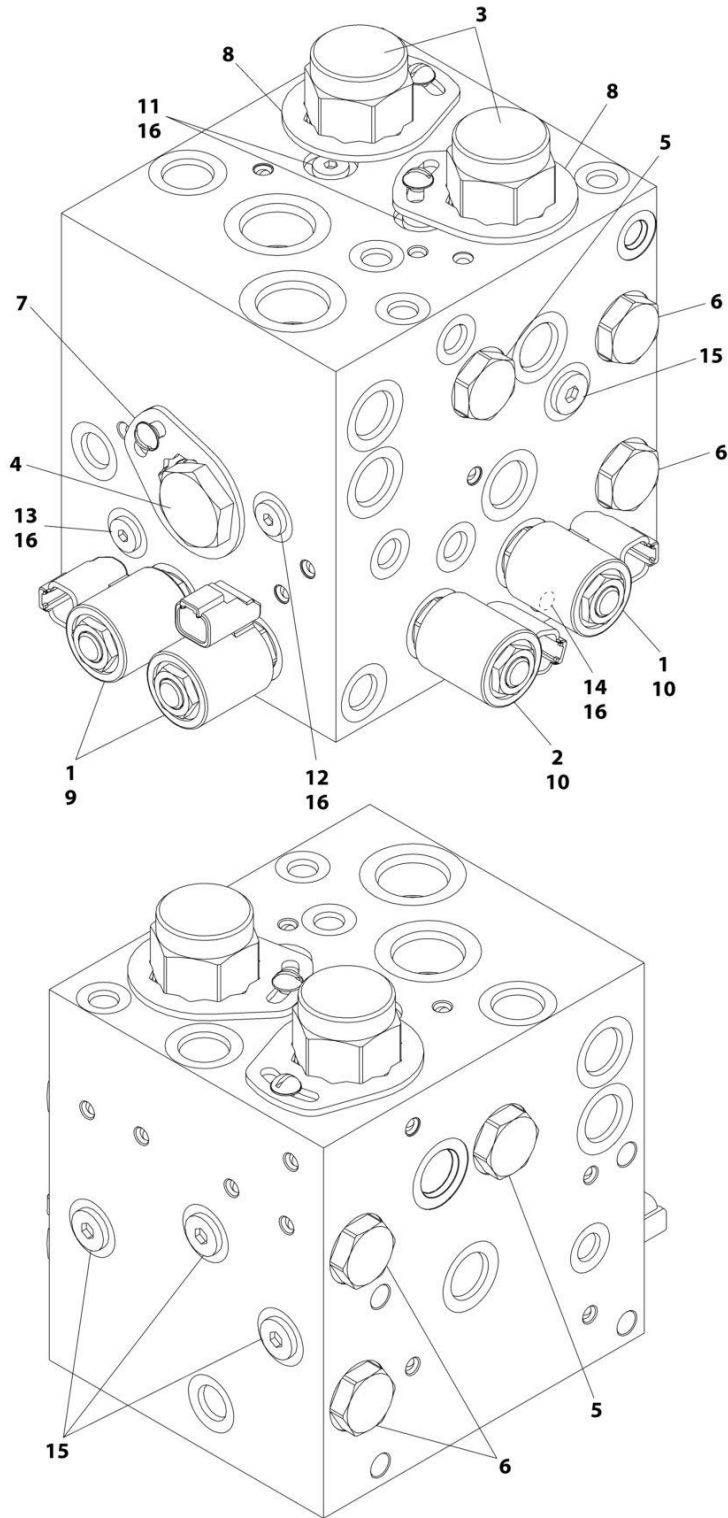
ART_1001115780_10F3

FIGURE 1-3. DRIVE VALVES INSTALLATION

| ITEM | PART NUMBER | QTY | DESCRIPTION | REV |
|-------------|--------------------|------------|--|------------|
| | 1001115780 | Ref | DRIVE VALVES INSTALLATION | G |
| 1 | 0100011 | AR | Compound, Locking | |
| 7 | 5251010 | 4 | Bolt M10 x 20 | |
| 13 | 1001118029 | 1 | Flow Divider Valve Assembly (See Separate Breakdown in this Section) | |

SECTION 1 - FRAME

FIGURE 1-4. FLOW DIVIDER VALVE ASSEMBLY



ART_1001118029

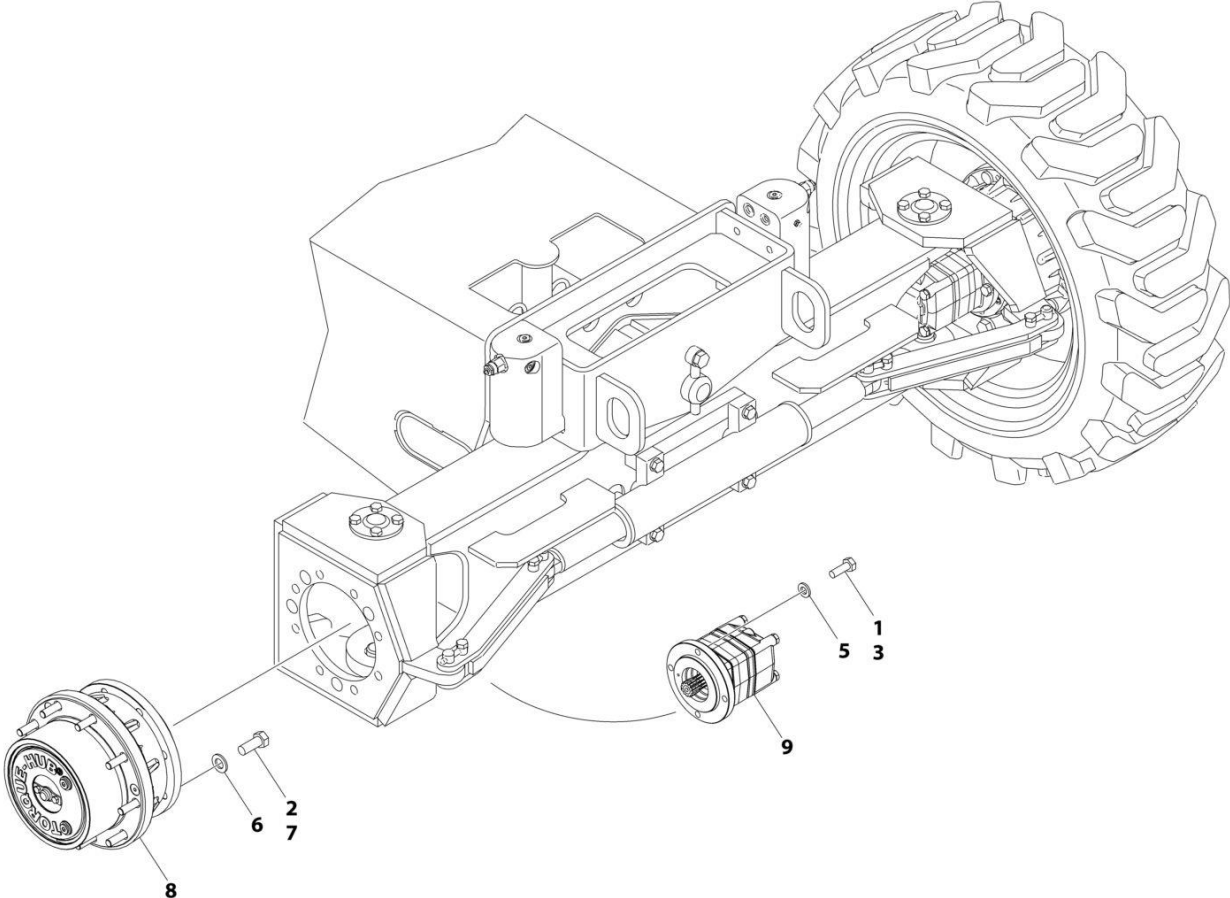
SECTION 1 - FRAME

FIGURE 1-4. FLOW DIVIDER VALVE ASSEMBLY

| ITEM | PART NUMBER | QTY | DESCRIPTION | REV |
|------|-------------|-----|--|-----|
| | 1001118029 | Ref | FLOW DIVIDER VALVE ASSEMBLY | D |
| 1 | 7012941 | 3 | Valve, Solenoid Cartridge (Without Coil) (Traction, Brake and Secondary Oscillating) | |
| 1 | 7010543 | 3 | Seal Kit - 7012941 Cartridge | |
| 2 | 70002955 | 1 | Valve, Solenoid Cartridge (Without Coil) (Primary Oscillating) | |
| 2 | 7012953 | 1 | Seal Kit - 70002955 Cartridge | |
| 3 | 70002956 | 2 | Valve, Solenoid Cartridge | |
| 3 | 70002957 | 2 | Seal Kit - 70002956 Cartridge | |
| 4 | 70002958 | 1 | Valve, Flow Divider Cartridge | |
| 4 | 70002959 | 1 | Seal Kit - 70002958 Cartridge | |
| 5 | 70002960 | 1 | Valve, Flow Divider Cartridge | |
| 5 | 70002978 | 1 | Seal Kit - 70002960 Cartridge | |
| 6 | 70002961 | 4 | Valve, Check Cartridge | |
| 6 | 7017496 | 4 | Seal Kit - 70002961 Check Cartridge | |
| 7 | 70002962 | 1 | Lock Kit | |
| 8 | 70000781 | 2 | Lock Kit | |
| 9 | 70002386 | 2 | Coil | |
| 10 | 70002963 | 2 | Coil | |
| 11 | See Note | 2 | Orifice .031 (Note: Not Available for Purchase) | |
| 12 | See Note | 1 | Orifice .025 (Note: Not Available for Purchase) | |
| 13 | See Note | 1 | Orifice .040 (Note: Not Available for Purchase) | |
| 14 | 70002063 | 1 | Orifice .062 | |
| 15 | 7024844 | 4 | Plug | |
| 16 | 7017406 | 5 | Plug | |

SECTION 1 - FRAME

FIGURE 1-5. DRIVE INSTALLATION



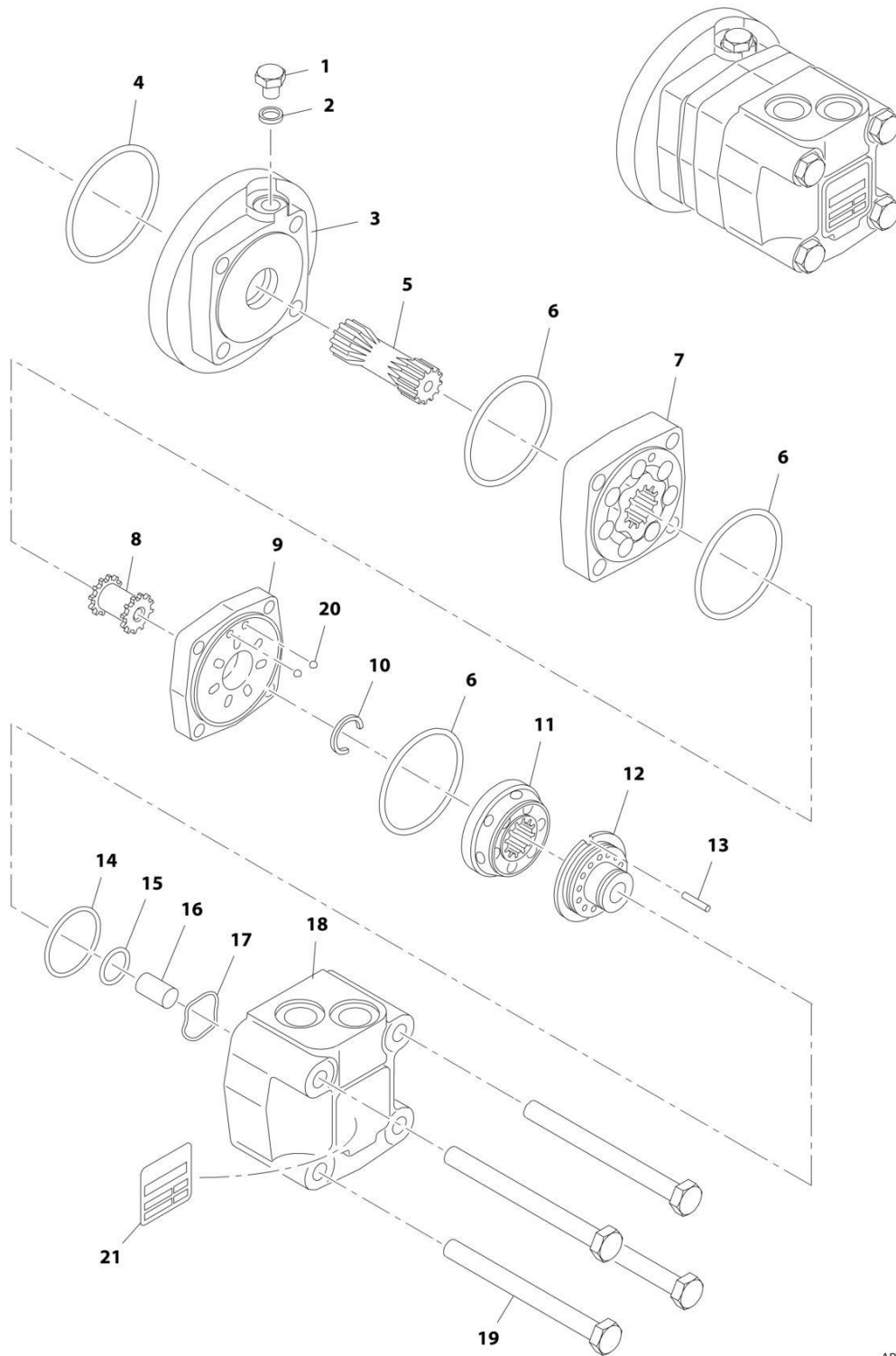
ART_1001115770

FIGURE 1-5. DRIVE INSTALLATION

| ITEM | PART NUMBER | QTY | DESCRIPTION | REV |
|------|-------------|-----|---|-----|
| | 1001115770 | Ref | WHEEL DRIVE INSTALLATION | D |
| 1 | 0100011 | AR | Compound, Locking | |
| 2 | 0100019 | AR | Compound, Locking | |
| 3 | 0761015 | 16 | Bolt M10 x 35 | |
| 3 | 0761014 | 16 | Bolt M10 x 30 | |
| 5 | 5241000 | 16 | Washer M10 | |
| 6 | 5241600 | 32 | Washer M16 | |
| 7 | 1001110922 | 32 | Bolt M16 x 40 Grade 10.9 | |
| 8 | 1001116793 | 4 | Drive Hub/Brake Assembly (See Separate Breakdown in this Section) | |
| 9 | 1001117030 | 4 | Drive Motor Assembly (See Separate Breakdown in this Section) | |

SECTION 1 - FRAME

FIGURE 1-6. DRIVE MOTOR ASSEMBLY



ART_1001117030

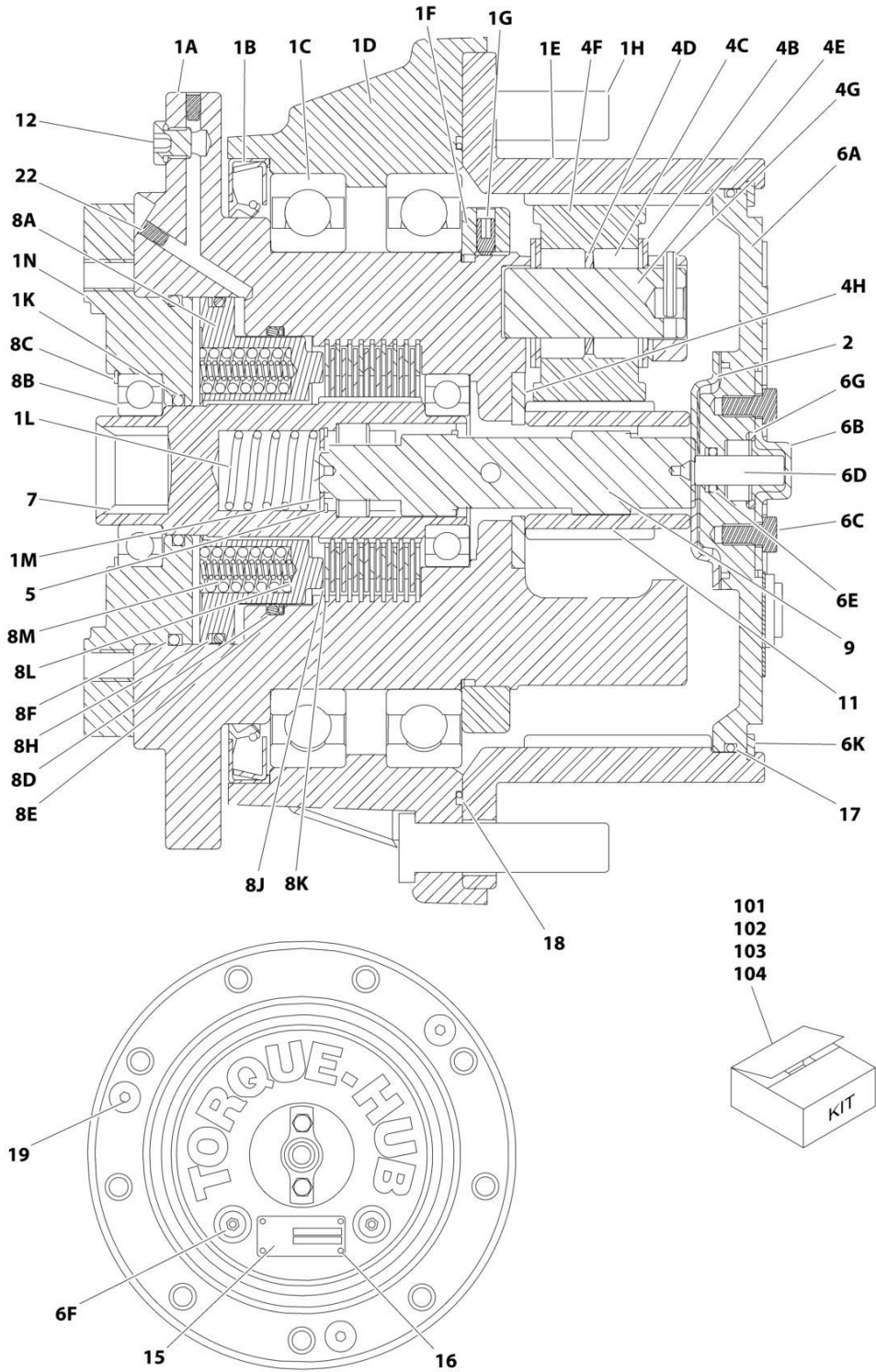
SECTION 1 - FRAME

FIGURE 1-6. DRIVE MOTOR ASSEMBLY

| ITEM | PART NUMBER | QTY | DESCRIPTION | REV |
|------|-------------|-----|--|-----|
| | 1001117030 | Ref | DRIVE MOTOR ASSEMBLY | B |
| 1 | 70003005 | 1 | Plug | |
| 2 | 8007941 | 1 | Washer | |
| 3 | See Note | NSS | Flange (Note: Not Available - Purchase p/n 1001117030) | |
| 4 | 70003006 | 1 | O-Ring | |
| 5 | 70003007 | 1 | Shaft | |
| 6 | 70003008 | 3 | O-Ring | |
| 7 | 70003009 | 1 | Gear Set | |
| 8 | 70003010 | 1 | Shaft, Coupling | |
| 9 | 70003011 | 1 | Plate, Port | |
| 10 | 70003012 | 1 | Ring, Stop | |
| 11 | 7027955 | 1 | Disc, Valve | |
| 12 | 7027956 | 1 | Plate, Pressure | |
| 13 | 7027957 | 1 | Pin, Spring | |
| 14 | 70003013 | 1 | O-Ring | |
| 15 | 70003014 | 1 | O-Ring | |
| 16 | 7027958 | 1 | Spacer | |
| 17 | 7027959 | 1 | Washer, Crinkle | |
| 18 | See Note | NSS | Cover, End (Note: Not Available - Purchase p/n 1001117030) | |
| 19 | 70003016 | 4 | Screw | |
| 20 | 80334555 | 2 | Ball | |
| 21 | See Note | NSS | Nameplate (Note: Not Available for Purchase) | |

SECTION 1 - FRAME

FIGURE 1-7. DRIVE HUB/BRAKE ASSEMBLY



ART_100116793

SECTION 1 - FRAME

FIGURE 1-7. DRIVE HUB/BRAKE ASSEMBLY

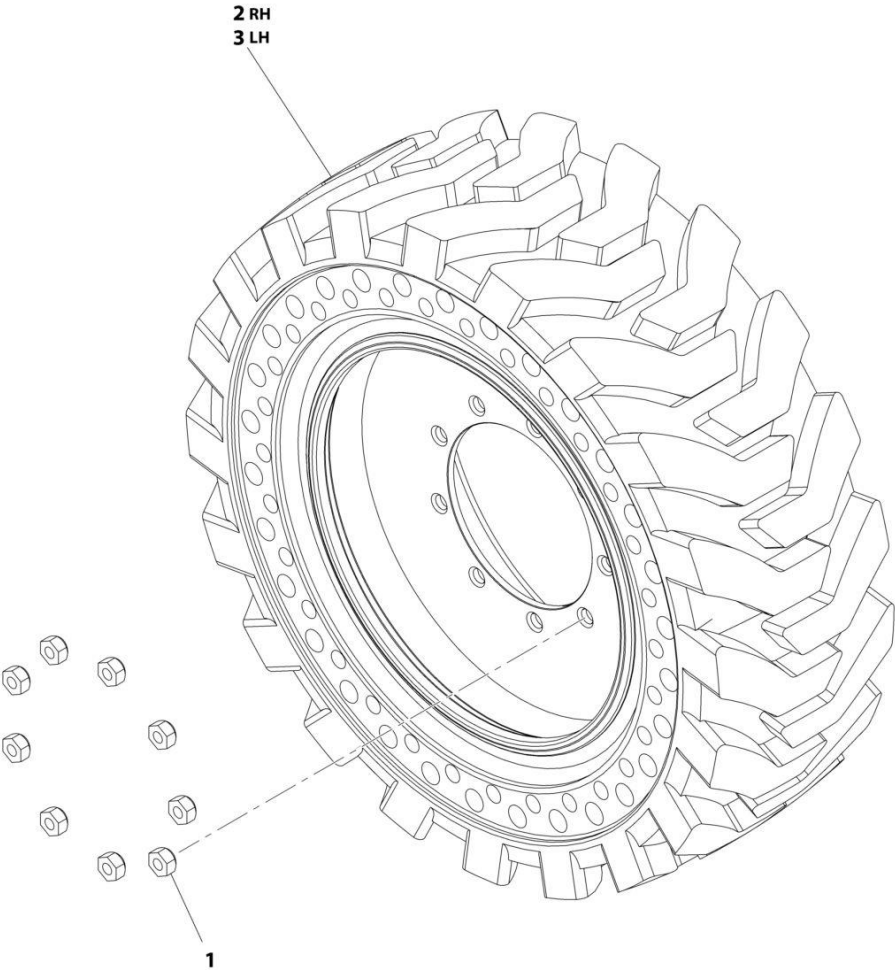
| ITEM | PART NUMBER | QTY | DESCRIPTION | REV |
|------|-------------|-----|--|-----|
| | 1001116793 | Ref | DRIVE HUB/BRAKE ASSEMBLY | C |
| 1 | See Note | NLA | Spindle/Housing Assembly (Note: Not Available - Purchase Individual Components) | |
| 1A | 70002987 | 1 | Spindle | |
| 1B | 70001119 | 1 | Seal, Lip (Part of Item 104) | |
| 1C | 70002991 | 2 | Bearing, Ball | |
| 1D | See Note | NSS | Housing (Note: Use p/n 1001116793) | |
| 1E | 70002989 | 1 | Ring Gear | |
| 1F | 70003000 | 1 | Nut, Bearing (Part of Item 104) | |
| 1G | 70002996 | 2 | Setscrew 1/4-28 x 1/2 (Part of Item 104) | |
| 1H | 7007640 | 9 | Bolt, Mounting | |
| 1K | See Note | NSS | Seal (Note: Use Item 102 or 103) | |
| 1L | 70002992 | 1 | Spring | |
| 1M | 70002999 | 1 | Thrustwasher | |
| 1N | 70002988 | 1 | Adapter | |
| 2 | 7024741 | 1 | Spacer, Thrust | |
| 4 | 70002983 | 1 | Planet Gear Assembly (Includes Items 4B-4G) | |
| 4B | See Note | NSS | Spacer, Washer (Note: Use Item 4) | |
| 4C | See Note | NSS | Bearing (Note: Use Item 4) | |
| 4D | See Note | NSS | Spacer (Note: Use Item 4) | |
| 4E | See Note | NSS | Shaft, Planet (Note: Use Item 4) | |
| 4F | See Note | NSS | Gear, Planet (Note: Use Item 4) | |
| 4G | 7001913 | 3 | Rollpin | |
| 4H | 7024742 | 1 | Spacer, Thrust | |
| 5 | 70002995 | 1 | Ring, Retaining | |
| 6 | 70001368 | 1 | Cover Assembly (Includes Items 6A-6G) | |
| 6A | See Note | NSS | Cover (Note: Use Item 6) | |
| 6B | See Note | NSS | Cap (Note: Use Item 6) | |
| 6C | See Note | NSS | Bolt (Note: Use Item 6) | |
| 6D | See Note | NSS | Pin (Note: Use Item 6) | |
| 6E | See Note | NSS | Washer Seal (Note: Use Item 6) | |
| 6F | See Note | NSS | Plug (Note: Not Available for Purchase) | |
| 6G | See Note | NSS | Retainer (Note: Use Item 6) | |
| 6K | 7024738 | 1 | Ring, Retaining | |
| 7 | 70002985 | 1 | Coupling | |
| 8 | See Note | NLA | Brake Assembly (Includes Items 8A-8M) (Note: Not Available - Purchase Individual Components) | |
| 8A | 70002993 | 1 | Piston, Brake | |
| 8B | 70002990 | 2 | Bearing, Ball | |
| 8C | 70002994 | 1 | Ring, Retaining | |
| 8D | See Note | NSS | O-Ring (Note: Use Item 103) | |
| 8E | See Note | NSS | Ring, Back-up (Note: Use Item 103) | |
| 8F | See Note | NSS | O-Ring (Note: Use Item 102 or 103) | |
| 8H | See Note | NSS | Ring, Back-up (Note: Use Item 103) | |
| 8J | See Note | NSS | Disc, Brake Reaction (Note: Use Item 101) | |
| 8K | See Note | NSS | Disc, Brake Friction (Note: Use Item 101) | |
| 8L | See Note | NSS | Spring (Note: Use Item 102) | |
| 8M | See Note | NSS | Spring (Note: Use Item 102) | |
| 9 | 70002984 | 1 | Shaft, Input | |
| 11 | 70002986 | 1 | Gear, Sun | |

SECTION 1 - FRAME

| ITEM | PART NUMBER | QTY | DESCRIPTION | REV |
|------|-------------|-----|---|-----|
| 12 | 70002998 | 1 | Plug, Pipe | |
| 15 | See Note | NSS | Nameplate (Note: Not Available for Purchase) | |
| 16 | 7000281 | 2 | Drivescrew | |
| 17 | 7024134 | 1 | O-Ring (Part of Item 104) | |
| 18 | 70002997 | 1 | O-Ring (Part of Item 104) | |
| 19 | 7017022 | NSS | Capscrew 3/8-16 (Part of Item 104) | |
| 21 | See Note | 8 | Capscrew 3/8-16 x 7/8 Grade 8 (Note: Use Item 102 or 103) | |
| 22 | 7024108 | 2 | Plug, Pressure | |
| 101 | 70002980 | 1 | Brake Disc Kit (Includes Items 8J & 8K) | |
| 102 | 70002982 | 1 | Brake Spring Kit (Includes Items 1K, 8F, 8L, 8M & 21) | |
| 103 | 70002981 | 1 | Brake Seal Kit (Includes Items 1K, 8D, 8E, 8F, 8H & 21) | |
| 104 | 7024744 | 1 | Hub Seal Kit (Includes Items 1B, 1F, 1G & 17-19) | |

SECTION 1 - FRAME

FIGURE 1-8. TIRE AND WHEEL INSTALLATION - 7X18 SOLID CUSHION



ART_100118641

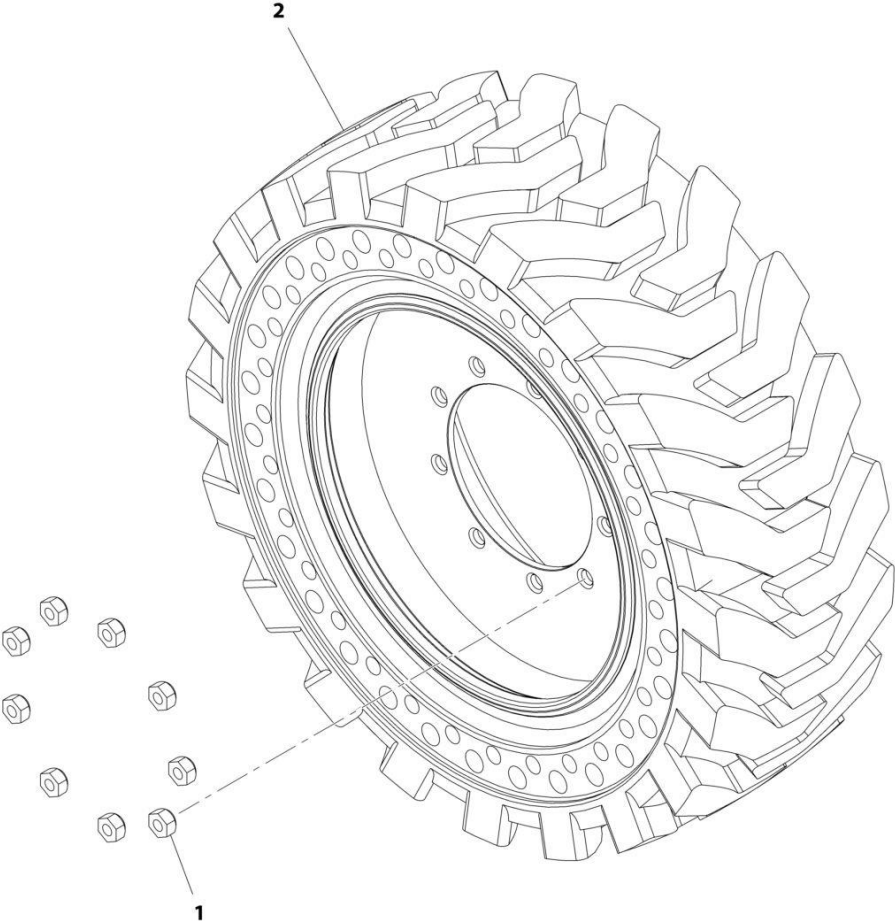
SECTION 1 - FRAME

FIGURE 1-8. TIRE AND WHEEL INSTALLATION - 7X18 SOLID CUSHION

| ITEM | PART NUMBER | QTY | DESCRIPTION | REV |
|------|-------------|-----|---|-----|
| | 1001118641 | Ref | TIRE AND WHEEL INSTALLATION - 7X18 SOLID | C |
| | | Ref | Note: Due to critical stability weights, only replace tire and wheel assemblies with like components. | |
| 1 | 3300106 | 36 | Lugnut (9 per Wheel) | |
| 2 | 1001118649 | 2 | Tire and Wheel Assembly - 7 x 18 Solid Right Side (Note: No Serviceable Parts - Replace Complete Sets per Axle) | |
| 3 | 1001121678 | 2 | Tire and Wheel Assembly - 7 x 18 Solid Left Side (Note: No Serviceable Parts - Replace Complete Sets per Axle) | |

SECTION 1 - FRAME

FIGURE 1-9. TIRE AND WHEEL INSTALLATION - 7X18 SOLID CUSHION NON-MARKING



ART_100118644

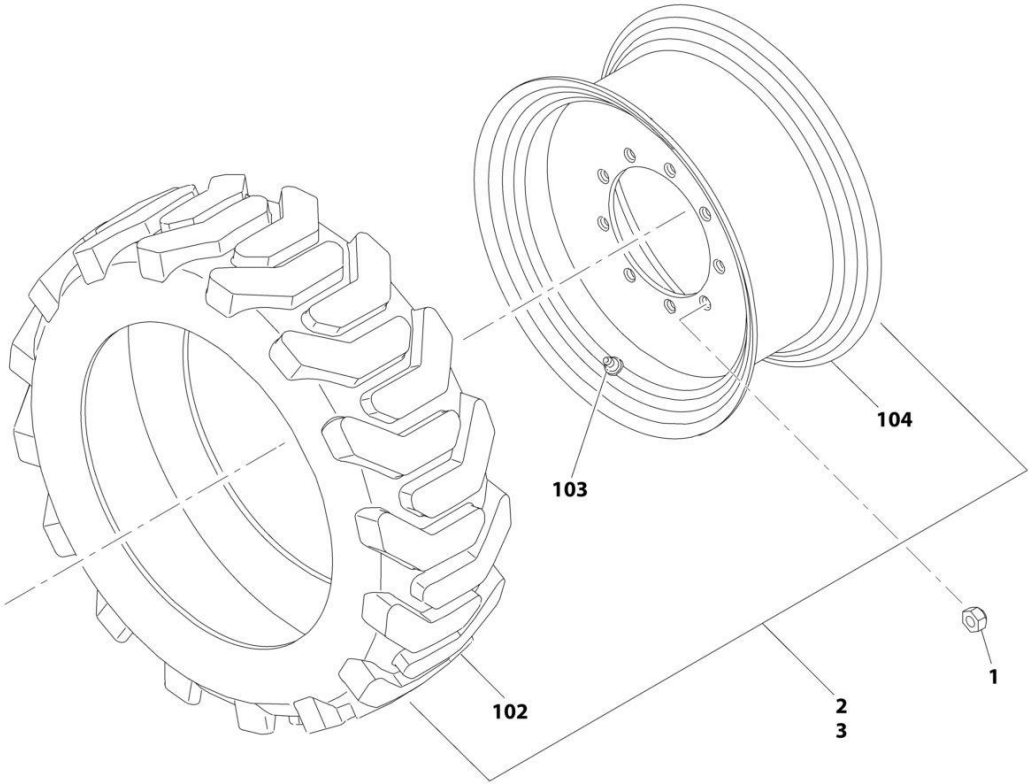
SECTION 1 - FRAME

FIGURE 1-9. TIRE AND WHEEL INSTALLATION - 7X18 SOLID CUSHION NON-MARKING

| ITEM | PART NUMBER | QTY | DESCRIPTION | REV |
|------|-------------|-----|---|-----|
| | 1001118644 | Ref | TIRE AND WHEEL INSTALLATION - 7X18 SOLID NON-MARKING | C |
| | | Ref | Note: Due to critical stability weights, only replace tire and wheel assemblies with like components. | |
| 1 | 3300106 | 36 | Lugnut (9 per Wheel) | |
| 2 | 1001118654 | 2 | Tire and Wheel Assembly - 7 x 18 Solid (RH) (Note: No Serviceable Parts - Replace Complete Sets per Axle) | |
| 2 | 1001121672 | 2 | Tire and Wheel Assembly - 7 x 18 Solid (LH) (Note: No Serviceable Parts - Replace Complete Sets per Axle) | |

SECTION 1 - FRAME

FIGURE 1-10. TIRE AND WHEEL INSTALLATION - 9X20 FOAM-FILLED



ART_1001115773

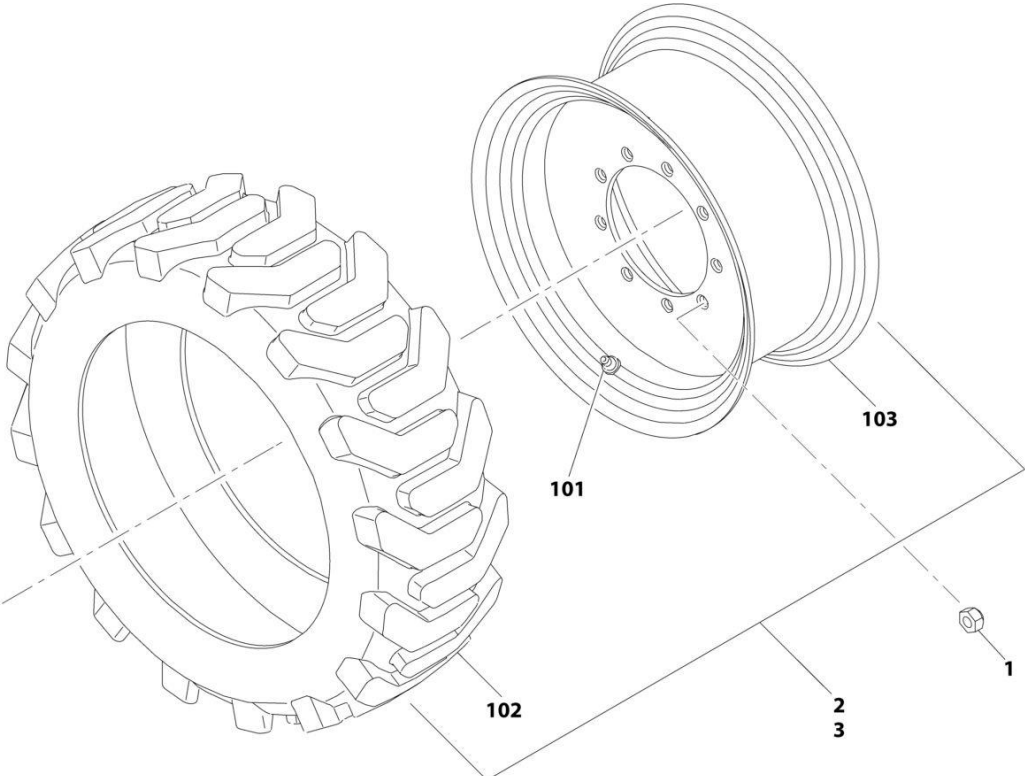
SECTION 1 - FRAME

FIGURE 1-10. TIRE AND WHEEL INSTALLATION - 9X20 FOAM-FILLED

| ITEM | PART NUMBER | QTY | DESCRIPTION | REV |
|------|-------------|-----|---|-----|
| | 1001115773 | Ref | TIRE AND WHEEL INSTALLATION - 9X20 FOAM-FILLED | B |
| | | Ref | Note: Due to critical stability weights, only replace tire and wheel assemblies with like components. | |
| 1 | 3300106 | 36 | Lugnut (9 per Wheel) | |
| 2 | 1001117131 | 2 | Tire and Wheel Assembly - 9 x 20 Foam-Filled Left Side | E |
| 3 | 1001117132 | 2 | Tire and Wheel Assembly - 9 x 20 Foam-Filled Right Side | D |
| | | Ref | Note: Assemblies may require ballast/foam filling to manufacture's specifications prior to installing on a machine. Refer to Operation and Safety or Service and Maintenance Manuals. Purchase individual tire and/or rim only if able to foam fill tire and wheel assembly, otherwise, purchase complete assembly. | |
| 102 | 4520605 | 4 | Tire - IN265/50D20 | |
| 103 | 4640113 | 4 | Valve, Air | |
| 104 | 1001117129 | 4 | Rim for 20 x 9 (Use with IN265/50D20 Tires) | |

SECTION 1 - FRAME

FIGURE 1-11. TIRE AND WHEEL INSTALLATION - 9X20 FOAM-FILLED NON-MARKING



ART_100118642

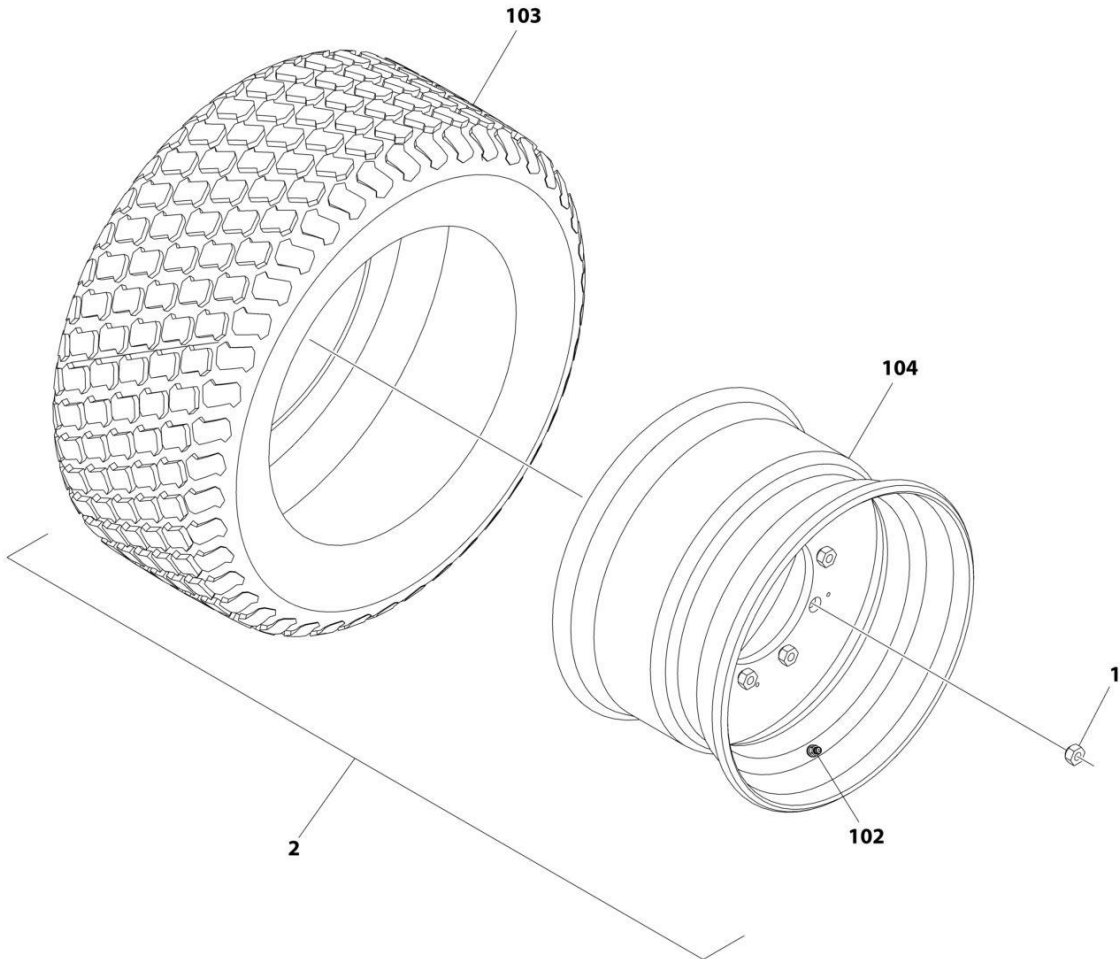
SECTION 1 - FRAME

FIGURE 1-11. TIRE AND WHEEL INSTALLATION - 9X20 FOAM-FILLED NON-MARKING

| ITEM | PART NUMBER | QTY | DESCRIPTION | REV |
|------|-------------|-----|--|-----|
| | 1001118642 | Ref | TIRE AND WHEEL INSTALLATION - 9X20 FOAM-FILLED NON-MARKING | B |
| | | Ref | Note: Due to critical stability weights, only replace tire and wheel assemblies with like components. | |
| 1 | 3300106 | 36 | Lugnut (9 per Wheel) | |
| 2 | 1001118650 | 2 | Tire and Wheel Assembly - 9 x 20 Foam-Filled Non-Marking Right Side | D |
| 3 | 1001118651 | 2 | Tire and Wheel Assembly - 9 x 20 Foam-Filled Non-Marking Left Side | D |
| | | Ref | Note: Assemblies may require ballast/foam filling to manufacturer's specifications prior to installing on a machine. Refer to Operation and Safety or Service and Maintenance Manuals. Purchase individual tire and/or rim only if able to foam fill tire and wheel assembly, otherwise, purchase complete assembly. | |
| 101 | 4640113 | 4 | Valve, Air | |
| 102 | 1001118660 | 4 | Tire - IN265/50D20 Non-Marking | |
| 103 | 1001117129 | 4 | Rim for 20 x 9 (Use with IN265/50D20 Tires) | |

SECTION 1 - FRAME

FIGURE 1-12. TIRE AND WHEEL INSTALLATION - 33 X 12LL500 TURF/SAND FOAM FILLED



ART_1001239804

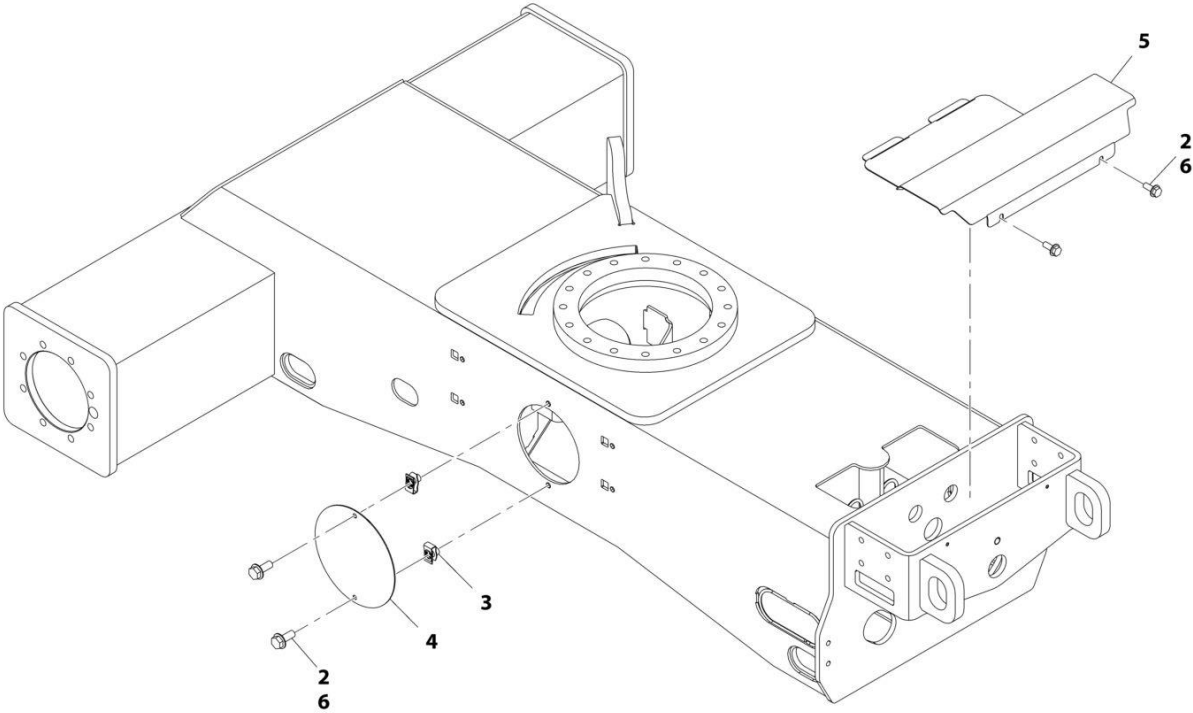
SECTION 1 - FRAME

FIGURE 1-12. TIRE AND WHEEL INSTALLATION - 33 X 12LL500 TURF/SAND FOAM FILLED

| ITEM | PART NUMBER | QTY | DESCRIPTION | REV |
|------|-------------|-----|--|-----|
| | 1001239804 | Ref | TIRE AND WHEEL INSTALLATION - 33 x 12LL500 TURF/SAND FOAM FILLED | B |
| 1 | 3300106 | 36 | Nut, Wheel | |
| 2 | 1001272533 | 4 | Tire & Wheel Assembly - 33 X 12LL500 TURF/SAND | |
| | | Ref | Note: Assemblies may require ballast/foam filling to manufacture's specifications prior to installing on a machine. Refer to Operation and Safety or Service and Maintenance Manuals. Purchase individual tire and/or rim only if able to foam fill tire and wheel assembly, otherwise, purchase complete assembly. | |
| 102 | 4640113 | 4 | Valve, Tire | |
| 103 | 1001231609 | 1 | Tire, 33 X 12LL500 TURF/SAND | |
| 104 | 1001231610 | 1 | Rim | |

SECTION 1 - FRAME

FIGURE 1-13. FRAME SHIELDS INSTALLATION



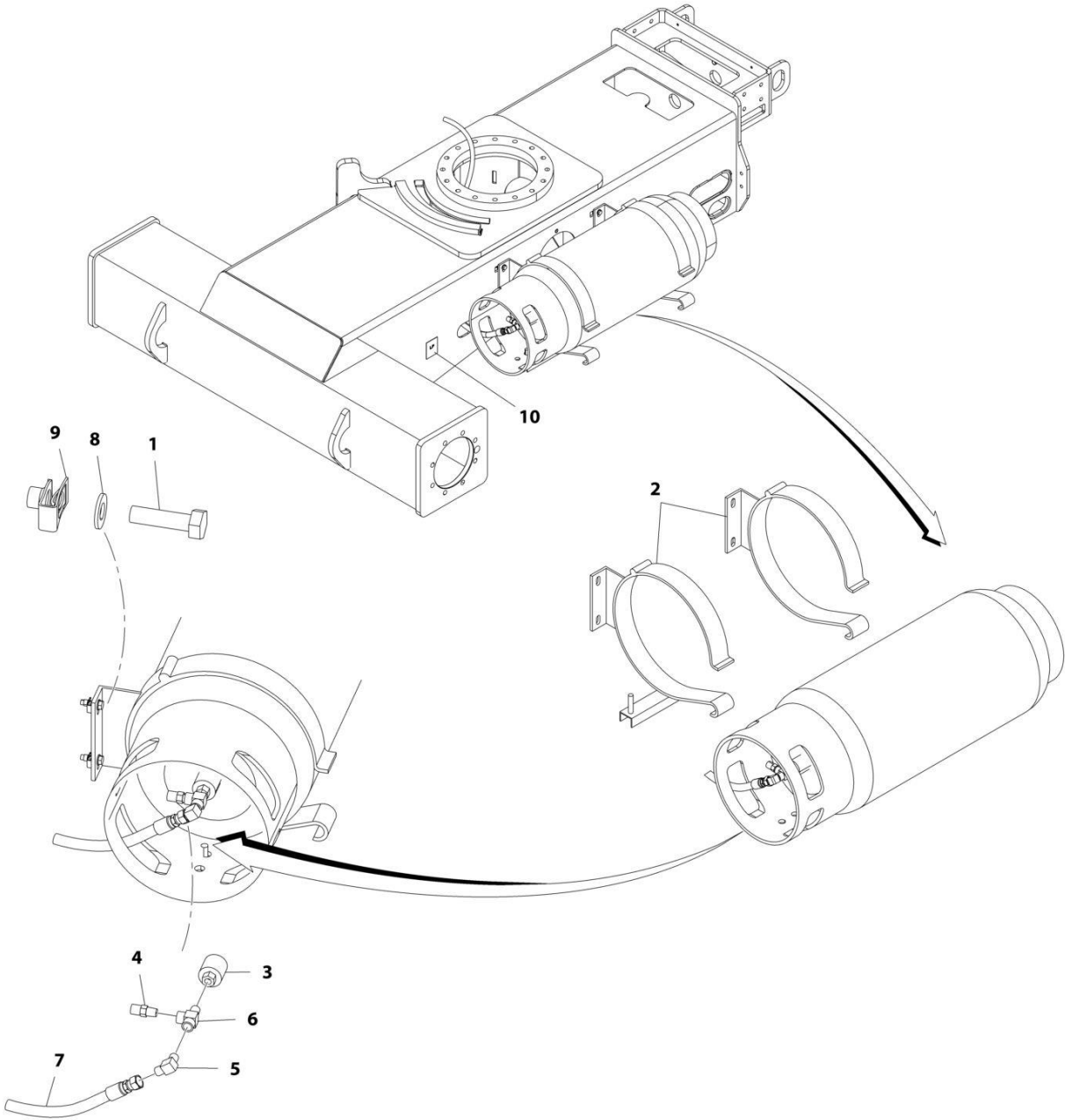
ART_1001115781

FIGURE 1-13. FRAME SHIELDS INSTALLATION

| ITEM | PART NUMBER | QTY | DESCRIPTION | REV |
|-------------|--------------------|------------|----------------------------|------------|
| | 1001115781 | Ref | FRAME SHIELDS INSTALLATION | C |
| 2 | 5250810 | 6 | Bolt M8 x 20 | |
| 3 | 1001118274 | 4 | Nut, Clip M8 | |
| 4 | 1001118915 | 2 | Cover, Frame (Side) | |
| 5 | 1001118916 | 1 | Cover, Frame (Top) | |
| 6 | 0100011 | AR | Compound, Locking | |

SECTION 1 - FRAME

FIGURE 1-14. LP TANK ASSEMBLY



ART_100118975

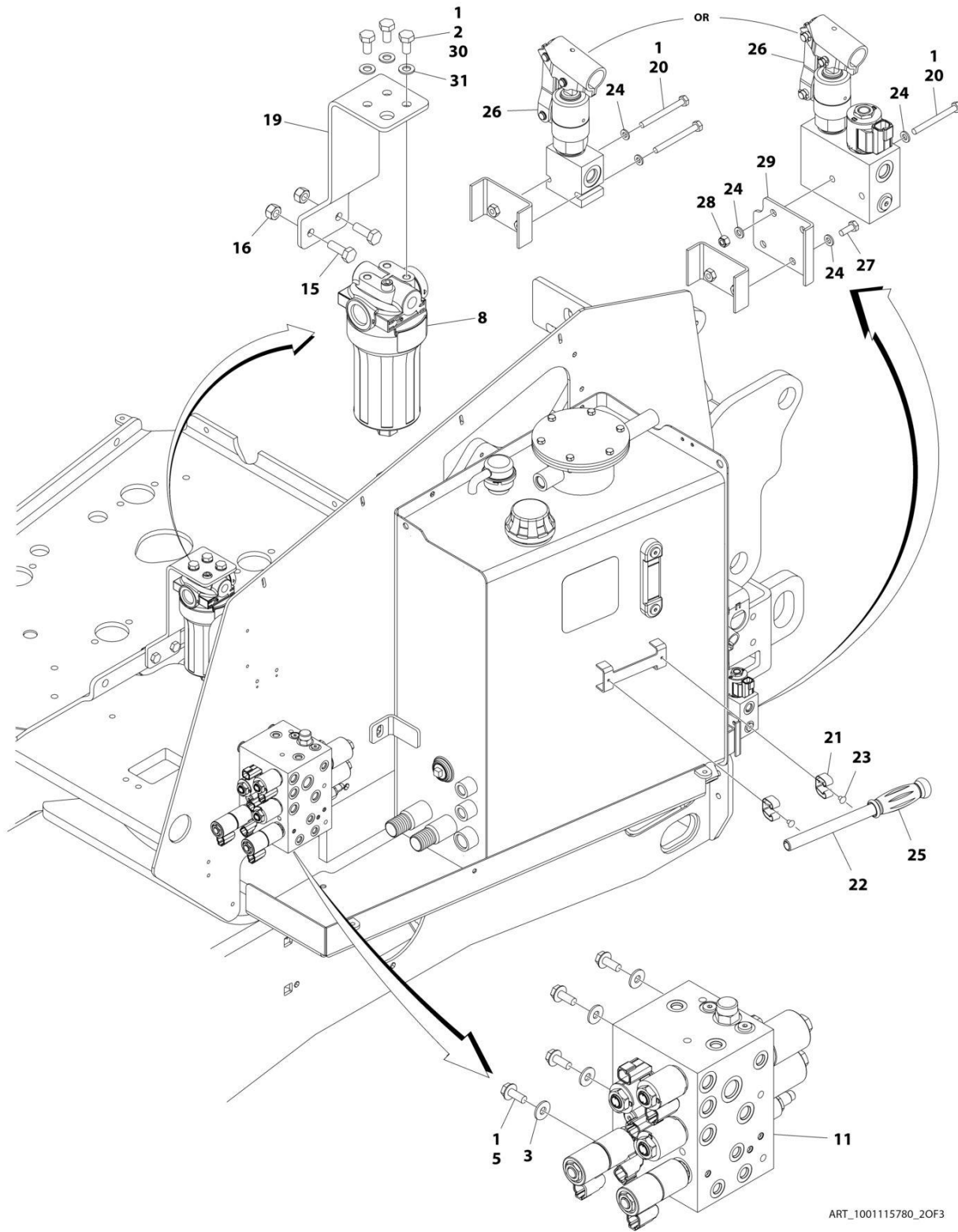
FIGURE 1-14. LP TANK ASSEMBLY

| ITEM | PART NUMBER | QTY | DESCRIPTION | REV |
|------|-------------|-----|---|-----|
| | 1001118975 | Ref | LP TANK ASSEMBLY (GAS MACHINES ONLY) | C |
| 1 | 0760814 | 4 | Bolt M8 x 30 | |
| 2 | 1320220 | 1 | LP Tank Clamp Kit | |
| 3 | 2180387 | 1 | Fitting, LP | |
| 4 | 2180389 | 1 | Fitting, Relief Valve | |
| 5 | 2180504 | 1 | Fitting, Elbow | |
| 6 | 2220290 | 1 | Fitting, Adapter | |
| 7 | 2720175 | 1 | Hose | |
| 8 | 4811900 | 4 | Washer M8 | |
| 9 | 1001118274 | 4 | Nut, Retainer | |
| 10 | 1701543 | 1 | Decal - LP | |
| 100 | 1001196242 | 1 | Bracket Kit for Shorter Tank (Not Shown - Includes Bracket & Hardware Only) | |
| 200 | 4400275 | 1 | Tank, LP - Aluminum (Not Shown) | |

SECTION 2 - TURNTABLE

SECTION 2 - TURNTABLE

FIGURE 2-1. CONTROL VALVE AND CHARGE FILTER INSTALLATION



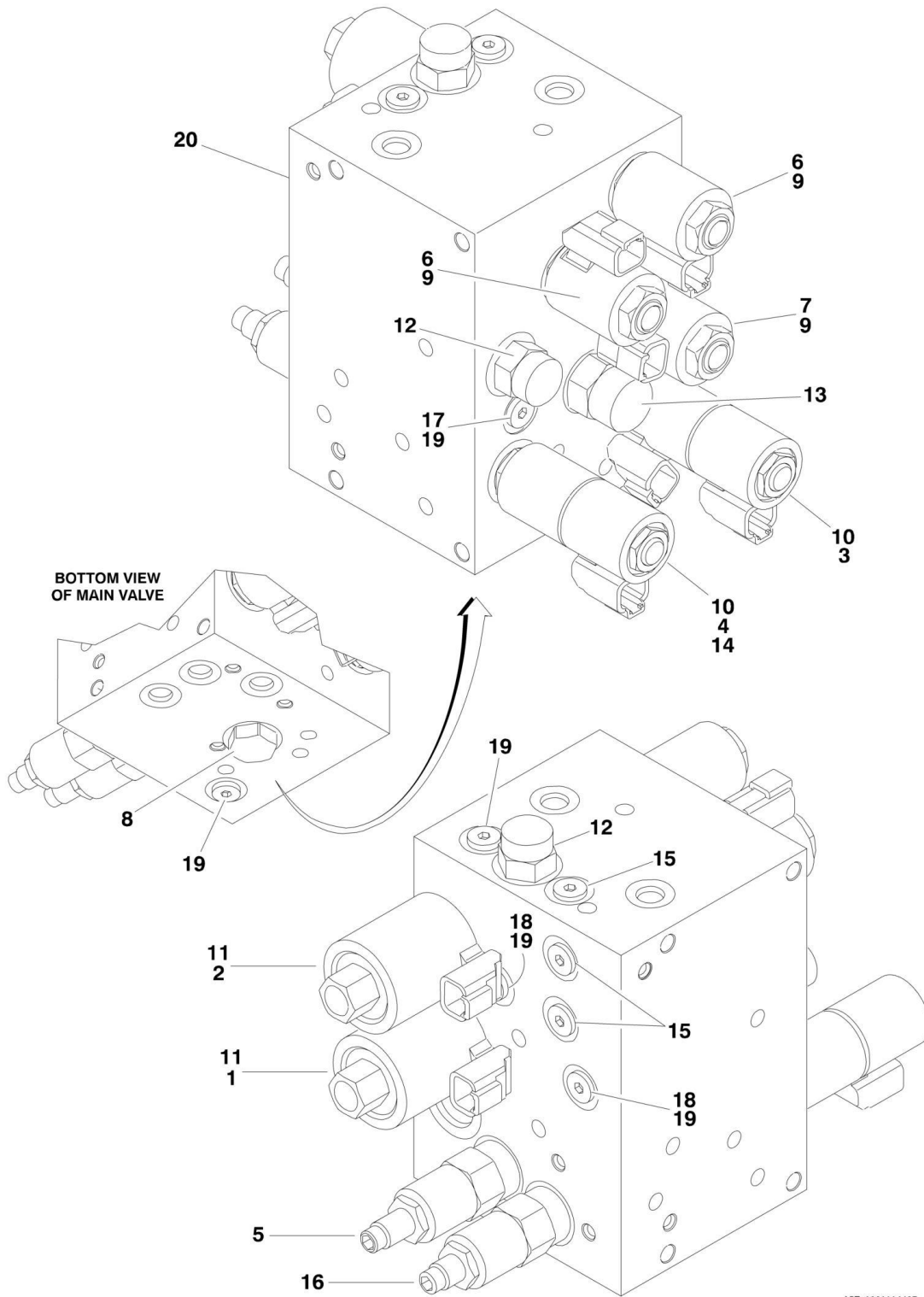
SECTION 2 - TURNTABLE

FIGURE 2-1. CONTROL VALVE AND CHARGE FILTER INSTALLATION

| ITEM | PART NUMBER | QTY | DESCRIPTION | REV |
|------|-------------|-----|--|-----|
| | 1001115780 | Ref | CONTROL VALVE AND CHARGE FILTER INSTALLATION - TURNTABLE | H |
| 1 | 0100011 | AR | Compound, Locking | |
| 2 | 0641605 | 4 | Bolt 3/8 x 5/8 | |
| 3 | 4811902 | 4 | Washer M8 | |
| 5 | 5250810 | 4 | Bolt M8 x 20 | |
| 8 | 1001102987 | 1 | Charge Pump Filter Assembly | C |
| 8 | 1001208874 | 1 | Charge Pump Filter Assembly | |
| 8 | 70010383 | 1 | Element, Filter (Includes O-Ring) | |
| 8 | See Note | 1 | Indicator (Note: Not Available for Purchase) | |
| 11 | 1001116487 | 1 | Main Control Valve Assembly (See Separate Breakdown in this Section) | |
| 15 | 0761014 | 2 | Bolt M10 x 30 | |
| 16 | 3291005 | 2 | Nut M10 | |
| 19 | 1001118751 | 1 | Bracket, Filter | |
| 20 | 0700620 | 2 | Bolt M6 x 60 | |
| 21 | 1380136 | 2 | Clip | |
| 22 | 2560122 | 1 | Handle | |
| 23 | 3820019 | 2 | Rivet | |
| 24 | 4811700 | 6 | Washer M6 | |
| 25 | 1001114761 | 1 | Grip, Handle | |
| 26 | 1001127115 | 1 | Manual Pump Assembly | C |
| 26 | 7017496 | 1 | Seal Kit - 1001127115 Pump | |
| 26 | 1001210829 | 1 | Manual Pump Assembly | |
| 26 | 70005722 | 1 | Cartridge, Hand Pump | |
| 26 | 7017496 | 1 | Seal Kit - Hand Pump | |
| 26 | 7017467 | 1 | Cartridge, Solenoid Valve Less Coil | |
| 26 | 7012967 | 1 | Seal Kit - Cartridge | |
| 26 | 70002386 | 1 | Coil | |
| 27 | 0700608 | 2 | Bolt M6 x 16 | |
| 28 | 3290605 | 2 | Nut M6 | |
| 29 | 1001200472 | 1 | Bracket | |
| 30 | 0761010 | AR | Bolt M10 x 20 | |
| 31 | 4812000 | AR | Washer M10 | |

SECTION 2 - TURNTABLE

FIGURE 2-2. MAIN CONTROL VALVE ASSEMBLY



ART_1001116487

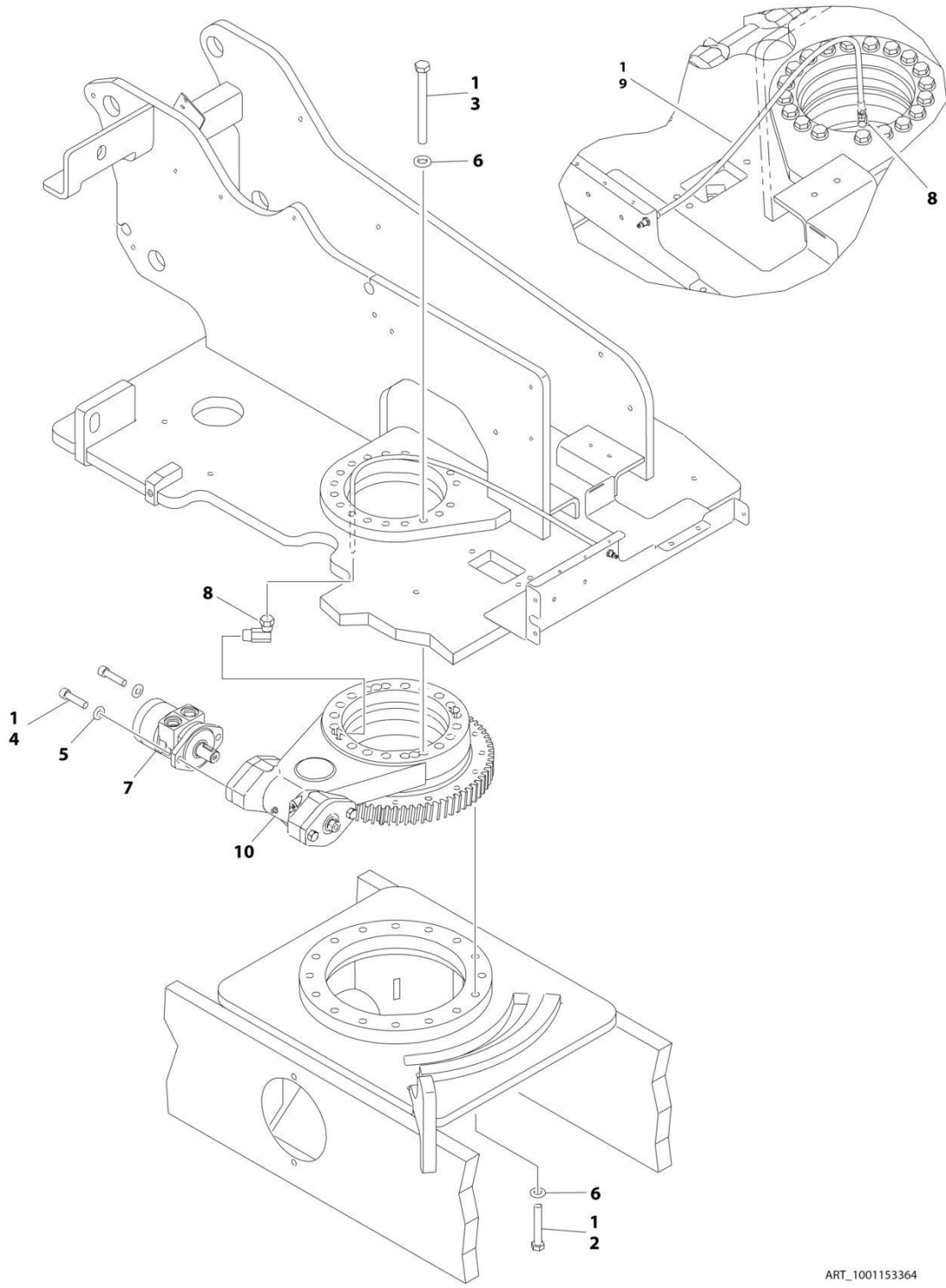
SECTION 2 - TURNTABLE

FIGURE 2-2. MAIN CONTROL VALVE ASSEMBLY

| ITEM | PART NUMBER | QTY | DESCRIPTION | REV |
|------|-------------|-----|---|-----|
| | 1001116487 | Ref | MAIN VALVE ASSEMBLY | I |
| 1 | 70002964 | 1 | Cartridge, Solenoid Valve with Relief (without Coil) | |
| 1 | 7017496 | 1 | Seal Kit - 70002964 Cartridge | |
| 2 | 70002965 | 1 | Cartridge, Solenoid Valve with Relief (without Coil) | |
| 2 | 7017496 | 1 | Seal Kit - 70002965 Cartridge | |
| 3 | 70002966 | 1 | Cartridge, Solenoid Valve (without Coil) (Swing) | |
| 3 | 70002967 | 1 | Seal Kit - 70002966 Cartridge | |
| 4 | 70002966 | 1 | Cartridge, Solenoid Valve (without Coil) (Steer) | |
| 4 | 70002967 | 1 | Seal Kit - 70002966 Cartridge | |
| 5 | 70002968 | 1 | Cartridge, Relief Valve | |
| 5 | 7012998 | 1 | Seal Kit - 70002968 Cartridge | |
| 6 | 70002969 | 2 | Cartridge, Solenoid Valve (without Coil) (Upper and Lower Lift) | |
| 6 | 7010543 | 2 | Seal Kit - Cartridge | |
| 7 | 70002970 | 1 | Cartridge, Solenoid Valve (without Coil) (Flow Control) | |
| 7 | 7010543 | 1 | Seal Kit - 70002970 Cartridge | |
| 8 | 10837580 | 1 | Cartridge, Shuttle Valve | |
| 8 | 7010543 | 1 | Seal Kit - 108377580 Cartridge | |
| 9 | 70002971 | 3 | Coil | |
| 10 | 70002386 | 4 | Coil | |
| 11 | 70003788 | 2 | Coil | |
| 12 | 70002972 | 2 | Cartridge, Pressure Compensator Valve | |
| 12 | 7010543 | 2 | Seal Kit - 70002972 Cartridge | |
| 13 | 70002973 | 1 | Cartridge, Pressure Compensator Valve | |
| 13 | 7010543 | 1 | Seal Kit - 70002973 Cartridge | |
| 14 | 70002974 | 1 | Disc, Check Valve | |
| 15 | 70003757 | 3 | Cartridge, Check Valve | |
| 15 | 70002976 | 3 | Seal Kit - 70003757 Cartridges | |
| 16 | 70002977 | 1 | Cartridge, Crossover Relief | |
| 16 | 7021653 | 1 | Seal Kit - 70002977 Cartridge | |
| 17 | See Note | 1 | Orifice .060 (Note: Not Available for Purchase) | |
| 18 | See Note | 2 | Orifice .100 (Note: Not Available for Purchase) | |
| 19 | 7017406 | 5 | Plug | |
| 20 | See Note | 1 | Block (Note: Not Available for Purchase) | |

SECTION 2 - TURNTABLE

FIGURE 2-3. SWING DRIVE INSTALLATION (JING WEI)



ART_1001153364

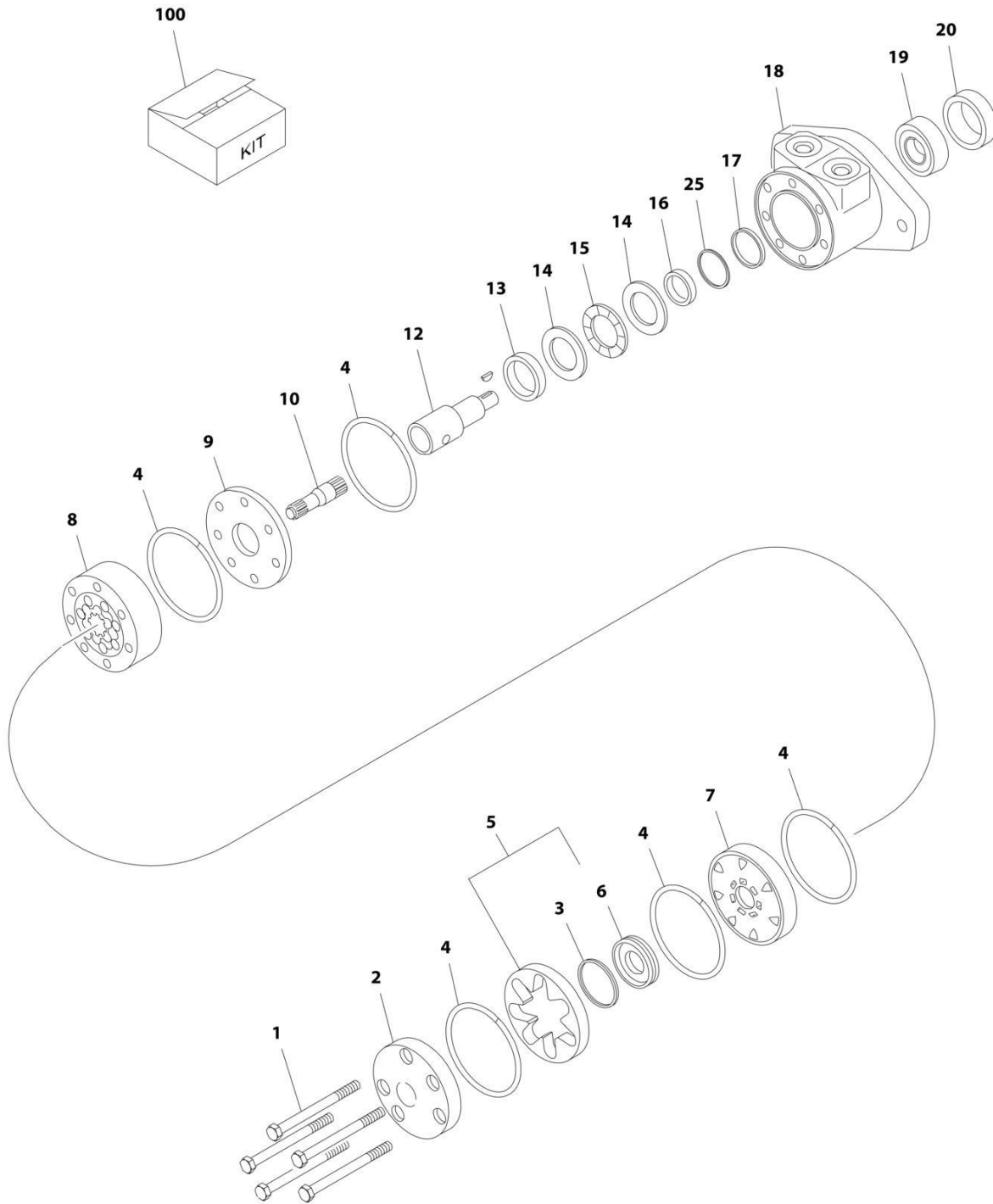
SECTION 2 - TURNTABLE

FIGURE 2-3. SWING DRIVE INSTALLATION (JING WEI)

| ITEM | PART NUMBER | QTY | DESCRIPTION | REV |
|-------------|--------------------|------------|--|------------|
| | 1001153364 | Ref | SWING DRIVE INSTALLATION | C |
| 1 | 0100019 | AR | Compound, Locking | |
| 2 | 0711426 | 16 | Bolt M14 x 90 Grade 10.9 | |
| 3 | 0711432 | 19 | Bolt M14 x 150 Grade 10.9 | |
| 4 | 3931832 | 2 | Capscrew 1/2-13 x 2 | |
| 5 | 4740171 | 2 | Washer 1/2 | |
| 6 | 5241400 | 2 | Washer M14 | |
| 7 | 1001107781 | 1 | Swing Motor Assembly (See Separate Breakdown in this Section) | |
| 8 | 2220124 | 1 | Fitting, Adapter NPT | |
| 9 | 1001118961 | 1 | Hose, Remote Grease Line (Includes Grease Fitting) | |
| 10 | 1001153015 | 1 | Swing Bearing and Rotation Box Assembly (See Separate Breakdown in this Section) | |

SECTION 2 - TURNTABLE

FIGURE 2-4. SWING MOTOR ASSEMBLY



ART_1001107781

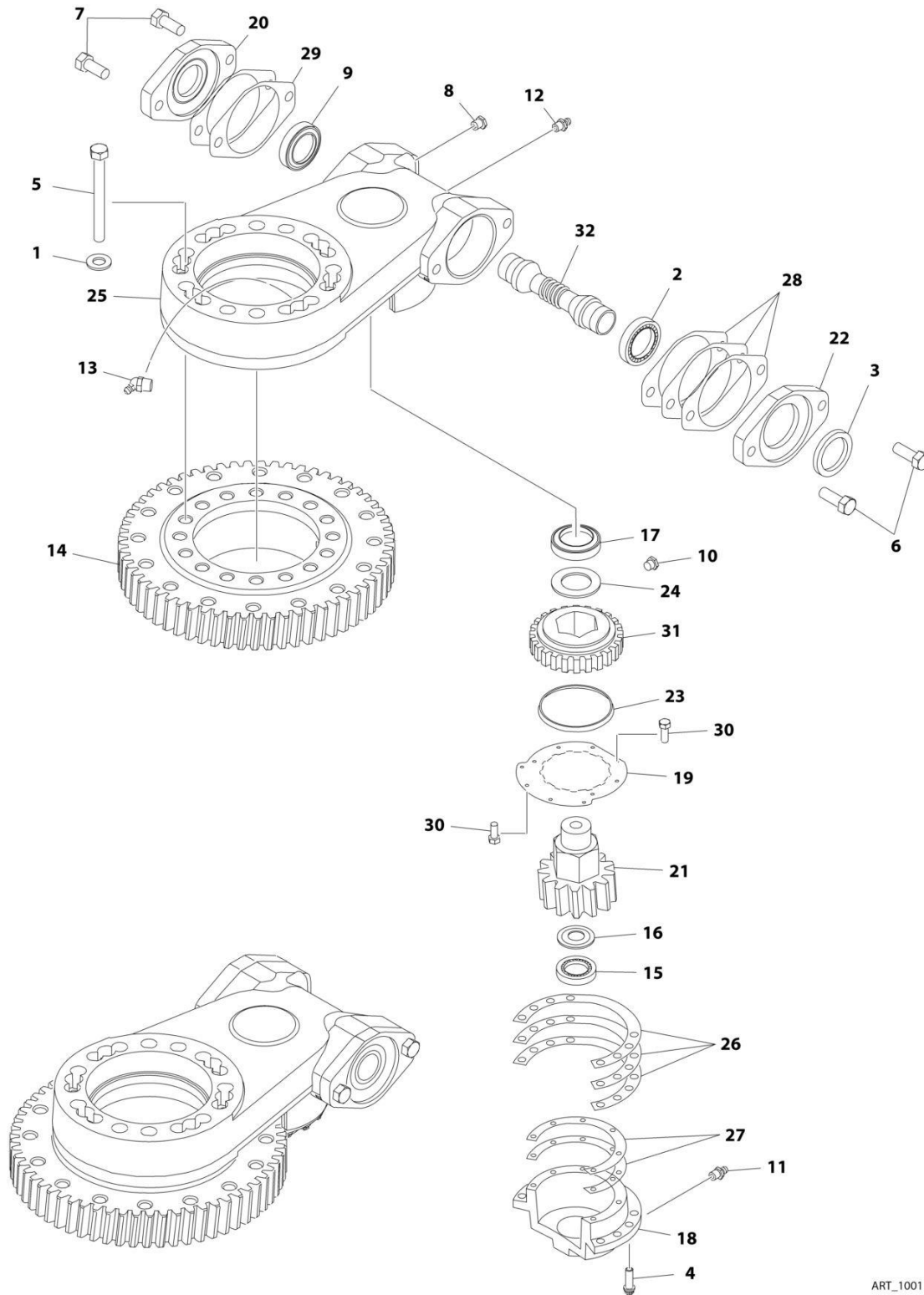
SECTION 2 - TURNTABLE

FIGURE 2-4. SWING MOTOR ASSEMBLY

| ITEM | PART NUMBER | QTY | DESCRIPTION | REV |
|------|-------------|-----|--|-----|
| | 1001107781 | Ref | SWING MOTOR ASSEMBLY | A |
| 1 | 70002311 | 5 | Bolt | |
| 2 | 7004035 | 1 | Cover, End | |
| 3 | See Note | 1 | Seal, Commutator (Note: Use p/n 7024389) | |
| 4 | See Note | 5 | Seal, Ring (Note: Use p/n 7024389) | |
| 5 | 7024453 | 1 | Commutator and Ring Assembly | |
| 6 | See Note | 1 | Ring (Note: Use p/n 7024453) | |
| 7 | 7024379 | 1 | Manifold | |
| 8 | 70002312 | 1 | Rotor Set | |
| 9 | 7024380 | 1 | Plate, Wear | |
| 10 | 70002313 | 1 | Link, Drive | |
| 12 | 70000088 | 1 | Shaft, Coupling | |
| 12 | 70000089 | 1 | Key, Woodruff | |
| 13 | 7024381 | 1 | Bushing, Bronze | |
| 14 | 7004043 | 2 | Washer, Thrust | |
| 15 | 7004044 | 1 | Bearing, Thrust | |
| 16 | See Note | 1 | Seal, Inner (Note: Use p/n 7024389) | |
| 17 | See Note | 1 | Washer, Back-up (Note: Use p/n 7024389) | |
| 18 | See Note | 1 | Housing (Note: Not Available - Purchase Complete Assembly) | |
| 19 | 7024390 | 1 | Bearing | |
| 20 | See Note | 1 | Seal (Note: Use p/n 7024389) | |
| 25 | See Note | 1 | Washer, Back-up (Note: Use p/n 7024389) | |
| 100 | 7024389 | 1 | Seal Kit (Includes Items 3, 4, 16, 17, 20 & 25) | |

SECTION 2 - TURNTABLE

FIGURE 2-5. SWING BEARING ASSEMBLY



ART_1001153015

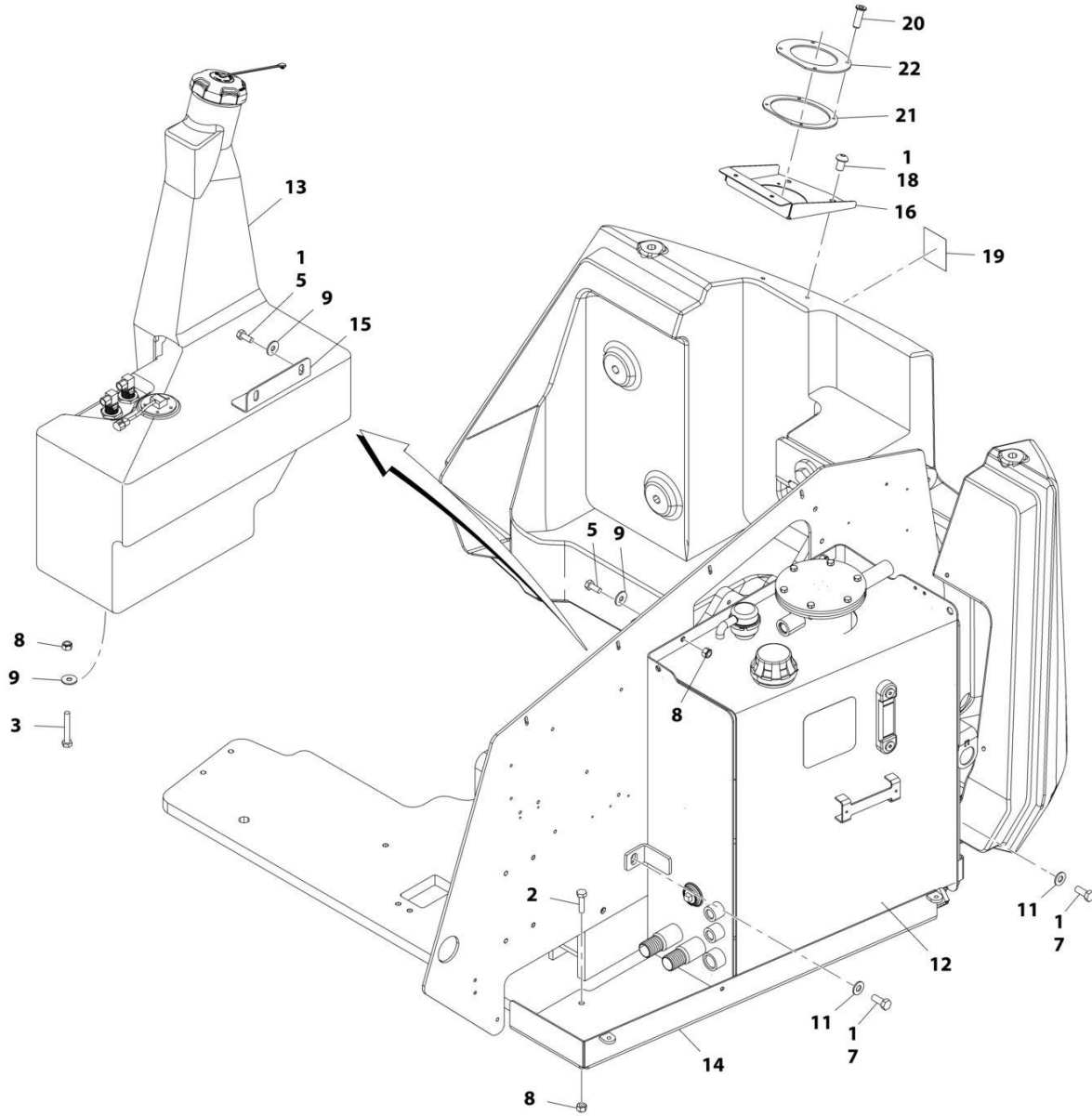
SECTION 2 - TURNTABLE

FIGURE 2-5. SWING BEARING ASSEMBLY

| ITEM | PART NUMBER | QTY | DESCRIPTION | REV |
|------|-------------|-----|--|-----|
| | 1001153015 | Ref | SWING BEARING ASSEMBLY | B |
| 1 | 7026041 | 2 | Washer 5/16 | |
| 2 | 70002643 | 2 | Cup, Bearing | |
| 2 | 70002644 | 2 | Cone, Bearing | |
| 3 | 70002645 | 1 | Seal | |
| 4 | 70002646 | 8 | Bolt 5/16 x 7/8 | |
| 5 | 70003138 | 2 | Bolt 5/16 x 2-1/2 | |
| 6 | 70002647 | 2 | Bolt 1/2 x 1 | |
| 7 | 70002648 | 2 | Bolt 1/2 x 1-1/4 | |
| 8 | 70002649 | 1 | Vent, Pressure | |
| 9 | 70002650 | 1 | Seal | |
| 10 | 70003139 | 1 | Plug 1/4 | |
| 11 | 70002651 | 1 | Fitting, Grease 1/4 | |
| 12 | 70002652 | 1 | Fitting, Grease 1/8 Straight | |
| 13 | 7027359 | 1 | Fitting, Grease 1/8 90 | |
| 14 | 1001160531 | 1 | Turntable Bearing Kit (Includes Bearing and Hardware (was p/n 1001143932 & 70003140) | |
| 15 | 70002656 | 1 | Cup, Bearing | |
| 15 | 70002657 | 1 | Cone, Bearing | |
| 16 | 70002658 | 1 | Ring, Grease | |
| 17 | 7026048 | 1 | Cup, Bearing | |
| 17 | 7026049 | 1 | Cone, Bearing | |
| 18 | 70002659 | 1 | Cap, Gear | |
| 19 | 70003141 | 1 | Plate, Cover | |
| 20 | 70002661 | 1 | Cap, Worm | |
| 21 | 70003142 | 1 | Pinion, Output | |
| 22 | 70002663 | 1 | Adapter, Motor | |
| 23 | 70002664 | 1 | Seal, Face | |
| 24 | 7026052 | 1 | Spacer, Washer | |
| 25 | See Note | 1 | Housing (Note: Not Available - Purchase Complete Assembly) | |
| 26 | 70002665 | 1 | Shim .0075 Natural | |
| 26 | 70002666 | 1 | Shim .005 Blue | |
| 26 | 70002667 | 1 | Shim .003 Green | |
| 27 | 70002668 | 1 | Shim .005 Blue | |
| 27 | 70002669 | 1 | Shim .020 Yellow | |
| 28 | 7027352 | 1 | Gasket .010 Brown | |
| 28 | 7027351 | 1 | Gasket .0075 Clear | |
| 28 | 7027350 | 1 | Gasket .005 Blue | |
| 29 | 7027353 | 1 | Gasket .020 Yellow | |
| 30 | 70000681 | 10 | Bolt #6 x 3/8 | |
| 31 | 70002670 | 1 | Gear, Worm | |
| 32 | 70002671 | 1 | Shaft, Worm | |

SECTION 2 - TURNTABLE

FIGURE 2-6. TANK INSTALLATION (DIESEL MACHINES)



ART_1001115769

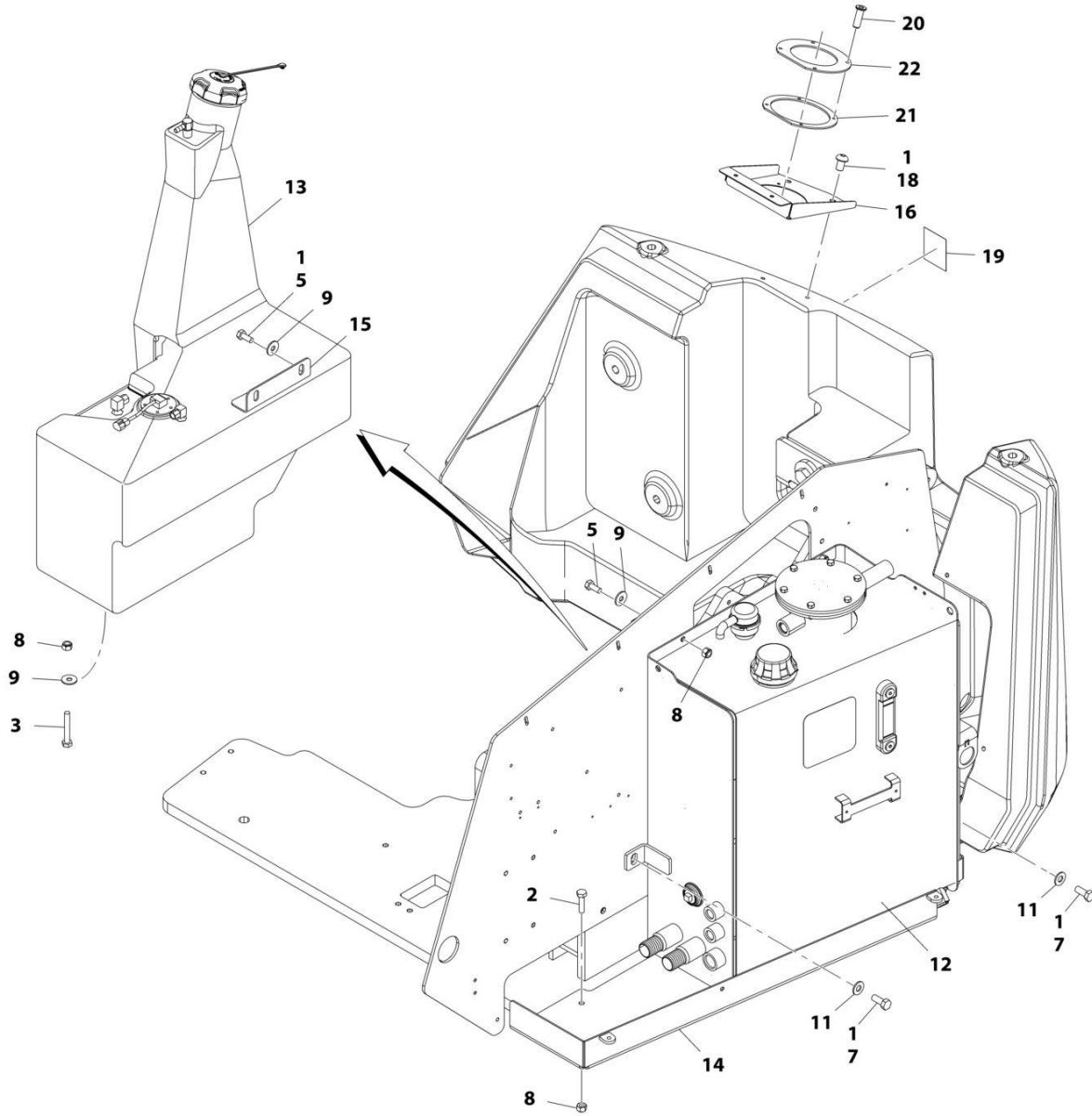
SECTION 2 - TURNTABLE

FIGURE 2-6. TANK INSTALLATION (DIESEL MACHINES)

| ITEM | PART NUMBER | QTY | DESCRIPTION | REV |
|------|-------------|-----|--|-----|
| | 1001115769 | Ref | TANK INSTALLATION (DIESEL MACHINES) | E |
| 1 | 0100011 | AR | Compound, Locking | |
| 2 | 0701016 | 2 | Bolt M10 x 40 | |
| 3 | 0701022 | 1 | Bolt M10 x 70 | |
| 5 | 0761012 | 4 | Bolt M10 x 25 | |
| 7 | 0761214 | 2 | Bolt M12 x 30 | |
| 8 | 3291005 | 5 | Nut M10 | |
| 9 | 4812002 | 5 | Washer M10 | |
| 11 | 4812102 | 2 | Washer M12 | |
| 12 | 1001116339 | 1 | Hydraulic Tank Assembly (See Separate Breakdown in this Section) | |
| 13 | 1001117897 | 1 | Fuel Tank Assembly (See Separate Breakdown in this Section) | |
| 14 | 1001118502 | 1 | Shield, Bottom Tank | |
| 15 | 1001118509 | 1 | Support, Tank | |
| 16 | 1001118510 | 1 | Shield, Tank Neck | |
| 18 | 1001119527 | 2 | Screw M10 x 16 | |
| 19 | 1701505 | 1 | Decal - Diesel Fuel | |
| 20 | 3820032 | 4 | Rivet | |
| 21 | 1001128781 | 1 | Seal, Neck | |
| 22 | 1001128782 | 1 | Ring, Neck | |

SECTION 2 - TURNTABLE

FIGURE 2-7. TANK INSTALLATION (GAS MACHINES)



ART_1001119102

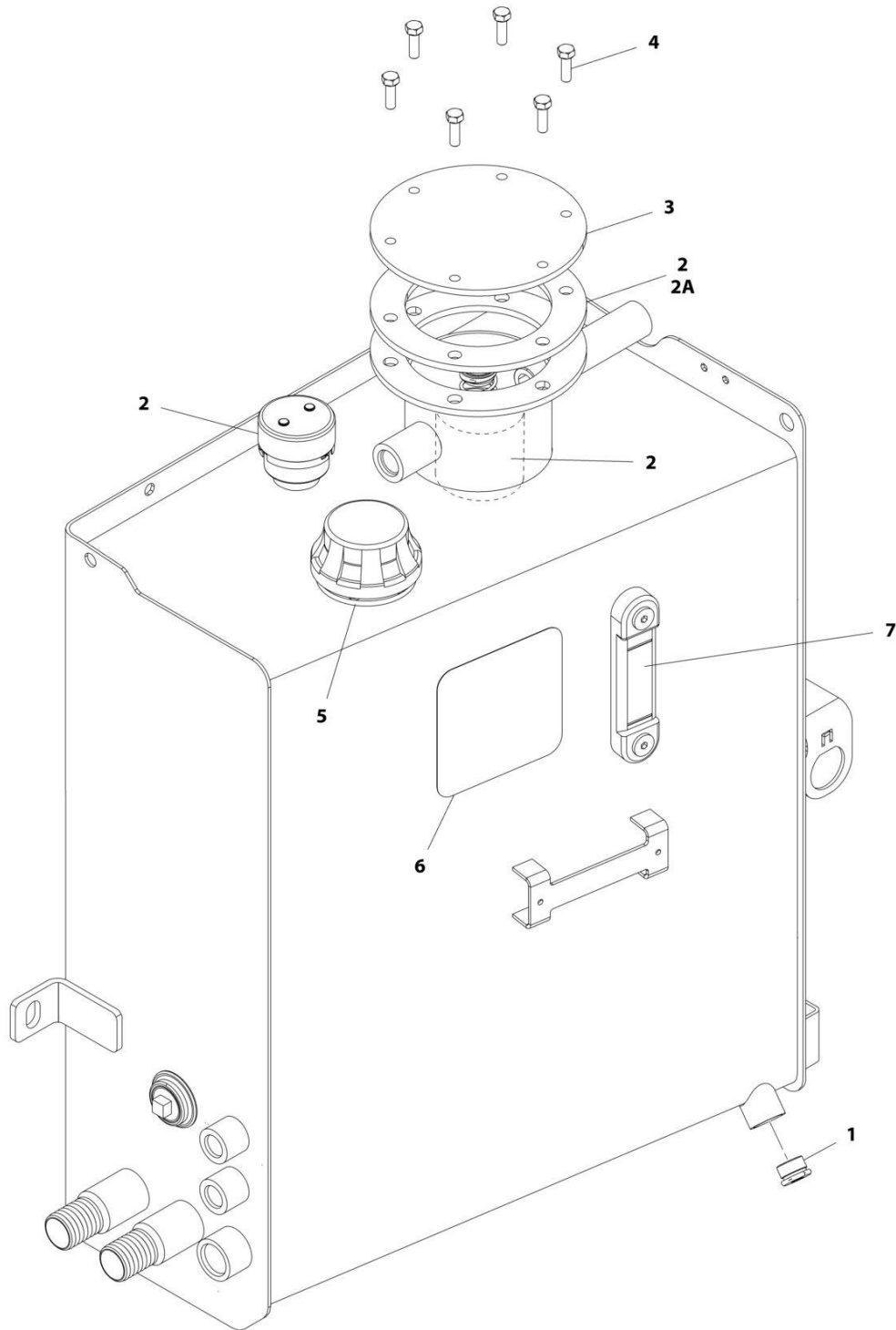
SECTION 2 - TURNTABLE

FIGURE 2-7. TANK INSTALLATION (GAS MACHINES)

| ITEM | PART NUMBER | QTY | DESCRIPTION | REV |
|------|-------------|-----|--|-----|
| | 1001119102 | Ref | TANK INSTALLATION (GAS MACHINES) | F |
| 1 | 0100011 | AR | Compound, Locking | |
| 2 | 0701016 | 2 | Bolt M10 x 40 | |
| 3 | 0701022 | 1 | Bolt M10 x 70 | |
| 5 | 0761012 | 4 | Bolt M10 x 25 | |
| 7 | 0761214 | 2 | Bolt M12 x 30 | |
| 8 | 3291005 | 5 | Nut M10 | |
| 9 | 4812002 | 5 | Washer M10 | |
| 11 | 4812102 | 2 | Washer M12 | |
| 12 | 1001116339 | 1 | Hydraulic Tank Assembly (See Separate Breakdown in this Section) | |
| 13 | 1001211509 | 1 | Fuel Tank Assembly (See Separate Breakdown in this Section) | |
| 14 | 1001118502 | 1 | Shield, Bottom Tank | |
| 15 | 1001118509 | 1 | Support, Tank | |
| 16 | 1001118510 | 1 | Shield, Tank Neck | |
| 18 | 1001119527 | 2 | Screw M10 x 16 | |
| 19 | 1701542 | 1 | Decal - Gas Fuel | |
| 20 | 3820032 | 4 | Rivet | |
| 21 | 1001128781 | 1 | Seal, Neck | |
| 22 | 1001128782 | 1 | Ring, Neck | |

SECTION 2 - TURNTABLE

FIGURE 2-8. HYDRAULIC TANK ASSEMBLY



ART_100116339

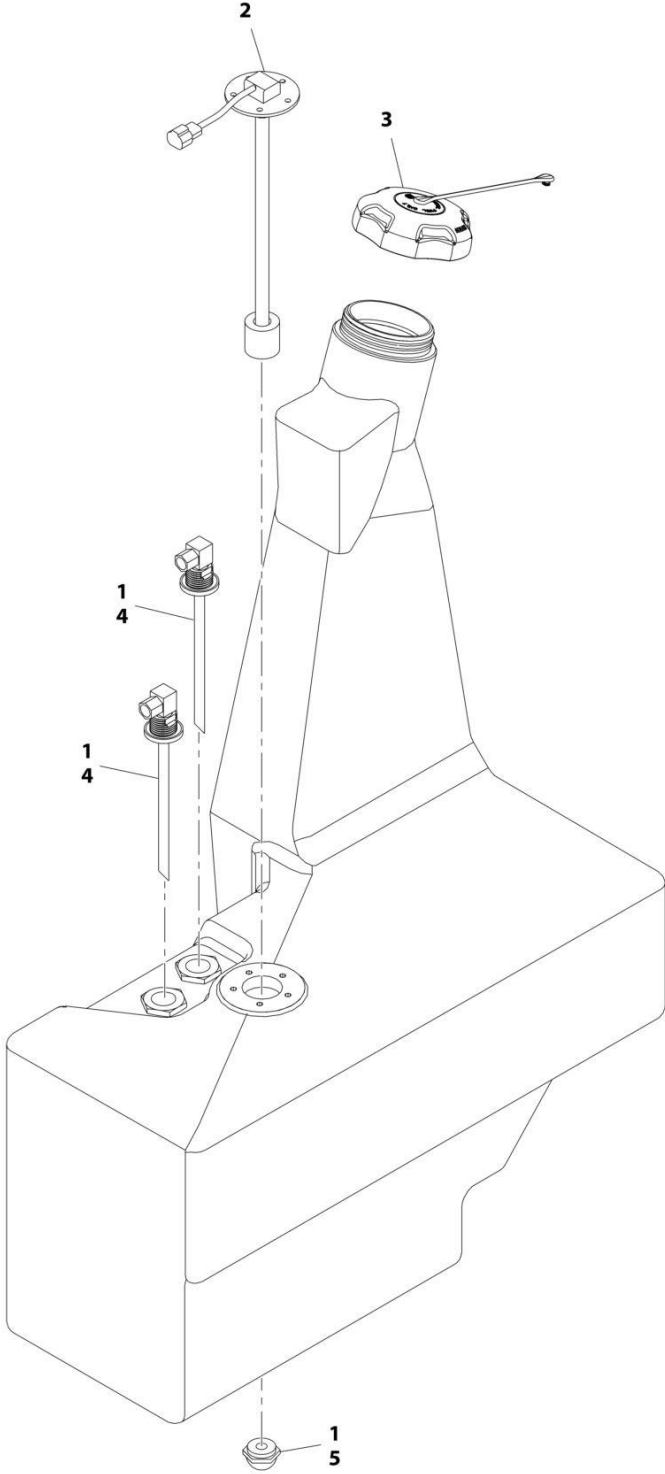
SECTION 2 - TURNTABLE

FIGURE 2-8. HYDRAULIC TANK ASSEMBLY

| ITEM | PART NUMBER | QTY | DESCRIPTION | REV |
|-------------|--------------------|------------|---|------------|
| | 1001116339 | Ref | HYDRAULIC TANK ASSEMBLY | F |
| 1 | 70002112 | 1 | Plug, Magnetic | |
| 2 | 70002812 | 1 | Hydraulic Breather/Filter Kit | |
| 2A | 70002839 | 1 | Gasket | |
| 3 | See Note | NSS | Cover (Note: Use p/n 1001116339) | |
| 4 | See Note | NSS | Bolt (Note: Not Available - Purchase Locally) | |
| 5 | 70002838 | 1 | Cap, Fill | |
| 6 | 70002840 | 1 | Decal - Filter Replacement | |
| 7 | 7024441 | 1 | Gauge, Sight | |

SECTION 2 - TURNTABLE

FIGURE 2-9. FUEL TANK ASSEMBLY (DIESEL MACHINES)



ART_1001117897

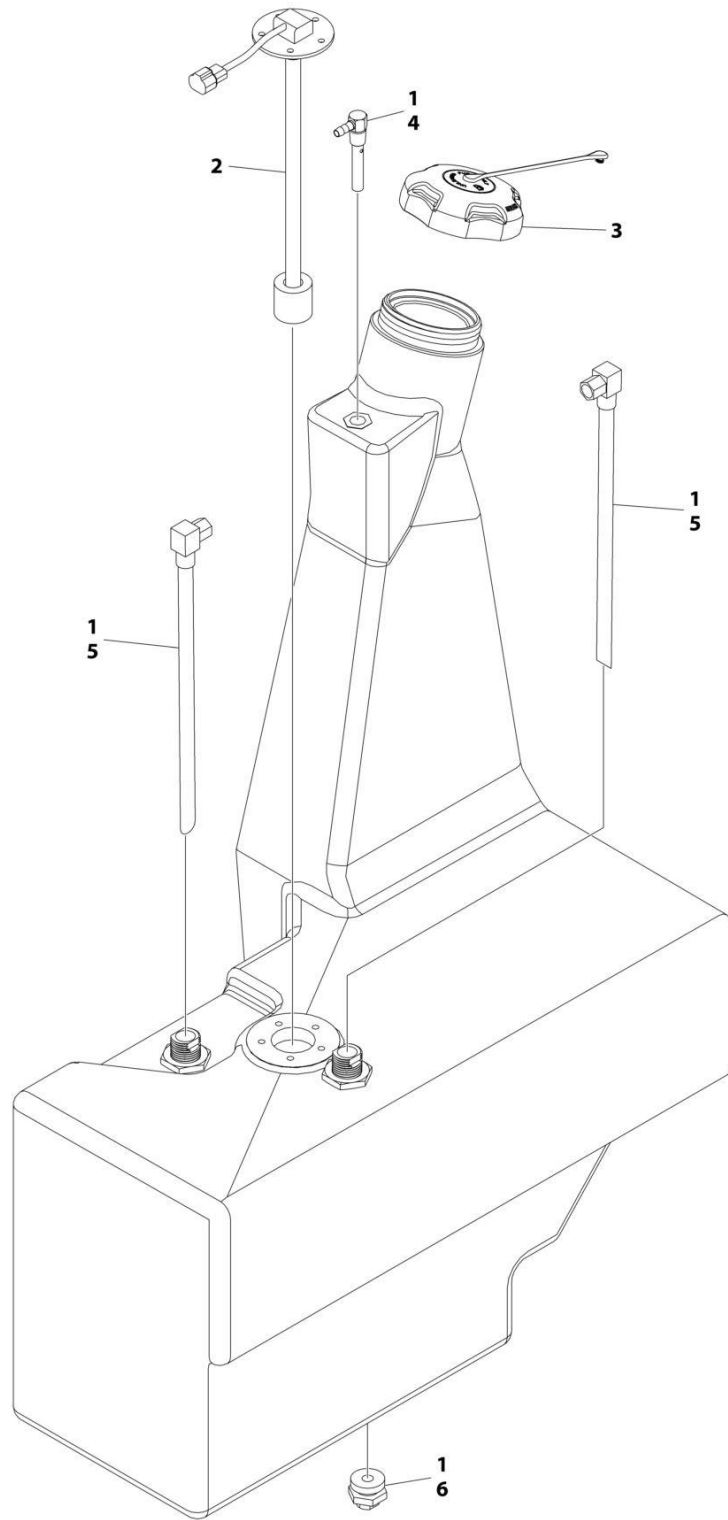
SECTION 2 - TURNTABLE

FIGURE 2-9. FUEL TANK ASSEMBLY (DIESEL MACHINES)

| ITEM | PART NUMBER | QTY | DESCRIPTION | REV |
|-------------|--------------------|------------|---|------------|
| | 1001117897 | Ref | FUEL TANK ASSEMBLY (DIESEL MACHINES) | G |
| 1 | 0100020 | AR | Sealant | |
| 2 | 1001118262 | 1 | Sender | |
| 2 | See Note | NSS | Seal, Sender (Note: Use p/n 1001118262) | |
| 2 | 0721004 | 5 | Screw #10 x 1/2 | |
| 3 | 1001128798 | 1 | Cap, Fuel - Diesel | |
| 4 | See Note | NSS | Tube, Steel with Elbow Fitting (Note: Use p/n 1001117897) | |
| 5 | See Note | NSS | Plug (Note: Not Available - Purchase Locally) | |

SECTION 2 - TURNTABLE

FIGURE 2-10. FUEL TANK ASSEMBLY (GAS MACHINES)



ART_1001211509

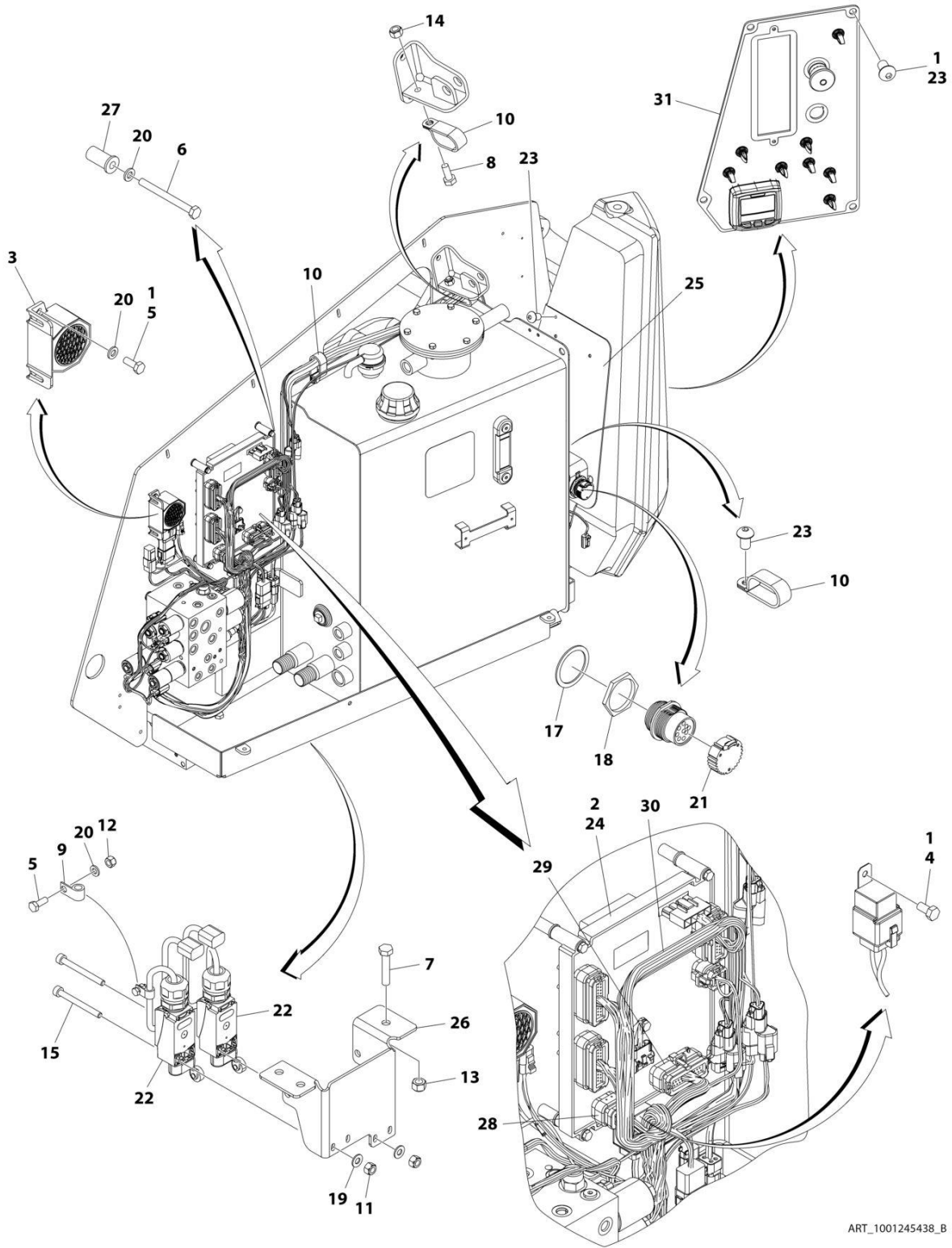
SECTION 2 - TURNTABLE

FIGURE 2-10. FUEL TANK ASSEMBLY (GAS MACHINES)

| ITEM | PART NUMBER | QTY | DESCRIPTION | REV |
|-------------|--------------------|------------|-----------------------------------|------------|
| | 1001211509 | Ref | FUEL TANK ASSEMBLY (GAS MACHINES) | A |
| 1 | 0100020 | AR | Sealant | |
| 2 | 1001118262 | 1 | Sender | |
| 2 | 0721004 | 5 | Screw #10 x 1/2 | |
| 3 | 1001128799 | 1 | Cap, Fuel - Gas | |
| 4 | 1001129043 | 1 | Valve, Fuel Vent | |

SECTION 2 - TURNTABLE

FIGURE 2-11. ELECTRICAL COMPONENTS INSTALLATION (ALL SPECS EXCEPT CE & UK CA)



ART_1001245438_B

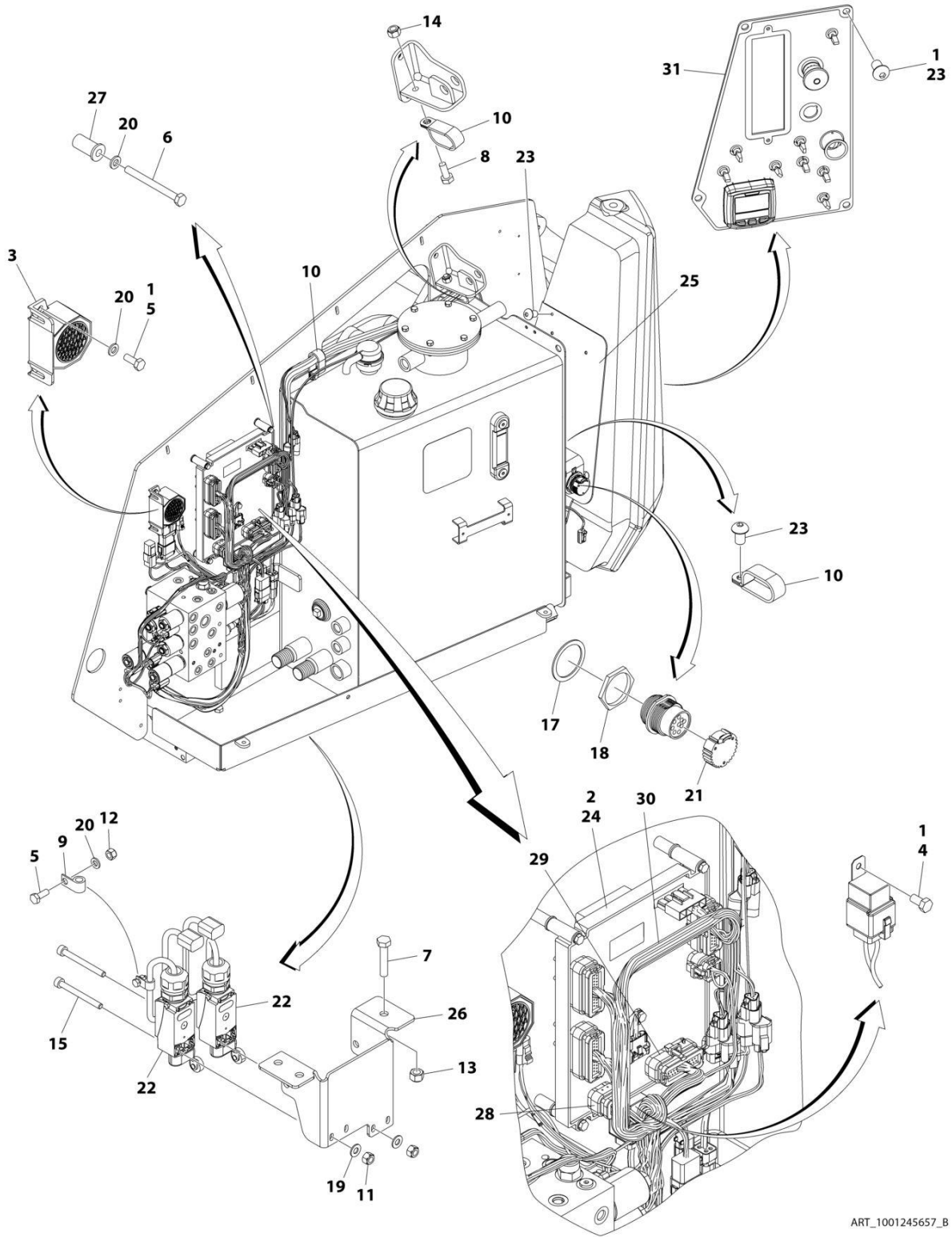
SECTION 2 - TURNTABLE

FIGURE 2-11. ELECTRICAL COMPONENTS INSTALLATION (ALL SPECS EXCEPT CE & UK CA)

| ITEM | PART NUMBER | QTY | DESCRIPTION | REV |
|------|-------------|-----|--|-----|
| | 1001245438 | Ref | ELECTRICAL COMPONENTS INSTALLATION | B |
| 1 | 0100011 | AR | Compound, Locking | |
| 2 | 0100048 | AR | Sealant, Silicone | |
| 3 | 0140043 | 1 | Alarm | |
| 4 | 0760505 | 1 | Bolt M5 x 10 | |
| 5 | 0760608 | 4 | Bolt M6 x 16 | |
| 6 | 0760621 | 5 | Bolt M6 x 65 | |
| 7 | 0760816 | 3 | Bolt M8 x 40 | |
| 8 | 0761012 | 1 | Bolt M10 x 25 | |
| 9 | 1321293 | 2 | Clamp | |
| 10 | 1321716 | 3 | P-Clamp | |
| 11 | 3290405 | 4 | Nut M4 | |
| 12 | 3290605 | 2 | Nut M6 | |
| 13 | 3290805 | 3 | Nut M8 | |
| 14 | 3291005 | 1 | Nut M10 | |
| 15 | 4031512 | 4 | Capscrew M4 x 40 | |
| 16 | 4240033 | 2 | Tie-Strap (Not Shown) | |
| 17 | 4460496 | 1 | Washer | |
| 18 | 4460497 | 1 | Nut | |
| 19 | 4811400 | 4 | Washer M4 | |
| 20 | 4811700 | 9 | Washer M6 | |
| 21 | 1001106736 | 1 | Cap, Dust | |
| 22 | 1001119176 | 2 | Limit Switch and Harness Assembly (See Separate Breakdown in ELECTRICAL Section) | |
| 22 | 1001119170 | 2 | Switch, Limit (1 per Assembly) | |
| 23 | 1001119527 | 7 | Screw, Button Head M10 x 16 | |
| 24 | 1001120431 | 1 | Module, Ground Control (Note: Re-calibration Required when Replaced) | |
| 25 | 1001125291 | 1 | Shield, Ground Controls | |
| 26 | 1001141710 | 1 | Bracket, Switch | |
| 27 | 1001203719 | 5 | Nut M6 | |
| 28 | 1001244525 | 1 | Valve Harness (See Separate Breakdown in ELECTRICAL Section) | |
| 29 | 1001244526 | 1 | Harness, Ground Control (See Separate Breakdown in ELECTRICAL Section) | |
| 30 | 1001244527 | 1 | Mid-Engine Harness (See Separate Breakdown in ELECTRICAL Section) | |
| 31 | 1001266044 | 1 | Ground Control Assembly (See Separate Breakdown in this Section) | |

SECTION 2 - TURNTABLE

FIGURE 2-12. ELECTRICAL COMPONENTS INSTALLATION (CE & UK CA SPEC)



ART_1001245657_B

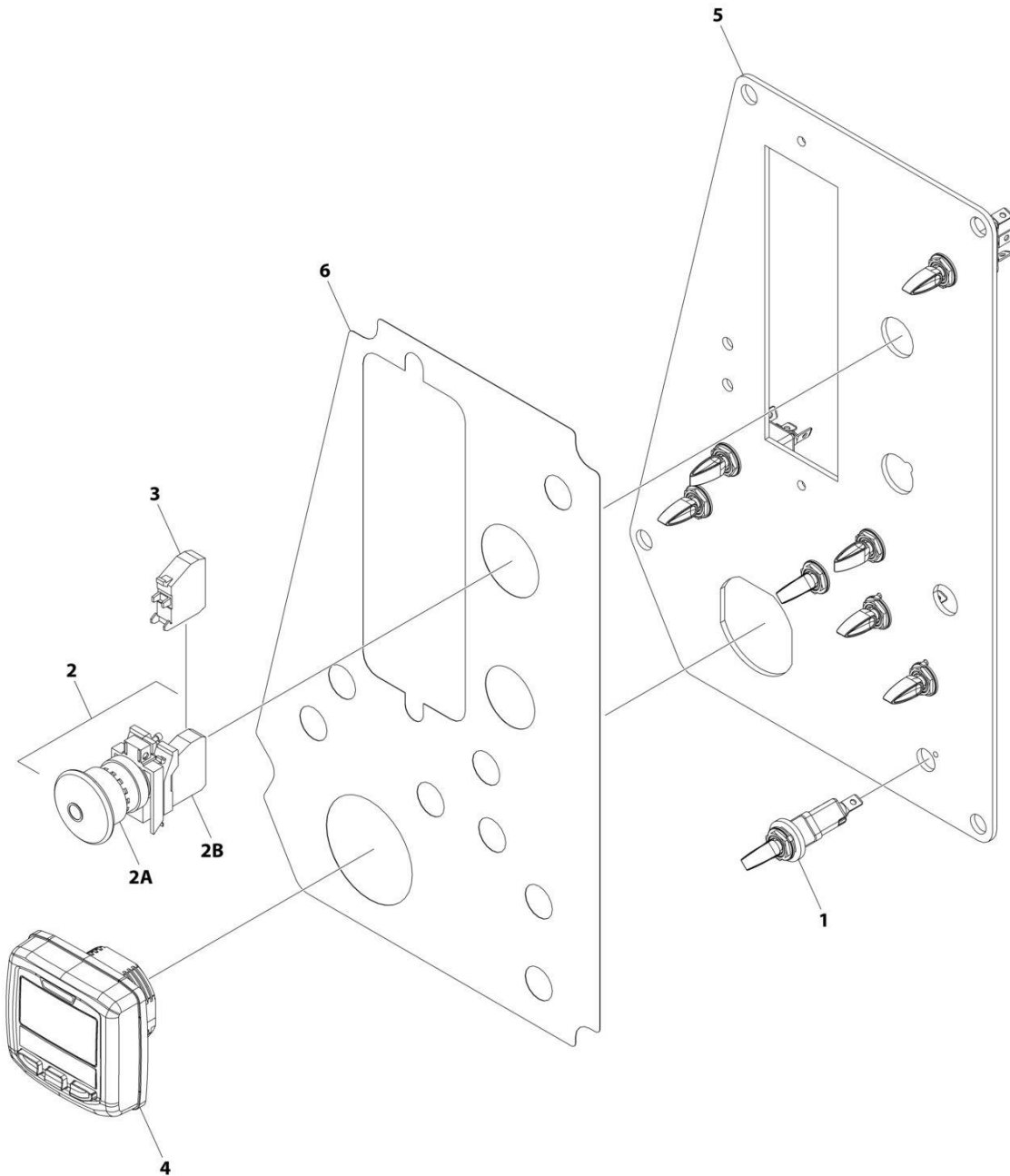
SECTION 2 - TURNTABLE

FIGURE 2-12. ELECTRICAL COMPONENTS INSTALLATION (CE & UK CA SPEC)

| ITEM | PART NUMBER | QTY | DESCRIPTION | REV |
|------|-------------|-----|--|-----|
| | 1001245657 | Ref | ELECTRICAL COMPONENTS INSTALLATION | B |
| 1 | 0100011 | AR | Compound, Locking | |
| 2 | 0100048 | AR | Sealant, Silicone | |
| 3 | 0140043 | 1 | Alarm | |
| 4 | 0760505 | 1 | Bolt M5 x 10 | |
| 5 | 0760608 | 4 | Bolt M6 x 16 | |
| 6 | 0760621 | 5 | Bolt M6 x 65 | |
| 7 | 0760816 | 3 | Bolt M8 x 40 | |
| 8 | 0761012 | 1 | Bolt M10 x 25 | |
| 9 | 1321293 | 2 | Clamp | |
| 10 | 1321716 | 3 | P-Clamp | |
| 11 | 3290405 | 4 | Nut M4 | |
| 12 | 3290605 | 2 | Nut M6 | |
| 13 | 3290805 | 3 | Nut M8 | |
| 14 | 3291005 | 1 | Nut M10 | |
| 15 | 4031512 | 4 | Capscrew M4 x 40 | |
| 16 | 4240033 | 2 | Tie-Strap (Not Shown) | |
| 17 | 4460496 | 1 | Washer, Terminal | |
| 18 | 4460497 | 1 | Nut, Terminal | |
| 19 | 4811400 | 4 | Washer M4 | |
| 20 | 4811700 | 9 | Washer M6 | |
| 21 | 1001106736 | 1 | Cap, Dust | |
| 22 | 1001119176 | 2 | Limit Switch and Harness Assembly (See Separate Breakdown in ELECTRICAL Section) | |
| 22 | 1001119170 | 2 | Switch, Limit (1 per Assembly) | |
| 23 | 1001119527 | 7 | Screw, Button Head M10 x 16 | |
| 24 | 1001120431 | 1 | Module, Ground Control (Note: Re-calibration Required when Replaced) | |
| 25 | 1001125291 | 1 | Shield, Ground Controls | |
| 26 | 1001141710 | 1 | Bracket, Switch | |
| 27 | 1001203719 | 5 | Nut M6 | |
| 28 | 1001244525 | 1 | Valve Harness (See Separate Breakdown in ELECTRICAL Section) | |
| 29 | 1001244526 | 1 | Harness, Ground Control (See Separate Breakdown in ELECTRICAL Section) | |
| 30 | 1001244527 | 1 | Mid-Engine Harness Assembly (See Separate Breakdown in ELECTRICAL Section) | |
| 31 | 1001266045 | 1 | Ground Control Assembly (See Separate Breakdown in this Section) | |

SECTION 2 - TURNTABLE

FIGURE 2-13. GROUND CONTROL BOX ASSEMBLY - DISPLAY WITH BUTTONS (ALL SPECS EXCEPT CE & UK CA SPECS)



ART_1001266044

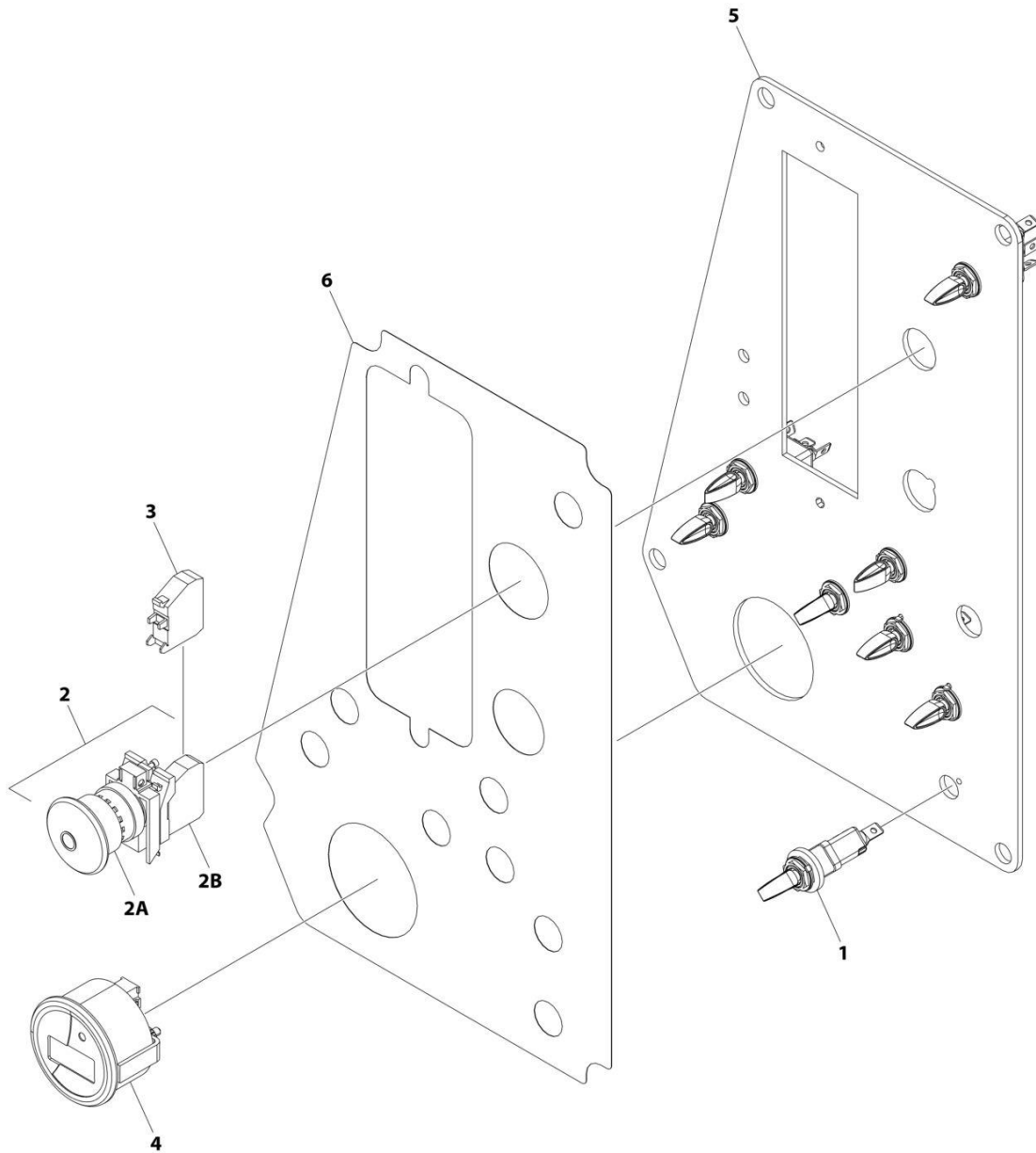
SECTION 2 - TURNTABLE

FIGURE 2-13. GROUND CONTROL BOX ASSEMBLY - DISPLAY WITH BUTTONS (ALL SPECS EXCEPT CE & UK CA SPECS)

| ITEM | PART NUMBER | QTY | DESCRIPTION | REV |
|-------------|--------------------|------------|-------------------------|------------|
| | 1001266044 | Ref | GROUND CONTROL ASSEMBLY | A |
| 1 | 4360328 | 8 | Switch, Toggle | |
| 2 | 4360475 | 1 | Switch, Emergency Stop | |
| 2A | 7020175 | 1 | Cap, Mushroom Head | |
| 2B | 7020176 | 1 | Block, Contact | |
| 3 | 4360476 | 1 | Switch, Contact | |
| 4 | 1001171482 | 1 | Display | |
| 5 | 1001266040 | 1 | Panel | |
| 6 | 1001266041 | 1 | Decal - Ground Control | |

SECTION 2 - TURNTABLE

FIGURE 2-14. GROUND CONTROL BOX ASSEMBLY - DISPLAY WITHOUT BUTTONS (ALL SPECS EXCEPT CE & UK CA SPECS)



ART_1001266044_B

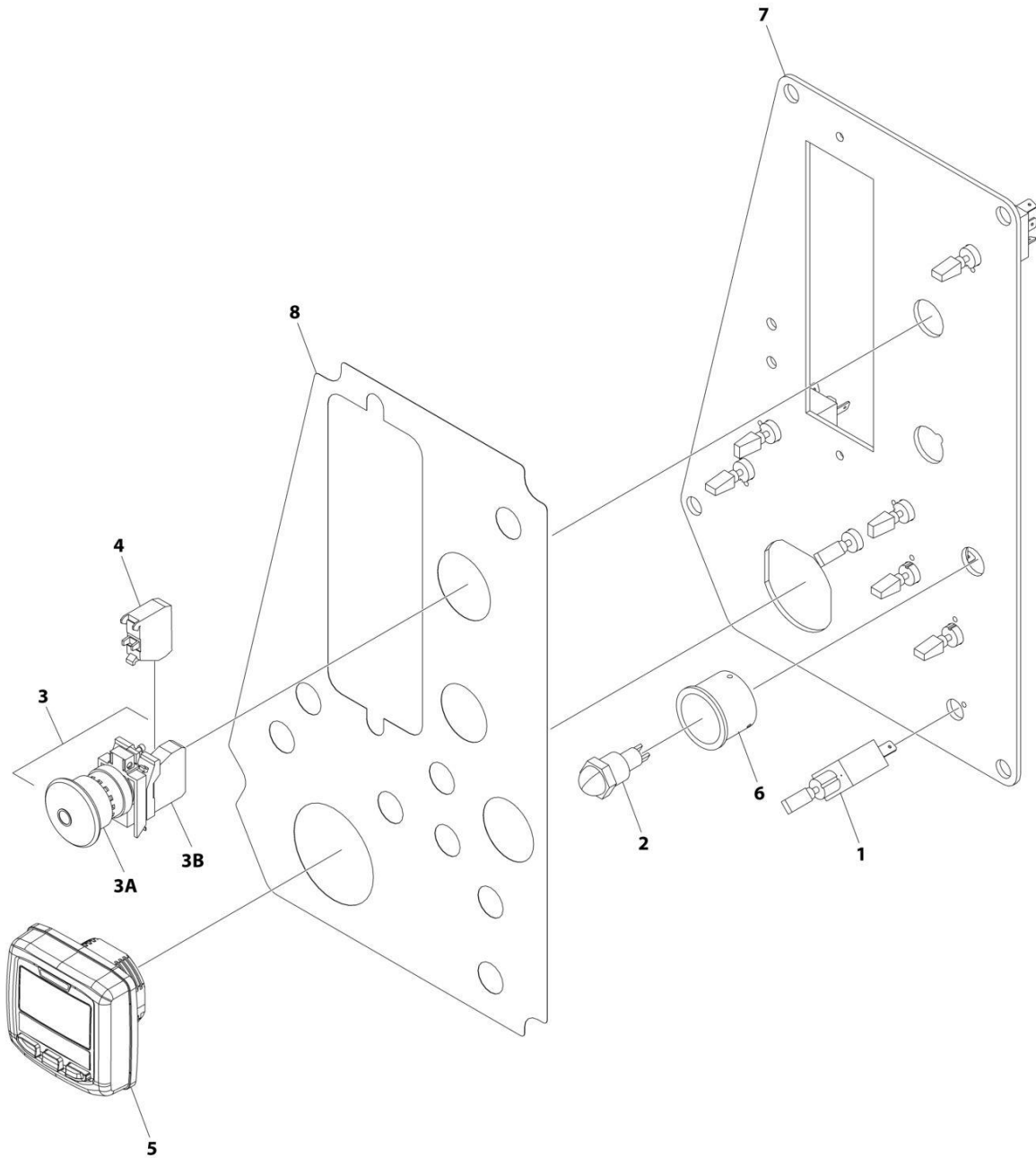
SECTION 2 - TURNTABLE

FIGURE 2-14. GROUND CONTROL BOX ASSEMBLY - DISPLAY WITHOUT BUTTONS (ALL SPECS EXCEPT CE & UK CA SPECS)

| ITEM | PART NUMBER | QTY | DESCRIPTION | REV |
|-------------|--------------------|------------|-------------------------|------------|
| | 1001266044 | Ref | GROUND CONTROL ASSEMBLY | B |
| 1 | 4360328 | 8 | Switch, Toggle | |
| 2 | 4360475 | 1 | Switch, Emergency Stop | |
| 2A | 7020175 | 1 | Cap, Mushroom Head | |
| 2B | 7020176 | 1 | Block, Contact | |
| 3 | 4360476 | 1 | Switch, Contact | |
| 4 | 1001109503 | 1 | Display | |
| 5 | 1001280406 | 1 | Panel | |
| 6 | 1001266041 | 1 | Decal - Ground Control | |

SECTION 2 - TURNTABLE

FIGURE 2-15. GROUND CONTROL BOX ASSEMBLY - DISPLAY WITH BUTTONS (CE & UK CA SPECS)



ART_1001266045

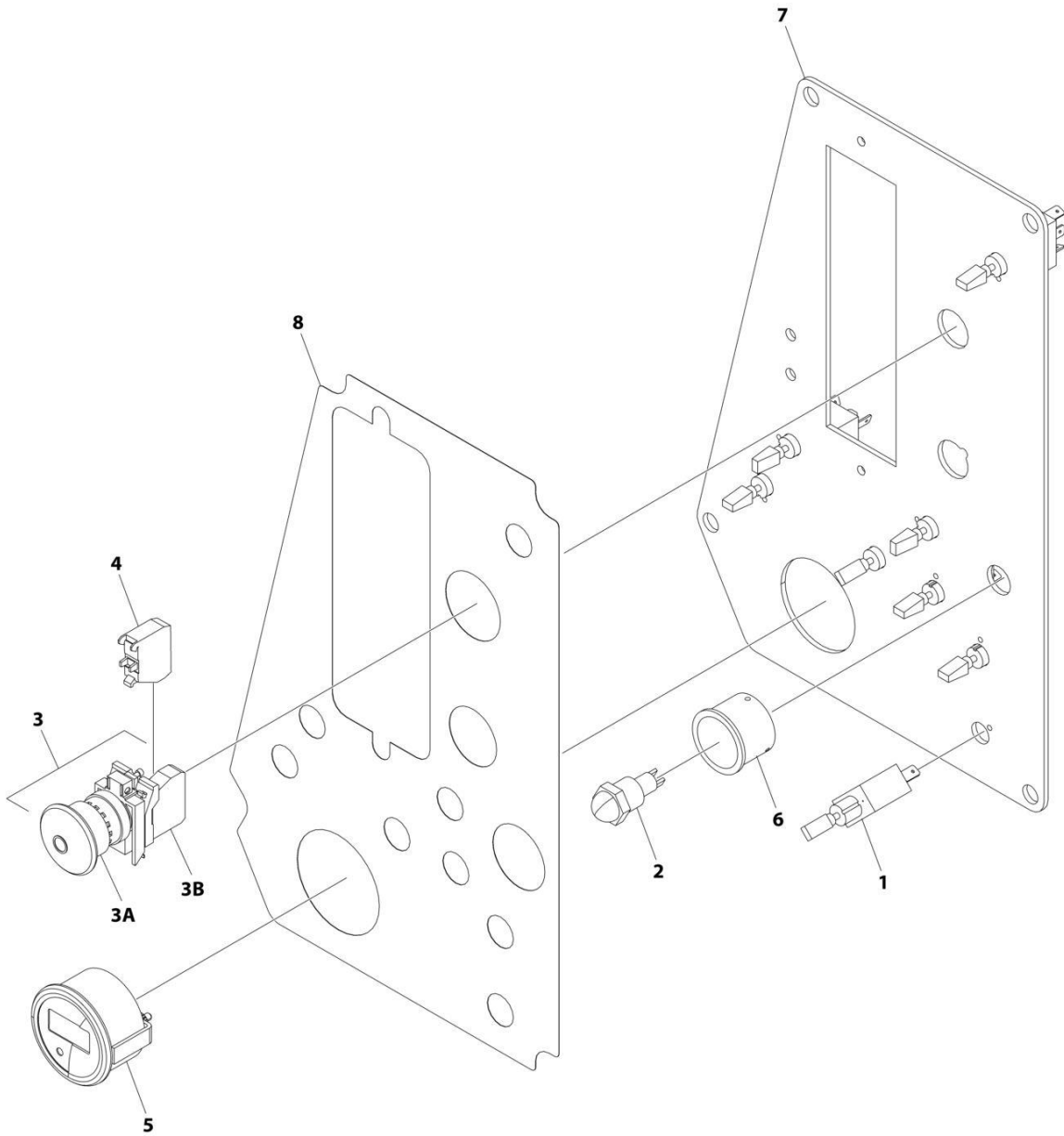
SECTION 2 - TURNTABLE

FIGURE 2-15. GROUND CONTROL BOX ASSEMBLY - DISPLAY WITH BUTTONS (CE & UK CA SPECS)

| ITEM | PART NUMBER | QTY | DESCRIPTION | REV |
|-------------|--------------------|------------|-------------------------|------------|
| | 1001266045 | Ref | GROUND CONTROL ASSEMBLY | A |
| 1 | 4360328 | 8 | Switch, Toggle | |
| 2 | 4360387 | 1 | Switch, Push Button | |
| 3 | 4360475 | 1 | Switch, Emergency Stop | |
| 3A | 7020175 | 1 | Cap, Mushroom Head | |
| 3B | 7020176 | 1 | Block, Contact | |
| 4 | 4360476 | 1 | Switch, Contact | |
| 5 | 1001171482 | 1 | Display | |
| 6 | 1001176469 | 1 | Shroud | |
| 7 | 1001266040 | 1 | Panel | |
| 8 | 1001266043 | 1 | Decal - Ground Control | |

SECTION 2 - TURNTABLE

FIGURE 2-16. GROUND CONTROL BOX ASSEMBLY - DISPLAY WITHOUT BUTTONS (CE & UK CA SPECS)



ART_1001266045_B

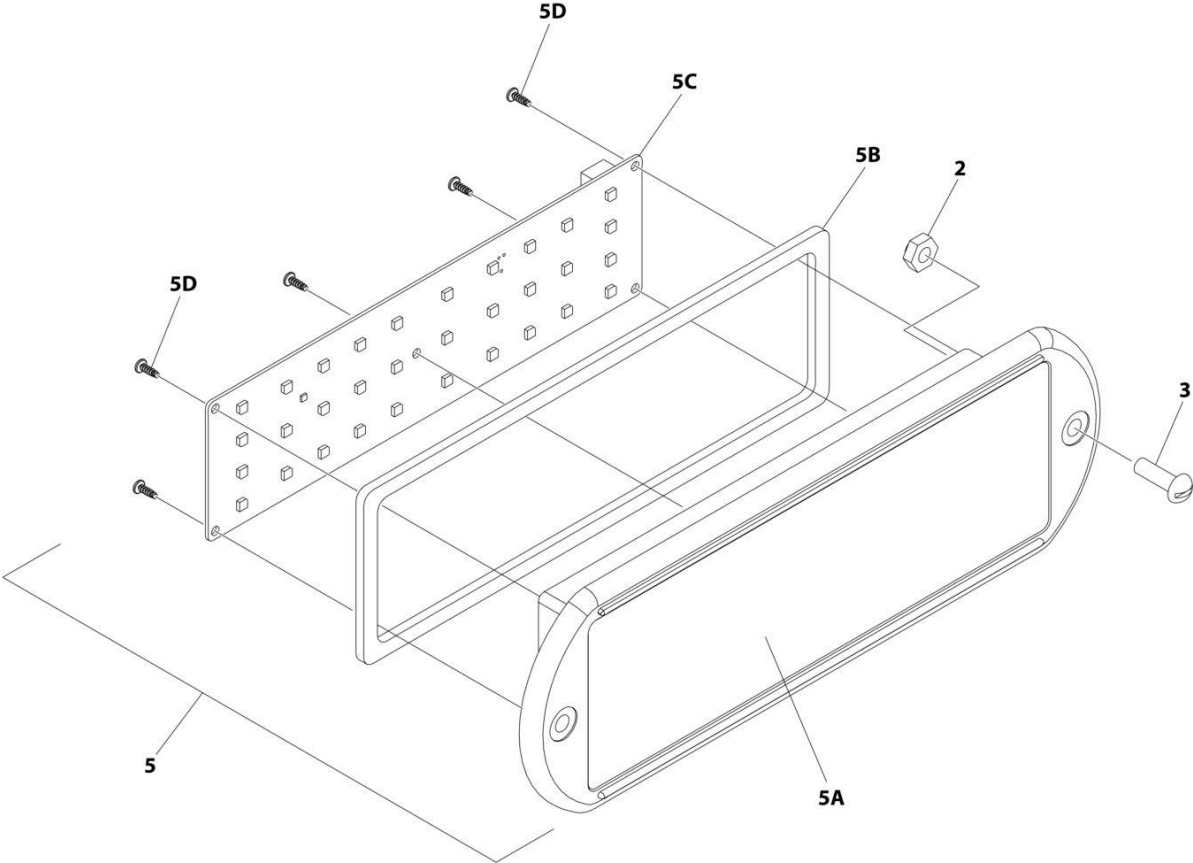
SECTION 2 - TURNTABLE

FIGURE 2-16. GROUND CONTROL BOX ASSEMBLY - DISPLAY WITHOUT BUTTONS (CE & UK CA SPECS)

| ITEM | PART NUMBER | QTY | DESCRIPTION | REV |
|------|-------------|-----|-------------------------|-----|
| | 1001266045 | Ref | GROUND CONTROL ASSEMBLY | B |
| 1 | 4360328 | 8 | Switch, Toggle | |
| 2 | 4360387 | 1 | Switch, Push Button | |
| 3 | 4360475 | 1 | Switch, Emergency Stop | |
| 3A | 7020175 | 1 | Cap, Mushroom Head | |
| 3B | 7020176 | 1 | Block, Contact | |
| 4 | 4360476 | 1 | Switch, Contact | |
| 5 | 1001109503 | 1 | Display | |
| 6 | 1001176469 | 1 | Shroud | |
| 7 | 1001280406 | 1 | Panel | |
| 8 | 1001266043 | 1 | Decal - Ground Control | |

SECTION 2 - TURNTABLE

FIGURE 2-17. LIGHT PANEL INSTALLATION



ART_1001241400_10F2

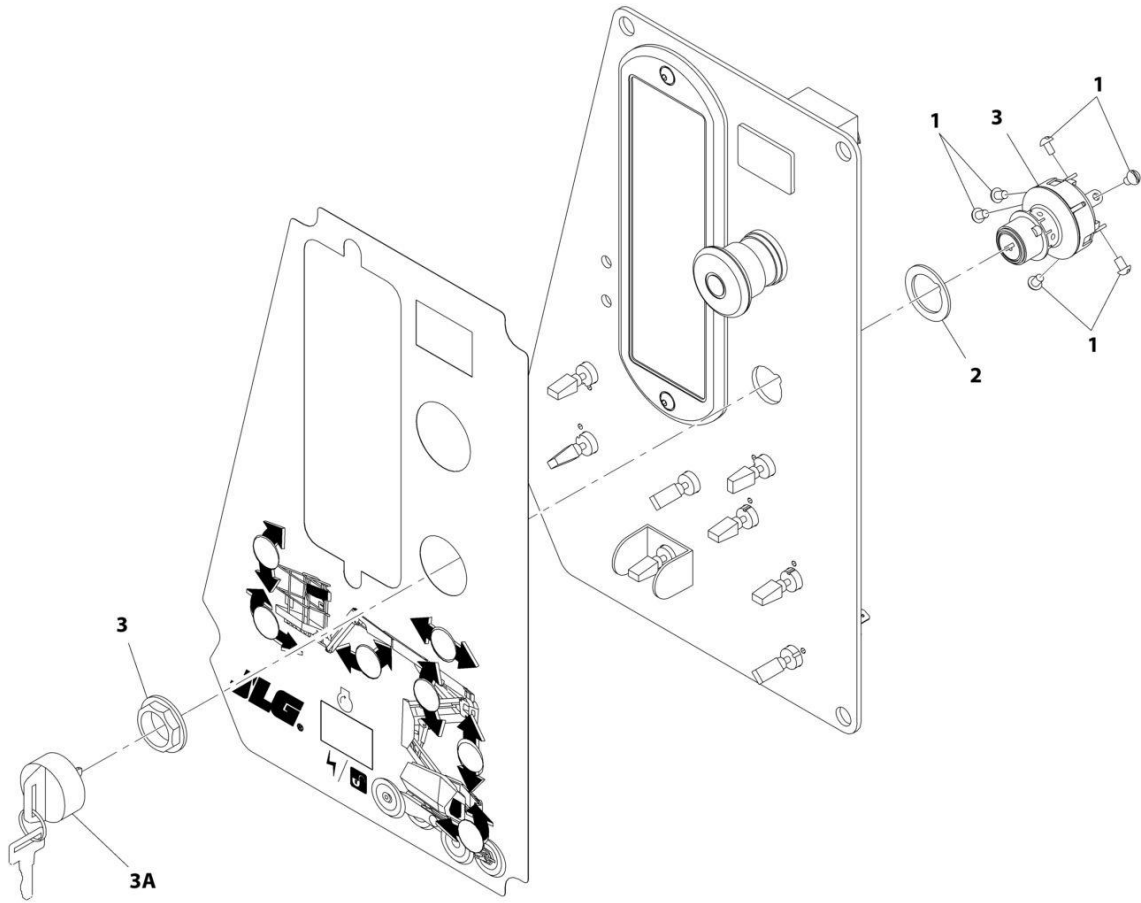
SECTION 2 - TURNTABLE

FIGURE 2-17. LIGHT PANEL INSTALLATION

| ITEM | PART NUMBER | QTY | DESCRIPTION | REV |
|-------------|--------------------|------------|--------------------------|------------|
| | 1001241400 | Ref | LIGHT PANEL INSTALLATION | B |
| 2 | 3300408 | 2 | Nut, Nylon Insert | |
| 3 | 0630518 | 2 | Screw #10 x 3/4 | |
| 5 | 1001236433 | 1 | Light Panel Assembly | |
| 5A | 1001236093 | 1 | Lens, I-Con | |
| 5B | 1001238749 | 1 | Bezel (Includes Gasket) | |
| 5C | 1001187807 | 1 | Panel, LED Light | |
| 5D | | Ref | Screw | |

SECTION 2 - TURNTABLE

FIGURE 2-18. KEY SWITCH INSTALLATION



ART_100119399

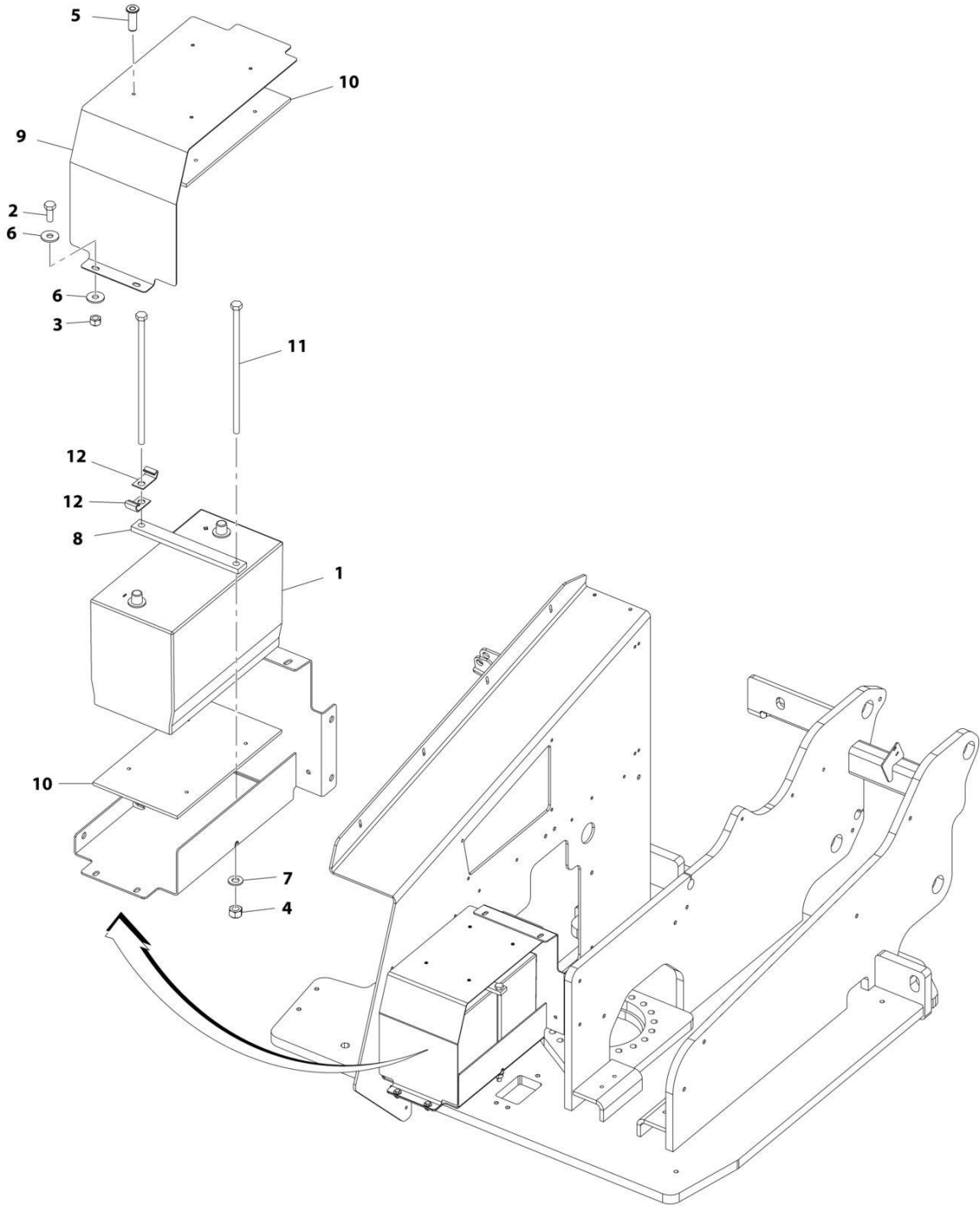
SECTION 2 - TURNTABLE

FIGURE 2-18. KEY SWITCH INSTALLATION

| ITEM | PART NUMBER | QTY | DESCRIPTION | REV |
|-------------|--------------------|------------|-------------------------|------------|
| | 1001119399 | Ref | KEY SWITCH INSTALLATION | C |
| 1 | 3910804 | 6 | Screw 8 x 1/4 | |
| 2 | 1001151393 | 1 | Shim | |
| 3 | 4360469 | 1 | Switch, Key | |
| 3A | 2860030 | 1 | Key, Replacement | |

SECTION 2 - TURNTABLE

FIGURE 2-19. BATTERY INSTALLATION



ART_1001119277

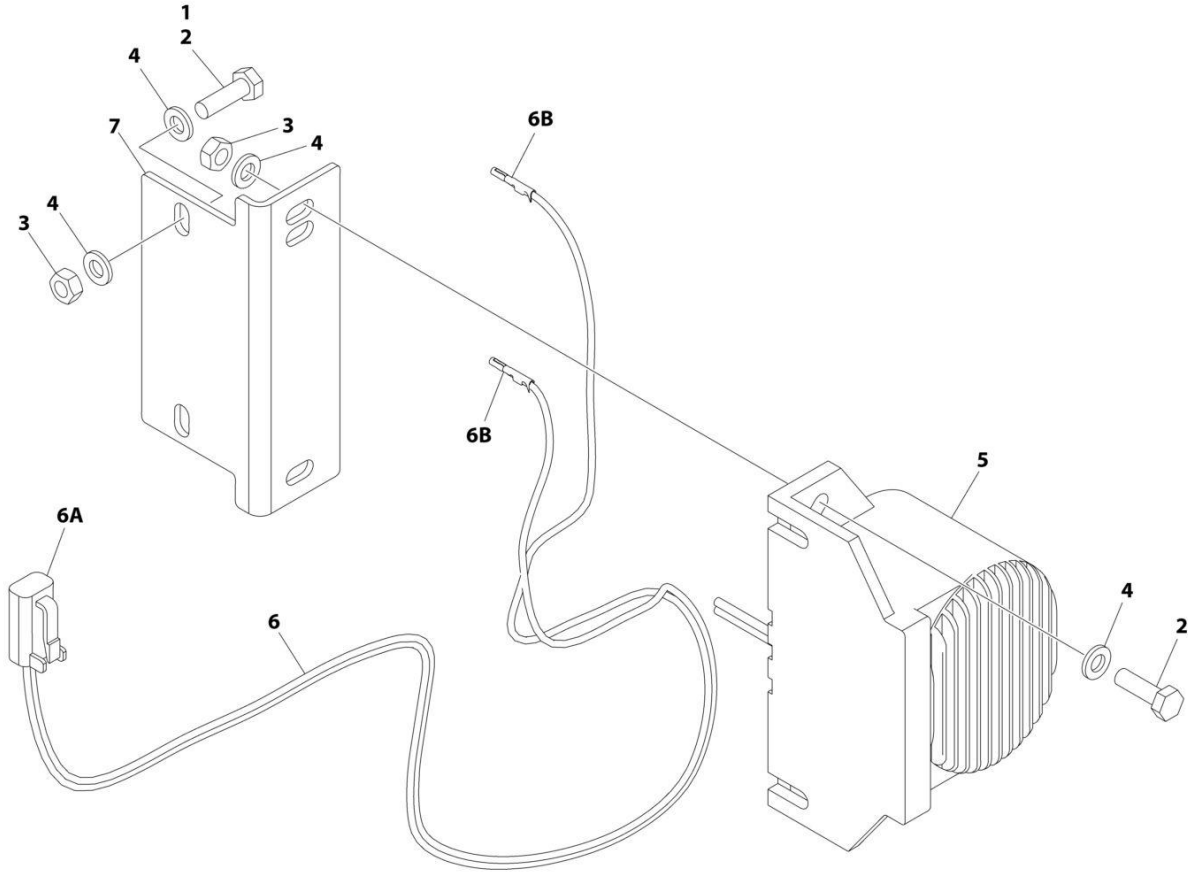
SECTION 2 - TURNTABLE

FIGURE 2-19. BATTERY INSTALLATION

| ITEM | PART NUMBER | QTY | DESCRIPTION | REV |
|-------------|--------------------|------------|----------------------|------------|
| | 1001119277 | Ref | BATTERY INSTALLATION | D |
| 1 | 0400075 | 1 | Battery | |
| 2 | 0760610 | 2 | Bolt M6 x 20 | |
| 3 | 3290605 | 2 | Nut M6 | |
| 4 | 3291005 | 2 | Nut M10 | |
| 5 | 3820032 | 4 | Rivet | |
| 6 | 4811702 | 4 | Washer M6 | |
| 7 | 4812000 | 2 | Washer M10 | |
| 8 | 0361810 | 1 | Bar, Hold-down | |
| 9 | 1001117240 | 1 | Cover | |
| 10 | 1001119278 | 2 | Insulate | |
| 11 | 1001119280 | 2 | Bolt M10 x 260 | |
| 12 | 1320223 | 2 | J-Clip | |

SECTION 2 - TURNTABLE

FIGURE 2-20. WHITE NOISE ALARM INSTALLATION



ART_1001206737

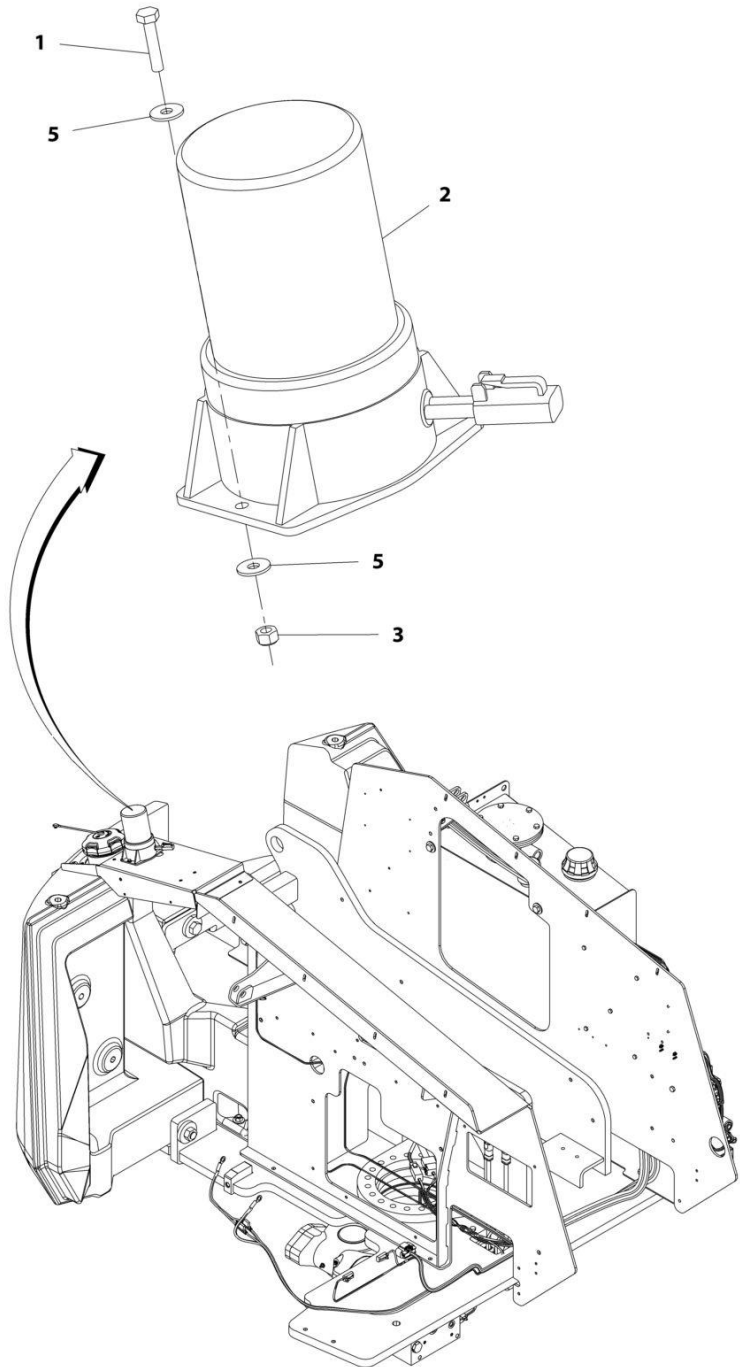
SECTION 2 - TURNTABLE

FIGURE 2-20. WHITE NOISE ALARM INSTALLATION

| ITEM | PART NUMBER | QTY | DESCRIPTION | REV |
|-------------|--------------------|------------|----------------------------------|------------|
| | 1001206737 | Ref | WHITE NOISE ALARM INSTALLATION | C |
| 1 | 0100011 | AR | Compound, Locking | |
| 2 | 0760610 | 4 | Bolt M6 x 20 | |
| 3 | 3290601 | 4 | Nut M6 | |
| 4 | 4811700 | 8 | Washer M6 | |
| 5 | 1001182806 | 1 | Alarm | |
| 6 | 1001190663 | 1 | White Noise Motion Alarm Harness | |
| 6A | 4460891 | 1 | Plug, Male - 2 Position | |
| 6A | 4460465 | 1 | Socket, Female | |
| 6B | 4460871 | 2 | Socket, Female | |
| 7 | 1001231886 | 1 | Plate | |

SECTION 2 - TURNTABLE

FIGURE 2-21. STROBE LIGHT INSTALLATION (AMBER) (OPTIONAL)



ART_1001119268

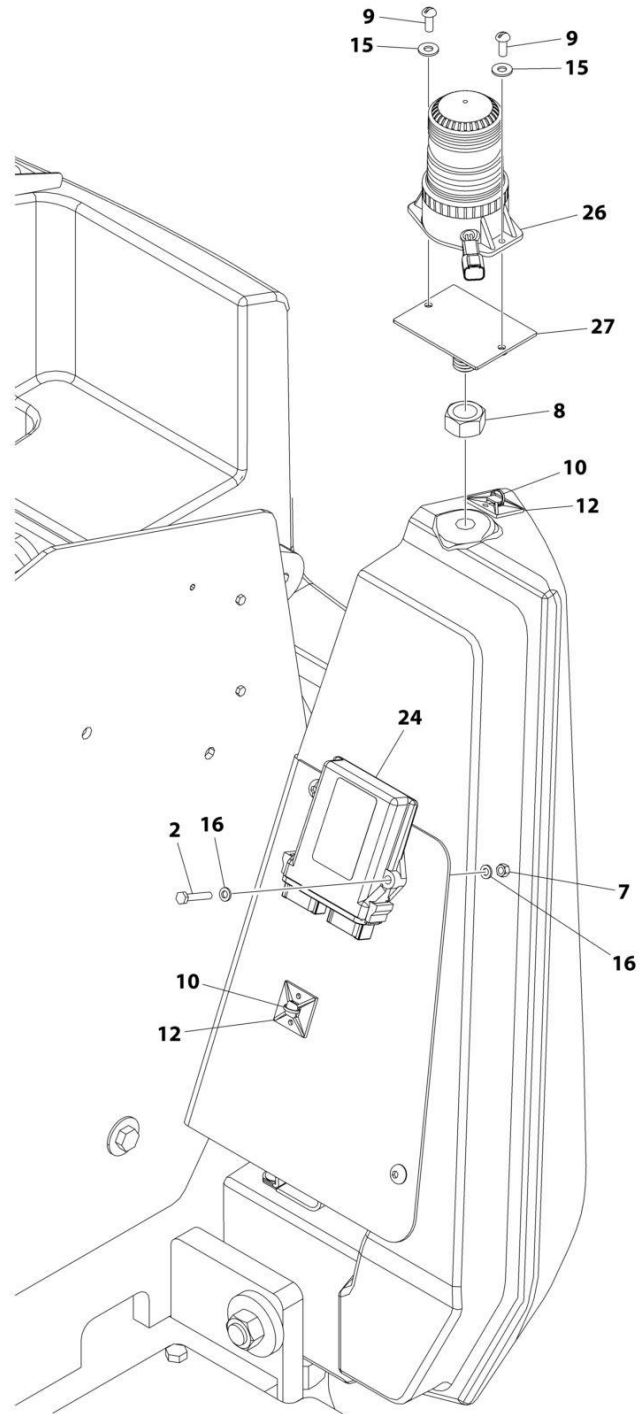
SECTION 2 - TURNTABLE

FIGURE 2-21. STROBE LIGHT INSTALLATION (AMBER) (OPTIONAL)

| ITEM | PART NUMBER | QTY | DESCRIPTION | REV |
|-------------|--------------------|------------|--|------------|
| | 1001119268 | Ref | STROBE LIGHT INSTALLATION (AMBER) (OPTIONAL) | D |
| 1 | 4031509 | 1 | Bolt M4 x 25 | |
| 2 | 1001270594 | 2 | Strobe Light Assembly | |
| 2 | 7016319 | 1 | Bulb | |
| 2 | 7016372 | 1 | Lens | |
| 2 | 4460891 | 1 | Plug, Male - 2 Position | |
| 2 | 4460465 | 1 | Socket, Female | |
| 3 | 3290405 | 2 | Nut M4 | |
| 5 | 4811400 | 2 | Washer M4 | |
| 6 | 4240032 | 2 | Tie-Strap (Not Shown) | |

SECTION 2 - TURNTABLE

FIGURE 2-22. STROBE LIGHT INSTALLATION (BLUE) (OPTIONAL)



ART_1001242849

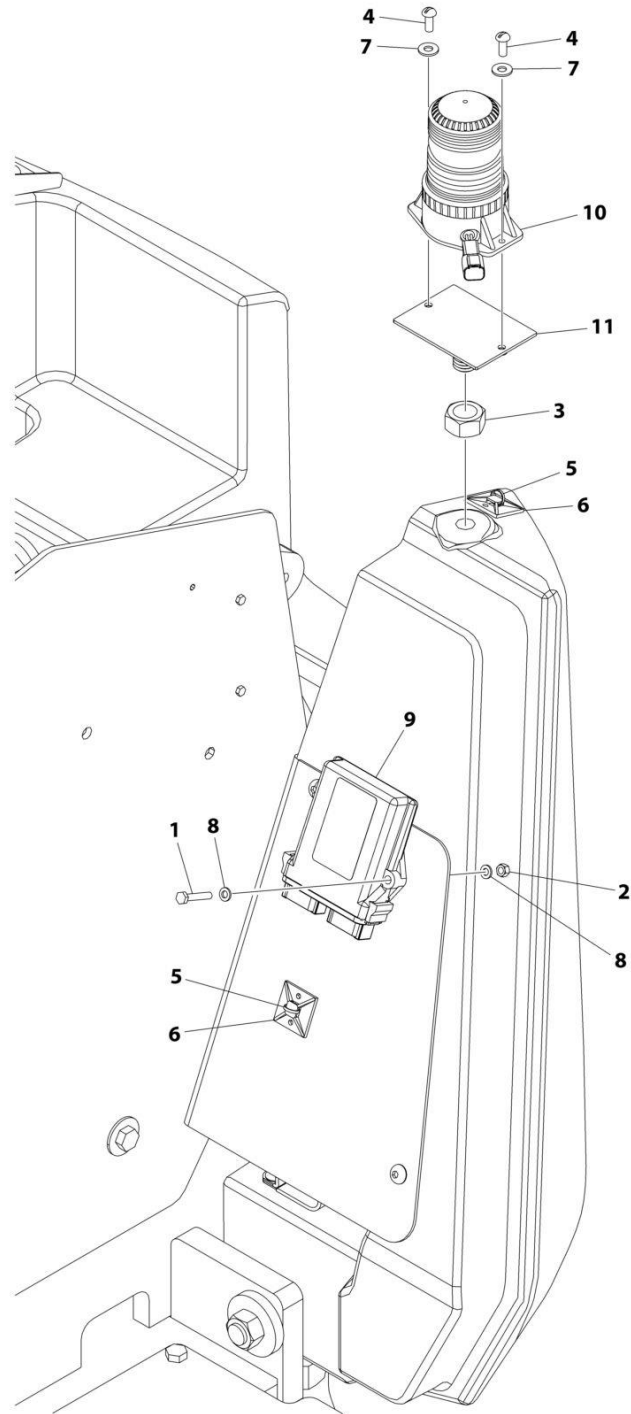
SECTION 2 - TURNTABLE

FIGURE 2-22. STROBE LIGHT INSTALLATION (BLUE) (OPTIONAL)

| ITEM | PART NUMBER | QTY | DESCRIPTION | REV |
|------|-------------|-----|---|-----|
| | 1001242849 | Ref | BEACON LIGHT INSTALLATION - BLUE | C |
| 2 | 0700615 | 2 | Bolt M6 x 35 | |
| 7 | 3290607 | 2 | Nut M6 | |
| 8 | 3292001 | 1 | Nut M20 | |
| 9 | 4031509 | 2 | Bolt M4 x 25 | |
| 10 | 4240032 | 3 | Tie-Strap | |
| 12 | 4460488 | 3 | Base, Mounting | |
| 15 | 4811400 | 1 | Washer M4 | |
| 16 | 4811700 | 4 | Washer M6 | |
| 24 | 1001142683 | 1 | Module, Beacon Control | |
| 26 | 1001272681 | 1 | Light, Strobe | |
| 26 | 7028909 | 1 | Connector - 2 Position | |
| 26 | 4460943 | 2 | Pin, Male | |
| 27 | 1001279593 | 1 | Mount | |
| 28 | 1001142736 | 1 | Strobe Light Control Harness (Not Shown - See Separate Breakdown in ELECTRICAL Section) | |
| 29 | 3290405 | 1 | Nut M4 | |

SECTION 2 - TURNTABLE

FIGURE 2-23. STROBE LIGHT INSTALLATION (RED) (OPTIONAL)



ART_1001242850

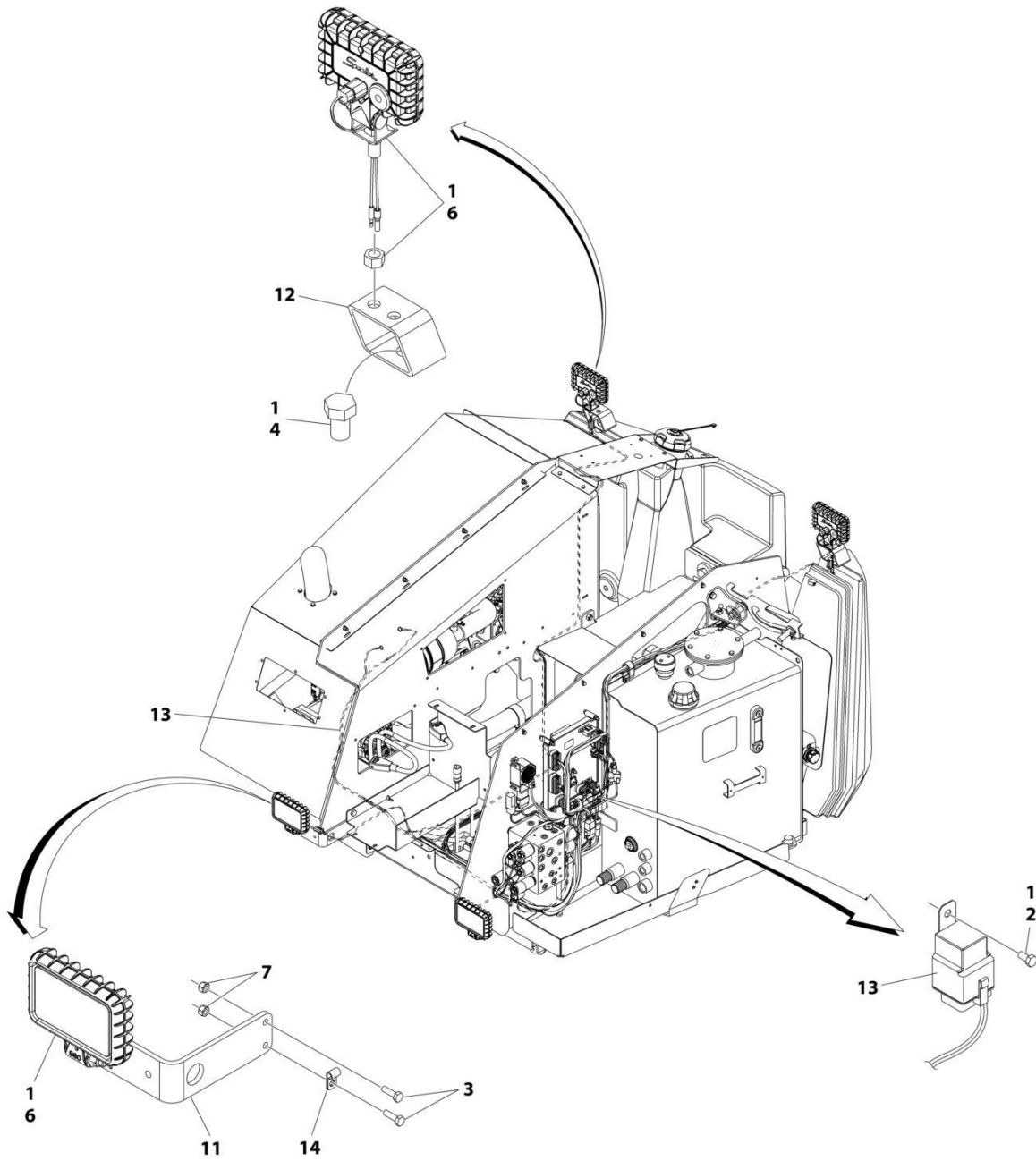
SECTION 2 - TURNTABLE

FIGURE 2-23. STROBE LIGHT INSTALLATION (RED) (OPTIONAL)

| ITEM | PART NUMBER | QTY | DESCRIPTION | REV |
|------|-------------|-----|---|-----|
| | 1001242850 | Ref | BEACON LIGHT INSTALLATION - RED | A |
| 1 | 0700615 | 2 | Bolt M6 x 35 | |
| 2 | 3290607 | 2 | Nut M6 | |
| 3 | 3292001 | 1 | Nut M20 | |
| 4 | 3900085 | 2 | Screw #10 x 1/2 | |
| 5 | 4240032 | 3 | Tie-Strap | |
| 6 | 4460488 | 3 | Base, Mounting | |
| 7 | 4751000 | 2 | Washer #10 | |
| 8 | 4811700 | 4 | Washer M6 | |
| 9 | 1001142683 | 1 | Module, Beacon Control | |
| 10 | 1001207004 | 1 | Light, Strobe | |
| 10 | 7028909 | 1 | Connector - 2 Position | |
| 10 | 4460943 | 2 | Pin, Male | |
| 11 | 1001207227 | 1 | Mount | |
| 12 | 1001142736 | 1 | Strobe Light Control Harness (Not Shown - See Separate Breakdown in ELECTRICAL Section) | |

SECTION 2 - TURNTABLE

FIGURE 2-24. TURNTABLE FLOODLIGHT INSTALLATION (OPTIONAL)



ART_1001120232_C

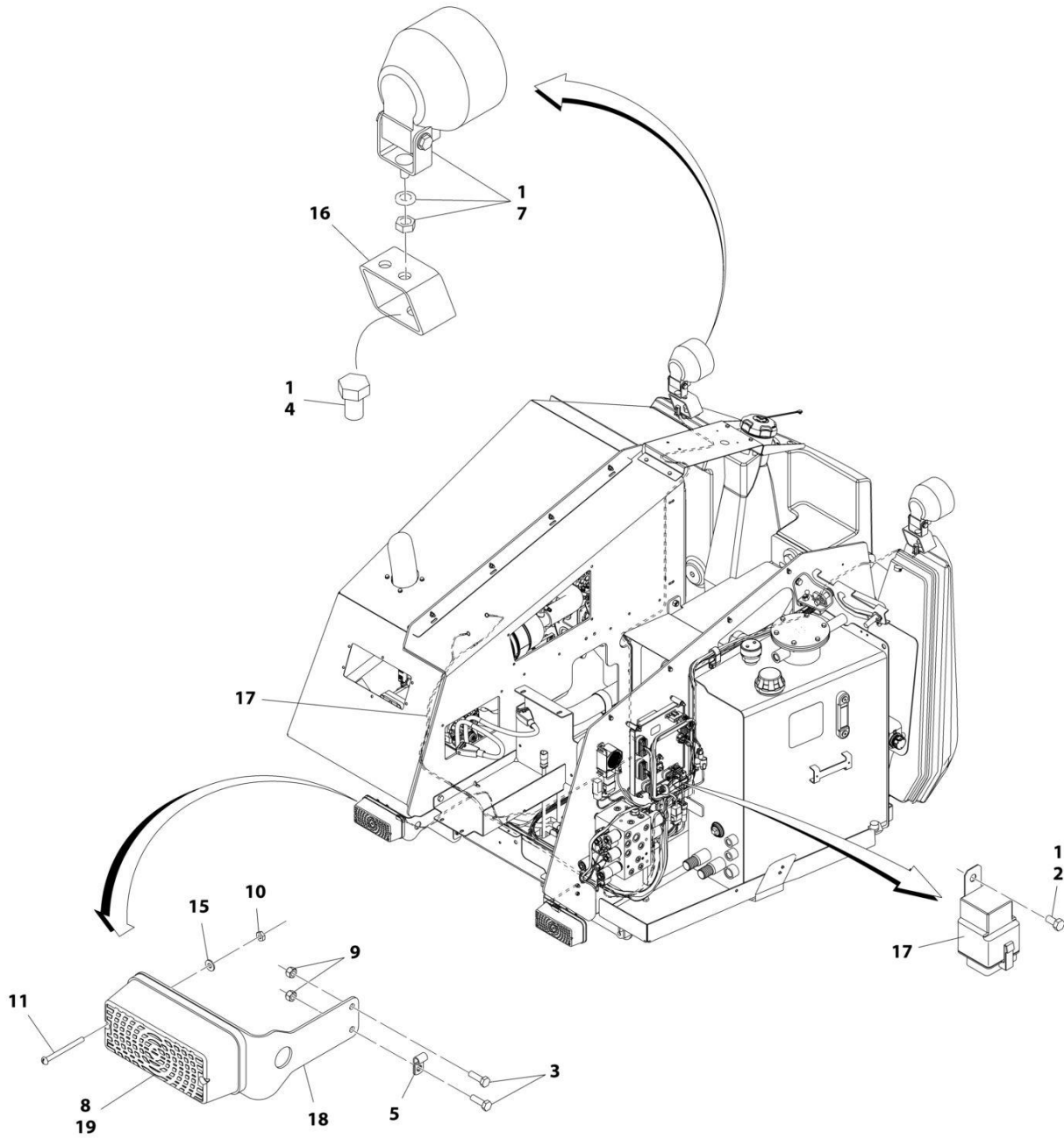
SECTION 2 - TURNTABLE

FIGURE 2-24. TURNTABLE FLOODLIGHT INSTALLATION (OPTIONAL)

| ITEM | PART NUMBER | QTY | DESCRIPTION | REV |
|------|-------------|-----|--|-----|
| | 1001120232 | Ref | TURNTABLE FLOODLIGHT INSTALLATION (OPTIONAL) | C |
| 1 | 0100011 | AR | Compound, Locking | |
| 2 | 0760505 | 1 | Bolt M5 x 10 | |
| 3 | 0760610 | 4 | Bolt M6 x 20 | |
| 4 | 0762014 | 2 | Bolt M20 x 30 | |
| 5 | 1705170 | 1 | Decal - Light (Not Shown - Located on Platform Console Box) | |
| 6 | 1001236816 | 4 | Floodlight | |
| 7 | 3290605 | 4 | Nut M6 | |
| 8 | 4240032 | 2 | Tie-Strap (Not Shown) | |
| 9 | 4240033 | 4 | Tie-Strap (Not Shown) | |
| 10 | 4360522 | 1 | Switch, Push Button (Not Shown - Located on Platform Console Box) | |
| 11 | 1001120287 | 2 | Mount, Light | |
| 12 | 1001120288 | 2 | Mount, Light | |
| 13 | 1001120299 | 1 | Chassis Light Harness (See Separate Breakdown in ELECTRICAL Section) | |
| 13 | 3740080 | 1 | Relay | |
| 14 | 1320136 | 2 | Clamp, Cable | |

SECTION 2 - TURNTABLE

FIGURE 2-25. HEAD AND TAIL LIGHT INSTALLATION (OPTIONAL)



ART_1001149144

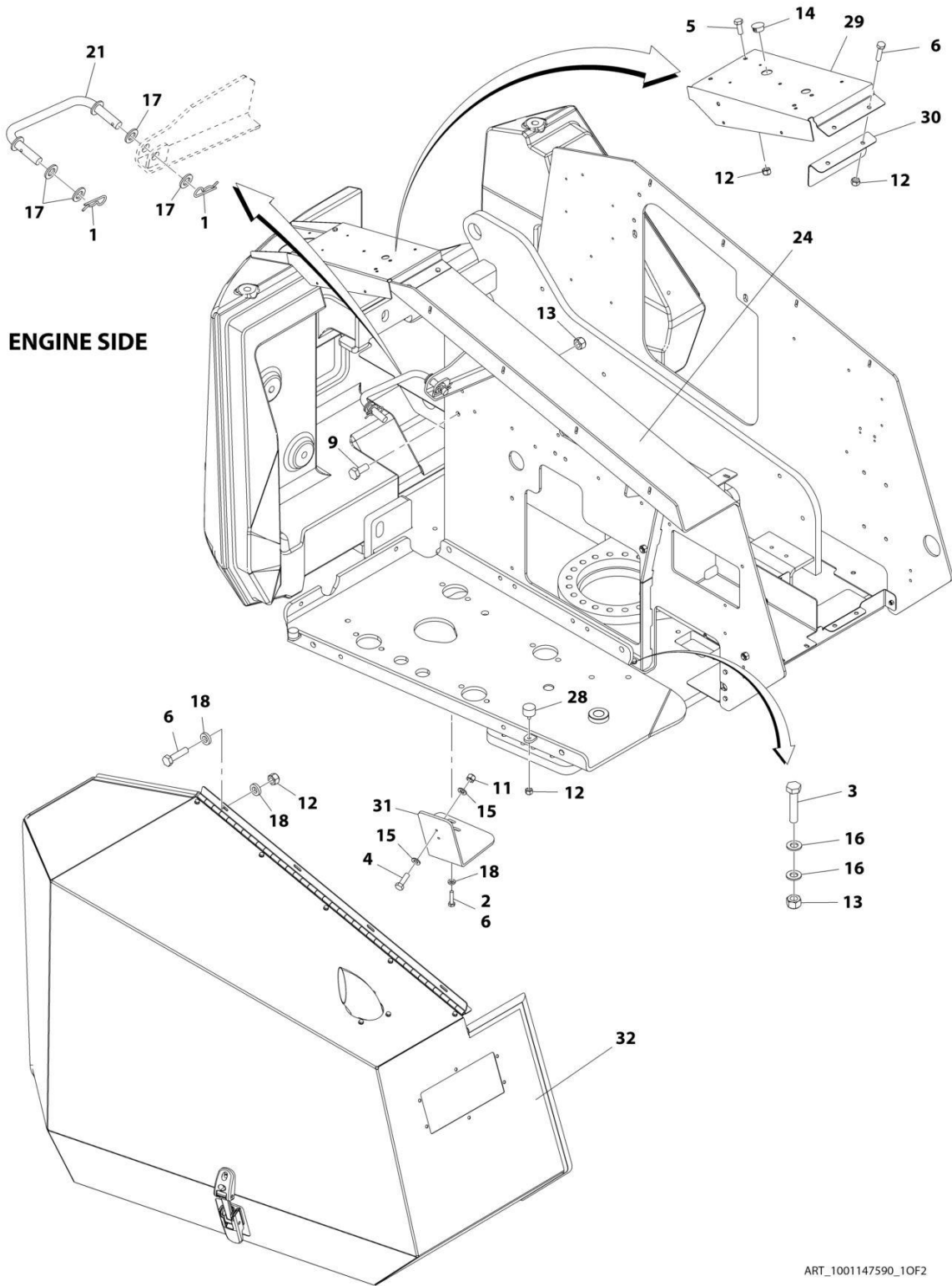
SECTION 2 - TURNTABLE

FIGURE 2-25. HEAD AND TAIL LIGHT INSTALLATION (OPTIONAL)

| ITEM | PART NUMBER | QTY | DESCRIPTION | REV |
|------|-------------|-----|--|-----|
| | 1001149144 | Ref | HEAD AND TAIL LIGHT INSTALLATION (OPTIONAL) | A |
| 1 | 0100011 | AR | Compound, Locking | |
| 2 | 0760505 | 1 | Bolt M5 x 10 | |
| 3 | 0760610 | 4 | Bolt M6 x 20 | |
| 4 | 0762014 | 2 | Bolt M20 x 30 | |
| 5 | 1320136 | 2 | Clamp, Cable | |
| 6 | 1705170 | 1 | Decal - Light (Not Shown - Located on Platform Console Box) | |
| 7 | 2920110 | 2 | Light, Head | |
| 7 | 7016628 | 2 | Bulb, Replacement (1 Per Assembly) | |
| 8 | 2920113 | 2 | Light, Tail | |
| 9 | 3290605 | 4 | Nut M6 | |
| 10 | 3311005 | 4 | Nut M10 | |
| 11 | 3911036 | 4 | Bolt M10 x 2-1/4 | |
| 12 | 4240032 | 2 | Tie-Strap (Not Shown) | |
| 13 | 4240033 | 4 | Tie-Strap (Not Shown) | |
| 14 | 4360522 | 1 | Switch, Push Button (Not Shown - Located on Platform Console Box) | |
| 15 | 4751000 | 4 | Washer M10 | |
| 16 | 1001120288 | 2 | Mount, Light | |
| 17 | 1001120299 | 1 | Chassis Light Harness (See Separate Breakdown in ELECTRICAL Section) | |
| 17 | 3740080 | 1 | Relay | |
| 18 | 1001149147 | 2 | Mount, Light | |
| 19 | 4460121 | 2 | Cap, Wire | |

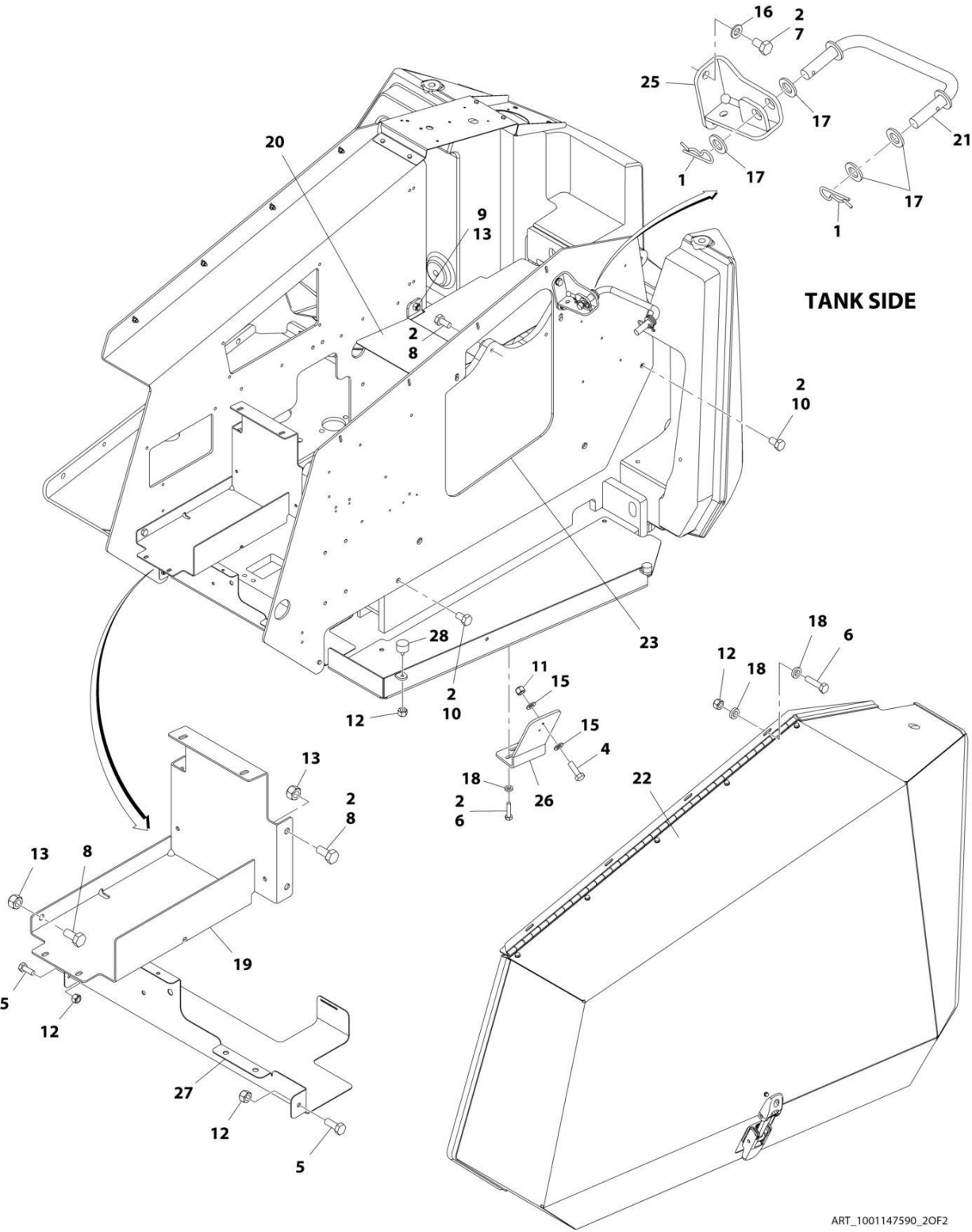
SECTION 2 - TURNTABLE

FIGURE 2-26. HOODS INSTALLATION



ART_1001147590_1OF2

SECTION 2 - TURNTABLE



ART_1001147590_20F2

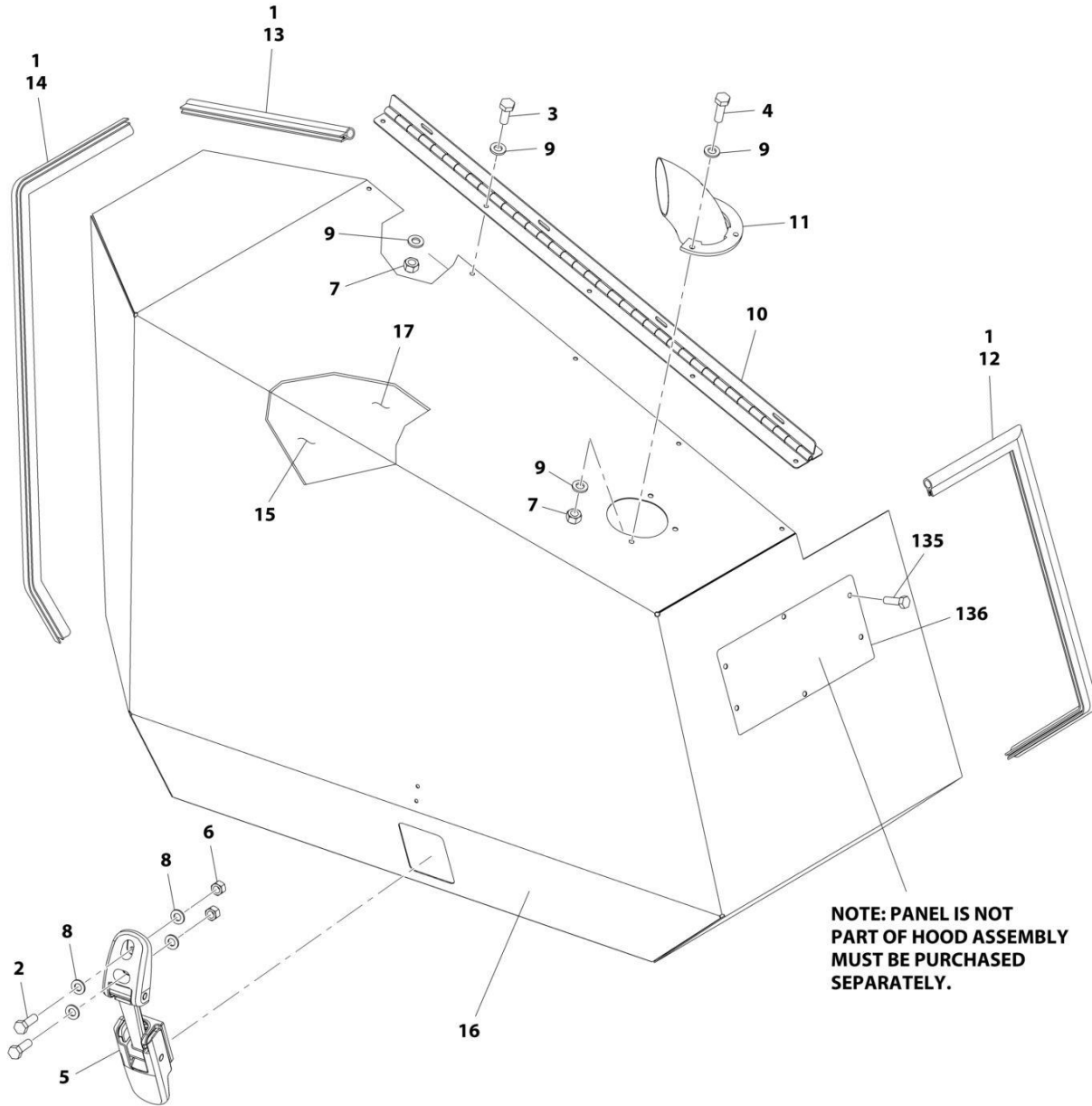
SECTION 2 - TURNTABLE

FIGURE 2-26. HOODS INSTALLATION

| ITEM | PART NUMBER | QTY | DESCRIPTION | REV |
|------|-------------|-----|--|-----|
| | 1001147590 | Ref | HOODS INSTALLATION | B |
| 1 | 80325 | 4 | Hairpin, Cotter | |
| 2 | 0100011 | AR | Compound, Locking | |
| 3 | 0701018 | 2 | Bolt M10 x 50 | |
| 4 | 0760508 | 4 | Bolt M5 x 16 | |
| 5 | 0760608 | 5 | Bolt M6 x 16 | |
| 6 | 0760612 | 16 | Bolt M6 x 25 | |
| 7 | 0761009 | 2 | Bolt M10 x 18 | |
| 8 | 0761011 | 6 | Bolt M10 x 22 | |
| 9 | 0761012 | 1 | Bolt M10 x 25 | |
| 10 | 0761210 | 2 | Bolt M12 x 20 | |
| 11 | 3290505 | 4 | Nut M5 | |
| 12 | 3290605 | 19 | Nut M6 | |
| 13 | 3291005 | 6 | Nut M10 | |
| 14 | 3520030 | 1 | Plug | |
| 15 | 4811600 | 8 | Washer M5 | |
| 16 | 4812000 | 6 | Washer M10 | |
| 17 | 4812300 | 8 | Washer M16 | |
| 18 | 5240600 | 22 | Washer M6 | |
| 19 | 1001117239 | 1 | Box, Battery | |
| 20 | 1001117243 | 1 | Cover, Turntable Center | |
| 21 | 1001117282 | 2 | Rod, Prop | |
| 22 | 1001118361 | 1 | Tank Side Hood Assembly (See Separate Breakdown in this Section) | |
| 23 | 1001118459 | 1 | Plate, Hood Mount | |
| 24 | 1001119072 | 1 | Plate, Engine Side | |
| 25 | 1001119080 | 1 | Bracket | |
| 26 | 1001119083 | 1 | Mount, Latch | |
| 27 | 1001119085 | 1 | Tray | |
| 28 | 1001119092 | 4 | Bumper | |
| 29 | 1001119103 | 1 | Panel, Filler | |
| 30 | 1001119104 | 1 | Panel, Filler | |
| 31 | 1001146824 | 1 | Mount, Latch | |
| 32 | 1001147441 | 1 | Engine Side Hood Assembly (See Separate Breakdown in this Section) | |

SECTION 2 - TURNTABLE

FIGURE 2-27. ENGINE SIDE HOOD ASSEMBLY



NOTE: REPLACEMENT DECALS MUST BE ORDERED SEPERATELY - SEE DECALS SECTION FOR BREAKDOWN

ART_1001147441

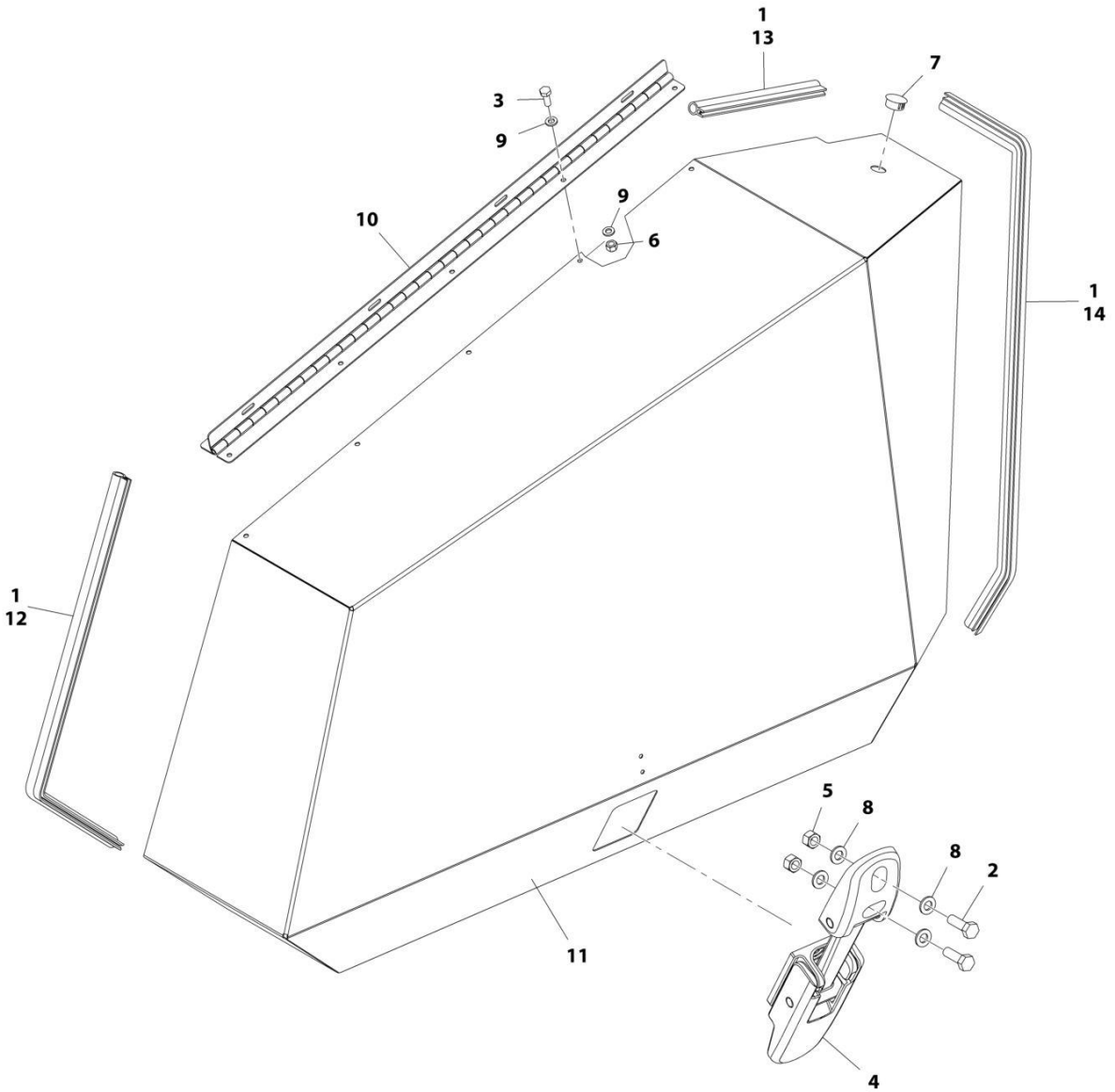
SECTION 2 - TURNTABLE

FIGURE 2-27. ENGINE SIDE HOOD ASSEMBLY

| ITEM | PART NUMBER | QTY | DESCRIPTION | REV |
|------|-------------|-----|---|-----|
| | 1001147441 | Ref | HOOD ASSEMBLY - ENGINE SIDE | A |
| 1 | 0100081 | AR | Adhesive | |
| 2 | 0760508 | 2 | Bolt M5 x 16 | |
| 3 | 0760608 | 5 | Bolt M6 x 16 | |
| 4 | 0760610 | 3 | Bolt M6 x 20 | |
| 5 | 2940109 | 1 | Latch | |
| 6 | 3290505 | 2 | Nut M5 | |
| 7 | 3290605 | 8 | Nut M6 | |
| 8 | 4811600 | 4 | Washer M5 | |
| 9 | 4811700 | 16 | Washer M6 | |
| 10 | 1001117281 | 1 | Hinge | |
| 11 | 1001119077 | 1 | Pipe, Exhaust | |
| 12 | 1001119086 | 1 | Seal | |
| 13 | 1001119087 | 1 | Seal | |
| 14 | 1001119088 | 1 | Seal | |
| 15 | 1001120749 | 1 | Insulate, Heat Shield | |
| 16 | See Note | 1 | Hood, Replacement (Note: Use p/n 1001147441) | |
| 17 | 1001147440 | 1 | Insulate, Heat Shield | |
| 135 | 2080040 | 10 | Fastener, Huck | |
| 136 | 1001137451 | 1 | Panel (Note: Not Part of Hood Assembly. Must be Purchased separately) | |

SECTION 2 - TURNTABLE

FIGURE 2-28. TANK SIDE HOOD ASSEMBLY



NOTE: REPLACEMENT DECALS MUST BE ORDERED SEPERATELY - SEE DECALS SECTION FOR BREAKDOWN

ART_1001118361

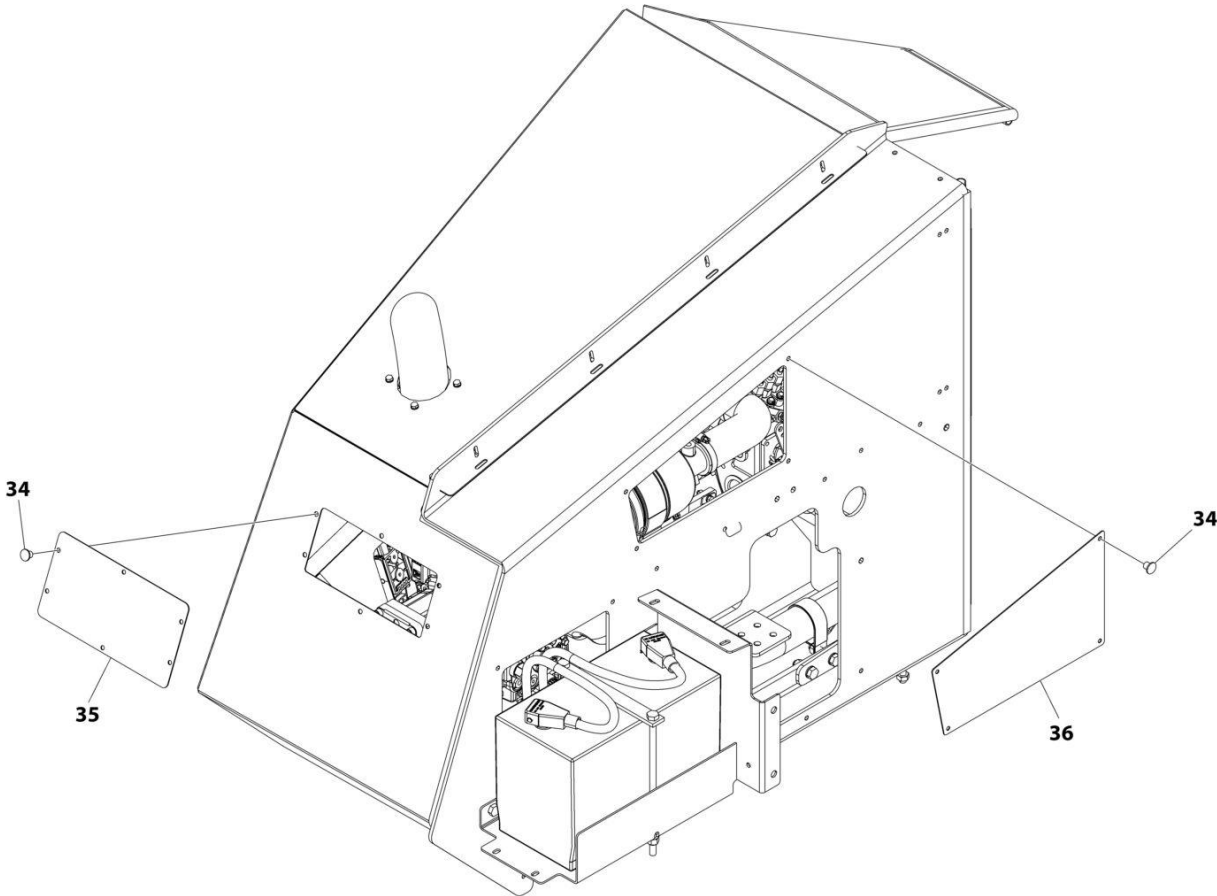
SECTION 2 - TURNTABLE

FIGURE 2-28. TANK SIDE HOOD ASSEMBLY

| ITEM | PART NUMBER | QTY | DESCRIPTION | REV |
|------|-------------|-----|--|-----|
| | 1001118361 | Ref | HOOD ASSEMBLY - TANK SIDE | B |
| 1 | 0100081 | AR | Adhesive | |
| 2 | 0760508 | 2 | Bolt M5 x 16 | |
| 3 | 0760608 | 5 | Bolt M6 x 16 | |
| 4 | 2940109 | 1 | Latch | |
| 5 | 3290505 | 2 | Nut M5 | |
| 6 | 3290605 | 5 | Nut M6 | |
| 7 | 3520030 | 1 | Plug, Hole | |
| 8 | 4811600 | 4 | Washer M5 | |
| 9 | 4811700 | 10 | Washer M6 | |
| 10 | 1001117281 | 1 | Hinge | |
| 11 | See Note | NSS | Hood, Replacement (Note: Use p/n 1001118361) | |
| 12 | 1001119089 | 1 | Seal | |
| 13 | 1001119090 | 1 | Seal | |
| 14 | 1001119091 | 1 | Seal | |

SECTION 2 - TURNTABLE

FIGURE 2-29. HOOD COMPONENTS - KUBOTA ENGINE (WITHOUT ARCTIC PACKAGE)



ART_1001161433_I_10F3

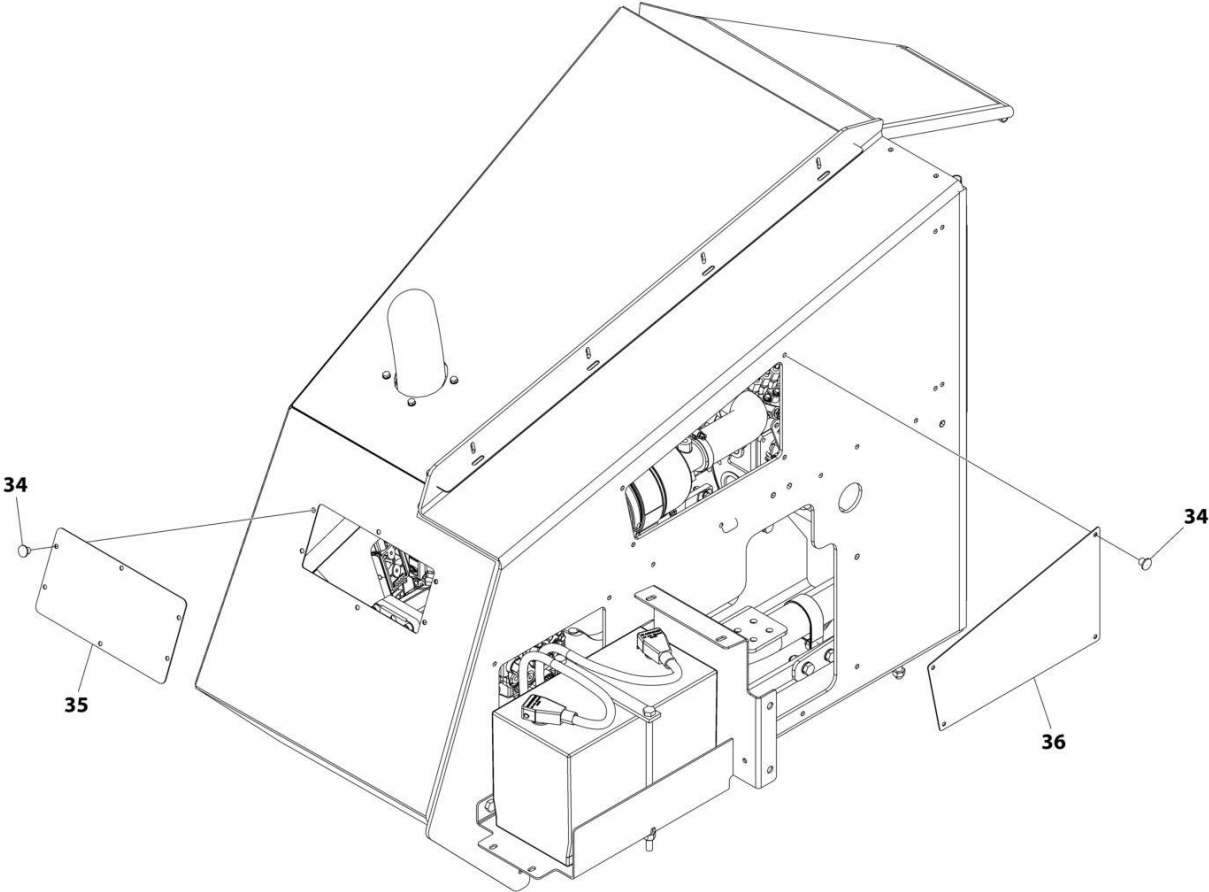
SECTION 2 - TURNTABLE

FIGURE 2-29. HOOD COMPONENTS - KUBOTA ENGINE (WITHOUT ARCTIC PACKAGE)

| ITEM | PART NUMBER | QTY | DESCRIPTION | REV |
|-------------|--------------------|------------|--|------------|
| | 1001161433 | Ref | KUBOTA ENGINE HOOD COMPONENTS (WITHOUT ARCTIC PACKAGE) | I |
| 34 | 2080040 | 10 | Blind Fastener | |
| 35 | 1001137451 | 1 | Panel, Engine Hood | |
| 36 | 1001137452 | 1 | Panel, Engine Hood Mount | |

SECTION 2 - TURNTABLE

FIGURE 2-30. HOOD COMPONENTS - KUBOTA ENGINE (WITH ARCTIC PACKAGE)



ART_1001161434_I_10F3

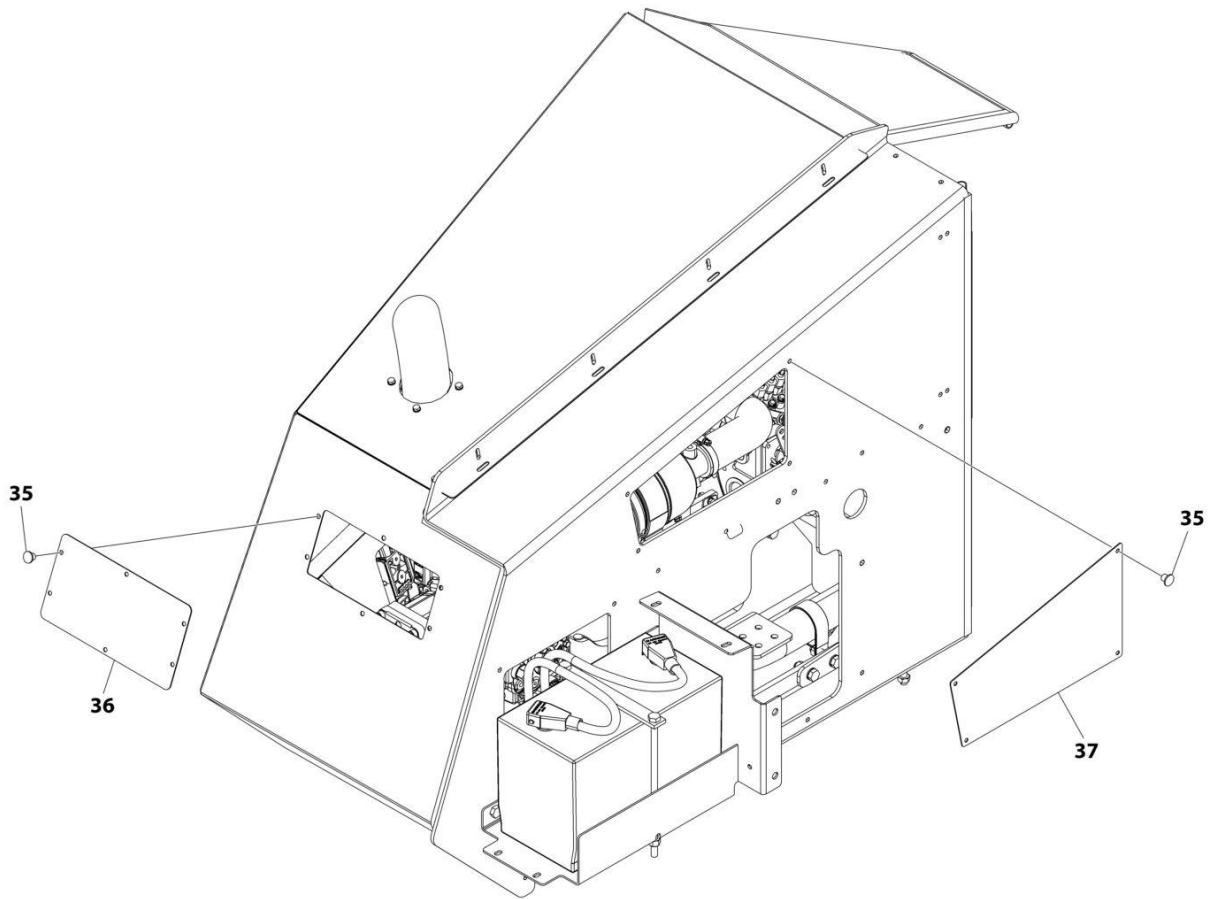
SECTION 2 - TURNTABLE

FIGURE 2-30. HOOD COMPONENTS - KUBOTA ENGINE (WITH ARCTIC PACKAGE)

| ITEM | PART NUMBER | QTY | DESCRIPTION | REV |
|-------------|--------------------|------------|---|------------|
| | 1001161434 | Ref | KUBOTA ENGINE HOOD COMPONENTS (WITH ARCTIC PACKAGE) | I |
| 34 | 2080040 | 10 | Blind Fastener | |
| 35 | 1001137451 | 1 | Panel, Engine Hood | |
| 36 | 1001137452 | 1 | Panel, Engine Hood Mount | |

SECTION 2 - TURNTABLE

FIGURE 2-31. HOOD COMPONENTS - KUBOTA ENGINE WITH 4000W GENERATOR (WITHOUT ARCTIC PACKAGE)



ART_1001147470_H_10F3

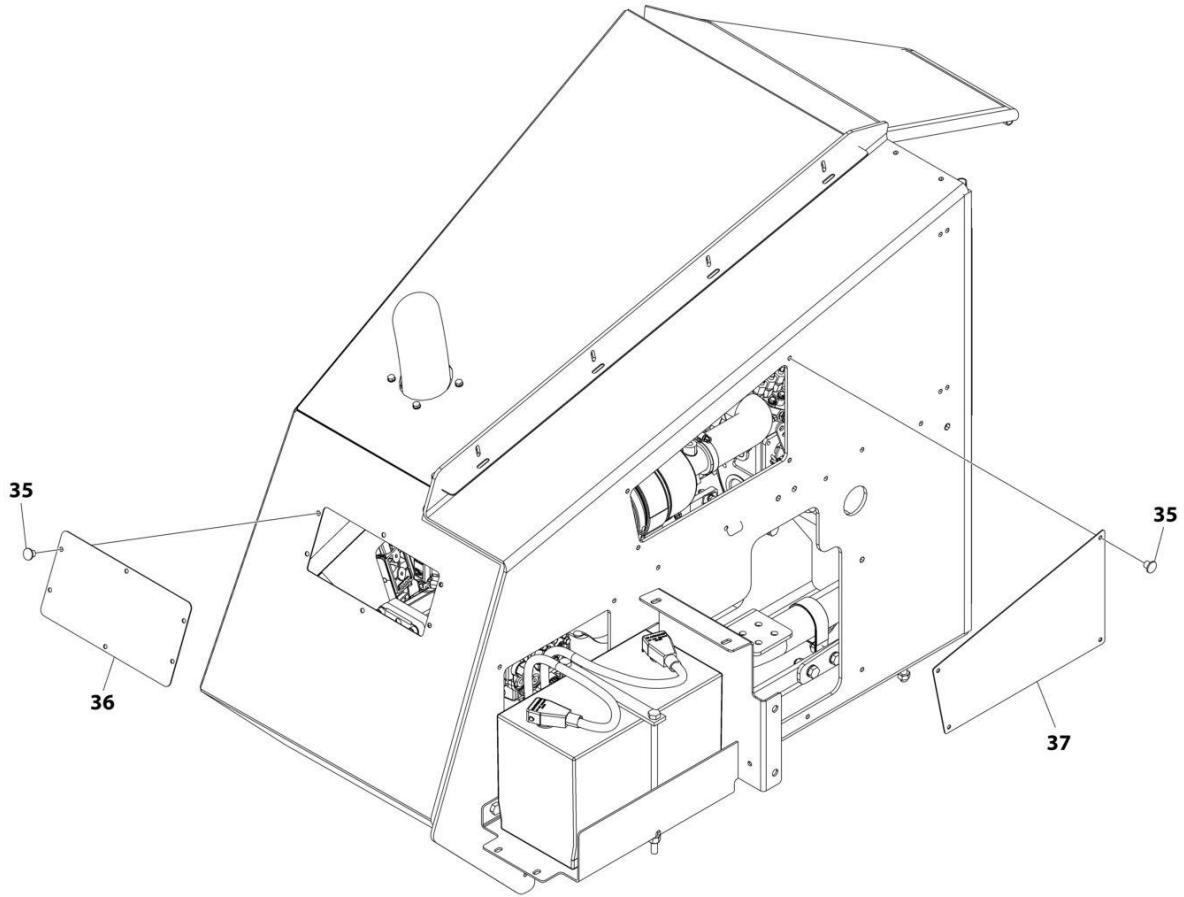
SECTION 2 - TURNTABLE

FIGURE 2-31. HOOD COMPONENTS - KUBOTA ENGINE WITH 4000W GENERATOR (WITHOUT ARCTIC PACKAGE)

| ITEM | PART NUMBER | QTY | DESCRIPTION | REV |
|-------------|--------------------|------------|---|------------|
| | 1001147470 | Ref | KUBOTA ENGINE WITH 4000W GENERATOR HOOD COMPONENTS (WITHOUT ARCTIC PACKAGE) | H |
| 35 | 2080040 | 10 | Blind Fastener | |
| 36 | 1001137451 | 1 | Panel, Engine Hood | |
| 37 | 1001137452 | 1 | Panel, Engine Hood Mount | |

SECTION 2 - TURNTABLE

FIGURE 2-32. HOOD COMPONENTS - KUBOTA ENGINE WITH 4000W GENERATOR (WITH ARCTIC PACKAGE)



ART_1001147471_H_10F3

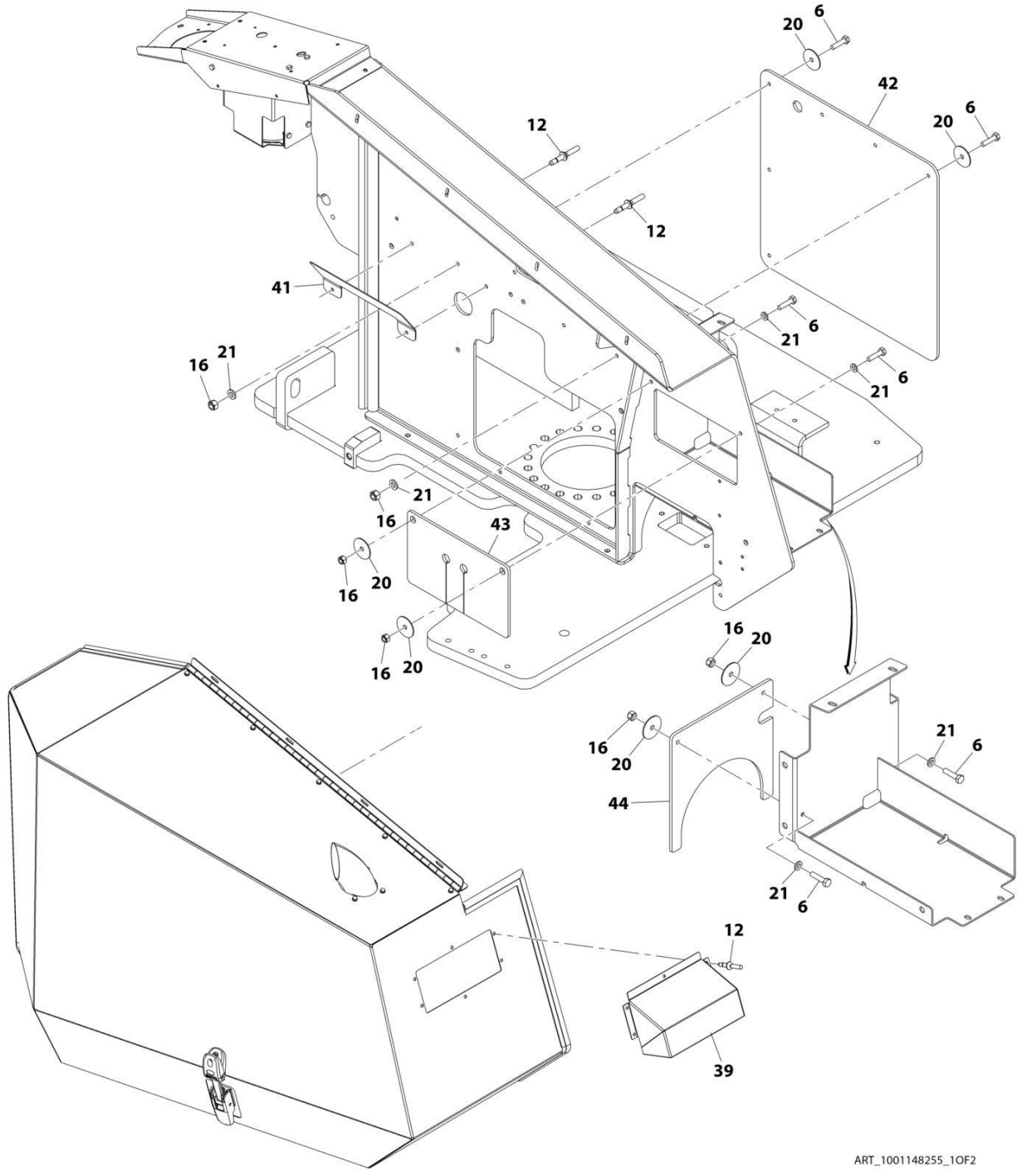
SECTION 2 - TURNTABLE

FIGURE 2-32. HOOD COMPONENTS - KUBOTA ENGINE WITH 4000W GENERATOR (WITH ARCTIC PACKAGE)

| ITEM | PART NUMBER | QTY | DESCRIPTION | REV |
|-------------|--------------------|------------|--|------------|
| | 1001147471 | Ref | KUBOTA ENGINE WITH 4000W GENERATOR HOOD COMPONENTS (WITH ARCTIC PACKAGE) | H |
| 35 | 2080040 | 10 | Blind Fastener | |
| 36 | 1001137451 | 1 | Panel, Engine Hood | |
| 37 | 1001137452 | 1 | Panel, Engine Hood Mount | |

SECTION 2 - TURNTABLE

FIGURE 2-33. HOOD COMPONENTS - GM ENGINE (WITHOUT ARCTIC PACKAGE)



ART_1001148255_10F2

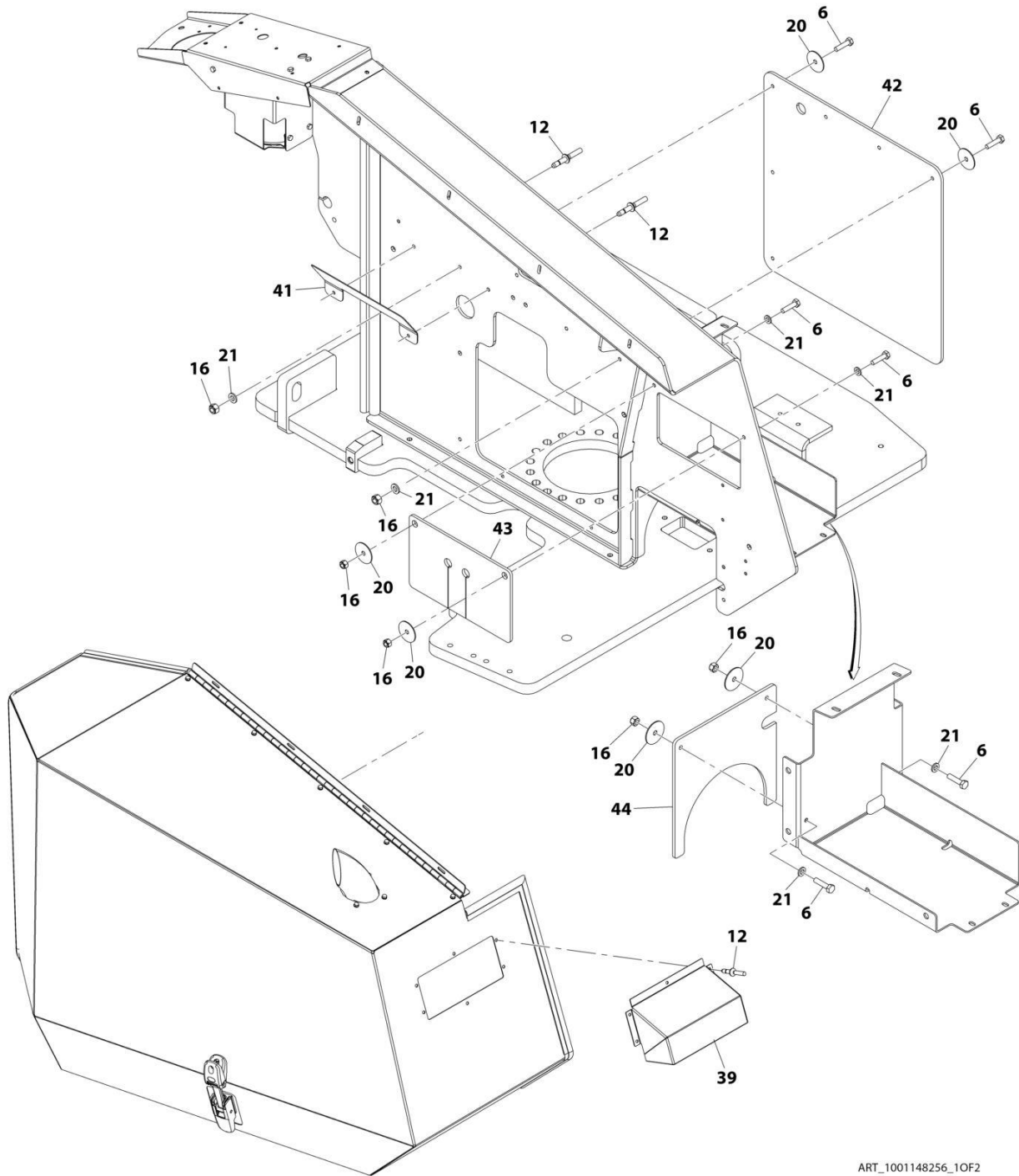
SECTION 2 - TURNTABLE

FIGURE 2-33. HOOD COMPONENTS - GM ENGINE (WITHOUT ARCTIC PACKAGE)

| ITEM | PART NUMBER | QTY | DESCRIPTION | REV |
|------|-------------|-----|--|-----|
| | 1001148255 | Ref | GM ENGINE HOOD COMPONENTS (WITHOUT ARCTIC PACKAGE) | J |
| 6 | 0760612 | 10 | Bolt M6 x 25 | |
| 12 | 2080040 | 7 | Fastener, Huck | |
| 16 | 3290605 | 10 | Nut M6 | |
| 20 | 4740362 | 10 | Washer, Fender | |
| 21 | 4811700 | 10 | Washer M6 | |
| 39 | 1001137337 | 1 | Vent | |
| 41 | 1001137369 | 1 | Plate | |
| 42 | 1001137397 | 1 | Shield, Rubber | |
| 43 | 1001137401 | 1 | Shield, Rubber | |
| 44 | 1001137402 | 1 | Shield, Rubber | |

SECTION 2 - TURNTABLE

FIGURE 2-34. HOOD COMPONENTS - GM ENGINE (WITH ARCTIC PACKAGE)



ART_1001148256_10F2

SECTION 2 - TURNTABLE

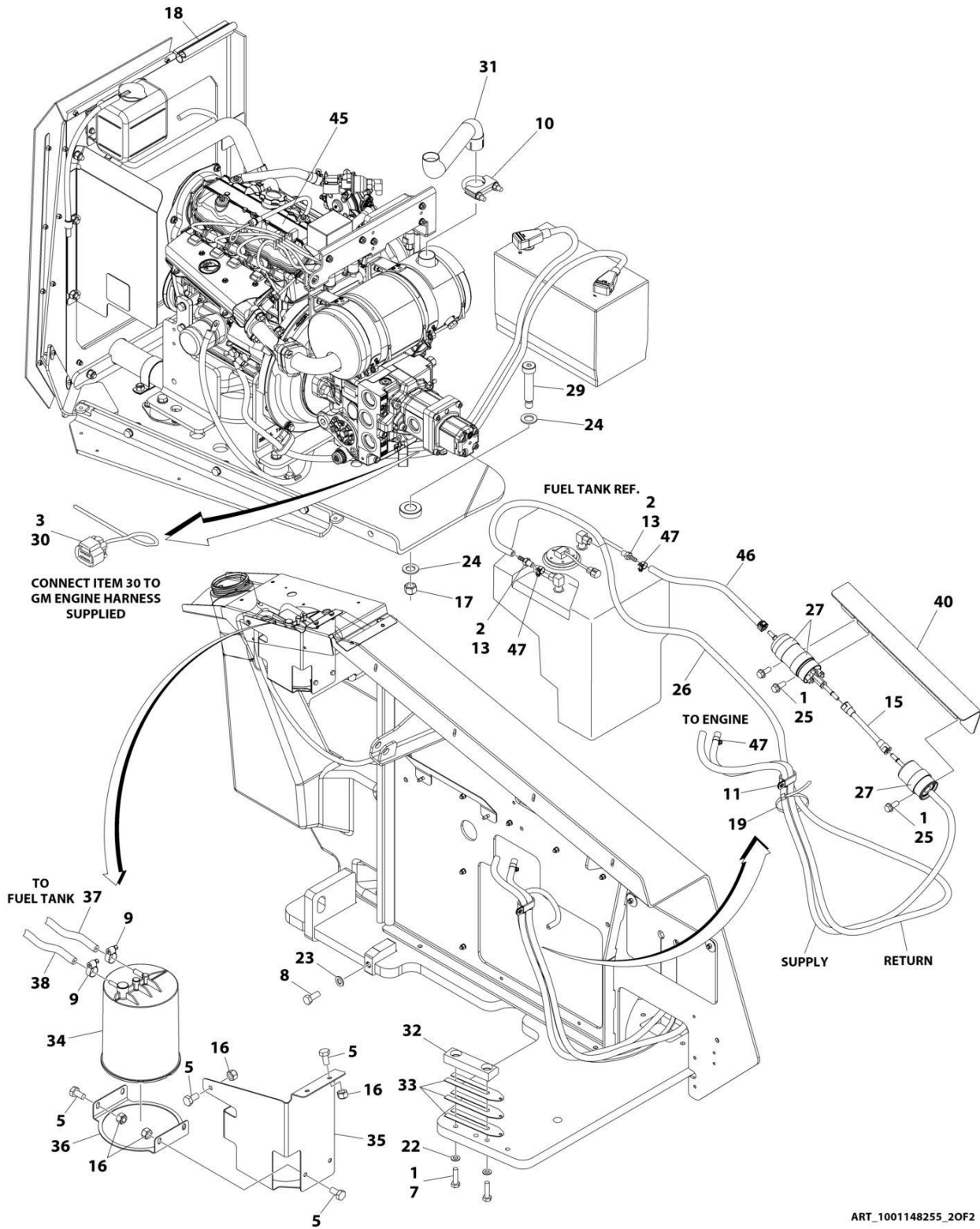
FIGURE 2-34. HOOD COMPONENTS - GM ENGINE (WITH ARCTIC PACKAGE)

| ITEM | PART NUMBER | QTY | DESCRIPTION | REV |
|-------------|--------------------|------------|---|------------|
| | 1001148256 | Ref | GM ENGINE HOOD COMPONENTS (WITH ARCTIC PACKAGE) | I |
| 6 | 0760612 | 10 | Bolt M6 x 25 | |
| 12 | 2080040 | 7 | Fastener, Huck | |
| 16 | 3290605 | 10 | Nut M6 | |
| 20 | 4740362 | 10 | Washer, Fender | |
| 21 | 4811700 | 10 | Washer M6 | |
| 39 | 1001137337 | 1 | Vent | |
| 41 | 1001137369 | 1 | Plate | |
| 42 | 1001137397 | 1 | Shield, Rubber | |
| 43 | 1001137401 | 1 | Shield, Rubber | |
| 44 | 1001137402 | 1 | Shield, Rubber | |

SECTION 3 - ENGINE

SECTION 3 - ENGINE

FIGURE 3-1. GM ENGINE INSTALLATION (WITHOUT ARCTIC PACKAGE)



ART_1001148255_20F2

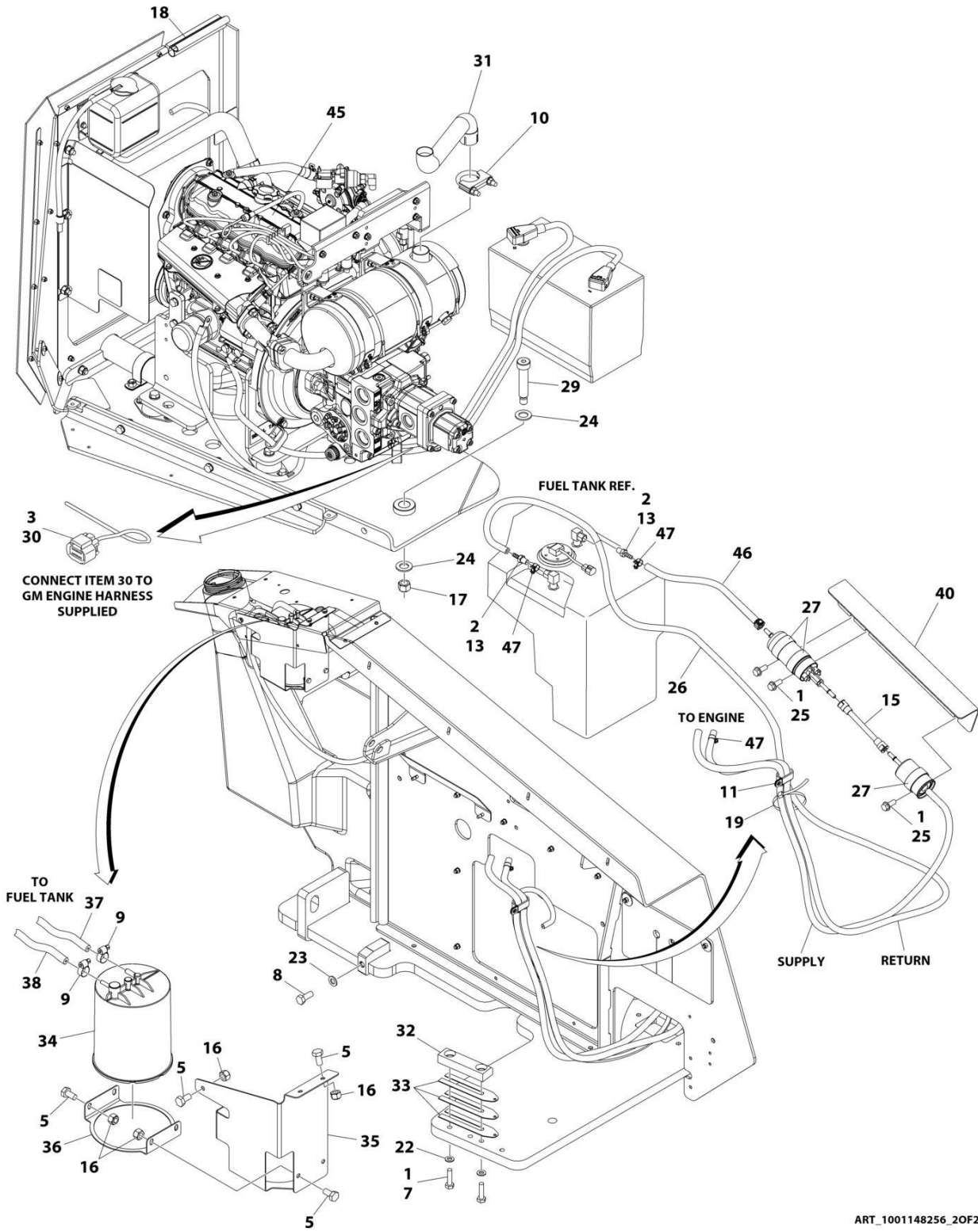
SECTION 3 - ENGINE

FIGURE 3-1. GM ENGINE INSTALLATION (WITHOUT ARCTIC PACKAGE)

| ITEM | PART NUMBER | QTY | DESCRIPTION | REV |
|------|-------------|-----------------|--|-----|
| | 1001148255 | Ref | GM ENGINE INSTALLATION (WITHOUT ARCTIC PACKAGE) | J |
| 1 | 0100011 | AR | Compound, Locking | |
| 2 | 0100020 | AR | Sealant, Pipe | |
| 3 | 0100048 | AR | Grease, Dielectric | |
| 4 | 0100051 | AR | Grease, Battery Terminal | |
| 5 | 0760606 | 7 | Bolt M6 x 12 | |
| 7 | 0761016 | 2 | Bolt M10 x 40 | |
| 8 | 0761214 | 1 | Bolt M12 x 30 | |
| 8 | 0761217 | 1 | Bolt M12 x 45 | |
| 9 | 1320022 | 4 | Clamp, Fuel Line | |
| 10 | 1320026 | 1 | Clamp, Muffler | |
| 11 | 1321283 | 1 | Clamp | |
| 13 | 2180348 | 2 | Fitting, Barbed | |
| 15 | 1001156823 | 1 | Hose | |
| 16 | 3290605 | 7 | Nut M6 | |
| 17 | 3291605 | 1 | Nut M16 | |
| 18 | 3960464 | 3 ft/0.9m | Seal | |
| 19 | 4240033 | AR | Tie-Strap | |
| 22 | 4812000 | 2 | Washer M10 | |
| 23 | 4812102 | 1 | Washer M12 | |
| 24 | 4812500 | 2 | Washer M20 | |
| 25 | 5251012 | 3 | Bolt M10 x 25 | |
| 26 | 1001156819 | 76 in /1.9m | Hose, Fuel Line | |
| 27 | 1001097588 | 3 | Clip, Tube | |
| 29 | 1001118646 | 1 | Bolt M20 x 80 | |
| 30 | 1001119778 | 1 | Harness, Fuel Pump (See Separate Breakdown in ELECTRICAL Section) | |
| 31 | 1001119902 | 1 | Pipe, Exhaust | |
| 32 | 1001120087 | 1 | Pad, Wear | |
| 33 | 1001120090 | 3 | Shim 1.5 | |
| 34 | 1001128801 | 1 | Canister, Carbon | |
| 35 | 1001128931 | 1 | Bracket, Mounting | |
| 36 | 1001128936 | 1 | Ring | |
| 37 | 1001129255 | 7 in/17cm | Hose | |
| 38 | 1001129256 | 9.5 ft /2.9m | Hose | |
| 40 | 1001137367 | 1 | Shield, Fuel Line | |
| 45 | 1001148254 | 1 | GM Engine and Pump Sub-Assembly (See Separate Breakdown in this Section) | |
| 46 | 1001177156 | 1 | Hose | |
| 47 | 1001174486 | 4 | Clamp, Hose | |

SECTION 3 - ENGINE

FIGURE 3-2. GM ENGINE INSTALLATION (WITH ARCTIC PACKAGE)



ART_1001148256_20F2

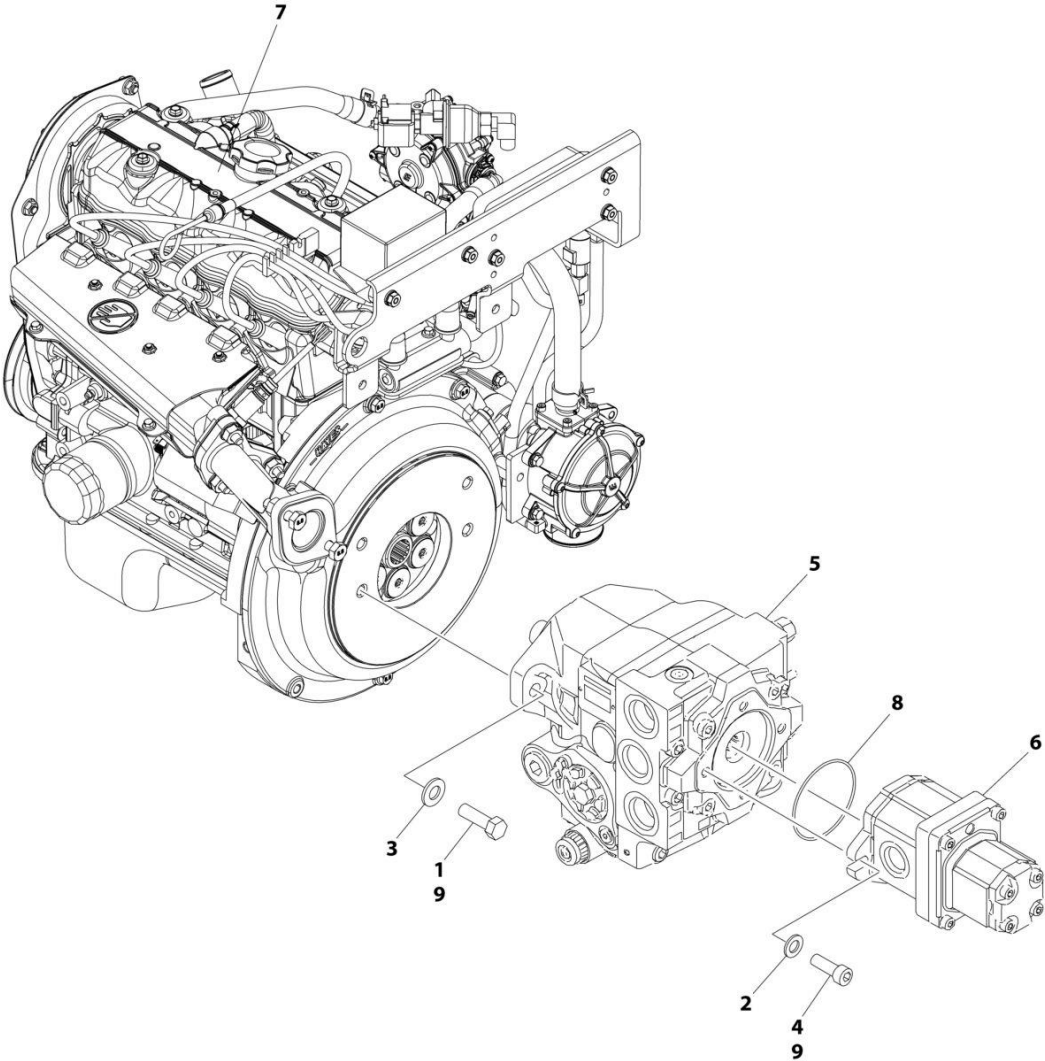
SECTION 3 - ENGINE

FIGURE 3-2. GM ENGINE INSTALLATION (WITH ARCTIC PACKAGE)

| ITEM | PART NUMBER | QTY | DESCRIPTION | REV |
|------|-------------|--------------|--|-----|
| | 1001148256 | Ref | GM ENGINE INSTALLATION (WITH ARCTIC PACKAGE) | I |
| 1 | 0100011 | AR | Compound, Locking | |
| 2 | 0100020 | AR | Sealant, Pipe | |
| 3 | 0100048 | AR | Grease, Dielectric | |
| 4 | 0100051 | AR | Grease, Battery Terminal | |
| 5 | 0760606 | 7 | Bolt M6 x 12 | |
| 7 | 0761016 | 2 | Bolt M10 x 40 | |
| 8 | 0761214 | 1 | Bolt M12 x 30 | |
| 8 | 0761217 | 1 | Bolt M12 x 45 | |
| 9 | 1320022 | 4 | Clamp, Fuel Line | |
| 10 | 1320026 | 1 | Clamp, Muffler | |
| 11 | 1321283 | 1 | Clamp | |
| 13 | 2180348 | 2 | Fitting, Barbed | |
| 15 | 1001156823 | 1 | Hose | |
| 16 | 3290605 | 7 | Nut M6 | |
| 17 | 3291605 | 1 | Nut M16 | |
| 18 | 3960464 | 8 ft /2.4m | Seal | |
| 19 | 4240033 | AR | Tie-Strap | |
| 22 | 4812000 | 2 | Washer M10 | |
| 23 | 4812102 | 1 | Washer M12 | |
| 24 | 4812500 | 2 | Washer M20 | |
| 25 | 5251012 | 3 | Bolt M10 x 25 | |
| 26 | 1001156819 | 76 in /1.9m | Hose, Fuel Line | |
| 27 | 1001097588 | 3 | Clip, Tube | |
| 29 | 1001118646 | 1 | Bolt M20 x 80 | |
| 30 | 1001119778 | 1 | Harness, Fuel Pump (See Separate Breakdown in ELECTRICAL Section) | |
| 31 | 1001119902 | 1 | Pipe, Exhaust | |
| 32 | 1001120087 | 1 | Pad, Wear | |
| 33 | 1001120090 | 3 | Shim 1.5 | |
| 34 | 1001128801 | 1 | Canister, Carbon | |
| 35 | 1001128931 | 1 | Bracket, Mounting | |
| 36 | 1001128936 | 1 | Ring | |
| 37 | 1001129255 | 7 in/17cm | Hose | |
| 38 | 1001129256 | 9.5 ft /2.9m | Hose | |
| 40 | 1001137367 | 1 | Shield, Fuel Line | |
| 45 | 1001148254 | 1 | GM Engine and Pump Sub-Assembly (See Separate Breakdown in this Section) | |
| 46 | 1001177156 | 1 | Hose | |
| 47 | 1001174486 | 4 | Clamp, Hose | |

SECTION 3 - ENGINE

FIGURE 3-3. GM ENGINE AND PUMP SUB-ASSEMBLY



ART_1001148254

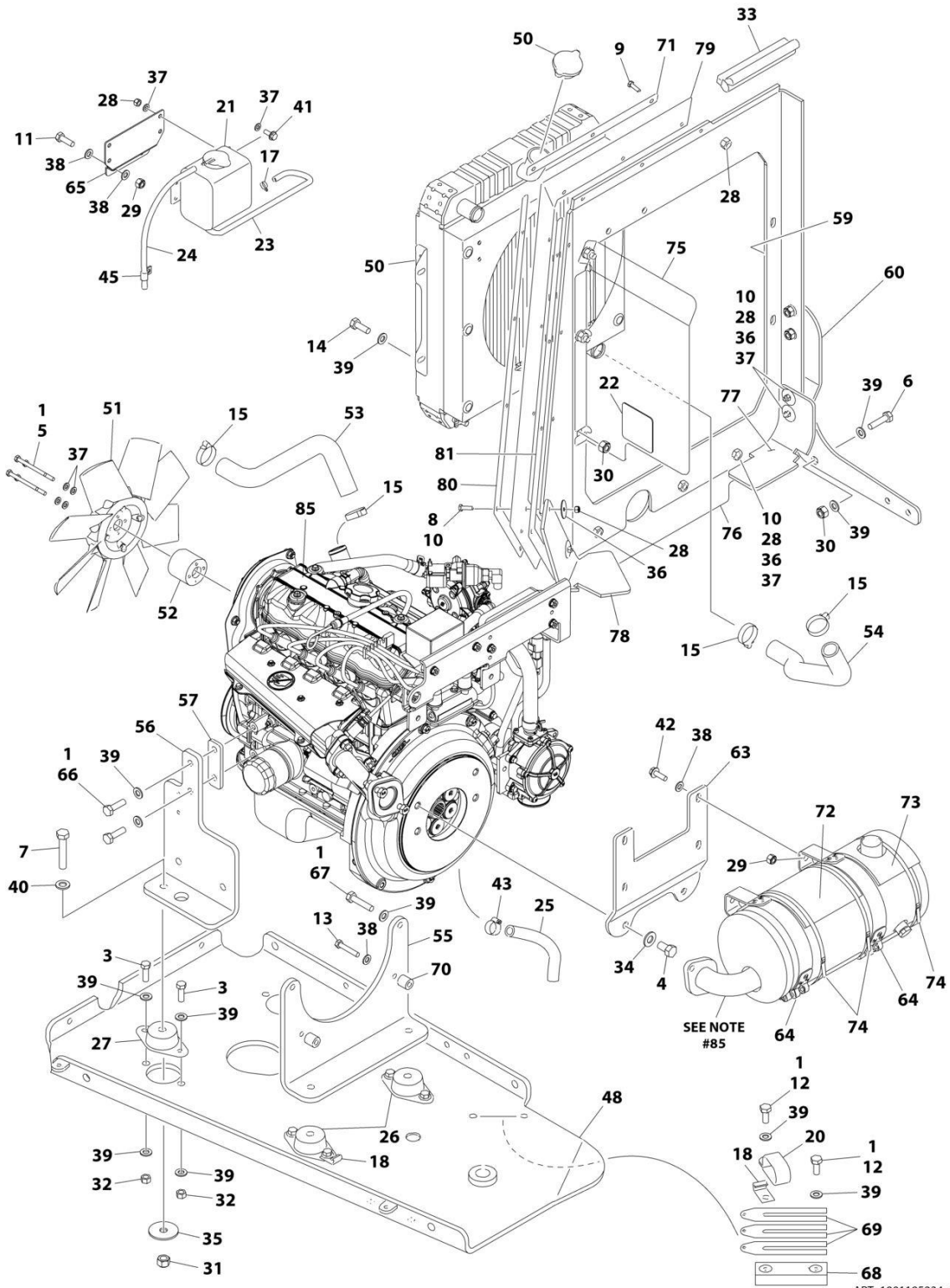
SECTION 3 - ENGINE

FIGURE 3-3. GM ENGINE AND PUMP SUB-ASSEMBLY

| ITEM | PART NUMBER | QTY | DESCRIPTION | REV |
|------|-------------|-----|--|-----|
| | 1001148254 | Ref | GM ENGINE AND PUMP SUB-ASSEMBLY | F |
| 1 | 0641813 | 2 | Bolt 1/2 x 1-5/8 | |
| 2 | 4891600 | 2 | Washer 3/8 | |
| 3 | 4891800 | 2 | Washer 1/2 | |
| 4 | 83191040 | 2 | Capscrew M10 x 30 | |
| 5 | 1001117028 | 1 | Axial Pump Assembly (See Separate Breakdown in this Section) | |
| 6 | 1001117029 | 1 | Gear Pump Assembly (See Separate Breakdown in this Section) | |
| 7 | 1001195234 | 1 | GM Engine Assembly (See Separate Breakdown in this Section) | |
| 8 | 3790152 | 1 | O-Ring | |
| 9 | 0100011 | AR | Compound, Locking | |

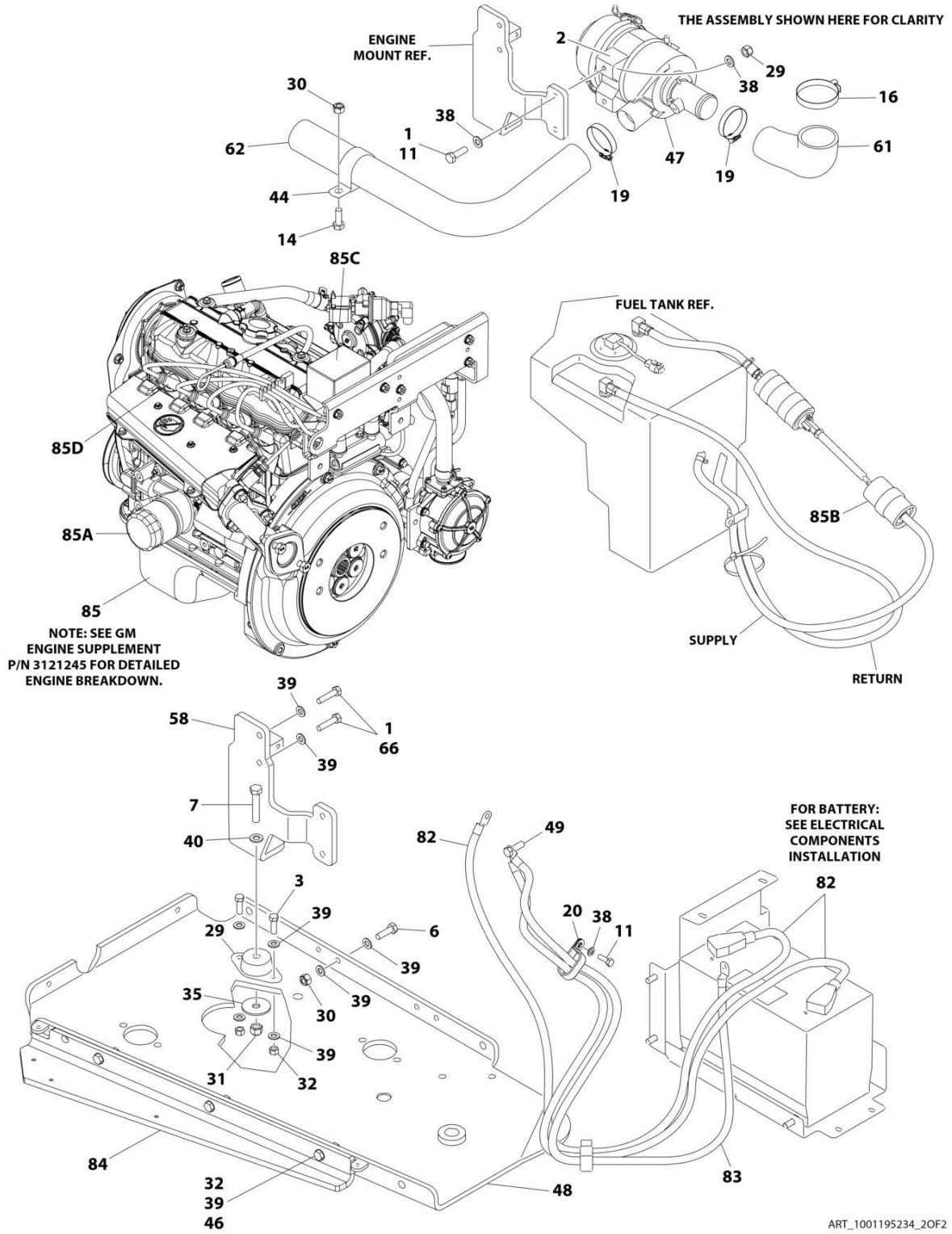
SECTION 3 - ENGINE

FIGURE 3-4. GM ENGINE ASSEMBLY



ART_1001195234_10F2

SECTION 3 - ENGINE



ART_1001195234_20F2

SECTION 3 - ENGINE

FIGURE 3-4. GM ENGINE ASSEMBLY

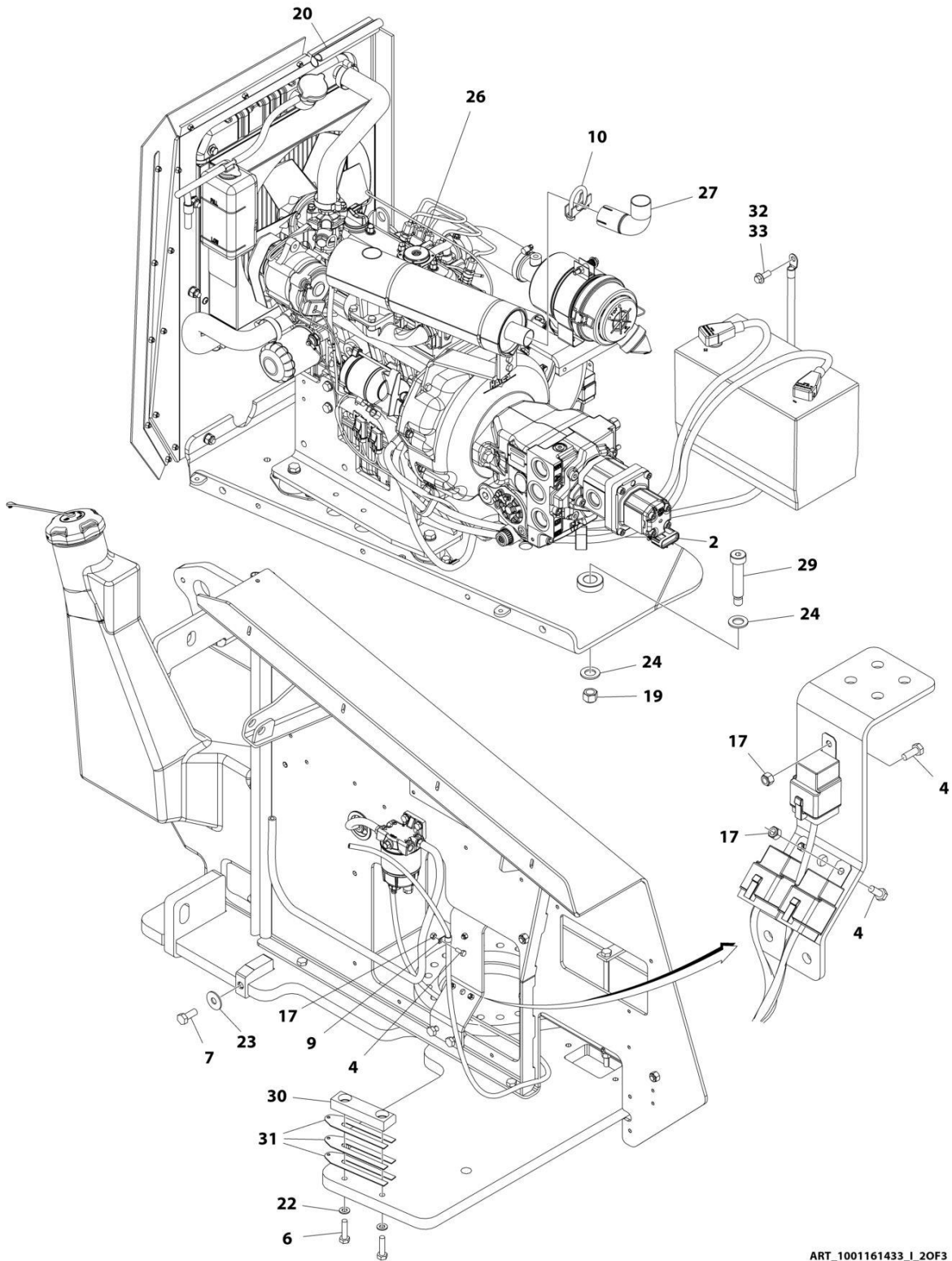
| ITEM | PART NUMBER | QTY | DESCRIPTION | REV |
|------|-------------|-----------------|-----------------------------|-----|
| | 1001195234 | Ref | GM ENGINE ASSEMBLY | E |
| 1 | 0100011 | AR | Compound, Locking | |
| 2 | 0340045 | 2 | Band, Mounting | |
| 3 | 0641609 | 8 | Bolt 3/8 x 1-1/8 | |
| 4 | 0641807 | 2 | Bolt 1/2 x 7/8 | |
| 5 | 0700621 | 4 | Bolt M6 x 65 | |
| 6 | 0701015 | 7 | Bolt M10 x 35 | |
| 7 | 0701221 | 4 | Bolt M12 x 65 | |
| 8 | 0760608 | 5 | Bolt M6 x 16 | |
| 9 | 0760610 | 6 | Bolt M6 x 20 | |
| 10 | 0760612 | 7 | Bolt M6 x 25 | |
| 11 | 0760812 | 6 | Bolt M8 x 25 | |
| 12 | 0760814 | 2 | Bolt M8 x 30 | |
| 13 | 0760817 | 2 | Bolt M8 x 45 | |
| 14 | 0761014 | 8 | Bolt M10 x 30 | |
| 15 | 1320012 | 4 | Clamp | |
| 16 | 1320016 | 1 | Clamp | |
| 17 | 1320022 | 3 | Clamp | |
| 18 | 1320223 | 2 | J-Clip | |
| 19 | 1321682 | 2 | Clamp | |
| 20 | 1321716 | 2 | Clamp | |
| 21 | 1580011 | 1 | Container, Coolant Overflow | |
| 22 | 1703162 | 2 | Decal - Fan Blade | |
| 23 | 2720058 | 18 in /46cm | Hose | |
| 24 | 2720271 | 19 in /47cm | Hose | |
| 25 | 2720615 | 6.5 in /17cm | Hose | |
| 26 | 3200378 | 2 | Mount, Motor | |
| 27 | 3200425 | 2 | Mount, Engine | |
| 28 | 3290605 | 22 | Nut M6 | |
| 29 | 3290805 | 8 | Nut M8 | |
| 30 | 3291005 | 16 | Nut M10 | |
| 31 | 3291205 | 4 | Nut M12 | |
| 32 | 3311605 | 8 | Nut 3/8 | |
| 33 | 3960464 | 6.5 in /17cm | Seal | |
| 34 | 4711800 | 2 | Washer 1/2 | |
| 35 | 4740274 | 4 | Washer | |
| 36 | 4740362 | 7 | Washer | |
| 37 | 4811700 | 13 | Washer M6 | |
| 38 | 4811900 | 18 | Washer M8 | |
| 39 | 4812000 | 54 | Washer M10 | |
| 40 | 4812100 | 4 | Washer M12 | |
| 41 | 5250608 | 4 | Bolt M6 x 16 | |
| 42 | 5250812 | 4 | Bolt M8 x 25 | |
| 43 | 8405006 | 1 | Clamp | |
| 44 | 80673025 | 1 | P-Clamp | |
| 45 | 85941016 | 1 | Clamp | |

SECTION 3 - ENGINE

| ITEM | PART NUMBER | QTY | DESCRIPTION | REV |
|------|-------------|-----|--|-----|
| 46 | 0761016 | 3 | Bolt M10 x 40 | |
| 47 | 1001118280 | 1 | Air Filter Assembly | A |
| 47 | 7015004 | 1 | Element, Air Filter | |
| 47 | 1340069 | 1 | Valve, Vacuum | |
| 47 | 7015005 | 1 | Cover | |
| 48 | 1001118453 | 1 | Tray, Engine | |
| 49 | 1001118746 | 1 | Bolt M10 x 25 | |
| 50 | 1001119494 | 1 | Radiator | |
| 50 | 70002899 | 1 | Cap, Radiator | |
| 51 | 1001119495 | 1 | Fan | |
| 52 | 1001119496 | 1 | Spacer, Fan | |
| 53 | 1001119635 | 1 | Hose, Upper Radiator | |
| 54 | 1001119636 | 1 | Hose, Lower Radiator | |
| 55 | 1001119640 | 1 | Plate, Rear Engine | |
| 56 | 1001119641 | 1 | Plate, LH Front Engine | |
| 57 | 1001119643 | 1 | Spacer, Mounting | |
| 58 | 1001119644 | 1 | Plate, RH Front Engine | |
| 59 | 1001119649 | 1 | Mount, Radiator | |
| 60 | 1001119698 | 1 | Gusset, Radiator | |
| 61 | 1001119699 | 1 | Elbow, Air Intake | |
| 62 | 1001119700 | 1 | Hose, Air Intake | |
| 63 | 1001119701 | 1 | Bracket, Muffler Mounting | |
| 64 | 1001119727 | 2 | Clamp, Muffler | |
| 65 | 1001119730 | 1 | Bracket, Coolant Overflow Tank | |
| 66 | 1001119929 | 4 | Bolt M10 x 35 | |
| 67 | 1001119930 | 2 | Bolt M10 x 50 | |
| 68 | 1001120087 | 1 | Pad, Wear | |
| 69 | 1001120090 | 3 | Shim | |
| 70 | 1001120454 | 2 | Housing, Spacer | |
| 71 | 1001123018 | 1 | Plate, Seal Support | |
| 72 | 1001137326 | 1 | Insulate, Muffler | |
| 73 | 1001137327 | 1 | Insulate, Muffler | |
| 74 | 1001137336 | 3 | Strap | |
| 75 | 1001137371 | 1 | Deflector | |
| 76 | 1001137398 | 1 | Shield, Rubber | |
| 77 | 1001137399 | 1 | Shield, Rubber | |
| 78 | 1001137400 | 1 | Shield, Rubber | |
| 79 | 1001147365 | 1 | Seal, Radiator Hood | |
| 80 | 1001147642 | 1 | Plate, Seal Support | |
| 81 | 1001147643 | 1 | Plate, Seal Support | |
| 82 | 1001118594 | 1 | Battery Cable Kit | B |
| 82 | 4461231 | 1 | Battery Terminal and Red Cover Only (No Cable) | |
| 82 | 4461232 | 1 | Battery Terminal and Black Cover Only (No Cable) | |
| 83 | 1001120450 | 1 | Cable, Ground | |
| 84 | 1001148975 | 1 | Plate, Engine Tray | |
| 85 | 1001194741 | 1 | Engine, GM (See GM Engine Supplement P/N 3121245 for Breakdown of Additional Components) | |
| 85A | 70002979 | 1 | Filter, Oil | |
| 85B | 7027972 | 1 | Filter, Fuel | |
| 85C | 70003178 | 1 | Module, Control | |
| 85D | 70003179 | 4 | Plug, Spark | |

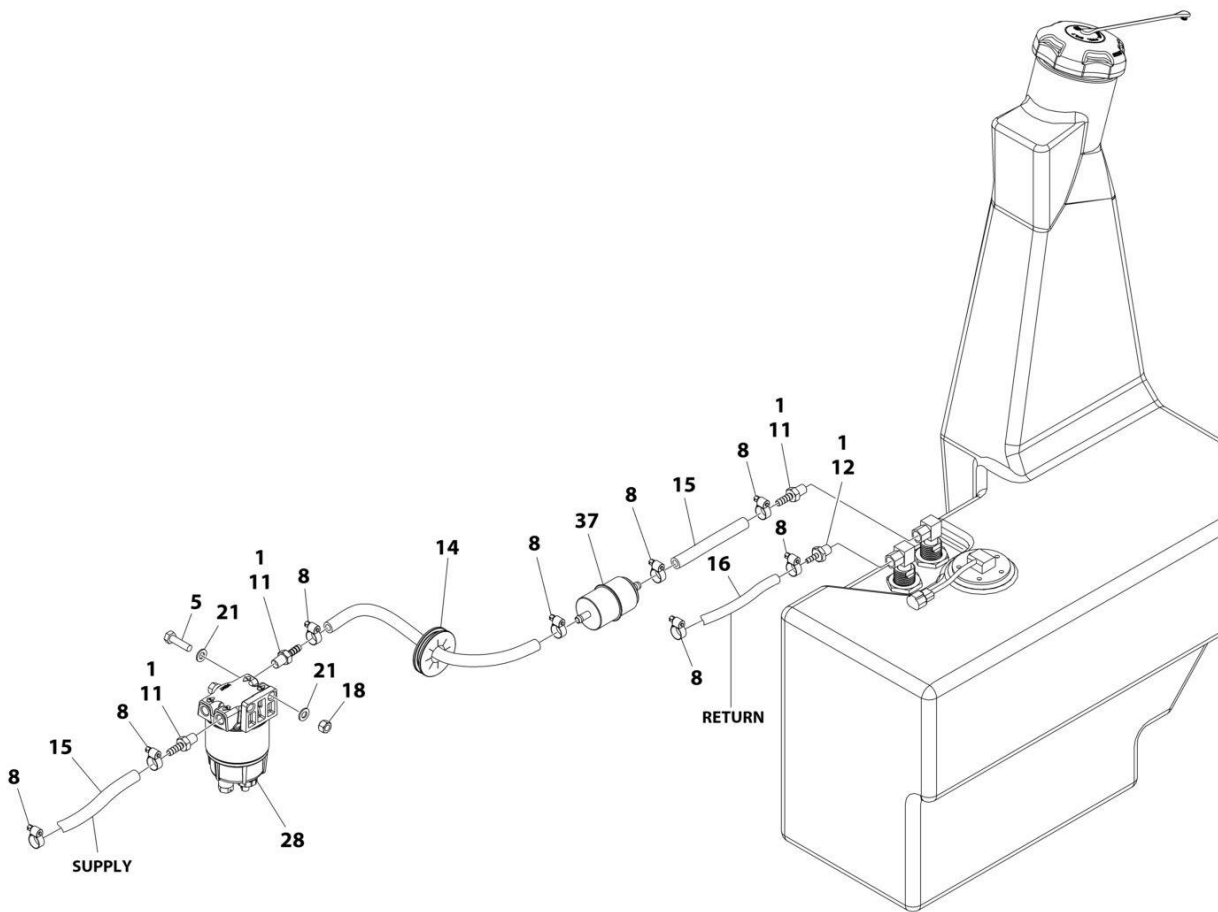
SECTION 3 - ENGINE

FIGURE 3-5. KUBOTA ENGINE INSTALLATION (WITHOUT ARCTIC PACKAGE)



ART_1001161433_I_2OF3

SECTION 3 - ENGINE



ART_1001161433_I_30F3

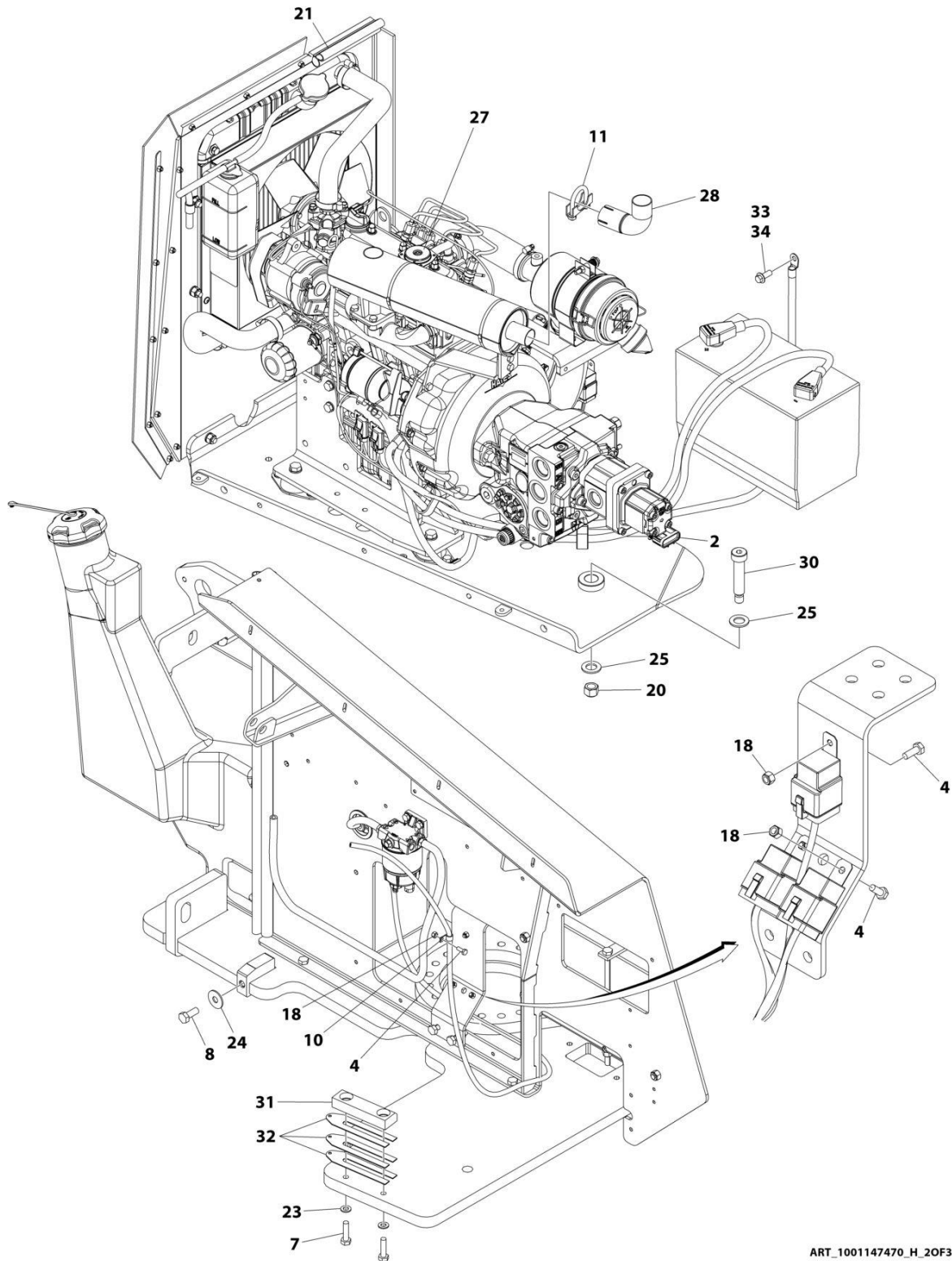
SECTION 3 - ENGINE

FIGURE 3-5. KUBOTA ENGINE INSTALLATION (WITHOUT ARCTIC PACKAGE)

| ITEM | PART NUMBER | QTY | DESCRIPTION | REV |
|------|-------------|----------------|---|-----|
| | 1001161433 | Ref | KUBOTA ENGINE INSTALLATION (WITHOUT ARCTIC PACKAGE) | I |
| 1 | 0100020 | AR | Sealant, Pipe | |
| 2 | 0100048 | AR | Grease, Dielectric | |
| 4 | 0760608 | 4 | Bolt M6 x 16 | |
| 5 | 0760814 | 2 | Bolt M8 x 30 | |
| 6 | 0761016 | 2 | Bolt M10 x 40 | |
| 7 | 0761214 | 1 | Bolt M12 x 30 | |
| 7 | 0761217 | 1 | Bolt M12 x 45 | |
| 8 | 1320022 | 8 | Clamp, Fuel Line | |
| 9 | 1320043 | 1 | Clamp, Cable | |
| 10 | 1320274 | 1 | Clamp, Muffler | |
| 11 | 2180348 | 3 | Fitting, Barbed | |
| 12 | 2180666 | 1 | Fitting, Barbed | |
| 14 | 2540045 | 1 | Grommet | |
| 15 | 2720058 | 6.6 ft/2.0m | Hose | |
| 16 | 2720271 | 6.5 ft /2m | Hose | |
| 17 | 3290605 | 4 | Nut M6 | |
| 18 | 3290805 | 2 | Nut M8 | |
| 19 | 3291605 | 1 | Nut M16 | |
| 20 | 3960464 | 33 in /84cm | Seal | |
| 21 | 4811900 | 4 | Washer M8 | |
| 22 | 4812000 | 2 | Washer M10 | |
| 23 | 4812102 | 1 | Washer M12 | |
| 24 | 4812500 | 2 | Washer M20 | |
| 26 | 1001238004 | 1 | Kubota Engine and Pump Sub-Assembly (See Separate Breakdown in this Section) | |
| 27 | 1001118548 | 1 | Tube, Exhaust | |
| 28 | 1001190609 | 1 | Fuel Filter/Water Separator Assembly (See Separate Breakdown in this Section) | |
| 29 | 1001118646 | 1 | Bolt M20 x 80 | |
| 30 | 1001120087 | 1 | Pad, Wear | |
| 31 | 1001120090 | 3 | Shim 1.5 | |
| 32 | 0100011 | AR | Compound, Locking | |
| 33 | 5251012 | 1 | Bolt M10 x 25 | |
| 37 | 1001190545 | 1 | Filter, Fuel | |

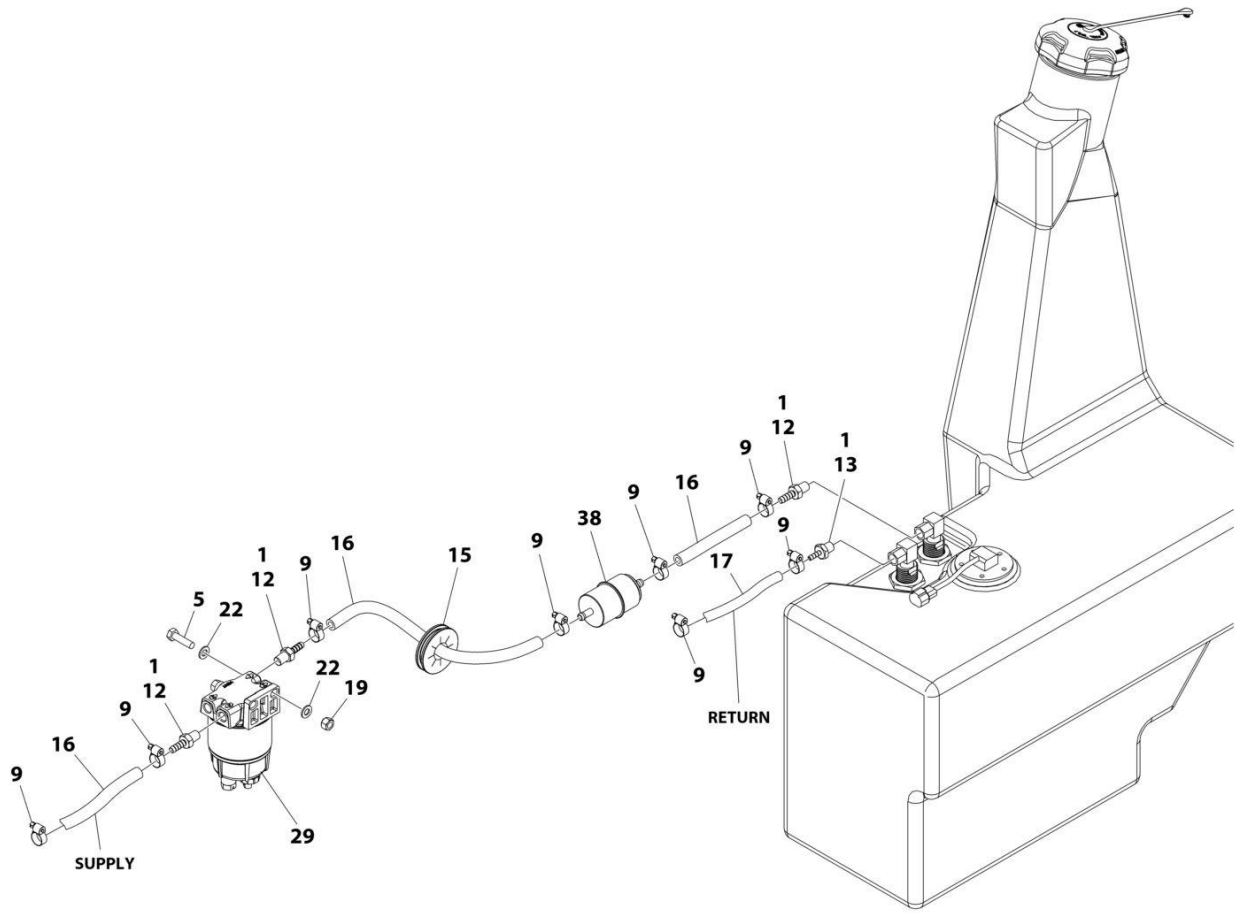
SECTION 3 - ENGINE

FIGURE 3-6. KUBOTA ENGINE INSTALLATION WITH 4000W GENERATOR (WITHOUT ARCTIC PACKAGE)



ART_1001147470_H_20F3

SECTION 3 - ENGINE



ART_1001147470_H_30F3

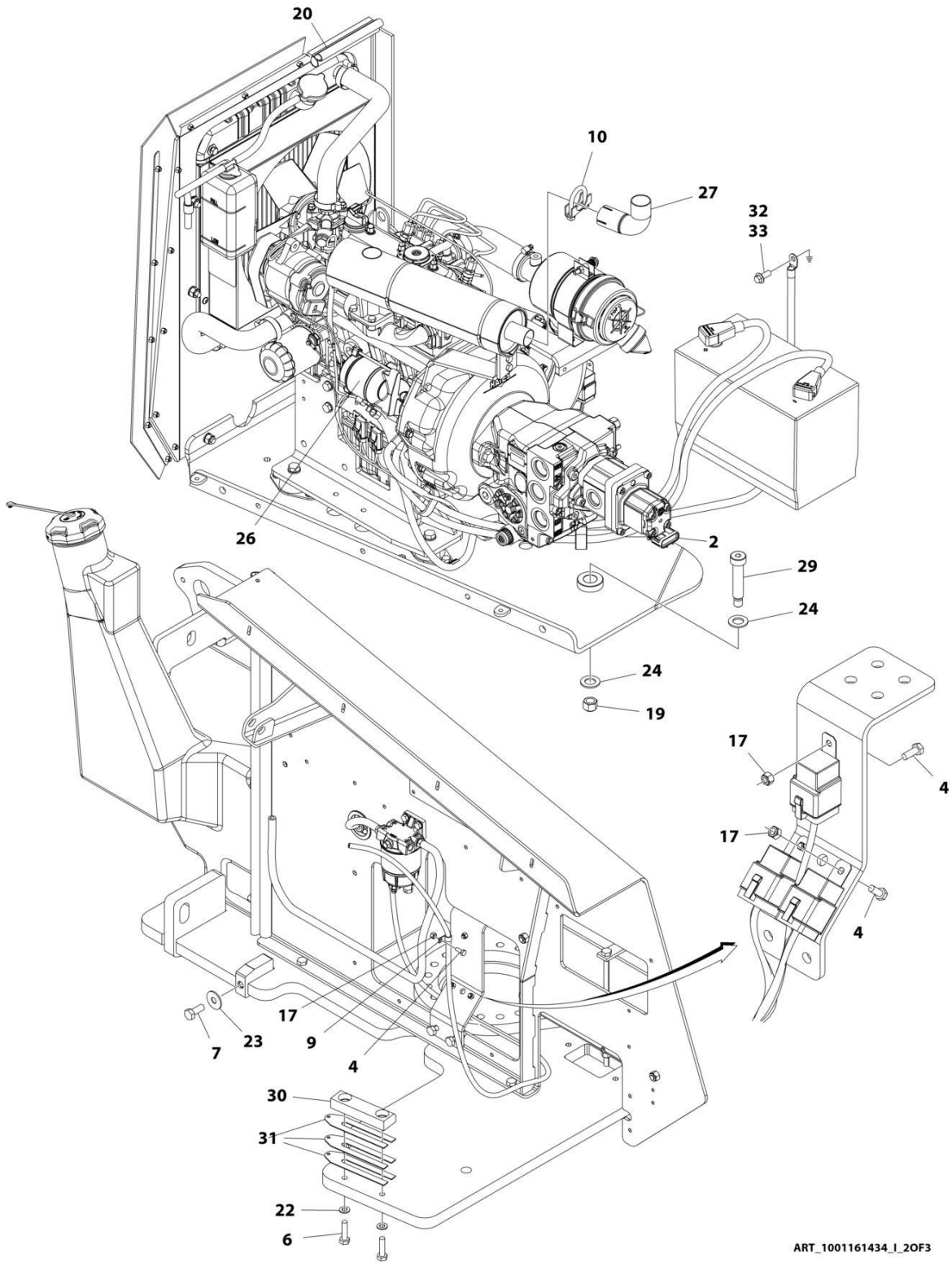
SECTION 3 - ENGINE

FIGURE 3-6. KUBOTA ENGINE INSTALLATION WITH 4000W GENERATOR (WITHOUT ARCTIC PACKAGE)

| ITEM | PART NUMBER | QTY | DESCRIPTION | REV |
|------|-------------|----------------|---|-----|
| | 1001147470 | Ref | KUBOTA ENGINE INSTALLATION WITH 4000W GENERATOR (WITHOUT ARCTIC PACKAGE) | H |
| 1 | 0100020 | AR | Sealant, Pipe | |
| 2 | 0100048 | AR | Grease, Dielectric | |
| 4 | 0760608 | 4 | Bolt M6 x 16 | |
| 6 | 0760814 | 2 | Bolt M8 x 30 | |
| 7 | 0761016 | 2 | Bolt M10 x 40 | |
| 8 | 0761214 | 1 | Bolt M12 x 30 | |
| 9 | 1320022 | 8 | Clamp, Fuel Line | |
| 10 | 1320043 | 1 | Clamp, Cable | |
| 11 | 1320274 | 1 | Clamp, Muffler | |
| 12 | 2180348 | 3 | Fitting, Barbed | |
| 13 | 2180666 | 1 | Fitting, Barbed | |
| 15 | 2540045 | 1 | Grommet | |
| 16 | 2720058 | 6.6 ft/2.0m | Hose | |
| 17 | 2720271 | 6.5 ft/2m | Hose | |
| 18 | 3290605 | 4 | Nut M6 | |
| 19 | 3290805 | 2 | Nut M8 | |
| 20 | 3291605 | 1 | Nut M16 | |
| 21 | 3960464 | 33 in /84cm | Seal | |
| 22 | 4811900 | 4 | Washer M8 | |
| 23 | 4812000 | 2 | Washer M10 | |
| 24 | 4812102 | 1 | Washer M12 | |
| 25 | 4812500 | 2 | Washer M20 | |
| 27 | 1001238005 | 1 | Kubota Engine and Pump Sub-Assembly (See Separate Breakdown in this Section) | |
| 28 | 1001118548 | 1 | Tube, Exhaust | |
| 29 | 1001190609 | 1 | Fuel Filter/Water Separator Assembly (See Separate Breakdown in this Section) | |
| 30 | 1001118646 | 1 | Bolt M20 x 80 | |
| 31 | 1001120087 | 1 | Pad, Wear | |
| 32 | 1001120090 | 3 | Shim 1.5 | |
| 33 | 0100011 | AR | Compound, Locking | |
| 34 | 5251012 | 1 | Bolt M10 x 25 | |
| 38 | 1001190545 | 1 | Filter, Fuel | |

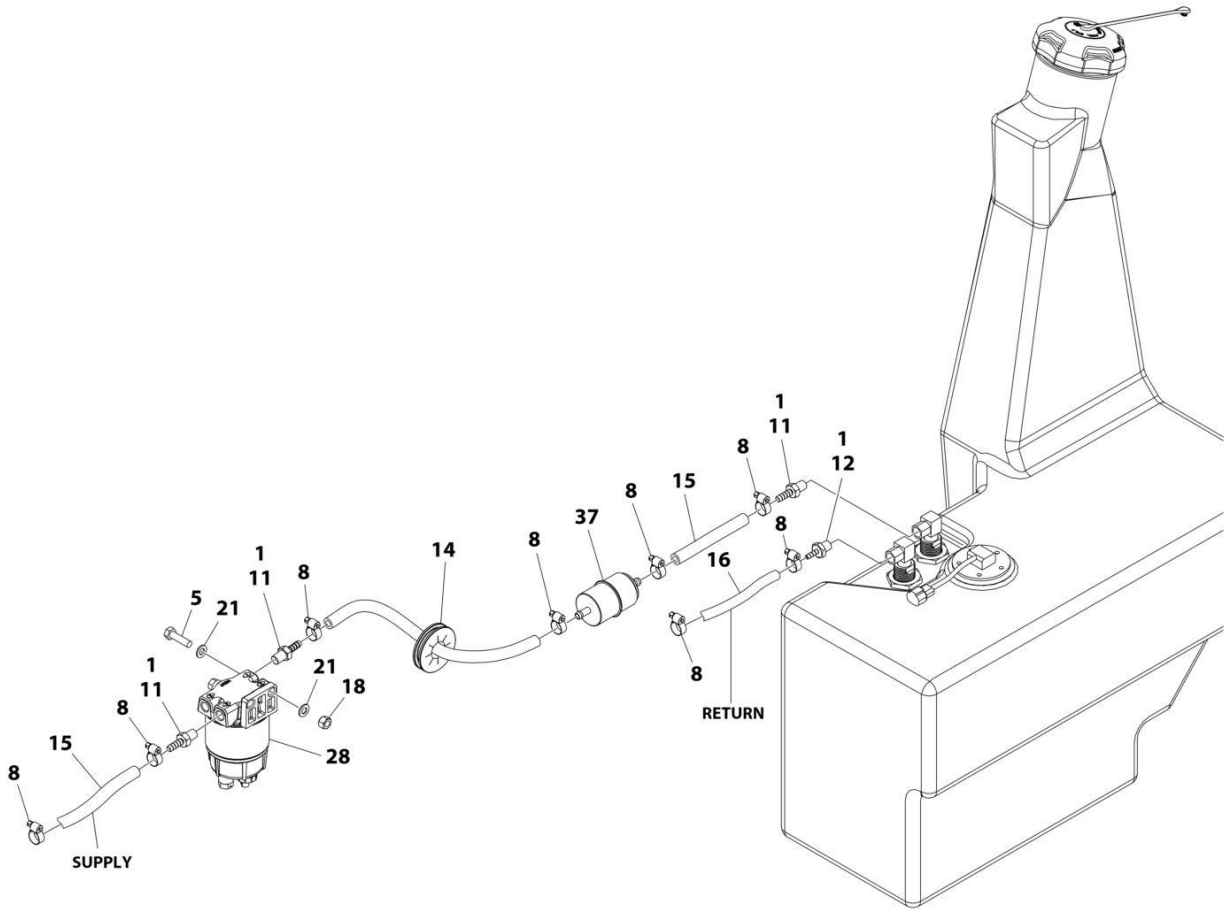
SECTION 3 - ENGINE

FIGURE 3-7. KUBOTA ENGINE INSTALLATION (WITH ARCTIC PACKAGE)



ART_1001161434_I_20F3

SECTION 3 - ENGINE



ART_1001161434_I_30F3

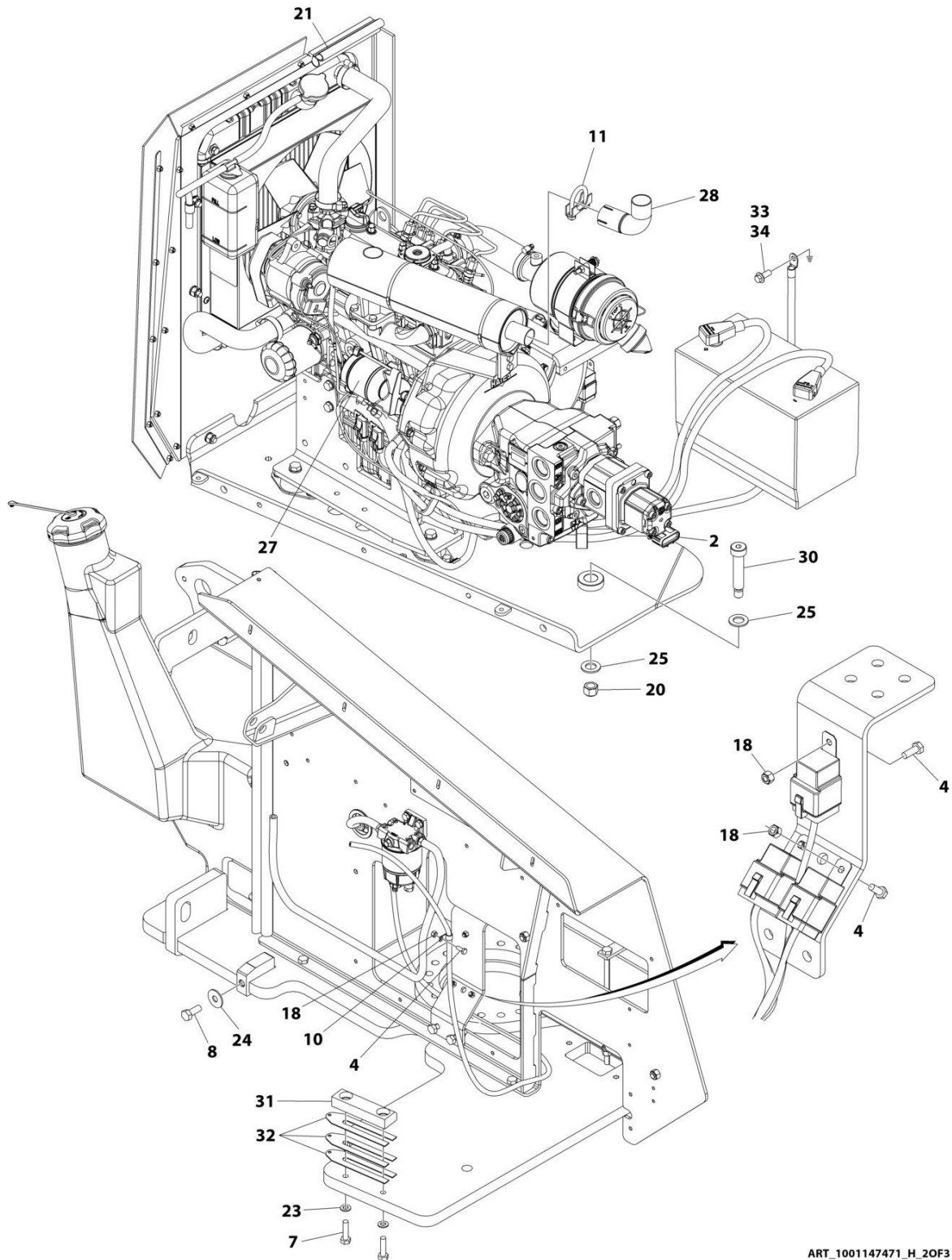
SECTION 3 - ENGINE

FIGURE 3-7. KUBOTA ENGINE INSTALLATION (WITH ARCTIC PACKAGE)

| ITEM | PART NUMBER | QTY | DESCRIPTION | REV |
|------|-------------|----------------|---|-----|
| | 1001161434 | Ref | KUBOTA ENGINE INSTALLATION (WITH ARCTIC PACKAGE) | I |
| 1 | 0100020 | AR | Sealant, Pipe | |
| 2 | 0100048 | AR | Grease, Dielectric | |
| 4 | 0760608 | 4 | Bolt M6 x 16 | |
| 5 | 0760814 | 2 | Bolt M8 x 30 | |
| 6 | 0761016 | 2 | Bolt M10 x 40 | |
| 7 | 0761214 | 1 | Bolt M12 x 30 | |
| 7 | 0761217 | 1 | Bolt M12 x 45 | |
| 8 | 1320022 | 8 | Clamp, Fuel Line | |
| 9 | 1320043 | 1 | Clamp, Cable | |
| 10 | 1320274 | 1 | Clamp, Muffler | |
| 11 | 2180348 | 3 | Fitting, Barbed | |
| 12 | 2180666 | 1 | Fitting, Barbed | |
| 14 | 2540045 | 1 | Grommet | |
| 15 | 2720058 | 6.6 ft/2.0m | Hose | |
| 16 | 2720271 | 6.5 ft/2m | Hose | |
| 17 | 3290605 | 4 | Nut M6 | |
| 18 | 3290805 | 2 | Nut M8 | |
| 19 | 3291605 | 1 | Nut M16 | |
| 20 | 3960464 | 33 in /84cm | Seal | |
| 21 | 4811900 | 4 | Washer M8 | |
| 22 | 4812000 | 2 | Washer M10 | |
| 23 | 4812102 | 1 | Washer M12 | |
| 24 | 4812500 | 2 | Washer M20 | |
| 26 | 1001238004 | 1 | Kubota Engine and Pump Sub-Assembly (See Separate Breakdown in this Section) | |
| 27 | 1001118548 | 1 | Tube, Exhaust | |
| 28 | 1001190609 | 1 | Fuel Filter/Water Separator Assembly (See Separate Breakdown in this Section) | |
| 29 | 1001118646 | 1 | Bolt M20 x 80 | |
| 30 | 1001120087 | 1 | Pad, Wear | |
| 31 | 1001120090 | 3 | Shim 1.5 | |
| 32 | 0100011 | AR | Compound, Locking | |
| 33 | 5251012 | 1 | Bolt M10 x 25 | |
| 37 | 1001190545 | 1 | Filter, Fuel | |

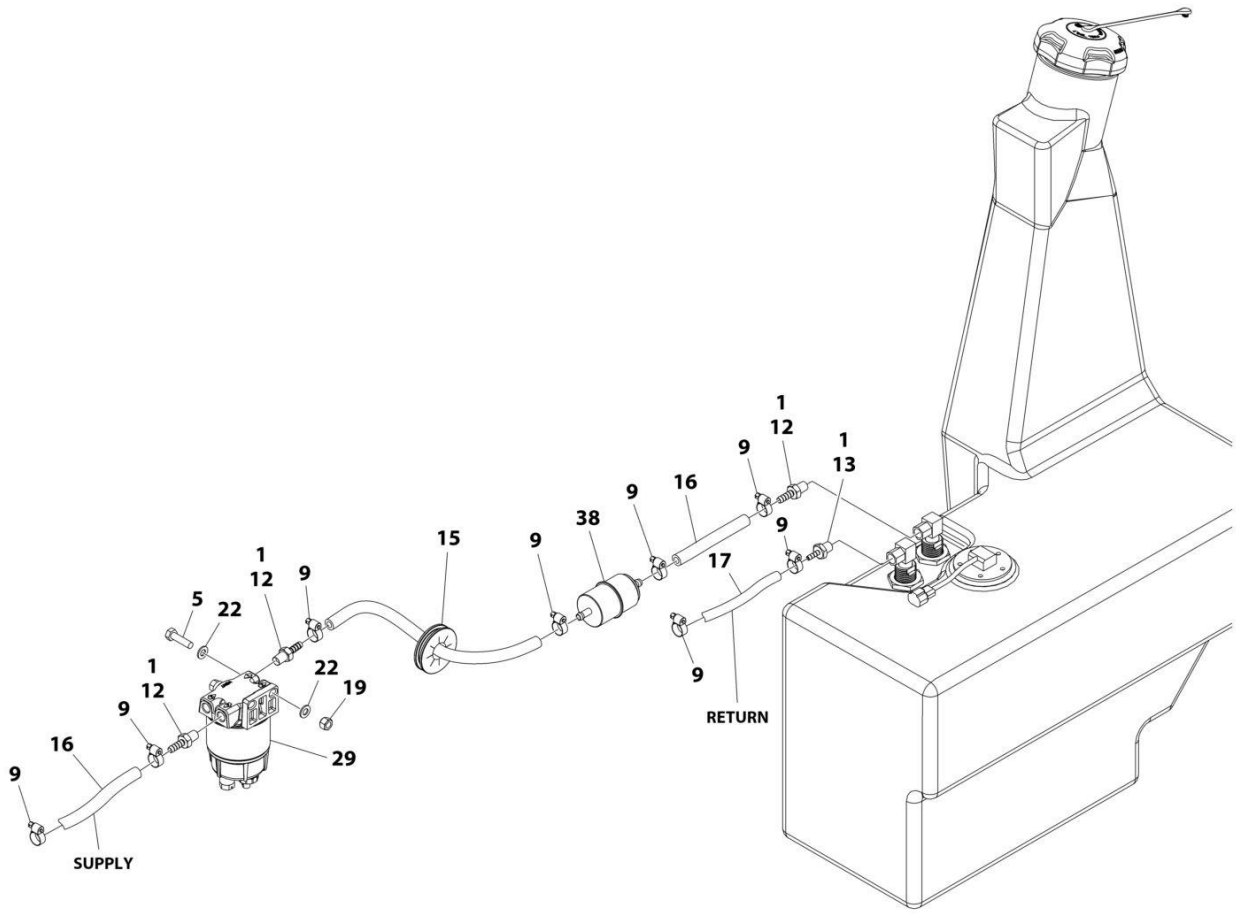
SECTION 3 - ENGINE

FIGURE 3-8. KUBOTA ENGINE INSTALLATION WITH 4000W GENERATOR (WITH ARCTIC PACKAGE)



ART_1001147471_H_20F3

SECTION 3 - ENGINE



ART_1001147471_H_30F3

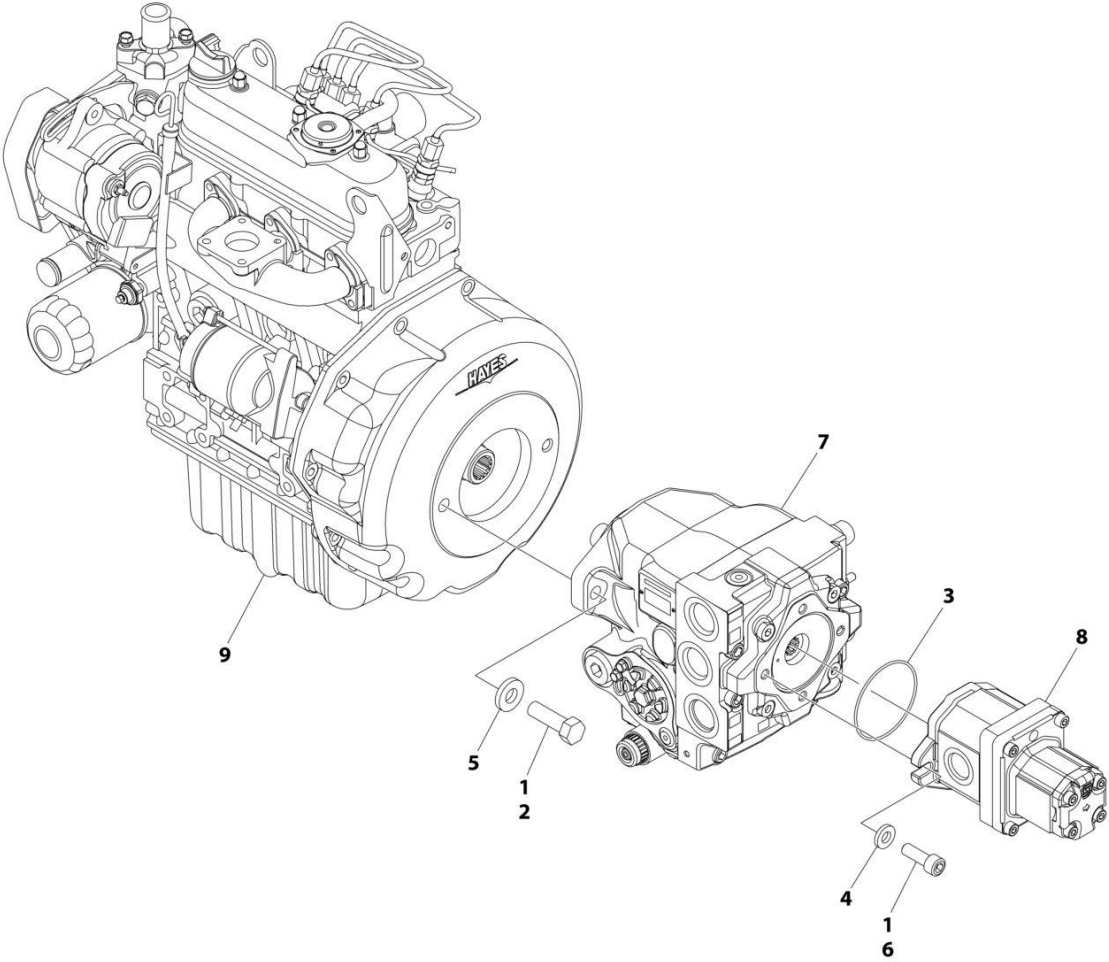
SECTION 3 - ENGINE

FIGURE 3-8. KUBOTA ENGINE INSTALLATION WITH 4000W GENERATOR (WITH ARCTIC PACKAGE)

| ITEM | PART NUMBER | QTY | DESCRIPTION | REV |
|------|-------------|----------------|---|-----|
| | 1001147471 | Ref | KUBOTA ENGINE INSTALLATION WITH 4000W GENERATOR (WITH ARCTIC PACKAGE) | H |
| 1 | 0100020 | AR | Sealant, Pipe | |
| 2 | 0100048 | AR | Grease, Dielectric | |
| 4 | 0760608 | 4 | Bolt M6 x 16 | |
| 5 | 0760814 | 2 | Bolt M8 x 30 | |
| 7 | 0761016 | 2 | Bolt M10 x 40 | |
| 8 | 0761214 | 1 | Bolt M12 x 30 | |
| 9 | 1320022 | 8 | Clamp, Fuel Line | |
| 10 | 1320043 | 1 | Clamp, Cable | |
| 11 | 1320274 | 1 | Clamp, Muffler | |
| 12 | 2180348 | 3 | Fitting, Barbed | |
| 13 | 2180666 | 1 | Fitting, Barbed | |
| 15 | 2540045 | 1 | Grommet | |
| 16 | 2720058 | 6.6 ft/2.0m | Hose | |
| 17 | 2720271 | 6.5 ft/2m | Hose | |
| 18 | 3290605 | 4 | Nut M6 | |
| 19 | 3290805 | 2 | Nut M8 | |
| 20 | 3291605 | 1 | Nut M16 | |
| 21 | 3960464 | 33 in /84cm | Seal | |
| 22 | 4811900 | 4 | Washer M8 | |
| 23 | 4812000 | 2 | Washer M10 | |
| 24 | 4812102 | 1 | Washer M12 | |
| 25 | 4812500 | 2 | Washer M20 | |
| 27 | 1001238005 | 1 | Kubota Engine and Pump Sub-Assembly (See Separate Breakdown in this Section) | |
| 28 | 1001118548 | 1 | Tube, Exhaust | |
| 29 | 1001190609 | 1 | Fuel Filter/Water Separator Assembly (See Separate Breakdown in this Section) | |
| 30 | 1001118646 | 1 | Bolt M20 x 80 | |
| 31 | 1001120087 | 1 | Pad, Wear | |
| 32 | 1001120090 | 3 | Shim 1.5 | |
| 33 | 0100011 | AR | Compound, Locking | |
| 34 | 5251012 | 1 | Bolt M10 x 25 | |
| 38 | 1001190545 | 1 | Filter, Fuel | |

SECTION 3 - ENGINE

FIGURE 3-9. KUBOTA ENGINE AND PUMP SUB-ASSEMBLY



ART_1001238004

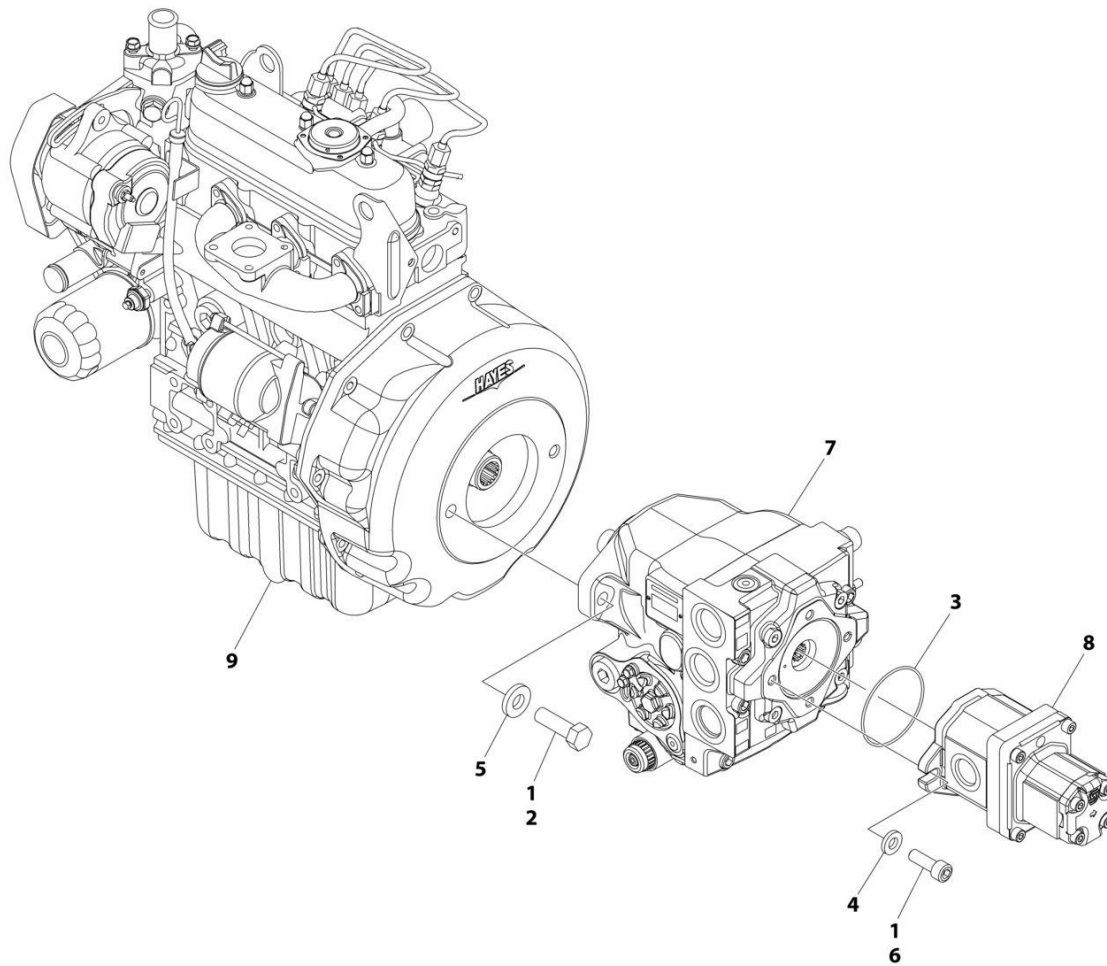
SECTION 3 - ENGINE

FIGURE 3-9. KUBOTA ENGINE AND PUMP SUB-ASSEMBLY

| ITEM | PART NUMBER | QTY | DESCRIPTION | REV |
|------|-------------|-----|--|-----|
| | 1001238004 | Ref | KUBOTA ENGINE AND PUMP SUB-ASSEMBLY | B |
| 1 | 0100011 | AR | Compound, Locking | |
| 2 | 0641813 | 2 | Bolt 1/2 x 1-5/8 | |
| 3 | 3790152 | 1 | O-Ring | |
| 4 | 4891600 | 2 | Washer 3/8 | |
| 5 | 4891800 | 2 | Washer 1/2 | |
| 6 | 83191040 | 2 | Capscrew M10 x 30 | |
| 7 | 1001117028 | 1 | Axial Pump Assembly (See Separate Breakdown in this Section) | |
| 8 | 1001117029 | 1 | Gear Pump Assembly (See Separate Breakdown in this Section) | |
| 9 | 1001238001 | 1 | Kubota Engine Assembly (Use p/n 1001238001) (See Separate Breakdown in this Section) | |

SECTION 3 - ENGINE

FIGURE 3-10. KUBOTA ENGINE WITH 4000W GENERATOR AND PUMP SUB-ASSEMBLY



ART_1001238005

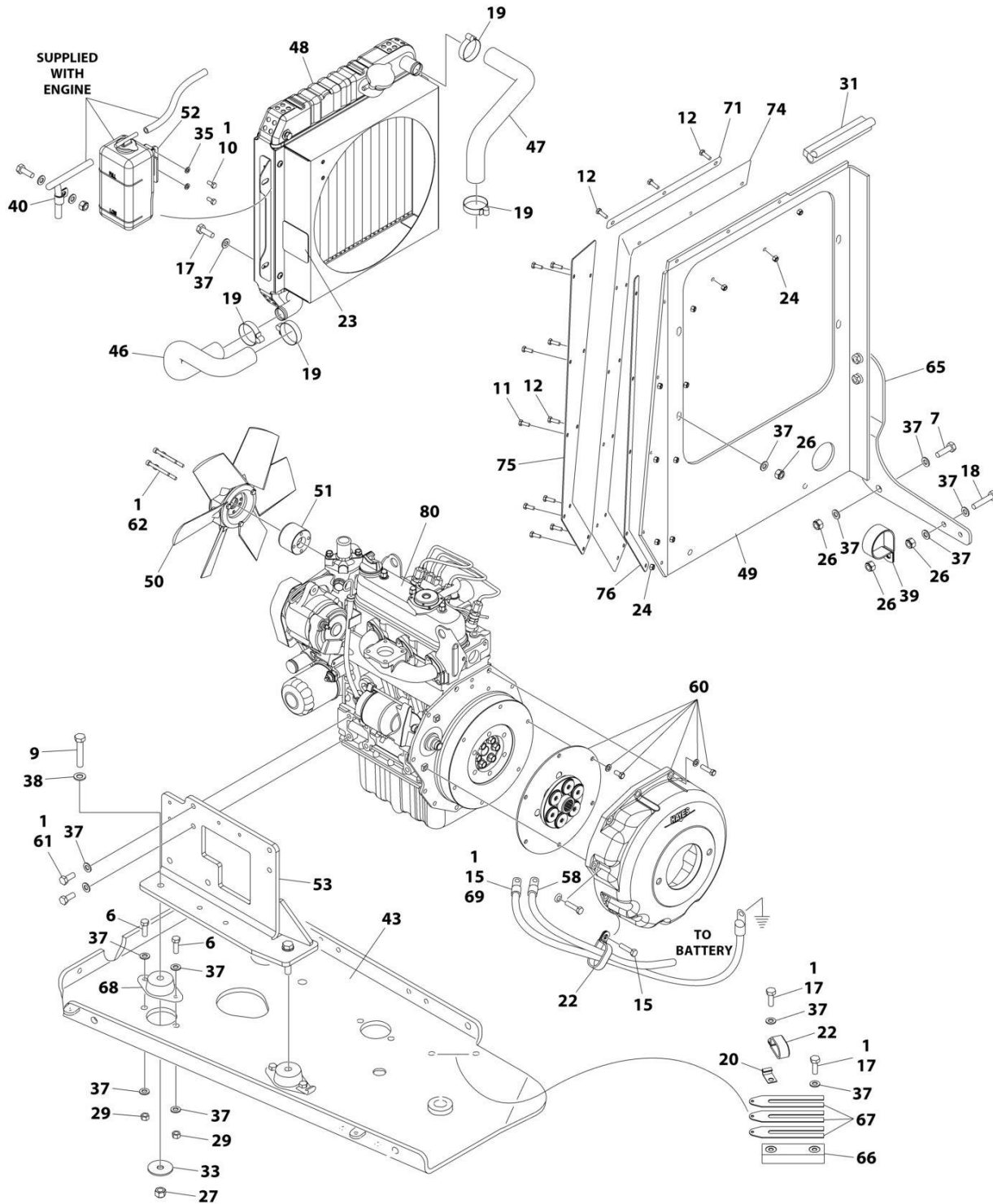
SECTION 3 - ENGINE

FIGURE 3-10. KUBOTA ENGINE WITH 4000W GENERATOR AND PUMP SUB-ASSEMBLY

| ITEM | PART NUMBER | QTY | DESCRIPTION | REV |
|------|-------------|-----|---|-----|
| | 1001238005 | Ref | KUBOTA ENGINE WITH 4000W GENERATOR AND PUMP SUB-ASSEMBLY | B |
| 1 | 0100011 | AR | Compound, Locking | |
| 2 | 0641813 | 2 | Bolt 1/2 x 1-5/8 | |
| 3 | 3790152 | 1 | O-Ring | |
| 4 | 4891600 | 2 | Washer 3/8 | |
| 5 | 4891800 | 2 | Washer 1/2 | |
| 6 | 83191040 | 2 | Capscrew M10 x 30 | |
| 7 | 1001117028 | 1 | Axial Pump Assembly (See Separate Breakdown in this Section) | |
| 8 | 1001117029 | 1 | Gear Pump Assembly (See Separate Breakdown in this Section) | |
| 9 | 1001238002 | 1 | Kubota Engine Assembly with 4000W Generator (Use p/n 1001238002) (See Separate Breakdown in this Section) | |

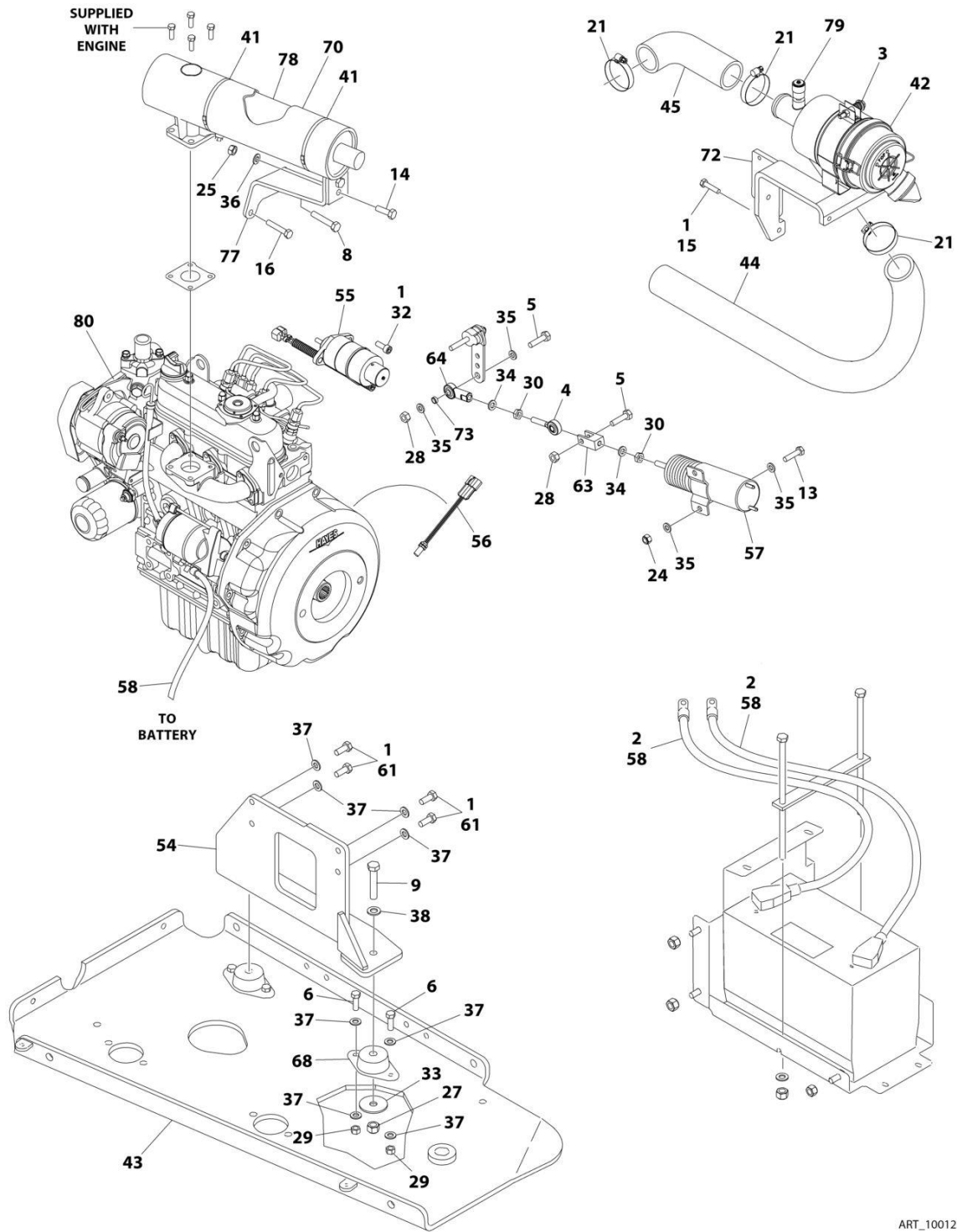
SECTION 3 - ENGINE

FIGURE 3-11. KUBOTA ENGINE ASSEMBLY



ART_1001238001_1OF2

SECTION 3 - ENGINE



ART_1001238001_2OF2

SECTION 3 - ENGINE

FIGURE 3-11. KUBOTA ENGINE ASSEMBLY

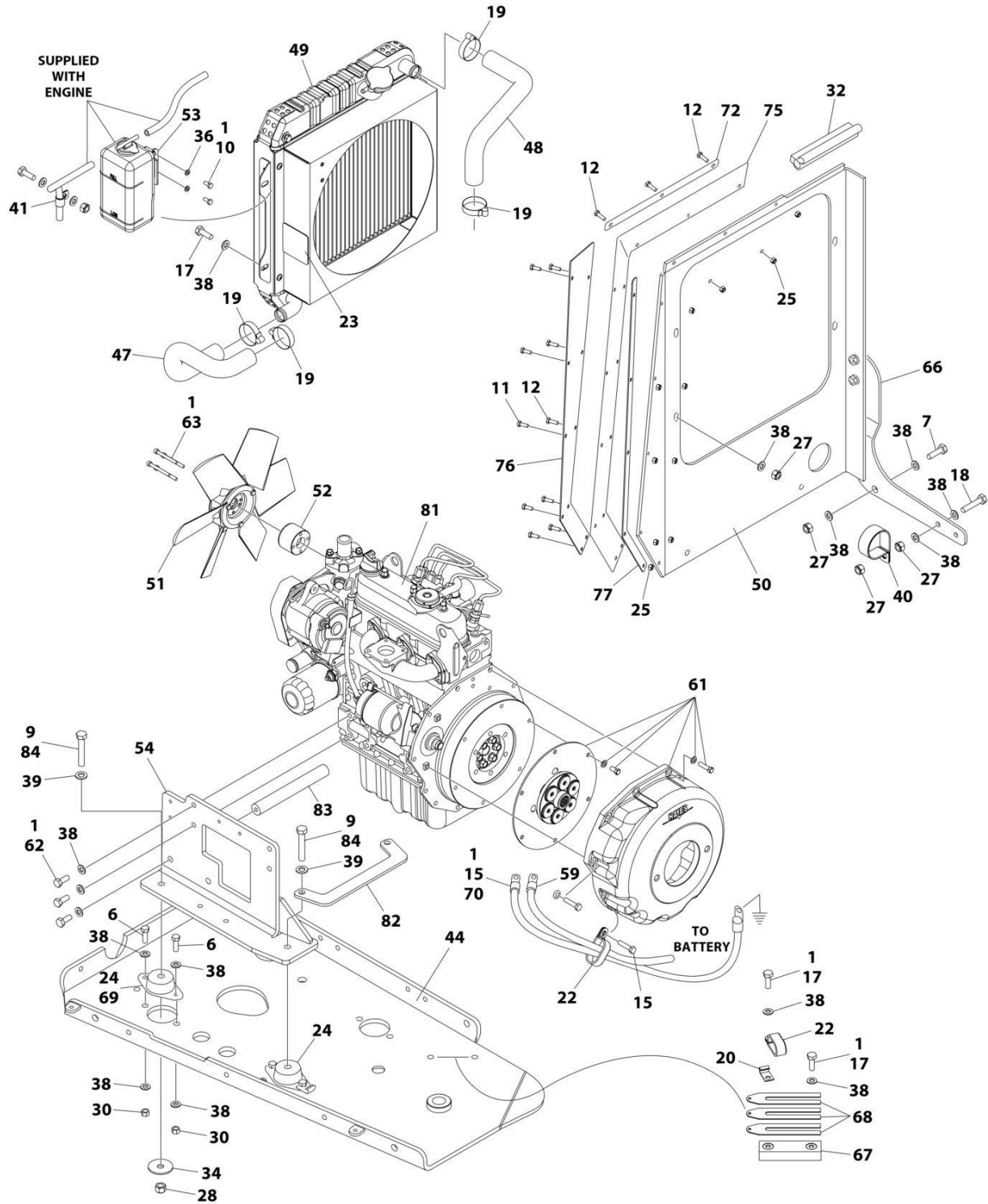
| ITEM | PART NUMBER | QTY | DESCRIPTION | REV |
|------|-------------|-----------------|------------------------|-----|
| | 1001238001 | Ref | KUBOTA ENGINE ASSEMBLY | B |
| 1 | 0100011 | AR | Compound, Locking | |
| 2 | 0100048 | AR | Grease, Dielectric | |
| 3 | 0340045 | 1 | Band, Mounting | |
| 4 | 0440334 | 1 | End, Rod with Bearing | |
| 5 | 0641408 | 2 | Bolt 1/4 x 1 | |
| 6 | 0641609 | 8 | Bolt 3/8 x 1-1/8 | |
| 7 | 0701015 | 6 | Bolt M10 x 35 | |
| 8 | 0701017 | 1 | Bolt M10 x 45 | |
| 9 | 0701221 | 4 | Bolt M12 x 65 | |
| 10 | 0760607 | 2 | Bolt M6 x 14 | |
| 11 | 0760608 | 5 | Bolt M6 x 1.25 | |
| 12 | 0760610 | 8 | Bolt M6 x 20 | |
| 13 | 0760612 | 4 | Bolt M6 x 25 | |
| 14 | 0760812 | 2 | Bolt M8 x 25 | |
| 15 | 0760815 | 3 | Bolt M8 x 35 | |
| 16 | 0760817 | 1 | Bolt M8 x 45 | |
| 17 | 0761014 | 6 | Bolt M10 x 30 | |
| 18 | 0761018 | 1 | Bolt M10 x 50 | |
| 19 | 1320012 | 4 | Clamp | |
| 20 | 1320223 | 2 | J-Clip | |
| 21 | 1321682 | 3 | Clamp | |
| 22 | 1321716 | 2 | Clamp | |
| 23 | 1703162 | 2 | Decal - Fan Blade | |
| 24 | 3290605 | 17 | Nut M6 | |
| 25 | 3290807 | 2 | Nut M8 x 1.25 | |
| 26 | 3291005 | 12 | Nut M10 | |
| 27 | 3291205 | 4 | Nut M12 | |
| 28 | 3311405 | 2 | Nut 1/4 | |
| 29 | 3311605 | 8 | Nut 3/8 | |
| 30 | 3321402 | 2 | Nut 1/4 | |
| 31 | 3960464 | 6.5 in /17cm | Seal | |
| 32 | 4031707 | 2 | Capscrew M6 x 16 | |
| 33 | 4740274 | 4 | Washer | |
| 34 | 4761400 | 2 | Washer 1/4 | |
| 35 | 4811700 | 12 | Washer M6 | |
| 36 | 4811900 | 2 | Washer M8 | |
| 37 | 4812000 | 48 | Washer M10 | |
| 38 | 4812100 | 4 | Washer M12 | |
| 39 | 80673025 | 1 | P-Clamp | |
| 40 | 85941016 | 1 | Clamp | |
| 41 | 1001100825 | 2 | Strap | |
| 42 | 1001118280 | 1 | Air Filter Assembly | A |
| 42 | 7015004 | 1 | Element, Air Filter | |
| 42 | 1340069 | 1 | Valve, Vacuum | |
| 42 | 7015005 | 1 | Cover | |
| 43 | 1001118453 | 1 | Tray, Engine | |
| 44 | 1001118527 | 1 | Hose, Air Intake | |
| 45 | 1001118528 | 1 | Hose, Air Intake | |

SECTION 3 - ENGINE

| ITEM | PART NUMBER | QTY | DESCRIPTION | REV |
|------|-------------|-----|--|-----|
| 46 | 1001118529 | 1 | Hose, Lower Radiator | |
| 47 | 1001118530 | 1 | Hose, Upper Radiator | |
| 48 | 1001118531 | 1 | Radiator | |
| 48 | 70002899 | 1 | Cap, Radiator | |
| 49 | 1001118532 | 1 | Mount, Radiator | |
| 50 | 1001118538 | 1 | Fan | |
| 51 | 1001118539 | 1 | Spacer, Fan | |
| 52 | 1001118540 | 1 | Bracket, Coolant Overflow Tank | |
| 53 | 1001118542 | 1 | Plate, LH Front Engine | |
| 54 | 1001118543 | 1 | Plate, RH Front Engine | |
| 55 | 1001118579 | 1 | Actuator, Kubota Governor | |
| 55 | 7023134 | 1 | Gasket, Mounting | |
| 56 | 1001118580 | 1 | Sensor, Speed | |
| 57 | 1001118582 | 1 | Actuator, Kubota Throttle | |
| 58 | 1001118594 | 1 | Battery Cable Kit | |
| 58 | 4461231 | 1 | Battery Terminal and Red Cover Only (No Cable) | |
| 58 | 4461232 | 1 | Battery Terminal and Black Cover Only (No Cable) | |
| 59 | 1001118638 | 1 | Harness, Engine (Not Shown - See Separate Breakdown in ELECTRICAL Section) | |
| 60 | 1001118675 | 1 | Flywheel Housing/Coupling Kit | |
| 60 | See Note | NSS | Coupling Assembly (Note: Use p/n 1001118675) | |
| 60 | See Note | NSS | Housing (Note: Use p/n 1001118675) | |
| 60 | See Note | NSS | Bolt Kit (Note: Use p/n 1001118675) | |
| 61 | 1001118746 | 8 | Bolt M10 x 25 | |
| 62 | 1001118878 | 4 | Bolt M6 x 55 | |
| 63 | 1001118881 | 1 | Clevis, Actuator | |
| 64 | 1001118925 | 1 | End, Rod with Bearing | |
| 65 | 1001119698 | 1 | Gusset, Radiator | |
| 66 | 1001120087 | 1 | Pad, Wear | |
| 67 | 1001120090 | 3 | Shim | |
| 68 | 1001120307 | 4 | Mount, Motor | |
| 69 | 1001120450 | 1 | Cable, Ground | |
| 70 | 1001121531 | 1 | Insulation, Muffler | |
| 71 | 1001123018 | 1 | Plate, Seal Support | |
| 72 | 1001128214 | 1 | Bracket, Air Filter | |
| 73 | 1001128888 | 1 | Spacer | |
| 74 | 1001147365 | 1 | Seal, Radiator Hood | |
| 75 | 1001147642 | 1 | Plate, Seal Support | |
| 76 | 1001147643 | 1 | Plate, Seal Support | |
| 77 | 1001149379 | 1 | Bracket | |
| 78 | | Ref | Muffler Options: | |
| 78 | 1001118547 | NLA | Standard (Use p/n 1001151187) | |
| 78 | 1001120007 | NLA | Catalytic (Use p/n 1001151188) | |
| 79 | 1001170981 | 1 | Indicator, Air Intake Restriction | |
| 80 | 1001237999 | 1 | Kubota Engine Components (See Separate Breakdown in this Section) | |

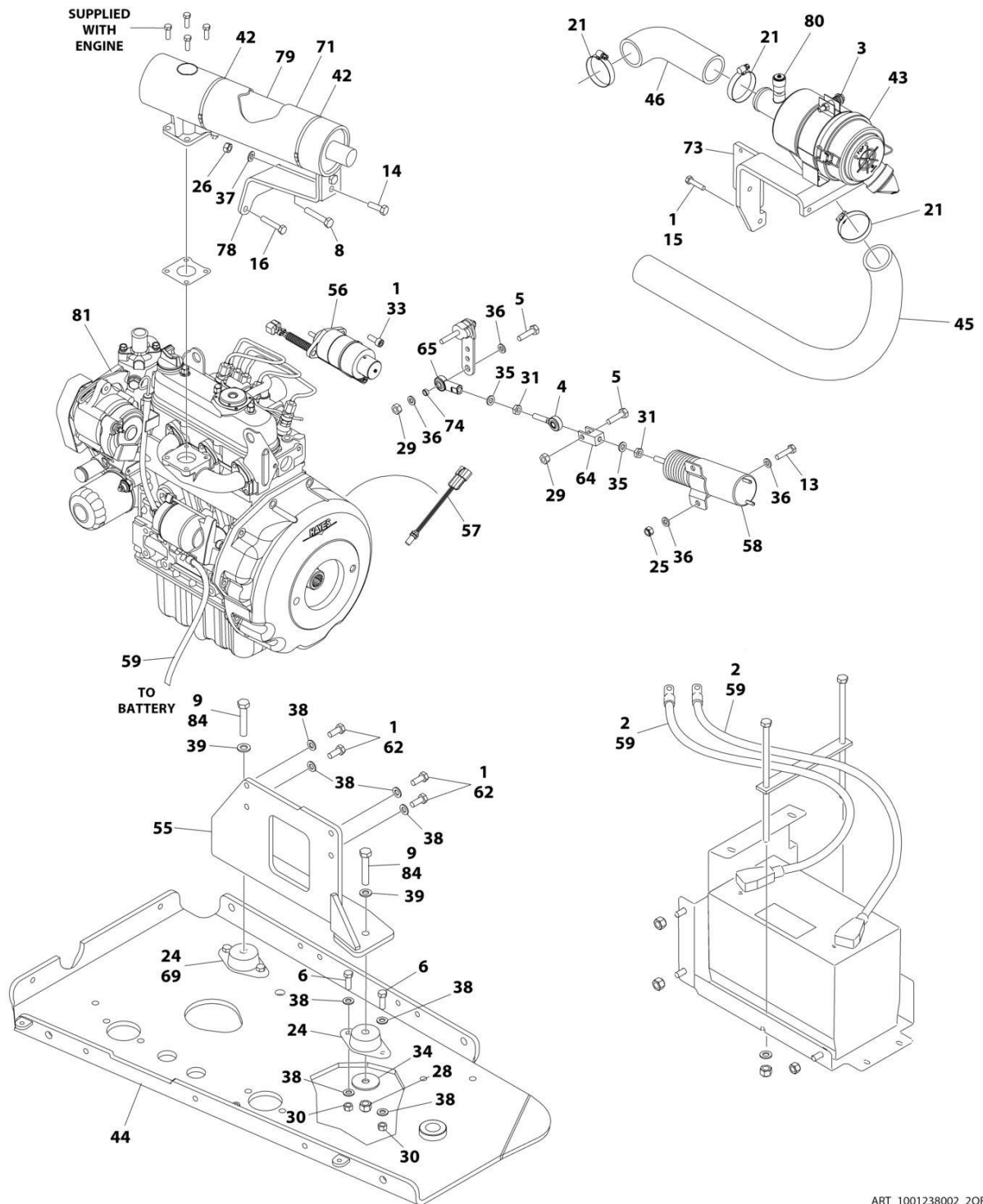
SECTION 3 - ENGINE

FIGURE 3-12. KUBOTA ENGINE ASSEMBLY WITH 4000W GENERATOR



ART_1001238002_10F2

SECTION 3 - ENGINE



ART_1001238002_20F2

SECTION 3 - ENGINE

FIGURE 3-12. KUBOTA ENGINE ASSEMBLY WITH 4000W GENERATOR

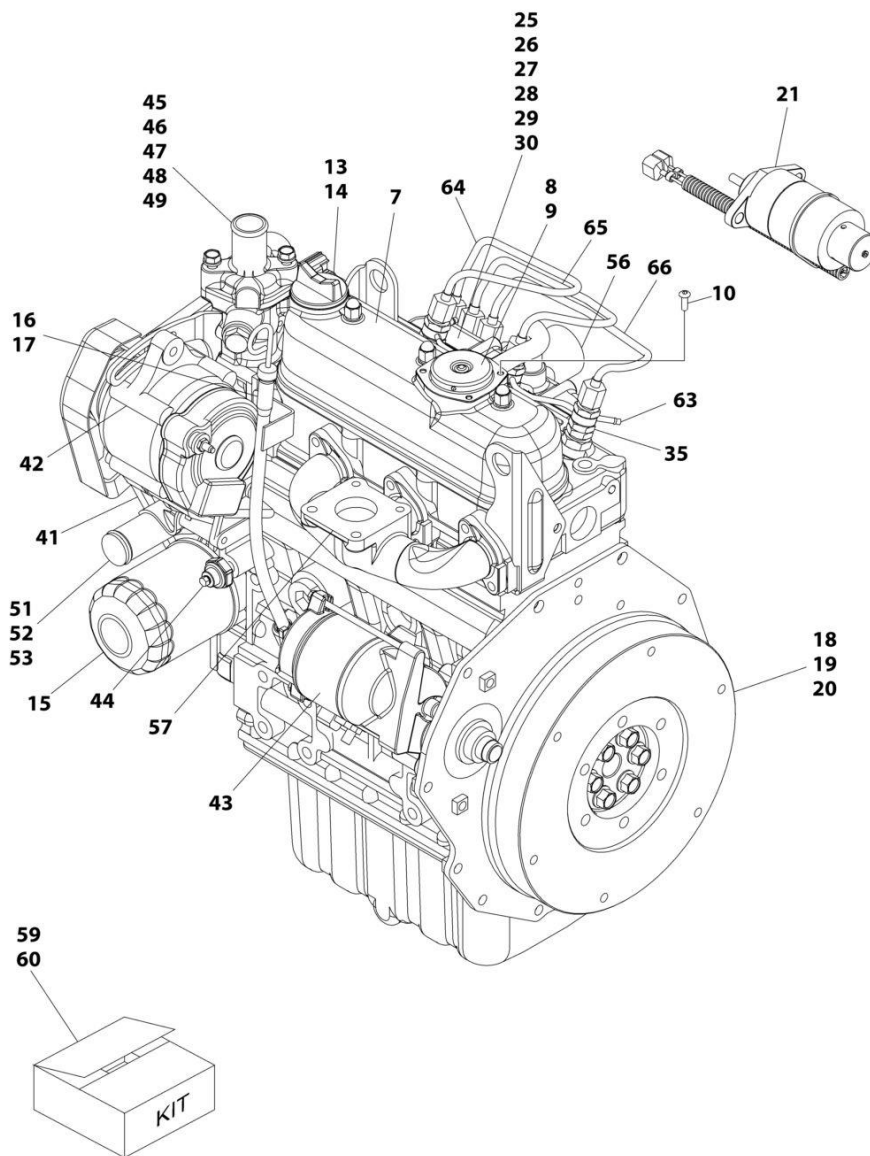
| ITEM | PART NUMBER | QTY | DESCRIPTION | REV |
|------|-------------|-----------------|---|-----|
| | 1001238002 | Ref | KUBOTA ENGINE ASSEMBLY WITH 4000W GENERATOR | B |
| 1 | 0100011 | AR | Compound, Locking | |
| 2 | 0100048 | AR | Grease, Dielectric | |
| 3 | 0340045 | 1 | Band, Mounting | |
| 4 | 0440334 | 1 | End, Rod with Bearing | |
| 5 | 0641408 | 2 | Bolt 1/4 x 1 | |
| 6 | 0641609 | 8 | Bolt 3/8 x 1-1/8 | |
| 7 | 0701015 | 6 | Bolt M10 x 35 | |
| 8 | 0701017 | 1 | Bolt M10 x 45 | |
| 9 | 0701221 | AR | Bolt M12 x 65 | |
| 10 | 0760607 | 2 | Bolt M6 x 14 | |
| 11 | 0760608 | 5 | Bolt M6 x 1.25 | |
| 12 | 0760610 | 8 | Bolt M6 x 20 | |
| 13 | 0760612 | 4 | Bolt M6 x 25 | |
| 14 | 0760812 | 2 | Bolt M8 x 25 | |
| 15 | 0760815 | 3 | Bolt M8 x 35 | |
| 16 | 0760817 | 1 | Bolt M8 x 45 | |
| 17 | 0761014 | 6 | Bolt M10 x 30 | |
| 18 | 0761018 | 1 | Bolt M10 x 50 | |
| 19 | 1320012 | 4 | Clamp | |
| 20 | 1320223 | 2 | J-Clip | |
| 21 | 1321682 | 3 | Clamp | |
| 22 | 1321716 | 2 | Clamp | |
| 23 | 1703162 | 2 | Decal - Fan Blade | |
| 24 | 3200425 | 2 | Mount, Motor (SN 0300253888 through 0300263923) | |
| 24 | 3200378 | 4 | Mount, Motor (SN 0300263924 through 0300272222) | |
| 25 | 3290605 | 17 | Nut M6 | |
| 26 | 3290807 | 2 | Nut M8 x 1.25 | |
| 27 | 3291005 | 12 | Nut M10 | |
| 28 | 3291205 | 4 | Nut M12 | |
| 29 | 3311405 | 2 | Nut 1/4 | |
| 30 | 3311605 | 8 | Nut 3/8 | |
| 31 | 3321402 | 2 | Nut 1/4 | |
| 32 | 3960464 | 6.5 in /17cm | Seal | |
| 33 | 4031707 | 2 | Capscrew M6 x 16 | |
| 34 | 4740274 | 4 | Washer | |
| 35 | 4761400 | 2 | Washer 1/4 | |
| 36 | 4811700 | 12 | Washer M6 | |
| 37 | 4811900 | 2 | Washer M8 | |
| 38 | 4812000 | AR | Washer M10 | |
| 39 | 4812100 | 4 | Washer M12 | |
| 40 | 80673025 | 1 | P-Clamp | |
| 41 | 85941016 | 1 | Clamp | |
| 42 | 1001100825 | 2 | Strap | |
| 43 | 1001118280 | 1 | Air Filter Assembly | A |
| 43 | 7015004 | 1 | Element, Air Filter | |
| 43 | 1340069 | 1 | Valve, Vacuum | |
| 43 | 7015005 | 1 | Cover | |
| 44 | 1001118453 | 1 | Tray, Engine | |

SECTION 3 - ENGINE

| ITEM | PART NUMBER | QTY | DESCRIPTION | REV |
|------|-------------|-----|--|-----|
| 45 | 1001118527 | 1 | Hose, Air Intake | |
| 46 | 1001118528 | 1 | Hose, Air Intake | |
| 47 | 1001118529 | 1 | Hose, Lower Radiator | |
| 48 | 1001118530 | 1 | Hose, Upper Radiator | |
| 49 | 1001118531 | 1 | Radiator | |
| 49 | 70002899 | 1 | Cap, Radiator | |
| 50 | 1001118532 | 1 | Mount, Radiator | |
| 51 | 1001118538 | 1 | Fan | |
| 52 | 1001118539 | 1 | Spacer, Fan | |
| 53 | 1001118540 | 1 | Bracket, Coolant Overflow Tank | |
| 54 | 1001118542 | 1 | Plate, LH Front Engine | |
| 55 | 1001118543 | 1 | Plate, RH Front Engine | |
| 56 | 1001118579 | 1 | Actuator, Kubota Governor | |
| 56 | 7023134 | 1 | Gasket, Mounting | |
| 57 | 1001118580 | 1 | Sensor, Speed | |
| 58 | 1001118582 | 1 | Actuator, Kubota Throttle | |
| 59 | 1001118594 | 1 | Battery Cable Kit | |
| 59 | 4461231 | 1 | Battery Terminal and Red Cover Only (No Cable) | |
| 59 | 4461232 | 1 | Battery Terminal and Black Cover Only (No Cable) | |
| 60 | 1001118638 | 1 | Harness, Engine (Not Shown - See Separate Breakdown in ELECTRICAL Section) | |
| 61 | 1001118675 | 1 | Flywheel Housing/Coupling Kit | |
| 61 | See Note | NSS | Coupling Assembly (Note: Use p/n 1001118675) | |
| 61 | See Note | NSS | Housing (Note: Use p/n 1001118675) | |
| 61 | See Note | NSS | Bolt Kit (Note: Use p/n 1001118675) | |
| 62 | 1001118746 | AR | Bolt M10 x 25 | |
| 63 | 1001118878 | 4 | Bolt M6 x 55 | |
| 64 | 1001118881 | 1 | Clevis, Actuator | |
| 65 | 1001118925 | 1 | End, Rod with Bearing | |
| 66 | 1001119698 | 1 | Gusset, Radiator | |
| 67 | 1001120087 | 1 | Pad, Wear | |
| 68 | 1001120090 | 3 | Shim | |
| 69 | 1001120307 | 2 | Mount, Motor (SN 0300253888 through 0300263923) | |
| 70 | 1001120450 | 1 | Cable, Ground | |
| 71 | 1001121531 | 1 | Insulation, Muffler | |
| 72 | 1001123018 | 1 | Plate, Seal Support | |
| 73 | 1001128214 | 1 | Bracket, Air Filter | |
| 74 | 1001128888 | 1 | Spacer | |
| 75 | 1001147365 | 1 | Seal, Radiator Hood | |
| 76 | 1001147642 | 1 | Plate, Seal Support | |
| 77 | 1001147643 | 1 | Plate, Seal Support | |
| 78 | 1001149379 | 1 | Bracket | |
| 79 | | Ref | Muffler Options: | |
| 79 | 1001118547 | NLA | Standard (Use p/n 1001151187) | |
| 79 | 1001120007 | NLA | Catalytic (Use p/n 1001151188) | |
| 80 | 1001170981 | 1 | Indicator, Air Intake Restriction | |
| 81 | 1001237999 | 1 | Kubota Engine Components (See Separate Breakdown in this Section) | |
| 82 | 1001243034 | 1 | Brace | |
| 83 | 1001243035 | 1 | Brace | |
| 84 | 0701222 | AR | Bolt M12 x 70 | |

SECTION 3 - ENGINE

FIGURE 3-13. KUBOTA ENGINE COMPONENTS



ART_1001237999

SECTION 3 - ENGINE

FIGURE 3-13. KUBOTA ENGINE COMPONENTS

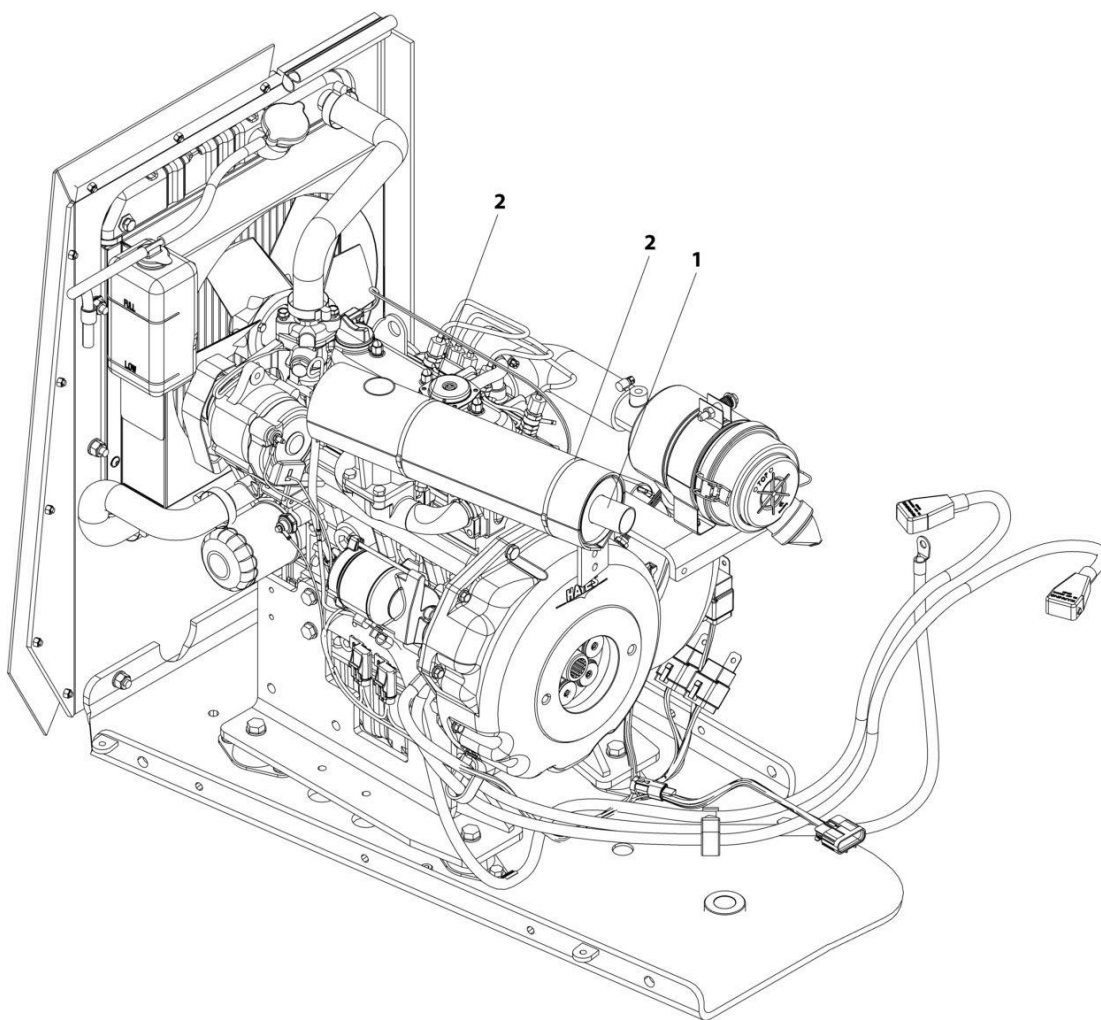
| ITEM | PART NUMBER | QTY | DESCRIPTION | REV |
|------|-------------|-----|---|-----|
| | 1001237999 | Ref | KUBOTA ENGINE COMPONENTS | A |
| 1 | 7017954 | 22 | Bolt, Oil Pan (Not Shown) | |
| 2 | 7023154 | 1 | Plug, Drain (Not Shown) | |
| 3 | 70002315 | 1 | Gasket, Oil Pan (Not Shown) | |
| 4 | 7017911 | 14 | Bolt, Cylinder Head (Not Shown) | |
| 5 | 7023156 | 1 | Gasket, Gear Case (Not Shown) | |
| 6 | 7023157 | 1 | Seal, Oil (Not Shown) | |
| 7 | 7023132 | 1 | Gasket, Valve Cover | |
| 8 | 70003060 | 1 | Breather, Comp Valve | |
| 9 | 70003061 | 1 | Cover, Breather | |
| 10 | 7017934 | 4 | Screw, Pan Head | |
| 11 | 70002316 | 1 | Pipe, Water Return (Not Shown) | |
| 12 | 70002317 | 1 | Tube, Breather (Not Shown) | |
| 13 | 70002318 | 1 | Plug, Oil Fill | |
| 14 | 70004311 | 1 | O-Ring, Oil Fill Plug | |
| 15 | 70004395 | 1 | Filter, Oil | |
| 16 | 7023160 | 1 | Dipstick | |
| 17 | 70003062 | 1 | Tube, Dipstick | |
| 18 | 70001934 | 1 | Flywheel Assembly | |
| 19 | 70001140 | 1 | Gear, Ring | |
| 20 | 70001935 | 6 | Bolt, Flywheel | |
| 21 | 7025479 | NLA | Solenoid, Stop (Use p/n 1001118579) | |
| 22 | 7017945 | 1 | Joint, Eye (Not Shown) | |
| 23 | 7023162 | 1 | Tube, Fuel Assembly (Not Shown) | |
| 24 | 7023163 | 1 | Tube, Fuel (Not Shown) | |
| 25 | 7023164 | 1 | Pump, Fuel Injection | |
| 26 | 70002319 | 1 | Shim .175mm | |
| 27 | 70002320 | 1 | Shim .200mm | |
| 28 | 70002321 | 1 | Shim .250mm | |
| 29 | 70002322 | 1 | Shim .300mm | |
| 30 | 70002323 | 1 | Shim .350mm | |
| 31 | 7023136 | 1 | Spring, Governor (Not Shown) | |
| 32 | 7023165 | 1 | Gasket, Governor (Not Shown) | |
| 33 | 70004396 | 1 | Plate Assembly, Control (Not Shown) | |
| 34 | 70004397 | 6 | Gasket, Speed Control Plate (Not Shown) | |
| 35 | 70004399 | 3 | Nozzle Holder Kit | |
| 35 | 7023167 | 3 | Gasket, Glow Plug | |
| 35 | 7023168 | 3 | Seal | |
| 37 | 70004398 | 3 | Plug, Glow (Not Shown) | |
| 37 | 70004544 | 3 | Cord, Glow Plug (Not Shown) | |
| 38 | 70004399 | 1 | Kit, Nozzle Holder | |
| 39 | 7023139 | 1 | Fuel Pump Assembly | |
| 40 | 70004400 | 1 | Gasket, Fuel Pump | |
| 41 | 7023141 | 1 | V-Belt | |
| 42 | 7017955 | 1 | Alternator | |
| 43 | 7023144 | 1 | Starter | |
| 44 | 7017901 | 1 | Switch, Oil | |
| 45 | 70003064 | 1 | Sensor, Water Temperature | |
| 46 | 70003063 | 1 | Seal, Water Temperature Sensor | |
| 47 | 7023145 | 1 | Gasket, Water Flange | |

SECTION 3 - ENGINE

| ITEM | PART NUMBER | QTY | DESCRIPTION | REV |
|------|-------------|-----|--|-----|
| 48 | 7023170 | 1 | Thermostat | |
| 49 | 7022326 | 1 | Gasket, Thermostat Housing to Engine Block | |
| 50 | 70002327 | 1 | Pump, Water (Not Shown) | |
| 51 | 70002328 | 1 | Gasket, Water Pump | |
| 52 | 7017963 | 1 | Pipe, Water (Lower) | |
| 53 | 70002330 | 1 | Pipe, Water (Upper) | |
| 54 | 4400498 | 1 | Reserve Tank (Not Shown) | |
| 55 | 70004401 | 1 | Decal - Caution (Not Shown) | |
| 56 | 7023149 | 1 | Gasket, Air Intake Manifold | |
| 57 | 7023148 | 1 | Gasket, Exhaust Manifold to Engine Block | |
| 58 | 7023124 | 1 | Gasket, Exhaust Manifold to Muffler (Not Shown) | |
| 59 | 70003066 | 1 | Upper Gasket Kit (Includes Qty 1 Each of Cylinder Head, Valve Cover, Intake Manifold to Block, Exhaust Manifold to Block, Exhaust Manifold Gasket to Muffler, Thermostat Housing to Block, Thermostat Housing to Neck Gaskets and Fuel System Seals and O-Rings and Qty 6 Valve Stem Seals.) | |
| 60 | 70003067 | 1 | Lower Gasket Kit (Includes Qty 1 Each of Gear Case, Brg. Case, Gasket, Fuel Pump Gasket, Water Pump Gasket, Oil Pan Gasket, Oil Seal, O-Rings and Qty 6 Valve Stem Seals.) | |
| 61 | 70004524 | 1 | Valve, Drain (Not Shown) | |
| 62 | 70005220 | 1 | Gasket, Cylinder Head (Not Shown) | |
| 63 | 70004536 | 1 | Pipe, Over Flow | |
| 63 | 70004537 | 1 | Screw (Air Bleeder) | |
| 63 | 70004538 | 1 | Seal | |
| 63 | 70004539 | 1 | Pipe, Over Flow (Injector to Rail) | |
| 64 | 70004541 | 1 | Pipe, Injection | |
| 65 | 70004542 | 1 | Pipe, Injection | |
| 66 | 70004543 | 1 | Pipe, Injection | |

SECTION 3 - ENGINE

FIGURE 3-14. CATALYTIC MUFFLER INSTALLATION - KUBOTA ENGINE (OPTIONAL)



ART_1001120013

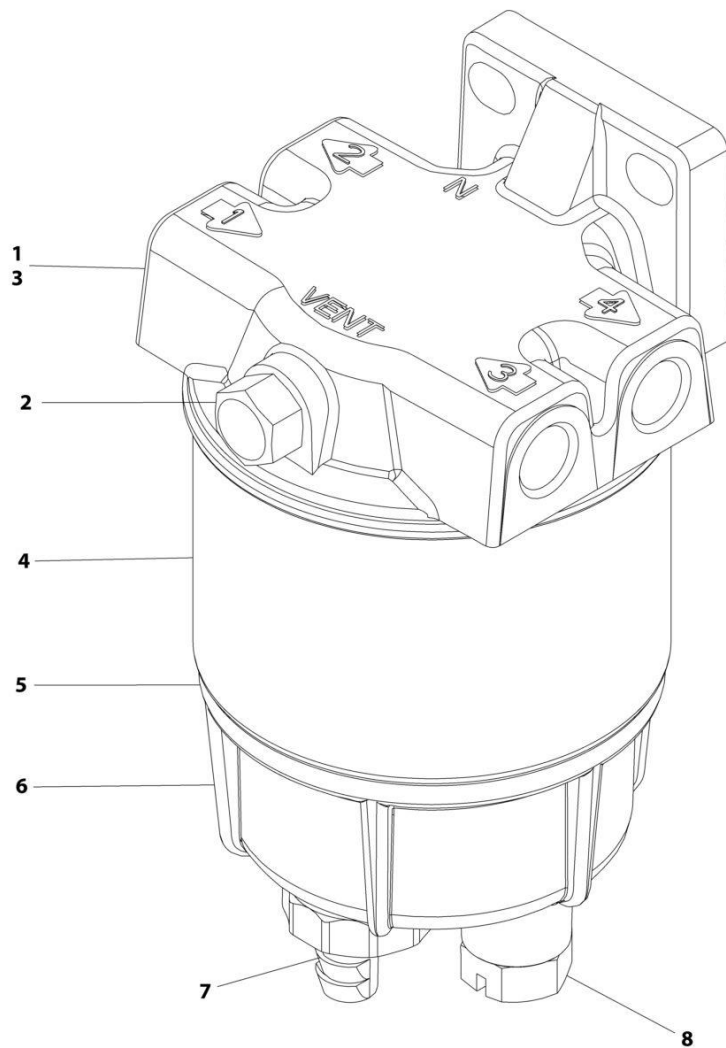
SECTION 3 - ENGINE

FIGURE 3-14. CATALYTIC MUFFLER INSTALLATION - KUBOTA ENGINE (OPTIONAL)

| ITEM | PART NUMBER | QTY | DESCRIPTION | REV |
|------|-------------|-----|--|-----|
| | 1001120013 | Ref | CATALYTIC MUFFLER INSTALLATION - KUBOTA ENGINES (OPTIONAL) | C |
| 1 | 1001151188 | 1 | Muffler, Catalytic | |
| 2 | 1001100825 | 2 | Strap, Ball-Lok Tie | |

SECTION 3 - ENGINE

FIGURE 3-15. FUEL/WATER SEPARATOR ASSEMBLY (KUBOTA ENGINES) (PVC2007)



ART_1001190609

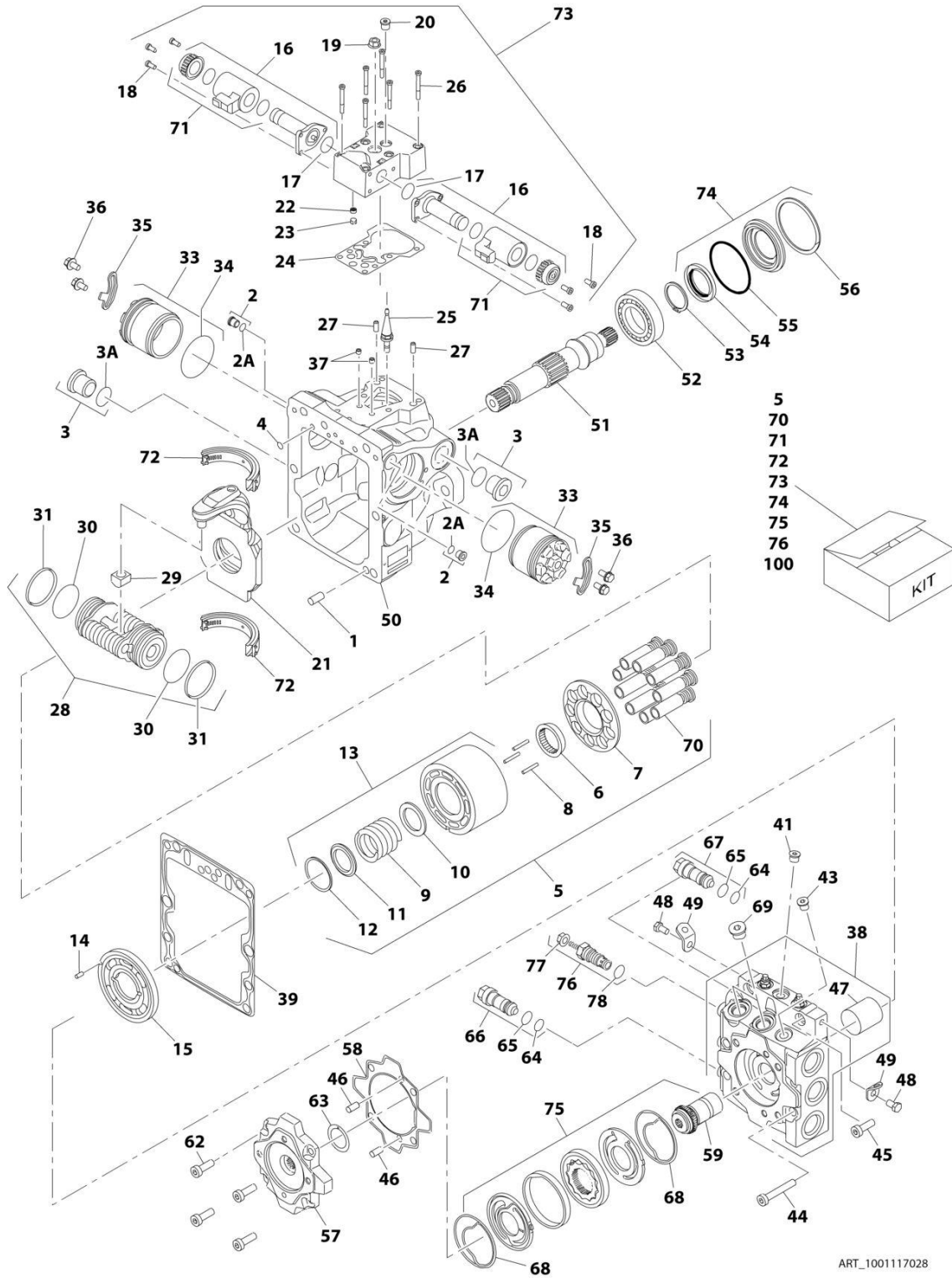
SECTION 3 - ENGINE

FIGURE 3-15. FUEL/WATER SEPARATOR ASSEMBLY (KUBOTAT ENGINES) (PVC2007)

| ITEM | PART NUMBER | QTY | DESCRIPTION | REV |
|------|-------------|-----|--|-----|
| | 1001190609 | Ref | FUEL/WATER SEPARATOR ASSEMBLY - DIESEL ENGINES | B |
| 1 | 70005293 | 1 | Head, Mounting | |
| 2 | 70005294 | 1 | Plug | |
| 3 | 70005295 | 1 | Gasket, Head | |
| 4 | 70005296 | 1 | Element | |
| 5 | 70005297 | 1 | O-Ring | |
| 6 | 70002901 | 1 | Bowl | |
| 7 | 70004070 | 1 | Drain, Self Venting | |
| 8 | 70004069 | 1 | Plug | |

SECTION 3 - ENGINE

FIGURE 3-16. AXIAL PUMP ASSEMBLY



ART_1001117028

SECTION 3 - ENGINE

FIGURE 3-16. AXIAL PUMP ASSEMBLY

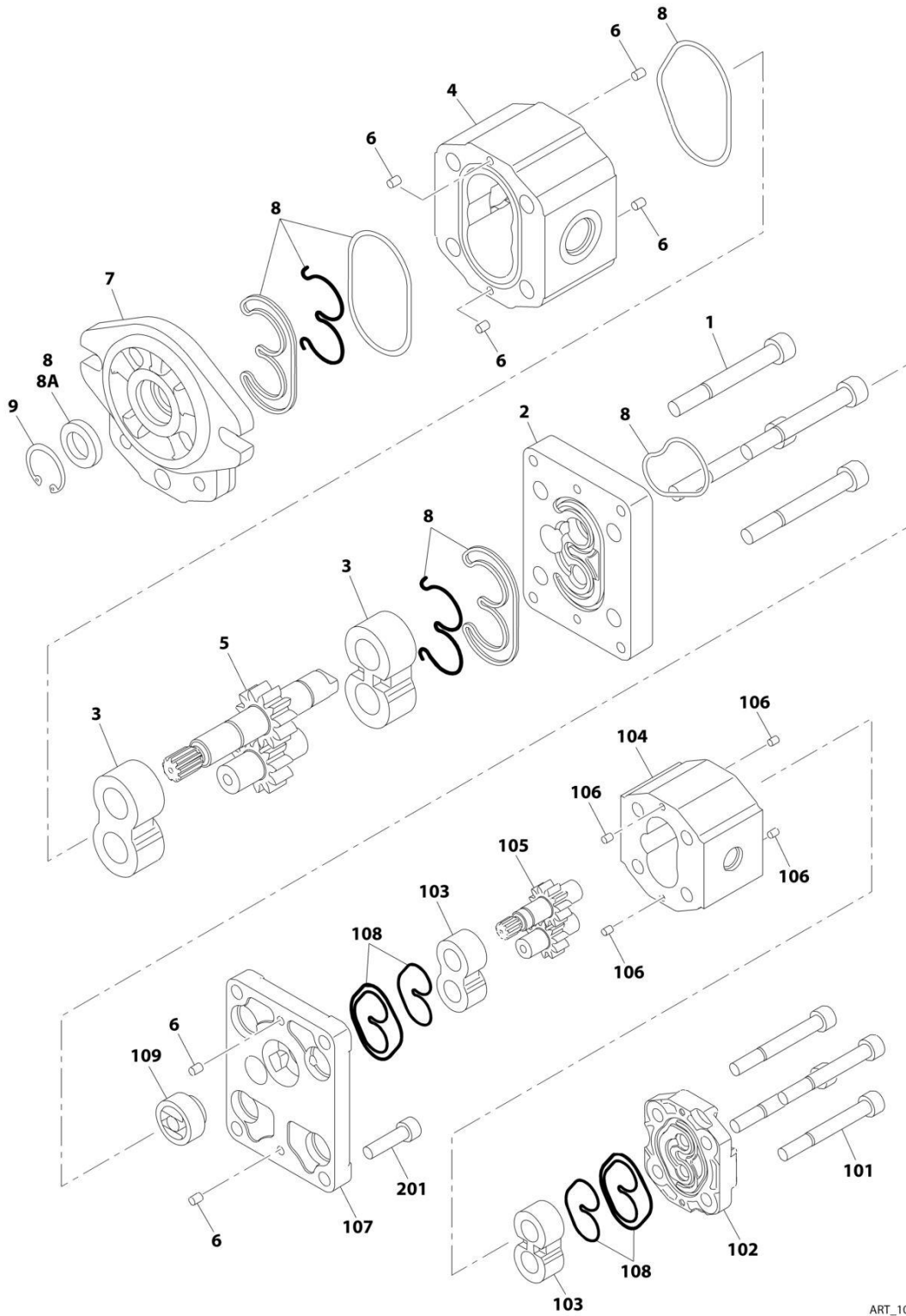
| ITEM | PART NUMBER | QTY | DESCRIPTION | REV |
|------|-------------|-----|---|-----|
| | 1001117028 | Ref | AXIAL PUMP ASSEMBLY | F |
| 1 | 70002132 | 2 | Pin | |
| 2 | 70002133 | 2 | Plug | |
| 2A | See Note | NSS | O-Ring (Note: Use Item 2) | |
| 3 | 7007439 | 2 | Plug | |
| 3A | See Note | NSS | O-Ring (Note: Use Item 3) | |
| 4 | 70002134 | 2 | Screen | |
| 5 | 70002135 | 1 | Cylinder Block and Piston Kit (Includes Items 6-9 & 70) | |
| 6 | 70002137 | 1 | Guide | |
| 7 | 70002138 | 1 | Retainer | |
| 8 | 7021275 | 3 | Pin | |
| 9 | See Note | NSS | Cylinder Block Assembly (Includes Items 10-13) (Note: Use Item 5) | |
| 10 | 70002140 | 1 | Washer | |
| 11 | 70002141 | 1 | Washer | |
| 12 | 70002142 | 1 | Ring, Retaining | |
| 13 | 70002139 | 1 | Spring | |
| 14 | 7007446 | 1 | Pin | |
| 15 | 70002601 | 1 | Plate, Valve | |
| 16 | 70002147 | 2 | Solenoid Valve Assembly (Includes Items 17, 18 & 71) | |
| 17 | 70002148 | 2 | O-Ring (Part of Item 16) | |
| 18 | 70002150 | 6 | Screw (Part of Item 73) | |
| 19 | 7022301 | 1 | Nut, Seal (Part of Item 73) | |
| 20 | 70002151 | 1 | Plug (Part of Item 73) | |
| 21 | 70002152 | 1 | Swash Plate | |
| 22 | 70002134 | 1 | Screen (Part of Item 73) | |
| 23 | 70002153 | 1 | Ring, Locking (Part of Item 73) | |
| 24 | 70002154 | 1 | Gasket (Part of Item 73) | |
| 25 | 70002155 | 1 | Link | |
| 26 | 70002156 | 6 | Screw | |
| 27 | 70002157 | 2 | Pin | |
| 28 | 70002158 | 1 | Servo Piston Assembly (Includes Items 29-31) | |
| 29 | 70002159 | 1 | Block, Slider (Part of Item 28) | |
| 30 | 70002160 | 2 | O-Ring (Part of Item 28) | |
| 31 | 70002161 | 2 | Ring, Piston (Part of Item 28) | |
| 33 | 70002603 | 2 | Servo Cylinder Assembly (Includes Item 34) | |
| 34 | 70002163 | 2 | O-Ring (Part of Item 33) | |
| 35 | 70002164 | 2 | Plate, Locking | |
| 36 | 70002165 | 4 | Screw | |
| 37 | 70002166 | 2 | Orifice | |
| 38 | 70002863 | 1 | Cap, End (Includes Item 47) | |
| 39 | 70002168 | 1 | Gasket | |
| 40 | 70001958 | 1 | Plug (Not Shown) | |
| 41 | 70001958 | 1 | Plug | |
| 42 | 70001958 | 1 | Plug (Not Shown) | |
| 43 | 70001958 | 2 | Plug | |
| 44 | 70002169 | 4 | Screw | |
| 45 | 70002170 | 2 | Screw | |
| 46 | 70002132 | 2 | Pin | |
| 47 | 70002172 | 1 | Bearing, Journal (Part of Item 38) | |

SECTION 3 - ENGINE

| ITEM | PART NUMBER | QTY | DESCRIPTION | REV |
|------|-------------|-----|---|-----|
| 48 | 70002165 | 2 | Screw | |
| 49 | 7022340 | 2 | Bracket, Lifting | |
| 50 | See Note | NSS | Housing (Note: Not Available - Purchase Complete Assembly) | |
| 51 | 70002175 | 1 | Shaft | |
| 52 | 70002176 | 1 | Bearing | |
| 53 | 7007439 | 1 | Ring, Retaining | |
| 54 | 70002177 | 1 | Seal, Lip (Part of Item 74) | |
| 55 | 70002178 | 1 | O-Ring (Part of Item 74) | |
| 56 | 70002179 | 1 | Ring, Retaining (Part of Item 74) | |
| 57 | 70002180 | 1 | Adapter, Pump | |
| 58 | 70002181 | 1 | Seal | |
| 59 | 70002864 | 1 | Coupling | |
| 62 | 70002185 | 4 | Screw | |
| 63 | 70002186 | 1 | Plate, Thrust | |
| 64 | 70002187 | 2 | O-Ring (Part of Items 66 & 67) | |
| 65 | 70002865 | 2 | O-Ring (Part of Items 66 & 67) | |
| 66 | 70002866 | 1 | Valve, Relief | |
| 67 | 70002866 | 1 | Valve, Relief | |
| 68 | 70002867 | 2 | Ring, Seal (Part of Item 68) | |
| 69 | 7023964 | 2 | Plug | |
| 70 | 70002136 | 1 | Piston Kit (Includes Qty 9 Pistons) (Part of Item 5) | |
| 71 | 70002149 | 2 | Coil Kit (Part of Items 16 & 73) | |
| 72 | 70002145 | 1 | Bearing Kit | |
| 73 | 70002146 | 1 | EDC Kit (Includes Items 16-20, 22-24, 26 & 71) | |
| 74 | 70002174 | 1 | Shaft Seal Kit (Includes Items 54, 55 & 56) (Note: This is a universal kit and will contain extra pieces that are not used on this pump assembly) | |
| 75 | 70002868 | 1 | Charge Pump Kit (Includes Item 68) | |
| 76 | 70002191 | 1 | Charge Relief Valve Kit (Includes Items 77 & 78) | |
| 77 | 70222301 | 1 | Nut, Seal (Part of Item 76) | |
| 78 | 7007415 | 1 | O-Ring (Part of Item 76) | |
| 100 | 70002192 | 1 | Seal Kit (Includes Items 24, 30, 31, 34, 39, 54, 55, 58, 64, 65, 68, 77 & 78) | |

SECTION 3 - ENGINE

FIGURE 3-17. GEAR PUMP ASSEMBLY



ART_100117029

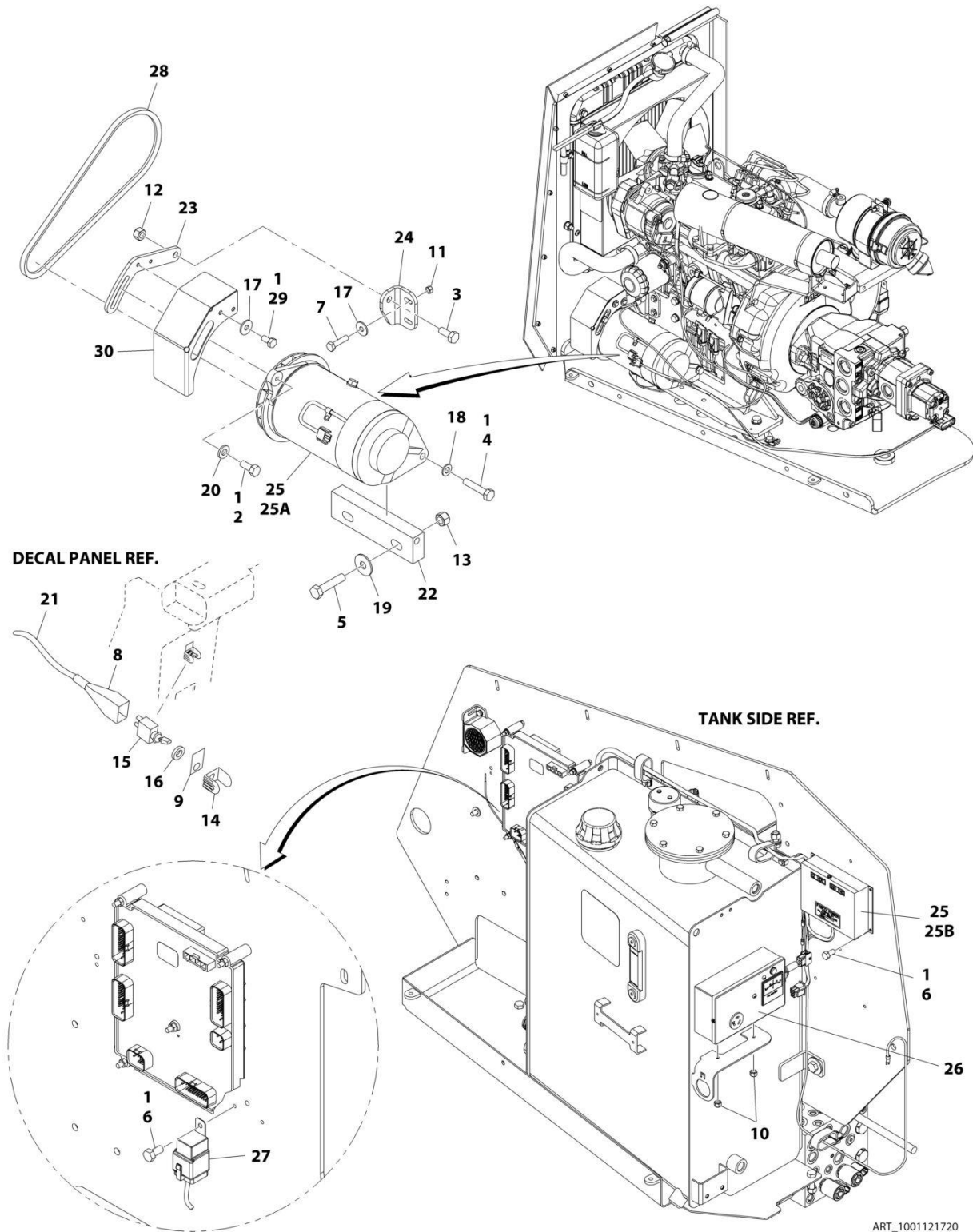
SECTION 3 - ENGINE

FIGURE 3-17. GEAR PUMP ASSEMBLY

| ITEM | PART NUMBER | QTY | DESCRIPTION | REV |
|------|-------------|-----|--|-----|
| | 1001117029 | Ref | GEAR PUMP ASSEMBLY | A |
| | | Ref | Note: For Items without P/Ns, replace complete pump. | |
| | | Ref | Front Section Components | |
| 1 | See Note | 4 | Bolt | |
| 2 | See Note | 1 | Plate, End | |
| 3 | See Note | 2 | Bearing | |
| 4 | See Note | 1 | Housing | |
| 5 | See Note | 1 | Drive Shaft Set | |
| 6 | See Note | 6 | Pin, Dowel | |
| 7 | See Note | 1 | Plate, Front | |
| 8 | 70002860 | 1 | Seal Kit | |
| 8A | 70002577 | NLA | Seal, Lip (Use Item 8) | |
| 9 | 70002862 | 1 | Ring, Retaining | |
| | | Ref | Rear Section Components | |
| 101 | See Note | 4 | Bolt | |
| 102 | See Note | 1 | Plate, End | |
| 103 | See Note | 2 | Bearing | |
| 104 | See Note | 1 | Housing | |
| 105 | See Note | 1 | Drive Shaft Set | |
| 106 | See Note | 4 | Pin, Dowel | |
| 107 | See Note | 1 | Plate, Front | |
| 108 | 70002861 | 1 | Seal Kit | |
| 109 | See Note | 1 | Coupling | |
| 201 | See Note | 4 | Bolt | |

SECTION 3 - ENGINE

FIGURE 3-18. 2800W GENERATOR INSTALLATION - GM ENGINE MACHINES 220V/50HZ GENERATOR (ANSI EXPORT AND CHINA SPECS)



SECTION 3 - ENGINE

**FIGURE 3-18. 2800W GENERATOR INSTALLATION - GM ENGINE MACHINES 220V/50HZ
GENERATOR (ANSI EXPORT AND CHINA SPECS)**

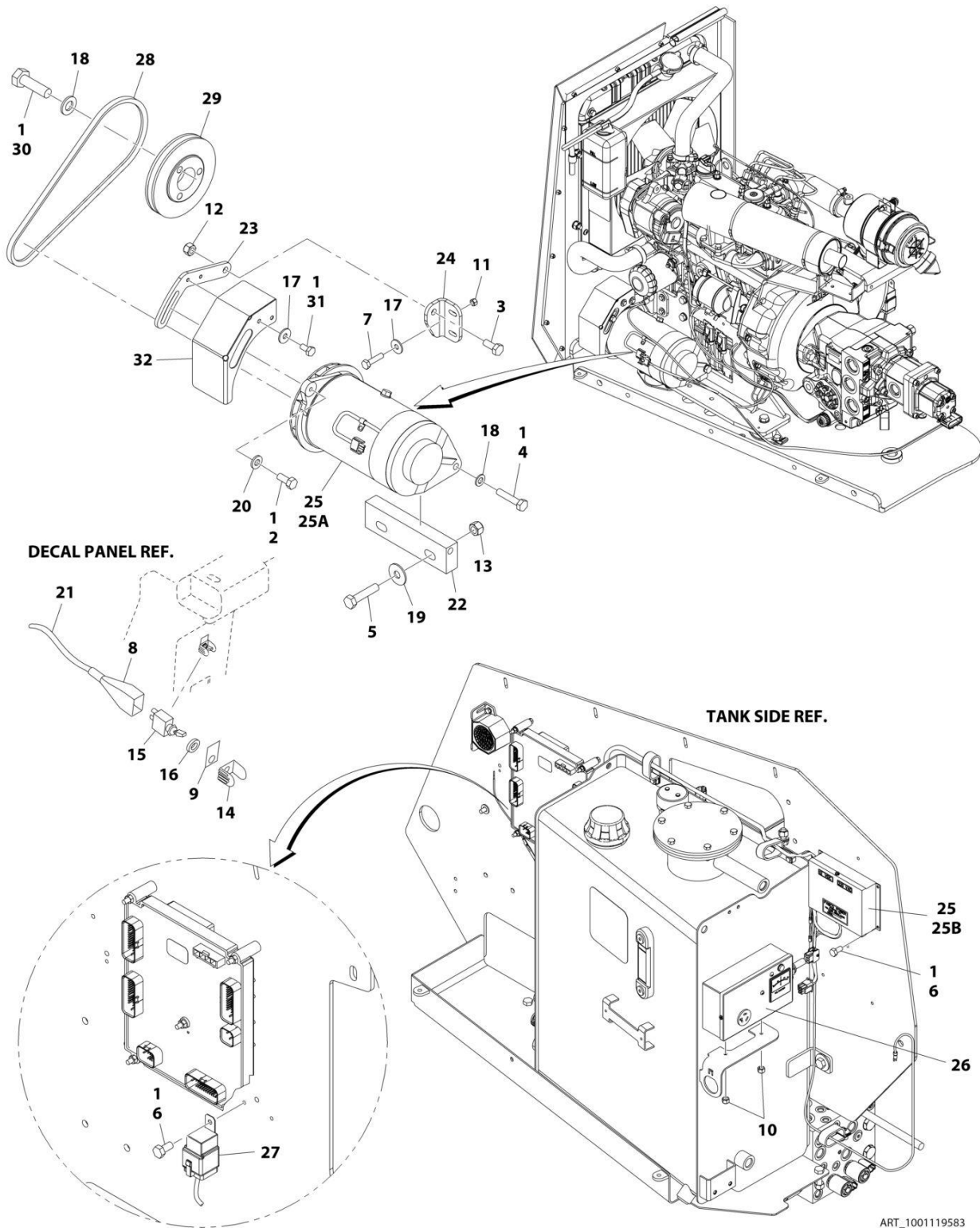
| ITEM | PART NUMBER | QTY | DESCRIPTION | REV |
|------|-------------|-----|--|-----|
| | 1001121720 | Ref | 2800W GENERATOR INSTALLATION - GM ENGINE MACHINES 220V/50HZ GENERATOR | D |
| 1 | 0100011 | AR | Compound, Locking | |
| 2 | 0641506 | 1 | Bolt 5/16-18 x 3/4 | |
| 3 | 0701012 | 1 | Bolt M10 x 25 | |
| 4 | 0701018 | 2 | Bolt M10 x 50 | |
| 5 | 0701219 | 2 | Bolt M12 x 55 | |
| 6 | 0760505 | 5 | Bolt M5 x 10 | |
| 7 | 0760612 | 2 | Bolt M6 x 25 | |
| 8 | 2820031 | AR | Heat Shrink | |
| 9 | 3251102 | 1 | Nameplate - Generator | |
| 10 | 3290505 | 2 | Nut M5 | |
| 11 | 3290605 | 2 | Nut M6 | |
| 12 | 3291005 | 1 | Nut M10 | |
| 13 | 3291205 | 2 | Nut M12 | |
| 14 | 4060802 | 1 | Guard, Switch | |
| 15 | 4360336 | 1 | Switch, Toggle | |
| 16 | 4740397 | 1 | Washer | |
| 17 | 4811702 | 4 | Washer M6 | |
| 18 | 4812000 | 2 | Washer M10 | |
| 19 | 4812102 | 2 | Washer M12 | |
| 20 | 4891500 | 1 | Washer 5/16 | |
| 21 | 4922641 | 1 | Harness, On/Off Switch | |
| 22 | 1001119551 | 1 | Mount, Generator | |
| 23 | 1001119553 | 1 | Arm, Adjustment | |
| 24 | 1001119554 | 1 | Support, Arm | |
| 25 | 1001119589 | 1 | Generator and Voltage Regulator Assembly | C |
| 25A | 1001100321 | 1 | Generator | |
| 25A | 70000123 | 1 | Armature with Slip Rings | |
| 25A | 7020109 | 4 | Holder, Brush | |
| 25A | 7020108 | 4 | Brush | |
| 25A | 7012513 | 4 | Cap, Brush Holder | |
| 25A | 7012514 | 1 | Fan | |
| 25A | 7020190 | 2 | Bearing | |
| 25A | 7020110 | 1 | End Bell, Front | |
| 25A | 7020111 | 1 | End Bell, Rear | |
| 25A | 70003069 | 1 | Cord, Power | |
| 25A | 70003070 | 1 | Pulley | |
| 25A | 7027887 | 1 | Key, Woodruff | |
| 25B | 70002238 | 1 | Regulator, Voltage | |
| 26 | 1001119634 | 1 | Control Box Assembly | B |
| 26 | 70000126 | 1 | Circuit Breaker | |
| 26 | 7020192 | 1 | Voltmeter | |
| 26 | 70000124 | 1 | Receptacle, Double | |
| 26 | 70000125 | 1 | Receptacle, Single Twist Lock | |
| 26 | 2920162 | 1 | Lamp | |
| 26 | 70002237 | 1 | Diode | |
| 26 | 3520028 | 1 | Plug, Hole | |
| 27 | 1001119773 | 1 | Harness, Generator (See Separate Breakdown in ELECTRICAL | |

SECTION 3 - ENGINE

| ITEM | PART NUMBER | QTY | DESCRIPTION | REV |
|------|-------------|-----|--------------------|-----|
| 28 | 1001119882 | 1 | SECTION) V-Belt | |
| 29 | 0760606 | 2 | Bolt M6 x 12 | |
| 30 | 1001125118 | 1 | Shield, Pulley | |

SECTION 3 - ENGINE

FIGURE 3-19. 2800W GENERATOR INSTALLATION - KUBOTA ENGINE MACHINES 120V/50HZ GENERATOR



SECTION 3 - ENGINE

FIGURE 3-19. 2800W GENERATOR INSTALLATION - KUBOTA ENGINE MACHINES 120V/50HZ GENERATOR

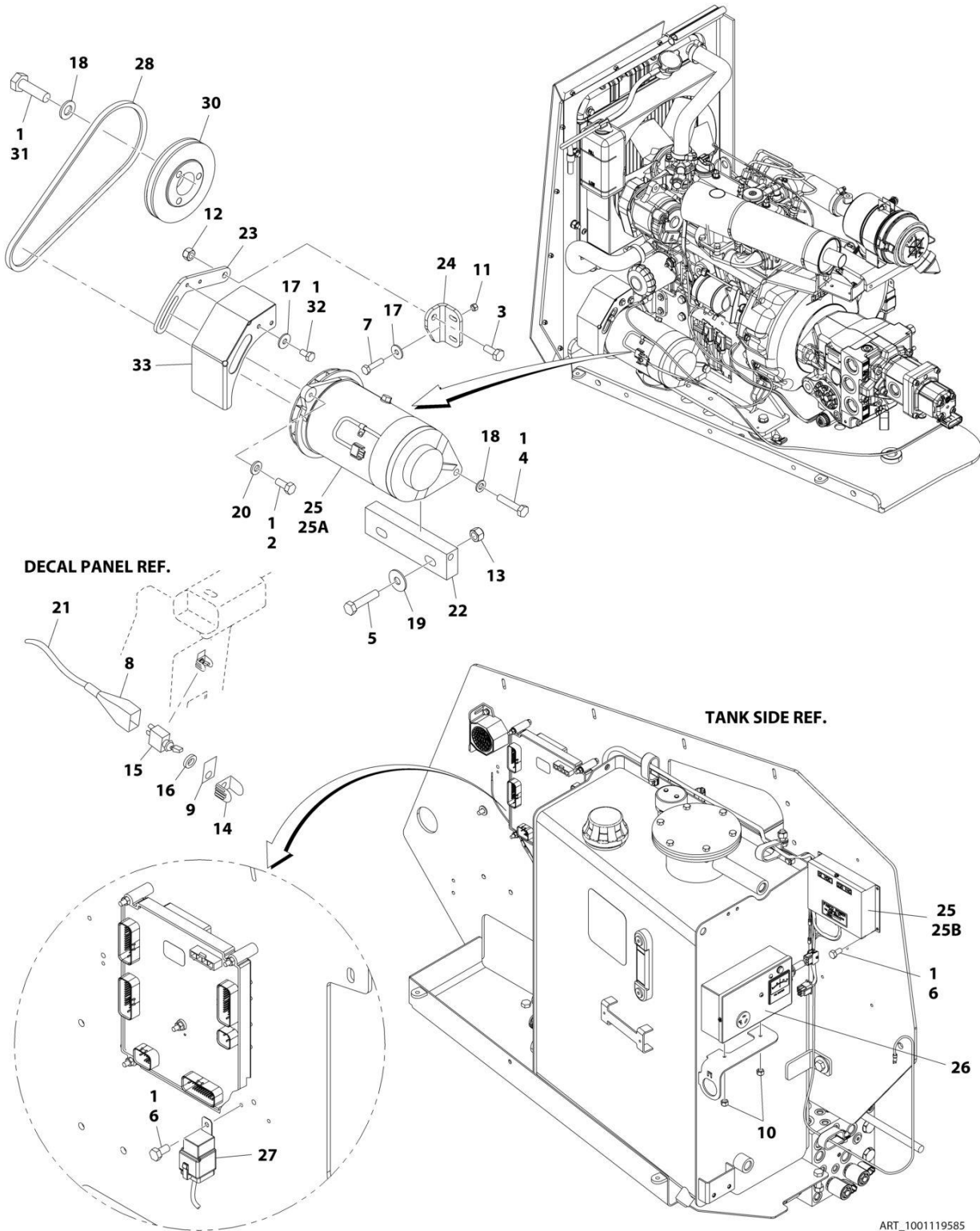
| ITEM | PART NUMBER | QTY | DESCRIPTION | REV |
|------|-------------|-----|---|-----|
| | 1001119583 | Ref | 2800W GENERATOR INSTALLATION - KUBOTA ENGINE MACHINES 120V/50HZ GENERATOR | E |
| 1 | 0100011 | AR | Compound, Locking | |
| 2 | 0641506 | 1 | Bolt 5/16-18 x 3/4 | |
| 3 | 0701012 | 1 | Bolt M10 x 25 | |
| 4 | 0701018 | 2 | Bolt M10 x 50 | |
| 5 | 0701219 | 2 | Bolt M12 x 55 | |
| 6 | 0760505 | 5 | Bolt M5 x 10 | |
| 7 | 0760612 | 2 | Bolt M6 x 25 | |
| 8 | 2820031 | AR | Heat Shrink | |
| 9 | 3251102 | 1 | Nameplate - Generator | |
| 10 | 3290505 | 2 | Nut M5 | |
| 11 | 3290605 | 2 | Nut M6 | |
| 12 | 3291005 | 1 | Nut M10 | |
| 13 | 3291205 | 2 | Nut M12 | |
| 14 | 4060802 | 1 | Guard, Switch | |
| 15 | 4360336 | 1 | Switch, Toggle | |
| 16 | 4740397 | 1 | Washer | |
| 17 | 4811702 | 4 | Washer M6 | |
| 18 | 4812000 | 5 | Washer M10 | |
| 19 | 4812102 | 2 | Washer M12 | |
| 20 | 4891500 | 1 | Washer 5/16 | |
| 21 | 4922641 | 1 | Harness, On/Off Switch | |
| 22 | 1001119551 | 1 | Mount, Generator | |
| 23 | 1001119553 | 1 | Arm, Adjustment | |
| 24 | 1001119554 | 1 | Support, Arm | |
| 25 | 1001119587 | 1 | Generator Assembly | C |
| 25A | 2460049 | 1 | Generator | |
| 25A | 70000122 | 1 | Armature with Slip Rings | |
| 25A | 7020109 | 4 | Holder, Brush | |
| 25A | 7020108 | 4 | Brush | |
| 25A | 7012513 | 4 | Cap, Brush Holder | |
| 25A | 7012514 | 1 | Fan | |
| 25A | 7020190 | 2 | Bearing | |
| 25A | 7020110 | 1 | End Bell, Front | |
| 25A | 7020111 | 1 | End Bell, Rear | |
| 25A | 70003069 | 1 | Cord, Power | |
| 25A | 70003070 | 1 | Pulley | |
| 25A | 7027887 | 1 | Key, Woodruff | |
| 25B | 7026525 | 1 | Regulator, Voltage | |
| 26 | 1001119633 | 1 | Control Box Assembly | B |
| 26 | 70002240 | 1 | Circuit Breaker | |
| 26 | 2420203 | 1 | Voltmeter | |
| 26 | 7020152 | 1 | Receptacle, Double | |
| 26 | 70003137 | 1 | Receptacle, Single Twist Lock | |
| 26 | 2920162 | 1 | Lamp | |
| 26 | 70002237 | 1 | Diode | |
| 26 | 3520028 | 1 | Plug, Hole | |
| 27 | 1001119773 | 1 | Harness, Generator (See Separate Breakdown in ELECTRICAL | |

SECTION 3 - ENGINE

| ITEM | PART NUMBER | QTY | DESCRIPTION | REV |
|------|-------------|-----|--------------------|-----|
| 28 | 1001119882 | 1 | SECTION) V-Belt | |
| 29 | 1001118720 | 1 | Pulley | |
| 30 | 1001119929 | 3 | Bolt M10 x 35 | |
| 31 | 0760606 | 2 | Bolt M6 x 12 | |
| 32 | 1001125118 | 1 | Shield, Pulley | |

SECTION 3 - ENGINE

FIGURE 3-20. 2800W GENERATOR INSTALLATION - KUBOTA ENGINE MACHINES 220V/50HZ GENERATOR (ANSI EXPORT, AUSTRALIAN, CHINA, CE & UK CA SPECS)



SECTION 3 - ENGINE

**FIGURE 3-20. 2800W GENERATOR INSTALLATION - KUBOTA ENGINE MACHINES 220V/50HZ
GENERATOR (ANSI EXPORT, AUSTRALIAN, CHINA, CE & UK CA SPECS)**

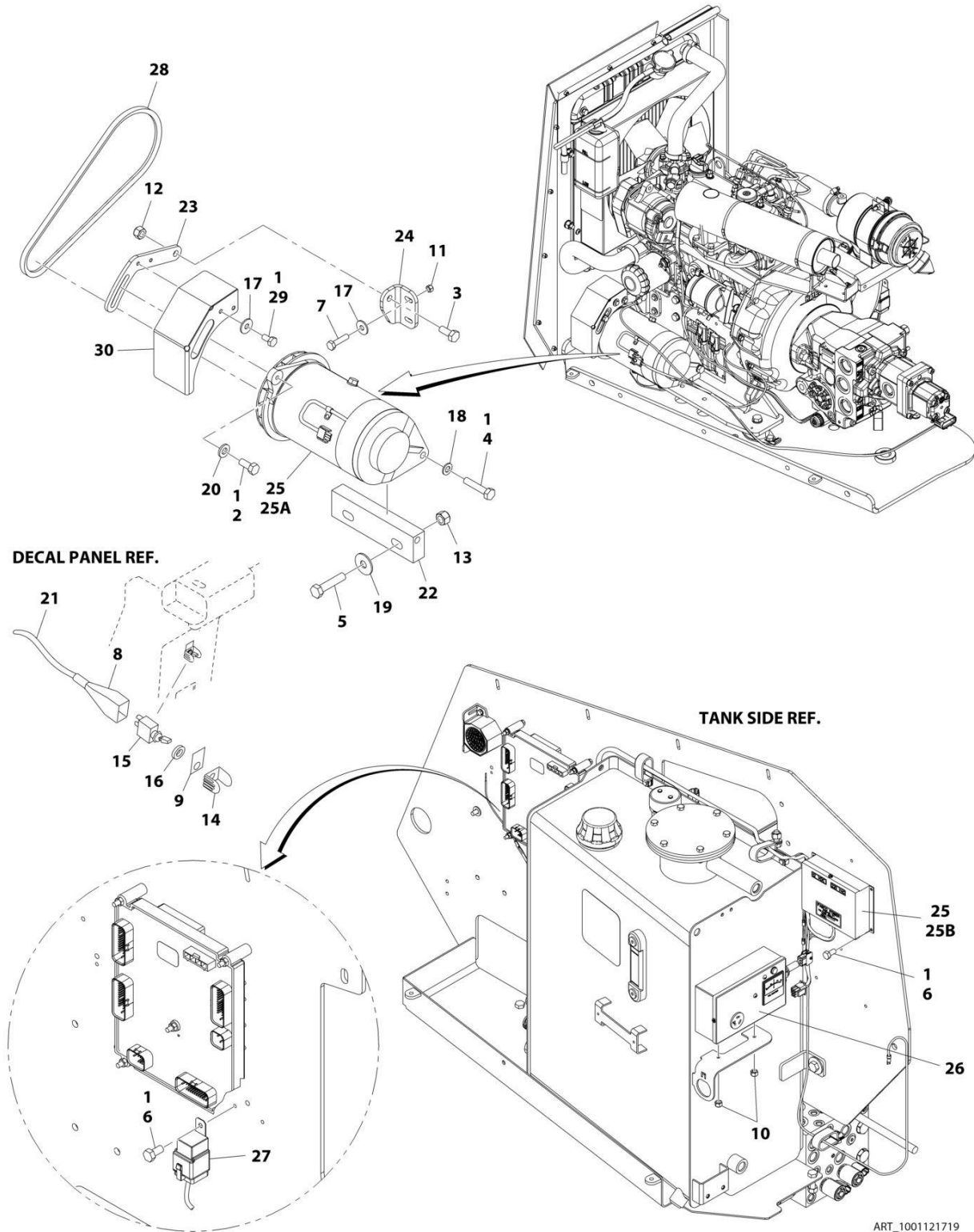
| ITEM | PART NUMBER | QTY | DESCRIPTION | REV |
|------|-------------|-----|---|-----|
| | 1001119585 | Ref | 2800W GENERATOR INSTALLATION - KUBOTA ENGINE MACHINES 220V/50HZ GENERATOR | E |
| 1 | 0100011 | AR | Compound, Locking | |
| 2 | 0641506 | 1 | Bolt 5/16 x 3/4 | |
| 3 | 0701012 | 1 | Bolt M10 x 25 | |
| 4 | 0701018 | 2 | Bolt M10 x 50 | |
| 5 | 0701219 | 2 | Bolt M12 x 55 | |
| 6 | 0760505 | 5 | Bolt M5 x 10 | |
| 7 | 0760612 | 2 | Bolt M6 x 25 | |
| 8 | 2820031 | AR | Heat Shrink | |
| 9 | 3251102 | 1 | Nameplate - Generator | |
| 10 | 3290505 | 2 | Nut M5 | |
| 11 | 3290605 | 2 | Nut M6 | |
| 12 | 3291005 | 1 | Nut M10 | |
| 13 | 3291205 | 2 | Nut M12 | |
| 14 | 4060802 | 1 | Guard, Switch | |
| 15 | 4360336 | 1 | Switch, Toggle | |
| 16 | 4740397 | 1 | Washer | |
| 17 | 4811702 | 4 | Washer M6 | |
| 18 | 4812000 | 5 | Washer M10 | |
| 19 | 4812102 | 2 | Washer M12 | |
| 20 | 4891500 | 1 | Washer 5/16 | |
| 21 | 4922641 | 1 | Harness, On/Off Switch | |
| 22 | 1001119551 | 1 | Mount, Generator | |
| 23 | 1001119553 | 1 | Arm, Adjustment | |
| 24 | 1001119554 | 1 | Support, Arm | |
| 25 | 1001119589 | 1 | Generator Assembly | C |
| 25A | 1001100321 | 1 | Generator | |
| 25A | 70000123 | 1 | Armature with Slip Rings | |
| 25A | 7020109 | 4 | Holder, Brush | |
| 25A | 7020108 | 4 | Brush | |
| 25A | 7012513 | 4 | Cap, Brush Holder | |
| 25A | 7012514 | 1 | Fan | |
| 25A | 7020190 | 2 | Bearing | |
| 25A | 7020110 | 1 | End Bell, Front | |
| 25A | 7020111 | 1 | End Bell, Rear | |
| 25A | 70003069 | 1 | Cord, Power | |
| 25A | 70003070 | 1 | Pulley | |
| 25A | 7027887 | 1 | Key, Woodruff | |
| 25B | 70002238 | 1 | Regulator, Voltage | |
| 26 | 1001119634 | 1 | Control Box Assembly | B |
| 26 | 70000126 | 1 | Circuit Breaker | |
| 26 | 7020192 | 1 | Voltmeter | |
| 26 | 70000124 | 1 | Receptacle, Double | |
| 26 | 70000125 | 1 | Receptacle, Single Twist Lock | |
| 26 | 2920162 | 1 | Lamp | |
| 26 | 70002237 | 1 | Diode | |
| 26 | 3520028 | 1 | Plug, Hole | |
| 27 | 1001119773 | 1 | Harness, Generator (See Separate Breakdown in ELECTRICAL | |

SECTION 3 - ENGINE

| ITEM | PART NUMBER | QTY | DESCRIPTION | REV |
|------|-------------|-----|--------------------|-----|
| 28 | 1001119882 | 1 | SECTION) V-Belt | |
| 30 | 1001118720 | 1 | Pulley | |
| 31 | 1001119929 | 3 | Bolt M10 x 35 | |
| 32 | 0760606 | 2 | Bolt M6 x 12 | |
| 33 | 1001125118 | 1 | Shield, Pulley | |

SECTION 3 - ENGINE

FIGURE 3-21. 3500W GENERATOR INSTALLATION - GM ENGINE MACHINES 120V/60HZ GENERATOR (ANSI, ANSI EXPORT, CHINA, CSA AND JAPANESE SPECS)



SECTION 3 - ENGINE

**FIGURE 3-21. 3500W GENERATOR INSTALLATION - GM ENGINE MACHINES 120V/60HZ
GENERATOR (ANSI, ANSI EXPORT, CHINA, CSA AND JAPANESE SPECS)**

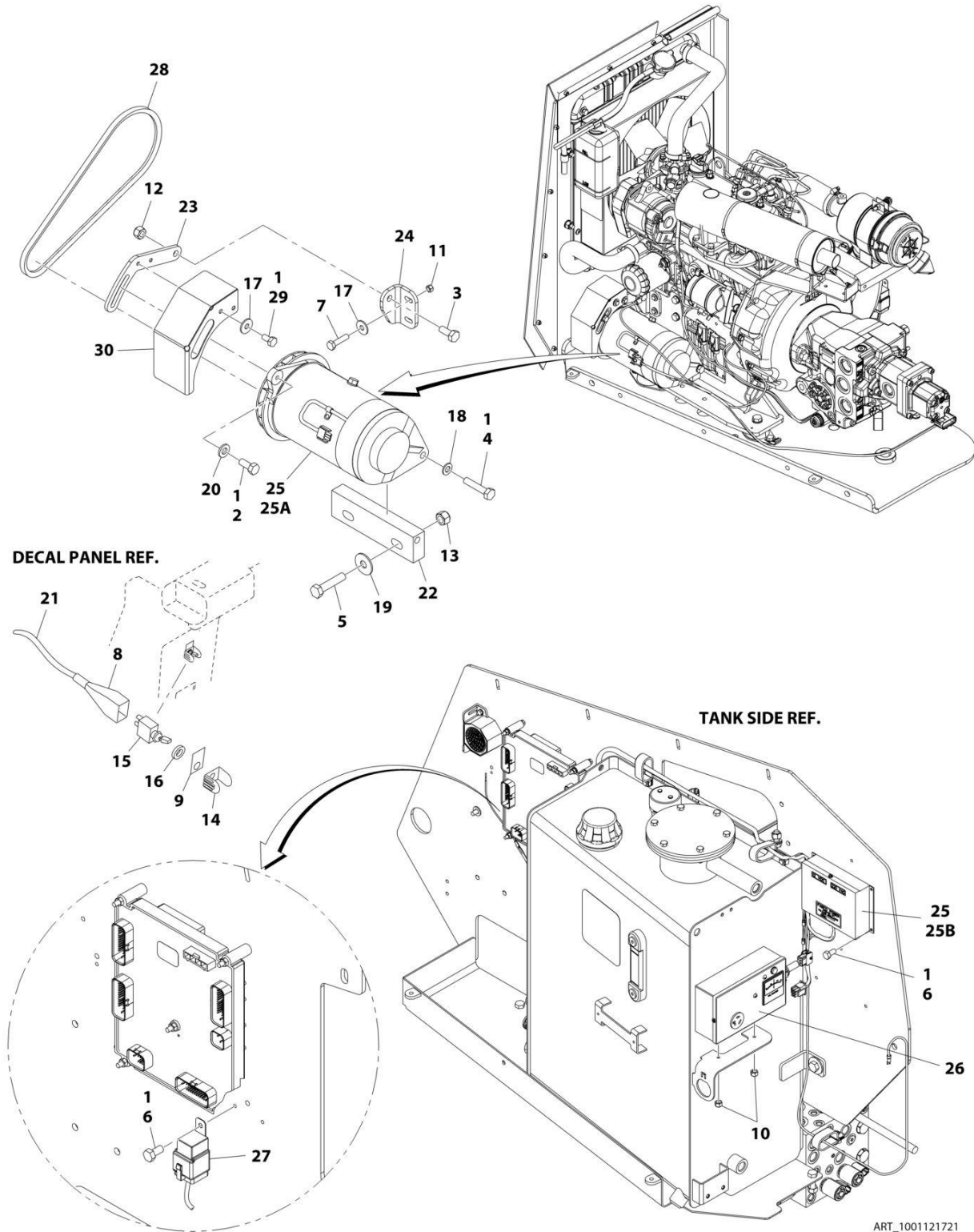
| ITEM | PART NUMBER | QTY | DESCRIPTION | REV |
|------|-------------|-----|--|-----|
| | 1001121719 | Ref | 3500W GENERATOR INSTALLATION - GM ENGINE MACHINES 120V/60HZ GENERATOR | D |
| 1 | 0100011 | AR | Compound, Locking | |
| 2 | 0641506 | 1 | Bolt 5/16 x 3/4 | |
| 3 | 0701012 | 1 | Bolt M10 x 25 | |
| 4 | 0701018 | 2 | Bolt M10 x 50 | |
| 5 | 0701219 | 2 | Bolt M12 x 55 | |
| 6 | 0760505 | 5 | Bolt M5 x 10 | |
| 7 | 0760612 | 2 | Bolt M6 x 25 | |
| 8 | 2820031 | AR | Heat Shrink | |
| 9 | 3251102 | 1 | Nameplate - Generator | |
| 10 | 3290505 | 2 | Nut M5 | |
| 11 | 3290605 | 2 | Nut M6 | |
| 12 | 3291005 | 1 | Nut M10 | |
| 13 | 3291205 | 2 | Nut M12 | |
| 14 | 4060802 | 1 | Guard, Switch | |
| 15 | 4360336 | 1 | Switch, Toggle | |
| 16 | 4740397 | 1 | Washer | |
| 17 | 4811702 | 4 | Washer M6 | |
| 18 | 4812000 | 2 | Washer M10 | |
| 19 | 4812102 | 2 | Washer M12 | |
| 20 | 4891500 | 1 | Washer 5/16 | |
| 21 | 4922641 | 1 | Harness, On/Off Switch | |
| 22 | 1001119551 | 1 | Mount, Generator | |
| 23 | 1001119553 | 1 | Arm, Adjustment | |
| 24 | 1001119554 | 1 | Support, Arm | |
| 25 | 1001119586 | 1 | Generator and Voltage Regulator Assembly | C |
| 25A | 2460049 | 1 | Generator | |
| 25A | 70000122 | 1 | Armature with Slip Rings | |
| 25A | 7020109 | 4 | Holder, Brush | |
| 25A | 7020108 | 4 | Brush | |
| 25A | 7012513 | 4 | Cap, Brush Holder | |
| 25A | 7012514 | 1 | Fan | |
| 25A | 7020190 | 2 | Bearing | |
| 25A | 7020110 | 1 | End Bell, Front | |
| 25A | 7020111 | 1 | End Bell, Rear | |
| 25A | 70003069 | 1 | Cord, Power | |
| 25A | 70003068 | 1 | Pulley | |
| 25A | 7027887 | 1 | Key, Woodruff | |
| 25B | 7026525 | 1 | Regulator, Voltage | |
| 26 | 1001119633 | 1 | Control Box Assembly | B |
| 26 | 70002240 | 1 | Circuit Breaker | |
| 26 | 2420203 | 1 | Voltmeter | |
| 26 | 7020152 | 1 | Receptacle, Double | |
| 26 | 70003137 | 1 | Receptacle, Single Twist Lock | |
| 26 | 2920162 | 1 | Lamp | |
| 26 | 70002237 | 1 | Diode | |
| 26 | 3520028 | 1 | Plug, Hole | |
| 27 | 1001119773 | 1 | Harness, Generator (See Separate Breakdown in ELECTRICAL | |

SECTION 3 - ENGINE

| ITEM | PART NUMBER | QTY | DESCRIPTION | REV |
|------|-------------|-----|--------------------|-----|
| 28 | 1001119881 | 1 | SECTION) V-Belt | |
| 29 | 0760606 | 2 | Bolt M6 x 12 | |
| 30 | 1001125118 | 1 | Shield, Pulley | |

SECTION 3 - ENGINE

FIGURE 3-22. 3500W GENERATOR INSTALLATION - GM ENGINE MACHINES 220V/60HZ GENERATOR (ANSI EXPORT, CHINA AND CSA SPECS)



ART_1001121721

SECTION 3 - ENGINE

**FIGURE 3-22. 3500W GENERATOR INSTALLATION - GM ENGINE MACHINES 220V/60HZ
GENERATOR (ANSI EXPORT, CHINA AND CSA SPECS)**

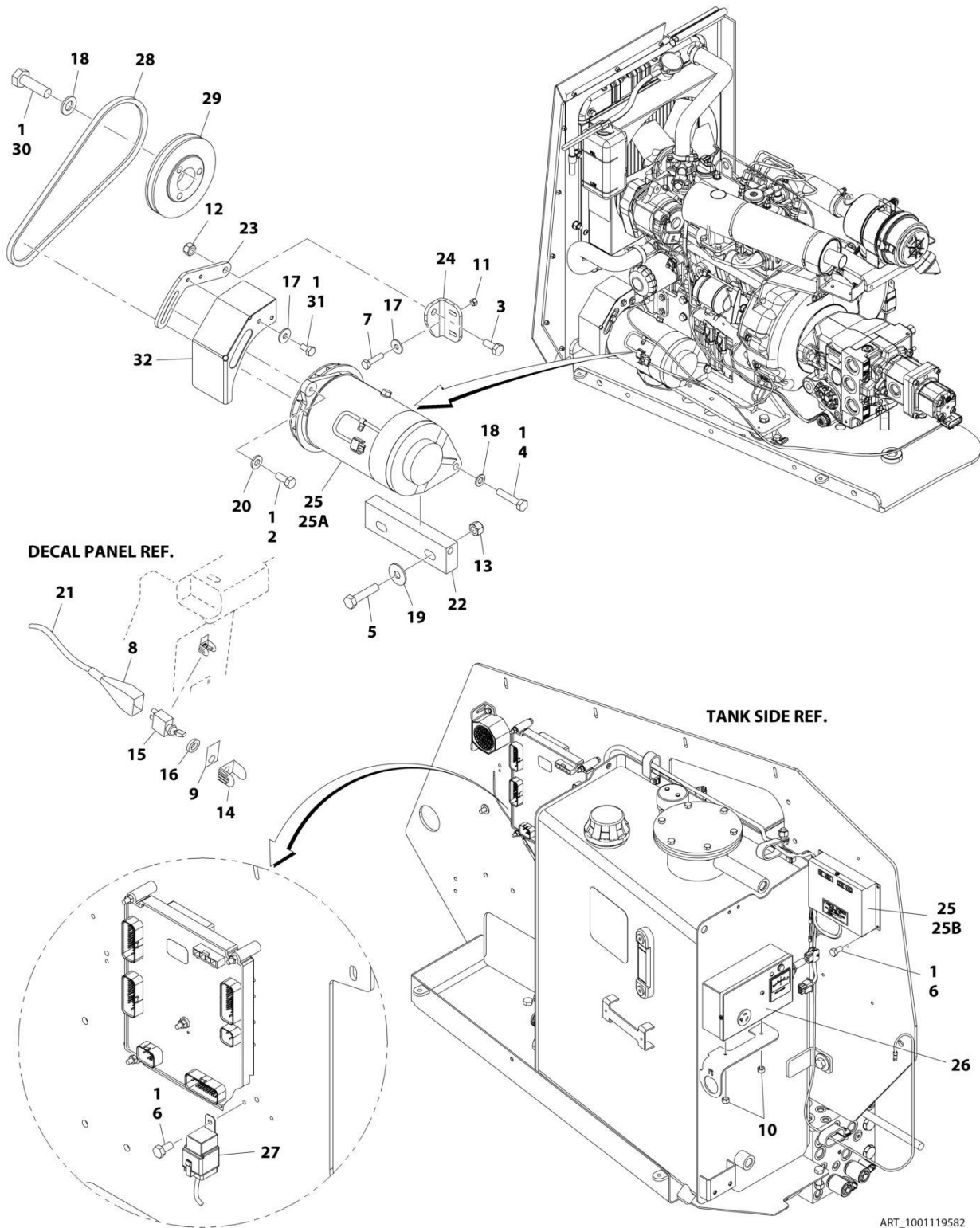
| ITEM | PART NUMBER | QTY | DESCRIPTION | REV |
|------|-------------|-----|--|-----|
| | 1001121721 | Ref | 3500W GENERATOR INSTALLATION - GM ENGINE MACHINES 220V/60HZ GENERATOR | D |
| 1 | 0100011 | AR | Compound, Locking | |
| 2 | 0641506 | 1 | Bolt 5/16 x 3/4 | |
| 3 | 0701012 | 1 | Bolt M10 x 25 | |
| 4 | 0701018 | 2 | Bolt M10 x 50 | |
| 5 | 0701219 | 2 | Bolt M12 x 55 | |
| 6 | 0760505 | 5 | Bolt M5 x 10 | |
| 7 | 0760612 | 2 | Bolt M6 x 25 | |
| 8 | 2820031 | AR | Heat Shrink | |
| 9 | 3251102 | 1 | Nameplate - Generator | |
| 10 | 3290505 | 2 | Nut M5 | |
| 11 | 3290605 | 2 | Nut M6 | |
| 12 | 3291005 | 1 | Nut M10 | |
| 13 | 3291205 | 2 | Nut M12 | |
| 14 | 4060802 | 1 | Guard, Switch | |
| 15 | 4360336 | 1 | Switch, Toggle | |
| 16 | 4740397 | 1 | Washer | |
| 17 | 4811702 | 4 | Washer M6 | |
| 18 | 4812000 | 2 | Washer M10 | |
| 19 | 4812102 | 2 | Washer M12 | |
| 20 | 4891500 | 1 | Washer 5/16 | |
| 21 | 4922641 | 1 | Harness, On/Off Switch | |
| 22 | 1001119551 | 1 | Mount, Generator | |
| 23 | 1001119553 | 1 | Arm, Adjustment | |
| 24 | 1001119554 | 1 | Support, Arm | |
| 25 | 1001119588 | 1 | Generator and Voltage Regulator Assembly | C |
| 25A | 1001100321 | 1 | Generator | |
| 25A | 70000123 | 1 | Armature with Slip Rings | |
| 25A | 7020109 | 4 | Holder, Brush | |
| 25A | 7020108 | 4 | Brush | |
| 25A | 7012513 | 4 | Cap, Brush Holder | |
| 25A | 7012514 | 1 | Fan | |
| 25A | 7020190 | 2 | Bearing | |
| 25A | 7020110 | 1 | End Bell, Front | |
| 25A | 7020111 | 1 | End Bell, Rear | |
| 25A | 70003069 | 1 | Cord, Power | |
| 25A | 70003068 | 1 | Pulley | |
| 25A | 7027887 | 1 | Key, Woodruff | |
| 25B | 70002238 | 1 | Regulator, Voltage | |
| 26 | 1001119634 | 1 | Control Box Assembly | B |
| 26 | 70000126 | 1 | Circuit Breaker | |
| 26 | 7020192 | 1 | Voltmeter | |
| 26 | 70000124 | 1 | Receptacle, Double | |
| 26 | 70000125 | 1 | Receptacle, Single Twist Lock | |
| 26 | 2920162 | 1 | Lamp | |
| 26 | 70002237 | 1 | Diode | |
| 26 | 3520028 | 1 | Plug, Hole | |
| 27 | 1001119773 | 1 | Harness, Generator (See Separate Breakdown in ELECTRICAL | |

SECTION 3 - ENGINE

| ITEM | PART NUMBER | QTY | DESCRIPTION | REV |
|------|-------------|-----|--------------------|-----|
| 28 | 1001119881 | 1 | SECTION) V-Belt | |
| 29 | 0760606 | 2 | Bolt M6 x 12 | |
| 30 | 1001125118 | 1 | Shield, Pulley | |

SECTION 3 - ENGINE

FIGURE 3-23. 3500W GENERATOR INSTALLATION - KUBOTA ENGINE MACHINES 120V/60HZ GENERATOR (ANSI, ANSI EXPORT, CHINA, CSA AND JAPANESE SPECS)



SECTION 3 - ENGINE

FIGURE 3-23. 3500W GENERATOR INSTALLATION - KUBOTA ENGINE MACHINES 120V/60HZ GENERATOR (ANSI, ANSI EXPORT, CHINA, CSA AND JAPANESE SPECS)

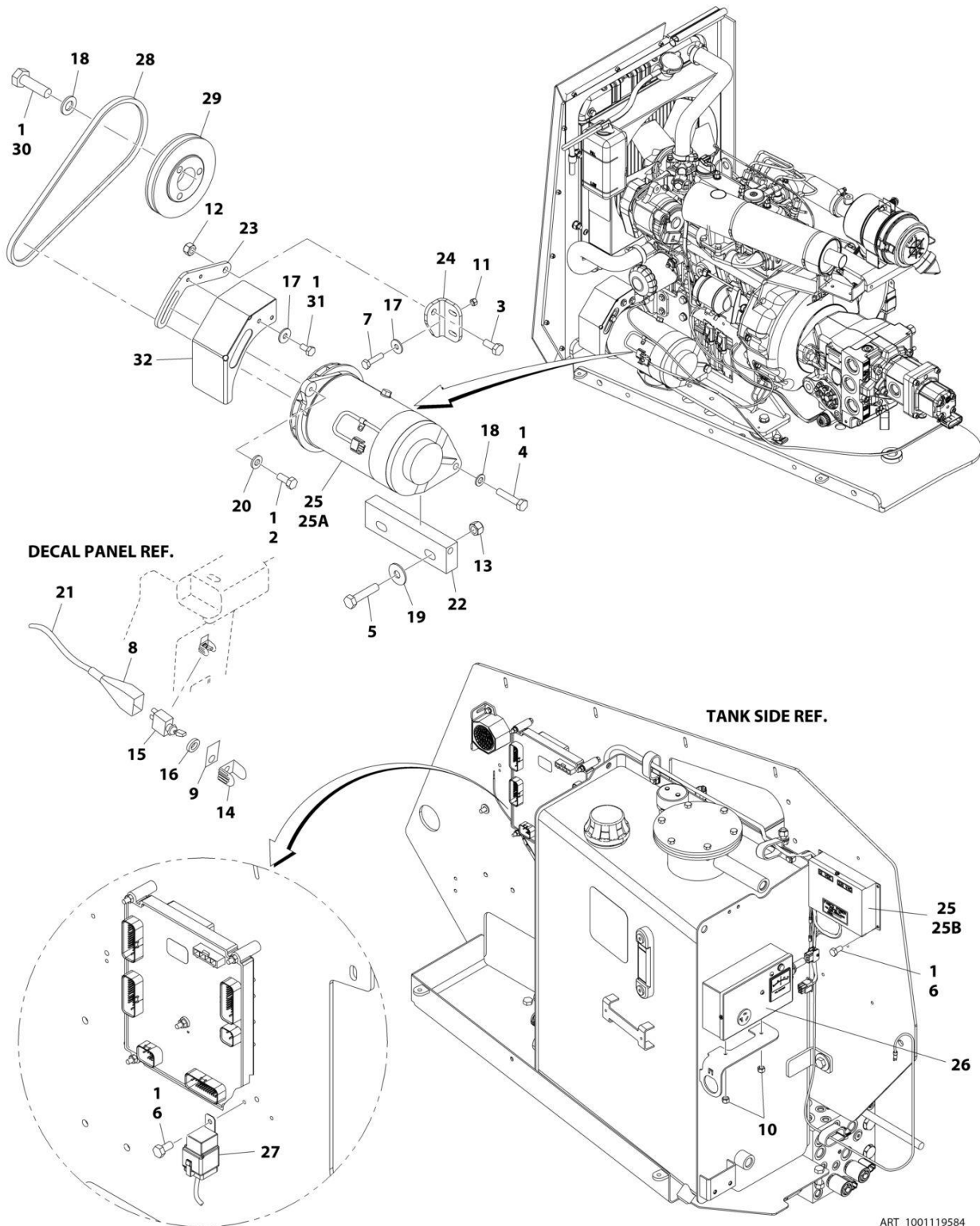
| ITEM | PART NUMBER | QTY | DESCRIPTION | REV |
|------|-------------|-----|---|-----|
| | 1001119582 | Ref | 3500W GENERATOR INSTALLATION - KUBOTA ENGINE MACHINES 120V/60HZ GENERATOR | E |
| 1 | 0100011 | AR | Compound, Locking | |
| 2 | 0641506 | 1 | Bolt 5/16 x 3/4 | |
| 3 | 0701012 | 1 | Bolt M10 x 25 | |
| 4 | 0701018 | 2 | Bolt M10 x 50 | |
| 5 | 0701219 | 2 | Bolt M12 x 55 | |
| 6 | 0760505 | 5 | Bolt M5 x 10 | |
| 7 | 0760612 | 2 | Bolt M6 x 25 | |
| 8 | 2820031 | AR | Heat Shrink | |
| 9 | 3251102 | 1 | Nameplate - Generator | |
| 10 | 3290505 | 2 | Nut M5 | |
| 11 | 3290605 | 2 | Nut M6 | |
| 12 | 3291005 | 1 | Nut M10 | |
| 13 | 3291205 | 2 | Nut M12 | |
| 14 | 4060802 | 1 | Guard, Switch | |
| 15 | 4360336 | 1 | Switch, Toggle | |
| 16 | 4740397 | 1 | Washer | |
| 17 | 4811702 | 4 | Washer M6 | |
| 18 | 4812000 | 5 | Washer M10 | |
| 19 | 4812102 | 2 | Washer M12 | |
| 20 | 4891500 | 1 | Washer 5/16 | |
| 21 | 4922641 | 1 | Harness, On/Off Switch | |
| 22 | 1001119551 | 1 | Mount, Generator | |
| 23 | 1001119553 | 1 | Arm, Adjustment | |
| 24 | 1001119554 | 1 | Support, Arm | |
| 25 | 1001119586 | 1 | Generator Assembly | C |
| 25A | 2460049 | 1 | Generator | |
| 25A | 70000122 | 1 | Armature with Slip Rings | |
| 25A | 7020109 | 4 | Holder, Brush | |
| 25A | 7020108 | 4 | Brush | |
| 25A | 7012513 | 4 | Cap, Brush Holder | |
| 25A | 7012514 | 1 | Fan | |
| 25A | 7020190 | 2 | Bearing | |
| 25A | 7020110 | 1 | End Bell, Front | |
| 25A | 7020111 | 1 | End Bell, Rear | |
| 25A | 70003069 | 1 | Cord, Power | |
| 25A | 70003068 | 1 | Pulley | |
| 25A | 7027887 | 1 | Key, Woodruff | |
| 25B | 7026525 | 1 | Regulator, Voltage | |
| 26 | 1001119633 | 1 | Control Box Assembly | B |
| 26 | 70002240 | 1 | Circuit Breaker | |
| 26 | 2420203 | 1 | Voltmeter | |
| 26 | 7020152 | 1 | Receptacle, Double | |
| 26 | 70003137 | 1 | Receptacle, Single Twist Lock | |
| 26 | 2920162 | 1 | Lamp | |
| 26 | 70002237 | 1 | Diode | |
| 26 | 3520028 | 1 | Plug, Hole | |
| 27 | 1001119773 | 1 | Harness, Generator (See Separate Breakdown in ELECTRICAL | |

SECTION 3 - ENGINE

| ITEM | PART NUMBER | QTY | DESCRIPTION | REV |
|------|-------------|-----|--------------------|-----|
| 28 | 1001119881 | 1 | SECTION) V-Belt | |
| 29 | 1001118720 | 1 | Pulley | |
| 30 | 1001119929 | 3 | Bolt M10 x 35 | |
| 31 | 0760606 | 2 | Bolt M6 x 12 | |
| 32 | 1001125118 | 1 | Shield, Pulley | |

SECTION 3 - ENGINE

FIGURE 3-24. 3500W GENERATOR INSTALLATION - KUBOTA ENGINE MACHINES 220V/60HZ GENERATOR (ANSI EXPORT, CHINA AND CSA SPECS)



SECTION 3 - ENGINE

**FIGURE 3-24. 3500W GENERATOR INSTALLATION - KUBOTA ENGINE MACHINES 220V/60HZ
GENERATOR (ANSI EXPORT, CHINA AND CSA SPECS)**

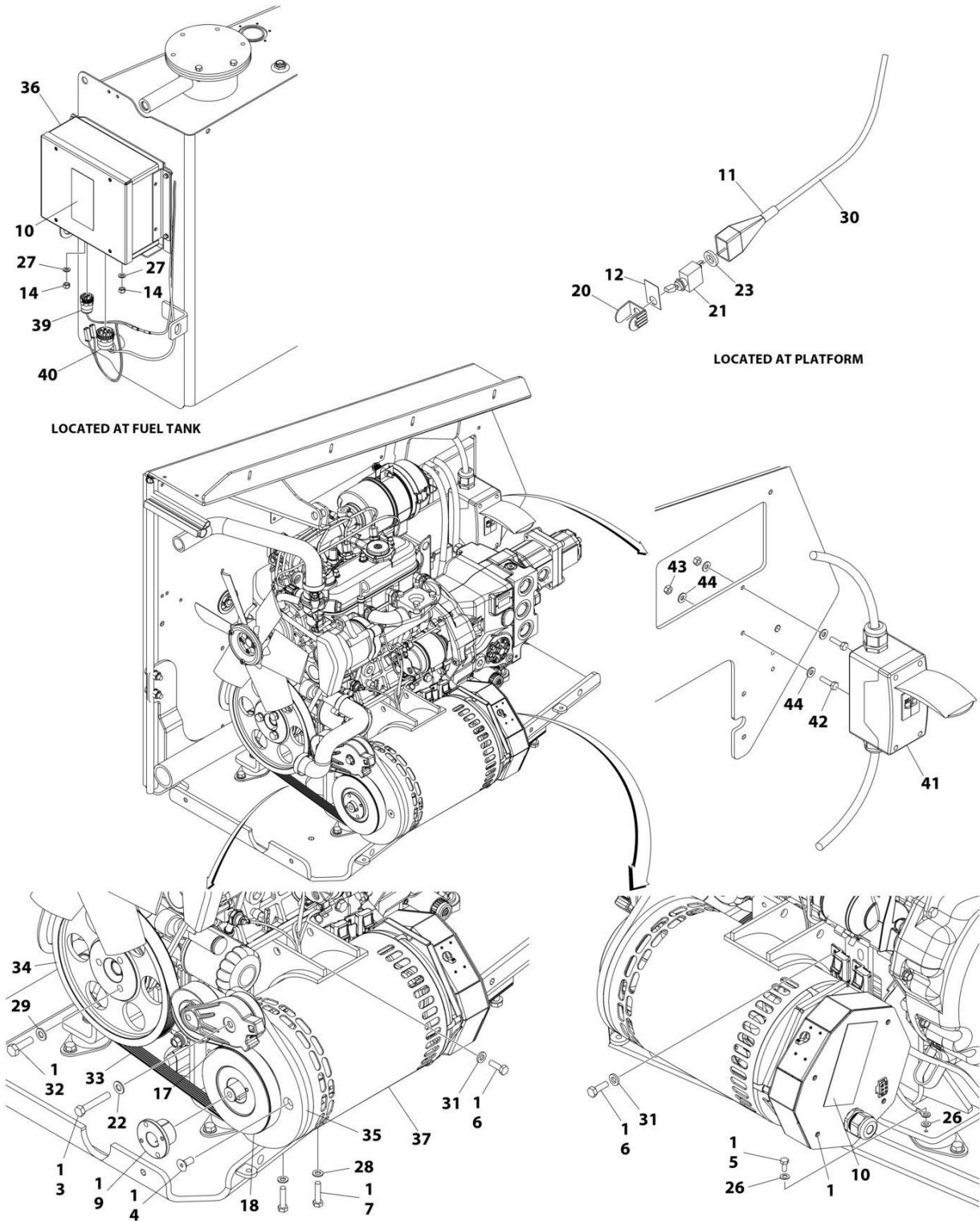
| ITEM | PART NUMBER | QTY | DESCRIPTION | REV |
|------|-------------|-----|---|-----|
| | 1001119584 | Ref | 3500W GENERATOR INSTALLATION - KUBOTA ENGINE MACHINES 220V/60HZ GENERATOR | E |
| 1 | 0100011 | AR | Compound, Locking | |
| 2 | 0641506 | 1 | Bolt 5/16 x 3/4 | |
| 3 | 0701012 | 1 | Bolt M10 x 25 | |
| 4 | 0701018 | 2 | Bolt M10 x 50 | |
| 5 | 0701219 | 2 | Bolt M12 x 55 | |
| 6 | 0760505 | 5 | Bolt M5 x 10 | |
| 7 | 0760612 | 2 | Bolt M6 x 25 | |
| 8 | 2820031 | AR | Heat Shrink | |
| 9 | 3251102 | 1 | Nameplate - Generator | |
| 10 | 3290505 | 2 | Nut M5 | |
| 11 | 3290605 | 2 | Nut M6 | |
| 12 | 3291005 | 1 | Nut M10 | |
| 13 | 3291205 | 2 | Nut M12 | |
| 14 | 4060802 | 1 | Guard, Switch | |
| 15 | 4360336 | 1 | Switch, Toggle | |
| 16 | 4740397 | 1 | Washer | |
| 17 | 4811702 | 4 | Washer M6 | |
| 18 | 4812000 | 5 | Washer M10 | |
| 19 | 4812102 | 2 | Washer M12 | |
| 20 | 4891500 | 1 | Washer 5/16 | |
| 21 | 4922641 | 1 | Harness, On/Off Switch | |
| 22 | 1001119551 | 1 | Mount, Generator | |
| 23 | 1001119553 | 1 | Arm, Adjustment | |
| 24 | 1001119554 | 1 | Support, Arm | |
| 25 | 1001119588 | 1 | Generator Assembly | C |
| 25A | 1001100321 | 1 | Generator | |
| 25A | 70000123 | 1 | Armature with Slip Rings | |
| 25A | 7020109 | 4 | Holder, Brush | |
| 25A | 7020108 | 4 | Brush | |
| 25A | 7012513 | 4 | Cap, Brush Holder | |
| 25A | 7012514 | 1 | Fan | |
| 25A | 7020190 | 2 | Bearing | |
| 25A | 7020110 | 1 | End Bell, Front | |
| 25A | 7020111 | 1 | End Bell, Rear | |
| 25A | 70003069 | 1 | Cord, Power | |
| 25A | 70003068 | 1 | Pulley | |
| 25A | 7027887 | 1 | Key, Woodruff | |
| 25B | 70002238 | 1 | Regulator, Voltage | |
| 26 | 1001119634 | 1 | Control Box Assembly | B |
| 26 | 70000126 | 1 | Circuit Breaker | |
| 26 | 7020192 | 1 | Voltmeter | |
| 26 | 70000124 | 1 | Receptacle, Double | |
| 26 | 70000125 | 1 | Receptacle, Single Twist Lock | |
| 26 | 2920162 | 1 | Lamp | |
| 26 | 70002237 | 1 | Diode | |
| 26 | 3520028 | 1 | Plug, Hole | |
| 27 | 1001119773 | 1 | Harness, Generator (See Separate Breakdown in ELECTRICAL | |

SECTION 3 - ENGINE

| ITEM | PART NUMBER | QTY | DESCRIPTION | REV |
|------|-------------|-----|--------------------|-----|
| 28 | 1001119881 | 1 | SECTION) V-Belt | |
| 29 | 1001118720 | 1 | Pulley | |
| 30 | 1001119929 | 3 | Bolt M10 x 35 | |
| 31 | 0760606 | 2 | Bolt M6 x 12 | |
| 32 | 1001125118 | 1 | Shield, Pulley | |

SECTION 3 - ENGINE

FIGURE 3-25. 4000W GENERATOR INSTALLATION - KUBOTA ENGINE MACHINES 220V/50HZ GENERATOR (ANSI EXPORT, AUSTRALIAN, CHINA, JAPANESE, CE & UK CA SPECS)



ART_1001148660

SECTION 3 - ENGINE

FIGURE 3-25. 4000W GENERATOR INSTALLATION - KUBOTA ENGINE MACHINES 220V/50HZ GENERATOR (ANSI EXPORT, AUSTRALIAN, CHINA, JAPANESE, CE & UK CA SPECS)

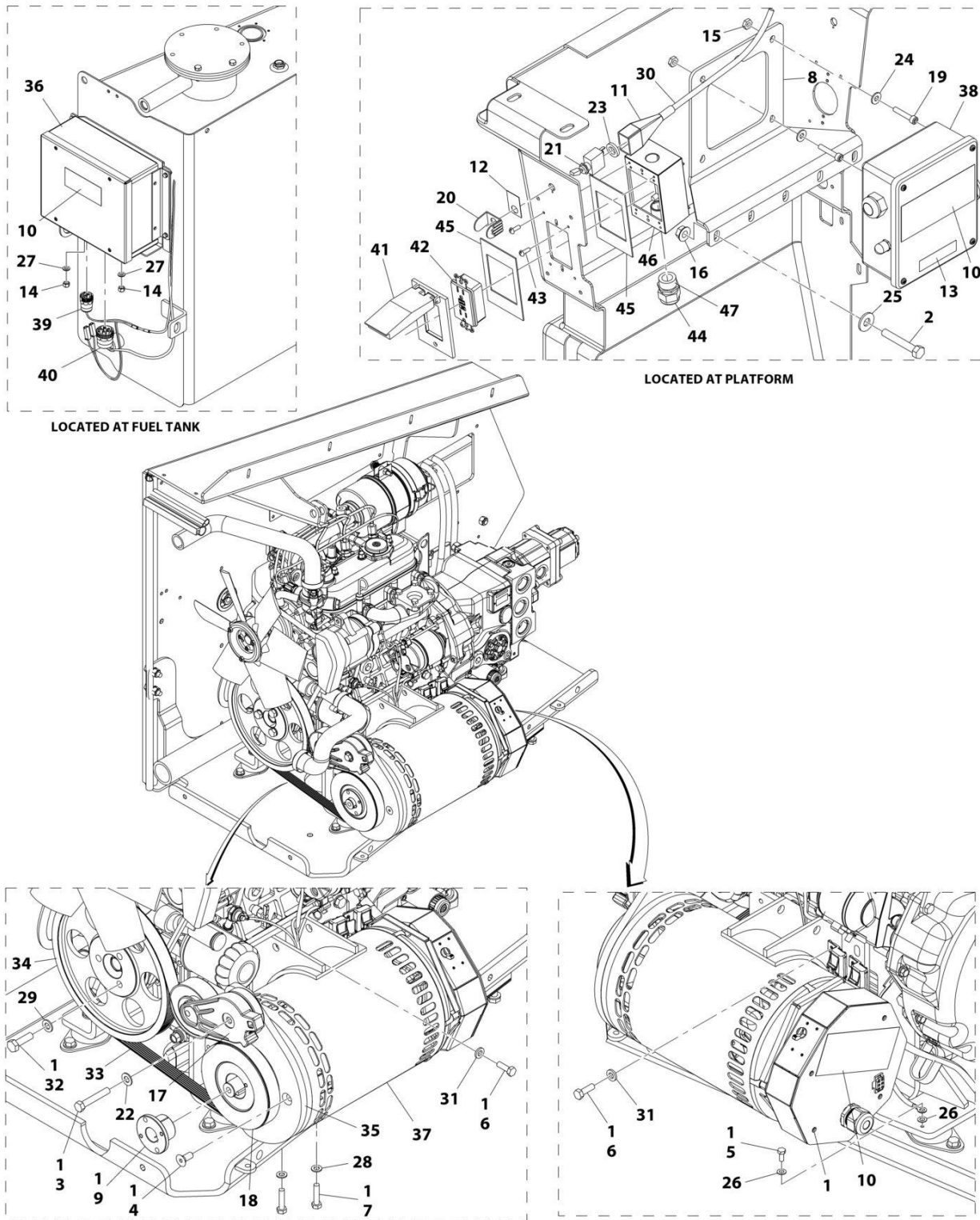
| ITEM | PART NUMBER | QTY | DESCRIPTION | REV |
|------|-------------|-----|---|-----|
| | 1001148660 | Ref | 4000W GENERATOR INSTALLATION - KUBOTA ENGINE MACHINES 220V/50HZ GENERATOR | D |
| 1 | 0100011 | AR | Compound, Locking | |
| 3 | 0641618 | 1 | Bolt 3/8 x 2-1/4 | |
| 4 | 0741607 | 3 | Bolt 3/8 x 0.88 | |
| 5 | 0760607 | 1 | Bolt M6 x 14 | |
| 6 | 0760812 | 2 | Bolt M8 x 25 | |
| 7 | 0760815 | 2 | Bolt M8 x 35 | |
| 9 | 0962520 | 1 | Bushing, Split Taper | |
| 10 | 1705489 | AR | Decal - Hazardous Voltage | |
| 11 | 2820031 | AR | Heat Shrink | |
| 12 | 3251102 | 1 | Nameplate, Generator | |
| 14 | 3290505 | 2 | Nut M5 | |
| 17 | 3580317 | 1 | Pulley, Belt Tensioner | |
| 18 | 3580319 | 1 | Pulley, Generator - 50Hz | |
| 20 | 4060802 | 1 | Guard, Switch | |
| 21 | 4360336 | 1 | Switch, Toggle | |
| 22 | 4711600 | 1 | Washer 3/8 | |
| 23 | 4740397 | 1 | Washer | |
| 26 | 4791400 | 2 | Washer 1/4 | |
| 27 | 4811600 | 2 | Washer M5 | |
| 28 | 4811900 | 2 | Washer M8 | |
| 29 | 4812000 | 3 | Washer M10 | |
| 30 | 4922641 | 1 | Harness, On/Off Switch | |
| 31 | 5240800 | 2 | Washer M8 | |
| 32 | 1001119929 | 3 | Bolt M10 x 35 | |
| 33 | 1001147141 | 1 | Belt, 4000W - 50Hz | |
| 34 | 1001147233 | 1 | Pulley | |
| 35 | 1001147234 | 1 | Mount, Generator Tensioner | |
| 36 | 1001147431 | 1 | 4000W Control Box Installation | |
| 37 | 1001150619 | 1 | Generator, 4000W - 50Hz | |
| 37 | 70003709 | 1 | Ring, Retaining - External (Shaft End) | |
| 37 | 70003708 | 1 | Ring, Retaining - Internal (Shaft End) | |
| 37 | 70001966 | 1 | Bearing (Shaft End) | |
| 37 | 70004092 | 1 | Endbell (Shaft End) | |
| 37 | 70004099 | 1 | Key, Shaft | |
| 37 | 70004676 | 1 | Rottor/Shaft Assembly | |
| 37 | 70004688 | 1 | Stator | |
| 37 | 70004678 | 1 | Endbell (Enclosure End) | |
| 37 | 70004679 | 1 | Cover, Endbell (Enclosure End) | |
| 37 | 70004689 | 1 | Enclosure, Wiring | |
| 37 | 70004690 | 1 | Cover, Enclosure | |
| 37 | 70004682 | 1 | Switch, On/Off/Reset | |
| 37 | 70004683 | 1 | Connector, Strain Relief | |
| 39 | 1001157915 | 1 | Harness, 4000W Generator Control (See Separate Breakdown in ELECTRICAL Section) | |
| 40 | 1001157916 | 1 | Harness, Generator (See Separate Breakdown in ELECTRICAL SECTION) | |
| 41 | 1001096070 | 1 | Kit, Box and Bracket | |

SECTION 3 - ENGINE

| ITEM | PART NUMBER | QTY | DESCRIPTION | REV |
|------|-------------|-----|--------------|-----|
| 42 | 0641408 | 2 | Bolt 1/4 x 1 | |
| 43 | 3311405 | 2 | Nut 1/4 | |
| 44 | 4711400 | 4 | Washer 1/4 | |

SECTION 3 - ENGINE

FIGURE 3-26. 4000W GENERATOR INSTALLATION - KUBOTA ENGINE MACHINES 110V/60HZ GENERATOR (ANSI, ANSI EXPORT, CHINA, CSA AND JAPANESE SPECS)



ART_1001148663

SECTION 3 - ENGINE

**FIGURE 3-26. 4000W GENERATOR INSTALLATION - KUBOTA ENGINE MACHINES 110V/60HZ
GENERATOR (ANSI, ANSI EXPORT, CHINA, CSA AND JAPANESE SPECS)**

| ITEM | PART NUMBER | QTY | DESCRIPTION | REV |
|------|-------------|-----|---|-----|
| | 1001148663 | Ref | 4000W GENERATOR INSTALLATION - KUBOTA ENGINE MACHINES 110V/60HZ GENERATOR | C |
| 1 | 0100011 | AR | Compound, Locking | |
| 2 | 0641516 | 3 | Bolt 5/16 x 2 | |
| 3 | 0641618 | 1 | Bolt 3/8 x 2-1/4 | |
| 4 | 0741607 | 3 | Bolt 3/8 x 0.88 | |
| 5 | 0760607 | 1 | Bolt M6 x 14 | |
| 6 | 0760812 | 2 | Bolt M8 x 25 | |
| 7 | 0760815 | 2 | Bolt M8 x 35 | |
| 8 | 0902888 | 1 | Bracket, Generator Junction Box | |
| 9 | 0962520 | 1 | Bushing, Split Taper | |
| 10 | 1705387 | 3 | Decal - Hazardous Voltage | |
| 11 | 2820031 | AR | Heat Shrink | |
| 12 | 3251102 | 1 | Nameplate, Generator | |
| 13 | 3251243 | 1 | Decal - 120V/60Hz | |
| 14 | 3290505 | 2 | Nut M5 | |
| 15 | 3311005 | 4 | Nut #10 | |
| 16 | 3311508 | 3 | Nut #5/16 | |
| 17 | 3580317 | 1 | Pulley, Belt Tensioner | |
| 18 | 3580318 | 1 | Pulley, Generator - 60Hz | |
| 19 | 3931016 | 4 | Bolt #10 x 1 | |
| 20 | 4060802 | 1 | Guard, Switch | |
| 21 | 4360336 | 1 | Switch, Toggle | |
| 22 | 4711600 | 1 | Washer 3/8 | |
| 23 | 4740397 | 1 | Washer | |
| 24 | 4751000 | 4 | Washer #10 | |
| 25 | 4751500 | 3 | Washer #5/16 | |
| 26 | 4791400 | 2 | Washer 1/4 | |
| 27 | 4811600 | 2 | Washer M5 | |
| 28 | 4811900 | 2 | Washer M8 | |
| 29 | 4812000 | 3 | Washer M10 | |
| 30 | 4922641 | 1 | Harness, On/Off Switch | |
| 31 | 5240800 | 2 | Washer M8 | |
| 32 | 1001119929 | 3 | Bolt M10 x 35 | |
| 33 | 1001153814 | 1 | Belt, 4000W - 60Hz | |
| 34 | 1001147233 | 1 | Pulley | |
| 35 | 1001147234 | 1 | Mount, Generator Tensioner | |
| 36 | 1001147431 | 1 | 4000W Control Box Installation | |
| 37 | 1001147436 | 1 | Generator 4000W - 60Hz | |
| 37 | 70003709 | 1 | Ring, Retaining - External (Shaft End) | |
| 37 | 70003708 | 1 | Ring, Retaining - Internal (Shaft End) | |
| 37 | 70001966 | 1 | Bearing (Shaft End) | |
| 37 | 70004092 | 1 | Endbell (Shaft End) | |
| 37 | 70004099 | 1 | Key, Shaft | |
| 37 | 70004676 | 1 | Rottor/Shaft Assembly | |
| 37 | 70004691 | 1 | Stator | |
| 37 | 70004678 | 1 | Endbell (Enclosure End) | |
| 37 | 70004679 | 1 | Cover, Endbell (Enclosure End) | |
| 37 | 70004689 | 1 | Enclosure, Wiring | |

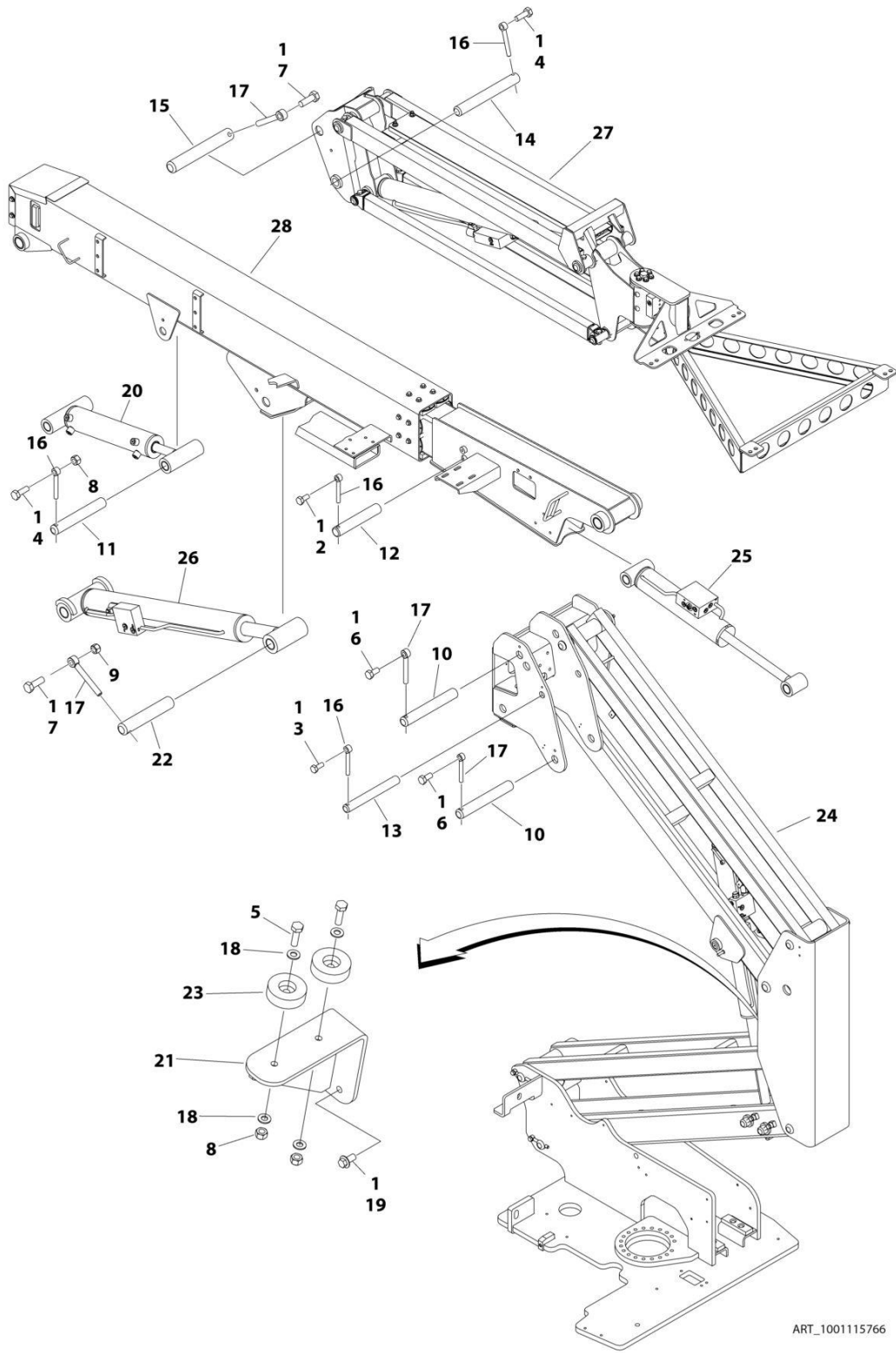
SECTION 3 - ENGINE

| ITEM | PART NUMBER | QTY | DESCRIPTION | REV |
|------|-------------|-----|---|-----|
| 37 | 70004692 | 1 | Cover, Enclosure | |
| 37 | 70004682 | 1 | Switch, On/Off/Reset | |
| 37 | 70004098 | 1 | Connector, Strain Relief | |
| 38 | 1001152457 | 1 | Box, Junction Assembly | |
| 39 | 1001157915 | 1 | Harness, 4000W Generator Control (See Separate Breakdown in ELECTRICAL Section) | |
| 40 | 1001157916 | 1 | Harness, Generator (See Separate Breakdown in ELECTRICAL Section) | |
| 41 | 1001110873 | 1 | Cover | |
| 42 | 4460346 | 1 | Receptacle | |
| 43 | 3910606 | 4 | Bolt 6 x 3/8 | |
| 44 | 4460071 | 1 | Connector | |
| 45 | 3960422 | 1 | Gasket | |
| 46 | 0860038 | 1 | Box, Switch-Weatherhead | |
| 47 | 0100020 | AR | Sealant, Pipe | |

SECTION 4 - BOOM

SECTION 4 - BOOM

FIGURE 4-1. BOOM AND CYLINDERS INSTALLATION - WITHOUT ARCTIC PACKAGE



ART_1001115766

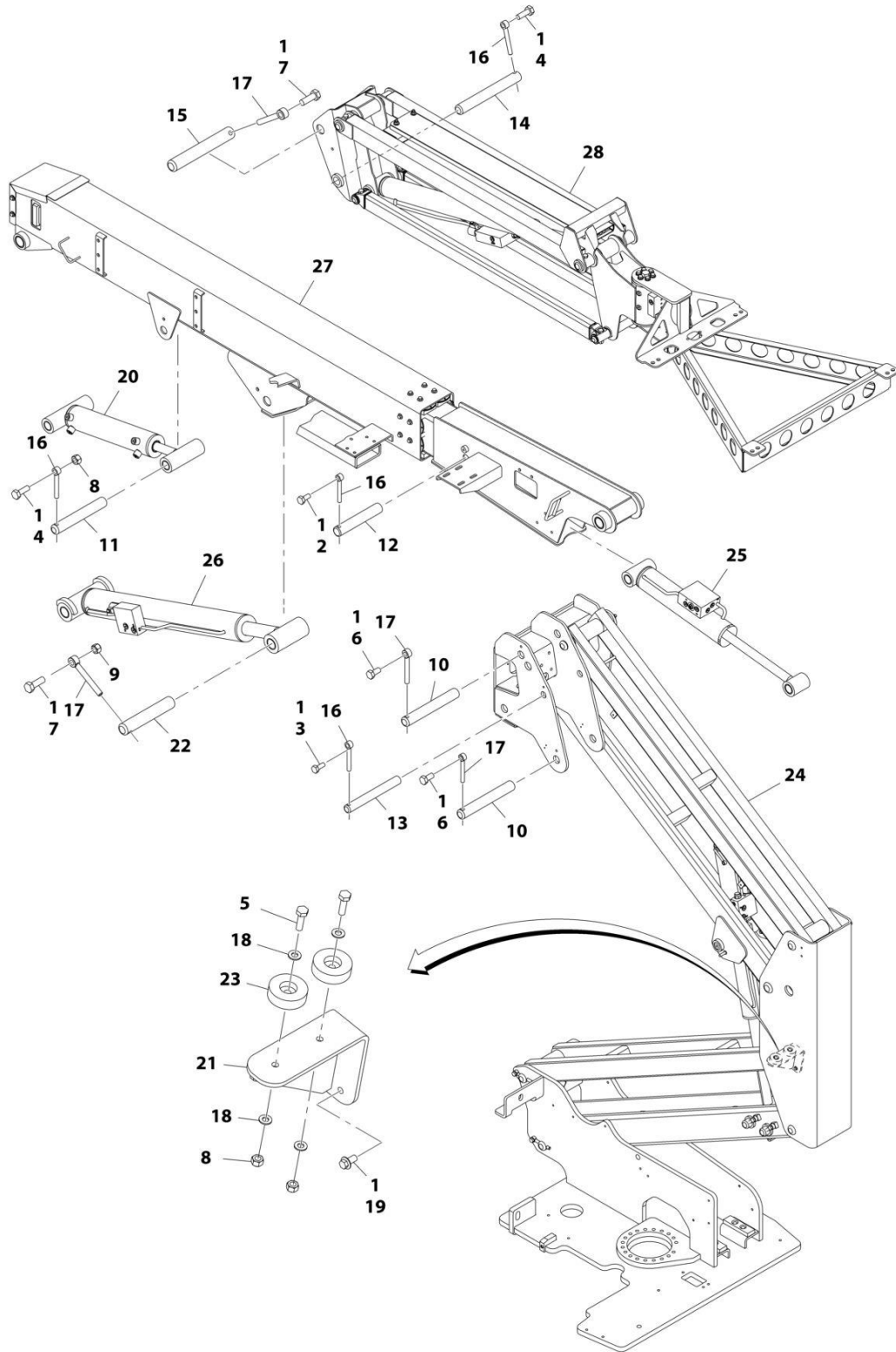
SECTION 4 - BOOM

FIGURE 4-1. BOOM AND CYLINDERS INSTALLATION - WITHOUT ARCTIC PACKAGE

| ITEM | PART NUMBER | QTY | DESCRIPTION | REV |
|------|-------------|-----|---|-----|
| | 1001115766 | Ref | BOOM AND CYLINDERS INSTALLATION - WITHOUT ARCTIC PACKAGE | D |
| 1 | 0100011 | AR | Compound, Locking | |
| 2 | 0761011 | 1 | Bolt M10 x 22 | |
| 3 | 0761012 | 1 | Bolt M10 x 25 | |
| 4 | 0761014 | 2 | Bolt M10 x 30 | |
| 5 | 0761015 | 2 | Bolt M10 x 35 | |
| 6 | 0761212 | 2 | Bolt M12 x 25 | |
| 7 | 0761215 | 2 | Bolt M12 x 35 | |
| 8 | 3291005 | 3 | Nut M10 | |
| 9 | 3291205 | 1 | Nut M12 | |
| 10 | 3422576 | 2 | Pin | |
| 11 | 3422582 | 1 | Pin | |
| 12 | 3422709 | 1 | Pin | |
| 13 | 3422790 | 1 | Pin | |
| 14 | 3422792 | 1 | Pin | |
| 15 | 3422814 | 1 | Pin | |
| 16 | 3841143 | 4 | Keeper, Pin | |
| 17 | 3841203 | 4 | Keeper, Pin | |
| 18 | 4812000 | 4 | Washer M10 | |
| 19 | 5251010 | 3 | Bolt M10 x 20 | |
| 20 | 1001120976 | 1 | Master Cylinder Assembly (See Separate Breakdown in CYLINDER Section) | |
| 21 | 1001125235 | 1 | Rest, Boom | |
| 22 | 1001109528 | 1 | Pin | |
| 23 | 1001112607 | 2 | Pad, Boom Rest | |
| 24 | 1001115672 | 1 | Tower Boom Assembly (See Separate Breakdown in this Section) | |
| 25 | 1001225990 | 1 | Level Cylinder Assembly - Platform (Slave) (See Separate Breakdown in CYLINDER Section) | |
| 26 | 1001117640 | 1 | Lift Cylinder Assembly - Main Boom (See Separate Breakdown in CYLINDER Section) | |
| 27 | 1001117884 | 1 | Jib Assembly (See Separate Breakdown in this Section) | |
| 28 | 1001117885 | 1 | Main Boom Assembly (See Separate Breakdown in this Section) | |

SECTION 4 - BOOM

FIGURE 4-2. BOOM AND CYLINDERS INSTALLATION - WITH ARCTIC PACKAGE



ART_1001119371

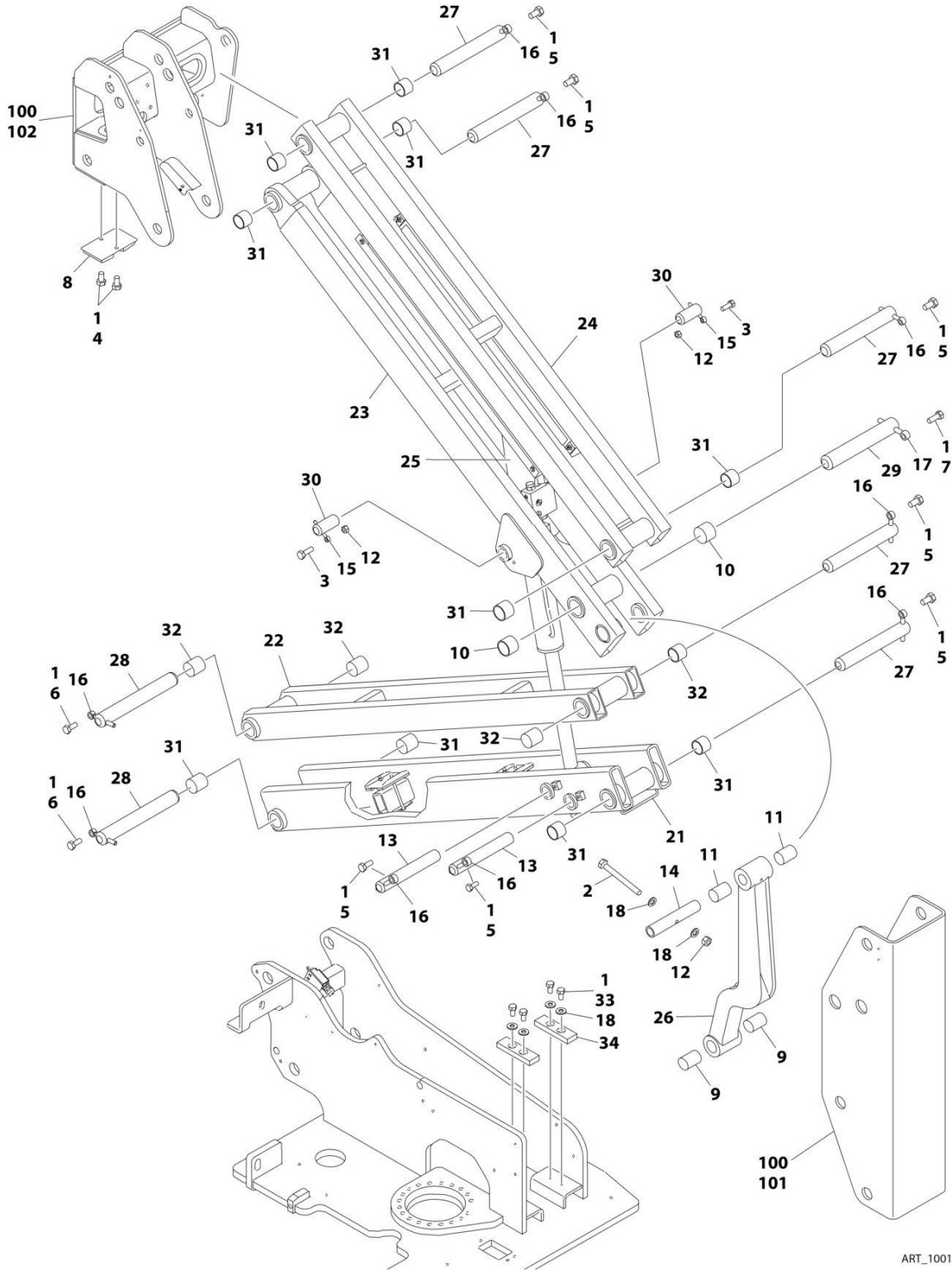
SECTION 4 - BOOM

FIGURE 4-2. BOOM AND CYLINDERS INSTALLATION - WITH ARCTIC PACKAGE

| ITEM | PART NUMBER | QTY | DESCRIPTION | REV |
|------|-------------|-----|---|-----|
| | 1001119371 | Ref | BOOM AND CYLINDERS INSTALLATION - WITH ARCTIC PACKAGE | D |
| 1 | 0100011 | AR | Compound, Locking | |
| 2 | 0761011 | 1 | Bolt M10 x 22 | |
| 3 | 0761012 | 1 | Bolt M10 x 25 | |
| 4 | 0761014 | 2 | Bolt M10 x 30 | |
| 5 | 0761015 | 2 | Bolt M10 x 35 | |
| 6 | 0761212 | 2 | Bolt M12 x 25 | |
| 7 | 0761215 | 2 | Bolt M12 x 35 | |
| 8 | 3291005 | 3 | Nut M10 | |
| 9 | 3291205 | 1 | Nut M12 | |
| 10 | 3422576 | 2 | Pin | |
| 11 | 3422582 | 1 | Pin | |
| 12 | 3422709 | 1 | Pin | |
| 13 | 3422790 | 1 | Pin | |
| 14 | 3422792 | 1 | Pin | |
| 15 | 3422814 | 1 | Pin | |
| 16 | 3841143 | 4 | Keeper, Pin | |
| 17 | 3841203 | 4 | Keeper, Pin | |
| 18 | 4812000 | 4 | Washer M10 | |
| 19 | 5251010 | 3 | Bolt M10 x 20 | |
| 20 | 1001120976 | 1 | Master Cylinder Assembly (See Separate Breakdown in CYLINDER Section) | |
| 21 | 1001125235 | 1 | Rest, Boom | |
| 22 | 1001109528 | 1 | Pin | |
| 23 | 1001112607 | 2 | Pad, Boom Rest | |
| 24 | 1001115672 | 1 | Tower Boom Assembly (See Separate Breakdown in this Section) | |
| 25 | 1001225990 | 1 | Level Cylinder Assembly - Platform (Slave) (See Separate Breakdown in CYLINDER Section) | |
| 26 | 1001117640 | 1 | Lift Cylinder Assembly - Main Boom (See Separate Breakdown in CYLINDER Section) | |
| 27 | 1001117885 | 1 | Main Boom Assembly Options (See Separate Breakdown in this Section) | |
| 28 | 1001119370 | 1 | Jib Assembly (See Separate Breakdown in this Section) | |

SECTION 4 - BOOM

FIGURE 4-3. TOWER BOOM ASSEMBLY



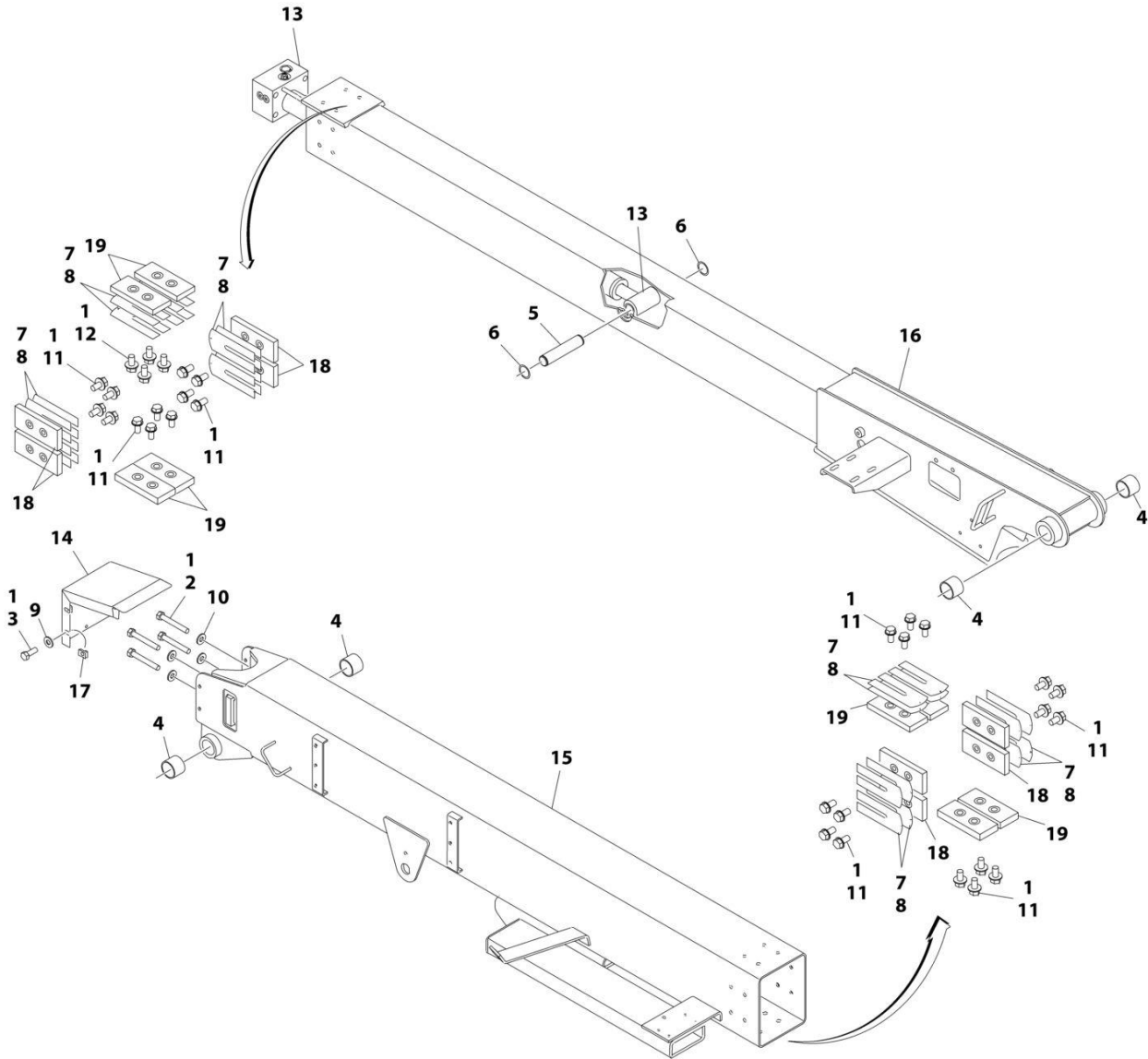
ART_1001115672

FIGURE 4-3. TOWER BOOM ASSEMBLY

| ITEM | PART NUMBER | QTY | DESCRIPTION | REV |
|------|-------------|-----|--|-----|
| | 1001115672 | Ref | TOWER BOOM ASSEMBLY | D |
| 1 | 0100011 | AR | Compound, Locking | |
| 2 | 0701027 | 1 | Bolt M10 x 100 | |
| 3 | 0761015 | 2 | Bolt M10 x 35 | |
| 4 | 0761210 | 2 | Bolt M12 x 20 | |
| 5 | 0761212 | 7 | Bolt M12 x 25 | |
| 6 | 0761214 | 2 | Bolt M12 x 30 | |
| 7 | 0761615 | 2 | Bolt M16 x 35 | |
| 8 | 0940048 | 1 | Bumper | |
| 9 | 0961948 | 2 | Bearing | |
| 10 | 0962224 | 2 | Bearing | |
| 11 | 0962259 | 2 | Bearing | |
| 12 | 3291005 | 3 | Nut M10 | |
| 13 | 3422787 | 2 | Pin | |
| 14 | 3422788 | 1 | Pin | |
| 15 | 3841143 | 2 | Keeper, Pin | |
| 16 | 3841203 | 9 | Keeper, Pin | |
| 17 | 3841258 | 1 | Keeper, Pin | |
| 18 | 4812000 | 6 | Washer M10 | |
| 21 | 1001115657 | 1 | Link, Lower Boom (Bottom) | |
| 22 | 1001115661 | 1 | Link, Lower Boom (Top) | |
| 23 | 1001115663 | 1 | Link, Mid Boom (Bottom) | |
| 24 | 1001115669 | 1 | Link, Mid Boom (Top) | |
| 25 | 1001122527 | 1 | Lift Cylinder Assembly - Tower Boom (See Separate Breakdown in CYLINDER Section) | |
| 26 | 1001115870 | 1 | Link, Timing | |
| 27 | 1001116546 | 5 | Pin | |
| 28 | 1001116547 | 2 | Pin | |
| 29 | 1001116548 | 1 | Pin | |
| 30 | 1001116549 | 2 | Pin | |
| 31 | 1001118665 | 10 | Bearing | |
| 32 | 1001118666 | 4 | Bearing | |
| 33 | 0761010 | 4 | Bolt M10 x 20 | |
| 34 | 3340758 | 2 | Pad, Wear | |
| 100 | 1001231153 | 1 | Lower Upright Boom Kit | |
| 101 | 1001115649 | 1 | Upright, Lower | |
| 102 | 1001115650 | 1 | Upright, Upper | |

SECTION 4 - BOOM

FIGURE 4-4. MAIN BOOM ASSEMBLY



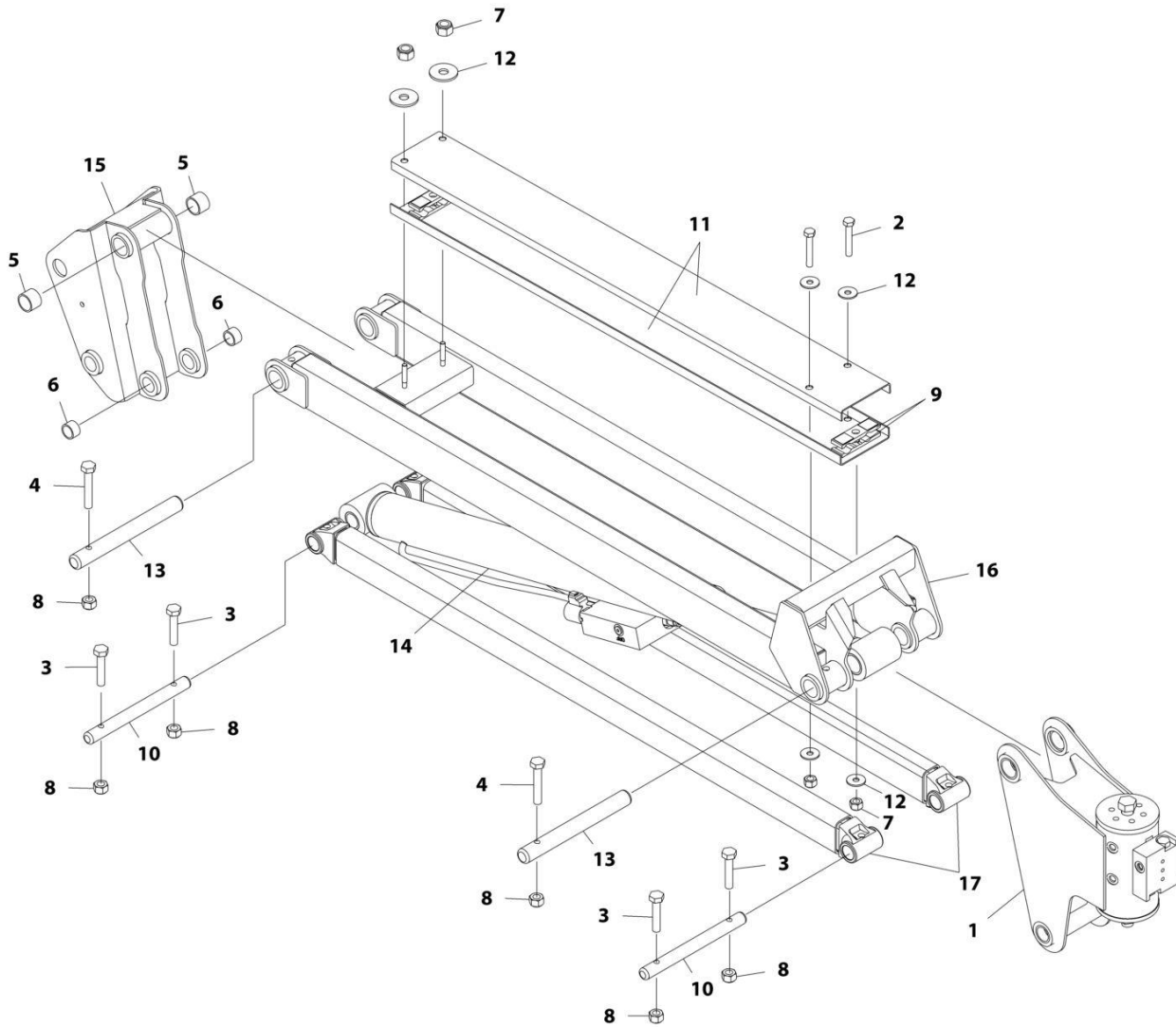
ART_1001117885_D

FIGURE 4-4. MAIN BOOM ASSEMBLY

| ITEM | PART NUMBER | QTY | DESCRIPTION | REV |
|------|-------------|-----|--|-----|
| | 1001117885 | Ref | MAIN BOOM ASSEMBLY | D |
| 1 | 0100011 | AR | Compound, Locking | |
| 2 | 0711227 | 4 | Bolt M12 x 100 Grade 10.9 | |
| 3 | 0760812 | 4 | Bolt M8 x 25 | |
| 4 | 0961948 | 4 | Bushing | |
| 5 | 3422745 | 1 | Pin | |
| 6 | 3760115 | 2 | Ring, Retaining | |
| 7 | 4070897 | 16 | Shim 18Ga | |
| 8 | 4070898 | 12 | Shim 11Ga | |
| 9 | 4811902 | 4 | Washer M8 | |
| 10 | 5241200 | 4 | Washer M12 | |
| 11 | 5251010 | 28 | Bolt M10 x 20 | |
| 12 | 5251012 | 4 | Bolt M10 x 25 | |
| 13 | 1001120974 | 1 | Telescope Cylinder Assembly (See Separate Breakdown in CYLINDER Section) | |
| 14 | 1001108290 | 1 | Cover, Boom End | |
| 15 | 1001271212 | 1 | Boom, Base | |
| 16 | 1001271234 | 1 | Boom, Fly | |
| 17 | 1001118274 | 4 | Nut, Retainer M8 | |
| 18 | 1001118287 | 8 | Pad, Wear | |
| 19 | 1001118288 | 8 | Pad, Wear | |

SECTION 4 - BOOM

FIGURE 4-5. JIB ASSEMBLY - WITHOUT ARCTIC PACKAGE



ART_100117884

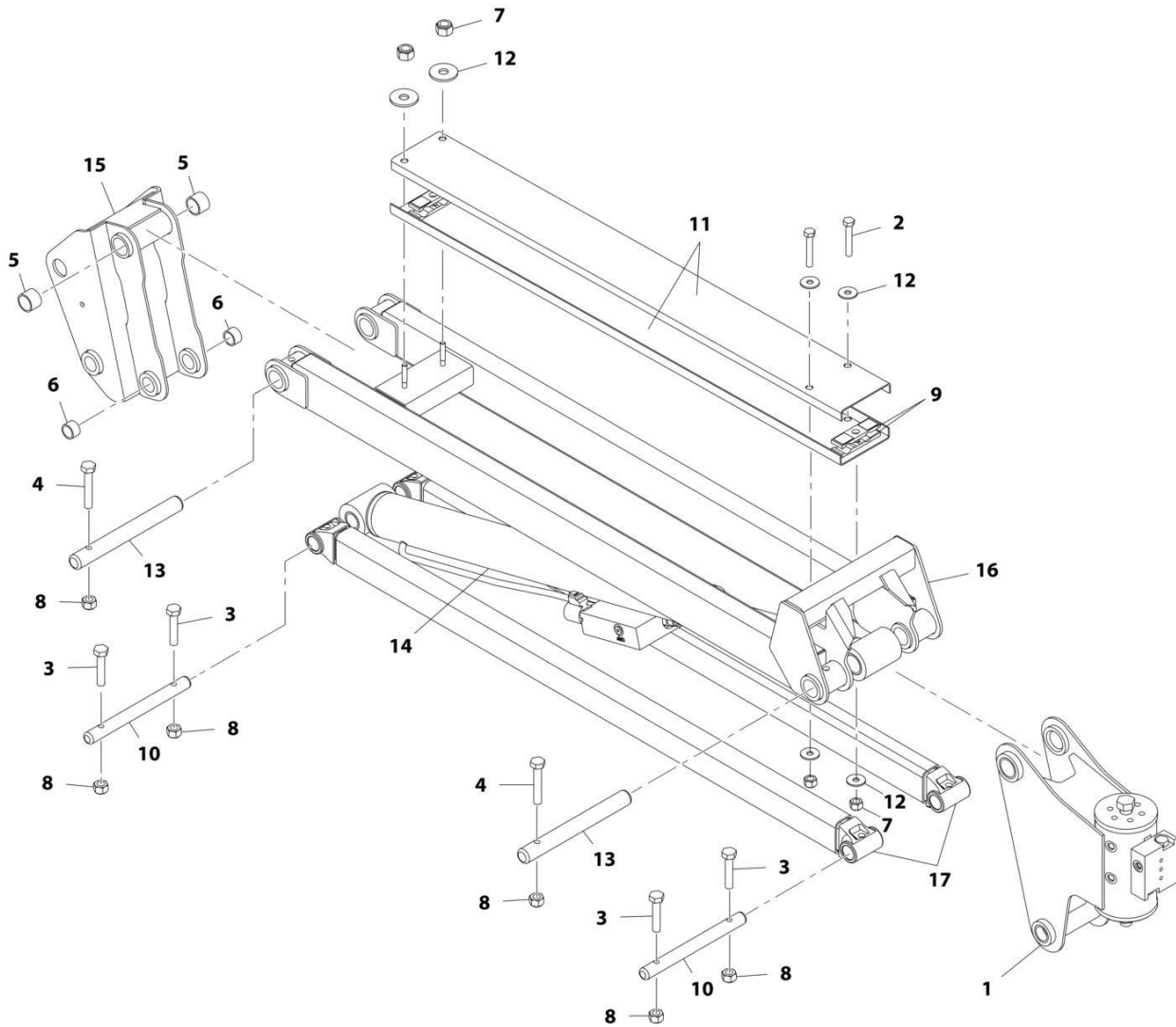
SECTION 4 - BOOM

FIGURE 4-5. JIB ASSEMBLY - WITHOUT ARCTIC PACKAGE

| ITEM | PART NUMBER | QTY | DESCRIPTION | REV |
|------|-------------|-----|---|-----|
| | 1001117884 | Ref | JIB ASSEMBLY - WITHOUT ARCTIC PACKAGE | C |
| 1 | 0060044 | 1 | Platform Rotator Assembly (See Separate Breakdown in this Section) | |
| 2 | 0700818 | 2 | Bolt M8 x 50 | |
| 3 | 0701018 | 4 | Bolt M10 x 50 | |
| 4 | 0701020 | 2 | Bolt M10 x 60 | |
| 5 | 0961951 | 2 | Bushing | |
| 6 | 0962292 | 2 | Bushing | |
| 7 | 3290805 | 4 | Nut M8 | |
| 8 | 3291005 | 6 | Nut M10 | |
| 9 | 3340860 | 4 | Pad, Rubber | |
| 10 | 3422791 | 2 | Pin | |
| 11 | 3572551 | 2 | Channel, Hose Carrier | |
| 12 | 4811902 | 6 | Washer M8 | |
| 13 | 1001116550 | 2 | Pin | |
| 14 | 1001123004 | 1 | Lift Cylinder Assembly - Jib (See Separate Breakdown in CYLINDER Section) | |
| 15 | 1001118394 | 1 | Pivot, Jib | |
| 16 | 1001118482 | 1 | Link, Jib (Top) | |
| 17 | 1001094670 | 2 | Link, Jib (Bottom) | |

SECTION 4 - BOOM

FIGURE 4-6. JIB ASSEMBLY - WITH ARCTIC PACKAGE



ART_100119370

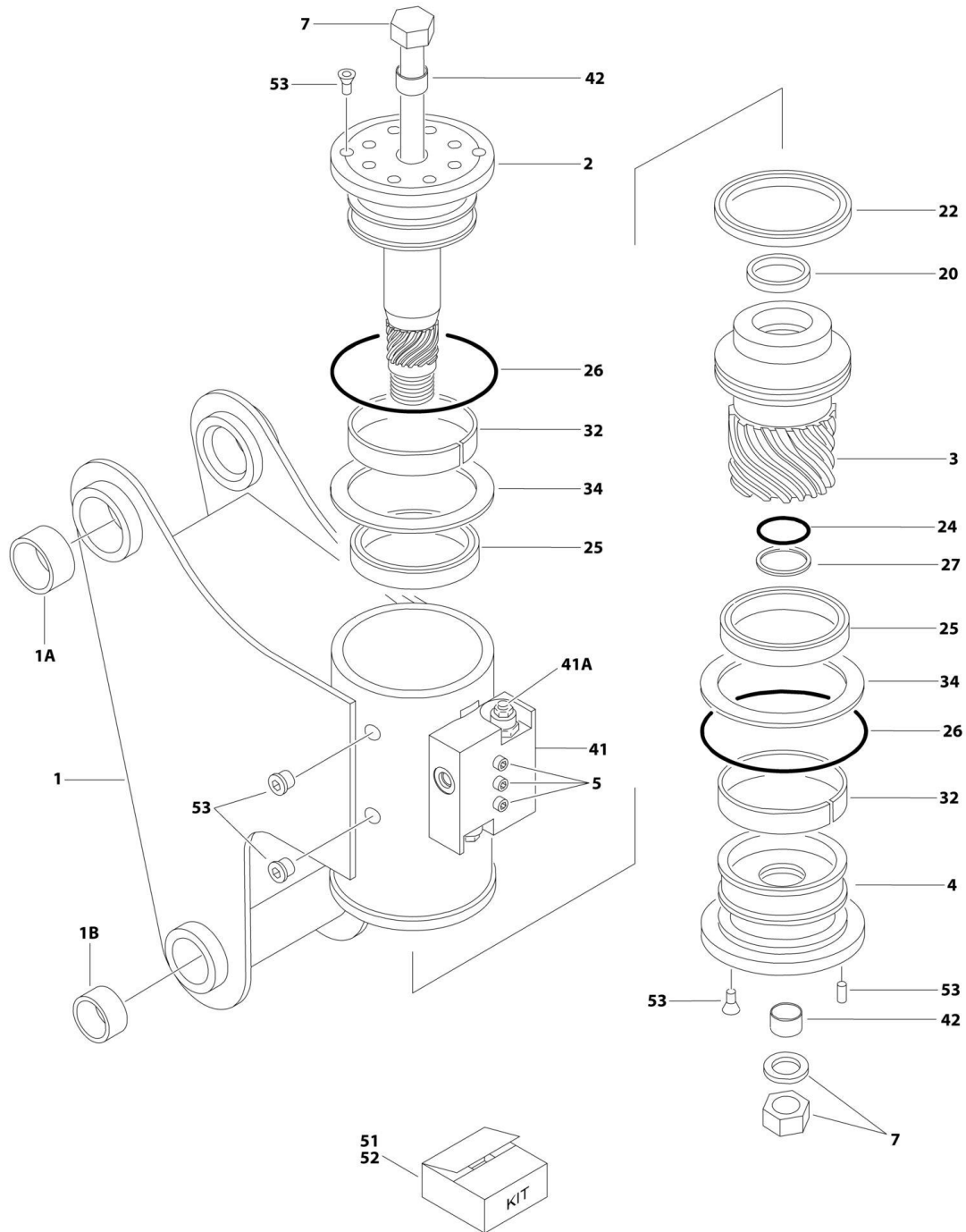
SECTION 4 - BOOM

FIGURE 4-6. JIB ASSEMBLY - WITH ARCTIC PACKAGE

| ITEM | PART NUMBER | QTY | DESCRIPTION | REV |
|------|-------------|-----|---|-----|
| | 1001119370 | Ref | JIB ASSEMBLY - WITH ARCTIC PACKAGE | C |
| 1 | 1001119369 | 1 | Platform Rotator Assembly (See Separate Breakdown in this Section) | |
| 2 | 0700818 | 2 | Bolt M8 x 50 | |
| 3 | 0701018 | 4 | Bolt M10 x 50 | |
| 4 | 0701020 | 2 | Bolt M10 x 60 | |
| 5 | 0961951 | 2 | Bushing | |
| 6 | 0962292 | 2 | Bushing | |
| 7 | 3290805 | 4 | Nut M8 | |
| 8 | 3291005 | 6 | Nut M10 | |
| 9 | 3340860 | 4 | Pad, Rubber | |
| 10 | 3422791 | 2 | Pin | |
| 11 | 3572551 | 2 | Channel, Hose Carrier | |
| 12 | 4811902 | 6 | Washer M8 | |
| 13 | 1001116550 | 2 | Pin | |
| 14 | 1001123004 | 1 | Lift Cylinder Assembly - Jib (See Separate Breakdown in CYLINDER Section) | |
| 15 | 1001118394 | 1 | Pivot, Jib | |
| 16 | 1001118482 | 1 | Link, Jib (Top) | |
| 17 | 1001094670 | 2 | Link, Jib (Bottom) | |

SECTION 4 - BOOM

FIGURE 4-7. PLATFORM ROTATOR ASSEMBLY - WITHOUT ARCTIC PACKAGE



ART_0060044

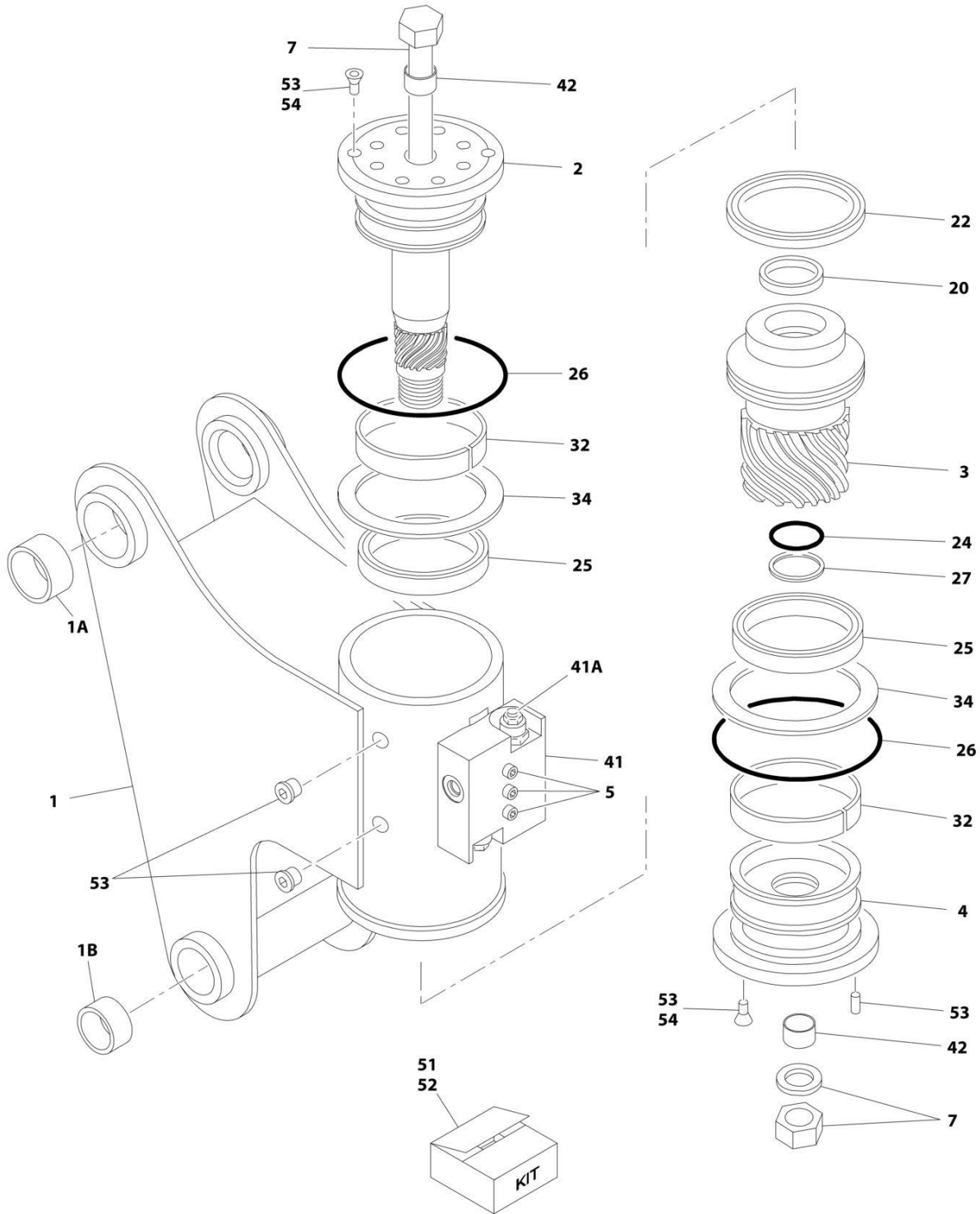
SECTION 4 - BOOM

FIGURE 4-7. PLATFORM ROTATOR ASSEMBLY - WITHOUT ARCTIC PACKAGE

| ITEM | PART NUMBER | QTY | DESCRIPTION | REV |
|------|-------------|-----|--|-----|
| | 0060044 | Ref | ROTATOR ASSEMBLY | D |
| 1 | See Note | 1 | Case/Bracket Weldment (Note: Not Available - Purchase Complete Assembly) | |
| 1A | 0962257 | 2 | Bushing | |
| 1B | 0961947 | 2 | Bushing | |
| 2 | 7017120 | 1 | Shaft (Rotator with Helac Control #25928) | |
| 2 | 7017196 | 1 | Shaft (Rotator with Helac Control #26962) | |
| 3 | 7017121 | 1 | Piston Sleeve (Rotator with Helac Control #25928) | |
| 3 | 7027900 | 1 | Piston Sleeve (Rotator with Helac Control #26962) | |
| 4 | See Note | 1 | Cap, End (Rotator with Helac Control #25928) (Note: Use p/n 0060044) | |
| 4 | 7027901 | 1 | Cap, End (Rotator with Helac Control #26962) | |
| 5 | See Note | 3 | Capscrew 1/4 x 1-1/2, Grade 8 (Note: Not Available - Purchase Locally) | |
| 7 | 7017126 | 1 | Tie Rod Assembly | |
| 20 | See Note | NSS | Seal, Rod (Note: Use Item 52) | |
| 22 | See Note | NSS | Seal, Piston (Note: Use Item 52) | |
| 24 | See Note | NSS | Seal, Cap (Note: Use Item 52) | |
| 25 | See Note | NSS | Packing, Bearing (Note: Use Item 52) | |
| 26 | See Note | NSS | Seal (Note: Use Item 52) | |
| 27 | See Note | NSS | Ring, Back-Up Cap (Note: Use Item 52) | |
| 32 | See Note | NSS | Bearing, Shaft (Note: Use Item 51) | |
| 34 | See Note | 2 | Washer, Thrust (Note: Use Item 51) | |
| 41 | 7017172 | 1 | Counterbalance Valve Assembly (Helac p/n 24327, 26553 or 26554 Stamped Beside Mounting Screws) | |
| 41A | 7011323 | 2 | Valve, Cartridge (Helac p/n 24327 Valve) | |
| 41A | 2900770 | 2 | Seal Kit - 7011323 Cartridge (1 Per Assembly) | |
| 41A | 7017192 | 2 | Valve Cartridge (Helac p/n 26553 or 26554) (No Seal Kit Available) | |
| 42 | 70004323 | 1 | Bushing, Shaft | |
| 51 | 7017122 | 1 | Bearing Kit (Includes Items 32-34) | |
| 52 | 7017127 | 1 | Seal Kit - Standard (Includes Items 20,22,24,25,26 & 27) | |
| 52 | 70000341 | 1 | Seal Kit - Low Temperature (Includes Items 20,22,24,25,26 & 27) | |
| 53 | 7017123 | 1 | Hardware Kit | |

SECTION 4 - BOOM

FIGURE 4-8. PLATFORM ROTATOR ASSEMBLY - WITH ARCTIC PACKAGE



ART_1001119369

SECTION 4 - BOOM

FIGURE 4-8. PLATFORM ROTATOR ASSEMBLY - WITH ARCTIC PACKAGE

| ITEM | PART NUMBER | QTY | DESCRIPTION | REV |
|------|-------------|-----|--|-----|
| | 1001119369 | Ref | PLATFORM ROTATOR ASSEMBLY - WITH ARCTIC PACKAGE | B |
| 1 | See Note | 1 | Case/Bracket Weldment (Note: Not Available - Purchase Complete Assembly) | |
| 1A | 0962257 | 2 | Bushing | |
| 1B | 0961947 | 2 | Bushing | |
| 2 | 7017196 | 1 | Shaft | |
| 3 | 7027900 | 1 | Piston Sleeve | |
| 4 | 7027901 | 1 | Cap, End | |
| 5 | See Note | 3 | Capscrew, 1/4 x 1-1/2 Grade 8 (Note: Not Available - Purchase Locally) | |
| 7 | 7017126 | 1 | Tie Rod Assembly | |
| 20 | See Note | 1 | Seal, Rod (Note: Use Item 52) | |
| 22 | See Note | 1 | Seal, Piston (Note: Use Item 52) | |
| 24 | See Note | 1 | Seal, Cap (Note: Use Item 52) | |
| 25 | See Note | 2 | Packing, Bearing (Note: Use Item 52) | |
| 26 | See Note | 2 | Seal (Note: Use Item 52) | |
| 27 | See Note | 1 | Ring, Back-up Cap (Note: Use Item 52) | |
| 32 | See Note | 2 | Bearing, Shaft (Note: Use Item 51) | |
| 34 | See Note | 2 | Washer, Thrust (Note: Use Item 51) | |
| 41 | 7017172 | 1 | Counterbalance Valve Assembly | |
| 41A | 7017192 | 2 | Valve Cartridge (No Seal Kit Available) | |
| 42 | 70004323 | 2 | Bushing, Shaft | |
| 51 | 7017122 | 1 | Bearing Kit (Includes Items 32-34) | |
| 52 | 70004322 | 1 | Seal Kit (Includes Items 20, 22, 24, 25, 26 & 27) | |
| 53 | 7017123 | 1 | Hardware Kit | |
| 54 | 70001697 | 4 | Screw 1/4 x 3/8 Grade 8 | |

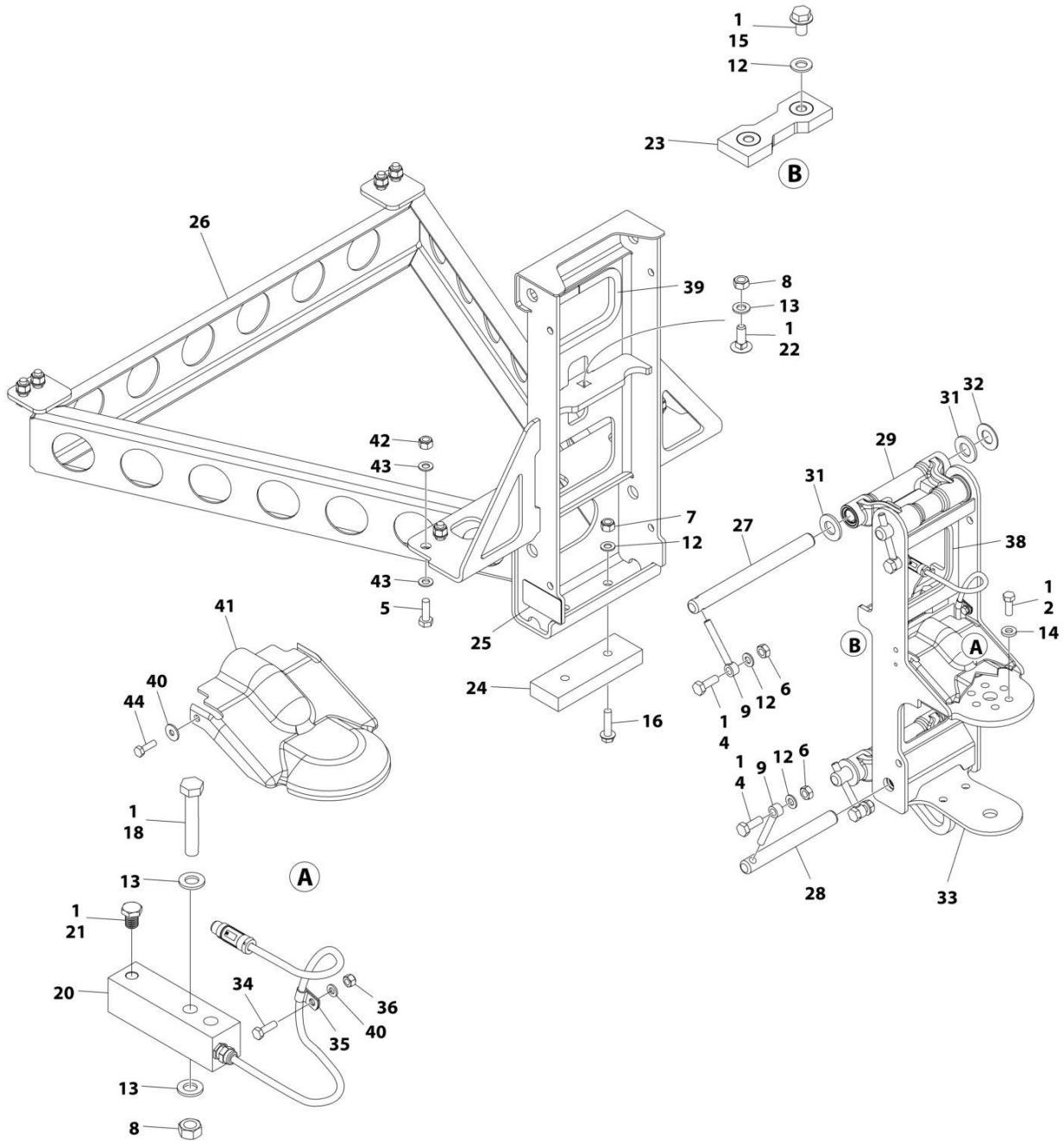
SECTION 4 - BOOM

FIGURE 4-9. PLATFORM SUPPORT INSTALLATION - WITH 1 CELL LSS (PVC 2001)

| ITEM | PART NUMBER | QTY | DESCRIPTION | REV |
|------|-------------|---------------------|---|-----|
| | 1001217227 | Ref | PLATFORM SUPPORT INSTALLATION - WITH 1 CELL LSS | E |
| 1 | 0100011 | AR | Compound, Locking | |
| 2 | 0681608 | 6 | Bolt 3/8 x 1 | |
| 4 | 0761014 | 4 | Bolt M10 x 30 | |
| 5 | 0761215 | 8 | Bolt M12 x 35 | |
| 6 | 3291001 | 4 | Nut M10 | |
| 7 | 3291005 | AR | Nut M10 | |
| 8 | 3291201 | 3 | Nut M12 | |
| 9 | 3841143 | 4 | Keeper, Pin | |
| 12 | 4812000 | AR | Washer M10 | |
| 13 | 4812100 | 5 | Washer M12 | |
| 14 | 4891600 | 6 | Washer 3/8 | |
| 15 | 5251008 | 2 | Bolt M10 x 16 | |
| 16 | 5251016 | 2 | Bolt M10 x 40 | |
| 18 | 1001098828 | 2 | Bolt M12 x 70 Grade 10.9 | |
| 20 | 1001172663 | 1 | Cell, Load Sensing | |
| 21 | 1001188622 | 1 | Screw | |
| 22 | 1001188844 | 1 | Bolt M12 x 35 | |
| 23 | 1001190985 | 1 | Pad, Wear | |
| 24 | 1001200491 | 1 | Pad, Wear | |
| 25 | 1001216630 | 2 | Decal - Tie Down/No Lift | |
| 26 | 1001217228 | 1 | Platform Support | |
| 27 | 1001217242 | 2 | Pin | |
| 28 | 1001217243 | 2 | Pin | |
| 29 | 1001217244 | 2 | Link | |
| 31 | 1001217253 | 8 | Bearing, Thrust | |
| 32 | 1001217254 | 4 | Bearing, Thrust | |
| 33 | 1001217267 | 1 | Support | |
| 34 | 0760610 | AR | Bolt M6 x 20 | |
| 35 | 1320136 | 1 | Clamp | |
| 36 | 3290605 | 1 | Nut M6 | |
| 38 | 4060804 | 14.4 in/ 36.5cm | Shield | |
| 39 | 4060805 | 15.9 in/ 40.5 cm | Shield | |
| 40 | 4811702 | 3 | Washer M6 | |
| 41 | 1001228627 | 1 | Cover | |
| 42 | 3291205 | AR | Nut M12 | |
| 43 | 5241200 | AR | Washer M12 | |
| 44 | 0760606 | AR | Bolt M6 x 12 | |

SECTION 4 - BOOM

FIGURE 4-10. PLATFORM SUPPORT INSTALLATION - WITH 1 CELL LSS (PVC 2007)



ART_1001217227_F

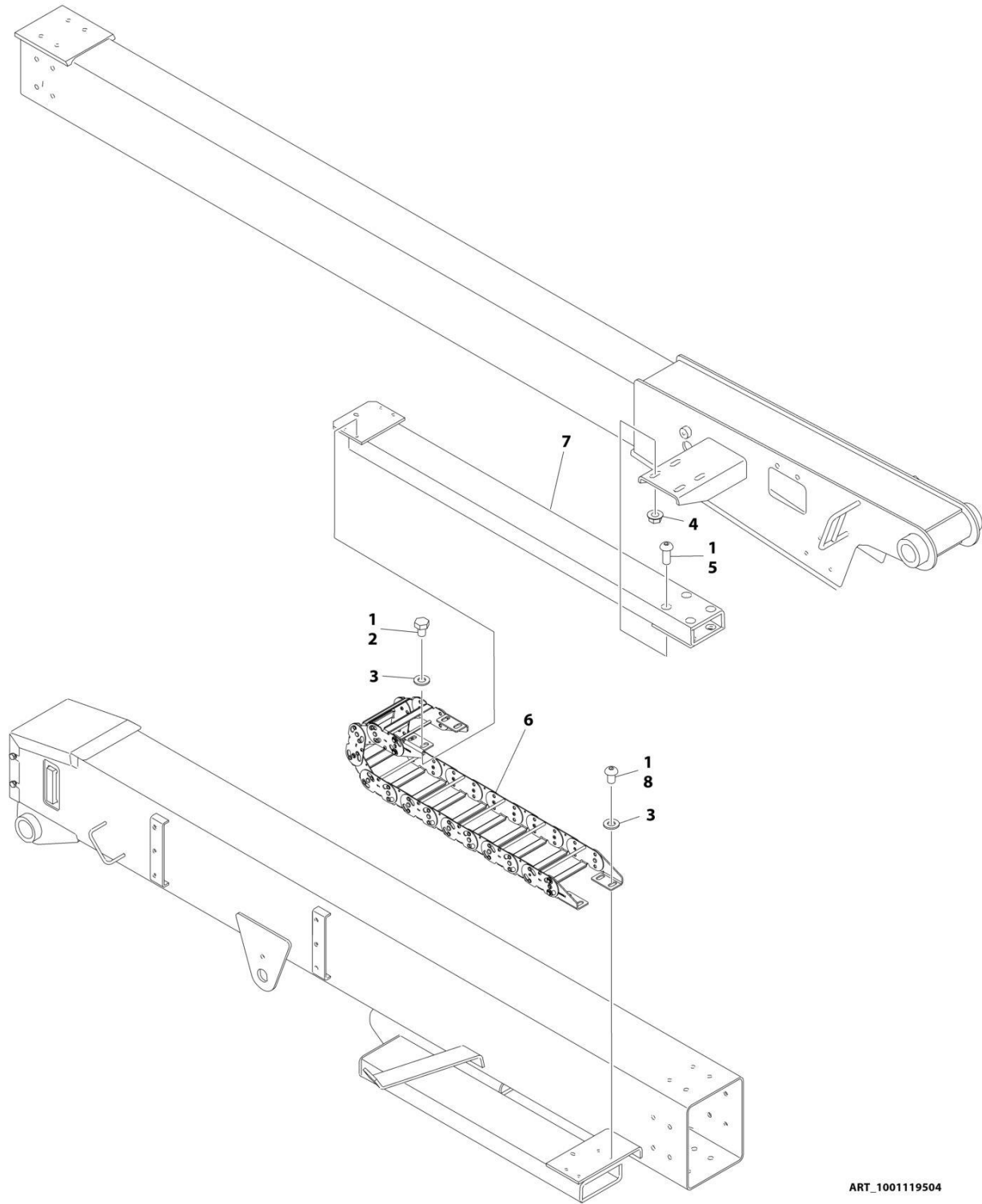
SECTION 4 - BOOM

FIGURE 4-10. PLATFORM SUPPORT INSTALLATION - WITH 1 CELL LSS (PVC 2007)

| ITEM | PART NUMBER | QTY | DESCRIPTION | REV |
|------|-------------|---------------------|---|-----|
| | 1001217227 | Ref | PLATFORM SUPPORT INSTALLATION - WITH 1 CELL LSS | F |
| 1 | 0100011 | AR | Compound, Locking | |
| 2 | 0681608 | 6 | Bolt 3/8 x 1 | |
| 4 | 0761014 | 4 | Bolt M10 x 30 | |
| 5 | 0761215 | 8 | Bolt M12 x 35 | |
| 6 | 3291001 | 4 | Nut M10 | |
| 7 | 3291005 | 2 | Nut M10 | |
| 8 | 3291201 | 3 | Nut M12 | |
| 9 | 3841143 | 4 | Keeper, Pin | |
| 12 | 4812000 | 8 | Washer M10 | |
| 13 | 4812100 | 5 | Washer M12 | |
| 14 | 4891600 | 6 | Washer 3/8 | |
| 15 | 5251008 | 2 | Bolt M10 x 16 | |
| 16 | 5251016 | 2 | Bolt M10 x 40 | |
| 18 | 1001098828 | 2 | Bolt M12 x 70 Grade 10.9 | |
| 20 | 1001247468 | 1 | Gauge, Load Sensing | |
| 21 | 1001188622 | 1 | Screw | |
| 22 | 1001188844 | 1 | Bolt M12 x 35 | |
| 23 | 1001190985 | 1 | Pad, Wear | |
| 24 | 1001200491 | 1 | Pad, Wear | |
| 25 | 1001216630 | 2 | Decal - Tie Down/No Lift | |
| 26 | 1001217228 | 1 | Platform Support | |
| 27 | 1001217242 | 2 | Pin | |
| 28 | 1001217243 | 2 | Pin | |
| 29 | 1001217244 | 2 | Link | |
| 31 | 1001217253 | 8 | Bearing, Thrust | |
| 32 | 1001217254 | 4 | Bearing, Thrust | |
| 33 | 1001217267 | 1 | Support | |
| 34 | 0760610 | 1 | Bolt M6 x 20 | |
| 35 | 1320136 | 1 | Clamp | |
| 36 | 3290605 | 1 | Nut M6 | |
| 38 | 4060804 | 14.4 in/ 36.5cm | Shield | |
| 39 | 4060805 | 15.9 in/ 40.5 cm | Shield | |
| 40 | 4811702 | 3 | Washer M6 | |
| 41 | 1001228627 | 1 | Cover | |
| 42 | 3291205 | 8 | Nut M12 | |
| 43 | 5241200 | 16 | Washer M12 | |
| 44 | 0760606 | 2 | Bolt M6 x 12 | |

SECTION 4 - BOOM

FIGURE 4-11. POWER TRACK INSTALLATION



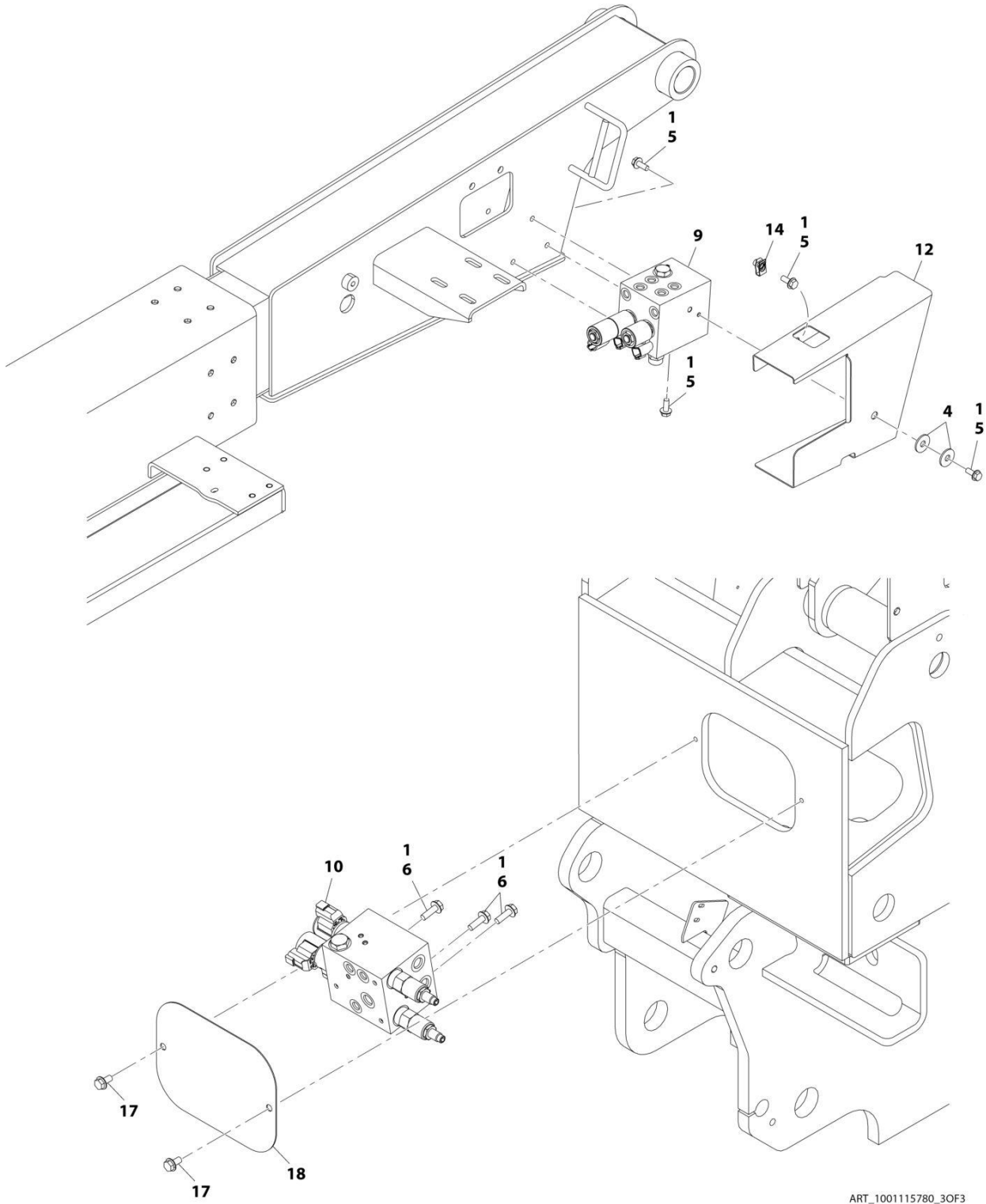
ART_1001119504

FIGURE 4-11. POWER TRACK INSTALLATION

| ITEM | PART NUMBER | QTY | DESCRIPTION | REV |
|------|-------------|-----|--|-----|
| | 1001119504 | Ref | POWER TRACK INSTALLATION | C |
| 1 | 0100011 | AR | Compound, Locking | |
| 2 | 0761007 | 4 | Bolt M10 x 14 | |
| 3 | 4812000 | 8 | Washer M10 | |
| 4 | 5221000 | 4 | Nut M10 Grade 10.9 | |
| 5 | 8310668 | 4 | Screw M10 x 25 Grade 10.9 | |
| 6 | 1001224891 | 1 | Carrier, Power Track | |
| 6 | 70006269 | 1 | Repair Kit (Includes 10 Link Section of Track) | |
| 6 | 70006280 | 1 | Bracket Kit (Includes 4 Mounting Feet and Hardware to Attach to Track) | |
| 7 | 1001119513 | 1 | Tube, Support | |
| 8 | 1001119527 | 4 | Screw M10 x 16 | |

SECTION 4 - BOOM

FIGURE 4-12. CONTROL VALVES INSTALLATION - BOOM



ART_1001115780_30F3

SECTION 4 - BOOM**FIGURE 4-12. CONTROL VALVES INSTALLATION - BOOM**

| ITEM | PART NUMBER | QTY | DESCRIPTION | REV |
|-------------|--------------------|------------|--|------------|
| | 1001115780 | Ref | CONTROL VALVES INSTALLATION - BOOM | G |
| 1 | 0100011 | AR | Compound, Locking | |
| 4 | 4812002 | 2 | Washer M10 | |
| 5 | 5250810 | 10 | Bolt M8 x 20 | |
| 6 | 5250812 | 3 | Bolt M8 x 25 | |
| 9 | 1001116228 | 1 | Fly Boom Valve Assembly (See Separate Breakdown in this Section) | |
| 10 | 1001136244 | 1 | Boom Upright Valve Assembly (See Separate Breakdown in this Section) | |
| 12 | 1001116835 | 1 | Shield | |
| 14 | 1001118274 | 1 | Nut M8 | |
| 17 | 5250808 | 2 | Bolt M8 x 16 | |
| 18 | 1001118595 | 1 | Cover | |

SECTION 4 - BOOM

FIGURE 4-13. FLY BOOM VALVE ASSEMBLY

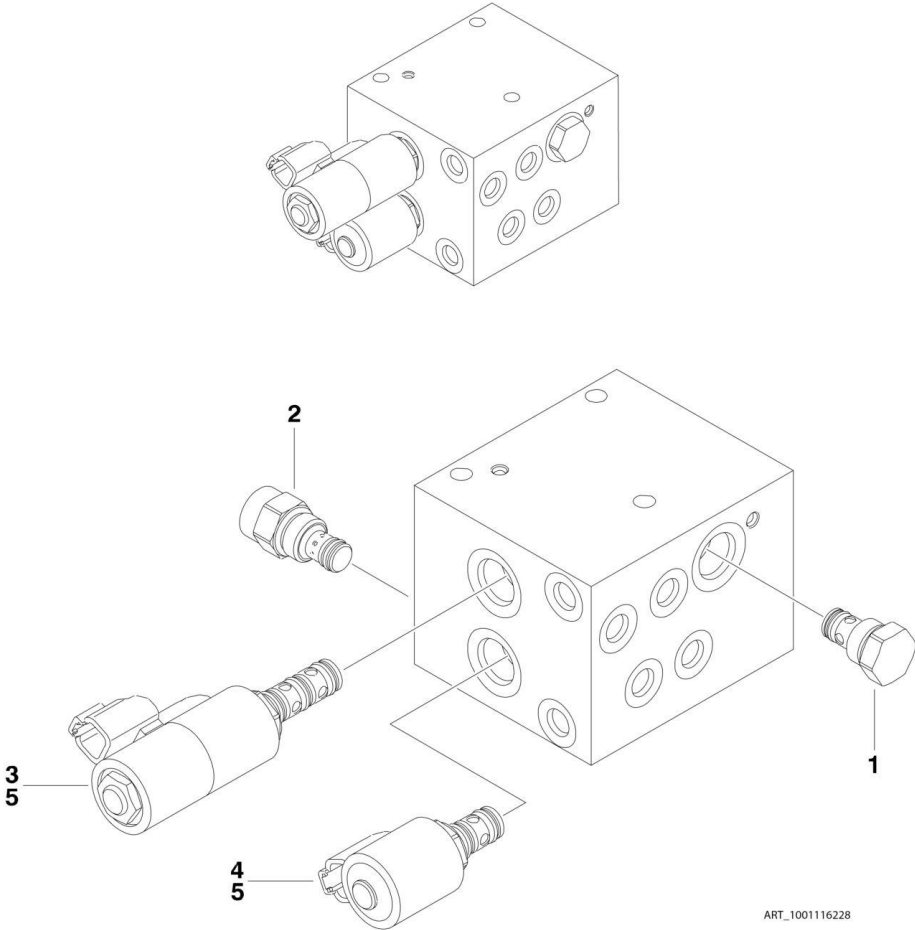
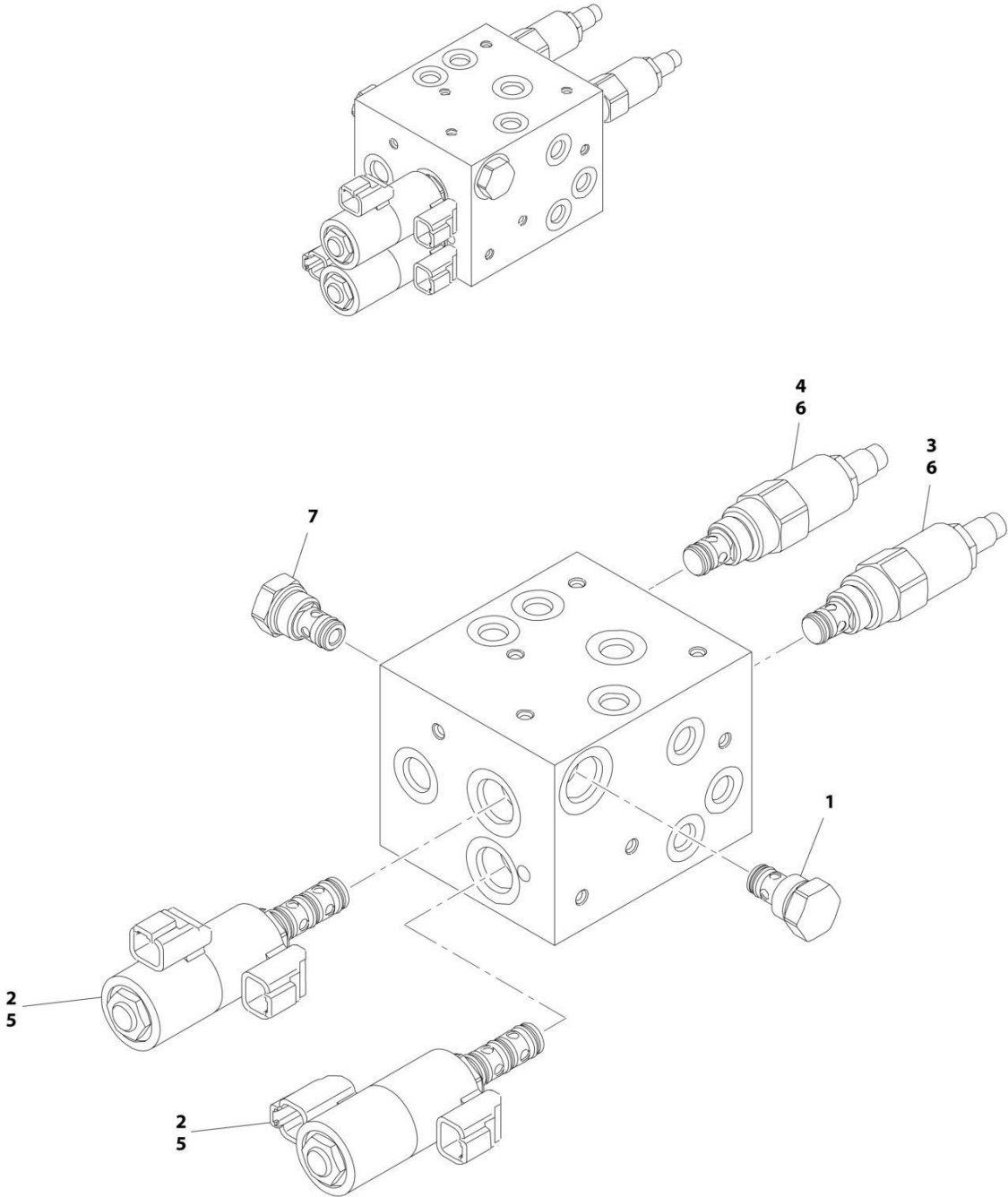


FIGURE 4-13. FLY BOOM VALVE ASSEMBLY

| ITEM | PART NUMBER | QTY | DESCRIPTION | REV |
|------|-------------|-----|---|-----|
| | 1001116228 | Ref | FLY BOOM VALVE ASSEMBLY | D |
| 1 | 7012955 | 1 | Cartridge, Check Valve | |
| 1 | 7012967 | 1 | Seal Kit - 7012955 Cartridge | |
| 2 | 7023970 | 1 | Cartridge, Flow Regulator | |
| 2 | 7012953 | 1 | Seal Kit - 7023970 Cartridge | |
| 3 | 7017452 | 1 | Cartridge, Solenoid Valve (without Coil) (Rotate) | |
| 3 | 7017402 | 1 | Seal Kit - 7017452 Cartridge | |
| 4 | 7012941 | 1 | Cartridge, Solenoid Valve (without Coil) (Jib) | |
| 4 | 7010543 | 1 | Seal Kit - 7012941 Cartridge | |
| 5 | 70002386 | 3 | Coil | |

SECTION 4 - BOOM

FIGURE 4-14. BOOM UPRIGHT VALVE ASSEMBLY



ART_1001136244

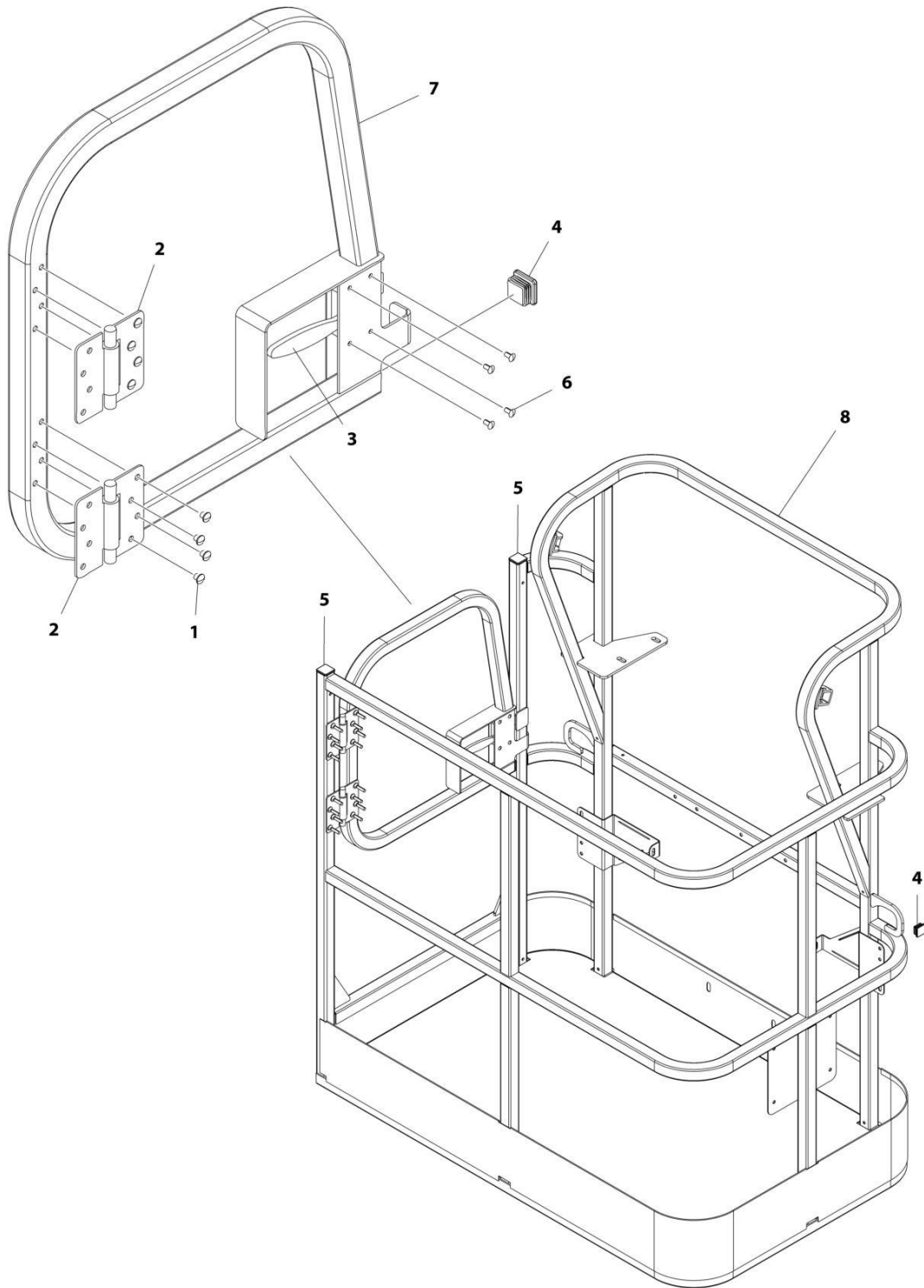
FIGURE 4-14. BOOM UPRIGHT VALVE ASSEMBLY

| ITEM | PART NUMBER | QTY | DESCRIPTION | REV |
|------|-------------|-----|---|-----|
| | 1001136244 | Ref | BOOM UPRIGHT VALVE ASSEMBLY | C |
| 1 | 7012955 | 2 | Cartridge, Check Valve | |
| 1 | 7012967 | 2 | Seal Kit - 7012955 Cartridge | |
| 2 | 7017452 | 2 | Cartridge, Solenoid Valve (without Coil) (Telescope/Platform Level) | |
| 2 | 7017402 | 2 | Seal Kit - 7017452 Cartridge | |
| 3 | 7017427 | 1 | Cartridge, Relief | |
| 3 | 7012998 | 1 | Seal Kit - 7017427 Cartridge | |
| 4 | 70002954 | 1 | Cartridge, Relief | |
| 4 | 7012998 | 1 | Seal Kit - 70002954 Cartridge | |
| 5 | 70002963 | 4 | Coil | |
| 6 | See Note | 2 | Orifice (Note: Not Available for Purchase) | |
| 7 | 7017498 | 1 | Piston, Pilot | |

SECTION 5 - PLATFORM

SECTION 5 - PLATFORM

FIGURE 5-1. PLATFORM ASSEMBLY - 30IN X 4FT (76CM X 1.22M) - GATE ENTRY



ART_1001186387

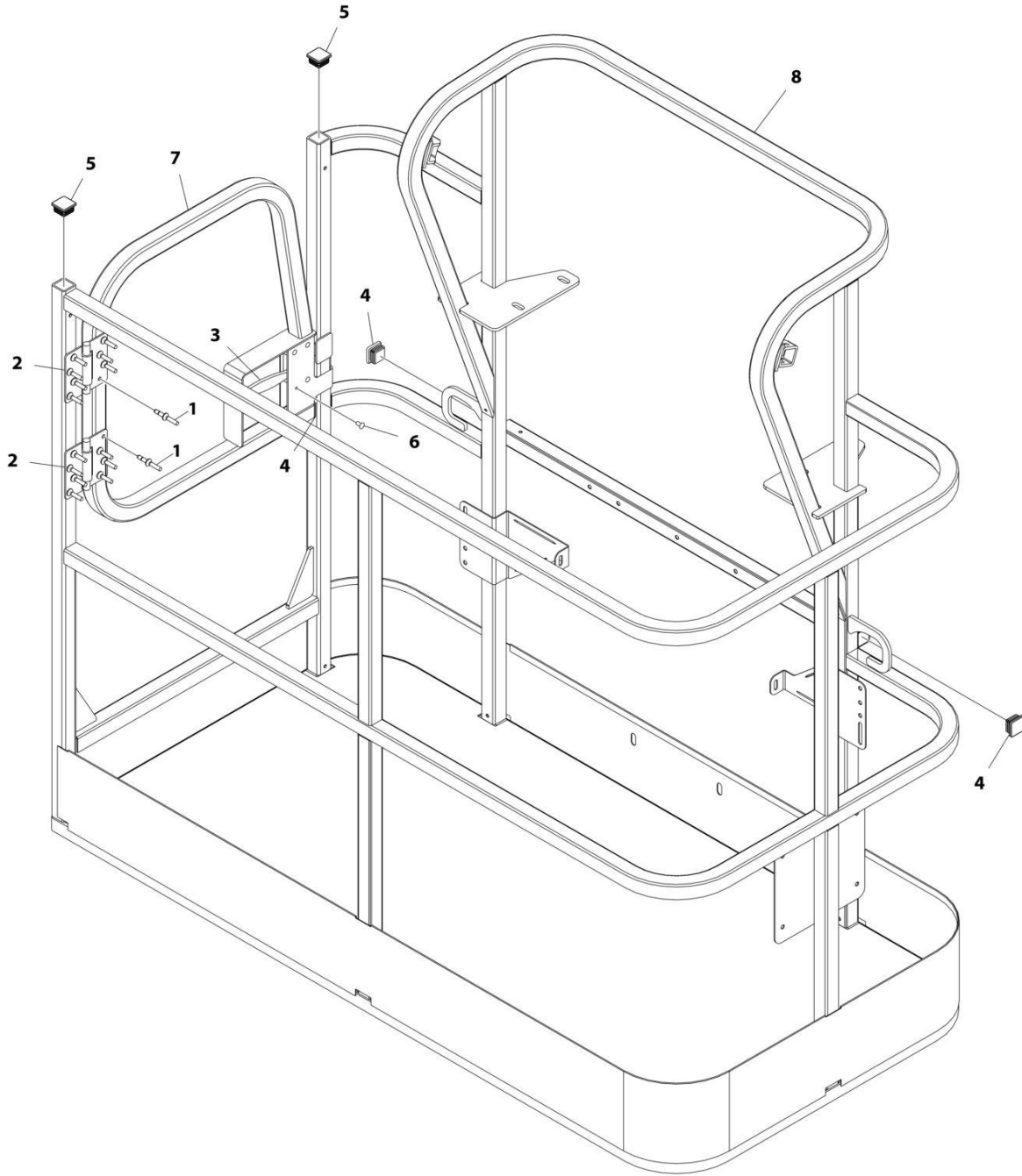
SECTION 5 - PLATFORM

FIGURE 5-1. PLATFORM ASSEMBLY - 30IN X 4FT (76CM X 1.22M) - GATE ENTRY

| ITEM | PART NUMBER | QTY | DESCRIPTION | REV |
|------|-------------|-----|---|-----|
| | 1001186387 | Ref | PLATFORM ASSEMBLY | C |
| | | Ref | Note: Platform and Mesh must be ordered separately for Platforms with Mesh. See SPECIAL OPTIONS SECTION for Mesh Installations. | |
| | | Ref | Note: Replacement Decals Must be Ordered Separately - See DECALS SECTION. | |
| 1 | 2080040 | 16 | Fastener, Huck | |
| 2 | 2600281 | 2 | Hinge, Self-Closing | |
| 3 | 2940074 | 1 | Latch | |
| 4 | 3520072 | 3 | Plug | |
| 5 | 3520198 | 2 | Plug | |
| 6 | 3820020 | 4 | Rivet | |
| 7 | 1001144629 | 1 | Gate | |
| 8 | See Note | 1 | Platform (Note: Not Available - Purchase Platform Assembly) | |

SECTION 5 - PLATFORM

FIGURE 5-2. PLATFORM ASSEMBLY - 30IN X 5FT (76CM X 1.52M) - GATE ENTRY



ART_1001186386

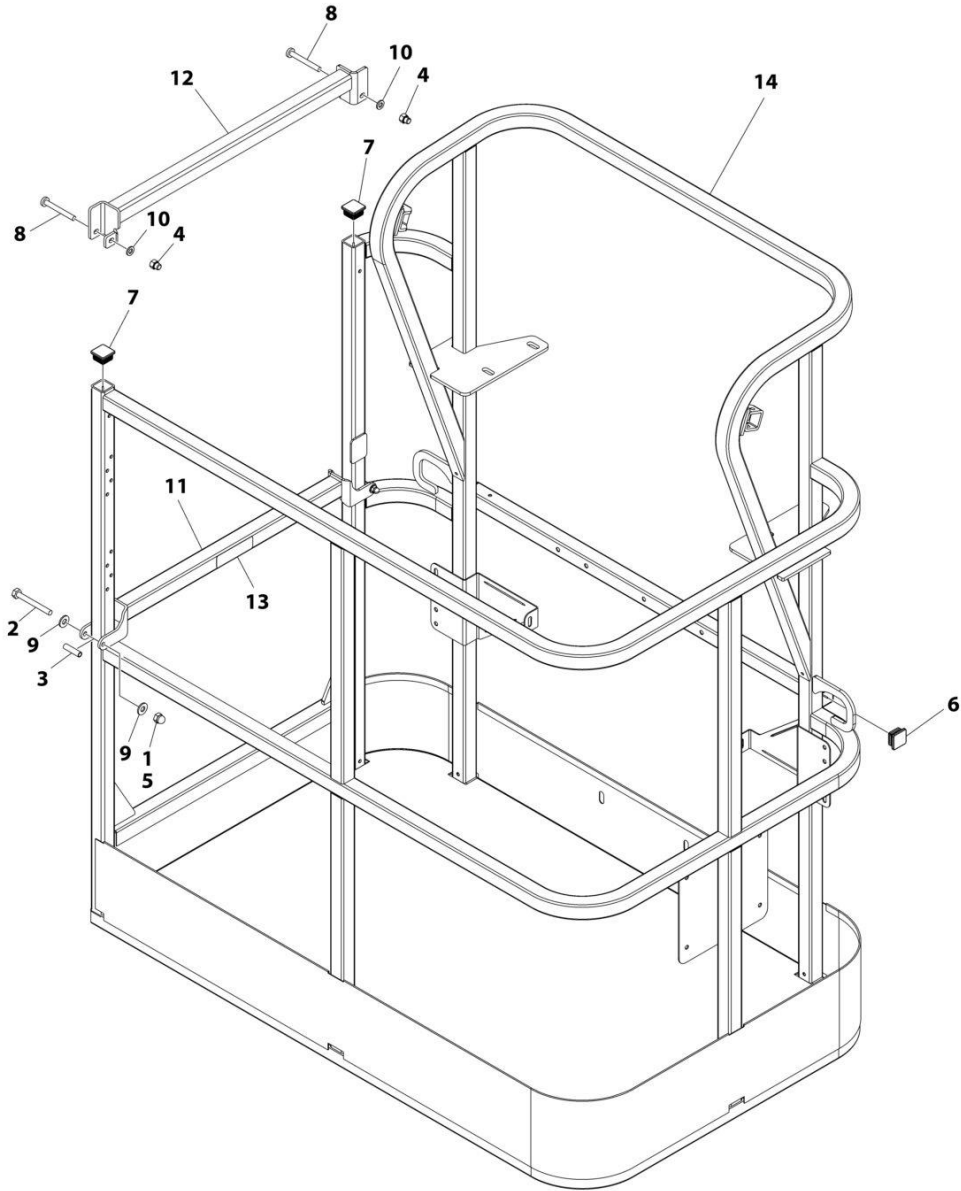
SECTION 5 - PLATFORM

FIGURE 5-2. PLATFORM ASSEMBLY - 30IN X 5FT (76CM X 1.52M) - GATE ENTRY

| ITEM | PART NUMBER | QTY | DESCRIPTION | REV |
|------|-------------|-----|---|-----|
| | 1001186386 | Ref | PLATFORM ASSEMBLY | C |
| | | Ref | Note: Platform and Mesh must be ordered separately for Platforms with Mesh. See SPECIAL OPTIONS SECTION for Mesh Installations. | |
| | | Ref | Note: Replacement Decals Must be Ordered Separately - See DECALS SECTION. | |
| 1 | 2080040 | 16 | Fastener, Huck | |
| 2 | 2600281 | 2 | Hinge, Self-Closing | |
| 3 | 2940074 | 1 | Latch | |
| 4 | 3520072 | 3 | Plug | |
| 5 | 3520198 | 2 | Plug | |
| 6 | 3820020 | 4 | Rivet | |
| 7 | 1001144629 | 1 | Gate | |
| 8 | See Note | NSS | Platform (Note: Not Available - Purchase Platform Assembly) | |

SECTION 5 - PLATFORM

FIGURE 5-3. PLATFORM ASSEMBLY - 30IN X 4FT (76CM X 1.22M) - DROP BAR ENTRY



ART_1001186375

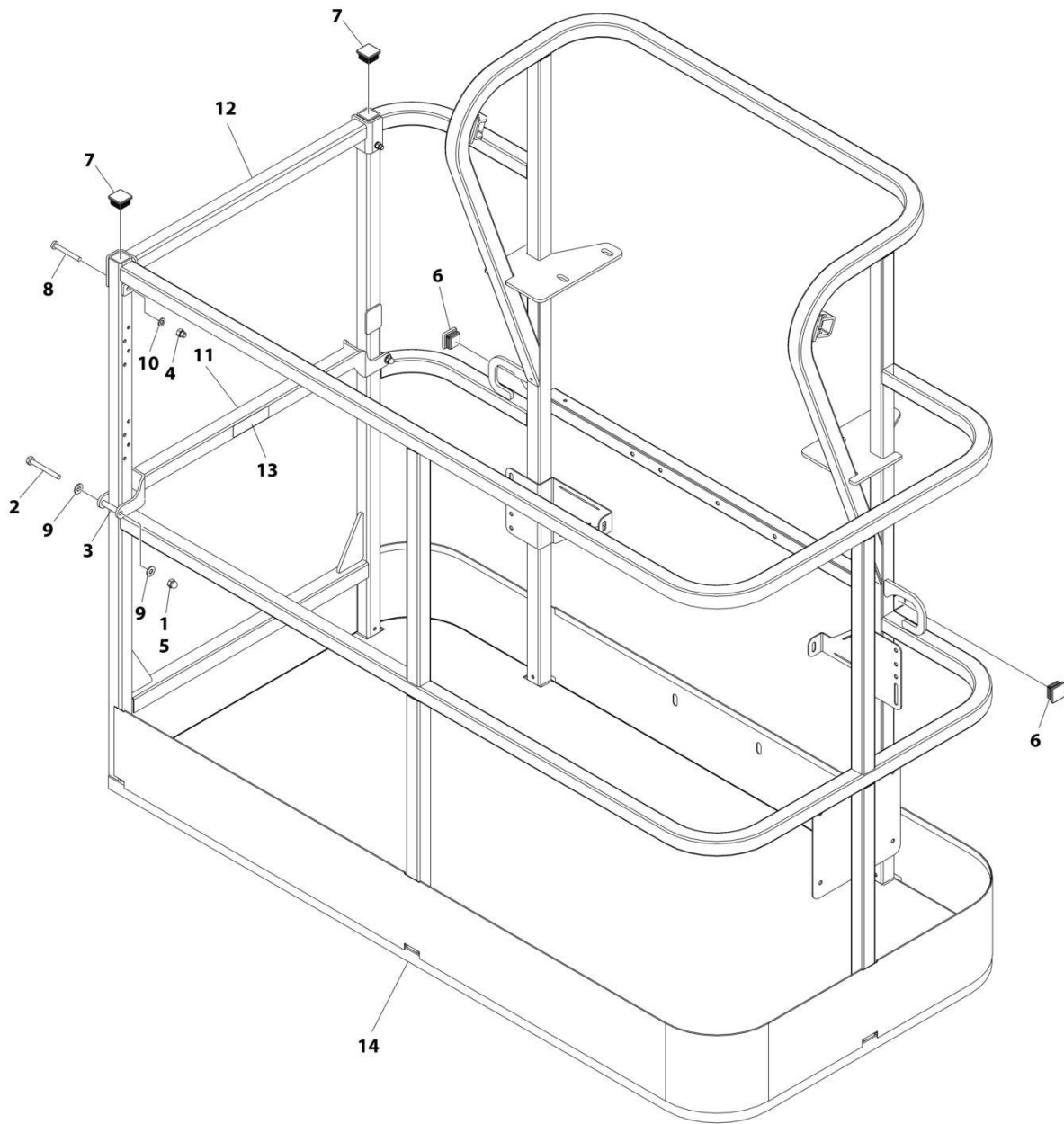
SECTION 5 - PLATFORM

FIGURE 5-3. PLATFORM ASSEMBLY - 30IN X 4FT (76CM X 1.22M) - DROP BAR ENTRY

| ITEM | PART NUMBER | QTY | DESCRIPTION | REV |
|------|-------------|-----|---|-----|
| | 1001186375 | Ref | PLATFORM ASSEMBLY | B |
| | | Ref | Note: Platform and Mesh must be ordered separately for Platforms with Mesh. See SPECIAL OPTIONS SECTION for Mesh Installations. | |
| | | Ref | Note: Replacement Decals Must be Ordered Separately - See DECALS SECTION. | |
| 1 | 0100011 | AR | Compound, Locking | |
| 2 | 0641418 | 2 | Bolt 1/4 x 2-1/4 | |
| 3 | 0961845 | 2 | Bushing | |
| 4 | 3290606 | 2 | Nut M6 | |
| 5 | 3300151 | 2 | Nut 1/4 | |
| 6 | 3520072 | 2 | Plug | |
| 7 | 3520198 | 2 | Plug | |
| 8 | 4010618 | 2 | Screw M6 x 50 | |
| 9 | 4711400 | 4 | Washer 1/4 | |
| 10 | 4811700 | 2 | Washer M6 | |
| 11 | 1001138494 | 1 | Bar, Drop | |
| 12 | 1001138514 | 1 | Rail - Top | |
| 13 | 1001140429 | 1 | Decal - Drop Bar | |
| 14 | See Note | 1 | Platform (Note: Not Available - Purchase Platform Assembly) | |

SECTION 5 - PLATFORM

FIGURE 5-4. PLATFORM ASSEMBLY - 30IN X 5FT (76CM X 1.52M) - DROP BAR ENTRY



ART_1001186377

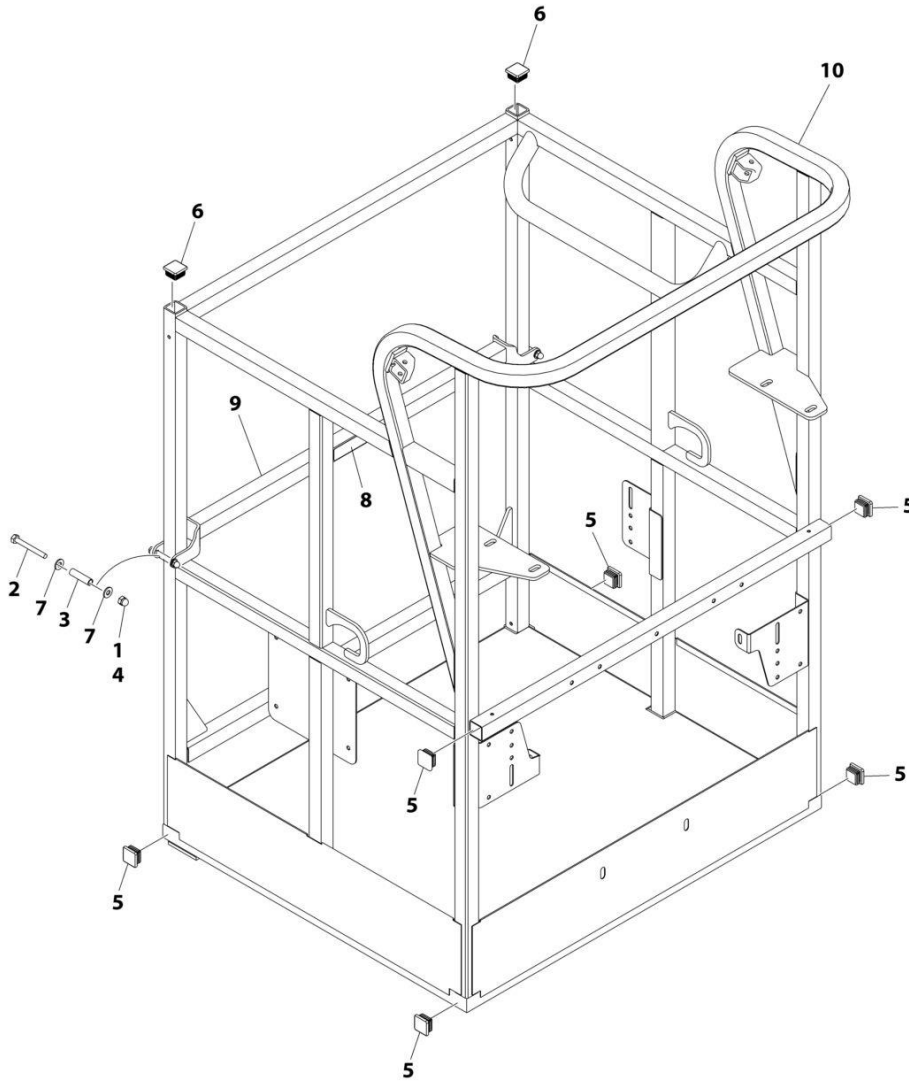
SECTION 5 - PLATFORM

FIGURE 5-4. PLATFORM ASSEMBLY - 30IN X 5FT (76CM X 1.52M) - DROP BAR ENTRY

| ITEM | PART NUMBER | QTY | DESCRIPTION | REV |
|------|-------------|-----|---|-----|
| | 1001186377 | Ref | PLATFORM ASSEMBLY | C |
| | | Ref | Note: Platform and Mesh must be ordered separately for Platforms with Mesh. See SPECIAL OPTIONS SECTION for Mesh Installations. | |
| | | Ref | Note: Replacement Decals Must be Ordered Separately - See DECALS SECTION. | |
| 1 | 0100011 | AR | Compound, Locking | |
| 2 | 0641420 | 2 | Bolt 1/4 x 2-1/2 | |
| 3 | 0961845 | 2 | Bushing | |
| 4 | 3290606 | 2 | Nut M6 | |
| 5 | 3300151 | 2 | Nut 1/4 | |
| 6 | 3520072 | 2 | Plug | |
| 7 | 3520198 | 2 | Plug | |
| 8 | 4010618 | 2 | Screw M6 x 50 | |
| 9 | 4711400 | 4 | Washer 1/4 | |
| 10 | 4811700 | 2 | Washer M6 | |
| 11 | 1001138494 | 1 | Bar, Drop | |
| 12 | 1001138514 | 1 | Rail (Top) | |
| 13 | 1001140429 | 1 | Decal - Drop Bar | |
| 14 | See Note | NSS | Platform (Note: Not Available - Purchase Platform Assembly) | |

SECTION 5 - PLATFORM

FIGURE 5-5. PLATFORM ASSEMBLY - 30IN X 3FT (76CM X .91M) - DROP BAR ENTRY



ART_1001228215

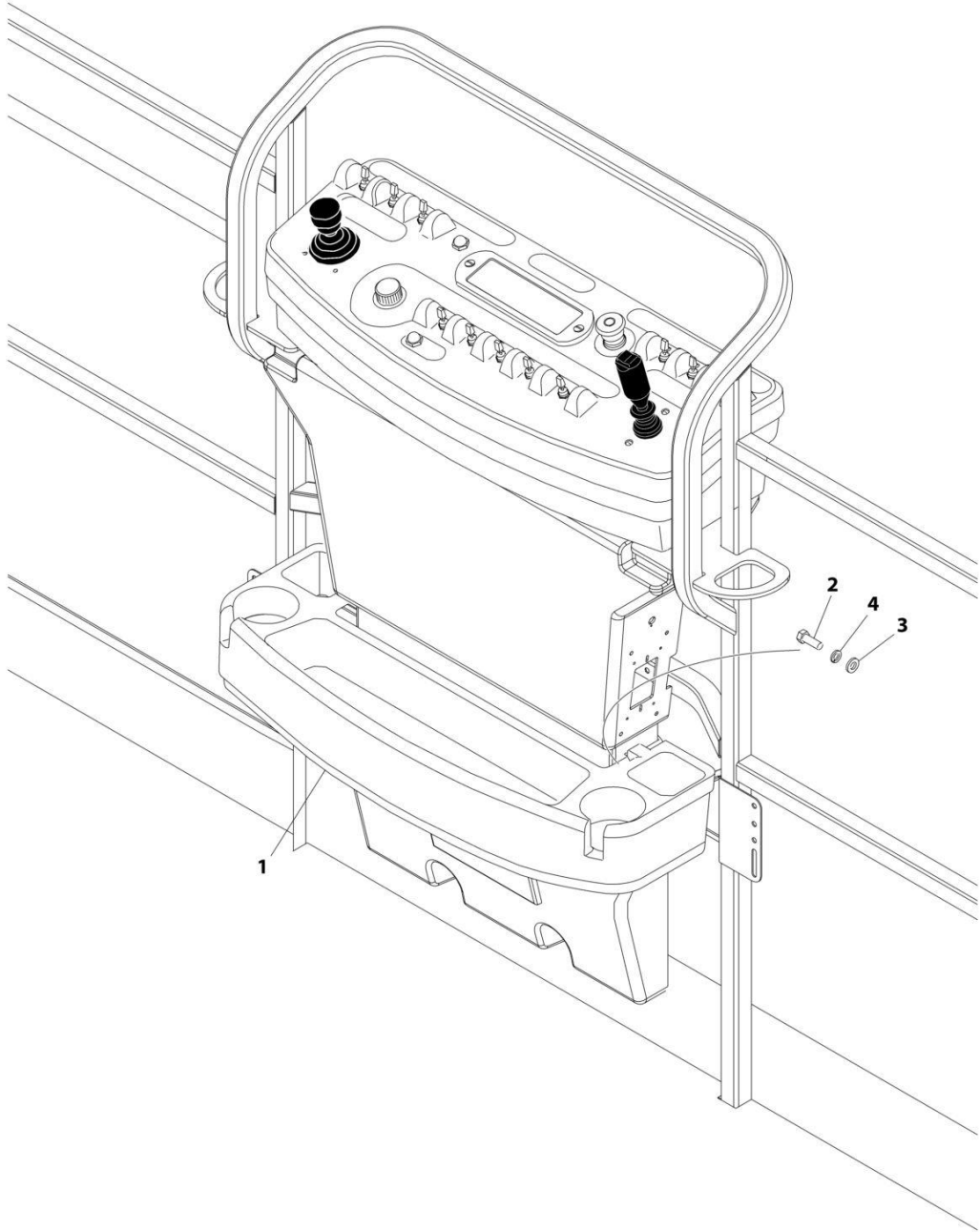
SECTION 5 - PLATFORM

FIGURE 5-5. PLATFORM ASSEMBLY - 30IN X 3FT (76CM X .91M) - DROP BAR ENTRY

| ITEM | PART NUMBER | QTY | DESCRIPTION | REV |
|------|-------------|-----|---|-----|
| | 1001228215 | Ref | PLATFORM ASSEMBLY | A |
| | See Note | Ref | Note: Platform and Mesh must be ordered separately for Platforms with Mesh. See SPECIAL OPTIONS SECTION for Mesh Installations. | |
| | See Note | Ref | Note: Replacement Decals Must be Ordered Separately - See DECAL SECTION. | |
| 1 | 0100011 | AR | Compound, Locking | |
| 2 | 0641418 | 2 | Bolt 1/4 x 2-1/4 | |
| 3 | 0961845 | 2 | Bushing | |
| 4 | 3300151 | 2 | Nut 1/4 | |
| 5 | 3520072 | 6 | Cap, Plug | |
| 6 | 3520198 | 2 | Cap, Plug | |
| 7 | 4711400 | 4 | Washer 1/4 | |
| 8 | 1001140429 | 1 | Decal - Drop Bar | |
| 9 | 1001226872 | 1 | Bar, Drop | |
| 10 | See Note | NSS | Platform (Note: Not Available - Purchase Platform Assembly) | |

SECTION 5 - PLATFORM

FIGURE 5-6. TRAY INSTALLATION



ART_1580012

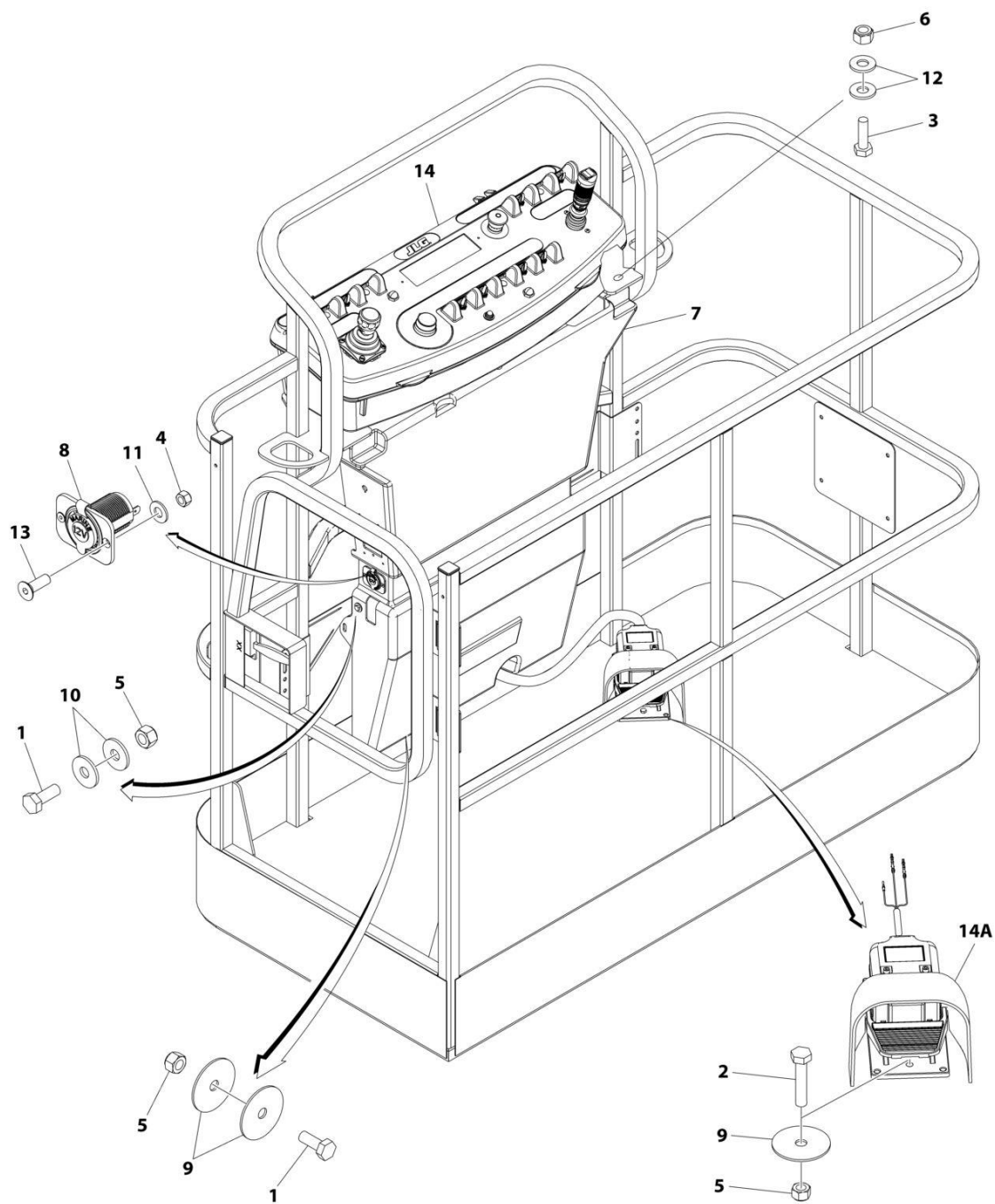
SECTION 5 - PLATFORM

FIGURE 5-6. TRAY INSTALLATION

| ITEM | PART NUMBER | QTY | DESCRIPTION | REV |
|------|-------------|-----|---|-----|
| | 1580012 | Ref | TRAY ASSEMBLY | C |
| 1 | See Note | NSS | Tray, Storage (Center) (Note: Purchase p/n 1580012) | |
| 2 | 0641406 | 2 | Bolt 1/4 x 3/4 | |
| 3 | 4751400 | 2 | Washer 1/4 | |
| 4 | 4761400 | 2 | Washer 1/4 | |

SECTION 5 - PLATFORM

FIGURE 5-7. CONSOLE AND FOOTSWITCH INSTALLATION - DIESEL MACHINES



ART_1001245407

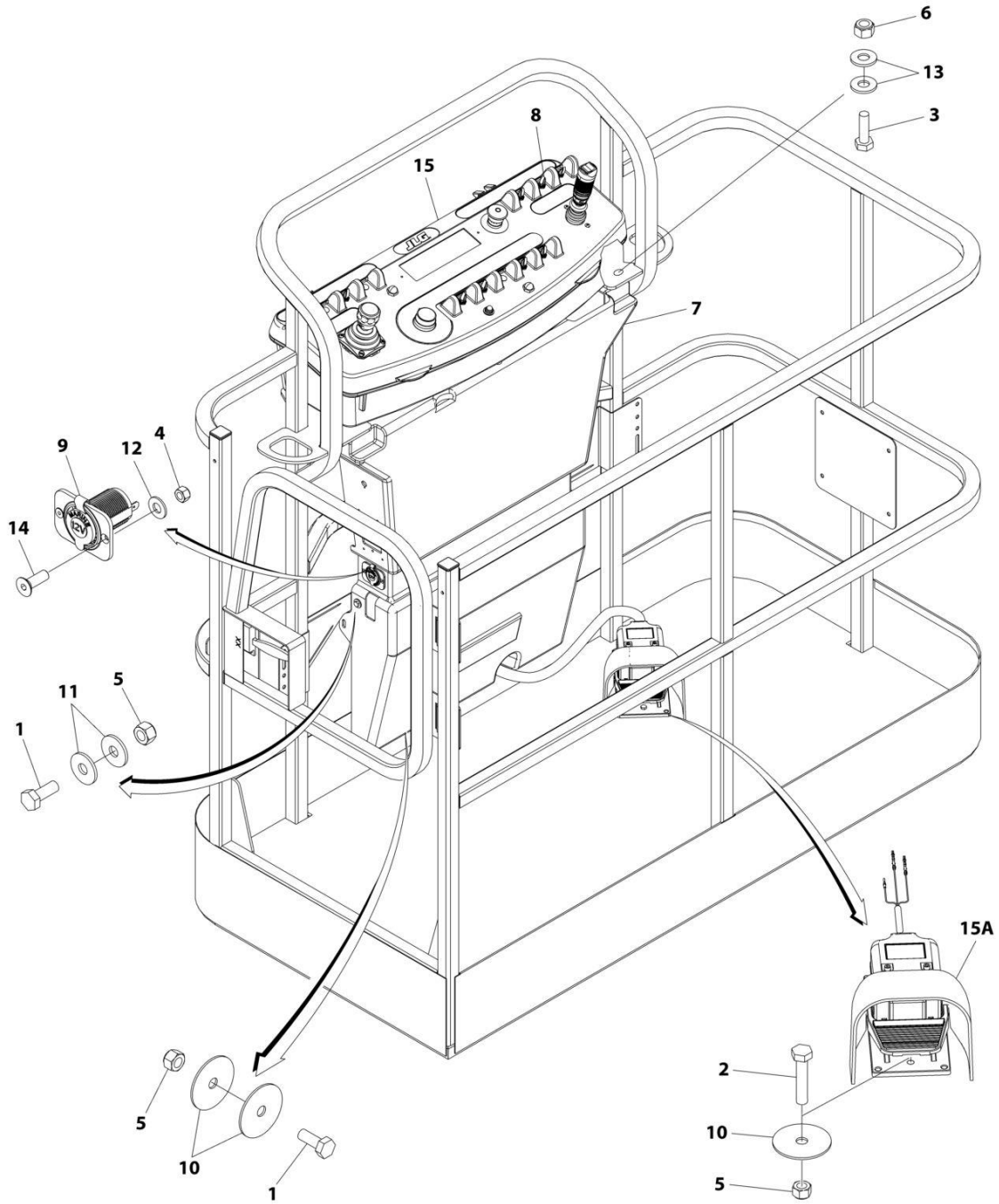
SECTION 5 - PLATFORM

FIGURE 5-7. CONSOLE AND FOOTSWITCH INSTALLATION - DIESEL MACHINES

| ITEM | PART NUMBER | QTY | DESCRIPTION | REV |
|------|-------------|-----------------|--|-----|
| | 1001245407 | Ref | CONSOLE AND FOOTSWITCH INSTALLATION - DIESEL MACHINES WITHOUT SKYGUARD | C |
| 1 | 0760610 | 4 | Bolt M6 x 16 | |
| 2 | 0760614 | 3 | Bolt M6 x 30 | |
| 3 | 0761015 | 4 | Bolt M10 x 35 | |
| 4 | 3290405 | AR | Nut M4 | |
| 5 | 3290605 | 7 | Nut M6 | |
| 6 | 3291005 | 4 | Nut M10 | |
| 7 | 3380434 | 1 | Panel, Pedestal | |
| 8 | 4461012 | AR | Receptacle, 12V | |
| 9 | 4740362 | 7 | Washer 1/4 | |
| 10 | 4751400 | 2 | Washer M4 | |
| 11 | 4811400 | AR | Washer M4 | |
| 12 | 4812000 | 8 | Washer M10 | |
| 13 | 1001097244 | AR | Capscrew M4 x 12 | |
| 14 | 1001245389 | 2 | Console Box Assembly (See Separate Breakdown in this Section) | |
| 14A | 1001117174 | 1 | Footswitch Assembly | B |
| 14A | 1001117172 | 1 | Footswitch Less Cable | |
| 14A | 70002902 | 1 | Block, Contact | |
| 14A | 70002903 | 1 | Gasket | |
| 14A | 70002905 | 1 | Cover | |
| 14A | 70002904 | 1 | Bolt Replacement Kit | |
| 14A | 1060918 | 7.5 ft /2.3m | Cable, Electrical - 18/3 | |
| 14A | 4460071 | 1 | Connector, Strain Relief | |
| 14A | 4460226 | 2 | Socket, Female | |
| 14A | 4460464 | 1 | Pin, Male | |

SECTION 5 - PLATFORM

FIGURE 5-8. CONSOLE AND FOOTSWITCH INSTALLATION - GAS MACHINES



ART_1001245427

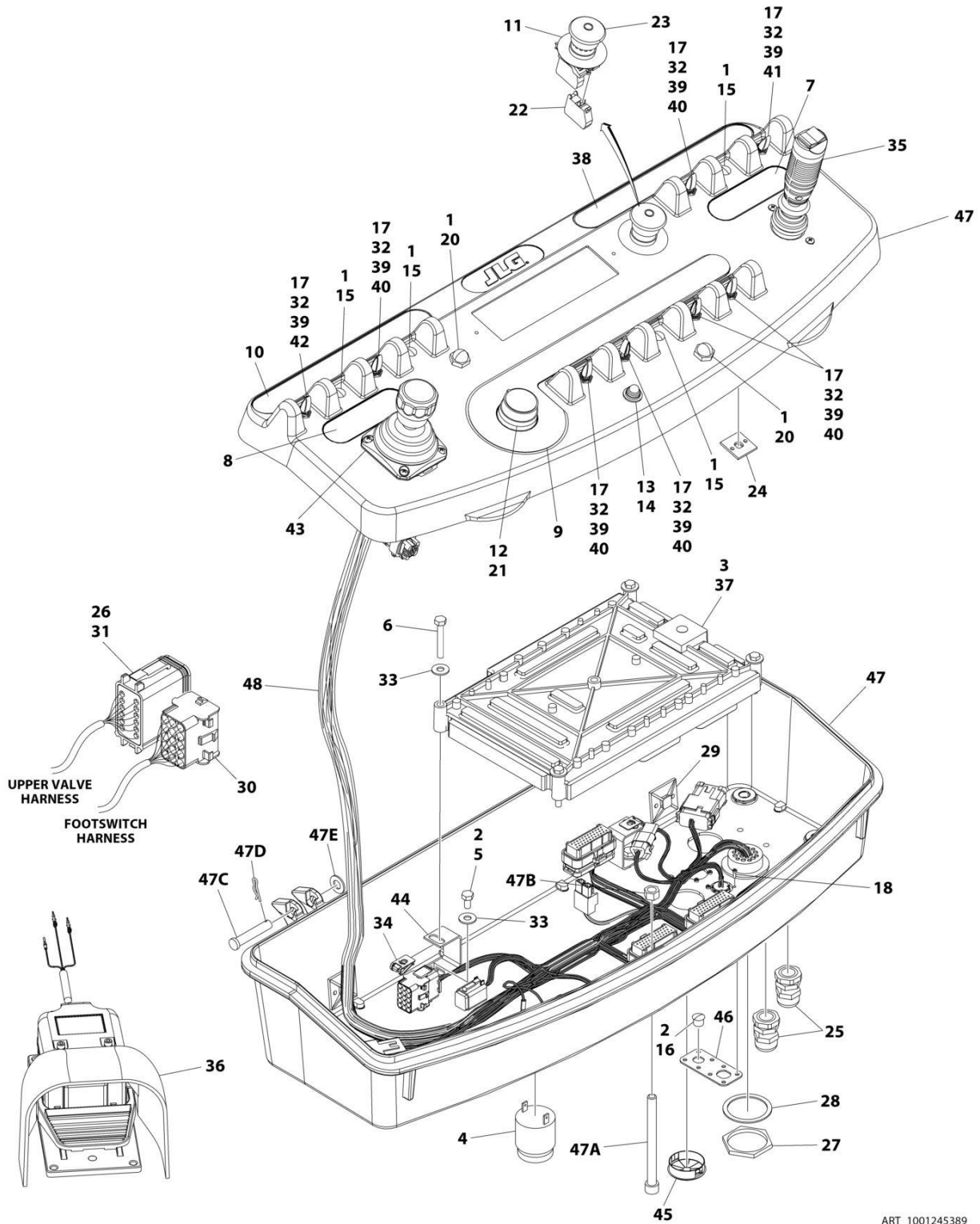
SECTION 5 - PLATFORM

FIGURE 5-8. CONSOLE AND FOOTSWITCH INSTALLATION - GAS MACHINES

| ITEM | PART NUMBER | QTY | DESCRIPTION | REV |
|------|-------------|-----------------|---|-----|
| | 1001245427 | Ref | CONSOLE AND FOOTSWITCH INSTALLATION - GAS MACHINES WITHOUT SKYGUARD | B |
| 1 | 0700610 | 4 | Bolt M6 x 16 | |
| 2 | 0760614 | 3 | Bolt M6 x 30 | |
| 3 | 0761015 | 4 | Bolt M10 x 35 | |
| 4 | 3290405 | 2 | Nut M4 | |
| 5 | 3290605 | 7 | Nut M6 | |
| 6 | 3291005 | 4 | Nut M10 | |
| 7 | 3380434 | 1 | Panel, Pedestal | |
| 8 | 4360336 | 1 | Switch, Toggle | |
| 9 | 4461012 | 1 | Receptacle, 12V | |
| 10 | 4740362 | 7 | Washer 1/4 | |
| 11 | 4751400 | 2 | Washer M4 | |
| 12 | 4811400 | 4 | Washer M4 | |
| 13 | 4812000 | 8 | Washer M10 | |
| 14 | 1001097244 | 1 | Capscrew M4 x 12 | |
| 15 | 1001245389 | 2 | Console Box Assembly (See Separate Breakdown in this Section) | |
| 15A | 1001117174 | 1 | Footswitch Assembly | B |
| 15A | 1001117172 | 1 | Footswitch Less Cable | |
| 15A | 70002902 | 1 | Block, Contact | |
| 15A | 70002903 | 1 | Gasket | |
| 15A | 70002905 | 1 | Cover | |
| 15A | 70002904 | 1 | Bolt Replacement Kit | |
| 15A | 1060918 | 7.5 ft /2.3m | Cable, Electrical - 18/3 | |
| 15A | 4460071 | 1 | Connector, Strain Relief | |
| 15A | 4460226 | 2 | Socket, Female | |
| 15A | 4460464 | 1 | Pin, Male | |

SECTION 5 - PLATFORM

FIGURE 5-9. CONSOLE ASSEMBLY



SECTION 5 - PLATFORM

FIGURE 5-9. CONSOLE ASSEMBLY

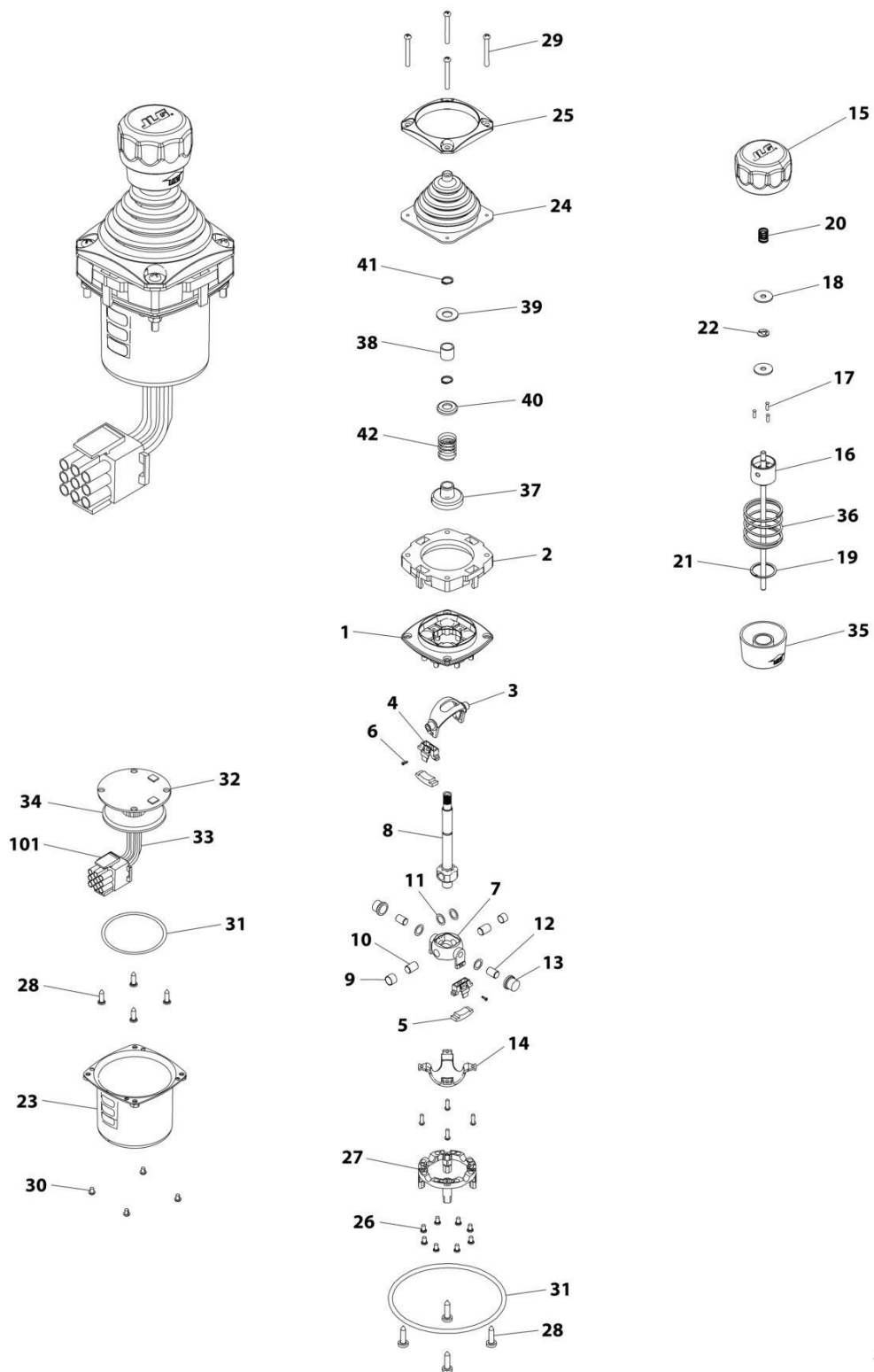
| ITEM | PART NUMBER | QTY | DESCRIPTION | REV |
|------|-------------|-----|---|-----|
| | 1001245389 | Ref | CONSOLE ASSEMBLY - WITHOUT SKYGUARD | C |
| 1 | 0100009 | AR | Sealant | |
| 2 | 0100035 | AR | Compound, Locking | |
| 3 | 0100048 | AR | Grease, Dielectric | |
| 4 | 0140011 | 1 | Alarm | |
| 5 | 0641404 | 4 | Bolt 1/4 x 1/2 | |
| 6 | 0700617 | 4 | Bolt M6 x 45 | |
| 7 | 1702565 | 1 | Decal - Drive and Steer | |
| 8 | 1702566 | 1 | Decal - Lift and Swing | |
| 9 | 1702567 | 1 | Decal - Function Speed | |
| 10 | 1702676 | 1 | Decal - Horn | |
| 11 | 1704260 | 1 | Decal - EMS | |
| 12 | 2560136 | 1 | Handle, Knob | |
| 13 | 2920028 | 1 | Light, Indicator | |
| 14 | 2920029 | 1 | Lamp, Bulb | |
| 15 | 3520028 | 4 | Plug, Hole | |
| 16 | 3520054 | 1 | Plug, Hole | |
| 17 | 3790012 | 8 | O-Ring | |
| 18 | 3900349 | 8 | Capscrew M2.5 | |
| 19 | 4240032 | AR | Tie-Strap (Not-Shown) | |
| 20 | 4360387 | 2 | Switch, Push-button | |
| 21 | 4360407 | 1 | Switch, Potentiometer | |
| 22 | 4360475 | 1 | Switch, Emergency | |
| 23 | 4360476 | 1 | Block, Contact | |
| 24 | 4460234 | 3 | Mount, Tie-strap | |
| 25 | 4460428 | 2 | Connector, Strain Relief | |
| 26 | 4460466 | 7 | Plug, Terminal | |
| 27 | 4460470 | 1 | Nut, Terminal | |
| 28 | 4460471 | 1 | Washer, Terminal | |
| 29 | 4460488 | 2 | Mount, Terminal | |
| 30 | 4460708 | 1 | Connector, Bussbar - 15 Position | |
| 31 | 4460933 | 1 | Plug, Male - 12 Position | |
| 32 | 4740397 | 8 | Spacer | |
| 33 | 4751400 | 8 | Washer 1/4 | |
| 34 | 8305919 | 4 | Nut M6 | |
| 35 | 1001166538 | 1 | Drive/Steer Controller Assembly (Use p/n 1001212415) (See Separate Breakdown in this Section) | |
| 36 | 1001117174 | 1 | Footswitch Assembly (See Separate Breakdown in this Section) | |
| 37 | 1001118412 | 1 | Module, Platform (Note: Re-calibration Required when Replaced) | |
| 38 | 1001131168 | 1 | Decal - Stop | |
| 39 | 1001155044 | 8 | Nut 15/32 | |
| 40 | 1001155045 | 6 | Switch, Toggle | |
| 41 | 1001159256 | 1 | Switch, Toggle | |
| 42 | 1001161709 | 1 | Switch, Toggle | |
| 43 | 1001166539 | 1 | Lift/Swing Controller Assembly (Use p/n 1001129555) See Separate Breakdown in this Section) | |
| 44 | 1001172760 | 4 | Bracket | |
| 45 | 1001185281 | 1 | Plug | |
| 46 | 1001213882 | 1 | Mount, Connector | |
| 47 | 1001215228 | 1 | Platform Console Box | |

SECTION 5 - PLATFORM

| ITEM | PART NUMBER | QTY | DESCRIPTION | REV |
|------|-------------|-----|--|-----|
| 47A | 0630568 | 1 | Capscrew 3/8 x 4-1/2 | |
| 47B | 3311601 | 1 | Nut 3/8 | |
| 47C | 3430616 | 2 | Pin | |
| 47D | 3470003 | 2 | Hairpin | |
| 47E | 4711600 | 2 | Washer 3/8 | |
| 48 | 1001244528 | 1 | Platform Console Harness (See Separate Breakdown in ELECTRICAL Section) | |
| 49 | 1001140525 | 1 | Valve Harness - Platform to Boom Valves (Not Shown - See Separate Breakdown in ELECTRICAL SECTION) | |

SECTION 5 - PLATFORM

FIGURE 5-10. LIFT/SWING CONTROLLER ASSEMBLY



ART_1001166539

SECTION 5 - PLATFORM

FIGURE 5-10. LIFT/SWING CONTROLLER ASSEMBLY

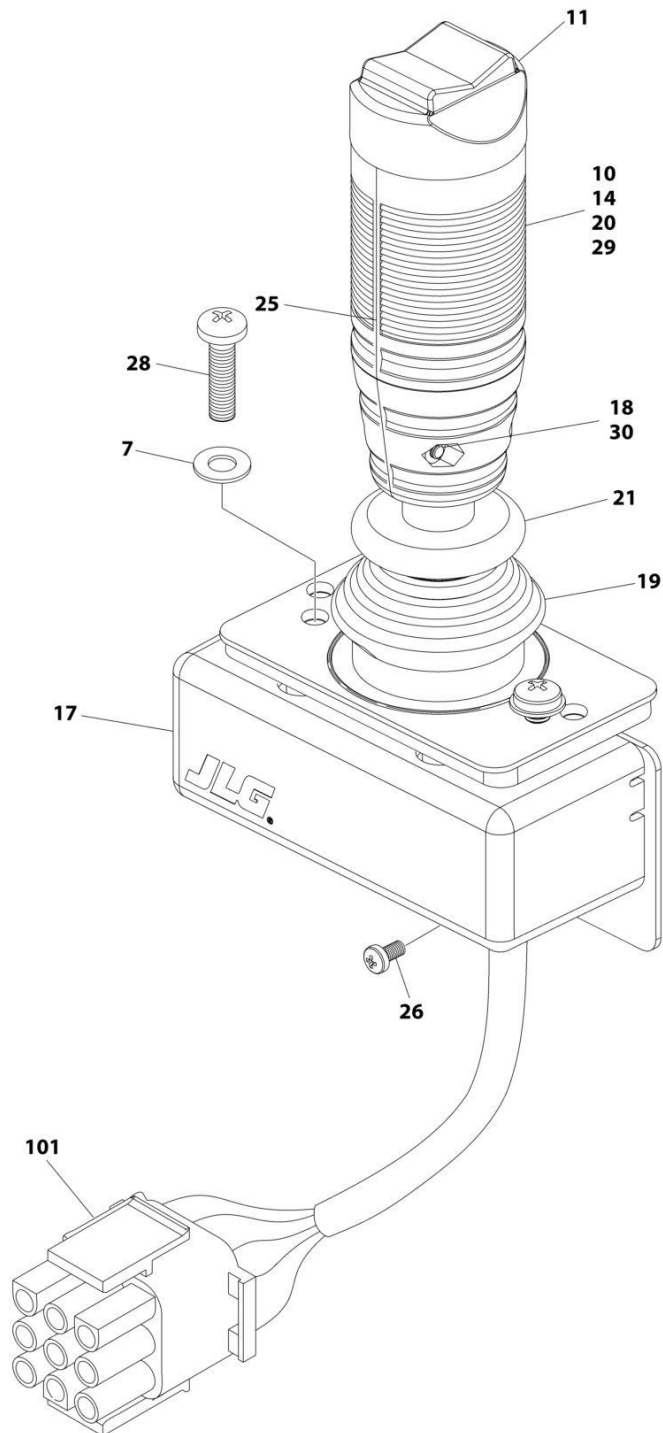
| ITEM | PART NUMBER | QTY | DESCRIPTION | REV |
|------|-------------|-----|---|-----|
| | 1001166539 | Ref | CONTROLLER ASSEMBLY | E |
| | | Ref | Note: Original Equipment Controller May Have Been Replaced with Service Replacement Controller. Visually Identify Controller Before Ordering Parts. | |
| | | Ref | Note: For Replacement, Use p/n 1001129555 | |
| 1 | See Note | NSS | Main Cast Body (Note: Not Available - Purchase Complete Assembly) | |
| 2 | 70004752 | 1 | Adapter | |
| 3 | See Note | NSS | Pivot Arm, Plastic (Note: Not Available - Purchase Complete Assembly) | |
| 4 | See Note | NSS | Holder, Magnet (Note: Not Available - Purchase Complete Assembly) | |
| 5 | See Note | NSS | Arc, Magnet (Note: Not Available - Purchase Complete Assembly) | |
| 6 | See Note | NSS | Screw (Note: Not Available for Purchase) | |
| 7 | See Note | NSS | Pivot Arm, Cast (Note: Not Available - Purchase Complete Assembly) | |
| 8 | See Note | NSS | Shaft, Main (Note: Not Available - Purchase Complete Assembly) | |
| 9 | See Note | NSS | Bearing (Note: Not Available - Purchase Complete Assembly) | |
| 10 | See Note | NSS | Pin (Note: Not Available - Purchase Complete Assembly) | |
| 11 | See Note | NSS | Shim (Note: Not Available - Purchase Complete Assembly) | |
| 12 | See Note | NSS | Pin (Note: Not Available - Purchase Complete Assembly) | |
| 13 | See Note | NSS | Bearing (Note: Not Available - Purchase Complete Assembly) | |
| 14 | See Note | NSS | Dome, Centering (Note: Not Available - Purchase Complete Assembly) | |
| 15 | 70004753 | 1 | Cap | |
| 16 | 70004754 | 1 | Insert, Cap | |
| 17 | 70004755 | 3 | Pin | |
| 18 | 70004756 | 2 | Washer | |
| 19 | 70004757 | 1 | Pin, Centering | |
| 20 | 70004758 | 1 | Spring | |
| 21 | 70004759 | 1 | Ring, Retaining | |
| 22 | 70004760 | 1 | E-Ring | |
| 23 | 70004761 | 1 | Can, Enclosure | |
| 24 | 70004762 | 1 | Boot | |
| 25 | 70004763 | 1 | Bezel | |
| 26 | See Note | NSS | Screw (Note: Not Available for Purchase) | |
| 27 | See Note | NSS | Base Mounting (Note: Not Available - Purchase Complete Assembly) | |
| 28 | See Note | NSS | Screw (Note: Not Available for Purchase) | |
| 29 | 70004764 | 4 | Screw | |
| 30 | 70004765 | 4 | Screw | |
| 31 | 70004766 | 1 | O-Ring | |
| 32 | See Note | NSS | Plate (Note: Not Available - Purchase Complete Assembly) | |
| 33 | See Note | NSS | Harness (Note: Not Available - Purchase Complete Assembly) | |
| 34 | 70004767 | 1 | Grommet, Rubber | |
| 35 | 70004768 | 1 | Housing | |
| 36 | 70004769 | 1 | Spring | |
| 37 | 70004770 | 1 | Stopper | |
| 38 | 70004771 | 1 | Spacer | |
| 39 | 70004772 | 1 | Washer | |
| 40 | 70004773 | 1 | Disc | |

SECTION 5 - PLATFORM

| ITEM | PART NUMBER | QTY | DESCRIPTION | REV |
|------|-------------|-----|------------------------|-----|
| 41 | 70004774 | 2 | Ring, Retaining | |
| 42 | 70004775 | 1 | Spring | |
| 101 | 4460265 | 1 | Connector - 9 Position | |
| 101 | 4460226 | 6 | Socket, Female | |

SECTION 5 - PLATFORM

FIGURE 5-11. DRIVE/STEER CONTROLLER ASSEMBLY



ART_1001166538

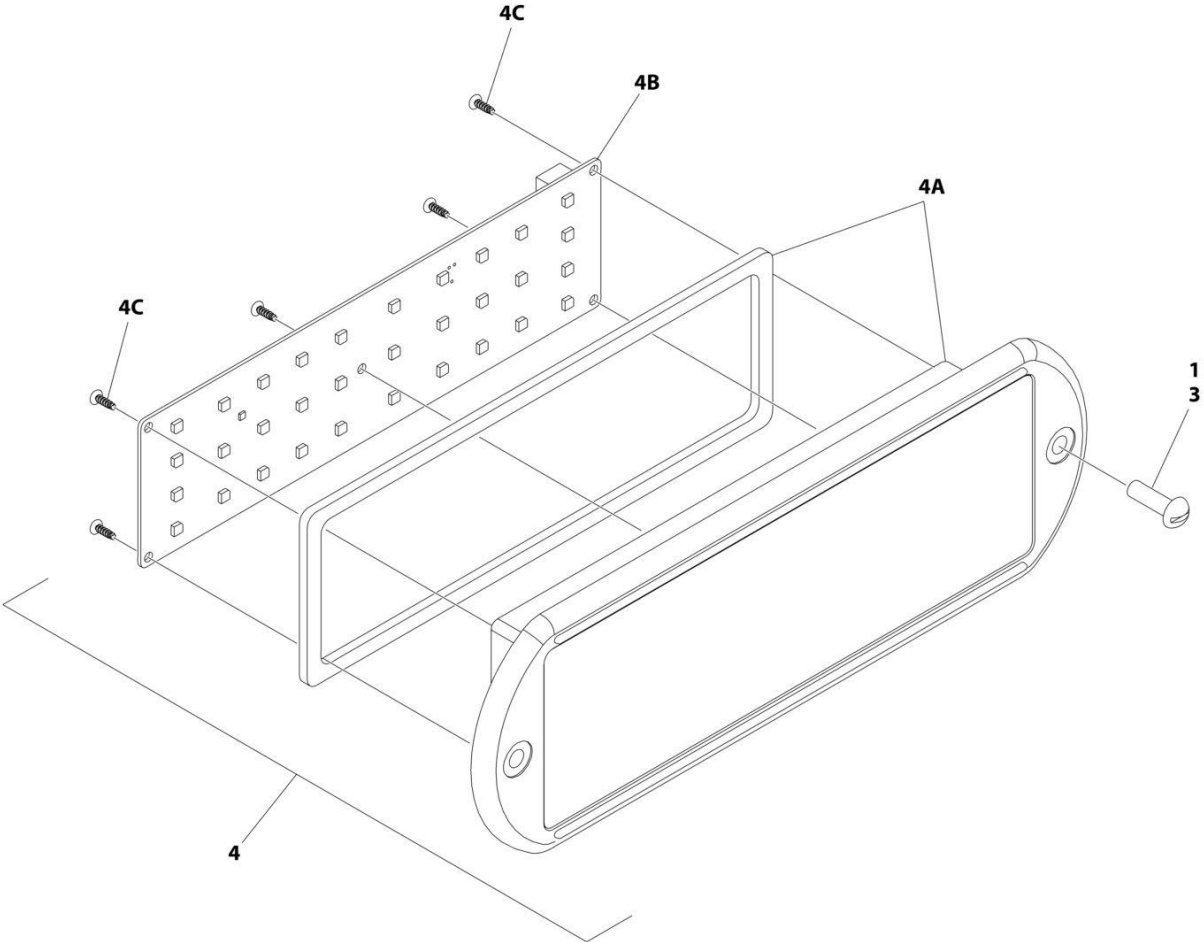
SECTION 5 - PLATFORM

FIGURE 5-11. DRIVE/STEER CONTROLLER ASSEMBLY

| ITEM | PART NUMBER | QTY | DESCRIPTION | REV |
|------|-------------|-----|--|-----|
| | 1001166538 | Ref | CONTROLLER ASSEMBLY - DRIVE AND STEER | G |
| | | Ref | Note: For Replacement, Use p/n 1001212415. | |
| 7 | 70004738 | 2 | Washer | |
| 10 | 70004739 | 1 | Roller | |
| 11 | 70004740 | 1 | Boot, Switch | |
| 14 | 70004741 | 2 | Half, Handle | |
| 17 | 70004742 | 1 | Enclosure | |
| 18 | 70004743 | 4 | Nut | |
| 19 | 70004744 | NLA | Boot, Controller (Use p/n 70005230 Boot/Base Assembly) | |
| 20 | 70004745 | NLA | Tube, Locking (Use p/n 70005230 Boot/Base Assembly) | |
| 21 | 70004746 | NLA | Disc, Locking (Use p/n 70005230 Boot/Base Assembly) | |
| 25 | 70004747 | 2 | Seal, Rope | |
| 26 | 70004748 | 1 | Screw M3 x 6 | |
| 28 | 70004749 | 2 | Screw M5 x 20 | |
| 29 | 70004750 | 1 | Pin, Dowel | |
| 30 | 70004751 | 4 | Screw M3 x 16 | |
| 101 | 4460265 | 1 | Connector - 9 Position | |
| 101 | 4460226 | 7 | Socket, Female | |

SECTION 5 - PLATFORM

FIGURE 5-12. LIGHT PANEL INSTALLATION



ART_1001241400_20F2

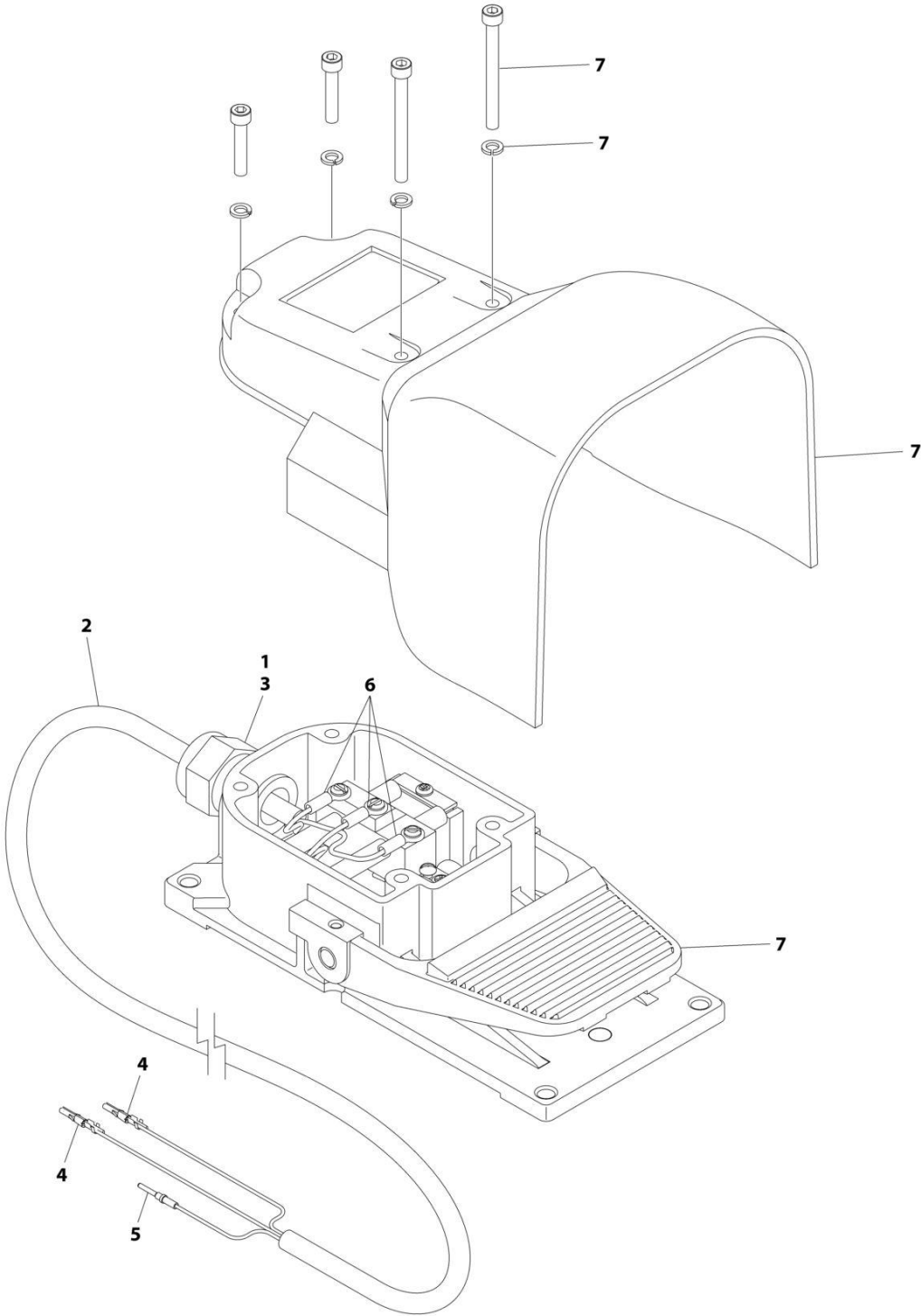
SECTION 5 - PLATFORM

FIGURE 5-12. LIGHT PANEL INSTALLATION

| ITEM | PART NUMBER | QTY | DESCRIPTION | REV |
|------|-------------|-----|---|-----|
| | 1001241400 | Ref | LIGHT PANEL INSTALLATION - PLATFORM CONSOLE | B |
| 1 | 0100035 | AR | Compound, Locking | |
| 3 | 0630518 | 2 | Screw #10 x 3/4 | |
| 4 | 1001237544 | 1 | Light Panel Assembly | |
| 4A | 1001236087 | 1 | Lens, I-Con (Includes Gasket) | |
| 4B | 1001187807 | 1 | Panel, LED Light | |
| 4C | | Ref | Screw #10 x 3/4 | |

SECTION 5 - PLATFORM

FIGURE 5-13. FOOTSWITCH ASSEMBLY



ART_1001117174

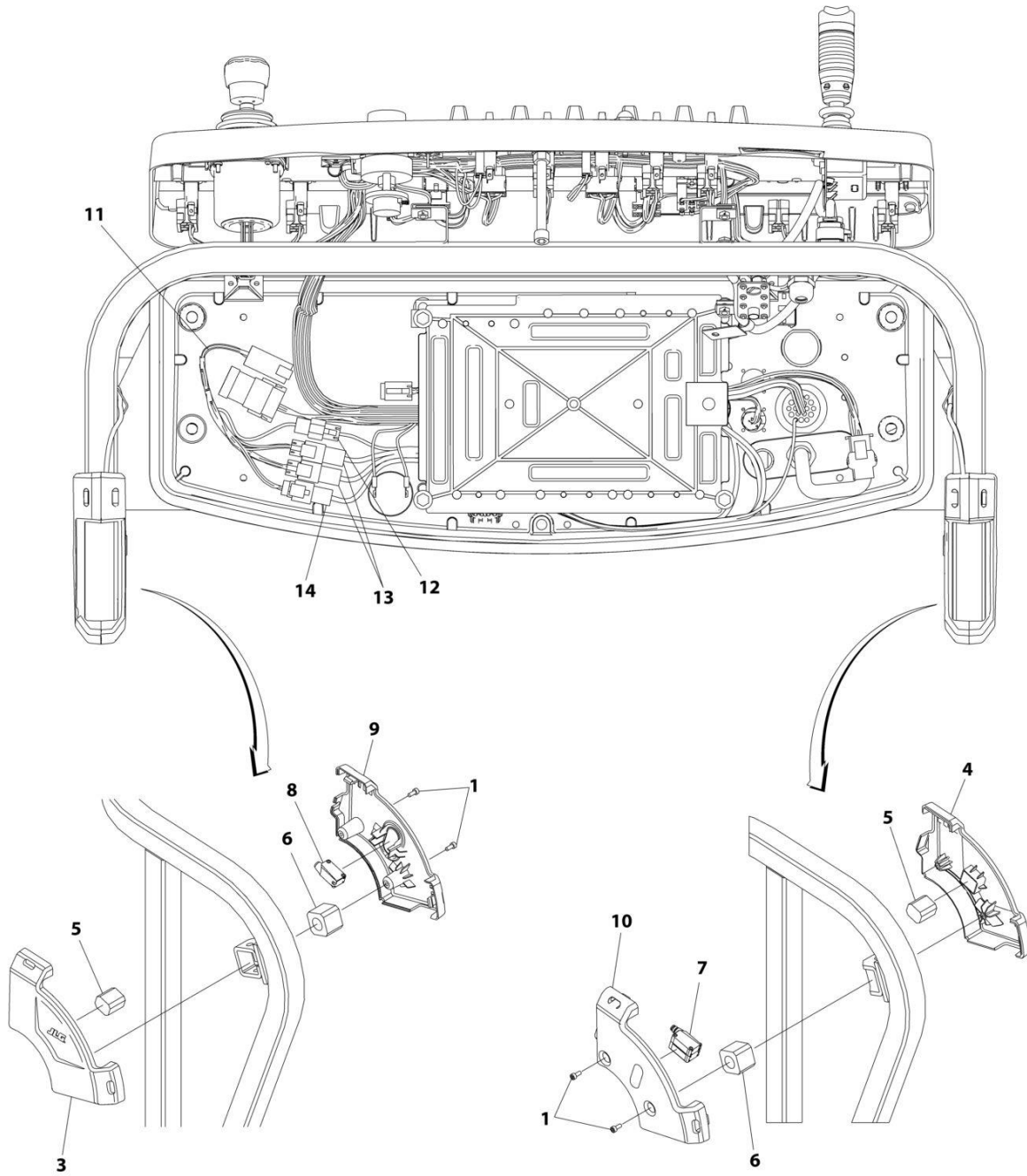
SECTION 5 - PLATFORM

FIGURE 5-13. FOOTSWITCH ASSEMBLY

| ITEM | PART NUMBER | QTY | DESCRIPTION | REV |
|------|-------------|-----------------|--------------------------|-----|
| | 1001117174 | Ref | FOOTSWITCH ASSEMBLY | B |
| 1 | 0100020 | AR | Sealant | |
| 2 | 1060918 | 7.5 ft/ 2.3m | Cable, Electrical - 18/3 | |
| 3 | 4460071 | 1 | Connector, Strain Relief | |
| 4 | 4460226 | 2 | Socket, Female | |
| 5 | 4460464 | 1 | Pin, Male | |
| 6 | 1001098122 | 3 | Terminal | |
| 7 | 1001117172 | 1 | Footswitch | |
| 7 | 70002902 | 1 | Switch, 20Amp | |
| 7 | 70002903 | 1 | Gasket | |
| 7 | 70002905 | 1 | Cover | |
| 7 | 70002904 | 1 | Kit, Replacement Bolt | |

SECTION 5 - PLATFORM

FIGURE 5-14. SKYEYE INSTALLATION



ART_1001229341

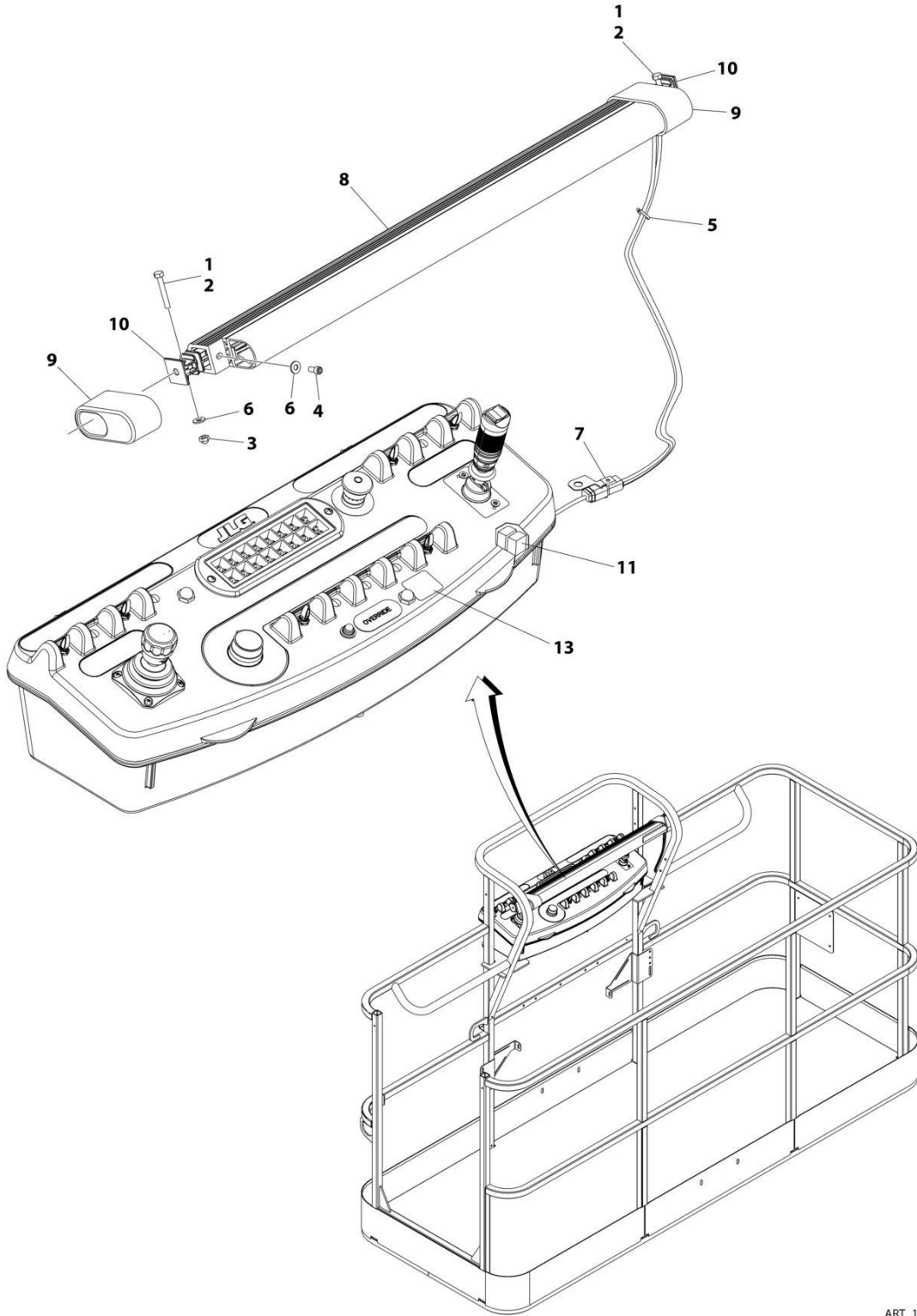
SECTION 5 - PLATFORM

FIGURE 5-14. SKYEYE INSTALLATION

| ITEM | PART NUMBER | QTY | DESCRIPTION | REV |
|------|-------------|-----|--|-----|
| | 1001229341 | Ref | SKYEYE INSTALLATION | B |
| 1 | 4031505 | 4 | Bolt M4 x 10 | |
| 2 | 4240033 | AR | Tie-Strap (Not Shown) | |
| 3 | 1001227633 | 1 | Housing, LH Outer | |
| 4 | 1001227634 | 1 | Housing, RH Outer | |
| 5 | 1001227985 | 2 | Shim | |
| 6 | 1001227987 | 2 | Shim | |
| 7 | 1001228224 | 2 | Sensor, Receiver | |
| 8 | 1001228225 | 1 | Sensor, Emitter | |
| 9 | 1001232164 | 1 | Housing, LH Inner | |
| 10 | 1001232165 | 1 | Housing, RH Inner | |
| 11 | 1001237865 | 1 | Harness, Skyeeye Intermediate (See Separate Breakdown in ELECTRICAL Section) | |
| 12 | 1001238319 | NLA | Harness, Skyeeye Drain Jumper | |
| 12 | 1001187674 | 1 | Plug, Male - 2 Position | |
| 12 | 4460942 | 1 | Terminal | |
| 12 | 4460466 | 1 | Plug, Terminal | |
| 12 | 4460508 | 1 | Pin, Male | |
| 13 | 1001237863 | 2 | Harness, Skyeeye Receiver (See Separate Breakdown in ELECTRICAL Section) | |
| 14 | 1001237864 | 1 | Harness, Skyeeye Emitter (See Separate Breakdown in ELECTRICAL Section) | |

SECTION 5 - PLATFORM

FIGURE 5-15. SKYGUARD BAR INSTALLATION



ART_1001238495

SECTION 5 - PLATFORM

FIGURE 5-15. SKYGUARD BAR INSTALLATION

| ITEM | PART NUMBER | QTY | DESCRIPTION | REV |
|------|-------------|-----|--|-----|
| | 1001238495 | Ref | SKYGUARD BAR INSTALLATION | A |
| 1 | 0100011 | AR | Compound, Locking | |
| 2 | 0641414 | 2 | Bolt 1/4 x 1-3/4 | |
| 3 | 3300430 | 2 | Nut 1/4 | |
| 4 | 3931408 | 2 | Capscrew 1/4 x 1/2 | |
| 5 | 4240033 | 8 | Tie-Strap | |
| 6 | 4711400 | 6 | Washer 1/4 | |
| 7 | 1001120328 | 1 | Mount | |
| 8 | 1001137673 | 1 | SkyGuard Switch Assembly | |
| 9 | 1001186517 | 2 | Cover, Platform Sensor | |
| 10 | 1001209664 | 2 | Support, Block | |
| 11 | 1001186431 | 2 | Relay | |
| 12 | 1001225580 | 1 | Interface Harness Assembly (Not Shown - Located Inside Console Box) (See Separate Breakdown in ELECTRICAL Section) | |
| 13 | 1001144433 | 1 | Decal - No Weight SkyGuard | |

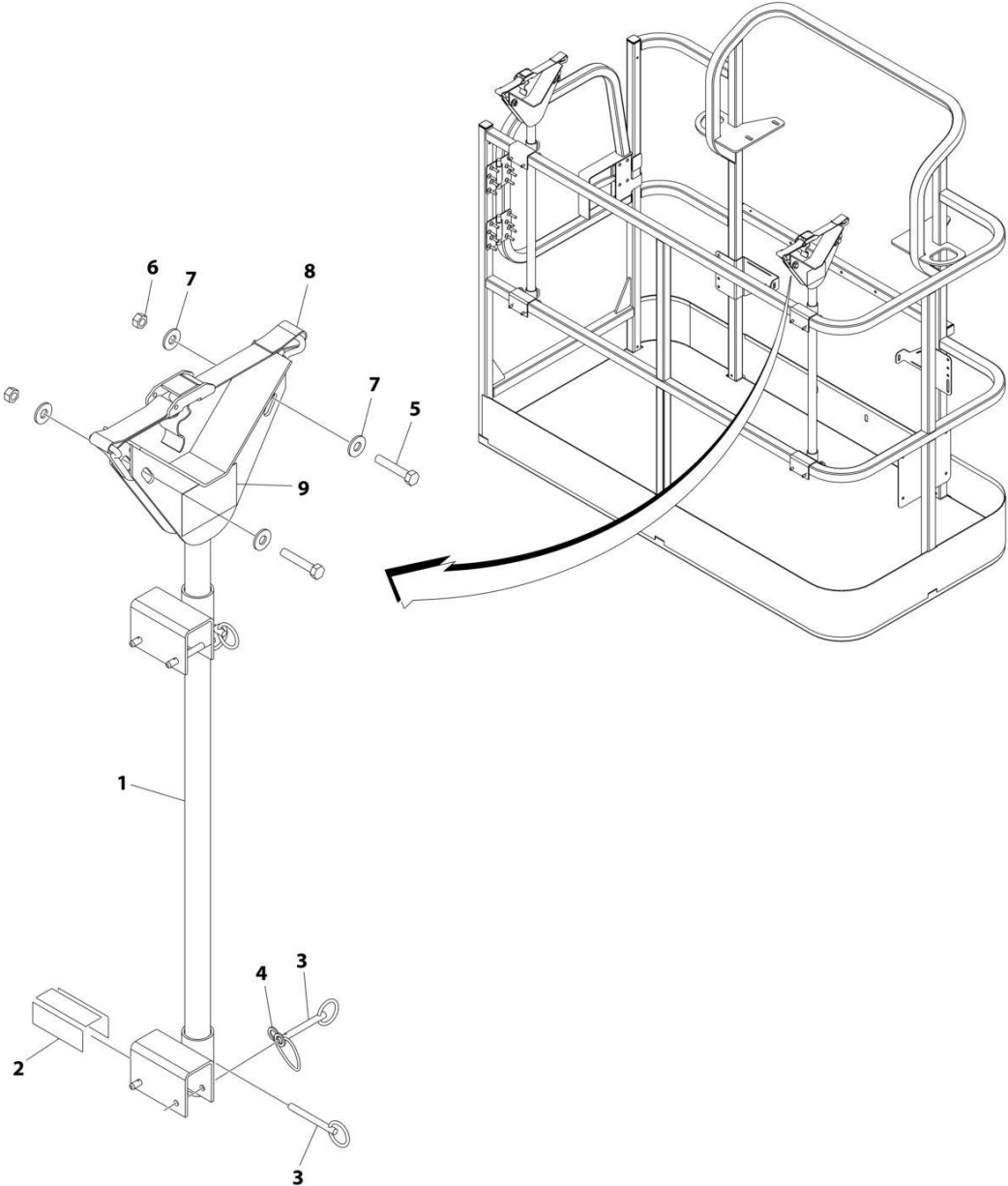
SECTION 5 - PLATFORM

FIGURE 5-16. SKYLINE INSTALLATION

| ITEM | PART NUMBER | QTY | DESCRIPTION | REV |
|------|-------------|-----|---|-----|
| | 1001238559 | Ref | SKYLINE INSTALLATION | C |
| 1 | 0641404 | 2 | Bolt 1/4 x 1/2 | |
| 2 | 0641405 | 2 | Bolt 1/4 x 5/8 | |
| 3 | 3311405 | 2 | Nut 1/4 | |
| 4 | 3311601 | 2 | Nut 3/8 | |
| 5 | 4031516 | 2 | Capscrew M4 x 60 | |
| 6 | 4240033 | AR | Tie-Strap (Not Shown) | |
| 7 | 4711400 | 4 | Washer 1/4 | |
| 8 | 1001120328 | 1 | Mount | |
| 9 | 1001232642 | 1 | Bracket | |
| 11 | 1001232667 | 1 | Sensor, Proximity | |
| 14 | 1001236552 | 1 | Block | |
| 15 | 1001238418 | 1 | Harness, Skyline (See Separate Breakdown in ELECTRICAL Section) | |
| 16 | 1001238472 | 1 | Mount | |
| 17 | 1001254473 | 1 | Housing, LH | |
| 18 | 1001241965 | 1 | Housing, RH | |
| 19 | 1001254472 | 1 | Rod | |
| 20 | 0100011 | AR | Compound, Locking | |

SECTION 5 - PLATFORM

FIGURE 5-17. PIPE RACK INSTALLATION (AUSTRALIAN SPEC)



ART_0274661

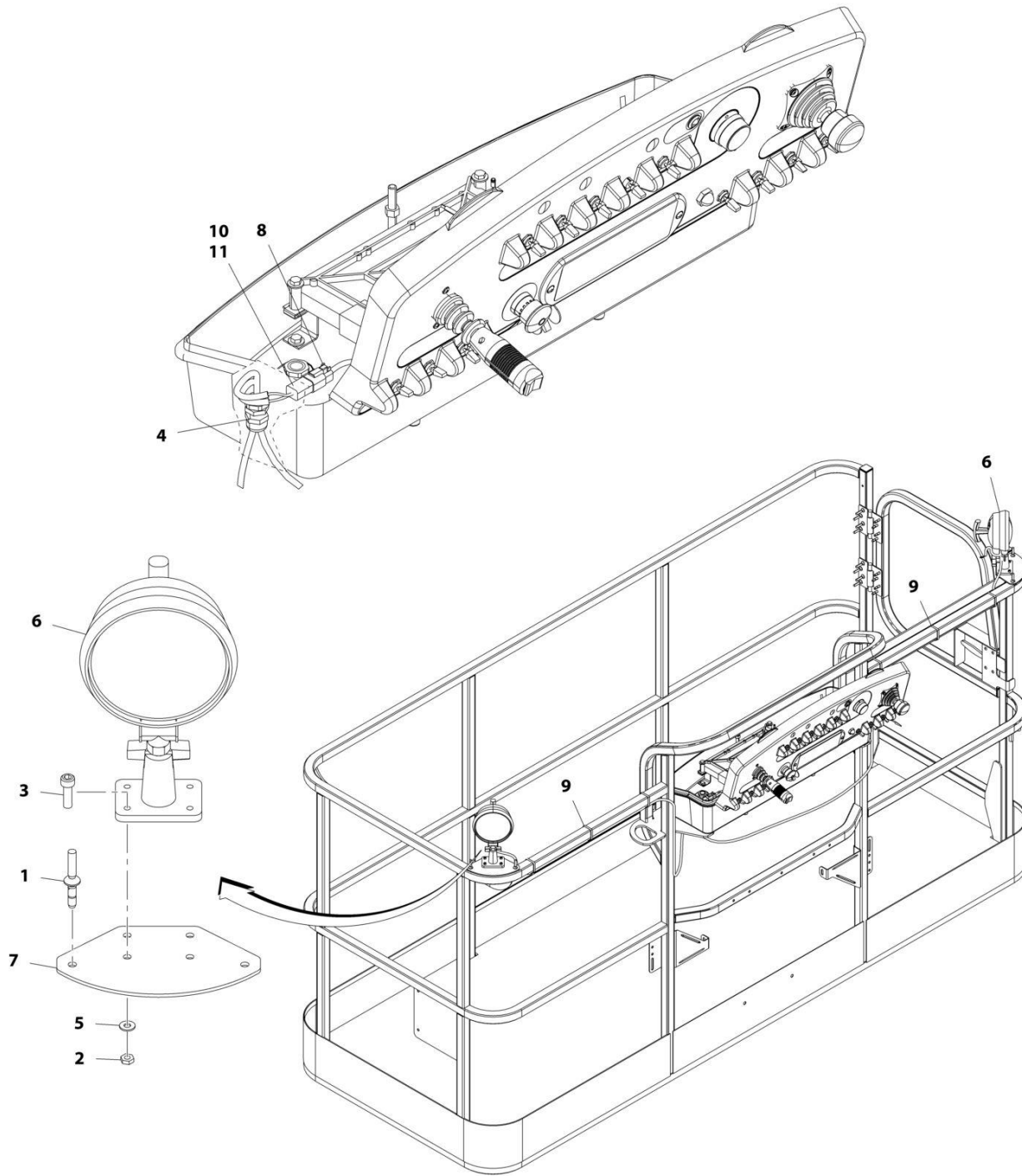
SECTION 5 - PLATFORM

FIGURE 5-17. PIPE RACK INSTALLATION (AUSTRALIAN SPEC)

| ITEM | PART NUMBER | QTY | DESCRIPTION | REV |
|------|-------------|-----|------------------------|-----|
| | 0274661 | Ref | PIPE RACK INSTALLATION | 3/C |
| 1 | 4845582 | 2 | Rack, Pipe | |
| 2 | 4420062 | AR | Tape | |
| 3 | 3422661 | 10 | Pin | |
| 4 | 1060379 | 4 | Lanyard | |
| 5 | 0641514 | 4 | Bolt 5/16 x 1-3/4 | |
| 6 | 3311505 | 4 | Nut 5/16 | |
| 7 | 4751500 | 8 | Washer 5/16 | |
| 8 | 0480100 | 2 | Tie-Down | |
| 9 | 1706510 | 2 | Decal - Capacity | |

SECTION 5 - PLATFORM

FIGURE 5-18. WORKLIGHTS INSTALLATION (OPTIONAL)



ART_1001120466

SECTION 5 - PLATFORM

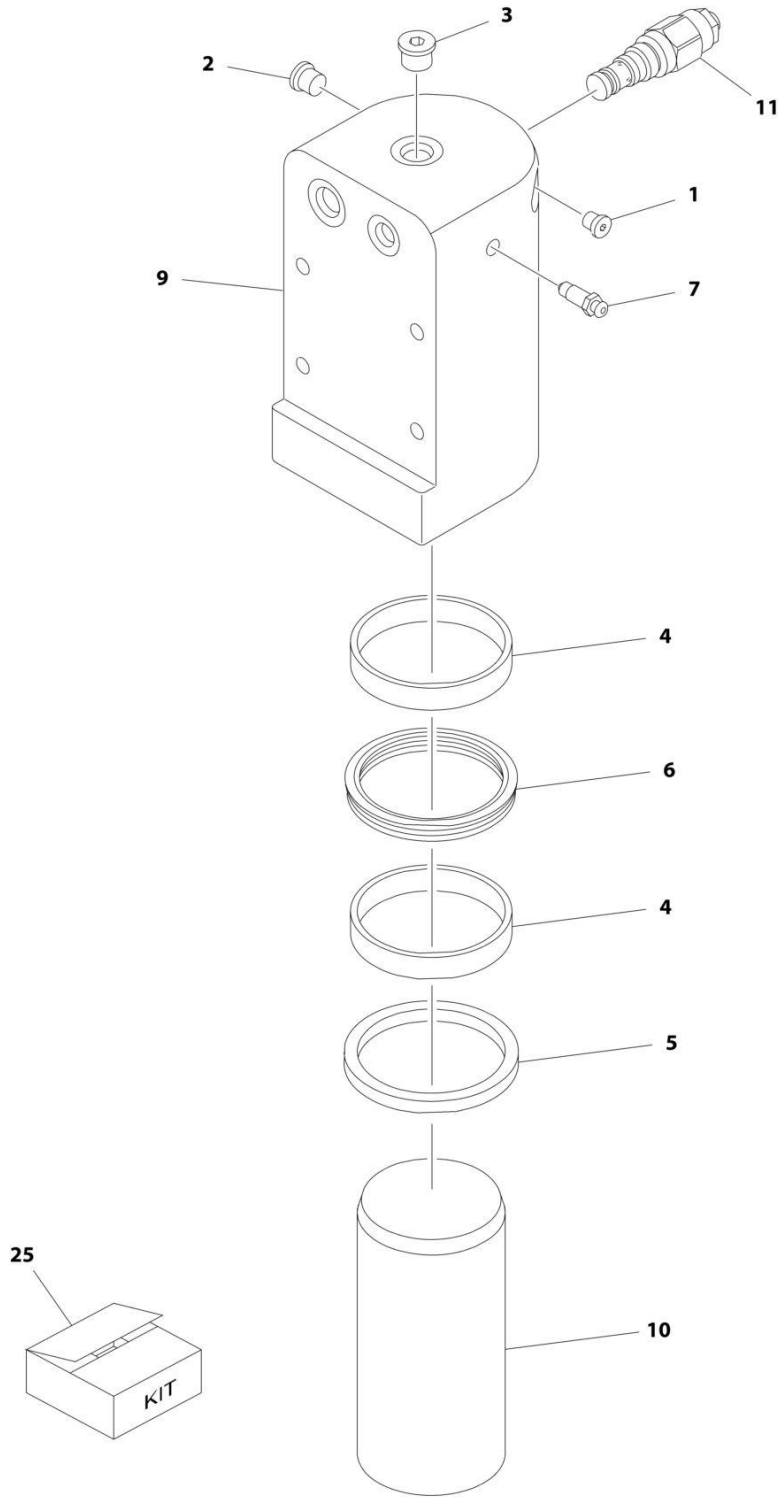
FIGURE 5-18. WORKLIGHTS INSTALLATION (OPTIONAL)

| ITEM | PART NUMBER | QTY | DESCRIPTION | REV |
|------|-------------|-----|------------------------------------|-----|
| | 1001120466 | Ref | WORKLIGHTS INSTALLATION (OPTIONAL) | A |
| 1 | 2080040 | 4 | Fastener, Huck | |
| 2 | 3311005 | 8 | Nut #10 | |
| 3 | 3931010 | 8 | Capscrew #10 x 5/8 | |
| 4 | 4460428 | 1 | Connector, Strain Relief | |
| 5 | 4751000 | 8 | Washer #10 | |
| 6 | 1001120474 | 2 | Worklight Assembly | |
| 7 | 1001120476 | 2 | Plate, Mounting | |
| 8 | 1001120484 | 1 | Harness, Worklight | |
| 9 | 4240099 | AR | Tie-Strap | |
| 10 | 4460464 | 4 | Pin, Male Deutsch 16Ga | |
| 11 | 4460932 | 1 | Receptacle, Female - 4 Position | |

SECTION 6 - CYLINDER

SECTION 6 - CYLINDER

FIGURE 6-1. AXLE LOCKOUT CYLINDER ASSEMBLY



ART_1001116361

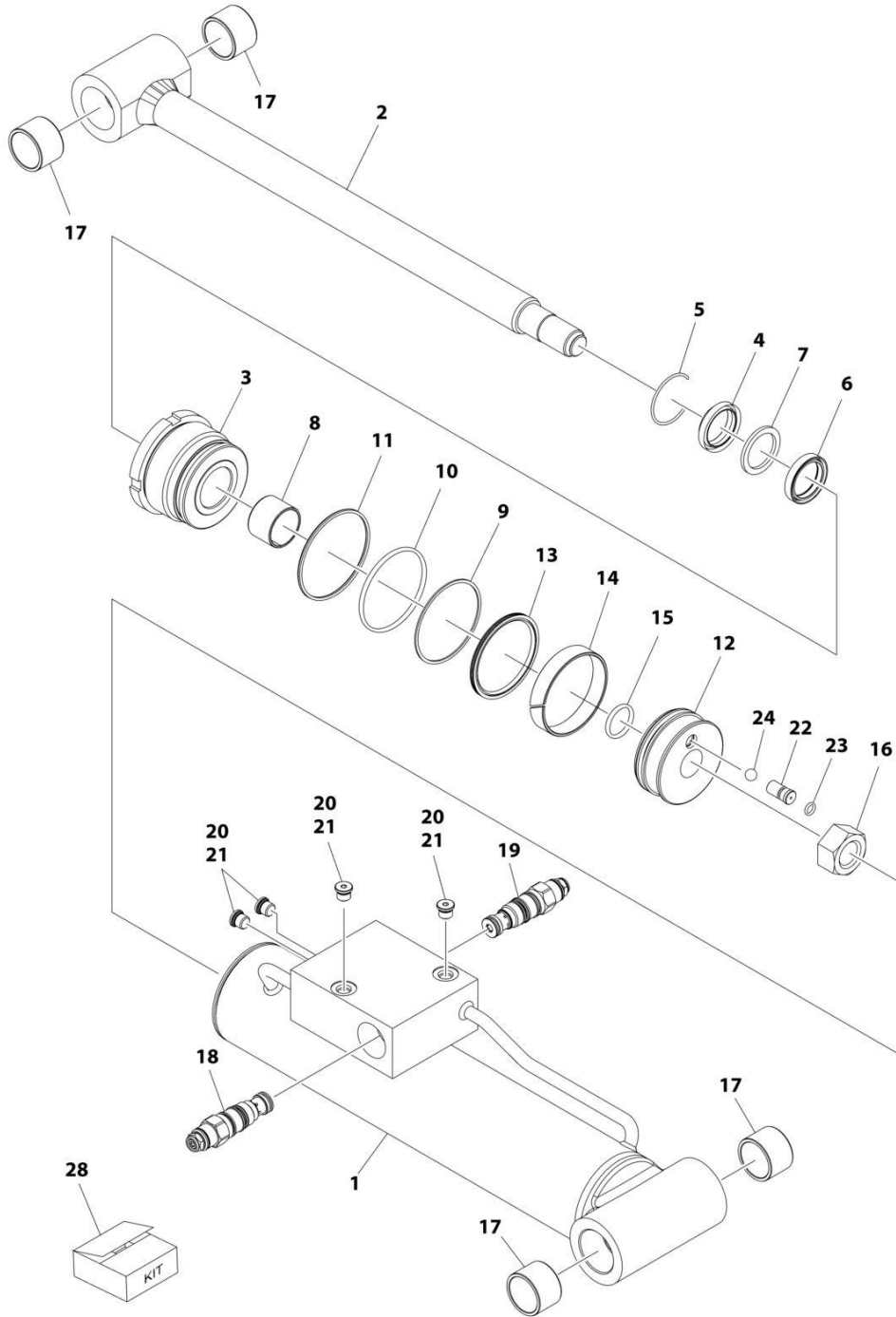
SECTION 6 - CYLINDER

FIGURE 6-1. AXLE LOCKOUT CYLINDER ASSEMBLY

| ITEM | PART NUMBER | QTY | DESCRIPTION | REV |
|------|-------------|-----|---|-----|
| | 1001116361 | Ref | AXLE LOCKOUT CYLINDER ASSEMBLY | G |
| | | Ref | Note: Original Cylinder May Have Been Replaced with Service Replacement. Identify PN Stamped on Cylinder Before Ordering Parts. | |
| 1 | 2220881 | 1 | Plug, O-Ring | |
| 2 | 2220883 | 1 | Plug, O-Ring | |
| 3 | 2220885 | 1 | Plug, O-Ring | |
| 4 | See Note | NSS | Ring, Wear (Note: Use Item 25) | |
| 5 | See Note | NSS | Wiper (Note: Use Item 25) | |
| 6 | See Note | NSS | Seal, Rod (Note: Use Item 25) | |
| 7 | 4640858 | 1 | Bleeder | |
| 9 | 1001117365 | 1 | Barrel | |
| 10 | 1001117366 | 1 | Rod | |
| 11 | 1001117372 | 1 | Cartridge, Valve | |
| 11 | 70002842 | 1 | Seal Kit - 1001117372 Valve | |
| 25 | 1001116378 | 1 | Seal Kit (Includes Items 4-6) | |

SECTION 6 - CYLINDER

FIGURE 6-2. LEVEL (PLATFORM SLAVE) CYLINDER ASSEMBLY



ART_1001225990

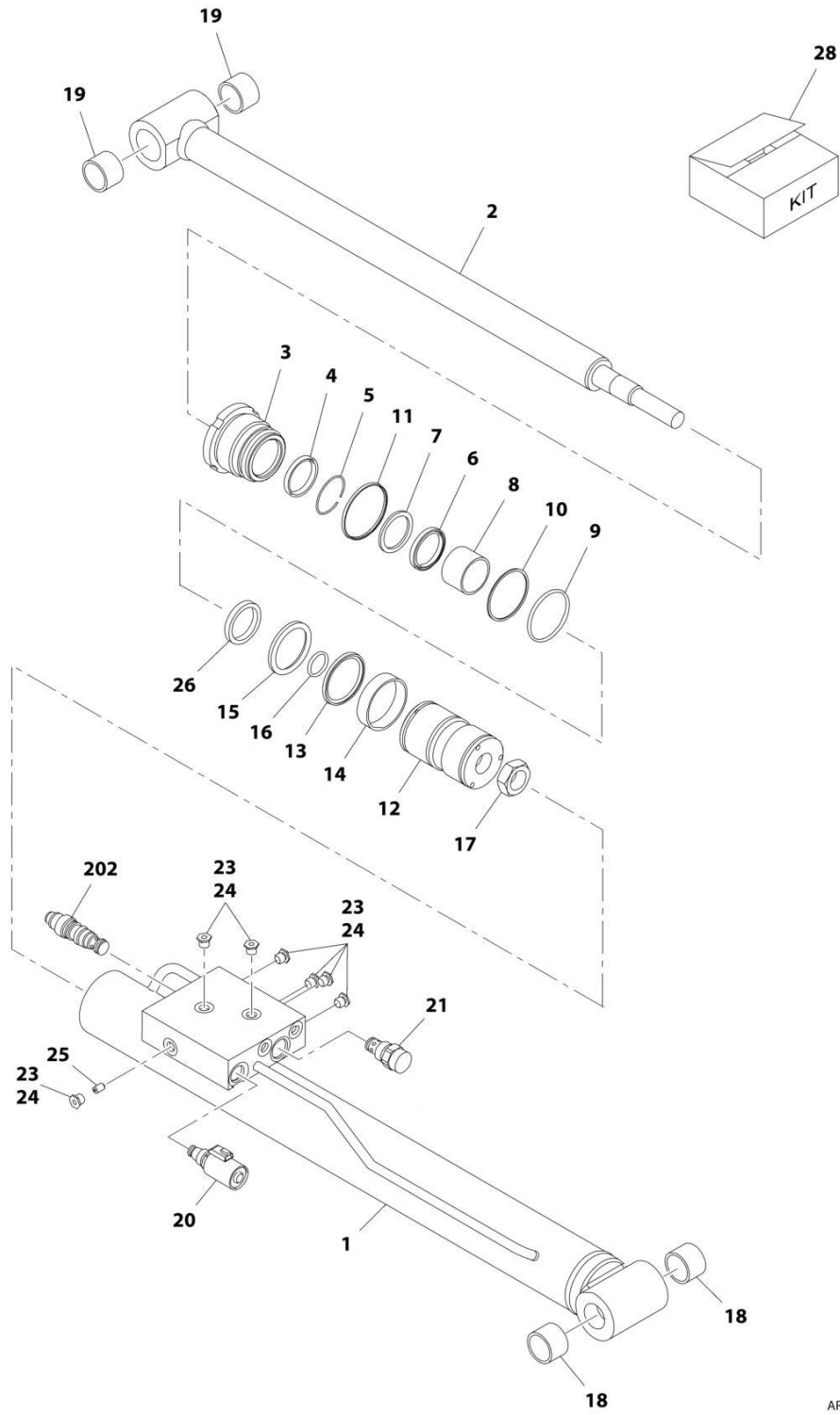
SECTION 6 - CYLINDER

FIGURE 6-2. LEVEL (PLATFORM SLAVE) CYLINDER ASSEMBLY

| ITEM | PART NUMBER | QTY | DESCRIPTION | REV |
|------|-------------|-----|---|-----|
| | 1001225990 | Ref | LEVEL (PLATFORM SLAVE) CYLINDER ASSEMBLY | A |
| | | Ref | Note: Original Cylinder may have been replaced with Service Replacement. Identify PN Stamped on Cylinder Before Ordering Parts. | |
| 1 | 70003131 | 1 | Barrel | |
| 2 | 70003132 | 1 | Rod | |
| 3 | 70003085 | 1 | Head | |
| 4 | See Note | NSS | Wiper (Note: Use Item 28) | |
| 5 | 70002366 | 1 | Ring, Retaining | |
| 6 | See Note | NSS | Seal, Rod (Note: Use Item 28) | |
| 7 | See Note | NSS | Ring, Back-up (Note: Use Item 28) | |
| 8 | 70005695 | 1 | Bearing | |
| 9 | See Note | NSS | O-Ring (Note: Use Item 28) | |
| 10 | See Note | NSS | Ring, Back-up (Note: Use Item 28) | |
| 11 | See Note | NSS | O-Ring (Note: Use Item 28) | |
| 12 | 70003133 | 1 | Piston | |
| 13 | See Note | NSS | Seal, Piston (Note: Use Item 28) | |
| 14 | See Note | NSS | Ring, Wear (Note: Use Item 28) | |
| 15 | See Note | NSS | Ring, Wear (Note: Use Item 28) | |
| 16 | 70002335 | 1 | Nut | |
| 17 | 0961951 | 4 | Bushing, Garmax | |
| 18 | 70002413 | 1 | Cartridge, Valve | |
| 18 | 2900770 | 1 | Seal Kit - 70002413 Valve | |
| 19 | 1001168210 | 1 | Cartridge, Valve | |
| 19 | 2900770 | 1 | Seal Kit - 1001168210 Valve | |
| 20 | 2220883 | 4 | Plug | |
| 21 | See Note | NSS | O-Ring (Note: Not Available - Purchase Locally) | |
| 22 | 70005973 | 1 | Valve Seat | |
| 23 | 70005974 | 1 | O-Ring | |
| 24 | 70006353 | 1 | Steel Ball | |
| 28 | 70003134 | 1 | Seal Kit (Includes Items 4, 6, 7, 9, 10, 11, 13, 14 & 15) | |
| 100 | | Ref | REPAIR TOOLS (NOT SHOWN) | |
| 100 | 70003089 | 1 | Press, Wiper | |
| 100 | 70003090 | 1 | Press, Bushing (Use with Rod Bearing) | |
| 100 | 70003091 | 1 | Tool, Bushing Removal (Use with Rod Bearing) | |
| 100 | 70003092 | 1 | Tool, Head Seal Protection | |
| 100 | 70003081 | 1 | Tool, Piston Seal Protection | |
| 100 | 70003093 | 1 | Press, Bushing (Use with Pin Mounting Bushings) | |
| 100 | 70003094 | 1 | Tool, Bushing Removal (Use with Pin Mounting Bushings) | |

SECTION 6 - CYLINDER

FIGURE 6-3. LIFT (JIB) CYLINDER ASSEMBLY



ART_1001123004

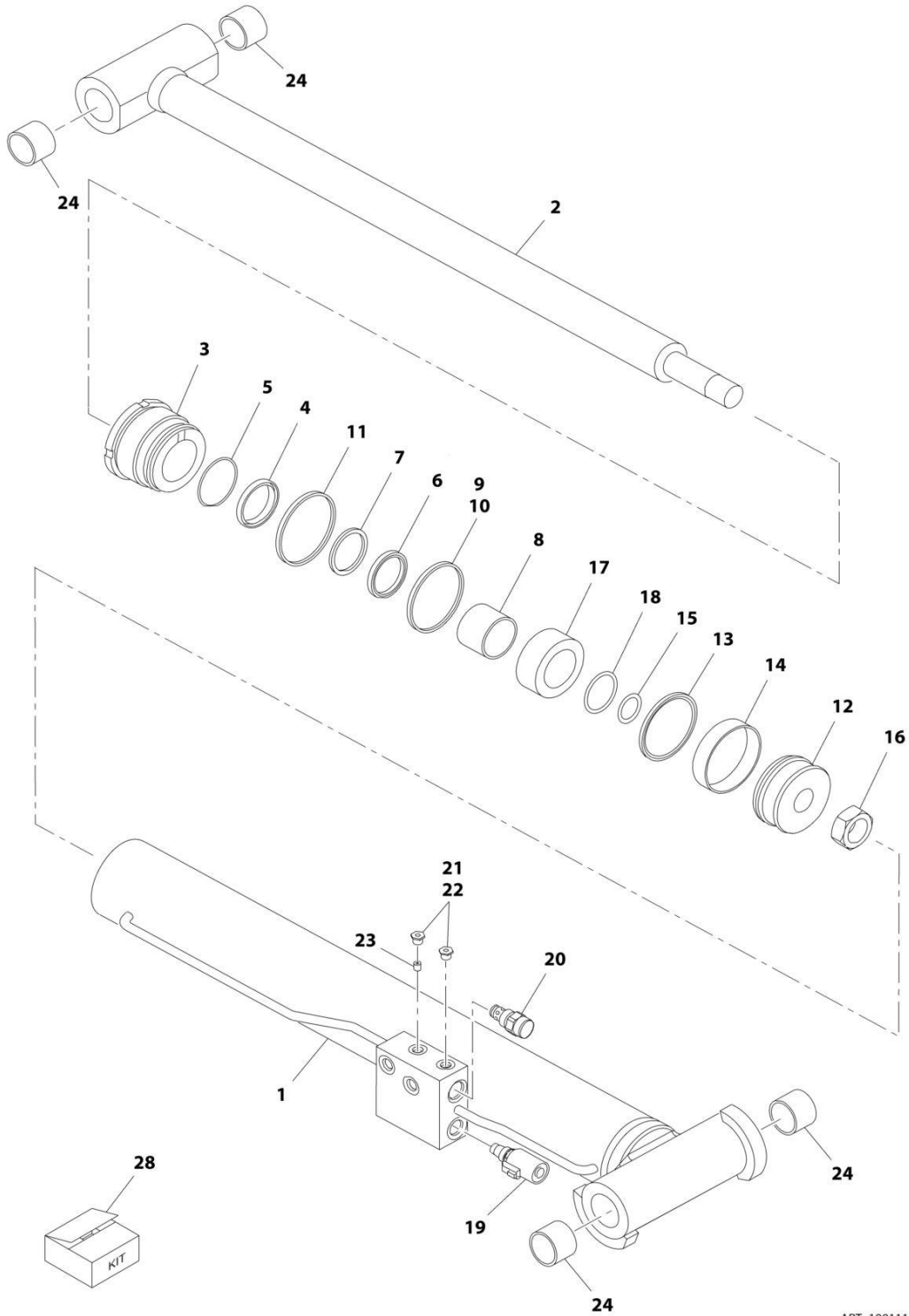
SECTION 6 - CYLINDER

FIGURE 6-3. LIFT (JIB) CYLINDER ASSEMBLY

| ITEM | PART NUMBER | QTY | DESCRIPTION | REV |
|------|-------------|-----|---|-----|
| | 1001123004 | Ref | LIFT (JIB) CYLINDER ASSEMBLY | D |
| | | Ref | Note: Original Cylinder may have been replaced with Service Replacement. Identify PN Stamped on Cylinder Before Ordering Parts. | |
| 1 | 70003122 | 1 | Barrel | |
| 2 | 70002375 | 1 | Rod | |
| 3 | 70003123 | 1 | Head | |
| 4 | See Note | NSS | Wiper (Note: Use Item 28) | |
| 5 | 70002373 | 1 | Ring, Retaining | |
| 6 | See Note | NSS | Seal, Rod (Note: Use Item 28) | |
| 7 | See Note | NSS | Ring, Back-up (Note: Use Item 28) | |
| 8 | 70002372 | 1 | Bearing | |
| 9 | See Note | NSS | O-Ring (Note: Use Item 28) | |
| 10 | See Note | NSS | Ring, Back-up (Note: Use Item 28) | |
| 11 | See Note | NSS | O-Ring (Note: Use Item 28) | |
| 12 | 70003124 | 1 | Piston | |
| 13 | 70003125 | 1 | Seal, Piston | |
| 14 | See Note | NSS | Ring, Wear (Note: Use Item 28) | |
| 15 | See Note | NSS | O-Ring (Note: Use Item 28) | |
| 16 | See Note | NSS | Ring, Piston (Note: Use Item 28) | |
| 17 | 70002335 | 1 | Nut | |
| 18 | 70003118 | 2 | Bushing | |
| 19 | 0961951 | 2 | Bushing, Garmax (was p/n 70003087) | |
| 20 | 7024884 | 1 | Cartridge, Solenoid Valve | |
| 20 | 7012967 | 1 | Seal Kit - 7024884 Valve | |
| 20 | 70002386 | 1 | Coil | |
| 21 | 70003076 | 1 | Cartridge, Check Valve | |
| 21 | 7017496 | 1 | Seal Kit - 70003076 Valve | |
| 23 | 70023370 | 7 | Plug | |
| 24 | See Note | 7 | O-Ring (Note: Not Available - Purchase Locally) | |
| 25 | 70002334 | 1 | Orifice | |
| 26 | 70003453 | 1 | Spacer | |
| 28 | 70003125 | 1 | Seal Kit (Includes Items 4, 6, 7, 9, 10, 11, 13, 14, 15 & 16) | |
| 100 | | Ref | REPAIR TOOLS (NOT SHOWN) | |
| 100 | 70003126 | 1 | Press, Wiper | |
| 100 | 70003127 | 1 | Press, Bushing (Use with Rod Bearing) | |
| 100 | 70003128 | 1 | Tool, Bushing Removal (Use with Rod Bearing) | |
| 100 | 70003129 | 1 | Tool, Head Seal Protection | |
| 100 | 70003130 | 1 | Tool, Piston Seal Protection | |
| 100 | 70003093 | 1 | Press, Bushing (Use with Pin Mounting Bushings) | |
| 100 | 70003094 | 1 | Tool, Bushing Removal (Use with Pin Mounting Bushings) | |
| | 1001199460 | Ref | JIB LIFT CYLINDER ASSEMBLY | A |
| 202 | 1001199306 | 1 | Cartridge, Counter Balance Valve | |
| 202 | 2900770 | 1 | Seal Kit - 1001199306 Valve | |

SECTION 6 - CYLINDER

FIGURE 6-4. LIFT (MAIN BOOM) CYLINDER ASSEMBLY



ART_100117640

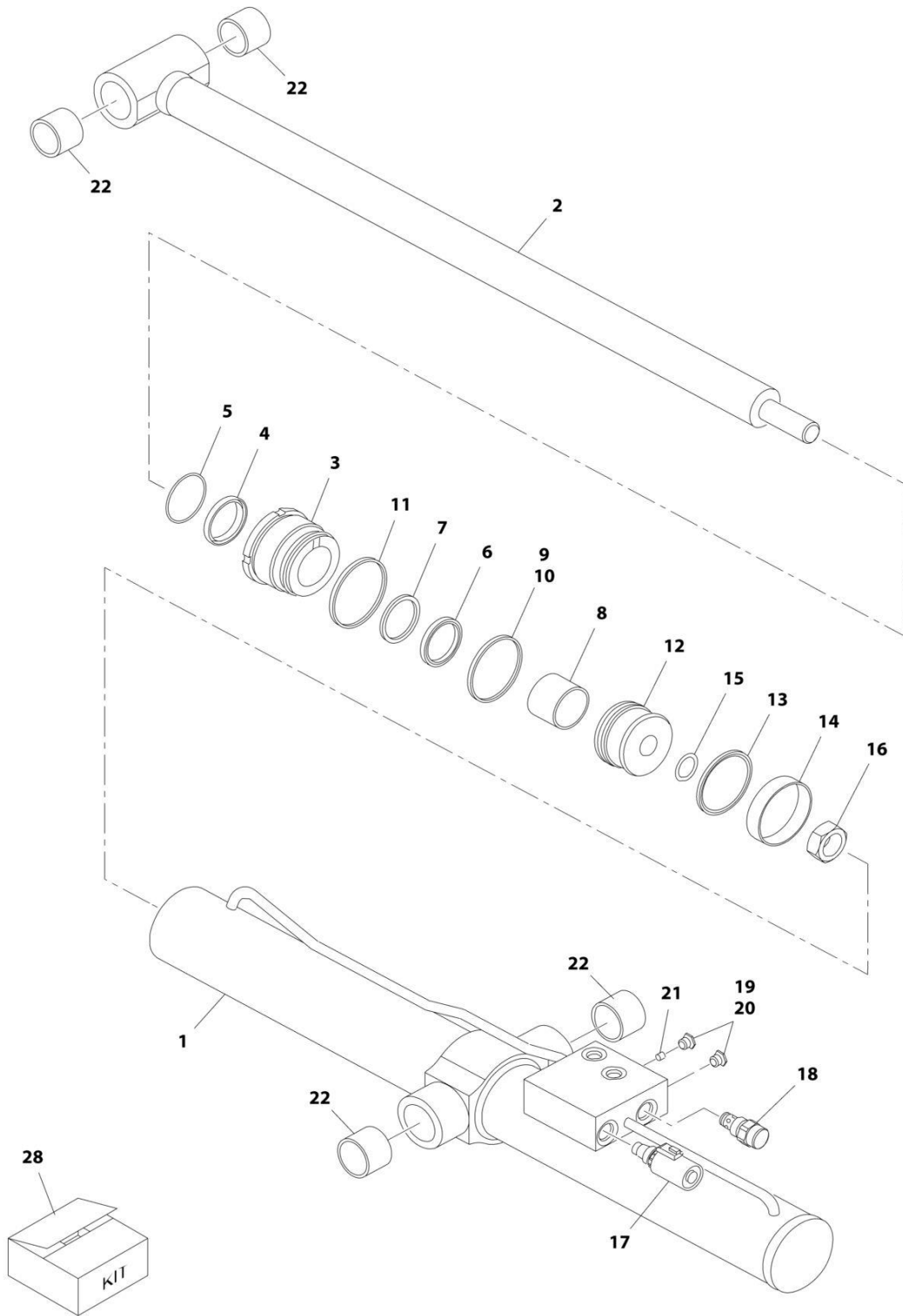
SECTION 6 - CYLINDER

FIGURE 6-4. LIFT (MAIN BOOM) CYLINDER ASSEMBLY

| ITEM | PART NUMBER | QTY | DESCRIPTION | REV |
|------|-------------|-----|---|-----|
| | 1001117640 | Ref | MAIN BOOM LIFT CYLINDER ASSEMBLY | H |
| | | Ref | Note: Original Cylinder May Have Been Replaced with Service Replacement. Identify PN Stamped on Cylinder Before Ordering Parts. | |
| 1 | 70003103 | 1 | Barrel | |
| 2 | 70003104 | 1 | Rod | |
| 3 | 70003105 | 1 | Head | |
| 4 | See Note | NSS | Wiper (Note: Use Item 28) | |
| 5 | 70002412 | 1 | Ring, Retaining | |
| 6 | See Note | NSS | Seal, Rod (Note: Use Item 28) | |
| 7 | See Note | NSS | Ring, Back-up (Note: Use Item 28) | |
| 8 | 70022565 | 1 | Bearing | |
| 9 | See Note | NSS | O-Ring (Note: Use Item 28) | |
| 10 | See Note | NSS | Ring, Back-up (Note: Use Item 28) | |
| 11 | See Note | NSS | O-Ring (Note: Use Item 28) | |
| 12 | 70003106 | 1 | Piston | |
| 13 | See Note | NSS | Seal, Piston (Note: Use Item 28) | |
| 14 | See Note | NSS | Ring, Wear (Note: Use Item 28) | |
| 15 | See Note | NSS | O-Ring (Note: Use Item 28) | |
| 16 | 70002335 | 1 | Nut | |
| 17 | 70002344 | 1 | Spacer | |
| 18 | See Note | NSS | O-Ring (Note: Use Item 28) | |
| 19 | 7024884 | 1 | Cartridge, Solenoid Valve | |
| 19 | 7012967 | 1 | Seal Kit - 7024884 Valve | |
| 19 | 70002386 | 1 | Coil | |
| 20 | 70003076 | 1 | Cartridge, Check Valve | |
| 20 | 7017496 | 1 | Seal Kit - 70003076 Valve | |
| 21 | 70023370 | 7 | Plug | |
| 22 | See Note | 7 | O-Ring (Note: Not Available - Purchase Locally) | |
| 23 | 70002334 | 1 | Orifice | |
| 24 | 0961948 | 2 | Bushing, Garmax (was p/n 70003107) | |
| 28 | 70003108 | 1 | Seal Kit (Includes Items 4, 6, 7, 9, 10, 11, 13, 14, 15 & 18) | |
| 100 | | Ref | REPAIR TOOLS (NOT SHOWN) | |
| 100 | 70003109 | 1 | Press, Wiper | |
| 100 | 70003110 | 1 | Press, Bushing (Use with Rod Bearing) | |
| 100 | 70003111 | 1 | Tool, Bushing Removal (Use with Rod Bearing) | |
| 100 | 70003112 | 1 | Tool, Head Seal Protection | |
| 100 | 70003113 | 1 | Tool, Piston Seal Protection | |
| 100 | 70003082 | 1 | Press, Bushing (Use with Pin Mounting Bushings) | |
| 100 | 70003083 | 1 | Tool, Bushing Removal (Use with Pin Mounting Bushings) | |

SECTION 6 - CYLINDER

FIGURE 6-5. LIFT (TOWER BOOM) CYLINDER ASSEMBLY



ART_1001122527

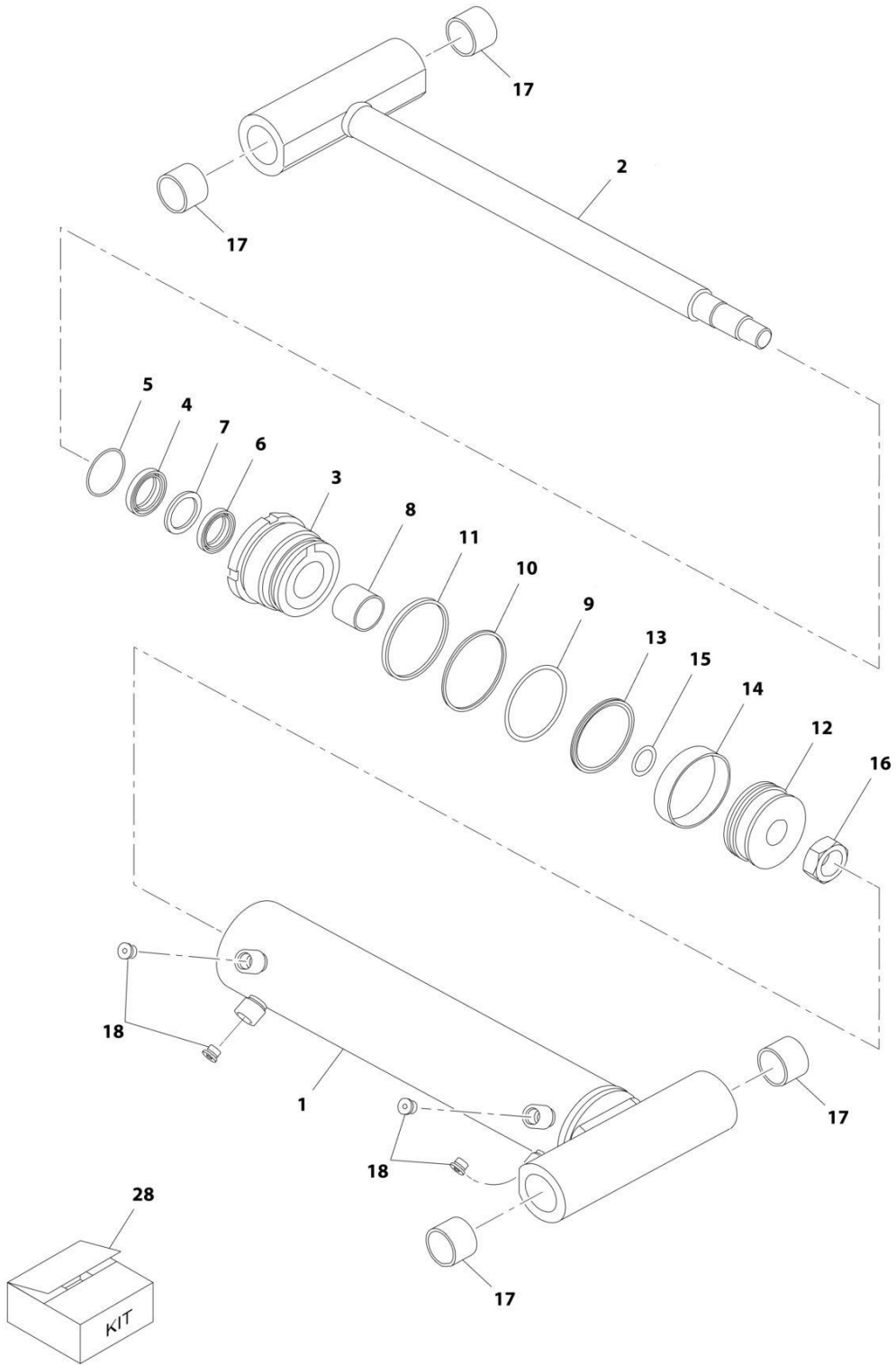
SECTION 6 - CYLINDER

FIGURE 6-5. LIFT (TOWER BOOM) CYLINDER ASSEMBLY

| ITEM | PART NUMBER | QTY | DESCRIPTION | REV |
|------|-------------|-----|---|-----|
| | 1001122527 | Ref | LIFT (TOWER BOOM) CYLINDER ASSEMBLY | D |
| | | Ref | Note: Original Cylinder may have been replaced with Service Replacement. Identify PN Stamped on Cylinder Before Ordering Parts. | |
| 1 | 70003071 | 1 | Barrel | |
| 2 | 70003072 | 1 | Rod | |
| 3 | 70003073 | 1 | Head | |
| 4 | See Note | NSS | Wiper (Note: Use Item 28) | |
| 5 | 70002410 | 1 | Ring, Retaining | |
| 6 | See Note | NSS | Seal, Rod (Note: Use Item 28) | |
| 7 | See Note | NSS | Ring, Back-up (Note: Use Item 28) | |
| 8 | 70002337 | 1 | Bearing | |
| 9 | See Note | NSS | O-Ring (Note: Use Item 28) | |
| 10 | See Note | NSS | Ring, Back-up (Note: Use Item 28) | |
| 11 | See Note | NSS | O-Ring (Note: Use Item 28) | |
| 12 | 70003074 | 1 | Piston | |
| 13 | See Note | NSS | Seal, Piston (Note: Use Item 28) | |
| 14 | See Note | NSS | Ring, Wear (Note: Use Item 28) | |
| 15 | See Note | NSS | O-Ring (Note: Use Item 28) | |
| 16 | 70002335 | 1 | Nut | |
| 17 | 7024884 | 1 | Cartridge, Solenoid Valve | |
| 17 | 7012967 | 1 | Seal Kit - 7024884 Valve | |
| 17 | 70002386 | 1 | Coil | |
| 18 | 70003076 | 1 | Cartridge, Check Valve | |
| 18 | 7017496 | 1 | Seal Kit - 70003076 Valve | |
| 19 | 70023370 | 2 | Plug | |
| 20 | See Note | 2 | O-Ring (Note: Not Available - Purchase Locally) | |
| 21 | 70002334 | 1 | Orifice | |
| 22 | 0961948 | 4 | Bushing, Garmax (was p/n 70003107) | |
| 28 | 70003075 | 1 | Seal Kit (Includes Items 4, 6, 7, 9, 10, 11, 13, 14 & 15) | |
| 100 | | Ref | REPAIR TOOLS (NOT SHOWN) | |
| 100 | 70003077 | 1 | Press, Wiper | |
| 100 | 70003078 | 1 | Press, Bushing (Use with Rod Bearing) | |
| 100 | 70003079 | 1 | Tool, Bushing Removal (Use with Rod Bearing) | |
| 100 | 70003080 | 1 | Tool, Head Seal Protection | |
| 100 | 70003081 | 1 | Tool, Piston Seal Protection | |
| 100 | 70003082 | 1 | Press, Bushing (Use with Pin Mounting Bushings) | |
| 100 | 70003083 | 1 | Tool, Bushing Removal (Use with Pin Mounting Bushings) | |

SECTION 6 - CYLINDER

FIGURE 6-6. MASTER CYLINDER ASSEMBLY



ART_1001120976

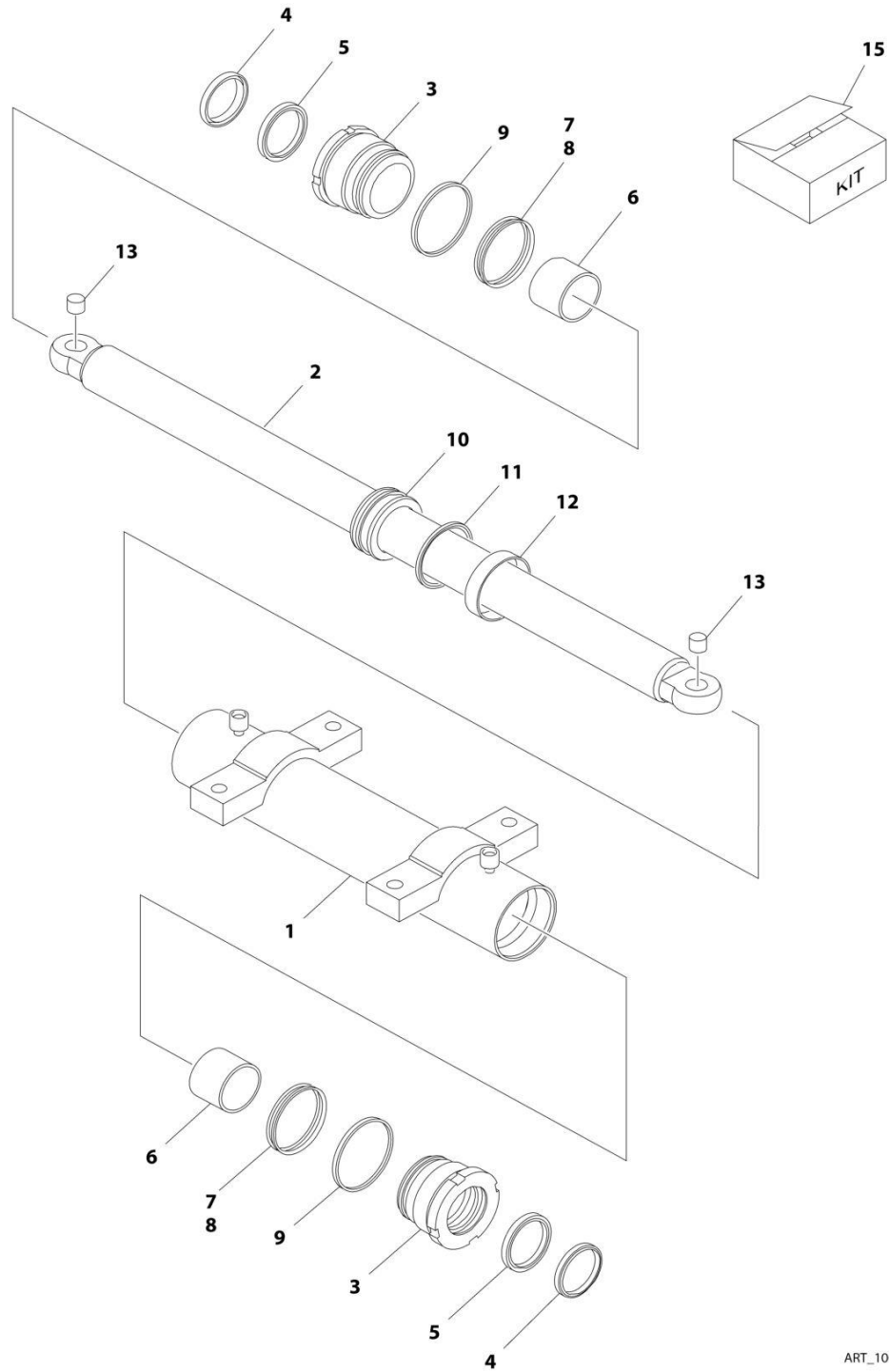
SECTION 6 - CYLINDER

FIGURE 6-6. MASTER CYLINDER ASSEMBLY

| ITEM | PART NUMBER | QTY | DESCRIPTION | REV |
|------|-------------|-----|---|-----|
| | 1001120976 | Ref | MASTER CYLINDER ASSEMBLY | B |
| | | Ref | Note: Original Cylinder may have been replaced with Service Replacement. Identify PN Stamped on Cylinder Before Ordering Parts. | |
| 1 | 70003084 | 1 | Barrel | |
| 2 | 70002354 | 1 | Rod | |
| 3 | 70003085 | 1 | Head | |
| 4 | See Note | NSS | Wiper (Note: Use Item 28) | |
| 5 | 70002366 | 1 | Ring, Retaining | |
| 6 | See Note | NSS | Seal, Rod (Note: Use Item 28) | |
| 7 | See Note | NSS | Ring, Back-up (Note: Use Item 28) | |
| 8 | 70002352 | 1 | Bearing | |
| 9 | See Note | NSS | O-Ring (Note: Use Item 28) | |
| 10 | See Note | NSS | Ring, Back-up (Note: Use Item 28) | |
| 11 | See Note | NSS | O-Ring (Note: Use Item 28) | |
| 12 | 70003086 | 1 | Piston | |
| 13 | See Note | NSS | Seal, Piston (Note: Use Item 28) | |
| 14 | See Note | NSS | Ring, Wear (Note: Use Item 28) | |
| 15 | See Note | NSS | O-Ring (Note: Use Item 28) | |
| 16 | 70002335 | 1 | Nut | |
| 17 | 0961951 | 4 | Bushing, Garmax (was p/n 70003087) | |
| 18 | 70023371 | 4 | Plug | |
| 28 | 70003088 | 1 | Seal Kit (Includes Items 4, 6, 7, 9, 10, 11, 13, 14 & 15) | |
| 100 | | Ref | REPAIR TOOLS (NOT SHOWN) | |
| 100 | 70003089 | 1 | Press, Wiper | |
| 100 | 70003090 | 1 | Press, Bushing (Use with Rod Bearing) | |
| 100 | 70003091 | 1 | Tool, Bushing Removal (Use with Rod Bearing) | |
| 100 | 70003092 | 1 | Tool, Head Seal Protection | |
| 100 | 70003081 | 1 | Tool, Piston Seal Protection | |
| 100 | 70003093 | 1 | Press, Bushing (Use with Pin Mounting Bushings) | |
| 100 | 70003094 | 1 | Tool, Bushing Removal (Use with Pin Mounting Bushings) | |

SECTION 6 - CYLINDER

FIGURE 6-7. STEER CYLINDER ASSEMBLY



ART_1001116788

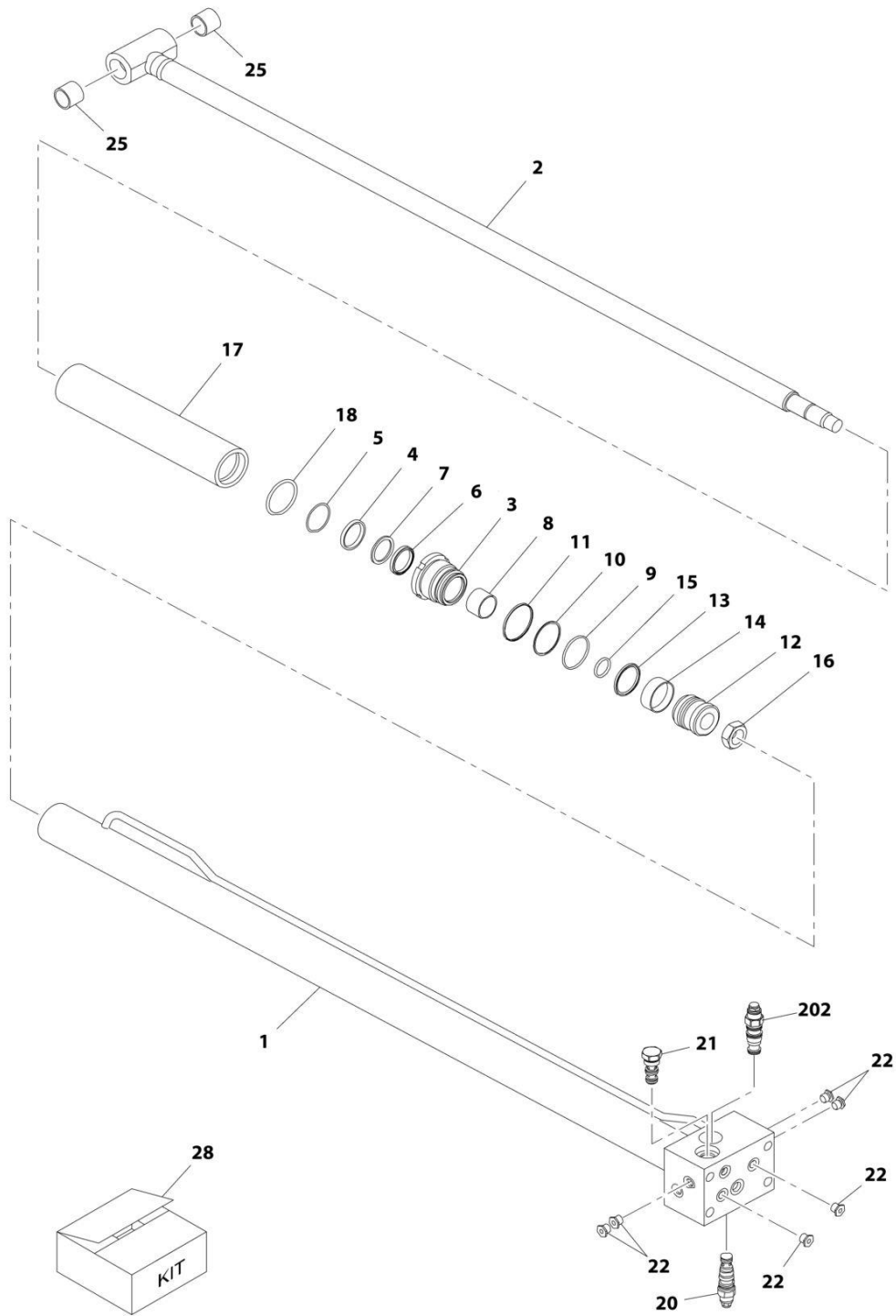
SECTION 6 - CYLINDER

FIGURE 6-7. STEER CYLINDER ASSEMBLY

| ITEM | PART NUMBER | QTY | DESCRIPTION | REV |
|------|-------------|-----|---|-----|
| | 1001116788 | Ref | STEER CYLINDER ASSEMBLY | C |
| | | Ref | Note: Original Cylinder may have been replaced with Service Replacement. Identify PN Stamped on Cylinder Before Ordering Parts. | |
| 1 | 70003095 | 1 | Barrel | |
| 2 | 70003096 | 1 | Rod | |
| 3 | 70003098 | 2 | Head | |
| 4 | See Note | NSS | Wiper (Note: Use Item 15) | |
| 5 | See Note | NSS | Seal, Rod (Note: Use Item 15) | |
| 6 | 70002337 | 2 | Bearing | |
| 7 | See Note | NSS | O-Ring (Note: Use Item 15) | |
| 8 | See Note | NSS | Ring, Back-up (Note: Use Item 15) | |
| 9 | See Note | NSS | O-Ring (Note: Use Item 15) | |
| 10 | 70003097 | 1 | Piston | |
| 11 | See Note | NSS | Seal, Piston (Note: Use Item 15) | |
| 12 | See Note | NSS | Ring, Wear (Note: Use Item 15) | |
| 13 | 70002380 | 4 | Bushing, Garmax | |
| 15 | 70003099 | 1 | Seal Kit (Includes Items 4, 5, 7, 8, 9, 11 & 12) | |
| 100 | | Ref | REPAIR TOOLS (NOT SHOWN) | |
| 100 | 70003077 | 1 | Press, Wiper | |
| 100 | 70003078 | 1 | Press, Bushing (Use with Rod Bearing) | |
| 100 | 70003079 | 1 | Tool, Bushing Removal (Use with Rod Bearing) | |
| 100 | 70003080 | 1 | Tool, Head Seal Protection | |
| 100 | 70003100 | 1 | Tool, Piston Seal Protection | |
| 100 | 70003101 | 1 | Press, Bushing (Use with Pin Mounting Bushings) | |
| 100 | 70003102 | 1 | Tool, Bushing Removal (Use with Pin Mounting Bushings) | |

SECTION 6 - CYLINDER

FIGURE 6-8. TELESCOPE CYLINDER ASSEMBLY



ART_1001120974

SECTION 6 - CYLINDER

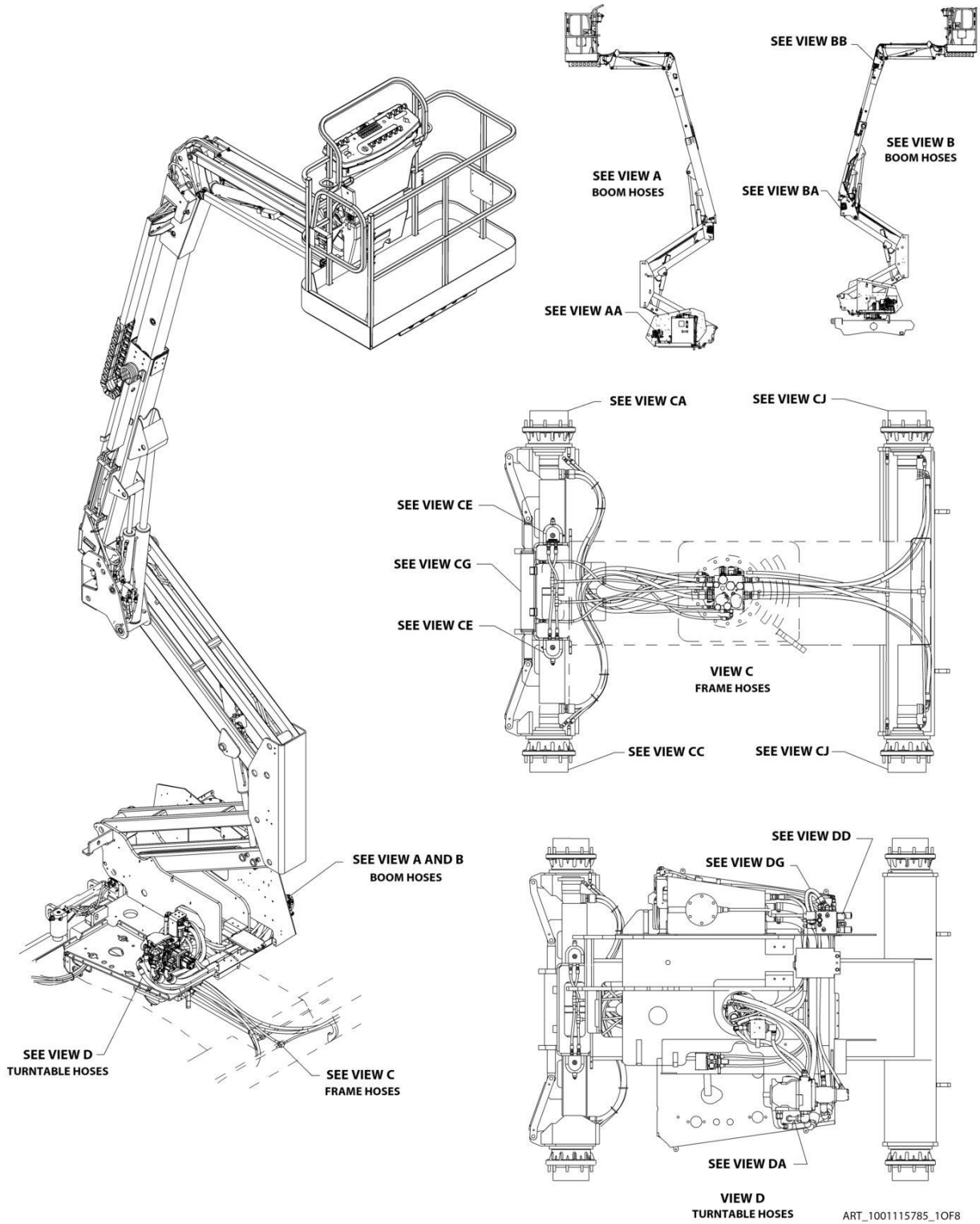
FIGURE 6-8. TELESCOPE CYLINDER ASSEMBLY

| ITEM | PART NUMBER | QTY | DESCRIPTION | REV |
|------|-------------|-----|---|-----|
| | 1001120974 | Ref | TELESCOPE CYLINDER ASSEMBLY | C |
| | | Ref | Note: Original Cylinder may have been replaced with Service Replacement. Identify PN Stamped on Cylinder Before Ordering Parts. | |
| 1 | 70003114 | 1 | Barrel | |
| 2 | 70003115 | 1 | Rod | |
| 3 | 70003116 | 1 | Head | |
| 4 | See Note | NSS | Wiper (Note: Use Item 28) | |
| 5 | 70002366 | 1 | Ring, Retaining | |
| 6 | See Note | NSS | Seal, Rod (Note: Use Item 28) | |
| 7 | See Note | NSS | Ring, Back-up (Note: Use Item 28) | |
| 8 | 70002352 | 1 | Bearing | |
| 9 | See Note | NSS | O-Ring (Note: Use Item 28) | |
| 10 | See Note | NSS | Ring, Back-up (Note: Use Item 28) | |
| 11 | See Note | NSS | O-Ring (Note: Use Item 28) | |
| 12 | 70003117 | 1 | Piston | |
| 13 | See Note | NSS | Seal, Piston (Note: Use Item 28) | |
| 14 | See Note | NSS | Ring, Wear (Note: Use Item 28) | |
| 15 | See Note | NSS | O-Ring (Note: Use Item 28) | |
| 16 | 70002335 | 1 | Nut | |
| 17 | 70002364 | 1 | Spacer | |
| 18 | See Note | NSS | O-Ring (Note: Use Item 28) | |
| 20 | 70002389 | 1 | Cartridge, Counterbalance Valve | |
| 20 | 2900770 | 1 | Seal Kit - 70002389 Valve | |
| 21 | 10837580 | 1 | Cartridge, Load Shuttle Valve | |
| 21 | 7010543 | 1 | Seal Kit - 10837580 Valve | |
| 22 | 70023370 | 6 | Plug | |
| 25 | 70003118 | 2 | Bushing | |
| 28 | 70003119 | 1 | Seal Kit (Includes Items 4, 6, 7, 9, 10, 11, 13, 14, 15 & 18) | |
| 100 | | Ref | REPAIR TOOLS (NOT SHOWN) | |
| 100 | 70003089 | 1 | Press, Wiper | |
| 100 | 70003090 | 1 | Press, Bushing (Use with Rod Bearing) | |
| 100 | 70003091 | 1 | Tool, Bushing Removal (Use with Rod Bearing) | |
| 100 | 70003092 | 1 | Tool, Head Seal Protection | |
| 100 | 70003120 | 1 | Press, Bushing (Use with Pin Mounting Bushings) | |
| 100 | 70003121 | 1 | Tool, Bushing Removal (Use with Pin Mounting Bushings) | |
| | 1001199461 | Ref | TELESCOPE CYLINDER ASSEMBLY | A |
| 202 | 1001199306 | 1 | Cartridge, Counter Balance Valve | |
| 202 | 2900770 | 1 | Seal Kit - 1001199306 Valve | |

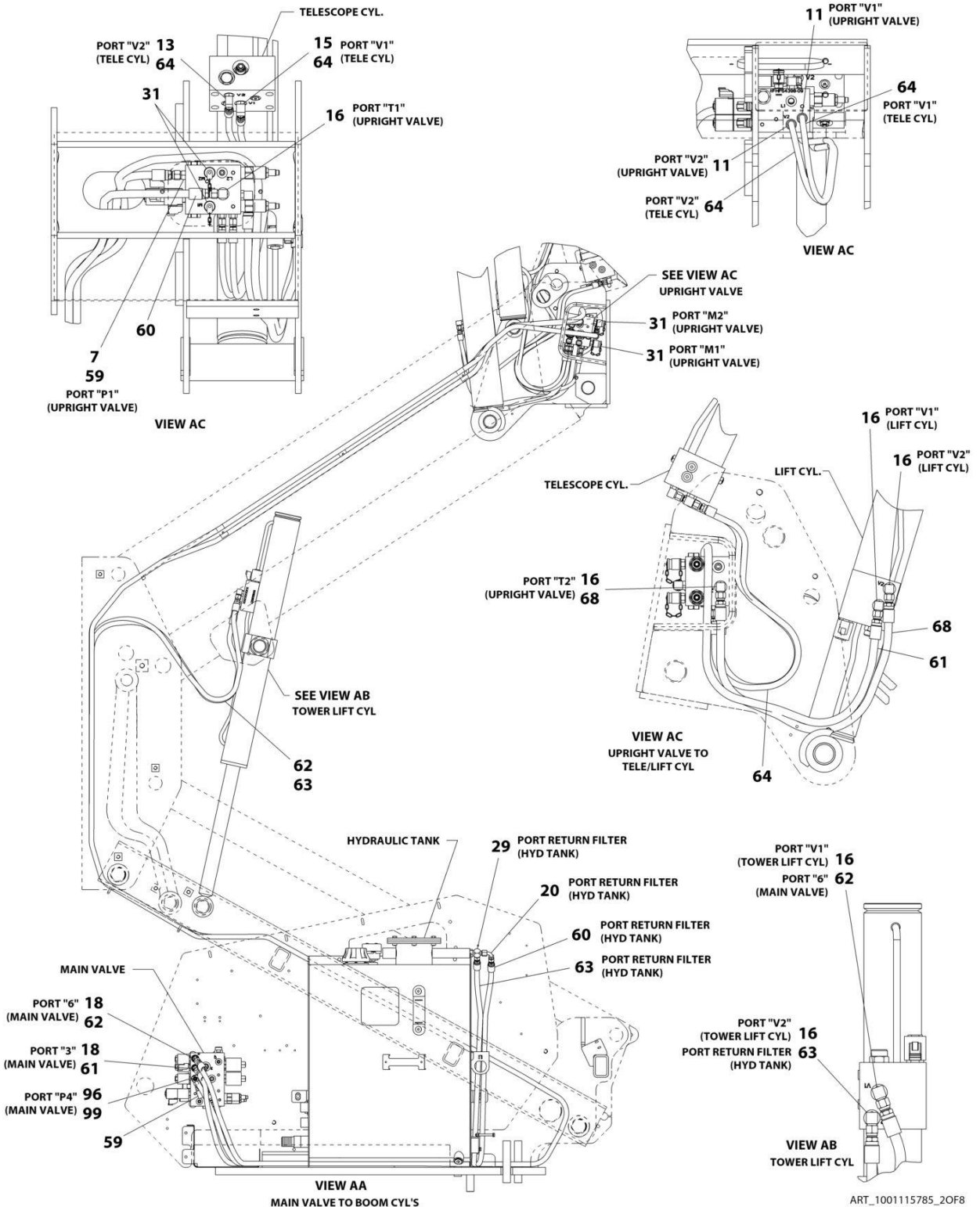
SECTION 7 - HYDRAULIC

SECTION 7 - HYDRAULIC

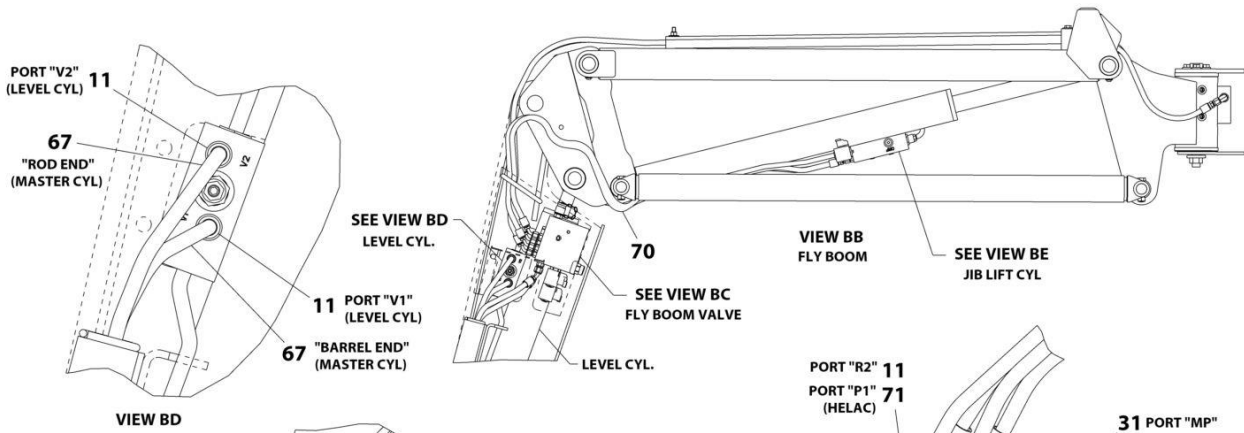
FIGURE 7-1. HYDRAULIC INSTALLATION - WITHOUT ARCTIC PACKAGE



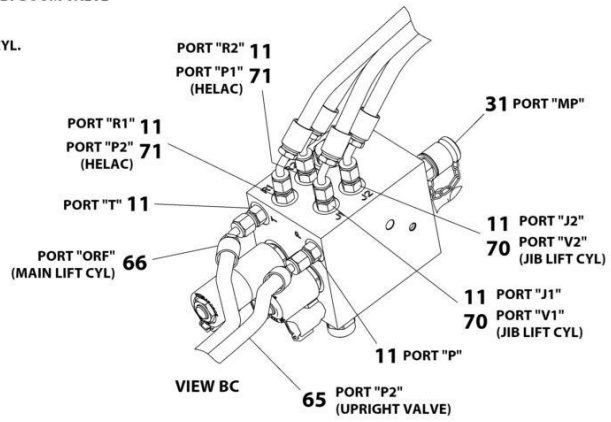
SECTION 7 - HYDRAULIC



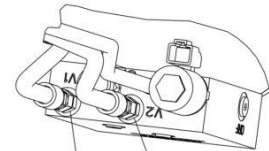
SECTION 7 - HYDRAULIC



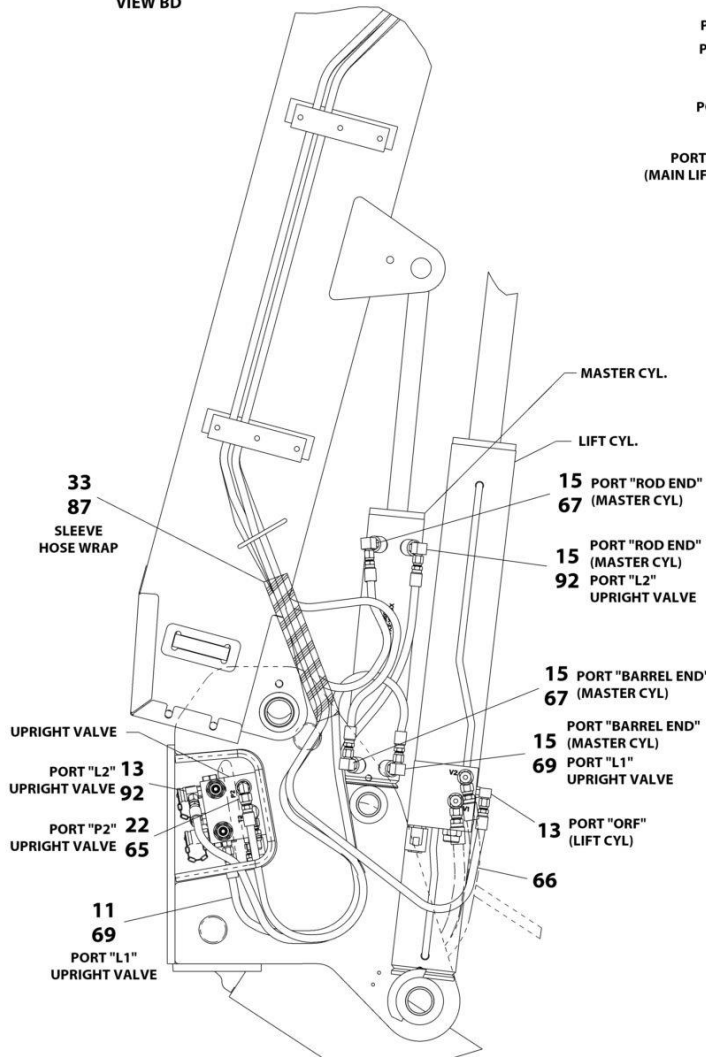
VIEW BD



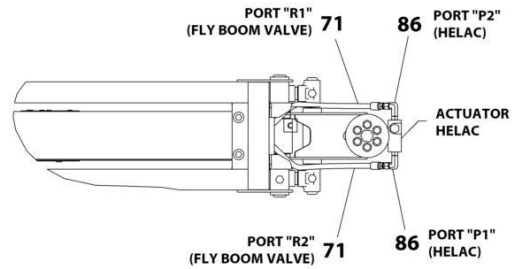
VIEW BC



VIEW BE

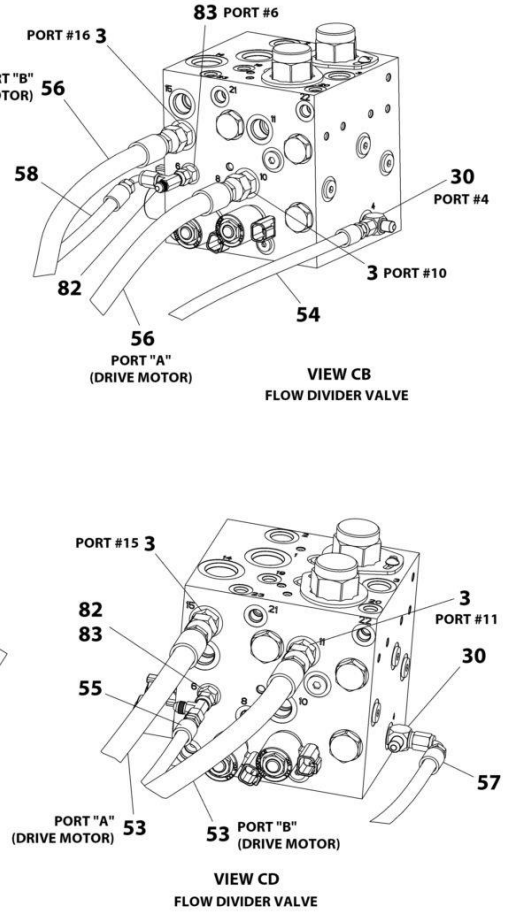
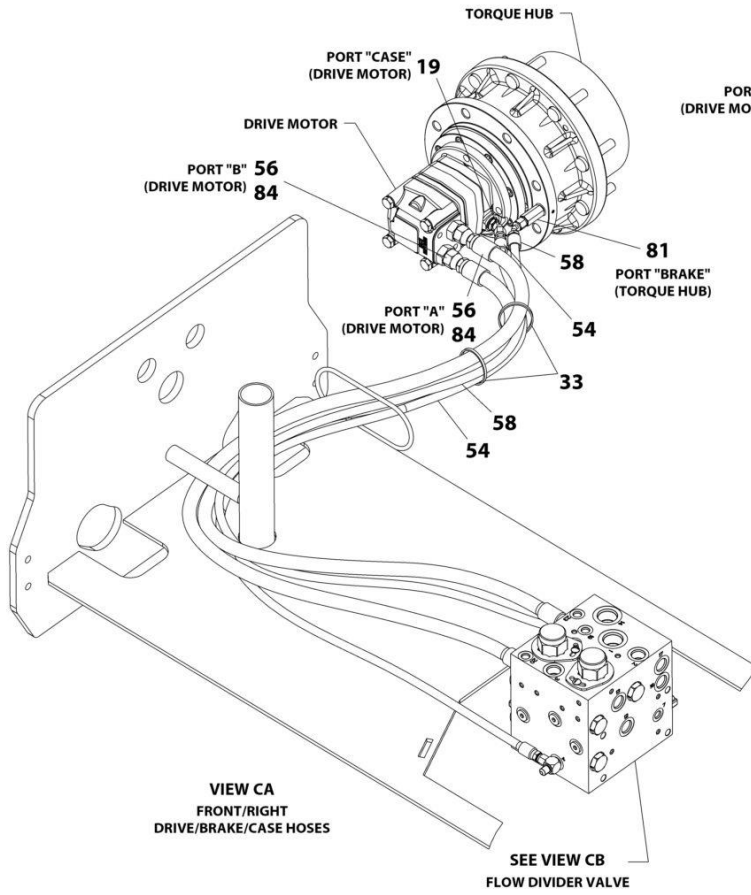


VIEW BA UPRIGHT VALVE TO CYL'S



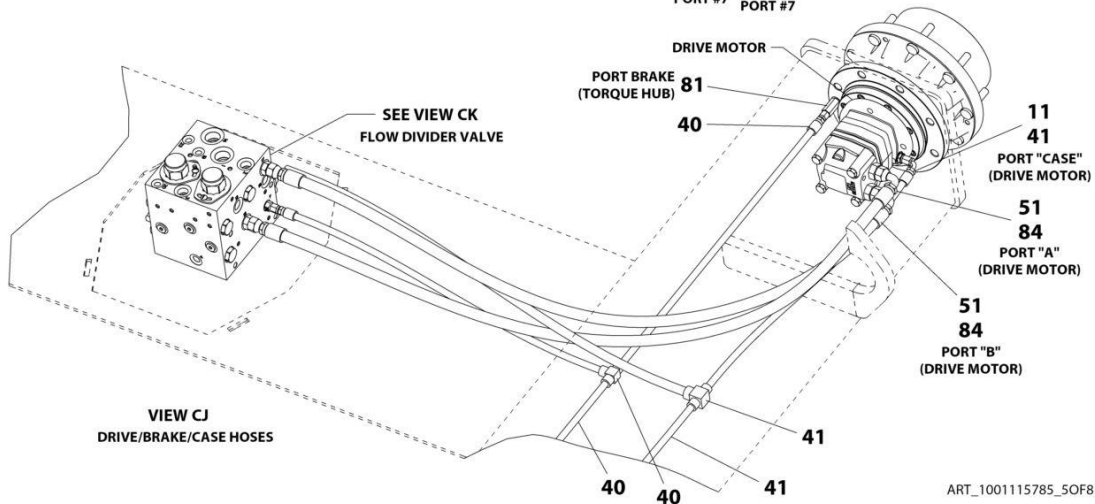
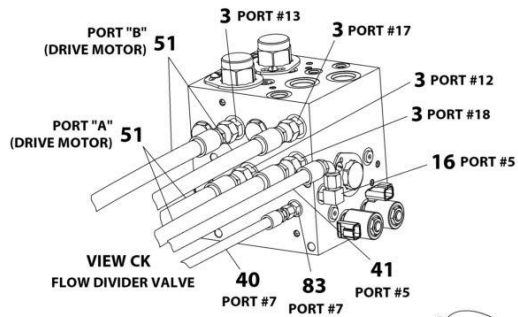
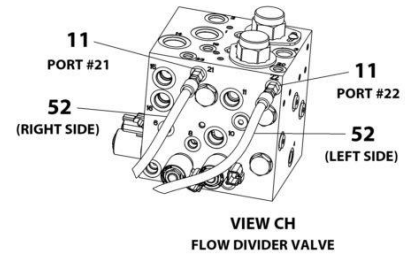
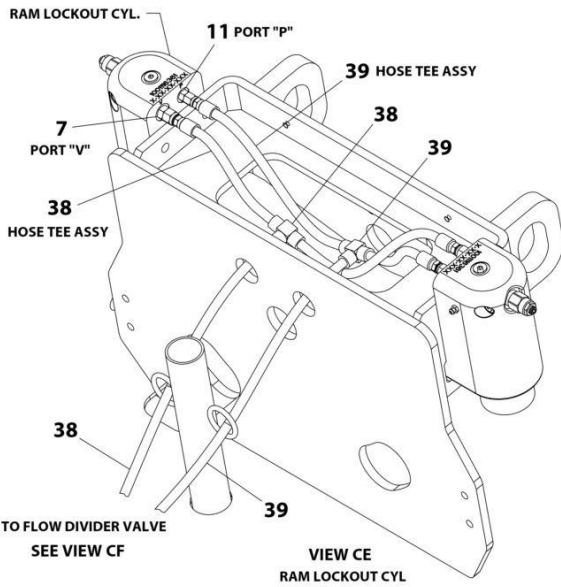
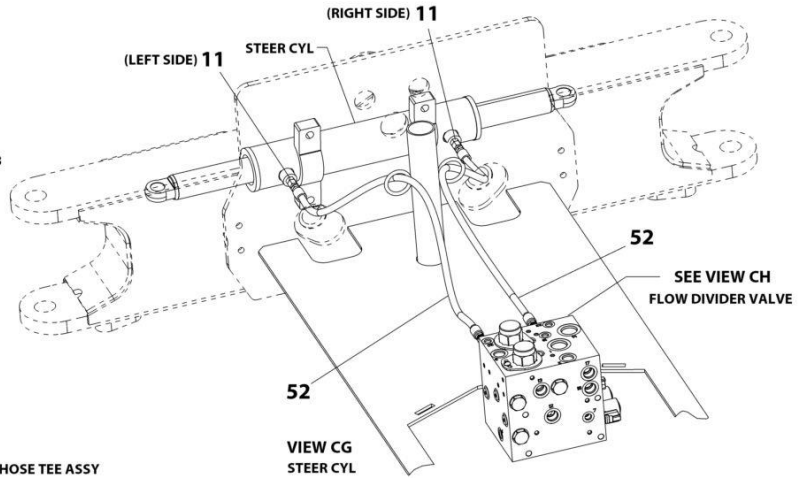
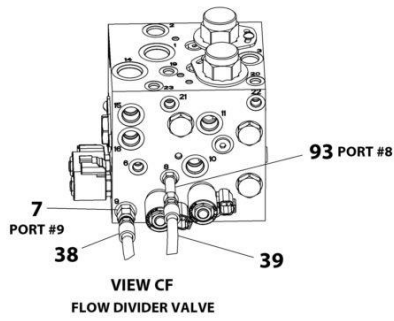
ART_1001115785_30F8

SECTION 7 - HYDRAULIC



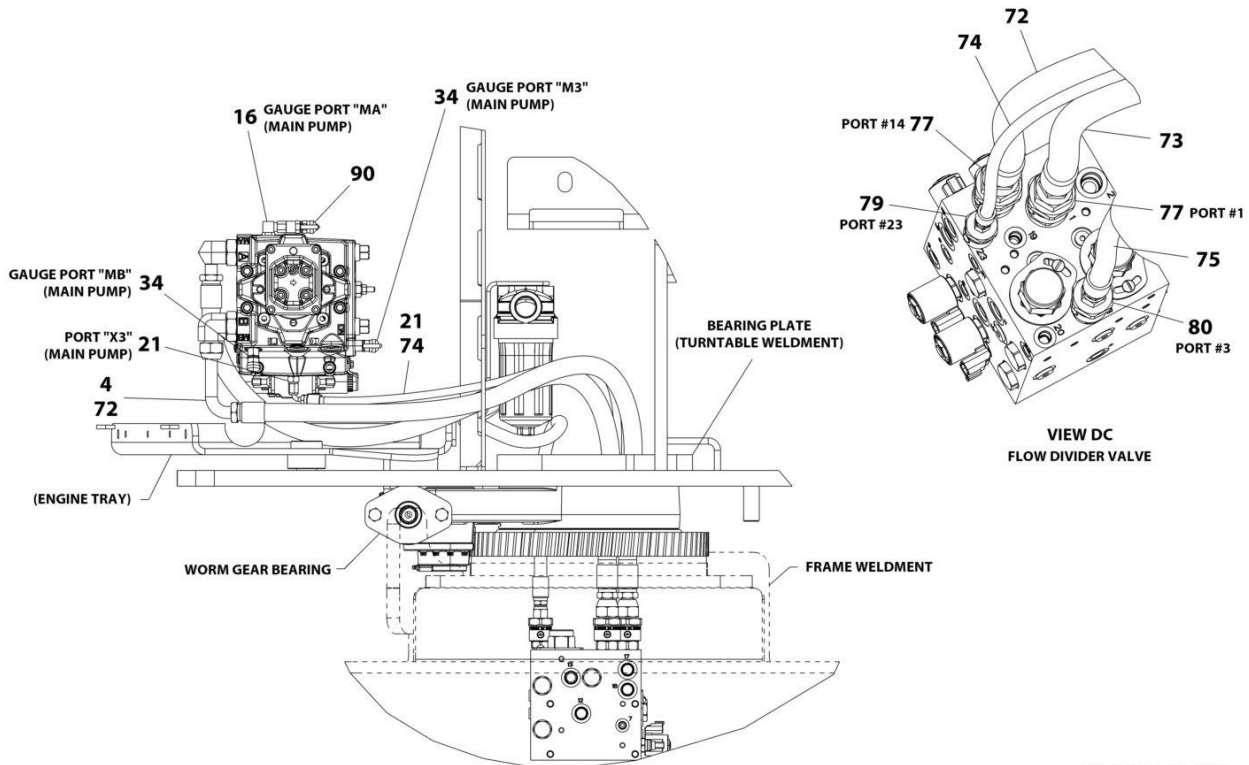
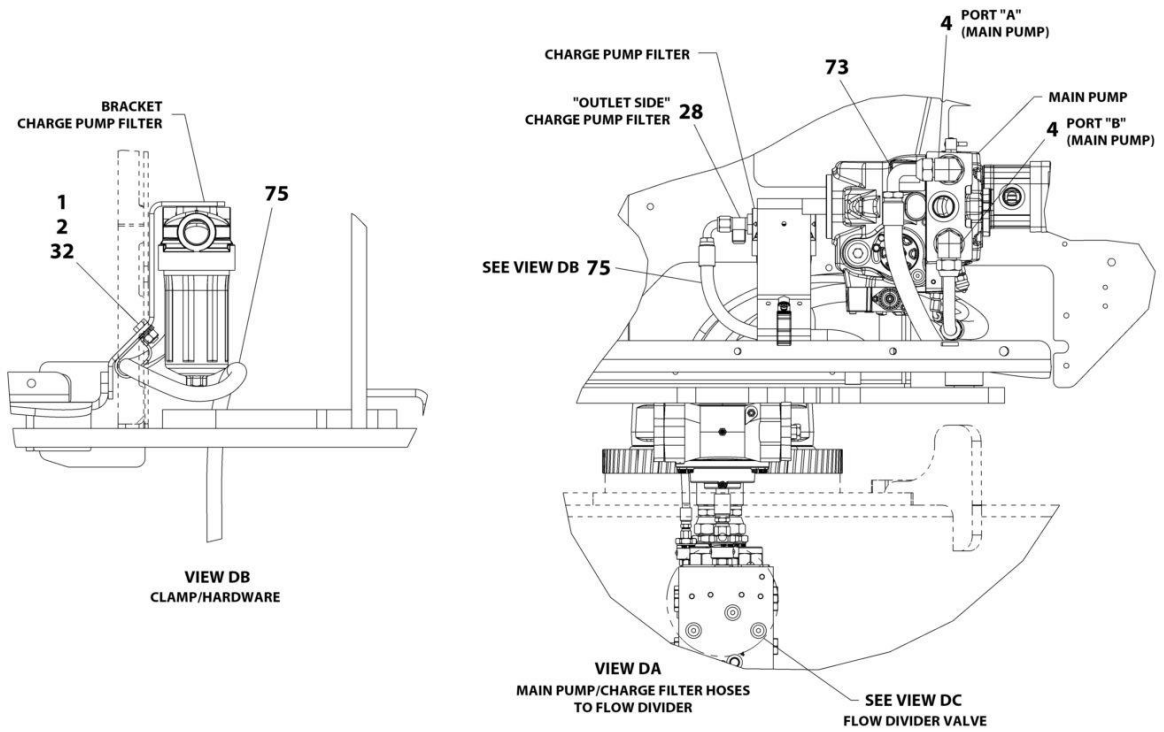
ART_1001115785_40F8

SECTION 7 - HYDRAULIC



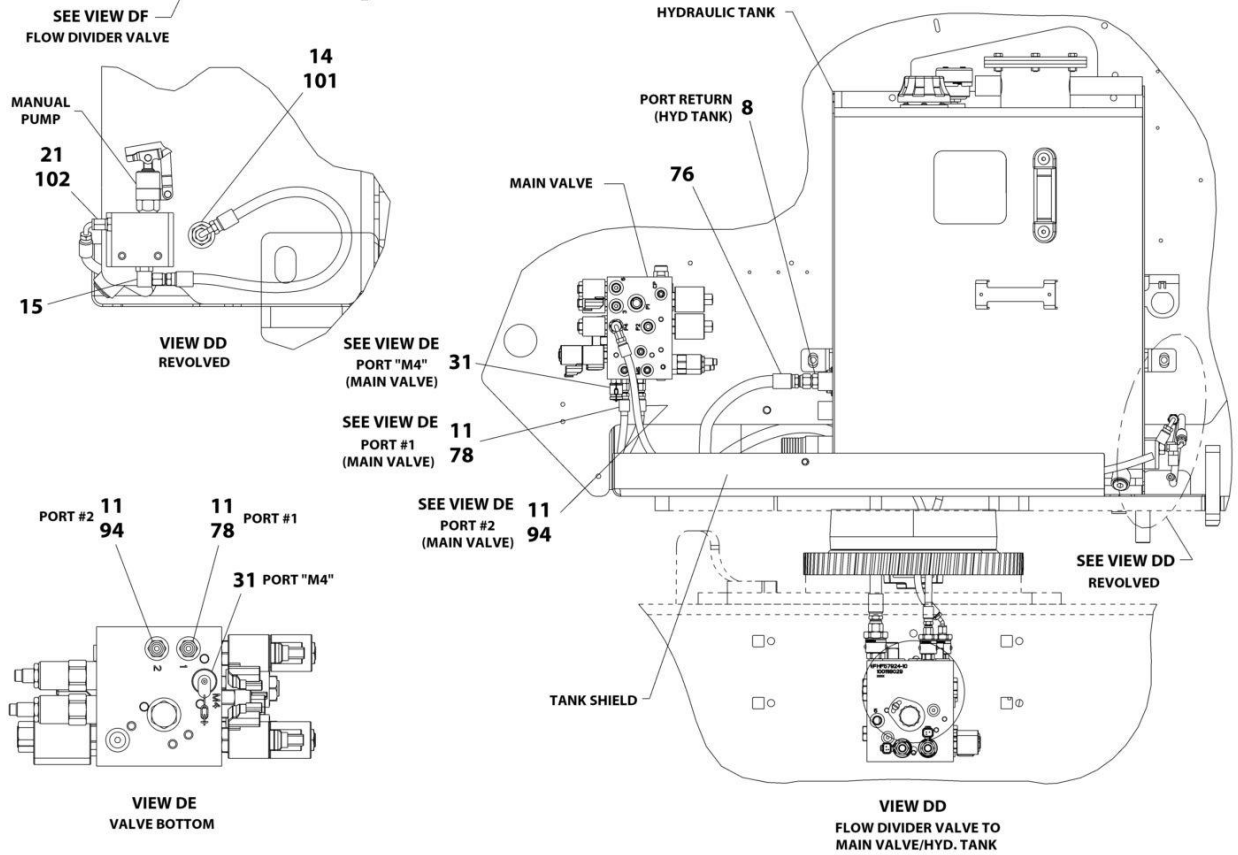
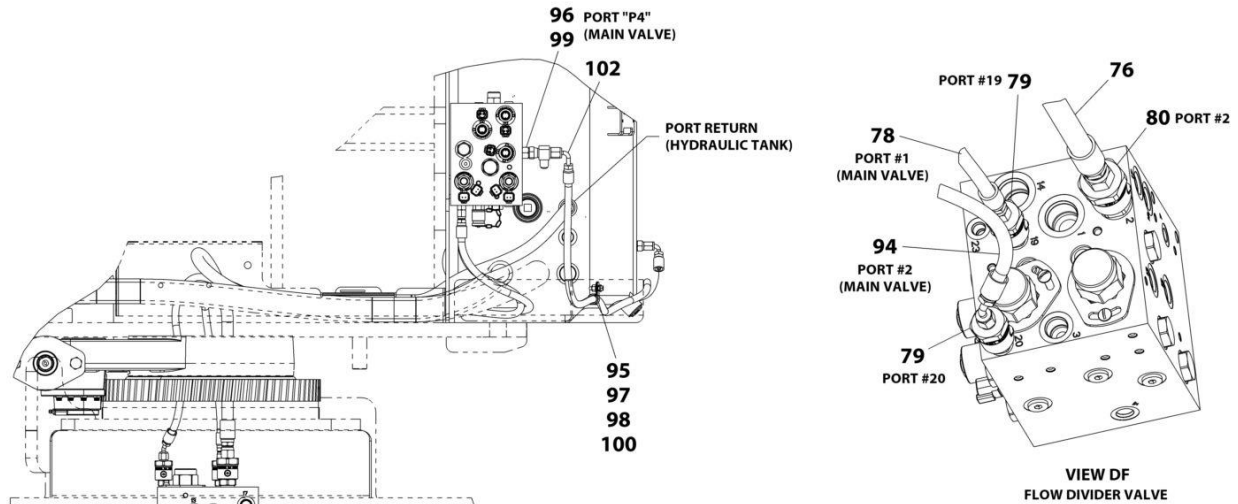
ART_1001115785_SOF8

SECTION 7 - HYDRAULIC



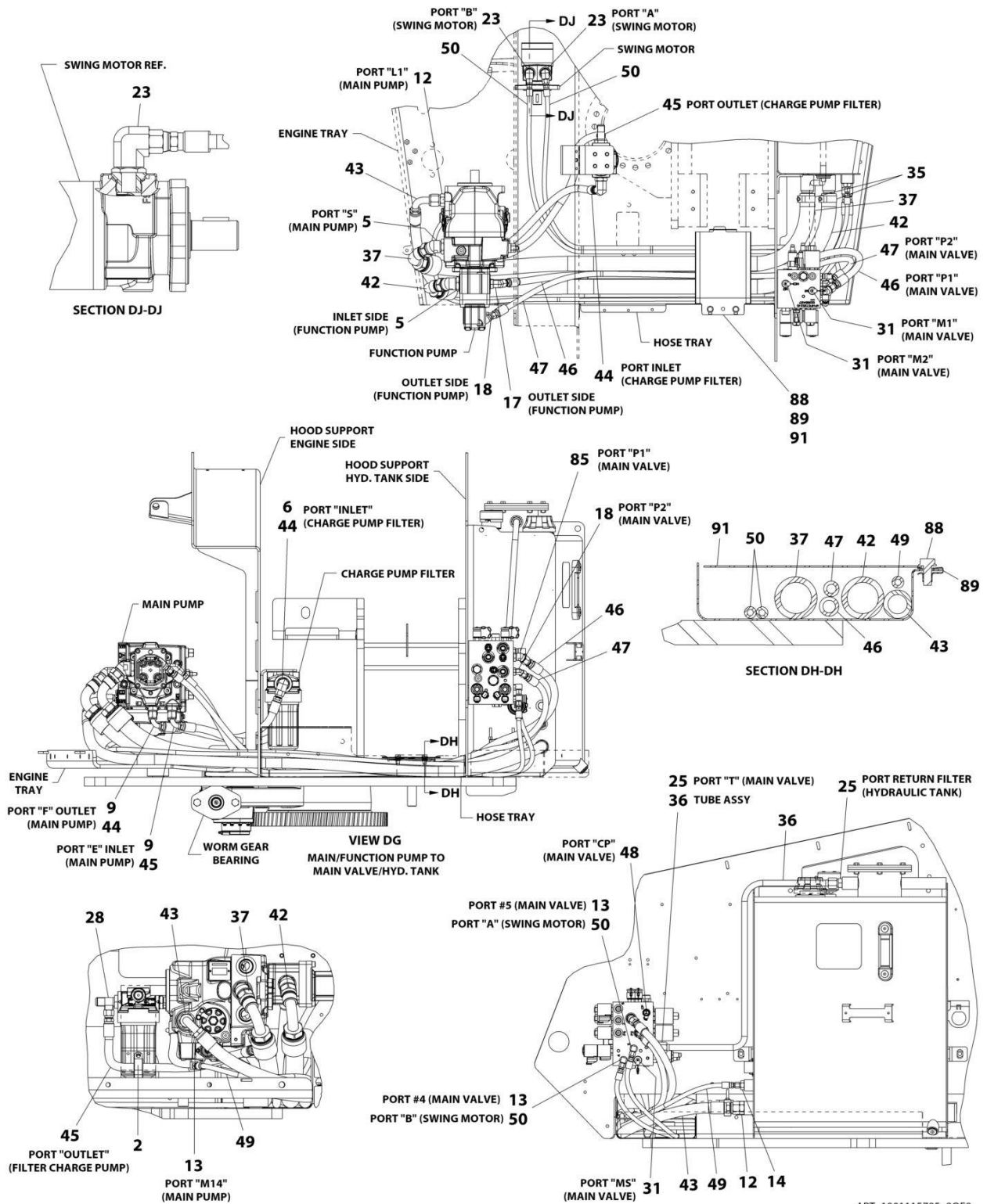
ART_1001115785_60F8

SECTION 7 - HYDRAULIC



ART_1001115785_7OF8

SECTION 7 - HYDRAULIC



SECTION 7 - HYDRAULIC

FIGURE 7-1. HYDRAULIC INSTALLATION - WITHOUT ARCTIC PACKAGE

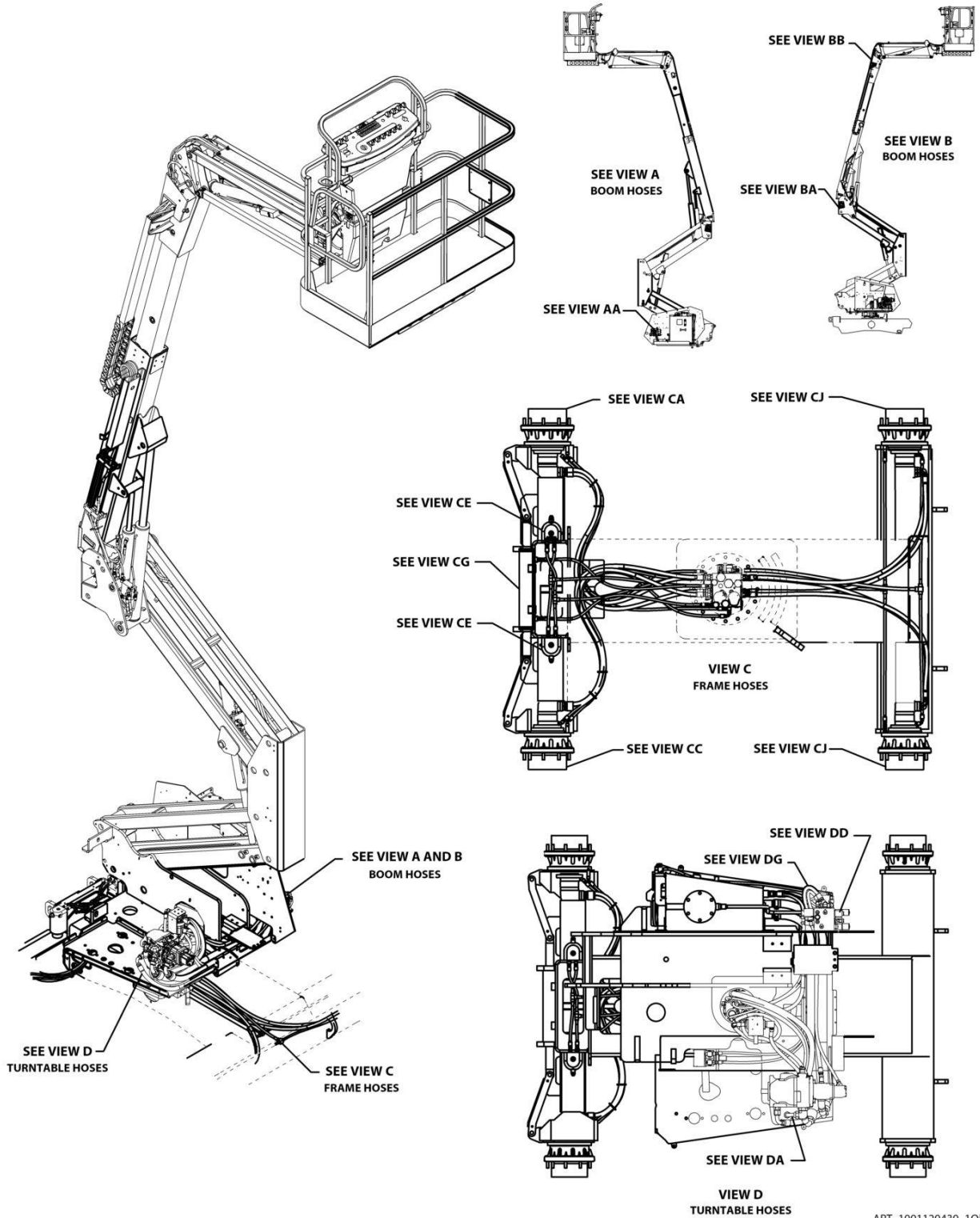
| ITEM | PART NUMBER | QTY | DESCRIPTION | REV |
|------|-------------|-----|---|-----|
| | 1001115785 | Ref | HYDRAULIC INSTALLATION - WITHOUT ARCTIC PACKAGE | I |
| 1 | 0761012 | 1 | Bolt M10 x 25 | |
| 2 | 1321716 | 1 | Clamp | |
| 3 | 2110808 | 8 | Fitting, Straight ORFS/ORB | |
| 4 | 2131216 | 2 | Fitting, 90 ORFS/ORB | |
| 5 | 2220365 | 2 | Fitting, 45 JIC/ORB | |
| 6 | 2220366 | 1 | Fitting, 90 JIC/ORB | |
| 7 | 2220371 | 4 | Fitting, Straight JIC/ORB | |
| 8 | 2220373 | 1 | Fitting, Straight JIC/ORB | |
| 9 | 2220374 | 2 | Fitting, Straight JIC/ORB | |
| 11 | 2220415 | 23 | Fitting, Straight JIC/ORB | |
| 12 | 2220451 | 2 | Fitting, Straight JIC/ORB | |
| 13 | 2220466 | 6 | Fitting, 90 JIC/ORB | |
| 14 | 2220468 | 2 | Fitting, Straight JIC/ORB | |
| 15 | 2220472 | 6 | Fitting, 90 JIC/ORB | |
| 16 | 2220473 | 8 | Fitting, 90 JIC/ORB | |
| 17 | 2220499 | 1 | Fitting, 45 JIC/ORB | |
| 18 | 2220501 | 4 | Fitting, 45 JIC/ORB | |
| 19 | 2220502 | 2 | Fitting, 45 JIC/ORB | |
| 20 | 2220507 | 1 | Fitting, 90 JIC/FSJIC | |
| 21 | 2220582 | 2 | Fitting, Straight JIC/ORB | |
| 22 | 2220819 | 1 | Fitting, 90 JIC/ORB | |
| 23 | 2220828 | 2 | Fitting, 90 JIC/ORB | |
| 25 | 2220947 | 2 | Fitting, Straight JIC/ORB | |
| 28 | 2221041 | 1 | Fitting, Tee | |
| 29 | 2221053 | 1 | Fitting, Run Tee | |
| 30 | 2221060 | 1 | Fitting, Run Tee JIC | |
| 31 | 2221086 | 7 | Fitting, Test Port | |
| 32 | 3291005 | 1 | Nut M10 | |
| 33 | 4240018 | 7 | Tie-Strap | |
| 34 | 77133089 | 2 | Mini Check | |
| 35 | 80633030 | 2 | Clamp, Hose | |
| 36 | 1001116905 | 1 | Tube, Steel | |
| 37 | 1001119035 | 1 | Hose | |
| 38 | 1001119068 | 1 | Hose | |
| 39 | 1001119069 | 1 | Hose | |
| 40 | 1001119070 | 1 | Hose | |
| 41 | 1001119071 | 1 | Hose | |
| 42 | 1001119143 | 1 | Hose | |
| 43 | 1001119237 | 1 | Hose | |
| 44 | 1001119324 | 1 | Hose | |
| 45 | 1001119365 | 1 | Hose | |
| 46 | 1001119404 | 1 | Hose | |
| 47 | 1001119449 | 1 | Hose | |
| 48 | 1001119455 | 1 | Valve, Oil Sampling | |
| 49 | 1001119489 | 1 | Hose | |
| 50 | 1001119525 | 2 | Hose | |
| 51 | 1001119546 | 4 | Hose | |
| 52 | 1001119547 | 2 | Hose | |
| 53 | 1001119548 | 2 | Hose | |

SECTION 7 - HYDRAULIC

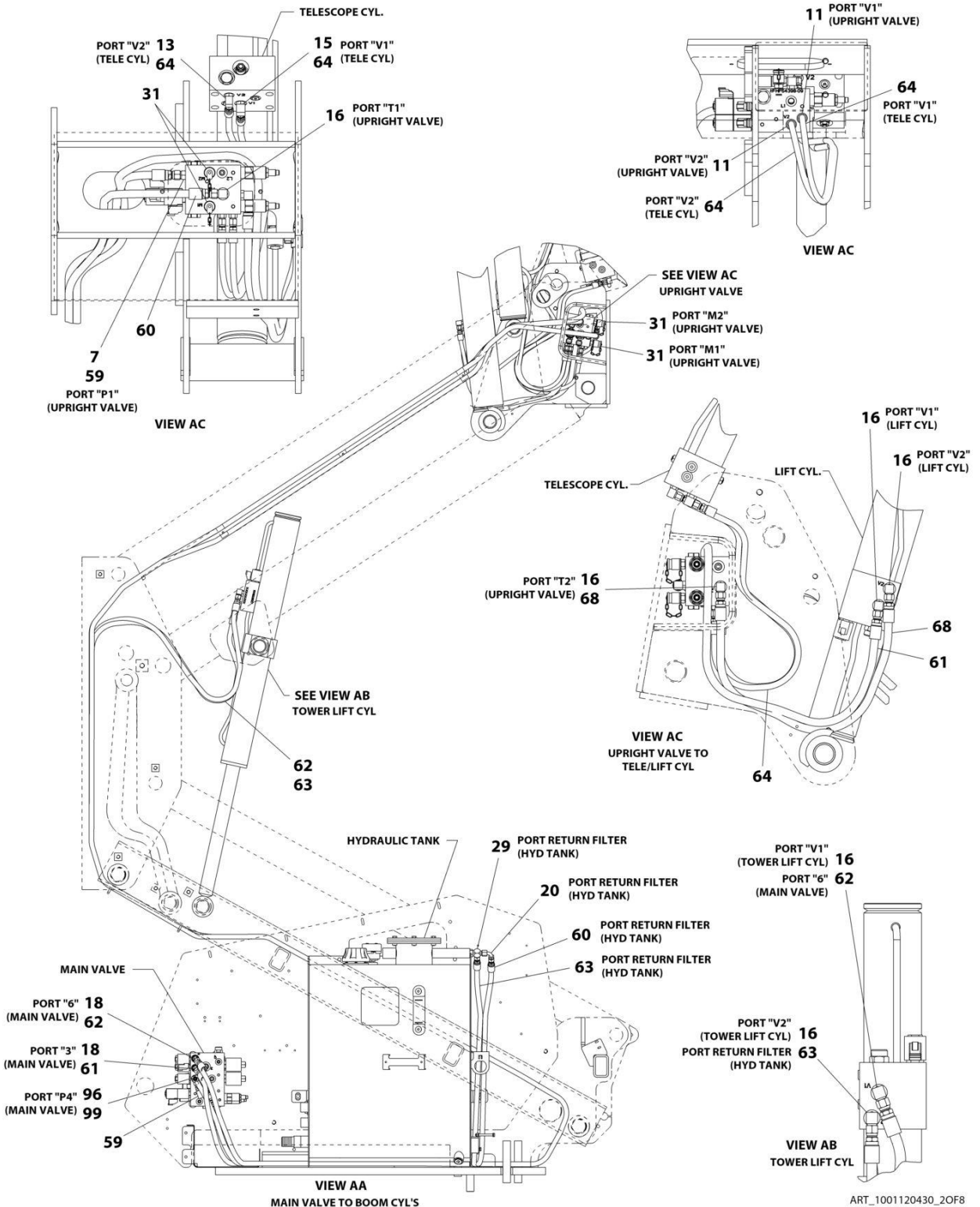
| ITEM | PART NUMBER | QTY | DESCRIPTION | REV |
|------|-------------|-----|----------------------------|-----|
| 54 | 1001119550 | 1 | Hose | |
| 55 | 1001119552 | 1 | Hose | |
| 56 | 1001119568 | 2 | Hose | |
| 57 | 1001119569 | 1 | Hose | |
| 58 | 1001119570 | 1 | Hose | |
| 59 | 1001119572 | 1 | Hose | |
| 60 | 1001119577 | 1 | Hose | |
| 61 | 1001119593 | 1 | Hose | |
| 62 | 1001119594 | 1 | Hose | |
| 63 | 1001119595 | 1 | Hose | |
| 64 | 1001119596 | 2 | Hose | |
| 65 | 1001119597 | 1 | Hose | |
| 66 | 1001119598 | 1 | Hose | |
| 67 | 1001119600 | 2 | Hose | |
| 68 | 1001119602 | 1 | Hose | |
| 69 | 1001119603 | 1 | Hose | |
| 70 | 1001119604 | 2 | Hose | |
| 71 | 1001119605 | 2 | Hose | |
| 72 | 1001119606 | 1 | Hose | |
| 73 | 1001119607 | 1 | Hose | |
| 74 | 1001119608 | 1 | Hose | |
| 75 | 1001119610 | 1 | Hose | |
| 76 | 1001119611 | 1 | Hose | |
| 77 | 1001119612 | 2 | Fitting, Straight ORB/ORFS | |
| 78 | 1001119613 | 1 | Hose | |
| 79 | 1001119626 | 3 | Fitting, Straight JIC/ORB | |
| 80 | 1001119627 | 2 | Fitting, Straight JIC/ORB | |
| 81 | 1001119630 | 4 | Fitting, Straight JIC/MPP | |
| 82 | 2220605 | 1 | Fitting, Tee JIC/FSJIC/JIC | |
| 83 | 4641284 | 2 | Valve, Orifice Check | |
| 84 | 2110810 | 8 | Fitting, Straight ORFS/ORB | |
| 85 | 2220500 | 1 | Fitting, 45 JIC/ORB | |
| 86 | 2220940 | 2 | Fitting, 90 JIC/ORB | |
| 87 | 4100066 | 1 | Sleeve, Hose Wrap | |
| 88 | 5250810 | 2 | Bolt M8 x 20 | |
| 89 | 8310686 | 2 | Retainer M8 | |
| 90 | 91143172 | 1 | Coupling | |
| 91 | 1001121221 | 1 | Cover, Tray | |
| 92 | 1001121966 | 1 | Hose | |
| 93 | 1001125108 | 1 | Fitting, Straight JIC/ORB | |
| 94 | 1001125249 | 1 | Hose | |
| 95 | 0700510 | 1 | Bolt M5 x 20 | |
| 95 | 0700610 | 1 | Bolt M6 x 20 | |
| 96 | 2220635 | 1 | Fitting, Tee JIC/FSJIC/JIC | |
| 97 | 3290605 | 1 | Nut M6 | |
| 98 | 4811700 | 2 | Washer M6 | |
| 99 | 80233041 | 1 | Fitting, Check | |
| 100 | 85941016 | 1 | Clamp | |
| 101 | 1001127703 | 1 | Hose | |
| 102 | 1001127705 | 1 | Hose | |

SECTION 7 - HYDRAULIC

FIGURE 7-2. HYDRAULIC INSTALLATION - WITH ARCTIC PACKAGE

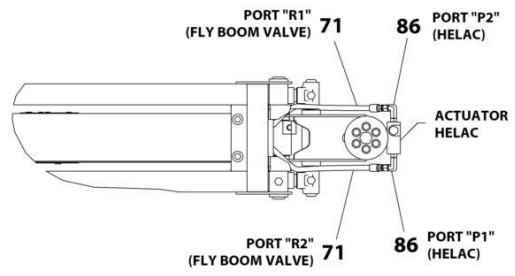
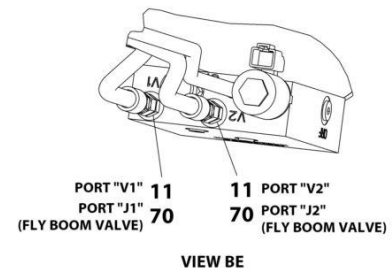
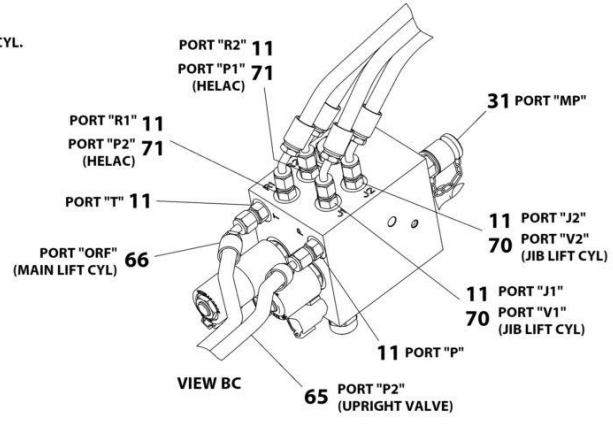
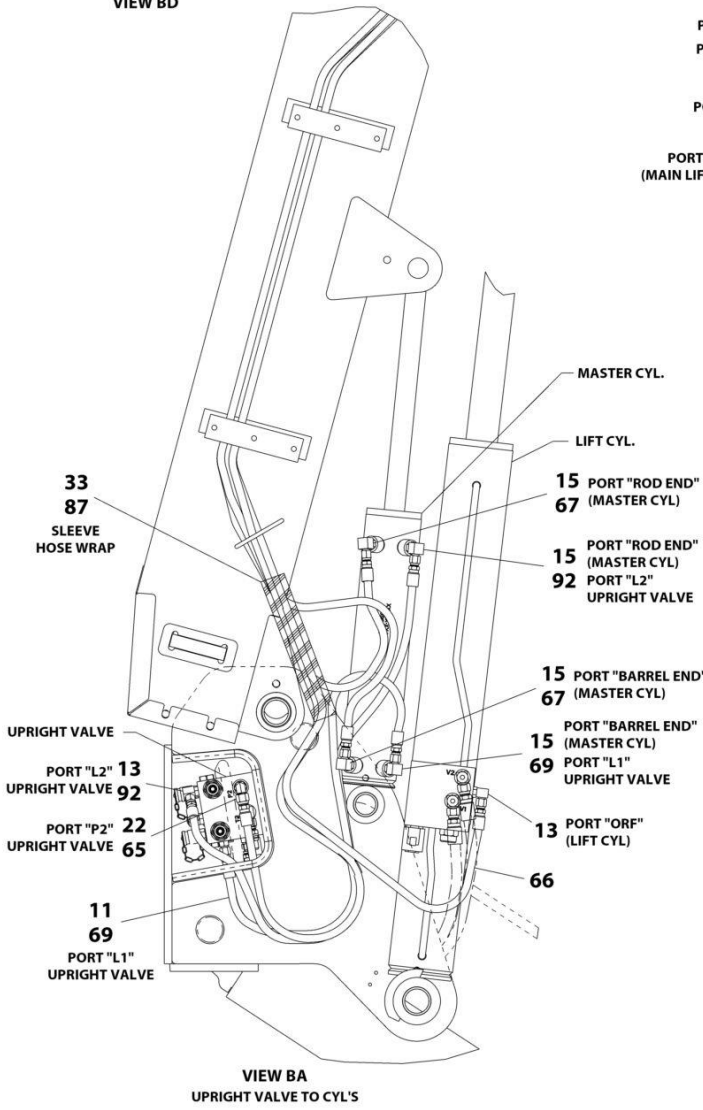
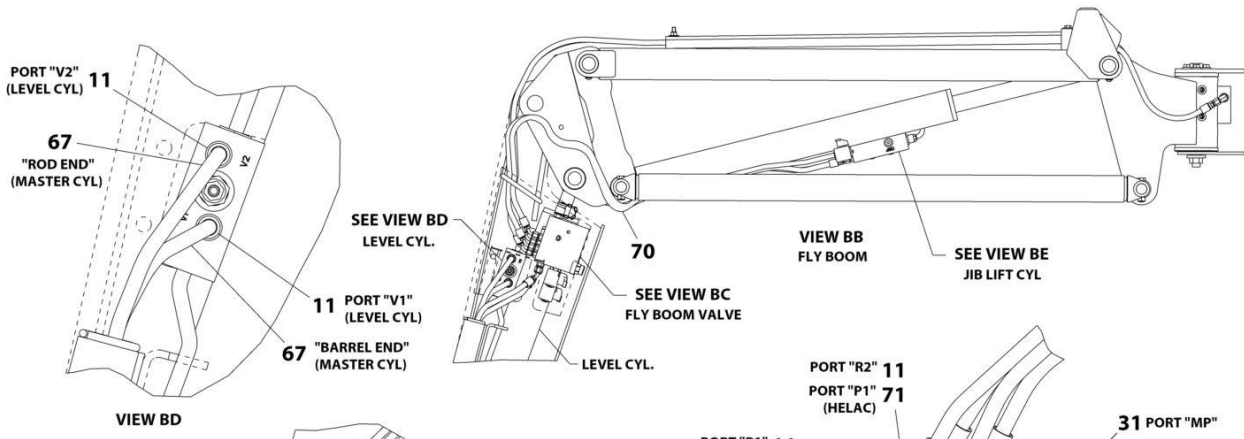


SECTION 7 - HYDRAULIC



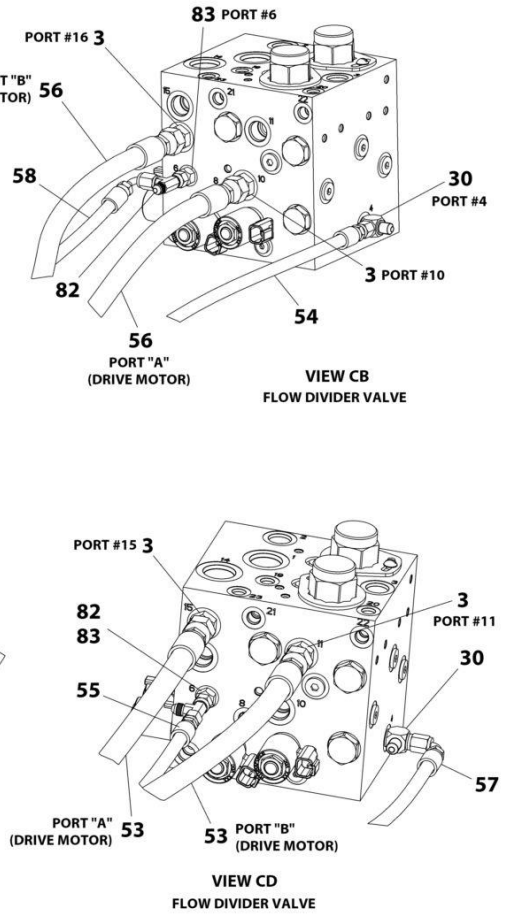
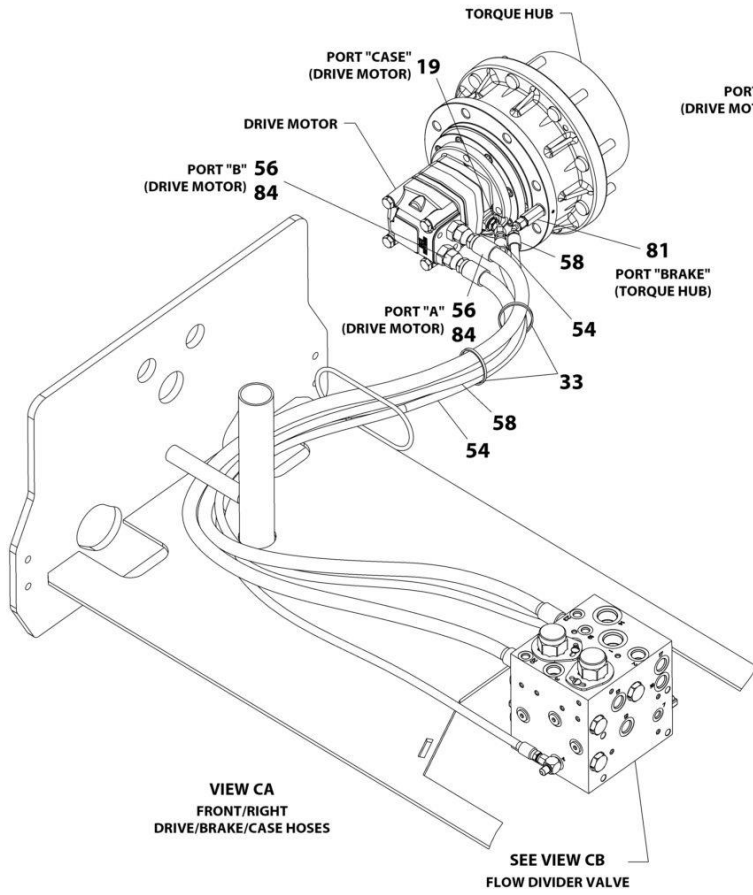
ART_1001120430_20F8

SECTION 7 - HYDRAULIC



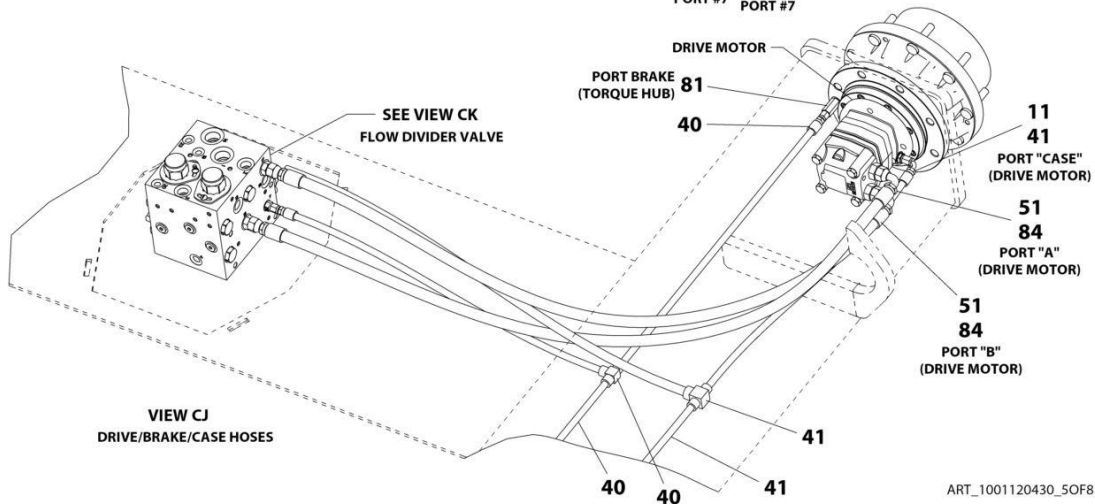
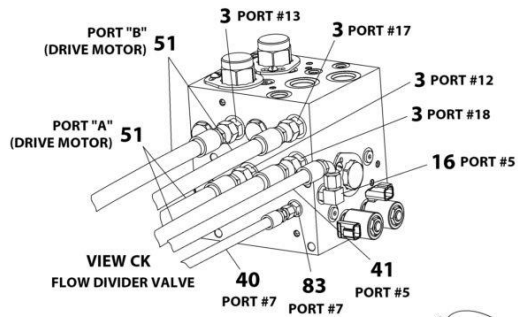
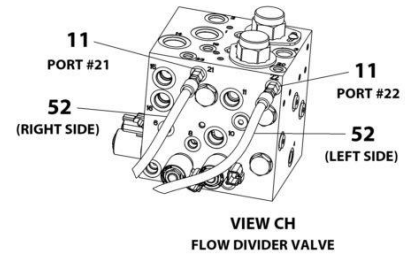
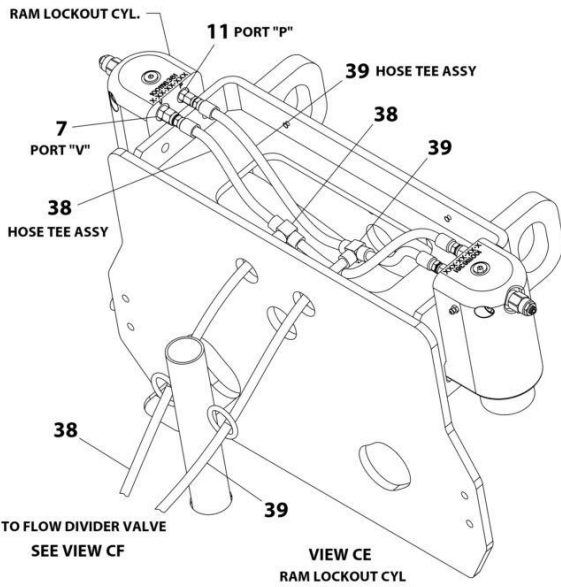
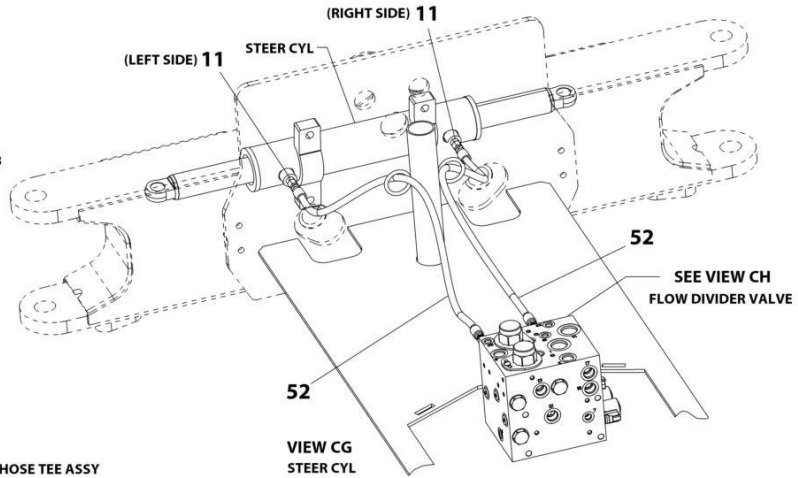
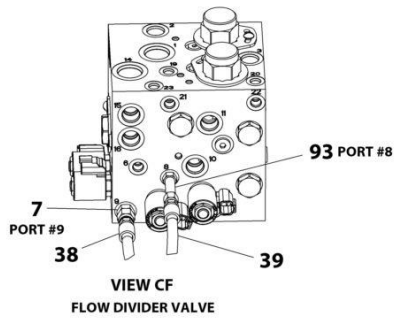
ART_1001120430_30F8

SECTION 7 - HYDRAULIC



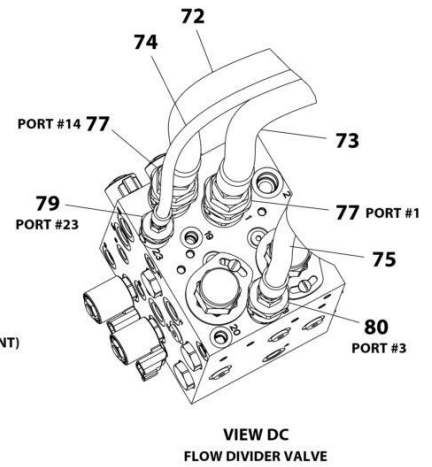
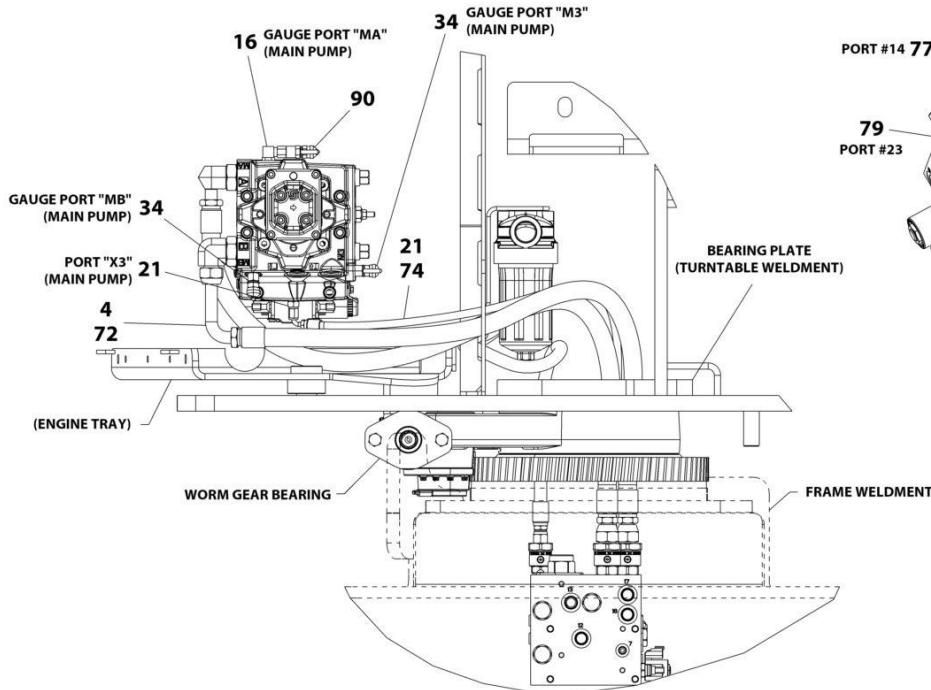
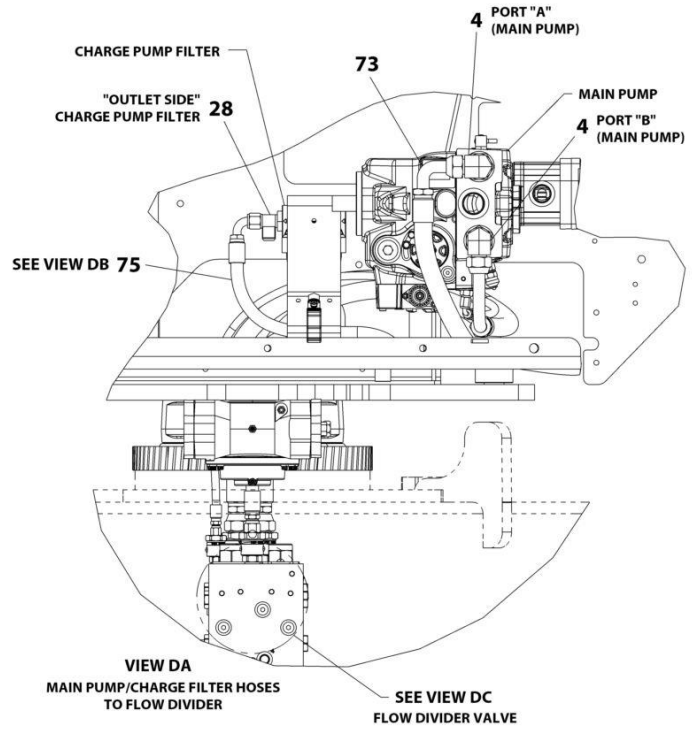
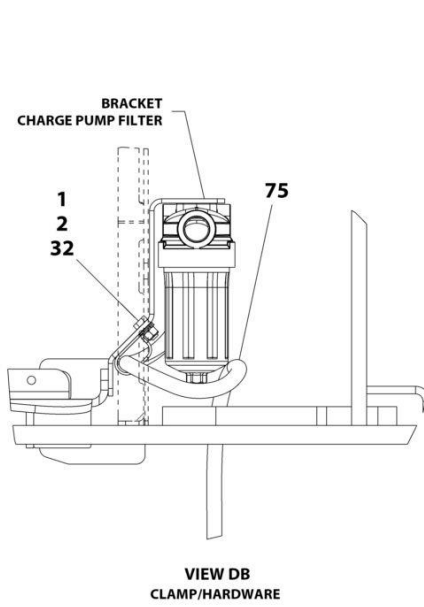
ART_1001120430_40F8

SECTION 7 - HYDRAULIC



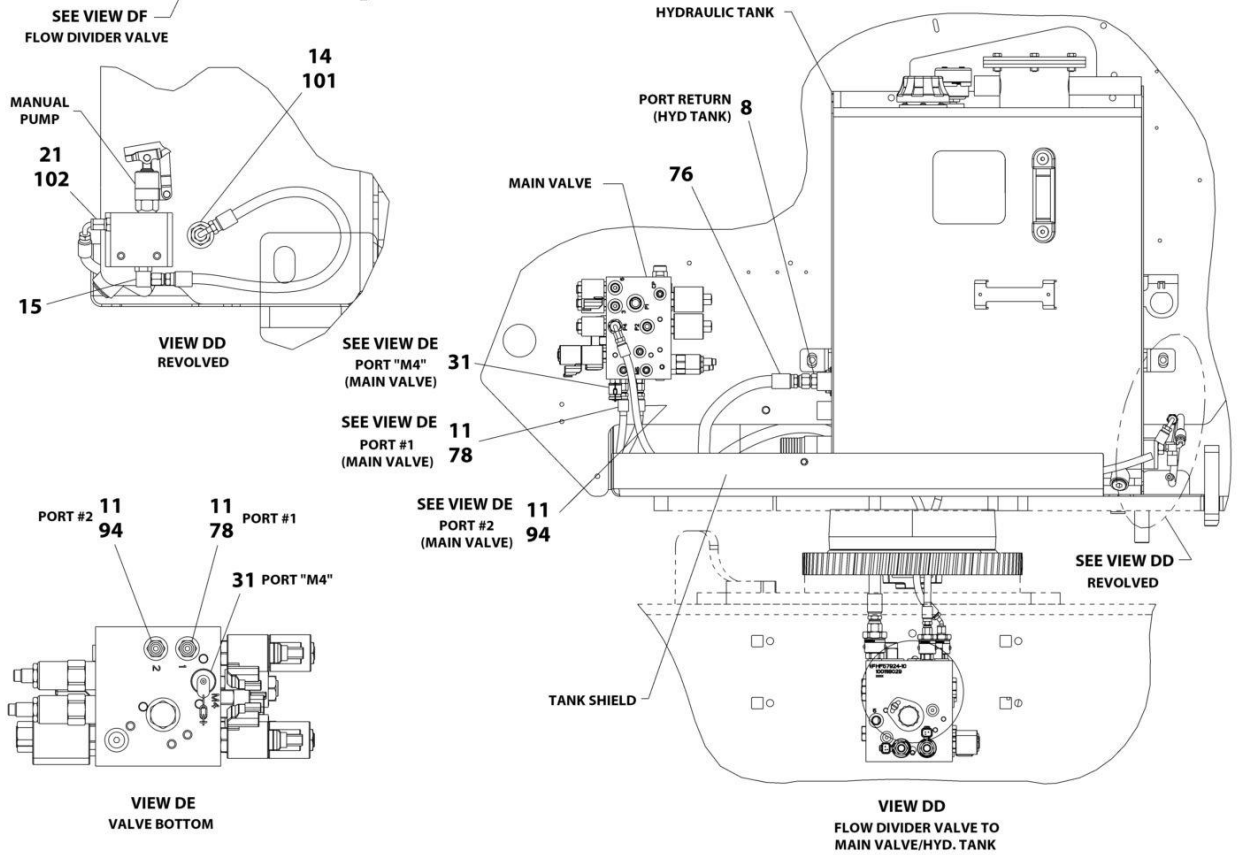
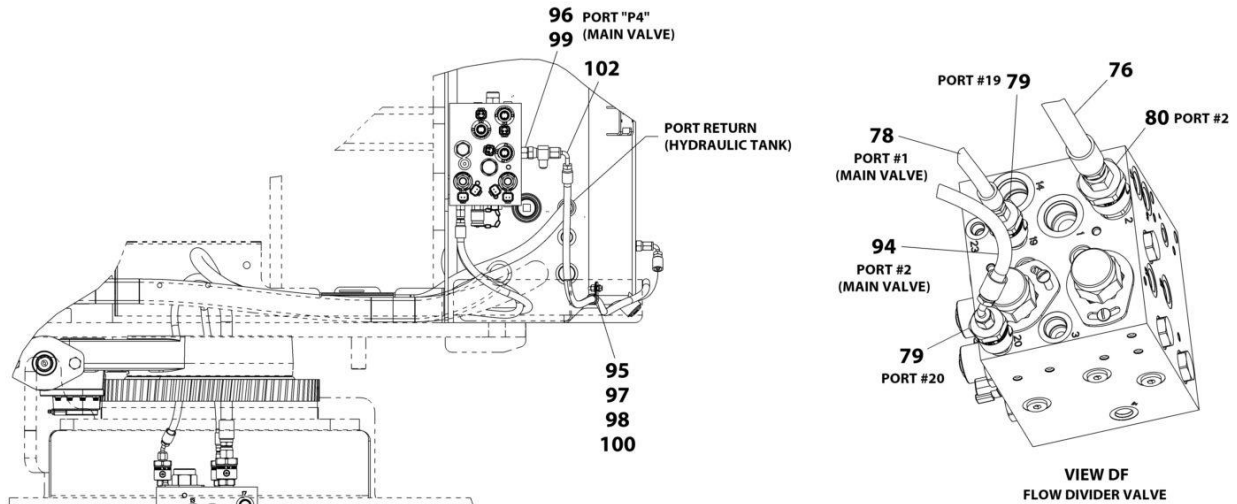
ART_1001120430_50F8

SECTION 7 - HYDRAULIC



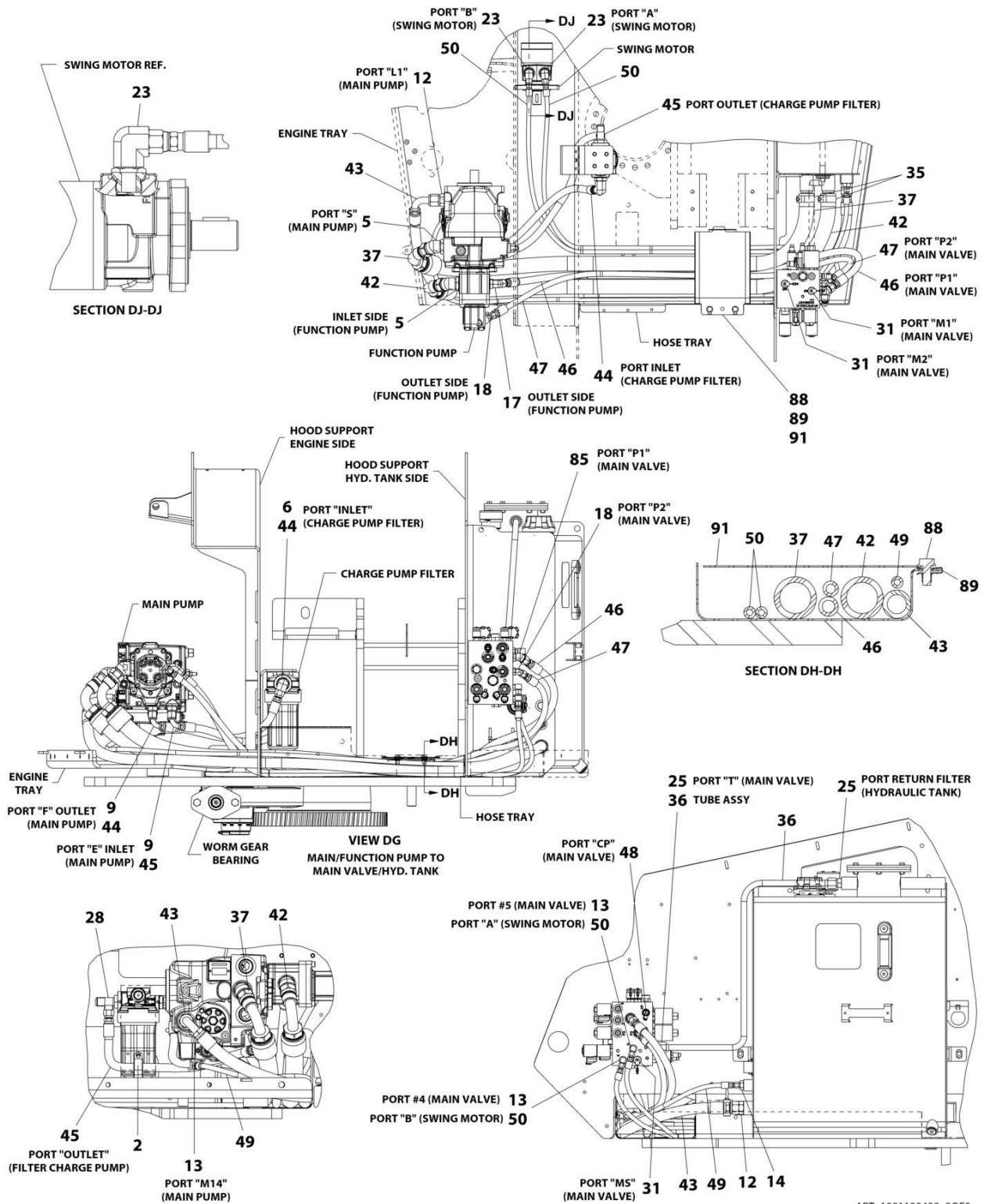
ART_1001120430_60F8

SECTION 7 - HYDRAULIC



ART_1001120430_7OF8

SECTION 7 - HYDRAULIC



ART_1001120430_8OF8

SECTION 7 - HYDRAULIC

FIGURE 7-2. HYDRAULIC INSTALLATION - WITH ARCTIC PACKAGE

| ITEM | PART NUMBER | QTY | DESCRIPTION | REV |
|------|-------------|-----|--|-----|
| | 1001120430 | Ref | HYDRAULIC INSTALLATION - WITH ARCTIC PACKAGE | G |
| 1 | 0761012 | 1 | Bolt M10 x 25 | |
| 2 | 1321716 | 1 | P-Clamp | |
| 3 | 2110808 | 8 | Fitting, Straight ORFS/ORB | |
| 4 | 2131216 | 2 | Fitting, 90 ORFS/ORB | |
| 5 | 2220365 | 2 | Fitting, 45 JIC/ORB | |
| 6 | 2220366 | 1 | Fitting, 90 JIC/ORB | |
| 7 | 2220371 | 4 | Fitting, Straight JIC/ORB | |
| 8 | 2220373 | 1 | Fitting, Straight JIC/ORB | |
| 9 | 2220374 | 2 | Fitting, Straight JIC/ORB | |
| 11 | 2220415 | 23 | Fitting, Straight JIC/ORB | |
| 12 | 2220451 | 2 | Fitting, Straight JIC/ORB | |
| 13 | 2220466 | 6 | Fitting, 90 JIC/ORB | |
| 14 | 2220468 | 2 | Fitting, Straight JIC/ORB | |
| 15 | 2220472 | 6 | Fitting, 90 JIC/ORB | |
| 16 | 2220473 | 8 | Fitting, 90 JIC/ORB | |
| 17 | 2220499 | 1 | Fitting, 45 JIC/ORB | |
| 18 | 2220501 | 4 | Fitting, 45 JIC/ORB | |
| 19 | 2220502 | 2 | Fitting, 45 JIC/ORB | |
| 20 | 2220507 | 1 | Fitting, 90 JIC/FSJIC | |
| 21 | 2220582 | 2 | Fitting, Straight JIC/ORB | |
| 22 | 2220819 | 1 | Fitting, 90 JIC/ORB | |
| 23 | 2220828 | 2 | Fitting, 90 JIC/ORB | |
| 25 | 2220947 | 2 | Fitting, Straight JIC/ORB | |
| 28 | 2221041 | 1 | Fitting, Tee | |
| 29 | 2221053 | 1 | Fitting, Run Tee | |
| 30 | 2221060 | 1 | Fitting, Run Tee JIC | |
| 31 | 2221086 | 7 | Fitting, Test Port | |
| 32 | 3291005 | 1 | Nut M10 | |
| 33 | 4240018 | 7 | Tie-Strap | |
| 34 | 77133089 | 2 | Mini Check | |
| 35 | 80633030 | 2 | Clamp, Hose | |
| 36 | 1001116905 | 1 | Tube, Steel | |
| 37 | 1001119035 | 1 | Hose | |
| 38 | 1001119068 | 1 | Hose | |
| 39 | 1001119069 | 1 | Hose | |
| 40 | 1001119070 | 1 | Hose | |
| 41 | 1001119071 | 1 | Hose | |
| 42 | 1001119143 | 1 | Hose | |
| 43 | 1001119237 | 1 | Hose | |
| 44 | 1001119324 | 1 | Hose | |
| 45 | 1001119365 | 1 | Hose | |
| 46 | 1001119404 | 1 | Hose | |
| 47 | 1001119449 | 1 | Hose | |
| 48 | 1001119455 | 1 | Valve, Oil Sampling | |
| 49 | 1001119489 | 1 | Hose | |
| 50 | 1001119525 | 2 | Hose | |
| 51 | 1001119546 | 4 | Hose | |
| 52 | 1001119547 | 2 | Hose | |
| 53 | 1001120424 | 2 | Hose | |

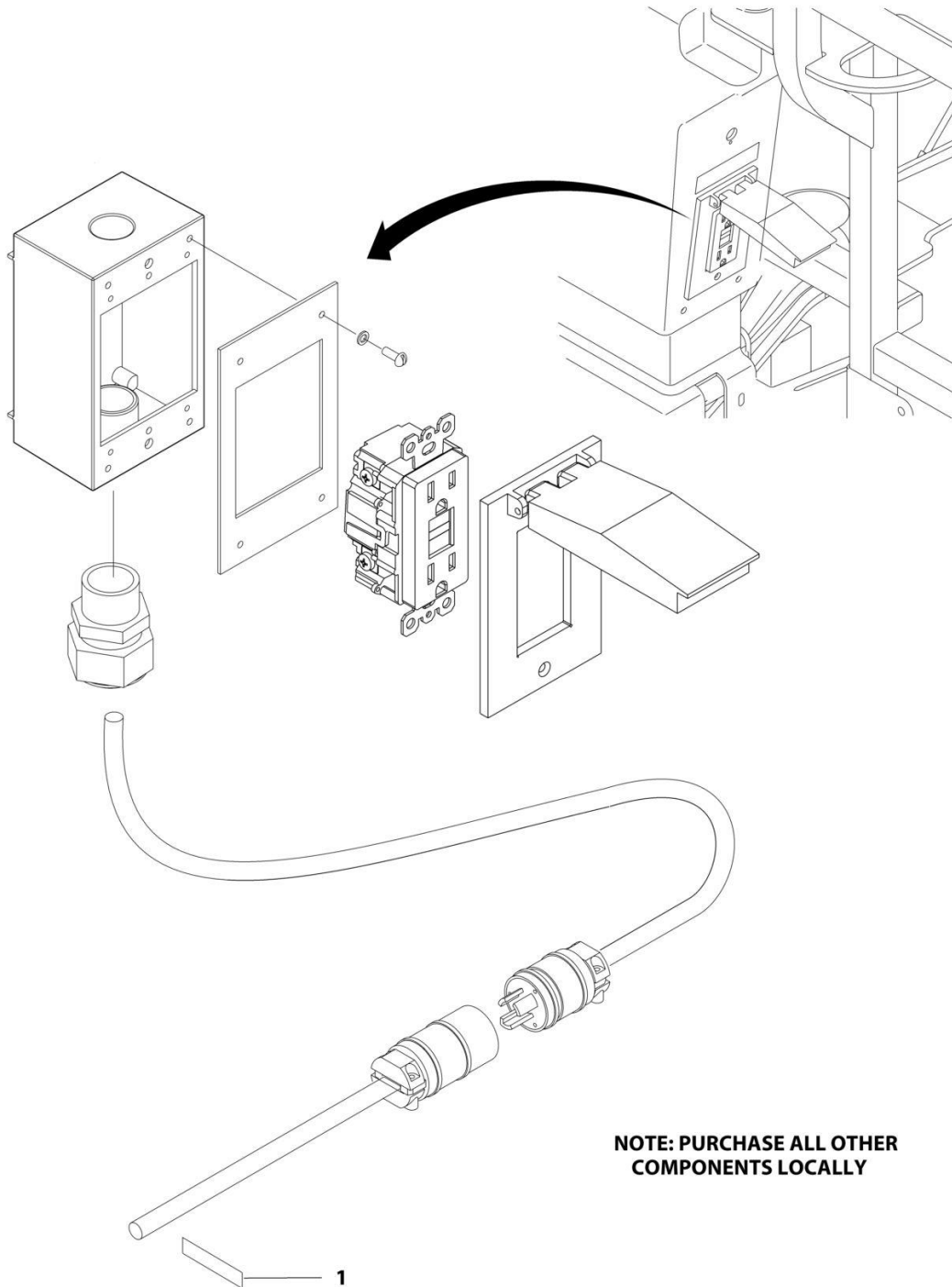
SECTION 7 - HYDRAULIC

| ITEM | PART NUMBER | QTY | DESCRIPTION | REV |
|------|-------------|-----|----------------------------|-----|
| 54 | 1001120425 | 1 | Hose | |
| 55 | 1001120426 | 1 | Hose | |
| 56 | 1001120427 | 2 | Hose | |
| 57 | 1001120428 | 1 | Hose | |
| 58 | 1001120429 | 1 | Hose | |
| 59 | 1001119572 | 1 | Hose | |
| 60 | 1001119577 | 1 | Hose | |
| 61 | 1001119593 | 1 | Hose | |
| 62 | 1001119594 | 1 | Hose | |
| 63 | 1001119595 | 1 | Hose | |
| 64 | 1001119596 | 2 | Hose | |
| 65 | 1001119597 | 1 | Hose | |
| 66 | 1001119598 | 1 | Hose | |
| 67 | 1001119600 | 2 | Hose | |
| 68 | 1001119602 | 1 | Hose | |
| 69 | 1001119603 | 1 | Hose | |
| 70 | 1001119604 | 2 | Hose | |
| 71 | 1001119605 | 2 | Hose | |
| 72 | 1001119606 | 1 | Hose | |
| 73 | 1001119607 | 1 | Hose | |
| 74 | 1001119608 | 1 | Hose | |
| 75 | 1001119610 | 1 | Hose | |
| 76 | 1001119611 | 1 | Hose | |
| 77 | 1001119612 | 2 | Fitting, Straight ORB/ORFS | |
| 78 | 1001119613 | 1 | Hose | |
| 79 | 1001119626 | 3 | Fitting, Straight JIC/ORB | |
| 80 | 1001119627 | 2 | Fitting, Straight JIC/ORB | |
| 81 | 1001119630 | 4 | Fitting, Straight JIC/MPP | |
| 82 | 2220605 | 1 | Fitting, Tee JIC/FSJIC/JIC | |
| 83 | 4641284 | 2 | Valve, Orifice Check | |
| 84 | 2110810 | 8 | Fitting, Straight ORFS/ORB | |
| 85 | 2220500 | 1 | Fitting, 45 JIC/ORB | |
| 86 | 2220940 | 2 | Fitting, 90 JIC/ORB | |
| 87 | 4100066 | 1 | Sleeve, Hose Wrap | |
| 88 | 5250810 | 2 | Bolt M8 x 20 | |
| 89 | 8310686 | 2 | Retainer M8 | |
| 90 | 91143172 | 1 | Coupling | |
| 91 | 1001121221 | 1 | Cover, Tray | |
| 92 | 1001121966 | 1 | Hose | |
| 93 | 1001125108 | 1 | Fitting, Straight JIC/ORB | |
| 94 | 1001125249 | 1 | Hose | |
| 95 | 0700510 | 1 | Bolt M5 x 20 | |
| 95 | 0700610 | 1 | Bolt M6 x 20 | |
| 96 | 2220635 | 1 | Fitting, Tee JIC/FSJIC/JIC | |
| 97 | 3290605 | 1 | Nut M6 | |
| 98 | 4811700 | 2 | Washer M6 | |
| 99 | 80233041 | 1 | Fitting, Check | |
| 100 | 85941016 | 1 | Clamp | |
| 101 | 1001127703 | 1 | Hose | |
| 102 | 1001127705 | 1 | Hose | |

SECTION 8 - ELECTRICAL

SECTION 8 - ELECTRICAL

FIGURE 8-1. AC BOX AT PLATFORM INSTALLATION - LOCALLY SUPPLIED COMPONENTS (ANSI EXPORT, AUSTRALIAN AND CHINA SPECS)



**NOTE: PURCHASE ALL OTHER
COMPONENTS LOCALLY**

ART_1001119870

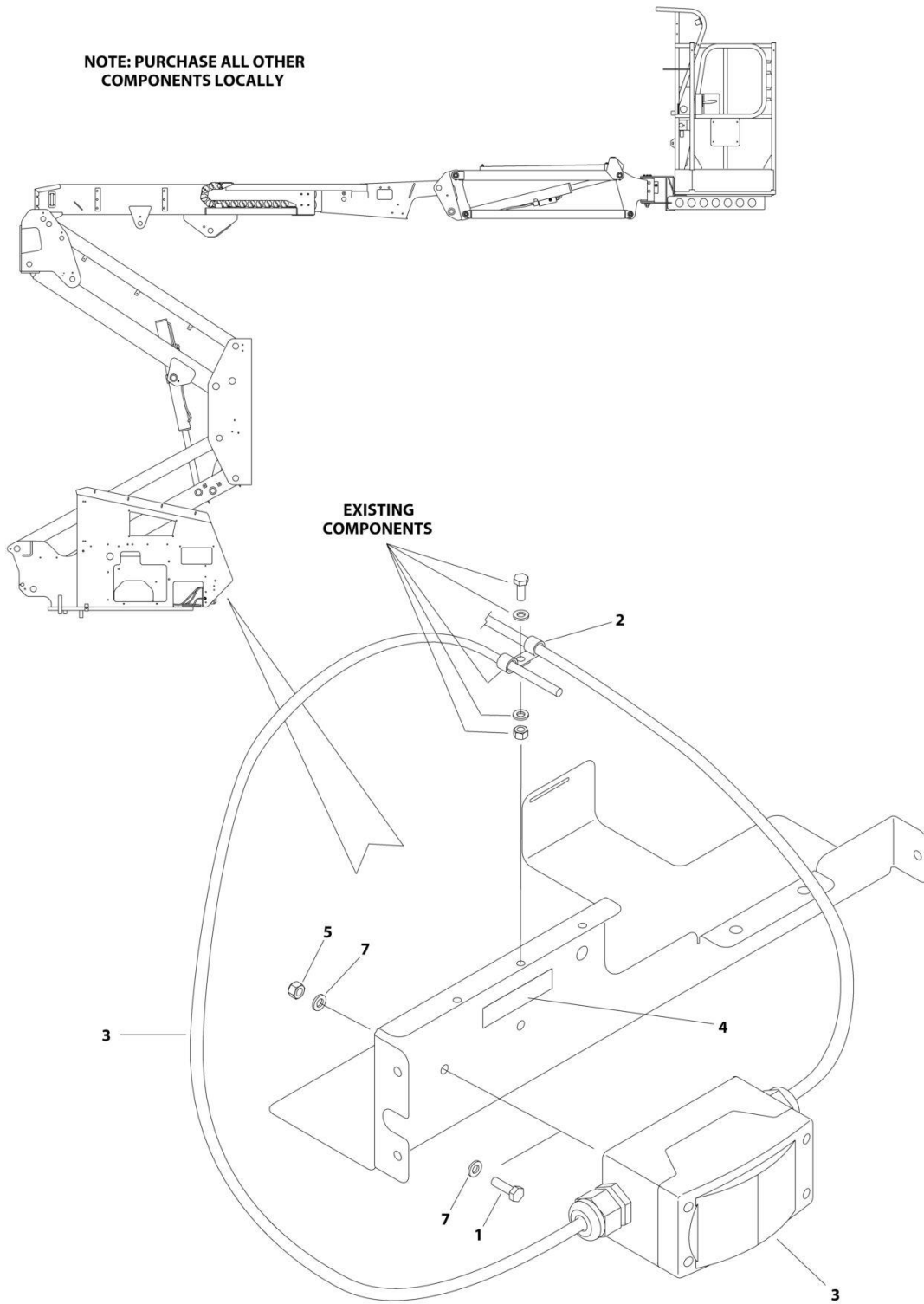
SECTION 8 - ELECTRICAL

FIGURE 8-1. AC BOX AT PLATFORM INSTALLATION - LOCALLY SUPPLIED COMPONENTS (ANSI EXPORT, AUSTRALIAN AND CHINA SPECS)

| ITEM | PART NUMBER | QTY | DESCRIPTION | REV |
|------|-------------|-----|---|-----|
| | 1001119870 | Ref | AC BOX AT PLATFORM INSTALLATION - LOCALLY SUPPLIED COMPONENTS | A |
| 1 | 3251243 | 1 | Decal - 120V-60Hz | |

SECTION 8 - ELECTRICAL

FIGURE 8-2. AC BOX AT PLATFORM INSTALLATION - LOCALLY SUPPLIED (CE & UK CA SPEC)



ART_1001130588

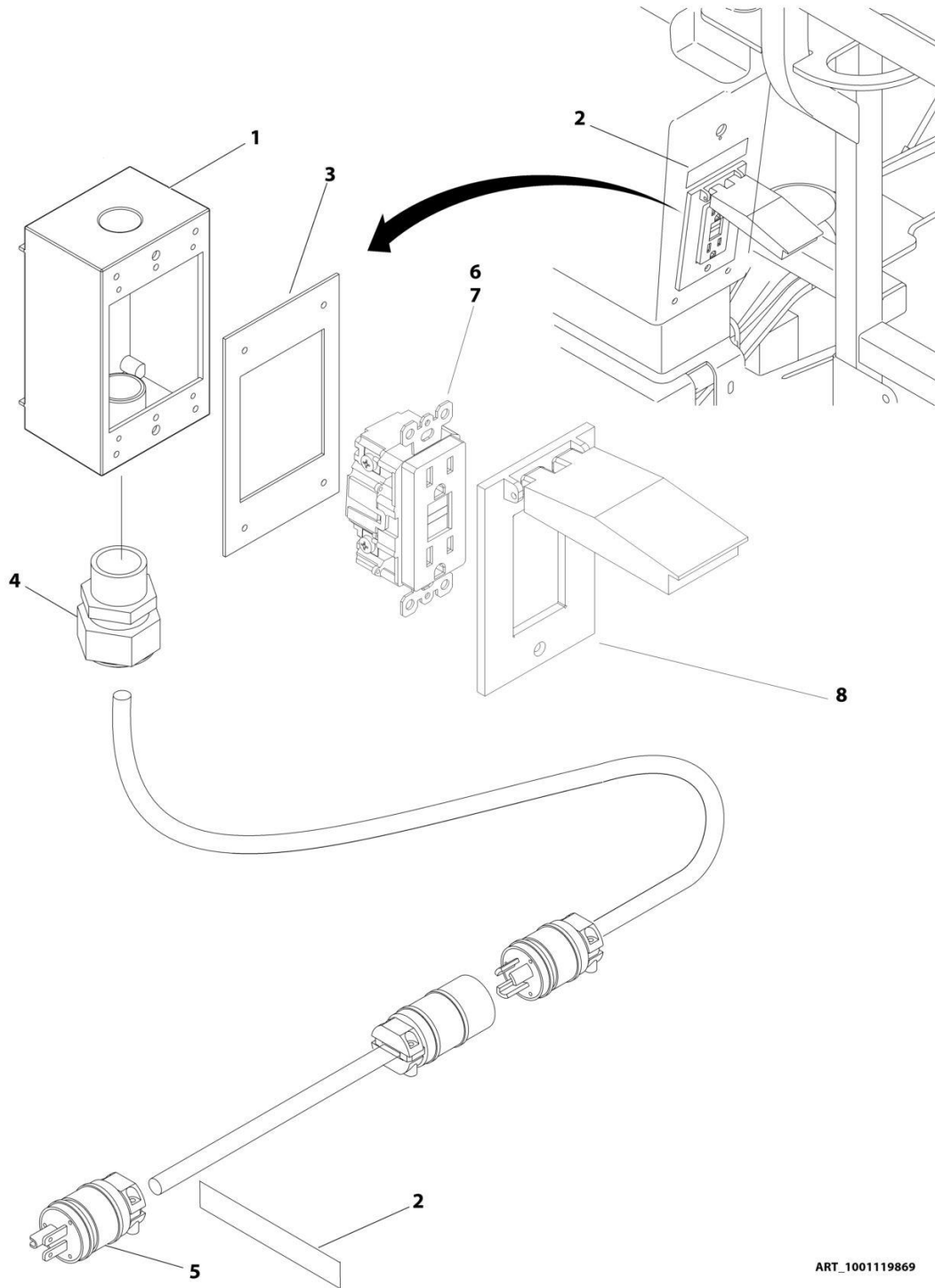
SECTION 8 - ELECTRICAL

FIGURE 8-2. AC BOX AT PLATFORM INSTALLATION - LOCALLY SUPPLIED (CE & UK CA SPEC)

| ITEM | PART NUMBER | QTY | DESCRIPTION | REV |
|------|-------------|-----|---|-----|
| | 1001130588 | Ref | AC BOX AT PLATFORM INSTALLATION - LOCALLY SUPPLIED COMPONENTS | A |
| 1 | 0760610 | 2 | Bolt M6 x 20 | |
| 2 | 1320043 | 1 | Clamp | |
| 3 | 2902549 | 1 | Breaker Box Kit (See Separate Breakdown in this Section) | |
| 4 | 3252507 | 1 | Decal - 220V - 50/60Hz | |
| 5 | 3290605 | 2 | Nut M6 | |
| 6 | 4460121 | 3 | Cap, Wire (Not Shown - Located inside Receptacle Box) | |
| 7 | 4811700 | 4 | Washer M6 | |

SECTION 8 - ELECTRICAL

FIGURE 8-3. AC BOX AT PLATFORM INSTALLATION - 110V (ANSI, ANSI EXPORT, CHINA, CSA AND JAPANESE SPECS)



ART_100119869

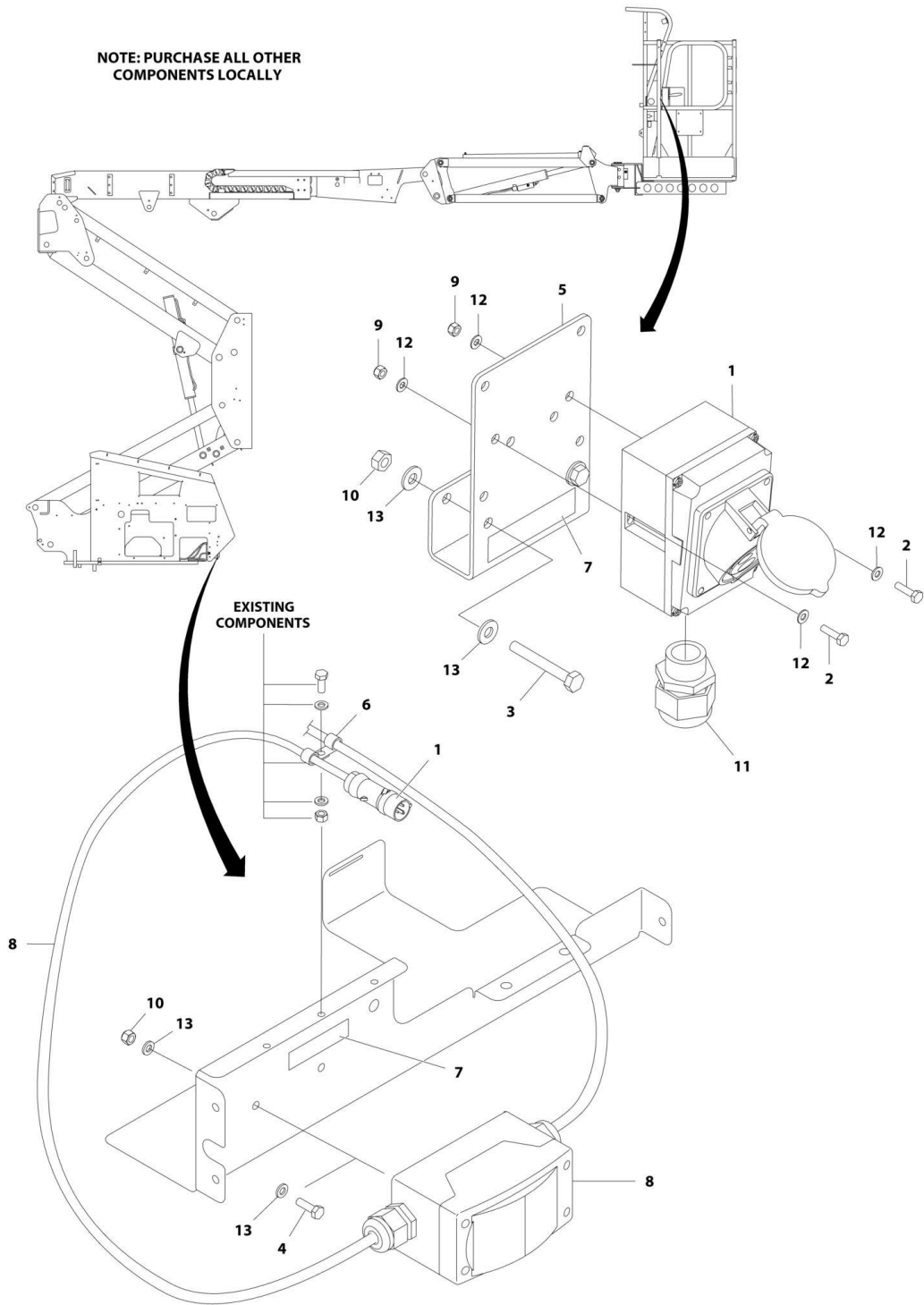
SECTION 8 - ELECTRICAL

FIGURE 8-3. AC BOX AT PLATFORM INSTALLATION - 110V (ANSI, ANSI EXPORT, CHINA, CSA AND JAPANESE SPECS)

| ITEM | PART NUMBER | QTY | DESCRIPTION | REV |
|------|-------------|-----|--|-----|
| | 1001119869 | Ref | AC BOX AT PLATFORM INSTALLATION - 110V | A |
| 1 | 0860038 | 1 | Box, Switch | |
| 2 | 3251243 | 2 | Decal - 120V - 60Hz | |
| 3 | 3960422 | 1 | Gasket | |
| 4 | 4460071 | 1 | Connector, Strain Relief | |
| 5 | 4460205 | 1 | Plug, Male | |
| 6 | 4460315 | 3 | Terminal, Spade | |
| 7 | 4460346 | 1 | Receptacle | |
| 8 | 1001110873 | 1 | Shield, Cover | |

SECTION 8 - ELECTRICAL

FIGURE 8-4. AC BOX AT PLATFORM INSTALLATION - 110V IEC YELLOW WITHOUT 4000W GENERATOR (CE & UK CA SPEC)



ART_1001119875

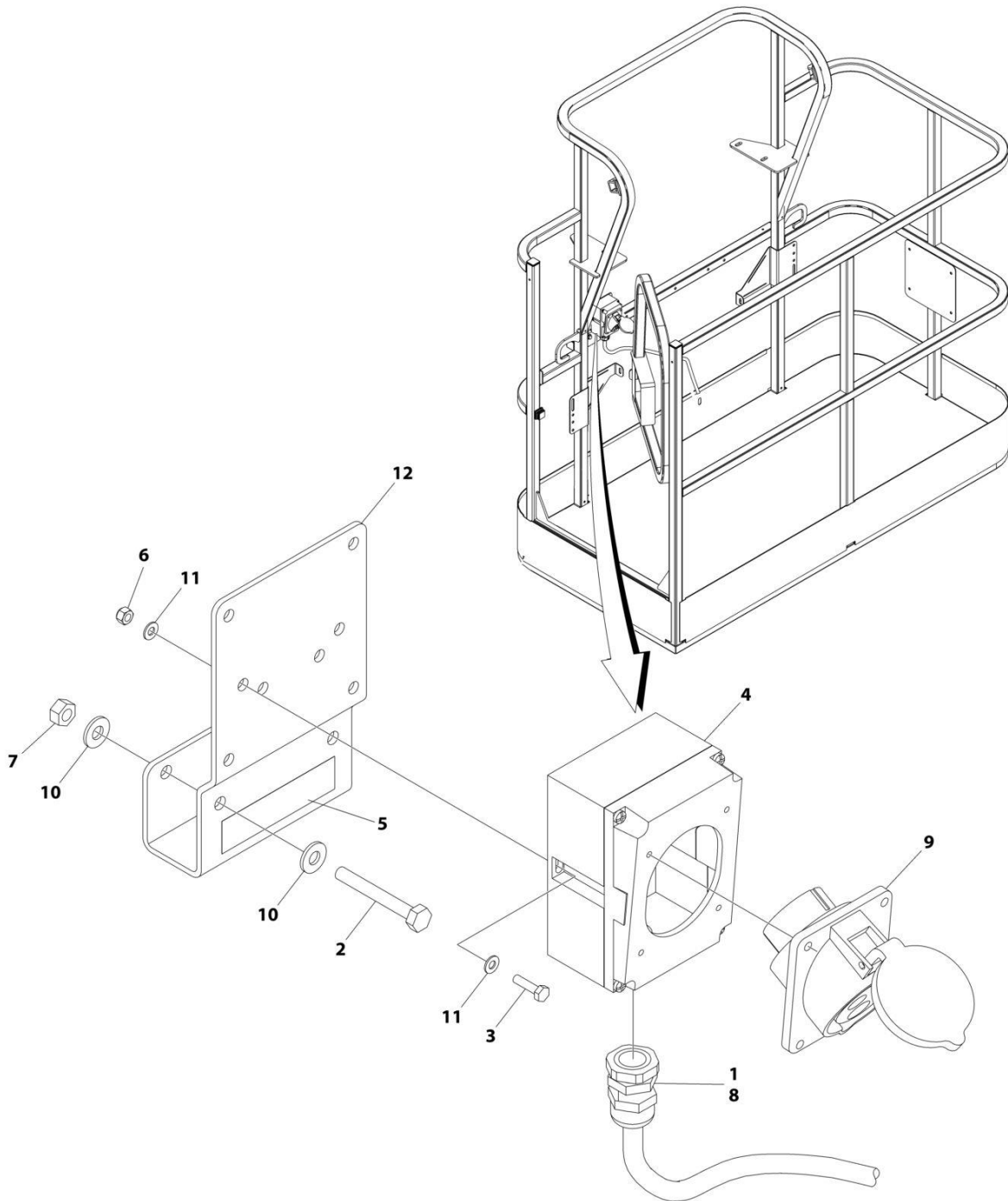
SECTION 8 - ELECTRICAL

FIGURE 8-4. AC BOX AT PLATFORM INSTALLATION - 110V IEC YELLOW WITHOUT 4000W GENERATOR (CE & UK CA SPEC)

| ITEM | PART NUMBER | QTY | DESCRIPTION | REV |
|------|-------------|-----|---|-----|
| | 1001119875 | Ref | AC BOX AT PLATFORM INSTALLATION - 110V IEC YELLOW | B |
| 1 | 0275216 | 1 | Receptacle Box Kit (See Separate Breakdown in this Section) | |
| 2 | 0700408 | 2 | Bolt M4 x 16 | |
| 3 | 0700618 | 2 | Bolt M6 x 50 | |
| 4 | 0760610 | 2 | Bolt M6 x 20 | |
| 5 | 1001193018 | 1 | Bracket | |
| 6 | 1320043 | 1 | Clamp | |
| 7 | 1705325 | 2 | Decal - 120V - 50Hz | |
| 8 | 2902549 | 1 | Breaker Box Kit (See Separate Breakdown in this Section) | |
| 9 | 3290405 | 2 | Nut M4 | |
| 10 | 3290605 | 4 | Nut M6 | |
| 11 | 4460968 | 1 | Connector, Strain Relief | |
| 12 | 4811400 | 4 | Washer M4 | |
| 13 | 4811700 | 8 | Washer M6 | |

SECTION 8 - ELECTRICAL

FIGURE 8-5. AC BOX AT PLATFORM INSTALLATION - 110V IEC YELLOW WITH 4000W GENERATOR
(CE & UK CA SPECS)



ART_1001194203

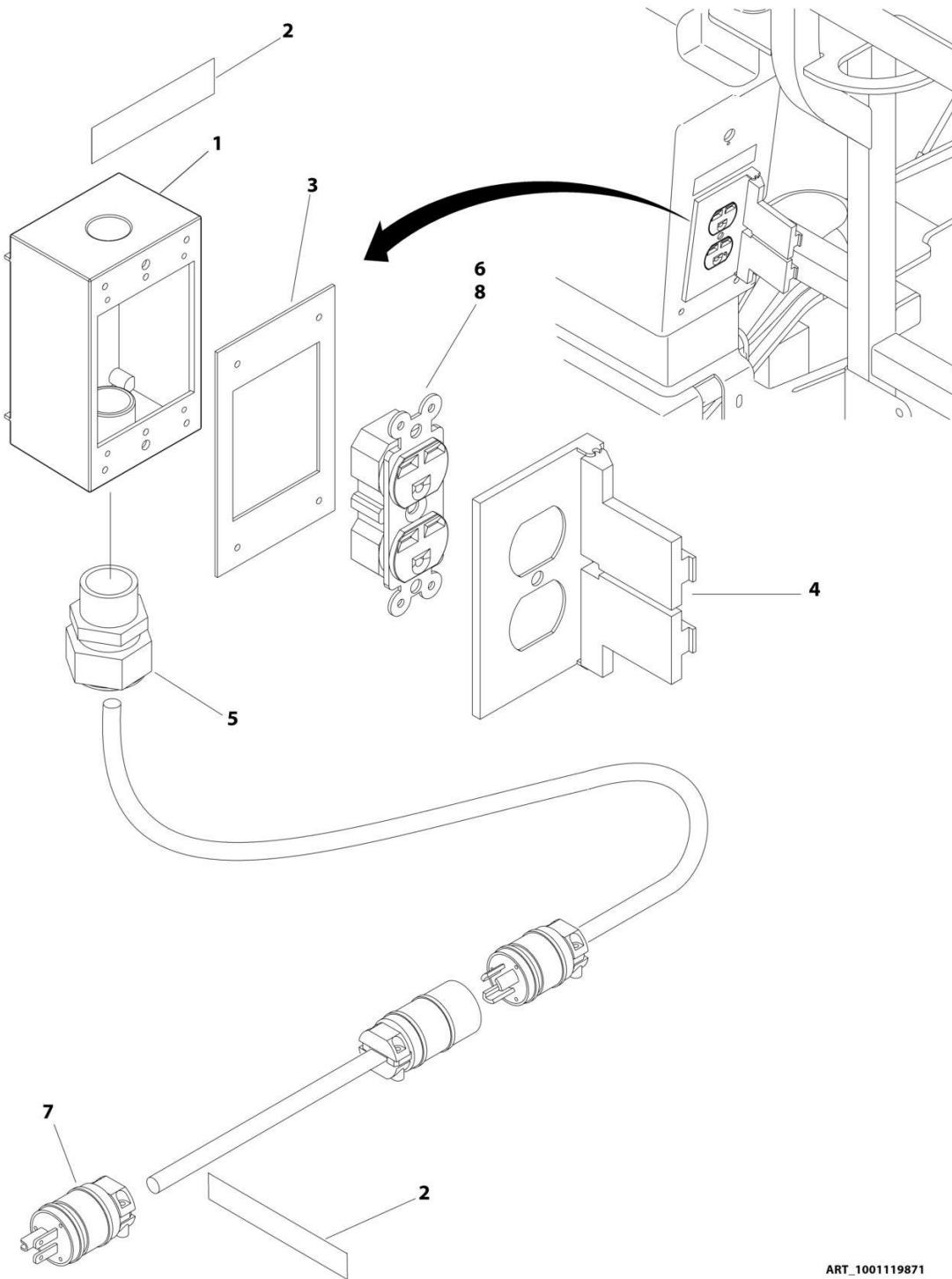
SECTION 8 - ELECTRICAL

**FIGURE 8-5. AC BOX AT PLATFORM INSTALLATION - 110V IEC YELLOW WITH 4000W GENERATOR
(CE & UK CA SPECS)**

| ITEM | PART NUMBER | QTY | DESCRIPTION | REV |
|------|-------------|-----|---------------------------------|-----|
| | 1001194203 | Ref | AC BOX AT PLATFORM INSTALLATION | B |
| 1 | 0100020 | AR | Sealant, Pipe | |
| 2 | 0641416 | 2 | Bolt 1/4 x 2 | |
| 3 | 0700408 | 2 | Bolt M4 x 16 | |
| 4 | 0861781 | 1 | Box, Switch | |
| 5 | 1705325 | 1 | Decal - 110V | |
| 6 | 3290405 | 2 | Nut M4 | |
| 7 | 3311405 | 2 | Nut 1/4 | |
| 8 | 4460968 | 1 | Connector, Strain Relief | |
| 9 | 4461198 | 1 | Receptacle | |
| 10 | 4711400 | 4 | Washer 1/4 | |
| 11 | 4811400 | 4 | Washer M4 | |
| 12 | 1001193018 | 1 | Bracket, AC Receptacle | |

SECTION 8 - ELECTRICAL

FIGURE 8-6. AC BOX AT PLATFORM INSTALLATION - 220V (CSA SPEC)



ART_100119871

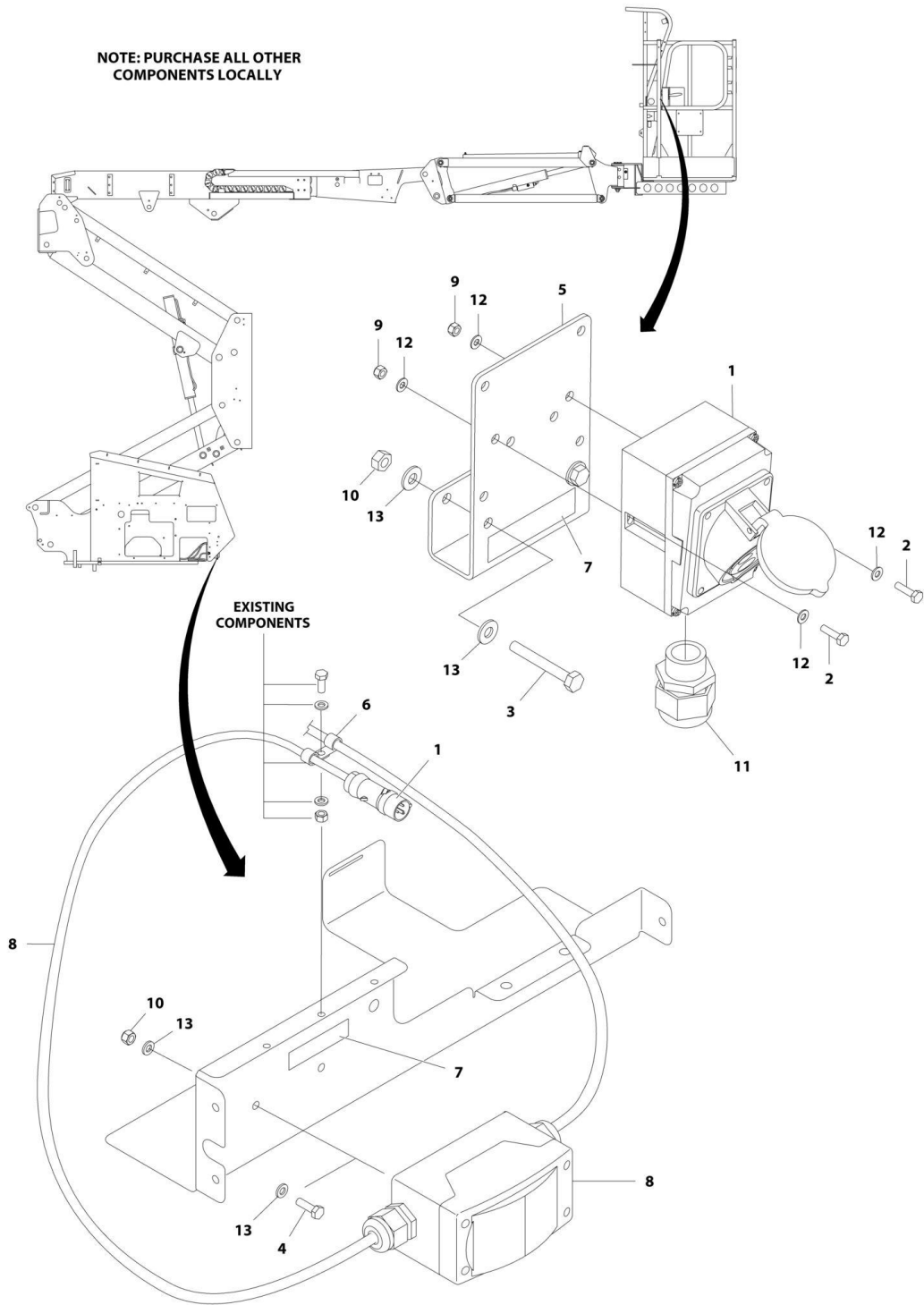
SECTION 8 - ELECTRICAL

FIGURE 8-6. AC BOX AT PLATFORM INSTALLATION - 220V (CSA SPEC)

| ITEM | PART NUMBER | QTY | DESCRIPTION | REV |
|------|-------------|-----|--|-----|
| | 1001119871 | Ref | AC BOX AT PLATFORM INSTALLATION - 220V | A |
| 1 | 0860038 | 1 | Box, Switch | |
| 2 | 3252507 | 2 | Decal - 220V - 50/60Hz | |
| 3 | 3960422 | 1 | Gasket | |
| 4 | 4060092 | 1 | Shield, Weather | |
| 5 | 4460071 | 1 | Connector, Strain Relief | |
| 6 | 4460125 | 1 | Receptacle | |
| 7 | 4460233 | 1 | Plug, Male | |
| 8 | 4460315 | 3 | Terminal, Spade | |

SECTION 8 - ELECTRICAL

FIGURE 8-7. AC BOX AT PLATFORM INSTALLATION - 220V IEC BLUE WITHOUT 4000W GENERATOR (CE & UK CA SPEC)



ART_100119876

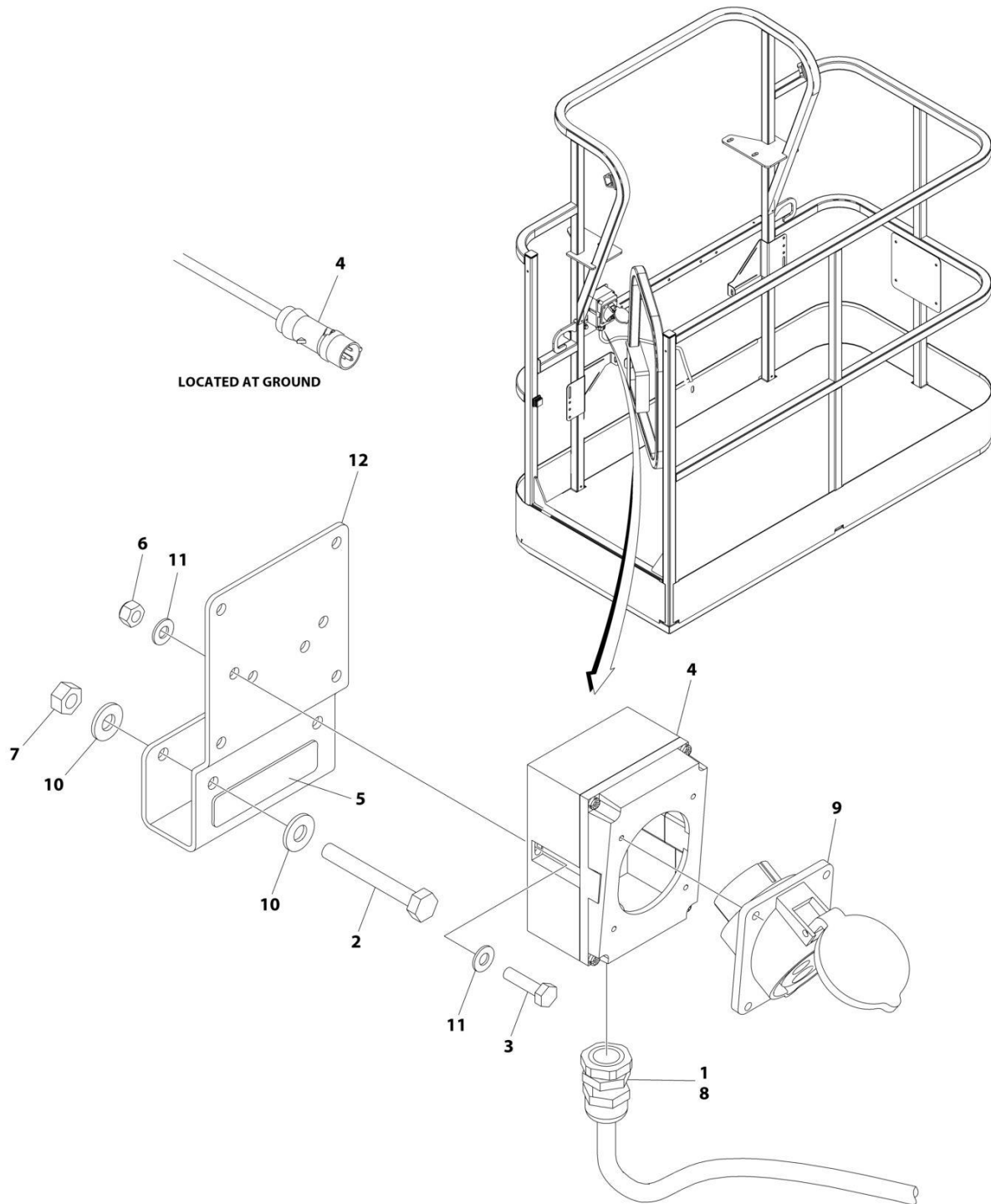
SECTION 8 - ELECTRICAL

FIGURE 8-7. AC BOX AT PLATFORM INSTALLATION - 220V IEC BLUE WITHOUT 4000W GENERATOR (CE & UK CA SPEC)

| ITEM | PART NUMBER | QTY | DESCRIPTION | REV |
|------|-------------|-----|---|-----|
| | 1001119876 | Ref | AC BOX AT PLATFORM INSTALLATION - 220V IEC BLUE | B |
| 1 | 0275217 | 1 | Receptacle Box Kit (See Separate Breakdown in this Section) | |
| 2 | 0700408 | 2 | Bolt M4 x 16 | |
| 3 | 0700618 | 2 | Bolt M6 x 50 | |
| 4 | 0760610 | 2 | Bolt M6 x 20 | |
| 5 | 1001193018 | 1 | Bracket | |
| 6 | 1320043 | 1 | Clamp | |
| 7 | 3252507 | 2 | Decal - 220V - 50/60Hz | |
| 8 | 2902549 | 1 | Breaker Box Kit (See Separate Breakdown in this Section) | |
| 9 | 3290405 | 2 | Nut M4 | |
| 10 | 3290605 | 4 | Nut M6 | |
| 11 | 4460968 | 1 | Connector, Strain Relief | |
| 12 | 4811400 | 4 | Washer M4 | |
| 13 | 4811700 | 8 | Washer M6 | |

SECTION 8 - ELECTRICAL

FIGURE 8-8. AC BOX AT PLATFORM INSTALLATION - 220V IEC BLUE WITH 4000W GENERATOR
(CE & UK CA SPECS)



ART_1001194204

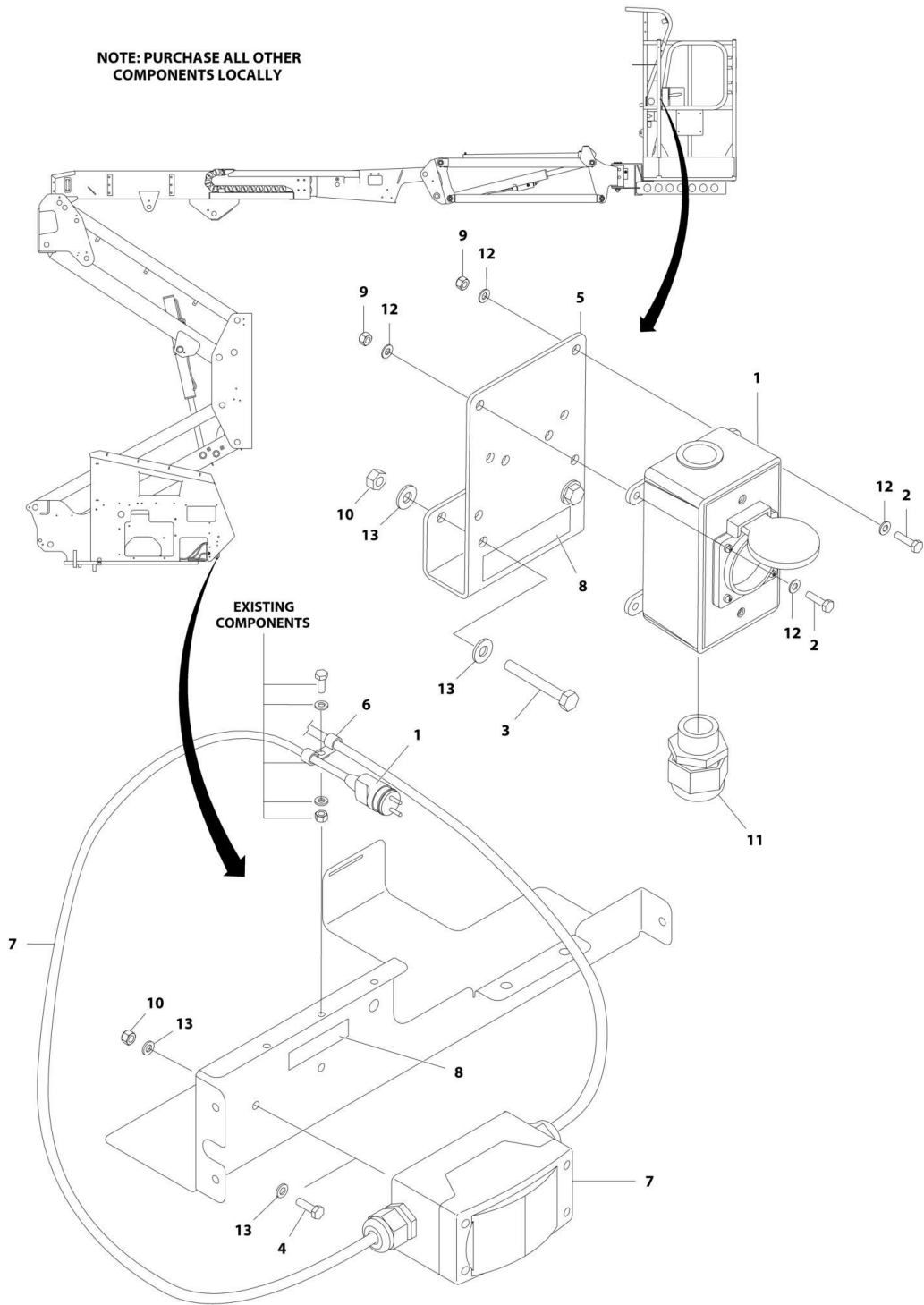
SECTION 8 - ELECTRICAL

**FIGURE 8-8. AC BOX AT PLATFORM INSTALLATION - 220V IEC BLUE WITH 4000W GENERATOR
(CE & UK CA SPECS)**

| ITEM | PART NUMBER | QTY | DESCRIPTION | REV |
|------|-------------|-----|---------------------------------|-----|
| | 1001194204 | Ref | AC BOX AT PLATFORM INSTALLATION | B |
| 1 | 0100020 | AR | Sealant, Pipe | |
| 2 | 0641416 | 2 | Bolt 1/4 x 2 | |
| 3 | 0700408 | 2 | Bolt M4 x 16 | |
| 4 | 0861781 | 1 | Box, Switch | |
| 5 | 3251242 | 1 | Decal - 240V/50Hz | |
| 6 | 3290405 | 2 | Nut M4 | |
| 7 | 3311405 | 2 | Nut 1/4 | |
| 8 | 4460968 | 1 | Connector, Strain Relief | |
| 9 | 4461201 | 1 | Receptacle | |
| 10 | 4711400 | 4 | Washer 1/4 | |
| 11 | 4811400 | 4 | Washer M4 | |
| 12 | 1001193018 | 1 | Bracket, AC Receptacle | |

SECTION 8 - ELECTRICAL

FIGURE 8-9. AC BOX AT PLATFORM INSTALLATION - 220V CEE7 POST GROUND 2 X 4 BOX WITHOUT 4000W GENERATOR (CE & UK CA SPEC)



ART_1001119872

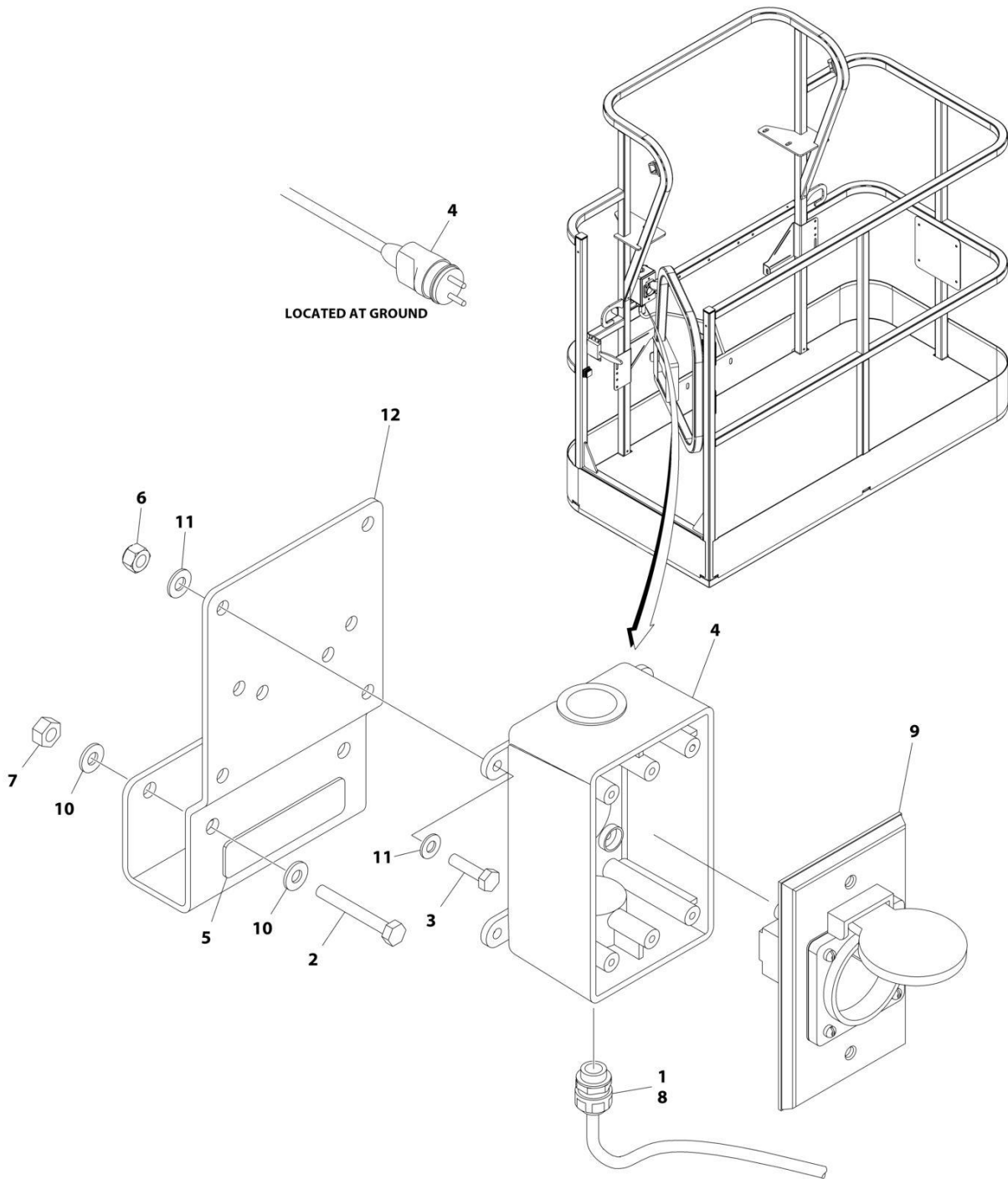
SECTION 8 - ELECTRICAL

**FIGURE 8-9. AC BOX AT PLATFORM INSTALLATION - 220V CEE7 POST GROUND 2 X 4 BOX
WITHOUT 4000W GENERATOR (CE & UK CA SPEC)**

| ITEM | PART NUMBER | QTY | DESCRIPTION | REV |
|------|-------------|-----|--|-----|
| | 1001119872 | Ref | AC BOX AT PLATFORM INSTALLATION - 220V CEE7 POST GROUND WITH 2IN X 4IN BOX | C |
| 1 | 0275452 | 1 | Receptacle Box Kit (See Separate Breakdown in this Section) | |
| 2 | 0700408 | 4 | Bolt M4 x 16 | |
| 3 | 0700618 | 2 | Bolt M6 x 50 | |
| 4 | 0760610 | 2 | Bolt M6 x 20 | |
| 5 | 1001193018 | 1 | Bracket | |
| 6 | 1320043 | 1 | Clamp | |
| 7 | 2902549 | 1 | Breaker Box Kit (See Separate Breakdown in this Section) | |
| 8 | 3252507 | 2 | Decal - 220V - 50/60Hz | |
| 9 | 3290405 | 4 | Nut M4 | |
| 10 | 3290605 | 4 | Nut M6 | |
| 11 | 4460662 | 1 | Connector, Strain Relief | |
| 12 | 4811400 | 8 | Washer M4 | |
| 13 | 4811700 | 8 | Washer M6 | |

SECTION 8 - ELECTRICAL

FIGURE 8-10. AC BOX AT PLATFORM INSTALLATION - 220V CEE7 POST GROUND 2 X 4 BOX WITH 4000W GENERATOR (CE & UK CA SPECS)



ART_1001194197

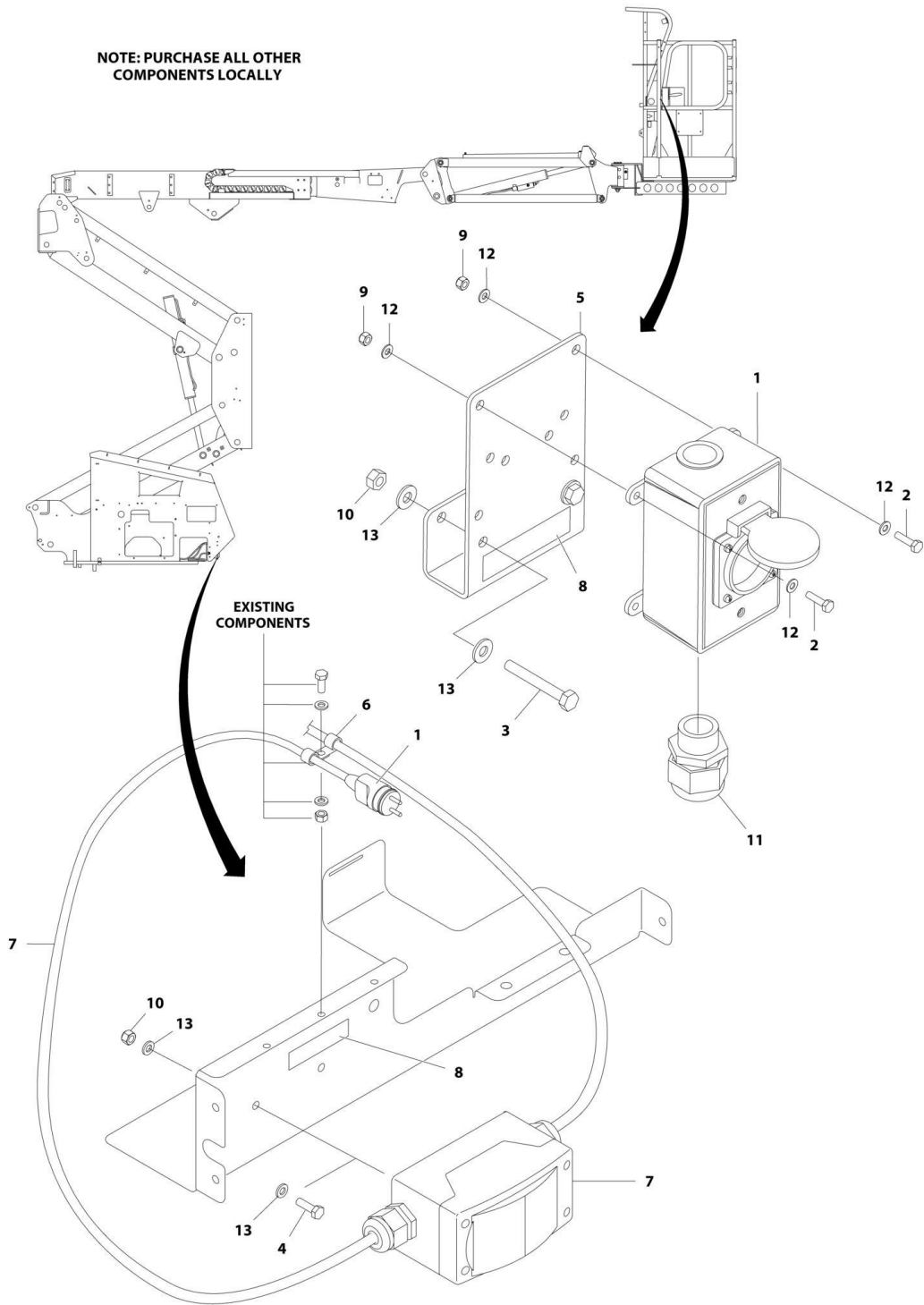
SECTION 8 - ELECTRICAL

FIGURE 8-10. AC BOX AT PLATFORM INSTALLATION - 220V CEE7 POST GROUND 2 X 4 BOX WITH 4000W GENERATOR (CE & UK CA SPECS)

| ITEM | PART NUMBER | QTY | DESCRIPTION | REV |
|------|-------------|-----|---------------------------------|-----|
| | 1001194197 | Ref | AC BOX AT PLATFORM INSTALLATION | B |
| 1 | 0100020 | AR | Sealant, Pipe | |
| 2 | 0641416 | 2 | Bolt 1/4 x 2 | |
| 3 | 0700408 | 4 | Bolt M4 x 16 | |
| 4 | 0861731 | 1 | Box, Switch | |
| 5 | 3251242 | 1 | Decal - 240V/50Hz | |
| 6 | 3290405 | 4 | Nut M4 | |
| 7 | 3311405 | 2 | Nut 1/4 | |
| 8 | 4460662 | 1 | Connector, Strain Relief | |
| 9 | 4461244 | 1 | Receptacle | |
| 10 | 4711400 | 4 | Washer 1/4 | |
| 11 | 4811400 | 8 | Washer M4 | |
| 12 | 1001193018 | 1 | Bracket, AC Receptacle | |
| 13 | 4460806 | 2 | Terminal, Fork (Not Shown) | |
| 14 | 1001205958 | 1 | Terminal (Not Shown) | |

SECTION 8 - ELECTRICAL

FIGURE 8-11. AC BOX AT PLATFORM INSTALLATION - 220V CEE7 SIDE GROUND 2 X 4 BOX WITHOUT 4000W GENERATOR (CE & UK CA SPEC)



ART_1001119873

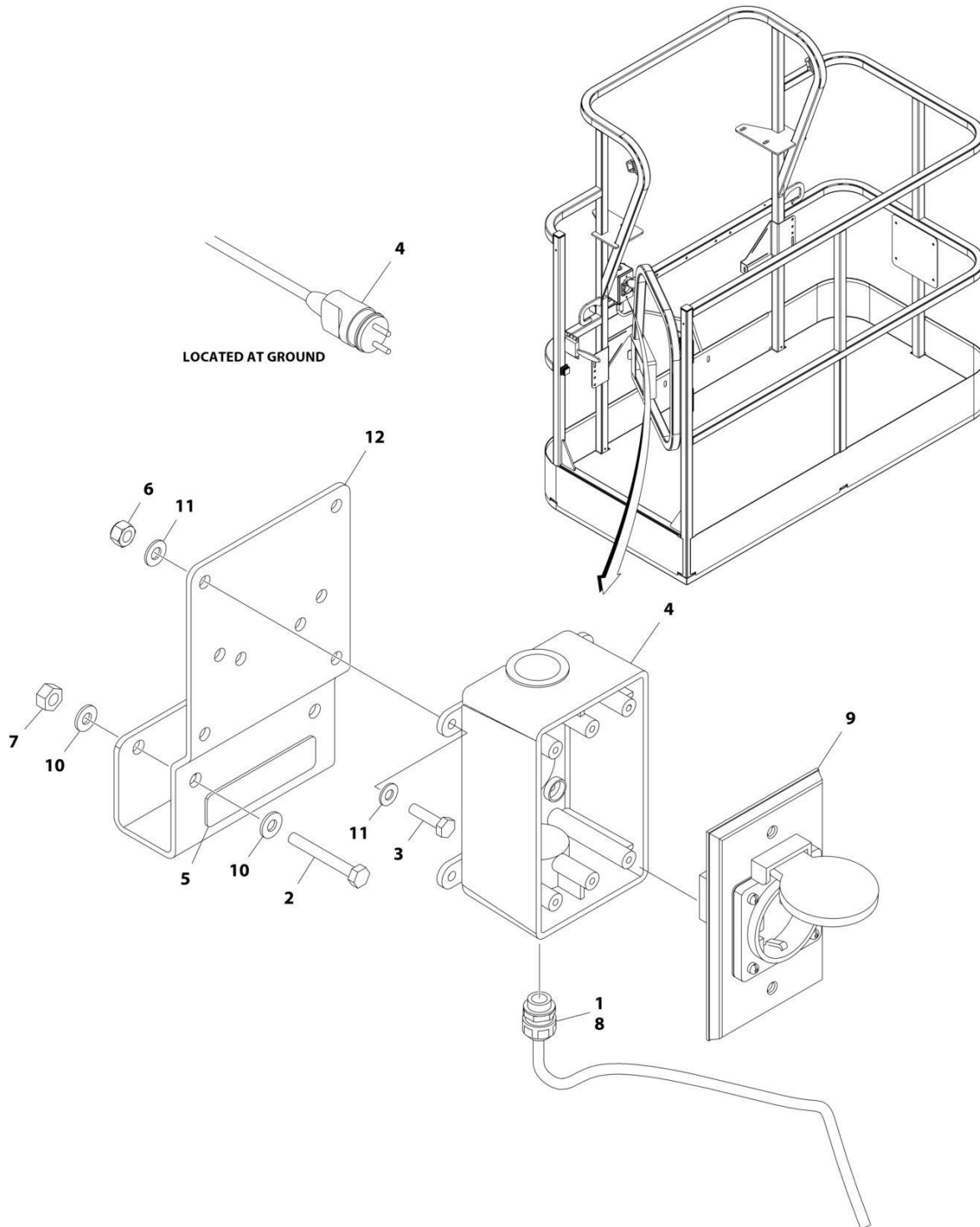
SECTION 8 - ELECTRICAL

**FIGURE 8-11. AC BOX AT PLATFORM INSTALLATION - 220V CEE7 SIDE GROUND 2 X 4 BOX
WITHOUT 4000W GENERATOR (CE & UK CA SPEC)**

| ITEM | PART NUMBER | QTY | DESCRIPTION | REV |
|------|-------------|-----|--|-----|
| | 1001119873 | Ref | AC BOX AT PLATFORM INSTALLATION - 220V CEE7 SIDE GROUND WITH 2IN X 4IN BOX | B |
| 1 | 0275453 | 1 | Receptacle Box Kit (See Separate Breakdown in this Section) | |
| 2 | 0700408 | 4 | Bolt, M4 x 16 | |
| 3 | 0700618 | 2 | Bolt M6 x 50 | |
| 4 | 0760610 | 2 | Bolt M6 x 20 | |
| 5 | 1001193018 | 1 | Bracket | |
| 6 | 1320043 | 1 | Clamp | |
| 7 | 2902549 | 1 | Breaker Box Kit (See Separate Breakdown in this Section) | |
| 8 | 3252507 | 2 | Decal - 220V - 50/60Hz | |
| 9 | 3290405 | 4 | Nut M4 | |
| 10 | 3290605 | 4 | Nut M6 | |
| 11 | 4460968 | 1 | Connector, Strain Relief | |
| 12 | 4811400 | 8 | Washer M4 | |
| 13 | 4811700 | 8 | Washer M6 | |

SECTION 8 - ELECTRICAL

FIGURE 8-12. AC BOX AT PLATFORM INSTALLATION - 220V CEE7 SIDE GROUND 2 X 4 BOX WITH 4000W GENERATOR (CE & UK CA SPECS)



ART_1001194198

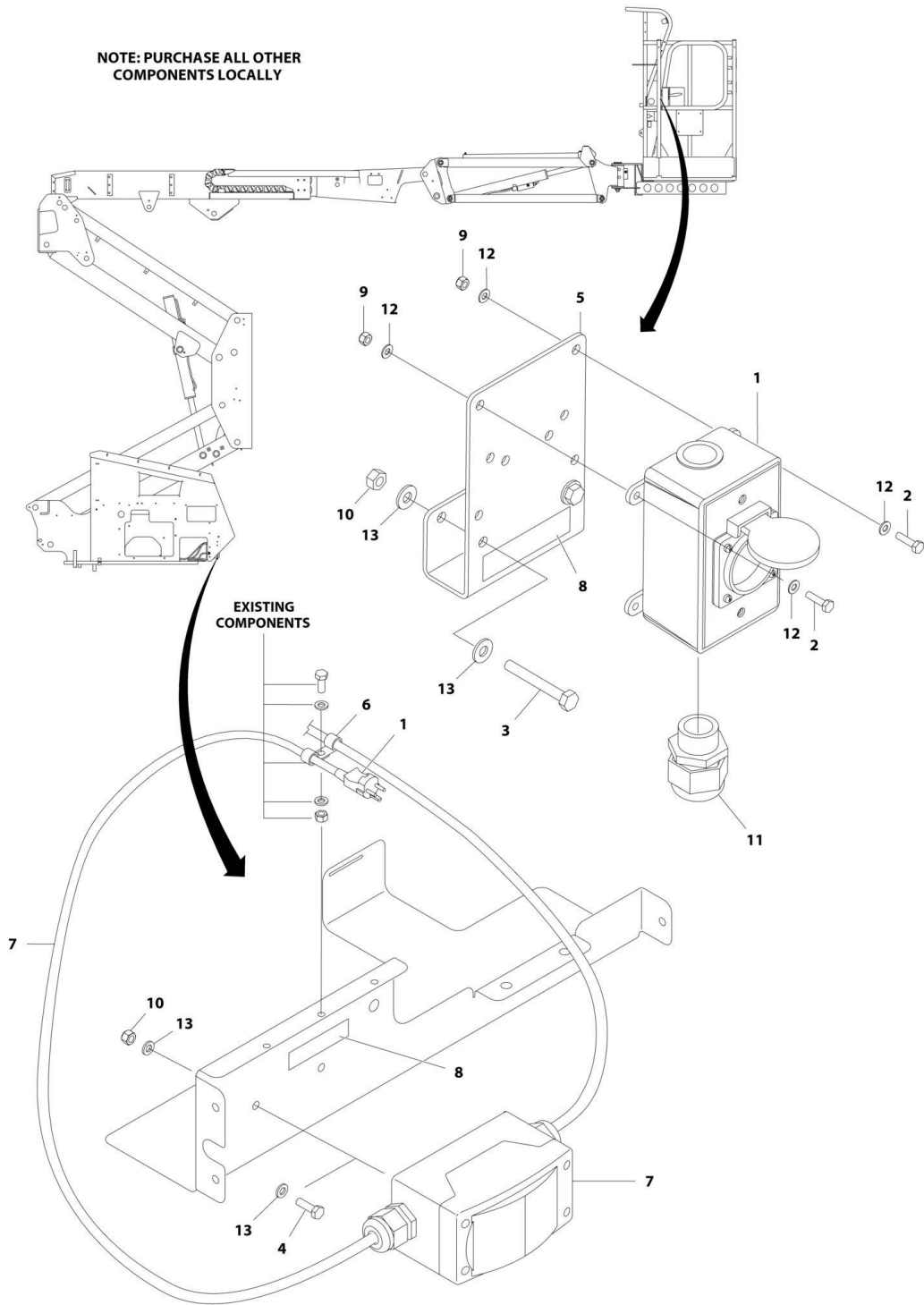
SECTION 8 - ELECTRICAL

FIGURE 8-12. AC BOX AT PLATFORM INSTALLATION - 220V CEE7 SIDE GROUND 2 X 4 BOX WITH 4000W GENERATOR (CE & UK CA SPECS)

| ITEM | PART NUMBER | QTY | DESCRIPTION | REV |
|------|-------------|-----|---------------------------------|-----|
| | 1001194198 | Ref | AC BOX AT PLATFORM INSTALLATION | B |
| 1 | 0100020 | AR | Sealant, Pipe | |
| 2 | 0641416 | 2 | Bolt 1/4 x 2 | |
| 3 | 0700408 | 4 | Bolt M4 x 16 | |
| 4 | 0861731 | 1 | Box, Switch | |
| 5 | 3251242 | 1 | Decal - 240V/50Hz | |
| 6 | 3290405 | 4 | Nut M4 | |
| 7 | 3311405 | 2 | Nut 1/4 | |
| 8 | 4460662 | 1 | Connector, Strain Relief | |
| 9 | 4461245 | 1 | Receptacle | |
| 10 | 4711400 | 4 | Washer 1/4 | |
| 11 | 4811400 | 8 | Washer M4 | |
| 12 | 1001193018 | 1 | Bracket, AC Receptacle | |
| 13 | 4460806 | 2 | Terminal, Fork (Not Shown) | |
| 14 | 1001205958 | 1 | Terminal (Not Shown) | |

SECTION 8 - ELECTRICAL

FIGURE 8-13. AC BOX AT PLATFORM INSTALLATION - 220V AFSINT 107 KEYED GROUND WITHOUT 4000W GENERATOR (CE & UK CA SPEC)



ART_1001119874

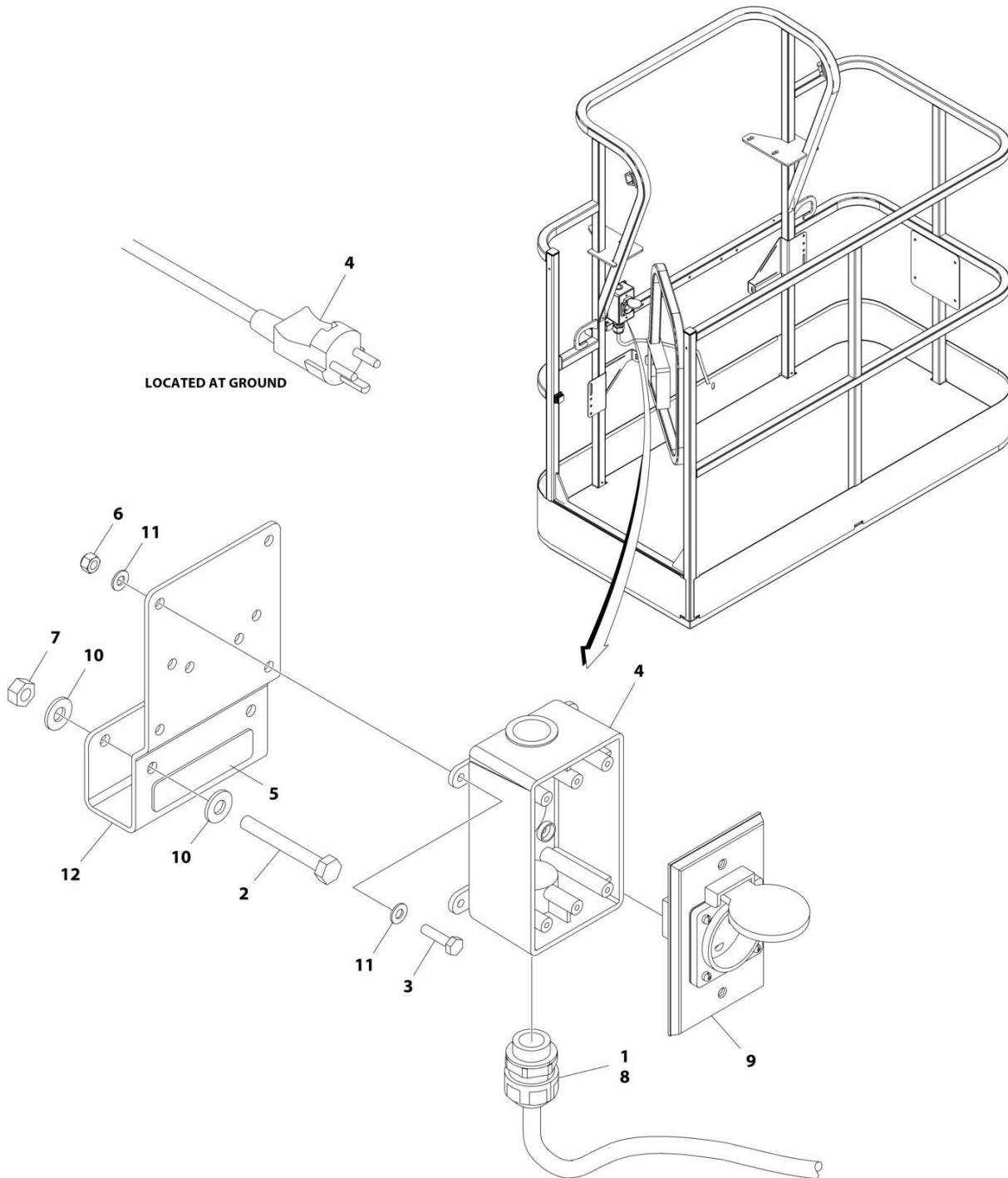
SECTION 8 - ELECTRICAL

**FIGURE 8-13. AC BOX AT PLATFORM INSTALLATION - 220V AFSINT 107 KEYED GROUND
WITHOUT 4000W GENERATOR (CE & UK CA SPEC)**

| ITEM | PART NUMBER | QTY | DESCRIPTION | REV |
|------|-------------|-----|--|-----|
| | 1001119874 | Ref | AC BOX AT PLATFORM INSTALLATION - 220V AFSINT 107 KEYED GROUND WITH 2IN X 4IN BOX | C |
| 1 | 0275454 | 1 | Receptacle Box Kit (See Separate Breakdown in this Section) | |
| 2 | 0700408 | 4 | Bolt M4 x 16 | |
| 3 | 0700618 | 2 | Bolt M6 x 50 | |
| 4 | 0760610 | 2 | Bolt M6 x 20 | |
| 5 | 1001193018 | 1 | Bracket | |
| 6 | 1320043 | 1 | Clamp | |
| 7 | 2902549 | 1 | Breaker Box Kit (See Separate Breakdown in this Section) | |
| 8 | 3252507 | 2 | Decal - 220V - 50/60Hz | |
| 9 | 3290405 | 4 | Nut M4 | |
| 10 | 3290605 | 4 | Nut M6 | |
| 11 | 4460662 | 1 | Connector, Strain Relief | |
| 12 | 4811400 | 8 | Washer M4 | |
| 13 | 4811700 | 8 | Washer M6 | |

SECTION 8 - ELECTRICAL

FIGURE 8-14. AC BOX AT PLATFORM INSTALLATION - 220V AFSINT 107 KEYED GROUND WITH 4000W GENERATOR (CE & UK CA SPECS)



ART_1001194200

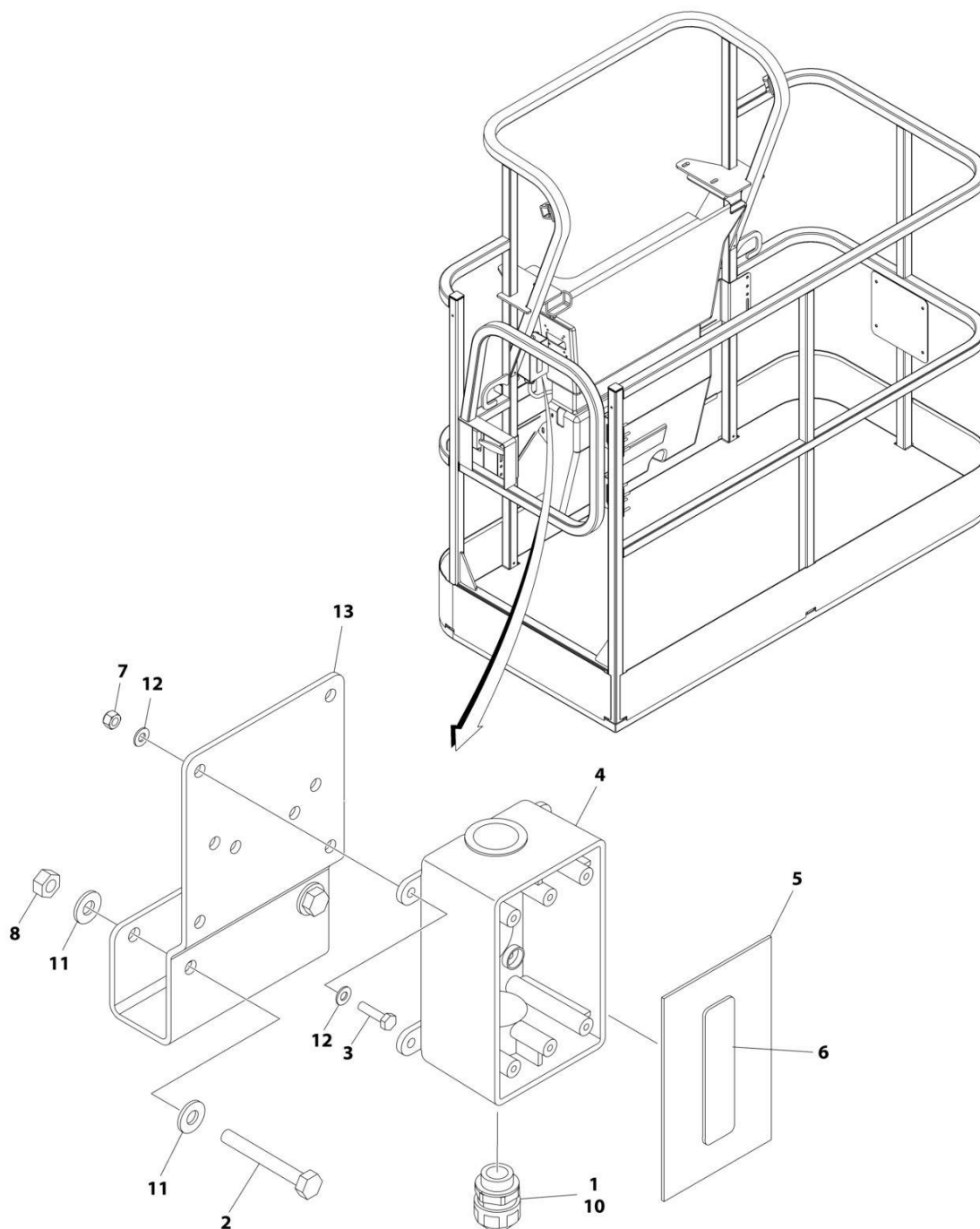
SECTION 8 - ELECTRICAL

FIGURE 8-14. AC BOX AT PLATFORM INSTALLATION - 220V AFSINT 107 KEYED GROUND WITH 4000W GENERATOR (CE & UK CA SPECS)

| ITEM | PART NUMBER | QTY | DESCRIPTION | REV |
|------|-------------|-----|---------------------------------|-----|
| | 1001194200 | Ref | AC BOX AT PLATFORM INSTALLATION | B |
| 1 | 0100020 | AR | Sealant, Pipe | |
| 2 | 0641416 | 2 | Bolt 1/4 x 2 | |
| 3 | 0700408 | 4 | Bolt M4 x 16 | |
| 4 | 0861731 | 1 | Box, Switch | |
| 5 | 3251242 | 1 | Decal - 240V/50Hz | |
| 6 | 3290405 | 4 | Nut M4 | |
| 7 | 3311405 | 2 | Nut 1/4 | |
| 8 | 4460662 | 1 | Connector, Strain Relief | |
| 9 | 4461246 | 1 | Receptacle | |
| 10 | 4711400 | 4 | Washer 1/4 | |
| 11 | 4811400 | 8 | Washer M4 | |
| 12 | 1001193018 | 1 | Bracket, AC Receptacle | |
| 13 | 1001205958 | 1 | Terminal (Not Shown) | |

SECTION 8 - ELECTRICAL

FIGURE 8-15. AC BOX AT PLATFORM INSTALLATION - BOX WITH COVER WITH 4000W GENERATOR (ANSI EXPORT, AUSTRALIAN, CHINA AND JAPANESE SPECS)



ART_1001194365

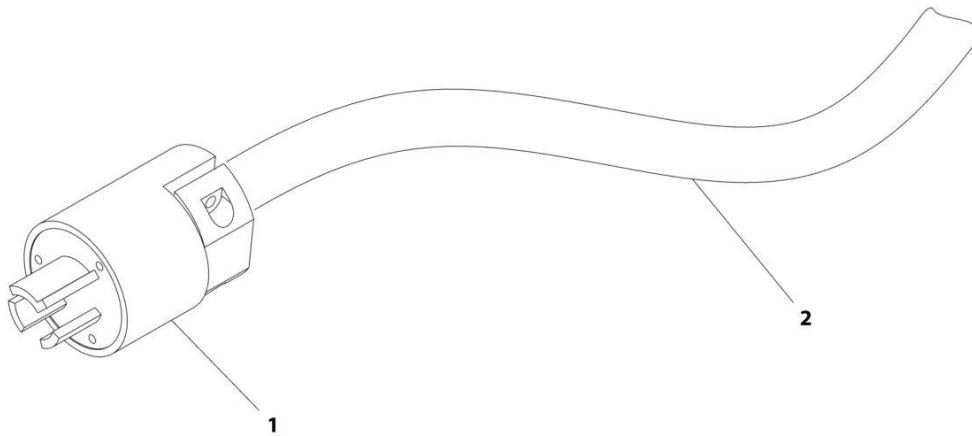
SECTION 8 - ELECTRICAL

FIGURE 8-15. AC BOX AT PLATFORM INSTALLATION - BOX WITH COVER WITH 4000W GENERATOR (ANSI EXPORT, AUSTRALIAN, CHINA AND JAPANESE SPECS)

| ITEM | PART NUMBER | QTY | DESCRIPTION | REV |
|------|-------------|-----|--|-----|
| | 1001194365 | Ref | AC BOX AT PLATFORM INSTALLATION - BOX WITH COVER (2X4 BOX) | A |
| 1 | 0100020 | AR | Sealant | |
| 2 | 0641416 | 2 | Bolt 1/4 x 2 | |
| 3 | 0700408 | 4 | Bolt M4 x 16 | |
| 4 | 0861731 | 1 | Box, Switch | |
| 5 | 1670603 | 1 | Cover | |
| 6 | 3251242 | 1 | Decal - 240V/50Hz | |
| 7 | 3290405 | 4 | Nut M4 | |
| 8 | 3311405 | 2 | Nut 1/4 | |
| 9 | 4460384 | 3 | Terminal (Not Shown) | |
| 10 | 4460662 | 1 | Connector, Strain Relief | |
| 11 | 4711400 | 4 | Washer 1/4 | |
| 12 | 4811400 | 8 | Washer M4 | |
| 13 | 1001193018 | 1 | Bracket, AC Receptacle | |

SECTION 8 - ELECTRICAL

FIGURE 8-16. AC POWER TO PLATFORM CABLE - MAIN BOOM (WITHOUT ARCTIC PACKAGE)
(50HZ)



ART_1001119140

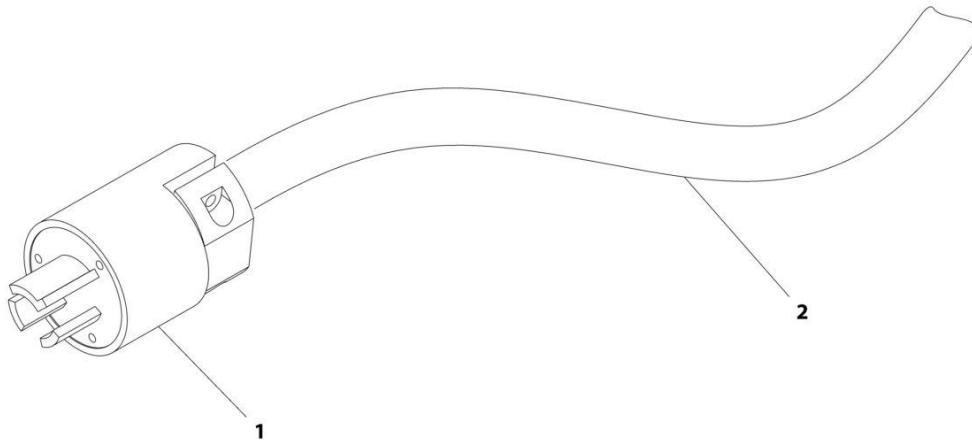
SECTION 8 - ELECTRICAL

**FIGURE 8-16. AC POWER TO PLATFORM CABLE - MAIN BOOM (WITHOUT ARCTIC PACKAGE)
(50HZ)**

| ITEM | PART NUMBER | QTY | DESCRIPTION | REV |
|------|-------------|-----|---|-----|
| | 1001119140 | Ref | AC POWER TO PLATFORM CABLE - MAIN BOOM (WITHOUT ARCTIC PACKAGE) | C |
| 1 | 1001120204 | 1 | Plug, Male | |
| 2 | 4923505 | 1 | Cable, 14/3 | |

SECTION 8 - ELECTRICAL

FIGURE 8-17. AC POWER TO PLATFORM CABLE - MAIN BOOM (WITH ARCTIC PACKAGE) (50HZ)



ART_1001119955

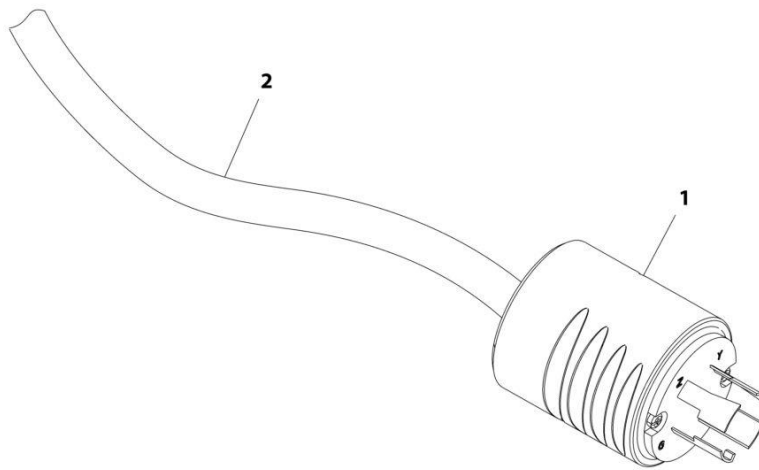
SECTION 8 - ELECTRICAL

FIGURE 8-17. AC POWER TO PLATFORM CABLE - MAIN BOOM (WITH ARCTIC PACKAGE) (50HZ)

| ITEM | PART NUMBER | QTY | DESCRIPTION | REV |
|------|-------------|-----|--|-----|
| | 1001119955 | Ref | AC POWER TO PLATFORM CABLE - MAIN BOOM (WITH ARCTIC PACKAGE) | B |
| 1 | 1001120204 | 1 | Plug, Male | |
| 2 | 4923463 | 1 | Cable, 12/3 | |

SECTION 8 - ELECTRICAL

FIGURE 8-18. AC POWER TO PLATFORM CABLE - MAIN BOOM (60HZ)



ART_1001157311

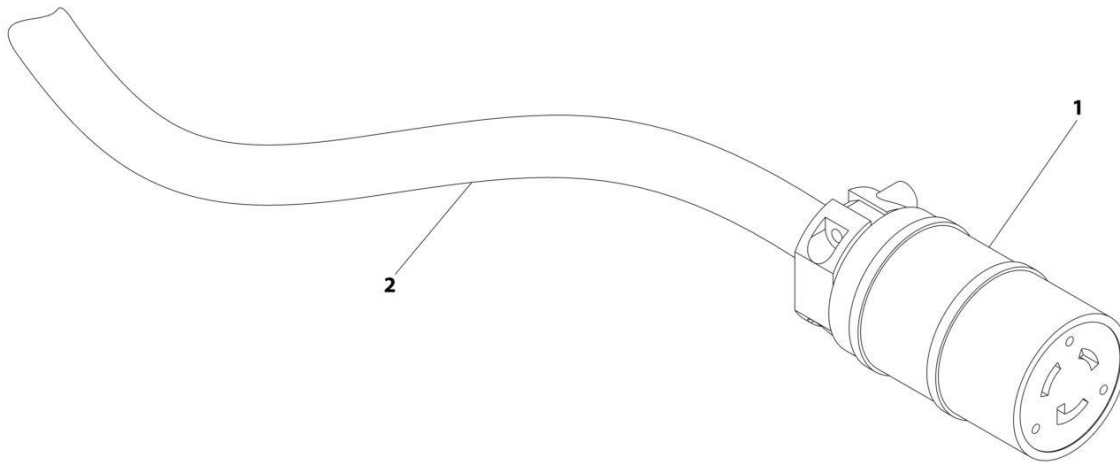
SECTION 8 - ELECTRICAL

FIGURE 8-18. AC POWER TO PLATFORM CABLE - MAIN BOOM (60HZ)

| ITEM | PART NUMBER | QTY | DESCRIPTION | REV |
|------|-----------------------|------------------|---|-----|
| 1 | 1001157311 4460962 | Ref 1 | AC POWER TO PLATFORM CABLE - MAIN BOOM (60Hz) Terminal | A |
| 2 | 1001131968 | 22.2 ft /6.8m | Cable, 10/4 | |

SECTION 8 - ELECTRICAL

FIGURE 8-19. AC POWER TO PLATFORM CABLE - TOWER BOOM (WITHOUT ARCTIC PACKAGE)
(50HZ)



ART_1001119139

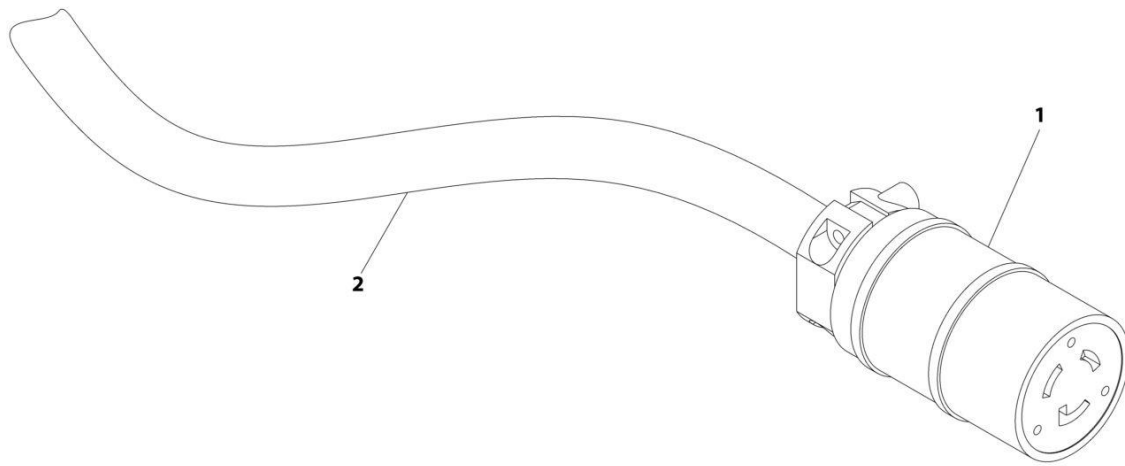
SECTION 8 - ELECTRICAL

**FIGURE 8-19. AC POWER TO PLATFORM CABLE - TOWER BOOM (WITHOUT ARCTIC PACKAGE)
(50HZ)**

| ITEM | PART NUMBER | QTY | DESCRIPTION | REV |
|------|-------------|-----|--|-----|
| | 1001119139 | Ref | AC POWER TO PLATFORM CABLE - TOWER BOOM (WITHOUT ARCTIC PACKAGE) | B |
| 1 | 1001120205 | 1 | Connector, Female | |
| 2 | 4923505 | 1 | Cable, 14/3 | |

SECTION 8 - ELECTRICAL

FIGURE 8-20. AC POWER TO PLATFORM CABLE - TOWER BOOM (WITH ARCTIC PACKAGE) (50HZ)



ART_1001119956

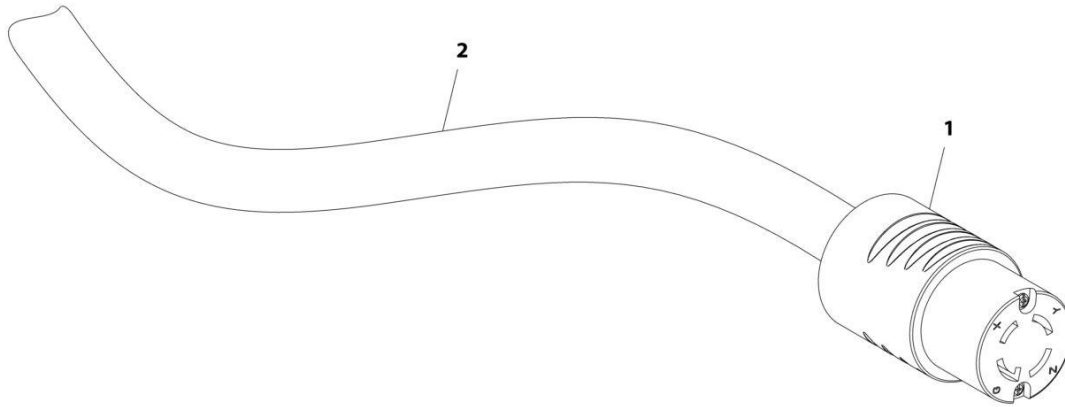
SECTION 8 - ELECTRICAL

FIGURE 8-20. AC POWER TO PLATFORM CABLE - TOWER BOOM (WITH ARCTIC PACKAGE) (50HZ)

| ITEM | PART NUMBER | QTY | DESCRIPTION | REV |
|------|-------------|-----|---|-----|
| | 1001119956 | Ref | AC POWER TO PLATFORM CABLE - TOWER BOOM (WITH ARCTIC PACKAGE) | A |
| 1 | 1001120205 | 1 | Connector, Female | |
| 2 | 4923463 | 1 | Cable, 12/3 | |

SECTION 8 - ELECTRICAL

FIGURE 8-21. AC POWER TO PLATFORM CABLE - TOWER BOOM (60HZ)



ART_1001157310

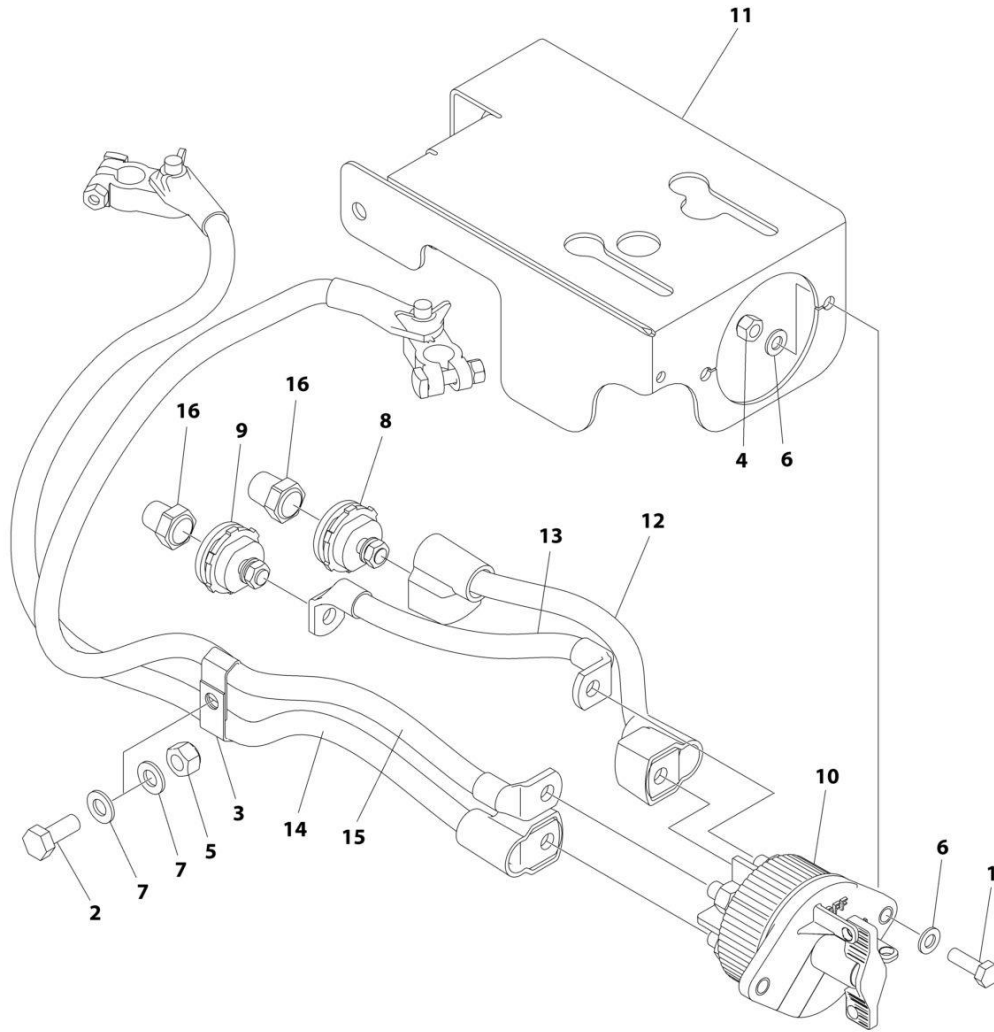
SECTION 8 - ELECTRICAL

FIGURE 8-21. AC POWER TO PLATFORM CABLE - TOWER BOOM (60HZ)

| ITEM | PART NUMBER | QTY | DESCRIPTION | REV |
|------|-------------|------------------|--|-----|
| 1 | 1001157310 | Ref | AC POWER TO PLATFORM CABLE - TOWER BOOM (60Hz) | A |
| 2 | 4460963 | 1 | Terminal | |
| | 1001131968 | 29.1 ft /8.9m | Cable, 10/4 | |

SECTION 8 - ELECTRICAL

FIGURE 8-22. BATTERY DISCONNECT SWITCH



ART_1001214397

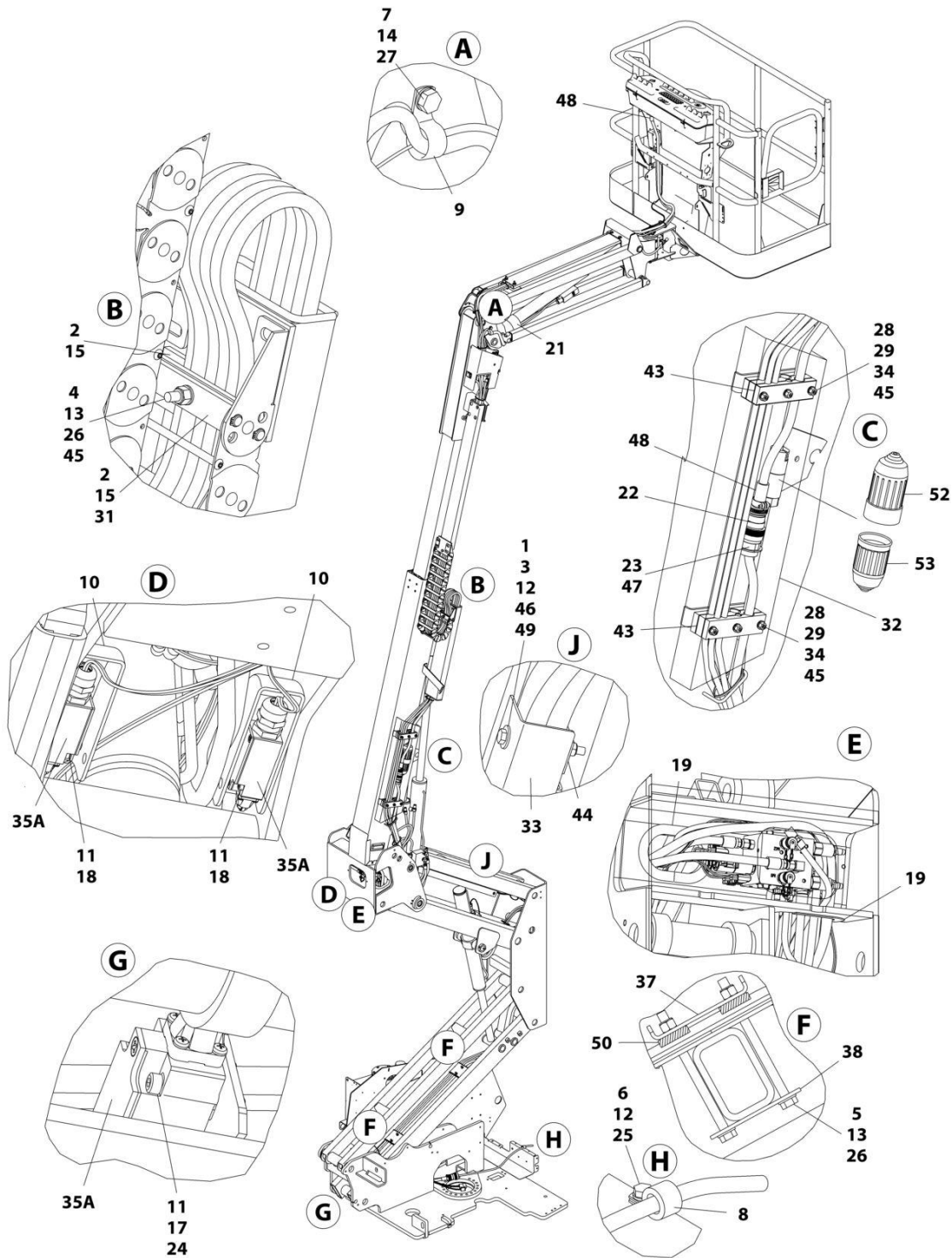
SECTION 8 - ELECTRICAL

FIGURE 8-22. BATTERY DISCONNECT SWITCH

| ITEM | PART NUMBER | QTY | DESCRIPTION | REV |
|------|-------------|-----|--------------------------------------|-----|
| | 1001214397 | Ref | BATTERY DISCONNECT SWITCH | A |
| 1 | 0760812 | 2 | Bolt M8 x 25 | |
| 2 | 0761012 | 1 | Bolt M10 x 25 | |
| 3 | 1320223 | 2 | Clamp | |
| 4 | 3290805 | 2 | Nut M8 | |
| 5 | 3291005 | 1 | Nut M10 | |
| 6 | 4811900 | 4 | Washer M8 | |
| 7 | 4812000 | 2 | Washer M10 | |
| 8 | 1001214570 | 1 | Connector (Red) | |
| 9 | 1001214571 | 1 | Connector (Black) | |
| 10 | 1001225346 | 1 | Switch | |
| 11 | 1001226530 | 1 | Mount | |
| 12 | 1001237878 | 1 | Cable, Battery Disconnect (Positive) | |
| 13 | 1001237879 | 1 | Cable, Battery Disconnect (Negative) | |
| 14 | 1001237880 | 1 | Cable (Positive) | |
| 15 | 1001237881 | 1 | Cable (Negative) | |
| 16 | 1001206476 | 1 | Connector | |

SECTION 8 - ELECTRICAL

FIGURE 8-23. BOOM CABLES, HARNESSES AND CLAMPS INSTALLATION - WITHOUT ARCTIC PACKAGE



ART_1001115784

SECTION 8 - ELECTRICAL

FIGURE 8-23. BOOM CABLES, HARNESSSES AND CLAMPS INSTALLATION - WITHOUT ARCTIC PACKAGE

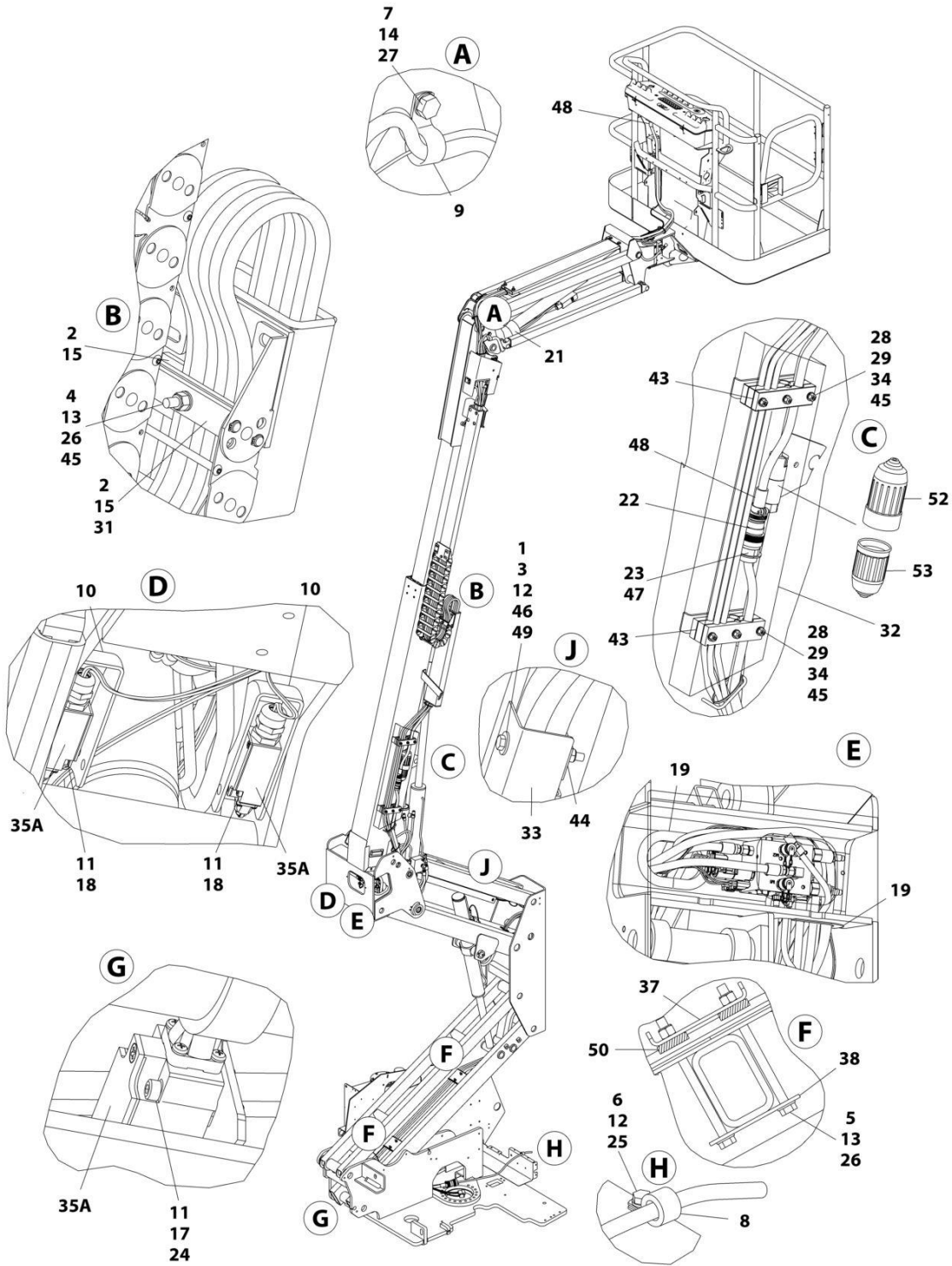
| ITEM | PART NUMBER | QTY | DESCRIPTION | REV |
|------|-------------|-----------------|--|-----|
| | 1001115784 | Ref | BOOM CABLES, HARNESSSES AND CLAMPS INSTALLATION - WITHOUT ARCTIC PACKAGE | G |
| 1 | 0100011 | AR | Compound, Locking | |
| 2 | 0100081 | 1 | Adhesive | |
| 3 | 0760621 | 4 | Bolt M6 x 65 | |
| 4 | 0700820 | 2 | Bolt M8 x 60 | |
| 5 | 0700829 | 4 | Bolt M8 x 120 | |
| 6 | 0760608 | 1 | Bolt M6 x 16 (Not Shown - Use with Item 8) | |
| 7 | 0761012 | 1 | Bolt M10 x 25 | |
| 8 | 1320043 | 1 | Clamp (Not Shown - Located at Rear of T/T) | |
| 9 | 1320130 | 1 | Clamp | |
| 10 | 1670899 | 2 | Cover, Switch | |
| 11 | 3290405 | 6 | Nut M4 | |
| 12 | 3290605 | 5 | Nut M6 | |
| 13 | 3290805 | 6 | Nut M8 | |
| 14 | 3291005 | 1 | Nut M10 | |
| 15 | 3340939 | 4 | Pad, Rubber | |
| 17 | 4031510 | 2 | Capscrew M4 x 30 | |
| 18 | 4031512 | 4 | Capscrew M4 x 40 | |
| 19 | 4060808 | 1.8 ft /55cm | Flex-Trim | |
| 20 | 4240018 | AR | Tie-Strap (Not Shown) | |
| 21 | 4240156 | 1 | Strap, Cinch | |
| 22 | 4460865 | 1 | Connector - 19 Position | |
| 23 | 4460866 | 1 | Connector - 19 Position | |
| 24 | 4811400 | 2 | Washer M4 | |
| 25 | 4811700 | 2 | Washer M6 (Not Shown - Use with Item 8) | |
| 26 | 4811900 | 8 | Washer M8 | |
| 27 | 4812000 | 2 | Washer M10 | |
| 28 | 5260800 | 6 | Nut M8 | |
| 29 | 5281920 | 6 | Screw M8 x 80 | |
| 31 | 1001106757 | 2 | Plate | |
| 32 | 1001107152 | 1 | Plate | |
| 33 | 1001116433 | 2 | Guard, Hose | |
| 34 | 1001118274 | 6 | Nut M8 | |
| 35 | 1001118292 | 1 | Tower Boom Harness Assembly (Not Shown - See Separate Breakdown in this Section) | |
| 35A | 4360548 | 3 | Switch, Limit | |
| 37 | 1001118592 | 2 | Plate, Hose Clamp | |
| 38 | 1001118593 | 2 | Plate, Hose Clamp | |
| 39 | 1001119018 | 1 | Ground to Platform Cable - Main (Not Shown - See Separate Breakdown in this Section) | |
| 40 | 1001119019 | 1 | Ground to Platform Cable - Tower (Not Shown - See Separate Breakdown in this Section) | |
| 41 | 1001119139 | 1 | AC Power to Platform Cable - Tower Boom (Not Shown - See Separate Breakdown in this Section) | |
| 42 | 1001119140 | 1 | AC Power to Platform Cable - Main Boom (Not Shown - See Separate Breakdown in this Section) | |
| 43 | 1001119194 | 2 | Clamp | |
| 44 | 1001119197 | 4 | Clamp | |

SECTION 8 - ELECTRICAL

| ITEM | PART NUMBER | QTY | DESCRIPTION | REV |
|------|-------------|-----|---|-----|
| 45 | 1001119228 | 8 | Nut M8 | |
| 46 | 0760605 | 2 | Bolt M6 x 10 | |
| 47 | 2820031 | AR | Heat Shrink | |
| 48 | 4460473 | 1 | Clamp, Cable | |
| 49 | 4811702 | 10 | Washer M6 | |
| 50 | 3340901 | 4 | Pad, Rubber | |
| 51 | 1001140524 | 1 | Main Boom Harness Assembly (Not Shown - See Separate Breakdown in this Section) | |
| 52 | 1671092 | 1 | Cover, Connection | |
| 53 | 1671093 | 1 | Cover, Plug | |

SECTION 8 - ELECTRICAL

FIGURE 8-24. BOOM CABLES, HARNESSES AND CLAMPS INSTALLATION - WITH ARCTIC PACKAGE



ART_1001119937

SECTION 8 - ELECTRICAL

FIGURE 8-24. BOOM CABLES, HARNESSSES AND CLAMPS INSTALLATION - WITH ARCTIC PACKAGE

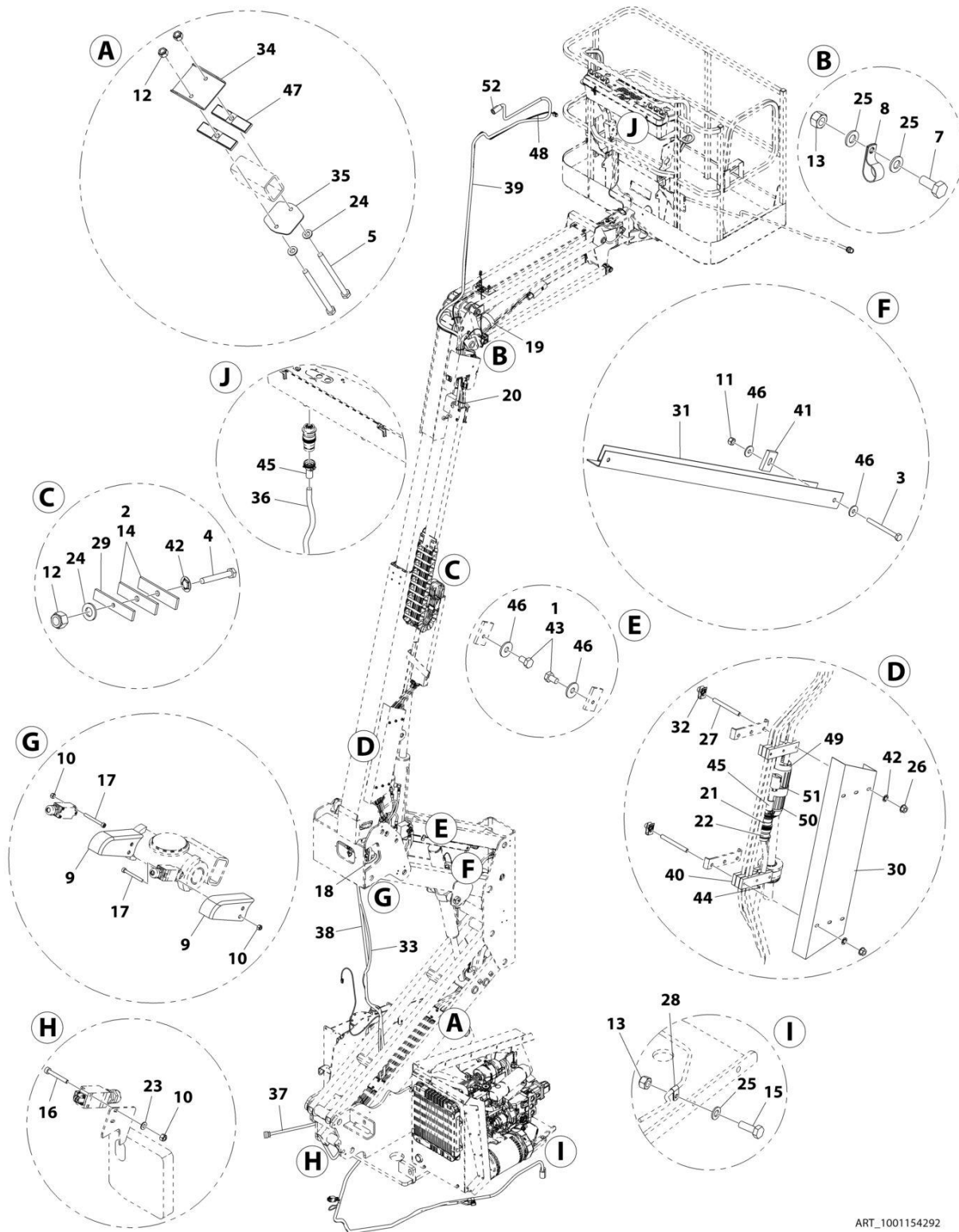
| ITEM | PART NUMBER | QTY | DESCRIPTION | REV |
|------|-------------|-----------------|--|-----|
| | 1001119937 | Ref | BOOM CABLES, HARNESSSES AND CLAMPS INSTALLATION - WITH ARCTIC PACKAGE | G |
| 1 | 0100011 | AR | Compound, Locking | |
| 2 | 0100081 | 1 | Adhesive | |
| 3 | 0760621 | 4 | Bolt M6 x 65 | |
| 4 | 0700820 | 2 | Bolt M8 x 60 | |
| 5 | 0700829 | 4 | Bolt M8 x 120 | |
| 6 | 0760608 | 1 | Bolt M6 x 16 (Not Shown - Use with Item 8) | |
| 7 | 0761012 | 1 | Bolt M10 x 25 | |
| 8 | 1320041 | 1 | Clamp | |
| 9 | 1320130 | 1 | Clamp | |
| 10 | 1670899 | 2 | Cover, Switch | |
| 11 | 3290405 | 6 | Nut M4 | |
| 12 | 3290605 | 5 | Nut M6 | |
| 13 | 3290805 | 6 | Nut M8 | |
| 14 | 3291005 | 1 | Nut M10 | |
| 15 | 3340939 | 4 | Pad, Rubber | |
| 17 | 4031510 | 2 | Capscrew M4 x 30 | |
| 18 | 4031512 | 4 | Capscrew M4 x 40 | |
| 19 | 4060808 | 1.8 ft /55cm | Flex-Trim | |
| 20 | 4240018 | AR | Tie-Strap (Not Shown) | |
| 21 | 4240156 | 1 | Strap, Cinch | |
| 22 | 4460865 | 1 | Connector - 19 Position | |
| 23 | 4460866 | 1 | Connector - 19 Position | |
| 24 | 4811400 | 2 | Washer M4 | |
| 25 | 4811700 | 2 | Washer M6 (Not Shown - Use with Item 8) | |
| 26 | 4811900 | 8 | Washer M8 | |
| 27 | 4812000 | 2 | Washer M10 | |
| 28 | 5260800 | 6 | Nut M8 | |
| 29 | 5281920 | 6 | Screw M8 x 80 | |
| 31 | 1001106757 | 2 | Plate | |
| 32 | 1001107152 | 1 | Plate | |
| 33 | 1001116433 | 2 | Guard, Hose | |
| 34 | 1001118274 | 6 | Nut M8 | |
| 35 | 1001118292 | 1 | Tower Boom Harness Assembly (Not Shown - See Separate Breakdown in this Section) | |
| 35A | 4360548 | 3 | Switch, Limit | |
| 37 | 1001118592 | 2 | Plate, Hose Clamp | |
| 38 | 1001118593 | 2 | Plate, Hose Clamp | |
| 39 | 1001119953 | 1 | Ground to Platform Cable - Main (Not Shown - See Separate Breakdown in this Section) | |
| 40 | 1001119954 | 1 | Ground to Platform Cable - Tower (Not Shown - See Separate Breakdown in this Section) | |
| 41 | 1001119955 | 1 | AC Power to Platform Cable - Main Boom (Not Shown - See Separate Breakdown in this Section) | |
| 42 | 1001119956 | 1 | AC Power to Platform Cable - Tower Boom (Not Shown - See Separate Breakdown in this Section) | |
| 43 | 1001119195 | 2 | Clamp | |
| 44 | 1001119197 | 4 | Clamp | |

SECTION 8 - ELECTRICAL

| ITEM | PART NUMBER | QTY | DESCRIPTION | REV |
|------|-------------|-----|---|-----|
| 45 | 1001119228 | 8 | Nut M8 | |
| 46 | 0760605 | 2 | Bolt M6 x 10 | |
| 47 | 2820031 | AR | Heat Shrink | |
| 48 | 4460473 | 1 | Clamp, Cable | |
| 49 | 4811702 | 10 | Washer M6 | |
| 50 | 3340901 | 4 | Pad, Rubber | |
| 51 | 1001140524 | 1 | Main Boom Harness Assembly (Not Shown - See Separate Breakdown in this Section) | |
| 52 | 1671092 | 1 | Cover, Connection | |
| 53 | 1671093 | 1 | Cover, Plug | |

SECTION 8 - ELECTRICAL

FIGURE 8-25. BOOM CABLES AND CLAMPS INSTALLATION - 4000W, 50HZ - WITHOUT ARCTIC PACKAGE



ART_1001154292

SECTION 8 - ELECTRICAL

FIGURE 8-25. BOOM CABLES AND CLAMPS INSTALLATION - 4000W, 50HZ - WITHOUT ARCTIC PACKAGE

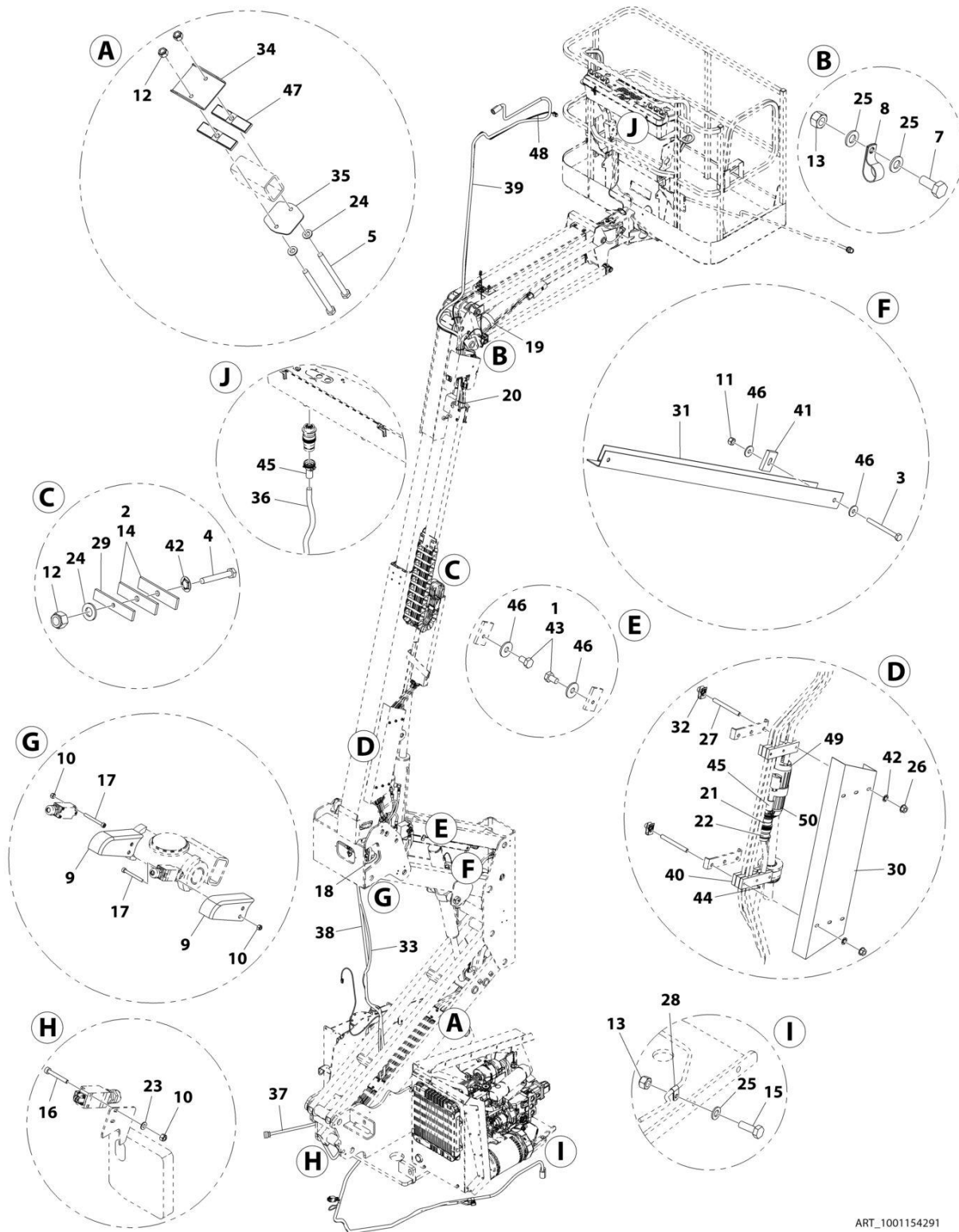
| ITEM | PART NUMBER | QTY | DESCRIPTION | REV |
|------|-------------|-----------------|--|-----|
| | 1001154292 | Ref | BOOM CABLES AND CLAMPS INSTALLATION - 4000W, 50HZ - WITHOUT ARCTIC PACKAGE | B |
| 1 | 0100011 | AR | Compound, Locking | |
| 2 | 0100081 | AR | Adhesive | |
| 3 | 0760621 | 4 | Bolt M6 x 65 | |
| 4 | 0700820 | 2 | Bolt M8 x 60 | |
| 5 | 0700829 | 4 | Bolt M8 x 120 | |
| 7 | 0761012 | 1 | Bolt M10 x 25 | |
| 8 | 1320130 | 1 | Clamp | |
| 9 | 1670899 | 2 | Cover, Switch | |
| 10 | 3290405 | 6 | Nut M4 | |
| 11 | 3290605 | 4 | Nut M6 | |
| 12 | 3290805 | 6 | Nut M8 | |
| 13 | 3291005 | 2 | Nut M10 | |
| 14 | 3340939 | 4 | Pad, Rubber | |
| 15 | 0761014 | 1 | Bolt M10 x 30 | |
| 16 | 4031510 | 2 | Capscrew M4 x 30 | |
| 17 | 4031512 | 4 | Capscrew M4 x 40 | |
| 18 | 4060808 | 1.8 ft /55cm | Flex-Trim | |
| 19 | 4240156 | 1 | Strap, Cinch | |
| 20 | 4240018 | AR | Tie-Strap | |
| 21 | 4460865 | 1 | Connector - 19 Position | |
| 22 | 4460866 | 1 | Connector - 19 Position | |
| 23 | 4811400 | 2 | Washer M4 | |
| 24 | 4811900 | 8 | Washer M8 | |
| 25 | 4812000 | 4 | Washer M10 | |
| 26 | 5260800 | 6 | Nut M8 Class 10 | |
| 27 | 5281920 | 6 | Capscrew, Cup Point M8 x 80 | |
| 28 | 1320263 | 1 | Clamp | |
| 29 | 1001106757 | 2 | Plate, Clamp | |
| 30 | 1001107152 | 1 | Plate, Shield | |
| 31 | 1001116433 | 2 | Guard, Hose | |
| 32 | 1001118274 | 6 | Nut M8 | |
| 33 | 1001118292 | 1 | Harness, Tower Boom (See Separate Breakdown in this Section) | |
| 34 | 1001118592 | 2 | Plate, Hose Clamp | |
| 35 | 1001118593 | 2 | Plate, Hose Clamp | |
| 36 | 1001119018 | 1 | Harness Assembly - Main Boom (See Separate Breakdown in this Section) | |
| 37 | 1001119019 | 1 | Harness Assembly - Tower Boom (See Separate Breakdown in this Section) | |
| 38 | 1001119139 | 1 | Cable, AC Tower Boom (See Separate Breakdown in this Section) | |
| 39 | 1001119140 | 1 | Cable, AC Main Boom (See Separate Breakdown in this Section) | |
| 40 | 1001119194 | 2 | Plate, Hose Clamp | |
| 41 | 1001119197 | 4 | Clamp, Hose | |
| 42 | 1001119228 | 8 | Pushnut M8 | |
| 43 | 0760605 | 2 | Bolt M6 x 10 | |
| 44 | 2820031 | AR | Heat Shrink | |
| 45 | 4460473 | 1 | Clamp, Cable | |
| 46 | 4811702 | 10 | Washer M6 | |

SECTION 8 - ELECTRICAL

| ITEM | PART NUMBER | QTY | DESCRIPTION | REV |
|------|-------------|-----|---|-----|
| 47 | 3340901 | 4 | Pad, Rubber | |
| 48 | 1001140524 | 1 | Main Boom Harness Assembly (Not Shown - See Separate Breakdown in this Section) | |
| 49 | 1671092 | 1 | Cover, Connector | |
| 50 | 1671093 | 1 | Cover, Plug | |
| 51 | 4460709 | 1 | Plug, Male - 250V | |
| 52 | 4460710 | 1 | Receptacle, Female - 250V | |

SECTION 8 - ELECTRICAL

FIGURE 8-26. BOOM CABLES AND CLAMPS INSTALLATION - 4000W, 50HZ - WITH ARCTIC PACKAGE



ART_1001154291

SECTION 8 - ELECTRICAL

FIGURE 8-26. BOOM CABLES AND CLAMPS INSTALLATION - 4000W, 50HZ - WITH ARCTIC PACKAGE

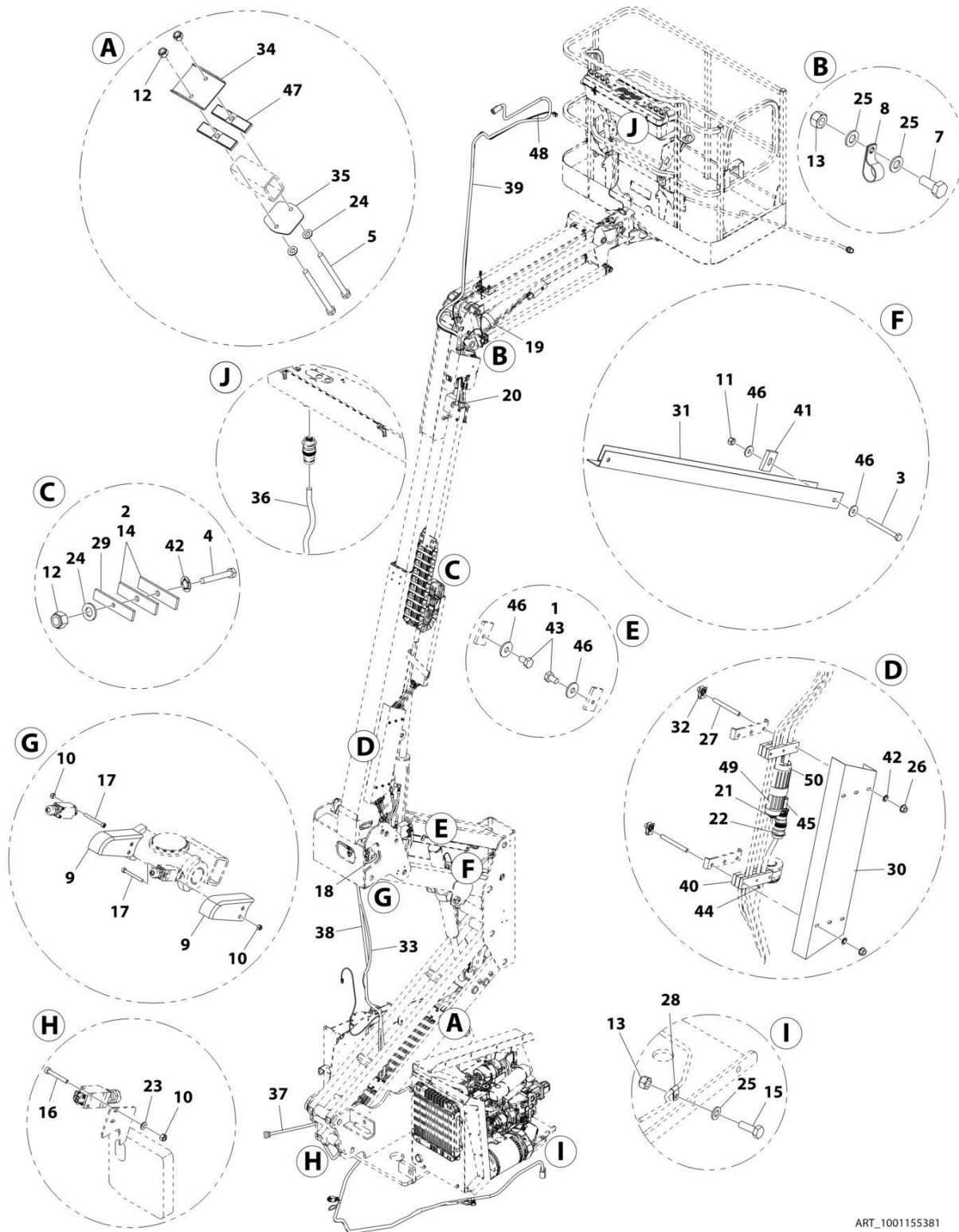
| ITEM | PART NUMBER | QTY | DESCRIPTION | REV |
|------|-------------|-----------------|---|-----|
| | 1001154291 | Ref | BOOM CABLES AND CLAMPS INSTALLATION - 4000W, 50HZ - WITH ARCTIC PACKAGE | B |
| 1 | 0100011 | AR | Compound, Locking | |
| 2 | 0100081 | AR | Adhesive | |
| 3 | 0760621 | 4 | Bolt M6 x 65 | |
| 4 | 0700820 | 2 | Bolt M8 x 60 | |
| 5 | 0700829 | 4 | Bolt M8 x 120 | |
| 7 | 0761012 | 1 | Bolt M10 x 25 | |
| 8 | 1320130 | 1 | Clamp | |
| 9 | 1670899 | 2 | Cover, Switch | |
| 10 | 3290405 | 6 | Nut M4 | |
| 11 | 3290605 | 4 | Nut M6 | |
| 12 | 3290805 | 6 | Nut M8 | |
| 13 | 3291005 | 2 | Nut M10 | |
| 14 | 3340939 | 4 | Pad, Rubber | |
| 15 | 0761014 | 1 | Bolt M10 x 30 | |
| 16 | 4031510 | 2 | Capscrew M4 x 30 | |
| 17 | 4031512 | 4 | Capscrew M4 x 40 | |
| 18 | 4060808 | 1.8 ft /55cm | Flex-Trim | |
| 19 | 4240156 | 1 | Strap, Cinch | |
| 20 | 4240018 | AR | Tie-Strap | |
| 21 | 4460865 | 1 | Connector - 19 Position | |
| 22 | 4460866 | 1 | Connector - 19 Position | |
| 23 | 4811400 | 2 | Washer M4 | |
| 24 | 4811900 | 8 | Washer M8 | |
| 25 | 4812000 | 4 | Washer M10 | |
| 26 | 5260800 | 6 | Nut M8 Class 10 | |
| 27 | 5281920 | 6 | Capscrew, Cup Point M8 x 80 | |
| 28 | 1320263 | 1 | Clamp | |
| 29 | 1001106757 | 2 | Plate, Clamp | |
| 30 | 1001107152 | 1 | Plate, Shield | |
| 31 | 1001116433 | 2 | Guard, Hose | |
| 32 | 1001118274 | 6 | Nut M8 | |
| 33 | 1001118292 | 1 | Harness, Tower Boom (See Separate Breakdown in this Section) | |
| 34 | 1001118592 | 2 | Plate, Hose Clamp | |
| 35 | 1001118593 | 2 | Plate, Hose Clamp | |
| 36 | 1001119953 | 1 | Harness Assembly - Main Boom (See Separate Breakdown in this Section) | |
| 37 | 1001119954 | 1 | Harness Assembly - Tower Boom (See Separate Breakdown in this Section) | |
| 38 | 1001119956 | 1 | Cable, AC Tower Boom (See Separate Breakdown in this Section) | |
| 39 | 1001119955 | 1 | Cable, AC Main Boom (See Separate Breakdown in this Section) | |
| 40 | 1001119195 | 2 | Plate, Hose Clamp | |
| 41 | 1001119197 | 4 | Clamp, Hose | |
| 42 | 1001119228 | 8 | Pushnut M8 | |
| 43 | 0760605 | 2 | Bolt M6 x 10 | |
| 44 | 2820031 | AR | Heat Shrink | |
| 45 | 4460473 | 1 | Clamp, Cable | |
| 46 | 4811702 | 10 | Washer M6 | |

SECTION 8 - ELECTRICAL

| ITEM | PART NUMBER | QTY | DESCRIPTION | REV |
|------|-------------|-----|---|-----|
| 47 | 3340901 | 4 | Pad, Rubber | |
| 48 | 1001140524 | 1 | Main Boom Harness Assembly (Not Shown - See Separate Breakdown in this Section) | |
| 49 | 1001156351 | 1 | Cover, Connector | |
| 50 | 1001156352 | 1 | Cover, Plug | |

SECTION 8 - ELECTRICAL

FIGURE 8-27. BOOM CABLES AND CLAMPS INSTALLATION - 4000W, 60HZ - WITHOUT ARCTIC PACKAGE



ART_1001155381

SECTION 8 - ELECTRICAL

FIGURE 8-27. BOOM CABLES AND CLAMPS INSTALLATION - 4000W, 60HZ - WITHOUT ARCTIC PACKAGE

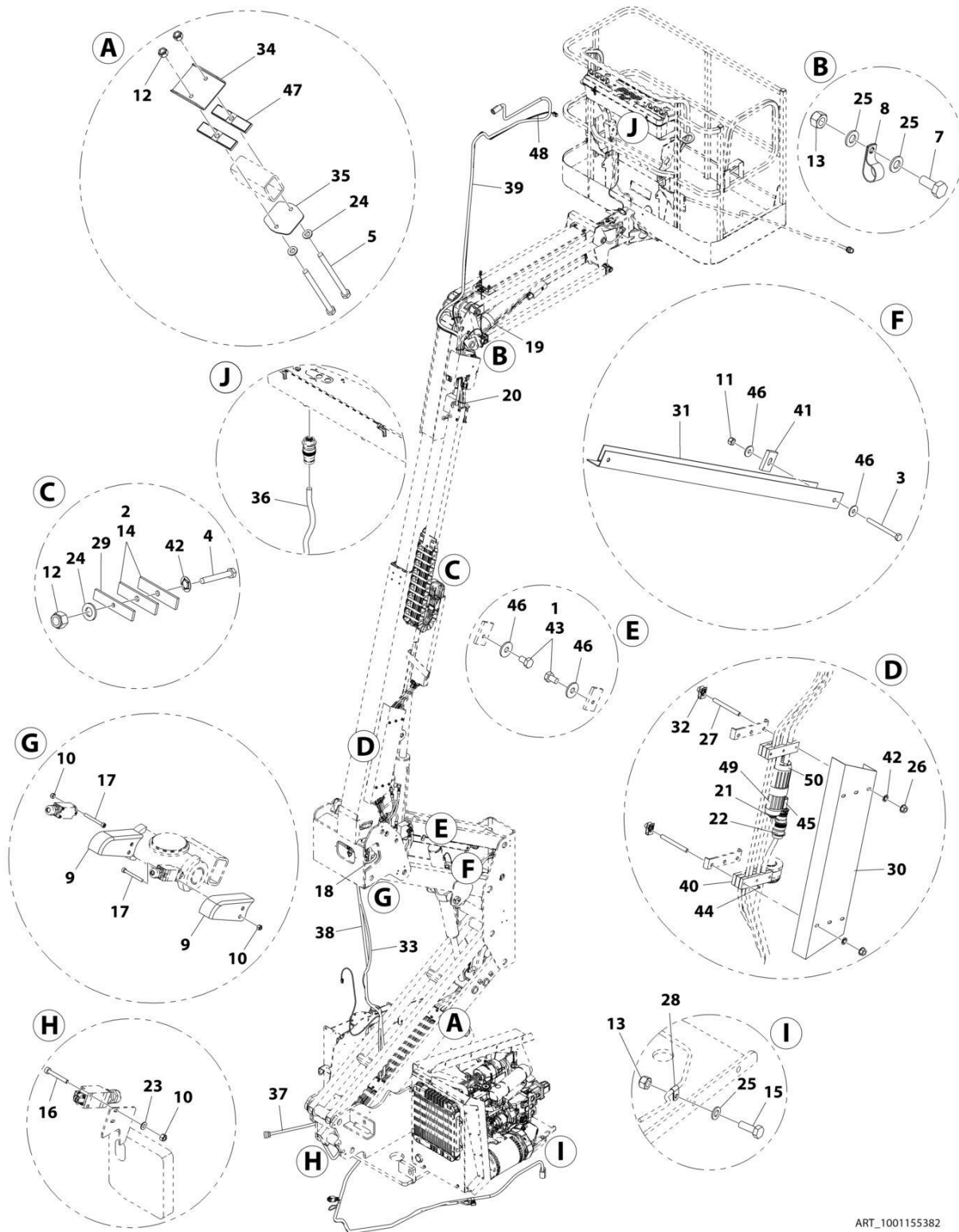
| ITEM | PART NUMBER | QTY | DESCRIPTION | REV |
|------|-------------|-----------------|--|-----|
| | 1001155381 | Ref | BOOM CABLES AND CLAMPS INSTALLATION - 4000W, 60HZ - WITHOUT ARCTIC PACKAGE | B |
| 1 | 0100011 | AR | Compound, Locking | |
| 2 | 0100081 | AR | Adhesive | |
| 3 | 0760621 | 4 | Bolt M6 x 65 | |
| 4 | 0700820 | 2 | Bolt M8 x 60 | |
| 5 | 0700829 | 4 | Bolt M8 x 120 | |
| 7 | 0761012 | 1 | Bolt M10 x 25 | |
| 8 | 1320130 | 1 | Clamp | |
| 9 | 1670899 | 2 | Cover, Switch | |
| 10 | 3290405 | 6 | Nut M4 | |
| 11 | 3290605 | 4 | Nut M6 | |
| 12 | 3290805 | 6 | Nut M8 | |
| 13 | 3291005 | 2 | Nut M10 | |
| 14 | 3340939 | 4 | Pad, Rubber | |
| 15 | 0761014 | 1 | Bolt M10 x 30 | |
| 16 | 4031510 | 2 | Capscrew M4 x 30 | |
| 17 | 4031512 | 4 | Capscrew M4 x 40 | |
| 18 | 4060808 | 1.8 ft /55cm | Flex-Trim | |
| 19 | 4240156 | 1 | Strap, Cinch | |
| 20 | 4240018 | AR | Tie-Strap | |
| 21 | 4460865 | 1 | Connector - 19 Position | |
| 22 | 4460866 | 1 | Connector - 19 Position | |
| 23 | 4811400 | 2 | Washer M4 | |
| 24 | 4811900 | 8 | Washer M8 | |
| 25 | 4812000 | 4 | Washer M10 | |
| 26 | 5260800 | 6 | Nut M8 Class 10 | |
| 27 | 5281920 | 6 | Capscrew, Cup Point M8 x 80 | |
| 28 | 8406110 | 1 | Clamp | |
| 29 | 1001106757 | 2 | Plate, Clamp | |
| 30 | 1001107152 | 1 | Plate, Shield | |
| 31 | 1001116433 | 2 | Guard, Hose | |
| 32 | 1001118274 | 6 | Nut M8 | |
| 33 | 1001118292 | 1 | Harness, Tower Boom (See Separate Breakdown in this Section) | |
| 34 | 1001118592 | 2 | Plate, Hose Clamp | |
| 35 | 1001118593 | 2 | Plate, Hose Clamp | |
| 36 | 1001119018 | 1 | Harness Assembly - Main Boom (See Separate Breakdown in this Section) | |
| 37 | 1001119019 | 1 | Harness Assembly - Tower Boom (See Separate Breakdown in this Section) | |
| 38 | 1001157310 | 1 | Cable, AC Tower Boom | |
| 39 | 1001157311 | 1 | Cable, AC Main Boom | |
| 40 | 1001119194 | 2 | Plate, Hose Clamp | |
| 41 | 1001119197 | 4 | Clamp, Hose | |
| 42 | 1001119228 | 8 | Pushnut M8 | |
| 43 | 0760605 | 2 | Bolt M6 x 10 | |
| 44 | 2820031 | AR | Heat Shrink | |
| 45 | 4460473 | 1 | Clamp, Cable | |
| 46 | 4811702 | 10 | Washer M6 | |

SECTION 8 - ELECTRICAL

| ITEM | PART NUMBER | QTY | DESCRIPTION | REV |
|------|-------------|-----|---|-----|
| 47 | 3340901 | 4 | Pad, Rubber | |
| 48 | 1001140524 | 1 | Main Boom Harness Assembly (Not Shown - See Separate Breakdown in this Section) | |
| 49 | 1671092 | 1 | Cover, Connector | |
| 50 | 1671093 | 1 | Cover, Plug | |

SECTION 8 - ELECTRICAL

FIGURE 8-28. BOOM CABLES AND CLAMPS INSTALLATION - 4000W, 60HZ - WITH ARCTIC PACKAGE



ART_1001155382

SECTION 8 - ELECTRICAL

FIGURE 8-28. BOOM CABLES AND CLAMPS INSTALLATION - 4000W, 60HZ - WITH ARCTIC PACKAGE

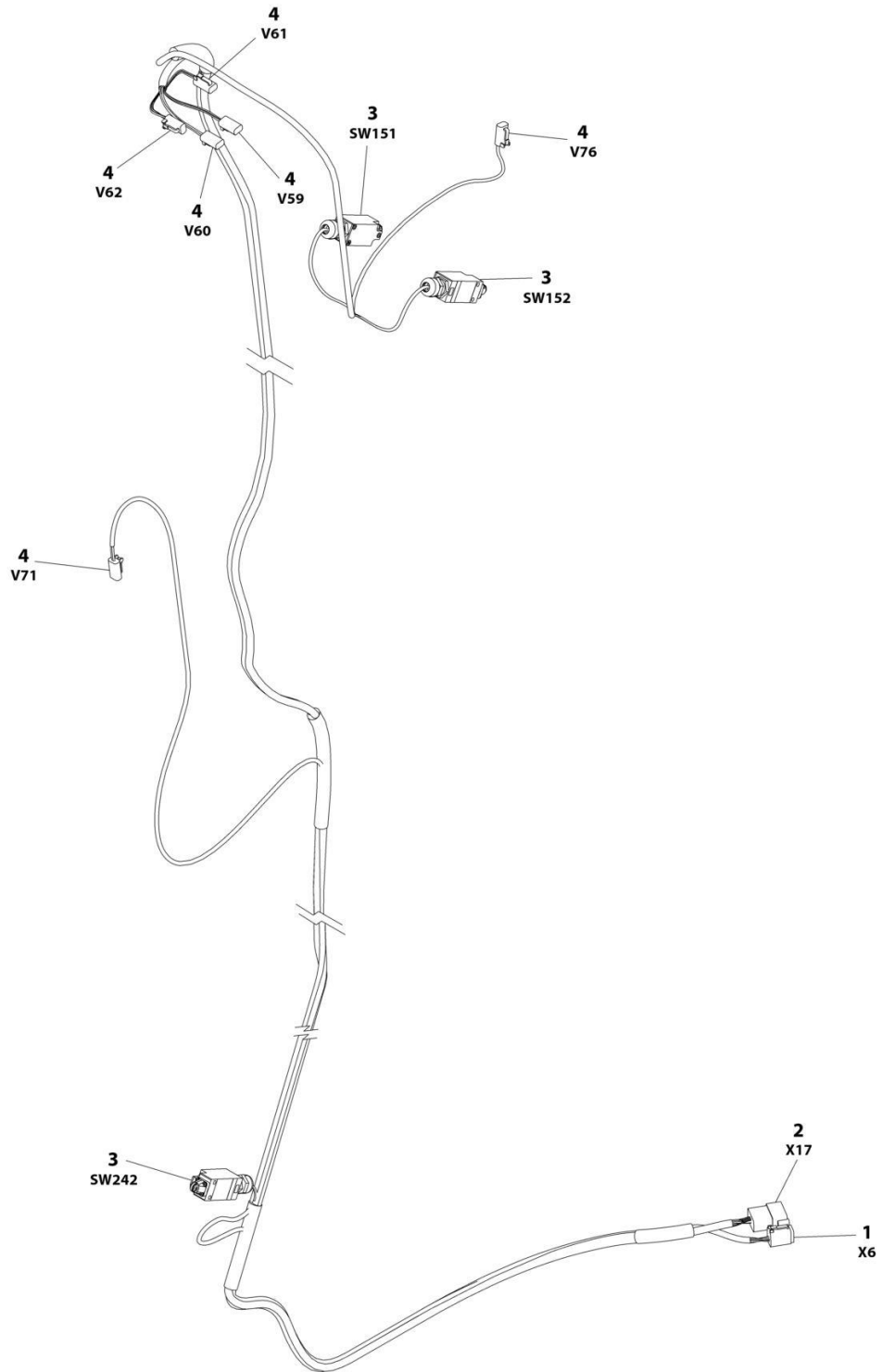
| ITEM | PART NUMBER | QTY | DESCRIPTION | REV |
|------|-------------|-----------------|---|-----|
| | 1001155382 | Ref | BOOM CABLES AND CLAMPS INSTALLATION - 4000W, 60HZ - WITH ARCTIC PACKAGE | B |
| 1 | 0100011 | AR | Compound, Locking | |
| 2 | 0100081 | AR | Adhesive | |
| 3 | 0760621 | 4 | Bolt M6 x 65 | |
| 4 | 0700820 | 2 | Bolt M8 x 60 | |
| 5 | 0700829 | 4 | Bolt M8 x 120 | |
| 7 | 0761012 | 1 | Bolt M10 x 25 | |
| 8 | 1320130 | 1 | Clamp | |
| 9 | 1670899 | 2 | Cover, Switch | |
| 10 | 3290405 | 6 | Nut M4 | |
| 11 | 3290605 | 4 | Nut M6 | |
| 12 | 3290805 | 6 | Nut M8 | |
| 13 | 3291005 | 2 | Nut M10 | |
| 14 | 3340939 | 4 | Pad, Rubber | |
| 15 | 0761014 | 1 | Bolt M10 x 30 | |
| 16 | 4031510 | 2 | Capscrew M4 x 30 | |
| 17 | 4031512 | 4 | Capscrew M4 x 40 | |
| 18 | 4060808 | 1.8 ft /55cm | Flex-Trim | |
| 19 | 4240156 | 1 | Strap, Cinch | |
| 20 | 4240018 | AR | Tie-Strap | |
| 21 | 4460865 | 1 | Connector - 19 Position | |
| 22 | 4460866 | 1 | Connector - 19 Position | |
| 23 | 4811400 | 2 | Washer M4 | |
| 24 | 4811900 | 8 | Washer M8 | |
| 25 | 4812000 | 4 | Washer M10 | |
| 26 | 5260800 | 6 | Nut M8 Class 10 | |
| 27 | 5281920 | 6 | Capscrew, Cup Point M8 x 80 | |
| 28 | 8406110 | 1 | Clamp | |
| 29 | 1001106757 | 2 | Plate, Clamp | |
| 30 | 1001107152 | 1 | Plate, Shield | |
| 31 | 1001116433 | 2 | Guard, Hose | |
| 32 | 1001118274 | 6 | Nut M8 | |
| 33 | 1001118292 | 1 | Harness, Tower Boom (See Separate Breakdown in this Section) | |
| 34 | 1001118592 | 2 | Plate, Hose Clamp | |
| 35 | 1001118593 | 2 | Plate, Hose Clamp | |
| 36 | 1001119953 | 1 | Harness Assembly - Main Boom (See Separate Breakdown in this Section) | |
| 37 | 1001119954 | 1 | Harness Assembly - Tower Boom (See Separate Breakdown in this Section) | |
| 38 | 1001157310 | 1 | Cable, AC Tower Boom | |
| 39 | 1001157311 | 1 | Cable, AC Main Boom | |
| 40 | 1001119195 | 2 | Plate, Hose Clamp | |
| 41 | 1001119197 | 4 | Clamp, Hose | |
| 42 | 1001119228 | 8 | Pushnut M8 | |
| 43 | 0760605 | 2 | Bolt M6 x 10 | |
| 44 | 2820031 | AR | Heat Shrink | |
| 45 | 4460473 | 1 | Clamp, Cable | |
| 46 | 4811702 | 10 | Washer M6 | |

SECTION 8 - ELECTRICAL

| ITEM | PART NUMBER | QTY | DESCRIPTION | REV |
|------|-------------|-----|---|-----|
| 47 | 3340901 | 4 | Pad, Rubber | |
| 48 | 1001140524 | 1 | Main Boom Harness Assembly (See Separate Breakdown in this Section) | |
| 49 | 1671092 | 1 | Cover, Connector | |
| 50 | 1671093 | 1 | Cover, Plug | |

SECTION 8 - ELECTRICAL

FIGURE 8-29. BOOM HARNESS - LIMIT SWITCHES AND UPRIGHT VALVE



ART_1001118292

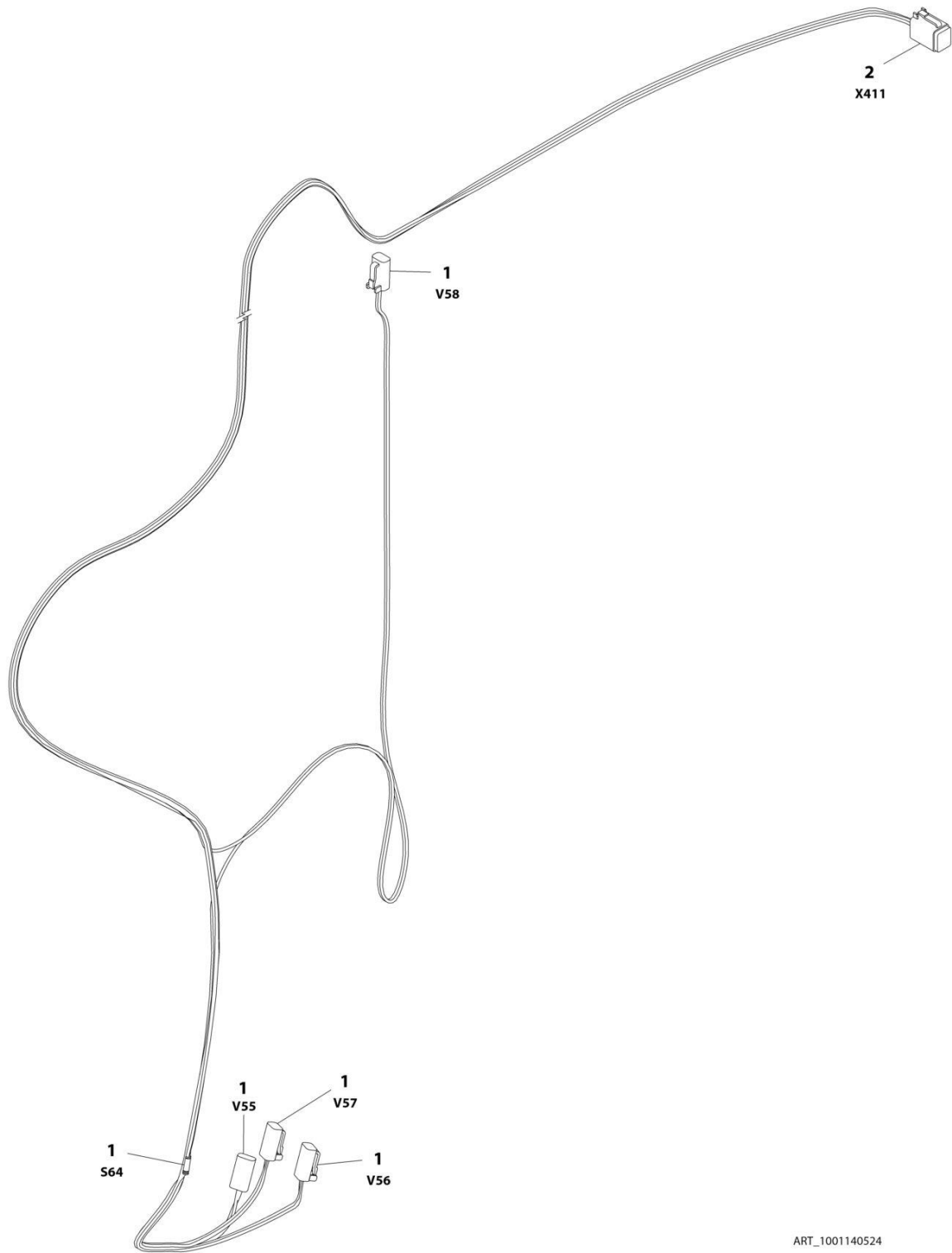
SECTION 8 - ELECTRICAL

FIGURE 8-29. BOOM HARNESS - LIMIT SWITCHES AND UPRIGHT VALVE

| ITEM | PART NUMBER | QTY | DESCRIPTION | REV |
|------|-------------|-----|---|-----|
| | 1001118292 | Ref | BOOM HARNESS - LIMIT SWITCHES AND UPRIGHT VALVE | D |
| 1 | 4460894 | 1 | Plug, Male - 6 Position | |
| 1 | 4460465 | 6 | Socket, Female | |
| 2 | 4460970 | 1 | Receptacle, Female - 12 Position | |
| 2 | 4460464 | 9 | Pin, Male | |
| 2 | 4460466 | 3 | Plug, Terminal | |
| 3 | 4360548 | 3 | Switch, Limit | |
| 3 | 4460968 | 3 | Connector, Strain Relief | |
| 3 | 0962449 | 3 | Bushing | |
| 4 | 4460891 | 6 | Plug, Male - 2 Position | |
| 4 | 4460465 | 12 | Socket, Female | |
| 5 | 1001257690 | 1 | Connector, Strain Relief 90 (Not Shown) | |

SECTION 8 - ELECTRICAL

FIGURE 8-30. BOOM HARNESS - MAIN



ART_1001140524

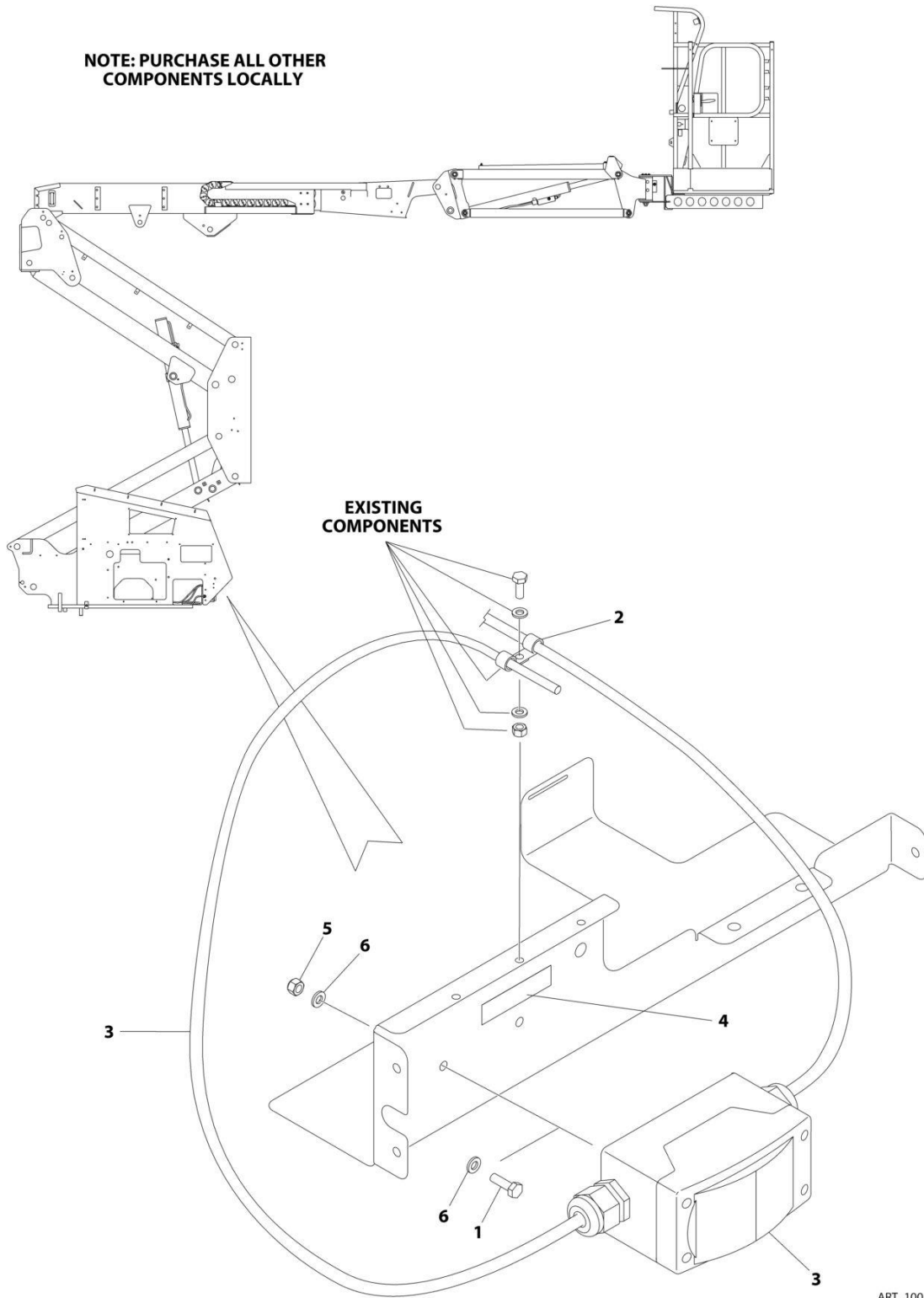
SECTION 8 - ELECTRICAL

FIGURE 8-30. BOOM HARNESS - MAIN

| ITEM | PART NUMBER | QTY | DESCRIPTION | REV |
|------|-------------|-----|-------------------------|-----|
| | 1001140524 | Ref | BOOM HARNESS - MAIN | A |
| 1 | 4460891 | 4 | Plug, Male - 2 Position | |
| 1 | 4460465 | 8 | Socket, Female | |
| 2 | 4460894 | 1 | Plug, Male - 6 Position | |
| 2 | 4460465 | 5 | Socket, Female | |
| 2 | 4460466 | 1 | Plug, Terminal | |

SECTION 8 - ELECTRICAL

FIGURE 8-31. BREAKER BOX INSTALLATION



ART_1001188322

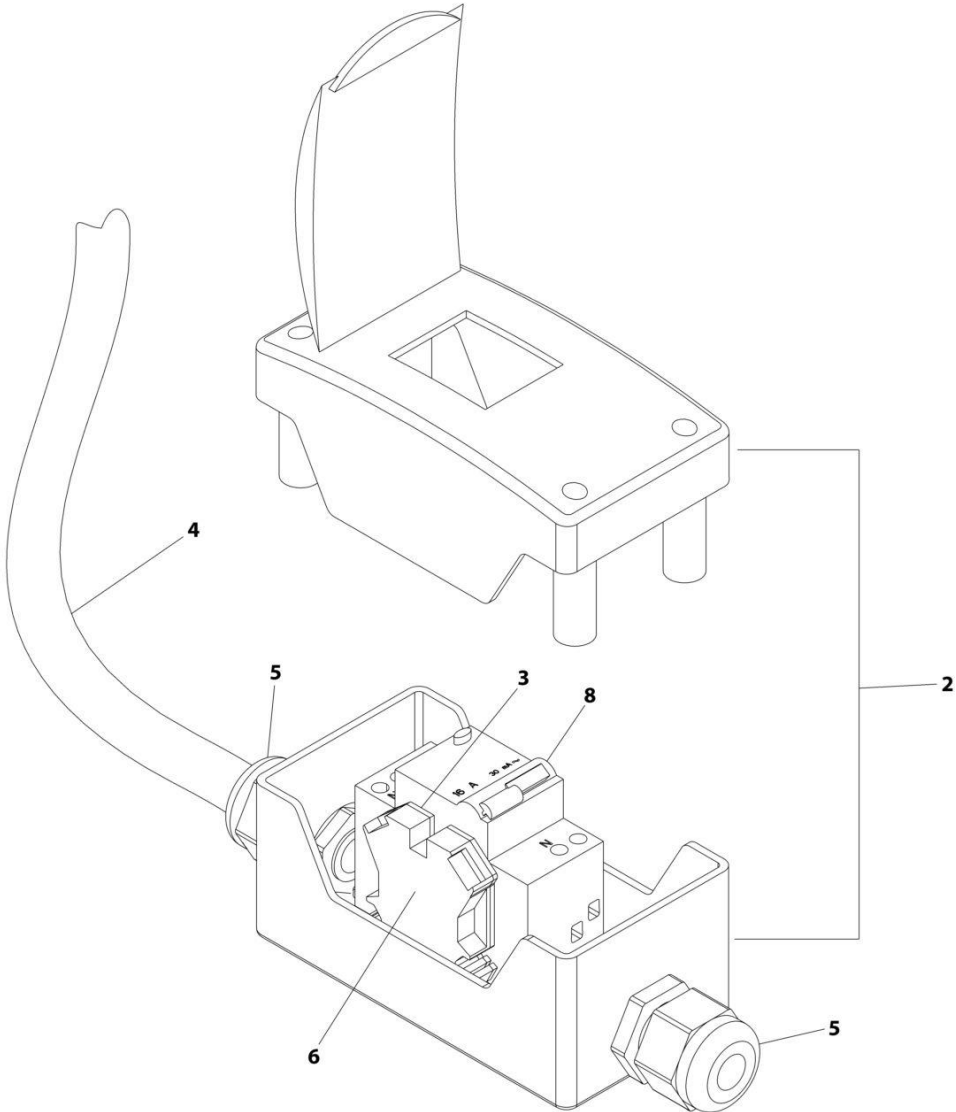
SECTION 8 - ELECTRICAL

FIGURE 8-31. BREAKER BOX INSTALLATION

| ITEM | PART NUMBER | QTY | DESCRIPTION | REV |
|------|-------------|-----|--|-----|
| | 1001188322 | Ref | AC CIRCUIT BREAKER INSTALLATION | A |
| 1 | 0760610 | 2 | Bolt M6 x 20 | |
| 2 | 1320043 | 1 | Clamp | |
| 3 | 2902549 | 1 | Breaker Box Kit (See Separate Breakdown in this Section) | |
| 4 | 3252507 | 1 | Decal - 220V-50/60Hz | |
| 5 | 3290605 | 2 | Nut M6 | |
| 6 | 4811700 | 4 | Washer M6 | |

SECTION 8 - ELECTRICAL

FIGURE 8-32. BREAKER BOX KIT (CE & UK CA SPEC)



ART_2902549

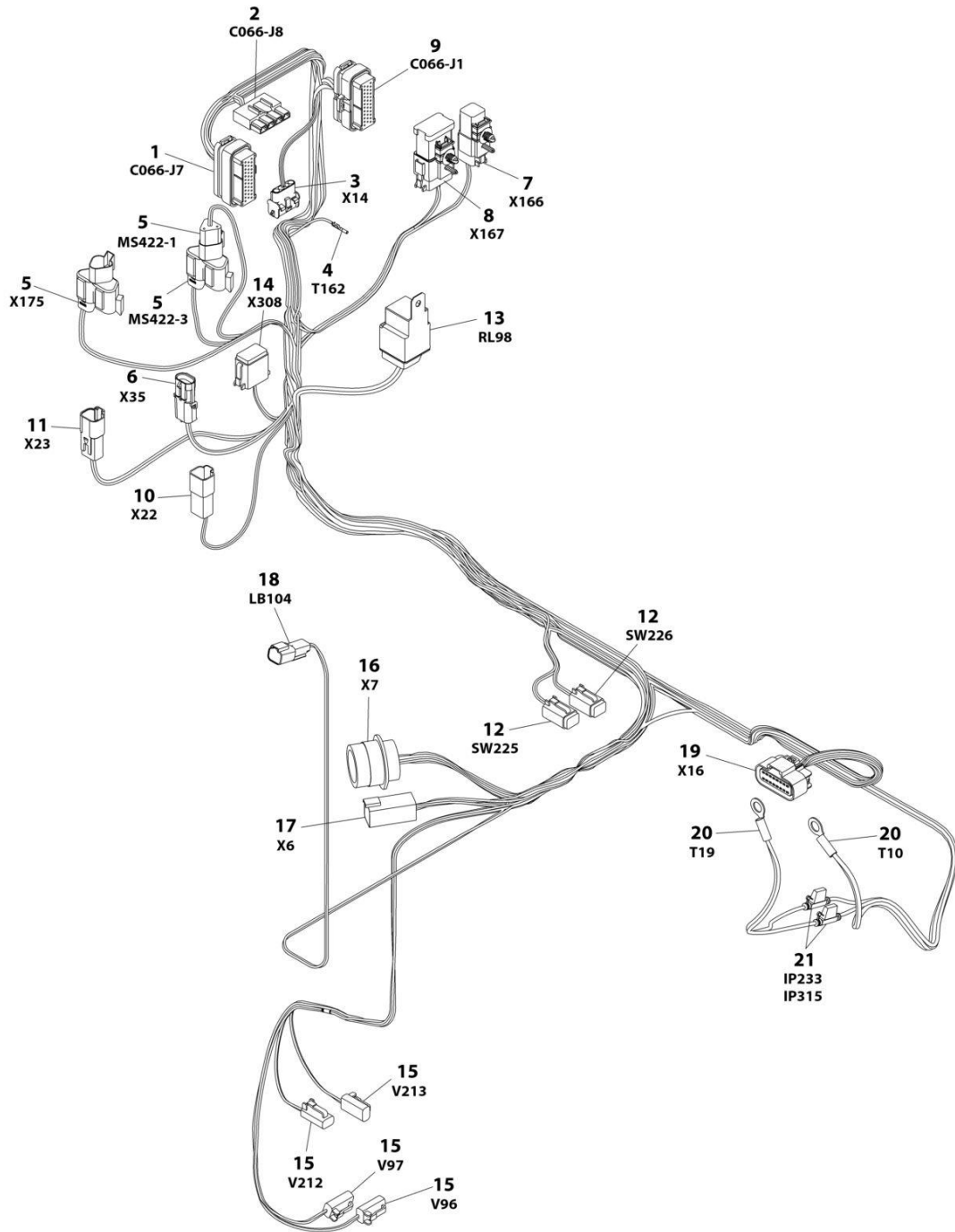
SECTION 8 - ELECTRICAL

FIGURE 8-32. BREAKER BOX KIT (CE & UK CA SPEC)

| ITEM | PART NUMBER | QTY | DESCRIPTION | REV |
|------|-------------|-----------|--|-----|
| | 2902549 | Ref | BREAKER BOX KIT - 110/220V 16AMP BREAKER | F |
| 2 | 0861880 | 1 | Box | |
| 3 | 4460956 | 1 | Barrier, Terminal | |
| 4 | 1060908 | 6 ft/1.8m | Cable, 12/3 | |
| 5 | 1001097150 | 2 | Connector, Strain Relief | |
| 6 | 4460957 | 1 | Block, Terminal | |
| 8 | 1001181045 | 1 | Breaker, Combination 16Amp/30mAmp | |

SECTION 8 - ELECTRICAL

FIGURE 8-33. CHASSIS HARNESS ASSEMBLY



ART_1001188093

SECTION 8 - ELECTRICAL

FIGURE 8-33. CHASSIS HARNESS ASSEMBLY

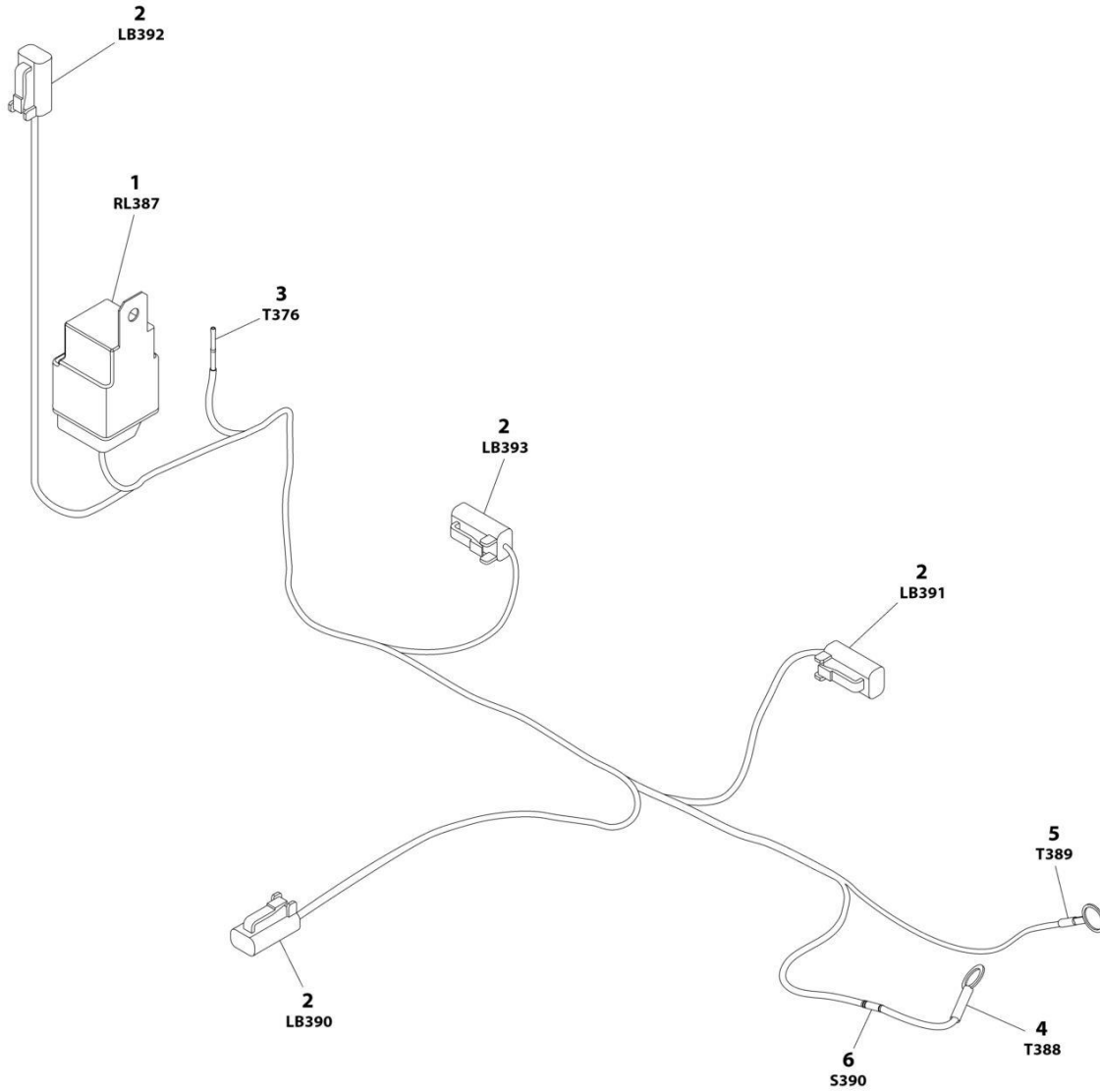
| ITEM | PART NUMBER | QTY | DESCRIPTION | REV |
|------|-------------|-----|---------------------------------|-----|
| | 1001188093 | Ref | CHASSIS HARNESS ASSEMBLY | D |
| 1 | 4460873 | 1 | Connector - 35 Position | |
| 1 | 4460871 | 19 | Socket, Female | |
| 1 | 4460905 | 16 | Seal, Plug | |
| 2 | 4460878 | 1 | Connector - 4 Position | |
| 2 | 4460887 | 6 | Terminal | |
| 3 | 4460761 | 1 | Connector - 4 Position | |
| 3 | 4460227 | 4 | Pin, Male | |
| 4 | 4460871 | 1 | Socket, Female | |
| 5 | 1001116812 | 3 | Plug, Male - 3 Position | |
| 5 | 4460944 | 9 | Socket, Female | |
| 5 | 4460945 | 1 | Receptacle, 3 Way | |
| 6 | 4461157 | 1 | Receptacle, Female - 2 Position | |
| 6 | 4460979 | 1 | Pin, Male | |
| 6 | 1001116727 | 1 | Seal, Plug | |
| 7 | 4460894 | 1 | Connector - 6 Position | |
| 7 | 4460465 | 2 | Socket, Female | |
| 7 | 4460466 | 4 | Plug, Terminal | |
| 7 | 4460892 | 1 | Connector - 6 Position Bussbar | |
| 7 | 1001121172 | 1 | Mount, Terminal | |
| 8 | 4460836 | 1 | Connector - 12 Position | |
| 8 | 4460465 | 3 | Socket, Female | |
| 8 | 4460466 | 7 | Plug, Terminal | |
| 8 | 4460837 | 1 | Connector | |
| 8 | 1001121172 | 1 | Mount, Terminal | |
| 9 | 4460874 | 1 | Connector - 35 Position | |
| 9 | 4460871 | 21 | Socket, Female | |
| 9 | 4460905 | 14 | Seal, Plug | |
| 10 | 4460932 | 1 | Receptacle, Female - 4 Position | |
| 10 | 4460464 | 3 | Pin, Female | |
| 10 | 4460466 | 1 | Plug, Terminal | |
| 11 | 1001116811 | 1 | Receptacle, Female - 4 Position | |
| 11 | 4460508 | 3 | Pin, Male | |
| 11 | 4460466 | 1 | Plug, Terminal | |
| 12 | 4460884 | 2 | Plug, Male - 4 Position | |
| 12 | 4460465 | 6 | Socket, Female | |
| 12 | 4460466 | 2 | Plug, Terminal | |
| 13 | 1001117025 | 1 | Relay and Connector Assembly | |
| 13 | 1001116734 | 2 | Terminal | |
| 13 | 1001116732 | 2 | Terminal | |
| 14 | 4460930 | 1 | Plug, Male - 8 Position | |
| 14 | 4460465 | 2 | Socket, Female | |
| 14 | 4460466 | 6 | Plug, Terminal | |
| 15 | 4460891 | 4 | Connector - 2 Position | |
| 15 | 4460465 | 8 | Socket, Female | |
| 16 | 4460866 | 1 | Connector - 19 Position | |
| 16 | 4460943 | 3 | Pin, Male | |
| 16 | 4460464 | 6 | Pin, Male | |
| 16 | 4460508 | 4 | Pin, Male | |
| 16 | 4460466 | 6 | Plug, Terminal | |

SECTION 8 - ELECTRICAL

| ITEM | PART NUMBER | QTY | DESCRIPTION | REV |
|------|-------------|-----|---------------------------------|-----|
| 17 | 4460899 | 1 | Connector - 6 Position | |
| 17 | 4460464 | 6 | Pin, Male | |
| 18 | 4460897 | 1 | Connector - 2 Position | |
| 18 | 4460464 | 2 | Pin, Male | |
| 19 | 4461110 | 1 | Receptacle Female - 16 Position | |
| 19 | 1001136231 | 1 | Lock, Connector | |
| 19 | 1001136232 | 1 | Lock, Connector | |
| 19 | 4461112 | 15 | Terminal, Female | |
| 19 | 4461113 | 15 | Seal | |
| 19 | 4461222 | 1 | Plug | |
| 20 | 8220164 | 2 | Ring, Terminal | |
| 21 | 2400066 | 2 | Fuse Holder with Leads | |

SECTION 8 - ELECTRICAL

FIGURE 8-34. CHASSIS LIGHT HARNESS



ART_1001120299

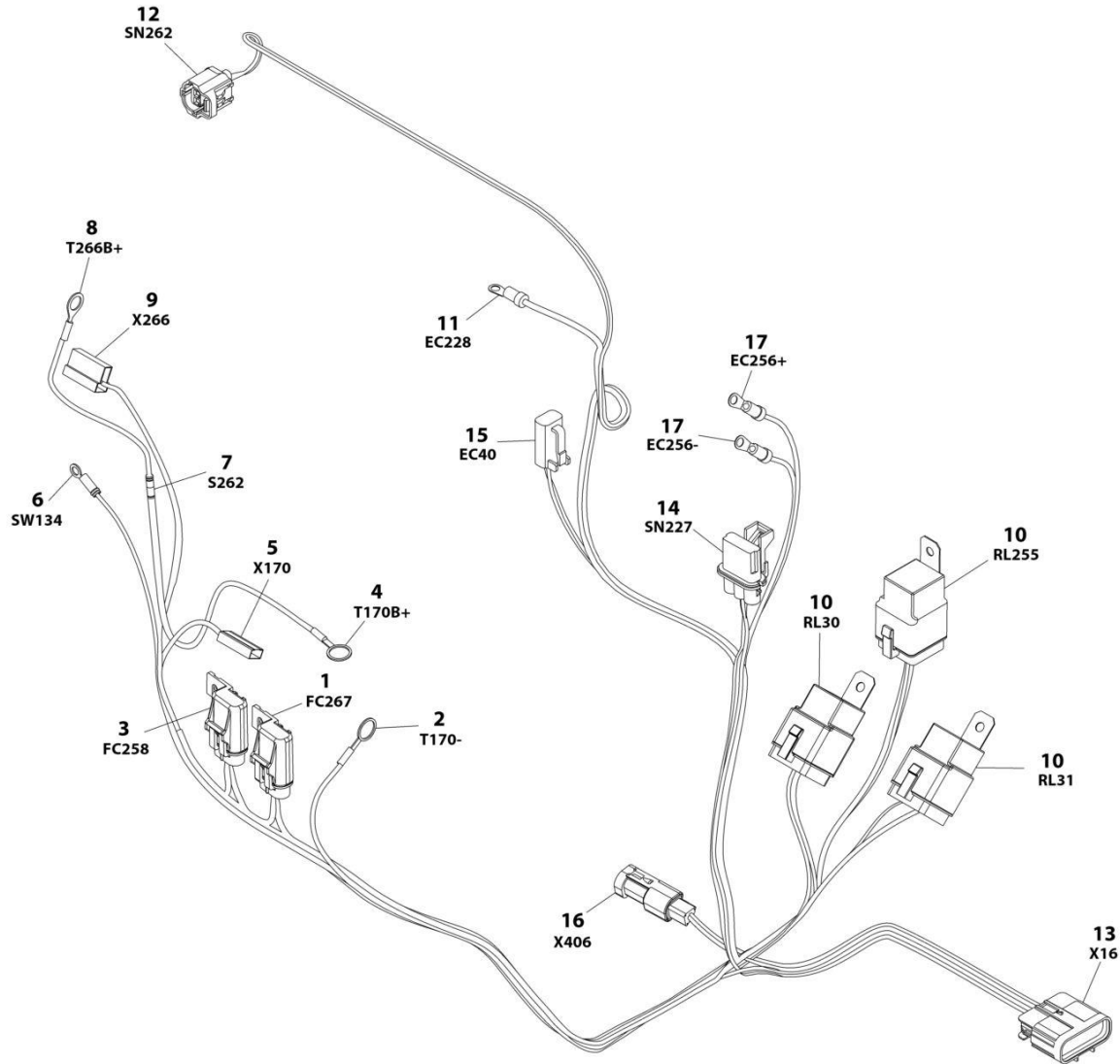
SECTION 8 - ELECTRICAL

FIGURE 8-34. CHASSIS LIGHT HARNESS

| ITEM | PART NUMBER | QTY | DESCRIPTION | REV |
|------|-------------|-----|------------------------------|-----|
| | 1001120299 | Ref | CHASSIS LIGHT HARNESS | B |
| 1 | 1001117025 | 1 | Relay and Connector Assembly | |
| 1 | 1001116734 | 2 | Terminal | |
| 1 | 1001116732 | 2 | Terminal | |
| 2 | 4460891 | 4 | Plug, Male - 2 Position | |
| 2 | 4460465 | 8 | Socket, Female | |
| 3 | 4460465 | 1 | Socket, Female | |
| 4 | 4460256 | 1 | Ring, Terminal | |
| 5 | 4460019 | 1 | Ring, Terminal | |
| 6 | 4460474 | 1 | Terminal | |

SECTION 8 - ELECTRICAL

FIGURE 8-35. ENGINE HARNESS - KUBOTA ENGINE



ART_1001118638

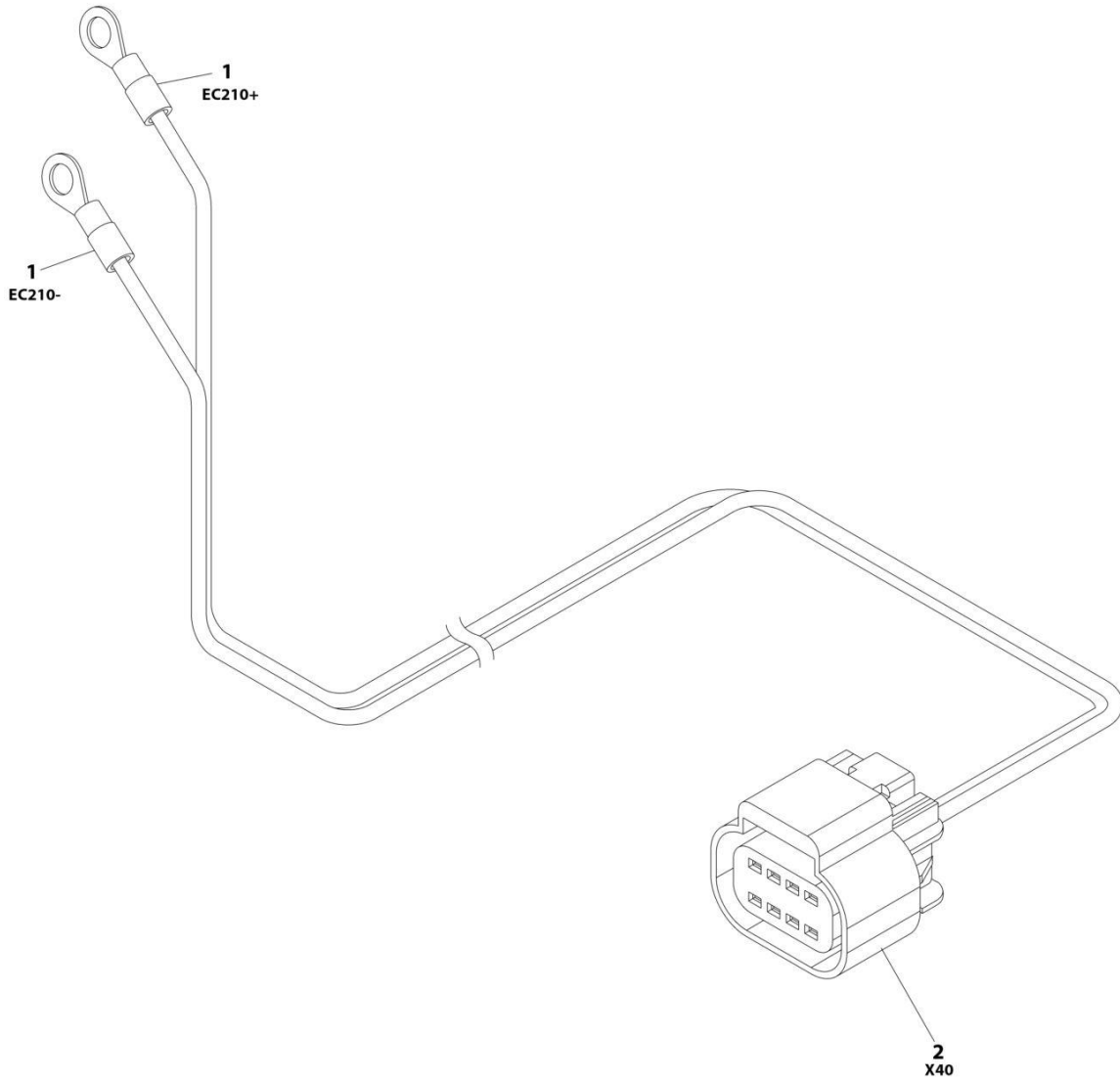
SECTION 8 - ELECTRICAL

FIGURE 8-35. ENGINE HARNESS - KUBOTA ENGINE

| ITEM | PART NUMBER | QTY | DESCRIPTION | REV |
|------|-------------|-----|---|-----|
| | 1001118638 | Ref | KUBOTA ENGINE HARNESS | G |
| 1 | 1001117070 | 1 | Connector, Fuseholder (Includes Fuse and Cap) | |
| 1 | 1001116752 | 2 | Terminal, Female | |
| 2 | 4460256 | 1 | Terminal | |
| 3 | 1001118938 | 1 | Connector, Fuseholder (Includes Fuse and Cap) | |
| 3 | 1001116752 | 2 | Terminal, Female | |
| 4 | 8220164 | 1 | Terminal | |
| 5 | 1001118743 | 1 | Connector, Receptacle | |
| 5 | 1001118748 | 1 | Terminal | |
| 6 | 4460247 | 1 | Terminal, Ring | |
| 7 | 4460474 | 1 | Terminal | |
| 8 | 4460043 | 1 | Terminal, Ring | |
| 8 | 1001121574 | 1 | Lock, Connector | |
| 9 | 1001118744 | 1 | Receptacle, Female - 2 Position | |
| 9 | 1001118745 | 1 | Terminal | |
| 10 | 1001117025 | 3 | Relay and Connector Assembly | |
| 10 | 1001116734 | 6 | Terminal | |
| 10 | 1001116732 | 6 | Terminal | |
| 11 | 4460142 | 1 | Terminal, Ring | |
| 12 | 1001118657 | 1 | Plug, Male - 2 Position (Green) | |
| 12 | 1001118658 | 2 | Socket, Female | |
| 13 | 4461109 | 1 | Plug, Male - 16 Position | |
| 13 | 1001136232 | 1 | Lock, Connector | |
| 13 | 4461111 | 14 | Terminal, Male | |
| 13 | 4461113 | 14 | Seal | |
| 13 | 4461222 | 2 | Plug | |
| 14 | 1001117055 | 1 | Plug, Male - 3 Position | |
| 14 | 4460746 | 3 | Socket, Female | |
| 15 | 4460891 | 1 | Plug, Male - 2 Position (Gray) | |
| 15 | 4460465 | 2 | Socket, Female | |
| 16 | 4461095 | 1 | Plug, Male - 3 Position | |
| 16 | 4460944 | 2 | Terminal , Gold | |
| 16 | 4460466 | 1 | Plug, Terminal | |
| 17 | 4460042 | 2 | Terminal, Ring | |

SECTION 8 - ELECTRICAL

FIGURE 8-36. FUEL PUMP HARNESS - GM ENGINES



ART_1001119778

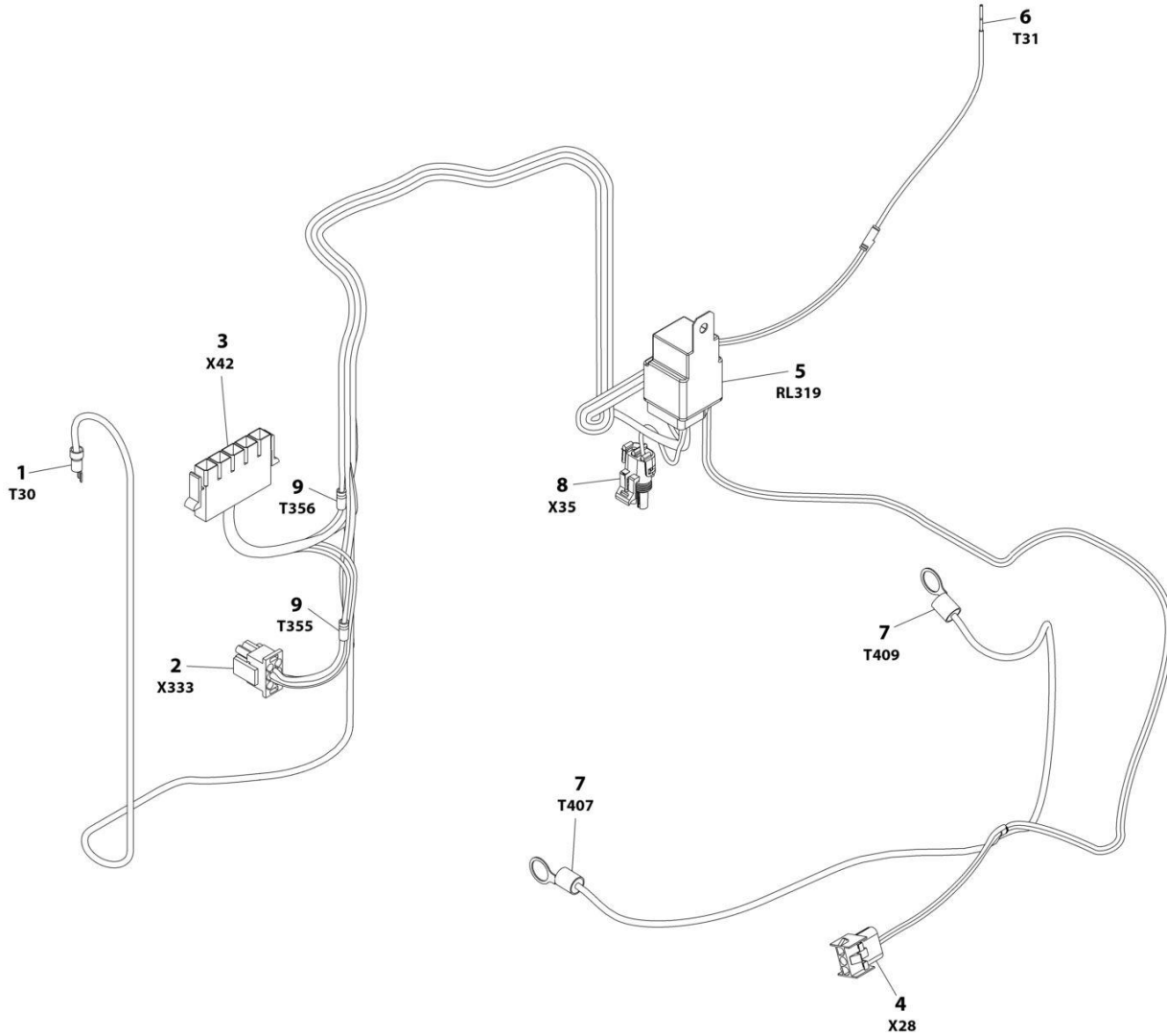
SECTION 8 - ELECTRICAL

FIGURE 8-36. FUEL PUMP HARNESS - GM ENGINES

| ITEM | PART NUMBER | QTY | DESCRIPTION | REV |
|------|-------------|-----|---------------------------------|-----|
| | 1001119778 | Ref | GM FUEL PUMP HARNESS | A |
| 1 | 4460313 | 2 | Terminal, Ring | |
| 2 | 1001119799 | 1 | Receptacle, Female - 8 Position | |
| 2 | 4461112 | 2 | Terminal, Female | |
| 2 | 4461113 | 2 | Seal | |
| 2 | 4461222 | 6 | Plug | |

SECTION 8 - ELECTRICAL

FIGURE 8-37. GENERATOR HARNESS - 2500W



ART_1001119773

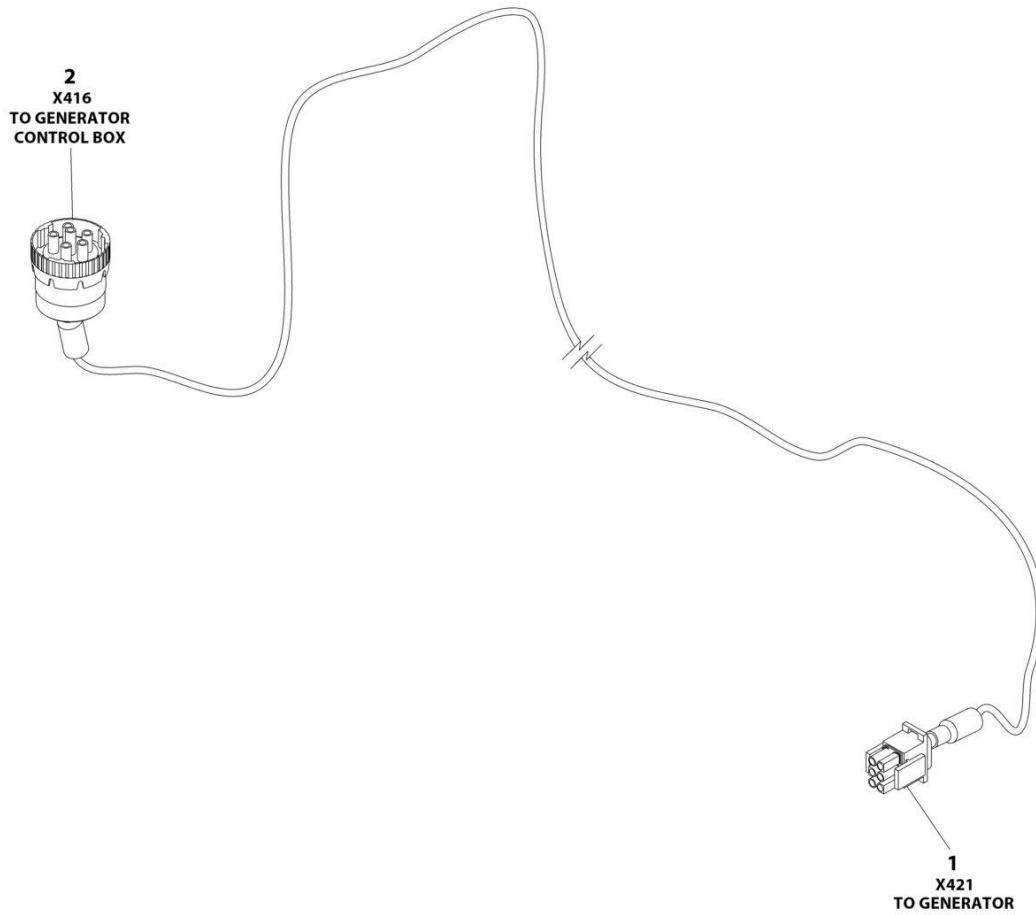
SECTION 8 - ELECTRICAL

FIGURE 8-37. GENERATOR HARNESS - 2500W

| ITEM | PART NUMBER | QTY | DESCRIPTION | REV |
|------|-------------|-----|---------------------------------|-----|
| | 1001119773 | Ref | GENERATOR HARNESS - 2500W | C |
| 1 | 4460806 | 1 | Terminal | |
| 2 | 4460225 | 1 | Plug, Male - 6 Position | |
| 2 | 4460705 | 1 | Pin, Male | |
| 2 | 4460267 | 3 | Pin, Male | |
| 2 | 4460268 | 2 | Socket, Female | |
| 3 | 4460972 | 1 | Plug, Male - 5 Position | |
| 3 | 4460973 | 1 | Terminal 12Ga | |
| 3 | 4460974 | 4 | Terminal 16Ga | |
| 4 | 4460445 | 1 | Receptacle, Female - 3 Position | |
| 4 | 4460268 | 3 | Socket, Female | |
| 5 | 1001117025 | 1 | Relay and Connector Assembly | |
| 5 | 1001116734 | 2 | Terminal | |
| 5 | 1001116732 | 2 | Terminal | |
| 6 | 4460465 | 1 | Socket, Female Deutsch 16Ga | |
| 7 | 8220029 | 2 | Terminal | |
| 8 | 4460742 | 1 | Plug, Male - 2 Position | |
| 8 | 4460743 | 1 | Socket, Female | |
| 8 | 1001116727 | 1 | Seal, Plug | |
| 9 | 4460121 | 2 | Cap, Wire | |

SECTION 8 - ELECTRICAL

FIGURE 8-38. GENERATOR HARNESS - 4000W



ART_1001157916

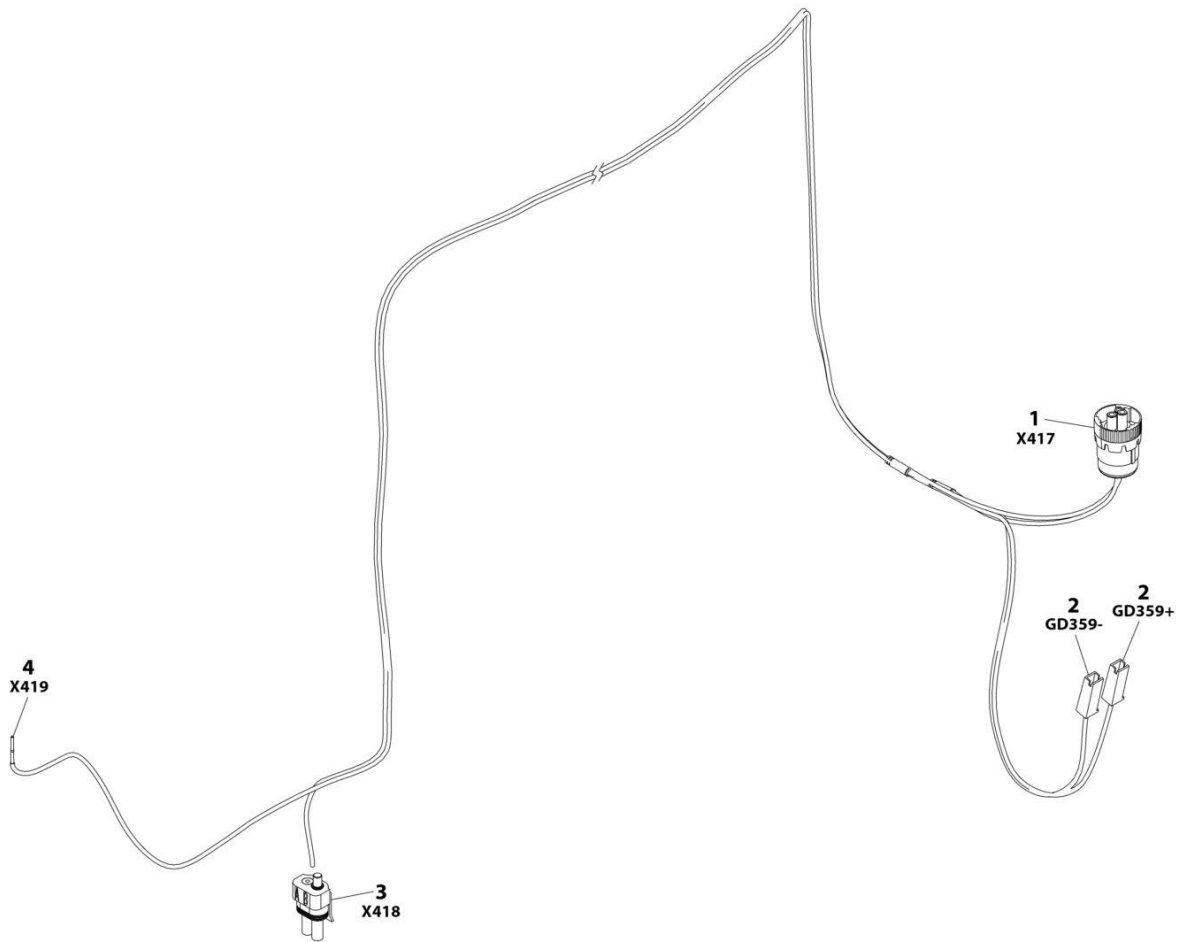
SECTION 8 - ELECTRICAL

FIGURE 8-38. GENERATOR HARNESS - 4000W

| ITEM | PART NUMBER | QTY | DESCRIPTION | REV |
|------|-------------|-----|---------------------------|-----|
| | 1001157916 | Ref | GENERATOR HARNESS - 4000W | B |
| 1 | 4460225 | 1 | Plug, Male - 6 Position | |
| 1 | 4460268 | 2 | Socket, Female | |
| 2 | 77363233 | 1 | Connector | |
| 2 | 4460465 | 2 | Socket, Female | |
| 2 | 4460466 | 4 | Plug, Terminal | |

SECTION 8 - ELECTRICAL

FIGURE 8-39. GENERATOR CONTROL HARNESS - 4000W



ART_1001157915

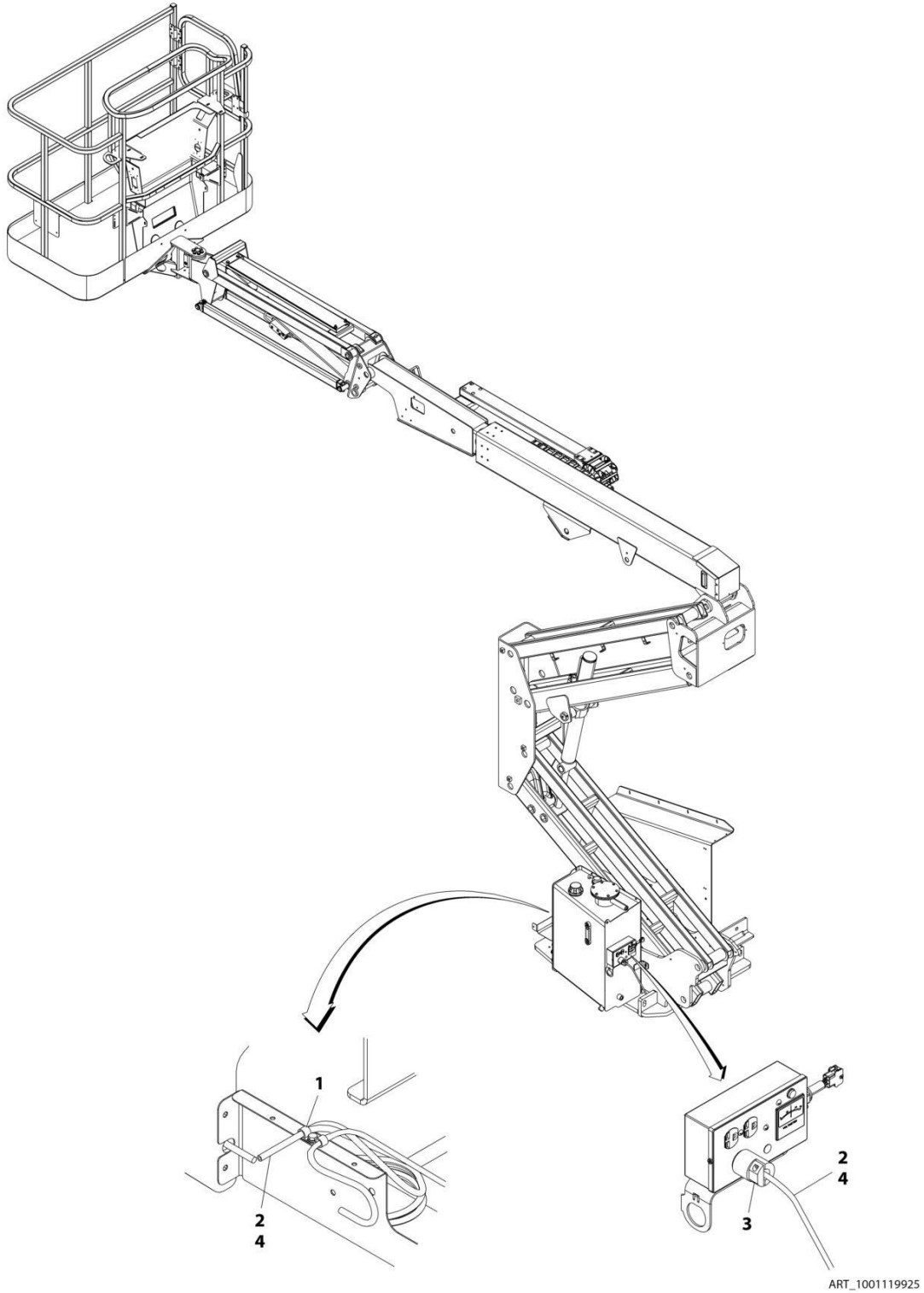
SECTION 8 - ELECTRICAL

FIGURE 8-39. GENERATOR CONTROL HARNESS - 4000W

| ITEM | PART NUMBER | QTY | DESCRIPTION | REV |
|------|-------------|-----|-----------------------------------|-----|
| | 1001157915 | Ref | GENERATOR CONTROL HARNESS - 4000W | A |
| 1 | 4460967 | 1 | Connector | |
| 1 | 4460466 | 1 | Plug | |
| 1 | 4460465 | 1 | Socket | |
| 2 | 4460260 | 2 | Connector | |
| 2 | 4460259 | 2 | Terminal | |
| 3 | 4460742 | 1 | Connector | |
| 3 | 4460457 | 1 | Terminal | |
| 3 | 1001116727 | 1 | Plug | |
| 4 | 4460465 | 1 | Socket | |

SECTION 8 - ELECTRICAL

FIGURE 8-40. GENERATOR TO AC PLUG HARNESS - 2800W GENERATOR 220/50HZ (ANSI EXPORT, AUSTRALIAN, CHINA, CE & UK CA SPECS)



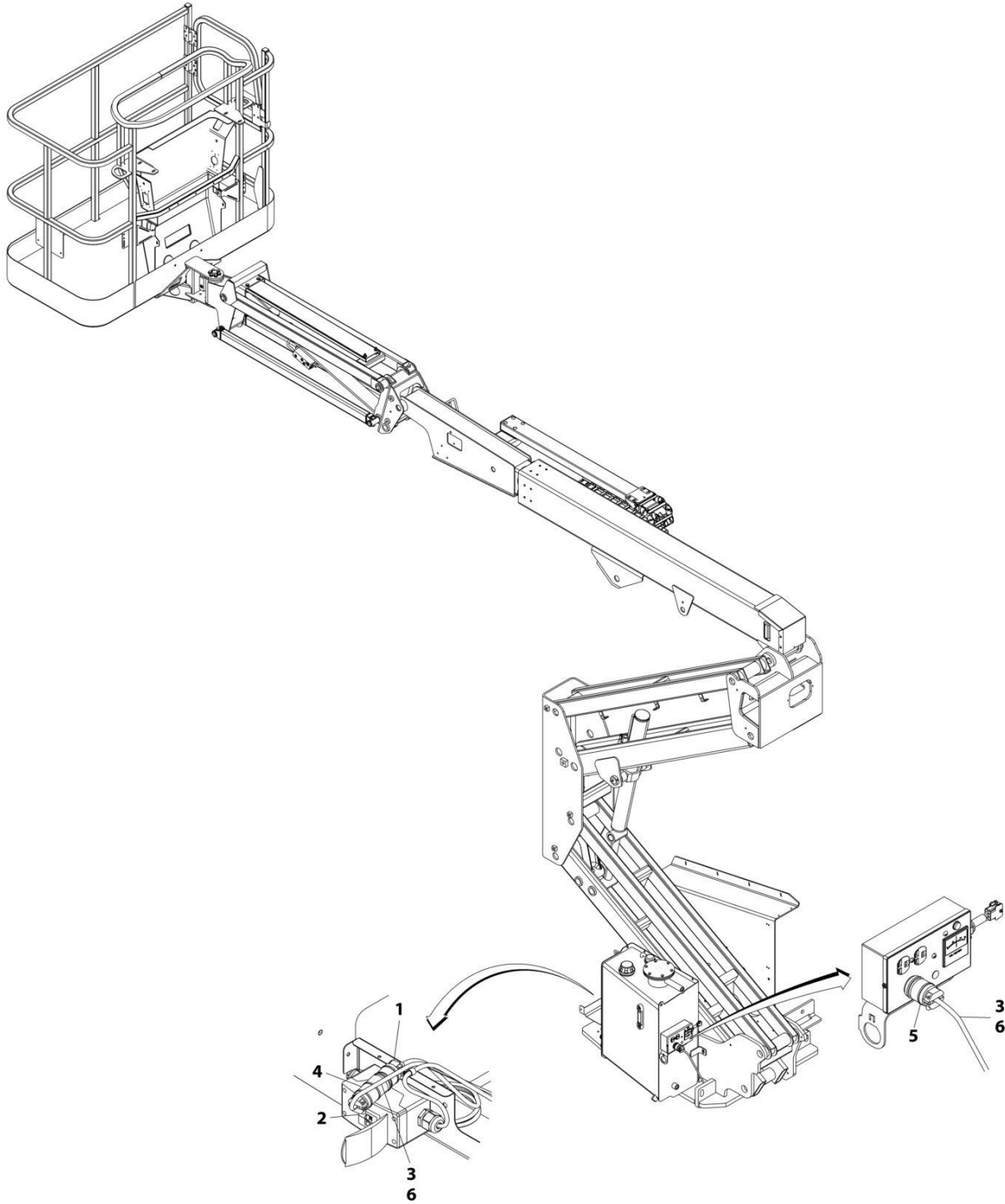
SECTION 8 - ELECTRICAL

FIGURE 8-40. GENERATOR TO AC PLUG HARNESS - 2800W GENERATOR 220/50HZ (ANSI EXPORT, AUSTRALIAN, CHINA, CE & UK CA SPECS)

| ITEM | PART NUMBER | QTY | DESCRIPTION | REV |
|------|-------------|------------|--|-----|
| | 1001119925 | Ref | GENERATOR TO AC PLUG HARNESS - 2800W GENERATOR 220/50HZ | A |
| 1 | 1320043 | 1 | Clamp | |
| 2 | 1001119922 | 1 | Harness, Generator to AC Plug | B |
| 3 | 4460709 | 1 | Plug, Male | |
| 4 | 4923505 | 7 ft/2.13m | Cable, 14/3 | |

SECTION 8 - ELECTRICAL

FIGURE 8-41. GENERATOR TO AC PLUG HARNESS - 2800W GENERATOR 110/50HZ (CE & UK CA SPECS ONLY)



ART_1001119927

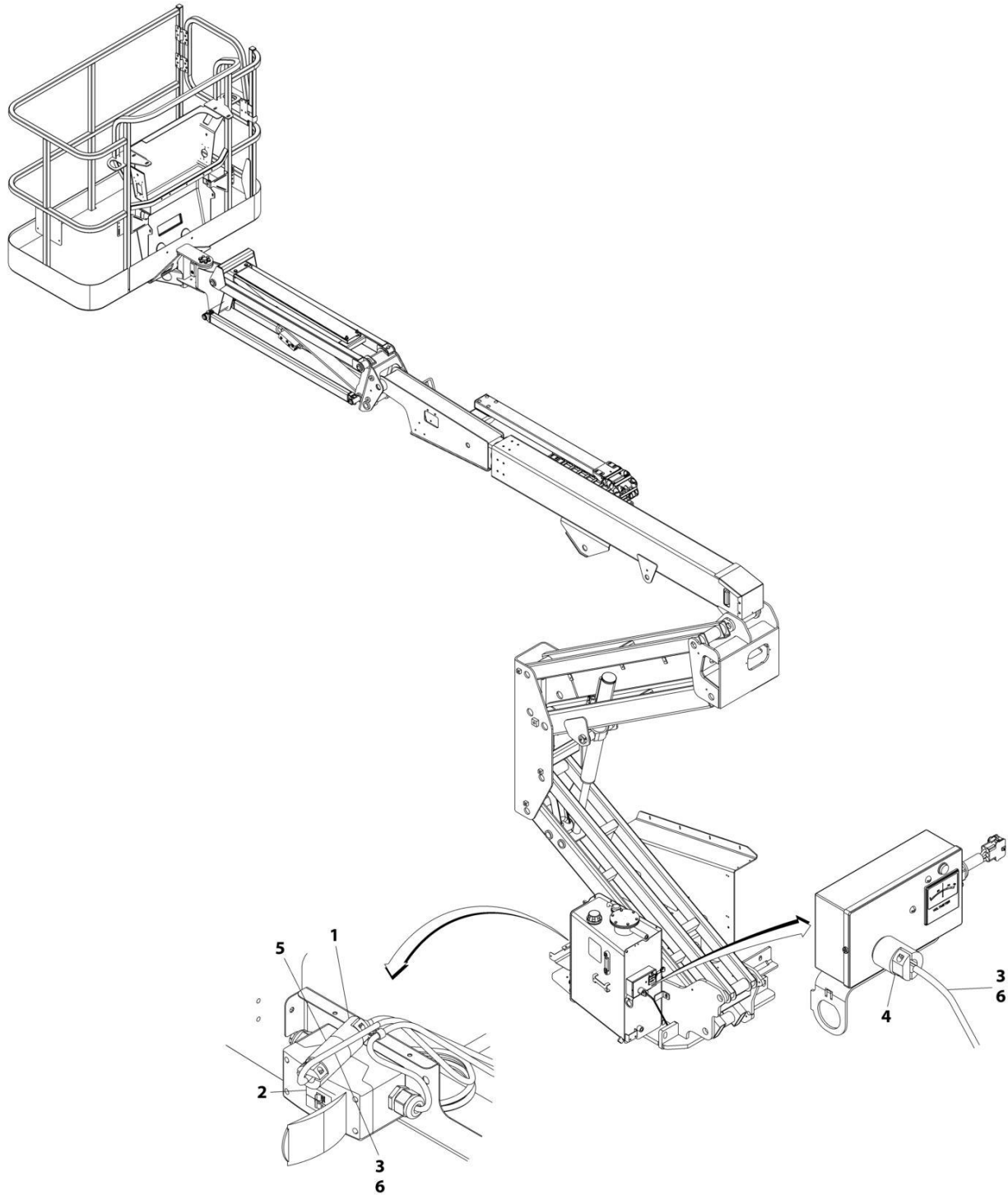
SECTION 8 - ELECTRICAL

FIGURE 8-41. GENERATOR TO AC PLUG HARNESS - 2800W GENERATOR 110/50HZ (CE & UK CA SPECS ONLY)

| ITEM | PART NUMBER | QTY | DESCRIPTION | REV |
|------|-------------|------------|--|-----|
| | 1001119927 | Ref | GENERATOR TO AC PLUG HARNESS - 2800W GENERATOR 110/50HZ | A |
| 1 | 4460205 | 1 | Plug, Male | |
| 2 | 1001109477 | 1 | Breaker 10Amp | |
| 3 | 1001119919 | 1 | Harness, Generator to AC Plug | B |
| 4 | 4460134 | 1 | Plug, Female | |
| 5 | 4460205 | 1 | Plug, Male | |
| 6 | 4923505 | 7 ft/2.13m | Cable, 14/3 | |

SECTION 8 - ELECTRICAL

FIGURE 8-42. GENERATOR TO AC PLUG HARNESS - 2800W GENERATOR 220/50HZ (ANSI EXPORT, AUSTRALIAN, CHINA, CE & UK CA SPECS)



ART_1001119928

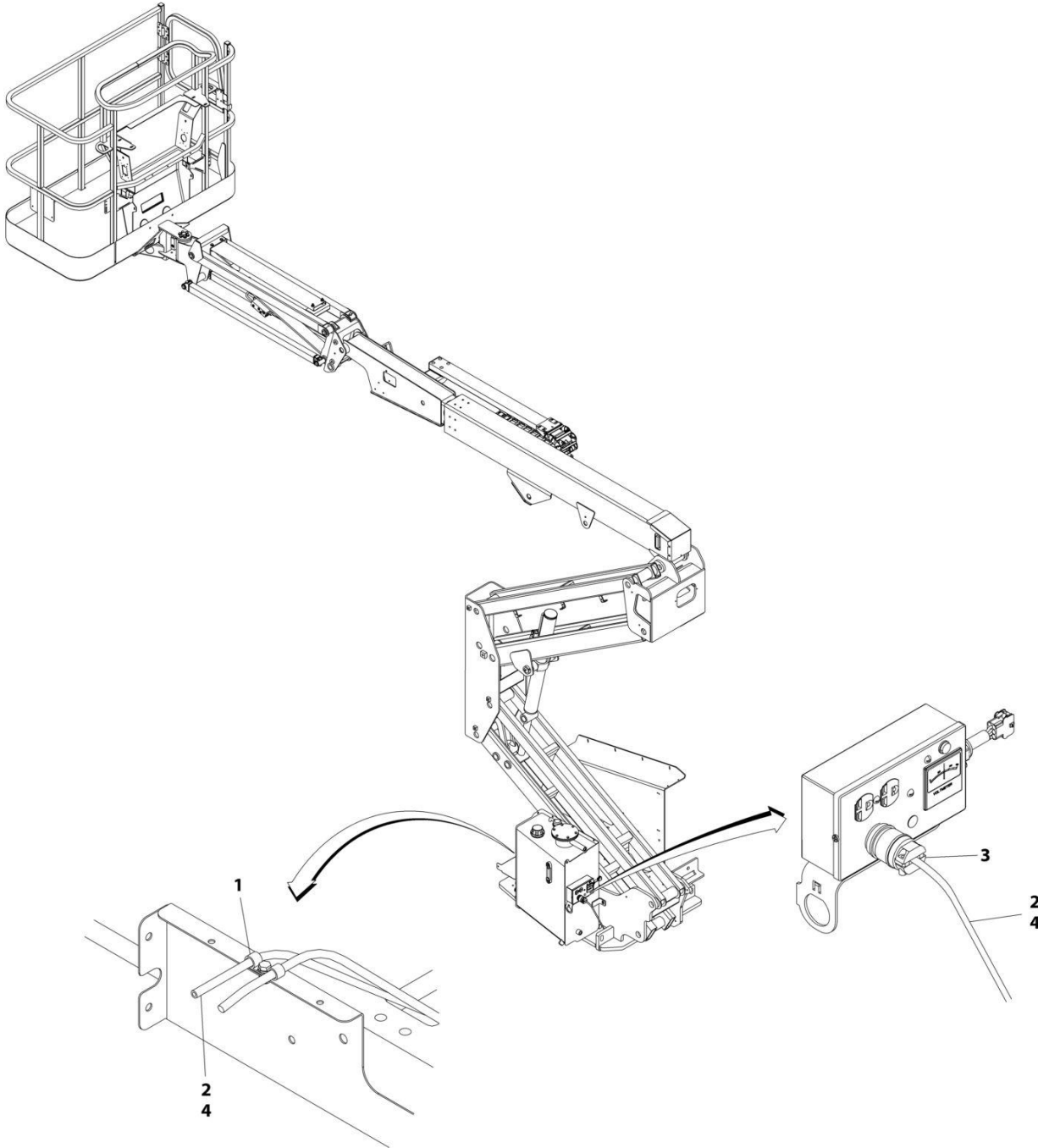
SECTION 8 - ELECTRICAL

FIGURE 8-42. GENERATOR TO AC PLUG HARNESS - 2800W GENERATOR 220/50HZ (ANSI EXPORT, AUSTRALIAN, CHINA, CE & UK CA SPECS)

| ITEM | PART NUMBER | QTY | DESCRIPTION | REV |
|------|-------------|-----------------|---|-----|
| | 1001119928 | Ref | GENERATOR TO AC PLUG HARNESS - 2800W GENERATOR 220/50HZ | B |
| 1 | 4460709 | 1 | Plug, Male | |
| 2 | 1001109477 | 1 | Breaker 10 Amp | |
| 3 | 1001119920 | 1 | Harness, Generator to AC Plug | A |
| 4 | 4460709 | 1 | Plug, Male | |
| 5 | 4460710 | 1 | Plug, Female | |
| 6 | 4923505 | 6.8 ft/ 2.0m | Cable, 14/3 | |

SECTION 8 - ELECTRICAL

FIGURE 8-43. GENERATOR TO AC PLUG HARNESS - 3500W GENERATOR 220/60HZ (ANSI EXPORT, CHINA AND CSA SPECS)



ART_1001119924

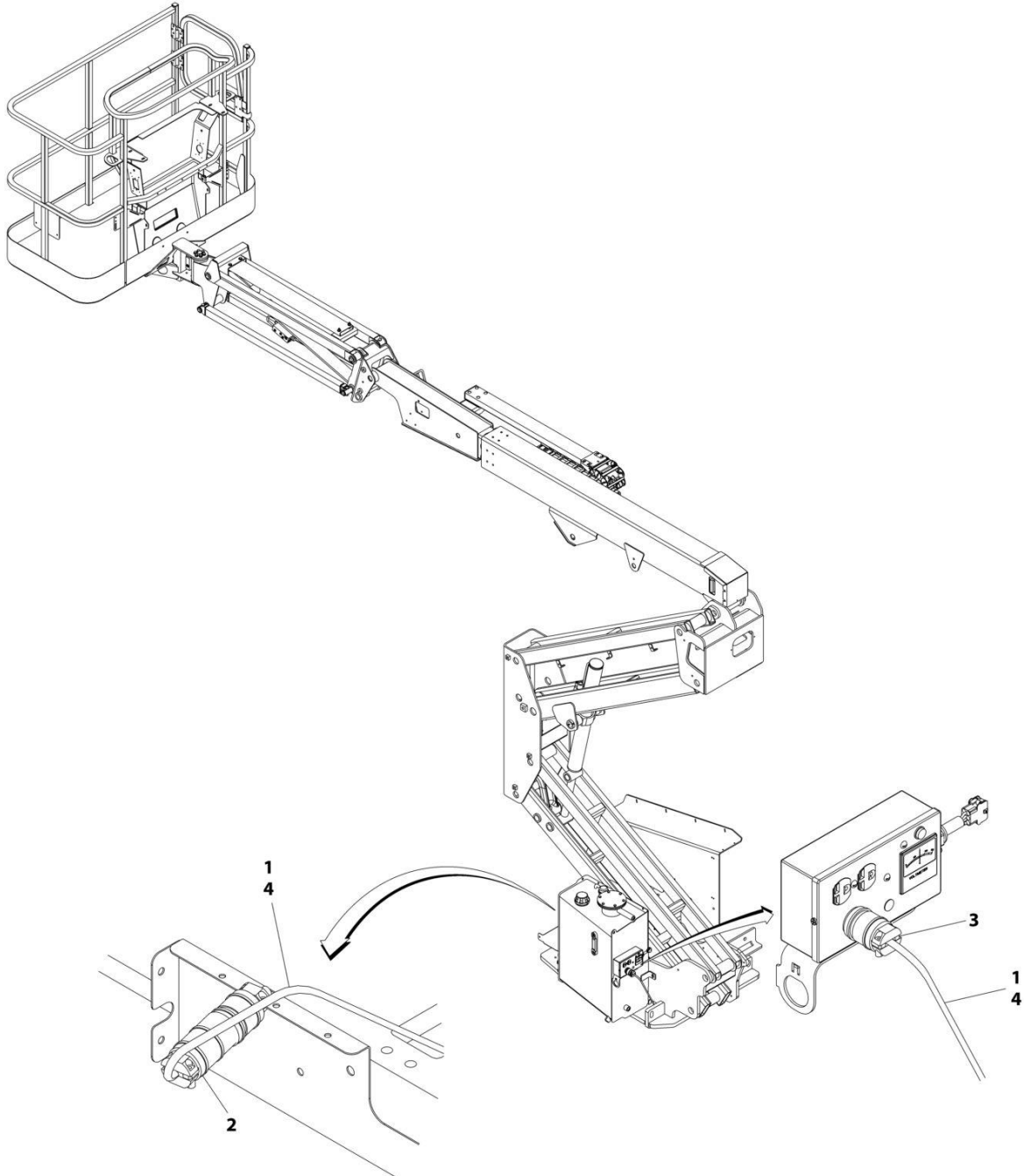
SECTION 8 - ELECTRICAL

FIGURE 8-43. GENERATOR TO AC PLUG HARNESS - 3500W GENERATOR 220/60HZ (ANSI EXPORT, CHINA AND CSA SPECS)

| ITEM | PART NUMBER | QTY | DESCRIPTION | REV |
|------|-------------|------------|--|-----|
| | 1001119924 | Ref | GENERATOR TO AC PLUG HARNESS - 3500W GENERATOR 220/60HZ | A |
| 1 | 1320043 | 1 | Clamp | |
| 2 | 1001119921 | 1 | Harness, Generator to AC Plug | A |
| 3 | 4460205 | 1 | Plug, Male | |
| 4 | 4923505 | 7 ft/2.13m | Cable, 14/3 | |

SECTION 8 - ELECTRICAL

FIGURE 8-44. GENERATOR TO AC PLUG HARNESS - 3500W GENERATOR 110/60HZ (ANSI, ANSI EXPORT, CHINA, CSA AND JAPANESE SPECS)



ART_1001119923

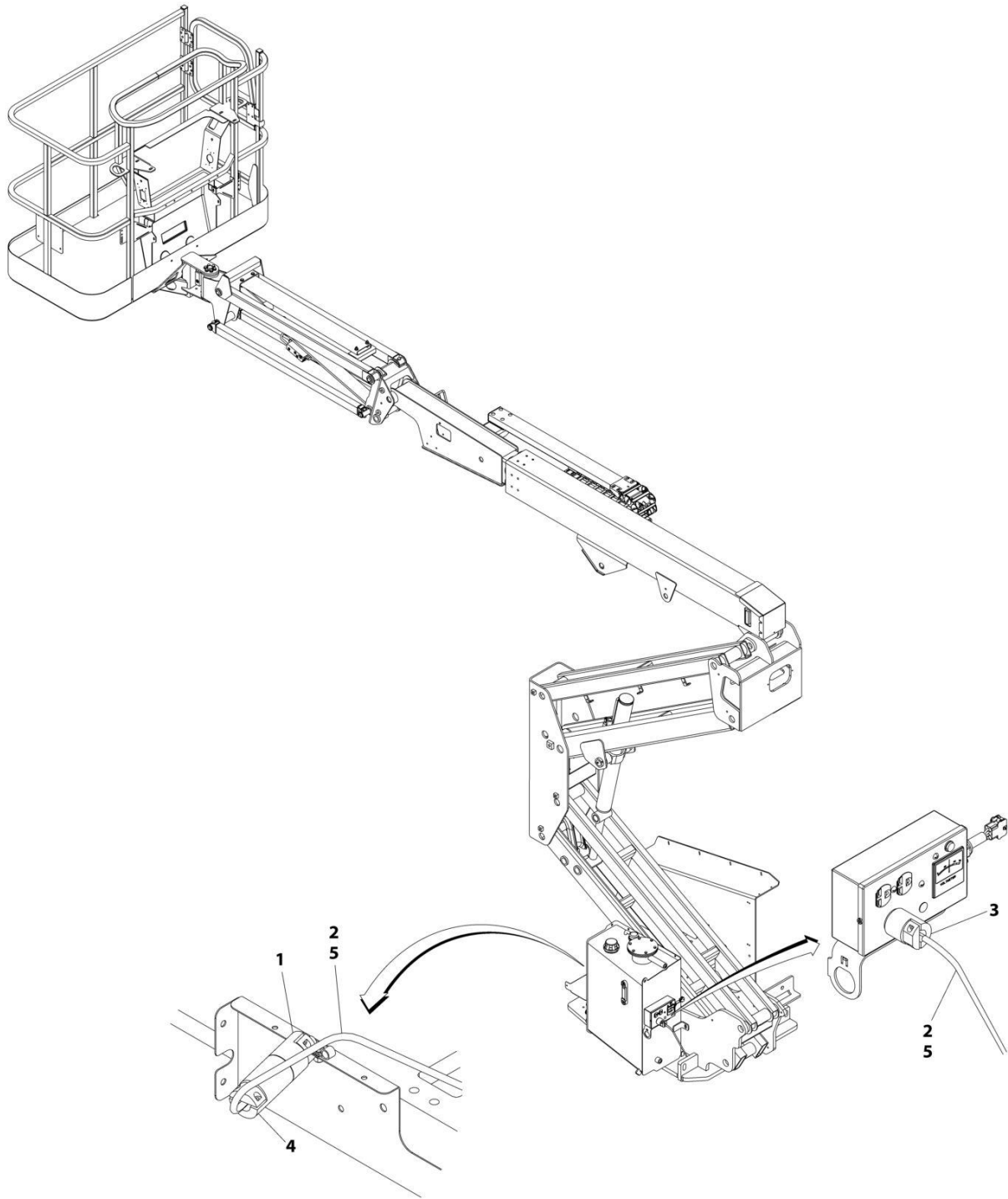
SECTION 8 - ELECTRICAL

FIGURE 8-44. GENERATOR TO AC PLUG HARNESS - 3500W GENERATOR 110/60HZ (ANSI, ANSI EXPORT, CHINA, CSA AND JAPANESE SPECS)

| ITEM | PART NUMBER | QTY | DESCRIPTION | REV |
|------|-------------|------------|---|-----|
| | 1001119923 | Ref | GENERATOR TO AC PLUG HARNESS - 3500W GENERATOR 110/60HZ | A |
| 1 | 1001119919 | 1 | Harness, Generator to AC Plug | B |
| 2 | 4460134 | 1 | Plug, Female | |
| 3 | 4460205 | 1 | Plug, Male | |
| 4 | 4923505 | 7 ft/2.13m | Cable, 14/3 | |

SECTION 8 - ELECTRICAL

FIGURE 8-45. GENERATOR TO AC PLUG HARNESS - 3500W GENERATOR 220/60HZ (ANSI EXPORT, CHINA AND CSA SPECS)



ART_100119926

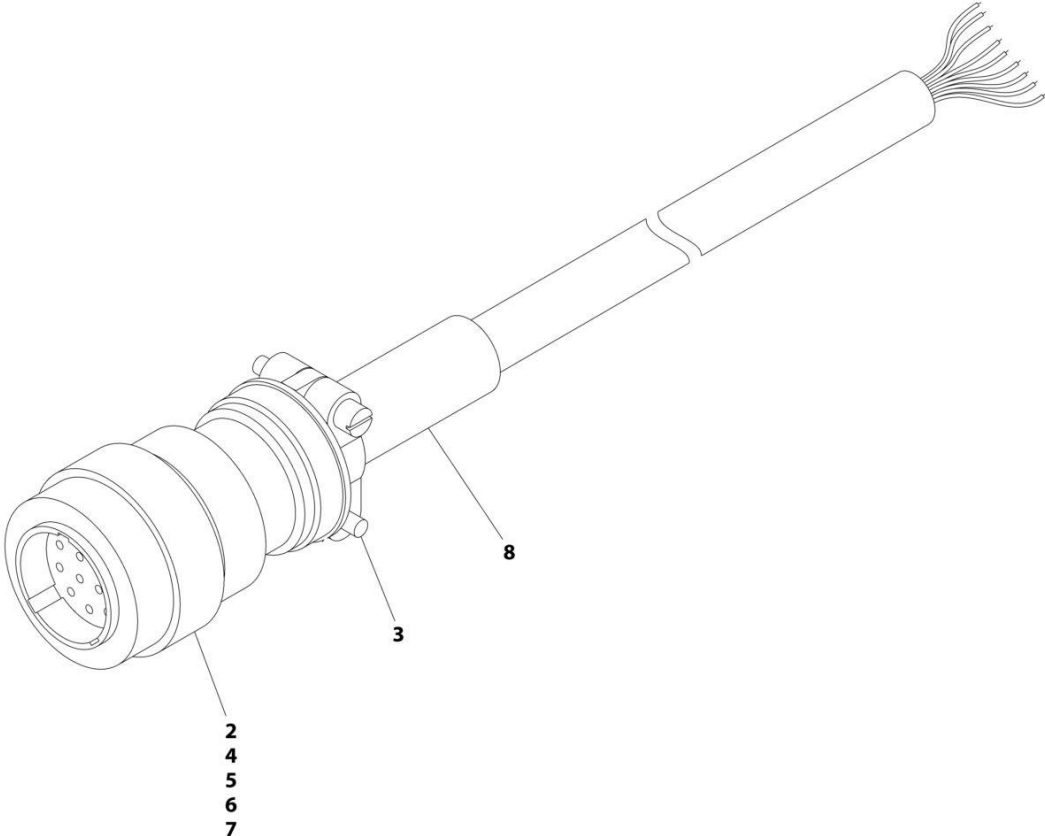
SECTION 8 - ELECTRICAL

FIGURE 8-45. GENERATOR TO AC PLUG HARNESS - 3500W GENERATOR 220/60HZ (ANSI EXPORT, CHINA AND CSA SPECS)

| ITEM | PART NUMBER | QTY | DESCRIPTION | REV |
|------|-------------|------------------|--|-----|
| | 1001119926 | Ref | GENERATOR TO AC PLUG HARNESS - 3500W GENERATOR 220/60HZ | A |
| 1 | 4460709 | 1 | Plug, Male | |
| 2 | 1001119920 | 1 | Harness, Generator to AC Plug | A |
| 3 | 4460709 | 1 | Plug, Male | |
| 4 | 4460710 | 1 | Plug, Female | |
| 5 | 4923505 | 6.8 ft/ 2.06m | Cable, 14/3 | |

SECTION 8 - ELECTRICAL

FIGURE 8-46. GROUND TO PLATFORM CABLE - MAIN BOOM (WITHOUT ARCTIC PACKAGE)



ART_1001119018

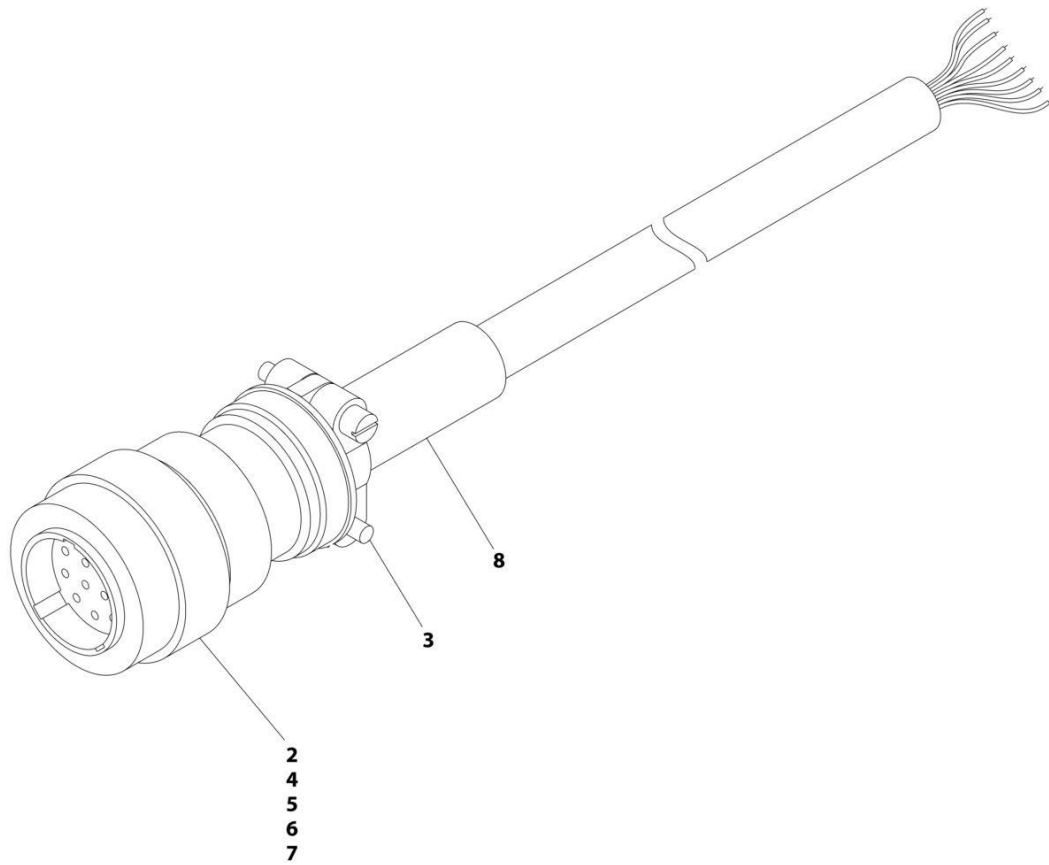
SECTION 8 - ELECTRICAL

FIGURE 8-46. GROUND TO PLATFORM CABLE - MAIN BOOM (WITHOUT ARCTIC PACKAGE)

| ITEM | PART NUMBER | QTY | DESCRIPTION | REV |
|------|-------------|-----|---|-----|
| | 1001119018 | Ref | GROUND TO PLATFORM CABLE - MAIN BOOM (WITHOUT ARCTIC PACKAGE) | C |
| 2 | 4460865 | 1 | Connector - 19 Position | |
| 3 | 4460473 | 1 | Clamp, Cable | |
| 4 | 4460465 | 22 | Socket, Female | |
| 5 | 4460509 | 8 | Socket, Female | |
| 6 | 4460466 | 4 | Plug, Terminal | |
| 7 | 2820118 | AR | Heat Shrink | |
| 8 | 1001226400 | 1 | Heat Shrink | |

SECTION 8 - ELECTRICAL

FIGURE 8-47. GROUND TO PLATFORM CABLE - MAIN BOOM (WITH ARCTIC PACKAGE)



ART_100119953

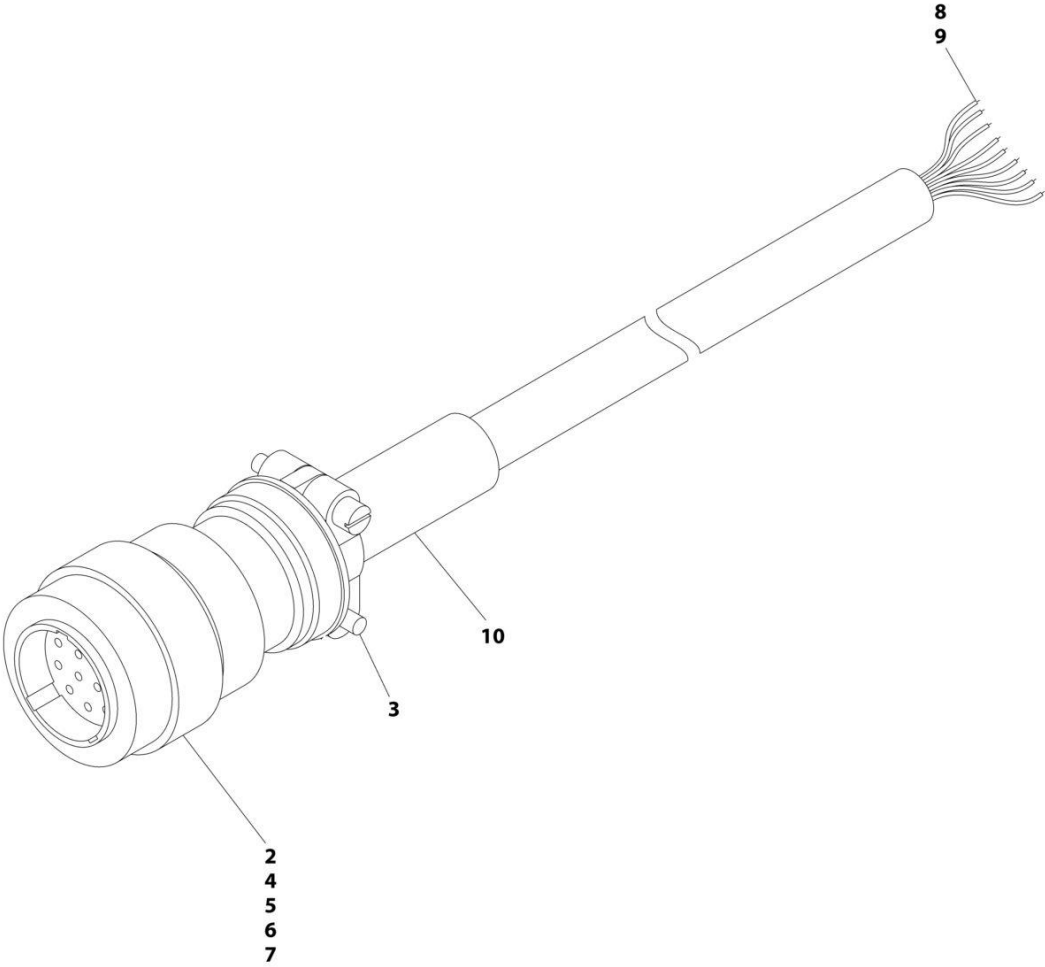
SECTION 8 - ELECTRICAL

FIGURE 8-47. GROUND TO PLATFORM CABLE - MAIN BOOM (WITH ARCTIC PACKAGE)

| ITEM | PART NUMBER | QTY | DESCRIPTION | REV |
|------|-------------|-----|--|-----|
| | 1001119953 | Ref | GROUND TO PLATFORM CABLE - MAIN BOOM (WITH ARCTIC PACKAGE) | D |
| 2 | 4460865 | 1 | Connector - 19 Position | |
| 3 | 4460473 | 1 | Clamp, Cable | |
| 4 | 4460465 | 22 | Socket, Female | |
| 5 | 4460509 | 8 | Socket, Female | |
| 6 | 4460466 | 4 | Plug, Terminal | |
| 7 | 2820118 | AR | Heat Shrink | |
| 8 | 1001226400 | 1 | Heat Shrink | |

SECTION 8 - ELECTRICAL

FIGURE 8-48. GROUND TO PLATFORM CABLE - TOWER BOOM (WITHOUT ARCTIC PACKAGE)



ART_1001119019

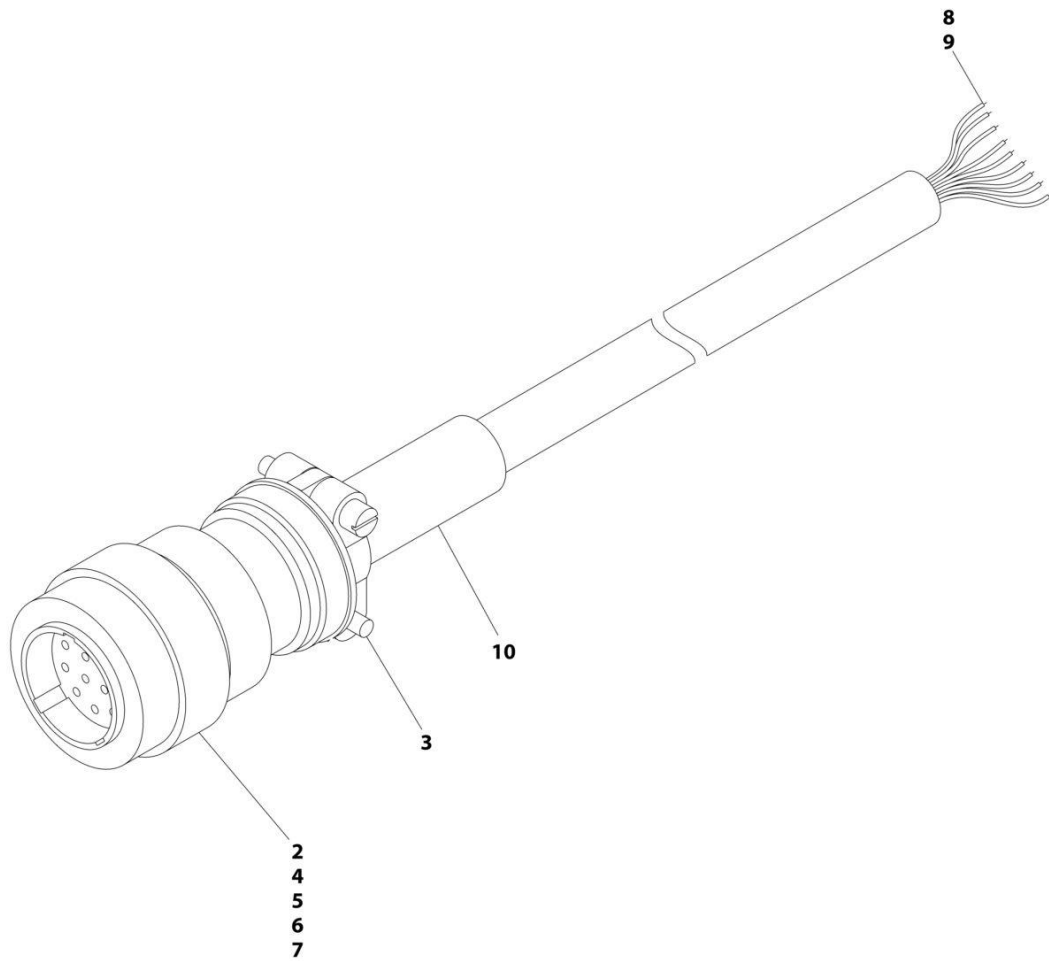
SECTION 8 - ELECTRICAL

FIGURE 8-48. GROUND TO PLATFORM CABLE - TOWER BOOM (WITHOUT ARCTIC PACKAGE)

| ITEM | PART NUMBER | QTY | DESCRIPTION | REV |
|------|-------------|-----|--|-----|
| | 1001119019 | Ref | GROUND TO PLATFORM CABLE - TOWER BOOM (WITHOUT ARCTIC PACKAGE) | B |
| 2 | 4460865 | 1 | Connector - 19 Position | |
| 3 | 4460473 | 1 | Clamp, Cable | |
| 4 | 4460465 | 11 | Socket, Female | |
| 5 | 4460509 | 4 | Socket, Female | |
| 6 | 4460466 | 4 | Plug, Terminal | |
| 7 | 2820118 | AR | Heat Shrink | |
| 8 | 4460464 | 11 | Pin, Male | |
| 9 | 4460508 | 4 | Pin, Male | |
| 10 | 1001226400 | 1 | Heat Shrink | |

SECTION 8 - ELECTRICAL

FIGURE 8-49. GROUND TO PLATFORM CABLE - TOWER BOOM (WITH ARCTIC PACKAGE)



ART_1001119954

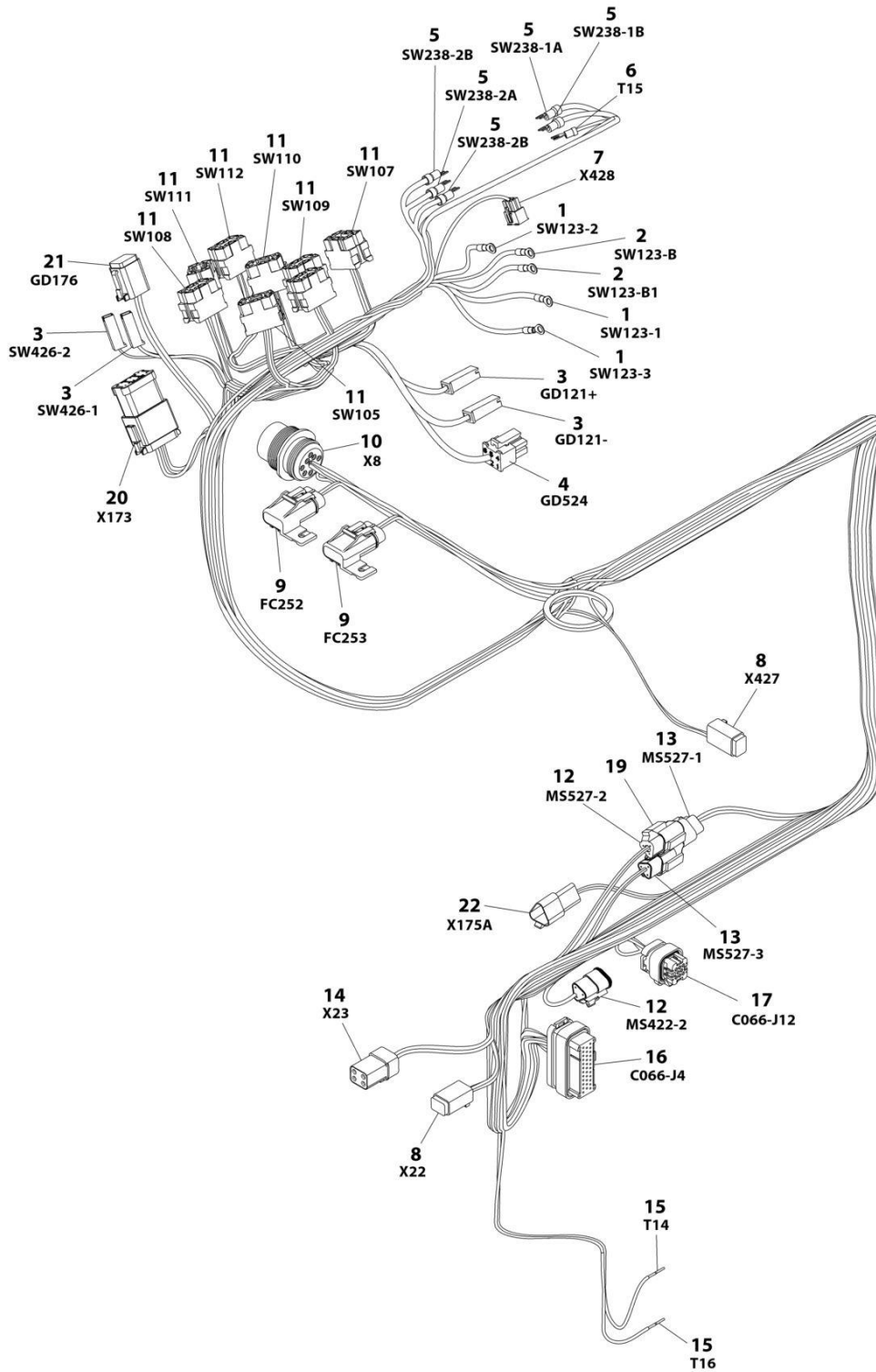
SECTION 8 - ELECTRICAL

FIGURE 8-49. GROUND TO PLATFORM CABLE - TOWER BOOM (WITH ARCTIC PACKAGE)

| ITEM | PART NUMBER | QTY | DESCRIPTION | REV |
|------|-------------|-----|---|-----|
| | 1001119954 | Ref | GROUND TO PLATFORM CABLE - TOWER BOOM (WITH ARCTIC PACKAGE) | C |
| 2 | 4460865 | 1 | Connector - 19 Position | |
| 3 | 4460473 | 1 | Clamp, Cable | |
| 4 | 4460465 | 11 | Socket, Female | |
| 5 | 4460509 | 4 | Socket, Female | |
| 6 | 4460466 | 4 | Plug, Terminal | |
| 7 | 2820118 | AR | Heat Shrink | |
| 8 | 4460464 | 11 | Pin, Male | |
| 9 | 4460508 | 4 | Pin, Male | |
| 10 | 1001226400 | 1 | Heat Shrink | |

SECTION 8 - ELECTRICAL

FIGURE 8-50. GROUND CONTROL HARNESS



ART_1001244526_D

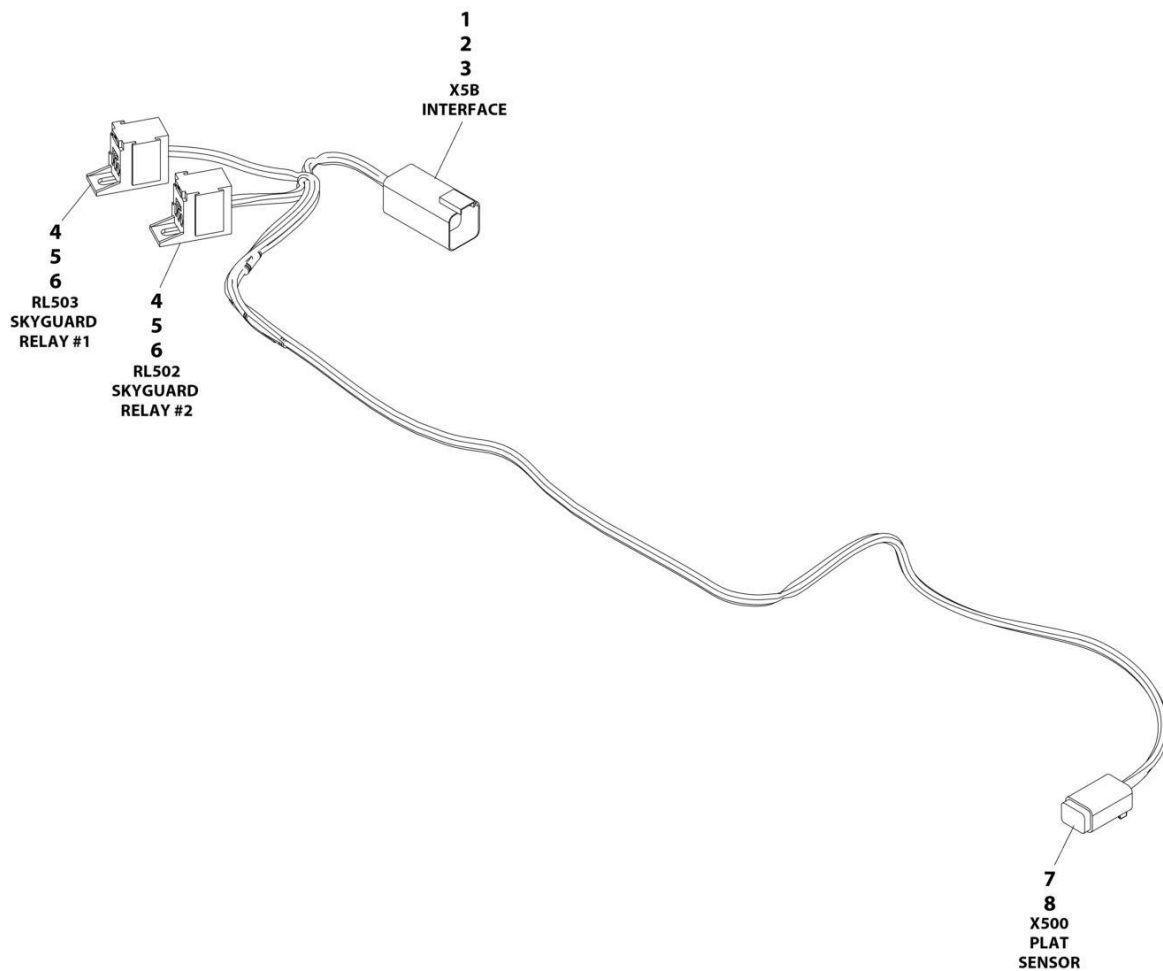
SECTION 8 - ELECTRICAL

FIGURE 8-50. GROUND CONTROL HARNESS

| ITEM | PART NUMBER | QTY | DESCRIPTION | REV |
|------|-------------|-----|--------------------------|-----|
| | 1001244526 | Ref | GROUND CONTROL HARNESS | D |
| 1 | 4460313 | 3 | Terminal, Ring | |
| 2 | 4460142 | 2 | Terminal, Ring | |
| 3 | 4460260 | 4 | Connector | |
| 3 | 4460259 | 6 | Terminal | |
| 4 | 1001237667 | 1 | Connector - 6 Position | |
| 4 | 1001237668 | 5 | Terminal | |
| 5 | 4460806 | 5 | Terminal, Fork | |
| 6 | 4460183 | 1 | Terminal, Fork | |
| 7 | 4460868 | 1 | Connector - 6 Position | |
| 7 | 4460877 | 4 | Terminal | |
| 8 | 4460884 | 2 | Connector - 4 Position | |
| 8 | 4460465 | 8 | Socket, Female | |
| 9 | 1001117078 | 2 | Fuse Assembly with Cover | |
| 9 | 1001116732 | 4 | Terminal | |
| 10 | 1001112612 | 1 | Connector - 9 Position | |
| 10 | 4460464 | 6 | Pin, Male | |
| 10 | 4460466 | 3 | Plug, Terminal | |
| 11 | 4460418 | 8 | Connector - 6 Position | |
| 11 | 4460419 | 31 | Socket, Female | |
| 12 | 4460539 | 2 | Connector - 3 Position | |
| 12 | 4460944 | 5 | Socket, Female | |
| 12 | 4460466 | 1 | Seal, Plug | |
| 13 | 1001116812 | 2 | Plug, Male - 3 Position | |
| 13 | 4460944 | 6 | Socket, Female | |
| 14 | 1001116810 | 1 | Connector - 4 Position | |
| 14 | 4460509 | 3 | Terminal | |
| 14 | 4460466 | 1 | Seal, Plug | |
| 15 | 4460465 | 2 | Socket, Female | |
| 16 | 4460876 | 1 | Connector - 35 Position | |
| 16 | 4460871 | 21 | Socket, Female | |
| 16 | 4460905 | 14 | Seal, Plug | |
| 17 | 1001113961 | 1 | Connector - 8 Position | |
| 17 | 4460871 | 6 | Socket, Female | |
| 17 | 4460905 | 2 | Seal, Plug | |
| 19 | 4460945 | 1 | Receptacle, 3 Ways | |
| 20 | 4460933 | 1 | Connector | |
| 20 | 4460465 | 12 | Socket, Female | |
| 20 | 1001119020 | 1 | Connector | |
| 21 | 4460894 | 1 | Connector | |
| 21 | 4460465 | 4 | Socket, Female | |
| 21 | 4460466 | 2 | Seal, Plug | |
| 22 | 1001144147 | 1 | Connector | |
| 22 | 4460943 | 3 | Pin, Male | |

SECTION 8 - ELECTRICAL

FIGURE 8-51. GENERATOR TO PLATFORM HARNESS



ART_1001225580

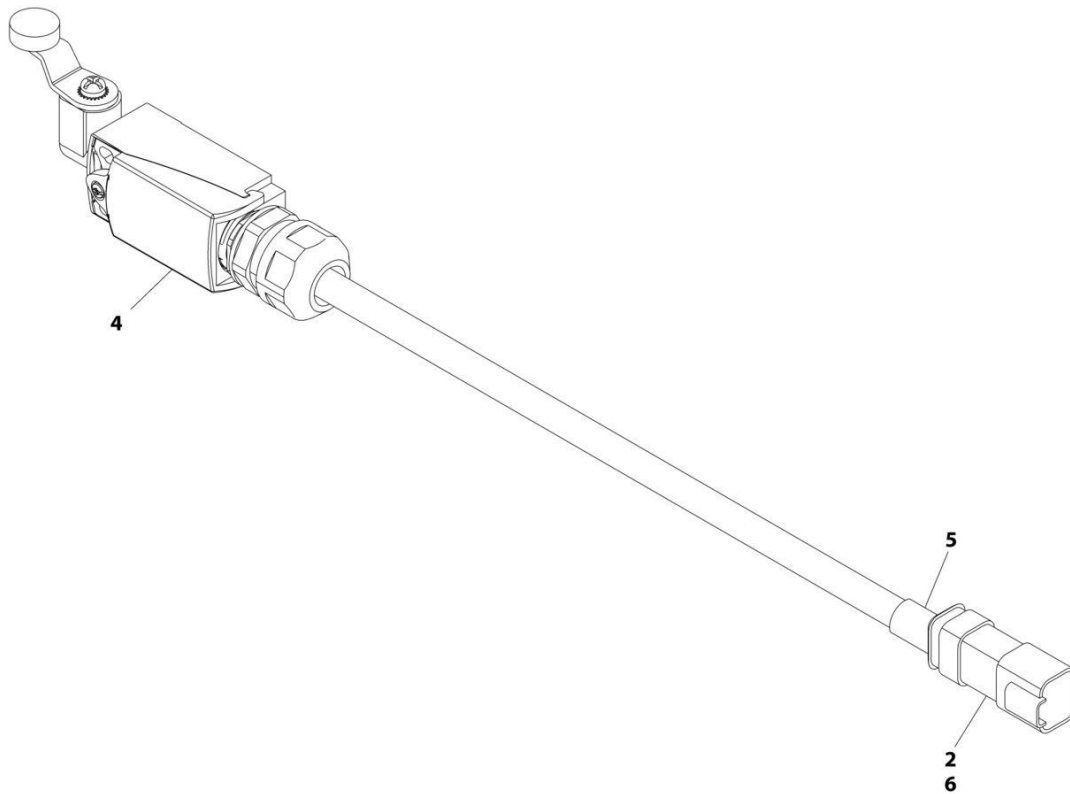
SECTION 8 - ELECTRICAL

FIGURE 8-51. GENERATOR TO PLATFORM HARNESS

| ITEM | PART NUMBER | QTY | DESCRIPTION | REV |
|------|-------------|-----|-------------------------------------|-----|
| | 1001225580 | Ref | INTERFACE HARNESS - WITH 1 CELL LSS | D |
| 1 | 4460899 | 1 | Connector | |
| 2 | 4460464 | 4 | Terminal | |
| 3 | 4460466 | 2 | Plug | |
| 4 | 1001186432 | 2 | Connector | |
| 5 | 1001116720 | 4 | Terminal | |
| 6 | 1001118388 | 4 | Terminal | |
| 7 | 4460884 | 1 | Connector | |
| 8 | 4460465 | 4 | Terminal | |

SECTION 8 - ELECTRICAL

FIGURE 8-52. LIMIT SWITCH HARNESS



ART_1001119176

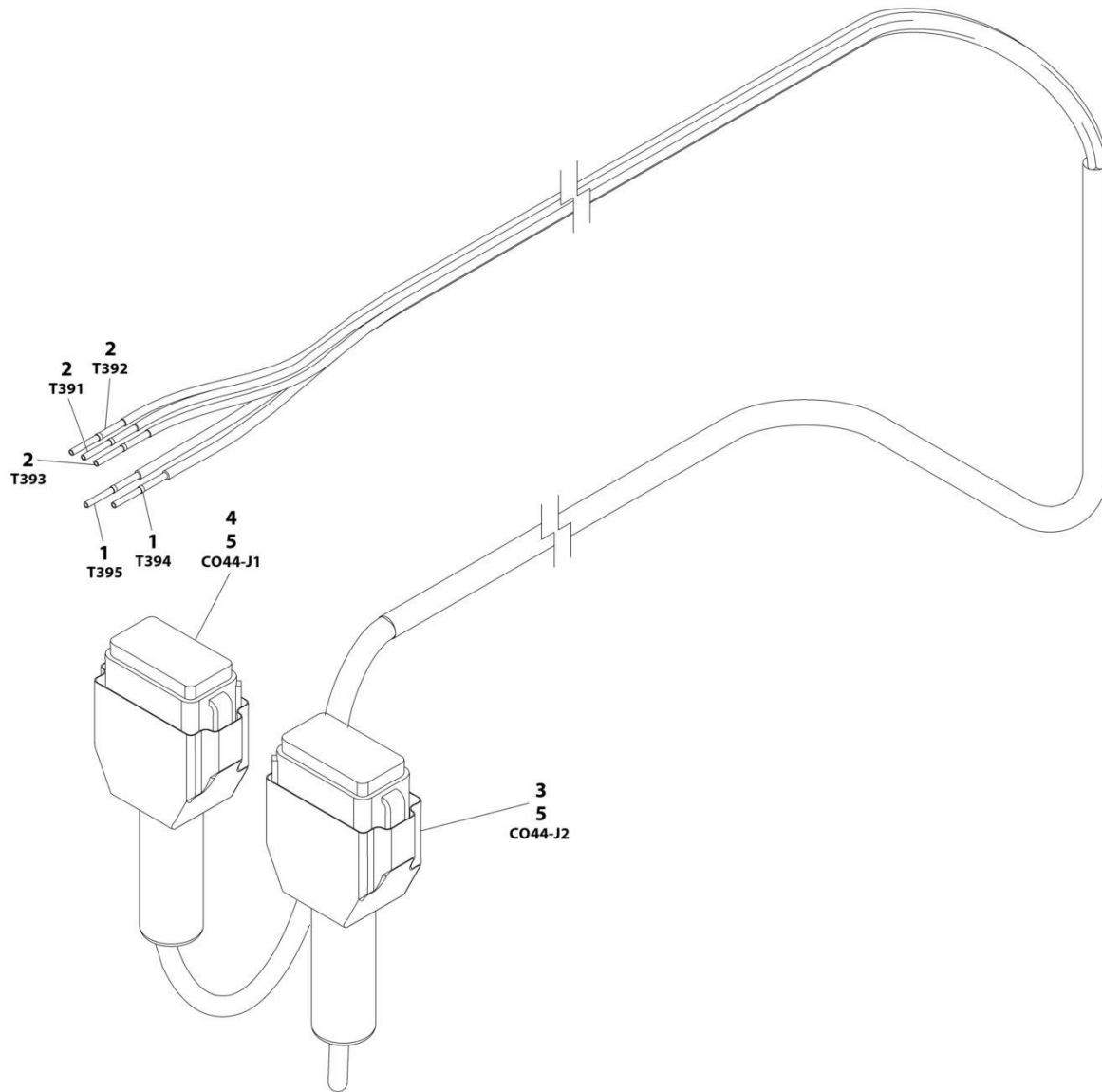
SECTION 8 - ELECTRICAL

FIGURE 8-52. LIMIT SWITCH HARNESS

| ITEM | PART NUMBER | QTY | DESCRIPTION | REV |
|------|-------------|-----|---------------------------------|-----|
| | 1001119176 | Ref | LIMIT SWITCH HARNESS | E |
| 2 | 4460464 | 4 | Pin, Male Deutsch 16Ga | |
| 4 | 1001119170 | 1 | Switch, Limit | |
| 5 | 2820030 | AR | Heat Shrink | |
| 6 | 1001129407 | 1 | Receptacle, Female - 4 Position | |

SECTION 8 - ELECTRICAL

FIGURE 8-53. LSS HARNESS



ART_1001120371

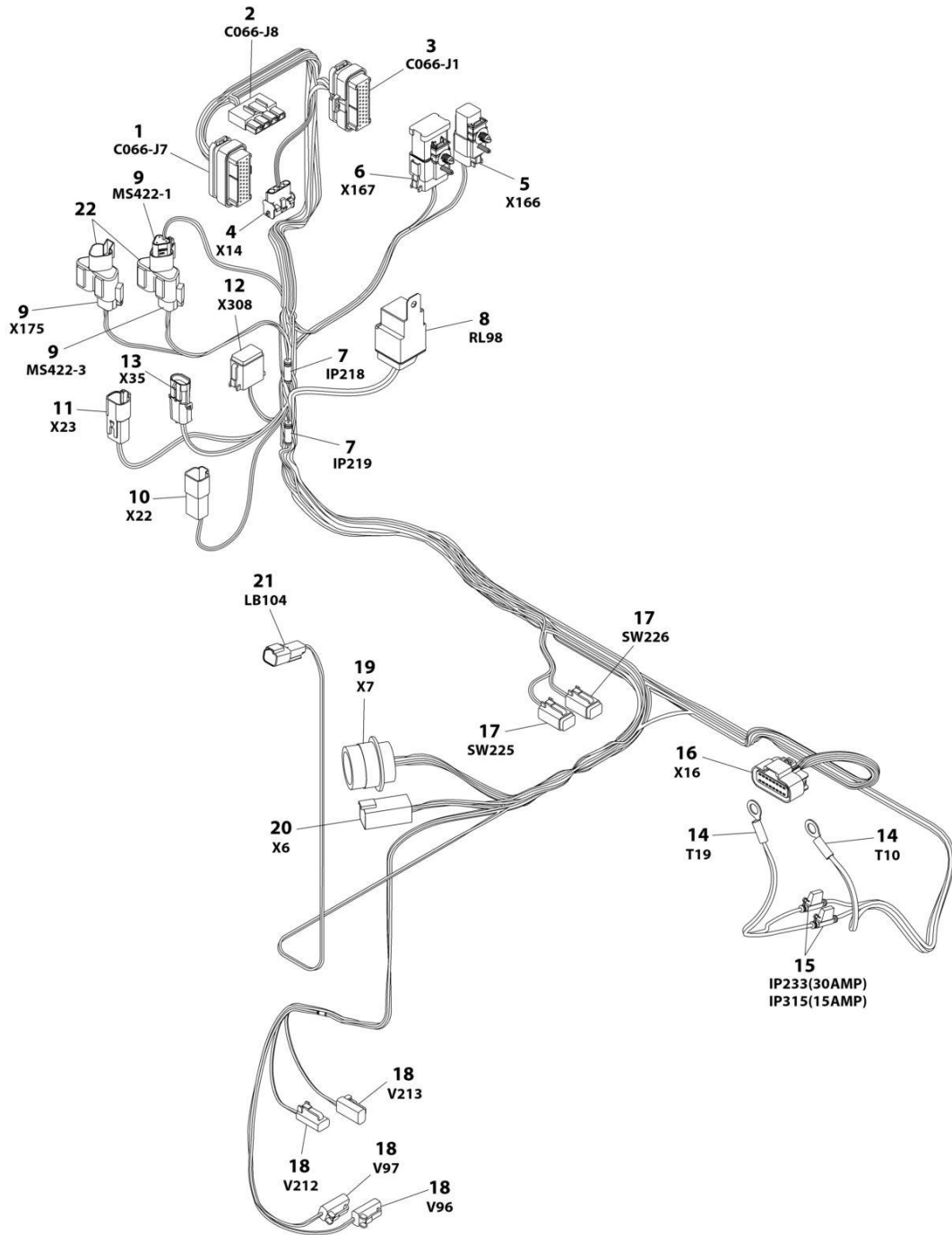
SECTION 8 - ELECTRICAL

FIGURE 8-53. LSS HARNESS

| ITEM | PART NUMBER | QTY | DESCRIPTION | REV |
|------|-------------|-----|-------------------------|-----|
| | 1001120371 | Ref | LSS HARNESS | B |
| 1 | 4460465 | 2 | Socket, Female | |
| 2 | 4460944 | 3 | Socket, Female | |
| 3 | 4460836 | 1 | Connector - 12 Position | |
| 3 | 4460944 | 3 | Socket, Female | |
| 3 | 4460466 | 9 | Plug, Terminal | |
| 3 | 0840055 | 1 | Boot | |
| 4 | 4460933 | 1 | Connector - 12 Position | |
| 4 | 4460465 | 2 | Socket, Female | |
| 4 | 4460466 | 10 | Plug, Terminal | |
| 4 | 0840055 | 1 | Boot | |
| 5 | 2820030 | AR | Heat Shrink | |

SECTION 8 - ELECTRICAL

FIGURE 8-54. MID-ENGINE HARNESS



ART_1001244527

SECTION 8 - ELECTRICAL

FIGURE 8-54. MID-ENGINE HARNESS

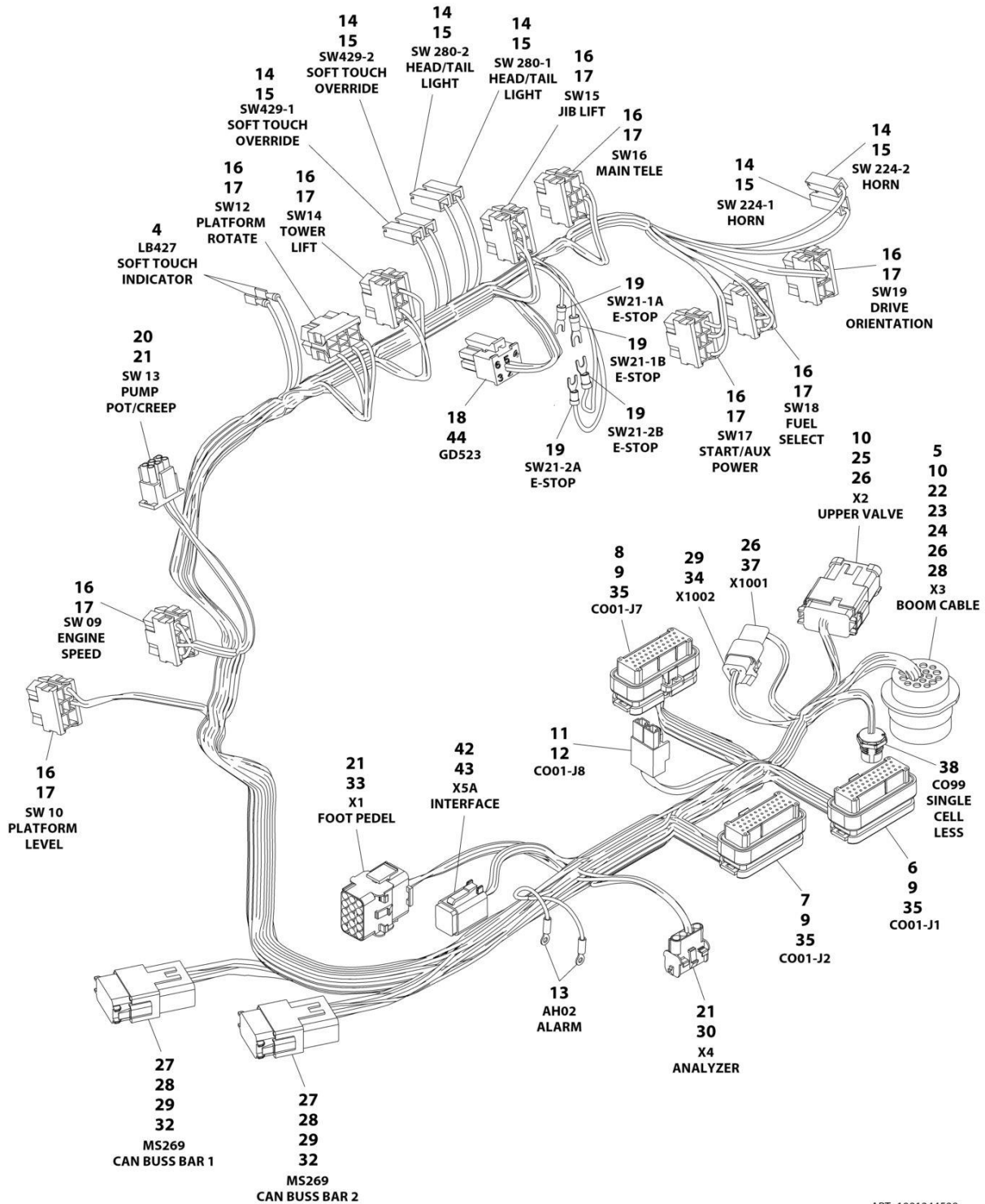
| ITEM | PART NUMBER | QTY | DESCRIPTION | REV |
|------|-------------|-----|----------------------------------|-----|
| | 1001244527 | Ref | MID-ENGINE HARNESS | B |
| 1 | 4460873 | 1 | Connector - 35 Position | |
| 1 | 4460871 | 19 | Socket, Female | |
| 1 | 4460905 | 16 | Seal, Plug | |
| 2 | 4460878 | 1 | Connector - 4 Position | |
| 2 | 4460887 | 6 | Terminal | |
| 3 | 4460874 | 1 | Connector - 35 Position | |
| 3 | 4460871 | 22 | Socket, Female | |
| 3 | 4460905 | 13 | Seal, Plug | |
| 4 | 4460761 | 1 | Connector - 4 Position | |
| 4 | 4460227 | 4 | Pin Male | |
| 5 | 4460894 | 1 | Connector - 6 Position | |
| 5 | 4460465 | 2 | Socket, Female | |
| 5 | 4460466 | 3 | Plug, Terminal | |
| 5 | 4460892 | 1 | Buss Bar - 6 Position | |
| 5 | 1001121172 | 1 | Bracket, Terminal | |
| 6 | 4460836 | 1 | Connector - 12 Position | |
| 6 | 4460465 | 3 | Socket, Female | |
| 6 | 4460466 | 9 | Plug, Terminal | |
| 6 | 4460837 | 1 | Connector - 12 Position | |
| 6 | 1001121172 | 1 | Bracket, Terminal | |
| 7 | 3990010 | 2 | Diode 10 Amp | |
| 8 | 1001117025 | 1 | Relay and Connector Assembly | |
| 8 | 1001116734 | 1 | Terminal | |
| 8 | 1001116732 | 2 | Terminal | |
| 9 | 1001116812 | 3 | Plug, Male - 3 Position | |
| 9 | 4460944 | 9 | Socket, Female | |
| 10 | 4460932 | 1 | Receptacle, Female - 4 Position | |
| 10 | 4460464 | 4 | Pin, Female | |
| 11 | 1001116811 | 1 | Receptacle, Female - 4 Position | |
| 11 | 4460508 | 1 | Pin, Male | |
| 11 | 4460466 | 1 | Plug, Terminal | |
| 12 | 4460930 | 1 | Plug, Male - 8 Position | |
| 12 | 4460465 | 3 | Socket, Female | |
| 12 | 4460466 | 5 | Plug, Terminal | |
| 13 | 4461157 | 1 | Receptacle, Female - 2 Position | |
| 13 | 4460979 | 1 | Pin, Male | |
| 13 | 1001116727 | 1 | Seal, Plug | |
| 14 | 8220164 | 2 | Ring, Terminal | |
| 15 | 2400066 | 2 | Fuse Holder with Cover and Leads | |
| 15 | | Ref | Fuse 15 Amp | |
| 15 | | Ref | Fuse 30 Amp | |
| 16 | 4461110 | 1 | Receptacle Female - 16 Position | |
| 16 | 1001136231 | 1 | Lock, Connector | |
| 16 | 1001136232 | 1 | Lock, Connector | |
| 16 | 4461112 | 15 | Terminal, Female | |
| 16 | 4461113 | 15 | Seal | |
| 16 | 4461222 | 1 | Plug | |
| 17 | 4460884 | 2 | Plug, male - 4 Position | |
| 17 | 4460465 | 6 | Socket, Female | |

SECTION 8 - ELECTRICAL

| ITEM | PART NUMBER | QTY | DESCRIPTION | REV |
|------|-------------|-----|-------------------------|-----|
| 17 | 4460466 | 2 | Plug, Terminal | |
| 18 | 4460891 | 4 | Connector - 2 Position | |
| 18 | 4460465 | 8 | Socket, Female | |
| 19 | 4460866 | 1 | Connector - 19 Position | |
| 19 | 4460943 | 3 | Pin, Male | |
| 19 | 4460464 | 6 | Pin, Male | |
| 19 | 4460508 | 4 | Pin, Male | |
| 19 | 4460466 | 6 | Plug, terminal | |
| 20 | 4460899 | 1 | Connector - 6 Position | |
| 20 | 4460464 | 6 | Pin, Male | |
| 21 | 4460897 | 1 | Connector - 2 Position | |
| 21 | 4460464 | 2 | Pin, Male | |
| 22 | 4460945 | 2 | Connector - 3 Way | |

SECTION 8 - ELECTRICAL

FIGURE 8-55. PLATFORM BOX HARNESS ASSEMBLY



ART_1001244528

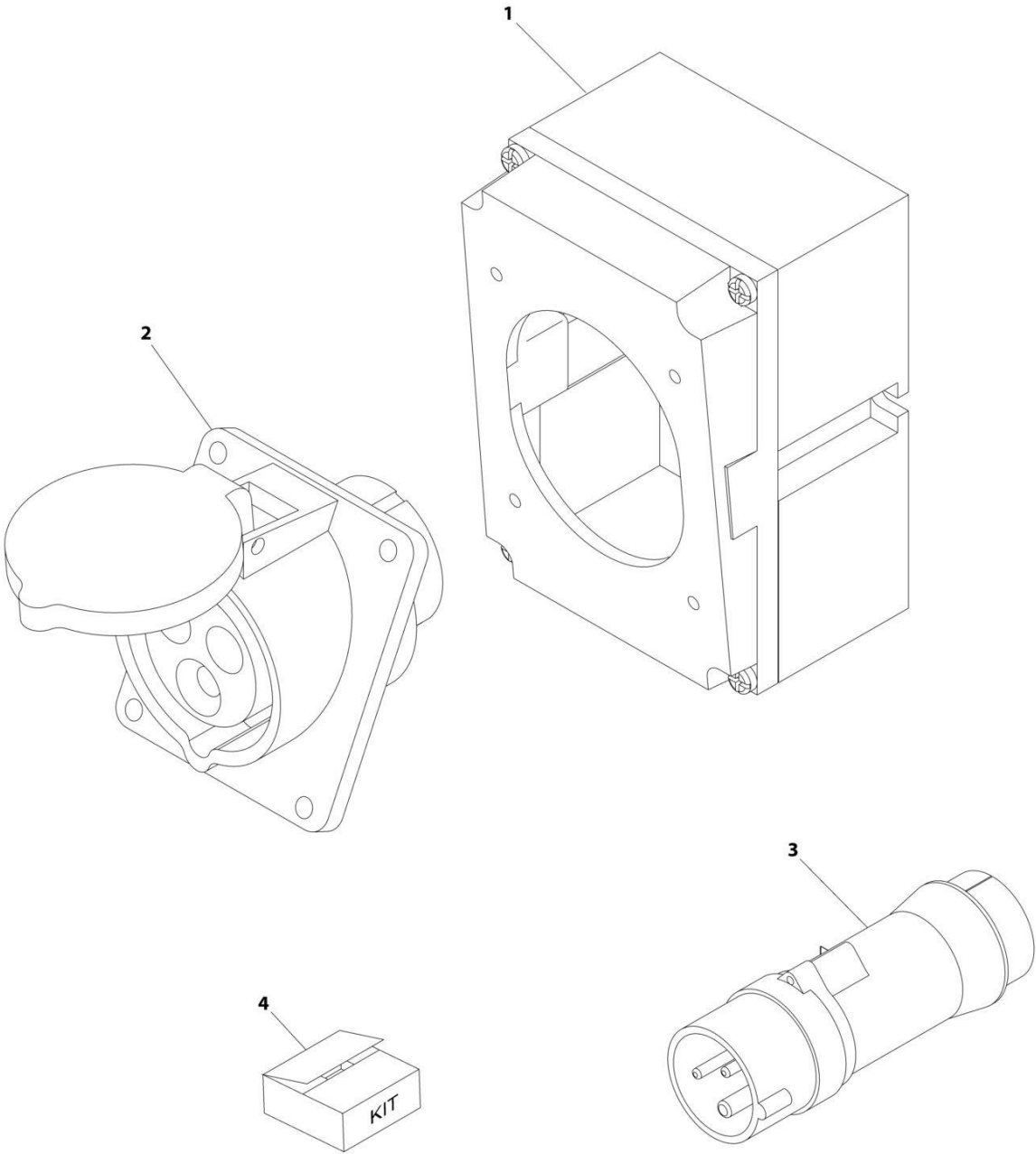
SECTION 8 - ELECTRICAL

FIGURE 8-55. PLATFORM BOX HARNESS ASSEMBLY

| ITEM | PART NUMBER | QTY | DESCRIPTION | REV |
|------|-------------|-----|-----------------------------------|-----|
| | 1001244528 | Ref | PLATFORM BOX HARNESS ASSEMBLY | B |
| 4 | 4460016 | 2 | Terminal, Receptacle | |
| 5 | 4460866 | 1 | Connector - 19 Position | |
| 6 | 4460874 | 1 | Connector - 35 Position (Natural) | |
| 7 | 4460875 | 1 | Connector - 35 Position (Gray) | |
| 8 | 4460873 | 1 | Connector - 35 Position (Black) | |
| 9 | 4460871 | 58 | Socket, Female | |
| 10 | 4460464 | 14 | Pin, Male | |
| 11 | 4460879 | 1 | Connector - 2 Position | |
| 12 | 4460887 | 2 | Terminal | |
| 13 | 1001098122 | 2 | Terminal | |
| 14 | 4460260 | 6 | Connector - 1 Position | |
| 15 | 4460259 | 6 | Terminal | |
| 16 | 4460418 | 9 | Connector - 6 Position | |
| 17 | 4460419 | 25 | Terminal | |
| 18 | 1001237667 | 15 | Connector - 6 Position | |
| 19 | 4460888 | 4 | Terminal, Fork | |
| 20 | 4460225 | 1 | Connector - 6 Position | |
| 21 | 4460227 | 15 | Pin, Male | |
| 22 | 2820118 | AR | Heat Shrink | |
| 23 | 2820019 | AR | Heat Shrink | |
| 24 | 4460508 | 2 | Pin, Male | |
| 25 | 4460970 | 1 | Connector - 12 Position | |
| 26 | 4460943 | 9 | Pin, Male | |
| 27 | 4460933 | 2 | Connector - 12 Position | |
| 28 | 4460466 | 14 | Plug, Terminal | |
| 29 | 4460944 | 22 | Socket, Female | |
| 30 | 4460761 | 1 | Connector - 4 Position | |
| 32 | 1001119020 | 2 | Connector - 12 Position Bussbar | |
| 33 | 4460434 | 1 | Connector - 15 Position | |
| 34 | 4460539 | 1 | Plug, Male - 3 Position | |
| 35 | 4460905 | 49 | Plug, Terminal | |
| 37 | 4460536 | 1 | Receptacle, Female - 3 Position | |
| 38 | 1001213447 | 1 | Receptacle, Female - 5 Position | |
| 42 | 4460894 | 1 | Receptacle, Female - 6 Position | |
| 43 | 4460465 | 6 | Socket, Female | |
| 44 | 1001237668 | 4 | Socket, Female | |

SECTION 8 - ELECTRICAL

FIGURE 8-56. RECEPTACLE BOX KIT - 110V IEC YELLOW (CE & UK CA SPEC)



ART_0275216

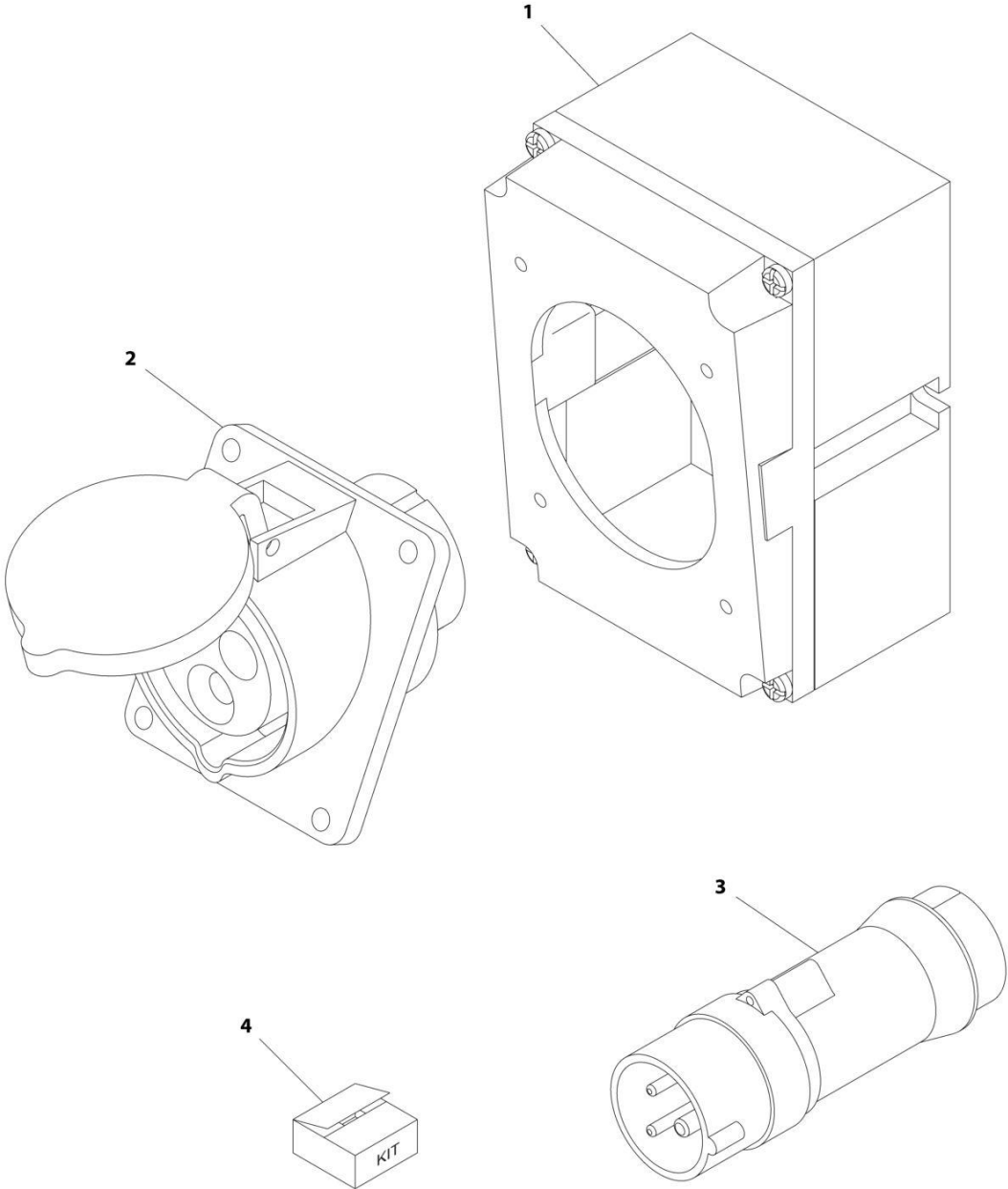
SECTION 8 - ELECTRICAL

FIGURE 8-56. RECEPTACLE BOX KIT - 110V IEC YELLOW (CE & UK CA SPEC)

| ITEM | PART NUMBER | QTY | DESCRIPTION | REV |
|------|-------------|-----|--|-----|
| | 0275216 | Ref | RECEPTACLE BOX KIT - 110V IEC YELLOW | B |
| 1 | 0861781 | 1 | Box, Switch | |
| 2 | 4461198 | 1 | Receptacle | |
| 3 | 4461196 | 1 | Plug, Male | |
| 4 | 1001100341 | 1 | Plug and Socket Kit (Includes Items 1-3 and Female Plug p/n 4461197) | |

SECTION 8 - ELECTRICAL

FIGURE 8-57. RECEPTACLE BOX KIT - 220V IEC BLUE (CE & UK CA SPEC)



ART_0275217

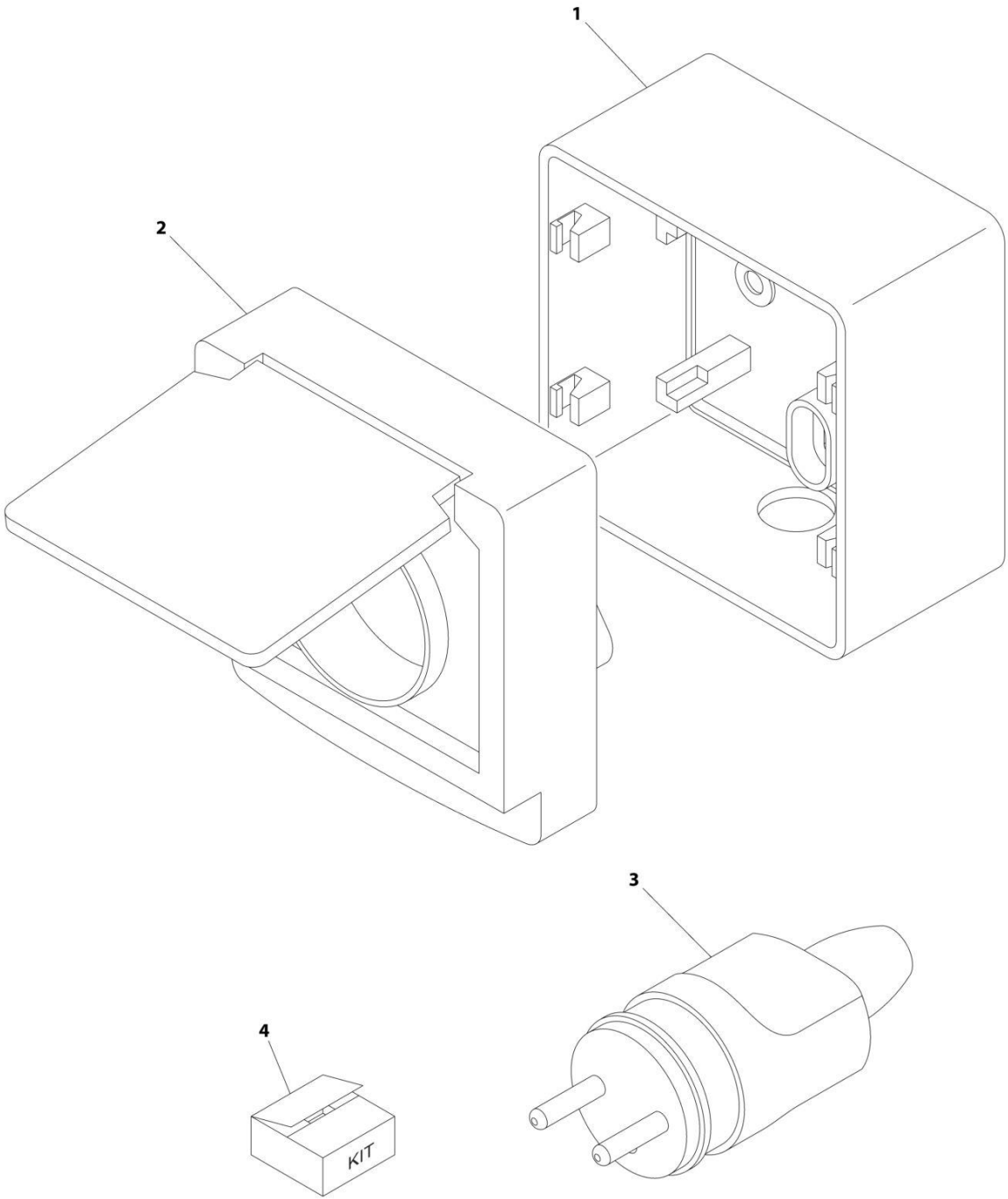
SECTION 8 - ELECTRICAL

FIGURE 8-57. RECEPTACLE BOX KIT - 220V IEC BLUE (CE & UK CA SPEC)

| ITEM | PART NUMBER | QTY | DESCRIPTION | REV |
|------|-------------|-----|--|-----|
| | 0275217 | Ref | RECEPTACLE BOX KIT - 220V IEC BLUE | B |
| 1 | 0861781 | 1 | Box, Switch | |
| 2 | 4461201 | 1 | Receptacle | |
| 3 | 4461199 | 1 | Plug, Male | |
| 4 | 1001100342 | 1 | Plug and Socket Kit (Includes Items 1-3 and Female Plug p/n 4461200) | |

SECTION 8 - ELECTRICAL

FIGURE 8-58. RECEPTACLE BOX KIT - 220V CEE7 POST GROUND 70MM X 70MM BOX (CE & UK CA SPEC)



ART_0275218

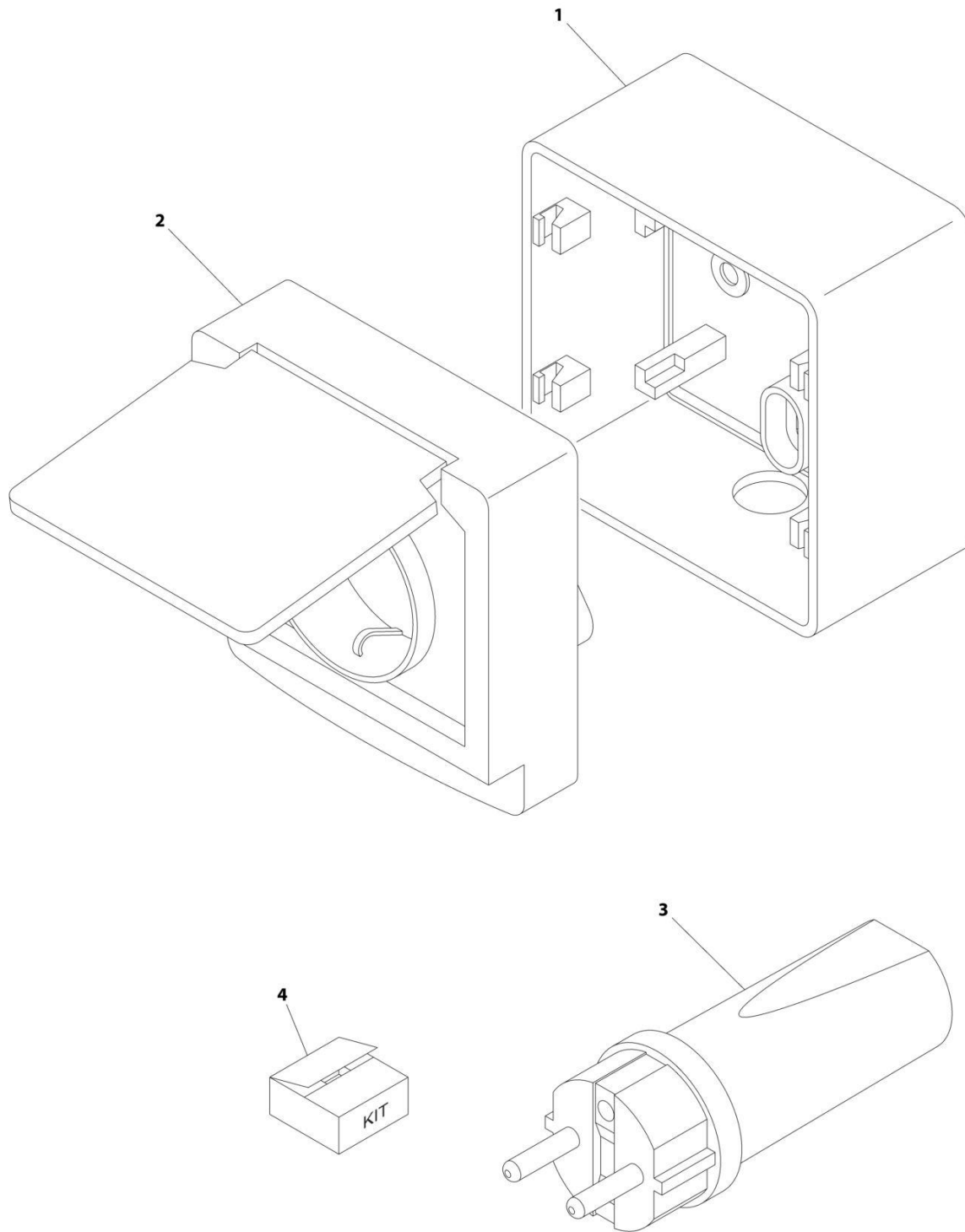
SECTION 8 - ELECTRICAL

FIGURE 8-58. RECEPTACLE BOX KIT - 220V CEE7 POST GROUND 70MM X 70MM BOX (CE & UK CA SPEC)

| ITEM | PART NUMBER | QTY | DESCRIPTION | REV |
|------|-------------|-----|--|-----|
| | 0275218 | Ref | RECEPTACLE BOX KIT - 220V CEE7 POST GROUND 70X70 BOX | C |
| 1 | 1001141967 | 1 | Box, Switch | |
| 2 | 1001141968 | 1 | Receptacle | |
| 3 | 4461205 | 1 | Plug, Male | |
| 4 | 1001141971 | 1 | Plug and Socket Kit (Includes Items 1-3 and Female Plug p/n 4461206) | |

SECTION 8 - ELECTRICAL

FIGURE 8-59. RECEPTACLE BOX KIT - 220V CEE7 SIDE GROUND 70MM X 70MM BOX (CE & UK CA SPEC)



ART_0275219

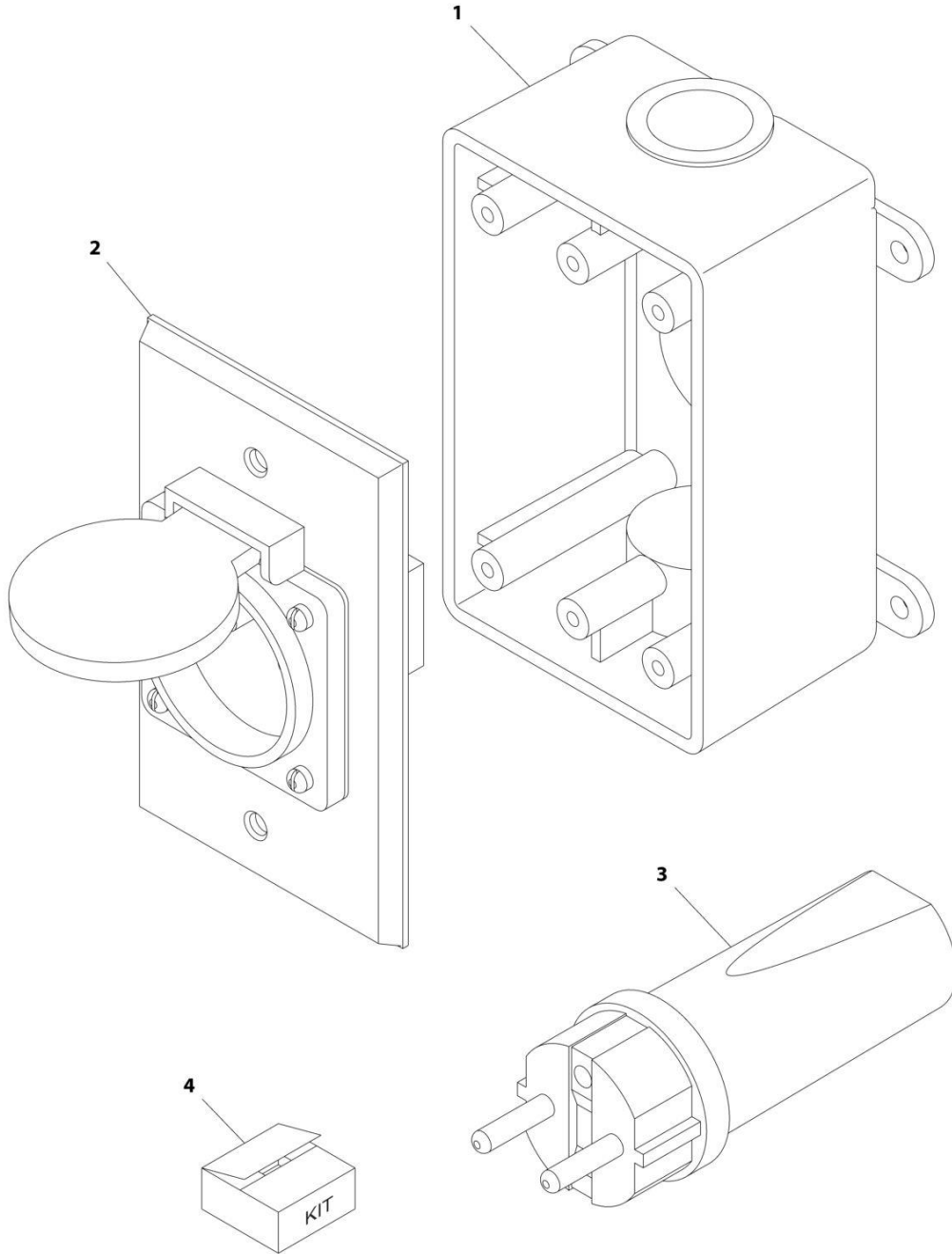
SECTION 8 - ELECTRICAL

FIGURE 8-59. RECEPTACLE BOX KIT - 220V CEE7 SIDE GROUND 70MM X 70MM BOX (CE & UK CA SPEC)

| ITEM | PART NUMBER | QTY | DESCRIPTION | REV |
|------|-------------|-----|--|-----|
| | 0275219 | Ref | RECEPTACLE BOX KIT - 220V CEE7 SIDE GROUND 70MM X 70MM BOX | B |
| 1 | 1001141967 | 1 | Box, Switch | |
| 2 | 1001141969 | 1 | Receptacle | |
| 3 | 4461205 | 1 | Plug, Male | |
| 4 | 1001141970 | 1 | Plug and Socket Kit (Includes Items 1-3 and Female Plug p/n 4461206) | |

SECTION 8 - ELECTRICAL

FIGURE 8-60. RECEPTACLE BOX KIT - 220V CEE7 POST GROUND 2IN X 4IN BOX (CE & UK CA SPEC)



ART_0275452

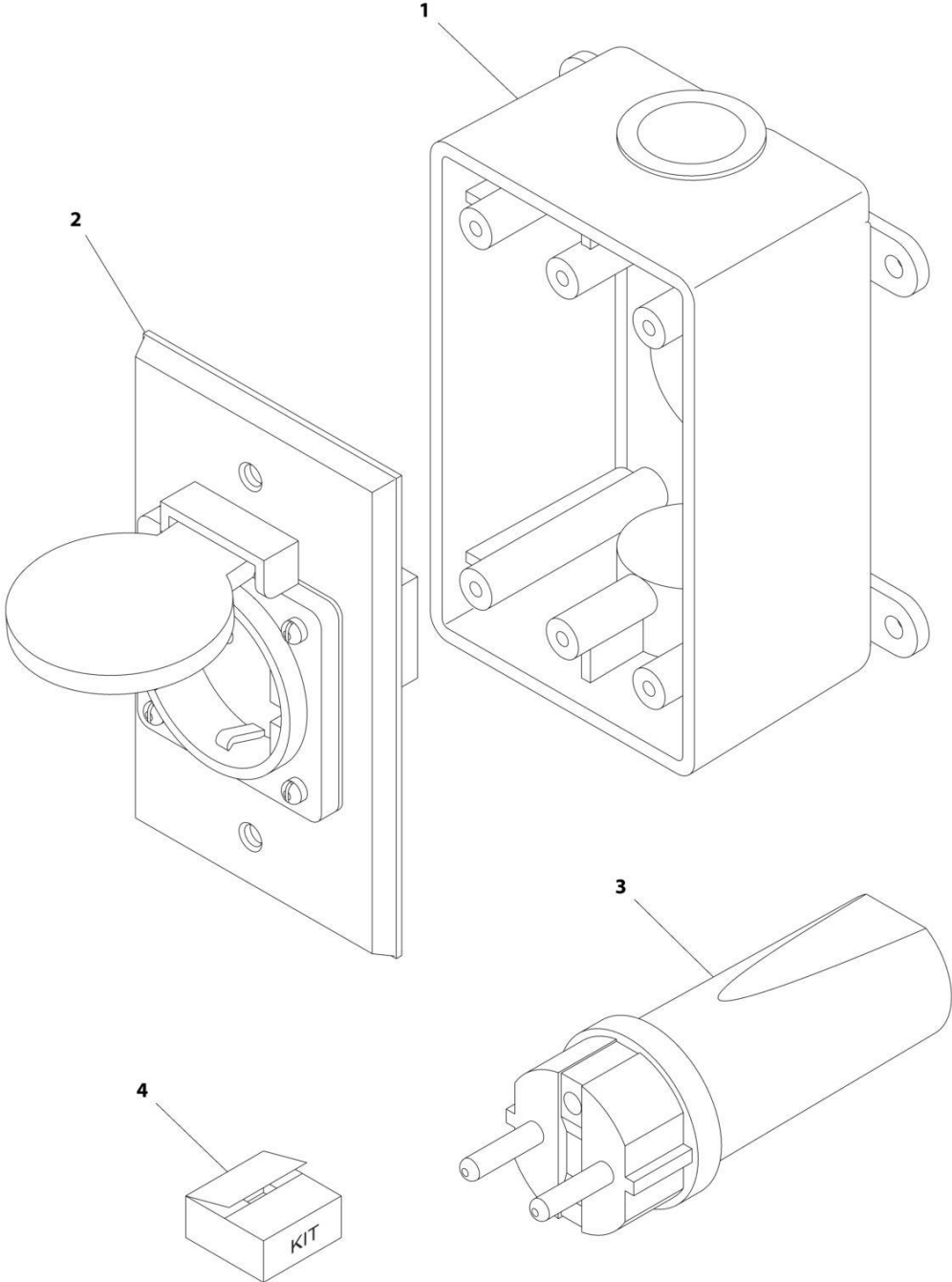
SECTION 8 - ELECTRICAL

FIGURE 8-60. RECEPTACLE BOX KIT - 220V CEE7 POST GROUND 2IN X 4IN BOX (CE & UK CA SPEC)

| ITEM | PART NUMBER | QTY | DESCRIPTION | REV |
|------|-------------|-----|--|-----|
| | 0275452 | Ref | RECEPTACLE BOX KIT - 220V CEE7 POST GROUND | C |
| 1 | 0861731 | 1 | Box, Switch | |
| 2 | 4461244 | 1 | Receptacle | |
| 3 | 4461205 | 1 | Plug, Male | |
| 4 | 1001100345 | 1 | Plug and Socket Kit (Includes Items 1-3 and Female Plug p/n 4461206) | |

SECTION 8 - ELECTRICAL

FIGURE 8-61. RECEPTACLE BOX KIT - 220V CEE7 SIDE GROUND 2IN X 4IN BOX (CE & UK CA SPEC)



ART_0275453

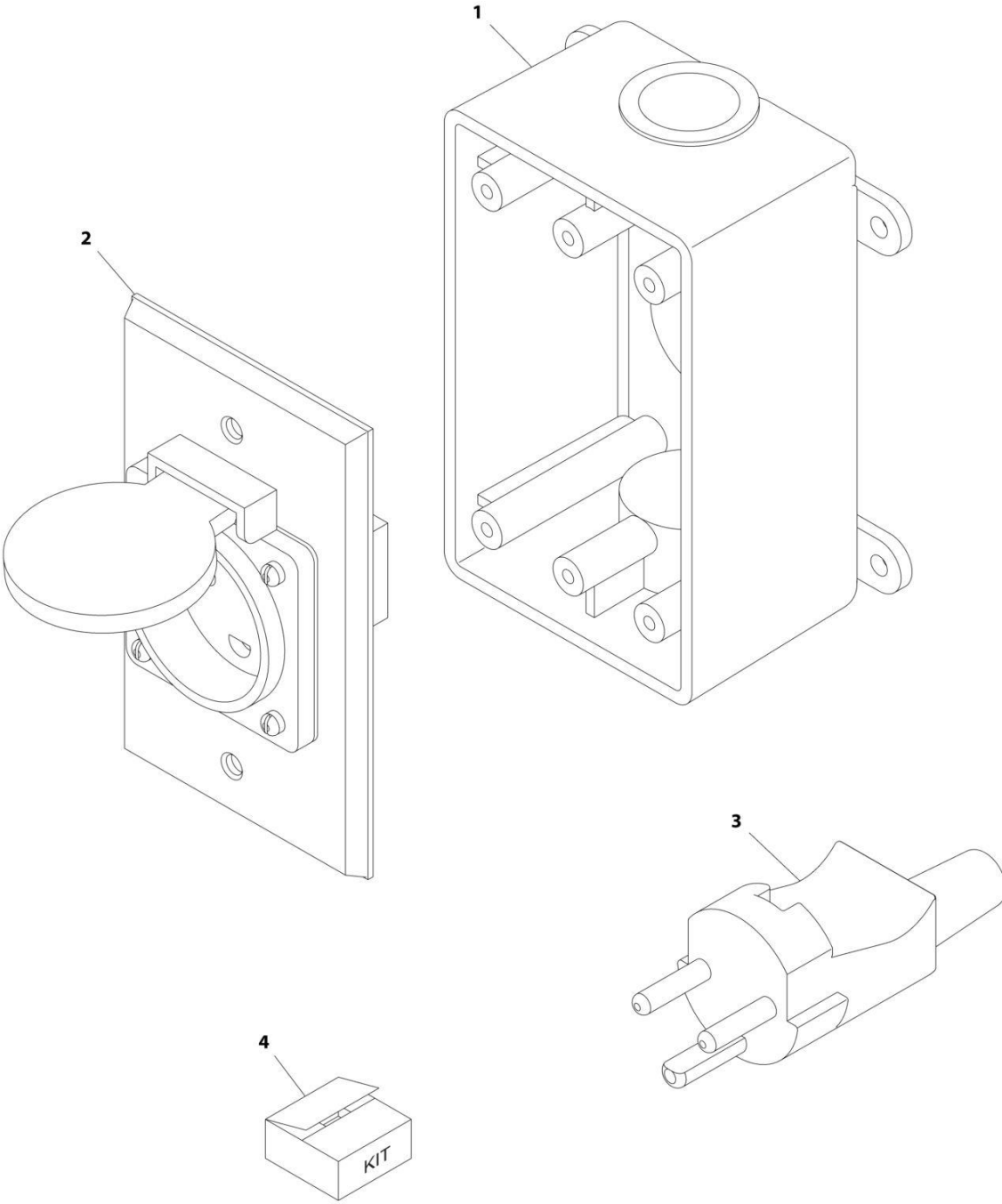
SECTION 8 - ELECTRICAL

FIGURE 8-61. RECEPTACLE BOX KIT - 220V CEE7 SIDE GROUND 2IN X 4IN BOX (CE & UK CA SPEC)

| ITEM | PART NUMBER | QTY | DESCRIPTION | REV |
|------|-------------|-----|--|-----|
| | 0275453 | Ref | RECEPTACLE BOX KIT - 220V CEE7 SIDE GROUND | B |
| 1 | 0861731 | 1 | Box, Switch | |
| 2 | 4461245 | 1 | Receptacle | |
| 3 | 4461205 | 1 | Plug, Male | |
| 4 | 1001100347 | 1 | Plug and Socket Kit (Includes Items 1-3 and Female Plug p/n 4461206) | |

SECTION 8 - ELECTRICAL

FIGURE 8-62. RECEPTACLE BOX KIT - 220V AFSINT 107 (CE & UK CA SPEC)



ART_0275454

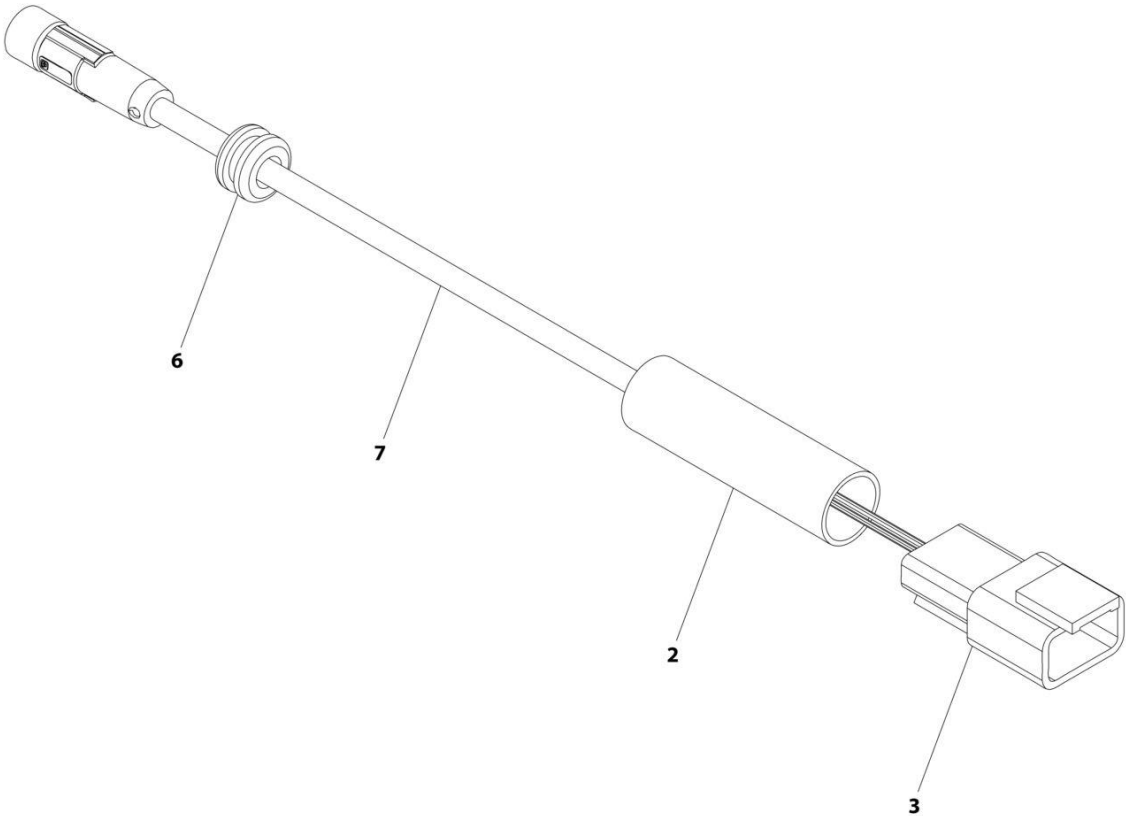
SECTION 8 - ELECTRICAL

FIGURE 8-62. RECEPTACLE BOX KIT - 220V AFSINT 107 (CE & UK CA SPEC)

| ITEM | PART NUMBER | QTY | DESCRIPTION | REV |
|------|-------------|-----|--|-----|
| | 0275454 | Ref | RECEPTACLE BOX KIT - 220V AFSINT 107 | B |
| 1 | 0861731 | 1 | Box, Switch | |
| 2 | 4461246 | 1 | Receptacle | |
| 3 | 4461249 | 1 | Plug, Male | |
| 4 | 1001100346 | 1 | Plug and Socket Kit (Includes Items 1-3 and Female Plug p/n 4461250) | |

SECTION 8 - ELECTRICAL

FIGURE 8-63. SKYEYE EMITTER HARNESS



ART_1001237864

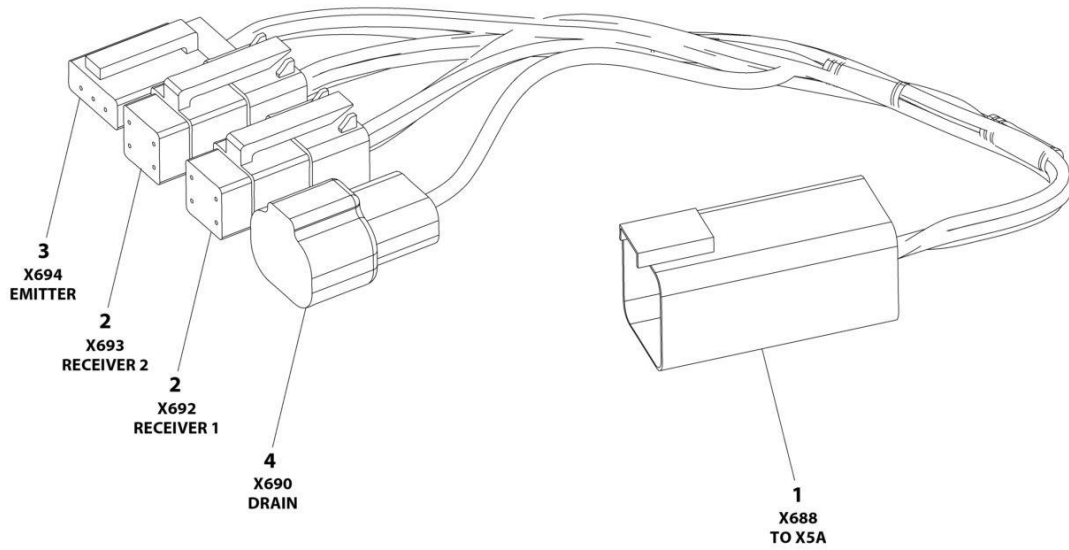
SECTION 8 - ELECTRICAL

FIGURE 8-63. SKYEYE EMITTER HARNESS

| ITEM | PART NUMBER | QTY | DESCRIPTION | REV |
|------|-------------|-----|--------------------------|-----|
| | 1001237864 | Ref | SKYEYE EMITTER HARNESS | A |
| 2 | 2820247 | AR | Tubing, Heat Shrink | |
| 3 | 4460910 | 1 | Connector - 3 Position | |
| 3 | 1001119620 | 3 | Pin, Male | |
| 6 | 1001227996 | 1 | Grommet | |
| 7 | 1001237862 | 1 | Cable, M8 Female Cordset | |

SECTION 8 - ELECTRICAL

FIGURE 8-64. SKYEYE INTERMEDIATE HARNESS



ART_1001237865

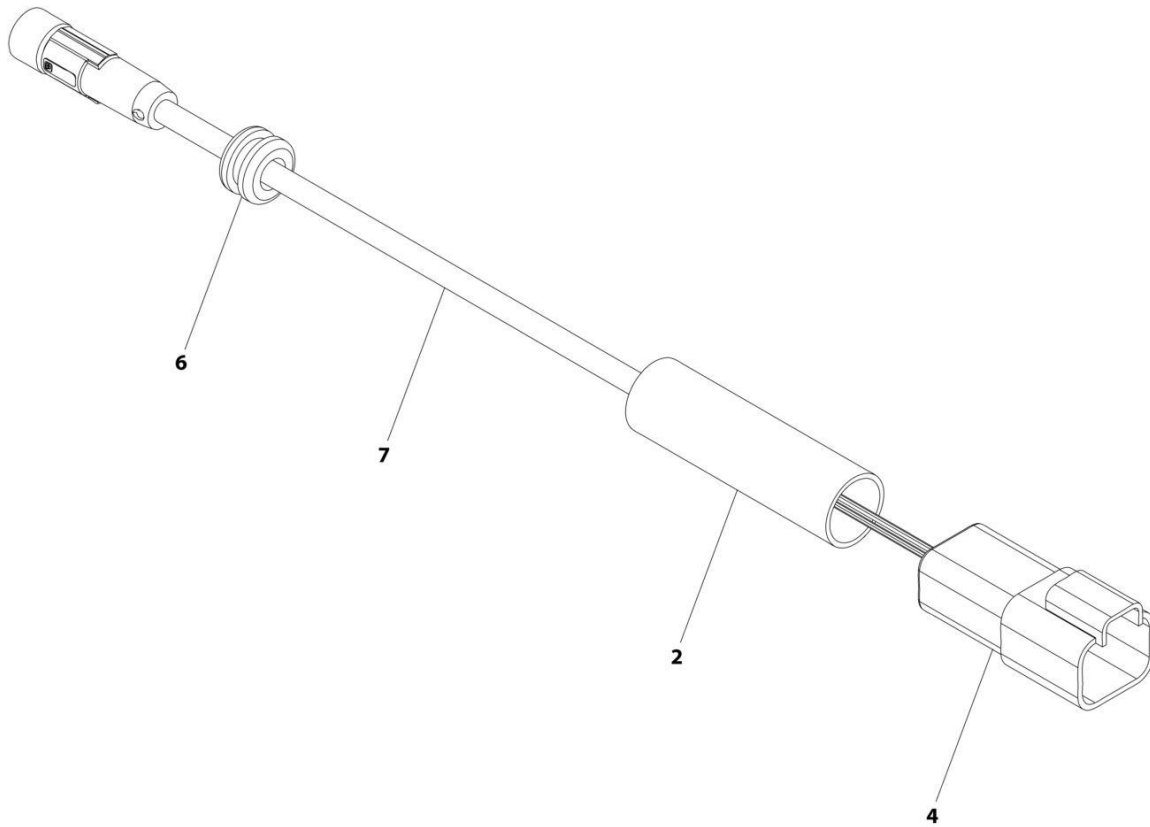
SECTION 8 - ELECTRICAL

FIGURE 8-64. SKYEYE INTERMEDIATE HARNESS

| ITEM | PART NUMBER | QTY | DESCRIPTION | REV |
|------|-------------|-----|-----------------------------|-----|
| | 1001237865 | Ref | SKYEYE INTERMEDIATE HARNESS | A |
| 1 | 4460899 | 1 | Connector - 6 Position | |
| 1 | 4460943 | 4 | Pin, Male | |
| 1 | 4460466 | 2 | Plug, Terminal | |
| 2 | 4461077 | 2 | Connector - 4 Position | |
| 2 | 1001119619 | 8 | Socket, Female | |
| 3 | 4460911 | 1 | Connector - 3 Position | |
| 3 | 1001119619 | 3 | Socket, Female | |
| 4 | 1001187681 | 1 | Connector - 2 Position | |
| 4 | 4460941 | 1 | Pin, Male | |
| 4 | 4460466 | 1 | Plug, Terminal | |

SECTION 8 - ELECTRICAL

FIGURE 8-65. SKYEYE RECEIVER HARNESS



ART_1001237863

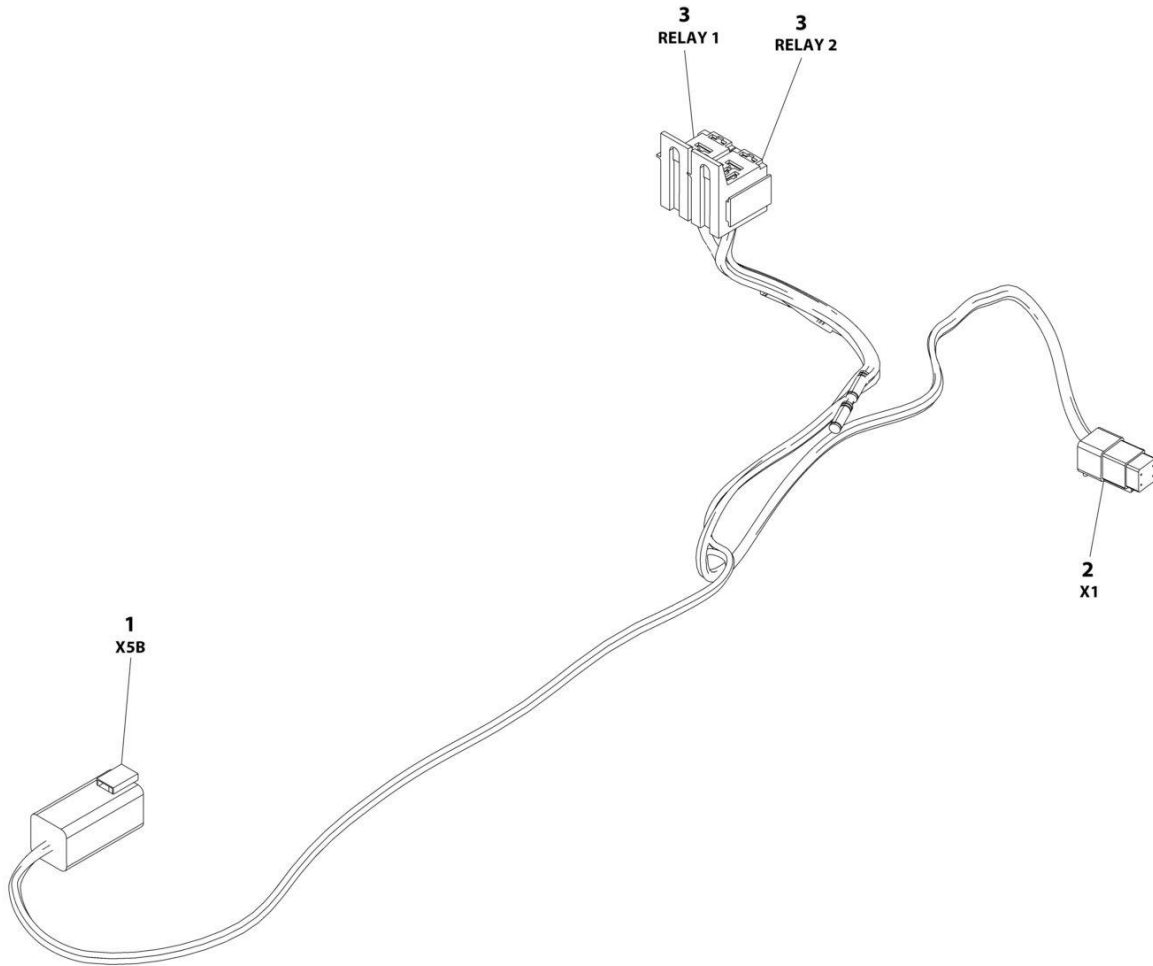
SECTION 8 - ELECTRICAL

FIGURE 8-65. SKYEYE RECEIVER HARNESS

| ITEM | PART NUMBER | QTY | DESCRIPTION | REV |
|------|-------------|-----|--------------------------|-----|
| | 1001237863 | Ref | SKYEYE RECEIVER HARNESS | A |
| 2 | 2820247 | AR | Tubing, Heat Shrink | |
| 4 | 1001097051 | 1 | Connector - 4 Position | |
| 4 | 1001119620 | 4 | Pin, Male | |
| 6 | 1001227996 | 1 | Grommet | |
| 7 | 1001237862 | 1 | Cable, M8 Female Cordset | |

SECTION 8 - ELECTRICAL

FIGURE 8-66. SKYLINE HARNESS



ART_1001238418

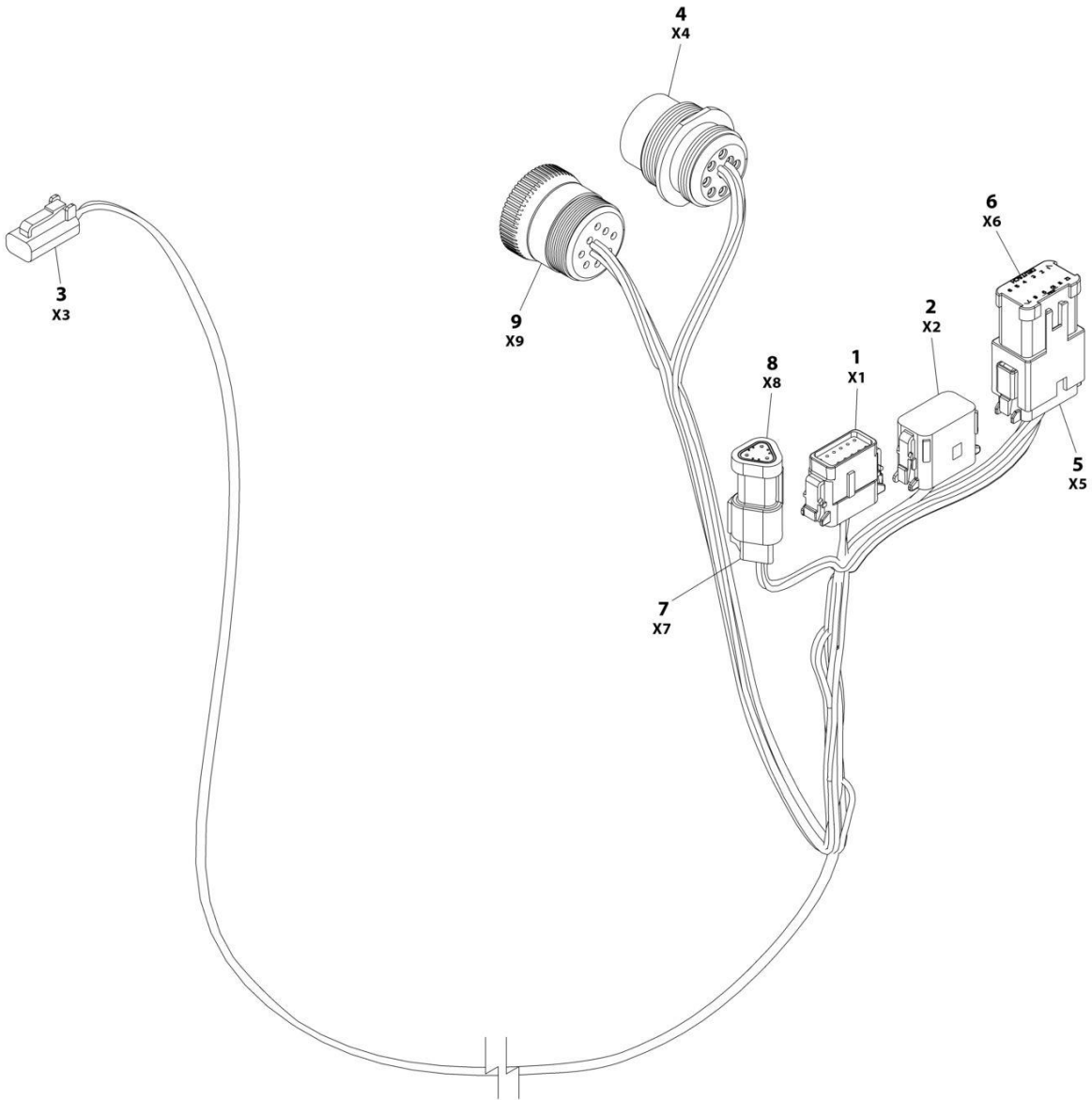
SECTION 8 - ELECTRICAL

FIGURE 8-66. SKYLINE HARNESS

| ITEM | PART NUMBER | QTY | DESCRIPTION | REV |
|------|-------------|-----|------------------------|-----|
| | 1001238418 | Ref | SKYLINE HARNESS | B |
| 1 | 4460899 | 1 | Connector - 6 Position | |
| 1 | 4460464 | 4 | Pin, Male | |
| 1 | 4460466 | 2 | Plug, Terminal | |
| 2 | 4461077 | 1 | Connector - 4 Position | |
| 2 | 1001126009 | 4 | Socket, Female | |
| 3 | 1001186432 | 2 | Plug, Relay | |
| 3 | 1001118388 | 5 | Terminal | |
| 3 | 1001118384 | 3 | Terminal | |
| 3 | 3740086 | 2 | Relay | |

SECTION 8 - ELECTRICAL

FIGURE 8-67. STROBE LIGHT CONTROL (BLUE STROBE LIGHT)



ART_1001142736

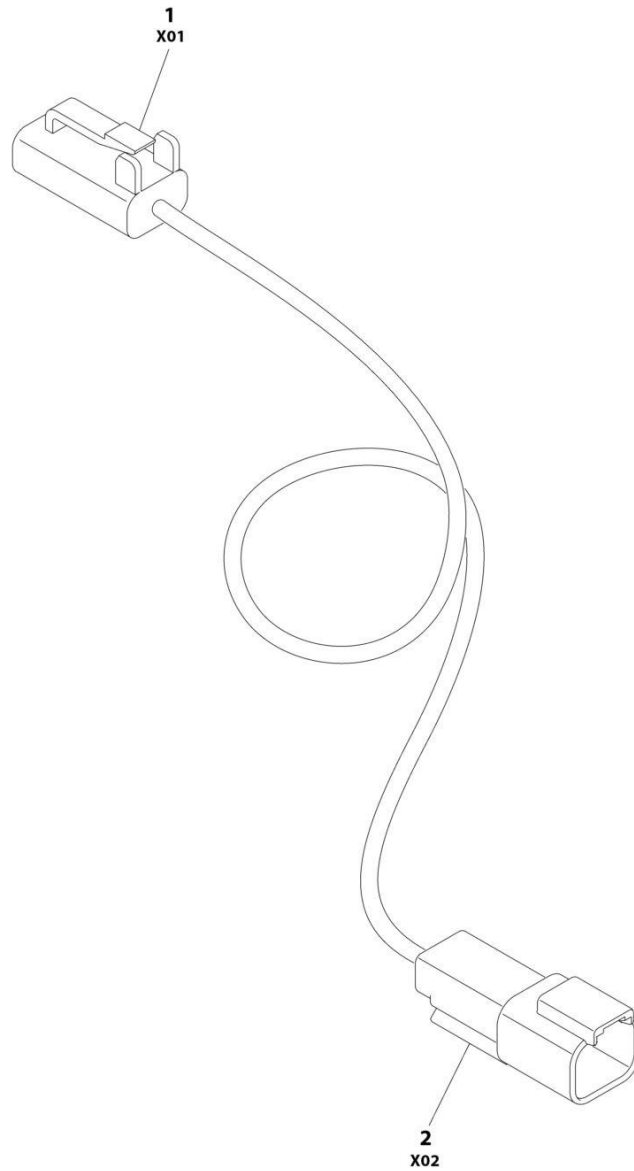
SECTION 8 - ELECTRICAL

FIGURE 8-67. STROBE LIGHT CONTROL (BLUE STROBE LIGHT)

| ITEM | PART NUMBER | QTY | DESCRIPTION | REV |
|------|-------------|-----|--------------------------|-----|
| | 1001142736 | Ref | STROBE LIGHT HARNESS | F |
| 1 | 1001116808 | 1 | Plug, Male - 12 Position | |
| 1 | 4460928 | 3 | Socket, Female | |
| 1 | 4460518 | 9 | Plug, Terminal | |
| 2 | 1001116774 | 1 | Plug, Male - 12 Position | |
| 2 | 4460928 | 3 | Socket, Female | |
| 2 | 4460518 | 9 | Plug, Terminal | |
| 3 | 4460891 | 1 | Plug, Male - 2 Position | |
| 3 | 4460465 | 2 | Socket, Female | |
| 4 | 1001112612 | 1 | Connector - 9 Position | |
| 4 | 4460464 | 6 | Pin, Male | |
| 4 | 4460466 | 3 | Plug, Terminal | |
| 5 | 4460933 | 1 | Plug, Male - 12 Position | |
| 5 | 4460465 | 12 | Socket, Female | |
| 6 | 1001119020 | 1 | Bussbar - 12 Position | |
| 7 | 4461095 | 1 | Plug, Male - 3 Position | |
| 7 | 4460465 | 3 | Socket, Female | |
| 8 | 4461070 | 1 | Bussbar - 3 Position | |
| 9 | 1001112796 | 1 | Connector - 9 Position | |
| 9 | 4460465 | 6 | Socket, Female | |
| 9 | 4460466 | 3 | Plug, Terminal | |

SECTION 8 - ELECTRICAL

FIGURE 8-68. STROBE LIGHT EXTENSION HARNESS (BLUE STROBE LIGHT ONLY)



ART_1001159027

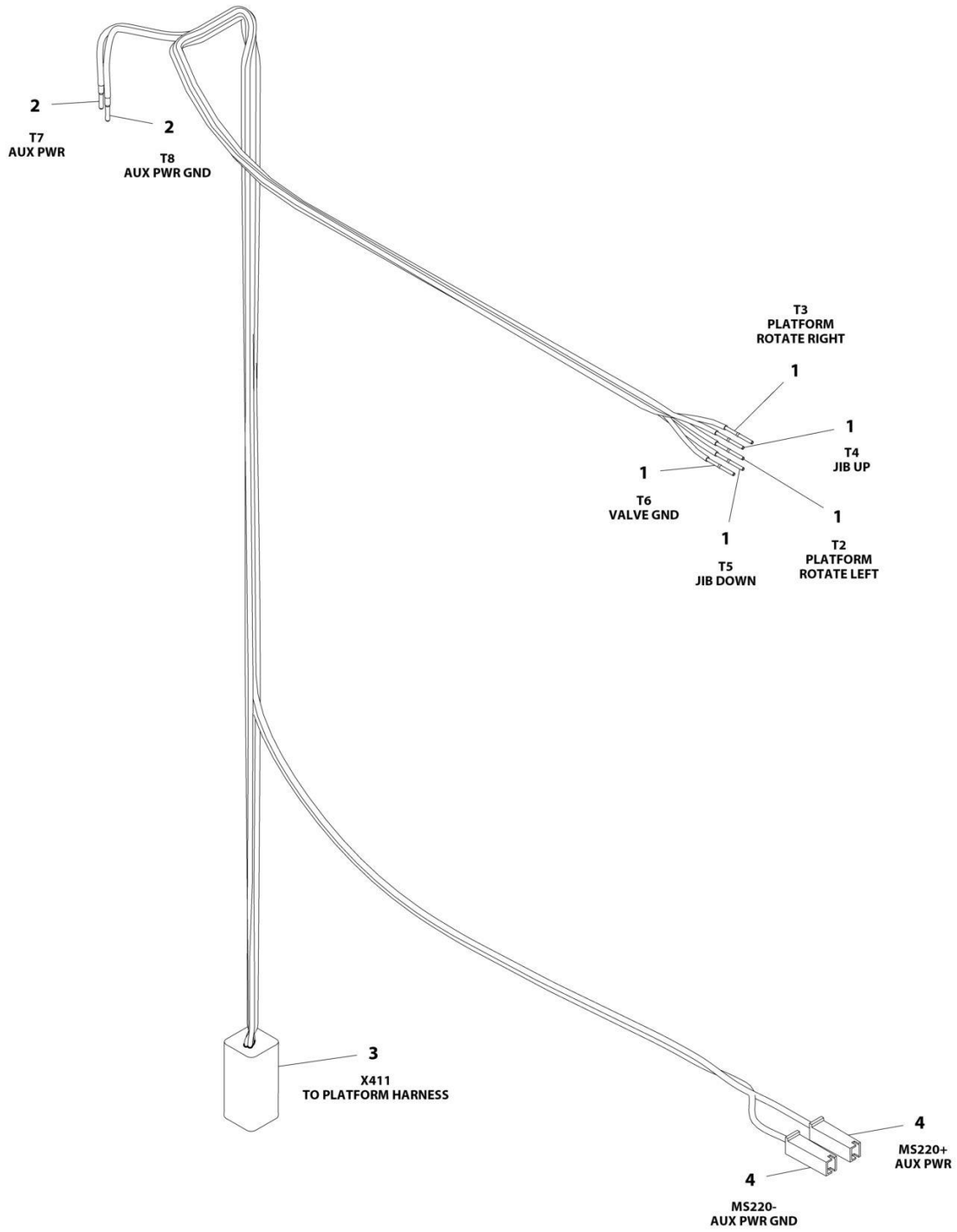
SECTION 8 - ELECTRICAL

FIGURE 8-68. STROBE LIGHT EXTENSION HARNESS (BLUE STROBE LIGHT ONLY)

| ITEM | PART NUMBER | QTY | DESCRIPTION | REV |
|------|-------------|-----|---|-----|
| | 1001159027 | Ref | STROBE LIGHT EXTENSION HARNESS (BLUE STROBE LIGHT ONLY) | B |
| 1 | 4460891 | 1 | Plug, Male - 2 Position | |
| 1 | 4460465 | 2 | Socket, Female | |
| 2 | 4460897 | 1 | Receptacle, Female | |
| 2 | 4460464 | 2 | Pin, Male | |

SECTION 8 - ELECTRICAL

FIGURE 8-69. VALVE HARNESS - BOOM VALVE



ART_1001140525

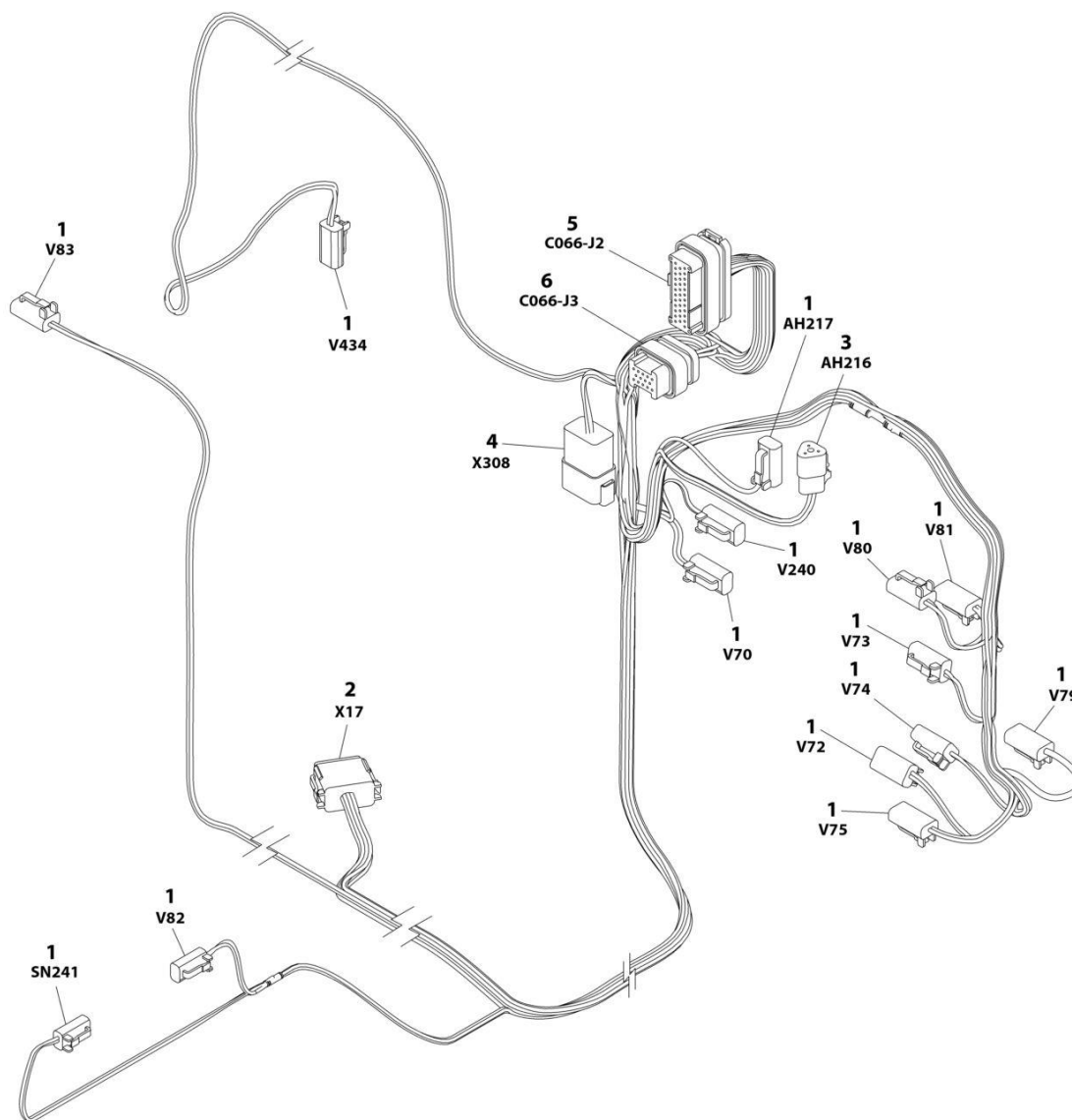
SECTION 8 - ELECTRICAL

FIGURE 8-69. VALVE HARNESS - BOOM VALVE

| ITEM | PART NUMBER | QTY | DESCRIPTION | REV |
|------|-------------|-----|---------------------------------|-----|
| | 1001140525 | Ref | BOOM HARNESS - UPPER BOOM VALVE | A |
| 1 | 4460465 | 5 | Socket, Female | |
| 2 | 4460508 | 2 | Pin, Male | |
| 3 | 4460899 | 1 | Connector - 6 Position | |
| 3 | 4460464 | 5 | Pin, Male | |
| 3 | 4460466 | 1 | Plug, Terminal | |
| 4 | 4460260 | 2 | Connector - 1 Position | |
| 4 | 4460259 | 2 | Terminal | |

SECTION 8 - ELECTRICAL

FIGURE 8-70. VALVE HARNESS - MAIN CONTROL



ART_1001244525

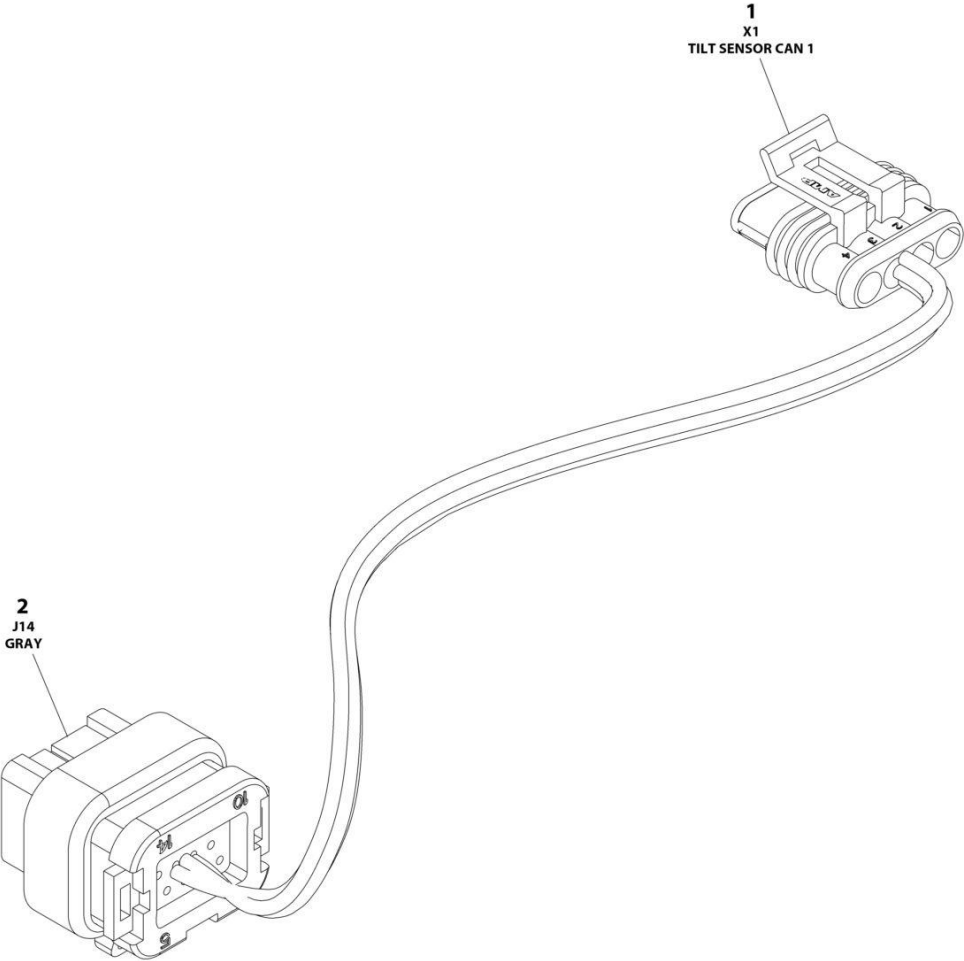
SECTION 8 - ELECTRICAL

FIGURE 8-70. VALVE HARNESS - MAIN CONTROL

| ITEM | PART NUMBER | QTY | DESCRIPTION | REV |
|------|-------------|-----|--------------------------|-----|
| | 1001244525 | Ref | VALVE HARNESS | A |
| 1 | 4460891 | 14 | Plug, Male - 2 Position | |
| 1 | 4460465 | 28 | Socket, Female | |
| 2 | 4460933 | 1 | Plug, Male - 12 Position | |
| 2 | 4460465 | 9 | Socket, Female | |
| 2 | 4460466 | 3 | Plug, Terminal | |
| 3 | 4460539 | 1 | Connector - 3 Position | |
| 3 | 4460465 | 3 | Socket, Female | |
| 4 | 4460931 | 1 | Connector - 8 Position | |
| 4 | 4460464 | 5 | Pin, Male | |
| 4 | 4460466 | 3 | Plug, Terminal | |
| 5 | 4460875 | 1 | Connector - 35 Position | |
| 5 | 4460871 | 28 | Socket, Female | |
| 5 | 4460905 | 7 | Plug, Terminal | |
| 6 | 4460872 | 1 | Connector - 14 Position | |
| 6 | 4460871 | 8 | Socket, Female | |
| 6 | 4460905 | 6 | Plug, Terminal | |

SECTION 8 - ELECTRICAL

FIGURE 8-71. TILT SENSOR HARNESS



ART_1001276143

SECTION 8 - ELECTRICAL

FIGURE 8-71. TILT SENSOR HARNESS

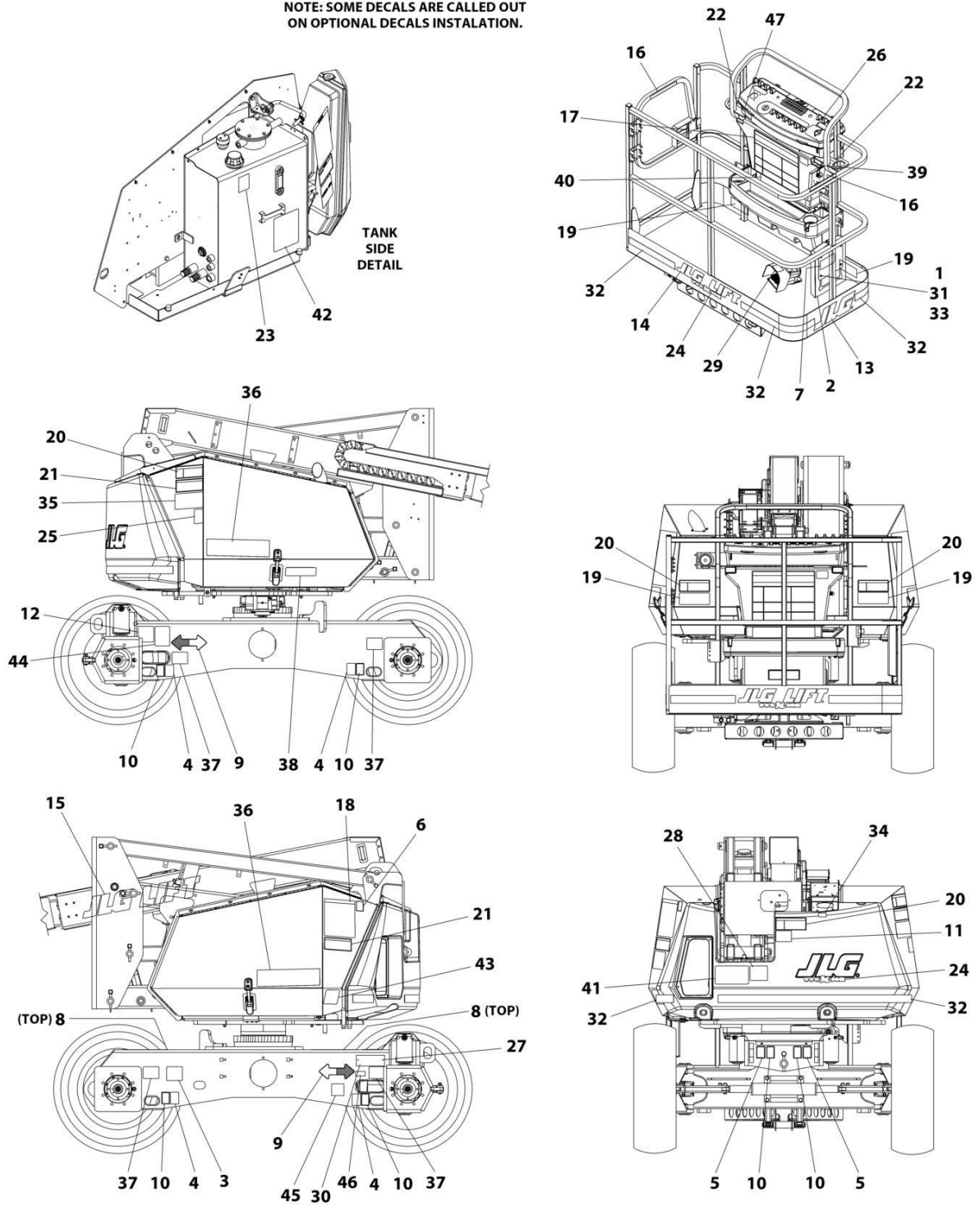
| ITEM | PART NUMBER | QTY | DESCRIPTION | REV |
|------|-------------|-----|-------------------------|-----|
| | 1001276143 | Ref | TILT SENSOR HARNESS | B |
| 1 | 1001103012 | 1 | Connector - 4 Position | |
| 1 | 1001107854 | 4 | Terminal, Male | |
| 1 | 1001104498 | 4 | Terminal, Seal | |
| 2 | 1001246859 | 1 | Connector - 14 Position | |
| 2 | 4460871 | 4 | Socekt, Female | |
| 2 | 4460905 | 10 | Plug, Terminal | |

SECTION 9 - DECALS

SECTION 9 - DECALS

FIGURE 9-1. DECALS INSTALLATION - ANSI AND ANSI EXPORT SPECS (ENGLISH)

NOTE: SOME DECALS ARE CALLED OUT ON OPTIONAL DECALS INSTALLATION.



ART_1001245868

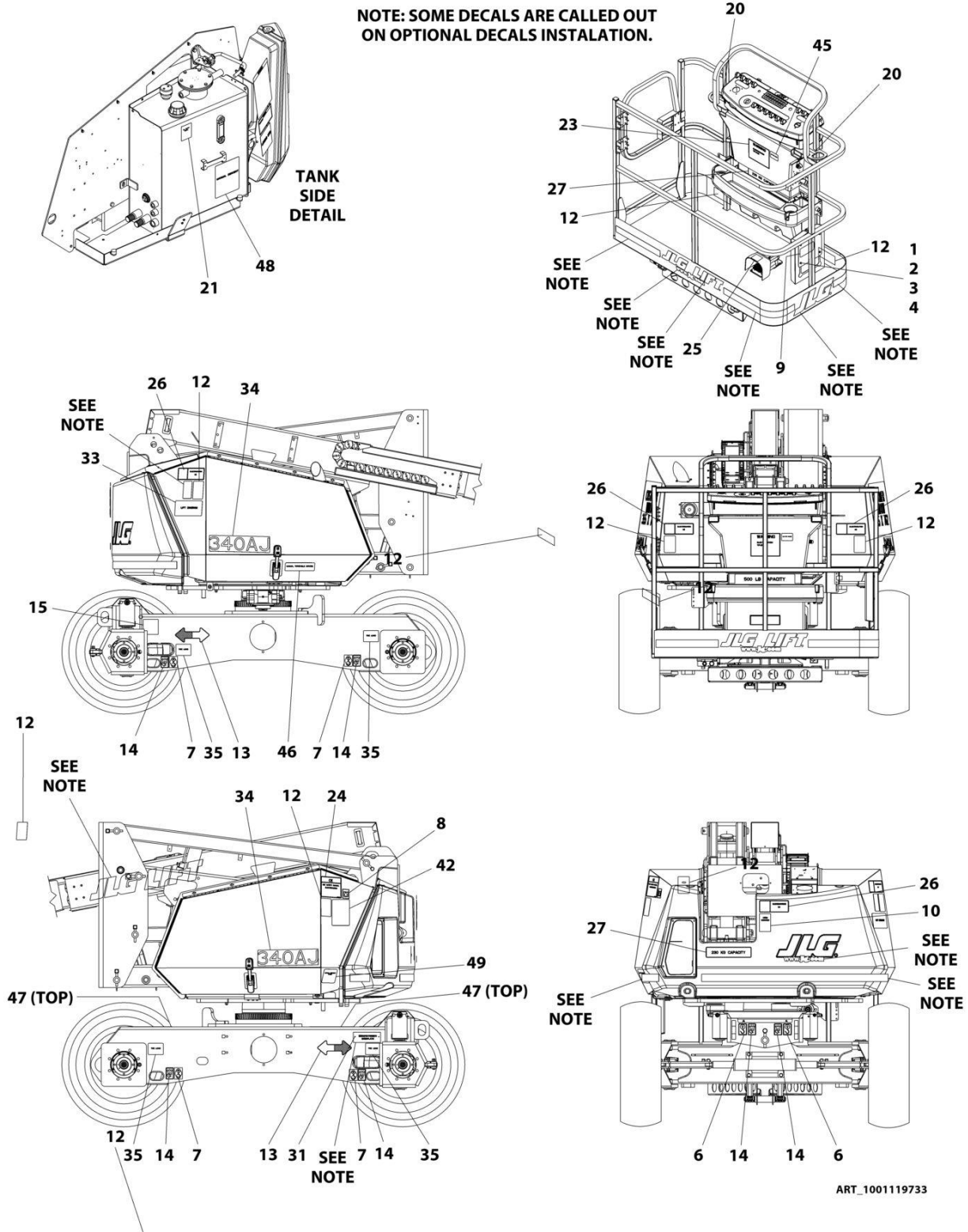
SECTION 9 - DECALS

FIGURE 9-1. DECALS INSTALLATION - ANSI AND ANSI EXPORT SPECS (ENGLISH)

| ITEM | PART NUMBER | QTY | DESCRIPTION | REV |
|------|-------------|-----|---|-----|
| | 1001245868 | Ref | DECALS INSTALLATION | D |
| 1 | 0760610 | 4 | Bolt M6 x 20 | |
| 2 | 0860520 | 1 | Box, Manual Storage | |
| 4 | 1701499 | 4 | Decal - No Tie-Down/No Lift | |
| 5 | 1701500 | 4 | Decal - Lift | |
| 6 | 1701504 | 1 | Decal - Hydraulic Oil | |
| 7 | 1701509 | 1 | Decal - Manual | |
| 8 | 1701529 | 2 | Decal - Arrow | |
| 9 | 1701642 | 2 | Decal - Arrow | |
| 10 | 1702300 | 8 | Decal - Tie-Down | |
| 11 | 1702391 | 1 | Decal - Crushing | |
| 12 | See Note | 1 | Decal - Bar Code (Note: Not Available for Purchase) | |
| 16 | 1702868 | 2 | Decal - No Hands | |
| 17 | 1703797 | 1 | Decal - Danger/Warning | |
| 18 | 1703798 | 1 | Decal - Danger/Warning | |
| 19 | 1703804 | 4 | Decal - Warning Crushing | |
| 20 | 1703805 | 4 | Decal - Electrocutation | |
| 21 | 1703953 | 2 | Decal - Warning Crushing | |
| 22 | 1704277 | 2 | Decal - Lanyard Attach | |
| 23 | 1704412 | 1 | Decal - Hydraulic Oil | |
| 26 | 1705351 | 1 | Decal - Drive/Steer Instructions | |
| 27 | 2080057 | 2 | Fastener | |
| 29 | 3252347 | 1 | Nameplate - Footswitch | |
| 31 | 3290605 | 4 | Nut M6 | |
| 33 | 4811700 | 8 | Washer M6 | |
| 35 | 1001119576 | 1 | Decal - Lift Diagram | |
| 36 | 1001119578 | 2 | Decal - 340AJ (Prior to SN 0300280427) | |
| 36 | 1001267323 | 2 | Decal - 340AJ (SN 0300280427 to Present) | |
| 37 | 1001119580 | 4 | Decal - Tire Load | |
| 38 | 1001119981 | 1 | Decal - Manual Turntable Rotate | |
| 39 | 1001120002 | 1 | Decal - No Pipe Racks | |
| 40 | 1001253920 | 1 | Decal - Warning Single Capacity | |
| 41 | 1001253921 | 1 | Decal - Warning Single Capacity | |
| 42 | 1001127549 | 1 | Decal - Manual Descent | |
| 43 | 1001127588 | 1 | Decal - Manual Descent | |
| 44 | 1001131269 | 1 | Decal - Patent | |
| 45 | 1001223055 | 1 | Decal - Yearly Inspection | |
| 46 | 1001223453 | 1 | Decal - ICES | |

SECTION 9 - DECALS

FIGURE 9-2. DECALS INSTALLATION - AUSTRALIAN SPEC (ENGLISH)



SECTION 9 - DECALS

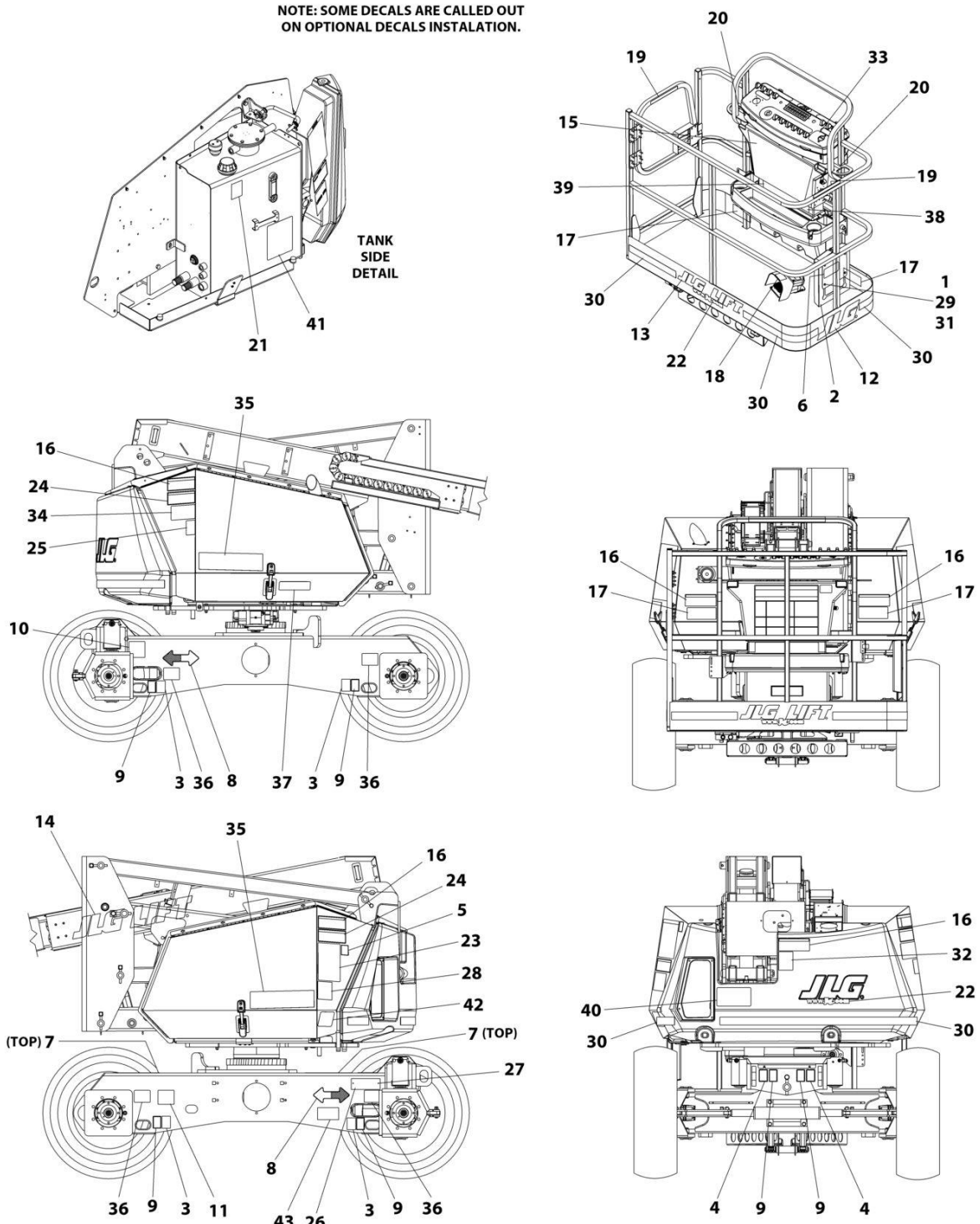
FIGURE 9-2. DECALS INSTALLATION - AUSTRALIAN SPEC (ENGLISH)

| ITEM | PART NUMBER | QTY | DESCRIPTION | REV |
|------|-------------|-----|---|-----|
| | 1001119733 | Ref | DECALS INSTALLATION | H |
| 1 | 0760610 | 4 | Bolt M6 x 20 | |
| 2 | 4811700 | 8 | Washer M6 | |
| 3 | 3290605 | 4 | Nut M6 | |
| 4 | 0860520 | 1 | Box, Manual Storage | |
| 6 | 1701500 | 4 | Decal - Lift | |
| 7 | 1701499 | 4 | Decal - No Tie-Down/No Lift | |
| 8 | 1701504 | 1 | Decal - Hydraulic Oil | |
| 9 | 1701509 | 1 | Decal - Manual | |
| 10 | 1701517 | 1 | Decal - Crushing | |
| 12 | 1701518 | 6 | Decal - Crushing | |
| 13 | 1701642 | 2 | Decal - Arrow | |
| 14 | 1702300 | 8 | Decal - Tie-Down | |
| 15 | See Note | 1 | Decal - Bar Code (Note: Not Available for Purchase) | |
| 20 | 1704277 | 2 | Decal - Lanyard Attach | |
| 21 | 1704412 | 1 | Decal - Hydraulic Oil | |
| 23 | 1705921 | 1 | Decal - Tipping/Electrocution | |
| 24 | 1705822 | 1 | Decal - Electrocution/Safety Manual | |
| 25 | 1705828 | 1 | Decal - Footswitch | |
| 26 | 1705961 | 4 | Decal - Electrocution | |
| 27 | 1705978 | 2 | Decal - Capacity 230KG | |
| 31 | 2080057 | 2 | Fastener | |
| 33 | 1001119576 | 1 | Decal - Lift Diagram | |
| 34 | 1001119578 | 2 | Decal - 340AJ (Prior to SN 0300280427) | |
| 34 | 1001267323 | 2 | Decal - 340AJ (SN 0300280427 to Present) | |
| 35 | 1001119580 | 4 | Decal - Tire Load | |
| 42 | 1001112551 | 1 | Decal - Emergency Controls | |
| 45 | 1001120003 | 1 | Decal - No Pipe Racks | |
| 46 | 1001119981 | 1 | Decal - Manual Turntable Rotate | |
| 47 | 1701529 | 2 | Decal - Arrow | |
| 48 | 1001127549 | 1 | Decal - Manual Descent | |
| 49 | 1001127588 | 1 | Decal - Manual Descent | |

SECTION 9 - DECALS

FIGURE 9-3. DECALS INSTALLATION - BRAZIL SPEC (PORTUGUESE/SPANISH)

NOTE: SOME DECALS ARE CALLED OUT ON OPTIONAL DECALS INSTALLATION.



ART_1001246463

SECTION 9 - DECALS

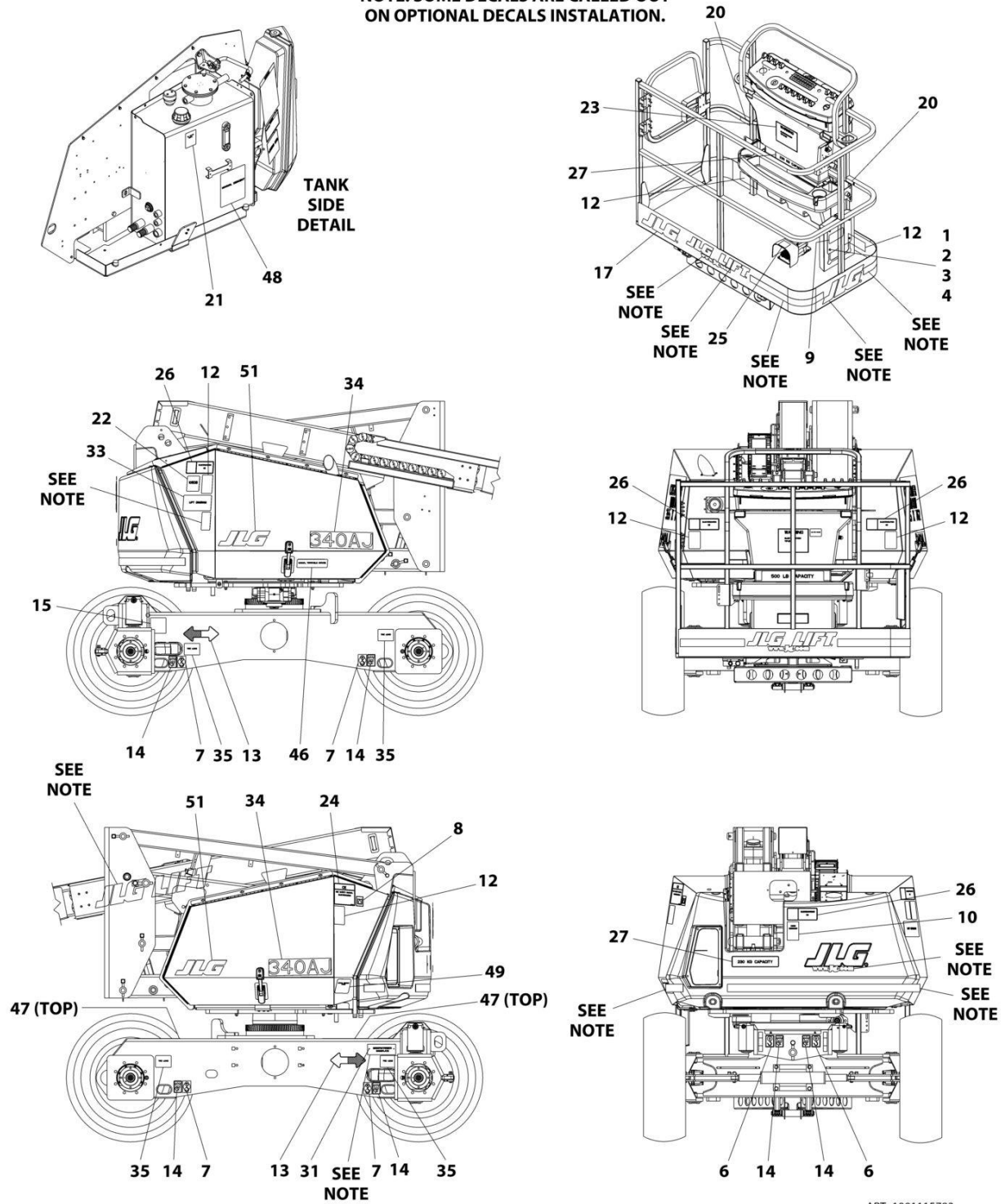
FIGURE 9-3. DECALS INSTALLATION - BRAZIL SPEC (PORTUGUESE/SPANISH)

| ITEM | PART NUMBER | QTY | DESCRIPTION | REV |
|------|-------------|-----|---|-----|
| | 1001246463 | Ref | DECALS INSTALLATION | E |
| 1 | 0760610 | 4 | Bolt M6 x 20 | |
| 2 | 0860520 | 1 | Box, Manual Storage | |
| 3 | 1701499 | 4 | Decal - No Tie-Down/No Lift | |
| 4 | 1701500 | 4 | Decal - Lift | |
| 5 | 1701504 | 1 | Decal - Hydraulic Oil | |
| 6 | 1701509 | 1 | Decal - Manual | |
| 7 | 1701529 | 2 | Decal - Arrow | |
| 8 | 1701642 | 2 | Decal - Arrow | |
| 9 | 1702300 | 8 | Decal - Tie-Down | |
| 10 | See Note | NSS | Decal - Bar Code (Note: Not Available for Purchase) | |
| 15 | 1703928 | 1 | Decal - Danger/Warning | |
| 16 | 1703940 | 5 | Decal - Electrocution | |
| 17 | 1703952 | 4 | Decal - Warning Crushing | |
| 18 | 1703985 | 1 | Nameplate - Footswitch | |
| 19 | 1704002 | 1 | Decal - No Hands | |
| 20 | 1704277 | 2 | Decal - Lanyard Attach | |
| 21 | 1704412 | 1 | Decal - Hydraulic Oil | |
| 23 | 1705349 | 1 | Decal - Warning Inspection | |
| 24 | 1705903 | 2 | Decal - Warning Crushing (Portuguese/English) | |
| 24 | 1703946 | 2 | Decal - Warning Crushing (Portuguese/Spanish) | |
| 27 | 2080057 | 2 | Fastener | |
| 29 | 3290605 | 4 | Nut M6 | |
| 31 | 4811700 | 8 | Washer M6 | |
| 32 | 1001113170 | 1 | Decal - Crushing | |
| 33 | 1001113680 | 1 | Decal - Drive/Steer Instructions | |
| 34 | 1001119576 | 1 | Decal - Lift Diagram | |
| 35 | 1001119578 | 2 | Decal - 340AJ (Prior to SN 0300280427) | |
| 35 | 1001267323 | 2 | Decal - 340AJ (SN 0300280427 to Present) | |
| 36 | 1001119580 | 4 | Decal - Tire Load | |
| 37 | 1001119981 | 1 | Decal - Manual Turntable Rotate | |
| 38 | 1001120002 | 1 | Decal - No Pipe Racks | |
| 39 | 1001253928 | 1 | Decal - Warning Single Capacity | |
| 40 | 1001253929 | 1 | Decal - Warning Single Capacity | |
| 41 | 1001127549 | 1 | Decal - Manual Descent | |
| 42 | 1001127588 | 1 | Decal - Manual Descent | |
| 43 | 1001224052 | 1 | Decal - Yearly Inspection | |

SECTION 9 - DECALS

FIGURE 9-4. DECALS INSTALLATION - CE & UK CA SPECS (ENGLISH)

NOTE: SOME DECALS ARE CALLED OUT ON OPTIONAL DECALS INSTALLATION.



ART_1001115783

SECTION 9 - DECALS

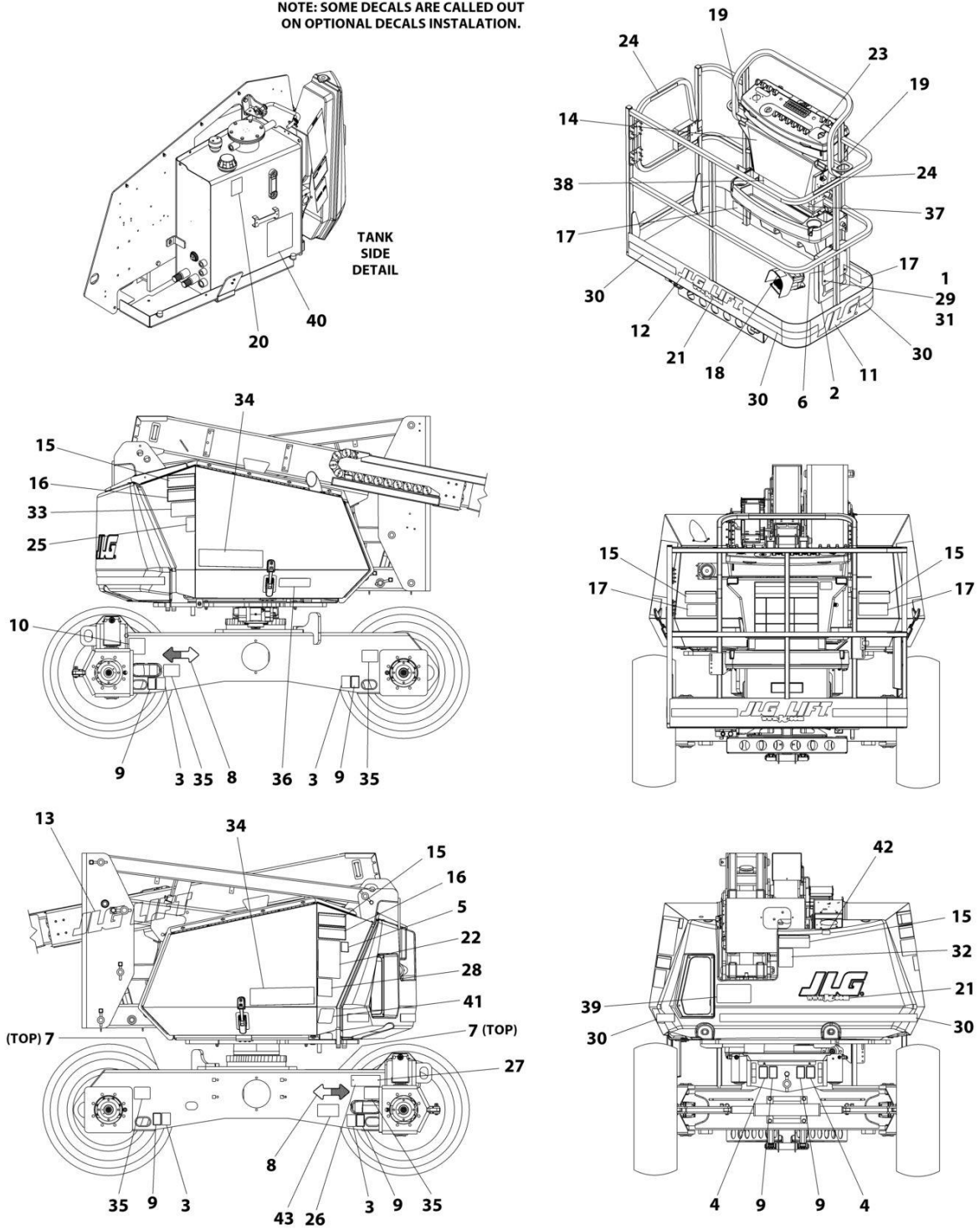
FIGURE 9-4. DECALS INSTALLATION - CE & UK CA SPECS (ENGLISH)

| ITEM | PART NUMBER | QTY | DESCRIPTION | REV |
|------|-------------|-----|---|-----|
| | 1001115783 | Ref | DECALS INSTALLATION | M |
| 1 | 0760610 | 4 | Bolt M6 x 20 | |
| 2 | 4811700 | 8 | Washer M6 | |
| 3 | 3290605 | 4 | Nut M6 | |
| 4 | 0860520 | 1 | Box, Manual Storage | |
| 6 | 1701500 | 4 | Decal - Lift | |
| 7 | 1701499 | 4 | Decal - No Tie-Down/No Lift | |
| 8 | 1701504 | 1 | Decal - Hydraulic Oil | |
| 9 | 1701509 | 1 | Decal - Manual | |
| 10 | 1701517 | 1 | Decal - Crushing | |
| 12 | 1701518 | 6 | Decal - Crushing | |
| 13 | 1701642 | 2 | Decal - Arrow | |
| 14 | 1702300 | 8 | Decal - Tie-Down | |
| 15 | See Note | 1 | Decal - Bar Code (Note: Not Available for Purchase) | |
| 17 | 1702773 | 1 | Decal - JLG | |
| 20 | 1704277 | 2 | Decal - Lanyard Attach | |
| 21 | 1704412 | 1 | Decal - Hydraulic Oil | |
| 22 | 1001130492 | 1 | Decal - Sound Power | |
| 23 | 1705921 | 1 | Decal - Tipping/Electrocution | |
| 24 | 1705822 | 1 | Decal - Electrocution/Safety Manual | |
| 25 | 1705828 | 1 | Decal - Footswitch | |
| 26 | 1705961 | 4 | Decal - Electrocution | |
| 27 | 1705978 | 2 | Decal - Capacity 230KG | |
| 31 | 2080057 | 2 | Fastener | |
| 33 | 1001119576 | 1 | Decal - Lift Diagram | |
| 34 | 1001119578 | 2 | Decal - 340AJ (Prior to SN 0300280427) | |
| 34 | 1001267323 | 2 | Decal - 340AJ (SN 0300280427 to Present) | |
| 35 | 1001119580 | 4 | Decal - Tire Load | |
| 46 | 1001119981 | 1 | Decal - Manual Turntable Rotate | |
| 47 | 1701529 | 2 | Decal - Arrow | |
| 48 | 1001127549 | 1 | Decal - Manual Descent | |
| 49 | 1001127588 | 1 | Decal - Manual Descent | |
| 51 | 1701435 | 2 | Decal - JLG | |

SECTION 9 - DECALS

FIGURE 9-5. DECALS INSTALLATION - CHINESE SPEC (CHINESE/ENGLISH)

NOTE: SOME DECALS ARE CALLED OUT ON OPTIONAL DECALS INSTALLATION.



ART_1001246462

SECTION 9 - DECALS

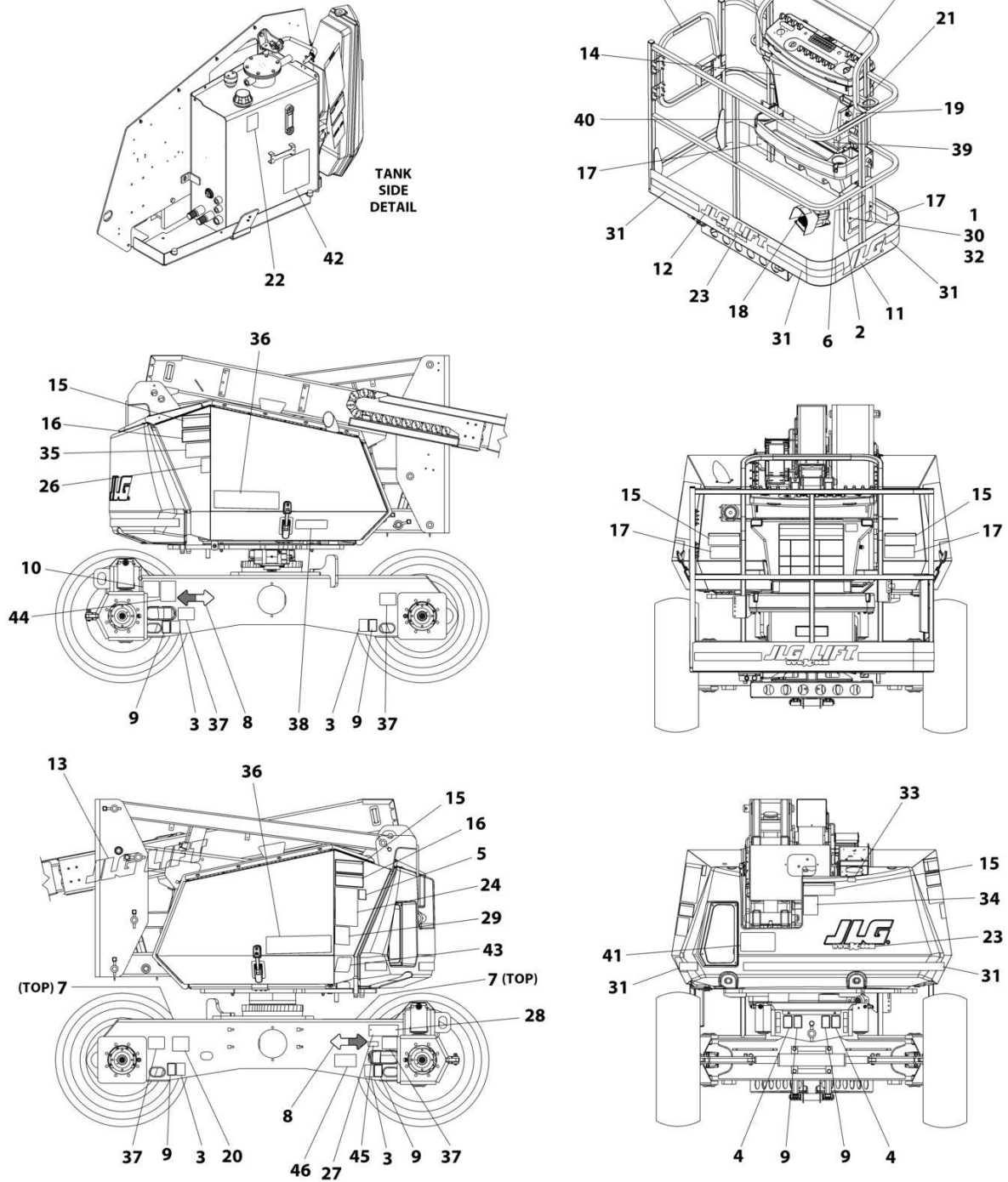
FIGURE 9-5. DECALS INSTALLATION - CHINESE SPEC (CHINESE/ENGLISH)

| ITEM | PART NUMBER | QTY | DESCRIPTION | REV |
|------|-------------|-----|---|-----|
| | 1001246462 | Ref | DECALS INSTALLATION | D |
| 1 | 0760610 | 4 | Bolt M6 x 20 | |
| 2 | 0860520 | 1 | Box, Manual Storage | |
| 3 | 1701499 | 4 | Decal - No Tie-Down/No Lift | |
| 4 | 1701500 | 4 | Decal - Lift | |
| 5 | 1701504 | 1 | Decal - Hydraulic Oil | |
| 6 | 1701509 | 1 | Decal - Manual | |
| 7 | 1701529 | 2 | Decal - Arrow | |
| 8 | 1701642 | 2 | Decal - Arrow | |
| 9 | 1702300 | 8 | Decal - Tie-Down | |
| 10 | See Note | NSS | Decal - Bar Code (Note: Not Available for Purchase) | |
| 14 | 1703925 | 1 | Decal - Warning/Danger | |
| 15 | 1703937 | 5 | Decal - Electrocution | |
| 16 | 1703943 | 2 | Decal - Warning Crushing | |
| 17 | 1703949 | 4 | Decal - Warning Crushing | |
| 18 | 1703982 | 1 | Nameplate - Footswitch | |
| 19 | 1704277 | 2 | Decal - Lanyard Attach | |
| 20 | 1704412 | 1 | Decal - Hydraulic Oil | |
| 22 | 1705348 | 1 | Decal - Warning Inspection | |
| 23 | 1705430 | 1 | Decal - Drive/Steer Instructions | |
| 24 | 1705968 | 2 | Decal - No Hands | |
| 27 | 2080057 | 2 | Fastener | |
| 29 | 3290605 | 4 | Nut M6 | |
| 31 | 4811700 | 8 | Washer M6 | |
| 32 | 1001113168 | 1 | Decal - Crushing | |
| 33 | 1001119576 | 1 | Decal - Lift Diagram | |
| 34 | 1001119578 | 2 | Decal - 340AJ (Prior to SN 0300280427) | |
| 34 | 1001267323 | 2 | Decal - 340AJ (SN 0300280427 to Present) | |
| 35 | 1001119580 | 4 | Decal - Tire Load | |
| 36 | 1001119981 | 1 | Decal - Manual Turntable Rotate | |
| 37 | 1001120281 | 1 | Decal - No Pipe Racks | |
| 38 | 1001253926 | 1 | Decal - Warning Single Capacity | |
| 39 | 1001253927 | 1 | Decal - Warning Single Capacity | |
| 40 | 1001127549 | 1 | Decal - Manual Descent | |
| 41 | 1001127588 | 1 | Decal - Manual Descent | |
| 43 | 1001224050 | 1 | Decal - Yearly Inspection | |

SECTION 9 - DECALS

FIGURE 9-6. DECALS INSTALLATION - CSA SPEC (FRENCH/ENGLISH)

NOTE: SOME DECALS ARE CALLED OUT ON OPTIONAL DECALS INSTALLATION.



ART_1001245869

SECTION 9 - DECALS

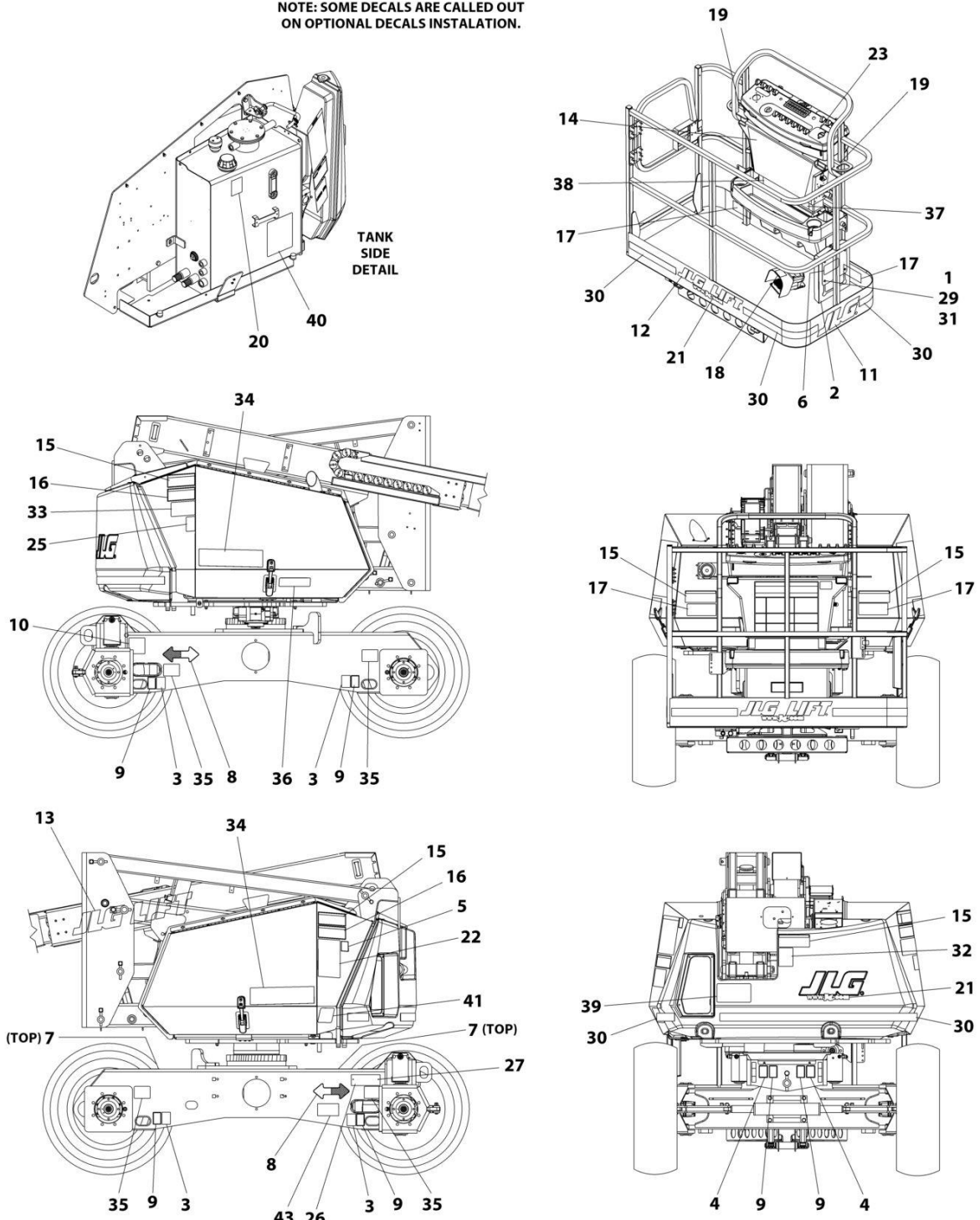
FIGURE 9-6. DECALS INSTALLATION - CSA SPEC (FRENCH/ENGLISH)

| ITEM | PART NUMBER | QTY | DESCRIPTION | REV |
|------|-------------|-----|---|-----|
| | 1001245869 | Ref | DECALS INSTALLATION | D |
| 1 | 0760610 | 4 | Bolt M6 x 20 | |
| 2 | 0860520 | 1 | Box, Manual Storage | |
| 3 | 1701499 | 4 | Decal - No Tie-Down/No Lift | |
| 4 | 1701500 | 4 | Decal - Lift | |
| 5 | 1701504 | 1 | Decal - Hydraulic Oil | |
| 6 | 1701509 | 1 | Decal - Manual | |
| 7 | 1701529 | 2 | Decal - Arrow | |
| 8 | 1701642 | 2 | Decal - Arrow | |
| 9 | 1702300 | 8 | Decal - Tie-Down | |
| 10 | See Note | NSS | Decal - Bar Code (Note: Not Available for Purchase) | |
| 14 | 1703924 | 1 | Decal - Warning/Danger | |
| 15 | 1703936 | 5 | Decal - Electrocution | |
| 16 | 1703942 | 2 | Decal - Warning Crushing | |
| 17 | 1703948 | 4 | Decal - Warning Crushing | |
| 18 | 1703984 | 1 | Nameplate - Footswitch | |
| 19 | 1704000 | 2 | Decal - No Hands | |
| 21 | 1704277 | 2 | Decal - Lanyard Attach | |
| 22 | 1704412 | 1 | Decal - Hydraulic Oil | |
| 24 | 1705347 | 1 | Decal - Warning Inspection | |
| 25 | 1705429 | 1 | Decal - Drive/Steer Instructions | |
| 28 | 2080057 | 2 | Fastener | |
| 30 | 3290605 | 4 | Nut M6 | |
| 32 | 4811700 | 8 | Washer M6 | |
| 34 | 1001113169 | 1 | Decal - Crushing | |
| 35 | 1001119576 | 1 | Decal - Lift Diagram | |
| 36 | 1001119578 | 2 | Decal - 340AJ (Prior to SN 0300280427) | |
| 36 | 1001267323 | 2 | Decal - 340AJ (SN 0300280427 to Present) | |
| 37 | 1001119580 | 4 | Decal - Tire Load | |
| 38 | 1001119981 | 1 | Decal - Manual Turntable Rotate | |
| 39 | 1001120004 | 1 | Decal - No Pipe Racks | |
| 40 | 1001253922 | 1 | Decal - Warning Single Capacity | |
| 41 | 1001253923 | 1 | Decal - Warning Single Capacity | |
| 42 | 1001127549 | 1 | Decal - Manual Descent | |
| 43 | 1001127588 | 1 | Decal - Manual Descent | |
| 44 | 1001131269 | 1 | Decal - Patent | |
| 45 | 1001223453 | 1 | Decal - ICES | |
| 46 | 1001223971 | 1 | Decal - Yearly Inspection | |

SECTION 9 - DECALS

FIGURE 9-7. DECALS INSTALLATION - JAPANESE SPEC (JAPANESE)

NOTE: SOME DECALS ARE CALLED OUT ON OPTIONAL DECALS INSTALLATION.



ART_1001246460

SECTION 9 - DECALS

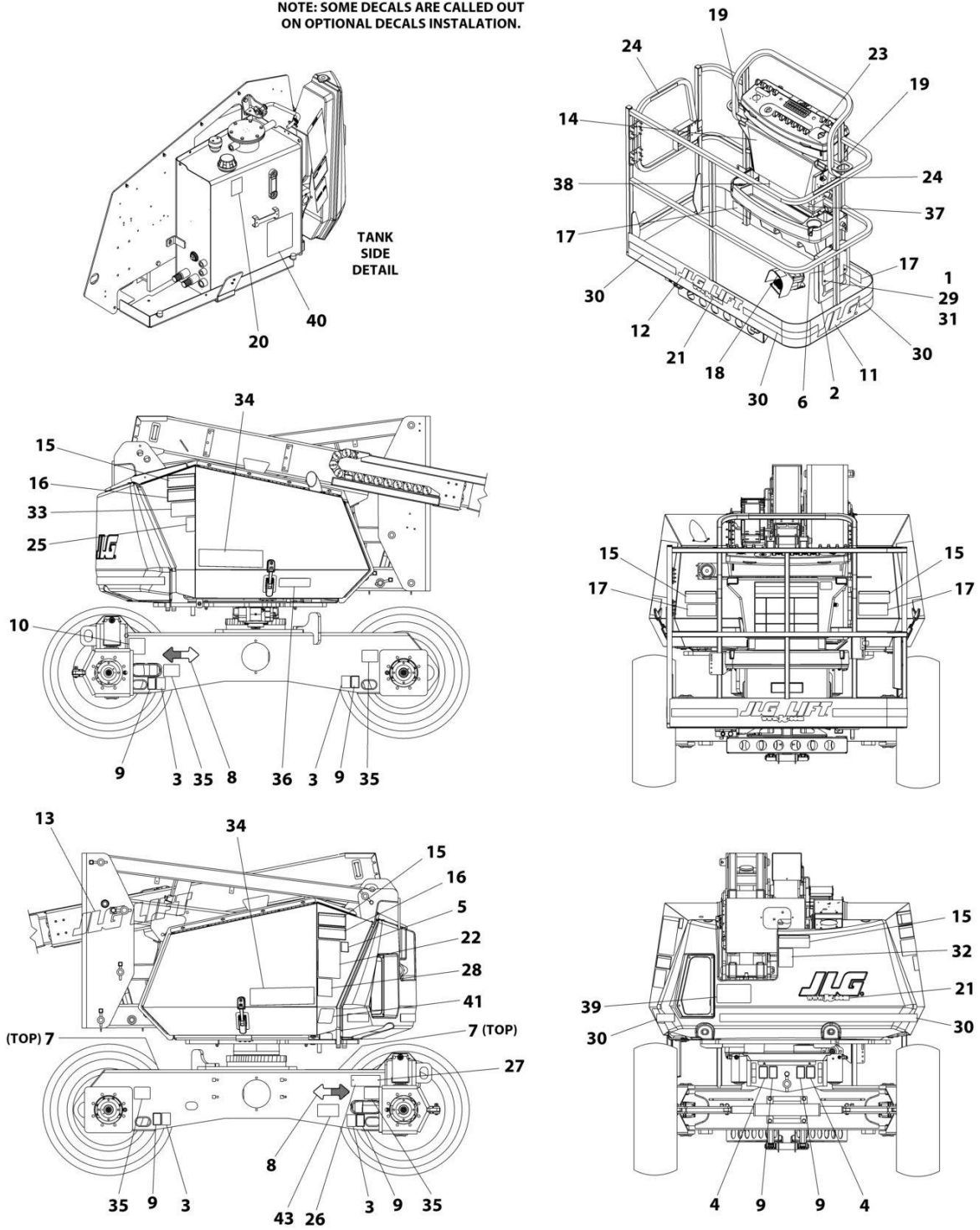
FIGURE 9-7. DECALS INSTALLATION - JAPANESE SPEC (JAPANESE)

| ITEM | PART NUMBER | QTY | DESCRIPTION | REV |
|------|-------------|-----|---|-----|
| | 1001246460 | Ref | DECALS INSTALLATION | E |
| 1 | 0760610 | 4 | Bolt M6 x 20 | |
| 2 | 0860520 | 1 | Box, Manual Storage | |
| 3 | 1701499 | 4 | Decal - No Tie-Down/No Lift | |
| 4 | 1701500 | 4 | Decal - Lift | |
| 5 | 1701504 | 1 | Decal - Hydraulic Oil | |
| 6 | 1701509 | 1 | Decal - Manual | |
| 7 | 1701529 | 2 | Decal - Arrow | |
| 8 | 1701642 | 2 | Decal - Arrow | |
| 9 | 1702300 | 8 | Decal - Tie-Down | |
| 10 | See Note | NSS | Decal - Bar Code (Note: Not Available for Purchase) | |
| 14 | 1703926 | 1 | Decal - Danger/Warning | |
| 15 | 1703938 | 5 | Decal - Electrocution | |
| 16 | 1703944 | 2 | Decal - Warning Crushing | |
| 17 | 1703950 | 4 | Decal - Warning Crushing | |
| 18 | 1703980 | 1 | Nameplate - Footswitch | |
| 19 | 1704277 | 2 | Decal - Lanyard Attach | |
| 20 | 1704412 | 1 | Decal - Hydraulic Oil | |
| 22 | 1705344 | 1 | Decal - Warning Inspection | |
| 23 | 1705426 | 1 | Decal - Drive/Steer Instructions | |
| 27 | 2080057 | 2 | Fastener | |
| 29 | 3290605 | 4 | Nut M6 | |
| 31 | 4811700 | 8 | Washer M6 | |
| 32 | 1001113166 | 1 | Decal - Crushing | |
| 33 | 1001119576 | 1 | Decal - Lift Diagram | |
| 34 | 1001119578 | 2 | Decal - 340AJ (Prior to SN 0300280427) | |
| 34 | 1001267323 | 2 | Decal - 340AJ (SN 0300280427 to Present) | |
| 35 | 1001119580 | 4 | Decal - Tire Load | |
| 36 | 1001119981 | 1 | Decal - Manual Turntable Rotate | |
| 37 | 1001120279 | 1 | Decal - No Pipe Racks | |
| 38 | 1001253932 | 1 | Decal - Warning Single Capacity | |
| 39 | 1001253933 | 1 | Decal - Warning Single Capacity | |
| 40 | 1001127549 | 1 | Decal - Manual Descent | |
| 41 | 1001127588 | 1 | Decal - Manual Descent | |
| 43 | 1001224053 | 1 | Decal - Yearly Inspection | |

SECTION 9 - DECALS

FIGURE 9-8. DECALS INSTALLATION - KOREAN SPEC (KOREAN/ENGLISH)

NOTE: SOME DECALS ARE CALLED OUT ON OPTIONAL DECALS INSTALLATION.



ART_1001246461

SECTION 9 - DECALS

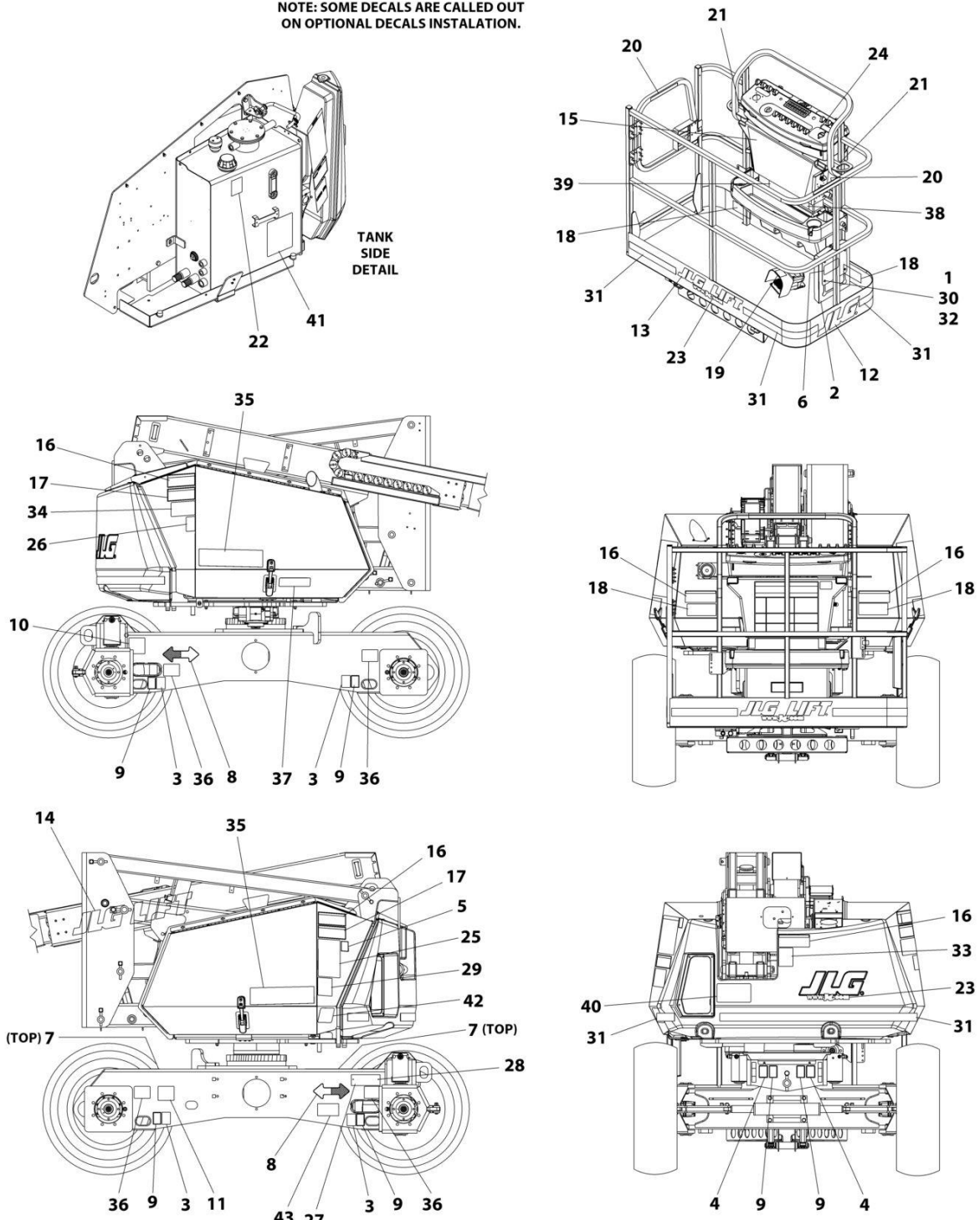
FIGURE 9-8. DECALS INSTALLATION - KOREAN SPEC (KOREAN/ENGLISH)

| ITEM | PART NUMBER | QTY | DESCRIPTION | REV |
|------|-------------|-----|---|-----|
| | 1001246461 | Ref | DECALS INSTALLATION | E |
| 1 | 0760610 | 4 | Bolt M6 x 20 | |
| 2 | 0860520 | 1 | Box, Manual Storage | |
| 3 | 1701499 | 4 | Decal - No Tie-Down/No Lift | |
| 4 | 1701500 | 4 | Decal - Lift | |
| 5 | 1701504 | 1 | Decal - Hydraulic Oil | |
| 6 | 1701509 | 1 | Decal - Manual | |
| 7 | 1701529 | 2 | Decal - Arrow | |
| 8 | 1701642 | 2 | Decal - Arrow | |
| 9 | 1702300 | 8 | Decal - Tie-Down | |
| 10 | See Note | NSS | Decal - Bar Code (Note: Not Available for Purchase) | |
| 14 | 1703927 | 1 | Decal - Danger/Warning | |
| 15 | 1703939 | 5 | Decal - Electrocutation | |
| 16 | 1703945 | 2 | Decal - Warning Crushing | |
| 17 | 1703951 | 4 | Decal - Warning Crushing | |
| 18 | 1703981 | 1 | Nameplate - Footswitch | |
| 19 | 1704277 | 2 | Decal - Lanyard Attach | |
| 20 | 1704412 | 1 | Decal - Hydraulic Oil | |
| 22 | 1705345 | 1 | Decal - Warning Inspection | |
| 23 | 1705427 | 1 | Decal - Drive/Steer Instructions | |
| 24 | 1705969 | 2 | Decal - No Hands | |
| 27 | 2080057 | 2 | Fastener | |
| 29 | 3290605 | 4 | Nut M6 | |
| 31 | 4811700 | 8 | Washer M6 | |
| 32 | 1001113509 | 1 | Decal - Crushing | |
| 33 | 1001119576 | 1 | Decal - Lift Diagram | |
| 34 | 1001119578 | 2 | Decal - 340AJ (Prior to SN 0300280427) | |
| 34 | 1001267323 | 2 | Decal - 340AJ (SN 0300280427 to Present) | |
| 35 | 1001119580 | 4 | Decal - Tire Load | |
| 36 | 1001119981 | 1 | Decal - Manual Turntable Rotate | |
| 37 | 1001120280 | 1 | Decal - No Pipe Racks | |
| 38 | 1001253924 | 1 | Decal - Warning Single Capacity | |
| 39 | 1001253925 | 1 | Decal - Warning Single Capacity | |
| 40 | 1001127549 | 1 | Decal - Manual Descent | |

SECTION 9 - DECALS

FIGURE 9-9. DECALS INSTALLATION - LATIN AMERICA SPEC (SPANISH/ENGLISH)

NOTE: SOME DECALS ARE CALLED OUT ON OPTIONAL DECALS INSTALLATION.



ART_1001246464

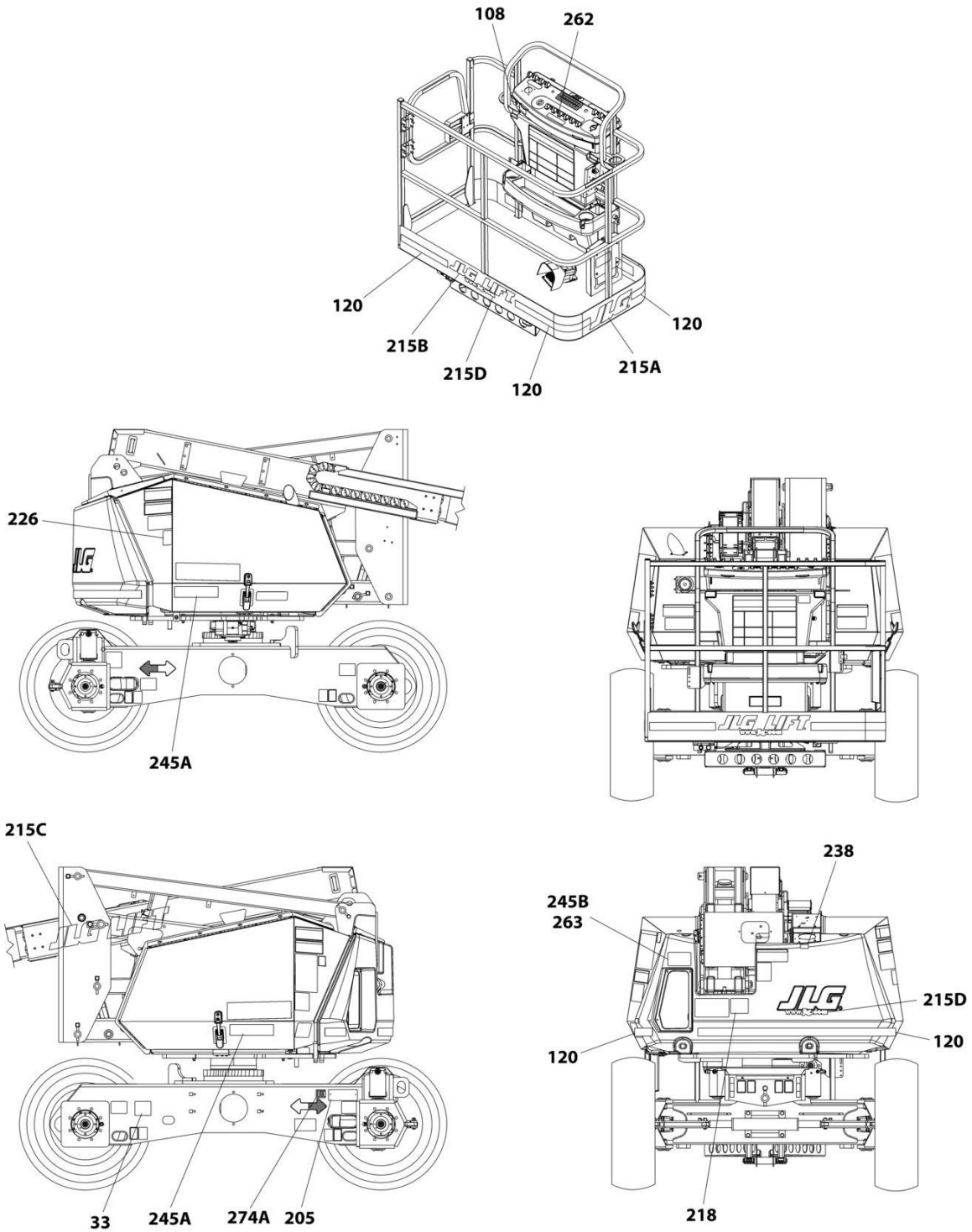
SECTION 9 - DECALS

FIGURE 9-9. DECALS INSTALLATION - LATIN AMERICA SPEC (SPANISH/ENGLISH)

| ITEM | PART NUMBER | QTY | DESCRIPTION | REV |
|------|-------------|-----|---|-----|
| | 1001246464 | Ref | DECALS INSTALLATION | D |
| 1 | 0760610 | 4 | Bolt M6 x 20 | |
| 2 | 0860520 | 1 | Box, Manual Storage | |
| 3 | 1701499 | 4 | Decal - No Tie-Down/No Lift | |
| 4 | 1701500 | 4 | Decal - Lift | |
| 5 | 1701504 | 1 | Decal - Hydraulic Oil | |
| 6 | 1701509 | 1 | Decal - Manual | |
| 7 | 1701529 | 2 | Decal - Arrow | |
| 8 | 1701642 | 2 | Decal - Arrow | |
| 9 | 1702300 | 8 | Decal - Tie-Down | |
| 10 | See Note | NSS | Decal - Bar Code (Note: Not Available for Purchase) | |
| 15 | 1703923 | 1 | Decal - Danger/Warning | |
| 16 | 1703935 | 5 | Decal - Electrocution | |
| 17 | 1703941 | 2 | Decal - Warning Crushing | |
| 18 | 1703947 | 4 | Decal - Warning Crushing | |
| 19 | 1703983 | 1 | Nameplate - Footswitch | |
| 20 | 1704001 | 2 | Decal - No Hands | |
| 21 | 1704277 | 2 | Decal - Lanyard Attach | |
| 22 | 1704412 | 1 | Decal - Hydraulic Oil | |
| 24 | 1705910 | 1 | Decal - Drive/Steer Instructions | |
| 25 | 1705917 | 1 | Decal - Warning Inspection | |
| 28 | 2080057 | 2 | Fastener | |
| 30 | 3290605 | 4 | Nut M6 | |
| 32 | 4811700 | 8 | Washer M6 | |
| 33 | 1001113171 | 1 | Decal - Crushing | |
| 34 | 1001119576 | 1 | Decal - Lift Diagram | |
| 35 | 1001119578 | 2 | Decal - 340AJ (Prior to SN 0300280427) | |
| 35 | 1001267323 | 2 | Decal - 340AJ (SN 0300280427 to Present) | |
| 36 | 1001119580 | 4 | Decal - Tire Load | |
| 37 | 1001119981 | 1 | Decal - Manual Turntable Rotate | |
| 38 | 1001120283 | 1 | Decal - No Pipe Racks | |
| 39 | 1001253930 | 1 | Decal - Warning Single Capacity | |
| 40 | 1001253931 | 1 | Decal - Warning Single Capacity | |
| 41 | 1001127549 | 1 | Decal - Manual Descent | |
| 42 | 1001127588 | 1 | Decal - Manual Descent | |
| 43 | 1001224049 | 1 | Decal - Yearly Inspection | |

SECTION 9 - DECALS

FIGURE 9-10. OPTIONAL DECALS INSTALLATION



ART_DECAL_OPTIONS

SECTION 9 - DECALS

FIGURE 9-10. OPTIONAL DECALS INSTALLATION

| ITEM | PART NUMBER | QTY | DESCRIPTION | REV |
|------|-------------|-----|--|-----|
| | | Ref | OPTIONAL DECALS INSTALLATION | |
| 33 | 1700818 | 2 | Decal - Fuel (LP Gas Machines) (English Language) (ANSI, ANSI Export and CSA Specs) | |
| 33 | 1704271 | 2 | Decal - Fuel (LP Gas Machines) (English/French Languages) (CSA Specs) | |
| | 1001119661 | 1 | Decal - Fuel (LP Gas Machines) (English/Spanish Languages) (ANSI Export and China Specs) | |
| 108 | 1001231801 | 1 | Decal - Warning Proposition 65 | |
| 120 | 4420051 | AR | Tape, Safety | |
| 205 | See Note | 1 | Nameplate - Manufacturers Serial Number (Note: Not Available for Purchase) | |
| 215 | 1001110613 | Ref | JLG Logo Installation | B |
| 215A | 1702773 | 1 | Decal - JLG | |
| 215B | 1702774 | 1 | Decal - JLG Lift | |
| 215C | 1702860 | 1 | Decal - JLG Lift | |
| 215D | 1704885 | 2 | Decal - Website | |
| 218 | 3251813 | 1 | Decal - USA (ANSI, ANSI Export and CSA Specs) | |
| 226 | 1704972 | 1 | Decal - Warning Explosion/Fire (ANSI Spec) | |
| 226 | 1706098 | 1 | Decal - Warning Explosion/Fire (Australian, CE & UK CA Spec) | |
| 226 | 1706059 | 1 | Decal - Warning Explosion/Fire (Brazil Spec) | |
| 226 | 1706064 | 1 | Decal - Warning Explosion/Fire (CSA Spec) | |
| 226 | 1706060 | 1 | Decal - Warning Explosion/Fire (Chinese Spec) | |
| 226 | 1706062 | 1 | Decal - Warning Explosion/Fire (Japanese Spec) | |
| 226 | 1706061 | 1 | Decal - Warning Explosion/Fire (Korean Spec) | |
| 226 | 1706063 | 1 | Decal - Warning Explosion/Fire (Latin America Spec) | |
| 238 | 1001108923 | 1 | Decal - Low Sulfur Fuel Spec (ANSI and CSA Specs Only) | |
| 238 | 1001139654 | 1 | Decal - Ultra Low Sulfur Fuel Spec (Japanese, CE & UK CA Specs Only) | |
| 245 | 1001119459 | Ref | Decal Installation - ClearSky (Machines with ClearSky Option) | |
| 245A | 1001116208 | 2 | Decal - ClearSky | |
| 245B | 1001120989 | 1 | Decal - Radio Frequency | |
| 262 | 1001141300 | 1 | Decal - SkyGuard Override | |
| 263 | 1001197408 | 1 | Decal - MSSO | |
| 274 | 1001214030 | 1 | Decal - EAC Installation (CIS and Russia Specs) | |
| 274A | 1001173703 | 1 | Decal - EAC | |

SECTION 10 - RECOMMENDED SERVICE PARTS STOCK

SECTION 10 - RECOMMENDED SERVICE PARTS STOCK

SECTION 10 - RECOMMENDED SERVICE PARTS STOCK

FIGURE 10-1. RECOMMEDED SERVICE PARTS STOCK

| ITEM | PART NUMBER | QTY | DESCRIPTION | REV |
|------|-------------|-----|---|-----|
| | | Ref | Note: The following list will service one machine (built to current production per date on the front cover) with emergency repair parts which can be installed in the field. Parts from the list should be replaced when inventory is depleted to keep service parts stock supplied. For further information, contact your JLG dealer or the JLG Industries Parts Department. | |
| | 70000126 | 1 | Circuit Breaker (220V/50HZ Generators) | |
| | 70002240 | 1 | Circuit Breaker (120V/50HZ Generators) | |
| | 1001181045 | 1 | Breaker, Combination 16Amp/30mAmp (CE & UK CA Specs) | |
| | 1001109477 | 1 | Breaker, 10Amp (100119927 and 100119928 Generator Harness) | |
| | 70002386 | 1 | Coil (Boom, Flow Divider, Main Control & Manual Valves/Lift Cylinders) | |
| | 70002963 | 1 | Coil (Boom & Main Control Valves) | |
| | 70002971 | 1 | Coil (Flow Divider & Main Control Valves) | |
| | 70002149 | 1 | Coil Kit (Pump Assembly) | |
| | 70003788 | 1 | Coil (Main Control Valve) | |
| | 1001212415 | 1 | Drive/Steer Controller Assembly | |
| | 1001129555 | 1 | Lift/Swing Controller Assembly | |
| | 70002237 | 2 | Diode (Generators) | |
| | 3990010 | 2 | Diode 10 Amp (Mid Engine Harness) | |
| | 70010383 | 1 | Element, Filter (Includes O-Ring) (Charge Pump) | |
| | | Ref | ENGINE COMPONENTS - GM | |
| | 7015004 | 12 | Element, Air Cleaner (GM Engines) | |
| | 7027972 | 12 | Filter, Fuel (GM Engines) | |
| | 70002979 | 12 | Filter, Oil (GM Engines) | |
| | 70003178 | 1 | Module, Control (GM Engines) | |
| | | Ref | ENGINE COMPONENTS - KUBOTA | |
| | 70005296 | 12 | Element (Kubota Engines - Fuel/Water Separator) | |
| | 7015004 | 12 | Element, Air Cleaner (Kubota Engines) | |
| | 1001190545 | 12 | Filter, Fuel (Kubota Engines) | |
| | 70004395 | 12 | Filter, Oil (Kubota Engines) | |
| | 70002812 | 12 | Hydraulic Breather/Filter Kit | |
| | 2860030 | 1 | Key, Replacement | |
| | 2940074 | 1 | Latch (Machines with Platform Gate) | |
| | 1001120431 | 1 | Module, Ground Control | |
| | 1001142683 | 1 | Module, Beacon Control Blue & Red Beacons) | |
| | 1001118412 | 1 | Module, Platform | |
| | 3740080 | 1 | Relay (Head/Tail Lights and Turntable Floodlights) | |
| | 1001186431 | 1 | Relay (SkyGuard) | |
| | 1001117025 | 1 | Relay and Connector Assembly (Chassis & Engine & Generator Harnesses) | |
| | 3740086 | 1 | Relay (SkyLine) | |
| | 1001219601 | 1 | Sensor (Tilt Dual Axis CAN) | |
| | 1001228225 | 1 | Sensor, Emitter (SkyEye) | |
| | 1001228224 | 1 | Sensor, Receiver (SkyEye) | |
| | 1001232667 | 1 | Sensor, Proximity (SkyLine) | |
| | 1001119170 | 1 | Switch, Limit (Ground Components) | |
| | 4360548 | 1 | Switch, Limit (Boom) | |
| | 4360328 | 1 | Switch, Toggle (Ground Controls) | |
| | 4360475 | 1 | Switch, Emergency Stop (Ground & Platform Controls) | |

SECTION 10 - RECOMMENDED SERVICE PARTS STOCK

| ITEM | PART NUMBER | QTY | DESCRIPTION | REV |
|------|-------------|-----|---|-----|
| | 4360476 | 1 | Switch, Contact Block, (Ground & Platform Controls) | |
| | 4360387 | 1 | Switch, Push Button (Ground & Platform Controls) | |
| | 4360469 | 1 | Switch, Key (Ground Controls) | |
| | 4360522 | 1 | Switch, Push Button (Head/Tail Lights and Turntable Floodlights) (Ground Controls) | |
| | 4360336 | 1 | Switch, Toggle (Machines with Generator & All Gas Powered Machines) | |
| | 1001117174 | 1 | Footswitch Assembly (Platform) | |
| | 1001155045 | 1 | Switch, Toggle (Platform Controls) | |
| | 1001159256 | 1 | Switch, Toggle (Platform Controls) | |
| | 1001161709 | 1 | Switch, Toggle (Platform Controls) | |
| | 4360407 | 1 | Switch, Potentiometer (Platform Controls) | |
| | 1001137673 | 1 | Switch, SkyGuard Bar (Platform Controls) | |
| | 70004682 | 1 | Switch, On/Off/Reset (4000W Generator) | |

SECTION 11 - SPECIAL OPTIONS/ACCESSORIES/KITS

SECTION 11 - SPECIAL OPTIONS/ACCESSORIES/KITS

SECTION 11 - SPECIAL OPTIONS/ACCESSORIES/KITS

FIGURE 11-1. SPECIAL OPTIONS/ACCESSORIES/KITS

| ITEM | PART NUMBER | QTY | DESCRIPTION | REV |
|------|-------------|-----|---|-----|
| | | Ref | Note: This list is to accommodate machines ordered with special equipment. Options may not be applicable to all models. For more specific parts information contact JLG Parts Department. | |
| | | Ref | MISCELLANEOUS SPECIAL OPTIONS | |
| | | Ref | Air Line at Platform Installations | |
| | 1001119028 | Ref | Machines without Arctic Package | |
| | 1001119378 | Ref | Machines with Arctic Package | |
| | 1001119803 | Ref | Bellows Installations | |
| | 1001148971 | Ref | Bolt-on Lanyard Kit (Platform) | |
| | 1001119962 | Ref | Boom Wiper Installation | |
| | 1001172045 | Ref | Cable/Ladder Rack Installation | |
| | | Ref | ClearSky Add-on Kit Options: | |
| | 1001144010 | Ref | ClearSky Add-on Kit - Gold (With UGM) (USA and Canada Specs Only) | |
| | 1001118234 | Ref | ClearSky Add-on Kit - Bronze (Without Non-ADE/UGM) (USA Specs Only) | |
| | 1001118235 | Ref | ClearSky Add-on Kit - Bronze (Without Non-ADE/UGM) (Canada Specs Only) | |
| | | Ref | ClearSky Telematic Installation (Dealer Installed) | |
| | 1001242192 | Ref | ClearSky (Telematics) Access Control Installation Kit (Dealer Installed) (ANSI, ANSI Export and CSA Specs) | |
| | 1001243183 | Ref | ClearSky (Telematics) Added-on Kit (Dealer Installed) (ANSI, ANSI Export and CSA Specs) | |
| | 1001243184 | Ref | ClearSky (Telematics) Added-on Kit (Dealer Installed) (CE & UK CA Specs) | |
| | 1001246142 | Ref | ClearSky (Telematics) Added-on Kit (Dealer Installed) (Australian Specs) | |
| | | Ref | ClearSky Telematic Installation (Factory Installed) | |
| | 1001227454 | Ref | ClearSky (Telematics) Installation (Factory Installed) - Canbus Connection (ANSI and CSA Specs) | |
| | 1001228956 | Ref | ClearSky (Telematics) Installation (Factory Installed) - Canbus Connection (ANSI Export, CE & UK CA Specs) | |
| | 1001246486 | Ref | ClearSky (Telematics) Installation (Factory Installed) - Canbus Connection (Australian Specs) | |
| | 1001246487 | Ref | ClearSky (Telematics) Installation (Factory Installed) - Canbus Connection (China Specs) | |
| | 1001229107 | Ref | ClearSky (Telematics) Installation (Factory Installed) - 3 Wire Connection (ANSI and CSA Specs) | |
| | 1001233237 | Ref | ClearSky (Telematics) Installation (Factory Installed) - 3 Wire Connection (ANSI Export, CE & UK CA Specs) | |
| | 1001262959 | Ref | ClearSky Voltage Regulator Installation Kit | |
| | 1001119397 | Ref | Cribbing Switch Installation | |
| | | Ref | Cold Weather Start Kits (Not Available on Australian, CE & UK CA Spec Machines) | |
| | 1001119989 | Ref | Diesel Engine Machines | |
| | 1001119987 | Ref | Gas Engine Machines | |
| | | Ref | Decal Kit Options: | |
| | 1001241332 | Ref | Decal Kit - (Service) Platform | |
| | 1001241338 | Ref | Decal Kit - (Service) Platform Console Kit | |
| | 1001138005 | Ref | Engine Air Flow Improvement Kit - GM Engines | |
| | 1001119988 | Ref | Engine Block Heater Installation (Gas Engine Machines) | |
| | 1001186578 | Ref | Fan Guard (Kubota Engines) | |

SECTION 11 - SPECIAL OPTIONS/ACCESSORIES/KITS

| ITEM | PART NUMBER | QTY | DESCRIPTION | REV |
|------|-------------|-----|---|-----|
| | | Ref | Filter Kits: | |
| | | Ref | Combined Filter Kit (Hydraulic/Air and Fuel/Engine Oil) | |
| | 1001133070 | 1 | Kubota Engines | |
| | 1001151649 | 1 | GM Engines | |
| | 1001117294 | Ref | Foot Switch Shield | |
| | 1001209659 | Ref | Fuel Cap Cover (Lockable) (Black) | |
| | 1001209658 | Ref | Fuel Cap Cover (Lockable) (Green) | |
| | 1001205441 | Ref | Fuel Cap Cover (Lockable) (Red) | |
| | 1001120103 | Ref | Ground Control Cover Installation | |
| | 1001120197 | Ref | Hourmeter for Generator Installation | |
| | 1001157918 | Ref | Hourmeter for Generator Installation (Kubota Engines Only) | |
| | | Ref | Hose Kits | |
| | 1001239566 | Ref | Hose Kits - Platform Valve | |
| | 1001239565 | Ref | Hose Kits - Power-Track (Upper) | |
| | 1001241392 | Ref | Hostile Environment Kit | |
| | 1001236951 | Ref | Low Temperature Cutout Installation (Russian Specs) | |
| | 1001195304 | Ref | Platform Console Cover Installation | |
| | 1580013 | Ref | Platform Corner Storage Tray | |
| | | Ref | Platform Mesh to Top Rail Installations (Side Entry Platforms) (ANSI, ANSI Export and China Specs) | |
| | 0273147 | Ref | 30in x 4ft (76cm x 1.22m) | |
| | 0273146 | Ref | 30in x 5ft (76cm x 1.52m) | |
| | | Ref | Platform Plastic Mesh to Top Rail Installations (Side Entry Platforms) (ANSI, ANSI Export and CSA Specs) | |
| | 1001266807 | Ref | 30in x 4ft (76cm x 1.22m) | |
| | 1001266801 | Ref | 30in x 5ft (76cm x 1.52m) | |
| | | Ref | Platform Mesh to Mid Rail Installations (Side Entry Platforms) (ANSI, ANSI Export, Australian and China Specs) | |
| | 1001140318 | Ref | 30in x 4ft (76cm x 1.22m) | |
| | 1001140315 | Ref | 30in x 5ft (76cm x 1.52m) | |
| | | Ref | Platform Plastic Mesh to Mid Rail Installations (Side Entry Platforms) (ANSI, ANSI Export, and Australian Specs) | |
| | 1001266969 | Ref | 30in x 4ft (76cm x 1.22m) | |
| | 1001266799 | Ref | 30in x 5ft (76cm x 1.52m) | |
| | 1001103558 | Ref | Platform Rail Extension Installation (30in x 60in Platforms) | |
| | 1001250035 | Ref | Platform Sensor Retrofit Kit | |
| | 1001209059 | Ref | Platform Work Surface | |
| | 1001120176 | Ref | Security Lock (Programmable) (ANSI, CE & UK CA Specs) | |
| | 1001190900 | Ref | Service Kits/ Tools | K |
| | 1001241547 | Ref | SkyEye Housing Kit (Left Side) | |
| | 1001241548 | Ref | SkyEye Housing Kit (Right Side) | |
| | 1001247073 | Ref | SkyEye Retrofit kit | |
| | | Ref | SkyGuard Components Options: | |
| | 1001207138 | Ref | SkyGuard Complete Add-on Kit (Blue Strobe Light) | |
| | 1001210035 | Ref | SkyGuard Complete Add-on Kit (Red Strobe Light) | |
| | 1001219694 | Ref | SkyGuard Platform System Kit | |
| | 1001149565 | Ref | SkyGuard Platform Sensor Kit | |
| | 1001207140 | Ref | SkyGuard Strobe Light Kit (Blue) | |
| | 1001210034 | Ref | SkyGuard Strobe Light Kit (Red) | |
| | 1001250595 | Ref | SkyGuard 6-Pin Retrofit Installation Kit | |
| | 1001249052 | Ref | SkyGuard Retrofit Kit (Dealer Installed) | |
| | 1001262016 | Ref | SkyLine Kit (Dealer Installed) | |

SECTION 11 - SPECIAL OPTIONS/ACCESSORIES/KITS

| ITEM | PART NUMBER | QTY | DESCRIPTION | REV |
|------|-------------|-----|--|-----|
| | | Ref | Tools for Service | |
| | | Ref | Note: For cylinder repair tools, see individual cylinder assemblies. | |
| | 1001249695 | Ref | Analyzer and Cable Kit | |
| | 1001249941 | Ref | Analyzer and Cable Kit (Battery Powered) | |
| | 1001160531 | Ref | Turntable Bearing Kit | |
| | 1001188446 | Ref | Wear Pad kit - Boom | |
| | 1001263178 | Ref | White Noise Alarm | |

SECTION 11 - SPECIAL OPTIONS/ACCESSORIES/KITS

PART NUMBER INDEX

SECTION 11 - SPECIAL OPTIONS/ACCESSORIES/KITS

| | | | |
|---|--|--|---|
| 0060044.....213, 217 | 0641813 121, 143, 145 | 0760614 247, 249 | 1001096070.....197 |
| 0100009.....251 | 0681608 221, 223 | 0760621 65, 67, 361, 365, 369, 373, 377, 381 | 1001097051.....461 |
| 0100011 13, 15, 17, 21, 39, 45, 55, 57, 65, 67, 83, 91, 93, 96, 117, 119, 121, 124, 128, 132, 136, 140, 143, 145, 148, 152, 169, 173, 177, 181, 185, 189, 193, 197, 201, 205, 207, 209, 211, 221, 223, 225, 227, 239, 241, 243, 267, 269, 361, 365, 369, 373, 377, 381 | 0700408 ... 323, 325, 329, 331, 333, 335, 337, 339, 341, 343, 345 | 0760812 ... 124, 148, 152, 197, 201, 211, 359 | 1001097150.....391 |
| 0100019.....21, 49 | 0700510 303, 313 | 0760814 41, 124, 128, 132, 136, 140 | 1001097244.....247, 249 |
| 0100020 61, 63, 117, 119, 128, 132, 136, 140, 202, 263, 325, 331, 335, 339, 343, 345 | 0700608 45 | 0760815 ... 148, 152, 197, 201 | 1001097588..... 117, 119 |
| 0100035.....251, 261 | 0700610 249, 303, 313 | 0760816 65, 67 | 1001098122.....263, 441 |
| 0100048 65, 67, 117, 119, 128, 132, 136, 140, 148, 152, 251 | 0700615 87, 89 | 0760817 124, 148, 152 | 1001098828.....221, 223 |
| 0100051 117, 119 | 0700617 251 | 0761007 225 | 1001100321..... 169, 177, 185, 193 |
| 0100081 99, 101, 361, 365, 369, 373, 377, 381 | 0700618 ... 323, 329, 333, 337, 341 | 0761009 96 | 1001100341.....443 |
| 0140011251 | 0700620 45 | 0761010 13, 45, 209 | 1001100342.....445 |
| 0140043.....65, 67 | 0700621 124 | 0761011 96, 205, 207 | 1001100345.....451 |
| 0273146.....503 | 0700810 ... 361, 365, 369, 373, 377, 381 | 0761012 ... 55, 57, 65, 67, 96, 205, 207, 302, 312, 359, 361, 365, 369, 373, 377, 381 | 1001100346.....455 |
| 0273147.....503 | 0700829 ... 361, 365, 369, 373, 377, 381 | 0761014 . 15, 21, 45, 124, 148, 152, 205, 207, 221, 223, 369, 373, 377, 381 | 1001100347.....453 |
| 0274661.....271 | 0701012 ... 169, 173, 177, 181, 185, 189, 193 | 0761015 21, 205, 207, 209, 247, 249 | 1001100825..... 148, 152, 159 |
| 0275216.....323, 443 | 0701015 124, 148, 152 | 0761016 ... 117, 119, 125, 128, 132, 136, 140 | 1001102987..... 45 |
| 0275217.....329, 445 | 0701016 55, 57 | 0761018 148, 152 | 1001103012.....473 |
| 0275218.....447 | 0701017 148, 152 | 0761210 96, 209 | 1001103558.....503 |
| 0275219.....449 | 0701018 96, 169, 173, 177, 181, 185, 189, 193, 213, 215 | 0761212 205, 207, 209 | 1001104498.....473 |
| 0275452.....333, 451 | 0701020 213, 215 | 0761214 55, 57, 117, 119, 128, 132, 136, 140, 209 | 1001106736.....65, 67 |
| 0275453.....337, 453 | 0701022 55, 57 | 0761215 ... 205, 207, 221, 223 | 1001106757..... 361, 365, 369, 373, 377, 381 |
| 0275454.....341, 455 | 0701027 209 | 0761217 ... 117, 119, 128, 136 | 1001107152..... 361, 365, 369, 373, 377, 381 |
| 0340045 124, 148, 152 | 0701219 ... 169, 173, 177, 181, 185, 189, 193 | 0761614 15 | 1001107781.....49, 51 |
| 036181081 | 0701220 13 | 0761615 209 | 1001107854.....473 |
| 0400075.....81 | 0701221 124, 148, 152 | 0762014 91, 93 | 1001108290.....211 |
| 0440271.....13 | 0701222 153 | 0840055 435 | 1001108923.....495 |
| 0440274.....13 | 0711227 211 | 0860038 ... 202, 321, 327 | 1001109477..... 411, 413, 498 |
| 0440291.....13 | 0711426 49 | 0860520 ... 477, 479, 481, 483, 485, 487, 489, 491, 493 | 1001109503..... 71, 75 |
| 0440334..... 148, 152 | 0711432 49 | 0861731 ... 335, 339, 343, 345, 451, 453, 455 | 1001109528.....205, 207 |
| 0480100.....271 | 0721004 61, 63 | 0861781 ... 325, 331, 443, 445 | 1001110613.....495 |
| 0630518.....77, 261 | 0741607 197, 201 | 0861880 391 | 1001110873.....202, 321 |
| 0630568.....252 | 0760505 ... 65, 67, 91, 93, 169, 173, 177, 181, 185, 189, 193 | 0902888 201 | 1001110922.....21 |
| 0641404.....251, 269 | 0760508 96, 99, 101 | 0940048 209 | 1001112551.....479 |
| 0641405.....269 | 0760605 ... 362, 366, 369, 373, 377, 381 | 0961845 239, 241, 243 | 1001112607.....205, 207 |
| 0641406.....245 | 0760606 ... 117, 119, 170, 174, 178, 182, 186, 190, 194, 221, 223 | 0961947 217, 219 | 1001112612.....429, 465 |
| 0641408 148, 152, 198 | 0760607 ... 148, 152, 197, 201 | 0961948 ... 209, 211, 283, 285 | 1001112796.....465 |
| 0641414.....267 | 0760608 ... 65, 67, 96, 99, 101, 124, 128, 132, 136, 140, 148, 152, 361, 365 | 0961950 15 | 1001113166.....489 |
| 0641416 325, 331, 335, 339, 343, 345 | 0760610 ... 81, 83, 91, 93, 99, 124, 148, 152, 221, 223, 247, 319, 323, 329, 333, 337, 341, 389, 477, 479, 481, 483, 485, 487, 489, 491, 493 | 0961951 ... 213, 215, 279, 281, 287 | 1001113168.....485 |
| 0641418.....239, 243 | 0760612 96, 111, 113, 124, 148, 152, 169, 173, 177, 181, 185, 189, 193 | 0962140 13 | 1001113169.....487 |
| 0641420.....241 | | 0962224 209 | 1001113170.....481 |
| 0641506 169, 173, 177, 181, 185, 189, 193 | | 0962257 217, 219 | 1001113171.....493 |
| 0641514.....271 | | 0962259 209 | 1001113509.....491 |
| 0641516.....201 | | 0962292 213, 215 | 1001113680.....481 |
| 0641605.....45 | | 0962449 385 | 1001113961.....429 |
| 0641609 124, 148, 152 | | 0962520 197, 201 | 1001114761.....45 |
| 0641618..... 197, 201 | | 1001094670 213, 215 | 1001115649.....209 |
| 0641807..... 124 | | | 1001115650.....209 |
| | | | 1001115657.....209 |
| | | | 1001115661.....209 |
| | | | 1001115663.....209 |
| | | | 1001115669.....209 |
| | | | 1001115672.....205, 207, 209 |
| | | | 1001115766.....205 |
| | | | 1001115769.....55 |
| | | | 1001115770.....21 |
| | | | 1001115771.....13 |
| | | | 1001115772.....15 |
| | | | 1001115773.....33 |
| | | | 1001115780... 17, 45, 227 |
| | | | 1001115781.....39 |
| | | | 1001115783.....483 |

SECTION 11 - SPECIAL OPTIONS/ACCESSORIES/KITS

| | | | |
|--|---|---|--|
| 1001115784 361 | 1001117885..... 205, 207, 211 | 1001118658..... 399 | 1001119277 81 |
| 1001115785 302 | 1001117897..... 55, 61 | 1001118660..... 35 | 1001119278 81 |
| 1001115870 209 | 1001118029..... 17, 19 | 1001118665..... 209 | 1001119280 81 |
| 1001116208 495 | 1001118234..... 502 | 1001118666..... 209 | 1001119324 302, 312 |
| 1001116228 227, 229 | 1001118235..... 502 | 1001118675..... 149, 153 | 1001119365 302, 312 |
| 1001116339 55, 57, 59 | 1001118262..... 61, 63 | 1001118720..... 174, 178, 190, 194 | 1001119369 215, 219 |
| 1001116361 15, 277 | 1001118274.. 39, 41, 211, 227, 361, 365, 369, 373, 377, 381 | 1001118743..... 399 | 1001119370 207, 215 |
| 1001116378 277 | 1001118280..... 125, 148, 152 | 1001118744..... 399 | 1001119371 207 |
| 1001116433 361, 365, 369, 373, 377, 381 | 1001118287..... 211 | 1001118745..... 399 | 1001119378 502 |
| 1001116487 45, 47 | 1001118288..... 211 | 1001118746..... 125, 149, 153 | 1001119397 502 |
| 1001116546 209 | 1001118292..... 361, 365, 369, 373, 377, 381, 385 | 1001118748..... 399 | 1001119399 79 |
| 1001116547 209 | 1001118361..... 96, 101 | 1001118751..... 45 | 1001119404 302, 312 |
| 1001116548 209 | 1001118384..... 463 | 1001118755..... 45 | 1001119449 302, 312 |
| 1001116549 209 | 1001118388..... 431, 463 | 1001118775..... 149, 153 | 1001119455 302, 312 |
| 1001116550 213, 215 | 1001118394..... 213, 215 | 1001118878..... 149, 153 | 1001119459 495 |
| 1001116720 431 | 1001118412..... 251, 498 | 1001118881..... 149, 153 | 1001119489 302, 312 |
| 1001116727 393, 403, 407, 437 | 1001118453..... 125, 148, 152 | 1001118915..... 39 | 1001119494 125 |
| 1001116732 393, 397, 399, 403, 429, 437 | 1001118459..... 96 | 1001118916..... 39 | 1001119495 125 |
| 1001116734 393, 397, 399, 403, 437 | 1001118482..... 213, 215 | 1001118925..... 149, 153 | 1001119496 125 |
| 1001116752 399 | 1001118502..... 55, 57 | 1001118938..... 399 | 1001119504 225 |
| 1001116774 465 | 1001118509..... 55, 57 | 1001118961..... 49 | 1001119513 225 |
| 1001116788 13, 289 | 1001118510..... 55, 57 | 1001118975..... 41 | 1001119525 302, 312 |
| 1001116793 21, 25 | 1001118511..... 15 | 1001119018..... 361, 369, 377, 421 | 1001119527 ... 55, 57, 65, 67, 225 |
| 1001116808 465 | 1001118518..... 15 | 1001119019..... 361, 369, 377, 425 | 1001119546 302, 312 |
| 1001116810 429 | 1001118519..... 15 | 1001119020..... 429, 441, 465 | 1001119547 302, 312 |
| 1001116811 393, 437 | 1001118527..... 148, 153 | 1001119028..... 502 | 1001119548 302 |
| 1001116812 393, 429, 437 | 1001118528..... 148, 153 | 1001119035..... 302, 312 | 1001119550 303 |
| 1001116835 227 | 1001118529..... 149, 153 | 1001119068..... 302, 312 | 1001119551 169, 173, 177, 181, 185, 189, 193 |
| 1001116867 13 | 1001118530..... 149, 153 | 1001119069..... 302, 312 | 1001119552 303 |
| 1001116871 13 | 1001118531..... 149, 153 | 1001119070..... 302, 312 | 1001119553 169, 173, 177, 181, 185, 189, 193 |
| 1001116905 302, 312 | 1001118532..... 149, 153 | 1001119071..... 302, 312 | 1001119554 169, 173, 177, 181, 185, 189, 193 |
| 1001117025 393, 397, 399, 403, 437, 498 | 1001118533..... 149, 153 | 1001119072..... 96 | 1001119568 303 |
| 1001117028 121, 143, 145, 163 | 1001118539..... 149, 153 | 1001119077..... 99 | 1001119569 303 |
| 1001117029 121, 143, 145, 167 | 1001118540..... 149, 153 | 1001119080..... 96 | 1001119570 303 |
| 1001117030 21, 23 | 1001118542..... 149, 153 | 1001119083..... 96 | 1001119572 303, 313 |
| 1001117055 399 | 1001118543..... 149, 153 | 1001119085..... 96 | 1001119576 477, 479, 481, 483, 485, 487, 489, 491, 493 |
| 1001117070 399 | 1001118547..... 149, 153 | 1001119086..... 99 | 1001119577 303, 313 |
| 1001117078 429 | 1001118548..... 128, 132, 136, 140 | 1001119087..... 99 | 1001119578 477, 479, 481, 483, 485, 487, 489, 491, 493 |
| 1001117129 33, 35 | 1001118579..... 149, 153 | 1001119088..... 99 | 1001119580 477, 479, 481, 483, 485, 487, 489, 491, 493 |
| 1001117131 33 | 1001118580..... 149, 153 | 1001119089..... 101 | 1001119582 189 |
| 1001117132 33 | 1001118582..... 149, 153 | 1001119090..... 101 | 1001119583 173 |
| 1001117142 13 | 1001118592..... 361, 365, 369, 373, 377, 381 | 1001119091..... 101 | 1001119584 193 |
| 1001117172 247, 249, 263 | 1001118593..... 361, 365, 369, 373, 377, 381 | 1001119092..... 96 | 1001119585 177 |
| 1001117174 247, 249, 251, 263, 499 | 1001118594..... 125, 149, 153 | 1001119099..... 101 | 1001119586 181, 189 |
| 1001117239 96 | 1001118595..... 227 | 1001119092..... 96 | 1001119587 173 |
| 1001117240 81 | 1001118638..... 149, 153, 399 | 1001119102..... 57 | 1001119588 185, 193 |
| 1001117243 96 | 1001118641..... 29 | 1001119103..... 96 | 1001119589 169, 177 |
| 1001117281 99, 101 | 1001118642..... 35 | 1001119104..... 96 | 1001119593 303, 313 |
| 1001117282 96 | 1001118644..... 31 | 1001119139..... 353, 361, 369 | 1001119594 303, 313 |
| 1001117294 503 | 1001118646..... 117, 119, 128, 132, 136, 140 | 1001119140..... 347, 361, 369 | 1001119595 303, 313 |
| 1001117365 277 | 1001118649..... 29 | 1001119143..... 302, 312 | 1001119596 303, 313 |
| 1001117366 277 | 1001118650..... 35 | 1001119170.. 65, 67, 433, 498 | 1001119597 303, 313 |
| 1001117372 277 | 1001118651..... 35 | 1001119176... 65, 67, 433 | 1001119598 303, 313 |
| 1001117640 205, 207, 283 | 1001118654..... 31 | 1001119194..... 361, 369, 377 | 1001119600 303, 313 |
| 1001117869 15 | 1001118657..... 399 | 1001119195..... 365, 373, 381 | 1001119599 303, 313 |
| 1001117884 205, 213 | | 1001119197..... 361, 365, 369, 373, 377, 381 | 1001119602 303, 313 |
| | | 1001119228..... 362, 366, 369, 373, 377, 381 | 1001119603 303, 313 |
| | | 1001119237..... 302, 312 | 1001119604 303, 313 |
| | | 1001119268..... 85 | |

SECTION 11 - SPECIAL OPTIONS/ACCESSORIES/KITS

| | | | |
|---|---|--|---|
| 1001119605.....303, 313 | 1001119953..... 365, 373, 381, 423 | 100112167829 | 1001137673.....267, 499 |
| 1001119606.....303, 313 | 1001119954..... 365, 373, 381, 427 | 1001121719 181 | 1001138005.....502 |
| 1001119607.....303, 313 | 1001119955..... 349, 365, 373 | 1001121720 169 | 1001138494.....239, 241 |
| 1001119608.....303, 313 | 1001119956..... 355, 365, 373 | 1001121721 185 | 1001138514.....239, 241 |
| 1001119610.....303, 313 | 1001119962..... 502 | 1001121966 303, 313 | 1001139654.....495 |
| 1001119611.....303, 313 | 1001119981..... 477, 479, 481, 483, 485, 487, 489, 491, 493 | 1001122527 209, 285 | 1001140315.....503 |
| 1001119612.....303, 313 | 1001119987 502 | 1001123004 213, 215, 281 | 1001140318.....503 |
| 1001119613.....303, 313 | 1001119988 502 | 1001123018 125, 149, 153 | 1001140429.....239, 241, 243 |
| 1001119619.....459 | 1001119989 502 | 1001125108 303, 313 | 1001140524.....362, 366, 370, 374, 378, 382, 387 |
| 1001119620.....457, 461 | 1001120002..... 477, 481 | 1001125118 170, 174, 178, 182, 186, 190, 194 | 1001140525.....252, 469 |
| 1001119626.....303, 313 | 1001120003..... 479 | 1001125235 205, 207 | 1001141300.....495 |
| 1001119627.....303, 313 | 1001120004..... 487 | 1001125249 303, 313 | 1001141710.....65, 67 |
| 1001119630.....303, 313 | 1001120007..... 149, 153 | 1001125291 65, 67 | 1001141967.....447, 449 |
| 1001119633.....173, 181, 189 | 1001120013..... 159 | 1001126009 463 | 1001141968.....447 |
| 1001119634.....169, 177, 185, 193 | 1001120087..... 117, 119, 125, 128, 132, 136, 140, 149, 153 | 1001127115 45 | 1001141969.....449 |
| 1001119635..... 125 | 1001120090..... 117, 119, 125, 128, 132, 136, 140, 149, 153 | 1001127549 477, 479, 481, 483, 485, 487, 489, 491, 493 | 1001141970.....449 |
| 1001119636..... 125 | 1001120103..... 503 | 1001127588 477, 479, 481, 483, 485, 487, 489, 493 | 1001141971.....447 |
| 1001119640..... 125 | 1001120176..... 503 | 1001127703 303, 313 | 1001142683...87, 89, 498 |
| 1001119641..... 125 | 1001120197..... 503 | 1001127705 303, 313 | 1001142736...87, 89, 465 |
| 1001119643..... 125 | 1001120204..... 347, 349 | 1001128214 149, 153 | 1001144010.....502 |
| 1001119644..... 125 | 1001120205..... 353, 355 | 1001128781 55, 57 | 1001144147.....429 |
| 1001119649..... 125 | 1001120232..... 91 | 1001128782 55, 57 | 1001144433.....267 |
| 1001119661.....495 | 1001120279..... 489 | 1001128798 61 | 1001144629.....235, 237 |
| 1001119698.....125, 149, 153 | 1001120280..... 491 | 1001128799 63 | 1001146824.....96 |
| 1001119699..... 125 | 1001120281..... 485 | 1001128801 117, 119 | 1001147141.....197 |
| 1001119700..... 125 | 1001120283..... 493 | 1001128888 149, 153 | 1001147233.....197, 201 |
| 1001119701..... 125 | 1001120287..... 91 | 1001128931 117, 119 | 1001147234.....197, 201 |
| 1001119727..... 125 | 1001120288..... 91, 93 | 1001128936 117, 119 | 1001147365.....125, 149, 153 |
| 1001119730..... 125 | 1001120299.. 91, 93, 397 | 1001129043 63 | 1001147431.....197, 201 |
| 1001119733.....479 | 1001120307..... 149, 153 | 1001129255 117, 119 | 1001147436.....201 |
| 1001119773.....169, 173, 177, 181, 185, 189, 193, 403 | 1001120328..... 267, 269 | 1001129256 117, 119 | 1001147440.....99 |
| 1001119778.....117, 119, 401 | 1001120371..... 435 | 1001129407 433 | 1001147441.....96, 99 |
| 1001119799.....401 | 1001120424..... 312 | 1001129555 498 | 1001147470.....107, 132 |
| 1001119803.....502 | 1001120425..... 313 | 1001130492 483 | 1001147471.....109, 140 |
| 1001119869.....321 | 1001120426..... 313 | 1001130588 319 | 1001147590.....96 |
| 1001119870.....317 | 1001120427..... 313 | 1001131168 251 | 1001147642.....125, 149, 153 |
| 1001119871.....327 | 1001120428..... 313 | 1001131269 477, 487 | 1001147643.....125, 149, 153 |
| 1001119872.....333 | 1001120429..... 313 | 1001131968 351, 357 | 1001148254.....117, 119, 121 |
| 1001119873.....337 | 1001120430..... 312 | 1001133070 503 | 1001148255.....111, 117 |
| 1001119874.....341 | 1001120431.. 65, 67, 498 | 1001136231 394, 437 | 1001148256.....113, 119 |
| 1001119875.....323 | 1001120450..... 125, 149, 153 | 1001136232 394, 399, 437 | 1001148660.....197 |
| 1001119876.....329 | 1001120454..... 125 | 1001136244 227, 231 | 1001148663.....201 |
| 1001119881.....182, 186, 190, 194 | 1001120466..... 273 | 1001137326 125 | 1001148971.....502 |
| 1001119882.....170, 174, 178 | 1001120474..... 273 | 1001137327 125 | 1001148975.....125 |
| 1001119902.....117, 119 | 1001120476..... 273 | 1001137336 125 | 1001149144.....93 |
| 1001119919.....411, 417 | 1001120484..... 273 | 1001137337 111, 113 | 1001149147.....93 |
| 1001119920.....413, 419 | 1001120749..... 99 | 1001137367 117, 119 | 1001149379.....149, 153 |
| 1001119921.....415 | 1001120974..... 211, 291 | 1001137369 111, 113 | 1001149565.....503 |
| 1001119922.....409 | 1001120976..... 205, 207, 287 | 1001137371 125 | 1001150619.....197 |
| 1001119923.....417 | 1001120989..... 495 | 1001137397 111, 113 | 1001151188.....159 |
| 1001119924.....415 | 1001121172..... 393, 437 | 1001137398 125 | 1001151393.....79 |
| 1001119925.....409 | 1001121221..... 303, 313 | 1001137399 125 | 1001151649.....503 |
| 1001119926.....419 | 1001121531..... 149, 153 | 1001137400 125 | 1001152457.....202 |
| 1001119927.....411 | 1001121574..... 399 | 1001137401 111, 113 | 1001153015.....49, 53 |
| 1001119928.....413 | 1001121672..... 31 | 1001137402 111, 113 | 1001153364.....49 |
| 1001119929.....125, 174, 178, 190, 194, 197, 201 | | 1001137451 99, 103, 105, 107, 109 | 1001153814.....201 |
| 1001119930..... 125 | | 1001137452 103, 105, 107, 109 | 1001154291.....373 |
| 1001119937.....365 | | | 1001154292.....369 |
| | | | 1001155044.....251 |
| | | | 1001155045.....251, 499 |
| | | | 1001155381.....377 |

SECTION 11 - SPECIAL OPTIONS/ACCESSORIES/KITS

| | | | |
|--|--------------------------------------|---------------------------------|--|
| 1001155382 381 | 1001194741..... 125 | 1001227985.....265 | 1001243184 502 |
| 1001156351 374 | 1001195234..... 121, 124 | 1001227987265 | 1001244525 .. 65, 67, 471 |
| 1001156352 374 | 1001195304..... 503 | 1001227996.....457, 461 | 1001244526 .. 65, 67, 429 |
| 1001156819 117, 119 | 1001196242..... 41 | 1001228215.....243 | 1001244527 .. 65, 67, 437 |
| 1001156823 117, 119 | 1001197408.....495 | 1001228224.....265, 498 | 1001244528 252, 441 |
| 1001157310 357, 377, 381 | 1001199306.....281, 291 | 1001228225.....265, 498 | 1001245389 247, 249, 251 |
| 1001157311 351, 377, 381 | 1001199460.....281 | 1001228627.....221, 223 | 1001245407 247 |
| 1001157915 197, 202, 407 | 1001199461.....291 | 1001228956.....502 | 1001245427 249 |
| 1001157916 197, 202, 405 | 1001200472..... 45 | 1001229107.....502 | 1001245438 65 |
| 1001157918 503 | 1001200491.....221, 223 | 1001229341.....265 | 1001245657 67 |
| 1001159027 467 | 1001203719..... 65, 67 | 1001231153.....209 | 1001245868 477 |
| 1001159256 251, 499 | 1001205441.....503 | 1001231609.....37 | 1001245869 487 |
| 1001160531 53, 504 | 1001205958.....335, 339, 343 | 1001231610.....37 | 1001246142 502 |
| 1001161433 103, 128 | 1001206476.....359 | 1001231801.....495 | 1001246142 502 |
| 1001161434 105, 136 | 1001206737..... 83 | 1001231886..... 83 | 1001246460 489 |
| 1001161709 251, 499 | 1001207004..... 89 | 1001232164.....265 | 1001246461 491 |
| 1001166538 251, 259 | 1001207138.....503 | 1001232165.....265 | 1001246462 485 |
| 1001166539 251, 255 | 1001207140.....503 | 1001232642.....269 | 1001246463 481 |
| 1001168210 279 | 1001207227..... 89 | 1001232667.....269, 498 | 1001246464 493 |
| 1001170981 149, 153 | 1001208874..... 45 | 1001233237.....502 | 1001246486 502 |
| 1001171482 69, 73 | 1001209059.....503 | 1001236087.....261 | 1001246487 502 |
| 1001172045 502 | 1001209658.....503 | 1001236093.....77 | 1001246859 473 |
| 1001172663 221 | 1001209659.....503 | 1001236433.....77 | 1001247073 503 |
| 1001172760 251 | 1001209664.....267 | 1001236552.....269 | 1001247468 223 |
| 1001173703 495 | 1001210034.....503 | 1001236816.....91 | 1001249052 503 |
| 1001174486 117, 119 | 1001210035.....503 | 1001236951.....503 | 1001249695 504 |
| 1001176469 73, 75 | 1001210829..... 45 | 1001237544.....261 | 1001249941 504 |
| 1001177156 117, 119 | 1001211509.....57, 63 | 1001237667.....429, 441 | 1001250035 503 |
| 1001181045 391, 498 | 1001212415.....498 | 1001237668.....429, 441 | 1001250595 503 |
| 1001182806 83 | 1001213447.....441 | 1001237862.....457, 461 | 1001253920 477 |
| 1001185281 251 | 1001213882.....251 | 1001237863.....265, 461 | 1001253921 477 |
| 1001186375 239 | 1001214030.....495 | 1001237864.....265, 457 | 1001253922 487 |
| 1001186377 241 | 1001214397.....359 | 1001237865.....265, 459 | 1001253923 487 |
| 1001186386 237 | 1001214570.....359 | 1001237878.....359 | 1001253924 491 |
| 1001186387 235 | 1001214571.....359 | 1001237879.....359 | 1001253925 491 |
| 1001186431 267, 498 | 1001215228.....251 | 1001237880.....359 | 1001253926 485 |
| 1001186432 431, 463 | 1001216630.....221, 223 | 1001237881.....359 | 1001253927 485 |
| 1001186517 267 | 1001217227.....221, 223 | 1001237999.....149, 153, 155 | 1001253928 481 |
| 1001186578 502 | 1001217228.....221, 223 | 1001238001.....143, 148 | 1001253929 481 |
| 1001187674 265 | 1001217242.....221, 223 | 1001238002.....145, 152 | 1001253930 493 |
| 1001187681 459 | 1001217243.....221, 223 | 1001238004.....128, 136, 143 | 1001253931 493 |
| 1001187807 77, 261 | 1001217244.....221, 223 | 1001238005.....132, 140, 145 | 1001253932 489 |
| 1001188093 393 | 1001217253.....221, 223 | 1001238319.....265 | 1001253933 489 |
| 1001188322 389 | 1001217254.....221, 223 | 1001238418.....269, 463 | 1001254472 269 |
| 1001188446 504 | 1001217267.....221, 223 | 1001238472.....269 | 1001254473 269 |
| 1001188622 221, 223 | 1001219601.....498 | 1001238495.....267 | 1001257690 385 |
| 1001188844 221, 223 | 1001219694.....503 | 1001238559.....269 | 1001262016 503 |
| 1001190545 128, 132, 136, 140, 498 | 1001223055.....477 | 1001238749.....77 | 1001262959 502 |
| 1001190609 128, 132, 136, 140, 161 | 1001223453.....477, 487 | 1001239565.....503 | 1001263178 504 |
| 1001190663 83 | 1001223971.....487 | 1001239566.....503 | 1001266040 69, 73 |
| 1001190900 503 | 1001224049.....493 | 1001239804.....37 | 1001266041 69, 71 |
| 1001190985 221, 223 | 1001224050.....485 | 1001241332.....502 | 1001266043 73, 75 |
| 1001193018 323, 325, 329, 331, 333, 335, 337, 339, 341, 343, 345 | 1001224052.....481 | 1001241338.....502 | 1001266044 65, 69, 71 |
| 1001194197 335 | 1001224053.....489 | 1001241392.....503 | 1001266045 67, 73, 75 |
| 1001194198 339 | 1001224891.....225 | 1001241400.....77, 261 | 1001266799 503 |
| 1001194200 343 | 1001225346.....359 | 1001241547.....503 | 1001266801 503 |
| 1001194203 325 | 1001225580.....267, 431 | 1001241548.....503 | 1001266807 503 |
| 1001194204 331 | 1001225990.....205, 207, 279 | 1001241965.....269 | 1001266969 503 |
| 1001194365 345 | 1001226400.....421, 423, 425, 427 | 1001242192.....502 | 1001267323 477, 479, 481, 483, 485, 487, 489, 491, 493 |
| | 1001226530.....359 | 1001242849.....87 | 1001270594 85 |
| | 1001226872.....243 | 1001242850.....89 | 1001271212 211 |
| | 1001227454.....502 | 1001243034.....153 | 1001271234 211 |
| | 1001227633.....265 | 1001243035.....153 | 1001272533 37 |
| | 1001227634.....265 | 1001243183.....502 | 1001272681 87 |
| | | | 1001276143 473 |

SECTION 11 - SPECIAL OPTIONS/ACCESSORIES/KITS

| | | | |
|----------------------------|----------------------------|----------------------------|----------------------------|
| 1001279593.....87 | 1702300 ... 477, 479, 481, | 1705349 481 | 2220885.....277 |
| 1001280406.....71, 75 | 483, 485, 487, 489, | 1705351 477 | 2220940.....303, 313 |
| 1060379.....271 | 491, 493 | 1705387 201 | 2220947.....302, 312 |
| 1060908.....391 | 1702391 477 | 1705426 489 | 2221041.....302, 312 |
| 1060918.....247, 249, 263 | 1702565 251 | 1705427 491 | 2221053.....302, 312 |
| 10837580.....47, 291 | 1702566 251 | 1705429 487 | 2221060.....302, 312 |
| 1320012.....124, 148, 152 | 1702567 251 | 1705430 485 | 2221086.....302, 312 |
| 1320016.....124 | 1702676 251 | 1705489 197 | 2400066.....394, 437 |
| 1320022.....117, 119, 124, | 1702773 483, 495 | 1705822 479, 483 | 2420203.....173, 181, 189 |
| 128, 132, 136, 140 | 1702774 495 | 1705828 479, 483 | 2460049.....173, 181, 189 |
| 1320026.....117, 119 | 1702860 495 | 1705903 481 | 2540045....128, 132, 136, |
| 1320041.....365 | 1702868 477 | 1705910 493 | 140 |
| 1320043....128, 132, 136, | 1703162 124, 148, 152 | 1705917 493 | 2560122.....45 |
| 140, 319, 323, 329, | 1703797 477 | 1705921 479, 483 | 2560136.....251 |
| 333, 337, 341, 361, | 1703798 477 | 1705961 479, 483 | 2600281.....235, 237 |
| 389, 409, 415 | 1703804 477 | 1705968 485 | 2720058....124, 128, 132, |
| 1320130....361, 365, 369, | 1703805 477 | 1705969 491 | 136, 140 |
| 373, 377, 381 | 1703923 493 | 1705978 479, 483 | 2720175.....41 |
| 1320136.91, 93, 221, 223 | 1703924 487 | 1706059 495 | 2720271....124, 128, 132, |
| 1320220.....41 | 1703925 485 | 1706060 495 | 136, 140 |
| 1320223.....81, 124, 148, | 1703926 489 | 1706061 495 | 2720615.....124 |
| 152, 359 | 1703927 491 | 1706062 495 | 2820019.....441 |
| 1320263.....369, 373 | 1703928 481 | 1706063 495 | 2820030.....433, 435 |
| 1320274....128, 132, 136, | 1703935 493 | 1706064 495 | 2820031....169, 173, 177, |
| 140 | 1703936 487 | 1706098 495 | 181, 185, 189, 193, |
| 1321283.....117, 119 | 1703937 485 | 1706510 271 | 197, 201, 362, 366, |
| 1321293.....65, 67 | 1703938 489 | 2080040 99, 103, 105, | 369, 373, 377, 381 |
| 1321682.....124, 148, 152 | 1703939 491 | 107, 109, 111, 113, | 2820118....421, 423, 425, |
| 132171665, 67, 124, 148, | 1703940 481 | 235, 237, 273 | 427, 441 |
| 152, 302, 312 | 1703941 493 | 2080057 ... 477, 479, 481, | 2820247.....457, 461 |
| 1340069....125, 148, 152 | 1703942 487 | 483, 485, 487, 489, | 2860030.....79, 498 |
| 1380136.....45 | 1703943 485 | 491, 493 | 2900770....217, 279, 281, |
| 1580011.....124 | 1703944 489 | 2110808 302, 312 | 291 |
| 1580012.....245 | 1703945 491 | 2110810 303, 313 | 2902549....319, 323, 329, |
| 1580013.....503 | 1703946 481 | 2131216 302, 312 | 333, 337, 341, 389, 391 |
| 1670603.....345 | 1703947 493 | 2180348 ... 117, 119, 128, | 2920028.....251 |
| 1670899....361, 365, 369, | 1703948 487 | 132, 136, 140 | 2920029.....251 |
| 373, 377, 381 | 1703949 485 | 2180387 41 | 2920110.....93 |
| 1671092....362, 366, 370, | 1703950 489 | 2180389 41 | 2920113.....93 |
| 378, 382 | 1703951 491 | 2180504 41 | 2920162....169, 173, 177, |
| 1671093....362, 366, 370, | 1703952 481 | 2180666 ... 128, 132, 136, | 181, 185, 189, 193 |
| 378, 382 | 1703953 477 | 140 | 2940074....235, 237, 498 |
| 1700818.....495 | 1703980 489 | 2220124 49 | 2940109.....99, 101 |
| 1701435.....483 | 1703981 491 | 2220290 41 | 3200378.....124, 152 |
| 1701499....477, 479, 481, | 1703982 485 | 2220365 302, 312 | 3200425.....124, 152 |
| 483, 485, 487, 489, | 1703983 493 | 2220366 302, 312 | 3251102....169, 173, 177, |
| 491, 493 | 1703984 487 | 2220371 302, 312 | 181, 185, 189, 193, |
| 1701500....477, 479, 481, | 1703985 481 | 2220373 302, 312 | 197, 201 |
| 483, 485, 487, 489, | 1704000 487 | 2220374 302, 312 | 3251242....331, 335, 339, |
| 491, 493 | 1704001 493 | 2220415 302, 312 | 343, 345 |
| 1701504....477, 479, 481, | 1704002 481 | 2220451 302, 312 | 3251243....201, 317, 321 |
| 483, 485, 487, 489, | 1704260 251 | 2220466 302, 312 | 3251813.....495 |
| 491, 493 | 1704271 495 | 2220468 302, 312 | 3252347.....477 |
| 1701505.....55 | 1704277 ... 477, 479, 481, | 2220472 302, 312 | 3252507....319, 327, 329, |
| 1701509....477, 479, 481, | 483, 485, 487, 489, | 2220473 302, 312 | 333, 337, 341, 389 |
| 483, 485, 487, 489, | 491, 493 | 2220499 302, 312 | 3290405....65, 67, 85, 87, |
| 491, 493 | 1704412 ... 477, 479, 481, | 2220500 303, 313 | 247, 249, 323, 325, |
| 1701517.....479, 483 | 483, 485, 487, 489, | 2220501 302, 312 | 329, 331, 333, 335, |
| 1701518.....479, 483 | 491, 493 | 2220502 302, 312 | 337, 339, 341, 343, |
| 1701529....477, 479, 481, | 1704885 495 | 2220507 302, 312 | 345, 361, 365, 369, |
| 483, 485, 487, 489, | 1704972 495 | 2220582 302, 312 | 373, 377, 381 |
| 491, 493 | 1705170 91, 93 | 2220605 303, 313 | 329050596, 99, 101, 169, |
| 1701542.....57 | 1705325 323, 325 | 2220635 303, 313 | 173, 177, 181, 185, |
| 1701543.....41 | 1705344 489 | 2220819 302, 312 | 189, 193, 197, 201 |
| 1701642....477, 479, 481, | 1705345 491 | 2220828 302, 312 | 3290601.....83 |
| 483, 485, 487, 489, | 1705347 487 | 2220881 277 | 3290605....45, 65, 67, 81, |
| 491, 493 | 1705348 485 | 2220883 277, 279 | 91, 93, 96, 99, 101, |

SECTION 11 - SPECIAL OPTIONS/ACCESSORIES/KITS

| | | | |
|---|---|---|---|
| 111, 113, 117, 119, 124, 128, 132, 136, 140, 148, 152, 169, 173, 177, 181, 185, 189, 193, 221, 223, 247, 249, 303, 313, 319, 323, 329, 333, 337, 341, 361, 365, 369, 373, 377, 381, 389, 477, 479, 481, 483, 485, 487, 489, 491, 493 | 3422791 213, 215 3422792 205, 207 3422814 205, 207 3423081 13 3430616 252 3470003 252 3520028 ... 169, 173, 177, 181, 185, 189, 193, 251 3520030 96, 101 3520054 251 3520072 ... 235, 237, 239, 241, 243 3520198 ... 235, 237, 239, 241, 243 3572551 213, 215 3580317 197, 201 3580318 201 3580319 197 3740080 91, 93, 498 3740086 463, 498 3760115 211 3780182 13 3790012 251 3790152 ... 121, 143, 145 3820019 45 3820020 235, 237 3820032 55, 57, 81 3841143 ... 205, 207, 209, 221, 223 3841203 ... 205, 207, 209 3841258 15, 209 3841520 13 3900085 89 3900349 251 3910606 202 3910804 79 3911036 93 3931010 273 3931016 201 3931408 267 3931832 49 3960422 ... 202, 321, 327 3960464 ... 117, 119, 124, 128, 132, 136, 140, 148, 152 3990010 437, 498 4010618 239, 241 4031505 265 4031509 85, 87 4031510 ... 361, 365, 369, 373, 377, 381 4031512 65, 67, 361, 365, 369, 373, 377, 381 4031516 269 4031707 148, 152 4060092 327 4060802 ... 169, 173, 177, 181, 185, 189, 193, 197, 201 4060804 221, 223 4060805 221, 223 4060808 ... 361, 365, 369, 373, 377, 381 4070897 211 4070898 211 4100066 303, 313 | 4240018.... 302, 312, 361, 365, 369, 373, 377, 381 4240032.... 85, 87, 89, 91, 93, 251 4240033.... 65, 67, 91, 93, 117, 119, 265, 267, 269 4240099..... 273 4240156.... 361, 365, 369, 373, 377, 381 4360328.... 69, 71, 73, 75, 498 4360336.... 169, 173, 177, 181, 185, 189, 193, 197, 201, 249, 499 4360387. 73, 75, 251, 499 4360407..... 251, 499 4360469..... 79, 499 4360475.... 69, 71, 73, 75, 251, 498 4360476.... 69, 71, 73, 75, 251, 499 4360522..... 91, 93, 499 4360548.... 361, 365, 385, 498 4400275..... 41 4400498..... 156 4420051..... 495 4420062..... 271 4460016..... 441 4460019..... 397 4460042..... 399 4460043..... 399 4460071.... 202, 247, 249, 263, 321, 327 4460121..... 93, 319, 403 4460125..... 327 4460134..... 411, 417 4460142..... 399, 429 4460183..... 429 4460205.... 321, 411, 415, 417 4460225.... 403, 405, 441 4460226.... 247, 249, 256, 259, 263 4460227.... 393, 437, 441 4460233..... 327 4460234..... 251 4460247..... 399 4460256..... 397, 399 4460259.... 407, 429, 441, 469 4460260.... 407, 429, 441, 469 4460265..... 256, 259 4460267..... 403 4460268..... 403, 405 4460313..... 401, 429 4460315..... 321, 327 4460346..... 202, 321 4460384..... 345 4460418..... 429, 441 4460419..... 429, 441 4460428..... 251, 273 4460434..... 441 4460445..... 403 4460457..... 407 | 4460464 ... 247, 249, 263, 273, 385, 393, 394, 425, 427, 429, 431, 433, 437, 438, 441, 463, 465, 467, 469, 471 4460465 83, 85, 385, 387, 393, 397, 399, 403, 405, 407, 421, 423, 425, 427, 429, 431, 435, 437, 438, 441, 465, 467, 469, 471 4460466 ... 251, 265, 385, 387, 393, 399, 405, 407, 421, 423, 425, 427, 429, 431, 435, 437, 438, 441, 459, 463, 465, 469, 471 4460470 251 4460471 251 4460473 ... 362, 366, 369, 373, 377, 381, 421, 423, 425, 427 4460474 397, 399 4460488 87, 89, 251 4460496 65, 67 4460497 65, 67 4460508 ... 265, 393, 425, 427, 437, 438, 441, 469 4460509 ... 421, 423, 425, 427, 429 4460518 465 4460536 441 4460539 429, 441, 471 4460662 ... 333, 335, 339, 341, 343, 345 4460705 403 4460708 251 4460709 ... 370, 409, 413, 419 4460710 370, 413, 419 4460742 403, 407 4460743 403 4460746 399 4460761 393, 437, 441 4460806 ... 335, 339, 403, 429 4460836 393, 435, 437 4460837 393, 437 4460865 ... 361, 365, 369, 373, 377, 381, 421, 423, 425, 427 4460866 ... 361, 365, 369, 373, 377, 381, 393, 438, 441 4460868 429 4460871 83, 393, 429, 437, 441, 471, 473 4460872 471 4460873 393, 437, 441 4460874 393, 437, 441 4460875 441, 471 4460876 429 4460877 429 4460878 393, 437 4460879 441 4460884 ... 393, 429, 431, 437 |
|---|---|---|---|

SECTION 11 - SPECIAL OPTIONS/ACCESSORIES/KITS

| | | | |
|---------------------------|-----------------------------|----------------------------|---------------------------|
| 4460887.....393, 437, 441 | 4640858.....277 | 481210255, 57, 117, 119, | 70002134.....163 |
| 4460888.....441 | 4641284.....303, 313 | 128, 132, 136, 140, | 70002135.....163 |
| 4460891 83, 85, 385, 387, | 4711400... 198, 239, 241, | 169, 173, 177, 181, | 70002136.....164 |
| 393, 397, 399, 438, | 243, 267, 269, 325, | 185, 189, 193 | 70002137.....163 |
| 465, 467, 471 | 331, 335, 339, 343, 345 | 4812300.....96 | 70002138.....163 |
| 4460892.....393, 437 | 4711600.... 197, 201, 252 | 4812500 ... 117, 119, 128, | 70002139.....163 |
| 4460894....385, 387, 393, | 4711800.....124 | 132, 136, 140 | 70002140.....163 |
| 429, 437, 441 | 4740086.....13 | 4845582.....271 | 70002141.....163 |
| 4460897....394, 438, 467 | 4740158.....15 | 4891500 ... 169, 173, 177, | 70002142.....163 |
| 4460899....394, 431, 438, | 4740171.....49 | 181, 185, 189, 193 | 70002145.....164 |
| 459, 463, 469 | 4740274.... 124, 148, 152 | 4891600 ... 121, 143, 145, | 70002146.....164 |
| 4460905....393, 429, 437, | 4740362 ... 111, 113, 124, | 221, 223 | 70002147.....163 |
| 441, 471, 473 | 247, 249 | 4891800 121, 143, 145 | 70002148.....163 |
| 4460910.....457 | 4740397 ... 169, 173, 177, | 4922641 ... 169, 173, 177, | 70002149.....164, 498 |
| 4460911.....459 | 181, 185, 189, 193, | 181, 185, 189, 193, | 70002150.....163 |
| 4460928.....465 | 197, 201, 251 | 197, 201 | 70002151.....163 |
| 4460930.....393, 437 | 4740537.....13 | 4923463.....349, 355 | 70002152.....163 |
| 4460931.....471 | 4740538.....13 | 4923505 ... 347, 353, 409, | 70002153.....163 |
| 4460932....273, 393, 437 | 4740539.....13 | 411, 413, 415, 417, 419 | 70002154.....163 |
| 4460933....251, 429, 435, | 4740540.....13 | 5221000.....225 | 70002155.....163 |
| 441, 465, 471 | 4751000 89, 93, 201, 273 | 5240600.....96 | 70002156.....163 |
| 4460941.....459 | 4751400 ... 245, 247, 249, | 5240800.....197, 201 | 70002157.....163 |
| 4460942.....265 | 251 | 5241000.....15, 21 | 70002158.....163 |
| 4460943 87, 89, 393, 429, | 4751500.....201, 271 | 5241200 211, 221, 223 | 70002159.....163 |
| 438, 441, 459 | 4761400.... 148, 152, 245 | 5241400.....49 | 70002160.....163 |
| 4460944....393, 399, 429, | 4791400.....197, 201 | 5241600.....21 | 70002161.....163 |
| 435, 437, 441 | 4811400 ... 65, 67, 85, 87, | 5250608.....124 | 70002163.....163 |
| 4460945....393, 429, 438 | 247, 249, 323, 325, | 5250808.....227 | 70002164.....163 |
| 4460956.....391 | 329, 331, 333, 335, | 5250810 39, 45, 227, 303, | 70002165.....163, 164 |
| 4460957.....391 | 337, 339, 341, 343, | 313 | 70002166.....163 |
| 4460962.....351 | 345, 361, 365, 369, | 5250812.....124, 227 | 70002168.....163 |
| 4460963.....357 | 373, 377, 381 | 5251008.....221, 223 | 70002169.....163 |
| 4460967.....407 | 4811600 96, 99, 101, 197, | 5251010 17, 205, 207, | 70002170.....163 |
| 4460968....323, 325, 329, | 201 | 211 | 70002172.....163 |
| 331, 337, 385 | 4811700 ... 45, 65, 67, 83, | 5251012 15, 117, 119, | 70002174.....164 |
| 4460970.....385, 441 | 87, 89, 99, 101, 111, | 128, 132, 136, 140, 211 | 70002175.....164 |
| 4460972.....403 | 113, 124, 148, 152, | 5251016.....221, 223 | 70002176.....164 |
| 4460973.....403 | 239, 241, 303, 313, | 5260800 ... 361, 365, 369, | 70002177.....164 |
| 4460974.....403 | 319, 323, 329, 333, | 373, 377, 381 | 70002178.....164 |
| 4460979.....393, 437 | 337, 341, 361, 365, | 5281920 ... 361, 365, 369, | 70002179.....164 |
| 4461012.....247, 249 | 389, 477, 479, 481, | 373, 377, 381 | 70002180.....164 |
| 4461070.....465 | 483, 485, 487, 489, | 70000088.....51 | 70002181.....164 |
| 4461077.....459, 463 | 491, 493 | 70000089.....51 | 70002185.....164 |
| 4461095.....399, 465 | 4811702 81, 169, 173, | 70000122 .. 173, 181, 189 | 70002186.....164 |
| 4461109.....399 | 177, 181, 185, 189, | 70000123 . 169, 177, 185, | 70002187.....164 |
| 4461110.....394, 437 | 193, 221, 223, 362, | 193 | 70002191.....164 |
| 4461111.....399 | 366, 369, 373, 377, 381 | 70000124 . 169, 177, 185, | 70002192.....164 |
| 4461112....394, 401, 437 | 4811900 41, 124, 128, | 193 | 70002237.. 169, 173, 177, |
| 4461113....394, 399, 401, | 132, 136, 140, 148, | 70000125 . 169, 177, 185, | 181, 185, 189, 193, 498 |
| 437 | 152, 197, 201, 359, | 193 | 70002238.. 169, 177, 185, |
| 4461157.....393, 437 | 361, 365, 369, 373, | 70000126 . 169, 177, 185, | 193 |
| 4461196.....443 | 377, 381 | 193, 498 | 70002240.. 173, 181, 189, |
| 4461198.....325, 443 | 4811902 45, 211, 213, | 70000341.....217 | 498 |
| 4461199.....445 | 215 | 70000681.....53 | 70002311.....51 |
| 4461201.....331, 445 | 4812000 . 45, 81, 96, 117, | 70000781.....19 | 70002312.....51 |
| 4461205....447, 449, 451, | 119, 124, 128, 132, | 70001119.....25 | 70002313.....51 |
| 453 | 136, 140, 148, 152, | 70001140.....155 | 70002315.....155 |
| 4461222....394, 399, 401, | 169, 173, 177, 181, | 70001368.....25 | 70002316.....155 |
| 437 | 185, 189, 193, 197, | 70001697.....219 | 70002317.....155 |
| 4461231....125, 149, 153 | 201, 205, 207, 209, | 70001934.....155 | 70002318.....155 |
| 4461232....125, 149, 153 | 221, 223, 225, 247, | 70001935.....155 | 70002319.....155 |
| 4461244.....335, 451 | 249, 359, 361, 365, | 70001958.....163 | 70002320.....155 |
| 4461245.....339, 453 | 369, 373, 377, 381 | 70001966.....197, 201 | 70002321.....155 |
| 4461246.....343, 455 | 4812002.....55, 57, 227 | 70002063.....19 | 70002322.....155 |
| 4461249.....455 | 4812100 13, 124, 148, | 70002112.....59 | 70002323.....155 |
| 4520605.....33 | 152, 221, 223 | 70002132.....163 | 70002327.....156 |
| 4640113.....33, 35, 37 | | 70002133.....163 | 70002328.....156 |

SECTION 11 - SPECIAL OPTIONS/ACCESSORIES/KITS

| | | | | | | | |
|---------------------------|----------------|----------------|----------------|--------------------------|----------------|---------------|---------------|
| 70002330 | 156 | 70002905 .. | 247, 249, 263 | 70003069.. | 169, 173, 177, | 70003139..... | 53 |
| 70002334 .. | 281, 283, 285 | 70002954 | 231 | 181, 185, 189, 193 | | 70003141..... | 53 |
| 70002335 .. | 279, 281, 283, | 70002955 | 19 | 70003070... | 169, 173, 177 | 70003142..... | 53 |
| 285, 287, 291 | | 70002956 | 19 | 70003071..... | 285 | 70003178..... | 125, 498 |
| 70002337 | 285, 289 | 70002957 | 19 | 70003072..... | 285 | 70003179..... | 125 |
| 70002344 | 283 | 70002958 | 19 | 70003073..... | 285 | 70003453..... | 281 |
| 70002352 | 287, 291 | 70002959 | 19 | 70003074..... | 285 | 70003708..... | 197, 201 |
| 70002354 | 287 | 70002960 | 19 | 70003075..... | 285 | 70003709..... | 197, 201 |
| 70002364 | 291 | 70002961 | 19 | 70003076...281, 283, 285 | | 70003757..... | 47 |
| 70002366 .. | 279, 287, 291 | 70002962 | 19 | 70003077..... | 285, 289 | 70003788..... | 47, 498 |
| 70002372 | 281 | 70002963 | 19, 231, 498 | 70003078..... | 285, 289 | 70004069..... | 161 |
| 70002373 | 281 | 70002964 | 47 | 70003079..... | 285, 289 | 70004070..... | 161 |
| 70002375 | 281 | 70002965 | 47 | 70003080..... | 285, 289 | 70004092..... | 197, 201 |
| 70002380 | 289 | 70002966 | 47 | 70003081...279, 285, 287 | | 70004098..... | 202 |
| 70002386 19, 45, 47, 229, | | 70002967 | 47 | 70003082..... | 283, 285 | 70004099..... | 197, 201 |
| 281, 283, 285, 498 | | 70002968 | 47 | 70003083..... | 283, 285 | 70004311..... | 155 |
| 70002389 | 291 | 70002969 | 47 | 70003084..... | 287 | 70004322..... | 219 |
| 70002410 | 285 | 70002970 | 47 | 70003085..... | 279, 287 | 70004323..... | 217, 219 |
| 70002412 | 283 | 70002971 | 47, 498 | 70003086..... | 287 | 70004395..... | 155, 498 |
| 70002413 | 279 | 70002972 | 47 | 70003088..... | 287 | 70004396..... | 155 |
| 70002577 | 167 | 70002973 | 47 | 70003089...279, 287, 291 | | 70004397..... | 155 |
| 70002601 | 163 | 70002974 | 47 | 70003090...279, 287, 291 | | 70004398..... | 155 |
| 70002603 | 163 | 70002976 | 47 | 70003091...279, 287, 291 | | 70004399..... | 155 |
| 70002643 | 53 | 70002977 | 47 | 70003092...279, 287, 291 | | 70004400..... | 155 |
| 70002644 | 53 | 70002978 | 19 | 70003093...279, 281, 287 | | 70004401..... | 156 |
| 70002645 | 53 | 70002979 | 125, 498 | 70003094...279, 281, 287 | | 70004524..... | 156 |
| 70002646 | 53 | 70002980 | 26 | 70003095..... | 289 | 70004536..... | 156 |
| 70002647 | 53 | 70002981 | 26 | 70003096..... | 289 | 70004537..... | 156 |
| 70002648 | 53 | 70002982 | 26 | 70003097..... | 289 | 70004538..... | 156 |
| 70002649 | 53 | 70002983 | 25 | 70003098..... | 289 | 70004539..... | 156 |
| 70002650 | 53 | 70002984 | 25 | 70003099..... | 289 | 70004541..... | 156 |
| 70002651 | 53 | 70002985 | 25 | 70003100..... | 289 | 70004542..... | 156 |
| 70002652 | 53 | 70002986 | 25 | 70003101..... | 289 | 70004543..... | 156 |
| 70002656 | 53 | 70002987 | 25 | 70003102..... | 289 | 70004544..... | 155 |
| 70002657 | 53 | 70002988 | 25 | 70003103..... | 283 | 70004676..... | 197, 201 |
| 70002658 | 53 | 70002989 | 25 | 70003104..... | 283 | 70004678..... | 197, 201 |
| 70002659 | 53 | 70002990 | 25 | 70003105..... | 283 | 70004679..... | 197, 201 |
| 70002661 | 53 | 70002991 | 25 | 70003106..... | 283 | 70004682 .. | 197, 202, 499 |
| 70002663 | 53 | 70002992 | 25 | 70003108..... | 283 | 70004683..... | 197 |
| 70002664 | 53 | 70002993 | 25 | 70003109..... | 283 | 70004688..... | 197 |
| 70002665 | 53 | 70002994 | 25 | 70003110..... | 283 | 70004689..... | 197, 201 |
| 70002666 | 53 | 70002995 | 25 | 70003111..... | 283 | 70004690..... | 197 |
| 70002667 | 53 | 70002996 | 25 | 70003112..... | 283 | 70004691..... | 201 |
| 70002668 | 53 | 70002997 | 26 | 70003113..... | 283 | 70004692..... | 202 |
| 70002669 | 53 | 70002998 | 26 | 70003114..... | 291 | 70004738..... | 259 |
| 70002670 | 53 | 70002999 | 25 | 70003115..... | 291 | 70004739..... | 259 |
| 70002671 | 53 | 70003000 | 25 | 70003116..... | 291 | 70004740..... | 259 |
| 7000281 | 26 | 70003005 | 23 | 70003117..... | 291 | 70004741..... | 259 |
| 70002812 | 59, 498 | 70003006 | 23 | 70003118..... | 281, 291 | 70004742..... | 259 |
| 70002838 | 59 | 70003007 | 23 | 70003119..... | 291 | 70004743..... | 259 |
| 70002839 | 59 | 70003008 | 23 | 70003120..... | 291 | 70004744..... | 259 |
| 70002840 | 59 | 70003009 | 23 | 70003121..... | 291 | 70004745..... | 259 |
| 70002842 | 277 | 70003010 | 23 | 70003122..... | 281 | 70004746..... | 259 |
| 70002860 | 167 | 70003011 | 23 | 70003123..... | 281 | 70004747..... | 259 |
| 70002861 | 167 | 70003012 | 23 | 70003124..... | 281 | 70004748..... | 259 |
| 70002862 | 167 | 70003013 | 23 | 70003125..... | 281 | 70004749..... | 259 |
| 70002863 | 163 | 70003014 | 23 | 70003126..... | 281 | 70004750..... | 259 |
| 70002864 | 164 | 70003016 | 23 | 70003127..... | 281 | 70004751..... | 259 |
| 70002865 | 164 | 70003060 | 155 | 70003128..... | 281 | 70004752..... | 255 |
| 70002866 | 164 | 70003061 | 155 | 70003129..... | 281 | 70004753..... | 255 |
| 70002867 | 164 | 70003062 | 155 | 70003130..... | 281 | 70004754..... | 255 |
| 70002868 | 164 | 70003063 | 155 | 70003131..... | 279 | 70004755..... | 255 |
| 70002899 .. | 125, 149, 153 | 70003064 | 155 | 70003132..... | 279 | 70004756..... | 255 |
| 70002901 | 161 | 70003066 | 156 | 70003133..... | 279 | 70004757..... | 255 |
| 70002902 .. | 247, 249, 263 | 70003067 | 156 | 70003134..... | 279 | 70004758..... | 255 |
| 70002903 .. | 247, 249, 263 | 70003068 .. | 181, 185, 189, | 70003137...173, 181, 189 | | 70004759..... | 255 |
| 70002904 .. | 247, 249, 263 | 193 | | 70003138..... | 53 | 70004760..... | 255 |

SECTION 11 - SPECIAL OPTIONS/ACCESSORIES/KITS

| | | | |
|--|--|--|--|
| 70004761.....255 | 7012941 19, 229 | 7020176 69, 71, 73, 75 | 7024844..... 19 |
| 70004762.....255 | 7012953 19, 229 | 7020190 ... 169, 173, 177, 181, 185, 189, 193 | 7024884.....281, 283, 285 |
| 70004763.....255 | 7012955 229, 231 | 7020192 ... 169, 177, 185, 193 | 7025479..... 155 |
| 70004764.....255 | 7012967 45, 229, 231, 281, 283, 285 | 7021275 163 | 7026041..... 53 |
| 70004765.....255 | 7012998 47, 231 | 7021653 47 | 7026048..... 53 |
| 70004766.....255 | 7015004 ... 125, 148, 152, 498 | 70222301 164 | 7026049..... 53 |
| 70004767.....255 | 7015005 125, 148, 152 | 7022301 163 | 7026052..... 53 |
| 70004768.....255 | 7016319 85 | 7022326 156 | 7026525.... 173, 181, 189 |
| 70004769.....255 | 7016372 85 | 7022340 164 | 7027350..... 53 |
| 70004770.....255 | 7016628 93 | 7023124 156 | 7027351..... 53 |
| 70004771.....255 | 7017022 26 | 7023132 155 | 7027352..... 53 |
| 70004772.....255 | 7017120 217 | 7023134 149, 153 | 7027353..... 53 |
| 70004773.....255 | 7017121 217 | 7023136 155 | 7027359..... 53 |
| 70004774.....256 | 7017122 217, 219 | 7023139 155 | 7027887.... 169, 173, 177, 181, 185, 189, 193 |
| 70004775.....256 | 7017123 217, 219 | 7023141 155 | 7027900.....217, 219 |
| 70005220.....156 | 7017126 217, 219 | 7023144 155 | 7027901.....217, 219 |
| 70005293.....161 | 7017127 217 | 7023145 155 | 7027955.....23 |
| 70005294.....161 | 7017172 217, 219 | 7023148 156 | 7027956.....23 |
| 70005295.....161 | 7017192 217, 219 | 7023149 156 | 7027957.....23 |
| 70005296..... 161, 498 | 7017196 217, 219 | 7023154 155 | 7027958.....23 |
| 70005297.....161 | 7017402 229, 231 | 7023156 155 | 7027959.....23 |
| 70005695.....279 | 7017406 19, 47 | 7023157 155 | 7027972..... 125, 498 |
| 70005722.....45 | 7017427 231 | 7023160 155 | 7028909.....87, 89 |
| 70005973.....279 | 7017452 229, 231 | 7023162 155 | 77133089.....302, 312 |
| 70005974.....279 | 7017467 45 | 7023163 155 | 77363233.....405 |
| 70006269.....225 | 7017496 . 19, 45, 47, 281, 283, 285 | 7023164 155 | 8007941.....23 |
| 70006280.....225 | 7017498 231 | 7023165 155 | 80233041.....303, 313 |
| 70006353.....279 | 7017901 155 | 7023167 155 | 80325.....96 |
| 70010383.....45, 498 | 7017911 155 | 7023168 155 | 80334555.....23 |
| 7001913.....25 | 7017934 155 | 7023170 156 | 80633030.....302, 312 |
| 70022565.....283 | 7017945 155 | 7023964 164 | 80673025... 124, 148, 152 |
| 70023370..281, 283, 285, 291 | 7017954 155 | 7023970 229 | 8220029.....403 |
| 70023371.....287 | 7017955 155 | 7024108 26 | 8220164.... 394, 399, 437 |
| 7004035.....51 | 7017963 156 | 7024134 26 | 8305919.....251 |
| 7004043.....51 | 7020108 ... 169, 173, 177, 181, 185, 189, 193 | 7024379 51 | 8310668.....225 |
| 7004044.....51 | 7020109 ... 169, 173, 177, 181, 185, 189, 193 | 7024380 51 | 8310686.....303, 313 |
| 7007415.....164 | 7020110 ... 169, 173, 177, 181, 185, 189, 193 | 7024381 51 | 83191040... 121, 143, 145 |
| 7007439..... 163, 164 | 7020111 ... 169, 173, 177, 181, 185, 189, 193 | 7024389 51 | 8405006..... 124 |
| 7007446..... 163 | 7020152 173, 181, 189 | 7024390 51 | 8406110..... 377, 381 |
| 7007640.....25 | 7020175 69, 71, 73, 75 | 7024441 59 | 85941016.. 124, 148, 152, 303, 313 |
| 7010543. 19, 47, 229, 291 | | 7024453 51 | 91143172.....303, 313 |
| 7011323.....217 | | 7024738 25 | |
| 7012513.... 169, 173, 177, 181, 185, 189, 193 | | 7024741 25 | |
| 7012514.... 169, 173, 177, 181, 185, 189, 193 | | 7024742 25 | |
| | | 7024744 26 | |



**Corporate Office
JLG Industries, Inc.
1 JLG Drive
McConnellsburg, PA 17233-9533 USA**
☎ **(717) 485-5161 (Corporate)**
☎ **(877) 554-5438 (Customer Support)**
📠 **(717) 485-6417**

**Visit our website for JLG Worldwide Locations.
www.jlg.com**



OSHKOSH™