



Illustrated Parts Manual

Models *E400Anarrow* *E400AJPnarrow*

PVC
2107

P/N
31217476

November 15, 2022 - Rev B

ANSI

CE



**UK
CA**

AS/NZS



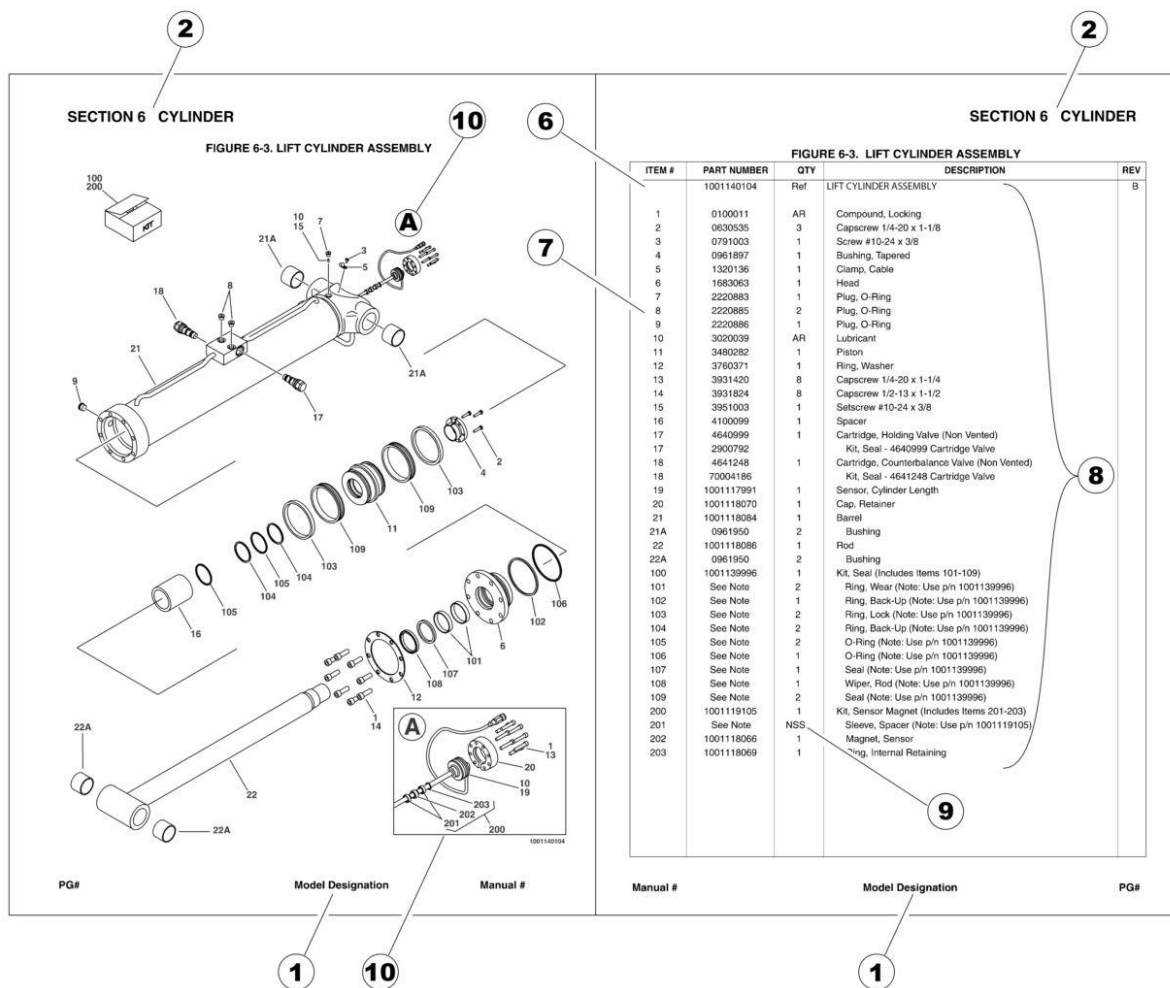
An Oshkosh Corporation Company

REVISION LOG

July 1, 2021 - A - Original Issue of Manual (Edited to 1001247556 Revision K)

November 15, 2022 - B - Revised Manual (Edited to 1001247556 Revision K)

GENERAL INFORMATION



1) MACHINE IDENTIFICATION

Machines are identified by model and in some cases a combination of models, serial number (SN) or regional standard (i.e ANSI, CE, CSA). Components may also be identified by SN or manufacturer. Common components that may be identified by these characteristics are engines and hydraulic components.

2) PARTS MANUAL ORGANIZATION

Product information in this manual is organized under section titles. Frame, Cylinder, Hydraulic and Electrical are a few examples. Each section is organized by figure and page number. The information within the Figure is then organized by item number, part number, description and corresponding illustration (s).

3) TABLE OF CONTENTS (NOT SHOWN)

A table of contents is found toward the beginning of the manual. Figure number, description and page number are provided for quick reference to the page containing the related information.

4) RECOMMENDED SPARE PARTS (NOT SHOWN)

The Recommended Spare Parts List, located near the end of the manual, reference most frequently used maintenance parts.

5) PART NUMBER INDEX (NOT SHOWN)

A numerical index listing all part numbers and the corresponding page number(s) appears at the back of the manual.

GENERAL INFORMATION

6) NON-SERVICED PARTS

In some instances, it is necessary to display non-serviced parts, assemblies or installations. In the case of assemblies and installations there will be a Ref in the Qty. column. In case of parts that are not available for service within assemblies or components, there will be a NSS (Not Sold Separately) or NLA (No Longer Available) listed in the Qty. column of the manual.

7) PARTS LIST ITEM NUMBERS

Numbers shown in the item# column correspond to numbers used in the associated illustration (s). Item numbers which are missing from the sequence in the parts list are not used on that page.

8) INDENTED PARTS DESCRIPTION

An indented part description is included in the item under which it is indented.

9) ABBREVIATION AND SYMBOLS

AC.....	Alternating Current	L.....	Liter
ADE.....	Advanced Design Electronics	LB(LBS).....	Pounds
AG.....	Agricultural	LCD.....	Liquid Crystal Display
ANSI.....	American National Standards Institute	LED.....	Light Emitting Diodes
AR.....	As Required	LH.....	Left Hand
ASSY.....	Assembly	LRC.....	Low Rated Countries
AUS.....	Australia	LSS.....	Load Sensing System
AUX.....	Auxiliary	M(m).....	Metric/Meter
AWG.....	American Wire Gauge	MM(mm).....	Milimeter
B/M.....	Bill of Material	mA.....	Miliamps
CAC.....	Charge Air Cooler	NLA.....	No Longer Available
CE.....	European Conformity	NPT.....	National Pipe Threads
CCW.....	Counter Clockwise	NSS.....	Not Sold Separately
CM.....	Centimeter	OD.....	Outside Diameter
CW.....	Clockwise	ORB.....	O-Ring Boss
CSA.....	Canadian Standards Association	ORFS.....	O-Ring Face Seal
CYL.....	Cylinder	OZ (oz).....	Ounces
DIA.....	Diameter	PG.....	Page
DC.....	Direct Current	PN.....	Part Number
DEF.....	Diesel Exhaust Fluid	QT(qt.).....	Quarts
EMS.....	Emergency Stop	QTY.....	Quantity
ENG.....	Engine	REF.....	Reference
FT(ft).....	Feet	REV.....	Revision Level
GA(Ga).....	Gauge	RH.....	Right Hand
HRC.....	High Rated Countries	SAE.....	Society of Automotive Engineers
HVAC.....	Heating, Ventilating, and Air Conditioning	SN.....	Serial Number
HYD.....	Hydraulic	SPEC(S).....	Specifications
Hz.....	Hertz	T/T.....	Turntable
ID.....	Inside Diameter	UGM.....	Universal Ground Module
IN.....	inches	V.....	Volts
ISO.....	International Organization for Standards	W.....	Watts
JIC.....	Joint Industry Council	#.....	Number
KG.....	Kilogram		

10) ILLUSTRATION REFERENCE LETTERS

When necessary, illustrations may contain reference letters that are intended to track information (i. e. hoses, harnesses) from one point to another or to track visual enlargement of components to show details that may be located in another area on the illustration.

Note: Due to continuous product improvements, JLG Industries, Inc. reserves the right to make specification changes without prior notification. Contact JLG Industries, Inc. for updated information.

TABLE OF CONTENTS

SECTION 1 - FRAME.....	11
FIGURE 1-1. STEERING INSTALLATION	12
FIGURE 1-2. HUB - SPINDLE ASSEMBLY - RH	14
FIGURE 1-3. HUB - SPINDLE ASSEMBLY - LH.....	16
FIGURE 1-4. DRIVE INSTALLATION - NON-UL SPECS.....	18
FIGURE 1-5. DRIVE INSTALLATION - UL SPECS.....	22
FIGURE 1-6. DRIVE HUB ASSEMBLY	26
FIGURE 1-7. DRIVE MOTOR ASSEMBLY	30
FIGURE 1-8. ELECTRICAL PLATE ASSEMBLY - LH.....	32
FIGURE 1-9. ELECTRICAL PLATE ASSEMBLY - LH - UL SPECS.....	34
FIGURE 1-10. ELECTRICAL PLATE ASSEMBLY - RH.....	36
FIGURE 1-11. ELECTRICAL PLATE ASSEMBLY - RH - UL SPECS	38
FIGURE 1-12. TIRE/WHEEL - SOLID NON-MARKING	40
FIGURE 1-13. MOTOR/PUMP/TANK - NON-UL SPECS.....	42
FIGURE 1-14. MOTOR/PUMP/TANK INSTALLATION - UL SPECS.....	44
FIGURE 1-15. MOTOR/PUMP ASSEMBLY	46
FIGURE 1-16. HYDRAULIC TANK ASSEMBLY.....	48
FIGURE 1-17. VALVE INSTALLATION - FRAME MOUNTED - E400ANARROW	50
FIGURE 1-18. VALVE INSTALLATION - FRAME MOUNTED - E400AJPNARROW.....	52
FIGURE 1-19. BRAKE/STEER VALVE ASSEMBLY	54
FIGURE 1-20. BATTERY BOX INSTALLATION - STANDARD (ALL SPECS EXCEPT AUSTRALIAN, CE & UK CA SPECS).....	56
FIGURE 1-21. BATTERY BOX INSTALLATION - STANDARD (AUSTRALIAN, CE & UK CA SPECS).....	58
FIGURE 1-22. BATTERY BOX INSTALLATION - AGM BATTERIES (ALL SPECS EXCEPT AUSTRALIAN, CE & UK CA SPECS).....	60
FIGURE 1-23. BATTERY BOX INSTALLATION - AGM BATTERIES (AUSTRALIAN, CE & UK CA SPECS)	62
FIGURE 1-24. BATTERY CHARGER INSTALLATION (ALL SPECS EXCEPT AUSTRALIAN, CE & UK CA SPECS)	64
FIGURE 1-25. BATTERY CHARGER INSTALLATION - E400AJPNARROW (AUSTRALIAN SPEC)	66
FIGURE 1-26. BATTERY CHARGER INSTALLATION (ANSI EXPORT, CE, CHINA & UK CA SPECS)	68
FIGURE 1-27. INVERTER INSTALLATION	70
FIGURE 1-28. FRAME COVER INSTALLATION	72
SECTION 2 - TURNTABLE	75
FIGURE 2-1. VALVE INSTALLATION- TURNTABLE MOUNTED - E400ANARROW	76
FIGURE 2-2. VALVE INSTALLATION - TURNTABLE MOUNTED - E400AJPNARROW	78
FIGURE 2-3. MAIN CONTROL VALVE ASSEMBLY	80
FIGURE 2-4. RELEVELING VALVE ASSEMBLY.....	82
FIGURE 2-5. JIB VALVE ASSEMBLY	84
FIGURE 2-6. MOTION ALARM INSTALLATION	86
FIGURE 2-7. TURNTABLE BEARING AND SWING DRIVE INSTALLATION.....	88
FIGURE 2-8. SWING MOTOR ASSEMBLY	90
FIGURE 2-9. SWING BEARING ASSEMBLY	92
FIGURE 2-10. REMOTE BEARING LUBE INSTALLATION - OPTIONAL.....	94
FIGURE 2-11. DRIVE ORIENTATION INSTALLATION	96
FIGURE 2-12. GROUND CONTROL BOX INSTALLATION - E400ANARROW (ALL SPECS EXCEPT AUSTRALIAN, CE & UK CA SPECS)	98
FIGURE 2-13. GROUND CONTROL BOX INSTALLATION - E400ANARROW (CE & UK CA SPEC)	100
FIGURE 2-14. GROUND CONTROL BOX INSTALLATION - E400AJPNARROW (ALL SPECS EXCEPT CE & UK CA SPEC).....	102
FIGURE 2-15. GROUND CONTROL BOX INSTALLATION - E400AJPNARROW (CE & UK CA SPEC).....	104
FIGURE 2-16. GROUND CONTROL BOX ELECTRICAL ASSEMBLY - DISPLAY WITH BUTTONS - E400ANARROW (ALL SPECS EXCEPT AUSTRALIAN, CE & UK CA SPECS)	106
FIGURE 2-17. GROUND CONTROL BOX ELECTRICAL ASSEMBLY - DISPLAY WITHOUT BUTTONS - E400ANARROW (ALL SPECS EXCEPT AUSTRALIAN, CE & UK CA SPECS)	108
FIGURE 2-18. GROUND CONTROL BOX ELECTRICAL ASSEMBLY - DISPLAY WITH BUTTONS - E400ANARROW (CE & UK CA SPECS)	110
FIGURE 2-19. GROUND CONTROL BOX ELECTRICAL ASSEMBLY - DISPLAY WITHOUT BUTTONS - E400ANARROW (CE & UK CA SPECS)	112
FIGURE 2-20. GROUND CONTROL BOX ELECTRICAL ASSEMBLY - DISPLAY WITH BUTTONS - E400AJPNARROW (ALL SPECS EXCEPT CE & UK CA SPECS).....	114
FIGURE 2-21. GROUND CONTROL BOX ELECTRICAL ASSEMBLY - DISPLAY WITHOUT BUTTONS - E400AJPNARROW (ALL SPECS EXCEPT CE & UK CA SPECS).....	116
FIGURE 2-22. GROUND CONTROL BOX ELECTRICAL ASSEMBLY - DISPLAY WITH BUTTONS - E400AJPNARROW (CE & UK CA SPECS)	118
FIGURE 2-23. GROUND CONTROL BOX ELECTRICAL ASSEMBLY - DISPLAY WITHOUT BUTTONS - E400AJPNARROW (CE & UK CA SPECS).....	120

TABLE OF CONTENTS

FIGURE 2-24. STROBE LIGHT INSTALLATION - AMBER	122
FIGURE 2-25. BEACON LIGHT INSTALLATION - BLUE	124
FIGURE 2-26. BEACON LIGHT INSTALLATION - RED.....	126
FIGURE 2-27. HOOD INSTALLATION	128
 SECTION 3 - BOOM.....	 131
FIGURE 3-1. BOOM AND CYLINDERS INSTALLATION - E400ANARROW	132
FIGURE 3-2. BOOM AND CYLINDERS INSTALLATION - E400AJPNARROW	134
FIGURE 3-3. MAIN BOOM ASSEMBLY - E400ANARROW	138
FIGURE 3-4. MAIN BOOM ASSEMBLY - E400AJPNARROW	140
FIGURE 3-5. JIB INSTALLATION	144
FIGURE 3-6. ROTATOR ASSEMBLY - E400ANARROW.....	146
FIGURE 3-7. ROTATOR ASSEMBLY - PLATFORM SUPPORT TO JIB - E400AJPNARROW	148
FIGURE 3-8. ROTATOR ASSEMBLY - MAIN BOOM TO JIB - E400AJPNARROW	150
FIGURE 3-9. PLATFORM SUPPORT INSTALLATION	152
FIGURE 3-10. BOOM LIMIT SWITCHES INSTALLATION	154
 SECTION 4 - PLATFORM	 157
FIGURE 4-1. PLATFORM ASSEMBLY - 4FT/1.22M - SIDE GATE ENTRY	158
FIGURE 4-2. PLATFORM ASSEMBLY - 5FT/1.52M - SIDE GATE ENTRY	160
FIGURE 4-3. PLATFORM ASSEMBLY - 5FT/1.52M - SIDE GATE ENTRY - W/STOP AND 1 CELL LSS.....	162
FIGURE 4-4. PLATFORM ASSEMBLY - 4FT/1.22M - DROP BAR ENTRY	164
FIGURE 4-5. PLATFORM ASSEMBLY - 5FT/1.52M - DROP BAR ENTRY	166
FIGURE 4-6. PLATFORM ASSEMBLY - 5FT/1.52M - DROP BAR ENTRY	168
FIGURE 4-7. PLATFORM CONSOLE AND FOOTSWITCH INSTALLATION - E400ANARROW - NON-UL LISTED (ALL SPEC EXCEPT AUSTRALIAN AND UL SPECS).....	170
FIGURE 4-8. PLATFORM CONSOLE AND FOOTSWITCH INSTALLATION - E400ANARROW - UL LISTED (ALL SPECS EXCEPTED AUSTRALIAN, CE, JAPANESE & UK CA SPECS)	172
FIGURE 4-9. PLATFORM CONSOLE AND FOOTSWITCH INSTALLATION - E400AJPNARROW - NON-UL LISTED (ALL SPECS EXCEPT UL SPECS).....	174
FIGURE 4-10. PLATFORM CONSOLE AND FOOTSWITCH INSTALLATION - E400AJPNARROW - UL LISTED (ALL SPECS EXCEPTED AUSTRALIAN, CE, JAPANESE & UK CA SPECS)	176
FIGURE 4-11. PLATFORM CONSOLE ASSEMBLY - E400ANARROW - NON-UL LISTED (ALL SPECS EXCEPT AUSTRALIAN AND UL SPECS).....	178
FIGURE 4-12. PLATFORM CONSOLE ASSEMBLY - E400ANARROW/E400AJPNARROW - UL LISTED (ALL SPECS EXCEPTED AUSTRALIAN, CE, JAPANESE & UK CA SPECS)	182
FIGURE 4-13. PLATFORM CONSOLE ASSEMBLY - E400AJPNARROW - NON-UL LISTED (ALL SPECS EXCEPT UL SPECS)	186
FIGURE 4-14. LIGHT PANEL INSTALLATION.....	190
FIGURE 4-15. CONTROLLER ASSEMBLY - DRIVE AND STEER	192
FIGURE 4-16. CONTROLLER ASSEMBLY - LIFT AND SWING.....	194
FIGURE 4-17. FOOTSWITCH ASSEMBLY	198
FIGURE 4-18. TRAY ASSEMBLY	200
FIGURE 4-19. SKYEYE INSTALLATION.....	202
FIGURE 4-20. SKYGUARD BAR INSTALLATION.....	204
FIGURE 4-21. SKYLINE INSTALLATION	206
FIGURE 4-22. PIPE RACK INSTALLATION	208
FIGURE 4-23. SKYSENSE MID TUBE SENSOR ASSEMBLY	210
FIGURE 4-24. SKYSENSE OVERHEAD SENSOR ASSEMBLY	212
FIGURE 4-25. USB CHARGER INSTALLATION	214
 SECTION 5 - CYLINDER.....	 217
FIGURE 5-1. LEVEL (PLATFORM SLAVE) CYLINDER ASSEMBLY - E400ANARROW.....	218
FIGURE 5-2. LEVEL (PLATFORM SLAVE) CYLINDER ASSEMBLY - E400AJPNARROW	220
FIGURE 5-3. LIFT CYLINDER ASSEMBLY - JIB - E400AJPNARROW	222
FIGURE 5-4. LIFT CYLINDER ASSEMBLY - LOWER - E400ANARROW	224
FIGURE 5-5. CYLINDER ASSEMBLY - LOWER - E400AJPNARROW.....	226
FIGURE 5-6. LIFT CYLINDER ASSEMBLY - MID - E400ANARROW	228
FIGURE 5-7. LIFT CYLINDER ASSEMBLY - MID - E400AJPNARROW	230
FIGURE 5-8. LIFT CYLINDER - UPPER - E400ANARROW	232
FIGURE 5-9. LIFT CYLINDER - UPPER - E400AJPNARROW	234
FIGURE 5-10. MASTER CYLINDER ASSEMBLY - E400ANARROW	236
FIGURE 5-11. MASTER CYLINDER ASSEMBLY - E400AJPNARROW	238
FIGURE 5-12. STEER CYLINDER ASSEMBLY	240

TABLE OF CONTENTS

FIGURE 5-13. TELESCOPE CYLINDER ASSEMBLY - E400ANARROW	242
FIGURE 5-14. TELESCOPE CYLINDER ASSEMBLY - E400AJPNARROW	244
FIGURE 5-15. COUNTERBALANCE VALVE ASSEMBLY	246
SECTION 6 - HYDRAULIC	249
FIGURE 6-1. HYDRAULIC DIAGRAM - E400ANARROW	250
FIGURE 6-2. HYDRAULIC DIAGRAM - E400AJPNARROW	254
SECTION 7 - ELECTRICAL	259
FIGURE 7-1. AC PLUGS AND SOCKETS INSTALLATION - AFSINT 107-2-01 KEYED GROUND - 2 X 4 BOX (CE & UK CA SPEC).....	260
FIGURE 7-2. AC PLUGS AND SOCKETS INSTALLATION - CEE7 POST GROUND (CE & UK CA SPEC)	262
FIGURE 7-3. AC PLUGS AND SOCKETS INSTALLATION - CEE 7 SIDE GROUND (CE & UK CA SPEC).....	264
FIGURE 7-4. AC PLUGS AND SOCKETS INSTALLATION - CEE7 POST GROUND - 2 X 4 BOX (CE & UK CA SPEC)	266
FIGURE 7-5. AC PLUGS AND SOCKETS INSTALLATION - CEE7 SIDE GROUND - 2 X 4 BOX (CE & UK CA SPEC).....	268
FIGURE 7-6. AC PLUGS AND SOCKETS INSTALLATION - IEC 60309 BLUE (CE & UK CA SPEC)	270
FIGURE 7-7. AC PLUGS AND SOCKETS INSTALLATION - IEC 60309 YELLOW (CE & UK CA SPEC).....	272
FIGURE 7-8. BATTERY CABLE KIT - E400ANARROW AND E400AJPNARROW	274
FIGURE 7-9. BATTERY CABLE KIT - E400ANARROW AND E400AJPNARROW - UL SPECS	276
FIGURE 7-10. BLUETOOTH MODULE INSTALLATION	278
FIGURE 7-11. BLUETOOTH MODULE HARNESS.....	280
FIGURE 7-12. BOOM CABLE - LOWER	282
FIGURE 7-13. BOOM CABLE - UPPER.....	284
FIGURE 7-14. BOOM LIMIT SWITCH HARNESS - LOWER	286
FIGURE 7-15. BOOM LIMIT SWITCH HARNESS - UPPER.....	288
FIGURE 7-16. BREAKER BOX KIT WITH ONE BREAKERS - CE & UK CA SPEC	290
FIGURE 7-17. BREAKER BOX KIT WITH TWO BREAKERS - CE & UK CA SPEC.....	292
FIGURE 7-18. CABLES AND CLAMPS INSTALLATION - E400ANARROW	294
FIGURE 7-19. CABLES AND CLAMPS INSTALLATION - E400AJPNARROW	296
FIGURE 7-20. CHARGER HARNESS.....	298
FIGURE 7-21. CHARGER CORD PLUG INSTALLATION - 110V - IEC 60309 - YELLOW (CE & UK CA SPEC)	300
FIGURE 7-22. CHARGER CORD PLUG INSTALLATION - 220V - AFSINT 107 KEYED GROUND (CE & UK CA SPEC).....	302
FIGURE 7-23. CHARGER CORD PLUG INSTALLATION - 220V - CEE7 POST GROUND (CE & UK CA SPEC).....	304
FIGURE 7-24. CHARGER CORD PLUG INSTALLATION - 220V - CEE7 SIDE GROUND (CE & UK CA SPEC).....	306
FIGURE 7-25. CHARGER CORD PLUG INSTALLATION - 220V - IEC 60309 - BLUE (CE & UK CA SPEC).....	308
FIGURE 7-26. CHARGER DC CONNECTION HARNESS.....	310
FIGURE 7-27. CHARGER EBOOM HARNESS	312
FIGURE 7-28. CHASSIS TO TURNTABLE HARNESS.....	314
FIGURE 7-29. GROUND CONTROL PANEL HARNESS.....	316
FIGURE 7-30. INVERTER HARNESS.....	318
FIGURE 7-31. INVERTER IGNITION HARNESS.....	320
FIGURE 7-32. LOWER BOOM 110V HARNESS ASSEMBLY	322
FIGURE 7-33. LOWER BOOM 220V HARNESS ASSEMBLY - CE & UK CA SPEC	324
FIGURE 7-34. LOWER BOOM 220V HARNESS ASSEMBLY - CE & UK CA SPEC.....	326
FIGURE 7-35. PLATFORM CONSOLE HARNESS - WITH 1 CELL LSS - E400ANARROW/E400AJPNARROW - NON-UL LISTED (ALL SPECS EXCEPT UL SPECS)	328
FIGURE 7-36. PLATFORM CONSOLE HARNESS - WITH 1 CELL LSS - E400ANARROW/E400AJPNARROW - UL LISTED (ALL SPECS EXCEPT AUSTRALIAN, CE, JAPANESE & UK CA SPECS).....	332
FIGURE 7-37. PLUG AND RECEPTACLE INSTALLATION - 110V.....	336
FIGURE 7-38. PLUG AND RECEPTACLE INSTALLATION - 220V.....	338
FIGURE 7-39. PLUG AND RECEPTACLE INSTALLATION - SUPPLIED LOCALLY.....	340
FIGURE 7-40. PLUG AND RECEPTACLE 110V INSTALLATION - IEC 60309 - YELLOW (CE & UK CA SPEC).....	342
FIGURE 7-41. PLUG AND RECEPTACLE 220V INSTALLATION - AFSINT 107 KEYED GROUND - 2 X 4 BOX (CE & UK CA SPEC).....	344
FIGURE 7-42. PLUG AND RECEPTACLE 220V INSTALLATION - CEE7 POST GROUND - 2 X 4 BOX (CE & UK CA SPEC).....	346
FIGURE 7-43. PLUG AND RECEPTACLE 220VINSTALLATION - CEE7 POST GROUND - 70MM X 70MM BOX (CE & UK CA SPEC).....	348
FIGURE 7-44. PLUG AND RECEPTACLE 220VINSTALLATION - CEE7 SIDE GROUND - 2 X 4 BOX (CE & UK CA SPEC)	350
FIGURE 7-45. PLUG AND RECEPTACLE 220VINSTALLATION - CEE7 SIDE GROUND - 70MM X 70MM BOX (CE & UK CA SPEC).....	352
FIGURE 7-46. PLUG AND RECEPTACLE 220VINSTALLATION - IEC 60309 - BLUE (CE & UK CA SPEC)	354
FIGURE 7-47. SKYEYE INTERMEDIATE HARNESS.....	356
FIGURE 7-48. SKYEYE RECEIVER HARNESS	358
FIGURE 7-49. SKYEYE EMITTER HARNESS.....	360
FIGURE 7-50. SKYGUARD HARNESS - WITH 1 CELL LSS.....	362

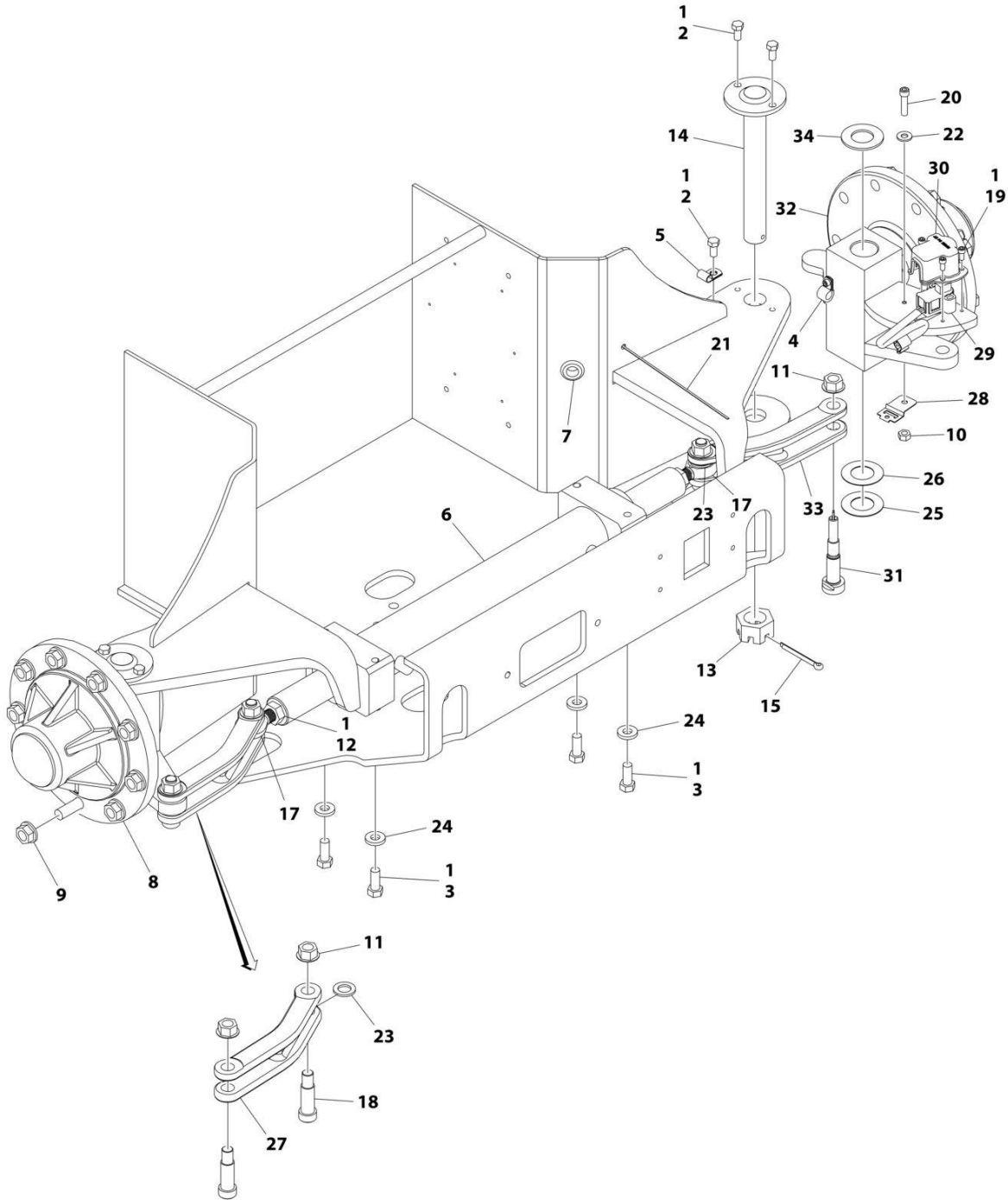
TABLE OF CONTENTS

FIGURE 7-51. SKYLINE HARNESS	364
FIGURE 7-52. STEER/BRAKE HARNESS	366
FIGURE 7-53. TRACTION HARNESS	368
FIGURE 7-54. TURNTABLE HARNESS	370
FIGURE 7-55. UPPER BOOM 110V HARNESS ASSEMBLY	374
FIGURE 7-56. UPPER BOOM 220V HARNESS ASSEMBLY - CE & UK CA SPEC	376
FIGURE 7-57. VALVE HARNESS.....	378
SECTION 8 - DECALS	381
FIGURE 8-1. DECAL INSTALLATION - ANSI SPEC	382
FIGURE 8-2. DECAL INSTALLATION - AUSTRALIAN SPEC	384
FIGURE 8-3. DECAL INSTALLATION - CE & UK CA SPEC	386
FIGURE 8-4. DECAL INSTALLATION - CHINESE/ENGLISH	388
FIGURE 8-5. DECAL INSTALLATION - FRENCH/ENGLISH SPECS	390
FIGURE 8-6. DECAL INSTALLATION - JAPANESE SPEC.....	392
FIGURE 8-7. DECAL INSTALLATION - KOREAN SPEC	394
FIGURE 8-8. DECAL INSTALLATION - SPANISH/ENGLISH SPECS.....	396
FIGURE 8-9. DECAL INSTALLATION - SPANISH/PORTUGUESE SPECS	398
FIGURE 8-10. DECAL INSTALLATION - OPTIONS	400
SECTION 9 - RECOMMENDED SERVICE PARTS STOCK	403
FIGURE 9-1. RECOMMENDED SERVICE PARTS STOCK.....	404
SECTION 10 - SPECIAL OPTIONS/ACCESSORIES/KITS	407
FIGURE 10-1. SPECIAL OPTIONS/ACCESSORIES/KITS.....	408
PART NUMBER INDEX.....	411

SECTION 1 - FRAME

SECTION 1 - FRAME

FIGURE 1-1. STEERING INSTALLATION



ART_1001232204

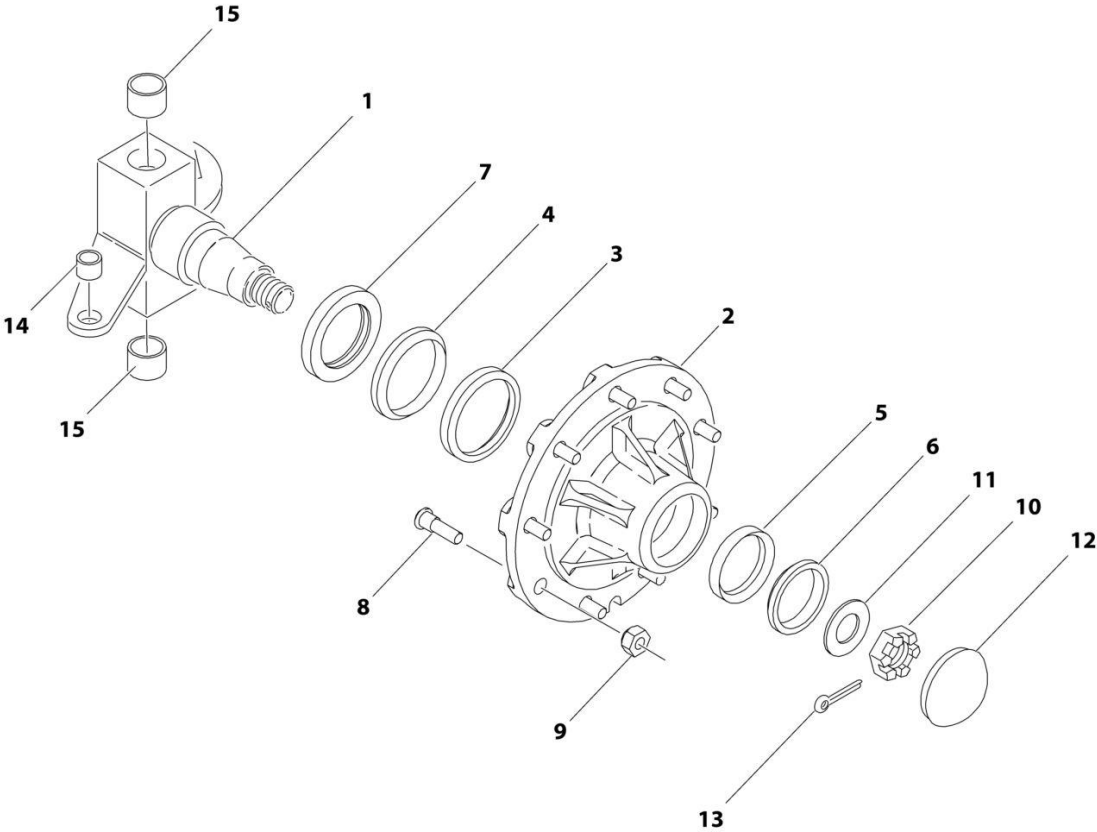
SECTION 1 - FRAME

FIGURE 1-1. STEERING INSTALLATION

ITEM	PART NUMBER	QTY	DESCRIPTION	REV
	1001232204	Ref	STEERING INSTALLATION	A
1	0100011	AR	Compound, Locking	
2	0641606	5	Bolt 3/8 X 3/4	
3	0681810	4	Bolt 1/2 X 1-1/4 Grade 8	
4	1320041	1	Clamp	
5	1320263	1	Clamp, Cable	
6	1683591	1	Steer Cylinder Assembly (See Separate Breakdown in CYLINDER SECTION)	
7	2540038	1	Grommet	
8	2780251	1	Hub - Spindle Assembly - RH (See Separate Breakdown in this Section)	
9	3300426	18	Nut 5/8	
10	3311405	1	Nut 1/4	
11	3312008	4	Nut 5/8	
12	3322202	2	Nut	
13	3323003	2	Nut 1-1/4	
14	3422692	2	Kingpin	
15	3450810	2	Pin, Cotter	
17	3841517	2	End, Tie-Rod	
18	3900109	3	Screw, Shoulder	
19	3931408	4	Capscrew 1/4 X 1/2	
20	3931416	1	Capscrew 1/4 x 1	
21	4240175	1	Tie-Strap	
22	4711400	1	Washer 1/4	
23	4740156	2	Washer	
24	4891800	4	Washer 1/2	
25	1001151395	1	Shim 18Ga	
26	1001151428	1	Shim 20Ga	
27	1001153023	1	Link	
28	1001153749	1	Clip, Connector	
29	1001161117	1	Switch, Angle Sensor	
29	4460536	1	Receptacle, Female - 3 Position	
29	4460464	3	Pin, Male	
30	1001169423	1	Cover	
31	1001180835	1	Pin	
32	1001180838	1	Hub - Spindle Assembly - LH (See Separate Breakdown in this Section)	
33	1001180840	1	Link	
34	1001193047	2	Bearing, Thrust	

SECTION 1 - FRAME

FIGURE 1-2. HUB - SPINDLE ASSEMBLY - RH



ART_2780251

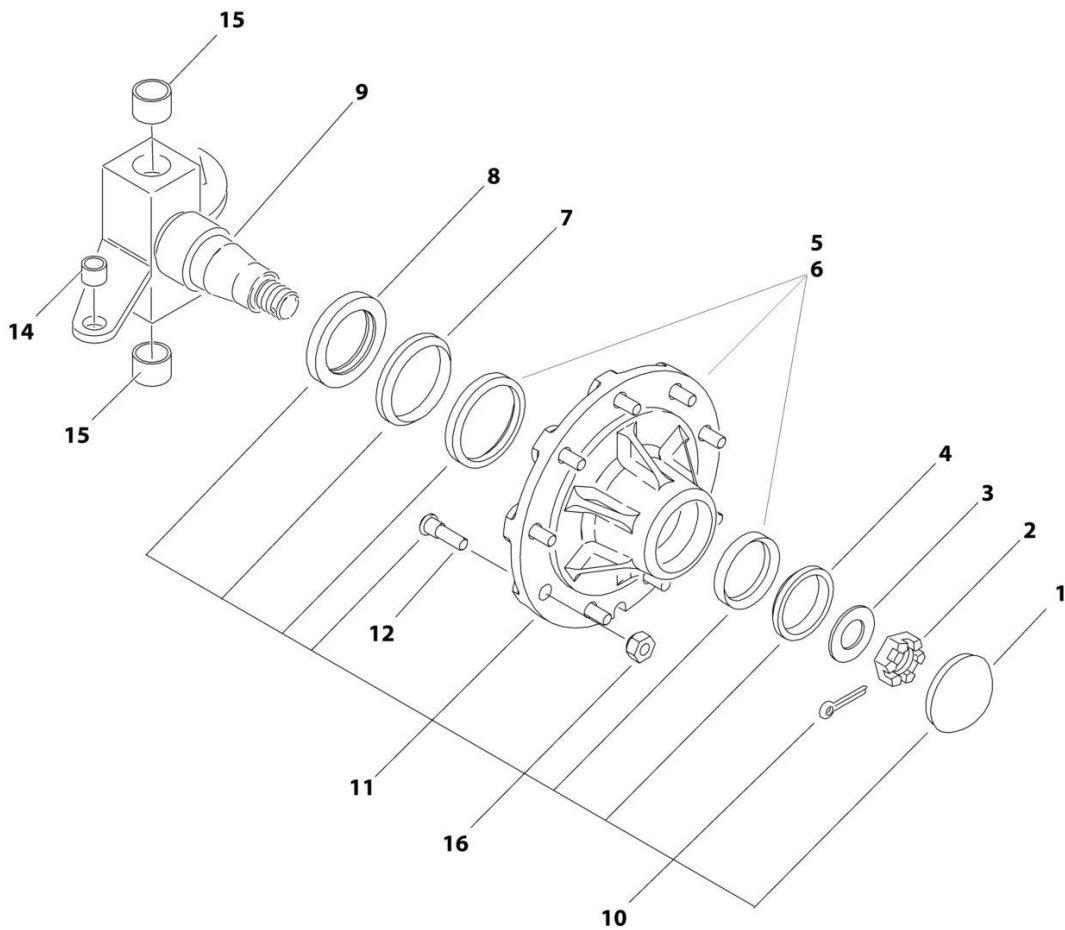
SECTION 1 - FRAME

FIGURE 1-2. HUB - SPINDLE ASSEMBLY - RH

ITEM	PART NUMBER	QTY	DESCRIPTION	REV
	2780251	Ref	HUB - SPINDLE ASSEMBLY, RH	C
1	7023217	1	Spindle, R.H.	
2	7020035	1	Hub	
3	7020036	1	Cup, Bearing - Inner	
4	7020037	1	Cone, Bearing - Inner	
5	7020038	1	Cup, Bearing - Outer	
6	7020039	1	Cone, Bearing - Outer	
7	7020040	1	Seal	
8	7020041	9	Stud, Wheel	
9	7020042	9	Lugnut	
10	7020054	1	Nut, Castle	
11	7020055	1	Washer, Spindle	
12	7020137	1	Dust Cap	
13	7020140	1	Pin, Cotter	
14	0962140	1	Bushing	
15	0961951	2	Bushing	

SECTION 1 - FRAME

FIGURE 1-3. HUB - SPINDLE ASSEMBLY - LH



ART_1001180838

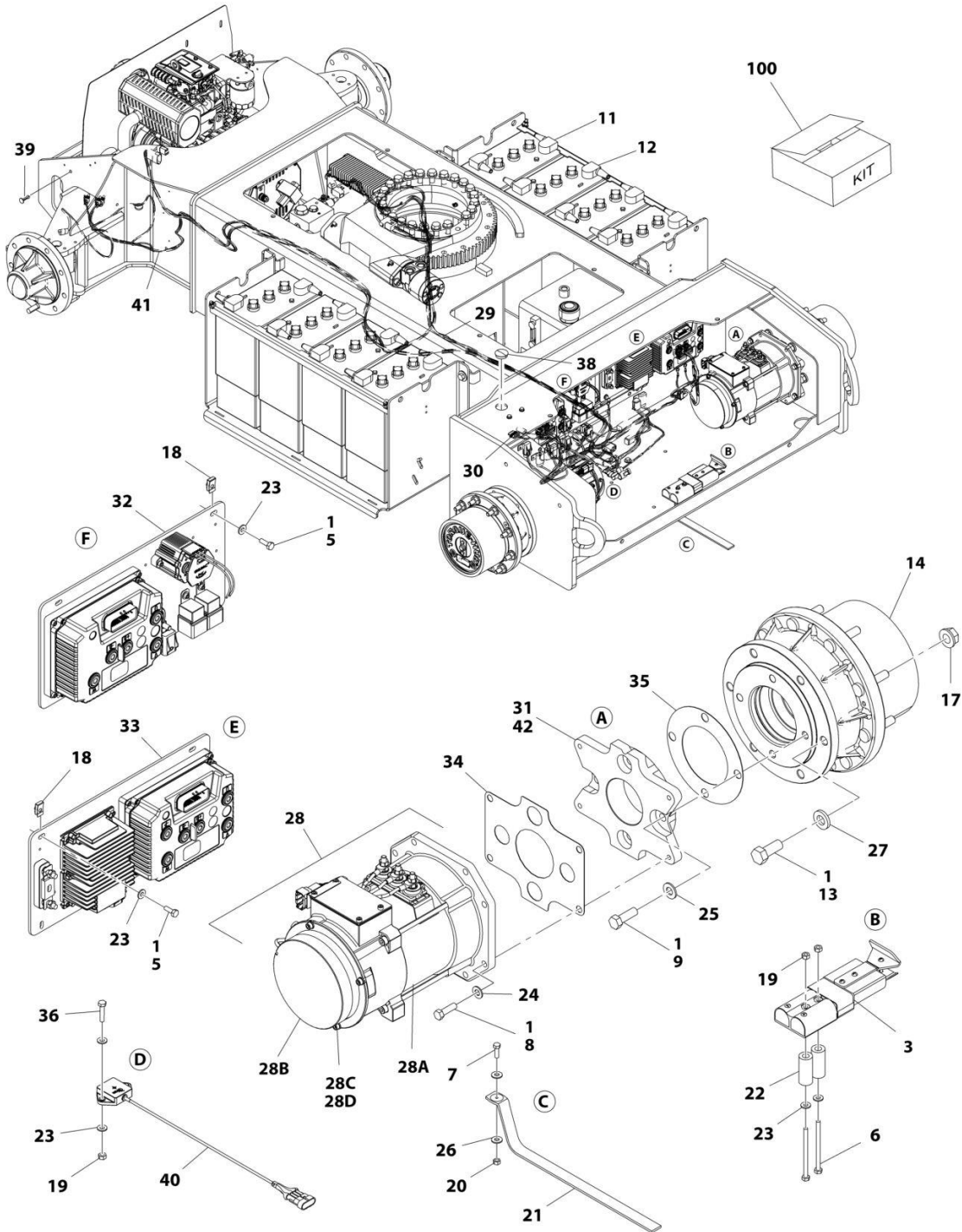
SECTION 1 - FRAME

FIGURE 1-3. HUB - SPINDLE ASSEMBLY - LH

ITEM	PART NUMBER	QTY	DESCRIPTION	REV
	1001180838	Ref	SPINDLE, HUB	B
1	7020137	1	Dust Cap	
2	7020054	1	Nut, Castle	
3	7020055	1	Washer, Spindle	
4	7020039	1	Cone, Bearing - Outer	
5	See Note	NLA	Hub (Note: Use Item 11)	
6	See Note	1	Grease, Lithium (Note: Purchase Locally)	
7	7020037	1	Cone, Bearing - Inner	
8	7020040	1	Seal	
9	70005214	1	Spindle	
10	7020140	1	Pin, Cotter	
11	70005215	1	Hub Assembly (Includes Items 1,4,5,7,8 & 12))	
12	0630490	9	Stud, Wheel	
14	0962140	1	Bearing	
15	0961951	2	Bearing	
16	3300426	9	Lugnut (Note: Must be Purchased Separately)	

SECTION 1 - FRAME

FIGURE 1-4. DRIVE INSTALLATION - NON-UL SPECS



ART_1001179134

SECTION 1 - FRAME

FIGURE 1-4. DRIVE INSTALLATION - NON-UL SPECS

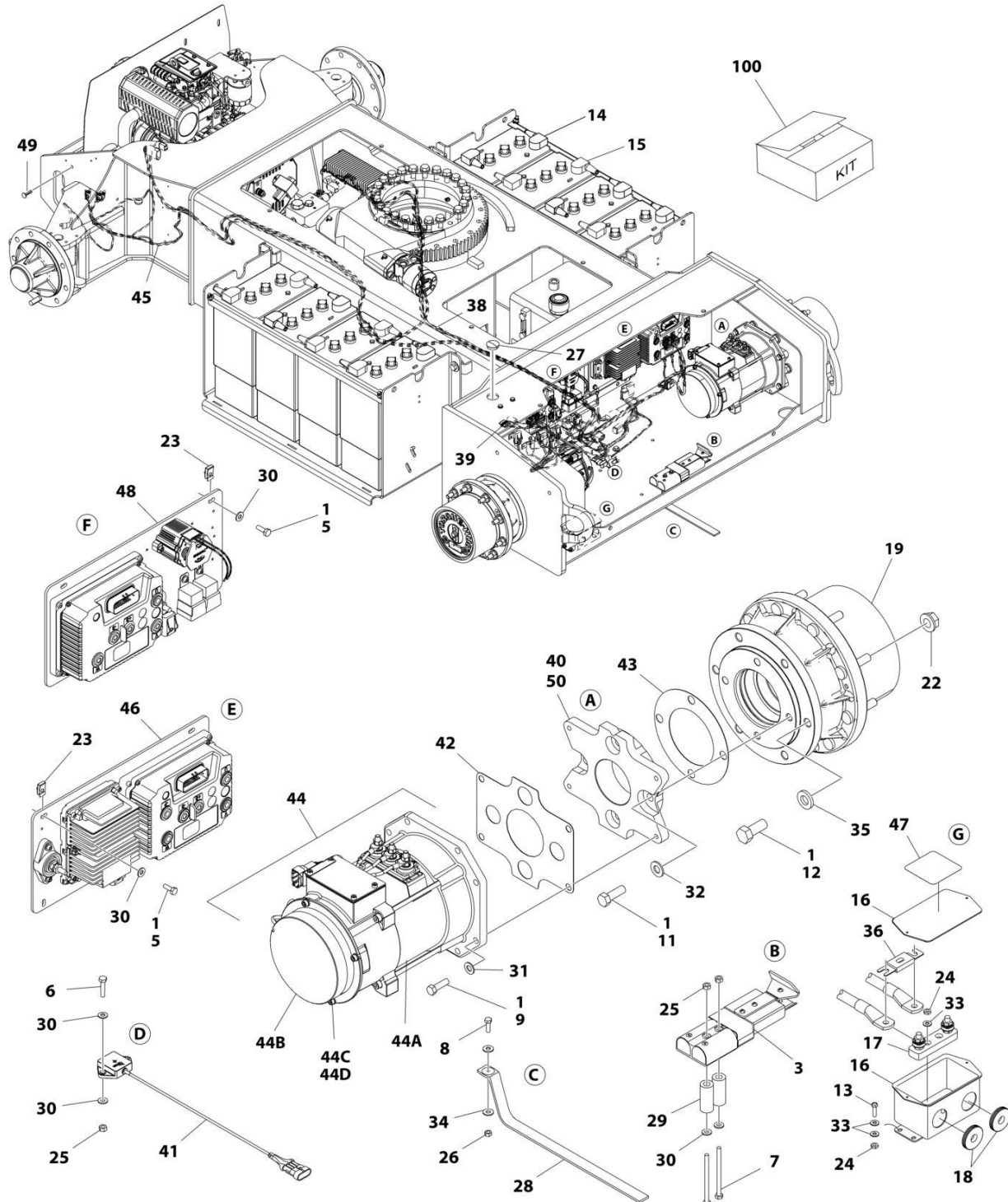
ITEM	PART NUMBER	QTY	DESCRIPTION	REV
	1001179134	Ref	DRIVE INSTALLATION	K
1	0100011	AR	Compound, Locking	
3	0100048	AR	Compound, Silicone	
5	0641406	8	Bolt 1/4 X 3/4	
6	0641430	2	Bolt 1/4 X 3-3/4	
7	0641508	1	Bolt 5/16 X 1	
8	0641610	8	Bolt 3/8 X 1-1/4	
9	0641812	8	Bolt 1/2 X 1-1/2	
11	0840031	8	Boot, Terminal - "d" Shaped	
12	0840032	8	Boot, Terminal - "b" Shaped	
13	0682014	12	Bolt 5/8 X 1-3/4 Grade 8	
14	2780282	2	Drive Hub Assembly (See Separate Breakdown in this Section)	
17	3300426	18	Nut 5/8	
18	3300454	8	Nut 1/4	
19	3311401	4	Nut 1/4	
20	3311505	1	Nut 5/16	
21	4240084	1	Strap, Anti-Static	
22	4568114	2	Tube, Spacer	
23	4711400	14	Washer 1/4	
24	4711600	8	Washer 3/8	
25	4711800	8	Washer 1/2	
26	4751500	2	Washer 5/16	
27	4892000	12	Washer 5/8	
28	1001184854	2	Drive Motor and Brake Assembly	
28A	1001182550	2	Drive Motor Assembly (See Separate Breakdown in this Section)	
28B	1001184852	2	Drive Brake Assembly	
28B	70005415	2	O-Ring Between Brake and Motor (1 Per Assembly) (Not Shown)	
28C	4031707	8	Capscrew M6 x 16	
28D	1001109892	8	Washer M6	
29	1001178405	1	Chassis to Turntable Harness (See Separate Breakdown in ELECTRICAL Section)	
30	1001178629	1	Traction Harness (See Separate Breakdown in ELECTRICAL Section)	
31	1001219722	2	Adapter, Motor	
32	1001179060	1	Electrical Plate Assembly - LH (See Separate Breakdown in this Section)	
33	1001179061	1	Electrical Plate Assembly - RH (See Separate Breakdown in this Section)	
34	1001220271	2	Seal	
35	1001182960	2	Seal	
36	0641408	2	Bolt 1/4-20 x 1	
38	3520035	1	Cap-Plug	
39	4240175	1	Tie-Strap Clamp	
40	1001219601	1	Sensor	
40	See Note	1	Receptacle, Female - 4 Position (Note: Not Available for Purchase)	
40	1001196589	4	Terminal	
41	1001188528	1	Steer/Brake Harness (See Separate Breakdown in ELECTRICAL Section)	
42	0100020	AR	Sealant	

SECTION 1 - FRAME

ITEM	PART NUMBER	QTY	DESCRIPTION	REV
100	1001190088	1	Battery Cable Kit (See Separate Breakdown in ELECTRICAL Section)	

SECTION 1 - FRAME

FIGURE 1-5. DRIVE INSTALLATION - UL SPECS



ART_1001212453

SECTION 1 - FRAME

FIGURE 1-5. DRIVE INSTALLATION - UL SPECS

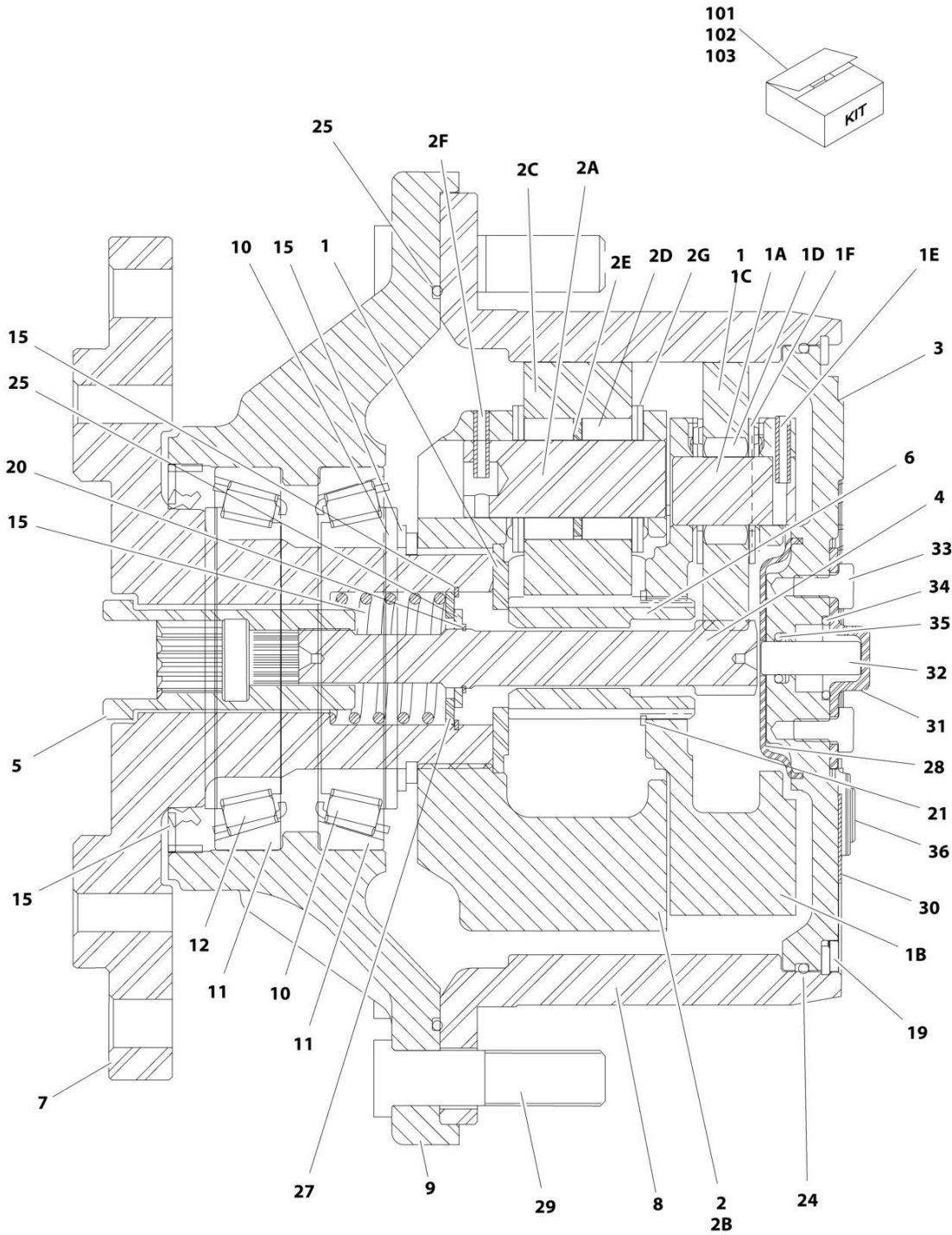
ITEM	PART NUMBER	QTY	DESCRIPTION	REV
	1001212453	Ref	DRIVE INSTALLATION	F
1	0100011	AR	Compound, Locking	
3	0100048	AR	Compound, Silicone	
5	0641406	8	Bolt 1/4 x 3/4	
6	0641408	2	Bolt 1/4 x 1	
7	0641430	2	Bolt 1/4 x 3-3/4	
8	0641508	1	Bolt 5/16 x 1	
9	0641610	8	Bolt 3/8 x 1-1/4	
11	0641812	8	Bolt 1/2 x 1-1/2	
12	0682014	12	Bolt 5/8 x 1-3/4 Grade 8	
13	0721006	4	Bolt #10 x 3/4	
14	0840031	8	Boot, Terminal - "d" Shaped	
15	0840032	8	Boot, Terminal - "b" Shaped	
16	0861375	1	Box	
17	2400044	1	Block, Fuse	
18	2540037	2	Grommet	
19	2780282	2	Drive Hub Assembly (See Separate Breakdown in this Section)	
22	3300426	18	Nut 5/8	
23	3300454	8	Nut 1/4	
24	3311001	6	Nut #10	
25	3311401	4	Nut 1/4	
26	3311505	1	Nut 5/16	
27	3520035	1	Cap-Plug	
28	4240084	1	Strap, Anti-Static	
29	4568114	2	Tube, Spacer	
30	4711400	14	Washer 1/4	
31	4711600	8	Washer 3/8	
32	4711800	8	Washer 1/2	
33	4751000	10	Washer, 10	
34	4751500	2	Washer 5/16	
35	4892000	12	Washer 5/8	
36	1001170365	1	Fuse 400 Amp	
38	1001178405	1	Chassis to Turntable Harness (See Separate Breakdown in ELECTRICAL Section)	
39	1001178629	1	Traction Harness (See Separate Breakdown in ELECTRICAL Section)	
40	1001219722	2	Adapter, Motor	
41	1001219601	1	Sensor	
41	See Note	1	Receptacle, Female - 4 Position (Note: Not Available for Purchase)	
41	1001196589	4	Terminal	
42	1001220271	2	Seal	
43	1001182960	2	Seal	
44	1001184854	2	Drive Motor and Brake Assembly	
44A	1001182550	2	Drive Motor Assembly (See Separate Breakdown in this Section)	
44B	1001184852	2	Drive Brake Assembly	
44B	70005415	2	O-Ring Between Brake and Motor (1 Per Assembly) (Not Shown)	
44C	4031707	8	Capscrew M6 x 16	
44D	1001109892	8	Washer M6	

SECTION 1 - FRAME

ITEM	PART NUMBER	QTY	DESCRIPTION	REV
45	1001188528	1	Steer/Brake Harness (See Separate Breakdown in ELECTRICAL Section)	
46	1001212456	1	Electrical Plate Assembly - RH (See Separate Breakdown in this Section)	
47	1001213626	1	Decal - 400 Amp Fuse	
48	1001214668	1	Electrical Plate Assembly - LH (See Separate Breakdown in this Section)	
49	4240175	1	Tie-Strap Clamp	
50	0100020	AR	Sealant	
100	1001212454	1	Battery Cable Kit (See Separate Breakdown in ELECTRICAL Section)	

SECTION 1 - FRAME

FIGURE 1-6. DRIVE HUB ASSEMBLY



ART_2780282

SECTION 1 - FRAME

FIGURE 1-6. DRIVE HUB ASSEMBLY

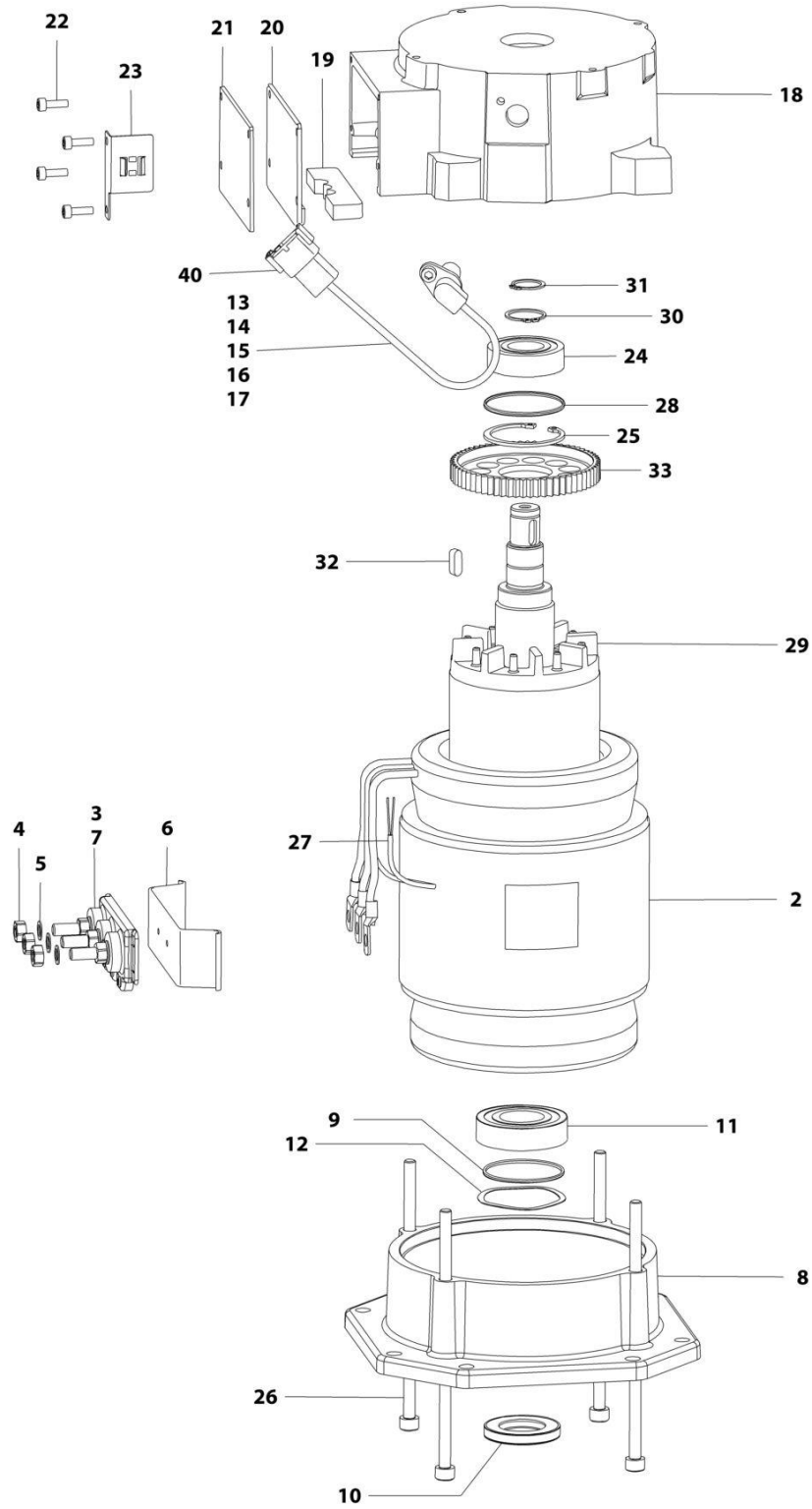
ITEM	PART NUMBER	QTY	DESCRIPTION	REV
	2780282	Ref	DRIVE HUB ASSEMBLY	D
1	70001366	1	Carrier Sub Assembly	
1A	See Note	NSS	Shaft, Planet (Note: Use Item 1)	
1B	See Note	NSS	Carrier (Note: Use Item 1)	
1C	See Note	NSS	Gear, Planet (Note: Use Item 1)	
1D	See Note	NSS	Bearing, Needle (Note: Use Item 1)	
1E	See Note	NSS	Rollpin (Note: Use Item 1)	
1F	See Note	NSS	Thrustwasher (Note: Use Item 1)	
2	70001367	1	Carrier, Input	
2A	See Note	NSS	Shaft, Planet (Note: Use Item 2)	
2B	See Note	NSS	Carrier (Note: Use Item 2)	
2C	See Note	NSS	Gear, Planet (Note: Use Item 2)	
2D	See Note	NSS	Bearing, Needle (Note: Use Item 2)	
2E	See Note	NSS	Spacer, Thrust (Note: Use Item 2)	
2F	See Note	NSS	Rollpin (Note: Use Item 2)	
2G	See Note	NSS	Thrustwasher (Note: Use Item 2)	
2H	See Note	NSS	Thrustwasher (Note: Use Item 2)	
3	See Note	NSS	Cover (Note: Use Item 103)	
4	70001369	1	Shaft, Input	
5	70001370	1	Coupling	
6	70001371	1	Shaft, Sun Gear	
7	70001372	1	Spindle	
8	70001373	1	Gear, Ring	
9	See Note	NSS	Housing (Note: Not Available - Purchase Complete Assembly)	
10	See Note	NSS	Cone, Bearing (Note: Use Item 101)	
11	See Note	NSS	Cup, Bearing (Note: Use Item 101)	
12	See Note	NSS	Cone, Bearing (Note: Use Item 101)	
13	7017009	1	Thrustwasher	
15	See Note	NSS	Seal, Lip (Note: Use Item 102)	
16	70001374	1	Spring	
17	70001375	1	Ring, Retaining (Internal)	
18	See Note	NSS	Ring, Retaining (Note: Use Item 102)	
19	7024738	1	Ring, Retaining (Note: Use Item 102)	
20	70001376	1	Ring, Retaining (External)	
21	70001377	1	Ring, Retaining (External)	
22	7000281	4	Screw (Not Shown - ID Plate Screws)	
23	7017022	3	Screw (Not Shown - Located on Front of Hub)	
24	See Note	NSS	O-Ring (Note: Use Item 102)	
25	See Note	NSS	O-Ring (Note: Use Item 102)	
26	70001378	1	Spacer, Thrust	
27	70001379	1	Thrustwasher	
28	7024741	1	Spacer, Thrust	
29	7007640	9	Stud, Wheel	
30	See Note	NSS	Flange, Plate (Note: Use Item 103)	
31	See Note	NSS	Cap, Disengage (Note: Use Item 103)	
32	See Note	NSS	Pin, Dowel (Note: Use Item 103)	
33	See Note	NSS	Bolt (Note: Use Item 103)	
34	See Note	NSS	O-Ring (Note: Use Item 103)	
35	See Note	NSS	O-Ring (Note: Use Item 103)	
36	See Note	NSS	O-Ring (Note: Use Item 103)	

SECTION 1 - FRAME

ITEM	PART NUMBER	QTY	DESCRIPTION	REV
101	7017007	1	Planet Gear Bearing Kit (Includes Items 10-12)	
102	70001380	1	Planet Gear Seal Kit (Includes Items 15, 18, 24 & 25)	
103	70001368	1	Cover/Cap/Disengage Kit (Includes Items 3 & 30-36)	

SECTION 1 - FRAME

FIGURE 1-7. DRIVE MOTOR ASSEMBLY



ART_1001182550

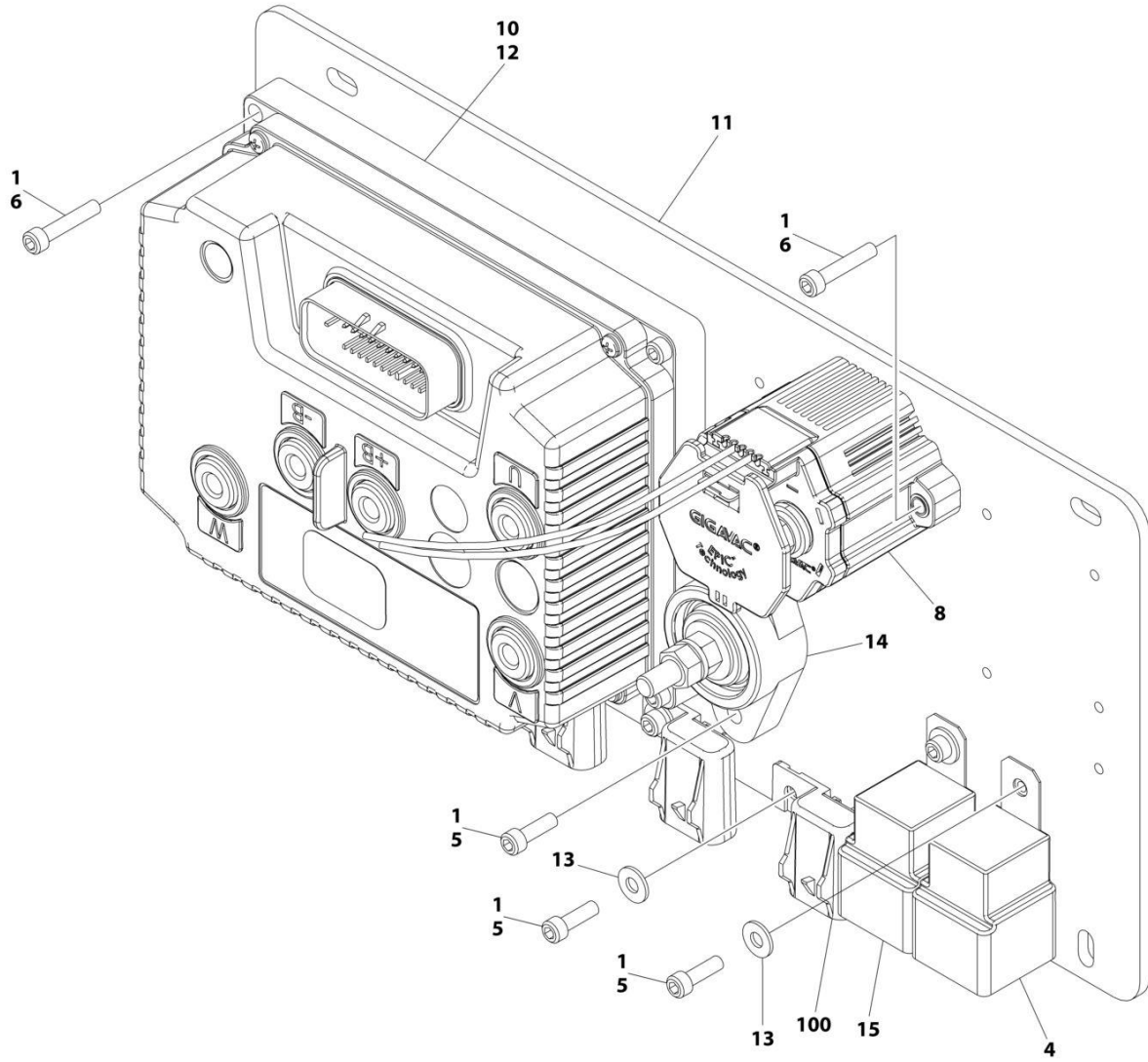
SECTION 1 - FRAME

FIGURE 1-7. DRIVE MOTOR ASSEMBLY

ITEM	PART NUMBER	QTY	DESCRIPTION	REV
	1001182550	Ref	DRIVE MOTOR ASSEMBLY	F
2	70005385	1	Stator	
3	70005386	1	Board, Terminal	
4	70005387	3	Nut M8	
5	70005388	3	Washer M8	
6	70005389	1	Base, Terminal	
7	70005390	2	Screw M5 x 14	
8	70005391	1	Plate, Drive End	
9	70004811	1	O-Ring	
10	70005392	1	Seal, Shaft	
11	70004809	1	Bearing	
12	70005393	1	Washer, Wavy	
13	70005394	1	Sensor (Includes Items 14-17)	
14	70005395	1	Screw M8 x 16	
15	70005396	1	Wedge	
16	70005397	1	Connector	
17	4460516	4	Pin, Male	
18	70005398	1	Shield, End	
19	70005399	1	Seal	
20	70005400	1	Seal	
21	70005401	1	Cover	
22	70005402	4	Screw M5 x 16	
23	70005403	1	Plate, Retaining	
24	70005404	1	Bearing	
25	70005405	1	Clip, Retainer	
26	70005406	4	Screw M8 x 180	
27	70005407	1	Temperature, Sensor	
28	70005408	1	O-Ring	
29	70005409	1	Rotor	
30	70004820	1	Clip, Retainer	
31	70005410	1	Clip, Retainer	
32	70005411	1	Key	
33	70005412	1	Gear	
40	1001190577	1	Connector - 8 Position	
40	4460516	8	Pin	

SECTION 1 - FRAME

FIGURE 1-8. ELECTRICAL PLATE ASSEMBLY - LH



ART_1001179060_H

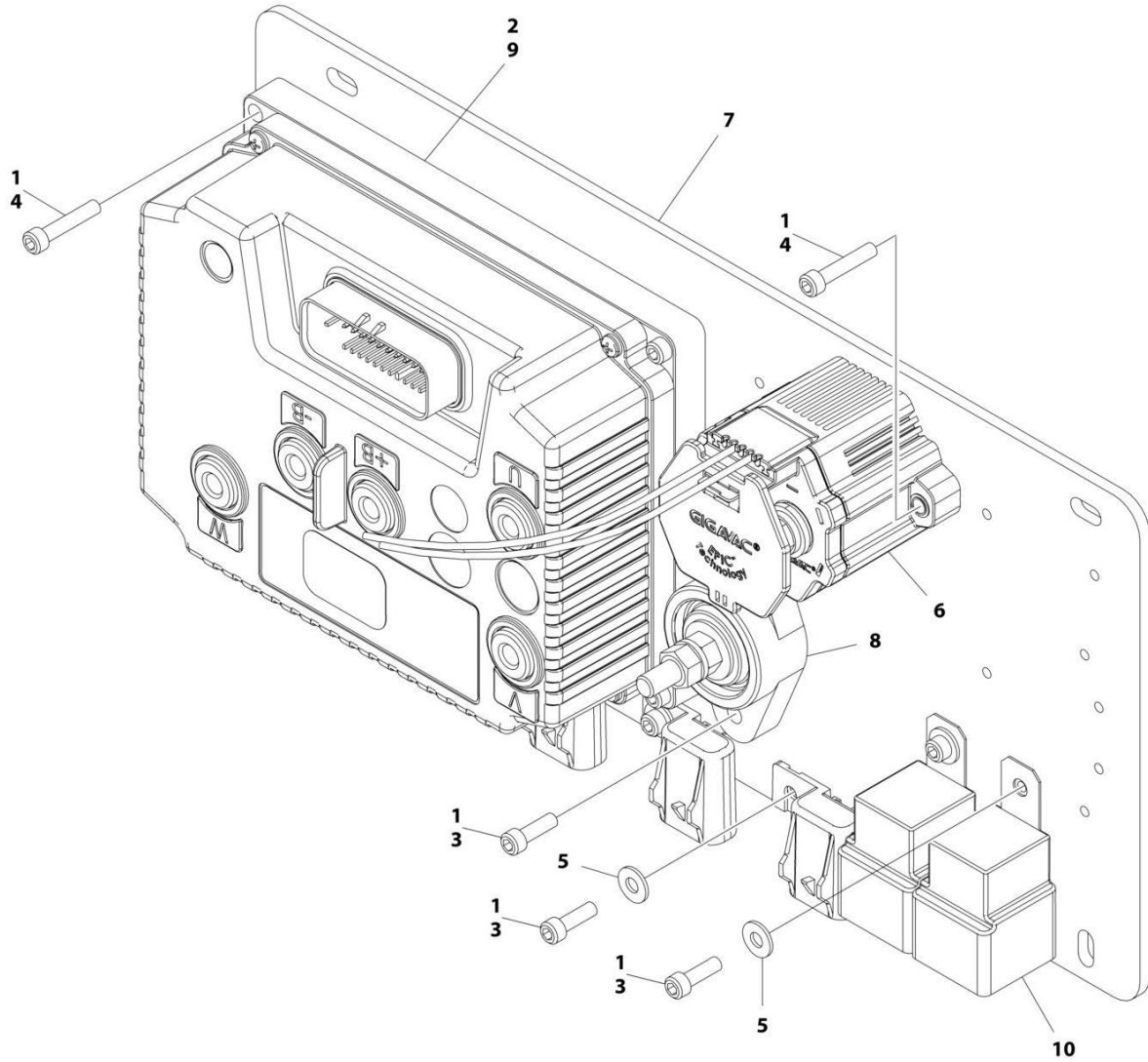
SECTION 1 - FRAME

FIGURE 1-8. ELECTRICAL PLATE ASSEMBLY - LH

ITEM	PART NUMBER	QTY	DESCRIPTION	REV
	1001179060	Ref	ELECTRICAL PLATE ASSEMBLY	H
1	0100035	AR	Compound, Locking	
4	3740080	1	Relay	
5	3931010	8	Capscrew #10 x 5/8	
6	3931016	6	Capscrew #10 x 1	
8	1001170367	1	Relay, Contacter	
8	70004827	1	Receptacle, Female - 2 Position	
10	1001192212	1	Module, Drive	
11	1001179064	1	Plate	
12	0100083	AR	Grease, Heat Transfer	
13	4711000	6	Washer #10	
14	1001186860	1	Stud, Power Distribution	
15	1001214667	1	Relay	
100	1001217842	4	Fuseholder	

SECTION 1 - FRAME

FIGURE 1-9. ELECTRICAL PLATE ASSEMBLY - LH - UL SPECS



ART_1001214668

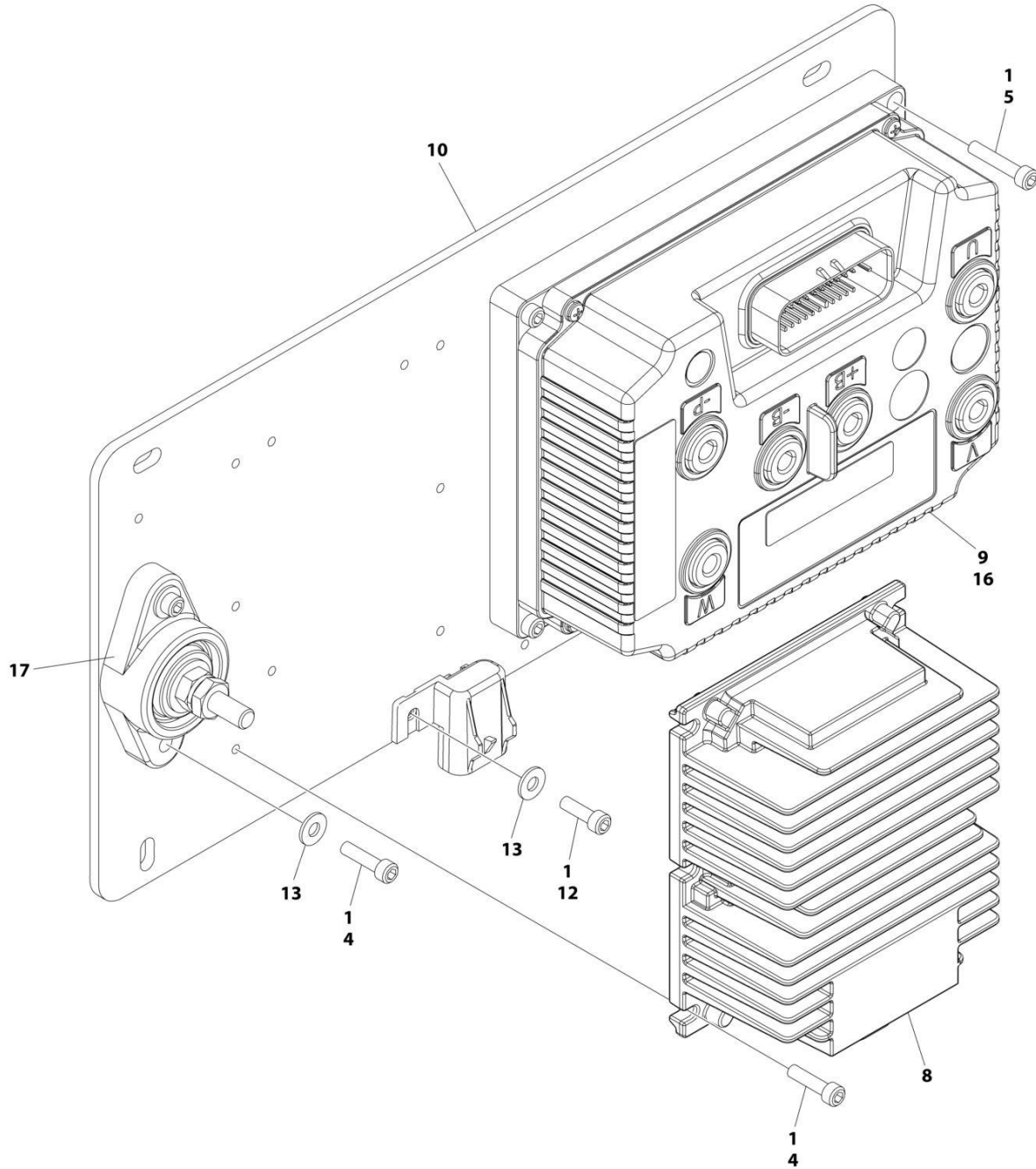
SECTION 1 - FRAME

FIGURE 1-9. ELECTRICAL PLATE ASSEMBLY - LH - UL SPECS

ITEM	PART NUMBER	QTY	DESCRIPTION	REV
	1001214668	Ref	ELECTRICAL PLATE ASSEMBLY - LH	B
1	0100035	AR	Compound, Locking	
2	0100083	AR	Grease, Heat Transfer	
3	3931010	8	Capscrew #10 x 5/8	
4	3931016	6	Capscrew #10 x 1	
5	4711000	6	Washer #10	
6	1001272006	1	Relay, Contactor	
6	1001153612	1	Receptacle, Female - 2 Position	
7	1001179064	1	Plate	
8	1001186860	1	Stud, Power Distribution	
9	1001192212	1	Module, Drive	
10	1001214667	2	Relay	

SECTION 1 - FRAME

FIGURE 1-10. ELECTRICAL PLATE ASSEMBLY - RH



ART_1001179061

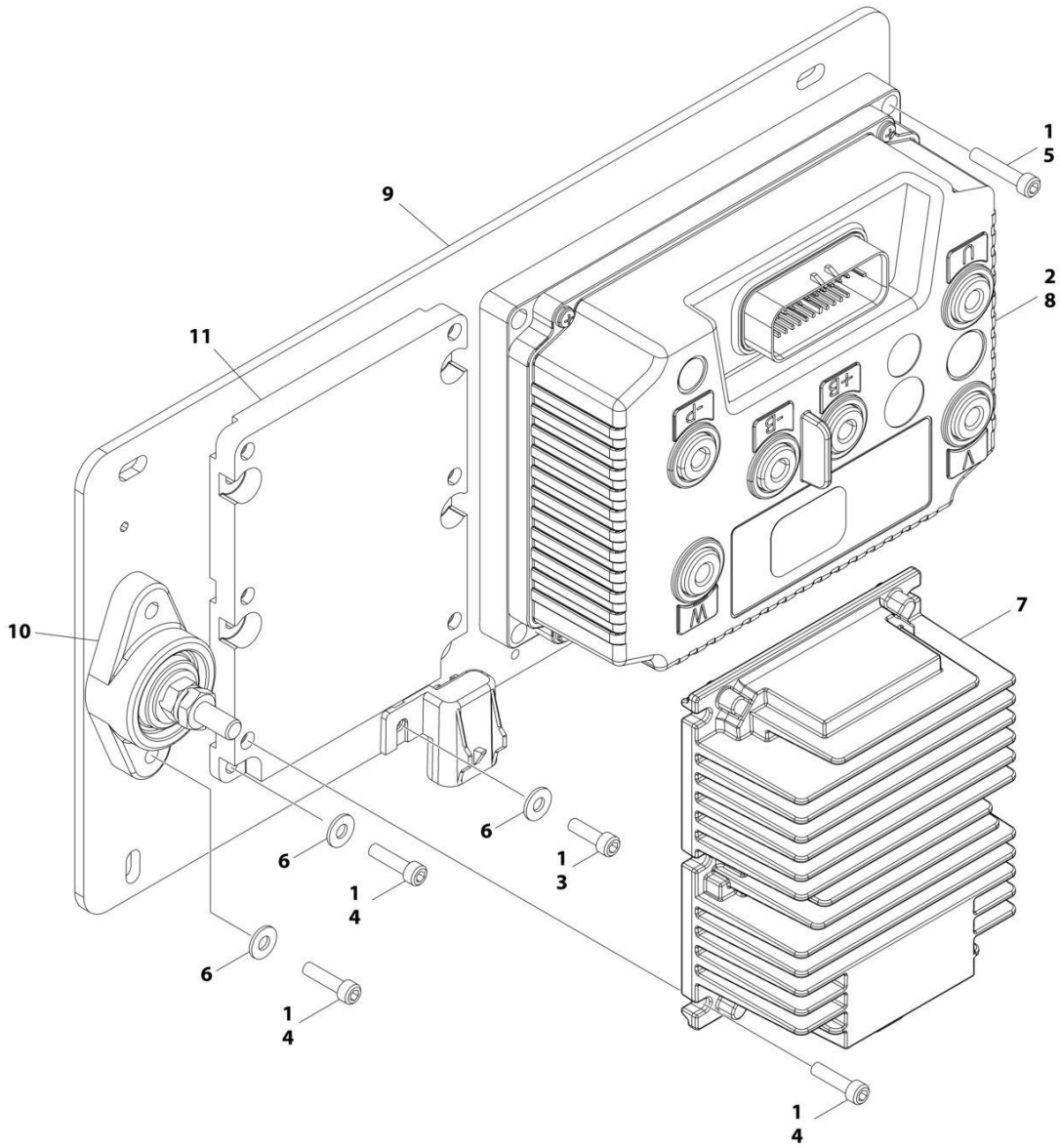
SECTION 1 - FRAME

FIGURE 1-10. ELECTRICAL PLATE ASSEMBLY - RH

ITEM	PART NUMBER	QTY	DESCRIPTION	REV
	1001179061	Ref	ELECTRICAL PLATE ASSEMBLY - RH	F
1	0100035	AR	Compound, Locking	
4	3931012	8	Capscrew #10 X 3/4	
5	3931016	4	Capscrew #10 X 1	
8	1001174447	1	Converter	
9	1001178339	1	Module, Drive	
10	1001179064	1	Plate	
12	3931010	1	Capscrew #10 X 5/8	
13	4711000	3	Washer #10	
16	0100083	AR	Grease, Heat Transfer	
17	1001212359	1	Stud, Power Distribution	

SECTION 1 - FRAME

FIGURE 1-11. ELECTRICAL PLATE ASSEMBLY - RH - UL SPECS



ART_1001212456

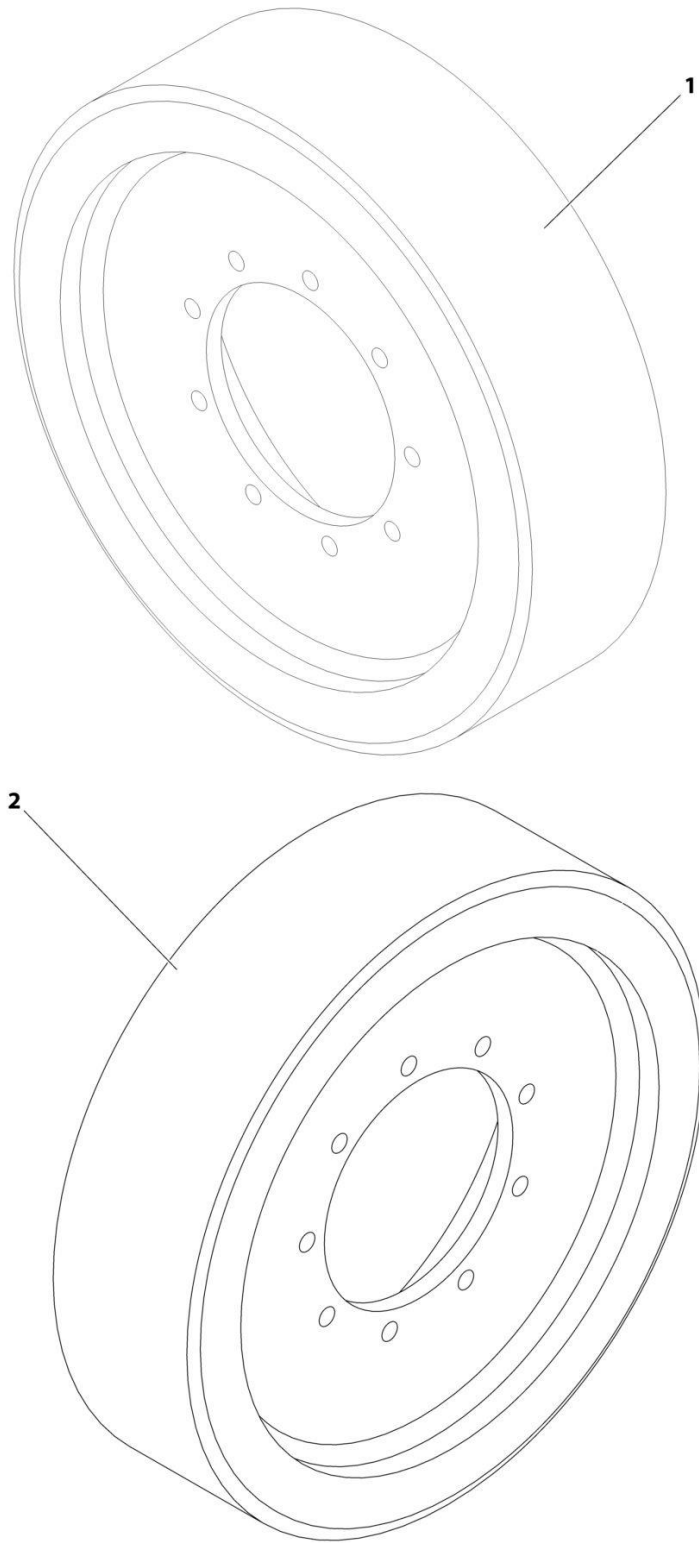
SECTION 1 - FRAME

FIGURE 1-11. ELECTRICAL PLATE ASSEMBLY - RH - UL SPECS

ITEM	PART NUMBER	QTY	DESCRIPTION	REV
	1001212456	Ref	ELECTRICAL PLATE ASSEMBLY - RH	A
1	0100035	AR	Compound, Locking	
2	0100083	AR	Grease, Heat Transfer	
3	3931010	1	Capscrew #10 X 5/8	
4	3931012	14	Capscrew #10 X 3/4	
5	3931016	4	Capscrew #10 X 1	
6	4711000	9	Washer #10	
7	1001174447	1	Converter	
8	1001178339	1	Module, Drive	
9	1001179064	1	Plate	
10	1001212359	1	Stud	
11	1001212450	1	Insulate	

SECTION 1 - FRAME

FIGURE 1-12. TIRE/WHEEL - SOLID NON-MARKING



ART_0270028

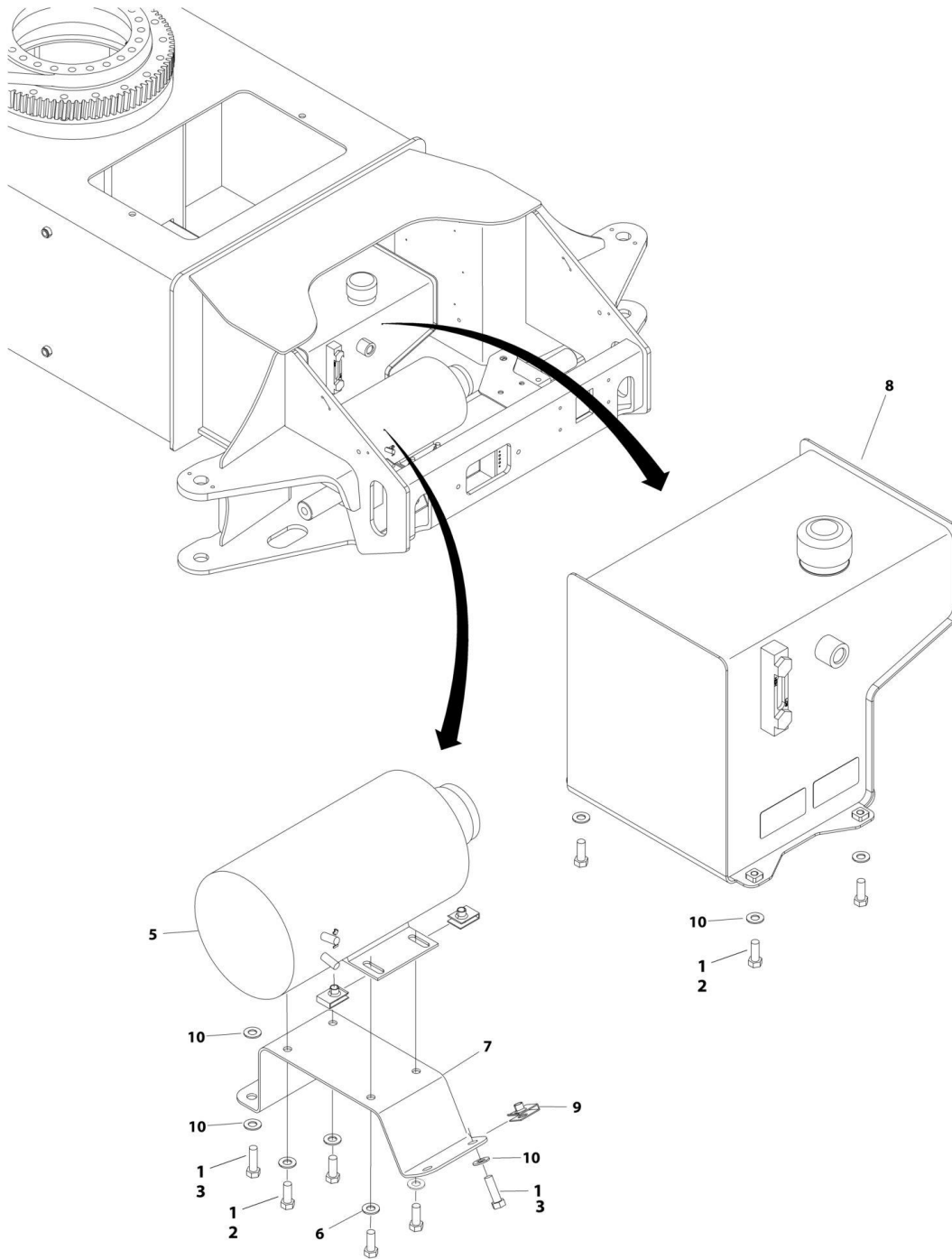
SECTION 1 - FRAME

FIGURE 1-12. TIRE/WHEEL - SOLID NON-MARKING

ITEM	PART NUMBER	QTY	DESCRIPTION	REV
	0270028	Ref	TIRE/WHEEL INSTALLATION - NON MARKING	C
		Ref	E400Anarrow/E400AJPnarrow Machines Only	
		Ref	Note: Must replace Tire and Wheel Assemblies in pairs per axle.	
1	1001110772	2	25 x 7 x 16 - Solideal Tire and Wheel (Drive Axle Tire)	
2	1001110774	2	22 x 6 x 17.75 - Solideal Tire and Wheel (Steer Axle Tire)	

SECTION 1 - FRAME

FIGURE 1-13. MOTOR/PUMP/TANK - NON-UL SPECS



ART_1001166417

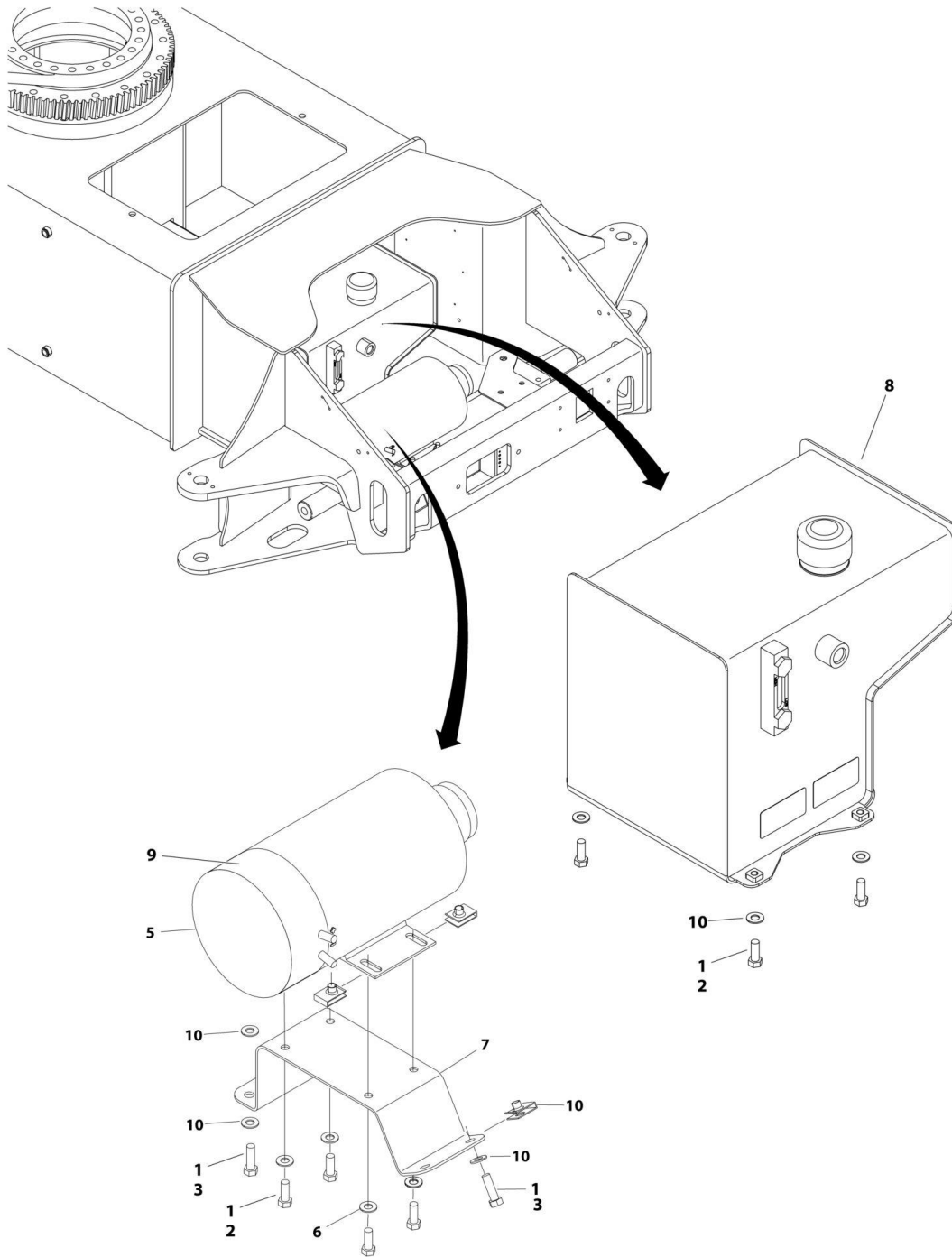
SECTION 1 - FRAME

FIGURE 1-13. MOTOR/PUMP/TANK - NON-UL SPECS

ITEM	PART NUMBER	QTY	DESCRIPTION	REV
	1001166417	Ref	MOTOR/PUMP/TANK INSTALLATION	F
1	0100011	AR	Compound, Locking	
2	0641608	8	Bolt 3/8 x 1	
3	0641610	4	Bolt 3/8 x 1-1/4	
5	3600289	1	Motor/Pump Assembly (See Separate Breakdown in this Section)	
6	4711600	4	Washer 3/8	
7	1001166419	1	Plate, Mounting	
8	1001171213	1	Tank, Hydraulic (See Separate Breakdown in this Section)	
9	88662523	8	Nut, Tinnerman	
10	4891600	8	Washer 3/8 Hardened	

SECTION 1 - FRAME

FIGURE 1-14. MOTOR/PUMP/TANK INSTALLATION - UL SPECS



ART_1001167487

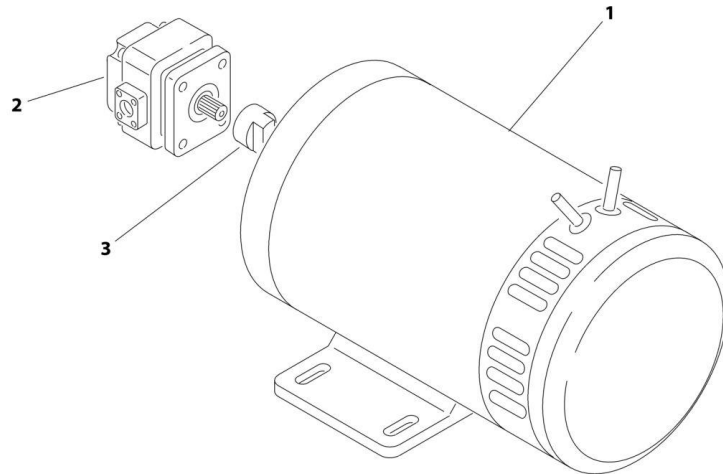
SECTION 1 - FRAME

FIGURE 1-14. MOTOR/PUMP/TANK INSTALLATION - UL SPECS

ITEM	PART NUMBER	QTY	DESCRIPTION	REV
	1001167487	Ref	MOTOR/PUMP/TANK INSTALLATION	F
1	0100011	AR	Compound, Locking	
2	0641608	8	Bolt 3/8 x 1	
3	0641610	4	Bolt 3/8 x 1-1/4	
5	3600289	1	Motor/Pump Assembly (See Separate Breakdown in this Section)	
6	4751600	4	Washer 3/8	
7	1001166419	1	Plate, Mounting	
8	1001171213	1	Tank Hydraulic (See Separate Breakdown in this Section)	
9	0340048	1	Band, Motor	
10	88662523	8	Nut, Tinnerman	
11	4891600	8	Washer, 3/8 Hardened	

SECTION 1 - FRAME

FIGURE 1-15. MOTOR/PUMP ASSEMBLY



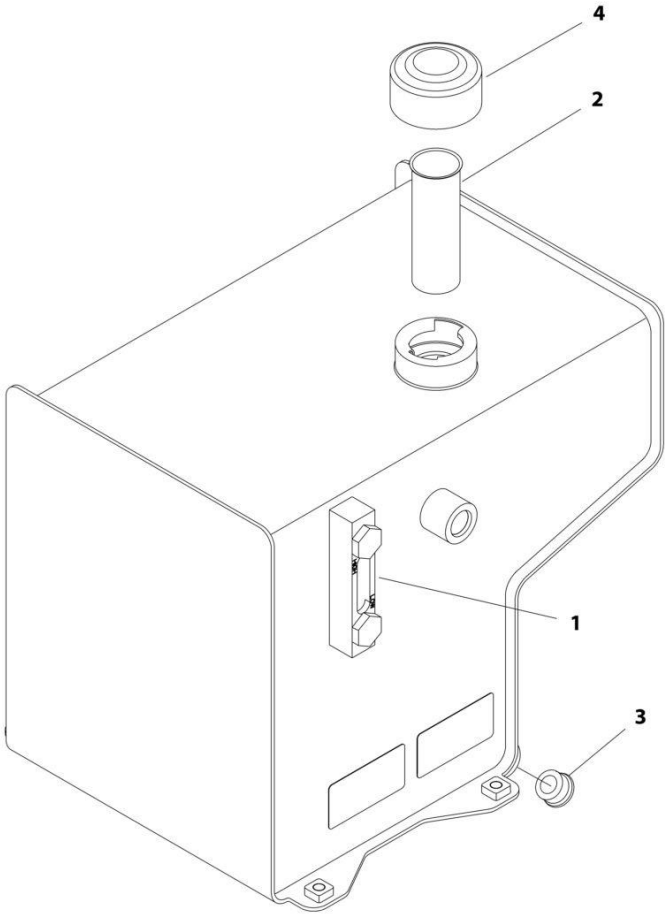
ART_3600289

FIGURE 1-15. MOTOR/PUMP ASSEMBLY

ITEM	PART NUMBER	QTY	DESCRIPTION	REV
	3600289	Ref	MOTOR/PUMP ASSEMBLY	A
1	7021318	1	Motor Assembly	
1	7021361	1	Brush Kit	
1	70003171	1	Spring, Brush	
1	70001961	1	Seal, Oil	
2	7021319	1	Pump Assembly	
2	7021377	1	Seal Kit	
3	70002523	1	Coupling	

SECTION 1 - FRAME

FIGURE 1-16. HYDRAULIC TANK ASSEMBLY



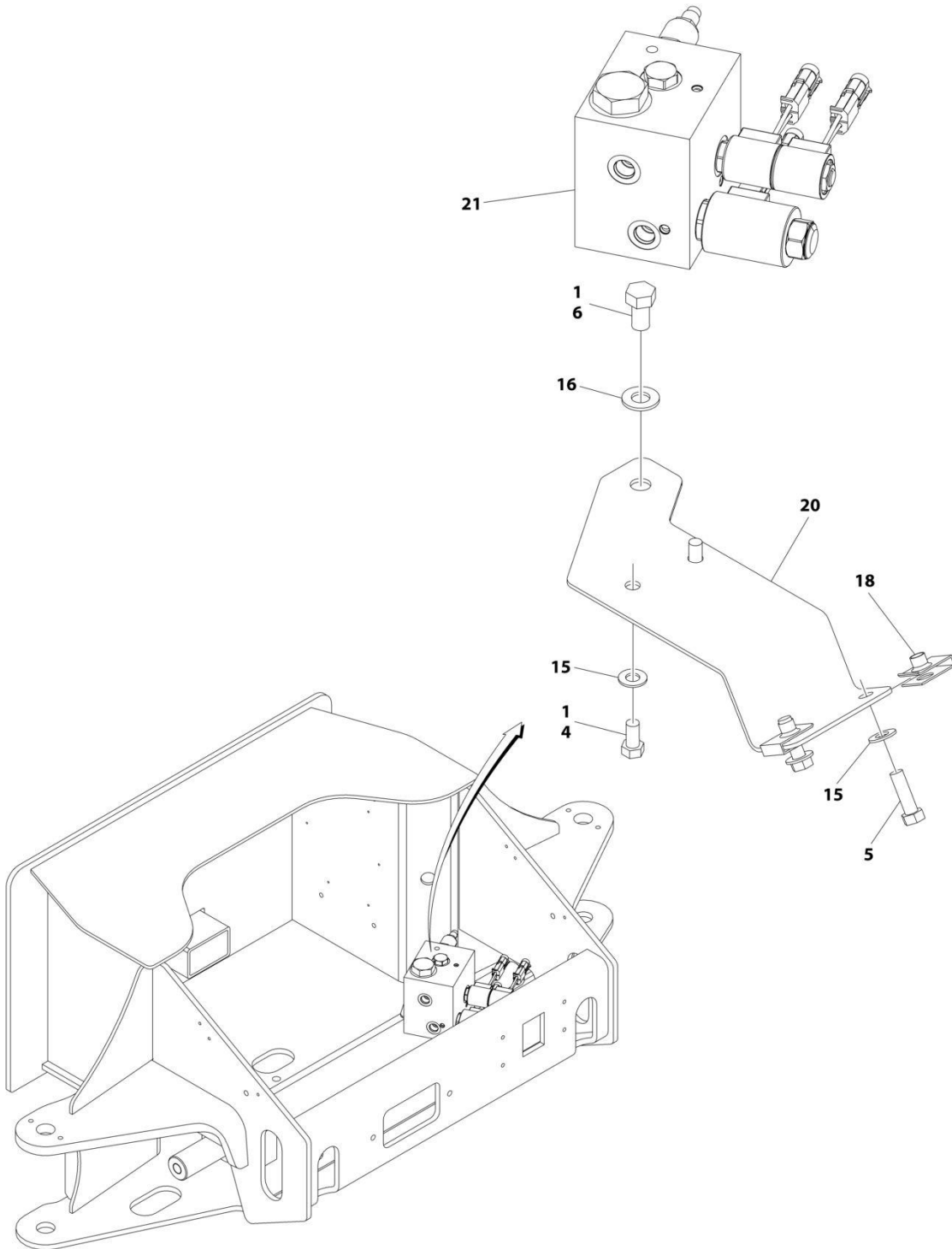
ART_1001171213

FIGURE 1-16. HYDRAULIC TANK ASSEMBLY

ITEM	PART NUMBER	QTY	DESCRIPTION	REV
	1001171213	Ref	HYDRAULIC TANK ASSEMBLY	A
1	70005101	1	Gauge, Sight	
2	7024445	1	Strainer	
3	70002112	1	Plug, Drain	
4	7024444	1	Cap, Filler	

SECTION 1 - FRAME

FIGURE 1-17. VALVE INSTALLATION - FRAME MOUNTED - E400ANARROW



ART_1001180930_10F2

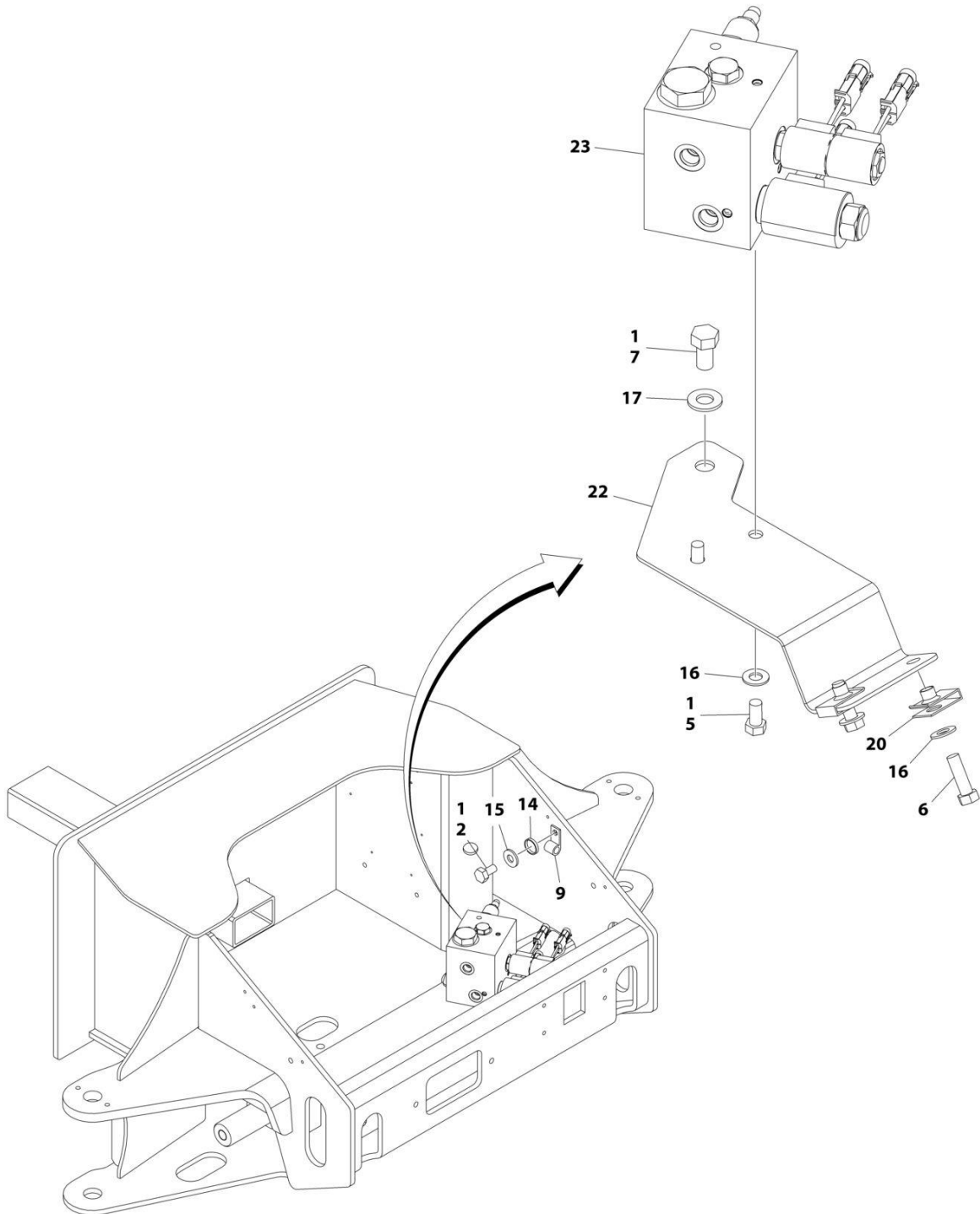
SECTION 1 - FRAME

FIGURE 1-17. VALVE INSTALLATION - FRAME MOUNTED - E400ANARROW

ITEM	PART NUMBER	QTY	DESCRIPTION	REV
	1001180930	Ref	VALVE INSTALLATION - FRAME MOUNTED	B
1	0100011	AR	Compound, Locking	
4	0641606	2	Bolt 3/8 X 3/4	
5	0641610	2	Bolt 3/8 X 1-1/4	
6	0641807	1	Bolt 1/2 X 7/8	
15	4711600	4	Washer 3/8	
16	4711800	1	Washer 1/2	
18	88662523	2	Nut, Tinnerman	
20	1001166420	1	Bracket, Mounting	
21	1001177364	1	Steer/Brake Valve Assembly (See Separate Breakdown in this Section)	

SECTION 1 - FRAME

FIGURE 1-18. VALVE INSTALLATION - FRAME MOUNTED - E400AJPNARROW



ART_1001218367_10F2

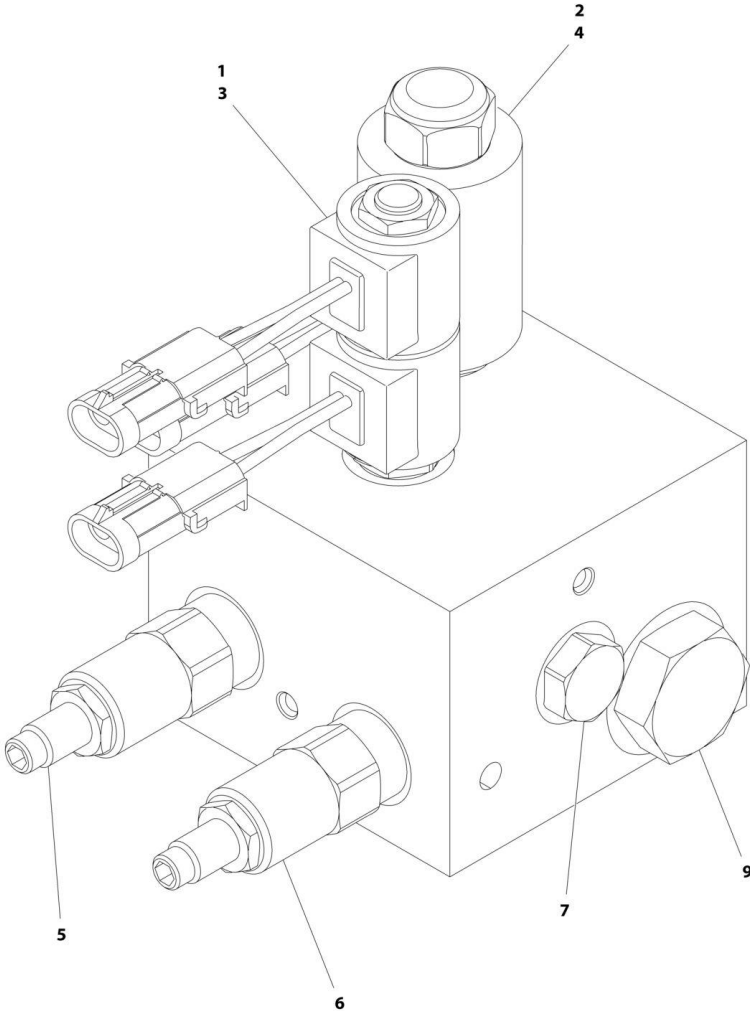
SECTION 1 - FRAME

FIGURE 1-18. VALVE INSTALLATION - FRAME MOUNTED - E400AJPNARROW

ITEM	PART NUMBER	QTY	DESCRIPTION	REV
	1001218367	Ref	VALVE INSTALLATION - FRAME MOUNTED - E400AJPnarrow	A
1	0100011	AR	Compound, Locking	
2	0641404	1	Bolt, 1/4 x 1/2	
5	0641606	2	Bolt, 3/8 X 3/4	
6	0641610	2	Bolt, 3/8 X 1-1/4	
7	0641807	1	Bolt, 1/2 X 7/8	
9	1320040	1	Clamp	
14	4240032	1	Tie, Strap	
15	4711400	1	Washer, 1/4	
16	4711600	6	Washer, 3/8	
17	4711800	1	Washer, 1/2	
20	88662523	2	Nut, Tinnerman	
22	1001166420	1	Bracket, Mounting	
23	1001177364	1	Steer/Brake Valve Assembly (See Separate Breakdown in this Section)	

SECTION 1 - FRAME

FIGURE 1-19. BRAKE/STEER VALVE ASSEMBLY



ART_1001177364

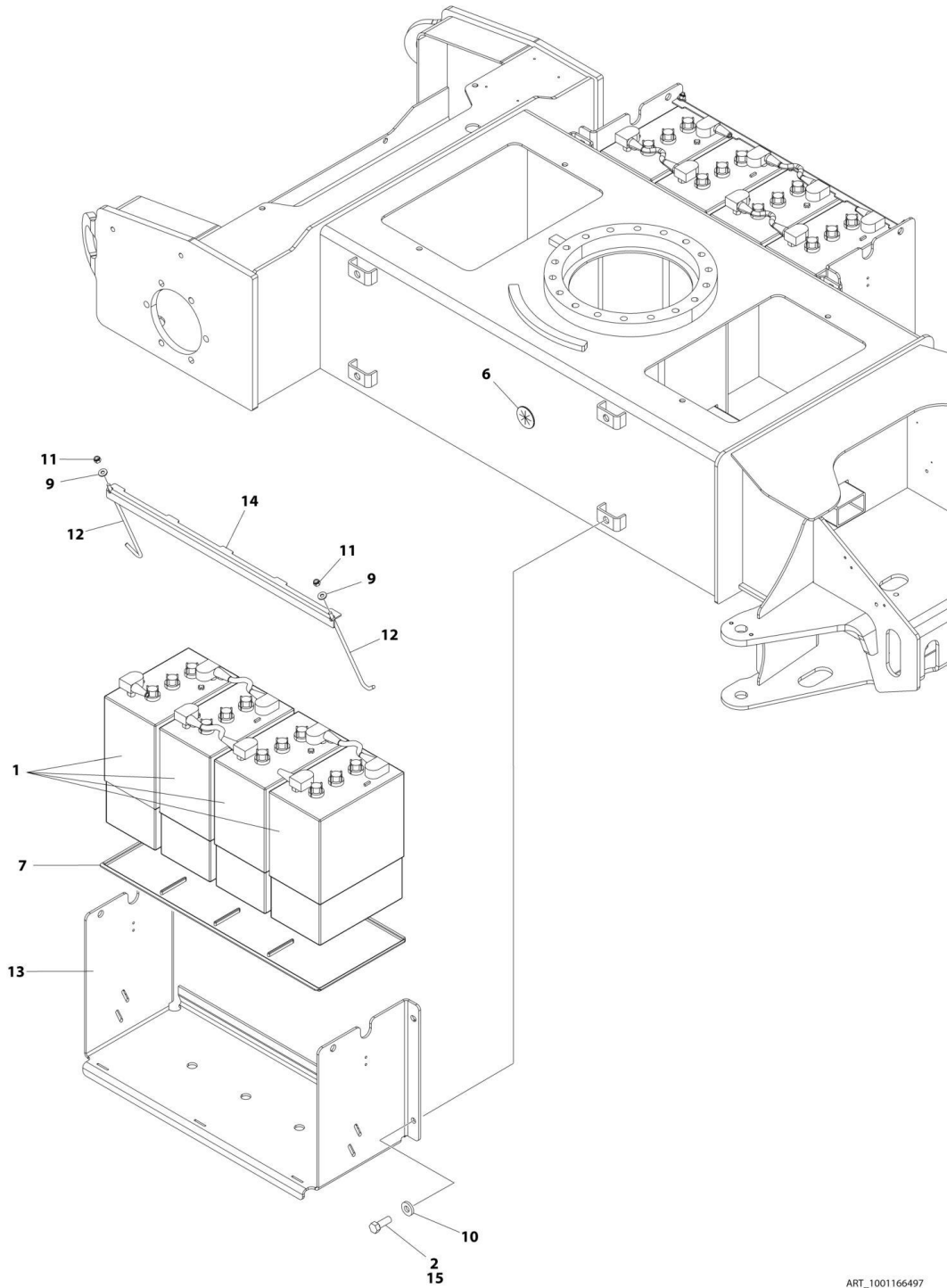
SECTION 1 - FRAME

FIGURE 1-19. BRAKE/STEER VALVE ASSEMBLY

ITEM	PART NUMBER	QTY	DESCRIPTION	REV
	1001177364	Ref	BRAKE/STEER VALVE ASSEMBLY	G
1	7017433	1	Cartridge, without Coil (Steer)	
1	7017402	1	Seal Kit - 7017433 Cartridge	
2	7021611	1	Cartridge, Proportional without Coil (Flow Control)	
2	7012518	1	Seal Kit - 7021611 Cartridge	
3	7021609	2	Coil	
4	7021618	1	Coil	
5	7021659	1	Cartridge, Relief (Main)	
5	7012972	1	Seal Kit - 7021659	
6	7017488	1	Cartridge, Relief (Steer)	
6	7012998	1	Seal Kit - 7017488 Cartridge	
7	10837580	1	Cartridge, Load Shuttle	
7	7010543	1	Seal Kit - 7012941 Cartridge	
9	7021616	1	Cartridge, Filter	

SECTION 1 - FRAME

FIGURE 1-20. BATTERY BOX INSTALLATION - STANDARD (ALL SPECS EXCEPT AUSTRALIAN, CE & UK CA SPECS)



ART_1001166497

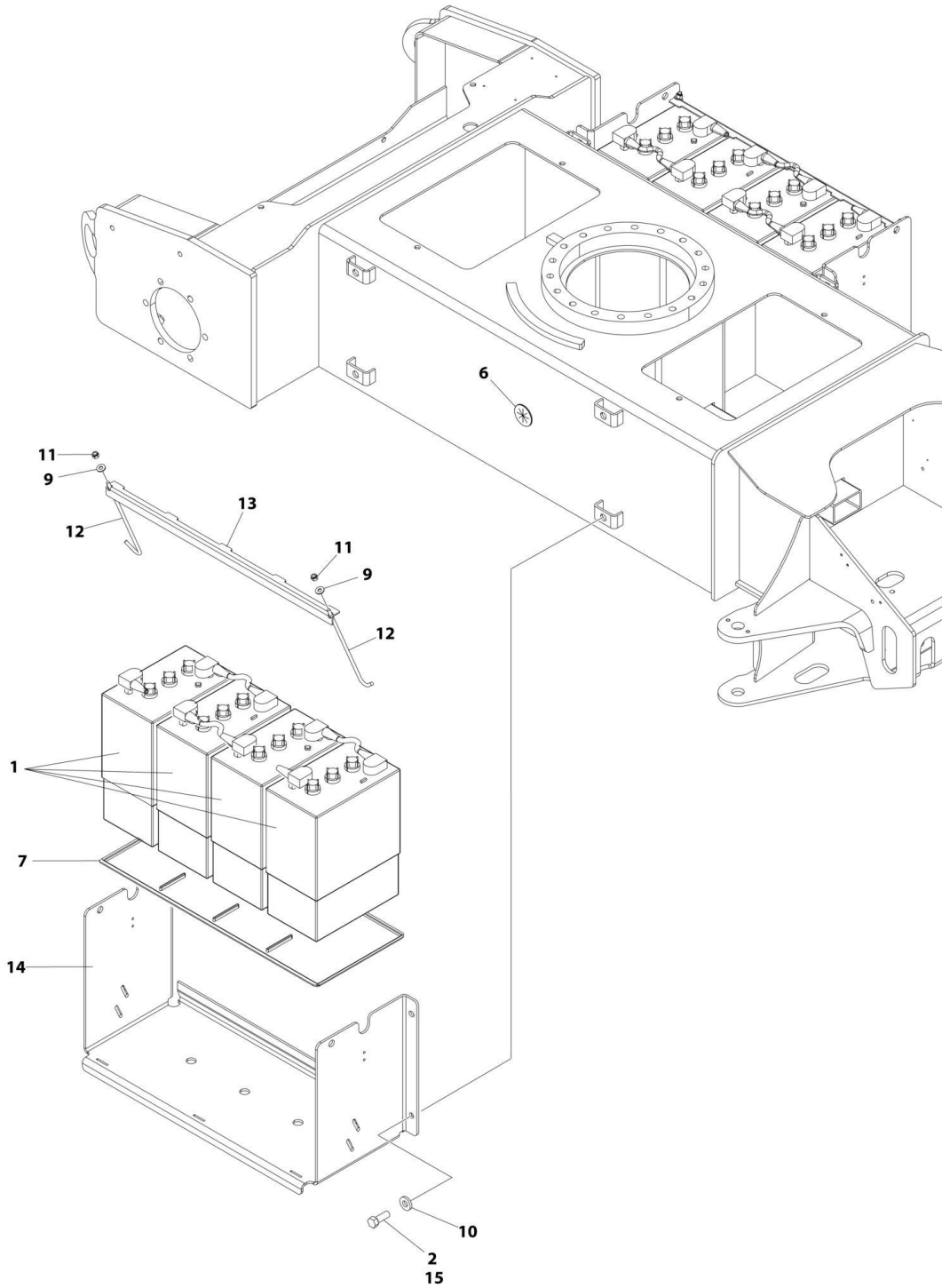
SECTION 1 - FRAME

FIGURE 1-20. BATTERY BOX INSTALLATION - STANDARD (ALL SPECS EXCEPT AUSTRALIAN, CE & UK CA SPECS)

ITEM	PART NUMBER	QTY	DESCRIPTION	REV
	1001166497	Ref	BATTERY BOX INSTALLATION	C
1	0400055	8	Battery (Wet)	
1	7016177	8	Battery (Dry)	
2	0641811	8	Bolt 1/2 X 1-3/8	
6	2540045	2	Grommet	
7	3000003	2	Liner, Battery Box	
9	4751500	4	Washer 5/16	
10	4891800	8	Washer 1/2 Hardened	
11	88521205	4	Nut 5/16	
12	1001093382	4	Bolt, J-Bolt	
13	1001166495	2	Tray, Battery	
14	1001166496	2	Battery Hold Down	
15	0100011	AR	Compound, Locking	

SECTION 1 - FRAME

FIGURE 1-21. BATTERY BOX INSTALLATION - STANDARD (AUSTRALIAN, CE & UK CA SPECS)



ART_1001168670

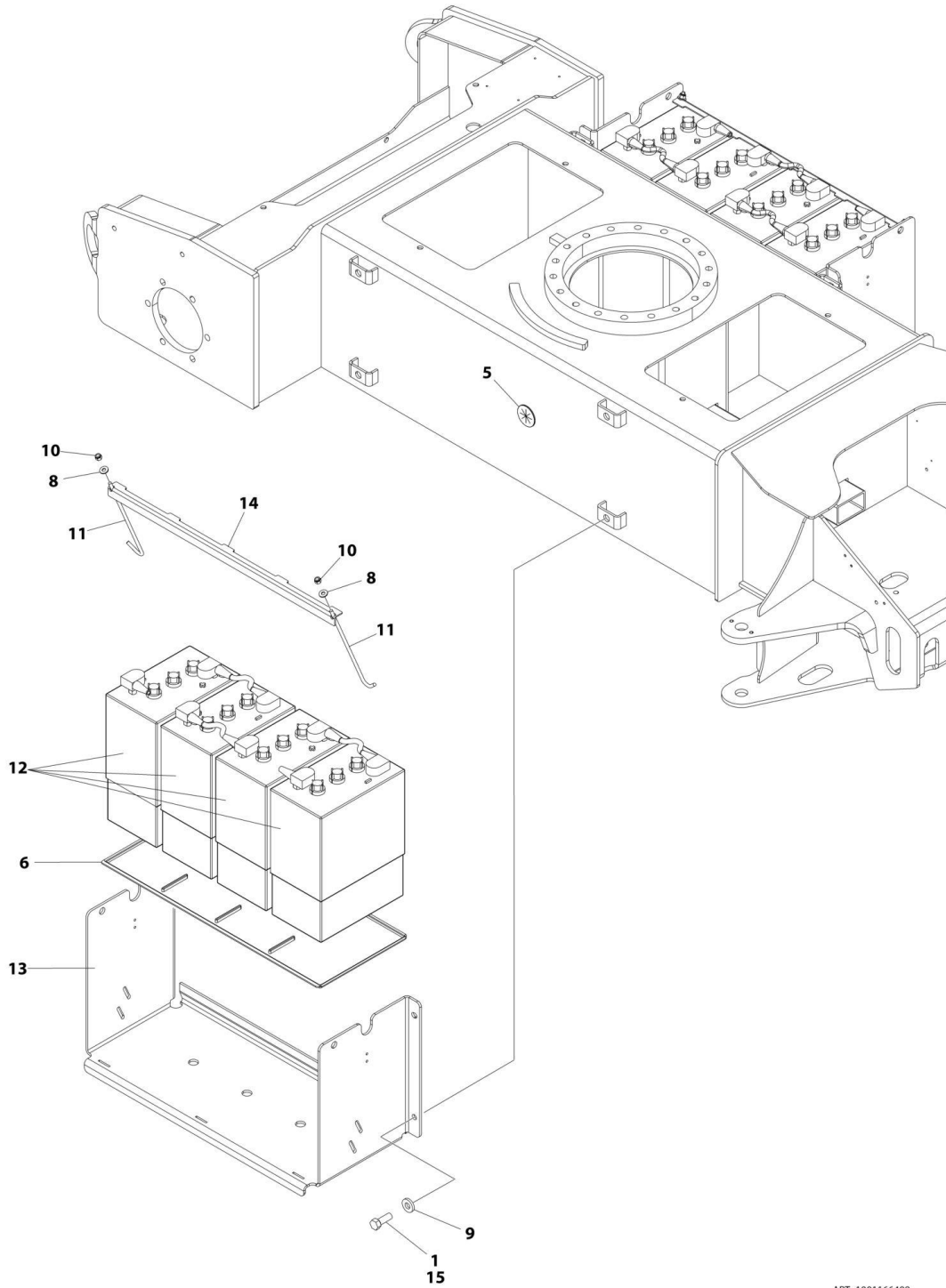
SECTION 1 - FRAME

FIGURE 1-21. BATTERY BOX INSTALLATION - STANDARD (AUSTRALIAN, CE & UK CA SPECS)

ITEM	PART NUMBER	QTY	DESCRIPTION	REV
	1001168670	Ref	BATTERY BOX INSTALLATION	C
1	0400055	8	Battery (Wet)	
1	7016177	8	Battery (Dry)	
2	0641811	8	Bolt 1/2 X 1-3/8	
6	2540045	2	Grommet	
7	3000003	2	Liner, Battery Box	
9	4751500	4	Washer 5/16	
10	4891800	8	Washer 1/2 Hardened	
11	88521205	4	Nut 5/16	
12	1001093382	4	Bolt, J-Bolt	
13	1001166496	2	Battery Hold Down	
14	1001168800	2	Tray, Battery	
15	0100011	AR	Compound, Locking	

SECTION 1 - FRAME

FIGURE 1-22. BATTERY BOX INSTALLATION - AGM BATTERIES (ALL SPECS EXCEPT AUSTRALIAN, CE & UK CA SPECS)



ART_1001166498

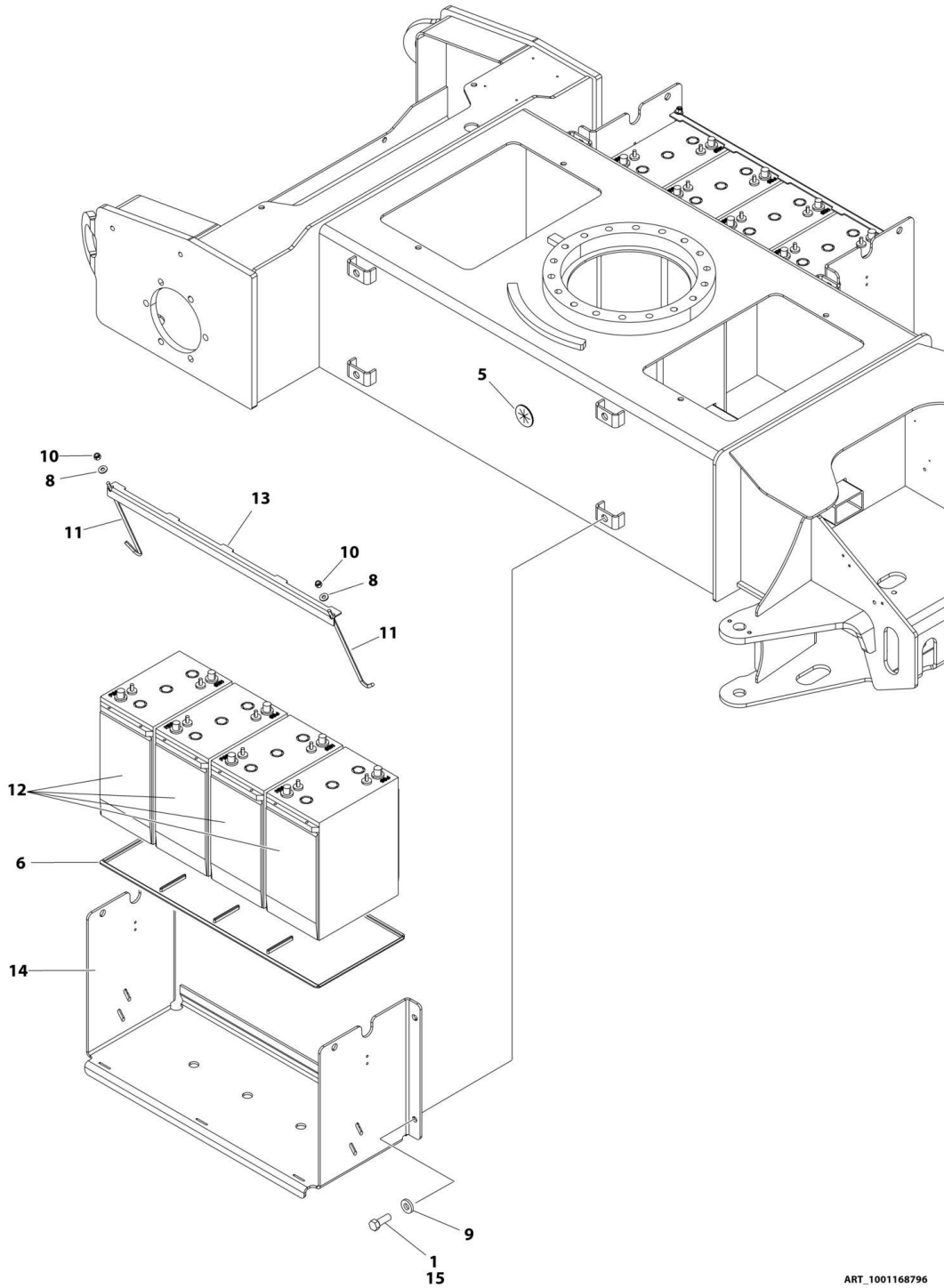
SECTION 1 - FRAME

FIGURE 1-22. BATTERY BOX INSTALLATION - AGM BATTERIES (ALL SPECS EXCEPT AUSTRALIAN, CE & UK CA SPECS)

ITEM	PART NUMBER	QTY	DESCRIPTION	REV
	1001166498	Ref	BATTERY BOX INSTALLATION - AGM BATTERIES	C
1	0641811	8	Bolt 1/2 X 1-3/8	
5	2540045	2	Grommet	
6	3000003	2	Liner, Battery Box	
8	4751500	4	Washer 5/16	
9	4891800	8	Washer 1/2 Hardened	
10	88521205	4	Nut 5/16	
11	1001093382	4	Bolt, J-Bolt	
12	1001114782	8	Battery (Wet) (AGM Batteries)	
13	1001166495	2	Tray, Battery	
14	1001166496	2	Battery Hold Down	
15	0100011	AR	Compound, Locking	

SECTION 1 - FRAME

FIGURE 1-23. BATTERY BOX INSTALLATION - AGM BATTERIES (AUSTRALIAN, CE & UK CA SPECS)



ART_1001168796

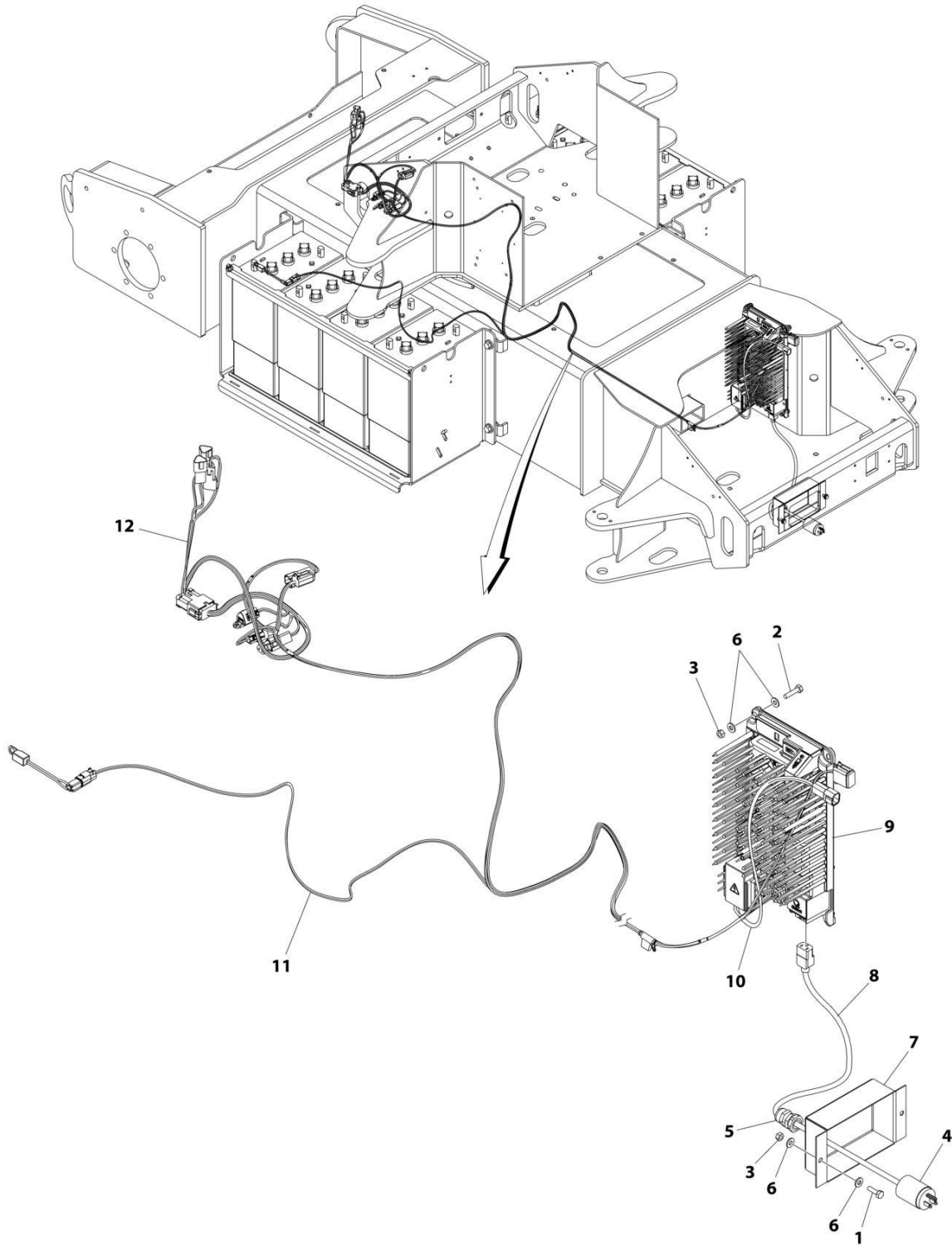
SECTION 1 - FRAME

FIGURE 1-23. BATTERY BOX INSTALLATION - AGM BATTERIES (AUSTRALIAN, CE & UK CA SPECS)

ITEM	PART NUMBER	QTY	DESCRIPTION	REV
	1001168796	Ref	BATTERY BOX INSTALLATION - AGM BATTERIES	C
1	0641811	8	Bolt 1/2 X 1-3/8	
5	2540045	2	Grommet	
6	3000003	2	Liner, Battery Box	
8	4751500	4	Washer 5/16	
9	4751800	8	Washer 1/2	
10	88521205	4	Nut 5/16	
11	1001093382	4	Bolt, J-Bolt	
12	1001114782	8	Battery	
13	1001166496	2	Battery Hold Down	
14	1001168800	2	Tray, Battery	
15	0100011	AR	Compound, Locking	

SECTION 1 - FRAME

FIGURE 1-24. BATTERY CHARGER INSTALLATION (ALL SPECS EXCEPT AUSTRALIAN, CE & UK CA SPECS)



ART_1001251471

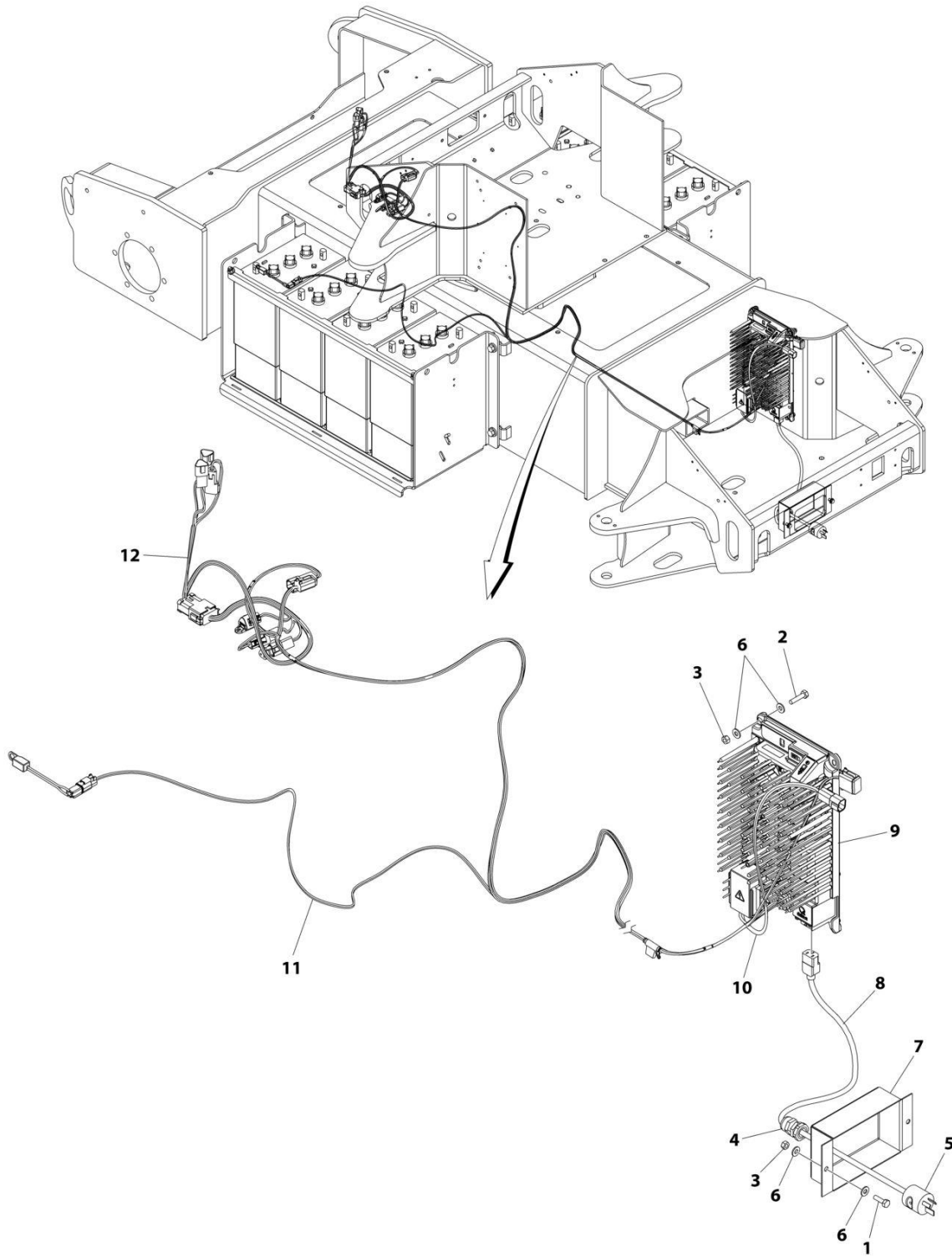
SECTION 1 - FRAME

FIGURE 1-24. BATTERY CHARGER INSTALLATION (ALL SPECS EXCEPT AUSTRALIAN, CE & UK CA SPECS)

ITEM	PART NUMBER	QTY	DESCRIPTION	REV
	1001251471	Ref	BATTERY CHARGER INSTALLATION	B
1	0641407	2	Bolt 1/4 x 7/8	
2	0641409	4	Bolt 1/4 x 1-1/8	
3	3311405	6	Nut 1/4	
4	4460138	1	Plug, AC	
5	4460428	1	Connector, Strain Relief	
6	4711400	12	Washer 1/4	
7	1001191212	1	Panel, Cable	
8	1001207970	1	AC Cord	
9	1001251382	1	Battery Charger Assembly	
10	1001260408	1	Harness, Charger DC Connection (See Separate Breakdown in ELECTRICAL Section)	
11	1001260531	1	Harness, Charger (See Separate Breakdown in ELECTRICAL Section)	
12	1001260532	1	Harness, EBOOM (See Separate Breakdown in ELECTRICAL Section)	

SECTION 1 - FRAME

FIGURE 1-25. BATTERY CHARGER INSTALLATION - E400AJPNARROW (AUSTRALIAN SPEC)



ART_1001251472

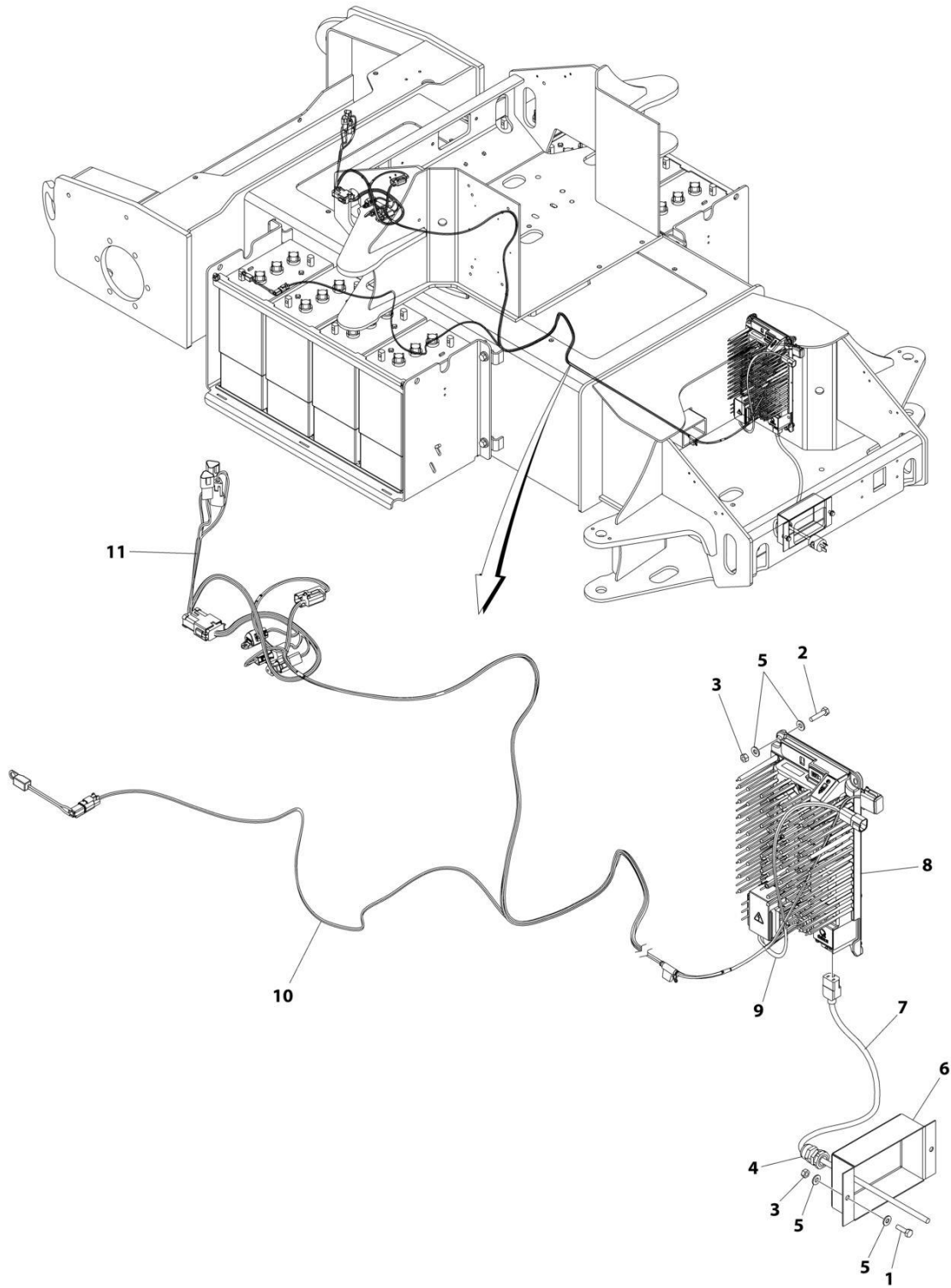
SECTION 1 - FRAME

FIGURE 1-25. BATTERY CHARGER INSTALLATION - E400AJPNARROW (AUSTRALIAN SPEC)

ITEM	PART NUMBER	QTY	DESCRIPTION	REV
	1001251472	Ref	BATTERY CHARGER INSTALLATION	B
1	0641407	2	Bolt 1/4 x 7/8	
2	0641409	4	Bolt 1/4 x 1-1/8	
3	3311405	6	Nut 1/4	
4	4460428	1	Connector, Strain Relief	
5	4460805	1	Plug	
6	4711400	12	Washer 1/4	
7	1001191212	1	Panel, Cable	
8	1001207974	1	AC Cord	
9	1001251382	1	Battery Charger Assembly	
10	1001260408	1	Harness, Charger DC Connection (See Separate Breakdown in ELECTRICAL Section)	
11	1001260531	1	Harness, Charger (See Separate Breakdown in ELECTRICAL Section)	
12	1001260532	1	Harness, EBOOM (See Separate Breakdown in ELECTRICAL Section)	

SECTION 1 - FRAME

FIGURE 1-26. BATTERY CHARGER INSTALLATION (ANSI EXPORT, CE, CHINA & UK CA SPECS)



ART_1001251470

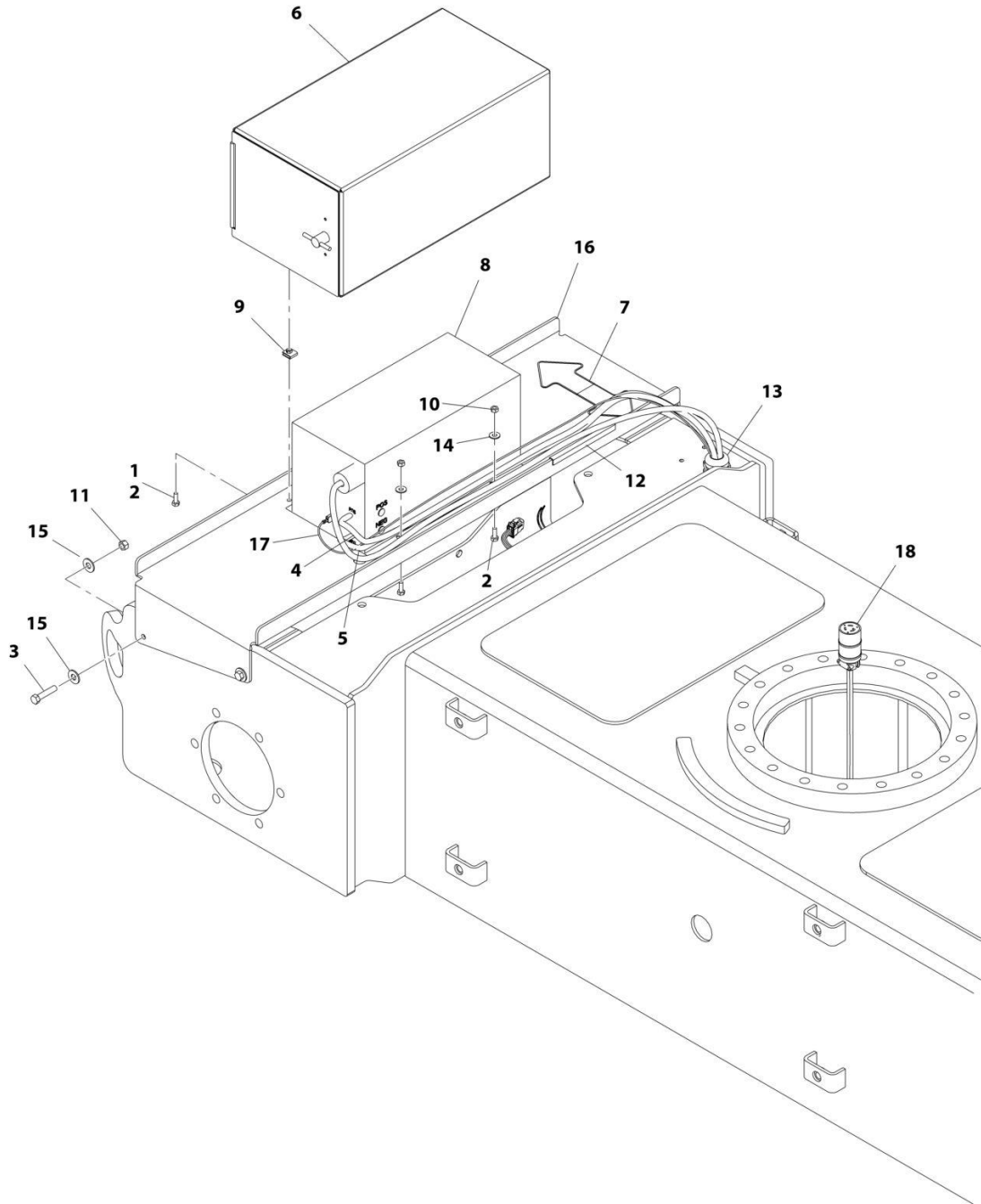
SECTION 1 - FRAME

FIGURE 1-26. BATTERY CHARGER INSTALLATION (ANSI EXPORT, CE, CHINA & UK CA SPECS)

ITEM	PART NUMBER	QTY	DESCRIPTION	REV
	1001251470	Ref	BATTERY CHARGER INSTALLATION	B
1	0641407	2	Bolt 1/4 x 7/8	
2	0641409	4	Bolt 1/4 x 1-1/8	
3	3311405	6	Nut 1/4	
4	4460428	1	Connector, Strain Relief	
5	4711400	12	Washer 1/4	
6	1001191212	1	Panel, Cable	
7	1001207974	1	AC Cord	
8	1001251382	1	Battery Charger Assembly	
9	1001260408	1	Harness, Charger DC Connection (See Separate Breakdown in ELECTRICAL Section)	
10	1001260531	1	Harness, Charger (See Separate Breakdown in ELECTRICAL Section)	
11	1001260532	1	Harness, EBOOM (See Separate Breakdown in ELECTRICAL Section)	

SECTION 1 - FRAME

FIGURE 1-27. INVERTER INSTALLATION



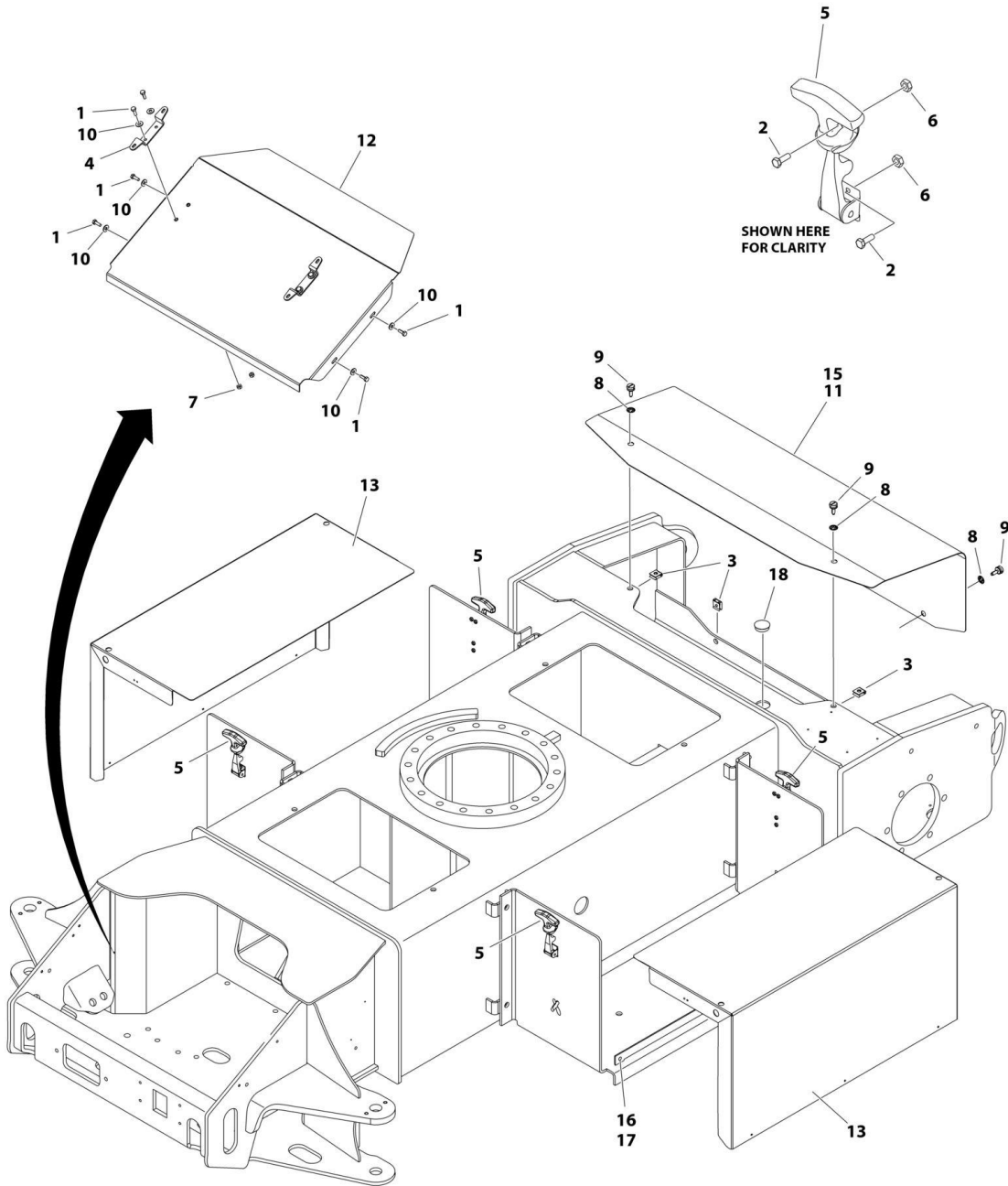
ART_1001192501

FIGURE 1-27. INVERTER INSTALLATION

ITEM	PART NUMBER	QTY	DESCRIPTION	REV
	1001192501	Ref	INVERTER INSTALLATION	A
1	0100011	AR	Compound, Locking	
2	0641406	8	Bolt 1/4 X 3/4	
3	0641614	4	Bolt 3/8 X 1-3/4	
4	1060801	1	Cable, Battery	
5	1060802	1	Cable, Ground	
6	1670953	1	Cover	
7	1701642	1	Decal - Arrow	
8	2460037	1	Inverter	
9	3300353	4	Nut, Tinnerman	
10	3311405	4	Nut 1/4	
11	3311605	4	Nut 3/8	
12	4060805	6 in /150mm	Shield, Flex Trim	
13	4460426	1	Connector, Strain Relief	
14	4751400	4	Washer 1/4	
15	4751600	8	Washer 3/8	
16	1001167013	1	Bracket	
17	1001192293	1	Inverter Ignition Harness (See Separate Breakdown in ELECTRICAL SECTION)	
18	1001182296	1	Inverter Harness (See Separate Breakdown in ELECTRICAL SECTION)	

SECTION 1 - FRAME

FIGURE 1-28. FRAME COVER INSTALLATION



ART_1001166312

SECTION 1 - FRAME

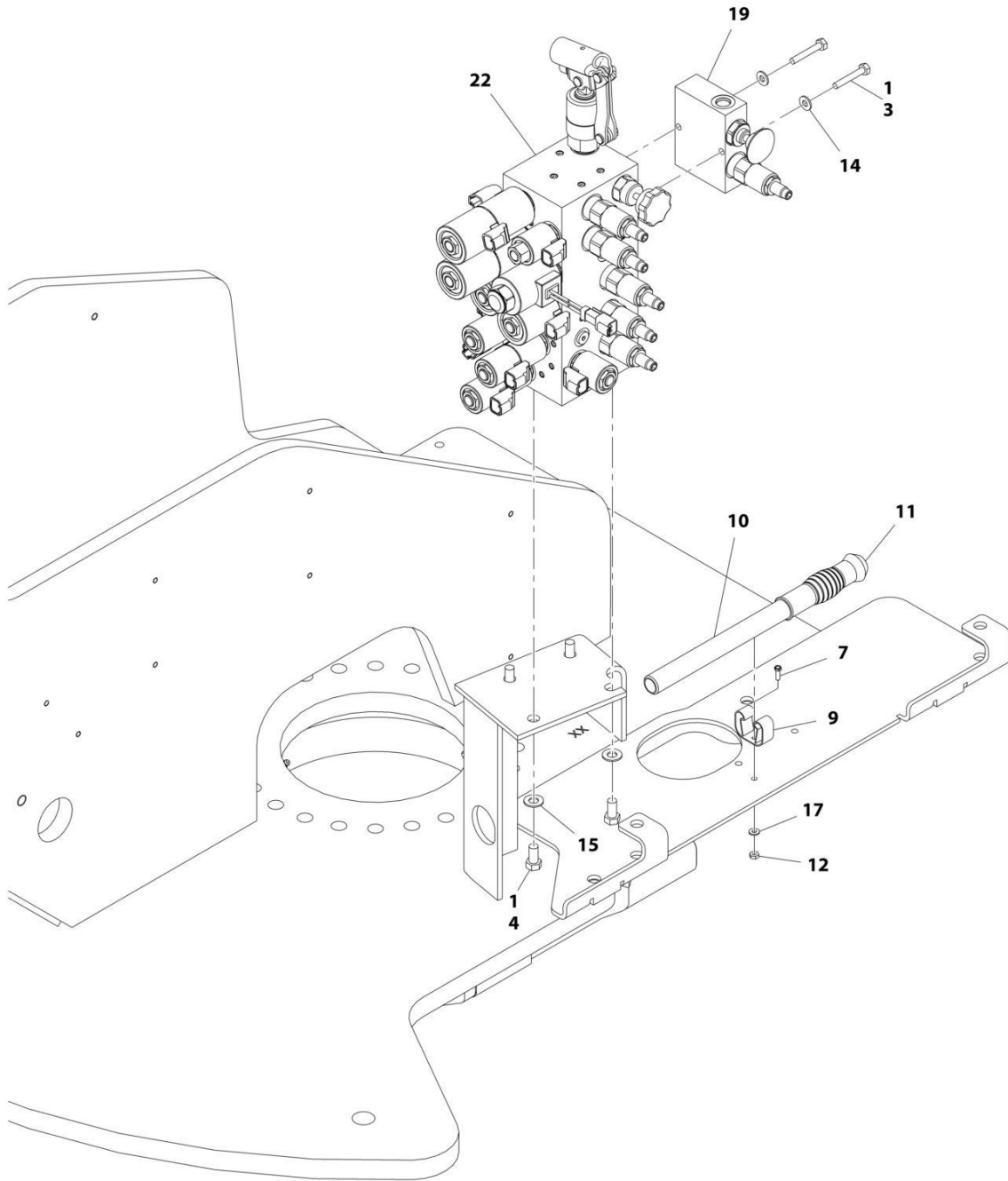
FIGURE 1-28. FRAME COVER INSTALLATION

ITEM	PART NUMBER	QTY	DESCRIPTION	REV
	1001166312	Ref	FRAME COVER INSTALLATION	D
1	0641406	8	Bolt, 1/4 X 3/4	
2	0721004	16	Bolt, #10 X .500	
3	1380138	4	Clip, Receptacle	
4	2700093	2	Hook	
5	2940095	4	Latch	
6	3311005	16	Nut #10	
7	3311405	5	Nut 1/4	
8	3760308	4	Retainer	
9	3900174	4	Screw, Special	
10	4751400	8	Washer 1/4	
11	1001166296	1	Axle Cover	
12	1001166321	1	Cover	
13	1001166493	2	Battery Cover	
15	3960447	9.5 ft /2.9m	Seal	
16	3820019	6	Rivet	
17	1001175025	2	Brace, Battery Tray	
18	3520035	1	Plug, Cap	

SECTION 2 - TURNTABLE

SECTION 2 - TURNTABLE

FIGURE 2-1. VALVE INSTALLATION- TURNTABLE MOUNTED - E400ANARROW



ART_1001180930_20F2

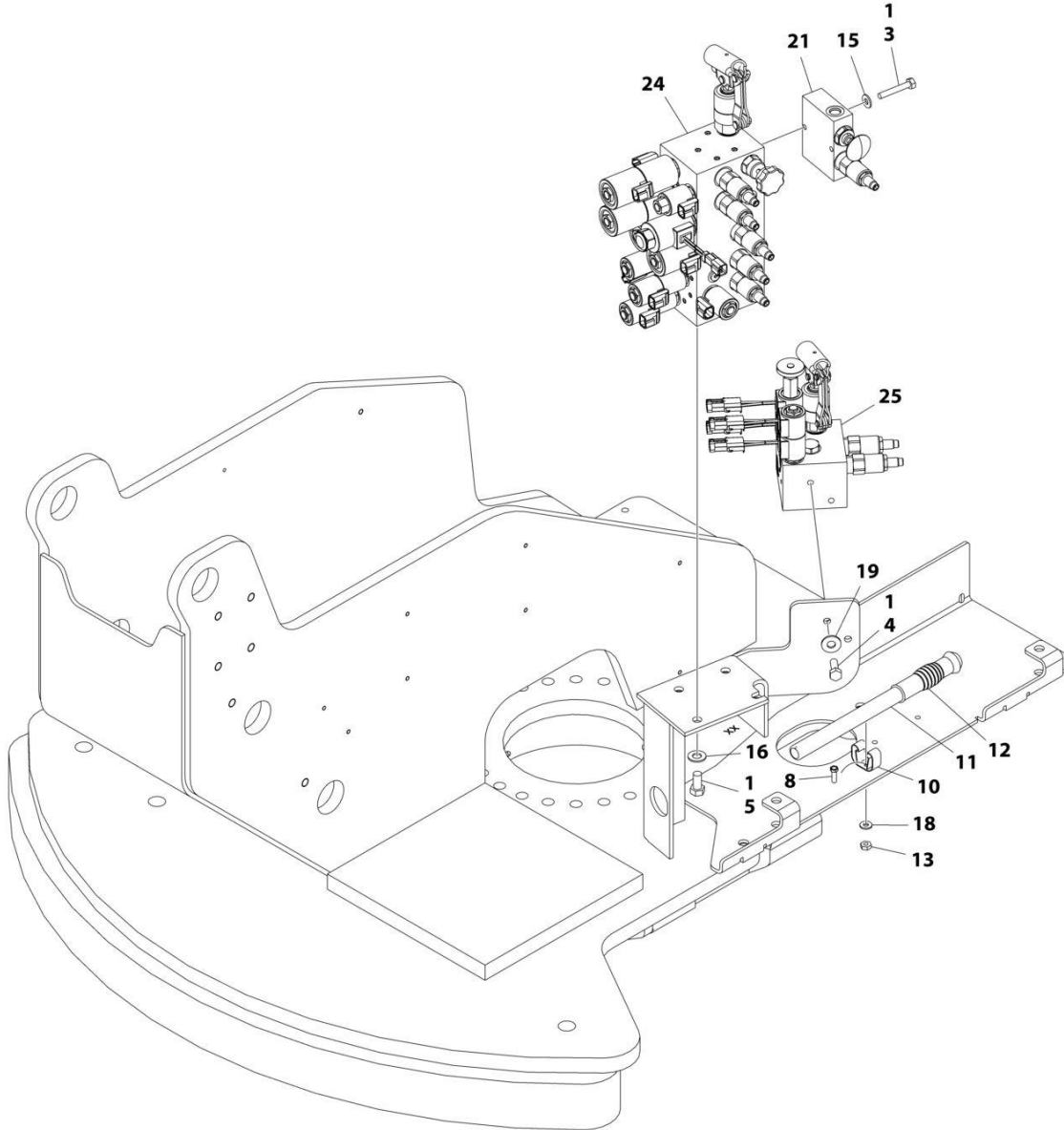
SECTION 2 - TURNTABLE

FIGURE 2-1. VALVE INSTALLATION- TURNTABLE MOUNTED - E400ANARROW

ITEM	PART NUMBER	QTY	DESCRIPTION	REV
	1001180930	Ref	VALVE INSTALLATION- TURNTABLE MOUNTED	B
1	0100011	AR	Compound, Locking	
3	0641413	2	Bolt 1/4 X 1-5/8	
4	0641606	4	Bolt 3/8 X 3/4	
7	0720804	1	Bolt #8 X .500	
9	1380136	1	Clip, Gripper	
10	2560122	1	Handle	
11	2560123	1	Handle, Grip	
12	3310805	1	Nut #8	
14	4711400	2	Washer 1/4	
15	4711600	4	Washer 3/8	
17	4750800	1	Washer #8	
19	1001097777	1	Releveling Valve Assembly (See Separate Breakdown in this Section)	
22	1001180554	1	Main Control Valve Assembly (See Separate Breakdown in this Section)	

SECTION 2 - TURNTABLE

FIGURE 2-2. VALVE INSTALLATION - TURNTABLE MOUNTED - E400AJPNARROW



ART_1001218367_20F2

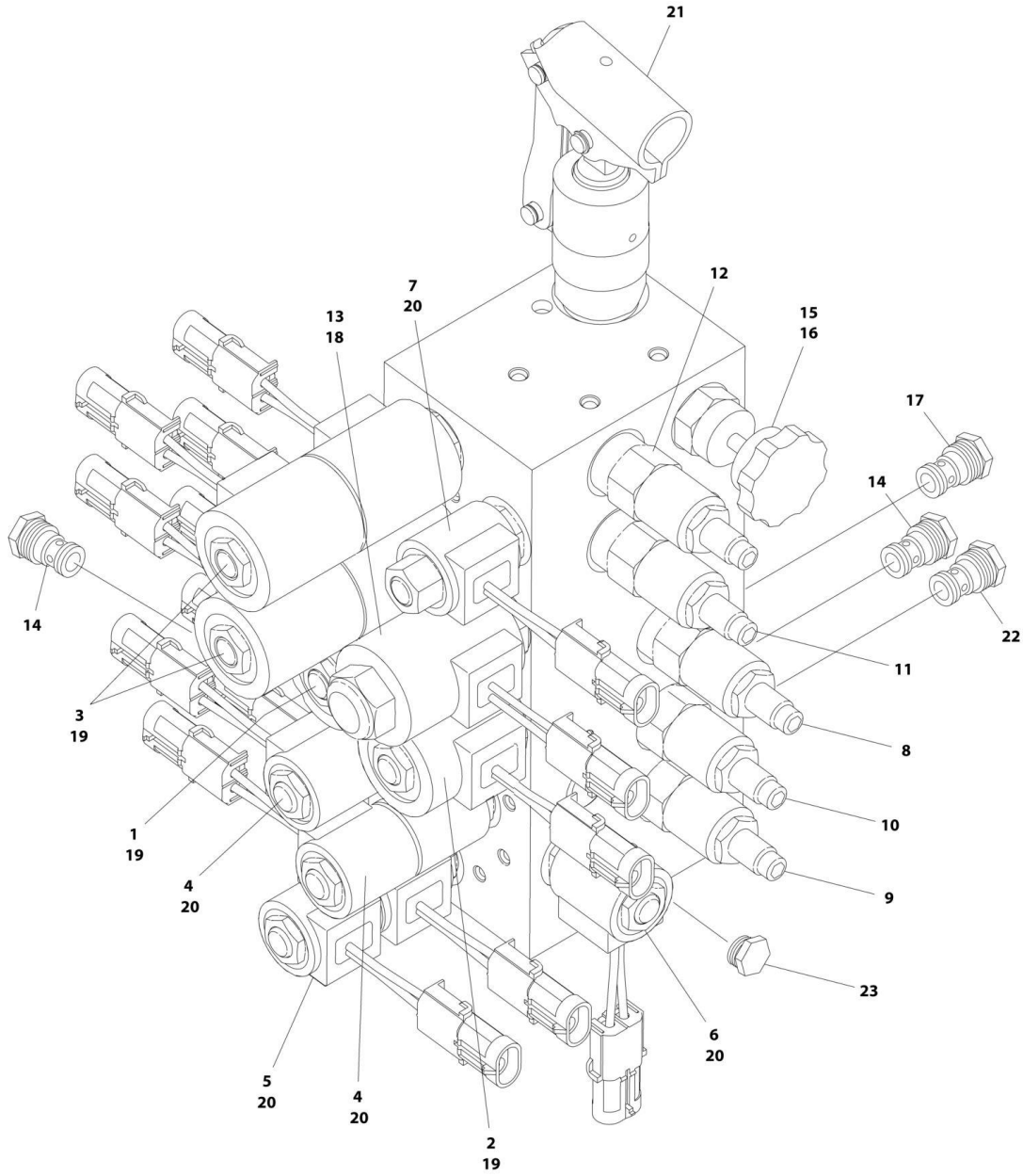
SECTION 2 - TURNTABLE

FIGURE 2-2. VALVE INSTALLATION - TURNTABLE MOUNTED - E400AJPNARROW

ITEM	PART NUMBER	QTY	DESCRIPTION	REV
	1001218367	Ref	VALVE INSTALLATION - TURNTABLE MOUNTED	A
1	0100011	AR	Compound, Locking	
3	0641413	2	Bolt 1/4 X 1-5/8	
4	0641507	2	Bolt 5/16 X 7/8	
5	0641606	4	Bolt 3/8 X 3/4	
8	0720804	1	Bolt #8 X .500	
10	1380136	1	Clip, Gripper	
11	2560122	1	Handle	
12	2560123	1	Handle, Grip	
13	3310805	1	Nut #8	
15	4711400	2	Washer 1/4	
16	4711600	2	Washer 3/8	
18	4750800	1	Washer #8	
19	4751500	2	Washer 5/16	
21	1001097777	1	Releveling Valve Assembly (See Separate Breakdown in this Section)	
24	1001180554	1	Main Control Valve Assembly (See Separate Breakdown in this Section)	
25	1001216921	1	Jib Valve Assembly (See Separate Breakdown in this Section)	

SECTION 2 - TURNTABLE

FIGURE 2-3. MAIN CONTROL VALVE ASSEMBLY



ART_1001180554

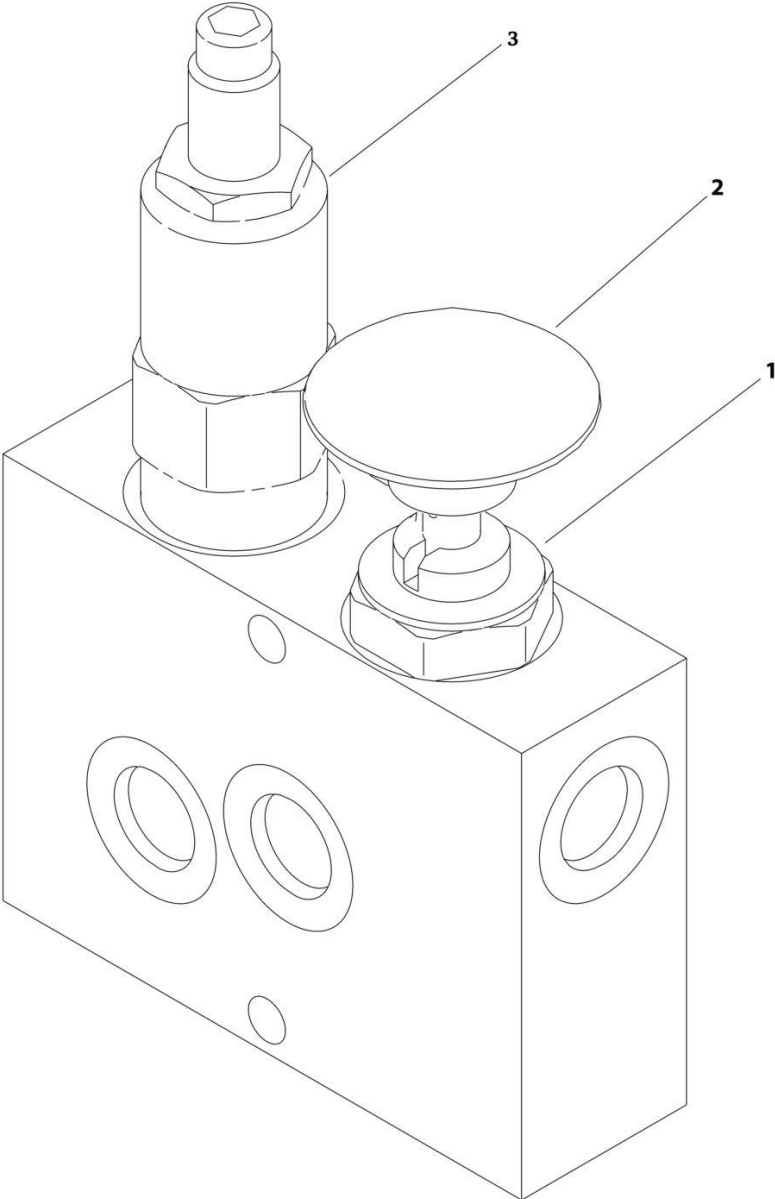
SECTION 2 - TURNTABLE

FIGURE 2-3. MAIN CONTROL VALVE ASSEMBLY

ITEM	PART NUMBER	QTY	DESCRIPTION	REV
	1001180554	Ref	MAIN CONTROL VALVE ASSEMBLY	F
1	7022394	1	Cartridge without Coil (Telescope In)	
1	7012518	1	Seal Kit - 7022394 Cartridge	
2	7012995	1	Cartridge without Coil (Telescope Out)	
2	7012518	1	Seal Kit - 7012995 Cartridge	
3	7021603	2	Cartridge without Coil (Lower and Upper Lift)	
3	7012903	2	Seal Kit - 7021603 Cartridge	
4	7017452	2	Cartridge without Coil (Platform Level)	
4	7017402	2	Seal Kit - 7017452 Cartridge	
5	7017433	1	Cartridge without Coil (Swing)	
5	7017402	1	Seal Kit - 7017433 Cartridge	
6	7021604	1	Cartridge without Coil (Swing Arrest)	
6	7012953	1	Seal Kit - 7021604 Cartridge	
7	7017410	1	Cartridge without Coil (Bypass Unloading)	
7	7012967	1	Seal Kit - 7017410 Cartridge	
8	7017418	1	Cartridge (Telescope)	
8	7012998	1	Seal Kit - 7017418 Cartridge	
9	7017421	1	Cartridge (Platform Level Backward Piston End)	
9	7012998	1	Seal Kit - 7017421 Cartridge	
10	7017418	1	Cartridge (Platform Level Forward Rod End)	
10	7012998	1	Seal Kit - 7017418 Cartridge	
11	70001876	1	Cartridge (Lower Lift Down)	
11	7012998	1	Seal Kit - 70001876 Cartridge	
12	70002806	1	Cartridge (Upper Lift Down)	
12	7012998	1	Seal Kit - 70002806 Cartridge	
13	7021611	1	Cartridge without Coil (Flow Regulator)	
13	7012518	1	Seal Kit - 7021611 Cartridge	
14	7012914	2	Cartridge (Platform Level)	
14	7012918	2	Seal Kit - 7012914 Cartridge	
15	7012947	1	Cartridge (Emergency Descent)	
15	7012518	1	Seal Kit - 7012947 Cartridge	
16	7012961	1	Knob	
17	10837580	1	Cartridge (Telescope)	
17	7010543	1	Seal Kit - 10837580 Cartridge	
18	70005210	1	Coil	
19	7024883	6	Coil	
20	7024885	8	Coil	
21	70004019	1	Pump, Manual	
21	2900756	1	Seal Kit - 70004019 Pump	
21	2560122	1	Handle (Not Shown)	
21	1001114761	1	Handle, Grip (Red) (Not Shown)	
21	2560123	1	Handle, Grip (Black) (Not Shown)	
22	7012975	1	Cartridge (Check)	
22	7012540	1	Seal Kit - 7012975 Cartridge	
23	70000381	1	Plug, Cartridge	
24	70005091	1	Orifice (Swing) (Not Shown)	
25	70004884	1	Orifice (Platform) (Not Shown)	

SECTION 2 - TURNTABLE

FIGURE 2-4. RELEVELING VALVE ASSEMBLY



ART_100109777

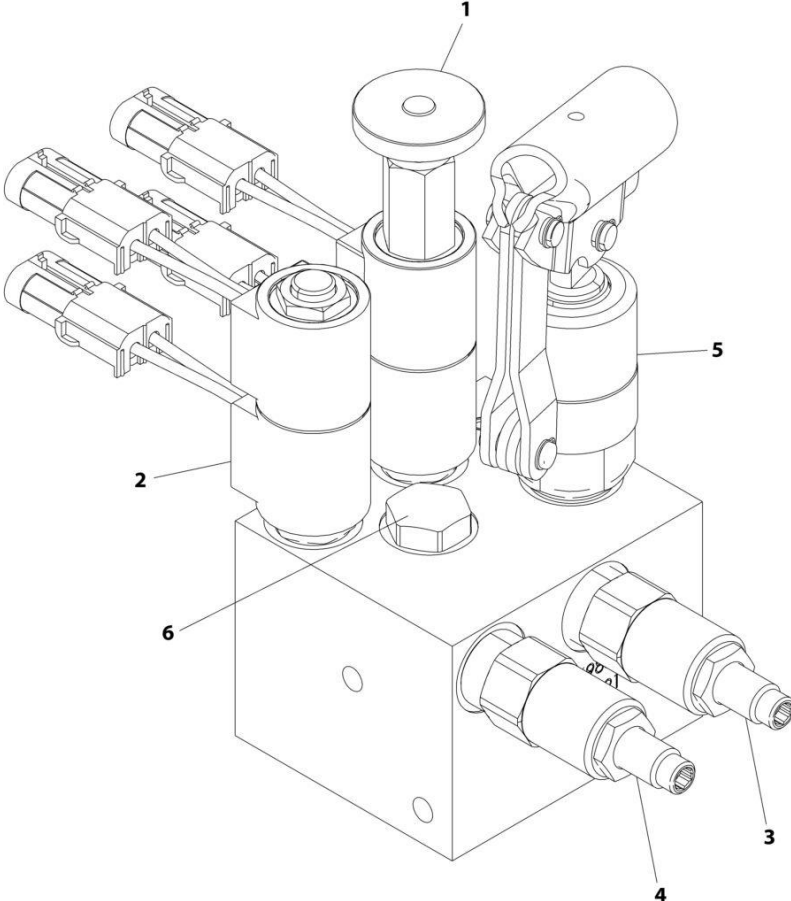
SECTION 2 - TURNTABLE

FIGURE 2-4. RELEVELING VALVE ASSEMBLY

ITEM	PART NUMBER	QTY	DESCRIPTION	REV
	1001097777	Ref	RELEVELING VALVE ASSEMBLY	C
1	7017466	1	Cartridge	
1	7017496	1	Seal Kit - 7017466 Cartridge	
2	7012959	1	Knob	
3	7024891	1	Cartridge	
3	7012953	1	Seal Kit - 7024891 Cartridge	

SECTION 2 - TURNTABLE

FIGURE 2-5. JIB VALVE ASSEMBLY



ART_1001216921

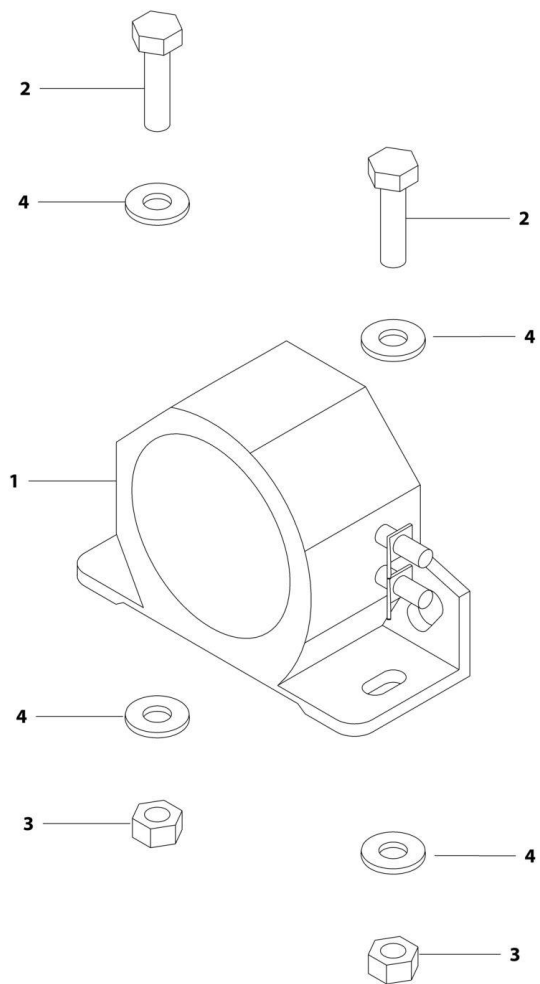
SECTION 2 - TURNTABLE

FIGURE 2-5. JIB VALVE ASSEMBLY

ITEM	PART NUMBER	QTY	DESCRIPTION	REV
	1001216921	Ref	JIB VALVE ASSEMBLY	B
1	70006346	1	Cartridge (Manual Override)	
1	7017402	1	Seal Kit - 70006346 Cartridge	
1	70006348	1	Coil Spacer	
1	7021609	1	Coil	
1	70006347	1	Coil Nut	
2	7017452	1	Cartridge	
2	7017402	1	Seal Kit - 7017452 Cartridge	
2	70006348	1	Coil Spacer	
2	7021609	1	Coil	
2	7022390	1	Coil Nut	
3	70006349	1	Cartridge	
3	7021653	1	Seal Kit - 70006349 Cartridge	
4	70002808	1	Cartridge	
4	7021653	1	Seal Kit - 70002808 Cartridge	
5	70005722	1	Cartridge	
5	7017496	1	Seal Kit - 70005722 Cartridge	
5	2560122	1	Handle	
5	1001114761	1	Grip, Handle (Red)	
5	2560123	1	Grip, Handle (Black)	
6	7024887	1	Cartridge	
6	7012998	1	Seal Kit - 7024887 Cartridge	

SECTION 2 - TURNTABLE

FIGURE 2-6. MOTION ALARM INSTALLATION



ART_1001183367

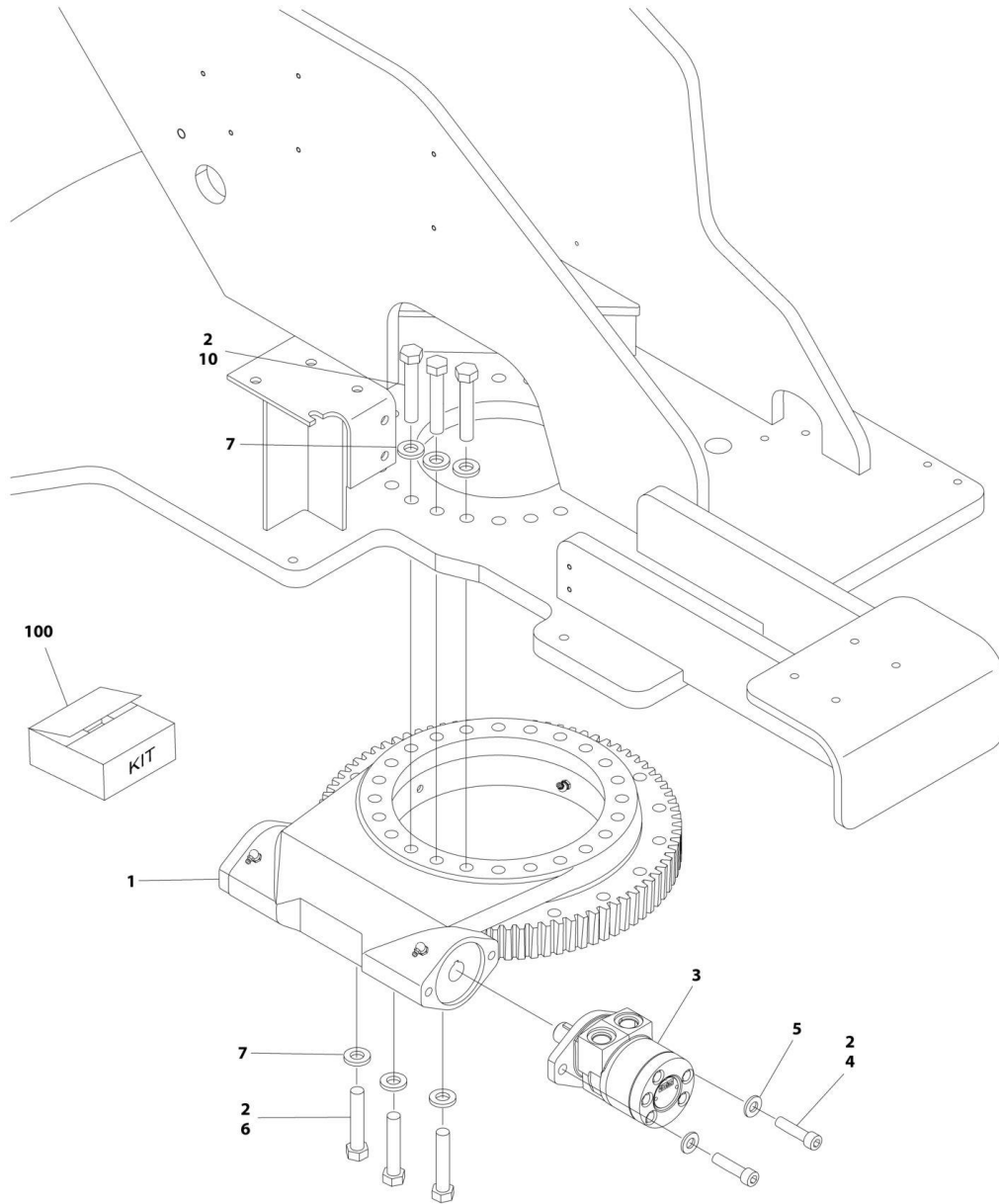
SECTION 2 - TURNTABLE

FIGURE 2-6. MOTION ALARM INSTALLATION

ITEM	PART NUMBER	QTY	DESCRIPTION	REV
	1001183367	Ref	MOTION ALARM INSTALLATION	A
1	0140043	1	Alarm, Motion	
2	0641406	2	Bolt 1/4 X 3/4	
3	3311405	2	Nut 1/4-20	
4	4711400	2	Washer 1/4	

SECTION 2 - TURNTABLE

FIGURE 2-7. TURNTABLE BEARING AND SWING DRIVE INSTALLATION



ART_1001166395

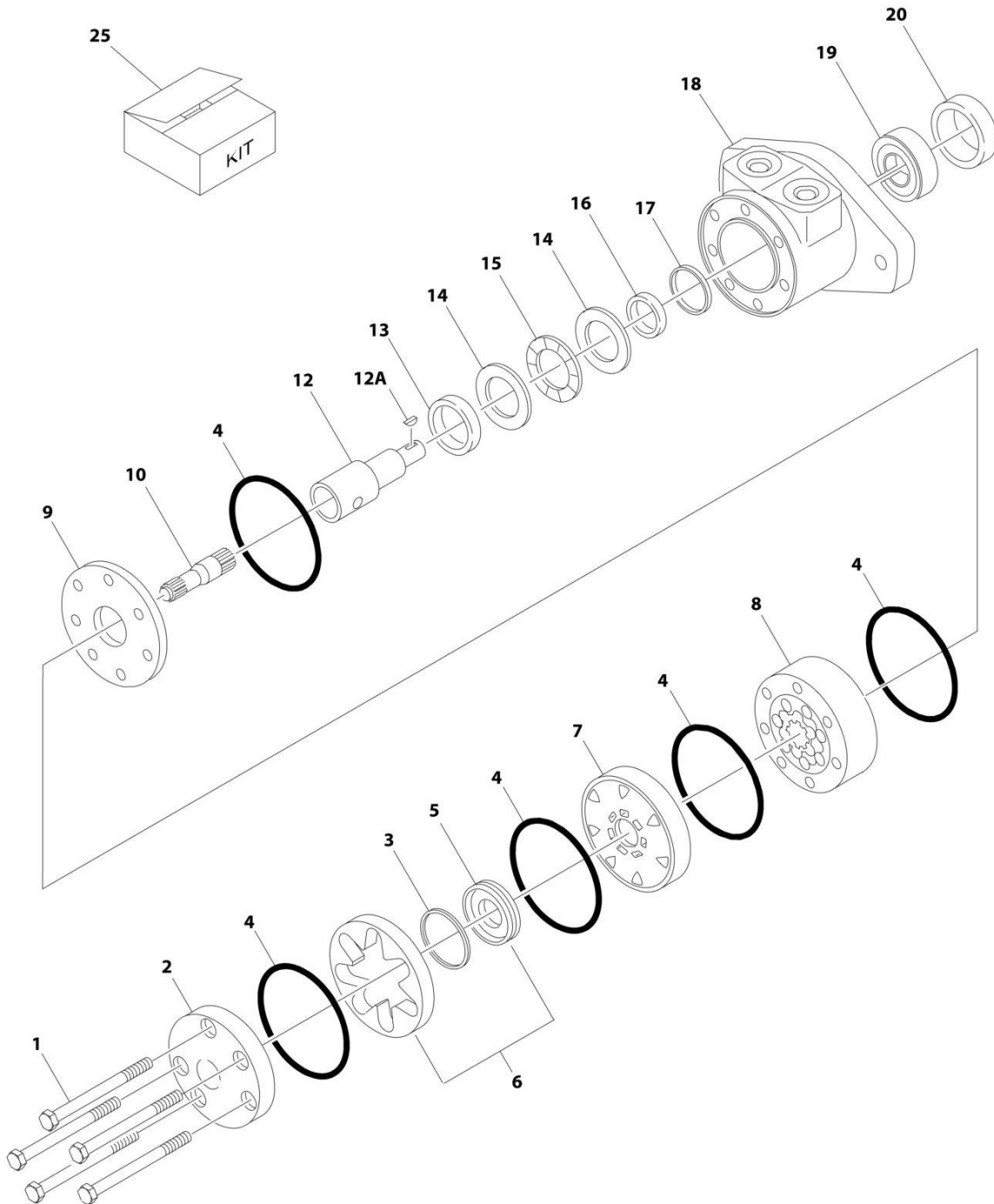
SECTION 2 - TURNTABLE

FIGURE 2-7. TURNTABLE BEARING AND SWING DRIVE INSTALLATION

ITEM	PART NUMBER	QTY	DESCRIPTION	REV
	1001166395	Ref	TURNTABLE BEARING AND SWING DRIVE INSTALLATION	C
1	1001153017	1	Turntable Bearing and Worm Gear Assembly (See Separate Breakdown in this Section)	
2	0100019	AR	Compound, Locking	
3	1001104850	1	Swing Motor Assembly (See Separate Breakdown in this Section)	
4	3931832	2	Bolt 1/2 X 2	
5	4740171	2	Washer	
6	0682026	18	Bolt 5/8 X 3-1/4, Grade 8	
7	4892000	41	Washer 5/8	
10	0682028	23	Bolt 5/8 X 3-1/2, Grade 8	
100	1001160527	1	Turntable Bearing Replacement Kit (Includes Items 1, 4, 5, 6, 7 & 10)	

SECTION 2 - TURNTABLE

FIGURE 2-8. SWING MOTOR ASSEMBLY



ART_1001104850

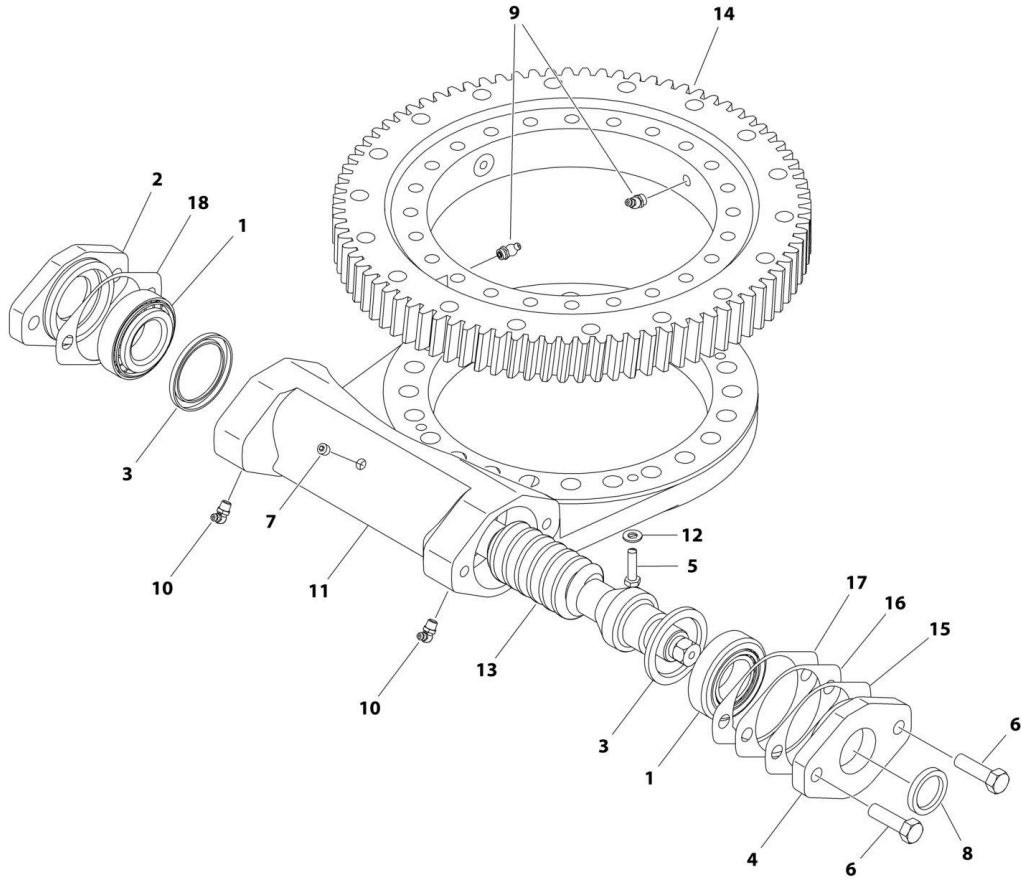
SECTION 2 - TURNTABLE

FIGURE 2-8. SWING MOTOR ASSEMBLY

ITEM	PART NUMBER	QTY	DESCRIPTION	REV
	1001104850	Ref	SWING MOTOR ASSEMBLY	A
1	See Note	5	Bolt (Note: Not Available for Purchase)	
2	7004035	1	Cover, End	
3	7023318	1	Seal, Commutator	
4	7004036	5	O-Ring	
5	See Note	NSS	Commutator (Note: Use Item 6)	
6	7024453	1	Commutator and Ring Assembly (Includes Item 5)	
7	7024379	1	Manifold	
8	70002206	1	Rotor Set	
9	7024380	1	Plate, Wear	
10	70002207	1	Link, Drive	
12	70000088	1	Shaft, Coupling	
12A	70000089	1	Key	
13	7024381	1	Bushing, Inner	
14	7004043	1	Thrustwasher	
15	7004044	1	Bearing, Thrust	
16	7004049	1	Seal, Inner Shaft	
17	7004045	1	Ring, Back-up	
18	See Note	NSS	Housing (Note: Not Available - Purchase Complete Motor)	
19	7024390	1	Bearing	
20	7004047	1	Seal, Outer Shaft	
25	7024389	1	Seal Kit (Includes Items 3, 4, 16, 17 & 20)	

SECTION 2 - TURNTABLE

FIGURE 2-9. SWING BEARING ASSEMBLY



ART_1001153017

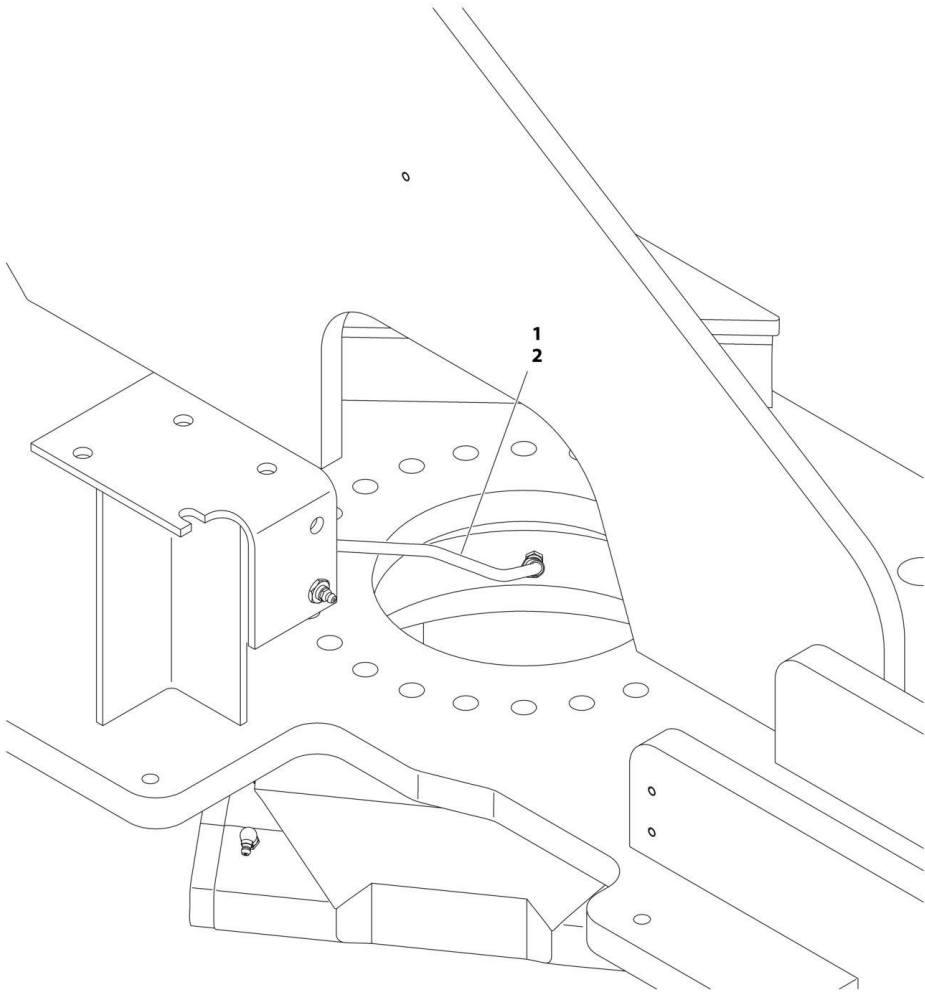
SECTION 2 - TURNTABLE

FIGURE 2-9. SWING BEARING ASSEMBLY

ITEM	PART NUMBER	QTY	DESCRIPTION	REV
	1001153017	Ref	SWING BEARING ASSEMBLY	B
1	7026042	2	Bearing, Cup	
1	7026043	2	Bearing, Cone	
2	7027356	1	Adapter, Motor	
3	7027361	2	Seal	
4	7027354	1	Cap, End	
5	0641510	2	Bolt 5/16 x 1-1/4	
6	0641812	2	Bolt 1/2 x 1-1/2	
7	70000865	1	Plug	
8	7027360	1	Seal	
9	2160003	2	Fitting, Grease - 45	
10	7027358	2	Fitting, Grease - 90	
11	See Note	NSS	Housing (Note: Not Sold Separate - Use 1001153017)	
12	4891500	1	Washer 5/16	
13	7027363	1	Gear, Worm	
14	70004159	1	Ring Gear	
15	7027352	AR	Gasket (.010 - Brown)	
16	7027351	AR	Gasket (.0075 - Clear)	
17	7027350	AR	Gasket (.005 - Blue)	
18	7027353	1	Gasket (.020 - Yellow)	

SECTION 2 - TURNTABLE

FIGURE 2-10. REMOTE BEARING LUBE INSTALLATION - OPTIONAL



ART_1001166341

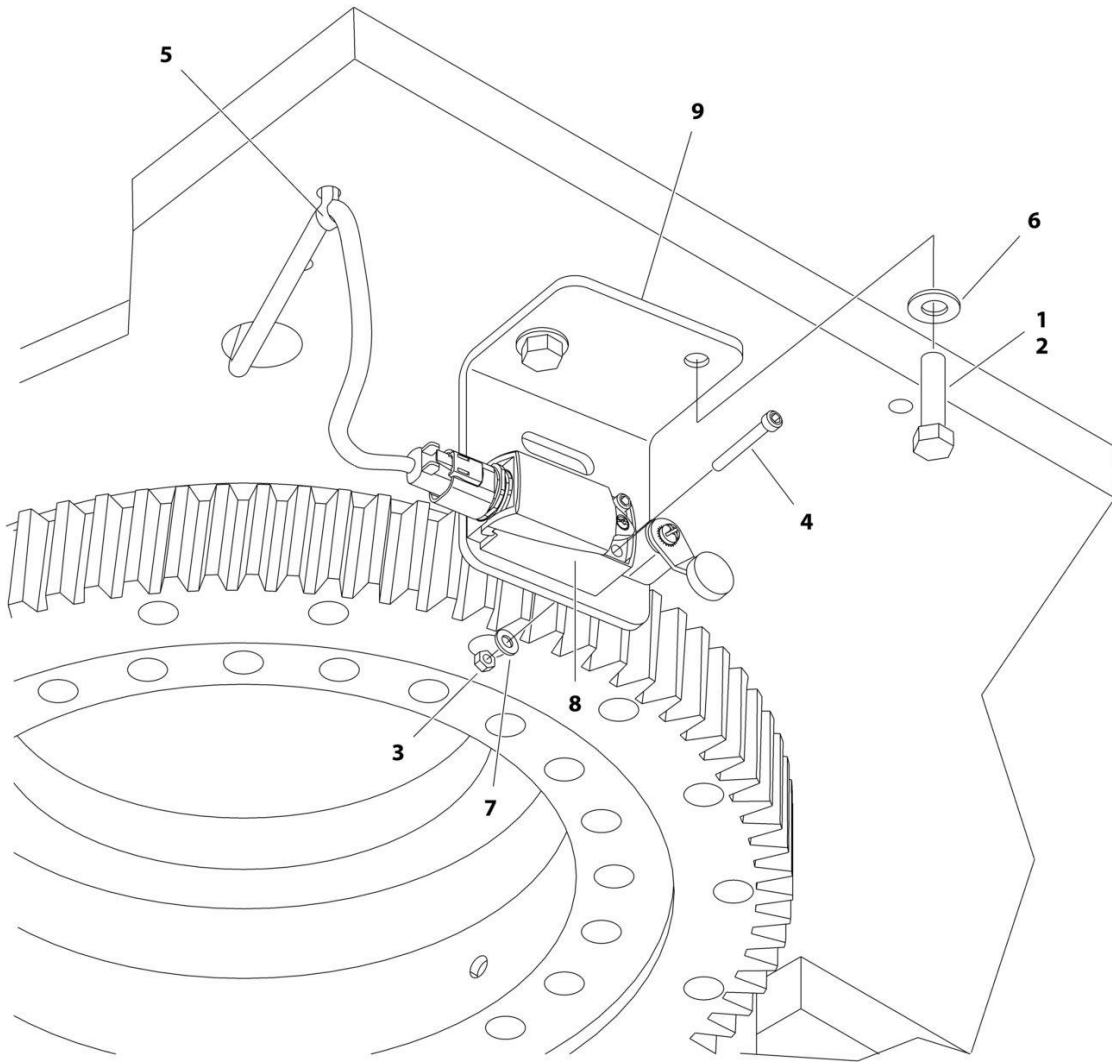
SECTION 2 - TURNTABLE

FIGURE 2-10. REMOTE BEARING LUBE INSTALLATION - OPTIONAL

ITEM	PART NUMBER	QTY	DESCRIPTION	REV
	1001166341	Ref	REMOTE BEARING LUBE INSTALLATION - OPTIONAL	B
1	1001157058	1	Hose, Remote Grease Line	
2	0100011	AR	Compound, Locking	

SECTION 2 - TURNTABLE

FIGURE 2-11. DRIVE ORIENTATION INSTALLATION



ART_1001187790

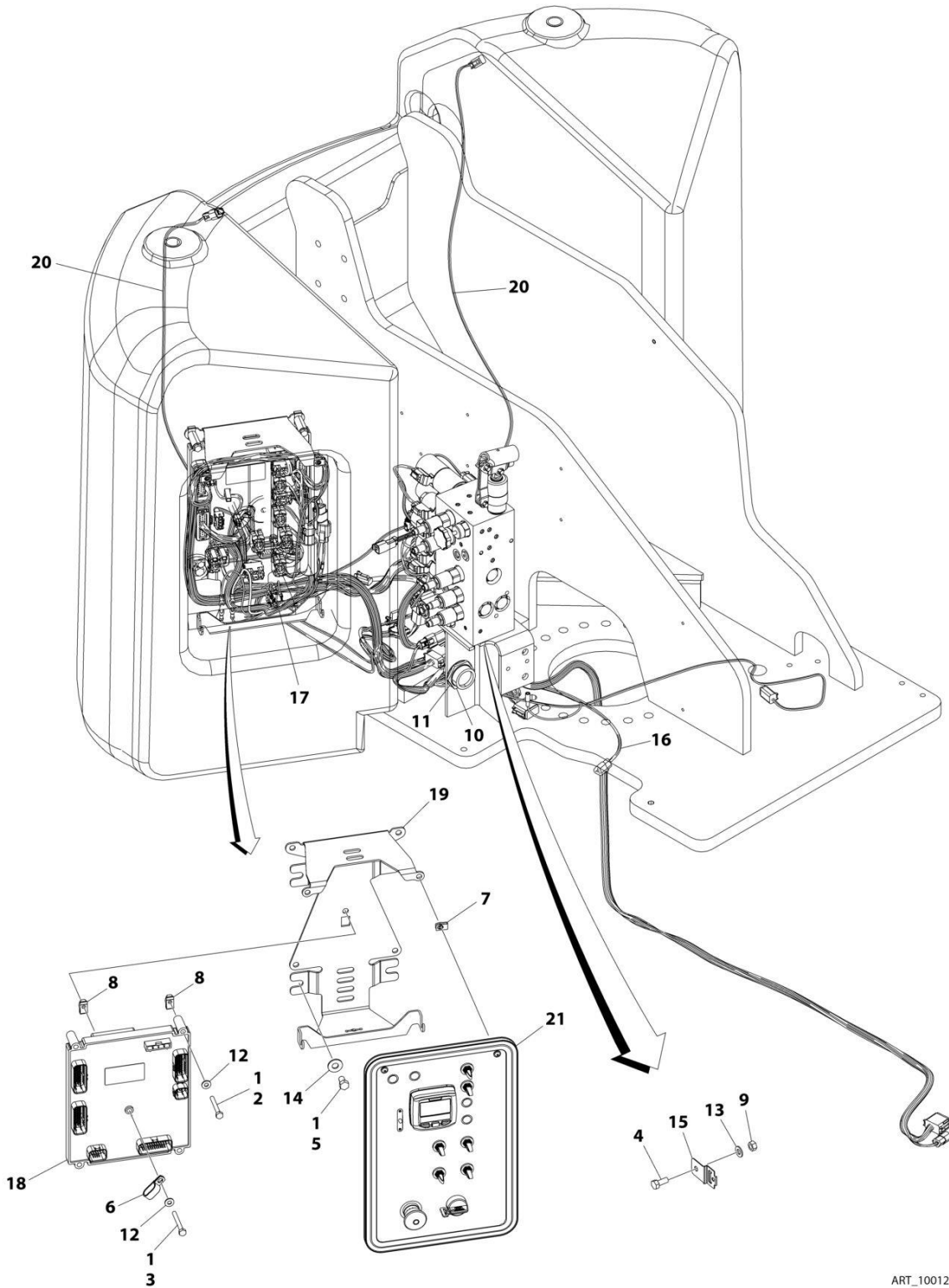
SECTION 2 - TURNTABLE

FIGURE 2-11. DRIVE ORIENTATION INSTALLATION

ITEM	PART NUMBER	QTY	DESCRIPTION	REV
	1001187790	Ref	DRIVE ORIENTATION INSTALLATION	B
1	0100011	AR	Compound, Locking	
2	0641608	2	Bolt 3/8 X 1	
3	3310805	2	Nut #8	
4	3930824	2	Bolt #8 X 1-1/2	
5	4240175	1	Tie, Strap	
6	4711600	2	Washer 3/8	
7	4750800	2	Washer #8	
8	1001116232	1	Switch, Limit	
9	1001171298	1	Bracket, Mounting	

SECTION 2 - TURNTABLE

FIGURE 2-12. GROUND CONTROL BOX INSTALLATION - E400ANARROW (ALL SPECS EXCEPT AUSTRALIAN, CE & UK CA SPECS)



ART_1001249175_B

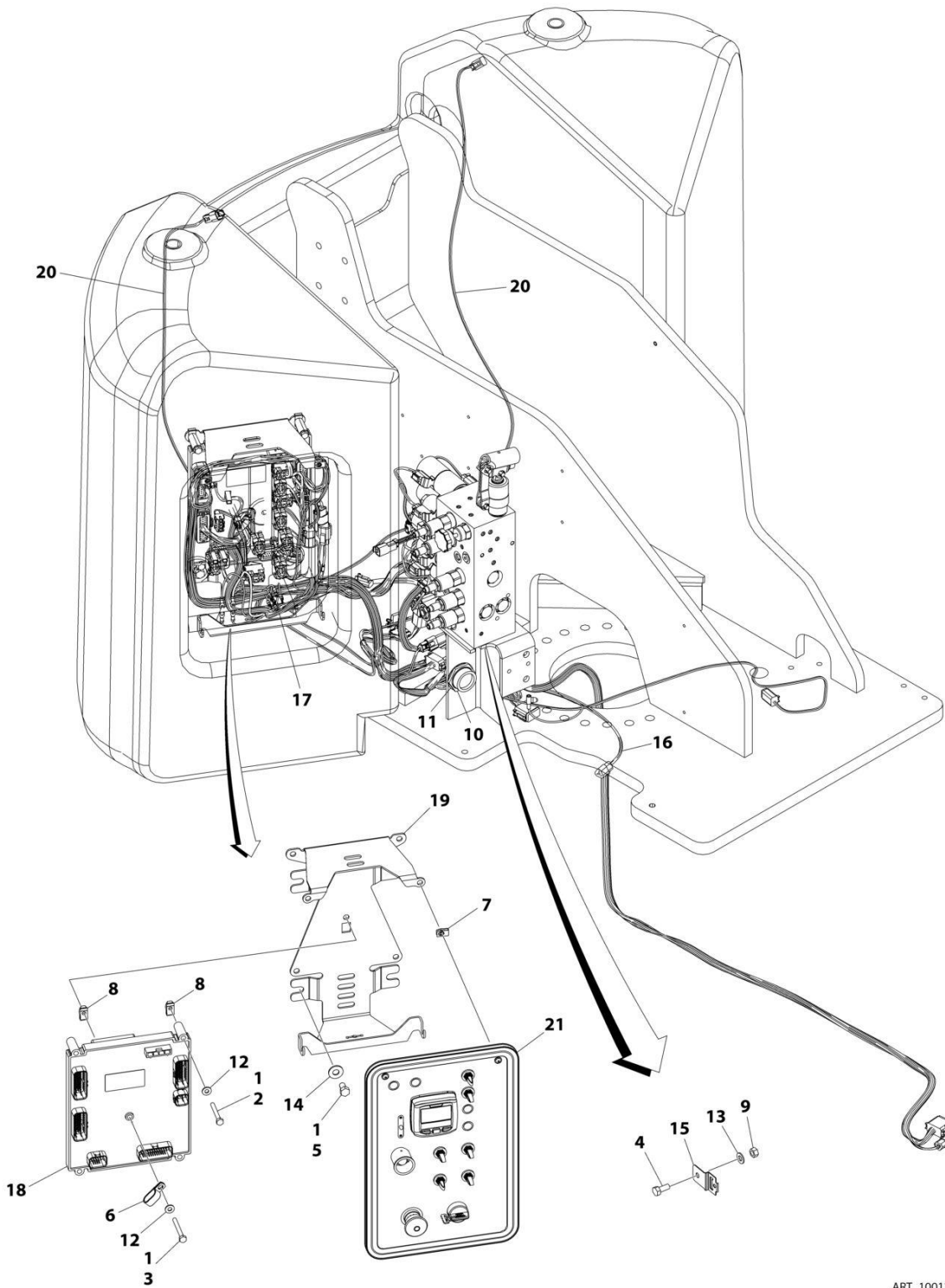
SECTION 2 - TURNTABLE

FIGURE 2-12. GROUND CONTROL BOX INSTALLATION - E400ANARROW (ALL SPECS EXCEPT AUSTRALIAN, CE & UK CA SPECS)

ITEM	PART NUMBER	QTY	DESCRIPTION	REV
	1001249175	Ref	GROUND CONTROL BOX INSTALLATION	B
1	0100011	AR	Compound, Locking	
2	0641416	4	Bolt 1/4 X 2	
3	0641418	1	Bolt 1/4 X 2-1/4	
4	0641506	1	Bolt 5/16 X 3/4	
5	0641605	4	Bolt 3/8 X 5/8	
6	1321385	1	Clamp	
7	3300365	2	Nut, Special	
8	3300454	5	Nut 1/4	
9	3311505	1	Nut 5/16	
10	4460470	1	Nut	
11	4460471	1	Washer	
12	4711400	5	Washer 1/4	
13	4711500	1	Washer 5/16	
14	4751600	4	Washer 3/8	
15	1001153749	1	Clip	
16	1001178794	1	Harness, Valve (See Separate Breakdown in ELECTRICAL Section)	
17	1001179991	1	Harness, Ground Panel (See Separate Breakdown in ELECTRICAL Section)	
18	1001182700	1	Module, Ground Control (Note: Re-calibration Required when Replaced)	
19	1001188065	1	Bracket	
20	1001245677	1	Harness, Turntable (See Separate Breakdown in ELECTRICAL Section)	
21	1001266304	1	Ground Control Box Electrical Assembly (See Separate Breakdown in this Section)	

SECTION 2 - TURNTABLE

FIGURE 2-13. GROUND CONTROL BOX INSTALLATION - E400ANARROW (CE & UK CA SPEC)



ART_1001249177_B

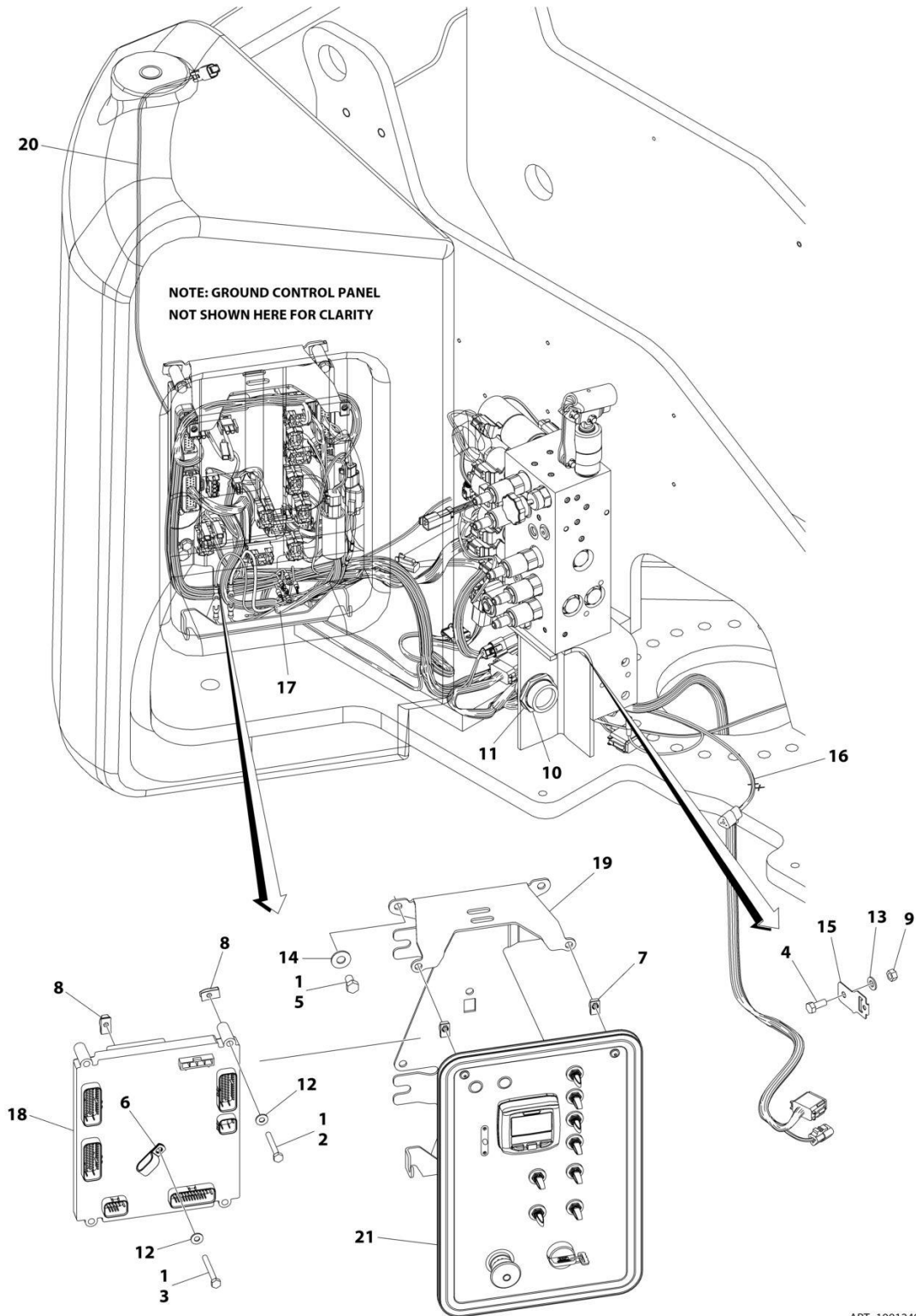
SECTION 2 - TURNTABLE

FIGURE 2-13. GROUND CONTROL BOX INSTALLATION - E400ANARROW (CE & UK CA SPEC)

ITEM	PART NUMBER	QTY	DESCRIPTION	REV
	1001249177	Ref	GROUND CONTROL BOX INSTALLATION	B
1	0100011	AR	Compound, Locking	
2	0641416	4	Bolt 1/4 X 2	
3	0641418	1	Bolt 1/4 X 2-1/4	
4	0641506	1	Bolt 5/16 X 3/4	
5	0641605	4	Bolt 3/8 X 5/8	
6	1321385	1	Clamp	
7	3300365	2	Nut, Special	
8	3300454	5	Nut 1/4	
9	3311505	1	Nut 5/16	
10	4460470	1	Nut	
11	4460471	1	Washer	
12	4711400	5	Washer 1/4	
13	4711500	1	Washer 5/16	
14	4751600	4	Washer 3/8	
15	1001153749	1	Clip	
16	1001178794	1	Harness, Valve (See Separate Breakdown in ELECTRICAL Section)	
17	1001179991	1	Harness, Ground Control Panel (See Separate Breakdown in ELECTRICAL Section)	
18	1001182700	1	Module, Ground Control (Note: Re-calibration Required when Replaced)	
19	1001188065	1	Bracket	
20	1001245677	1	Harness, Turntable (See Separate Breakdown in ELECTRICAL Section)	
21	1001266305	1	Ground Control Box Electrical Assembly (See Separate Breakdown in this Section)	

SECTION 2 - TURNTABLE

FIGURE 2-14. GROUND CONTROL BOX INSTALLATION - E400AJPNARROW (ALL SPECS EXCEPT CE & UK CA SPEC)



ART_1001249163_B

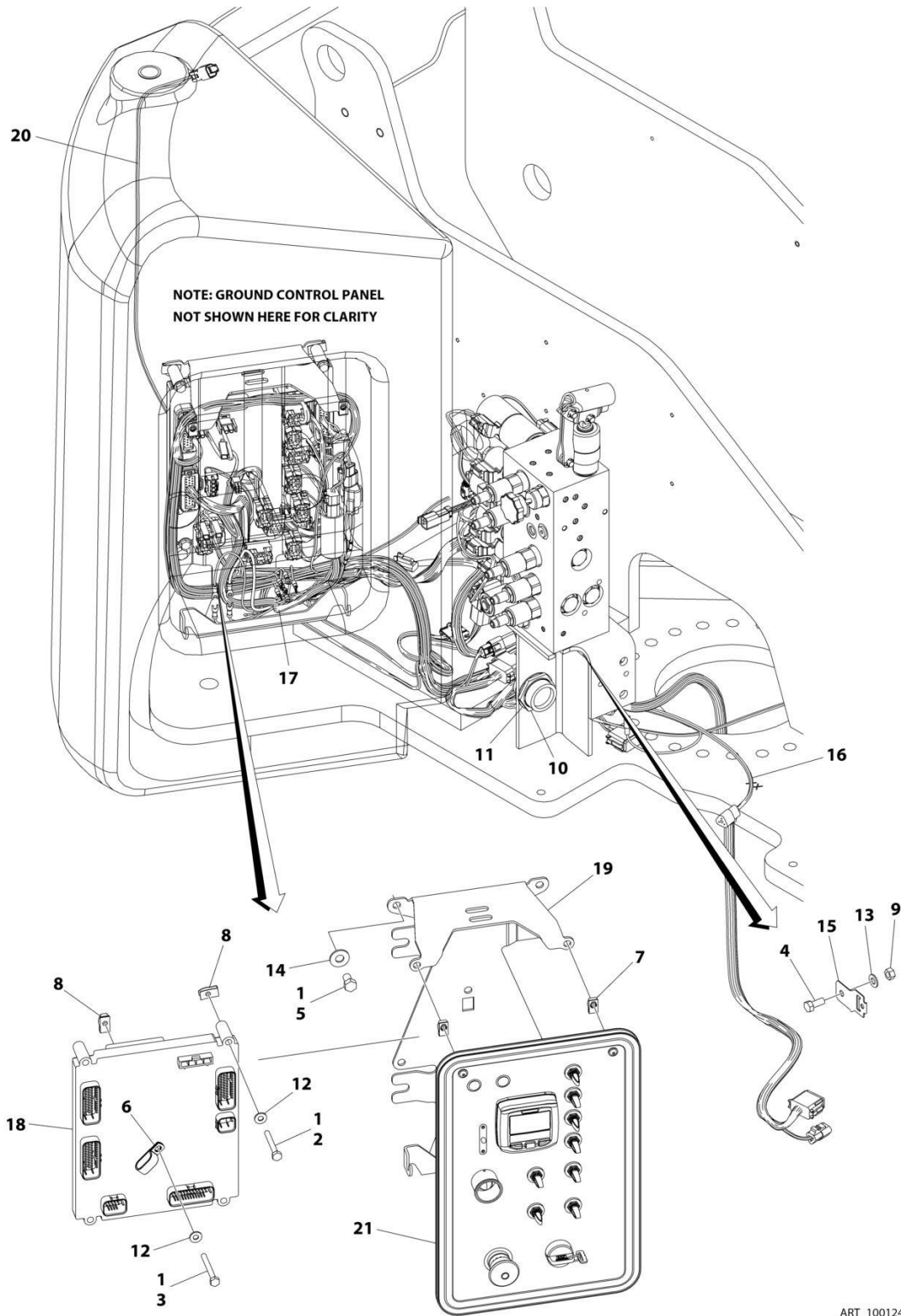
SECTION 2 - TURNTABLE

FIGURE 2-14. GROUND CONTROL BOX INSTALLATION - E400AJPNARROW (ALL SPECS EXCEPT CE & UK CA SPEC)

ITEM	PART NUMBER	QTY	DESCRIPTION	REV
	1001249163	Ref	GROUND CONTROL BOX INSTALLATION	B
1	0100011	AR	Compound, Locking	
2	0641416	4	Bolt 1/4 X 2	
3	0641418	1	Bolt 1/4 X 2-1/4	
4	0641506	1	Bolt 5/16 X 3/4	
5	0641605	4	Bolt 3/8 X 5/8	
6	1321385	1	Clamp	
7	3300365	2	Nut, Special	
8	3300454	5	Nut, 1/4-20	
9	3311505	1	Nut 5/16	
10	4460470	1	Nut, Terminal	
11	4460471	1	Washer, Lock	
12	4711400	5	Washer 1/4	
13	4711500	1	Washer 5/16	
14	4751600	4	Washer 3/8	
15	1001153749	1	Clip	
16	1001178794	1	Harness, Valve (See Separate Breakdown in ELECTRICAL Section)	
17	1001179991	1	Harness, Ground Panel (See Separate Breakdown in ELECTRICAL Section)	
18	1001182700	1	Module, Ground Control (Note: Re-calibration Required when Replaced)	
19	1001188065	1	Bracket	
20	1001245677	1	Harness, Turntable (See Separate Breakdown in ELECTRICAL Section)	
21	1001266302	1	Ground Control Box Electrical Assembly (See Separate Breakdown in this Section)	

SECTION 2 - TURNTABLE

FIGURE 2-15. GROUND CONTROL BOX INSTALLATION - E400AJPNARROW (CE & UK CA SPEC)



ART_1001249168_B

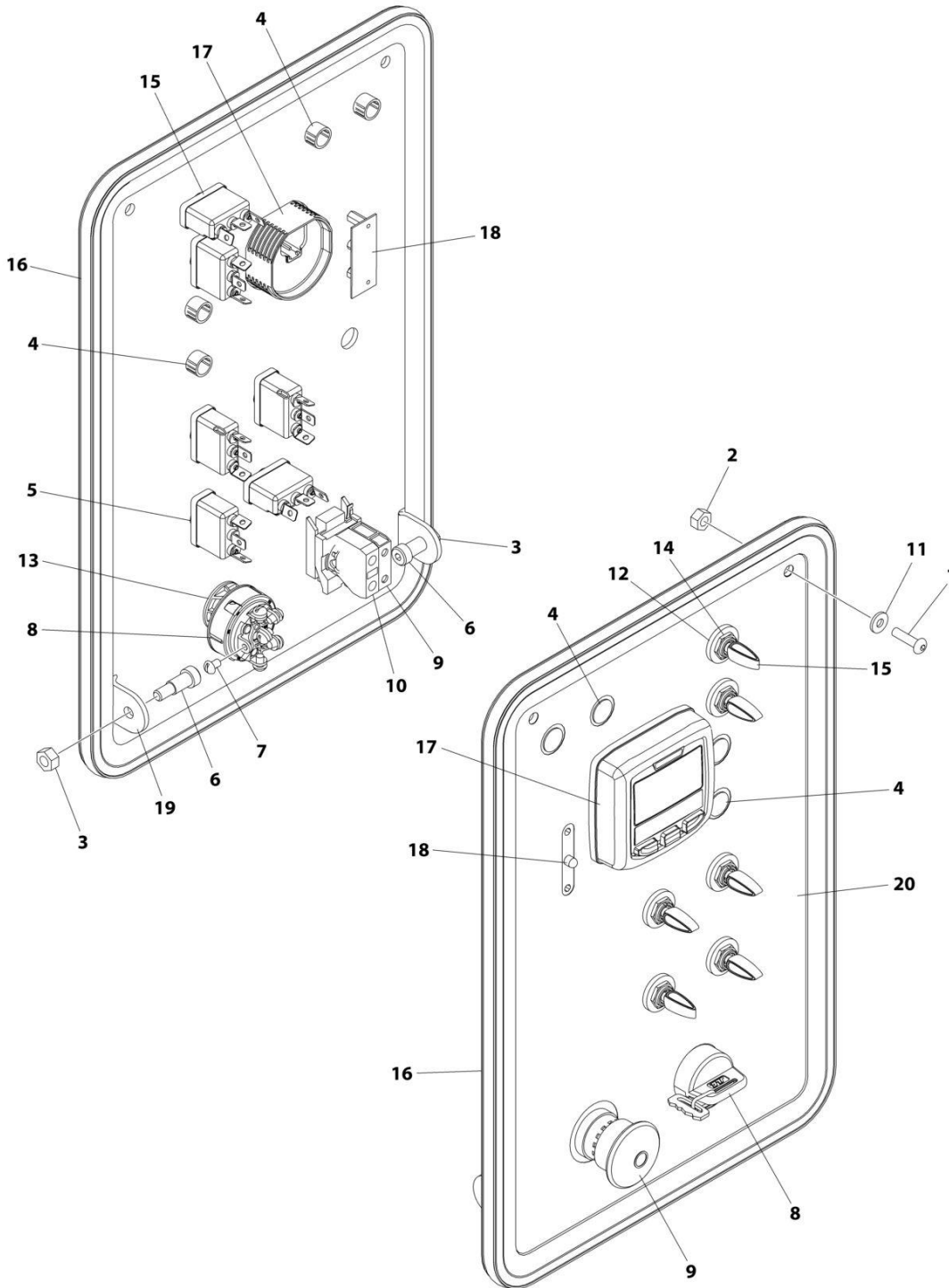
SECTION 2 - TURNTABLE

FIGURE 2-15. GROUND CONTROL BOX INSTALLATION - E400AJPNARROW (CE & UK CA SPEC)

ITEM	PART NUMBER	QTY	DESCRIPTION	REV
	1001249168	Ref	GROUND CONTROL BOX INSTALLATION	B
1	0100011	AR	Compound, Locking	
2	0641416	4	Bolt 1/4 X 2	
3	0641418	1	Bolt 1/4 X 2-1/4	
4	0641506	1	Bolt 5/16 X 3/4	
5	0641605	4	Bolt 3/8 X 5/8	
6	1321385	1	Clamp	
7	3300365	2	Nut, Special	
8	3300454	5	Nut, 1/4-20	
9	3311505	1	Nut 5/16	
10	4460470	1	Nut, Terminal	
11	4460471	1	Washer, Lock	
12	4711400	5	Washer 1/4	
13	4711500	1	Washer 5/16	
14	4751600	4	Washer 3/8	
15	1001153749	1	Clip	
16	1001178794	1	Harness, Valve (See Separate Breakdown in ELECTRICAL Section)	
17	1001179991	1	Harness, Ground Panel (See Separate Breakdown in ELECTRICAL Section)	
18	1001182700	1	Module, Ground Control (Note: Re-calibration Required when Replaced)	
19	1001188065	1	Bracket	
20	1001245677	1	Harness, Turntable (See Separate Breakdown in ELECTRICAL Section)	
21	1001266303	1	Ground Control Box Electrical Assembly (See Separate Breakdown in this Section)	

SECTION 2 - TURNTABLE

FIGURE 2-16. GROUND CONTROL BOX ELECTRICAL ASSEMBLY - DISPLAY WITH BUTTONS - E400ANARROW (ALL SPECS EXCEPT AUSTRALIAN, CE & UK CA SPECS)



ART_1001266304

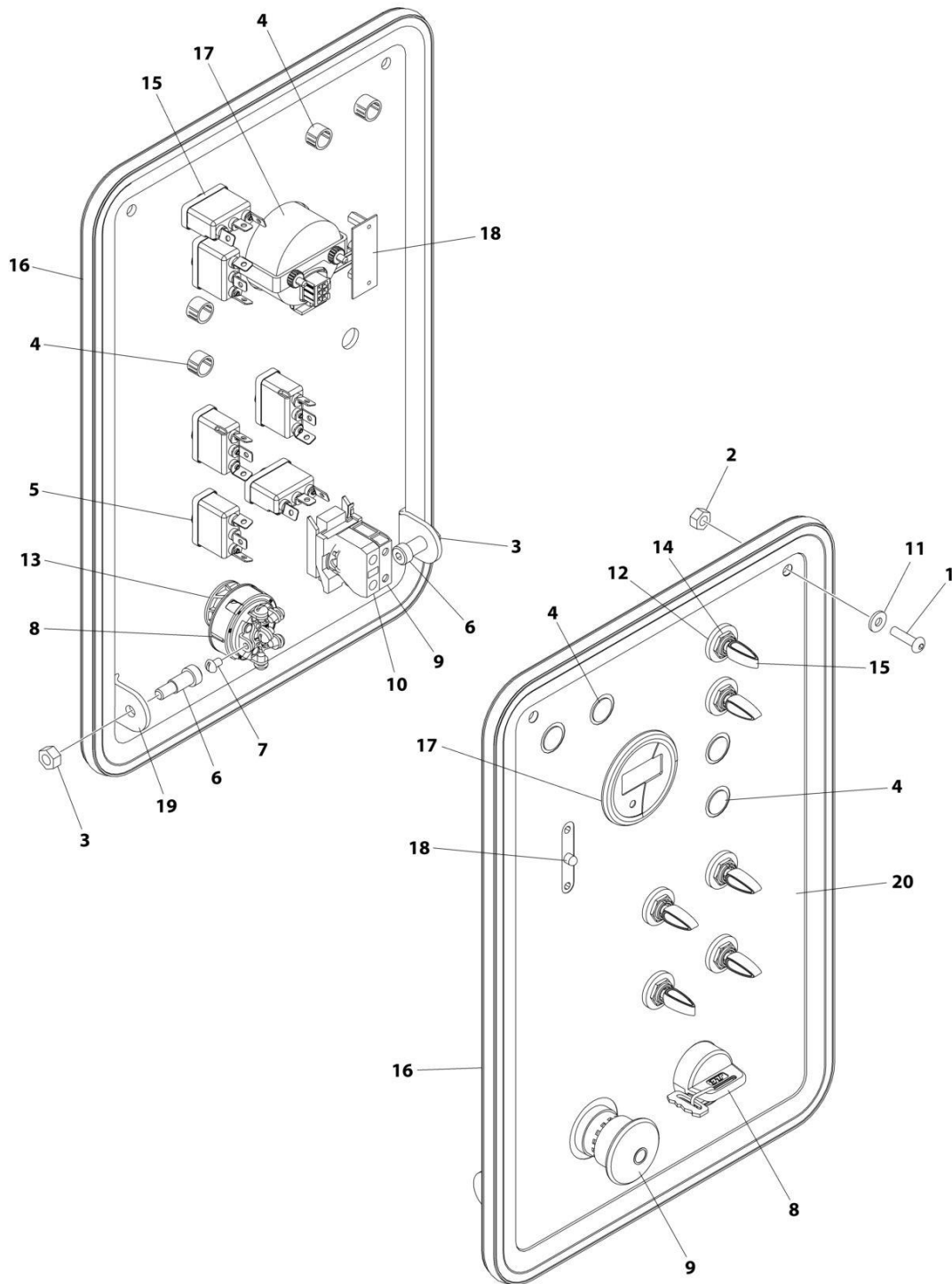
SECTION 2 - TURNTABLE

FIGURE 2-16. GROUND CONTROL BOX ELECTRICAL ASSEMBLY - DISPLAY WITH BUTTONS - E400ANARROW (ALL SPECS EXCEPT AUSTRALIAN, CE & UK CA SPECS)

ITEM	PART NUMBER	QTY	DESCRIPTION	REV
	1001266304	Ref	GROUND CONTROL BOX ELECTRICAL ASSEMBLY	A
1	0630518	2	Bolt #10 x 3/4	
2	3311011	2	Nut	
3	3311405	2	Nut 1/4	
4	3520028	4	Plug, Hole 1/2	
5	3790012	6	O-Ring	
6	3900187	2	Screw	
7	3910804	6	Screw #8 x 1/4	
8	4360469	1	Keyswitch	
8	2860030	1	Key, Replacement (Set of 2)	
9	4360475	1	Switch, Emergency Stop	
9	7020175	1	Cap, Mushroom Head	
9	7020176	1	Block, Contact	
10	4360476	1	Block, Contact	
11	4740120	2	Washer	
12	4740397	6	Spacer	
13	1001151393	1	Shim, .063	
14	1001155044	6	Nut 15/32	
15	1001155045	6	Switch, Toggle	
16	1001166394	4 ft/1.2m	Seal	
17	1001171482	1	Display	
18	1001259489	1	P/C Board, Battery Charger	
19	1001266308	1	Panel, Ground Control	
20	1001266309	1	Decal - Ground Control	

SECTION 2 - TURNTABLE

FIGURE 2-17. GROUND CONTROL BOX ELECTRICAL ASSEMBLY - DISPLAY WITHOUT BUTTONS - E400ANARROW (ALL SPECS EXCEPT AUSTRALIAN, CE & UK CA SPECS)



ART_1001266304_B

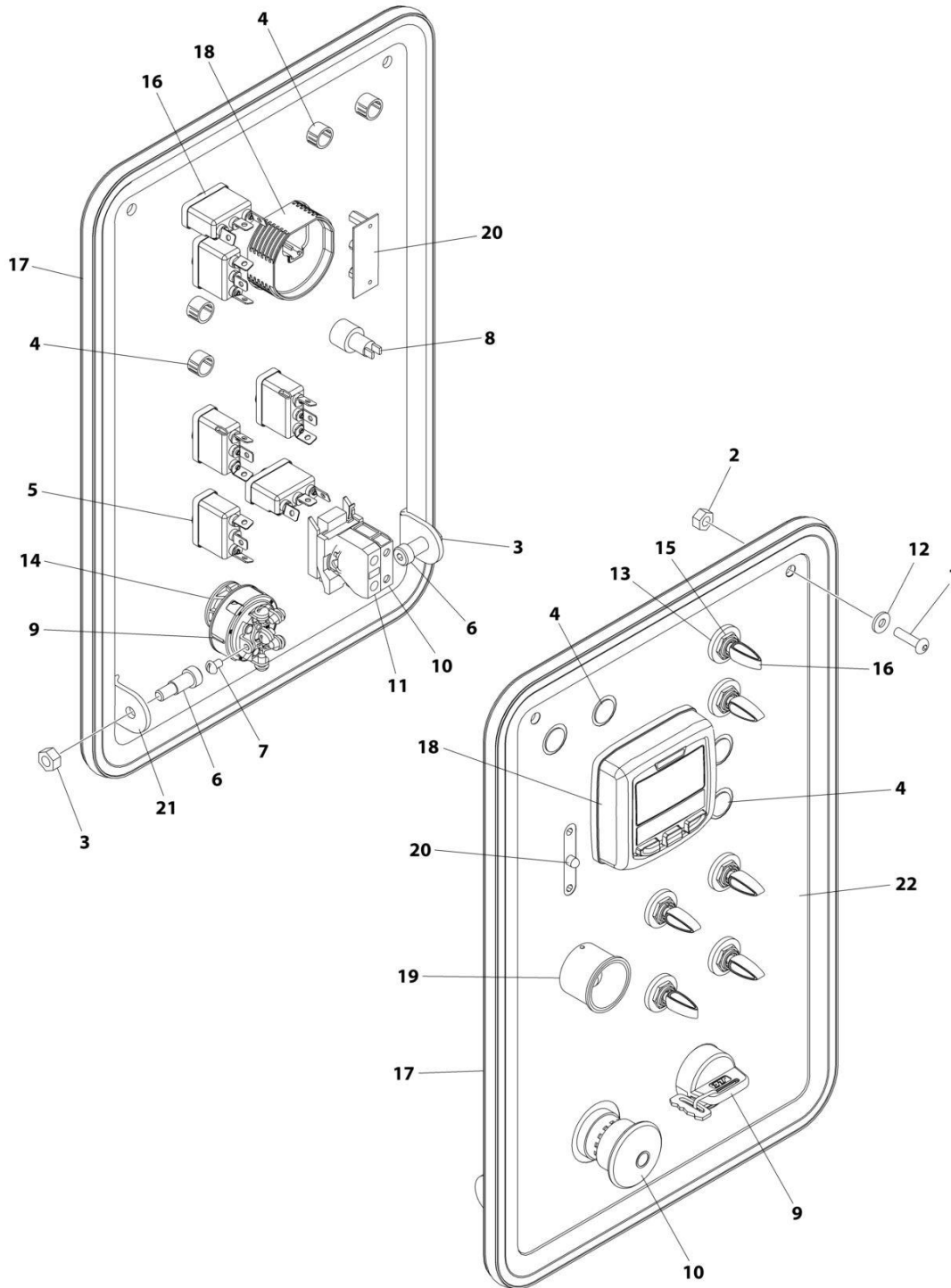
SECTION 2 - TURNTABLE

FIGURE 2-17. GROUND CONTROL BOX ELECTRICAL ASSEMBLY - DISPLAY WITHOUT BUTTONS - E400ANARROW (ALL SPECS EXCEPT AUSTRALIAN, CE & UK CA SPECS)

ITEM	PART NUMBER	QTY	DESCRIPTION	REV
	1001266304	Ref	GROUND CONTROL BOX ELECTRICAL ASSEMBLY	B
1	0630518	2	Bolt #10 x 3/4	
2	3311011	2	Nut	
3	3311405	2	Nut 1/4	
4	3520028	4	Plug, Hole 1/2	
5	3790012	6	O-Ring	
6	3900187	2	Screw	
7	3910804	6	Screw #8 x 1/4	
8	4360469	1	Keyswitch	
8	2860030	1	Key, Replacement (Set of 2)	
9	4360475	1	Switch, Emergency Stop	
9	7020175	1	Cap, Mushroom Head	
9	7020176	1	Block, Contact	
10	4360476	1	Block, Contact	
11	4740120	2	Washer	
12	4740397	6	Spacer	
13	1001151393	1	Shim, .063	
14	1001155044	6	Nut 15/32	
15	1001155045	6	Switch, Toggle	
16	1001166394	4 ft/1.2m	Seal	
17	1001109503	1	Display	
18	1001259489	1	P/C Board, Battery Charger	
19	1001280407	1	Panel, Ground Control	
20	1001266309	1	Decal - Ground Control	

SECTION 2 - TURNTABLE

FIGURE 2-18. GROUND CONTROL BOX ELECTRICAL ASSEMBLY - DISPLAY WITH BUTTONS - E400ANARROW (CE & UK CA SPECS)



ART_1001266305

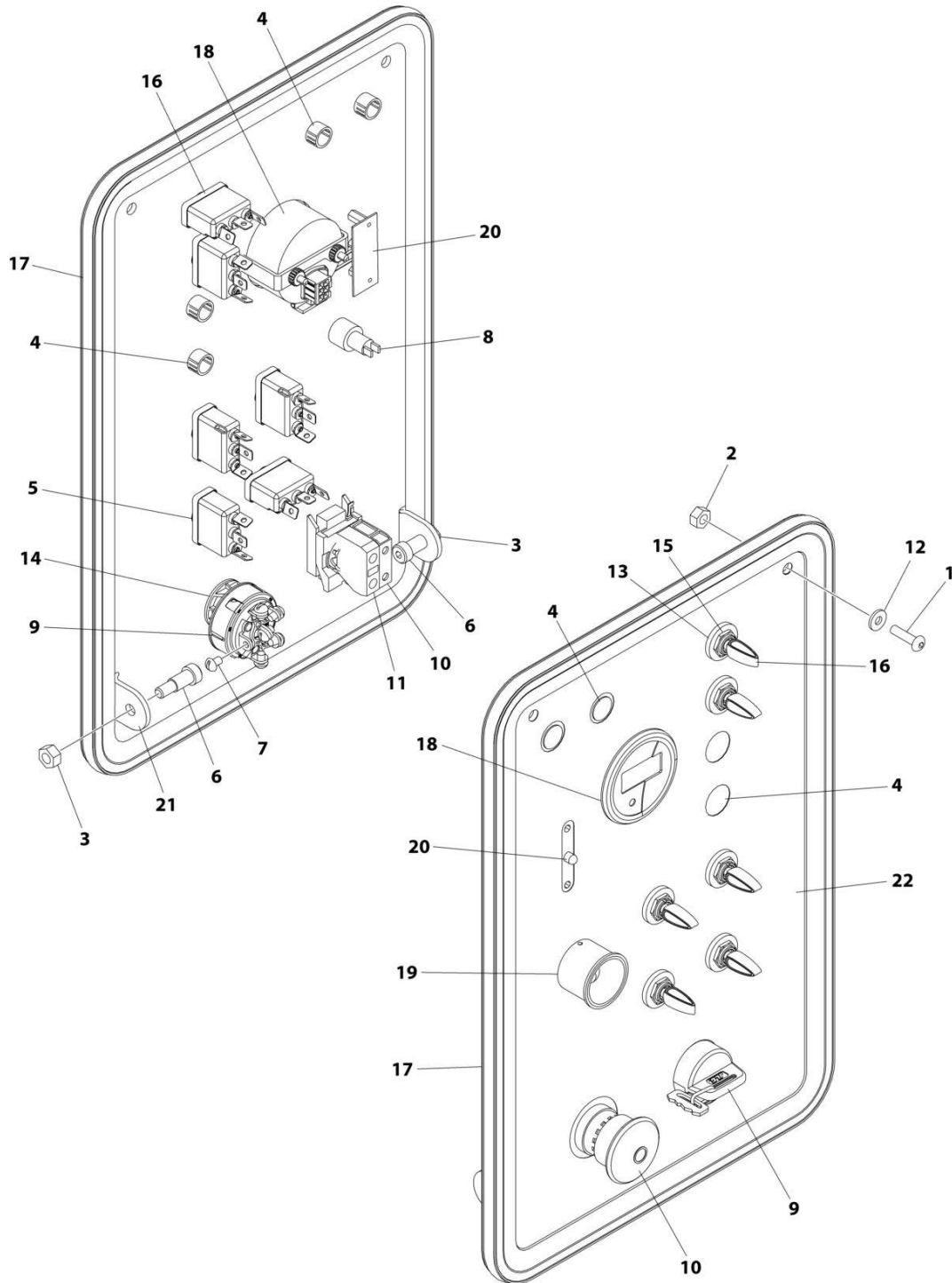
SECTION 2 - TURNTABLE

FIGURE 2-18. GROUND CONTROL BOX ELECTRICAL ASSEMBLY - DISPLAY WITH BUTTONS - E400ANARROW (CE & UK CA SPECS)

ITEM	PART NUMBER	QTY	DESCRIPTION	REV
	1001266305	Ref	GROUND CONTROL BOX ELECTRICAL ASSEMBLY	A
1	0630518	2	Bolt #10 x 3/4	
2	3311011	2	Nut	
3	3311405	2	Nut 1/4	
4	3520028	4	Plug, Hole 1/2	
5	3790012	6	O-Ring	
6	3900187	2	Screw	
7	3910804	6	Screw #8 x 1/4	
8	4360387	1	Switch, Push Button	
9	4360469	1	Keyswitch	
9	2860030	1	Key, Replacement (Set of 2)	
10	4360475	1	Switch, Emergency Stop	
10	7020175	1	Cap, Mushroom Head	
10	7020176	1	Block, Contact	
11	4360476	1	Block, Contact	
12	4740120	2	Washer	
13	4740397	6	Spacer	
14	1001151393	1	Shim, .063	
15	1001155044	6	Nut 15/32	
16	1001155045	6	Switch, Toggle	
17	1001166394	4 ft/1.2m	Seal	
18	1001171482	1	Display	
19	1001176469	1	Shroud	
20	1001259489	1	P/C Board, Battery Charger	
21	1001266308	1	Panel, Ground Control	
22	1001266310	1	Decal - Ground Control	

SECTION 2 - TURNTABLE

FIGURE 2-19. GROUND CONTROL BOX ELECTRICAL ASSEMBLY - DISPLAY WITHOUT BUTTONS - E400ANARROW (CE & UK CA SPECS)



ART_1001266305_B

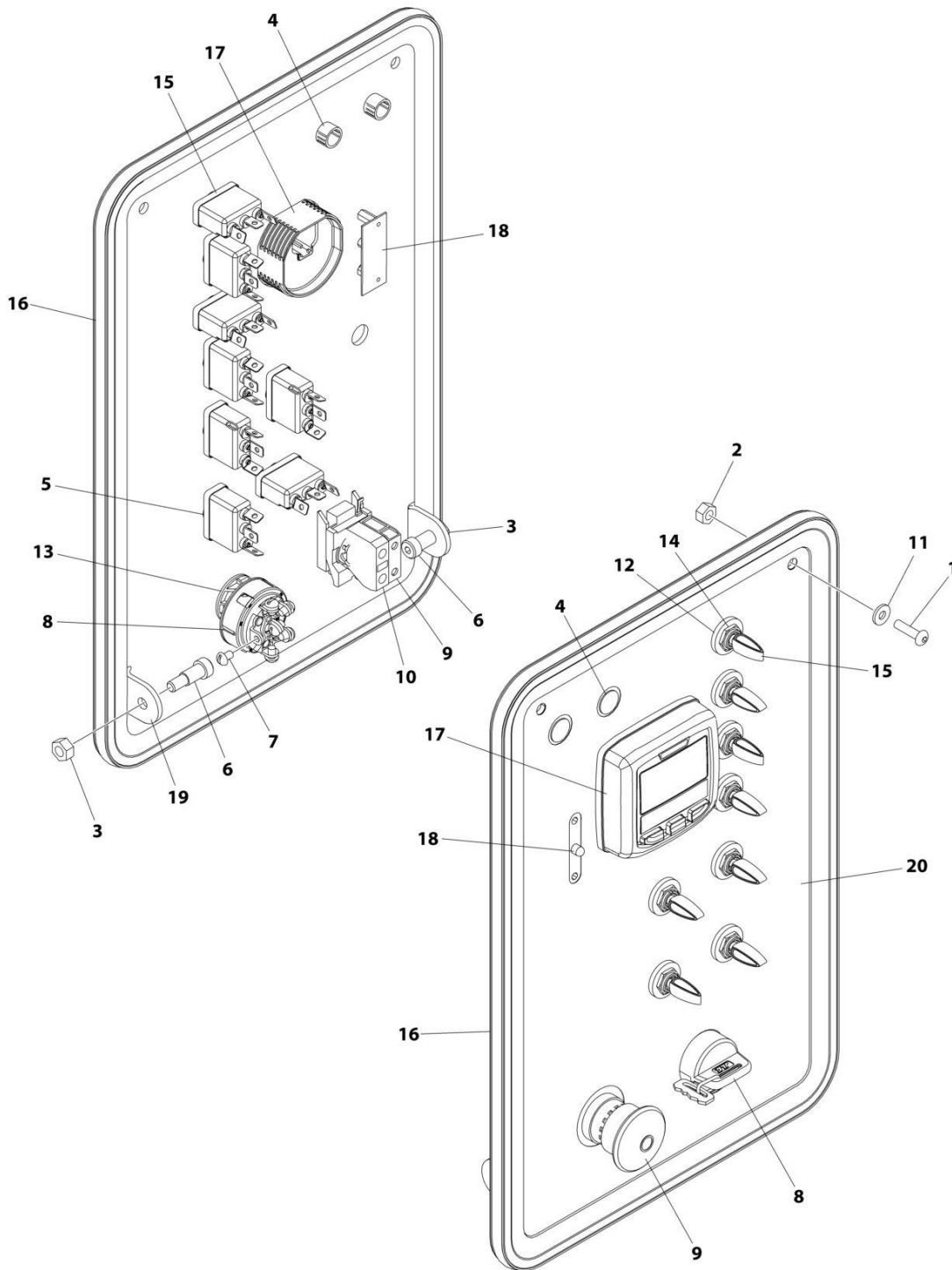
SECTION 2 - TURNTABLE

FIGURE 2-19. GROUND CONTROL BOX ELECTRICAL ASSEMBLY - DISPLAY WITHOUT BUTTONS - E400ANARROW (CE & UK CA SPECS)

ITEM	PART NUMBER	QTY	DESCRIPTION	REV
	1001266305	Ref	GROUND CONTROL BOX ELECTRICAL ASSEMBLY	B
1	0630518	2	Bolt #10 x 3/4	
2	3311011	2	Nut	
3	3311405	2	Nut 1/4	
4	3520028	4	Plug, Hole 1/2	
5	3790012	6	O-Ring	
6	3900187	2	Screw	
7	3910804	6	Screw #8 x 1/4	
8	4360387	1	Switch, Push Button	
9	4360469	1	Keyswitch	
9	2860030	1	Key, Replacement (Set of 2)	
10	4360475	1	Switch, Emergency Stop	
10	7020175	1	Cap, Mushroom Head	
10	7020176	1	Block, Contact	
11	4360476	1	Block, Contact	
12	4740120	2	Washer	
13	4740397	6	Spacer	
14	1001151393	1	Shim, .063	
15	1001155044	6	Nut 15/32	
16	1001155045	6	Switch, Toggle	
17	1001166394	4 ft/1.2m	Seal	
18	1001109503	1	Display	
19	1001176469	1	Shroud	
20	1001259489	1	P/C Board, Battery Charger	
21	1001280407	1	Panel, Ground Control	
22	1001266310	1	Decal - Ground Control	

SECTION 2 - TURNTABLE

FIGURE 2-20. GROUND CONTROL BOX ELECTRICAL ASSEMBLY - DISPLAY WITH BUTTONS - E400AJPNARROW (ALL SPECS EXCEPT CE & UK CA SPECS)



ART_1001266302

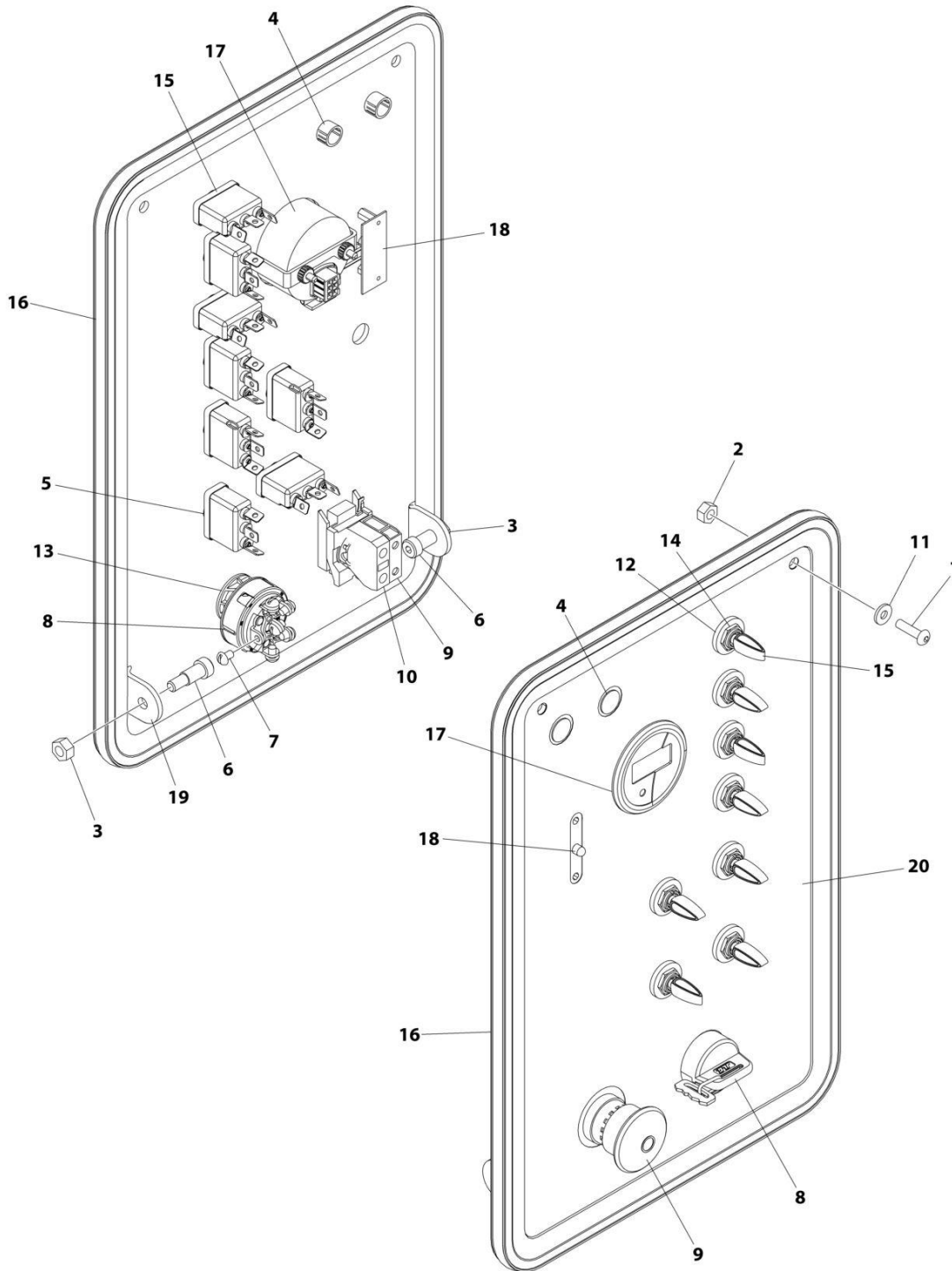
SECTION 2 - TURNTABLE

FIGURE 2-20. GROUND CONTROL BOX ELECTRICAL ASSEMBLY - DISPLAY WITH BUTTONS - E400AJPNARROW (ALL SPECS EXCEPT CE & UK CA SPECS)

ITEM	PART NUMBER	QTY	DESCRIPTION	REV
	1001266302	Ref	GROUND CONTROL BOX ELECTRICAL ASSEMBLY	A
1	0630518	2	Bolt #10 x 3/4	
2	3311011	2	Nut	
3	3311405	2	Nut 1/4	
4	3520028	2	Plug, Hole 1/2	
5	3790012	8	O-Ring	
6	3900187	2	Screw	
7	3910804	6	Screw #8 x 1/4	
8	4360469	1	Keyswitch	
8	2860030	1	Key, Replacement (Set of 2)	
9	4360475	1	Switch, Emergency Stop	
9	7020175	1	Cap, Mushroom Head	
9	7020176	1	Block, Contact	
10	4360476	1	Block, Contact	
11	4740120	2	Washer	
12	4740397	8	Spacer	
13	1001151393	1	Shim, .063	
14	1001155044	8	Nut 15/32	
15	1001155045	8	Switch, Toggle	
16	1001166394	4 ft/1.2m	Seal	
17	1001171482	1	Display	
18	1001259489	1	P/C Board, Battery Charger	
19	1001266308	1	Panel, Ground Control	
20	1001266309	1	Decal - Ground Control	

SECTION 2 - TURNTABLE

FIGURE 2-21. GROUND CONTROL BOX ELECTRICAL ASSEMBLY - DISPLAY WITHOUT BUTTONS - E400AJPNARROW (ALL SPECS EXCEPT CE & UK CA SPECS)



ART_1001266302_B

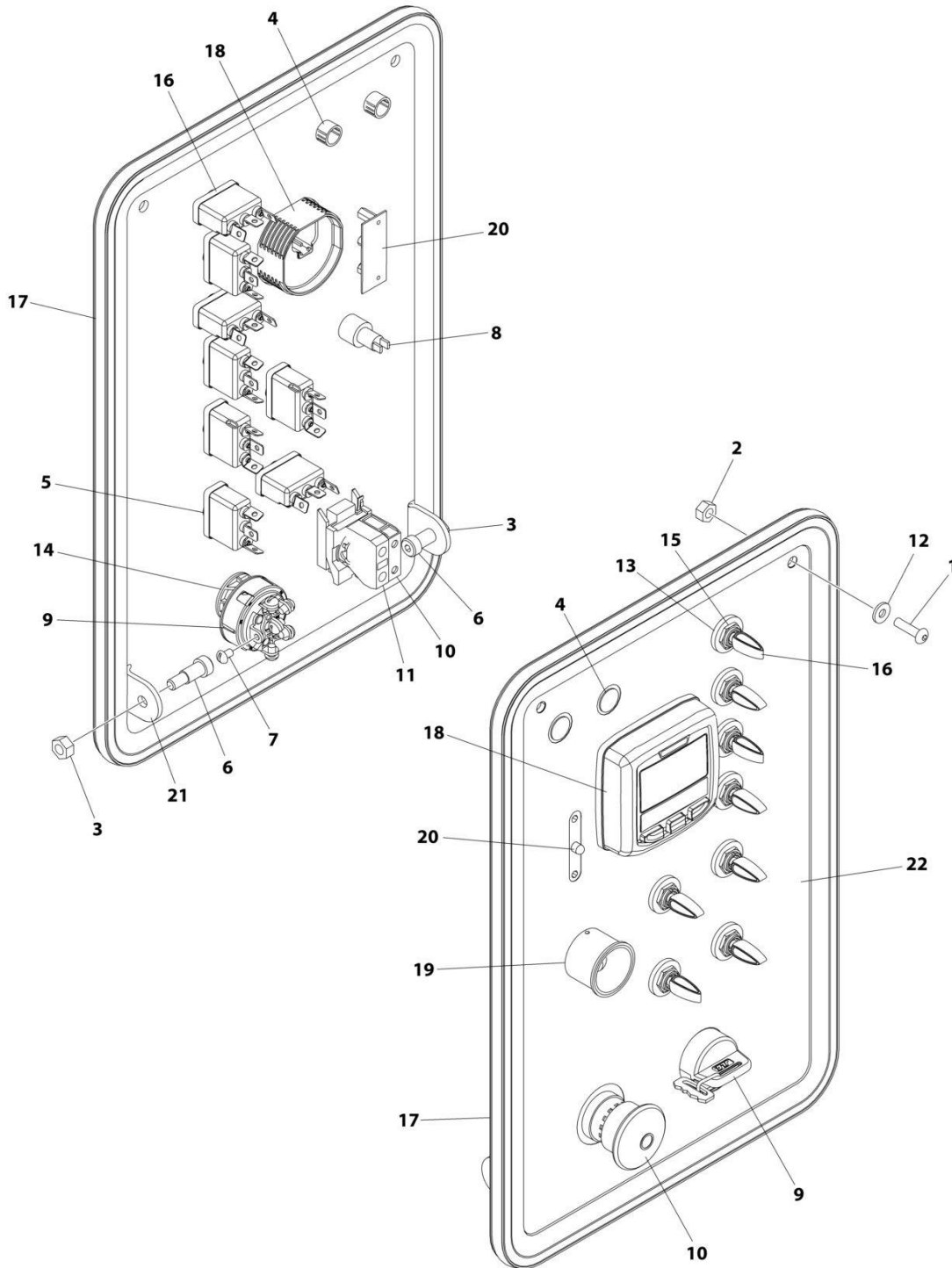
SECTION 2 - TURNTABLE

FIGURE 2-21. GROUND CONTROL BOX ELECTRICAL ASSEMBLY - DISPLAY WITHOUT BUTTONS - E400AJPNARROW (ALL SPECS EXCEPT CE & UK CA SPECS)

ITEM	PART NUMBER	QTY	DESCRIPTION	REV
	1001266302	Ref	GROUND CONTROL BOX ELECTRICAL ASSEMBLY	B
1	0630518	2	Bolt #10 x 3/4	
2	3311011	2	Nut	
3	3311405	2	Nut 1/4	
4	3520028	2	Plug, Hole 1/2	
5	3790012	8	O-Ring	
6	3900187	2	Screw	
7	3910804	6	Screw #8 x 1/4	
8	4360469	1	Keyswitch	
8	2860030	1	Key, Replacement (Set of 2)	
9	4360475	1	Switch, Emergency Stop	
9	7020175	1	Cap, Mushroom Head	
9	7020176	1	Block, Contact	
10	4360476	1	Block, Contact	
11	4740120	2	Washer	
12	4740397	8	Spacer	
13	1001151393	1	Shim, .063	
14	1001155044	8	Nut 15/32	
15	1001155045	8	Switch, Toggle	
16	1001166394	4 ft/1.2m	Seal	
17	1001109503	1	Display	
18	1001259489	1	P/C Board, Battery Charger	
19	1001280407	1	Panel, Ground Control	
20	1001266309	1	Decal - Ground Control	

SECTION 2 - TURNTABLE

FIGURE 2-22. GROUND CONTROL BOX ELECTRICAL ASSEMBLY - DISPLAY WITH BUTTONS - E400AJPNARROW (CE & UK CA SPECS)



ART_1001266303

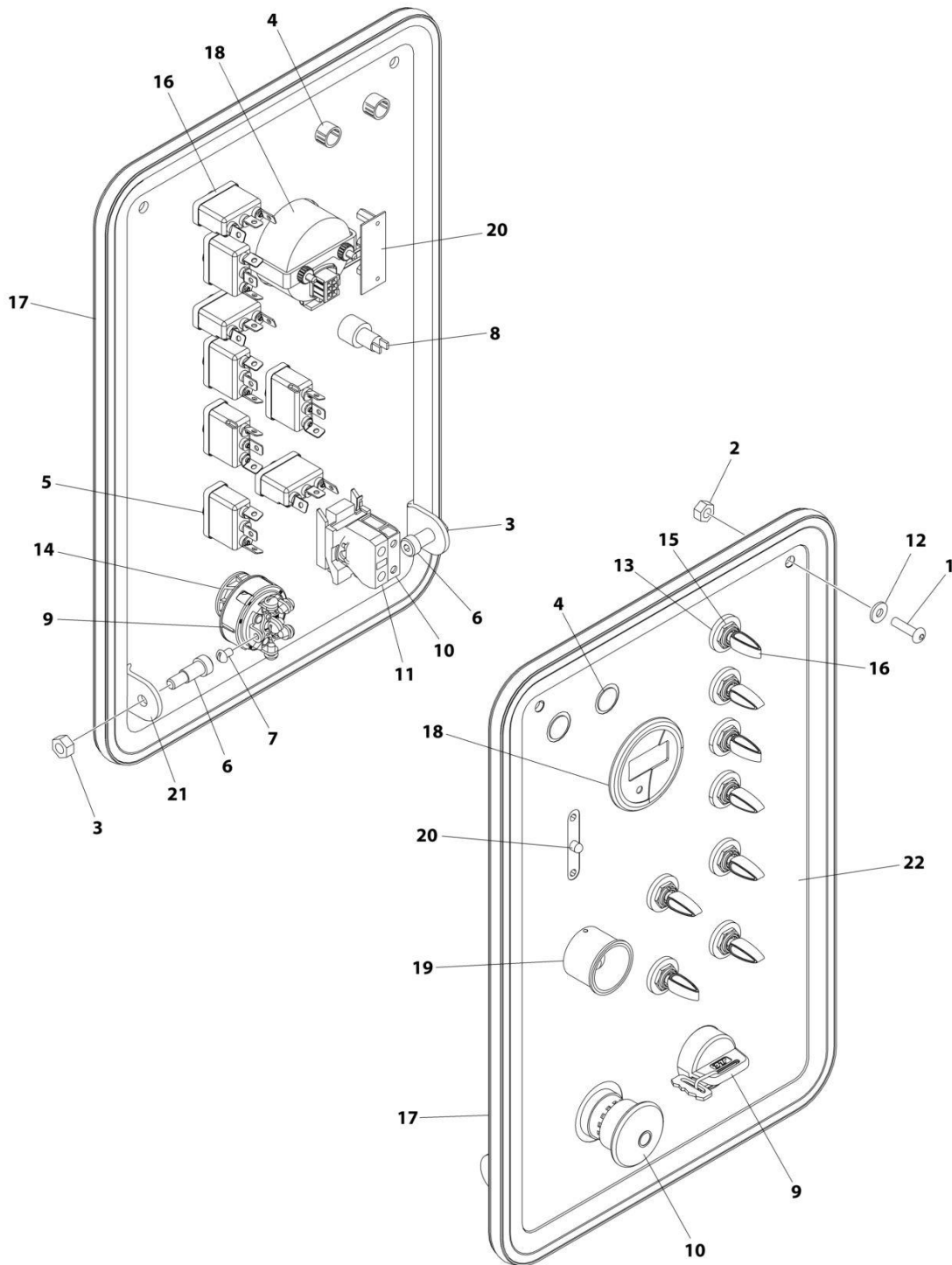
SECTION 2 - TURNTABLE

FIGURE 2-22. GROUND CONTROL BOX ELECTRICAL ASSEMBLY - DISPLAY WITH BUTTONS - E400AJPNARROW (CE & UK CA SPECS)

ITEM	PART NUMBER	QTY	DESCRIPTION	REV
	1001266303	Ref	GROUND CONTROL BOX ELECTRICAL ASSEMBLY	A
1	0630518	2	Bolt #10 x 3/4	
2	3311011	2	Nut	
3	3311405	2	Nut 1/4	
4	3520028	2	Plug, Hole 1/2	
5	3790012	8	O-Ring	
6	3900187	2	Screw	
7	3910804	6	Screw #8 x 1/4	
8	4360387	1	Switch, Push Button	
9	4360469	1	Keyswitch	
9	2860030	1	Key, Replacement (Set of 2)	
10	4360475	1	Switch, Emergency Stop	
10	7020175	1	Cap, Mushroom Head	
10	7020176	1	Block, Contact	
11	4360476	1	Block, Contact	
12	4740120	2	Washer	
13	4740397	8	Spacer	
14	1001151393	1	Shim, .063	
15	1001155044	8	Nut 15/32	
16	1001155045	8	Switch, Toggle	
17	1001166394	4 ft/1.2m	Seal	
18	1001171482	1	Display	
19	1001176469	1	Shroud	
20	1001259489	1	P/C Board, Battery Charger	
21	1001266308	1	Panel, Ground Control	
22	1001266310	1	Decal - Ground Control	

SECTION 2 - TURNTABLE

FIGURE 2-23. GROUND CONTROL BOX ELECTRICAL ASSEMBLY - DISPLAY WITHOUT BUTTONS - E400AJPNARROW (CE & UK CA SPECS)



ART_1001266303_B

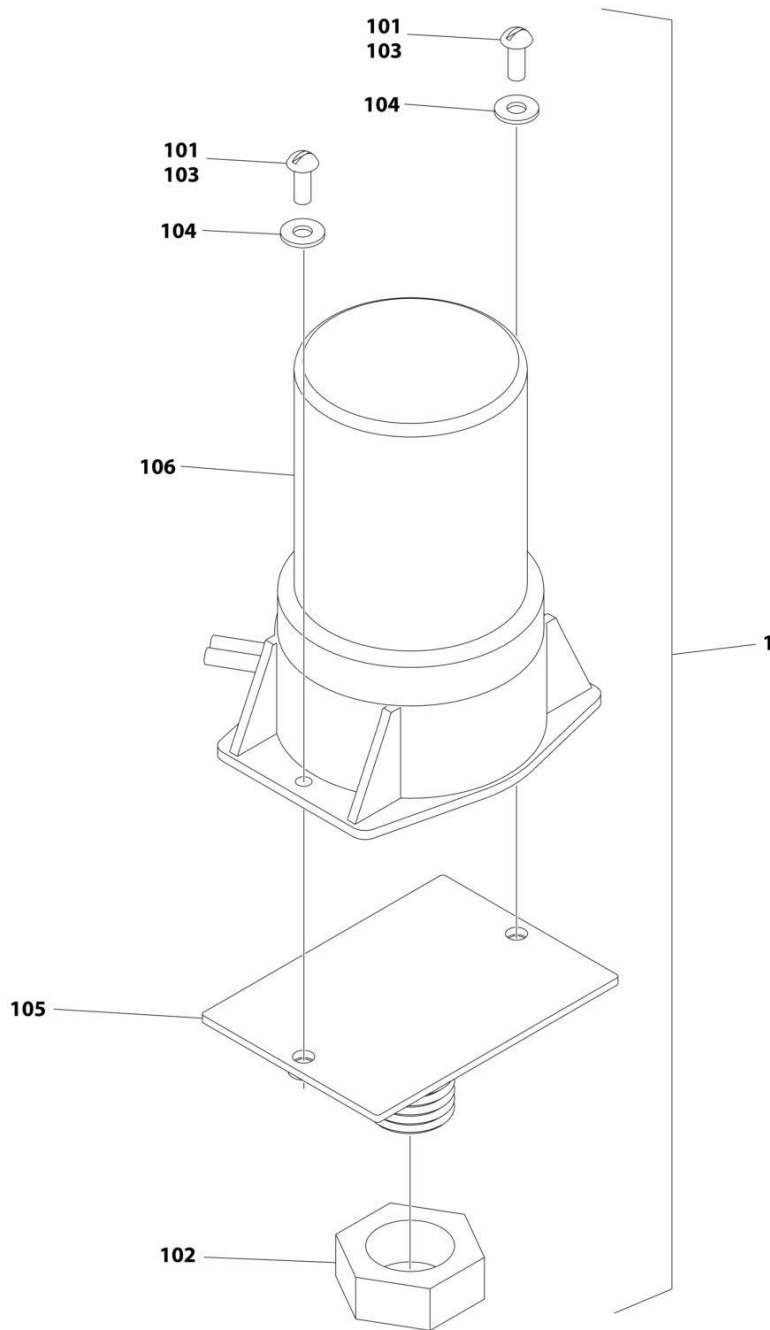
SECTION 2 - TURNTABLE

FIGURE 2-23. GROUND CONTROL BOX ELECTRICAL ASSEMBLY - DISPLAY WITHOUT BUTTONS - E400AJPNARROW (CE & UK CA SPECS)

ITEM	PART NUMBER	QTY	DESCRIPTION	REV
	1001266303	Ref	GROUND CONTROL BOX ELECTRICAL ASSEMBLY	B
1	0630518	2	Bolt #10 x 3/4	
2	3311011	2	Nut	
3	3311405	2	Nut 1/4	
4	3520028	2	Plug, Hole 1/2	
5	3790012	8	O-Ring	
6	3900187	2	Screw	
7	3910804	6	Screw #8 x 1/4	
8	4360387	1	Switch, Push Button	
9	4360469	1	Keyswitch	
9	2860030	1	Key, Replacement (Set of 2)	
10	4360475	1	Switch, Emergency Stop	
10	7020175	1	Cap, Mushroom Head	
10	7020176	1	Block, Contact	
11	4360476	1	Block, Contact	
12	4740120	2	Washer	
13	4740397	8	Spacer	
14	1001151393	1	Shim, .063	
15	1001155044	8	Nut 15/32	
16	1001155045	8	Switch, Toggle	
17	1001166394	4 ft/1.2m	Seal	
18	1001109503	1	Display	
19	1001176469	1	Shroud	
20	1001259489	1	P/C Board, Battery Charger	
21	1001280407	1	Panel, Ground Control	
22	1001266310	1	Decal - Ground Control	

SECTION 2 - TURNTABLE

FIGURE 2-24. STROBE LIGHT INSTALLATION - AMBER



ART_1001191142

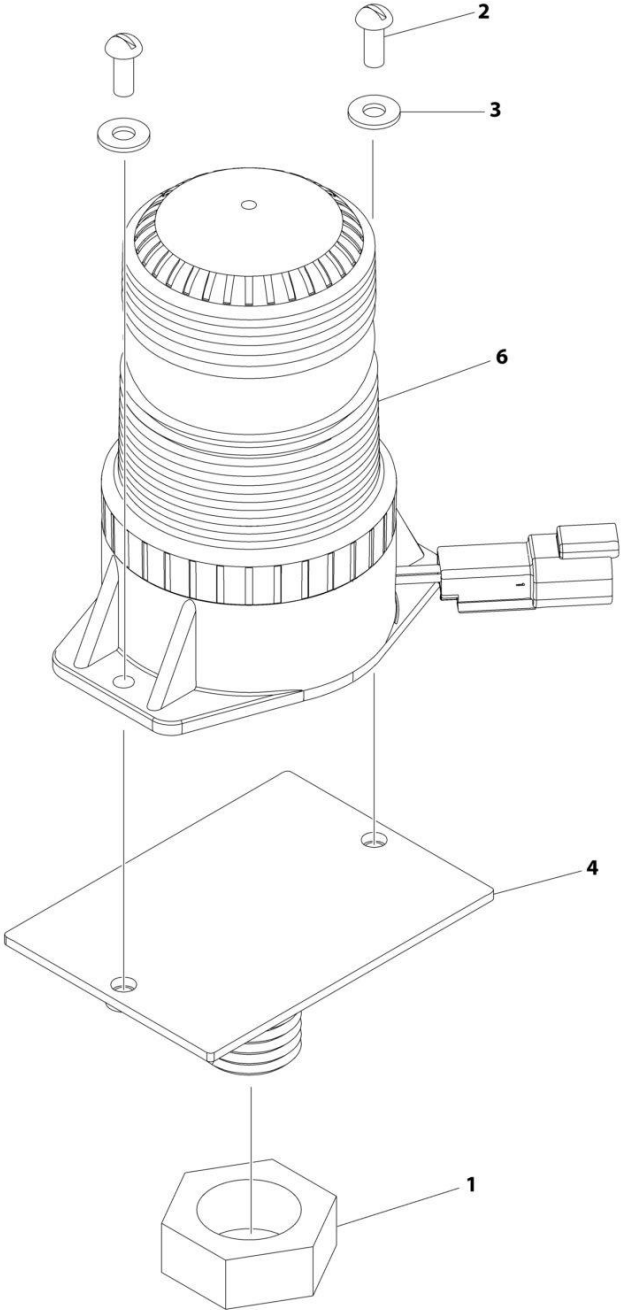
SECTION 2 - TURNTABLE

FIGURE 2-24. STROBE LIGHT INSTALLATION - AMBER

ITEM	PART NUMBER	QTY	DESCRIPTION	REV
	1001191142	Ref	STROBE LIGHT INSTALLATION - AMBER	A
1	1001191140	1	Strobe Light Assembly	A
101	0100035	AR	Compound, Locking	
102	3312602	1	Nut, Jam 1	
103	3900085	2	Screw #10 x 1/2	
104	4751000	2	Washer #10	
105	1001149994	1	Plate, Mount	
106	1001191139	1	Strobe Light/Harness Assembly	
106	4460891	1	Connector - 2 Position	
106	4460465	2	Socket, Female	

SECTION 2 - TURNTABLE

FIGURE 2-25. BEACON LIGHT INSTALLATION - BLUE



ART_1001238557

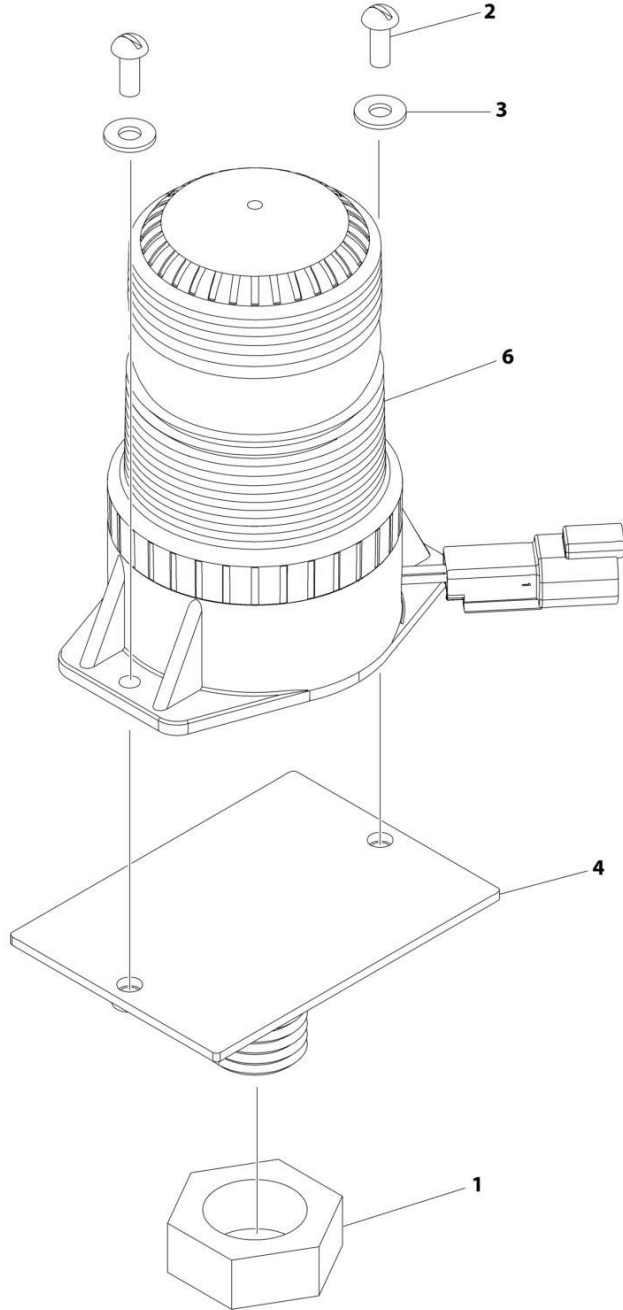
SECTION 2 - TURNTABLE

FIGURE 2-25. BEACON LIGHT INSTALLATION - BLUE

ITEM	PART NUMBER	QTY	DESCRIPTION	REV
	1001238557	Ref	BEACON LIGHT INSTALLATION – BLUE	A
	1001217005	Ref	BEACON LIGHT KIT - BLUE	B
1	3312602	1	Nut, Jam 1	
2	3900085	2	Screw #10 x 1/2	
3	4751000	2	Washer #10	
4	1001149994	1	Plate, Mount	
6	1001200910	1	Light, Beacon	
6	4460897	1	Connector - 2 Position	
6	4460943	2	Pin, Male	

SECTION 2 - TURNTABLE

FIGURE 2-26. BEACON LIGHT INSTALLATION - RED



ART_1001238558

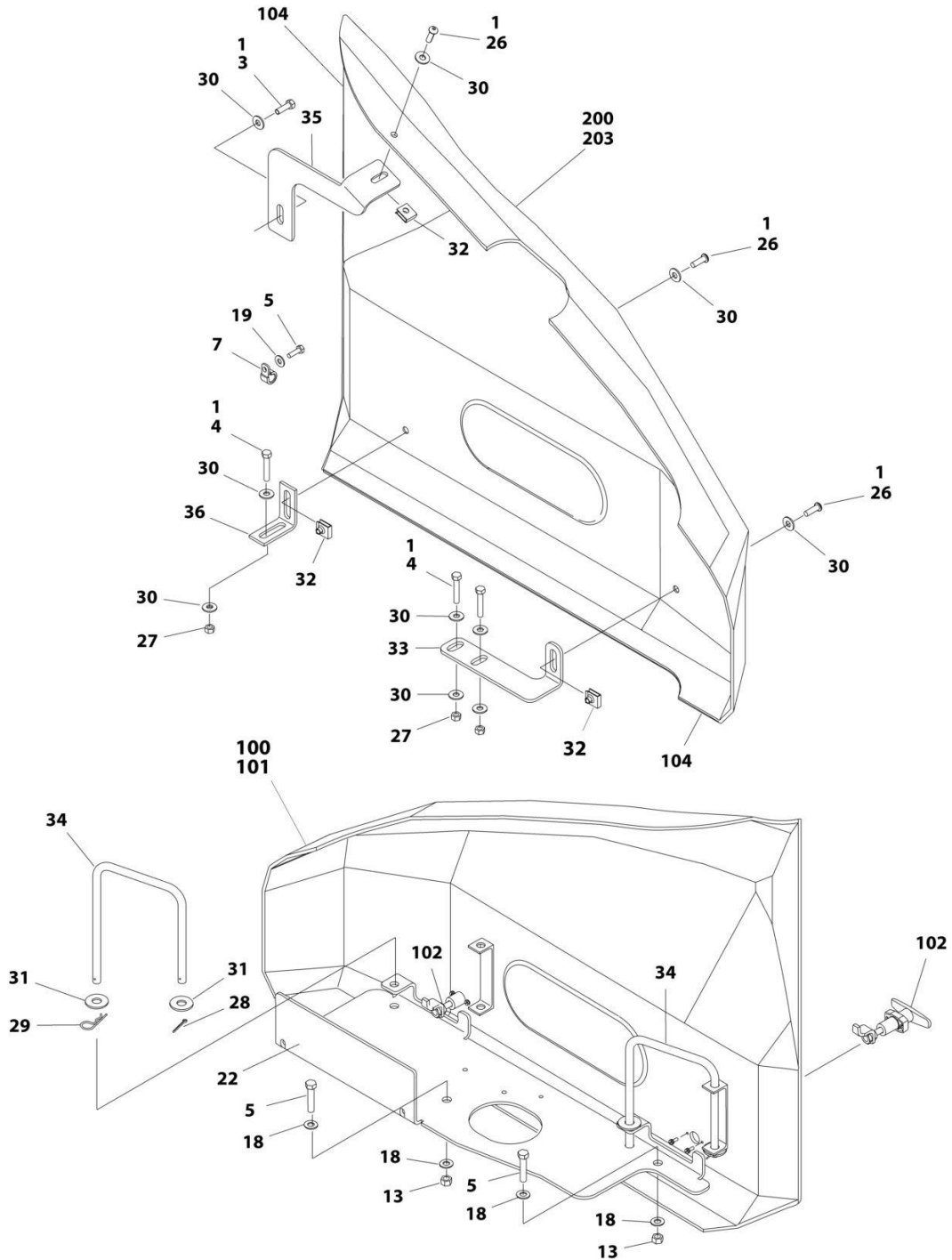
SECTION 2 - TURNTABLE

FIGURE 2-26. BEACON LIGHT INSTALLATION - RED

ITEM	PART NUMBER	QTY	DESCRIPTION	REV
	1001238558	Ref	BEACON LIGHT INSTALLATION – RED	A
1	3312602	1	Nut, Jam 1	
2	3900085	2	Screw #10 x 1/2	
3	4751000	2	Washer #10	
4	1001149994	1	Plate, Mount	
6	1001207004	1	Light, Beacon	
6	4460897	1	Connector - 2 Position	
6	4460943	2	Pin, Male	

SECTION 2 - TURNTABLE

FIGURE 2-27. HOOD INSTALLATION



ART_1001166738

SECTION 2 - TURNTABLE

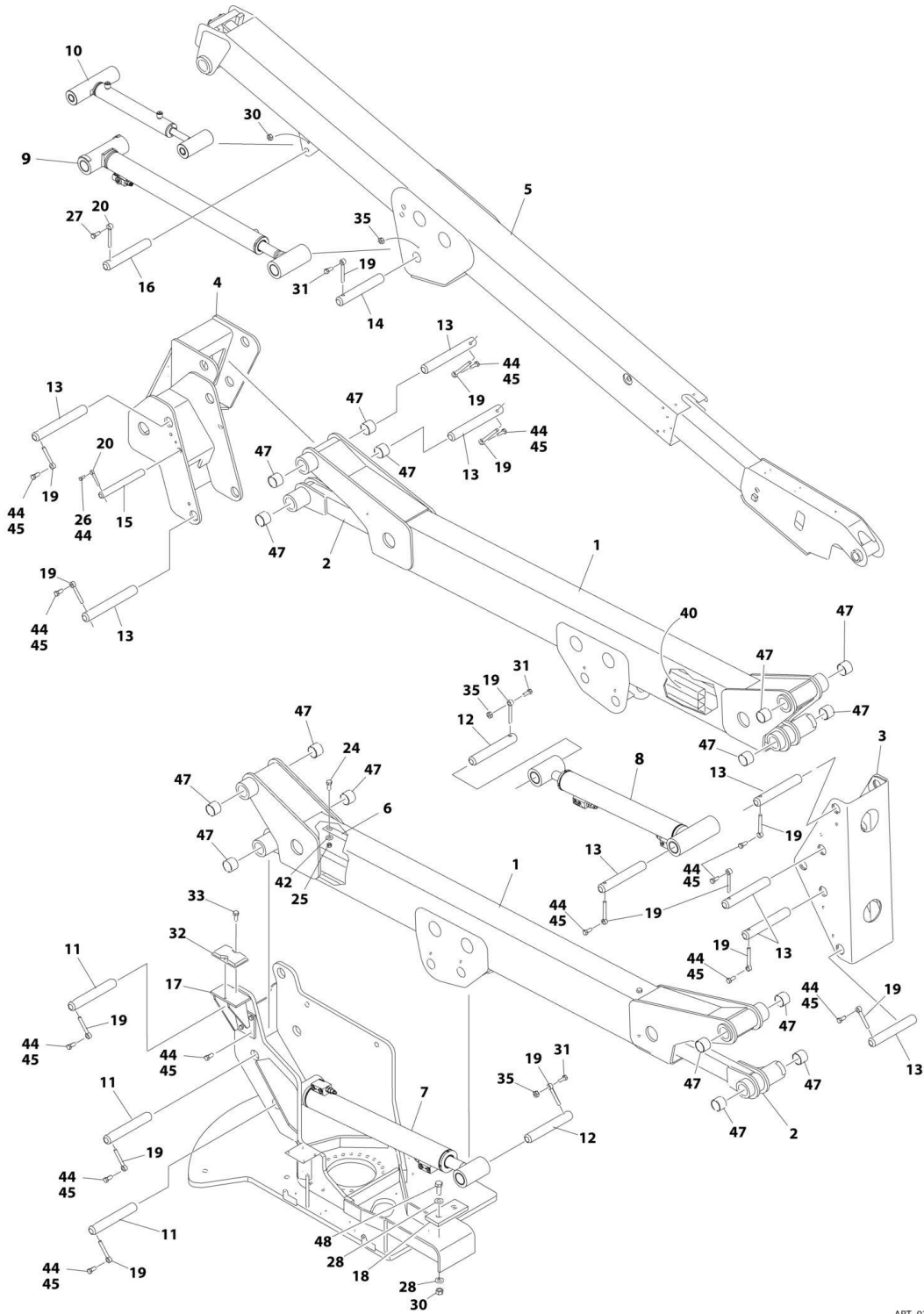
FIGURE 2-27. HOOD INSTALLATION

ITEM	PART NUMBER	QTY	DESCRIPTION	REV
	1001166738	Ref	HOOD INSTALLATION	E
1	0100011	AR	Compound, Locking	
3	0641508	1	Bolt 5/16 X 1	
4	0641514	3	Bolt 5/16 X 1-3/4	
5	0641613	2	Bolt 3/8 X 1-5/8	
7	1320041	1	Clamp	
13	3311602	2	Nut 3/8	
15	0641407	1	Bolt 1/4 X 7/8	
18	4711600	4	Washer 3/8	
19	4751400	1	Washer 1/4	
22	1001165963	1	Plate, Tray	
26	88261024	3	Screw 5/16 x 1	
27	3311501	3	Nut 5/16	
28	3420156	2	Pin, Cotter	
29	3450304	2	Pin, Cotter	
30	4751500	10	Washer 5/16	
31	4751800	2	Washer 1/2	
32	88662530	3	Nut, Tinnerman	
33	1001165981	1	Mount, Hood - Lower	
34	1001165985	2	Mount, Hood Swing	
35	1001182725	1	Mount, Hood	
36	1001183212	1	Bracket, Hood Mount	
100	1001176417	1	LH Side Hood Kit (Includes Items 101-104)	B
	See Note	Ref	Note: Replacement Decals Must be Ordered Separately - See DECAL SECTION.	
101	See Note	1	Hood, LH (Note: Use Item 100)	
102	2940071	2	Latch	
104	3960453	AR	Seal, Door	
200	1001176441	1	RH Side Hood Kit (Includes Items 203 & 205)	C
	See Note	Ref	Note: Replacement Decals Must be Ordered Separately - See DECAL SECTION.	
203	See Note	1	Hood, RH (Use Item 200)	
205	3960453	AR	Seal, Door	

SECTION 3 - BOOM

SECTION 3 - BOOM

FIGURE 3-1. BOOM AND CYLINDERS INSTALLATION - E400ANARROW



ART_0270724

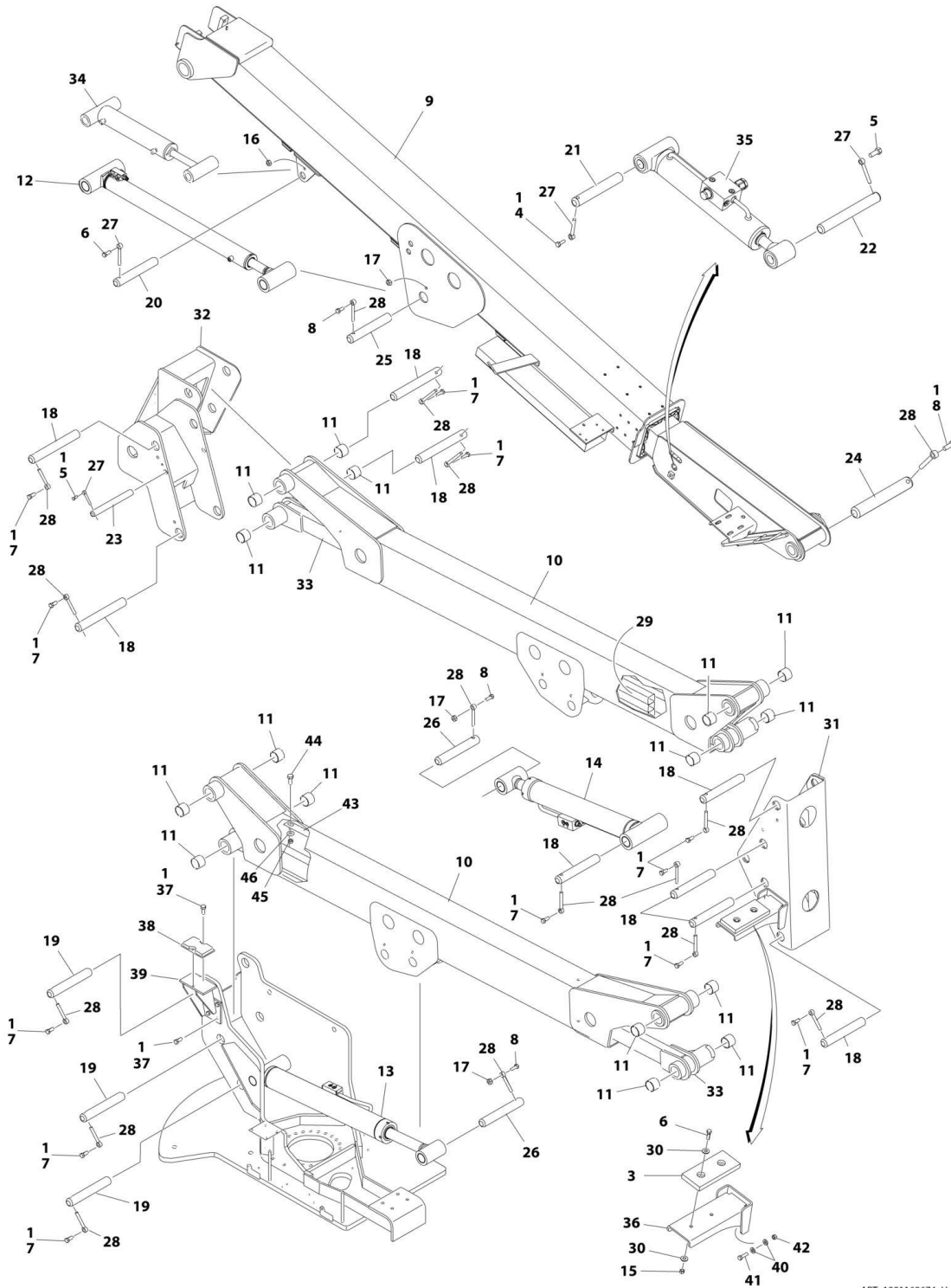
SECTION 3 - BOOM

FIGURE 3-1. BOOM AND CYLINDERS INSTALLATION - E400ANARROW

ITEM	PART NUMBER	QTY	DESCRIPTION	REV
	0270724	Ref	BOOM AND CYLINDERS INSTALLATION	K
1	0801262	2	Boom Assembly - Tower	
2	4846209	2	Level Link	
3	4844303	1	Upright Weldment - Lower	
4	4844304	1	Upright Weldment - Upper	
5	0270725	1	Boom Assembly - Main (See Separate Breakdown in this Section)	
6	3536491	1	Plate	
7	1001228037	1	Lift Cylinder Assembly - Lower (See Separate Breakdown in CYLINDER SECTION)	
8	1001228038	1	Lift Cylinder Assembly - Mid (See Separate Breakdown in CYLINDER SECTION)	
9	1001251018	1	Lift Cylinder Assembly - Upper (See Separate Breakdown in CYLINDER SECTION)	
10	1001140597	1	Master Cylinder Assembly (See Separate Breakdown in CYLINDER SECTION)	
11	3422175	3	Pin	
12	3422176	2	Pin	
13	3422177	9	Pin	
14	3422178	1	Pin	
15	3422179	1	Pin	
16	3422180	1	Pin	
17	4844467	1	Boom Rest Weldment	
18	0561076	1	Block, Boom Rest	
19	3841203	15	Keeper, Pin - 1/2	
20	3841143	2	Keeper, Pin - 3/8	
24	0641506	4	Bolt 5/16 x 3/4	
25	3311505	4	Nut 5/16	
26	0641608	1	Bolt 3/8 x 1	
27	0641610	1	Bolt 3/8 x 1-1/4	
28	4751600	4	Washer 3/8	
30	3311605	3	Nut 3/8	
31	0641812	3	Bolt 1/2 x 1-1/2	
32	0940048	1	Bumper	
33	0641806	2	Bolt 1/2 x 3/4	
35	3311805	3	Nut 1/2	
40	4566427	1	Tube	
42	4751500	4	Washer 5/16	
44	0100011	AR	Compound, Locking	
45	0641810	15	Bolt 1/2 x 1-1/4	
47	0961950	16	Bushing	
48	0641614	2	Bolt 3/8 x 1-3/4	

SECTION 3 - BOOM

FIGURE 3-2. BOOM AND CYLINDERS INSTALLATION - E400AJPNARROW



ART_1001168674_H

SECTION 3 - BOOM

FIGURE 3-2. BOOM AND CYLINDERS INSTALLATION - E400AJPNARROW

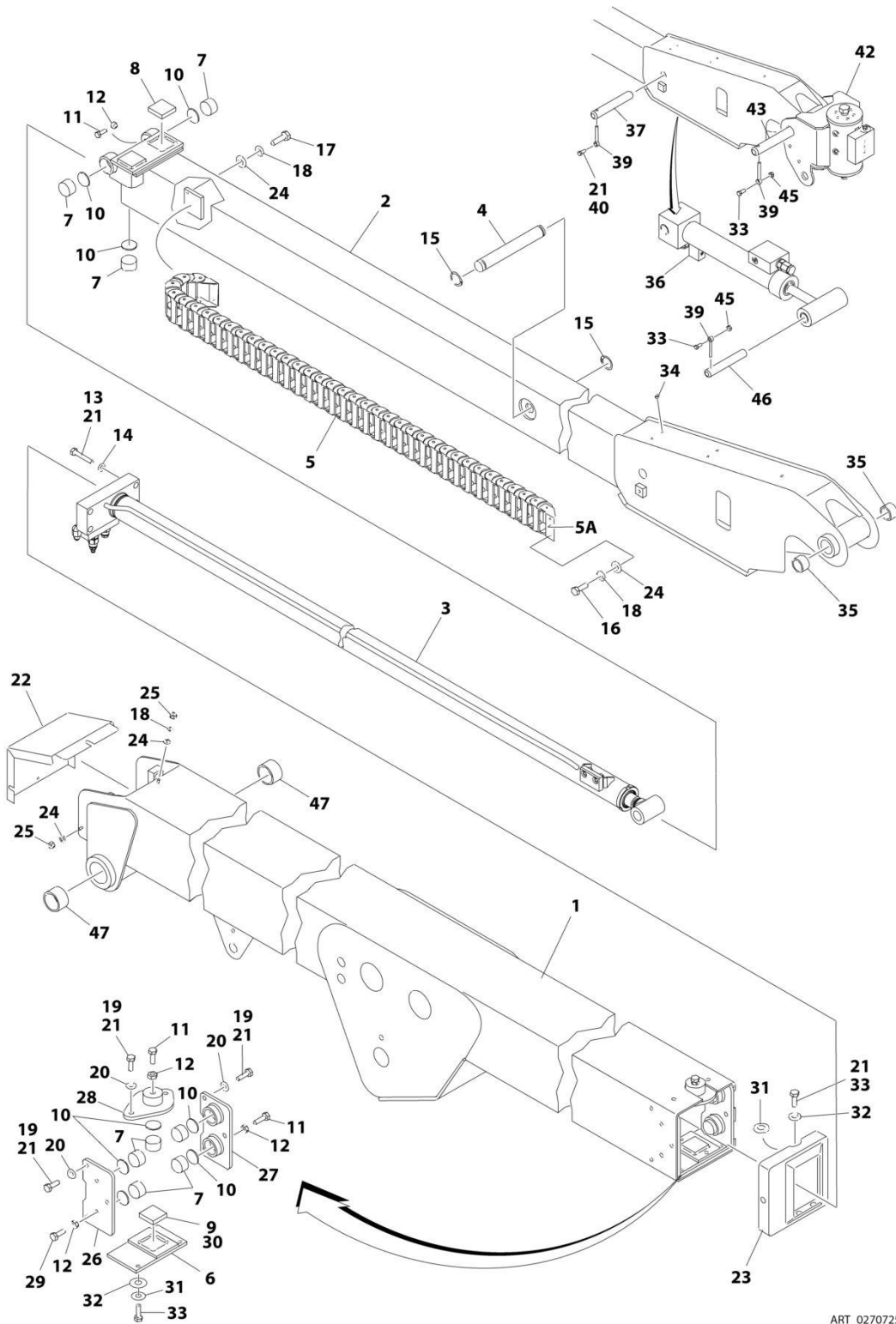
ITEM	PART NUMBER	QTY	DESCRIPTION	REV
	1001168674	Ref	BOOM AND CYLINDERS INSTALLATION	H
1	0100011	AR	Compound, Locking	
2	0271649	1	Jib Installation (Not Shown - See Separate Breakdown in this Section)	
3	0561076	1	Block, Boom Rest	
4	0641607	1	Bolt 3/8 x 7/8	
5	0641608	2	Bolt 3/8 x 1	
6	0641610	3	Bolt 3/8 x 1-1/4	
7	0641808	12	Bolt 1/2 x 1	
8	0641810	13	Bolt 1/2 x 1-1/4	
9	0801225	1	Boom Assembly - Main (See Separate Breakdown in this Section)	
10	0801227	1	Boom Assembly - Tower	
11	0961950	16	Bushing	
12	1001251016	1	Lift Cylinder Assembly - Upper (See Separate Breakdown in CYLINDER SECTION)	
13	1001228035	1	Lift Cylinder Assembly - Lower (See Separate Breakdown in CYLINDER SECTION)	
14	1001228036	1	Lift Cylinder Assembly - Mid (See Separate Breakdown in CYLINDER SECTION)	
15	3311601	2	Nut 3/8	
16	3311605	1	Nut 3/8	
17	3311805	3	Nut 1/2	
18	3422480	9	Pin	
19	3422481	3	Pin	
20	3422582	1	Pin	
21	3422669	1	Pin	
22	3422792	1	Pin	
23	3422806	1	Pin	
24	3422814	1	Pin	
25	3422844	1	Pin	
26	3422845	2	Pin	
27	3841143	4	Keeper, 3/8	
28	3841203	16	Keeper, 1/2	
29	4566427	1	Tube	
30	4751600	4	Washer 3/8	
31	4844427	1	Upright Weldment - Lower	
32	4846026	1	Upright Weldment - Upper	
33	4846209	2	Level Link	
34	1001140278	1	Master Cylinder Assembly (See Separate Breakdown in CYLINDER SECTION)	
35	1001140279	1	Platform Level Cylinder (See Separate Breakdown in CYLINDER SECTION)	
36	1001177483	1	Support, Boom Rest	
37	0641806	5	Bolt 1/2 x 3/4	
38	0940048	1	Bumper	
39	4844467	1	Boom Rest Weldment	
40	4891600	8	Washer 3/8	
41	0681610	4	Bolt 3/8 x 1-1/4, Grd 8	
42	3271605	4	Nut 3/8 Grd 8	
43	3536491	1	Plate	
44	0641506	4	Bolt 5/16 x 3/4	

SECTION 3 - BOOM

ITEM	PART NUMBER	QTY	DESCRIPTION	REV
45	3311505	4	Nut 5/16	
46	4751500	4	Washer 5/16	

SECTION 3 - BOOM

FIGURE 3-3. MAIN BOOM ASSEMBLY - E400ANARROW



ART_0270725_F

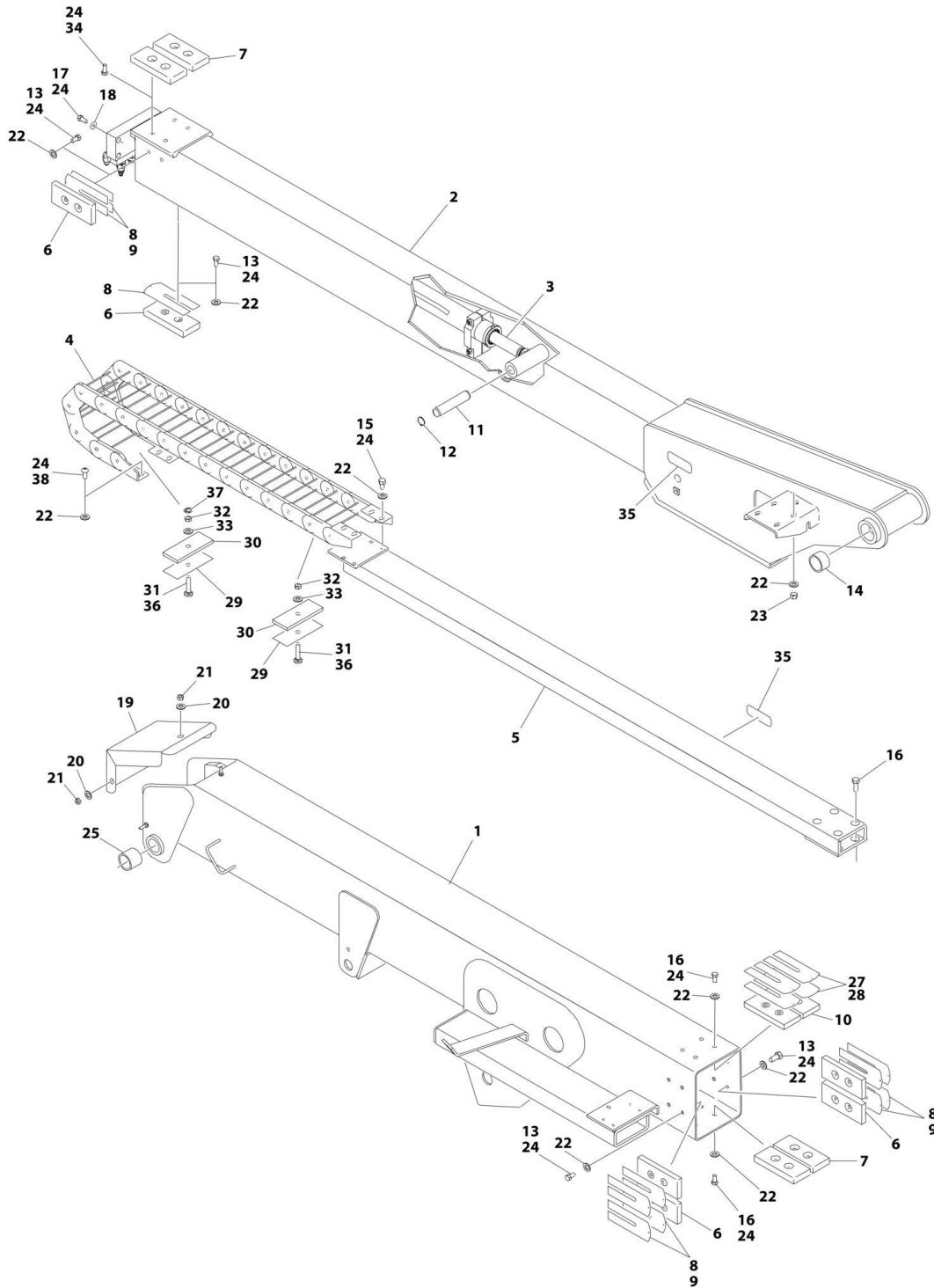
SECTION 3 - BOOM

FIGURE 3-3. MAIN BOOM ASSEMBLY - E400ANARROW

ITEM	PART NUMBER	QTY	DESCRIPTION	REV
	0270725	Ref	MAIN BOOM ASSEMBLY - E400Anarrow	F
1	0801263	1	Base, Weldment	
2	0801267	1	Fly, Weldment	
3	1001251063	1	Telescope Cylinder Assembly (See Separate Breakdown in CYLINDER Section)	
4	3422901	1	Pin	
5	1180302	1	Powertrack Assembly	
5	7019698	1	Link, Repair	
5A	7019699	1	Feet, Mounting	
6	4844579	1	Holder, Wear Pad	
7	3340663	8	Pad, Wear (Base Front Top and Sides/Fly Rear Sides and Bottom)	
8	3340820	2	Pad, Wear (Fly Rear Top)	
9	3340682	1	Pad, Wear (Base Front Bottom)	
10	1760160	8	Disc	
11	0630487	6	Bolt 3/8 x 1-3/8	
12	3311602	8	Nut 3/8	
13	0641818	4	Bolt 1/2 x 2-1/4	
14	4761800	4	Washer 1/2	
15	3760115	2	Ring, Snap	
16	0641405	2	Bolt 1/4 x 5/8	
17	0641404	2	Bolt 1/4 x 1/2	
18	4761400	7	Washer 1/4	
19	0641606	7	Bolt 3/8 x 3/4	
20	4761600	7	Washer 3/8	
21	0100011	AR	Compound, Locking	
22	1670679	1	Cover, boom	
23	1670698	1	Cover, Boom	
24	4751400	7	Washer 1/4	
25	3311401	3	Nut 1/4	
26	1220038	1	Holder, Wear Pad (Base Front Left Side)	
27	1220039	1	Holder, Wear Pad (Base Front Right Side)	
28	1220040	1	Holder, Wear Pad (Base Front Top)	
29	0630399	2	Bolt 3/8 x 2-1/4	
30	0100009	AR	Silicone	
31	4740413	5	Washer, Spacer	
32	4751600	5	Washer 3/8	
33	0641608	7	Bolt 3/8 x 1	
34	3520034	4	Plug, Hole	
35	0961951	2	Bearing	
36	1001140598	1	Platform Level Cylinder Assembly (See Separate Breakdown in CYLINDER Section)	
37	3422181	1	Shaft, Pin	
39	3841143	3	Keeper	
40	0641607	1	Bolt 3/8 x 7/8	
42	0060052	1	Rotator Assembly (See Separate Breakdown in this Section)	
43	3422709	1	Shaft, Pin	
45	3311605	2	Nut 3/8-16	
46	3422180	1	Shaft, Pin	
47	0961950	2	Bearing	

SECTION 3 - BOOM

FIGURE 3-4. MAIN BOOM ASSEMBLY - E400AJPNARROW



ART_0801225

SECTION 3 - BOOM

FIGURE 3-4. MAIN BOOM ASSEMBLY - E400AJPNARROW

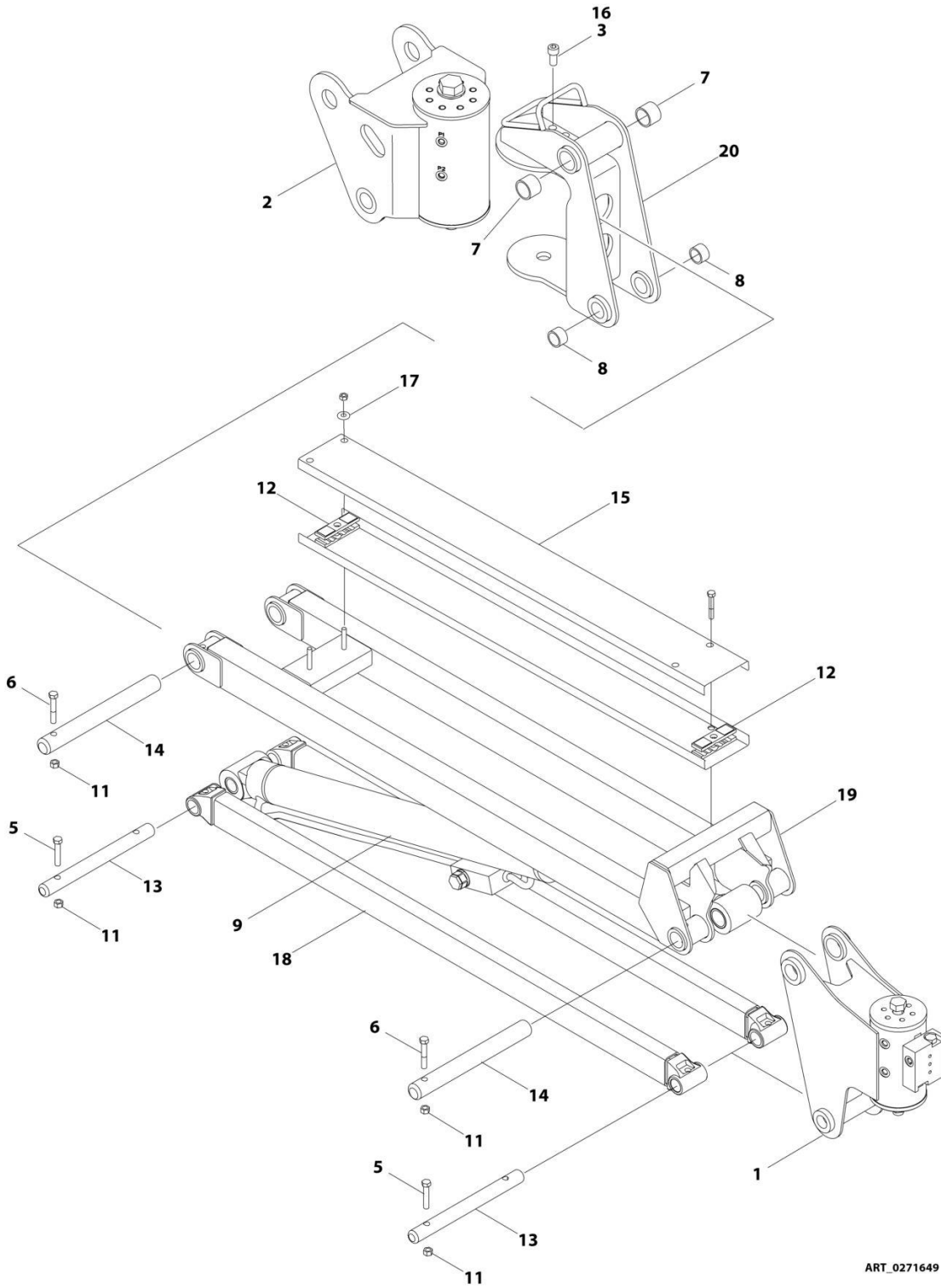
ITEM	PART NUMBER	QTY	DESCRIPTION	REV
	0801225	Ref	MAIN BOOM ASSEMBLY	M
1	0801224	1	Base Weldment	
2	0801226	1	Weldment, Fly Boom	
3	1001251015	1	Cylinder, Telescope (See Separate Breakdown in CYLINDER SECTION)	
4	1001224891	1	Powertrack	
4	70001996	1	2ft Repair Section (Used on p/n 1001099834) (Includes 4 links, 10 pins, 10 washers, 10 snap rings, 2 Rod Carriers and 4 self-tapping screws)	
4	70001998	1	Bracket Kit (Used on p/n 1001099834) (Includes 2 Left and 2 Right Mounting Feet, 4 center pins, 4 center pin snap rings, 8 pins for bracket lockout, 8 washers and 8 snap rings)	
4	70006269	1	2ft Repair Section (Used on p/n 1001224891) (Includes 4 links, 10 pins, 10 washers, 10 snap rings, 2 Rod Carriers and 4 self-tapping screws)	
4	70006280	1	Bracket Kit (Used on p/n 1001224891) (Includes 2 Left and 2 Right Mounting Feet, 4 center pins, 4 center pin snap rings, 8 pins for bracket lockout, 8 washers and 8 snap rings)	
5	4846180	1	Weldment, Push Tube	
6	3340878	10	Pad, Wear	
7	3340884	4	Pad, Wear	
8	4070864	12	Shim 18 Gauge	
9	4070863	8	Shim 11 Gauge	
10	3340886	2	Pad, Wear	
11	3422804	1	Pin	
12	3760115	2	Ring, Retaining	
13	0641606	30	Bolt 3/8 x 3/4	
13	0641607	30	Bolt 3/8 x 7/8	
14	0961948	2	Bearing	
15	0641605	4	Bolt 3/8 x 5/8	
16	0641608	16	Bolt 3/8 x 1	
17	0641818	4	Bolt 1/2 x 2-1/4	
18	4761800	4	Washer 1/2	
19	1670959	1	Cover	
20	4761400	3	Washer 1/4	
21	3311401	3	Nut 1/4	
22	4711600	54	Washer 3/8	
23	3311605	4	Nut 3/8	
24	0100011	AR	Compound, Locking	
25	0961950	2	Bearing	
27	4070997	2	Shim 16 Gauge	
28	4070998	2	Shim 18 Gauge	
29	1001106757	2	Plate, Clamp	
30	3340939	4	Pad, Rubber	
31	0630401	2	Bolt 5/16 x 2	
32	3311505	2	Nut 5/16/18	
33	4711500	2	Washer 5/16	
34	0741606	6	Screw, Countersunk, 3/8 x 3/4	
35	4060804	16 in /41cm	Flex-Trim	
36	0100081	AR	Adhesive	
37	1001119228	1	Nut M8	

SECTION 3 - BOOM

ITEM	PART NUMBER	QTY	DESCRIPTION	REV
38	0641605	4	Bolt 3/8 x 5/8	
38	88261026	4	Bolt 3/8 x 5/8	

SECTION 3 - BOOM

FIGURE 3-5. JIB INSTALLATION



ART_0271649

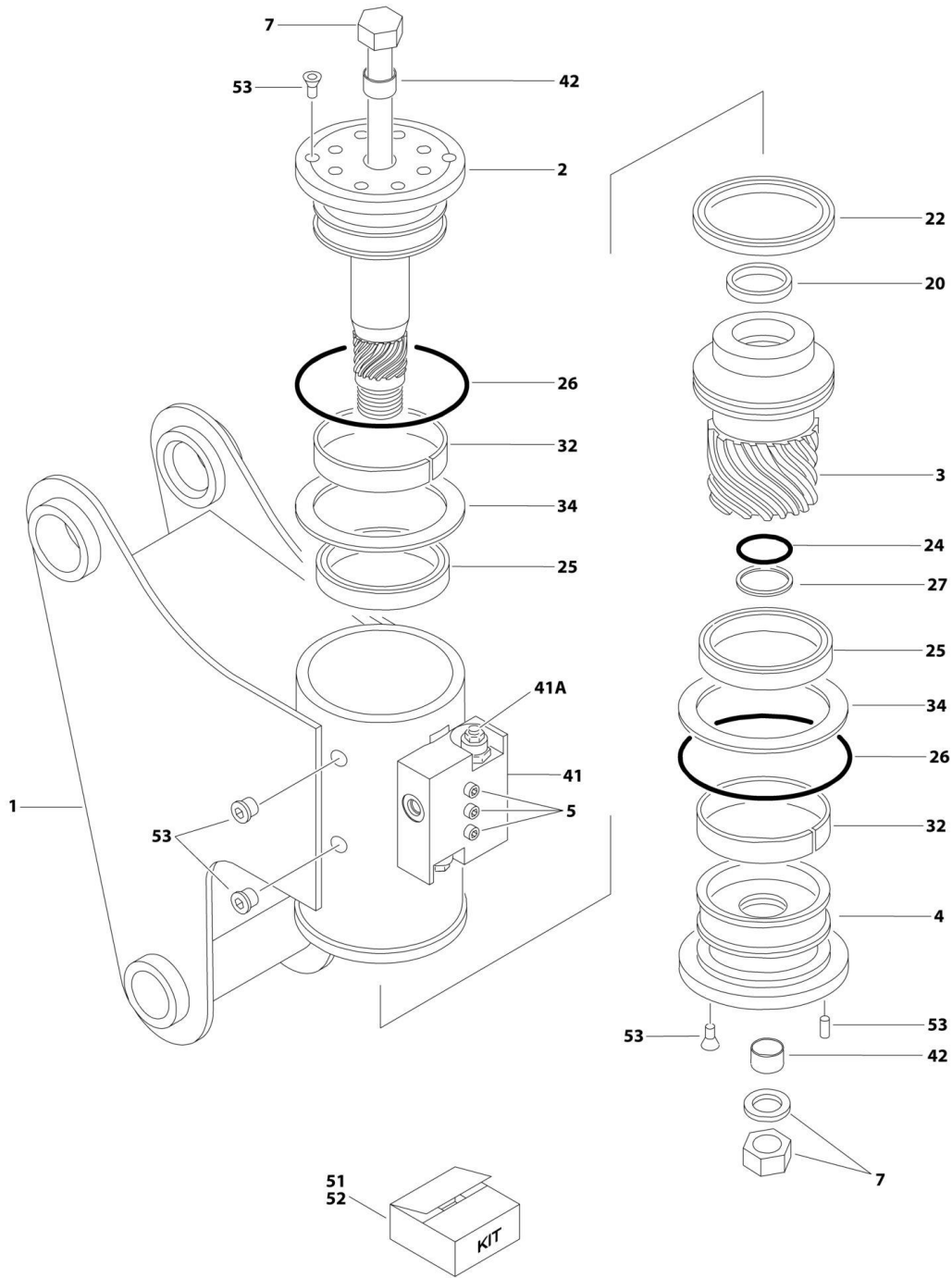
SECTION 3 - BOOM

FIGURE 3-5. JIB INSTALLATION

ITEM	PART NUMBER	QTY	DESCRIPTION	REV
	0271649	Ref	JIB INSTALLATION	D
1	0060044	1	Rotator Assembly - Jib to Platform Support (See Separate Breakdown in this Section)	
2	0060065	1	Rotator Assembly - Main Boom to Jib (See Separate Breakdown in this Section)	
3	0100011	AR	Compound, Locking	
4	0641516	2	Bolt 5/16 x 2	
5	0641616	4	Bolt 3/8 x 2	
6	0641618	2	Bolt 3/8 x 2-1/4	
7	0962292	2	Bushing	
8	0961951	2	Bushing	
9	1001140280	1	Jib Cylinder Assembly (See Separate Breakdown in CYLINDER SECTION)	
10	3311501	4	Nut 5/16	
11	3311605	6	Nut 3/8	
12	3340860	4	Clamp, Block	
13	3422791	2	Pin	
14	3422794	2	Pin	
15	3572551	2	Plate, Jib Cover	
16	3931816	8	Bolt 1/2 x 1	
17	4751500	4	Washer 5/16	
18	1001094670	2	Link, Lower	
19	4846278	1	Link, Upper	
20	4846502	1	Pivot	

SECTION 3 - BOOM

FIGURE 3-6. ROTATOR ASSEMBLY - E400ANARROW



ART_0060052

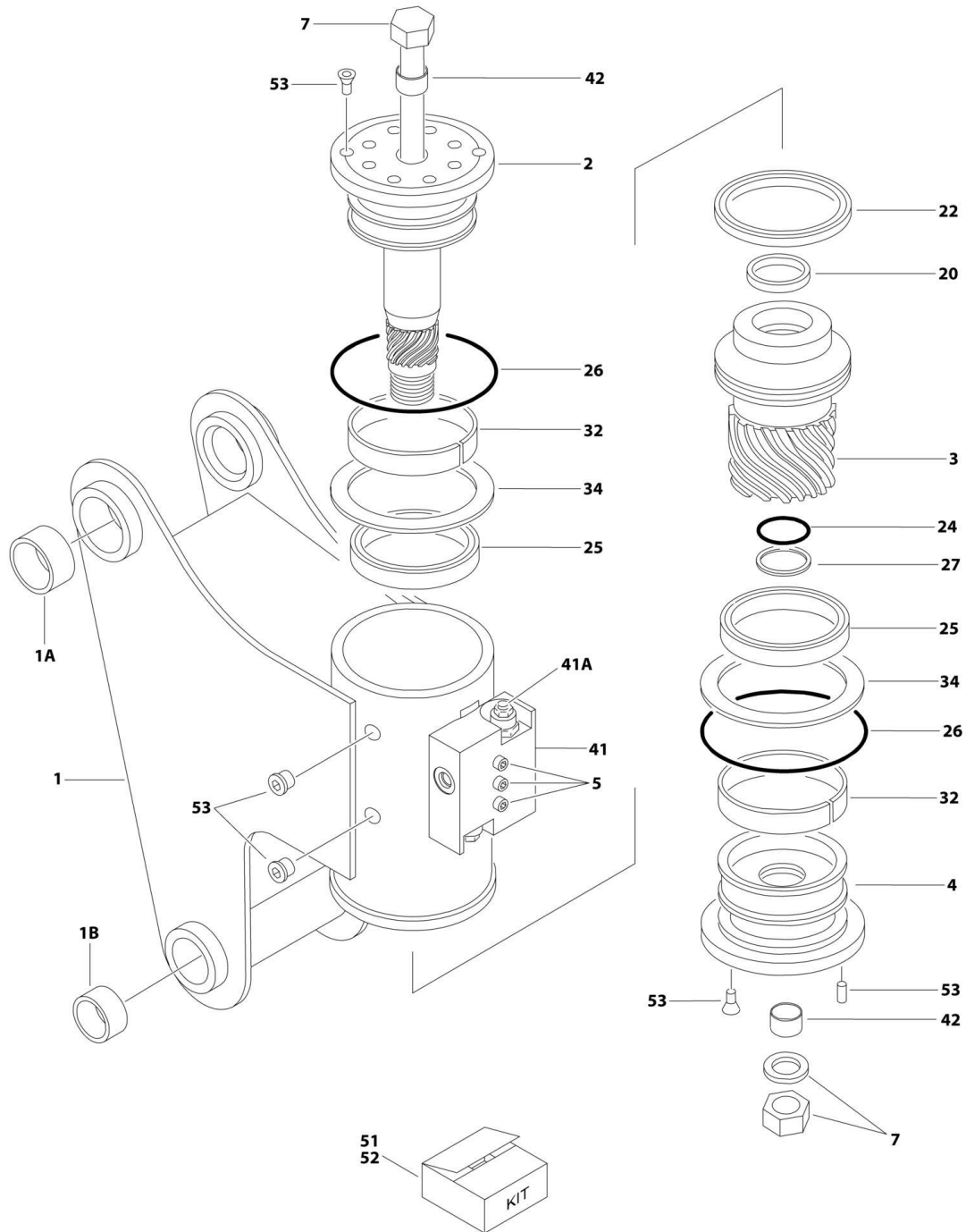
SECTION 3 - BOOM

FIGURE 3-6. ROTATOR ASSEMBLY - E400ANARROW

ITEM	PART NUMBER	QTY	DESCRIPTION	REV
	0060052	Ref	ROTATOR ASSEMBLY	F
1	See Note	1	Case/Bracket Weldment (Note: Not Available - Purchase Complete Assembly)	
2	7017120	1	Shaft (Rotator with Helac Control #26409)	
2	7017196	1	Shaft (Rotator with Helac Control #26966)	
3	7017121	1	Piston Sleeve (Rotator with Helac Control #26409)	
3	7027900	1	Piston Sleeve (Rotator with Helac Control #26966)	
4	7017153	1	Cap, End (Rotator with Helac Control #26409)	
4	7027901	1	Cap, End (Rotator with Helac Control #26966)	
5	See Note	3	Capscrew 1/4 x 1-1/2, Grade 8 (Note: Not Available - Purchase Locally)	
7	7017126	1	Tie Rod Assembly	
20	See Note	NSS	Seal, Rod (Note: Use Items 52)	
22	See Note	NSS	Seal, Piston (Note: Use Item 52)	
24	See Note	NSS	Seal, Cap (Note: Use Item 52)	
25	See Note	NSS	Packing, Bearing (Note: Use Item 52)	
26	See Note	NSS	Seal (Note: Use Item 52)	
27	See Note	NSS	Ring, Back-Up Cap (Note: Use Item 52)	
32	See Note	NSS	Bearing, Shaft (Note: Use Item 51)	
34	See Note	2	Washer, Thrust (Note: Use Item 51)	
41	7017172	1	Counterbalance Valve Assembly (Helac p/n 24327, 26553 or 26554 Stamped Beside Mounting Screws)	
41A	7011323	2	Valve, Cartridge (Helac p/n 24327 Valve)	
41A	2900770	2	Seal Kit - 7011323 Cartridge (1 Per Assembly)	
41A	7017192	2	Valve Cartridge (Helac p/n 26553 or 26554) (No Seal Kit Available)	
42	See Note	2	Bushing, Shaft (Note: Not Available for Purchase)	
51	7017122	1	Bearing Kit (Includes Items 32-34)	
52	7017127	1	Seal Kit - Standard (Includes Items 20,22,24,25,26 & 27)	
52	70000341	1	Seal Kit - Low Temperature (Includes Items 20,22,24,25,26 & 27)	
53	7017123	1	Hardware Kit	

SECTION 3 - BOOM

FIGURE 3-7. ROTATOR ASSEMBLY - PLATFORM SUPPORT TO JIB - E400AJPNARROW



ART_0060044

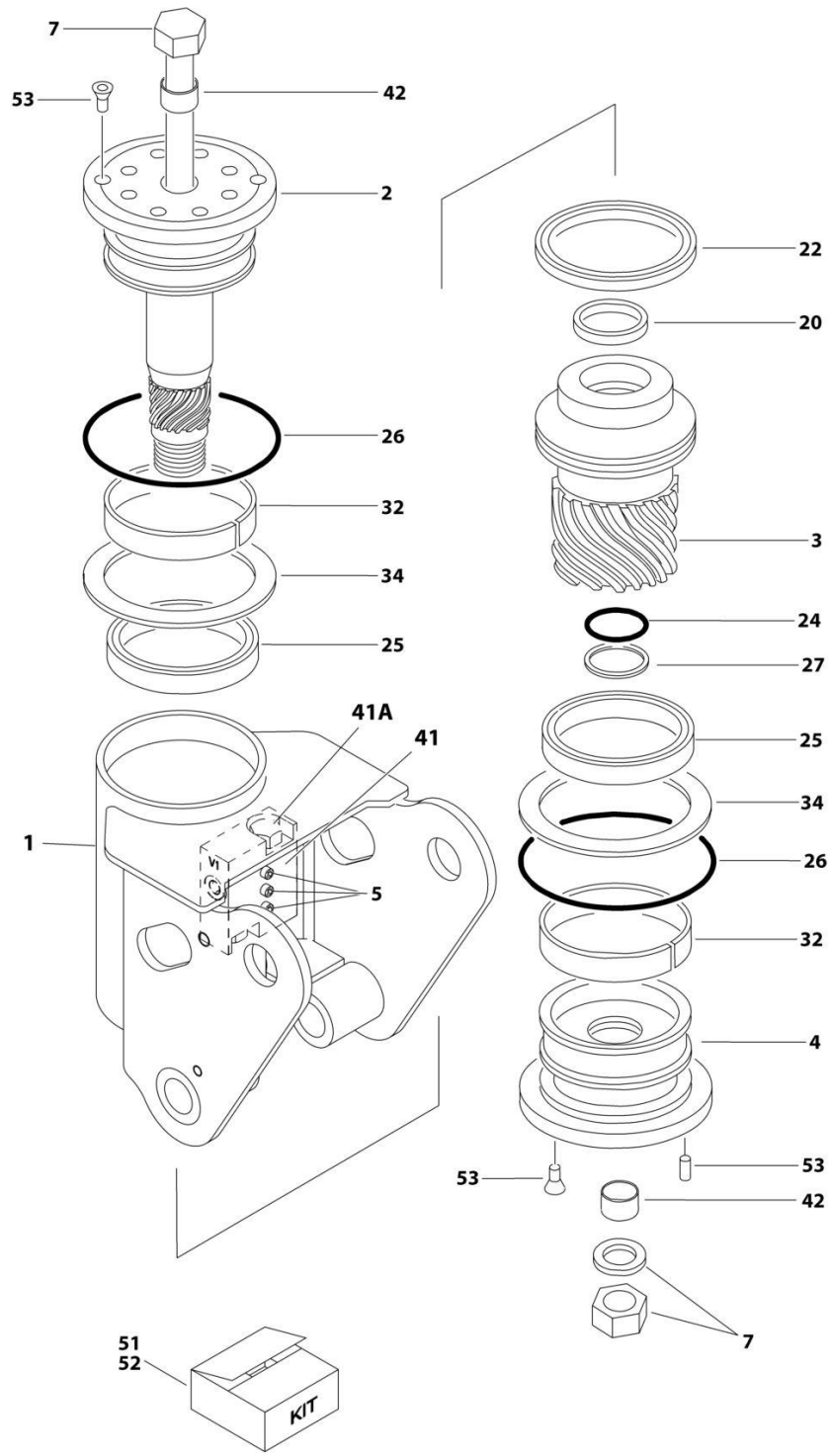
SECTION 3 - BOOM

FIGURE 3-7. ROTATOR ASSEMBLY - PLATFORM SUPPORT TO JIB - E400AJPNARROW

ITEM	PART NUMBER	QTY	DESCRIPTION	REV
	0060044	Ref	ROTATOR ASSEMBLY	D
1	See Note	1	Case/Bracket Weldment (Note: Not Available - Purchase Complete Assembly)	
1A	0962257	2	Bushing	
1B	0961947	2	Bushing	
2	7017120	1	Shaft (Rotator with Helac Control #25928)	
2	7017196	1	Shaft (Rotator with Helac Control #26962)	
3	7017121	1	Piston Sleeve (Rotator with Helac Control #25928)	
3	7027900	1	Piston Sleeve (Rotator with Helac Control #26962)	
4	See Note	1	Cap, End (Rotator with Helac Control #25928) (Note: Use p/n 0060044)	
4	7027901	1	Cap, End (Rotator with Helac Control #26962)	
5	See Note	3	Capscrew 1/4 x 1-1/2, Grade 8 (Note: Not Available - Purchase Locally)	
7	7017126	1	Tie Rod Assembly	
20	See Note	NSS	Seal, Rod (Note: Use Item 52)	
22	See Note	NSS	Seal, Piston (Note: Use Item 52)	
24	See Note	NSS	Seal, Cap (Note: Use Item 52)	
25	See Note	NSS	Packing, Bearing (Note: Use Item 52)	
26	See Note	NSS	Seal (Note: Use Item 52)	
27	See Note	NSS	Ring, Back-Up Cap (Note: Use Item 52)	
32	See Note	NSS	Bearing, Shaft (Note: Use Item 51)	
34	See Note	2	Washer, Thrust (Note: Use Item 51)	
41	7017172	1	Counterbalance Valve Assembly (Helac p/n 24327, 26553 or 26554 Stamped Beside Mounting Screws)	
41A	7011323	2	Valve, Cartridge (Helac p/n 24327 Valve)	
41A	2900770	2	Seal Kit - 7011323 Cartridge (1 Per Assembly)	
41A	7017192	2	Valve Cartridge (Helac p/n 26553 or 26554) (No Seal Kit Available)	
42	70004323	1	Bushing, Shaft	
51	7017122	1	Bearing Kit (Includes Items 32-34)	
52	7017127	1	Seal Kit - Standard (Includes Items 20,22,24,25,26 & 27)	
52	70000341	1	Seal Kit - Low Temperature (Includes Items 20,22,24,25,26 & 27)	
53	7017123	1	Hardware Kit	

SECTION 3 - BOOM

FIGURE 3-8. ROTATOR ASSEMBLY - MAIN BOOM TO JIB - E400AJPNARROW



ART_0060065

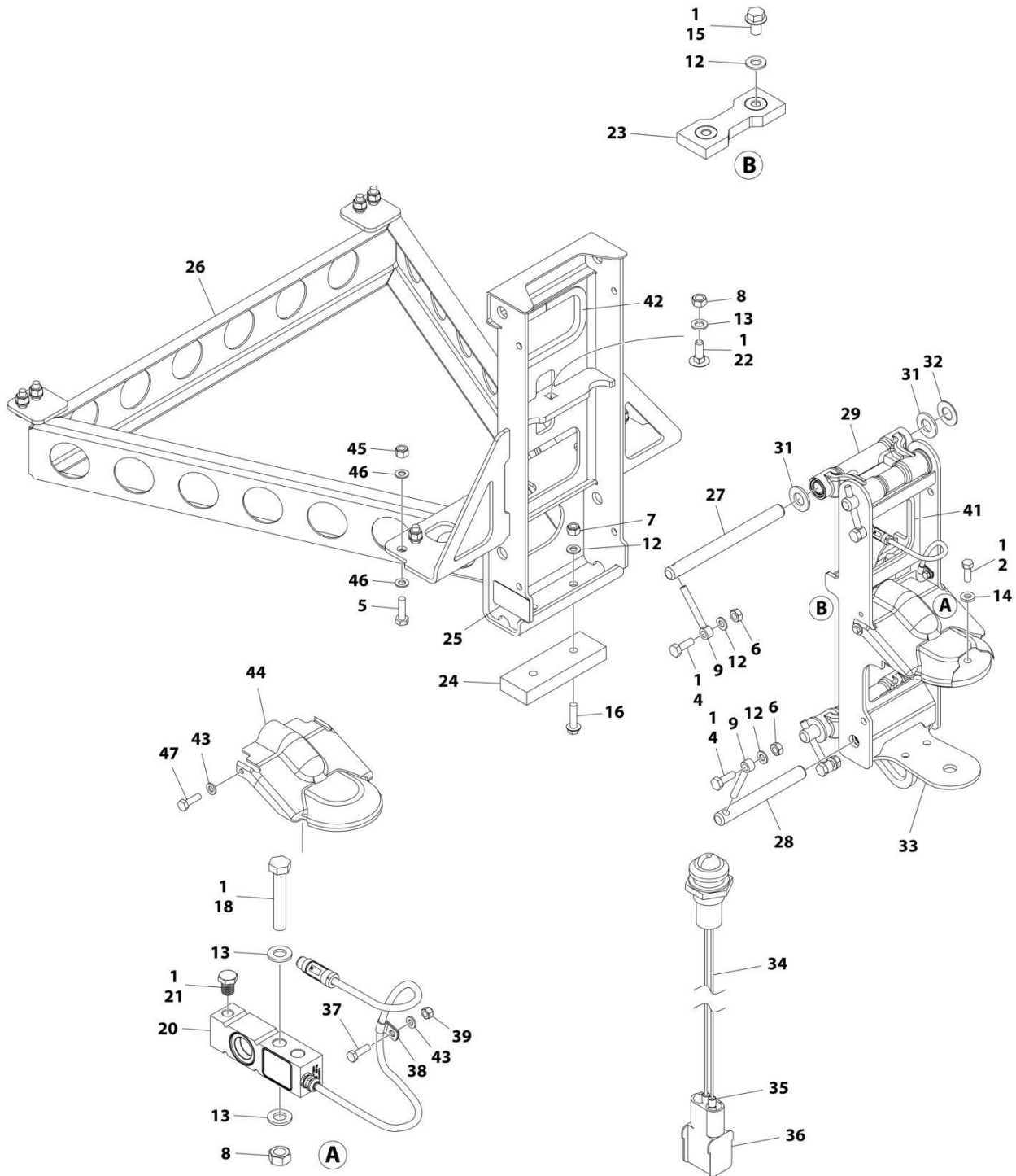
SECTION 3 - BOOM

FIGURE 3-8. ROTATOR ASSEMBLY - MAIN BOOM TO JIB - E400AJPNARROW

ITEM	PART NUMBER	QTY	DESCRIPTION	REV
	0060065	Ref	ROTATOR ASSEMBLY - MAIN BOOM TO JIB	C
1	See Note	1	Case/Bracket Weldment (Note: Not Available - Purchase Complete Assembly)	
2	7017167	1	Shaft	
3	7017168	1	Piston Sleeve	
4	7017169	1	Cap, End	
5	See Note	3	Capscrew 1/4, Grade 8 (Note: Not Available - Purchase Locally)	
7	7017173	1	Tie Rod Assembly	
20	See Note	1	Seal, Rod (Note: Use Item 52)	
22	See Note	1	Seal, Piston (Note: Use Item 52)	
24	See Note	1	Seal, Cap (Note: Use Item 52)	
25	See Note	2	Packing, Bearing (Note: Use Item 52)	
26	See Note	2	Seal (Note: Use Item 52)	
27	See Note	1	Ring, Back-up (Note: Use Item 52)	
32	See Note	2	Bearing, Shaft (Note: Use Item 51)	
34	See Note	2	Washer, Thrust (Note: Use Item 51)	
41	7017172	1	Counterbalance Valve Assembly	
41A	7017192	2	Valve, Cartridge (No Seal Kit Available)	
42	See Note	2	Bushing, Shaft (Note: Not Available for Purchase)	
51	7017178	1	Bearing Kit (Includes Items 32-34)	
52	7017165	1	Seal Kit - Standard (Includes Items 20, 22 & 24-27,	
52	70000340	1	Seal Kit - Low Temperature (Includes Items 20,22 & 24-27)	
53	7017179	1	Hardware Kit	

SECTION 3 - BOOM

FIGURE 3-9. PLATFORM SUPPORT INSTALLATION



ART_1001219016_F

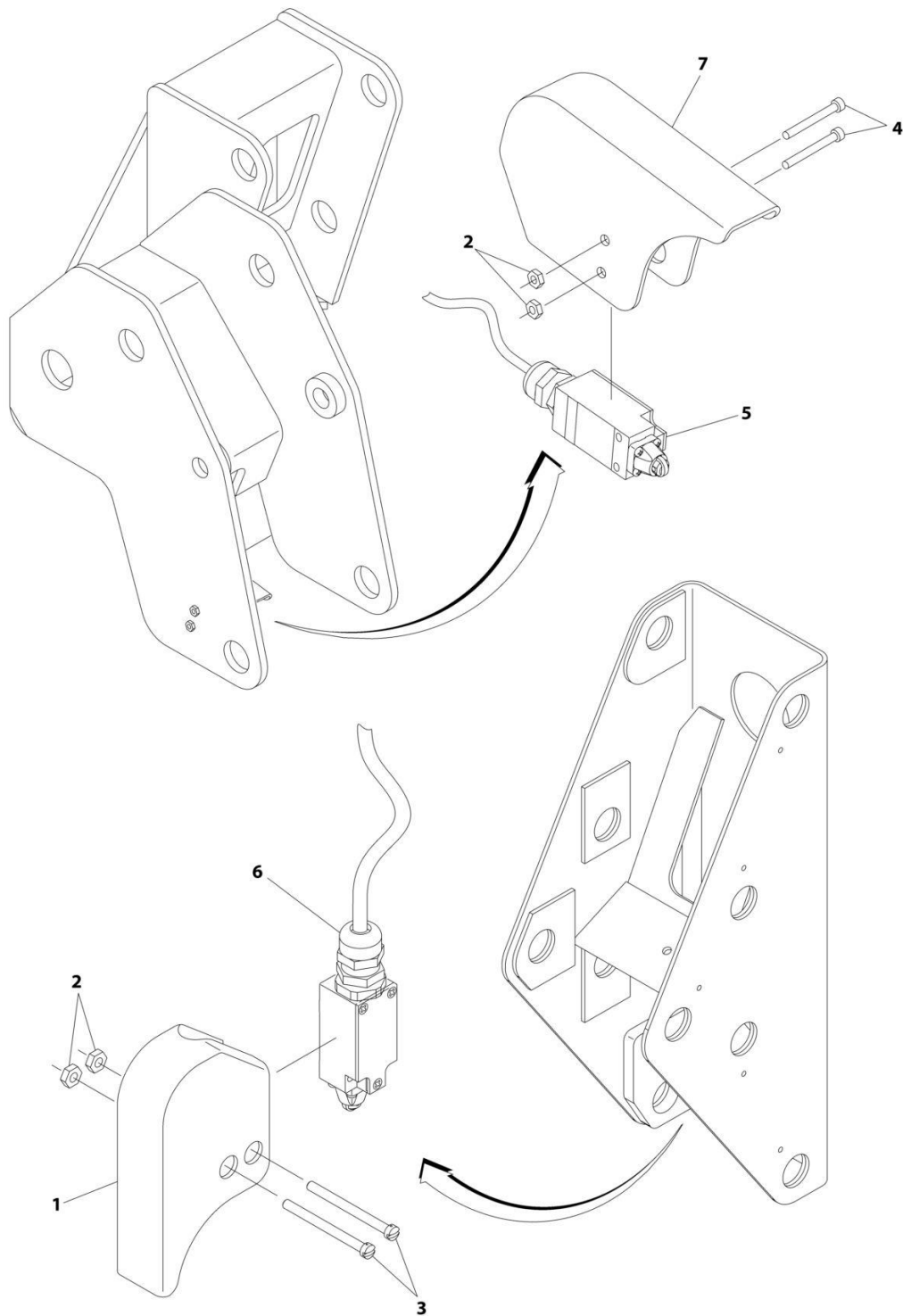
SECTION 3 - BOOM

FIGURE 3-9. PLATFORM SUPPORT INSTALLATION

ITEM	PART NUMBER	QTY	DESCRIPTION	REV
	1001219016	Ref	PLATFORM SUPPORT INSTALLATION	F
1	0100011	AR	Compound, Locking	
2	0681608	6	Bolt 3/8 x 1	
4	0761014	4	Bolt M10 x 30	
5	0761215	8	Bolt M12 x 35	
6	3291001	4	Nut M10	
7	3291005	2	Nut M10	
8	3291201	3	Nut M12	
9	3841143	4	Keeper	
12	4812000	8	Washer M10	
13	4812100	5	Washer M12	
14	4891600	6	Washer 3/8	
15	5251008	2	Bolt M10 x 16	
16	5251016	2	Bolt M10 x 40	
18	1001098828	2	Bolt M12 x 70 Grade 10.9	
20	1001247468	1	Sensor, Load Cell	
21	1001188622	1	Screw M12	
22	1001188844	1	Bolt M12 x 35	
23	1001190985	1	Pad, Wear	
24	1001200491	1	Plate	
25	1001216630	2	Decal - Tie Down/No Lift	
26	1001217228	1	Platform Support	
27	1001217242	2	Pin	
28	1001217243	2	Pin	
29	1001217244	2	Link, LSS Assembly	
29	1001217413	4	Bearing	
29	1001217249	1	Seal	
31	1001217253	8	Bearing	
32	1001217254	4	Bearing	
33	1001217267	1	Support, Rotary	
34	2920151	1	Light	
35	4460226	2	Socket, Female	
36	4460424	1	Connector - 2 Position	
37	0760610	1	Bolt M6 x 20	
38	1320136	1	Clamp	
39	3290605	1	Nut	
41	4060804	1.5 ft/ 0.5m	Flex-Trim	
42	4060805	1.5 ft/ 0.5m	Flex-Trim	
43	4811702	3	Washer M6	
44	1001228627	1	Cover, Platform Support and LSS	
45	3291205	8	Nut M12	
46	5241200	16	Washer M12	
47	0760606	2	Bolt M6 x 12	

SECTION 3 - BOOM

FIGURE 3-10. BOOM LIMIT SWITCHES INSTALLATION



ART_1001187788

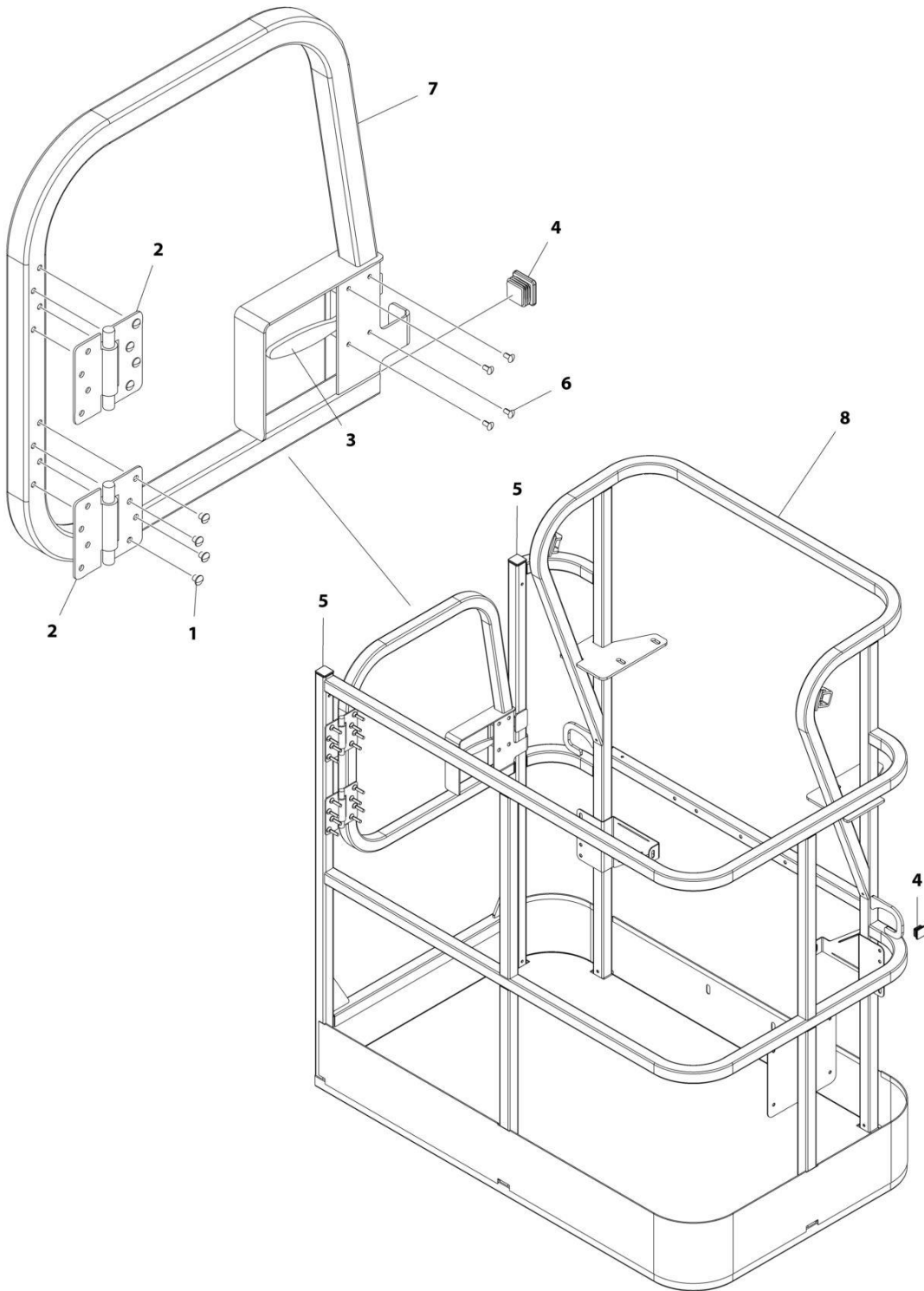
FIGURE 3-10. BOOM LIMIT SWITCHES INSTALLATION

ITEM	PART NUMBER	QTY	DESCRIPTION	REV
	1001187788	Ref	BOOM LIMIT SWITCHES INSTALLATION	F
1	1670832	1	Cover, Switch - Lower	
2	3311005	AR	Nut #10	
2	3310805	AR	Nut #8	
3	3900104	AR	Screw #10 x 2-1/4	
3	3930828	AR	Screw #8 x 1-3/4	
4	3931028	2	Screw #10 x 1-3/4	
4	3930836	2	Screw #8 x 2-1/4	
5	1001187775	1	Limit Switch Harness - Upper (Includes Limit Switch) (See Separate Breakdown in ELECTRICAL SECTION)	
6	1001187776	1	Limit Switch Harness - Lower (Includes Limit Switch) (See Separate Breakdown in ELECTRICAL SECTION)	
7	1670833	1	Cover, Switch	
8	3310805	AR	Nut #8	

SECTION 4 - PLATFORM

SECTION 4 - PLATFORM

FIGURE 4-1. PLATFORM ASSEMBLY - 4FT/1.22M - SIDE GATE ENTRY



ART_1001186387

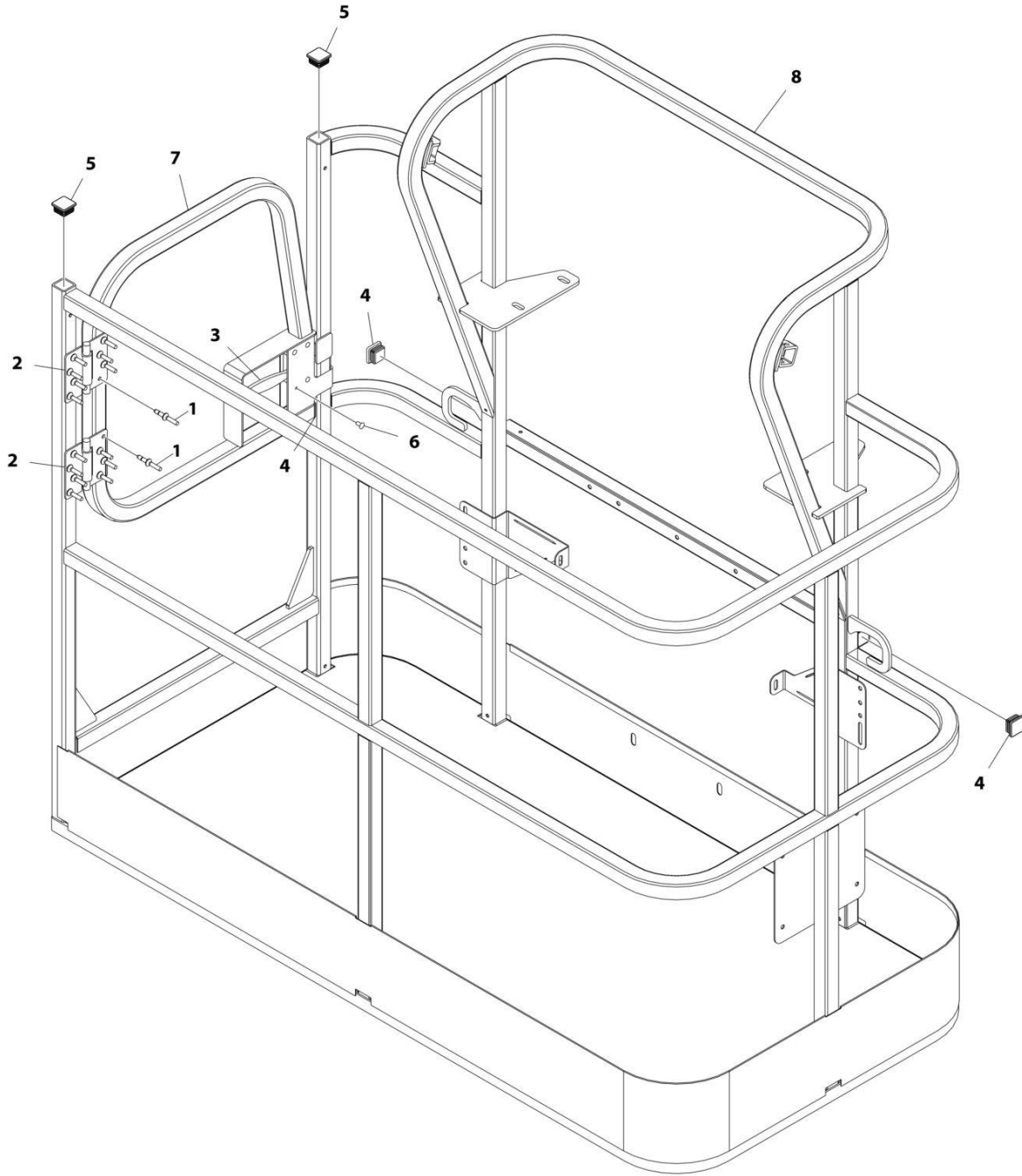
SECTION 4 - PLATFORM

FIGURE 4-1. PLATFORM ASSEMBLY - 4FT/1.22M - SIDE GATE ENTRY

ITEM	PART NUMBER	QTY	DESCRIPTION	REV
	1001186387	Ref	PLATFORM ASSEMBLY	C
		Ref	Note: Platform and Mesh must be ordered separately for Platforms with Mesh. See SPECIAL OPTIONS SECTION for Mesh Installations.	
		Ref	Note: Replacement Decals Must be Ordered Separately - See DECALS SECTION.	
1	2080040	16	Fastener, Huck	
2	2600281	2	Hinge, Self-Closing	
3	2940074	1	Latch	
4	3520072	3	Plug	
5	3520198	2	Plug	
6	3820020	4	Rivet	
7	1001144629	1	Gate	
8	See Note	1	Platform (Note: Not Available - Purchase Platform Assembly)	

SECTION 4 - PLATFORM

FIGURE 4-2. PLATFORM ASSEMBLY - 5FT/1.52M - SIDE GATE ENTRY



ART_1001186386

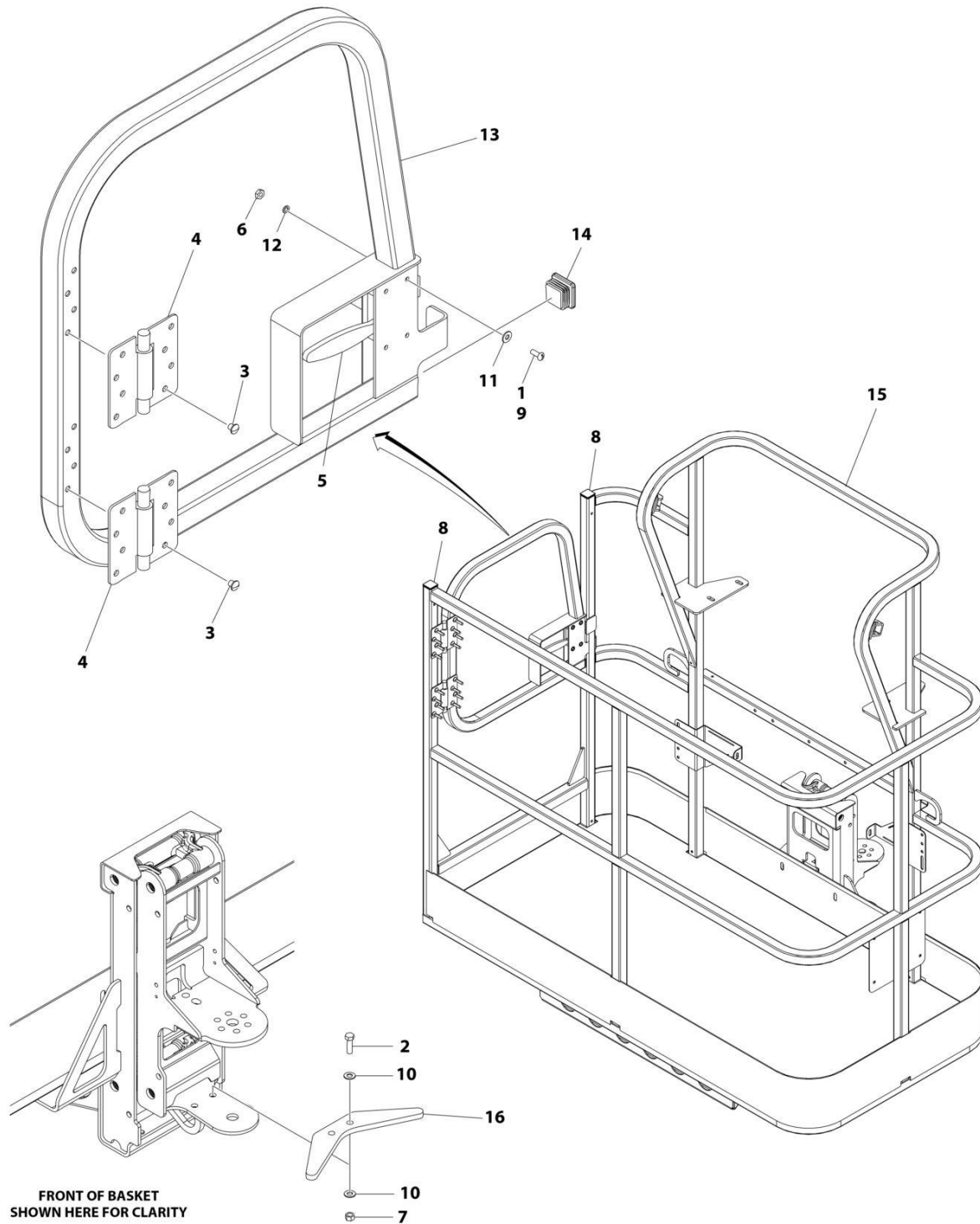
SECTION 4 - PLATFORM

FIGURE 4-2. PLATFORM ASSEMBLY - 5FT/1.52M - SIDE GATE ENTRY

ITEM	PART NUMBER	QTY	DESCRIPTION	REV
	1001186386	Ref	PLATFORM ASSEMBLY	C
		Ref	Note: Platform and Mesh must be ordered separately for Platforms with Mesh. See SPECIAL OPTIONS SECTION for Mesh Installations.	
		Ref	Note: Replacement Decals Must be Ordered Separately - See DECALS SECTION.	
1	2080040	16	Fastener, Huck	
2	2600281	2	Hinge, Self-Closing	
3	2940074	1	Latch	
4	3520072	3	Plug	
5	3520198	2	Plug	
6	3820020	4	Rivet	
7	1001144629	1	Gate	
8	See Note	NSS	Platform (Note: Not Available - Purchase Platform Assembly)	

SECTION 4 - PLATFORM

FIGURE 4-3. PLATFORM ASSEMBLY - 5FT/1.52M - SIDE GATE ENTRY - W/STOP AND 1 CELL LSS



ART_1001222685

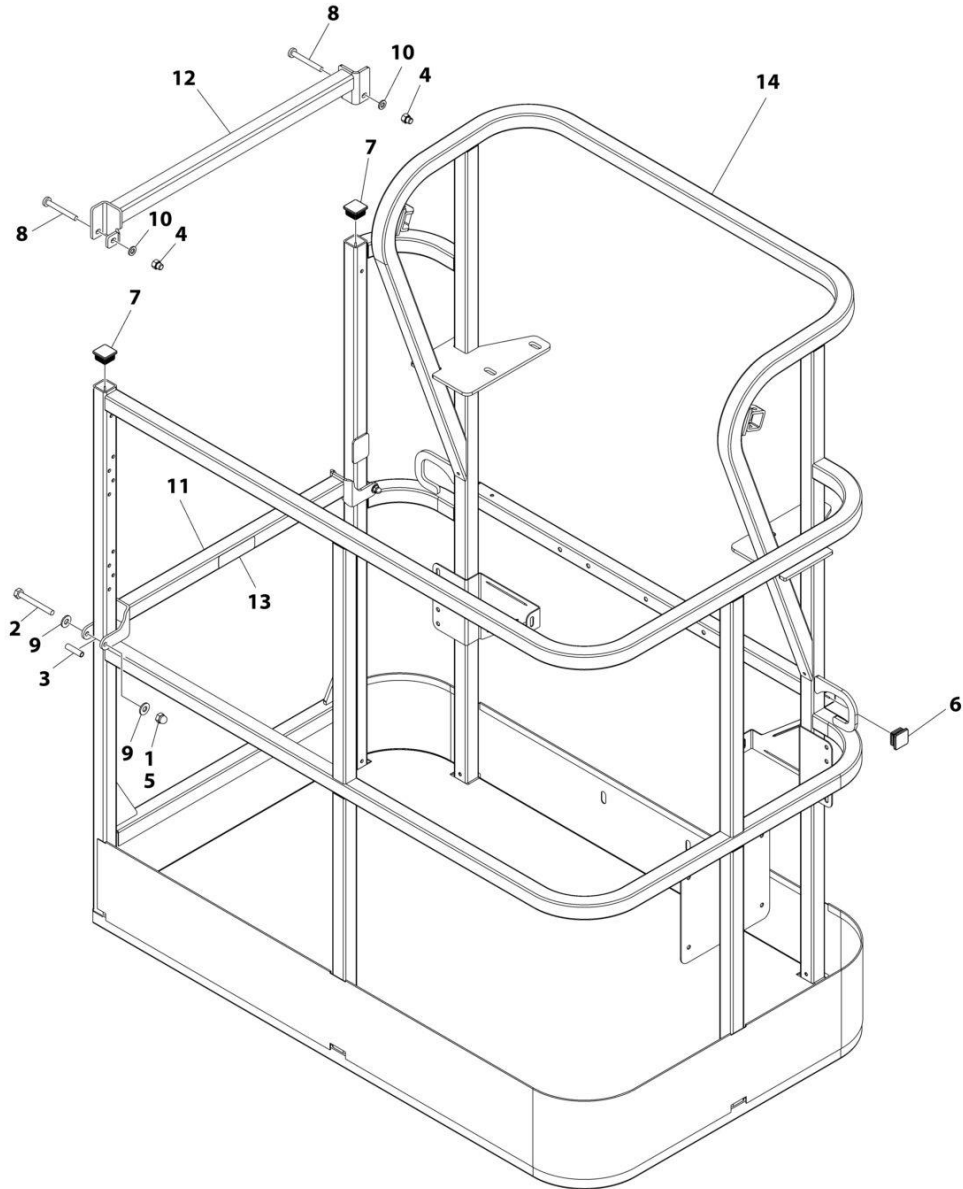
SECTION 4 - PLATFORM

FIGURE 4-3. PLATFORM ASSEMBLY - 5FT/1.52M - SIDE GATE ENTRY - W/STOP AND 1 CELL LSS

ITEM	PART NUMBER	QTY	DESCRIPTION	REV
	1001222685	Ref	PLATFORM ASSEMBLY - 5ft/1.52m - SIDE GATE ENTRY - W/STOP AND 1 CELL LSS	A
		Ref	Note: Platform and Mesh must be ordered separately for Platforms with Mesh. See SPECTIAL OPTIONS SECTION for Mesh Installations.	
		Ref	Note: Replacement Decals Must be Ordered Separately - See DECAL SECTION.	
1	0100011	AR	Compound, Locking	
2	0641610	2	Bolt 3/8 x 1-1/4	
3	2080040	16	Fastener, Huck	
4	2600281	2	Hinge, Self-Closing	
5	2940074	1	Latch	
6	3311001	4	Nut #10	
7	3311605	2	Nut 3/8	
8	3520198	2	Cap-Plug	
9	3911008	4	Screw #10 x 1	
10	4711600	4	Washer 3/8	
11	4751000	4	Washer #10	
12	4761000	4	Washer #10	
13	1001144629	1	Gate Weldment	
14	1001144630	1	Cap-Plug	
15	See Note	1	Platform Weldment (Note: Not Available - Purchase Platform Assembly)	
16	1001217598	1	Stop	

SECTION 4 - PLATFORM

FIGURE 4-4. PLATFORM ASSEMBLY - 4FT/1.22M - DROP BAR ENTRY



ART_1001186375

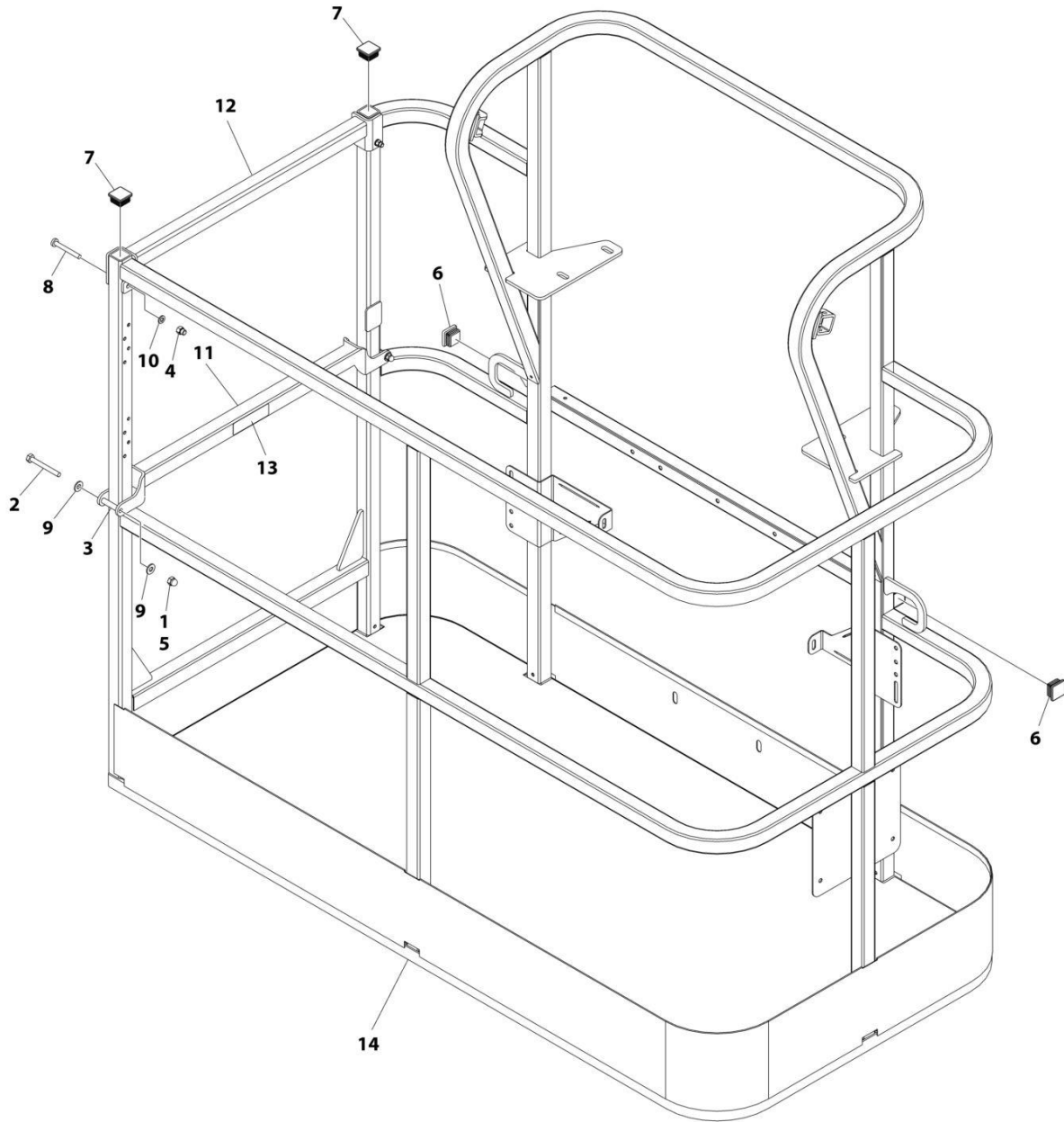
SECTION 4 - PLATFORM

FIGURE 4-4. PLATFORM ASSEMBLY - 4FT/1.22M - DROP BAR ENTRY

ITEM	PART NUMBER	QTY	DESCRIPTION	REV
	1001186375	Ref	PLATFORM ASSEMBLY	B
		Ref	Note: Platform and Mesh must be ordered separately for Platforms with Mesh. See SPECIAL OPTIONS SECTION for Mesh Installations.	
		Ref	Note: Replacement Decals Must be Ordered Separately - See DECALS SECTION.	
1	0100011	AR	Compound, Locking	
2	0641418	2	Bolt 1/4 x 2-1/4	
3	0961845	2	Bushing	
4	3290606	2	Nut M6	
5	3300151	2	Nut 1/4	
6	3520072	2	Plug	
7	3520198	2	Plug	
8	4010618	2	Screw M6 x 50	
9	4711400	4	Washer 1/4	
10	4811700	2	Washer M6	
11	1001138494	1	Bar, Drop	
12	1001138514	1	Rail - Top	
13	1001140429	1	Decal - Drop Bar	
14	See Note	1	Platform (Note: Not Available - Purchase Platform Assembly)	

SECTION 4 - PLATFORM

FIGURE 4-5. PLATFORM ASSEMBLY - 5FT/1.52M - DROP BAR ENTRY



ART_1001186377

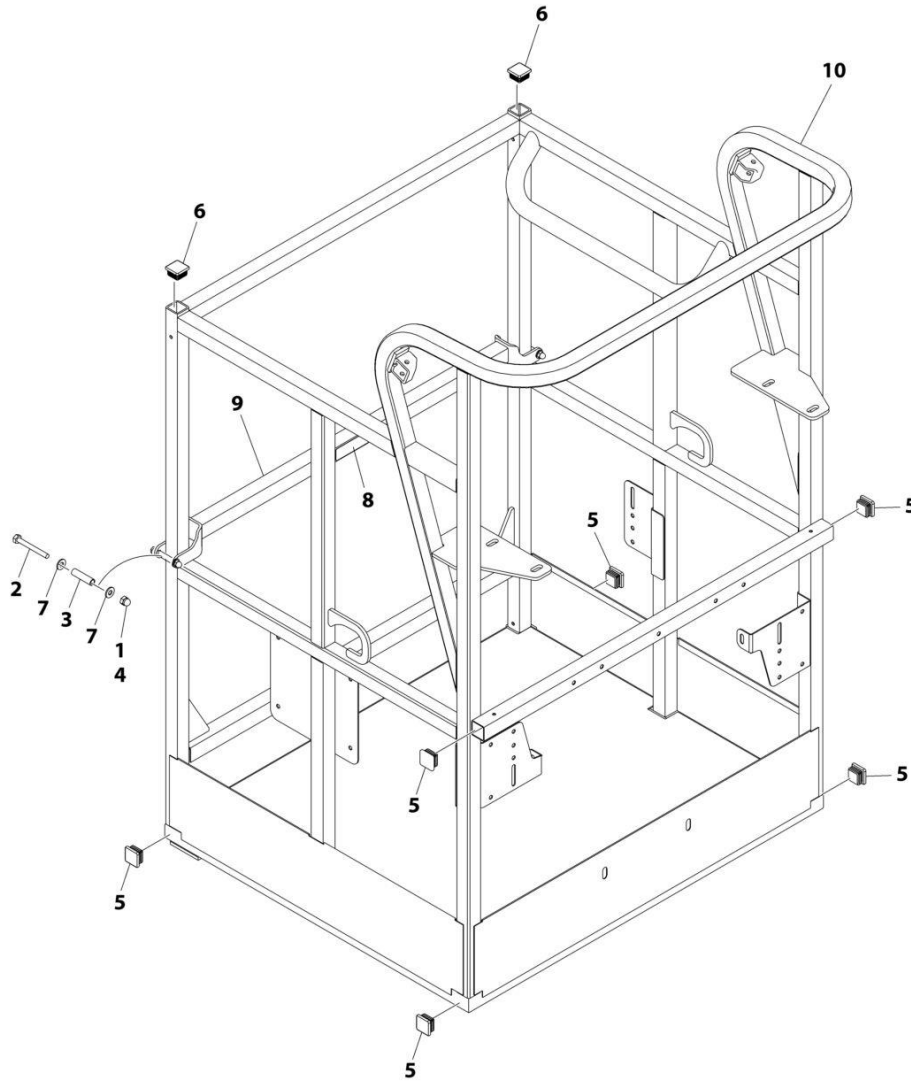
SECTION 4 - PLATFORM

FIGURE 4-5. PLATFORM ASSEMBLY - 5FT/1.52M - DROP BAR ENTRY

ITEM	PART NUMBER	QTY	DESCRIPTION	REV
	1001186377	Ref	PLATFORM ASSEMBLY	C
		Ref	Note: Platform and Mesh must be ordered separately for Platforms with Mesh. See SPECIAL OPTIONS SECTION for Mesh Installations.	
		Ref	Note: Replacement Decals Must be Ordered Separately - See DECALS SECTION.	
1	0100011	AR	Compound, Locking	
2	0641420	2	Bolt 1/4 x 2-1/2	
3	0961845	2	Bushing	
4	3290606	2	Nut M6	
5	3300151	2	Nut 1/4	
6	3520072	2	Plug	
7	3520198	2	Plug	
8	4010618	2	Screw M6 x 50	
9	4711400	4	Washer 1/4	
10	4811700	2	Washer M6	
11	1001138494	1	Bar, Drop	
12	1001138514	1	Rail (Top)	
13	1001140429	1	Decal - Drop Bar	
14	See Note	NSS	Platform (Note: Not Available - Purchase Platform Assembly)	

SECTION 4 - PLATFORM

FIGURE 4-6. PLATFORM ASSEMBLY - 5FT/1.52M - DROP BAR ENTRY



ART_1001228215

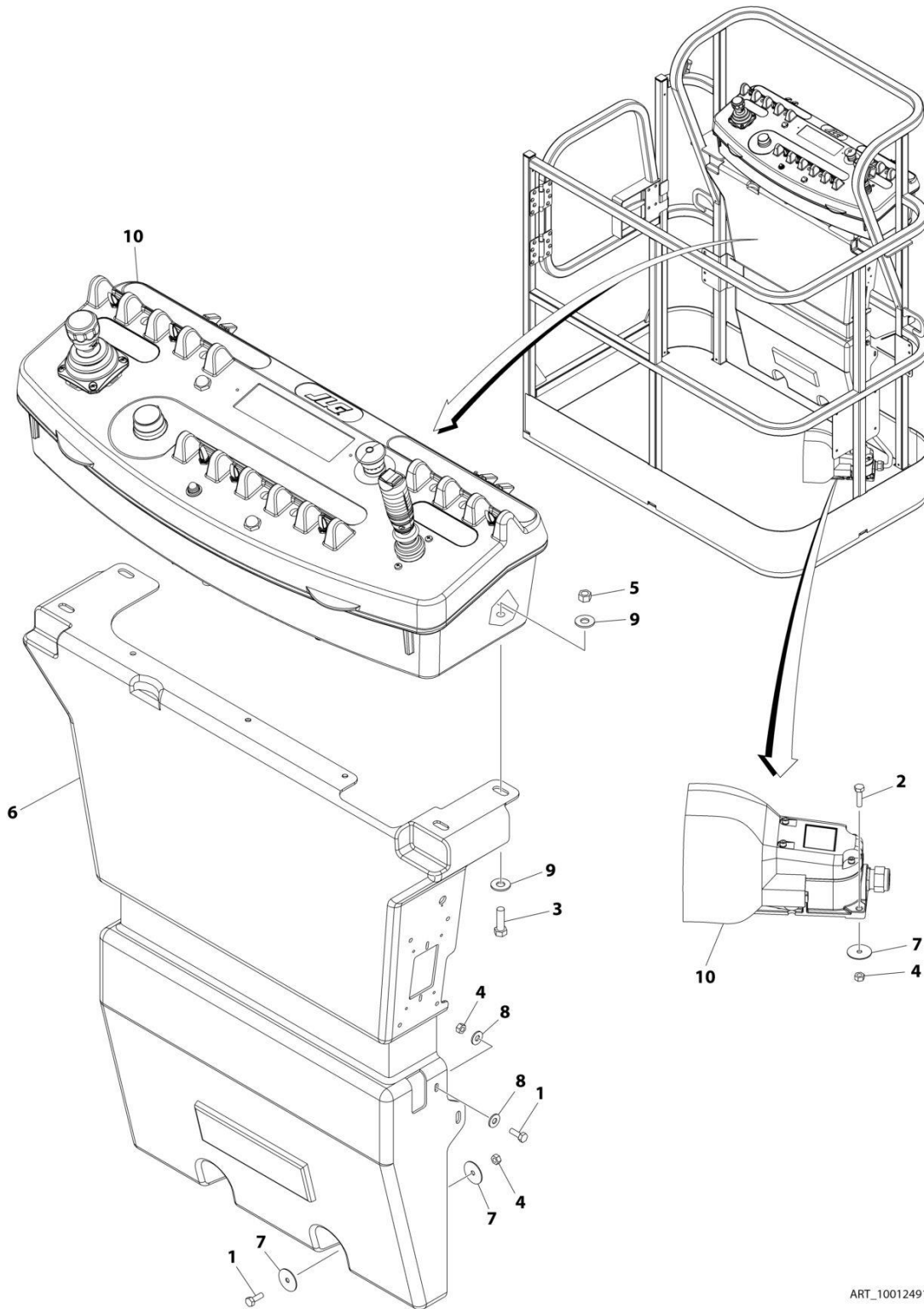
SECTION 4 - PLATFORM

FIGURE 4-6. PLATFORM ASSEMBLY - 5FT/1.52M - DROP BAR ENTRY

ITEM	PART NUMBER	QTY	DESCRIPTION	REV
	1001228215	Ref	PLATFORM ASSEMBLY	A
	See Note	Ref	Note: Platform and Mesh must be ordered separately for Platforms with Mesh. See SPECIAL OPTIONS SECTION for Mesh Installations.	
	See Note	Ref	Note: Replacement Decals Must be Ordered Separately - See DECAL SECTION.	
1	0100011	AR	Compound, Locking	
2	0641418	2	Bolt 1/4 x 2-1/4	
3	0961845	2	Bushing	
4	3300151	2	Nut 1/4	
5	3520072	6	Cap, Plug	
6	3520198	2	Cap, Plug	
7	4711400	4	Washer 1/4	
8	1001140429	1	Decal - Drop Bar	
9	1001226872	1	Bar, Drop	
10	See Note	NSS	Platform (Note: Not Available - Purchase Platform Assembly)	

SECTION 4 - PLATFORM

FIGURE 4-7. PLATFORM CONSOLE AND FOOTSWITCH INSTALLATION - E400ANARROW - NON-UL LISTED (ALL SPEC EXCEPT AUSTRALIAN AND UL SPECS)



ART_1001249159

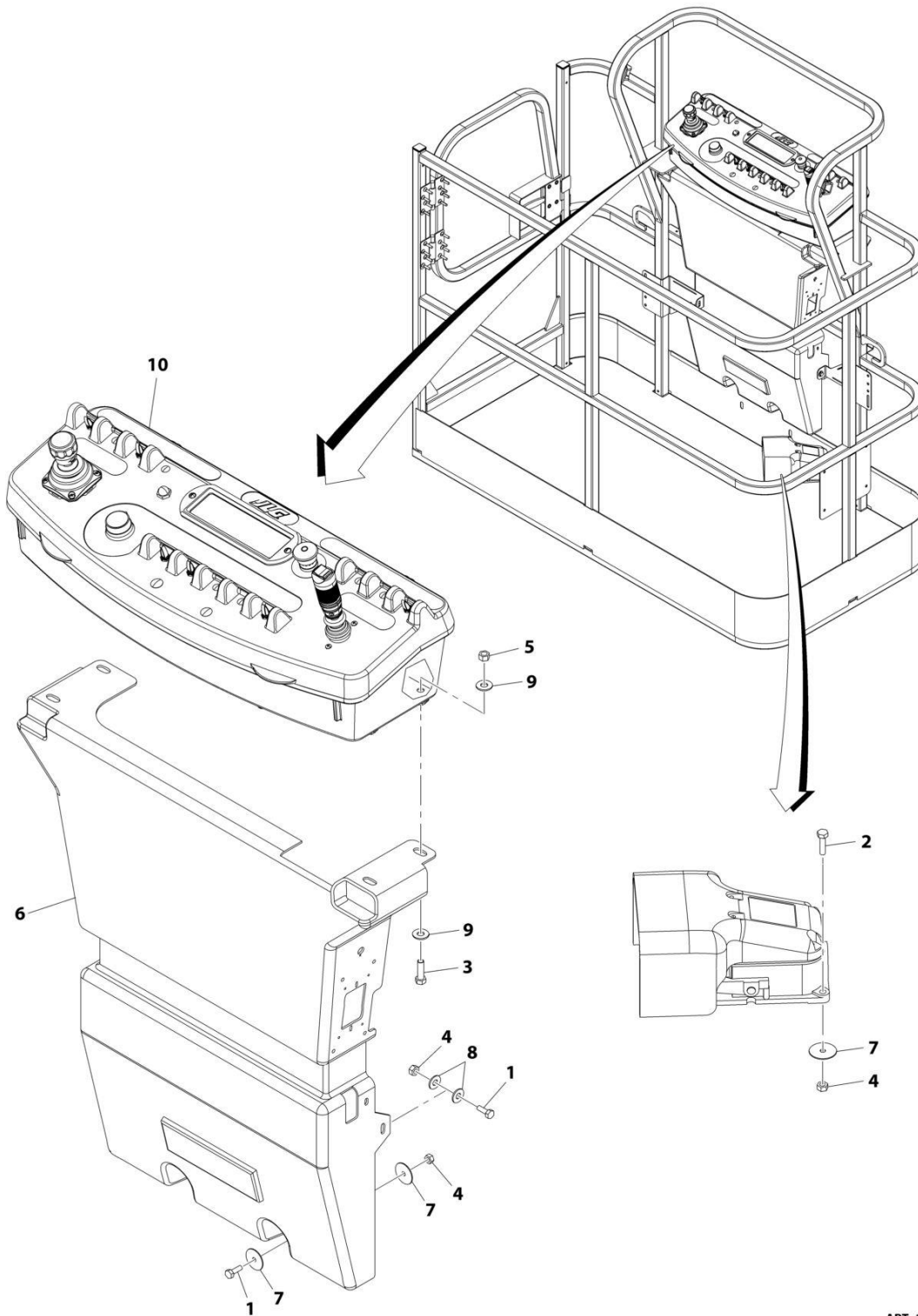
SECTION 4 - PLATFORM

FIGURE 4-7. PLATFORM CONSOLE AND FOOTSWITCH INSTALLATION - E400ANARROW - NON-UL LISTED (ALL SPEC EXCEPT AUSTRALIAN AND UL SPECS)

ITEM	PART NUMBER	QTY	DESCRIPTION	REV
	1001249159	Ref	PLATFORM CONSOLE AND FOOTSWITCH INSTALLATION	A
1	0641406	4	Bolt 1/4 x 3/4	
2	0641408	3	Bolt 1/4 x 1	
3	0641610	4	Bolt 3/8 x 1	
4	3311405	7	Nut 1/4	
5	3311605	4	Nut 3/8	
6	3380434	1	Panel, Pedestal	
7	4740362	7	Washer 1/4	
8	4751400	4	Washer 1/4	
9	4751600	8	Washer 3/8	
10	1001249162	1	Platform Console Assembly (See Separate Breakdown in this Section)	

SECTION 4 - PLATFORM

FIGURE 4-8. PLATFORM CONSOLE AND FOOTSWITCH INSTALLATION - E400ANARROW - UL LISTED (ALL SPECS EXCEPTED AUSTRALIAN, CE, JAPANESE & UK CA SPECS)



ART_1001249153

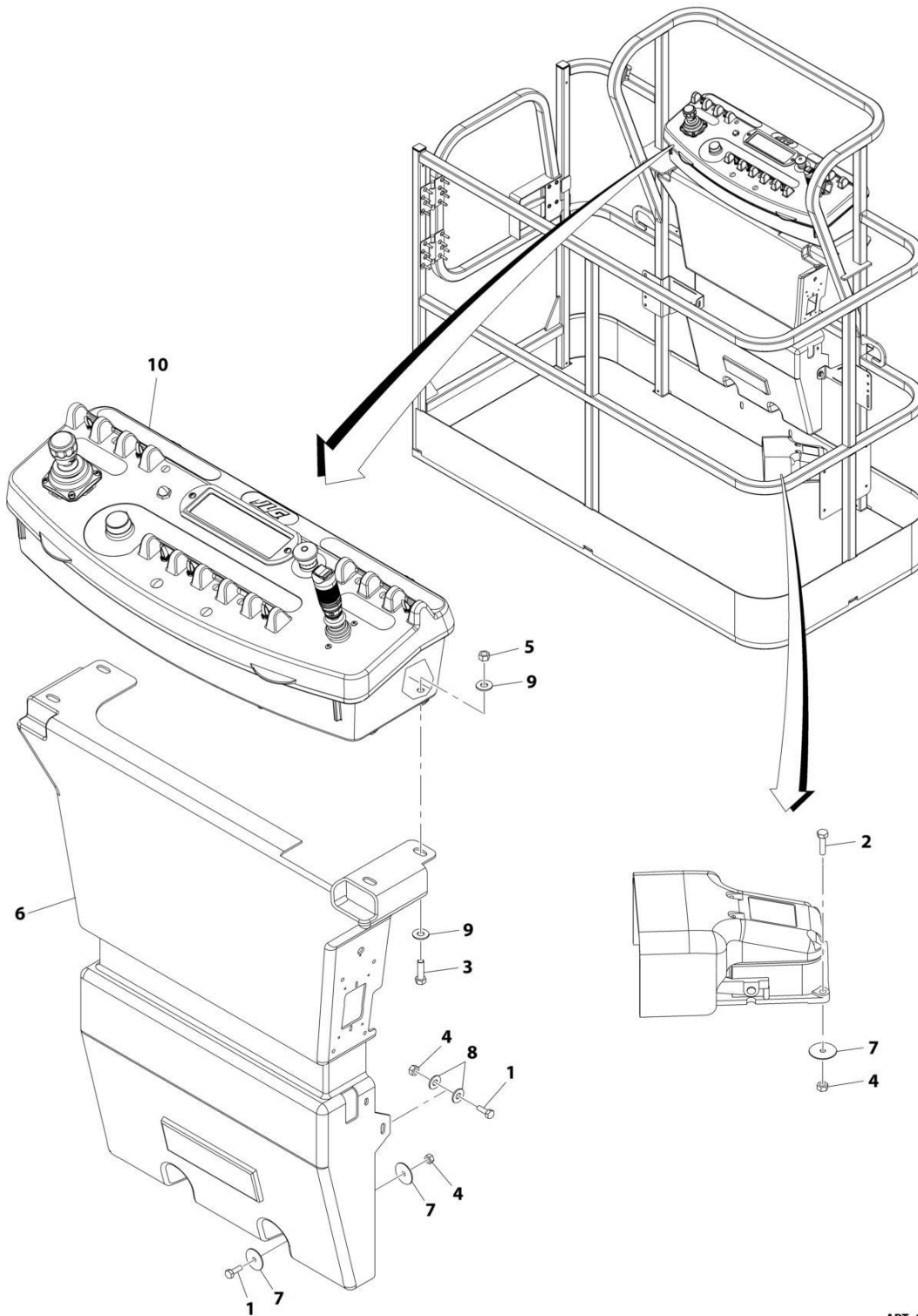
SECTION 4 - PLATFORM

FIGURE 4-8. PLATFORM CONSOLE AND FOOTSWITCH INSTALLATION - E400ANARROW - UL LISTED (ALL SPECS EXCEPTED AUSTRALIAN, CE, JAPANESE & UK CA SPECS)

ITEM	PART NUMBER	QTY	DESCRIPTION	REV
	1001249153	Ref	PLATFORM CONSOLE AND FOOTSWITCH INSTALLATION	A
1	0641406	4	Bolt 1/4 X 3/4	
2	0641408	3	Bolt 1/4 X 1	
3	0641610	4	Bolt 3/8 X 1-1/4	
4	3311405	7	Nut 1/4	
5	3311605	4	Nut, 3/8	
6	3380434	1	Panel, Pedestal	
7	4740362	7	Washer 1/4	
8	4751400	4	Washer 1/4	
9	4751600	8	Washer 3/8	
10	1001249154	1	Platform Console Assembly (See Separate Breakdown in this Section)	

SECTION 4 - PLATFORM

FIGURE 4-9. PLATFORM CONSOLE AND FOOTSWITCH INSTALLATION - E400AJPNARROW - NON-UL LISTED (ALL SPECS EXCEPT UL SPECS)



ART_1001249157

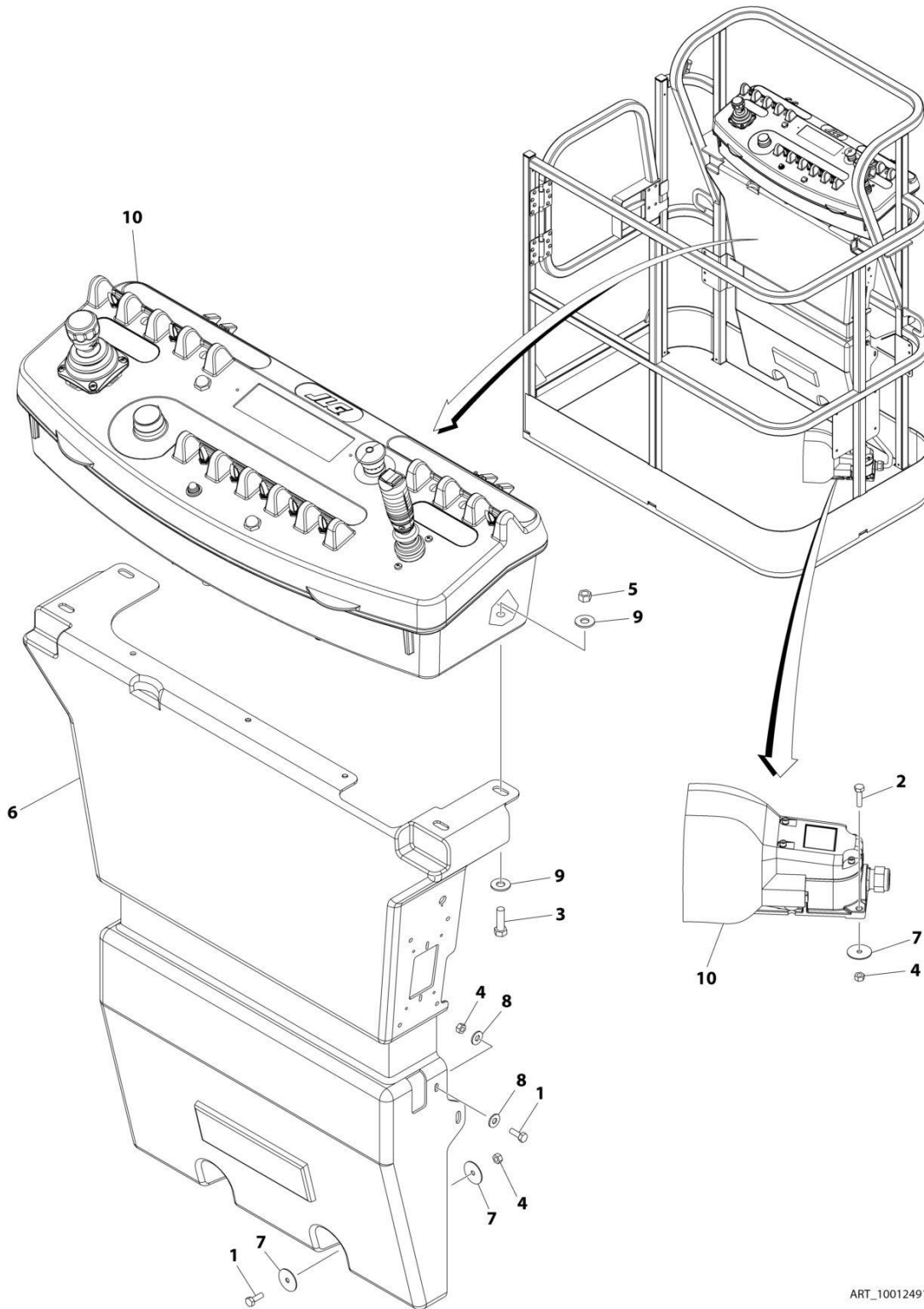
SECTION 4 - PLATFORM

FIGURE 4-9. PLATFORM CONSOLE AND FOOTSWITCH INSTALLATION - E400AJPNARROW - NON-UL LISTED (ALL SPECS EXCEPT UL SPECS)

ITEM	PART NUMBER	QTY	DESCRIPTION	REV
	1001249157	Ref	PLATFORM CONSOLE AND FOOTSWITCH INSTALLATION	A
1	0641406	4	Bolt 1/4 X 3/4	
2	0641408	3	Bolt 1/4 X 1	
3	0641610	4	Bolt 3/8 X 1-1/4	
4	3311405	7	Nut 1/4	
5	3311605	4	Nut, 3/8	
6	3380434	1	Panel, Pedestal	
7	4740362	7	Washer 1/4	
8	4751400	4	Washer 1/4	
9	4751600	8	Washer 3/8	
10	1001249158	1	Platform Console Assembly (See Separate Breakdown in this Section)	

SECTION 4 - PLATFORM

FIGURE 4-10. PLATFORM CONSOLE AND FOOTSWITCH INSTALLATION - E400AJPNARROW - UL LISTED (ALL SPECS EXCEPTED AUSTRALIAN, CE, JAPANESE & UK CA SPECS)



ART_1001249155

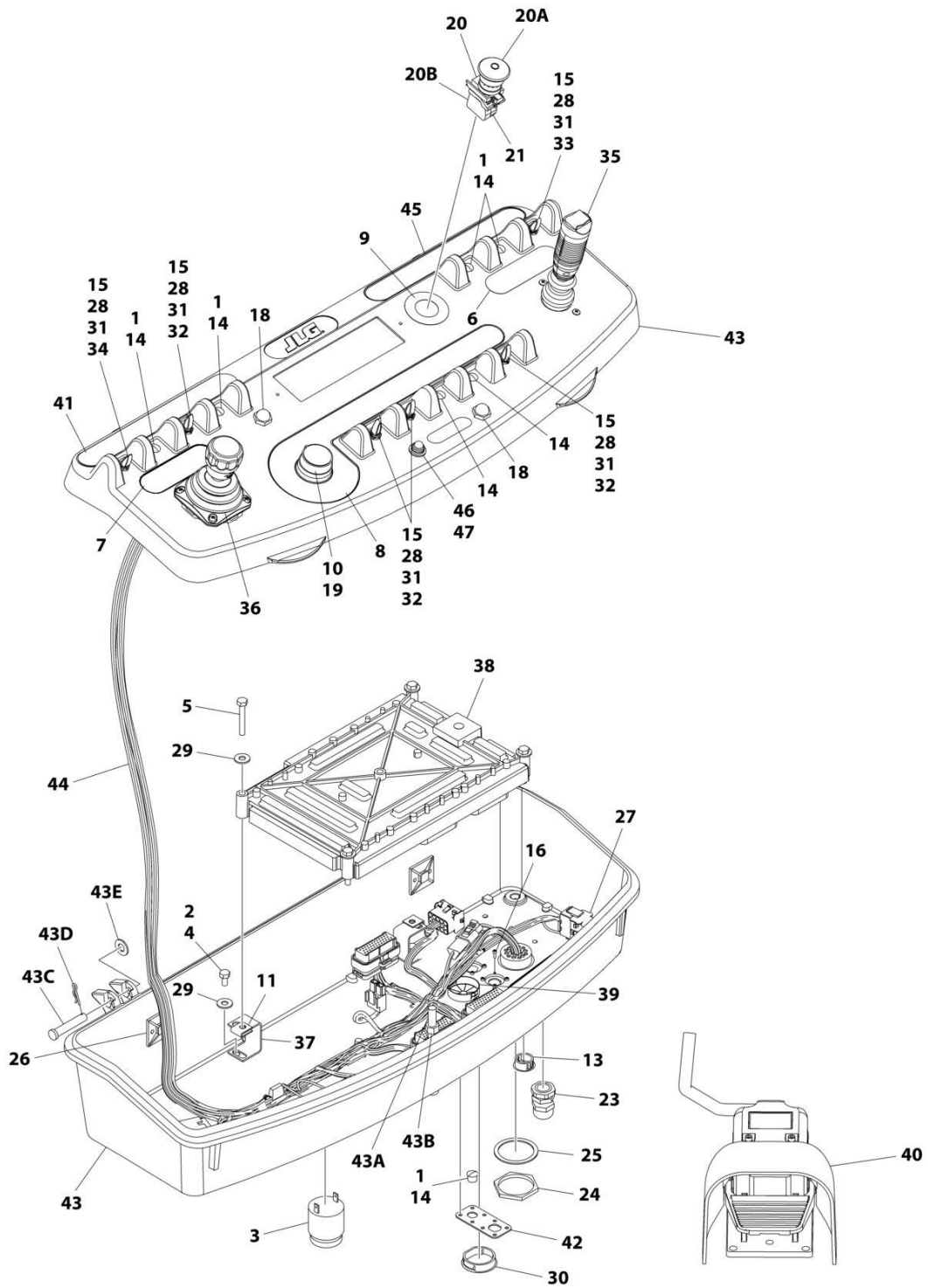
SECTION 4 - PLATFORM

FIGURE 4-10. PLATFORM CONSOLE AND FOOTSWITCH INSTALLATION - E400AJPNARROW - UL LISTED (ALL SPECS EXCEPTED AUSTRALIAN, CE, JAPANESE & UK CA SPECS)

ITEM	PART NUMBER	QTY	DESCRIPTION	REV
	1001249155	Ref	PLATFORM CONSOLE AND FOOTSWITCH INSTALLATION	B
1	0641406	4	Bolt 1/4 X 3/4	
2	0641408	3	Bolt 1/4 X 1	
3	0641610	4	Bolt 3/8 X 1-1/4	
4	3311405	7	Nut 1/4	
5	3311605	4	Nut 3/8	
6	3380434	1	Panel, Pedestal	
7	4740362	7	Washer 1/4	
8	4751400	4	Washer 1/4	
9	4751600	8	Washer 3/8	
10	1001249154	1	Platform Console Assembly (See Separate Breakdown in this Section)	

SECTION 4 - PLATFORM

FIGURE 4-11. PLATFORM CONSOLE ASSEMBLY - E400ANARROW - NON-UL LISTED (ALL SPECS EXCEPT AUSTRALIAN AND UL SPECS)



ART_1001249162

SECTION 4 - PLATFORM

FIGURE 4-11. PLATFORM CONSOLE ASSEMBLY - E400ANARROW - NON-UL LISTED (ALL SPECS EXCEPT AUSTRALIAN AND UL SPECS)

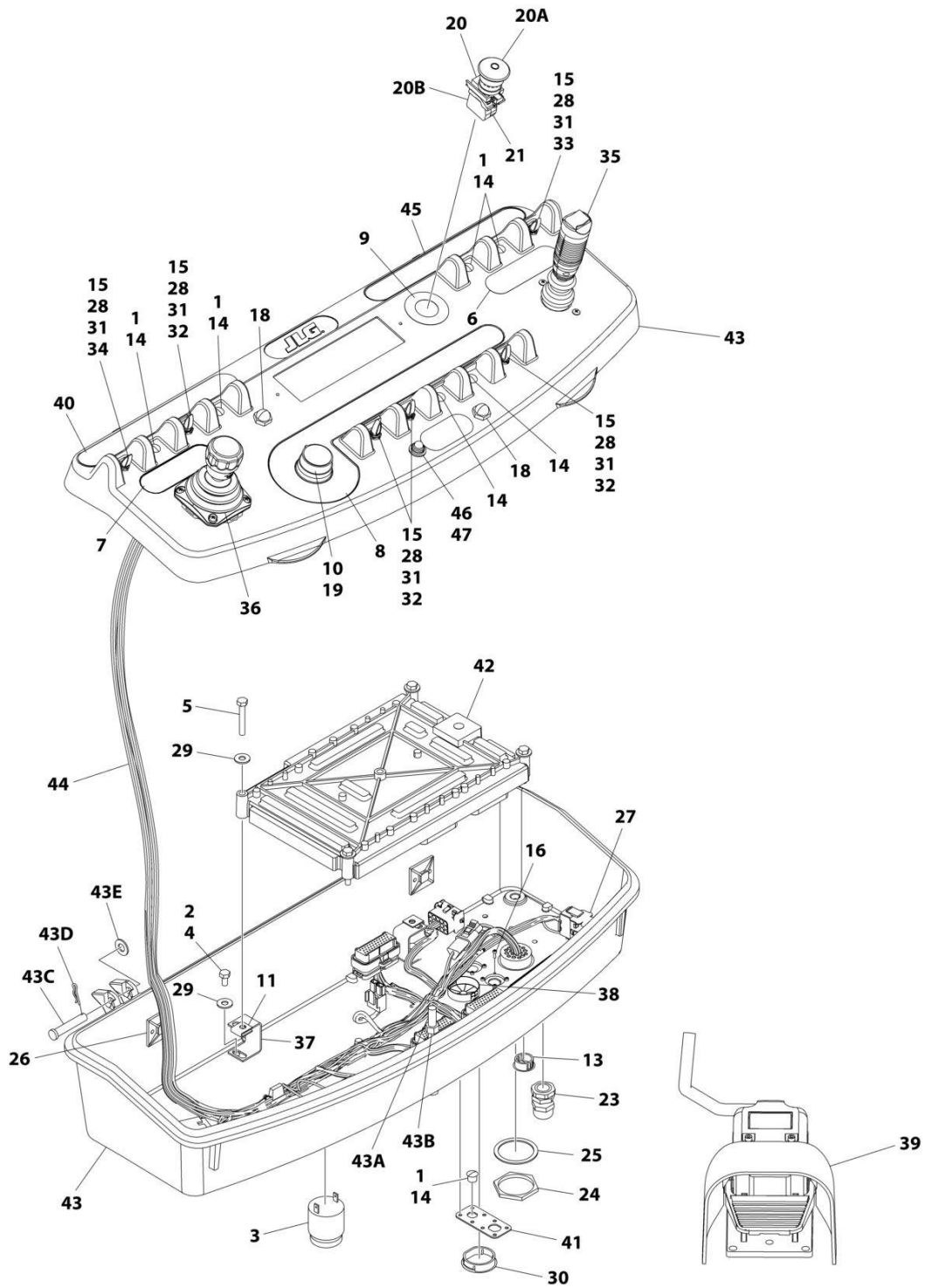
ITEM	PART NUMBER	QTY	DESCRIPTION	REV
	1001249162	Ref	PLATFORM CONSOLE ASSEMBLY	B
1	0100009	AR	Sealant	
2	0100035	AR	Compound, Locking	
3	0140011	1	Alarm	
4	0641404	4	Bolt 1/4 x 1/2	
5	0641414	4	Bolt 1/4 x 1-3/4	
6	1702565	1	Decal - Drive and Steer	
7	1702566	1	Decal - Lift and Swing	
8	1702567	1	Decal - Function Speed	
9	1704260	1	Decal - EMS	
10	2560136	1	Handle, Knob	
11	3300353	4	Nut, Tinnerman	
13	3520030	1	Plug, Hole	
14	3520054	7	Plug, Hole	
15	3790012	6	O-Ring	
16	3900349	8	Screw M2.5	
17	4240032	AR	Tie-Strap (Not Shown)	
18	4360387	2	Switch, Push Button	
19	4360407	1	Switch, Potentiometer	
20	4360475	1	Switch, Emergency Stop	
20A	7020175	1	Cap, Mushroom with Sealing Ring	
20B	7020176	1	Block, Contact	
21	4360476	1	Block, Contact	
22	4460234	4	Mount, Tie-Strap (Not Shown)	
23	4460428	1	Connector, Strain Relief	
24	4460470	1	Nut, Terminal	
25	4460471	1	Washer, Lock Terminal	
26	4460488	3	Base, Terminal Mounting	
27	4460708	1	Connector - 15 Position	
28	4740397	6	Spacer	
29	4751400	8	Washer 1/4	
30	1001110434	1	Plug, D-Shaped	
31	1001155044	6	Nut 15/32	
32	1001155045	4	Switch, Toggle	
33	1001159256	1	Switch, Toggle	
34	1001161710	1	Switch, Toggle	
35	1001166538	NLA	Controller Assembly - Drive and Steer (Use p/n 1001212415) (See Separate Breakdown in this Section)	
36	1001166539	NLA	Controller Assembly - Lift and Swing (Use p/n 1001129555) (See Separate Breakdown in this Section)	
37	1001172760	4	Bracket, Module	
38	1001182724	1	Module, PC (Note: Re-calibration Required when Replaced)	
39	1001185281	1	Plug, Bushing	
40	1001189039	1	Footswitch Assembly (See Separate Breakdown in this Section)	
41	1001193987	1	Decal - Horn and Drive Select	
42	1001213882	1	Mount, Connector	
43	1001215228	1	Console Box Assembly	
43A	0630568	1	Capscrew 3/8 x 4-1/2	
43B	3311601	1	Nut 3/8	

SECTION 4 - PLATFORM

ITEM	PART NUMBER	QTY	DESCRIPTION	REV
43C	3430616	2	Pin, Clevis	
43D	3470003	2	Pin, Cotter	
43E	4711600	2	Washer 3/8	
44	1001245673	1	Platform Console Box Harness (See Separate Breakdown in ELECTRICAL SECTION)	
45	1001247538	1	Decal - Stop - Generator	
46	2920028	1	Light, Indicator	
47	2920029	1	Lamp, Bulb	

SECTION 4 - PLATFORM

FIGURE 4-12. PLATFORM CONSOLE ASSEMBLY - E400ANARROW/E400AJPNARROW - UL LISTED
(ALL SPECS EXCEPTED AUSTRALIAN, CE, JAPANESE & UK CA SPECS)



ART_1001249154_C

SECTION 4 - PLATFORM

**FIGURE 4-12. PLATFORM CONSOLE ASSEMBLY - E400ANARROW/E400AJPNARROW - UL LISTED
(ALL SPECS EXCEPTED AUSTRALIAN, CE, JAPANESE & UK CA SPECS)**

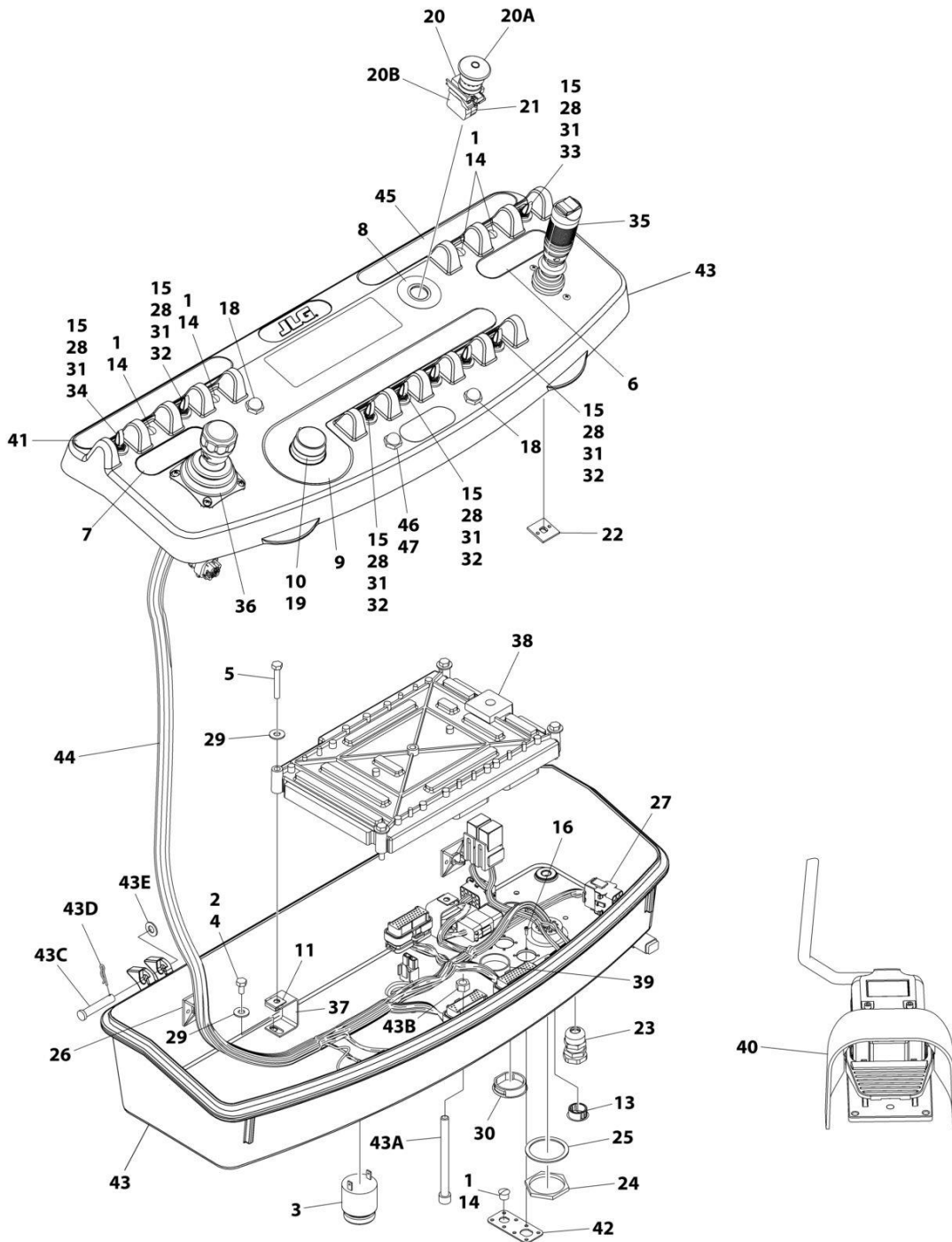
ITEM	PART NUMBER	QTY	DESCRIPTION	REV
	1001249154	Ref	PLATFORM CONSOLE ASSEMBLY	C
1	0100009	AR	Sealant	
2	0100035	AR	Compound, Locking	
3	0140011	1	Alarm	
4	0641404	4	Bolt 1/4 x 1/2	
5	0641414	4	Bolt 1/4 x 1-3/4	
6	1702565	1	Decal - Drive and Steer	
7	1702566	1	Decal - Lift and Swing	
8	1702567	1	Decal - Function Speed	
9	1704260	1	Decal - EMS	
10	2560136	1	Handle, Knob	
11	3300353	4	Nut	
13	3520030	1	Plug, Hole	
14	3520054	5	Plug, Hole	
15	3790012	8	O-Ring	
16	3900349	8	Screw M2.5	
17	4240032	AR	Tie-Strap (Not Shown)	
18	4360387	2	Switch, Push Button	
19	4360407	1	Switch, Potentiometer	
20	4360475	1	Switch, Emergency Stop	
20A	7020175	1	Cap, Mushroom with Sealing Ring	
20B	7020176	1	Block, Contact	
21	4360476	1	Block, Contact	
22	4460234	4	Mount, Tie-Strap (Not Shown)	
23	4460428	1	Connector, Strain Relief	
24	4460470	1	Nut	
25	4460471	1	Washer, Lock Terminal	
26	4460488	2	Base, Terminal Mounting	
27	4460708	1	Connector - 15 Position	
28	4740397	8	Spacer	
29	4751400	8	Washer 1/4	
30	1001110434	1	Plug, D-Shaped	
31	1001155044	8	Nut 15/32	
32	1001155045	6	Switch, Toggle	
33	1001159256	1	Switch, Toggle	
34	1001161710	1	Switch, Toggle	
35	1001166538	NLA	Controller Assembly - Drive and Steer (Use p/n 1001212415) (See Separate Breakdown in this Section)	
36	1001166539	NLA	Controller Assembly - Lift and Swing (Use p/n 1001129555) (See Separate Breakdown in this Section)	
37	1001172760	4	Bracket, Module	
38	1001185281	1	Plug, Bushing	
39	1001189039	1	Footswitch Assembly (See Separate Breakdown in this Section)	
40	1001193987	1	Decal - Horn and Drive Select	
41	1001213882	1	Mount, Connector	
42	1001215835	1	Module, PC (Note: Re-calibration Required when Replaced)	
43	1001215228	1	Console Box Assembly	
43A	0630568	1	Capscrew 3/8 x 4-1/2	
43B	3311601	1	Nut 3/8	

SECTION 4 - PLATFORM

ITEM	PART NUMBER	QTY	DESCRIPTION	REV
43C	3430616	2	Pin, Clevis	
43D	3470003	2	Pin, Cotter	
43E	4711600	2	Washer 3/8	
44	1001272279	1	Harness, Platform Console Box (With 1 Cell LSS) (See Separate Breakdown in ELECTRICAL Section)	
45	1001247538	1	Decal - Stop - Generator	
46	2920028	1	Light, Indicator	
47	2920029	1	Lamp, Bulb	

SECTION 4 - PLATFORM

FIGURE 4-13. PLATFORM CONSOLE ASSEMBLY - E400AJPNARROW - NON-UL LISTED (ALL SPECS EXCEPT UL SPECS)



ART_1001249158

SECTION 4 - PLATFORM

FIGURE 4-13. PLATFORM CONSOLE ASSEMBLY - E400AJPNARROW - NON-UL LISTED (ALL SPECS EXCEPT UL SPECS)

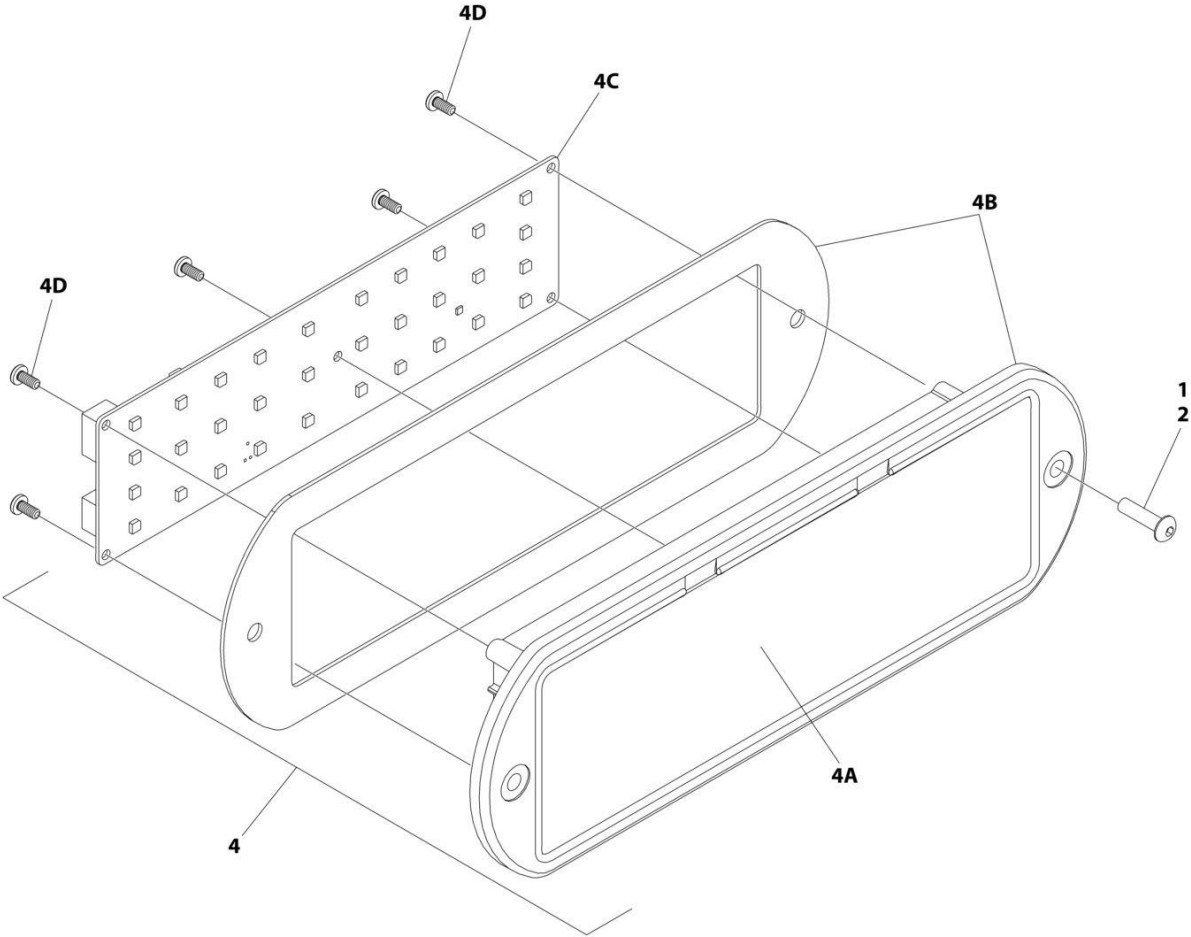
ITEM	PART NUMBER	QTY	DESCRIPTION	REV
	1001249158	Ref	PLATFORM CONSOLE ASSEMBLY	B
1	0100009	AR	Sealant	
2	0100035	AR	Compound, Locking	
3	0140011	1	Alarm	
4	0641404	4	Bolt 1/4 x 1/2	
5	0641414	4	Bolt 1/4 x 1-3/4	
6	1702565	1	Decal - Drive and Steer	
7	1702566	1	Decal - Lift and Swing	
8	1704260	1	Decal - EMS	
9	1704422	1	Decal - Function Speed	
10	2560136	1	Handle, Knob	
11	3300353	4	Nut, Tinnerman	
13	3520030	1	Plug, Hole	
14	3520054	5	Plug, Hole	
15	3790012	8	O-Ring	
16	3900349	8	Screw M2.5	
17	4240032	AR	Tie-Strap (Not Shown)	
18	4360387	2	Switch, Push Button	
19	4360407	1	Switch, Potentiometer	
20	4360475	1	Switch, Emergency Stop	
20A	7020175	1	Cap, Mushroom with Sealing Ring	
20B	7020176	1	Block, Contact	
21	4360476	1	Block, Contact	
22	4460234	4	Mount, Tie-Strap (Not Shown)	
23	4460428	1	Connector, Strain Relief	
24	4460470	1	Nut, Terminal	
25	4460471	1	Washer, Lock Terminal	
26	4460488	2	Base, Terminal Mounting	
27	4460708	1	Connector - 15 Position	
28	4740397	8	Spacer	
29	4751400	8	Washer 1/4	
30	1001110434	1	Plug, D-Shaped	
31	1001155044	8	Nut 15/32	
32	1001155045	6	Switch, Toggle	
33	1001159256	1	Switch, Toggle	
34	1001161710	1	Switch, Toggle	
35	1001166538	NLA	Controller Assembly - Drive and Steer (Use p/n 1001212415) (See Separate Breakdown in this Section)	
36	1001166539	NLA	Controller Assembly - Lift and Swing (Use p/n 1001129555) (See Separate Breakdown in this Section)	
37	1001172760	4	Bracket, Module	
38	1001182724	1	Module, PC (Note: Re-calibration Required when Replaced)	
39	1001185281	1	Plug, Bushing	
40	1001189039	1	Footswitch Assembly (See Separate Breakdown in this Section)	
41	1001193987	1	Decal - Horn and Drive Select	
42	1001213882	1	Mount, Connector	
43	1001215228	1	Console Box Assembly	
43A	0630568	1	Capscrew 3/8 x 4-1/2	
43B	3311601	1	Nut 3/8	

SECTION 4 - PLATFORM

ITEM	PART NUMBER	QTY	DESCRIPTION	REV
43C	3430616	2	Pin, Clevis	
43D	3470003	2	Pin, Cotter	
43E	4711600	2	Washer 3/8	
44	1001245673	1	Harness, Platform Console Box (With 1 Cell LSS) (See Separate Breakdown in ELECTRICAL SECTION)	
45	1001247538	1	Decal - Stop - Generator	
46	2920028	1	Light, Indicator	
47	2920029	1	Lamp, Bulb	

SECTION 4 - PLATFORM

FIGURE 4-14. LIGHT PANEL INSTALLATION



ART_1001245179

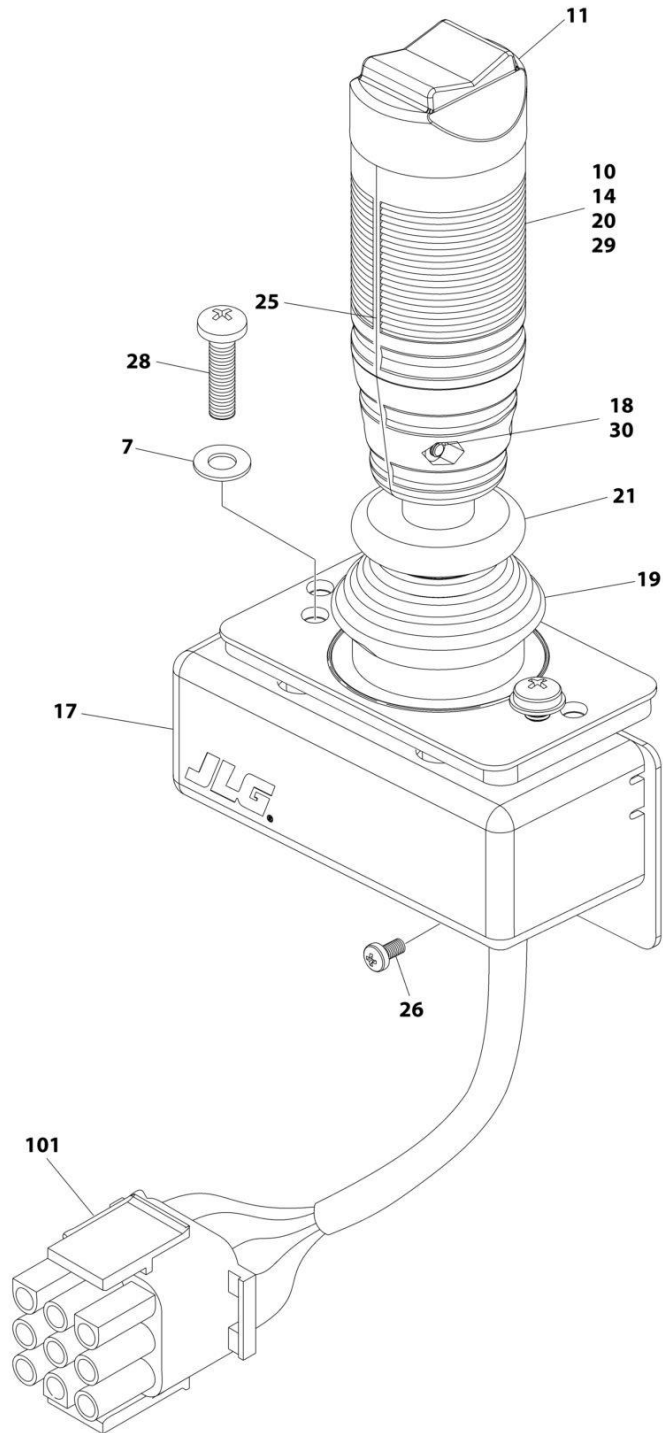
SECTION 4 - PLATFORM

FIGURE 4-14. LIGHT PANEL INSTALLATION

ITEM	PART NUMBER	QTY	DESCRIPTION	REV
	1001245179	Ref	LIGHT PANEL INSTALLATION	B
1	0100035	AR	Compound, Locking	
2	3911010	2	Screw #10 x 5/8	
4	1001245210	1	Light Panel Assembly	
4A	1001245164	1	Lens, I-Con	
4B	1001245173	1	Bezel (Includes Gasket)	
4C	1001238732	1	Panel, LED Light	
4D		Ref	Screw	

SECTION 4 - PLATFORM

FIGURE 4-15. CONTROLLER ASSEMBLY - DRIVE AND STEER



ART_1001166538

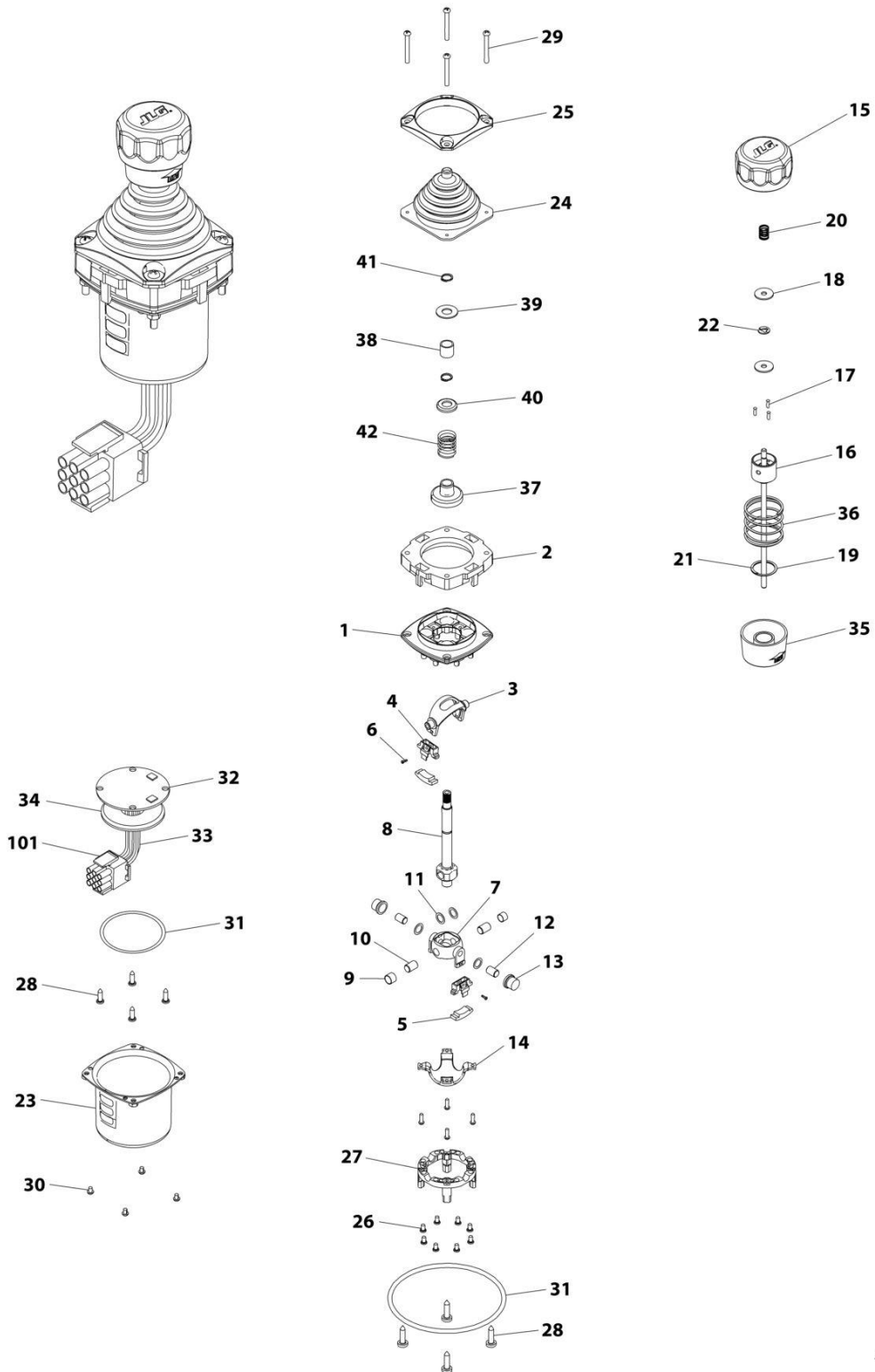
SECTION 4 - PLATFORM

FIGURE 4-15. CONTROLLER ASSEMBLY - DRIVE AND STEER

ITEM	PART NUMBER	QTY	DESCRIPTION	REV
	1001166538	Ref	CONTROLLER ASSEMBLY - DRIVE AND STEER	G
		Ref	Note: For Replacement, Use p/n 1001212415.	
7	70004738	2	Washer	
10	70004739	1	Roller	
11	70004740	1	Boot, Switch	
14	70004741	2	Half, Handle	
17	70004742	1	Enclosure	
18	70004743	4	Nut	
19	70004744	NLA	Boot, Controller (Use p/n 70005230 Boot/Base Assembly)	
20	70004745	NLA	Tube, Locking (Use p/n 70005230 Boot/Base Assembly)	
21	70004746	NLA	Disc, Locking (Use p/n 70005230 Boot/Base Assembly)	
25	70004747	2	Seal, Rope	
26	70004748	1	Screw M3 x 6	
28	70004749	2	Screw M5 x 20	
29	70004750	1	Pin, Dowel	
30	70004751	4	Screw M3 x 16	
101	4460265	1	Connector - 9 Position	
101	4460226	7	Socket, Female	

SECTION 4 - PLATFORM

FIGURE 4-16. CONTROLLER ASSEMBLY - LIFT AND SWING



ART_1001166539

SECTION 4 - PLATFORM

FIGURE 4-16. CONTROLLER ASSEMBLY - LIFT AND SWING

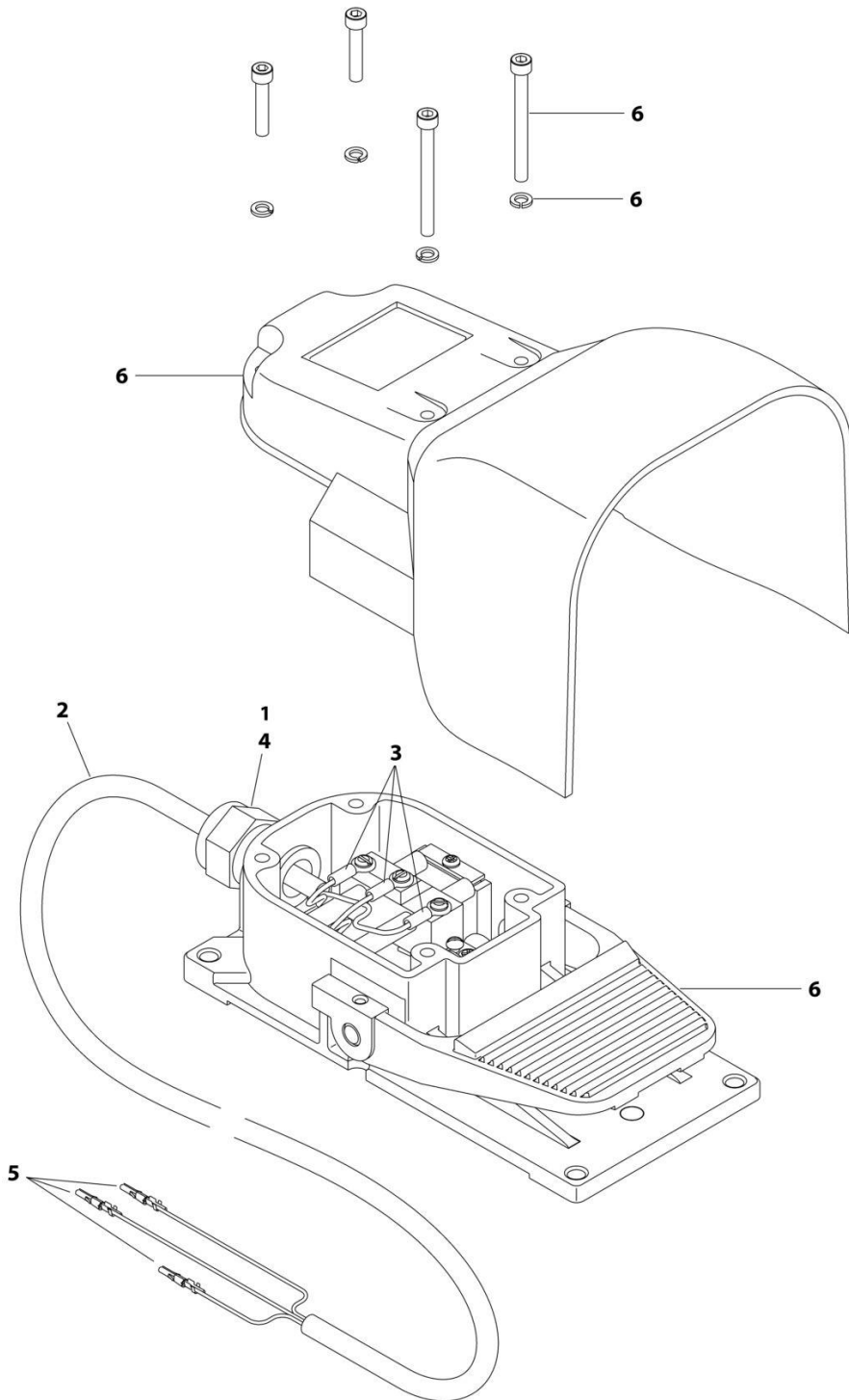
ITEM	PART NUMBER	QTY	DESCRIPTION	REV
	1001166539	Ref	CONTROLLER ASSEMBLY	E
		Ref	Note: Original Equipment Controller May Have Been Replaced with Service Replacement Controller. Visually Identify Controller Before Ordering Parts.	
		Ref	Note: For Replacement, Use p/n 1001129555	
1	See Note	NSS	Main Cast Body (Note: Not Available - Purchase Complete Assembly)	
2	70004752	1	Adapter	
3	See Note	NSS	Pivot Arm, Plastic (Note: Not Available - Purchase Complete Assembly)	
4	See Note	NSS	Holder, Magnet (Note: Not Available - Purchase Complete Assembly)	
5	See Note	NSS	Arc, Magnet (Note: Not Available - Purchase Complete Assembly)	
6	See Note	NSS	Screw (Note: Not Available for Purchase)	
7	See Note	NSS	Pivot Arm, Cast (Note: Not Available - Purchase Complete Assembly)	
8	See Note	NSS	Shaft, Main (Note: Not Available - Purchase Complete Assembly)	
9	See Note	NSS	Bearing (Note: Not Available - Purchase Complete Assembly)	
10	See Note	NSS	Pin (Note: Not Available - Purchase Complete Assembly)	
11	See Note	NSS	Shim (Note: Not Available - Purchase Complete Assembly)	
12	See Note	NSS	Pin (Note: Not Available - Purchase Complete Assembly)	
13	See Note	NSS	Bearing (Note: Not Available - Purchase Complete Assembly)	
14	See Note	NSS	Dome, Centering (Note: Not Available - Purchase Complete Assembly)	
15	70004753	1	Cap	
16	70004754	1	Insert, Cap	
17	70004755	3	Pin	
18	70004756	2	Washer	
19	70004757	1	Pin, Centering	
20	70004758	1	Spring	
21	70004759	1	Ring, Retaining	
22	70004760	1	E-Ring	
23	70004761	1	Can, Enclosure	
24	70004762	1	Boot	
25	70004763	1	Bezel	
26	See Note	NSS	Screw (Note: Not Available for Purchase)	
27	See Note	NSS	Base Mounting (Note: Not Available - Purchase Complete Assembly)	
28	See Note	NSS	Screw (Note: Not Available for Purchase)	
29	70004764	4	Screw	
30	70004765	4	Screw	
31	70004766	1	O-Ring	
32	See Note	NSS	Plate (Note: Not Available - Purchase Complete Assembly)	
33	See Note	NSS	Harness (Note: Not Available - Purchase Complete Assembly)	
34	70004767	1	Grommet, Rubber	
35	70004768	1	Housing	
36	70004769	1	Spring	
37	70004770	1	Stopper	
38	70004771	1	Spacer	
39	70004772	1	Washer	
40	70004773	1	Disc	

SECTION 4 - PLATFORM

ITEM	PART NUMBER	QTY	DESCRIPTION	REV
41	70004774	2	Ring, Retaining	
42	70004775	1	Spring	
101	4460265	1	Connector - 9 Position	
101	4460226	6	Socket, Female	

SECTION 4 - PLATFORM

FIGURE 4-17. FOOTSWITCH ASSEMBLY



ART_1001189039

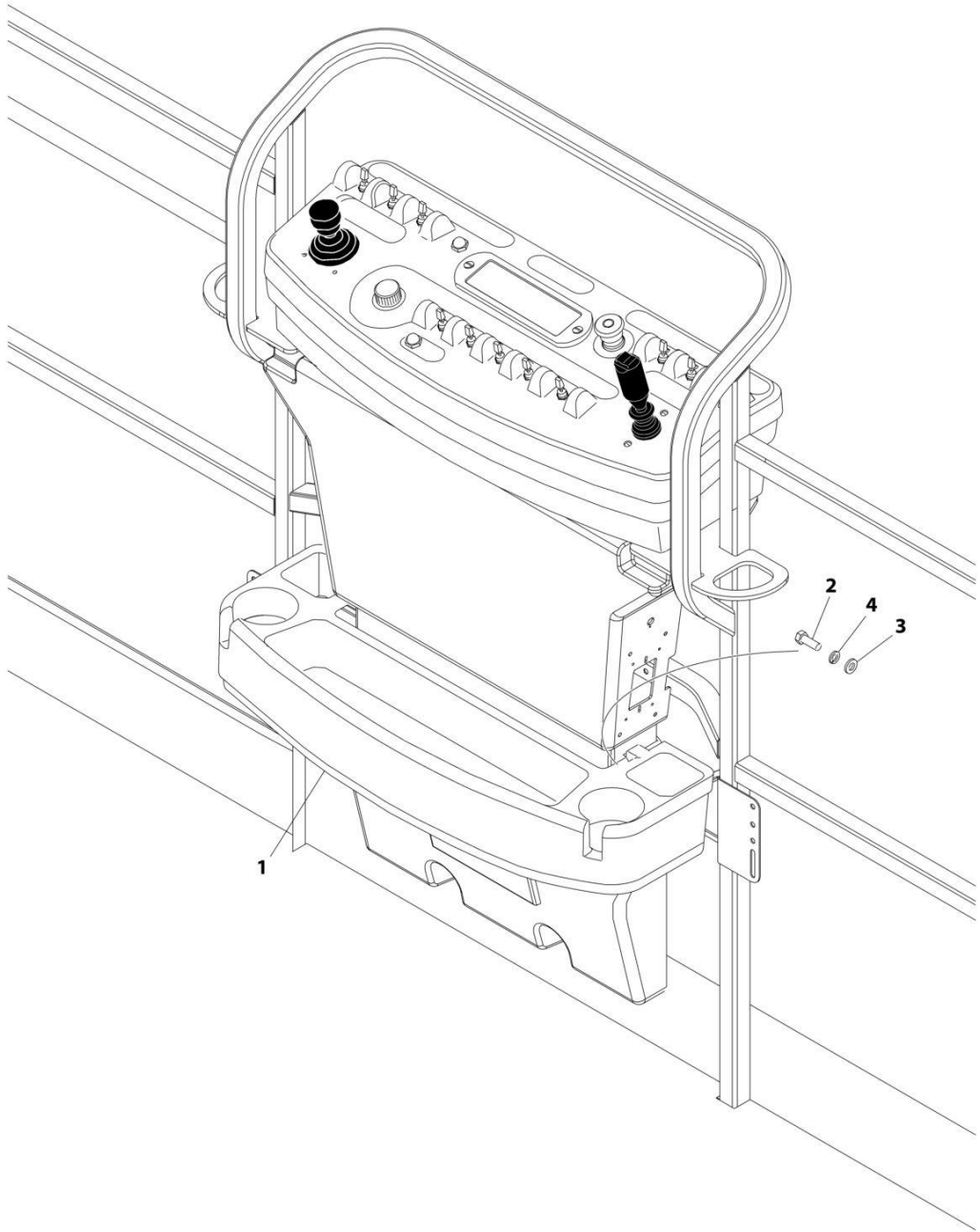
SECTION 4 - PLATFORM

FIGURE 4-17. FOOTSWITCH ASSEMBLY

ITEM	PART NUMBER	QTY	DESCRIPTION	REV
	1001189039	Ref	FOOTSWITCH ASSEMBLY	A
1	0100020	AR	Sealant	
2	1060330	6 ft /1.8m	Cable, Electrical - 16/3	
3	4460042	3	Terminal	
4	4460071	1	Connector, Strain Relief	
5	4460226	3	Socket, Female	
6	1001117172	1	Footswitch	
6	70002902	1	Switch, 20Amp	
6	70002903	1	Gasket	
6	70002905	1	Cover	
6	70002904	1	Kit, Replacement Bolt	

SECTION 4 - PLATFORM

FIGURE 4-18. TRAY ASSEMBLY



ART_1580012

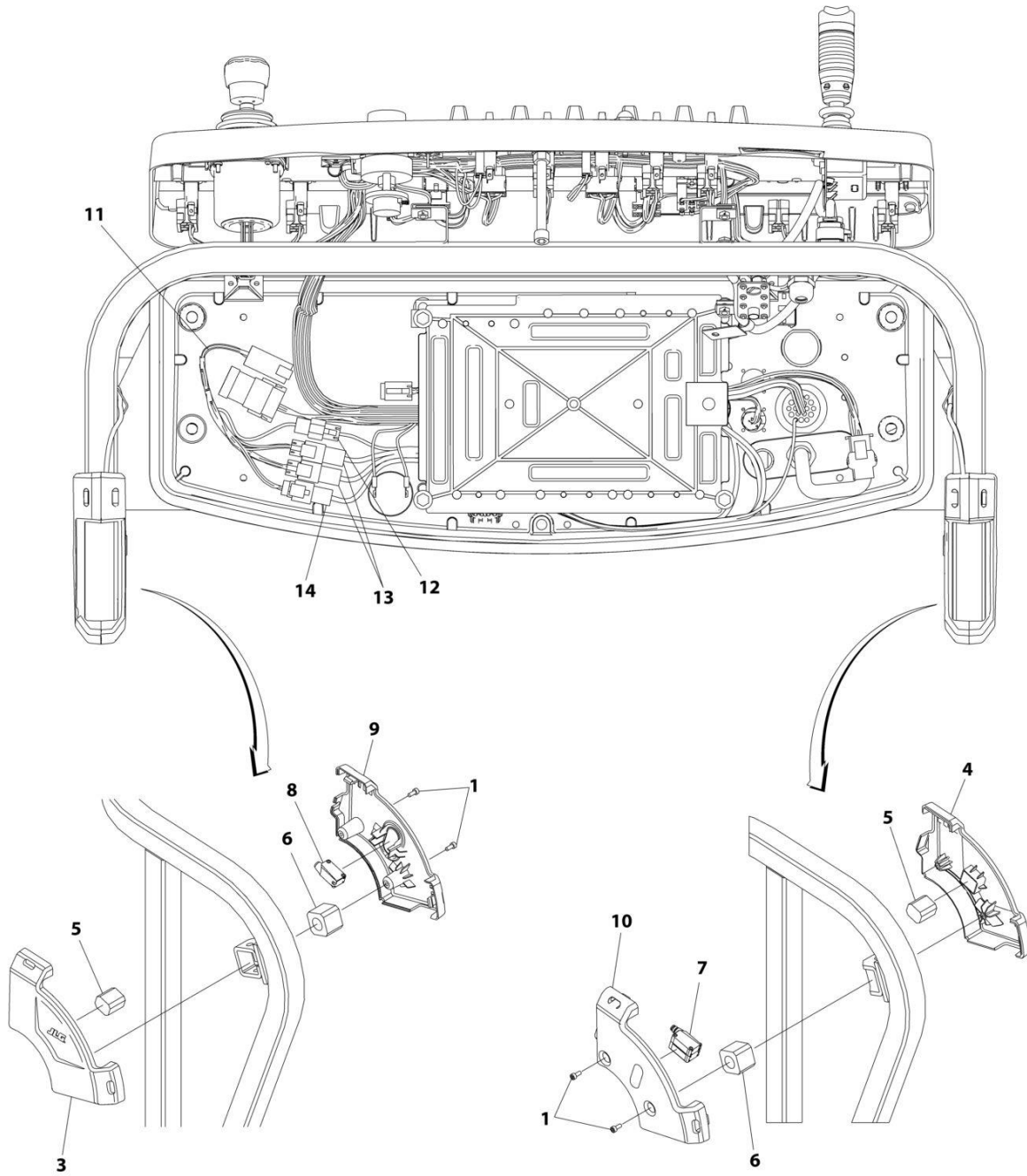
SECTION 4 - PLATFORM

FIGURE 4-18. TRAY ASSEMBLY

ITEM	PART NUMBER	QTY	DESCRIPTION	REV
	1580012	Ref	TRAY ASSEMBLY	C
1	See Note	NSS	Tray, Storage (Center) (Note: Purchase p/n 1580012)	
2	0641406	2	Bolt 1/4 x 3/4	
3	4751400	2	Washer 1/4	
4	4761400	2	Washer 1/4	

SECTION 4 - PLATFORM

FIGURE 4-19. SKYEYE INSTALLATION



ART_1001229341

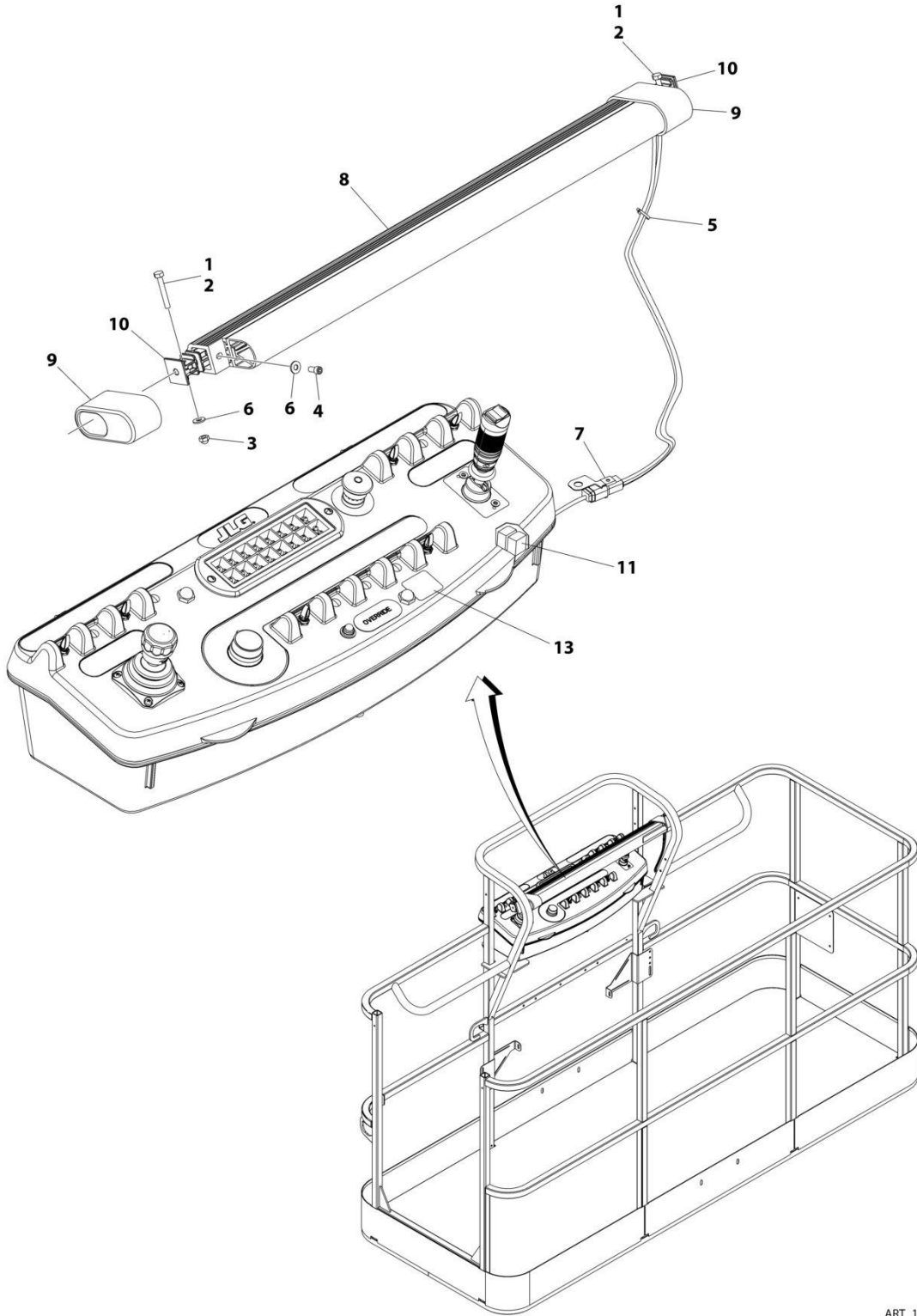
SECTION 4 - PLATFORM

FIGURE 4-19. SKYEYE INSTALLATION

ITEM	PART NUMBER	QTY	DESCRIPTION	REV
	1001229341	Ref	SKYEYE INSTALLATION	B
1	4031505	4	Bolt M4 x 10	
2	4240033	AR	Tie-Strap (Not Shown)	
3	1001227633	1	Housing, LH Outer	
4	1001227634	1	Housing, RH Outer	
5	1001227985	2	Shim	
6	1001227987	2	Shim	
7	1001228224	2	Sensor, Receiver	
8	1001228225	1	Sensor, Emitter	
9	1001232164	1	Housing, LH Inner	
10	1001232165	1	Housing, RH Inner	
11	1001237865	1	Harness, Skyeeye Intermediate (See Separate Breakdown in ELECTRICAL Section)	
12	1001238319	NLA	Harness, Skyeeye Drain Jumper	
12	1001187674	1	Plug, Male - 2 Position	
12	4460942	1	Terminal	
12	4460466	1	Plug, Terminal	
12	4460508	1	Pin, Male	
13	1001237863	2	Harness, Skyeeye Receiver (See Separate Breakdown in ELECTRICAL Section)	
14	1001237864	1	Harness, Skyeeye Emitter (See Separate Breakdown in ELECTRICAL Section)	

SECTION 4 - PLATFORM

FIGURE 4-20. SKYGUARD BAR INSTALLATION



ART_1001238495

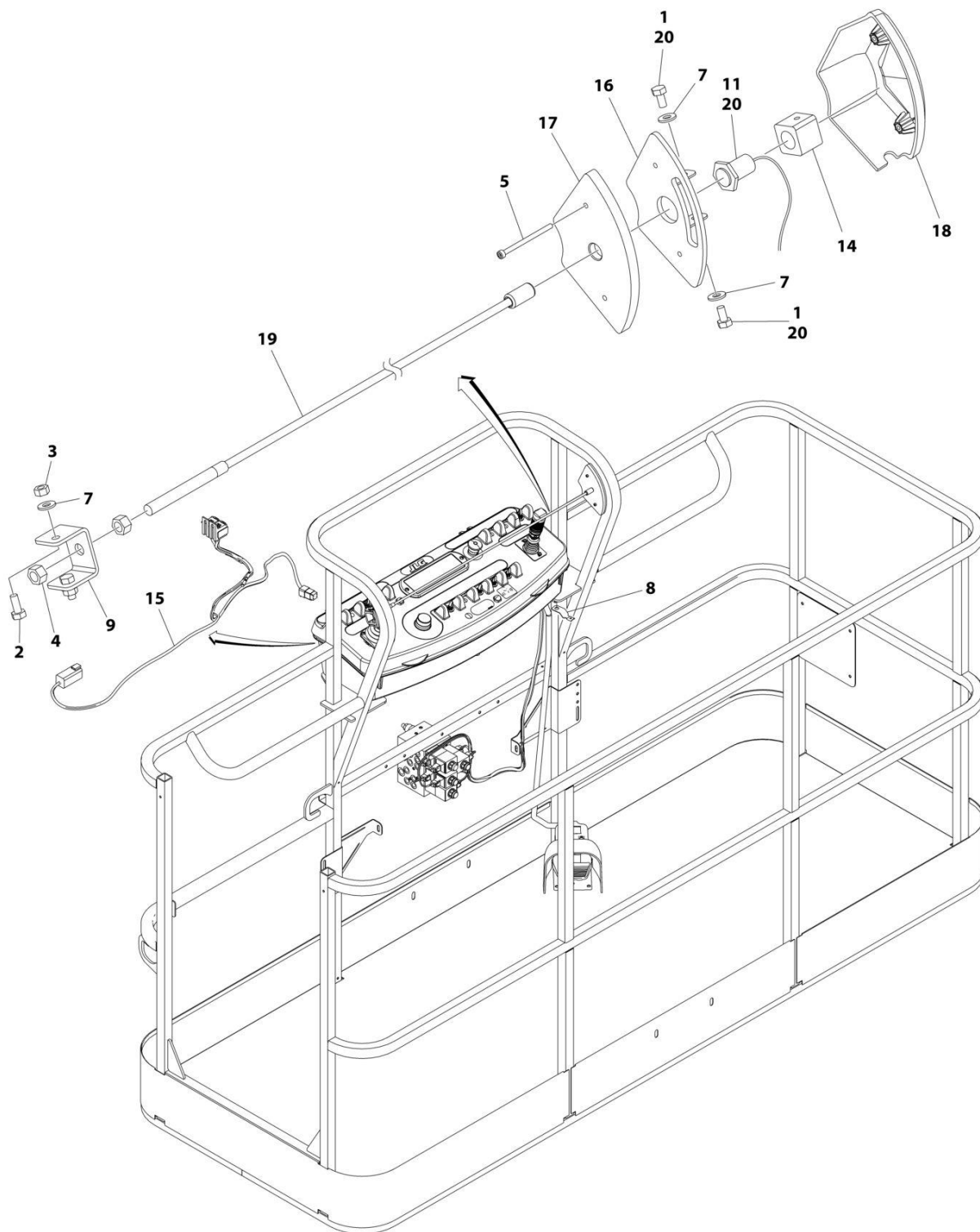
SECTION 4 - PLATFORM

FIGURE 4-20. SKYGUARD BAR INSTALLATION

ITEM	PART NUMBER	QTY	DESCRIPTION	REV
	1001238495	Ref	SKYGUARD BAR INSTALLATION	A
1	0100011	AR	Compound, Locking	
2	0641414	2	Bolt 1/4 x 1-3/4	
3	3300430	2	Nut 1/4	
4	3931408	2	Capscrew 1/4 x 1/2	
5	4240033	8	Tie-Strap	
6	4711400	6	Washer 1/4	
7	1001120328	1	Mount	
8	1001137673	1	SkyGuard Switch Assembly	
9	1001186517	2	Cover, Platform Sensor	
10	1001209664	2	Support, Block	
11	1001186431	2	Relay	
12	1001225580	1	Interface Harness Assembly (Not Shown - Located Inside Console Box) (See Separate Breakdown in ELECTRICAL Section)	
13	1001144433	1	Decal - No Weight SkyGuard	

SECTION 4 - PLATFORM

FIGURE 4-21. SKYLINE INSTALLATION



ART_1001238559_D

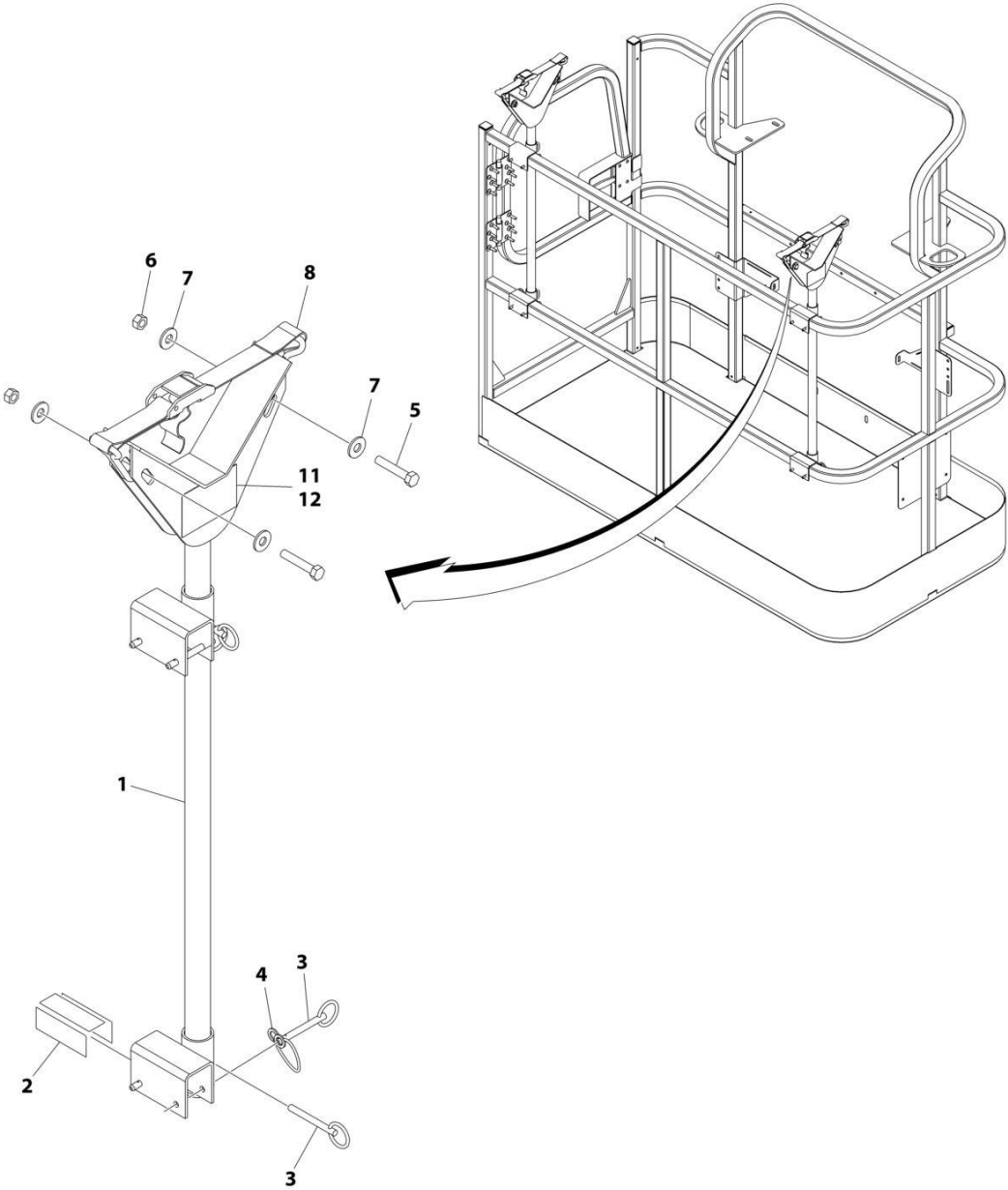
SECTION 4 - PLATFORM

FIGURE 4-21. SKYLINE INSTALLATION

ITEM	PART NUMBER	QTY	DESCRIPTION	REV
	1001238559	Ref	SKYLINE INSTALLATION	D
1	0641404	2	Bolt 1/4 x 1/2	
2	0641405	2	Bolt 1/4 x 5/8	
3	3311405	2	Nut 1/4	
4	3311601	2	Nut 3/8	
5	4031516	2	Capscrew M4 x 60	
6	4240033	AR	Tie-Strap (Not Shown)	
7	4711400	4	Washer 1/4	
8	1001120328	1	Mount	
9	1001232642	1	Bracket	
11	1001232667	1	Sensor, Proximity	
14	1001236552	1	Block	
15	1001238418	1	Harness, Skyline (See Separate Breakdown in ELECTRICAL Section)	
16	1001238472	1	Mount	
17	1001254473	1	Housing, LH	
18	1001241965	1	Housing, RH	
19	1001254472	1	Rod	
20	0100011	AR	Compound, Locking	

SECTION 4 - PLATFORM

FIGURE 4-22. PIPE RACK INSTALLATION



ART_0257728_E

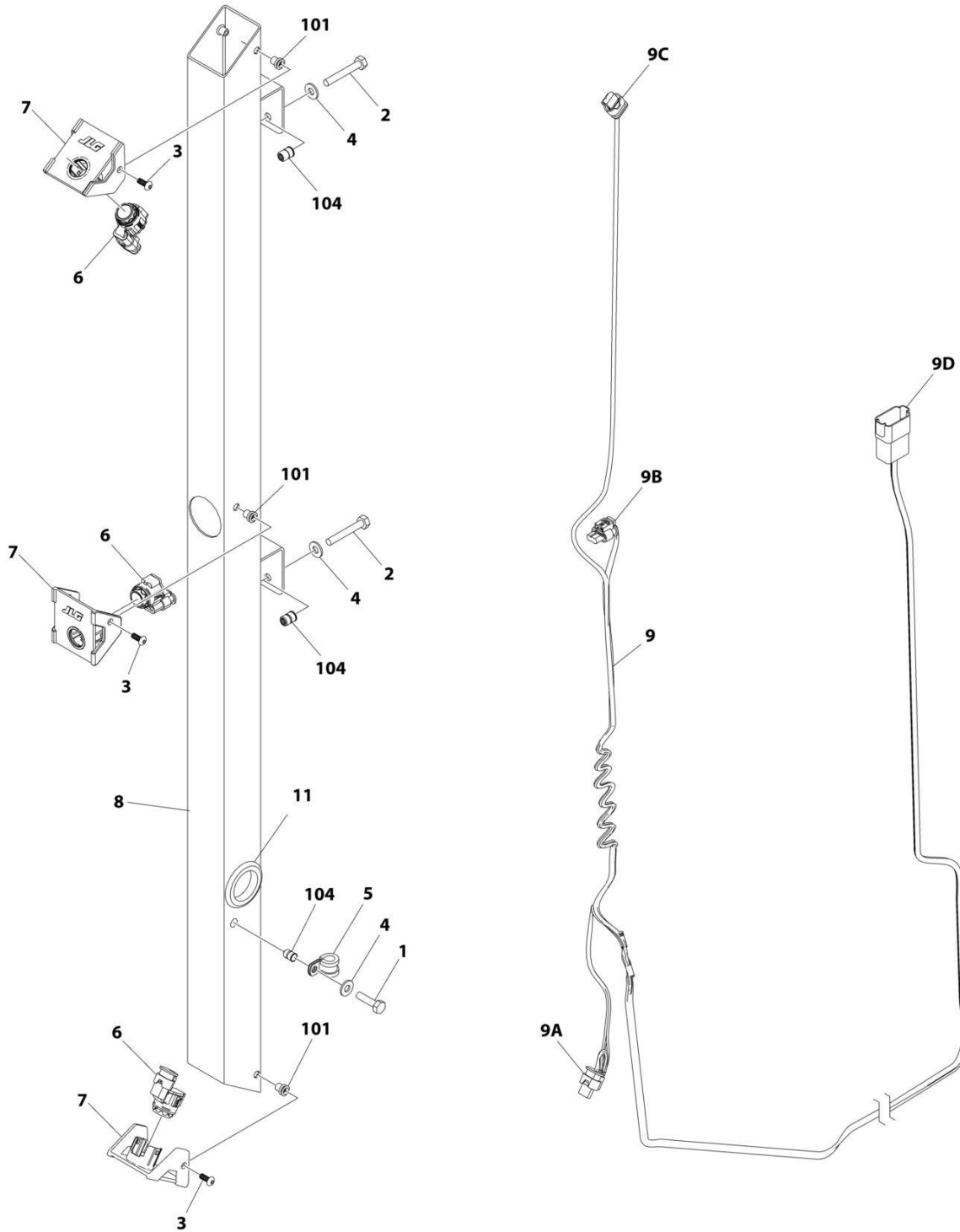
SECTION 4 - PLATFORM

FIGURE 4-22. PIPE RACK INSTALLATION

ITEM	PART NUMBER	QTY	DESCRIPTION	REV
	0257728	Ref	PIPE RACK INSTALLATION	E
1	4845582	2	Rack, Pipe	
2	4420062	AR	Tape	
3	3422661	10	Pin	
4	1060379	4	Lanyard	
5	0641514	4	Bolt 5/16 x 1-3/4	
6	3311505	4	Nut 5/16	
7	4751500	8	Washer 5/16	
8	0480100	2	Tie-Down	
11	1001252946	2	Decal - Capacity (500-600LBS/2227-272KG Zones)	
12	1001252947	2	Decal - Capacity (660-1000LBS/299-454KG Zones)	

SECTION 4 - PLATFORM

FIGURE 4-23. SKYSENSE MID TUBE SENSOR ASSEMBLY



ART_1001243205

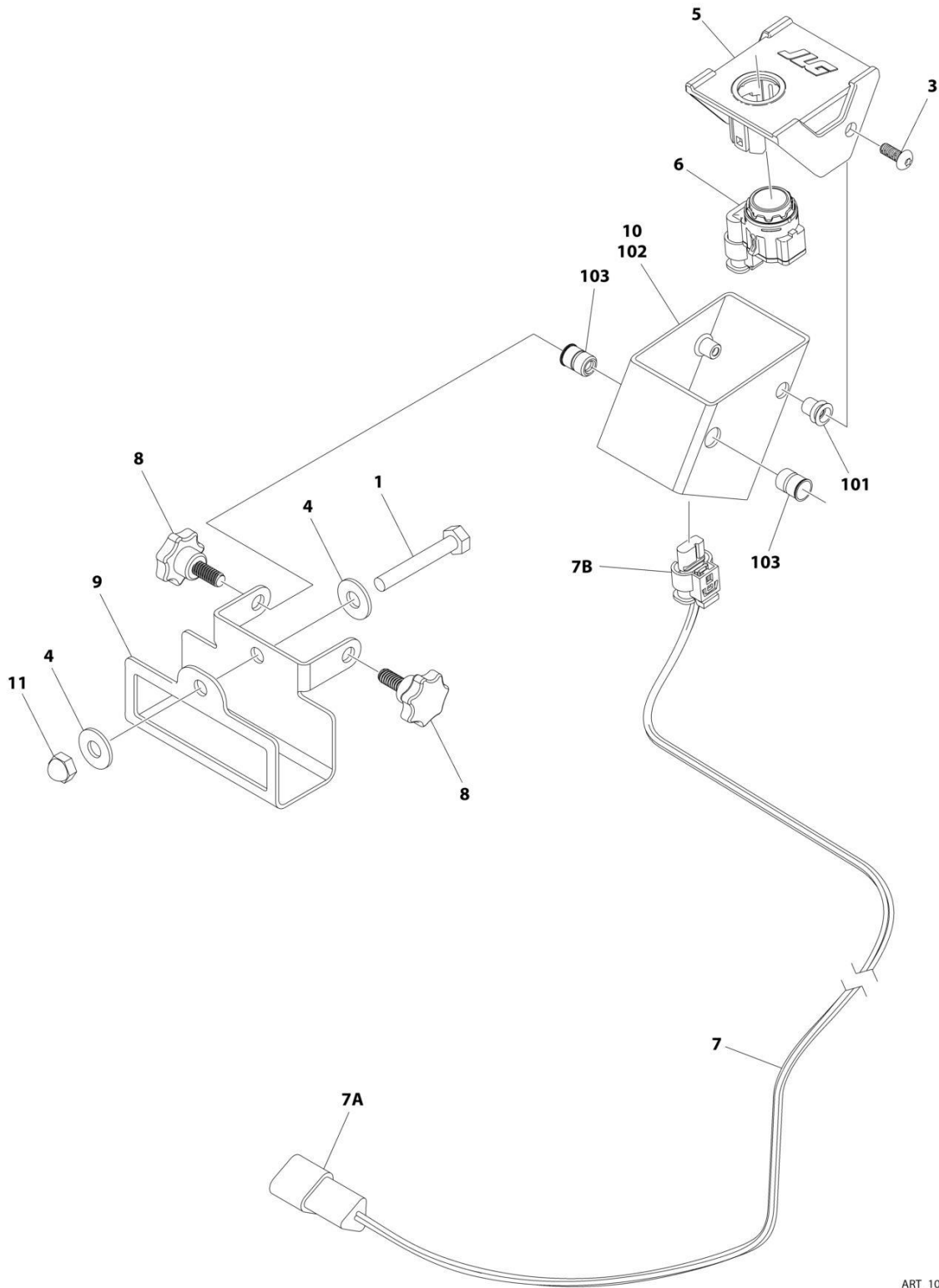
SECTION 4 - PLATFORM

FIGURE 4-23. SKYSENSE MID TUBE SENSOR ASSEMBLY

ITEM	PART NUMBER	QTY	DESCRIPTION	REV
	1001243205	Ref	SKYSENSE MID TUBE SENSOR ASSEMBLY	C
1	0641408	1	Bolt 1/4 x 1	
2	0641414	2	Bolt 1/4 x 1-3/4	
3	1001260525	6	Screw #10 x 1/2	
4	4711400	3	Washer 1/4	
5	1001260524	1	Clamp	
6	1001237902	3	Sensor, SkySense	
7	1001241162	3	Mount, Sensor	
8	1001243092	1	Tube Assembly (Includes items 101 through 104)	C
9	1001244336	1	Harness, SkySense Mid Tube	D
9A	1001237898	1	Connector	
9A	1001237888	3	Terminal	
9B	1001237898	1	Connector	
9B	1001237888	3	Terminal	
9C	1001237898	1	Connector	
9C	1001237888	3	Terminal	
9D	4460931	1	Connector	
9D	4460943	7	Pin	
9D	4460466	1	Plug	
10	1001246389	1	Decal (Not Shown)	
11	1001247252	1	Grommet	
101	2080069	6	Fastener	
104	1001258730	3	Rivnut	

SECTION 4 - PLATFORM

FIGURE 4-24. SKYSENSE OVERHEAD SENSOR ASSEMBLY



ART_1001244733

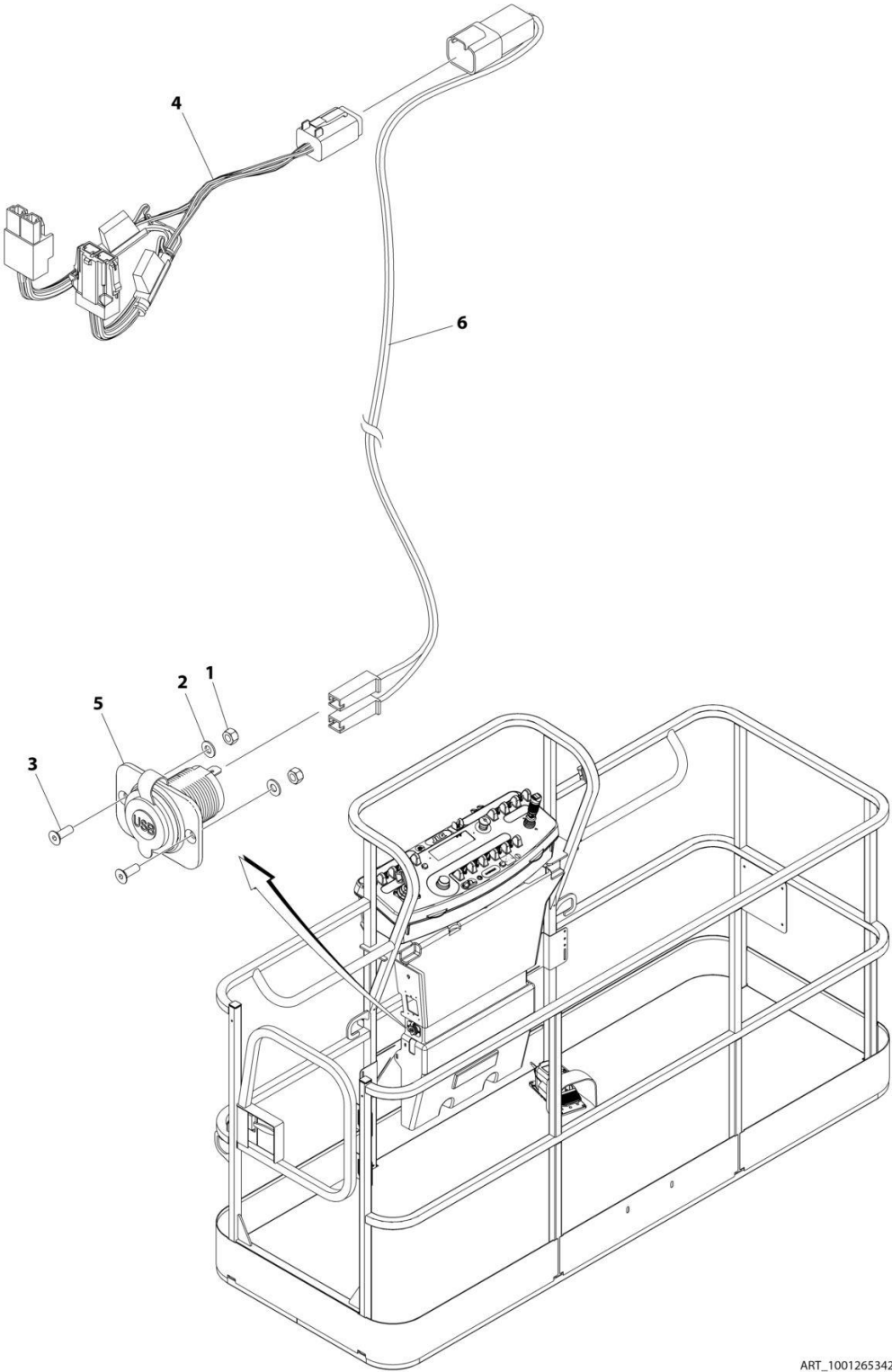
SECTION 4 - PLATFORM

FIGURE 4-24. SKYSENSE OVERHEAD SENSOR ASSEMBLY

ITEM	PART NUMBER	QTY	DESCRIPTION	REV
	1001244733	Ref	SKYSENSE OVERHEAD SENSOR ASSEMBLY	D
1	0641414	1	Bolt 1/4 x 1-3/4	
3	1001260525	2	Screw #10 x 1/2	
4	4751400	2	Washer 1/4	
5	1001237891	1	Mount, Sensor	
6	1001237902	1	Sensor, SkySense	
7	1001244335	1	Harness, SkySense Overhead	D
7A	4460536	1	Connector	
7A	4460943	3	Pin	
7B	1001237898	1	Connector	
7B	1001237888	1	Terminal	
8	1001244671	2	Knob	
9	1001244709	1	Bracket, Mounting	
10	1001244732	1	Housing Assembly (Includes items 101 through 103)	B
11	3300430	1	Nut	
101	2080069	2	Fastener	
102	1001244710	1	Housing, Sensor	
103	1001258730	2	Rivnut	

SECTION 4 - PLATFORM

FIGURE 4-25. USB CHARGER INSTALLATION



ART_1001265342

SECTION 4 - PLATFORM

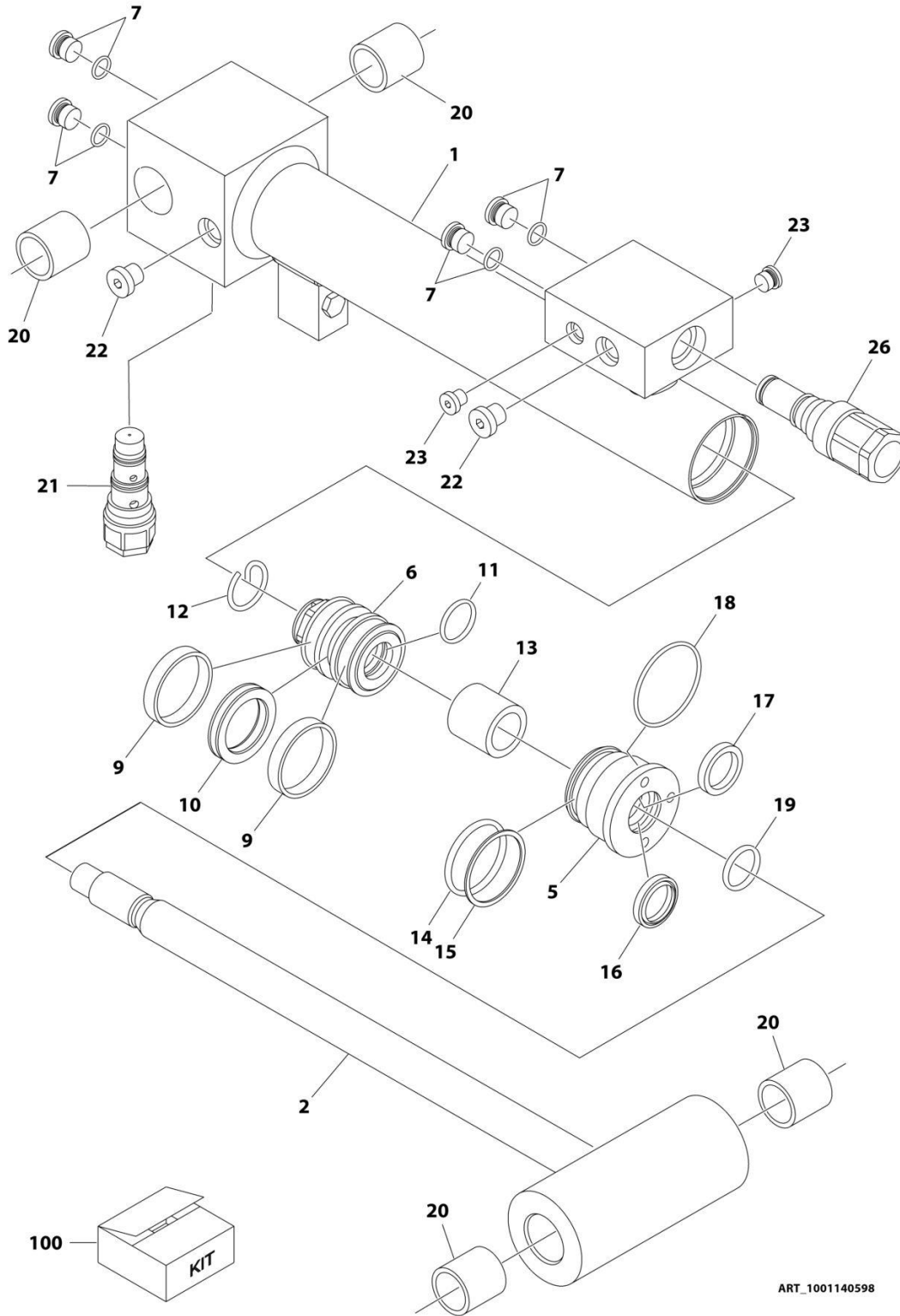
FIGURE 4-25. USB CHARGER INSTALLATION

ITEM	PART NUMBER	QTY	DESCRIPTION	REV
	1001265342	Ref	USB CHARGER INSTALLATION	A
1	3290405	2	Nut M4	
2	4811400	2	Washer M4	
3	1001097244	2	Screw M4 x 12	
4	1001120484	1	Harness, Work Lights	
4	4460879	1	Plug, Male - 2 Position	
4	4460887	2	Terminal	
4	2400060	2	Fuseholder Includes Cover	
4	8229249	2	Fuse, 3 Amp	
4	4460884	1	Connector - 4 Position	
4	4460465	4	Socket, Female	
4	1001120471	1	Connector - 2 Position	
4	1001120477	2	Terminal	
5	1001210636	1	Receptacle, USB	
6	1001265163	1	Harness, USB	A
6	4460260	2	Cover, Terminal	
6	4460259	2	Terminal	
6	4460932	1	Receptacle, Bussbar - 4 Position	
6	4460464	2	Pin, Male	
6	4460466	2	Plug, Terminal	

SECTION 5 - CYLINDER

SECTION 5 - CYLINDER

FIGURE 5-1. LEVEL (PLATFORM SLAVE) CYLINDER ASSEMBLY - E400ANARROW



ART_1001140598

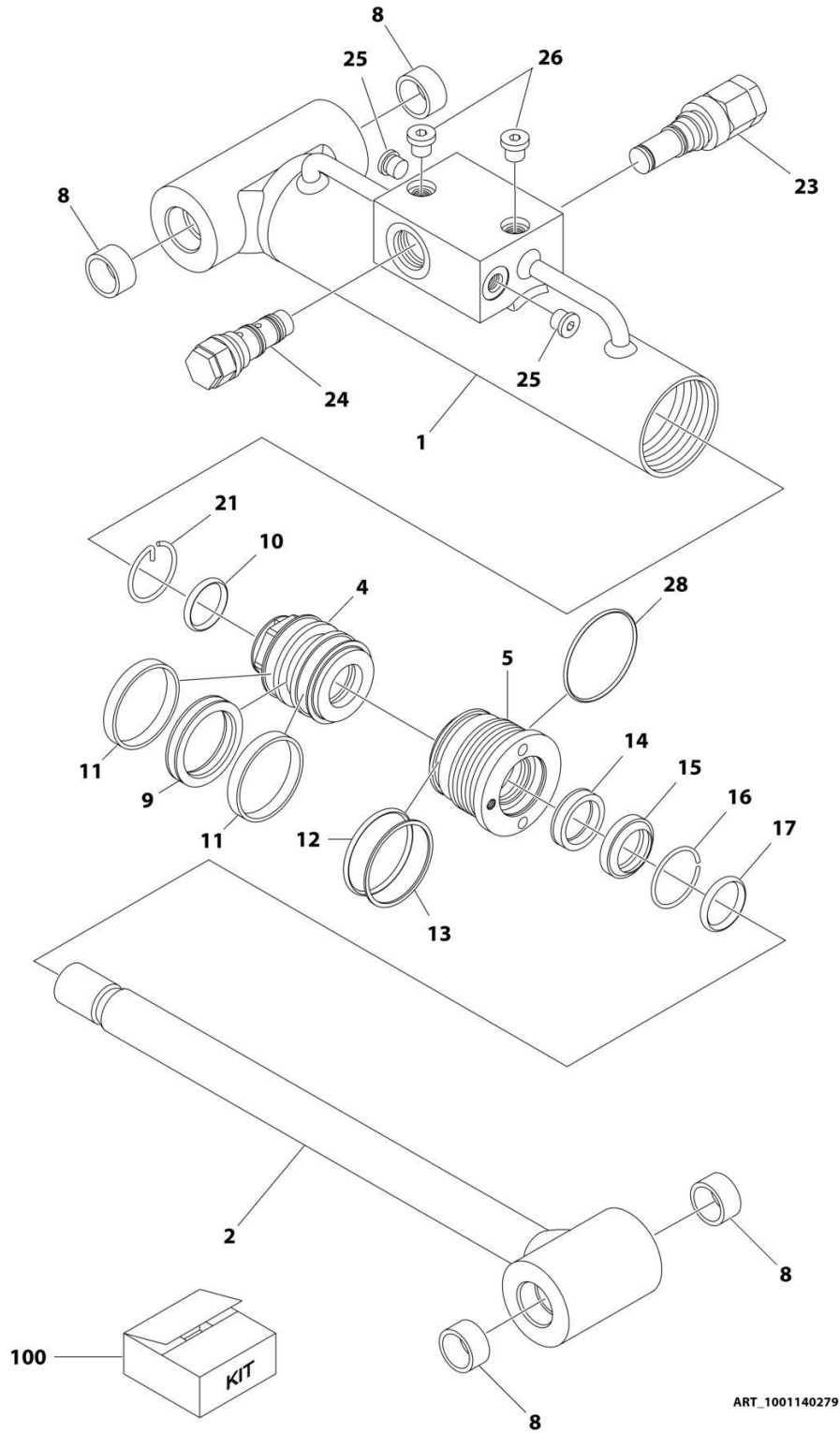
SECTION 5 - CYLINDER

FIGURE 5-1. LEVEL (PLATFORM SLAVE) CYLINDER ASSEMBLY - E400ANARROW

ITEM	PART NUMBER	QTY	DESCRIPTION	REV
	1001140598	Ref	LEVEL (PLATFORM SLAVE) CYLINDER ASSEMBLY	B
		Ref	Note: Original Cylinder May Have Been Replaced with Service Replacement. Identify PN Stamped on Cylinder Before Ordering Parts.	
1	70004146	1	Barrel	
2	70004147	1	Rod	
5	70000739	1	Head	
6	70004141	1	Piston	
7	See Note	4	Plug (Note: Not Available for Purchase)	
9	See Note	NSS	Ring, Wear (Note: Use p/n 70004131)	
10	See Note	NSS	Seal, Piston (Note: Use p/n 70004131)	
11	70023094	NSS	O-Ring (Note: Use p/n 70004131)	
12	70004142	1	Retainer	
13	70004143	1	Spacer	
14	See Note	NSS	O-Ring (Note: Use p/n 70004131)	
15	See Note	NSS	Ring, Back-Up (Note: Use p/n 70004131)	
16	See Note	NSS	Wiper, Rod (Note: Use p/n 70004131)	
17	See Note	NSS	Seal, Rod (Note: Use p/n 70004131)	
18	See Note	NSS	O-Ring (Note: Use p/n 70004131)	
19	70000740	1	O-Ring	
20	0962356	4	Bushing	
21	4640509	1	Cartridge, Counterbalance Valve	
21	2900792	1	Seal Kit - 4640509 Valve	
22	70024262	2	Plug	
23	See Note	2	Plug (Note: Not Available for Purchase)	
26	4640932	1	Cartridge, Counterbalance Valve	
26	7011112	1	Seal Kit - 4640932 Valve	
100	70004131	1	Seal Kit (Includes Items 9-11 & 14-18)	

SECTION 5 - CYLINDER

FIGURE 5-2. LEVEL (PLATFORM SLAVE) CYLINDER ASSEMBLY - E400AJPNARROW



ART_1001140279

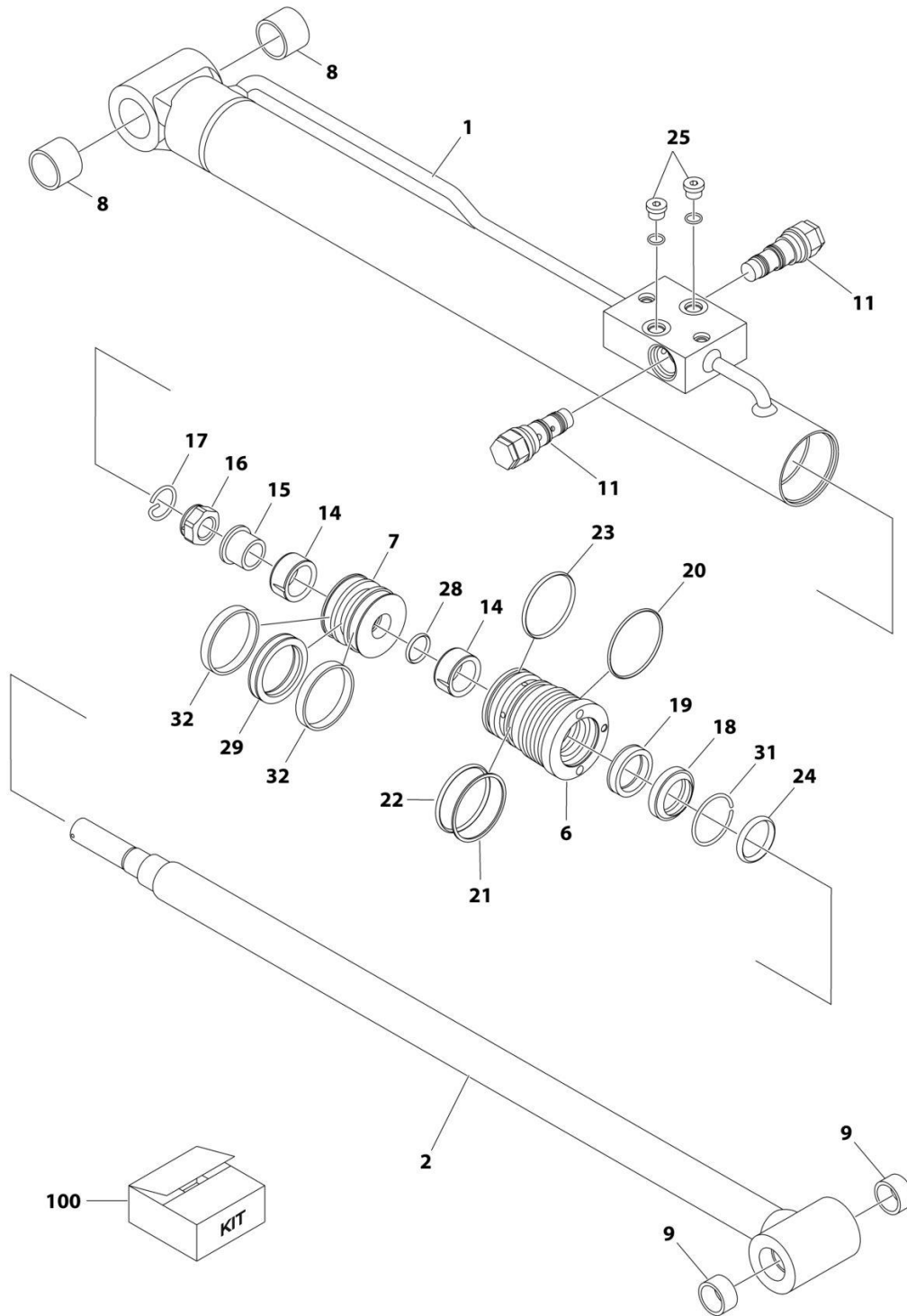
SECTION 5 - CYLINDER

FIGURE 5-2. LEVEL (PLATFORM SLAVE) CYLINDER ASSEMBLY - E400AJPNARROW

ITEM	PART NUMBER	QTY	DESCRIPTION	REV
	1001140279	Ref	LEVEL (PLATFORM SLAVE) CYLINDER ASSEMBLY	B
		Ref	Note: Original Cylinder may have been replaced with Service Replacement. Identify PN Stamped on Cylinder Before Ordering Parts.	
1	70003846	1	Barrel	
2	70003847	1	Rod	
4	70003819	1	Piston	
5	7026082	1	Head	
8	0961951	4	Bushing	
9	See Note	NSS	Seal, Piston (Note: Use p/n 70003845)	
10	See Note	NSS	O-Ring (Note: Use p/n 70003845)	
11	See Note	NSS	Ring, Wear (Note: Use p/n 70003845)	
12	See Note	NSS	O-Ring (Note: Use p/n 70003845)	
13	See Note	NSS	Ring, Back-Up (Note: Use p/n 70003845)	
14	See Note	NSS	Seal, Rod (Note: Use p/n 70003845)	
15	See Note	NSS	Wiper, Rod (Note: Use p/n 70003845)	
16	70002217	1	Ring, Retaining	
17	7026084	1	O-Ring	
21	70002216	1	Retainer	
23	4640932	1	Cartridge, Counterbalance Valve	
23	7011112	1	Seal Kit - 4640932 Valve	
24	4641086	1	Cartridge, Counterbalance Valve	
24	2900792	1	Seal Kit - 4641086 Valve	
25	7024844	2	Plug	
26	See Note	2	Plug (Note: Not Available for Purchase)	
28	See Note	NSS	O-Ring (Note: Use p/n 70003845)	
100	70003845	1	Seal Kit (Includes Items 9-15 & 28)	

SECTION 5 - CYLINDER

FIGURE 5-3. LIFT CYLINDER ASSEMBLY - JIB - E400AJPNARROW



ART_1001140280_A

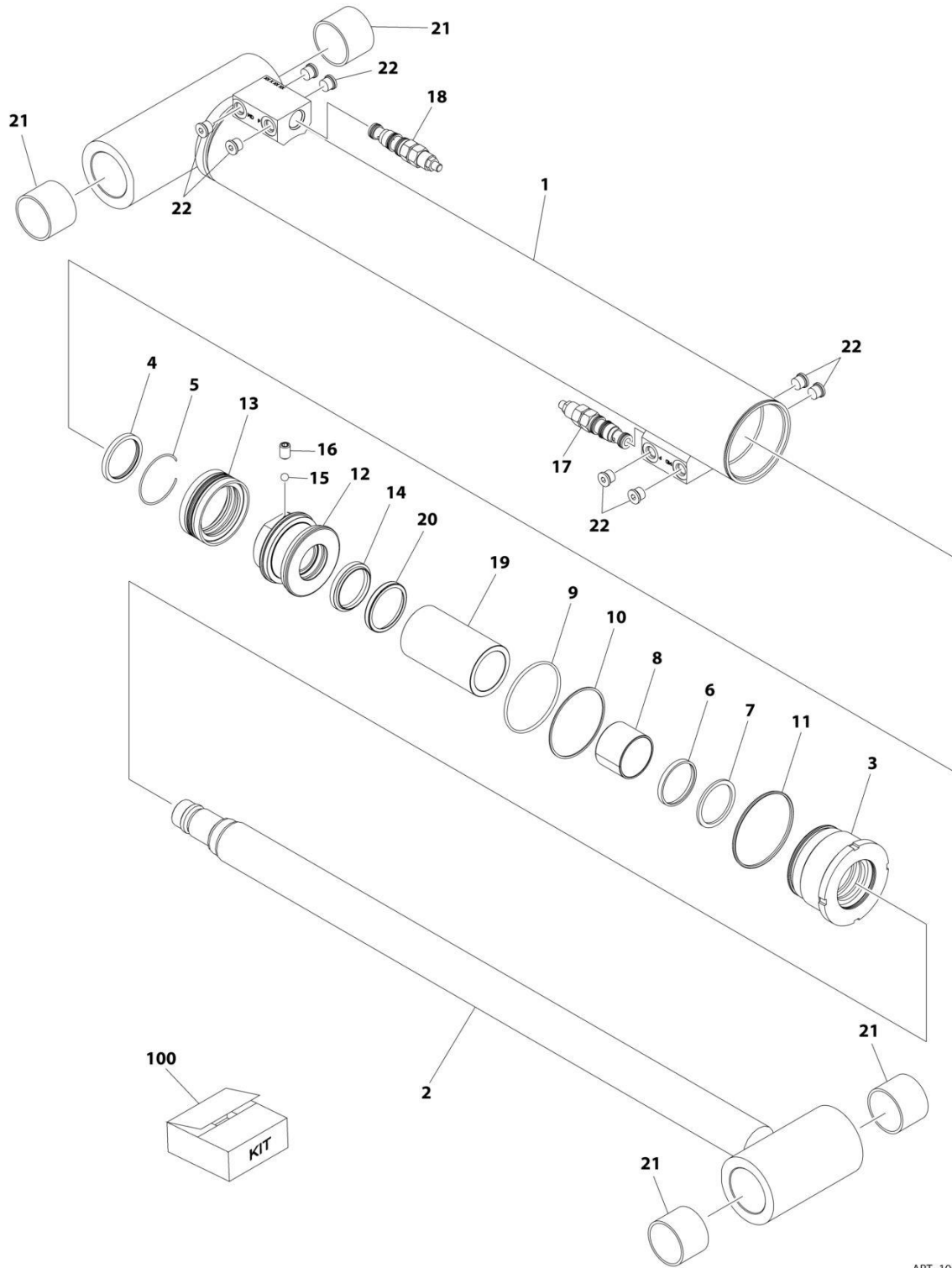
SECTION 5 - CYLINDER

FIGURE 5-3. LIFT CYLINDER ASSEMBLY - JIB - E400AJPNARROW

ITEM	PART NUMBER	QTY	DESCRIPTION	REV
	1001140280	Ref	LIFT CYLINDER ASSEMBLY - JIB	A
		Ref	Note: Original Cylinder May Have Been Replaced with Service Replacement. Identify PN Stamped on Cylinder Before Ordering Parts.	
		Ref	Note: For Jib Cylinder with Manual Descent Valve see SPECIAL OPTIONS.	
1	70003863	1	Barrel	
2	70003864	1	Rod	
6	7026088	1	Head	
7	70003833	1	Piston	
8	0961951	2	Bushing	
9	0961947	2	Bushing	
11	4640509	2	Cartridge, Counterbalance Valve	
11	2900792	2	Seal Kit - 4640509	
14	7026090	2	Bushing	
15	7026091	1	Sleeve	
16	7026092	1	Nut	
17	70002223	1	Retainer	
18	See Note	NSS	Wiper, Rod (Note: Use p/n 70003836)	
19	See Note	NSS	Seal, Rod (Note: Use p/n 70003836)	
20	See Note	NSS	O-Ring (Note: Use p/n 70003836)	
21	See Note	NSS	Ring, Back-Up (Note: Use p/n 70003836)	
22	See Note	NSS	O-Ring (Note: Use p/n 70003836)	
23	See Note	1	O-Ring (Note: Use p/n 70003836)	
24	7026068	1	O-Ring	
25	7024844	2	Plug	
28	See Note	NSS	O-Ring (Note: Use p/n 70003836)	
29	See Note	NSS	Seal, Piston (Note: Use p/n 70003836)	
31	70002220	1	Ring, Retaining	
32	See Note	NSS	Ring, Wear (Note: Use p/n 70003836)	
100	70003836	1	Seal Kit (Includes Items 18-23, 28, 29 & 32)	

SECTION 5 - CYLINDER

FIGURE 5-4. LIFT CYLINDER ASSEMBLY - LOWER - E400ANARROW



ART_1001228037

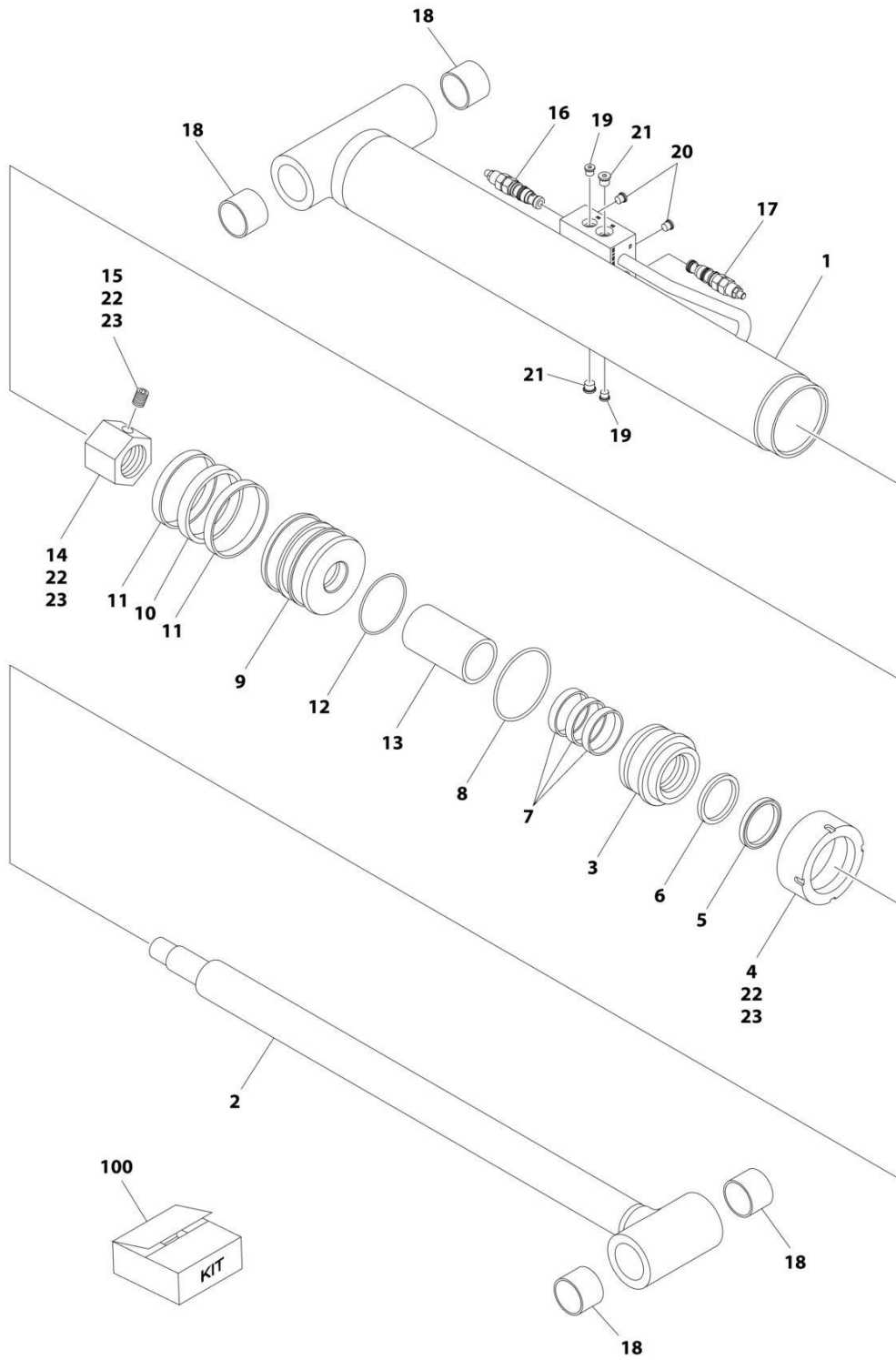
SECTION 5 - CYLINDER

FIGURE 5-4. LIFT CYLINDER ASSEMBLY - LOWER - E400ANARROW

ITEM	PART NUMBER	QTY	DESCRIPTION	REV
	1001228037	Ref	LIFT CYLINDER ASSEMBLY - LOWER	A
		Ref	Note: Original Cylinder may have been replaced with Service Replacement. Identify PN Stamped on Cylinder Before Ordering Parts.	
1	See Note	NSS	Barrel (Note: Not Available for Purchase)	
2	70006593	1	Rod	
3	70006592	1	Head	
4	See Note	NSS	Wiper (Note: Use Item 100)	
5	70002412	1	Retainer	
6	See Note	NSS	Seal, Rod (Note: Use Item 100)	
7	See Note	NSS	Ring, Back-up (Note: Use Item 100)	
8	70006591	1	Bearing	
9	See Note	NSS	O-Ring (Note: Use Item 100)	
10	See Note	NSS	Ring, Back-up (Note: Use Item 100)	
11	70050801	1	O-Ring	
12	70006590	1	Piston	
13	See Note	NSS	Seal (Note: Use Item 100)	
14	See Note	NSS	O-Ring (Note: Use Item 100)	
15	70022564	1	Ball, Steel	
16	70006601	1	Setscrew	
17	4640634	1	Cartridge, Holding Valve	
17	2900770	1	Seal Kit - 4640634 Valve	
18	4641386	1	Cartridge, Holding Valve	
18	7011376	1	Seal Kit - 4641386 Valve	
19	70006589	1	Spacer	
20	70006588	1	O-Ring	
21	0961950	4	Bushing	
22	2220883	8	Plug, O-Ring	
100	70006587	1	Seal Kit (Includes Items 4, 6, 7, 9, 10, 13 & 14)	

SECTION 5 - CYLINDER

FIGURE 5-5. CYLINDER ASSEMBLY - LOWER - E400AJPNARROW



ART_1001228035

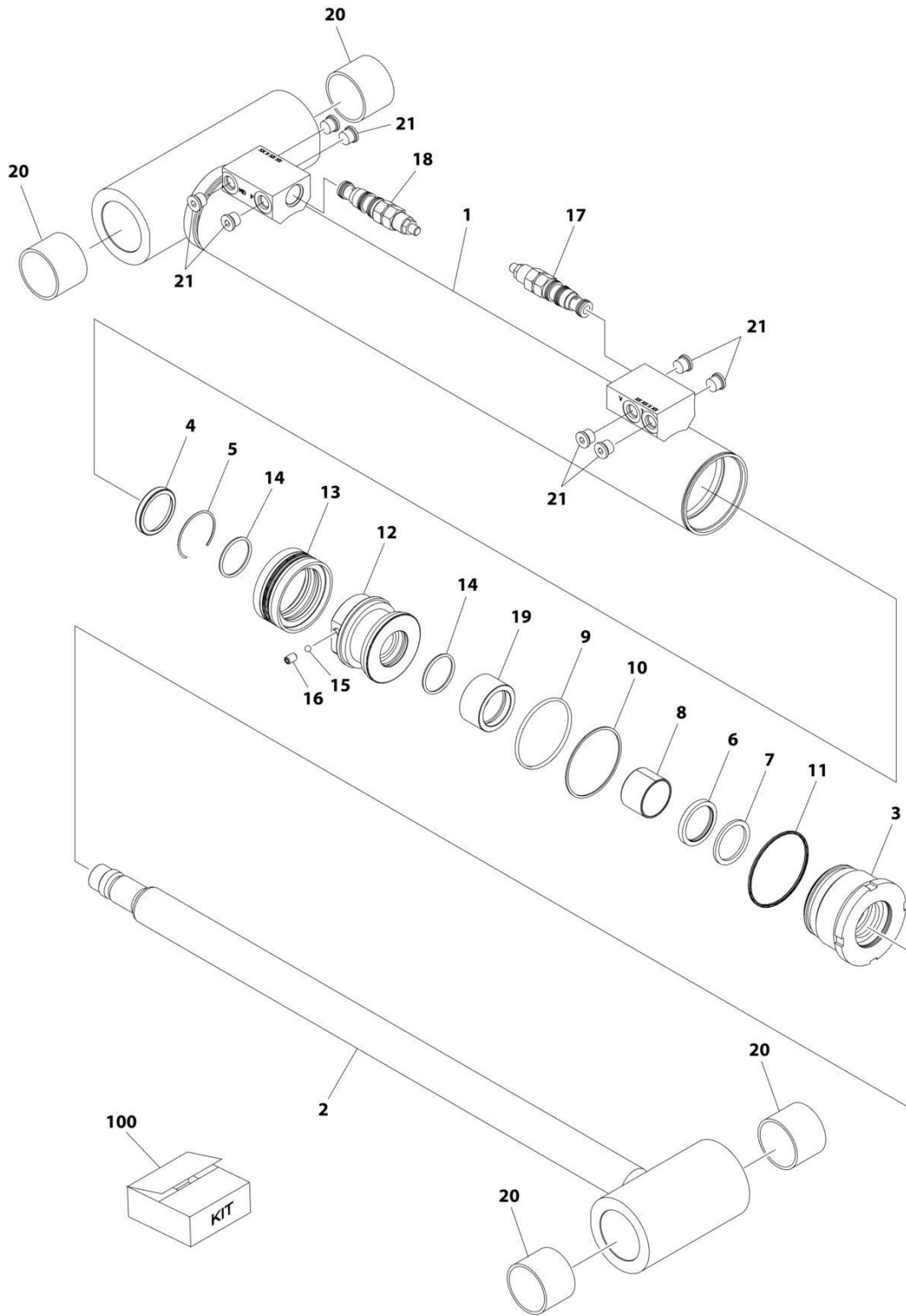
SECTION 5 - CYLINDER

FIGURE 5-5. CYLINDER ASSEMBLY - LOWER - E400AJPNARROW

ITEM	PART NUMBER	QTY	DESCRIPTION	REV
	1001228035	Ref	LIFT CYLINDER ASSEMBLY - LOWER	C
		Ref	Note: Original Cylinder may have been replaced with Service Replacement. Identify PN Stamped on Cylinder Before Ordering Parts.	
1	See Note	NSS	Barrel Weldment (Note: Not Available for Purchase)	
2	70006535	1	Rod Weldment	
3	70006533	1	Head	
4	70006533	1	Retainer	
5	See Note	NSS	Wiper (Note: Use Item 100)	
6	See Note	NSS	Seal, Rod (Note: Use Item 100)	
7	See Note	NSS	Ring, Wear (Note: Use Item 100)	
8	See Note	NSS	O-Ring (Note: Use Item 100)	
9	70006532	1	Piston	
10	See Note	NSS	Seal (Note: Use Item 100)	
11	See Note	NSS	Ring, Wear (Note: Use Item 100)	
12	See Note	NSS	O-Ring (Note: Use Item 100)	
13	70006531	1	Spacer	
14	3300281	1	Nut	
15	3900170	1	Setscrew	
16	4640634	1	Cartridge, Holding Valve	
16	2900770	1	Seal Kit - 4640634 Valve	
17	4641386	1	Cartridge, Holding Valve	
17	7011376	1	Seal Kit - 4641386 Valve	
18	0961950	4	Bushing	
19	2220883	2	Plug, O-Ring	
20	2220883	2	Plug, O-Ring	
21	2220885	2	Plug, O-Ring	
22	0100011	AR	Compound, Locking	
23	0100038	AR	Primer, Locking	
100	2901806	1	Seal Kit (Includes Items 5-8 & 10-12)	

SECTION 5 - CYLINDER

FIGURE 5-6. LIFT CYLINDER ASSEMBLY - MID - E400ANARROW



ART_1001228038

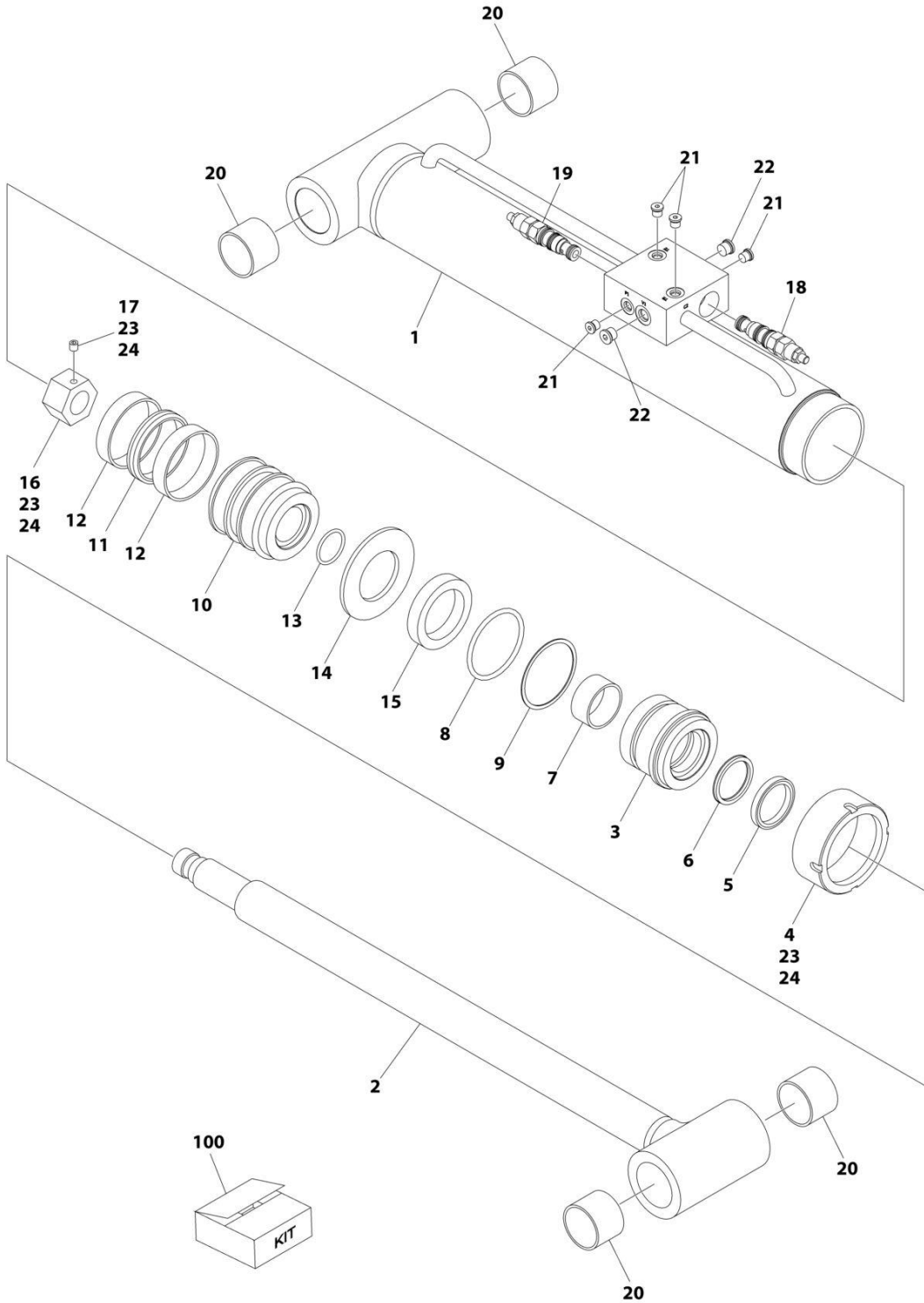
SECTION 5 - CYLINDER

FIGURE 5-6. LIFT CYLINDER ASSEMBLY - MID - E400ANARROW

ITEM	PART NUMBER	QTY	DESCRIPTION	REV
	1001228038	Ref	LIFT CYLINDER ASSEMBLY - MID	A
		Ref	Note: Original Cylinder may have been replaced with Service Replacement. Identify PN Stamped on Cylinder Before Ordering Parts.	
1	See Note	NSS	Barrel Weldment (Note: Not Available for Purchase)	
2	70006600	1	Rod Weldment	
3	70006599	1	Head	
4	See Note	1	Wiper (Note: Use Item 100)	
5	70002373	1	Retainer	
6	See Note	NSS	Seal, Rod (Note: Use Item 100)	
7	See Note	NSS	Ring, Back-up (Note: Use Item 100)	
8	70005143	1	Bearing	
9	See Note	NSS	O-Ring (Note: Use Item 100)	
10	See Note	NSS	Ring, Back-up (Note: Use Item 100)	
11	70006598	1	O-Ring	
12	70006597	1	Piston	
13	See Note	NSS	Seal (Note: Use Item 100)	
14	See Note	NSS	O-Ring (Note: Use Item 100)	
15	70022564	1	Ball, Steel	
16	70006596	1	Setscrew	
17	4640634	1	Cartridge, Holding Valve	
17	2900770	1	Seal Kit - 4640634 Valve	
18	4641386	1	Cartridge, Holding Valve	
18	7011376	1	Seal Kit - 4641386 Valve	
19	70006595	1	Spacer	
20	0961950	4	Bushing	
21	2220885	8	Plug, O-Ring	
100	70006594	1	Seal Kit (Includes 4, 6, 7, 9, 10, 13 & 14)	

SECTION 5 - CYLINDER

FIGURE 5-7. LIFT CYLINDER ASSEMBLY - MID - E400AJPNARROW



ART_1001228036

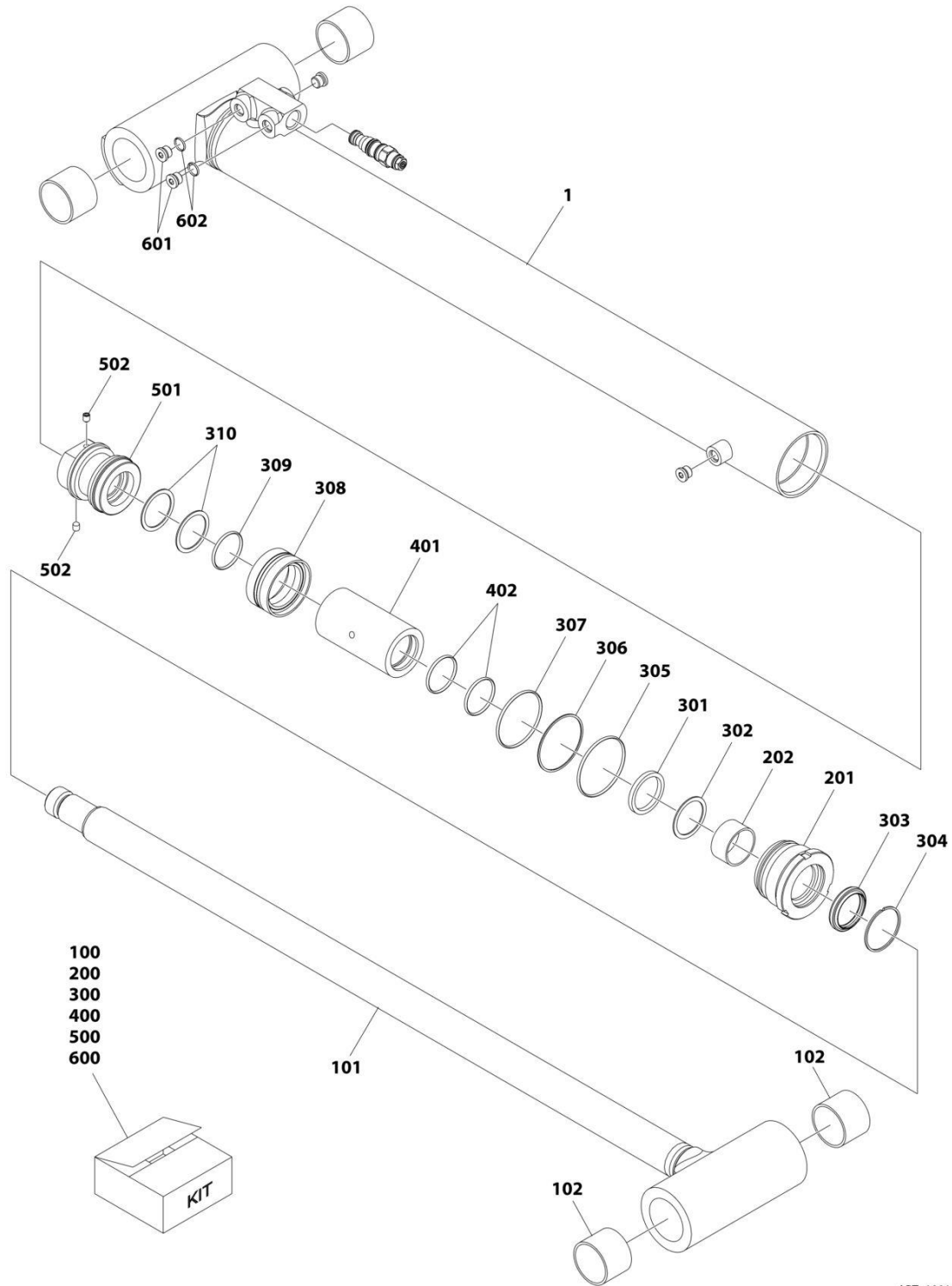
SECTION 5 - CYLINDER

FIGURE 5-7. LIFT CYLINDER ASSEMBLY - MID - E400AJPNARROW

ITEM	PART NUMBER	QTY	DESCRIPTION	REV
	1001228036	Ref	LIFT CYLINDER ASSEMBLY - MID	F
		Ref	Note: Original Cylinder may have been replaced with Service Replacement. Identify PN Stamped on Cylinder Before Ordering Parts.	
1	See Note	NSS	Barrel Weldment (Note: Not Available for Purchase)	
2	70006543	1	Rod Weldment	
3	70006542	1	Head	
4	70006533	1	Retainer	
5	See Note	NSS	Wiper (Note: Use Item 100)	
6	See Note	NSS	Seal, Rod (Note: Use Item 100)	
7	See Note	NSS	Ring, Wear (Note: Use Item 100)	
8	See Note	NSS	O-Ring (Note: Use Item 100)	
9	See Note	NSS	Ring, Back-up (Note: Use Item 100)	
10	70006532	1	Piston	
11	See Note	NSS	Seal (Note: Use Item 100)	
12	See Note	NSS	Ring, Wear (Note: Use Item 100)	
13	See Note	NSS	O-Ring (Note: Use Item 100)	
14	4740207	1	Washer	
15	70006539	1	Spacer	
16	3300281	1	Nut	
17	3900170	1	Setscrew	
18	4640634	1	Cartridge, Holding Valve	
18	2900770	1	Seal Kit - 4640634 Valve	
19	4641386	1	Cartridge, Holding Valve	
19	7011376	1	Seal Kit - 4641386 Valve	
20	0961950	4	Bushing	
21	2220883	4	Plug, O-Ring	
22	2220885	2	Plug, O-Ring	
23	0100011	AR	Compound, Locking	
24	0100038	AR	Primer, Locking	
100	2901805	1	Seal Kit (Includes Items 5-9 & 11-13)	

SECTION 5 - CYLINDER

FIGURE 5-8. LIFT CYLINDER - UPPER - E400ANARROW



ART_1001251018

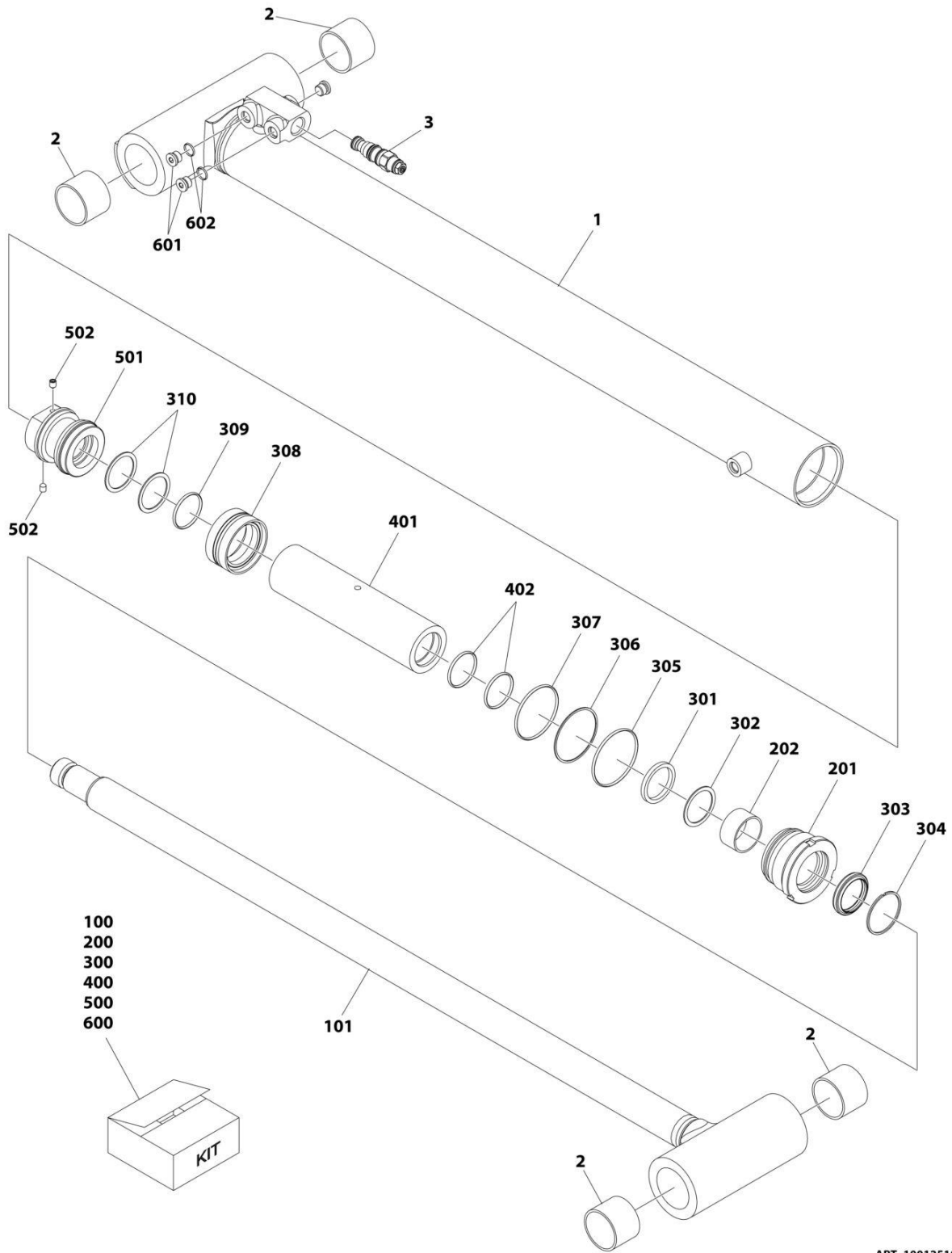
SECTION 5 - CYLINDER

FIGURE 5-8. LIFT CYLINDER - UPPER - E400ANARROW

ITEM	PART NUMBER	QTY	DESCRIPTION	REV
	1001251018	Ref	LIFT CYLINDER ASSEMBLY - UPPER	B
		Ref	Note: Original Cylinder may have been replaced with Service Replacement. Identify PN Stamped on Cylinder Before Ordering Parts.	
1	See Note	NSS	Barrel (Note: Not Available for Purchase)	
100	70007367	1	Rod Assembly Kit (Includes Item 101)	
101	See Note	NSS	Rod Assembly (Note: Use p/n 70007367)	
102	See Note	NSS	Bushing (Note: Use p/n 70007367)	
200	70007368	1	Head Kit (Includes Items 201-202)	
201	See Note	NSS	Head (Note: Use p/n 70007368)	
202	See Note	NSS	Bushing (Note: Use p/n 70007368)	
300	70007369	1	Seal Kit (Includes Items 301-310)	
301	See Note	NSS	U-Packing (Note: Use Item 70007369)	
302	See Note	NSS	Ring, Back-up (Note: Use Item 7007369)	
303	See Note	NSS	Wiper, Rod (Note: Use Item 7007369)	
304	See Note	NSS	Ring, Retaining (Note: Use Item 7007369)	
305	See Note	NSS	O-Ring (Note: Use Item 7007369)	
306	See Note	NSS	Ring, Back-up (Note: Use Item 7007369)	
307	See Note	NSS	O-Ring (Note: Use Item 7007369)	
308	See Note	NSS	Seal, Compact (Note: Use Item 7007369)	
309	See Note	NSS	O-Ring (Note: Use Item 7007369)	
310	See Note	NSS	Ring, Back-up (Note: Use Item 7007369)	
400	70007370	1	Spacer Kit (Includes Items 401-402)	
401	See Note	NSS	Spacer (Note: Use p/n 70007370)	
402	See Note	NSS	O-Ring (Note: Use p/n 70007370)	
500	70007371	1	Piston Kit (Includes Items 501-502)	
501	See Note	NSS	Piston (Note: Use Item 7007371)	
502	See Note	NSS	Set Screw (Note: Use Item 7007371)	
600	70007372	1	Plug Kit (Includes Items 601-602)	
601	See Note	NSS	Plug (Note: Use Item 7007372)	
602	See Note	NSS	O-Ring (Note: Use Item 7007372)	

SECTION 5 - CYLINDER

FIGURE 5-9. LIFT CYLINDER - UPPER - E400AJPNARROW



ART_1001251016

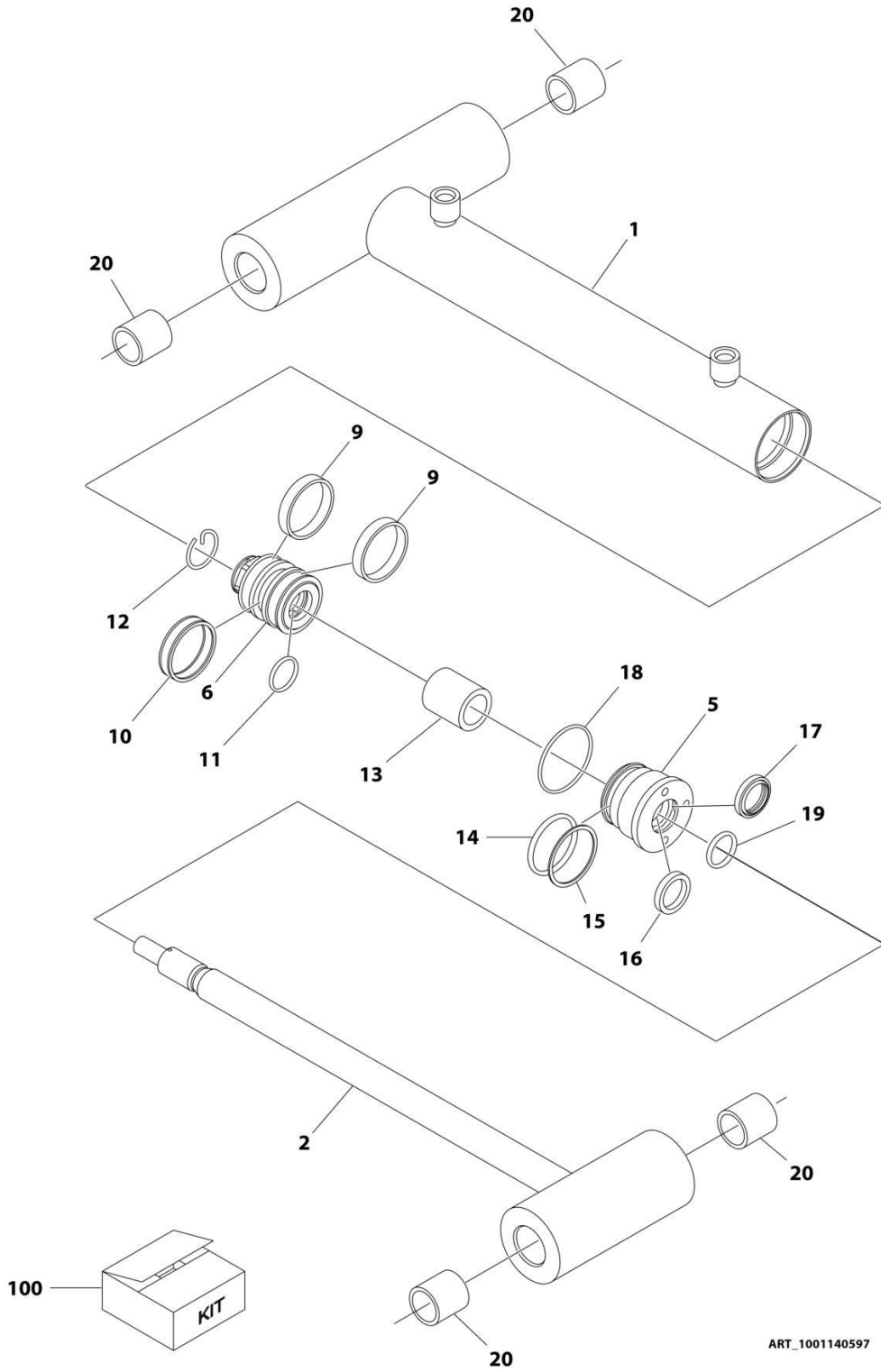
SECTION 5 - CYLINDER

FIGURE 5-9. LIFT CYLINDER - UPPER - E400AJPNARROW

ITEM	PART NUMBER	QTY	DESCRIPTION	REV
	1001251016	Ref	LIFT CYLINDER ASSEMBLY - UPPER	B
		Ref	Note: Original Cylinder may have been replaced with Service Replacement. Identify PN Stamped on Cylinder Before Ordering Parts.	
1	See Note	NSS	Barrel Weldment (Note: Not Available for Purchase)	
2	0961950	4	Bushing	
3	4640936	1	Valve, Counterbalance	
3	2900770	1	Seal Kit - 4640936 Valve	
100	70007373	1	Rod Assembly Kit (Includes Item 101)	
101	See Note	NSS	Rod Assembly (Note: Use p/n 70007373)	
200	70007368	1	Head Kit (Includes Items 201-202)	
201	See Note	NSS	Head (Note: Use p/n 70007368)	
202	See Note	NSS	Bushing (Note: Use p/n 70007368)	
300	70007369	1	Seal Kit (Includes Items 301-310)	
301	See Note	NSS	U-Packing (Note: Use Item 70007369)	
302	See Note	NSS	Ring, Back-up (Note: Use Item 7007369)	
303	See Note	NSS	Wiper, Rod (Note: Use Item 7007369)	
304	See Note	NSS	Ring, Retaining (Note: Use Item 7007369)	
305	See Note	NSS	O-Ring (Note: Use Item 7007369)	
306	See Note	NSS	Ring, Back-up (Note: Use Item 7007369)	
307	See Note	NSS	O-Ring (Note: Use Item 7007369)	
308	See Note	NSS	Seal, Compact (Note: Use Item 7007369)	
309	See Note	NSS	O-Ring (Note: Use Item 7007369)	
310	See Note	NSS	Ring, Back-up (Note: Use Item 7007369)	
400	70007374	1	Spacer Kit (Includes Items 401-402)	
401	See Note	NSS	Spacer (Note: Use Item 7007374)	
402	See Note	NSS	O-Ring (Note: Use Item 7007374)	
500	70007371	1	Piston Kit (Includes Items 501-502)	
501	See Note	NSS	Piston (Note: Use Item 7007371)	
502	See Note	NSS	Set Screw (Note: Use Item 7007371)	
600	70007372	1	Plug Kit (Includes Items 601-602)	
601	See Note	NSS	Plug (Note: Use Item 7007372)	
602	See Note	NSS	O-Ring (Note: Use Item 7007372)	

SECTION 5 - CYLINDER

FIGURE 5-10. MASTER CYLINDER ASSEMBLY - E400ANARROW



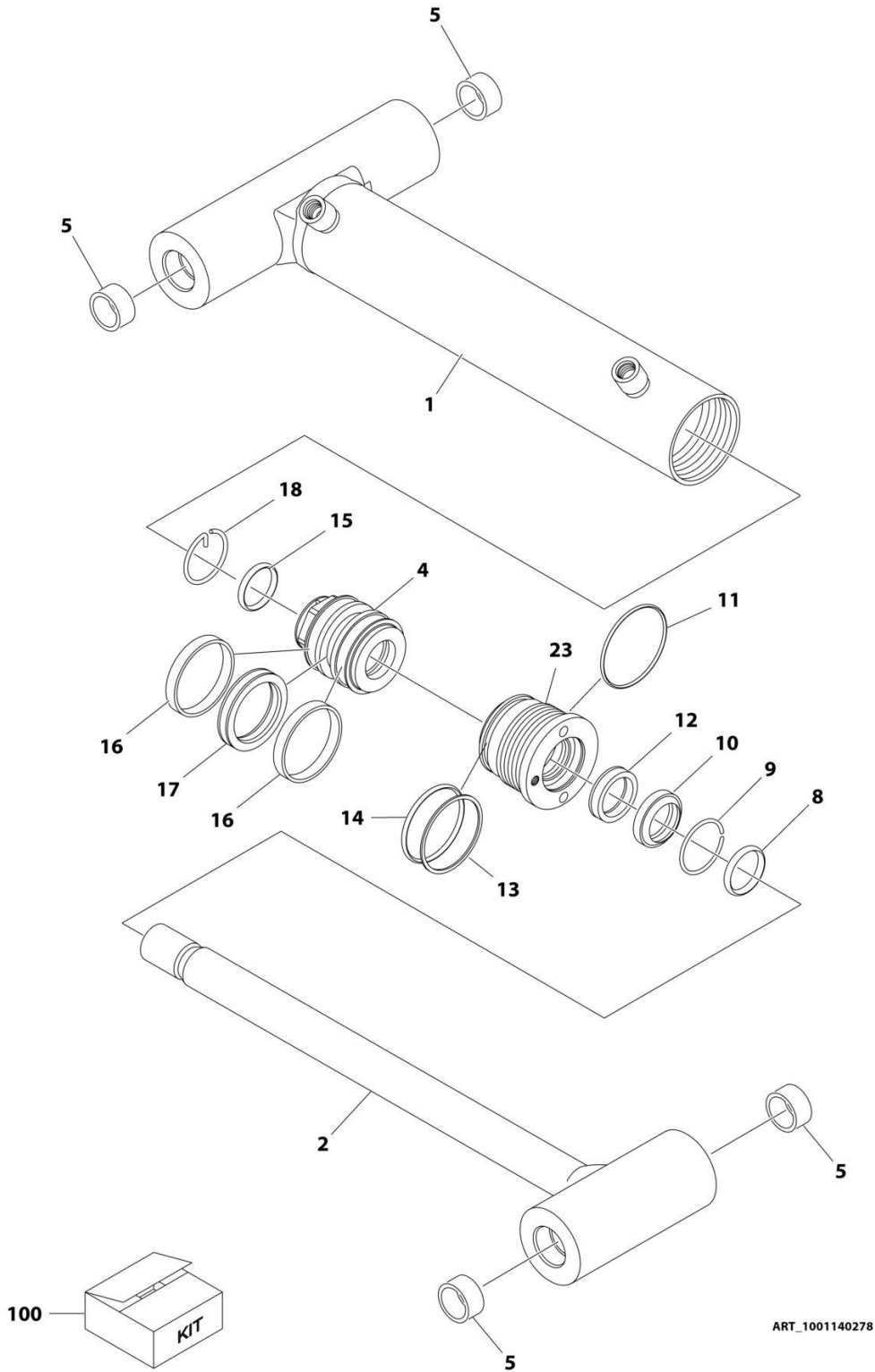
SECTION 5 - CYLINDER

FIGURE 5-10. MASTER CYLINDER ASSEMBLY - E400ANARROW

ITEM	PART NUMBER	QTY	DESCRIPTION	REV
	1001140597	Ref	MASTER CYLINDER ASSEMBLY	A
		Ref	Note: Original Cylinder May Have Been Replaced with Service Replacement. Identify PN Stamped on Cylinder Before Ordering Parts.	
1	70004144	1	Barrel	
2	70004145	1	Rod	
5	70000739	1	Head	
6	70004141	1	Piston	
9	See Note	NSS	Ring, Wear (Note: Use p/n 70004130)	
10	See Note	NSS	Seal, Piston (Note: Use p/n 70004130)	
11	70023094	1	O-Ring	
12	70004142	1	Retainer	
13	70004143	1	Spacer	
14	See Note	NSS	O-Ring (Note: Use p/n 70004130)	
15	See Note	NSS	Ring, Back-Up (Note: Use p/n 70004130)	
16	See Note	NSS	Seal, Rod (Note: Use p/n 70004130)	
17	See Note	NSS	Wiper, Rod (Note: Use p/n 70004130)	
18	See Note	NSS	O-Ring (Note: Use p/n 70004130)	
19	See Note	NSS	O-Ring (Note: Use p/n 70004130)	
20	0962356	4	Bushing	
100	70004130	1	Seal Kit (Includes Items 9-11 & 14-18)	

SECTION 5 - CYLINDER

FIGURE 5-11. MASTER CYLINDER ASSEMBLY - E400AJPNARROW



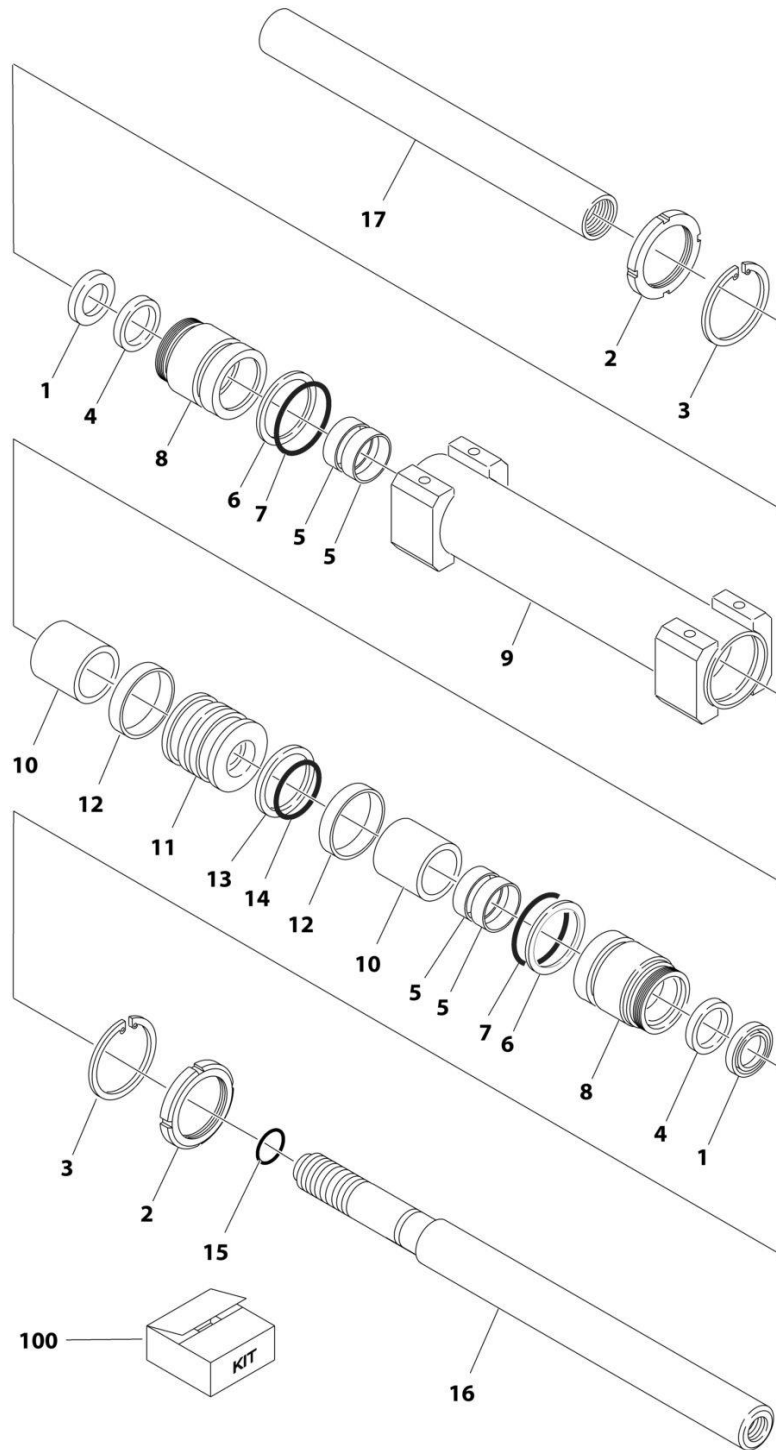
SECTION 5 - CYLINDER

FIGURE 5-11. MASTER CYLINDER ASSEMBLY - E400AJPNARROW

ITEM	PART NUMBER	QTY	DESCRIPTION	REV
	1001140278	Ref	MASTER CYLINDER ASSEMBLY	A
		Ref	Note: Original Cylinder may have been replaced with Service Replacement. Identify PN Stamped on Cylinder Before Ordering Parts.	
1	70003843	1	Barrel	
2	70003844	1	Rod	
4	70003819	1	Piston	
5	0961951	4	Bushing	
8	7026084	1	O-Ring	
9	70002217	1	Ring, Retaining	
10	See Note	NSS	Wiper, Rod (Note: Use p/n 70003845)	
11	See Note	NSS	O-Ring (Note: Use p/n 70003845)	
12	See Note	NSS	Seal, Rod (Note: Use p/n 70003845)	
13	See Note	NSS	Ring, Back-Up (Note: Use p/n 70003845)	
14	See Note	NSS	O-Ring (Note: Use p/n 70003845)	
15	See Note	NSS	O-Ring (Note: Use p/n 70003845)	
16	See Note	NSS	Ring, Wear (Note: Use p/n 70003845)	
17	See Note	NSS	Seal, Piston (Note: Use p/n 70003845)	
18	70002216	1	Retainer	
23	7026082	1	Head	
100	70003845	1	Seal Kit (Includes Items 10-17)	

SECTION 5 - CYLINDER

FIGURE 5-12. STEER CYLINDER ASSEMBLY



ART_1683591

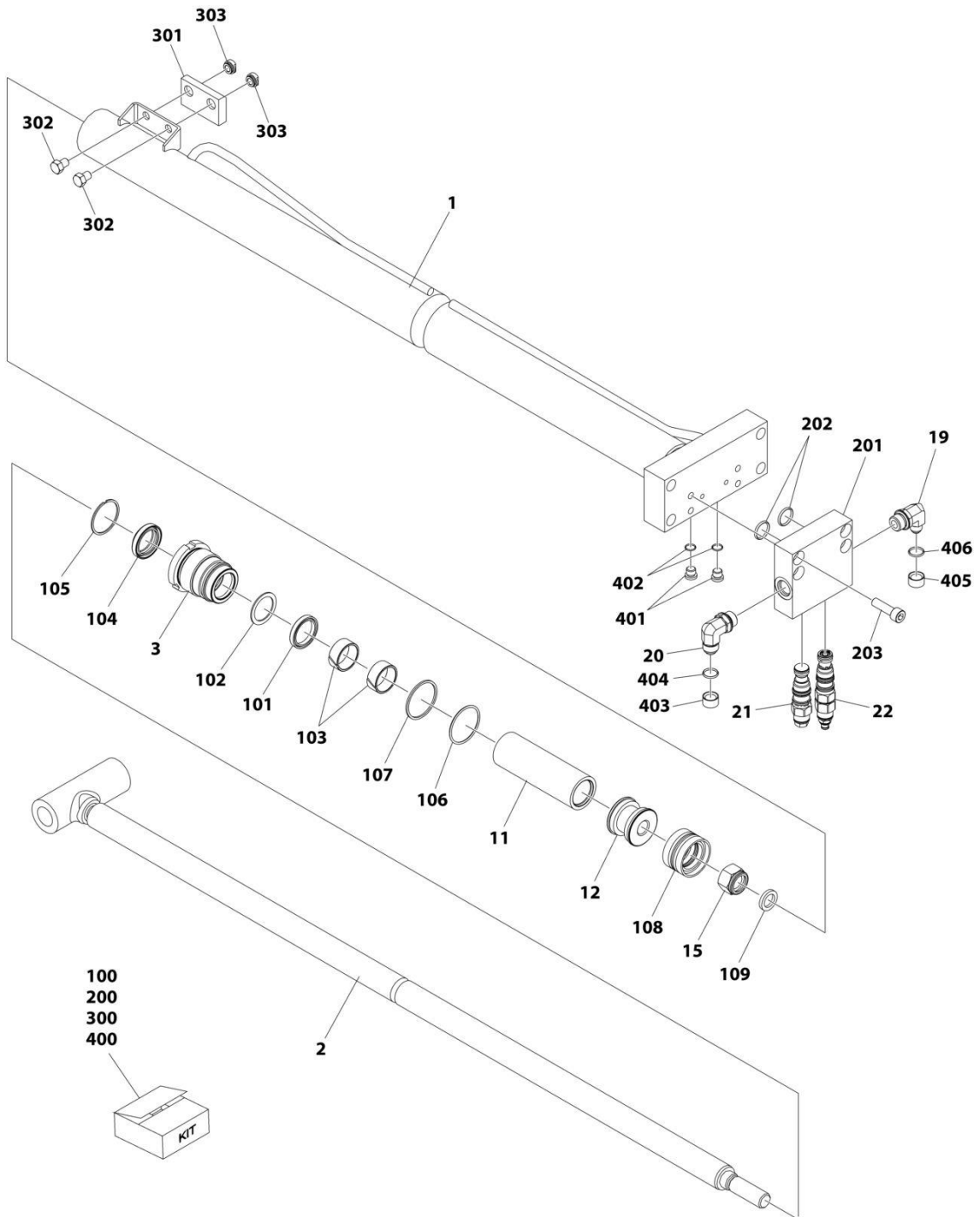
SECTION 5 - CYLINDER

FIGURE 5-12. STEER CYLINDER ASSEMBLY

ITEM	PART NUMBER	QTY	DESCRIPTION	REV
	1683591	Ref	STEER CYLINDER ASSEMBLY	B
		Ref	Note: Original Cylinder May Have Been Replaced with Service Replacement. Identify PN Stamped on Cylinder Before Ordering Parts.	
1	See Note	2	Wiper (Note: Use p/n 7017246)	
2	7001630	2	Nut, Spanner	
3	7017247	2	Ring, Retaining	
4	See Note	2	Seal, Lip (Note: Use p/n 7017246)	
5	See Note	4	Ring, Wear (Note: Use p/n 7017246)	
6	See Note	2	Ring, Back-Up (Note: Use p/n 7017246)	
7	See Note	2	O-Ring (Note: Use p/n 7017246)	
8	7017248	2	Guide	
9	70003341	1	Barrel	
10	7017249	2	Tube	
11	7017250	1	Piston	
12	See Note	2	Ring, Wear (Note: Use p/n 7017246)	
13	See Note	1	Seal (Note: Use p/n 7017246)	
14	See Note	1	O-Ring (Note: Use p/n 7017246)	
15	See Note	1	O-Ring (Note: Use p/n 7017246)	
16	7017251	1	Rod - Male End	
17	7017252	1	Rod - Female End	
100	7017246	1	Seal Kit (Includes Items 1,4-7 & 12-15)	

SECTION 5 - CYLINDER

FIGURE 5-13. TELESCOPE CYLINDER ASSEMBLY - E400ANARROW



ART_1001251063

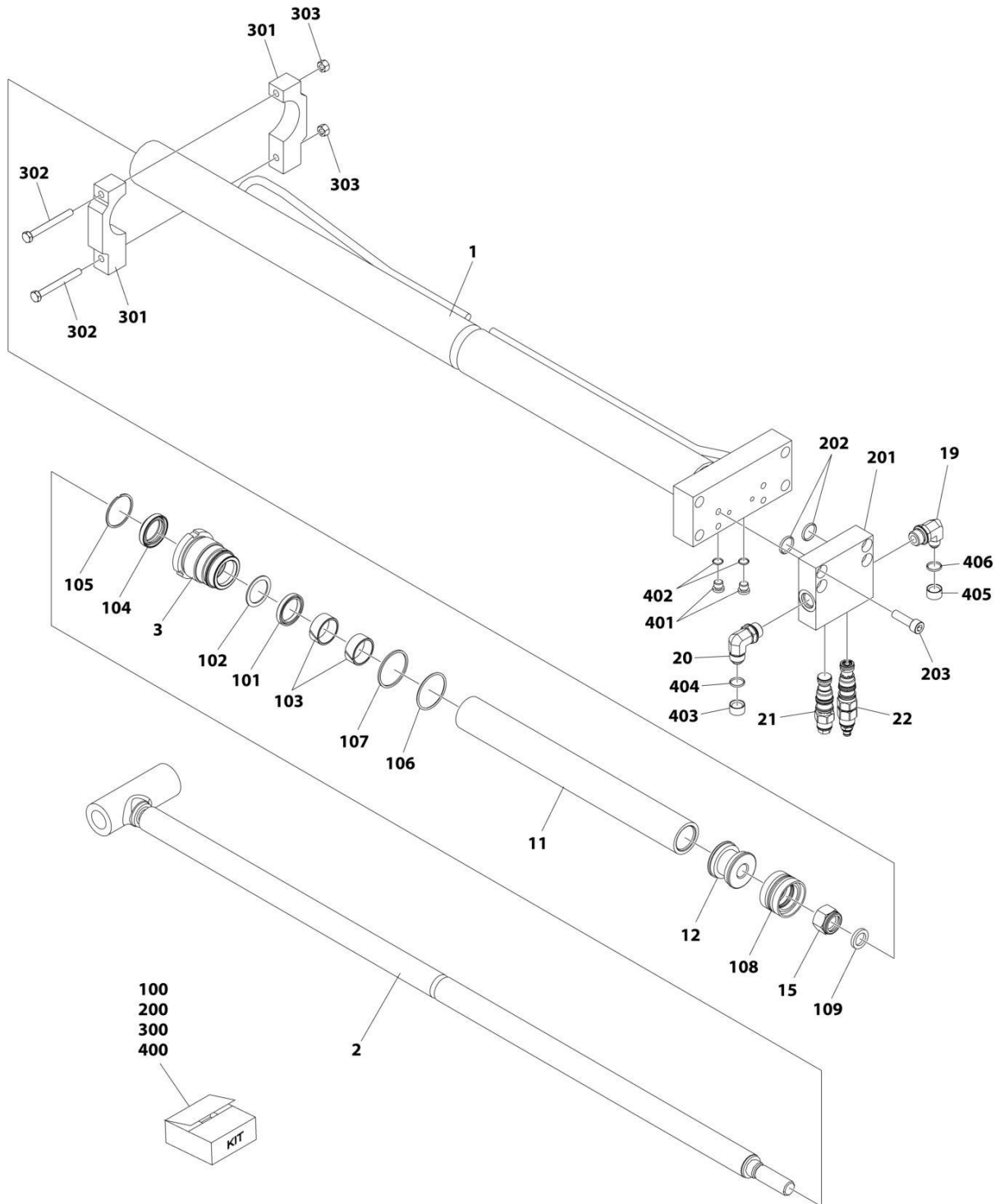
SECTION 5 - CYLINDER

FIGURE 5-13. TELESCOPE CYLINDER ASSEMBLY - E400ANARROW

ITEM	PART NUMBER	QTY	DESCRIPTION	REV
	1001251063	Ref	TELESCOPE CYLINDER ASSEMBLY	B
		Ref	Note: Original Cylinder may have been replaced with Service Replacement. Identify PN Stamped on Cylinder Before Ordering Parts.	
1	See Note	NSS	Barrel (Note: Not Available for Purchase)	
2	70007378	1	Rod Assembly	
3	70007357	1	Rod Cover	
11	70007358	1	Spacer	
12	70007359	1	Piston	
15	70007360	1	Nut	
19	70007361	1	Port	
20	70007362	1	Port	
21	4640709	1	Cartridge	
22	4640495	1	Cartridge	
100	70007363	1	Seal Kit (Includes Items 100-109)	
101	See Note	NSS	U-Packing (Note: Use p/n 70007363)	
102	See Note	NSS	Ring, Back-up (Note: Use p/n 70007363)	
103	See Note	NSS	Ring, Wear (Note: Use p/n 70007363)	
104	See Note	NSS	Wiper, Dust (Note: Use p/n 70007363)	
105	See Note	NSS	Ring, Retaining (Note: Use p/n 70007363)	
106	See Note	NSS	O-Ring (Note: Use p/n 70007363)	
107	See Note	NSS	Ring, Back-up (Note: Use p/n 70007363)	
108	See Note	NSS	Seal, Compact (Note: Use p/n 70007363)	
109	See Note	NSS	O-Ring (Note: Use p/n 70007363)	
200	70007364	1	Block Kit (Includes Items 201-203)	
201	See Note	NSS	Block (Note: Use p/n 70007364)	
202	See Note	NSS	O-Ring (Note: Use p/n 70007364)	
203	See Note	NSS	Bolt (Note: Use p/n 70007364)	
300	70007365	1	Wear Pad Kit (Includes Items 301-303)	
301	See Note	NSS	Guide (Note: Use p/n 70007365)	
302	See Note	NSS	Bolt (Note: Use p/n 70007365)	
303	See Note	NSS	Nut (Note: Use p/n 70007365)	
400	70007366	1	Plug Kit (Includes Items 401-406)	
401	See Note	NSS	Plug (Note: Use p/n 70007366)	
402	See Note	NSS	O-Ring (Note: Use p/n 70007366)	
403	See Note	NSS	Dust Cap (Note: Use p/n 70007366)	
404	See Note	NSS	O-Ring (Note: Use p/n 70007366)	
405	See Note	NSS	Dust Cap (Note: Use p/n 70007366)	
406	See Note	NSS	O-Ring (Note: Use p/n 70007366)	

SECTION 5 - CYLINDER

FIGURE 5-14. TELESCOPE CYLINDER ASSEMBLY - E400AJPNARROW



ART_1001251015

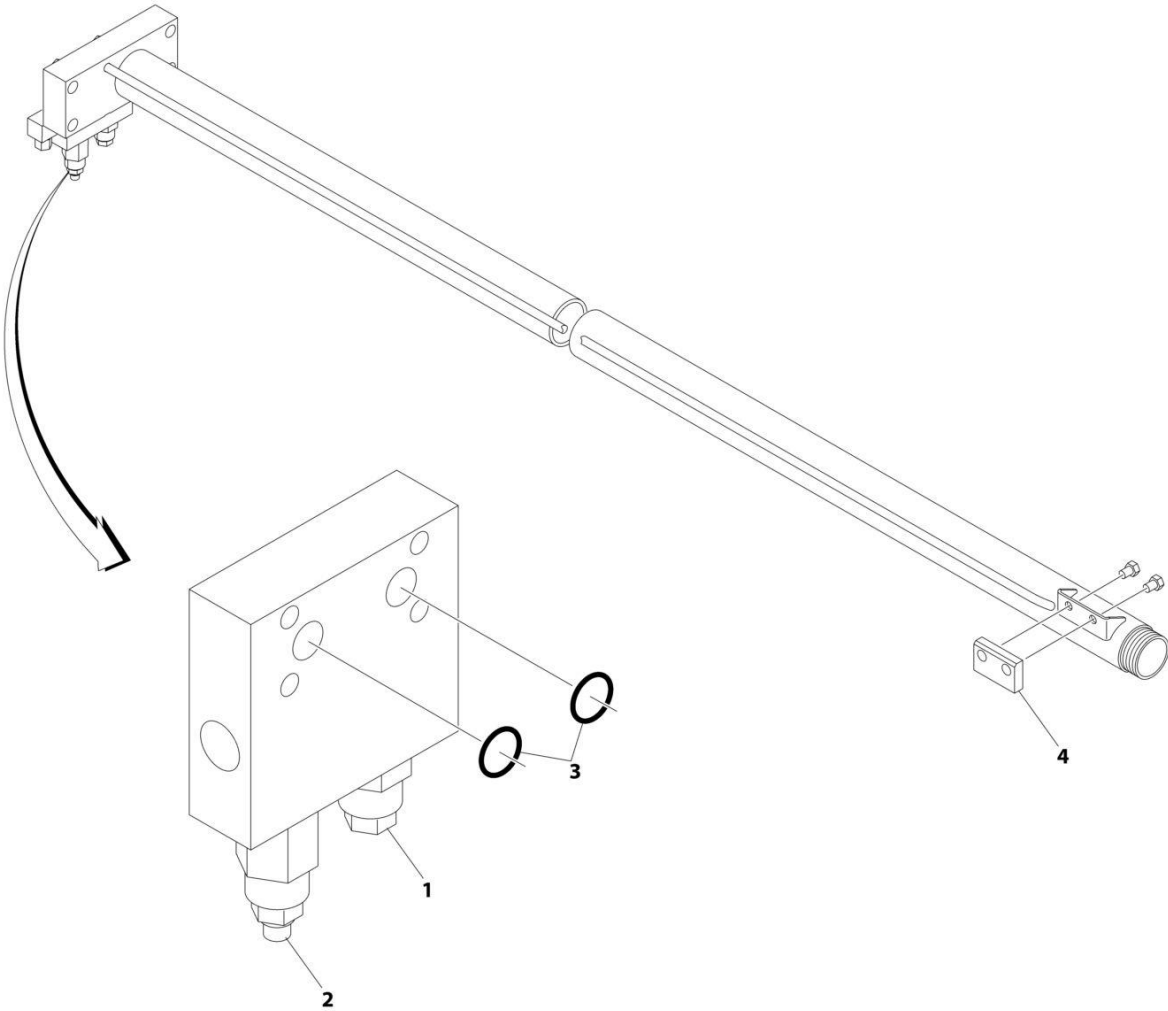
SECTION 5 - CYLINDER

FIGURE 5-14. TELESCOPE CYLINDER ASSEMBLY - E400AJPNARROW

ITEM	PART NUMBER	QTY	DESCRIPTION	REV
	1001251015	Ref	TELESCOPE CYLINDER ASSEMBLY	B
		Ref	Note: Original Cylinder may have been replaced with Service Replacement. Identify PN Stamped on Cylinder Before Ordering Parts.	
1	See Note	NSS	Barrel Weldment (Note: Not Available for Purchase)	
2	70007379	1	Rod	
3	70007357	1	Head	
11	70007381	1	Spacer	
12	70007359	1	Piston	
15	70007360	2	Nut	
19	70007361	1	Fitting, 90 JIC/ORB	
20	70007362	1	Fitting, 90 JIC/ORB	
100	70007363	1	Seal Kit (Includes Items 101-109)	
101	See Note	NSS	U-Packing (Note: Use p/n 70007363)	
102	See Note	NSS	Ring, Back-up (Note: Use p/n 70007363)	
103	See Note	NSS	Ring, Wear (Note: Use p/n 70007363)	
104	See Note	NSS	Wiper, Rod (Note: Use p/n 70007363)	
105	See Note	NSS	Ring, Retaining (Note: Use p/n 70007363)	
106	See Note	NSS	O-Ring (Note: Use p/n 70007363)	
107	See Note	NSS	Ring, Back-up (Note: Use p/n 70007363)	
108	See Note	NSS	Seal, Compact (Note: Use p/n 70007363)	
109	See Note	NSS	O-Ring (Note: Use p/n 70007363)	
200	70007364	1	Block Kit (Includes Items 201-203)	
201	See Note	NSS	Block (Note: Use p/n 70007364)	
202	See Note	NSS	O-Ring (Note: Use p/n 70007364)	
203	See Note	NSS	Bolt (Note: Use p/n 70007364)	
300	70007380	1	Wear Pad Kit (Includes Items 301-303)	
301	See Note	NSS	Bracket (Note: Use p/n 70007380)	
302	See Note	NSS	Bolt (Note: Use p/n 70007380)	
303	See Note	NSS	Nut (Note: (Use p/n 70007380)	
400	70007366	1	Plug Kit (Includes Items 401-406)	
401	See Note	NSS	Plug (Note: Use p/n 70007366)	
402	See Note	NSS	O-Ring (Note: Use p/n 70007366)	
403	See Note	NSS	Dust Cap (Note: Use p/n 70007366)	
404	See Note	NSS	O-Ring (Note: Use p/n 70007366)	
405	See Note	NSS	Dust Cap (Note: Use p/n 70007366)	
406	See Note	NSS	O-Ring (Note: Use p/n 70007366)	

SECTION 5 - CYLINDER

FIGURE 5-15. COUNTERBALANCE VALVE ASSEMBLY



ART_4640807

SECTION 5 - CYLINDER

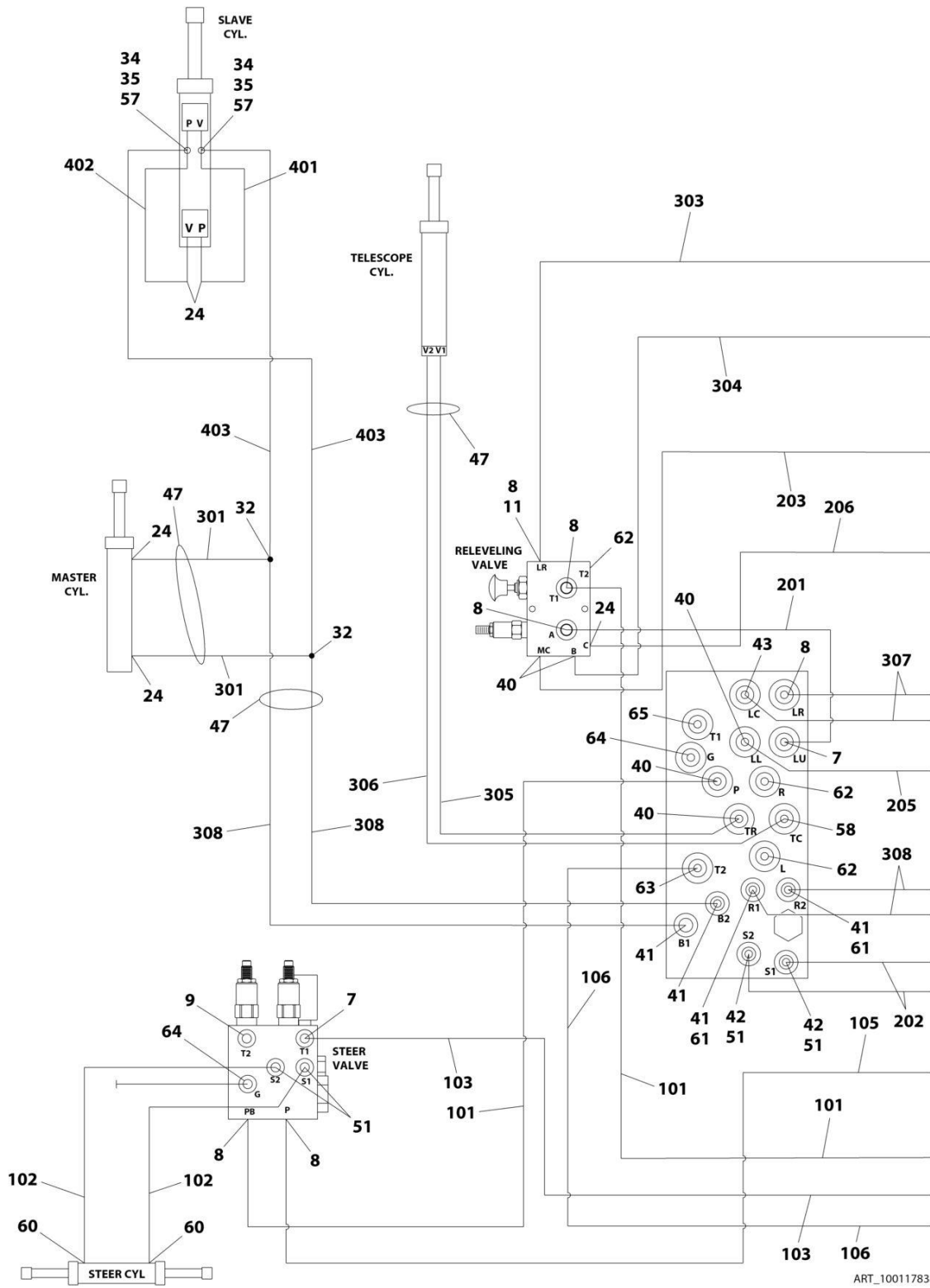
FIGURE 5-15. COUNTERBALANCE VALVE ASSEMBLY

ITEM	PART NUMBER	QTY	DESCRIPTION	REV
	4640807	Ref	COUNTERBALANCE VALVE ASSEMBLY	D
1	4640771	1	Cartridge, Counterbalance	
1	2900770	1	Seal Kit - 4640771 Cartridge	
2	4640709	1	Cartridge, Vented Counterbalance	
2	2900770	1	Seal Kit - 4640709 Cartridge	
3	3790113	2	O-Ring (Between Valve and Cylinder Block)	

SECTION 6 - HYDRAULIC

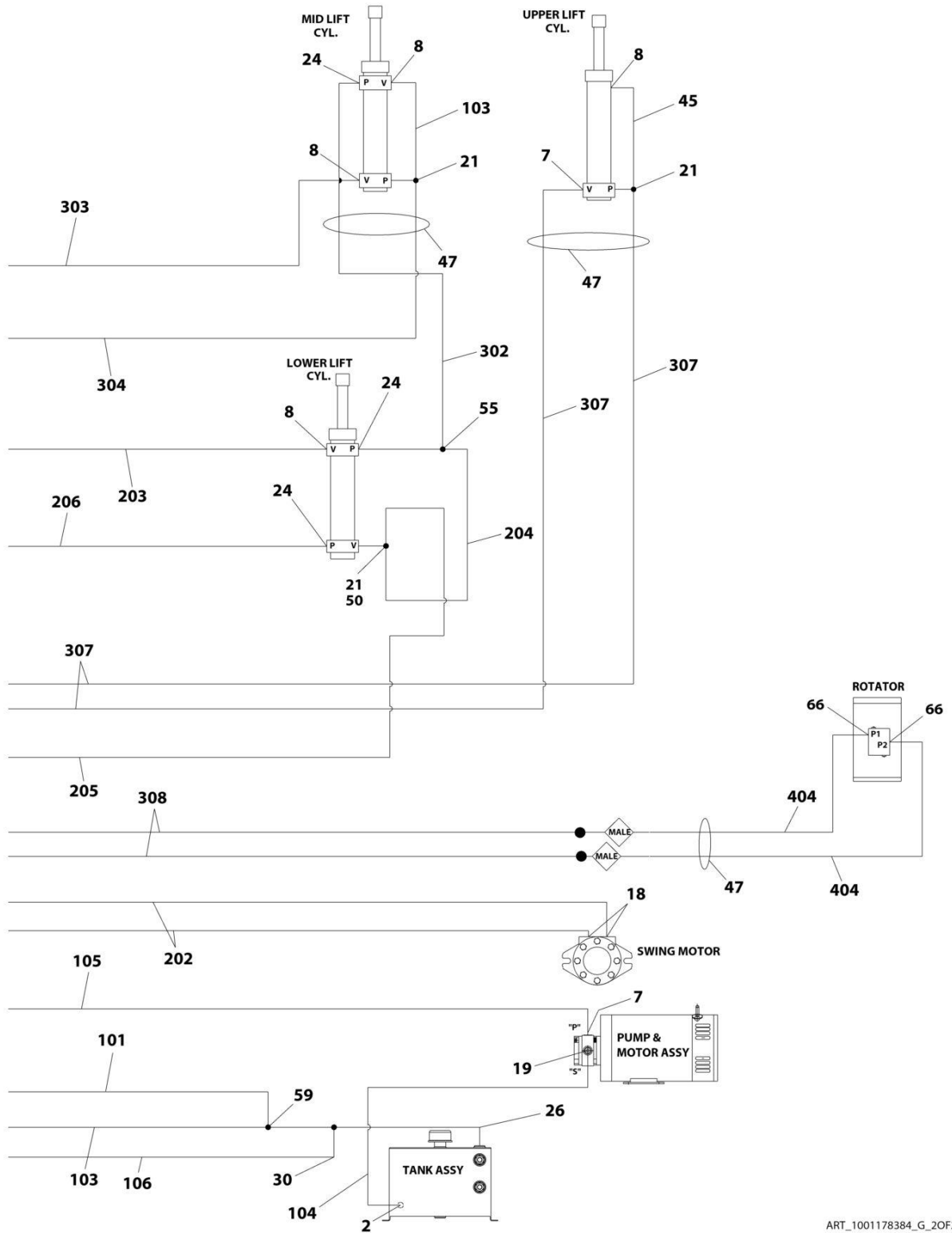
SECTION 6 - HYDRAULIC

FIGURE 6-1. HYDRAULIC DIAGRAM - E400ANARROW



ART_1001178384_G_10F2

SECTION 6 - HYDRAULIC



ART_1001178384_G_2OF2

SECTION 6 - HYDRAULIC

FIGURE 6-1. HYDRAULIC DIAGRAM - E400ANARROW

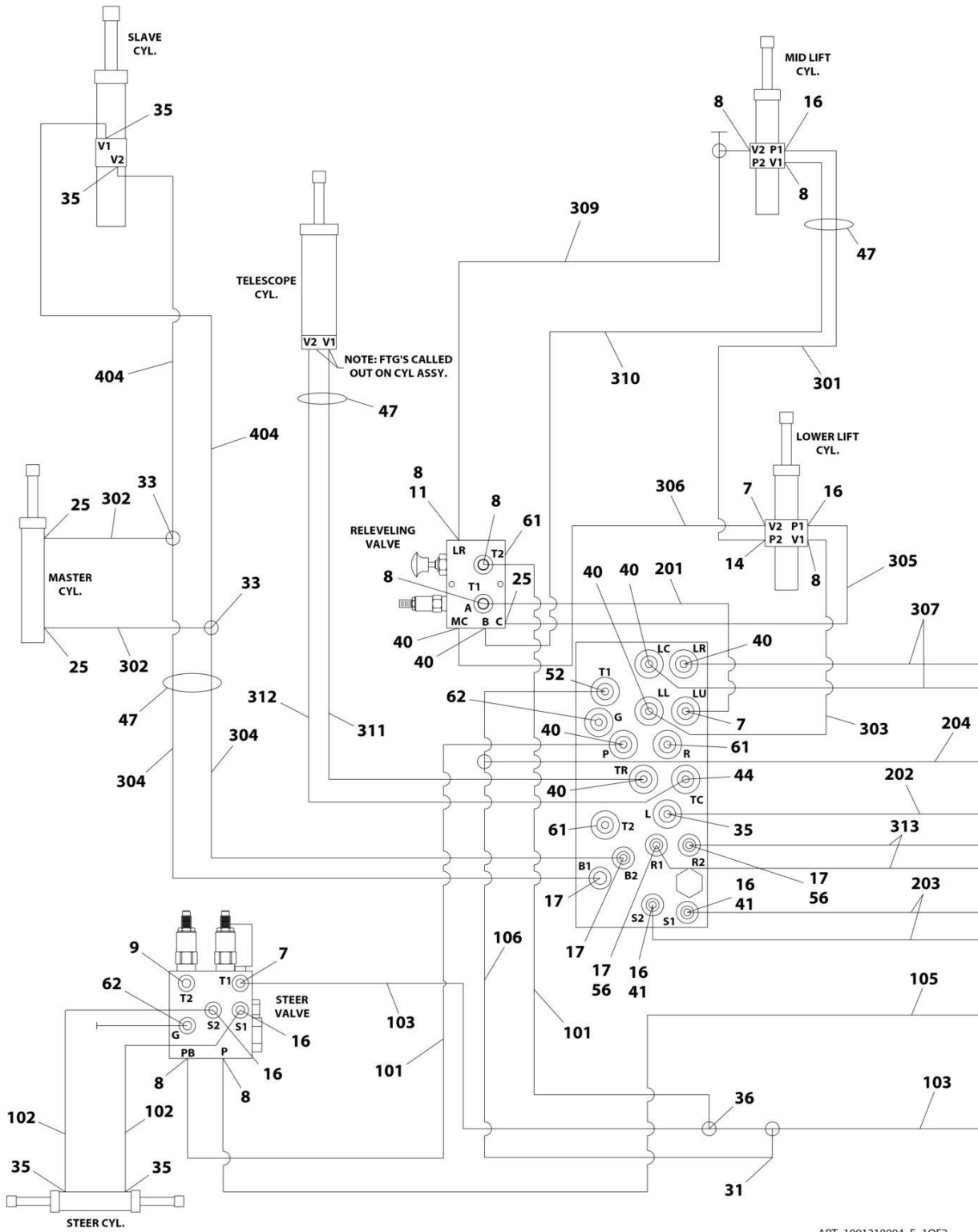
ITEM	PART NUMBER	QTY	DESCRIPTION	REV
	1001178384	Ref	HYDRAULIC DIAGRAM - E400AN	G
2	2220498	1	Fitting, 45 JIC/ORB	
7	2220371	4	Fitting, Straight, JIC/ORB	
8	2220473	10	Fitting, 90 JIC/ORB	
9	2220885	1	Plug	
11	2220507	1	Fitting, 90 JIC/JIC	
18	2221033	2	Fitting, Straight JIC/ORB	
19	2220593	1	Fitting, Straight JIC/ORB	
21	2220899	3	Fitting, Tee JIC/ORB/JIC	
24	2220472	8	Fitting, 90 JIC/ORB	
26	2220999	1	Fitting, Tee JIC/ORB/JIC	
30	2220386	1	Fitting, 90 JIC/JIC	
32	2220504	2	Fitting, Tee JIC/JIC/JIC	
34	2220727	2	Fitting, Reducer ORB	
35	2220684	2	Fitting, Tee NPT/JIC/JIC	
40	2220501	5	Fitting, 45 JIC/ORB	
41	2220502	4	Fitting, 45 JIC/ORB	
42	2220677	2	Fitting, 45 JIC/JIC	
43	2221147	1	Fitting, 90 JIC/ORB	
45	4566188	1	Tube	
47	4100026	13.7 ft /4.2m	Nylon, Sleeve	
49	1702124	1	Hose, Tag (Not Shown)	
50	2220609	1	Fitting, Straight JIC/JIC	
51	2220415	4	Fitting, Straight JIC/ORB	
55	2220605	1	Fitting, Tee JIC/JIC/JIC	
57	0100020	AR	Sealant	
58	2220600	1	Fitting, Straight JIC/ORB	
59	2221054	1	Fitting, Tee JIC/JIC/JIC	
60	2220582	2	Fitting, Straight JIC/ORB	
61	2220909	2	Fitting, Restrictor	
62	2220237	3	Plug, ORB	
63	1001136881	1	Fitting, 45 JIC/ORB	
64	2221086	2	Fitting, Nipple	
65	2220239	1	Plug, ORB	
66	2220940	2	Fitting, 90 JIC/ORB	
100	1001269310	1	Hose Kit - Frame (Not Shown)	
101	2750915	2	Hose	
102	2752453	2	Hose	
103	2752467	2	Hose	
104	2753973	1	Hose	
105	1001152635	1	Hose	
106	1001177666	1	Hose	
200	1001269311	1	Hose Kit - Turntable (Not Shown)	
201	2750910	1	Hose	
202	2752459	2	Hose	
203	2752475	1	Hose	
204	2752581	1	Hose	
205	2752620	1	Hose	
206	2752983	1	Hose	

SECTION 6 - HYDRAULIC

ITEM	PART NUMBER	QTY	DESCRIPTION	REV
300	1001269312	1	Hose Kit - Boom (Lower) (Not Shown)	
301	2752437	2	Hose	
302	2752440	1	Hose	
303	2753334	1	Hose	
304	2753335	1	Hose	
305	2753474	1	Hose	
306	2753475	1	Hose	
307	2753519	2	Hose	
308	2753520	4	Hose	
400	1001269313	1	Hose Kit - Boom (Upper) (Not Shown)	
401	2752435	1	Hose	
402	2752573	1	Hose	
403	2753535	2	Hose	
404	1001185828	2	Hose	

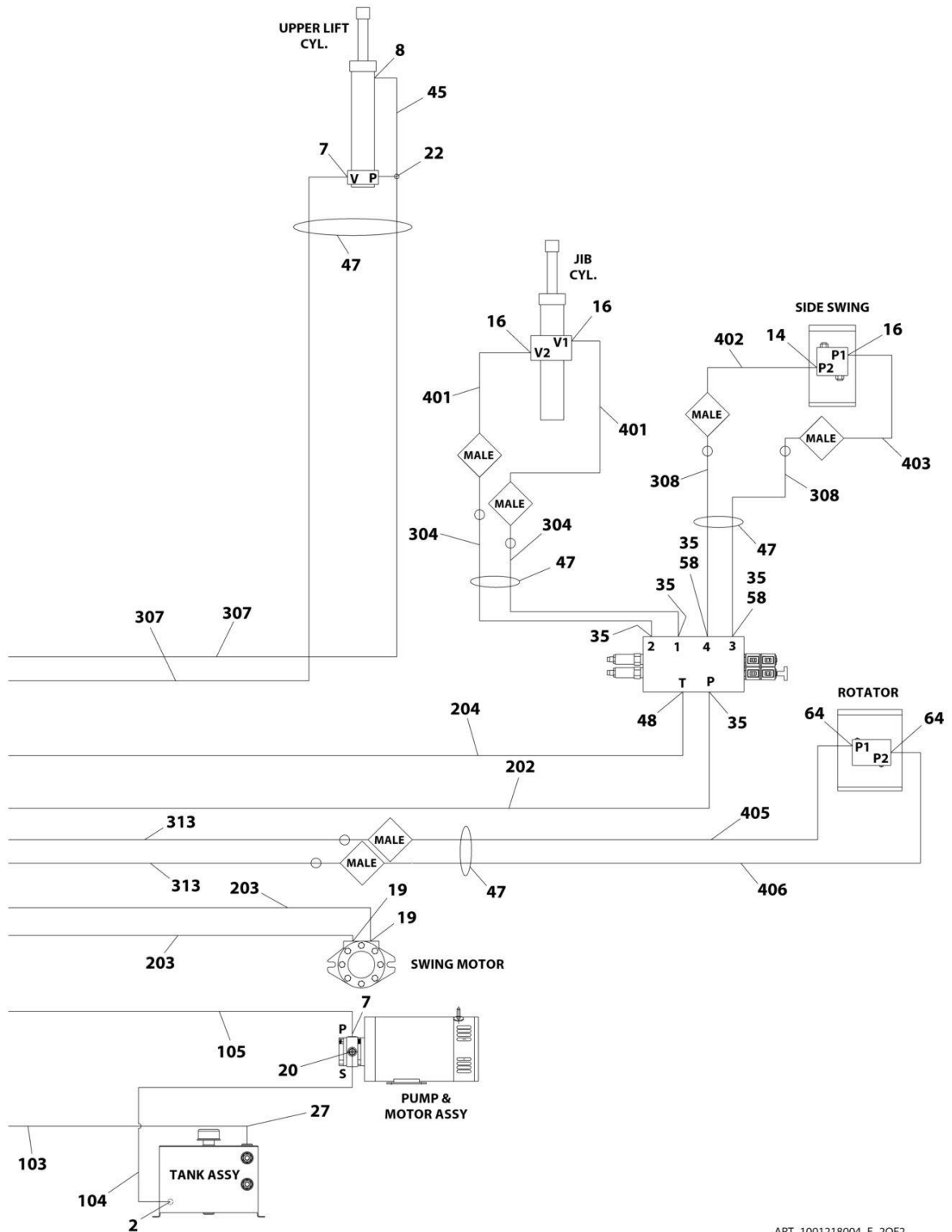
SECTION 6 - HYDRAULIC

FIGURE 6-2. HYDRAULIC DIAGRAM - E400AJPNARROW



ART_1001218004_E_10F2

SECTION 6 - HYDRAULIC



ART_1001218004_E_2OF2

SECTION 6 - HYDRAULIC

FIGURE 6-2. HYDRAULIC DIAGRAM - E400AJPNARROW

ITEM	PART NUMBER	QTY	DESCRIPTION	REV
	1001218004	Ref	HYDRAULIC DIAGRAM - E400AJP/E400AJPnarrow	E
2	2220498	1	Fitting, 45 JIC/ORB	
7	2220371	4	Fitting, Straight JIC/ORB	
8	2220473	9	Fitting, 90 JIC/ORB	
9	2220885	1	Plug	
11	2220507	1	Fitting, 90 JIC/JIC	
14	2220466	2	Fitting, 90 JIC/ORB	
16	2220415	9	Fitting, Straight JIC/ORB	
17	2220502	4	Fitting, 45 JIC/ORB	
19	2221033	2	Fitting, Straight JIC/ORB	
20	2220593	1	Fitting, Straight JIC/ORB	
22	2220899	1	Fitting, Tee JIC/ORB/JIC	
25	2220472	3	Fitting, 90 JIC/ORB	
27	2220999	1	Fitting, Tee JIC/ORB/JIC	
31	2220386	1	Fitting, 90 JIC/JIC	
33	2220504	2	Fitting, Tee JIC/JIC/JIC	
35	2220582	11	Fitting, Straight JIC/ORB	
36	2221054	1	Fitting, Tee JIC/JIC/JIC	
40	2220501	7	Fitting, 45 JIC/ORB	
41	2220677	2	Fitting, 45 JIC/JIC	
44	2220600	1	Fitting, Straight JIC/ORB	
45	4567946	1	Tube	
47	4100026	17.2 ft/ 5.2m	Nylon, Sleeve	
48	2220373	1	Fitting, Straight JIC/ORB	
49	1702124	1	Hose, Tag (Not Shown)	
52	8760554	1	Fitting, Tee JIC/JIC/ ORB	
56	2220909	2	Fitting, Restrictor	
58	2221039	2	Fitting, Orifice	
61	2220237	3	Plug, ORB	
62	2221086	2	Fitting, Nipple	
64	2220940	2	Fitting, 90 JIC/ORB	
100	1001269314	1	Hose Kit - Frame (Not Shown)	
101	2750915	2	Hose	
102	2752453	2	Hose	
103	2752467	1	Hose	
104	2753973	1	Hose	
105	1001152635	1	Hose	
106	1001177666	1	Hose	
200	1001269315	1	Hose Kit - Turntable (Not Shown)	
201	2750910	1	Hose	
202	2752442	1	Hose	
203	2752459	2	Hose	
204	2752493	1	Hose	
300	1001269316	1	Hose Kit - Boom (Lower) (Not Shown)	
301	2751890	1	Hose	
302	2752437	2	Hose	
303	2752466	1	Hose	
304	2752571	4	Hose	
305	2752600	1	Hose	

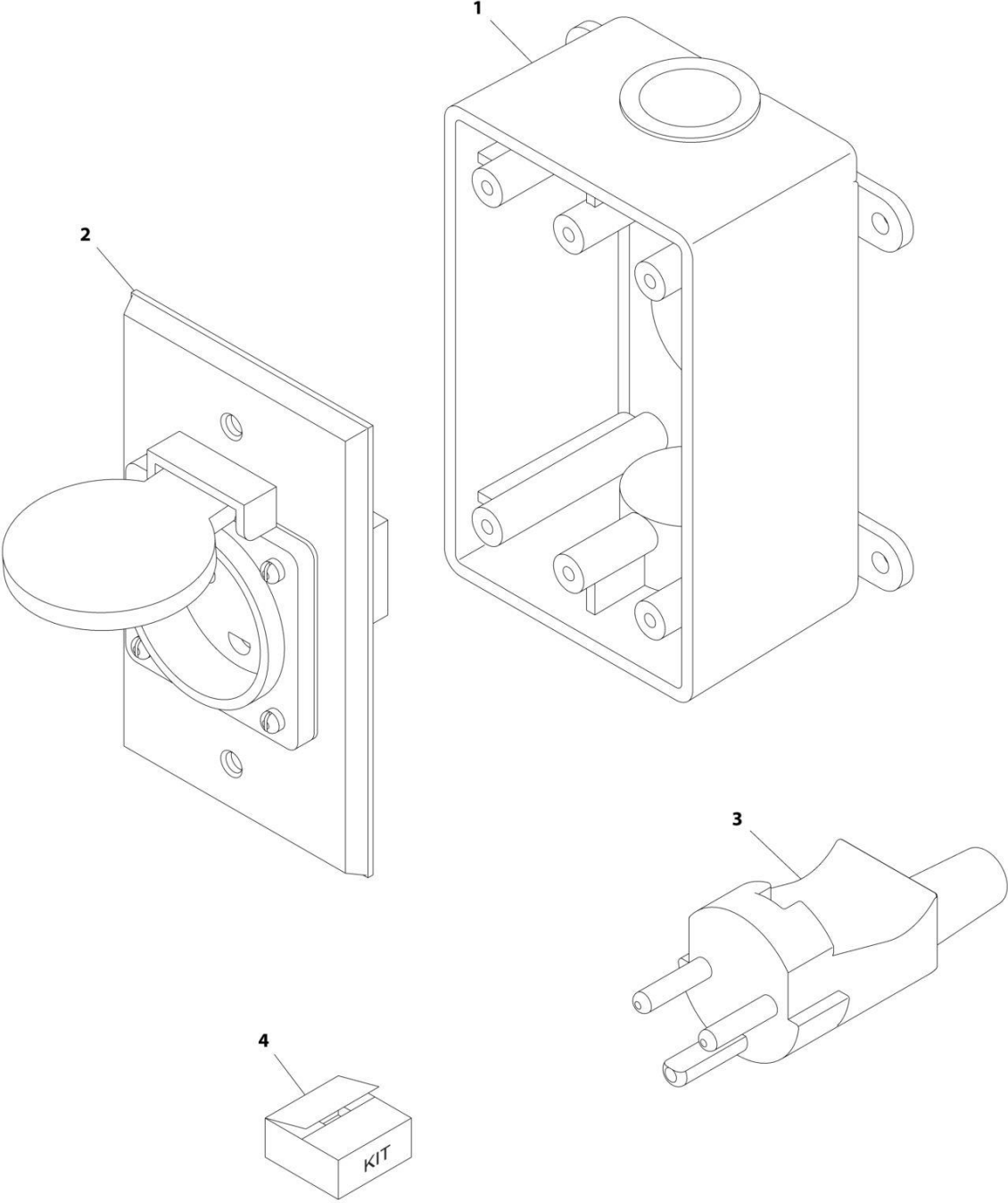
SECTION 6 - HYDRAULIC

ITEM	PART NUMBER	QTY	DESCRIPTION	REV
306	2752611	1	Hose	
307	2752619	2	Hose	
308	2753332	2	Hose	
309	2753334	1	Hose	
310	2753335	1	Hose	
311	2753474	1	Hose	
312	2753475	1	Hose	
313	2753520	2	Hose	
400	1001269317	1	Hose Kit - Boom (Upper) (Not Shown)	
401	2753329	2	Hose	
402	2753330	1	Hose	
403	2753331	1	Hose	
404	2753333	2	Hose	
405	1001185828	1	Hose	
406	1001185829	1	Hose	

SECTION 7 - ELECTRICAL

SECTION 7 - ELECTRICAL

FIGURE 7-1. AC PLUGS AND SOCKETS INSTALLATION - AFSINT 107-2-01 KEYED GROUND - 2 X 4 BOX (CE & UK CA SPEC)



ART_0275454

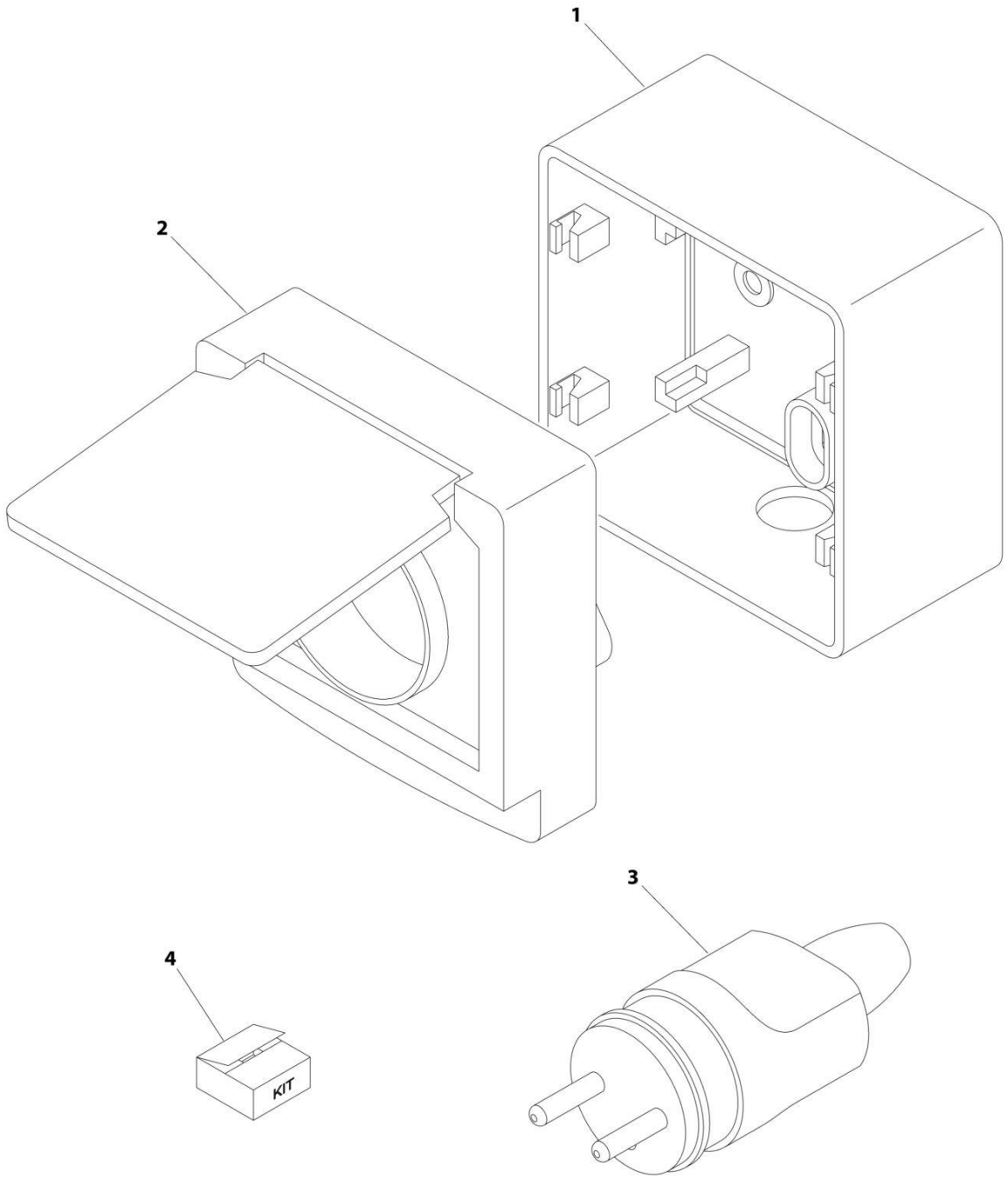
SECTION 7 - ELECTRICAL

FIGURE 7-1. AC PLUGS AND SOCKETS INSTALLATION - AFSINT 107-2-01 KEYED GROUND - 2 X 4 BOX (CE & UK CA SPEC)

ITEM	PART NUMBER	QTY	DESCRIPTION	REV
	0275454	Ref	RECEPTACLE BOX KIT - 220V AFSINT 107	B
1	0861731	1	Box, Switch	
2	4461246	1	Receptacle	
3	4461249	1	Plug, Male	
4	1001100346	1	Plug and Socket Kit (Includes Items 1-3 and Female Plug p/n 4461250)	

SECTION 7 - ELECTRICAL

FIGURE 7-2. AC PLUGS AND SOCKETS INSTALLATION - CEE7 POST GROUND (CE & UK CA SPEC)



ART_0275218_C

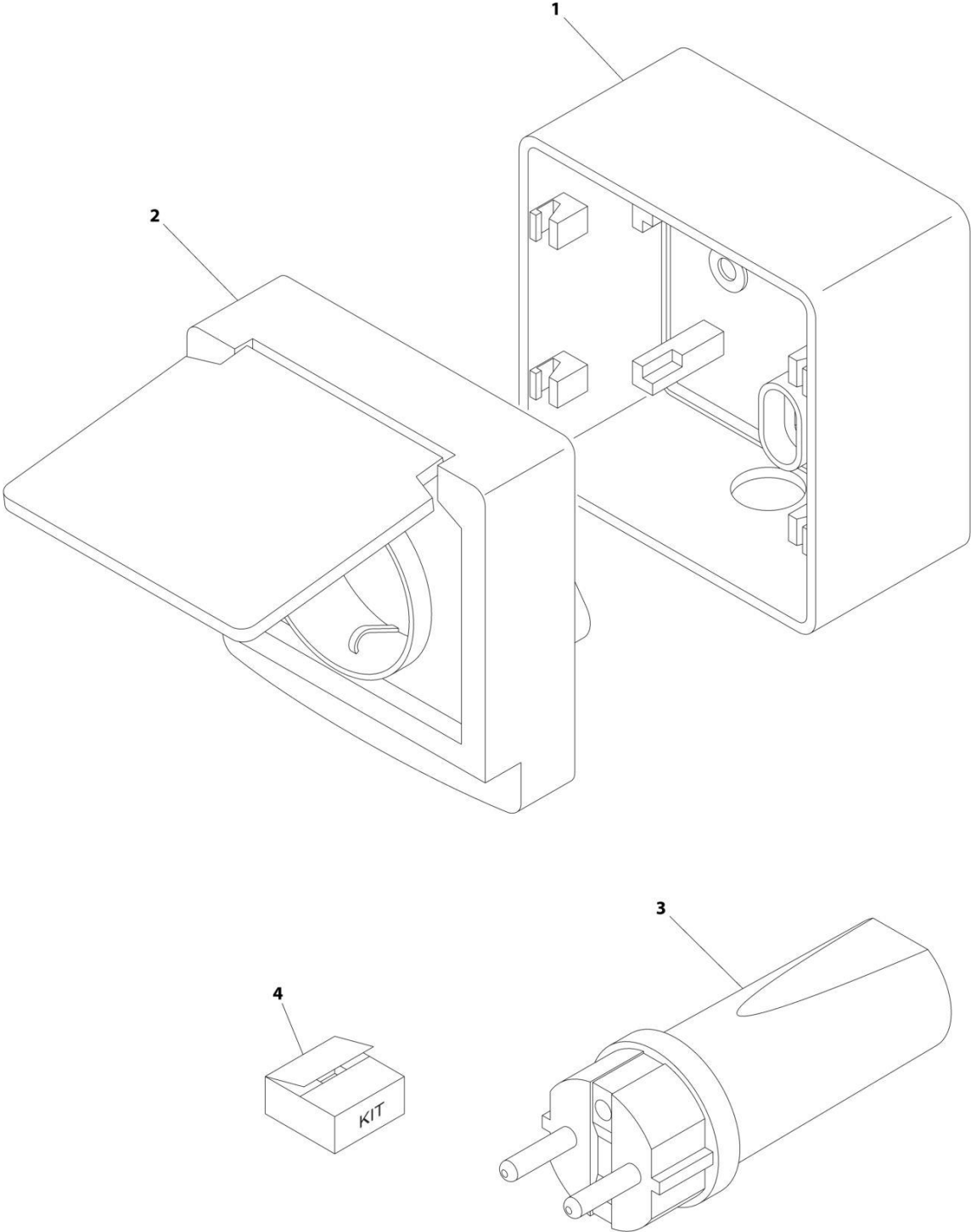
SECTION 7 - ELECTRICAL

FIGURE 7-2. AC PLUGS AND SOCKETS INSTALLATION - CEE7 POST GROUND (CE & UK CA SPEC)

ITEM	PART NUMBER	QTY	DESCRIPTION	REV
	0275218	Ref	RECEPTACLE BOX KIT - 220V CEE7 POST GROUND 70MM X 70MM BOX	C
1	1001141967	1	Box, Switch	
2	1001141968	1	Receptacle	
3	4461205	1	Plug, Male	
4	1001141971	1	Plug and Socket Kit (Includes Items 1-3 and Female Plug p/n 4461206)	

SECTION 7 - ELECTRICAL

FIGURE 7-3. AC PLUGS AND SOCKETS INSTALLATION - CEE 7 SIDE GROUND (CE & UK CA SPEC)



ART_0275219

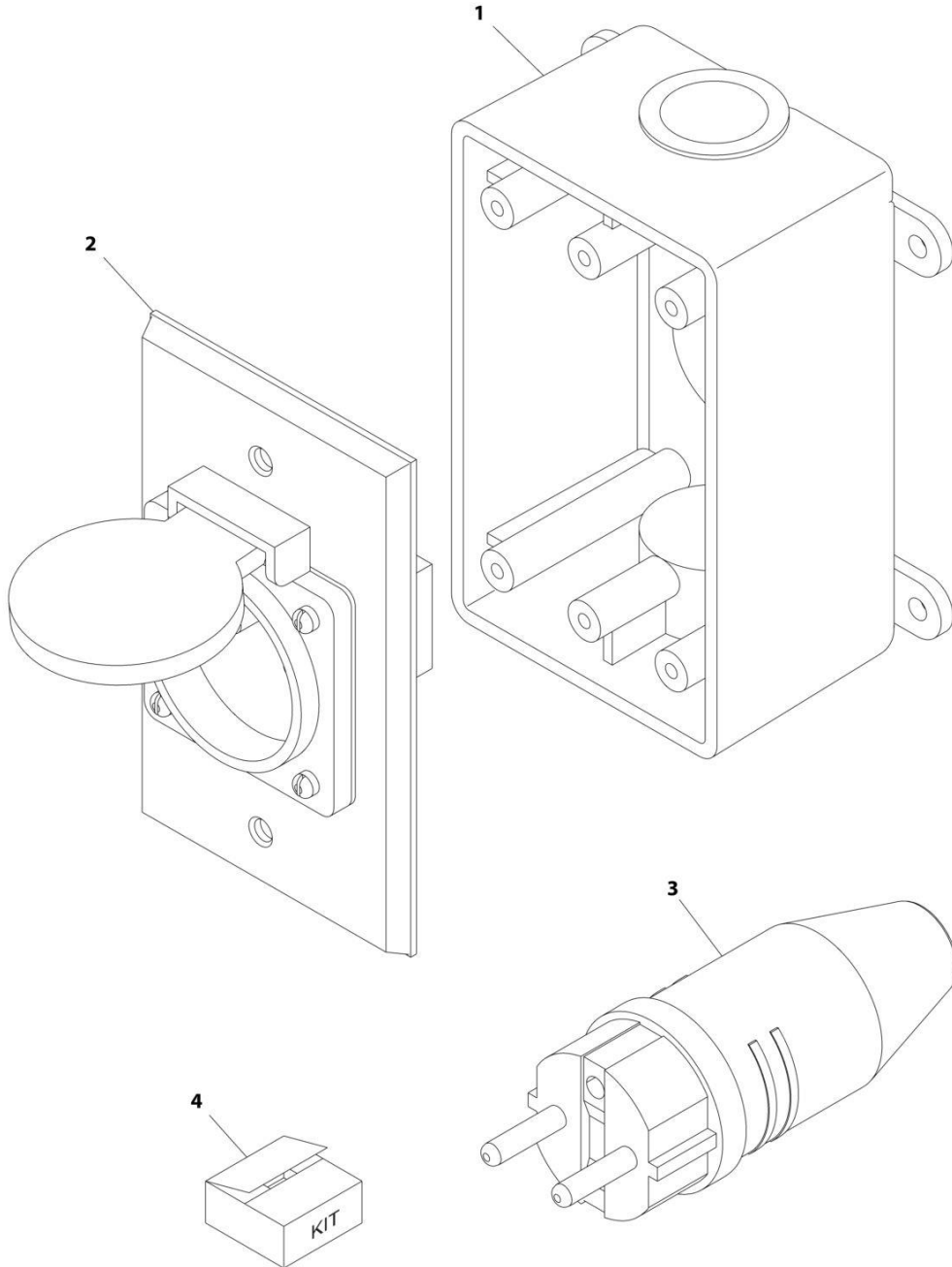
SECTION 7 - ELECTRICAL

FIGURE 7-3. AC PLUGS AND SOCKETS INSTALLATION - CEE 7 SIDE GROUND (CE & UK CA SPEC)

ITEM	PART NUMBER	QTY	DESCRIPTION	REV
	0275219	Ref	RECEPTACLE BOX KIT - 220V CEE7 SIDE GROUND 70MM X 70MM BOX	B
1	1001141967	1	Box, Switch	
2	1001141969	1	Receptacle	
3	4461205	1	Plug, Male	
4	1001141970	1	Plug and Socket Kit (Includes Items 1-3 and Female Plug p/n 4461206)	

SECTION 7 - ELECTRICAL

FIGURE 7-4. AC PLUGS AND SOCKETS INSTALLATION - CEE7 POST GROUND - 2 X 4 BOX (CE & UK CA SPEC)



ART_0275452-C

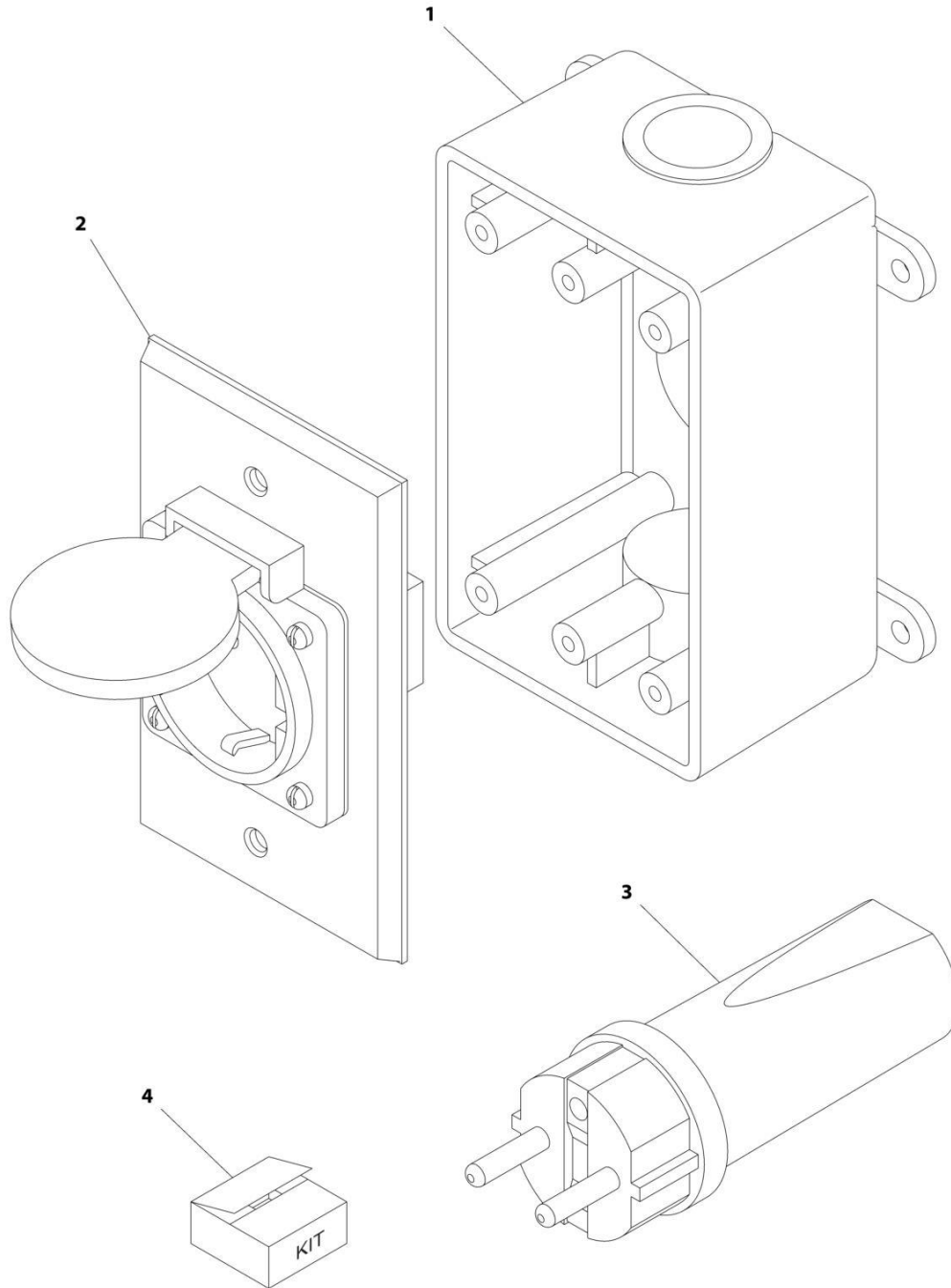
SECTION 7 - ELECTRICAL

FIGURE 7-4. AC PLUGS AND SOCKETS INSTALLATION - CEE7 POST GROUND - 2 X 4 BOX (CE & UK CA SPEC)

ITEM	PART NUMBER	QTY	DESCRIPTION	REV
	0275452	Ref	RECEPTACLE BOX KIT - 220V CEE7 POST GROUND 2IN X 4IN BOX	C
1	0861731	1	Box, Switch	
2	4461244	1	Receptacle	
3	4461205	1	Plug, Male	
4	1001100345	1	Plug and Socket Kit (Includes Items 1-3 and Female Plug p/n 4461203)	

SECTION 7 - ELECTRICAL

FIGURE 7-5. AC PLUGS AND SOCKETS INSTALLATION - CEE7 SIDE GROUND - 2 X 4 BOX (CE & UK CA SPEC)



ART_0275453

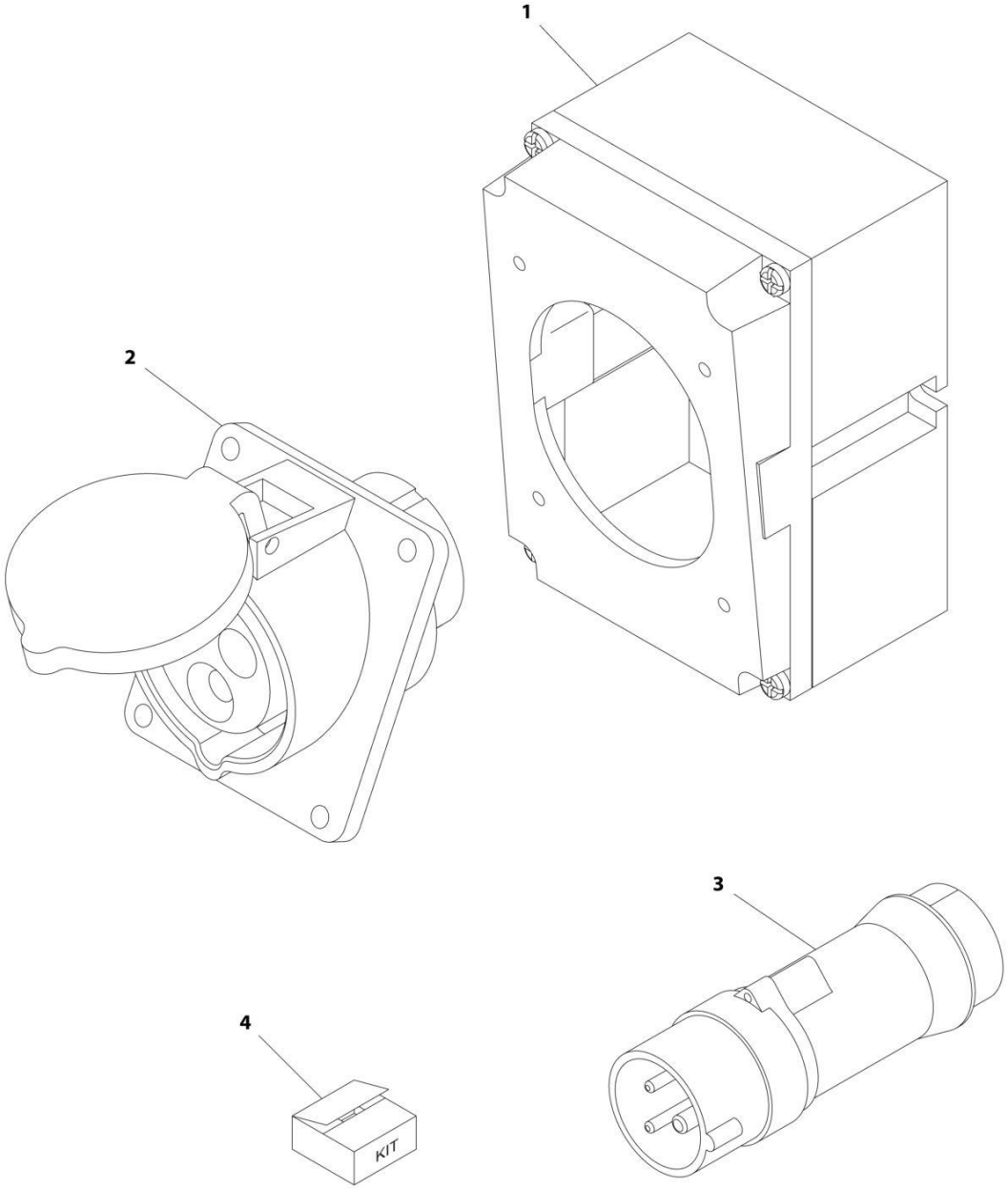
SECTION 7 - ELECTRICAL

FIGURE 7-5. AC PLUGS AND SOCKETS INSTALLATION - CEE7 SIDE GROUND - 2 X 4 BOX (CE & UK CA SPEC)

ITEM	PART NUMBER	QTY	DESCRIPTION	REV
	0275453	Ref	RECEPTACLE BOX KIT - 220V CEE7 SIDE GROUND	B
1	0861731	1	Box, Switch	
2	4461245	1	Receptacle	
3	4461205	1	Plug, Male	
4	1001100347	1	Plug and Socket Kit (Includes Items 1-3 and Female Plug p/n 4461206)	

SECTION 7 - ELECTRICAL

FIGURE 7-6. AC PLUGS AND SOCKETS INSTALLATION - IEC 60309 BLUE (CE & UK CA SPEC)



ART_0275217

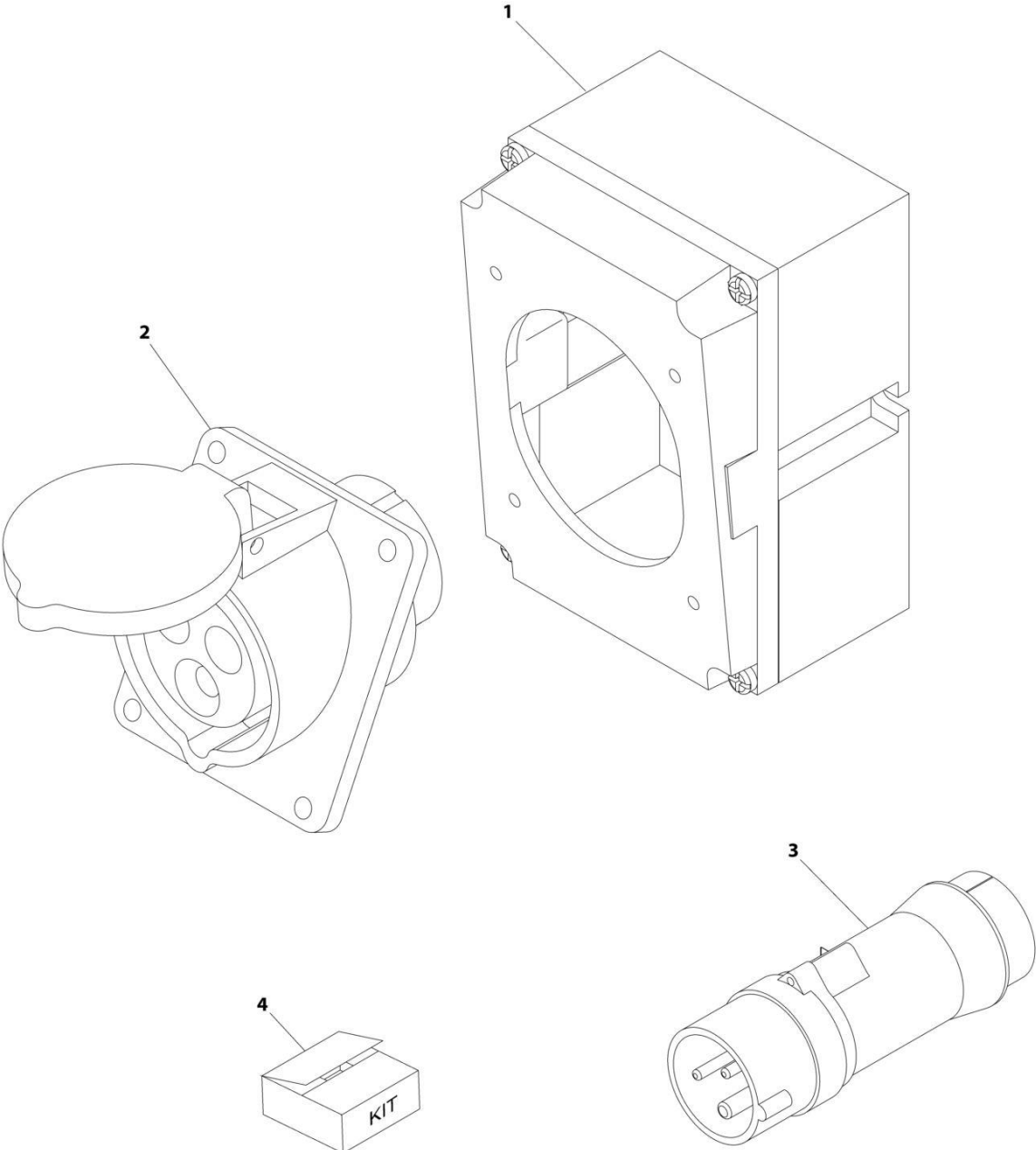
SECTION 7 - ELECTRICAL

FIGURE 7-6. AC PLUGS AND SOCKETS INSTALLATION - IEC 60309 BLUE (CE & UK CA SPEC)

ITEM	PART NUMBER	QTY	DESCRIPTION	REV
	0275217	Ref	RECEPTACLE BOX KIT - 220V IEC BLUE	B
1	0861781	1	Box, Switch	
2	4461201	1	Receptacle	
3	4461199	1	Plug, Male	
4	1001100342	1	Plug and Socket Kit (Includes Items 1-3 and Female Plug p/n 4461200)	

SECTION 7 - ELECTRICAL

FIGURE 7-7. AC PLUGS AND SOCKETS INSTALLATION - IEC 60309 YELLOW (CE & UK CA SPEC)



ART_0275216

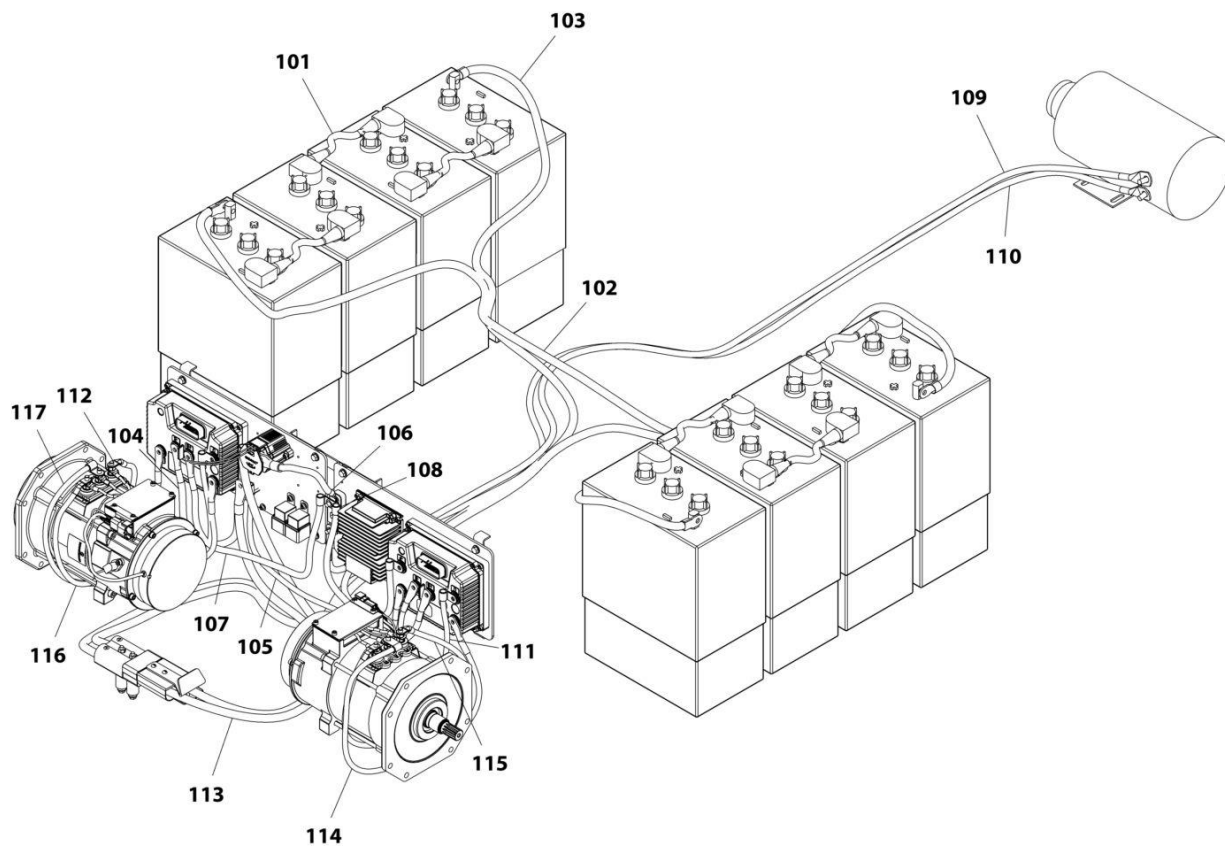
SECTION 7 - ELECTRICAL

FIGURE 7-7. AC PLUGS AND SOCKETS INSTALLATION - IEC 60309 YELLOW (CE & UK CA SPEC)

ITEM	PART NUMBER	QTY	DESCRIPTION	REV
	0275216	Ref	RECEPTACLE BOX KIT - 110V IEC YELLOW	B
1	0861781	1	Box, Switch	
2	4461198	1	Receptacle	
3	4461196	1	Plug, Male	
4	1001100341	1	Plug and Socket Kit (Includes Items 1-3 and Female Plug p/n 4461197)	

SECTION 7 - ELECTRICAL

FIGURE 7-8. BATTERY CABLE KIT - E400ANARROW AND E400AJPNARROW



ART_1001190088

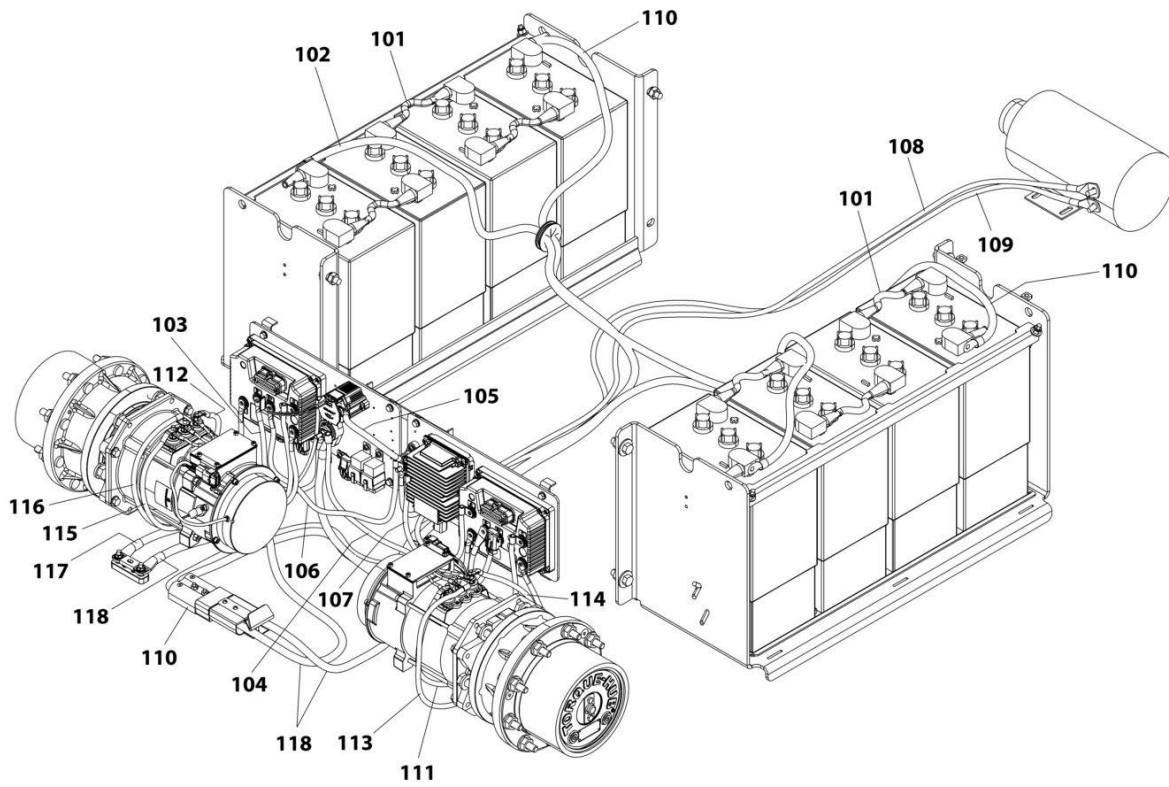
SECTION 7 - ELECTRICAL

FIGURE 7-8. BATTERY CABLE KIT - E400ANARROW AND E400AJPNARROW

ITEM	PART NUMBER	QTY	DESCRIPTION	REV
	1001190088	Ref	BATTERY CABLE KIT	K
101	1001109833	6	Cable, Battery	
102	1001177245	1	Cable, Interconnect	
103	1001177246	1	Cable, Battery	
104	1001178394	1	Cable, Negative to LH Module	
105	1001178395	1	Cable, Negative to RH Module	
106	1001178396	1	Cable, Positive to Pump Motor Fuse	
107	1001178398	1	Cable, Positive to LH Module	
108	1001178399	1	Cable, Positive to RH Module	
109	1001178400	1	Cable, Pump Motor Positive	
110	1001178401	1	Cable, Pump Motor Negative	
111	1001178402	1	Cable, Motor R U	
112	1001178403	1	Cable, Motor L U	
113	1001178660	1	Cable, Battery	
114	1001189027	1	Cable, Motor R V	
115	1001189030	1	Cable, Motor R W	
116	1001189031	1	Cable, Motor L W	
117	1001189032	1	Cable, Motor L V	

SECTION 7 - ELECTRICAL

FIGURE 7-9. BATTERY CABLE KIT - E400ANARROW AND E400AJPNARROW - UL SPECS



ART_1001212454

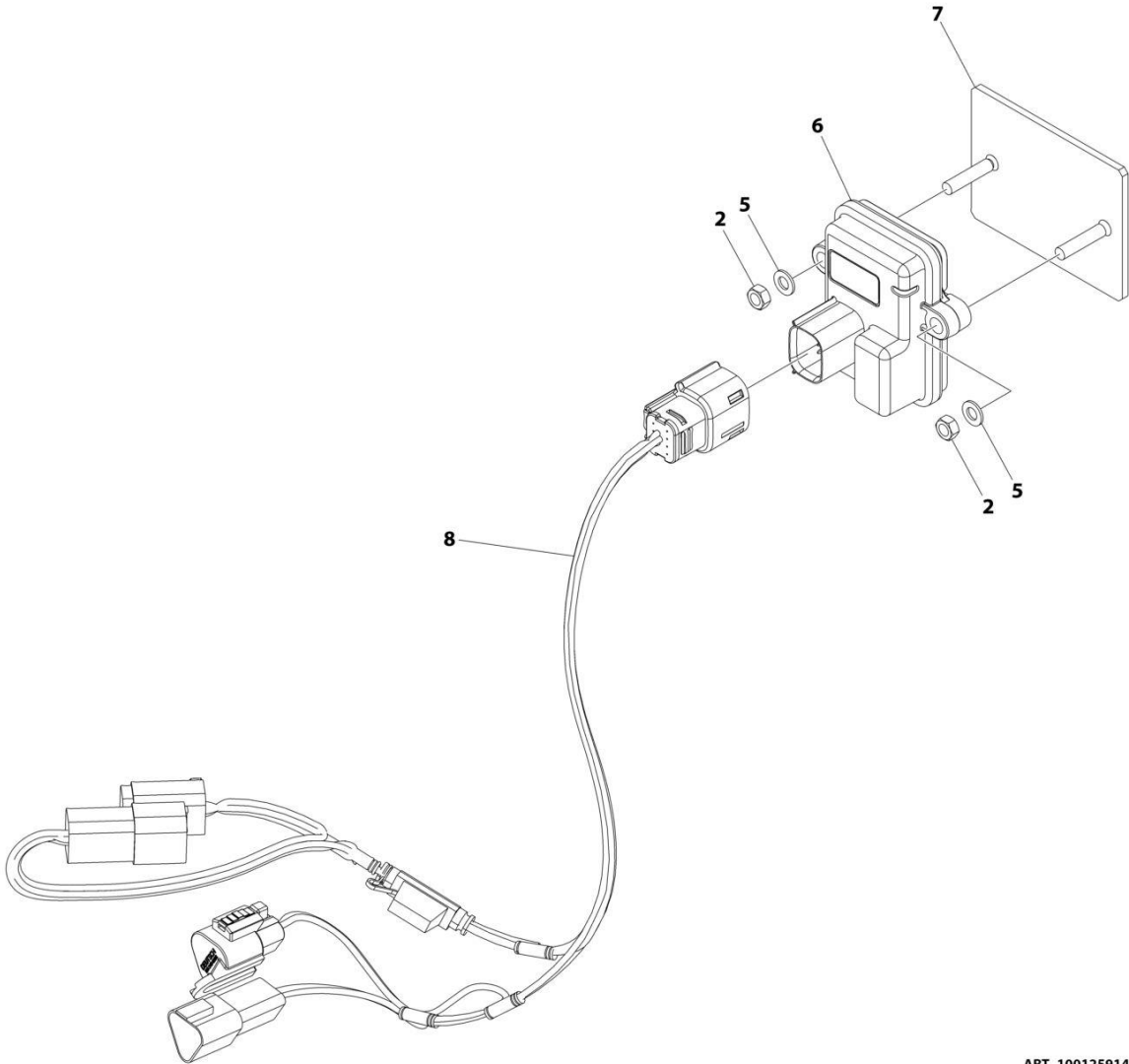
SECTION 7 - ELECTRICAL

FIGURE 7-9. BATTERY CABLE KIT - E400ANARROW AND E400AJPNARROW - UL SPECS

ITEM	PART NUMBER	QTY	DESCRIPTION	REV
	1001212454	Ref	BATTERY CABLE KIT	F
101	1001109833	6	Cable, Battery	
102	1001177245	1	Cable, Interconnect	
103	1001178394	1	Cable, Negative to LH Module	
104	1001178395	1	Cable, Negative to RH Module	
105	1001178396	1	Cable, Positive to Pump Motor Fuse	
106	1001178398	1	Cable, Positive to LH Module	
107	1001178399	1	Cable, Positive to RH Module	
108	1001178400	1	Cable, Pump Motor Positive	
109	1001178401	1	Cable, Pump Motor Negative	
110	1001177246	1	Cable, Battery	
111	1001178402	1	Cable, Motor R U	
112	1001178403	1	Cable, Motor L U	
113	1001189027	1	Cable, Motor R V	
114	1001189030	1	Cable, Motor R W	
115	1001189031	1	Cable, Motor L W	
116	1001189032	1	Cable, Motor L V	
117	1001212455	1	Cable, Drive Jumper	
118	1001212480	1	Cable, Battery	

SECTION 7 - ELECTRICAL

FIGURE 7-10. BLUETOOTH MODULE INSTALLATION



ART_1001259149

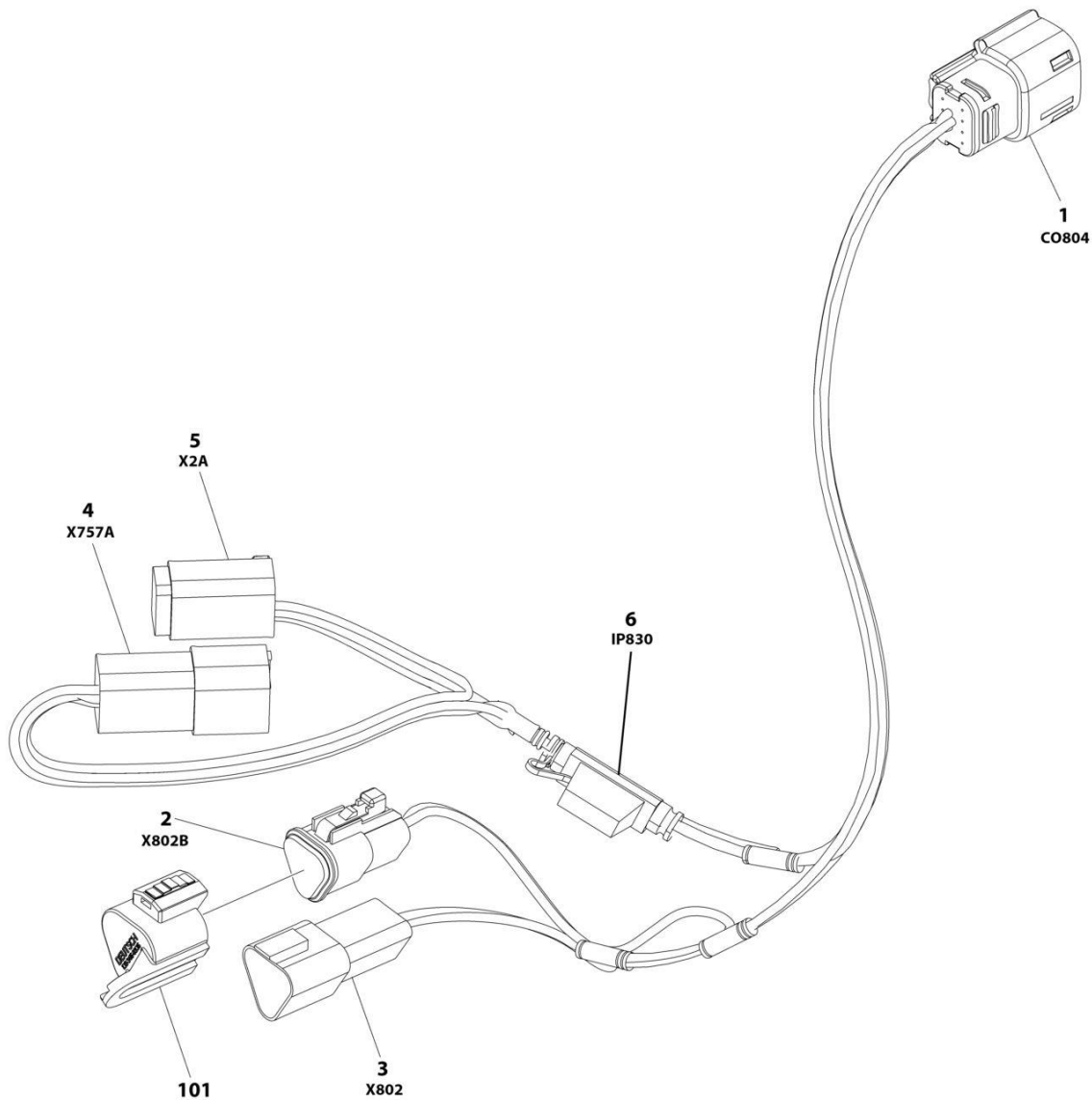
SECTION 7 - ELECTRICAL

FIGURE 7-10. BLUETOOTH MODULE INSTALLATION

ITEM	PART NUMBER	QTY	DESCRIPTION	REV
	1001259149	Ref	BLUETOOTH MODULE INSTALLATION	B
2	3290501	2	Nut M5	
5	4811600	2	Washer 5mm	
6	1001245293	1	Module, Bluetooth Control	
7	1001259155	1	Bracket, Module Mounting	
8	1001260414	1	Harness, Bluetooth Module (See Separate Breakdown in this Section)	

SECTION 7 - ELECTRICAL

FIGURE 7-11. BLUETOOTH MODULE HARNESS



ART_1001260414

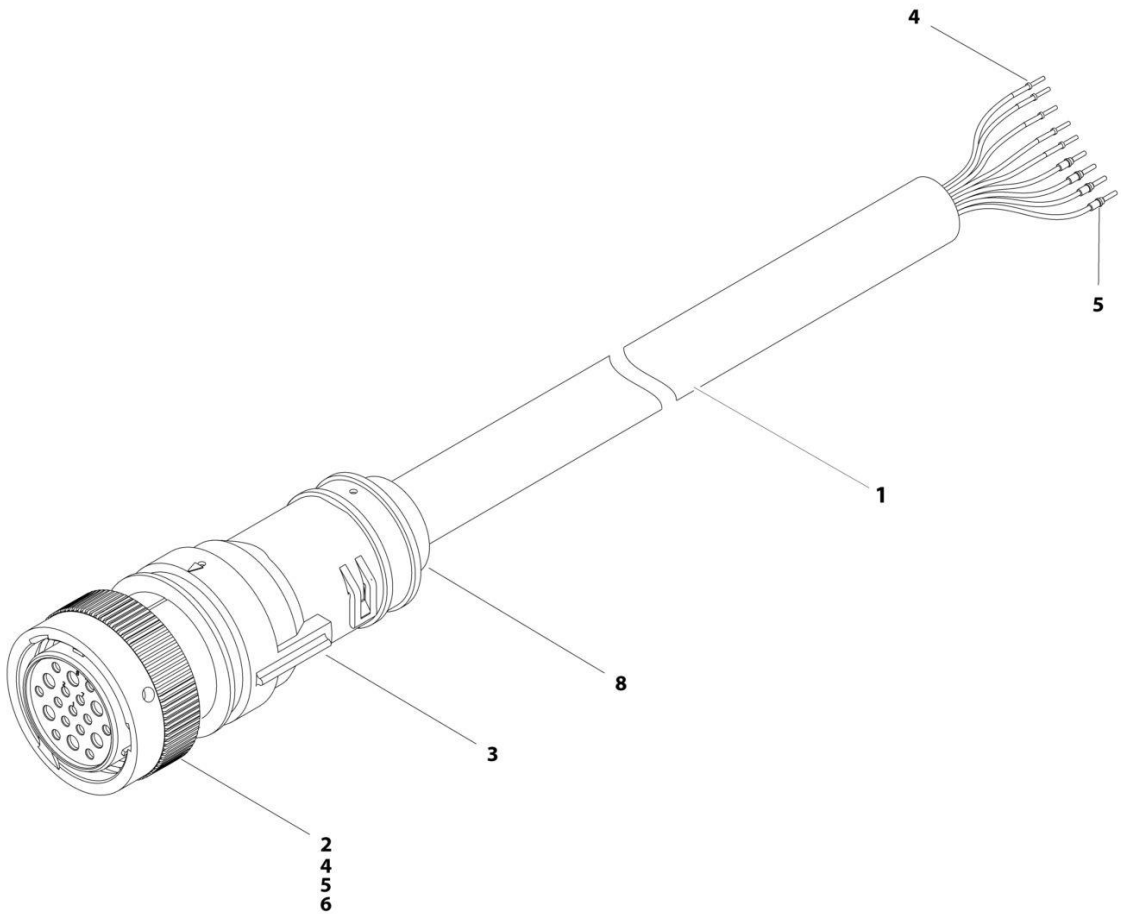
SECTION 7 - ELECTRICAL

FIGURE 7-11. BLUETOOTH MODULE HARNESS

ITEM	PART NUMBER	QTY	DESCRIPTION	REV
	1001260414	Ref	BLUETOOTH MODULE HARNESS	B
1	1001205409	1	Connector	
1	1001162887	4	Terminal	
1	1001163340	4	Plug	
2	1001116812	1	Connector	
2	4460944	2	Socket	
2	4460466	1	Plug	
3	1001144147	1	Connector	
3	4460943	2	Pin	
3	4460466	1	Plug	
4	4460932	1	Connector	
4	4460464	4	Pin	
5	4460884	1	Connector	
5	4460465	4	Socket	
6	2400060	1	Fuse Holder	
6	1001196635	1	Fuse, 3 Amp	
101	1001144296	1	Dust Cap	

SECTION 7 - ELECTRICAL

FIGURE 7-12. BOOM CABLE - LOWER



ART_1001183868

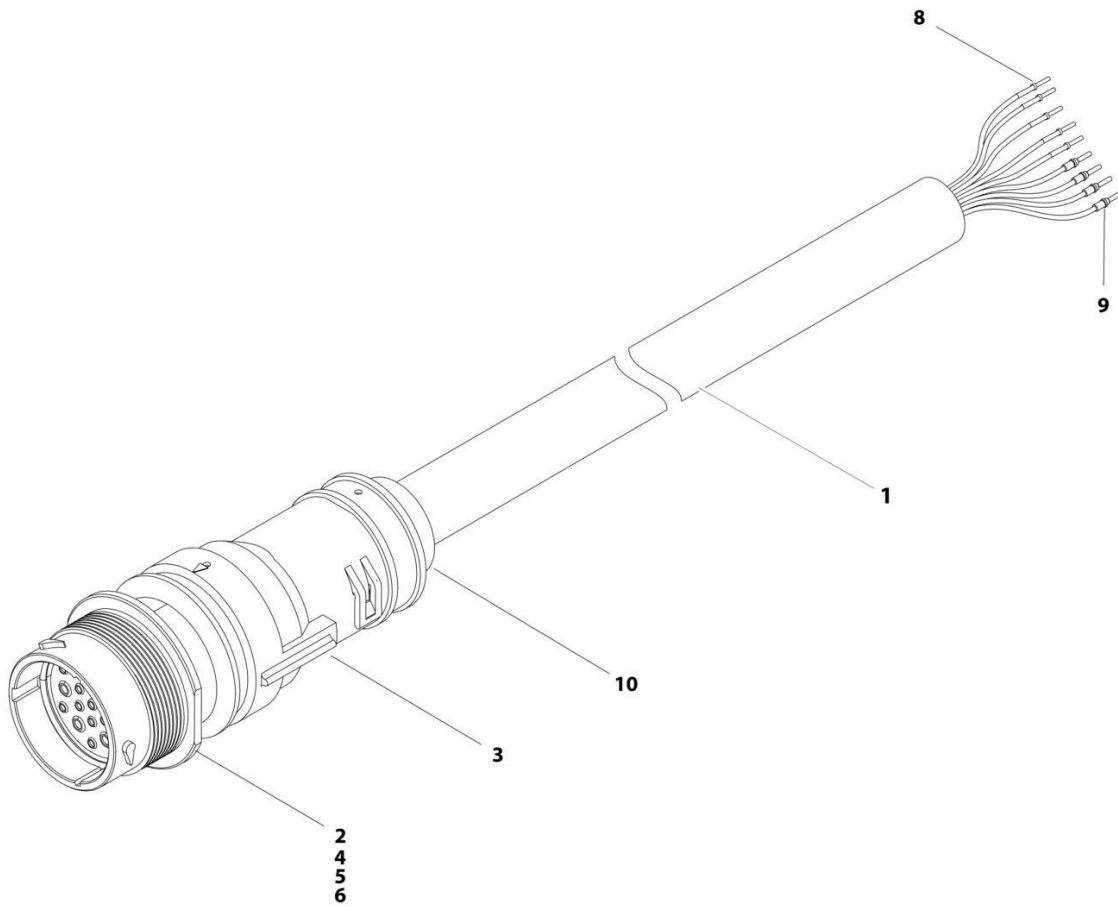
SECTION 7 - ELECTRICAL

FIGURE 7-12. BOOM CABLE - LOWER

ITEM	PART NUMBER	QTY	DESCRIPTION	REV
1	1001183868	Ref	BOOM CABLE - LOWER	C
	1060896	32 ft /9.8m	Cable, Electrical	
2	1001188292	1	Connector - 19 Position	
3	1001188291	1	Connector, Backshell	
4	4460465	22	Socket, Female	
5	4460509	8	Socket, Female	
6	4460466	4	Plug, Seal	
7	2820118	6 in /15.3 cm	Insulator, Tubing (Not Shown)	
8	1001188354	1	Grommet	
9	4240033	2	Tie-Strap (Not Shown)	

SECTION 7 - ELECTRICAL

FIGURE 7-13. BOOM CABLE - UPPER



ART_1001183867

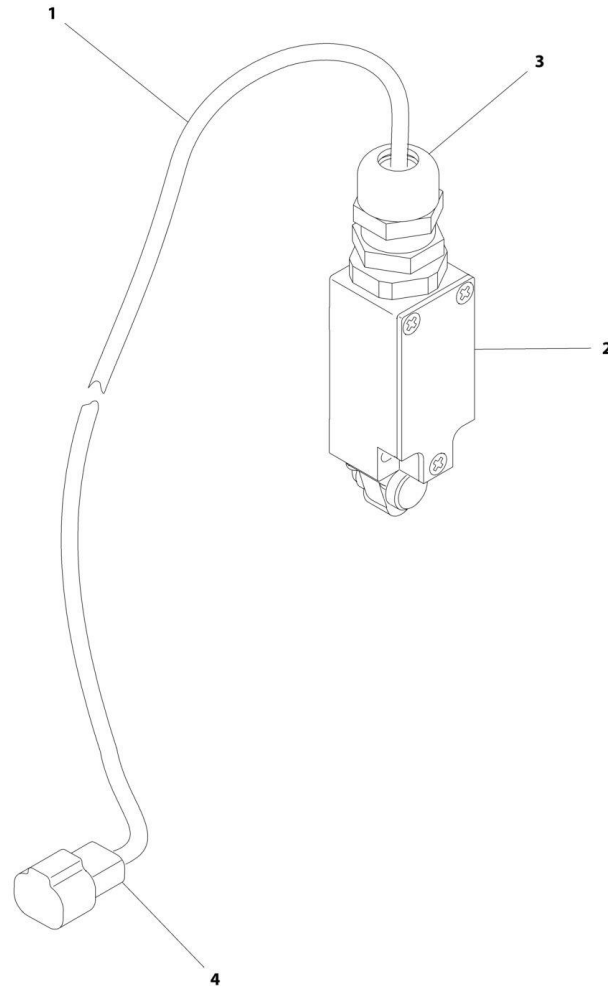
SECTION 7 - ELECTRICAL

FIGURE 7-13. BOOM CABLE - UPPER

ITEM	PART NUMBER	QTY	DESCRIPTION	REV
	1001183867	Ref	BOOM CABLE - UPPER	D
1	1060896	25.5 ft /7.8m	Cable, Electrical	
2	1001188293	1	Connector - 19 Position	
3	1001188291	1	Connector, Backshell	
4	4460465	11	Socket, Female	
5	4460509	4	Socket, Female	
6	4460466	4	Plug, Seal	
7	2820118	6 in /15.3 cm	Insulator, Tubing (Not Shown)	
8	4460464	11	Pin, Male	
9	4460508	4	Pin, Male	
10	1001188354	1	Grommet	
11	4240033	2	Tie-Strap (Not Shown)	

SECTION 7 - ELECTRICAL

FIGURE 7-14. BOOM LIMIT SWITCH HARNESS - LOWER



ART_1001187776

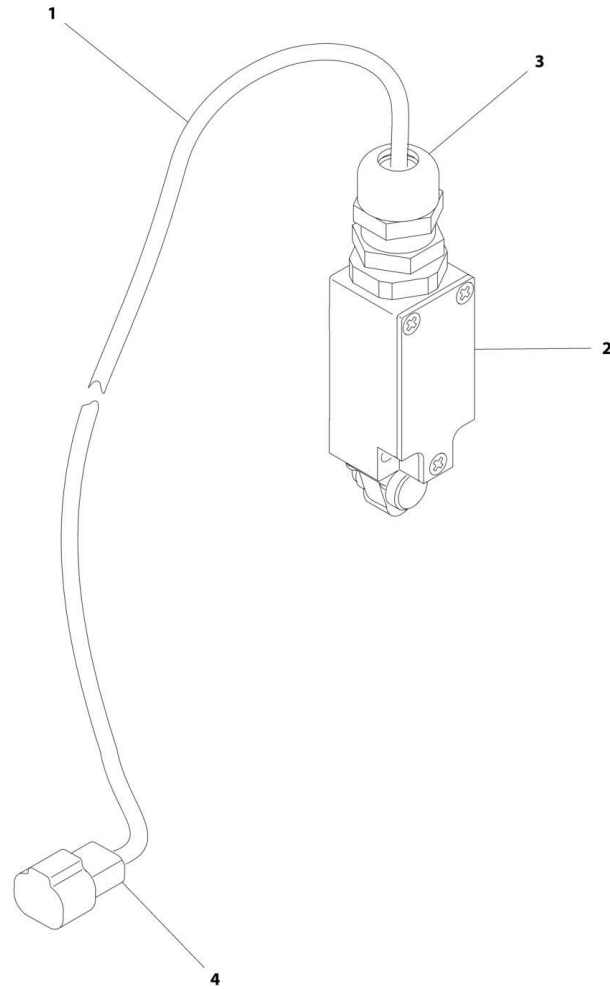
SECTION 7 - ELECTRICAL

FIGURE 7-14. BOOM LIMIT SWITCH HARNESS - LOWER

ITEM	PART NUMBER	QTY	DESCRIPTION	REV
	1001187776	Ref	BOOM LIMIT SWITCH HARNESS - LOWER	D
1	1060341	14 ft /4.3m	Cable, Electrical - 16/2	
2	4360548	1	Switch, Limit	
3	4460968	1	Connector, Strain Relief	
4	4460897	1	Connector- 2 Position	
4	4460464	2	Pin, Male	

SECTION 7 - ELECTRICAL

FIGURE 7-15. BOOM LIMIT SWITCH HARNESS - UPPER



ART_100118775

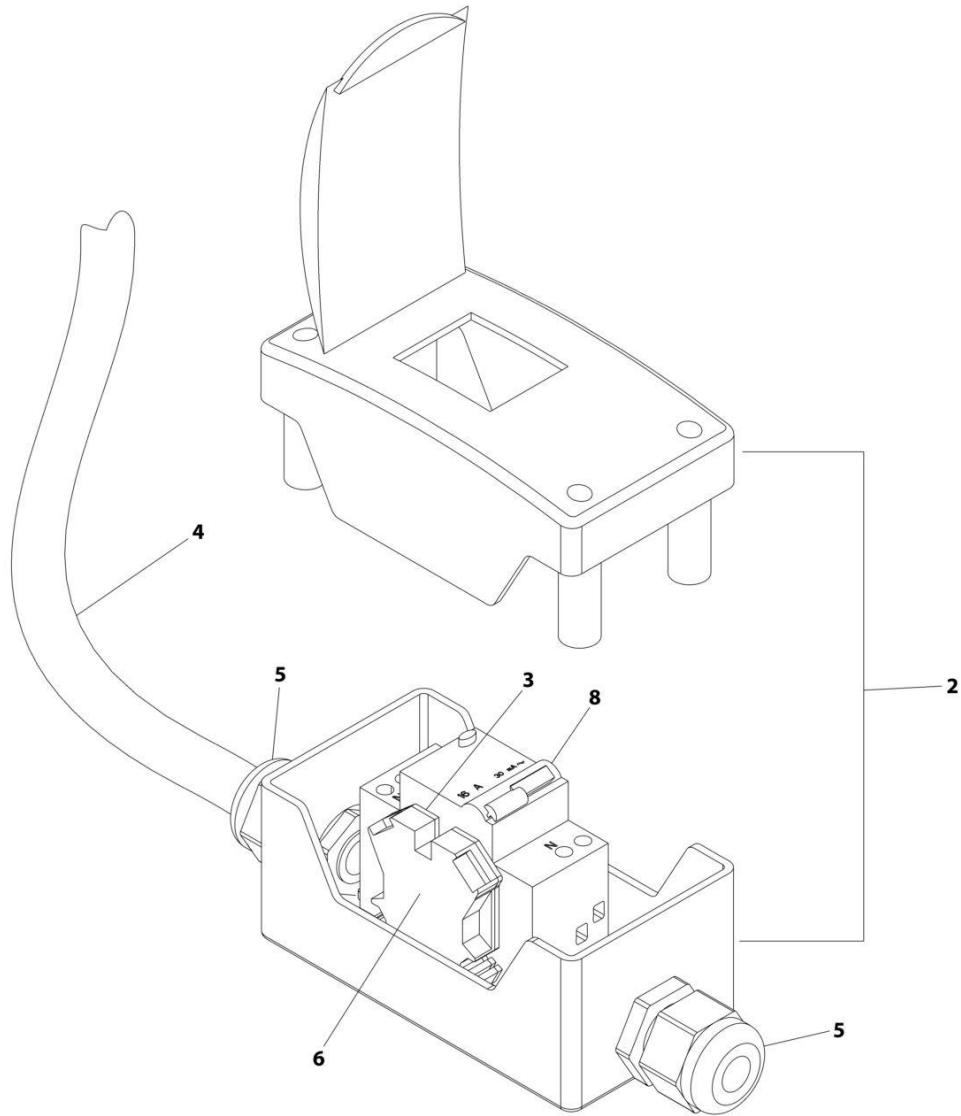
SECTION 7 - ELECTRICAL

FIGURE 7-15. BOOM LIMIT SWITCH HARNESS - UPPER

ITEM	PART NUMBER	QTY	DESCRIPTION	REV
	1001187775	Ref	BOOM LIMIT SWITCH HARNESS - UPPER	C
1	1060341	27 ft /8.23m	Cable, Electrical - 16/2	
2	4360548	1	Switch, Limit	
3	4460968	1	Connector, Strain Relief	
4	4460897	1	Connector - 2 Position	
4	4460464	2	Pin, Male	

SECTION 7 - ELECTRICAL

FIGURE 7-16. BREAKER BOX KIT WITH ONE BREAKERS - CE & UK CA SPEC



ART_2902549_F

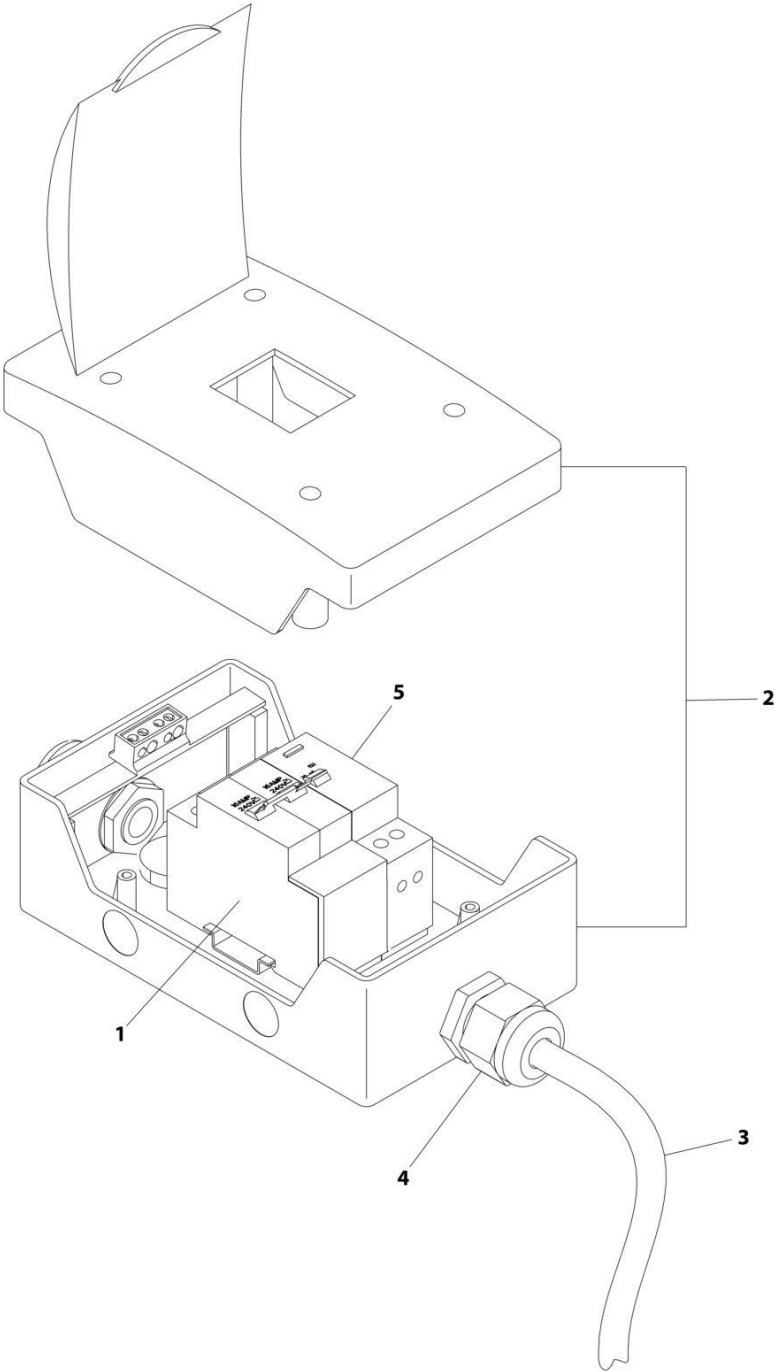
SECTION 7 - ELECTRICAL

FIGURE 7-16. BREAKER BOX KIT WITH ONE BREAKERS - CE & UK CA SPEC

ITEM	PART NUMBER	QTY	DESCRIPTION	REV
	2902549	Ref	BREAKER BOX KIT	F
2	0861880	1	Box	
3	4460956	1	Barrier, Terminal	
4	1060908	6 ft/1.8m	Cable, 12/3	
5	1001097150	2	Connector, Strain Relief	
6	4460957	1	Block, Terminal	
8	1001181045	1	Breaker, 16Amp	

SECTION 7 - ELECTRICAL

FIGURE 7-17. BREAKER BOX KIT WITH TWO BREAKERS - CE & UK CA SPEC



ART_1001152485_F

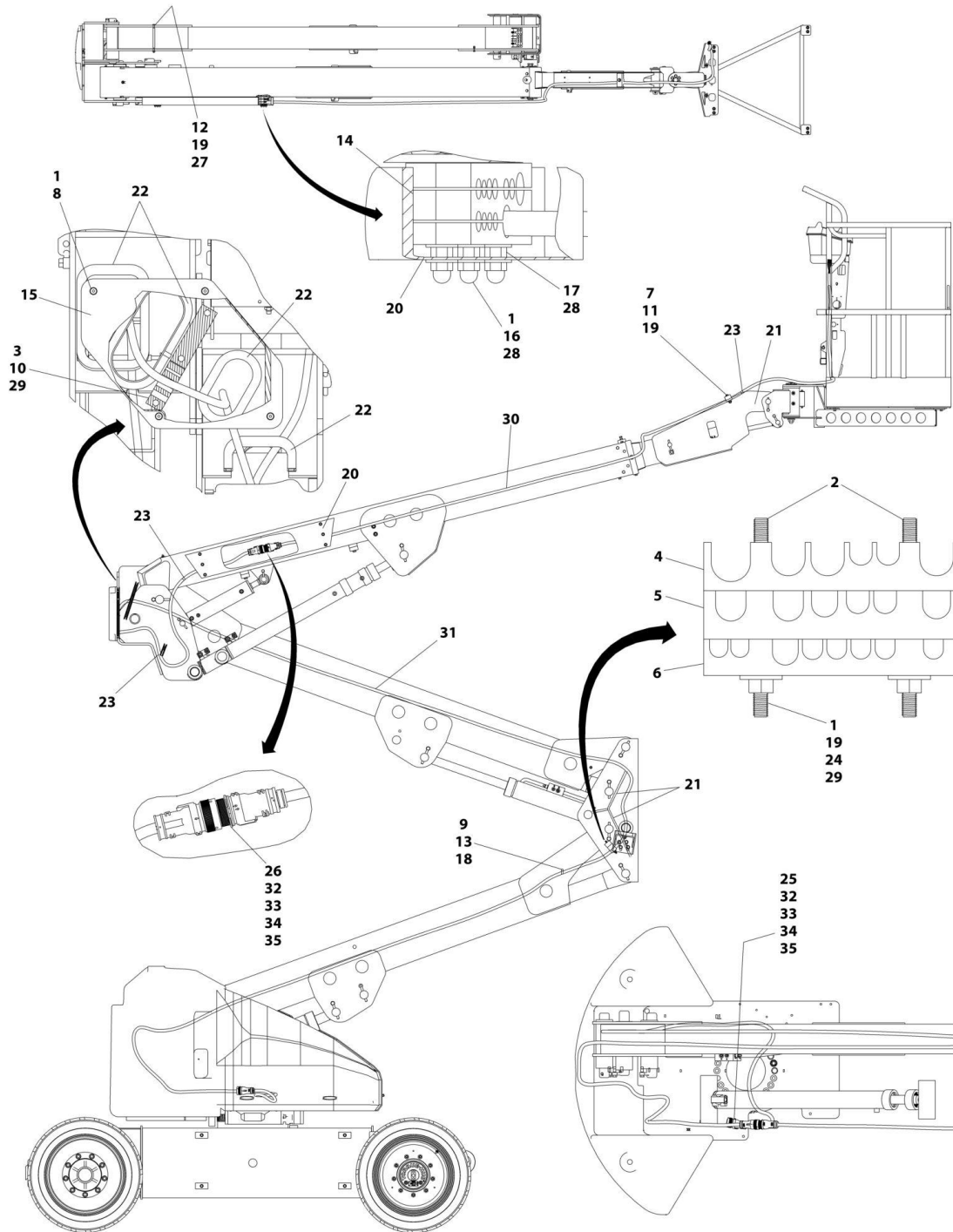
SECTION 7 - ELECTRICAL

FIGURE 7-17. BREAKER BOX KIT WITH TWO BREAKERS - CE & UK CA SPEC

ITEM	PART NUMBER	QTY	DESCRIPTION	REV
	1001152485	Ref	BREAKER BOX KIT WITH TWO BREAKERS	F
1	1001189172	1	Breaker 16Amp Double	
2	1001152483	1	Box	
3	1060908	6 ft/1.8m	Cable, 12/3	
4	1001097150	2	Connector, Strain Relief	
5	1001189171	1	Breaker, 30mA	

SECTION 7 - ELECTRICAL

FIGURE 7-18. CABLES AND CLAMPS INSTALLATION - E400ANARROW



ART_1001183521

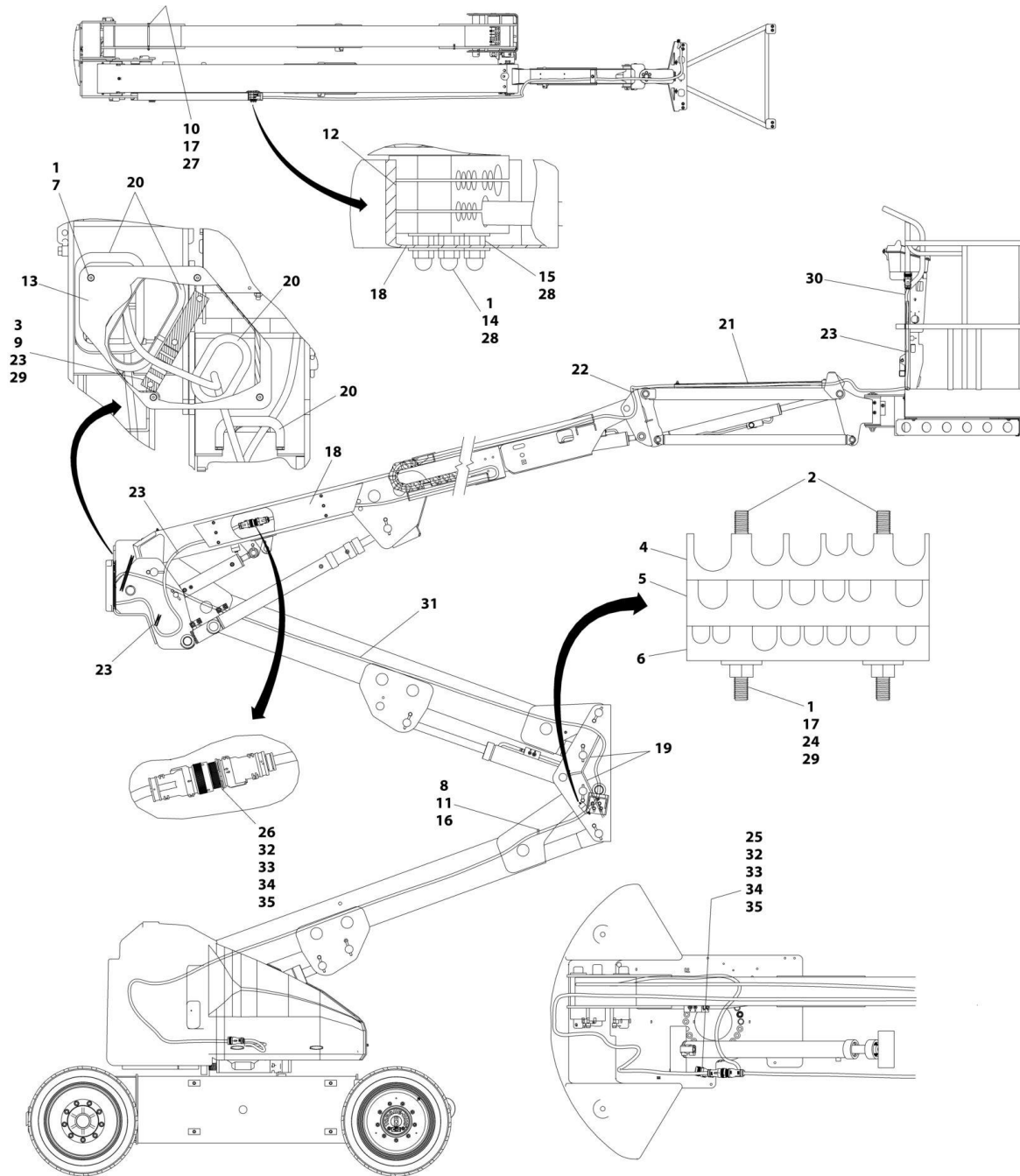
SECTION 7 - ELECTRICAL

FIGURE 7-18. CABLES AND CLAMPS INSTALLATION - E400ANARROW

ITEM	PART NUMBER	QTY	DESCRIPTION	REV
	1001183521	Ref	CABLES AND CLAMPS INSTALLATION	C
1	0100011	AR	Compound, Locking	
2	0100019	AR	Compound, Locking	
3	0561317	1	Block, Hose Clamp	
4	0561384	1	Block, Hose Clamp	
5	0561385	1	Block, Hose Clamp	
6	0561386	1	Block, Hose Clamp	
7	0561424	1	Block, Hose Clamp	
8	0630467	4	Capscrew, Button 5-16 x 1/2	
9	0641410	1	Bolt 1/4 x 1-1/4	
10	0641514	3	Bolt 5/16 x 1-3/4	
11	0641516	1	Bolt 5/16 x 2	
12	0641560	1	Bolt 5/16 x 7-1/2	
13	1320043	1	Clamp, Cable	
14	1320260	2	Block, Hose Clamp	
15	1670697	1	Cover, Hose	
16	3300151	6	Nut 1/4	
17	3311401	6	Nut 1/4	
18	3311405	1	Nut 1/4	
19	3311505	4	Nut 5/16	
20	3536999	1	Shield	
21	4060805	2 ft /0.61m	Trim, Flex	
22	4060808	6 ft /1.83m	Trim, Flex	
23	4240099	AR	Tie, Strap	
24	4300140	2	Stud 5/16 x 3-5/8	
25	1001188292	1	Connector - 19 Position	
26	1001188293	1	Connector - 19 Position	
27	4566243	1	Roller	
28	4751400	12	Washer 1/4	
29	4751500	8	Washer 5/16	
30	1001183867	1	Harness Assembly - Upper Boom (See Separate Breakdown in this Section)	
31	1001183868	1	Harness Assembly - Lower Boom (See Separate Breakdown in this Section)	
32	4240033	AR	Tie-Strap	
33	4460466	8	Terminal	
34	1001188291	2	Connector, Backshell	
35	1001188354	2	Grommet	

SECTION 7 - ELECTRICAL

FIGURE 7-19. CABLES AND CLAMPS INSTALLATION - E400AJPNARROW



ART_1001183520

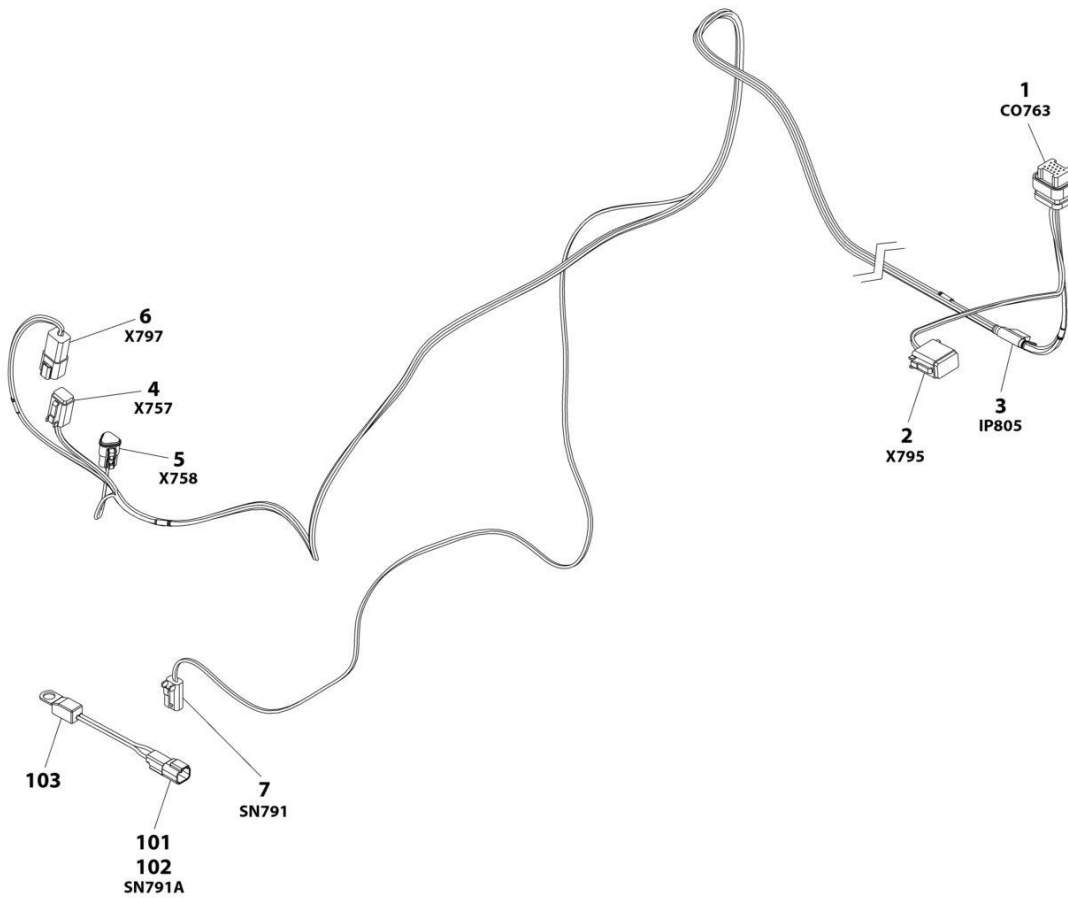
SECTION 7 - ELECTRICAL

FIGURE 7-19. CABLES AND CLAMPS INSTALLATION - E400AJPNARROW

ITEM	PART NUMBER	QTY	DESCRIPTION	REV
	1001183520	Ref	CABLES AND CLAMPS INSTALLATION	C
1	0100011	AR	Compound, Locking	
2	0100019	AR	Compound, Locking	
3	0561317	1	Block, Hose Clamp	
4	0561384	1	Block, Hose Clamp	
5	0561385	1	Block, Hose Clamp	
6	0561386	1	Block, Hose Clamp	
7	0630467	4	Capscrew, Button 5-16 x 1/2	
8	0641410	1	Bolt 1/4 x 1-1/4	
9	0641514	3	Bolt 5/16 x 1-3/4	
10	0641560	1	Bolt 5/16 x 7-1/2	
11	1320043	1	Clamp, Cable	
12	1320260	2	Block, Hose Clamp	
13	1670697	1	Cover, Hose	
14	3300151	6	Nut 1/4	
15	3311401	6	Nut 1/4	
16	3311405	1	Nut 1/4	
17	3311505	3	Nut 5/16	
18	3571462	1	Shield	
19	4060805	1.5 ft /0.46m	Trim, Flex	
20	4060808	6 ft /1.83m	Trim, Flex	
21	4100065	1	Sleeve, Hose	
22	4100067	AR	Sleeve, Hose	
23	4240099	AR	Tie, Strap	
24	4300140	2	Stud 5/16 x 3-5/8	
25	1001188292	1	Connector - 19 Position	
26	1001188293	1	Connector - 19 Position	
27	4566243	1	Roller	
28	4751400	12	Washer 1/4	
29	4751500	5	Washer 5/16	
30	1001183867	1	Harness Assembly - Upper Boom (See Separate Breakdown in this Section)	
31	1001183868	1	Harness Assembly - Lower Boom (See Separate Breakdown in this Section)	
32	4240033	AR	Tie-Strap	
33	4460466	8	Terminal	
34	1001188291	2	Connector, Backshell	
35	1001188354	2	Grommet	

SECTION 7 - ELECTRICAL

FIGURE 7-20. CHARGER HARNESS



ART_1001260531

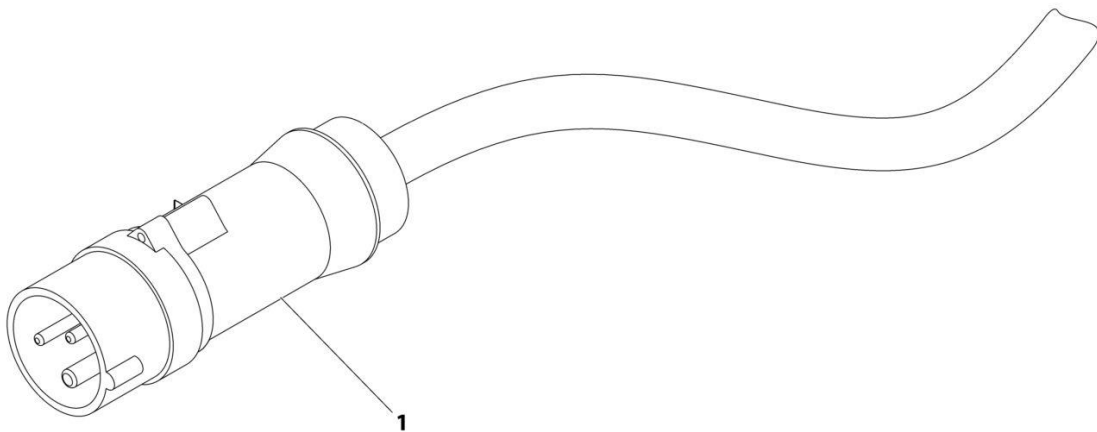
SECTION 7 - ELECTRICAL

FIGURE 7-20. CHARGER HARNESS

ITEM	PART NUMBER	QTY	DESCRIPTION	REV
	1001260531	Ref	CHARGER HARNESS	A
1	4460872	1	Connector	
1	4460905	5	Plug	
1	4460871	9	Socket	
2	4460930	1	Connector	
2	4460465	3	Socket	
2	4460466	5	Plug	
3	2400060	1	Fuse Holder	
3	1001196634	1	Fuse, 2AMP	
4	4460884	1	Connector	
4	4460465	3	Socket	
5	1001116812	1	Connector	
5	4460944	2	Socket	
5	4460466	1	Plug	
6	4460932	1	Connector	
6	4460464	4	Pin	
7	4460891	1	Connector	
7	4460465	3	Socket	
101	4460464	2	Pin	
102	4460897	1	Connector	
103	1001102771	1	Sensor, Temperature	

SECTION 7 - ELECTRICAL

FIGURE 7-21. CHARGER CORD PLUG INSTALLATION - 110V - IEC 60309 - YELLOW (CE & UK CA SPEC)



ART_0275666

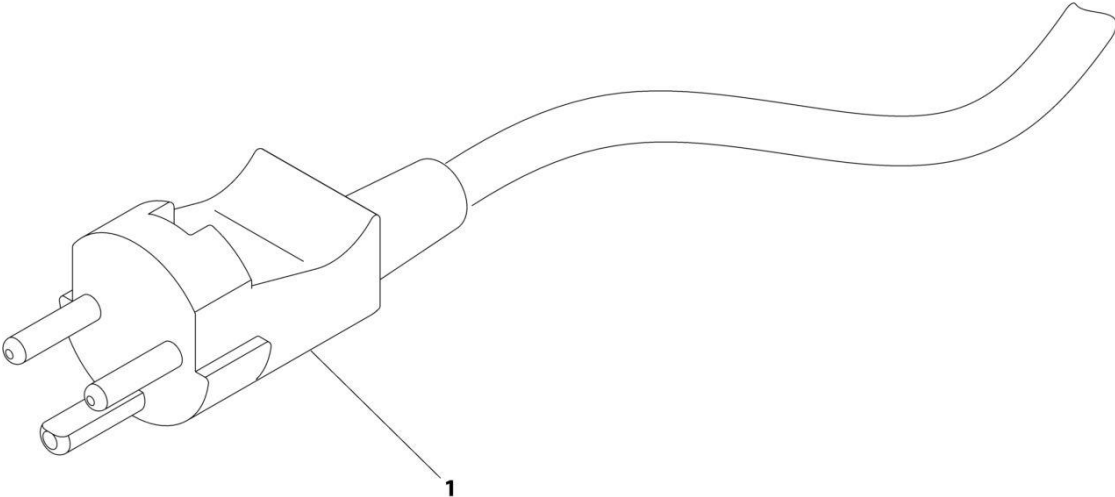
SECTION 7 - ELECTRICAL

FIGURE 7-21. CHARGER CORD PLUG INSTALLATION - 110V - IEC 60309 - YELLOW (CE & UK CA SPEC)

ITEM	PART NUMBER	QTY	DESCRIPTION	REV
	0275666	Ref	CHARGER CORD PLUG INSTALLATION - 110V IEC YELLOW PLUG	B
1	4461196	1	Plug	

SECTION 7 - ELECTRICAL

FIGURE 7-22. CHARGER CORD PLUG INSTALLATION - 220V - AFSINT 107 KEYED GROUND (CE & UK CA SPEC)



ART_0275665

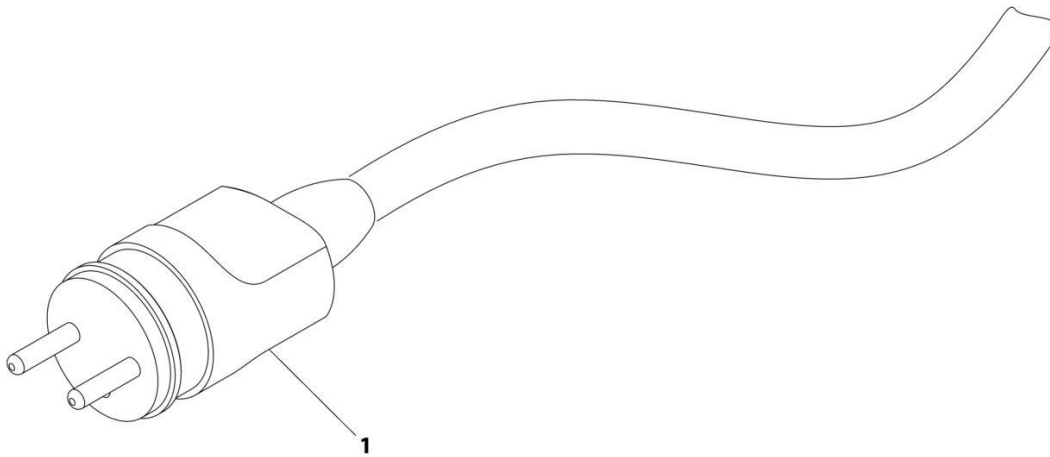
SECTION 7 - ELECTRICAL

FIGURE 7-22. CHARGER CORD PLUG INSTALLATION - 220V - AFSINT 107 KEYED GROUND (CE & UK CA SPEC)

ITEM	PART NUMBER	QTY	DESCRIPTION	REV
	0275665	Ref	CHARGER CORD PLUG INSTALLATION - 220V AFSINT 107 KEYED GROUND	B
1	4461249	1	Plug	

SECTION 7 - ELECTRICAL

FIGURE 7-23. CHARGER CORD PLUG INSTALLATION - 220V - CEE7 POST GROUND (CE & UK CA SPEC)



ART_0275663-C

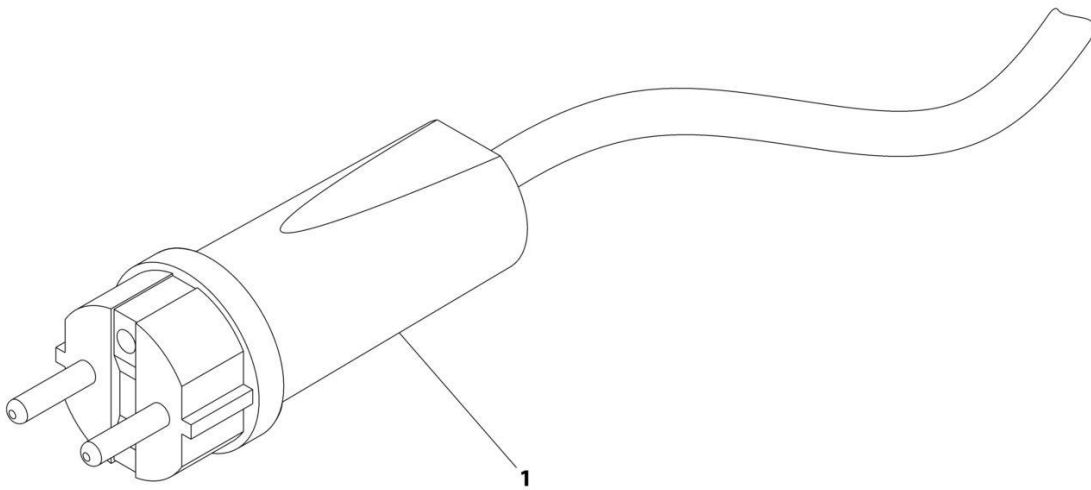
SECTION 7 - ELECTRICAL

FIGURE 7-23. CHARGER CORD PLUG INSTALLATION - 220V - CEE7 POST GROUND (CE & UK CA SPEC)

ITEM	PART NUMBER	QTY	DESCRIPTION	REV
1	0275663 4461205	Ref 1	CHARGER CORD PLUG INSTALLATION - 220V POST GROUND Plug	C

SECTION 7 - ELECTRICAL

FIGURE 7-24. CHARGER CORD PLUG INSTALLATION - 220V - CEE7 SIDE GROUND (CE & UK CA SPEC)



ART_0275664

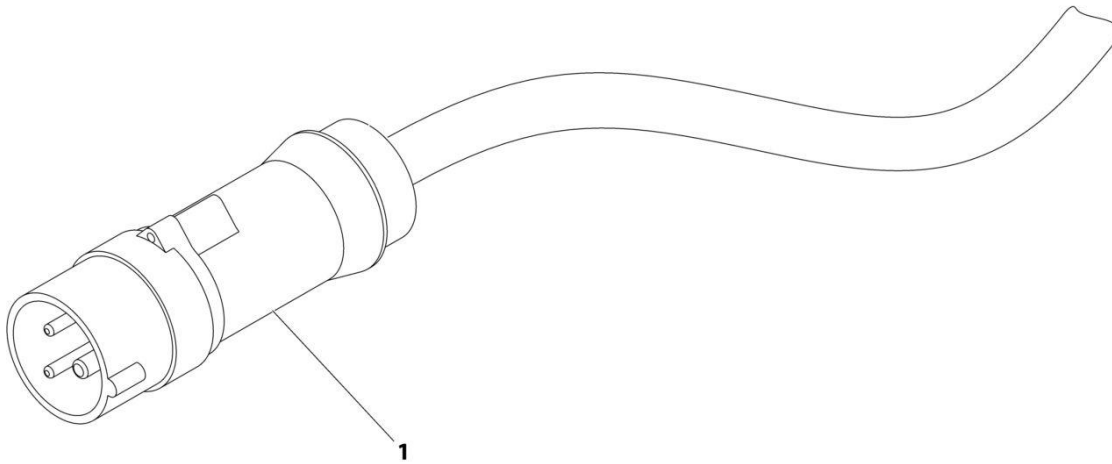
SECTION 7 - ELECTRICAL

FIGURE 7-24. CHARGER CORD PLUG INSTALLATION - 220V - CEE7 SIDE GROUND (CE & UK CA SPEC)

ITEM	PART NUMBER	QTY	DESCRIPTION	REV
	0275664	Ref	CHARGER CORD PLUG INSTALLATION - 220V CEE7 SIDE GROUND	A
1	4461205	1	Plug	

SECTION 7 - ELECTRICAL

FIGURE 7-25. CHARGER CORD PLUG INSTALLATION - 220V - IEC 60309 - BLUE (CE & UK CA SPEC)



ART_0275667

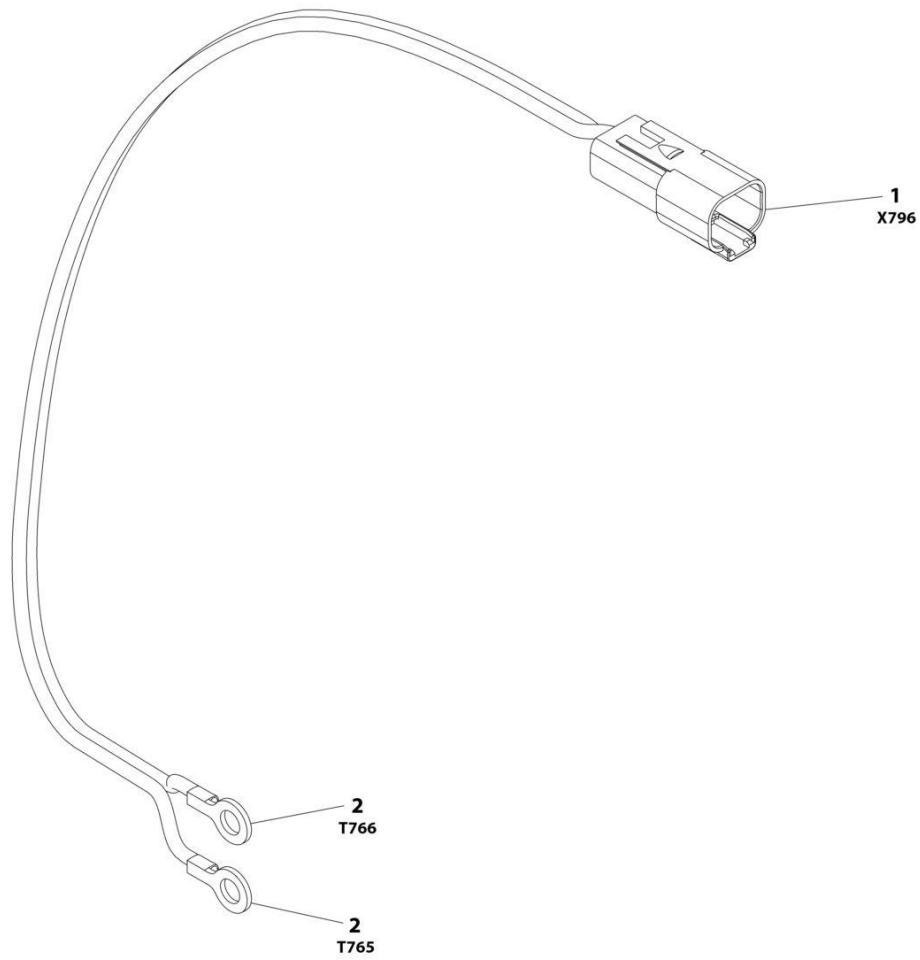
SECTION 7 - ELECTRICAL

FIGURE 7-25. CHARGER CORD PLUG INSTALLATION - 220V - IEC 60309 - BLUE (CE & UK CA SPEC)

ITEM	PART NUMBER	QTY	DESCRIPTION	REV
1	0275667 4461199	Ref 1	CHARGER CORD PLUG INSTALLATION - 220V IEC BLUE PLUG Plug	B

SECTION 7 - ELECTRICAL

FIGURE 7-26. CHARGER DC CONNECTION HARNESS



ART_1001260408

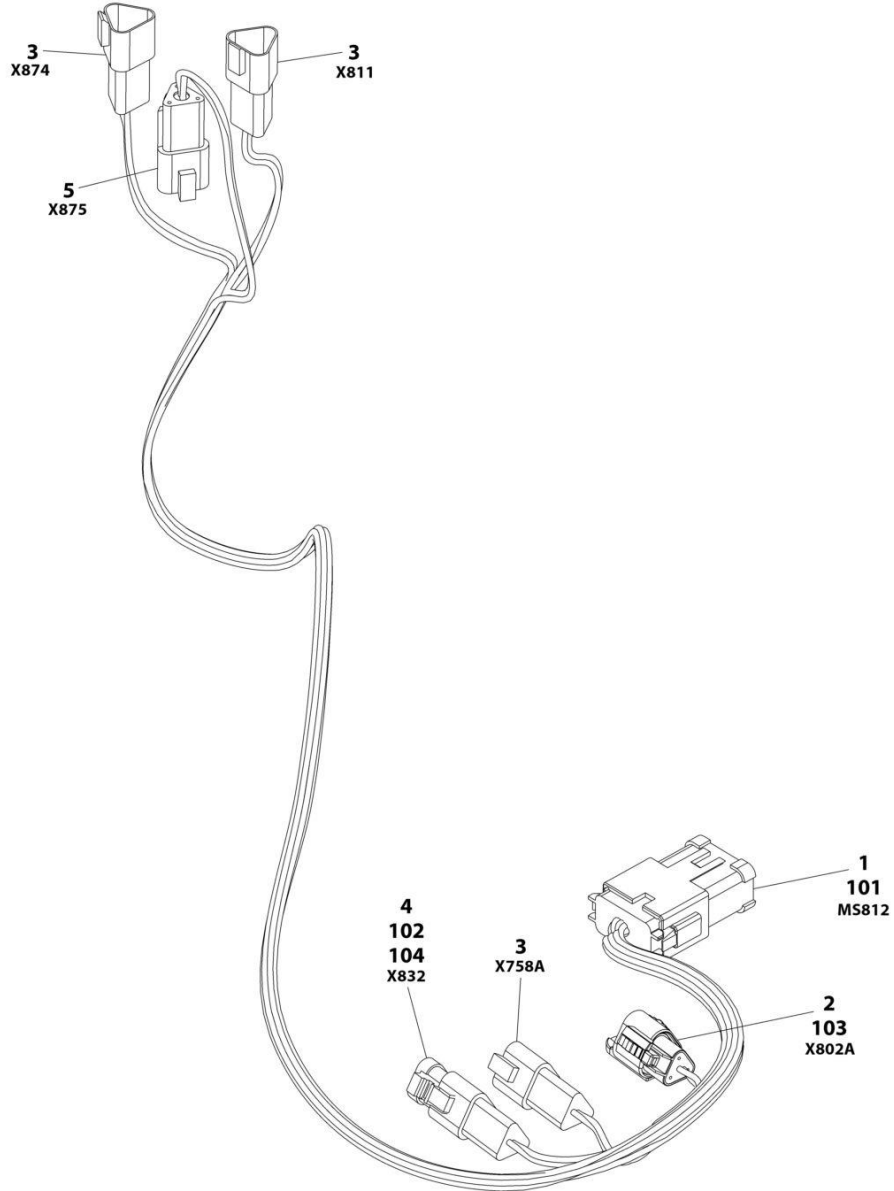
SECTION 7 - ELECTRICAL

FIGURE 7-26. CHARGER DC CONNECTION HARNESS

ITEM	PART NUMBER	QTY	DESCRIPTION	REV
	1001260408	Ref	CHARGER DC CONNECTION HARNESS	A
1	1001116811	1	Connector	
1	4460508	2	Pin	
1	4460466	2	Plug	
2	4460312	2	Terminal Ring	

SECTION 7 - ELECTRICAL

FIGURE 7-27. CHARGER EBOOM HARNESS



ART_1001260532

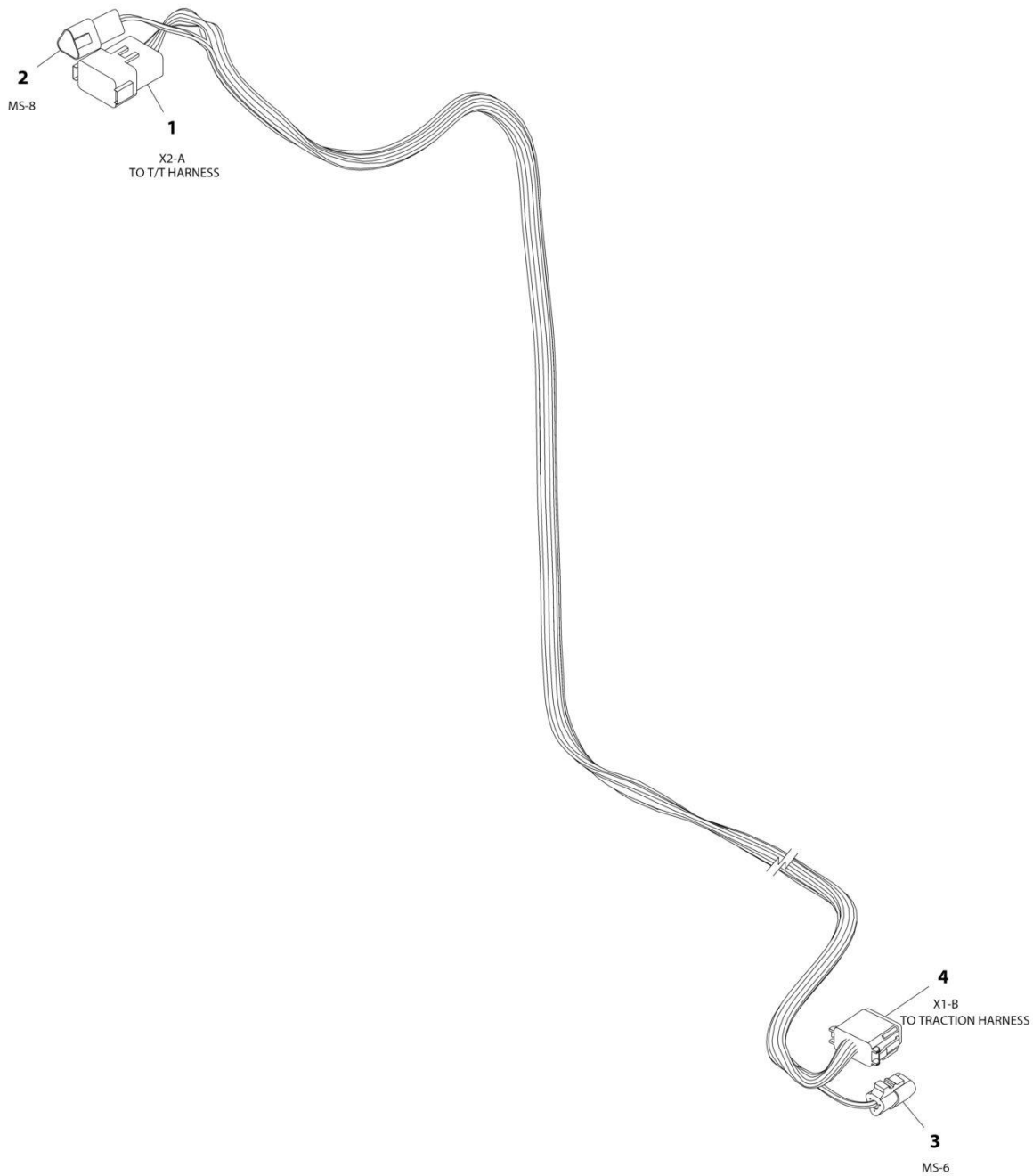
SECTION 7 - ELECTRICAL

FIGURE 7-27. CHARGER EBOOM HARNESS

ITEM	PART NUMBER	QTY	DESCRIPTION	REV
	1001260532	Ref	CHARGER EBOOM HARNESS	B
1	4460933	1	Connector	
1	4460465	12	Socket	
2	1001116812	1	Connector	
2	4460944	2	Socket	
2	4460466	1	Plug	
3	1001144147	3	Connector	
3	4460943	6	Pin	
3	4460466	3	Plug	
4	1001144147	1	Connector	
4	4460943	2	Pin	
4	4460466	1	Plug	
5	4460536	1	Connector	
5	4460943	2	Pin	
5	4460466	1	Plug	
101	1001125677	1	Connector, Buss Bar	
102	1001116812	1	Connector	
103	1001144296	1	Dust Cap	
104	4460466	3	Plug	

SECTION 7 - ELECTRICAL

FIGURE 7-28. CHASSIS TO TURNTABLE HARNESS



ART_1001178405

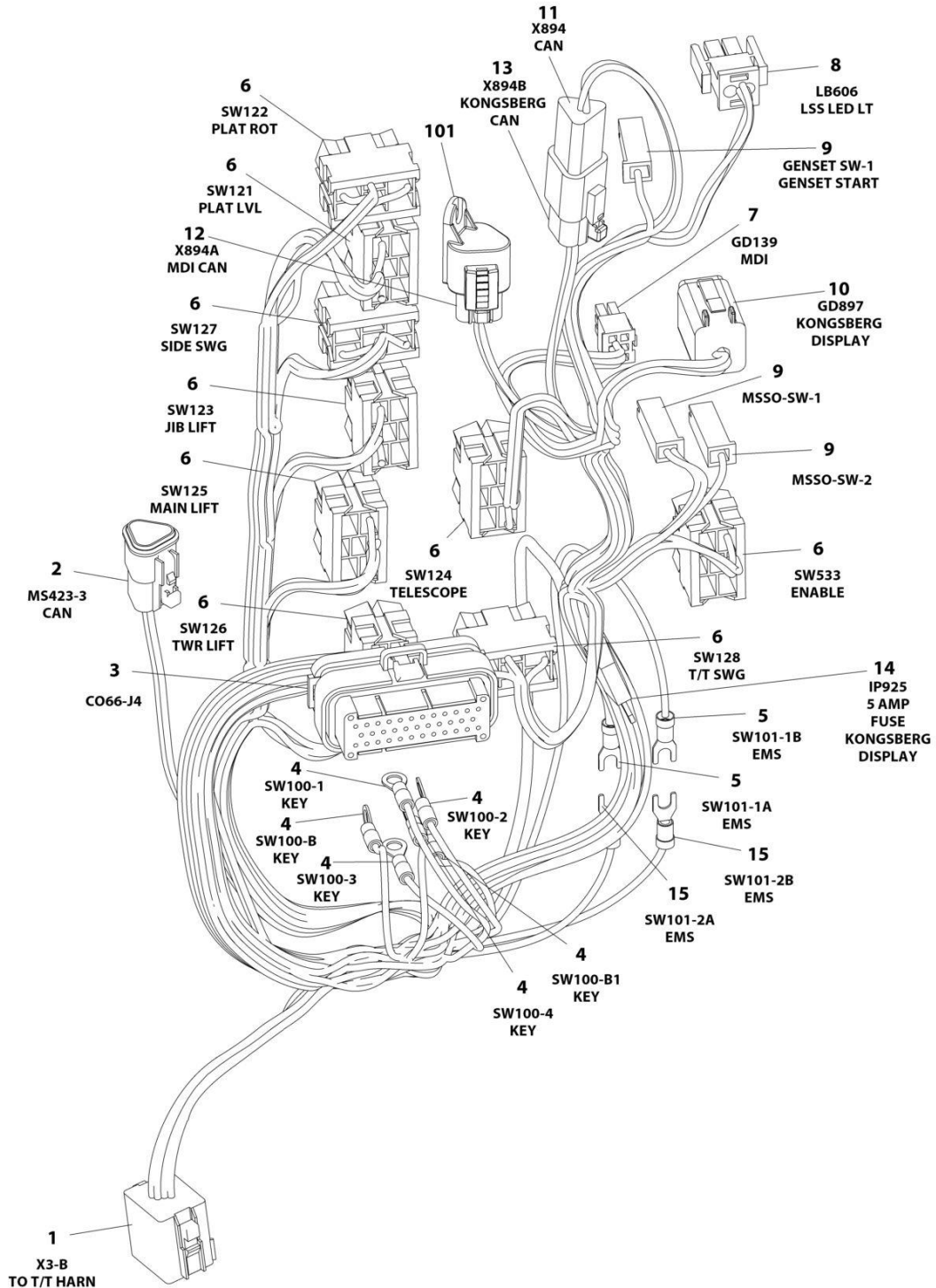
SECTION 7 - ELECTRICAL

FIGURE 7-28. CHASSIS TO TURNTABLE HARNESS

ITEM	PART NUMBER	QTY	DESCRIPTION	REV
	1001178405	Ref	CHASSIS TO TURNTABLE HARNESS	G
1	4460950	1	Connector - 12 Position	
1	1001157891	4	Terminal	
1	4460464	5	Pin, Male	
1	4460941	1	Terminal	
1	4460943	2	Pin, Male	
2	1001144147	1	Receptacle, Female - 3 Position	
2	4460943	3	Pin, Male	
3	4460539	1	Plug, Male - 3 Position	
3	4460944	3	Socket, Female	
4	4460836	1	Connector - 12 Position	
4	1001157890	4	Terminal	
4	4460465	5	Socket, Female	
4	4460942	1	Terminal	
4	4460944	2	Socket, Female	

SECTION 7 - ELECTRICAL

FIGURE 7-29. GROUND CONTROL PANEL HARNESS



ART_1001179991

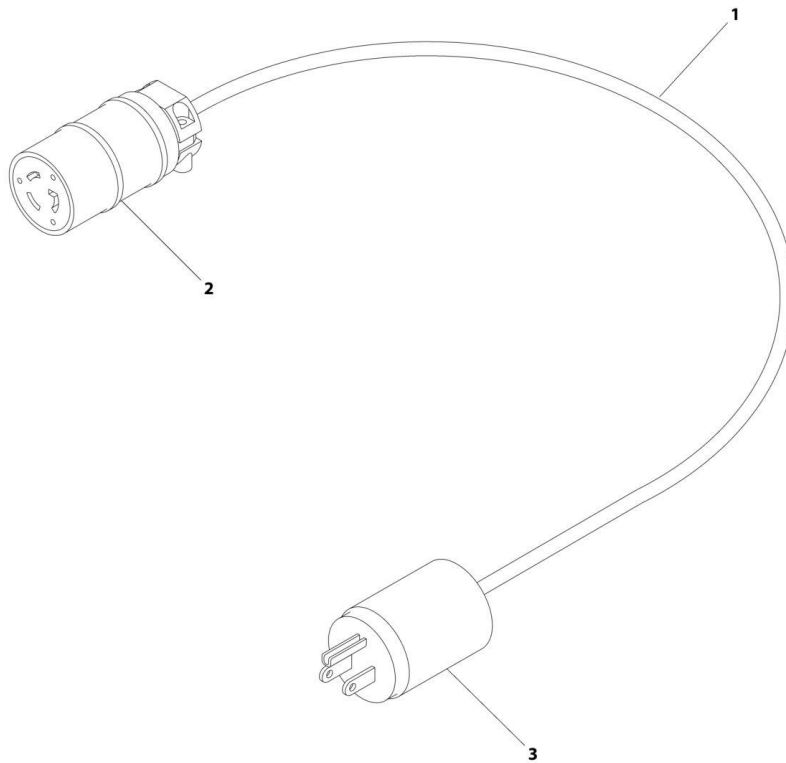
SECTION 7 - ELECTRICAL

FIGURE 7-29. GROUND CONTROL PANEL HARNESS

ITEM	PART NUMBER	QTY	DESCRIPTION	REV
	1001179991	Ref	GROUND CONTROL PANEL HARNESS	L
1	4460851	1	Connector - 8 Position	
2	1001157890	1	Socket, Female	
4	1001116692	1	Socket, Female	
1	4460465	1	Socket, Female	
1	4460466	1	Plug, Terminal	
2	1001116812	1	Plug, Male - 3 Position	
2	4460944	2	Socket, Female	
2	4460466	1	Plug, Terminal	
3	4460876	1	Connector - 35 Position	
3	4460871	23	Socket, Female	
3	4460905	12	Plug, Terminal	
4	4460313	6	Terminal, Ring	
5	4460806	2	Terminal, Fork	
6	4460418	9	Connector - 6 Position	
6	4460419	18	Terminal	
6	1001159186	17	Terminal	
7	4460868	1	Plug, Male - 6 Position	
7	4460877	4	Terminal	
8	4460320	1	Plug, Male - 2 Position	
8	4460227	2	Pin, Male	
9	4460260	3	Housing, Terminal	
9	4460259	3	Terminal	
10	4460894	1	Connector	
10	4460465	4	Socket, Female	
10	4460466	2	Plug, Terminal	
11	1001144147	1	Connector	
11	4460943	2	Pin, Male	
11	4460466	1	Plug, Terminal	
12	1001116812	1	Connector	
12	4460944	2	Socket, Female	
12	4460466	1	Plug, Terminal	
13	1001116812	1	Connector	
13	4460944	2	Socket, Female	
13	4460466	1	Plug, Terminal	
14	2400060	1	Fuseholder (Includes Cover) (PVC 2201 to Present)	
14	8229242	1	Fuse 5A (PVC 2201 to Present)	
15	4460183	2	Terminal, Fork	
101	1001144296	1	Dust Cap	

SECTION 7 - ELECTRICAL

FIGURE 7-30. INVERTER HARNESS



ART_1001182296

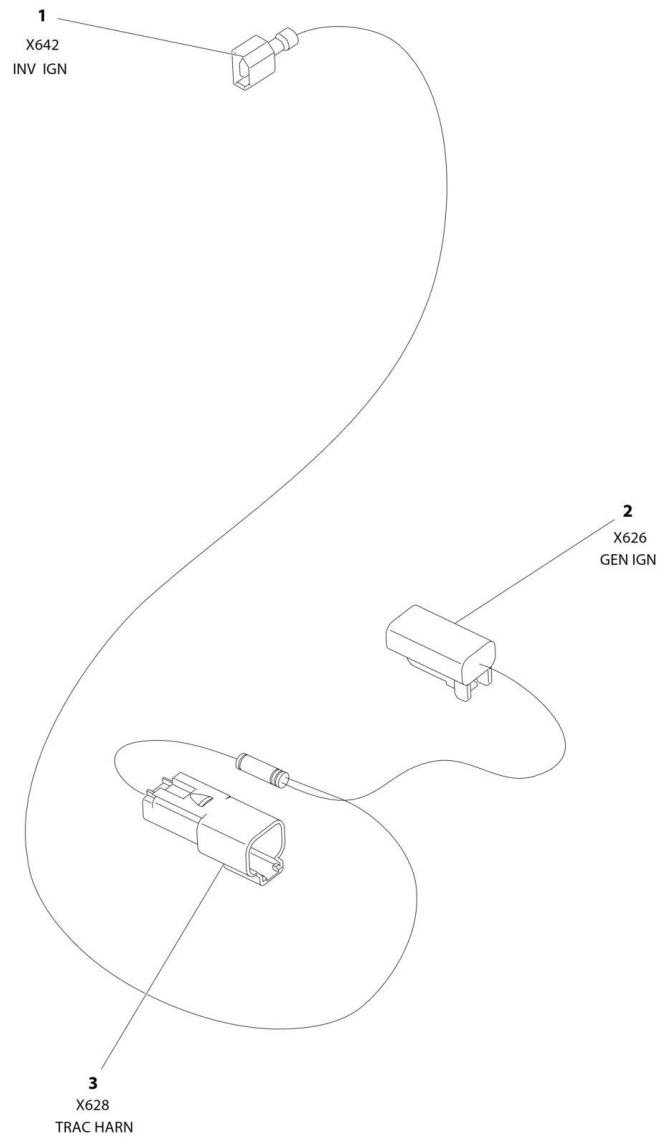
SECTION 7 - ELECTRICAL

FIGURE 7-30. INVERTER HARNESS

ITEM	PART NUMBER	QTY	DESCRIPTION	REV
1	1001182296 1060494	Ref 115 in /292cm	INVERTER HARNESS Cable, Electrical 12/3	A
2	4460134	1	Connector, Female	
3	4460138	1	Plug, Connector	

SECTION 7 - ELECTRICAL

FIGURE 7-31. INVERTER IGNITION HARNESS



ART_1001192293

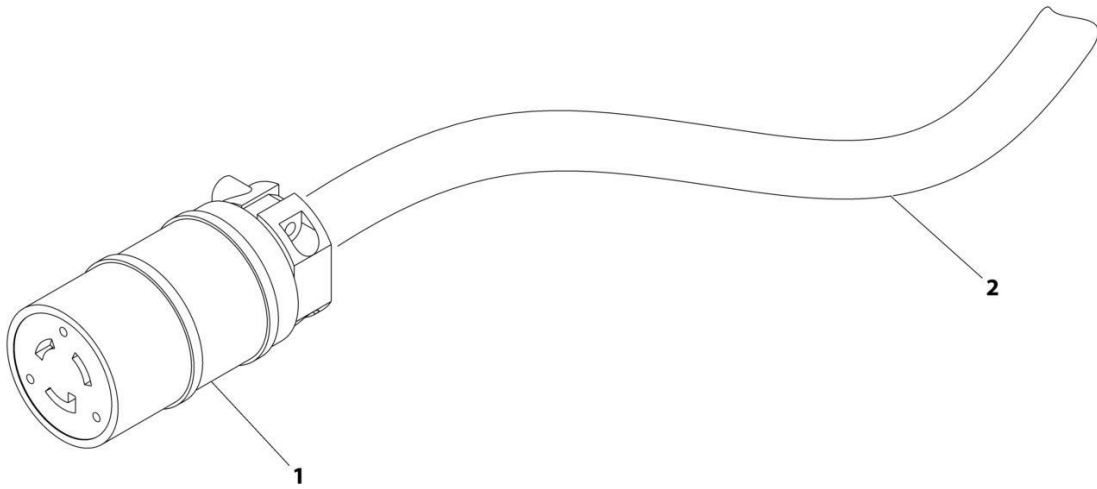
SECTION 7 - ELECTRICAL

FIGURE 7-31. INVERTER IGNITION HARNESS

ITEM	PART NUMBER	QTY	DESCRIPTION	REV
	1001192293	Ref	INVERTER IGNITION HARNESS	C
1	1001193545	1	Terminal	
2	4460891	1	Plug, Male - 2 Position	
2	4460465	1	Socket, Female	
2	4460466	1	Plug, Terminal	
3	4460897	1	Receptacle, Female - 2 Position	
3	4460464	1	Pin, Male	
3	4460466	1	Plug, Seal	

SECTION 7 - ELECTRICAL

FIGURE 7-32. LOWER BOOM 110V HARNESS ASSEMBLY



ART_4922611

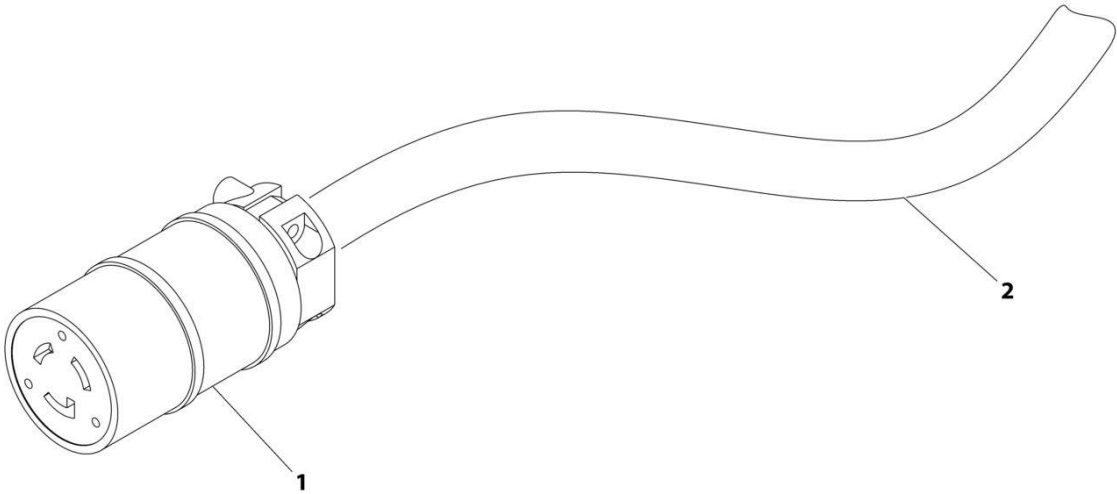
SECTION 7 - ELECTRICAL

FIGURE 7-32. LOWER BOOM 110V HARNESS ASSEMBLY

ITEM	PART NUMBER	QTY	DESCRIPTION	REV
	4922611	Ref	LOWER BOOM 110V HARNESS ASSEMBLY	1
1	4460134	1	Connector, Female	
2	1060494	32.5 ft /9.9m	Electrical Cable, 12/3	

SECTION 7 - ELECTRICAL

FIGURE 7-33. LOWER BOOM 220V HARNESS ASSEMBLY - CE & UK CA SPEC



ART_4922609

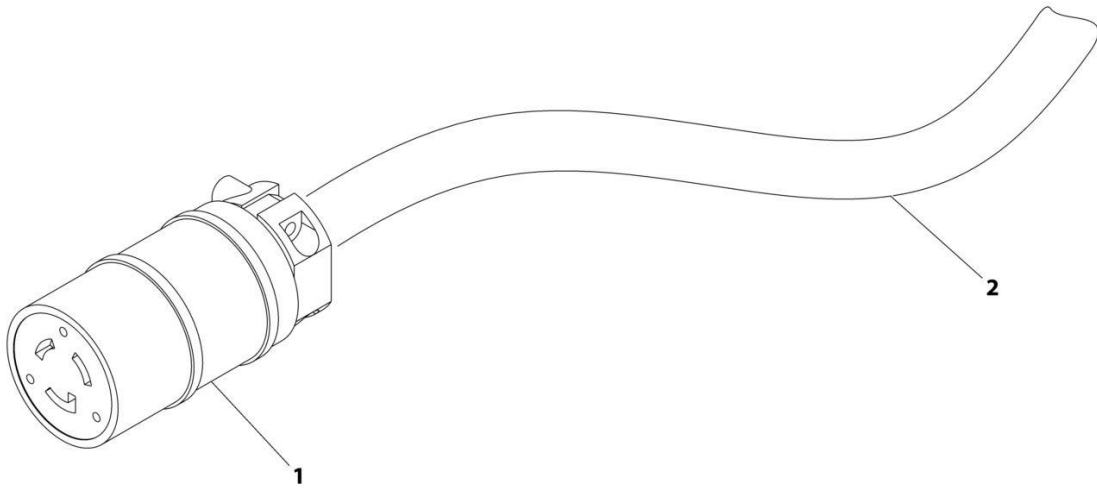
SECTION 7 - ELECTRICAL

FIGURE 7-33. LOWER BOOM 220V HARNESS ASSEMBLY - CE & UK CA SPEC

ITEM	PART NUMBER	QTY	DESCRIPTION	REV
	4922609	Ref	LOWER BOOM 220V HARNESS ASSEMBLY - CE SPEC	1
1	4460710	1	Connector, Female	
2	1060461	37 ft /11.3m	Electrical Cable, 12/3	

SECTION 7 - ELECTRICAL

FIGURE 7-34. LOWER BOOM 220V HARNESS ASSEMBLY - CE & UK CA SPEC



ART_4922612

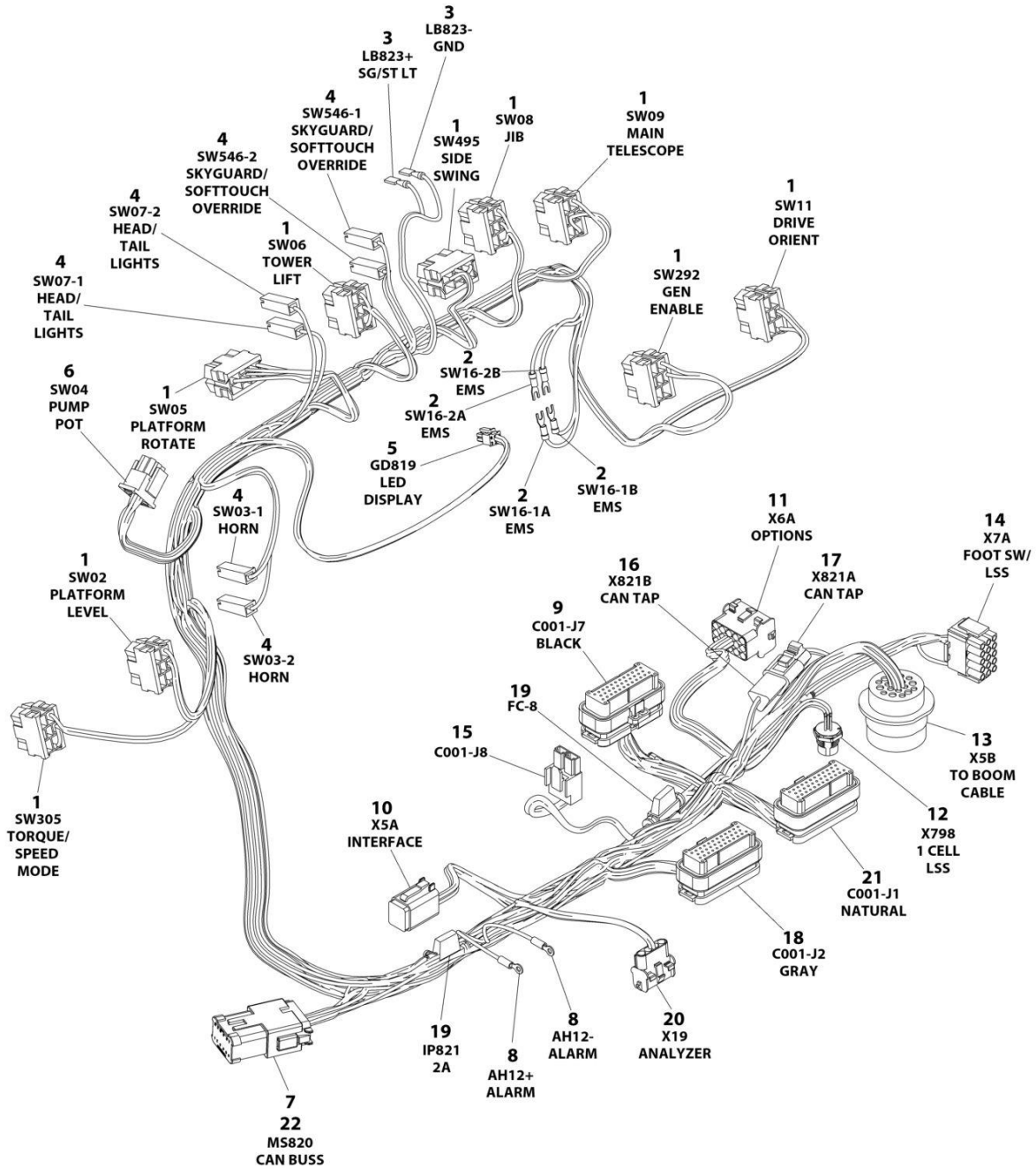
SECTION 7 - ELECTRICAL

FIGURE 7-34. LOWER BOOM 220V HARNESS ASSEMBLY - CE & UK CA SPEC

ITEM	PART NUMBER	QTY	DESCRIPTION	REV
	4922612	Ref	LOWER BOOM 220V HARNESS ASSEMBLY	2
1	4460710	1	Connector, Female	
2	1060461	32.5 ft /9.9m	Electrical Cable, 12/3	

SECTION 7 - ELECTRICAL

FIGURE 7-35. PLATFORM CONSOLE HARNESS - WITH 1 CELL LSS - E400ANARROW/E400AJPNARROW - NON-UL LISTED (ALL SPECS EXCEPT UL SPECS)



ART_1001245673

SECTION 7 - ELECTRICAL

**FIGURE 7-35. PLATFORM CONSOLE HARNESS - WITH 1 CELL LSS -
E400ANARROW/E400AJPNARROW - NON-UL LISTED (ALL SPECS EXCEPT UL SPECS)**

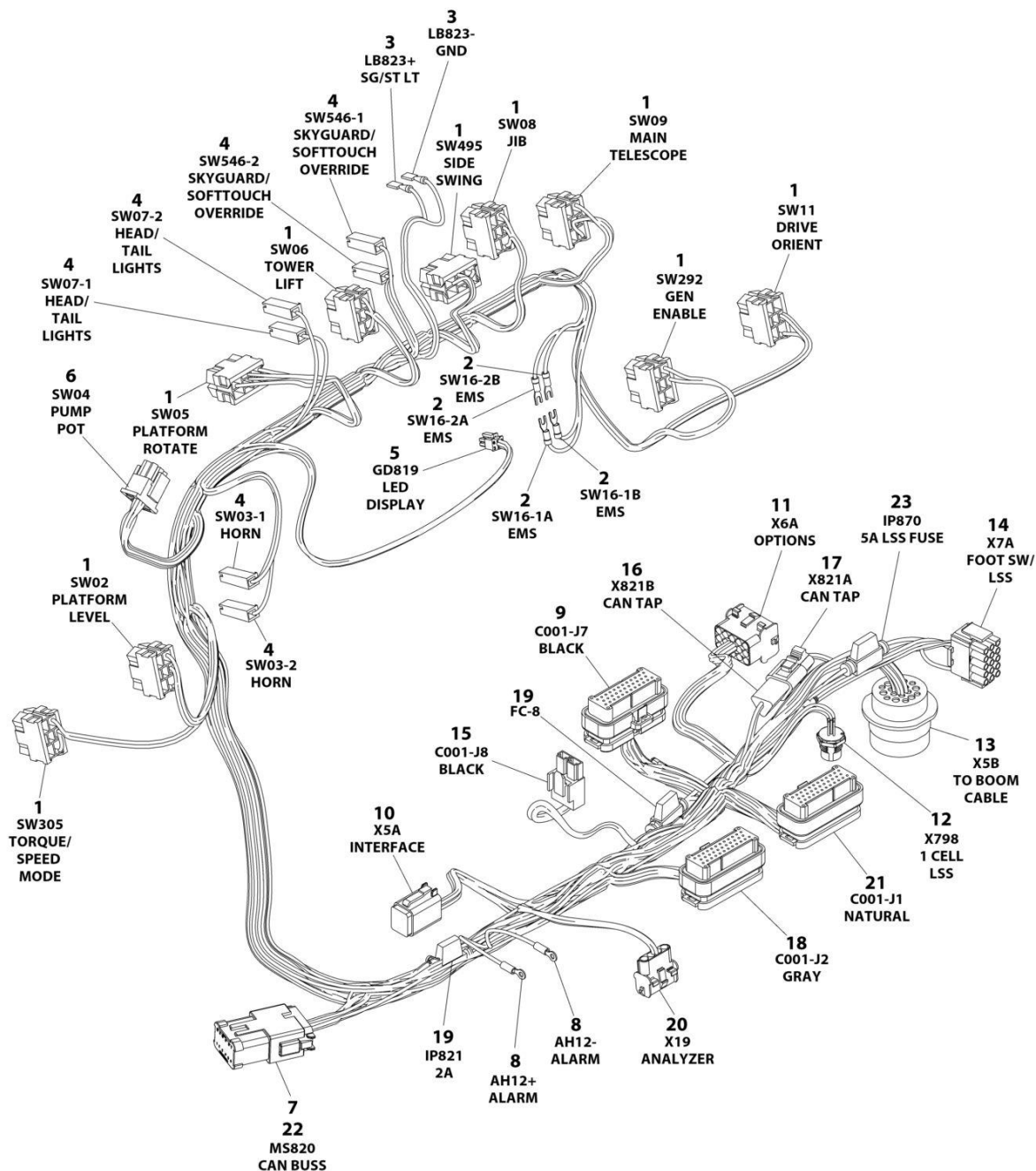
ITEM	PART NUMBER	QTY	DESCRIPTION	REV
	1001245673	Ref	PLATFORM CONSOLE HARNESS	D
1	4460418	9	Connector - 6 Position	
1	4460419	14	Terminal	
1	1001159186	18	Terminal	
2	4460888	4	Terminal, Fork	
3	4460016	2	Terminal	
4	4460260	6	Housing, Terminal	
4	4460259	8	Terminal	
5	1001237667	1	Connector - 6 Position	
5	1001237668	4	Terminal	
6	4460225	1	Connector - 6 Position	
6	4460267	7	Socket, Female	
7	4460933	1	Plug, Male - 12 Position	
7	4460465	10	Socket, Female	
7	4460466	2	Plug, Terminal	
8	1001098122	2	Terminal, Ring	
9	4460873	1	Connector - 35 Position	
9	4460871	21	Socket, Female	
9	4460905	14	Plug, Terminal	
10	4460894	1	Plug, Male - 6 Position	
10	4460465	6	Socket, Female	
11	4460708	1	Connector - 15 Position	
11	4460226	12	Socket, Female	
12	1001213447	1	Connector, Female - 5 Position	
13	4460866	1	Connector - 19 Position	
13	4460466	7	Plug, Terminal	
13	4460464	10	Pin, Male	
13	4460508	2	Pin, Male	
14	4460434	1	Plug, Male - 15 Position	
14	4460227	9	Pin, Male	
15	4460879	1	Plug, Male - 2 Position	
15	4460887	2	Terminal	
16	4460536	1	Receptacle, Female - 3 Position	
16	4460464	2	Pin, Male	
16	4460466	1	Plug, Terminal	
17	4460539	1	Plug, Male - 3 Position	
17	4460465	2	Socket, Female	
17	4460466	1	Plug, Terminal	
18	4460875	1	Connector - 35 Position	
18	4460905	24	Plug, Terminal	
18	4460871	11	Socket, Female	
19	2400060	2	Holder, Fuse	
19	8229242	1	Fuse - 5Amp	
19	See Note	1	Fuse - 2Amp (Note: Purchase Locally)	
20	4460761	1	Receptacle, Female - 4 Position	
20	4460227	4	Pin, Male	
21	4460874	1	Connector - 35 Position	
21	4460871	24	Socket, Female	
21	4460905	11	Plug, Terminal	

SECTION 7 - ELECTRICAL

ITEM	PART NUMBER	QTY	DESCRIPTION	REV
22	1001125677	1	Connector, Bussbar	

SECTION 7 - ELECTRICAL

FIGURE 7-36. PLATFORM CONSOLE HARNESS - WITH 1 CELL LSS - E400ANARROW/E400AJPNARROW - UL LISTED (ALL SPECS EXCEPT AUSTRALIAN, CE, JAPANESE & UK CA SPECS)



ART_1001272279

SECTION 7 - ELECTRICAL

**FIGURE 7-36. PLATFORM CONSOLE HARNESS - WITH 1 CELL LSS -
E400ANARROW/E400AJPNARROW - UL LISTED (ALL SPECS EXCEPT AUSTRALIAN, CE,
JAPANESE & UK CA SPECS)**

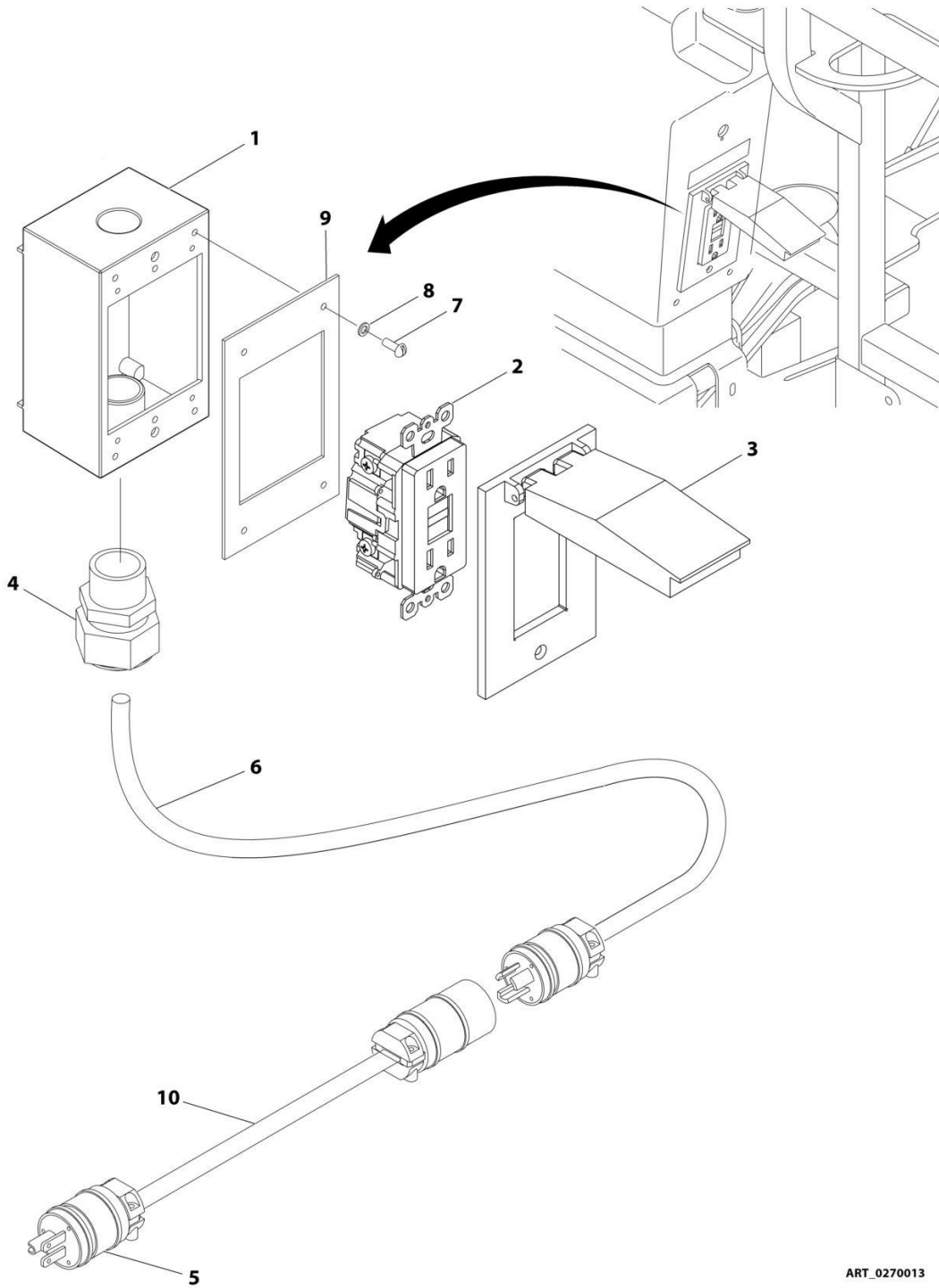
ITEM	PART NUMBER	QTY	DESCRIPTION	REV
	1001272279	Ref	PLATFORM CONSOLE HARNESS (UL SPECS)	B
1	4460418	9	Connector - 6 Position	
1	4460419	14	Terminal	
1	1001159186	17	Terminal	
2	4460888	4	Terminal, Fork	
3	4460016	2	Terminal	
4	4460260	6	Housing, Terminal	
4	4460259	8	Terminal	
5	1001237667	1	Connector - 6 Position	
5	1001237668	4	Terminal	
6	4460225	1	Connector - 6 Position	
6	4460267	7	Socket, Female	
7	4460933	1	Plug, Male - 12 Position	
7	4460465	10	Socket, Female	
7	4460466	2	Plug, Terminal	
8	1001098122	2	Terminal, Ring	
9	4460873	1	Connector - 35 Position	
9	4460871	21	Socket, Female	
9	4460905	14	Plug, Terminal	
10	4460894	1	Plug, Male - 6 Position	
10	4460465	6	Socket, Female	
11	4460708	1	Connector - 15 Position	
11	4460268	10	Socket, Female	
12	1001213447	1	Connector, Female - 5 Position	
13	4460866	1	Connector - 19 Position	
13	4460466	7	Plug, Terminal	
13	4460464	10	Pin, Male	
13	4460508	2	Pin, Male	
14	4460434	1	Plug, Male - 15 Position	
14	4460294	9	Pin, Male	
15	4460879	1	Plug, Male - 2 Position	
15	4460887	2	Terminal	
16	4460536	1	Receptacle, Female - 3 Position	
16	4460464	2	Pin, Male	
16	4460466	1	Plug, Terminal	
17	4460539	1	Plug, Male - 3 Position	
17	4460465	2	Socket, Female	
17	4460466	1	Plug, Terminal	
18	4460875	1	Connector - 35 Position	
18	4460905	24	Plug, Terminal	
18	4460871	11	Socket, Female	
19	2400060	2	Holder, Fuse	
19	8229242	1	Fuse - 5Amp	
19	See Note	1	Fuse - 2Amp (Note: Purchase Locally)	
20	4460761	1	Receptacle, Female - 4 Position	
20	4460294	4	Pin, Male	
21	4460874	1	Connector - 35 Position	
21	4460871	24	Socket, Female	

SECTION 7 - ELECTRICAL

ITEM	PART NUMBER	QTY	DESCRIPTION	REV
21	4460905	11	Plug, Terminal	
22	1001125677	1	Connector, Bussbar	
23	2400060	1	Fuse Holder	
23	8229242	1	Fuse, 5A	

SECTION 7 - ELECTRICAL

FIGURE 7-37. PLUG AND RECEPTACLE INSTALLATION - 110V



ART_0270013

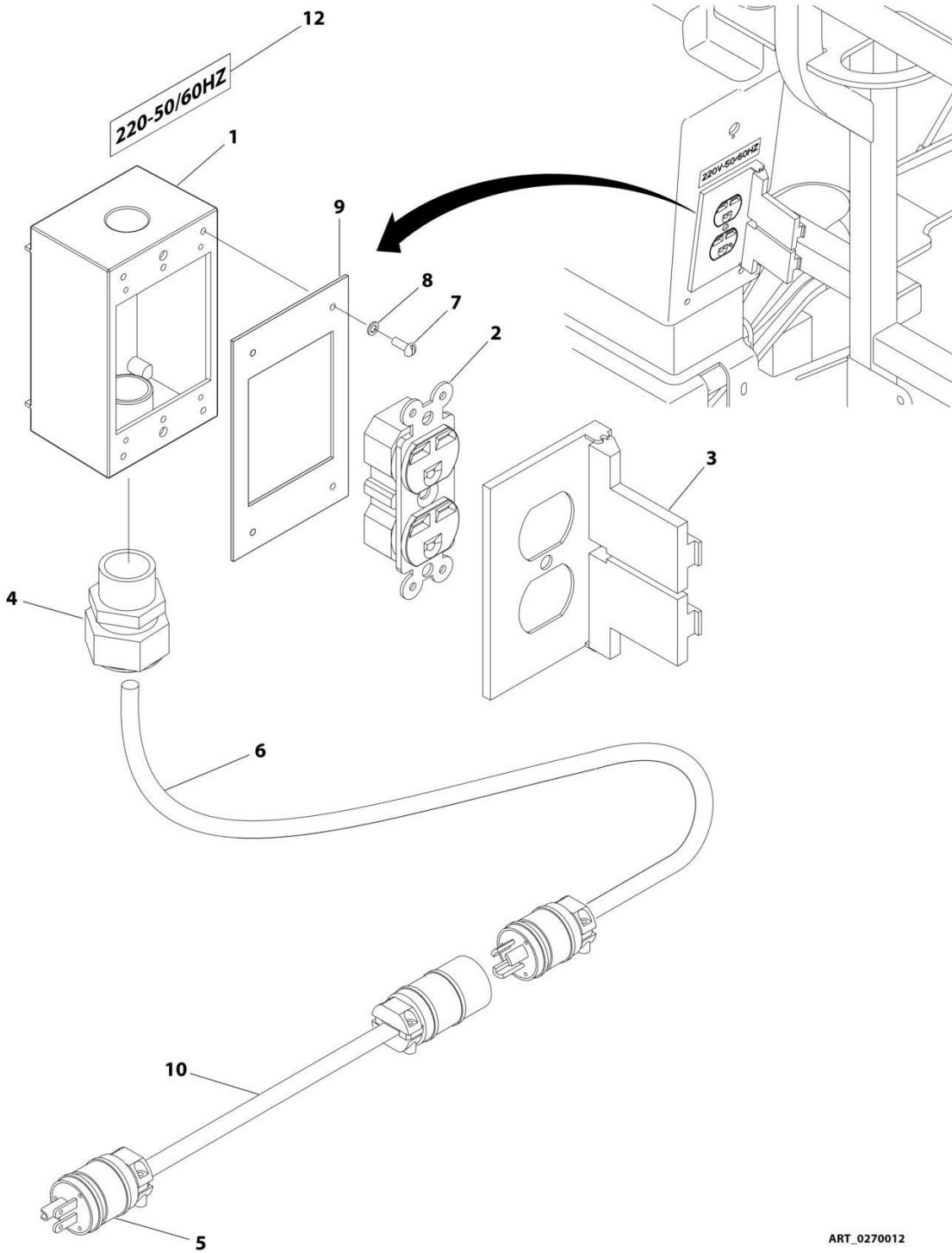
SECTION 7 - ELECTRICAL

FIGURE 7-37. PLUG AND RECEPTACLE INSTALLATION - 110V

ITEM	PART NUMBER	QTY	DESCRIPTION	REV
	0270013	Ref	PLUG AND RECEPTACLE INSTALLATION - 110V	5
1	0860038	1	Box, Switch	
2	4460346	1	Receptacle	
3	1001110873	1	Shield, Cover	
4	4460071	1	Connector, Strain Relief	
5	4460205	1	Plug, Male	
6	4922608	1	Main Boom 110V Harness Assembly (See Separate Breakdown in this Section)	
7	3910610	4	Screw, Self-tapping, #6 x 5/8	
8	4760600	4	Washer #6	
9	3960422	1	Gasket	
10	4922611	1	Lower Boom 110V Harness Assembly (See Separate Breakdown in this Section)	

SECTION 7 - ELECTRICAL

FIGURE 7-38. PLUG AND RECEPTACLE INSTALLATION - 220V



ART_0270012

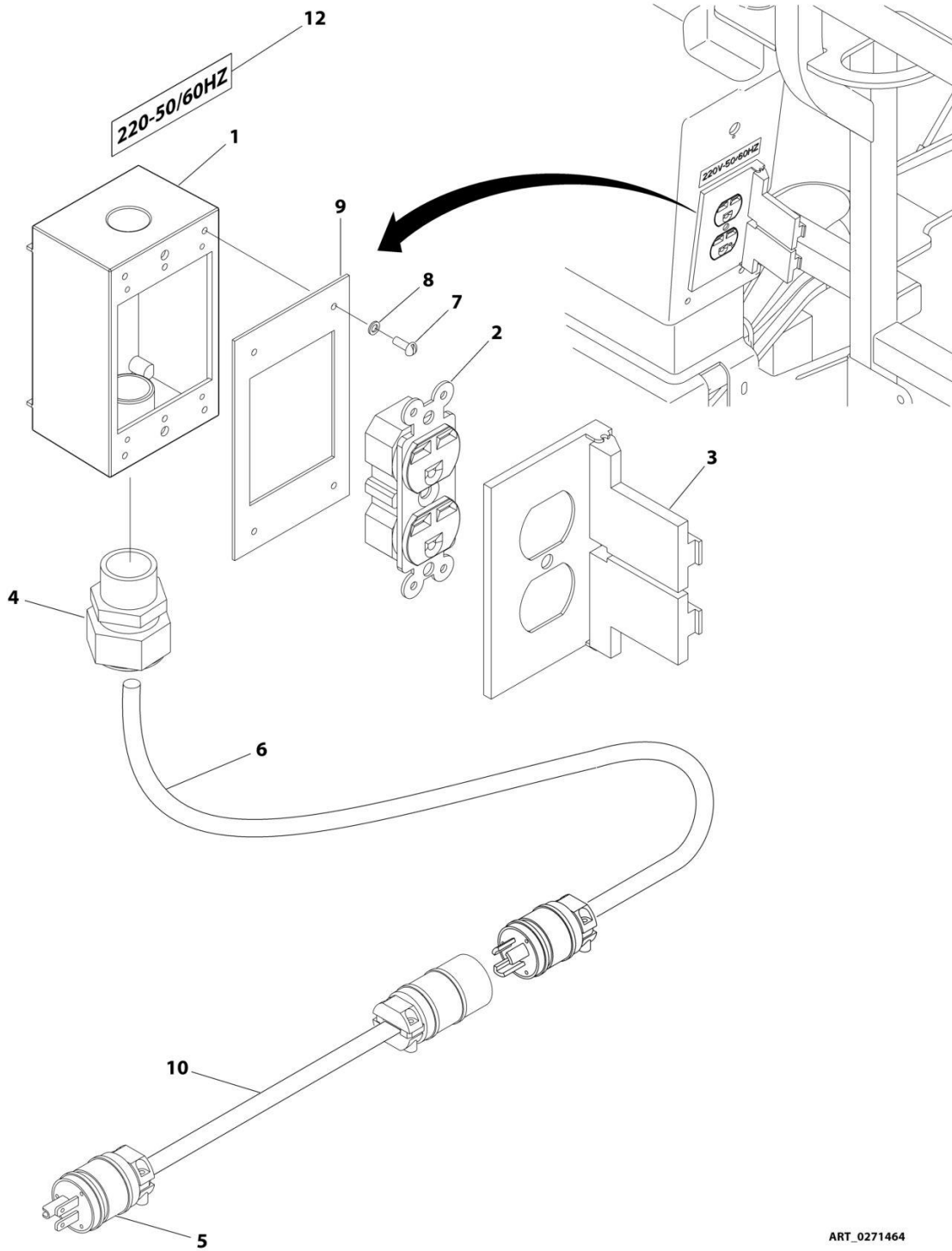
SECTION 7 - ELECTRICAL

FIGURE 7-38. PLUG AND RECEPTACLE INSTALLATION - 220V

ITEM	PART NUMBER	QTY	DESCRIPTION	REV
	0270012	Ref	PLUG AND RECEPTACLE INSTALLATION - 220V	4
1	0860038	1	Box, Switch	
2	4460125	1	Receptacle	
3	4060092	1	Shield, Cover	
4	4460071	1	Connector, Strain Relief	
5	4460233	1	Plug, Male	
6	4922608	1	Main Boom 110V Harness Assembly (See Separate Breakdown in this Section)	
7	3910610	4	Screw, Self-tapping, #6 x 5/8	
8	4760600	4	Washer #6	
9	3960422	1	Gasket	
10	4922611	1	Lower Boom 110V Harness Assembly (See Separate Breakdown in this Section)	
12	3252507	1	Decal - 220V-50/60 Hz	

SECTION 7 - ELECTRICAL

FIGURE 7-39. PLUG AND RECEPTACLE INSTALLATION - SUPPLIED LOCALLY



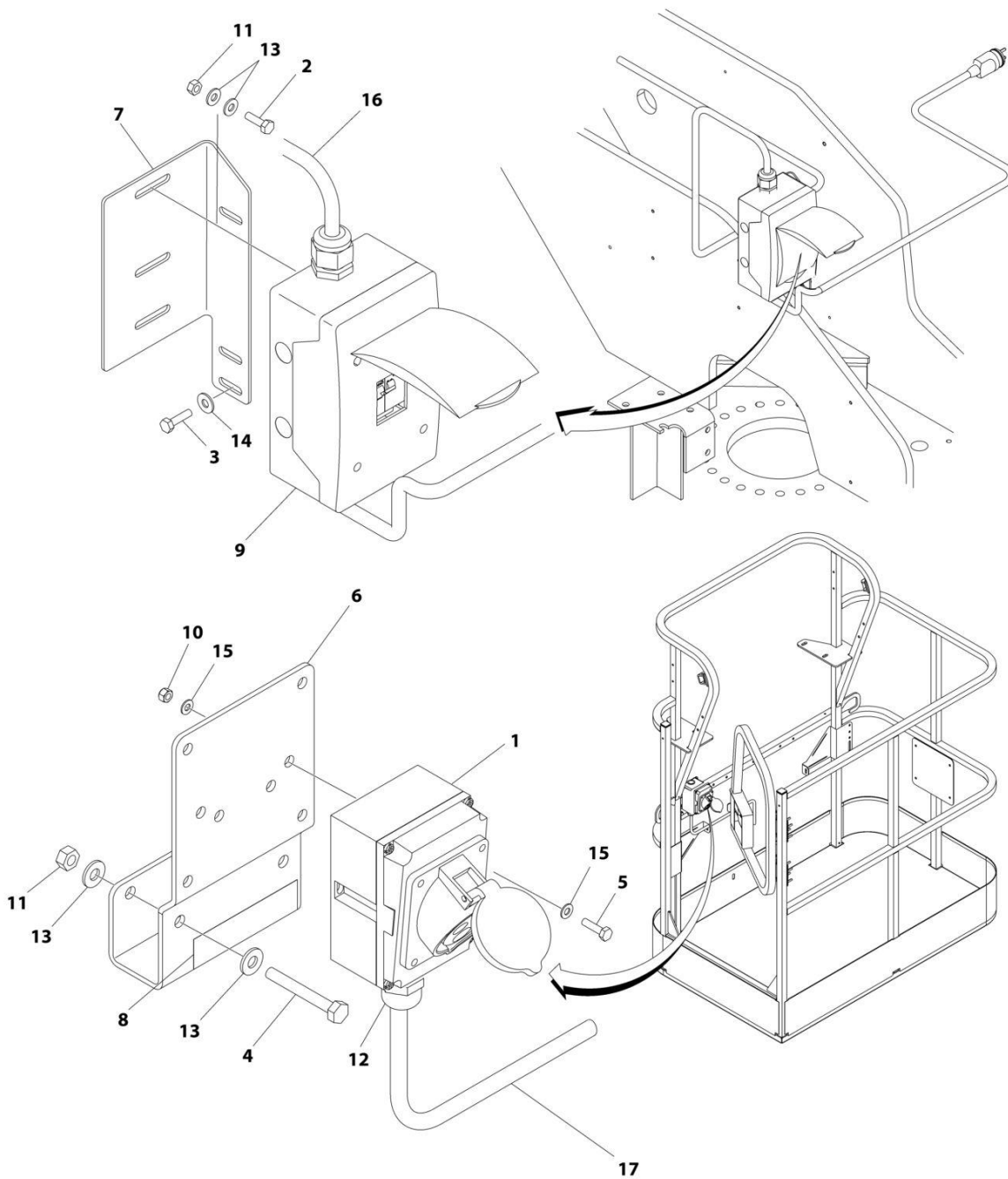
SECTION 7 - ELECTRICAL

FIGURE 7-39. PLUG AND RECEPTACLE INSTALLATION - SUPPLIED LOCALLY

ITEM	PART NUMBER	QTY	DESCRIPTION	REV
	0271464	Ref	PLUG AND RECEPTACLE INSTALLATION - SUPPLIED LOCALLY	2
1	See Note	1	Box, Switch (Note: Supplied Locally)	
2	See Note	1	Receptacle (Note: Supplied Locally)	
3	See Note	1	Shield, Cover (Note: Supplied Locally)	
4	See Note	1	Connector, Strain Relief (Note: Supplied Locally)	
5	See Note	1	Plug, Male (Note: Supplied Locally)	
6	4922610	1	Main Boom 220V Harness Assembly - CE Spec (See Separate Breakdown in this Section)	
7	See Note	4	Screw, Self-tapping, #6 x 5/8 (Note: Supplied Locally)	
8	See Note	4	Washer #6 (Note: Supplied Locally)	
9	See Note	1	Gasket (Note: Supplied Locally)	
10	4922612	1	Lower Boom 220V Harness Assembly - CE Spec (See Separate Breakdown in this Section)	
12	See Note	1	Decal - 220V-50/60Hz (Note: Supplied Locally)	

SECTION 7 - ELECTRICAL

FIGURE 7-40. PLUG AND RECEPTACLE 110V INSTALLATION - IEC 60309 - YELLOW (CE & UK CA SPEC)



ART_1001166263

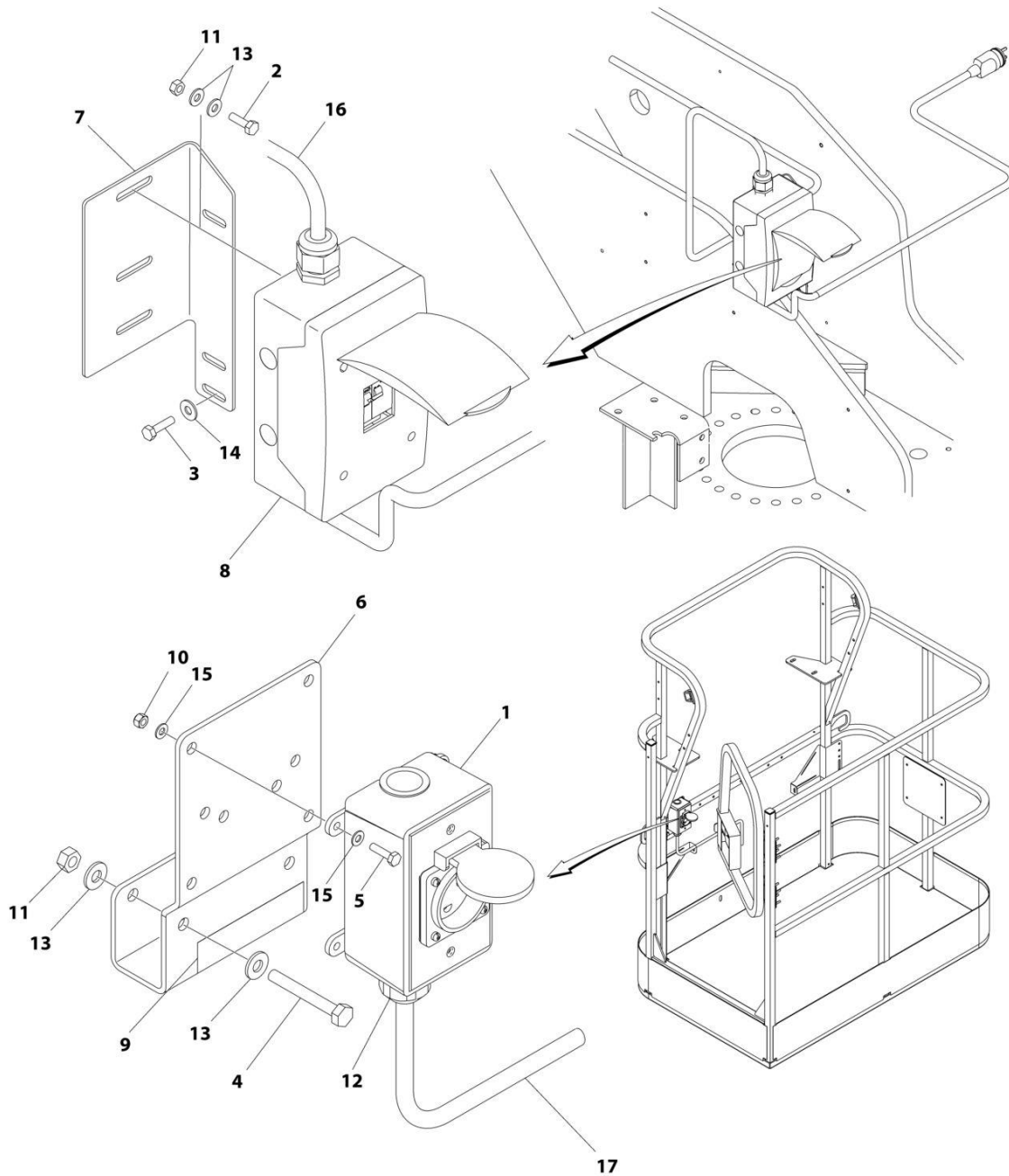
SECTION 7 - ELECTRICAL

FIGURE 7-40. PLUG AND RECEPTACLE 110V INSTALLATION - IEC 60309 - YELLOW (CE & UK CA SPEC)

ITEM	PART NUMBER	QTY	DESCRIPTION	REV
	1001166263	Ref	PLUG AND RECEPTACLE 110V INSTALLATION - IEC 60309 - YELLOW	C
1	0275216	1	AC Plugs and Sockets Installation (See Separate Breakdown in this Section)	
2	0641407	2	Bolt 1/4 x 7/8	
3	0641408	2	Bolt 1/4 x 1	
4	0641416	2	Bolt 1/4 x 2	
5	0700408	2	Bolt M4 x 16	
6	1001193018	1	Bracket	
7	1001178491	1	Bracket	
8	1705325	2	Decal - 120V - 50 Hz	
9	2902549	1	Breaker Box Kit with Two Breakers (See Separate Breakdown in this Section)	
10	3290405	2	Nut M4	
11	3311405	4	Nut 1/4	
12	4460968	1	Connector, Strain Relief	
13	4711400	8	Washer 1/4	
14	4751400	2	Washer 1/4	
15	4811400	4	Washer M4	
16	4922609	1	Lower Boom 220V Harness Assembly (See Separate Breakdown in this Section)	
17	4922610	1	Main Boom 220V Harness Assembly (See Separate Breakdown in this Section)	

SECTION 7 - ELECTRICAL

FIGURE 7-41. PLUG AND RECEPTACLE 220V INSTALLATION - AFSINT 107 KEYED GROUND - 2 X 4 BOX (CE & UK CA SPEC)



ART_1001166259

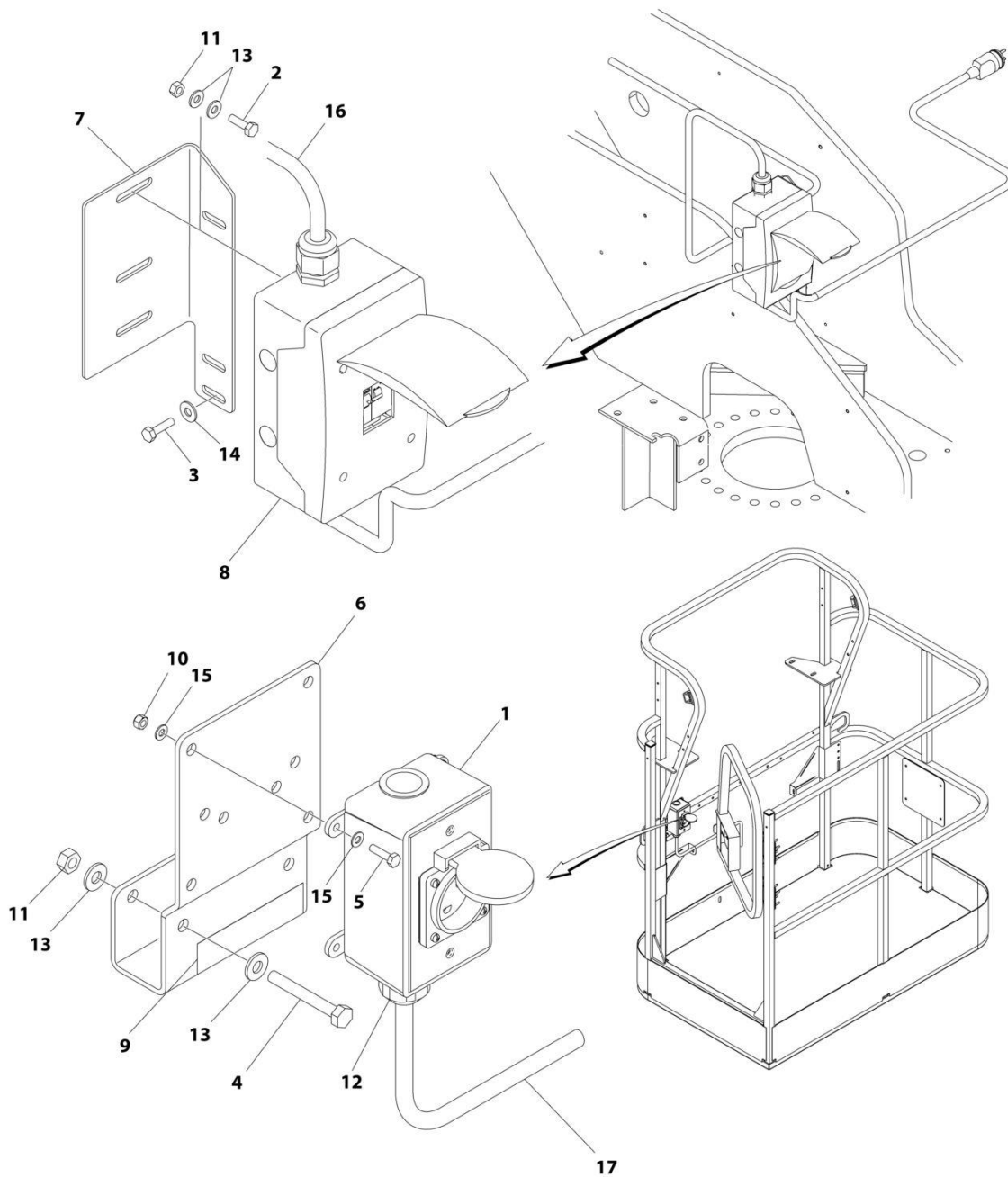
SECTION 7 - ELECTRICAL

FIGURE 7-41. PLUG AND RECEPTACLE 220V INSTALLATION - AFSINT 107 KEYED GROUND - 2 X 4 BOX (CE & UK CA SPEC)

ITEM	PART NUMBER	QTY	DESCRIPTION	REV
	1001166259	Ref	PLUG AND RECEPTACLE 220V INSTALLATION - AFSINT 107 KEYED GROUND - 2 X 4 BOX	C
1	0275454	1	AC Plugs and Sockets Installation (See Separate Breakdown in this Section)	
2	0641407	2	Bolt 1/4 x 7/8	
3	0641408	2	Bolt 1/4 x 1	
4	0641416	2	Bolt 1/4 x 2	
5	0700408	4	Bolt M4 x 16	
6	1001193018	1	Bracket	
7	1001178491	1	Bracket	
8	2902549	1	Breaker Box Kit with Two Breakers (See Separate Breakdown in this Section)	
9	3252507	2	Decal - 220V - 50/60 Hz	
10	3290405	4	Nut M4	
11	3311405	4	Nut 1/4	
12	4460662	1	Connector, Strain Relief	
13	4711400	8	Washer 1/4	
14	4751400	2	Washer 1/4	
15	4811400	8	Washer M4	
16	4922609	1	Lower Boom 220V Harness Assembly (See Separate Breakdown in this Section)	
17	4922610	1	Main Boom 220V Harness Assembly (See Separate Breakdown in this Section)	

SECTION 7 - ELECTRICAL

FIGURE 7-42. PLUG AND RECEPTACLE 220V INSTALLATION - CEE7 POST GROUND - 2 X 4 BOX
(CE & UK CA SPEC)



ART_1001166251

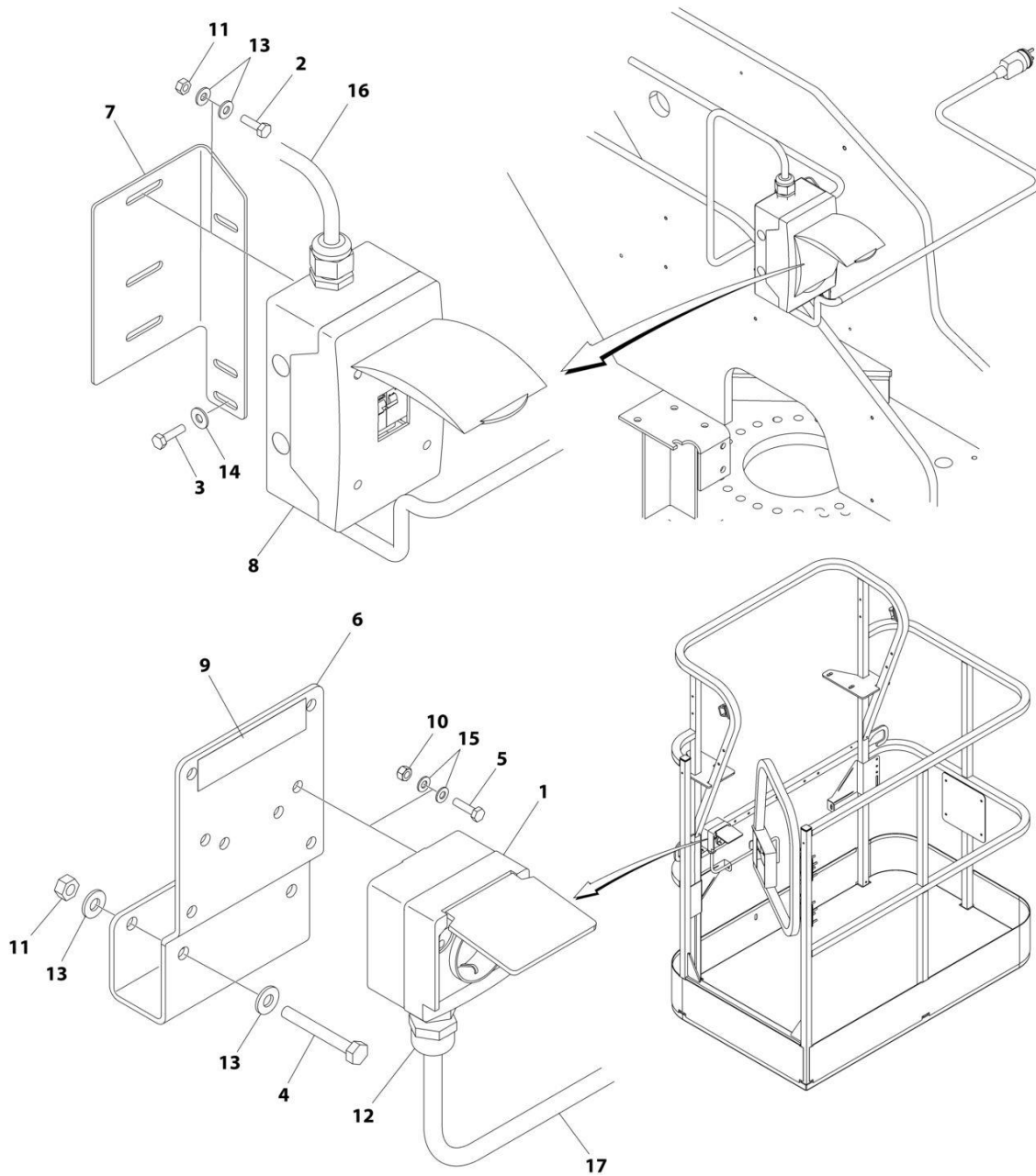
SECTION 7 - ELECTRICAL

**FIGURE 7-42. PLUG AND RECEPTACLE 220V INSTALLATION - CEE7 POST GROUND - 2 X 4 BOX
(CE & UK CA SPEC)**

ITEM	PART NUMBER	QTY	DESCRIPTION	REV
	1001166251	Ref	PLUG AND RECEPTACLE 220V INSTALLATION - CEE7 POST GROUND - 2 X 4 BOX	C
1	0275452	1	AC Plugs and Sockets Installation (See Separate Breakdown in this Section)	
2	0641407	2	Bolt 1/4 x 7/8	
3	0641408	2	Bolt 1/4 x 1	
4	0641416	2	Bolt 1/4 x 2	
5	0700408	4	Bolt M4 x 16	
6	1001193018	1	Bracket	
7	1001178491	1	Bracket	
8	2902549	1	Breaker Box Kit with Two Breakers (See Separate Breakdown in this Section)	
9	3252507	2	Decal - 220V - 50/60Hz	
10	3290405	4	Nut M4	
11	3311405	4	Nut 1/4	
12	4460662	1	Connector, Strain Relief	
13	4711400	8	Washer 1/4	
14	4751400	2	Washer 1/4	
15	4811400	8	Washer M4	
16	4922609	1	Lower Boom 220V Harness Assembly (See Separate Breakdown in this Section)	
17	4922610	1	Main Boom 220V Harness Assembly (See Separate Breakdown in this Section)	

SECTION 7 - ELECTRICAL

FIGURE 7-43. PLUG AND RECEPTACLE 220V INSTALLATION - CEE7 POST GROUND - 70MM X 70MM BOX (CE & UK CA SPEC)



ART_1001166261

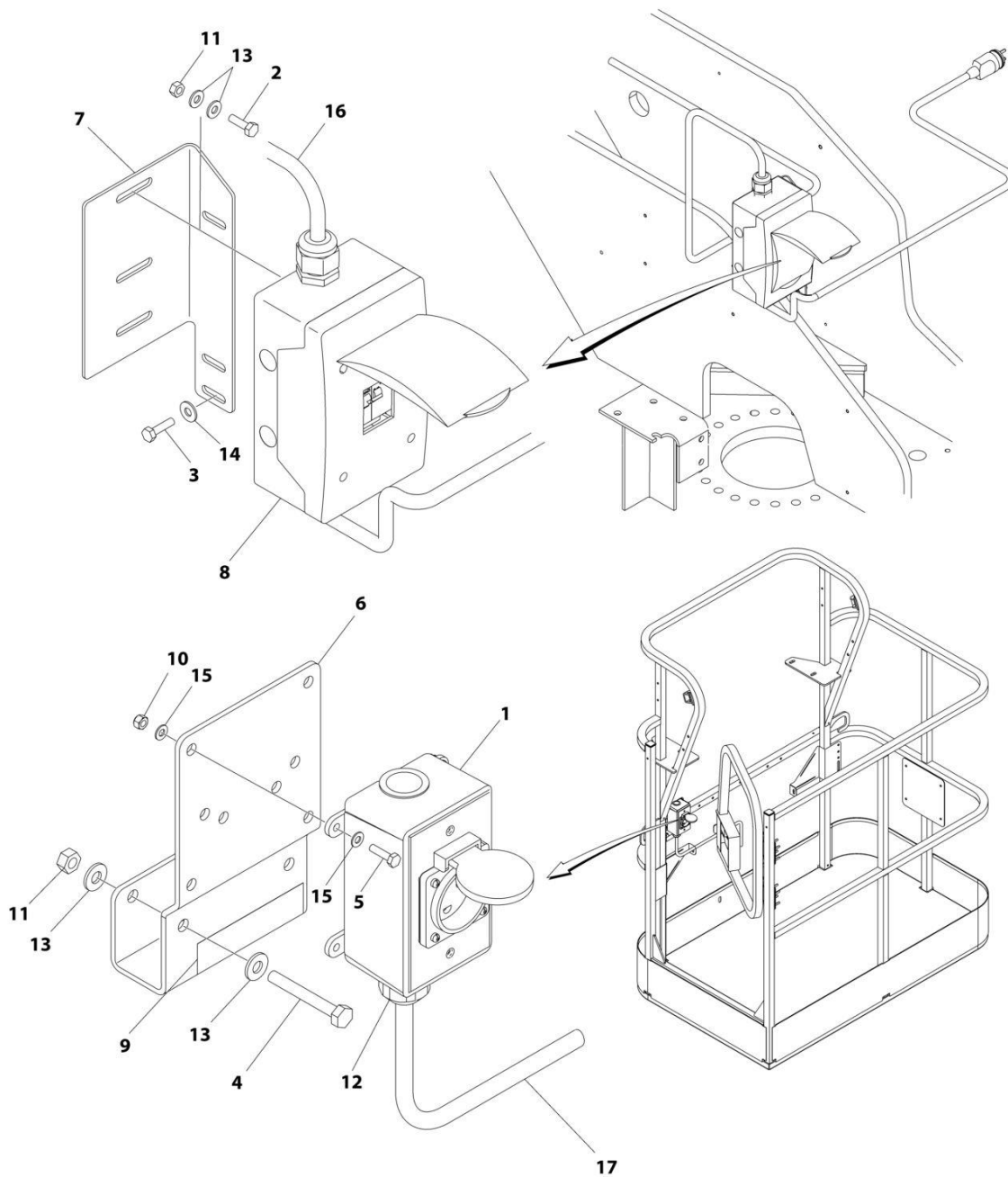
SECTION 7 - ELECTRICAL

FIGURE 7-43. PLUG AND RECEPTACLE 220V INSTALLATION - CEE7 POST GROUND - 70MM X 70MM BOX (CE & UK CA SPEC)

ITEM	PART NUMBER	QTY	DESCRIPTION	REV
	1001166261	Ref	PLUG AND RECEPTACLE 220V INSTALLATION - CEE7 POST GROUND - 70MM X 70MM BOX	C
1	0275218	1	AC Plugs and Sockets Installation (See Separate Breakdown in this Section)	
2	0641407	2	Bolt 1/4 x 7/8	
3	0641408	2	Bolt 1/4 x 1	
4	0641416	2	Bolt 1/4 x 2	
5	0700408	2	Bolt M4 x 16	
6	1001193018	1	Bracket	
7	1001178491	1	Bracket	
8	2902549	1	Breaker Box Kit with Two Breakers (See Separate Breakdown in this Section)	
9	3252507	2	Decal - 220V - 50/60 Hz	
10	3290405	2	Nut M4	
11	3311405	4	Nut 1/4	
12	4460968	1	Connector, Strain Relief	
13	4711400	8	Washer 1/4	
14	4751400	2	Washer 1/4	
15	4811400	4	Washer 4mm	
16	4922609	1	Lower Boom 220V Harness Assembly (See Separate Breakdown in this Section)	
17	4922610	1	Main Boom 220V Harness Assembly (See Separate Breakdown in this Section)	

SECTION 7 - ELECTRICAL

FIGURE 7-44. PLUG AND RECEPTACLE 220 INSTALLATION - CEE7 SIDE GROUND - 2 X 4 BOX (CE & UK CA SPEC)



ART_1001166258

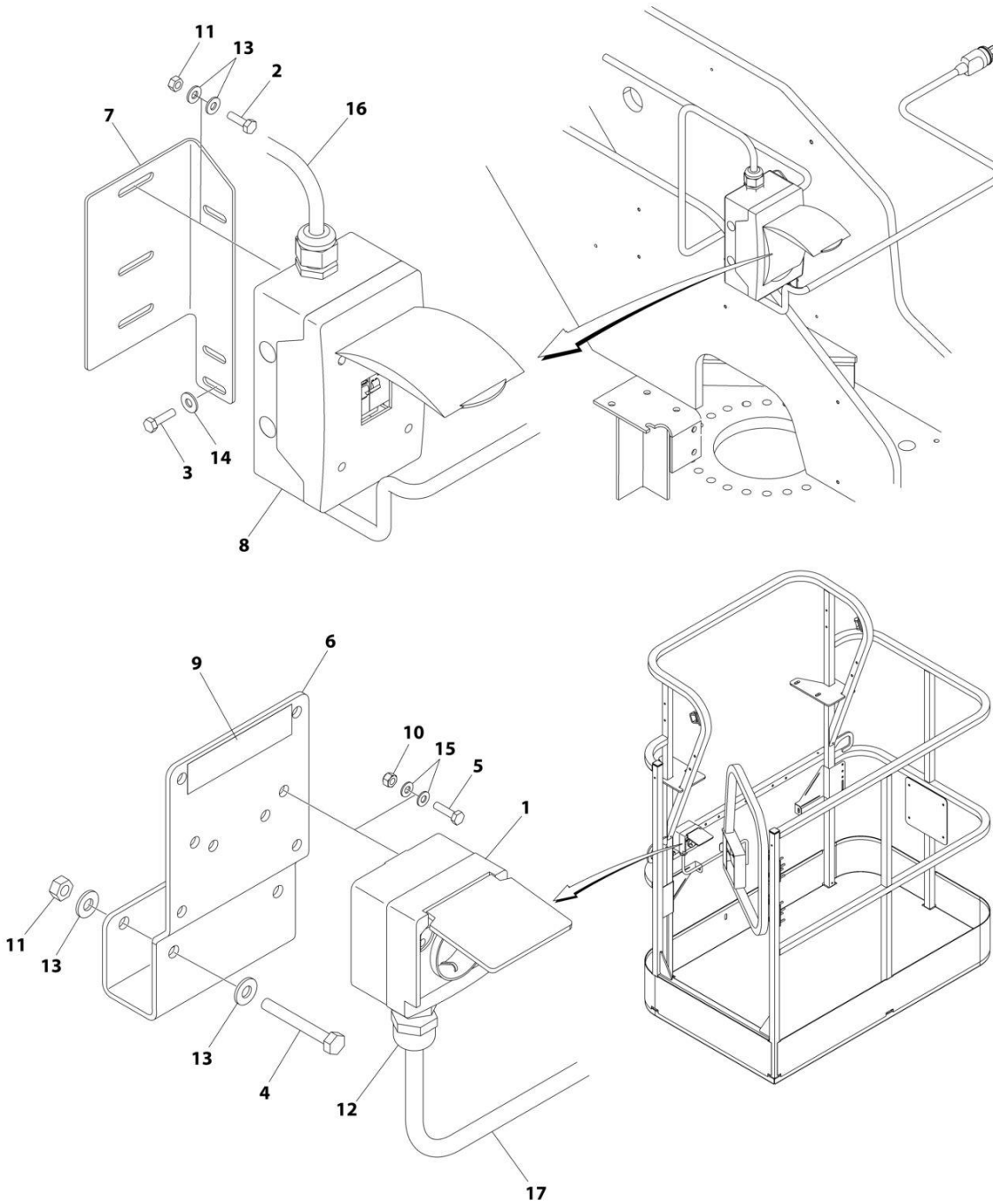
SECTION 7 - ELECTRICAL

FIGURE 7-44. PLUG AND RECEPTACLE 220 INSTALLATION - CEE7 SIDE GROUND - 2 X 4 BOX (CE & UK CA SPEC)

ITEM	PART NUMBER	QTY	DESCRIPTION	REV
	1001166258	Ref	PLUG AND RECEPTACLE 220 INSTALLATION - CEE7 SIDE GROUND - 2 X 4 BOX	D
1	0275453	1	AC Plugs and Sockets Installation (See Separate Breakdown in this Section)	
2	0641407	2	Bolt 1/4 x 7/8	
3	0641408	2	Bolt 1/4 x 1	
4	0641416	2	Bolt 1/4 x 2	
5	0700408	4	Bolt M4 x 16	
6	1001193018	1	Bracket	
7	1001178491	1	Bracket	
8	1001152485	1	Breaker Box Kit with Three Breakers (See Separate Breakdown in this Section)	
9	3252507	2	Decal - 220V - 50/60 Hz	
10	3290405	4	Nut M4	
11	3311405	4	Nut 1/4	
12	4460662	1	Connector, Strain Relief	
13	4711400	8	Washer 1/4	
14	4751400	2	Washer 1/4	
15	4811400	8	Washer M4	
16	4922609	1	Lower Boom 220V Harness Assembly (See Separate Breakdown in this Section)	
17	4922610	1	Main Boom 220V Harness Assembly (See Separate Breakdown in this Section)	

SECTION 7 - ELECTRICAL

FIGURE 7-45. PLUG AND RECEPTACLE 220V INSTALLATION - CEE7 SIDE GROUND - 70MM X 70MM BOX (CE & UK CA SPEC)



ART_1001166262

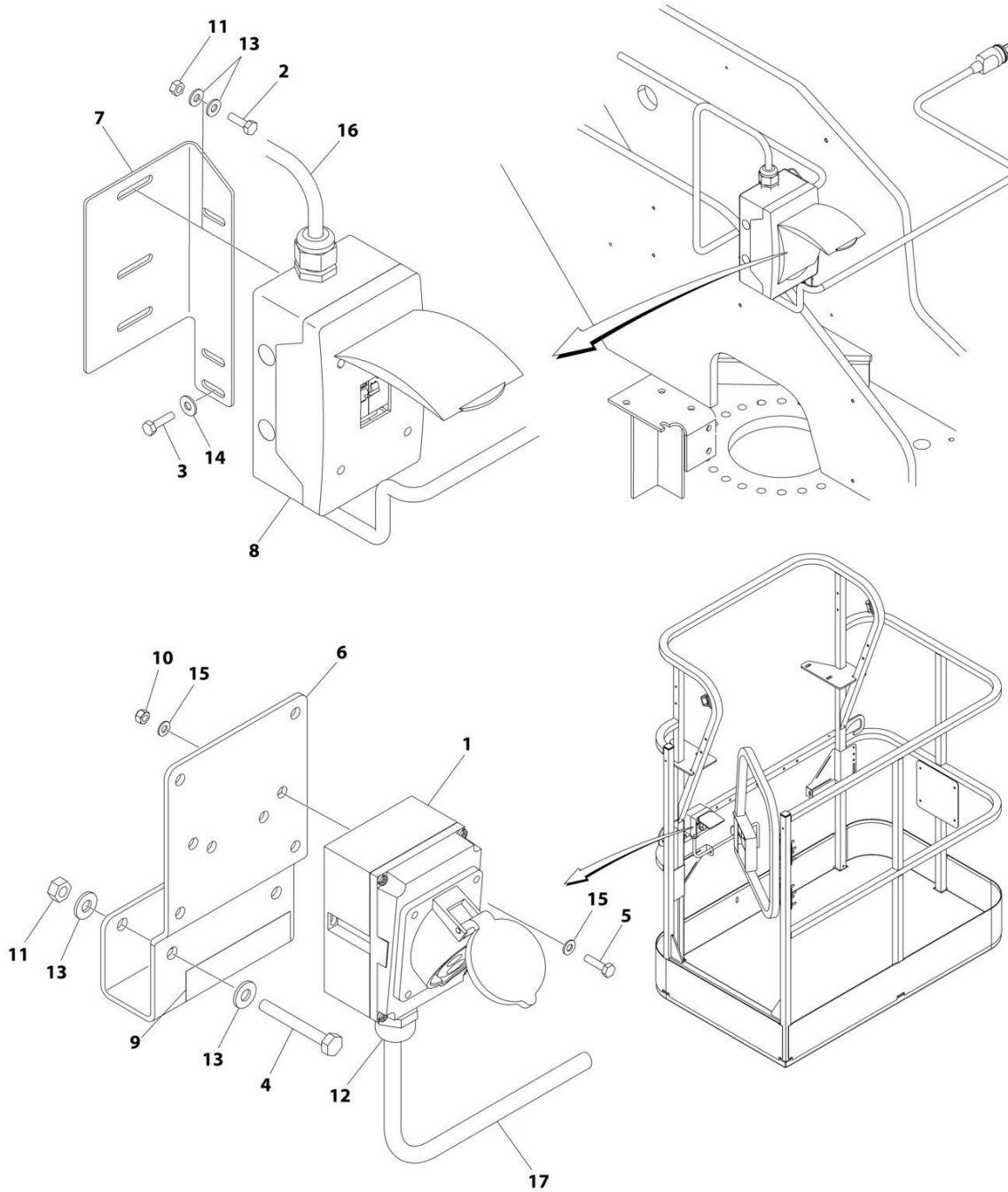
SECTION 7 - ELECTRICAL

FIGURE 7-45. PLUG AND RECEPTACLE 220V INSTALLATION - CEE7 SIDE GROUND - 70MM X 70MM BOX (CE & UK CA SPEC)

ITEM	PART NUMBER	QTY	DESCRIPTION	REV
	1001166262	Ref	PLUG AND RECEPTACLE 220V INSTALLATION - CEE7 SIDE GROUND - 70MM X 70MM BOX	C
1	0275219	1	AC Plugs and Sockets Installation (See Separate Breakdown in this Section)	
2	0641407	2	Bolt 1/4 x 7/8	
3	0641408	2	Bolt 1/4 x 1	
4	0641416	2	Bolt 1/4 x 2	
5	0700408	2	Bolt M4 x 16	
6	1001193018	1	Bracket	
7	1001178491	1	Bracket	
8	1001152485	1	Breaker Box Kit with Three Breakers (See Separate Breakdown in this Section)	
9	3252507	2	Decal - 220V - 50/60 Hz	
10	3290405	2	Nut M4	
11	3311405	4	Nut M4	
12	4460968	1	Connector, Strain Relief	
13	4711400	8	Washer 1/4	
14	4751400	2	Washer 1/4	
15	4811400	4	Washer M4	
16	4922609	1	Lower Boom 220V Harness Assembly (See Separate Breakdown in this Section)	
17	4922610	1	Main Boom 220V Harness Assembly (See Separate Breakdown in this Section)	

SECTION 7 - ELECTRICAL

FIGURE 7-46. PLUG AND RECEPTACLE 220VINSTALLATION - IEC 60309 - BLUE (CE & UK CA SPEC)



ART_1001166260

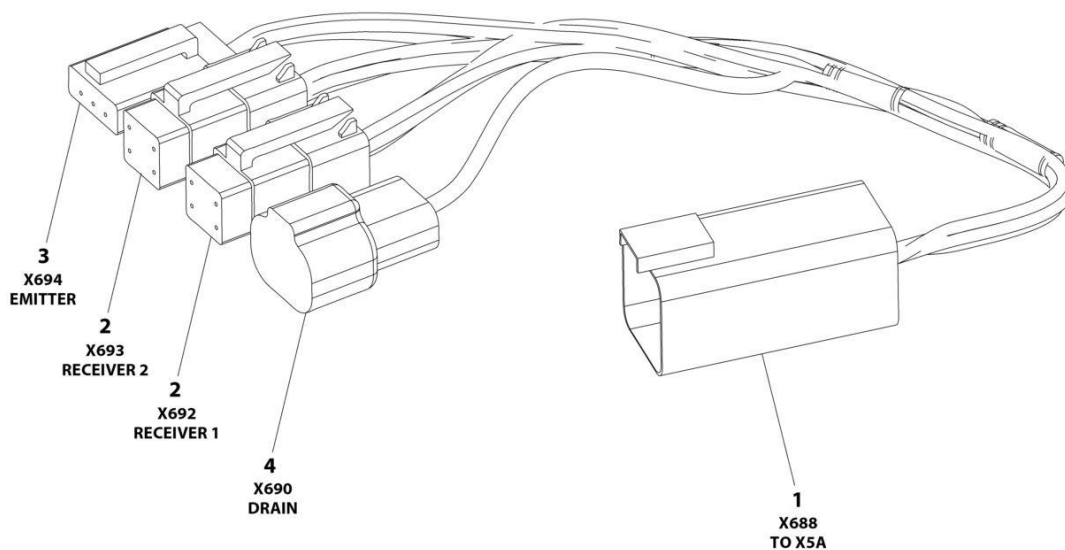
SECTION 7 - ELECTRICAL

FIGURE 7-46. PLUG AND RECEPTACLE 220V INSTALLATION - IEC 60309 - BLUE (CE & UK CA SPEC)

ITEM	PART NUMBER	QTY	DESCRIPTION	REV
	1001166260	Ref	PLUG AND RECEPTACLE 220V INSTALLATION - IEC 60309 - BLUE	C
1	0275217	1	AC Plugs and Sockets Installation (See Separate Breakdown in this Section)	
2	0641407	2	Bolt 1/4 x 7/8	
3	0641408	2	Bolt 1/4 x 1	
4	0641416	2	Bolt 1/4 x 2	
5	0700408	2	Bolt M4 x 16	
6	1001193018	1	Bracket	
7	1001178491	1	Bracket	
8	2902549	1	Breaker Box Kit with One Breakers (See Separate Breakdown in this Section)	
9	3252507	2	Decal - 220V - 50/60 Hz	
10	3290405	2	Nut M4	
11	3311405	4	Nut M4	
12	4460968	1	Connector, Strain Relief	
13	4711400	8	Washer 1/4	
14	4751400	2	Washer 1/4	
15	4811400	4	Washer M4	
16	4922609	1	Lower Boom 220V Harness Assembly (See Separate Breakdown in this Section)	
17	4922610	1	Main Boom 220V Harness Assembly (See Separate Breakdown in this Section)	

SECTION 7 - ELECTRICAL

FIGURE 7-47. SKYEYE INTERMEDIATE HARNESS



ART_1001237865

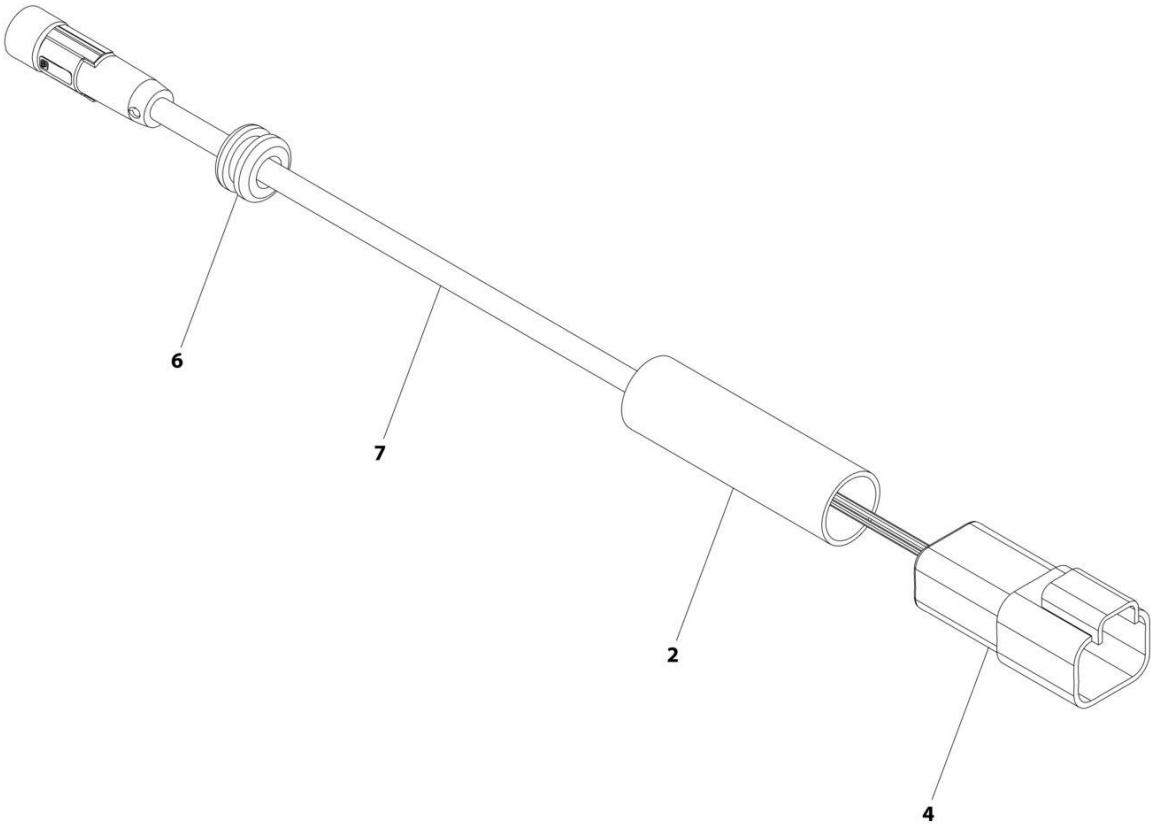
SECTION 7 - ELECTRICAL

FIGURE 7-47. SKYEYE INTERMEDIATE HARNESS

ITEM	PART NUMBER	QTY	DESCRIPTION	REV
	1001237865	Ref	SKYEYE INTERMEDIATE HARNESS	A
1	4460899	1	Connector - 6 Position	
1	4460943	4	Pin, Male	
1	4460466	2	Plug, Terminal	
2	4461077	2	Connector - 4 Position	
2	1001119619	8	Socket, Female	
3	4460911	1	Connector - 3 Position	
3	1001119619	3	Socket, Female	
4	1001187681	1	Connector - 2 Position	
4	4460941	1	Pin, Male	
4	4460466	1	Plug, Terminal	

SECTION 7 - ELECTRICAL

FIGURE 7-48. SKYEYE RECEIVER HARNESS



ART_1001237863

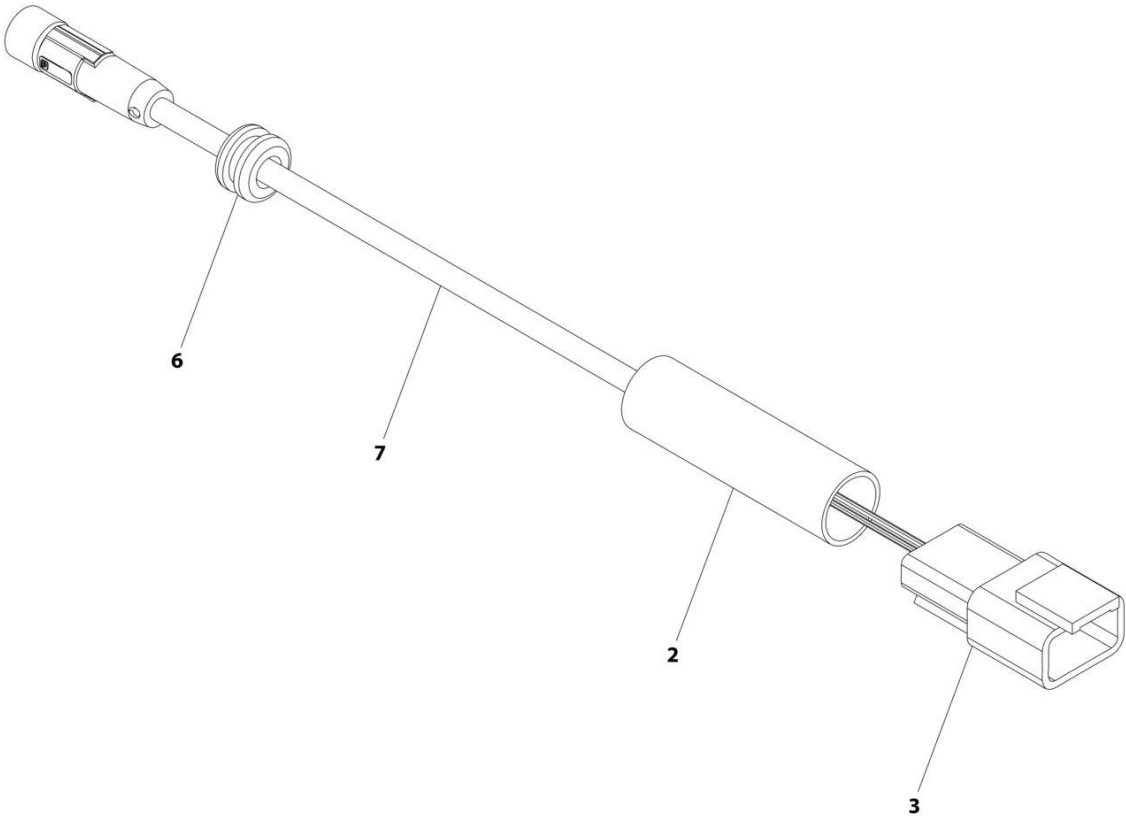
SECTION 7 - ELECTRICAL

FIGURE 7-48. SKYEYE RECEIVER HARNESS

ITEM	PART NUMBER	QTY	DESCRIPTION	REV
	1001237863	Ref	SKYEYE RECEIVER HARNESS	A
2	2820247	AR	Tubing, Heat Shrink	
4	1001097051	1	Connector - 4 Position	
4	1001119620	4	Pin, Male	
6	1001227996	1	Grommet	
7	1001237862	1	Cable, M8 Female Cordset	

SECTION 7 - ELECTRICAL

FIGURE 7-49. SKYEYE EMITTER HARNESS



ART_1001237864

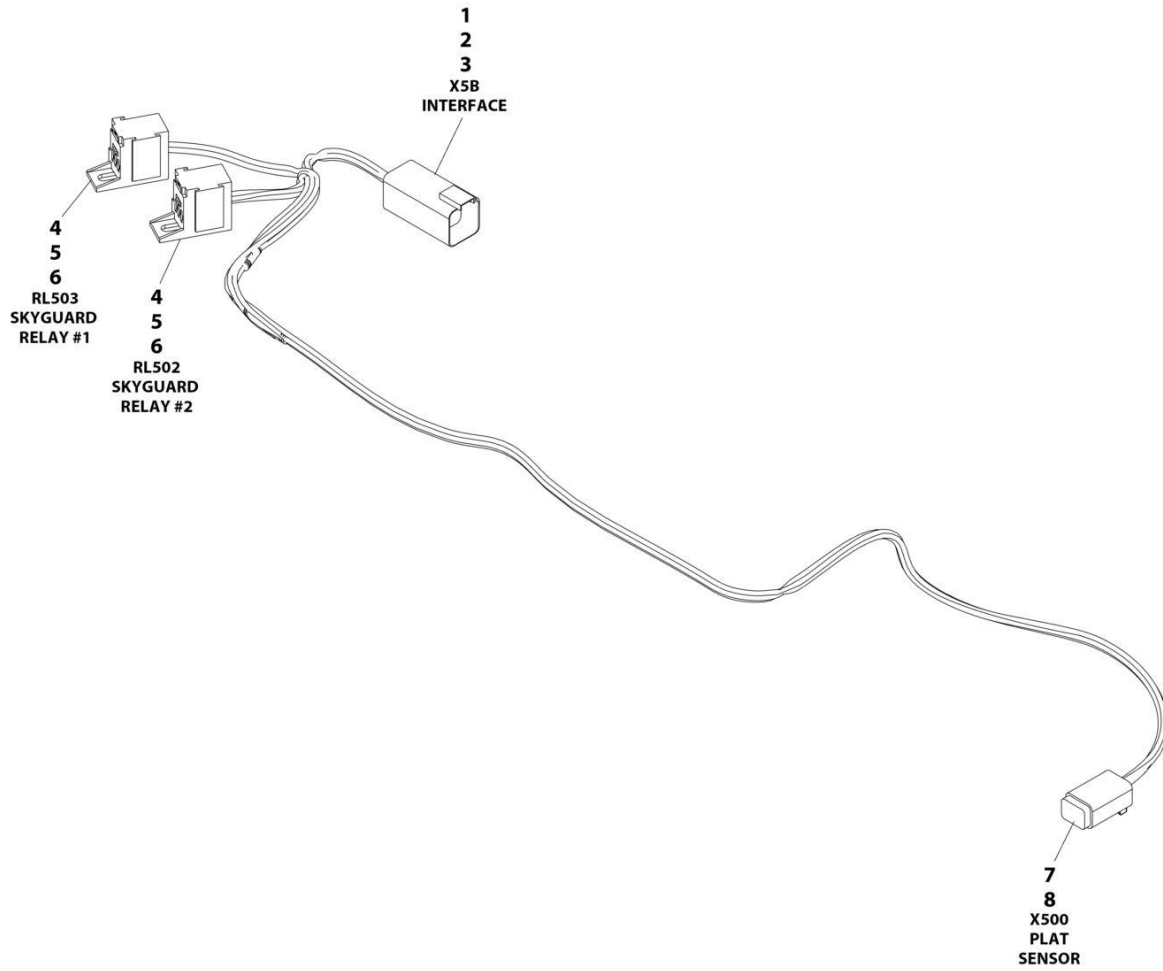
SECTION 7 - ELECTRICAL

FIGURE 7-49. SKYEYE EMITTER HARNESS

ITEM	PART NUMBER	QTY	DESCRIPTION	REV
	1001237864	Ref	SKYEYE EMITTER HARNESS	A
2	2820247	AR	Tubing, Heat Shrink	
3	4460910	1	Connector - 3 Position	
3	1001119620	3	Pin, Male	
6	1001227996	1	Grommet	
7	1001237862	1	Cable, M8 Female Cordset	

SECTION 7 - ELECTRICAL

FIGURE 7-50. SKYGUARD HARNESS - WITH 1 CELL LSS



ART_1001225580

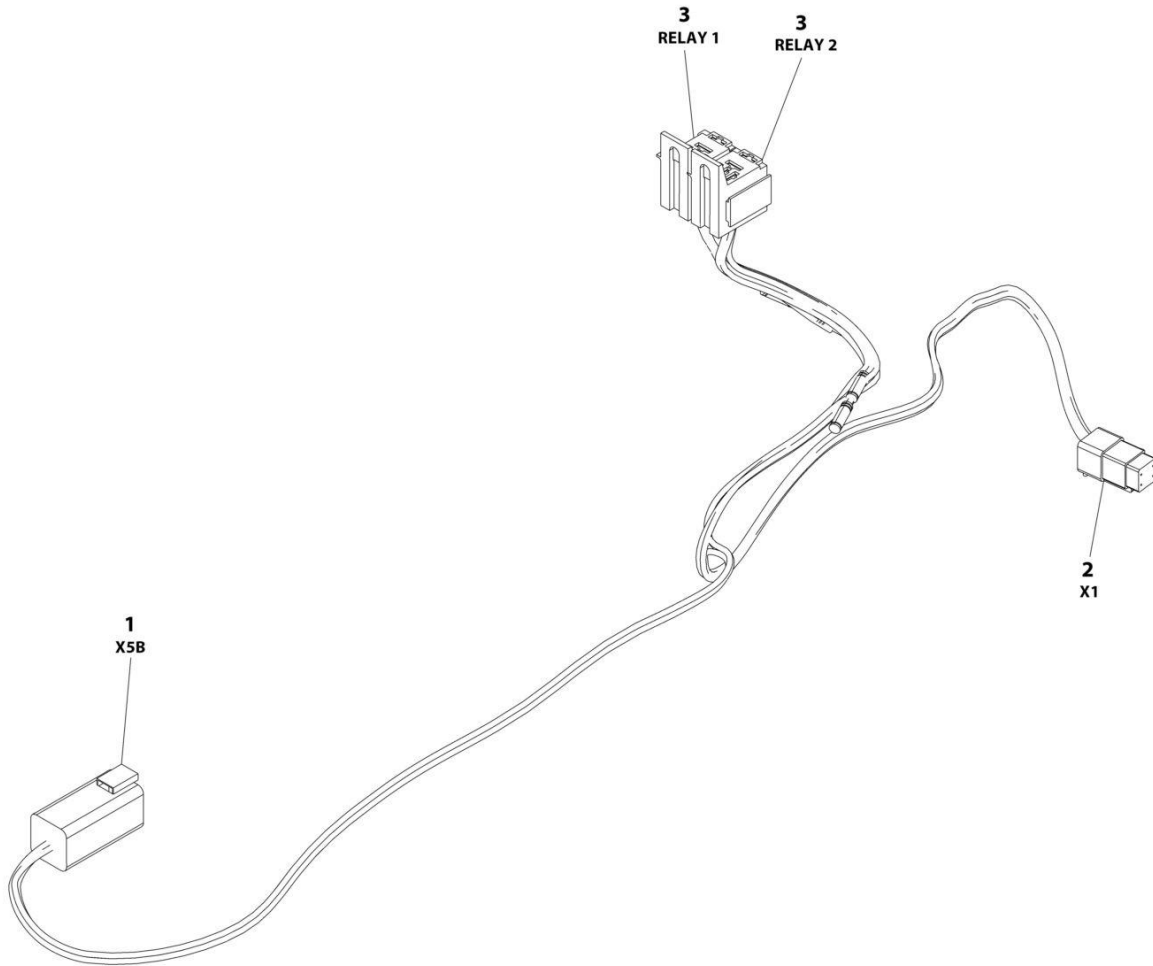
SECTION 7 - ELECTRICAL

FIGURE 7-50. SKYGUARD HARNESS - WITH 1 CELL LSS

ITEM	PART NUMBER	QTY	DESCRIPTION	REV
	1001225580	Ref	INTERFACE HARNESS - WITH 1 CELL LSS	D
1	4460899	1	Connector	
2	4460464	4	Terminal	
3	4460466	2	Plug	
4	1001186432	2	Connector	
5	1001116720	4	Terminal	
6	1001118388	4	Terminal	
7	4460884	1	Connector	
8	4460465	4	Terminal	

SECTION 7 - ELECTRICAL

FIGURE 7-51. SKYLINE HARNESS



ART_1001238418

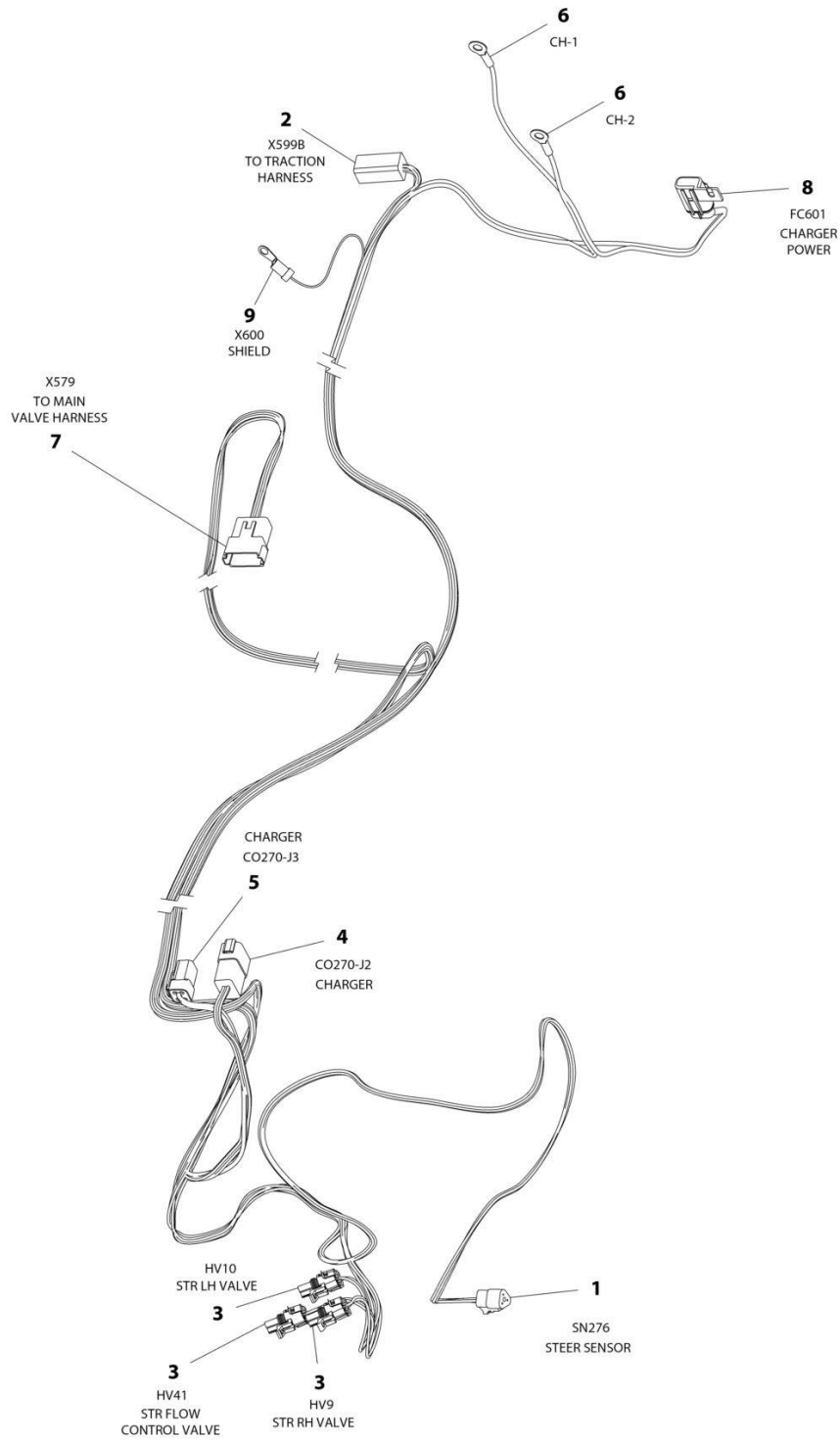
SECTION 7 - ELECTRICAL

FIGURE 7-51. SKYLINE HARNESS

ITEM	PART NUMBER	QTY	DESCRIPTION	REV
	1001238418	Ref	SKYLINE HARNESS	B
1	4460899	1	Connector - 6 Position	
1	4460464	4	Pin, Male	
1	4460466	2	Plug, Terminal	
2	4461077	1	Connector - 4 Position	
2	1001126009	4	Socket, Female	
3	1001186432	2	Plug, Relay	
3	1001118388	5	Terminal	
3	1001118384	3	Terminal	
3	3740086	2	Relay	

SECTION 7 - ELECTRICAL

FIGURE 7-52. STEER/BRAKE HARNESS



ART_1001188528

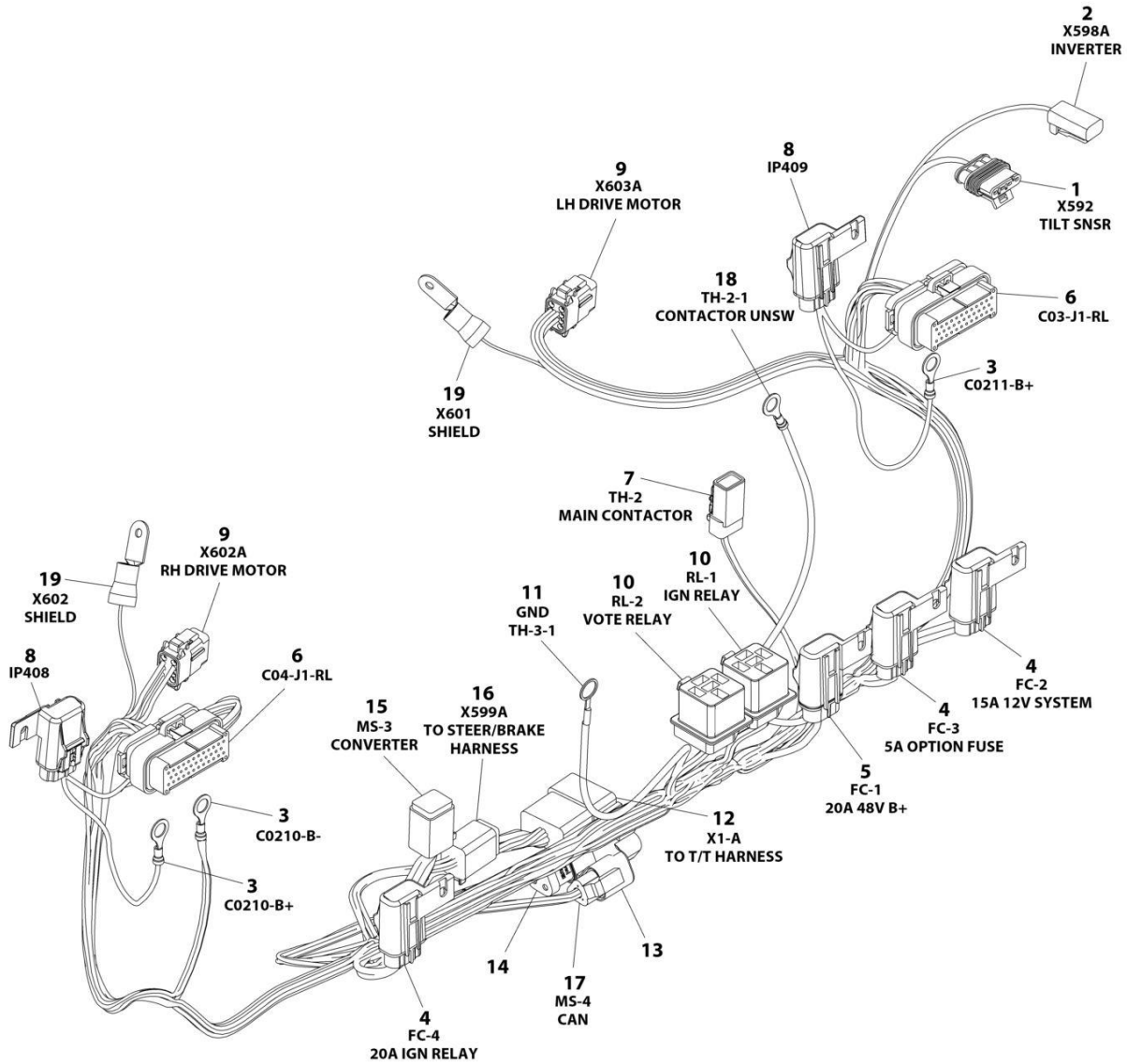
SECTION 7 - ELECTRICAL

FIGURE 7-52. STEER/BRAKE HARNESS

ITEM	PART NUMBER	QTY	DESCRIPTION	REV
	1001188528	Ref	STEER/BRAKE HARNESS	1
1	4460539	1	Plug, Male - 4 Position	
1	4460465	3	Socket, Female	
2	4460899	1	Receptacle, Female - 6 Position	
2	4460464	5	Pin, Male	
2	4460466	1	Plug, Terminal	
3	4460742	3	Plug, Male - 2 Position	
3	4460743	6	Socket, Female	
4	4460931	1	Receptacle, Female - 8 Position	
4	4460464	6	Pin, Male	
4	4460466	2	Plug, Terminal	
5	1001116810	1	Plug, Male - 4 Position	
5	4460509	2	Terminal	
5	4460466	2	Plug, Terminal	
6	8220045	2	Ring, Terminal	
7	4460970	1	Receptacle, Female - 12 Position	
7	4460464	9	Pin, Male	
7	4460466	3	Plug, Terminal	
8	1001217844	1	Fuseholder	
8	1001217842	1	Cover	
8	8229236	1	Fuse - 30Amp	
8	1001170762	1	Fuse - 30Amp	
8	1001116734	2	Terminal, Female	
9	4460142	1	Terminal, Ring	

SECTION 7 - ELECTRICAL

FIGURE 7-53. TRACTION HARNESS



ART_1001178629

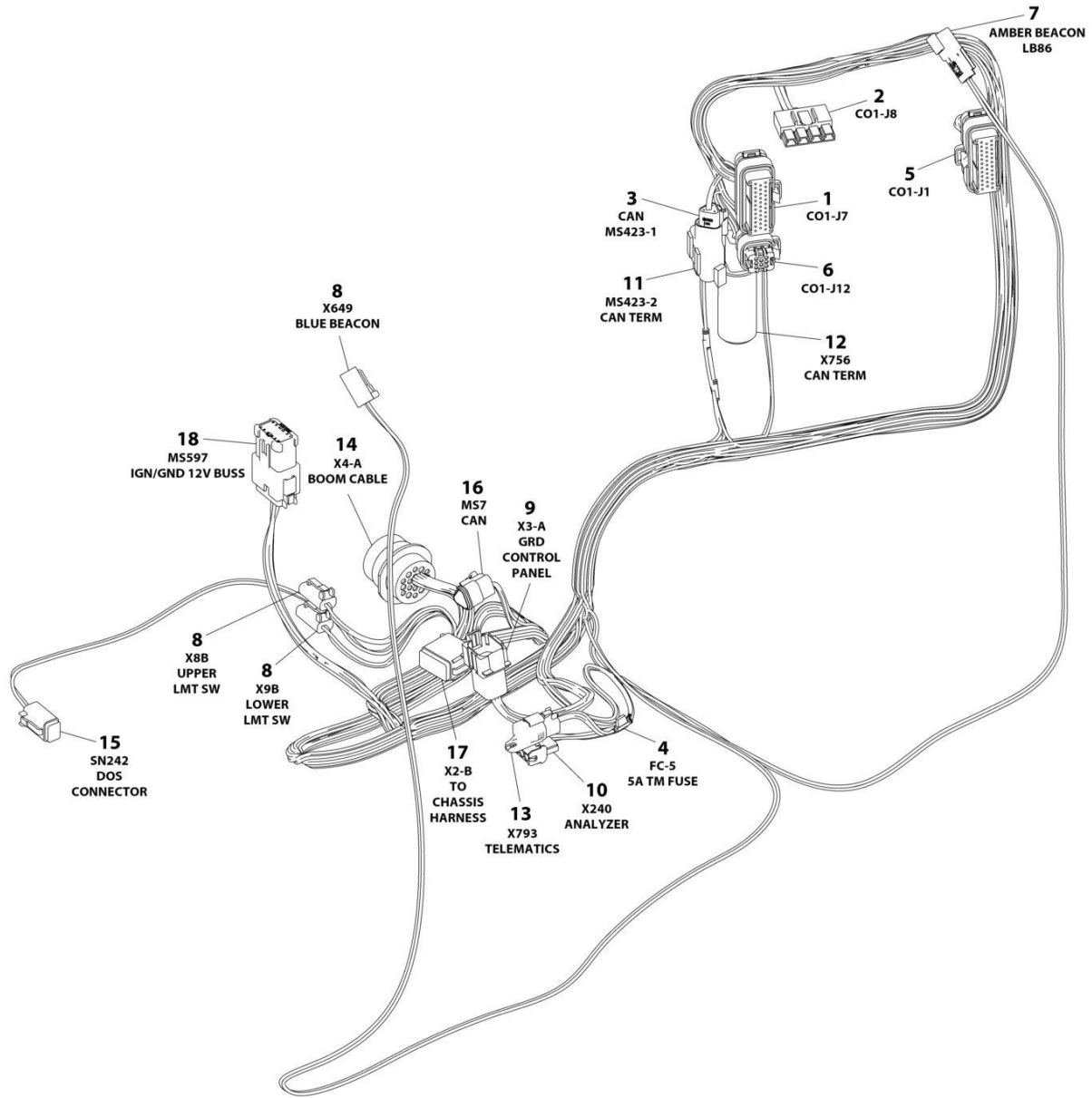
SECTION 7 - ELECTRICAL

FIGURE 7-53. TRACTION HARNESS

ITEM	PART NUMBER	QTY	DESCRIPTION	REV
	1001178629	Ref	TRACTION HARNESS	N
1	1001103012	1	Connector - 4 Position	
1	1001107854	4	Socket, Female	
2	4460891	1	Plug, Male - 2 Position	
2	4460465	1	Socket, Female	
2	4460466	1	Plug, Terminal	
3	4460670	3	Terminal, Ring	
4	1001217844	3	Fuseholder	
4	1001217842	3	Cover	
4	8229261	1	Fuse - 5Amp	
4	8229237	1	Fuse - 15Amp	
4	8229235	1	Fuse - 20Amp	
4	1001170761	1	Fuse - 20Amp	
4	1001116734	6	Terminal, Female	
5	1001217844	1	Fuseholder	
5	1001217842	1	Cover	
5	8229235	1	Fuse - 20Amp	
5	1001116734	2	Terminal, Female	
6	4460873	1	Connector - 35 Position	
6	4460871	11	Terminal, Female	
6	4460905	24	Seal, Terminal	
7	1001126245	1	Connector - 2 Position	
7	1001126008	2	Terminal	
8	1001217843	2	Fuseholder	
8	1001217842	2	Cover	
8	8229234	2	Fuse - 10Amp	
8	1001116733	4	Terminal	
9	1001190577	2	Plug, Male - 8 Position	
9	1001126008	16	Terminal	
10	1001203734	2	Plug, Relay	
10	1001116732	8	Terminal	
11	4460019	1	Terminal, Ring	
12	4460950	1	Connector - 12 Position	
12	1001157891	4	Terminal	
12	1001116693	4	Pin, Male	
12	4460464	2	Pin, Male	
12	4460943	2	Pin, Male	
13	4460945	1	Receptacle, 3 Way	
14	1001116815	1	Resistor, 3 Position	
15	4460894	1	Plug, Male - 6 Position	
15	1001157890	5	Terminal	
15	1001116692	1	Socket, Female	
16	4460894	1	Plug, Male - 6 Position	
16	4460465	4	Socket, Female	
16	4460466	2	Plug, Terminal	
17	1001116812	1	Plug, Male - 3 Position	
17	4460944	3	Socket, Female	
18	4460738	1	Terminal, Ring	
19	1001260275	2	Terminal, Ring	

SECTION 7 - ELECTRICAL

FIGURE 7-54. TURNTABLE HARNESS



ART_1001245677

SECTION 7 - ELECTRICAL

FIGURE 7-54. TURNTABLE HARNESS

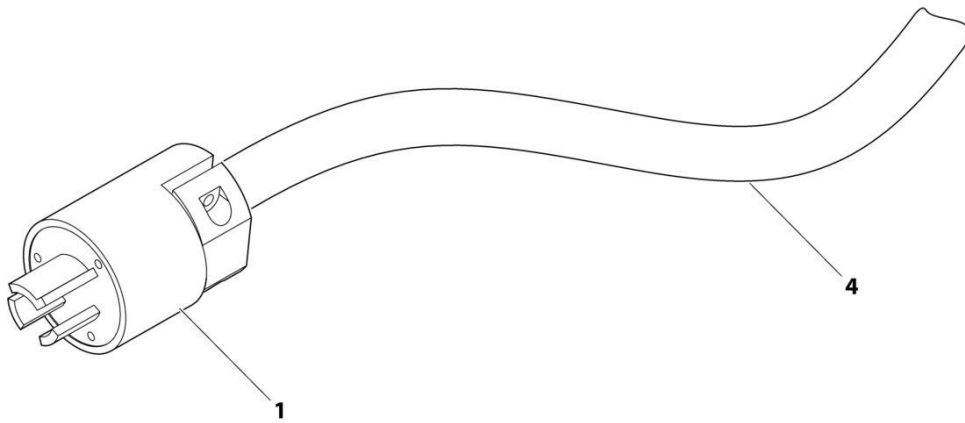
ITEM	PART NUMBER	QTY	DESCRIPTION	REV
	1001245677	Ref	TURNTABLE HARNESS	A
1	4460873	1	Connector - 35 Position	
1	4460871	16	Socket, Female	
1	4460905	19	Plug, Terminal	
2	4460878	1	Connector - 4 Position	
2	4460887	4	Terminal	
3	1001116812	1	Plug, Male -3 Position	
3	4460944	2	Socket, Female	
3	4460466	1	Plug, Terminal	
3	4460945	1	Receptacle, 3 Way	
4	2400060	1	Fuseholder with Cover	
4	8229242	1	Fuse - 5Amp	
5	4460874	1	Connector - 35 Position	
5	4460871	9	Socket, Female	
5	4460905	26	Plug, Terminal	
6	1001113961	1	Plug, Male - 8 Position	
6	4460871	3	Socket, Female	
6	4460905	5	Plug, Terminal	
7	4460897	1	Receptacle, Female - 2 Position	
7	4460464	2	Pin, Male	
8	4460891	3	Plug, Male - 2 Position	
8	4460465	6	Socket, Female	
9	1001116813	1	Receptacle, Female - 8 Position	
9	1001116693	5	Pin, Male	
9	1001157891	2	Terminal	
9	4460466	1	Plug, Terminal	
10	4460761	1	Connector - 4 Position	
10	4460227	4	Pin, Male	
11	4460539	1	Plug, Male - 3 Position	
11	4460944	2	Socket, Female	
11	4460466	1	Plug, Terminal	
12	4460884	1	Plug, Male - 4 Position	
12	4460465	4	Socket, Female	
12	1001186231	1	Connector, Fuse/Diode Can	
13	4460884	1	Plug, Male - 4 Position	
13	4460465	3	Socket, Female	
13	4460942	1	Socket, Female	
13	1001192401	1	Connector, Dust Cap	
14	4460866	1	Connector - 19 Position	
14	4460943	2	Pin, Male	
14	4460508	4	Pin, Male	
14	4460464	7	Pin, Male	
14	4460466	6	Plug, Terminal	
15	4460884	1	Connector - 4 Position	
15	4460465	2	Socket, Female	
15	4460466	2	Plug, Terminal	
16	1001116812	1	Plug, Male -3 Position	
16	4460944	3	Socket, Female	
17	4460836	1	Plug, Male - 12 Position	
17	1001157890	5	Socket, Female	

SECTION 7 - ELECTRICAL

ITEM	PART NUMBER	QTY	DESCRIPTION	REV
17	4460944	2	Socket, Female	
17	1001116692	5	Socket, Female	
18	4460933	1	Plug, Male - 12 Position	
18	4460942	4	Socket, Female	
18	4460465	2	Socket, Female	
18	4460466	6	Plug, Terminal	
18	1001125677	1	Buss Bar	

SECTION 7 - ELECTRICAL

FIGURE 7-55. UPPER BOOM 110V HARNESS ASSEMBLY



ART_4922608

SECTION 7 - ELECTRICAL

FIGURE 7-55. UPPER BOOM 110V HARNESS ASSEMBLY

ITEM	PART NUMBER	QTY	DESCRIPTION	REV
	4922608	Ref	UPPER BOOM 110V HARNESS ASSEMBLY	2
1	4460205	1	Plug, Male	
4	1060494	27.2 ft /8.3m	Electrical Cable, 12/3	

SECTION 7 - ELECTRICAL

FIGURE 7-56. UPPER BOOM 220V HARNESS ASSEMBLY - CE & UK CA SPEC



ART_4922610

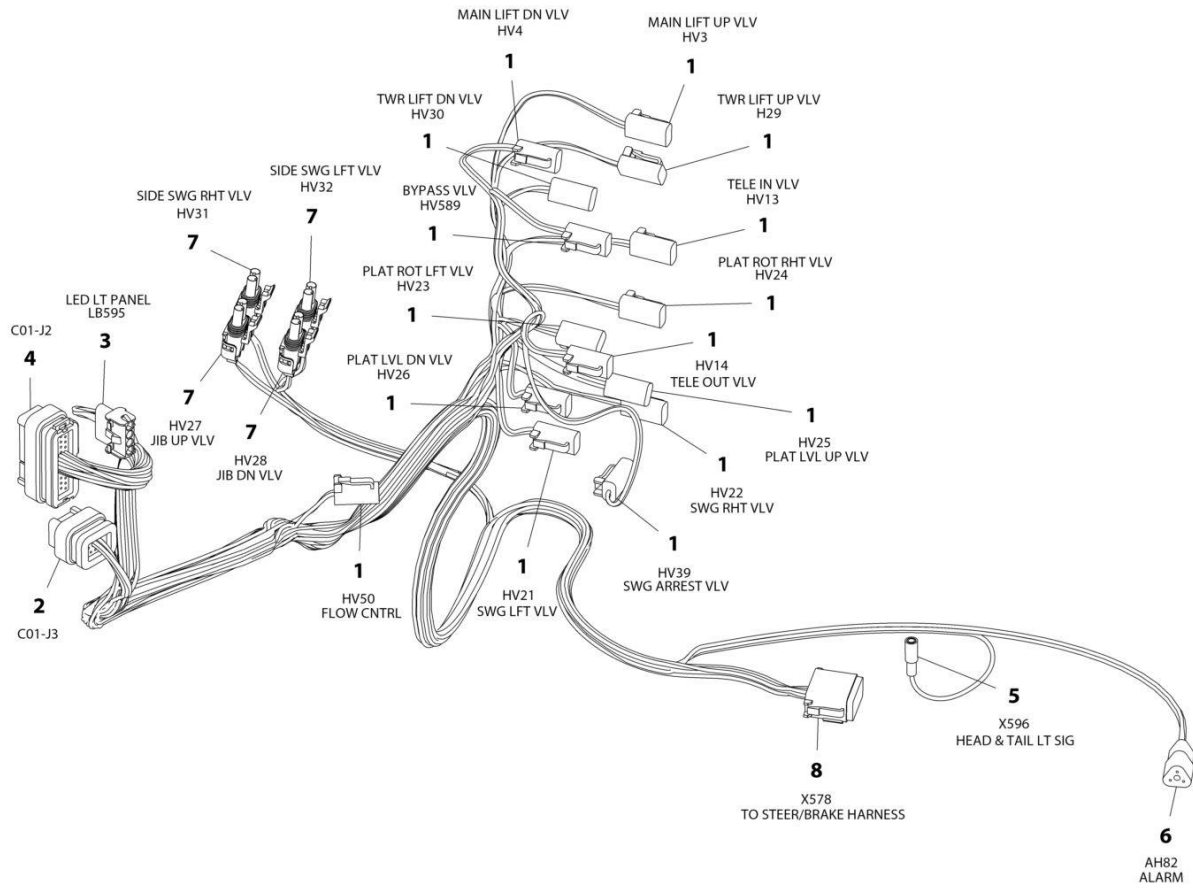
SECTION 7 - ELECTRICAL

FIGURE 7-56. UPPER BOOM 220V HARNESS ASSEMBLY - CE & UK CA SPEC

ITEM	PART NUMBER	QTY	DESCRIPTION	REV
	4922610	Ref	BOOM 220V HARNESS ASSEMBLY - CE SPEC	1
1	4460709	1	Plug, Male	
4	1060461	28 ft/8.5m	Electrical Cable, 12/3	

SECTION 7 - ELECTRICAL

FIGURE 7-57. VALVE HARNESS



ART_1001178794

SECTION 7 - ELECTRICAL

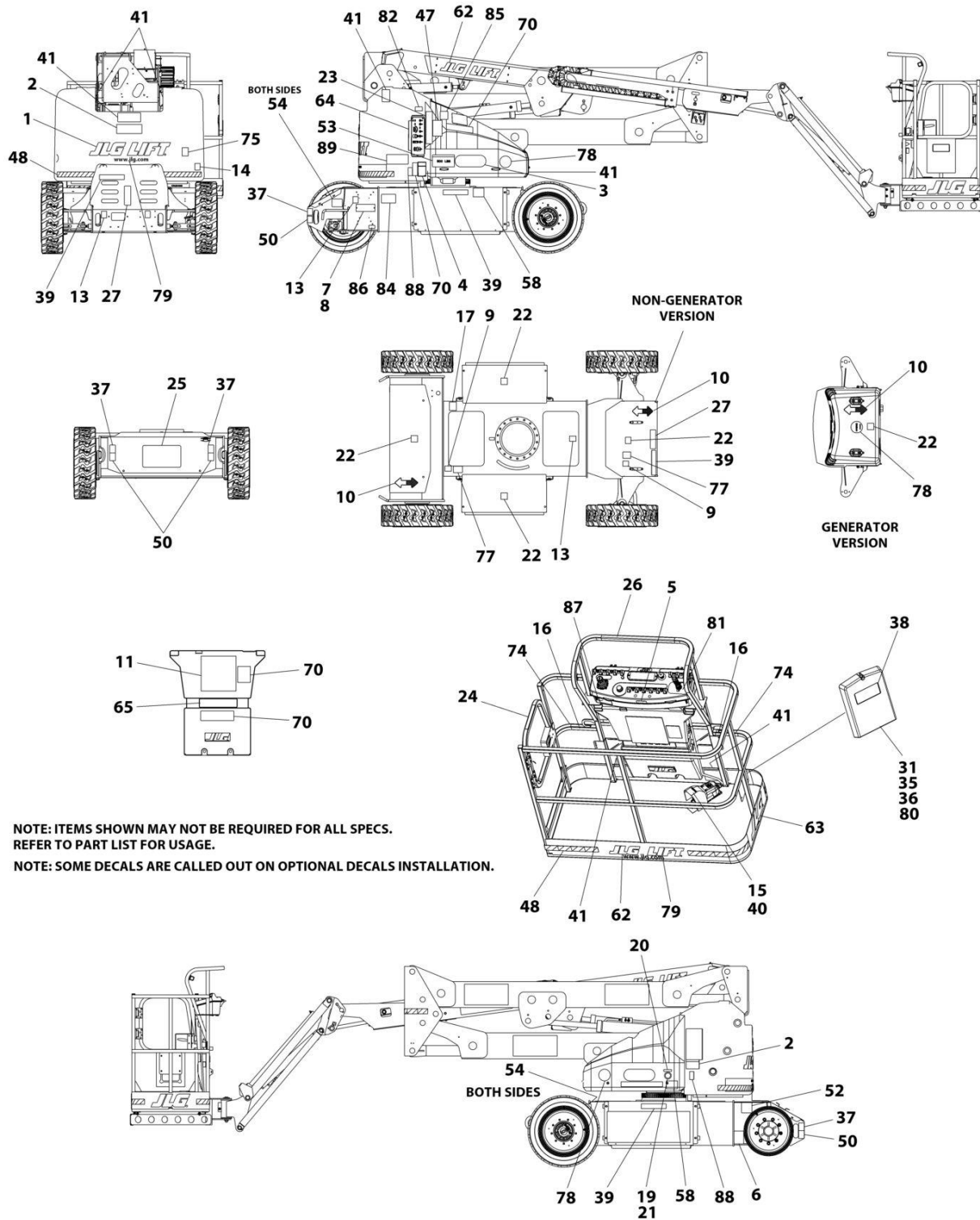
FIGURE 7-57. VALVE HARNESS

ITEM	PART NUMBER	QTY	DESCRIPTION	REV
	1001178794	Ref	VALVE HARNESS	1
1	4460891	15	Plug, Male - 2 Position	
1	4460465	30	Socket, Female	
2	4460872	1	Connector - 14 Position	
2	4460871	6	Socket, Female	
2	4460905	8	Plug, Terminal	
3	4460761	1	Connector - 4 Position	
3	4460226	4	Socket, Female	
4	4460875	1	Connector - 35 Position	
4	4460871	30	Socket, Female	
4	4460905	5	Plug, Terminal	
5	8220068	1	Connector - 1 Position	
6	4460539	1	Plug, Male - 3 Position	
6	4460465	3	Socket, Female	
7	4460742	4	Plug, Male - 2 Position	
7	4460743	8	Socket, Female	
7	4460458	8	Seal, Terminal	
8	4460933	1	Plug, Male - 12 Position	
8	1001116692	9	Socket, Female	
8	4460466	3	Plug, Terminal	

SECTION 8 - DECALS

SECTION 8 - DECALS

FIGURE 8-1. DECAL INSTALLATION - ANSI SPEC



NOTE: ITEMS SHOWN MAY NOT BE REQUIRED FOR ALL SPECS.
REFER TO PART LIST FOR USAGE.
NOTE: SOME DECALS ARE CALLED OUT ON OPTIONAL DECALS INSTALLATION.

ART_1001249184

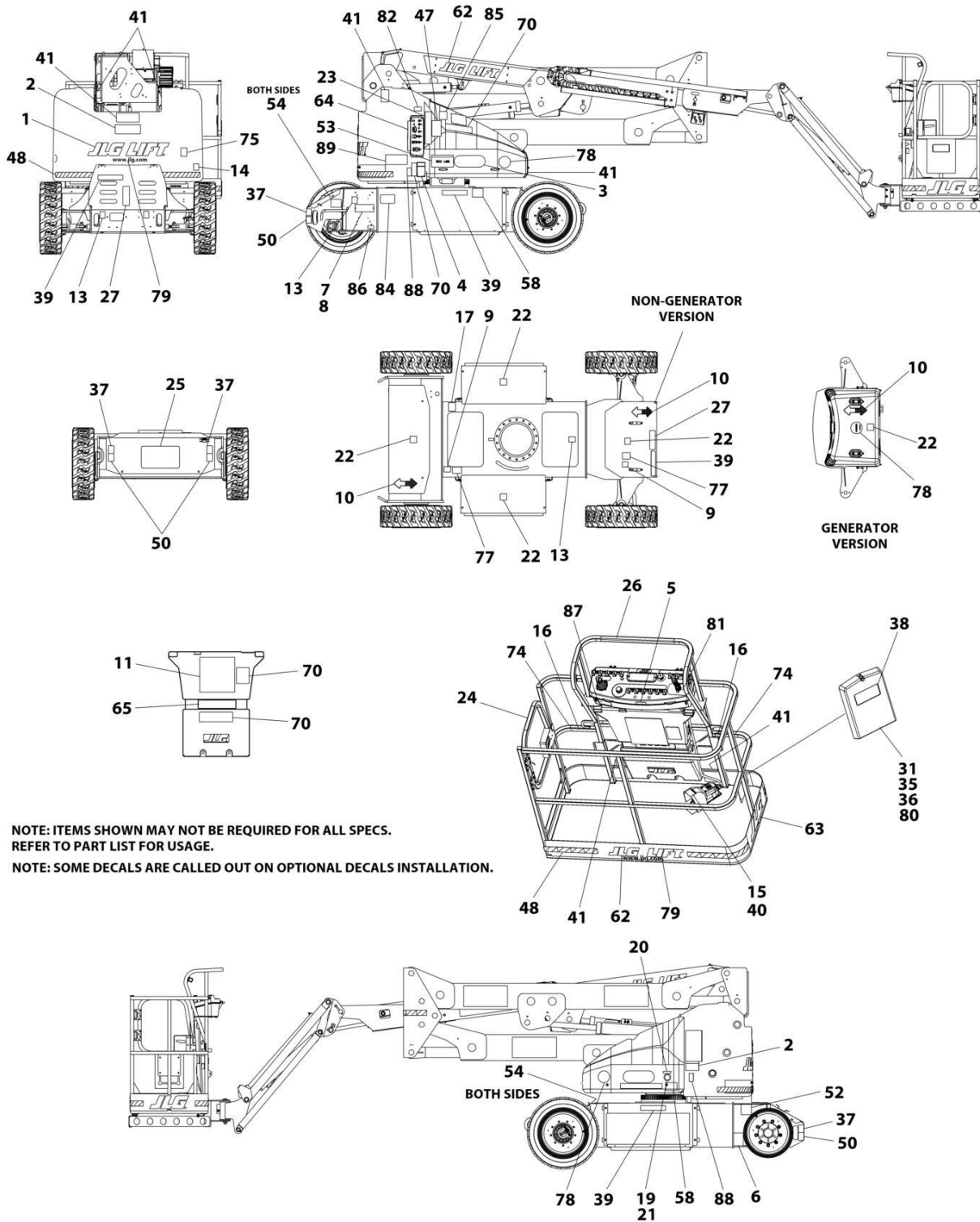
SECTION 8 - DECALS

FIGURE 8-1. DECAL INSTALLATION - ANSI SPEC

ITEM	PART NUMBER	QTY	DESCRIPTION	REV
	1001248659	Ref	DECAL INSTALLATION - REFERENCE CHART	E
	1001249184	Ref	DECAL INSTALLATION	C
2	1703805	2	Decal - Electrocution	
4	1703798	1	Decal - Crushing	
6	1001131269	1	Decal - Patent	
8	3820001	2	Rivet	
9	1701504	1	Decal - Hydraulic Oil	
10	1701642	2	Decal - Arrow	
11	1703797	1	Decal - Caution/Danger	
13	1701644	2	Decal - Charger	
16	1704277	2	Decal - Attach Lanyard	
19	0961127	1	Bushing, Snap	
20	3251243	1	Nameplate 120V-60Hz	
21	0100010	AR	Adhesive	
22	1701691	4	Decal - No Step	
23	1001104864	1	Decal - Manual Descent	
24	1702868	2	Decal - No Hands	
25	1001193949	1	Decal - Cable Routing	
27	1704446	1	Decal - Charger	
31	0860520	1	Box, Manual Storage	
35	4751400	4	Washer 1/4	
36	3311405	4	Nut 1/4	
37	1701500	4	Decal - Lift	
38	1701509	1	Decal - Manual	
39	1703813	3	Decal - Danger	
40	3252347	1	Nameplate - Footswitch	
41	1703804	6	Decal - Crushing Hazard	
47	1702265	1	Decal - Boom Sequence	
50	1702300	4	Decal - Tie Down	
52	See Note	1	Decal - Bar Code (Note: Not Available for Purchase)	
53	1001253921	1	Decal - 500 LBS Max Capacity	
65	1001253920	1	Decal - 500 LBS Max Capacity	
77	1704412	1	Decal - Oil Type	
79	1704885	2	Decal - Website	
80	0641406	4	Bolt 1/4 x 3/4	
81	1705351	1	Decal - Drive/Steer Instruction	
84	1001223055	1	Decal - Yearly Inspection	
85	1001222801	1	Decal - Manual Jib Pump	
86	1001228370	1	Decal - CSA ICES	
87	1001231801	1	Decal - Prop 65 Warning	

SECTION 8 - DECALS

FIGURE 8-2. DECAL INSTALLATION - AUSTRALIAN SPEC



ART_1001178378

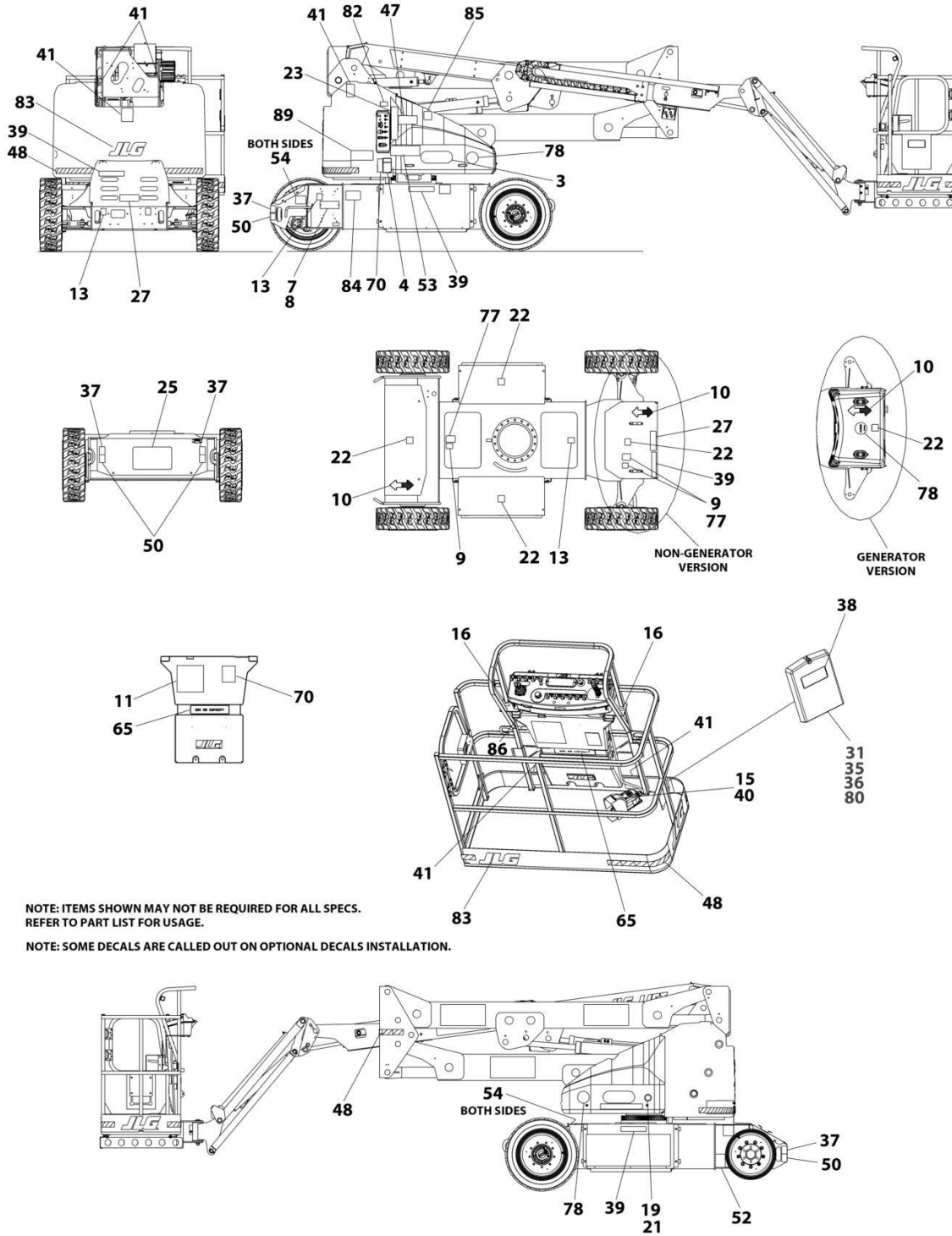
SECTION 8 - DECALS

FIGURE 8-2. DECAL INSTALLATION - AUSTRALIAN SPEC

ITEM	PART NUMBER	QTY	DESCRIPTION	REV
	1001248659	Ref	DECAL INSTALLATION - REFERENCE CHART	E
	1001178378	Ref	DECAL INSTALLATION	I
4	1705822	1	Decal - Danger/Caution	
8	3820001	2	Rivet	
9	1701504	1	Decal - Hydraulic Oil	
10	1701642	2	Decal - Arrow	
11	1705921	1	Decal - Danger/Caution	
13	1701644	2	Decal - Charger	
15	1705828	1	Decal - Footswitch	
16	1704277	2	Decal - Attach Lanyard	
19	0961127	1	Bushing, Snap	
21	0100010	AR	Adhesive	
22	1701691	4	Decal - No Step	
23	1001104864	1	Decal - Manual Descent	
25	1001193949	1	Decal - Cable Routing	
27	1706378	1	Decal - Charging Instructions	
31	0860520	1	Box, Manual Storage	
35	4751400	4	Washer 1/4	
36	3311405	4	Nut 1/4	
37	1703811	4	Decal - Lift	
38	1701509	1	Decal - Manual	
39	1705670	AR	Decal - Explosion Warning	
41	1701518	6	Decal - Crushing Hazard	
47	1705977	1	Decal - Upright Level Over-Ride	
50	1703814	4	Decal - Tie Down	
52	See Note	1	Decal - Bar Code (Note: Not Available for Purchase)	
53	1705978	1	Decal - Capacity	
65	1705978	1	Decal - Capacity	
77	1704412	1	Decal - Oil Type	
79	1704885	2	Decal - Website	
80	0641406	4	Bolt 1/4 x 3/4	
85	1001222801	1	Decal - Manual Jib Pump	

SECTION 8 - DECALS

FIGURE 8-3. DECAL INSTALLATION - CE & UK CA SPEC



ART_1001190003

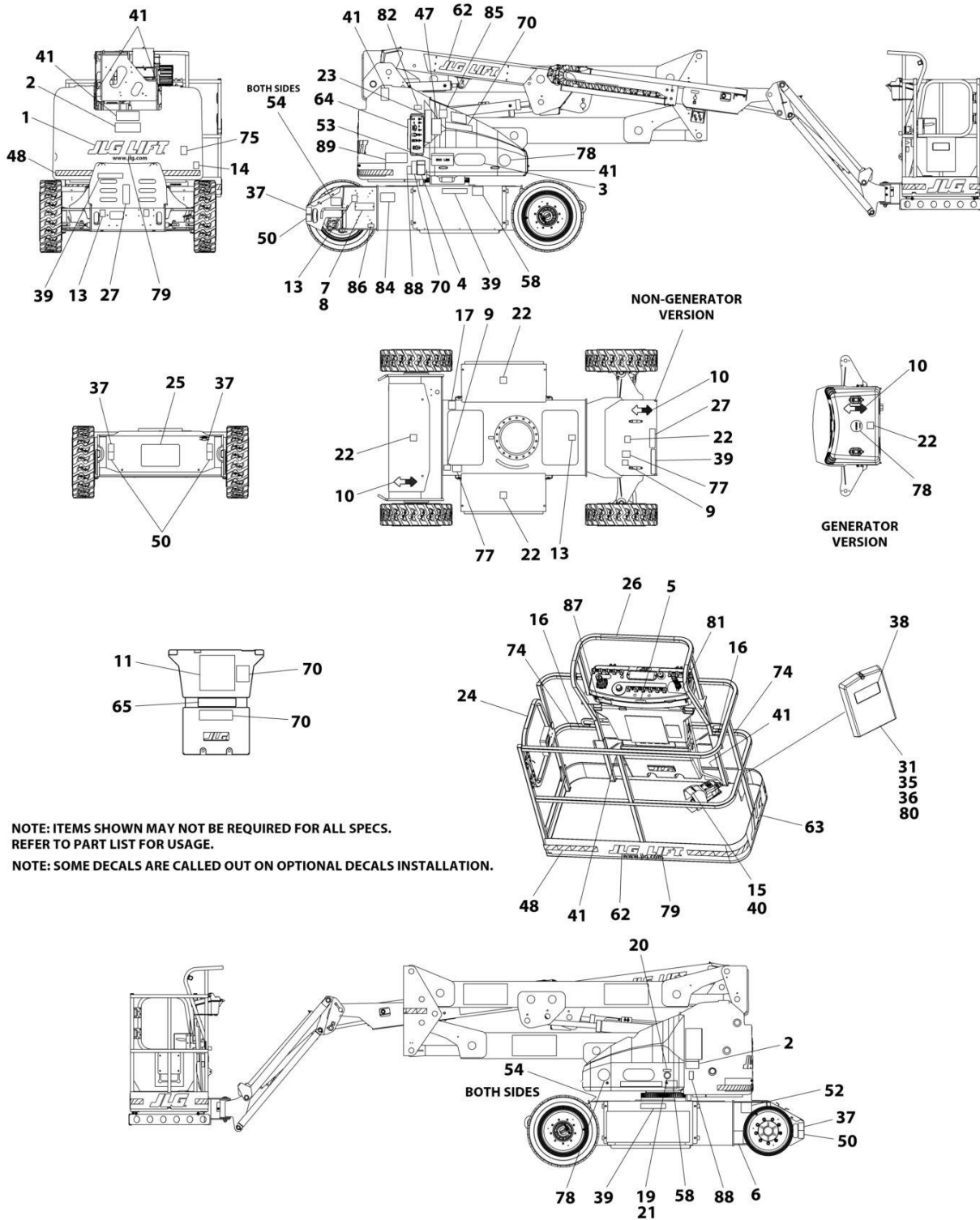
SECTION 8 - DECALS

FIGURE 8-3. DECAL INSTALLATION - CE & UK CA SPEC

ITEM	PART NUMBER	QTY	DESCRIPTION	REV
	1001217465	Ref	DECAL INSTALLATION - REFERENCE CHART	F
	1001190003	Ref	DECAL INSTALLATION	H
4	1705822	1	Decal - Danger/Caution	
8	3820001	2	Rivet	
9	1701504	1	Decal - Hydraulic Oil	
10	1701642	2	Decal - Arrow	
11	1705921	1	Decal - Danger/Caution	
13	1701644	2	Decal - Charger	
15	1705828	1	Decal - Footswitch	
16	1704277	2	Decal - Attach Lanyard	
19	0961127	1	Bushing, Snap	
21	0100010	AR	Adhesive	
22	1701691	4	Decal - No Step	
23	1001104864	1	Decal - Manual Descent	
25	1001193949	1	Decal - Cable Routing	
27	1706378	1	Decal - Charging Instructions	
31	0860520	1	Box, Manual Storage	
35	4751400	4	Washer 1/4	
36	3311405	4	Nut 1/4	
37	1703811	4	Decal - Lift	
38	1701509	1	Decal - Manual	
39	1705670	3	Decal - Explosion Warning	
41	1701518	6	Decal - Crushing Hazard	
47	1705977	1	Decal - Upright Level Over-Ride	
50	1703814	4	Decal - Tie Down	
52	See Note	1	Decal - Bar Code (Note: Not Available for Purchase)	
53	1705978	1	Decal - Capacity	
65	1705978	1	Decal - Capacity	
77	1704412	1	Decal - Oil Type	
80	0641406	4	Bolt 1/4 x 3/4	
83	1702773	1	Decal - JLG 5in	
85	1001222801	1	Decal - Manual Jib Pump	

SECTION 8 - DECALS

FIGURE 8-4. DECAL INSTALLATION - CHINESE/ENGLISH



ART_1001254179

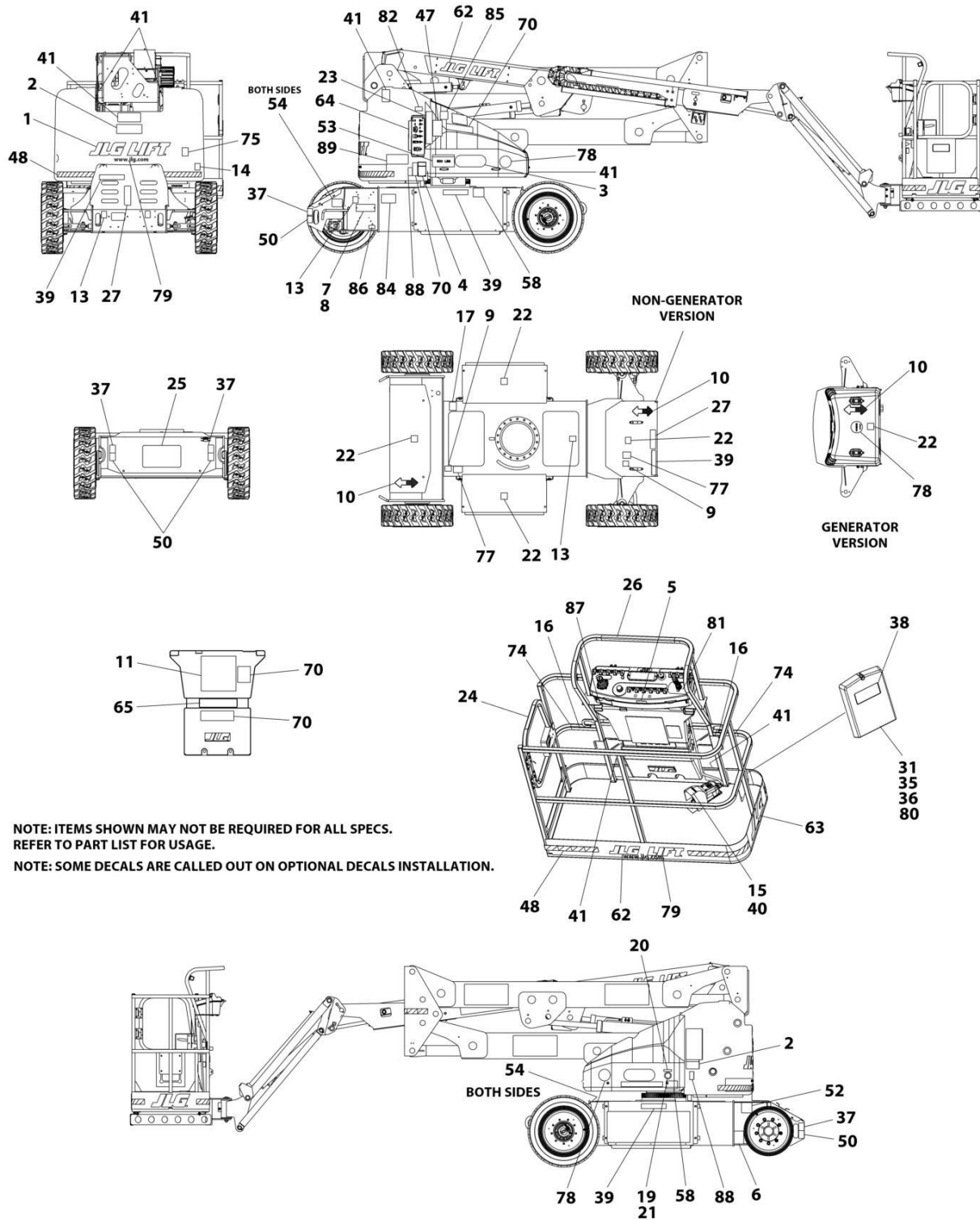
SECTION 8 - DECALS

FIGURE 8-4. DECAL INSTALLATION - CHINESE/ENGLISH

ITEM	PART NUMBER	QTY	DESCRIPTION	REV
	1001248659	Ref	DECAL INSTALLATION - REFERENCE CHART	E
	1001254179	Ref	DECAL INSTALLATION - CHINESE/ENGLISH	B
2	1703937	2	Decal - Electrocution	
4	1703931	1	Decal - Danger/Caution	
8	3820001	2	Rivet	
9	1701504	1	Decal - Hydraulic Oil	
10	1701642	2	Decal - Arrow	
11	1703925	1	Decal - Caution/Danger	
13	1701644	2	Decal - Charger	
15	1703982	1	Decal - Footswitch	
16	1704277	2	Decal - Attach Lanyard	
19	0961127	1	Bushing, Snap	
21	0100010	AR	Adhesive	
22	1701691	4	Decal - No Step	
23	1001104864	1	Decal - Manual Descent	
25	1001193949	1	Decal - Cable Routing	
27	1704419	1	Decal - Charger	
31	0860520	1	Box, Manual Storage	
35	4751400	4	Washer 1/4	
36	3311405	4	Nut 1/4	
37	1701500	4	Decal - Lift	
38	1701509	1	Decal - Manual	
39	1704344	3	Decal - Explosion Warning	
41	1703949	6	Decal - Crushing Hazard	
47	1703988	1	Decal - Upright Level Override	
50	1702300	4	Decal - Tie Down	
52	See Note	1	Decal - Bar Code (Note: Not Available for Purchase)	
53	1001253927	1	Decal - 500 LBS. Max Capacity	
65	1001253926	2	Decal - 500 LBS. Max Capacity	
77	1704412	1	Decal - Oil Type	
79	1704885	2	Decal - Website	
80	0641406	4	Bolt 1/4 x 3/4	
81	1705430	1	Decal - Drive/Steer Instruction	
84	1001224050	1	Decal - Yearly Inspection	
85	1001222801	1	Decal - Manual Jib Pump	

SECTION 8 - DECALS

FIGURE 8-5. DECAL INSTALLATION - FRENCH/ENGLISH SPECS



NOTE: ITEMS SHOWN MAY NOT BE REQUIRED FOR ALL SPECS.
REFER TO PART LIST FOR USAGE.
NOTE: SOME DECALS ARE CALLED OUT ON OPTIONAL DECALS INSTALLATION.

ART_1001249186

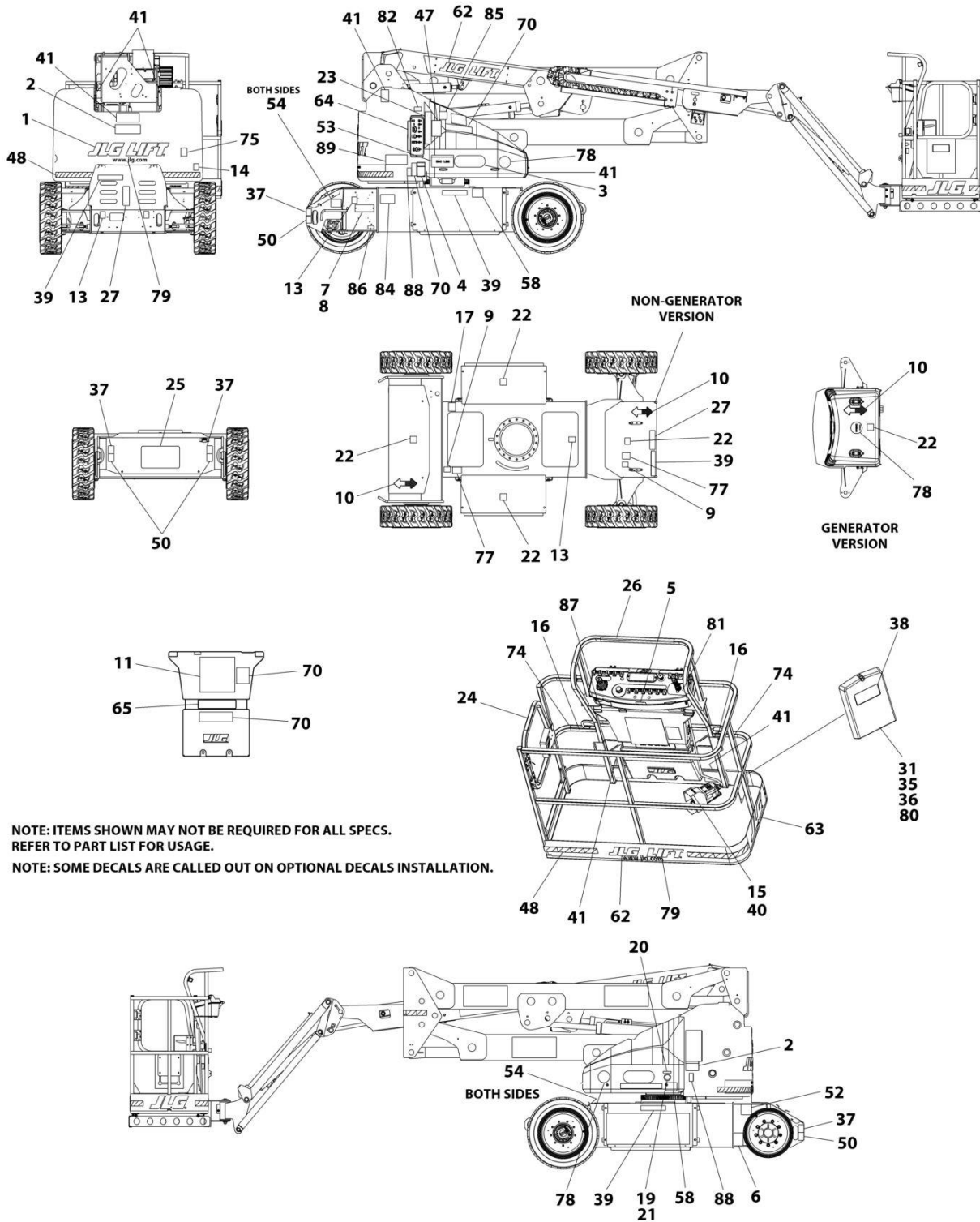
SECTION 8 - DECALS

FIGURE 8-5. DECAL INSTALLATION - FRENCH/ENGLISH SPECS

ITEM	PART NUMBER	QTY	DESCRIPTION	REV
	1001248659	Ref	DECAL INSTALLATION - REFERENCE CHART	E
	1001249186	Ref	DECAL INSTALLATION	C
2	1703936	2	Decal - Electrocutation	
4	1703930	1	Decal - Danger/Caution	
6	1700584	1	Decal - Patent	
8	3820001	2	Rivet	
9	1701504	1	Decal - Hydraulic Oil	
10	1701642	2	Decal - Arrow	
11	1703924	1	Decal - Caution/Danger	
13	1701644	2	Decal - Charger	
15	1703984	1	Decal - Footswitch	
16	1704277	2	Decal - Attach Lanyard	
19	0961127	1	Bushing, Snap	
20	3251243	1	Nameplate - 120V/60HZ	
21	0100010	AR	Adhesive	
22	1701691	4	Decal - No Step	
23	1001104864	1	Decal - Manual Descent	
24	1704000	2	Decal - No Hands	
25	1001193949	1	Decal - Cable Routing	
27	1704452	1	Decal - Charger	
31	0860520	1	Box, Manual Storage	
35	4751400	4	Washer 1/4	
36	3311405	4	Nut 1/4	
37	1701500	4	Decal - Lift	
38	1701509	1	Decal - Manual	
39	1704340	3	Decal - Explosion Warning	
41	1703948	6	Decal - Crushing Hazard	
47	1702265	1	Decal - Boom Sequence	
50	1702300	4	Decal - Tie Down	
52	See Note	1	Decal - Bar Code (Note: Not Available for Purchase)	
53	1001253923	1	Decal - 500 LBS. Max Capacity	
65	1001253922	1	Decal - 500 LBS. Max Capacity	
77	1704412	1	Decal - Oil Type	
79	1704885	2	Decal - Website	
80	0641406	4	Bolt 1/4 x 3/4	
81	1705429	1	Decal - Drive/Steer Instruction	
84	1001223971	1	Decal - Yearly Inspection	
85	1001222801	1	Decal - Manual Jib Pump	
86	1001228370	1	Decal - CSA ICES	

SECTION 8 - DECALS

FIGURE 8-6. DECAL INSTALLATION - JAPANESE SPEC



NOTE: ITEMS SHOWN MAY NOT BE REQUIRED FOR ALL SPECS.
 REFER TO PART LIST FOR USAGE.
 NOTE: SOME DECALS ARE CALLED OUT ON OPTIONAL DECALS INSTALLATION.

ART_1001249187

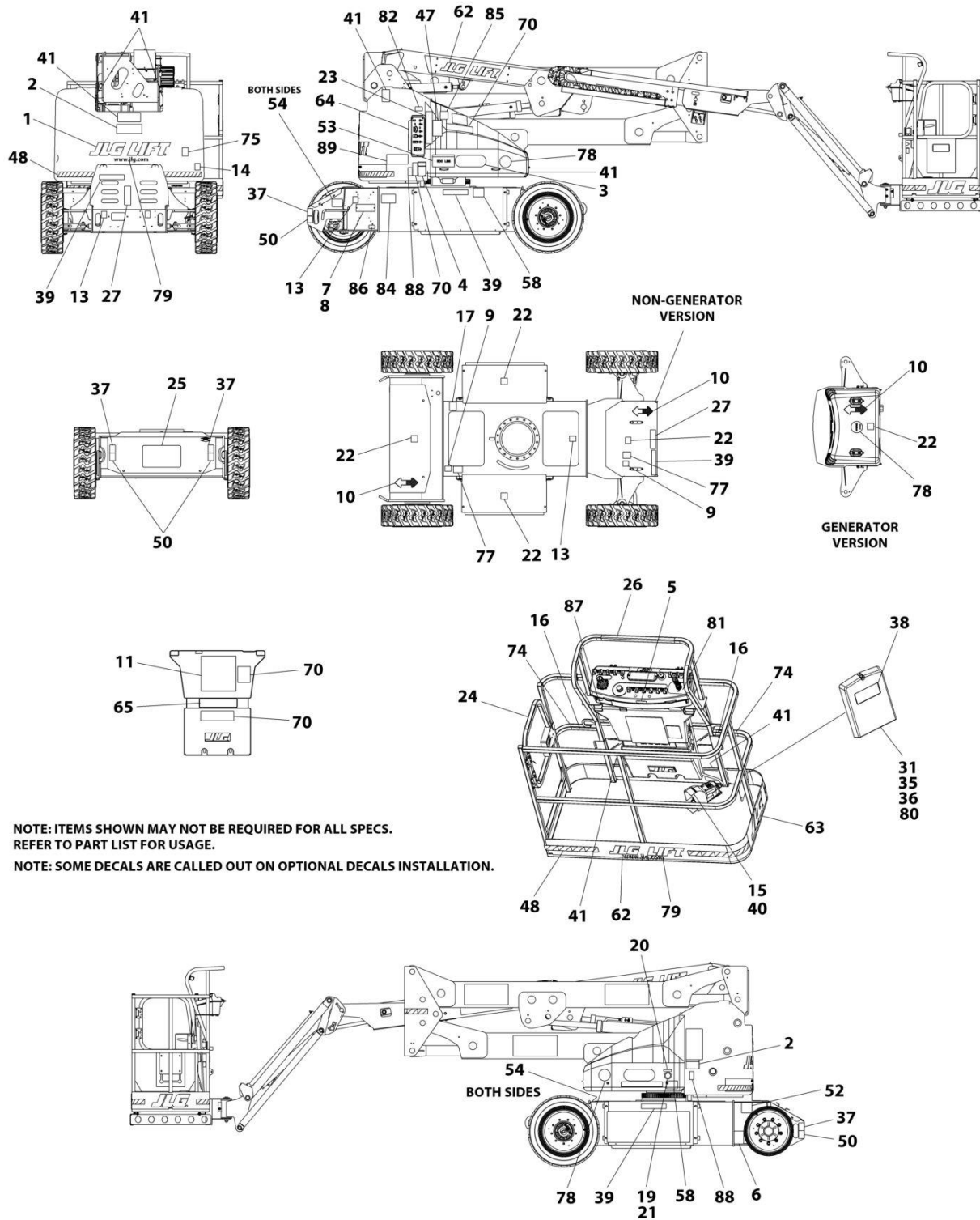
SECTION 8 - DECALS

FIGURE 8-6. DECAL INSTALLATION - JAPANESE SPEC

ITEM	PART NUMBER	QTY	DESCRIPTION	REV
	1001248659	Ref	DECAL INSTALLATION - REFERENCE CHART	E
	1001249187	Ref	DECAL INSTALLATION	D
2	1703938	2	Decal - Electrocution	
4	1703932	1	Decal - Danger/Caution	
8	3820001	2	Rivet	
9	1701504	1	Decal - Hydraulic Oil	
10	1701642	2	Decal - Arrow	
11	1703926	1	Decal - Caution/Danger	
13	1701644	2	Decal - Charger	
15	1703980	1	Decal - Footswitch	
16	1704277	2	Decal - Attach Lanyard	
19	0961127	1	Bushing, Snap	
21	0100010	AR	Adhesive	
22	1701691	4	Decal - No Step	
23	1001104864	1	Decal - Manual Descent	
25	1001193949	1	Decal - Cable Routing	
27	1704417	1	Decal - Charger	
31	0860520	1	Box, Manual Storage	
35	4751400	4	Washer 1/4	
36	3311405	4	Nut 1/4	
37	1701500	4	Decal - Lift	
38	1701509	1	Decal - Manual	
39	1704342	3	Decal - Explosion Warning	
41	1703950	6	Decal - Crushing Hazard	
47	1702271	1	Decal	
50	1702300	4	Decal - Tie Down	
52	See Note	1	Decal - Bar Code (Note: Not Available for Purchase)	
53	1001253933	1	Decal - 500 LBS. Max Capacity	
65	1001253932	2	Decal - 500 LBS. Max Capacity	
77	1704412	1	Decal - Oil Type	
79	1704885	2	Decal - Website	
80	0641406	4	Bolt 1/4 x 3/4	
81	1705426	1	Decal - Drive/Steer Instruction	
84	1001224053	1	Decal - Yearly Inspection	
85	1001222801	1	Decal - Manual Jib Pump	

SECTION 8 - DECALS

FIGURE 8-7. DECAL INSTALLATION - KOREAN SPEC



NOTE: ITEMS SHOWN MAY NOT BE REQUIRED FOR ALL SPECS.
REFER TO PART LIST FOR USAGE.
NOTE: SOME DECALS ARE CALLED OUT ON OPTIONAL DECALS INSTALLATION.

ART_1001254178

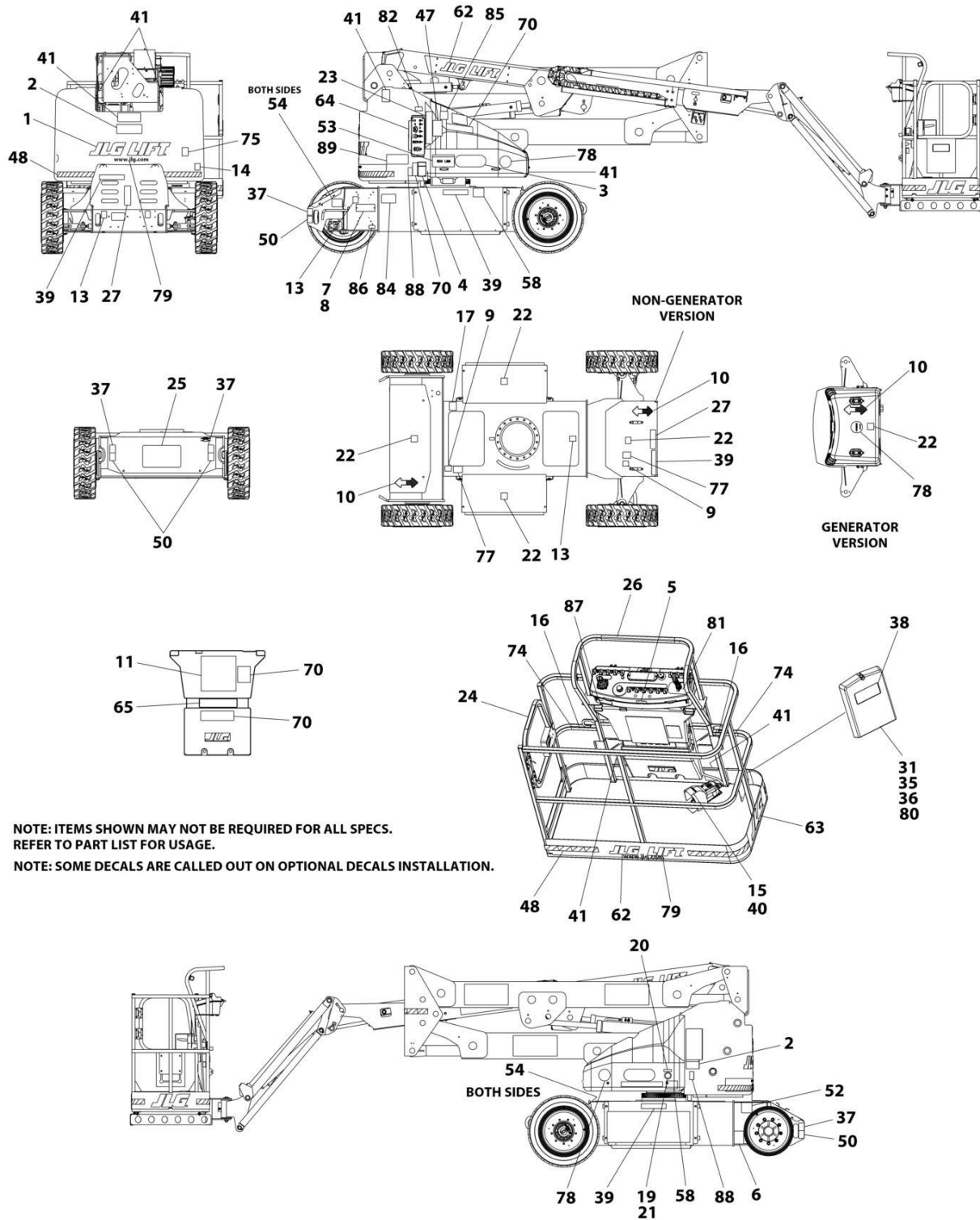
SECTION 8 - DECALS

FIGURE 8-7. DECAL INSTALLATION - KOREAN SPEC

ITEM	PART NUMBER	QTY	DESCRIPTION	REV
	1001248659	Ref	DECAL INSTALLATION - REFERENCE CHART	E
	1001254178	Ref	DECAL INSTALLATION - KOREAN SPEC	B
2	1703939	2	Decal - Electrocution	
4	1703933	1	Decal - Danger/Caution	
8	3820001	2	Rivet	
9	1701504	1	Decal - Hydraulic Oil	
10	1701642	2	Decal - Arrow	
11	1703927	1	Decal - Caution/Danger	
13	1701644	2	Decal - Charger	
15	1703981	1	Decal - Footswitch	
16	1704277	2	Decal - Attach Lanyard	
19	0961127	1	Bushing, Snap	
21	0100010	AR	Adhesive	
22	1701691	4	Decal - No Step	
23	1001104864	1	Decal - Manual Descent	
25	1001193949	1	Decal - Cable Routing	
27	1704418	1	Decal - Charger	
31	0860520	1	Box, Manual Storage	
35	4751400	4	Washer 1/4	
36	3311405	4	Nut 1/4	
37	1701500	4	Decal - Lift	
38	1701509	1	Decal - Manual	
39	1704343	3	Decal - Explosion Warning	
41	1703951	6	Decal - Crushing Hazard	
47	1703987	1	Decal - Upright Level Override	
50	1702300	4	Decal - Tie Down	
52	See Note	1	Decal - Bar Code (Note: Not Available for Purchase)	
53	1001253925	1	Decal - 500 LBS. Max Capacity	
65	1001253924	1	Decal - 500 LBS. Max Capacity	
77	1704412	1	Decal - Oil Type	
79	1704885	2	Decal - Website	
80	0641406	4	Bolt 1/4 x 3/4	
81	1705427	1	Decal - Drive/Steer Instruction	
84	1001224048	1	Decal - Yearly Inspection	
85	1001222801	1	Decal - Manual Jib Pump	

SECTION 8 - DECALS

FIGURE 8-8. DECAL INSTALLATION - SPANISH/ENGLISH SPECS



NOTE: ITEMS SHOWN MAY NOT BE REQUIRED FOR ALL SPECS.
REFER TO PART LIST FOR USAGE.
NOTE: SOME DECALS ARE CALLED OUT ON OPTIONAL DECALS INSTALLATION.

ART_1001249189

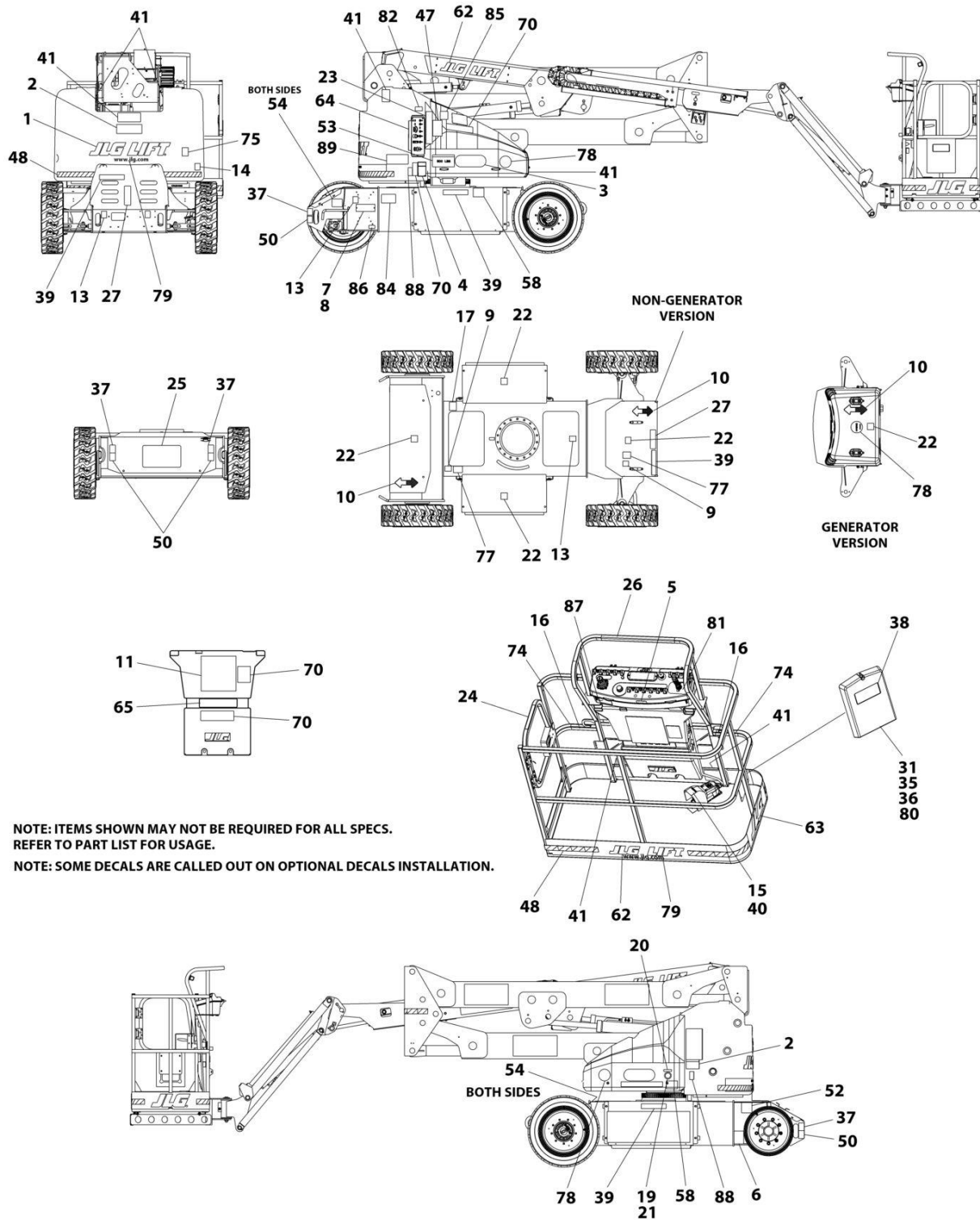
SECTION 8 - DECALS

FIGURE 8-8. DECAL INSTALLATION - SPANISH/ENGLISH SPECS

ITEM	PART NUMBER	QTY	DESCRIPTION	REV
	1001248659	Ref	DECAL INSTALLATION - REFERENCE CHART	E
	1001249189	Ref	DECAL INSTALLATION	C
2	1703935	2	Decal - Electrocution	
4	1703929	1	Decal - Danger/Caution	
8	3820001	2	Rivet	
9	1701504	1	Decal - Hydraulic Oil	
10	1701642	2	Decal - Arrow	
11	1703923	1	Decal - Caution/Danger	
13	1701644	2	Decal - Charger	
15	1703983	1	Decal - Footswitch	
16	1704277	2	Decal - Attach Lanyard	
19	0961127	1	Bushing, Snap	
20	3251243	1	Nameplate - 120V/60HZ	
21	0100010	AR	Adhesive	
22	1701691	4	Decal - No Step	
23	1001104864	1	Decal - Manual Descent	
24	1704001	2	Decal - No Hands	
25	1001193949	1	Decal - Cable Routing	
27	1704454	1	Decal - Charger	
31	0860520	1	Box, Manual Storage	
35	4751400	4	Washer 1/4	
36	3311405	4	Nut 1/4	
37	1701500	4	Decal - Lift	
38	1701509	1	Decal - Manual	
39	1704339	3	Decal - Explosion Warning	
41	1703947	6	Decal - Crushing Hazard	
47	1702265	1	Decal - Boom Sequence	
50	1702300	4	Decal - Tie Down	
52	See Note	1	Decal - Bar Code (Note: Not Available for Purchase)	
53	1001253931	1	Decal - 500 LBS. Max Capacity	
65	1001253930	2	Decal - 500 LBS. Max Capacity	
77	1704412	1	Decal - Oil Type	
79	1704885	2	Decal - Website	
80	0641406	4	Bolt 1/4 x 3/4	
81	1705910	1	Decal - Drive/Steer Instruction	
84	1001224049	1	Decal - Yearly Inspection	
85	1001222801	1	Decal - Manual Jib Pump	

SECTION 8 - DECALS

FIGURE 8-9. DECAL INSTALLATION - SPANISH/PORTUGUESE SPECS



NOTE: ITEMS SHOWN MAY NOT BE REQUIRED FOR ALL SPECS.
REFER TO PART LIST FOR USAGE.
NOTE: SOME DECALS ARE CALLED OUT ON OPTIONAL DECALS INSTALLATION.

ART_1001248655

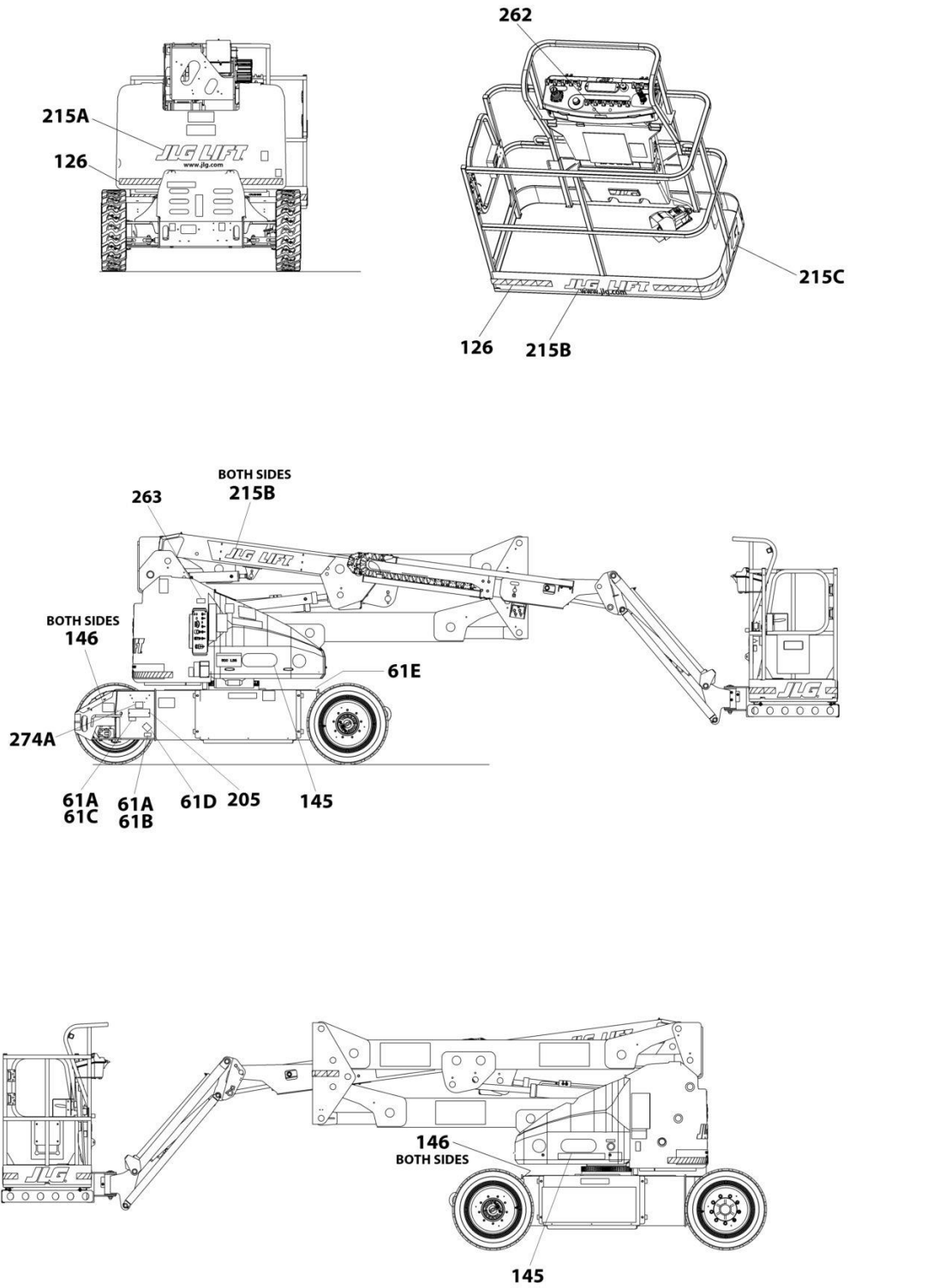
SECTION 8 - DECALS

FIGURE 8-9. DECAL INSTALLATION - SPANISH/PORTUGUESE SPECS

ITEM	PART NUMBER	QTY	DESCRIPTION	REV
	1001248659	Ref	DECAL INSTALLATION - REFERENCE CHART	E
	1001248655	Ref	DECAL INSTALLATION	E
2	1703940	2	Decal - Electrocution	
4	1703934	1	Decal - Danger/Caution	
8	3820001	2	Rivet	
9	1701504	1	Decal - Hydraulic Oil	
10	1701642	1	Decal - Arrow	
11	1703928	1	Decal - Caution/Danger	
13	1701644	2	Decal - Charger	
15	1703985	1	Decal - Footswitch	
16	1704277	2	Decal - Footswitch	
19	0961127	1	Bushing, Snap	
20	3251243	1	Nameplate - 120V/60HZ	
21	0100010	AR	Adhesive	
22	1701691	4	Decal - No Step	
23	1001104864	1	Decal - Manual Descent	
24	1704002	2	Decal - No Hands	
25	1001193949	1	Decal - Cable Routing	
27	1704453	1	Decal - Charger	
31	0860520	1	Box, Manual Storage	
35	4751400	4	Washer 1/4	
36	3311405	4	Nut 1/4	
37	1701500	4	Decal - Lift	
38	1701509	1	Decal - Manual	
39	1704341	3	Decal - Explosion Warning	
41	1703952	6	Decal - Crushing Hazard	
47	1703991	1	Decal - Boom Sequence	
50	1702300	4	Decal - Tie Down	
52	See Note	1	Decal - Bar Code (Note: Not Available for Purchase)	
53	1001253929	1	Decal - 500 LBS. Max Capacity	
65	1001253928	2	Decal - 500 LBS. Max Capacity	
77	1704412	1	Decal - Oil Type	
79	1704885	2	Decal - Website	
80	0641406	4	Bolt 1/4 x 3/4	
81	1001113680	1	Decal - Drive/Steer Instruction	
84	1001224052	1	Decal - Yearly Inspection	
85	1001222801	1	Decal - Manual Jib Pump	

SECTION 8 - DECALS

FIGURE 8-10. DECAL INSTALLATION - OPTIONS



ART_DECAL_OPTIONS

SECTION 8 - DECALS

FIGURE 8-10. DECAL INSTALLATION - OPTIONS

ITEM	PART NUMBER	QTY	DESCRIPTION	REV
	1001247556	Ref	DECAL INSTALLATION - REFERENCE CHART	J
	1001248659	Ref	DECAL INSTALLATION - OPTIONS	B
61	0270433	Ref	Decal Installation - UL Tags	B
61A	3820001	8	Rivet	
61B	3252331	1	Nameplate, Battery Information	
61C	3252780	1	Nameplate, UL Certification	
61D	1702251	2	Nameplate, EE	
61E	1001213625	1	Decal - Replacement Fuse 400 Amp	
126	0259550	Ref	Warning Strip Installation (Not Shown)	2
126	4420051	17.5 ft/ 5.33m	Tape, Safety	
145	1001272054	2	Decal - Model Designation (E400Anarrow)	
145	1001272053	2	Decal - Model Designation (E400AJPnarrow)	
146	1001262663	4	Decal - Tire Load	
205	See Note	1	Nameplate - Serial Number (Note: Not Available for Purchase)	
215	0270273	Ref	Decal Installation - JLG Logo (E400Anarrow) (Not Shown)	C
215	0270274	Ref	Decal Installation - JLG Logo (E400AJPnarrow) (Not Shown)	C
215A	1702860	1	Decal - JLG Lift	
215B	1702774	3	Decal - JLG Lift	
215C	1702773	1	Decal - JLG (E400Anarrow)	
215C	1704200	1	Decal - Jib Plus (E400AJPnarrow)	
262	1001141300	1	Decal - Platform Sensor Override	
263	1001189882	1	Decal - MSSO Instructions	
274	1001214031	Ref	Decal - EAC Installation (CIS and Russia Specs)	
274A	1001173703	1	Decal - EAC	

SECTION 9 - RECOMMENDED SERVICE PARTS STOCK

SECTION 9 - RECOMMENDED SERVICE PARTS STOCK

SECTION 9 - RECOMMENDED SERVICE PARTS STOCK

FIGURE 9-1. RECOMMENDED SERVICE PARTS STOCK

ITEM	PART NUMBER	QTY	DESCRIPTION	REV
		Ref	Note: The following list will service one machine (built to current production per date on the front cover) with emergency repair parts which can be installed in the field. Parts from the list should be replaced when inventory is depleted to keep service parts stock supplied. For further information, contact your JLG dealer or the JLG Industries Parts Department.	
	1001181045	1	Breaker, 16Amp (CE Specs)	
	1001189172	1	Breaker 16Amp Double (CE Specs)	
	1001189171	1	Breaker, 30mA (CE Specs)	
	7021609	1	Coil (Brake/Steer & Jib Valves)	
	7021618	1	Coil (Brake/Steer Valve)	
	70005210	1	Coil (Main Valve)	
	7024883	1	Coil (Main Valve)	
	7024885	1	Coil (Main Valve)	
	1001212415	1	Controller Assembly - Drive and Steer	
	1001129555	1	Controller Assembly - Lift and Swing	
	7021616	1	Filter, Cartridge (Main Valve)	
	1001189039	1	Footswitch Assembly	
	1001170365	2	Fuse 400 Amp (UL Specs) (Drive)	
	8229249	2	Fuse, 3 Amp (USB Charger)	
	1001196635	2	Fuse, 3 Amp (Bluetooth Module)	
	1001196634	2	Fuse @Amp (Charger Harness)	
	8229242	2	Fuse 5Amp (Console Harness)	
	8229236	2	Fuse - 30Amp (Steer/Barke Harness)	
	1001170762	2	Fuse - 30Amp (Steer/Barke Harness)	
	8229261	2	Fuse - 5Amp (Traction Harness)	
	8229237	2	Fuse - 15Amp (Traction Harness)	
	8229235	2	Fuse - 20Amp (Traction Harness)	
	1001170761	2	Fuse - 20Amp (Traction Harness)	
	8229234	2	Fuse 10 Amp (Traction Harness)	
	2860030	1	Key, Replacement	
	2940074	1	Latch (Platforms with Side Entry Gates)	
	1001192212	1	Module, Drive (LH)	
	1001178339	1	Module, Drive (RH)	
	1001182700	1	Module, Ground Control	
	1001182724	1	Module, PC (Non-UL Listed Machines)	
	1001215835	1	Module, PC (UL Listed Machines)	
	1001245293	1	Module, Bluetooth Control	
	3740080	1	Relay	
	1001214667	1	Relay	
	1001170367	1	Relay, Contactor (All Specs Except UL Specs)	
	1001272006	1	Relay, Contactor (UL Specs)	
	1001186431	1	Relay (SkyGuard)	
	3740086	1	Relay (SkyLine)	
	1001161117	1	Switch, Angle Sensor (Steer)	
	1001116232	1	Switch (Drive Orientation)	
	4360469	1	Keyswitch (Ground Controls)	
	4360475	1	Switch, Emergency Stop (Ground Controls & Console Box)	
	4360476	1	Switch, Contact Block (Ground Controls & Console Box)	

SECTION 9 - RECOMMENDED SERVICE PARTS STOCK

ITEM	PART NUMBER	QTY	DESCRIPTION	REV
	1001155045	1	Switch, Toggle (Ground Controls & Console Box)	
	4360387	1	Switch, Push Button (Console Box)	
	4360407	1	Switch, Potentiometer (Console Box)	
	1001159256	1	Switch, Toggle (Console Box)	
	1001161710	1	Switch, Toggle (Console Box)	
	1001137673	1	Switch, Bar (SkyGuard)	
	4460548	1	Switch, Limit (Boom Harness)	
	1001219601	1	Sensor (Drive)	
	70005394	1	Sensor (Drive Motor)	
	70005407	1	Sensor, Temperature (Drive Motor)	
	1001247468	1	Sensor, Load Cell (Platform)	
	1001228224	1	Sensor, Receiver (SkyEye)	
	1001228225	1	Sensor, Emitter (SkyEye)	
	1001232667	1	Sensor, Proximity (SkyLine)	
	1001237902	1	Sensor (SkySense)	
	1001102771	1	Sensor, Temperature (Charger Harness)	

SECTION 10 - SPECIAL OPTIONS/ACCESSORIES/KITS

SECTION 10 - SPECIAL OPTIONS/ACCESSORIES/KITS

SECTION 10 - SPECIAL OPTIONS/ACCESSORIES/KITS

FIGURE 10-1. SPECIAL OPTIONS/ACCESSORIES/KITS

ITEM	PART NUMBER	QTY	DESCRIPTION	REV
		Ref	SPECIAL OPTIONS/ACCESSORIES/KITS	
		Ref	Note: This list is to accommodate machines ordered with special equipment. Options may not be applicable to all models. For more specific parts information contact JLG Parts Department.	
	0271801	Ref	Airline Installation - 1/2in (E400Anarrow Model)	
	1001218503	Ref	Alert Beacon Kit (Red)	
	1001269900	Ref	Battery Charger Add-on Kit (Smart Charger) (Dealer installed)	
	1001270715	Ref	Battery Charger Add-on Kit with Disconnect (Dealer installed)	
	1001268351	Ref	Battery Isolator Add-on Kit (Dealer Installed)	
	1001148971	Ref	Bolt-On Lanyard Kit	
		Ref	ClearSky (Telematics) Installations (Dealer Installed)	
	1001243575	Ref	ClearSky (Telematics) Access Control Add-on (Dealer Installed) (ANSI, ANSI Export, CE, CSA & UK CA Specs)	
	1001250537	Ref	ClearSky (Telematics) Added-on Kit (Dealer Installed) (ANSI and CSA Specs)	
	1001247426	Ref	ClearSky (Telematics) Added-on Kit (Dealer Installed) (Australian Specs)	
	1001254285	Ref	ClearSky (Telematics) Added-on Kit (Dealer Installed) (CE & UK CA Specs)	
	1001247427	Ref	ClearSky (Telematics) Added-on Kit (Dealer Installed) (Chinese Specs)	
	1001230504	Ref	ClearSky Telematics Installation - 3 Wire Connection (Dealer Installed) (ANSI Specs)	
	1001234102	Ref	ClearSky Telematics Installation - 3 Wire Connection (Dealer Installed) (ANSI Export & CE & UK CA Specs)	
	1001265360	Ref	ClearSky Telematics Installation - Canbus (Dealer Installed) (ANSI Specs)	
	1001237110	Ref	ClearSky Telematics Installation - Canbus (Dealer Installed) (ANSI Export, CE & UK CA Specs)	
		Ref	ClearSky Telematics (Factory Installed)	
	1001229107	Ref	ClearSky Telematics Installation - 3 Wire Connection (Factory Installed) (ANSI and CSA Specs Only)	
	1001233237	Ref	ClearSky Telematics Installation - 3 Wire Connection (Factory Installed) (ANSI Export, CE & UK CA Specs Only)	
	1001235649	Ref	ClearSky Telematics Installation - Canbus (Factory Installed) (All Specs Except China)	
	1001246541	Ref	ClearSky Telematics Installation - Canbus (Factory Installed) (Australian Specs)	
	1001236535	Ref	ClearSky Telematics Installation - Canbus (Factory Installed) (ANSI Export, CE & UK CA Specs)	
	1001246542	Ref	ClearSky Telematics Installation - Canbus (Factory Installed) (China Specs)	
	1001262959	Ref	ClearSky Voltage Regulator Installation Kit	
	1001195304	Ref	Console Cover	
		Ref	Cylinder Bellows Installations	
	0259397	Ref	Cylinder Bellows Installations (E400Anarrow)	
	0271251	Ref	Cylinder Bellows Installations (E400AJNarrow)	
		Ref	Decal Installations	
	1001229690	Ref	Decal - ClearSky Installation (ANSI, ANSI Export, Australian, CE, China, CSA & UK CA Specs Only)	
	1702868	Ref	Decal - No Hands (English) (ANSI Spec) (Used with Platform Padding or Mesh to Top Rail)	

SECTION 10 - SPECIAL OPTIONS/ACCESSORIES/KITS

ITEM	PART NUMBER	QTY	DESCRIPTION	REV
	1704000	Ref	Decal - No Hands (English and French) (CSA Spec) (Used with Platform Padding or Mesh to Top Rail)	
	1001108727	Ref	Decal Kit - Platform	
	1001223824	Ref	Decal Kit - Platform Console	
	1001152523	Ref	Fire Extinguisher Installation (Platform Mounted)	
	1001191314	Ref	Headlight and Taillights Installation	
	1001251369	Ref	Hood Kit	
		Ref	Hose Kits:	
	1001269312	Ref	Hose Kit - Boom (Lower & Mid) (E400Anarrow)	
	1001269316	Ref	Hose Kit - Boom (Lower & Mid) (E400AJPnarrow)	
	1001269313	Ref	Hose Kit - Boom (Upper) (E400Anarrow)	
	1001269317	Ref	Hose Kit - Boom (Upper) (E400AJPnarrow)	
	1001269310	Ref	Hose Kit - Frame (E400Anarrow)	
	1001269314	Ref	Hose Kit - Frame (E400AJPnarrow)	
	1001269311	Ref	Hose Kit - Turntable (E400Anarrow)	
	1001269315	Ref	Hose Kit - Turntable (E400AJPnarrow)	
	1001151286	Ref	Jib Cylinder with Manual Descent Valve Kit	
	1001237443	Ref	Mid Lift Cylinder Service Kit (E400Anarrow Only)	
	1001259112	Ref	Operator Access Control	
		Ref	Platform Entry Kits	
	1001142504	Ref	Drop Bar (Replacing Swing Gate with Drop Bar)	
	1001142505	Ref	Swing Gate (Replacing Drop Bar with Swing Gate)	
		Ref	Platform Mesh To Mid Rail Add-on Kits	
	1001214478	Ref	30in X 4ft (76cm x 1.22m)	
	1001214515	Ref	30in X 5ft (76cm x 1.52m)	
		Ref	Platform Mesh To Mid Rail Installations	
	1001272274	Ref	30in x 4ft (76cm x 1.22m)	
	1001272178	Ref	30in x 5ft (76cm x 1.52m)	
		Ref	Platform Plastic Mesh To Mid Rail Installations	
	1001266969	Ref	30in x 4ft (76cm x 1.22m)	
	1001266799	Ref	30in x 5ft (76cm x 1.52m)	
		Ref	Platform Mesh Top Rail Add-on Kits	
	1001214552	Ref	30in X 4ft (76cm x 1.22m)	
	1001214559	Ref	30in X 5ft (76cm x 1.52m)	
		Ref	Platform Mesh Top Rail Installations	
	1001272182	Ref	30in x 4ft (76cm x 1.22m)	
	1001271888	Ref	30in x 5ft (76cm x 1.52m)	
		Ref	Platform Plastic Mesh Top Rail Installations	
	1001266807	Ref	30in x 4ft (76cm x 1.22m)	
	1001266801	Ref	30in x 5ft (76cm x 1.52m)	
	1001250035	Ref	Platform Sensor Retrofit Kit	
	1001239570	Ref	Platform Valve Service Kit E400AJPnarrow	
	1001120466	Ref	Platform Worklights Installation	
	1001209059	Ref	Platform Work Surface Installation	
	1001212202	Ref	Rotator Actuator Protection Kit	
	1001190896	Ref	Service Tools/Kits	S
	1001241547	Ref	SkyEye Housing Kit - LH Side	
	1001241548	Ref	SkyEye Housing Kit - RH Side	
	1001247073	Ref	SkyEye Retrofit Kit	
	1001218502	Ref	SkyGuard with Beacon (Blue)	
	1001218499	Ref	SkyGuard without Beacon	
	1001250959	Ref	SkyGuard 6-Pin Retrofit Installation Kit	

SECTION 10 - SPECIAL OPTIONS/ACCESSORIES/KITS

ITEM	PART NUMBER	QTY	DESCRIPTION	REV
	1001249052	Ref	SkyGuard Retrofit Kit	
	1001262016	Ref	SkyLine Add-on Kit	
	1001252033	Ref	SkySense Enhanced Detection System (EDS) Level 1 (2-Bar) Add-on Kit (Dealer Installed)	
	1001252034	Ref	SkySense Enhanced Detection System (EDS) Level 2 (3-Bar) Add-on Kit (Dealer Installed)	
		Ref	Strobe Light Installations (Amber) Options:	
	1001191144	Ref	Strobe Light Installation (Amber) Platform Mounted	
	1001191145	Ref	Strobe Light Installation (Amber) Platform/Ground Mounted	
	1001243183	Ref	Telematics Access Control Canbus Add-on Kit (ANSI & CSA Specs)	
	1001243184	Ref	Telematics Access Control Canbus Add-on Kit (CE & UK CA Specs)	
		Ref	Tools for Service	
	1001249695	Ref	Analyzer and Cable Kit	
	1001249941	Ref	Analyzer and Cable Kit (Battery Powered)	
	2915230	Ref	Battery Charger Reprogram Controller Kit	
	1001137005	Ref	Software Cable Kit	
	7002828	Ref	Stripper, Wire	
	7002821	Ref	Crimper, Wire	
	7002823	Ref	Pin Extractor - Universal (For Electrical Connectors with Pins and Sockets)	
	4460467	Ref	Extractor - 16-18 Gauge (For Removal of Pin/Sockets from Deutsch Connectors)	
	4460510	Ref	Extractor - 12-14 Gauge (For Removal of Pin/Sockets from Deutsch Connectors)	
	7004275	Ref	Seal Tool 1in (For Cylinders)	
	7004276	Ref	Seal Tool 1-1/2in (For Cylinders)	
	7016654	Ref	Screwdriver, Magnetic	
	70004185	Ref	Torque Multiplier	
	7016655	Ref	Wire Rope Sheave Gauge	
	1001160527	Ref	Turntable Bearing Replacement Kit	
	1001277843	Ref	UGM2 Retrofit Kit	
	1001239568	Ref	Upper Powertrack Service Kit E400 Narrow	
	1001198659	Ref	Upper Powertrack Service Kit E400AJnarrow	
	1001239569	Ref	Upper Powertrack Service Kit E400AJPnarrow	
	1001241268	Ref	Wear Pad Kit E400Anarrow	
	1001241269	Ref	Wear Pad Kit E400AJPnarrow	
	1001235847	Ref	White Noise Alarm (Dealer Installed)	
	1001231804	Ref	White Noise Alarm (Factory Installed)	
	1001235848	Ref	White Noise Ambient Alarm (Dealer Installed)	
	1001231870	Ref	White Noise Ambient Alarm (Factory Installed)	

SECTION 10 - SPECIAL OPTIONS/ACCESSORIES/KITS

PART NUMBER INDEX

SECTION 10 - SPECIAL OPTIONS/ACCESSORIES/KITS

0060044.....145, 149	0630490..... 17	0682028 89	1001108727.....409
0060052..... 139, 147	0630518 ... 107, 109, 111, 113, 115, 117, 119, 121	0700408 ... 343, 345, 347, 349, 351, 353, 355	1001109503..... 109, 113, 117, 121
0060065..... 145, 151	0630568 179, 183, 187	0720804 77, 79	1001109833.....275, 277
0100009.... 139, 179, 183, 187	0641404..... 53, 139, 179, 183, 187, 207	0721004 73	1001109892..... 19, 23
0100010....383, 385, 387, 389, 391, 393, 395, 397, 399	0641405 139, 207	0721006 23	1001110434..... 179, 183, 187
0100011.... 13, 19, 23, 43, 45, 51, 53, 57, 59, 61, 63, 71, 77, 79, 95, 97, 99, 101, 103, 105, 129, 133, 135, 139, 141, 145, 153, 163, 165, 167, 169, 205, 207, 227, 231, 295, 297	0641406 ... 19, 23, 71, 73, 87, 171, 173, 175, 177, 201, 383, 385, 387, 389, 391, 393, 395, 397, 399	0741606 141	1001110772.....41
0100019.....89, 295, 297	0641407 . 65, 67, 69, 129, 343, 345, 347, 349, 351, 353, 355	0760606 153	1001110774.....41
0100020.19, 24, 199, 252	0641408 19, 23, 171, 173, 175, 177, 211, 343, 345, 347, 349, 351, 353, 355	0760610 153	1001110873.....337
0100035....33, 35, 37, 39, 123, 179, 183, 187, 191	0641409 65, 67, 69	0761014 153	1001113680.....399
0100038.....227, 231	0641410 295, 297	0761215 153	1001113961.....371
0100048..... 19, 23	0641413 77, 79	0801224 141	1001114761.....81, 85
0100081141	0641414 ... 179, 183, 187, 205, 211, 213	0801225 135, 141	1001114782.....61, 63
0100083....33, 35, 37, 39	0641416 99, 101, 103, 105, 343, 345, 347, 349, 351, 353, 355	0801227 135	1001116232.....97, 404
0140011 179, 183, 187	0641418 99, 101, 103, 105, 165, 169	0801262 133	1001116692.....317, 369, 372, 379
0140043.....87	0641420 167	0801263 139	1001116693.....369, 371
0257728.....209	0641430 19, 23	0801267 139	1001116720.....363
0259397.....408	0641506 99, 101, 103, 105, 133, 135	0840031 19, 23	1001116732.....369
0259550.....401	0641507 79	0840032 19, 23	1001116733.....369
0270012.....339	0641508 19, 23, 129	0860038 337, 339	1001116734.....367, 369
0270013.....337	0641510 93	0860520 ... 383, 385, 387, 389, 391, 393, 395, 397, 399	1001116810.....367
0270028.....41	0641514 ... 129, 209, 295, 297	0861375 23	1001116811.....311
0270273.....401	0641516 145, 295	0861731 261, 267, 269	1001116812.....281, 299, 313, 317, 369, 371
0270274.....401	0641560 295, 297	0861781 271, 273	1001116813.....371
0270433.....401	0641605 99, 101, 103, 105, 141, 142	0861880 291	1001116815.....369
0270724.....133	0641606 ... 13, 51, 53, 77, 79, 139, 141	0940048 133, 135	1001117172.....199
0270725..... 133, 139	0641607 ... 135, 139, 141	0961127 ... 383, 385, 387, 389, 391, 393, 395, 397, 399	1001118384.....365
0271251408	0641608 . 43, 45, 97, 133, 135, 139, 141	0961947 149, 223	1001118388.....363, 365
0271464.....341	0641610 ... 19, 23, 43, 45, 51, 53, 133, 135, 163, 171, 173, 175, 177	0961948 141	1001119228.....141
0271649..... 135, 145	0641613 129	0961950 ... 133, 135, 139, 141, 225, 227, 229, 231, 235	1001119619.....357
0271801408	0641614 71, 133	0961951 15, 17, 139, 145, 221, 223, 239	1001119620.....359, 361
0275216.....273, 343	0641616 145	0962140 15, 17	1001120328.....205, 207
0275217271, 355	0641618 145	0962257 149	1001120466.....409
0275218263, 349	0641806 133, 135	0962292 145	1001120471.....215
0275219265, 353	0641807 51, 53	0962356 219, 237	1001120477.....215
0275452267, 347	0641808 135	1001093382 ... 57, 59, 61, 63	1001120484.....215
0275453269, 351	0641810 133, 135	1001094670 145	1001125677.....313, 330, 334, 372
0275454261, 345	0641811 ... 57, 59, 61, 63	1001097051 359	1001126008.....369
0275663.....305	0641812 ...19, 23, 93, 133	1001097150 291, 293	1001126009.....365
0275664.....307	0641818 139, 141	1001097244 215	1001126245.....369
0275665.....303	0681608 153	1001097777 ... 77, 79, 83	1001129555.....404
0275666.....301	0681610 135	1001098122 329, 333	1001131269.....383
0275667309	0681810 13	1001098828 153	1001136881.....252
0340048.....45	0682014 19, 23	1001100341 273	1001137005.....410
0400055..... 57, 59	0682026 89	1001100342 271	1001137673.....205, 405
0480100.....209		1001100345 267	1001138494..... 165, 167
0561076..... 133, 135		1001100346 261	1001138514..... 165, 167
0561317295, 297		1001100347 269	1001140278 135, 239
0561384295, 297		1001102771 299, 405	1001140279..... 135, 221
0561385295, 297		1001103012 369	1001140280..... 145, 223
0561386295, 297		1001104850 89, 91	1001140429..... 165, 167, 169
0561424295		1001104864 383, 385, 387, 389, 391, 393, 395, 397, 399	1001140597..... 133, 237
0630399 139		1001106757 141	1001140598 139, 219
0630401 141		1001107854 369	1001141300.....401
0630467295, 297			1001141967.....263, 265
0630487 139			1001141968.....263
			1001141969.....265
			1001141970.....265
			1001141971.....263
			1001142504.....409
			1001142505.....409

SECTION 10 - SPECIAL OPTIONS/ACCESSORIES/KITS

1001144147 281, 313, 315, 317	1001166417..... 43	100117999199, 101, 103, 105, 317	1001190003 387
1001144296 281, 313, 317	1001166419..... 43, 45	1001180554.....77, 79, 81	1001190088 20, 275
1001144433 205	1001166420..... 51, 53	1001180835..... 13	1001190577 31, 369
1001144629 159, 161, 163	1001166493..... 73	1001180838..... 13, 17	1001190896 409
1001144630 163	1001166495..... 57, 61	1001180840..... 13	1001190985 153
1001148971 408	1001166496.... 57, 59, 61, 63	1001180930..... 51, 77	1001191139 123
1001149994 123, 125, 127	1001166497..... 57	1001181045..... 291, 404	1001191140 123
1001151286 409	1001166498..... 61	1001182296..... 71, 319	1001191142 123
1001151393 107, 109, 111, 113, 115, 117, 119, 121	1001166538..... 179, 183, 187, 193	1001182550..... 19, 23, 31	1001191144 410
1001151395 13	1001166539..... 179, 183, 187, 195	100118270099, 101, 103, 105, 404	1001191145 410
1001151428 13	1001166738..... 129	1001182724..... 179, 187, 404	1001191212 ... 65, 67, 69
1001152483 293	1001167013..... 71	1001182725..... 129	1001191314 409
1001152485 293, 351, 353	1001167487..... 45	1001182960..... 19, 23	1001192212 .. 33, 35, 404
1001152523 409	1001168670..... 59	1001183212..... 129	1001192293 71, 321
1001152635 252, 256	1001168674..... 135	1001183367..... 87	1001192401 371
1001153017 89, 93	1001168796..... 63	1001183520..... 297	1001192501 71
1001153023 13	1001168800..... 59, 63	1001183521 295	1001193018 343, 345, 347, 349, 351, 353, 355
1001153612 35	1001169423..... 13	1001183867..... 285, 295, 297	1001193047 13
1001153749 . 13, 99, 101, 103, 105	1001170365..... 23, 404	1001183868..... 283, 295, 297	1001193545 321
1001155044 107, 109, 111, 113, 115, 117, 119, 121, 179, 183, 187	1001170367..... 33, 404	1001184852..... 19, 23	1001193949 383, 385, 387, 389, 391, 393, 395, 397, 399
1001155045 107, 109, 111, 113, 115, 117, 119, 121, 179, 183, 187, 405	1001170761..... 369, 404	1001184854..... 19, 23	1001193987 179, 183, 187
1001157058 95	1001170762..... 367, 404	1001185281 179, 183, 187	1001195304 408
1001157890 315, 317, 369, 371	1001171213..... 43, 45, 49	1001185828..... 253, 257	1001196589 19, 23
1001157891 315, 369, 371	1001171298..... 97	1001185829..... 257	1001196634 299, 404
1001159186 317, 329, 333	1001171482..... 107, 111, 115, 119	1001186231 371	1001196635 281, 404
1001159256 179, 183, 187, 405	1001172760..... 179, 183, 187	1001186375..... 165	1001198659 410
1001160527 89, 410	1001173703..... 401	1001186377..... 167	1001200491 153
1001161117 13, 404	1001174447..... 37, 39	1001186386..... 161	1001200910 125
1001161710 179, 183, 187, 405	1001175025..... 73	1001186387 159	1001203734 369
1001162887 281	1001176417..... 129	1001186431 205, 404	1001205409 281
1001163340 281	1001176441..... 129	1001186432 363, 365	1001207004 127
1001165963 129	1001176469..... 111, 113, 119, 121	1001186517 205	1001207970 65
1001165981 129	1001177245..... 275, 277	1001186860..... 33, 35	1001207974 67, 69
1001165985 129	1001177246..... 275, 277	1001187674..... 203	1001209059 409
1001166251 347	1001177364..... 51, 53, 55	1001187681..... 357	1001209664 205
1001166258 351	1001177483..... 135	1001187775 155, 289	1001210636 215
1001166259 345	1001177666..... 252, 256	1001187776..... 155, 287	1001212202 409
1001166260 355	1001178339... 37, 39, 404	1001187788..... 155	1001212359 37, 39
1001166261 349	1001178378..... 385	1001187790..... 97	1001212415 404
1001166262 353	1001178384..... 252	100118806599, 101, 103, 105	1001212450 39
1001166263 343	1001178394..... 275, 277	1001188291 283, 285, 295, 297	1001212453 23
1001166296 73	1001178395..... 275, 277	1001188292..... 283, 295, 297	1001212454 24, 277
1001166312 73	1001178396..... 275, 277	1001188293..... 285, 295, 297	1001212455 277
1001166321 73	1001178398..... 275, 277	1001188354..... 283, 285, 295, 297	1001212456 24, 39
1001166341 95	1001178399..... 275, 277	1001188528... 19, 24, 367	1001212480 277
1001166394 107, 109, 111, 113, 115, 117, 119, 121	1001178400..... 275, 277	1001188622..... 153	1001213447 329, 333
1001166395 89	1001178401..... 275, 277	1001188844..... 153	1001213625 401
	1001178402..... 275, 277	1001189027 275, 277	1001213626 24
	1001178403..... 275, 277	1001189030..... 275, 277	1001213882 179, 183, 187
	1001178405... 19, 23, 315	1001189031 275, 277	1001214031 401
	1001178491..... 343, 345, 347, 349, 351, 353, 355	1001189032..... 275, 277	1001214478 409
	1001178629... 19, 23, 369	1001189039..... 179, 183, 187, 199, 404	1001214515 409
	1001178660..... 275	1001189171 293, 404	1001214552 409
	100117879499, 101, 103, 105, 379	1001189172..... 293, 404	1001214559 409
	1001179060..... 19, 33	1001189882..... 401	1001214667 .. 33, 35, 404
	1001179061..... 19, 37		1001214668 24, 35
	1001179064.... 33, 35, 37, 39		1001215228 179, 183, 187
	1001179134..... 19		1001215835 183, 404
			1001216630 153
			1001216921 79, 85
			1001217005 125

SECTION 10 - SPECIAL OPTIONS/ACCESSORIES/KITS

1001217228..... 153	1001235847 410	1001248659 383, 385,	1001260414..... 279, 281
1001217242..... 153	1001235848 410	389, 391, 393, 395,	1001260524..... 211
1001217243..... 153	1001236535 408	397, 399, 401	1001260525..... 211, 213
1001217244..... 153	1001236552 207	1001249052 410	1001260531.... 65, 67, 69,
1001217249..... 153	1001237110 408	1001249153 173	299
1001217253..... 153	1001237443 409	1001249154 173, 177,	1001260532.... 65, 67, 69,
1001217254..... 153	1001237667 329, 333	183	313
1001217267..... 153	1001237668 329, 333	1001249155 177	1001262016..... 410
1001217413..... 153	1001237862 359, 361	1001249157 175	1001262663..... 401
1001217465..... 387	1001237863 203, 359	1001249158 175, 187	1001262959..... 408
1001217598..... 163	1001237864 203, 361	1001249159 171	1001265163..... 215
1001217842. 33, 367, 369	1001237865 203, 357	1001249162 171, 179	1001265342..... 215
1001217843..... 369	1001237888 211, 213	1001249163 103	1001265360..... 408
1001217844..... 367, 369	1001237891 213	1001249168 105	1001266302..... 103, 115,
1001218004..... 256	1001237898 211, 213	1001249175 99	117
1001218367..... 53, 79	1001237902 211, 213,	1001249177 101	1001266303..... 105, 119,
1001218499..... 409	405	1001249184 383	121
1001218502..... 409	1001238319 203	1001249186 391	1001266304. 99, 107, 109
1001218503..... 408	1001238418 207, 365	1001249187 393	1001266305..... 101, 111,
1001219016..... 153	1001238472 207	1001249189 397	113
1001219601 ... 19, 23, 405	1001238495 205	1001249695 410	1001266308..... 107, 111,
1001219722..... 19, 23	1001238557 125	1001249941 410	115, 119
1001220271 19, 23	1001238558 127	1001250035 409	1001266309..... 107, 109,
1001222685..... 163	1001238559 207	1001250537 408	115, 117
1001222801 383, 385,	1001238732 191	1001250959 409	1001266310..... 111, 113,
387, 389, 391, 393,	1001239568 410	1001251015 141, 245	119, 121
395, 397, 399	1001239569 410	1001251016 135, 235	1001266799..... 409
1001223055..... 383	1001239570 409	1001251018 133, 233	1001266801..... 409
1001223824..... 409	1001241162 211	1001251063 139, 243	1001266807..... 409
1001223971 391	1001241268 410	1001251369 409	1001266969..... 409
1001224048..... 395	1001241269 410	1001251382 ... 65, 67, 69	1001268351..... 408
1001224049..... 397	1001241547 409	1001251470 69	1001269310..... 252, 409
1001224050..... 389	1001241548 409	1001251471 65	1001269311..... 252, 409
1001224052..... 399	1001241965 207	1001251472 67	1001269312..... 253, 409
1001224053..... 393	1001243092 211	1001252033 410	1001269313..... 253, 409
1001224891 141	1001243183 410	1001252034 410	1001269314..... 256, 409
1001225580 205, 363	1001243184 410	1001252946 209	1001269315..... 256, 409
1001226872 169	1001243205 211	1001252947 209	1001269316..... 256, 409
1001227633..... 203	1001243575 408	1001253920 383	1001269317..... 257, 409
1001227634..... 203	1001244335 213	1001253921 383	1001269900..... 408
1001227985..... 203	1001244336 211	1001253922 391	1001270715..... 408
1001227987..... 203	1001244671 213	1001253923 391	1001271888..... 409
1001227996..... 359, 361	1001244709 213	1001253924 395	1001272006..... 35, 404
1001228035 135, 227	1001244710 213	1001253925 395	1001272053..... 401
1001228036 135, 231	1001244732 213	1001253926 389	1001272054..... 401
1001228037 133, 225	1001244733 213	1001253927 389	1001272178..... 409
1001228038 133, 229	1001245164 191	1001253928 399	1001272182..... 409
1001228215 169	1001245173 191	1001253929 399	1001272274..... 409
1001228224 203, 405	1001245179 191	1001253930 397	1001272279..... 184, 333
1001228225 203, 405	1001245210 191	1001253931 397	1001277843..... 410
1001228370 383, 391	1001245293 279, 404	1001253932 393	1001280407..... 109, 113,
1001228627 153	1001245673 180, 188,	1001253933 393	117, 121
1001229107 408	329	1001254178 395	1060330..... 199
1001229341 203	1001245677 99, 101, 103,	1001254179 389	1060341..... 287, 289
1001229690 408	105, 371	1001254285 408	1060379..... 209
1001230504 408	1001246389 211	1001254472 207	1060461..... 325, 327, 377
1001231801 383	1001246541 408	1001254473 207	1060494..... 319, 323, 375
1001231804 410	1001246542 408	1001258730 211, 213	1060801..... 71
1001231870 410	1001247073 409	1001259112 409	1060802..... 71
1001232164 203	1001247252 211	1001259149 279	1060896..... 283, 285
1001232165 203	1001247426 408	1001259155 279	1060908..... 291, 293
1001232204 13	1001247427 408	1001259489 107, 109,	10837580..... 55, 81
1001232642 207	1001247468 153, 405	111, 113, 115, 117,	1180302..... 139
1001232667 207, 405	1001247538 180, 184,	119, 121	1220038..... 139
1001233237 408	188	1001260275 369	1220039..... 139
1001234102 408	1001247556 401	1001260408 ... 65, 67, 69,	1220040..... 139
1001235649 408	1001248655 399	311	1320040..... 53

SECTION 10 - SPECIAL OPTIONS/ACCESSORIES/KITS

1320041	13, 129	1703933	395	2160003.....	93	2752983	252
1320043	295, 297	1703934	399	2220237.....	252, 256	2753329	257
1320136	153	1703935	397	2220239.....	252	2753330	257
1320260	295, 297	1703936	391	2220371.....	252, 256	2753331	257
1320263	13	1703937	389	2220373.....	256	2753332	257
1321385	99, 101, 103, 105	1703938	393	2220386.....	252, 256	2753333	257
1380136	77, 79	1703939	395	2220415.....	252, 256	2753334	253, 257
1380138	73	1703940	399	2220466.....	256	2753335	253, 257
1580012	201	1703947	397	2220472.....	252, 256	2753474	253, 257
1670679	139	1703948	391	2220473.....	252, 256	2753475	253, 257
1670697	295, 297	1703949	389	2220498.....	252, 256	2753519	253
1670698	139	1703950	393	2220501.....	252, 256	2753520	253, 257
1670832	155	1703951	395	2220502.....	252, 256	2753535	253
1670833	155	1703952	399	2220504.....	252, 256	2753973	252, 256
1670953	71	1703980	393	2220507.....	252, 256	2780251	13, 15
1670959	141	1703981	395	2220582.....	252, 256	2780282	19, 23, 27
1683591	13, 241	1703982	389	2220593.....	252, 256	2820118	283, 285
1700584	391	1703983	397	2220600.....	252, 256	2820247	359, 361
1701500 ...	383, 389, 391, 393, 395, 397, 399	1703984	391	2220605.....	252	2860030 ...	107, 109, 111, 113, 115, 117, 119, 121, 404
1701504 ...	383, 385, 387, 389, 391, 393, 395, 397, 399	1703985	399	2220609.....	252	2900756	81
1701509 ...	383, 385, 387, 389, 391, 393, 395, 397, 399	1703987	395	2220677.....	252, 256	2900770 ...	147, 149, 225, 227, 229, 231, 235, 247
1701518	385, 387	1703988	389	2220684.....	252	2900792 ...	219, 221, 223
1701642	71, 383, 385, 387, 389, 391, 393, 395, 397, 399	1703991	399	2220727.....	252	2901805	231
1701644 ...	383, 385, 387, 389, 391, 393, 395, 397, 399	1704000	391, 409	2220883.....	225, 227, 231	2901806	227
1701691 ...	383, 385, 387, 389, 391, 393, 395, 397, 399	1704001	397	2220885.....	227, 229, 231, 252, 256	2902549 ...	291, 343, 345, 347, 349, 355
1702124	252, 256	1704002	399	2220899.....	252, 256	2915230	410
1702251	401	1704002	401	2220909.....	252, 256	2920028 ...	180, 184, 188
1702265	383, 391, 397	1704260	179, 183, 187	2220940.....	252, 256	2920029 ...	180, 184, 188
1702271	393	1704277 ...	383, 385, 387, 389, 391, 393, 395, 397, 399	2220999.....	252, 256	2920151	153
1702300 ...	383, 389, 391, 393, 395, 397, 399	1704339	397	2221033.....	252, 256	2940071	129
1702565	179, 183, 187	1704340	391	2221039.....	256	2940074 ...	159, 161, 163, 404
1702566	179, 183, 187	1704341	399	2221054.....	252, 256	2940095	73
1702567	179, 183	1704342	393	2221086.....	252, 256	3000003 ...	57, 59, 61, 63
1702773	387, 401	1704342	393	2221147.....	252	3251243 ...	383, 391, 397, 399
1702774	401	1704343	395	2400044.....	23	3252331	401
1702860	401	1704344	389	2400060.....	215, 281, 299, 317, 329, 333, 334, 371	3252347	383
1702868	383, 408	1704412 ...	383, 385, 387, 389, 391, 393, 395, 397, 399	2460037.....	71	3252507 ...	339, 345, 347, 349, 351, 353, 355
1703797	383	1704417	393	2540037.....	23	3252780	401
1703798	383	1704418	395	2540038.....	13	3271605	135
1703804	383	1704418	395	2540045.....	57, 59, 61, 63	3290405 ...	215, 343, 345, 347, 349, 351, 353, 355
1703805	383	1704419	389	2560122.....	77, 79, 81, 85	3290501	279
1703811	385, 387	1704422	187	2560123.....	77, 79, 81, 85	3290605	153
1703813	383	1704422	187	2560123.....	77, 79, 81, 85	3290606	165, 167
1703814	385, 387	1704446	383	2560136.....	179, 183, 187	3291001	153
1703923	397	1704452	391	2600281.....	159, 161, 163	3291005	153
1703924	391	1704453	399	2700093.....	73	3291201	153
1703925	389	1704454	397	2750910.....	252, 256	3291205	153
1703926	393	1704454	397	2750915.....	252, 256	3300151 ...	165, 167, 169, 295, 297
1703927	395	1704885 ...	383, 385, 389, 391, 393, 395, 397, 399	2751890.....	256	3300281	227, 231
1703928	399	1705325	343	2752435.....	253	3300353	71, 179, 183, 187
1703929	397	1705351	383	2752437.....	253, 256	3300365	99, 101, 103, 105
1703930	391	1705426	393	2752440.....	253	3300426 ...	13, 17, 19, 23
1703931	389	1705427	395	2752442.....	256	3300430	205, 213
1703932	393	1705429	391	2752453.....	252, 256	3300454 .	19, 23, 99, 101, 103, 105
		1705430	389	2752459.....	252, 256	3310805 ...	77, 79, 97, 155
		1705670	385, 387	2752466.....	256		
		1705822	385, 387	2752467.....	252, 256		
		1705828	385, 387	2752475.....	252		
		1705910	397	2752493.....	256		
		1705921	385, 387	2752571.....	256		
		1705977	385, 387	2752573.....	253		
		1705978	385, 387	2752581.....	252		
		1706378	385, 387	2752600.....	256		
		1760160	139	2752611.....	257		
		2080040	159, 161, 163	2752619.....	257		
		2080069	211, 213	2752620.....	252		

SECTION 10 - SPECIAL OPTIONS/ACCESSORIES/KITS

3311001.....23, 163	3470003 180, 184, 188	4060805 71, 153, 295,	4460428..65, 67, 69, 179,
3311005.....73, 155	3520028... 107, 109, 111,	297	183, 187
3311011.... 107, 109, 111,	113, 115, 117, 119, 121	4060808 295, 297	4460434.....329, 333
113, 115, 117, 119, 121	3520030 179, 183, 187	4070863 141	4460458.....379
3311401 19, 23, 139, 141,	3520034 139	4070864 141	4460464..... 13, 215, 281,
295, 297	3520035 19, 23, 73	4070997 141	285, 287, 289, 299,
3311405.... 13, 65, 67, 69,	3520054 179, 183, 187	4070998 141	315, 321, 329, 333,
71, 73, 87, 107, 109,	3520072 ... 159, 161, 165,	4100026 252, 256	363, 365, 367, 369, 371
111, 113, 115, 117,	167, 169	4100065 297	4460465.... 123, 215, 281,
119, 121, 171, 173,	3520198 ... 159, 161, 163,	4100067 297	283, 285, 299, 313,
175, 177, 207, 295,	165, 167, 169	4240032 53, 179, 183,	315, 317, 321, 329,
297, 343, 345, 347,	3536491 133, 135	187	333, 363, 367, 369,
349, 351, 353, 355,	3536999 295	4240033 ... 203, 205, 207,	371, 372, 379
383, 385, 387, 389,	3571462 297	283, 285, 295, 297	4460466.... 203, 211, 215,
391, 393, 395, 397, 399	3572551 145	4240084 19, 23	281, 283, 285, 295,
3311501..... 129, 145	3600289 43, 45, 47	4240099 295, 297	297, 299, 311, 313,
3311505..19, 23, 99, 101,	3740080 33, 404	4240175 13, 19, 24, 97	317, 321, 329, 333,
103, 105, 133, 136,	3740086 365, 404	4300140 295, 297	357, 363, 365, 367,
141, 209, 295, 297	3760115 139, 141	4360387 ... 111, 113, 119,	369, 371, 372, 379
3311601.... 135, 179, 183,	3760308 73	121, 179, 183, 187, 405	4460467.....410
187, 207	3790012 ... 107, 109, 111,	4360407 ... 179, 183, 187,	4460470.....99, 101, 103,
3311602..... 129, 139	113, 115, 117, 119,	405	105, 179, 183, 187
3311605.... 71, 133, 135,	121, 179, 183, 187	4360469 ... 107, 109, 111,	4460471.....99, 101, 103,
139, 141, 145, 163,	3790113 247	113, 115, 117, 119,	105, 179, 183, 187
171, 173, 175, 177	3820001 ... 383, 385, 387,	121, 404	4460488.... 179, 183, 187
3311805..... 133, 135	389, 391, 393, 395,	4360475 ... 107, 109, 111,	4460508.... 203, 285, 311,
3312008..... 13	397, 399, 401	113, 115, 117, 119,	329, 333, 371
3312602.... 123, 125, 127	3820019 73	121, 179, 183, 187, 404	4460509.... 283, 285, 367
3322202..... 13	3820020 159, 161	4360476 ... 107, 109, 111,	4460510.....410
3323003..... 13	3841143 ... 133, 135, 139,	113, 115, 117, 119,	4460516.....31
3340663..... 139	153	121, 179, 183, 187, 404	4460536..... 13, 213, 313,
3340682..... 139	3841203 133, 135	4360548 287, 289	329, 333
3340820..... 139	3841517 13	4420051 401	4460539.... 315, 329, 333,
3340860..... 145	3900085 123, 125, 127	4420062 209	367, 371, 379
3340878..... 141	3900104 155	4460016 329, 333	4460548..... 405
3340884..... 141	3900109 13	4460019 369	4460662.... 345, 347, 351
3340886..... 141	3900170 227, 231	4460042 199	4460670..... 369
3340939..... 141	3900174 73	4460071 ... 199, 337, 339	4460708.... 179, 183, 187,
3380434.... 171, 173, 175,	3900187 ... 107, 109, 111,	4460125 339	329, 333
177	113, 115, 117, 119, 121	4460134 319, 323	4460709..... 377
3420156..... 129	3900349 179, 183, 187	4460138 65, 319	4460710..... 325, 327
3422175 133	3910610 337, 339	4460142 367	4460738..... 369
3422176..... 133	3910804 ... 107, 109, 111,	4460183 317	4460742..... 367, 379
3422177..... 133	113, 115, 117, 119, 121	4460205 337, 375	4460743..... 367, 379
3422178..... 133	3911008 163	4460225 329, 333	4460761.... 329, 333, 371,
3422179..... 133	3911010 191	4460226 ... 153, 193, 196,	379
3422180..... 133, 139	3930824 97	199, 329, 379	4460805..... 67
3422181..... 139	3930828 155	4460227 ... 317, 329, 371	4460806..... 317
3422480..... 135	3930836 155	4460233 339	4460836..... 315, 371
3422481..... 135	3931010 ... 33, 35, 37, 39	4460234 179, 183, 187	4460851..... 317
3422582..... 135	3931012 37, 39	4460259 ... 215, 317, 329,	4460866.... 329, 333, 371
3422661..... 209	3931016 ... 33, 35, 37, 39	333	4460868..... 317
3422669..... 135	3931028 155	4460260 ... 215, 317, 329,	4460871.... 299, 317, 329,
3422692..... 13	3931408 13, 205	333	333, 369, 371, 379
3422709..... 139	3931416 13	4460265 193, 196	4460872..... 299, 379
3422791..... 145	3931816 145	4460267 329, 333	4460873.... 329, 333, 369,
3422792..... 135	3931832 89	4460268 333	371
3422794..... 145	3960422 337, 339	4460294 333	4460874.... 329, 333, 371
3422804..... 141	3960447 73	4460312 311	4460875.... 329, 333, 379
3422806..... 135	3960453 129	4460313 317	4460876..... 317
3422814..... 135	4010618 165, 167	4460320 317	4460877..... 317
3422844..... 135	4031505 203	4460346 337	4460878..... 371
3422845..... 135	4031516 207	4460418 317, 329, 333	4460879.... 215, 329, 333
3422901..... 139	4031707 19, 23	4460419 317, 329, 333	4460884.... 215, 281, 299,
3430616.... 180, 184, 188	4060092 339	4460424 153	363, 371
3450304..... 129	4060804 141, 153	4460426 71	4460887.... 215, 329, 333,
3450810..... 13			371

SECTION 10 - SPECIAL OPTIONS/ACCESSORIES/KITS

4460888	329, 333	211, 343, 345, 347,	4922610.....	341, 343, 345,	70004141	219, 237
4460891 ...	123, 299, 321,	349, 351, 353, 355	347, 349, 351, 353,	355, 377	70004142	219, 237
369, 371, 379		4711500	99, 101, 103,	105, 141	70004143	219, 237
4460894 ...	317, 329, 333,	4711600 ...	19, 23, 43, 51,	53, 77, 79, 97, 129,	70004144	237
369		141, 163, 180, 184, 188		4711800	70004145	237
4460897 ...	125, 127, 287,	4740120 ...	19, 23, 51, 53	113, 115, 117, 119, 121	70004146	219
289, 299, 321, 371		4740156	13	4740171	70004147	219
4460899 ...	357, 363, 365,	4740207	89	4740362 ...	70004159	93
367		171, 173, 175,		177	70004185	410
4460905 ...	299, 317, 329,	4740397 ...	107, 109, 111,	113, 115, 117, 119,	70004323	149
333, 334, 369, 371, 379		121, 179, 183, 187		4740413	70004738	193
4460910	361	4750800	77, 79, 97	4751000	70004739	193
4460911	357	23, 123, 125,		127, 163	70004740	193
4460930	299	127, 163		475140071, 73, 129, 139,	70004741	193
4460931	211, 367	171, 173, 175, 177,		179, 183, 187, 201,	70004742	193
4460932 ...	215, 281, 299	213, 295, 297, 343,		345, 347, 349, 351,	70004743	193
4460933 ...	313, 329, 333,	353, 355, 383, 385,		387, 389, 391, 393,	70004744	193
372, 379		395, 397, 399		4751500 ...	70004745	193
4460941	315, 357	4751500 ...	19, 23, 57, 59,	61, 63, 79, 129, 133,	70004746	193
4460942 ...	203, 315, 371,	136, 145, 209, 295, 297		4751600 .	70004747	193
372		4751600 .	45, 71, 99, 101,	103, 105, 133, 135,	70004748	193
4460943 ...	125, 127, 211,	139, 171, 173, 175, 177		4760600	70004749	193
213, 281, 313, 315,		4751800	63, 129	4761000	70004750	193
317, 357, 369, 371		4760600	337, 339	4761400 ...	70004751	193
4460944 ...	281, 299, 313,	4761400 ...	139, 141, 201	4761600	70004752	195
315, 317, 369, 371, 372		4761600	139	4761800	70004753	195
4460945	369, 371	4761800	139, 141	4811400 ...	70004754	195
4460950	315, 369	4811400 ...	215, 343, 345,	347, 349, 351, 353, 355	70004755	195
4460956	291	4811600	279	4811700	70004756	195
4460957	291	4811700	165, 167	4811702	70004757	195
4460968 ...	287, 289, 343,	4812000	153	4812100	70004758	195
349, 353, 355		4812100	153	4844303	70004759	195
4460970	367	4844303	133	4844304	70004760	195
4461077	357, 365	4844427	135	4844467	70004761	195
4461196	273, 301	4844467	133, 135	4844579	70004762	195
4461198	273	4844579	139	4845582	70004763	195
4461199	271, 309	4845582	209	4846026	70004764	195
4461201	271	4846026	135	4846180	70004765	195
4461205 ...	263, 265, 267,	4846180	141	4846209	70004766	195
269, 305, 307		4846209	133, 135	4846278	70004767	195
4461244	267	4846278	145	4846502	70004768	195
4461245	269	4846502	145	4891500	70004769	195
4461246	261	4891500	93	4891600	70004770	195
4461249	261, 303	4891600	43, 45, 135, 153	4891800 ...	70004771	195
4566188	252	4891800 ...	13, 57, 59, 61	4892000	70004772	195
4566243	295, 297	4892000	19, 23, 89	4922608 ...	70004773	195
4566427	133, 135	4922608 ...	337, 339, 375	4922609 ...	70004774	196
4567946	256	4922609 ...	325, 343, 345,	347, 349, 351, 353, 355	70004775	196
4568114	19, 23				70004809	31
4640495	243				70004811	31
4640509	219, 223				70004820	31
4640634 ...	225, 227, 229,				70004827	33
231					70004884	81
4640709	243, 247				70005091	81
4640771	247				70005101	49
4640807	247				70005143	229
4640932	219, 221				70005210	81, 404
4640936	235				70005214	17
4641086	221				70005215	17
4641386 ...	225, 227, 229,				70005385	31
231					70005386	31
4711000	33, 35, 37, 39				70005387	31
4711400 ...	13, 19, 23, 53,				70005388	31
65, 67, 69, 77, 79, 87,					70005389	31
99, 101, 103, 105, 165,					70005390	31
167, 169, 205, 207,					70005391	31
					70005392	31

SECTION 10 - SPECIAL OPTIONS/ACCESSORIES/KITS

70005393.....31	70007366..... 243, 245	7017123 147, 149	7021618.....55, 404
70005394.....31, 405	70007367 233	7017126 147, 149	7021653.....85
70005395.....31	70007368 233, 235	7017127 147, 149	7021659.....55
70005396.....31	70007369 233, 235	7017153 147	7022390.....85
70005397.....31	70007370 233	7017165 151	7022394.....81
70005398.....31	70007371 233, 235	7017167 151	7023217.....15
70005399.....31	70007372 233, 235	7017168 151	7023318.....91
70005400.....31	70007373 235	7017169 151	7024379.....91
70005401.....31	70007374 235	7017172 ... 147, 149, 151	7024380.....91
70005402.....31	70007378 243	7017173 151	7024381.....91
70005403.....31	70007379 245	7017178 151	7024389.....91
70005404.....31	70007380 245	7017179 151	7024390.....91
70005405.....31	70007381 245	7017192 ... 147, 149, 151	7024444.....49
70005406.....31	7001630 241	7017196 147, 149	7024445.....49
70005407.....31, 405	70022564 225, 229	7017246 241	7024453.....91
70005408.....31	70023094 219, 237	7017247 241	7024738.....27
70005409.....31	70024262 219	7017248 241	7024741.....27
70005410.....31	7002821 410	7017249 241	7024844.....221, 223
70005411.....31	7002823 410	7017250 241	7024883.....81, 404
70005412.....31	7002828 410	7017251 241	7024885.....81, 404
70005415.....19, 23	7004035 91	7017252 241	7024887.....85
70005722.....85	7004036 91	7017402 55, 81, 85	7024891.....83
70006269.....141	7004043 91	7017410 81	7026042.....93
70006280.....141	7004044 91	7017418 81	7026043.....93
70006346.....85	7004045 91	7017421 81	7026068.....223
70006347.....85	7004047 91	7017433 55, 81	7026082.....221, 239
70006348.....85	7004049 91	7017452 81, 85	7026084.....221, 239
70006349.....85	7004275 410	7017466 83	7026088.....223
70006531.....227	7004276 410	7017488 55	7026090.....223
70006532.....227, 231	70050801 225	7017496 83, 85	7026091.....223
70006533.....227, 231	7007640 27	7019698 139	7026092.....223
70006535.....227	7010543 55, 81	7019699 139	7027350.....93
70006539.....231	7011112 219, 221	7020035 15	7027351.....93
70006542.....231	7011323 147, 149	7020036 15	7027352.....93
70006543.....231	7011376 ... 225, 227, 229, 231	7020037 15, 17	7027353.....93
70006587.....225	7012518 55, 81	7020038 15	7027354.....93
70006588.....225	7012540 81	7020039 15, 17	7027355.....93
70006589.....225	7012903 81	7020040 15, 17	7027358.....93
70006590.....225	7012914 81	7020041 15	7027360.....93
70006591.....225	7012918 81	7020042 15	7027361.....93
70006592.....225	7012918 81	7020054 15, 17	7027363.....93
70006593.....225	7012947 81	7020055 15, 17	7027900.....147, 149
70006594.....229	7012953 81, 83	7020137 15, 17	7027901.....147, 149
70006595.....229	7012959 83	7020140 15, 17	8220045.....367
70006596.....229	7012961 81	7020175 ... 107, 109, 111, 113, 115, 117, 119, 121, 179, 183, 187	8220068.....379
70006597.....229	7012967 81	7020176 ... 107, 109, 111, 113, 115, 117, 119, 121, 179, 183, 187	8229234.....369, 404
70006598.....229	7012972 55		8229235.....369, 404
70006599.....229	7012975 81		8229236.....367, 404
70006600.....229	7012995 81		8229237.....369, 404
70006601.....225	7012998 55, 81, 85		8229242... 317, 329, 333, 334, 371, 404
70007357.....243, 245	7016177 57, 59	7021318 47	8229249.....215, 404
70007358.....243	7016654 410	7021319 47	8229261.....369, 404
70007359.....243, 245	7016655 410	7021361 47	8760554.....256
70007360.....243, 245	7017007 28	7021377 47	88261024.....129
70007361.....243, 245	7017009 27	7021603 81	88261026.....142
70007362.....243, 245	7017022 27	7021604 81	88521205... 57, 59, 61, 63
70007363.....243, 245	7017120 147, 149	7021609 55, 85, 404	88662523... 43, 45, 51, 53
70007364.....243, 245	7017121 147, 149	7021611 55, 81	88662530.....129
70007365.....243	7017122 147, 149	7021616 55, 404	



**Corporate Office
JLG Industries, Inc.
1 JLG Drive
McConnellsburg, PA 17233-9533 USA
☎ (717) 485-5161 (Corporate)
☎ (877) 554-5438 (Customer Support)
📠 (717) 485-6417**

**Visit our website for JLG Worldwide Locations.
www.jlg.com**



OSHKOSH™