



Illustrated Parts Manual

***Model
340AJ***

**PVC
2201**

**P/N
31219177**

January 9, 2023 - Rev C

ANSI

CE



**UK
CA**

AS/NZS



An Oshkosh Corporation Company

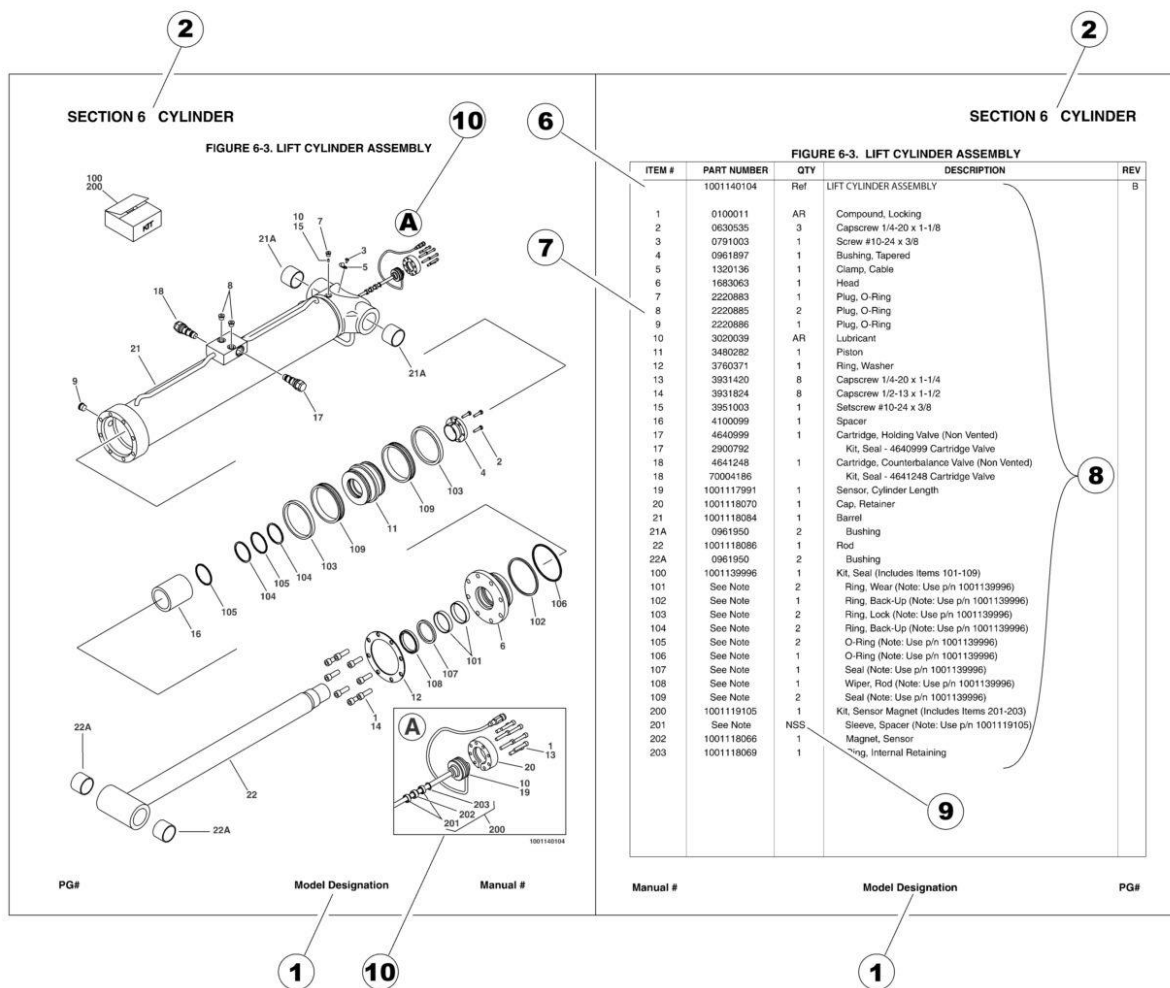
REVISION LOG

January 10, 2022 - A - Original Issue of Manual (Edited to B/M 1001247170 Revision I)

July 11, 2022 - B - Revised Manual (Edited to B/M 1001247170 Revision I)

January 9, 2023 - C - Revised Manual (Edited to B/M 1001247170 Revision I)

GENERAL INFORMATION



1) MACHINE IDENTIFICATION

Machines are identified by model and in some cases a combination of models, serial number (SN) or regional standard (i.e ANSI, CE, CSA). Components may also be identified by SN or manufacturer. Common components that may be identified by these characteristics are engines and hydraulic components.

2) PARTS MANUAL ORGANIZATION

Product information in this manual is organized under section titles. Frame, Cylinder, Hydraulic and Electrical are a few examples. Each section is organized by figure and page number. The information within the Figure is then organized by item number, part number, description and corresponding illustration (s).

3) TABLE OF CONTENTS (NOT SHOWN)

A table of contents is found toward the beginning of the manual. Figure number, description and page number are provided for quick reference to the page containing the related information.

4) RECOMMENDED SPARE PARTS (NOT SHOWN)

The Recommended Spare Parts List, located near the end of the manual, reference most frequently used maintenance parts.

5) PART NUMBER INDEX (NOT SHOWN)

A numerical index listing all part numbers and the corresponding page number(s) appears at the back of the manual.

GENERAL INFORMATION

6) NON-SERVICED PARTS

In some instances, it is necessary to display non-serviced parts, assemblies or installations. In the case of assemblies and installations there will be a Ref in the Qty. column. In case of parts that are not available for service within assemblies or components, there will be a NSS (Not Sold Separately) or NLA (No Longer Available) listed in the Qty. column of the manual.

7) PARTS LIST ITEM NUMBERS

Numbers shown in the item# column correspond to numbers used in the associated illustration (s). Item numbers which are missing from the sequence in the parts list are not used on that page.

8) INDENTED PARTS DESCRIPTION

An indented part description is included in the item under which it is indented.

9) ABBREVIATION AND SYMBOLS

AC.....	Alternating Current	L.....	Liter
ADE.....	Advanced Design Electronics	LB(LBS).....	Pounds
AG.....	Agricultural	LCD.....	Liquid Crystal Display
ANSI.....	American National Standards Institute	LED.....	Light Emitting Diodes
AR.....	As Required	LH.....	Left Hand
ASSY.....	Assembly	LRC.....	Low Rated Countries
AUS.....	Australia	LSS.....	Load Sensing System
AUX.....	Auxiliary	M(m).....	Metric/Meter
AWG.....	American Wire Gauge	MM(mm).....	Milimeter
B/M.....	Bill of Material	mA.....	Miliamps
CAC.....	Charge Air Cooler	NLA.....	No Longer Available
CE.....	European Conformity	NPT.....	National Pipe Threads
CCW.....	Counter Clockwise	NSS.....	Not Sold Separately
CM.....	Centimeter	OD.....	Outside Diameter
CW.....	Clockwise	ORB.....	O-Ring Boss
CSA.....	Canadian Standards Association	ORFS.....	O-Ring Face Seal
CYL.....	Cylinder	OZ (oz).....	Ounces
DIA.....	Diameter	PG.....	Page
DC.....	Direct Current	PN.....	Part Number
DEF.....	Diesel Exhaust Fluid	QT(qt.).....	Quarts
EMS.....	Emergency Stop	QTY.....	Quantity
ENG.....	Engine	REF.....	Reference
FT(ft).....	Feet	REV.....	Revision Level
GA(Ga).....	Gauge	RH.....	Right Hand
HRC.....	High Rated Countries	SAE.....	Society of Automotive Engineers
HVAC.....	Heating, Ventilating, and Air Conditioning	SN.....	Serial Number
HYD.....	Hydraulic	SPEC(S).....	Specifications
Hz.....	Hertz	T/T.....	Turntable
ID.....	Inside Diameter	UGM.....	Universal Ground Module
IN.....	inches	V.....	Volts
ISO.....	International Organization for Standards	W.....	Watts
JIC.....	Joint Industry Council	#.....	Number
KG.....	Kilogram		

10) ILLUSTRATION REFERENCE LETTERS

When necessary, illustrations may contain reference letters that are intended to track information (i. e. hoses, harnesses) from one point to another or to track visual enlargement of components to show details that may be located in another area on the illustration.

Note: Due to continuous product improvements, JLG Industries, Inc. reserves the right to make specification changes without prior notification. Contact JLG Industries, Inc. for updated information.

TABLE OF CONTENTS

SECTION 1 - FRAME.....	11
FIGURE 1-1. STEERING INSTALLATION	12
FIGURE 1-2. OSCILLATING AXLE INSTALLATION.....	14
FIGURE 1-3. DRIVE VALVES INSTALLATION.....	16
FIGURE 1-4. FLOW DIVIDER VALVE ASSEMBLY	18
FIGURE 1-5. DRIVE INSTALLATION.....	20
FIGURE 1-6. DRIVE MOTOR ASSEMBLY.....	22
FIGURE 1-7. DRIVE HUB/BRAKE ASSEMBLY	24
FIGURE 1-8. TIRE AND WHEEL INSTALLATION - 7X18 SOLID CUSHION.....	28
FIGURE 1-9. TIRE AND WHEEL INSTALLATION - 7X18 SOLID CUSHION NON-MARKING.....	30
FIGURE 1-10. TIRE AND WHEEL INSTALLATION - 9X20 FOAM-FILLED	32
FIGURE 1-11. TIRE AND WHEEL INSTALLATION - 9X20 FOAM-FILLED NON-MARKING	34
FIGURE 1-12. TIRE AND WHEEL INSTALLATION - 33 X 12LL500 TURF/SAND FOAM FILLED.....	36
FIGURE 1-13. FRAME SHIELDS INSTALLATION.....	38
FIGURE 1-14. LP TANK ASSEMBLY.....	40
SECTION 2 - TURNTABLE.....	43
FIGURE 2-1. CONTROL VALVE AND CHARGE FILTER INSTALLATION	44
FIGURE 2-2. MAIN CONTROL VALVE ASSEMBLY.....	46
FIGURE 2-3. SWING DRIVE INSTALLATION (JING WEI)	48
FIGURE 2-4. SWING MOTOR ASSEMBLY	50
FIGURE 2-5. SWING BEARING ASSEMBLY.....	52
FIGURE 2-6. TANK INSTALLATION (DIESEL MACHINES).....	54
FIGURE 2-7. TANK INSTALLATION (GAS MACHINES)	56
FIGURE 2-8. HYDRAULIC TANK ASSEMBLY.....	58
FIGURE 2-9. FUEL TANK ASSEMBLY (DIESEL MACHINES).....	60
FIGURE 2-10. FUEL TANK ASSEMBLY (GAS MACHINES)	62
FIGURE 2-11. ELECTRICAL COMPONENTS INSTALLATION (ALL SPECS EXCEPT CE & UK CA) (Prior to SN 0300291111)	64
FIGURE 2-12. ELECTRICAL COMPONENTS INSTALLATION (ALL SPECS EXCEPT CE & UK CA) (SN 0300291111 to Present)	66
FIGURE 2-13. ELECTRICAL COMPONENTS INSTALLATION (CE & UK CA SPEC) (Prior to SN 0300291111).....	68
FIGURE 2-14. ELECTRICAL COMPONENTS INSTALLATION (CE & UK CA SPEC) (SN 0300291111 to Present)	70
FIGURE 2-15. GROUND CONTROL BOX ASSEMBLY - DISPLAY WITH BUTTONS (ALL SPECS EXCEPT CE & UK CA SPECS).....	72
FIGURE 2-16. GROUND CONTROL BOX ASSEMBLY - DISPLAY WITHOUT BUTTONS (ALL SPECS EXCEPT CE & UK CA SPECS).....	74
FIGURE 2-17. GROUND CONTROL BOX ASSEMBLY - DISPLAY WITH BUTTONS (CE & UK CA SPECS).....	76
FIGURE 2-18. GROUND CONTROL BOX ASSEMBLY - DISPLAY WITHOUT BUTTONS (CE & UK CA SPECS)	78
FIGURE 2-19. LIGHT PANEL INSTALLATION	80
FIGURE 2-20. KEY SWITCH INSTALLATION	82
FIGURE 2-21. BATTERY INSTALLATION.....	84
FIGURE 2-22. WHITE NOISE ALARM INSTALLATION (AMBIENT)	86
FIGURE 2-23. WHITE NOISE ALARM INSTALLATION (CONSTANT).....	88
FIGURE 2-24. STROBE LIGHT INSTALLATION (AMBER) (OPTIONAL).....	90
FIGURE 2-25. STROBE LIGHT INSTALLATION (BLUE) (OPTIONAL)	92
FIGURE 2-26. STROBE LIGHT INSTALLATION (RED) (OPTIONAL)	94
FIGURE 2-27. TURNTABLE FLOODLIGHT INSTALLATION (OPTIONAL)	96
FIGURE 2-28. HEAD AND TAIL LIGHT INSTALLATION (OPTIONAL).....	98
FIGURE 2-29. HOODS INSTALLATION	100
FIGURE 2-30. ENGINE SIDE HOOD ASSEMBLY.....	104
FIGURE 2-31. TANK SIDE HOOD ASSEMBLY	106
FIGURE 2-32. HOOD COMPONENTS - KUBOTA ENGINE (WITHOUT ARCTIC PACKAGE).....	108
FIGURE 2-33. HOOD COMPONENTS - KUBOTA ENGINE (WITH ARCTIC PACKAGE)	110
FIGURE 2-34. HOOD COMPONENTS - KUBOTA ENGINE WITH 4000W GENERATOR (WITHOUT ARCTIC PACKAGE).....	112
FIGURE 2-35. HOOD COMPONENTS - KUBOTA ENGINE WITH 4000W GENERATOR (WITH ARCTIC PACKAGE)	114
FIGURE 2-36. HOOD COMPONENTS - GM ENGINE (WITHOUT ARCTIC PACKAGE)	116
FIGURE 2-37. HOOD COMPONENTS - GM ENGINE (WITH ARCTIC PACKAGE).....	118
SECTION 3 - ENGINE	121
FIGURE 3-1. GM ENGINE INSTALLATION (WITHOUT ARCTIC PACKAGE).....	122
FIGURE 3-2. GM ENGINE INSTALLATION (WITH ARCTIC PACKAGE)	124
FIGURE 3-3. GM ENGINE AND PUMP SUB-ASSEMBLY.....	126
FIGURE 3-4. GM ENGINE ASSEMBLY	128

TABLE OF CONTENTS

FIGURE 3-5. KUBOTA ENGINE INSTALLATION (WITHOUT ARCTIC PACKAGE)	132
FIGURE 3-6. KUBOTA ENGINE INSTALLATION WITH 4000W GENERATOR (WITHOUT ARCTIC PACKAGE)	136
FIGURE 3-7. KUBOTA ENGINE INSTALLATION (WITH ARCTIC PACKAGE).....	140
FIGURE 3-8. KUBOTA ENGINE INSTALLATION WITH 4000W GENERATOR (WITH ARCTIC PACKAGE).....	144
FIGURE 3-9. KUBOTA ENGINE AND PUMP SUB-ASSEMBLY.....	148
FIGURE 3-10. KUBOTA ENGINE WITH 4000W GENERATOR AND PUMP SUB-ASSEMBLY	150
FIGURE 3-11. KUBOTA ENGINE ASSEMBLY	152
FIGURE 3-12. KUBOTA ENGINE ASSEMBLY WITH 4000W GENERATOR.....	156
FIGURE 3-13. KUBOTA ENGINE COMPONENTS.....	162
FIGURE 3-14. CATALYTIC MUFFLER INSTALLATION - KUBOTA ENGINE (OPTIONAL).....	166
FIGURE 3-15. FUEL/WATER SEPARATOR ASSEMBLY (KUBOTAT ENGNIES) (PVC2007)	168
FIGURE 3-16. AXIAL PUMP ASSEMBLY	170
FIGURE 3-17. GEAR PUMP ASSEMBLY.....	174
FIGURE 3-18. 2800W GENERATOR INSTALLATION - GM ENGINE MACHINES 220V/50HZ GENERATOR (ANSI EXPORT AND CHINA SPECS).....	176
FIGURE 3-19. 2800W GENERATOR INSTALLATION - KUBOTA ENGINE MACHINES 120V/50HZ GENERATOR	180
FIGURE 3-20. 2800W GENERATOR INSTALLATION - KUBOTA ENGINE MACHINES 220V/50HZ GENERATOR (ANSI EXPORT, AUSTRALIAN, CHINA, CE & UK CA SPECS)	184
FIGURE 3-21. 3500W GENERATOR INSTALLATION - GM ENGINE MACHINES 120V/60HZ GENERATOR (ANSI, ANSI EXPORT, CHINA, CSA AND JAPANESE SPECS).....	188
FIGURE 3-22. 3500W GENERATOR INSTALLATION - GM ENGINE MACHINES 220V/60HZ GENERATOR (ANSI EXPORT, CHINA AND CSA SPECS).....	192
FIGURE 3-23. 3500W GENERATOR INSTALLATION - KUBOTA ENGINE MACHINES 120V/60HZ GENERATOR (ANSI, ANSI EXPORT, CHINA, CSA AND JAPANESE SPECS).....	196
FIGURE 3-24. 3500W GENERATOR INSTALLATION - KUBOTA ENGINE MACHINES 220V/60HZ GENERATOR (ANSI EXPORT, CHINA AND CSA SPECS)	200
FIGURE 3-25. 4000W GENERATOR INSTALLATION - KUBOTA ENGINE MACHINES 220V/50HZ GENERATOR (ANSI EXPORT, AUSTRALIAN, CHINA, JAPANESE, CE & UK CA SPECS).....	204
FIGURE 3-26. 4000W GENERATOR INSTALLATION - KUBOTA ENGINE MACHINES 110V/60HZ GENERATOR (ANSI, ANSI EXPORT, CHINA, CSA AND JAPANESE SPECS).....	208
SECTION 4 - BOOM.....	211
FIGURE 4-1. BOOM AND CYLINDERS INSTALLATION - WITHOUT ARCTIC PACKAGE.....	212
FIGURE 4-2. BOOM AND CYLINDERS INSTALLATION - WITH ARCTIC PACKAGE	214
FIGURE 4-3. TOWER BOOM ASSEMBLY	216
FIGURE 4-4. MAIN BOOM ASSEMBLY	218
FIGURE 4-5. JIB ASSEMBLY - WITHOUT ARCTIC PACKAGE.....	220
FIGURE 4-6. JIB ASSEMBLY - WITH ARCTIC PACKAGE	222
FIGURE 4-7. PLATFORM ROTATOR ASSEMBLY - WITHOUT ARCTIC PACKAGE.....	224
FIGURE 4-8. PLATFORM ROTATOR ASSEMBLY - WITH ARCTIC PACKAGE.....	226
FIGURE 4-9. PLATFORM SUPPORT INSTALLATION - WITH 1 CELL LSS (PVC 2001).....	228
FIGURE 4-10. PLATFORM SUPPORT INSTALLATION - WITH 1 CELL LSS (PVC 2007).....	230
FIGURE 4-11. POWER TRACK INSTALLATION.....	232
FIGURE 4-12. CONTROL VALVES INSTALLATION - BOOM.....	234
FIGURE 4-13. FLY BOOM VALVE ASSEMBLY	236
FIGURE 4-14. BOOM UPRIGHT VALVE ASSEMBLY	238
SECTION 5 - PLATFORM	241
FIGURE 5-1. PLATFORM ASSEMBLY - 30IN X 4FT (76CM X 1.22M) - GATE ENTRY	242
FIGURE 5-2. PLATFORM ASSEMBLY - 30IN X 5FT (76CM X 1.52M) - GATE ENTRY	244
FIGURE 5-3. PLATFORM ASSEMBLY - 30IN X 4FT (76CM X 1.22M) - DROP BAR ENTRY	246
FIGURE 5-4. PLATFORM ASSEMBLY - 30IN X 5FT (76CM X 1.52M) - DROP BAR ENTRY	248
FIGURE 5-5. PLATFORM ASSEMBLY - 30IN X 3FT (76CM X .91M) - DROP BAR ENTRY	250
FIGURE 5-6. TRAY INSTALLATION.....	252
FIGURE 5-7. CONSOLE AND FOOTSWITCH INSTALLATION - DIESEL MACHINES	254
FIGURE 5-8. CONSOLE AND FOOTSWITCH INSTALLATION - GAS MACHINES.....	256
FIGURE 5-9. CONSOLE ASSEMBLY	258
FIGURE 5-10. LIFT/SWING CONTROLLER ASSEMBLY	262
FIGURE 5-11. DRIVE/STEER CONTROLLER ASSEMBLY	266
FIGURE 5-12. LIGHT PANEL INSTALLATION	268
FIGURE 5-13. FOOTSWITCH ASSEMBLY	270
FIGURE 5-14. USB CHARGER INSTALLATION.....	272
FIGURE 5-15. SKYEYE INSTALLATION.....	274
FIGURE 5-16. SKYGUARD BAR INSTALLATION.....	276
FIGURE 5-17. SKYLINE INSTALLATION	278

TABLE OF CONTENTS

FIGURE 5-18. WORKLIGHTS INSTALLATION (OPTIONAL)	280
SECTION 6 - CYLINDER.....	283
FIGURE 6-1. AXLE LOCKOUT CYLINDER ASSEMBLY	284
FIGURE 6-2. LEVEL (PLATFORM SLAVE) CYLINDER ASSEMBLY	286
FIGURE 6-3. LIFT (JIB) CYLINDER ASSEMBLY.....	288
FIGURE 6-4. LIFT (MAIN BOOM) CYLINDER ASSEMBLY	290
FIGURE 6-5. LIFT (TOWER BOOM) CYLINDER ASSEMBLY.....	292
FIGURE 6-6. MASTER CYLINDER ASSEMBLY.....	294
FIGURE 6-7. STEER CYLINDER ASSEMBLY.....	296
FIGURE 6-8. TELESCOPE CYLINDER ASSEMBLY	298
SECTION 7 - HYDRAULIC	301
FIGURE 7-1. HYDRAULIC INSTALLATION - WITHOUT ARCTIC PACKAGE.....	302
FIGURE 7-2. HYDRAULIC INSTALLATION - WITH ARCTIC PACKAGE	312
SECTION 8 - ELECTRICAL	323
FIGURE 8-1. AC BOX AT PLATFORM INSTALLATION - LOCALLY SUPPLIED COMPONENTS (ANSI EXPORT, AUSTRALIAN AND CHINA SPECS).....	324
FIGURE 8-2. AC BOX AT PLATFORM INSTALLATION - LOCALLY SUPPLIED (CE & UK CA SPEC).....	326
FIGURE 8-3. AC BOX AT PLATFORM INSTALLATION - 110V (ANSI, ANSI EXPORT, CHINA, CSA AND JAPANESE SPECS)	328
FIGURE 8-4. AC BOX AT PLATFORM INSTALLATION - 110V IEC YELLOW WITHOUT 4000W GENERATOR (CE & UK CA SPEC).....	330
FIGURE 8-5. AC BOX AT PLATFORM INSTALLATION - 110V IEC YELLOW WITH 4000W GENERATOR (CE & UK CA SPECS)	332
FIGURE 8-6. AC BOX AT PLATFORM INSTALLATION - 220V (CSA SPEC).....	334
FIGURE 8-7. AC BOX AT PLATFORM INSTALLATION - 220V IEC BLUE WITHOUT 4000W GENERATOR (CE & UK CA SPEC)	336
FIGURE 8-8. AC BOX AT PLATFORM INSTALLATION - 220V IEC BLUE WITH 4000W GENERATOR (CE & UK CA SPECS)	338
FIGURE 8-9. AC BOX AT PLATFORM INSTALLATION - 220V CEE7 POST GROUND 2 X 4 BOX WITHOUT 4000W GENERATOR (CE & UK CA SPEC).....	340
FIGURE 8-10. AC BOX AT PLATFORM INSTALLATION - 220V CEE7 POST GROUND 2 X 4 BOX WITH 4000W GENERATOR (CE & UK CA SPECS).....	342
FIGURE 8-11. AC BOX AT PLATFORM INSTALLATION - 220V CEE7 SIDE GROUND 2 X 4 BOX WITHOUT 4000W GENERATOR (CE & UK CA SPEC).....	344
FIGURE 8-12. AC BOX AT PLATFORM INSTALLATION - 220V CEE7 SIDE GROUND 2 X 4 BOX WITH 4000W GENERATOR (CE & UK CA SPECS).....	346
FIGURE 8-13. AC BOX AT PLATFORM INSTALLATION - 220V AFSINT 107 KEYED GROUND WITHOUT 4000W GENERATOR (CE & UK CA SPEC).....	348
FIGURE 8-14. AC BOX AT PLATFORM INSTALLATION - 220V AFSINT 107 KEYED GROUND WITH 4000W GENERATOR (CE & UK CA SPECS).....	350
FIGURE 8-15. AC BOX AT PLATFORM INSTALLATION - BOX WITH COVER WITH 4000W GENERATOR (ANSI EXPORT, AUSTRALIAN, CHINA AND JAPANESE SPECS).....	352
FIGURE 8-16. AC POWER TO PLATFORM CABLE - MAIN BOOM (WITHOUT ARCTIC PACKAGE) (50HZ)	354
FIGURE 8-17. AC POWER TO PLATFORM CABLE - MAIN BOOM (WITH ARCTIC PACKAGE) (50HZ)	356
FIGURE 8-18. AC POWER TO PLATFORM CABLE - MAIN BOOM (60HZ)	358
FIGURE 8-19. AC POWER TO PLATFORM CABLE - TOWER BOOM (WITHOUT ARCTIC PACKAGE) (50HZ)	360
FIGURE 8-20. AC POWER TO PLATFORM CABLE - TOWER BOOM (WITH ARCTIC PACKAGE) (50HZ)	362
FIGURE 8-21. AC POWER TO PLATFORM CABLE - TOWER BOOM (60HZ).....	364
FIGURE 8-22. BATTERY DISCONNECT SWITCH.....	366
FIGURE 8-23. BOOM CABLES, HARNESSES AND CLAMPS INSTALLATION - WITHOUT ARCTIC PACKAGE	368
FIGURE 8-24. BOOM CABLES, HARNESSES AND CLAMPS INSTALLATION - WITH ARCTIC PACKAGE.....	372
FIGURE 8-25. BOOM CABLES AND CLAMPS INSTALLATION - 4000W, 50HZ - WITHOUT ARCTIC PACKAGE.....	376
FIGURE 8-26. BOOM CABLES AND CLAMPS INSTALLATION - 4000W, 50HZ - WITH ARCTIC PACKAGE	380
FIGURE 8-27. BOOM CABLES AND CLAMPS INSTALLATION - 4000W, 60HZ - WITHOUT ARCTIC PACKAGE.....	384
FIGURE 8-28. BOOM CABLES AND CLAMPS INSTALLATION - 4000W, 60HZ - WITH ARCTIC PACKAGE	388
FIGURE 8-29. BOOM HARNESS - LIMIT SWITCHES AND UPRIGHT VALVE.....	392
FIGURE 8-30. BOOM HARNESS - MAIN.....	394
FIGURE 8-31. BREAKER BOX INSTALLATION	396
FIGURE 8-32. BREAKER BOX KIT (CE & UK CA SPEC)	398
FIGURE 8-33. CHASSIS HARNESS ASSEMBLY.....	400
FIGURE 8-34. CHASSIS LIGHT HARNESS.....	404

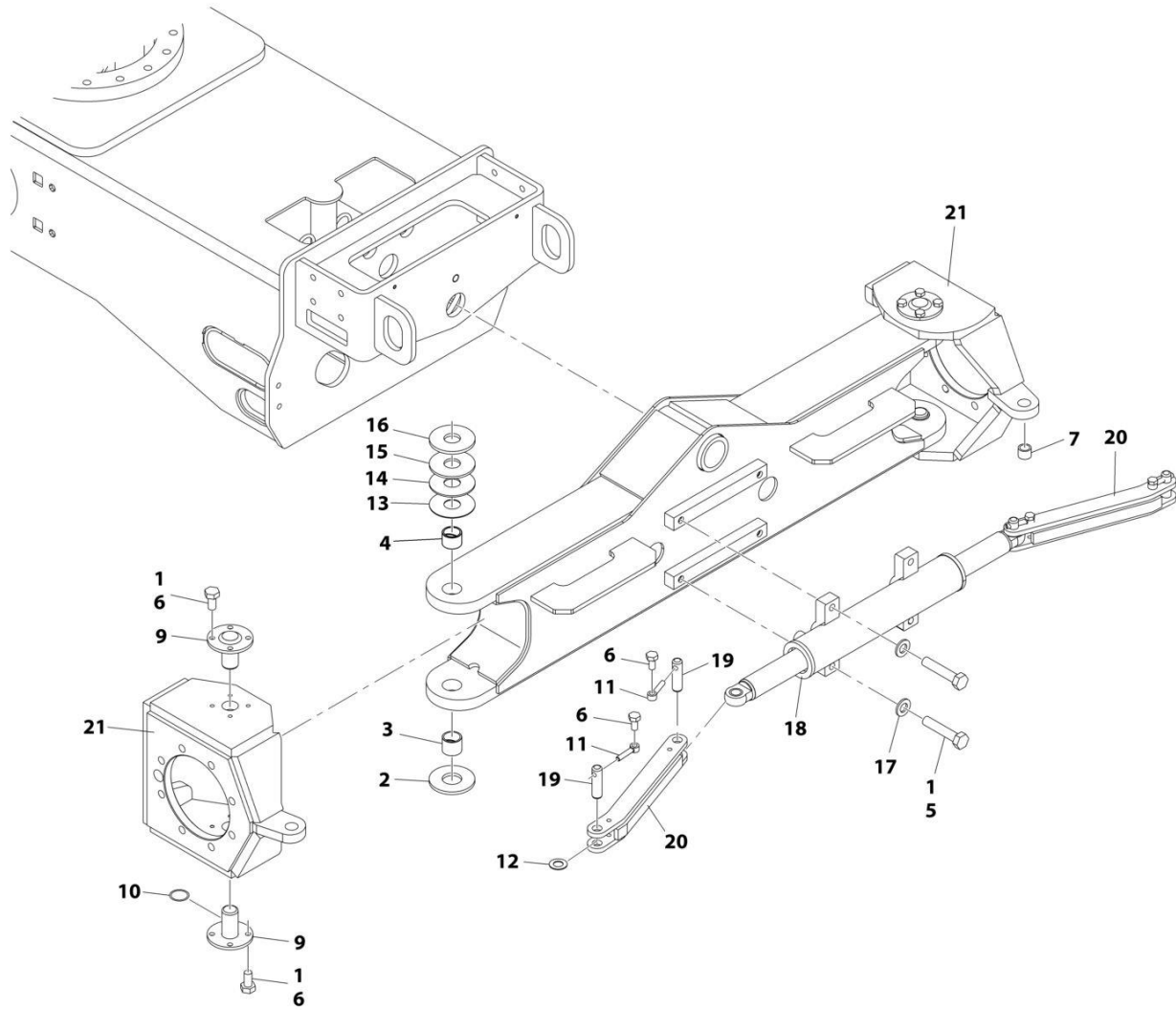
TABLE OF CONTENTS

FIGURE 8-35. ENGINE HARNESS - KUBOTA ENGINE.....	406
FIGURE 8-36. FUEL PUMP HARNESS - GM ENGINES.....	408
FIGURE 8-37. GENERATOR HARNESS - 2500W.....	410
FIGURE 8-38. GENERATOR HARNESS - 4000W.....	412
FIGURE 8-39. GENERATOR CONTROL HARNESS - 4000W.....	414
FIGURE 8-40. GENERATOR TO AC PLUG HARNESS - 2800W GENERATOR 220/50HZ (ANSI EXPORT, AUSTRALIAN, CHINA, CE & UK CA SPECS).....	416
FIGURE 8-41. GENERATOR TO AC PLUG HARNESS - 2800W GENERATOR 110/50HZ (CE & UK CA SPECS ONLY).....	418
FIGURE 8-42. GENERATOR TO AC PLUG HARNESS - 2800W GENERATOR 220/50HZ (ANSI EXPORT, AUSTRALIAN, CHINA, CE & UK CA SPECS).....	420
FIGURE 8-43. GENERATOR TO AC PLUG HARNESS - 3500W GENERATOR 220/60HZ (ANSI EXPORT, CHINA AND CSA SPECS).....	422
FIGURE 8-44. GENERATOR TO AC PLUG HARNESS - 3500W GENERATOR 110/60HZ (ANSI, ANSI EXPORT, CHINA, CSA AND JAPANESE SPECS).....	424
FIGURE 8-45. GENERATOR TO AC PLUG HARNESS - 3500W GENERATOR 220/60HZ (ANSI EXPORT, CHINA AND CSA SPECS).....	426
FIGURE 8-46. GROUND TO PLATFORM CABLE - MAIN BOOM (WITHOUT ARCTIC PACKAGE).....	428
FIGURE 8-47. GROUND TO PLATFORM CABLE - MAIN BOOM (WITH ARCTIC PACKAGE).....	430
FIGURE 8-48. GROUND TO PLATFORM CABLE - TOWER BOOM (WITHOUT ARCTIC PACKAGE).....	432
FIGURE 8-49. GROUND TO PLATFORM CABLE - TOWER BOOM (WITH ARCTIC PACKAGE).....	434
FIGURE 8-50. GROUND CONTROL HARNESS.....	436
FIGURE 8-51. GENERATOR TO PLATFORM HARNESS.....	438
FIGURE 8-52. LIMIT SWITCH HARNESS.....	440
FIGURE 8-53. LSS HARNESS.....	442
FIGURE 8-54. MID-ENGINE HARNESS.....	444
FIGURE 8-55. PLATFORM BOX HARNESS ASSEMBLY.....	448
FIGURE 8-56. RECEPTACLE BOX KIT - 110V IEC YELLOW (CE & UK CA SPEC).....	450
FIGURE 8-57. RECEPTACLE BOX KIT - 220V IEC BLUE (CE & UK CA SPEC).....	452
FIGURE 8-58. RECEPTACLE BOX KIT - 220V CEE7 POST GROUND 70MM X 70MM BOX (CE & UK CA SPEC).....	454
FIGURE 8-59. RECEPTACLE BOX KIT - 220V CEE7 SIDE GROUND 70MM X 70MM BOX (CE & UK CA SPEC).....	456
FIGURE 8-60. RECEPTACLE BOX KIT - 220V CEE7 POST GROUND 2IN X 4IN BOX (CE & UK CA SPEC).....	458
FIGURE 8-61. RECEPTACLE BOX KIT - 220V CEE7 SIDE GROUND 2IN X 4IN BOX (CE & UK CA SPEC).....	460
FIGURE 8-62. RECEPTACLE BOX KIT - 220V AFSINT 107 (CE & UK CA SPEC).....	462
FIGURE 8-63. RECEPTACLE INSTALLATION - 12V.....	464
FIGURE 8-64. SKYEYE EMITTER HARNESS.....	466
FIGURE 8-65. SKYEYE INTERMEDIATE HARNESS.....	468
FIGURE 8-66. SKYEYE RECEIVER HARNESS.....	470
FIGURE 8-67. SKYLINE HARNESS.....	472
FIGURE 8-68. STROBE LIGHT CONTROL (BLUE STROBE LIGHT).....	474
FIGURE 8-69. STROBE LIGHT EXTENSION HARNESS (BLUE STROBE LIGHT ONLY).....	476
FIGURE 8-70. VALVE HARNESS - BOOM VALVE.....	478
FIGURE 8-71. VALVE HARNESS - MAIN CONTROL.....	480
FIGURE 8-72. TILT SENSOR HARNESS.....	482
SECTION 9 - DECALS.....	485
FIGURE 9-1. DECALS INSTALLATION - ANSI AND ANSI EXPORT SPECS (ENGLISH).....	486
FIGURE 9-2. DECALS INSTALLATION - AUSTRALIAN SPEC (ENGLISH).....	488
FIGURE 9-3. DECALS INSTALLATION - BRAZIL SPEC (PORTUGUESE/SPANISH).....	490
FIGURE 9-4. DECALS INSTALLATION - CE & UK CA SPECS (ENGLISH).....	492
FIGURE 9-5. DECALS INSTALLATION - CHINESE SPEC (CHINESE/ENGLISH).....	494
FIGURE 9-6. DECALS INSTALLATION - CSA SPEC (FRENCH/ENGLISH).....	496
FIGURE 9-7. DECALS INSTALLATION - JAPANESE SPEC (JAPANESE).....	498
FIGURE 9-8. DECALS INSTALLATION - KOREAN SPEC (KOREAN/ENGLISH).....	500
FIGURE 9-9. DECALS INSTALLATION - LATIN AMERICA SPEC (SPANISH/ENGLISH).....	502
FIGURE 9-10. OPTIONAL DECALS INSTALLATION.....	504
SECTION 10 - RECOMMENDED SERVICE PARTS STOCK.....	507
FIGURE 10-1. RECOMMENDED SERVICE PARTS STOCK.....	508
SECTION 11 - SPECIAL OPTIONS/ACCESSORIES/KITS.....	511
FIGURE 11-1. SPECIAL OPTIONS/ACCESSORIES/KITS.....	512
PART NUMBER INDEX.....	515

SECTION 1 - FRAME

SECTION 1 - FRAME

FIGURE 1-1. STEERING INSTALLATION



ART_1001115771

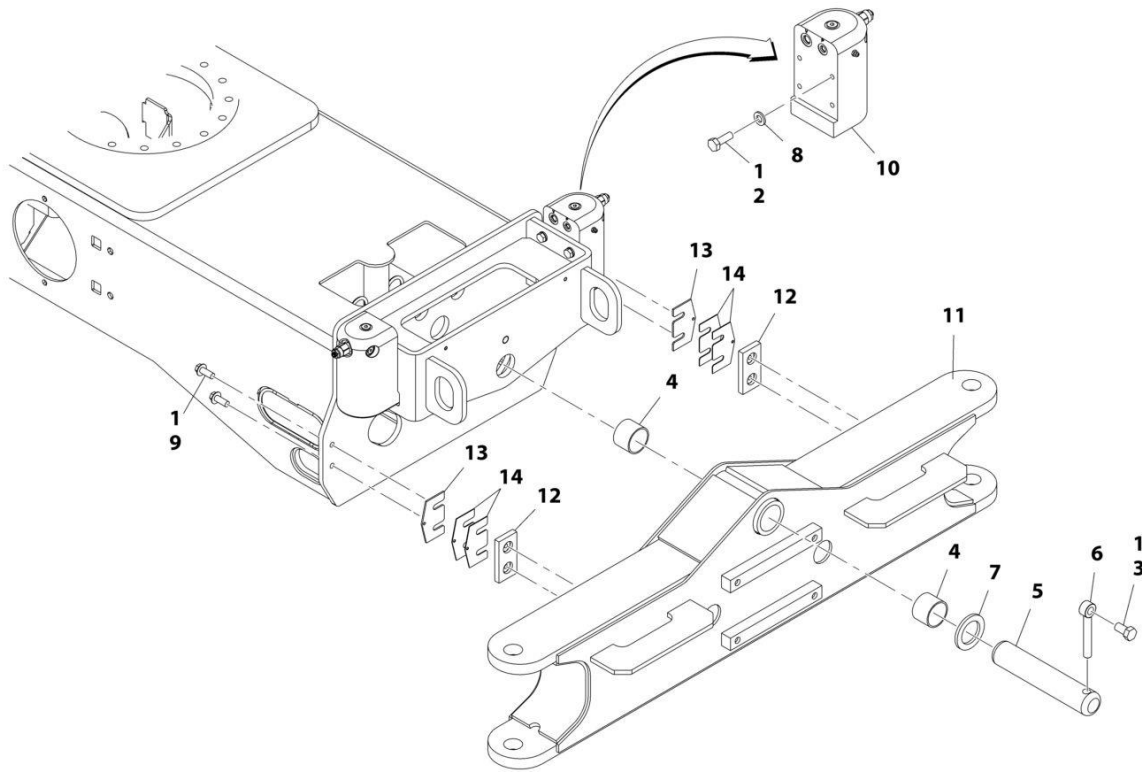
SECTION 1 - FRAME

FIGURE 1-1. STEERING INSTALLATION

ITEM	PART NUMBER	QTY	DESCRIPTION	REV
	1001115771	Ref	STEERING INSTALLATION	C
1	0100011	AR	Compound, Locking	
2	0440271	2	Thrustwasher .250	
3	0440274	2	Bearing	
4	0440291	2	Bearing	
5	0701220	4	Bolt M12 x 60	
6	0761010	20	Bolt M16 x 20	
7	0962140	2	Bushing	
9	3423081	4	Kingpin	
10	3780182	2	O-Ring	
11	3841520	4	Keeper, Pin	
12	4740086	4	Thrustwasher .0625	
13	4740537	2	Thrustwasher .625	
14	4740538	2	Thrustwasher .125	
15	4740539	2	Thrustwasher .188	
16	4740540	2	Thrustwasher .250	
17	4812100	4	Washer M12	
18	1001116788	1	Steer Cylinder Assembly (See Separate Breakdown in CYLINDER SECTION)	
19	1001116867	4	Pin, Pivot	
20	1001116871	2	Link, Tie-Rod	
21	1001117142	2	Spindle	

SECTION 1 - FRAME

FIGURE 1-2. OSCILLATING AXLE INSTALLATION



ART_1001115772

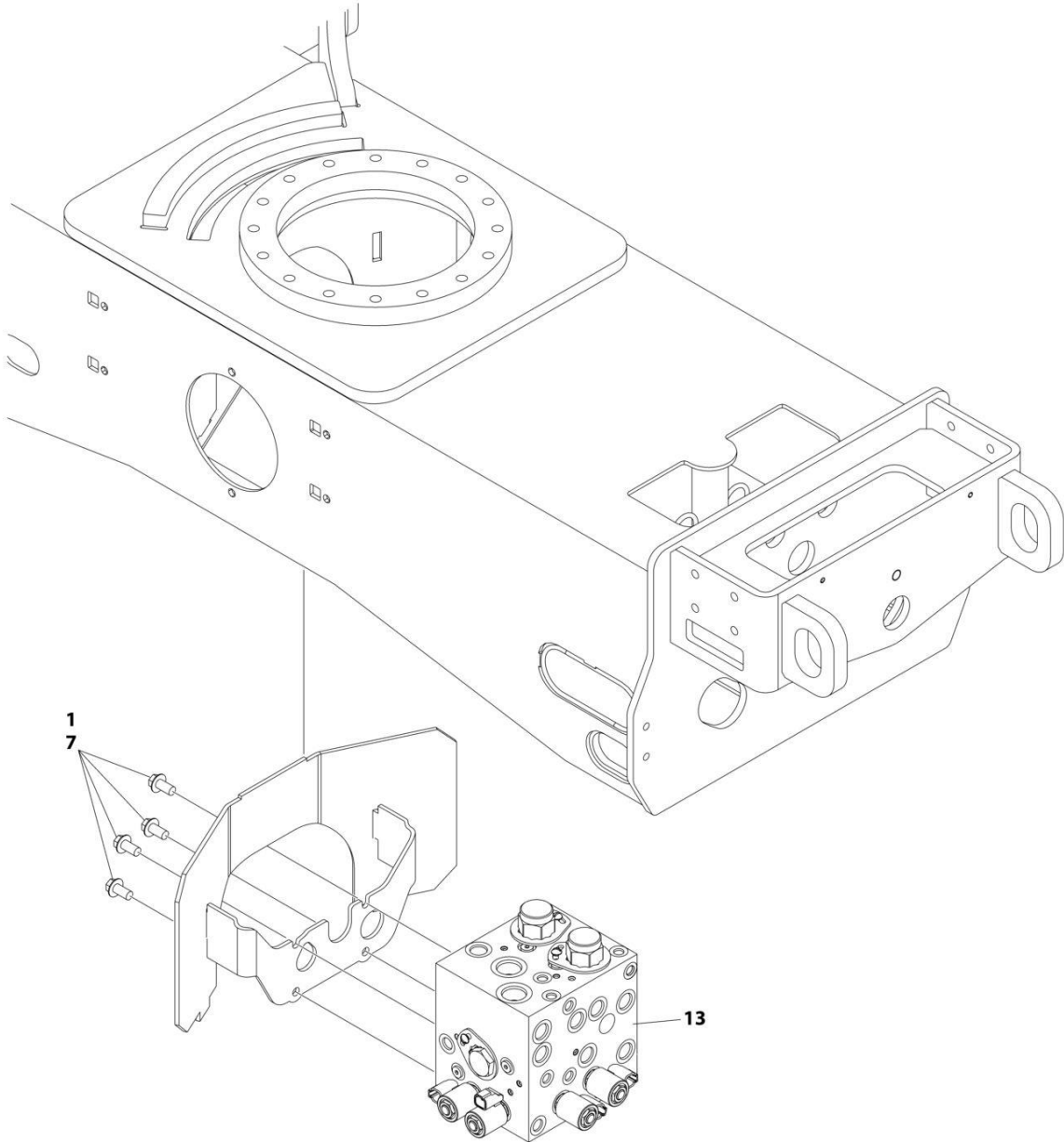
SECTION 1 - FRAME

FIGURE 1-2. OSCILLATING AXLE INSTALLATION

ITEM	PART NUMBER	QTY	DESCRIPTION	REV
	1001115772	Ref	OSCILLATING AXLE INSTALLATION	B
1	0100011	AR	Compound, Locking	
2	0761014	8	Bolt M10 x 30	
3	0761614	1	Bolt M16 x 30	
4	0961950	2	Bushing	
5	3422592	1	Pin, Axle Pivot	
6	3841258	1	Keeper, Pin	
7	4740158	1	Thrustwasher	
8	5241000	8	Washer M10	
9	5251012	4	Bolt M10 x 25	
10	1001116361	2	Lockout Cylinder Assembly (See Separate Breakdown in CYLINDER SECTION)	
11	1001117869	1	Axle Weldment	
12	1001118511	2	Pad, Wear	
13	1001118518	2	Shim 11Ga	
14	1001118519	4	Shim 16Ga	

SECTION 1 - FRAME

FIGURE 1-3. DRIVE VALVES INSTALLATION



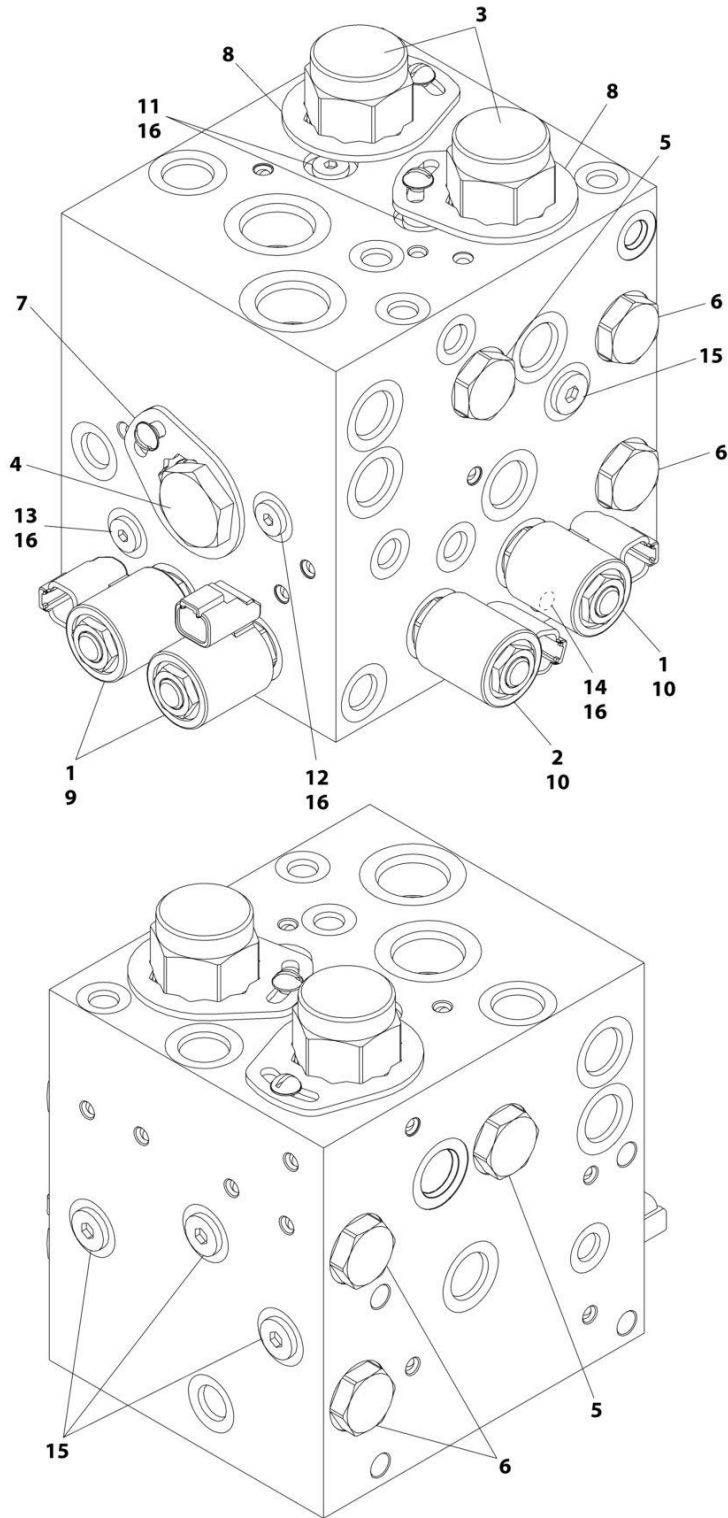
ART_1001115780_10F3

FIGURE 1-3. DRIVE VALVES INSTALLATION

ITEM	PART NUMBER	QTY	DESCRIPTION	REV
	1001115780	Ref	DRIVE VALVES INSTALLATION	G
1	0100011	AR	Compound, Locking	
7	5251010	4	Bolt M10 x 20	
13	1001118029	1	Flow Divider Valve Assembly (See Separate Breakdown in this Section)	

SECTION 1 - FRAME

FIGURE 1-4. FLOW DIVIDER VALVE ASSEMBLY



ART_1001118029

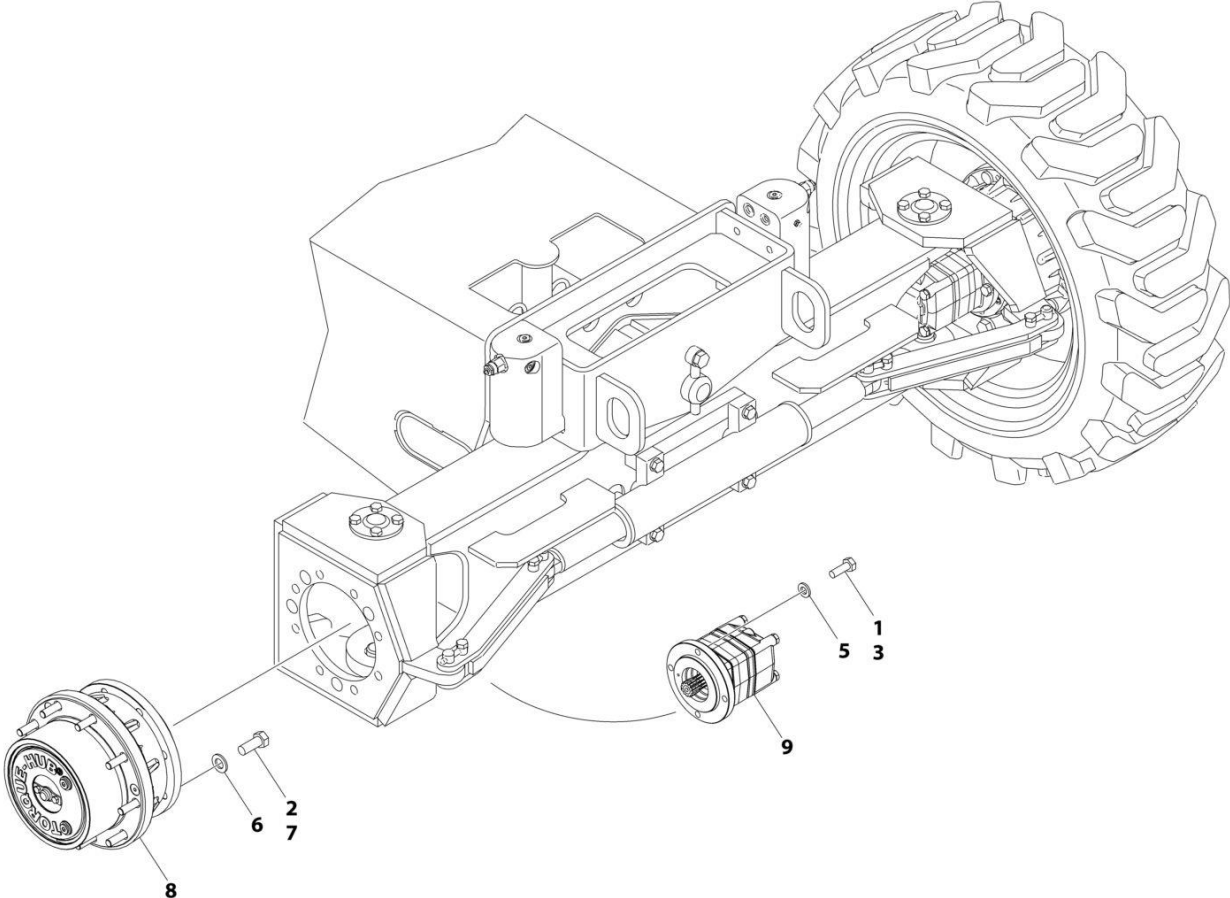
SECTION 1 - FRAME

FIGURE 1-4. FLOW DIVIDER VALVE ASSEMBLY

ITEM	PART NUMBER	QTY	DESCRIPTION	REV
	1001118029	Ref	FLOW DIVIDER VALVE ASSEMBLY	D
1	7012941	3	Valve, Solenoid Cartridge (Without Coil) (Traction, Brake and Secondary Oscillating)	
1	7010543	3	Seal Kit - 7012941 Cartridge	
2	70002955	1	Valve, Solenoid Cartridge (Without Coil) (Primary Oscillating)	
2	7012953	1	Seal Kit - 70002955 Cartridge	
3	70002956	2	Valve, Solenoid Cartridge	
3	70002957	2	Seal Kit - 70002956 Cartridge	
4	70002958	1	Valve, Flow Divider Cartridge	
4	70002959	1	Seal Kit - 70002958 Cartridge	
5	70002960	1	Valve, Flow Divider Cartridge	
5	70002978	1	Seal Kit - 70002960 Cartridge	
6	70002961	4	Valve, Check Cartridge	
6	7017496	4	Seal Kit - 70002961 Check Cartridge	
7	70002962	1	Lock Kit	
8	70000781	2	Lock Kit	
9	70002386	2	Coil	
10	70002963	2	Coil	
11	See Note	2	Orifice .031 (Note: Not Available for Purchase)	
12	See Note	1	Orifice .025 (Note: Not Available for Purchase)	
13	See Note	1	Orifice .040 (Note: Not Available for Purchase)	
14	70002063	1	Orifice .062	
15	7024844	4	Plug	
16	7017406	5	Plug	

SECTION 1 - FRAME

FIGURE 1-5. DRIVE INSTALLATION



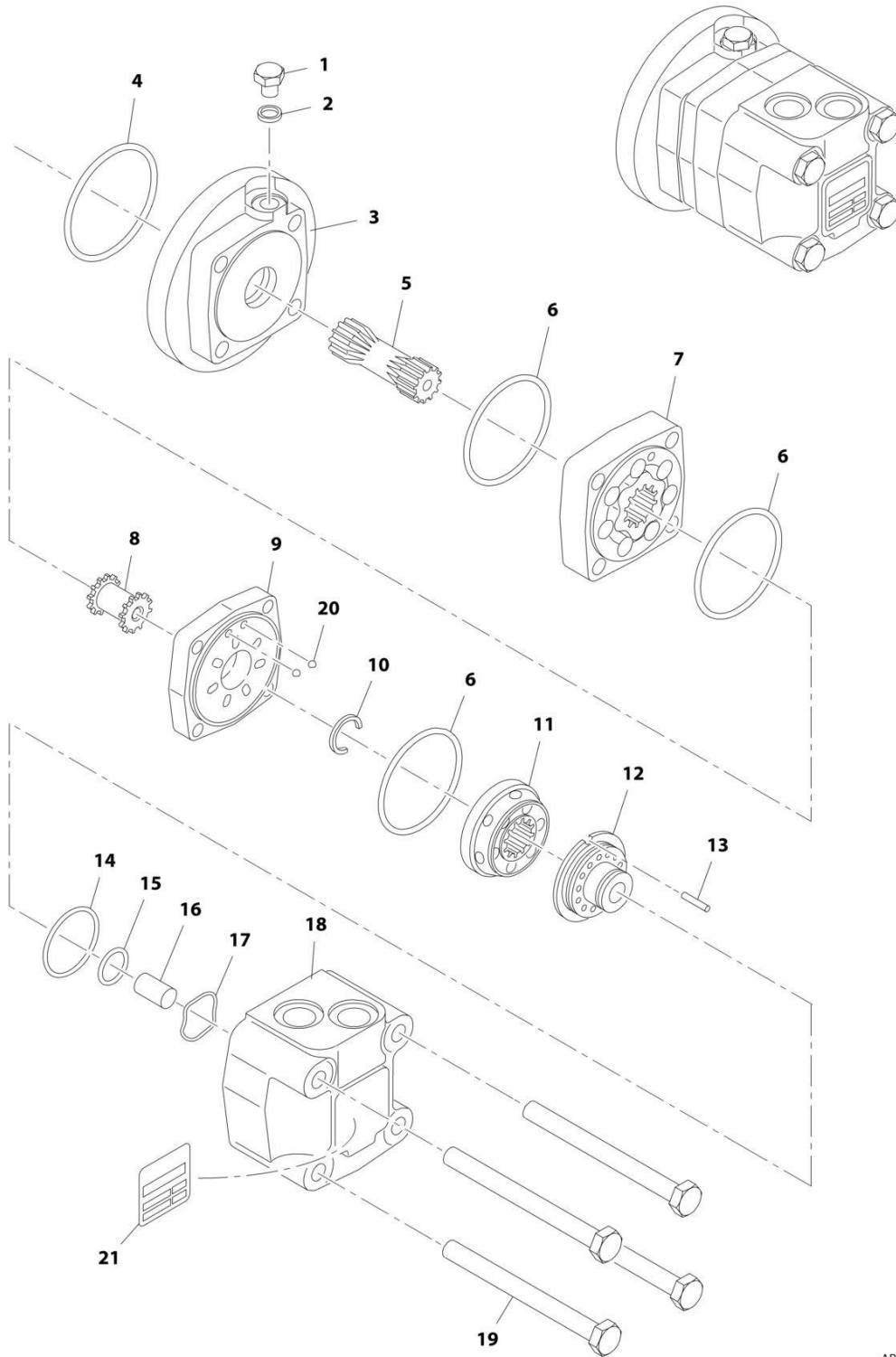
ART_1001115770

FIGURE 1-5. DRIVE INSTALLATION

ITEM	PART NUMBER	QTY	DESCRIPTION	REV
	1001115770	Ref	WHEEL DRIVE INSTALLATION	D
1	0100011	AR	Compound, Locking	
2	0100019	AR	Compound, Locking	
3	0761015	16	Bolt M10 x 35	
3	0761014	16	Bolt M10 x 30	
5	5241000	16	Washer M10	
6	5241600	32	Washer M16	
7	1001110922	32	Bolt M16 x 40 Grade 10.9	
8	1001116793	4	Drive Hub/Brake Assembly (See Separate Breakdown in this Section)	
9	1001117030	4	Drive Motor Assembly (See Separate Breakdown in this Section)	

SECTION 1 - FRAME

FIGURE 1-6. DRIVE MOTOR ASSEMBLY



ART_1001117030

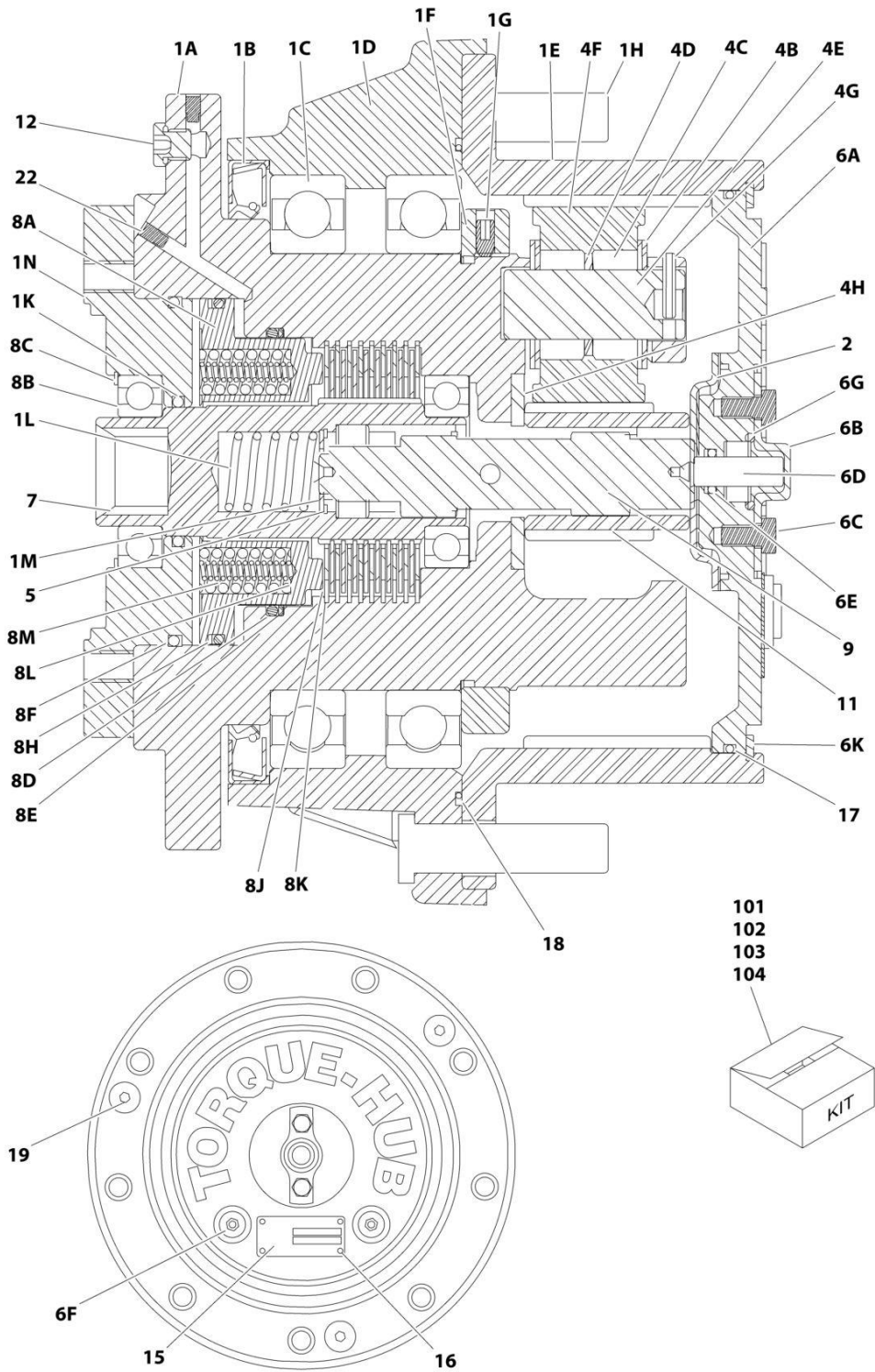
SECTION 1 - FRAME

FIGURE 1-6. DRIVE MOTOR ASSEMBLY

ITEM	PART NUMBER	QTY	DESCRIPTION	REV
	1001117030	Ref	DRIVE MOTOR ASSEMBLY	B
1	70003005	1	Plug	
2	8007941	1	Washer	
3	See Note	NSS	Flange (Note: Not Available - Purchase p/n 1001117030)	
4	70003006	1	O-Ring	
5	70003007	1	Shaft	
6	70003008	3	O-Ring	
7	70003009	1	Gear Set	
8	70003010	1	Shaft, Coupling	
9	70003011	1	Plate, Port	
10	70003012	1	Ring, Stop	
11	7027955	1	Disc, Valve	
12	7027956	1	Plate, Pressure	
13	7027957	1	Pin, Spring	
14	70003013	1	O-Ring	
15	70003014	1	O-Ring	
16	7027958	1	Spacer	
17	7027959	1	Washer, Crinkle	
18	See Note	NSS	Cover, End (Note: Not Available - Purchase p/n 1001117030)	
19	70003016	4	Screw	
20	80334555	2	Ball	
21	See Note	NSS	Nameplate (Note: Not Available for Purchase)	

SECTION 1 - FRAME

FIGURE 1-7. DRIVE HUB/BRAKE ASSEMBLY



ART_1001116793

SECTION 1 - FRAME

FIGURE 1-7. DRIVE HUB/BRAKE ASSEMBLY

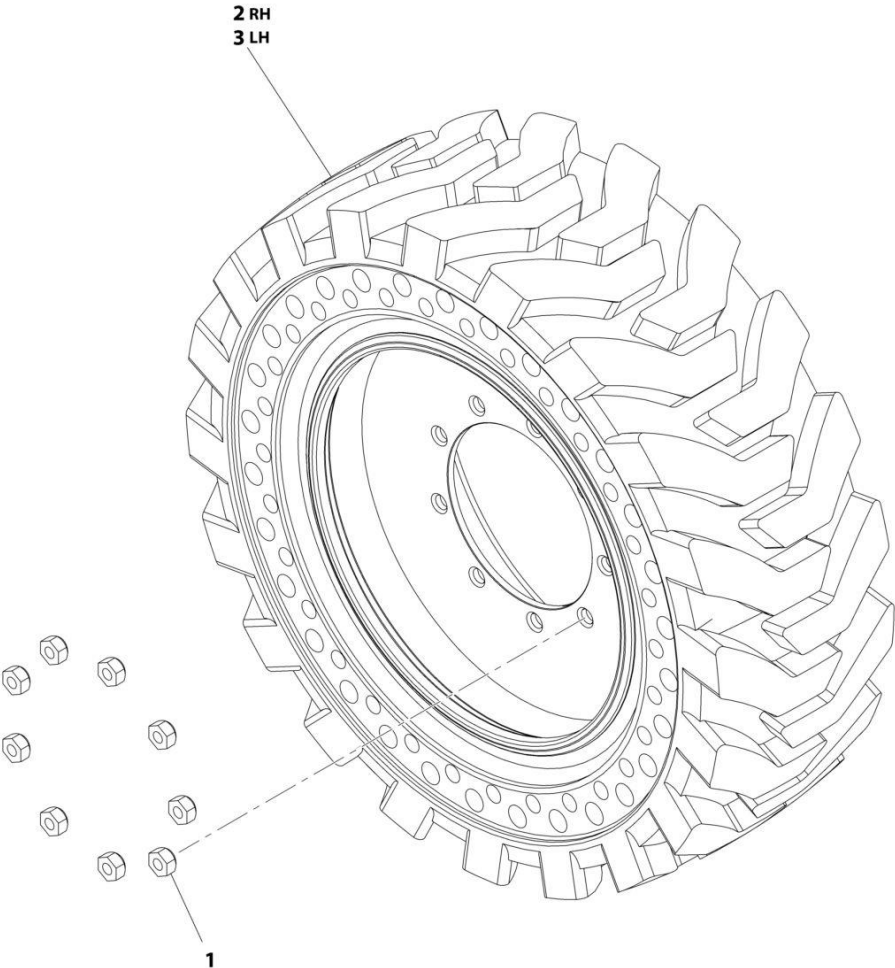
ITEM	PART NUMBER	QTY	DESCRIPTION	REV
	1001116793	Ref	DRIVE HUB/BRAKE ASSEMBLY	C
1	See Note	NLA	Spindle/Housing Assembly (Note: Not Available - Purchase Individual Components)	
1A	70002987	1	Spindle	
1B	70001119	1	Seal, Lip (Part of Item 104)	
1C	70002991	2	Bearing, Ball	
1D	See Note	NSS	Housing (Note: Use p/n 1001116793)	
1E	70002989	1	Ring Gear	
1F	70003000	1	Nut, Bearing (Part of Item 104)	
1G	70002996	2	Setscrew 1/4-28 x 1/2 (Part of Item 104)	
1H	7007640	9	Bolt, Mounting	
1K	See Note	NSS	Seal (Note: Use Item 102 or 103)	
1L	70002992	1	Spring	
1M	70002999	1	Thrustwasher	
1N	70002988	1	Adapter	
2	7024741	1	Spacer, Thrust	
4	70002983	1	Planet Gear Assembly (Includes Items 4B-4G)	
4B	See Note	NSS	Spacer, Washer (Note: Use Item 4)	
4C	See Note	NSS	Bearing (Note: Use Item 4)	
4D	See Note	NSS	Spacer (Note: Use Item 4)	
4E	See Note	NSS	Shaft, Planet (Note: Use Item 4)	
4F	See Note	NSS	Gear, Planet (Note: Use Item 4)	
4G	7001913	3	Rollpin	
4H	7024742	1	Spacer, Thrust	
5	70002995	1	Ring, Retaining	
6	70001368	1	Cover Assembly (Includes Items 6A-6G)	
6A	See Note	NSS	Cover (Note: Use Item 6)	
6B	See Note	NSS	Cap (Note: Use Item 6)	
6C	See Note	NSS	Bolt (Note: Use Item 6)	
6D	See Note	NSS	Pin (Note: Use Item 6)	
6E	See Note	NSS	Washer Seal (Note: Use Item 6)	
6F	See Note	NSS	Plug (Note: Not Available for Purchase)	
6G	See Note	NSS	Retainer (Note: Use Item 6)	
6K	7024738	1	Ring, Retaining	
7	70002985	1	Coupling	
8	See Note	NLA	Brake Assembly (Includes Items 8A-8M) (Note: Not Available - Purchase Individual Components)	
8A	70002993	1	Piston, Brake	
8B	70002990	2	Bearing, Ball	
8C	70002994	1	Ring, Retaining	
8D	See Note	NSS	O-Ring (Note: Use Item 103)	
8E	See Note	NSS	Ring, Back-up (Note: Use Item 103)	
8F	See Note	NSS	O-Ring (Note: Use Item 102 or 103)	
8H	See Note	NSS	Ring, Back-up (Note: Use Item 103)	
8J	See Note	NSS	Disc, Brake Reaction (Note: Use Item 101)	
8K	See Note	NSS	Disc, Brake Friction (Note: Use Item 101)	
8L	See Note	NSS	Spring (Note: Use Item 102)	
8M	See Note	NSS	Spring (Note: Use Item 102)	
9	70002984	1	Shaft, Input	
11	70002986	1	Gear, Sun	

SECTION 1 - FRAME

ITEM	PART NUMBER	QTY	DESCRIPTION	REV
12	70002998	1	Plug, Pipe	
15	See Note	NSS	Nameplate (Note: Not Available for Purchase)	
16	7000281	2	Drivescrew	
17	7024134	1	O-Ring (Part of Item 104)	
18	70002997	1	O-Ring (Part of Item 104)	
19	7017022	NSS	Capscrew 3/8-16 (Part of Item 104)	
21	See Note	8	Capscrew 3/8-16 x 7/8 Grade 8 (Note: Use Item 102 or 103)	
22	7024108	2	Plug, Pressure	
101	70002980	1	Brake Disc Kit (Includes Items 8J & 8K)	
102	70002982	1	Brake Spring Kit (Includes Items 1K, 8F, 8L, 8M & 21)	
103	70002981	1	Brake Seal Kit (Includes Items 1K, 8D, 8E, 8F, 8H & 21)	
104	7024744	1	Hub Seal Kit (Includes Items 1B, 1F, 1G & 17-19)	

SECTION 1 - FRAME

FIGURE 1-8. TIRE AND WHEEL INSTALLATION - 7X18 SOLID CUSHION



ART_100118641

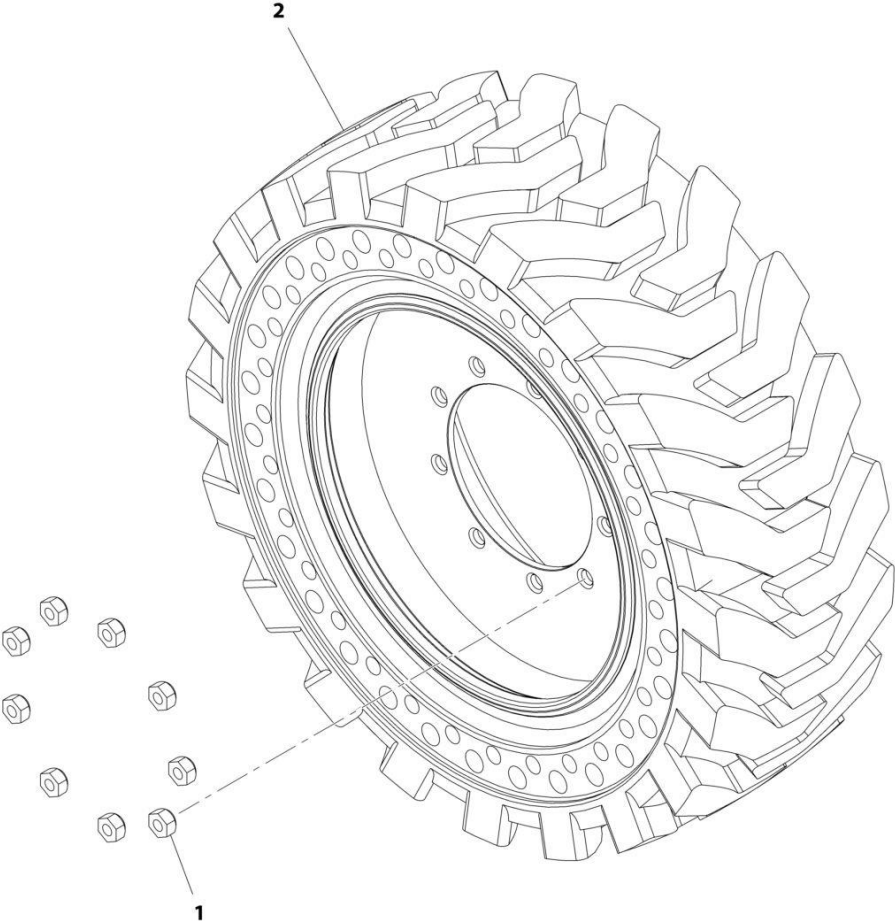
SECTION 1 - FRAME

FIGURE 1-8. TIRE AND WHEEL INSTALLATION - 7X18 SOLID CUSHION

ITEM	PART NUMBER	QTY	DESCRIPTION	REV
	1001118641	Ref	TIRE AND WHEEL INSTALLATION - 7X18 SOLID	C
		Ref	Note: Due to critical stability weights, only replace tire and wheel assemblies with like components.	
1	3300106	36	Lugnut (9 per Wheel)	
2	1001118649	2	Tire and Wheel Assembly - 7 x 18 Solid Right Side (Note: No Serviceable Parts - Replace Complete Sets per Axle)	
3	1001121678	2	Tire and Wheel Assembly - 7 x 18 Solid Left Side (Note: No Serviceable Parts - Replace Complete Sets per Axle)	

SECTION 1 - FRAME

FIGURE 1-9. TIRE AND WHEEL INSTALLATION - 7X18 SOLID CUSHION NON-MARKING



ART_100118644

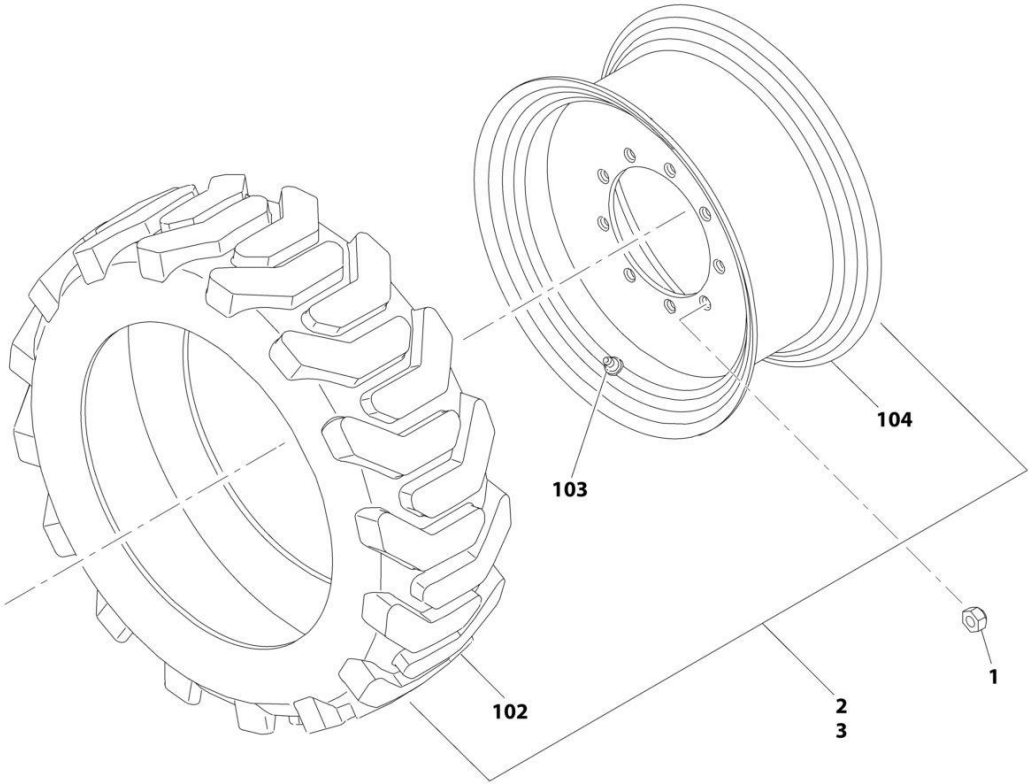
SECTION 1 - FRAME

FIGURE 1-9. TIRE AND WHEEL INSTALLATION - 7X18 SOLID CUSHION NON-MARKING

ITEM	PART NUMBER	QTY	DESCRIPTION	REV
	1001118644	Ref	TIRE AND WHEEL INSTALLATION - 7X18 SOLID NON-MARKING	C
		Ref	Note: Due to critical stability weights, only replace tire and wheel assemblies with like components.	
1	3300106	36	Lugnut (9 per Wheel)	
2	1001118654	2	Tire and Wheel Assembly - 7 x 18 Solid (RH) (Note: No Serviceable Parts - Replace Complete Sets per Axle)	
2	1001121672	2	Tire and Wheel Assembly - 7 x 18 Solid (LH) (Note: No Serviceable Parts - Replace Complete Sets per Axle)	

SECTION 1 - FRAME

FIGURE 1-10. TIRE AND WHEEL INSTALLATION - 9X20 FOAM-FILLED



ART_1001115773

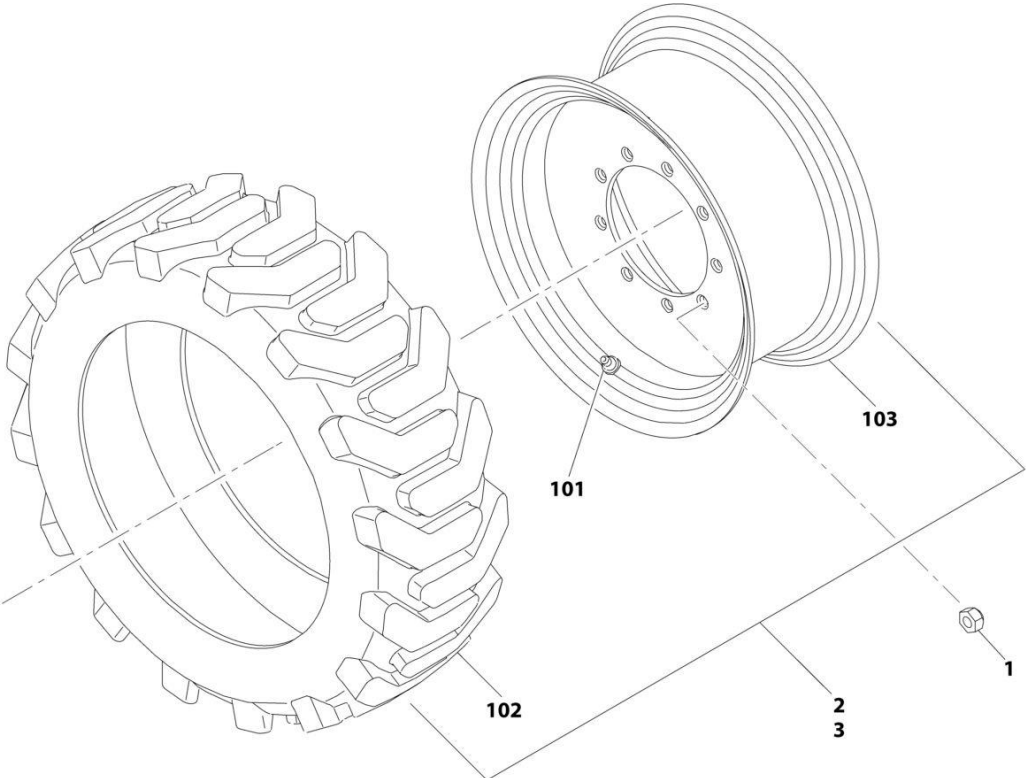
SECTION 1 - FRAME

FIGURE 1-10. TIRE AND WHEEL INSTALLATION - 9X20 FOAM-FILLED

ITEM	PART NUMBER	QTY	DESCRIPTION	REV
	1001115773	Ref	TIRE AND WHEEL INSTALLATION - 9X20 FOAM-FILLED	B
		Ref	Note: Due to critical stability weights, only replace tire and wheel assemblies with like components.	
1	3300106	36	Lugnut (9 per Wheel)	
2	1001117131	2	Tire and Wheel Assembly - 9 x 20 Foam-Filled Left Side	E
3	1001117132	2	Tire and Wheel Assembly - 9 x 20 Foam-Filled Right Side	D
		Ref	Note: Assemblies may require ballast/foam filling to manufacture's specifications prior to installing on a machine. Refer to Operation and Safety or Service and Maintenance Manuals. Purchase individual tire and/or rim only if able to foam fill tire and wheel assembly, otherwise, purchase complete assembly.	
102	4520605	4	Tire - IN265/50D20	
103	4640113	4	Valve, Air	
104	1001117129	4	Rim for 20 x 9 (Use with IN265/50D20 Tires)	

SECTION 1 - FRAME

FIGURE 1-11. TIRE AND WHEEL INSTALLATION - 9X20 FOAM-FILLED NON-MARKING



ART_100118642

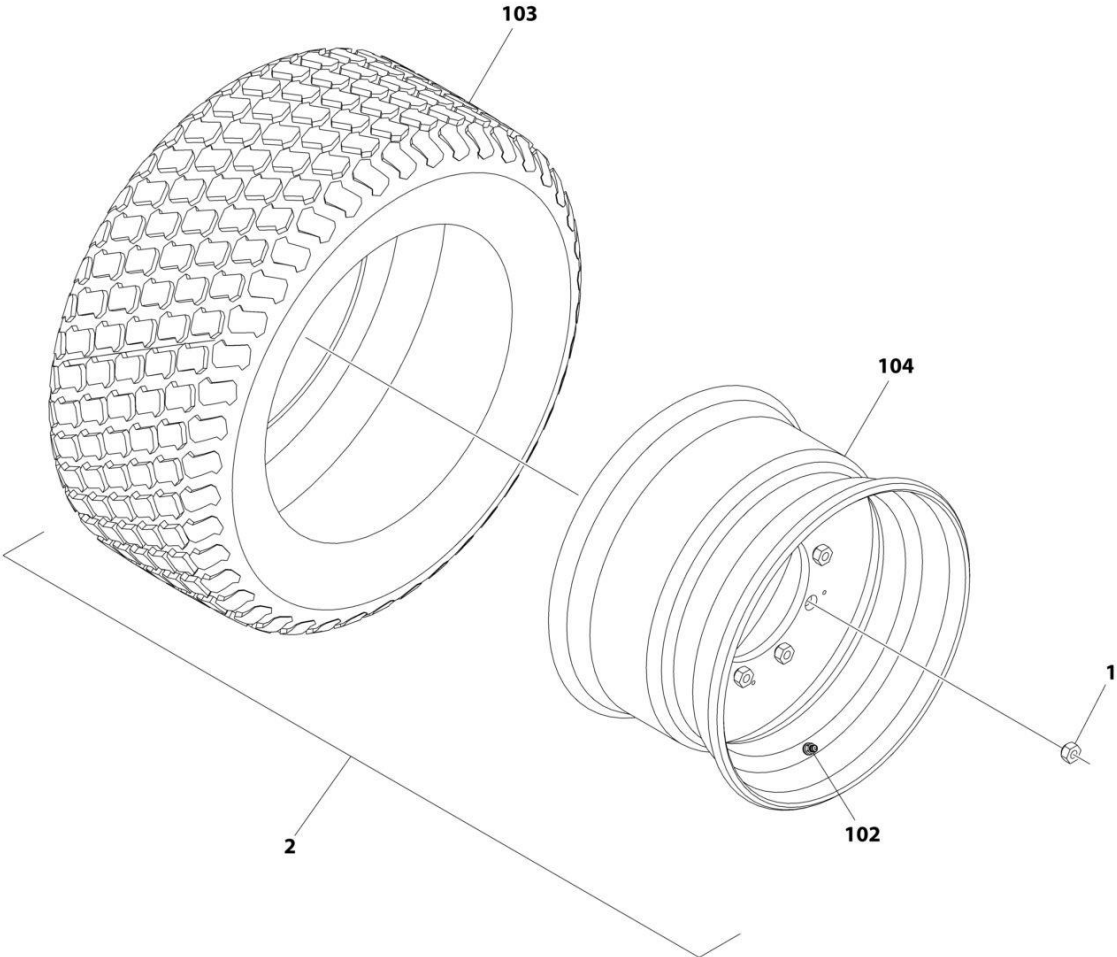
SECTION 1 - FRAME

FIGURE 1-11. TIRE AND WHEEL INSTALLATION - 9X20 FOAM-FILLED NON-MARKING

ITEM	PART NUMBER	QTY	DESCRIPTION	REV
	1001118642	Ref	TIRE AND WHEEL INSTALLATION - 9X20 FOAM-FILLED NON-MARKING	B
		Ref	Note: Due to critical stability weights, only replace tire and wheel assemblies with like components.	
1	3300106	36	Lugnut (9 per Wheel)	
2	1001118650	2	Tire and Wheel Assembly - 9 x 20 Foam-Filled Non-Marking Right Side	D
3	1001118651	2	Tire and Wheel Assembly - 9 x 20 Foam-Filled Non-Marking Left Side	D
		Ref	Note: Assemblies may require ballast/foam filling to manufacturer's specifications prior to installing on a machine. Refer to Operation and Safety or Service and Maintenance Manuals. Purchase individual tire and/or rim only if able to foam fill tire and wheel assembly, otherwise, purchase complete assembly.	
101	4640113	4	Valve, Air	
102	1001118660	4	Tire - IN265/50D20 Non-Marking	
103	1001117129	4	Rim for 20 x 9 (Use with IN265/50D20 Tires)	

SECTION 1 - FRAME

FIGURE 1-12. TIRE AND WHEEL INSTALLATION - 33 X 12LL500 TURF/SAND FOAM FILLED



ART_1001239804

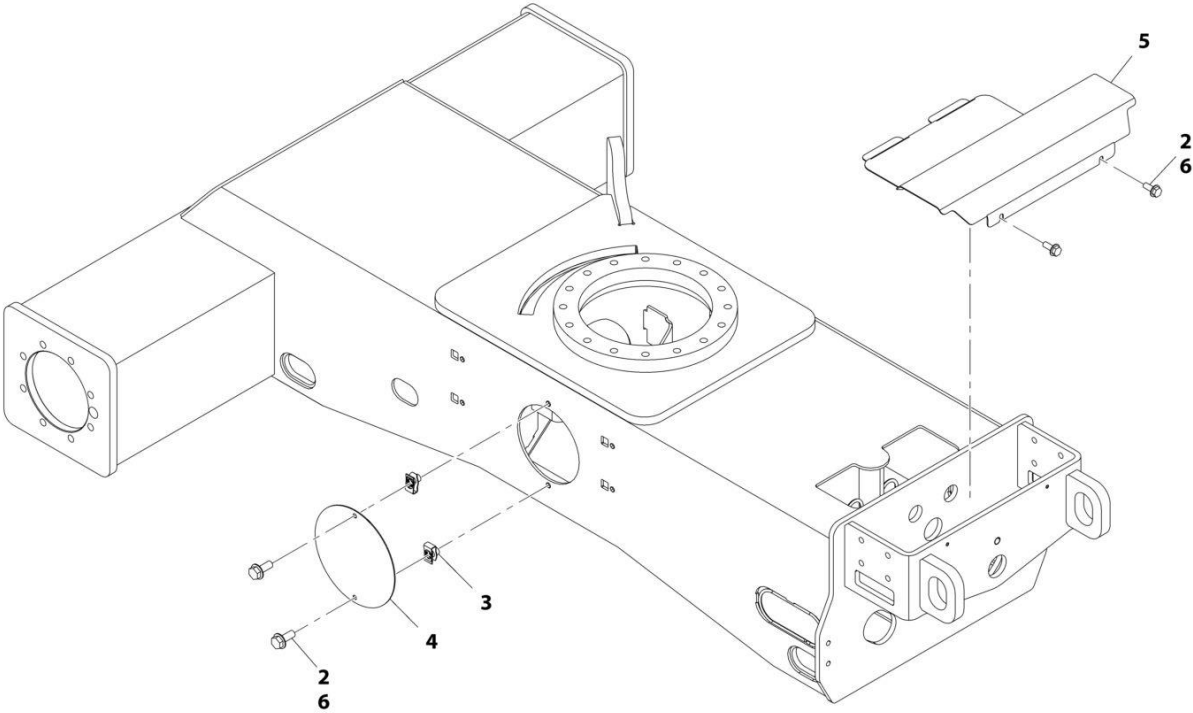
SECTION 1 - FRAME

FIGURE 1-12. TIRE AND WHEEL INSTALLATION - 33 X 12LL500 TURF/SAND FOAM FILLED

ITEM	PART NUMBER	QTY	DESCRIPTION	REV
	1001239804	Ref	TIRE AND WHEEL INSTALLATION - 33 x 12LL500 TURF/SAND FOAM FILLED	B
1	3300106	36	Nut, Wheel	
2	1001272533	4	Tire & Wheel Assembly - 33 X 12LL500 TURF/SAND	
		Ref	Note: Assemblies may require ballast/foam filling to manufacture's specifications prior to installing on a machine. Refer to Operation and Safety or Service and Maintenance Manuals. Purchase individual tire and/or rim only if able to foam fill tire and wheel assembly, otherwise, purchase complete assembly.	
102	4640113	4	Valve, Tire	
103	1001231609	1	Tire, 33 X 12LL500 TURF/SAND	
104	1001231610	1	Rim	

SECTION 1 - FRAME

FIGURE 1-13. FRAME SHIELDS INSTALLATION



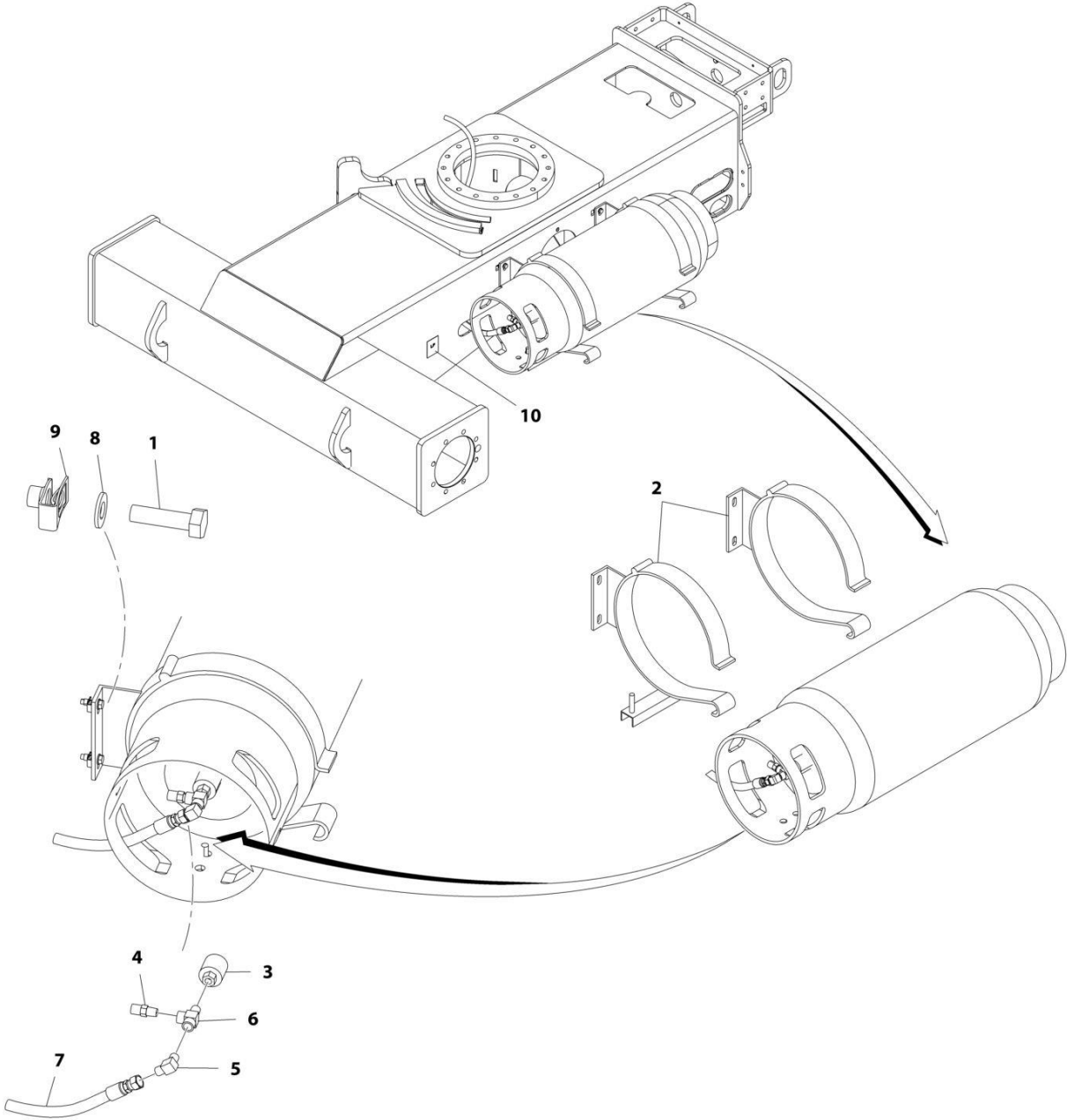
ART_1001115781

FIGURE 1-13. FRAME SHIELDS INSTALLATION

ITEM	PART NUMBER	QTY	DESCRIPTION	REV
	1001115781	Ref	FRAME SHIELDS INSTALLATION	C
2	5250810	6	Bolt M8 x 20	
3	1001118274	4	Nut, Clip M8	
4	1001118915	2	Cover, Frame (Side)	
5	1001118916	1	Cover, Frame (Top)	
6	0100011	AR	Compound, Locking	

SECTION 1 - FRAME

FIGURE 1-14. LP TANK ASSEMBLY



ART_1001118975

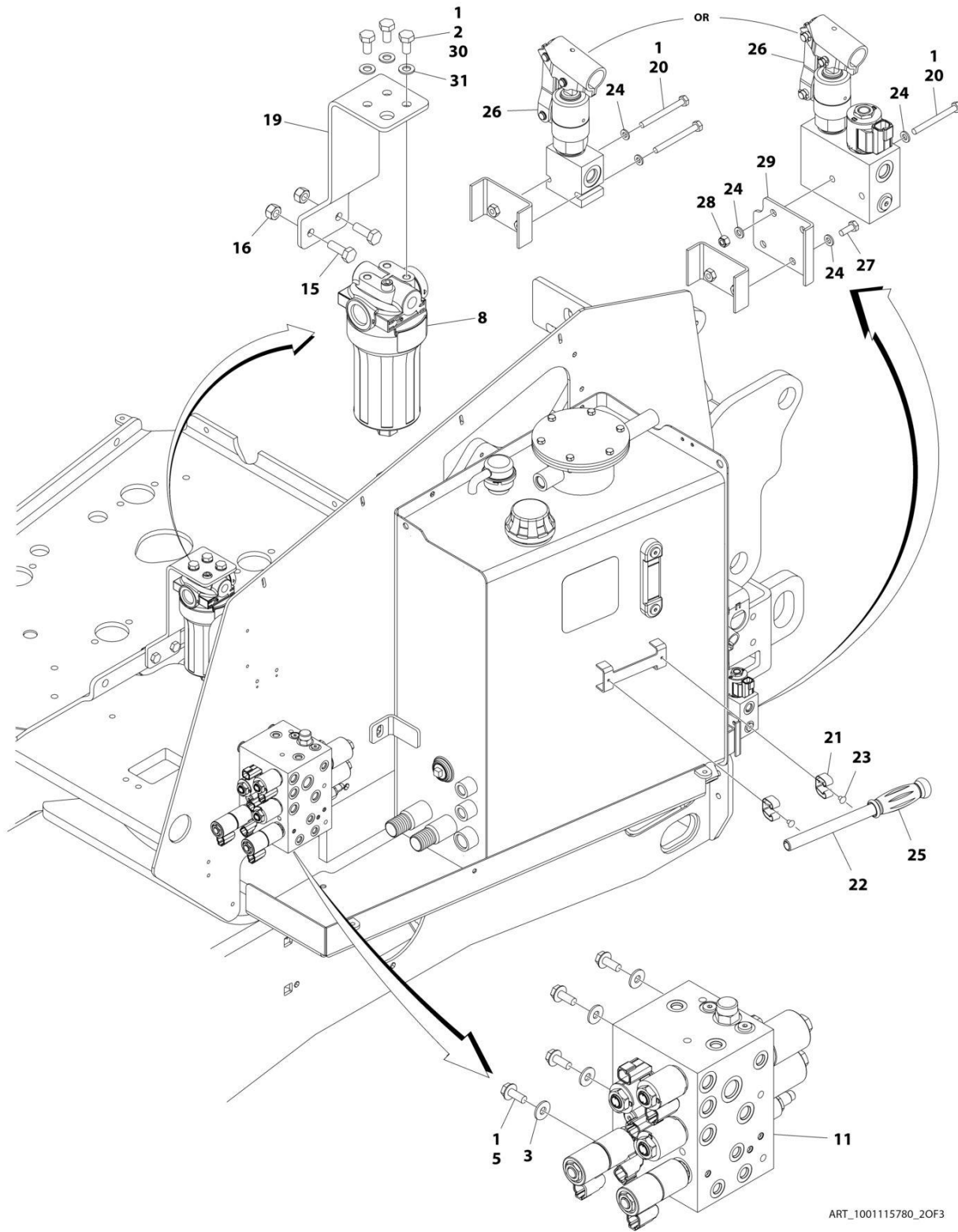
FIGURE 1-14. LP TANK ASSEMBLY

ITEM	PART NUMBER	QTY	DESCRIPTION	REV
	1001118975	Ref	LP TANK ASSEMBLY (GAS MACHINES ONLY)	C
1	0760814	4	Bolt M8 x 30	
2	1320220	1	LP Tank Clamp Kit	
3	2180387	1	Fitting, LP	
4	2180389	1	Fitting, Relief Valve	
5	2180504	1	Fitting, Elbow	
6	2220290	1	Fitting, Adapter	
7	2720175	1	Hose	
8	4811900	4	Washer M8	
9	1001118274	4	Nut, Retainer	
10	1701543	1	Decal - LP	
100	1001196242	1	Bracket Kit for Shorter Tank (Not Shown - Includes Bracket & Hardware Only)	
200	4400275	1	Tank, LP - Aluminum (Not Shown)	

SECTION 2 - TURNTABLE

SECTION 2 - TURNTABLE

FIGURE 2-1. CONTROL VALVE AND CHARGE FILTER INSTALLATION



ART_1001115780_20F3

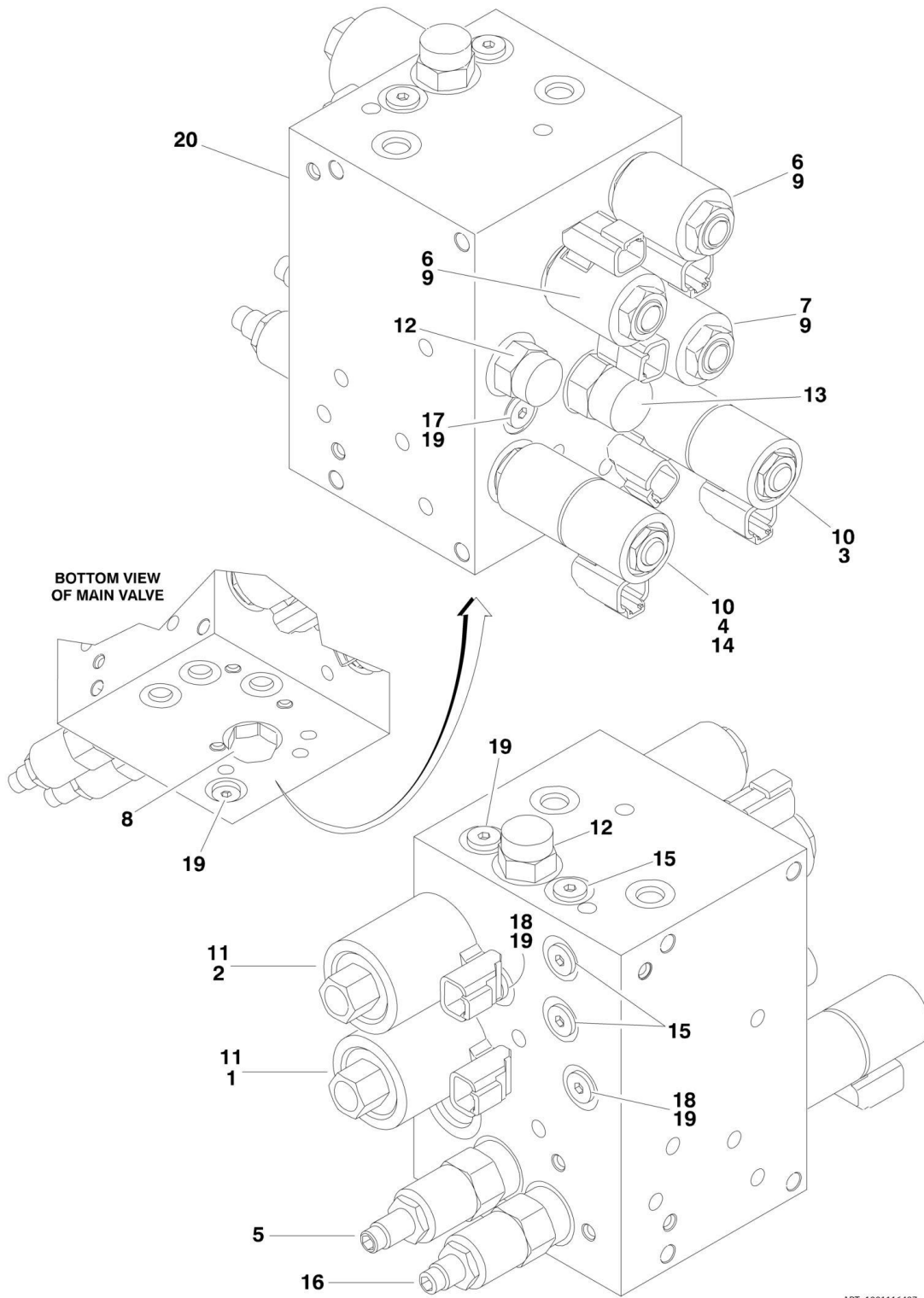
SECTION 2 - TURNTABLE

FIGURE 2-1. CONTROL VALVE AND CHARGE FILTER INSTALLATION

ITEM	PART NUMBER	QTY	DESCRIPTION	REV
	1001115780	Ref	CONTROL VALVE AND CHARGE FILTER INSTALLATION - TURNTABLE	H
1	0100011	AR	Compound, Locking	
2	0641605	4	Bolt 3/8 x 5/8	
3	4811902	4	Washer M8	
5	5250810	4	Bolt M8 x 20	
8	1001102987	1	Charge Pump Filter Assembly	C
8	1001208874	1	Charge Pump Filter Assembly	
8	70010383	1	Element, Filter (Includes O-Ring)	
8	See Note	1	Indicator (Note: Not Available for Purchase)	
11	1001116487	1	Main Control Valve Assembly (See Separate Breakdown in this Section)	
15	0761014	2	Bolt M10 x 30	
16	3291005	2	Nut M10	
19	1001118751	1	Bracket, Filter	
20	0700620	2	Bolt M6 x 60	
21	1380136	2	Clip	
22	2560122	1	Handle	
23	3820019	2	Rivet	
24	4811700	6	Washer M6	
25	1001114761	1	Grip, Handle	
26	1001127115	1	Manual Pump Assembly	C
26	7017496	1	Seal Kit - 1001127115 Pump	
26	1001210829	1	Manual Pump Assembly	
26	70005722	1	Cartridge, Hand Pump	
26	7017496	1	Seal Kit - Hand Pump	
26	7017467	1	Cartridge, Solenoid Valve Less Coil	
26	7012967	1	Seal Kit - Cartridge	
26	70002386	1	Coil	
27	0700608	2	Bolt M6 x 16	
28	3290605	2	Nut M6	
29	1001200472	1	Bracket	
30	0761010	AR	Bolt M10 x 20	
31	4812000	AR	Washer M10	

SECTION 2 - TURNTABLE

FIGURE 2-2. MAIN CONTROL VALVE ASSEMBLY



ART_1001116487

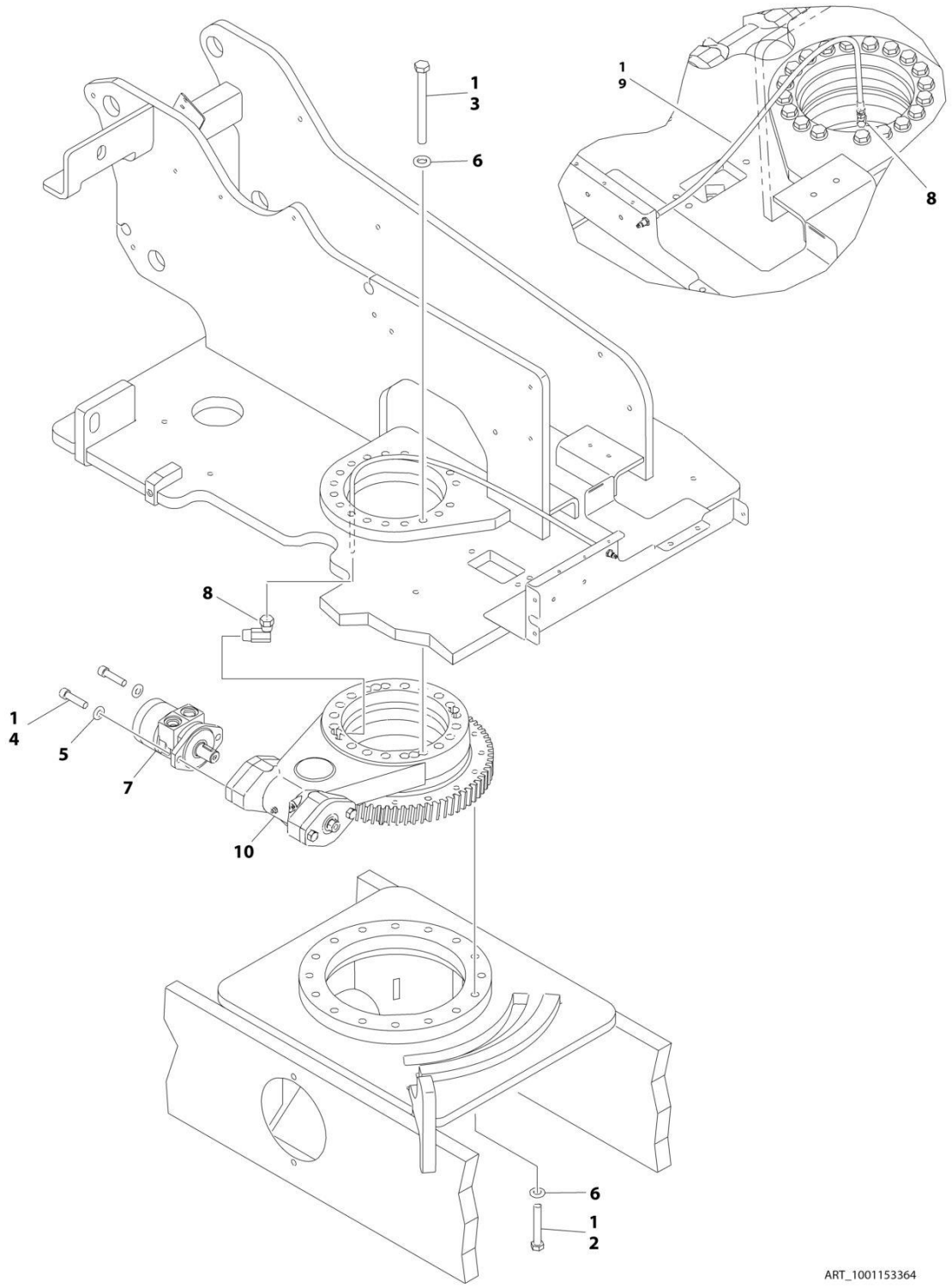
SECTION 2 - TURNTABLE

FIGURE 2-2. MAIN CONTROL VALVE ASSEMBLY

ITEM	PART NUMBER	QTY	DESCRIPTION	REV
	1001116487	Ref	MAIN VALVE ASSEMBLY	I
1	70002964	1	Cartridge, Solenoid Valve with Relief (without Coil)	
1	7017496	1	Seal Kit - 70002964 Cartridge	
2	70002965	1	Cartridge, Solenoid Valve with Relief (without Coil)	
2	7017496	1	Seal Kit - 70002965 Cartridge	
3	70002966	1	Cartridge, Solenoid Valve (without Coil) (Swing)	
3	70002967	1	Seal Kit - 70002966 Cartridge	
4	70002966	1	Cartridge, Solenoid Valve (without Coil) (Steer)	
4	70002967	1	Seal Kit - 70002966 Cartridge	
5	70002968	1	Cartridge, Relief Valve	
5	7012998	1	Seal Kit - 70002968 Cartridge	
6	70002969	2	Cartridge, Solenoid Valve (without Coil) (Upper and Lower Lift)	
6	7010543	2	Seal Kit - Cartridge	
7	70002970	1	Cartridge, Solenoid Valve (without Coil) (Flow Control)	
7	7010543	1	Seal Kit - 70002970 Cartridge	
8	10837580	1	Cartridge, Shuttle Valve	
8	7010543	1	Seal Kit - 108377580 Cartridge	
9	70002971	3	Coil	
10	70002386	4	Coil	
11	70003788	2	Coil	
12	70002972	2	Cartridge, Pressure Compensator Valve	
12	7010543	2	Seal Kit - 70002972 Cartridge	
13	70002973	1	Cartridge, Pressure Compensator Valve	
13	7010543	1	Seal Kit - 70002973 Cartridge	
14	70002974	1	Disc, Check Valve	
15	70003757	3	Cartridge, Check Valve	
15	70002976	3	Seal Kit - 70003757 Cartridges	
16	70002977	1	Cartridge, Crossover Relief	
16	7021653	1	Seal Kit - 70002977 Cartridge	
17	See Note	1	Orifice .060 (Note: Not Available for Purchase)	
18	See Note	2	Orifice .100 (Note: Not Available for Purchase)	
19	7017406	5	Plug	
20	See Note	1	Block (Note: Not Available for Purchase)	

SECTION 2 - TURNTABLE

FIGURE 2-3. SWING DRIVE INSTALLATION (JING WEI)



ART_1001153364

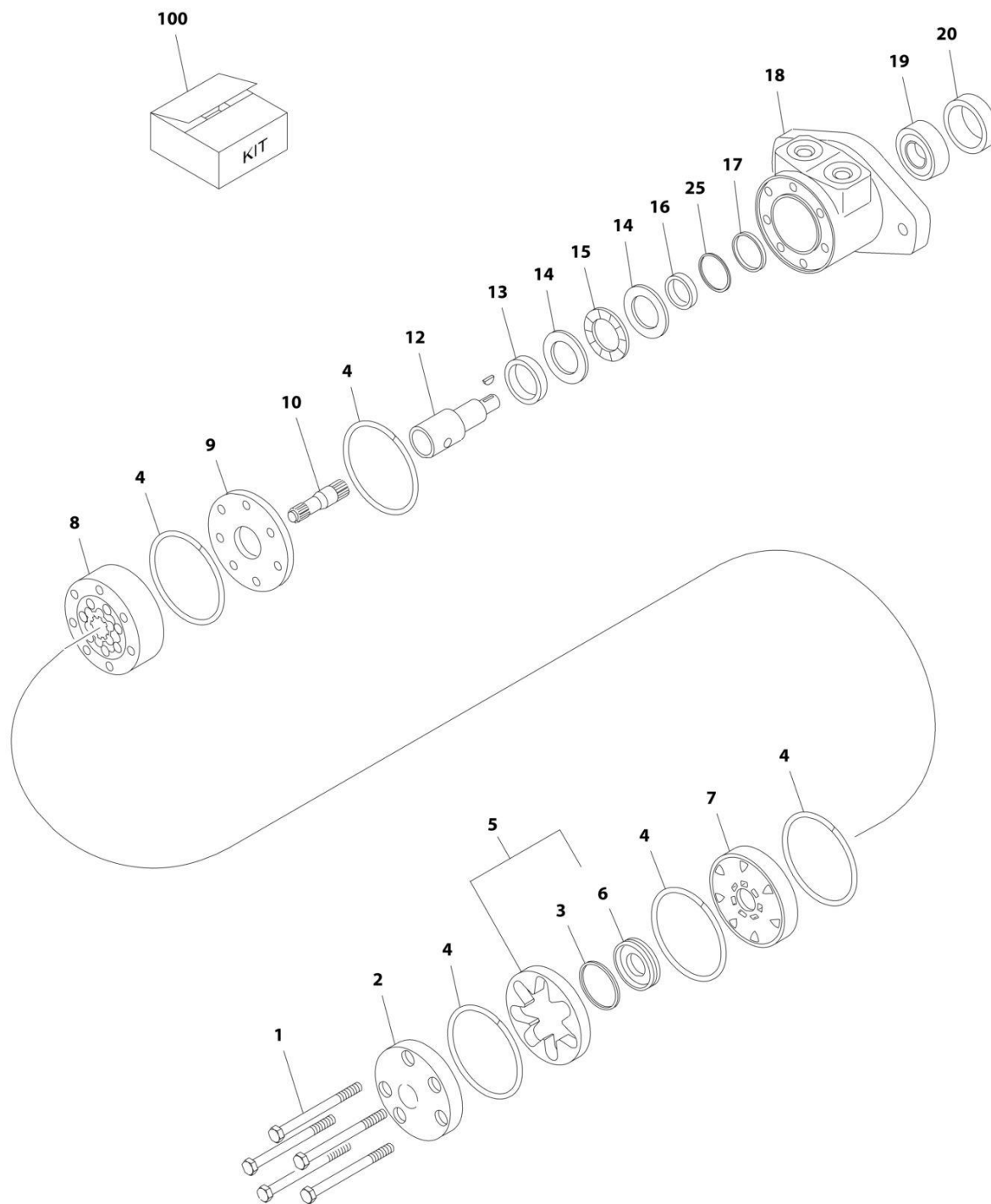
SECTION 2 - TURNTABLE

FIGURE 2-3. SWING DRIVE INSTALLATION (JING WEI)

ITEM	PART NUMBER	QTY	DESCRIPTION	REV
	1001153364	Ref	SWING DRIVE INSTALLATION	C
1	0100019	AR	Compound, Locking	
2	0711426	16	Bolt M14 x 90 Grade 10.9	
3	0711432	19	Bolt M14 x 150 Grade 10.9	
4	3931832	2	Capscrew 1/2-13 x 2	
5	4740171	2	Washer 1/2	
6	5241400	2	Washer M14	
7	1001107781	1	Swing Motor Assembly (See Separate Breakdown in this Section)	
8	2220124	1	Fitting, Adapter NPT	
9	1001118961	1	Hose, Remote Grease Line (Includes Grease Fitting)	
10	1001153015	1	Swing Bearing and Rotation Box Assembly (See Separate Breakdown in this Section)	

SECTION 2 - TURNTABLE

FIGURE 2-4. SWING MOTOR ASSEMBLY



ART_1001107781

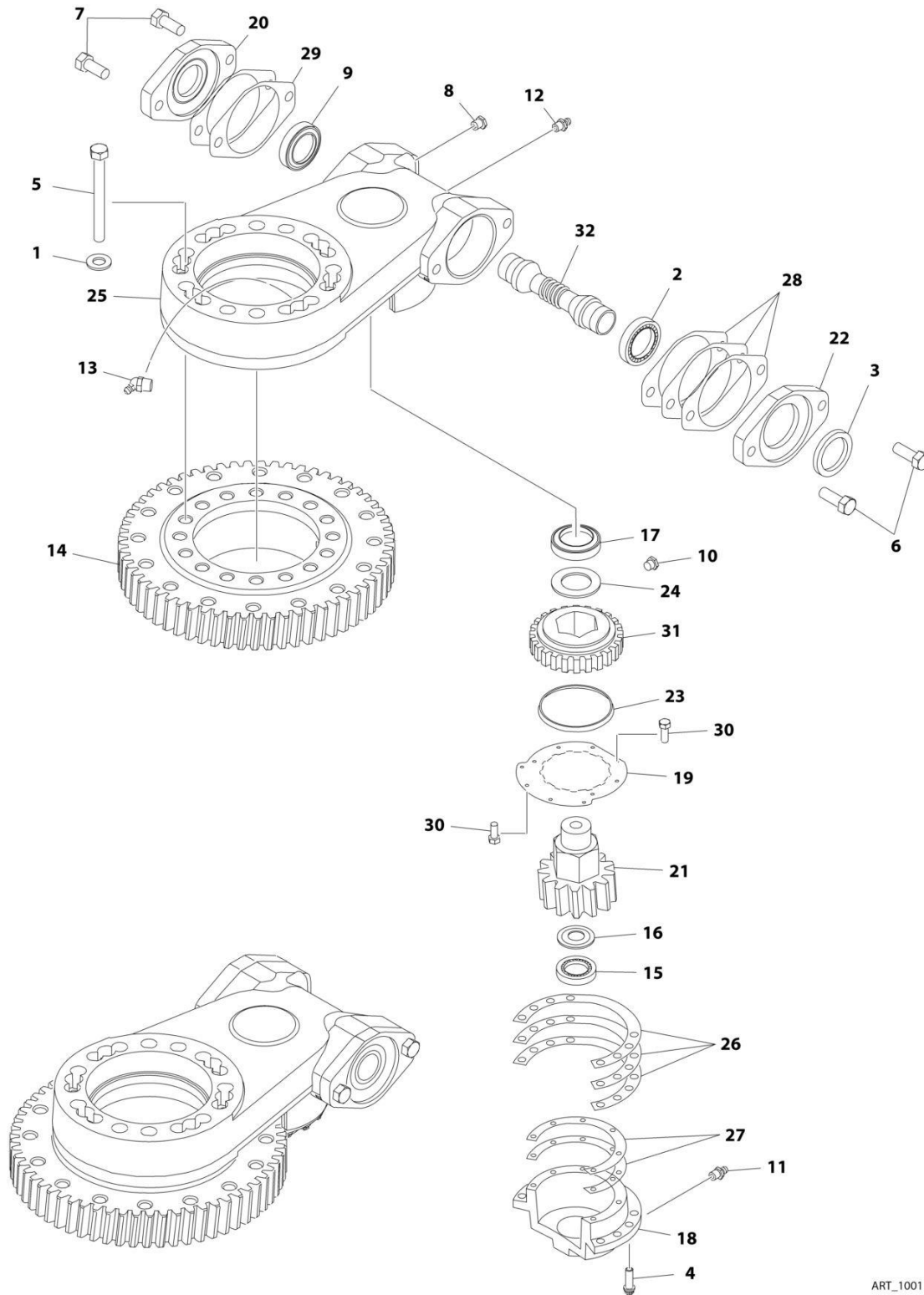
SECTION 2 - TURNTABLE

FIGURE 2-4. SWING MOTOR ASSEMBLY

ITEM	PART NUMBER	QTY	DESCRIPTION	REV
	1001107781	Ref	SWING MOTOR ASSEMBLY	A
1	70002311	5	Bolt	
2	7004035	1	Cover, End	
3	See Note	1	Seal, Commutator (Note: Use p/n 7024389)	
4	See Note	5	Seal, Ring (Note: Use p/n 7024389)	
5	7024453	1	Commutator and Ring Assembly	
6	See Note	1	Ring (Note: Use p/n 7024453)	
7	7024379	1	Manifold	
8	70002312	1	Rotor Set	
9	7024380	1	Plate, Wear	
10	70002313	1	Link, Drive	
12	70000088	1	Shaft, Coupling	
12	70000089	1	Key, Woodruff	
13	7024381	1	Bushing, Bronze	
14	7004043	2	Washer, Thrust	
15	7004044	1	Bearing, Thrust	
16	See Note	1	Seal, Inner (Note: Use p/n 7024389)	
17	See Note	1	Washer, Back-up (Note: Use p/n 7024389)	
18	See Note	1	Housing (Note: Not Available - Purchase Complete Assembly)	
19	7024390	1	Bearing	
20	See Note	1	Seal (Note: Use p/n 7024389)	
25	See Note	1	Washer, Back-up (Note: Use p/n 7024389)	
100	7024389	1	Seal Kit (Includes Items 3, 4, 16, 17, 20 & 25)	

SECTION 2 - TURNTABLE

FIGURE 2-5. SWING BEARING ASSEMBLY



ART_1001153015

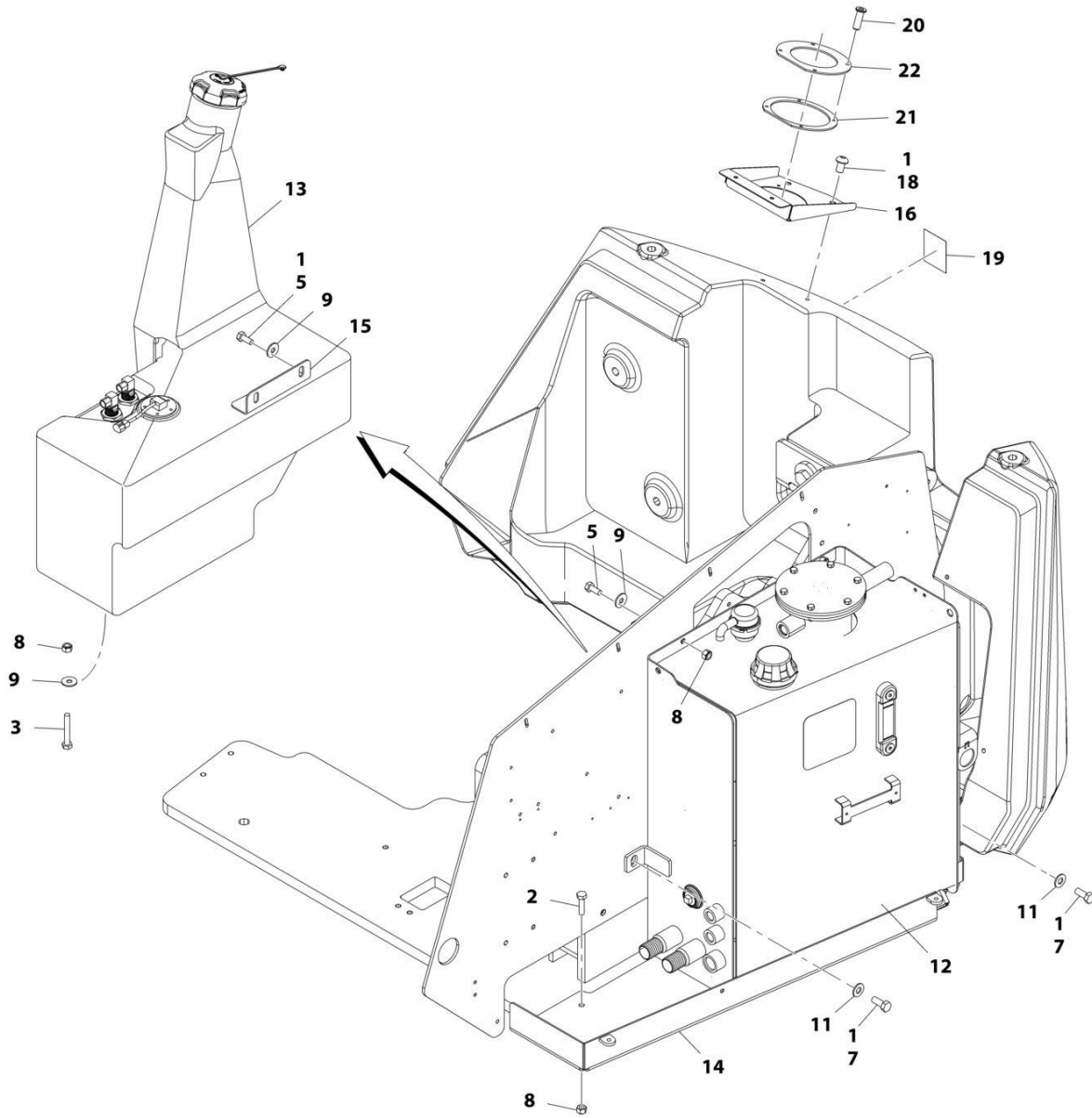
SECTION 2 - TURNTABLE

FIGURE 2-5. SWING BEARING ASSEMBLY

ITEM	PART NUMBER	QTY	DESCRIPTION	REV
	1001153015	Ref	SWING BEARING ASSEMBLY	B
1	7026041	2	Washer 5/16	
2	70002643	2	Cup, Bearing	
2	70002644	2	Cone, Bearing	
3	70002645	1	Seal	
4	70002646	8	Bolt 5/16 x 7/8	
5	70003138	2	Bolt 5/16 x 2-1/2	
6	70002647	2	Bolt 1/2 x 1	
7	70002648	2	Bolt 1/2 x 1-1/4	
8	70002649	1	Vent, Pressure	
9	70002650	1	Seal	
10	70003139	1	Plug 1/4	
11	70002651	1	Fitting, Grease 1/4	
12	70002652	1	Fitting, Grease 1/8 Straight	
13	7027359	1	Fitting, Grease 1/8 90	
14	1001160531	1	Turntable Bearing Kit (Includes Bearing and Hardware (was p/n 1001143932 & 70003140)	
15	70002656	1	Cup, Bearing	
15	70002657	1	Cone, Bearing	
16	70002658	1	Ring, Grease	
17	7026048	1	Cup, Bearing	
17	7026049	1	Cone, Bearing	
18	70002659	1	Cap, Gear	
19	70003141	1	Plate, Cover	
20	70002661	1	Cap, Worm	
21	70003142	1	Pinion, Output	
22	70002663	1	Adapter, Motor	
23	70002664	1	Seal, Face	
24	7026052	1	Spacer, Washer	
25	See Note	1	Housing (Note: Not Available - Purchase Complete Assembly)	
26	70002665	1	Shim .0075 Natural	
26	70002666	1	Shim .005 Blue	
26	70002667	1	Shim .003 Green	
27	70002668	1	Shim .005 Blue	
27	70002669	1	Shim .020 Yellow	
28	7027352	1	Gasket .010 Brown	
28	7027351	1	Gasket .0075 Clear	
28	7027350	1	Gasket .005 Blue	
29	7027353	1	Gasket .020 Yellow	
30	70000681	10	Bolt #6 x 3/8	
31	70002670	1	Gear, Worm	
32	70002671	1	Shaft, Worm	

SECTION 2 - TURNTABLE

FIGURE 2-6. TANK INSTALLATION (DIESEL MACHINES)



ART_1001115769

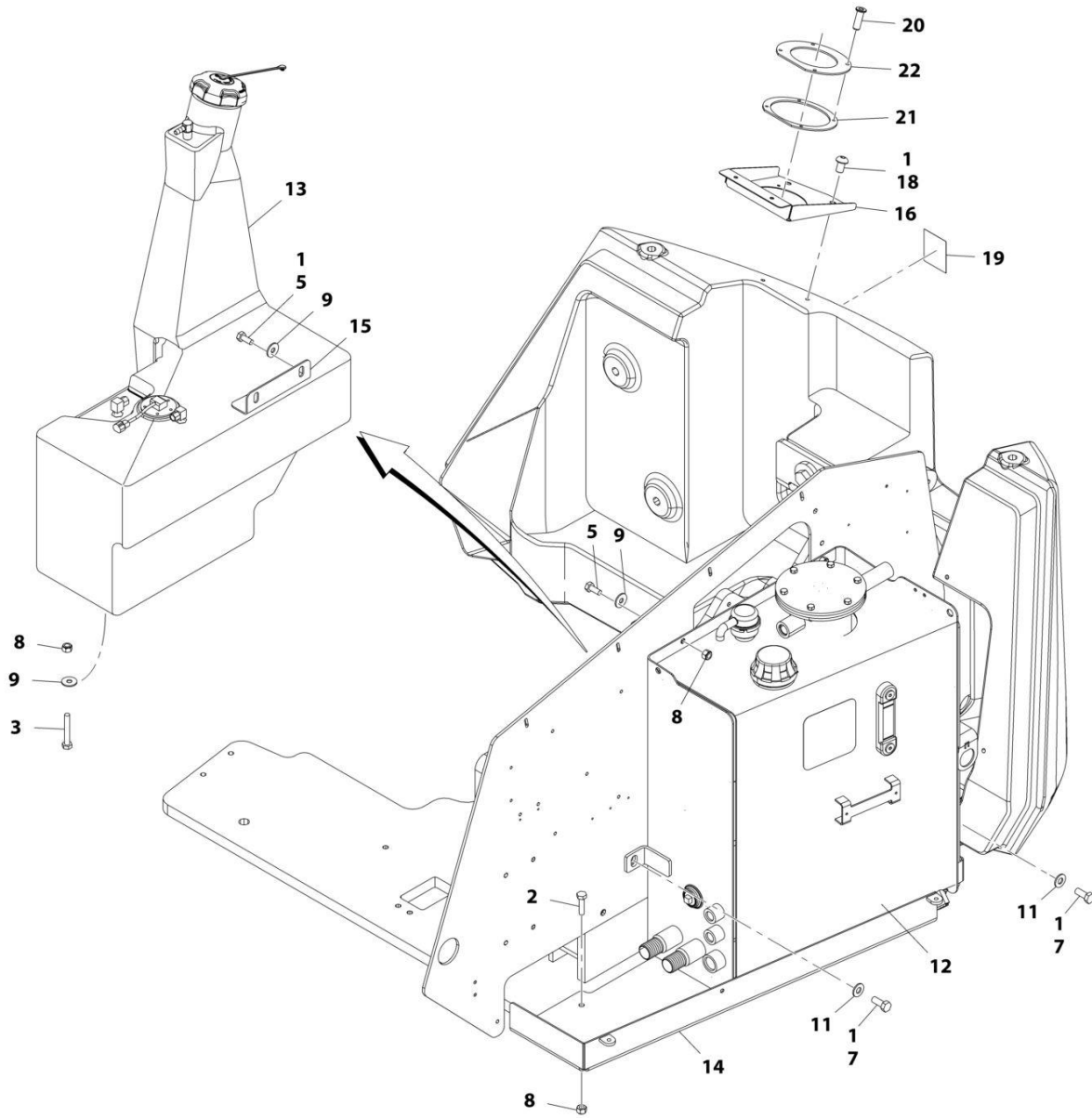
SECTION 2 - TURNTABLE

FIGURE 2-6. TANK INSTALLATION (DIESEL MACHINES)

ITEM	PART NUMBER	QTY	DESCRIPTION	REV
	1001115769	Ref	TANK INSTALLATION (DIESEL MACHINES)	E
1	0100011	AR	Compound, Locking	
2	0701016	2	Bolt M10 x 40	
3	0701022	1	Bolt M10 x 70	
5	0761012	4	Bolt M10 x 25	
7	0761214	2	Bolt M12 x 30	
8	3291005	5	Nut M10	
9	4812002	5	Washer M10	
11	4812102	2	Washer M12	
12	1001116339	1	Hydraulic Tank Assembly (See Separate Breakdown in this Section)	
13	1001117897	1	Fuel Tank Assembly (See Separate Breakdown in this Section)	
14	1001118502	1	Shield, Bottom Tank	
15	1001118509	1	Support, Tank	
16	1001118510	1	Shield, Tank Neck	
18	1001119527	2	Screw M10 x 16	
19	1701505	1	Decal - Diesel Fuel	
20	3820032	4	Rivet	
21	1001128781	1	Seal, Neck	
22	1001128782	1	Ring, Neck	

SECTION 2 - TURNTABLE

FIGURE 2-7. TANK INSTALLATION (GAS MACHINES)



ART_1001119102

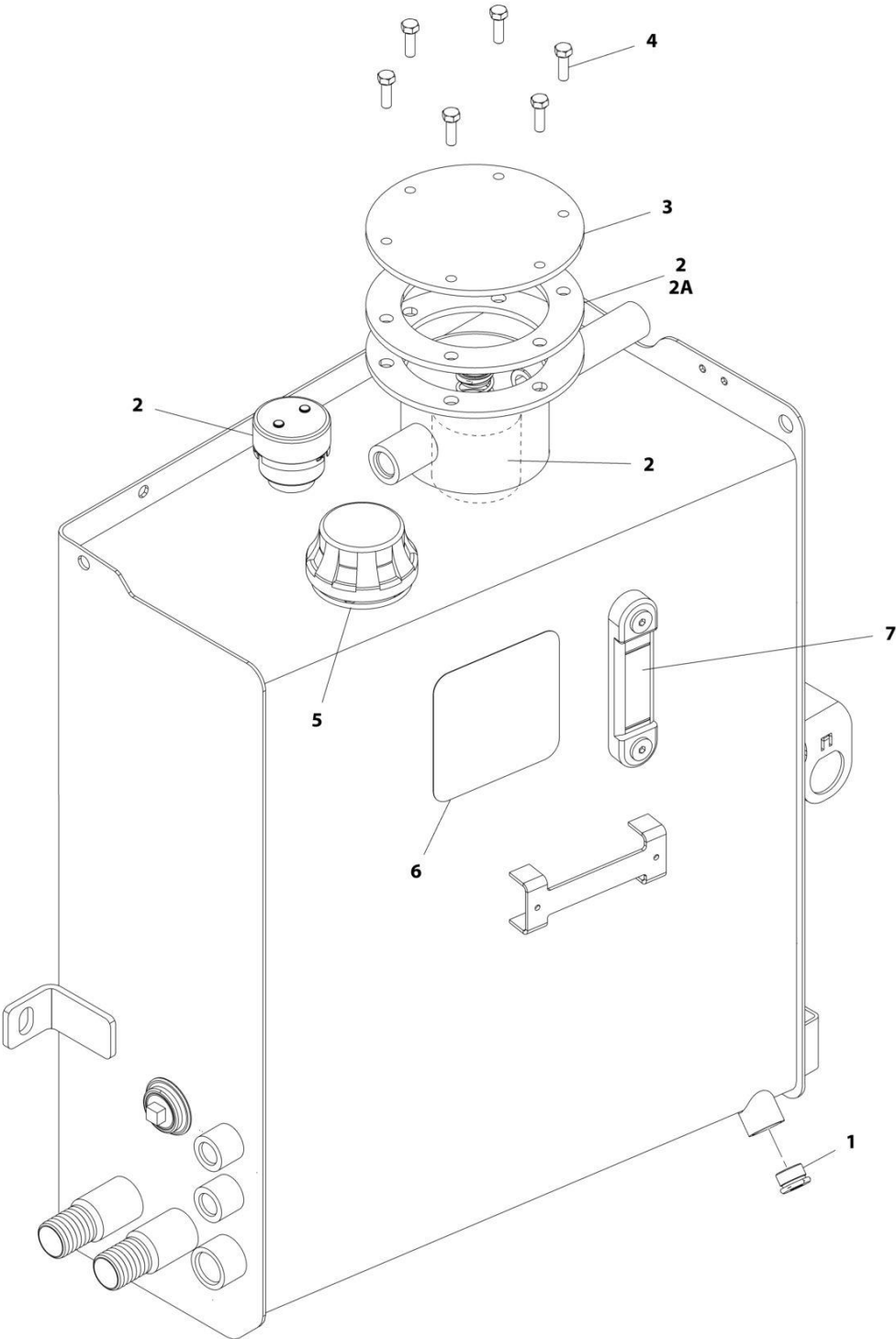
SECTION 2 - TURNTABLE

FIGURE 2-7. TANK INSTALLATION (GAS MACHINES)

ITEM	PART NUMBER	QTY	DESCRIPTION	REV
	1001119102	Ref	TANK INSTALLATION (GAS MACHINES)	F
1	0100011	AR	Compound, Locking	
2	0701016	2	Bolt M10 x 40	
3	0701022	1	Bolt M10 x 70	
5	0761012	4	Bolt M10 x 25	
7	0761214	2	Bolt M12 x 30	
8	3291005	5	Nut M10	
9	4812002	5	Washer M10	
11	4812102	2	Washer M12	
12	1001116339	1	Hydraulic Tank Assembly (See Separate Breakdown in this Section)	
13	1001211509	1	Fuel Tank Assembly (See Separate Breakdown in this Section)	
14	1001118502	1	Shield, Bottom Tank	
15	1001118509	1	Support, Tank	
16	1001118510	1	Shield, Tank Neck	
18	1001119527	2	Screw M10 x 16	
19	1701542	1	Decal - Gas Fuel	
20	3820032	4	Rivet	
21	1001128781	1	Seal, Neck	
22	1001128782	1	Ring, Neck	

SECTION 2 - TURNTABLE

FIGURE 2-8. HYDRAULIC TANK ASSEMBLY



ART_1001116339

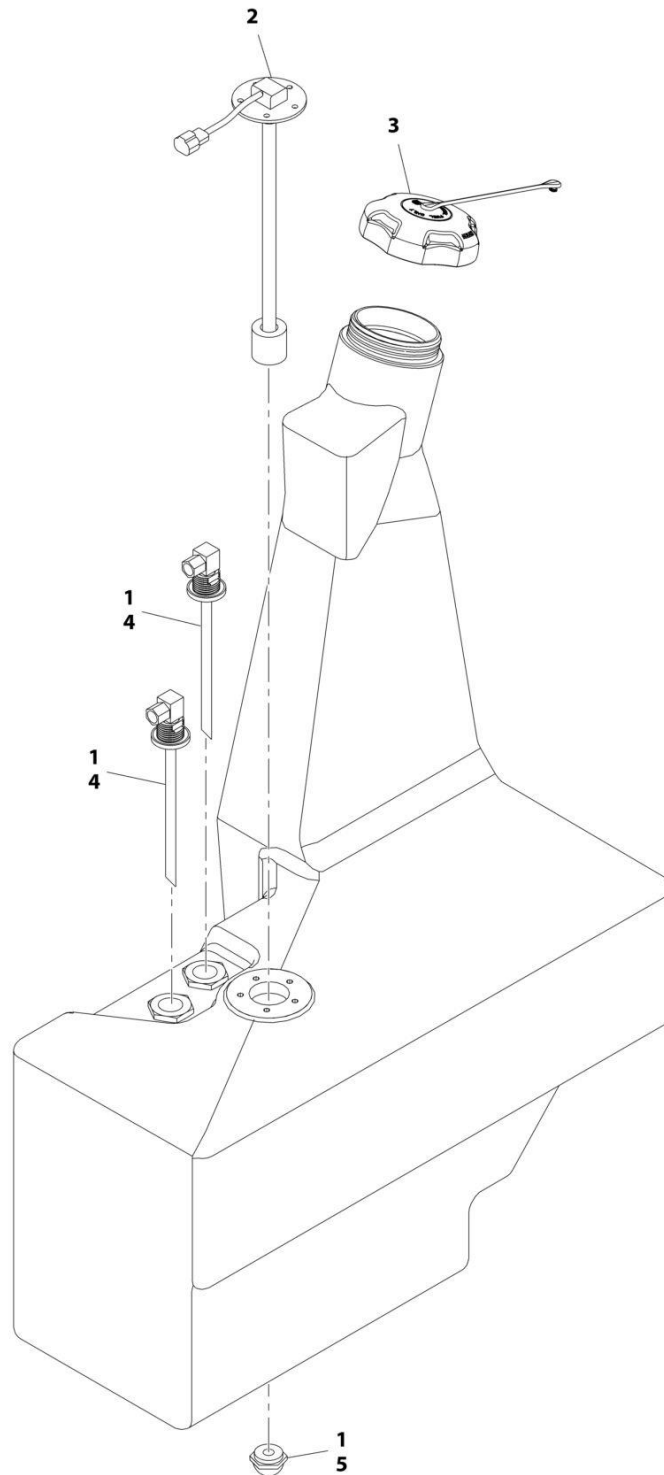
SECTION 2 - TURNTABLE

FIGURE 2-8. HYDRAULIC TANK ASSEMBLY

ITEM	PART NUMBER	QTY	DESCRIPTION	REV
	1001116339	Ref	HYDRAULIC TANK ASSEMBLY	F
1	70002112	1	Plug, Magnetic	
2	70002812	1	Hydraulic Breather/Filter Kit	
2A	70002839	1	Gasket	
3	See Note	NSS	Cover (Note: Use p/n 1001116339)	
4	See Note	NSS	Bolt (Note: Not Available - Purchase Locally)	
5	70002838	1	Cap, Fill	
6	70002840	1	Decal - Filter Replacement	
7	7024441	1	Gauge, Sight	

SECTION 2 - TURNTABLE

FIGURE 2-9. FUEL TANK ASSEMBLY (DIESEL MACHINES)



ART_1001117897

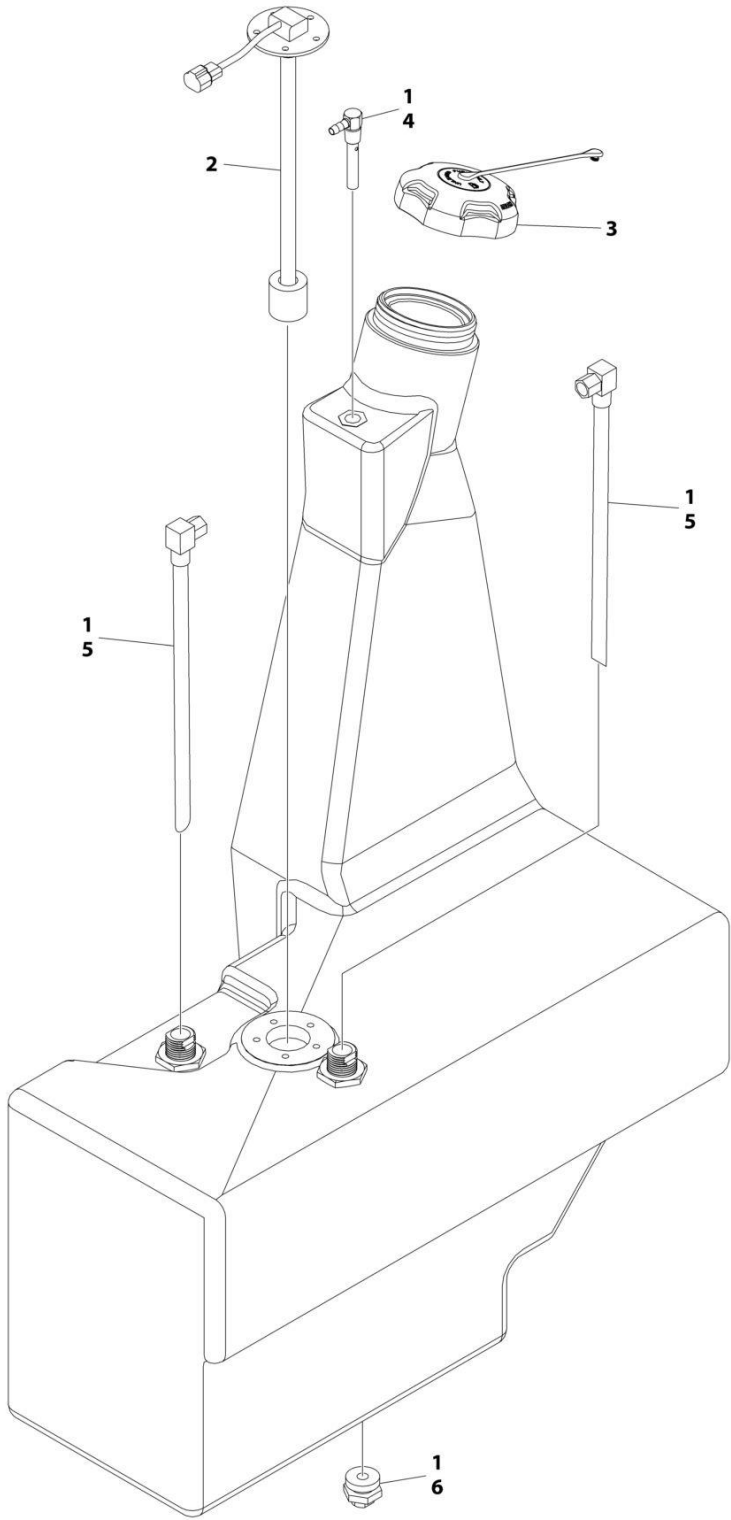
SECTION 2 - TURNTABLE

FIGURE 2-9. FUEL TANK ASSEMBLY (DIESEL MACHINES)

ITEM	PART NUMBER	QTY	DESCRIPTION	REV
	1001117897	Ref	FUEL TANK ASSEMBLY (DIESEL MACHINES)	G
1	0100020	AR	Sealant	
2	1001118262	1	Sender	
2	See Note	NSS	Seal, Sender (Note: Use p/n 1001118262)	
2	0721004	5	Screw #10 x 1/2	
3	1001128798	1	Cap, Fuel - Diesel	
4	See Note	NSS	Tube, Steel with Elbow Fitting (Note: Use p/n 1001117897)	
5	See Note	NSS	Plug (Note: Not Available - Purchase Locally)	

SECTION 2 - TURNTABLE

FIGURE 2-10. FUEL TANK ASSEMBLY (GAS MACHINES)



ART_1001211509

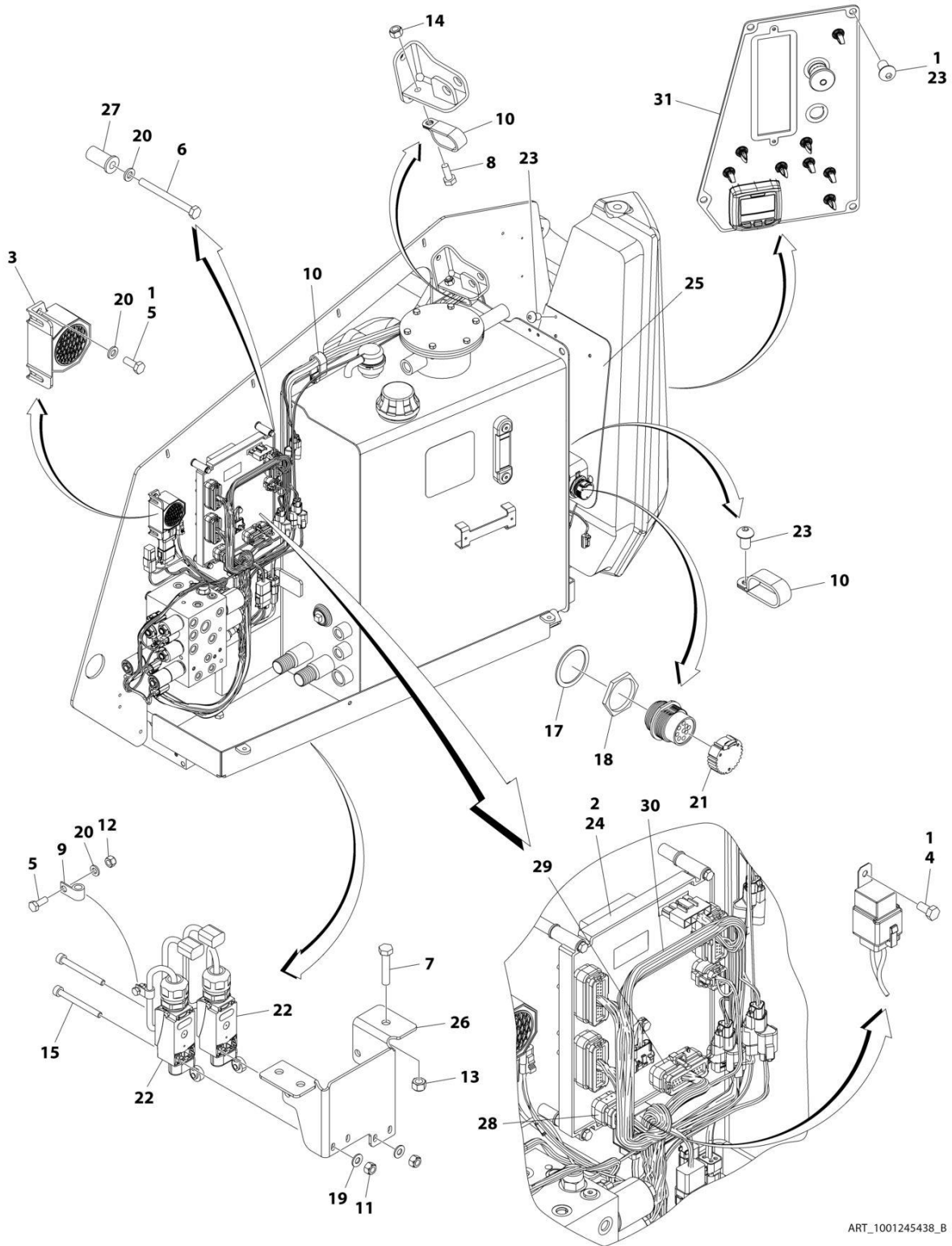
SECTION 2 - TURNTABLE

FIGURE 2-10. FUEL TANK ASSEMBLY (GAS MACHINES)

ITEM	PART NUMBER	QTY	DESCRIPTION	REV
	1001211509	Ref	FUEL TANK ASSEMBLY (GAS MACHINES)	A
1	0100020	AR	Sealant	
2	1001118262	1	Sender	
2	0721004	5	Screw #10 x 1/2	
3	1001128799	1	Cap, Fuel - Gas	
4	1001129043	1	Valve, Fuel Vent	

SECTION 2 - TURNTABLE

FIGURE 2-11. ELECTRICAL COMPONENTS INSTALLATION (ALL SPECS EXCEPT CE & UK CA)
(Prior to SN 0300291111)



ART_1001245438_B

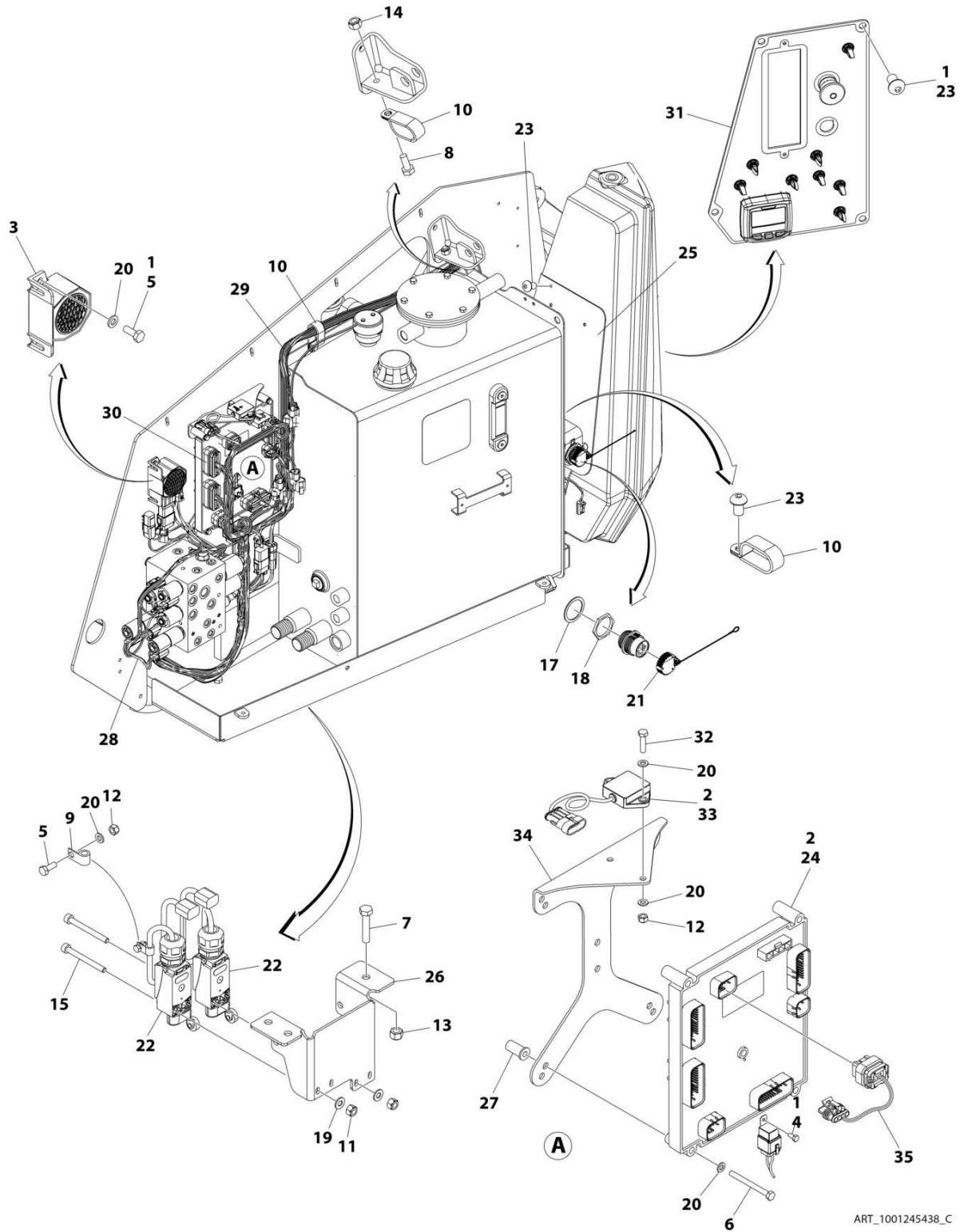
SECTION 2 - TURNTABLE

**FIGURE 2-11. ELECTRICAL COMPONENTS INSTALLATION (ALL SPECS EXCEPT CE & UK CA)
(Prior to SN 0300291111)**

ITEM	PART NUMBER	QTY	DESCRIPTION	REV
	1001245438	Ref	ELECTRICAL COMPONENTS INSTALLATION	B
1	0100011	AR	Compound, Locking	
2	0100048	AR	Sealant, Silicone	
3	0140043	1	Alarm	
4	0760505	1	Bolt M5 x 10	
5	0760608	4	Bolt M6 x 16	
6	0760621	5	Bolt M6 x 65	
7	0760816	3	Bolt M8 x 40	
8	0761012	1	Bolt M10 x 25	
9	1321293	2	Clamp	
10	1321716	3	P-Clamp	
11	3290405	4	Nut M4	
12	3290605	2	Nut M6	
13	3290805	3	Nut M8	
14	3291005	1	Nut M10	
15	4031512	4	Capscrew M4 x 40	
16	4240033	2	Tie-Strap (Not Shown)	
17	4460496	1	Washer	
18	4460497	1	Nut	
19	4811400	4	Washer M4	
20	4811700	9	Washer M6	
21	1001106736	1	Cap, Dust	
22	1001119176	2	Limit Switch and Harness Assembly (See Separate Breakdown in ELECTRICAL Section)	
22	1001119170	2	Switch, Limit (1 per Assembly)	
23	1001119527	7	Screw, Button Head M10 x 16	
24	1001120431	1	Module, Ground Control (Note: Re-calibration Required when Replaced)	
25	1001125291	1	Shield, Ground Controls	
26	1001141710	1	Bracket, Switch	
27	1001203719	5	Nut M6	
28	1001244525	1	Valve Harness (See Separate Breakdown in ELECTRICAL Section)	
29	1001244526	1	Harness, Ground Control (See Separate Breakdown in ELECTRICAL Section)	
30	1001244527	1	Mid-Engine Harness (See Separate Breakdown in ELECTRICAL Section)	
31	1001266044	1	Ground Control Assembly (See Separate Breakdown in this Section)	

SECTION 2 - TURNTABLE

FIGURE 2-12. ELECTRICAL COMPONENTS INSTALLATION (ALL SPECS EXCEPT CE & UK CA) (SN 0300291111 to Present)



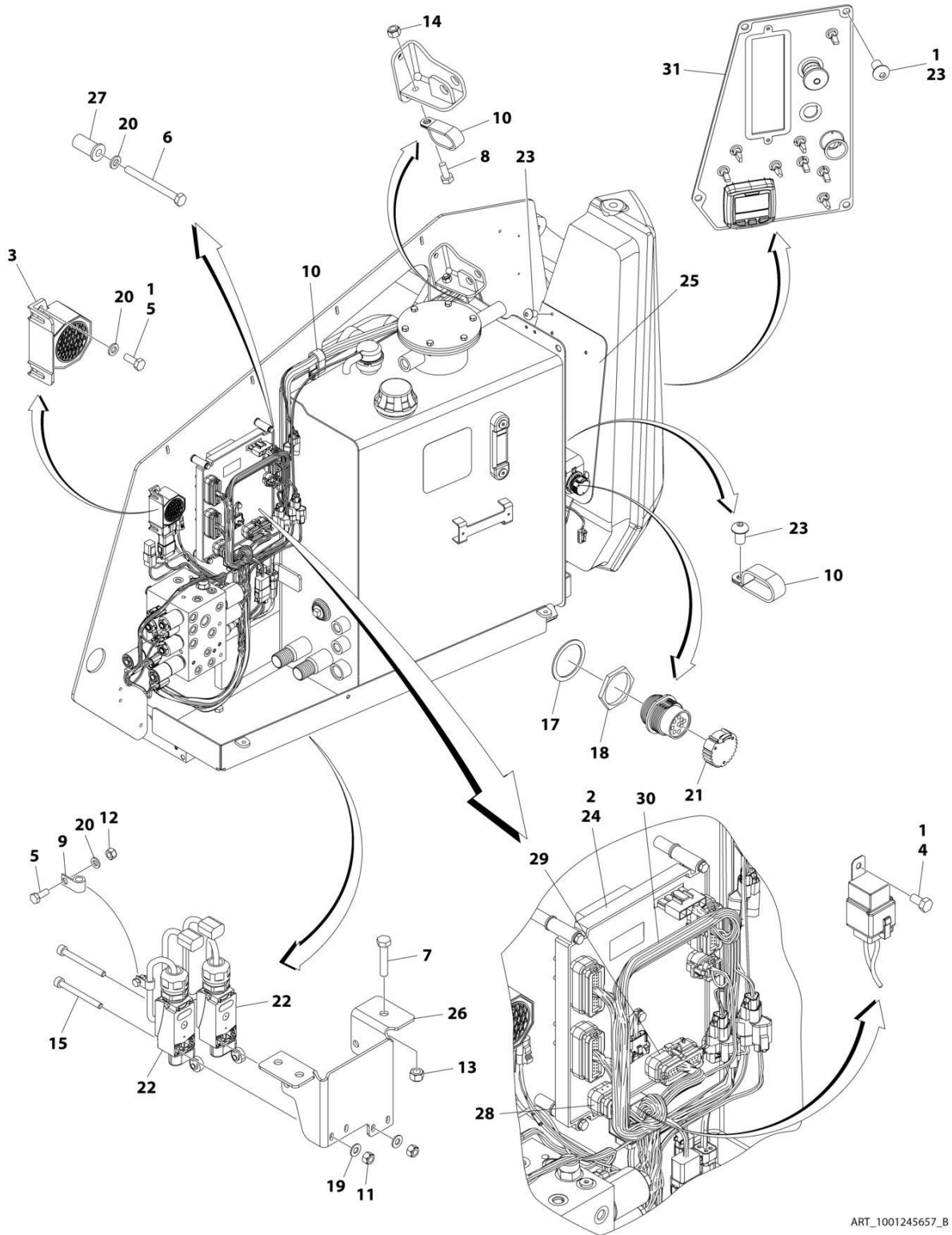
SECTION 2 - TURNTABLE

FIGURE 2-12. ELECTRICAL COMPONENTS INSTALLATION (ALL SPECS EXCEPT CE & UK CA) (SN 0300291111 to Present)

ITEM	PART NUMBER	QTY	DESCRIPTION	REV
	1001245438	Ref	ELECTRICAL COMPONENTS INSTALLATION	C
1	0100011	AR	Compound, Locking	
2	0100048	AR	Sealant, Silicone	
3	0140043	1	Alarm	
4	0760505	1	Bolt M5 x 10	
5	0760608	4	Bolt M6 x 16	
6	0760621	5	Bolt M6 x 65	
7	0760816	3	Bolt M8 x 40	
8	0761012	1	Bolt M10 x 25	
9	1321293	2	Clamp	
10	1321716	3	P-Clamp	
11	3290405	4	Nut M4	
12	3290605	4	Nut M6	
13	3290805	3	Nut M8	
14	3291005	1	Nut M10	
15	4031512	4	Capscrew M4 x 40	
16	4240033	2	Tie-Strap (Not Shown)	
17	4460496	1	Washer	
18	4460497	1	Nut	
19	4811400	4	Washer M4	
20	4811700	13	Washer M6	
21	1001106736	1	Cap, Dust	
22	1001119176	2	Limit Switch and Harness Assembly (See Separate Breakdown in ELECTRICAL Section)	
22	1001119170	2	Switch, Limit (1 per Assembly)	
23	1001119527	7	Screw, Button Head M10 x 16	
24	1001280340	1	Module, Ground Control (Note: Re-calibration Required when Replaced)	
25	1001125291	1	Shield, Ground Controls	
26	1001141710	1	Bracket, Switch	
27	1001203719	5	Nut M6	
28	1001244525	1	Valve Harness (See Separate Breakdown in ELECTRICAL Section)	
29	1001244526	1	Harness, Ground Control (See Separate Breakdown in ELECTRICAL Section)	
30	1001244527	1	Mid-Engine Harness (See Separate Breakdown in ELECTRICAL Section)	
31	1001266044	1	Ground Control Assembly (See Separate Breakdown in this Section)	
32	0760612	2	Bolt M6 x 25	
33	1001219601	1	Sensor, Tilt Dual Axis CAN	
34	1001271794	1	Bracket, Tilt Sensor	
35	1001276143	1	Harness, Tilt Sensor (See Separate breakdown in ELECTRICAL Section)	

SECTION 2 - TURNTABLE

FIGURE 2-13. ELECTRICAL COMPONENTS INSTALLATION (CE & UK CA SPEC) (Prior to SN 0300291111)



ART_1001245657_B

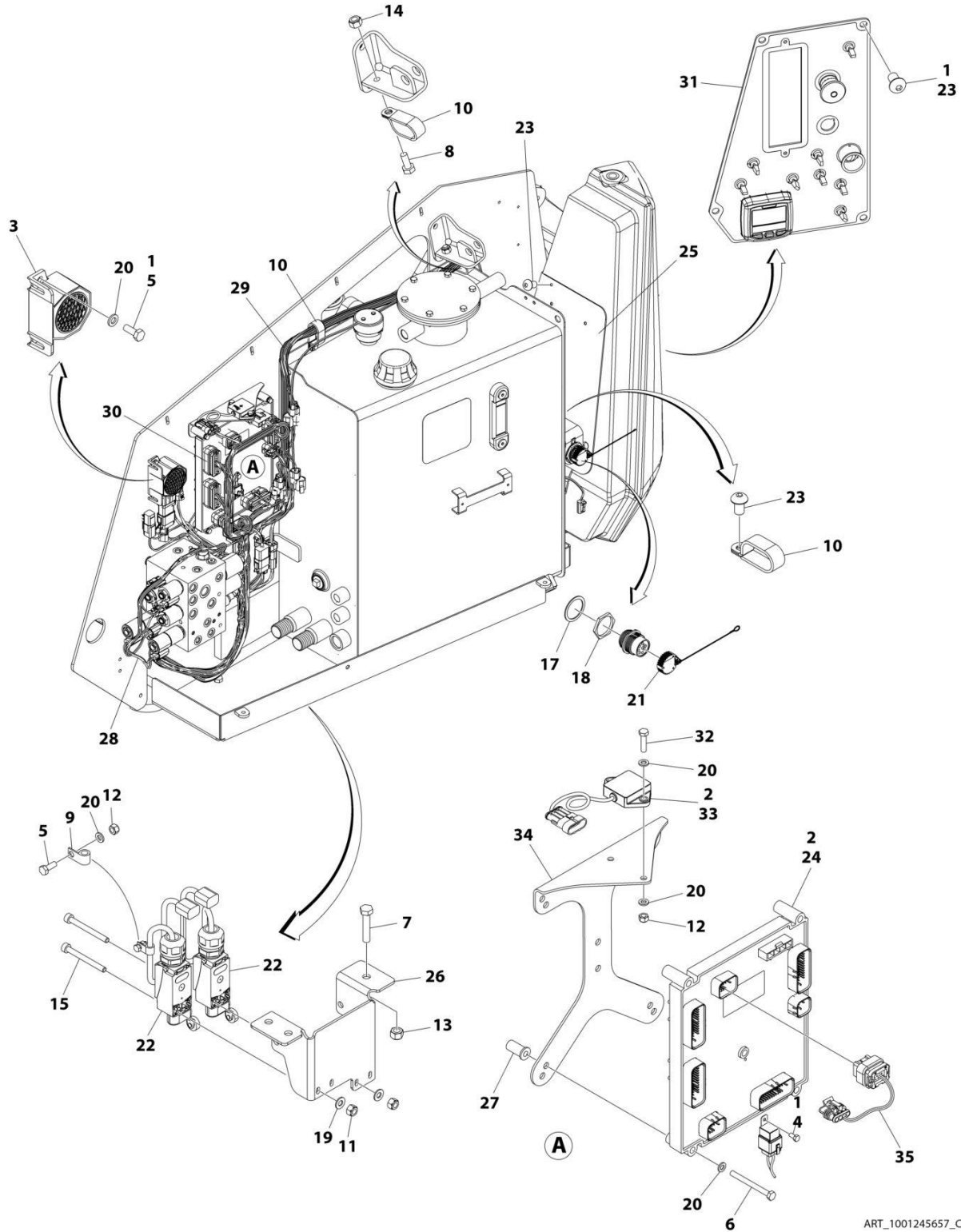
SECTION 2 - TURNTABLE

FIGURE 2-13. ELECTRICAL COMPONENTS INSTALLATION (CE & UK CA SPEC) (Prior to SN 0300291111)

ITEM	PART NUMBER	QTY	DESCRIPTION	REV
	1001245657	Ref	ELECTRICAL COMPONENTS INSTALLATION	B
1	0100011	AR	Compound, Locking	
2	0100048	AR	Sealant, Silicone	
3	0140043	1	Alarm	
4	0760505	1	Bolt M5 x 10	
5	0760608	4	Bolt M6 x 16	
6	0760621	5	Bolt M6 x 65	
7	0760816	3	Bolt M8 x 40	
8	0761012	1	Bolt M10 x 25	
9	1321293	2	Clamp	
10	1321716	3	P-Clamp	
11	3290405	4	Nut M4	
12	3290605	2	Nut M6	
13	3290805	3	Nut M8	
14	3291005	1	Nut M10	
15	4031512	4	Capscrew M4 x 40	
16	4240033	2	Tie-Strap (Not Shown)	
17	4460496	1	Washer, Terminal	
18	4460497	1	Nut, Terminal	
19	4811400	4	Washer M4	
20	4811700	9	Washer M6	
21	1001106736	1	Cap, Dust	
22	1001119176	2	Limit Switch and Harness Assembly (See Separate Breakdown in ELECTRICAL Section)	
22	1001119170	2	Switch, Limit (1 per Assembly)	
23	1001119527	7	Screw, Button Head M10 x 16	
24	1001120431	1	Module, Ground Control (Note: Re-calibration Required when Replaced)	
25	1001125291	1	Shield, Ground Controls	
26	1001141710	1	Bracket, Switch	
27	1001203719	5	Nut M6	
28	1001244525	1	Valve Harness (See Separate Breakdown in ELECTRICAL Section)	
29	1001244526	1	Harness, Ground Control (See Separate Breakdown in ELECTRICAL Section)	
30	1001244527	1	Mid-Engine Harness Assembly (See Separate Breakdown in ELECTRICAL Section)	
31	1001266045	1	Ground Control Assembly (See Separate Breakdown in this Section)	

SECTION 2 - TURNTABLE

FIGURE 2-14. ELECTRICAL COMPONENTS INSTALLATION (CE & UK CA SPEC) (SN 0300291111 to Present)



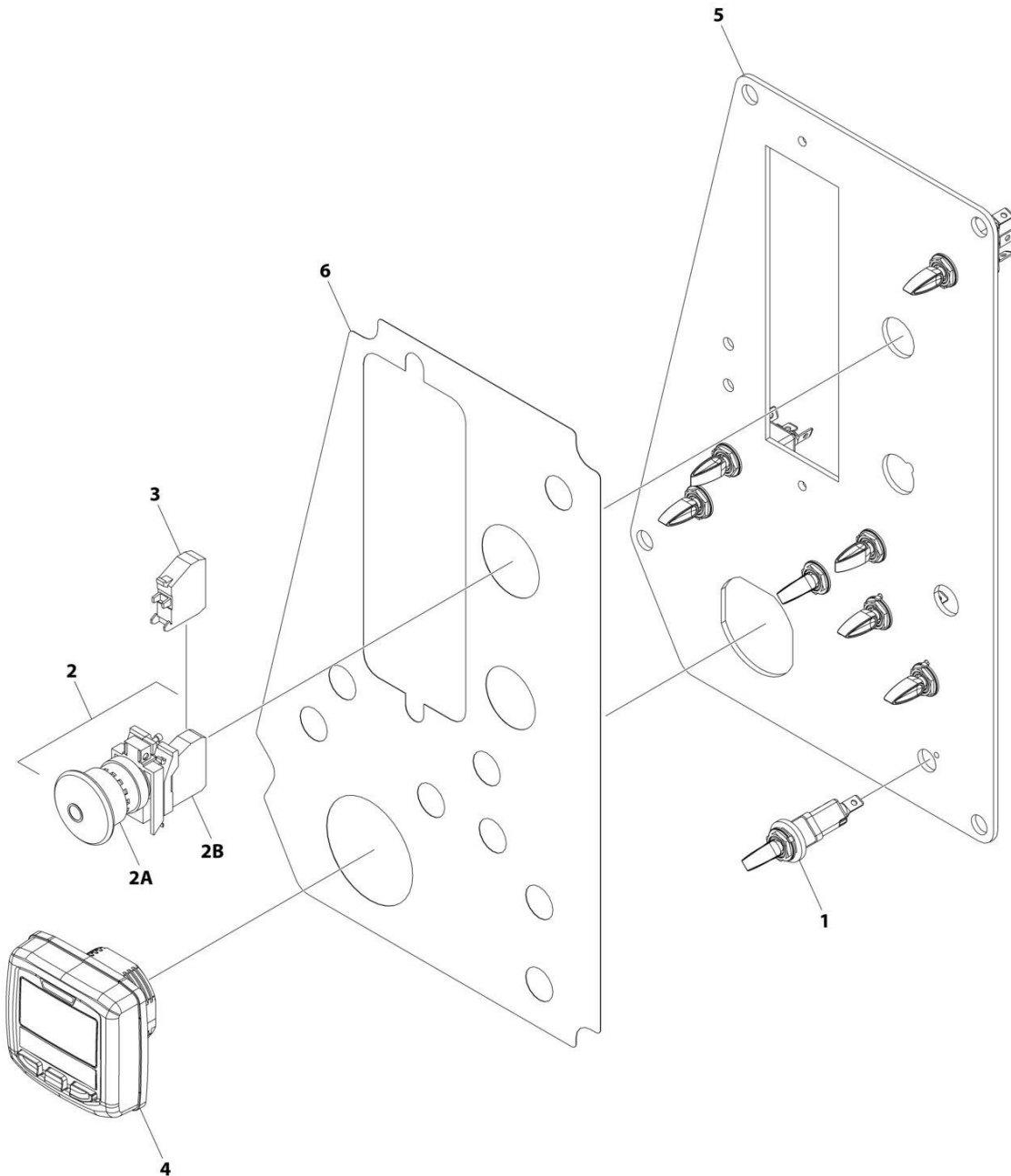
SECTION 2 - TURNTABLE

FIGURE 2-14. ELECTRICAL COMPONENTS INSTALLATION (CE & UK CA SPEC) (SN 0300291111 to Present)

ITEM	PART NUMBER	QTY	DESCRIPTION	REV
	1001245657	Ref	ELECTRICAL COMPONENTS INSTALLATION	C
1	0100011	AR	Compound, Locking	
2	0100048	AR	Sealant, Silicone	
3	0140043	1	Alarm	
4	0760505	1	Bolt M5 x 10	
5	0760608	4	Bolt M6 x 16	
6	0760621	5	Bolt M6 x 65	
7	0760816	3	Bolt M8 x 40	
8	0761012	1	Bolt M10 x 25	
9	1321293	2	Clamp	
10	1321716	3	P-Clamp	
11	3290405	4	Nut M4	
12	3290605	4	Nut M6	
13	3290805	3	Nut M8	
14	3291005	1	Nut M10	
15	4031512	4	Capscrew M4 x 40	
16	4240033	2	Tie-Strap (Not Shown)	
17	4460496	1	Washer, Terminal	
18	4460497	1	Nut, Terminal	
19	4811400	4	Washer M4	
20	4811700	13	Washer M6	
21	1001106736	1	Cap, Dust	
22	1001119176	2	Limit Switch and Harness Assembly (See Separate Breakdown in ELECTRICAL Section)	
22	1001119170	2	Switch, Limit (1 per Assembly)	
23	1001119527	7	Screw, Button Head M10 x 16	
24	1001280340	1	Module, Ground Control (Note: Re-calibration Required when Replaced)	
25	1001125291	1	Shield, Ground Controls	
26	1001141710	1	Bracket, Switch	
27	1001203719	5	Nut M6	
28	1001244525	1	Valve Harness (See Separate Breakdown in ELECTRICAL Section)	
29	1001244526	1	Harness, Ground Control (See Separate Breakdown in ELECTRICAL Section)	
30	1001244527	1	Mid-Engine Harness Assembly (See Separate Breakdown in ELECTRICAL Section)	
31	1001266045	1	Ground Control Assembly (See Separate Breakdown in this Section)	
32	0760612	2	Bolt M6 x 25	
33	1001219601	1	Sensor, Tilt Dual Axis CAN	
34	1001271794	1	Bracket, Tilt Sensor	
35	1001276143	1	Harness, Tilt Sensor (See Separate breakdown in ELECTRICAL Section)	

SECTION 2 - TURNTABLE

FIGURE 2-15. GROUND CONTROL BOX ASSEMBLY - DISPLAY WITH BUTTONS (ALL SPECS EXCEPT CE & UK CA SPECS)



ART_1001266044

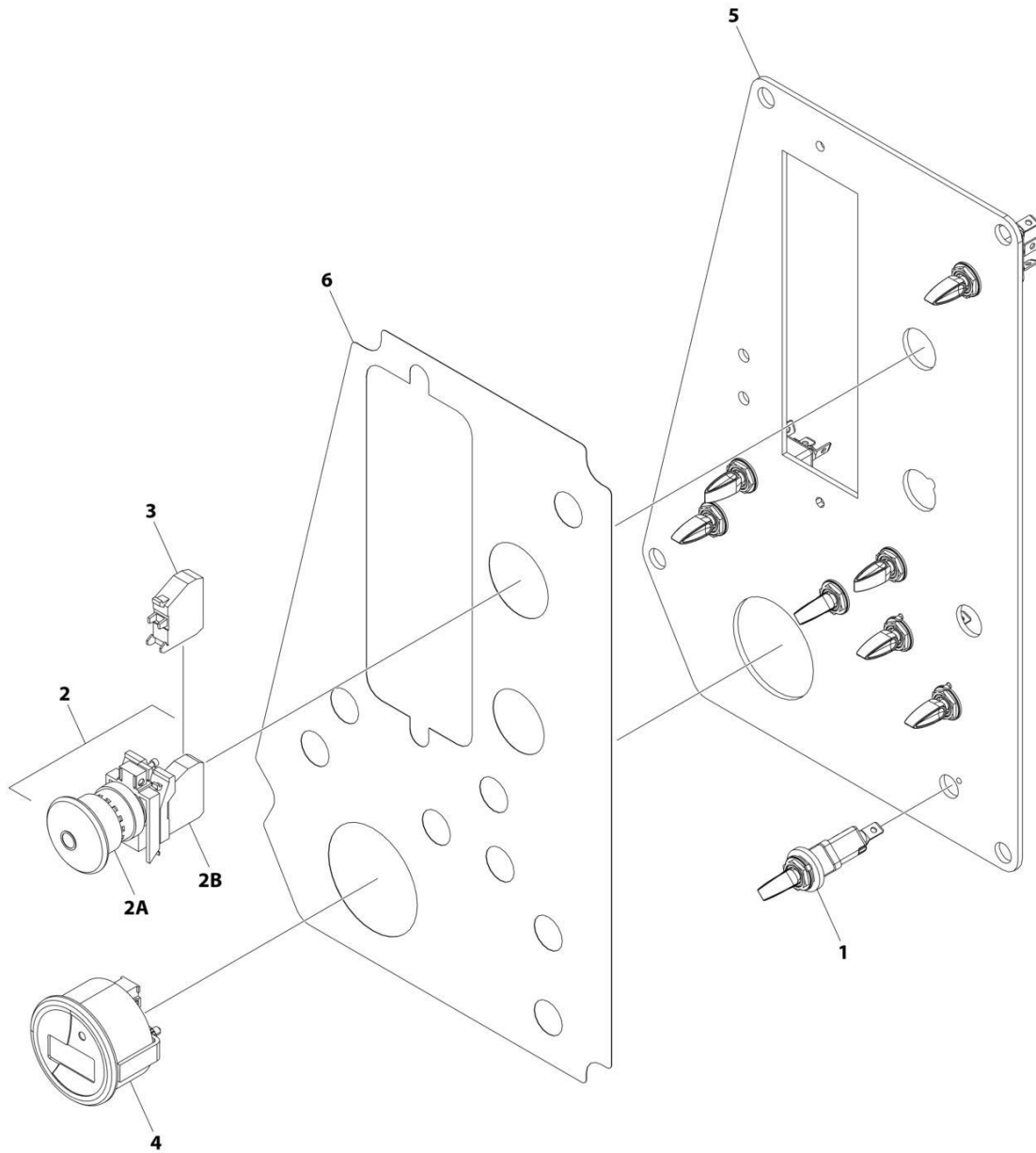
SECTION 2 - TURNTABLE

FIGURE 2-15. GROUND CONTROL BOX ASSEMBLY - DISPLAY WITH BUTTONS (ALL SPECS EXCEPT CE & UK CA SPECS)

ITEM	PART NUMBER	QTY	DESCRIPTION	REV
	1001266044	Ref	GROUND CONTROL ASSEMBLY	A
1	4360328	8	Switch, Toggle	
2	4360475	1	Switch, Emergency Stop	
2A	7020175	1	Cap, Mushroom Head	
2B	7020176	1	Block, Contact	
3	4360476	1	Switch, Contact	
4	1001171482	1	Display	
5	1001266040	1	Panel	
6	1001266041	1	Decal - Ground Control	

SECTION 2 - TURNTABLE

FIGURE 2-16. GROUND CONTROL BOX ASSEMBLY - DISPLAY WITHOUT BUTTONS (ALL SPECS EXCEPT CE & UK CA SPECS)



ART_1001266044_B

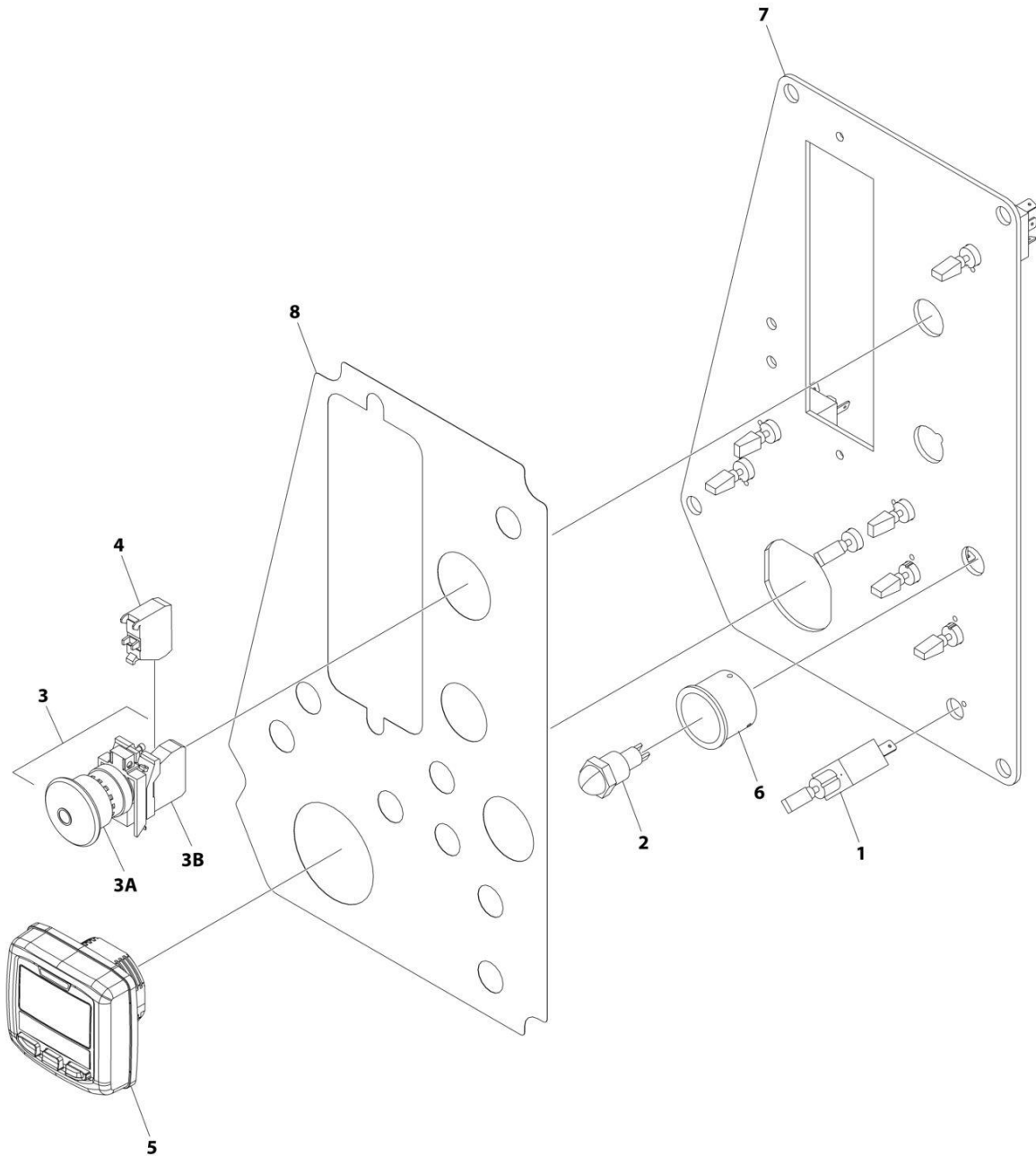
SECTION 2 - TURNTABLE

FIGURE 2-16. GROUND CONTROL BOX ASSEMBLY - DISPLAY WITHOUT BUTTONS (ALL SPECS EXCEPT CE & UK CA SPECS)

ITEM	PART NUMBER	QTY	DESCRIPTION	REV
	1001266044	Ref	GROUND CONTROL ASSEMBLY	B
1	4360328	8	Switch, Toggle	
2	4360475	1	Switch, Emergency Stop	
2A	7020175	1	Cap, Mushroom Head	
2B	7020176	1	Block, Contact	
3	4360476	1	Switch, Contact	
4	1001109503	1	Display	
5	1001280406	1	Panel	
6	1001266041	1	Decal - Ground Control	

SECTION 2 - TURNTABLE

FIGURE 2-17. GROUND CONTROL BOX ASSEMBLY - DISPLAY WITH BUTTONS (CE & UK CA SPECS)



ART_1001266045

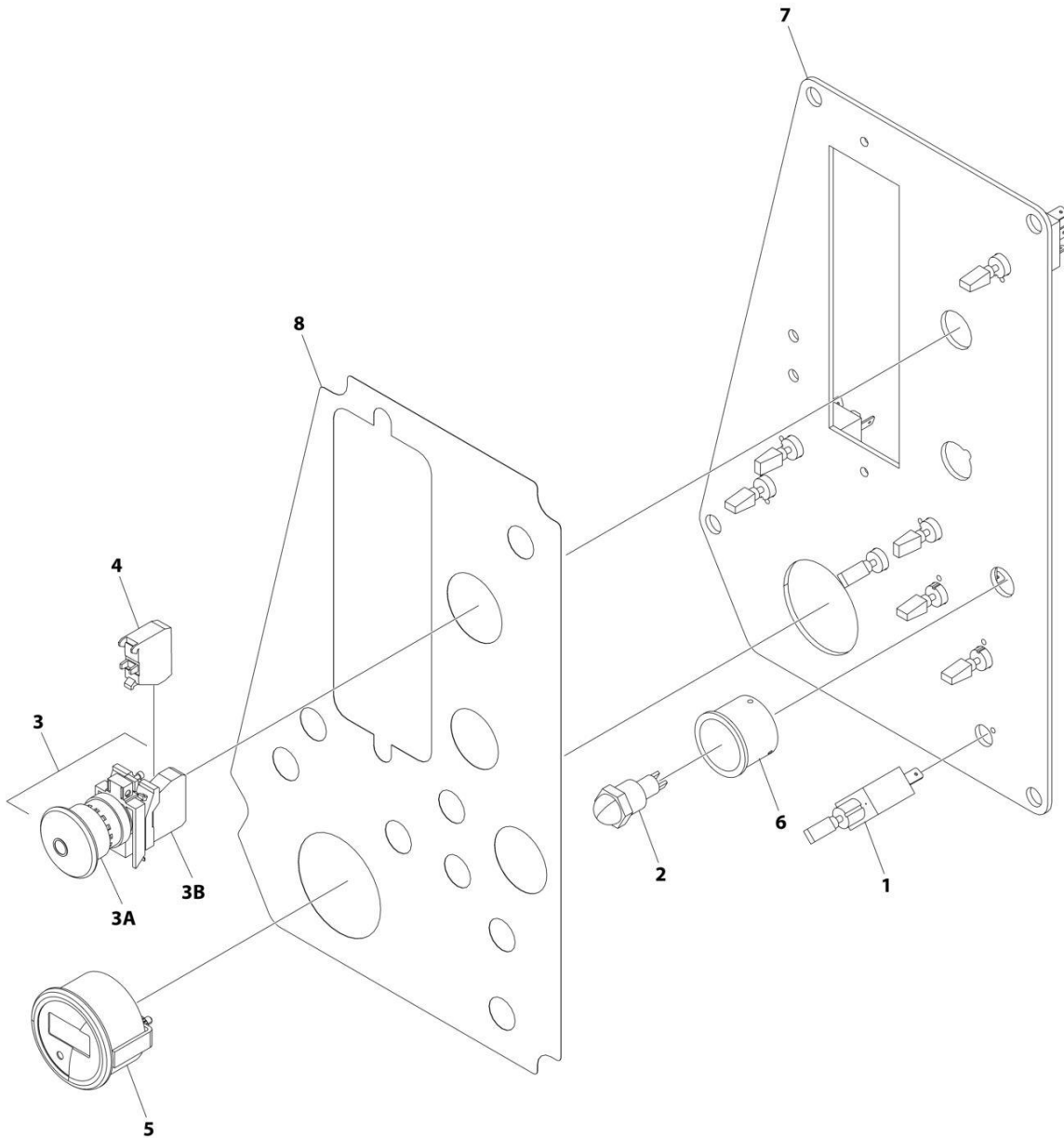
SECTION 2 - TURNTABLE

FIGURE 2-17. GROUND CONTROL BOX ASSEMBLY - DISPLAY WITH BUTTONS (CE & UK CA SPECS)

ITEM	PART NUMBER	QTY	DESCRIPTION	REV
	1001266045	Ref	GROUND CONTROL ASSEMBLY	A
1	4360328	8	Switch, Toggle	
2	4360387	1	Switch, Push Button	
3	4360475	1	Switch, Emergency Stop	
3A	7020175	1	Cap, Mushroom Head	
3B	7020176	1	Block, Contact	
4	4360476	1	Switch, Contact	
5	1001171482	1	Display	
6	1001176469	1	Shroud	
7	1001266040	1	Panel	
8	1001266043	1	Decal - Ground Control	

SECTION 2 - TURNTABLE

FIGURE 2-18. GROUND CONTROL BOX ASSEMBLY - DISPLAY WITHOUT BUTTONS (CE & UK CA SPECS)



ART_1001266045_B

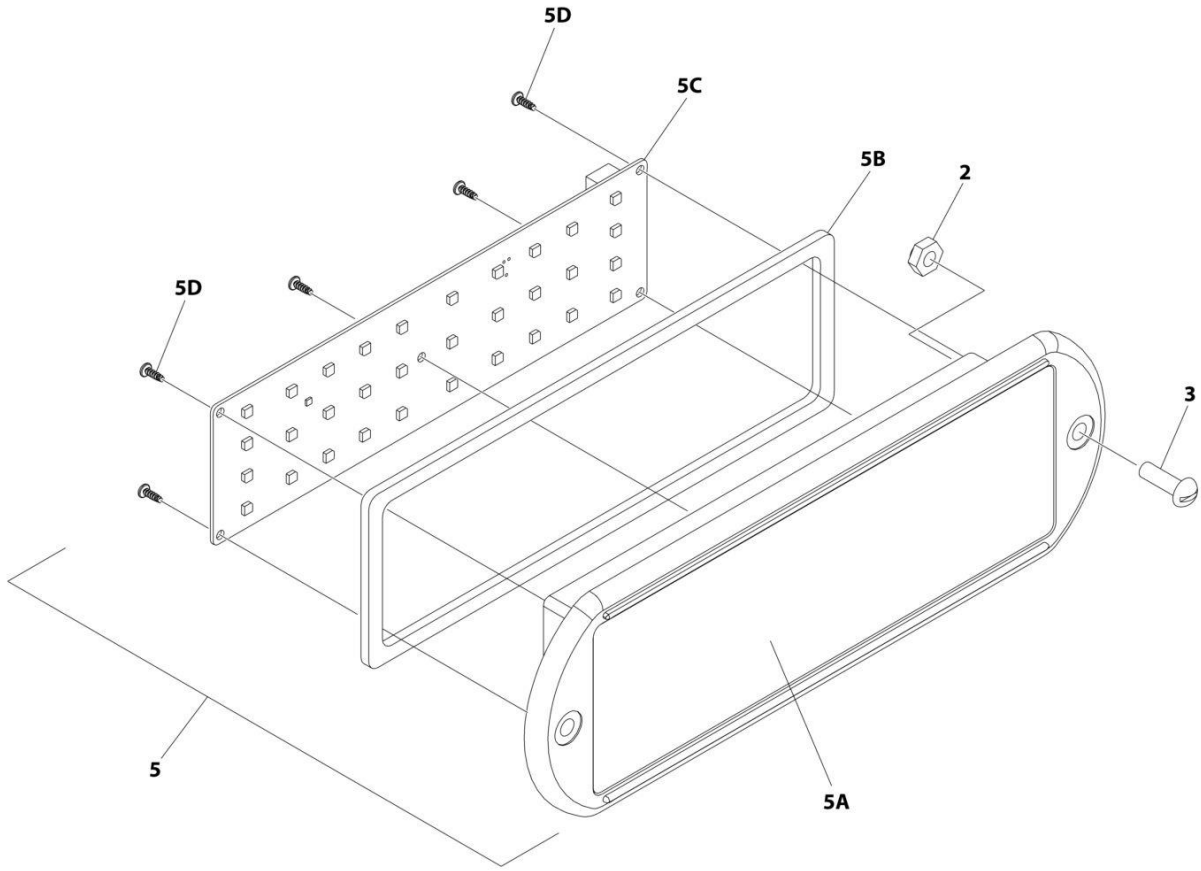
SECTION 2 - TURNTABLE

FIGURE 2-18. GROUND CONTROL BOX ASSEMBLY - DISPLAY WITHOUT BUTTONS (CE & UK CA SPECS)

ITEM	PART NUMBER	QTY	DESCRIPTION	REV
	1001266045	Ref	GROUND CONTROL ASSEMBLY	B
1	4360328	8	Switch, Toggle	
2	4360387	1	Switch, Push Button	
3	4360475	1	Switch, Emergency Stop	
3A	7020175	1	Cap, Mushroom Head	
3B	7020176	1	Block, Contact	
4	4360476	1	Switch, Contact	
5	1001109503	1	Display	
6	1001176469	1	Shroud	
7	1001280406	1	Panel	
8	1001266043	1	Decal - Ground Control	

SECTION 2 - TURNTABLE

FIGURE 2-19. LIGHT PANEL INSTALLATION



ART_1001241400_10F2

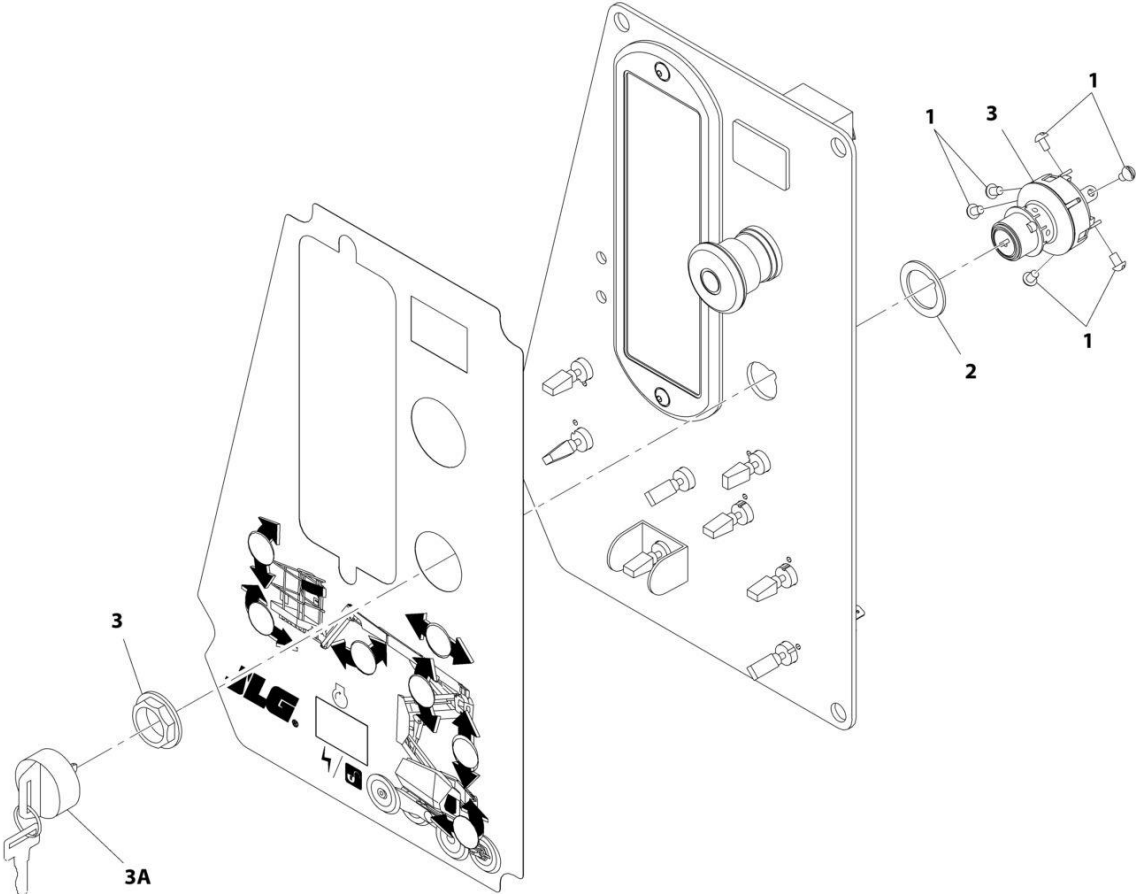
SECTION 2 - TURNTABLE

FIGURE 2-19. LIGHT PANEL INSTALLATION

ITEM	PART NUMBER	QTY	DESCRIPTION	REV
	1001241400	Ref	LIGHT PANEL INSTALLATION	B
2	3300408	2	Nut, Nylon Insert	
3	0630518	2	Screw #10 x 3/4	
5	1001236433	1	Light Panel Assembly	
5A	1001236093	1	Lens, I-Con	
5B	1001238749	1	Bezel (Includes Gasket)	
5C	1001187807	1	Panel, LED Light	
5D		Ref	Screw	

SECTION 2 - TURNTABLE

FIGURE 2-20. KEY SWITCH INSTALLATION



ART_100119399

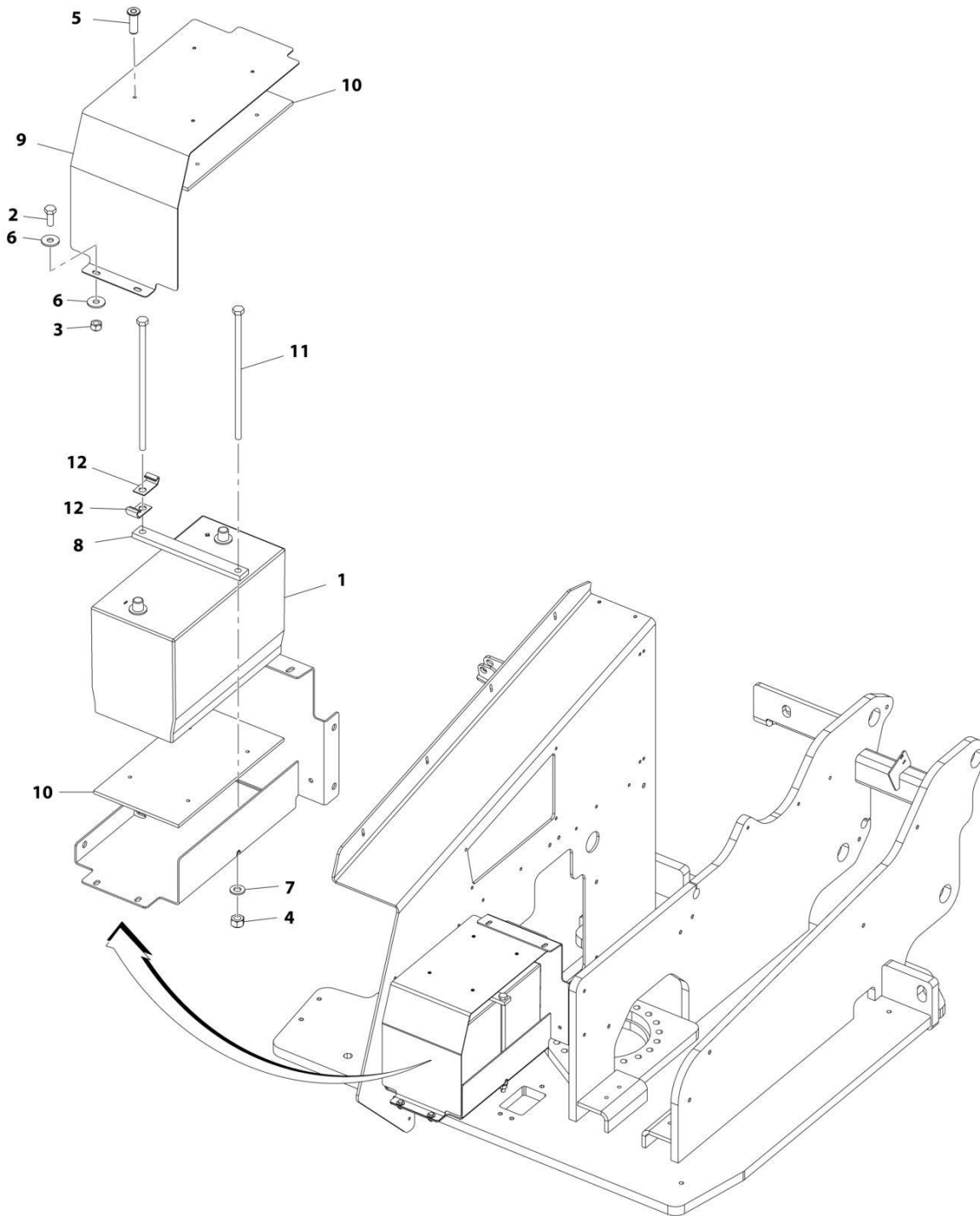
SECTION 2 - TURNTABLE

FIGURE 2-20. KEY SWITCH INSTALLATION

ITEM	PART NUMBER	QTY	DESCRIPTION	REV
	1001119399	Ref	KEY SWITCH INSTALLATION	C
1	3910804	6	Screw 8 x 1/4	
2	1001151393	1	Shim	
3	4360469	1	Switch, Key	
3A	2860030	1	Key, Replacement	

SECTION 2 - TURNTABLE

FIGURE 2-21. BATTERY INSTALLATION



ART_1001119277

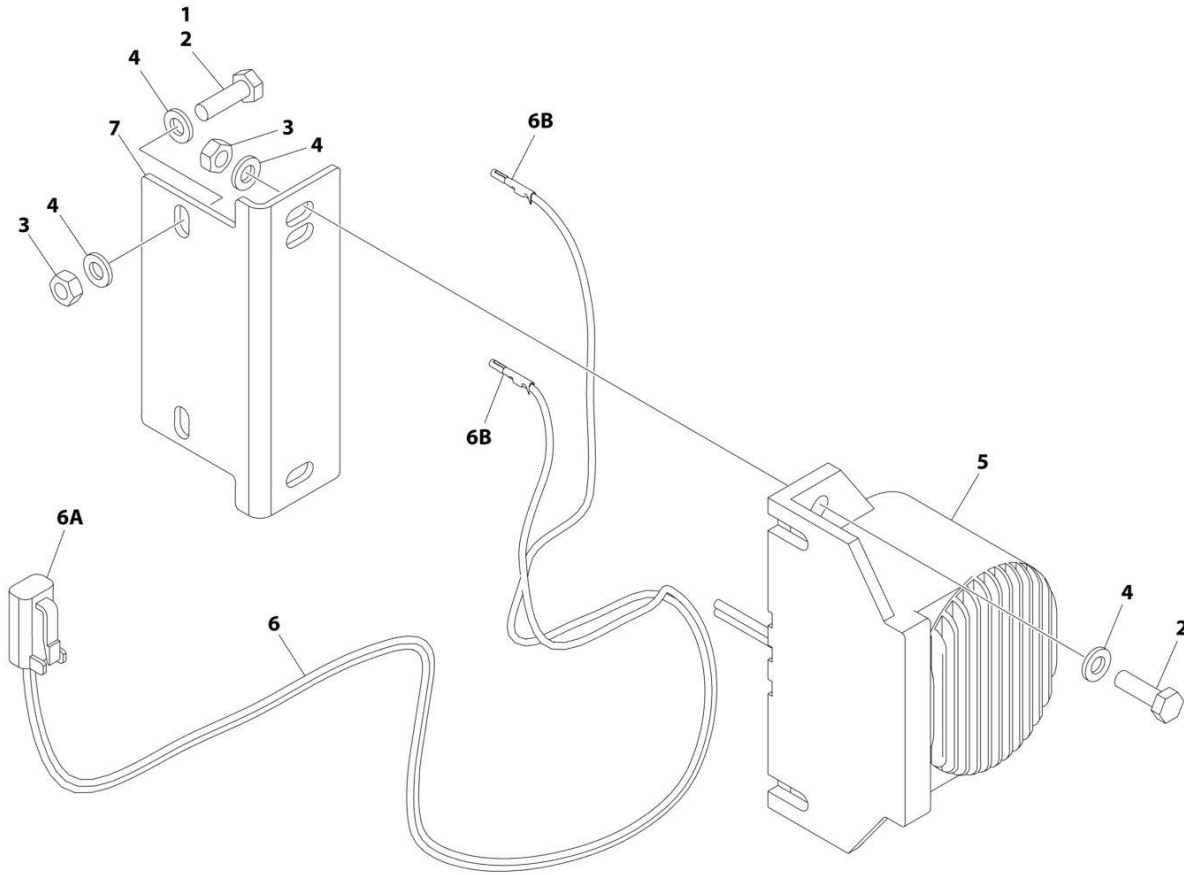
SECTION 2 - TURNTABLE

FIGURE 2-21. BATTERY INSTALLATION

ITEM	PART NUMBER	QTY	DESCRIPTION	REV
	1001119277	Ref	BATTERY INSTALLATION	D
1	0400075	1	Battery	
2	0760610	2	Bolt M6 x 20	
3	3290605	2	Nut M6	
4	3291005	2	Nut M10	
5	3820032	4	Rivet	
6	4811702	4	Washer M6	
7	4812000	2	Washer M10	
8	0361810	1	Bar, Hold-down	
9	1001117240	1	Cover	
10	1001119278	2	Insulate	
11	1001119280	2	Bolt M10 x 260	
12	1320223	2	J-Clip	

SECTION 2 - TURNTABLE

FIGURE 2-22. WHITE NOISE ALARM INSTALLATION (AMBIENT)



ART_1001206737

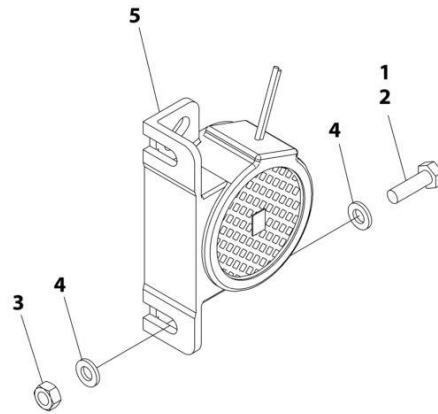
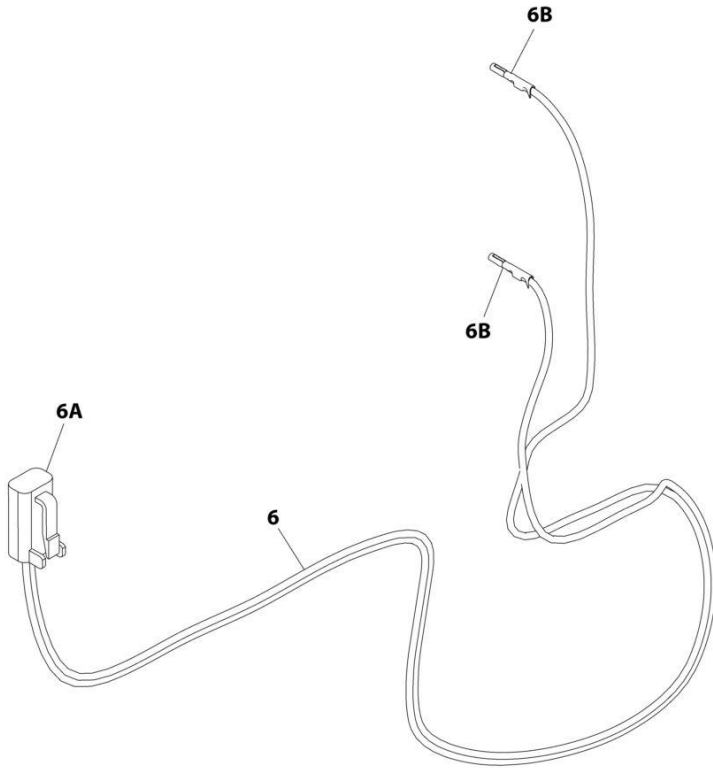
SECTION 2 - TURNTABLE

FIGURE 2-22. WHITE NOISE ALARM INSTALLATION (AMBIENT)

ITEM	PART NUMBER	QTY	DESCRIPTION	REV
	1001206737	Ref	WHITE NOISE ALARM INSTALLATION	C
1	0100011	AR	Compound, Locking	
2	0760610	4	Bolt M6 x 20	
3	3290601	4	Nut M6	
4	4811700	8	Washer M6	
5	1001182806	1	Alarm	
6	1001190663	1	White Noise Motion Alarm Harness	
6A	4460891	1	Plug, Male - 2 Position	
6A	4460465	1	Socket, Female	
6B	4460871	2	Socket, Female	
7	1001231886	1	Plate	

SECTION 2 - TURNTABLE

FIGURE 2-23. WHITE NOISE ALARM INSTALLATION (CONSTANT)



ART_1001263178

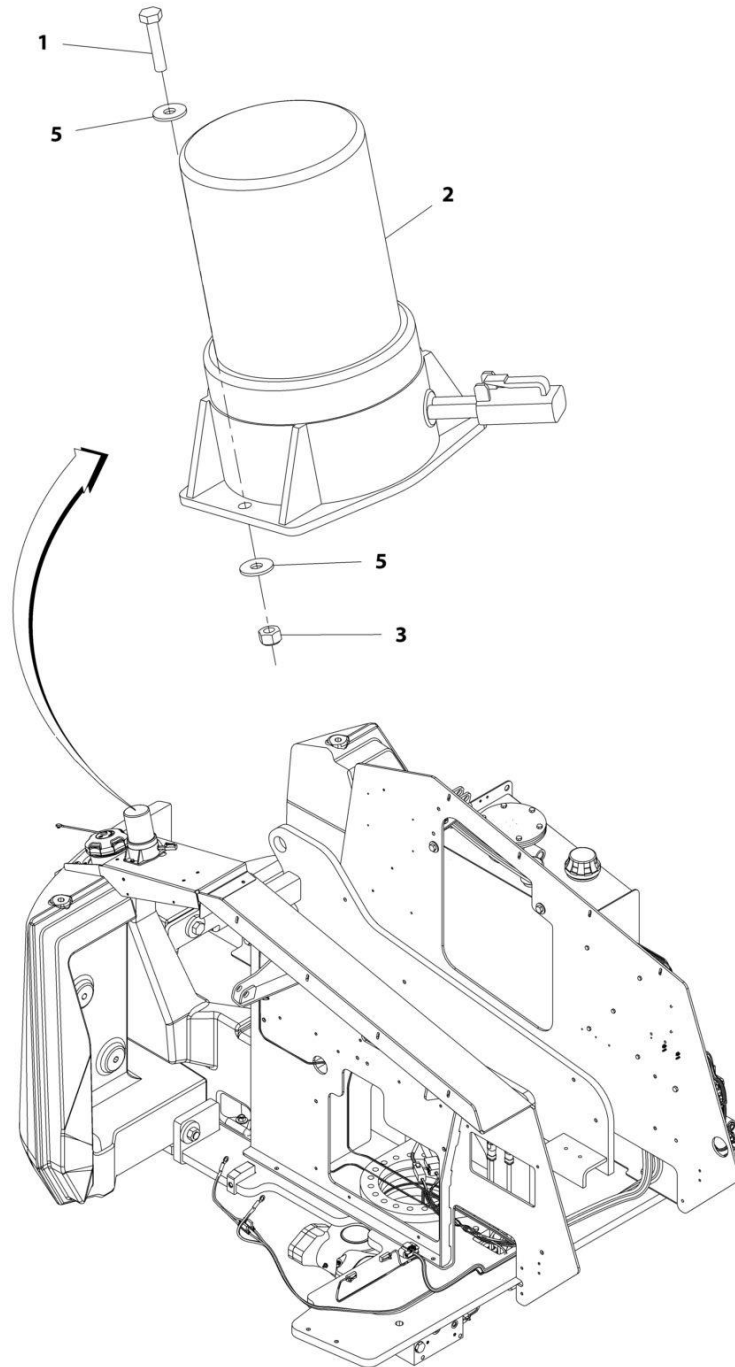
SECTION 2 - TURNTABLE

FIGURE 2-23. WHITE NOISE ALARM INSTALLATION (CONSTANT)

ITEM	PART NUMBER	QTY	DESCRIPTION	REV
	1001263178	Ref	WHITE NOISE ALARM INSTALLATION (CONSTANT)	A
1	0100011	AR	Compound, Locking	
2	0760610	2	Bolt M6 x 20	
3	3290601	2	Nut M6	
4	4811700	4	Washer M6	
5	1001184682	1	Alarm	
6	1001190663	1	White Noise Motion Alarm Harness	
6A	4460891	1	Plug, Male - 2 Position	
6A	4460465	1	Socket, Female	
6B	4460871	2	Socket, Female	

SECTION 2 - TURNTABLE

FIGURE 2-24. STROBE LIGHT INSTALLATION (AMBER) (OPTIONAL)



ART_1001119268

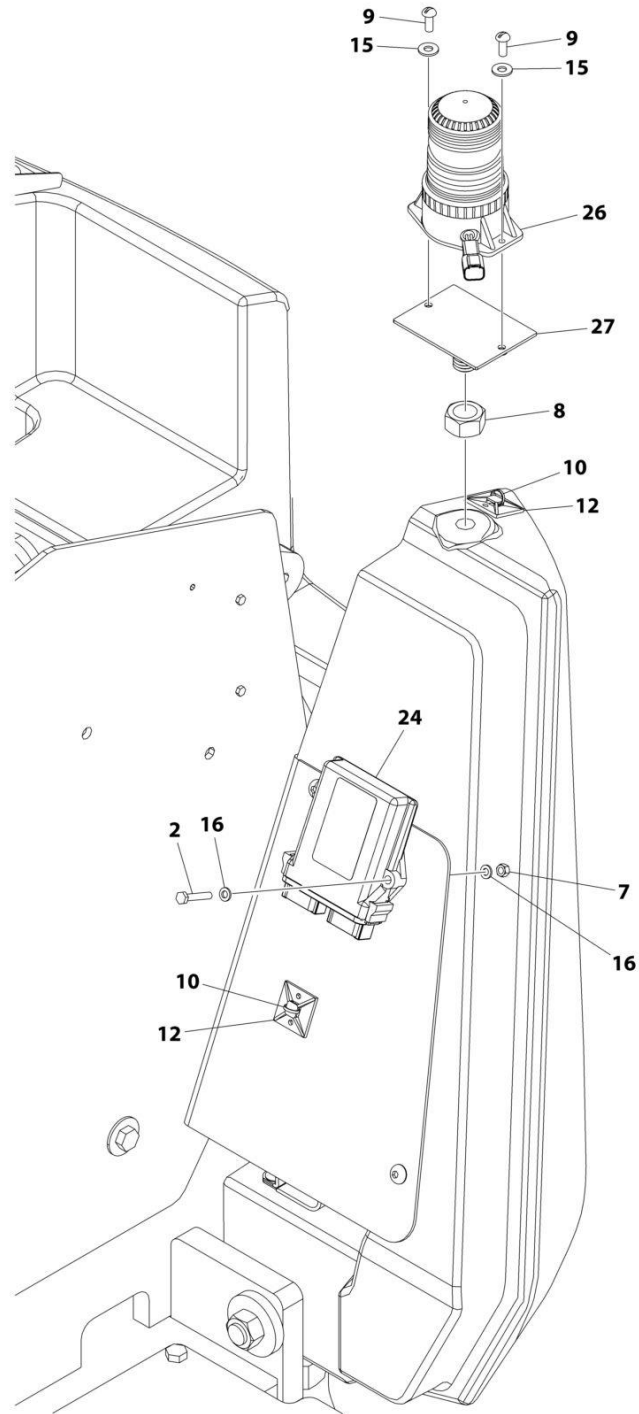
SECTION 2 - TURNTABLE

FIGURE 2-24. STROBE LIGHT INSTALLATION (AMBER) (OPTIONAL)

ITEM	PART NUMBER	QTY	DESCRIPTION	REV
	1001119268	Ref	STROBE LIGHT INSTALLATION (AMBER) (OPTIONAL)	D
1	4031509	1	Bolt M4 x 25	
2	1001270594	2	Strobe Light Assembly	
2	7016319	1	Bulb	
2	7016372	1	Lens	
2	4460891	1	Plug, Male - 2 Position	
2	4460465	1	Socket, Female	
3	3290405	2	Nut M4	
5	4811400	2	Washer M4	
6	4240032	2	Tie-Strap (Not Shown)	

SECTION 2 - TURNTABLE

FIGURE 2-25. STROBE LIGHT INSTALLATION (BLUE) (OPTIONAL)



ART_1001242849

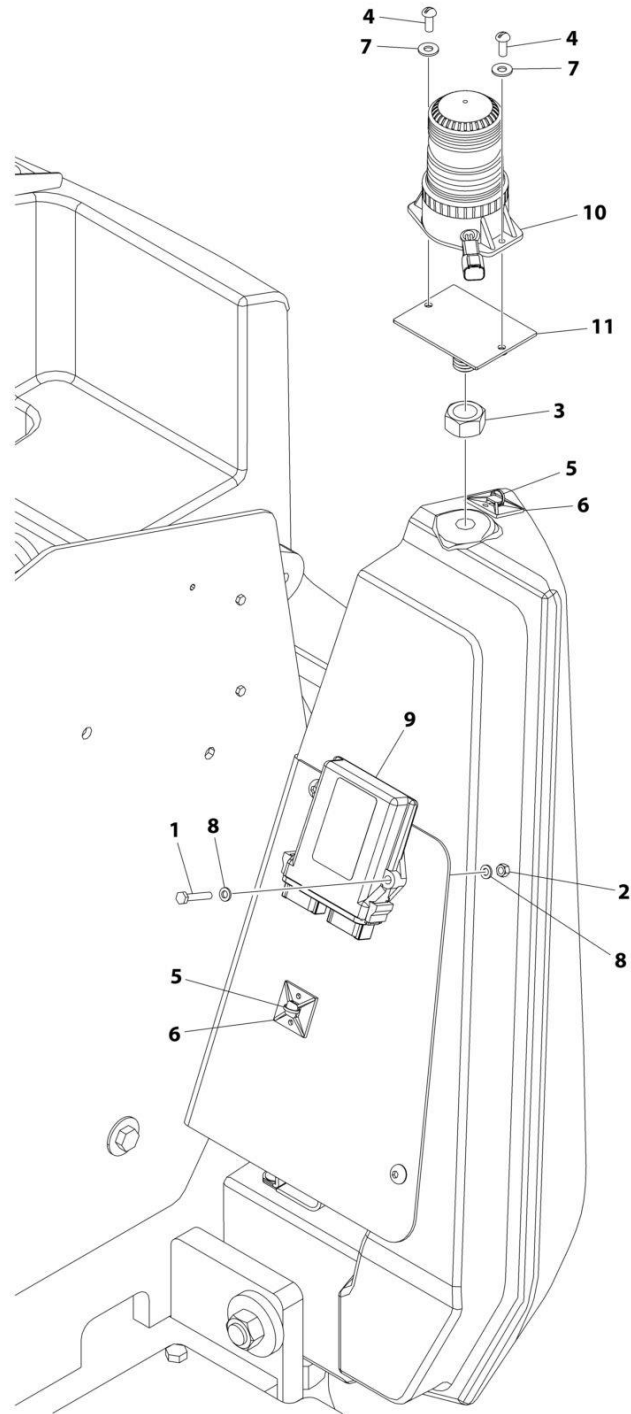
SECTION 2 - TURNTABLE

FIGURE 2-25. STROBE LIGHT INSTALLATION (BLUE) (OPTIONAL)

ITEM	PART NUMBER	QTY	DESCRIPTION	REV
	1001242849	Ref	BEACON LIGHT INSTALLATION - BLUE	D
2	0700615	2	Bolt M6 x 35	
7	3290607	2	Nut M6	
9	4031509	2	Bolt M4 x 25	
10	4240032	2	Tie-Strap	
12	4460488	2	Base, Mounting	
15	4811400	4	Washer M4	
16	4811700	4	Washer M6	
24	1001142683	1	Module, Beacon Control	
26	1001272681	1	Light, Strobe	
26	7028909	1	Connector - 2 Position	
26	4460943	2	Pin, Male	
28	1001142736	1	Strobe Light Control Harness (Not Shown - See Separate Breakdown in ELECTRICAL Section)	
29	3290405	1	Nut M4	
30	1001285733	1	Alert Beacon Jumper Harness	
31	2540020	1	Grommet	

SECTION 2 - TURNTABLE

FIGURE 2-26. STROBE LIGHT INSTALLATION (RED) (OPTIONAL)



ART_1001242850

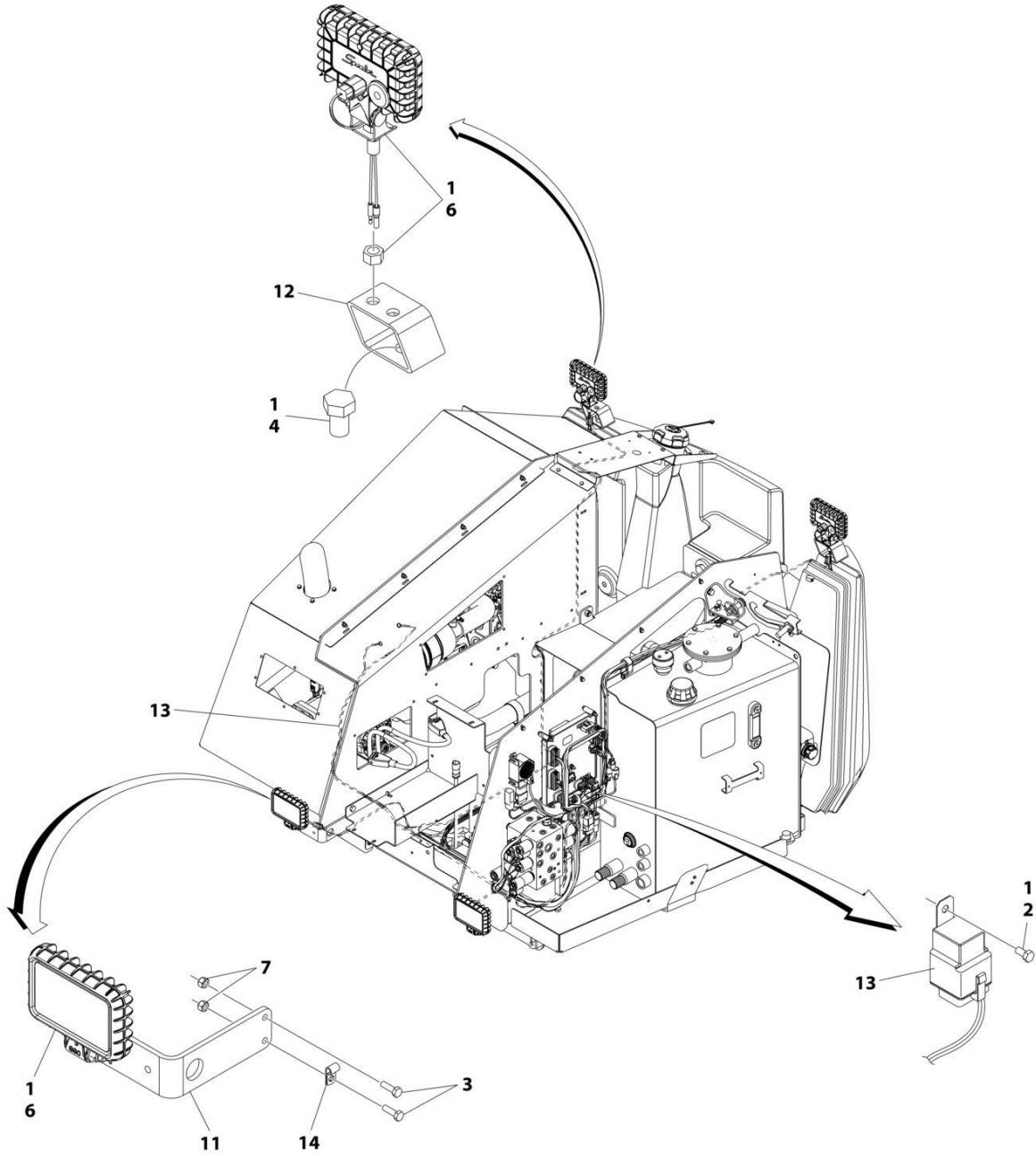
SECTION 2 - TURNTABLE

FIGURE 2-26. STROBE LIGHT INSTALLATION (RED) (OPTIONAL)

ITEM	PART NUMBER	QTY	DESCRIPTION	REV
	1001242850	Ref	BEACON LIGHT INSTALLATION - RED	B
1	0700615	2	Bolt M6 x 35	
2	3290607	2	Nut M6	
13	3290405	2	Nut M4	
4	4031509	1	Screw #10 x 1/2	
5	4240032	2	Tie-Strap	
6	4460488	2	Base, Mounting	
7	4811400	2	Washer #10	
8	4811700	4	Washer M6	
9	1001142683	1	Module, Beacon Control	
10	1001272682	1	Light, Strobe	
10	7028909	1	Connector - 2 Position	
10	4460943	2	Pin, Male	
12	1001142736	1	Strobe Light Control Harness (Not Shown - See Separate Breakdown in ELECTRICAL Section)	
14	1001285733	1	Beacon Jumper Harness	
15	2540020	1	Grommet	

SECTION 2 - TURNTABLE

FIGURE 2-27. TURNTABLE FLOODLIGHT INSTALLATION (OPTIONAL)



ART_1001120232_C

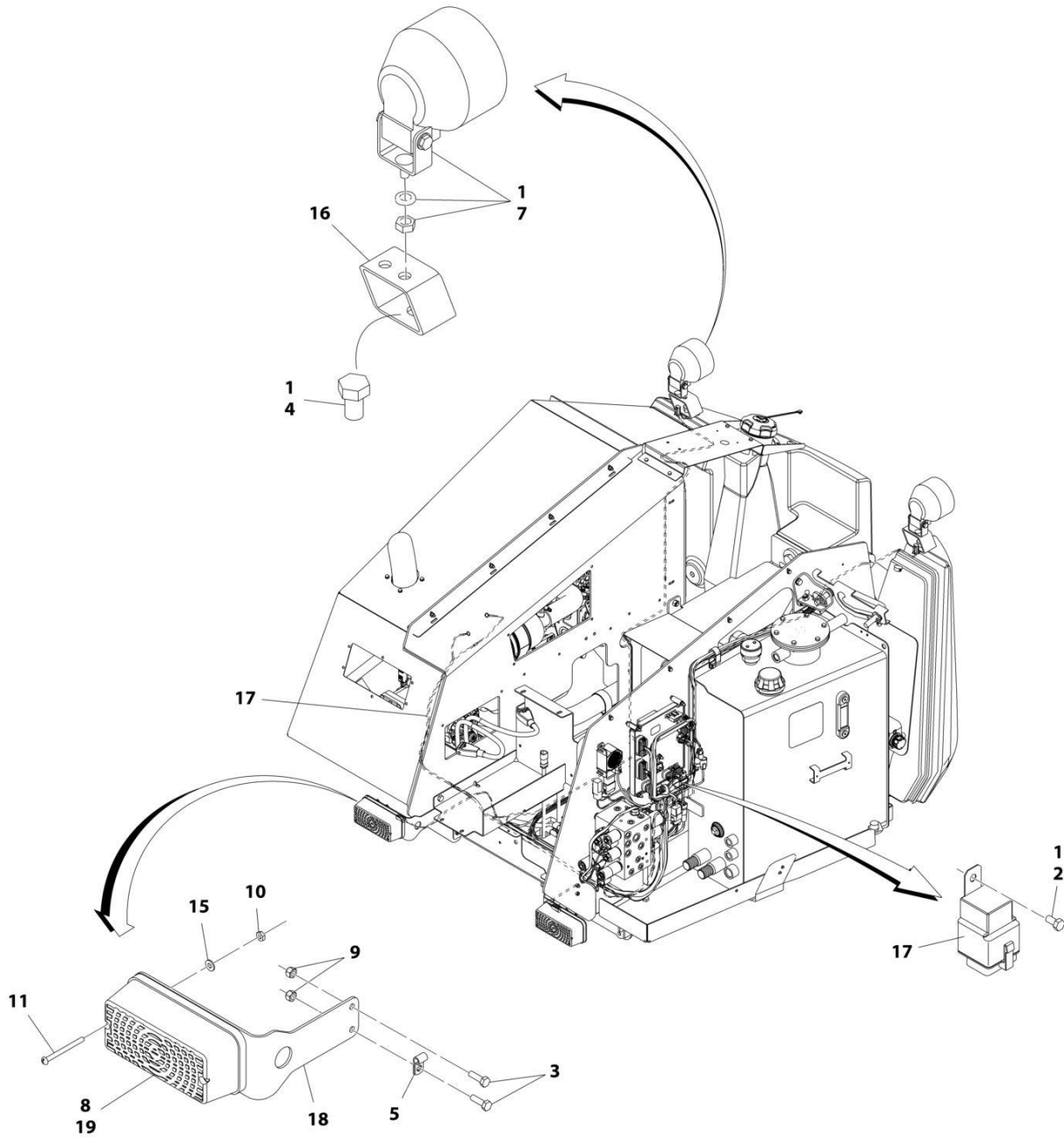
SECTION 2 - TURNTABLE

FIGURE 2-27. TURNTABLE FLOODLIGHT INSTALLATION (OPTIONAL)

ITEM	PART NUMBER	QTY	DESCRIPTION	REV
	1001120232	Ref	TURNTABLE FLOODLIGHT INSTALLATION (OPTIONAL)	C
1	0100011	AR	Compound, Locking	
2	0760505	1	Bolt M5 x 10	
3	0760610	4	Bolt M6 x 20	
4	0762014	2	Bolt M20 x 30	
5	1705170	1	Decal - Light (Not Shown - Located on Platform Console Box)	
6	1001236816	4	Floodlight	
7	3290605	4	Nut M6	
8	4240032	2	Tie-Strap (Not Shown)	
9	4240033	4	Tie-Strap (Not Shown)	
10	4360522	1	Switch, Push Button (Not Shown - Located on Platform Console Box)	
11	1001120287	2	Mount, Light	
12	1001120288	2	Mount, Light	
13	1001120299	1	Chassis Light Harness (See Separate Breakdown in ELECTRICAL Section)	
13	3740080	1	Relay	
14	1320136	2	Clamp, Cable	

SECTION 2 - TURNTABLE

FIGURE 2-28. HEAD AND TAIL LIGHT INSTALLATION (OPTIONAL)



ART_1001149144

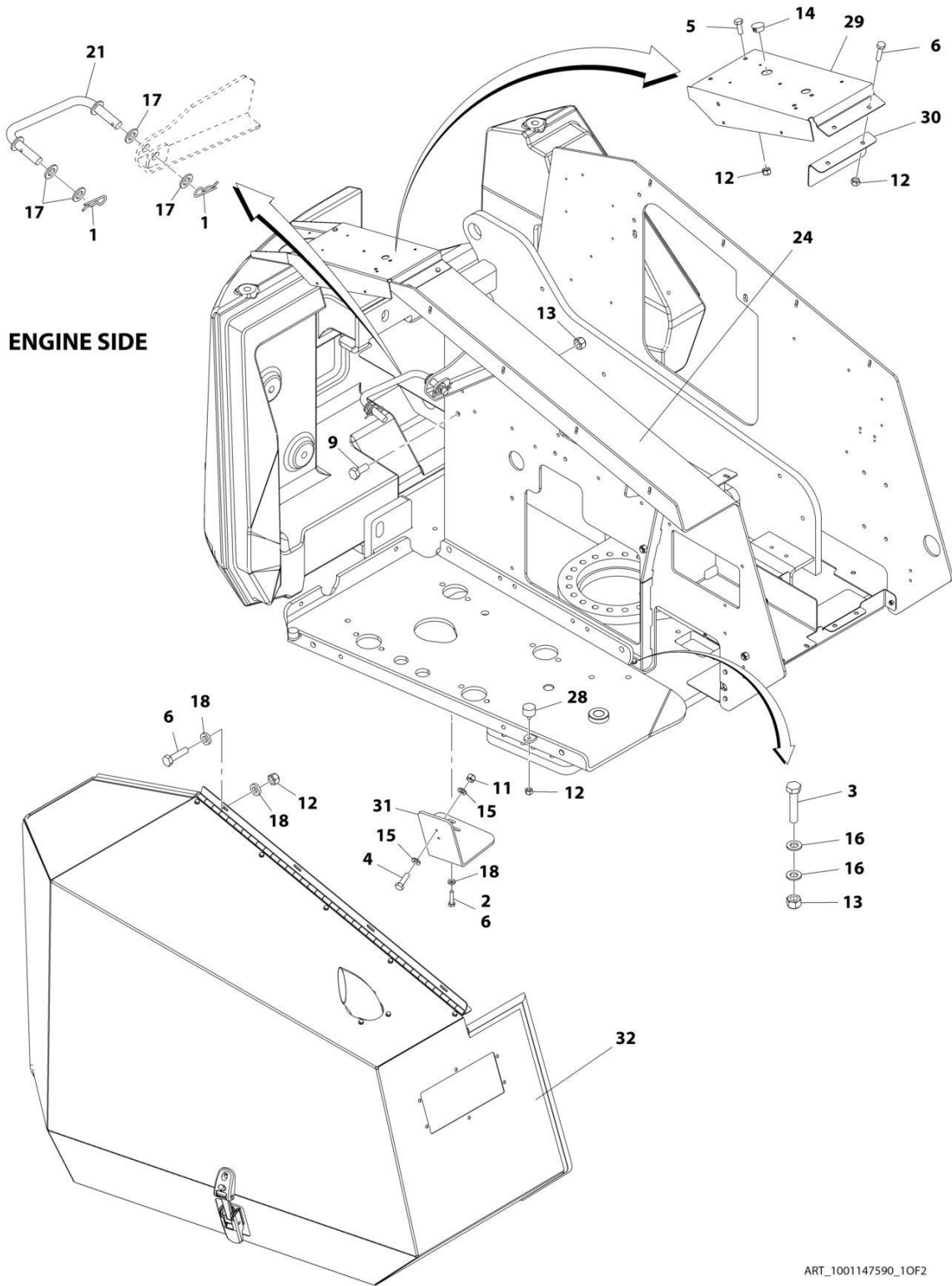
SECTION 2 - TURNTABLE

FIGURE 2-28. HEAD AND TAIL LIGHT INSTALLATION (OPTIONAL)

ITEM	PART NUMBER	QTY	DESCRIPTION	REV
	1001149144	Ref	HEAD AND TAIL LIGHT INSTALLATION (OPTIONAL)	A
1	0100011	AR	Compound, Locking	
2	0760505	1	Bolt M5 x 10	
3	0760610	4	Bolt M6 x 20	
4	0762014	2	Bolt M20 x 30	
5	1320136	2	Clamp, Cable	
6	1705170	1	Decal - Light (Not Shown - Located on Platform Console Box)	
7	2920110	2	Light, Head	
7	7016628	2	Bulb, Replacement (1 Per Assembly)	
8	2920113	2	Light, Tail	
9	3290605	4	Nut M6	
10	3311005	4	Nut M10	
11	3911036	4	Bolt M10 x 2-1/4	
12	4240032	2	Tie-Strap (Not Shown)	
13	4240033	4	Tie-Strap (Not Shown)	
14	4360522	1	Switch, Push Button (Not Shown - Located on Platform Console Box)	
15	4751000	4	Washer M10	
16	1001120288	2	Mount, Light	
17	1001120299	1	Chassis Light Harness (See Separate Breakdown in ELECTRICAL Section)	
17	3740080	1	Relay	
18	1001149147	2	Mount, Light	
19	4460121	2	Cap, Wire	

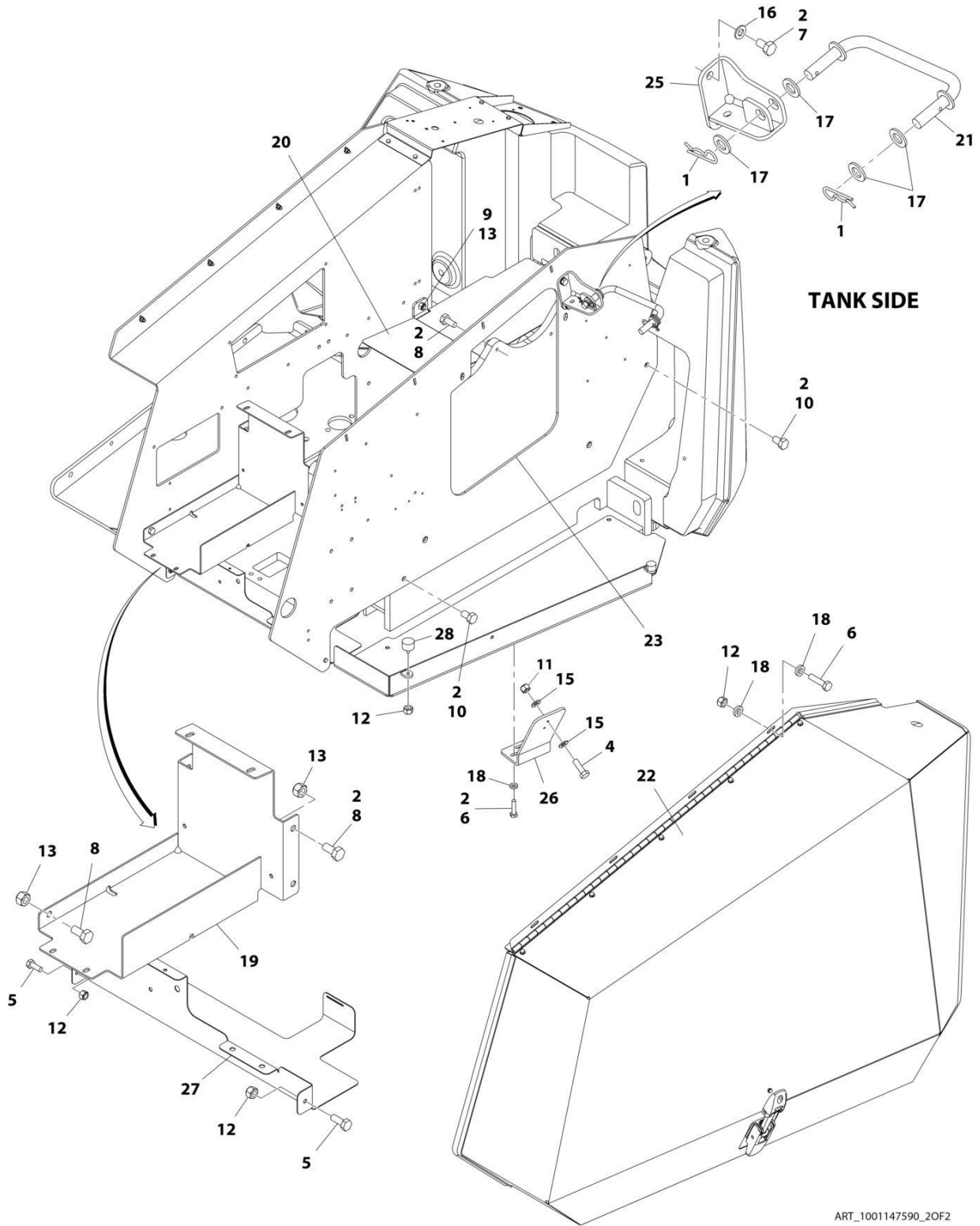
SECTION 2 - TURNTABLE

FIGURE 2-29. HOODS INSTALLATION



ART_1001147590_1OF2

SECTION 2 - TURNTABLE



ART_1001147590_20F2

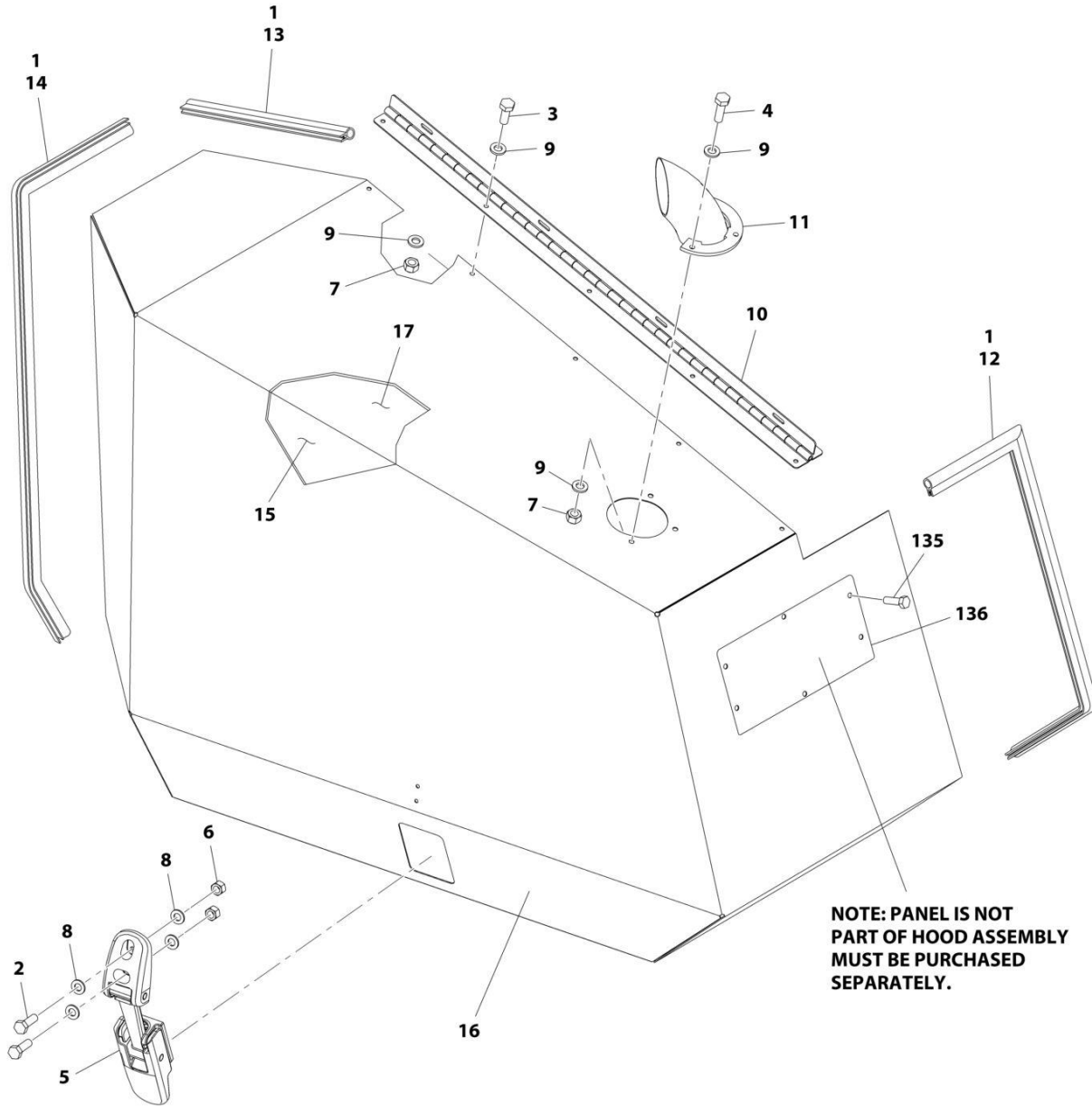
SECTION 2 - TURNTABLE

FIGURE 2-29. HOODS INSTALLATION

ITEM	PART NUMBER	QTY	DESCRIPTION	REV
	1001147590	Ref	HOODS INSTALLATION	B
1	80325	4	Hairpin, Cotter	
2	0100011	AR	Compound, Locking	
3	0701018	2	Bolt M10 x 50	
4	0760508	4	Bolt M5 x 16	
5	0760608	5	Bolt M6 x 16	
6	0760612	16	Bolt M6 x 25	
7	0761009	2	Bolt M10 x 18	
8	0761011	6	Bolt M10 x 22	
9	0761012	1	Bolt M10 x 25	
10	0761210	2	Bolt M12 x 20	
11	3290505	4	Nut M5	
12	3290605	19	Nut M6	
13	3291005	6	Nut M10	
14	3520030	1	Plug	
15	4811600	8	Washer M5	
16	4812000	6	Washer M10	
17	4812300	8	Washer M16	
18	5240600	22	Washer M6	
19	1001117239	1	Box, Battery	
20	1001117243	1	Cover, Turntable Center	
21	1001117282	2	Rod, Prop	
22	1001118361	1	Tank Side Hood Assembly (See Separate Breakdown in this Section)	
23	1001118459	1	Plate, Hood Mount	
24	1001119072	1	Plate, Engine Side	
25	1001119080	1	Bracket	
26	1001119083	1	Mount, Latch	
27	1001119085	1	Tray	
28	1001119092	4	Bumper	
29	1001286749	1	Panel, Filler	
30	1001119104	1	Panel, Filler	
31	1001146824	1	Mount, Latch	
32	1001147441	1	Engine Side Hood Assembly (See Separate Breakdown in this Section)	

SECTION 2 - TURNTABLE

FIGURE 2-30. ENGINE SIDE HOOD ASSEMBLY



NOTE: PANEL IS NOT PART OF HOOD ASSEMBLY MUST BE PURCHASED SEPARATELY.

NOTE: REPLACEMENT DECALS MUST BE ORDERED SEPERATELY - SEE DECALS SECTION FOR BREAKDOWN

ART_1001147441

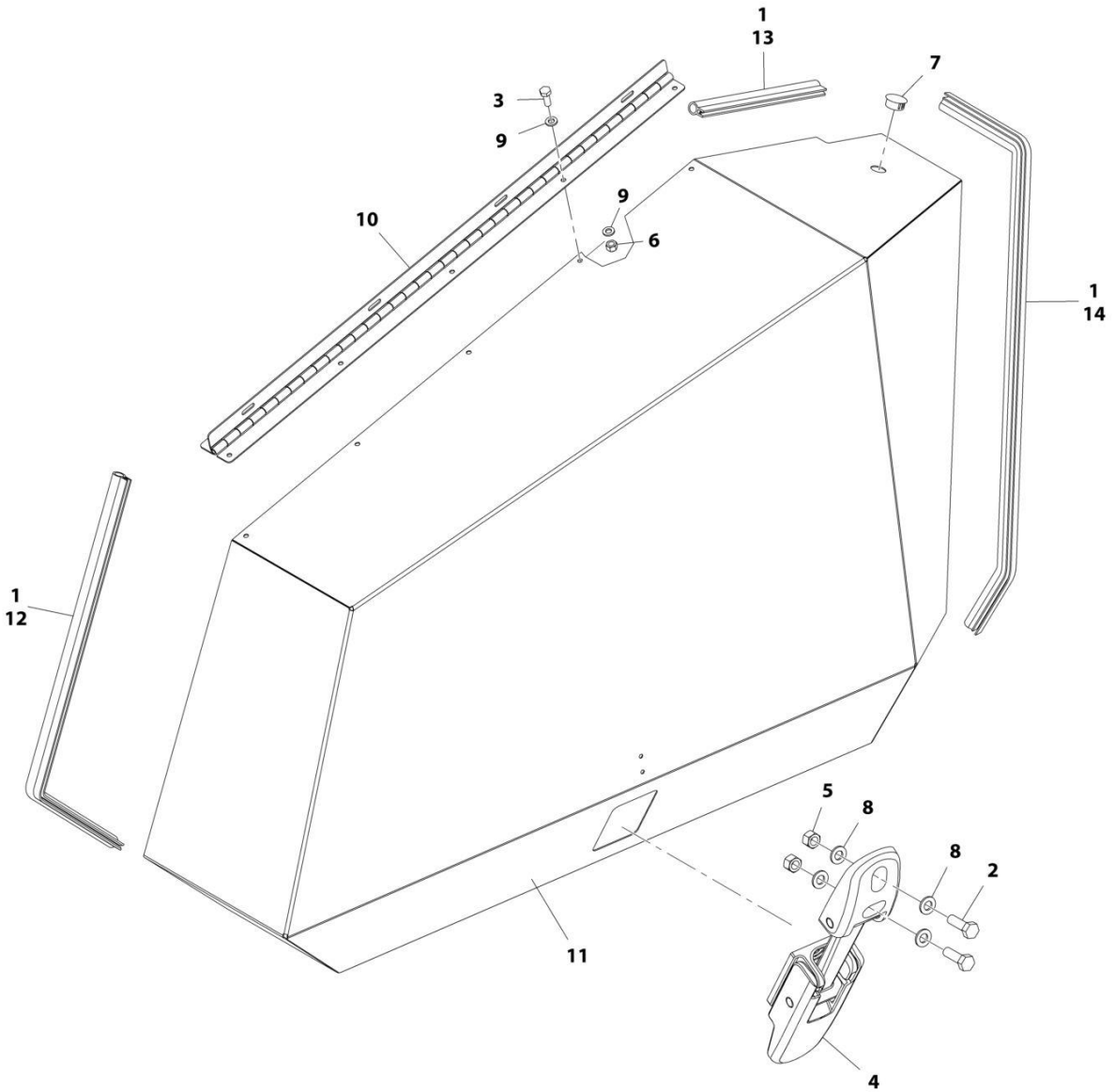
SECTION 2 - TURNTABLE

FIGURE 2-30. ENGINE SIDE HOOD ASSEMBLY

ITEM	PART NUMBER	QTY	DESCRIPTION	REV
	1001147441	Ref	HOOD ASSEMBLY - ENGINE SIDE	A
1	0100081	AR	Adhesive	
2	0760508	2	Bolt M5 x 16	
3	0760608	5	Bolt M6 x 16	
4	0760610	3	Bolt M6 x 20	
5	2940109	1	Latch	
6	3290505	2	Nut M5	
7	3290605	8	Nut M6	
8	4811600	4	Washer M5	
9	4811700	16	Washer M6	
10	1001117281	1	Hinge	
11	1001119077	1	Pipe, Exhaust	
12	1001119086	1	Seal	
13	1001119087	1	Seal	
14	1001119088	1	Seal	
15	1001120749	1	Insulate, Heat Shield	
16	See Note	1	Hood, Replacement (Note: Use p/n 1001147441)	
17	1001147440	1	Insulate, Heat Shield	
135	2080040	10	Fastener, Huck	
136	1001137451	1	Panel (Note: Not Part of Hood Assembly. Must be Purchased separately)	

SECTION 2 - TURNTABLE

FIGURE 2-31. TANK SIDE HOOD ASSEMBLY



NOTE: REPLACEMENT DECALS MUST BE ORDERED SEPERATELY - SEE DECALS SECTION FOR BREAKDOWN

ART_1001118361

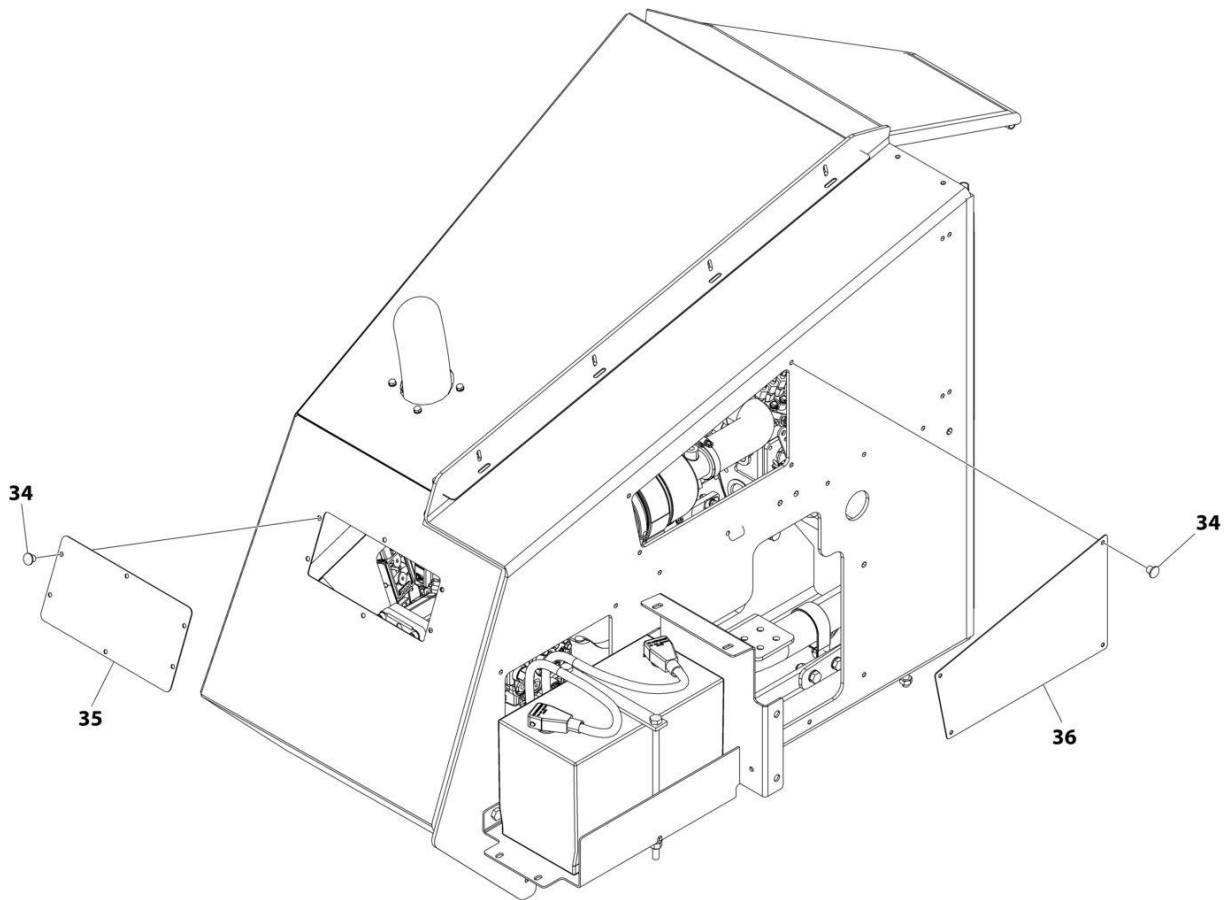
SECTION 2 - TURNTABLE

FIGURE 2-31. TANK SIDE HOOD ASSEMBLY

ITEM	PART NUMBER	QTY	DESCRIPTION	REV
	1001118361	Ref	HOOD ASSEMBLY - TANK SIDE	B
1	0100081	AR	Adhesive	
2	0760508	2	Bolt M5 x 16	
3	0760608	5	Bolt M6 x 16	
4	2940109	1	Latch	
5	3290505	2	Nut M5	
6	3290605	5	Nut M6	
7	3520030	1	Plug, Hole	
8	4811600	4	Washer M5	
9	4811700	10	Washer M6	
10	1001117281	1	Hinge	
11	See Note	NSS	Hood, Replacement (Note: Use p/n 1001118361)	
12	1001119089	1	Seal	
13	1001119090	1	Seal	
14	1001119091	1	Seal	

SECTION 2 - TURNTABLE

FIGURE 2-32. HOOD COMPONENTS - KUBOTA ENGINE (WITHOUT ARCTIC PACKAGE)



ART_1001161433_I_10F3

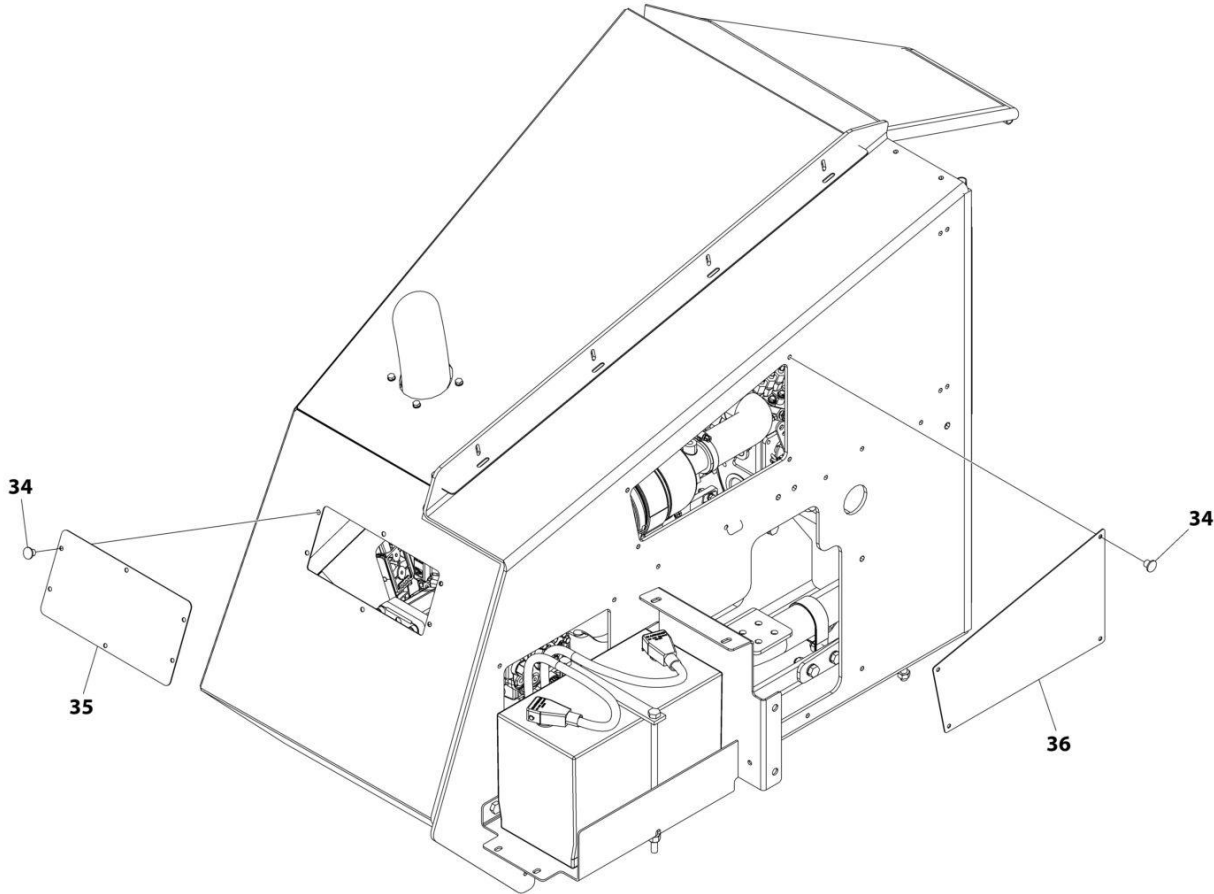
SECTION 2 - TURNTABLE

FIGURE 2-32. HOOD COMPONENTS - KUBOTA ENGINE (WITHOUT ARCTIC PACKAGE)

ITEM	PART NUMBER	QTY	DESCRIPTION	REV
	1001161433	Ref	KUBOTA ENGINE HOOD COMPONENTS (WITHOUT ARCTIC PACKAGE)	I
34	2080040	10	Blind Fastener	
35	1001137451	1	Panel, Engine Hood	
36	1001137452	1	Panel, Engine Hood Mount	

SECTION 2 - TURNTABLE

FIGURE 2-33. HOOD COMPONENTS - KUBOTA ENGINE (WITH ARCTIC PACKAGE)



ART_1001161434_I_10F3

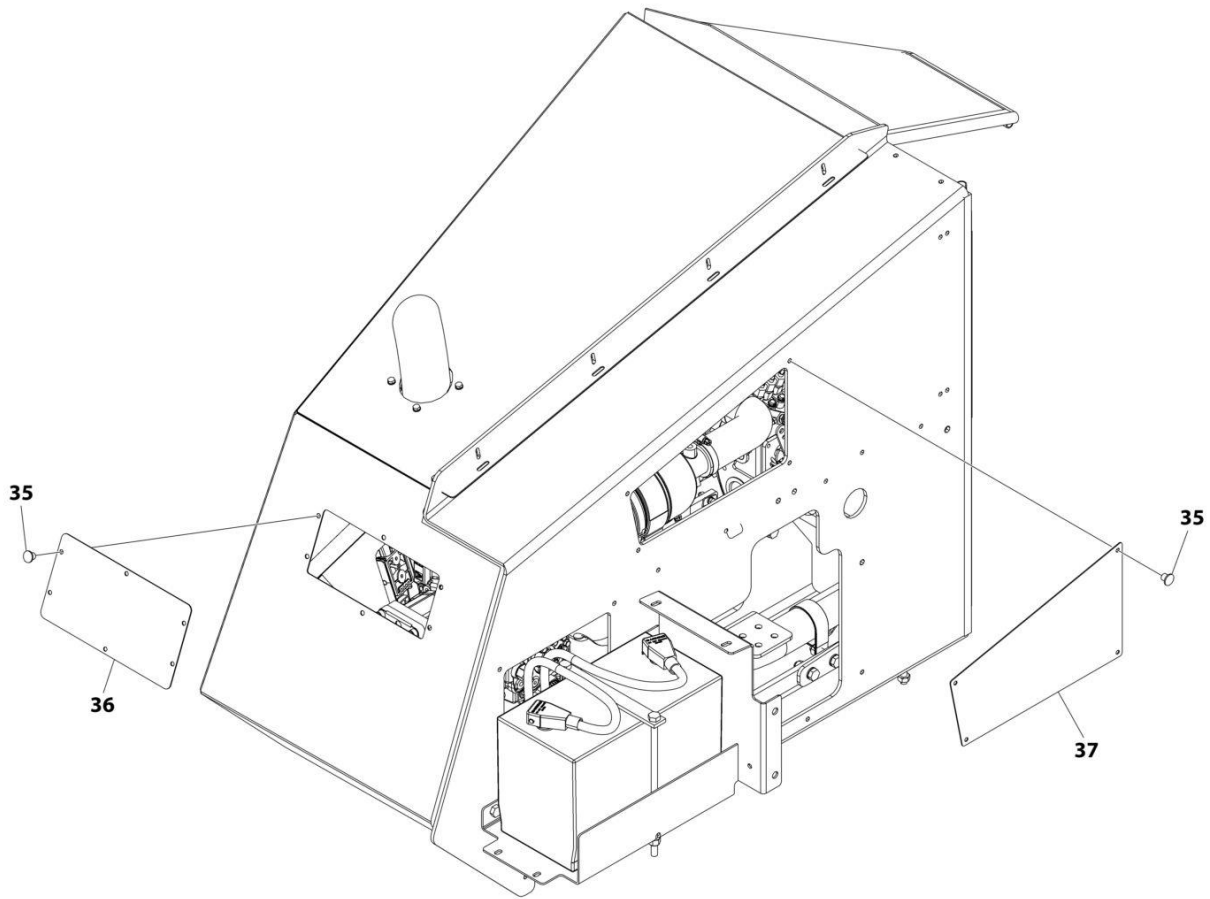
SECTION 2 - TURNTABLE

FIGURE 2-33. HOOD COMPONENTS - KUBOTA ENGINE (WITH ARCTIC PACKAGE)

ITEM	PART NUMBER	QTY	DESCRIPTION	REV
	1001161434	Ref	KUBOTA ENGINE HOOD COMPONENTS (WITH ARCTIC PACKAGE)	I
34	2080040	10	Blind Fastener	
35	1001137451	1	Panel, Engine Hood	
36	1001137452	1	Panel, Engine Hood Mount	

SECTION 2 - TURNTABLE

FIGURE 2-34. HOOD COMPONENTS - KUBOTA ENGINE WITH 4000W GENERATOR (WITHOUT ARCTIC PACKAGE)



ART_1001147470_H_10F3

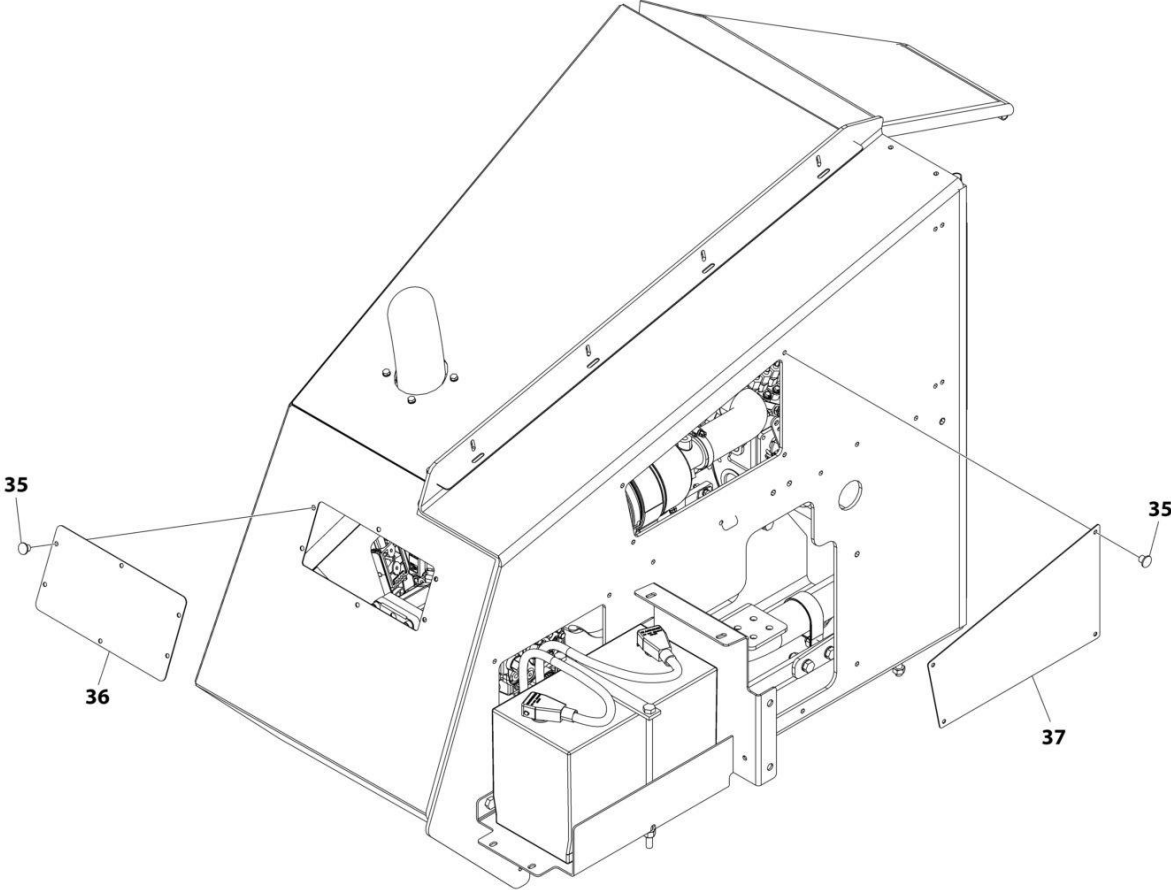
SECTION 2 - TURNTABLE

FIGURE 2-34. HOOD COMPONENTS - KUBOTA ENGINE WITH 4000W GENERATOR (WITHOUT ARCTIC PACKAGE)

ITEM	PART NUMBER	QTY	DESCRIPTION	REV
	1001147470	Ref	KUBOTA ENGINE WITH 4000W GENERATOR HOOD COMPONENTS (WITHOUT ARCTIC PACKAGE)	H
35	2080040	10	Blind Fastener	
36	1001137451	1	Panel, Engine Hood	
37	1001137452	1	Panel, Engine Hood Mount	

SECTION 2 - TURNTABLE

FIGURE 2-35. HOOD COMPONENTS - KUBOTA ENGINE WITH 4000W GENERATOR (WITH ARCTIC PACKAGE)



ART_1001147471_H_10F3

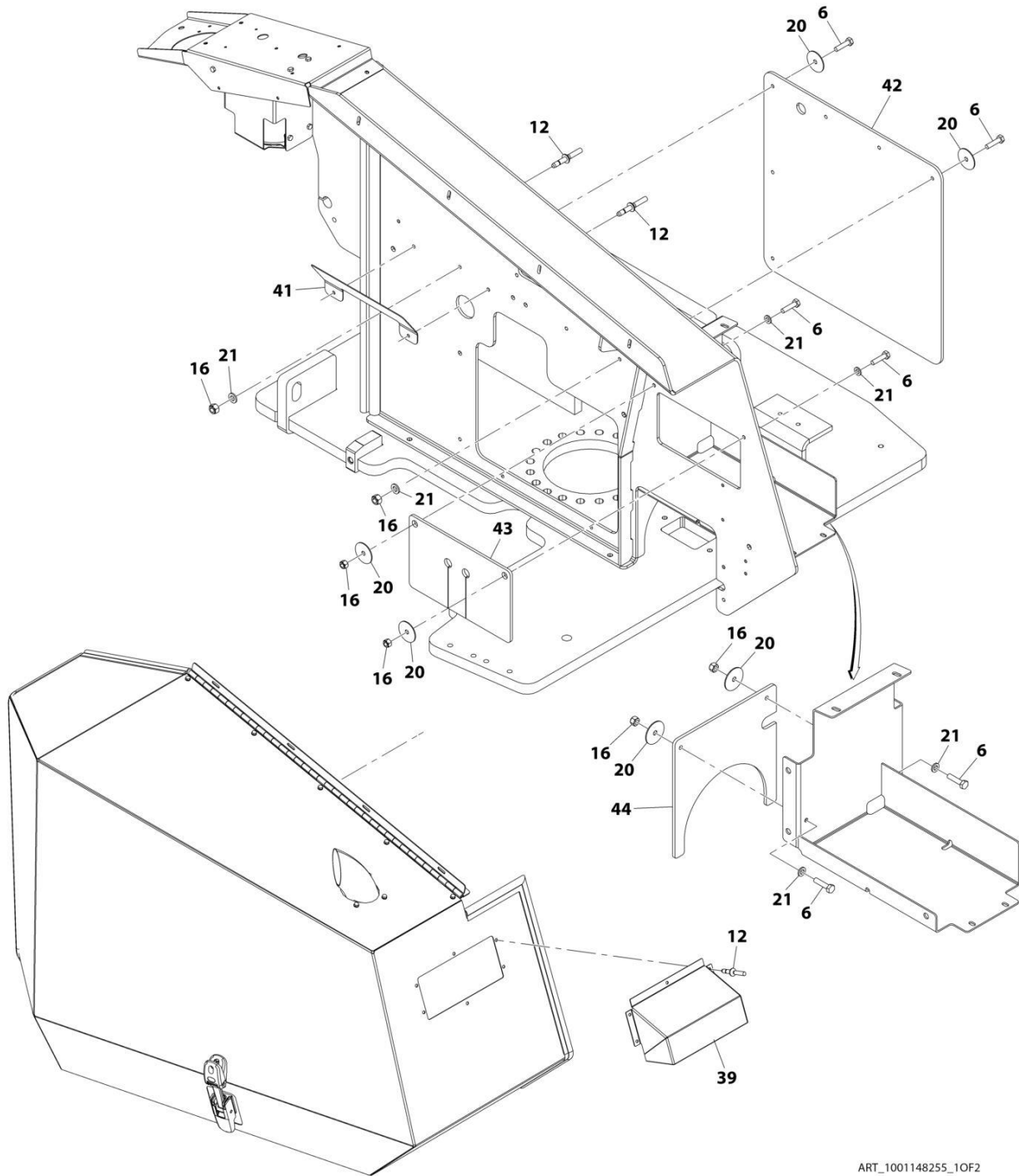
SECTION 2 - TURNTABLE

FIGURE 2-35. HOOD COMPONENTS - KUBOTA ENGINE WITH 4000W GENERATOR (WITH ARCTIC PACKAGE)

ITEM	PART NUMBER	QTY	DESCRIPTION	REV
	1001147471	Ref	KUBOTA ENGINE WITH 4000W GENERATOR HOOD COMPONENTS (WITH ARCTIC PACKAGE)	H
35	2080040	10	Blind Fastener	
36	1001137451	1	Panel, Engine Hood	
37	1001137452	1	Panel, Engine Hood Mount	

SECTION 2 - TURNTABLE

FIGURE 2-36. HOOD COMPONENTS - GM ENGINE (WITHOUT ARCTIC PACKAGE)



ART_1001148255_10F2

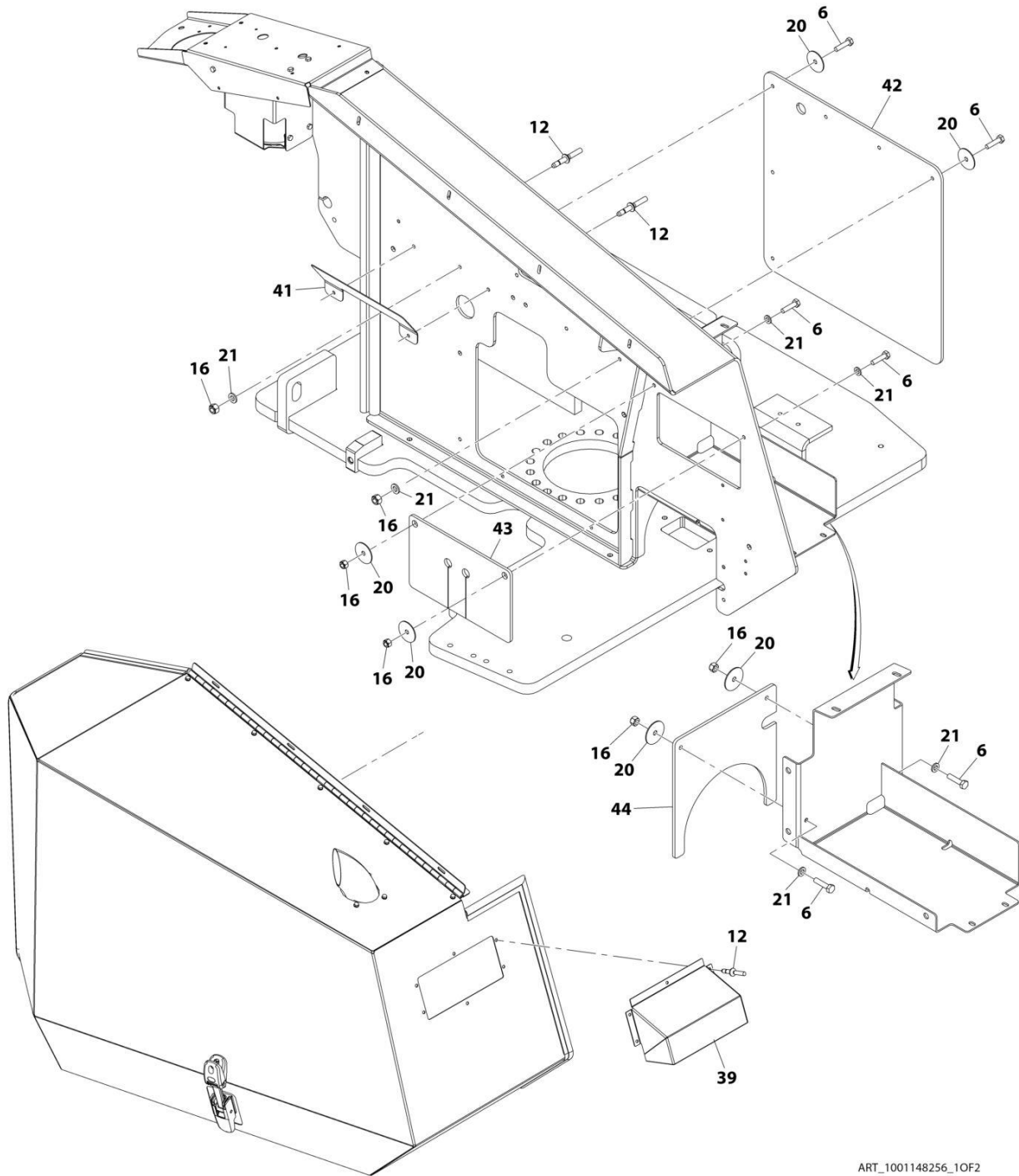
SECTION 2 - TURNTABLE

FIGURE 2-36. HOOD COMPONENTS - GM ENGINE (WITHOUT ARCTIC PACKAGE)

ITEM	PART NUMBER	QTY	DESCRIPTION	REV
	1001148255	Ref	GM ENGINE HOOD COMPONENTS (WITHOUT ARCTIC PACKAGE)	J
6	0760612	10	Bolt M6 x 25	
12	2080040	7	Fastener, Huck	
16	3290605	10	Nut M6	
20	4740362	10	Washer, Fender	
21	4811700	10	Washer M6	
39	1001137337	1	Vent	
41	1001137369	1	Plate	
42	1001137397	1	Shield, Rubber	
43	1001137401	1	Shield, Rubber	
44	1001137402	1	Shield, Rubber	

SECTION 2 - TURNTABLE

FIGURE 2-37. HOOD COMPONENTS - GM ENGINE (WITH ARCTIC PACKAGE)



ART_1001148256_10F2

SECTION 2 - TURNTABLE

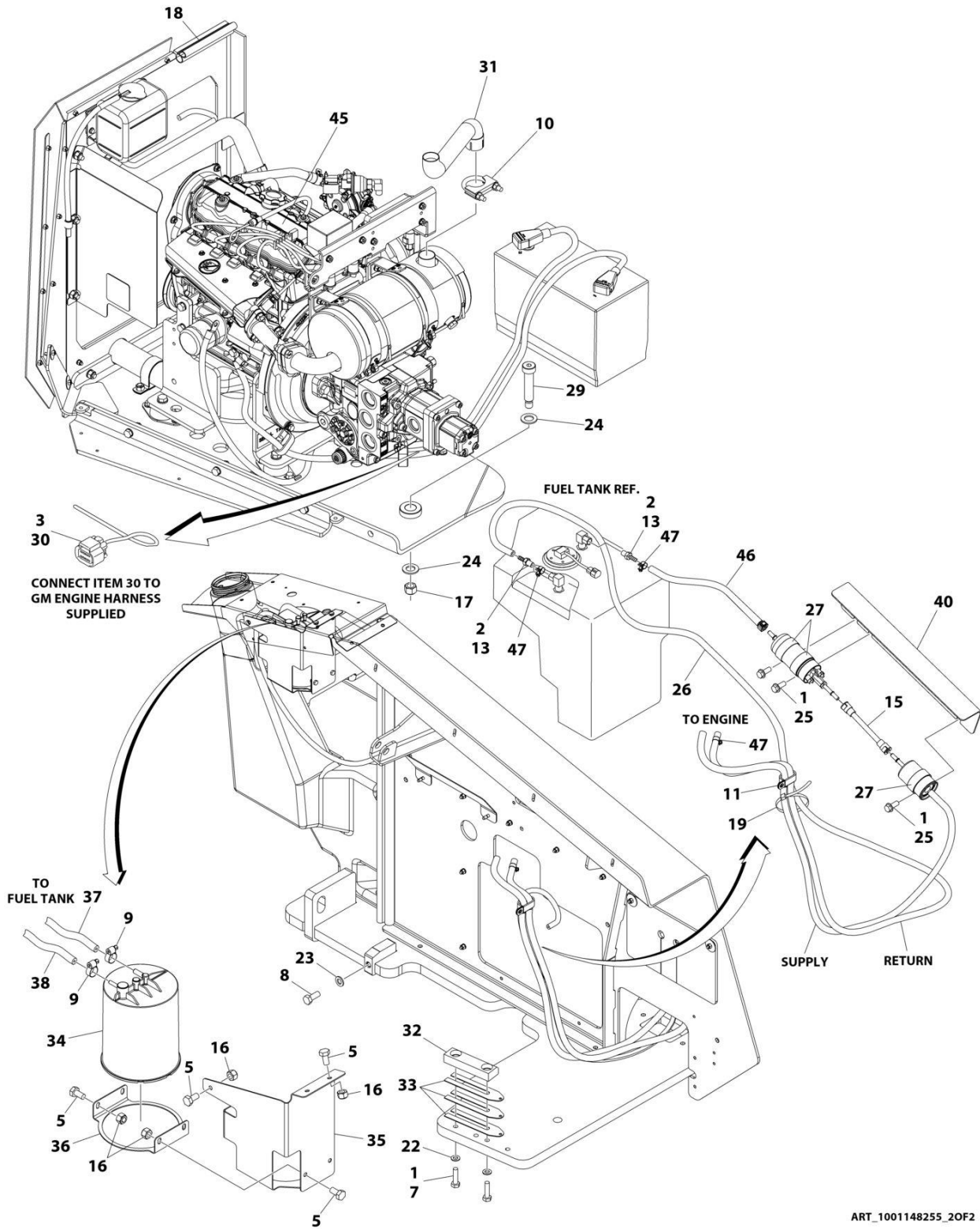
FIGURE 2-37. HOOD COMPONENTS - GM ENGINE (WITH ARCTIC PACKAGE)

ITEM	PART NUMBER	QTY	DESCRIPTION	REV
	1001148256	Ref	GM ENGINE HOOD COMPONENTS (WITH ARCTIC PACKAGE)	I
6	0760612	10	Bolt M6 x 25	
12	2080040	7	Fastener, Huck	
16	3290605	10	Nut M6	
20	4740362	10	Washer, Fender	
21	4811700	10	Washer M6	
39	1001137337	1	Vent	
41	1001137369	1	Plate	
42	1001137397	1	Shield, Rubber	
43	1001137401	1	Shield, Rubber	
44	1001137402	1	Shield, Rubber	

SECTION 3 - ENGINE

SECTION 3 - ENGINE

FIGURE 3-1. GM ENGINE INSTALLATION (WITHOUT ARCTIC PACKAGE)



ART_1001148255_20F2

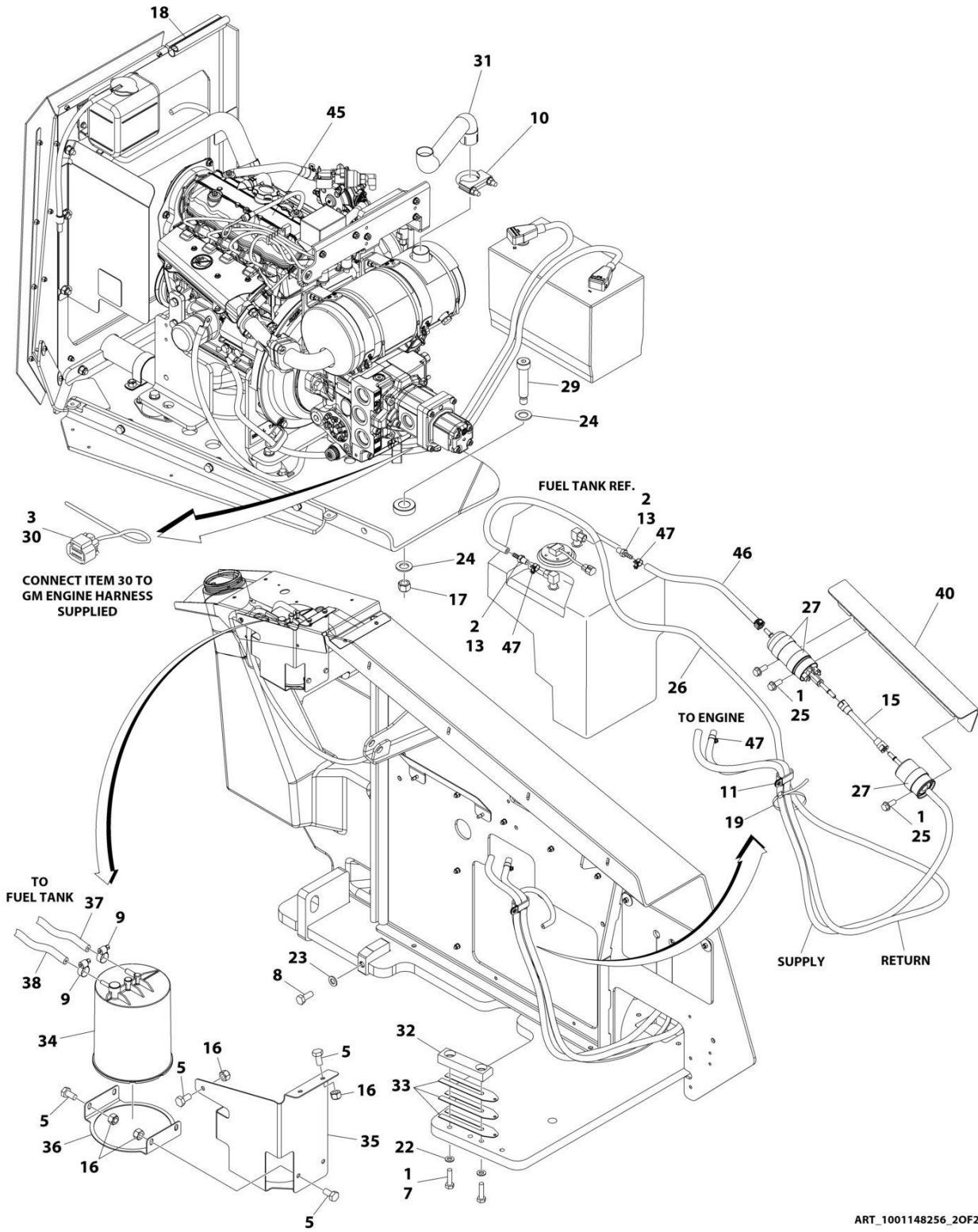
SECTION 3 - ENGINE

FIGURE 3-1. GM ENGINE INSTALLATION (WITHOUT ARCTIC PACKAGE)

ITEM	PART NUMBER	QTY	DESCRIPTION	REV
	1001148255	Ref	GM ENGINE INSTALLATION (WITHOUT ARCTIC PACKAGE)	J
1	0100011	AR	Compound, Locking	
2	0100020	AR	Sealant, Pipe	
3	0100048	AR	Grease, Dielectric	
4	0100051	AR	Grease, Battery Terminal	
5	0760606	7	Bolt M6 x 12	
7	0761016	2	Bolt M10 x 40	
8	0761214	1	Bolt M12 x 30	
8	0761217	1	Bolt M12 x 45	
9	1320022	4	Clamp, Fuel Line	
10	1320026	1	Clamp, Muffler	
11	1321283	1	Clamp	
13	2180348	2	Fitting, Barbed	
15	1001156823	1	Hose	
16	3290605	7	Nut M6	
17	3291605	1	Nut M16	
18	3960464	3 ft/0.9m	Seal	
19	4240033	AR	Tie-Strap	
22	4812000	2	Washer M10	
23	4812102	1	Washer M12	
24	4812500	2	Washer M20	
25	5251012	3	Bolt M10 x 25	
26	1001156819	76 in /1.9m	Hose, Fuel Line	
27	1001097588	3	Clip, Tube	
29	1001118646	1	Bolt M20 x 80	
30	1001119778	1	Harness, Fuel Pump (See Separate Breakdown in ELECTRICAL Section)	
31	1001119902	1	Pipe, Exhaust	
32	1001120087	1	Pad, Wear	
33	1001120090	3	Shim 1.5	
34	1001128801	1	Canister, Carbon	
35	1001128931	1	Bracket, Mounting	
36	1001128936	1	Ring	
37	1001129255	7 in/17cm	Hose	
38	1001129256	9.5 ft /2.9m	Hose	
40	1001137367	1	Shield, Fuel Line	
45	1001148254	1	GM Engine and Pump Sub-Assembly (See Separate Breakdown in this Section)	
46	1001177156	1	Hose	
47	1001174486	4	Clamp, Hose	

SECTION 3 - ENGINE

FIGURE 3-2. GM ENGINE INSTALLATION (WITH ARCTIC PACKAGE)



ART_1001148256_20F2

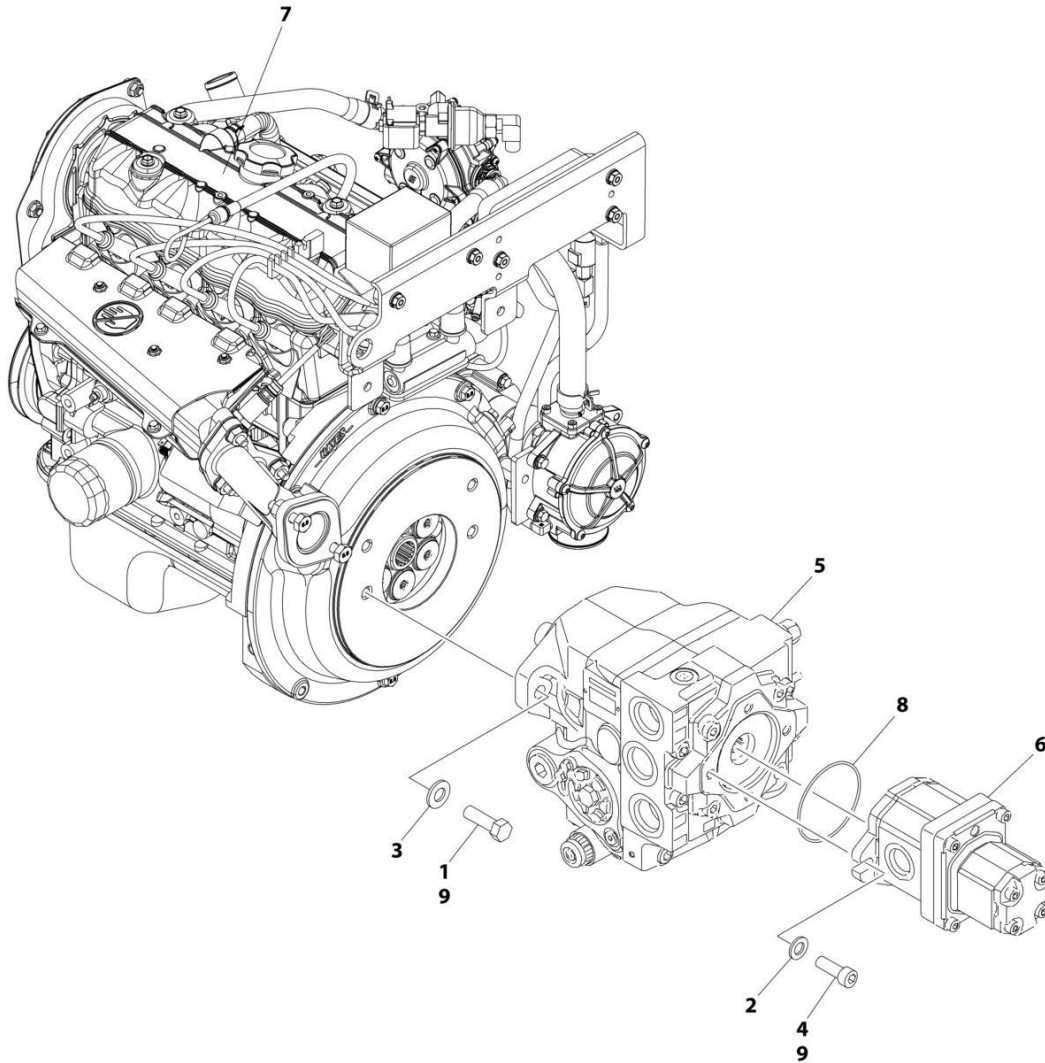
SECTION 3 - ENGINE

FIGURE 3-2. GM ENGINE INSTALLATION (WITH ARCTIC PACKAGE)

ITEM	PART NUMBER	QTY	DESCRIPTION	REV
	1001148256	Ref	GM ENGINE INSTALLATION (WITH ARCTIC PACKAGE)	I
1	0100011	AR	Compound, Locking	
2	0100020	AR	Sealant, Pipe	
3	0100048	AR	Grease, Dielectric	
4	0100051	AR	Grease, Battery Terminal	
5	0760606	7	Bolt M6 x 12	
7	0761016	2	Bolt M10 x 40	
8	0761214	1	Bolt M12 x 30	
8	0761217	1	Bolt M12 x 45	
9	1320022	4	Clamp, Fuel Line	
10	1320026	1	Clamp, Muffler	
11	1321283	1	Clamp	
13	2180348	2	Fitting, Barbed	
15	1001156823	1	Hose	
16	3290605	7	Nut M6	
17	3291605	1	Nut M16	
18	3960464	8 ft /2.4m	Seal	
19	4240033	AR	Tie-Strap	
22	4812000	2	Washer M10	
23	4812102	1	Washer M12	
24	4812500	2	Washer M20	
25	5251012	3	Bolt M10 x 25	
26	1001156819	76 in /1.9m	Hose, Fuel Line	
27	1001097588	3	Clip, Tube	
29	1001118646	1	Bolt M20 x 80	
30	1001119778	1	Harness, Fuel Pump (See Separate Breakdown in ELECTRICAL Section)	
31	1001119902	1	Pipe, Exhaust	
32	1001120087	1	Pad, Wear	
33	1001120090	3	Shim 1.5	
34	1001128801	1	Canister, Carbon	
35	1001128931	1	Bracket, Mounting	
36	1001128936	1	Ring	
37	1001129255	7 in/17cm	Hose	
38	1001129256	9.5 ft /2.9m	Hose	
40	1001137367	1	Shield, Fuel Line	
45	1001148254	1	GM Engine and Pump Sub-Assembly (See Separate Breakdown in this Section)	
46	1001177156	1	Hose	
47	1001174486	4	Clamp, Hose	

SECTION 3 - ENGINE

FIGURE 3-3. GM ENGINE AND PUMP SUB-ASSEMBLY



ART_1001148254

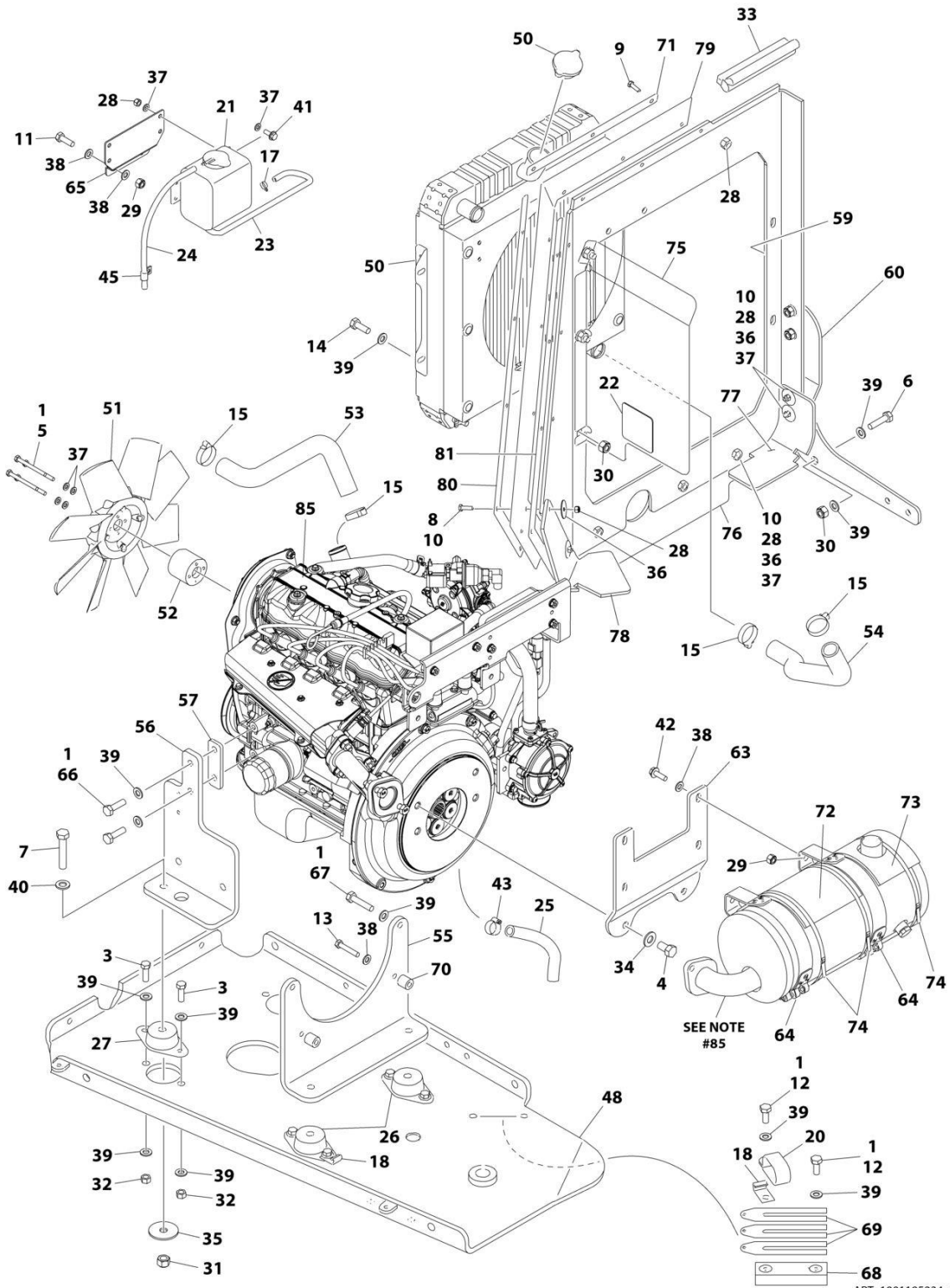
SECTION 3 - ENGINE

FIGURE 3-3. GM ENGINE AND PUMP SUB-ASSEMBLY

ITEM	PART NUMBER	QTY	DESCRIPTION	REV
	1001148254	Ref	GM ENGINE AND PUMP SUB-ASSEMBLY	F
1	0641813	2	Bolt 1/2 x 1-5/8	
2	4891600	2	Washer 3/8	
3	4891800	2	Washer 1/2	
4	83191040	2	Capscrew M10 x 30	
5	1001117028	1	Axial Pump Assembly (See Separate Breakdown in this Section)	
6	1001117029	1	Gear Pump Assembly (See Separate Breakdown in this Section)	
7	1001195234	1	GM Engine Assembly (See Separate Breakdown in this Section)	
8	3790152	1	O-Ring	
9	0100011	AR	Compound, Locking	

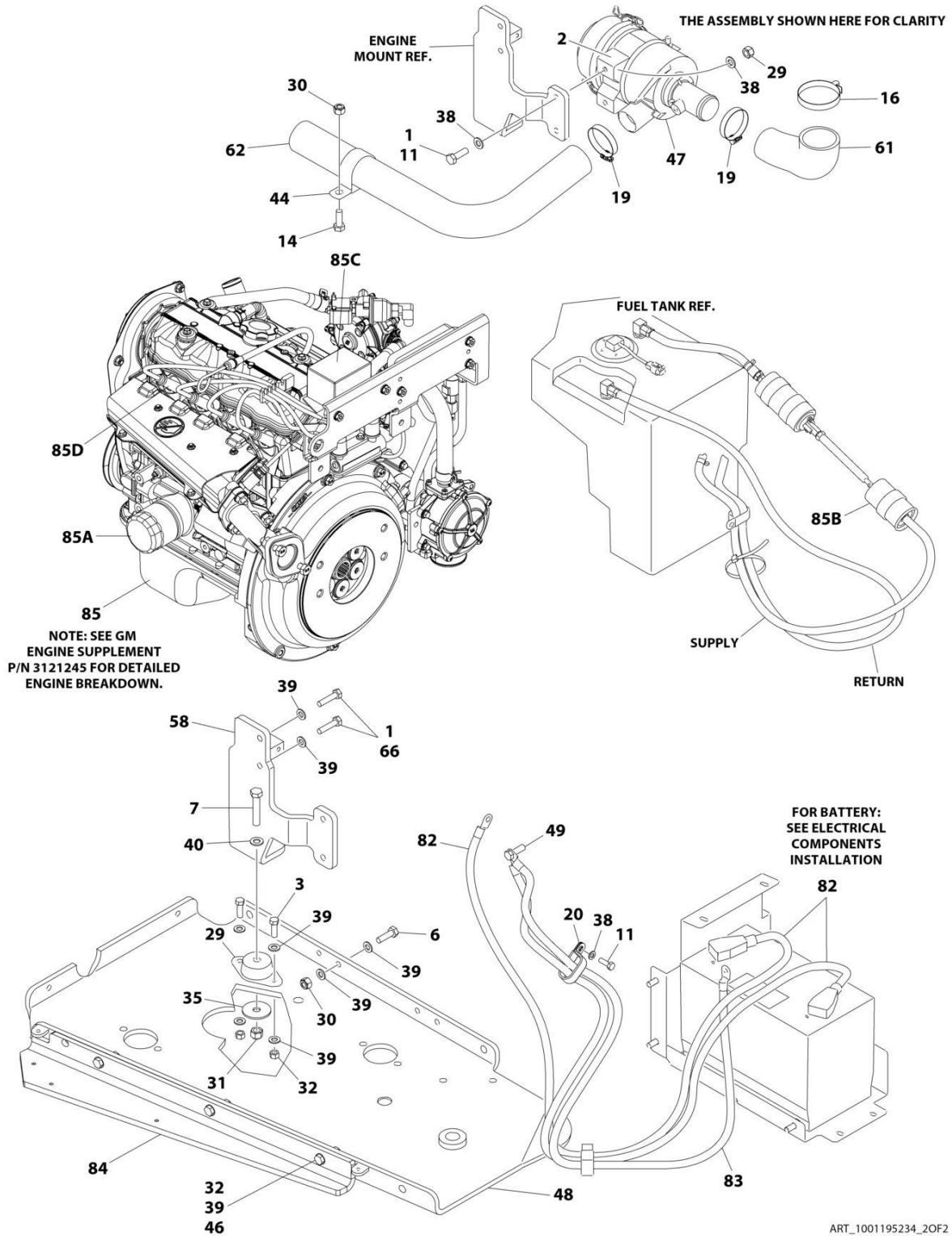
SECTION 3 - ENGINE

FIGURE 3-4. GM ENGINE ASSEMBLY



ART_1001195234_10F2

SECTION 3 - ENGINE



ART_1001195234_20F2

SECTION 3 - ENGINE

FIGURE 3-4. GM ENGINE ASSEMBLY

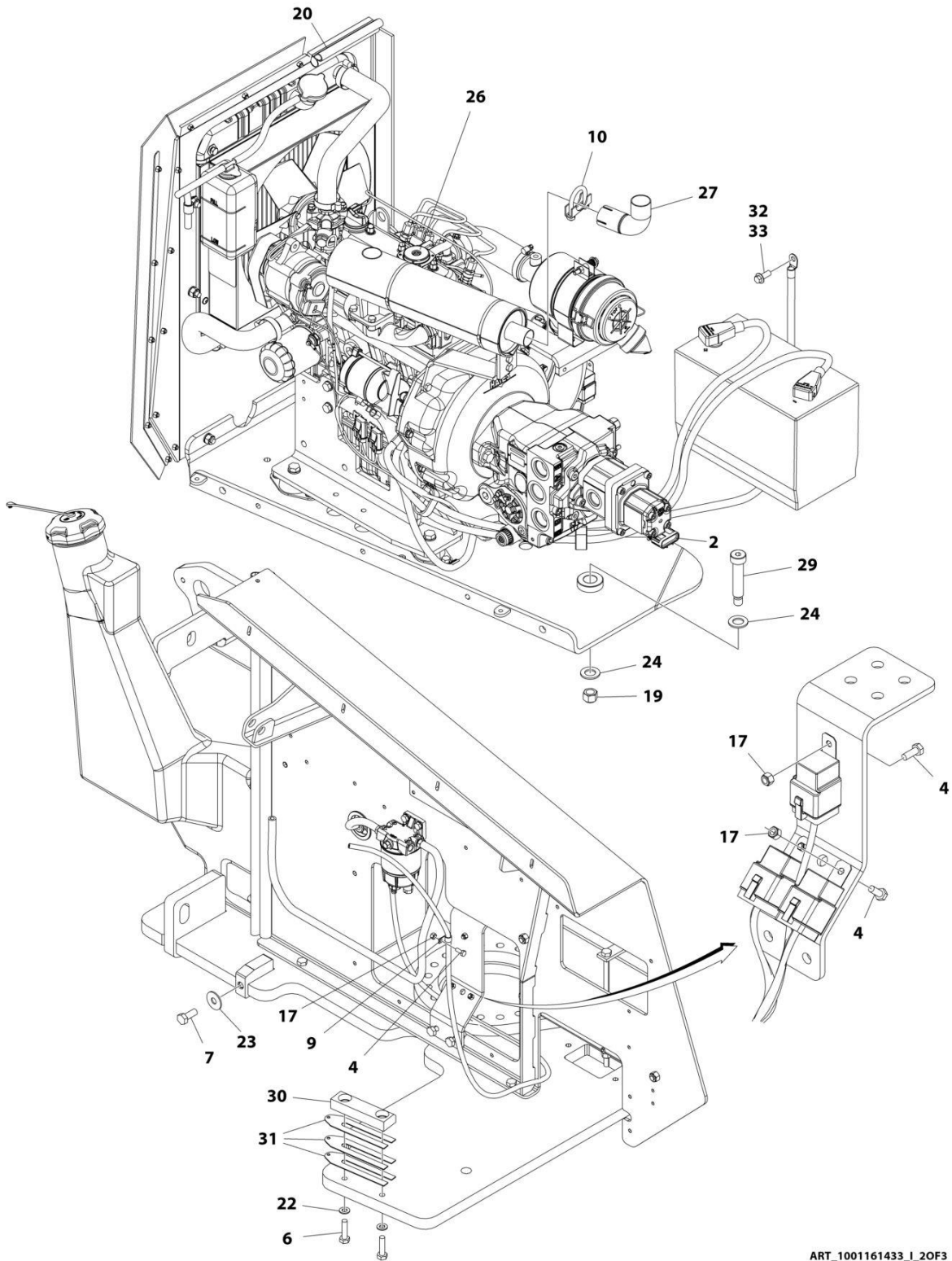
ITEM	PART NUMBER	QTY	DESCRIPTION	REV
	1001195234	Ref	GM ENGINE ASSEMBLY	E
1	0100011	AR	Compound, Locking	
2	0340045	2	Band, Mounting	
3	0641609	8	Bolt 3/8 x 1-1/8	
4	0641807	2	Bolt 1/2 x 7/8	
5	0700621	4	Bolt M6 x 65	
6	0701015	7	Bolt M10 x 35	
7	0701221	4	Bolt M12 x 65	
8	0760608	5	Bolt M6 x 16	
9	0760610	6	Bolt M6 x 20	
10	0760612	7	Bolt M6 x 25	
11	0760812	6	Bolt M8 x 25	
12	0760814	2	Bolt M8 x 30	
13	0760817	2	Bolt M8 x 45	
14	0761014	8	Bolt M10 x 30	
15	1320012	4	Clamp	
16	1320016	1	Clamp	
17	1320022	3	Clamp	
18	1320223	2	J-Clip	
19	1321682	2	Clamp	
20	1321716	2	Clamp	
21	1580011	1	Container, Coolant Overflow	
22	1703162	2	Decal - Fan Blade	
23	2720058	18 in /46cm	Hose	
24	2720271	19 in /47cm	Hose	
25	2720615	6.5 in /17cm	Hose	
26	3200378	2	Mount, Motor	
27	3200425	2	Mount, Engine	
28	3290605	22	Nut M6	
29	3290805	8	Nut M8	
30	3291005	16	Nut M10	
31	3291205	4	Nut M12	
32	3311605	8	Nut 3/8	
33	3960464	6.5 in /17cm	Seal	
34	4711800	2	Washer 1/2	
35	4740274	4	Washer	
36	4740362	7	Washer	
37	4811700	13	Washer M6	
38	4811900	18	Washer M8	
39	4812000	54	Washer M10	
40	4812100	4	Washer M12	
41	5250608	4	Bolt M6 x 16	
42	5250812	4	Bolt M8 x 25	
43	8405006	1	Clamp	
44	80673025	1	P-Clamp	
45	85941016	1	Clamp	

SECTION 3 - ENGINE

ITEM	PART NUMBER	QTY	DESCRIPTION	REV
46	0761016	3	Bolt M10 x 40	
47	1001118280	1	Air Filter Assembly	A
47	7015004	1	Element, Air Filter	
47	1340069	1	Valve, Vacuum	
47	7015005	1	Cover	
48	1001118453	1	Tray, Engine	
49	1001118746	1	Bolt M10 x 25	
50	1001119494	1	Radiator	
50	70002899	1	Cap, Radiator	
51	1001119495	1	Fan	
52	1001119496	1	Spacer, Fan	
53	1001119635	1	Hose, Upper Radiator	
54	1001119636	1	Hose, Lower Radiator	
55	1001119640	1	Plate, Rear Engine	
56	1001119641	1	Plate, LH Front Engine	
57	1001119643	1	Spacer, Mounting	
58	1001119644	1	Plate, RH Front Engine	
59	1001119649	1	Mount, Radiator	
60	1001119698	1	Gusset, Radiator	
61	1001119699	1	Elbow, Air Intake	
62	1001119700	1	Hose, Air Intake	
63	1001119701	1	Bracket, Muffler Mounting	
64	1001119727	2	Clamp, Muffler	
65	1001119730	1	Bracket, Coolant Overflow Tank	
66	1001119929	4	Bolt M10 x 35	
67	1001119930	2	Bolt M10 x 50	
68	1001120087	1	Pad, Wear	
69	1001120090	3	Shim	
70	1001120454	2	Housing, Spacer	
71	1001123018	1	Plate, Seal Support	
72	1001137326	1	Insulate, Muffler	
73	1001137327	1	Insulate, Muffler	
74	1001137336	3	Strap	
75	1001137371	1	Deflector	
76	1001137398	1	Shield, Rubber	
77	1001137399	1	Shield, Rubber	
78	1001137400	1	Shield, Rubber	
79	1001147365	1	Seal, Radiator Hood	
80	1001147642	1	Plate, Seal Support	
81	1001147643	1	Plate, Seal Support	
82	1001118594	1	Battery Cable Kit	B
82	4461231	1	Battery Terminal and Red Cover Only (No Cable)	
82	4461232	1	Battery Terminal and Black Cover Only (No Cable)	
83	1001120450	1	Cable, Ground	
84	1001148975	1	Plate, Engine Tray	
85	1001194741	1	Engine, GM (See GM Engine Supplement P/N 3121245 for Breakdown of Additional Components)	
85A	70002979	1	Filter, Oil	
85B	7027972	1	Filter, Fuel	
85C	70003178	1	Module, Control	
85D	70003179	4	Plug, Spark	

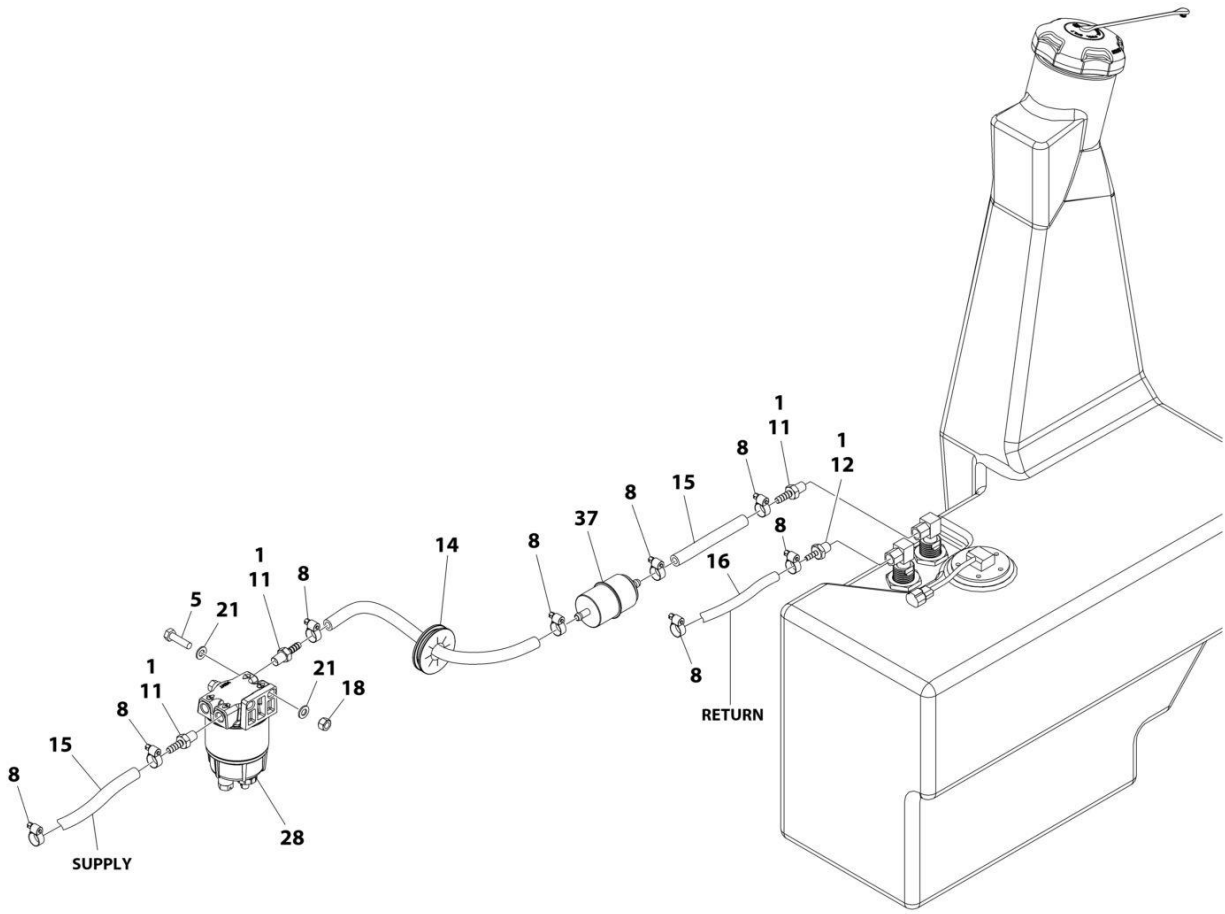
SECTION 3 - ENGINE

FIGURE 3-5. KUBOTA ENGINE INSTALLATION (WITHOUT ARCTIC PACKAGE)



ART_1001161433_I_2OF3

SECTION 3 - ENGINE



ART_1001161433_I_30F3

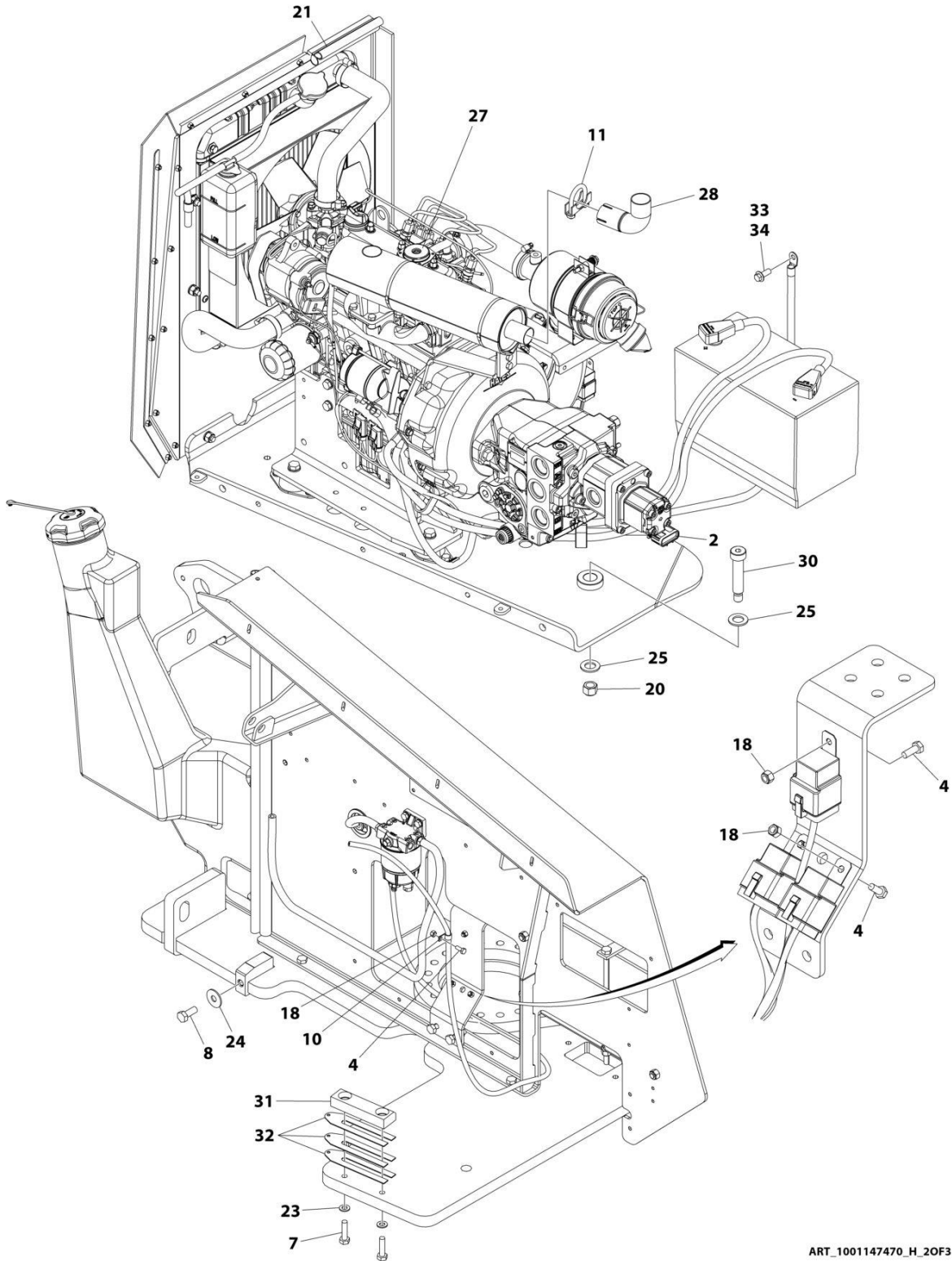
SECTION 3 - ENGINE

FIGURE 3-5. KUBOTA ENGINE INSTALLATION (WITHOUT ARCTIC PACKAGE)

ITEM	PART NUMBER	QTY	DESCRIPTION	REV
	1001161433	Ref	KUBOTA ENGINE INSTALLATION (WITHOUT ARCTIC PACKAGE)	I
1	0100020	AR	Sealant, Pipe	
2	0100048	AR	Grease, Dielectric	
4	0760608	4	Bolt M6 x 16	
5	0760814	2	Bolt M8 x 30	
6	0761016	2	Bolt M10 x 40	
7	0761214	1	Bolt M12 x 30	
7	0761217	1	Bolt M12 x 45	
8	1320022	8	Clamp, Fuel Line	
9	1320043	1	Clamp, Cable	
10	1320274	1	Clamp, Muffler	
11	2180348	3	Fitting, Barbed	
12	2180666	1	Fitting, Barbed	
14	2540045	1	Grommet	
15	2720058	6.6 ft/2.0m	Hose	
16	2720271	6.5 ft /2m	Hose	
17	3290605	4	Nut M6	
18	3290805	2	Nut M8	
19	3291605	1	Nut M16	
20	3960464	33 in /84cm	Seal	
21	4811900	4	Washer M8	
22	4812000	2	Washer M10	
23	4812102	1	Washer M12	
24	4812500	2	Washer M20	
26	1001238004	1	Kubota Engine and Pump Sub-Assembly (See Separate Breakdown in this Section)	
27	1001118548	1	Tube, Exhaust	
28	1001190609	1	Fuel Filter/Water Separator Assembly (See Separate Breakdown in this Section)	
29	1001118646	1	Bolt M20 x 80	
30	1001120087	1	Pad, Wear	
31	1001120090	3	Shim 1.5	
32	0100011	AR	Compound, Locking	
33	5251012	1	Bolt M10 x 25	
37	1001190545	1	Filter, Fuel	

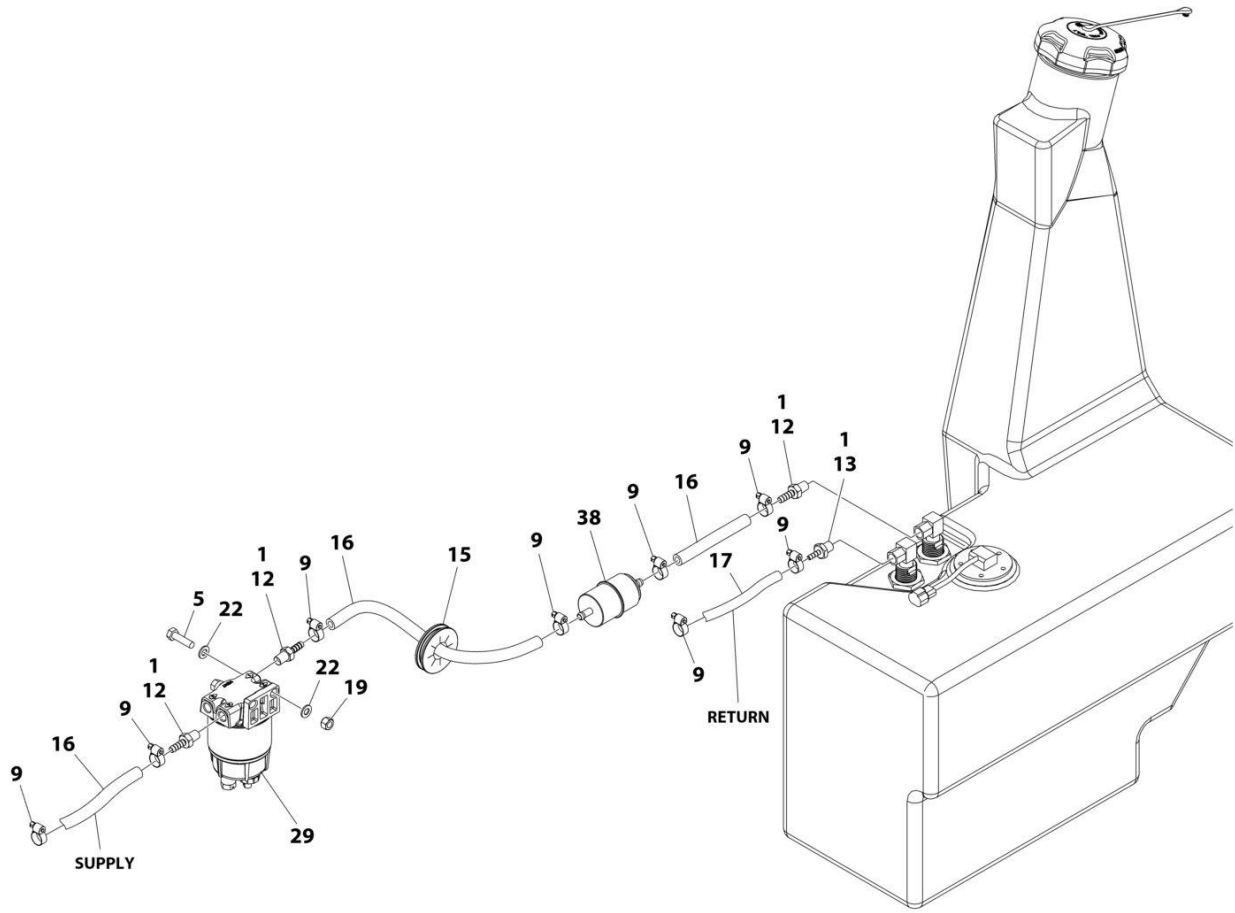
SECTION 3 - ENGINE

FIGURE 3-6. KUBOTA ENGINE INSTALLATION WITH 4000W GENERATOR (WITHOUT ARCTIC PACKAGE)



ART_1001147470_H_20F3

SECTION 3 - ENGINE



ART_1001147470_H_30F3

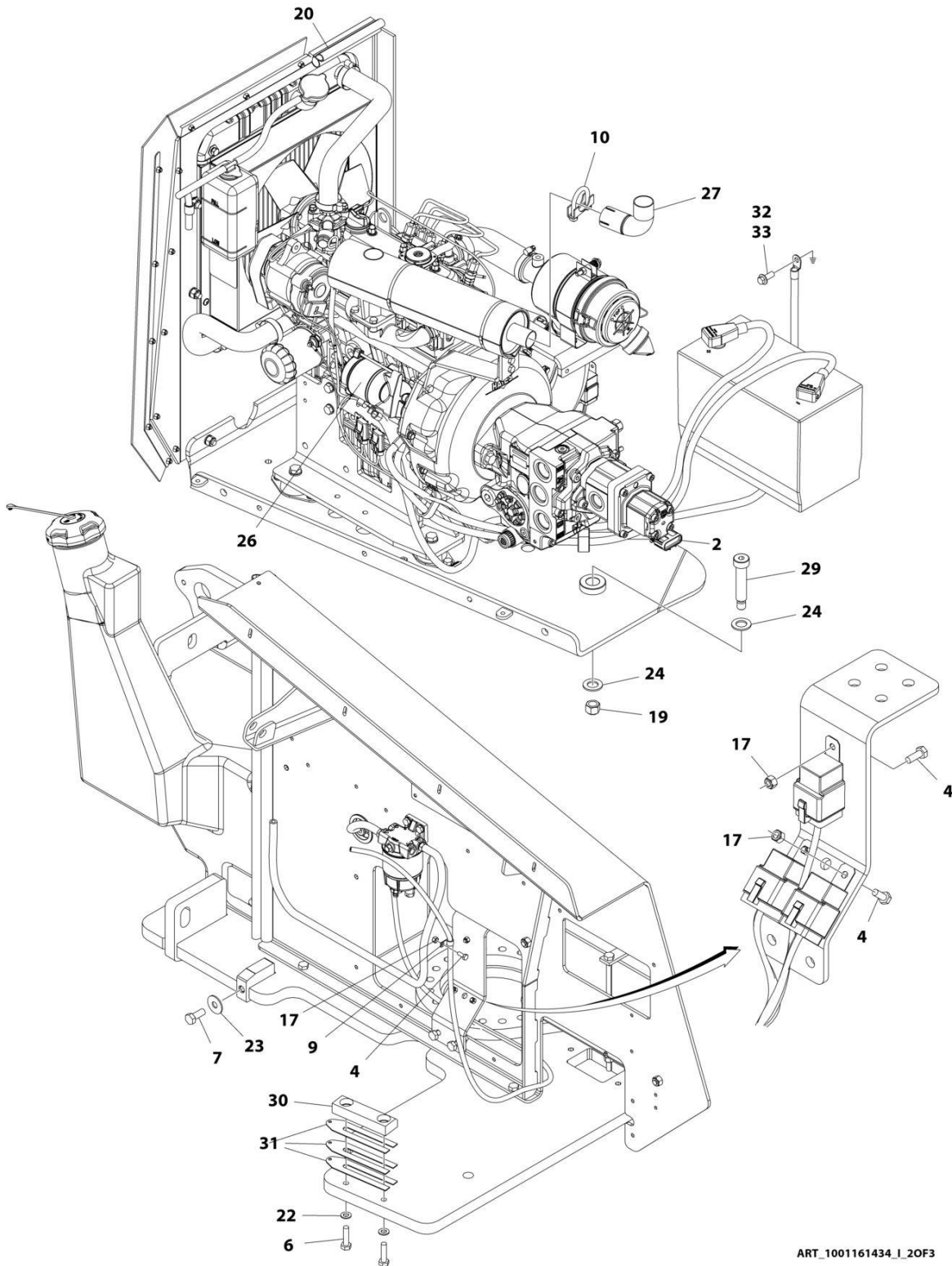
SECTION 3 - ENGINE

FIGURE 3-6. KUBOTA ENGINE INSTALLATION WITH 4000W GENERATOR (WITHOUT ARCTIC PACKAGE)

ITEM	PART NUMBER	QTY	DESCRIPTION	REV
	1001147470	Ref	KUBOTA ENGINE INSTALLATION WITH 4000W GENERATOR (WITHOUT ARCTIC PACKAGE)	H
1	0100020	AR	Sealant, Pipe	
2	0100048	AR	Grease, Dielectric	
4	0760608	4	Bolt M6 x 16	
6	0760814	2	Bolt M8 x 30	
7	0761016	2	Bolt M10 x 40	
8	0761214	1	Bolt M12 x 30	
9	1320022	8	Clamp, Fuel Line	
10	1320043	1	Clamp, Cable	
11	1320274	1	Clamp, Muffler	
12	2180348	3	Fitting, Barbed	
13	2180666	1	Fitting, Barbed	
15	2540045	1	Grommet	
16	2720058	6.6 ft/2.0m	Hose	
17	2720271	6.5 ft/2m	Hose	
18	3290605	4	Nut M6	
19	3290805	2	Nut M8	
20	3291605	1	Nut M16	
21	3960464	33 in /84cm	Seal	
22	4811900	4	Washer M8	
23	4812000	2	Washer M10	
24	4812102	1	Washer M12	
25	4812500	2	Washer M20	
27	1001238005	1	Kubota Engine and Pump Sub-Assembly (See Separate Breakdown in this Section)	
28	1001118548	1	Tube, Exhaust	
29	1001190609	1	Fuel Filter/Water Separator Assembly (See Separate Breakdown in this Section)	
30	1001118646	1	Bolt M20 x 80	
31	1001120087	1	Pad, Wear	
32	1001120090	3	Shim 1.5	
33	0100011	AR	Compound, Locking	
34	5251012	1	Bolt M10 x 25	
38	1001190545	1	Filter, Fuel	

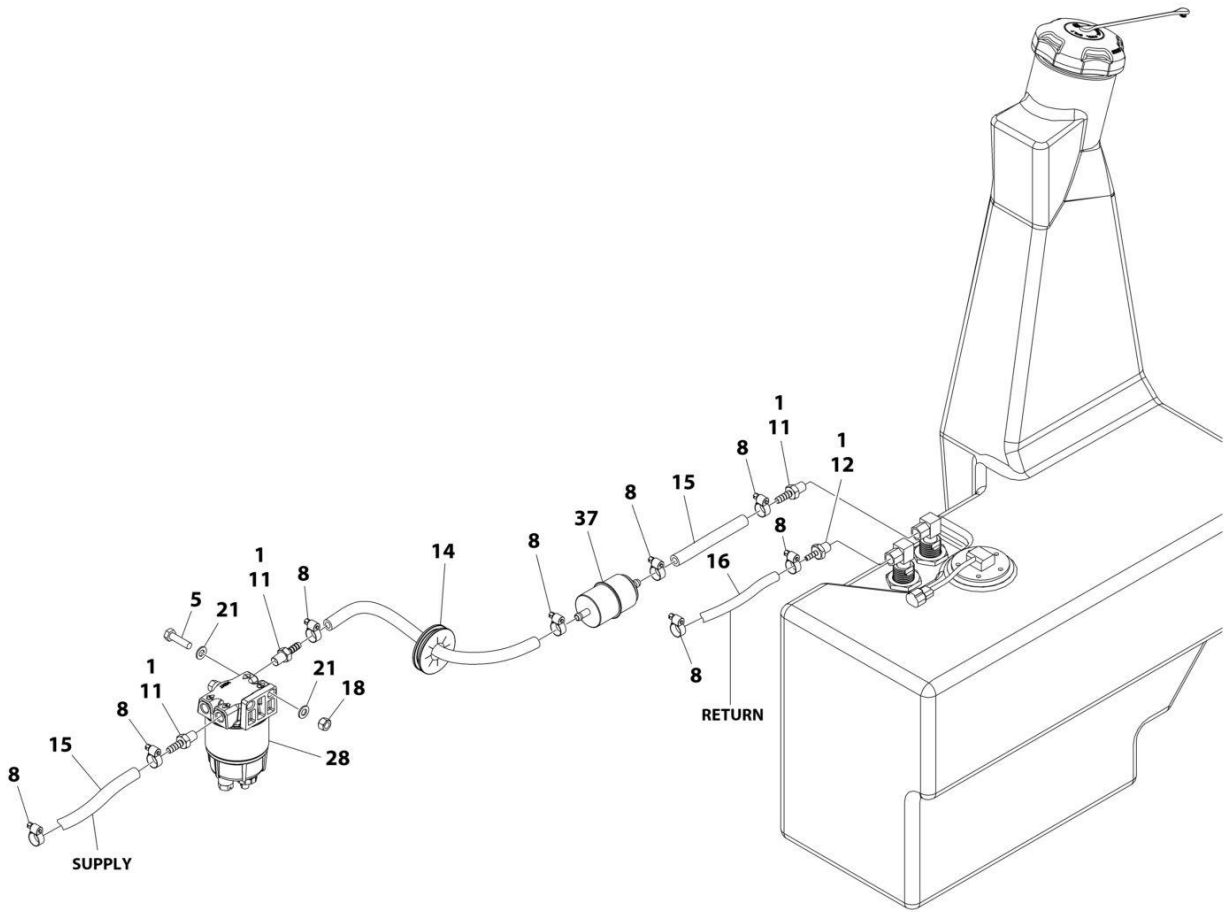
SECTION 3 - ENGINE

FIGURE 3-7. KUBOTA ENGINE INSTALLATION (WITH ARCTIC PACKAGE)



ART_1001161434_I_20F3

SECTION 3 - ENGINE



ART_1001161434_I_30F3

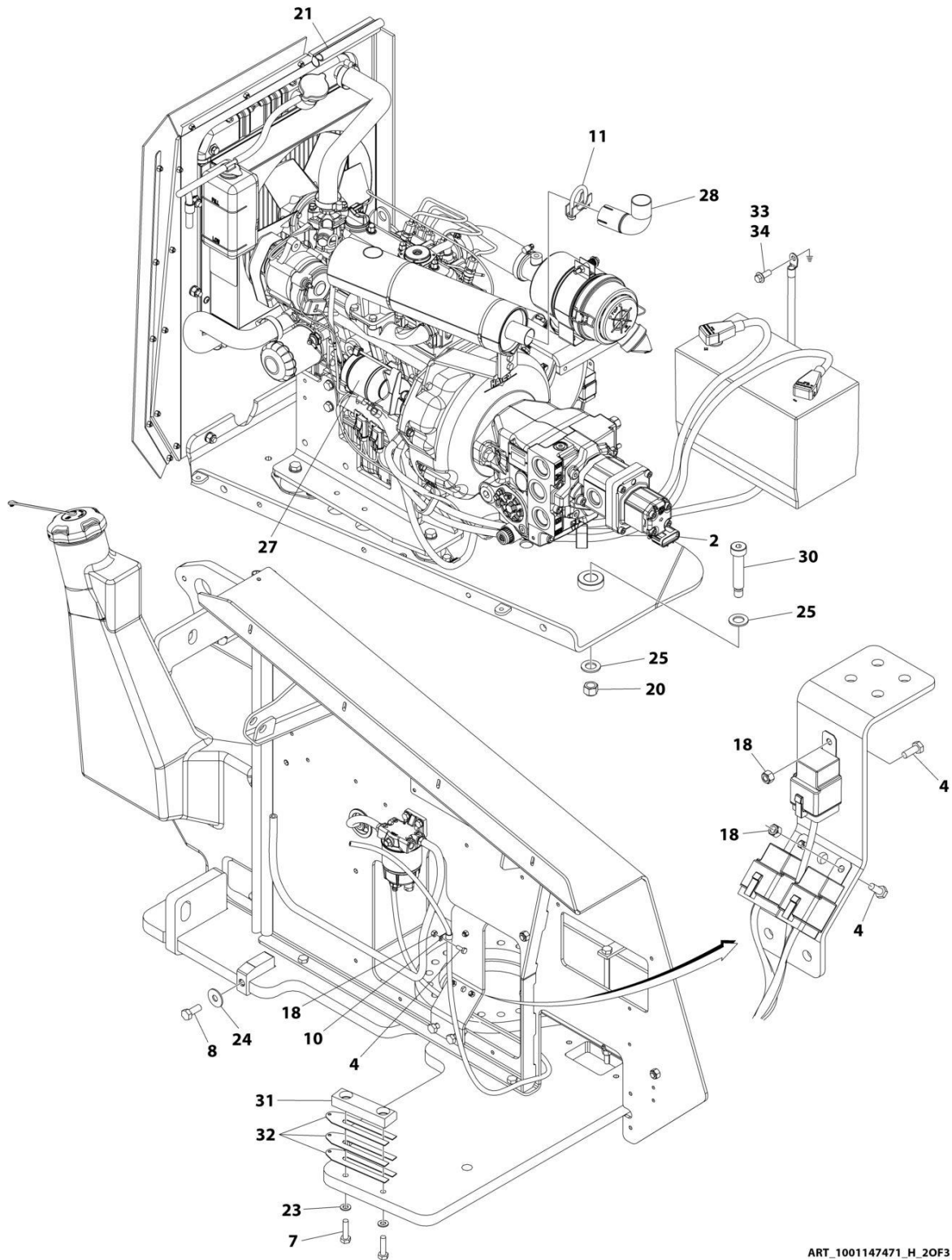
SECTION 3 - ENGINE

FIGURE 3-7. KUBOTA ENGINE INSTALLATION (WITH ARCTIC PACKAGE)

ITEM	PART NUMBER	QTY	DESCRIPTION	REV
	1001161434	Ref	KUBOTA ENGINE INSTALLATION (WITH ARCTIC PACKAGE)	I
1	0100020	AR	Sealant, Pipe	
2	0100048	AR	Grease, Dielectric	
4	0760608	4	Bolt M6 x 16	
5	0760814	2	Bolt M8 x 30	
6	0761016	2	Bolt M10 x 40	
7	0761214	1	Bolt M12 x 30	
7	0761217	1	Bolt M12 x 45	
8	1320022	8	Clamp, Fuel Line	
9	1320043	1	Clamp, Cable	
10	1320274	1	Clamp, Muffler	
11	2180348	3	Fitting, Barbed	
12	2180666	1	Fitting, Barbed	
14	2540045	1	Grommet	
15	2720058	6.6 ft/2.0m	Hose	
16	2720271	6.5 ft/2m	Hose	
17	3290605	4	Nut M6	
18	3290805	2	Nut M8	
19	3291605	1	Nut M16	
20	3960464	33 in /84cm	Seal	
21	4811900	4	Washer M8	
22	4812000	2	Washer M10	
23	4812102	1	Washer M12	
24	4812500	2	Washer M20	
26	1001238004	1	Kubota Engine and Pump Sub-Assembly (See Separate Breakdown in this Section)	
27	1001118548	1	Tube, Exhaust	
28	1001190609	1	Fuel Filter/Water Separator Assembly (See Separate Breakdown in this Section)	
29	1001118646	1	Bolt M20 x 80	
30	1001120087	1	Pad, Wear	
31	1001120090	3	Shim 1.5	
32	0100011	AR	Compound, Locking	
33	5251012	1	Bolt M10 x 25	
37	1001190545	1	Filter, Fuel	

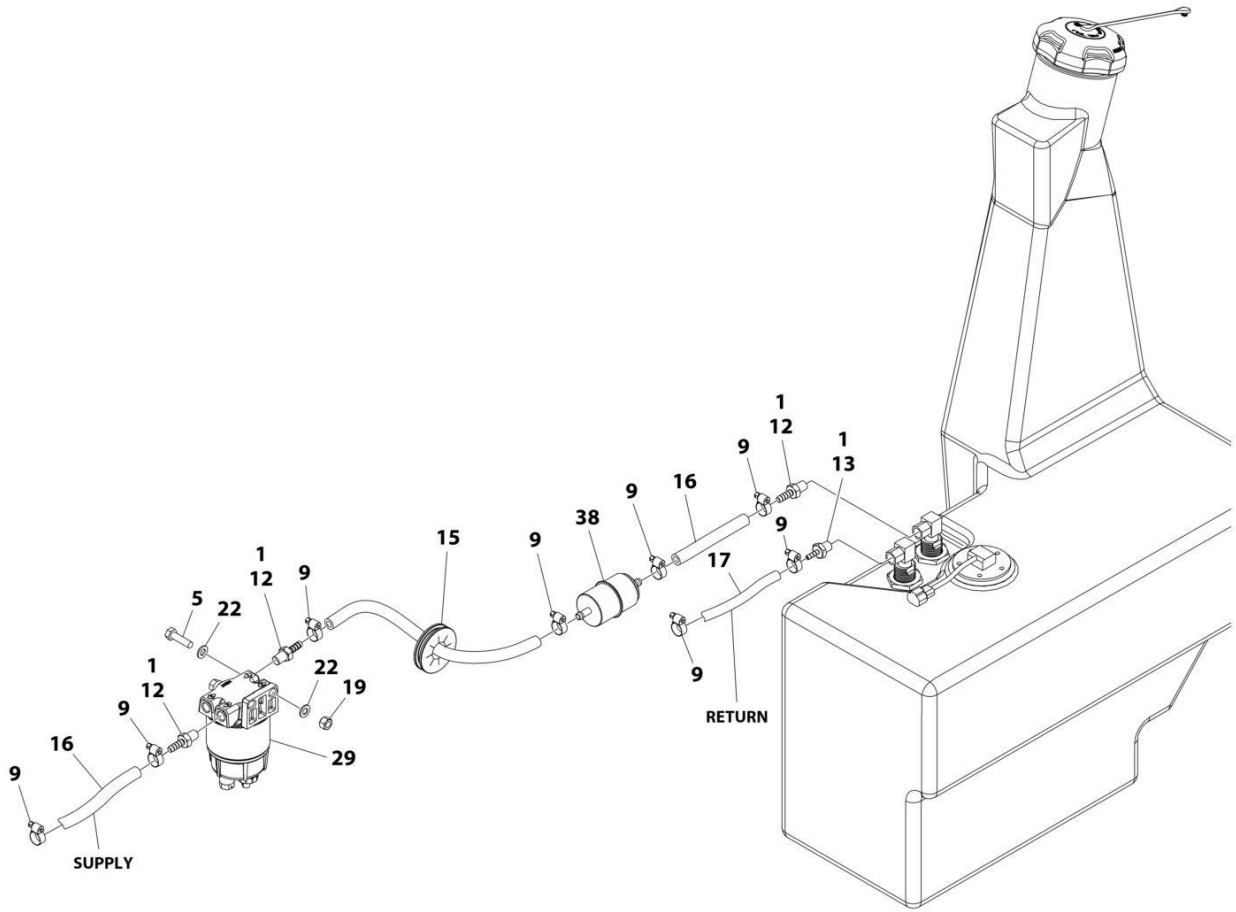
SECTION 3 - ENGINE

FIGURE 3-8. KUBOTA ENGINE INSTALLATION WITH 4000W GENERATOR (WITH ARCTIC PACKAGE)



ART_1001147471_H_20F3

SECTION 3 - ENGINE



ART_1001147471_H_30F3

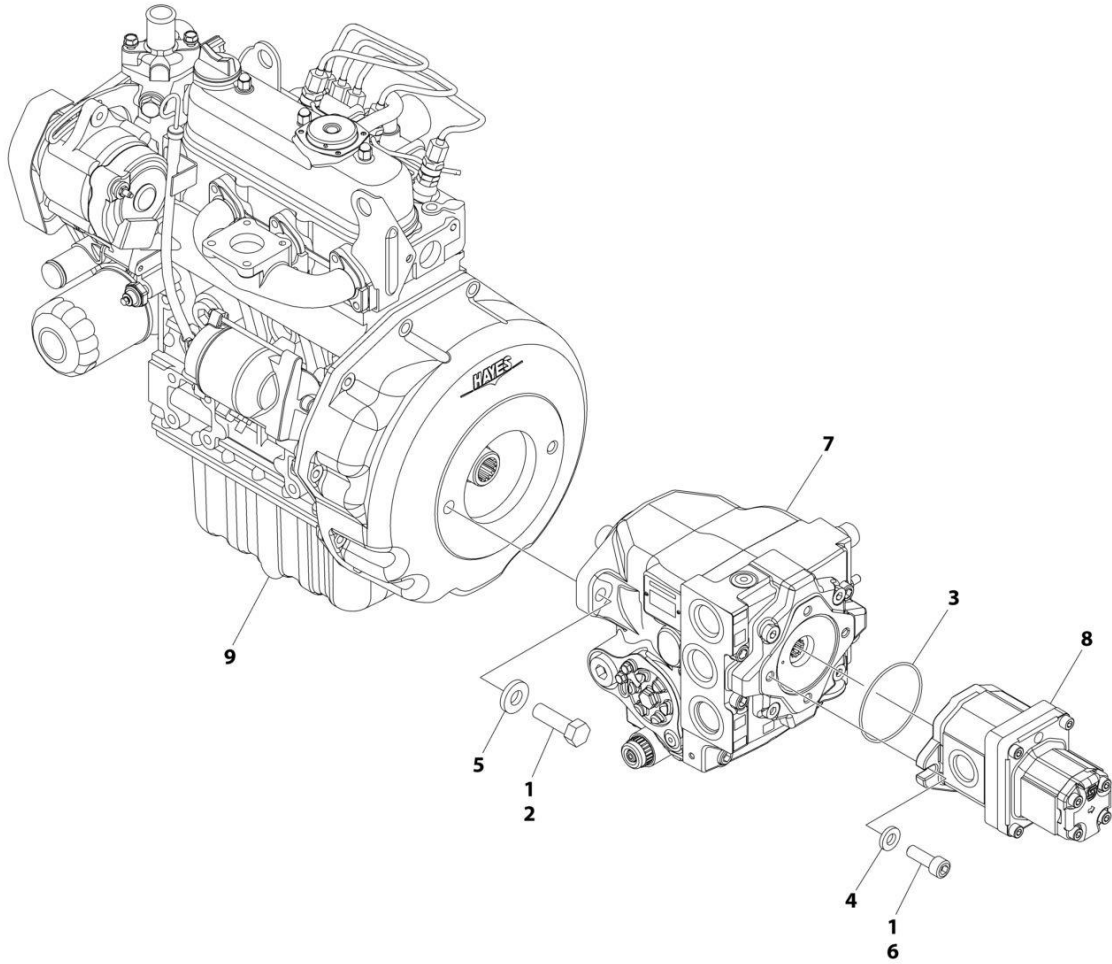
SECTION 3 - ENGINE

FIGURE 3-8. KUBOTA ENGINE INSTALLATION WITH 4000W GENERATOR (WITH ARCTIC PACKAGE)

ITEM	PART NUMBER	QTY	DESCRIPTION	REV
	1001147471	Ref	KUBOTA ENGINE INSTALLATION WITH 4000W GENERATOR (WITH ARCTIC PACKAGE)	H
1	0100020	AR	Sealant, Pipe	
2	0100048	AR	Grease, Dielectric	
4	0760608	4	Bolt M6 x 16	
5	0760814	2	Bolt M8 x 30	
7	0761016	2	Bolt M10 x 40	
8	0761214	1	Bolt M12 x 30	
9	1320022	8	Clamp, Fuel Line	
10	1320043	1	Clamp, Cable	
11	1320274	1	Clamp, Muffler	
12	2180348	3	Fitting, Barbed	
13	2180666	1	Fitting, Barbed	
15	2540045	1	Grommet	
16	2720058	6.6 ft/2.0m	Hose	
17	2720271	6.5 ft/2m	Hose	
18	3290605	4	Nut M6	
19	3290805	2	Nut M8	
20	3291605	1	Nut M16	
21	3960464	33 in /84cm	Seal	
22	4811900	4	Washer M8	
23	4812000	2	Washer M10	
24	4812102	1	Washer M12	
25	4812500	2	Washer M20	
27	1001238005	1	Kubota Engine and Pump Sub-Assembly (See Separate Breakdown in this Section)	
28	1001118548	1	Tube, Exhaust	
29	1001190609	1	Fuel Filter/Water Separator Assembly (See Separate Breakdown in this Section)	
30	1001118646	1	Bolt M20 x 80	
31	1001120087	1	Pad, Wear	
32	1001120090	3	Shim 1.5	
33	0100011	AR	Compound, Locking	
34	5251012	1	Bolt M10 x 25	
38	1001190545	1	Filter, Fuel	

SECTION 3 - ENGINE

FIGURE 3-9. KUBOTA ENGINE AND PUMP SUB-ASSEMBLY



ART_1001238004

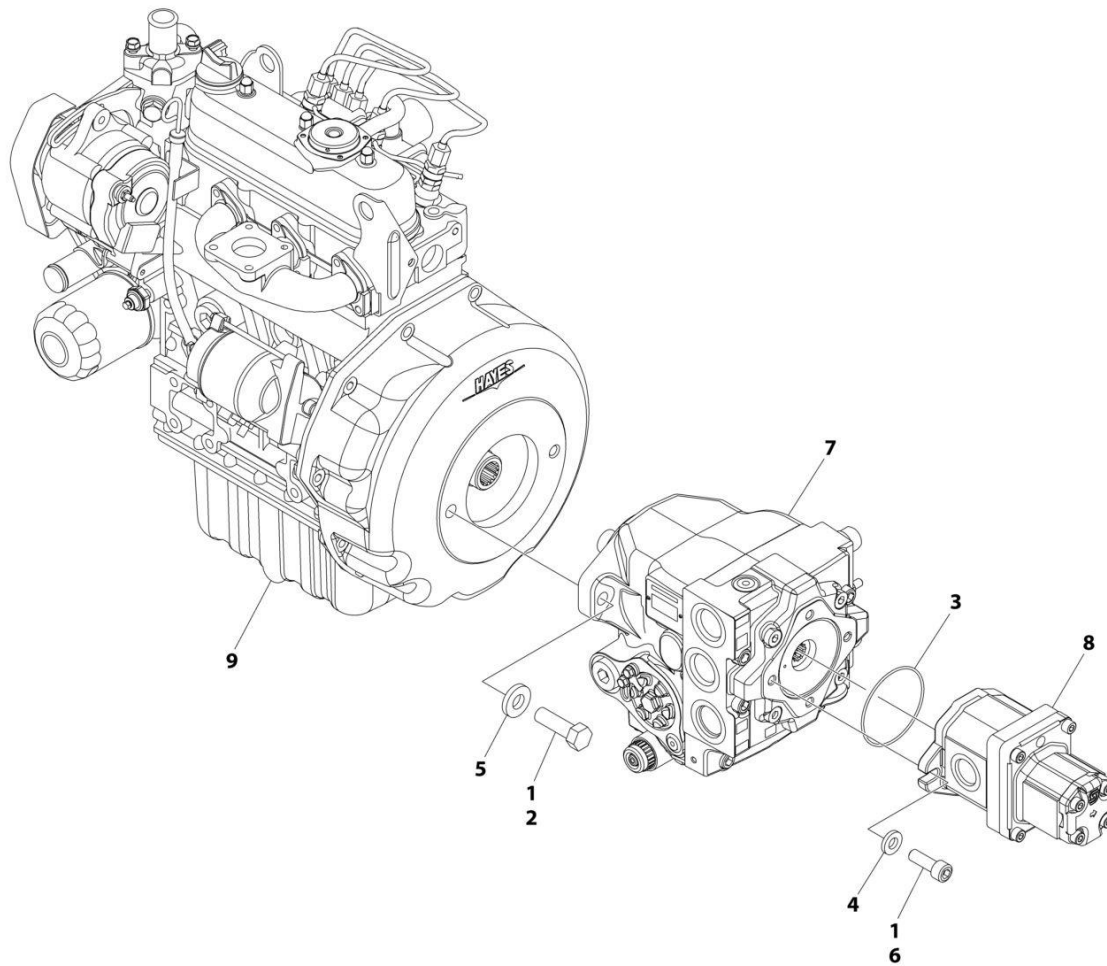
SECTION 3 - ENGINE

FIGURE 3-9. KUBOTA ENGINE AND PUMP SUB-ASSEMBLY

ITEM	PART NUMBER	QTY	DESCRIPTION	REV
	1001238004	Ref	KUBOTA ENGINE AND PUMP SUB-ASSEMBLY	B
1	0100011	AR	Compound, Locking	
2	0641813	2	Bolt 1/2 x 1-5/8	
3	3790152	1	O-Ring	
4	4891600	2	Washer 3/8	
5	4891800	2	Washer 1/2	
6	83191040	2	Capscrew M10 x 30	
7	1001117028	1	Axial Pump Assembly (See Separate Breakdown in this Section)	
8	1001117029	1	Gear Pump Assembly (See Separate Breakdown in this Section)	
9	1001238001	1	Kubota Engine Assembly (Use p/n 1001238001) (See Separate Breakdown in this Section)	

SECTION 3 - ENGINE

FIGURE 3-10. KUBOTA ENGINE WITH 4000W GENERATOR AND PUMP SUB-ASSEMBLY



ART_1001238005

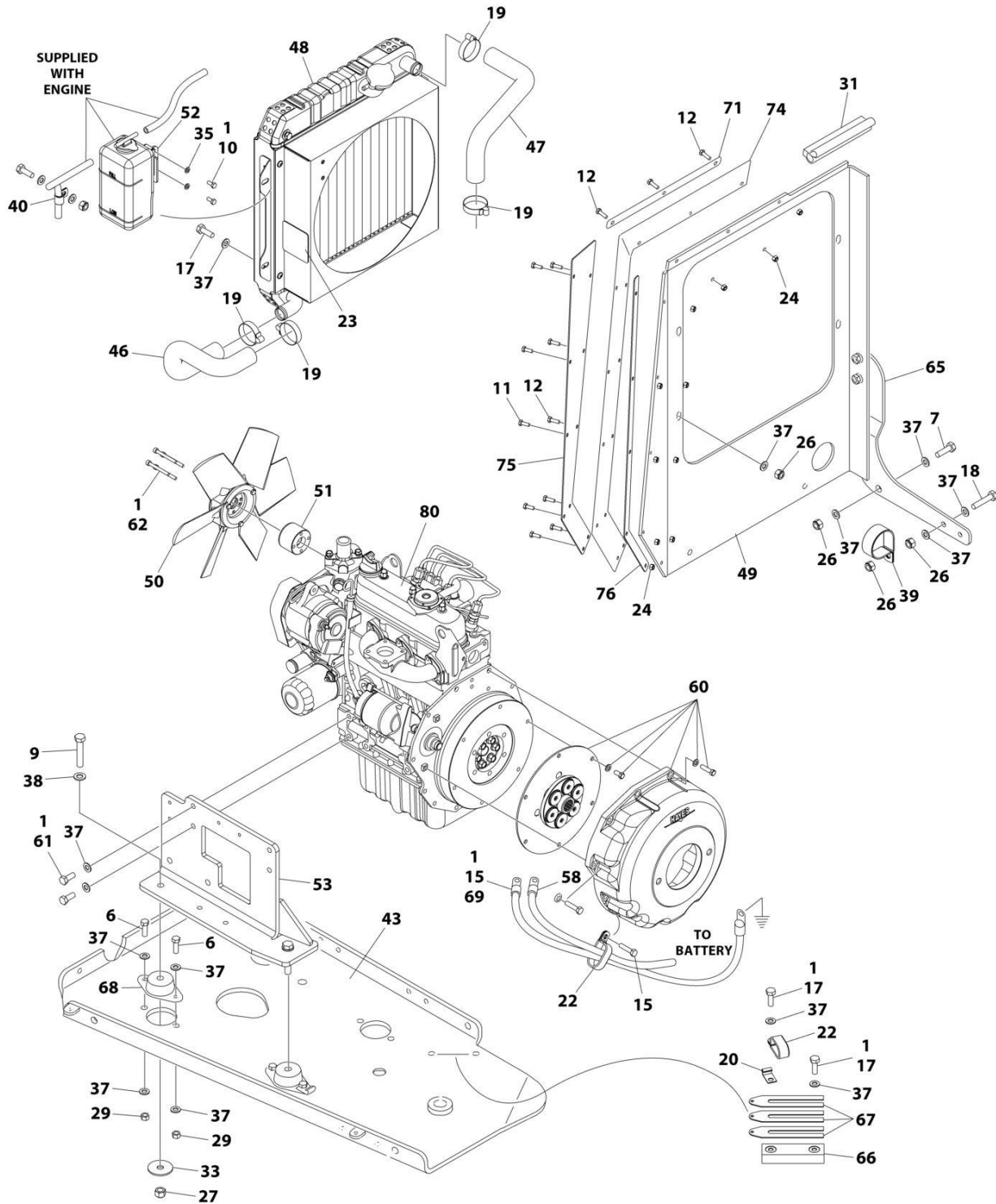
SECTION 3 - ENGINE

FIGURE 3-10. KUBOTA ENGINE WITH 4000W GENERATOR AND PUMP SUB-ASSEMBLY

ITEM	PART NUMBER	QTY	DESCRIPTION	REV
	1001238005	Ref	KUBOTA ENGINE WITH 4000W GENERATOR AND PUMP SUB-ASSEMBLY	B
1	0100011	AR	Compound, Locking	
2	0641813	2	Bolt 1/2 x 1-5/8	
3	3790152	1	O-Ring	
4	4891600	2	Washer 3/8	
5	4891800	2	Washer 1/2	
6	83191040	2	Capscrew M10 x 30	
7	1001117028	1	Axial Pump Assembly (See Separate Breakdown in this Section)	
8	1001117029	1	Gear Pump Assembly (See Separate Breakdown in this Section)	
9	1001238002	1	Kubota Engine Assembly with 4000W Generator (Use p/n 1001238002) (See Separate Breakdown in this Section)	

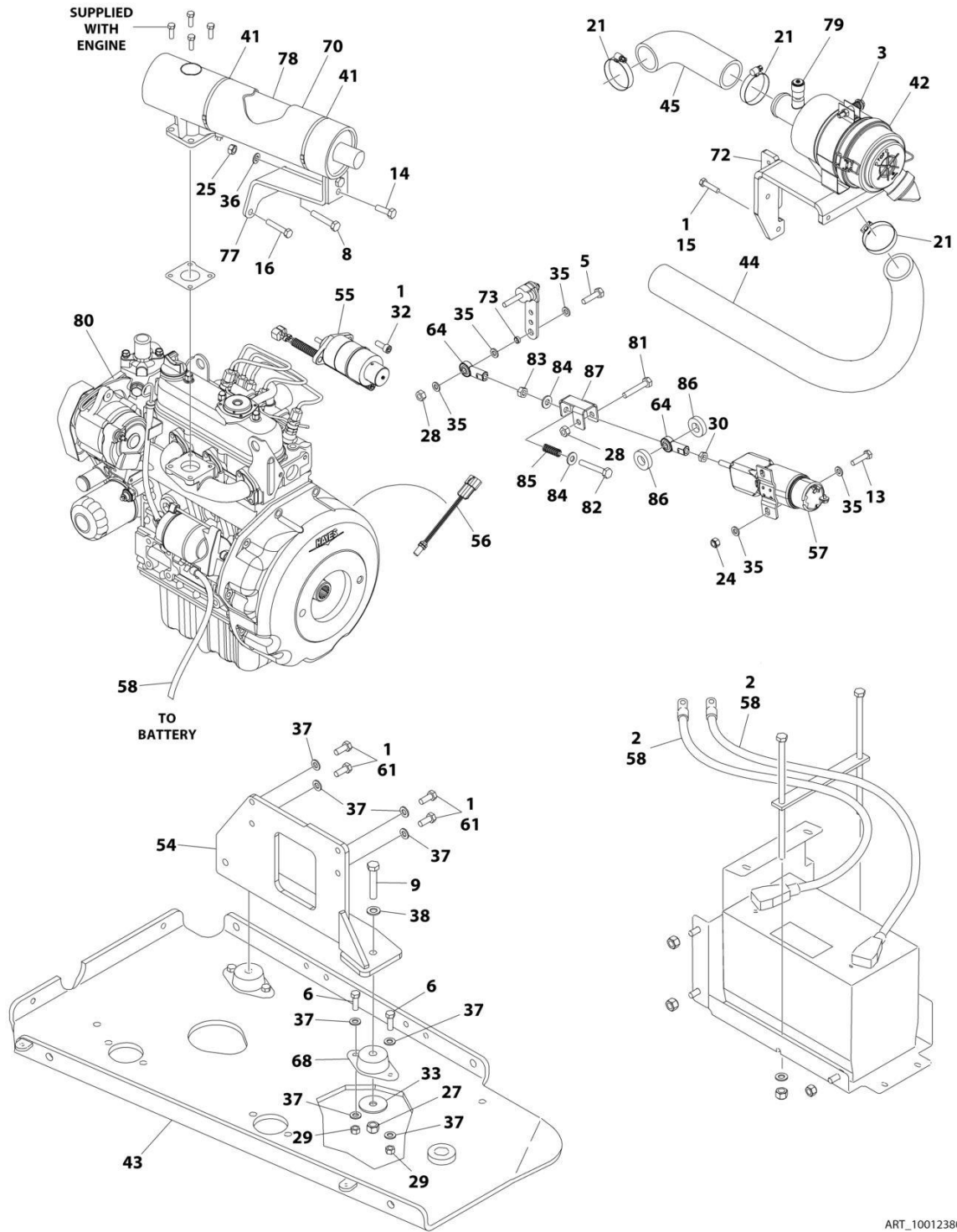
SECTION 3 - ENGINE

FIGURE 3-11. KUBOTA ENGINE ASSEMBLY



ART_1001238001_C_10F2

SECTION 3 - ENGINE



ART_1001238001_C_20F2

SECTION 3 - ENGINE

FIGURE 3-11. KUBOTA ENGINE ASSEMBLY

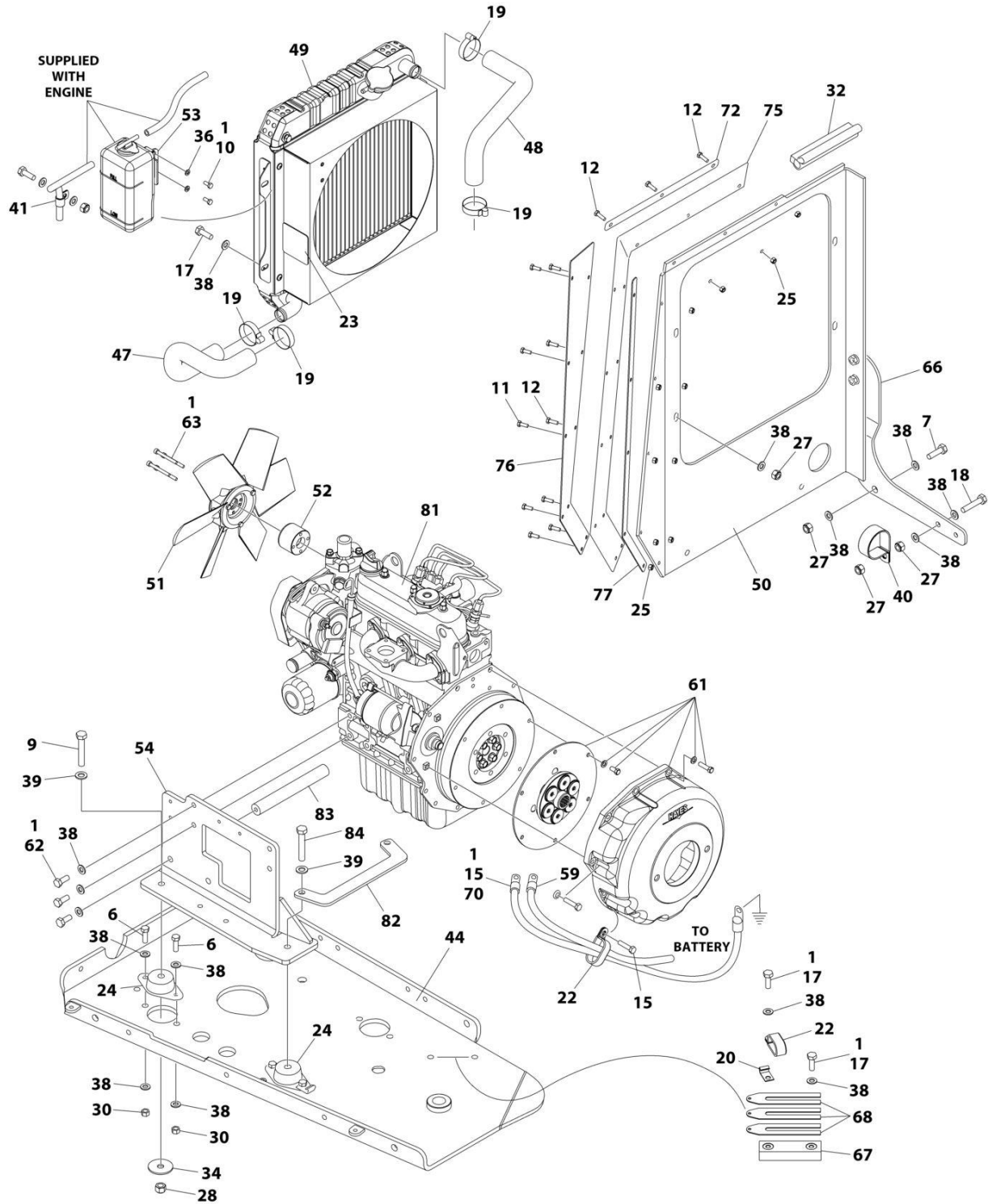
ITEM	PART NUMBER	QTY	DESCRIPTION	REV
	1001238001	Ref	KUBOTA ENGINE ASSEMBLY	C
1	0100011	AR	Compound, Locking	
2	0100048	AR	Grease, Dielectric	
3	0340045	1	Band, Mounting	
5	0641408	1	Bolt 1/4 x 1	
6	0641609	8	Bolt 3/8 x 1-1/8	
7	0701015	6	Bolt M10 x 35	
8	0701017	1	Bolt M10 x 45	
9	0701221	4	Bolt M12 x 65	
10	0760607	2	Bolt M6 x 14	
11	0760608	5	Bolt M6 x 1.25	
12	0760610	8	Bolt M6 x 20	
13	0760612	4	Bolt M6 x 25	
14	0760812	2	Bolt M8 x 25	
15	0760815	4	Bolt M8 x 35	
16	0760817	1	Bolt M8 x 45	
17	0761014	6	Bolt M10 x 30	
18	0761018	1	Bolt M10 x 50	
19	1320012	4	Clamp	
20	1320223	2	J-Clip	
21	1321682	3	Clamp	
22	1321716	2	Clamp	
23	1703162	2	Decal - Fan Blade	
24	3290605	17	Nut M6	
25	3290807	2	Nut M8 x 1.25	
26	3291005	12	Nut M10	
27	3291205	4	Nut M12	
28	3311405	2	Nut 1/4	
29	3311605	8	Nut 3/8	
30	3321402	1	Nut 1/4	
31	3960464	6.5 in /17cm	Seal	
32	4031707	2	Capscrew M6 x 16	
33	4740274	4	Washer	
35	4811700	13	Washer M6	
36	4811900	2	Washer M8	
37	4812000	48	Washer M10	
38	4812100	4	Washer M12	
39	80673025	1	P-Clamp	
40	85941016	1	Clamp	
41	1001100825	2	Strap	
42	1001118280	1	Air Filter Assembly	A
42	7015004	1	Element, Air Filter	
42	1340069	1	Valve, Vacuum	
42	7015005	1	Cover	
43	1001118453	1	Tray, Engine	
44	1001118527	1	Hose, Air Intake	
45	1001118528	1	Hose, Air Intake	
46	1001118529	1	Hose, Lower Radiator	
47	1001118530	1	Hose, Upper Radiator	

SECTION 3 - ENGINE

ITEM	PART NUMBER	QTY	DESCRIPTION	REV
48	1001118531	1	Radiator	
48	70002899	1	Cap, Radiator	
49	1001118532	1	Mount, Radiator	
50	1001118538	1	Fan	
51	1001118539	1	Spacer, Fan	
52	1001118540	1	Bracket, Coolant Overflow Tank	
53	1001118542	1	Plate, LH Front Engine	
54	1001118543	1	Plate, RH Front Engine	
55	1001118579	1	Actuator, Kubota Governor	
55	7023134	1	Gasket, Mounting	
56	1001118580	1	Sensor, Speed	
57	1001274140	1	Actuator, Kubota Throttle	
58	1001118594	1	Battery Cable Kit	
58	4461231	1	Battery Terminal and Red Cover Only (No Cable)	
58	4461232	1	Battery Terminal and Black Cover Only (No Cable)	
59	1001118638	1	Harness, Engine (Not Shown - See Separate Breakdown in ELECTRICAL Section)	
60	1001118675	1	Flywheel Housing/Coupling Kit	
60	See Note	NSS	Coupling Assembly (Note: Use p/n 1001118675)	
60	See Note	NSS	Housing (Note: Use p/n 1001118675)	
60	See Note	NSS	Bolt Kit (Note: Use p/n 1001118675)	
61	1001118746	8	Bolt M10 x 25	
62	1001118878	4	Bolt M6 x 55	
64	1001118925	2	End, Rod with Bearing	
65	1001119698	1	Gusset, Radiator	
66	1001120087	1	Pad, Wear	
67	1001120090	3	Shim	
68	1001120307	4	Mount, Motor	
69	1001120450	1	Cable, Ground	
70	1001121531	1	Insulation, Muffler	
71	1001123018	1	Plate, Seal Support	
72	1001272666	1	Bracket, Air Filter	
73	1001128888	1	Spacer	
74	1001147365	1	Seal, Radiator Hood	
75	1001147642	1	Plate, Seal Support	
76	1001147643	1	Plate, Seal Support	
77	1001149379	1	Bracket	
78		Ref	Muffler Options:	
78	1001118547	NLA	Standard (Use p/n 1001151187)	
78	1001120007	NLA	Catalytic (Use p/n 1001151188)	
79	1001170981	1	Indicator, Air Intake Restriction	
80	1001237999	1	Kubota Engine Components (See Separate Breakdown in this Section)	
81	0641412	1	Bolt 1/4 x 1-1/2	
82	0651414	1	Bolt 1/4 x 1-3/4	
83	3321401	1	Nut 1/4	
84	4711400	2	Washer 1/4	
85	1001272948	1	Spring	
86	1001272950	2	Washer	
87	1001273101	1	Link	

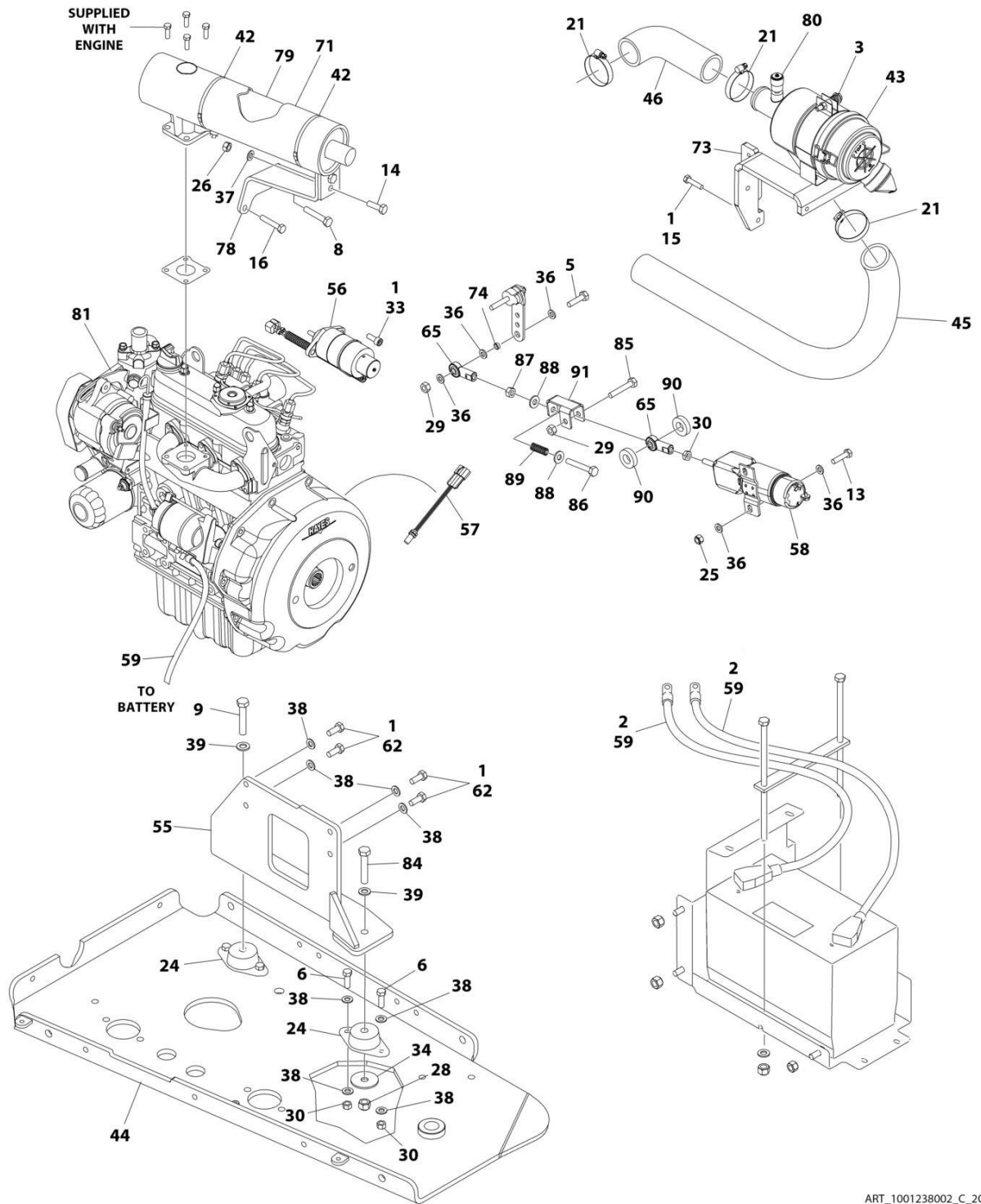
SECTION 3 - ENGINE

FIGURE 3-12. KUBOTA ENGINE ASSEMBLY WITH 4000W GENERATOR



ART_1001238002_C_10F2

SECTION 3 - ENGINE



ART_1001238002_C_20F2

SECTION 3 - ENGINE

FIGURE 3-12. KUBOTA ENGINE ASSEMBLY WITH 4000W GENERATOR

ITEM	PART NUMBER	QTY	DESCRIPTION	REV
	1001238002	Ref	KUBOTA ENGINE ASSEMBLY WITH 4000W GENERATOR	C
1	0100011	AR	Compound, Locking	
2	0100048	AR	Grease, Dielectric	
3	0340045	1	Band, Mounting	
5	0641408	1	Bolt 1/4 x 1	
6	0641609	8	Bolt 3/8 x 1-1/8	
7	0701015	6	Bolt M10 x 35	
8	0701017	1	Bolt M10 x 45	
9	0701221	2	Bolt M12 x 65	
10	0760607	2	Bolt M6 x 14	
11	0760608	5	Bolt M6 x 1.25	
12	0760610	8	Bolt M6 x 20	
13	0760612	4	Bolt M6 x 25	
14	0760812	2	Bolt M8 x 25	
15	0760815	4	Bolt M8 x 35	
16	0760817	1	Bolt M8 x 45	
17	0761014	6	Bolt M10 x 30	
18	0761018	1	Bolt M10 x 50	
19	1320012	4	Clamp	
20	1320223	2	J-Clip	
21	1321682	3	Clamp	
22	1321716	2	Clamp	
23	1703162	2	Decal - Fan Blade	
24	3200378	4	Mount, Motor	
25	3290605	17	Nut M6	
26	3290807	2	Nut M8 x 1.25	
27	3291005	12	Nut M10	
28	3291205	4	Nut M12	
29	3311405	2	Nut 1/4	
30	3311605	8	Nut 3/8	
31	3321402	1	Nut 1/4	
32	3960464	6.5 in /17cm	Seal	
33	4031707	2	Capscrew M6 x 16	
34	4740274	4	Washer	
36	4811700	13	Washer M6	
37	4811900	2	Washer M8	
38	4812000	50	Washer M10	
39	4812100	4	Washer M12	
40	80673025	1	P-Clamp	
41	85941016	1	Clamp	
42	1001100825	2	Strap	
43	1001118280	1	Air Filter Assembly	A
43	7015004	1	Element, Air Filter	
43	1340069	1	Valve, Vacuum	
43	7015005	1	Cover	
44	1001118453	1	Tray, Engine	
45	1001118527	1	Hose, Air Intake	
46	1001118528	1	Hose, Air Intake	
47	1001118529	1	Hose, Lower Radiator	

SECTION 3 - ENGINE

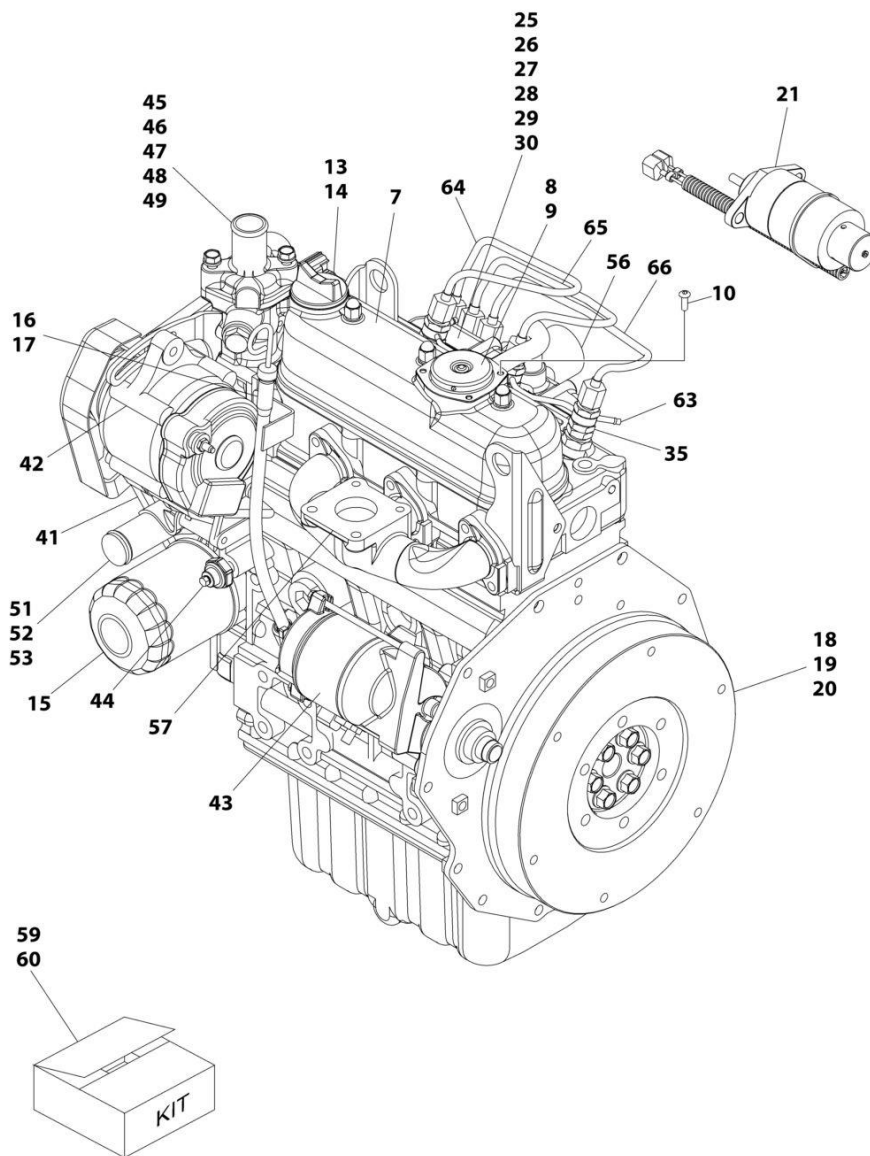
ITEM	PART NUMBER	QTY	DESCRIPTION	REV
48	1001118530	1	Hose, Upper Radiator	
49	1001118531	1	Radiator	
49	70002899	1	Cap, Radiator	
50	1001118532	1	Mount, Radiator	
51	1001118538	1	Fan	
52	1001118539	1	Spacer, Fan	
53	1001118540	1	Bracket, Coolant Overflow Tank	
54	1001118542	1	Plate, LH Front Engine	
55	1001118543	1	Plate, RH Front Engine	
56	1001118579	1	Actuator, Kubota Governor	
56	7023134	1	Gasket, Mounting	
57	1001118580	1	Sensor, Speed	
58	1001274140	1	Actuator, Kubota Throttle	
59	1001118594	1	Battery Cable Kit	
59	4461231	1	Battery Terminal and Red Cover Only (No Cable)	
59	4461232	1	Battery Terminal and Black Cover Only (No Cable)	
60	1001118638	1	Harness, Engine (Not Shown - See Separate Breakdown in ELECTRICAL Section)	
61	1001118675	1	Flywheel Housing/Coupling Kit	
61	See Note	NSS	Coupling Assembly (Note: Use p/n 1001118675)	
61	See Note	NSS	Housing (Note: Use p/n 1001118675)	
61	See Note	NSS	Bolt Kit (Note: Use p/n 1001118675)	
62	1001118746	10	Bolt M10 x 25	
63	1001118878	4	Bolt M6 x 55	
65	1001118925	2	End, Rod with Bearing	
66	1001119698	1	Gusset, Radiator	
67	1001120087	1	Pad, Wear	
68	1001120090	3	Shim	
70	1001120450	1	Cable, Ground	
71	1001121531	1	Insulation, Muffler	
72	1001123018	1	Plate, Seal Support	
73	1001272666	1	Bracket, Air Filter	
74	1001128888	1	Spacer	
75	1001147365	1	Seal, Radiator Hood	
76	1001147642	1	Plate, Seal Support	
77	1001147643	1	Plate, Seal Support	
78	1001149379	1	Bracket	
79		Ref	Muffler Options:	
79	1001118547	NLA	Standard (Use p/n 1001151187)	
79	1001120007	NLA	Catalytic (Use p/n 1001151188)	
80	1001170981	1	Indicator, Air Intake Restriction	
81	1001237999	1	Kubota Engine Components (See Separate Breakdown in this Section)	
82	1001243034	1	Brace	
83	1001243035	1	Brace	
84	0701222	2	Bolt M12 x 70	
85	0641412	1	Bolt 1/4 x 1-1/2	
86	0651414	1	Bolt 1/4 x 1-3/4	
87	3321401	1	Nut 1/4	
88	4711400	2	Washer 1/4	
89	1001272948	1	Spring	
90	1001272950	2	Washer	

SECTION 3 - ENGINE

ITEM	PART NUMBER	QTY	DESCRIPTION	REV
91	1001273101	1	Link	

SECTION 3 - ENGINE

FIGURE 3-13. KUBOTA ENGINE COMPONENTS



ART_1001237999

SECTION 3 - ENGINE

FIGURE 3-13. KUBOTA ENGINE COMPONENTS

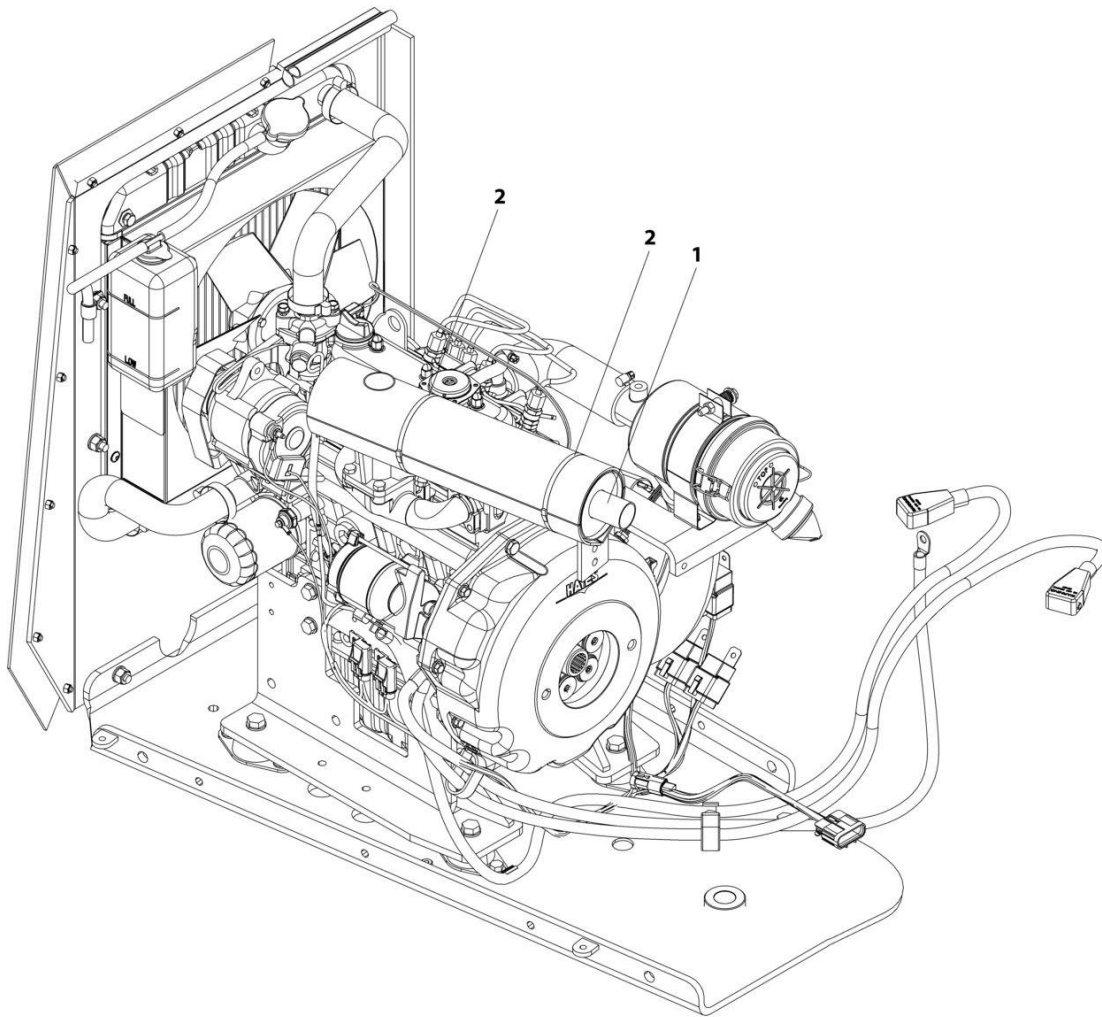
ITEM	PART NUMBER	QTY	DESCRIPTION	REV
	1001237999	Ref	KUBOTA ENGINE COMPONENTS	A
1	7017954	22	Bolt, Oil Pan (Not Shown)	
2	7023154	1	Plug, Drain (Not Shown)	
3	70002315	1	Gasket, Oil Pan (Not Shown)	
4	7017911	14	Bolt, Cylinder Head (Not Shown)	
5	7023156	1	Gasket, Gear Case (Not Shown)	
6	7023157	1	Seal, Oil (Not Shown)	
7	7023132	1	Gasket, Valve Cover	
8	70003060	1	Breather, Comp Valve	
9	70003061	1	Cover, Breather	
10	7017934	4	Screw, Pan Head	
11	70002316	1	Pipe, Water Return (Not Shown)	
12	70002317	1	Tube, Breather (Not Shown)	
13	70002318	1	Plug, Oil Fill	
14	70004311	1	O-Ring, Oil Fill Plug	
15	70004395	1	Filter, Oil	
16	7023160	1	Dipstick	
17	70003062	1	Tube, Dipstick	
18	70001934	1	Flywheel Assembly	
19	70001140	1	Gear, Ring	
20	70001935	6	Bolt, Flywheel	
21	7025479	NLA	Solenoid, Stop (Use p/n 1001118579)	
22	7017945	1	Joint, Eye (Not Shown)	
23	7023162	1	Tube, Fuel Assembly (Not Shown)	
24	7023163	1	Tube, Fuel (Not Shown)	
25	7023164	1	Pump, Fuel Injection	
26	70002319	1	Shim .175mm	
27	70002320	1	Shim .200mm	
28	70002321	1	Shim .250mm	
29	70002322	1	Shim .300mm	
30	70002323	1	Shim .350mm	
31	7023136	1	Spring, Governor (Not Shown)	
32	7023165	1	Gasket, Governor (Not Shown)	
33	70004396	1	Plate Assembly, Control (Not Shown)	
34	70004397	6	Gasket, Speed Control Plate (Not Shown)	
35	70004399	3	Nozzle Holder Kit	
35	7023167	3	Gasket, Glow Plug	
35	7023168	3	Seal	
37	70004398	3	Plug, Glow (Not Shown)	
37	70004544	3	Cord, Glow Plug (Not Shown)	
38	70004399	1	Kit, Nozzle Holder	
39	7023139	1	Fuel Pump Assembly	
40	70004400	1	Gasket, Fuel Pump	
41	7023141	1	V-Belt	
42	7017955	1	Alternator	
43	7023144	1	Starter	
44	7017901	1	Switch, Oil	
45	70003064	1	Sensor, Water Temperature	
46	70003063	1	Seal, Water Temperature Sensor	
47	7023145	1	Gasket, Water Flange	

SECTION 3 - ENGINE

ITEM	PART NUMBER	QTY	DESCRIPTION	REV
48	7023170	1	Thermostat	
49	7022326	1	Gasket, Thermostat Housing to Engine Block	
50	70002327	1	Pump, Water (Not Shown)	
51	70002328	1	Gasket, Water Pump	
52	7017963	1	Pipe, Water (Lower)	
53	70002330	1	Pipe, Water (Upper)	
54	4400498	1	Reserve Tank (Not Shown)	
55	70004401	1	Decal - Caution (Not Shown)	
56	7023149	1	Gasket, Air Intake Manifold	
57	7023148	1	Gasket, Exhaust Manifold to Engine Block	
58	7023124	1	Gasket, Exhaust Manifold to Muffler (Not Shown)	
59	70003066	1	Upper Gasket Kit (Includes Qty 1 Each of Cylinder Head, Valve Cover, Intake Manifold to Block, Exhaust Manifold to Block, Exhaust Manifold Gasket to Muffler, Thermostat Housing to Block, Thermostat Housing to Neck Gaskets and Fuel System Seals and O-Rings and Qty 6 Valve Stem Seals.)	
60	70003067	1	Lower Gasket Kit (Includes Qty 1 Each of Gear Case, Brg. Case, Gasket, Fuel Pump Gasket, Water Pump Gasket, Oil Pan Gasket, Oil Seal, O-Rings and Qty 6 Valve Stem Seals.)	
61	70004524	1	Valve, Drain (Not Shown)	
62	70005220	1	Gasket, Cylinder Head (Not Shown)	
63	70004536	1	Pipe, Over Flow	
63	70004537	1	Screw (Air Bleeder)	
63	70004538	1	Seal	
63	70004539	1	Pipe, Over Flow (Injector to Rail)	
64	70004541	1	Pipe, Injection	
65	70004542	1	Pipe, Injection	
66	70004543	1	Pipe, Injection	

SECTION 3 - ENGINE

FIGURE 3-14. CATALYTIC MUFFLER INSTALLATION - KUBOTA ENGINE (OPTIONAL)



ART_1001120013

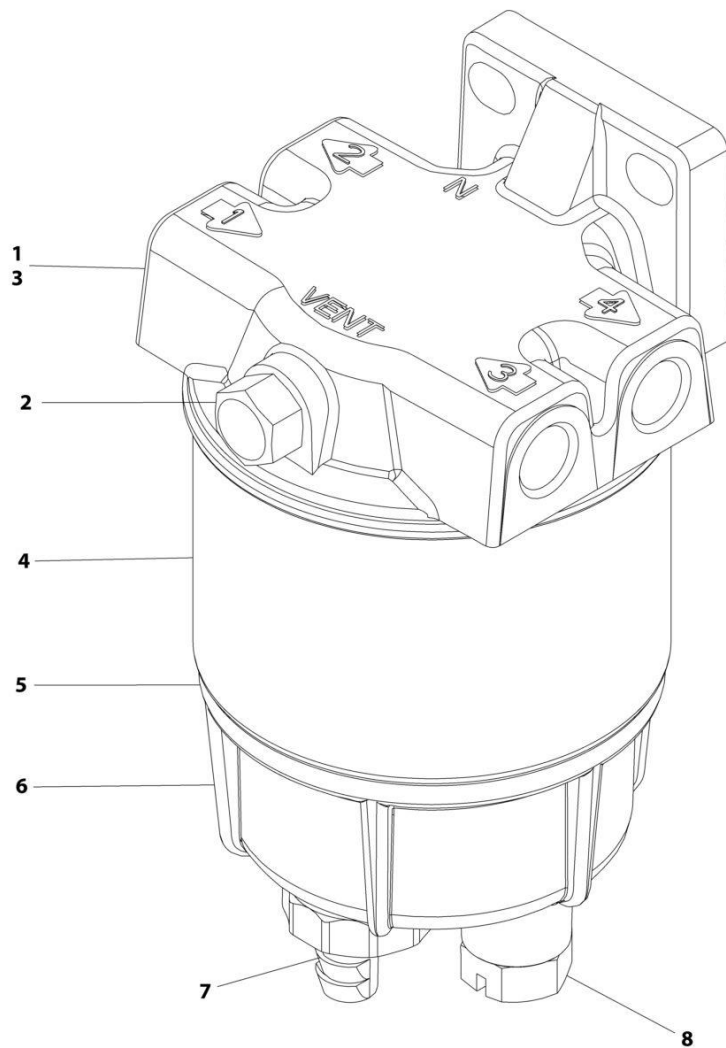
SECTION 3 - ENGINE

FIGURE 3-14. CATALYTIC MUFFLER INSTALLATION - KUBOTA ENGINE (OPTIONAL)

ITEM	PART NUMBER	QTY	DESCRIPTION	REV
	1001120013	Ref	CATALYTIC MUFFLER INSTALLATION - KUBOTA ENGINES (OPTIONAL)	C
1	1001151188	1	Muffler, Catalytic	
2	1001100825	2	Strap, Ball-Lok Tie	

SECTION 3 - ENGINE

FIGURE 3-15. FUEL/WATER SEPARATOR ASSEMBLY (KUBOTA ENGINES) (PVC2007)



ART_1001190609

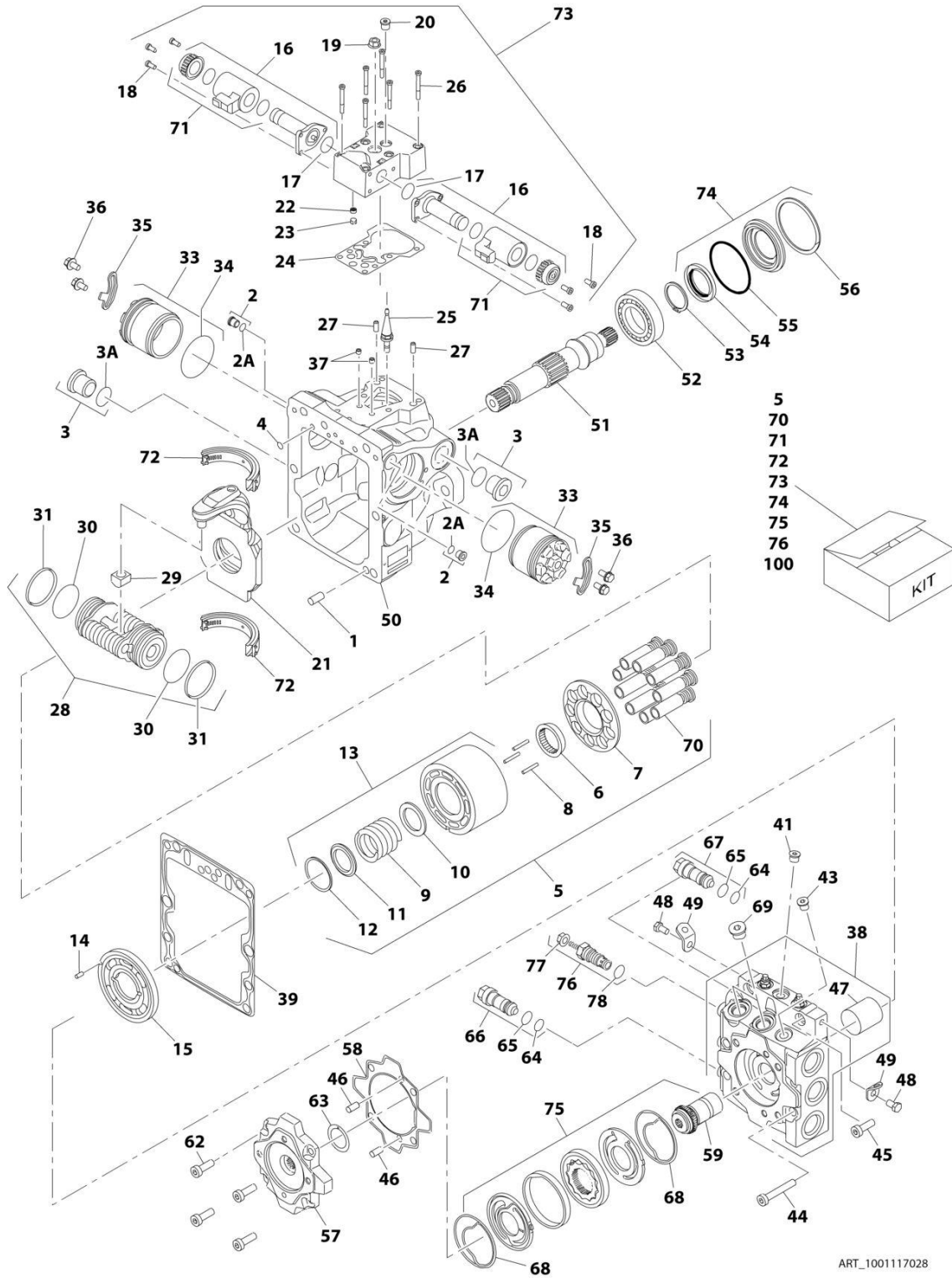
SECTION 3 - ENGINE

FIGURE 3-15. FUEL/WATER SEPARATOR ASSEMBLY (KUBOTAT ENGINES) (PVC2007)

ITEM	PART NUMBER	QTY	DESCRIPTION	REV
	1001190609	Ref	FUEL/WATER SEPARATOR ASSEMBLY - DIESEL ENGINES	B
1	70005293	1	Head, Mounting	
2	70005294	1	Plug	
3	70005295	1	Gasket, Head	
4	70005296	1	Element	
5	70005297	1	O-Ring	
6	70002901	1	Bowl	
7	70004070	1	Drain, Self Venting	
8	70004069	1	Plug	

SECTION 3 - ENGINE

FIGURE 3-16. AXIAL PUMP ASSEMBLY



ART_1001117028

SECTION 3 - ENGINE

FIGURE 3-16. AXIAL PUMP ASSEMBLY

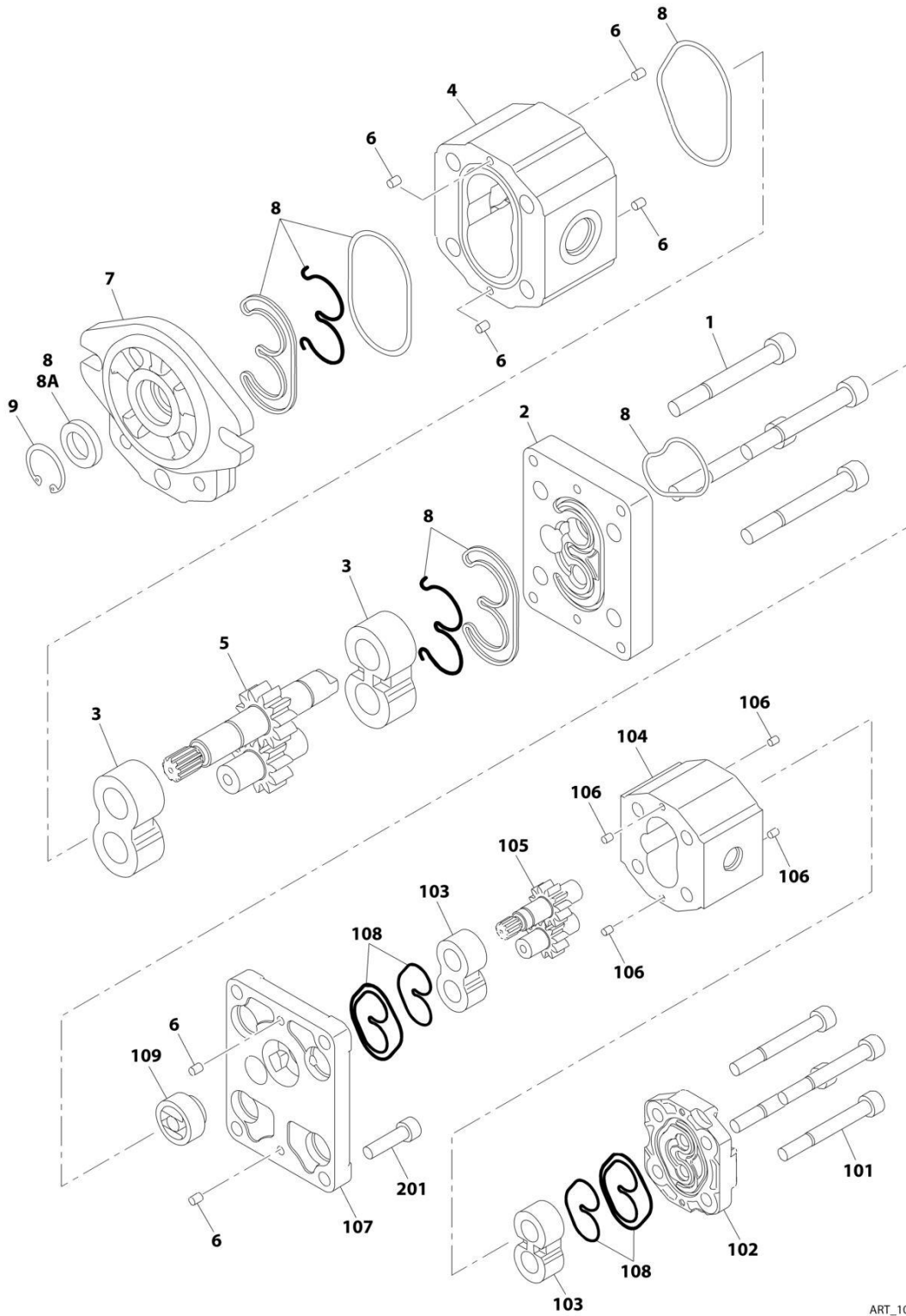
ITEM	PART NUMBER	QTY	DESCRIPTION	REV
	1001117028	Ref	AXIAL PUMP ASSEMBLY	F
1	70002132	2	Pin	
2	70002133	2	Plug	
2A	See Note	NSS	O-Ring (Note: Use Item 2)	
3	7007439	2	Plug	
3A	See Note	NSS	O-Ring (Note: Use Item 3)	
4	70002134	2	Screen	
5	70002135	1	Cylinder Block and Piston Kit (Includes Items 6-9 & 70)	
6	70002137	1	Guide	
7	70002138	1	Retainer	
8	7021275	3	Pin	
9	See Note	NSS	Cylinder Block Assembly (Includes Items 10-13) (Note: Use Item 5)	
10	70002140	1	Washer	
11	70002141	1	Washer	
12	70002142	1	Ring, Retaining	
13	70002139	1	Spring	
14	7007446	1	Pin	
15	70002601	1	Plate, Valve	
16	70002147	2	Solenoid Valve Assembly (Includes Items 17, 18 & 71)	
17	70002148	2	O-Ring (Part of Item 16)	
18	70002150	6	Screw (Part of Item 73)	
19	7022301	1	Nut, Seal (Part of Item 73)	
20	70002151	1	Plug (Part of Item 73)	
21	70002152	1	Swash Plate	
22	70002134	1	Screen (Part of Item 73)	
23	70002153	1	Ring, Locking (Part of Item 73)	
24	70002154	1	Gasket (Part of Item 73)	
25	70002155	1	Link	
26	70002156	6	Screw	
27	70002157	2	Pin	
28	70002158	1	Servo Piston Assembly (Includes Items 29-31)	
29	70002159	1	Block, Slider (Part of Item 28)	
30	70002160	2	O-Ring (Part of Item 28)	
31	70002161	2	Ring, Piston (Part of Item 28)	
33	70002603	2	Servo Cylinder Assembly (Includes Item 34)	
34	70002163	2	O-Ring (Part of Item 33)	
35	70002164	2	Plate, Locking	
36	70002165	4	Screw	
37	70002166	2	Orifice	
38	70002863	1	Cap, End (Includes Item 47)	
39	70002168	1	Gasket	
40	70001958	1	Plug (Not Shown)	
41	70001958	1	Plug	
42	70001958	1	Plug (Not Shown)	
43	70001958	2	Plug	
44	70002169	4	Screw	
45	70002170	2	Screw	
46	70002132	2	Pin	
47	70002172	1	Bearing, Journal (Part of Item 38)	

SECTION 3 - ENGINE

ITEM	PART NUMBER	QTY	DESCRIPTION	REV
48	70002165	2	Screw	
49	7022340	2	Bracket, Lifting	
50	See Note	NSS	Housing (Note: Not Available - Purchase Complete Assembly)	
51	70002175	1	Shaft	
52	70002176	1	Bearing	
53	7007439	1	Ring, Retaining	
54	70002177	1	Seal, Lip (Part of Item 74)	
55	70002178	1	O-Ring (Part of Item 74)	
56	70002179	1	Ring, Retaining (Part of Item 74)	
57	70002180	1	Adapter, Pump	
58	70002181	1	Seal	
59	70002864	1	Coupling	
62	70002185	4	Screw	
63	70002186	1	Plate, Thrust	
64	70002187	2	O-Ring (Part of Items 66 & 67)	
65	70002865	2	O-Ring (Part of Items 66 & 67)	
66	70002866	1	Valve, Relief	
67	70002866	1	Valve, Relief	
68	70002867	2	Ring, Seal (Part of Item 68)	
69	7023964	2	Plug	
70	70002136	1	Piston Kit (Includes Qty 9 Pistons) (Part of Item 5)	
71	70002149	2	Coil Kit (Part of Items 16 & 73)	
72	70002145	1	Bearing Kit	
73	70002146	1	EDC Kit (Includes Items 16-20, 22-24, 26 & 71)	
74	70002174	1	Shaft Seal Kit (Includes Items 54, 55 & 56) (Note: This is a universal kit and will contain extra pieces that are not used on this pump assembly)	
75	70002868	1	Charge Pump Kit (Includes Item 68)	
76	70002191	1	Charge Relief Valve Kit (Includes Items 77 & 78)	
77	70222301	1	Nut, Seal (Part of Item 76)	
78	7007415	1	O-Ring (Part of Item 76)	
100	70002192	1	Seal Kit (Includes Items 24, 30, 31, 34, 39, 54, 55, 58, 64, 65, 68, 77 & 78)	

SECTION 3 - ENGINE

FIGURE 3-17. GEAR PUMP ASSEMBLY



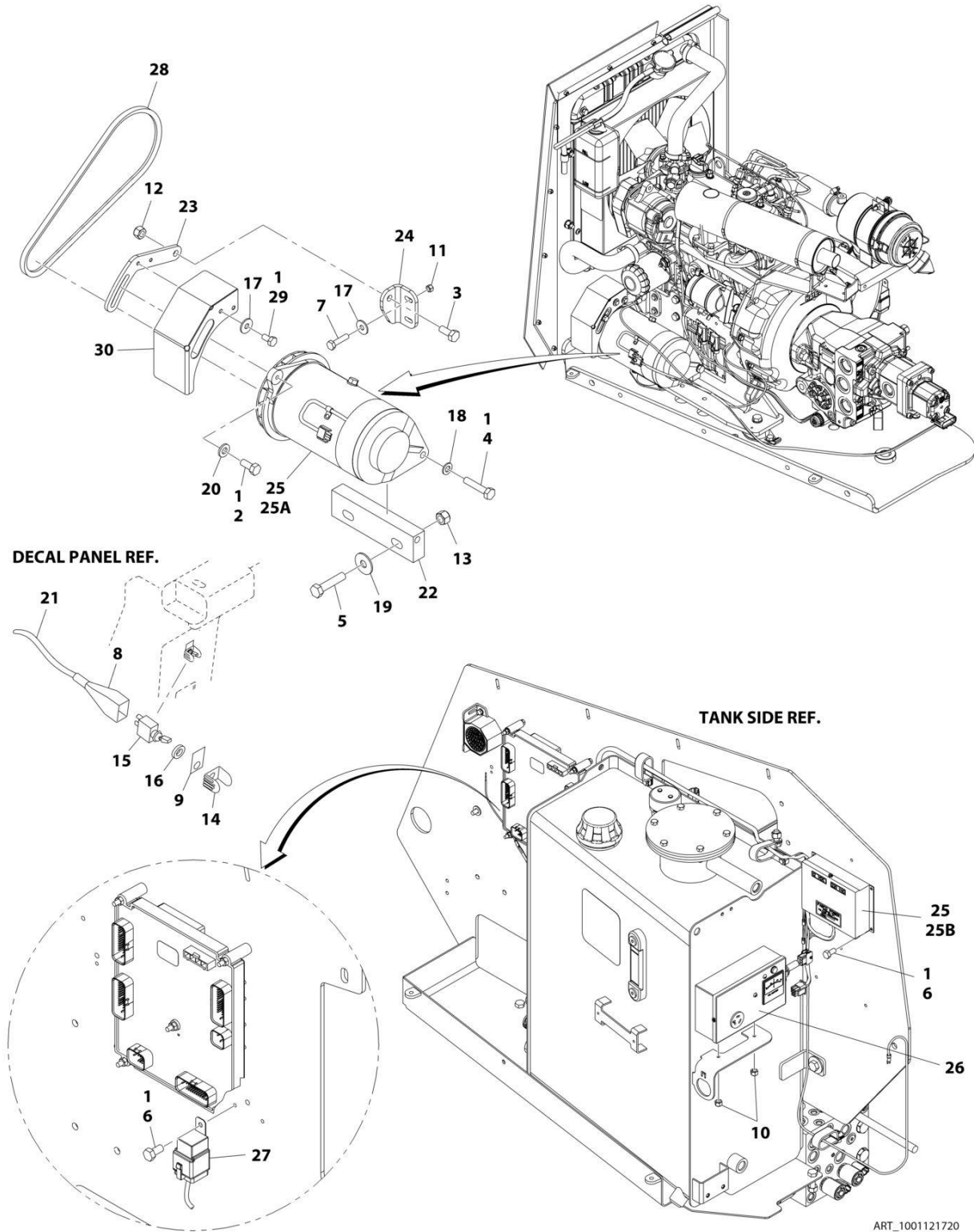
ART_1001117029

FIGURE 3-17. GEAR PUMP ASSEMBLY

ITEM	PART NUMBER	QTY	DESCRIPTION	REV
	1001117029	Ref	GEAR PUMP ASSEMBLY	A
		Ref	Note: For Items without P/Ns, replace complete pump.	
		Ref	Front Section Components	
1	See Note	4	Bolt	
2	See Note	1	Plate, End	
3	See Note	2	Bearing	
4	See Note	1	Housing	
5	See Note	1	Drive Shaft Set	
6	See Note	6	Pin, Dowel	
7	See Note	1	Plate, Front	
8	70002860	1	Seal Kit	
8A	70002577	NLA	Seal, Lip (Use Item 8)	
9	70002862	1	Ring, Retaining	
		Ref	Rear Section Components	
101	See Note	4	Bolt	
102	See Note	1	Plate, End	
103	See Note	2	Bearing	
104	See Note	1	Housing	
105	See Note	1	Drive Shaft Set	
106	See Note	4	Pin, Dowel	
107	See Note	1	Plate, Front	
108	70002861	1	Seal Kit	
109	See Note	1	Coupling	
201	See Note	4	Bolt	

SECTION 3 - ENGINE

FIGURE 3-18. 2800W GENERATOR INSTALLATION - GM ENGINE MACHINES 220V/50HZ GENERATOR (ANSI EXPORT AND CHINA SPECS)



SECTION 3 - ENGINE

**FIGURE 3-18. 2800W GENERATOR INSTALLATION - GM ENGINE MACHINES 220V/50HZ
GENERATOR (ANSI EXPORT AND CHINA SPECS)**

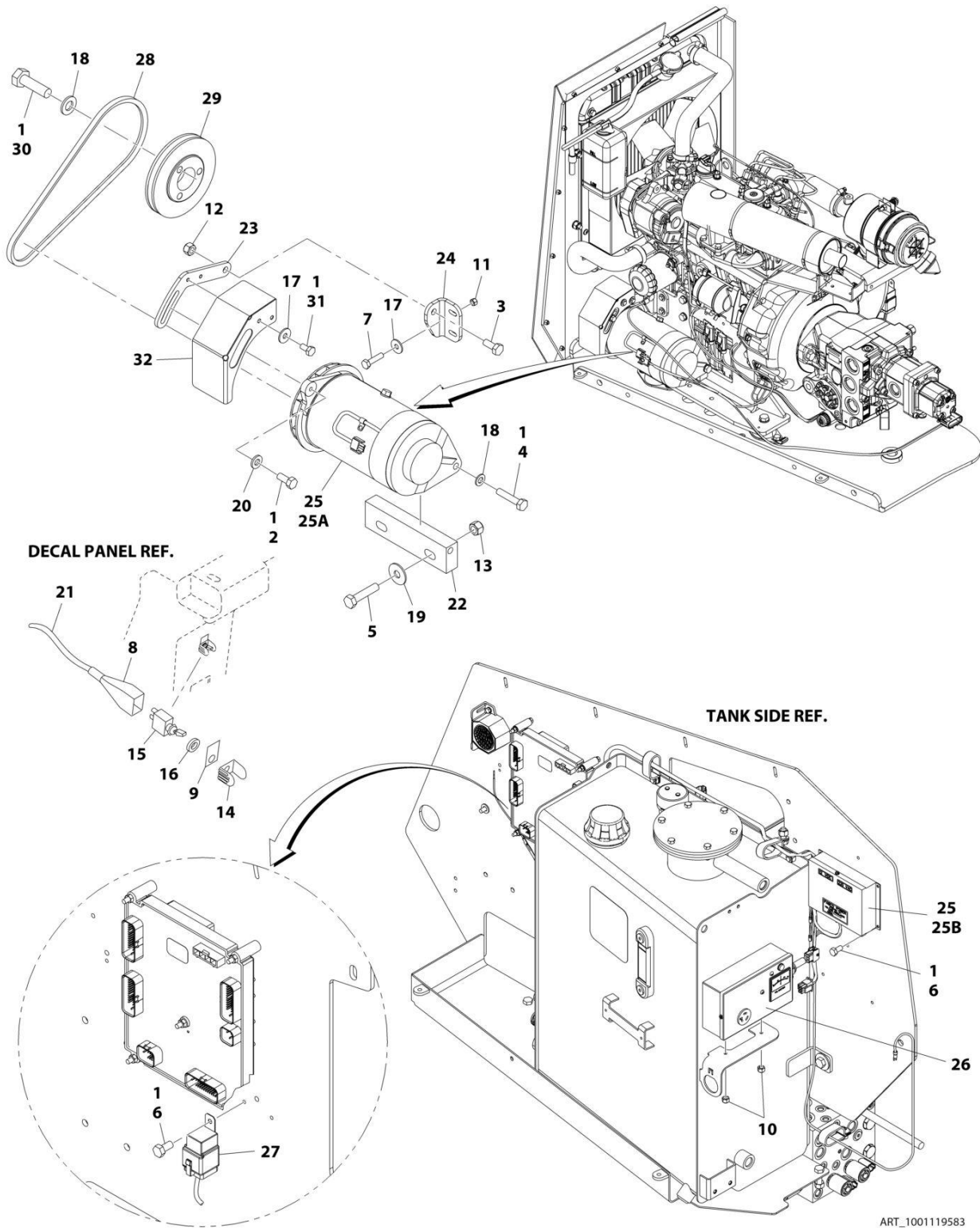
ITEM	PART NUMBER	QTY	DESCRIPTION	REV
	1001121720	Ref	2800W GENERATOR INSTALLATION - GM ENGINE MACHINES 220V/50HZ GENERATOR	D
1	0100011	AR	Compound, Locking	
2	0641506	1	Bolt 5/16-18 x 3/4	
3	0701012	1	Bolt M10 x 25	
4	0701018	2	Bolt M10 x 50	
5	0701219	2	Bolt M12 x 55	
6	0760505	5	Bolt M5 x 10	
7	0760612	2	Bolt M6 x 25	
8	2820031	AR	Heat Shrink	
9	3251102	1	Nameplate - Generator	
10	3290505	2	Nut M5	
11	3290605	2	Nut M6	
12	3291005	1	Nut M10	
13	3291205	2	Nut M12	
14	4060802	1	Guard, Switch	
15	4360336	1	Switch, Toggle	
16	4740397	1	Washer	
17	4811702	4	Washer M6	
18	4812000	2	Washer M10	
19	4812102	2	Washer M12	
20	4891500	1	Washer 5/16	
21	4922641	1	Harness, On/Off Switch	
22	1001119551	1	Mount, Generator	
23	1001119553	1	Arm, Adjustment	
24	1001119554	1	Support, Arm	
25	1001119589	1	Generator and Voltage Regulator Assembly	C
25A	1001100321	1	Generator	
25A	70000123	1	Armature with Slip Rings	
25A	7020109	4	Holder, Brush	
25A	7020108	4	Brush	
25A	7012513	4	Cap, Brush Holder	
25A	7012514	1	Fan	
25A	7020190	2	Bearing	
25A	7020110	1	End Bell, Front	
25A	7020111	1	End Bell, Rear	
25A	70003069	1	Cord, Power	
25A	70003070	1	Pulley	
25A	7027887	1	Key, Woodruff	
25B	70002238	1	Regulator, Voltage	
26	1001119634	1	Control Box Assembly	B
26	70000126	1	Circuit Breaker	
26	7020192	1	Voltmeter	
26	70000124	1	Receptacle, Double	
26	70000125	1	Receptacle, Single Twist Lock	
26	2920162	1	Lamp	
26	70002237	1	Diode	
26	3520028	1	Plug, Hole	
27	1001119773	1	Harness, Generator (See Separate Breakdown in ELECTRICAL	

SECTION 3 - ENGINE

ITEM	PART NUMBER	QTY	DESCRIPTION	REV
28	1001119882	1	SECTION) V-Belt	
29	0760606	2	Bolt M6 x 12	
30	1001125118	1	Shield, Pulley	

SECTION 3 - ENGINE

FIGURE 3-19. 2800W GENERATOR INSTALLATION - KUBOTA ENGINE MACHINES 120V/50HZ GENERATOR



SECTION 3 - ENGINE

FIGURE 3-19. 2800W GENERATOR INSTALLATION - KUBOTA ENGINE MACHINES 120V/50HZ GENERATOR

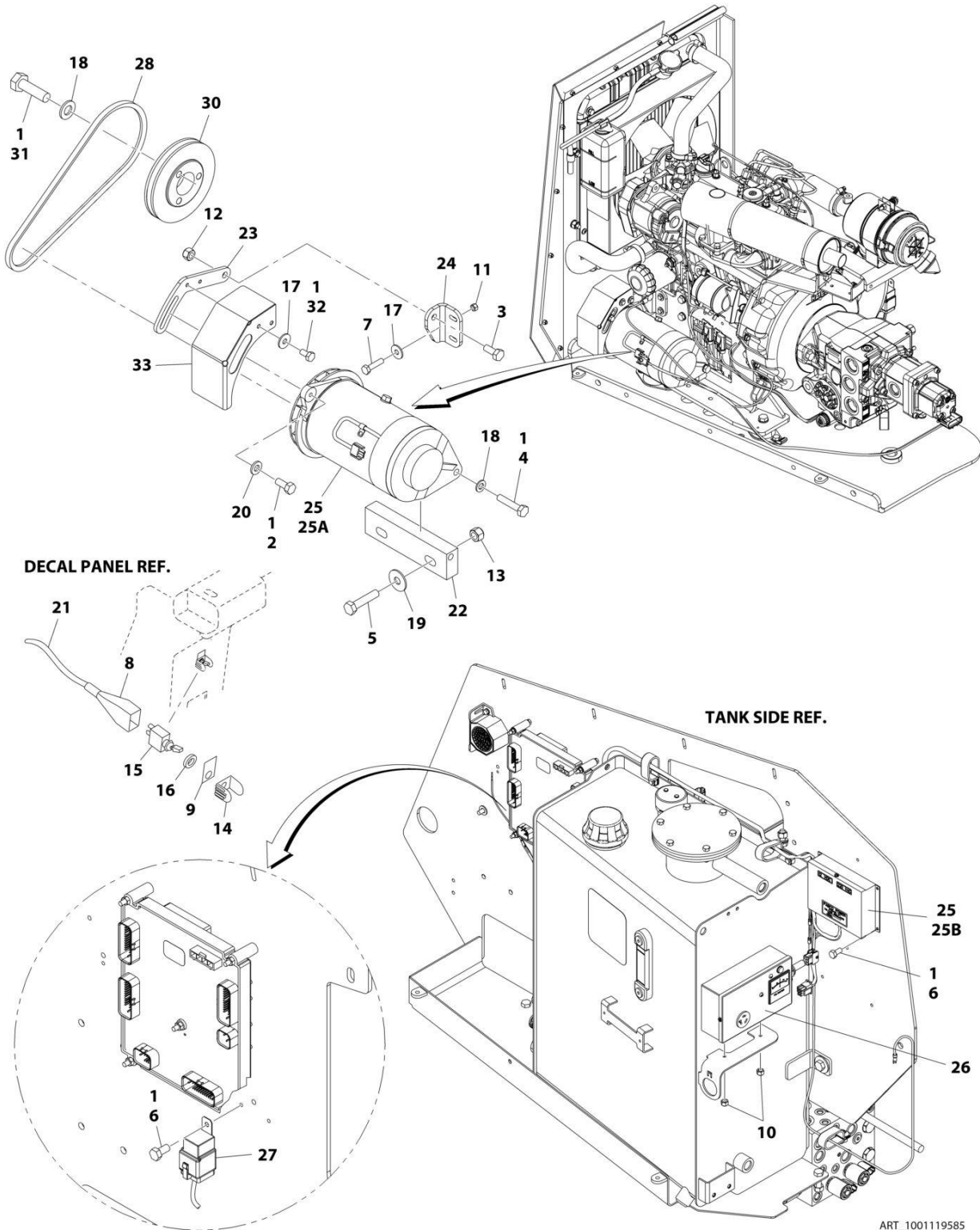
ITEM	PART NUMBER	QTY	DESCRIPTION	REV
	1001119583	Ref	2800W GENERATOR INSTALLATION - KUBOTA ENGINE MACHINES 120V/50HZ GENERATOR	E
1	0100011	AR	Compound, Locking	
2	0641506	1	Bolt 5/16-18 x 3/4	
3	0701012	1	Bolt M10 x 25	
4	0701018	2	Bolt M10 x 50	
5	0701219	2	Bolt M12 x 55	
6	0760505	5	Bolt M5 x 10	
7	0760612	2	Bolt M6 x 25	
8	2820031	AR	Heat Shrink	
9	3251102	1	Nameplate - Generator	
10	3290505	2	Nut M5	
11	3290605	2	Nut M6	
12	3291005	1	Nut M10	
13	3291205	2	Nut M12	
14	4060802	1	Guard, Switch	
15	4360336	1	Switch, Toggle	
16	4740397	1	Washer	
17	4811702	4	Washer M6	
18	4812000	5	Washer M10	
19	4812102	2	Washer M12	
20	4891500	1	Washer 5/16	
21	4922641	1	Harness, On/Off Switch	
22	1001119551	1	Mount, Generator	
23	1001119553	1	Arm, Adjustment	
24	1001119554	1	Support, Arm	
25	1001119587	1	Generator Assembly	C
25A	2460049	1	Generator	
25A	70000122	1	Armature with Slip Rings	
25A	7020109	4	Holder, Brush	
25A	7020108	4	Brush	
25A	7012513	4	Cap, Brush Holder	
25A	7012514	1	Fan	
25A	7020190	2	Bearing	
25A	7020110	1	End Bell, Front	
25A	7020111	1	End Bell, Rear	
25A	70003069	1	Cord, Power	
25A	70003070	1	Pulley	
25A	7027887	1	Key, Woodruff	
25B	7026525	1	Regulator, Voltage	
26	1001119633	1	Control Box Assembly	B
26	70002240	1	Circuit Breaker	
26	2420203	1	Voltmeter	
26	7020152	1	Receptacle, Double	
26	70003137	1	Receptacle, Single Twist Lock	
26	2920162	1	Lamp	
26	70002237	1	Diode	
26	3520028	1	Plug, Hole	
27	1001119773	1	Harness, Generator (See Separate Breakdown in ELECTRICAL	

SECTION 3 - ENGINE

ITEM	PART NUMBER	QTY	DESCRIPTION	REV
28	1001119882	1	SECTION) V-Belt	
29	1001118720	1	Pulley	
30	1001119929	3	Bolt M10 x 35	
31	0760606	2	Bolt M6 x 12	
32	1001125118	1	Shield, Pulley	

SECTION 3 - ENGINE

FIGURE 3-20. 2800W GENERATOR INSTALLATION - KUBOTA ENGINE MACHINES 220V/50HZ GENERATOR (ANSI EXPORT, AUSTRALIAN, CHINA, CE & UK CA SPECS)



SECTION 3 - ENGINE

**FIGURE 3-20. 2800W GENERATOR INSTALLATION - KUBOTA ENGINE MACHINES 220V/50HZ
GENERATOR (ANSI EXPORT, AUSTRALIAN, CHINA, CE & UK CA SPECS)**

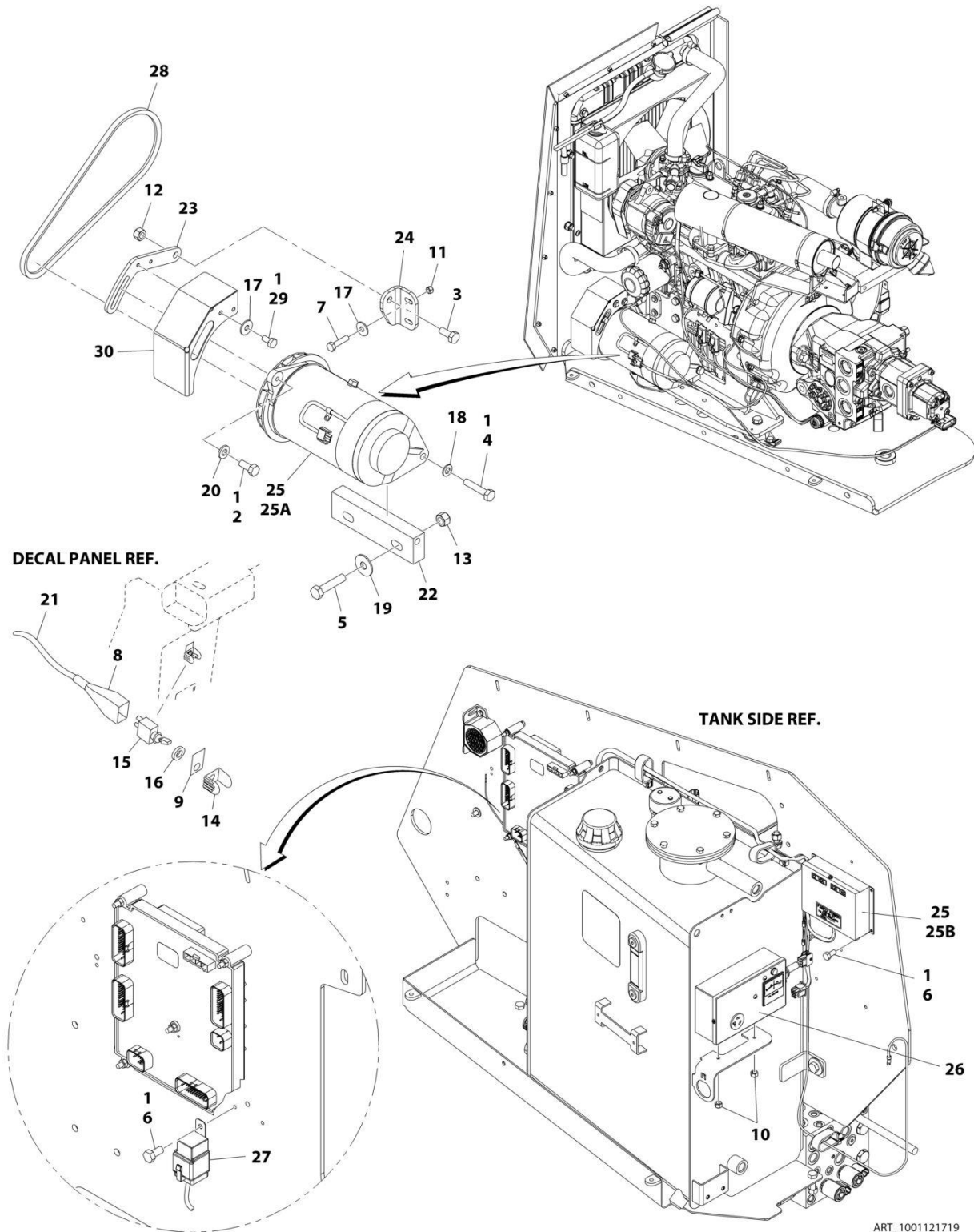
ITEM	PART NUMBER	QTY	DESCRIPTION	REV
	1001119585	Ref	2800W GENERATOR INSTALLATION - KUBOTA ENGINE MACHINES 220V/50HZ GENERATOR	E
1	0100011	AR	Compound, Locking	
2	0641506	1	Bolt 5/16 x 3/4	
3	0701012	1	Bolt M10 x 25	
4	0701018	2	Bolt M10 x 50	
5	0701219	2	Bolt M12 x 55	
6	0760505	5	Bolt M5 x 10	
7	0760612	2	Bolt M6 x 25	
8	2820031	AR	Heat Shrink	
9	3251102	1	Nameplate - Generator	
10	3290505	2	Nut M5	
11	3290605	2	Nut M6	
12	3291005	1	Nut M10	
13	3291205	2	Nut M12	
14	4060802	1	Guard, Switch	
15	4360336	1	Switch, Toggle	
16	4740397	1	Washer	
17	4811702	4	Washer M6	
18	4812000	5	Washer M10	
19	4812102	2	Washer M12	
20	4891500	1	Washer 5/16	
21	4922641	1	Harness, On/Off Switch	
22	1001119551	1	Mount, Generator	
23	1001119553	1	Arm, Adjustment	
24	1001119554	1	Support, Arm	
25	1001119589	1	Generator Assembly	C
25A	1001100321	1	Generator	
25A	70000123	1	Armature with Slip Rings	
25A	7020109	4	Holder, Brush	
25A	7020108	4	Brush	
25A	7012513	4	Cap, Brush Holder	
25A	7012514	1	Fan	
25A	7020190	2	Bearing	
25A	7020110	1	End Bell, Front	
25A	7020111	1	End Bell, Rear	
25A	70003069	1	Cord, Power	
25A	70003070	1	Pulley	
25A	7027887	1	Key, Woodruff	
25B	70002238	1	Regulator, Voltage	
26	1001119634	1	Control Box Assembly	B
26	70000126	1	Circuit Breaker	
26	7020192	1	Voltmeter	
26	70000124	1	Receptacle, Double	
26	70000125	1	Receptacle, Single Twist Lock	
26	2920162	1	Lamp	
26	70002237	1	Diode	
26	3520028	1	Plug, Hole	
27	1001119773	1	Harness, Generator (See Separate Breakdown in ELECTRICAL	

SECTION 3 - ENGINE

ITEM	PART NUMBER	QTY	DESCRIPTION	REV
28	1001119882	1	SECTION) V-Belt	
30	1001118720	1	Pulley	
31	1001119929	3	Bolt M10 x 35	
32	0760606	2	Bolt M6 x 12	
33	1001125118	1	Shield, Pulley	

SECTION 3 - ENGINE

FIGURE 3-21. 3500W GENERATOR INSTALLATION - GM ENGINE MACHINES 120V/60HZ GENERATOR (ANSI, ANSI EXPORT, CHINA, CSA AND JAPANESE SPECS)



SECTION 3 - ENGINE

**FIGURE 3-21. 3500W GENERATOR INSTALLATION - GM ENGINE MACHINES 120V/60HZ
GENERATOR (ANSI, ANSI EXPORT, CHINA, CSA AND JAPANESE SPECS)**

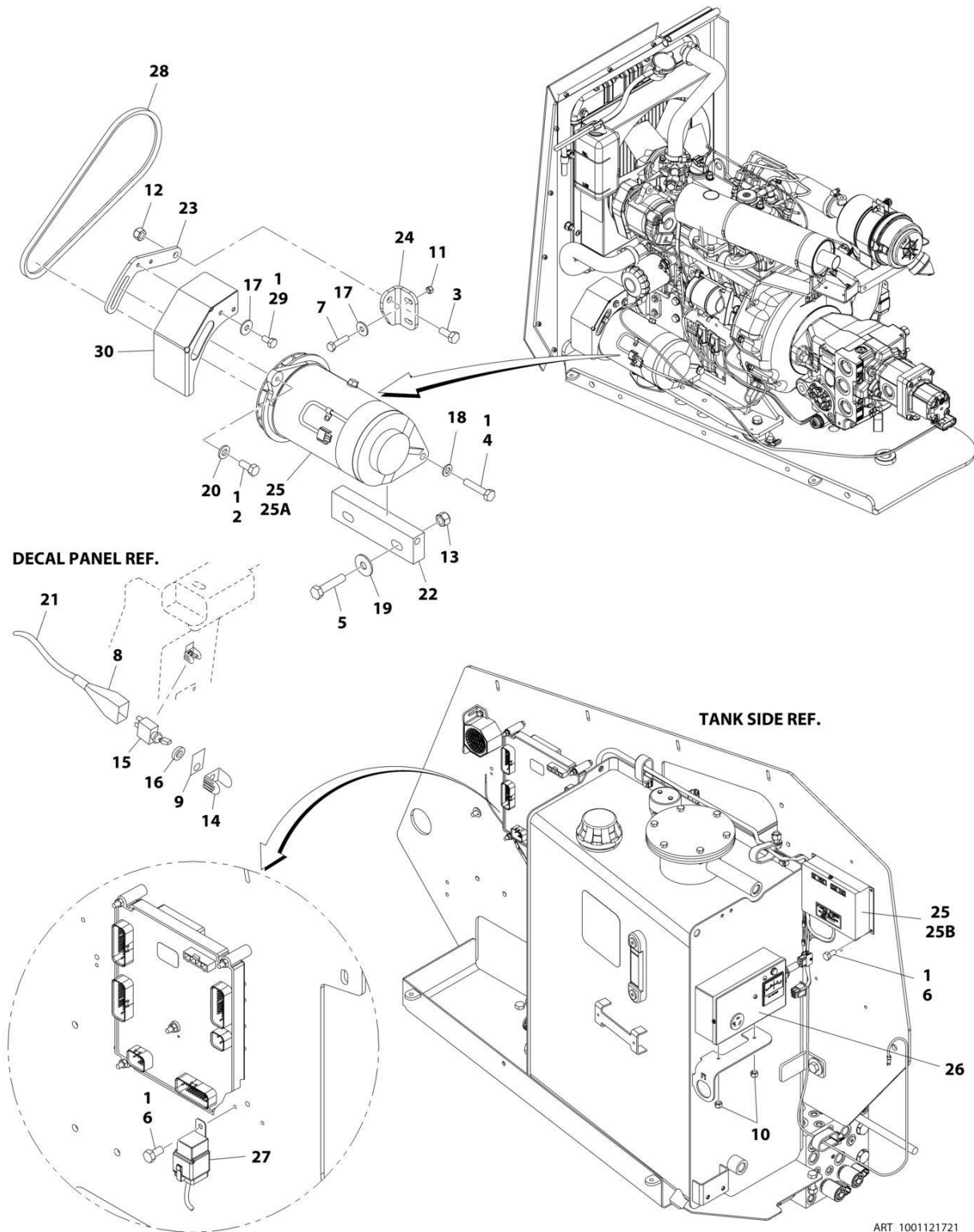
ITEM	PART NUMBER	QTY	DESCRIPTION	REV
	1001121719	Ref	3500W GENERATOR INSTALLATION - GM ENGINE MACHINES 120V/60HZ GENERATOR	D
1	0100011	AR	Compound, Locking	
2	0641506	1	Bolt 5/16 x 3/4	
3	0701012	1	Bolt M10 x 25	
4	0701018	2	Bolt M10 x 50	
5	0701219	2	Bolt M12 x 55	
6	0760505	5	Bolt M5 x 10	
7	0760612	2	Bolt M6 x 25	
8	2820031	AR	Heat Shrink	
9	3251102	1	Nameplate - Generator	
10	3290505	2	Nut M5	
11	3290605	2	Nut M6	
12	3291005	1	Nut M10	
13	3291205	2	Nut M12	
14	4060802	1	Guard, Switch	
15	4360336	1	Switch, Toggle	
16	4740397	1	Washer	
17	4811702	4	Washer M6	
18	4812000	2	Washer M10	
19	4812102	2	Washer M12	
20	4891500	1	Washer 5/16	
21	4922641	1	Harness, On/Off Switch	
22	1001119551	1	Mount, Generator	
23	1001119553	1	Arm, Adjustment	
24	1001119554	1	Support, Arm	
25	1001119586	1	Generator and Voltage Regulator Assembly	C
25A	2460049	1	Generator	
25A	70000122	1	Armature with Slip Rings	
25A	7020109	4	Holder, Brush	
25A	7020108	4	Brush	
25A	7012513	4	Cap, Brush Holder	
25A	7012514	1	Fan	
25A	7020190	2	Bearing	
25A	7020110	1	End Bell, Front	
25A	7020111	1	End Bell, Rear	
25A	70003069	1	Cord, Power	
25A	70003068	1	Pulley	
25A	7027887	1	Key, Woodruff	
25B	7026525	1	Regulator, Voltage	
26	1001119633	1	Control Box Assembly	B
26	70002240	1	Circuit Breaker	
26	2420203	1	Voltmeter	
26	7020152	1	Receptacle, Double	
26	70003137	1	Receptacle, Single Twist Lock	
26	2920162	1	Lamp	
26	70002237	1	Diode	
26	3520028	1	Plug, Hole	
27	1001119773	1	Harness, Generator (See Separate Breakdown in ELECTRICAL	

SECTION 3 - ENGINE

ITEM	PART NUMBER	QTY	DESCRIPTION	REV
28	1001119881	1	SECTION) V-Belt	
29	0760606	2	Bolt M6 x 12	
30	1001125118	1	Shield, Pulley	

SECTION 3 - ENGINE

FIGURE 3-22. 3500W GENERATOR INSTALLATION - GM ENGINE MACHINES 220V/60HZ GENERATOR (ANSI EXPORT, CHINA AND CSA SPECS)



SECTION 3 - ENGINE

**FIGURE 3-22. 3500W GENERATOR INSTALLATION - GM ENGINE MACHINES 220V/60HZ
GENERATOR (ANSI EXPORT, CHINA AND CSA SPECS)**

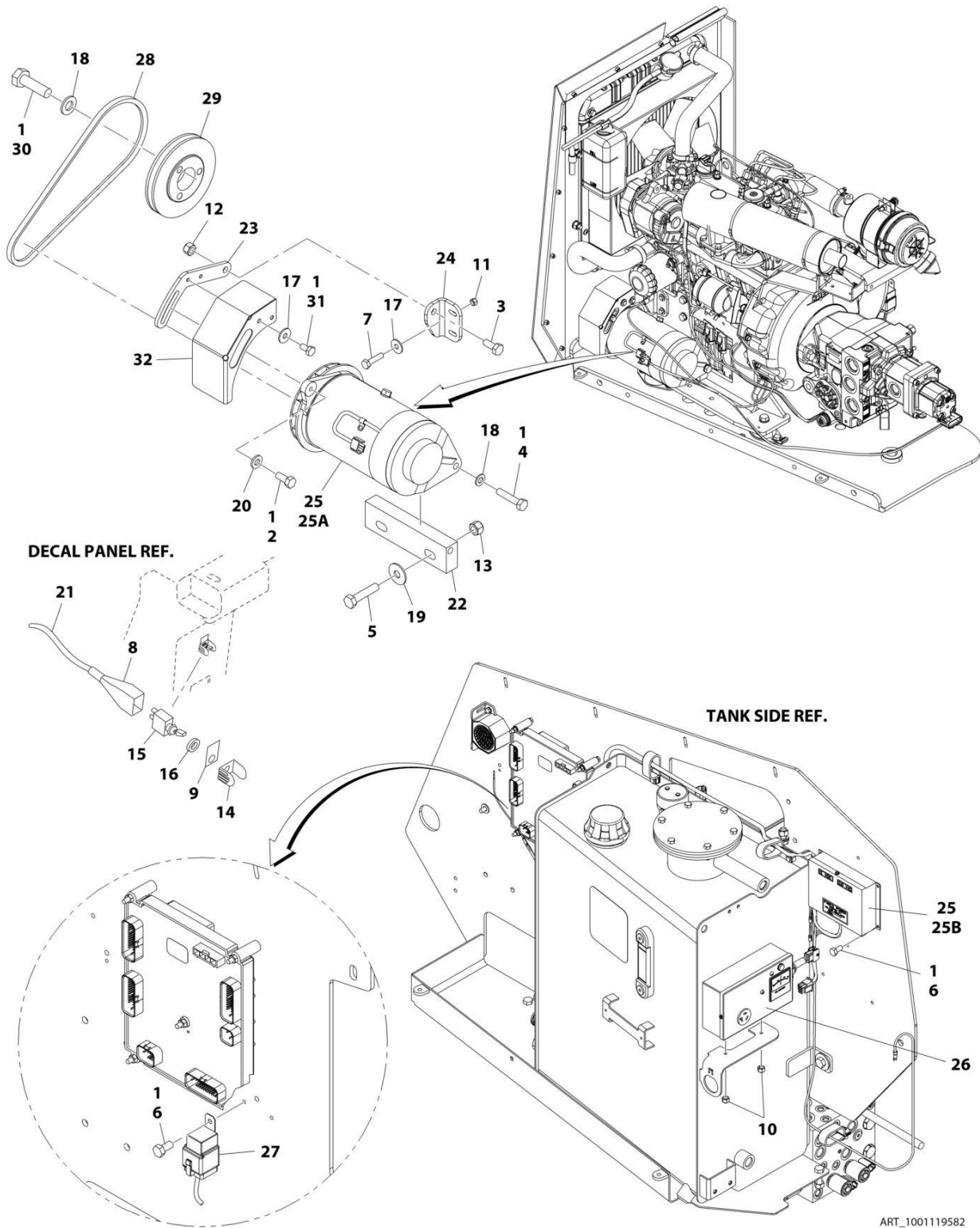
ITEM	PART NUMBER	QTY	DESCRIPTION	REV
	1001121721	Ref	3500W GENERATOR INSTALLATION - GM ENGINE MACHINES 220V/60HZ GENERATOR	D
1	0100011	AR	Compound, Locking	
2	0641506	1	Bolt 5/16 x 3/4	
3	0701012	1	Bolt M10 x 25	
4	0701018	2	Bolt M10 x 50	
5	0701219	2	Bolt M12 x 55	
6	0760505	5	Bolt M5 x 10	
7	0760612	2	Bolt M6 x 25	
8	2820031	AR	Heat Shrink	
9	3251102	1	Nameplate - Generator	
10	3290505	2	Nut M5	
11	3290605	2	Nut M6	
12	3291005	1	Nut M10	
13	3291205	2	Nut M12	
14	4060802	1	Guard, Switch	
15	4360336	1	Switch, Toggle	
16	4740397	1	Washer	
17	4811702	4	Washer M6	
18	4812000	2	Washer M10	
19	4812102	2	Washer M12	
20	4891500	1	Washer 5/16	
21	4922641	1	Harness, On/Off Switch	
22	1001119551	1	Mount, Generator	
23	1001119553	1	Arm, Adjustment	
24	1001119554	1	Support, Arm	
25	1001119588	1	Generator and Voltage Regulator Assembly	C
25A	1001100321	1	Generator	
25A	70000123	1	Armature with Slip Rings	
25A	7020109	4	Holder, Brush	
25A	7020108	4	Brush	
25A	7012513	4	Cap, Brush Holder	
25A	7012514	1	Fan	
25A	7020190	2	Bearing	
25A	7020110	1	End Bell, Front	
25A	7020111	1	End Bell, Rear	
25A	70003069	1	Cord, Power	
25A	70003068	1	Pulley	
25A	7027887	1	Key, Woodruff	
25B	70002238	1	Regulator, Voltage	
26	1001119634	1	Control Box Assembly	B
26	70000126	1	Circuit Breaker	
26	7020192	1	Voltmeter	
26	70000124	1	Receptacle, Double	
26	70000125	1	Receptacle, Single Twist Lock	
26	2920162	1	Lamp	
26	70002237	1	Diode	
26	3520028	1	Plug, Hole	
27	1001119773	1	Harness, Generator (See Separate Breakdown in ELECTRICAL	

SECTION 3 - ENGINE

ITEM	PART NUMBER	QTY	DESCRIPTION	REV
28	1001119881	1	SECTION) V-Belt	
29	0760606	2	Bolt M6 x 12	
30	1001125118	1	Shield, Pulley	

SECTION 3 - ENGINE

FIGURE 3-23. 3500W GENERATOR INSTALLATION - KUBOTA ENGINE MACHINES 120V/60HZ GENERATOR (ANSI, ANSI EXPORT, CHINA, CSA AND JAPANESE SPECS)



SECTION 3 - ENGINE

FIGURE 3-23. 3500W GENERATOR INSTALLATION - KUBOTA ENGINE MACHINES 120V/60HZ GENERATOR (ANSI, ANSI EXPORT, CHINA, CSA AND JAPANESE SPECS)

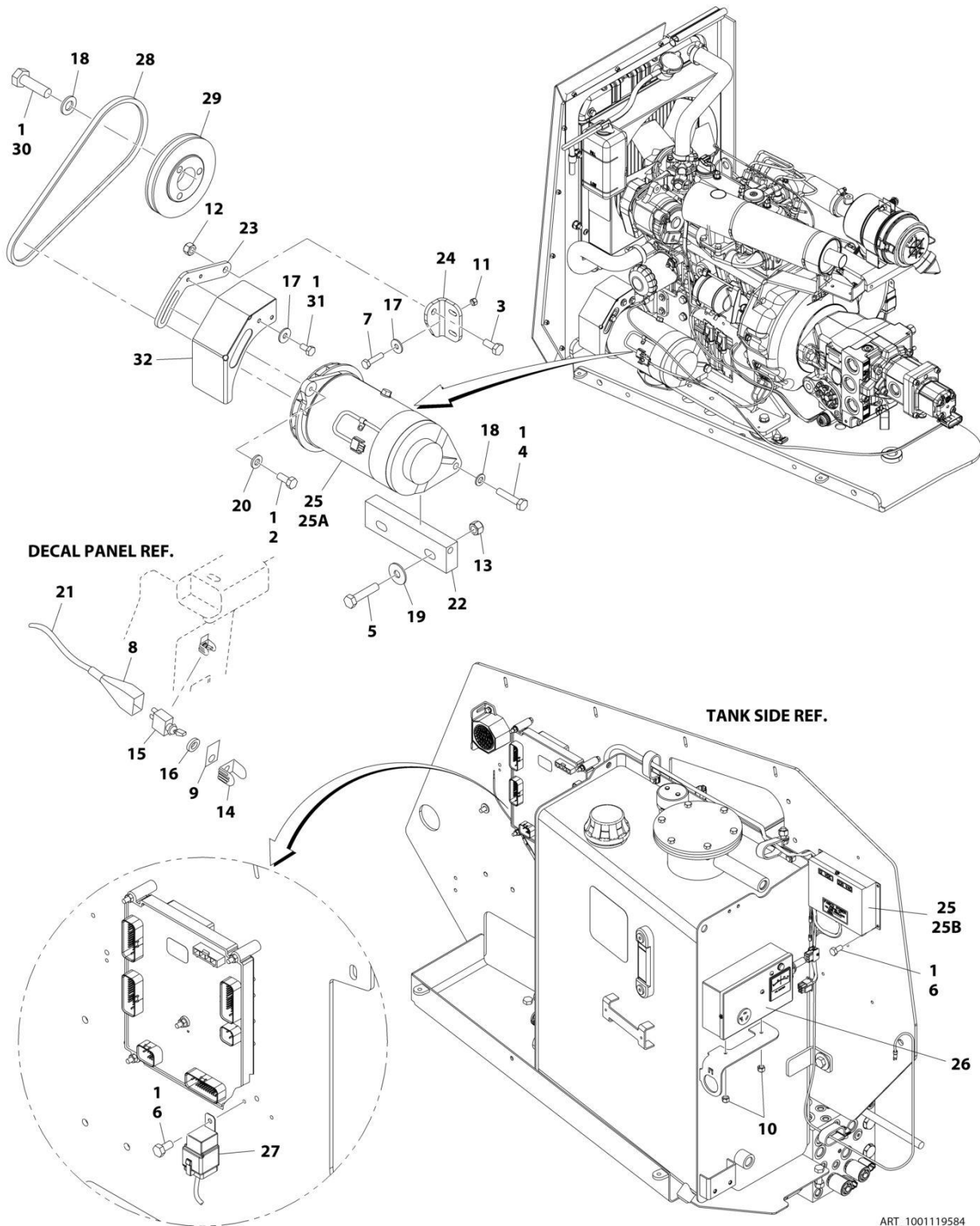
ITEM	PART NUMBER	QTY	DESCRIPTION	REV
	1001119582	Ref	3500W GENERATOR INSTALLATION - KUBOTA ENGINE MACHINES 120V/60HZ GENERATOR	E
1	0100011	AR	Compound, Locking	
2	0641506	1	Bolt 5/16 x 3/4	
3	0701012	1	Bolt M10 x 25	
4	0701018	2	Bolt M10 x 50	
5	0701219	2	Bolt M12 x 55	
6	0760505	5	Bolt M5 x 10	
7	0760612	2	Bolt M6 x 25	
8	2820031	AR	Heat Shrink	
9	3251102	1	Nameplate - Generator	
10	3290505	2	Nut M5	
11	3290605	2	Nut M6	
12	3291005	1	Nut M10	
13	3291205	2	Nut M12	
14	4060802	1	Guard, Switch	
15	4360336	1	Switch, Toggle	
16	4740397	1	Washer	
17	4811702	4	Washer M6	
18	4812000	5	Washer M10	
19	4812102	2	Washer M12	
20	4891500	1	Washer 5/16	
21	4922641	1	Harness, On/Off Switch	
22	1001119551	1	Mount, Generator	
23	1001119553	1	Arm, Adjustment	
24	1001119554	1	Support, Arm	
25	1001119586	1	Generator Assembly	C
25A	2460049	1	Generator	
25A	70000122	1	Armature with Slip Rings	
25A	7020109	4	Holder, Brush	
25A	7020108	4	Brush	
25A	7012513	4	Cap, Brush Holder	
25A	7012514	1	Fan	
25A	7020190	2	Bearing	
25A	7020110	1	End Bell, Front	
25A	7020111	1	End Bell, Rear	
25A	70003069	1	Cord, Power	
25A	70003068	1	Pulley	
25A	7027887	1	Key, Woodruff	
25B	7026525	1	Regulator, Voltage	
26	1001119633	1	Control Box Assembly	B
26	70002240	1	Circuit Breaker	
26	2420203	1	Voltmeter	
26	7020152	1	Receptacle, Double	
26	70003137	1	Receptacle, Single Twist Lock	
26	2920162	1	Lamp	
26	70002237	1	Diode	
26	3520028	1	Plug, Hole	
27	1001119773	1	Harness, Generator (See Separate Breakdown in ELECTRICAL	

SECTION 3 - ENGINE

ITEM	PART NUMBER	QTY	DESCRIPTION	REV
28	1001119881	1	SECTION) V-Belt	
29	1001118720	1	Pulley	
30	1001119929	3	Bolt M10 x 35	
31	0760606	2	Bolt M6 x 12	
32	1001125118	1	Shield, Pulley	

SECTION 3 - ENGINE

FIGURE 3-24. 3500W GENERATOR INSTALLATION - KUBOTA ENGINE MACHINES 220V/60HZ GENERATOR (ANSI EXPORT, CHINA AND CSA SPECS)



SECTION 3 - ENGINE

**FIGURE 3-24. 3500W GENERATOR INSTALLATION - KUBOTA ENGINE MACHINES 220V/60HZ
GENERATOR (ANSI EXPORT, CHINA AND CSA SPECS)**

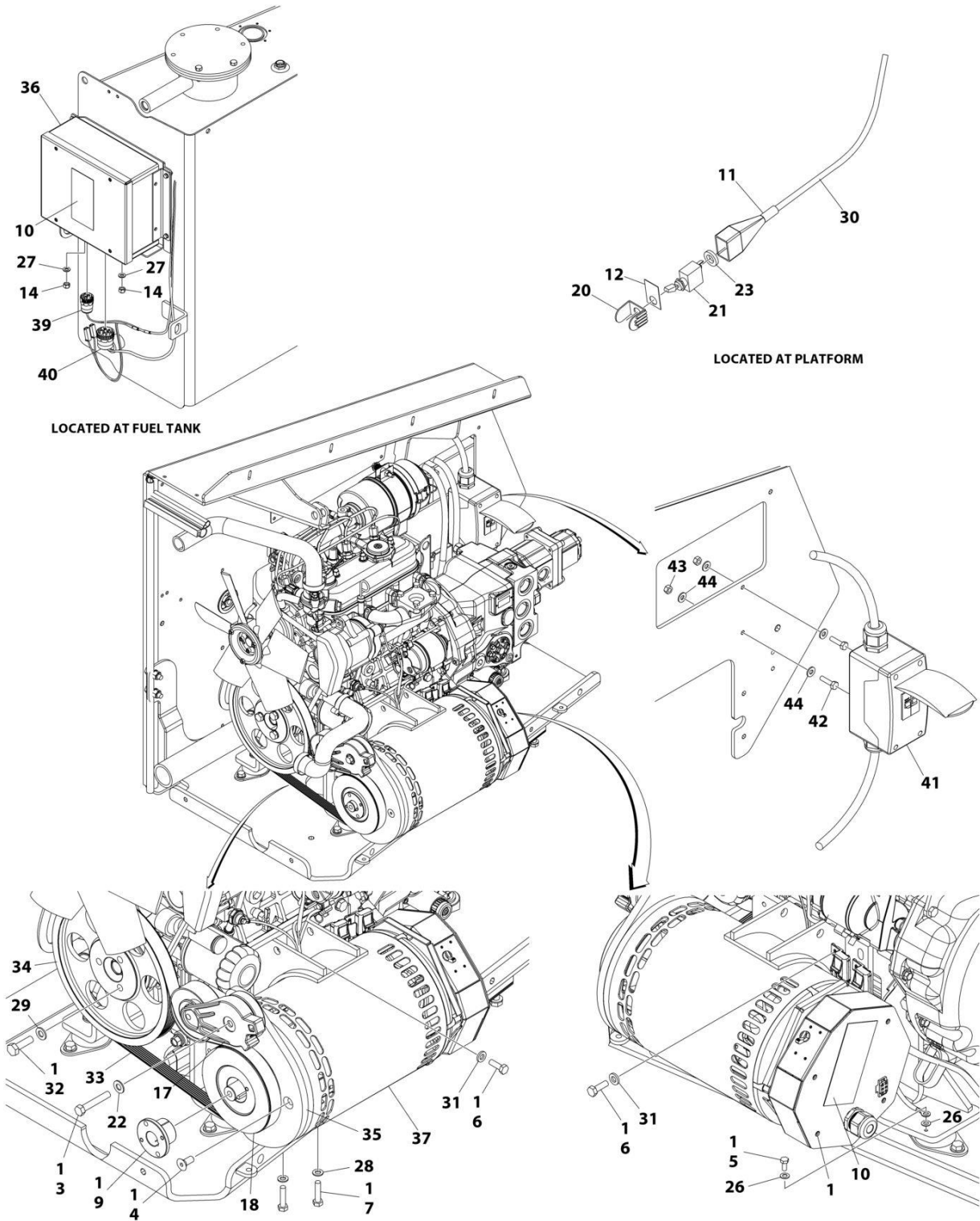
ITEM	PART NUMBER	QTY	DESCRIPTION	REV
	1001119584	Ref	3500W GENERATOR INSTALLATION - KUBOTA ENGINE MACHINES 220V/60HZ GENERATOR	E
1	0100011	AR	Compound, Locking	
2	0641506	1	Bolt 5/16 x 3/4	
3	0701012	1	Bolt M10 x 25	
4	0701018	2	Bolt M10 x 50	
5	0701219	2	Bolt M12 x 55	
6	0760505	5	Bolt M5 x 10	
7	0760612	2	Bolt M6 x 25	
8	2820031	AR	Heat Shrink	
9	3251102	1	Nameplate - Generator	
10	3290505	2	Nut M5	
11	3290605	2	Nut M6	
12	3291005	1	Nut M10	
13	3291205	2	Nut M12	
14	4060802	1	Guard, Switch	
15	4360336	1	Switch, Toggle	
16	4740397	1	Washer	
17	4811702	4	Washer M6	
18	4812000	5	Washer M10	
19	4812102	2	Washer M12	
20	4891500	1	Washer 5/16	
21	4922641	1	Harness, On/Off Switch	
22	1001119551	1	Mount, Generator	
23	1001119553	1	Arm, Adjustment	
24	1001119554	1	Support, Arm	
25	1001119588	1	Generator Assembly	C
25A	1001100321	1	Generator	
25A	70000123	1	Armature with Slip Rings	
25A	7020109	4	Holder, Brush	
25A	7020108	4	Brush	
25A	7012513	4	Cap, Brush Holder	
25A	7012514	1	Fan	
25A	7020190	2	Bearing	
25A	7020110	1	End Bell, Front	
25A	7020111	1	End Bell, Rear	
25A	70003069	1	Cord, Power	
25A	70003068	1	Pulley	
25A	7027887	1	Key, Woodruff	
25B	70002238	1	Regulator, Voltage	
26	1001119634	1	Control Box Assembly	B
26	70000126	1	Circuit Breaker	
26	7020192	1	Voltmeter	
26	70000124	1	Receptacle, Double	
26	70000125	1	Receptacle, Single Twist Lock	
26	2920162	1	Lamp	
26	70002237	1	Diode	
26	3520028	1	Plug, Hole	
27	1001119773	1	Harness, Generator (See Separate Breakdown in ELECTRICAL	

SECTION 3 - ENGINE

ITEM	PART NUMBER	QTY	DESCRIPTION	REV
28	1001119881	1	SECTION) V-Belt	
29	1001118720	1	Pulley	
30	1001119929	3	Bolt M10 x 35	
31	0760606	2	Bolt M6 x 12	
32	1001125118	1	Shield, Pulley	

SECTION 3 - ENGINE

FIGURE 3-25. 4000W GENERATOR INSTALLATION - KUBOTA ENGINE MACHINES 220V/50HZ GENERATOR (ANSI EXPORT, AUSTRALIAN, CHINA, JAPANESE, CE & UK CA SPECS)



ART_1001148660

SECTION 3 - ENGINE

FIGURE 3-25. 4000W GENERATOR INSTALLATION - KUBOTA ENGINE MACHINES 220V/50HZ GENERATOR (ANSI EXPORT, AUSTRALIAN, CHINA, JAPANESE, CE & UK CA SPECS)

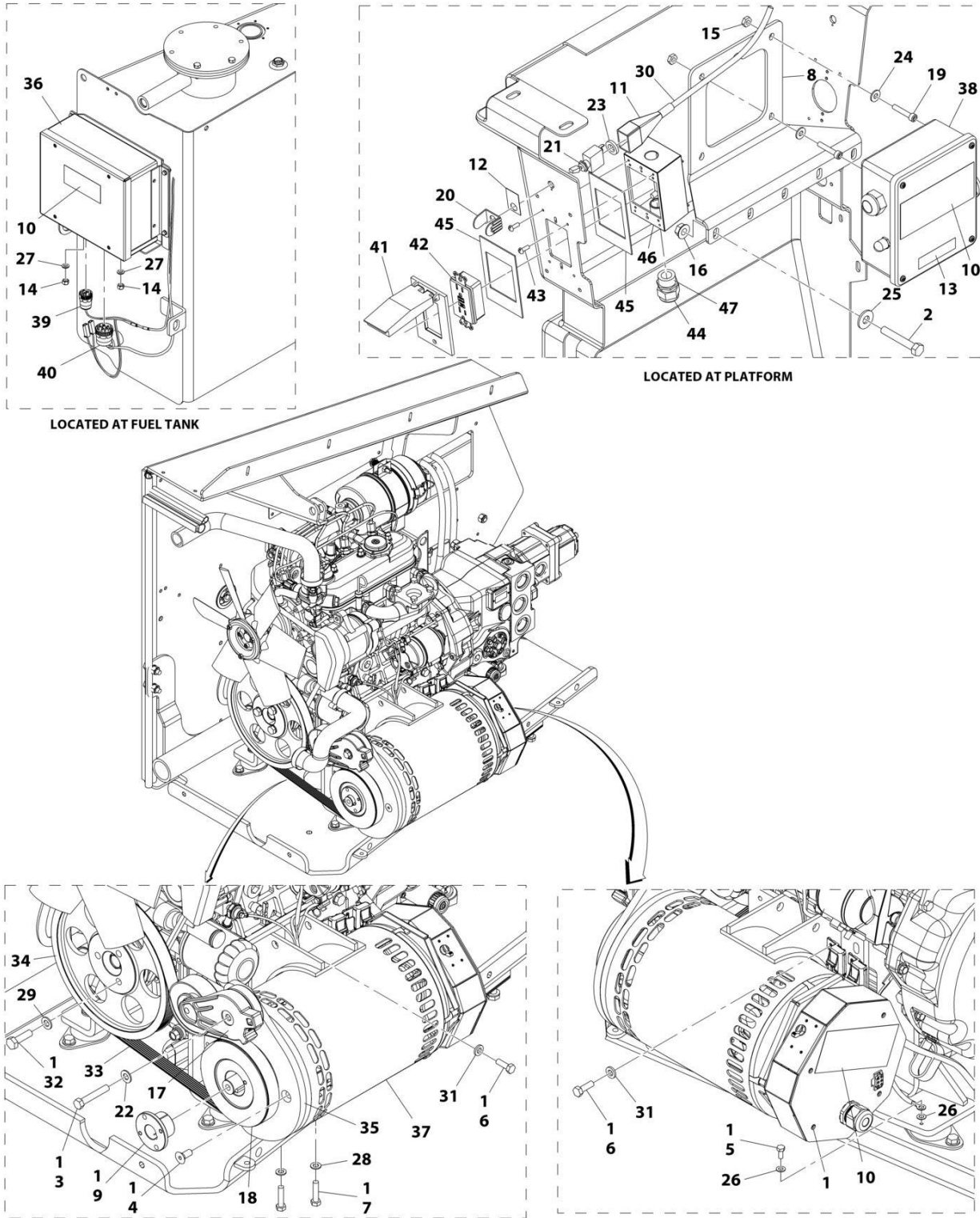
ITEM	PART NUMBER	QTY	DESCRIPTION	REV
	1001148660	Ref	4000W GENERATOR INSTALLATION - KUBOTA ENGINE MACHINES 220V/50HZ GENERATOR	D
1	0100011	AR	Compound, Locking	
3	0641618	1	Bolt 3/8 x 2-1/4	
4	0741607	3	Bolt 3/8 x 0.88	
5	0760607	1	Bolt M6 x 14	
6	0760812	2	Bolt M8 x 25	
7	0760815	2	Bolt M8 x 35	
9	0962520	1	Bushing, Split Taper	
10	1705489	AR	Decal - Hazardous Voltage	
11	2820031	AR	Heat Shrink	
12	3251102	1	Nameplate, Generator	
14	3290505	2	Nut M5	
17	3580317	1	Pulley, Belt Tensioner	
18	3580319	1	Pulley, Generator - 50Hz	
20	4060802	1	Guard, Switch	
21	4360336	1	Switch, Toggle	
22	4711600	1	Washer 3/8	
23	4740397	1	Washer	
26	4791400	2	Washer 1/4	
27	4811600	2	Washer M5	
28	4811900	2	Washer M8	
29	4812000	3	Washer M10	
30	4922641	1	Harness, On/Off Switch	
31	5240800	2	Washer M8	
32	1001119929	3	Bolt M10 x 35	
33	1001147141	1	Belt, 4000W - 50Hz	
34	1001147233	1	Pulley	
35	1001147234	1	Mount, Generator Tensioner	
36	1001147431	1	4000W Control Box Installation	
37	1001150619	1	Generator, 4000W - 50Hz	
37	70003709	1	Ring, Retaining - External (Shaft End)	
37	70003708	1	Ring, Retaining - Internal (Shaft End)	
37	70001966	1	Bearing (Shaft End)	
37	70004092	1	Endbell (Shaft End)	
37	70004099	1	Key, Shaft	
37	70004676	1	Rottor/Shaft Assembly	
37	70004688	1	Stator	
37	70004678	1	Endbell (Enclosure End)	
37	70004679	1	Cover, Endbell (Enclosure End)	
37	70004689	1	Enclosure, Wiring	
37	70004690	1	Cover, Enclosure	
37	70004682	1	Switch, On/Off/Reset	
37	70004683	1	Connector, Strain Relief	
39	1001157915	1	Harness, 4000W Generator Control (See Separate Breakdown in ELECTRICAL Section)	
40	1001157916	1	Harness, Generator (See Separate Breakdown in ELECTRICAL SECTION)	
41	1001096070	1	Kit, Box and Bracket	

SECTION 3 - ENGINE

ITEM	PART NUMBER	QTY	DESCRIPTION	REV
42	0641408	2	Bolt 1/4 x 1	
43	3311405	2	Nut 1/4	
44	4711400	4	Washer 1/4	

SECTION 3 - ENGINE

FIGURE 3-26. 4000W GENERATOR INSTALLATION - KUBOTA ENGINE MACHINES 110V/60HZ GENERATOR (ANSI, ANSI EXPORT, CHINA, CSA AND JAPANESE SPECS)



ART_1001148663

SECTION 3 - ENGINE

**FIGURE 3-26. 4000W GENERATOR INSTALLATION - KUBOTA ENGINE MACHINES 110V/60HZ
GENERATOR (ANSI, ANSI EXPORT, CHINA, CSA AND JAPANESE SPECS)**

ITEM	PART NUMBER	QTY	DESCRIPTION	REV
	1001148663	Ref	4000W GENERATOR INSTALLATION - KUBOTA ENGINE MACHINES 110V/60HZ GENERATOR	C
1	0100011	AR	Compound, Locking	
2	0641516	3	Bolt 5/16 x 2	
3	0641618	1	Bolt 3/8 x 2-1/4	
4	0741607	3	Bolt 3/8 x 0.88	
5	0760607	1	Bolt M6 x 14	
6	0760812	2	Bolt M8 x 25	
7	0760815	2	Bolt M8 x 35	
8	0902888	1	Bracket, Generator Junction Box	
9	0962520	1	Bushing, Split Taper	
10	1705387	3	Decal - Hazardous Voltage	
11	2820031	AR	Heat Shrink	
12	3251102	1	Nameplate, Generator	
13	3251243	1	Decal - 120V/60Hz	
14	3290505	2	Nut M5	
15	3311005	4	Nut #10	
16	3311508	3	Nut #5/16	
17	3580317	1	Pulley, Belt Tensioner	
18	3580318	1	Pulley, Generator - 60Hz	
19	3931016	4	Bolt #10 x 1	
20	4060802	1	Guard, Switch	
21	4360336	1	Switch, Toggle	
22	4711600	1	Washer 3/8	
23	4740397	1	Washer	
24	4751000	4	Washer #10	
25	4751500	3	Washer #5/16	
26	4791400	2	Washer 1/4	
27	4811600	2	Washer M5	
28	4811900	2	Washer M8	
29	4812000	3	Washer M10	
30	4922641	1	Harness, On/Off Switch	
31	5240800	2	Washer M8	
32	1001119929	3	Bolt M10 x 35	
33	1001153814	1	Belt, 4000W - 60Hz	
34	1001147233	1	Pulley	
35	1001147234	1	Mount, Generator Tensioner	
36	1001147431	1	4000W Control Box Installation	
37	1001147436	1	Generator 4000W - 60Hz	
37	70003709	1	Ring, Retaining - External (Shaft End)	
37	70003708	1	Ring, Retaining - Internal (Shaft End)	
37	70001966	1	Bearing (Shaft End)	
37	70004092	1	Endbell (Shaft End)	
37	70004099	1	Key, Shaft	
37	70004676	1	Rottor/Shaft Assembly	
37	70004691	1	Stator	
37	70004678	1	Endbell (Enclosure End)	
37	70004679	1	Cover, Endbell (Enclosure End)	
37	70004689	1	Enclosure, Wiring	

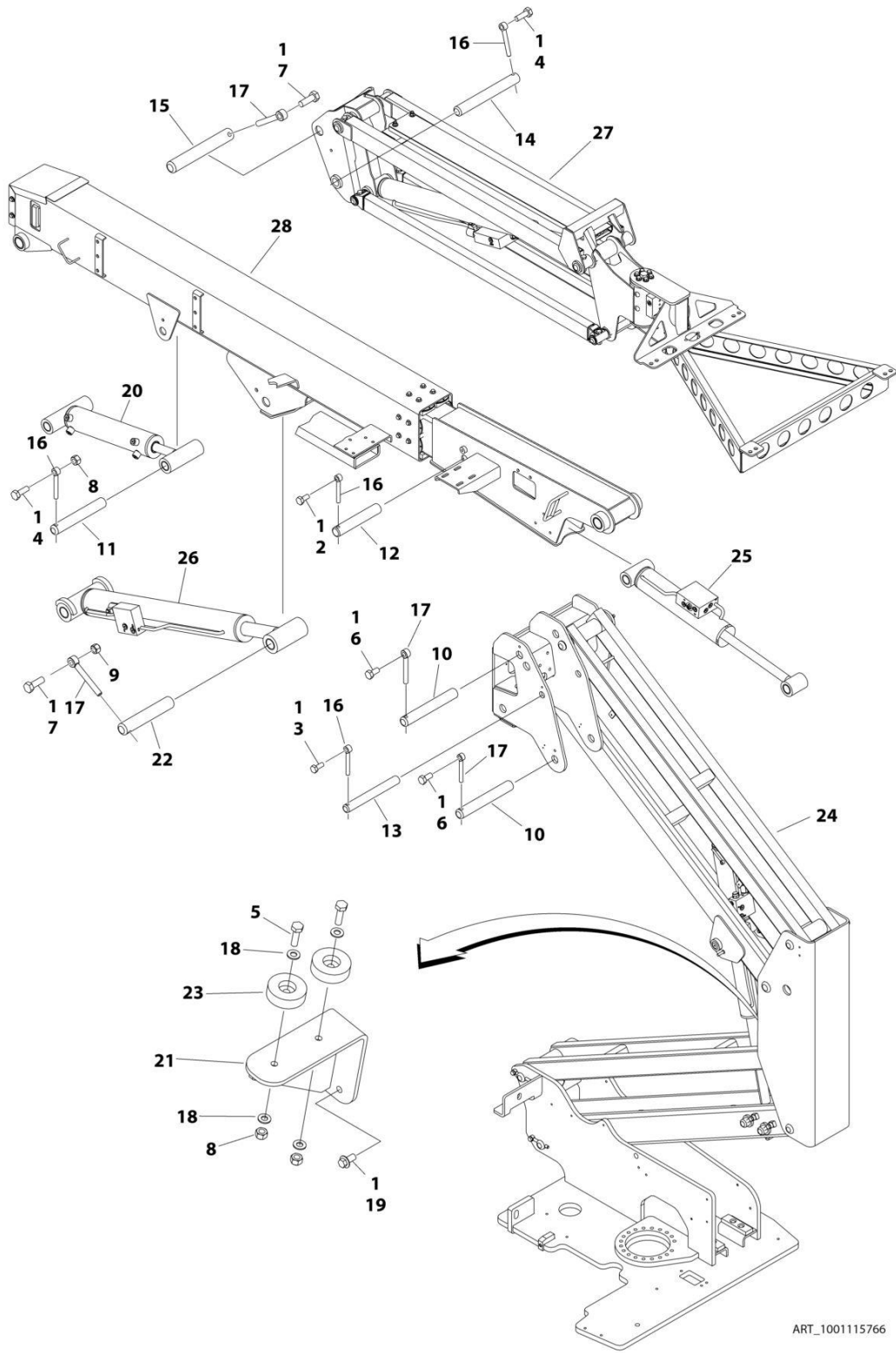
SECTION 3 - ENGINE

ITEM	PART NUMBER	QTY	DESCRIPTION	REV
37	70004692	1	Cover, Enclosure	
37	70004682	1	Switch, On/Off/Reset	
37	70004098	1	Connector, Strain Relief	
38	1001152457	1	Box, Junction Assembly	
39	1001157915	1	Harness, 4000W Generator Control (See Separate Breakdown in ELECTRICAL Section)	
40	1001157916	1	Harness, Generator (See Separate Breakdown in ELECTRICAL Section)	
41	1001110873	1	Cover	
42	4460346	1	Receptacle	
43	3910606	4	Bolt 6 x 3/8	
44	4460071	1	Connector	
45	3960422	1	Gasket	
46	0860038	1	Box, Switch-Weatherhead	
47	0100020	AR	Sealant, Pipe	

SECTION 4 - BOOM

SECTION 4 - BOOM

FIGURE 4-1. BOOM AND CYLINDERS INSTALLATION - WITHOUT ARCTIC PACKAGE



ART_1001115766

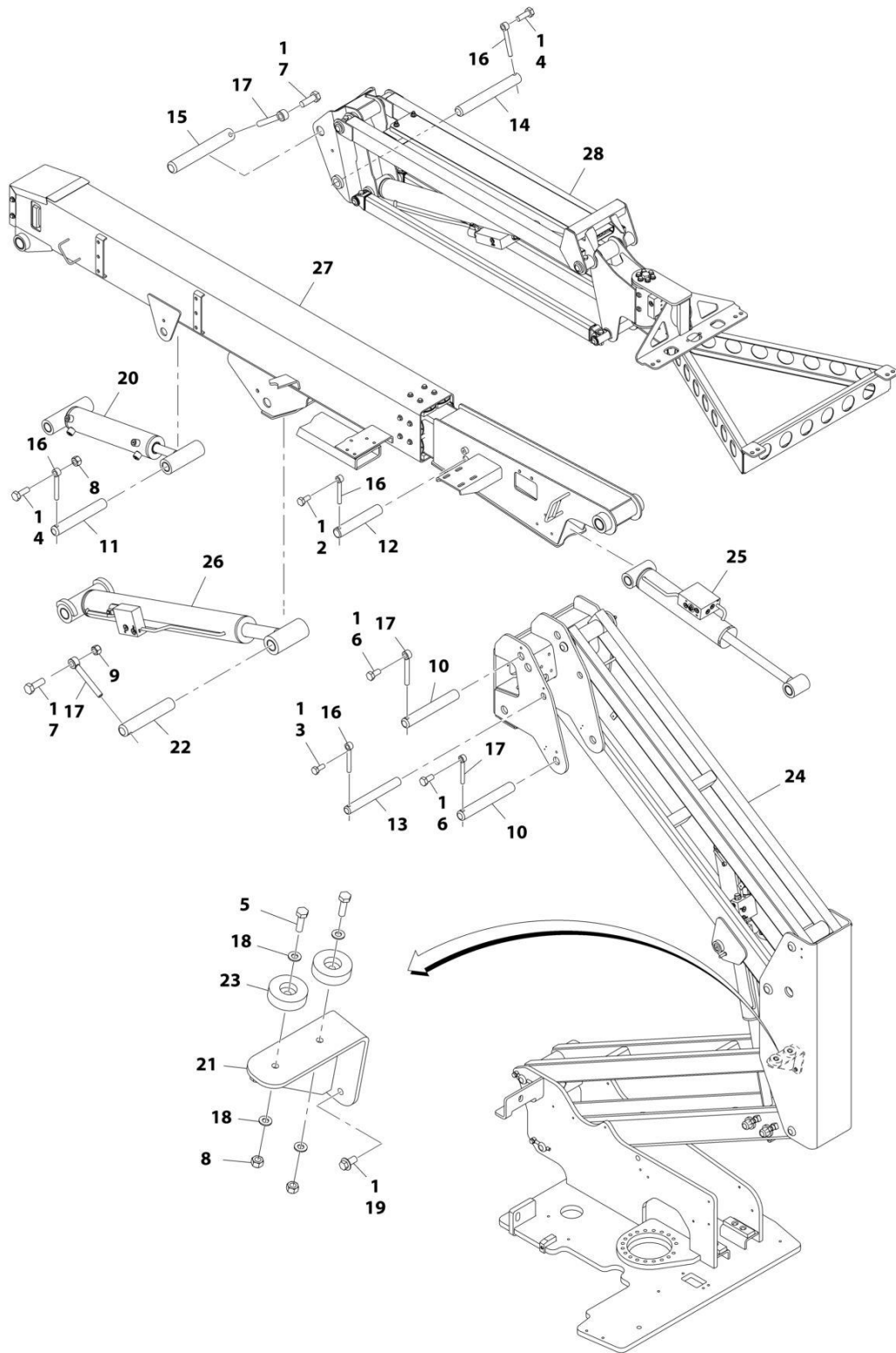
SECTION 4 - BOOM

FIGURE 4-1. BOOM AND CYLINDERS INSTALLATION - WITHOUT ARCTIC PACKAGE

ITEM	PART NUMBER	QTY	DESCRIPTION	REV
	1001115766	Ref	BOOM AND CYLINDERS INSTALLATION - WITHOUT ARCTIC PACKAGE	D
1	0100011	AR	Compound, Locking	
2	0761011	1	Bolt M10 x 22	
3	0761012	1	Bolt M10 x 25	
4	0761014	2	Bolt M10 x 30	
5	0761015	2	Bolt M10 x 35	
6	0761212	2	Bolt M12 x 25	
7	0761215	2	Bolt M12 x 35	
8	3291005	3	Nut M10	
9	3291205	1	Nut M12	
10	3422576	2	Pin	
11	3422582	1	Pin	
12	3422709	1	Pin	
13	3422790	1	Pin	
14	3422792	1	Pin	
15	3422814	1	Pin	
16	3841143	4	Keeper, Pin	
17	3841203	4	Keeper, Pin	
18	4812000	4	Washer M10	
19	5251010	3	Bolt M10 x 20	
20	1001120976	1	Master Cylinder Assembly (See Separate Breakdown in CYLINDER Section)	
21	1001125235	1	Rest, Boom	
22	1001109528	1	Pin	
23	1001112607	2	Pad, Boom Rest	
24	1001115672	1	Tower Boom Assembly (See Separate Breakdown in this Section)	
25	1001225990	1	Level Cylinder Assembly - Platform (Slave) (See Separate Breakdown in CYLINDER Section)	
26	1001117640	1	Lift Cylinder Assembly - Main Boom (See Separate Breakdown in CYLINDER Section)	
27	1001117884	1	Jib Assembly (See Separate Breakdown in this Section)	
28	1001117885	1	Main Boom Assembly (See Separate Breakdown in this Section)	

SECTION 4 - BOOM

FIGURE 4-2. BOOM AND CYLINDERS INSTALLATION - WITH ARCTIC PACKAGE



ART_1001119371

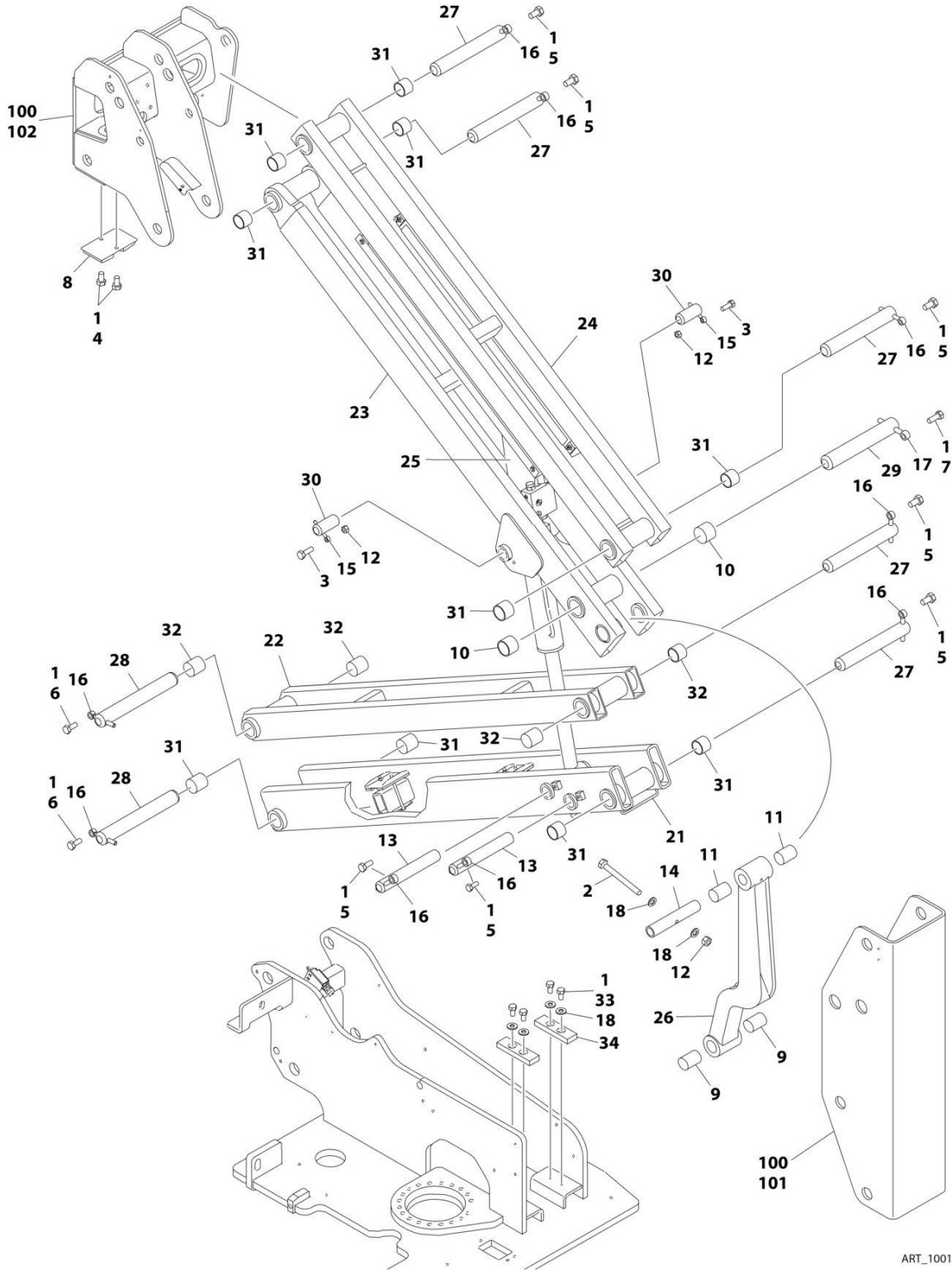
SECTION 4 - BOOM

FIGURE 4-2. BOOM AND CYLINDERS INSTALLATION - WITH ARCTIC PACKAGE

ITEM	PART NUMBER	QTY	DESCRIPTION	REV
	1001119371	Ref	BOOM AND CYLINDERS INSTALLATION - WITH ARCTIC PACKAGE	D
1	0100011	AR	Compound, Locking	
2	0761011	1	Bolt M10 x 22	
3	0761012	1	Bolt M10 x 25	
4	0761014	2	Bolt M10 x 30	
5	0761015	2	Bolt M10 x 35	
6	0761212	2	Bolt M12 x 25	
7	0761215	2	Bolt M12 x 35	
8	3291005	3	Nut M10	
9	3291205	1	Nut M12	
10	3422576	2	Pin	
11	3422582	1	Pin	
12	3422709	1	Pin	
13	3422790	1	Pin	
14	3422792	1	Pin	
15	3422814	1	Pin	
16	3841143	4	Keeper, Pin	
17	3841203	4	Keeper, Pin	
18	4812000	4	Washer M10	
19	5251010	3	Bolt M10 x 20	
20	1001120976	1	Master Cylinder Assembly (See Separate Breakdown in CYLINDER Section)	
21	1001125235	1	Rest, Boom	
22	1001109528	1	Pin	
23	1001112607	2	Pad, Boom Rest	
24	1001115672	1	Tower Boom Assembly (See Separate Breakdown in this Section)	
25	1001225990	1	Level Cylinder Assembly - Platform (Slave) (See Separate Breakdown in CYLINDER Section)	
26	1001117640	1	Lift Cylinder Assembly - Main Boom (See Separate Breakdown in CYLINDER Section)	
27	1001117885	1	Main Boom Assembly Options (See Separate Breakdown in this Section)	
28	1001119370	1	Jib Assembly (See Separate Breakdown in this Section)	

SECTION 4 - BOOM

FIGURE 4-3. TOWER BOOM ASSEMBLY



ART_1001115672

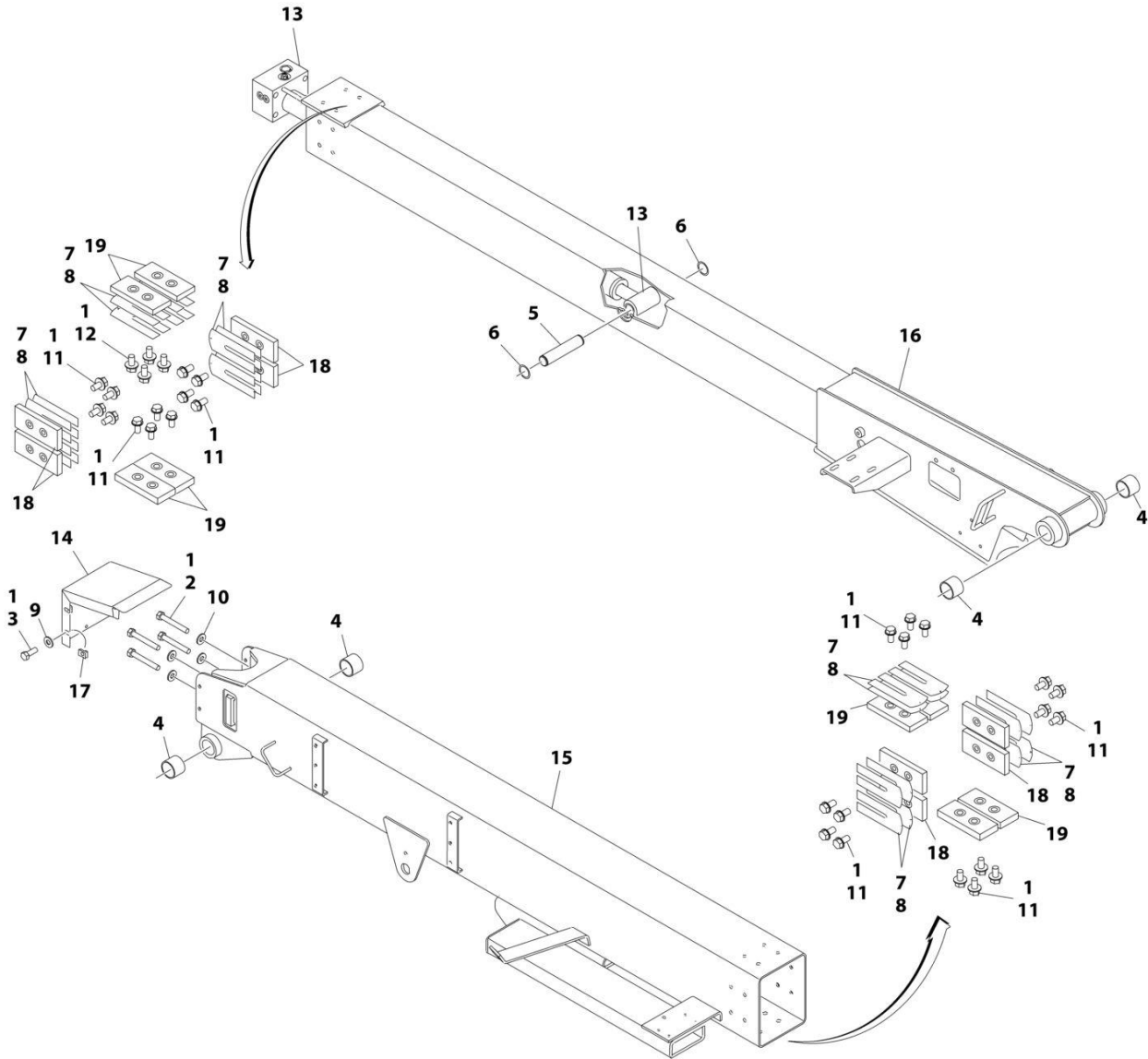
SECTION 4 - BOOM

FIGURE 4-3. TOWER BOOM ASSEMBLY

ITEM	PART NUMBER	QTY	DESCRIPTION	REV
	1001115672	Ref	TOWER BOOM ASSEMBLY	D
1	0100011	AR	Compound, Locking	
2	0701027	1	Bolt M10 x 100	
3	0761015	2	Bolt M10 x 35	
4	0761210	2	Bolt M12 x 20	
5	0761212	7	Bolt M12 x 25	
6	0761214	2	Bolt M12 x 30	
7	0761615	2	Bolt M16 x 35	
8	0940048	1	Bumper	
9	0961948	2	Bearing	
10	0962224	2	Bearing	
11	0962259	2	Bearing	
12	3291005	3	Nut M10	
13	3422787	2	Pin	
14	3422788	1	Pin	
15	3841143	2	Keeper, Pin	
16	3841203	9	Keeper, Pin	
17	3841258	1	Keeper, Pin	
18	4812000	6	Washer M10	
21	1001115657	1	Link, Lower Boom (Bottom)	
22	1001115661	1	Link, Lower Boom (Top)	
23	1001115663	1	Link, Mid Boom (Bottom)	
24	1001115669	1	Link, Mid Boom (Top)	
25	1001122527	1	Lift Cylinder Assembly - Tower Boom (See Separate Breakdown in CYLINDER Section)	
26	1001115870	1	Link, Timing	
27	1001116546	5	Pin	
28	1001116547	2	Pin	
29	1001116548	1	Pin	
30	1001116549	2	Pin	
31	1001118665	10	Bearing	
32	1001118666	4	Bearing	
33	0761010	4	Bolt M10 x 20	
34	3340758	2	Pad, Wear	
100	1001231153	1	Lower Upright Boom Kit	
101	1001115649	1	Upright, Lower	
102	1001115650	1	Upright, Upper	

SECTION 4 - BOOM

FIGURE 4-4. MAIN BOOM ASSEMBLY



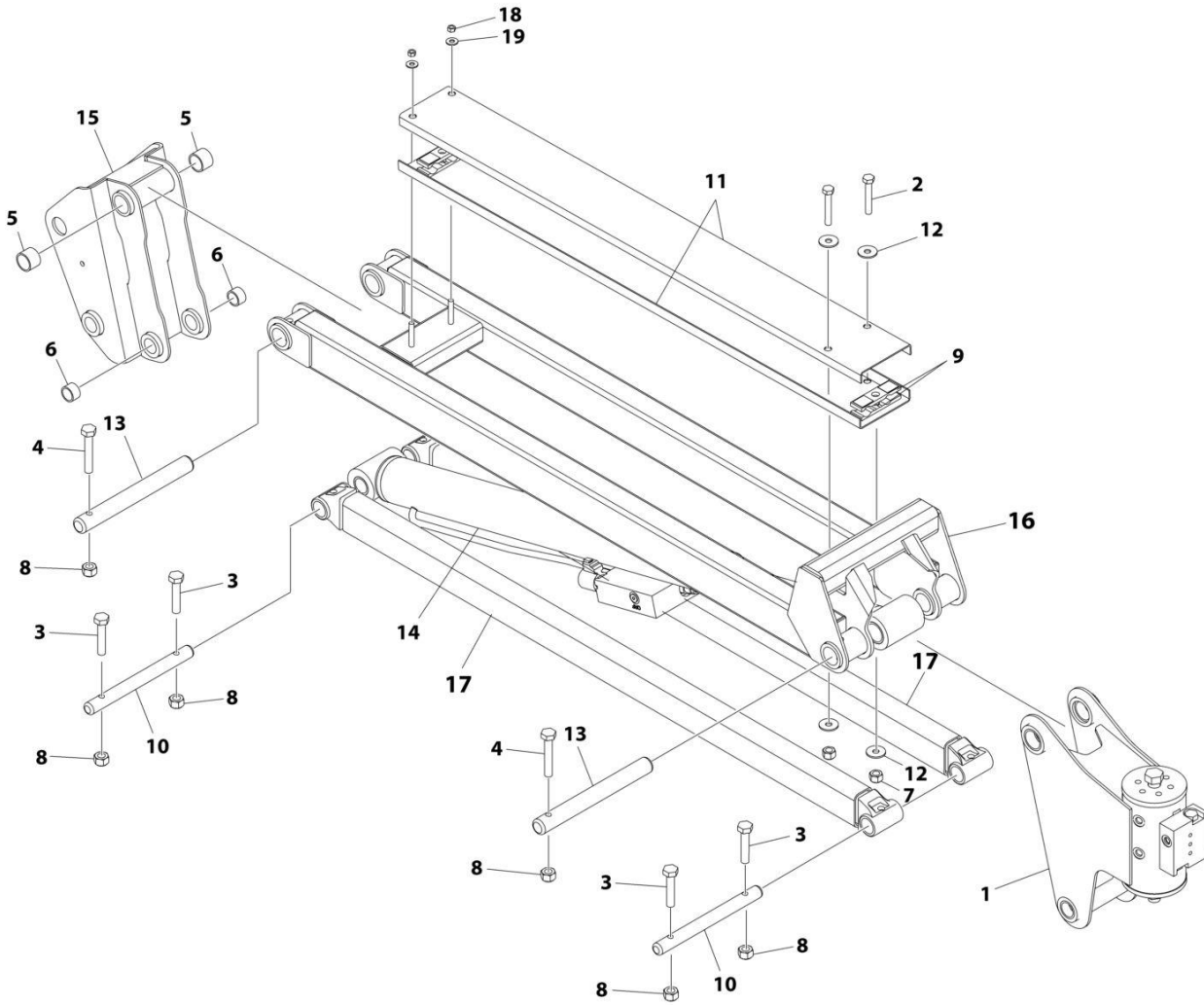
ART_1001117885_D

FIGURE 4-4. MAIN BOOM ASSEMBLY

ITEM	PART NUMBER	QTY	DESCRIPTION	REV
	1001117885	Ref	MAIN BOOM ASSEMBLY	D
1	0100011	AR	Compound, Locking	
2	0711227	4	Bolt M12 x 100 Grade 10.9	
3	0760812	4	Bolt M8 x 25	
4	0961948	4	Bushing	
5	3422745	1	Pin	
6	3760115	2	Ring, Retaining	
7	4070897	16	Shim 18Ga	
8	4070898	12	Shim 11Ga	
9	4811902	4	Washer M8	
10	5241200	4	Washer M12	
11	5251010	28	Bolt M10 x 20	
12	5251012	4	Bolt M10 x 25	
13	1001120974	1	Telescope Cylinder Assembly (See Separate Breakdown in CYLINDER Section)	
14	1001108290	1	Cover, Boom End	
15	1001271212	1	Boom, Base	
16	1001271234	1	Boom, Fly	
17	1001118274	4	Nut, Retainer M8	
18	1001118287	8	Pad, Wear	
19	1001118288	8	Pad, Wear	

SECTION 4 - BOOM

FIGURE 4-5. JIB ASSEMBLY - WITHOUT ARCTIC PACKAGE



ART_1001117884_D

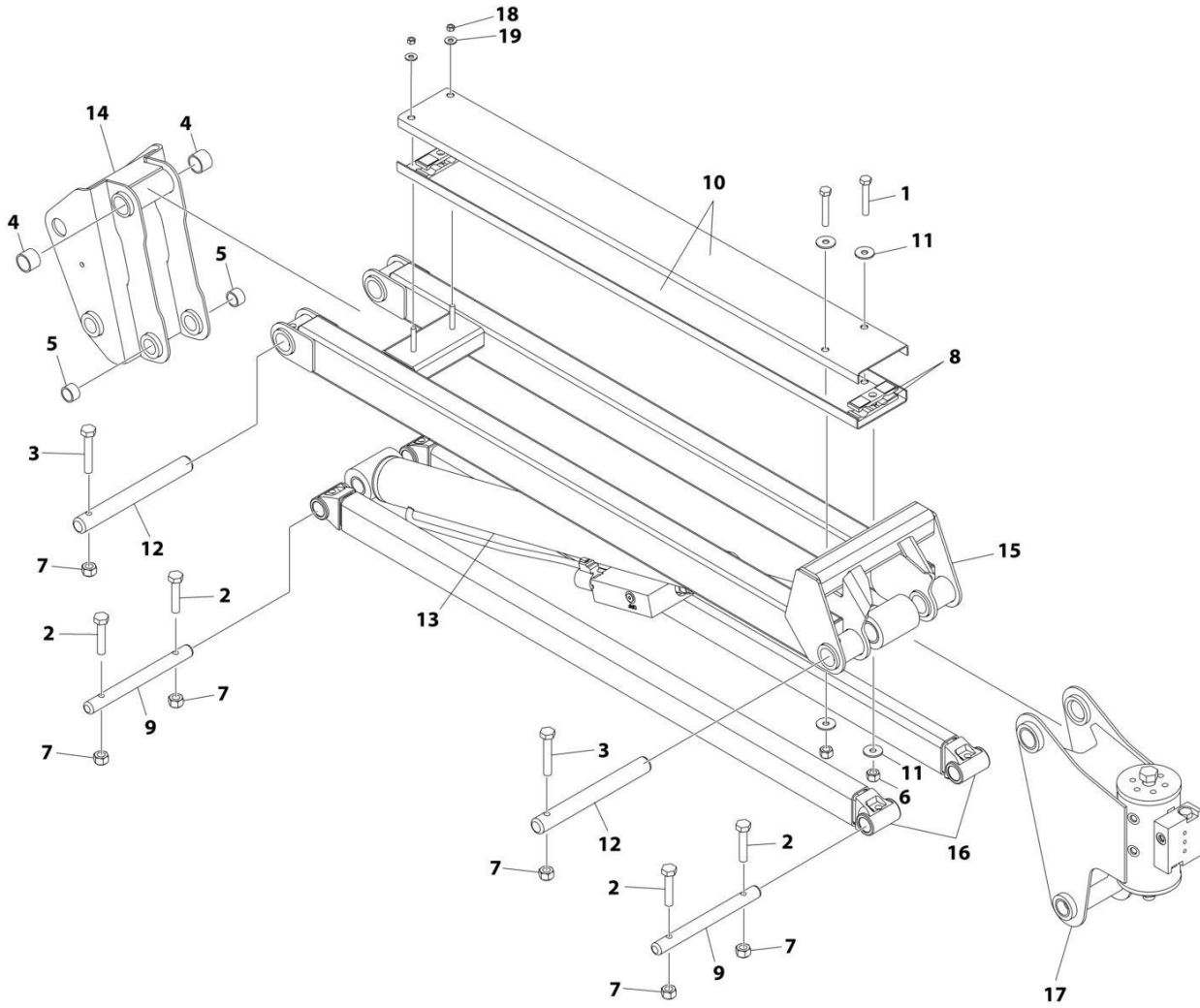
SECTION 4 - BOOM

FIGURE 4-5. JIB ASSEMBLY - WITHOUT ARCTIC PACKAGE

ITEM	PART NUMBER	QTY	DESCRIPTION	REV
	1001117884	Ref	JIB ASSEMBLY - WITHOUT ARCTIC PACKAGE	D
1	0060044	1	Platform Rotator Assembly (See Separate Breakdown in this Section)	
2	0700818	2	Bolt M8 x 50	
3	0701018	4	Bolt M10 x 50	
4	0701020	2	Bolt M10 x 60	
5	0961951	2	Bushing	
6	0962292	2	Bushing	
7	3290805	2	Nut M8	
8	3291005	6	Nut M10	
9	3340860	4	Pad, Rubber	
10	3422791	2	Pin	
11	3572551	2	Channel, Hose Carrier	
12	4811902	4	Washer M8	
13	3422794	2	Pin	
14	1001123004	1	Lift Cylinder Assembly - Jib (See Separate Breakdown in CYLINDER Section)	
15	1001118394	1	Pivot, Jib	
16	4846278	1	Link, Jib (Top)	
17	1001094670	2	Link, Jib (Bottom)	
18	3311501	2	Nut 5/16	
19	4751500	2	Washer 5/16	

SECTION 4 - BOOM

FIGURE 4-6. JIB ASSEMBLY - WITH ARCTIC PACKAGE



ART_1001119370_D

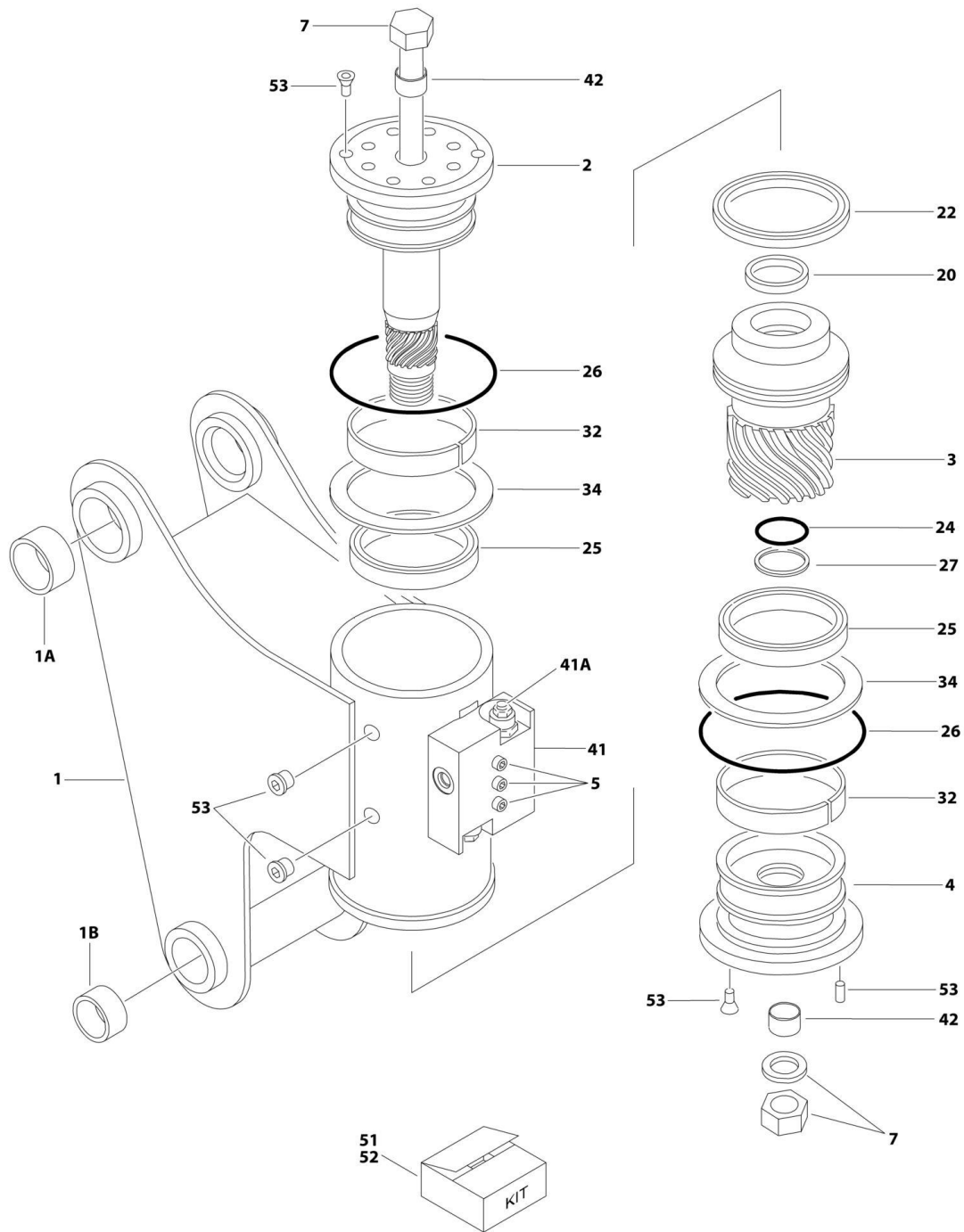
SECTION 4 - BOOM

FIGURE 4-6. JIB ASSEMBLY - WITH ARCTIC PACKAGE

ITEM	PART NUMBER	QTY	DESCRIPTION	REV
	1001119370	Ref	JIB ASSEMBLY - WITH ARCTIC PACKAGE	D
1	0700818	2	Bolt M8 x 50	
2	0701018	4	Bolt M10 x 50	
3	0701020	2	Bolt M10 x 60	
4	0961951	2	Bushing	
5	0962292	2	Bushing	
6	3290805	2	Nut M8	
7	3291005	6	Nut M10	
8	3340860	4	Pad, Rubber	
9	3422791	2	Pin	
10	3572551	2	Channel, Hose Carrier	
11	4811902	4	Washer M8	
12	3422794	2	Pin	
13	1001123004	1	Lift Cylinder Assembly - Jib (See Separate Breakdown in CYLINDER Section)	
14	1001118394	1	Pivot, Jib	
15	4846278	1	Link, Jib (Top)	
16	1001094670	2	Link, Jib (Bottom)	
17	1001119369	1	Platform Rotator Assembly (See Separate Breakdown in this Section)	
18	3311501	2	Nut 5/16	
19	4751500	2	Washer 5/16	

SECTION 4 - BOOM

FIGURE 4-7. PLATFORM ROTATOR ASSEMBLY - WITHOUT ARCTIC PACKAGE



ART_0060044

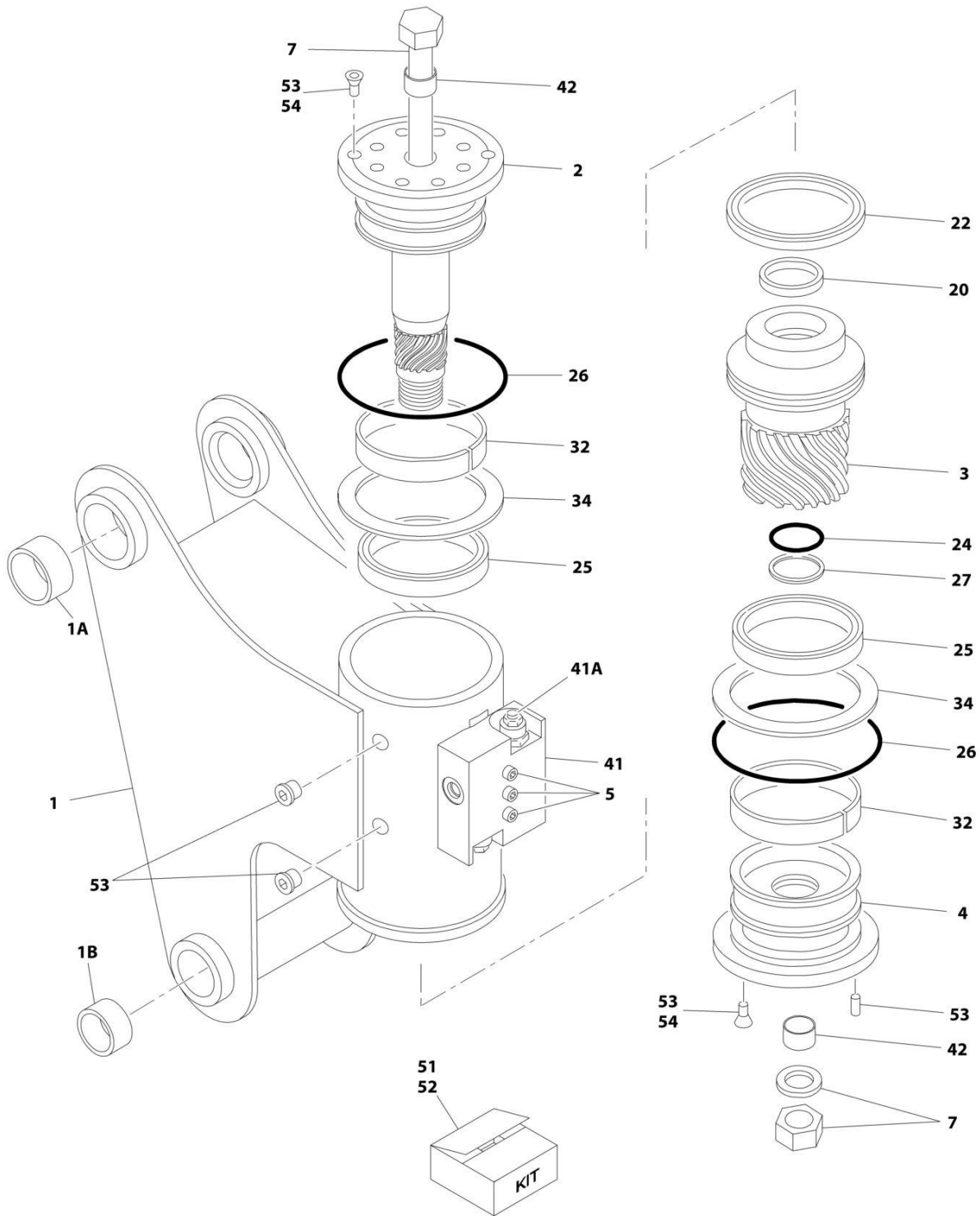
SECTION 4 - BOOM

FIGURE 4-7. PLATFORM ROTATOR ASSEMBLY - WITHOUT ARCTIC PACKAGE

ITEM	PART NUMBER	QTY	DESCRIPTION	REV
	0060044	Ref	ROTATOR ASSEMBLY	D
1	See Note	1	Case/Bracket Weldment (Note: Not Available - Purchase Complete Assembly)	
1A	0962257	2	Bushing	
1B	0961947	2	Bushing	
2	7017120	1	Shaft (Rotator with Helac Control #25928)	
2	7017196	1	Shaft (Rotator with Helac Control #26962)	
3	7017121	1	Piston Sleeve (Rotator with Helac Control #25928)	
3	7027900	1	Piston Sleeve (Rotator with Helac Control #26962)	
4	See Note	1	Cap, End (Rotator with Helac Control #25928) (Note: Use p/n 0060044)	
4	7027901	1	Cap, End (Rotator with Helac Control #26962)	
5	See Note	3	Capscrew 1/4 x 1-1/2, Grade 8 (Note: Not Available - Purchase Locally)	
7	7017126	1	Tie Rod Assembly	
20	See Note	NSS	Seal, Rod (Note: Use Item 52)	
22	See Note	NSS	Seal, Piston (Note: Use Item 52)	
24	See Note	NSS	Seal, Cap (Note: Use Item 52)	
25	See Note	NSS	Packing, Bearing (Note: Use Item 52)	
26	See Note	NSS	Seal (Note: Use Item 52)	
27	See Note	NSS	Ring, Back-Up Cap (Note: Use Item 52)	
32	See Note	NSS	Bearing, Shaft (Note: Use Item 51)	
34	See Note	2	Washer, Thrust (Note: Use Item 51)	
41	7017172	1	Counterbalance Valve Assembly (Helac p/n 24327, 26553 or 26554 Stamped Beside Mounting Screws)	
41A	7011323	2	Valve, Cartridge (Helac p/n 24327 Valve)	
41A	2900770	2	Seal Kit - 7011323 Cartridge (1 Per Assembly)	
41A	7017192	2	Valve Cartridge (Helac p/n 26553 or 26554) (No Seal Kit Available)	
42	70004323	1	Bushing, Shaft	
51	7017122	1	Bearing Kit (Includes Items 32-34)	
52	7017127	1	Seal Kit - Standard (Includes Items 20,22,24,25,26 & 27)	
52	70000341	1	Seal Kit - Low Temperature (Includes Items 20,22,24,25,26 & 27)	
53	7017123	1	Hardware Kit	

SECTION 4 - BOOM

FIGURE 4-8. PLATFORM ROTATOR ASSEMBLY - WITH ARCTIC PACKAGE



ART_1001119369

SECTION 4 - BOOM

FIGURE 4-8. PLATFORM ROTATOR ASSEMBLY - WITH ARCTIC PACKAGE

ITEM	PART NUMBER	QTY	DESCRIPTION	REV
	1001119369	Ref	PLATFORM ROTATOR ASSEMBLY - WITH ARCTIC PACKAGE	B
1	See Note	1	Case/Bracket Weldment (Note: Not Available - Purchase Complete Assembly)	
1A	0962257	2	Bushing	
1B	0961947	2	Bushing	
2	7017196	1	Shaft	
3	7027900	1	Piston Sleeve	
4	7027901	1	Cap, End	
5	See Note	3	Capscrew, 1/4 x 1-1/2 Grade 8 (Note: Not Available - Purchase Locally)	
7	7017126	1	Tie Rod Assembly	
20	See Note	1	Seal, Rod (Note: Use Item 52)	
22	See Note	1	Seal, Piston (Note: Use Item 52)	
24	See Note	1	Seal, Cap (Note: Use Item 52)	
25	See Note	2	Packing, Bearing (Note: Use Item 52)	
26	See Note	2	Seal (Note: Use Item 52)	
27	See Note	1	Ring, Back-up Cap (Note: Use Item 52)	
32	See Note	2	Bearing, Shaft (Note: Use Item 51)	
34	See Note	2	Washer, Thrust (Note: Use Item 51)	
41	7017172	1	Counterbalance Valve Assembly	
41A	7017192	2	Valve Cartridge (No Seal Kit Available)	
42	70004323	2	Bushing, Shaft	
51	7017122	1	Bearing Kit (Includes Items 32-34)	
52	70004322	1	Seal Kit (Includes Items 20, 22, 24, 25, 26 & 27)	
53	7017123	1	Hardware Kit	
54	70001697	4	Screw 1/4 x 3/8 Grade 8	

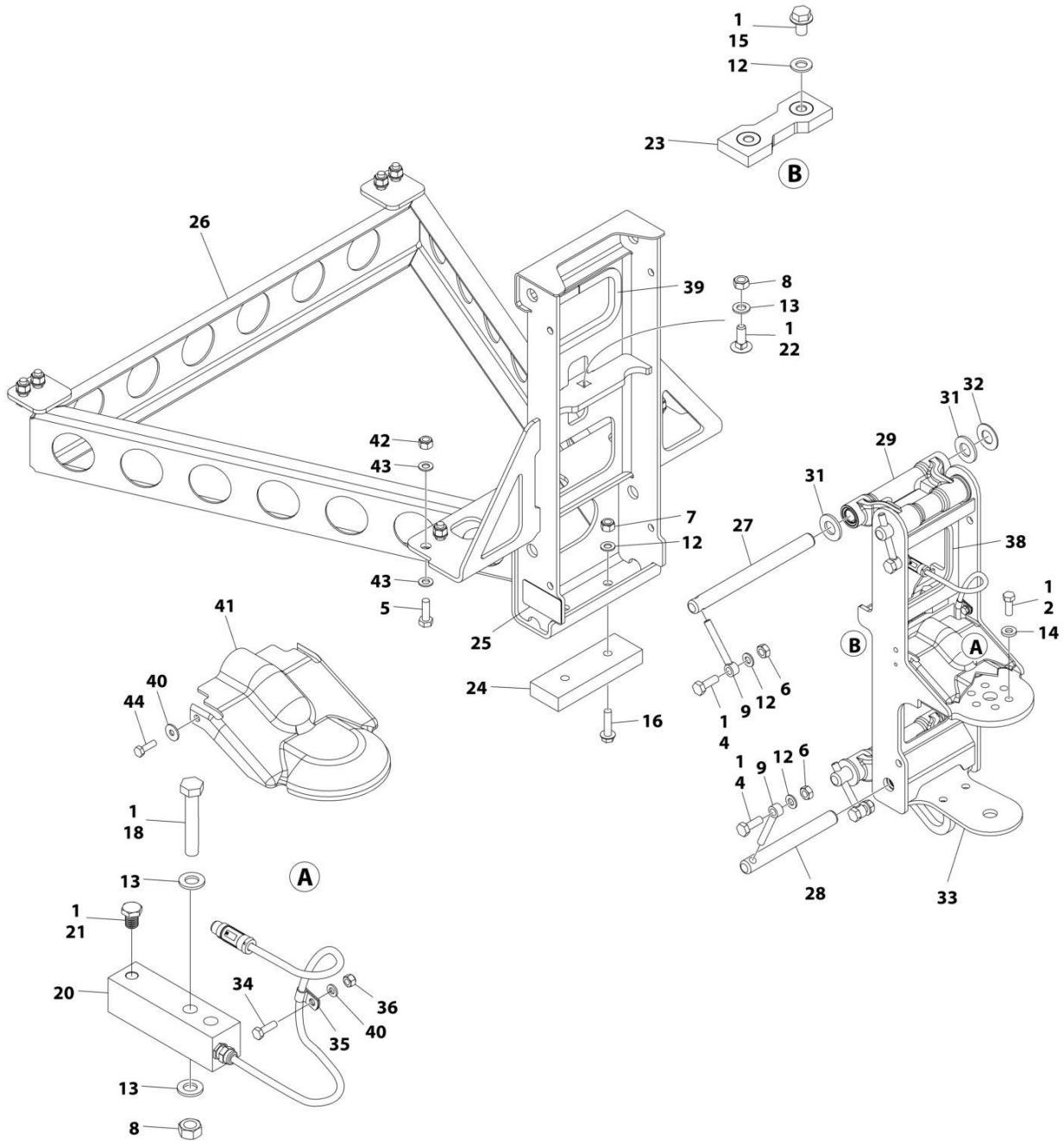
SECTION 4 - BOOM

FIGURE 4-9. PLATFORM SUPPORT INSTALLATION - WITH 1 CELL LSS (PVC 2001)

ITEM	PART NUMBER	QTY	DESCRIPTION	REV
	1001217227	Ref	PLATFORM SUPPORT INSTALLATION - WITH 1 CELL LSS	E
1	0100011	AR	Compound, Locking	
2	0681608	6	Bolt 3/8 x 1	
4	0761014	4	Bolt M10 x 30	
5	0761215	8	Bolt M12 x 35	
6	3291001	4	Nut M10	
7	3291005	AR	Nut M10	
8	3291201	3	Nut M12	
9	3841143	4	Keeper, Pin	
12	4812000	AR	Washer M10	
13	4812100	5	Washer M12	
14	4891600	6	Washer 3/8	
15	5251008	2	Bolt M10 x 16	
16	5251016	2	Bolt M10 x 40	
18	1001098828	2	Bolt M12 x 70 Grade 10.9	
20	1001172663	1	Cell, Load Sensing	
21	1001188622	1	Screw	
22	1001188844	1	Bolt M12 x 35	
23	1001190985	1	Pad, Wear	
24	1001200491	1	Pad, Wear	
25	1001216630	2	Decal - Tie Down/No Lift	
26	1001217228	1	Platform Support	
27	1001217242	2	Pin	
28	1001217243	2	Pin	
29	1001217244	2	Link	
31	1001217253	8	Bearing, Thrust	
32	1001217254	4	Bearing, Thrust	
33	1001217267	1	Support	
34	0760610	AR	Bolt M6 x 20	
35	1320136	1	Clamp	
36	3290605	1	Nut M6	
38	4060804	14.4 in/ 36.5cm	Shield	
39	4060805	15.9 in/ 40.5 cm	Shield	
40	4811702	3	Washer M6	
41	1001228627	1	Cover	
42	3291205	AR	Nut M12	
43	5241200	AR	Washer M12	
44	0760606	AR	Bolt M6 x 12	

SECTION 4 - BOOM

FIGURE 4-10. PLATFORM SUPPORT INSTALLATION - WITH 1 CELL LSS (PVC 2007)



ART_1001217227_F

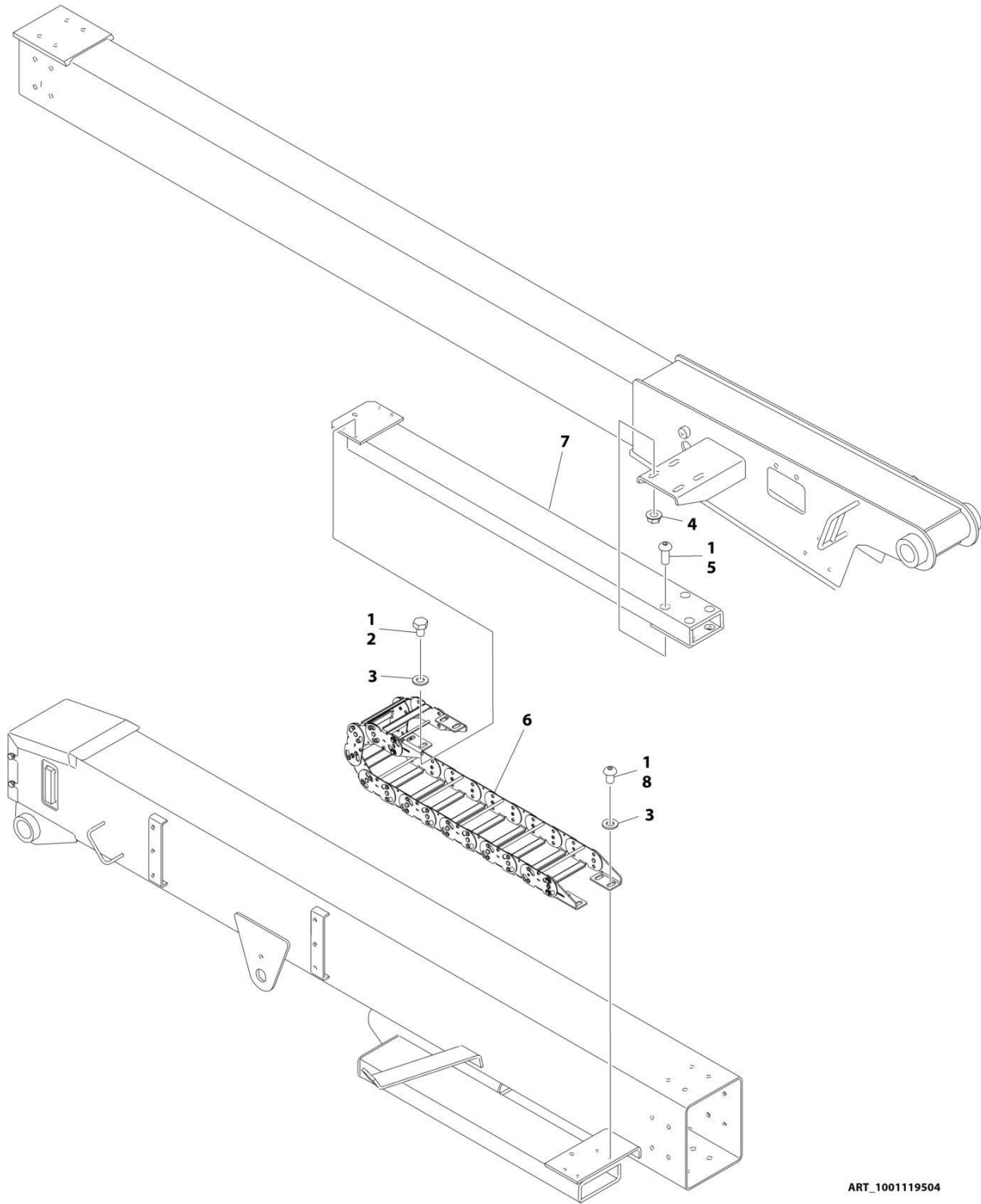
SECTION 4 - BOOM

FIGURE 4-10. PLATFORM SUPPORT INSTALLATION - WITH 1 CELL LSS (PVC 2007)

ITEM	PART NUMBER	QTY	DESCRIPTION	REV
	1001217227	Ref	PLATFORM SUPPORT INSTALLATION - WITH 1 CELL LSS	F
1	0100011	AR	Compound, Locking	
2	0681608	6	Bolt 3/8 x 1	
4	0761014	4	Bolt M10 x 30	
5	0761215	8	Bolt M12 x 35	
6	3291001	4	Nut M10	
7	3291005	2	Nut M10	
8	3291201	3	Nut M12	
9	3841143	4	Keeper, Pin	
12	4812000	8	Washer M10	
13	4812100	5	Washer M12	
14	4891600	6	Washer 3/8	
15	5251008	2	Bolt M10 x 16	
16	5251016	2	Bolt M10 x 40	
18	1001098828	2	Bolt M12 x 70 Grade 10.9	
20	1001247468	1	Gauge, Load Sensing	
21	1001188622	1	Screw	
22	1001188844	1	Bolt M12 x 35	
23	1001190985	1	Pad, Wear	
24	1001200491	1	Pad, Wear	
25	1001216630	2	Decal - Tie Down/No Lift	
26	1001217228	1	Platform Support	
27	1001217242	2	Pin	
28	1001217243	2	Pin	
29	1001217244	2	Link	
31	1001217253	8	Bearing, Thrust	
32	1001217254	4	Bearing, Thrust	
33	1001217267	1	Support	
34	0760610	1	Bolt M6 x 20	
35	1320136	1	Clamp	
36	3290605	1	Nut M6	
38	4060804	14.4 in/ 36.5cm	Shield	
39	4060805	15.9 in/ 40.5 cm	Shield	
40	4811702	3	Washer M6	
41	1001228627	1	Cover	
42	3291205	8	Nut M12	
43	5241200	16	Washer M12	
44	0760606	2	Bolt M6 x 12	

SECTION 4 - BOOM

FIGURE 4-11. POWER TRACK INSTALLATION



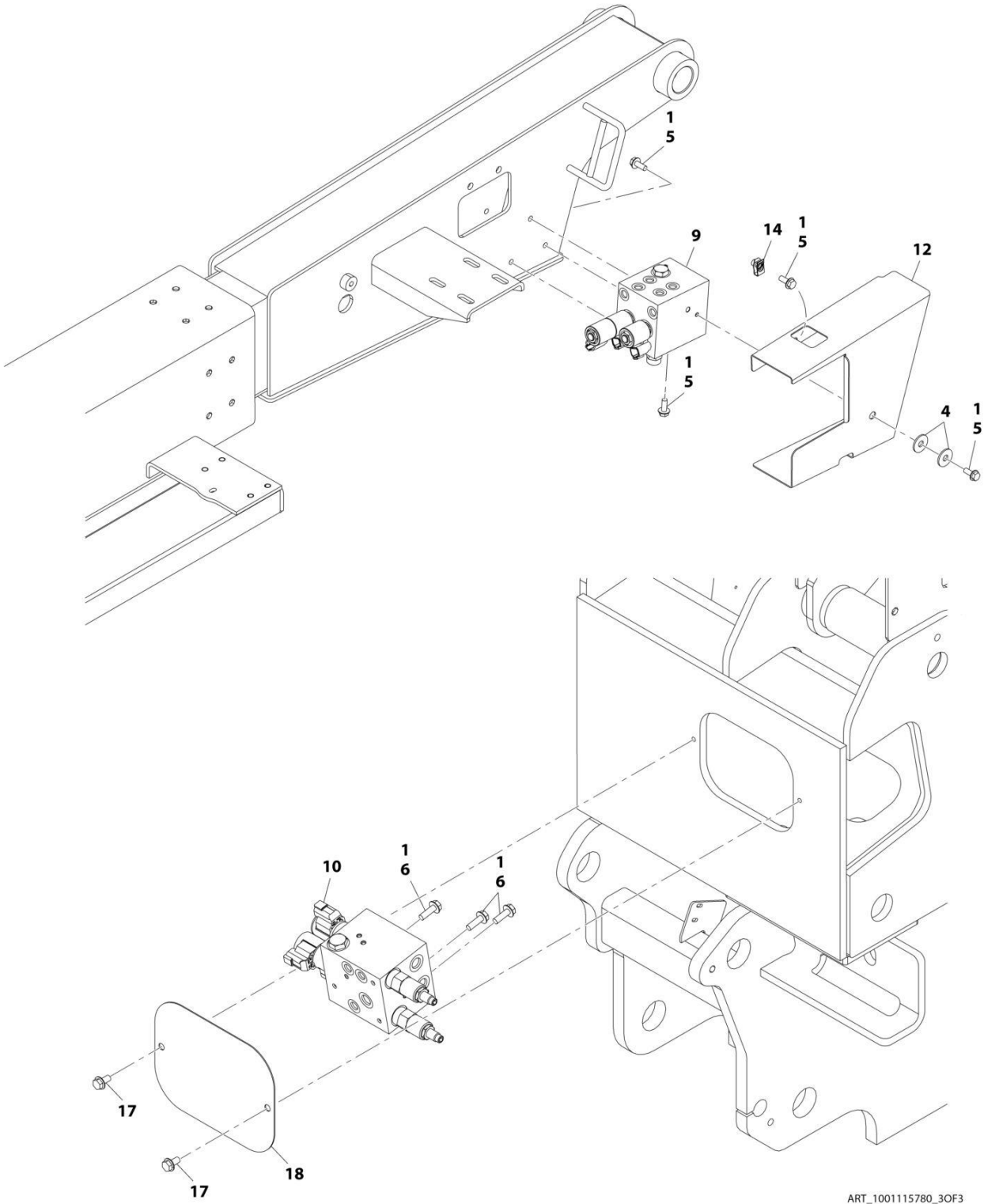
ART_1001119504

FIGURE 4-11. POWER TRACK INSTALLATION

ITEM	PART NUMBER	QTY	DESCRIPTION	REV
	1001119504	Ref	POWER TRACK INSTALLATION	C
1	0100011	AR	Compound, Locking	
2	0761007	4	Bolt M10 x 14	
3	4812000	8	Washer M10	
4	5221000	4	Nut M10 Grade 10.9	
5	8310668	4	Screw M10 x 25 Grade 10.9	
6	1001224891	1	Carrier, Power Track	
6	70006269	1	Repair Kit (Includes 10 Link Section of Track)	
6	70006280	1	Bracket Kit (Includes 4 Mounting Feet and Hardware to Attach to Track)	
7	1001119513	1	Tube, Support	
8	1001119527	4	Screw M10 x 16	

SECTION 4 - BOOM

FIGURE 4-12. CONTROL VALVES INSTALLATION - BOOM



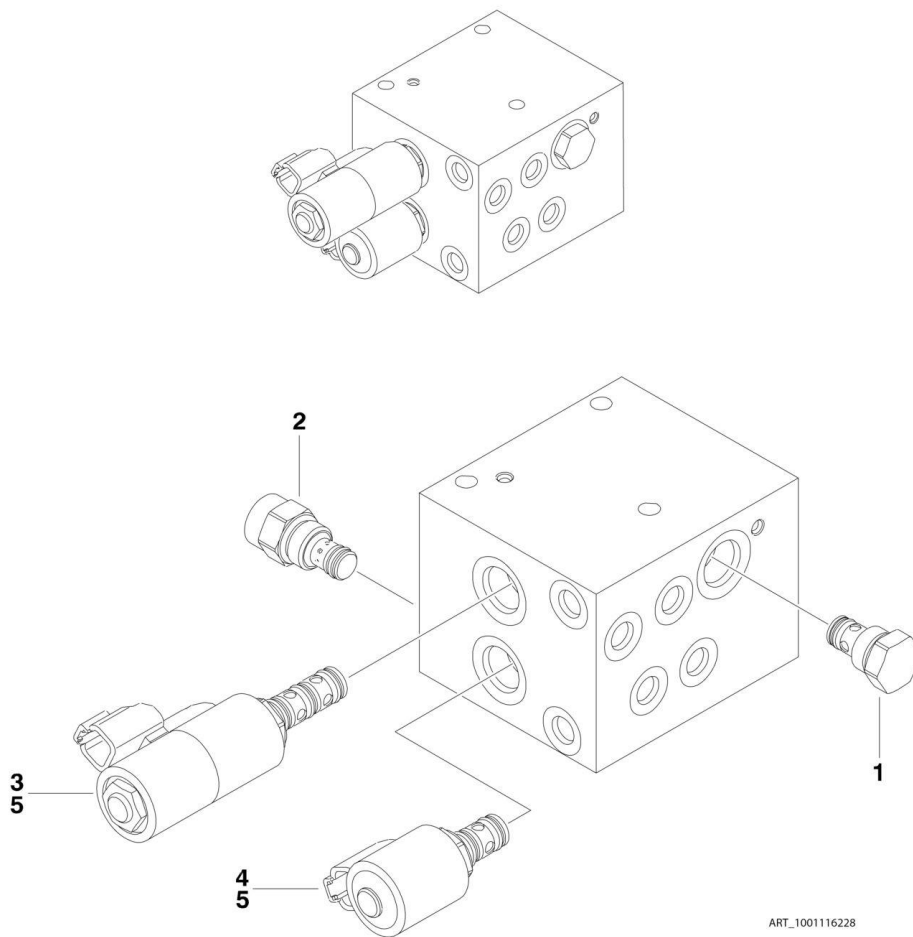
ART_1001115780_30F3

SECTION 4 - BOOM**FIGURE 4-12. CONTROL VALVES INSTALLATION - BOOM**

ITEM	PART NUMBER	QTY	DESCRIPTION	REV
	1001115780	Ref	CONTROL VALVES INSTALLATION - BOOM	G
1	0100011	AR	Compound, Locking	
4	4812002	2	Washer M10	
5	5250810	10	Bolt M8 x 20	
6	5250812	3	Bolt M8 x 25	
9	1001116228	1	Fly Boom Valve Assembly (See Separate Breakdown in this Section)	
10	1001136244	1	Boom Upright Valve Assembly (See Separate Breakdown in this Section)	
12	1001116835	1	Shield	
14	1001118274	1	Nut M8	
17	5250808	2	Bolt M8 x 16	
18	1001118595	1	Cover	

SECTION 4 - BOOM

FIGURE 4-13. FLY BOOM VALVE ASSEMBLY



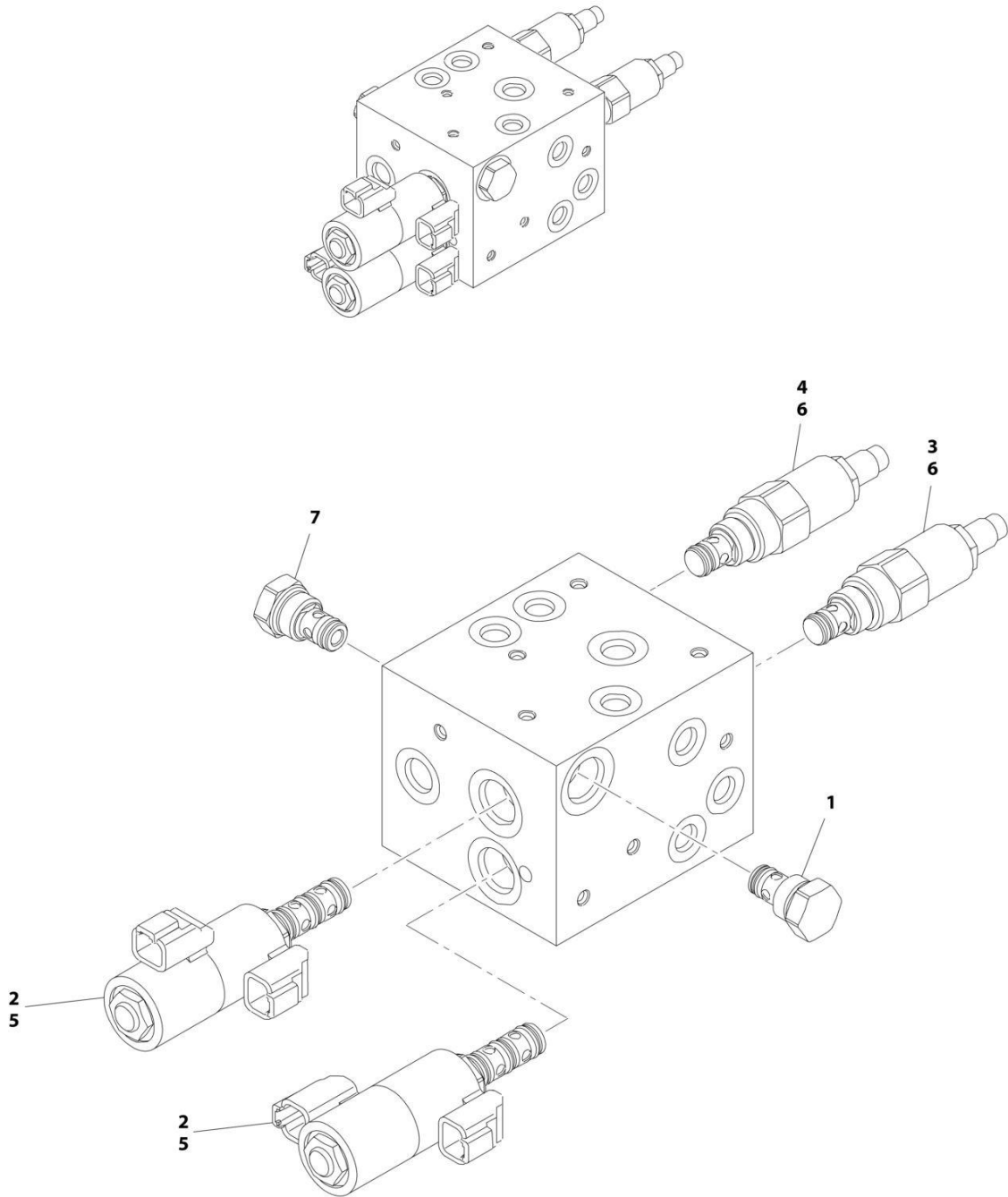
ART_1001116228

FIGURE 4-13. FLY BOOM VALVE ASSEMBLY

ITEM	PART NUMBER	QTY	DESCRIPTION	REV
	1001116228	Ref	FLY BOOM VALVE ASSEMBLY	D
1	7012955	1	Cartridge, Check Valve	
1	7012967	1	Seal Kit - 7012955 Cartridge	
2	7023970	1	Cartridge, Flow Regulator	
2	7012953	1	Seal Kit - 7023970 Cartridge	
3	7017452	1	Cartridge, Solenoid Valve (without Coil) (Rotate)	
3	7017402	1	Seal Kit - 7017452 Cartridge	
4	7012941	1	Cartridge, Solenoid Valve (without Coil) (Jib)	
4	7010543	1	Seal Kit - 7012941 Cartridge	
5	70002386	3	Coil	

SECTION 4 - BOOM

FIGURE 4-14. BOOM UPRIGHT VALVE ASSEMBLY



ART_1001136244

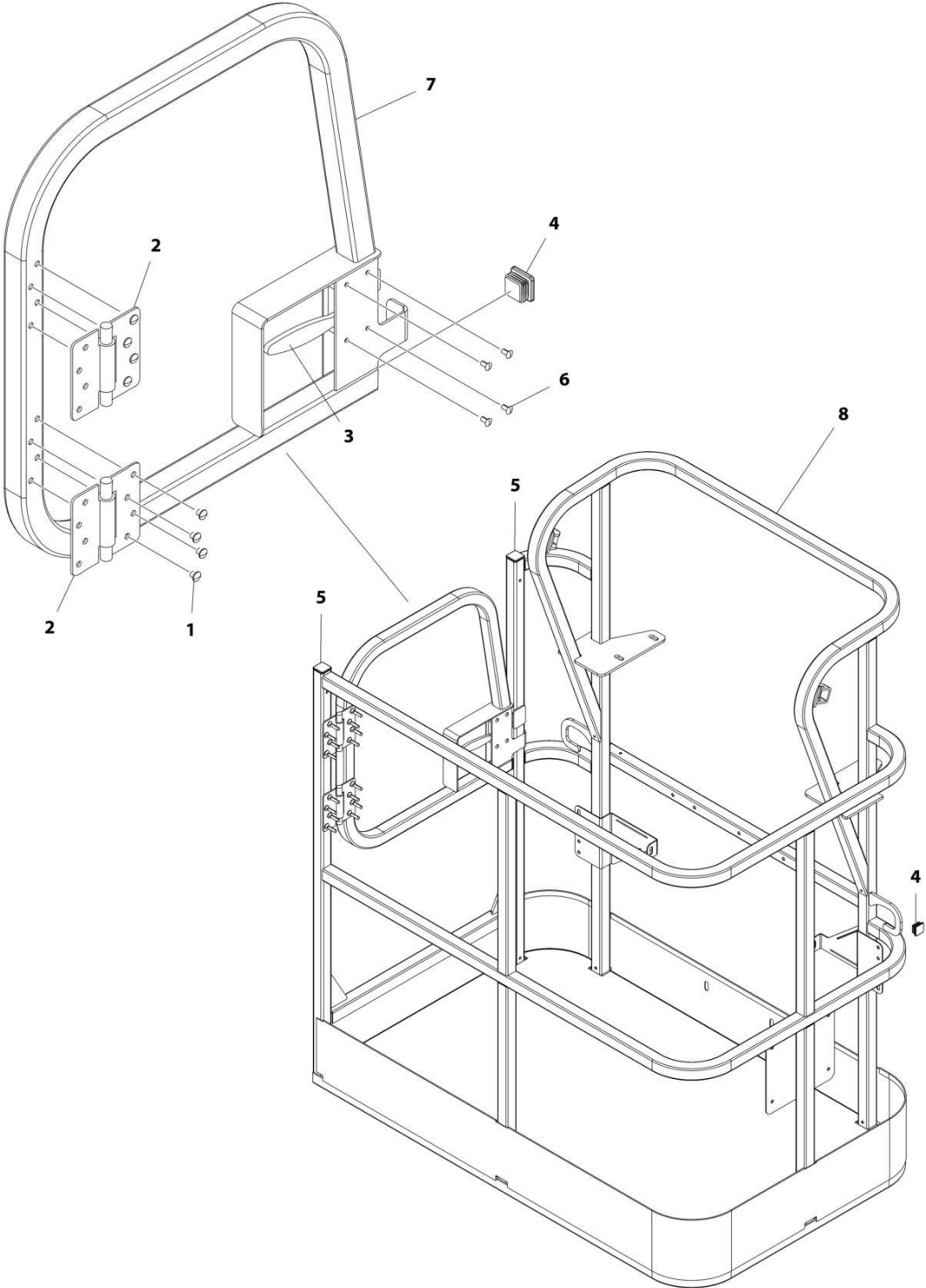
FIGURE 4-14. BOOM UPRIGHT VALVE ASSEMBLY

ITEM	PART NUMBER	QTY	DESCRIPTION	REV
	1001136244	Ref	BOOM UPRIGHT VALVE ASSEMBLY	C
1	7012955	2	Cartridge, Check Valve	
1	7012967	2	Seal Kit - 7012955 Cartridge	
2	7017452	2	Cartridge, Solenoid Valve (without Coil) (Telescope/Platform Level)	
2	7017402	2	Seal Kit - 7017452 Cartridge	
3	7017427	1	Cartridge, Relief	
3	7012998	1	Seal Kit - 7017427 Cartridge	
4	70002954	1	Cartridge, Relief	
4	7012998	1	Seal Kit - 70002954 Cartridge	
5	70002963	4	Coil	
6	See Note	2	Orifice (Note: Not Available for Purchase)	
7	7017498	1	Piston, Pilot	

SECTION 5 - PLATFORM

SECTION 5 - PLATFORM

FIGURE 5-1. PLATFORM ASSEMBLY - 30IN X 4FT (76CM X 1.22M) - GATE ENTRY



ART_1001186387

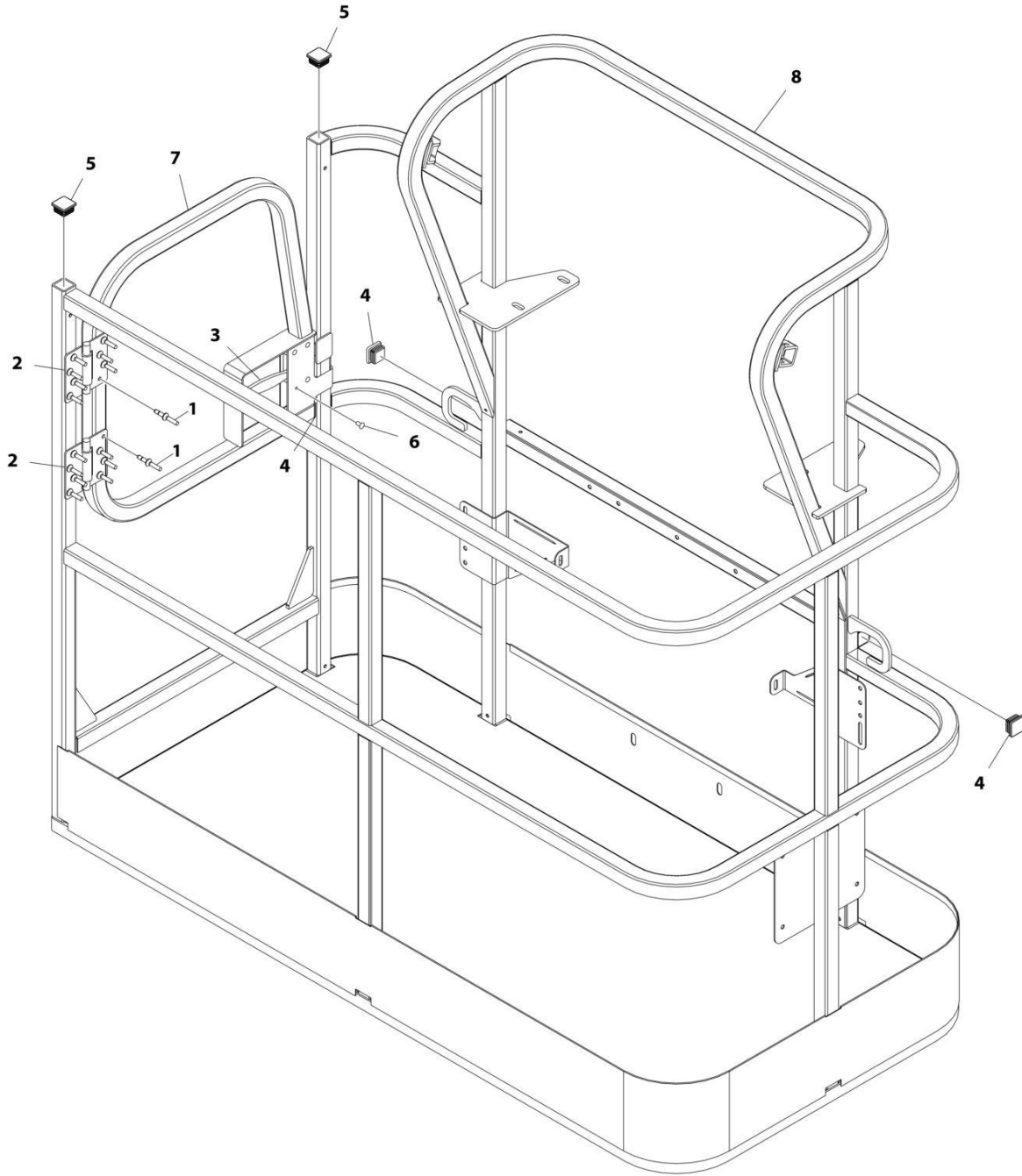
SECTION 5 - PLATFORM

FIGURE 5-1. PLATFORM ASSEMBLY - 30IN X 4FT (76CM X 1.22M) - GATE ENTRY

ITEM	PART NUMBER	QTY	DESCRIPTION	REV
	1001186387	Ref	PLATFORM ASSEMBLY	C
		Ref	Note: Platform and Mesh must be ordered separately for Platforms with Mesh. See SPECIAL OPTIONS SECTION for Mesh Installations.	
		Ref	Note: Replacement Decals Must be Ordered Separately - See DECALS SECTION.	
1	2080040	16	Fastener, Huck	
2	2600281	2	Hinge, Self-Closing	
3	2940074	1	Latch	
4	3520072	3	Plug	
5	3520198	2	Plug	
6	3820020	4	Rivet	
7	1001144629	1	Gate	
8	See Note	1	Platform (Note: Not Available - Purchase Platform Assembly)	

SECTION 5 - PLATFORM

FIGURE 5-2. PLATFORM ASSEMBLY - 30IN X 5FT (76CM X 1.52M) - GATE ENTRY



ART_1001186386

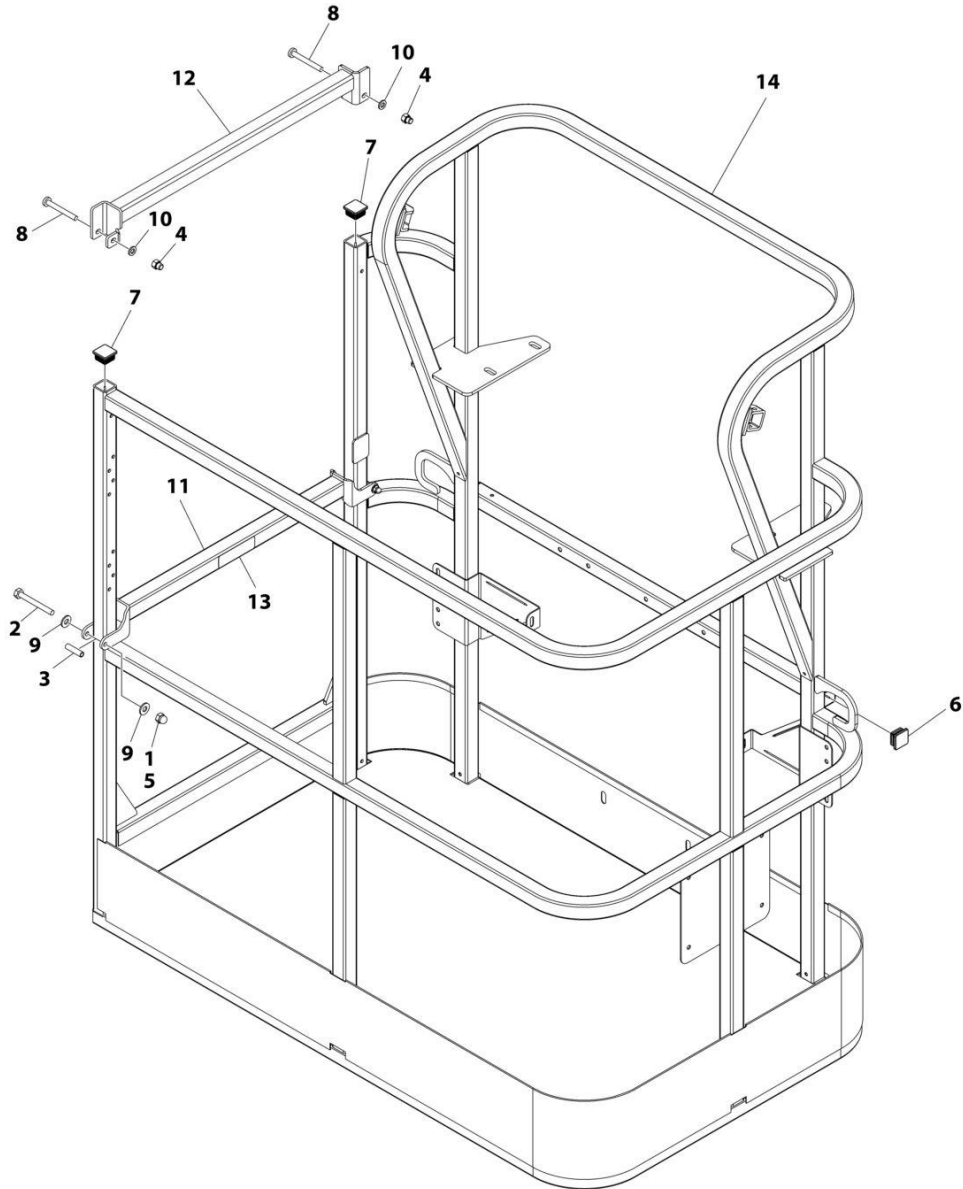
SECTION 5 - PLATFORM

FIGURE 5-2. PLATFORM ASSEMBLY - 30IN X 5FT (76CM X 1.52M) - GATE ENTRY

ITEM	PART NUMBER	QTY	DESCRIPTION	REV
	1001186386	Ref	PLATFORM ASSEMBLY	C
		Ref	Note: Platform and Mesh must be ordered separately for Platforms with Mesh. See SPECIAL OPTIONS SECTION for Mesh Installations.	
		Ref	Note: Replacement Decals Must be Ordered Separately - See DECALS SECTION.	
1	2080040	16	Fastener, Huck	
2	2600281	2	Hinge, Self-Closing	
3	2940074	1	Latch	
4	3520072	3	Plug	
5	3520198	2	Plug	
6	3820020	4	Rivet	
7	1001144629	1	Gate	
8	See Note	NSS	Platform (Note: Not Available - Purchase Platform Assembly)	

SECTION 5 - PLATFORM

FIGURE 5-3. PLATFORM ASSEMBLY - 30IN X 4FT (76CM X 1.22M) - DROP BAR ENTRY



ART_1001186375

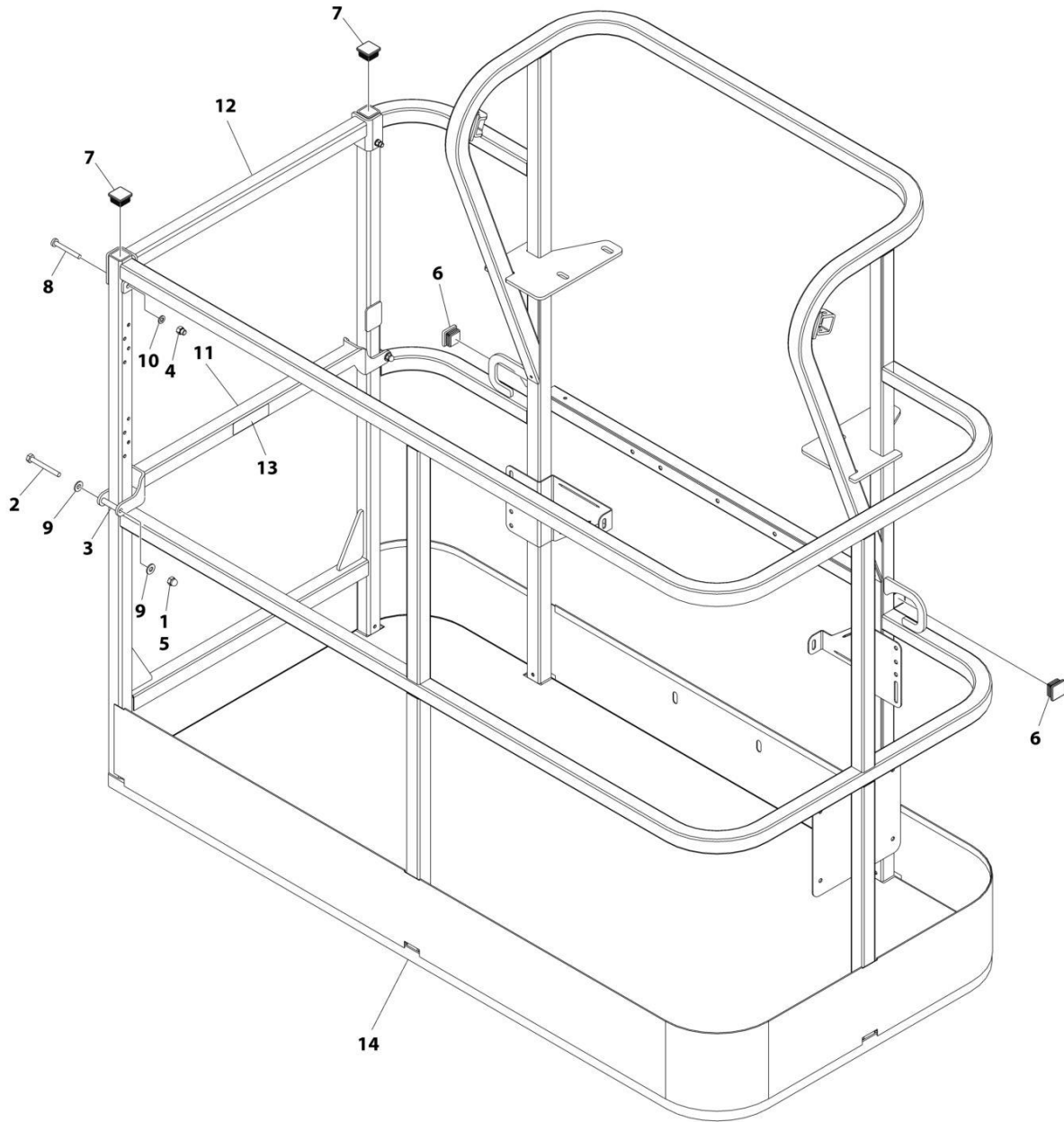
SECTION 5 - PLATFORM

FIGURE 5-3. PLATFORM ASSEMBLY - 30IN X 4FT (76CM X 1.22M) - DROP BAR ENTRY

ITEM	PART NUMBER	QTY	DESCRIPTION	REV
	1001186375	Ref	PLATFORM ASSEMBLY	B
		Ref	Note: Platform and Mesh must be ordered separately for Platforms with Mesh. See SPECIAL OPTIONS SECTION for Mesh Installations.	
		Ref	Note: Replacement Decals Must be Ordered Separately - See DECALS SECTION.	
1	0100011	AR	Compound, Locking	
2	0641418	2	Bolt 1/4 x 2-1/4	
3	0961845	2	Bushing	
4	3290606	2	Nut M6	
5	3300151	2	Nut 1/4	
6	3520072	2	Plug	
7	3520198	2	Plug	
8	4010618	2	Screw M6 x 50	
9	4711400	4	Washer 1/4	
10	4811700	2	Washer M6	
11	1001138494	1	Bar, Drop	
12	1001138514	1	Rail - Top	
13	1001140429	1	Decal - Drop Bar	
14	See Note	1	Platform (Note: Not Available - Purchase Platform Assembly)	

SECTION 5 - PLATFORM

FIGURE 5-4. PLATFORM ASSEMBLY - 30IN X 5FT (76CM X 1.52M) - DROP BAR ENTRY



ART_1001186377

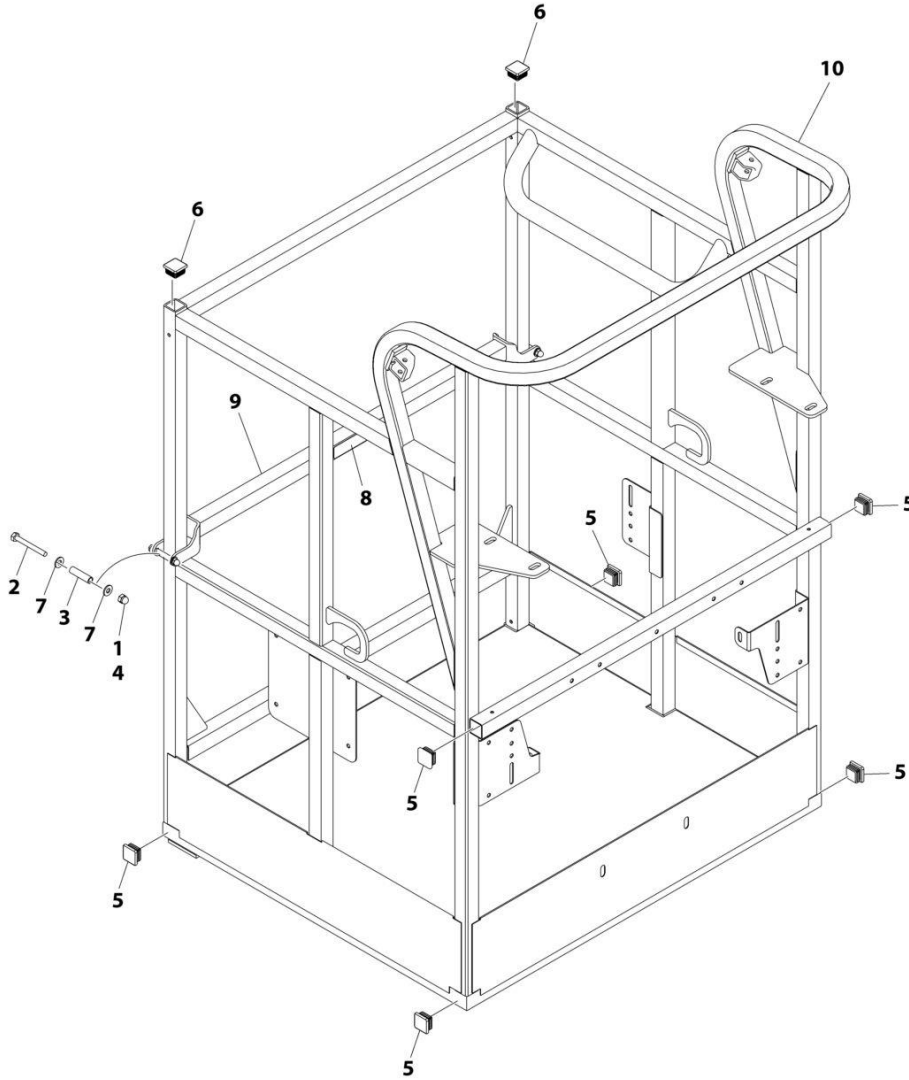
SECTION 5 - PLATFORM

FIGURE 5-4. PLATFORM ASSEMBLY - 30IN X 5FT (76CM X 1.52M) - DROP BAR ENTRY

ITEM	PART NUMBER	QTY	DESCRIPTION	REV
	1001186377	Ref	PLATFORM ASSEMBLY	C
		Ref	Note: Platform and Mesh must be ordered separately for Platforms with Mesh. See SPECIAL OPTIONS SECTION for Mesh Installations.	
		Ref	Note: Replacement Decals Must be Ordered Separately - See DECALS SECTION.	
1	0100011	AR	Compound, Locking	
2	0641420	2	Bolt 1/4 x 2-1/2	
3	0961845	2	Bushing	
4	3290606	2	Nut M6	
5	3300151	2	Nut 1/4	
6	3520072	2	Plug	
7	3520198	2	Plug	
8	4010618	2	Screw M6 x 50	
9	4711400	4	Washer 1/4	
10	4811700	2	Washer M6	
11	1001138494	1	Bar, Drop	
12	1001138514	1	Rail (Top)	
13	1001140429	1	Decal - Drop Bar	
14	See Note	NSS	Platform (Note: Not Available - Purchase Platform Assembly)	

SECTION 5 - PLATFORM

FIGURE 5-5. PLATFORM ASSEMBLY - 30IN X 3FT (76CM X .91M) - DROP BAR ENTRY



ART_1001228215

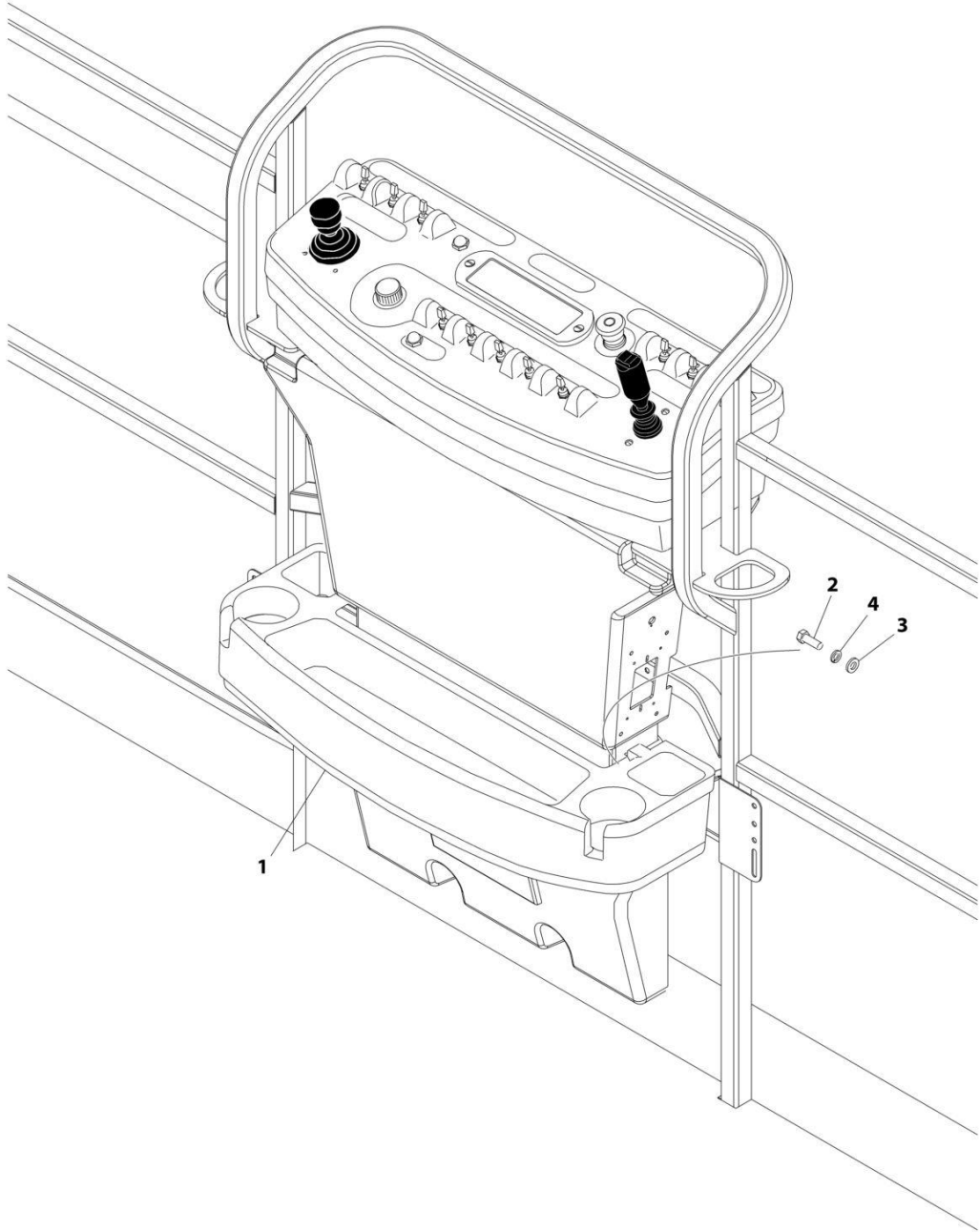
SECTION 5 - PLATFORM

FIGURE 5-5. PLATFORM ASSEMBLY - 30IN X 3FT (76CM X .91M) - DROP BAR ENTRY

ITEM	PART NUMBER	QTY	DESCRIPTION	REV
	1001228215	Ref	PLATFORM ASSEMBLY	A
	See Note	Ref	Note: Platform and Mesh must be ordered separately for Platforms with Mesh. See SPECIAL OPTIONS SECTION for Mesh Installations.	
	See Note	Ref	Note: Replacement Decals Must be Ordered Separately - See DECAL SECTION.	
1	0100011	AR	Compound, Locking	
2	0641418	2	Bolt 1/4 x 2-1/4	
3	0961845	2	Bushing	
4	3300151	2	Nut 1/4	
5	3520072	6	Cap, Plug	
6	3520198	2	Cap, Plug	
7	4711400	4	Washer 1/4	
8	1001140429	1	Decal - Drop Bar	
9	1001226872	1	Bar, Drop	
10	See Note	NSS	Platform (Note: Not Available - Purchase Platform Assembly)	

SECTION 5 - PLATFORM

FIGURE 5-6. TRAY INSTALLATION



ART_1580012

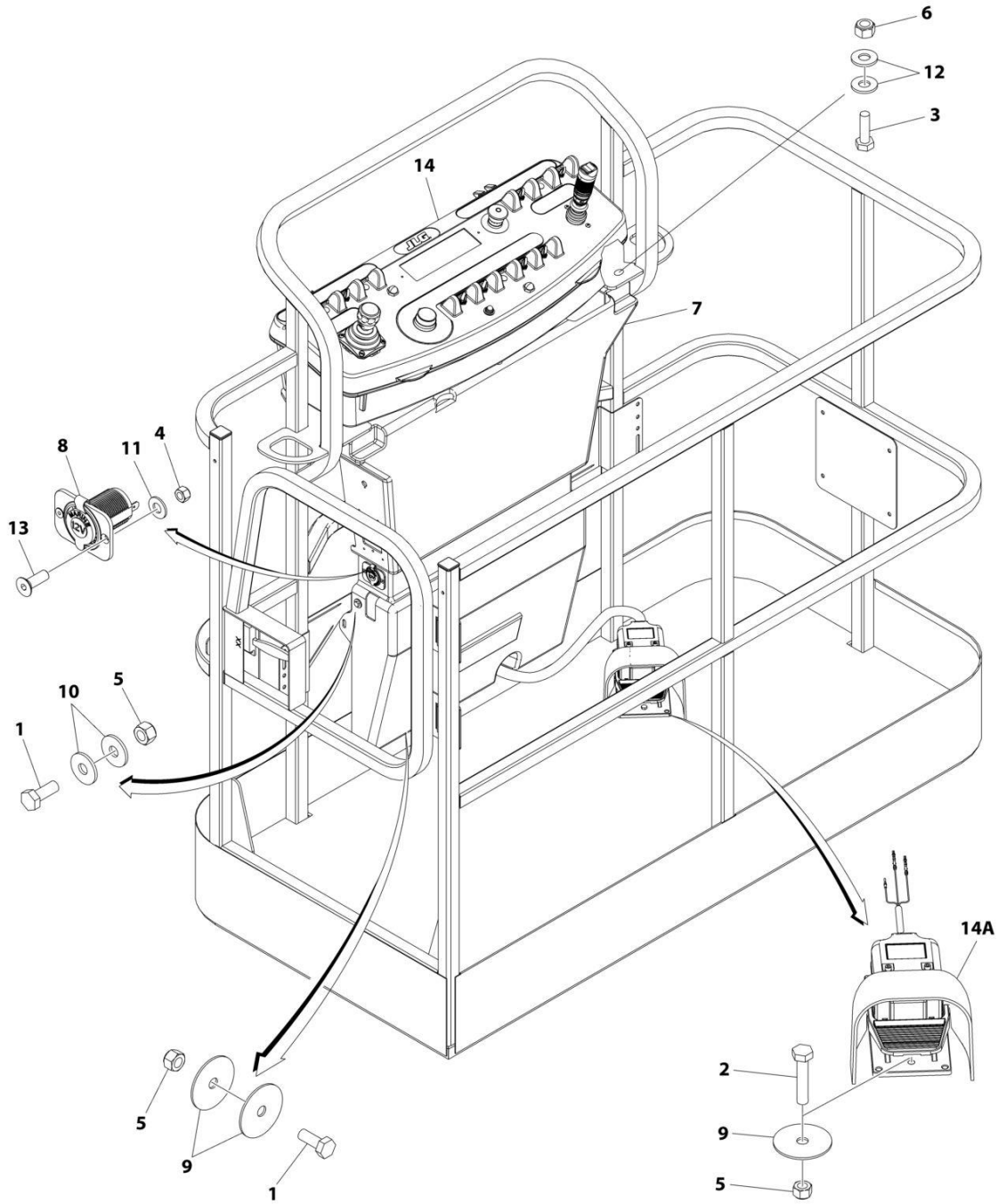
SECTION 5 - PLATFORM

FIGURE 5-6. TRAY INSTALLATION

ITEM	PART NUMBER	QTY	DESCRIPTION	REV
	1580012	Ref	TRAY ASSEMBLY	C
1	See Note	NSS	Tray, Storage (Center) (Note: Purchase p/n 1580012)	
2	0641406	2	Bolt 1/4 x 3/4	
3	4751400	2	Washer 1/4	
4	4761400	2	Washer 1/4	

SECTION 5 - PLATFORM

FIGURE 5-7. CONSOLE AND FOOTSWITCH INSTALLATION - DIESEL MACHINES



ART_1001245407

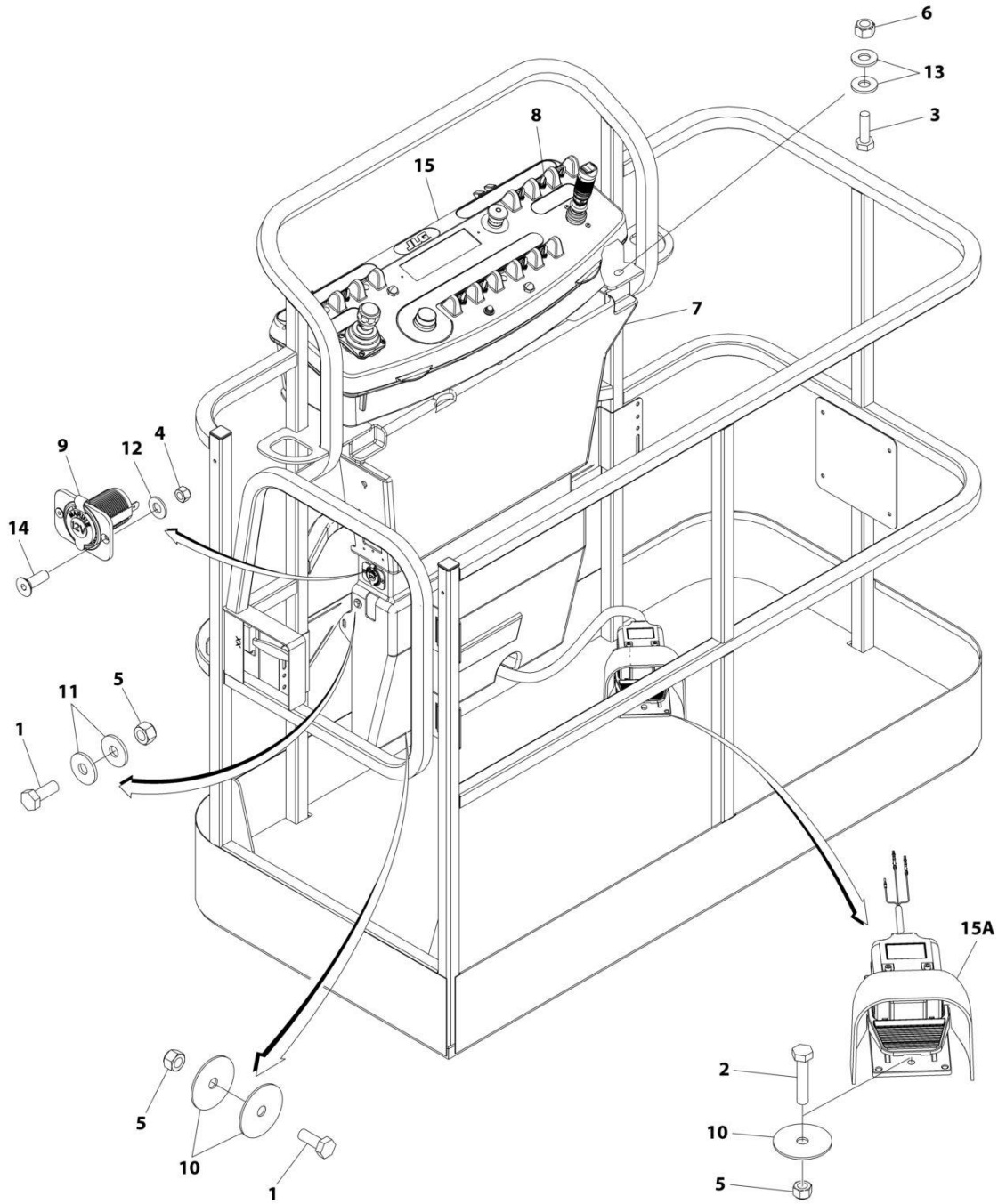
SECTION 5 - PLATFORM

FIGURE 5-7. CONSOLE AND FOOTSWITCH INSTALLATION - DIESEL MACHINES

ITEM	PART NUMBER	QTY	DESCRIPTION	REV
	1001245407	Ref	CONSOLE AND FOOTSWITCH INSTALLATION - DIESEL MACHINES WITHOUT SKYGUARD	C
1	0760610	4	Bolt M6 x 16	
2	0760614	3	Bolt M6 x 30	
3	0761015	4	Bolt M10 x 35	
4	3290405	AR	Nut M4	
5	3290605	7	Nut M6	
6	3291005	4	Nut M10	
7	3380434	1	Panel, Pedestal	
8	4461012	AR	Receptacle, 12V	
9	4740362	7	Washer 1/4	
10	4751400	2	Washer M4	
11	4811400	AR	Washer M4	
12	4812000	8	Washer M10	
13	1001097244	AR	Capscrew M4 x 12	
14	1001245389	2	Console Box Assembly (See Separate Breakdown in this Section)	
14A	1001117174	1	Footswitch Assembly	B
14A	1001117172	1	Footswitch Less Cable	
14A	70002902	1	Block, Contact	
14A	70002903	1	Gasket	
14A	70002905	1	Cover	
14A	70002904	1	Bolt Replacement Kit	
14A	1060918	7.5 ft /2.3m	Cable, Electrical - 18/3	
14A	4460071	1	Connector, Strain Relief	
14A	4460226	2	Socket, Female	
14A	4460464	1	Pin, Male	

SECTION 5 - PLATFORM

FIGURE 5-8. CONSOLE AND FOOTSWITCH INSTALLATION - GAS MACHINES



ART_1001245427

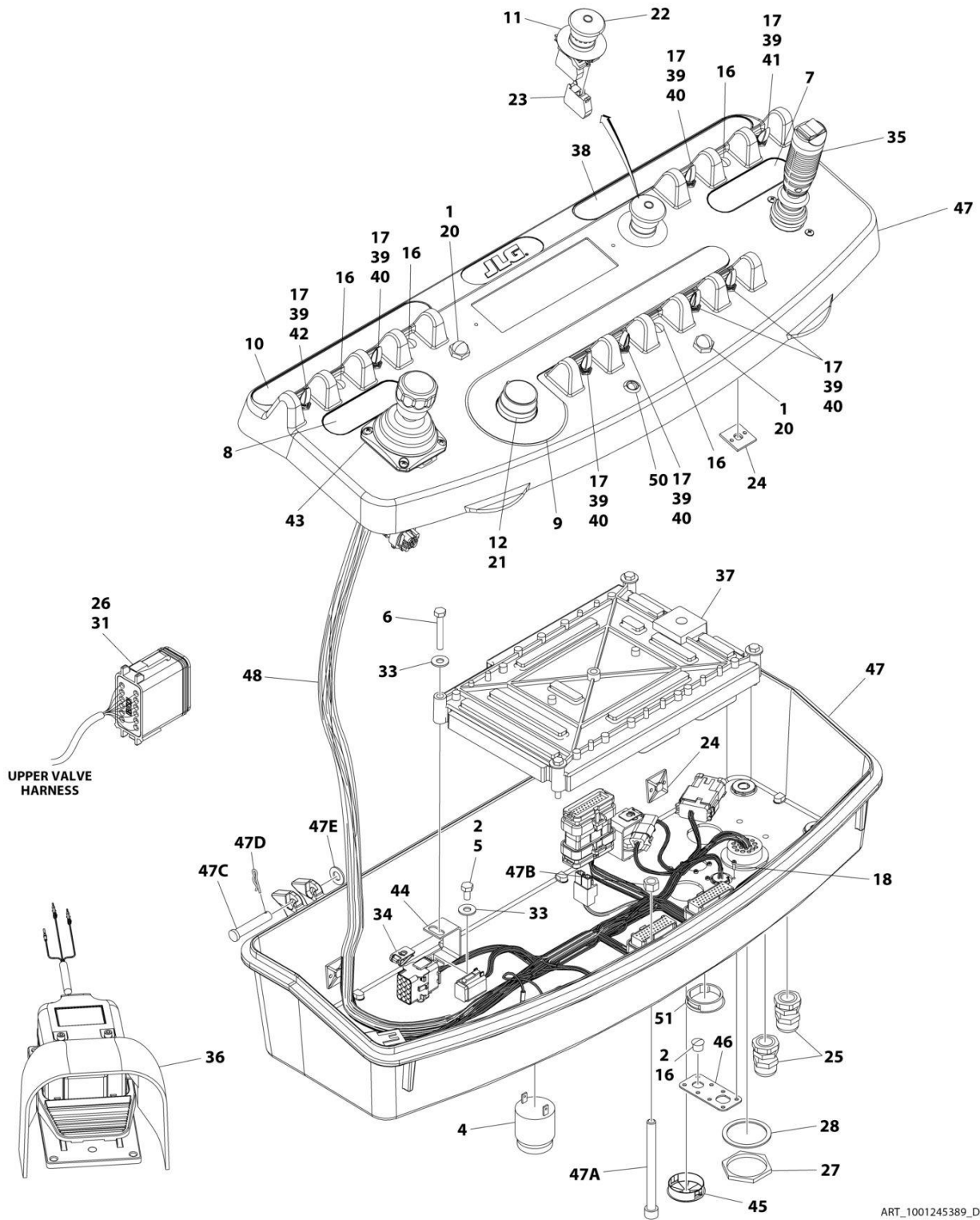
SECTION 5 - PLATFORM

FIGURE 5-8. CONSOLE AND FOOTSWITCH INSTALLATION - GAS MACHINES

ITEM	PART NUMBER	QTY	DESCRIPTION	REV
	1001245427	Ref	CONSOLE AND FOOTSWITCH INSTALLATION - GAS MACHINES WITHOUT SKYGUARD	B
1	0700610	4	Bolt M6 x 16	
2	0760614	3	Bolt M6 x 30	
3	0761015	4	Bolt M10 x 35	
4	3290405	2	Nut M4	
5	3290605	7	Nut M6	
6	3291005	4	Nut M10	
7	3380434	1	Panel, Pedestal	
8	4360336	1	Switch, Toggle	
9	4461012	1	Receptacle, 12V	
10	4740362	7	Washer 1/4	
11	4751400	2	Washer M4	
12	4811400	4	Washer M4	
13	4812000	8	Washer M10	
14	1001097244	1	Capscrew M4 x 12	
15	1001245389	2	Console Box Assembly (See Separate Breakdown in this Section)	
15A	1001117174	1	Footswitch Assembly	B
15A	1001117172	1	Footswitch Less Cable	
15A	70002902	1	Block, Contact	
15A	70002903	1	Gasket	
15A	70002905	1	Cover	
15A	70002904	1	Bolt Replacement Kit	
15A	1060918	7.5 ft /2.3m	Cable, Electrical - 18/3	
15A	4460071	1	Connector, Strain Relief	
15A	4460226	2	Socket, Female	
15A	4460464	1	Pin, Male	

SECTION 5 - PLATFORM

FIGURE 5-9. CONSOLE ASSEMBLY



ART_1001245389_D

SECTION 5 - PLATFORM

FIGURE 5-9. CONSOLE ASSEMBLY

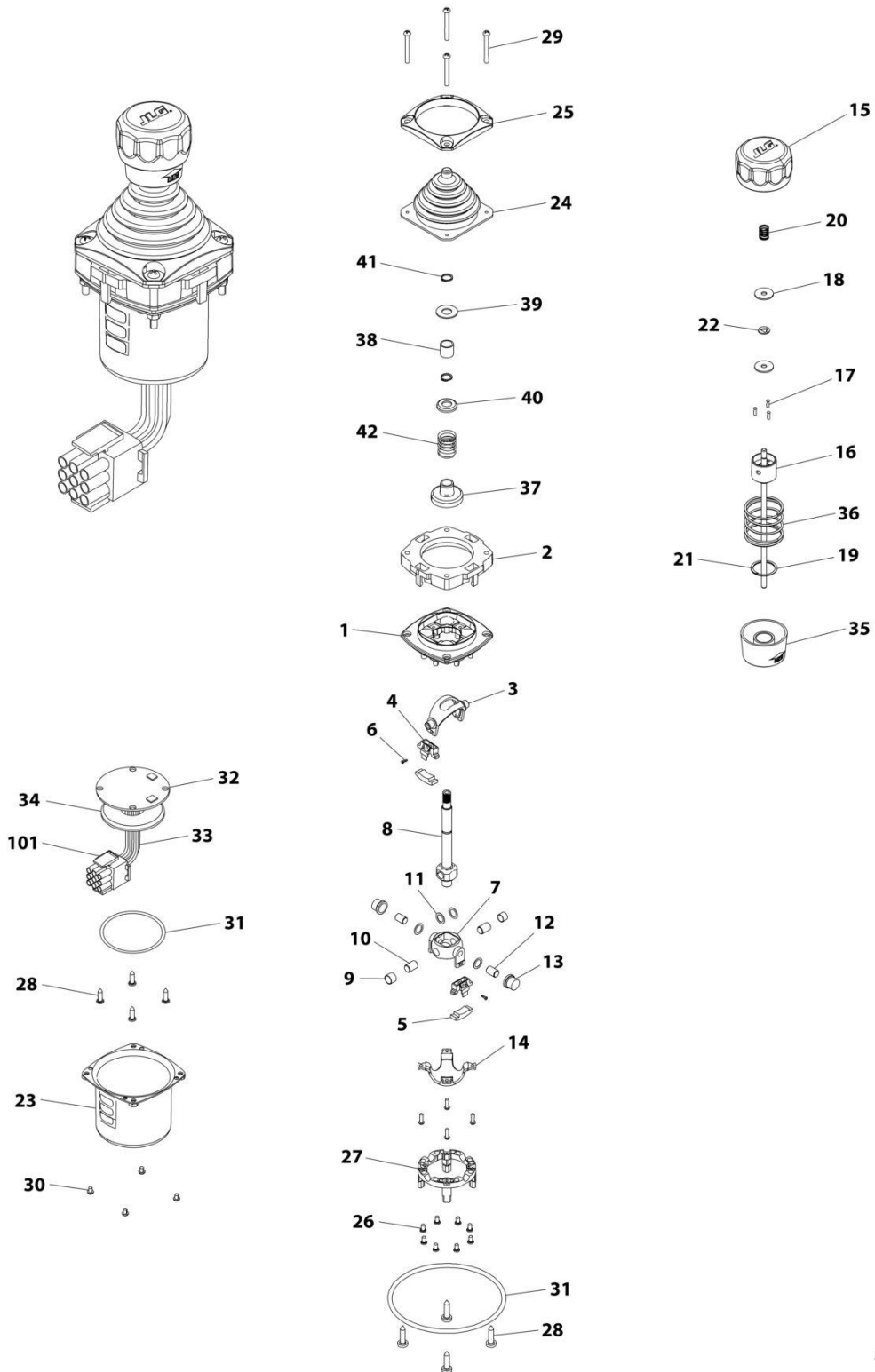
ITEM	PART NUMBER	QTY	DESCRIPTION	REV
	1001245389	Ref	CONSOLE ASSEMBLY - WITHOUT SKYGUARD	D
1	0100009	AR	Sealant	
2	0100035	AR	Compound, Locking	
4	0140011	1	Alarm	
5	0641405	4	Bolt 1/4 x 5/8	
6	0641414	4	Bolt 1/4 x 3/4	
7	1702565	1	Decal - Drive and Steer	
8	1702566	1	Decal - Lift and Swing	
9	1702567	1	Decal - Function Speed	
10	1001184626	1	Decal - Horn	
11	1704260	1	Decal - EMS	
12	2560136	1	Handle, Knob	
16	3520054	5	Plug, Hole	
17	3790012	8	O-Ring	
18	3900349	8	Capscrew M2.5	
19	4240099	AR	Tie-Strap (Not-Shown)	
20	4360387	2	Switch, Push-button	
21	4360407	1	Switch, Potentiometer	
22	1001274559	1	Switch, Emergency	
23	4360476	1	Block, Contact	
24	4460234	6	Mount, Tie-strap	
25	4460428	2	Connector, Strain Relief	
26	4460466	7	Plug, Terminal	
27	4460470	1	Nut, Terminal	
28	4460471	1	Washer, Terminal	
31	4460933	1	Plug, Male - 12 Position	
33	4751400	8	Washer 1/4	
34	3300353	4	Nut Tinnerman	
35	1001166538	1	Drive/Steer Controller Assembly (Use p/n 1001212415) (See Separate Breakdown in this Section)	
36	1001117174	1	Footswitch Assembly (See Separate Breakdown in this Section)	
37	1001118412	1	Module, Platform (Note: Re-calibration Required when Replaced)	
38	1001184618	1	Decal - Stop	
39	1001155044	8	Nut 15/32	
40	1001155045	6	Switch, Toggle	
41	1001159256	1	Switch, Toggle	
42	1001161709	1	Switch, Toggle	
43	1001166539	1	Lift/Swing Controller Assembly (Use p/n 1001129555) See Separate Breakdown in this Section)	
44	1001172760	4	Bracket	
45	1001185281	1	Plug	
46	1001213882	1	Mount, Connector	
47	1001215228	1	Platform Console Box	
47A	0630568	1	Capscrew 3/8 x 4-1/2	
47B	3311601	1	Nut 3/8	
47C	3430616	2	Pin	
47D	3470003	2	Hairpin	
47E	4711600	2	Washer 3/8	
48	1001244528	1	Platform Console Harness (See Separate Breakdown in ELECTRICAL Section)	

SECTION 5 - PLATFORM

ITEM	PART NUMBER	QTY	DESCRIPTION	REV
49	1001140525	1	Valve Harness - Platform to Boom Valves (Not Shown - See Separate Breakdown in ELECTRICAL Section)	
50	1001110434	1	Plug	
51	1001206532	1	Lamp, LED Indicator Yellow	

SECTION 5 - PLATFORM

FIGURE 5-10. LIFT/SWING CONTROLLER ASSEMBLY



ART_1001166539

SECTION 5 - PLATFORM

FIGURE 5-10. LIFT/SWING CONTROLLER ASSEMBLY

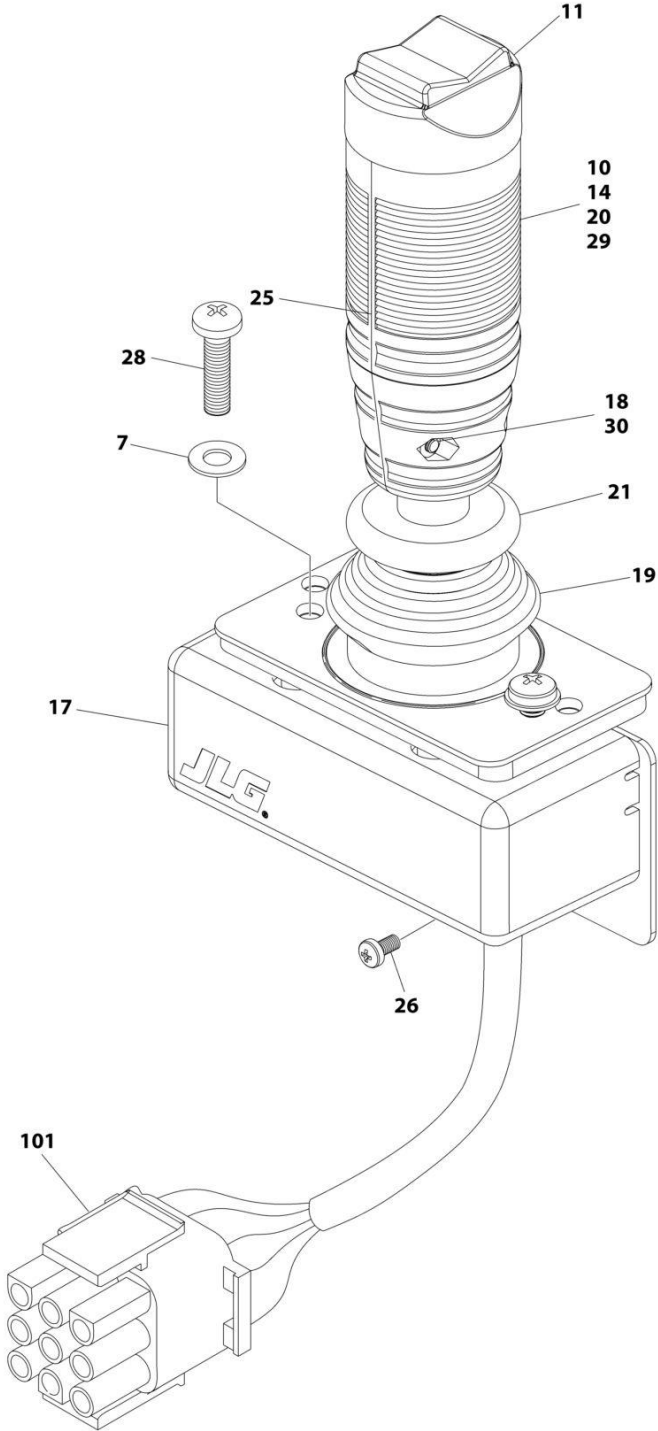
ITEM	PART NUMBER	QTY	DESCRIPTION	REV
	1001166539	Ref	CONTROLLER ASSEMBLY	E
		Ref	Note: Original Equipment Controller May Have Been Replaced with Service Replacement Controller. Visually Identify Controller Before Ordering Parts.	
		Ref	Note: For Replacement, Use p/n 1001129555	
1	See Note	NSS	Main Cast Body (Note: Not Available - Purchase Complete Assembly)	
2	70004752	1	Adapter	
3	See Note	NSS	Pivot Arm, Plastic (Note: Not Available - Purchase Complete Assembly)	
4	See Note	NSS	Holder, Magnet (Note: Not Available - Purchase Complete Assembly)	
5	See Note	NSS	Arc, Magnet (Note: Not Available - Purchase Complete Assembly)	
6	See Note	NSS	Screw (Note: Not Available for Purchase)	
7	See Note	NSS	Pivot Arm, Cast (Note: Not Available - Purchase Complete Assembly)	
8	See Note	NSS	Shaft, Main (Note: Not Available - Purchase Complete Assembly)	
9	See Note	NSS	Bearing (Note: Not Available - Purchase Complete Assembly)	
10	See Note	NSS	Pin (Note: Not Available - Purchase Complete Assembly)	
11	See Note	NSS	Shim (Note: Not Available - Purchase Complete Assembly)	
12	See Note	NSS	Pin (Note: Not Available - Purchase Complete Assembly)	
13	See Note	NSS	Bearing (Note: Not Available - Purchase Complete Assembly)	
14	See Note	NSS	Dome, Centering (Note: Not Available - Purchase Complete Assembly)	
15	70004753	1	Cap	
16	70004754	1	Insert, Cap	
17	70004755	3	Pin	
18	70004756	2	Washer	
19	70004757	1	Pin, Centering	
20	70004758	1	Spring	
21	70004759	1	Ring, Retaining	
22	70004760	1	E-Ring	
23	70004761	1	Can, Enclosure	
24	70004762	1	Boot	
25	70004763	1	Bezel	
26	See Note	NSS	Screw (Note: Not Available for Purchase)	
27	See Note	NSS	Base Mounting (Note: Not Available - Purchase Complete Assembly)	
28	See Note	NSS	Screw (Note: Not Available for Purchase)	
29	70004764	4	Screw	
30	70004765	4	Screw	
31	70004766	1	O-Ring	
32	See Note	NSS	Plate (Note: Not Available - Purchase Complete Assembly)	
33	See Note	NSS	Harness (Note: Not Available - Purchase Complete Assembly)	
34	70004767	1	Grommet, Rubber	
35	70004768	1	Housing	
36	70004769	1	Spring	
37	70004770	1	Stopper	
38	70004771	1	Spacer	
39	70004772	1	Washer	
40	70004773	1	Disc	

SECTION 5 - PLATFORM

ITEM	PART NUMBER	QTY	DESCRIPTION	REV
41	70004774	2	Ring, Retaining	
42	70004775	1	Spring	
101	4460265	1	Connector - 9 Position	
101	4460226	6	Socket, Female	

SECTION 5 - PLATFORM

FIGURE 5-11. DRIVE/STEER CONTROLLER ASSEMBLY



ART_1001166538

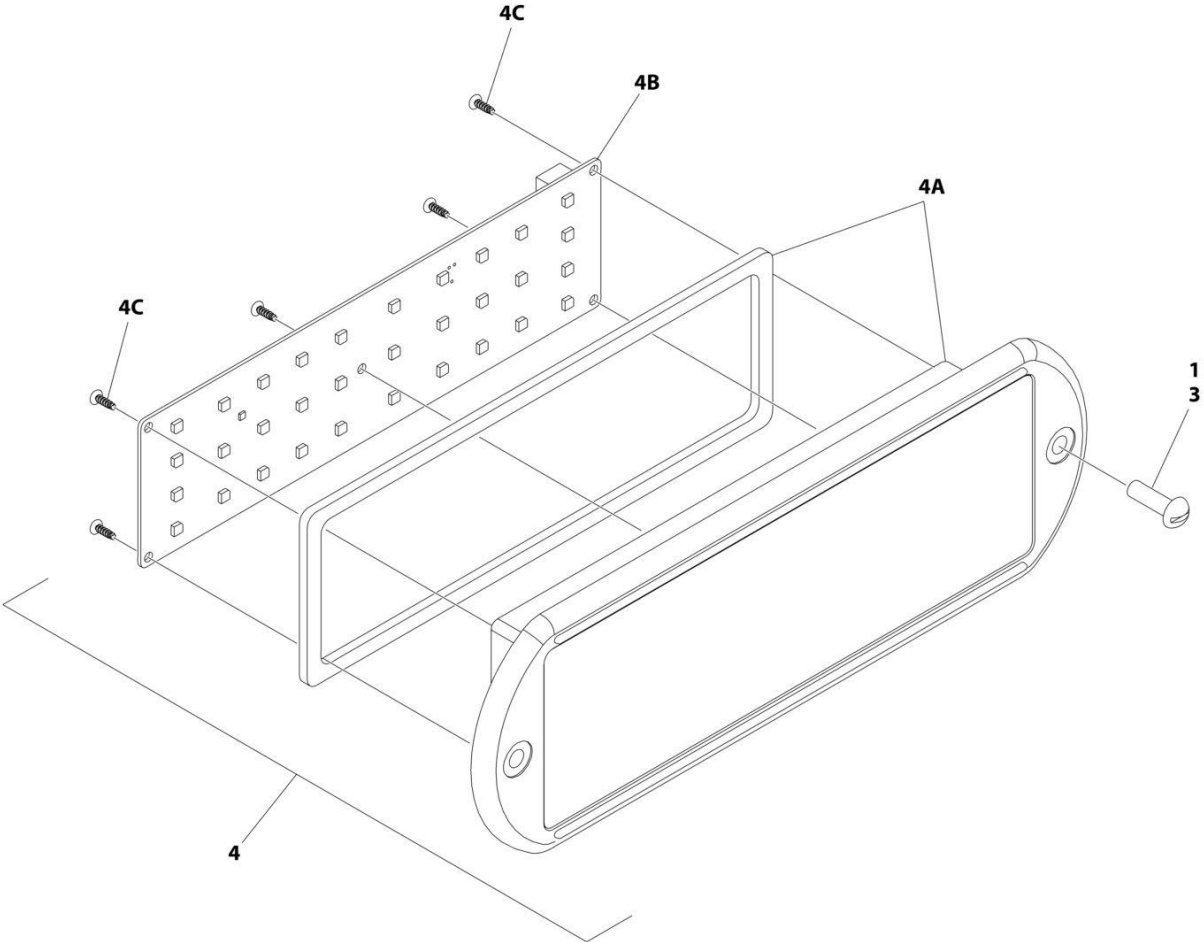
SECTION 5 - PLATFORM

FIGURE 5-11. DRIVE/STEER CONTROLLER ASSEMBLY

ITEM	PART NUMBER	QTY	DESCRIPTION	REV
	1001166538	Ref	CONTROLLER ASSEMBLY - DRIVE AND STEER	G
		Ref	Note: For Replacement, Use p/n 1001212415.	
7	70004738	2	Washer	
10	70004739	1	Roller	
11	70004740	1	Boot, Switch	
14	70004741	2	Half, Handle	
17	70004742	1	Enclosure	
18	70004743	4	Nut	
19	70004744	NLA	Boot, Controller (Use p/n 70005230 Boot/Base Assembly)	
20	70004745	NLA	Tube, Locking (Use p/n 70005230 Boot/Base Assembly)	
21	70004746	NLA	Disc, Locking (Use p/n 70005230 Boot/Base Assembly)	
25	70004747	2	Seal, Rope	
26	70004748	1	Screw M3 x 6	
28	70004749	2	Screw M5 x 20	
29	70004750	1	Pin, Dowel	
30	70004751	4	Screw M3 x 16	
101	4460265	1	Connector - 9 Position	
101	4460226	7	Socket, Female	

SECTION 5 - PLATFORM

FIGURE 5-12. LIGHT PANEL INSTALLATION



ART_1001241400_20F2

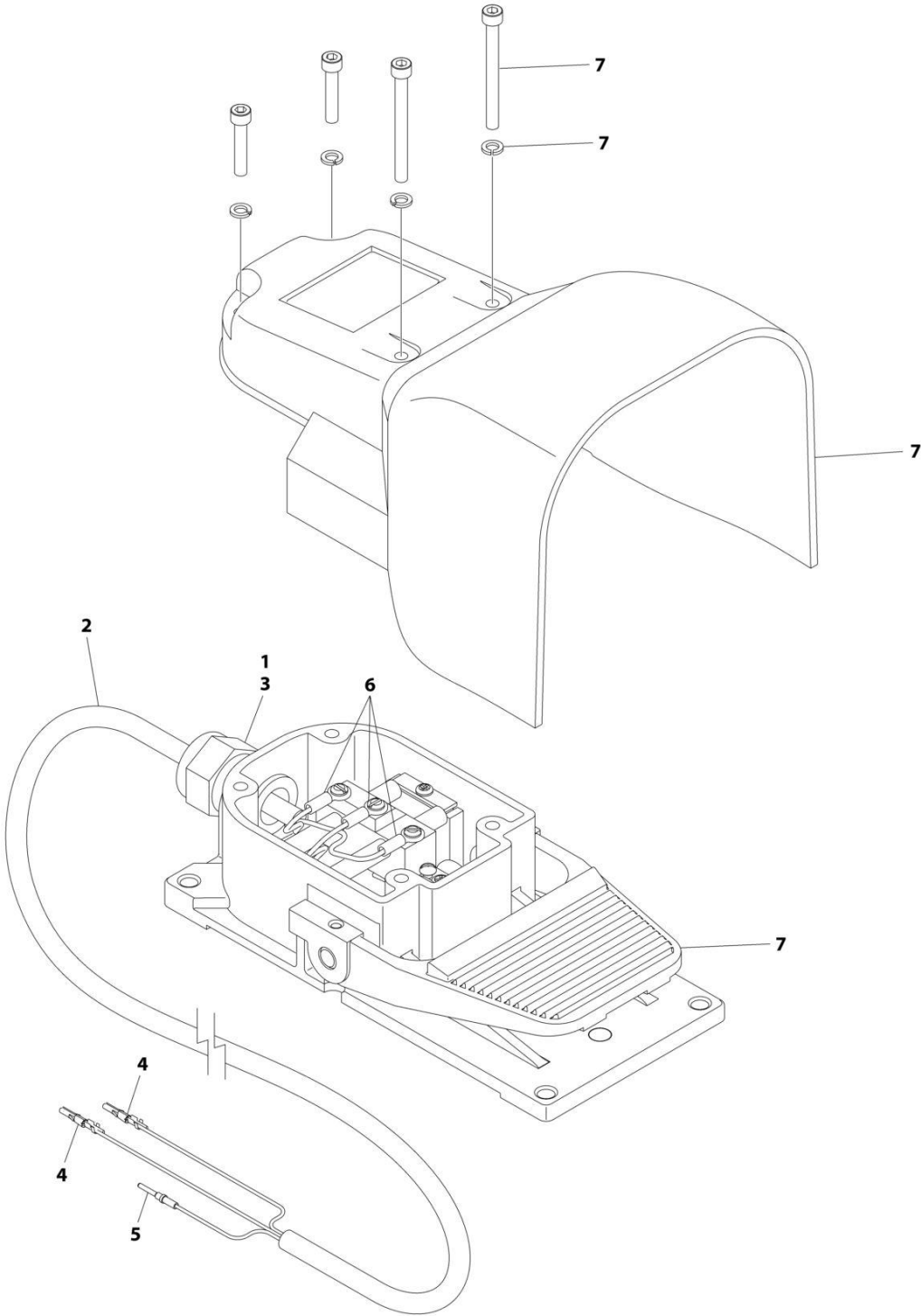
SECTION 5 - PLATFORM

FIGURE 5-12. LIGHT PANEL INSTALLATION

ITEM	PART NUMBER	QTY	DESCRIPTION	REV
	1001241400	Ref	LIGHT PANEL INSTALLATION - PLATFORM CONSOLE	B
1	0100035	AR	Compound, Locking	
3	0630518	2	Screw #10 x 3/4	
4	1001237544	1	Light Panel Assembly	
4A	1001236087	1	Lens, I-Con (Includes Gasket)	
4B	1001187807	1	Panel, LED Light	
4C		Ref	Screw #10 x 3/4	

SECTION 5 - PLATFORM

FIGURE 5-13. FOOTSWITCH ASSEMBLY



ART_1001117174

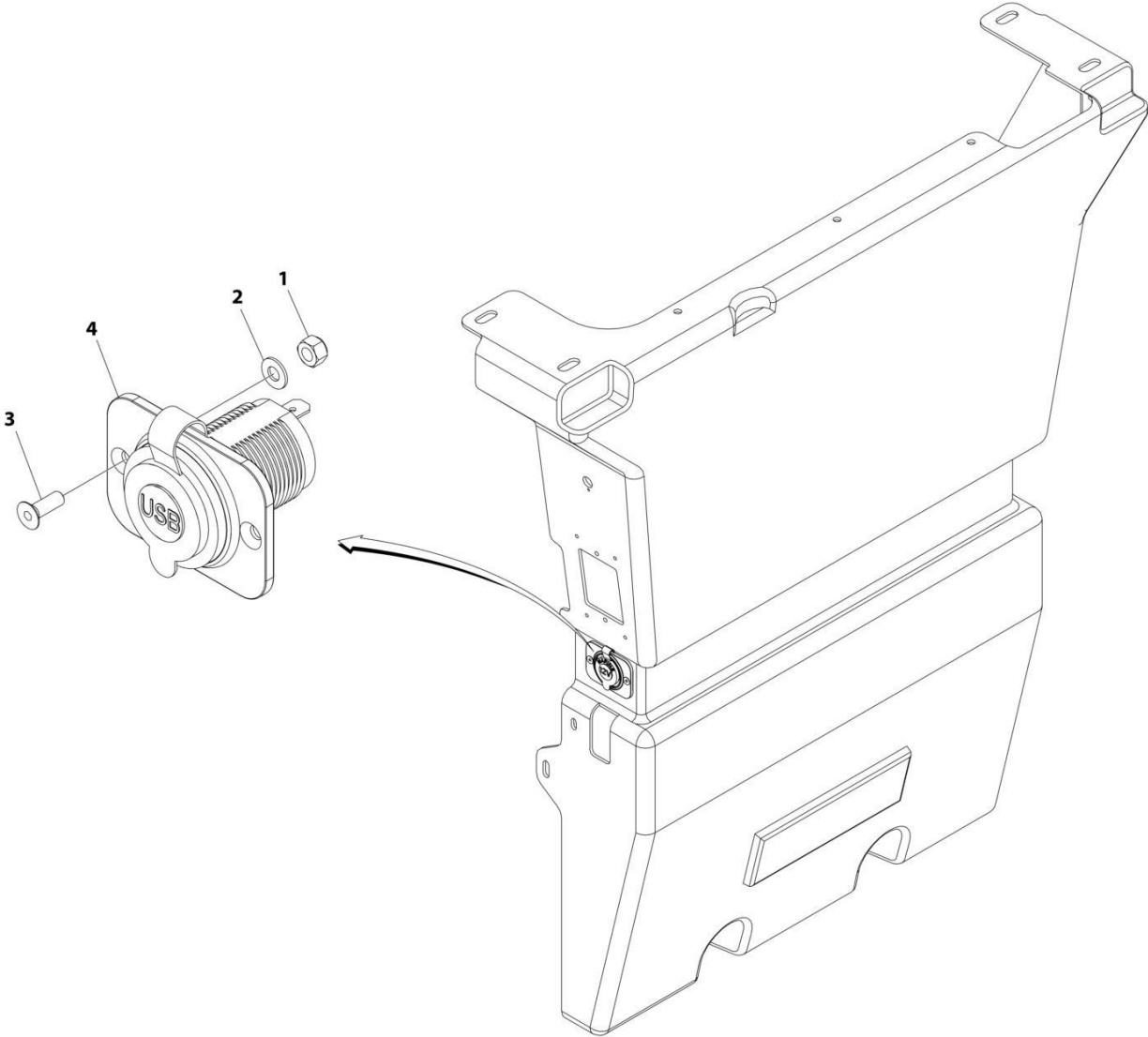
SECTION 5 - PLATFORM

FIGURE 5-13. FOOTSWITCH ASSEMBLY

ITEM	PART NUMBER	QTY	DESCRIPTION	REV
	1001117174	Ref	FOOTSWITCH ASSEMBLY	B
1	0100020	AR	Sealant	
2	1060918	7.5 ft/ 2.3m	Cable, Electrical - 18/3	
3	4460071	1	Connector, Strain Relief	
4	4460226	2	Socket, Female	
5	4460464	1	Pin, Male	
6	1001098122	3	Terminal	
7	1001117172	1	Footswitch	
7	70002902	1	Switch, 20Amp	
7	70002903	1	Gasket	
7	70002905	1	Cover	
7	70002904	1	Kit, Replacement Bolt	

SECTION 5 - PLATFORM

FIGURE 5-14. USB CHARGER INSTALLATION



ART_1001274828

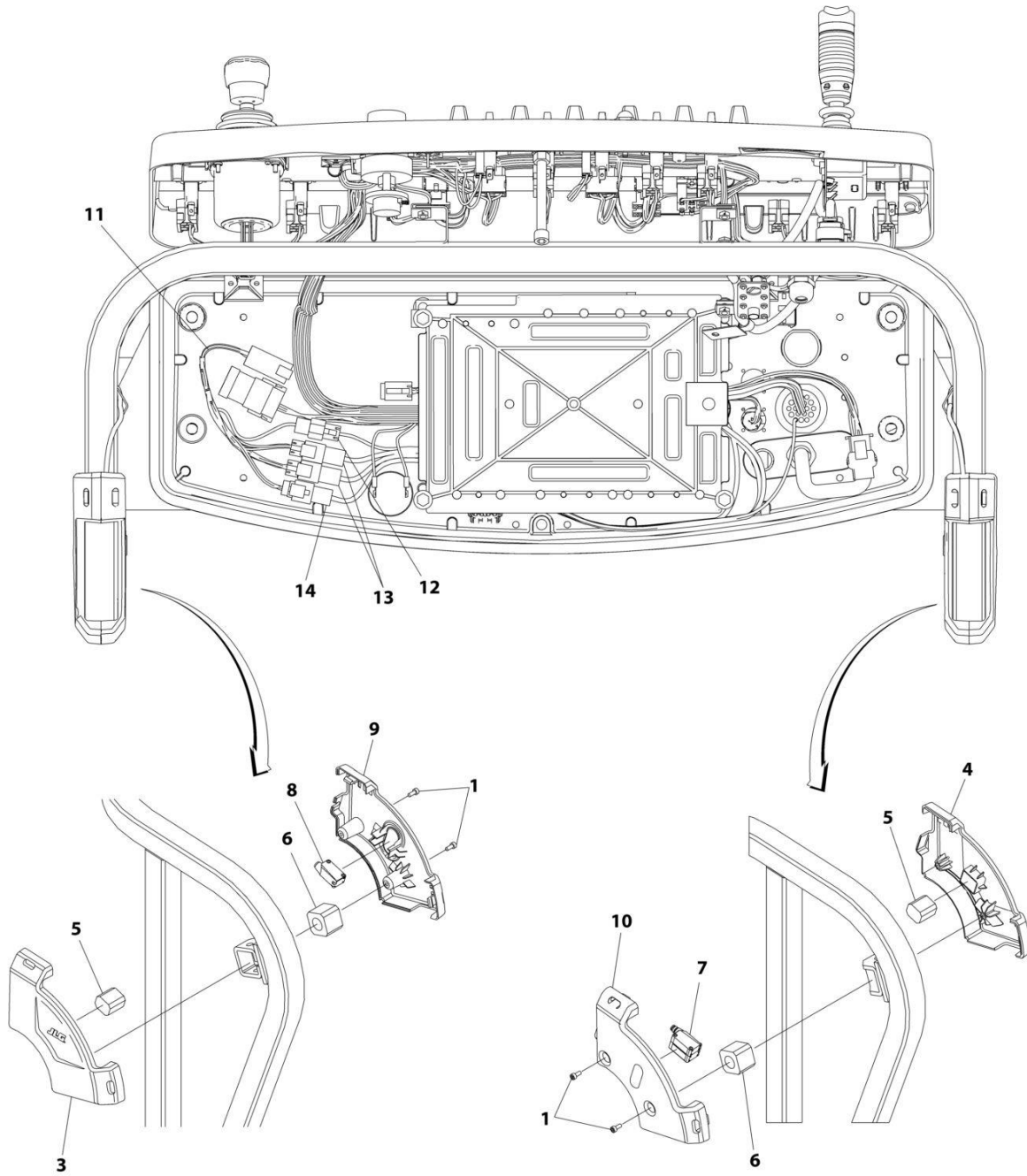
SECTION 5 - PLATFORM

FIGURE 5-14. USB CHARGER INSTALLATION

ITEM	PART NUMBER	QTY	DESCRIPTION	REV
	1001274828	Ref	USB CHARGER INSTALLATION	A
1	3290405	2	Nut M4	
2	4811400	2	Washer M4	
3	1001097244	2	Screw M4 x 12	
4	1001210636	1	Receptacle, USB	

SECTION 5 - PLATFORM

FIGURE 5-15. SKYEYE INSTALLATION



ART_1001229341

SECTION 5 - PLATFORM

FIGURE 5-15. SKYEYE INSTALLATION

ITEM	PART NUMBER	QTY	DESCRIPTION	REV
	1001229341	Ref	SKYEYE INSTALLATION	B
1	4031505	4	Bolt M4 x 10	
2	4240033	AR	Tie-Strap (Not Shown)	
3	1001227633	1	Housing, LH Outer	
4	1001227634	1	Housing, RH Outer	
5	1001227985	2	Shim	
6	1001227987	2	Shim	
7	1001228224	2	Sensor, Receiver	
8	1001228225	1	Sensor, Emitter	
9	1001232164	1	Housing, LH Inner	
10	1001232165	1	Housing, RH Inner	
11	1001237865	1	Harness, Skyeye Intermediate (See Separate Breakdown in ELECTRICAL Section)	
12	1001238319	NLA	Harness, Skyeye Drain Jumper	
12	1001187674	1	Plug, Male - 2 Position	
12	4460942	1	Terminal	
12	4460466	1	Plug, Terminal	
12	4460508	1	Pin, Male	
13	1001237863	2	Harness, Skyeye Receiver (See Separate Breakdown in ELECTRICAL Section)	
14	1001237864	1	Harness, Skyeye Emitter (See Separate Breakdown in ELECTRICAL Section)	

SECTION 5 - PLATFORM

FIGURE 5-16. SKYGUARD BAR INSTALLATION

ITEM	PART NUMBER	QTY	DESCRIPTION	REV
	1001238495	Ref	SKYGUARD BAR INSTALLATION	A
1	0100011	AR	Compound, Locking	
2	0641414	2	Bolt 1/4 x 1-3/4	
3	3300430	2	Nut 1/4	
4	3931408	2	Capscrew 1/4 x 1/2	
5	4240033	8	Tie-Strap	
6	4711400	6	Washer 1/4	
7	1001120328	1	Mount	
8	1001137673	1	SkyGuard Switch Assembly	
9	1001186517	2	Cover, Platform Sensor	
10	1001209664	2	Support, Block	
11	1001186431	2	Relay	
12	1001225580	1	Interface Harness Assembly (Not Shown - Located Inside Console Box) (See Separate Breakdown in ELECTRICAL Section)	
13	1001144433	1	Decal - No Weight SkyGuard	

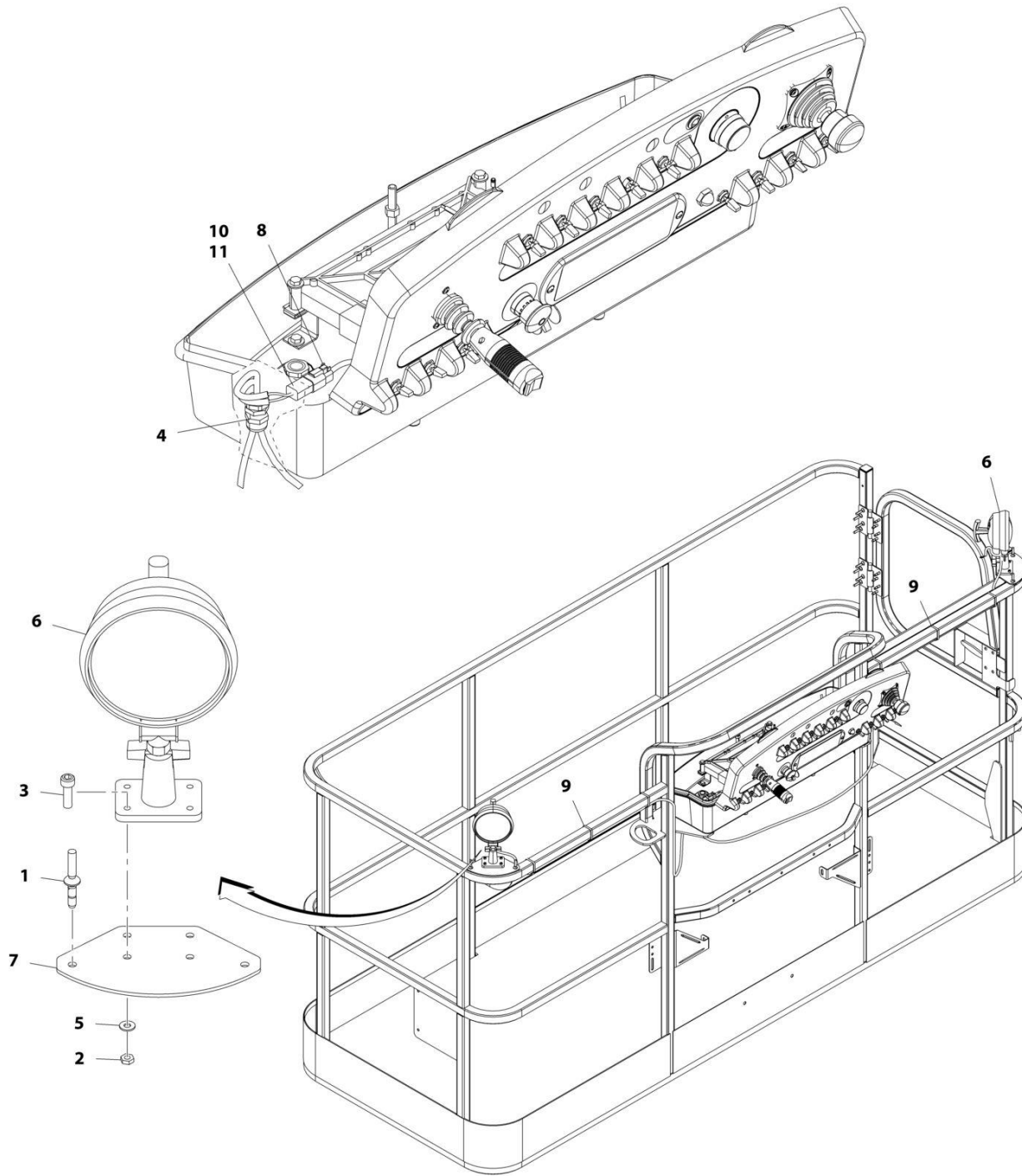
SECTION 5 - PLATFORM

FIGURE 5-17. SKYLINE INSTALLATION

ITEM	PART NUMBER	QTY	DESCRIPTION	REV
	1001238559	Ref	SKYLINE INSTALLATION	D
1	0641404	2	Bolt 1/4 x 1/2	
2	0641405	2	Bolt 1/4 x 5/8	
3	3311405	2	Nut 1/4	
4	3311601	2	Nut 3/8	
5	4031516	2	Capscrew M4 x 60	
6	4240033	AR	Tie-Strap (Not Shown)	
7	4711400	4	Washer 1/4	
8	1001120328	1	Mount	
9	1001232642	1	Bracket	
11	1001232667	1	Sensor, Proximity	
14	1001236552	1	Block	
15	1001238418	1	Harness, Skyline (See Separate Breakdown in ELECTRICAL Section)	
16	1001238472	1	Mount	
17	1001254473	1	Housing, LH	
18	1001241965	1	Housing, RH	
19	1001254472	1	Rod	
20	0100011	AR	Compound, Locking	

SECTION 5 - PLATFORM

FIGURE 5-18. WORKLIGHTS INSTALLATION (OPTIONAL)



ART_1001120466

SECTION 5 - PLATFORM

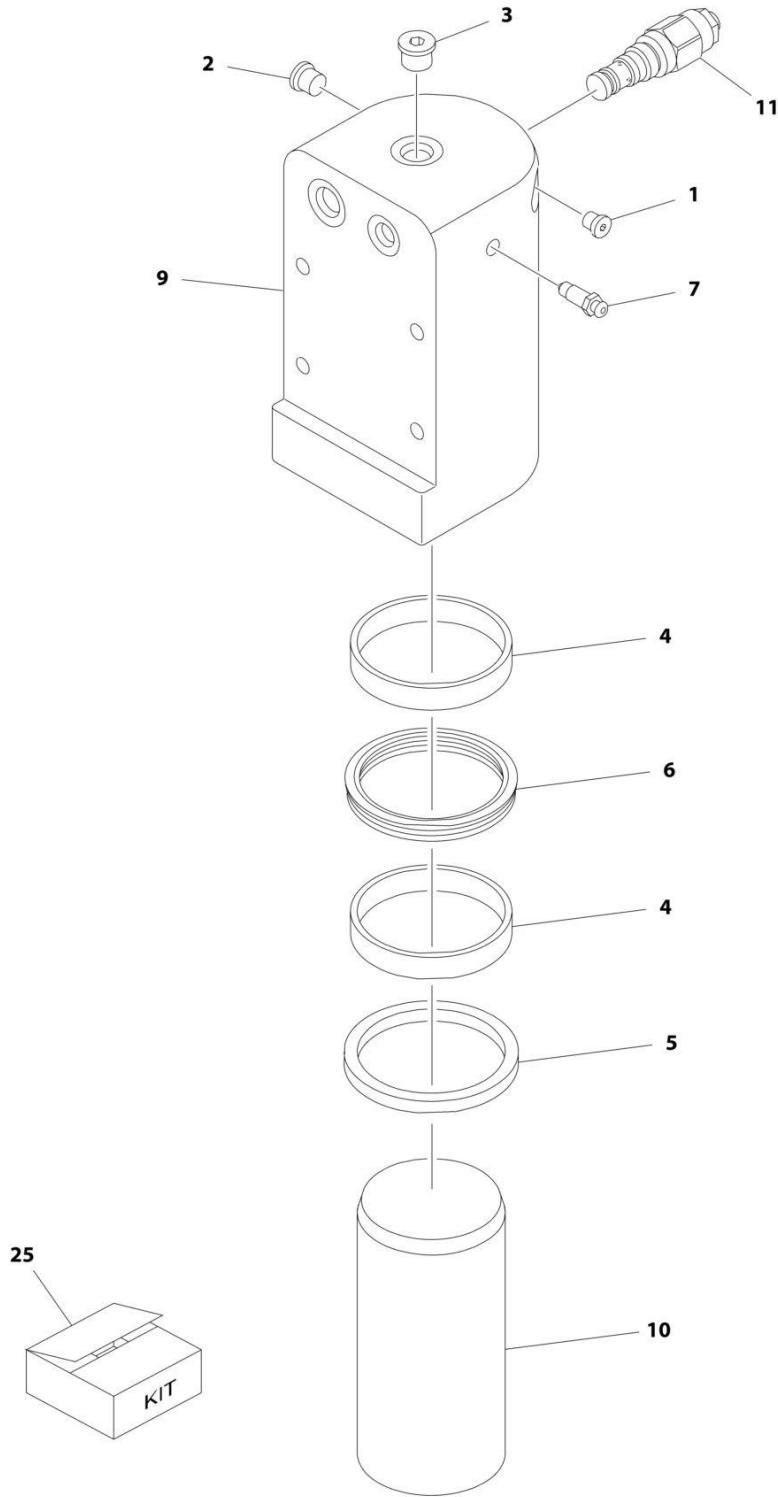
FIGURE 5-18. WORKLIGHTS INSTALLATION (OPTIONAL)

ITEM	PART NUMBER	QTY	DESCRIPTION	REV
	1001120466	Ref	WORKLIGHTS INSTALLATION (OPTIONAL)	A
1	2080040	4	Fastener, Huck	
2	3311005	8	Nut #10	
3	3931010	8	Capscrew #10 x 5/8	
4	4460428	1	Connector, Strain Relief	
5	4751000	8	Washer #10	
6	1001120474	2	Worklight Assembly	
7	1001120476	2	Plate, Mounting	
8	1001120484	1	Harness, Worklight	
9	4240099	AR	Tie-Strap	
10	4460464	4	Pin, Male Deutsch 16Ga	
11	4460932	1	Receptacle, Female - 4 Position	

SECTION 6 - CYLINDER

SECTION 6 - CYLINDER

FIGURE 6-1. AXLE LOCKOUT CYLINDER ASSEMBLY



ART_1001116361

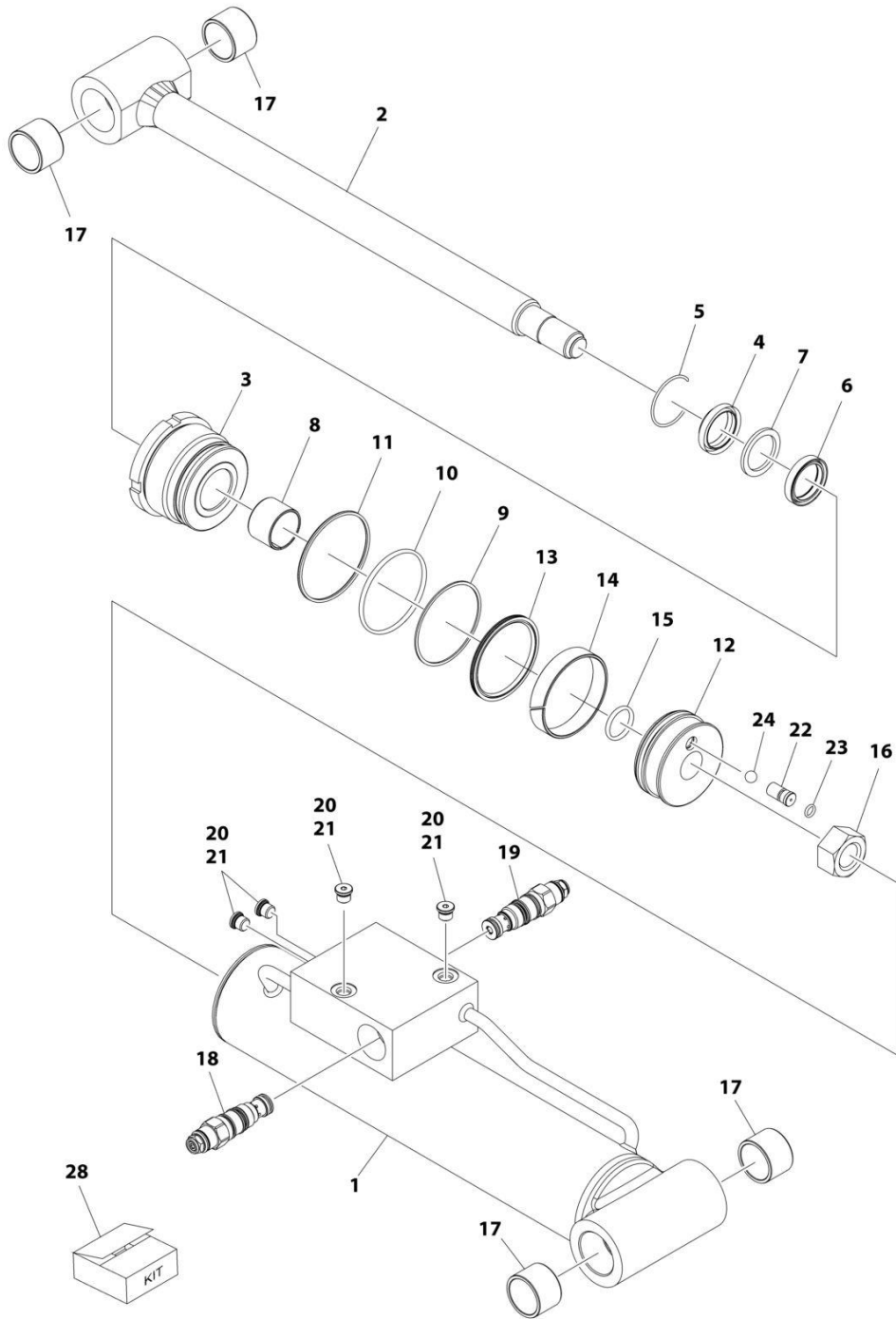
SECTION 6 - CYLINDER

FIGURE 6-1. AXLE LOCKOUT CYLINDER ASSEMBLY

ITEM	PART NUMBER	QTY	DESCRIPTION	REV
	1001116361	Ref	AXLE LOCKOUT CYLINDER ASSEMBLY	G
		Ref	Note: Original Cylinder May Have Been Replaced with Service Replacement. Identify PN Stamped on Cylinder Before Ordering Parts.	
1	2220881	1	Plug, O-Ring	
2	2220883	1	Plug, O-Ring	
3	2220885	1	Plug, O-Ring	
4	See Note	NSS	Ring, Wear (Note: Use Item 25)	
5	See Note	NSS	Wiper (Note: Use Item 25)	
6	See Note	NSS	Seal, Rod (Note: Use Item 25)	
7	4640858	1	Bleeder	
9	1001117365	1	Barrel	
10	1001117366	1	Rod	
11	1001117372	1	Cartridge, Valve	
11	70002842	1	Seal Kit - 1001117372 Valve	
25	1001116378	1	Seal Kit (Includes Items 4-6)	

SECTION 6 - CYLINDER

FIGURE 6-2. LEVEL (PLATFORM SLAVE) CYLINDER ASSEMBLY



ART_1001225990

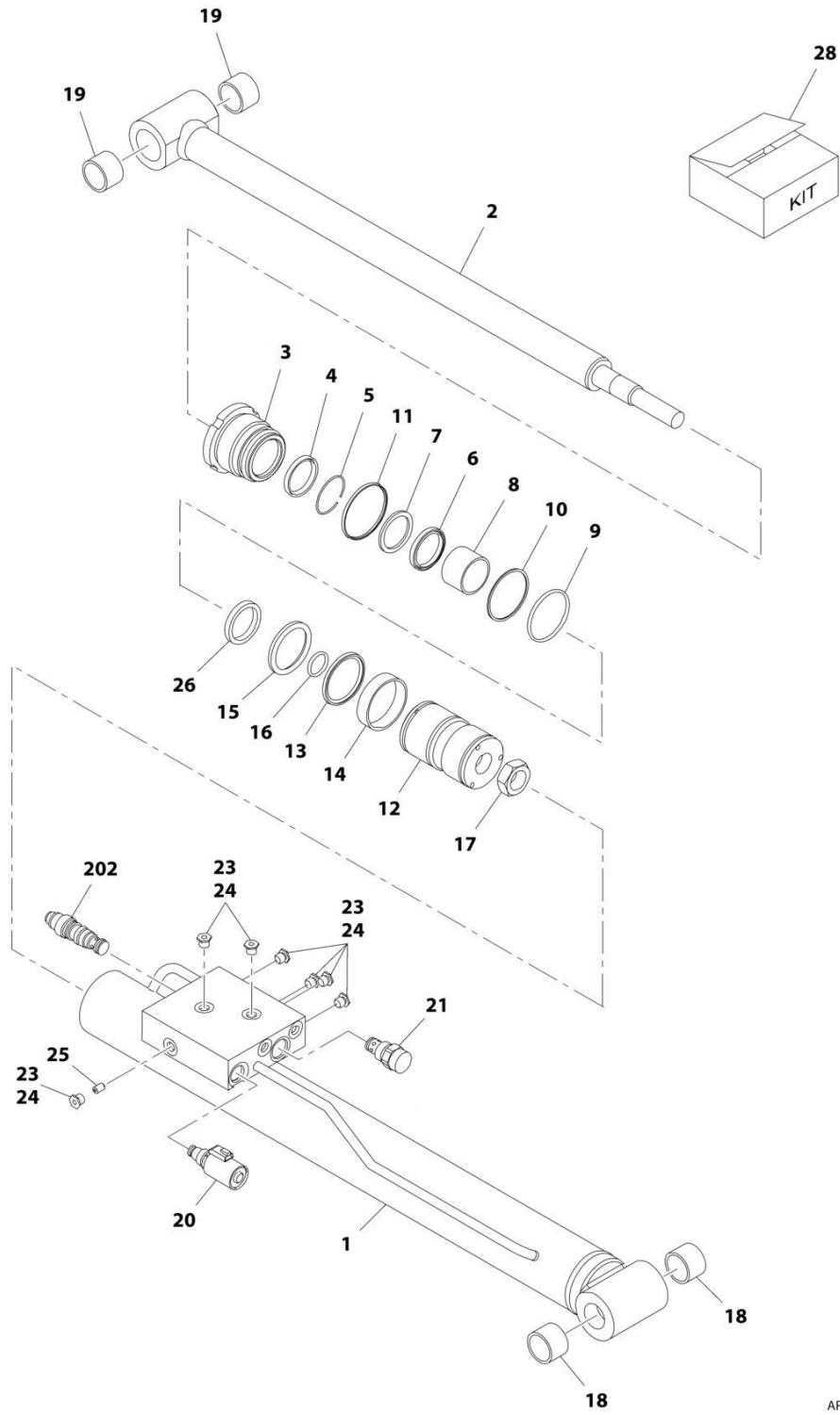
SECTION 6 - CYLINDER

FIGURE 6-2. LEVEL (PLATFORM SLAVE) CYLINDER ASSEMBLY

ITEM	PART NUMBER	QTY	DESCRIPTION	REV
	1001225990	Ref	LEVEL (PLATFORM SLAVE) CYLINDER ASSEMBLY	A
		Ref	Note: Original Cylinder may have been replaced with Service Replacement. Identify PN Stamped on Cylinder Before Ordering Parts.	
1	70003131	1	Barrel	
2	70003132	1	Rod	
3	70003085	1	Head	
4	See Note	NSS	Wiper (Note: Use Item 28)	
5	70002366	1	Ring, Retaining	
6	See Note	NSS	Seal, Rod (Note: Use Item 28)	
7	See Note	NSS	Ring, Back-up (Note: Use Item 28)	
8	70005695	1	Bearing	
9	See Note	NSS	O-Ring (Note: Use Item 28)	
10	See Note	NSS	Ring, Back-up (Note: Use Item 28)	
11	See Note	NSS	O-Ring (Note: Use Item 28)	
12	70003133	1	Piston	
13	See Note	NSS	Seal, Piston (Note: Use Item 28)	
14	See Note	NSS	Ring, Wear (Note: Use Item 28)	
15	See Note	NSS	Ring, Wear (Note: Use Item 28)	
16	70002335	1	Nut	
17	0961951	4	Bushing, Garmax	
18	70002413	1	Cartridge, Valve	
18	2900770	1	Seal Kit - 70002413 Valve	
19	1001168210	1	Cartridge, Valve	
19	2900770	1	Seal Kit - 1001168210 Valve	
20	2220883	4	Plug	
21	See Note	NSS	O-Ring (Note: Not Available - Purchase Locally)	
22	70005973	1	Valve Seat	
23	70005974	1	O-Ring	
24	70006353	1	Steel Ball	
28	70003134	1	Seal Kit (Includes Items 4, 6, 7, 9, 10, 11, 13, 14 & 15)	
100		Ref	REPAIR TOOLS (NOT SHOWN)	
100	70003089	1	Press, Wiper	
100	70003090	1	Press, Bushing (Use with Rod Bearing)	
100	70003091	1	Tool, Bushing Removal (Use with Rod Bearing)	
100	70003092	1	Tool, Head Seal Protection	
100	70003081	1	Tool, Piston Seal Protection	
100	70003093	1	Press, Bushing (Use with Pin Mounting Bushings)	
100	70003094	1	Tool, Bushing Removal (Use with Pin Mounting Bushings)	

SECTION 6 - CYLINDER

FIGURE 6-3. LIFT (JIB) CYLINDER ASSEMBLY



ART_1001123004

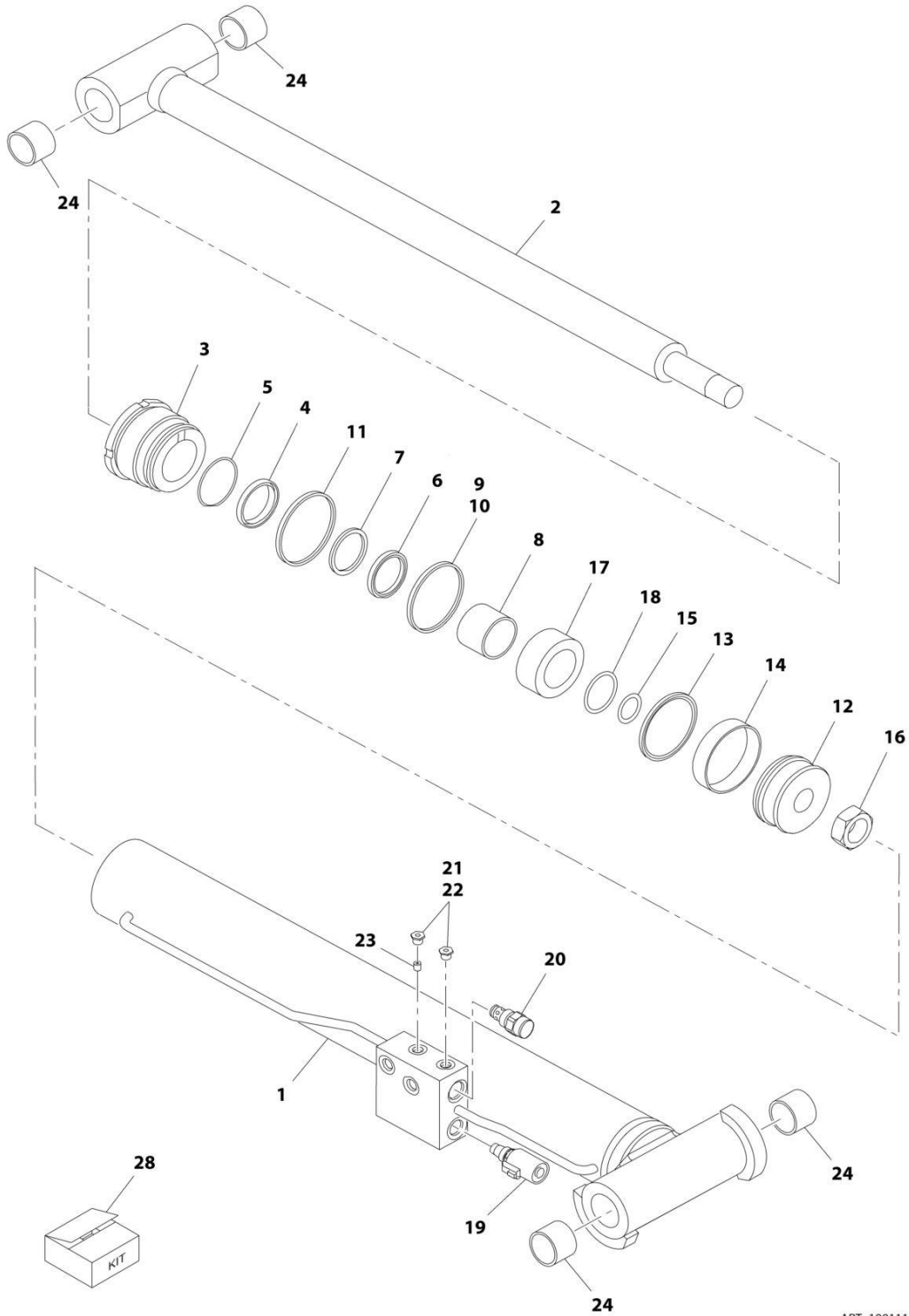
SECTION 6 - CYLINDER

FIGURE 6-3. LIFT (JIB) CYLINDER ASSEMBLY

ITEM	PART NUMBER	QTY	DESCRIPTION	REV
	1001123004	Ref	LIFT (JIB) CYLINDER ASSEMBLY	D
		Ref	Note: Original Cylinder may have been replaced with Service Replacement. Identify PN Stamped on Cylinder Before Ordering Parts.	
1	70003122	1	Barrel	
2	70002375	1	Rod	
3	70003123	1	Head	
4	See Note	NSS	Wiper (Note: Use Item 28)	
5	70002373	1	Ring, Retaining	
6	See Note	NSS	Seal, Rod (Note: Use Item 28)	
7	See Note	NSS	Ring, Back-up (Note: Use Item 28)	
8	70002372	1	Bearing	
9	See Note	NSS	O-Ring (Note: Use Item 28)	
10	See Note	NSS	Ring, Back-up (Note: Use Item 28)	
11	See Note	NSS	O-Ring (Note: Use Item 28)	
12	70003124	1	Piston	
13	70003125	1	Seal, Piston	
14	See Note	NSS	Ring, Wear (Note: Use Item 28)	
15	See Note	NSS	O-Ring (Note: Use Item 28)	
16	See Note	NSS	Ring, Piston (Note: Use Item 28)	
17	70002335	1	Nut	
18	70003118	2	Bushing	
19	0961951	2	Bushing, Garmax (was p/n 70003087)	
20	7024884	1	Cartridge, Solenoid Valve	
20	7012967	1	Seal Kit - 7024884 Valve	
20	70002386	1	Coil	
21	70003076	1	Cartridge, Check Valve	
21	7017496	1	Seal Kit - 70003076 Valve	
23	70023370	7	Plug	
24	See Note	7	O-Ring (Note: Not Available - Purchase Locally)	
25	70002334	1	Orifice	
26	70003453	1	Spacer	
28	70003125	1	Seal Kit (Includes Items 4, 6, 7, 9, 10, 11, 13, 14, 15 & 16)	
100		Ref	REPAIR TOOLS (NOT SHOWN)	
100	70003126	1	Press, Wiper	
100	70003127	1	Press, Bushing (Use with Rod Bearing)	
100	70003128	1	Tool, Bushing Removal (Use with Rod Bearing)	
100	70003129	1	Tool, Head Seal Protection	
100	70003130	1	Tool, Piston Seal Protection	
100	70003093	1	Press, Bushing (Use with Pin Mounting Bushings)	
100	70003094	1	Tool, Bushing Removal (Use with Pin Mounting Bushings)	
	1001199460	Ref	JIB LIFT CYLINDER ASSEMBLY	A
202	1001199306	1	Cartridge, Counter Balance Valve	
202	2900770	1	Seal Kit - 1001199306 Valve	

SECTION 6 - CYLINDER

FIGURE 6-4. LIFT (MAIN BOOM) CYLINDER ASSEMBLY



ART_100117640

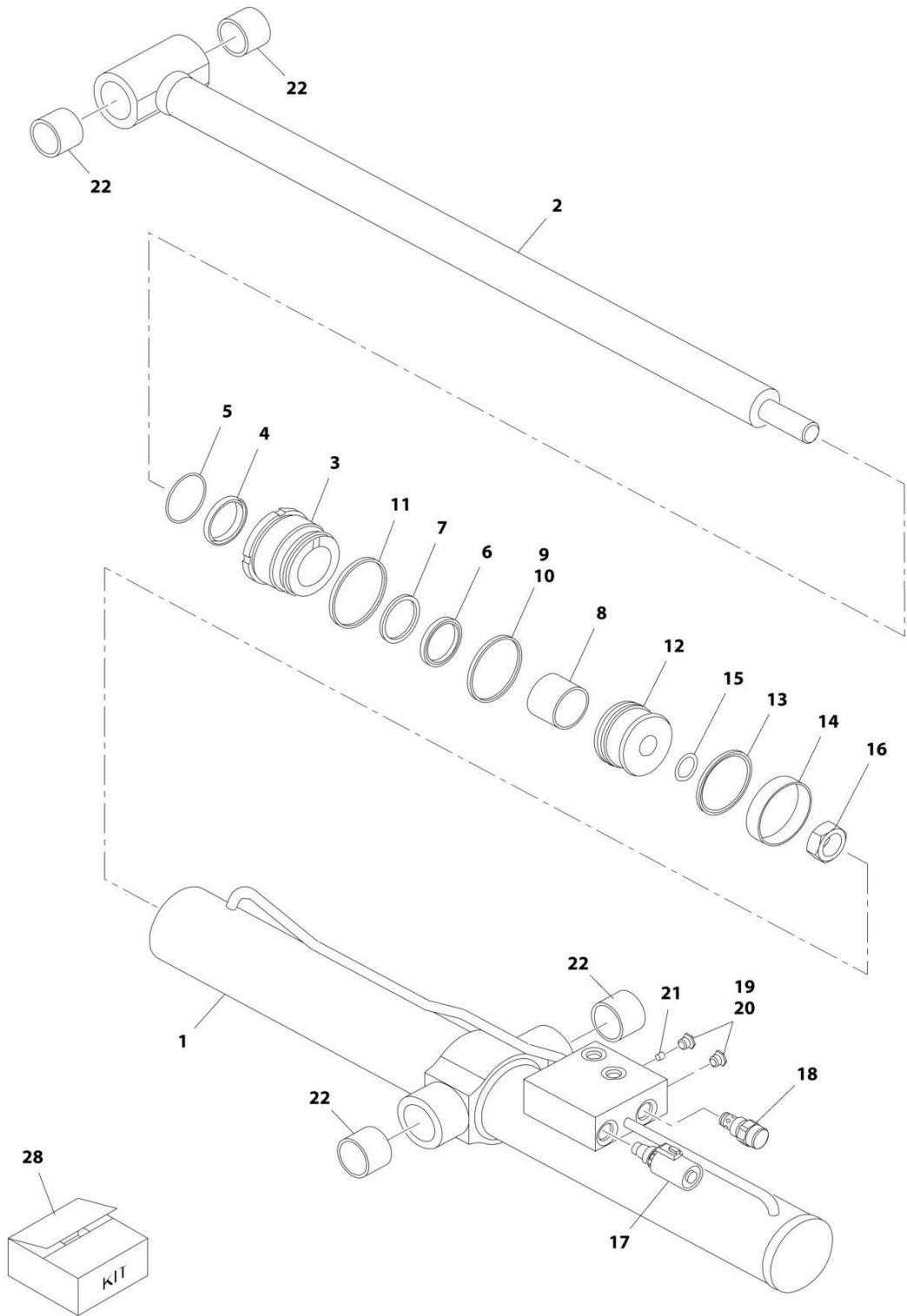
SECTION 6 - CYLINDER

FIGURE 6-4. LIFT (MAIN BOOM) CYLINDER ASSEMBLY

ITEM	PART NUMBER	QTY	DESCRIPTION	REV
	1001117640	Ref	MAIN BOOM LIFT CYLINDER ASSEMBLY	H
		Ref	Note: Original Cylinder May Have Been Replaced with Service Replacement. Identify PN Stamped on Cylinder Before Ordering Parts.	
1	70003103	1	Barrel	
2	70003104	1	Rod	
3	70003105	1	Head	
4	See Note	NSS	Wiper (Note: Use Item 28)	
5	70002412	1	Ring, Retaining	
6	See Note	NSS	Seal, Rod (Note: Use Item 28)	
7	See Note	NSS	Ring, Back-up (Note: Use Item 28)	
8	70022565	1	Bearing	
9	See Note	NSS	O-Ring (Note: Use Item 28)	
10	See Note	NSS	Ring, Back-up (Note: Use Item 28)	
11	See Note	NSS	O-Ring (Note: Use Item 28)	
12	70003106	1	Piston	
13	See Note	NSS	Seal, Piston (Note: Use Item 28)	
14	See Note	NSS	Ring, Wear (Note: Use Item 28)	
15	See Note	NSS	O-Ring (Note: Use Item 28)	
16	70002335	1	Nut	
17	70002344	1	Spacer	
18	See Note	NSS	O-Ring (Note: Use Item 28)	
19	7024884	1	Cartridge, Solenoid Valve	
19	7012967	1	Seal Kit - 7024884 Valve	
19	70002386	1	Coil	
20	70003076	1	Cartridge, Check Valve	
20	7017496	1	Seal Kit - 70003076 Valve	
21	70023370	7	Plug	
22	See Note	7	O-Ring (Note: Not Available - Purchase Locally)	
23	70002334	1	Orifice	
24	0961948	2	Bushing, Garmax (was p/n 70003107)	
28	70003108	1	Seal Kit (Includes Items 4, 6, 7, 9, 10, 11, 13, 14, 15 & 18)	
100		Ref	REPAIR TOOLS (NOT SHOWN)	
100	70003109	1	Press, Wiper	
100	70003110	1	Press, Bushing (Use with Rod Bearing)	
100	70003111	1	Tool, Bushing Removal (Use with Rod Bearing)	
100	70003112	1	Tool, Head Seal Protection	
100	70003113	1	Tool, Piston Seal Protection	
100	70003082	1	Press, Bushing (Use with Pin Mounting Bushings)	
100	70003083	1	Tool, Bushing Removal (Use with Pin Mounting Bushings)	

SECTION 6 - CYLINDER

FIGURE 6-5. LIFT (TOWER BOOM) CYLINDER ASSEMBLY



ART_1001122527

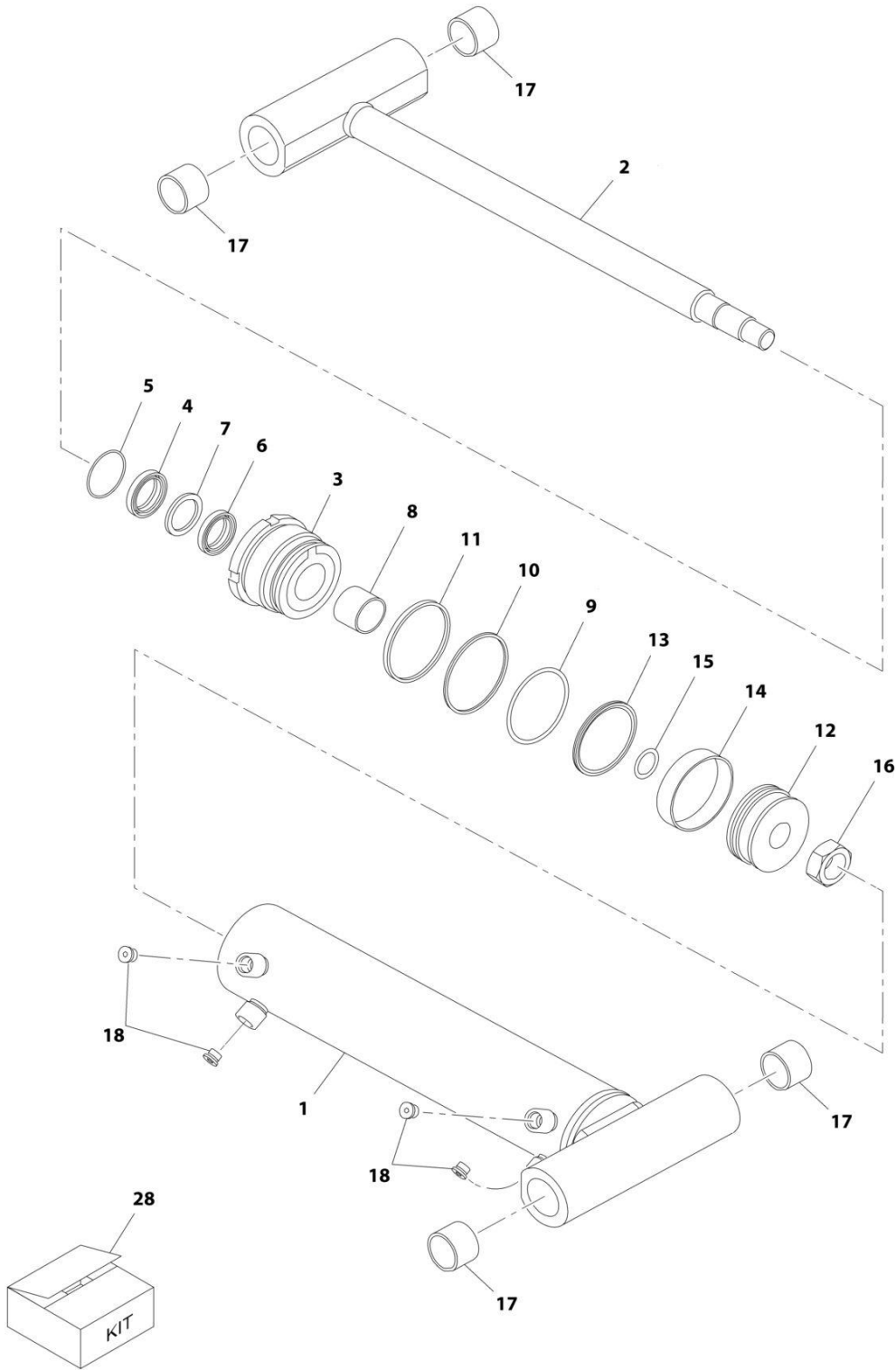
SECTION 6 - CYLINDER

FIGURE 6-5. LIFT (TOWER BOOM) CYLINDER ASSEMBLY

ITEM	PART NUMBER	QTY	DESCRIPTION	REV
	1001122527	Ref	LIFT (TOWER BOOM) CYLINDER ASSEMBLY	D
		Ref	Note: Original Cylinder may have been replaced with Service Replacement. Identify PN Stamped on Cylinder Before Ordering Parts.	
1	70003071	1	Barrel	
2	70003072	1	Rod	
3	70003073	1	Head	
4	See Note	NSS	Wiper (Note: Use Item 28)	
5	70002410	1	Ring, Retaining	
6	See Note	NSS	Seal, Rod (Note: Use Item 28)	
7	See Note	NSS	Ring, Back-up (Note: Use Item 28)	
8	70002337	1	Bearing	
9	See Note	NSS	O-Ring (Note: Use Item 28)	
10	See Note	NSS	Ring, Back-up (Note: Use Item 28)	
11	See Note	NSS	O-Ring (Note: Use Item 28)	
12	70003074	1	Piston	
13	See Note	NSS	Seal, Piston (Note: Use Item 28)	
14	See Note	NSS	Ring, Wear (Note: Use Item 28)	
15	See Note	NSS	O-Ring (Note: Use Item 28)	
16	70002335	1	Nut	
17	7024884	1	Cartridge, Solenoid Valve	
17	7012967	1	Seal Kit - 7024884 Valve	
17	70002386	1	Coil	
18	70003076	1	Cartridge, Check Valve	
18	7017496	1	Seal Kit - 70003076 Valve	
19	70023370	2	Plug	
20	See Note	2	O-Ring (Note: Not Available - Purchase Locally)	
21	70002334	1	Orifice	
22	0961948	4	Bushing, Garmax (was p/n 70003107)	
28	70003075	1	Seal Kit (Includes Items 4, 6, 7, 9, 10, 11, 13, 14 & 15)	
100		Ref	REPAIR TOOLS (NOT SHOWN)	
100	70003077	1	Press, Wiper	
100	70003078	1	Press, Bushing (Use with Rod Bearing)	
100	70003079	1	Tool, Bushing Removal (Use with Rod Bearing)	
100	70003080	1	Tool, Head Seal Protection	
100	70003081	1	Tool, Piston Seal Protection	
100	70003082	1	Press, Bushing (Use with Pin Mounting Bushings)	
100	70003083	1	Tool, Bushing Removal (Use with Pin Mounting Bushings)	

SECTION 6 - CYLINDER

FIGURE 6-6. MASTER CYLINDER ASSEMBLY



ART_1001120976

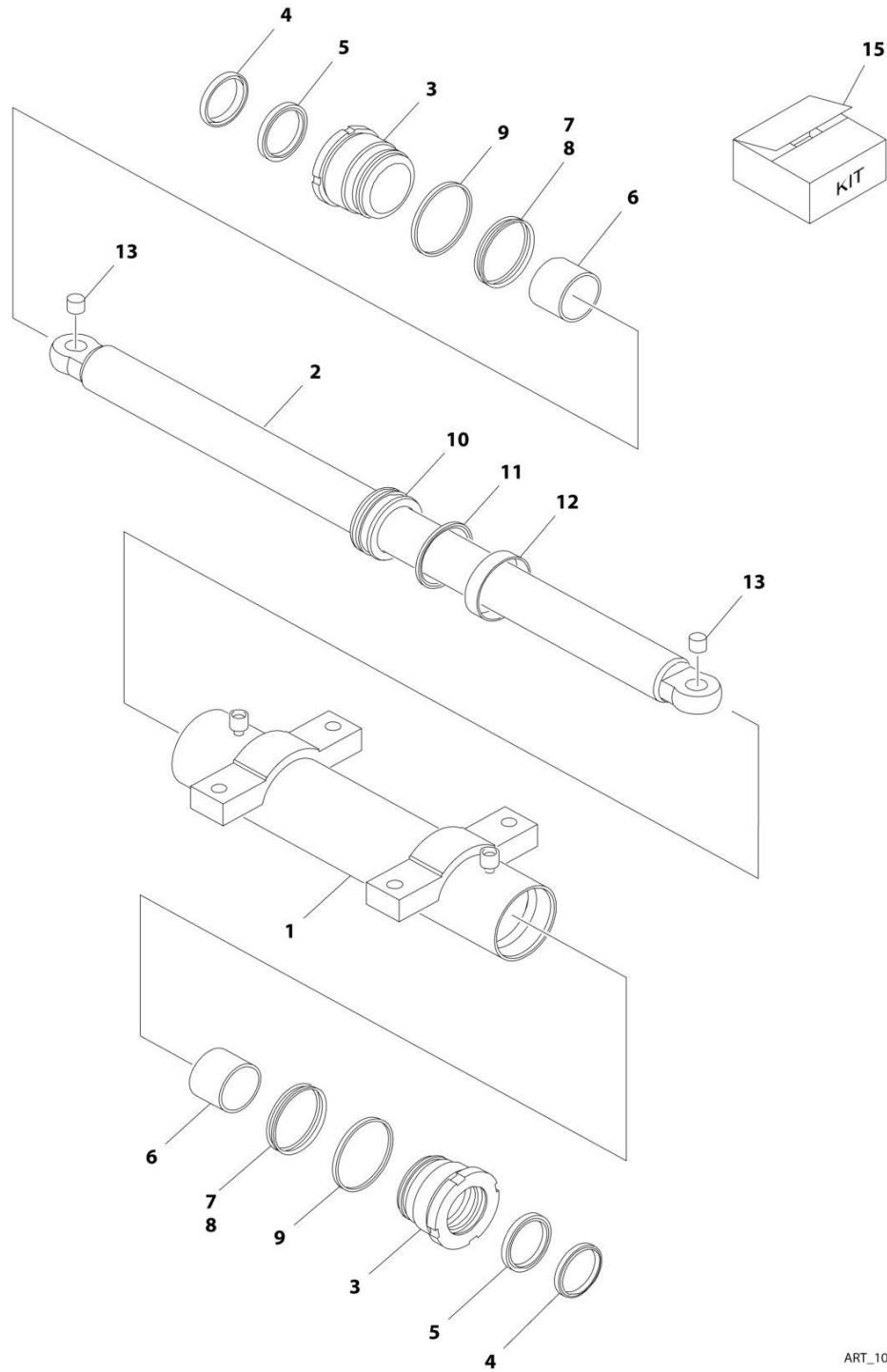
SECTION 6 - CYLINDER

FIGURE 6-6. MASTER CYLINDER ASSEMBLY

ITEM	PART NUMBER	QTY	DESCRIPTION	REV
	1001120976	Ref	MASTER CYLINDER ASSEMBLY	B
		Ref	Note: Original Cylinder may have been replaced with Service Replacement. Identify PN Stamped on Cylinder Before Ordering Parts.	
1	70003084	1	Barrel	
2	70002354	1	Rod	
3	70003085	1	Head	
4	See Note	NSS	Wiper (Note: Use Item 28)	
5	70002366	1	Ring, Retaining	
6	See Note	NSS	Seal, Rod (Note: Use Item 28)	
7	See Note	NSS	Ring, Back-up (Note: Use Item 28)	
8	70002352	1	Bearing	
9	See Note	NSS	O-Ring (Note: Use Item 28)	
10	See Note	NSS	Ring, Back-up (Note: Use Item 28)	
11	See Note	NSS	O-Ring (Note: Use Item 28)	
12	70003086	1	Piston	
13	See Note	NSS	Seal, Piston (Note: Use Item 28)	
14	See Note	NSS	Ring, Wear (Note: Use Item 28)	
15	See Note	NSS	O-Ring (Note: Use Item 28)	
16	70002335	1	Nut	
17	0961951	4	Bushing, Garmax (was p/n 70003087)	
18	70023371	4	Plug	
28	70003088	1	Seal Kit (Includes Items 4, 6, 7, 9, 10, 11, 13, 14 & 15)	
100		Ref	REPAIR TOOLS (NOT SHOWN)	
100	70003089	1	Press, Wiper	
100	70003090	1	Press, Bushing (Use with Rod Bearing)	
100	70003091	1	Tool, Bushing Removal (Use with Rod Bearing)	
100	70003092	1	Tool, Head Seal Protection	
100	70003081	1	Tool, Piston Seal Protection	
100	70003093	1	Press, Bushing (Use with Pin Mounting Bushings)	
100	70003094	1	Tool, Bushing Removal (Use with Pin Mounting Bushings)	

SECTION 6 - CYLINDER

FIGURE 6-7. STEER CYLINDER ASSEMBLY



ART_1001116788

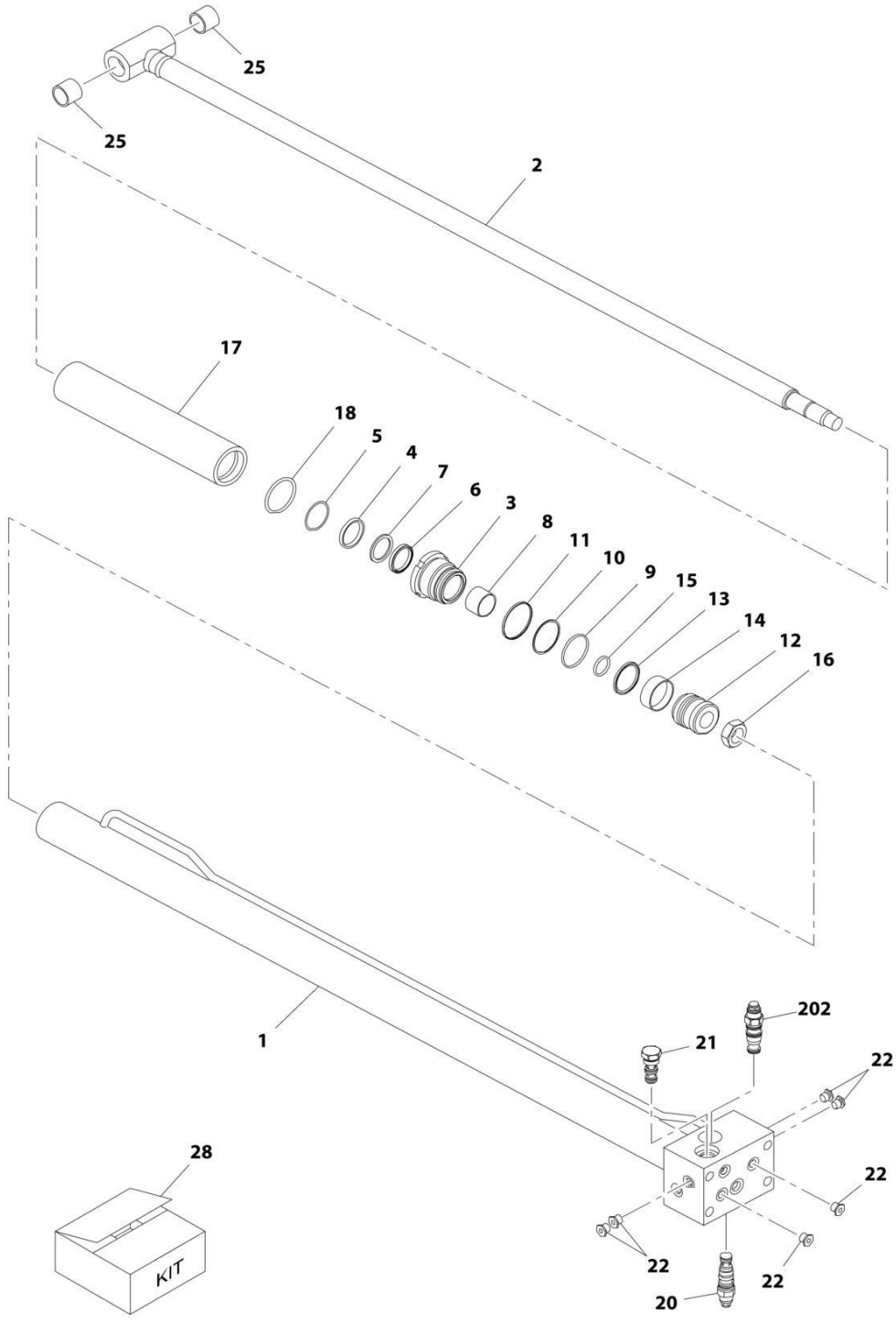
SECTION 6 - CYLINDER

FIGURE 6-7. STEER CYLINDER ASSEMBLY

ITEM	PART NUMBER	QTY	DESCRIPTION	REV
	1001116788	Ref	STEER CYLINDER ASSEMBLY	C
		Ref	Note: Original Cylinder may have been replaced with Service Replacement. Identify PN Stamped on Cylinder Before Ordering Parts.	
1	70003095	1	Barrel	
2	70003096	1	Rod	
3	70003098	2	Head	
4	See Note	NSS	Wiper (Note: Use Item 15)	
5	See Note	NSS	Seal, Rod (Note: Use Item 15)	
6	70002337	2	Bearing	
7	See Note	NSS	O-Ring (Note: Use Item 15)	
8	See Note	NSS	Ring, Back-up (Note: Use Item 15)	
9	See Note	NSS	O-Ring (Note: Use Item 15)	
10	70003097	1	Piston	
11	See Note	NSS	Seal, Piston (Note: Use Item 15)	
12	See Note	NSS	Ring, Wear (Note: Use Item 15)	
13	70002380	4	Bushing, Garmax	
15	70003099	1	Seal Kit (Includes Items 4, 5, 7, 8, 9, 11 & 12)	
100		Ref	REPAIR TOOLS (NOT SHOWN)	
100	70003077	1	Press, Wiper	
100	70003078	1	Press, Bushing (Use with Rod Bearing)	
100	70003079	1	Tool, Bushing Removal (Use with Rod Bearing)	
100	70003080	1	Tool, Head Seal Protection	
100	70003100	1	Tool, Piston Seal Protection	
100	70003101	1	Press, Bushing (Use with Pin Mounting Bushings)	
100	70003102	1	Tool, Bushing Removal (Use with Pin Mounting Bushings)	

SECTION 6 - CYLINDER

FIGURE 6-8. TELESCOPE CYLINDER ASSEMBLY



ART_1001120974

SECTION 6 - CYLINDER

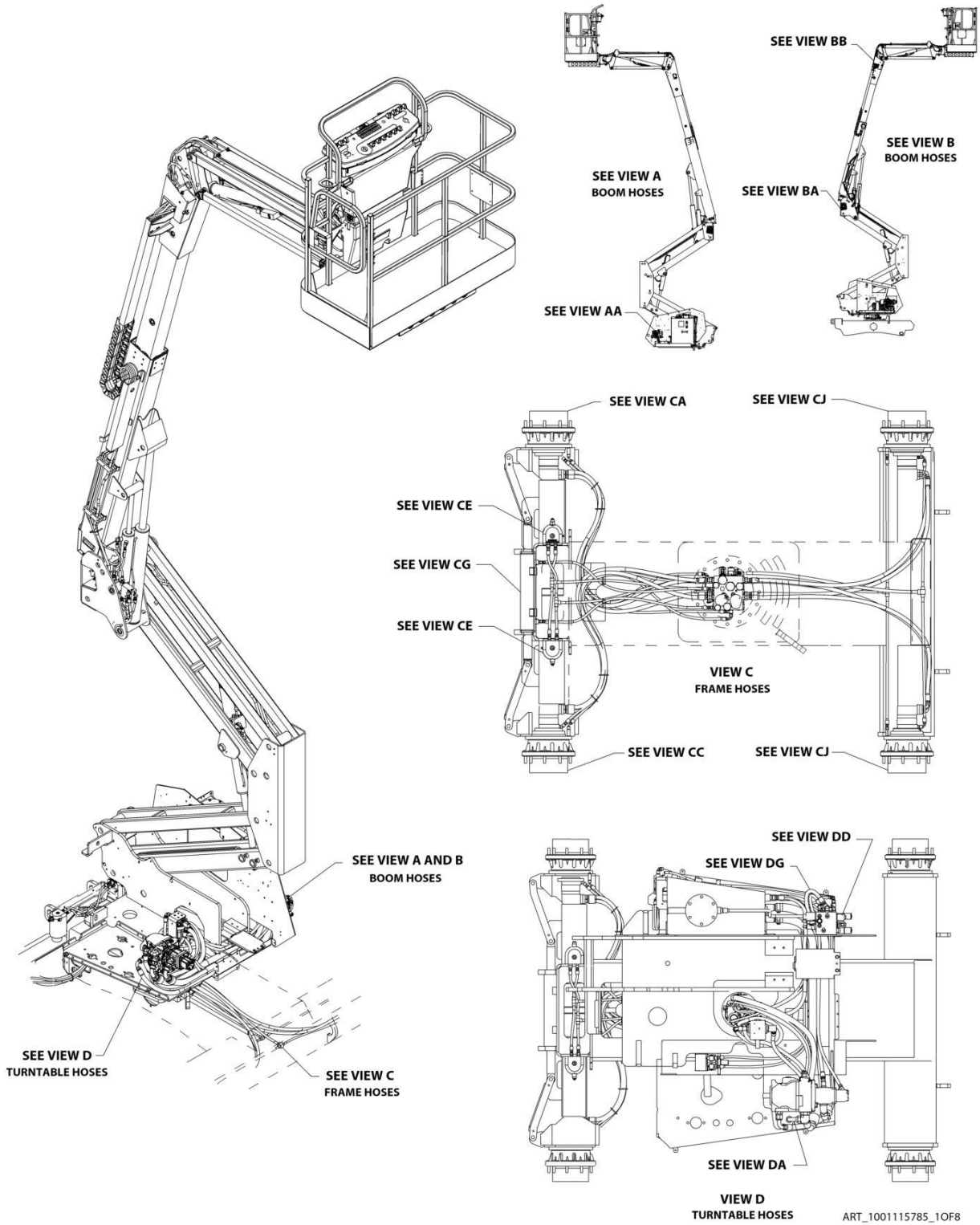
FIGURE 6-8. TELESCOPE CYLINDER ASSEMBLY

ITEM	PART NUMBER	QTY	DESCRIPTION	REV
	1001120974	Ref	TELESCOPE CYLINDER ASSEMBLY	C
		Ref	Note: Original Cylinder may have been replaced with Service Replacement. Identify PN Stamped on Cylinder Before Ordering Parts.	
1	70003114	1	Barrel	
2	70003115	1	Rod	
3	70003116	1	Head	
4	See Note	NSS	Wiper (Note: Use Item 28)	
5	70002366	1	Ring, Retaining	
6	See Note	NSS	Seal, Rod (Note: Use Item 28)	
7	See Note	NSS	Ring, Back-up (Note: Use Item 28)	
8	70002352	1	Bearing	
9	See Note	NSS	O-Ring (Note: Use Item 28)	
10	See Note	NSS	Ring, Back-up (Note: Use Item 28)	
11	See Note	NSS	O-Ring (Note: Use Item 28)	
12	70003117	1	Piston	
13	See Note	NSS	Seal, Piston (Note: Use Item 28)	
14	See Note	NSS	Ring, Wear (Note: Use Item 28)	
15	See Note	NSS	O-Ring (Note: Use Item 28)	
16	70002335	1	Nut	
17	70002364	1	Spacer	
18	See Note	NSS	O-Ring (Note: Use Item 28)	
20	70002389	1	Cartridge, Counterbalance Valve	
20	2900770	1	Seal Kit - 70002389 Valve	
21	10837580	1	Cartridge, Load Shuttle Valve	
21	7010543	1	Seal Kit - 10837580 Valve	
22	70023370	6	Plug	
25	70003118	2	Bushing	
28	70003119	1	Seal Kit (Includes Items 4, 6, 7, 9, 10, 11, 13, 14, 15 & 18)	
100		Ref	REPAIR TOOLS (NOT SHOWN)	
100	70003089	1	Press, Wiper	
100	70003090	1	Press, Bushing (Use with Rod Bearing)	
100	70003091	1	Tool, Bushing Removal (Use with Rod Bearing)	
100	70003092	1	Tool, Head Seal Protection	
100	70003120	1	Press, Bushing (Use with Pin Mounting Bushings)	
100	70003121	1	Tool, Bushing Removal (Use with Pin Mounting Bushings)	
	1001199461	Ref	TELESCOPE CYLINDER ASSEMBLY	A
202	1001199306	1	Cartridge, Counter Balance Valve	
202	2900770	1	Seal Kit - 1001199306 Valve	

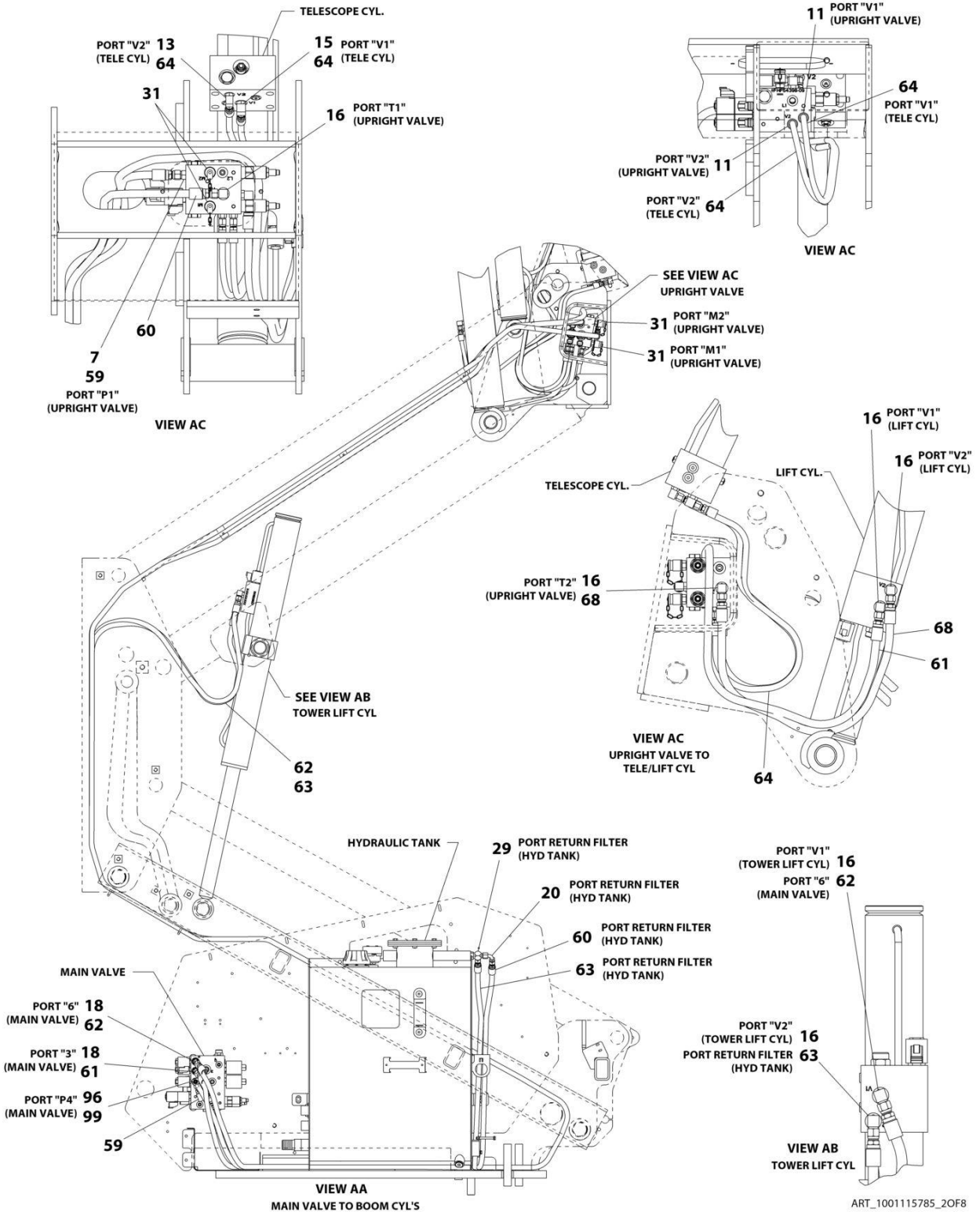
SECTION 7 - HYDRAULIC

SECTION 7 - HYDRAULIC

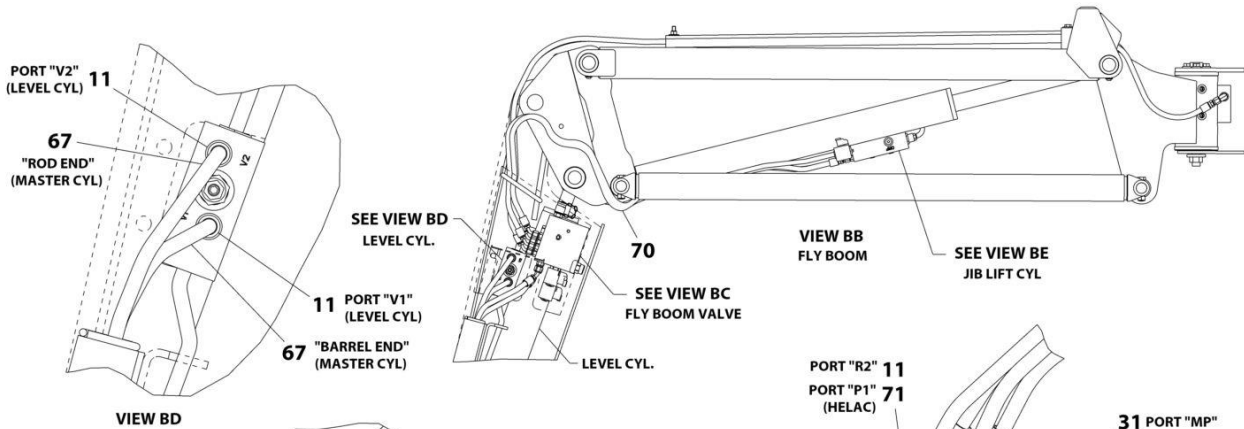
FIGURE 7-1. HYDRAULIC INSTALLATION - WITHOUT ARCTIC PACKAGE



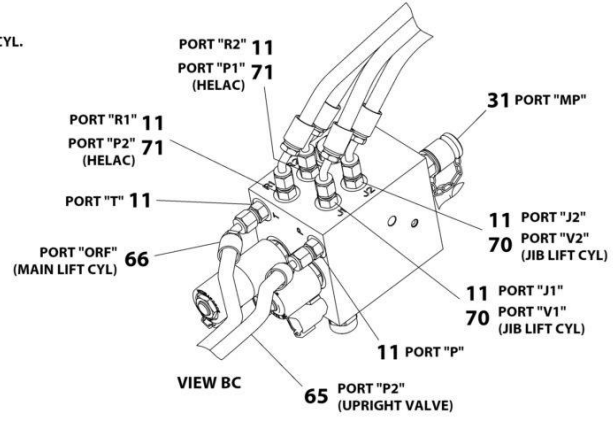
SECTION 7 - HYDRAULIC



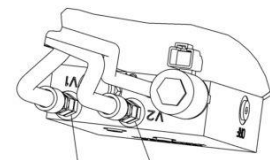
SECTION 7 - HYDRAULIC



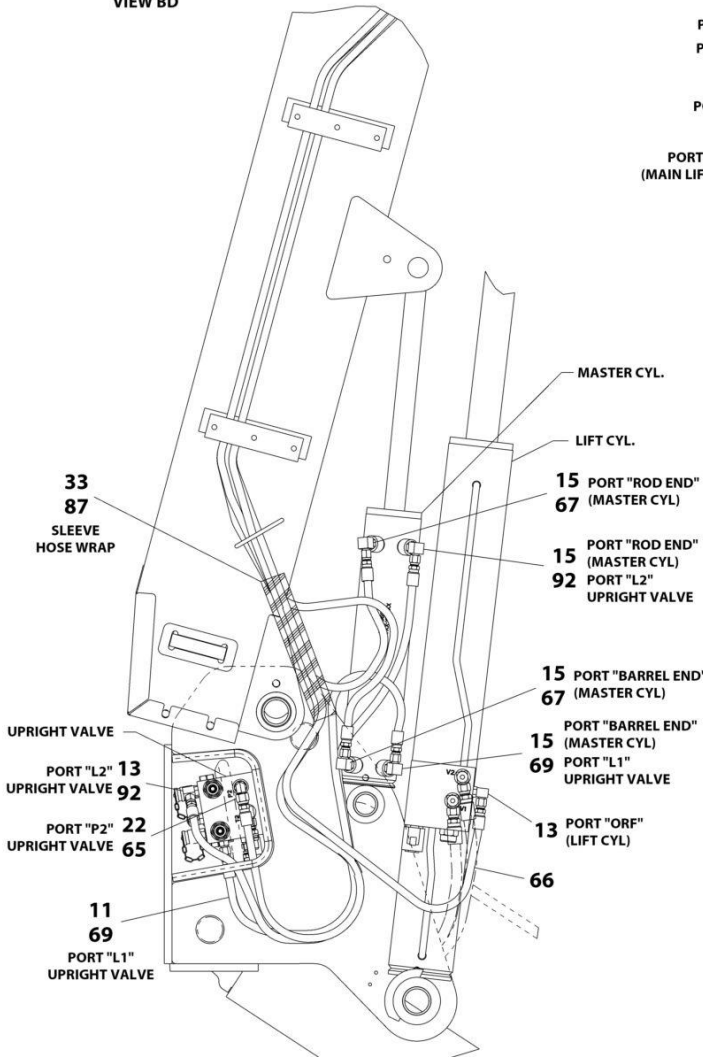
VIEW BD



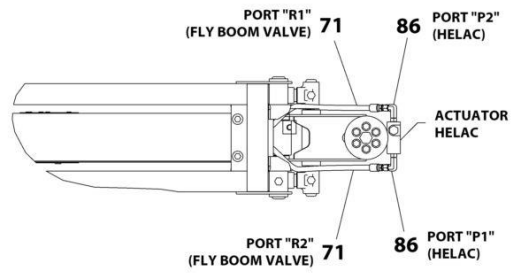
VIEW BC



VIEW BE

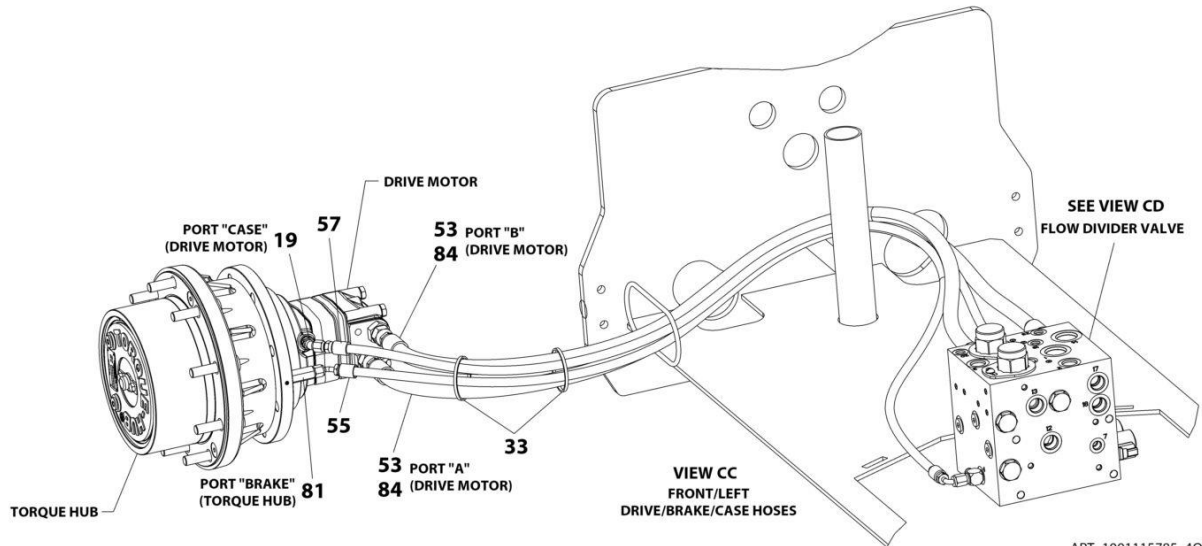
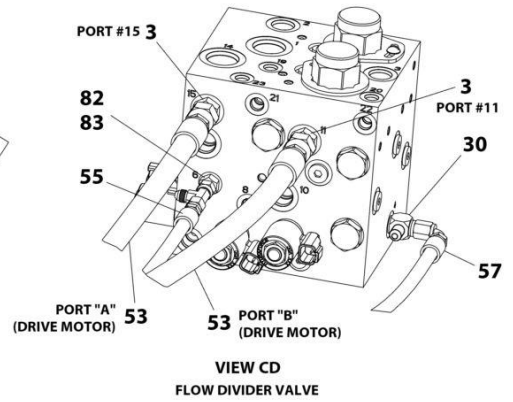
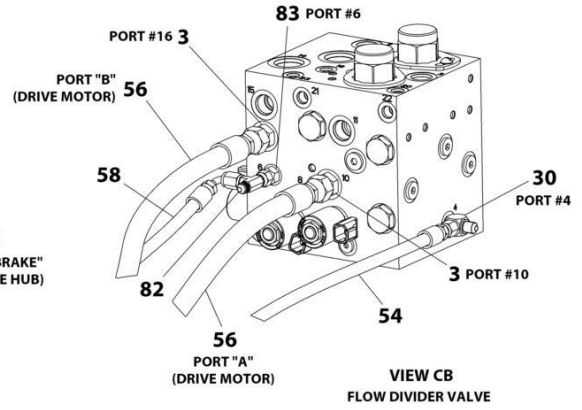
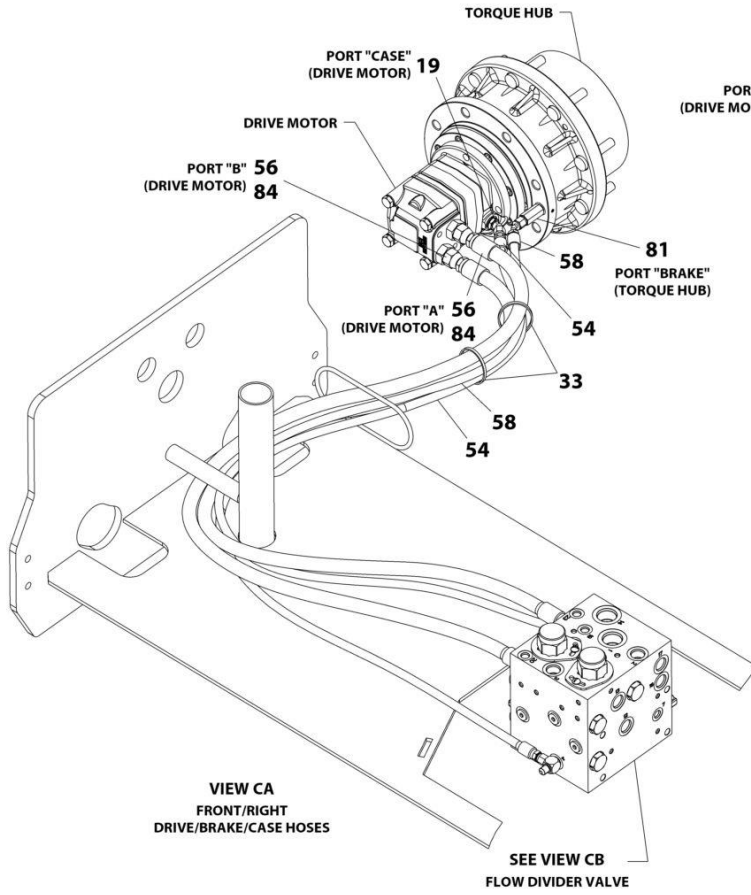


VIEW BA UPRIGHT VALVE TO CYL'S



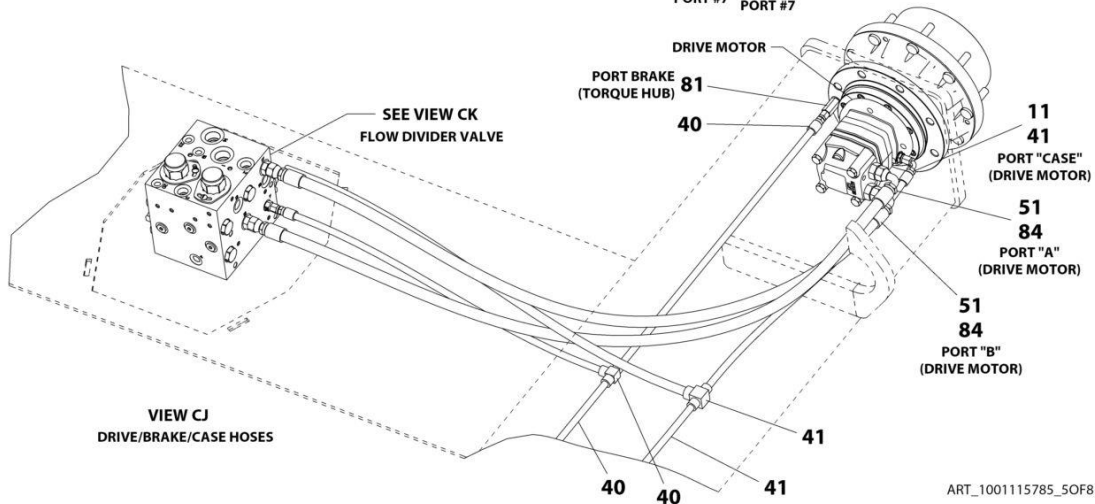
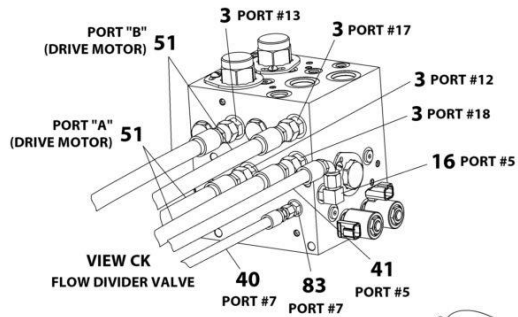
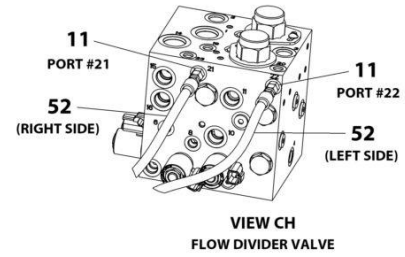
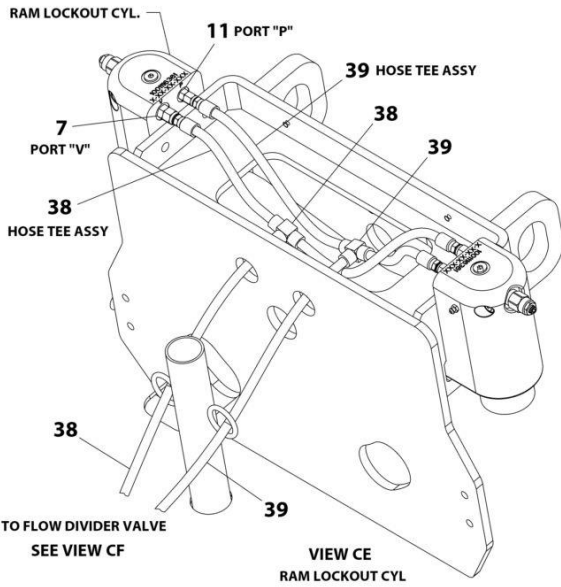
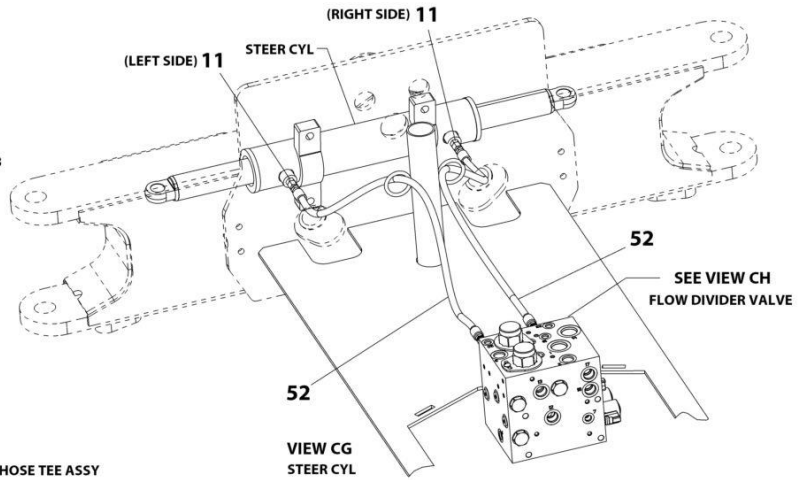
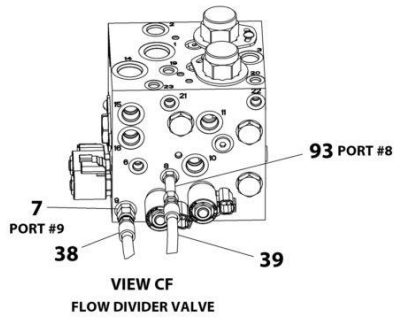
ART_1001115785_30F8

SECTION 7 - HYDRAULIC



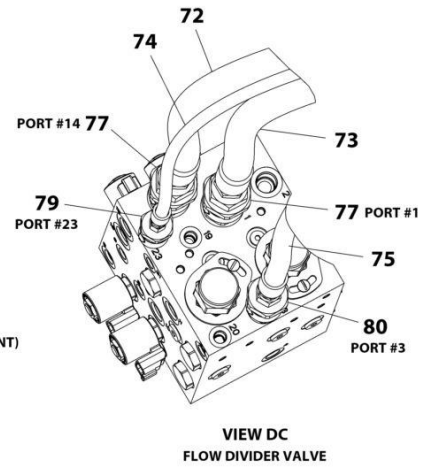
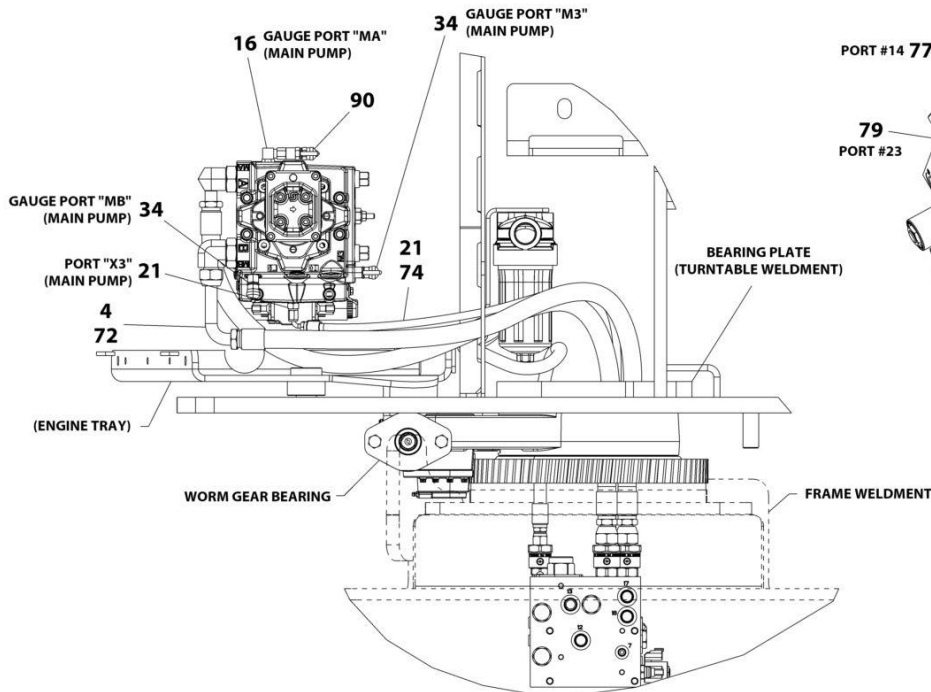
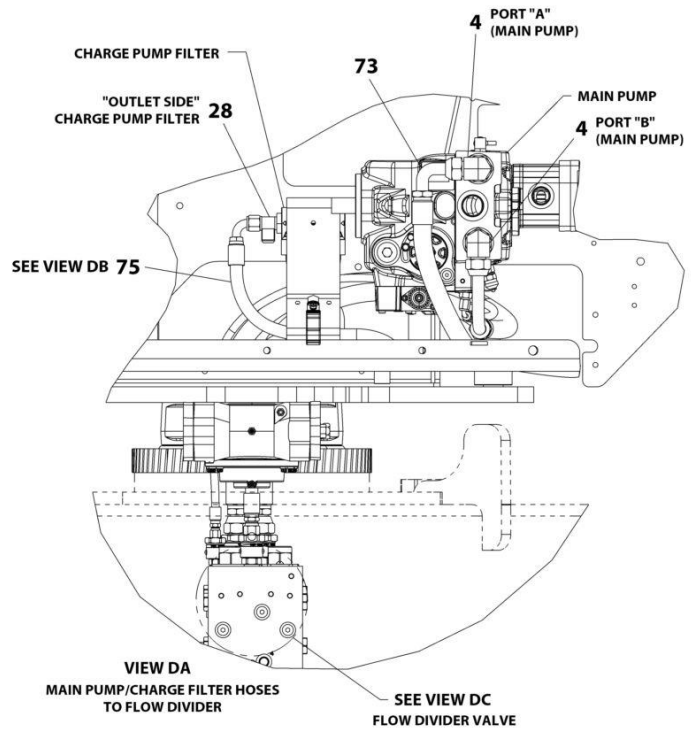
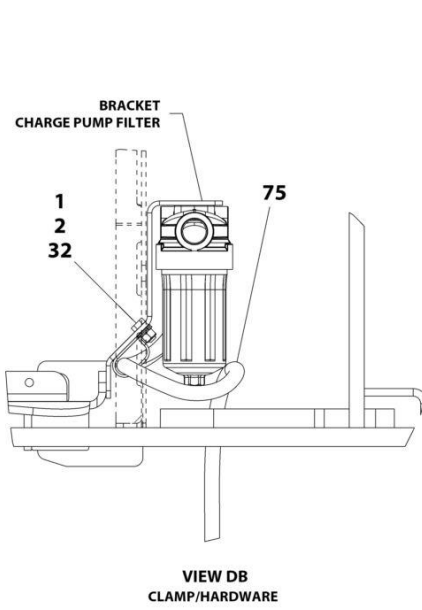
ART_1001115785_40F8

SECTION 7 - HYDRAULIC



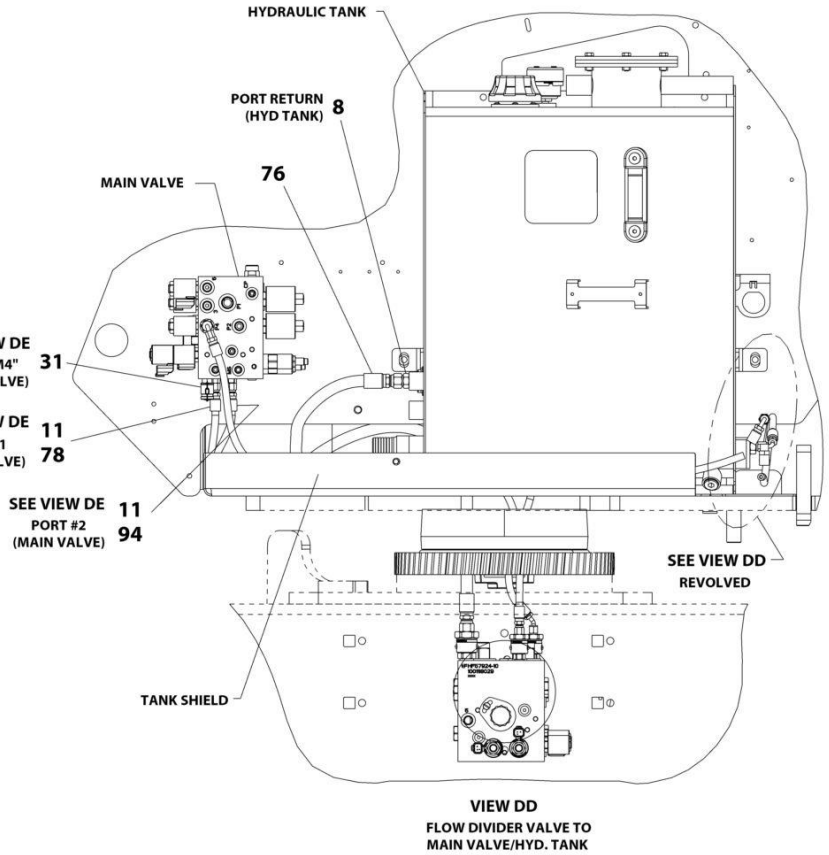
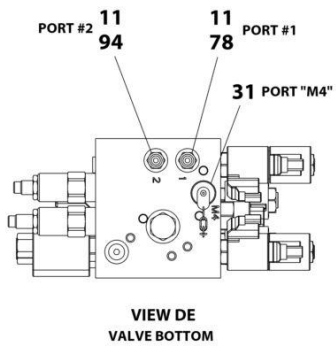
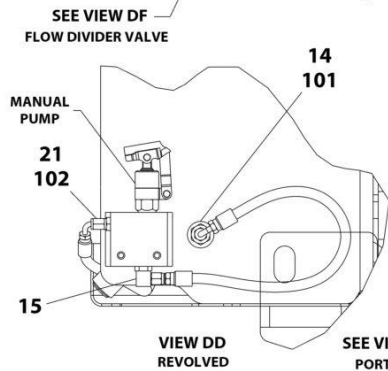
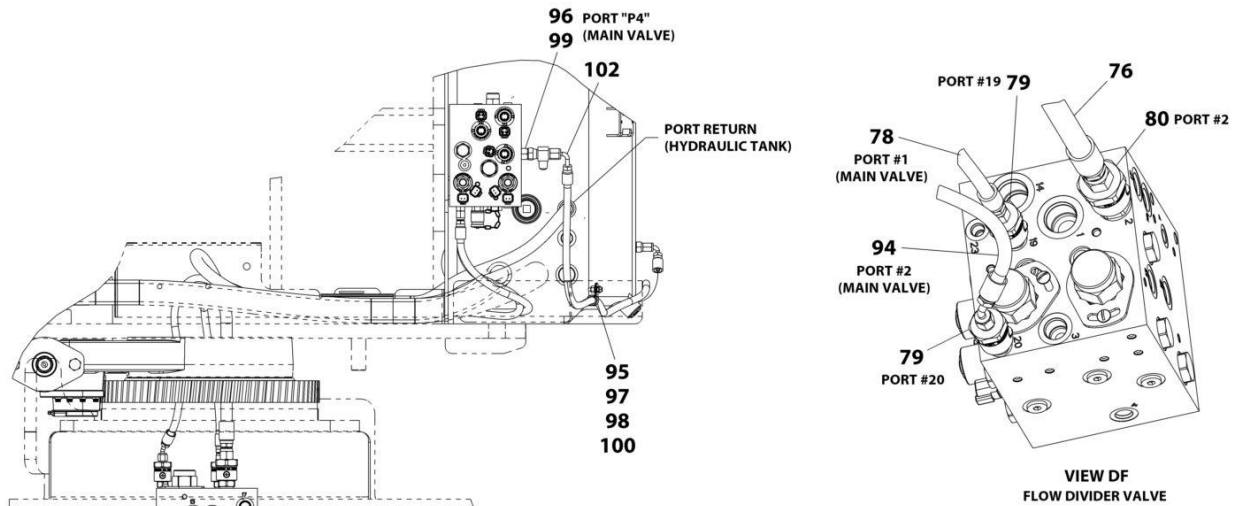
ART_1001115785_SOF8

SECTION 7 - HYDRAULIC



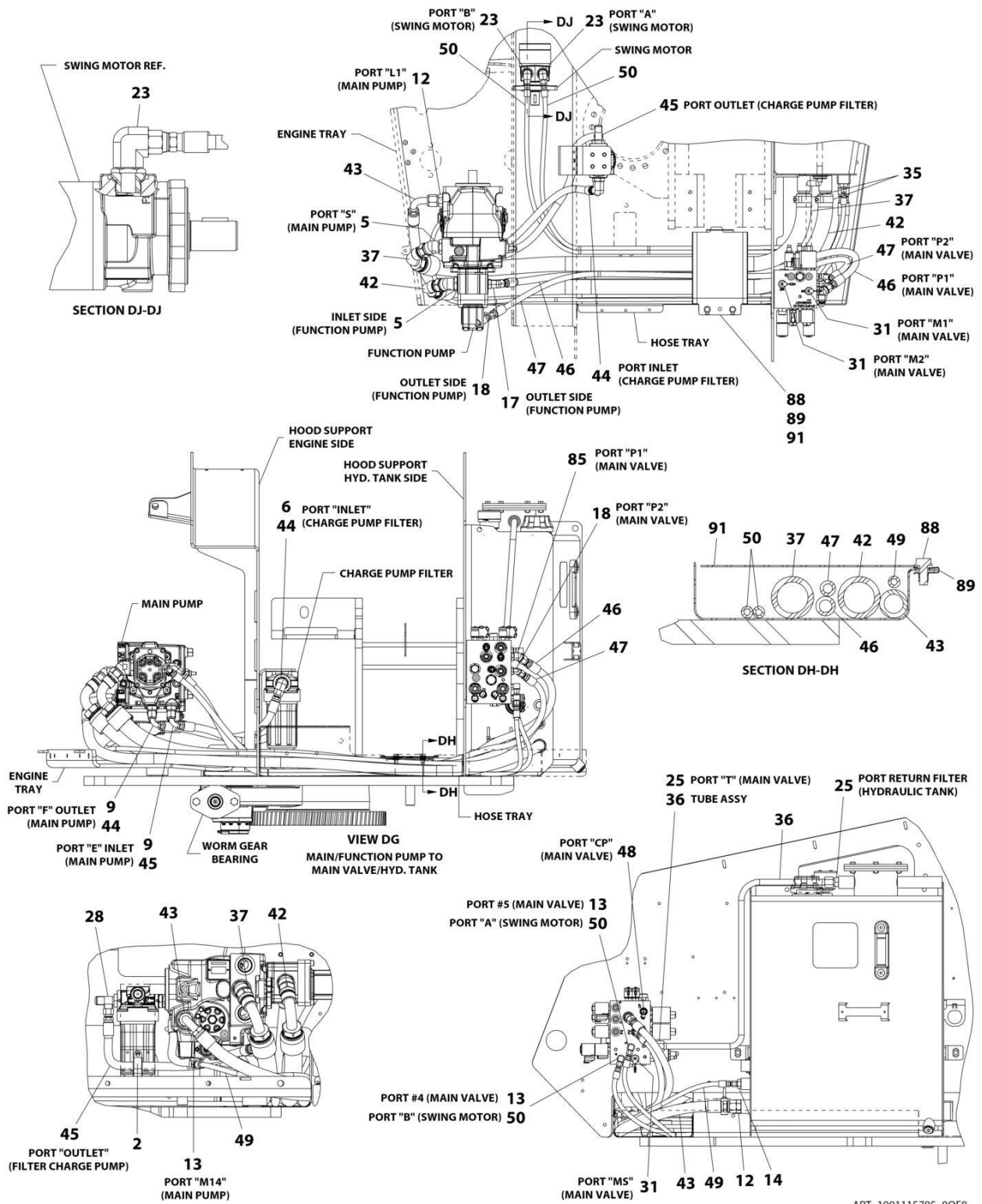
ART_1001115785_60F8

SECTION 7 - HYDRAULIC



ART_1001115785_7OF8

SECTION 7 - HYDRAULIC



ART_1001115785_8OF8

SECTION 7 - HYDRAULIC

FIGURE 7-1. HYDRAULIC INSTALLATION - WITHOUT ARCTIC PACKAGE

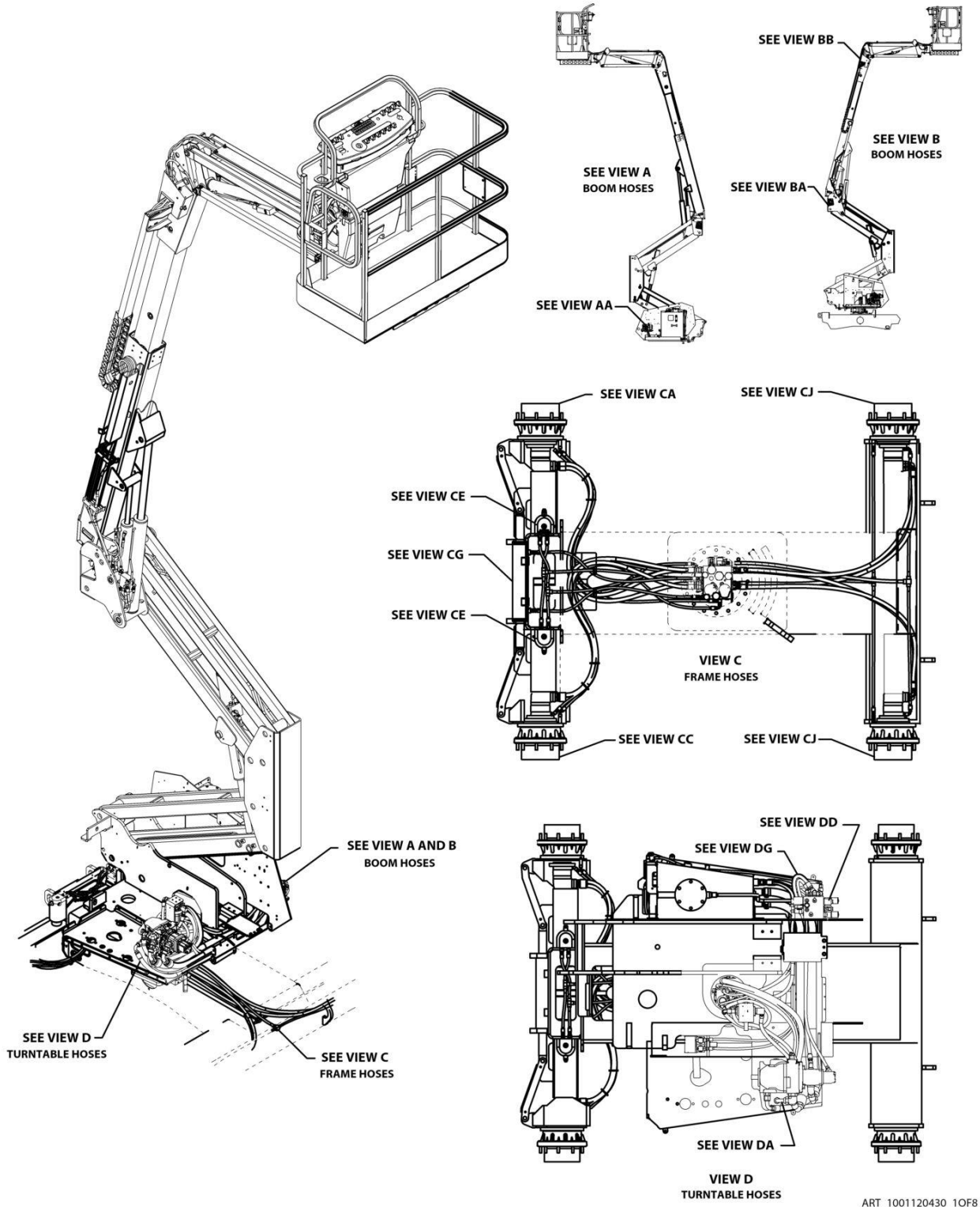
ITEM	PART NUMBER	QTY	DESCRIPTION	REV
	1001115785	Ref	HYDRAULIC INSTALLATION - WITHOUT ARCTIC PACKAGE	I
1	0761012	1	Bolt M10 x 25	
2	1321716	1	Clamp	
3	2110808	8	Fitting, Straight ORFS/ORB	
4	2131216	2	Fitting, 90 ORFS/ORB	
5	2220365	2	Fitting, 45 JIC/ORB	
6	2220366	1	Fitting, 90 JIC/ORB	
7	2220371	4	Fitting, Straight JIC/ORB	
8	2220373	1	Fitting, Straight JIC/ORB	
9	2220374	2	Fitting, Straight JIC/ORB	
11	2220415	23	Fitting, Straight JIC/ORB	
12	2220451	2	Fitting, Straight JIC/ORB	
13	2220466	6	Fitting, 90 JIC/ORB	
14	2220468	2	Fitting, Straight JIC/ORB	
15	2220472	6	Fitting, 90 JIC/ORB	
16	2220473	8	Fitting, 90 JIC/ORB	
17	2220499	1	Fitting, 45 JIC/ORB	
18	2220501	4	Fitting, 45 JIC/ORB	
19	2220502	2	Fitting, 45 JIC/ORB	
20	2220507	1	Fitting, 90 JIC/FSJIC	
21	2220582	2	Fitting, Straight JIC/ORB	
22	2220819	1	Fitting, 90 JIC/ORB	
23	2220828	2	Fitting, 90 JIC/ORB	
25	2220947	2	Fitting, Straight JIC/ORB	
28	2221041	1	Fitting, Tee	
29	2221053	1	Fitting, Run Tee	
30	2221060	1	Fitting, Run Tee JIC	
31	2221086	7	Fitting, Test Port	
32	3291005	1	Nut M10	
33	4240018	7	Tie-Strap	
34	77133089	2	Mini Check	
35	80633030	2	Clamp, Hose	
36	1001116905	1	Tube, Steel	
37	1001119035	1	Hose	
38	1001119068	1	Hose	
39	1001119069	1	Hose	
40	1001119070	1	Hose	
41	1001119071	1	Hose	
42	1001119143	1	Hose	
43	1001119237	1	Hose	
44	1001119324	1	Hose	
45	1001119365	1	Hose	
46	1001119404	1	Hose	
47	1001119449	1	Hose	
48	1001119455	1	Valve, Oil Sampling	
49	1001119489	1	Hose	
50	1001119525	2	Hose	
51	1001119546	4	Hose	
52	1001119547	2	Hose	
53	1001119548	2	Hose	

SECTION 7 - HYDRAULIC

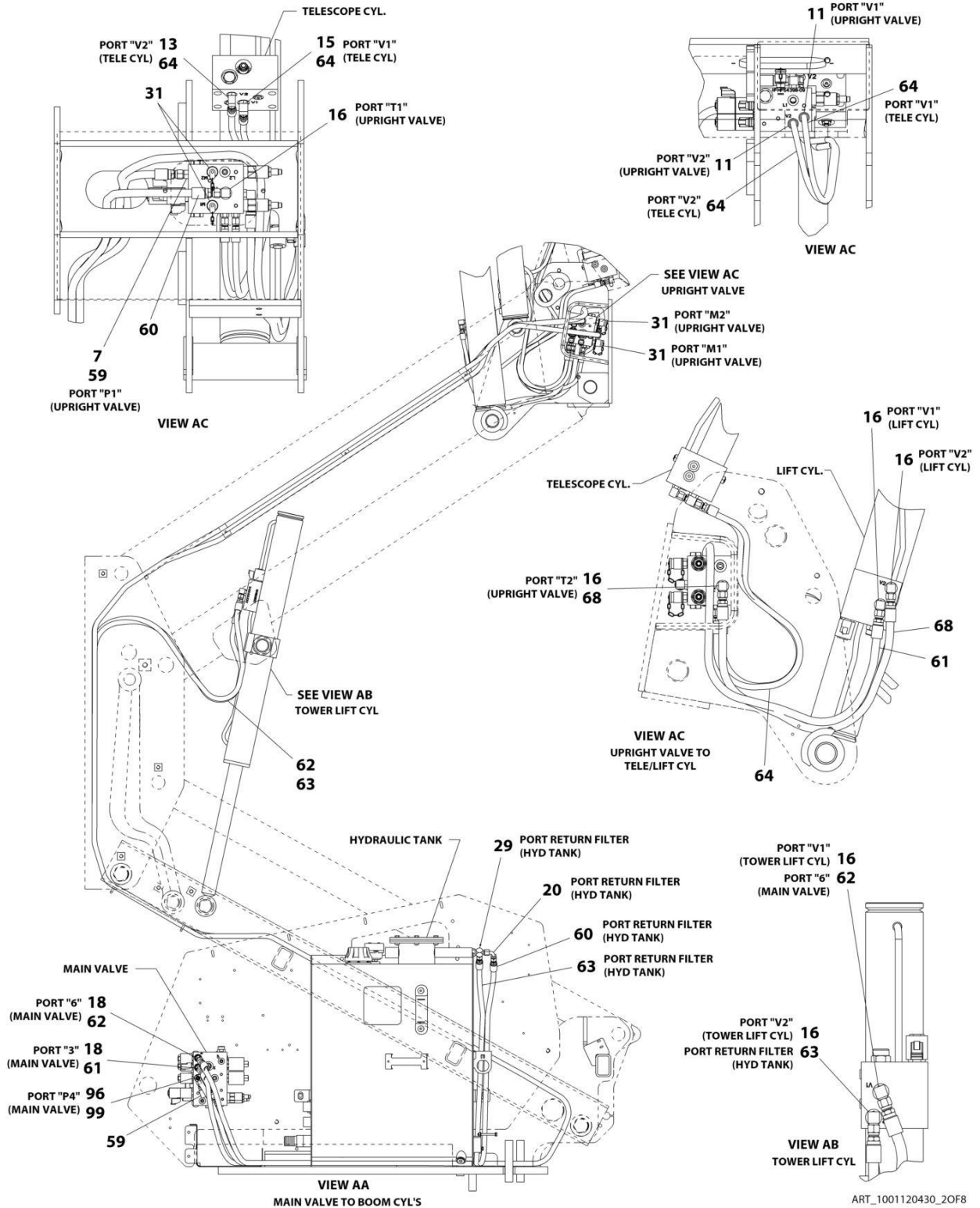
ITEM	PART NUMBER	QTY	DESCRIPTION	REV
54	1001119550	1	Hose	
55	1001119552	1	Hose	
56	1001119568	2	Hose	
57	1001119569	1	Hose	
58	1001119570	1	Hose	
59	1001119572	1	Hose	
60	1001119577	1	Hose	
61	1001119593	1	Hose	
62	1001119594	1	Hose	
63	1001119595	1	Hose	
64	1001119596	2	Hose	
65	1001119597	1	Hose	
66	1001119598	1	Hose	
67	1001119600	2	Hose	
68	1001119602	1	Hose	
69	1001119603	1	Hose	
70	1001119604	2	Hose	
71	1001119605	2	Hose	
72	1001119606	1	Hose	
73	1001119607	1	Hose	
74	1001119608	1	Hose	
75	1001119610	1	Hose	
76	1001119611	1	Hose	
77	1001119612	2	Fitting, Straight ORB/ORFS	
78	1001119613	1	Hose	
79	1001119626	3	Fitting, Straight JIC/ORB	
80	1001119627	2	Fitting, Straight JIC/ORB	
81	1001119630	4	Fitting, Straight JIC/MPP	
82	2220605	1	Fitting, Tee JIC/FSJIC/JIC	
83	4641284	2	Valve, Orifice Check	
84	2110810	8	Fitting, Straight ORFS/ORB	
85	2220500	1	Fitting, 45 JIC/ORB	
86	2220940	2	Fitting, 90 JIC/ORB	
87	4100066	1	Sleeve, Hose Wrap	
88	5250810	2	Bolt M8 x 20	
89	8310686	2	Retainer M8	
90	91143172	1	Coupling	
91	1001121221	1	Cover, Tray	
92	1001121966	1	Hose	
93	1001125108	1	Fitting, Straight JIC/ORB	
94	1001125249	1	Hose	
95	0700510	1	Bolt M5 x 20	
95	0700610	1	Bolt M6 x 20	
96	2220635	1	Fitting, Tee JIC/FSJIC/JIC	
97	3290605	1	Nut M6	
98	4811700	2	Washer M6	
99	80233041	1	Fitting, Check	
100	85941016	1	Clamp	
101	1001127703	1	Hose	
102	1001127705	1	Hose	

SECTION 7 - HYDRAULIC

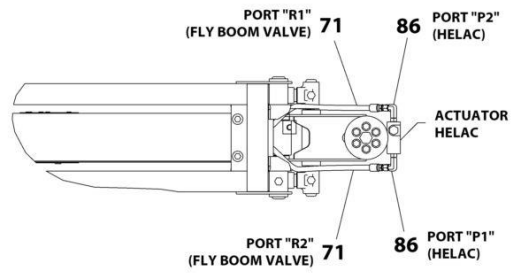
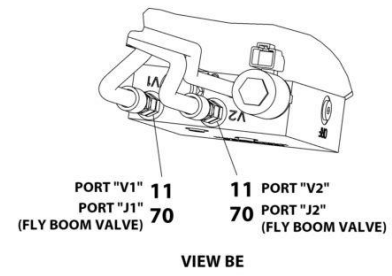
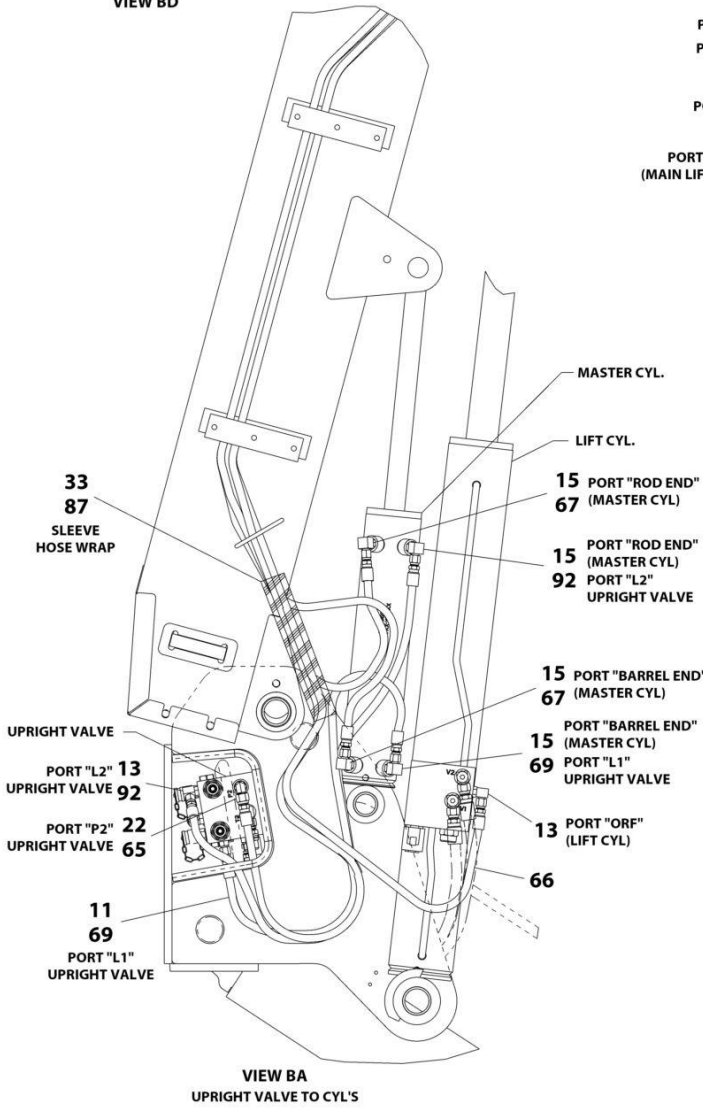
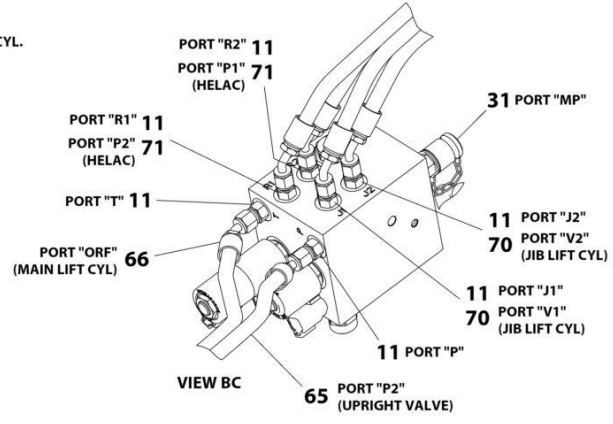
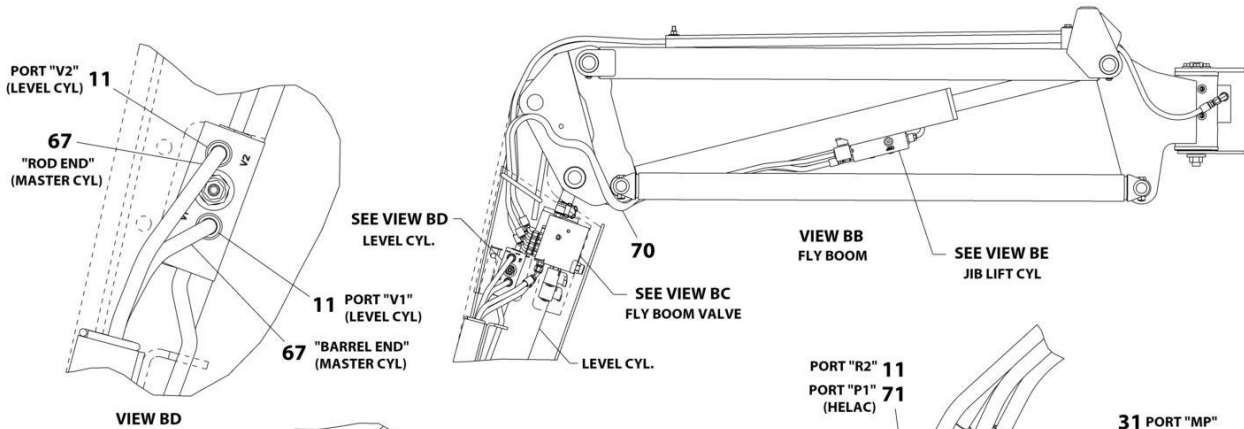
FIGURE 7-2. HYDRAULIC INSTALLATION - WITH ARCTIC PACKAGE



SECTION 7 - HYDRAULIC

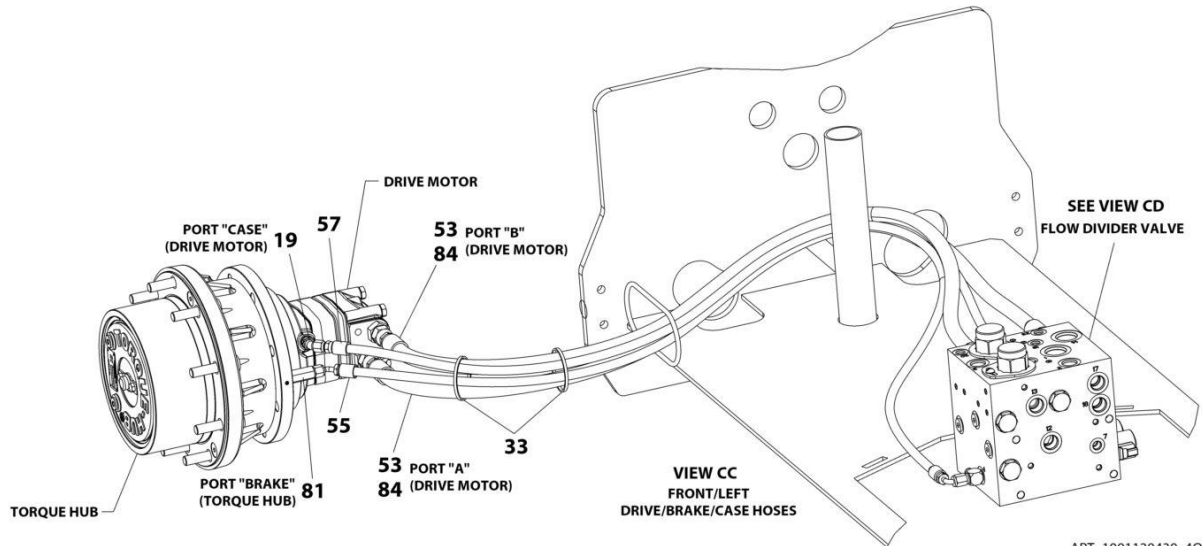
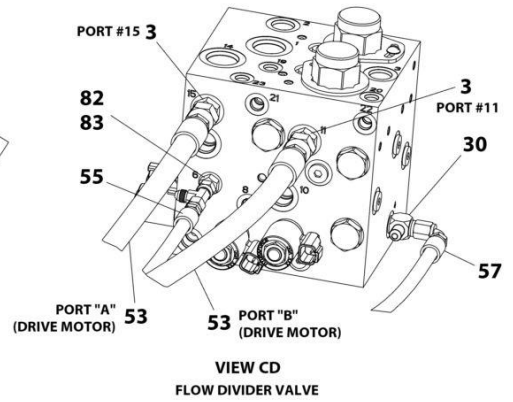
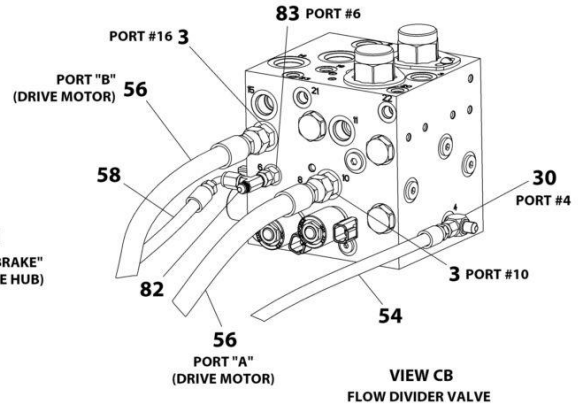
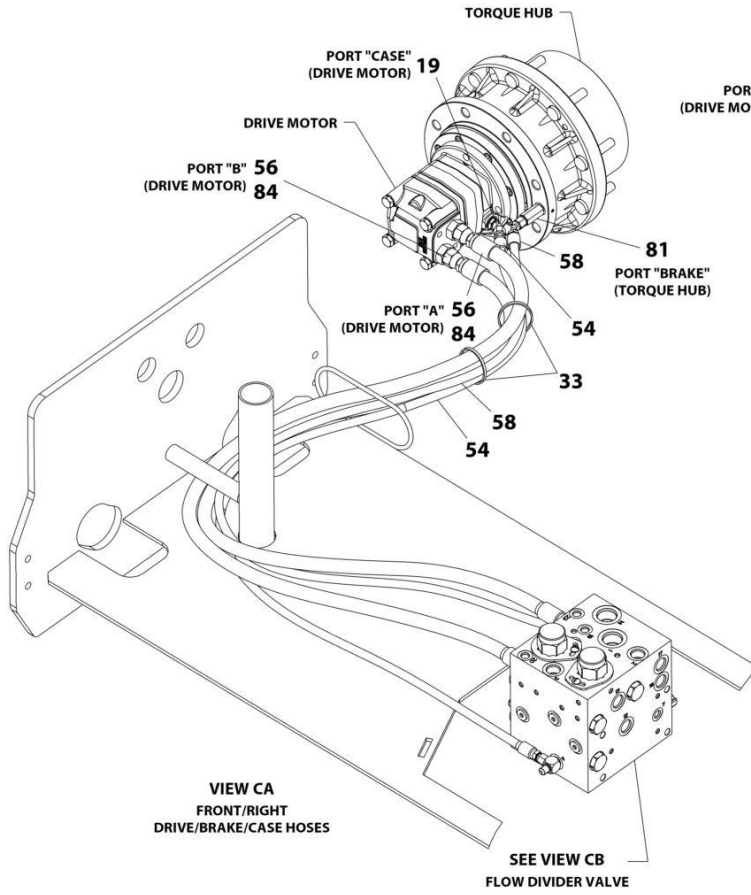


SECTION 7 - HYDRAULIC



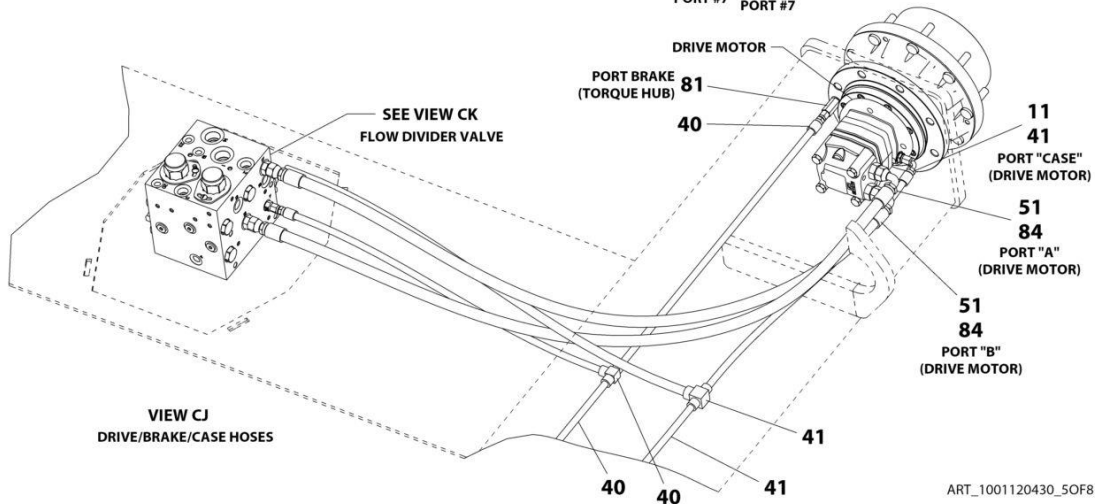
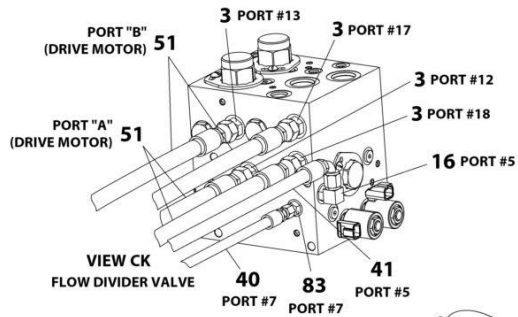
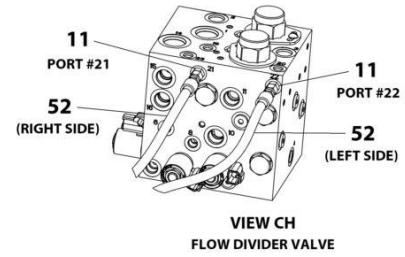
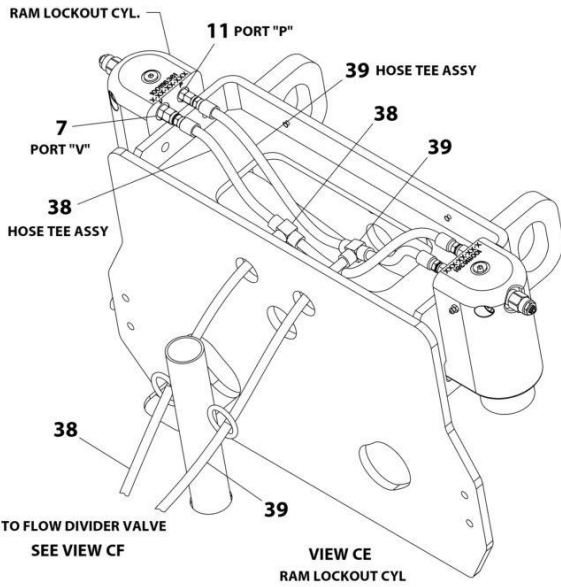
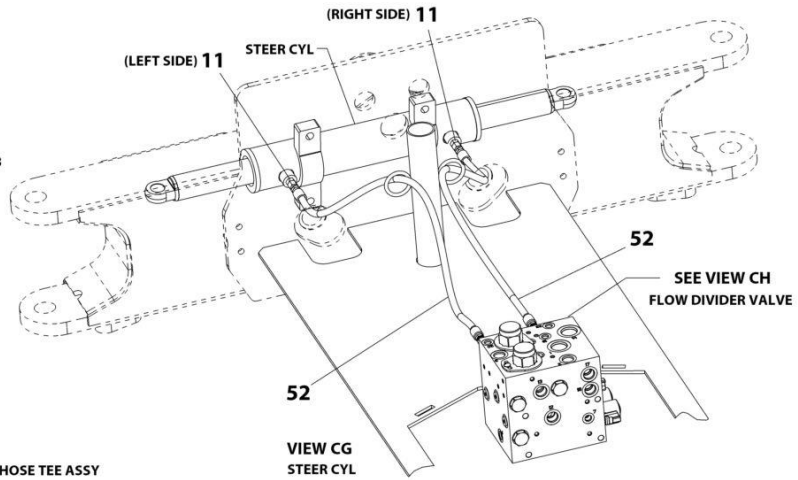
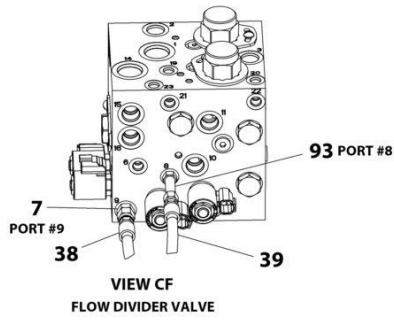
ART_1001120430_30F8

SECTION 7 - HYDRAULIC



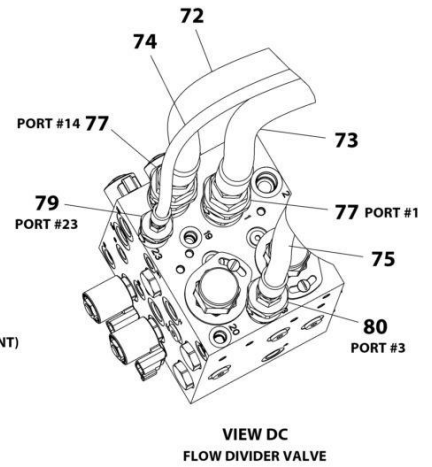
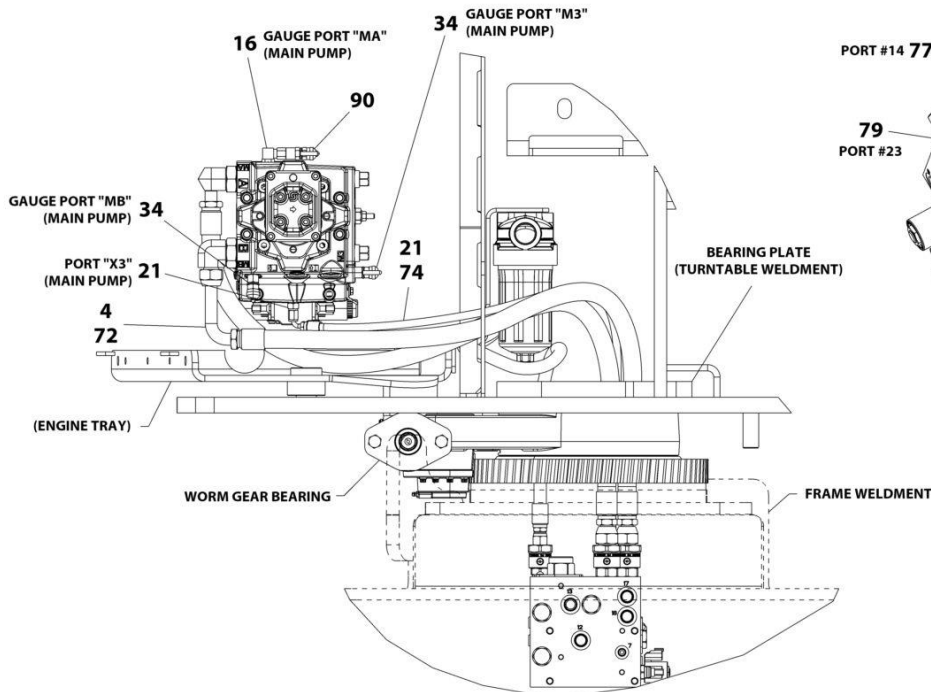
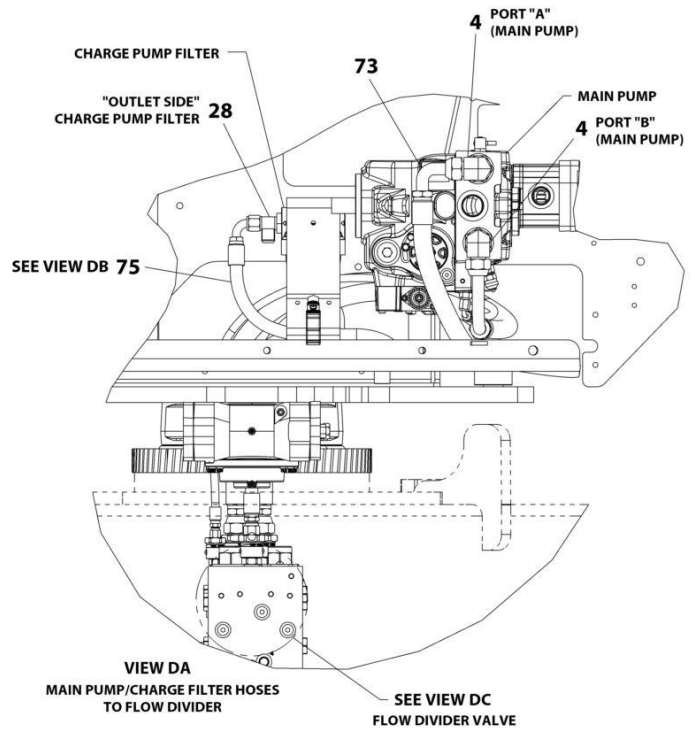
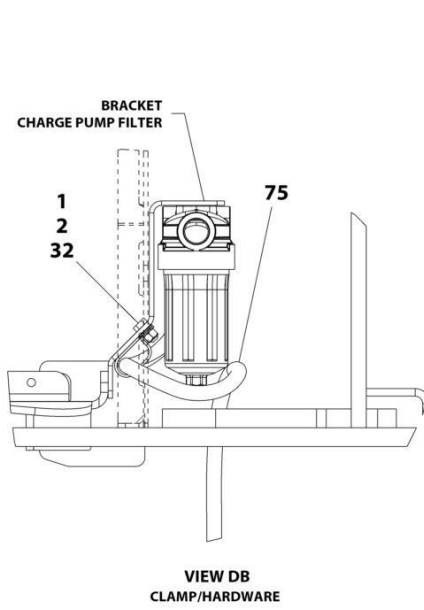
ART_1001120430_4OF8

SECTION 7 - HYDRAULIC



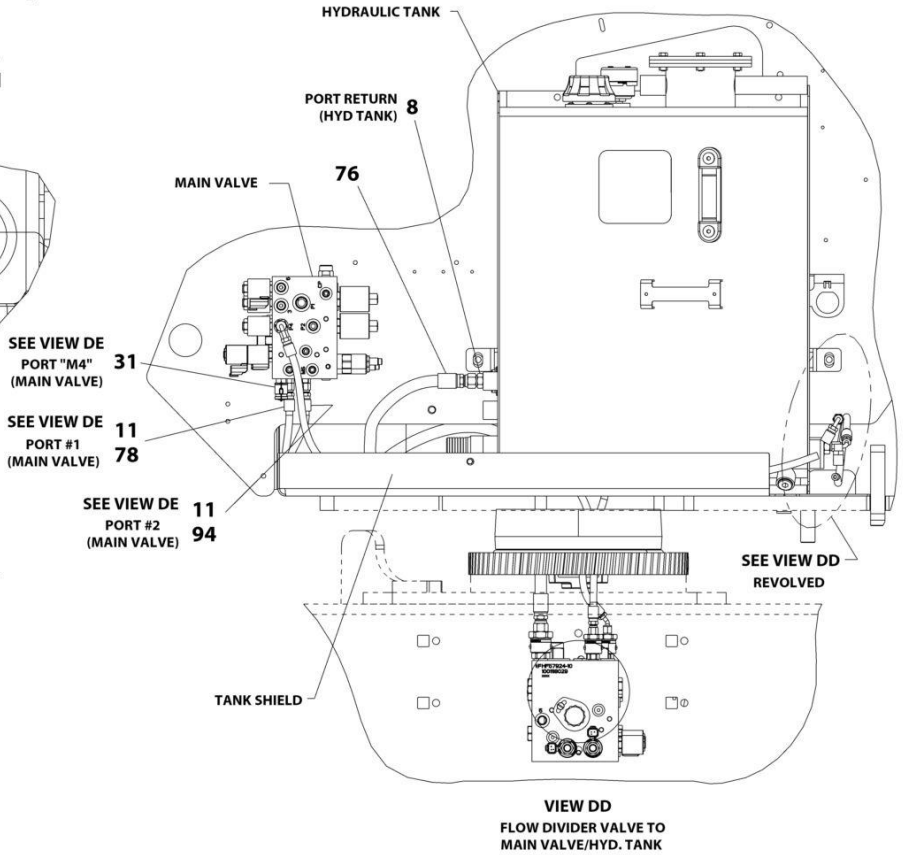
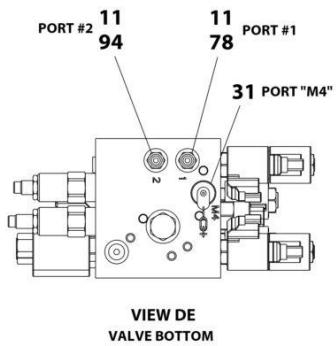
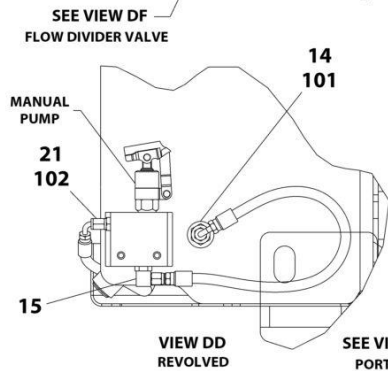
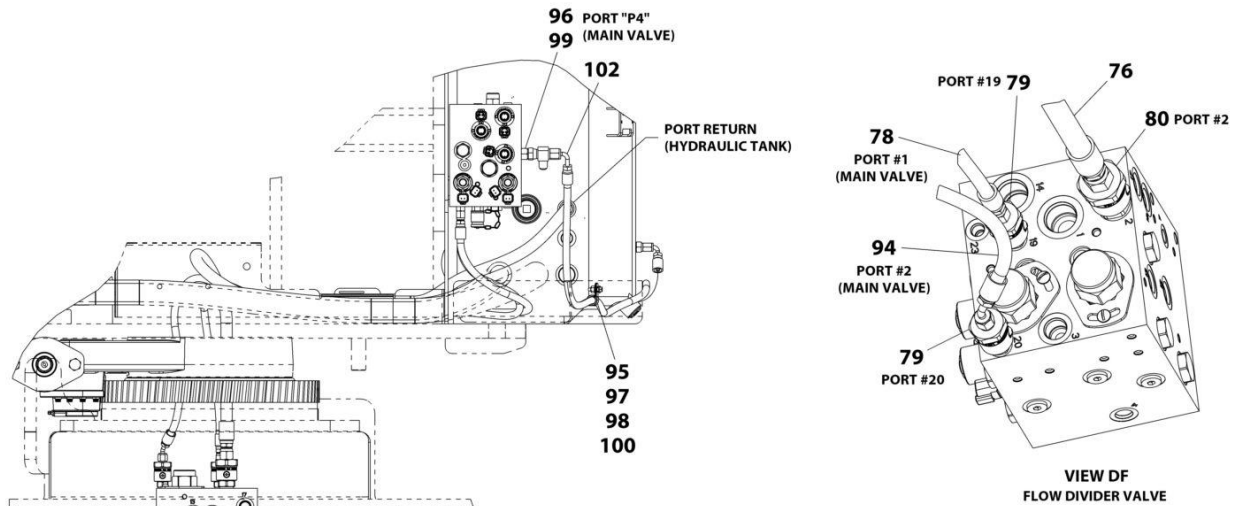
ART_1001120430_50F8

SECTION 7 - HYDRAULIC



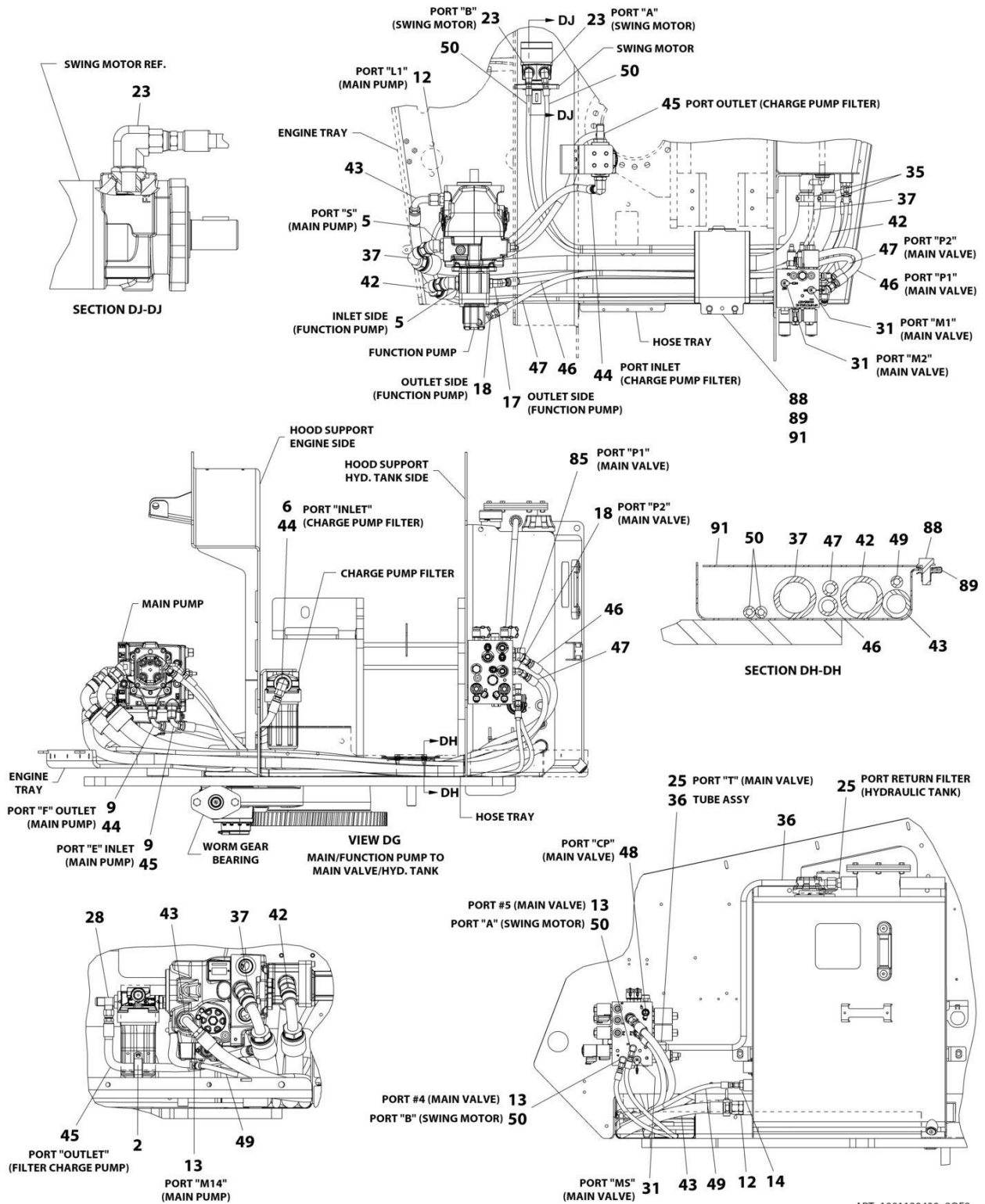
ART_1001120430_60F8

SECTION 7 - HYDRAULIC



ART_1001120430_7OF8

SECTION 7 - HYDRAULIC



ART_1001120430_8OF8

SECTION 7 - HYDRAULIC

FIGURE 7-2. HYDRAULIC INSTALLATION - WITH ARCTIC PACKAGE

ITEM	PART NUMBER	QTY	DESCRIPTION	REV
	1001120430	Ref	HYDRAULIC INSTALLATION - WITH ARCTIC PACKAGE	G
1	0761012	1	Bolt M10 x 25	
2	1321716	1	P-Clamp	
3	2110808	8	Fitting, Straight ORFS/ORB	
4	2131216	2	Fitting, 90 ORFS/ORB	
5	2220365	2	Fitting, 45 JIC/ORB	
6	2220366	1	Fitting, 90 JIC/ORB	
7	2220371	4	Fitting, Straight JIC/ORB	
8	2220373	1	Fitting, Straight JIC/ORB	
9	2220374	2	Fitting, Straight JIC/ORB	
11	2220415	23	Fitting, Straight JIC/ORB	
12	2220451	2	Fitting, Straight JIC/ORB	
13	2220466	6	Fitting, 90 JIC/ORB	
14	2220468	2	Fitting, Straight JIC/ORB	
15	2220472	6	Fitting, 90 JIC/ORB	
16	2220473	8	Fitting, 90 JIC/ORB	
17	2220499	1	Fitting, 45 JIC/ORB	
18	2220501	4	Fitting, 45 JIC/ORB	
19	2220502	2	Fitting, 45 JIC/ORB	
20	2220507	1	Fitting, 90 JIC/FSJIC	
21	2220582	2	Fitting, Straight JIC/ORB	
22	2220819	1	Fitting, 90 JIC/ORB	
23	2220828	2	Fitting, 90 JIC/ORB	
25	2220947	2	Fitting, Straight JIC/ORB	
28	2221041	1	Fitting, Tee	
29	2221053	1	Fitting, Run Tee	
30	2221060	1	Fitting, Run Tee JIC	
31	2221086	7	Fitting, Test Port	
32	3291005	1	Nut M10	
33	4240018	7	Tie-Strap	
34	77133089	2	Mini Check	
35	80633030	2	Clamp, Hose	
36	1001116905	1	Tube, Steel	
37	1001119035	1	Hose	
38	1001119068	1	Hose	
39	1001119069	1	Hose	
40	1001119070	1	Hose	
41	1001119071	1	Hose	
42	1001119143	1	Hose	
43	1001119237	1	Hose	
44	1001119324	1	Hose	
45	1001119365	1	Hose	
46	1001119404	1	Hose	
47	1001119449	1	Hose	
48	1001119455	1	Valve, Oil Sampling	
49	1001119489	1	Hose	
50	1001119525	2	Hose	
51	1001119546	4	Hose	
52	1001119547	2	Hose	
53	1001120424	2	Hose	

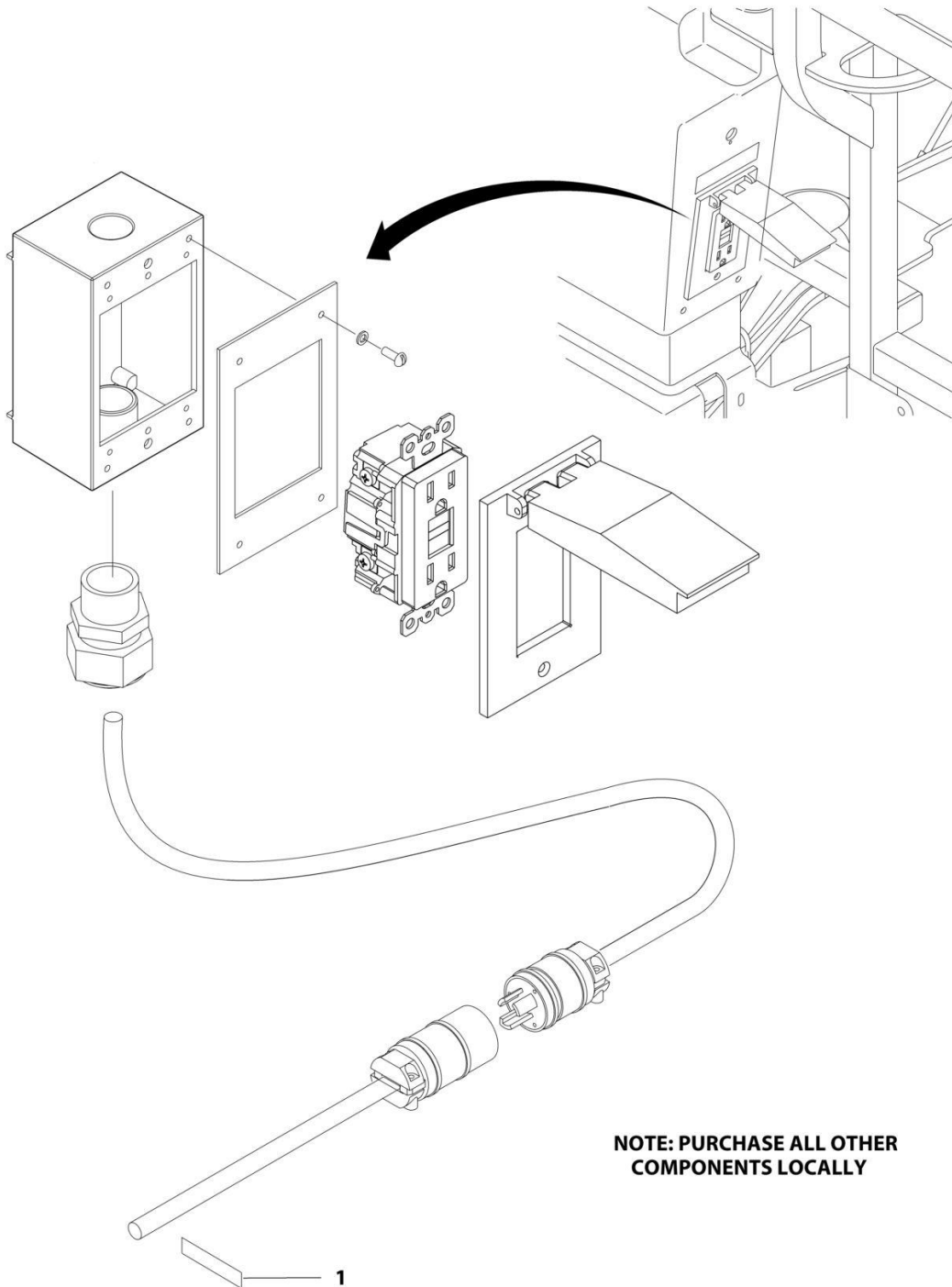
SECTION 7 - HYDRAULIC

ITEM	PART NUMBER	QTY	DESCRIPTION	REV
54	1001120425	1	Hose	
55	1001120426	1	Hose	
56	1001120427	2	Hose	
57	1001120428	1	Hose	
58	1001120429	1	Hose	
59	1001119572	1	Hose	
60	1001119577	1	Hose	
61	1001119593	1	Hose	
62	1001119594	1	Hose	
63	1001119595	1	Hose	
64	1001119596	2	Hose	
65	1001119597	1	Hose	
66	1001119598	1	Hose	
67	1001119600	2	Hose	
68	1001119602	1	Hose	
69	1001119603	1	Hose	
70	1001119604	2	Hose	
71	1001119605	2	Hose	
72	1001119606	1	Hose	
73	1001119607	1	Hose	
74	1001119608	1	Hose	
75	1001119610	1	Hose	
76	1001119611	1	Hose	
77	1001119612	2	Fitting, Straight ORB/ORFS	
78	1001119613	1	Hose	
79	1001119626	3	Fitting, Straight JIC/ORB	
80	1001119627	2	Fitting, Straight JIC/ORB	
81	1001119630	4	Fitting, Straight JIC/MPP	
82	2220605	1	Fitting, Tee JIC/FSJIC/JIC	
83	4641284	2	Valve, Orifice Check	
84	2110810	8	Fitting, Straight ORFS/ORB	
85	2220500	1	Fitting, 45 JIC/ORB	
86	2220940	2	Fitting, 90 JIC/ORB	
87	4100066	1	Sleeve, Hose Wrap	
88	5250810	2	Bolt M8 x 20	
89	8310686	2	Retainer M8	
90	91143172	1	Coupling	
91	1001121221	1	Cover, Tray	
92	1001121966	1	Hose	
93	1001125108	1	Fitting, Straight JIC/ORB	
94	1001125249	1	Hose	
95	0700510	1	Bolt M5 x 20	
95	0700610	1	Bolt M6 x 20	
96	2220635	1	Fitting, Tee JIC/FSJIC/JIC	
97	3290605	1	Nut M6	
98	4811700	2	Washer M6	
99	80233041	1	Fitting, Check	
100	85941016	1	Clamp	
101	1001127703	1	Hose	
102	1001127705	1	Hose	

SECTION 8 - ELECTRICAL

SECTION 8 - ELECTRICAL

FIGURE 8-1. AC BOX AT PLATFORM INSTALLATION - LOCALLY SUPPLIED COMPONENTS (ANSI EXPORT, AUSTRALIAN AND CHINA SPECS)



**NOTE: PURCHASE ALL OTHER
COMPONENTS LOCALLY**

ART_1001119870

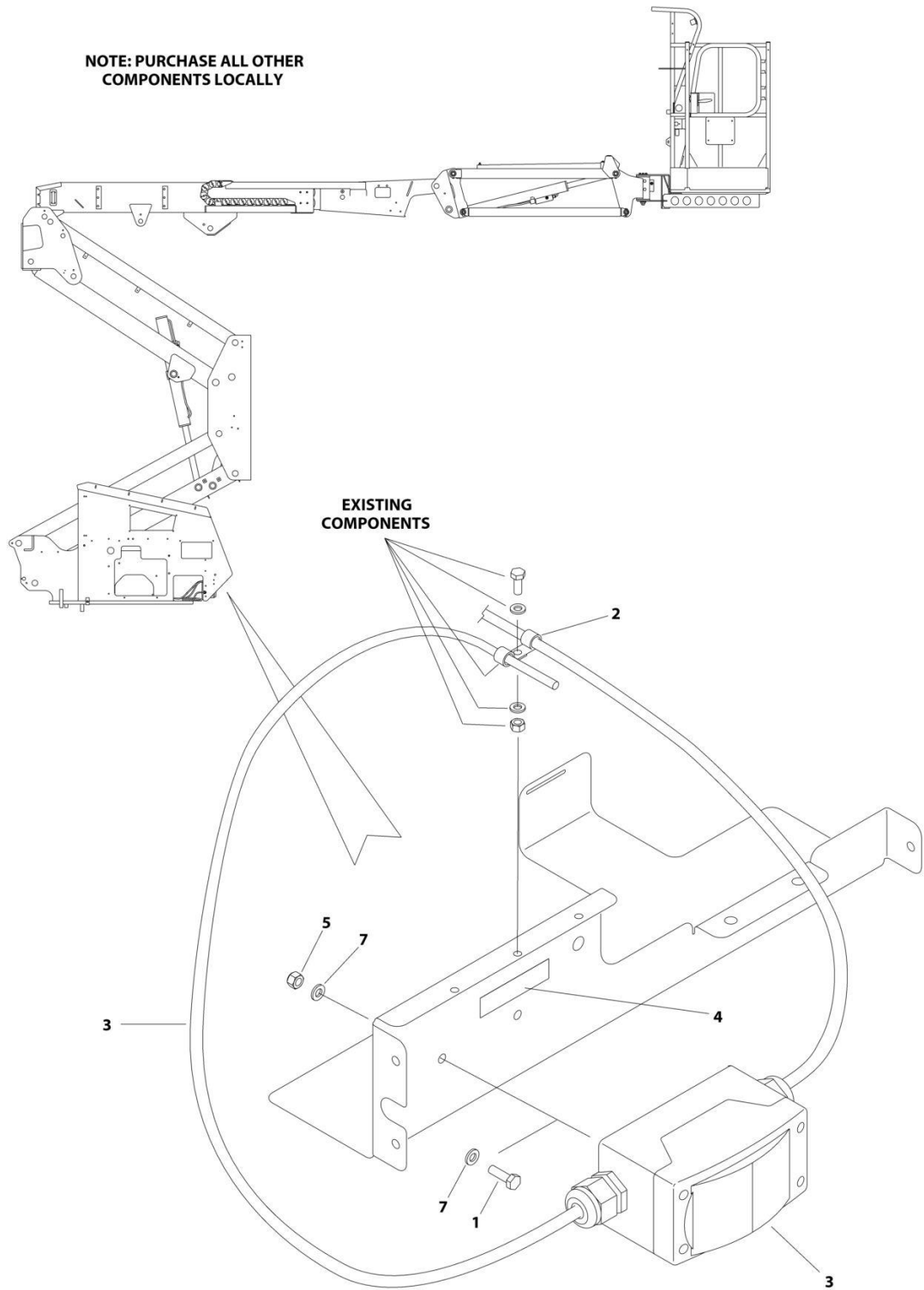
SECTION 8 - ELECTRICAL

FIGURE 8-1. AC BOX AT PLATFORM INSTALLATION - LOCALLY SUPPLIED COMPONENTS (ANSI EXPORT, AUSTRALIAN AND CHINA SPECS)

ITEM	PART NUMBER	QTY	DESCRIPTION	REV
	1001119870	Ref	AC BOX AT PLATFORM INSTALLATION - LOCALLY SUPPLIED COMPONENTS	A
1	3251243	1	Decal - 120V-60Hz	

SECTION 8 - ELECTRICAL

FIGURE 8-2. AC BOX AT PLATFORM INSTALLATION - LOCALLY SUPPLIED (CE & UK CA SPEC)



ART_1001130588

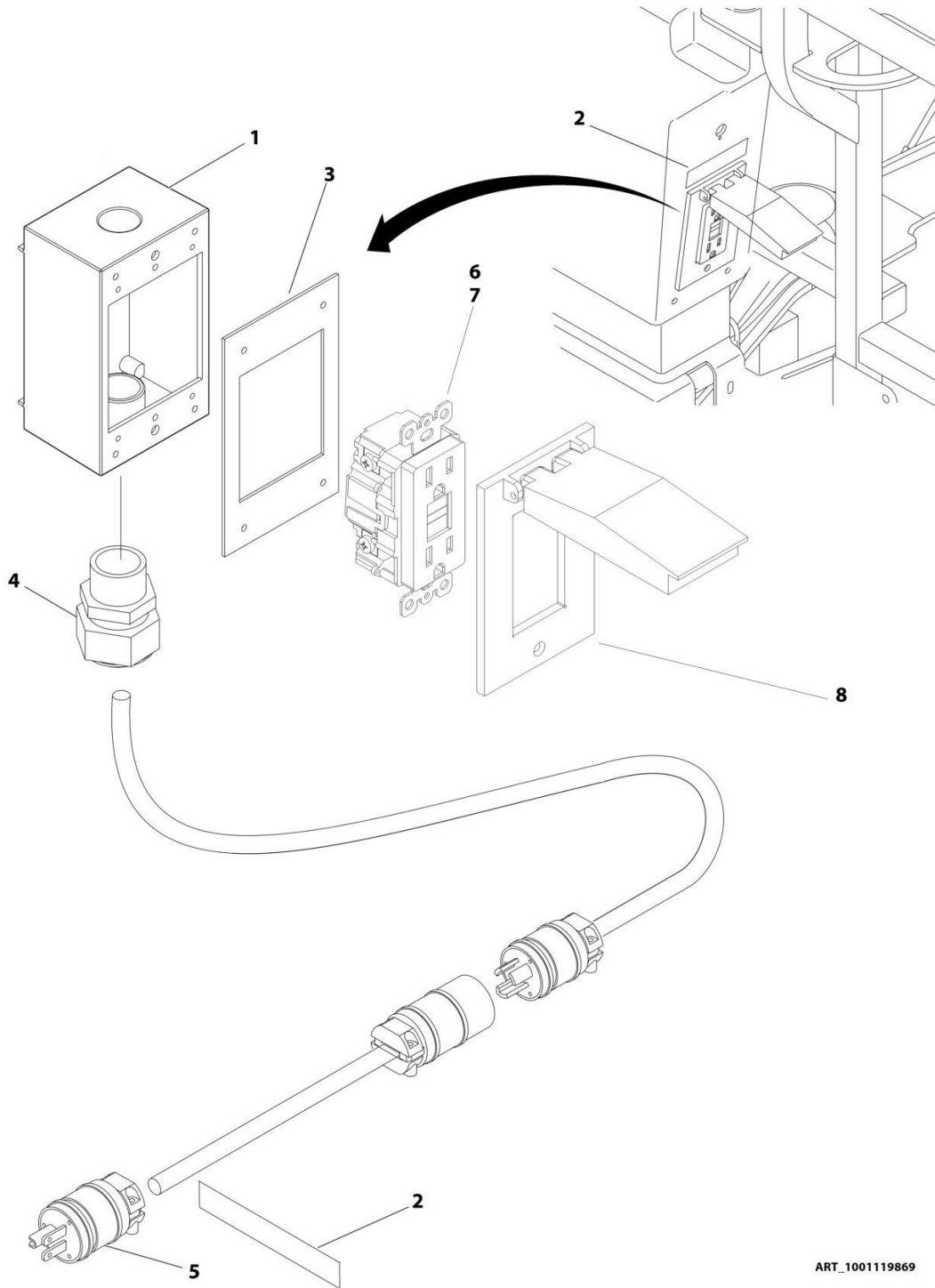
SECTION 8 - ELECTRICAL

FIGURE 8-2. AC BOX AT PLATFORM INSTALLATION - LOCALLY SUPPLIED (CE & UK CA SPEC)

ITEM	PART NUMBER	QTY	DESCRIPTION	REV
	1001130588	Ref	AC BOX AT PLATFORM INSTALLATION - LOCALLY SUPPLIED COMPONENTS	A
1	0760610	2	Bolt M6 x 20	
2	1320043	1	Clamp	
3	2902549	1	Breaker Box Kit (See Separate Breakdown in this Section)	
4	3252507	1	Decal - 220V - 50/60Hz	
5	3290605	2	Nut M6	
6	4460121	3	Cap, Wire (Not Shown - Located inside Receptacle Box)	
7	4811700	4	Washer M6	

SECTION 8 - ELECTRICAL

FIGURE 8-3. AC BOX AT PLATFORM INSTALLATION - 110V (ANSI, ANSI EXPORT, CHINA, CSA AND JAPANESE SPECS)



ART_1001119869

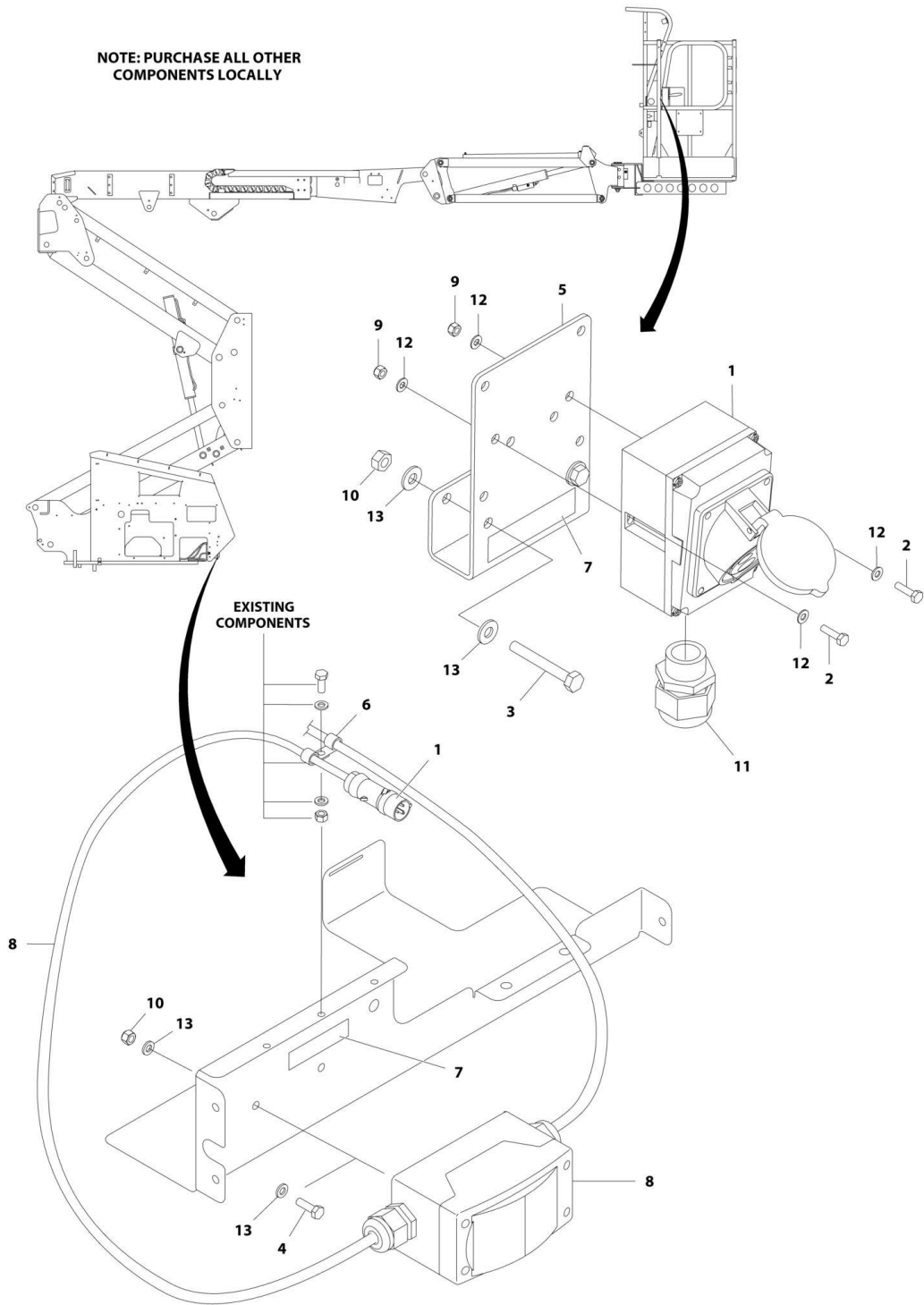
SECTION 8 - ELECTRICAL

FIGURE 8-3. AC BOX AT PLATFORM INSTALLATION - 110V (ANSI, ANSI EXPORT, CHINA, CSA AND JAPANESE SPECS)

ITEM	PART NUMBER	QTY	DESCRIPTION	REV
	1001119869	Ref	AC BOX AT PLATFORM INSTALLATION - 110V	A
1	0860038	1	Box, Switch	
2	3251243	2	Decal - 120V - 60Hz	
3	3960422	1	Gasket	
4	4460071	1	Connector, Strain Relief	
5	4460205	1	Plug, Male	
6	4460315	3	Terminal, Spade	
7	4460346	1	Receptacle	
8	1001110873	1	Shield, Cover	

SECTION 8 - ELECTRICAL

FIGURE 8-4. AC BOX AT PLATFORM INSTALLATION - 110V IEC YELLOW WITHOUT 4000W GENERATOR (CE & UK CA SPEC)



ART_1001119875

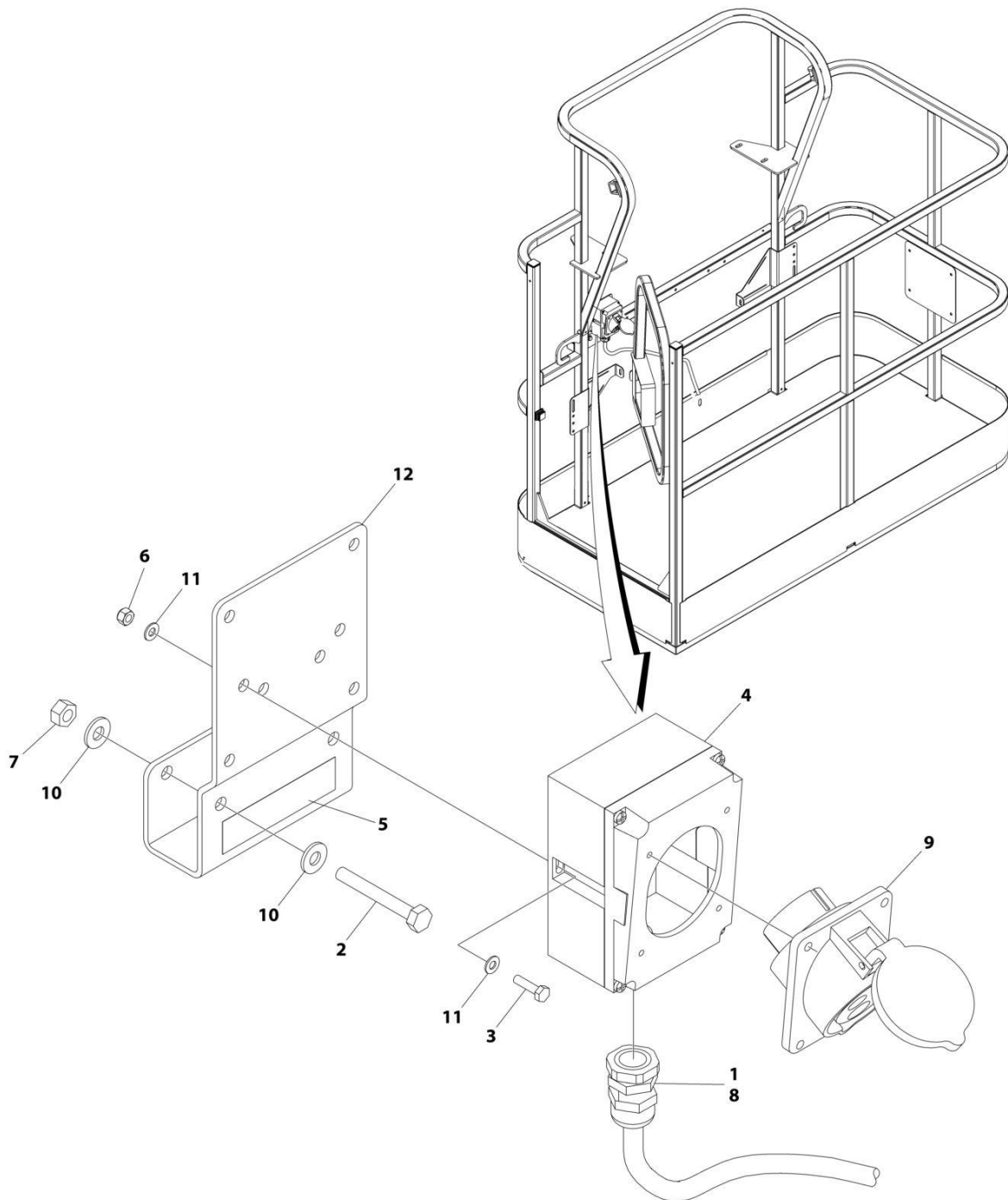
SECTION 8 - ELECTRICAL

FIGURE 8-4. AC BOX AT PLATFORM INSTALLATION - 110V IEC YELLOW WITHOUT 4000W GENERATOR (CE & UK CA SPEC)

ITEM	PART NUMBER	QTY	DESCRIPTION	REV
	1001119875	Ref	AC BOX AT PLATFORM INSTALLATION - 110V IEC YELLOW	B
1	0275216	1	Receptacle Box Kit (See Separate Breakdown in this Section)	
2	0700408	2	Bolt M4 x 16	
3	0700618	2	Bolt M6 x 50	
4	0760610	2	Bolt M6 x 20	
5	1001193018	1	Bracket	
6	1320043	1	Clamp	
7	1705325	2	Decal - 120V - 50Hz	
8	2902549	1	Breaker Box Kit (See Separate Breakdown in this Section)	
9	3290405	2	Nut M4	
10	3290605	4	Nut M6	
11	4460968	1	Connector, Strain Relief	
12	4811400	4	Washer M4	
13	4811700	8	Washer M6	

SECTION 8 - ELECTRICAL

FIGURE 8-5. AC BOX AT PLATFORM INSTALLATION - 110V IEC YELLOW WITH 4000W GENERATOR
(CE & UK CA SPECS)



ART_1001194203

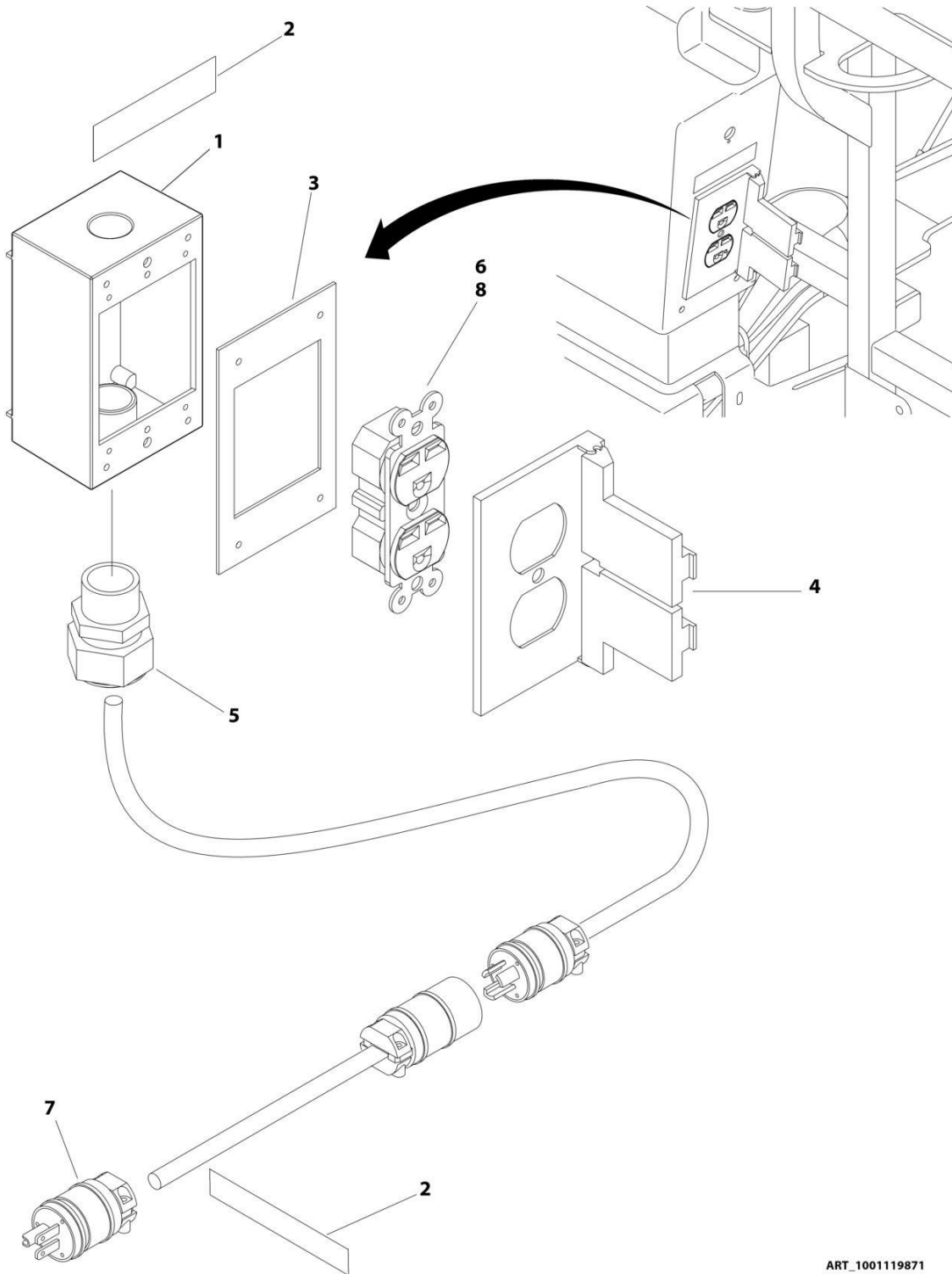
SECTION 8 - ELECTRICAL

**FIGURE 8-5. AC BOX AT PLATFORM INSTALLATION - 110V IEC YELLOW WITH 4000W GENERATOR
(CE & UK CA SPECS)**

ITEM	PART NUMBER	QTY	DESCRIPTION	REV
	1001194203	Ref	AC BOX AT PLATFORM INSTALLATION	B
1	0100020	AR	Sealant, Pipe	
2	0641416	2	Bolt 1/4 x 2	
3	0700408	2	Bolt M4 x 16	
4	0861781	1	Box, Switch	
5	1705325	1	Decal - 110V	
6	3290405	2	Nut M4	
7	3311405	2	Nut 1/4	
8	4460968	1	Connector, Strain Relief	
9	4461198	1	Receptacle	
10	4711400	4	Washer 1/4	
11	4811400	4	Washer M4	
12	1001193018	1	Bracket, AC Receptacle	

SECTION 8 - ELECTRICAL

FIGURE 8-6. AC BOX AT PLATFORM INSTALLATION - 220V (CSA SPEC)



ART_100119871

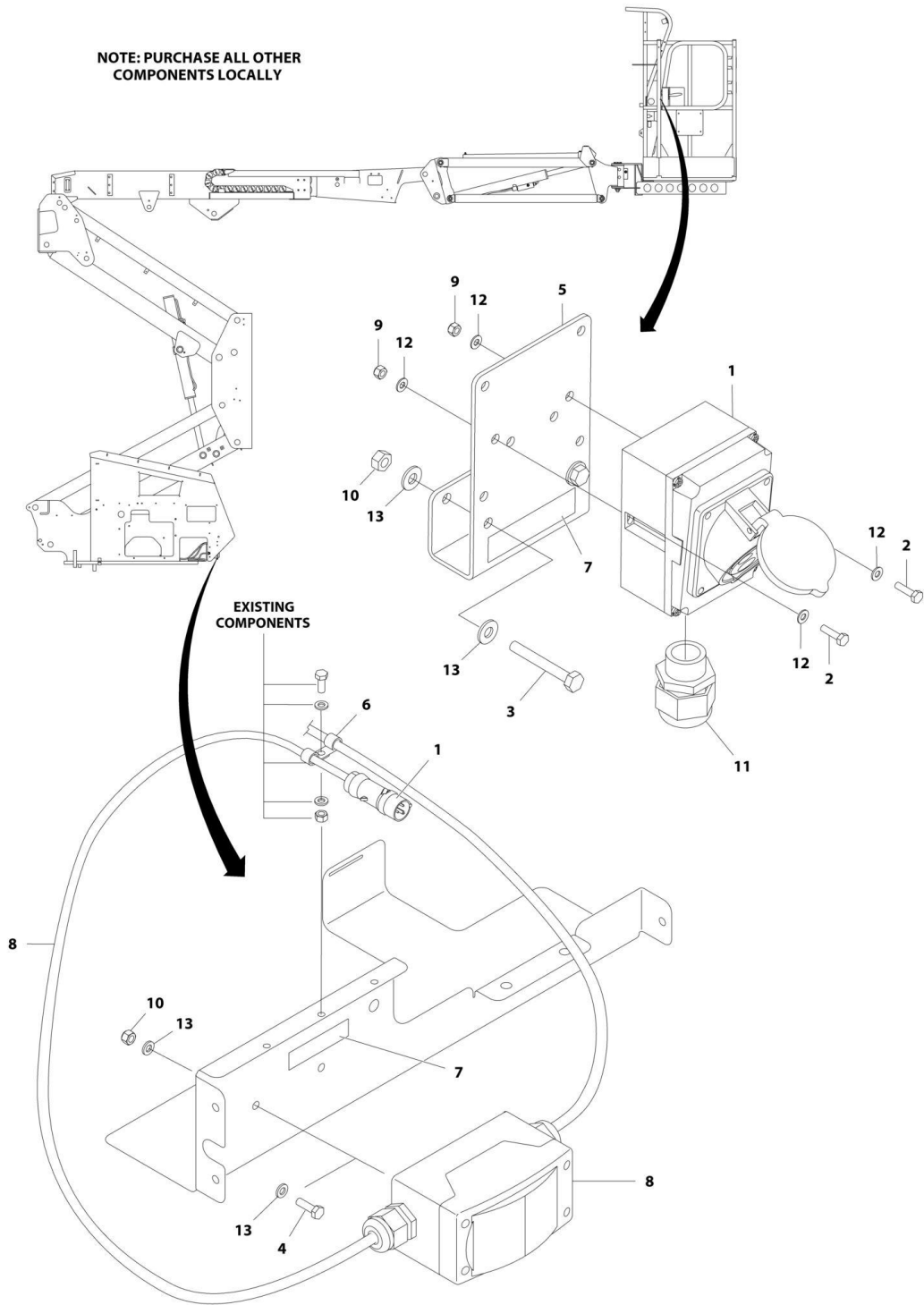
SECTION 8 - ELECTRICAL

FIGURE 8-6. AC BOX AT PLATFORM INSTALLATION - 220V (CSA SPEC)

ITEM	PART NUMBER	QTY	DESCRIPTION	REV
	1001119871	Ref	AC BOX AT PLATFORM INSTALLATION - 220V	A
1	0860038	1	Box, Switch	
2	3252507	2	Decal - 220V - 50/60Hz	
3	3960422	1	Gasket	
4	4060092	1	Shield, Weather	
5	4460071	1	Connector, Strain Relief	
6	4460125	1	Receptacle	
7	4460233	1	Plug, Male	
8	4460315	3	Terminal, Spade	

SECTION 8 - ELECTRICAL

FIGURE 8-7. AC BOX AT PLATFORM INSTALLATION - 220V IEC BLUE WITHOUT 4000W GENERATOR (CE & UK CA SPEC)



ART_100119876

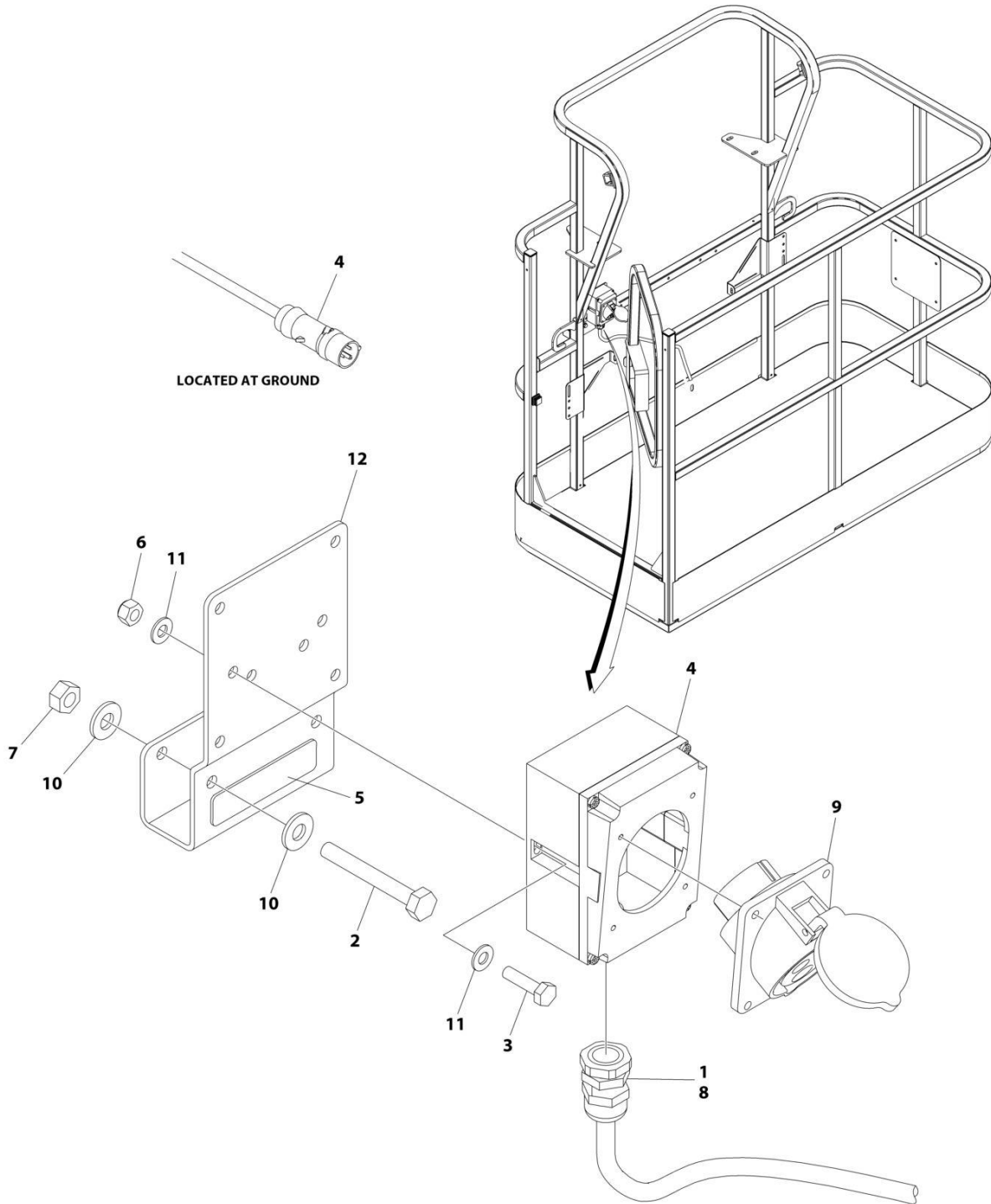
SECTION 8 - ELECTRICAL

FIGURE 8-7. AC BOX AT PLATFORM INSTALLATION - 220V IEC BLUE WITHOUT 4000W GENERATOR (CE & UK CA SPEC)

ITEM	PART NUMBER	QTY	DESCRIPTION	REV
	1001119876	Ref	AC BOX AT PLATFORM INSTALLATION - 220V IEC BLUE	B
1	0275217	1	Receptacle Box Kit (See Separate Breakdown in this Section)	
2	0700408	2	Bolt M4 x 16	
3	0700618	2	Bolt M6 x 50	
4	0760610	2	Bolt M6 x 20	
5	1001193018	1	Bracket	
6	1320043	1	Clamp	
7	3252507	2	Decal - 220V - 50/60Hz	
8	2902549	1	Breaker Box Kit (See Separate Breakdown in this Section)	
9	3290405	2	Nut M4	
10	3290605	4	Nut M6	
11	4460968	1	Connector, Strain Relief	
12	4811400	4	Washer M4	
13	4811700	8	Washer M6	

SECTION 8 - ELECTRICAL

FIGURE 8-8. AC BOX AT PLATFORM INSTALLATION - 220V IEC BLUE WITH 4000W GENERATOR
(CE & UK CA SPECS)



ART_1001194204

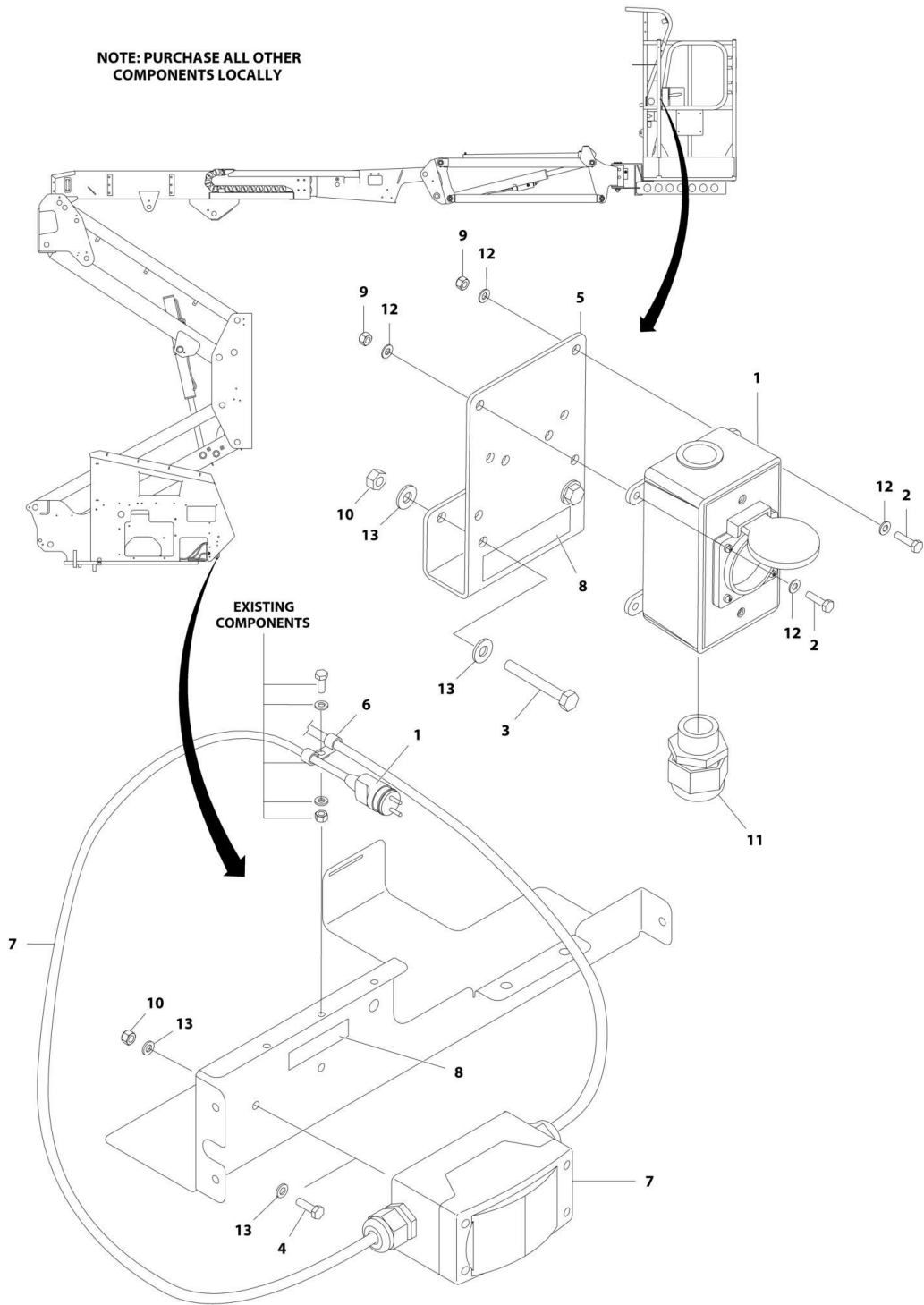
SECTION 8 - ELECTRICAL

**FIGURE 8-8. AC BOX AT PLATFORM INSTALLATION - 220V IEC BLUE WITH 4000W GENERATOR
(CE & UK CA SPECS)**

ITEM	PART NUMBER	QTY	DESCRIPTION	REV
	1001194204	Ref	AC BOX AT PLATFORM INSTALLATION	B
1	0100020	AR	Sealant, Pipe	
2	0641416	2	Bolt 1/4 x 2	
3	0700408	2	Bolt M4 x 16	
4	0861781	1	Box, Switch	
5	3251242	1	Decal - 240V/50Hz	
6	3290405	2	Nut M4	
7	3311405	2	Nut 1/4	
8	4460968	1	Connector, Strain Relief	
9	4461201	1	Receptacle	
10	4711400	4	Washer 1/4	
11	4811400	4	Washer M4	
12	1001193018	1	Bracket, AC Receptacle	

SECTION 8 - ELECTRICAL

FIGURE 8-9. AC BOX AT PLATFORM INSTALLATION - 220V CEE7 POST GROUND 2 X 4 BOX WITHOUT 4000W GENERATOR (CE & UK CA SPEC)



ART_100119872

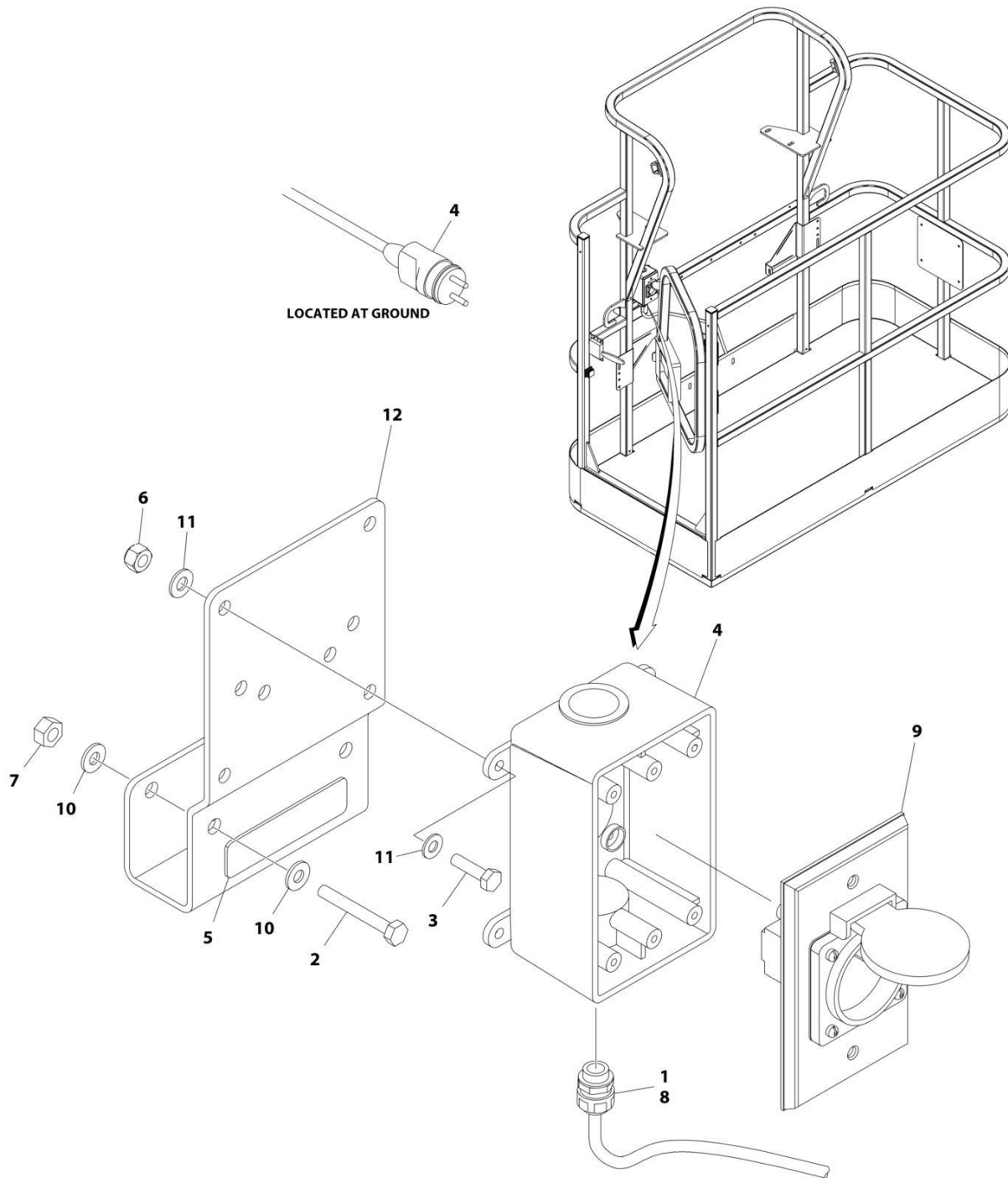
SECTION 8 - ELECTRICAL

**FIGURE 8-9. AC BOX AT PLATFORM INSTALLATION - 220V CEE7 POST GROUND 2 X 4 BOX
WITHOUT 4000W GENERATOR (CE & UK CA SPEC)**

ITEM	PART NUMBER	QTY	DESCRIPTION	REV
	1001119872	Ref	AC BOX AT PLATFORM INSTALLATION - 220V CEE7 POST GROUND WITH 2IN X 4IN BOX	C
1	0275452	1	Receptacle Box Kit (See Separate Breakdown in this Section)	
2	0700408	4	Bolt M4 x 16	
3	0700618	2	Bolt M6 x 50	
4	0760610	2	Bolt M6 x 20	
5	1001193018	1	Bracket	
6	1320043	1	Clamp	
7	2902549	1	Breaker Box Kit (See Separate Breakdown in this Section)	
8	3252507	2	Decal - 220V - 50/60Hz	
9	3290405	4	Nut M4	
10	3290605	4	Nut M6	
11	4460662	1	Connector, Strain Relief	
12	4811400	8	Washer M4	
13	4811700	8	Washer M6	

SECTION 8 - ELECTRICAL

FIGURE 8-10. AC BOX AT PLATFORM INSTALLATION - 220V CEE7 POST GROUND 2 X 4 BOX WITH 4000W GENERATOR (CE & UK CA SPECS)



ART_1001194197

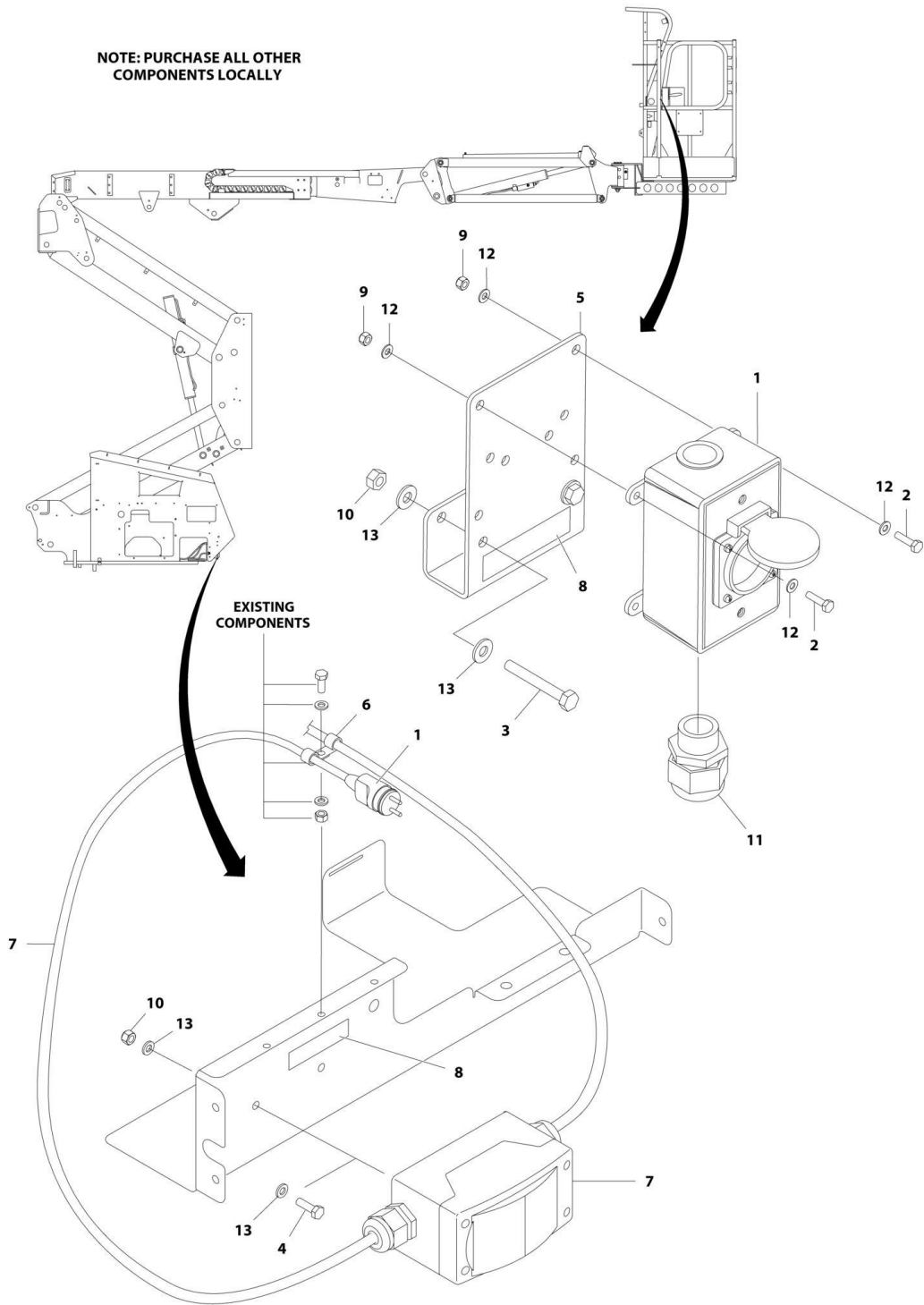
SECTION 8 - ELECTRICAL

FIGURE 8-10. AC BOX AT PLATFORM INSTALLATION - 220V CEE7 POST GROUND 2 X 4 BOX WITH 4000W GENERATOR (CE & UK CA SPECS)

ITEM	PART NUMBER	QTY	DESCRIPTION	REV
	1001194197	Ref	AC BOX AT PLATFORM INSTALLATION	B
1	0100020	AR	Sealant, Pipe	
2	0641416	2	Bolt 1/4 x 2	
3	0700408	4	Bolt M4 x 16	
4	0861731	1	Box, Switch	
5	3251242	1	Decal - 240V/50Hz	
6	3290405	4	Nut M4	
7	3311405	2	Nut 1/4	
8	4460662	1	Connector, Strain Relief	
9	4461244	1	Receptacle	
10	4711400	4	Washer 1/4	
11	4811400	8	Washer M4	
12	1001193018	1	Bracket, AC Receptacle	
13	4460806	2	Terminal, Fork (Not Shown)	
14	1001205958	1	Terminal (Not Shown)	

SECTION 8 - ELECTRICAL

FIGURE 8-11. AC BOX AT PLATFORM INSTALLATION - 220V CEE7 SIDE GROUND 2 X 4 BOX WITHOUT 4000W GENERATOR (CE & UK CA SPEC)



ART_1001119873

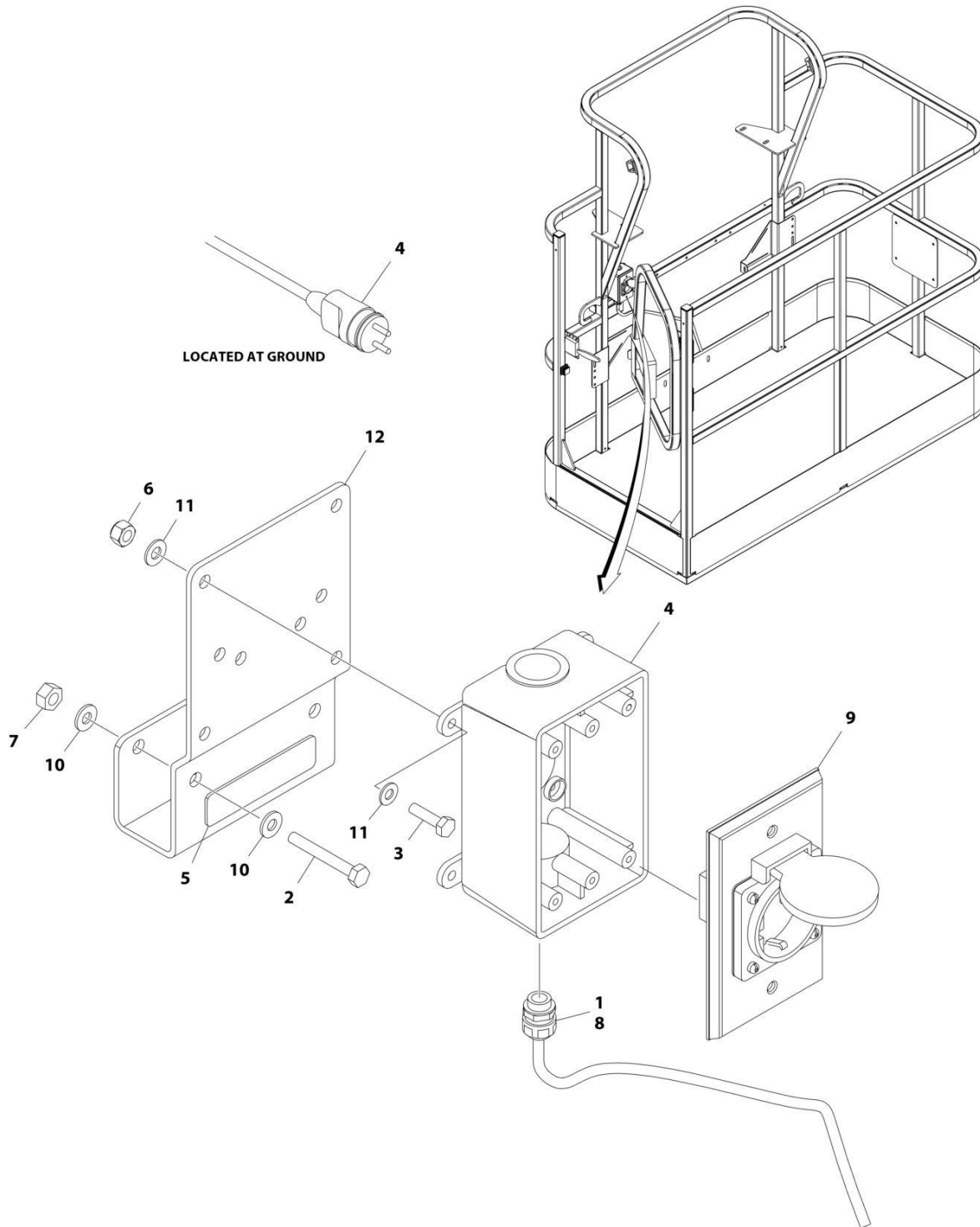
SECTION 8 - ELECTRICAL

FIGURE 8-11. AC BOX AT PLATFORM INSTALLATION - 220V CEE7 SIDE GROUND 2 X 4 BOX WITHOUT 4000W GENERATOR (CE & UK CA SPEC)

ITEM	PART NUMBER	QTY	DESCRIPTION	REV
	1001119873	Ref	AC BOX AT PLATFORM INSTALLATION - 220V CEE7 SIDE GROUND WITH 2IN X 4IN BOX	B
1	0275453	1	Receptacle Box Kit (See Separate Breakdown in this Section)	
2	0700408	4	Bolt, M4 x 16	
3	0700618	2	Bolt M6 x 50	
4	0760610	2	Bolt M6 x 20	
5	1001193018	1	Bracket	
6	1320043	1	Clamp	
7	2902549	1	Breaker Box Kit (See Separate Breakdown in this Section)	
8	3252507	2	Decal - 220V - 50/60Hz	
9	3290405	4	Nut M4	
10	3290605	4	Nut M6	
11	4460968	1	Connector, Strain Relief	
12	4811400	8	Washer M4	
13	4811700	8	Washer M6	

SECTION 8 - ELECTRICAL

FIGURE 8-12. AC BOX AT PLATFORM INSTALLATION - 220V CEE7 SIDE GROUND 2 X 4 BOX WITH 4000W GENERATOR (CE & UK CA SPECS)



ART_1001194198

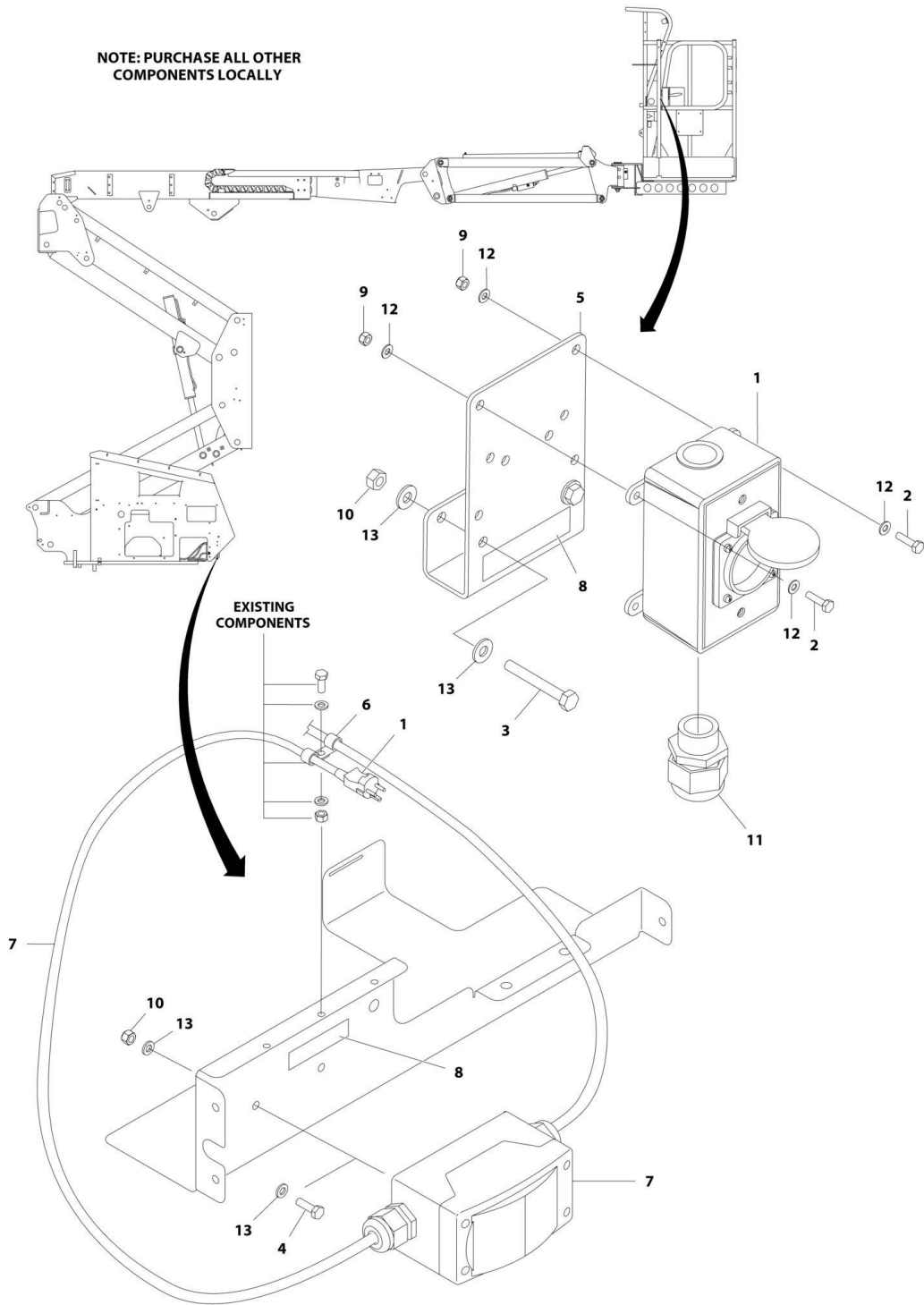
SECTION 8 - ELECTRICAL

FIGURE 8-12. AC BOX AT PLATFORM INSTALLATION - 220V CEE7 SIDE GROUND 2 X 4 BOX WITH 4000W GENERATOR (CE & UK CA SPECS)

ITEM	PART NUMBER	QTY	DESCRIPTION	REV
	1001194198	Ref	AC BOX AT PLATFORM INSTALLATION	B
1	0100020	AR	Sealant, Pipe	
2	0641416	2	Bolt 1/4 x 2	
3	0700408	4	Bolt M4 x 16	
4	0861731	1	Box, Switch	
5	3251242	1	Decal - 240V/50Hz	
6	3290405	4	Nut M4	
7	3311405	2	Nut 1/4	
8	4460662	1	Connector, Strain Relief	
9	4461245	1	Receptacle	
10	4711400	4	Washer 1/4	
11	4811400	8	Washer M4	
12	1001193018	1	Bracket, AC Receptacle	
13	4460806	2	Terminal, Fork (Not Shown)	
14	1001205958	1	Terminal (Not Shown)	

SECTION 8 - ELECTRICAL

FIGURE 8-13. AC BOX AT PLATFORM INSTALLATION - 220V AFSINT 107 KEYED GROUND WITHOUT 4000W GENERATOR (CE & UK CA SPEC)



ART_1001119874

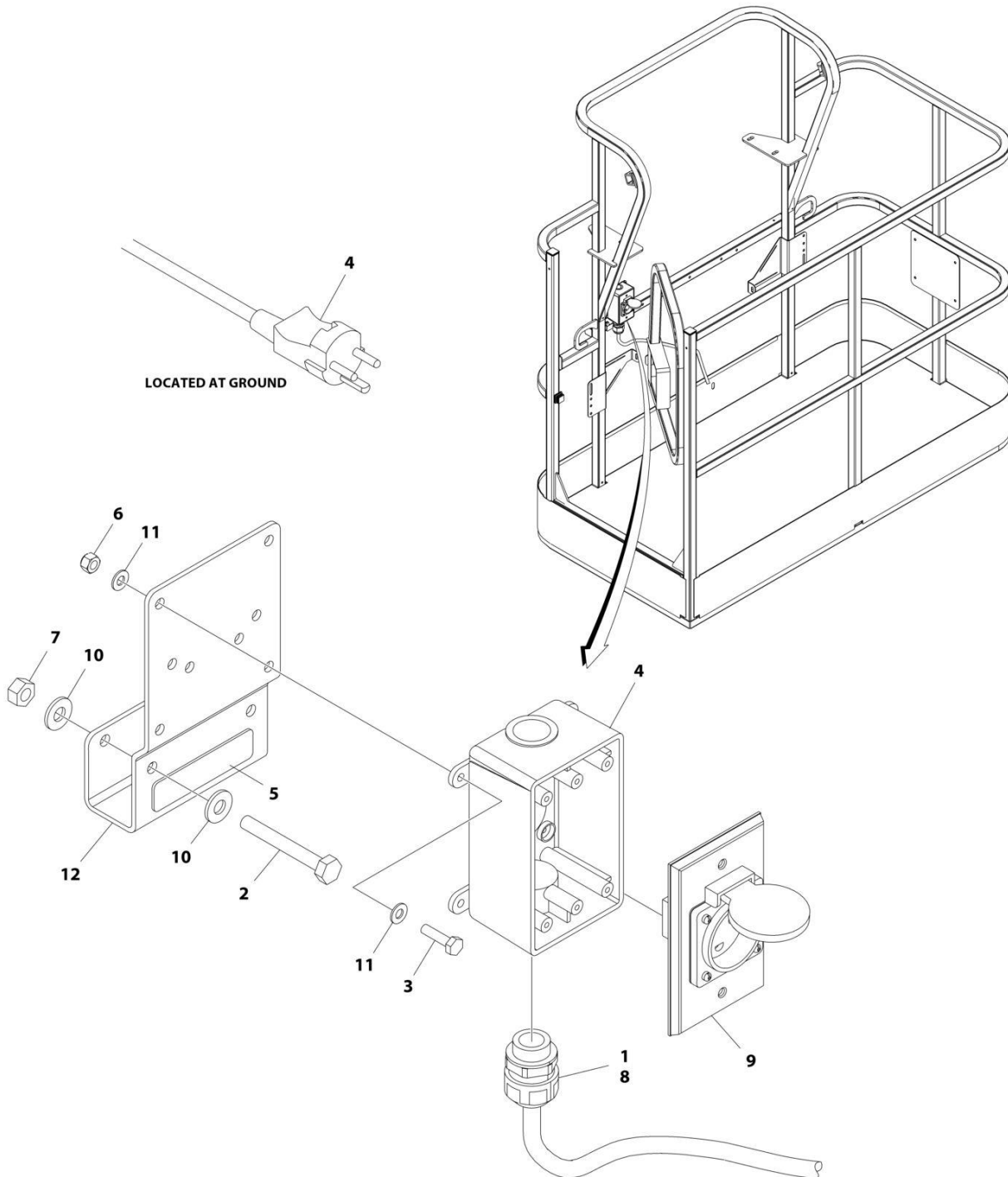
SECTION 8 - ELECTRICAL

FIGURE 8-13. AC BOX AT PLATFORM INSTALLATION - 220V AFSINT 107 KEYED GROUND WITHOUT 4000W GENERATOR (CE & UK CA SPEC)

ITEM	PART NUMBER	QTY	DESCRIPTION	REV
	1001119874	Ref	AC BOX AT PLATFORM INSTALLATION - 220V AFSINT 107 KEYED GROUND WITH 2IN X 4IN BOX	C
1	0275454	1	Receptacle Box Kit (See Separate Breakdown in this Section)	
2	0700408	4	Bolt M4 x 16	
3	0700618	2	Bolt M6 x 50	
4	0760610	2	Bolt M6 x 20	
5	1001193018	1	Bracket	
6	1320043	1	Clamp	
7	2902549	1	Breaker Box Kit (See Separate Breakdown in this Section)	
8	3252507	2	Decal - 220V - 50/60Hz	
9	3290405	4	Nut M4	
10	3290605	4	Nut M6	
11	4460662	1	Connector, Strain Relief	
12	4811400	8	Washer M4	
13	4811700	8	Washer M6	

SECTION 8 - ELECTRICAL

FIGURE 8-14. AC BOX AT PLATFORM INSTALLATION - 220V AFSINT 107 KEYED GROUND WITH 4000W GENERATOR (CE & UK CA SPECS)



ART_1001194200

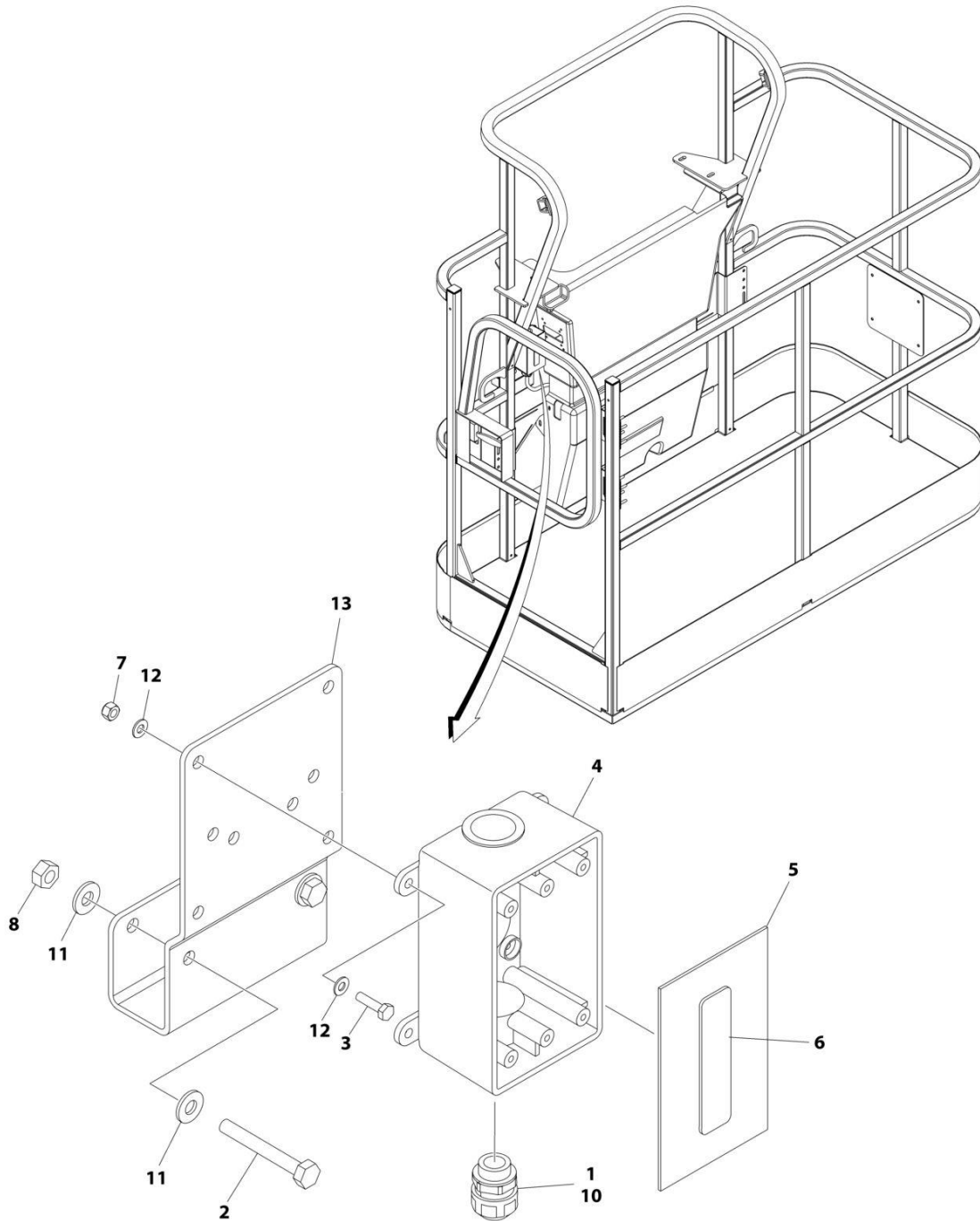
SECTION 8 - ELECTRICAL

FIGURE 8-14. AC BOX AT PLATFORM INSTALLATION - 220V AFSINT 107 KEYED GROUND WITH 4000W GENERATOR (CE & UK CA SPECS)

ITEM	PART NUMBER	QTY	DESCRIPTION	REV
	1001194200	Ref	AC BOX AT PLATFORM INSTALLATION	B
1	0100020	AR	Sealant, Pipe	
2	0641416	2	Bolt 1/4 x 2	
3	0700408	4	Bolt M4 x 16	
4	0861731	1	Box, Switch	
5	3251242	1	Decal - 240V/50Hz	
6	3290405	4	Nut M4	
7	3311405	2	Nut 1/4	
8	4460662	1	Connector, Strain Relief	
9	4461246	1	Receptacle	
10	4711400	4	Washer 1/4	
11	4811400	8	Washer M4	
12	1001193018	1	Bracket, AC Receptacle	
13	1001205958	1	Terminal (Not Shown)	

SECTION 8 - ELECTRICAL

FIGURE 8-15. AC BOX AT PLATFORM INSTALLATION - BOX WITH COVER WITH 4000W GENERATOR (ANSI EXPORT, AUSTRALIAN, CHINA AND JAPANESE SPECS)



ART_1001194365

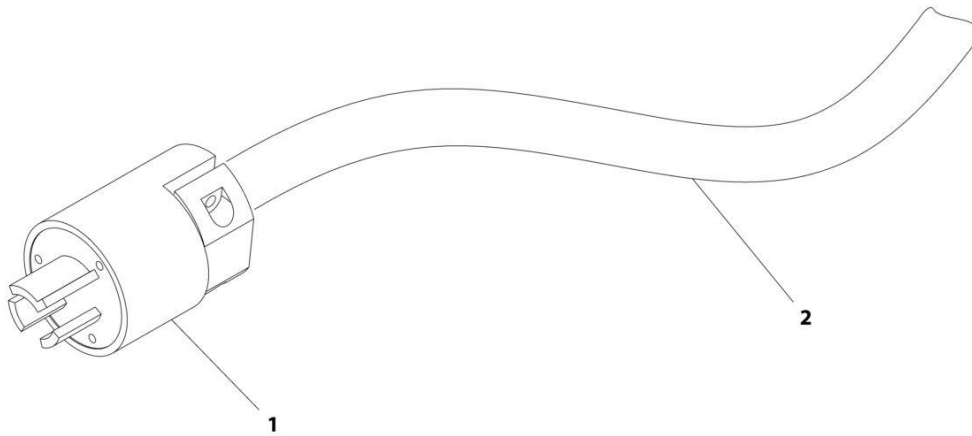
SECTION 8 - ELECTRICAL

FIGURE 8-15. AC BOX AT PLATFORM INSTALLATION - BOX WITH COVER WITH 4000W GENERATOR (ANSI EXPORT, AUSTRALIAN, CHINA AND JAPANESE SPECS)

ITEM	PART NUMBER	QTY	DESCRIPTION	REV
	1001194365	Ref	AC BOX AT PLATFORM INSTALLATION - BOX WITH COVER (2X4 BOX)	A
1	0100020	AR	Sealant	
2	0641416	2	Bolt 1/4 x 2	
3	0700408	4	Bolt M4 x 16	
4	0861731	1	Box, Switch	
5	1670603	1	Cover	
6	3251242	1	Decal - 240V/50Hz	
7	3290405	4	Nut M4	
8	3311405	2	Nut 1/4	
9	4460384	3	Terminal (Not Shown)	
10	4460662	1	Connector, Strain Relief	
11	4711400	4	Washer 1/4	
12	4811400	8	Washer M4	
13	1001193018	1	Bracket, AC Receptacle	

SECTION 8 - ELECTRICAL

FIGURE 8-16. AC POWER TO PLATFORM CABLE - MAIN BOOM (WITHOUT ARCTIC PACKAGE)
(50HZ)



ART_1001119140

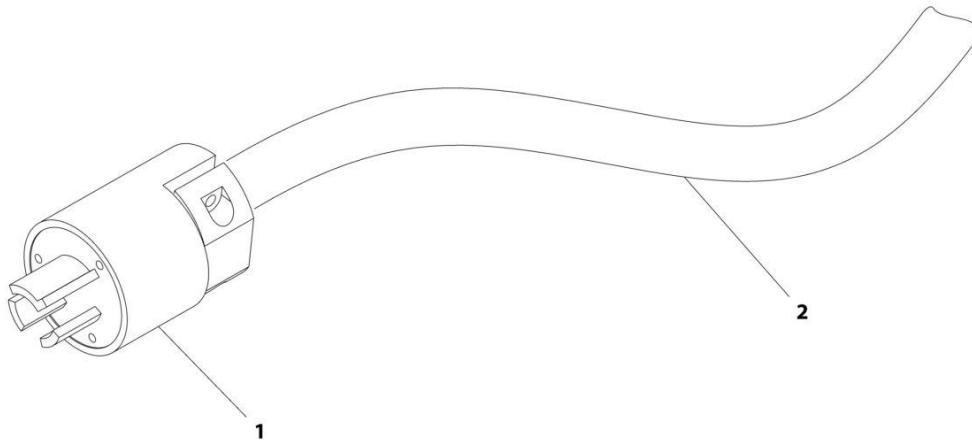
SECTION 8 - ELECTRICAL

**FIGURE 8-16. AC POWER TO PLATFORM CABLE - MAIN BOOM (WITHOUT ARCTIC PACKAGE)
(50HZ)**

ITEM	PART NUMBER	QTY	DESCRIPTION	REV
	1001119140	Ref	AC POWER TO PLATFORM CABLE - MAIN BOOM (WITHOUT ARCTIC PACKAGE)	C
1	1001120204	1	Plug, Male	
2	4923505	1	Cable, 14/3	

SECTION 8 - ELECTRICAL

FIGURE 8-17. AC POWER TO PLATFORM CABLE - MAIN BOOM (WITH ARCTIC PACKAGE) (50HZ)



ART_1001119955

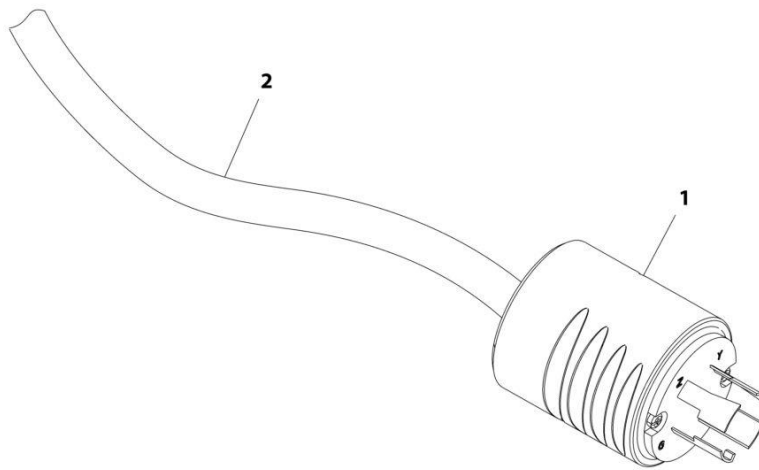
SECTION 8 - ELECTRICAL

FIGURE 8-17. AC POWER TO PLATFORM CABLE - MAIN BOOM (WITH ARCTIC PACKAGE) (50HZ)

ITEM	PART NUMBER	QTY	DESCRIPTION	REV
	1001119955	Ref	AC POWER TO PLATFORM CABLE - MAIN BOOM (WITH ARCTIC PACKAGE)	B
1	1001120204	1	Plug, Male	
2	4923463	1	Cable, 12/3	

SECTION 8 - ELECTRICAL

FIGURE 8-18. AC POWER TO PLATFORM CABLE - MAIN BOOM (60HZ)



ART_1001157311

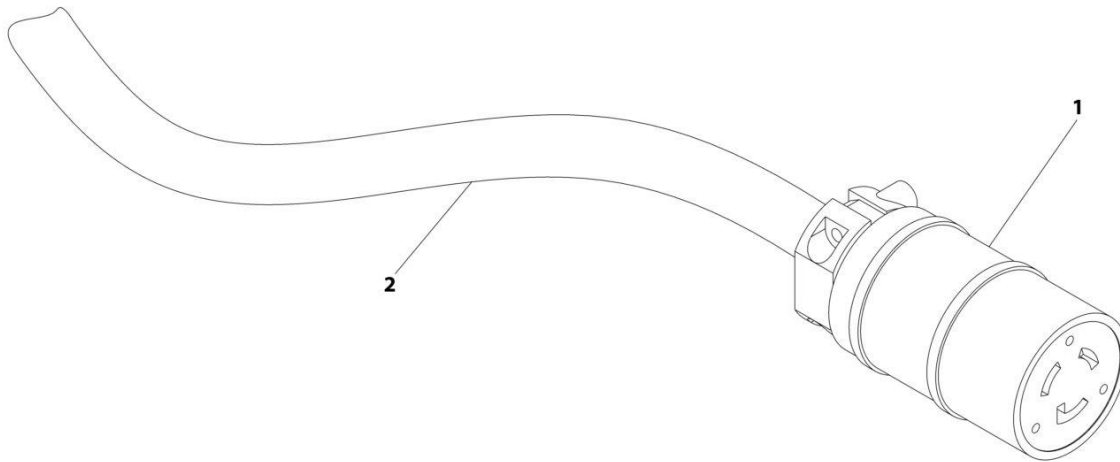
SECTION 8 - ELECTRICAL

FIGURE 8-18. AC POWER TO PLATFORM CABLE - MAIN BOOM (60HZ)

ITEM	PART NUMBER	QTY	DESCRIPTION	REV
1	1001157311 4460962	Ref 1	AC POWER TO PLATFORM CABLE - MAIN BOOM (60Hz) Terminal	A
2	1001131968	22.2 ft /6.8m	Cable, 10/4	

SECTION 8 - ELECTRICAL

FIGURE 8-19. AC POWER TO PLATFORM CABLE - TOWER BOOM (WITHOUT ARCTIC PACKAGE)
(50HZ)



ART_1001119139

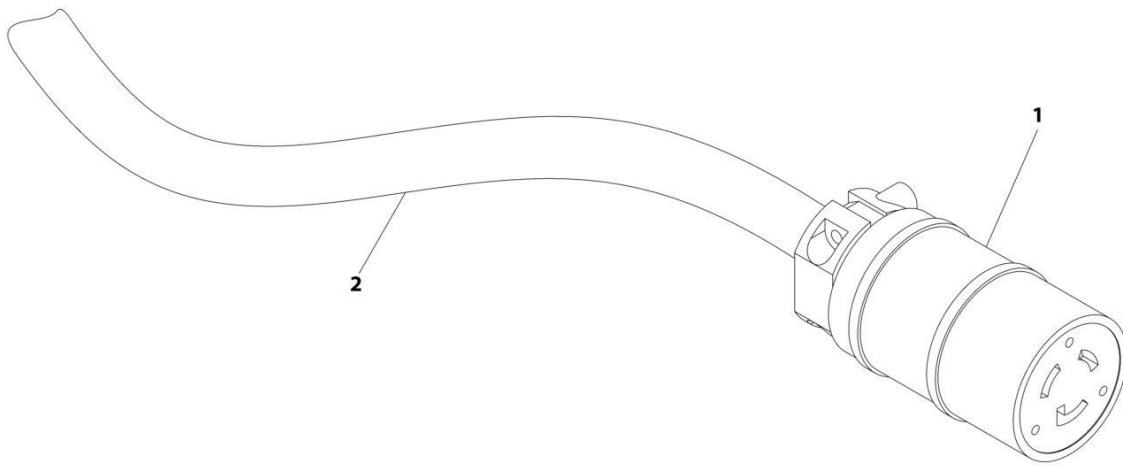
SECTION 8 - ELECTRICAL

**FIGURE 8-19. AC POWER TO PLATFORM CABLE - TOWER BOOM (WITHOUT ARCTIC PACKAGE)
(50HZ)**

ITEM	PART NUMBER	QTY	DESCRIPTION	REV
	1001119139	Ref	AC POWER TO PLATFORM CABLE - TOWER BOOM (WITHOUT ARCTIC PACKAGE)	B
1	1001120205	1	Connector, Female	
2	4923505	1	Cable, 14/3	

SECTION 8 - ELECTRICAL

FIGURE 8-20. AC POWER TO PLATFORM CABLE - TOWER BOOM (WITH ARCTIC PACKAGE) (50HZ)



ART_1001119956

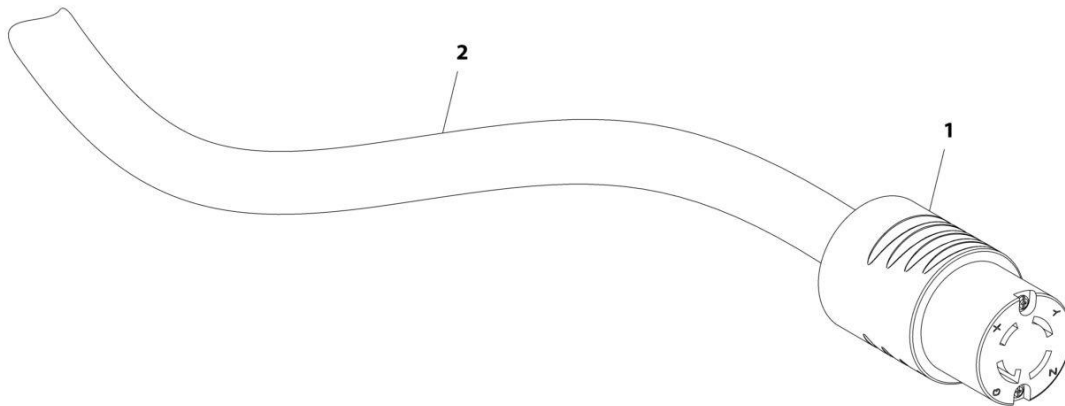
SECTION 8 - ELECTRICAL

FIGURE 8-20. AC POWER TO PLATFORM CABLE - TOWER BOOM (WITH ARCTIC PACKAGE) (50HZ)

ITEM	PART NUMBER	QTY	DESCRIPTION	REV
	1001119956	Ref	AC POWER TO PLATFORM CABLE - TOWER BOOM (WITH ARCTIC PACKAGE)	A
1	1001120205	1	Connector, Female	
2	4923463	1	Cable, 12/3	

SECTION 8 - ELECTRICAL

FIGURE 8-21. AC POWER TO PLATFORM CABLE - TOWER BOOM (60HZ)



ART_1001157310

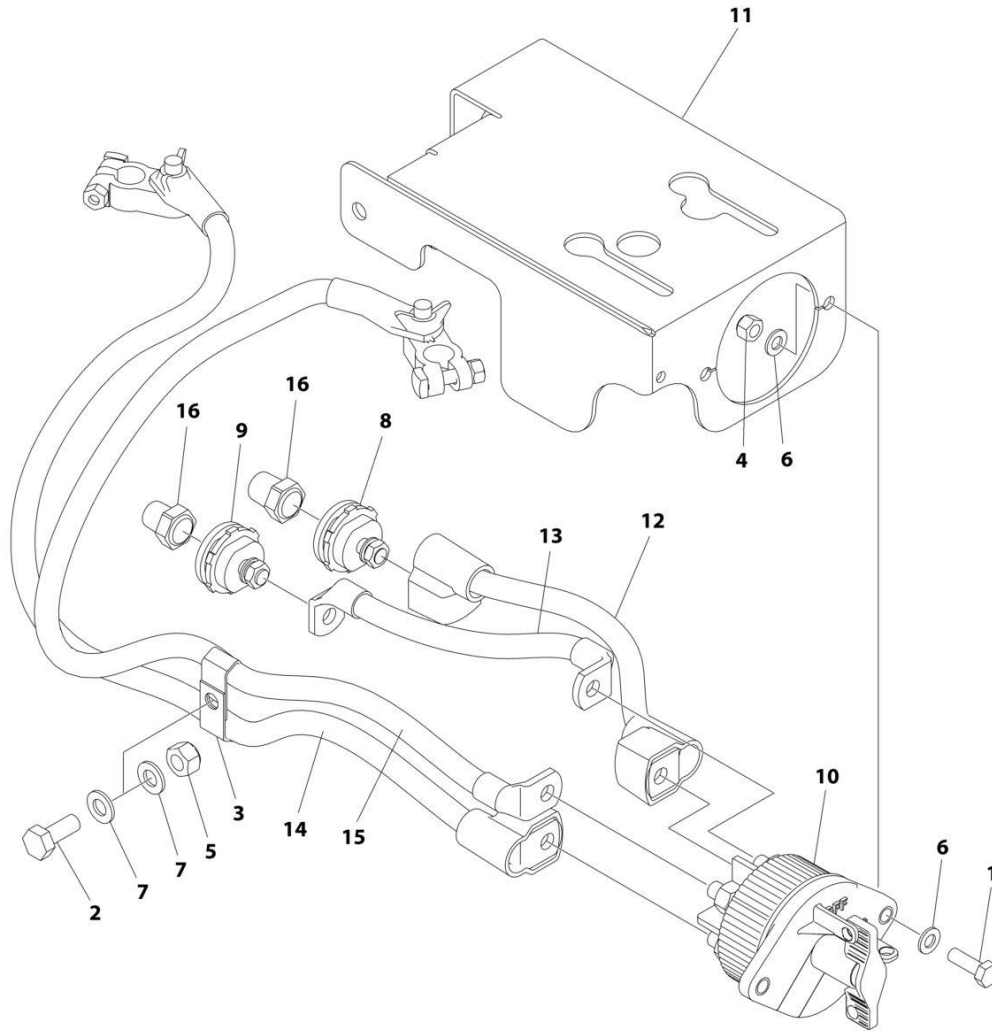
SECTION 8 - ELECTRICAL

FIGURE 8-21. AC POWER TO PLATFORM CABLE - TOWER BOOM (60HZ)

ITEM	PART NUMBER	QTY	DESCRIPTION	REV
1	1001157310 4460963	Ref 1	AC POWER TO PLATFORM CABLE - TOWER BOOM (60Hz) Terminal	A
2	1001131968	29.1 ft /8.9m	Cable, 10/4	

SECTION 8 - ELECTRICAL

FIGURE 8-22. BATTERY DISCONNECT SWITCH



ART_1001214397

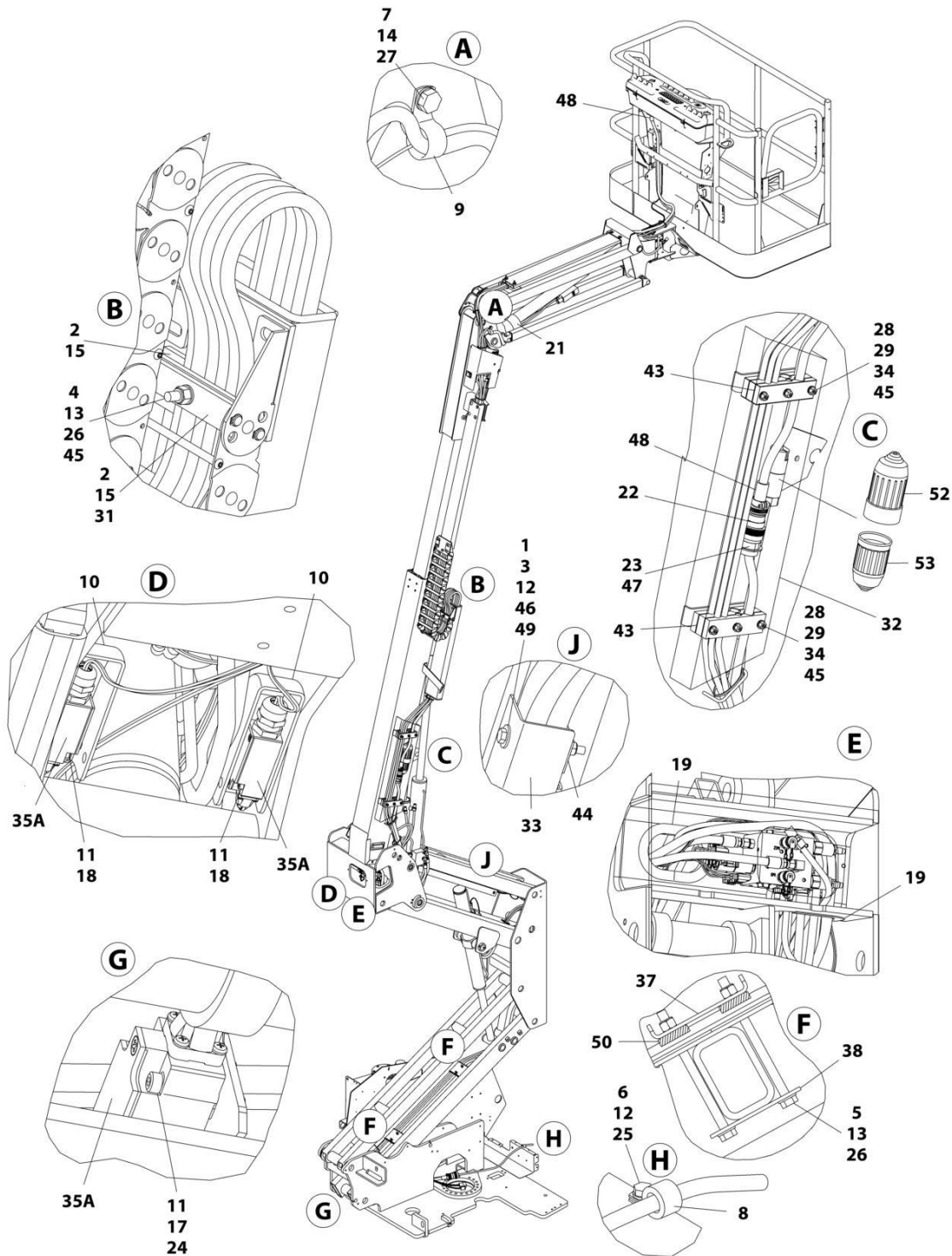
SECTION 8 - ELECTRICAL

FIGURE 8-22. BATTERY DISCONNECT SWITCH

ITEM	PART NUMBER	QTY	DESCRIPTION	REV
	1001214397	Ref	BATTERY DISCONNECT SWITCH	A
1	0760812	2	Bolt M8 x 25	
2	0761012	1	Bolt M10 x 25	
3	1320223	2	Clamp	
4	3290805	2	Nut M8	
5	3291005	1	Nut M10	
6	4811900	4	Washer M8	
7	4812000	2	Washer M10	
8	1001214570	1	Connector (Red)	
9	1001214571	1	Connector (Black)	
10	1001225346	1	Switch	
11	1001226530	1	Mount	
12	1001237878	1	Cable, Battery Disconnect (Positive)	
13	1001237879	1	Cable, Battery Disconnect (Negative)	
14	1001237880	1	Cable (Positive)	
15	1001237881	1	Cable (Negative)	
16	1001206476	1	Connector	

SECTION 8 - ELECTRICAL

FIGURE 8-23. BOOM CABLES, HARNESSES AND CLAMPS INSTALLATION - WITHOUT ARCTIC PACKAGE



ART_1001115784

SECTION 8 - ELECTRICAL

FIGURE 8-23. BOOM CABLES, HARNESSSES AND CLAMPS INSTALLATION - WITHOUT ARCTIC PACKAGE

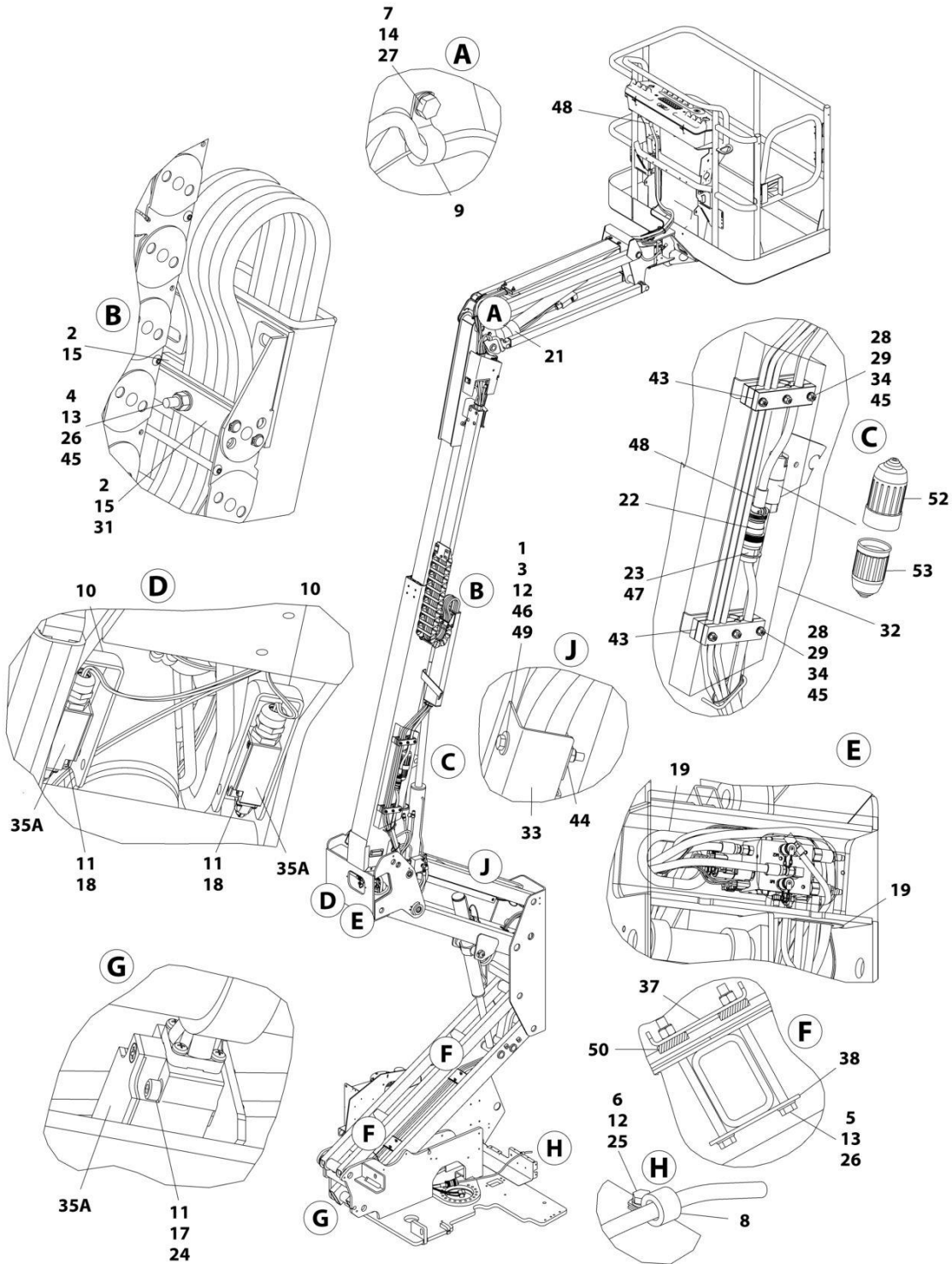
ITEM	PART NUMBER	QTY	DESCRIPTION	REV
	1001115784	Ref	BOOM CABLES, HARNESSSES AND CLAMPS INSTALLATION - WITHOUT ARCTIC PACKAGE	G
1	0100011	AR	Compound, Locking	
2	0100081	1	Adhesive	
3	0760621	4	Bolt M6 x 65	
4	0700820	2	Bolt M8 x 60	
5	0700829	4	Bolt M8 x 120	
6	0760608	1	Bolt M6 x 16 (Not Shown - Use with Item 8)	
7	0761012	1	Bolt M10 x 25	
8	1320043	1	Clamp (Not Shown - Located at Rear of T/T)	
9	1320130	1	Clamp	
10	1670899	2	Cover, Switch	
11	3290405	6	Nut M4	
12	3290605	5	Nut M6	
13	3290805	6	Nut M8	
14	3291005	1	Nut M10	
15	3340939	4	Pad, Rubber	
17	4031510	2	Capscrew M4 x 30	
18	4031512	4	Capscrew M4 x 40	
19	4060808	1.8 ft /55cm	Flex-Trim	
20	4240018	AR	Tie-Strap (Not Shown)	
21	4240156	1	Strap, Cinch	
22	4460865	1	Connector - 19 Position	
23	4460866	1	Connector - 19 Position	
24	4811400	2	Washer M4	
25	4811700	2	Washer M6 (Not Shown - Use with Item 8)	
26	4811900	8	Washer M8	
27	4812000	2	Washer M10	
28	5260800	6	Nut M8	
29	5281920	6	Screw M8 x 80	
31	1001106757	2	Plate	
32	1001107152	1	Plate	
33	1001116433	2	Guard, Hose	
34	1001118274	6	Nut M8	
35	1001118292	1	Tower Boom Harness Assembly (Not Shown - See Separate Breakdown in this Section)	
35A	4360548	3	Switch, Limit	
37	1001118592	2	Plate, Hose Clamp	
38	1001118593	2	Plate, Hose Clamp	
39	1001119018	1	Ground to Platform Cable - Main (Not Shown - See Separate Breakdown in this Section)	
40	1001119019	1	Ground to Platform Cable - Tower (Not Shown - See Separate Breakdown in this Section)	
41	1001119139	1	AC Power to Platform Cable - Tower Boom (Not Shown - See Separate Breakdown in this Section)	
42	1001119140	1	AC Power to Platform Cable - Main Boom (Not Shown - See Separate Breakdown in this Section)	
43	1001119194	2	Clamp	
44	1001119197	4	Clamp	

SECTION 8 - ELECTRICAL

ITEM	PART NUMBER	QTY	DESCRIPTION	REV
45	1001119228	8	Nut M8	
46	0760605	2	Bolt M6 x 10	
47	2820031	AR	Heat Shrink	
48	4460473	1	Clamp, Cable	
49	4811702	10	Washer M6	
50	3340901	4	Pad, Rubber	
51	1001140524	1	Main Boom Harness Assembly (Not Shown - See Separate Breakdown in this Section)	
52	1671092	1	Cover, Connection	
53	1671093	1	Cover, Plug	

SECTION 8 - ELECTRICAL

FIGURE 8-24. BOOM CABLES, HARNESSES AND CLAMPS INSTALLATION - WITH ARCTIC PACKAGE



ART_1001119937

SECTION 8 - ELECTRICAL

FIGURE 8-24. BOOM CABLES, HARNESSSES AND CLAMPS INSTALLATION - WITH ARCTIC PACKAGE

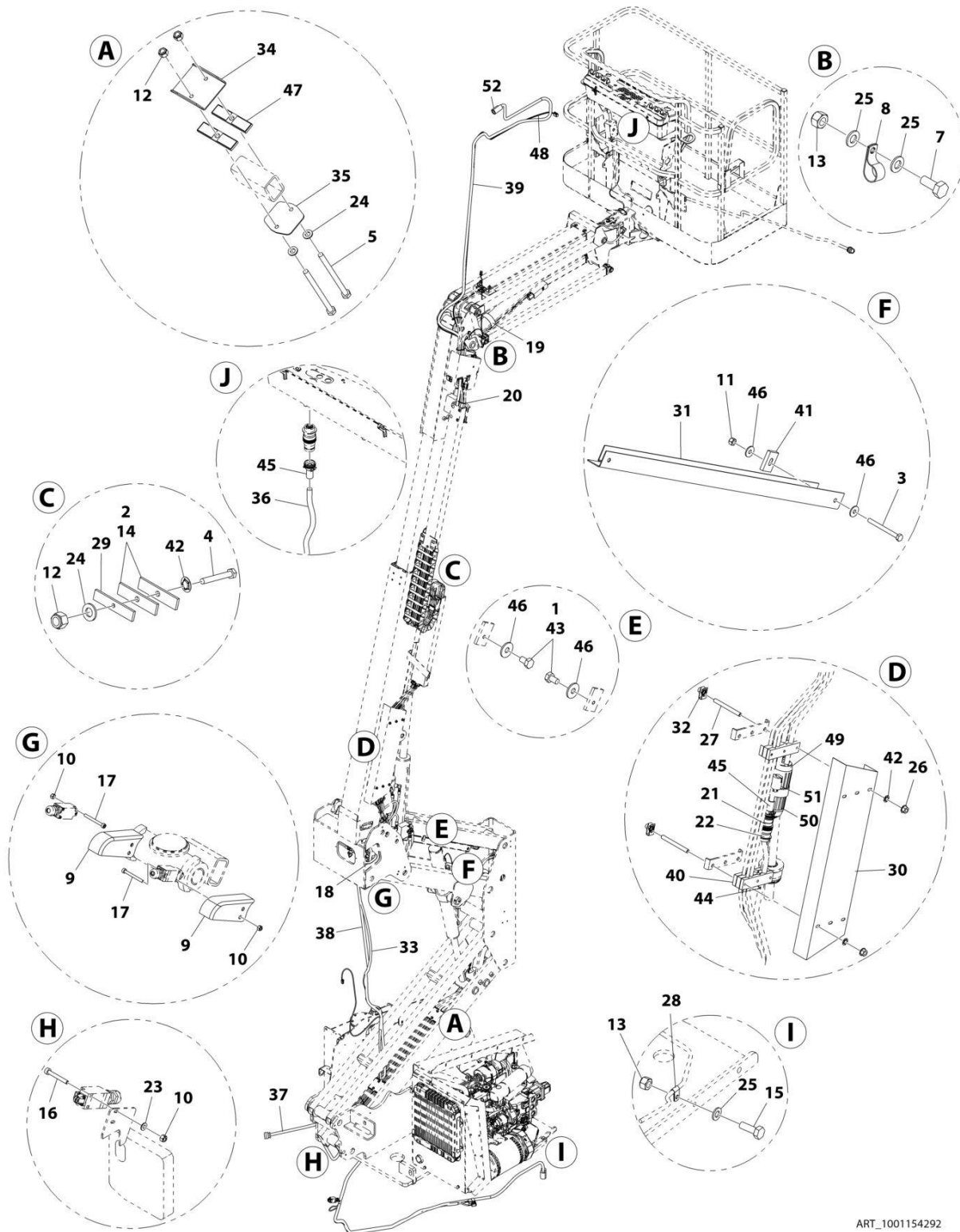
ITEM	PART NUMBER	QTY	DESCRIPTION	REV
	1001119937	Ref	BOOM CABLES, HARNESSSES AND CLAMPS INSTALLATION - WITH ARCTIC PACKAGE	G
1	0100011	AR	Compound, Locking	
2	0100081	1	Adhesive	
3	0760621	4	Bolt M6 x 65	
4	0700820	2	Bolt M8 x 60	
5	0700829	4	Bolt M8 x 120	
6	0760608	1	Bolt M6 x 16 (Not Shown - Use with Item 8)	
7	0761012	1	Bolt M10 x 25	
8	1320041	1	Clamp	
9	1320130	1	Clamp	
10	1670899	2	Cover, Switch	
11	3290405	6	Nut M4	
12	3290605	5	Nut M6	
13	3290805	6	Nut M8	
14	3291005	1	Nut M10	
15	3340939	4	Pad, Rubber	
17	4031510	2	Capscrew M4 x 30	
18	4031512	4	Capscrew M4 x 40	
19	4060808	1.8 ft /55cm	Flex-Trim	
20	4240018	AR	Tie-Strap (Not Shown)	
21	4240156	1	Strap, Cinch	
22	4460865	1	Connector - 19 Position	
23	4460866	1	Connector - 19 Position	
24	4811400	2	Washer M4	
25	4811700	2	Washer M6 (Not Shown - Use with Item 8)	
26	4811900	8	Washer M8	
27	4812000	2	Washer M10	
28	5260800	6	Nut M8	
29	5281920	6	Screw M8 x 80	
31	1001106757	2	Plate	
32	1001107152	1	Plate	
33	1001116433	2	Guard, Hose	
34	1001118274	6	Nut M8	
35	1001118292	1	Tower Boom Harness Assembly (Not Shown - See Separate Breakdown in this Section)	
35A	4360548	3	Switch, Limit	
37	1001118592	2	Plate, Hose Clamp	
38	1001118593	2	Plate, Hose Clamp	
39	1001119953	1	Ground to Platform Cable - Main (Not Shown - See Separate Breakdown in this Section)	
40	1001119954	1	Ground to Platform Cable - Tower (Not Shown - See Separate Breakdown in this Section)	
41	1001119955	1	AC Power to Platform Cable - Main Boom (Not Shown - See Separate Breakdown in this Section)	
42	1001119956	1	AC Power to Platform Cable - Tower Boom (Not Shown - See Separate Breakdown in this Section)	
43	1001119195	2	Clamp	
44	1001119197	4	Clamp	

SECTION 8 - ELECTRICAL

ITEM	PART NUMBER	QTY	DESCRIPTION	REV
45	1001119228	8	Nut M8	
46	0760605	2	Bolt M6 x 10	
47	2820031	AR	Heat Shrink	
48	4460473	1	Clamp, Cable	
49	4811702	10	Washer M6	
50	3340901	4	Pad, Rubber	
51	1001140524	1	Main Boom Harness Assembly (Not Shown - See Separate Breakdown in this Section)	
52	1671092	1	Cover, Connection	
53	1671093	1	Cover, Plug	

SECTION 8 - ELECTRICAL

FIGURE 8-25. BOOM CABLES AND CLAMPS INSTALLATION - 4000W, 50HZ - WITHOUT ARCTIC PACKAGE



ART_1001154292

SECTION 8 - ELECTRICAL

FIGURE 8-25. BOOM CABLES AND CLAMPS INSTALLATION - 4000W, 50HZ - WITHOUT ARCTIC PACKAGE

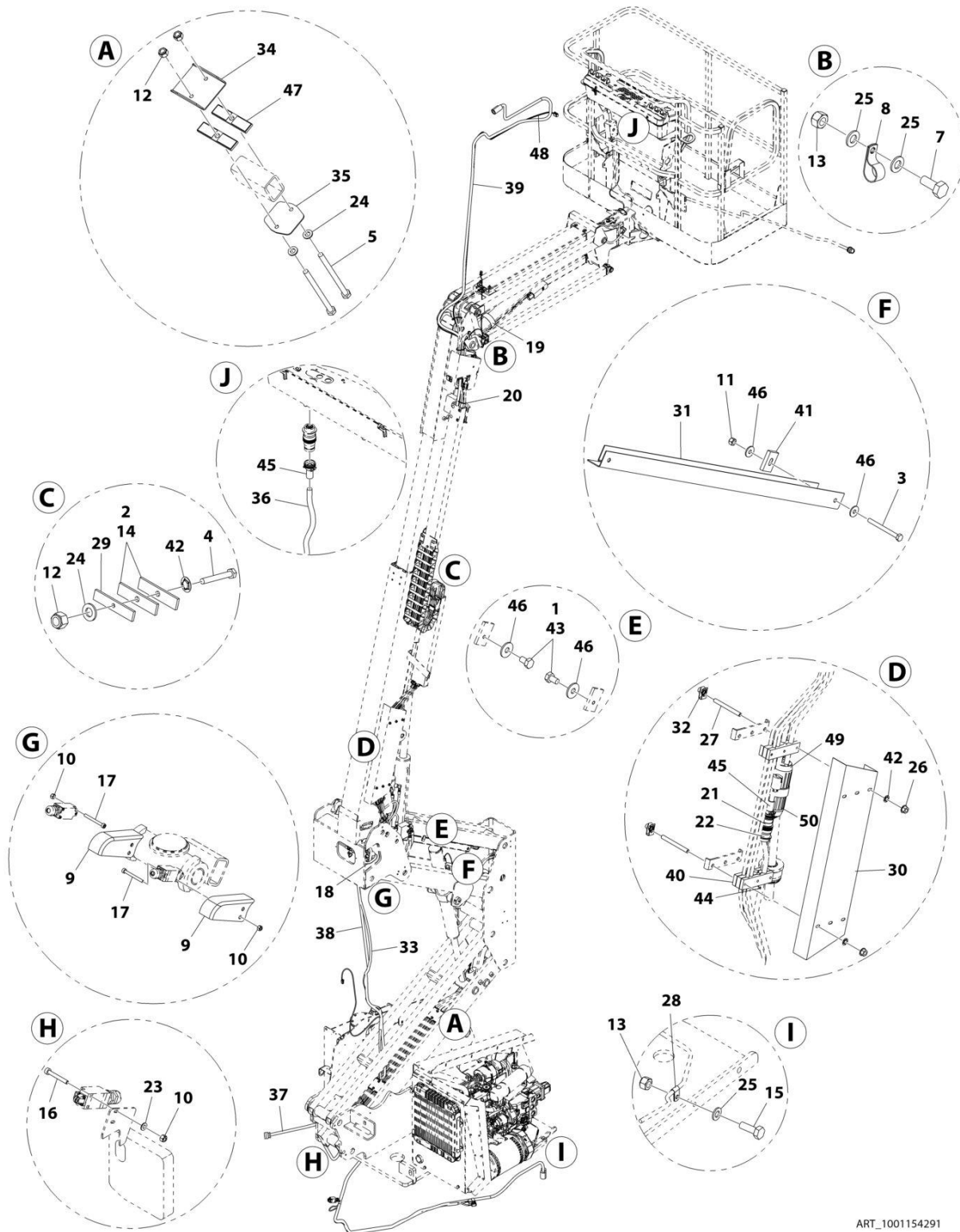
ITEM	PART NUMBER	QTY	DESCRIPTION	REV
	1001154292	Ref	BOOM CABLES AND CLAMPS INSTALLATION - 4000W, 50HZ - WITHOUT ARCTIC PACKAGE	B
1	0100011	AR	Compound, Locking	
2	0100081	AR	Adhesive	
3	0760621	4	Bolt M6 x 65	
4	0700820	2	Bolt M8 x 60	
5	0700829	4	Bolt M8 x 120	
7	0761012	1	Bolt M10 x 25	
8	1320130	1	Clamp	
9	1670899	2	Cover, Switch	
10	3290405	6	Nut M4	
11	3290605	4	Nut M6	
12	3290805	6	Nut M8	
13	3291005	2	Nut M10	
14	3340939	4	Pad, Rubber	
15	0761014	1	Bolt M10 x 30	
16	4031510	2	Capscrew M4 x 30	
17	4031512	4	Capscrew M4 x 40	
18	4060808	1.8 ft /55cm	Flex-Trim	
19	4240156	1	Strap, Cinch	
20	4240018	AR	Tie-Strap	
21	4460865	1	Connector - 19 Position	
22	4460866	1	Connector - 19 Position	
23	4811400	2	Washer M4	
24	4811900	8	Washer M8	
25	4812000	4	Washer M10	
26	5260800	6	Nut M8 Class 10	
27	5281920	6	Capscrew, Cup Point M8 x 80	
28	1320263	1	Clamp	
29	1001106757	2	Plate, Clamp	
30	1001107152	1	Plate, Shield	
31	1001116433	2	Guard, Hose	
32	1001118274	6	Nut M8	
33	1001118292	1	Harness, Tower Boom (See Separate Breakdown in this Section)	
34	1001118592	2	Plate, Hose Clamp	
35	1001118593	2	Plate, Hose Clamp	
36	1001119018	1	Harness Assembly - Main Boom (See Separate Breakdown in this Section)	
37	1001119019	1	Harness Assembly - Tower Boom (See Separate Breakdown in this Section)	
38	1001119139	1	Cable, AC Tower Boom (See Separate Breakdown in this Section)	
39	1001119140	1	Cable, AC Main Boom (See Separate Breakdown in this Section)	
40	1001119194	2	Plate, Hose Clamp	
41	1001119197	4	Clamp, Hose	
42	1001119228	8	Pushnut M8	
43	0760605	2	Bolt M6 x 10	
44	2820031	AR	Heat Shrink	
45	4460473	1	Clamp, Cable	
46	4811702	10	Washer M6	

SECTION 8 - ELECTRICAL

ITEM	PART NUMBER	QTY	DESCRIPTION	REV
47	3340901	4	Pad, Rubber	
48	1001140524	1	Main Boom Harness Assembly (Not Shown - See Separate Breakdown in this Section)	
49	1671092	1	Cover, Connector	
50	1671093	1	Cover, Plug	
51	4460709	1	Plug, Male - 250V	
52	4460710	1	Receptacle, Female - 250V	

SECTION 8 - ELECTRICAL

FIGURE 8-26. BOOM CABLES AND CLAMPS INSTALLATION - 4000W, 50HZ - WITH ARCTIC PACKAGE



ART_1001154291

SECTION 8 - ELECTRICAL

FIGURE 8-26. BOOM CABLES AND CLAMPS INSTALLATION - 4000W, 50HZ - WITH ARCTIC PACKAGE

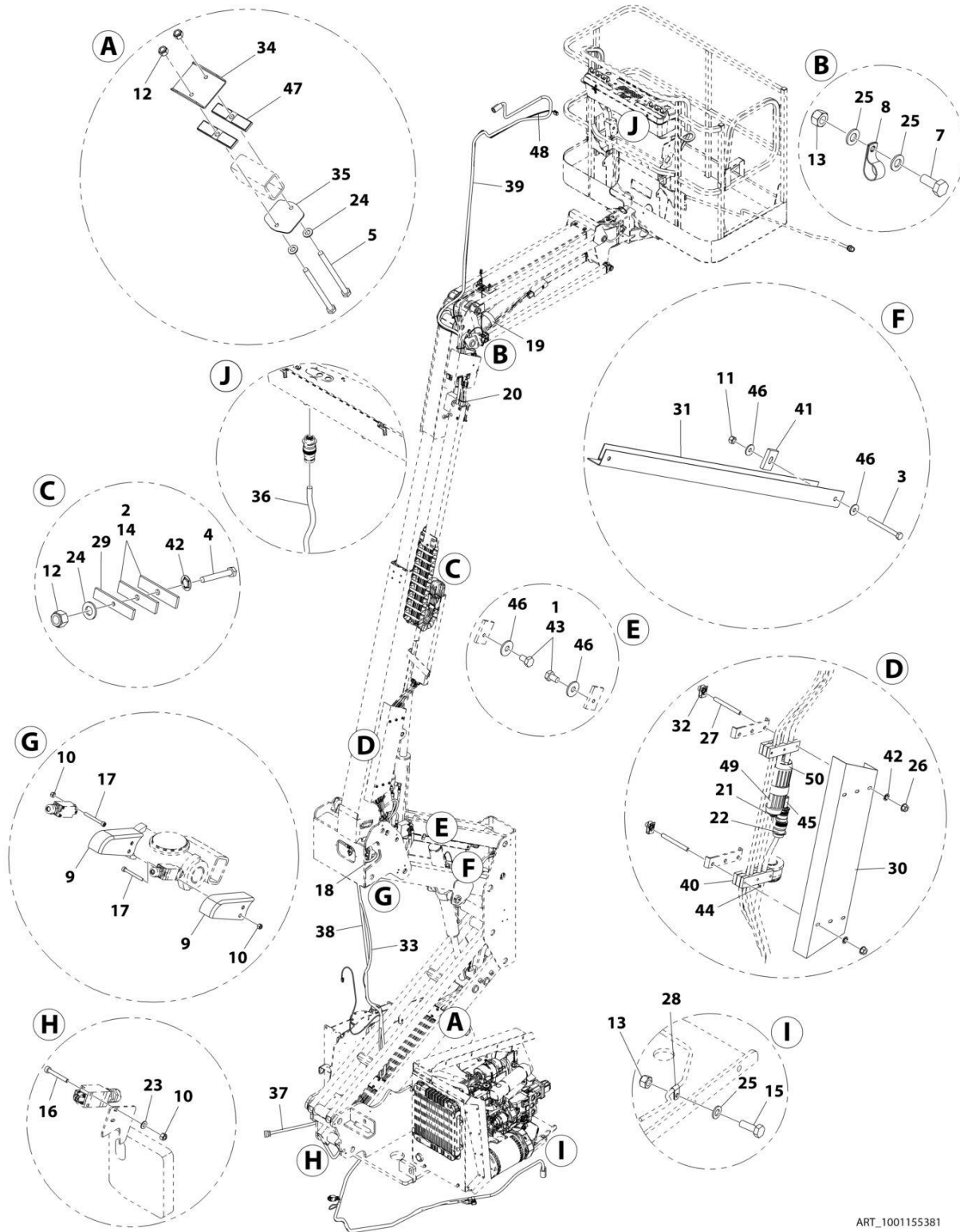
ITEM	PART NUMBER	QTY	DESCRIPTION	REV
	1001154291	Ref	BOOM CABLES AND CLAMPS INSTALLATION - 4000W, 50HZ - WITH ARCTIC PACKAGE	B
1	0100011	AR	Compound, Locking	
2	0100081	AR	Adhesive	
3	0760621	4	Bolt M6 x 65	
4	0700820	2	Bolt M8 x 60	
5	0700829	4	Bolt M8 x 120	
7	0761012	1	Bolt M10 x 25	
8	1320130	1	Clamp	
9	1670899	2	Cover, Switch	
10	3290405	6	Nut M4	
11	3290605	4	Nut M6	
12	3290805	6	Nut M8	
13	3291005	2	Nut M10	
14	3340939	4	Pad, Rubber	
15	0761014	1	Bolt M10 x 30	
16	4031510	2	Capscrew M4 x 30	
17	4031512	4	Capscrew M4 x 40	
18	4060808	1.8 ft /55cm	Flex-Trim	
19	4240156	1	Strap, Cinch	
20	4240018	AR	Tie-Strap	
21	4460865	1	Connector - 19 Position	
22	4460866	1	Connector - 19 Position	
23	4811400	2	Washer M4	
24	4811900	8	Washer M8	
25	4812000	4	Washer M10	
26	5260800	6	Nut M8 Class 10	
27	5281920	6	Capscrew, Cup Point M8 x 80	
28	1320263	1	Clamp	
29	1001106757	2	Plate, Clamp	
30	1001107152	1	Plate, Shield	
31	1001116433	2	Guard, Hose	
32	1001118274	6	Nut M8	
33	1001118292	1	Harness, Tower Boom (See Separate Breakdown in this Section)	
34	1001118592	2	Plate, Hose Clamp	
35	1001118593	2	Plate, Hose Clamp	
36	1001119953	1	Harness Assembly - Main Boom (See Separate Breakdown in this Section)	
37	1001119954	1	Harness Assembly - Tower Boom (See Separate Breakdown in this Section)	
38	1001119956	1	Cable, AC Tower Boom (See Separate Breakdown in this Section)	
39	1001119955	1	Cable, AC Main Boom (See Separate Breakdown in this Section)	
40	1001119195	2	Plate, Hose Clamp	
41	1001119197	4	Clamp, Hose	
42	1001119228	8	Pushnut M8	
43	0760605	2	Bolt M6 x 10	
44	2820031	AR	Heat Shrink	
45	4460473	1	Clamp, Cable	
46	4811702	10	Washer M6	

SECTION 8 - ELECTRICAL

ITEM	PART NUMBER	QTY	DESCRIPTION	REV
47	3340901	4	Pad, Rubber	
48	1001140524	1	Main Boom Harness Assembly (Not Shown - See Separate Breakdown in this Section)	
49	1001156351	1	Cover, Connector	
50	1001156352	1	Cover, Plug	

SECTION 8 - ELECTRICAL

FIGURE 8-27. BOOM CABLES AND CLAMPS INSTALLATION - 4000W, 60HZ - WITHOUT ARCTIC PACKAGE



ART_1001155381

SECTION 8 - ELECTRICAL

FIGURE 8-27. BOOM CABLES AND CLAMPS INSTALLATION - 4000W, 60HZ - WITHOUT ARCTIC PACKAGE

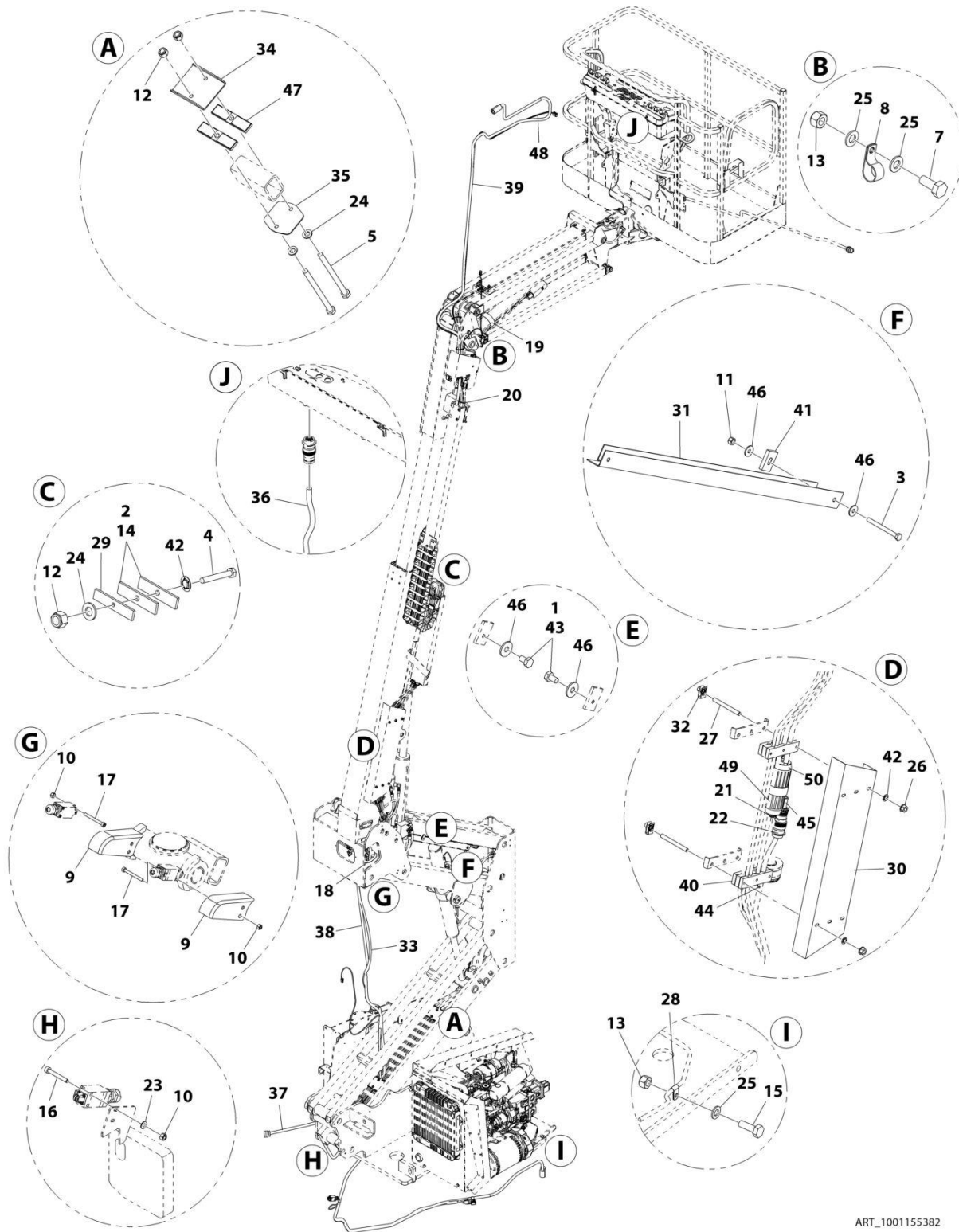
ITEM	PART NUMBER	QTY	DESCRIPTION	REV
	1001155381	Ref	BOOM CABLES AND CLAMPS INSTALLATION - 4000W, 60HZ - WITHOUT ARCTIC PACKAGE	B
1	0100011	AR	Compound, Locking	
2	0100081	AR	Adhesive	
3	0760621	4	Bolt M6 x 65	
4	0700820	2	Bolt M8 x 60	
5	0700829	4	Bolt M8 x 120	
7	0761012	1	Bolt M10 x 25	
8	1320130	1	Clamp	
9	1670899	2	Cover, Switch	
10	3290405	6	Nut M4	
11	3290605	4	Nut M6	
12	3290805	6	Nut M8	
13	3291005	2	Nut M10	
14	3340939	4	Pad, Rubber	
15	0761014	1	Bolt M10 x 30	
16	4031510	2	Capscrew M4 x 30	
17	4031512	4	Capscrew M4 x 40	
18	4060808	1.8 ft /55cm	Flex-Trim	
19	4240156	1	Strap, Cinch	
20	4240018	AR	Tie-Strap	
21	4460865	1	Connector - 19 Position	
22	4460866	1	Connector - 19 Position	
23	4811400	2	Washer M4	
24	4811900	8	Washer M8	
25	4812000	4	Washer M10	
26	5260800	6	Nut M8 Class 10	
27	5281920	6	Capscrew, Cup Point M8 x 80	
28	8406110	1	Clamp	
29	1001106757	2	Plate, Clamp	
30	1001107152	1	Plate, Shield	
31	1001116433	2	Guard, Hose	
32	1001118274	6	Nut M8	
33	1001118292	1	Harness, Tower Boom (See Separate Breakdown in this Section)	
34	1001118592	2	Plate, Hose Clamp	
35	1001118593	2	Plate, Hose Clamp	
36	1001119018	1	Harness Assembly - Main Boom (See Separate Breakdown in this Section)	
37	1001119019	1	Harness Assembly - Tower Boom (See Separate Breakdown in this Section)	
38	1001157310	1	Cable, AC Tower Boom	
39	1001157311	1	Cable, AC Main Boom	
40	1001119194	2	Plate, Hose Clamp	
41	1001119197	4	Clamp, Hose	
42	1001119228	8	Pushnut M8	
43	0760605	2	Bolt M6 x 10	
44	2820031	AR	Heat Shrink	
45	4460473	1	Clamp, Cable	
46	4811702	10	Washer M6	

SECTION 8 - ELECTRICAL

ITEM	PART NUMBER	QTY	DESCRIPTION	REV
47	3340901	4	Pad, Rubber	
48	1001140524	1	Main Boom Harness Assembly (Not Shown - See Separate Breakdown in this Section)	
49	1671092	1	Cover, Connector	
50	1671093	1	Cover, Plug	

SECTION 8 - ELECTRICAL

FIGURE 8-28. BOOM CABLES AND CLAMPS INSTALLATION - 4000W, 60HZ - WITH ARCTIC PACKAGE



ART_1001155382

SECTION 8 - ELECTRICAL

FIGURE 8-28. BOOM CABLES AND CLAMPS INSTALLATION - 4000W, 60HZ - WITH ARCTIC PACKAGE

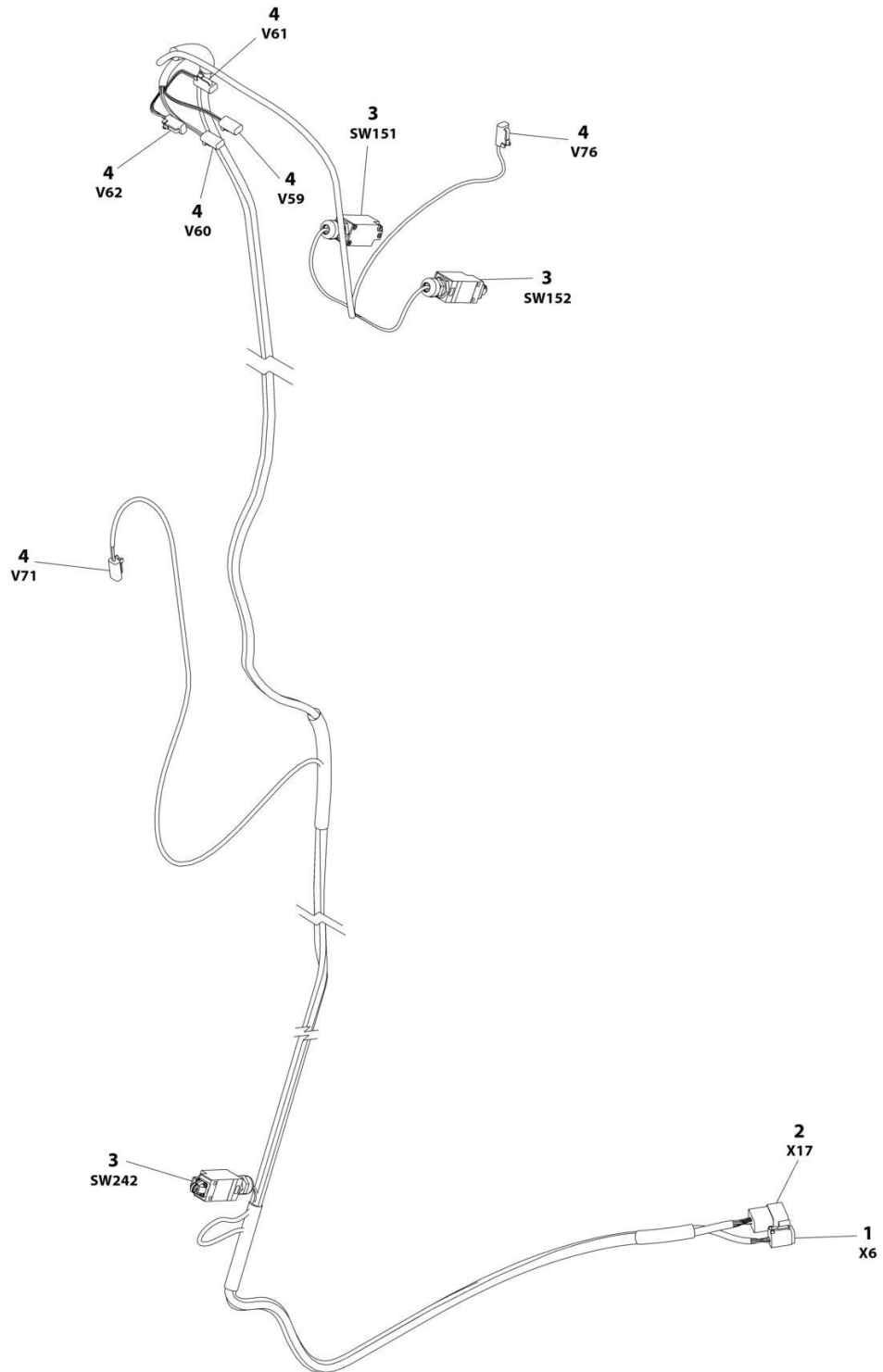
ITEM	PART NUMBER	QTY	DESCRIPTION	REV
	1001155382	Ref	BOOM CABLES AND CLAMPS INSTALLATION - 4000W, 60HZ - WITH ARCTIC PACKAGE	B
1	0100011	AR	Compound, Locking	
2	0100081	AR	Adhesive	
3	0760621	4	Bolt M6 x 65	
4	0700820	2	Bolt M8 x 60	
5	0700829	4	Bolt M8 x 120	
7	0761012	1	Bolt M10 x 25	
8	1320130	1	Clamp	
9	1670899	2	Cover, Switch	
10	3290405	6	Nut M4	
11	3290605	4	Nut M6	
12	3290805	6	Nut M8	
13	3291005	2	Nut M10	
14	3340939	4	Pad, Rubber	
15	0761014	1	Bolt M10 x 30	
16	4031510	2	Capscrew M4 x 30	
17	4031512	4	Capscrew M4 x 40	
18	4060808	1.8 ft /55cm	Flex-Trim	
19	4240156	1	Strap, Cinch	
20	4240018	AR	Tie-Strap	
21	4460865	1	Connector - 19 Position	
22	4460866	1	Connector - 19 Position	
23	4811400	2	Washer M4	
24	4811900	8	Washer M8	
25	4812000	4	Washer M10	
26	5260800	6	Nut M8 Class 10	
27	5281920	6	Capscrew, Cup Point M8 x 80	
28	8406110	1	Clamp	
29	1001106757	2	Plate, Clamp	
30	1001107152	1	Plate, Shield	
31	1001116433	2	Guard, Hose	
32	1001118274	6	Nut M8	
33	1001118292	1	Harness, Tower Boom (See Separate Breakdown in this Section)	
34	1001118592	2	Plate, Hose Clamp	
35	1001118593	2	Plate, Hose Clamp	
36	1001119953	1	Harness Assembly - Main Boom (See Separate Breakdown in this Section)	
37	1001119954	1	Harness Assembly - Tower Boom (See Separate Breakdown in this Section)	
38	1001157310	1	Cable, AC Tower Boom	
39	1001157311	1	Cable, AC Main Boom	
40	1001119195	2	Plate, Hose Clamp	
41	1001119197	4	Clamp, Hose	
42	1001119228	8	Pushnut M8	
43	0760605	2	Bolt M6 x 10	
44	2820031	AR	Heat Shrink	
45	4460473	1	Clamp, Cable	
46	4811702	10	Washer M6	

SECTION 8 - ELECTRICAL

ITEM	PART NUMBER	QTY	DESCRIPTION	REV
47	3340901	4	Pad, Rubber	
48	1001140524	1	Main Boom Harness Assembly (See Separate Breakdown in this Section)	
49	1671092	1	Cover, Connector	
50	1671093	1	Cover, Plug	

SECTION 8 - ELECTRICAL

FIGURE 8-29. BOOM HARNESS - LIMIT SWITCHES AND UPRIGHT VALVE



ART_1001118292

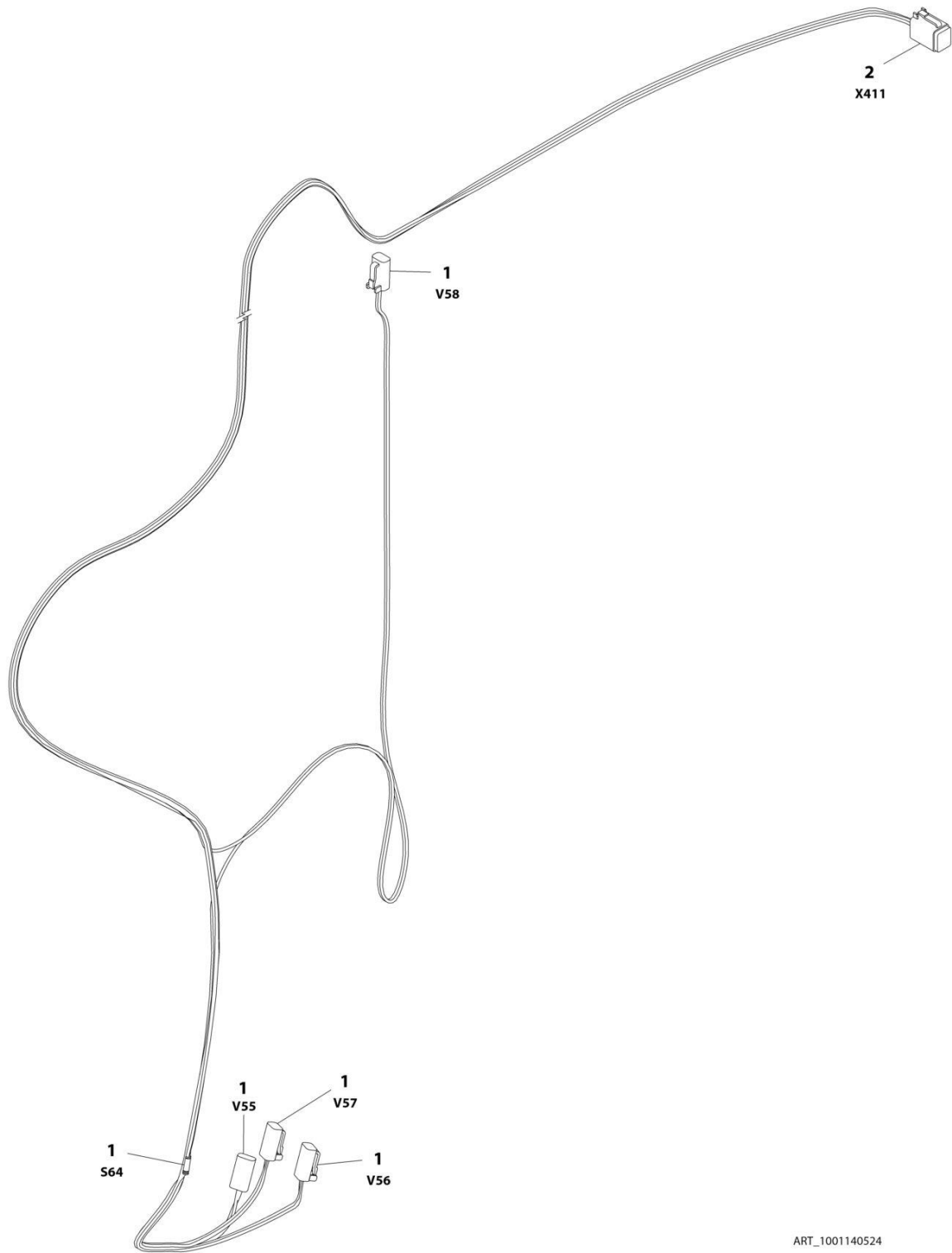
SECTION 8 - ELECTRICAL

FIGURE 8-29. BOOM HARNESS - LIMIT SWITCHES AND UPRIGHT VALVE

ITEM	PART NUMBER	QTY	DESCRIPTION	REV
	1001118292	Ref	BOOM HARNESS - LIMIT SWITCHES AND UPRIGHT VALVE	D
1	4460894	1	Plug, Male - 6 Position	
1	4460465	6	Socket, Female	
2	4460970	1	Receptacle, Female - 12 Position	
2	4460464	9	Pin, Male	
2	4460466	3	Plug, Terminal	
3	4360548	3	Switch, Limit	
3	4460968	3	Connector, Strain Relief	
3	0962449	3	Bushing	
4	4460891	6	Plug, Male - 2 Position	
4	4460465	12	Socket, Female	
5	1001257690	1	Connector, Strain Relief 90 (Not Shown)	

SECTION 8 - ELECTRICAL

FIGURE 8-30. BOOM HARNESS - MAIN



ART_1001140524

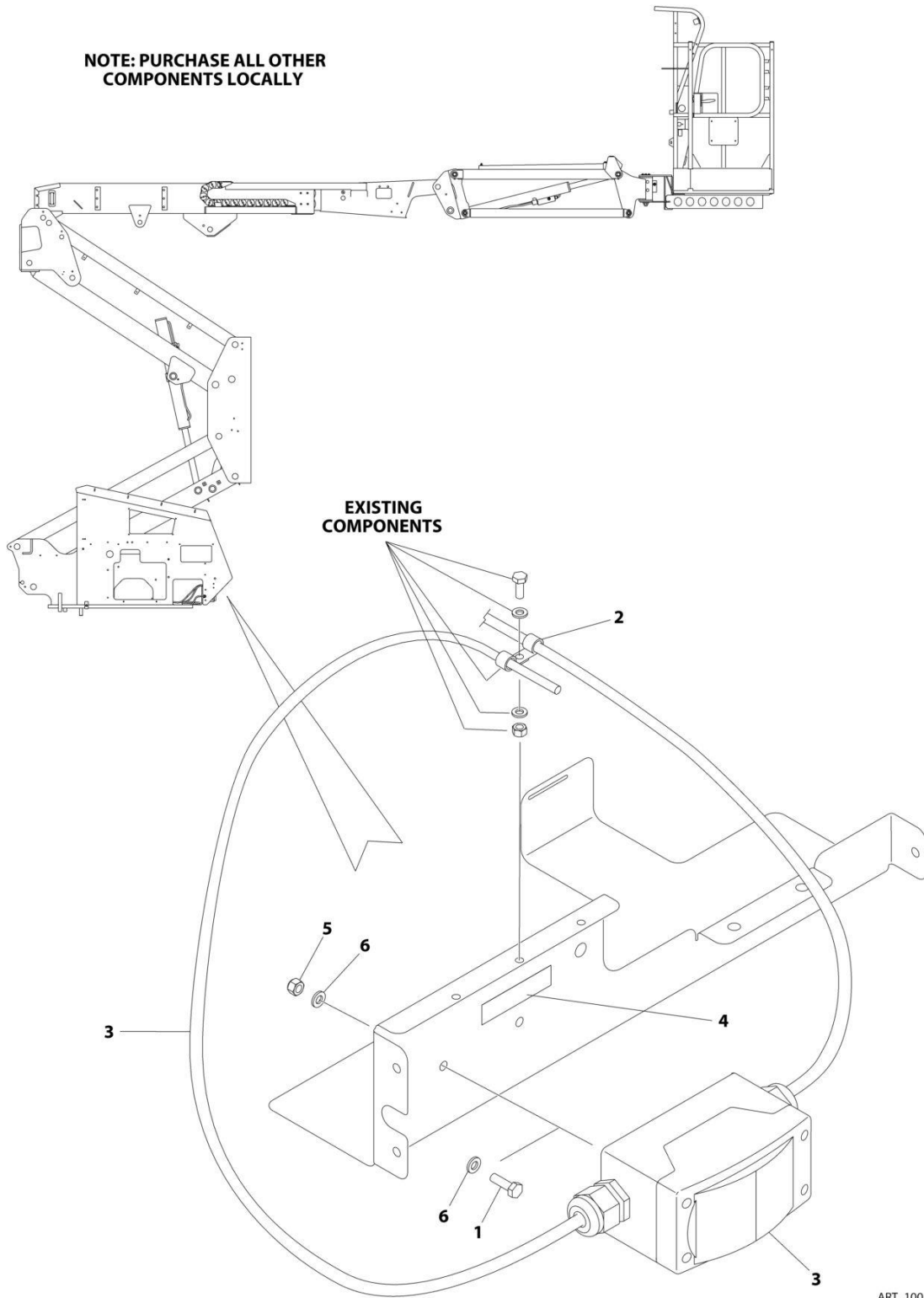
SECTION 8 - ELECTRICAL

FIGURE 8-30. BOOM HARNESS - MAIN

ITEM	PART NUMBER	QTY	DESCRIPTION	REV
	1001140524	Ref	BOOM HARNESS - MAIN	A
1	4460891	4	Plug, Male - 2 Position	
1	4460465	8	Socket, Female	
2	4460894	1	Plug, Male - 6 Position	
2	4460465	5	Socket, Female	
2	4460466	1	Plug, Terminal	

SECTION 8 - ELECTRICAL

FIGURE 8-31. BREAKER BOX INSTALLATION



ART_1001188322

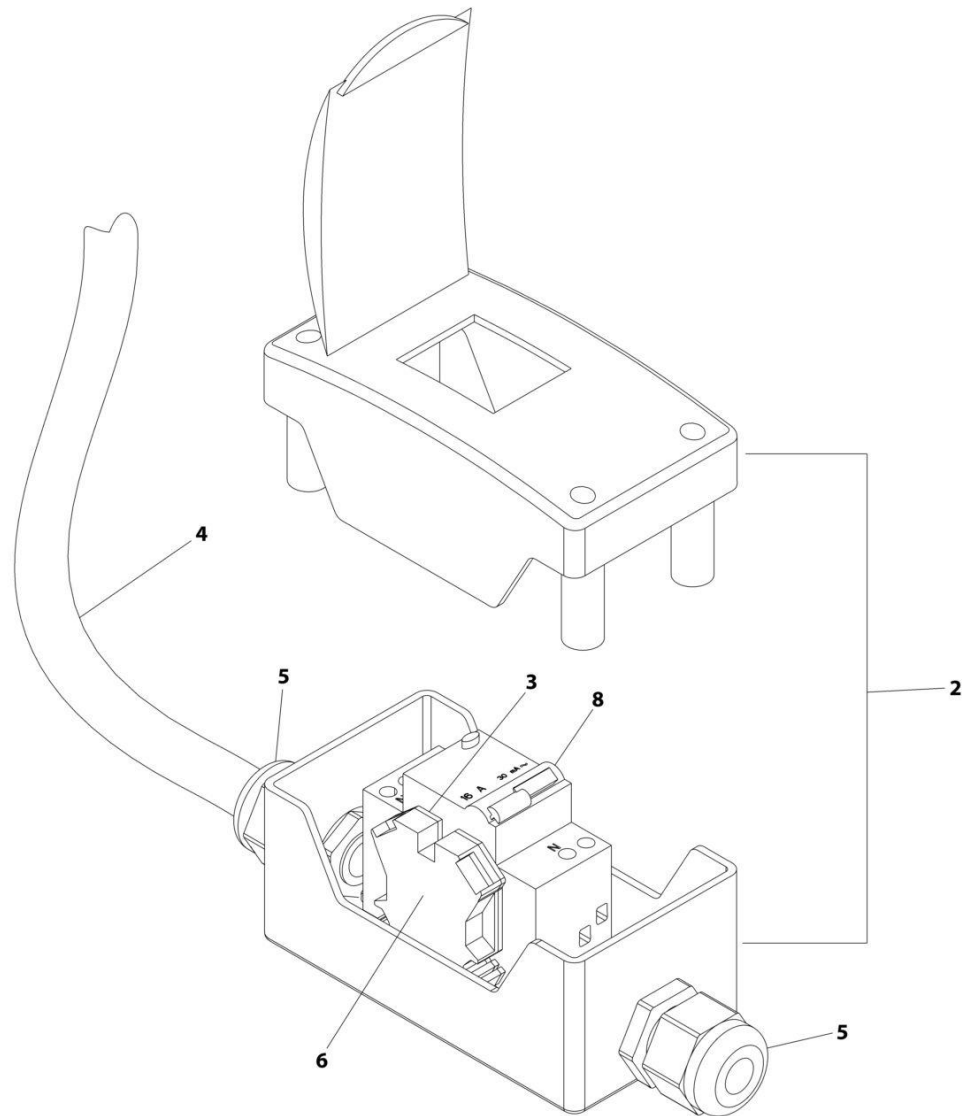
SECTION 8 - ELECTRICAL

FIGURE 8-31. BREAKER BOX INSTALLATION

ITEM	PART NUMBER	QTY	DESCRIPTION	REV
	1001188322	Ref	AC CIRCUIT BREAKER INSTALLATION	A
1	0760610	2	Bolt M6 x 20	
2	1320043	1	Clamp	
3	2902549	1	Breaker Box Kit (See Separate Breakdown in this Section)	
4	3252507	1	Decal - 220V-50/60Hz	
5	3290605	2	Nut M6	
6	4811700	4	Washer M6	

SECTION 8 - ELECTRICAL

FIGURE 8-32. BREAKER BOX KIT (CE & UK CA SPEC)



ART_2902549

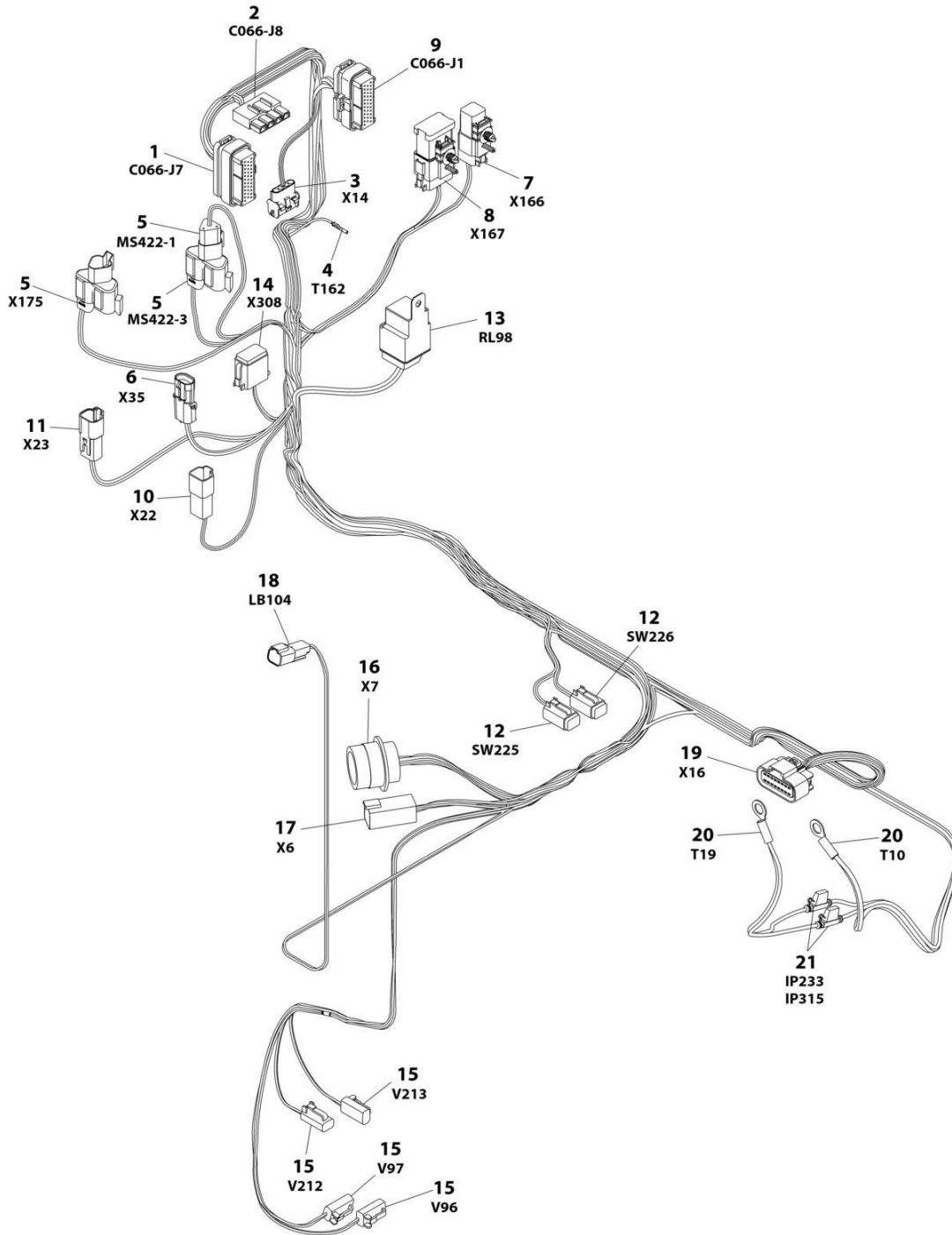
SECTION 8 - ELECTRICAL

FIGURE 8-32. BREAKER BOX KIT (CE & UK CA SPEC)

ITEM	PART NUMBER	QTY	DESCRIPTION	REV
	2902549	Ref	BREAKER BOX KIT - 110/220V 16AMP BREAKER	F
2	0861880	1	Box	
3	4460956	1	Barrier, Terminal	
4	1060908	6 ft/1.8m	Cable, 12/3	
5	1001097150	2	Connector, Strain Relief	
6	4460957	1	Block, Terminal	
8	1001181045	1	Breaker, Combination 16Amp/30mAmp	

SECTION 8 - ELECTRICAL

FIGURE 8-33. CHASSIS HARNESS ASSEMBLY



ART_1001188093

SECTION 8 - ELECTRICAL

FIGURE 8-33. CHASSIS HARNESS ASSEMBLY

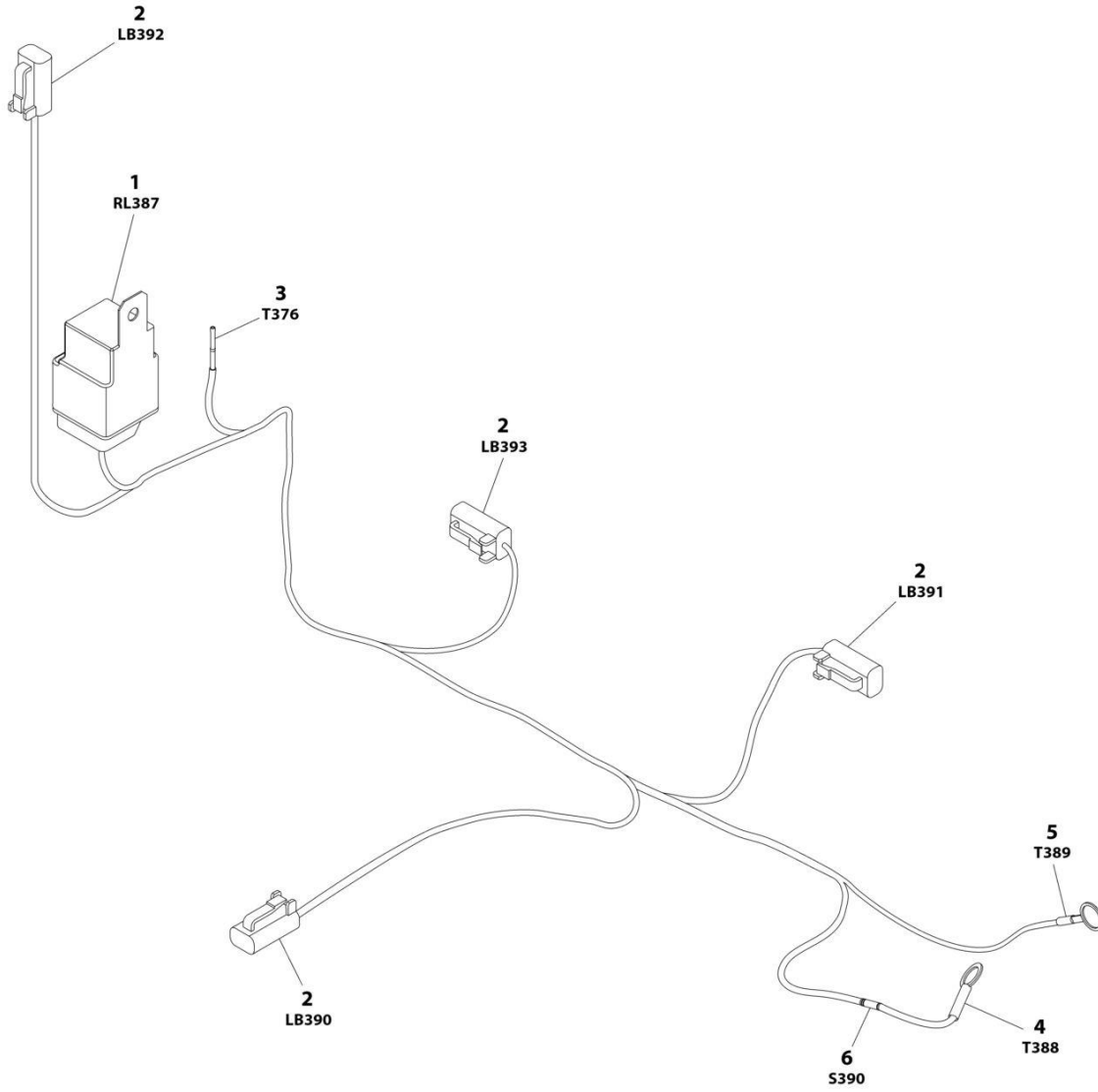
ITEM	PART NUMBER	QTY	DESCRIPTION	REV
	1001188093	Ref	CHASSIS HARNESS ASSEMBLY	D
1	4460873	1	Connector - 35 Position	
1	4460871	19	Socket, Female	
1	4460905	16	Seal, Plug	
2	4460878	1	Connector - 4 Position	
2	4460887	6	Terminal	
3	4460761	1	Connector - 4 Position	
3	4460227	4	Pin, Male	
4	4460871	1	Socket, Female	
5	1001116812	3	Plug, Male - 3 Position	
5	4460944	9	Socket, Female	
5	4460945	1	Receptacle, 3 Way	
6	4461157	1	Receptacle, Female - 2 Position	
6	4460979	1	Pin, Male	
6	1001116727	1	Seal, Plug	
7	4460894	1	Connector - 6 Position	
7	4460465	2	Socket, Female	
7	4460466	4	Plug, Terminal	
7	4460892	1	Connector - 6 Position Bussbar	
7	1001121172	1	Mount, Terminal	
8	4460836	1	Connector - 12 Position	
8	4460465	3	Socket, Female	
8	4460466	7	Plug, Terminal	
8	4460837	1	Connector	
8	1001121172	1	Mount, Terminal	
9	4460874	1	Connector - 35 Position	
9	4460871	21	Socket, Female	
9	4460905	14	Seal, Plug	
10	4460932	1	Receptacle, Female - 4 Position	
10	4460464	3	Pin, Female	
10	4460466	1	Plug, Terminal	
11	1001116811	1	Receptacle, Female - 4 Position	
11	4460508	3	Pin, Male	
11	4460466	1	Plug, Terminal	
12	4460884	2	Plug, Male - 4 Position	
12	4460465	6	Socket, Female	
12	4460466	2	Plug, Terminal	
13	1001117025	1	Relay and Connector Assembly	
13	1001116734	2	Terminal	
13	1001116732	2	Terminal	
14	4460930	1	Plug, Male - 8 Position	
14	4460465	2	Socket, Female	
14	4460466	6	Plug, Terminal	
15	4460891	4	Connector - 2 Position	
15	4460465	8	Socket, Female	
16	4460866	1	Connector - 19 Position	
16	4460943	3	Pin, Male	
16	4460464	6	Pin, Male	
16	4460508	4	Pin, Male	
16	4460466	6	Plug, Terminal	

SECTION 8 - ELECTRICAL

ITEM	PART NUMBER	QTY	DESCRIPTION	REV
17	4460899	1	Connector - 6 Position	
17	4460464	6	Pin, Male	
18	4460897	1	Connector - 2 Position	
18	4460464	2	Pin, Male	
19	4461110	1	Receptacle Female - 16 Position	
19	1001136231	1	Lock, Connector	
19	1001136232	1	Lock, Connector	
19	4461112	15	Terminal, Female	
19	4461113	15	Seal	
19	4461222	1	Plug	
20	8220164	2	Ring, Terminal	
21	2400066	2	Fuse Holder with Leads	

SECTION 8 - ELECTRICAL

FIGURE 8-34. CHASSIS LIGHT HARNESS



ART_1001120299

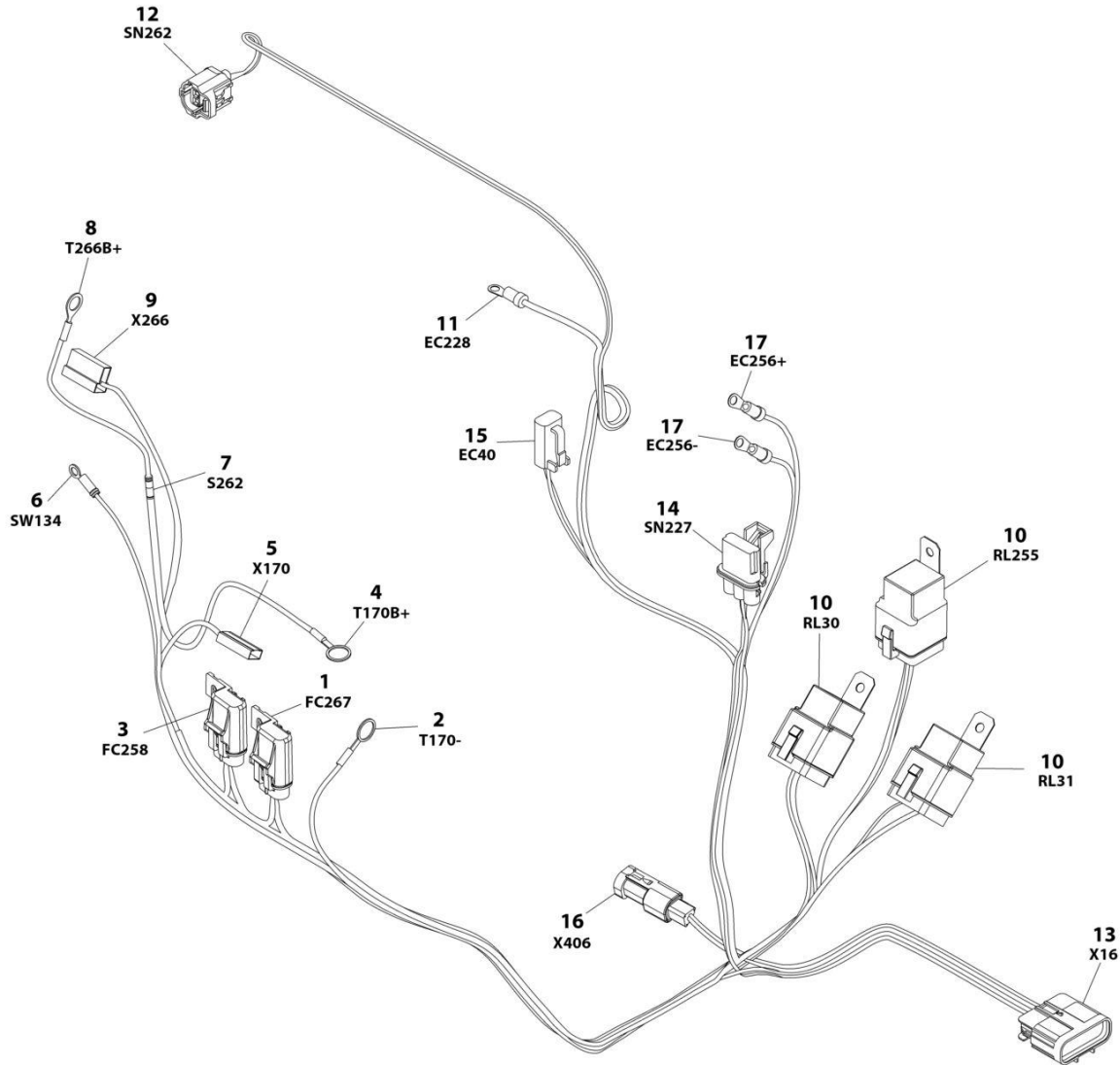
SECTION 8 - ELECTRICAL

FIGURE 8-34. CHASSIS LIGHT HARNESS

ITEM	PART NUMBER	QTY	DESCRIPTION	REV
	1001120299	Ref	CHASSIS LIGHT HARNESS	B
1	1001117025	1	Relay and Connector Assembly	
1	1001116734	2	Terminal	
1	1001116732	2	Terminal	
2	4460891	4	Plug, Male - 2 Position	
2	4460465	8	Socket, Female	
3	4460465	1	Socket, Female	
4	4460256	1	Ring, Terminal	
5	4460019	1	Ring, Terminal	
6	4460474	1	Terminal	

SECTION 8 - ELECTRICAL

FIGURE 8-35. ENGINE HARNESS - KUBOTA ENGINE



ART_100118638

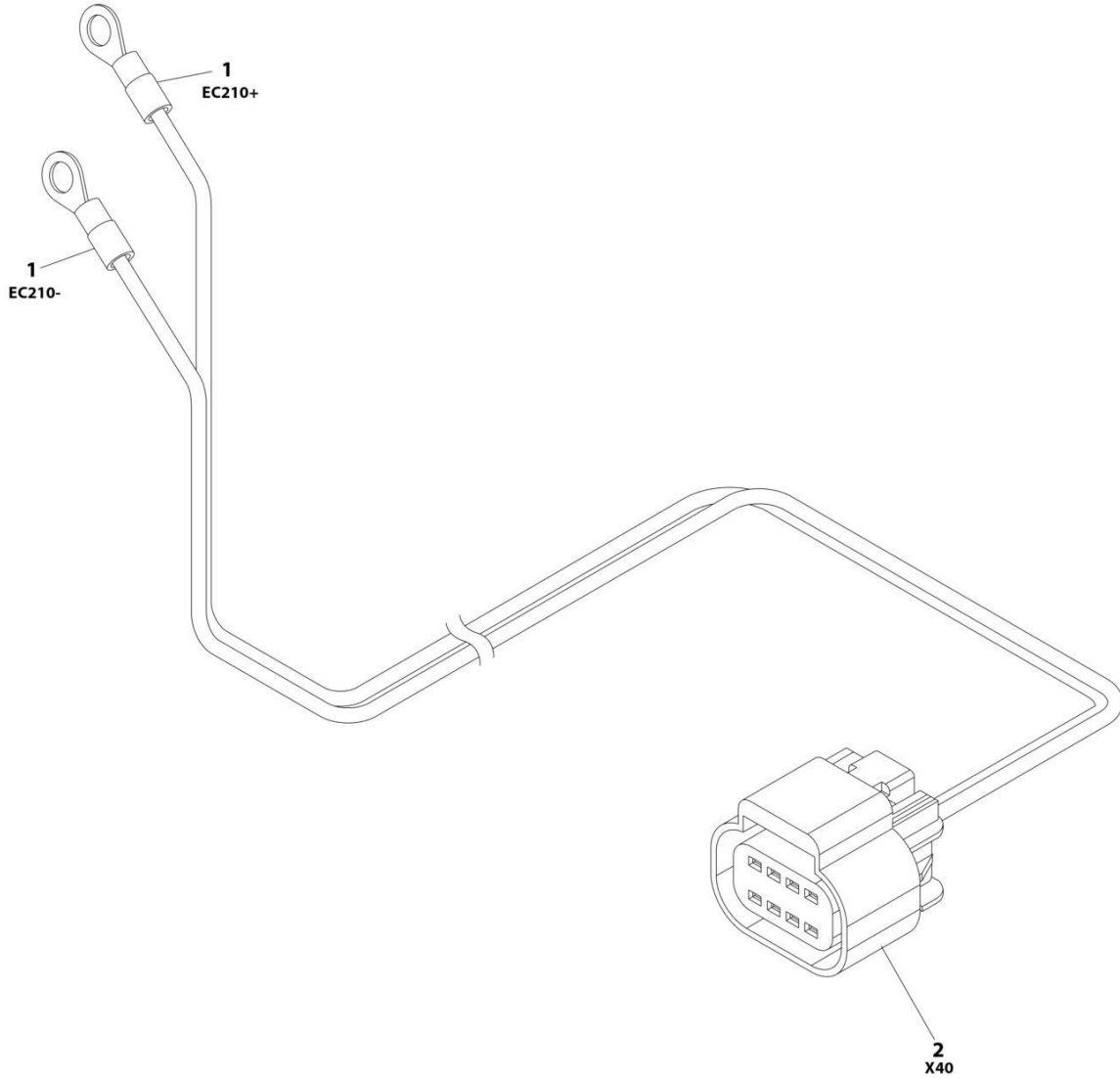
SECTION 8 - ELECTRICAL

FIGURE 8-35. ENGINE HARNESS - KUBOTA ENGINE

ITEM	PART NUMBER	QTY	DESCRIPTION	REV
	1001118638	Ref	KUBOTA ENGINE HARNESS	G
1	1001117070	1	Connector, Fuseholder (Includes Fuse and Cap)	
1	1001116752	2	Terminal, Female	
2	4460256	1	Terminal	
3	1001118938	1	Connector, Fuseholder (Includes Fuse and Cap)	
3	1001116752	2	Terminal, Female	
4	8220164	1	Terminal	
5	1001118743	1	Connector, Receptacle	
5	1001118748	1	Terminal	
6	4460247	1	Terminal, Ring	
7	4460474	1	Terminal	
8	4460043	1	Terminal, Ring	
8	1001121574	1	Lock, Connector	
9	1001118744	1	Receptacle, Female - 2 Position	
9	1001118745	1	Terminal	
10	1001117025	3	Relay and Connector Assembly	
10	1001116734	6	Terminal	
10	1001116732	6	Terminal	
11	4460142	1	Terminal, Ring	
12	1001118657	1	Plug, Male - 2 Position (Green)	
12	1001118658	2	Socket, Female	
13	4461109	1	Plug, Male - 16 Position	
13	1001136232	1	Lock, Connector	
13	4461111	14	Terminal, Male	
13	4461113	14	Seal	
13	4461222	2	Plug	
14	1001117055	1	Plug, Male - 3 Position	
14	4460746	3	Socket, Female	
15	4460891	1	Plug, Male - 2 Position (Gray)	
15	4460465	2	Socket, Female	
16	4461095	1	Plug, Male - 3 Position	
16	4460944	2	Terminal , Gold	
16	4460466	1	Plug, Terminal	
17	4460042	2	Terminal, Ring	

SECTION 8 - ELECTRICAL

FIGURE 8-36. FUEL PUMP HARNESS - GM ENGINES



ART_1001119778

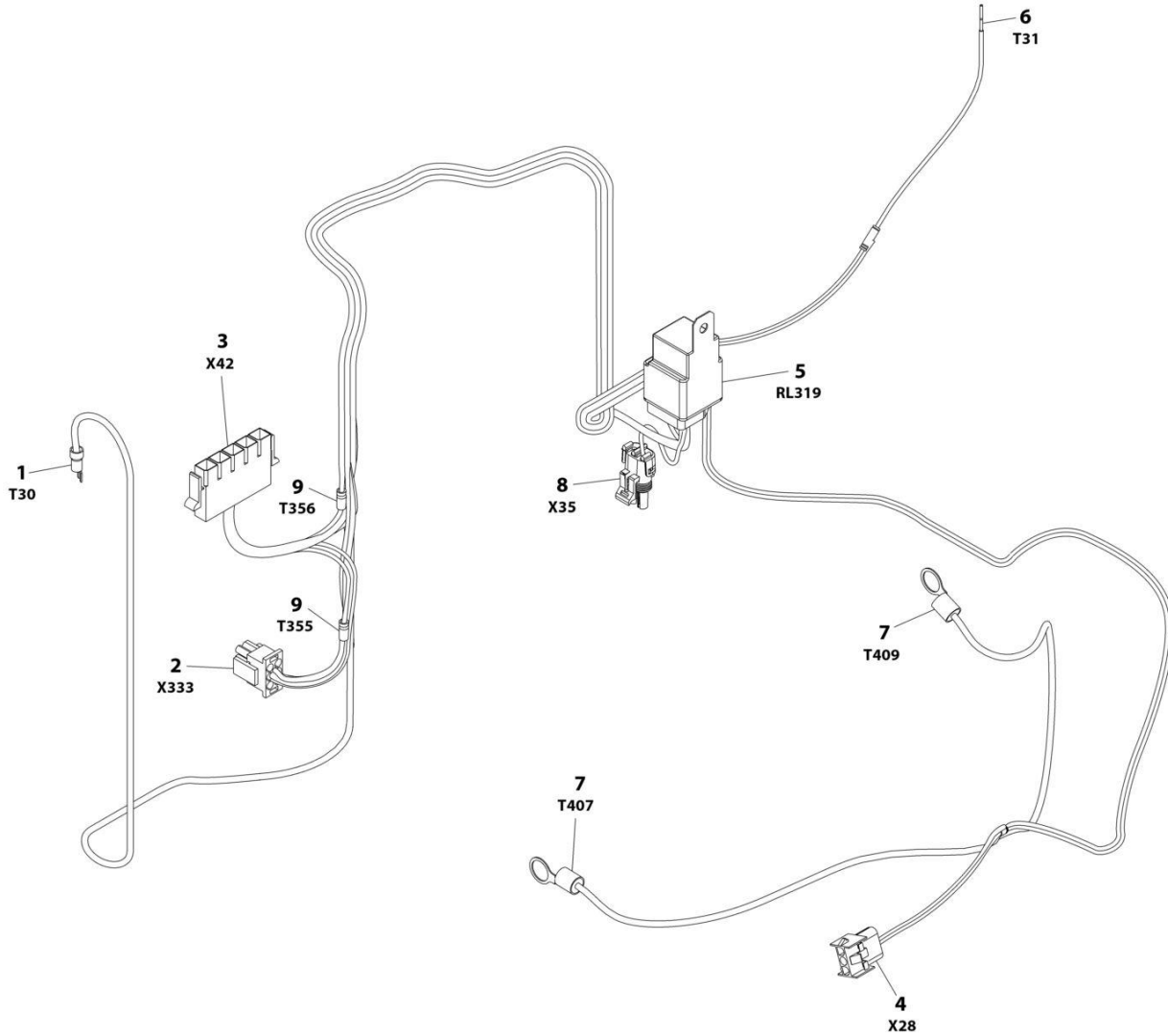
SECTION 8 - ELECTRICAL

FIGURE 8-36. FUEL PUMP HARNESS - GM ENGINES

ITEM	PART NUMBER	QTY	DESCRIPTION	REV
	100119778	Ref	GM FUEL PUMP HARNESS	A
1	4460313	2	Terminal, Ring	
2	100119799	1	Receptacle, Female - 8 Position	
2	4461112	2	Terminal, Female	
2	4461113	2	Seal	
2	4461222	6	Plug	

SECTION 8 - ELECTRICAL

FIGURE 8-37. GENERATOR HARNESS - 2500W



ART_1001119773

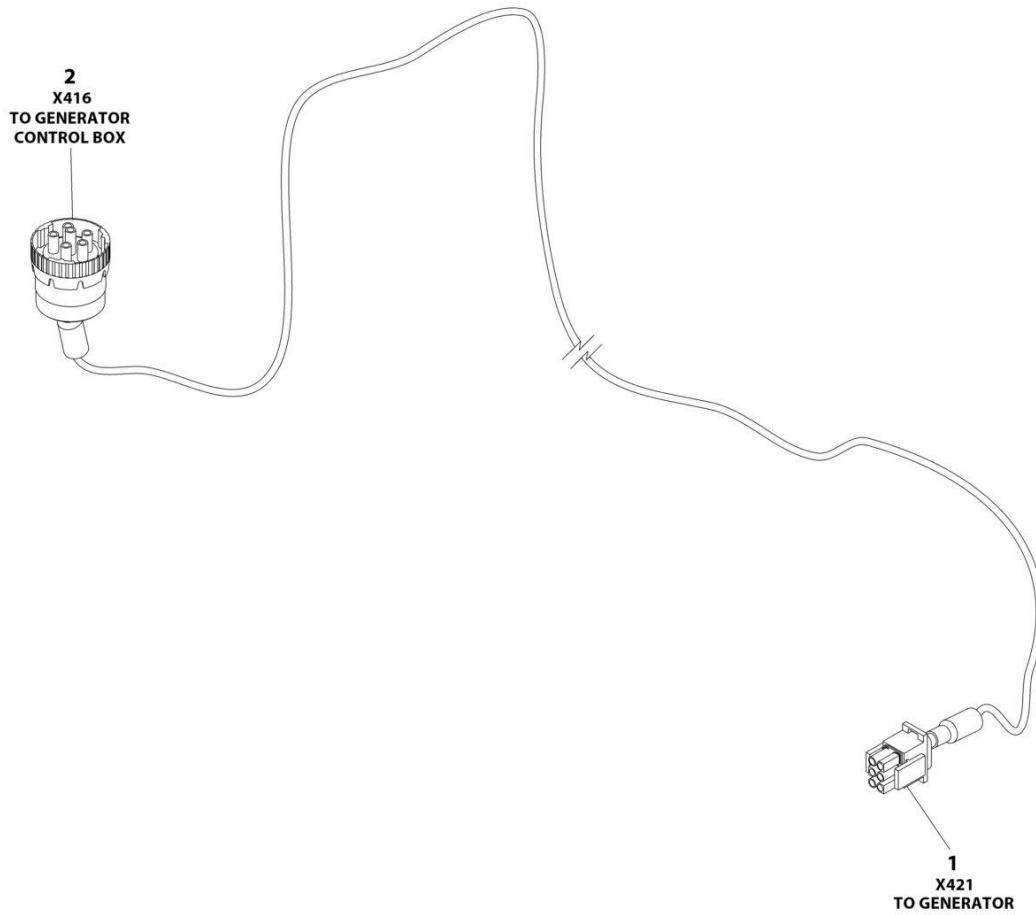
SECTION 8 - ELECTRICAL

FIGURE 8-37. GENERATOR HARNESS - 2500W

ITEM	PART NUMBER	QTY	DESCRIPTION	REV
	1001119773	Ref	GENERATOR HARNESS - 2500W	C
1	4460806	1	Terminal	
2	4460225	1	Plug, Male - 6 Position	
2	4460705	1	Pin, Male	
2	4460267	3	Pin, Male	
2	4460268	2	Socket, Female	
3	4460972	1	Plug, Male - 5 Position	
3	4460973	1	Terminal 12Ga	
3	4460974	4	Terminal 16Ga	
4	4460445	1	Receptacle, Female - 3 Position	
4	4460268	3	Socket, Female	
5	1001117025	1	Relay and Connector Assembly	
5	1001116734	2	Terminal	
5	1001116732	2	Terminal	
6	4460465	1	Socket, Female Deutsch 16Ga	
7	8220029	2	Terminal	
8	4460742	1	Plug, Male - 2 Position	
8	4460743	1	Socket, Female	
8	1001116727	1	Seal, Plug	
9	4460121	2	Cap, Wire	

SECTION 8 - ELECTRICAL

FIGURE 8-38. GENERATOR HARNESS - 4000W



ART_1001157916

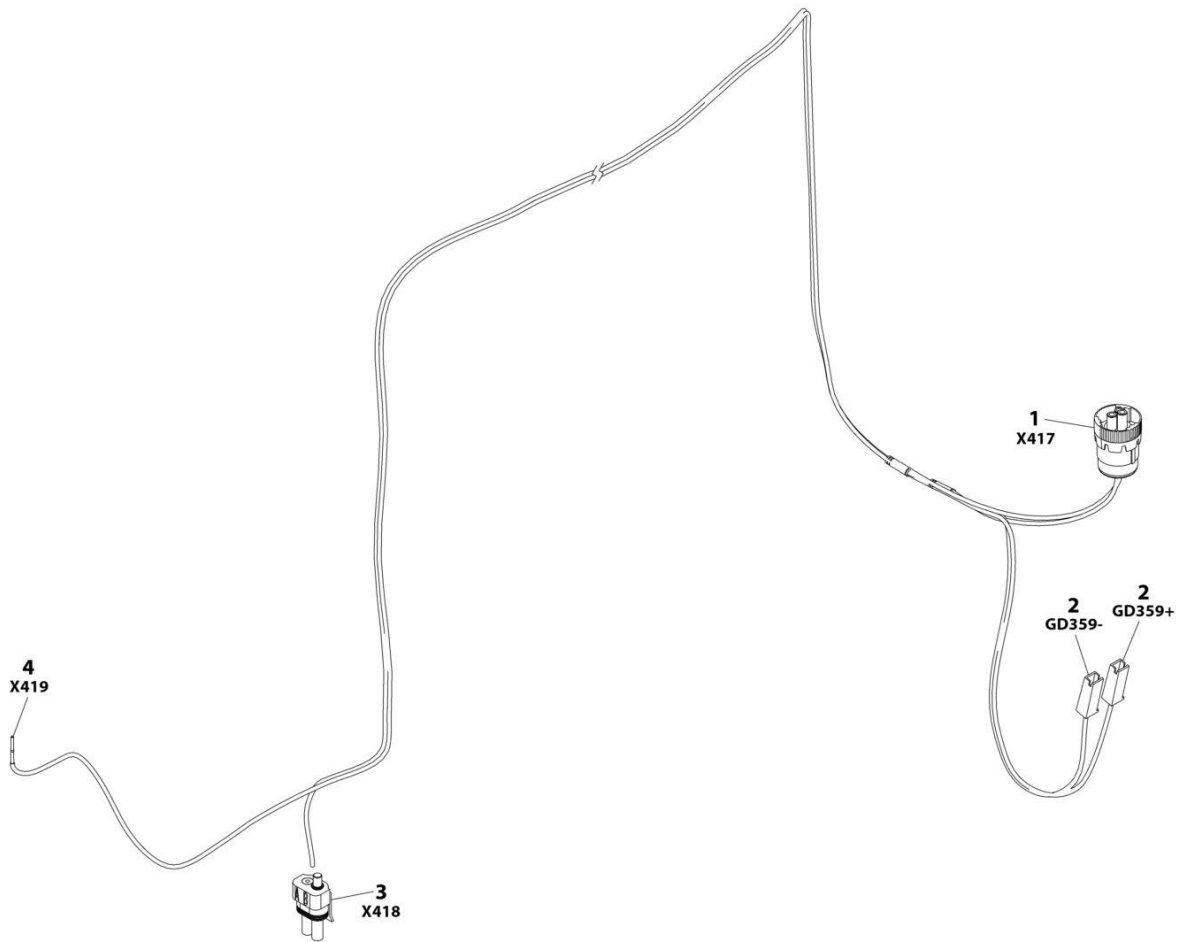
SECTION 8 - ELECTRICAL

FIGURE 8-38. GENERATOR HARNESS - 4000W

ITEM	PART NUMBER	QTY	DESCRIPTION	REV
	1001157916	Ref	GENERATOR HARNESS - 4000W	B
1	4460225	1	Plug, Male - 6 Position	
1	4460268	2	Socket, Female	
2	77363233	1	Connector	
2	4460465	2	Socket, Female	
2	4460466	4	Plug, Terminal	

SECTION 8 - ELECTRICAL

FIGURE 8-39. GENERATOR CONTROL HARNESS - 4000W



ART_1001157915

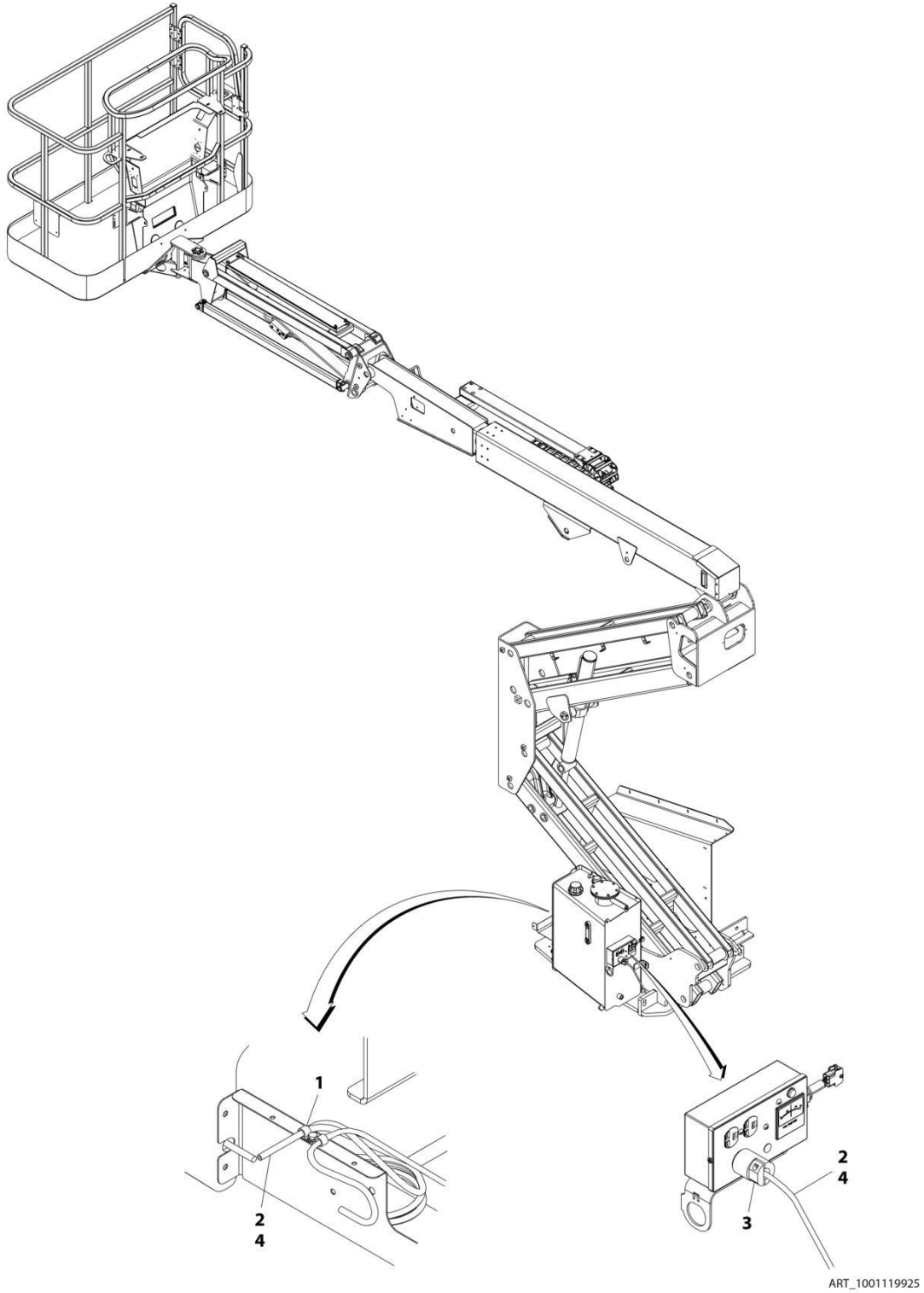
SECTION 8 - ELECTRICAL

FIGURE 8-39. GENERATOR CONTROL HARNESS - 4000W

ITEM	PART NUMBER	QTY	DESCRIPTION	REV
	1001157915	Ref	GENERATOR CONTROL HARNESS - 4000W	A
1	4460967	1	Connector	
1	4460466	1	Plug	
1	4460465	1	Socket	
2	4460260	2	Connector	
2	4460259	2	Terminal	
3	4460742	1	Connector	
3	4460457	1	Terminal	
3	1001116727	1	Plug	
4	4460465	1	Socket	

SECTION 8 - ELECTRICAL

FIGURE 8-40. GENERATOR TO AC PLUG HARNESS - 2800W GENERATOR 220/50HZ (ANSI EXPORT, AUSTRALIAN, CHINA, CE & UK CA SPECS)



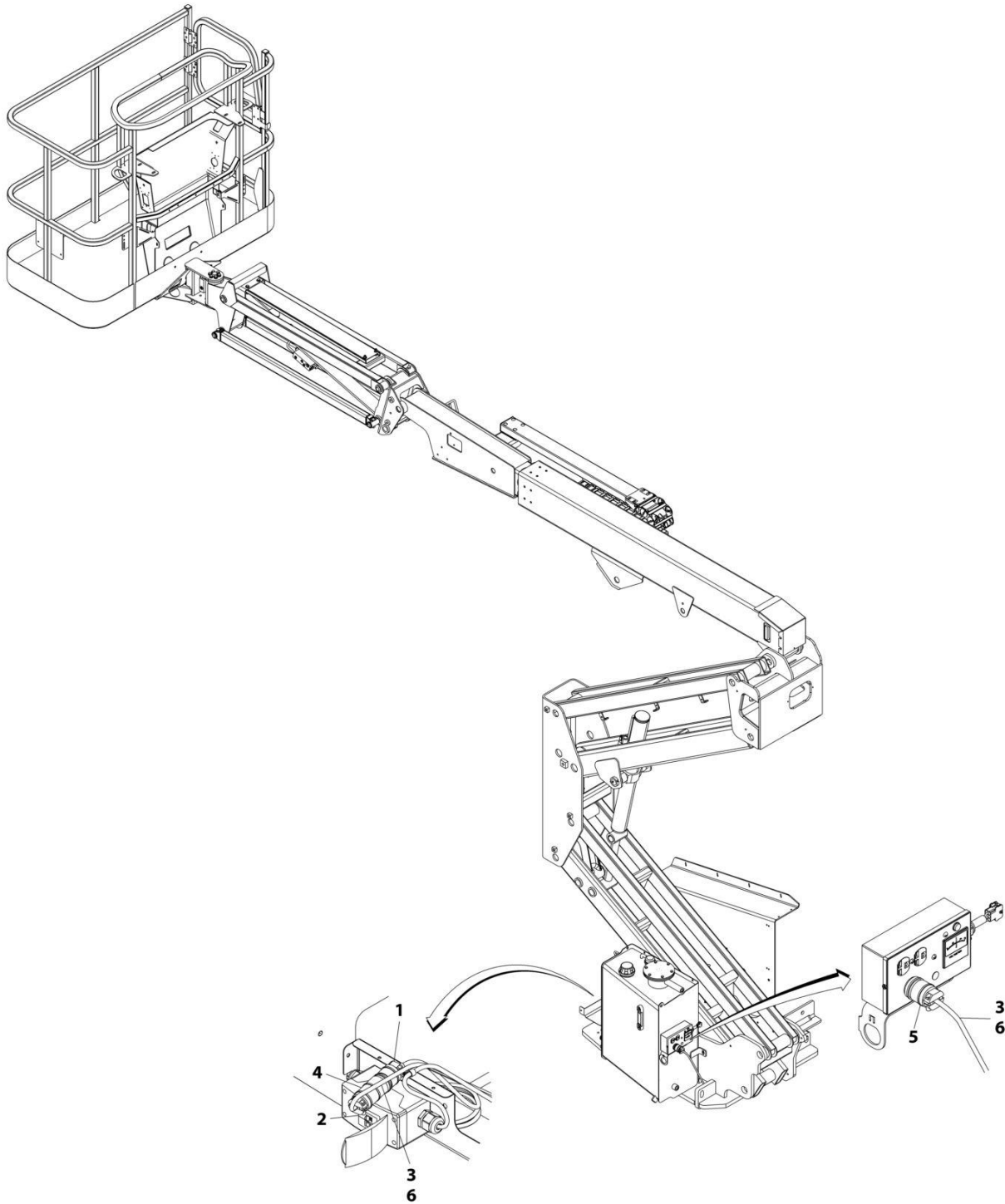
SECTION 8 - ELECTRICAL

FIGURE 8-40. GENERATOR TO AC PLUG HARNESS - 2800W GENERATOR 220/50HZ (ANSI EXPORT, AUSTRALIAN, CHINA, CE & UK CA SPECS)

ITEM	PART NUMBER	QTY	DESCRIPTION	REV
	1001119925	Ref	GENERATOR TO AC PLUG HARNESS - 2800W GENERATOR 220/50HZ	A
1	1320043	1	Clamp	
2	1001119922	1	Harness, Generator to AC Plug	B
3	4460709	1	Plug, Male	
4	4923505	7 ft/2.13m	Cable, 14/3	

SECTION 8 - ELECTRICAL

FIGURE 8-41. GENERATOR TO AC PLUG HARNESS - 2800W GENERATOR 110/50HZ (CE & UK CA SPECS ONLY)



ART_1001119927

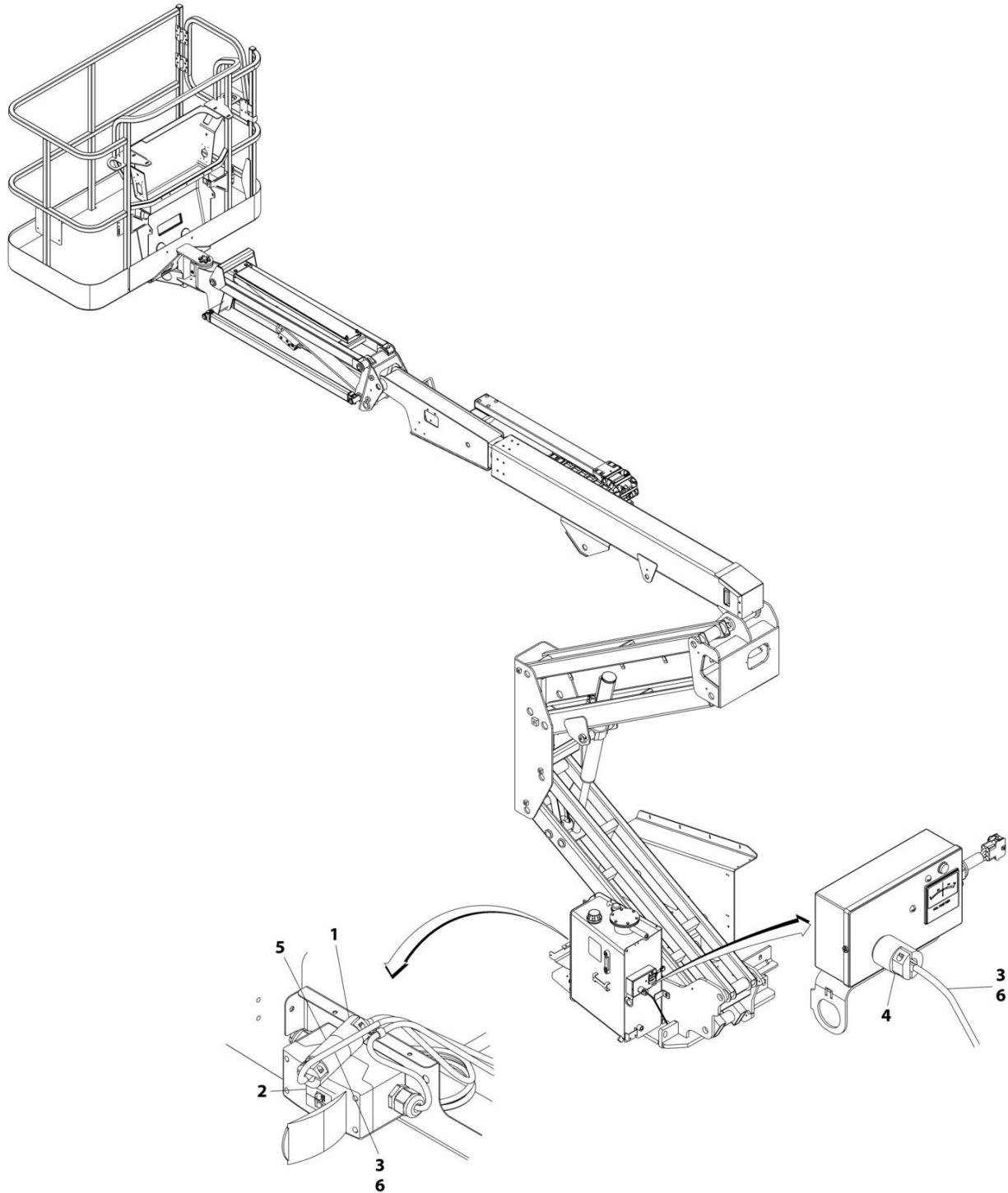
SECTION 8 - ELECTRICAL

FIGURE 8-41. GENERATOR TO AC PLUG HARNESS - 2800W GENERATOR 110/50HZ (CE & UK CA SPECS ONLY)

ITEM	PART NUMBER	QTY	DESCRIPTION	REV
	1001119927	Ref	GENERATOR TO AC PLUG HARNESS - 2800W GENERATOR 110/50HZ	A
1	4460205	1	Plug, Male	
2	1001109477	1	Breaker 10Amp	
3	1001119919	1	Harness, Generator to AC Plug	B
4	4460134	1	Plug, Female	
5	4460205	1	Plug, Male	
6	4923505	7 ft/2.13m	Cable, 14/3	

SECTION 8 - ELECTRICAL

FIGURE 8-42. GENERATOR TO AC PLUG HARNESS - 2800W GENERATOR 220/50HZ (ANSI EXPORT, AUSTRALIAN, CHINA, CE & UK CA SPECS)



ART_1001119928

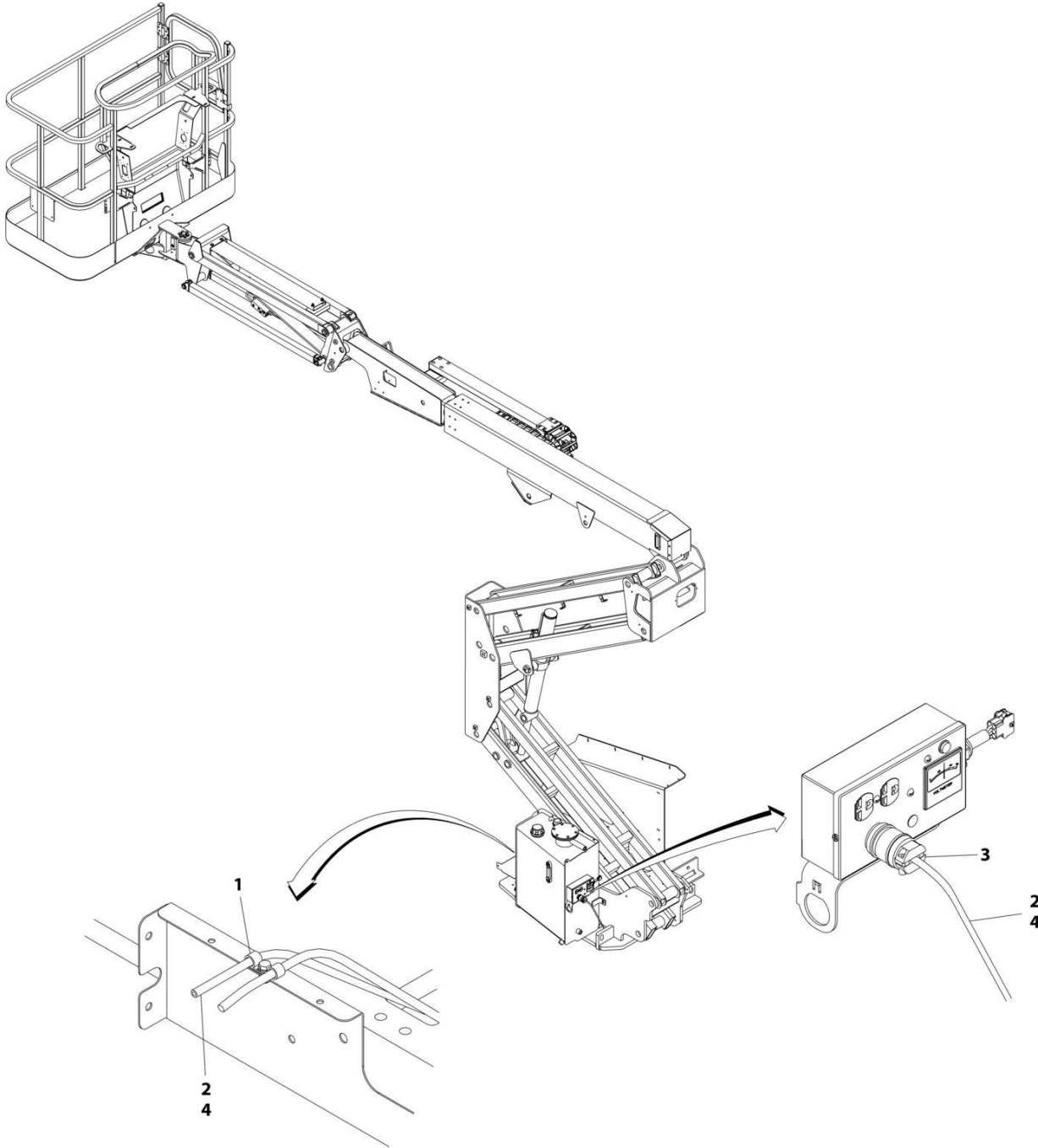
SECTION 8 - ELECTRICAL

FIGURE 8-42. GENERATOR TO AC PLUG HARNESS - 2800W GENERATOR 220/50HZ (ANSI EXPORT, AUSTRALIAN, CHINA, CE & UK CA SPECS)

ITEM	PART NUMBER	QTY	DESCRIPTION	REV
	1001119928	Ref	GENERATOR TO AC PLUG HARNESS - 2800W GENERATOR 220/50HZ	B
1	4460709	1	Plug, Male	
2	1001109477	1	Breaker 10 Amp	
3	1001119920	1	Harness, Generator to AC Plug	A
4	4460709	1	Plug, Male	
5	4460710	1	Plug, Female	
6	4923505	6.8 ft/ 2.0m	Cable, 14/3	

SECTION 8 - ELECTRICAL

FIGURE 8-43. GENERATOR TO AC PLUG HARNESS - 3500W GENERATOR 220/60HZ (ANSI EXPORT, CHINA AND CSA SPECS)



ART_1001119924

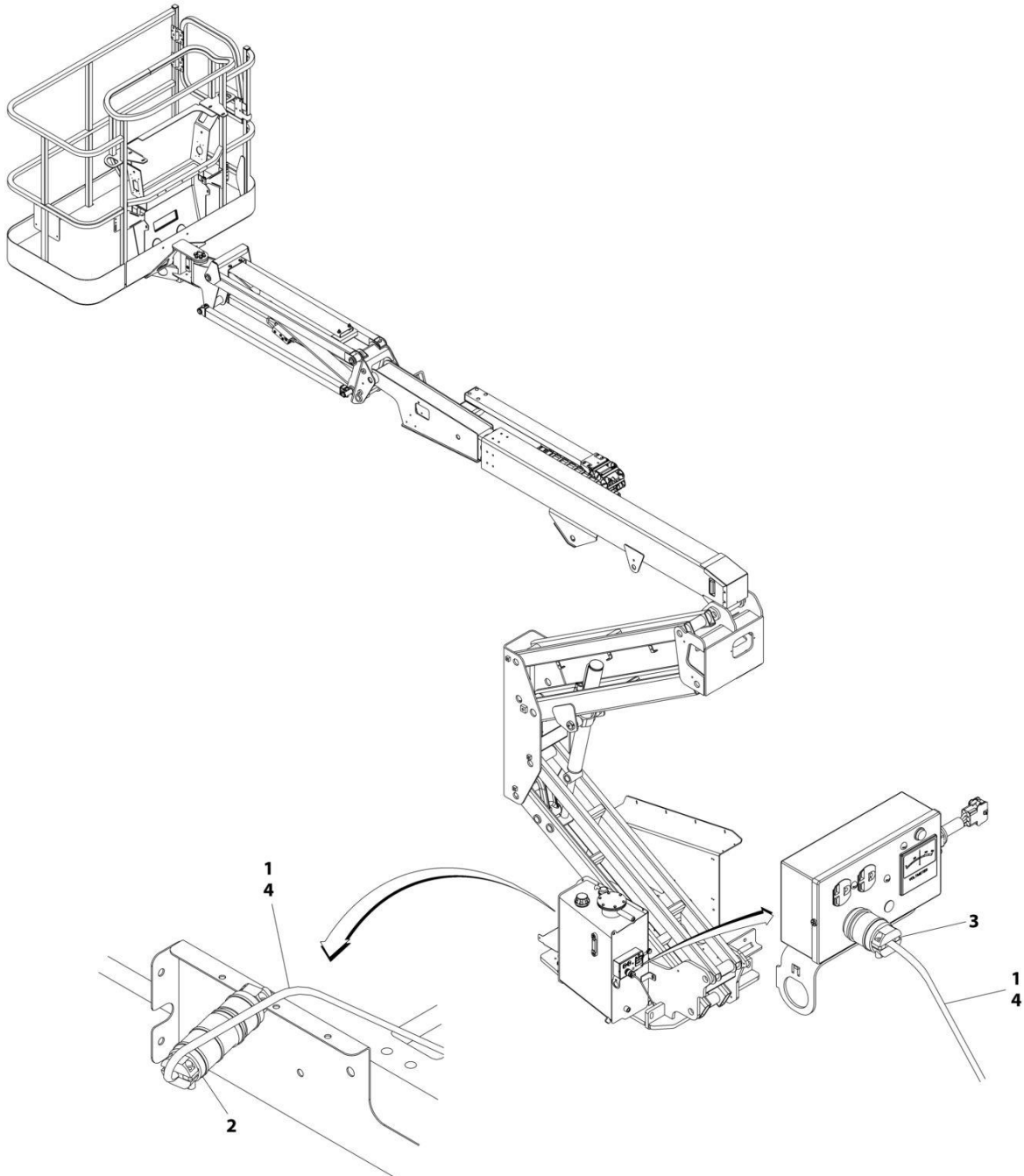
SECTION 8 - ELECTRICAL

FIGURE 8-43. GENERATOR TO AC PLUG HARNESS - 3500W GENERATOR 220/60HZ (ANSI EXPORT, CHINA AND CSA SPECS)

ITEM	PART NUMBER	QTY	DESCRIPTION	REV
	1001119924	Ref	GENERATOR TO AC PLUG HARNESS - 3500W GENERATOR 220/60HZ	A
1	1320043	1	Clamp	
2	1001119921	1	Harness, Generator to AC Plug	A
3	4460205	1	Plug, Male	
4	4923505	7 ft/2.13m	Cable, 14/3	

SECTION 8 - ELECTRICAL

FIGURE 8-44. GENERATOR TO AC PLUG HARNESS - 3500W GENERATOR 110/60HZ (ANSI, ANSI EXPORT, CHINA, CSA AND JAPANESE SPECS)



ART_1001119923

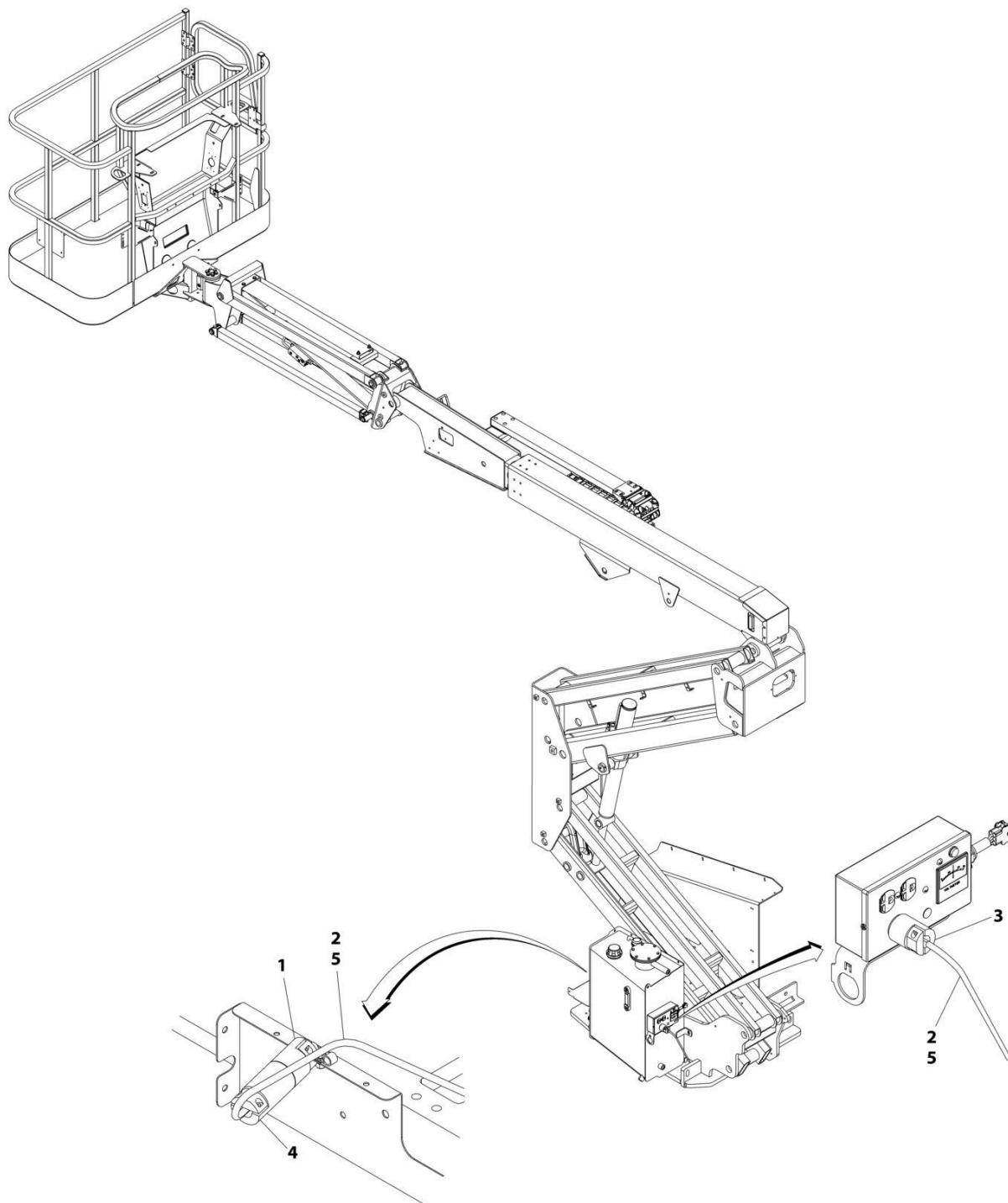
SECTION 8 - ELECTRICAL

FIGURE 8-44. GENERATOR TO AC PLUG HARNESS - 3500W GENERATOR 110/60HZ (ANSI, ANSI EXPORT, CHINA, CSA AND JAPANESE SPECS)

ITEM	PART NUMBER	QTY	DESCRIPTION	REV
	1001119923	Ref	GENERATOR TO AC PLUG HARNESS - 3500W GENERATOR 110/60HZ	A
1	1001119919	1	Harness, Generator to AC Plug	B
2	4460134	1	Plug, Female	
3	4460205	1	Plug, Male	
4	4923505	7 ft/2.13m	Cable, 14/3	

SECTION 8 - ELECTRICAL

FIGURE 8-45. GENERATOR TO AC PLUG HARNESS - 3500W GENERATOR 220/60HZ (ANSI EXPORT, CHINA AND CSA SPECS)



ART_100119926

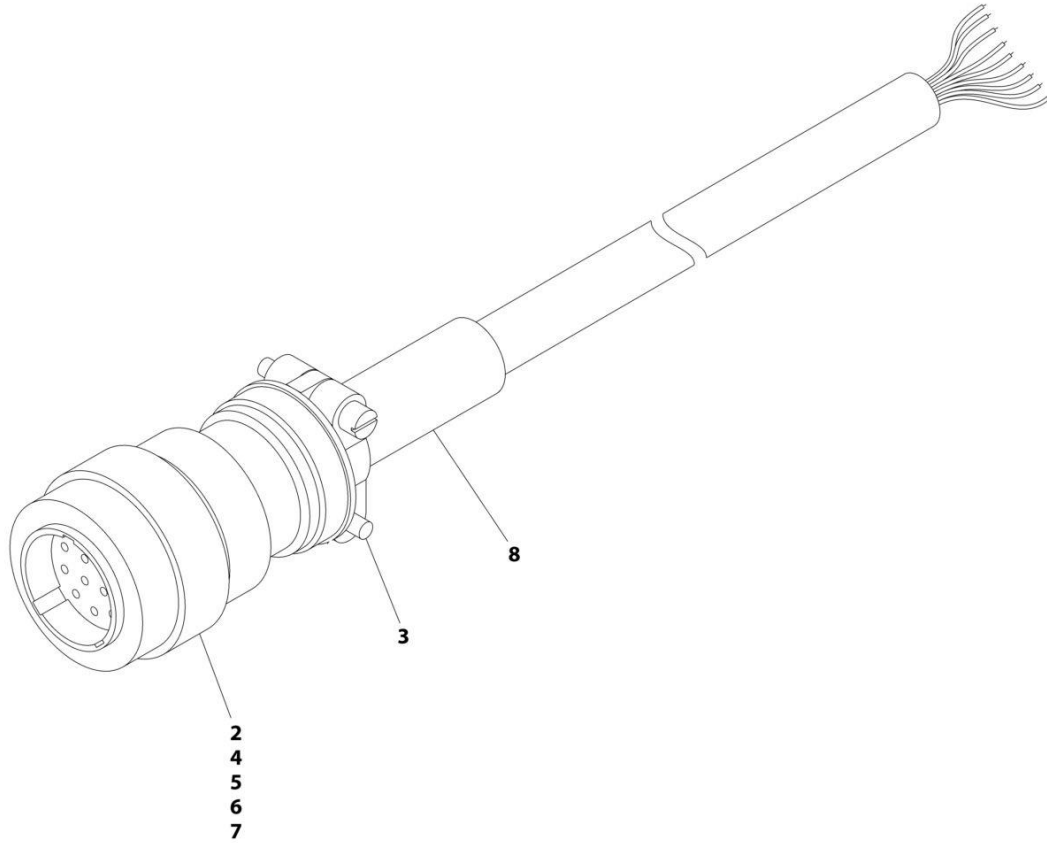
SECTION 8 - ELECTRICAL

FIGURE 8-45. GENERATOR TO AC PLUG HARNESS - 3500W GENERATOR 220/60HZ (ANSI EXPORT, CHINA AND CSA SPECS)

ITEM	PART NUMBER	QTY	DESCRIPTION	REV
	1001119926	Ref	GENERATOR TO AC PLUG HARNESS - 3500W GENERATOR 220/60HZ	A
1	4460709	1	Plug, Male	
2	1001119920	1	Harness, Generator to AC Plug	A
3	4460709	1	Plug, Male	
4	4460710	1	Plug, Female	
5	4923505	6.8 ft/ 2.06m	Cable, 14/3	

SECTION 8 - ELECTRICAL

FIGURE 8-46. GROUND TO PLATFORM CABLE - MAIN BOOM (WITHOUT ARCTIC PACKAGE)



ART_1001119018

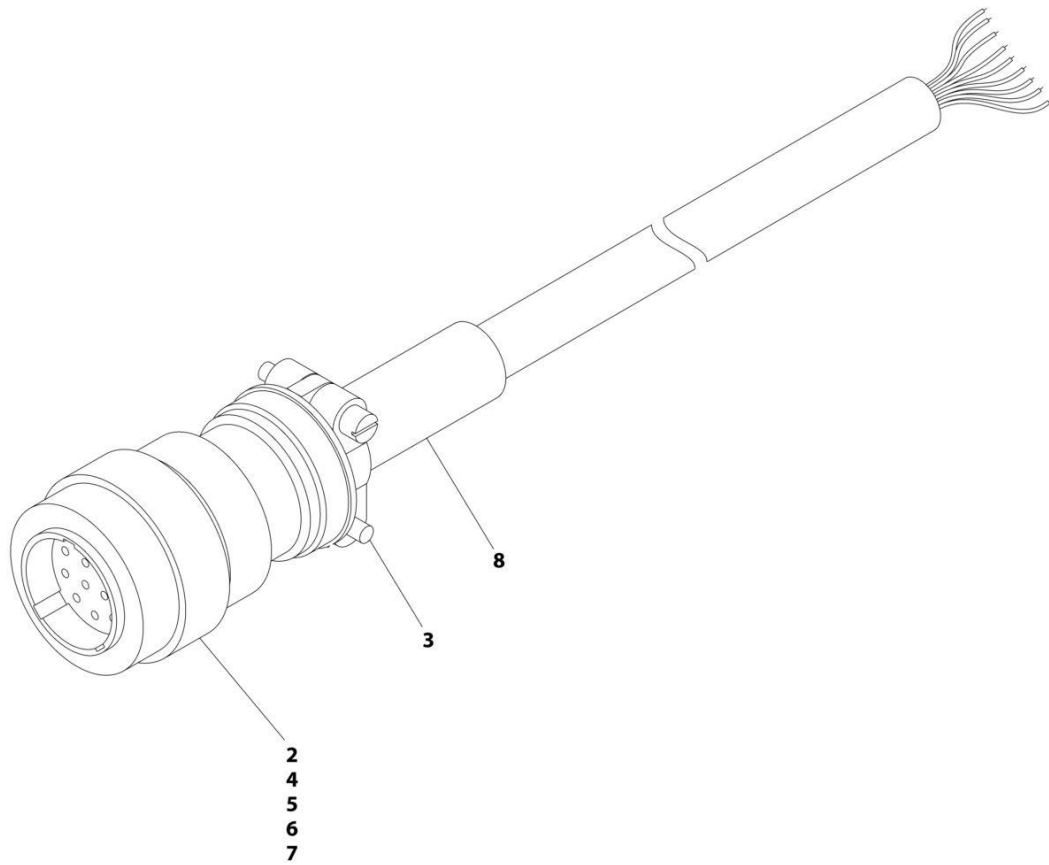
SECTION 8 - ELECTRICAL

FIGURE 8-46. GROUND TO PLATFORM CABLE - MAIN BOOM (WITHOUT ARCTIC PACKAGE)

ITEM	PART NUMBER	QTY	DESCRIPTION	REV
	1001119018	Ref	GROUND TO PLATFORM CABLE - MAIN BOOM (WITHOUT ARCTIC PACKAGE)	C
2	4460865	1	Connector - 19 Position	
3	4460473	1	Clamp, Cable	
4	4460465	22	Socket, Female	
5	4460509	8	Socket, Female	
6	4460466	4	Plug, Terminal	
7	2820118	AR	Heat Shrink	
8	1001226400	1	Heat Shrink	

SECTION 8 - ELECTRICAL

FIGURE 8-47. GROUND TO PLATFORM CABLE - MAIN BOOM (WITH ARCTIC PACKAGE)



ART_100119953

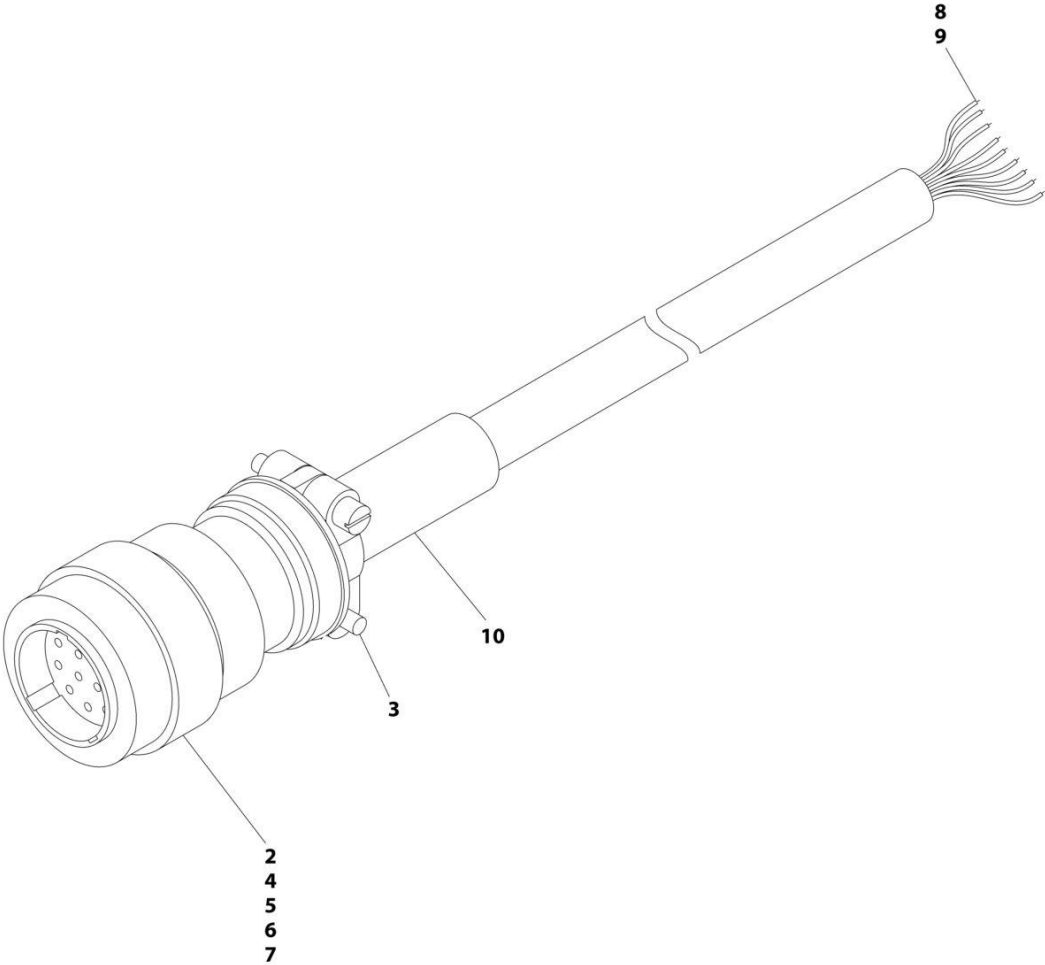
SECTION 8 - ELECTRICAL

FIGURE 8-47. GROUND TO PLATFORM CABLE - MAIN BOOM (WITH ARCTIC PACKAGE)

ITEM	PART NUMBER	QTY	DESCRIPTION	REV
	1001119953	Ref	GROUND TO PLATFORM CABLE - MAIN BOOM (WITH ARCTIC PACKAGE)	D
2	4460865	1	Connector - 19 Position	
3	4460473	1	Clamp, Cable	
4	4460465	22	Socket, Female	
5	4460509	8	Socket, Female	
6	4460466	4	Plug, Terminal	
7	2820118	AR	Heat Shrink	
8	1001226400	1	Heat Shrink	

SECTION 8 - ELECTRICAL

FIGURE 8-48. GROUND TO PLATFORM CABLE - TOWER BOOM (WITHOUT ARCTIC PACKAGE)



ART_1001119019

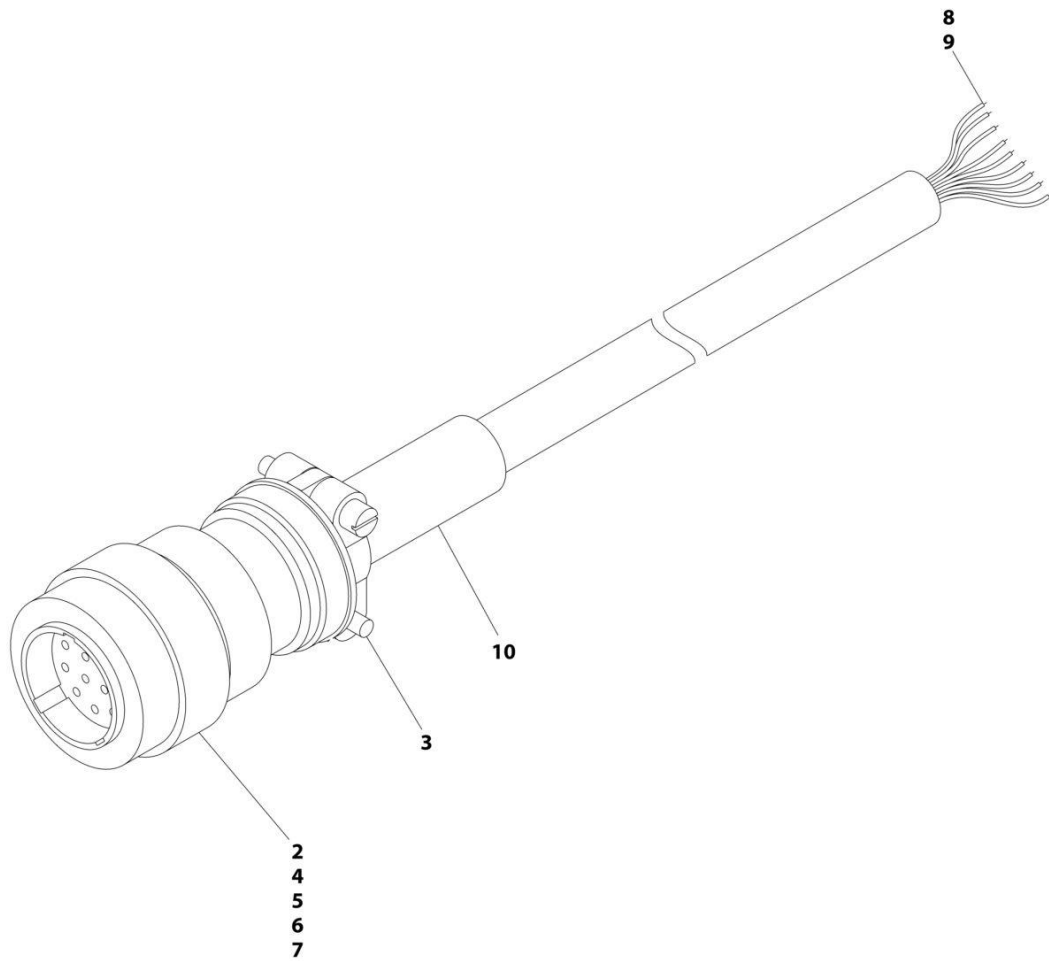
SECTION 8 - ELECTRICAL

FIGURE 8-48. GROUND TO PLATFORM CABLE - TOWER BOOM (WITHOUT ARCTIC PACKAGE)

ITEM	PART NUMBER	QTY	DESCRIPTION	REV
	1001119019	Ref	GROUND TO PLATFORM CABLE - TOWER BOOM (WITHOUT ARCTIC PACKAGE)	B
2	4460865	1	Connector - 19 Position	
3	4460473	1	Clamp, Cable	
4	4460465	11	Socket, Female	
5	4460509	4	Socket, Female	
6	4460466	4	Plug, Terminal	
7	2820118	AR	Heat Shrink	
8	4460464	11	Pin, Male	
9	4460508	4	Pin, Male	
10	1001226400	1	Heat Shrink	

SECTION 8 - ELECTRICAL

FIGURE 8-49. GROUND TO PLATFORM CABLE - TOWER BOOM (WITH ARCTIC PACKAGE)



ART_1001119954

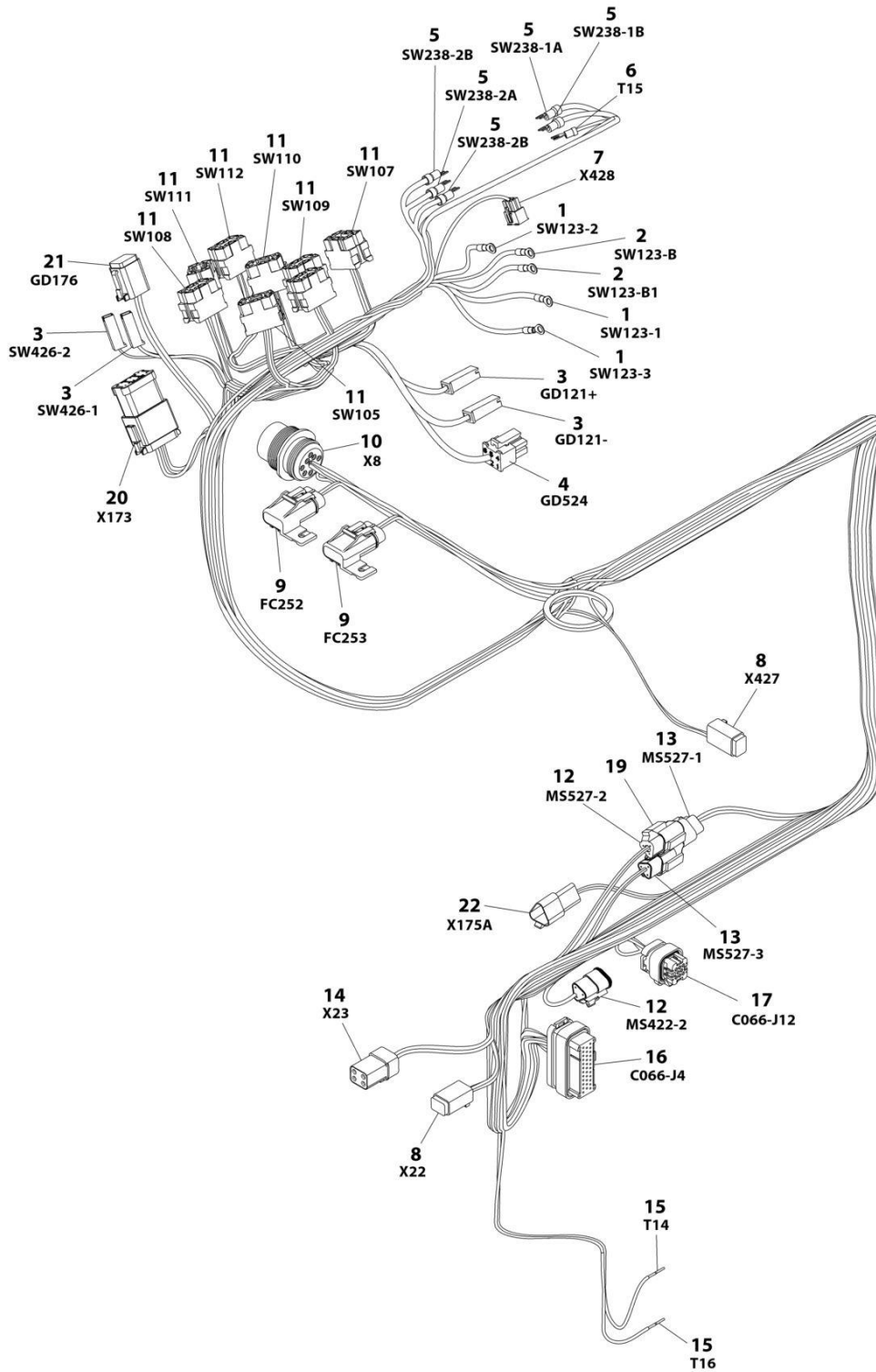
SECTION 8 - ELECTRICAL

FIGURE 8-49. GROUND TO PLATFORM CABLE - TOWER BOOM (WITH ARCTIC PACKAGE)

ITEM	PART NUMBER	QTY	DESCRIPTION	REV
	1001119954	Ref	GROUND TO PLATFORM CABLE - TOWER BOOM (WITH ARCTIC PACKAGE)	C
2	4460865	1	Connector - 19 Position	
3	4460473	1	Clamp, Cable	
4	4460465	11	Socket, Female	
5	4460509	4	Socket, Female	
6	4460466	4	Plug, Terminal	
7	2820118	AR	Heat Shrink	
8	4460464	11	Pin, Male	
9	4460508	4	Pin, Male	
10	1001226400	1	Heat Shrink	

SECTION 8 - ELECTRICAL

FIGURE 8-50. GROUND CONTROL HARNESS



ART_1001244526_D

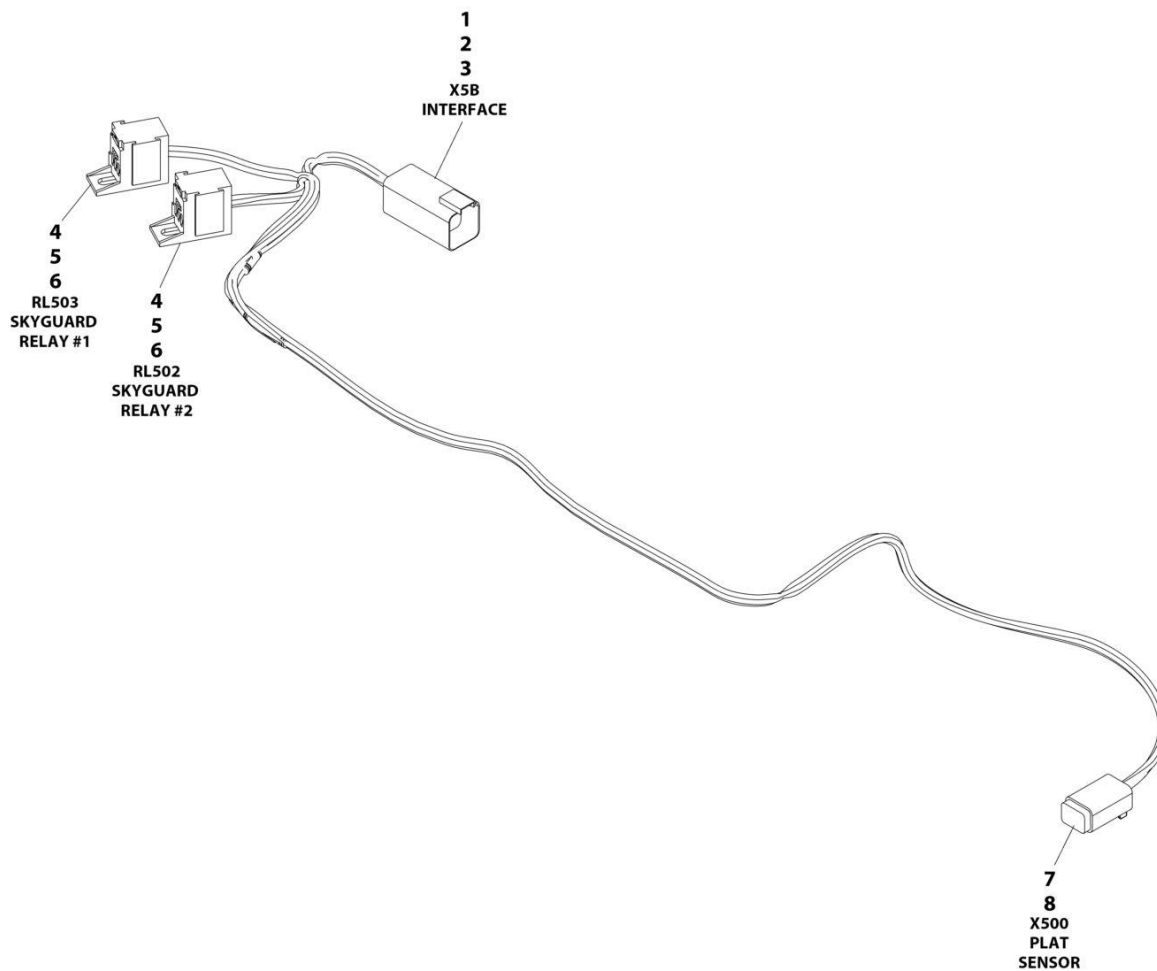
SECTION 8 - ELECTRICAL

FIGURE 8-50. GROUND CONTROL HARNESS

ITEM	PART NUMBER	QTY	DESCRIPTION	REV
	1001244526	Ref	GROUND CONTROL HARNESS	D
1	4460313	3	Terminal, Ring	
2	4460142	2	Terminal, Ring	
3	4460260	4	Connector	
3	4460259	6	Terminal	
4	1001237667	1	Connector - 6 Position	
4	1001237668	5	Terminal	
5	4460806	5	Terminal, Fork	
6	4460183	1	Terminal, Fork	
7	4460868	1	Connector - 6 Position	
7	4460877	4	Terminal	
8	4460884	2	Connector - 4 Position	
8	4460465	8	Socket, Female	
9	1001117078	2	Fuse Assembly with Cover	
9	1001116732	4	Terminal	
10	1001112612	1	Connector - 9 Position	
10	4460464	6	Pin, Male	
10	4460466	3	Plug, Terminal	
11	4460418	8	Connector - 6 Position	
11	4460419	31	Socket, Female	
12	4460539	2	Connector - 3 Position	
12	4460944	5	Socket, Female	
12	4460466	1	Seal, Plug	
13	1001116812	2	Plug, Male - 3 Position	
13	4460944	6	Socket, Female	
14	1001116810	1	Connector - 4 Position	
14	4460509	3	Terminal	
14	4460466	1	Seal, Plug	
15	4460465	2	Socket, Female	
16	4460876	1	Connector - 35 Position	
16	4460871	21	Socket, Female	
16	4460905	14	Seal, Plug	
17	1001113961	1	Connector - 8 Position	
17	4460871	6	Socket, Female	
17	4460905	2	Seal, Plug	
19	4460945	1	Receptacle, 3 Ways	
20	4460933	1	Connector	
20	4460465	12	Socket, Female	
20	1001119020	1	Connector	
21	4460894	1	Connector	
21	4460465	4	Socket, Female	
21	4460466	2	Seal, Plug	
22	1001144147	1	Connector	
22	4460943	3	Pin, Male	

SECTION 8 - ELECTRICAL

FIGURE 8-51. GENERATOR TO PLATFORM HARNESS



ART_1001225580

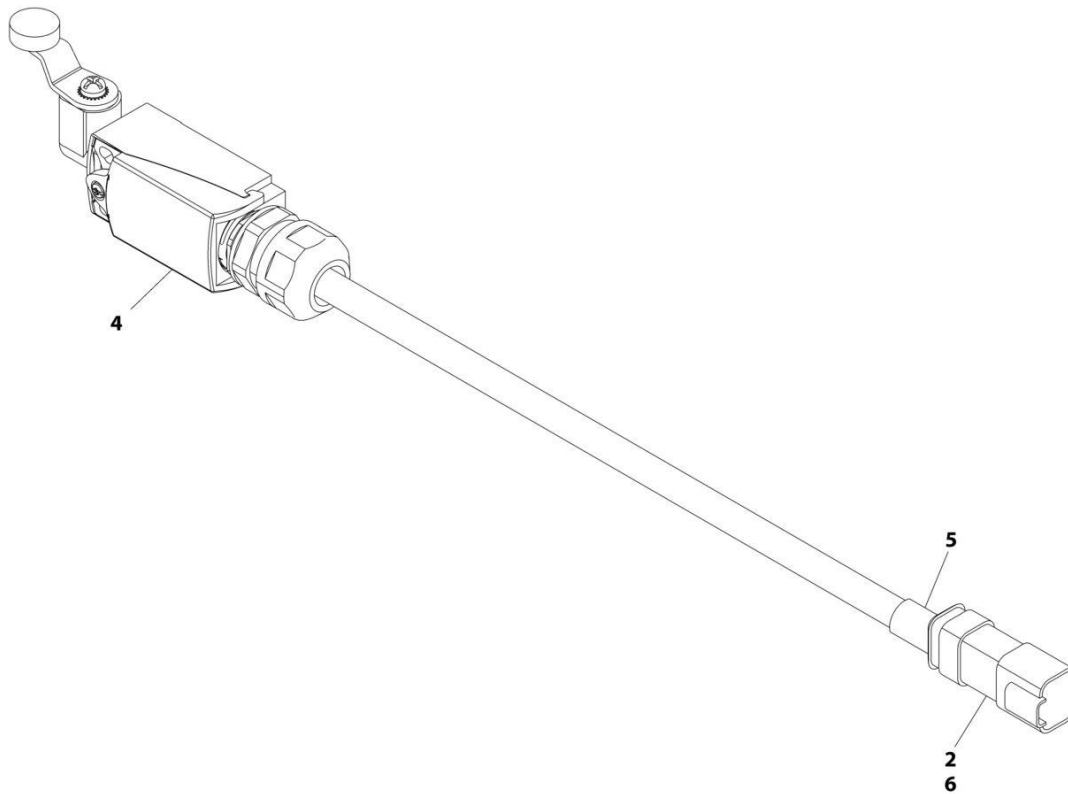
SECTION 8 - ELECTRICAL

FIGURE 8-51. GENERATOR TO PLATFORM HARNESS

ITEM	PART NUMBER	QTY	DESCRIPTION	REV
	1001225580	Ref	INTERFACE HARNESS - WITH 1 CELL LSS	D
1	4460899	1	Connector	
2	4460464	4	Terminal	
3	4460466	2	Plug	
4	1001186432	2	Connector	
5	1001116720	4	Terminal	
6	1001118388	4	Terminal	
7	4460884	1	Connector	
8	4460465	4	Terminal	

SECTION 8 - ELECTRICAL

FIGURE 8-52. LIMIT SWITCH HARNESS



ART_1001119176

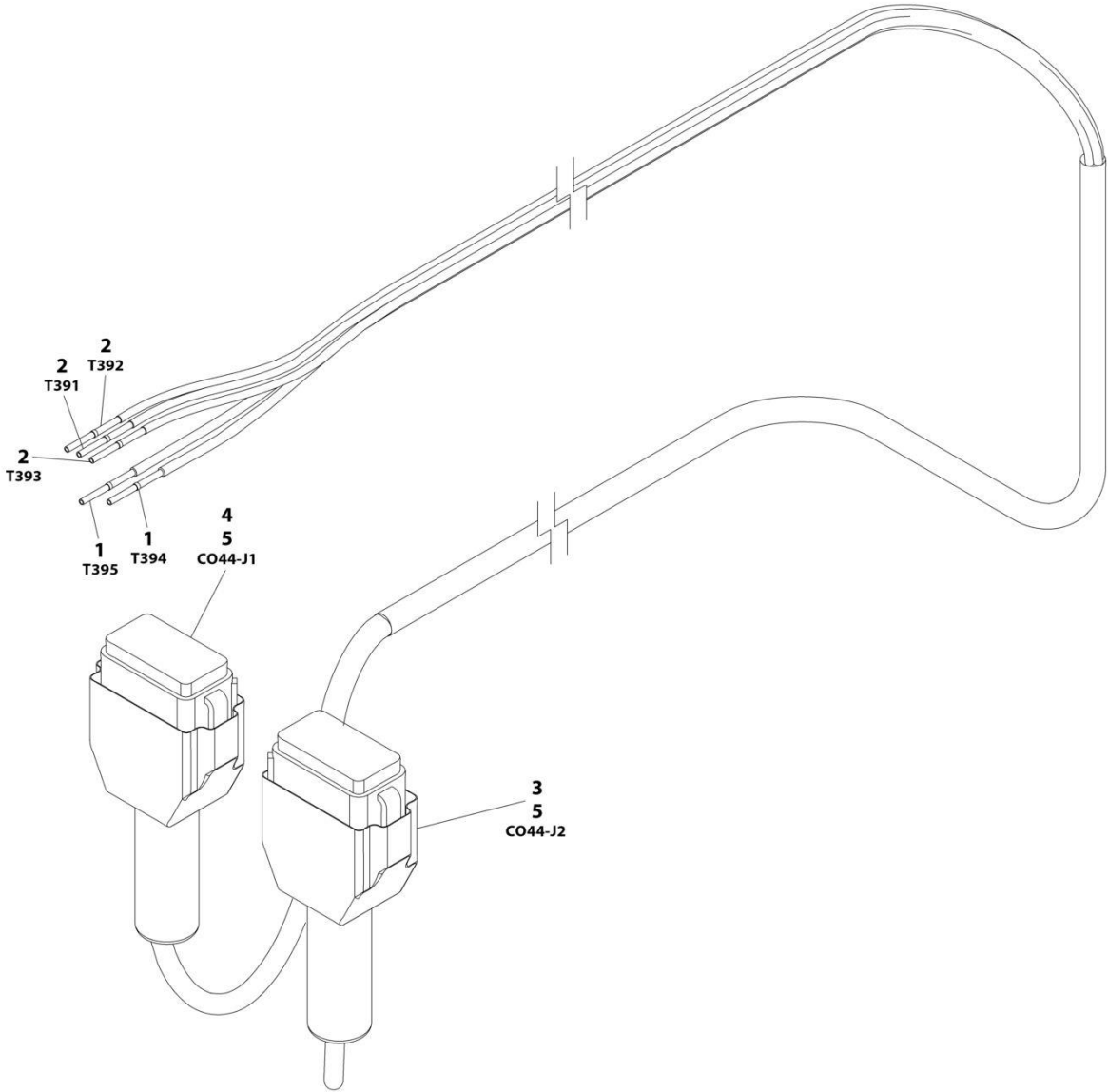
SECTION 8 - ELECTRICAL

FIGURE 8-52. LIMIT SWITCH HARNESS

ITEM	PART NUMBER	QTY	DESCRIPTION	REV
	1001119176	Ref	LIMIT SWITCH HARNESS	E
2	4460464	4	Pin, Male Deutsch 16Ga	
4	1001119170	1	Switch, Limit	
5	2820030	AR	Heat Shrink	
6	1001129407	1	Receptacle, Female - 4 Position	

SECTION 8 - ELECTRICAL

FIGURE 8-53. LSS HARNESS



ART_1001120371

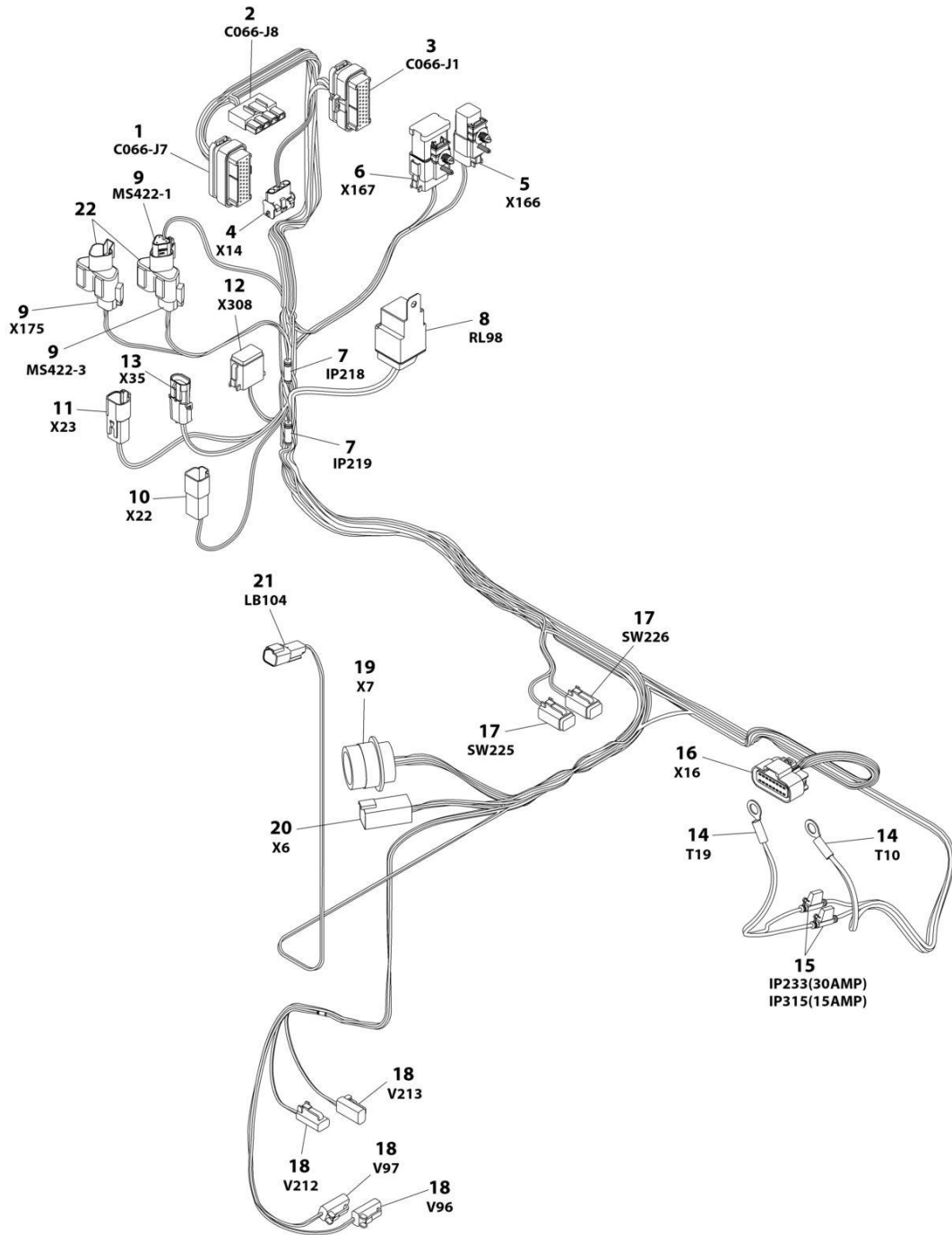
SECTION 8 - ELECTRICAL

FIGURE 8-53. LSS HARNESS

ITEM	PART NUMBER	QTY	DESCRIPTION	REV
	1001120371	Ref	LSS HARNESS	B
1	4460465	2	Socket, Female	
2	4460944	3	Socket, Female	
3	4460836	1	Connector - 12 Position	
3	4460944	3	Socket, Female	
3	4460466	9	Plug, Terminal	
3	0840055	1	Boot	
4	4460933	1	Connector - 12 Position	
4	4460465	2	Socket, Female	
4	4460466	10	Plug, Terminal	
4	0840055	1	Boot	
5	2820030	AR	Heat Shrink	

SECTION 8 - ELECTRICAL

FIGURE 8-54. MID-ENGINE HARNESS



ART_1001244527

SECTION 8 - ELECTRICAL

FIGURE 8-54. MID-ENGINE HARNESS

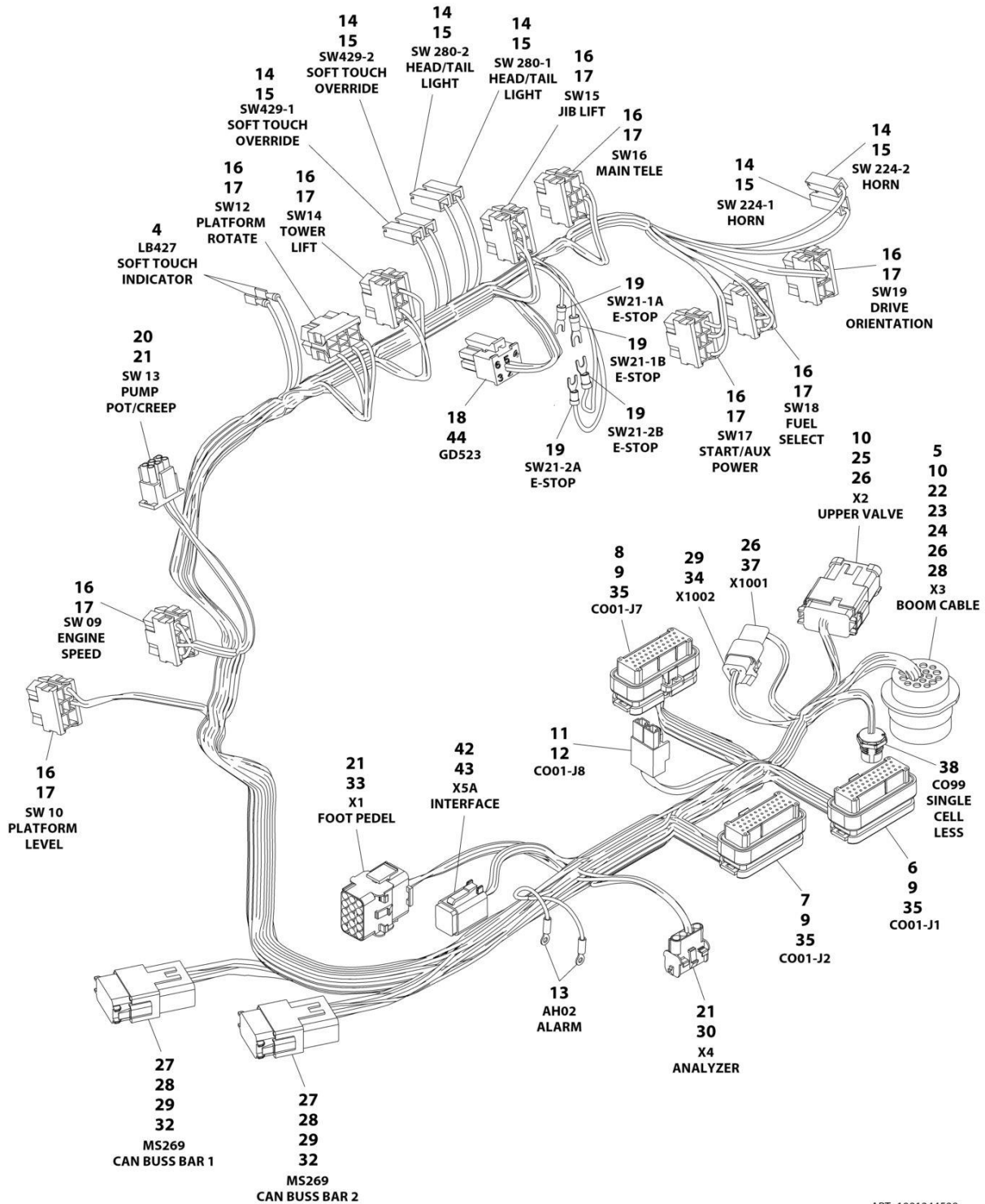
ITEM	PART NUMBER	QTY	DESCRIPTION	REV
	1001244527	Ref	MID-ENGINE HARNESS	B
1	4460873	1	Connector - 35 Position	
1	4460871	19	Socket, Female	
1	4460905	16	Seal, Plug	
2	4460878	1	Connector - 4 Position	
2	4460887	6	Terminal	
3	4460874	1	Connector - 35 Position	
3	4460871	22	Socket, Female	
3	4460905	13	Seal, Plug	
4	4460761	1	Connector - 4 Position	
4	4460227	4	Pin Male	
5	4460894	1	Connector - 6 Position	
5	4460465	2	Socket, Female	
5	4460466	3	Plug, Terminal	
5	4460892	1	Buss Bar - 6 Position	
5	1001121172	1	Bracket, Terminal	
6	4460836	1	Connector - 12 Position	
6	4460465	3	Socket, Female	
6	4460466	9	Plug, Terminal	
6	4460837	1	Connector - 12 Position	
6	1001121172	1	Bracket, Terminal	
7	3990010	2	Diode 10 Amp	
8	1001117025	1	Relay and Connector Assembly	
8	1001116734	1	Terminal	
8	1001116732	2	Terminal	
9	1001116812	3	Plug, Male - 3 Position	
9	4460944	9	Socket, Female	
10	4460932	1	Receptacle, Female - 4 Position	
10	4460464	4	Pin, Female	
11	1001116811	1	Receptacle, Female - 4 Position	
11	4460508	1	Pin, Male	
11	4460466	1	Plug, Terminal	
12	4460930	1	Plug, Male - 8 Position	
12	4460465	3	Socket, Female	
12	4460466	5	Plug, Terminal	
13	4461157	1	Receptacle, Female - 2 Position	
13	4460979	1	Pin, Male	
13	1001116727	1	Seal, Plug	
14	8220164	2	Ring, Terminal	
15	2400066	2	Fuse Holder with Cover and Leads	
15		Ref	Fuse 15 Amp	
15		Ref	Fuse 30 Amp	
16	4461110	1	Receptacle Female - 16 Position	
16	1001136231	1	Lock, Connector	
16	1001136232	1	Lock, Connector	
16	4461112	15	Terminal, Female	
16	4461113	15	Seal	
16	4461222	1	Plug	
17	4460884	2	Plug, male - 4 Position	
17	4460465	6	Socket, Female	

SECTION 8 - ELECTRICAL

ITEM	PART NUMBER	QTY	DESCRIPTION	REV
17	4460466	2	Plug, Terminal	
18	4460891	4	Connector - 2 Position	
18	4460465	8	Socket, Female	
19	4460866	1	Connector - 19 Position	
19	4460943	3	Pin, Male	
19	4460464	6	Pin, Male	
19	4460508	4	Pin, Male	
19	4460466	6	Plug, terminal	
20	4460899	1	Connector - 6 Position	
20	4460464	6	Pin, Male	
21	4460897	1	Connector - 2 Position	
21	4460464	2	Pin, Male	
22	4460945	2	Connector - 3 Way	

SECTION 8 - ELECTRICAL

FIGURE 8-55. PLATFORM BOX HARNESS ASSEMBLY



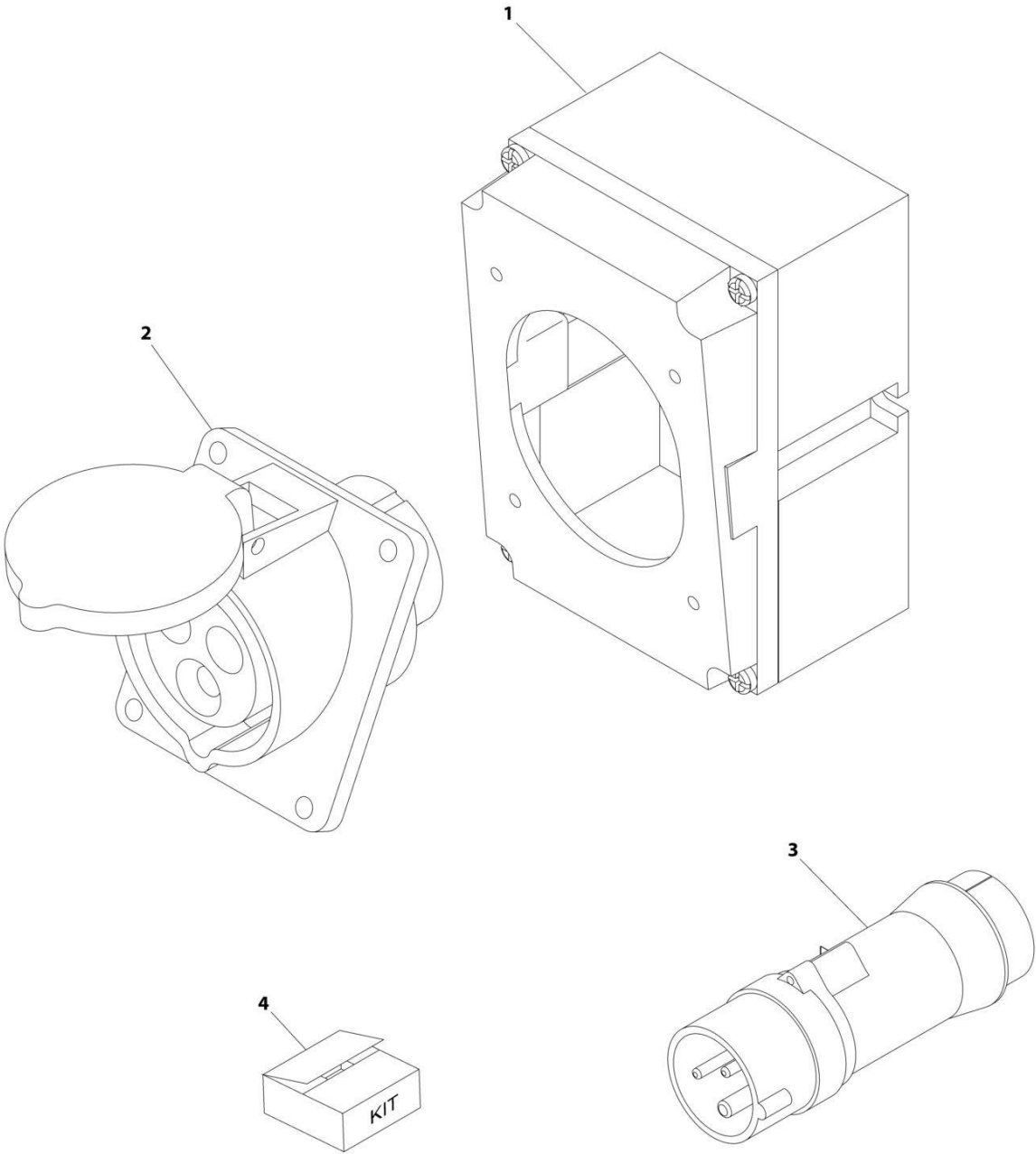
SECTION 8 - ELECTRICAL

FIGURE 8-55. PLATFORM BOX HARNESS ASSEMBLY

ITEM	PART NUMBER	QTY	DESCRIPTION	REV
	1001244528	Ref	PLATFORM BOX HARNESS ASSEMBLY	B
4	4460016	2	Terminal, Receptacle	
5	4460866	1	Connector - 19 Position	
6	4460874	1	Connector - 35 Position (Natural)	
7	4460875	1	Connector - 35 Position (Gray)	
8	4460873	1	Connector - 35 Position (Black)	
9	4460871	58	Socket, Female	
10	4460464	14	Pin, Male	
11	4460879	1	Connector - 2 Position	
12	4460887	2	Terminal	
13	1001098122	2	Terminal	
14	4460260	6	Connector - 1 Position	
15	4460259	6	Terminal	
16	4460418	9	Connector - 6 Position	
17	4460419	25	Terminal	
18	1001237667	15	Connector - 6 Position	
19	4460888	4	Terminal, Fork	
20	4460225	1	Connector - 6 Position	
21	4460227	15	Pin, Male	
22	2820118	AR	Heat Shrink	
23	2820019	AR	Heat Shrink	
24	4460508	2	Pin, Male	
25	4460970	1	Connector - 12 Position	
26	4460943	9	Pin, Male	
27	4460933	2	Connector - 12 Position	
28	4460466	14	Plug, Terminal	
29	4460944	22	Socket, Female	
30	4460761	1	Connector - 4 Position	
32	1001119020	2	Connector - 12 Position Bussbar	
33	4460434	1	Connector - 15 Position	
34	4460539	1	Plug, Male - 3 Position	
35	4460905	49	Plug, Terminal	
37	4460536	1	Receptacle, Female - 3 Position	
38	1001213447	1	Receptacle, Female - 5 Position	
42	4460894	1	Receptacle, Female - 6 Position	
43	4460465	6	Socket, Female	
44	1001237668	4	Socket, Female	

SECTION 8 - ELECTRICAL

FIGURE 8-56. RECEPTACLE BOX KIT - 110V IEC YELLOW (CE & UK CA SPEC)



ART_0275216

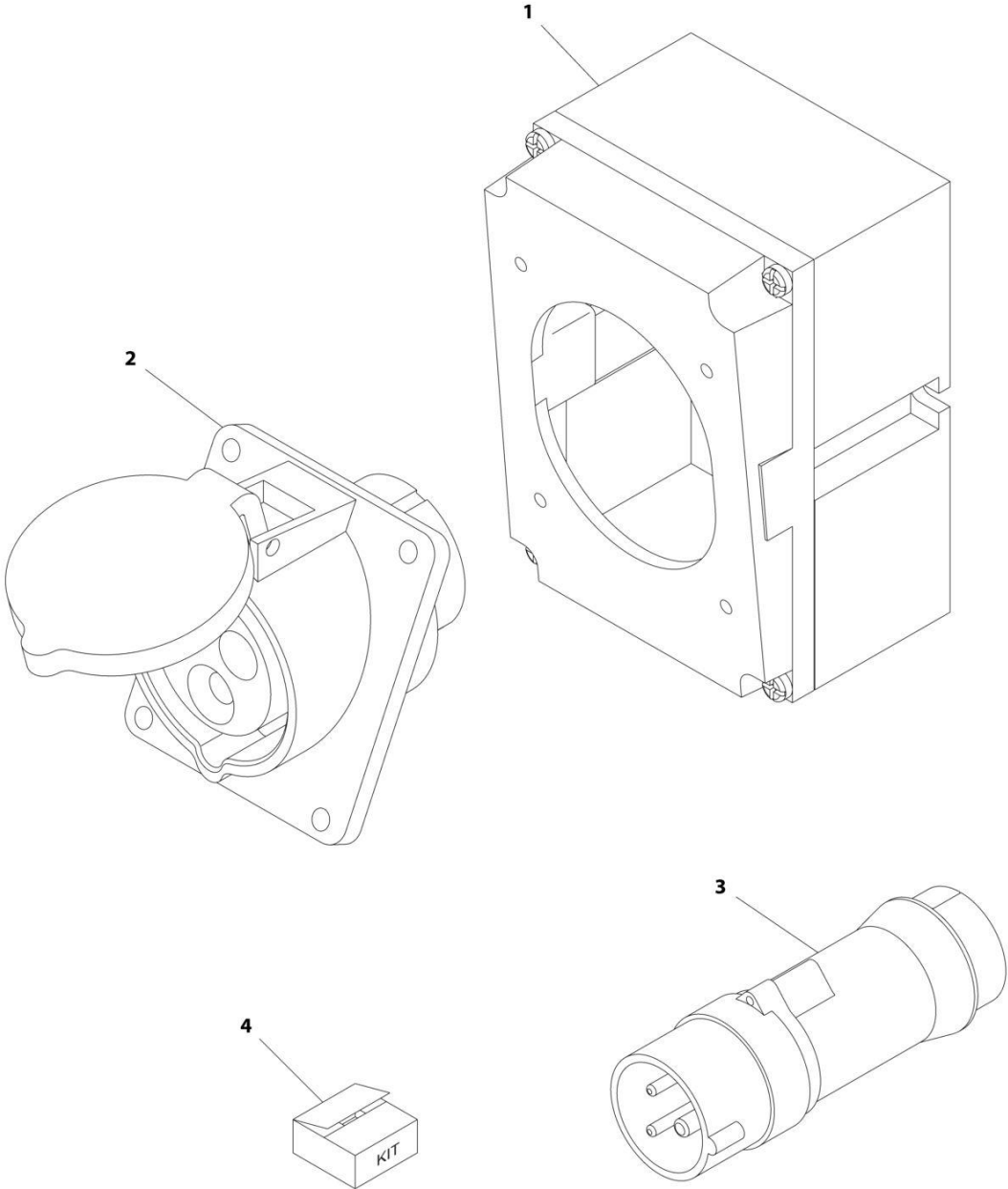
SECTION 8 - ELECTRICAL

FIGURE 8-56. RECEPTACLE BOX KIT - 110V IEC YELLOW (CE & UK CA SPEC)

ITEM	PART NUMBER	QTY	DESCRIPTION	REV
	0275216	Ref	RECEPTACLE BOX KIT - 110V IEC YELLOW	B
1	0861781	1	Box, Switch	
2	4461198	1	Receptacle	
3	4461196	1	Plug, Male	
4	1001100341	1	Plug and Socket Kit (Includes Items 1-3 and Female Plug p/n 4461197)	

SECTION 8 - ELECTRICAL

FIGURE 8-57. RECEPTACLE BOX KIT - 220V IEC BLUE (CE & UK CA SPEC)



ART_0275217

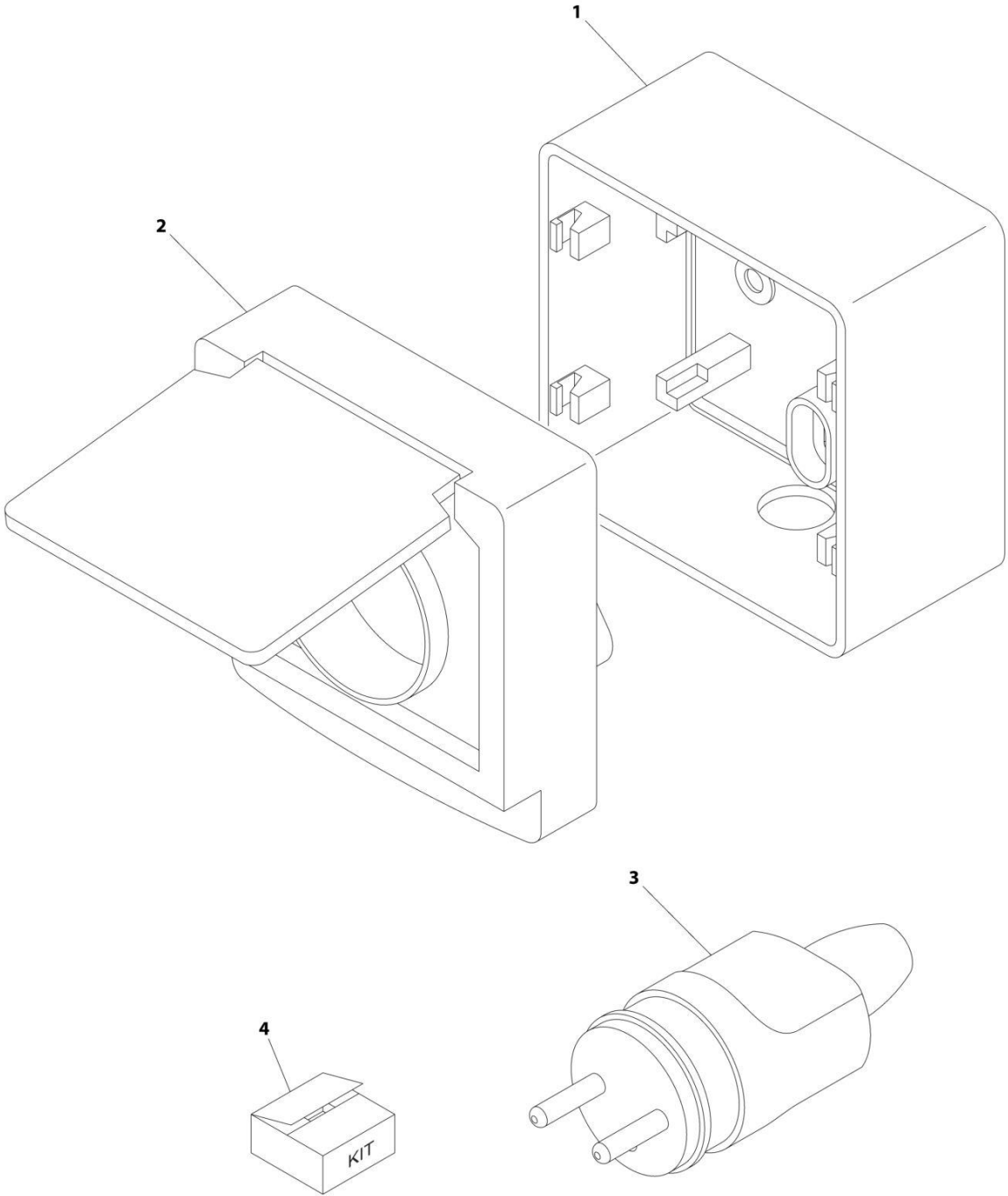
SECTION 8 - ELECTRICAL

FIGURE 8-57. RECEPTACLE BOX KIT - 220V IEC BLUE (CE & UK CA SPEC)

ITEM	PART NUMBER	QTY	DESCRIPTION	REV
	0275217	Ref	RECEPTACLE BOX KIT - 220V IEC BLUE	B
1	0861781	1	Box, Switch	
2	4461201	1	Receptacle	
3	4461199	1	Plug, Male	
4	1001100342	1	Plug and Socket Kit (Includes Items 1-3 and Female Plug p/n 4461200)	

SECTION 8 - ELECTRICAL

FIGURE 8-58. RECEPTACLE BOX KIT - 220V CEE7 POST GROUND 70MM X 70MM BOX (CE & UK CA SPEC)



ART_0275218

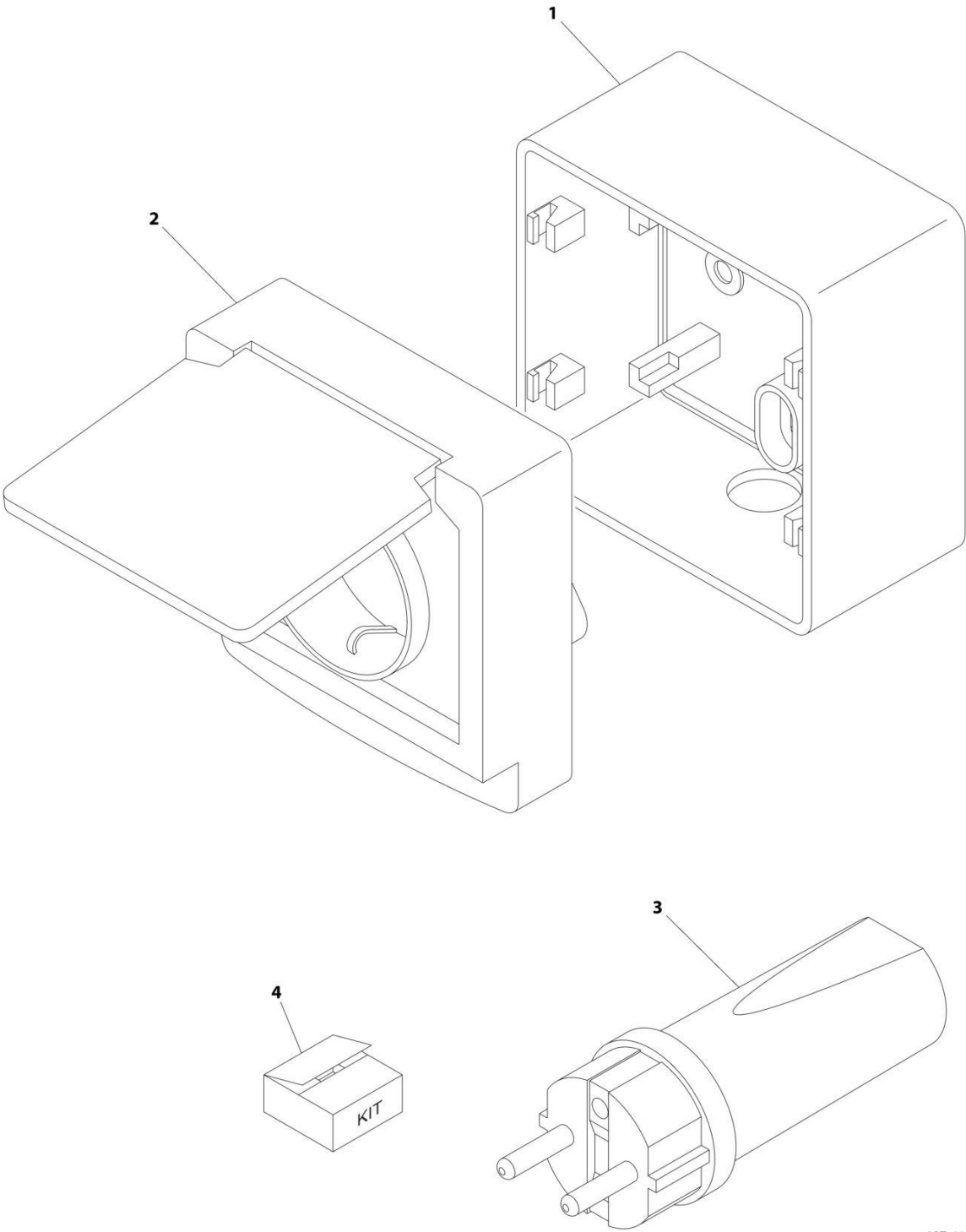
SECTION 8 - ELECTRICAL

FIGURE 8-58. RECEPTACLE BOX KIT - 220V CEE7 POST GROUND 70MM X 70MM BOX (CE & UK CA SPEC)

ITEM	PART NUMBER	QTY	DESCRIPTION	REV
	0275218	Ref	RECEPTACLE BOX KIT - 220V CEE7 POST GROUND 70X70 BOX	C
1	1001141967	1	Box, Switch	
2	1001141968	1	Receptacle	
3	4461205	1	Plug, Male	
4	1001141971	1	Plug and Socket Kit (Includes Items 1-3 and Female Plug p/n 4461206)	

SECTION 8 - ELECTRICAL

FIGURE 8-59. RECEPTACLE BOX KIT - 220V CEE7 SIDE GROUND 70MM X 70MM BOX (CE & UK CA SPEC)



ART_0275219

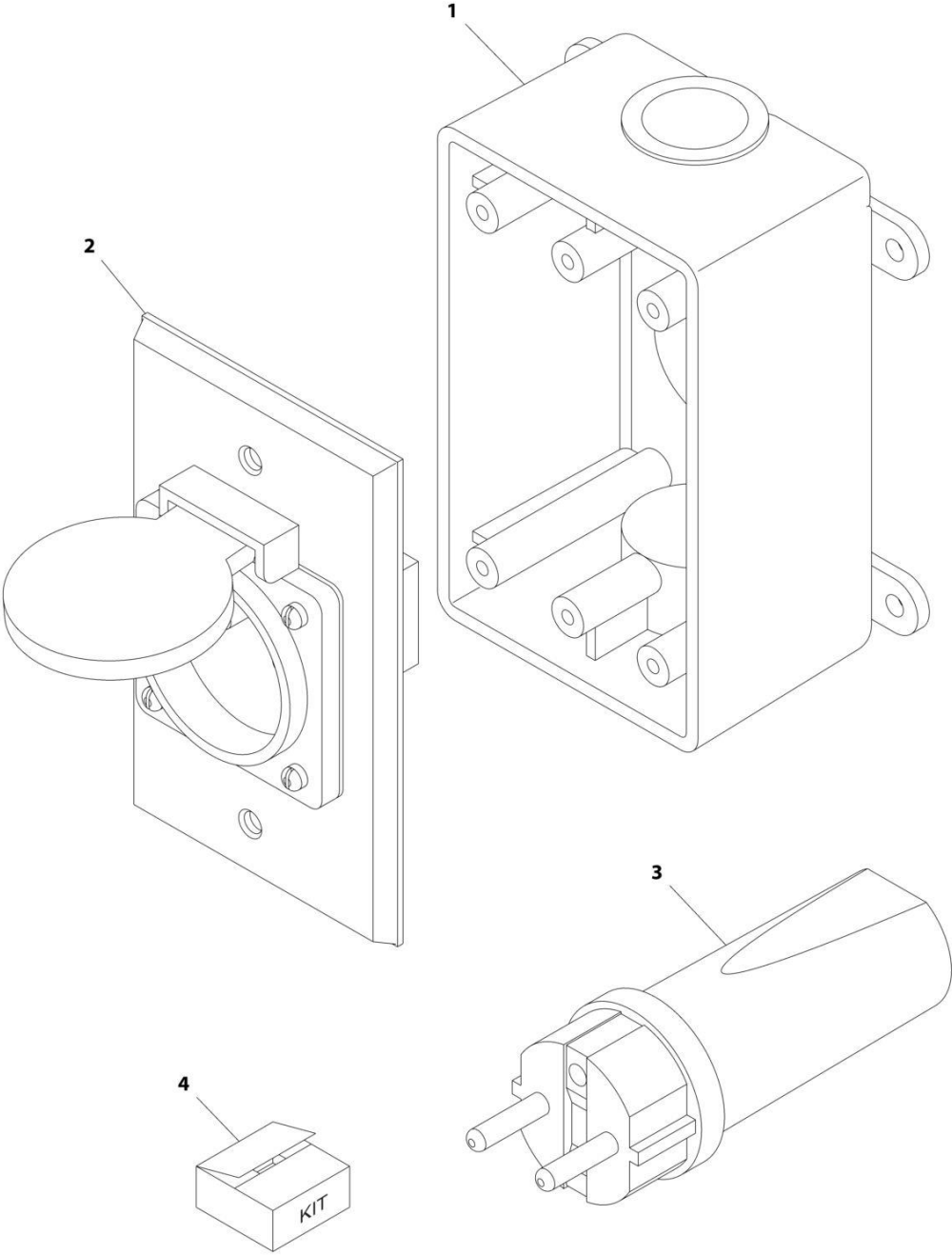
SECTION 8 - ELECTRICAL

FIGURE 8-59. RECEPTACLE BOX KIT - 220V CEE7 SIDE GROUND 70MM X 70MM BOX (CE & UK CA SPEC)

ITEM	PART NUMBER	QTY	DESCRIPTION	REV
	0275219	Ref	RECEPTACLE BOX KIT - 220V CEE7 SIDE GROUND 70MM X 70MM BOX	B
1	1001141967	1	Box, Switch	
2	1001141969	1	Receptacle	
3	4461205	1	Plug, Male	
4	1001141970	1	Plug and Socket Kit (Includes Items 1-3 and Female Plug p/n 4461206)	

SECTION 8 - ELECTRICAL

FIGURE 8-60. RECEPTACLE BOX KIT - 220V CEE7 POST GROUND 2IN X 4IN BOX (CE & UK CA SPEC)



ART_0275452

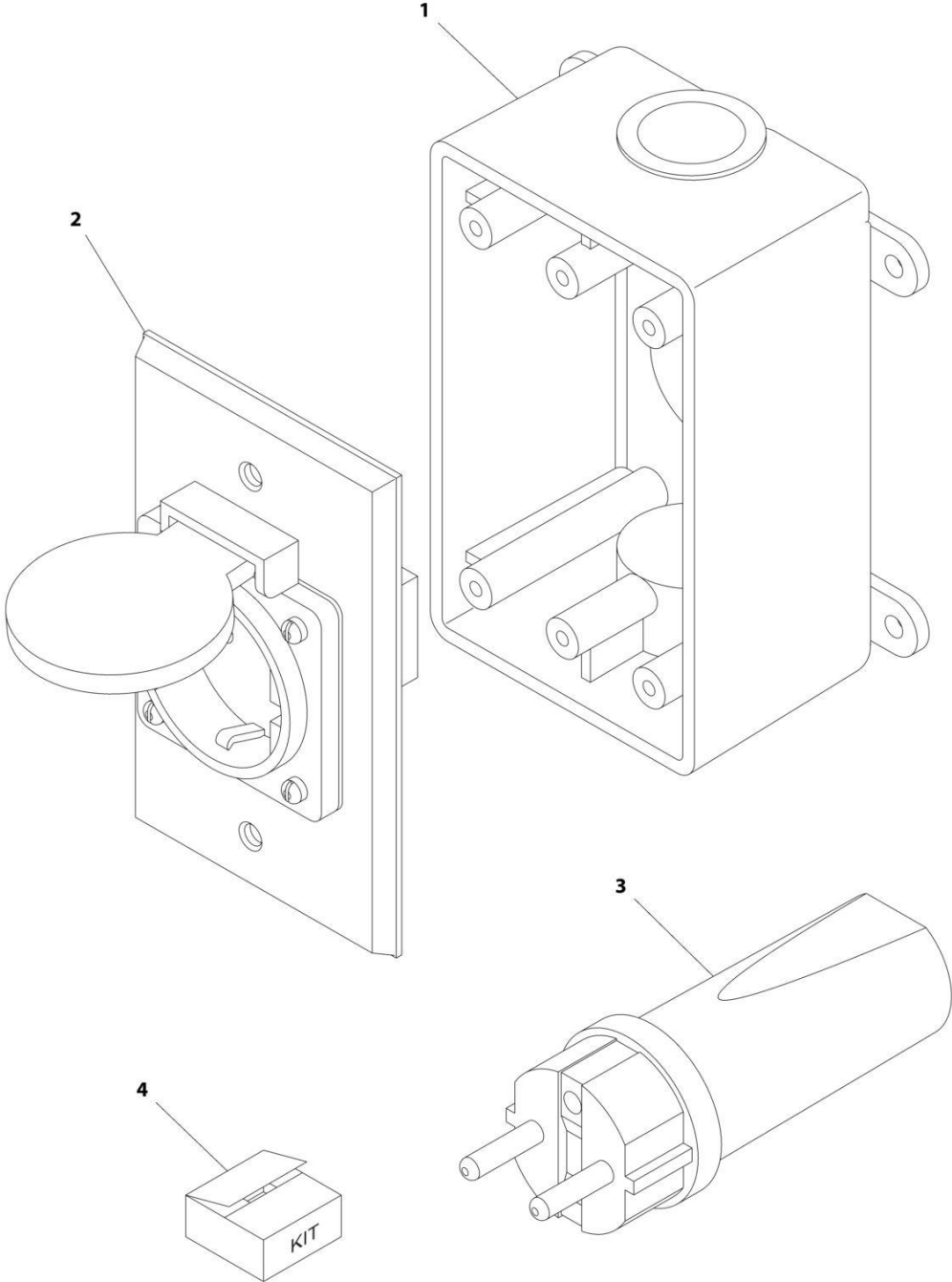
SECTION 8 - ELECTRICAL

FIGURE 8-60. RECEPTACLE BOX KIT - 220V CEE7 POST GROUND 2IN X 4IN BOX (CE & UK CA SPEC)

ITEM	PART NUMBER	QTY	DESCRIPTION	REV
	0275452	Ref	RECEPTACLE BOX KIT - 220V CEE7 POST GROUND	C
1	0861731	1	Box, Switch	
2	4461244	1	Receptacle	
3	4461205	1	Plug, Male	
4	1001100345	1	Plug and Socket Kit (Includes Items 1-3 and Female Plug p/n 4461206)	

SECTION 8 - ELECTRICAL

FIGURE 8-61. RECEPTACLE BOX KIT - 220V CEE7 SIDE GROUND 2IN X 4IN BOX (CE & UK CA SPEC)



ART_0275453

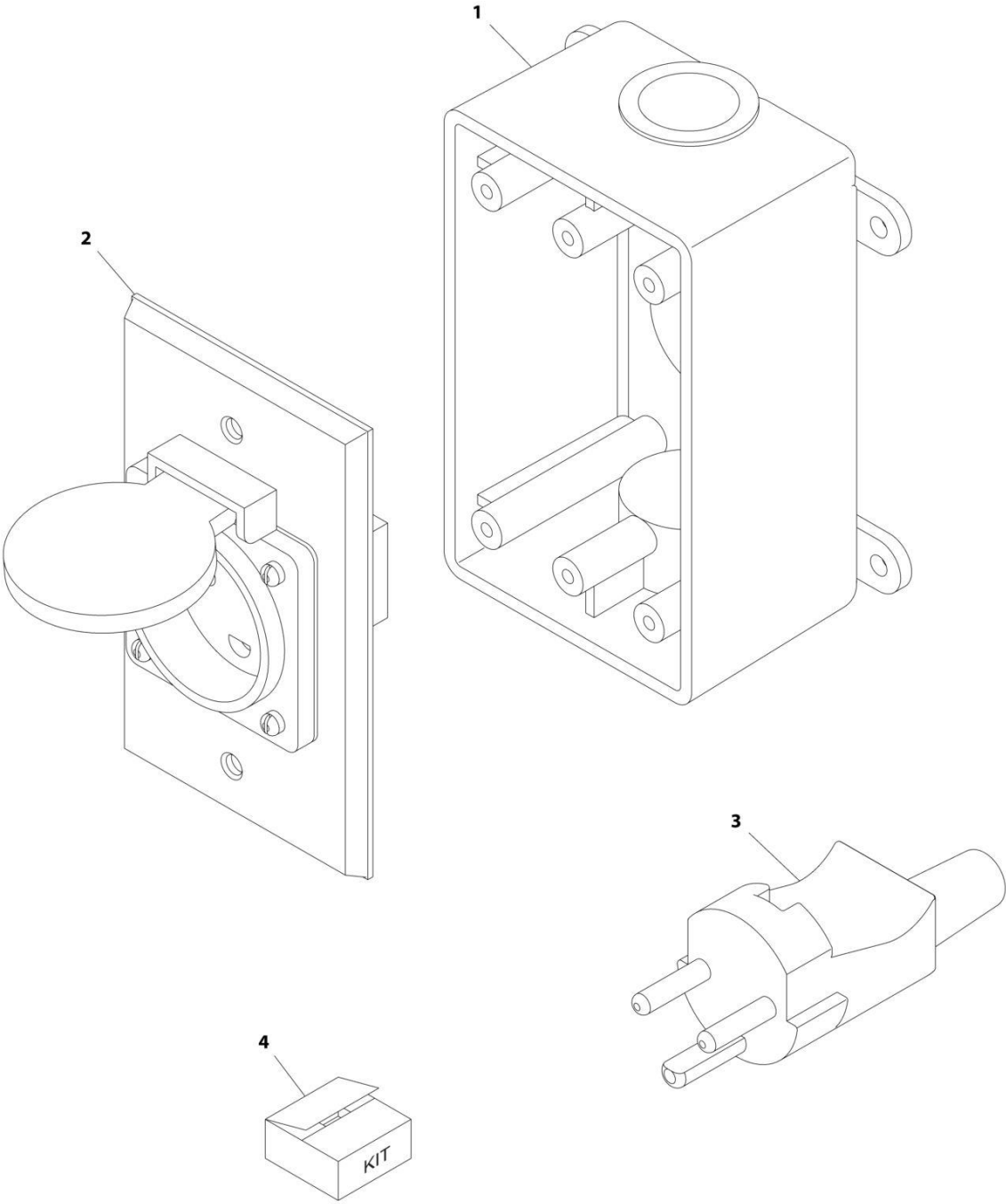
SECTION 8 - ELECTRICAL

FIGURE 8-61. RECEPTACLE BOX KIT - 220V CEE7 SIDE GROUND 2IN X 4IN BOX (CE & UK CA SPEC)

ITEM	PART NUMBER	QTY	DESCRIPTION	REV
	0275453	Ref	RECEPTACLE BOX KIT - 220V CEE7 SIDE GROUND	B
1	0861731	1	Box, Switch	
2	4461245	1	Receptacle	
3	4461205	1	Plug, Male	
4	1001100347	1	Plug and Socket Kit (Includes Items 1-3 and Female Plug p/n 4461206)	

SECTION 8 - ELECTRICAL

FIGURE 8-62. RECEPTACLE BOX KIT - 220V AFSINT 107 (CE & UK CA SPEC)



ART_0275454

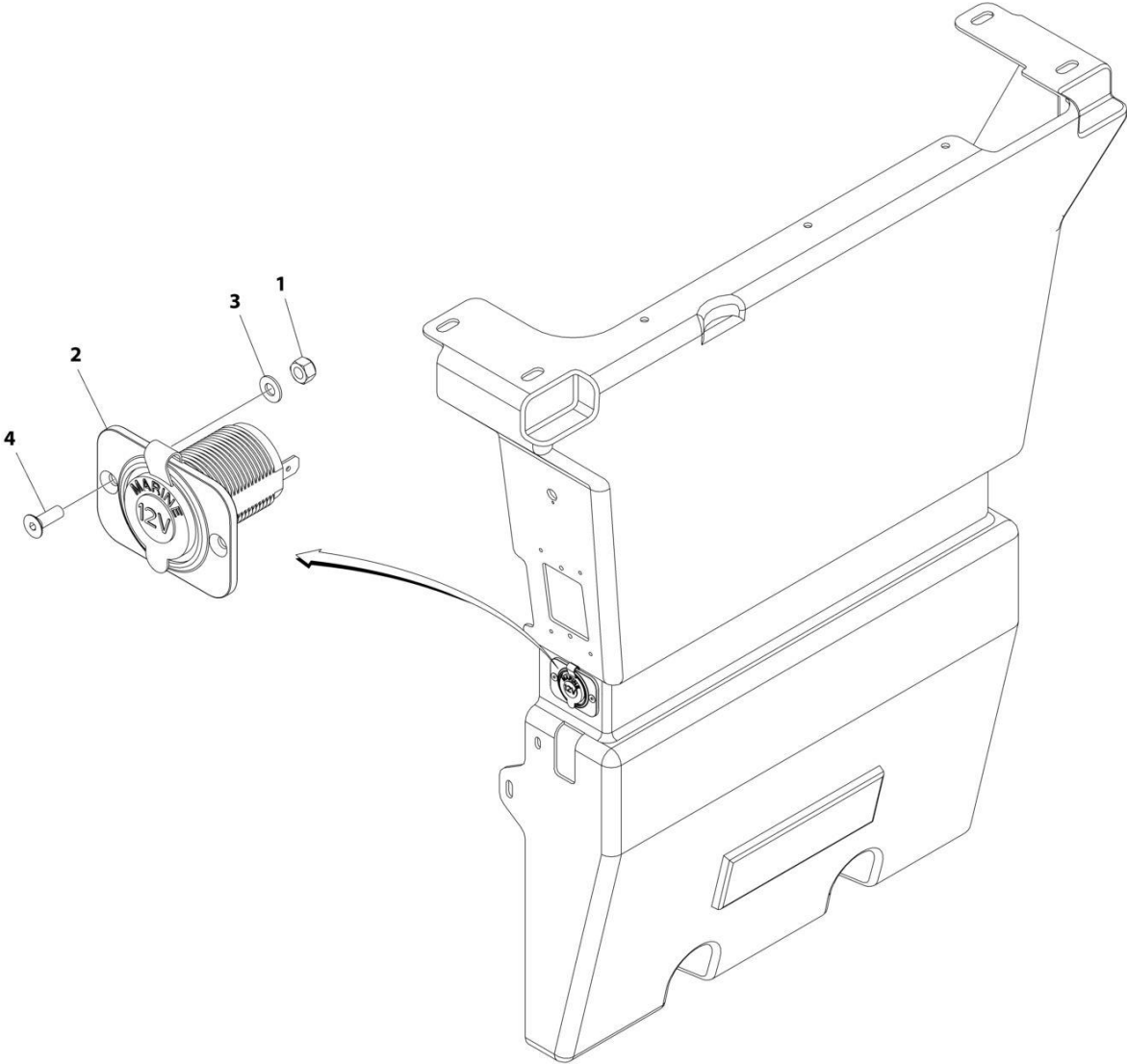
SECTION 8 - ELECTRICAL

FIGURE 8-62. RECEPTACLE BOX KIT - 220V AFSINT 107 (CE & UK CA SPEC)

ITEM	PART NUMBER	QTY	DESCRIPTION	REV
	0275454	Ref	RECEPTACLE BOX KIT - 220V AFSINT 107	B
1	0861731	1	Box, Switch	
2	4461246	1	Receptacle	
3	4461249	1	Plug, Male	
4	1001100346	1	Plug and Socket Kit (Includes Items 1-3 and Female Plug p/n 4461250)	

SECTION 8 - ELECTRICAL

FIGURE 8-63. RECEPTACLE INSTALLATION - 12V



ART_1001274814

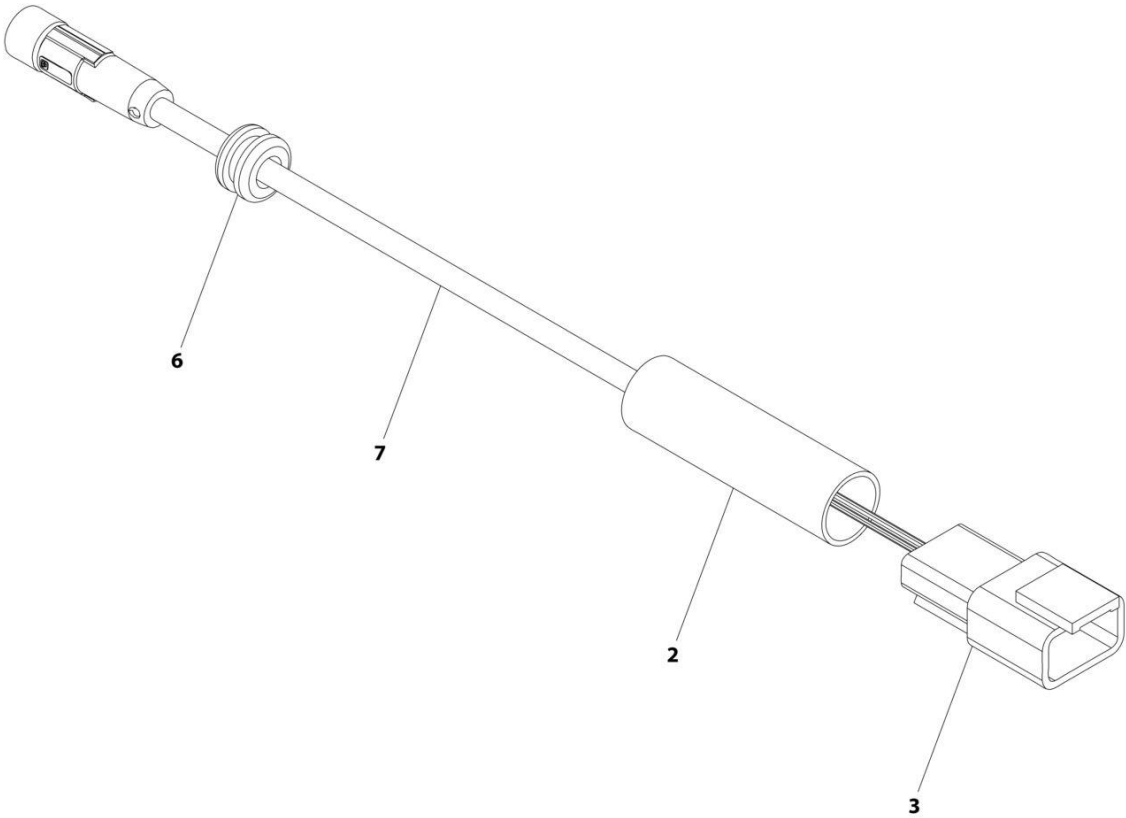
SECTION 8 - ELECTRICAL

FIGURE 8-63. RECEPTACLE INSTALLATION - 12V

ITEM	PART NUMBER	QTY	DESCRIPTION	REV
	1001274814	Ref	RECEPTACLE INSTALLATION - 12V	A
1	3290405	2	Nut M4	
2	4461012	1	Receptacle - 12V	
3	4811400	2	Washer M4	
4	1001097244	2	Screw M4 x 12	

SECTION 8 - ELECTRICAL

FIGURE 8-64. SKYEYE EMITTER HARNESS



ART_1001237864

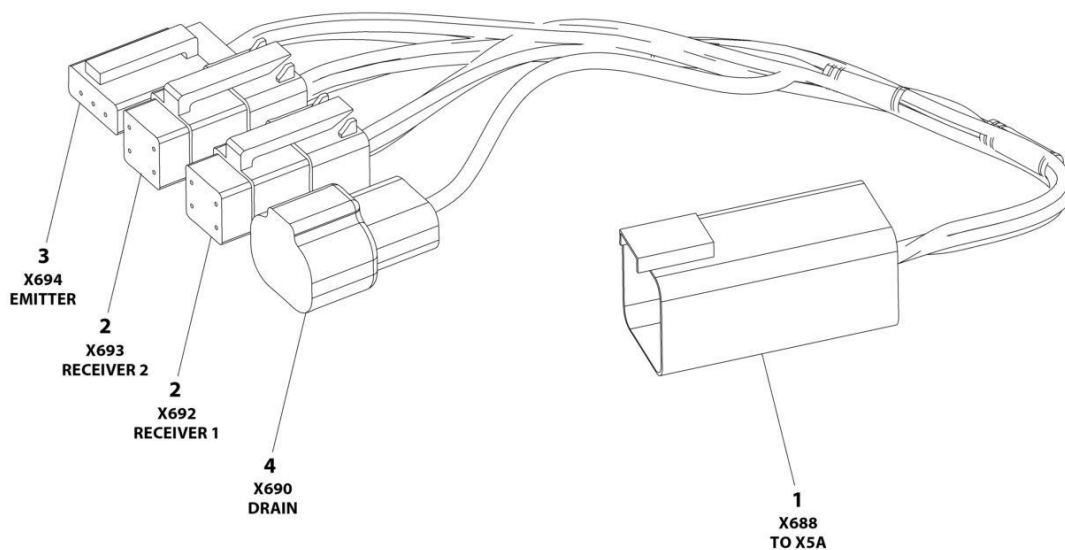
SECTION 8 - ELECTRICAL

FIGURE 8-64. SKYEYE EMITTER HARNESS

ITEM	PART NUMBER	QTY	DESCRIPTION	REV
	1001237864	Ref	SKYEYE EMITTER HARNESS	A
2	2820247	AR	Tubing, Heat Shrink	
3	4460910	1	Connector - 3 Position	
3	1001119620	3	Pin, Male	
6	1001227996	1	Grommet	
7	1001237862	1	Cable, M8 Female Cordset	

SECTION 8 - ELECTRICAL

FIGURE 8-65. SKYEYE INTERMEDIATE HARNESS



ART_1001237865

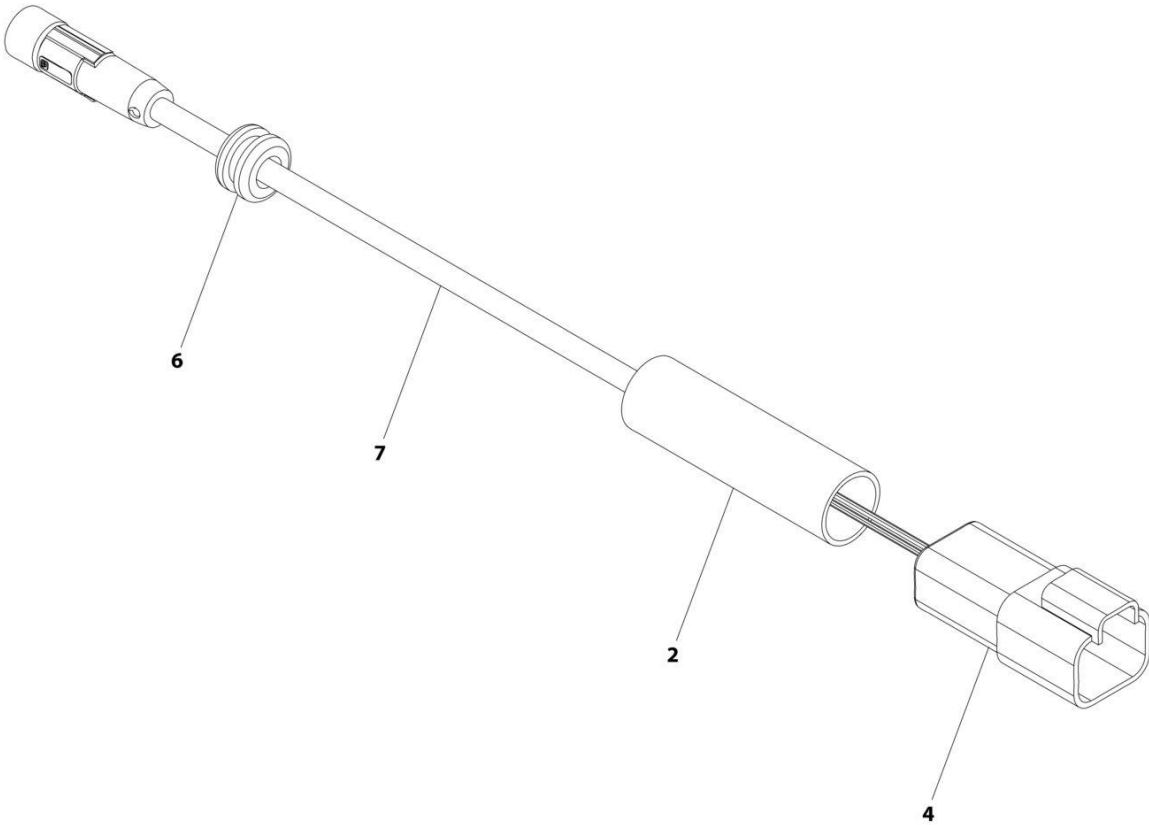
SECTION 8 - ELECTRICAL

FIGURE 8-65. SKYEYE INTERMEDIATE HARNESS

ITEM	PART NUMBER	QTY	DESCRIPTION	REV
	1001237865	Ref	SKYEYE INTERMEDIATE HARNESS	A
1	4460899	1	Connector - 6 Position	
1	4460943	4	Pin, Male	
1	4460466	2	Plug, Terminal	
2	4461077	2	Connector - 4 Position	
2	1001119619	8	Socket, Female	
3	4460911	1	Connector - 3 Position	
3	1001119619	3	Socket, Female	
4	1001187681	1	Connector - 2 Position	
4	4460941	1	Pin, Male	
4	4460466	1	Plug, Terminal	

SECTION 8 - ELECTRICAL

FIGURE 8-66. SKYEYE RECEIVER HARNESS



ART_1001237863

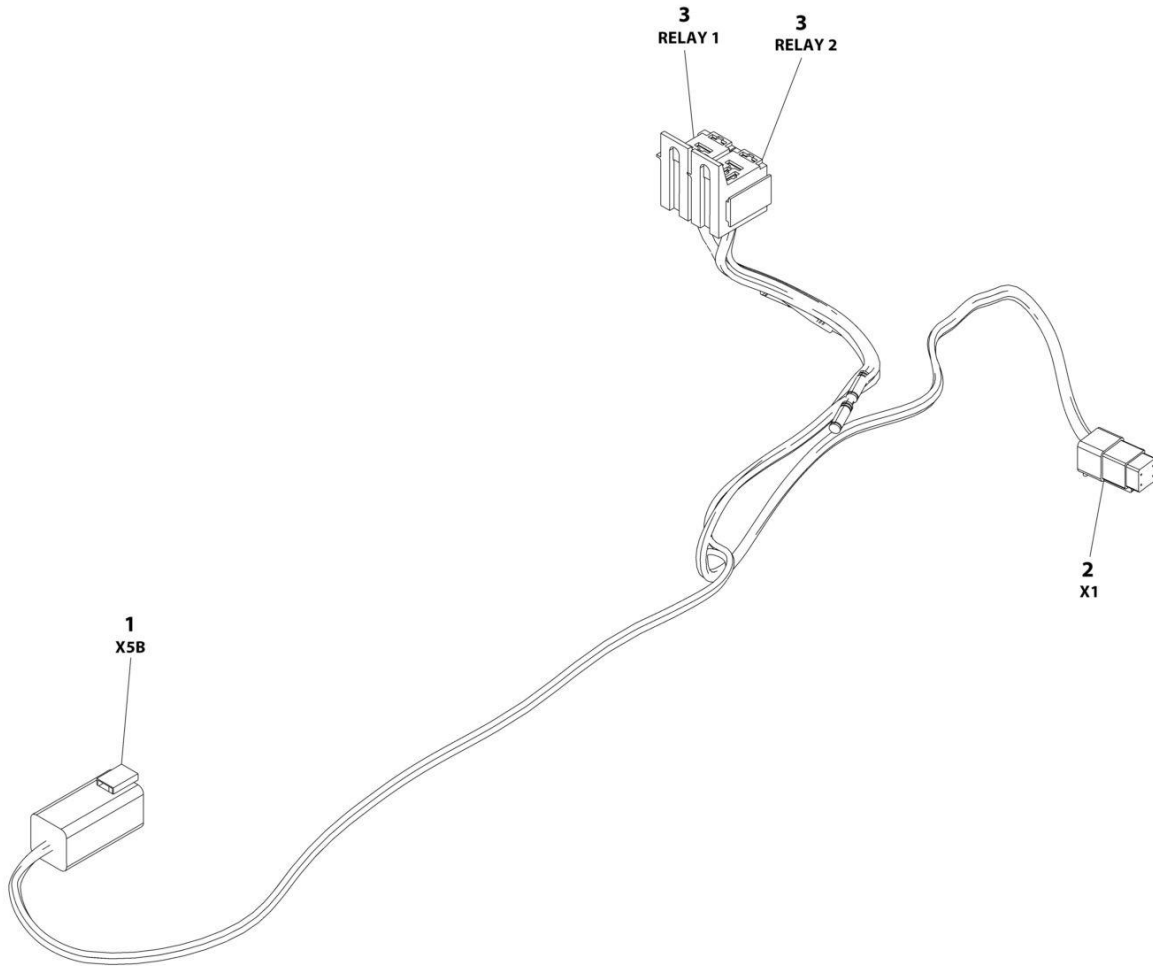
SECTION 8 - ELECTRICAL

FIGURE 8-66. SKYEYE RECEIVER HARNESS

ITEM	PART NUMBER	QTY	DESCRIPTION	REV
	1001237863	Ref	SKYEYE RECEIVER HARNESS	A
2	2820247	AR	Tubing, Heat Shrink	
4	1001097051	1	Connector - 4 Position	
4	1001119620	4	Pin, Male	
6	1001227996	1	Grommet	
7	1001237862	1	Cable, M8 Female Cordset	

SECTION 8 - ELECTRICAL

FIGURE 8-67. SKYLINE HARNESS



ART_1001238418

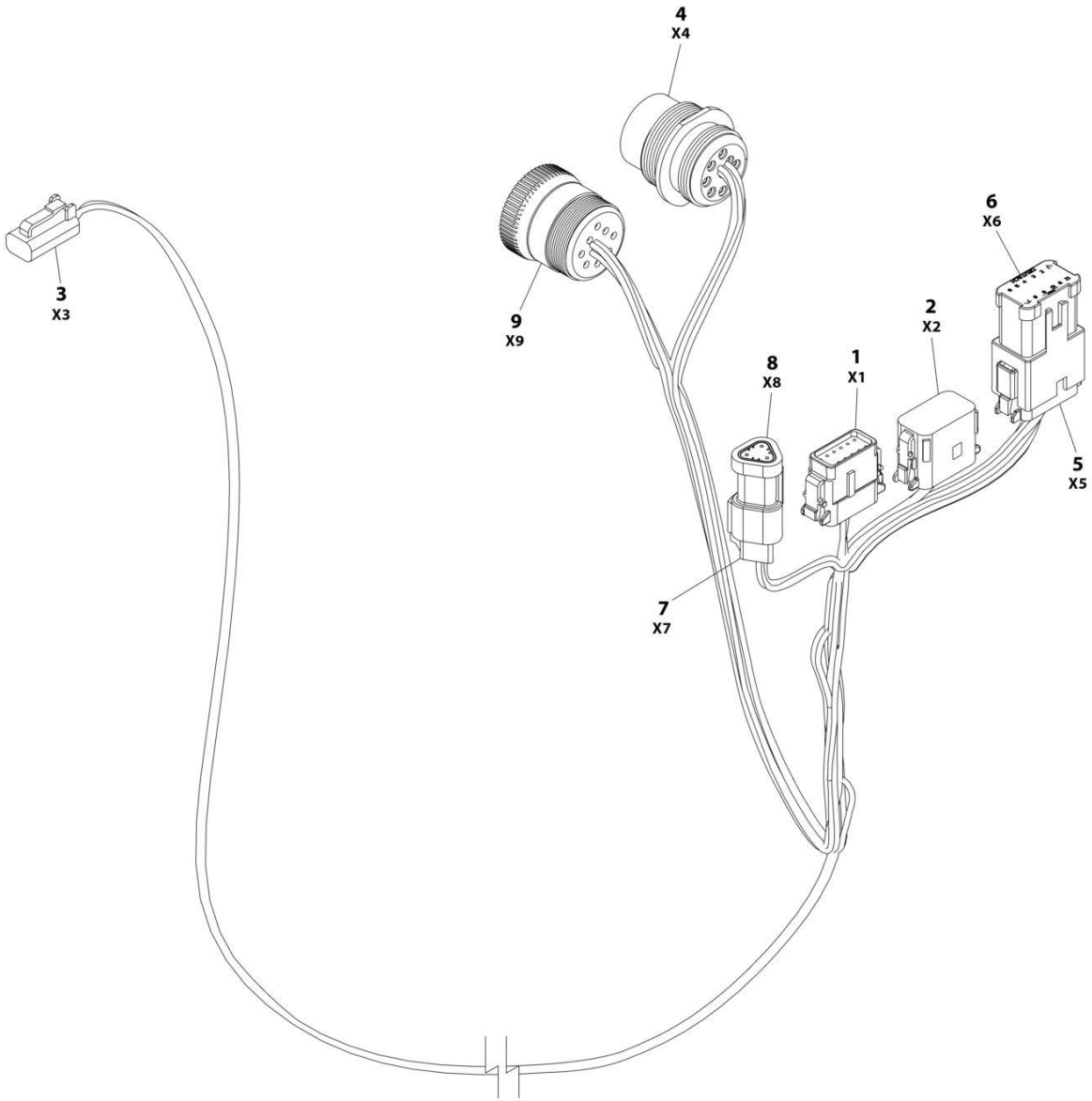
SECTION 8 - ELECTRICAL

FIGURE 8-67. SKYLINE HARNESS

ITEM	PART NUMBER	QTY	DESCRIPTION	REV
	1001238418	Ref	SKYLINE HARNESS	B
1	4460899	1	Connector - 6 Position	
1	4460464	4	Pin, Male	
1	4460466	2	Plug, Terminal	
2	4461077	1	Connector - 4 Position	
2	1001126009	4	Socket, Female	
3	1001186432	2	Plug, Relay	
3	1001118388	5	Terminal	
3	1001118384	3	Terminal	
3	3740086	2	Relay	

SECTION 8 - ELECTRICAL

FIGURE 8-68. STROBE LIGHT CONTROL (BLUE STROBE LIGHT)



ART_1001142736

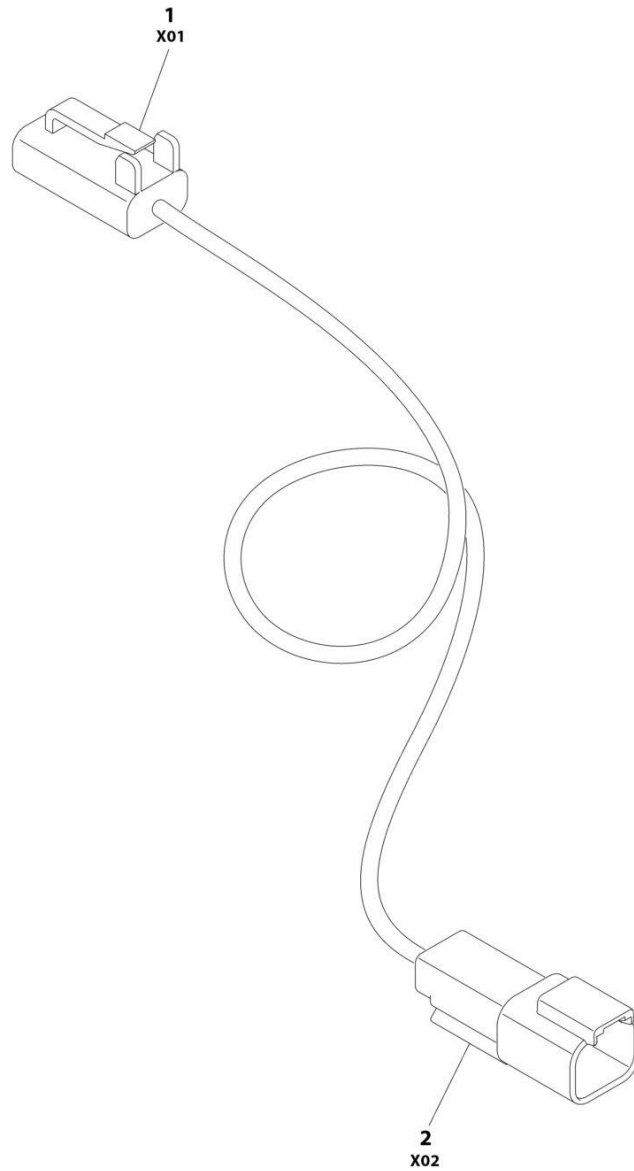
SECTION 8 - ELECTRICAL

FIGURE 8-68. STROBE LIGHT CONTROL (BLUE STROBE LIGHT)

ITEM	PART NUMBER	QTY	DESCRIPTION	REV
	1001142736	Ref	STROBE LIGHT HARNESS	F
1	1001116808	1	Plug, Male - 12 Position	
1	4460928	3	Socket, Female	
1	4460518	9	Plug, Terminal	
2	1001116774	1	Plug, Male - 12 Position	
2	4460928	3	Socket, Female	
2	4460518	9	Plug, Terminal	
3	4460891	1	Plug, Male - 2 Position	
3	4460465	2	Socket, Female	
4	1001112612	1	Connector - 9 Position	
4	4460464	6	Pin, Male	
4	4460466	3	Plug, Terminal	
5	4460933	1	Plug, Male - 12 Position	
5	4460465	12	Socket, Female	
6	1001119020	1	Bussbar - 12 Position	
7	4461095	1	Plug, Male - 3 Position	
7	4460465	3	Socket, Female	
8	4461070	1	Bussbar - 3 Position	
9	1001112796	1	Connector - 9 Position	
9	4460465	6	Socket, Female	
9	4460466	3	Plug, Terminal	

SECTION 8 - ELECTRICAL

FIGURE 8-69. STROBE LIGHT EXTENSION HARNESS (BLUE STROBE LIGHT ONLY)



ART_1001159027

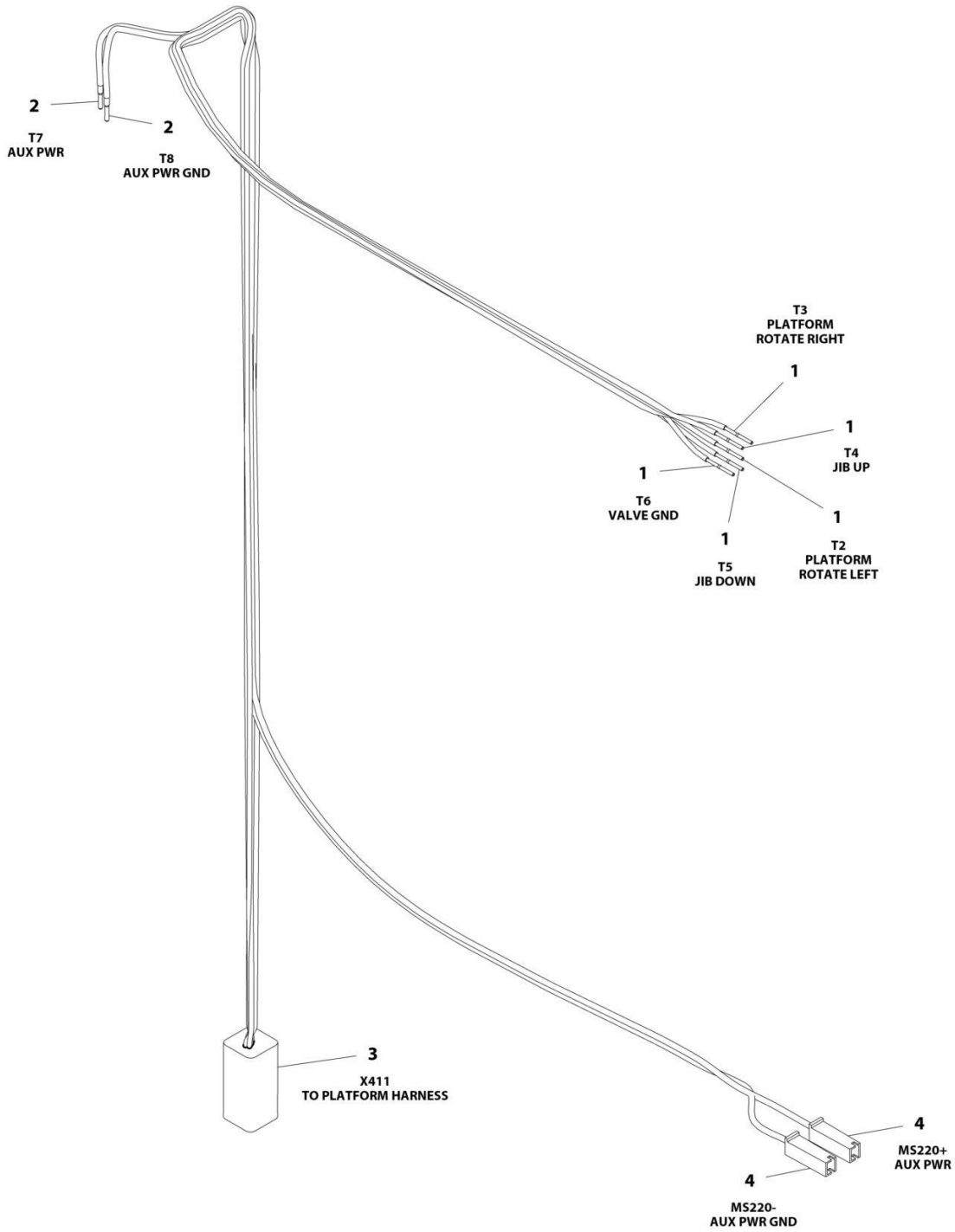
SECTION 8 - ELECTRICAL

FIGURE 8-69. STROBE LIGHT EXTENSION HARNESS (BLUE STROBE LIGHT ONLY)

ITEM	PART NUMBER	QTY	DESCRIPTION	REV
	1001159027	Ref	STROBE LIGHT EXTENSION HARNESS (BLUE STROBE LIGHT ONLY)	B
1	4460891	1	Plug, Male - 2 Position	
1	4460465	2	Socket, Female	
2	4460897	1	Receptacle, Female	
2	4460464	2	Pin, Male	

SECTION 8 - ELECTRICAL

FIGURE 8-70. VALVE HARNESS - BOOM VALVE



ART_1001140525

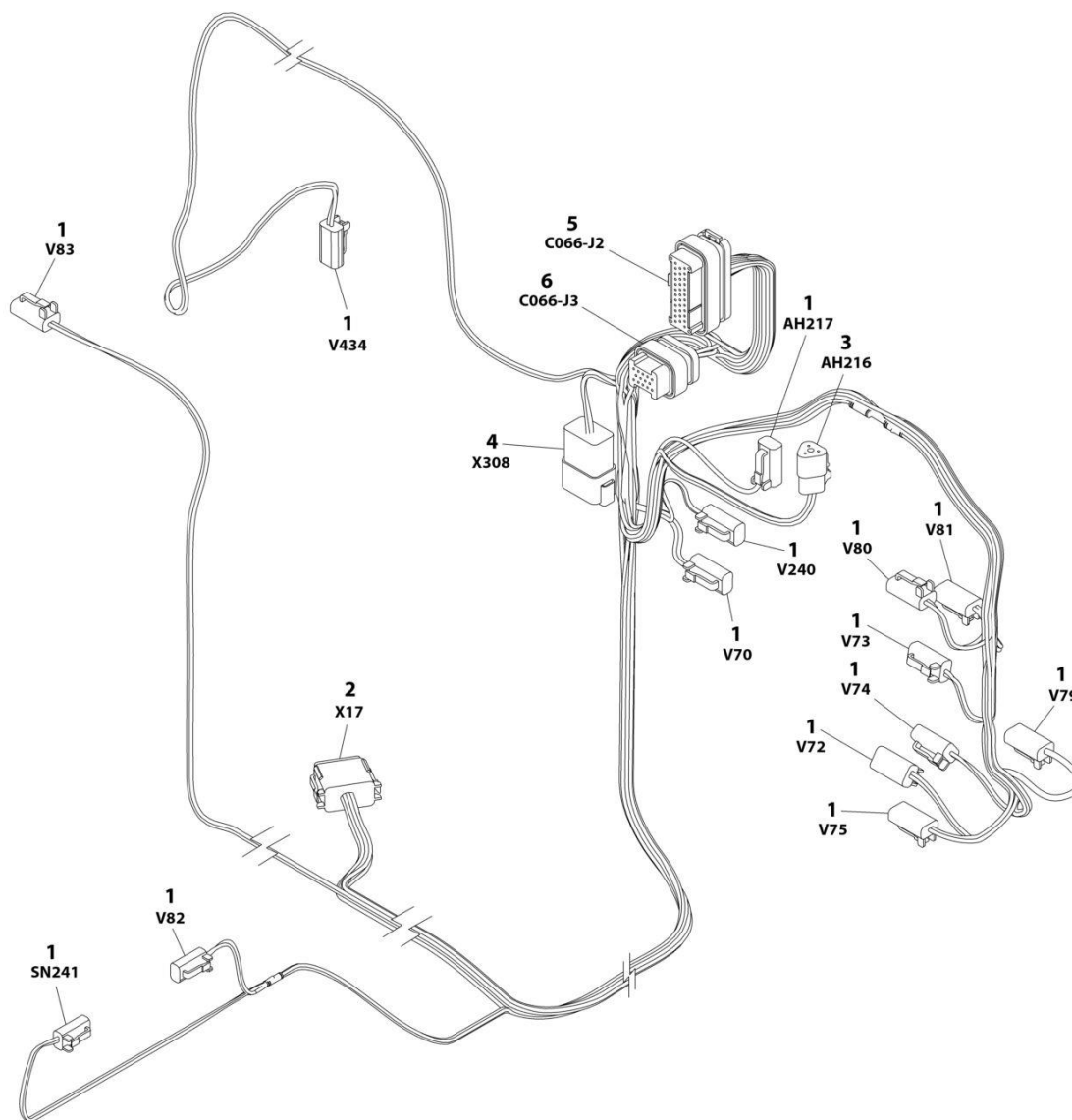
SECTION 8 - ELECTRICAL

FIGURE 8-70. VALVE HARNESS - BOOM VALVE

ITEM	PART NUMBER	QTY	DESCRIPTION	REV
	1001140525	Ref	BOOM HARNESS - UPPER BOOM VALVE	A
1	4460465	5	Socket, Female	
2	4460508	2	Pin, Male	
3	4460899	1	Connector - 6 Position	
3	4460464	5	Pin, Male	
3	4460466	1	Plug, Terminal	
4	4460260	2	Connector - 1 Position	
4	4460259	2	Terminal	

SECTION 8 - ELECTRICAL

FIGURE 8-71. VALVE HARNESS - MAIN CONTROL



ART_1001244525

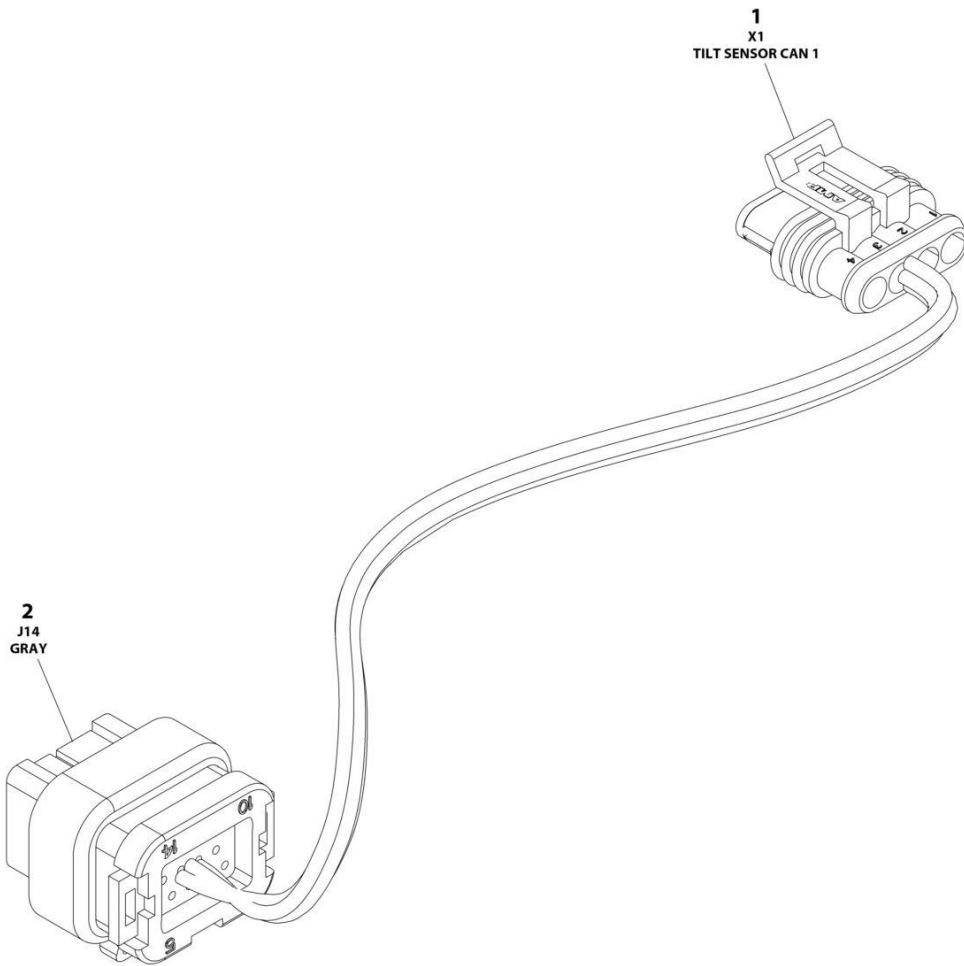
SECTION 8 - ELECTRICAL

FIGURE 8-71. VALVE HARNESS - MAIN CONTROL

ITEM	PART NUMBER	QTY	DESCRIPTION	REV
	1001244525	Ref	VALVE HARNESS	A
1	4460891	14	Plug, Male - 2 Position	
1	4460465	28	Socket, Female	
2	4460933	1	Plug, Male - 12 Position	
2	4460465	9	Socket, Female	
2	4460466	3	Plug, Terminal	
3	4460539	1	Connector - 3 Position	
3	4460465	3	Socket, Female	
4	4460931	1	Connector - 8 Position	
4	4460464	5	Pin, Male	
4	4460466	3	Plug, Terminal	
5	4460875	1	Connector - 35 Position	
5	4460871	28	Socket, Female	
5	4460905	7	Plug, Terminal	
6	4460872	1	Connector - 14 Position	
6	4460871	8	Socket, Female	
6	4460905	6	Plug, Terminal	

SECTION 8 - ELECTRICAL

FIGURE 8-72. TILT SENSOR HARNESS



ART_1001276143

SECTION 8 - ELECTRICAL

FIGURE 8-72. TILT SENSOR HARNESS

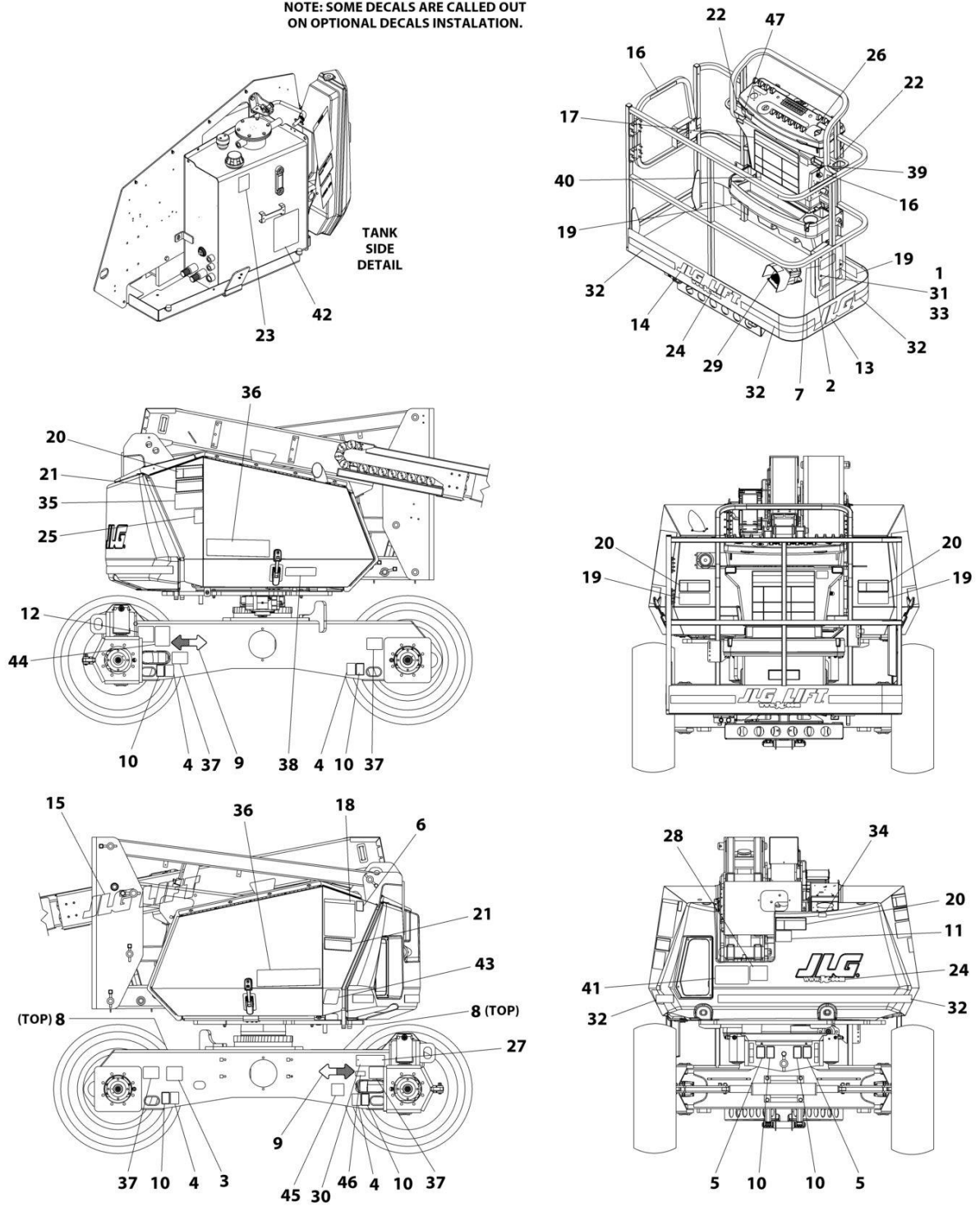
ITEM	PART NUMBER	QTY	DESCRIPTION	REV
	1001276143	Ref	TILT SENSOR HARNESS	B
1	1001103012	1	Connector - 4 Position	
1	1001107854	4	Terminal, Male	
1	1001104498	4	Terminal, Seal	
2	1001246859	1	Connector - 14 Position	
2	4460871	4	Socekt, Female	
2	4460905	10	Plug, Terminal	

SECTION 9 - DECALS

SECTION 9 - DECALS

FIGURE 9-1. DECALS INSTALLATION - ANSI AND ANSI EXPORT SPECS (ENGLISH)

NOTE: SOME DECALS ARE CALLED OUT ON OPTIONAL DECALS INSTALLATION.



ART_1001245868

SECTION 9 - DECALS

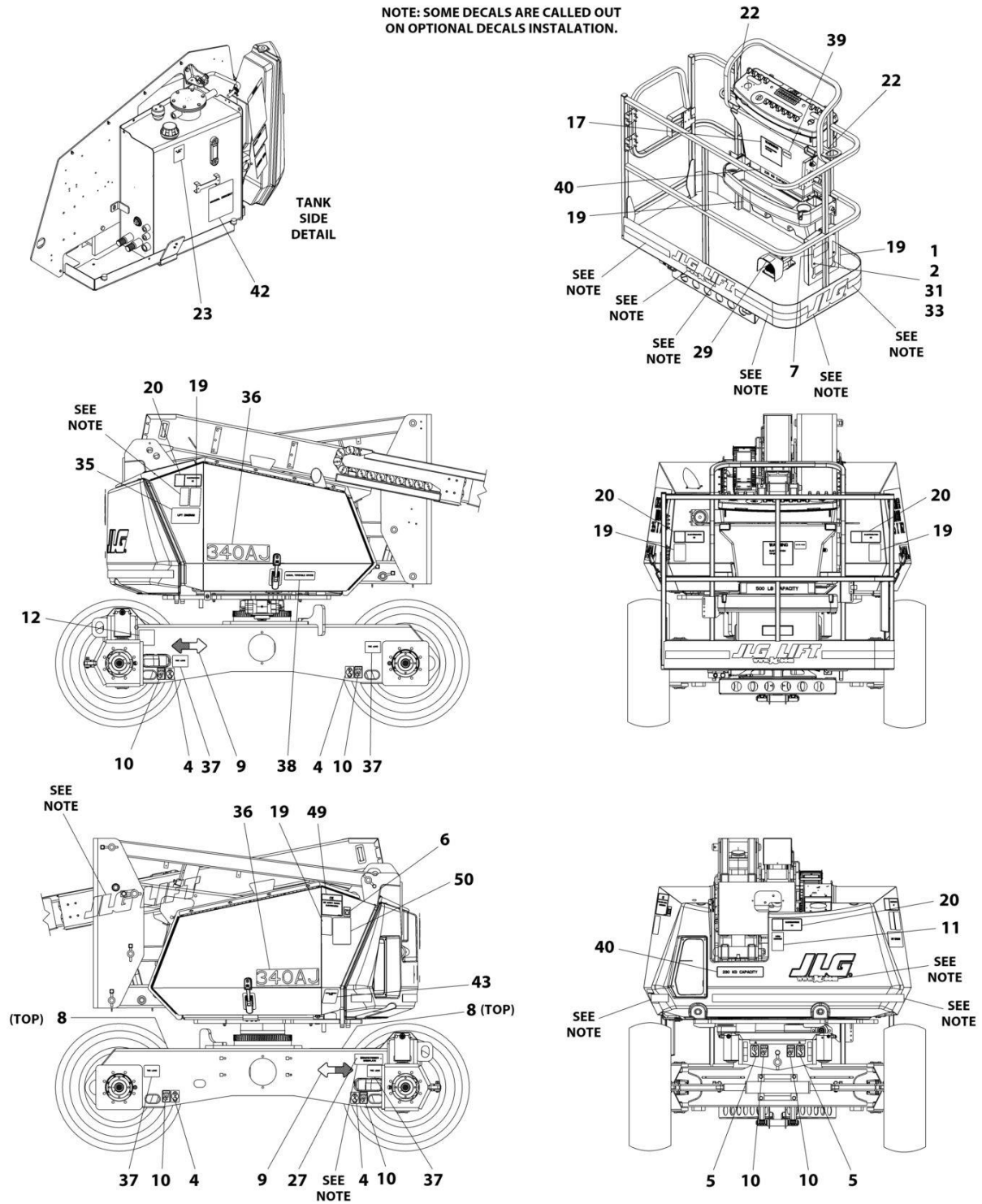
FIGURE 9-1. DECALS INSTALLATION - ANSI AND ANSI EXPORT SPECS (ENGLISH)

ITEM	PART NUMBER	QTY	DESCRIPTION	REV
	1001245868	Ref	DECALS INSTALLATION	F
1	0760610	4	Bolt M6 x 20	
2	0860520	1	Box, Manual Storage	
4	1701499	4	Decal - No Tie-Down/No Lift	
5	1701500	4	Decal - Lift	
6	1701504	1	Decal - Hydraulic Oil	
7	1701509	1	Decal - Manual	
8	1701529	2	Decal - Arrow	
9	1701642	2	Decal - Arrow	
10	1702300	8	Decal - Tie-Down	
11	1702391	1	Decal - Crushing	
12	See Note	1	Decal - Bar Code (Note: Not Available for Purchase)	
16	1702868	2	Decal - No Hands	
17	1703797	1	Decal - Danger/Warning	
18	1703798	1	Decal - Danger/Warning	
19	1703804	4	Decal - Warning Crushing	
20	1703805	4	Decal - Electrocution	
21	1703953	2	Decal - Warning Crushing	
22	1704277	2	Decal - Lanyard Attach	
23	1704412	1	Decal - Hydraulic Oil	
26	1705351	1	Decal - Drive/Steer Instructions	
27	2080057	2	Fastener	
29	3252347	1	Nameplate - Footswitch	
31	3290605	4	Nut M6	
33	4811700	8	Washer M6	
35	1001284677	1	Decal - Lift Diagram	
36	1001119578	2	Decal - 340AJ (Prior to SN 0300280427)	
36	1001267323	2	Decal - 340AJ (SN 0300280427 to Present)	
37	1001119580	4	Decal - Tire Load	
38	1001119981	1	Decal - Manual Turntable Rotate	
39	1001120002	1	Decal - No Pipe Racks	
40	1001253920	1	Decal - Warning Single Capacity	
41	1001253921	1	Decal - Warning Single Capacity	
42	1001127549	1	Decal - Manual Descent	
43	1001127588	1	Decal - Manual Descent	
44	1001131269	1	Decal - Patent	
45	1001223055	1	Decal - Yearly Inspection	
46	1001223453	1	Decal - ICES	

SECTION 9 - DECALS

FIGURE 9-2. DECALS INSTALLATION - AUSTRALIAN SPEC (ENGLISH)

NOTE: SOME DECALS ARE CALLED OUT ON OPTIONAL DECALS INSTALLATION.



ART_1001119733

SECTION 9 - DECALS

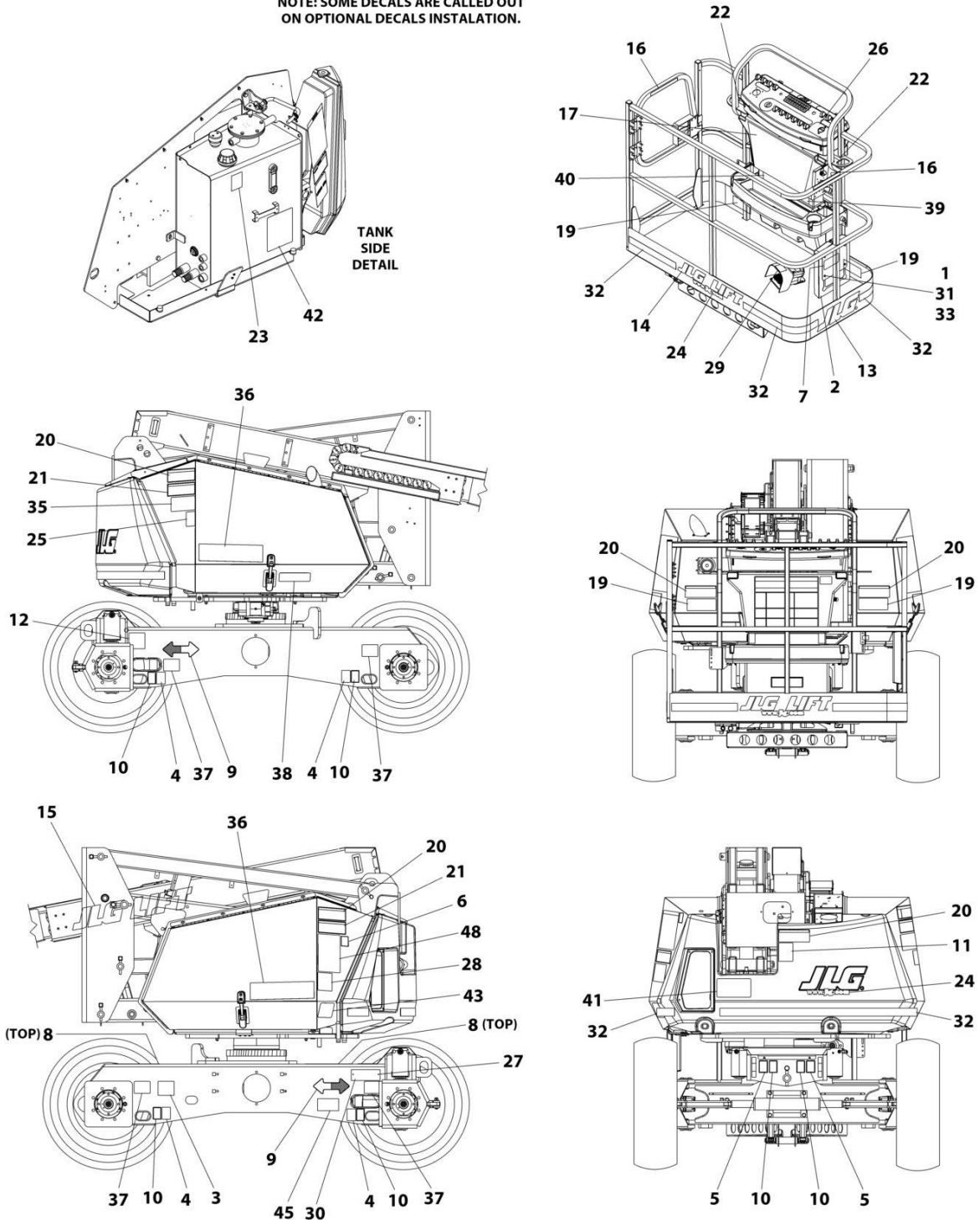
FIGURE 9-2. DECALS INSTALLATION - AUSTRALIAN SPEC (ENGLISH)

ITEM	PART NUMBER	QTY	DESCRIPTION	REV
	1001119733	Ref	DECALS INSTALLATION	J
1	0760610	4	Bolt M6 x 20	
2	0860520	1	Box, Manual Storage	
4	1701499	4	Decal - No Tie-Down/No Lift	
5	1701500	4	Decal - Lift	
6	1701504	1	Decal - Hydraulic Oil	
7	1701509	1	Decal - Manual	
8	1701529	2	Decal - Arrow	
9	1701642	2	Decal - Arrow	
10	1702300	8	Decal - Tie-Down	
11	1701517	1	Decal - Crushing	
12	See Note	1	Decal - Bar Code (Note: Not Available for Purchase)	
17	1705921	1	Decal - Tipping/Electrocution	
19	1701518	6	Decal - Crushing	
20	1705961	4	Decal - Electrocution	
22	1704277	2	Decal - Lanyard Attach	
23	1704412	1	Decal - Hydraulic Oil	
27	2080057	2	Fastener	
29	1705828	1	Decal - Footswitch	
31	3290605	4	Nut M6	
33	4811700	8	Washer M6	
35	1001284677	1	Decal - Lift Diagram	
36	1001119578	2	Decal - 340AJ (Prior to SN 0300280427)	
36	1001267323	2	Decal - 340AJ (SN 0300280427 to Present)	
37	1001119580	4	Decal - Tire Load	
38	1001119981	1	Decal - Manual Turntable Rotate	
39	1001120003	1	Decal - No Pipe Racks	
40	1705978	2	Decal - Capacity 230KG	
42	1001127549	1	Decal - Manual Descent	
43	1001127588	1	Decal - Manual Descent	
49	1705822	1	Decal - Electrocution/Safety Manual	
50	1001112551	1	Decal - Emergency Controls	

SECTION 9 - DECALS

FIGURE 9-3. DECALS INSTALLATION - BRAZIL SPEC (PORTUGUESE/SPANISH)

NOTE: SOME DECALS ARE CALLED OUT ON OPTIONAL DECALS INSTALLATION.



ART_1001246463

SECTION 9 - DECALS

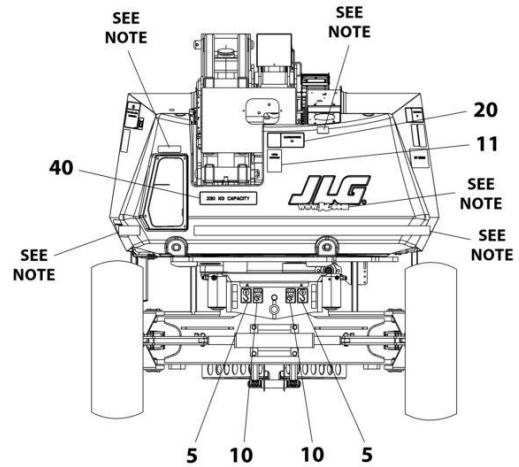
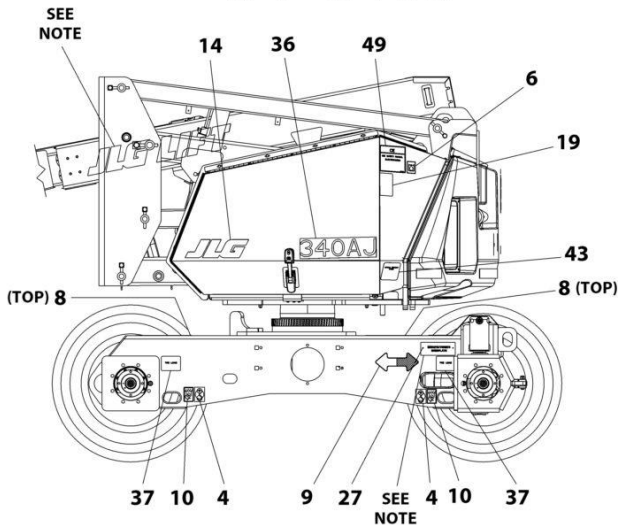
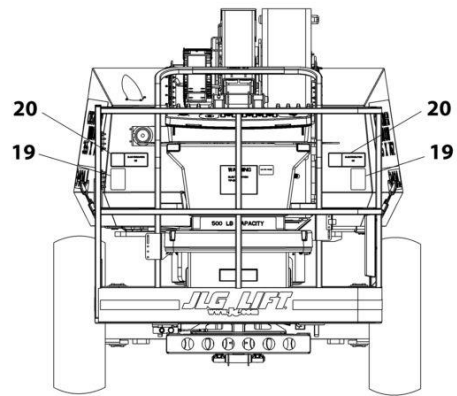
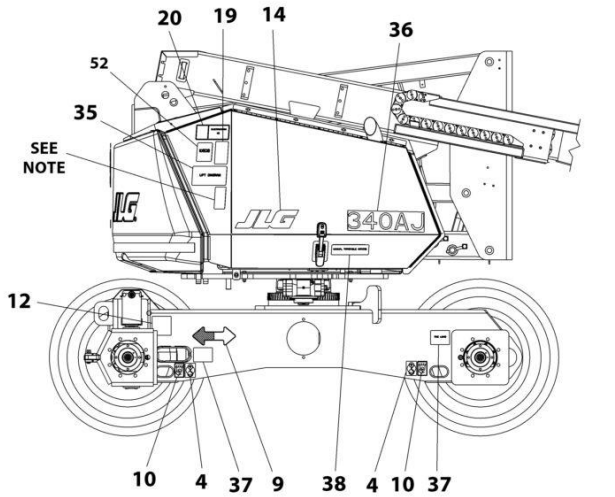
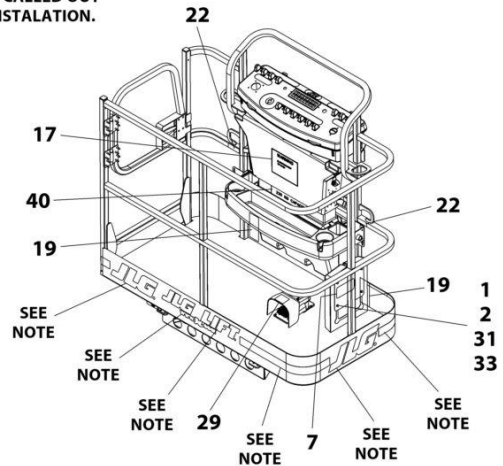
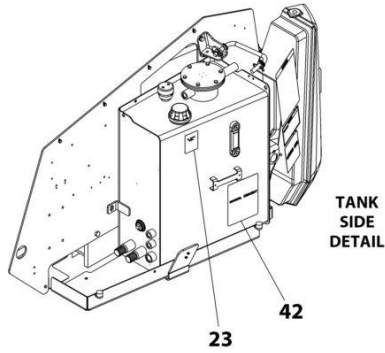
FIGURE 9-3. DECALS INSTALLATION - BRAZIL SPEC (PORTUGUESE/SPANISH)

ITEM	PART NUMBER	QTY	DESCRIPTION	REV
	1001246463	Ref	DECALS INSTALLATION	G
1	0760610	4	Bolt M6 x 20	
2	0860520	1	Box, Manual Storage	
4	1701499	4	Decal - No Tie-Down/No Lift	
5	1701500	4	Decal - Lift	
6	1701504	1	Decal - Hydraulic Oil	
7	1701509	1	Decal - Manual	
8	1701529	2	Decal - Arrow	
9	1701642	2	Decal - Arrow	
10	1702300	8	Decal - Tie-Down	
11	1001113170	1	Decal - Crushing	
12	See Note	NSS	Decal - Bar Code (Note: Not Available for Purchase)	
16	1704002	2	Decal - No Hands	
17	1703928	1	Decal - Danger/Warning	
19	1703952	4	Decal - Warning Crushing	
20	1703940	5	Decal - Electrocution	
21	1703946	2	Decal - Warning Crushing (Portuguese/Spanish)	
22	1704277	2	Decal - Lanyard Attach	
23	1704412	1	Decal - Hydraulic Oil	
26	1001113680	1	Decal - Drive/Steer Instructions	
27	2080057	2	Fastener	
29	1703985	1	Nameplate - Footswitch	
31	3290605	4	Nut M6	
33	4811700	8	Washer M6	
35	1001284677	1	Decal - Lift Diagram	
36	1001119578	2	Decal - 340AJ (Prior to SN 0300280427)	
36	1001267323	2	Decal - 340AJ (SN 0300280427 to Present)	
37	1001119580	4	Decal - Tire Load	
38	1001119981	1	Decal - Manual Turntable Rotate	
39	1001120282	1	Decal - No Pipe Racks	
40	1001253928	1	Decal - Warning Single Capacity	
41	1001253929	1	Decal - Warning Single Capacity	
42	1001127549	1	Decal - Manual Descent	
43	1001127588	1	Decal - Manual Descent	
45	1001224052	1	Decal - Yearly Inspection	
48	1705349	1	Decal - Warning Inspection	

SECTION 9 - DECALS

FIGURE 9-4. DECALS INSTALLATION - CE & UK CA SPECS (ENGLISH)

NOTE: SOME DECALS ARE CALLED OUT ON OPTIONAL DECALS INSTALLATION.



ART_1001115783

SECTION 9 - DECALS

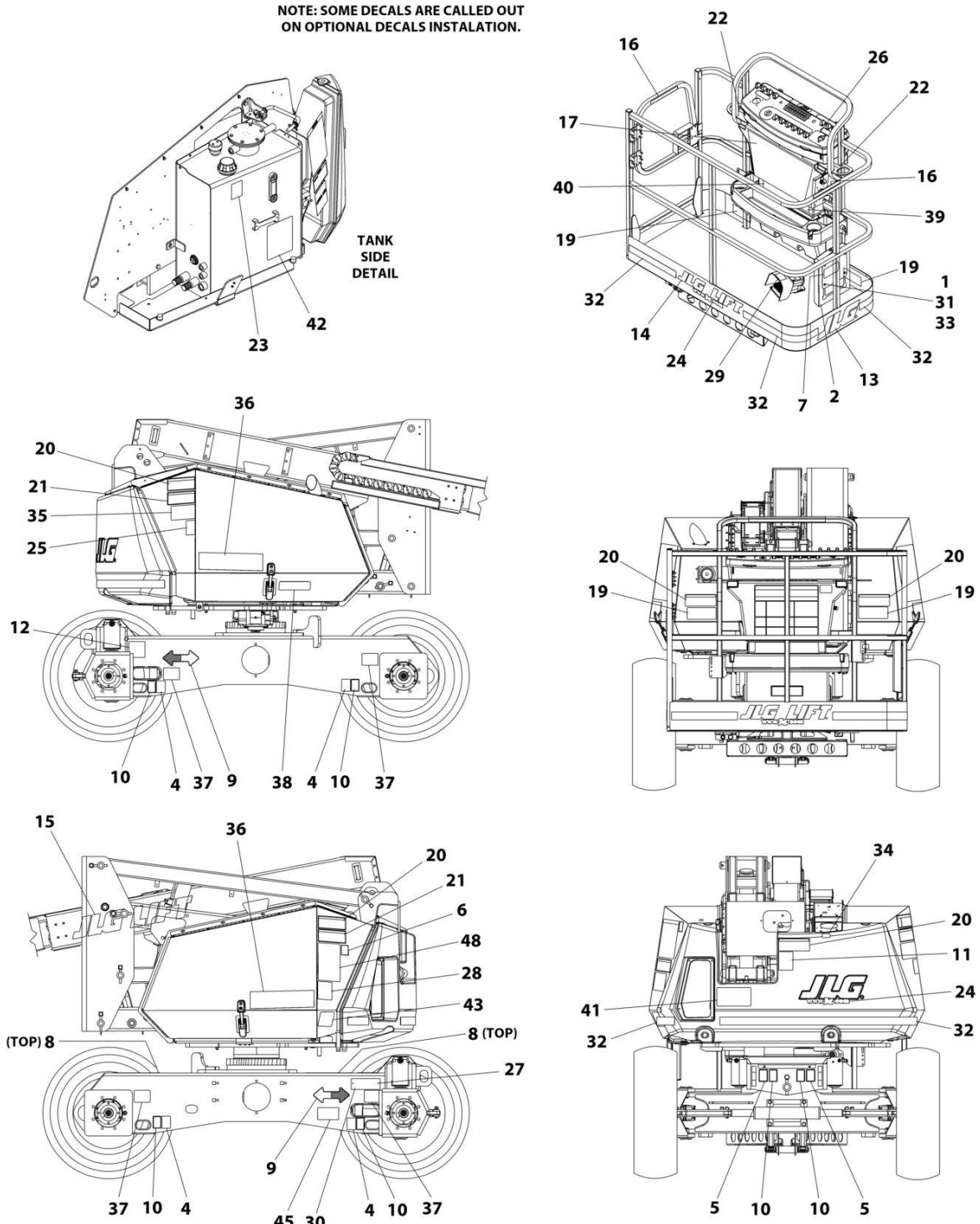
FIGURE 9-4. DECALS INSTALLATION - CE & UK CA SPECS (ENGLISH)

ITEM	PART NUMBER	QTY	DESCRIPTION	REV
	1001115783	Ref	DECALS INSTALLATION	0
1	0760610	4	Bolt M6 x 20	
2	0860520	1	Box, Manual Storage	
4	1701499	4	Decal - No Tie-Down/No Lift	
5	1701500	4	Decal - Lift	
6	1701504	1	Decal - Hydraulic Oil	
7	1701509	1	Decal - Manual	
8	1701529	2	Decal - Arrow	
9	1701642	2	Decal - Arrow	
10	1702300	8	Decal - Tie-Down	
11	1701517	1	Decal - Crushing	
12	See Note	1	Decal - Bar Code (Note: Not Available for Purchase)	
17	1705921	1	Decal - Tipping/Electrocution	
19	1701518	6	Decal - Crushing	
20	1705961	4	Decal - Electrocution	
22	1704277	2	Decal - Lanyard Attach	
23	1704412	1	Decal - Hydraulic Oil	
27	2080057	2	Fastener	
29	1705828	1	Decal - Footswitch	
31	3290605	4	Nut M6	
33	4811700	8	Washer M6	
35	1001284677	1	Decal - Lift Diagram	
36	1001119578	2	Decal - 340AJ (Prior to SN 0300280427)	
36	1001267323	2	Decal - 340AJ (SN 0300280427 to Present)	
37	1001119580	4	Decal - Tire Load	
38	1001119981	1	Decal - Manual Turntable Rotate	
40	1705978	2	Decal - Capacity 230KG	
42	1001127549	1	Decal - Manual Descent	
43	1001127588	1	Decal - Manual Descent	
49	1705822	1	Decal - Electrocution/Safety Manual	

SECTION 9 - DECALS

FIGURE 9-5. DECALS INSTALLATION - CHINESE SPEC (CHINESE/ENGLISH)

NOTE: SOME DECALS ARE CALLED OUT ON OPTIONAL DECALS INSTALLATION.



ART_1001246462

SECTION 9 - DECALS

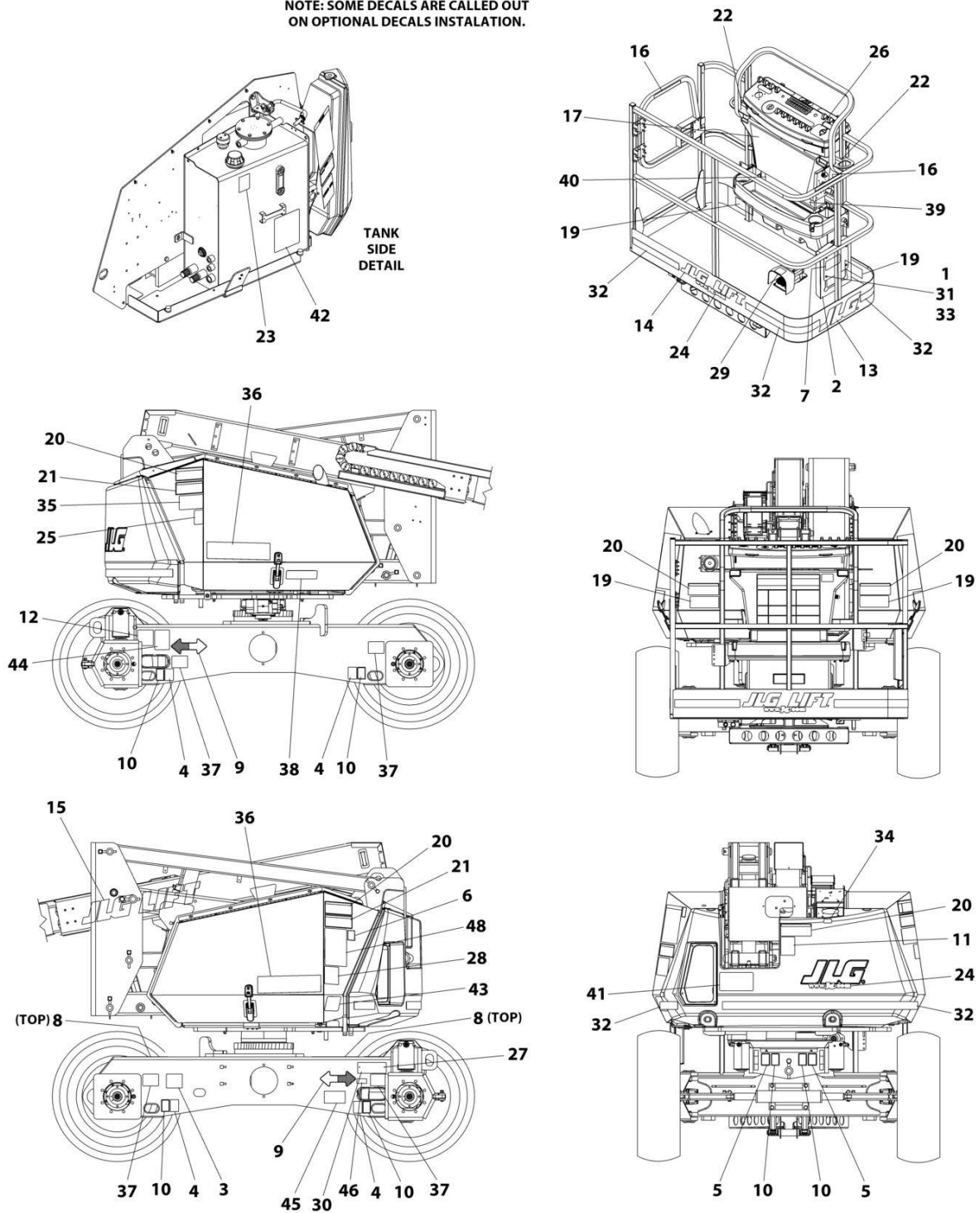
FIGURE 9-5. DECALS INSTALLATION - CHINESE SPEC (CHINESE/ENGLISH)

ITEM	PART NUMBER	QTY	DESCRIPTION	REV
	1001246462	Ref	DECALS INSTALLATION	F
1	0760610	4	Bolt M6 x 20	
2	0860520	1	Box, Manual Storage	
4	1701499	4	Decal - No Tie-Down/No Lift	
5	1701500	4	Decal - Lift	
6	1701504	1	Decal - Hydraulic Oil	
7	1701509	1	Decal - Manual	
8	1701529	2	Decal - Arrow	
9	1701642	2	Decal - Arrow	
10	1702300	8	Decal - Tie-Down	
11	1001113168	1	Decal - Crushing	
12	See Note	NSS	Decal - Bar Code (Note: Not Available for Purchase)	
16	1705968	2	Decal - No Hands	
17	1703925	1	Decal - Warning/Danger	
19	1703949	4	Decal - Warning Crushing	
20	1703937	5	Decal - Electrocution	
21	1703943	2	Decal - Warning Crushing	
22	1704277	2	Decal - Lanyard Attach	
23	1704412	1	Decal - Hydraulic Oil	
26	1705430	1	Decal - Drive/Steer Instructions	
27	2080057	2	Fastener	
29	1703982	1	Nameplate - Footswitch	
31	3290605	4	Nut M6	
33	4811700	8	Washer M6	
35	1001284677	1	Decal - Lift Diagram	
36	1001119578	2	Decal - 340AJ (Prior to SN 0300280427)	
36	1001267323	2	Decal - 340AJ (SN 0300280427 to Present)	
37	1001119580	4	Decal - Tire Load	
38	1001119981	1	Decal - Manual Turntable Rotate	
39	1001120281	1	Decal - No Pipe Racks	
40	1001253926	1	Decal - Warning Single Capacity	
41	1001253927	1	Decal - Warning Single Capacity	
42	1001127549	1	Decal - Manual Descent	
43	1001127588	1	Decal - Manual Descent	
45	1001224050	1	Decal - Yearly Inspection	
48	1705348	1	Decal - Warning Inspection	

SECTION 9 - DECALS

FIGURE 9-6. DECALS INSTALLATION - CSA SPEC (FRENCH/ENGLISH)

NOTE: SOME DECALS ARE CALLED OUT ON OPTIONAL DECALS INSTALLATION.



ART_1001245869

SECTION 9 - DECALS

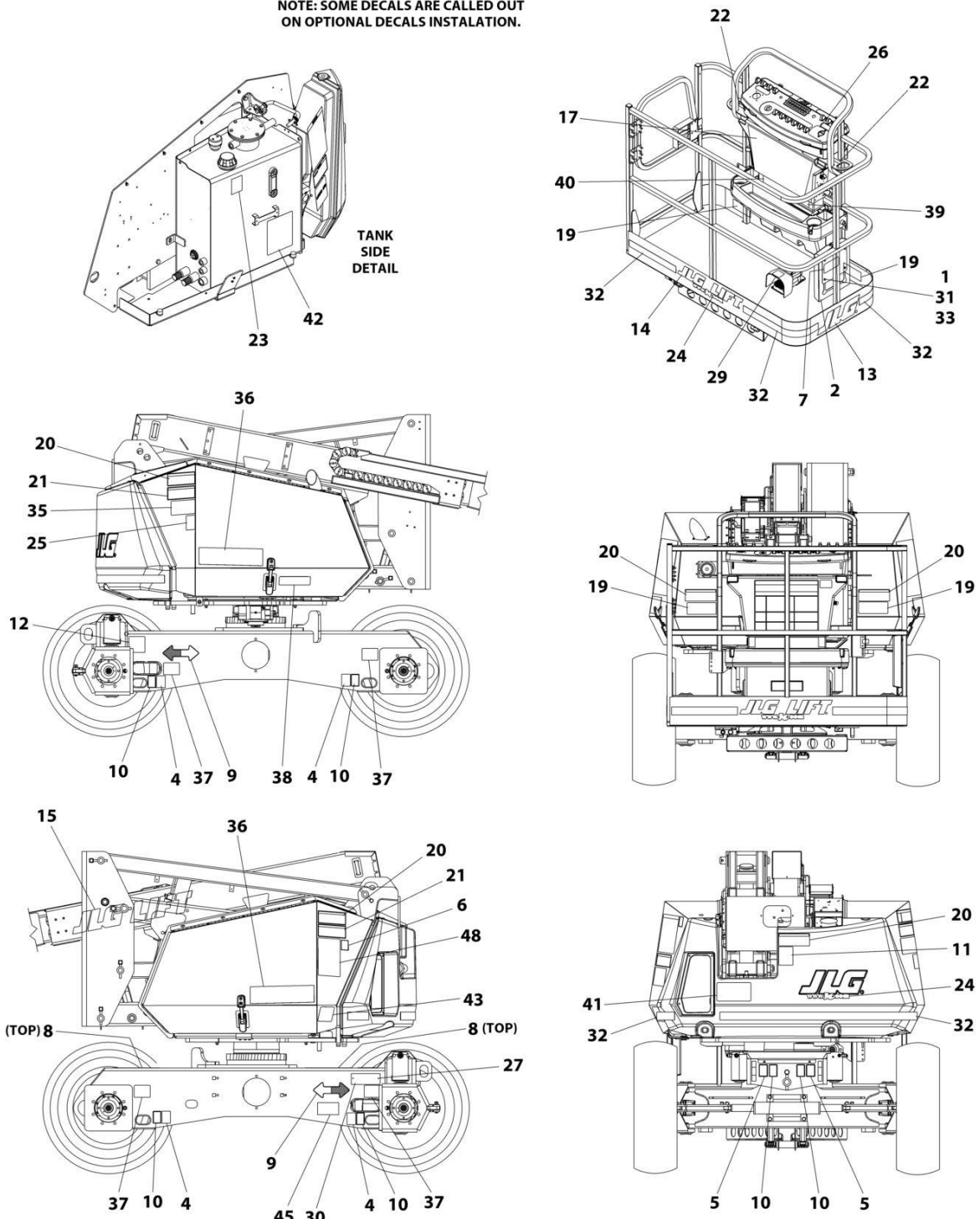
FIGURE 9-6. DECALS INSTALLATION - CSA SPEC (FRENCH/ENGLISH)

ITEM	PART NUMBER	QTY	DESCRIPTION	REV
	1001245869	Ref	DECALS INSTALLATION	F
1	0760610	4	Bolt M6 x 20	
2	0860520	1	Box, Manual Storage	
4	1701499	4	Decal - No Tie-Down/No Lift	
5	1701500	4	Decal - Lift	
6	1701504	1	Decal - Hydraulic Oil	
7	1701509	1	Decal - Manual	
8	1701529	2	Decal - Arrow	
9	1701642	2	Decal - Arrow	
10	1702300	8	Decal - Tie-Down	
11	1001113169	1	Decal - Crushing	
12	See Note	NSS	Decal - Bar Code (Note: Not Available for Purchase)	
16	1704000	2	Decal - No Hands	
17	1703924	1	Decal - Warning/Danger	
19	1703948	4	Decal - Warning Crushing	
20	1703936	5	Decal - Electrocution	
21	1703942	2	Decal - Warning Crushing	
22	1704277	2	Decal - Lanyard Attach	
23	1704412	1	Decal - Hydraulic Oil	
26	1705429	1	Decal - Drive/Steer Instructions	
27	2080057	2	Fastener	
29	1703984	1	Nameplate - Footswitch	
31	3290605	4	Nut M6	
33	4811700	8	Washer M6	
35	1001284677	1	Decal - Lift Diagram	
36	1001119578	2	Decal - 340AJ (Prior to SN 0300280427)	
36	1001267323	2	Decal - 340AJ (SN 0300280427 to Present)	
37	1001119580	4	Decal - Tire Load	
38	1001119981	1	Decal - Manual Turntable Rotate	
39	1001120004	1	Decal - No Pipe Racks	
40	1001253922	1	Decal - Warning Single Capacity	
41	1001253923	1	Decal - Warning Single Capacity	
42	1001127549	1	Decal - Manual Descent	
43	1001127588	1	Decal - Manual Descent	
44	1001131269	1	Decal - Patent	
45	1001223971	1	Decal - Yearly Inspection	
46	1001223453	1	Decal - ICES	
48	1705347	1	Decal - Warning Inspection	

SECTION 9 - DECALS

FIGURE 9-7. DECALS INSTALLATION - JAPANESE SPEC (JAPANESE)

NOTE: SOME DECALS ARE CALLED OUT ON OPTIONAL DECALS INSTALLATION.



ART_1001246460

SECTION 9 - DECALS

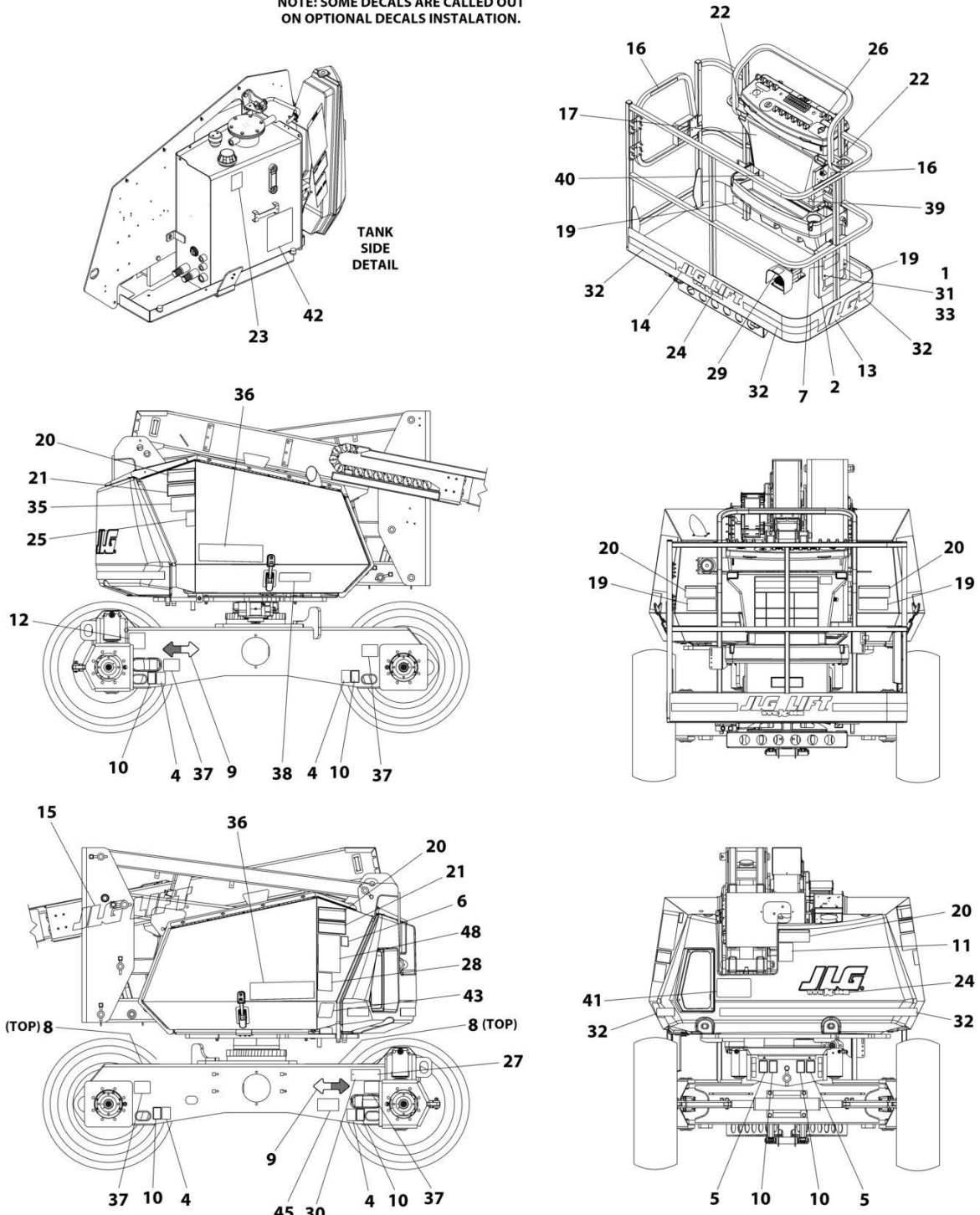
FIGURE 9-7. DECALS INSTALLATION - JAPANESE SPEC (JAPANESE)

ITEM	PART NUMBER	QTY	DESCRIPTION	REV
	1001246460	Ref	DECALS INSTALLATION	G
1	0760610	4	Bolt M6 x 20	
2	0860520	1	Box, Manual Storage	
4	1701499	4	Decal - No Tie-Down/No Lift	
5	1701500	4	Decal - Lift	
6	1701504	1	Decal - Hydraulic Oil	
7	1701509	1	Decal - Manual	
8	1701529	2	Decal - Arrow	
9	1701642	2	Decal - Arrow	
10	1702300	8	Decal - Tie-Down	
11	1001113166	1	Decal - Crushing	
12	See Note	NSS	Decal - Bar Code (Note: Not Available for Purchase)	
17	1703926	1	Decal - Danger/Warning	
19	1703950	4	Decal - Warning Crushing	
20	1703938	5	Decal - Electrocution	
21	1703944	2	Decal - Warning Crushing	
22	1704277	2	Decal - Lanyard Attach	
23	1704412	1	Decal - Hydraulic Oil	
26	1705426	1	Decal - Drive/Steer Instructions	
27	2080057	2	Fastener	
29	1703980	1	Nameplate - Footswitch	
31	3290605	4	Nut M6	
33	4811700	8	Washer M6	
35	1001284677	1	Decal - Lift Diagram	
36	1001119578	2	Decal - 340AJ (Prior to SN 0300280427)	
36	1001267323	2	Decal - 340AJ (SN 0300280427 to Present)	
37	1001119580	4	Decal - Tire Load	
38	1001119981	1	Decal - Manual Turntable Rotate	
39	1001120279	1	Decal - No Pipe Racks	
40	1001253932	1	Decal - Warning Single Capacity	
41	1001253933	1	Decal - Warning Single Capacity	
42	1001127549	1	Decal - Manual Descent	
43	1001127588	1	Decal - Manual Descent	
45	1001224053	1	Decal - Yearly Inspection	
48	1705344	1	Decal - Warning Inspection	

SECTION 9 - DECALS

FIGURE 9-8. DECALS INSTALLATION - KOREAN SPEC (KOREAN/ENGLISH)

NOTE: SOME DECALS ARE CALLED OUT ON OPTIONAL DECALS INSTALLATION.



ART_1001246461

SECTION 9 - DECALS

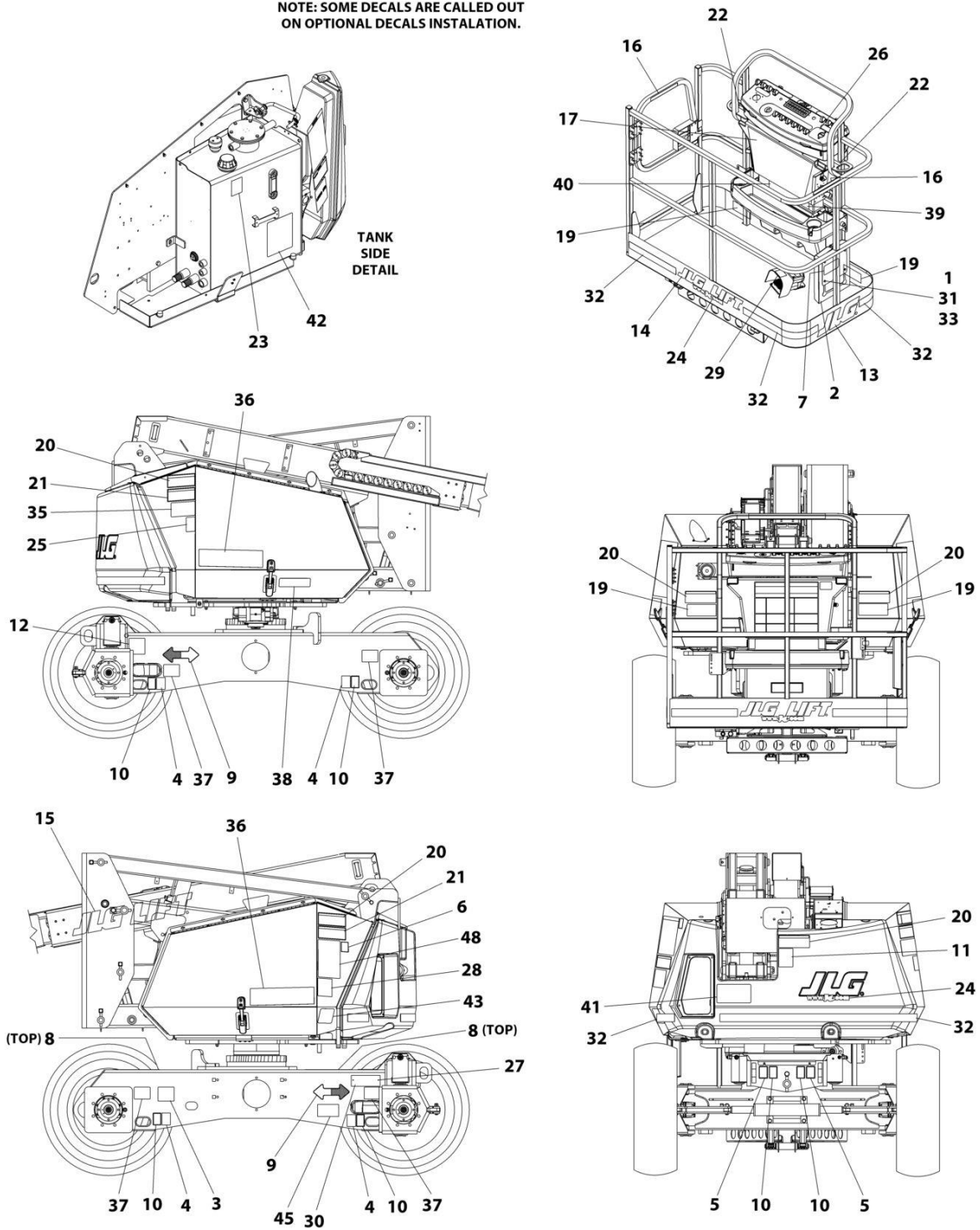
FIGURE 9-8. DECALS INSTALLATION - KOREAN SPEC (KOREAN/ENGLISH)

ITEM	PART NUMBER	QTY	DESCRIPTION	REV
	1001246461	Ref	DECALS INSTALLATION	G
1	0760610	4	Bolt M6 x 20	
2	0860520	1	Box, Manual Storage	
4	1701499	4	Decal - No Tie-Down/No Lift	
5	1701500	4	Decal - Lift	
6	1701504	1	Decal - Hydraulic Oil	
7	1701509	1	Decal - Manual	
8	1701529	2	Decal - Arrow	
9	1701642	2	Decal - Arrow	
10	1702300	8	Decal - Tie-Down	
11	1001113509	1	Decal - Crushing	
12	See Note	NSS	Decal - Bar Code (Note: Not Available for Purchase)	
16	1705969	2	Decal - No Hands	
17	1703927	1	Decal - Danger/Warning	
19	1703951	4	Decal - Warning Crushing	
20	1703939	5	Decal - Electrocution	
21	1703945	2	Decal - Warning Crushing	
22	1704277	2	Decal - Lanyard Attach	
23	1704412	1	Decal - Hydraulic Oil	
26	1705427	1	Decal - Drive/Steer Instructions	
27	2080057	2	Fastener	
29	1703981	1	Nameplate - Footswitch	
31	3290605	4	Nut M6	
33	4811700	8	Washer M6	
35	1001284677	1	Decal - Lift Diagram	
36	1001119578	2	Decal - 340AJ (Prior to SN 0300280427)	
36	1001267323	2	Decal - 340AJ (SN 0300280427 to Present)	
37	1001119580	4	Decal - Tire Load	
38	1001119981	1	Decal - Manual Turntable Rotate	
39	1001120280	1	Decal - No Pipe Racks	
40	1001253924	1	Decal - Warning Single Capacity	
41	1001253925	1	Decal - Warning Single Capacity	
42	1001127549	1	Decal - Manual Descent	
43	1001127588	1	Decal - Manual Descent	
45	1001224048	1	Decal - Yearly Inspection	
48	1705345	1	Decal - Warning Inspection	

SECTION 9 - DECALS

FIGURE 9-9. DECALS INSTALLATION - LATIN AMERICA SPEC (SPANISH/ENGLISH)

NOTE: SOME DECALS ARE CALLED OUT ON OPTIONAL DECALS INSTALLATION.



ART_1001246464

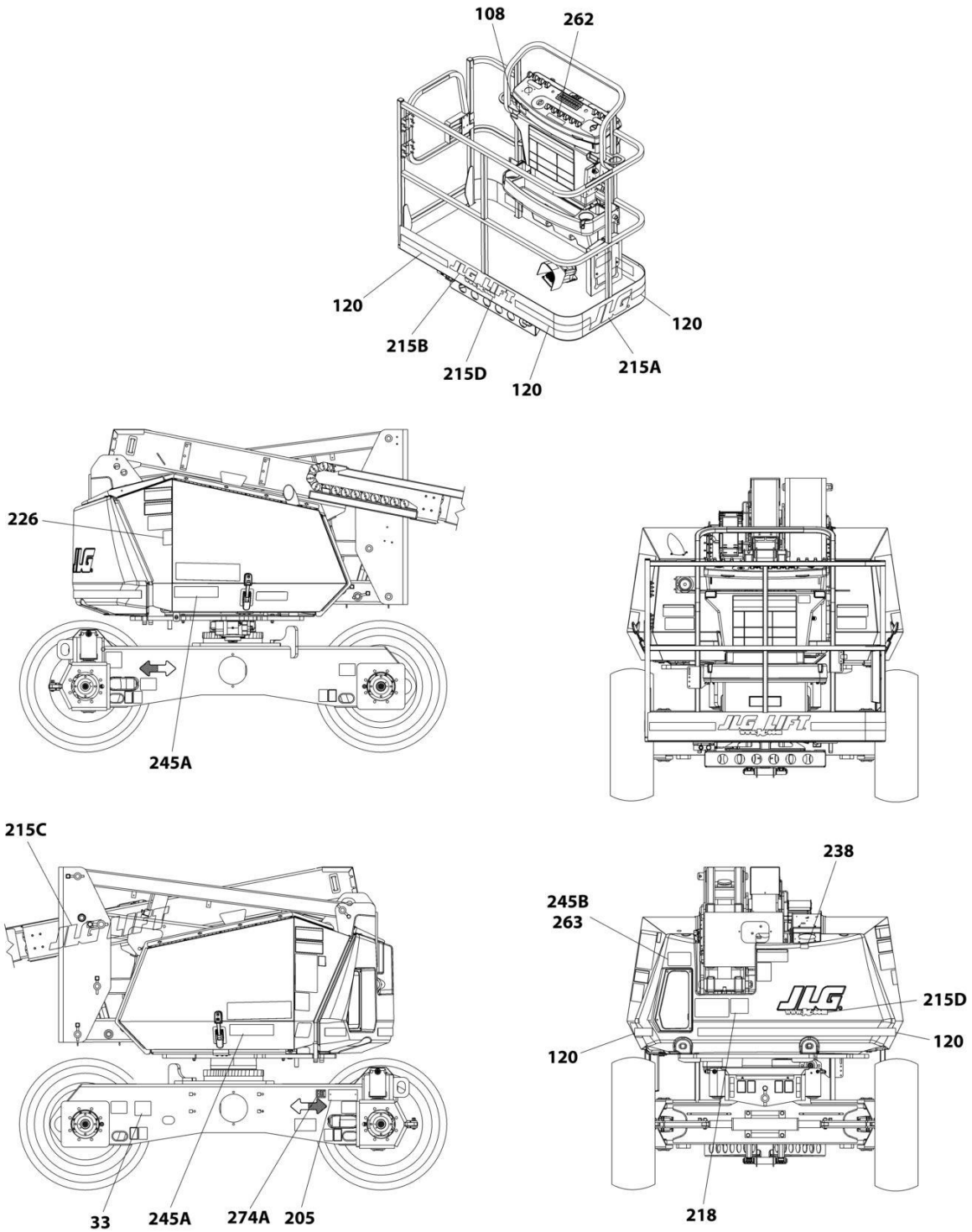
SECTION 9 - DECALS

FIGURE 9-9. DECALS INSTALLATION - LATIN AMERICA SPEC (SPANISH/ENGLISH)

ITEM	PART NUMBER	QTY	DESCRIPTION	REV
	1001246464	Ref	DECALS INSTALLATION	F
1	0760610	4	Bolt M6 x 20	
2	0860520	1	Box, Manual Storage	
4	1701499	4	Decal - No Tie-Down/No Lift	
5	1701500	4	Decal - Lift	
6	1701504	1	Decal - Hydraulic Oil	
7	1701509	1	Decal - Manual	
8	1701529	2	Decal - Arrow	
9	1701642	2	Decal - Arrow	
10	1702300	8	Decal - Tie-Down	
11	1001113171	1	Decal - Crushing	
12	See Note	NSS	Decal - Bar Code (Note: Not Available for Purchase)	
16	1704001	2	Decal - No Hands	
17	1703923	1	Decal - Danger/Warning	
19	1703947	4	Decal - Warning Crushing	
20	1703935	5	Decal - Electrocution	
21	1703941	2	Decal - Warning Crushing	
22	1704277	2	Decal - Lanyard Attach	
23	1704412	1	Decal - Hydraulic Oil	
26	1705910	1	Decal - Drive/Steer Instructions	
27	2080057	2	Fastener	
29	1703983	1	Nameplate - Footswitch	
31	3290605	4	Nut M6	
33	4811700	8	Washer M6	
35	1001284677	1	Decal - Lift Diagram	
36	1001119578	2	Decal - 340AJ (Prior to SN 0300280427)	
36	1001267323	2	Decal - 340AJ (SN 0300280427 to Present)	
37	1001119580	4	Decal - Tire Load	
38	1001119981	1	Decal - Manual Turntable Rotate	
39	1001120283	1	Decal - No Pipe Racks	
40	1001253930	1	Decal - Warning Single Capacity	
41	1001253931	1	Decal - Warning Single Capacity	
42	1001127549	1	Decal - Manual Descent	
43	1001127588	1	Decal - Manual Descent	
45	1001224049	1	Decal - Yearly Inspection	
48	1705917	1	Decal - Warning Inspection	

SECTION 9 - DECALS

FIGURE 9-10. OPTIONAL DECALS INSTALLATION



ART_DECAL_OPTIONS

SECTION 9 - DECALS

FIGURE 9-10. OPTIONAL DECALS INSTALLATION

ITEM	PART NUMBER	QTY	DESCRIPTION	REV
		Ref	OPTIONAL DECALS INSTALLATION	
33	1700818	2	Decal - Fuel (LP Gas Machines) (English Language) (ANSI, ANSI Export and CSA Specs)	
33	1704271	2	Decal - Fuel (LP Gas Machines) (English/French Languages) (CSA Specs)	
	1001119661	1	Decal - Fuel (LP Gas Machines) (English/Spanish Languages) (ANSI Export and China Specs)	
108	1001231801	1	Decal - Warning Proposition 65	
120	4420051	AR	Tape, Safety	
205	See Note	1	Nameplate - Manufacturers Serial Number (Note: Not Available for Purchase)	
215	1001110613	Ref	JLG Logo Installation	B
215A	1702773	1	Decal - JLG	
215B	1702774	1	Decal - JLG Lift	
215C	1702860	1	Decal - JLG Lift	
215D	1704885	2	Decal - Website	
218	3251813	1	Decal - USA (ANSI, ANSI Export and CSA Specs)	
226	1704972	1	Decal - Warning Explosion/Fire (ANSI Spec)	
226	1706098	1	Decal - Warning Explosion/Fire (Australian, CE & UK CA Spec)	
226	1706059	1	Decal - Warning Explosion/Fire (Brazil Spec)	
226	1706064	1	Decal - Warning Explosion/Fire (CSA Spec)	
226	1706060	1	Decal - Warning Explosion/Fire (Chinese Spec)	
226	1706062	1	Decal - Warning Explosion/Fire (Japanese Spec)	
226	1706061	1	Decal - Warning Explosion/Fire (Korean Spec)	
226	1706063	1	Decal - Warning Explosion/Fire (Latin America Spec)	
238	1001108923	1	Decal - Low Sulfur Fuel Spec (ANSI and CSA Specs Only)	
238	1001139654	1	Decal - Ultra Low Sulfur Fuel Spec (Japanese, CE & UK CA Specs Only)	
245	1001119459	Ref	Decal Installation - ClearSky (Machines with ClearSky Option)	
245A	1001116208	2	Decal - ClearSky	
245B	1001120989	1	Decal - Radio Frequency	
262	1001141300	1	Decal - SkyGuard Override	
263	1001197408	1	Decal - MSSO	
274	1001214030	1	Decal - EAC Installation (CIS and Russia Specs)	
274A	1001173703	1	Decal - EAC	

SECTION 10 - RECOMMENDED SERVICE PARTS STOCK

SECTION 10 - RECOMMENDED SERVICE PARTS STOCK

SECTION 10 - RECOMMENDED SERVICE PARTS STOCK

FIGURE 10-1. RECOMMEDED SERVICE PARTS STOCK

ITEM	PART NUMBER	QTY	DESCRIPTION	REV
		Ref	Note: The following list will service one machine (built to current production per date on the front cover) with emergency repair parts which can be installed in the field. Parts from the list should be replaced when inventory is depleted to keep service parts stock supplied. For further information, contact your JLG dealer or the JLG Industries Parts Department.	
	70000126	1	Circuit Breaker (220V/50HZ Generators)	
	70002240	1	Circuit Breaker (120V/50HZ Generators)	
	1001181045	1	Breaker, Combination 16Amp/30mAmp (CE & UK CA Specs)	
	1001109477	1	Breaker, 10Amp (100119927 and 100119928 Generator Harness)	
	70002386	1	Coil (Boom, Flow Divider, Main Control & Manual Valves/Lift Cylinders)	
	70002963	1	Coil (Boom & Main Control Valves)	
	70002971	1	Coil (Flow Divider & Main Control Valves)	
	70002149	1	Coil Kit (Pump Assembly)	
	70003788	1	Coil (Main Control Valve)	
	1001212415	1	Drive/Steer Controller Assembly	
	1001129555	1	Lift/Swing Controller Assembly	
	70002237	2	Diode (Generators)	
	3990010	2	Diode 10 Amp (Mid Engine Harness)	
	70010383	1	Element, Filter (Includes O-Ring) (Charge Pump)	
		Ref	ENGINE COMPONENTS - GM	
	7015004	12	Element, Air Cleaner (GM Engines)	
	7027972	12	Filter, Fuel (GM Engines)	
	70002979	12	Filter, Oil (GM Engines)	
	70003178	1	Module, Control (GM Engines)	
		Ref	ENGINE COMPONENTS - KUBOTA	
	70005296	12	Element (Kubota Engines - Fuel/Water Separator))	
	7015004	12	Element, Air Cleaner (Kubota Engines)	
	1001190545	12	Filter, Fuel (Kubota Engines)	
	70004395	12	Filter, Oil (Kubota Engines)	
	70002812	12	Hydraulic Breather/Filter Kit	
	2860030	1	Key, Replacement	
	2940074	1	Latch (Machines with Platform Gate)	
	1001120431	1	Module, Ground Control	
	1001142683	1	Module, Beacon Control Blue & Red Beacons)	
	1001118412	1	Module, Platform	
	3740080	1	Relay (Head/Tail Lights and Turntable Floodlights)	
	1001186431	1	Relay (SkyGuard)	
	1001117025	1	Relay and Connector Assembly (Chassis & Engine & Generator Harnesses)	
	3740086	1	Relay (SkyLine)	
	1001219601	1	Sensor (Tilt Dual Axis CAN)	
	1001228225	1	Sensor, Emitter (SkyEye)	
	1001228224	1	Sensor, Receiver (SkyEye)	
	1001232667	1	Sensor, Proximity (SkyLine)	
	1001119170	1	Switch, Limit (Ground Components)	
	4360548	1	Switch, Limit (Boom)	
	4360328	1	Switch, Toggle (Ground Controls)	
	4360475	1	Switch, Emergency Stop (Ground Controls)	

SECTION 10 - RECOMMENDED SERVICE PARTS STOCK

ITEM	PART NUMBER	QTY	DESCRIPTION	REV
	1001274559	1	Switch, Emergency Stop (Platform Controls)	
	4360476	1	Switch, Contact Block, (Ground & Platform Controls)	
	4360387	1	Switch, Push Button (Ground & Platform Controls)	
	4360469	1	Switch, Key (Ground Controls)	
	4360522	1	Switch, Push Button (Head/Tail Lights and Turntable Floodlights) (Ground Controls)	
	4360336	1	Switch, Toggle (Machines with Generator & All Gas Powered Machines)	
	1001117174	1	Footswitch Assembly (Platform)	
	1001155045	1	Switch, Toggle (Platform Controls)	
	1001159256	1	Switch, Toggle (Platform Controls)	
	1001161709	1	Switch, Toggle (Platform Controls)	
	4360407	1	Switch, Potentiometer (Platform Controls)	
	1001137673	1	Switch, SkyGuard Bar (Platform Controls)	
	70004682	1	Switch, On/Off/Reset (4000W Generator)	

SECTION 11 - SPECIAL OPTIONS/ACCESSORIES/KITS

SECTION 11 - SPECIAL OPTIONS/ACCESSORIES/KITS

SECTION 11 - SPECIAL OPTIONS/ACCESSORIES/KITS

FIGURE 11-1. SPECIAL OPTIONS/ACCESSORIES/KITS

ITEM	PART NUMBER	QTY	DESCRIPTION	REV
		Ref	Note: This list is to accommodate machines ordered with special equipment. Options may not be applicable to all models. For more specific parts information contact JLG Parts Department.	
		Ref	MISCELLANEOUS SPECIAL OPTIONS	
		Ref	Air Line at Platform Installations	
	1001119028	Ref	Machines without Arctic Package	
	1001119378	Ref	Machines with Arctic Package	
	1001119803	Ref	Bellows Installations	
	1001148971	Ref	Bolt-on Lanyard Kit (Platform)	
	1001119962	Ref	Boom Wiper Installation	
	1001172045	Ref	Cable/Ladder Rack Installation	
		Ref	ClearSky Telematic Add-on Kits (Dealer Installed)	
	1001144010	Ref	ClearSky Add-on Kit - Gold (With UGM) (USA and Canada Specs Only)	
	1001118234	Ref	ClearSky Add-on Kit - Bronze (Without Non-ADE/UGM) (USA Specs Only)	
	1001118235	Ref	ClearSky Add-on Kit - Bronze (Without Non-ADE/UGM) (Canada Specs Only)	
	1001276923	Ref	ClearSky GT1030 Add-on Kit (Dealer Installed)	
	1001242192	Ref	ClearSky (Telematics) Access Control Add-on Kit (Dealer Installed) (ANSI, ANSI Export and CSA Specs)	
	1001243183	Ref	ClearSky (Telematics) Added-on Kit (Dealer Installed) (ANSI, ANSI Export and CSA Specs)	
	1001243184	Ref	ClearSky (Telematics) Added-on Kit (Dealer Installed) (CE & UK CA Specs)	
	1001246142	Ref	ClearSky (Telematics) Added-on Kit (Dealer Installed) (Australian Specs)	
		Ref	ClearSky Telematic Installation (Factory Installed)	
	1001227454	Ref	ClearSky (Telematics) Installation (Factory Installed) - Canbus Connection (ANSI and CSA Specs)	
	1001228956	Ref	ClearSky (Telematics) Installation (Factory Installed) - Canbus Connection (ANSI Export, CE & UK CA Specs)	
	1001276610	Ref	ClearSky (Telematics) Installation (Factory Installed) - 3 Wire Connection (All Specs except Australian & China Specs)	
	1001246486	Ref	ClearSky (Telematics) Installation (Factory Installed) - 3 Wire Connection (Australian Specs)	
	1001246487	Ref	ClearSky (Telematics) Installation (Factory Installed) - 3 Wire Connection (China Specs)	
	1001262959	Ref	ClearSky Voltage Regulator Installation Kit	
		Ref	Cold Weather Start Kits (Not Available on Australian, CE & UK CA Spec Machines)	
	1001119989	Ref	Diesel Engine Machines	
	1001119987	Ref	Gas Engine Machines	
	1001276007	Ref	Controller Service Kit - Drive/Steer	
	1001276008	Ref	Controller Service Kit - Lift/Swing	
	1001119397	Ref	Cribbing Switch Installation	
		Ref	Decal Kit Options:	
	1001270523	Ref	Decal Kit - Machine	
	1001241332	Ref	Decal Kit - (Service) Platform	
	1001241338	Ref	Decal Kit - (Service) Platform Console Kit	
	1001138005	Ref	Engine Air Flow Improvement Kit - GM Engines	
	1001119988	Ref	Engine Block Heater Installation (Gas Engine Machines)	

SECTION 11 - SPECIAL OPTIONS/ACCESSORIES/KITS

ITEM	PART NUMBER	QTY	DESCRIPTION	REV
	1001186578	Ref	Fan Guard (Kubota Engines)	
		Ref	Filter Kits:	
		Ref	Combined Filter Kit (Hydraulic/Air and Fuel/Engine Oil)	
	1001133070	1	Kubota Engines	
	1001151649	1	GM Engines	
	1001117294	Ref	Foot Switch Shield	
	1001209659	Ref	Fuel Cap Cover (Lockable) (Black)	
	1001209658	Ref	Fuel Cap Cover (Lockable) (Green)	
	1001205441	Ref	Fuel Cap Cover (Lockable) (Red)	
	1001120103	Ref	Ground Control Cover Installation	
	1001120197	Ref	Hourmeter for Generator Installation	
	1001157918	Ref	Hourmeter for Generator Installation (Kubota Engines Only)	
		Ref	Hose Kits	
	1001239566	Ref	Hose Kits - Platform Valve	
	1001239565	Ref	Hose Kits - Power-Track (Upper)	
	1001241392	Ref	Hostile Environment Kit	
	1001236951	Ref	Low Temperature Cutout Installation (Russian Specs)	
	1001272166	Ref	Pipe Rack Add-on Kit (Dealer Installed)	
	1001195304	Ref	Platform Console Cover Installation	
	1580013	Ref	Platform Corner Storage Tray	
	1001274833	Ref	Platform Floor Matt Add-on Kit (30IN x 48IN Platform) (Dealer Installed)	
	1001274832	Ref	Platform Floor Matt Add-on Kit (30IN x 60IN Platform) (Dealer Installed)	
		Ref	Platform Mesh to Top Rail Installations (Side Entry Platforms) (ANSI, ANSI Export and China Specs)	
	0273147	Ref	30in x 4ft (76cm x 1.22m)	
	0273146	Ref	30in x 5ft (76cm x 1.52m)	
		Ref	Platform Plastic Mesh to Top Rail Installations (Side Entry Platforms) (ANSI, ANSI Export and CSA Specs)	
	1001266807	Ref	30in x 4ft (76cm x 1.22m)	
	1001266801	Ref	30in x 5ft (76cm x 1.52m)	
		Ref	Platform Mesh to Mid Rail Installations (Side Entry Platforms) (ANSI, ANSI Export, Australian and China Specs)	
	1001140318	Ref	30in x 4ft (76cm x 1.22m)	
	1001140315	Ref	30in x 5ft (76cm x 1.52m)	
		Ref	Platform Plastic Mesh to Mid Rail Installations (Side Entry Platforms) (ANSI, ANSI Export, and Australian Specs)	
	1001266969	Ref	30in x 4ft (76cm x 1.22m)	
	1001266799	Ref	30in x 5ft (76cm x 1.52m)	
	1001103558	Ref	Platform Rail Extension Installation (30in x 60in Platforms)	
	1001103617	Ref	Platform Rail Extension Installation (30in x 48in Platforms)	
	1001250035	Ref	Platform Sensor Retrofit Kit	
	1001209059	Ref	Platform Work Surface	
	1001120176	Ref	Security Lock (Programmable) (ANSI, CE & UK CA Specs)	
	1001190900	Ref	Service Kits/ Tools	N
	1001241547	Ref	SkyEye Housing Kit (Left Side)	
	1001241548	Ref	SkyEye Housing Kit (Right Side)	
	1001247073	Ref	SkyEye Retrofit kit	
		Ref	SkyGuard Components Options:	
	1001207138	Ref	SkyGuard Complete Add-on Kit (Blue Strobe Light)	
	1001210035	Ref	SkyGuard Complete Add-on Kit (Red Strobe Light)	
	1001219694	Ref	SkyGuard Platform System Kit	

SECTION 11 - SPECIAL OPTIONS/ACCESSORIES/KITS

ITEM	PART NUMBER	QTY	DESCRIPTION	REV
	1001149565	Ref	SkyGuard Platform Sensor Kit	
	1001207140	Ref	SkyGuard Strobe Light Kit (Blue)	
	1001210034	Ref	SkyGuard Strobe Light Kit (Red)	
	1001250595	Ref	SkyGuard 6-Pin Retrofit Installation Kit	
	1001249052	Ref	SkyGuard Retrofit Kit (Dealer Installed)	
	1001232643	Ref	SkyLine Add-on Kit (Dealer Installed)	
		Ref	Tools for Service	
		Ref	Note: For cylinder repair tools, see individual cylinder assemblies.	
	1001249695	Ref	Analyzer and Cable Kit	
	1001249941	Ref	Analyzer and Cable Kit (Battery Powered)	
	1001160531	Ref	Turntable Bearing Kit	
	1001274249	Ref	USB Charger Add-on Kit (Dealer Installed)	
	1001188446	Ref	Wear Pad kit - Boom	
	1001270755	Ref	White Noise Alarm (Ambient) Add-on Kit (Dealer Installed)	
	1001270716	Ref	White Noise Alarm (Constant) Add-on Kit (Dealer Installed)	

SECTION 11 - SPECIAL OPTIONS/ACCESSORIES/KITS

PART NUMBER INDEX

SECTION 11 - SPECIAL OPTIONS/ACCESSORIES/KITS

0060044.....221, 225	0700408 ... 331, 333, 337, 339, 341, 343, 345, 347, 349, 351, 353	0760621 ... 65, 67, 69, 71, 369, 373, 377, 381, 385, 389	1001096070.....205
0100009.....259	0700510311, 321	0760812 ... 130, 154, 158, 205, 209, 219, 367	1001097051.....471
0100011.... 13, 15, 17, 21, 39, 45, 55, 57, 65, 67, 69, 71, 87, 89, 97, 99, 102, 123, 125, 127, 130, 134, 138, 142, 146, 149, 151, 154, 158, 177, 181, 185, 189, 193, 197, 201, 205, 209, 213, 215, 217, 219, 229, 231, 233, 235, 247, 249, 251, 277, 279, 369, 373, 377, 381, 385, 389	0700608 45	0760814 41, 130, 134, 138, 142, 146	1001097150.....399
0100019.....21, 49	0700610257, 311, 321	0760815 ... 154, 158, 205, 209	1001097244.....255, 257, 273, 465
010002061, 63, 123, 125, 134, 138, 142, 146, 210, 271, 333, 339, 343, 347, 351, 353	070061593, 95	0760816 65, 67, 69, 71	1001097588..... 123, 125
0100035.....259, 269	0700620 45	0760817 130, 154, 158	1001098122.....271, 449
0100048....65, 67, 69, 71, 123, 125, 134, 138, 142, 146, 154, 158	0700621 130	0761007 233	1001098828.....229, 231
0100051..... 123, 125	0700818221, 223	0761009 102	1001100321.....177, 185, 193, 201
0100081....105, 107, 369, 373, 377, 381, 385, 389	0700820 ... 369, 373, 377, 381, 385, 389	0761010 13, 45, 217	1001100341.....451
0140011.....259	0700829 ... 369, 373, 377, 381, 385, 389	0761011 102, 213, 215	1001100342.....453
0140043.... 65, 67, 69, 71	0701012... 177, 181, 185, 189, 193, 197, 201	0761012 ... 55, 57, 65, 67, 69, 71, 102, 213, 215, 310, 320, 367, 369, 373, 377, 381, 385, 389	1001100345.....459
0273146.....513	0701015130, 154, 158	0761014 . 15, 21, 45, 130, 154, 158, 213, 215, 229, 231, 377, 381, 385, 389	1001100346.....463
0273147.....513	070101655, 57	0761015 21, 213, 215, 217, 255, 257	1001100347.....461
0275216.....331, 451	0701017154, 158	0761016 ... 123, 125, 131, 134, 138, 142, 146	1001100825..... 154, 158, 167
0275217337, 453	0701018 ... 102, 177, 181, 185, 189, 193, 197, 201, 221, 223	0761018 154, 158	1001102987..... 45
0275218.....455	0701020221, 223	0761210 102, 217	1001103012.....483
0275219.....457	070102255, 57	0761212 213, 215, 217	1001103558.....513
0275452.....341, 459	0701027 217	076121455, 57, 123, 125, 134, 138, 142, 146, 217	1001103617.....513
0275453.....345, 461	0701219... 177, 181, 185, 189, 193, 197, 201	0761215 ... 213, 215, 229, 231	1001104498.....483
0275454.....349, 463	0701220 13	0761217 ... 123, 125, 134, 142	1001106736.... 65, 67, 69, 71
0340045.... 130, 154, 158	0701221130, 154, 158	0761614 15	1001106757.....369, 373, 377, 381, 385, 389
0361810.....85	0701222 159	0761615 217	1001107152.....369, 373, 377, 381, 385, 389
0400075.....85	0711227 219	0762014 97, 99	1001107781..... 49, 51
0440271..... 13	0711426 49	0840055 443	1001107854.....483
0440274..... 13	0711432 49	0860038 210, 329, 335	1001108290.....219
0440291.....13	072100461, 63	0860520 ... 487, 489, 491, 493, 495, 497, 499, 501, 503	1001108923.....505
0630518..... 81, 269	0741607205, 209	0861731 ... 343, 347, 351, 353, 459, 461, 463	1001109477.....419, 421, 508
0630568.....259	0760505 ... 65, 67, 69, 71, 97, 99, 177, 181, 185, 189, 193, 197, 201	0861781 ... 333, 339, 451, 453	1001109503..... 75, 79
0641404.....279	0760508102, 105, 107	0861880 399	1001109528..... 213, 215
0641405.....259, 279	0760605 ... 370, 374, 377, 381, 385, 389	0902888 209	1001110434.....260
0641406.....253	0760606 ... 123, 125, 178, 182, 186, 190, 194, 198, 202, 229, 231	0940048 217	1001110613.....505
0641408.... 154, 158, 206	0760607 ... 154, 158, 205, 209	0961845 247, 249, 251	1001110873.....210, 329
0641412..... 155, 159	0760608... 65, 67, 69, 71, 102, 105, 107, 130, 134, 138, 142, 146, 154, 158, 369, 373	0961947 225, 227	1001110922.....21
0641414.....259, 277	0760610 ... 85, 87, 89, 97, 99, 105, 130, 154, 158, 229, 231, 255, 327, 331, 337, 341, 345, 349, 397, 487, 489, 491, 493, 495, 497, 499, 501, 503	0961948 ... 217, 219, 291, 293	1001112551.....489
0641416....333, 339, 343, 347, 351, 353	076061267, 71, 102, 117, 119, 130, 154, 158, 177, 181, 185, 189, 193, 197, 201	0961950 15	1001112607..... 213, 215
0641418.....247, 251	0760614255, 257	0961951 ... 221, 223, 287, 289, 295	1001112612..... 437, 475
0641420.....249		0962140 13	1001112796.....475
0641506....177, 181, 185, 189, 193, 197, 201		0962224 217	1001113166.....499
0641516.....209		0962257 225, 227	1001113168.....495
0641605.....45		0962259 217	1001113169.....497
0641609.... 130, 154, 158		0962292 221, 223	1001113170.....491
0641618.....205, 209		0962449 393	1001113171.....503
0641807..... 130		0962520 205, 209	1001113509.....501
0641813.... 127, 149, 151		1001094670 221, 223	1001113680.....491
0651414..... 155, 159			1001113961.....437
0681608.....229, 231			1001114761.....45

SECTION 11 - SPECIAL OPTIONS/ACCESSORIES/KITS

1001115773..... 33	1001117640..... 213, 215, 291	1001118654.....31	1001119268..... 91
1001115780 .. 17, 45, 235	1001117869..... 15	1001118657.....407	1001119277..... 85
1001115781 39	1001117884..... 213, 221	1001118658.....407	1001119278 85
1001115783 493	1001117885..... 213, 215, 219	1001118660.....35	1001119280 85
1001115784 369	1001117897..... 55, 61	1001118665.....217	1001119324310, 320
1001115785 310	1001118029..... 17, 19	1001118666.....217	1001119365.....310, 320
1001115870 217	1001118234..... 512	1001118675..... 155, 159	1001119369223, 227
1001116208 505	1001118235..... 512	1001118720..... 182, 186, 198, 202	1001119370215, 223
1001116228 235, 237	1001118262..... 61, 63	1001118743.....407	1001119371 215
1001116339 55, 57, 59	1001118274.. 39, 41, 219, 235, 369, 373, 377, 381, 385, 389	1001118744.....407	1001119378 512
1001116361 15, 285	1001118280..... 131, 154, 158	1001118745.....407	1001119397 512
1001116378 285	1001118287..... 219	1001118746..... 131, 155, 159	1001119399 83
1001116433 369, 373, 377, 381, 385, 389	1001118288..... 219	1001118748.....407	1001119404310, 320
1001116487 45, 47	1001118292..... 369, 373, 377, 381, 385, 389, 393	1001118751.....45	1001119449310, 320
1001116546 217	1001118361..... 102, 107	1001118751.....45	1001119455 505
1001116547 217	1001118384..... 473	1001118878..... 155, 159	1001119489310, 320
1001116548 217	1001118388..... 439, 473	1001118915..... 39	1001119494 131
1001116549 217	1001118394..... 221, 223	1001118916..... 39	1001119495 131
1001116720 439	1001118412..... 259, 508	1001118925..... 155, 159	1001119496 131
1001116727 401, 411, 415, 445	1001118453..... 131, 154, 158	1001118938.....407	1001119504 233
1001116732 401, 405, 407, 411, 437, 445	1001118459..... 102	1001118961.....49	1001119513 233
1001116734 401, 405, 407, 411, 445	1001118502..... 55, 57	1001118975.....41	1001119525310, 320
1001116752 407	1001118509..... 55, 57	1001119018.....369, 377, 385, 429	1001119527 ... 55, 57, 65, 67, 69, 71, 233
1001116774 475	1001118510..... 55, 57	1001119019.....369, 377, 385, 433	1001119546310, 320
1001116788 13, 297	1001118511..... 15	1001119020.....437, 449, 475	1001119547310, 320
1001116793 21, 25	1001118518..... 15	1001119028..... 512	1001119548 310
1001116808 475	1001118519..... 15	1001119035..... 310, 320	1001119550 311
1001116810 437	1001118527..... 154, 158	1001119068..... 310, 320	1001119551 177, 181, 185, 189, 193, 197, 201
1001116811 401, 445	1001118528..... 154, 158	1001119069..... 310, 320	1001119552 311
1001116812 401, 437, 445	1001118529..... 154, 158	1001119070..... 310, 320	1001119553 177, 181, 185, 189, 193, 197, 201
1001116835 235	1001118530..... 154, 159	1001119071..... 310, 320	1001119554 177, 181, 185, 189, 193, 197, 201
1001116867 13	1001118531..... 155, 159	1001119072..... 102	1001119568 311
1001116871 13	1001118532..... 155, 159	1001119077..... 105	1001119569 311
1001116905 310, 320	1001118538..... 155, 159	1001119080..... 102	1001119570 311
1001117025 401, 405, 407, 411, 445, 508	1001118539..... 155, 159	1001119083..... 102	1001119572311, 321
1001117028 127, 149, 151, 171	1001118540..... 155, 159	1001119085..... 102	1001119577311, 321
1001117029 127, 149, 151, 175	1001118542..... 155, 159	1001119086..... 105	1001119578 487, 489, 491, 493, 495, 497, 499, 501, 503
1001117030 21, 23	1001118543..... 155, 159	1001119087..... 105	1001119580 487, 489, 491, 493, 495, 497, 499, 501, 503
1001117055 407	1001118547..... 155, 159	1001119088..... 105	1001119582 197
1001117070 407	1001118548..... 134, 138, 142, 146	1001119089..... 107	1001119583 181
1001117078 437	1001118549..... 131, 155, 159	1001119090..... 107	1001119584 201
1001117129 33, 35	1001118553..... 369, 373, 377, 381, 385, 389	1001119091..... 107	1001119585 185
1001117131 33	1001118559..... 369, 373, 377, 381, 385, 389	1001119092..... 102	1001119586 189, 197
1001117132 33	1001118579..... 155, 159	1001119102..... 57	1001119587 181
1001117142 13	1001118580..... 155, 159	1001119104..... 102	1001119588 193, 201
1001117172 255, 257, 271	1001118592..... 369, 373, 377, 381, 385, 389	1001119139..... 361, 369, 377	1001119589 177, 185
1001117174 255, 257, 259, 271, 509	1001118593..... 369, 373, 377, 381, 385, 389	1001119140..... 355, 369, 377	1001119593 311, 321
1001117239 102	1001118594..... 131, 155, 159	1001119170....65, 67, 69, 71, 441, 508	1001119594 311, 321
1001117240 85	1001118595..... 235	1001119176....65, 67, 69, 71, 441	1001119595 311, 321
1001117243 102	1001118638..... 155, 159, 407	1001119194..... 369, 377, 385	1001119596 311, 321
1001117281 105, 107	1001118641..... 29	1001119195..... 373, 381, 389	1001119597 311, 321
1001117282 102	1001118642..... 35	1001119197..... 369, 373, 377, 381, 385, 389	1001119598 311, 321
1001117294 513	1001118644..... 31	1001119228..... 370, 374, 377, 381, 385, 389	1001119600 311, 321
1001117365 285	1001118646..... 123, 125, 134, 138, 142, 146	1001119237 310, 320	1001119602 311, 321
1001117366 285	1001118649..... 29		1001119603 311, 321
1001117372 285	1001118650..... 35		1001119604 311, 321
	1001118651..... 35		1001119605 311, 321
			1001119606 311, 321

SECTION 11 - SPECIAL OPTIONS/ACCESSORIES/KITS

1001119607.....311, 321	1001119954..... 373, 381, 389, 435	1001121719 189	1001138514.....247, 249
1001119608.....311, 321	1001119955..... 357, 373, 381	1001121720 177	1001139654.....505
1001119610.....311, 321	1001119956..... 363, 373, 381	1001121721 193	1001140315.....513
1001119611.....311, 321	1001119962 512	1001121966 311, 321	1001140318.....513
1001119612.....311, 321	1001119981 487, 489, 491, 493, 495, 497, 499, 501, 503	1001122527 217, 293	1001140429.....247, 249, 251
1001119613.....311, 321	1001119987 512	1001123004 221, 223, 289	1001140524.....370, 374, 378, 382, 386, 390, 395
1001119619.....469	1001119988 512	1001123018 131, 155, 159	1001140525.....260, 479
1001119620.....467, 471	1001119989 512	1001125108 311, 321	1001141300.....505
1001119626.....311, 321	1001120002 487	1001125118 178, 182, 186, 190, 194, 198, 202	1001141710....65, 67, 69, 71
1001119627.....311, 321	1001120003 489	1001125235 213, 215	1001141967.....455, 457
1001119630.....311, 321	1001120004 497	1001125249 311, 321	1001141968.....455
1001119633.....181, 189, 197	1001120007155, 159	1001125291 ... 65, 67, 69, 71	1001141969.....457
1001119634.....177, 185, 193, 201	1001120013 167	1001126009 473	1001141970.....457
1001119635.....131	1001120087 123, 125, 131, 134, 138, 142, 146, 155, 159	1001127115 45	1001141971.....455
1001119636.....131	1001120090 123, 125, 131, 134, 138, 142, 146, 155, 159	1001127549 487, 489, 491, 493, 495, 497, 499, 501, 503	1001142683... 93, 95, 508
1001119640.....131	1001120103 513	1001127588 487, 489, 491, 493, 495, 497, 499, 501, 503	1001142736... 93, 95, 475
1001119641.....131	1001120176 513	1001127703 311, 321	1001144010.....512
1001119643.....131	1001120197 513	1001127705 311, 321	1001144147.....437
1001119644.....131	1001120204355, 357	1001128781 55, 57	1001144433.....277
1001119649.....131	1001120205361, 363	1001128782 55, 57	1001144629.....243, 245
1001119661.....505	1001120232 97	1001128798 61	1001146824.....102
1001119698.....131, 155, 159	1001120239 ...97, 99, 405	1001128799 63	1001147141.....205
1001119699.....131	1001120307 155	1001128801 123, 125	1001147233.....205, 209
1001119700.....131	1001120328277, 279	1001128888 155, 159	1001147234.....205, 209
1001119701.....131	1001120371 443	1001128931 123, 125	1001147365.....131, 155, 159
1001119727.....131	1001120424 320	1001128936 123, 125	1001147431.....205, 209
1001119730.....131	1001120425 321	1001129043 63	1001147436.....209
1001119733.....489	1001120426 321	1001129255 123, 125	1001147440.....105
1001119773.....177, 181, 185, 189, 193, 197, 201, 411	1001120427 321	1001129256 123, 125	1001147441.....102, 105
1001119778.....123, 125, 409	1001120428 321	1001129407 441	1001147470.....113, 138
1001119799.....409	1001120429 321	1001129555 508	1001147471.....115, 146
1001119803.....512	1001120430 320	1001130588 327	1001147590.....102
1001119869.....329	1001120431 ...65, 69, 508	1001131269 487, 497	1001147642.....131, 155, 159
1001119870.....325	1001120450 131, 155, 159	1001131968 359, 365	1001147643.....131, 155, 159
1001119871.....335	1001120454 131	1001133070 513	1001148254.....123, 125, 127
1001119872.....341	1001120466 281	1001136231 402, 445	1001148255.....117, 123
1001119873.....345	1001120474 281	1001136232 402, 407, 445	1001148256.....119, 125
1001119874.....349	1001120476 281	1001137326 131	1001148660.....205
1001119875.....331	1001120484 281	1001137327 131	1001148663.....209
1001119876.....337	1001120749 105	1001137336 131	1001148971.....512
1001119881.....190, 194, 198, 202	1001120974219, 299	1001137337 117, 119	1001148975.....131
1001119882.....178, 182, 186	1001120976 213, 215, 295	1001137367 123, 125	1001149144.....99
1001119902.....123, 125	1001120989 505	1001137369 117, 119	1001149147.....99
1001119919.....419, 425	1001121172401, 445	1001137371 131	1001149379.....155, 159
1001119920.....421, 427	1001121221311, 321	1001137379 117, 119	1001149565.....514
1001119921.....423	1001121531155, 159	1001137398 131	1001150619.....205
1001119922.....417	1001121672 31	1001137399 131	1001151188.....167
1001119923.....425	1001121678 29	1001137400 131	1001151393.....83
1001119924.....423		1001137401 117, 119	1001151649.....513
1001119925.....417		1001137402 117, 119	1001152457.....210
1001119926.....427		1001137451 105, 109, 111, 113, 115	1001153015.....49, 53
1001119927.....419		1001137452 109, 111, 113, 115	1001153364.....49
1001119928.....421		1001137673 277, 509	1001153814.....209
1001119929.....131, 182, 186, 198, 202, 205, 209		1001138005 512	1001154291.....381
1001119930.....131		1001138494 247, 249	1001154292.....377
1001119937.....373			1001155044.....259
1001119953.....373, 381, 389, 431			1001155045.....259, 509

SECTION 11 - SPECIAL OPTIONS/ACCESSORIES/KITS

1001156352..... 382	1001194365..... 353	1001227454..... 512	1001243035..... 159
1001156819..... 123, 125	1001194741..... 131	1001227633..... 275	1001243183..... 512
1001156823..... 123, 125	1001195234..... 127, 130	1001227634..... 275	1001243184..... 512
1001157310..... 365, 385, 389	1001195304..... 513	1001227985..... 275	1001244525... 65, 67, 69, 71, 481
1001157311..... 359, 385, 389	1001196242..... 41	1001227987..... 275	1001244526... 65, 67, 69, 71, 437
1001157915..... 205, 210, 415	1001197408..... 505	1001227996..... 467, 471	1001244527... 65, 67, 69, 71, 445
1001157916..... 205, 210, 413	1001199306..... 289, 299	1001228215..... 251	1001244528..... 259, 449
1001157918..... 513	1001199460..... 289	1001228225..... 275, 508	1001245389..... 255, 257, 259
1001159027..... 477	1001200472..... 45	1001228627..... 229, 231	1001245407..... 255
1001159256..... 259, 509	1001200491..... 229, 231	1001228956..... 512	1001245427..... 257
1001160531..... 53, 514	1001203719... 65, 67, 69, 71	1001229341..... 275	1001245438..... 65, 67
1001161433..... 109, 134	1001205441..... 513	1001231153..... 217	1001245657..... 69, 71
1001161434..... 111, 142	1001205958..... 343, 347, 351	1001231609..... 37	1001245868..... 487
1001161709..... 259, 509	1001206476..... 367	1001231610..... 37	1001245869..... 497
1001166538..... 259, 267	1001206532..... 260	1001231801..... 505	1001246142..... 512
1001166539..... 259, 263	1001206737..... 87	1001231886..... 87	1001246460..... 499
1001168210..... 287	1001207138..... 513	1001232164..... 275	1001246461..... 501
1001170981..... 155, 159	1001207140..... 514	1001232165..... 275	1001246462..... 495
1001171482..... 73, 77	1001208874..... 45	1001232642..... 279	1001246463..... 491
1001172045..... 512	1001209059..... 513	1001232643..... 514	1001246464..... 503
1001172663..... 229	1001209658..... 513	1001232667..... 279, 508	1001246486..... 512
1001172760..... 259	1001209659..... 513	1001236087..... 269	1001246487..... 512
1001173703..... 505	1001209664..... 277	1001236093..... 81	1001246859..... 483
1001174486..... 123, 125	1001210034..... 514	1001236433..... 81	1001247073..... 513
1001176469..... 77, 79	1001210035..... 513	1001236552..... 279	1001247468..... 231
1001177156..... 123, 125	1001210636..... 273	1001236816..... 97	1001249052..... 514
1001181045..... 399, 508	1001210829..... 45	1001236951..... 513	1001249695..... 514
1001182806..... 87	1001211509..... 57, 63	1001237544..... 269	1001249941..... 514
1001184618..... 259	1001212415..... 508	1001237667..... 437, 449	1001250035..... 513
1001184626..... 259	1001213447..... 449	1001237668..... 437, 449	1001250595..... 514
1001184682..... 89	1001213882..... 259	1001237862..... 467, 471	1001253920..... 487
1001185281..... 259	1001214030..... 505	1001237863..... 275, 471	1001253921..... 487
1001186375..... 247	1001214397..... 367	1001237864..... 275, 467	1001253922..... 497
1001186377..... 249	1001214570..... 367	1001237865..... 275, 469	1001253923..... 497
1001186386..... 245	1001214571..... 367	1001237878..... 367	1001253924..... 501
1001186387..... 243	1001215228..... 259	1001237879..... 367	1001253925..... 501
1001186431..... 277, 508	1001216630..... 229, 231	1001237880..... 367	1001253926..... 495
1001186432..... 439, 473	1001217227..... 229, 231	1001237881..... 367	1001253927..... 495
1001186517..... 277	1001217228..... 229, 231	1001237999..... 155, 159, 163	1001253928..... 491
1001186578..... 513	1001217242..... 229, 231	1001238001..... 149, 154	1001253929..... 491
1001187674..... 275	1001217243..... 229, 231	1001238002..... 151, 158	1001253930..... 503
1001187681..... 469	1001217244..... 229, 231	1001238004..... 134, 142, 149	1001253931..... 503
1001187807..... 81, 269	1001217253..... 229, 231	1001238005..... 138, 146, 151	1001253932..... 499
1001188093..... 401	1001217254..... 229, 231	1001238319..... 275	1001253933..... 499
1001188322..... 397	1001217267..... 229, 231	1001238418..... 279, 473	1001254472..... 279
1001188446..... 514	1001219601... 67, 71, 508	1001238472..... 279	1001254473..... 279
1001188622..... 229, 231	1001219694..... 513	1001238495..... 277	1001257690..... 393
1001188844..... 229, 231	1001223055..... 487	1001238559..... 279	1001262959..... 512
1001190545..... 134, 138, 142, 146, 508	1001223453..... 487, 497	1001238749..... 81	10012663178..... 89
1001190609..... 134, 138, 142, 146, 169	1001223971..... 497	1001239565..... 513	1001266040..... 73, 77
1001190663..... 87, 89	1001224048..... 501	1001239566..... 513	1001266041..... 73, 75
1001190900..... 513	1001224049..... 503	1001239804..... 37	1001266043..... 77, 79
1001190985..... 229, 231	1001224050..... 495	1001241332..... 512	1001266044... 65, 67, 73, 75
1001193018..... 331, 333, 337, 339, 341, 343, 345, 347, 349, 351, 353	1001224052..... 491	1001241338..... 512	1001266045... 69, 71, 77, 79
1001194197..... 343	1001224053..... 499	1001241392..... 513	1001266799..... 513
1001194198..... 347	1001224891..... 233	1001241400..... 81, 269	1001266801..... 513
1001194200..... 351	1001225346..... 367	1001241547..... 513	1001266807..... 513
1001194203..... 333	1001225580..... 277, 439	1001241548..... 513	1001266969..... 513
1001194204..... 339	1001225990..... 213, 215, 287	1001241965..... 279	1001267323..... 487, 489, 491, 493, 495, 497, 499, 501, 503
	1001226400..... 429, 431, 433, 435	1001242192..... 512	
	1001226530..... 367	1001242849..... 93	
	1001226872..... 251	1001242850..... 95	
		1001243034..... 159	

SECTION 11 - SPECIAL OPTIONS/ACCESSORIES/KITS

1001270523.....512	1670899 ... 369, 373, 377, 381, 385, 389	1703950 499	2180666.... 134, 138, 142, 146
1001270594.....91	1671092 ... 370, 374, 378, 386, 390	1703951 501	2220124..... 49
1001270716.....514	1671093 ... 370, 374, 378, 386, 390	1703952 491	2220290..... 41
1001270755.....514	1700818 505	1703953 487	2220365..... 310, 320
1001271212.....219	1701499 ... 487, 489, 491, 493, 495, 497, 499, 501, 503	1703980 499	2220366..... 310, 320
1001271234.....219	1701500 ... 487, 489, 491, 493, 495, 497, 499, 501, 503	1703981 501	2220371..... 310, 320
1001271794.....67, 71	1701504 ... 487, 489, 491, 493, 495, 497, 499, 501, 503	1703982 495	2220373..... 310, 320
1001272166.....513	1701505 55	1703983 503	2220374..... 310, 320
1001272533.....37	1701509 ... 487, 489, 491, 493, 495, 497, 499, 501, 503	1703984 497	2220415..... 310, 320
1001272666..... 155, 159	1701517 489, 493	1703985 491	2220451..... 310, 320
1001272681.....93	1701518 489, 493	1704000 497	2220466..... 310, 320
1001272682.....95	1701529 ... 487, 489, 491, 493, 495, 497, 499, 501, 503	1704001 503	2220468..... 310, 320
1001272948..... 155, 159	1701542 57	1704002 491	2220472..... 310, 320
1001272950..... 155, 159	1701543 41	1704260 259	2220473..... 310, 320
1001273101..... 155, 160	1701642 ... 487, 489, 491, 493, 495, 497, 499, 501, 503	1704271 505	2220499..... 310, 320
1001274140..... 155, 159	1702300 ... 487, 489, 491, 493, 495, 497, 499, 501, 503	1704277 ... 487, 489, 491, 493, 495, 497, 499, 501, 503	2220500..... 311, 321
1001274249.....514	1702391 487	1704412 ... 487, 489, 491, 493, 495, 497, 499, 501, 503	2220501..... 310, 320
1001274559.....259, 509	1702565 259	1704412 ... 487, 489, 491, 493, 495, 497, 499, 501, 503	2220502..... 310, 320
1001274814.....465	1702566 259	1704412 ... 487, 489, 491, 493, 495, 497, 499, 501, 503	2220507..... 310, 320
1001274828.....273	1702567 259	1704885 505	2220582..... 310, 320
1001274832.....513	1702773 505	1704972 505	2220605..... 311, 321
1001274833.....513	1702774 505	1705170 97, 99	2220635..... 311, 321
1001274837.....512	1702860 505	1705325 331, 333	2220819..... 310, 320
1001276008.....512	1702868 487	1705344 499	2220828..... 310, 320
1001276143...67, 71, 483	1703162 130, 154, 158	1705345 501	2220881.....285
1001276610.....512	1703797 487	1705347 497	2220883.....285, 287
1001276923.....512	1703798 487	1705348 495	2220885.....285
1001280340.....67, 71	1703804 487	1705349 491	2220940..... 311, 321
1001280406.....75, 79	1703805 487	1705351 487	2220947..... 310, 320
1001284677.....487, 489, 491, 493, 495, 497, 499, 501, 503	1703923 503	1705387 209	2221041..... 310, 320
1001285733..... 93, 95	1703924 497	1705426 499	2221053..... 310, 320
1001286749..... 102	1703925 495	1705427 501	2221060..... 310, 320
1060908.....399	1703926 499	1705429 497	2221086..... 310, 320
1060918.....255, 257, 271	1703927 501	1705430 495	2400066.....402, 445
10837580..... 47, 299	1703928 491	1705489 205	2420203.... 181, 189, 197
1320012..... 130, 154, 158	1703935 503	1705822 489, 493	2460049.... 181, 189, 197
1320016..... 130	1703936 497	1705828 489, 493	2540020..... 93, 95
1320022.... 123, 125, 130, 134, 138, 142, 146	1703937 495	1705910 503	2540045.... 134, 138, 142, 146
1320026..... 123, 125	1703938 499	1705917 503	2560122..... 45
1320041.....373	1703939 501	1705921 489, 493	2560136.....259
1320043.... 134, 138, 142, 146, 327, 331, 337, 341, 345, 349, 369, 397, 417, 423	1703940 491	1705961 489, 493	2600281.....243, 245
1320130....369, 373, 377, 381, 385, 389	1703941 503	1705968 495	2720058.... 130, 134, 138, 142, 146
1320136.97, 99, 229, 231	1703942 497	1705969 501	2720175..... 41
1320220.....41	1703943 495	1705978 489, 493	2720271.... 130, 134, 138, 142, 146
1320223.....85, 130, 154, 158, 367	1703944 499	1706059 505	2720615..... 130
1320263.....377, 381	1703945 501	1706060 505	2820019..... 449
1320274.... 134, 138, 142, 146	1703946 491	1706061 505	2820030..... 441, 443
1321283..... 123, 125	1703947 503	1706062 505	2820031.... 177, 181, 185, 189, 193, 197, 201, 205, 209, 370, 374, 377, 381, 385, 389
1321293.....65, 67, 69, 71	1703948 497	1706063 505	2820118....429, 431, 433, 435, 449
1321682..... 130, 154, 158	1703949 495	1706064 505	2820247..... 467, 471
1321716....65, 67, 69, 71, 130, 154, 158, 310, 320	2080040 ... 105, 109, 111, 113, 115, 117, 119, 243, 245, 281	1706098 505	2860030..... 83, 508
1340069.... 131, 154, 158	2080057 ... 487, 489, 491, 493, 495, 497, 499, 501, 503	2110808 310, 320	2900770....225, 287, 289, 299
1380136.....45	2110810 311, 321	2131216 310, 320	2902549....327, 331, 337, 341, 345, 349, 397, 399
1580011 130	2180348 ... 123, 125, 134, 138, 142, 146	2180348 ... 123, 125, 134, 138, 142, 146	2920110..... 99
1580012.....253	2180387 41	2180387 41	2920113..... 99
1580013.....513	2180389 41	2180389 41	2920162.... 177, 181, 185, 189, 193, 197, 201
1670603.....353	2180504 41	2180504 41	

SECTION 11 - SPECIAL OPTIONS/ACCESSORIES/KITS

2940074 243, 245, 508	3300353.....259	3931408.....277	4460205 ... 329, 419, 423, 425
2940109 105, 107	3300408..... 81	3931832.....49	4460225411, 413, 449
3200378 130, 158	3300430..... 277	3960422.....210, 329, 335	4460226 ... 255, 257, 264, 267, 271
3200425 130	3311005..... 99, 209, 281	3960464....123, 125, 130, 134, 138, 142, 146, 154, 158	4460227401, 445, 449
3251102 ... 177, 181, 185, 189, 193, 197, 201, 205, 209	3311405.... 154, 158, 206, 279, 333, 339, 343, 347, 351, 353	3990010.....445, 508	4460233 335
3251242 ... 339, 343, 347, 351, 353	3311501..... 221, 223	4010618.....247, 249	4460234 259
3251243 209, 325, 329	3311508.....209	4031505.....275	4460247 407
3251813 505	3311601..... 259, 279	4031509..... 91, 93, 95	4460256405, 407
3252347 487	3311605.... 130, 154, 158	4031510....369, 373, 377, 381, 385, 389	4460259 ... 415, 437, 449, 479
3252507 ... 327, 335, 337, 341, 345, 349, 397	3321401..... 155, 159	4031512....65, 67, 69, 71, 369, 373, 377, 381, 385, 389	4460260 ... 415, 437, 449, 479
3290405 ... 65, 67, 69, 71, 91, 93, 95, 255, 257, 273, 331, 333, 337, 339, 341, 343, 345, 347, 349, 351, 353, 369, 373, 377, 381, 385, 389, 465	3321402..... 154, 158	4031516.....279	4460265264, 267
3290505 ... 102, 105, 107, 177, 181, 185, 189, 193, 197, 201, 205, 209	3340758.....217	4031707..... 154, 158	4460267 411
3290601 87, 89	3340860..... 221, 223	4060092.....335	4460268411, 413
3290605 ... 45, 65, 67, 69, 71, 85, 97, 99, 102, 105, 107, 117, 119, 123, 125, 130, 134, 138, 142, 146, 154, 158, 177, 181, 185, 189, 193, 197, 201, 209, 229, 231, 255, 257, 311, 321, 327, 331, 337, 341, 345, 349, 369, 373, 377, 381, 385, 389, 397, 487, 489, 491, 493, 495, 497, 499, 501, 503	3340901....370, 374, 378, 382, 386, 390	4060802....177, 181, 185, 189, 193, 197, 201, 205, 209	4460313409, 437
3290606 247, 249	3340939....369, 373, 377, 381, 385, 389	4060804.....229, 231	4460315329, 335
3290607 93, 95	3380434..... 255, 257	4060805.....229, 231	4460346210, 329
3290805 ... 65, 67, 69, 71, 130, 134, 138, 142, 146, 221, 223, 367, 369, 373, 377, 381, 385, 389	3422576..... 213, 215	4060808....369, 373, 377, 381, 385, 389	4460384 353
3290807 154, 158	3422582..... 213, 215	4070897219	4460418437, 449
3291001 229, 231	3422592..... 15	4070898219	4460419437, 449
3291005 ... 45, 55, 57, 65, 67, 69, 71, 85, 102, 130, 154, 158, 177, 181, 185, 189, 193, 197, 201, 213, 215, 217, 221, 223, 229, 231, 255, 257, 310, 320, 367, 369, 373, 377, 381, 385, 389	3422709..... 213, 215	4100066.....311, 321	4460428259, 281
3291201 229, 231	3422745.....219	4240018....310, 320, 369, 373, 377, 381, 385, 389	4460434 449
3291205 ... 130, 154, 158, 177, 181, 185, 189, 193, 197, 201, 213, 215, 229, 231	3422787.....217	4240032....91, 93, 95, 97, 99	4460445 411
3291605 ... 123, 125, 134, 138, 142, 146	3422788.....217	4240033....65, 67, 69, 71, 97, 99, 123, 125, 275, 277, 279	4460457 415
3300106 ... 29, 31, 33, 35, 37	3422790..... 213, 215	4240099.....259, 281	4460464 ... 255, 257, 271, 281, 393, 401, 402, 433, 435, 437, 439, 441, 445, 446, 449, 473, 475, 477, 479, 481
3300151 247, 249, 251	3422791..... 221, 223	4240156....369, 373, 377, 381, 385, 389	4460465 . 87, 89, 91, 393, 395, 401, 405, 407, 411, 413, 415, 429, 431, 433, 435, 437, 439, 443, 445, 446, 449, 481
	3422792..... 213, 215	4360328....73, 75, 77, 79, 508	4460466 ... 259, 275, 393, 395, 401, 407, 413, 415, 429, 431, 433, 435, 437, 439, 443, 445, 446, 449, 469, 473, 475, 479, 481
	3422794..... 221, 223	4360336....177, 181, 185, 189, 193, 197, 201, 205, 209, 257, 509	4460470 259
	3422814..... 213, 215	4360387.77, 79, 259, 509	4460471 259
	3423081..... 13	436046983, 509	4460473 ... 370, 374, 377, 381, 385, 389, 429, 431, 433, 435
	3430616.....259	4360475....73, 75, 77, 79, 508	4460474405, 407
	3470003.....259	4360476....73, 75, 77, 79, 259, 509	446048893, 95
	3520028....177, 181, 185, 189, 193, 197, 201	4360522..... 97, 99, 509	446049665, 67, 69, 71
	3520030..... 102, 107	4360548....369, 373, 393, 508	446049765, 67, 69, 71
	3520054.....259	4400275.....41	4460508 ... 275, 401, 433, 435, 445, 446, 449, 479
	3520072....243, 245, 247, 249, 251	4400498.....164	4460509 ... 429, 431, 433, 435, 437
	3520198....243, 245, 247, 249, 251	4420051.....505	4460518 475
	3572551..... 221, 223	4460016.....449	4460536 449
	3580317..... 205, 209	4460019.....405	4460539437, 449, 481
	3580318.....209	4460042.....407	4460662 ... 341, 343, 347, 349, 351, 353
	3580319.....205	4460043.....407	4460705 411
	3740080..... 97, 99, 508	4460071 ...210, 255, 257, 271, 329, 335	4460709 ... 378, 417, 421, 427
	3740086..... 473, 508	4460121 99, 327, 411	4460710378, 421, 427
	3760115.....219	4460125.....335	4460742411, 415
	3780182..... 13	4460134.....419, 425	
	3790012.....259	4460142.....407, 437	
	3790152....127, 149, 151	4460183.....437	
	3820019..... 45		
	3820020..... 243, 245		
	3820032..... 55, 57, 85		
	3841143....213, 215, 217, 229, 231		
	3841203.... 213, 215, 217		
	3841258..... 15, 217		
	3841520..... 13		
	3900349.....259		
	3910606.....210		
	3910804..... 83		
	3911036..... 99		
	3931010.....281		
	3931016.....209		

SECTION 11 - SPECIAL OPTIONS/ACCESSORIES/KITS

4460743.....411	4461070 475	337, 341, 345, 349,	5281920....369, 373, 377,
4460746.....407	4461077469, 473	369, 373, 397, 487,	381, 385, 389
4460761.....401, 445, 449	4461095407, 475	489, 491, 493, 495,	70000088..... 51
4460806....343, 347, 411,	4461109 407	497, 499, 501, 503	70000089..... 51
437	4461110402, 445	4811702 85, 177, 181,	70000122... 181, 189, 197
4460836.....401, 443, 445	4461111 407	185, 189, 193, 197,	70000123..177, 185, 193,
4460837.....401, 445	4461112402, 409, 445	201, 229, 231, 370,	201
4460865....369, 373, 377,	4461113 ... 402, 407, 409,	374, 377, 381, 385, 389	70000124..177, 185, 193,
381, 385, 389, 429,	445	4811900 41, 130, 134,	201
431, 433, 435	4461157401, 445	138, 142, 146, 154,	70000125..177, 185, 193,
4460866....369, 373, 377,	4461196 451	158, 205, 209, 367,	201
381, 385, 389, 401,	4461198333, 451	369, 373, 377, 381,	70000126..177, 185, 193,
446, 449	4461199 453	385, 389	201, 508
4460868.....437	4461201339, 453	4811902 45, 219, 221,	70000341.....225
446087187, 89, 401, 437,	4461205 ... 455, 457, 459,	223	70000681..... 53
445, 449, 481, 483	461	481200045, 85, 102, 123,	70000781..... 19
4460872.....481	4461222 ... 402, 407, 409,	125, 130, 134, 138,	70001119.....25
4460873.....401, 445, 449	445	142, 146, 154, 158,	70001140.....163
4460874.....401, 445, 449	4461231131, 155, 159	177, 181, 185, 189,	70001368.....25
4460875.....449, 481	4461232131, 155, 159	193, 197, 201, 205,	70001697.....227
4460876.....437	4461244343, 459	209, 213, 215, 217,	70001934.....163
4460877.....437	4461245347, 461	229, 231, 233, 255,	70001935.....163
4460878.....401, 445	4461246351, 463	257, 367, 369, 373,	70001958.....171
4460879.....449	4461249 463	377, 381, 385, 389	70001966.....205, 209
4460884....401, 437, 439,	4520605 33	4812002 55, 57, 235	70002063..... 19
445	464011333, 35, 37	4812100 13, 130, 154,	70002112..... 59
4460887 401, 445, 449	4640858 285	158, 229, 231	70002132.....171
4460888.....449	4641284311, 321	481210255, 57, 123, 125,	70002133.....171
4460891..87, 89, 91, 393,	4711400... 155, 159, 206,	134, 138, 142, 146,	70002134.....171
395, 401, 405, 407,	247, 249, 251, 277,	177, 181, 185, 189,	70002135.....171
446, 475, 477, 481	279, 333, 339, 343,	193, 197, 201	70002136.....172
4460892.....401, 445	347, 351, 353	4812300 102	70002137.....171
4460894....393, 395, 401,	4711600205, 209, 259	4812500 ... 123, 125, 134,	70002138.....171
437, 445, 449	4711800 130	138, 142, 146	70002139.....171
4460897.....402, 446, 477	4740086 13	4846278 221, 223	70002140.....171
4460899....402, 439, 446,	4740158 15	4891500 ... 177, 181, 185,	70002141.....171
469, 473, 479	4740171 49	189, 193, 197, 201	70002142.....171
4460905....401, 437, 445,	4740274130, 154, 158	4891600 ... 127, 149, 151,	70002145.....172
449, 481, 483	4740362 ... 117, 119, 130,	229, 231	70002146.....172
4460910.....467	255, 257	4891800 127, 149, 151	70002147.....171
4460911.....469	4740397 ... 177, 181, 185,	4922641 ... 177, 181, 185,	70002148.....171
4460928.....475	189, 193, 197, 201,	189, 193, 197, 201,	70002149.....172, 508
4460930.....401, 445	205, 209	205, 209	70002150.....171
4460931.....481	4740537 13	4923463 357, 363	70002151.....171
4460932.....281, 401, 445	4740538 13	4923505 ... 355, 361, 417,	70002152.....171
4460933....259, 437, 443,	4740539 13	419, 421, 423, 425, 427	70002153.....171
449, 475, 481	4740540 13	5221000 233	70002154.....171
4460941.....469	475100099, 209, 281	5240600 102	70002155.....171
4460942.....275	4751400 ... 253, 255, 257,	5240800 205, 209	70002156.....171
446094393, 95, 401, 437,	259	5241000 15, 21	70002157.....171
446, 449, 469	4751500209, 221, 223	5241200 219, 229, 231	70002158.....171
4460944....401, 407, 437,	4761400 253	5241400 49	70002159.....171
443, 445, 449	4791400205, 209	5241600 21	70002160.....171
4460945....401, 437, 446	4811400 ... 65, 67, 69, 71,	5250608 130	70002161.....171
4460956.....399	91, 93, 95, 255, 257,	5250808 235	70002163.....171
4460957.....399	273, 331, 333, 337,	525081039, 45, 235, 311,	70002164.....171
4460962.....359	339, 341, 343, 345,	321	70002165.....171, 172
4460963.....365	347, 349, 351, 353,	5250812 130, 235	70002166.....171
4460967.....415	369, 373, 377, 381,	5251008 229, 231	70002168.....171
4460968....331, 333, 337,	385, 389, 465	5251010 17, 213, 215,	70002169.....171
339, 345, 393	4811600 ... 102, 105, 107,	219	70002170.....171
4460970.....393, 449	205, 209	5251012 15, 123, 125,	70002172.....171
4460972.....411	4811700 ... 45, 65, 67, 69,	134, 138, 142, 146, 219	70002174.....172
4460973.....411	71, 87, 89, 93, 95, 105,	5251016 229, 231	70002175.....172
4460974.....411	107, 117, 119, 130,	5260800 ... 369, 373, 377,	70002176.....172
4460979.....401, 445	154, 158, 247, 249,	381, 385, 389	70002177.....172
4461012.....255, 257, 465	311, 321, 327, 331,		70002178.....172

SECTION 11 - SPECIAL OPTIONS/ACCESSORIES/KITS

70002179.....	172	70002664.....	53	70002993.....	25	70003109.....	291
70002180.....	172	70002665.....	53	70002994.....	25	70003110.....	291
70002181.....	172	70002666.....	53	70002995.....	25	70003111.....	291
70002185.....	172	70002667.....	53	70002996.....	25	70003112.....	291
70002186.....	172	70002668.....	53	70002997.....	26	70003113.....	291
70002187.....	172	70002669.....	53	70002998.....	26	70003114.....	299
70002191.....	172	70002670.....	53	70002999.....	25	70003115.....	299
70002192.....	172	70002671.....	53	70003000.....	25	70003116.....	299
70002237..	177, 181, 185, 189, 193, 197, 201, 508	7000281.....	26	70003005.....	23	70003117.....	299
70002238..	177, 185, 193, 201	70002812.....	59, 508	70003006.....	23	70003118.....	289, 299
70002240..	181, 189, 197, 508	70002838.....	59	70003007.....	23	70003119.....	299
70002311.....	51	70002839.....	59	70003008.....	23	70003120.....	299
70002312.....	51	70002840.....	59	70003009.....	23	70003121.....	299
70002313.....	51	70002842.....	285	70003010.....	23	70003122.....	289
70002315.....	163	70002860.....	175	70003011.....	23	70003123.....	289
70002316.....	163	70002861.....	175	70003012.....	23	70003124.....	289
70002317.....	163	70002862.....	175	70003013.....	23	70003125.....	289
70002318.....	163	70002863.....	171	70003014.....	23	70003126.....	289
70002319.....	163	70002864.....	172	70003016.....	23	70003127.....	289
70002320.....	163	70002865.....	172	70003060.....	163	70003128.....	289
70002321.....	163	70002866.....	172	70003061.....	163	70003129.....	289
70002322.....	163	70002867.....	172	70003062.....	163	70003130.....	289
70002323.....	163	70002868.....	172	70003063.....	163	70003131.....	287
70002327.....	164	70002899... 131, 155, 159		70003064.....	163	70003132.....	287
70002328.....	164	70002901.....	169	70003066.....	164	70003133.....	287
70002330.....	164	70002902.. 255, 257, 271		70003067.....	164	70003134.....	287
70002334..	289, 291, 293	70002903.. 255, 257, 271		70003068.. 189, 193, 197, 201		70003137... 181, 189, 197	
70002335..	287, 289, 291, 293, 295, 299	70002904.. 255, 257, 271		70003069.. 177, 181, 185, 189, 193, 197, 201		70003138.....	53
70002337.....	293, 297	70002905.. 255, 257, 271		70003070... 177, 181, 185, 189, 193, 197, 201		70003139.....	53
70002344.....	291	70002954.....	239	70003071.....	293	70003141.....	53
70002352.....	295, 299	70002955.....	19	70003072.....	293	70003142.....	53
70002354.....	295	70002956.....	19	70003073.....	293	70003178.....	131, 508
70002364.....	299	70002957.....	19	70003074.....	293	70003179.....	131
70002366..	287, 295, 299	70002958.....	19	70003075.....	293	70003453.....	289
70002372.....	289	70002959.....	19	70003076... 289, 291, 293		70003708.....	205, 209
70002373.....	289	70002960.....	19	70003077.....	293, 297	70003709.....	205, 209
70002375.....	289	70002961.....	19	70003078.....	293, 297	70003757.....	47
70002380.....	297	70002962.....	19	70003079.....	293, 297	70003788.....	47, 508
70002386 19, 45, 47, 237, 289, 291, 293, 508		70002963.....	19, 239, 508	70003080.....	293, 297	70004069.....	169
70002389.....	299	70002964.....	47	70003081... 287, 293, 295		70004070.....	169
70002410.....	293	70002965.....	47	70003082.....	291, 293	70004092.....	205, 209
70002412.....	291	70002966.....	47	70003083.....	291, 293	70004098.....	210
70002413.....	287	70002967.....	47	70003084.....	295	70004099.....	205, 209
70002577.....	175	70002968.....	47	70003085.....	287, 295	70004311.....	163
70002601.....	171	70002969.....	47	70003086.....	295	70004322.....	227
70002603.....	171	70002970.....	47	70003087.....	295	70004323.....	225, 227
70002643.....	53	70002971.....	47, 508	70003088.....	295	70004395.....	163, 508
70002644.....	53	70002972.....	47	70003089... 287, 295, 299		70004396.....	163
70002645.....	53	70002973.....	47	70003090... 287, 295, 299		70004397.....	163
70002646.....	53	70002974.....	47	70003091... 287, 295, 299		70004398.....	163
70002647.....	53	70002976.....	47	70003092... 287, 295, 299		70004399.....	163
70002648.....	53	70002977.....	47	70003093... 287, 289, 295		70004400.....	163
70002649.....	53	70002978.....	19	70003094... 287, 289, 295		70004401.....	164
70002650.....	53	70002979.....	131, 508	70003095.....	297	70004524.....	164
70002651.....	53	70002980.....	26	70003096.....	297	70004536.....	164
70002652.....	53	70002981.....	26	70003097.....	297	70004537.....	164
70002656.....	53	70002982.....	26	70003098.....	297	70004538.....	164
70002657.....	53	70002983.....	25	70003099.....	297	70004539.....	164
70002658.....	53	70002984.....	25	70003100.....	297	70004541.....	164
70002659.....	53	70002985.....	25	70003101.....	297	70004542.....	164
70002661.....	53	70002986.....	25	70003102.....	297	70004543.....	164
70002663.....	53	70002987.....	25	70003103.....	291	70004544.....	163
		70002988.....	25	70003104.....	291	70004676.....	205, 209
		70002989.....	25	70003105.....	291	70004678.....	205, 209
		70002990.....	25	70003106.....	291	70004679.....	205, 209
		70002991.....	25	70003108.....	291	70004682... 205, 210, 509	
		70002992.....	25			70004683.....	205

SECTION 11 - SPECIAL OPTIONS/ACCESSORIES/KITS

70004688.....	205	70006269.....	233	7017911.....	163	7024380.....	51
70004689.....	205, 209	70006280.....	233	7017934.....	163	7024381.....	51
70004690.....	205	70006353.....	287	7017945.....	163	7024389.....	51
70004691.....	209	70010383.....	45, 508	7017954.....	163	7024390.....	51
70004692.....	210	7001913.....	25	7017955.....	163	7024441.....	59
70004738.....	267	70022565.....	291	7017963.....	164	7024453.....	51
70004739.....	267	70023370.....	289, 291, 293, 299	7020108 ...	177, 181, 185, 189, 193, 197, 201	7024738.....	25
70004740.....	267	70023371.....	295	7020109 ...	177, 181, 185, 189, 193, 197, 201	7024741.....	25
70004741.....	267	7004035.....	51	7020110 ...	177, 181, 185, 189, 193, 197, 201	7024742.....	25
70004742.....	267	7004043.....	51	7020111 ...	177, 181, 185, 189, 193, 197, 201	7024744.....	26
70004743.....	267	7004044.....	51	7020152	181, 189, 197	7024844.....	19
70004744.....	267	7007415.....	172	7020175	73, 75, 77, 79	7024884.....	289, 291, 293
70004745.....	267	7007439.....	171, 172	7020176	73, 75, 77, 79	7025479.....	163
70004746.....	267	7007446.....	171	7020190 ...	177, 181, 185, 189, 193, 197, 201	7026041.....	53
70004747.....	267	7007640.....	25	7020192 ...	177, 185, 193, 201	7026048.....	53
70004748.....	267	7010543.....	19, 47, 237, 299	7021275.....	171	7026049.....	53
70004749.....	267	7011323.....	225	7021653.....	47	7026052.....	53
70004750.....	267	7012513 ...	177, 181, 185, 189, 193, 197, 201	70222301.....	172	7026525.....	181, 189, 197
70004751.....	267	7012514 ...	177, 181, 185, 189, 193, 197, 201	7022301.....	171	7027350.....	53
70004752.....	263	7012941.....	19, 237	7022326.....	164	7027351.....	53
70004753.....	263	7012953.....	19, 237	7022340.....	172	7027352.....	53
70004754.....	263	7012955.....	237, 239	7023124.....	164	7027353.....	53
70004755.....	263	7012967.....	45, 237, 239, 289, 291, 293	7023132.....	163	7027359.....	53
70004756.....	263	7012998.....	47, 239	7023134.....	155, 159	7027887....	177, 181, 185, 189, 193, 197, 201
70004757.....	263	7015004 ...	131, 154, 158, 508	7023136.....	163	7027900.....	225, 227
70004758.....	263	7015005	131, 154, 158	7023139.....	163	7027901.....	225, 227
70004759.....	263	7016319.....	91	7023141.....	163	7027955.....	23
70004760.....	263	7016372.....	91	7023144.....	163	7027956.....	23
70004761.....	263	7016628.....	99	7023145.....	163	7027957.....	23
70004762.....	263	7017022.....	26	7023148.....	164	7027958.....	23
70004763.....	263	7017120.....	225	7023149.....	164	7027959.....	23
70004764.....	263	7017121.....	225	7023154.....	163	7027972.....	131, 508
70004765.....	263	7017122.....	225, 227	7023156.....	163	7028909.....	93, 95
70004766.....	263	7017123.....	225, 227	7023157.....	163	77133089.....	310, 320
70004767.....	263	7017126.....	225, 227	7023160.....	163	77363233.....	413
70004768.....	263	7017127.....	225	7023162.....	163	8007941.....	23
70004769.....	263	7017172.....	225, 227	7023163.....	163	80233041.....	311, 321
70004770.....	263	7017192.....	225, 227	7023164.....	163	80325.....	102
70004771.....	263	7017196.....	225, 227	7023165.....	163	80334555.....	23
70004772.....	263	7017402.....	237, 239	7023167.....	163	80633030.....	310, 320
70004773.....	263	7017406.....	19, 47	7023168.....	163	80673025...	130, 154, 158
70004774.....	264	7017427.....	239	7023170.....	164	8220029.....	411
70004775.....	264	7017452.....	237, 239	7023964.....	172	8220164....	402, 407, 445
70005220.....	164	7017467.....	45	7023970.....	237	8310668.....	233
70005293.....	169	7017496.....	19, 45, 47, 289, 291, 293	7024108.....	26	8310686.....	311, 321
70005293.....	169	7017498.....	239	7024134.....	26	83191040...	127, 149, 151
70005294.....	169	7017901.....	163	7024379.....	51	8405006.....	130
70005295.....	169					8406110.....	385, 389
70005296.....	169, 508					85941016..	130, 154, 158, 311, 321
70005297.....	169					91143172.....	311, 321
70005695.....	287						
70005722.....	45						
70005973.....	287						
70005974.....	287						



**Corporate Office
JLG Industries, Inc.
1 JLG Drive
McConnellsburg, PA 17233-9533 USA
☎ (717) 485-5161 (Corporate)
☎ (877) 554-5438 (Customer Support)
📠 (717) 485-6417**

**Visit our website for JLG Worldwide Locations.
www.jlg.com**



OSHKOSH™