



Illustrated Parts Manual

Models *E400Anarrow* *E400AJPnarrow*

PVC
2201

P/N
31219183

January 9, 2023 - Rev C

ANSI

CE



**UK
CA**

AS/NZS



An Oshkosh Corporation Company

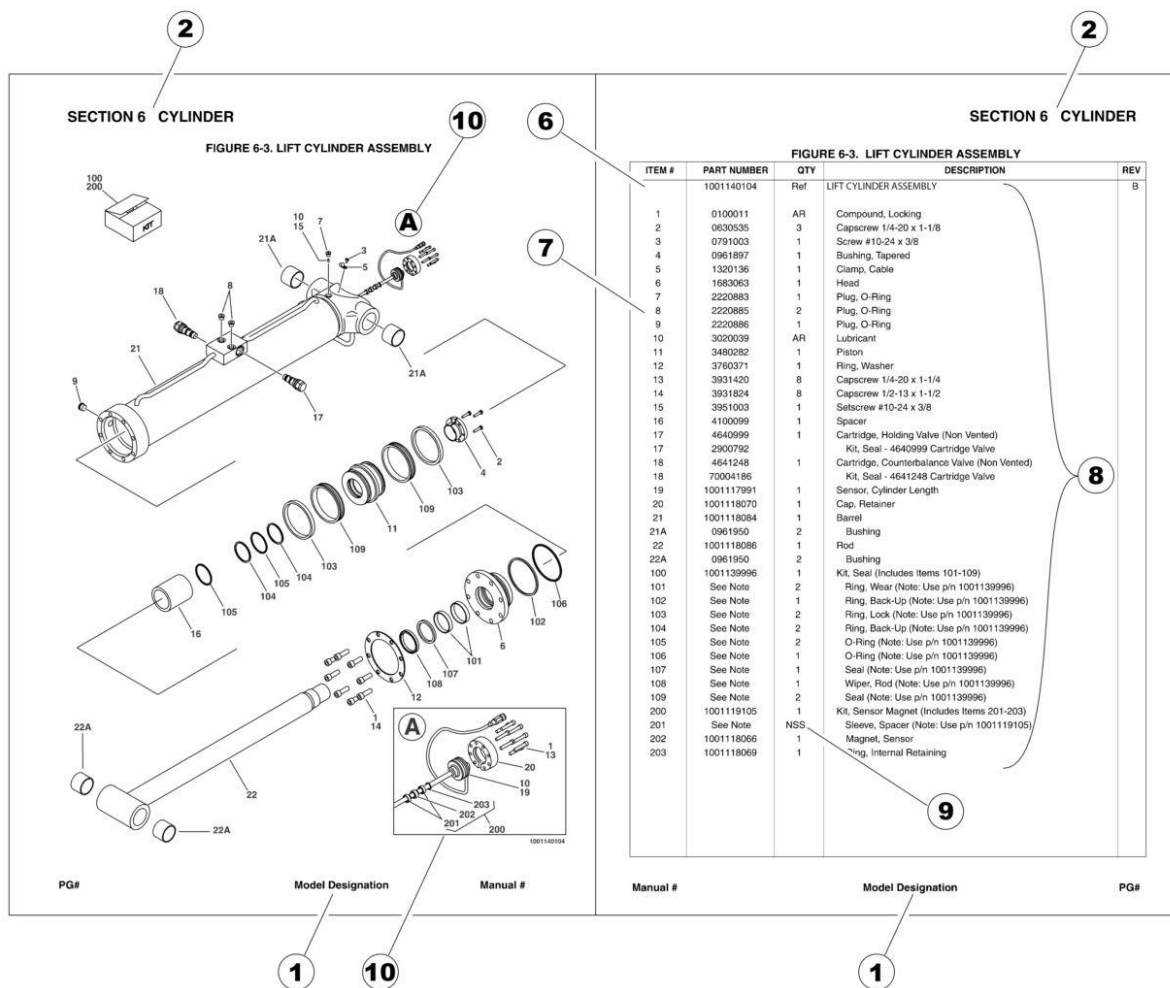
REVISION LOG

January 10, 2022 - A - Original Issue of Manual (Edited to B/M 1001247556 Revision M)

July 11, 2022 - B - Revised Manual (Edited to B/M 1001247556 Revision M)

January 9, 2023 - C - Revised Manual (Edited to B/M 1001247556 Revision M)

GENERAL INFORMATION



1) MACHINE IDENTIFICATION

Machines are identified by model and in some cases a combination of models, serial number (SN) or regional standard (i.e ANSI, CE, CSA). Components may also be identified by SN or manufacturer. Common components that may be identified by these characteristics are engines and hydraulic components.

2) PARTS MANUAL ORGANIZATION

Product information in this manual is organized under section titles. Frame, Cylinder, Hydraulic and Electrical are a few examples. Each section is organized by figure and page number. The information within the Figure is then organized by item number, part number, description and corresponding illustration (s).

3) TABLE OF CONTENTS (NOT SHOWN)

A table of contents is found toward the beginning of the manual. Figure number, description and page number are provided for quick reference to the page containing the related information.

4) RECOMMENDED SPARE PARTS (NOT SHOWN)

The Recommended Spare Parts List, located near the end of the manual, reference most frequently used maintenance parts.

5) PART NUMBER INDEX (NOT SHOWN)

A numerical index listing all part numbers and the corresponding page number(s) appears at the back of the manual.

GENERAL INFORMATION

6) NON-SERVICED PARTS

In some instances, it is necessary to display non-serviced parts, assemblies or installations. In the case of assemblies and installations there will be a Ref in the Qty. column. In case of parts that are not available for service within assemblies or components, there will be a NSS (Not Sold Separately) or NLA (No Longer Available) listed in the Qty. column of the manual.

7) PARTS LIST ITEM NUMBERS

Numbers shown in the item# column correspond to numbers used in the associated illustration (s). Item numbers which are missing from the sequence in the parts list are not used on that page.

8) INDENTED PARTS DESCRIPTION

An indented part description is included in the item under which it is indented.

9) ABBREVIATION AND SYMBOLS

AC.....	Alternating Current	L.....	Liter
ADE.....	Advanced Design Electronics	LB(LBS).....	Pounds
AG.....	Agricultural	LCD.....	Liquid Crystal Display
ANSI.....	American National Standards Institute	LED.....	Light Emitting Diodes
AR.....	As Required	LH.....	Left Hand
ASSY.....	Assembly	LRC.....	Low Rated Countries
AUS.....	Australia	LSS.....	Load Sensing System
AUX.....	Auxiliary	M(m).....	Metric/Meter
AWG.....	American Wire Gauge	MM(mm).....	Milimeter
B/M.....	Bill of Material	mA.....	Miliamps
CAC.....	Charge Air Cooler	NLA.....	No Longer Available
CE.....	European Conformity	NPT.....	National Pipe Threads
CCW.....	Counter Clockwise	NSS.....	Not Sold Separately
CM.....	Centimeter	OD.....	Outside Diameter
CW.....	Clockwise	ORB.....	O-Ring Boss
CSA.....	Canadian Standards Association	ORFS.....	O-Ring Face Seal
CYL.....	Cylinder	OZ (oz).....	Ounces
DIA.....	Diameter	PG.....	Page
DC.....	Direct Current	PN.....	Part Number
DEF.....	Diesel Exhaust Fluid	QT(qt.).....	Quarts
EMS.....	Emergency Stop	QTY.....	Quantity
ENG.....	Engine	REF.....	Reference
FT(ft).....	Feet	REV.....	Revision Level
GA(Ga).....	Gauge	RH.....	Right Hand
HRC.....	High Rated Countries	SAE.....	Society of Automotive Engineers
HVAC.....	Heating, Ventilating, and Air Conditioning	SN.....	Serial Number
HYD.....	Hydraulic	SPEC(S).....	Specifications
Hz.....	Hertz	T/T.....	Turntable
ID.....	Inside Diameter	UGM.....	Universal Ground Module
IN.....	inches	V.....	Volts
ISO.....	International Organization for Standards	W.....	Watts
JIC.....	Joint Industry Council	#.....	Number
KG.....	Kilogram		

10) ILLUSTRATION REFERENCE LETTERS

When necessary, illustrations may contain reference letters that are intended to track information (i. e. hoses, harnesses) from one point to another or to track visual enlargement of components to show details that may be located in another area on the illustration.

Note: Due to continuous product improvements, JLG Industries, Inc. reserves the right to make specification changes without prior notification. Contact JLG Industries, Inc. for updated information.

TABLE OF CONTENTS

SECTION 1 - FRAME.....	11
FIGURE 1-1. STEERING INSTALLATION	12
FIGURE 1-2. HUB - SPINDLE ASSEMBLY - RH	14
FIGURE 1-3. HUB - SPINDLE ASSEMBLY - LH.....	16
FIGURE 1-4. DRIVE INSTALLATION - NON-UL SPECS.....	18
FIGURE 1-5. DRIVE INSTALLATION - UL SPECS.....	22
FIGURE 1-6. DRIVE HUB ASSEMBLY	26
FIGURE 1-7. DRIVE MOTOR ASSEMBLY	30
FIGURE 1-8. ELECTRICAL PLATE ASSEMBLY - LH.....	32
FIGURE 1-9. ELECTRICAL PLATE ASSEMBLY - LH - UL SPECS.....	34
FIGURE 1-10. ELECTRICAL PLATE ASSEMBLY - RH.....	36
FIGURE 1-11. ELECTRICAL PLATE ASSEMBLY - RH - UL SPECS	38
FIGURE 1-12. TIRE/WHEEL - SOLID NON-MARKING	40
FIGURE 1-13. MOTOR/PUMP/TANK - NON-UL SPECS.....	42
FIGURE 1-14. MOTOR/PUMP/TANK INSTALLATION - UL SPECS.....	44
FIGURE 1-15. MOTOR/PUMP ASSEMBLY	46
FIGURE 1-16. HYDRAULIC TANK ASSEMBLY.....	48
FIGURE 1-17. VALVE INSTALLATION - FRAME MOUNTED - E400ANARROW	50
FIGURE 1-18. VALVE INSTALLATION - FRAME MOUNTED - E400AJPNARROW.....	52
FIGURE 1-19. BRAKE/STEER VALVE ASSEMBLY	54
FIGURE 1-20. BATTERY BOX INSTALLATION - STANDARD.....	56
FIGURE 1-21. BATTERY BOX INSTALLATION - AGM BATTERIES	58
FIGURE 1-22. BATTERY CHARGER INSTALLATION (ALL SPECS EXCEPT AUSTRALIAN, CE & UK CA SPECS)	60
FIGURE 1-23. BATTERY CHARGER INSTALLATION - E400AJPNARROW (AUSTRALIAN SPEC)	62
FIGURE 1-24. BATTERY CHARGER INSTALLATION (ANSI EXPORT, CE, CHINA & UK CA SPECS)	64
FIGURE 1-25. INVERTER INSTALLATION	66
FIGURE 1-26. FRAME COVER INSTALLATION	68
SECTION 2 - TURNTABLE.....	71
FIGURE 2-1. VALVE INSTALLATION- TURNTABLE MOUNTED - E400ANARROW	72
FIGURE 2-2. VALVE INSTALLATION - TURNTABLE MOUNTED - E400AJPNARROW	74
FIGURE 2-3. MAIN CONTROL VALVE ASSEMBLY.....	76
FIGURE 2-4. RELEVELING VALVE ASSEMBLY.....	78
FIGURE 2-5. JIB VALVE ASSEMBLY	80
FIGURE 2-6. MOTION ALARM INSTALLATION.....	82
FIGURE 2-7. TURNTABLE BEARING AND SWING DRIVE INSTALLATION.....	84
FIGURE 2-8. SWING MOTOR ASSEMBLY	86
FIGURE 2-9. SWING BEARING ASSEMBLY	88
FIGURE 2-10. REMOTE BEARING LUBE INSTALLATION - OPTIONAL.....	90
FIGURE 2-11. DRIVE ORIENTATION INSTALLATION	92
FIGURE 2-12. GROUND CONTROL BOX INSTALLATION - E400ANARROW (ALL SPECS EXCEPT AUSTRALIAN, CE & UK CA SPECS) (SN 03000291042 to Present, Except SN 03000291042 through 03000291052)	94
FIGURE 2-13. GROUND CONTROL BOX INSTALLATION - E400ANARROW (ALL SPECS EXCEPT AUSTRALIAN, CE & UK CA SPECS) (SN 0300291252 to Present, SN 0300291042 through 0300291052)	96
FIGURE 2-14. GROUND CONTROL BOX INSTALLATION - E400ANARROW (CE & UK CA SPEC) (SN 03000291042 to Present, Except SN 03000291042 through 03000291052)	98
FIGURE 2-15. GROUND CONTROL BOX INSTALLATION - E400ANARROW (CE & UK CA SPEC) (SN 0300291252 to Present, SN 0300291042 through 0300291052).....	100
FIGURE 2-16. GROUND CONTROL BOX INSTALLATION - E400AJPNARROW (ALL SPECS EXCEPT CE & UK CA SPEC) (SN 03000291042 to Present, Except SN 03000291042 through 03000291052)	102
FIGURE 2-17. GROUND CONTROL BOX INSTALLATION - E400AJPNARROW (ALL SPECS EXCEPT CE & UK CA SPEC) (SN 0300291252 to Present, SN 0300291042 through 0300291052)	104
FIGURE 2-18. GROUND CONTROL BOX INSTALLATION - E400AJPNARROW (CE & UK CA SPEC) (SN 03000291042 to Present, Except SN 03000291042 through 03000291052)	106
FIGURE 2-19. GROUND CONTROL BOX INSTALLATION - E400AJPNARROW (CE & UK CA SPEC) (SN 0300291252 to Present, SN 0300291042 through 0300291052)	108
FIGURE 2-20. GROUND CONTROL BOX ELECTRICAL ASSEMBLY - DISPLAY WITH BUTTONS - E400ANARROW (ALL SPECS EXCEPT AUSTRALIAN, CE & UK CA SPECS)	110
FIGURE 2-21. GROUND CONTROL BOX ELECTRICAL ASSEMBLY - DISPLAY WITHOUT BUTTONS - E400ANARROW (ALL SPECS EXCEPT AUSTRALIAN, CE & UK CA SPECS)	112
FIGURE 2-22. GROUND CONTROL BOX ELECTRICAL ASSEMBLY - DISPLAY WITH BUTTONS - E400ANARROW (CE & UK CA SPECS)	114
FIGURE 2-23. GROUND CONTROL BOX ELECTRICAL ASSEMBLY - DISPLAY WITHOUT BUTTONS - E400ANARROW (CE & UK CA SPECS)	116

TABLE OF CONTENTS

FIGURE 2-24. GROUND CONTROL BOX ELECTRICAL ASSEMBLY - DISPLAY WITH BUTTONS - E400AJPNARROW (ALL SPECS EXCEPT CE & UK CA SPECS)	118
FIGURE 2-25. GROUND CONTROL BOX ELECTRICAL ASSEMBLY - DISPLAY WITHOUT BUTTONS - E400AJPNARROW (ALL SPECS EXCEPT CE & UK CA SPECS).....	120
FIGURE 2-26. GROUND CONTROL BOX ELECTRICAL ASSEMBLY - DISPLAY WITH BUTTONS - E400AJPNARROW (CE & UK CA SPECS).....	122
FIGURE 2-27. GROUND CONTROL BOX ELECTRICAL ASSEMBLY - DISPLAY WITHOUT BUTTONS - E400AJPNARROW (CE & UK CA SPECS)	124
FIGURE 2-28. STROBE LIGHT INSTALLATION - AMBER.....	126
FIGURE 2-29. BEACON LIGHT INSTALLATION - BLUE.....	128
FIGURE 2-30. BEACON LIGHT INSTALLATION - RED.....	130
FIGURE 2-31. HOOD INSTALLATION	132
 SECTION 3 - BOOM.....	 135
FIGURE 3-1. BOOM AND CYLINDERS INSTALLATION - E400ANARROW.....	136
FIGURE 3-2. BOOM AND CYLINDERS INSTALLATION - E400AJPNARROW.....	138
FIGURE 3-3. MAIN BOOM ASSEMBLY - E400ANARROW	142
FIGURE 3-4. MAIN BOOM ASSEMBLY - E400AJPNARROW	144
FIGURE 3-5. JIB INSTALLATION.....	148
FIGURE 3-6. ROTATOR ASSEMBLY - E400ANARROW.....	150
FIGURE 3-7. ROTATOR ASSEMBLY - PLATFORM SUPPORT TO JIB - E400AJPNARROW	152
FIGURE 3-8. ROTATOR ASSEMBLY - MAIN BOOM TO JIB - E400AJPNARROW	154
FIGURE 3-9. PLATFORM SUPPORT INSTALLATION	156
FIGURE 3-10. BOOM LIMIT SWITCHES INSTALLATION	158
 SECTION 4 - PLATFORM.....	 161
FIGURE 4-1. PLATFORM ASSEMBLY - 4FT/1.22M - SIDE GATE ENTRY.....	162
FIGURE 4-2. PLATFORM ASSEMBLY - 5FT/1.52M - SIDE GATE ENTRY	164
FIGURE 4-3. PLATFORM ASSEMBLY - 5FT/1.52M - SIDE GATE ENTRY - W/STOP AND 1 CELL LSS.....	166
FIGURE 4-4. PLATFORM ASSEMBLY - 4FT/1.22M - DROP BAR ENTRY	168
FIGURE 4-5. PLATFORM ASSEMBLY - 5FT/1.52M - DROP BAR ENTRY	170
FIGURE 4-6. PLATFORM ASSEMBLY - 5FT/1.52M - DROP BAR ENTRY	172
FIGURE 4-7. PLATFORM CONSOLE AND FOOTSWITCH INSTALLATION - E400ANARROW - NON-UL LISTED (ALL SPECS EXCEPT AUSTRALIAN AND UL SPECS).....	174
FIGURE 4-8. PLATFORM CONSOLE AND FOOTSWITCH INSTALLATION - E400ANARROW - UL LISTED (ALL SPECS EXCEPTED AUSTRALIAN, CE, JAPANESE & UK CA SPECS)	176
FIGURE 4-9. PLATFORM CONSOLE AND FOOTSWITCH INSTALLATION - E400AJPNARROW - NON-UL LISTED (ALL SPECS EXCEPT UL SPECS).....	178
FIGURE 4-10. PLATFORM CONSOLE AND FOOTSWITCH INSTALLATION - E400AJPNARROW - UL LISTED (ALL SPECS EXCEPTED AUSTRALIAN, CE, JAPANESE & UK CA SPECS)	180
FIGURE 4-11. PLATFORM CONSOLE ASSEMBLY - E400ANARROW - NON-UL LISTED (ALL SPECS EXCEPT AUSTRALIAN AND UL SPECS).....	182
FIGURE 4-12. PLATFORM CONSOLE ASSEMBLY - E400ANARROW/E400AJPNARROW - UL LISTED (ALL SPECS EXCEPTED AUSTRALIAN, CE, JAPANESE & UK CA SPECS)	186
FIGURE 4-13. PLATFORM CONSOLE ASSEMBLY - E400AJPNARROW - NON-UL LISTED (ALL SPECS EXCEPT UL SPECS)	190
FIGURE 4-14. LIGHT PANEL INSTALLATION.....	194
FIGURE 4-15. CONTROLLER ASSEMBLY - DRIVE AND STEER	196
FIGURE 4-16. CONTROLLER ASSEMBLY - LIFT AND SWING.....	198
FIGURE 4-17. FOOTSWITCH ASSEMBLY	202
FIGURE 4-18. TRAY ASSEMBLY.....	204
FIGURE 4-19. SKYEYE INSTALLATION.....	206
FIGURE 4-20. SKYGUARD BAR INSTALLATION.....	208
FIGURE 4-21. SKYLINE INSTALLATION.....	210
FIGURE 4-22. SKYSENSE MID TUBE SENSOR ASSEMBLY	212
FIGURE 4-23. SKYSENSE OVERHEAD SENSOR ASSEMBLY.....	214
FIGURE 4-24. USB CHARGER INSTALLATION.....	216
 SECTION 5 - CYLINDER.....	 219
FIGURE 5-1. LEVEL (PLATFORM SLAVE) CYLINDER ASSEMBLY - E400ANARROW.....	220
FIGURE 5-2. LEVEL (PLATFORM SLAVE) CYLINDER ASSEMBLY - E400AJPNARROW	222
FIGURE 5-3. LIFT CYLINDER ASSEMBLY - JIB - E400AJPNARROW	224
FIGURE 5-4. LIFT CYLINDER ASSEMBLY - LOWER - E400ANARROW	226
FIGURE 5-5. CYLINDER ASSEMBLY - LOWER - E400AJPNARROW.....	228

TABLE OF CONTENTS

FIGURE 5-6. LIFT CYLINDER ASSEMBLY - MID - E400ANARROW	230
FIGURE 5-7. LIFT CYLINDER ASSEMBLY - MID - E400AJPNARROW	232
FIGURE 5-8. LIFT CYLINDER - UPPER - E400ANARROW	234
FIGURE 5-9. LIFT CYLINDER - UPPER - E400AJPNARROW	236
FIGURE 5-10. MASTER CYLINDER ASSEMBLY - E400ANARROW	238
FIGURE 5-11. MASTER CYLINDER ASSEMBLY - E400AJPNARROW	240
FIGURE 5-12. STEER CYLINDER ASSEMBLY	242
FIGURE 5-13. TELESCOPE CYLINDER ASSEMBLY - E400ANARROW	244
FIGURE 5-14. TELESCOPE CYLINDER ASSEMBLY - E400AJPNARROW	246
FIGURE 5-15. COUNTERBALANCE VALVE ASSEMBLY	248
SECTION 6 - HYDRAULIC	251
FIGURE 6-1. HYDRAULIC DIAGRAM - E400ANARROW	252
FIGURE 6-2. HYDRAULIC DIAGRAM - E400AJPNARROW	256
SECTION 7 - ELECTRICAL	261
FIGURE 7-1. AC PLUGS AND SOCKETS INSTALLATION - AFSINT 107-2-01 KEYED GROUND - 2 X 4 BOX (CE & UK CA SPEC)	262
FIGURE 7-2. AC PLUGS AND SOCKETS INSTALLATION - CEE7 POST GROUND (CE & UK CA SPEC)	264
FIGURE 7-3. AC PLUGS AND SOCKETS INSTALLATION - CEE7 SIDE GROUND (CE & UK CA SPEC)	266
FIGURE 7-4. AC PLUGS AND SOCKETS INSTALLATION - CEE7 POST GROUND - 2 X 4 BOX (CE & UK CA SPEC)	268
FIGURE 7-5. AC PLUGS AND SOCKETS INSTALLATION - CEE7 SIDE GROUND - 2 X 4 BOX (CE & UK CA SPEC)	270
FIGURE 7-6. AC PLUGS AND SOCKETS INSTALLATION - IEC 60309 BLUE (CE & UK CA SPEC)	272
FIGURE 7-7. AC PLUGS AND SOCKETS INSTALLATION - IEC 60309 YELLOW (CE & UK CA SPEC)	274
FIGURE 7-8. BATTERY CABLE KIT - E400ANARROW AND E400AJPNARROW	276
FIGURE 7-9. BATTERY CABLE KIT - E400ANARROW AND E400AJPNARROW - UL SPECS	278
FIGURE 7-10. BOOM CABLE - LOWER	280
FIGURE 7-11. BOOM CABLE - UPPER	282
FIGURE 7-12. BOOM LIMIT SWITCH HARNESS - LOWER	284
FIGURE 7-13. BOOM LIMIT SWITCH HARNESS - UPPER	286
FIGURE 7-14. BREAKER BOX KIT WITH ONE BREAKERS - CE & UK CA SPEC	288
FIGURE 7-15. BREAKER BOX KIT WITH TWO BREAKERS - CE & UK CA SPEC	290
FIGURE 7-16. CABLES AND CLAMPS INSTALLATION - E400ANARROW	292
FIGURE 7-17. CABLES AND CLAMPS INSTALLATION - E400AJPNARROW	294
FIGURE 7-18. CHARGER HARNESS	296
FIGURE 7-19. CHARGER CORD PLUG INSTALLATION - 110V - IEC 60309 - YELLOW (CE & UK CA SPEC)	298
FIGURE 7-20. CHARGER CORD PLUG INSTALLATION - 220V - AFSINT 107 KEYED GROUND (CE & UK CA SPEC)	300
FIGURE 7-21. CHARGER CORD PLUG INSTALLATION - 220V - CEE7 POST GROUND (CE & UK CA SPEC)	302
FIGURE 7-22. CHARGER CORD PLUG INSTALLATION - 220V - CEE7 SIDE GROUND (CE & UK CA SPEC)	304
FIGURE 7-23. CHARGER CORD PLUG INSTALLATION - 220V - IEC 60309 - BLUE (CE & UK CA SPEC)	306
FIGURE 7-24. CHARGER DC CONNECTION HARNESS	308
FIGURE 7-25. CHARGER EBOOM HARNESS	310
FIGURE 7-26. CHASSIS TO TURNTABLE HARNESS	312
FIGURE 7-27. GROUND CONTROL PANEL HARNESS	314
FIGURE 7-28. INVERTER HARNESS	316
FIGURE 7-29. INVERTER IGNITION HARNESS	318
FIGURE 7-30. LOWER BOOM 110V HARNESS ASSEMBLY	320
FIGURE 7-31. LOWER BOOM 220V HARNESS ASSEMBLY - CE & UK CA SPEC	322
FIGURE 7-32. LOWER BOOM 220V HARNESS ASSEMBLY - CE & UK CA SPEC	324
FIGURE 7-33. PLATFORM CONSOLE HARNESS (NON-UL SPECS)	326
FIGURE 7-34. PLATFORM CONSOLE HARNESS (UL SPECS)	328
FIGURE 7-35. PLUG AND RECEPTACLE INSTALLATION - 110V	332
FIGURE 7-36. PLUG AND RECEPTACLE INSTALLATION - 220V	334
FIGURE 7-37. PLUG AND RECEPTACLE INSTALLATION - SUPPLIED LOCALLY	336
FIGURE 7-38. PLUG AND RECEPTACLE 110V INSTALLATION - IEC 60309 - YELLOW (CE & UK CA SPEC)	338
FIGURE 7-39. PLUG AND RECEPTACLE 220V INSTALLATION - AFSINT 107 KEYED GROUND - 2 X 4 BOX (CE & UK CA SPEC)	340
FIGURE 7-40. PLUG AND RECEPTACLE 220V INSTALLATION - CEE7 POST GROUND - 2 X 4 BOX (CE & UK CA SPEC)	342
FIGURE 7-41. PLUG AND RECEPTACLE 220VINSTALLATION - CEE7 POST GROUND - 70MM X 70MM BOX (CE & UK CA SPEC)	344
FIGURE 7-42. PLUG AND RECEPTACLE 220VINSTALLATION - CEE7 SIDE GROUND - 2 X 4 BOX (CE & UK CA SPEC)	346
FIGURE 7-43. PLUG AND RECEPTACLE 220VINSTALLATION - CEE7 SIDE GROUND - 70MM X 70MM BOX (CE & UK CA SPEC)	348
FIGURE 7-44. PLUG AND RECEPTACLE 220VINSTALLATION - IEC 60309 - BLUE (CE & UK CA SPEC)	350
FIGURE 7-45. SKYEYE INTERMEDIATE HARNESS	352

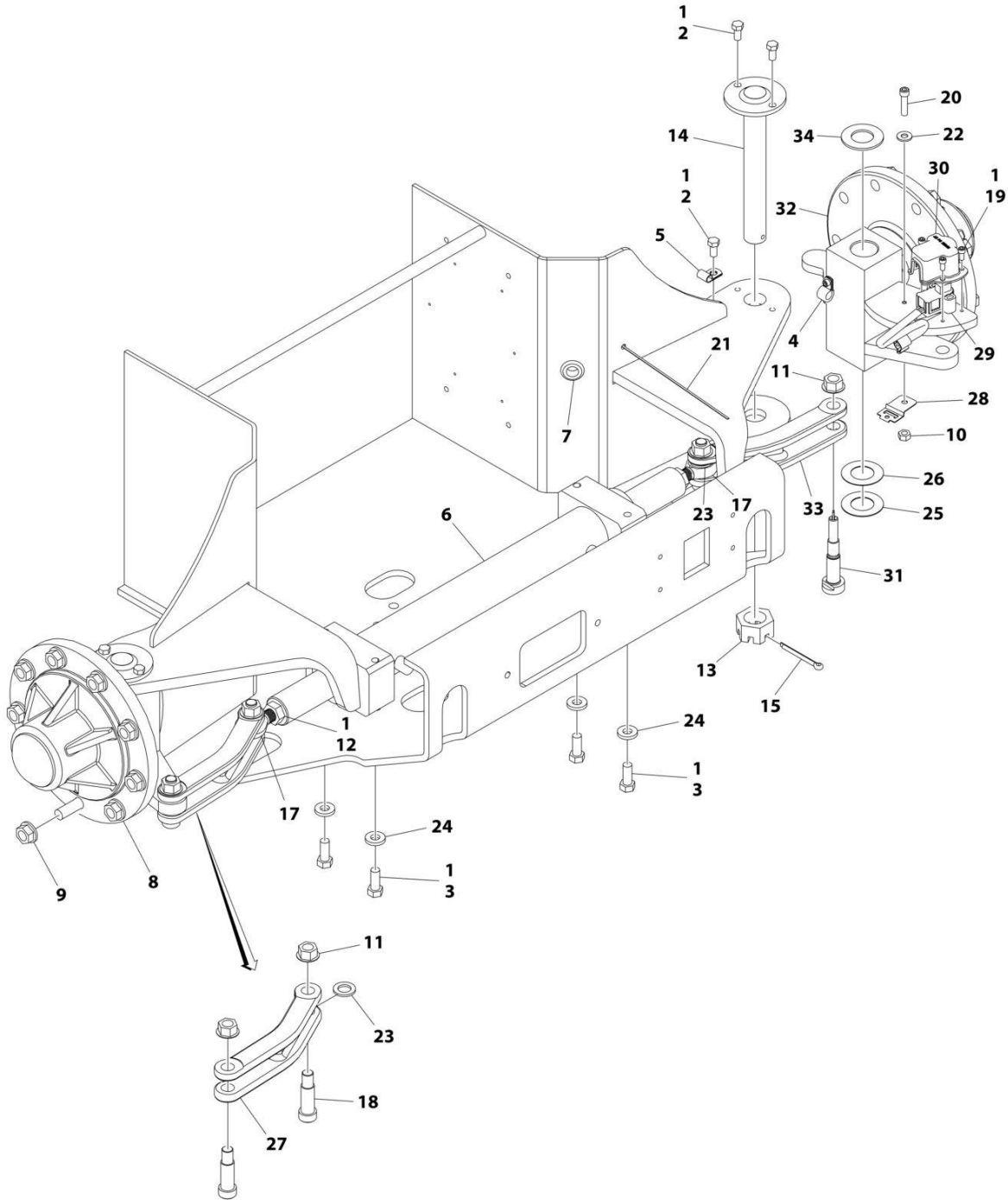
TABLE OF CONTENTS

FIGURE 7-46. SKYEYE RECEIVER HARNESS.....	354
FIGURE 7-47. SKYEYE EMITTER HARNESS	356
FIGURE 7-48. SKYGUARD HARNESS - WITH 1 CELL LSS	358
FIGURE 7-49. SKYLINE HARNESS	360
FIGURE 7-50. STEER/BRAKE HARNESS	362
FIGURE 7-51. TRACTION HARNESS	364
FIGURE 7-52. TURNTABLE HARNESS	366
FIGURE 7-53. UPPER BOOM 110V HARNESS ASSEMBLY	370
FIGURE 7-54. UPPER BOOM 220V HARNESS ASSEMBLY - CE & UK CA SPEC	372
FIGURE 7-55. VALVE HARNESS.....	374
SECTION 8 - DECALS	377
FIGURE 8-1. DECAL INSTALLATION - ANSI SPEC.....	378
FIGURE 8-2. DECAL INSTALLATION - AUSTRALIAN SPEC.....	380
FIGURE 8-3. DECAL INSTALLATION - CE & UK CA SPEC	382
FIGURE 8-4. DECAL INSTALLATION - CHINESE/ENGLISH	384
FIGURE 8-5. DECAL INSTALLATION - FRENCH/ENGLISH SPECS	386
FIGURE 8-6. DECAL INSTALLATION - JAPANESE SPEC.....	388
FIGURE 8-7. DECAL INSTALLATION - KOREAN SPEC	390
FIGURE 8-8. DECAL INSTALLATION - SPANISH/ENGLISH SPECS.....	392
FIGURE 8-9. DECAL INSTALLATION - SPANISH/PORTUGUESE SPECS	394
FIGURE 8-10. DECAL INSTALLATION - OPTIONS.....	396
SECTION 9 - RECOMMENDED SERVICE PARTS STOCK.....	399
FIGURE 9-1. RECOMMENDED SERVICE PARTS STOCK.....	400
SECTION 10 - SPECIAL OPTIONS/ACCESSORIES/KITS.....	403
FIGURE 10-1. SPECIAL OPTIONS/ACCESSORIES/KITS.....	404
PART NUMBER INDEX.....	407

SECTION 1 - FRAME

SECTION 1 - FRAME

FIGURE 1-1. STEERING INSTALLATION



ART_1001232204

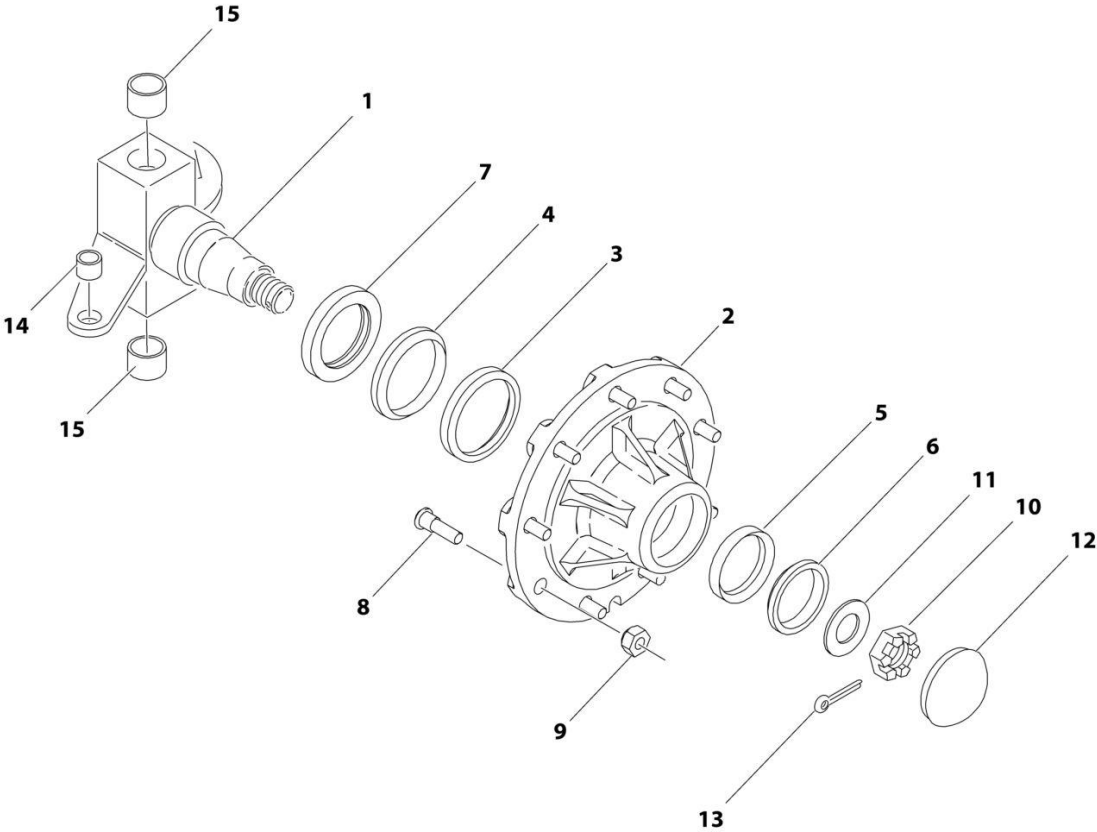
SECTION 1 - FRAME

FIGURE 1-1. STEERING INSTALLATION

ITEM	PART NUMBER	QTY	DESCRIPTION	REV
	1001232204	Ref	STEERING INSTALLATION	A
1	0100011	AR	Compound, Locking	
2	0641606	5	Bolt 3/8 X 3/4	
3	0681810	4	Bolt 1/2 X 1-1/4 Grade 8	
4	1320041	1	Clamp	
5	1320263	1	Clamp, Cable	
6	1683591	1	Steer Cylinder Assembly (See Separate Breakdown in CYLINDER SECTION)	
7	2540038	1	Grommet	
8	2780251	1	Hub - Spindle Assembly - RH (See Separate Breakdown in this Section)	
9	3300426	18	Nut 5/8	
10	3311405	1	Nut 1/4	
11	3312008	4	Nut 5/8	
12	3322202	2	Nut	
13	3323003	2	Nut 1-1/4	
14	3422692	2	Kingpin	
15	3450810	2	Pin, Cotter	
17	3841517	2	End, Tie-Rod	
18	3900109	3	Screw, Shoulder	
19	3931408	4	Capscrew 1/4 X 1/2	
20	3931416	1	Capscrew 1/4 x 1	
21	4240175	1	Tie-Strap	
22	4711400	1	Washer 1/4	
23	4740156	2	Washer	
24	4891800	4	Washer 1/2	
25	1001151395	1	Shim 18Ga	
26	1001151428	1	Shim 20Ga	
27	1001153023	1	Link	
28	1001153749	1	Clip, Connector	
29	1001161117	1	Switch, Angle Sensor	
29	4460536	1	Receptacle, Female - 3 Position	
29	4460464	3	Pin, Male	
30	1001169423	1	Cover	
31	1001180835	1	Pin	
32	1001180838	1	Hub - Spindle Assembly - LH (See Separate Breakdown in this Section)	
33	1001180840	1	Link	
34	1001193047	2	Bearing, Thrust	

SECTION 1 - FRAME

FIGURE 1-2. HUB - SPINDLE ASSEMBLY - RH



ART_2780251

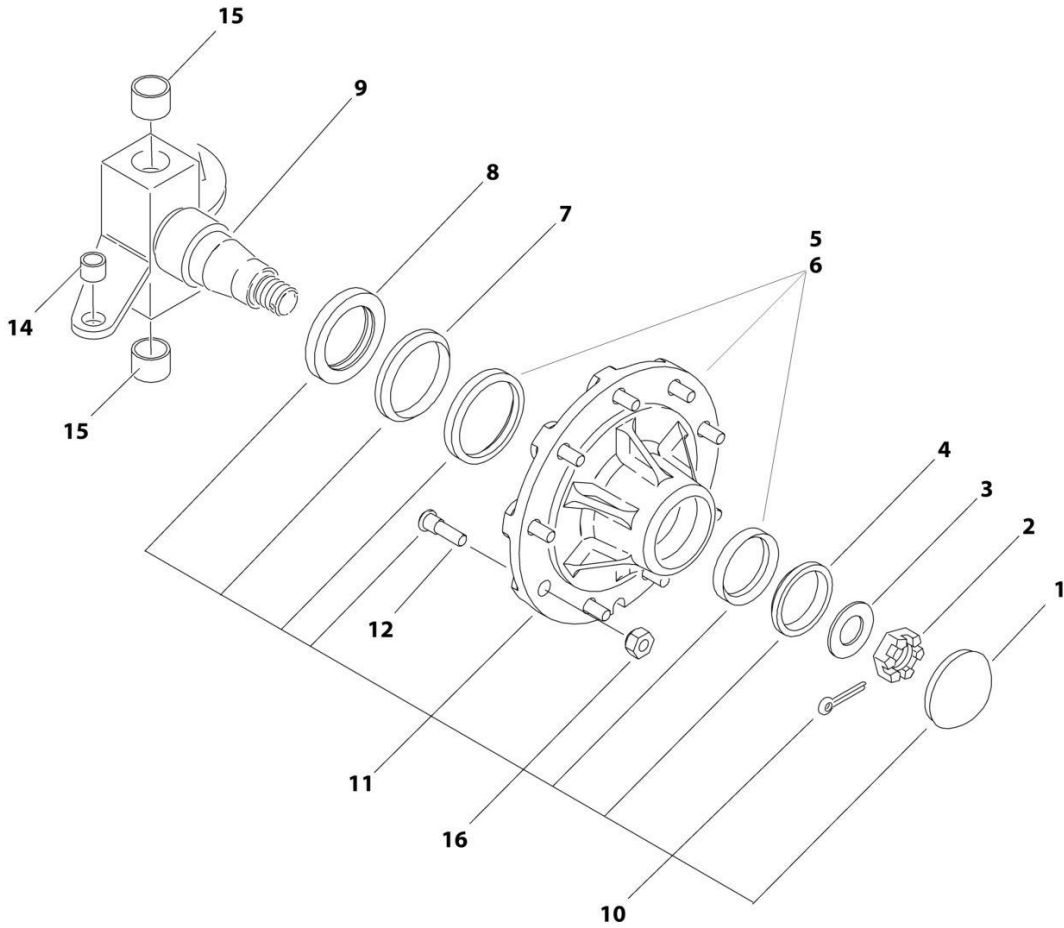
SECTION 1 - FRAME

FIGURE 1-2. HUB - SPINDLE ASSEMBLY - RH

ITEM	PART NUMBER	QTY	DESCRIPTION	REV
	2780251	Ref	HUB - SPINDLE ASSEMBLY, RH	C
1	7023217	1	Spindle, R.H.	
2	7020035	1	Hub	
3	7020036	1	Cup, Bearing - Inner	
4	7020037	1	Cone, Bearing - Inner	
5	7020038	1	Cup, Bearing - Outer	
6	7020039	1	Cone, Bearing - Outer	
7	7020040	1	Seal	
8	7020041	9	Stud, Wheel	
9	7020042	9	Lugnut	
10	7020054	1	Nut, Castle	
11	7020055	1	Washer, Spindle	
12	7020137	1	Dust Cap	
13	7020140	1	Pin, Cotter	
14	0962140	1	Bushing	
15	0961951	2	Bushing	

SECTION 1 - FRAME

FIGURE 1-3. HUB - SPINDLE ASSEMBLY - LH



ART_1001180838

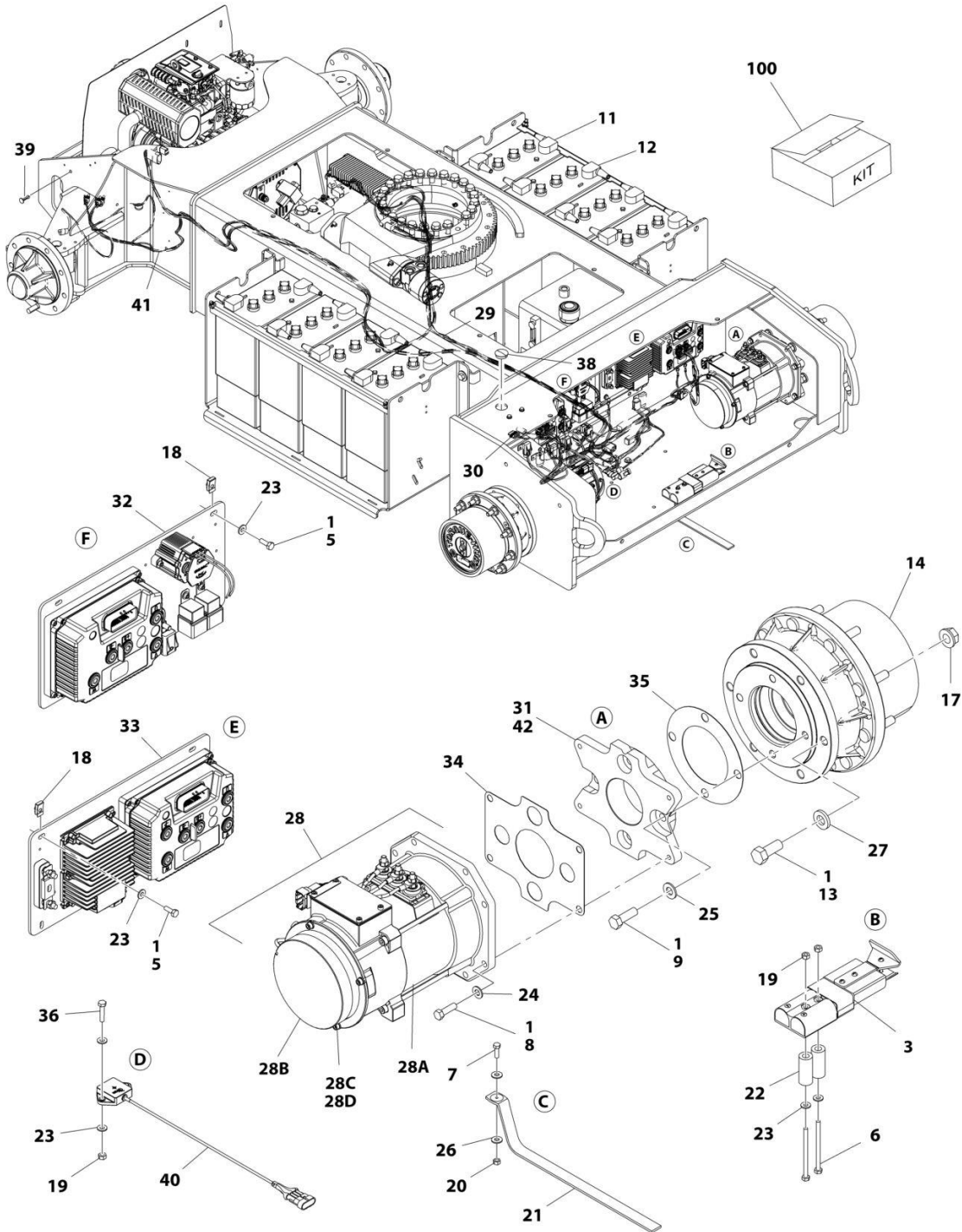
SECTION 1 - FRAME

FIGURE 1-3. HUB - SPINDLE ASSEMBLY - LH

ITEM	PART NUMBER	QTY	DESCRIPTION	REV
	1001180838	Ref	SPINDLE, HUB	B
1	7020137	1	Dust Cap	
2	7020054	1	Nut, Castle	
3	7020055	1	Washer, Spindle	
4	7020039	1	Cone, Bearing - Outer	
5	See Note	NLA	Hub (Note: Use Item 11)	
6	See Note	1	Grease, Lithium (Note: Purchase Locally)	
7	7020037	1	Cone, Bearing - Inner	
8	7020040	1	Seal	
9	70005214	1	Spindle	
10	7020140	1	Pin, Cotter	
11	70005215	1	Hub Assembly (Includes Items 1,4,5,7,8 & 12))	
12	0630490	9	Stud, Wheel	
14	0962140	1	Bearing	
15	0961951	2	Bearing	
16	3300426	9	Lugnut (Note: Must be Purchased Separately)	

SECTION 1 - FRAME

FIGURE 1-4. DRIVE INSTALLATION - NON-UL SPECS



ART_1001179134

SECTION 1 - FRAME

FIGURE 1-4. DRIVE INSTALLATION - NON-UL SPECS

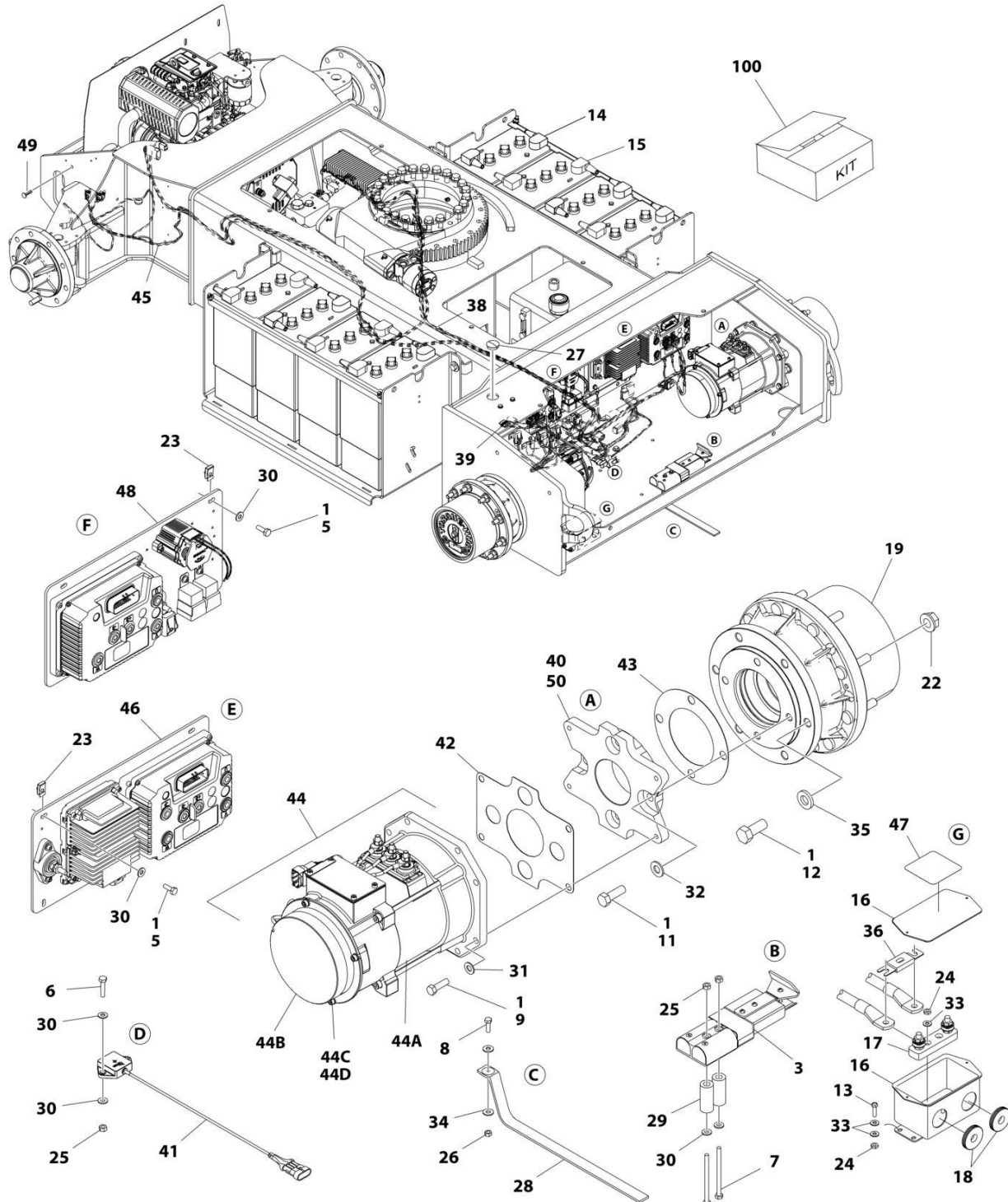
ITEM	PART NUMBER	QTY	DESCRIPTION	REV
	1001179134	Ref	DRIVE INSTALLATION	K
1	0100011	AR	Compound, Locking	
3	0100048	AR	Compound, Silicone	
5	0641406	8	Bolt 1/4 X 3/4	
6	0641430	2	Bolt 1/4 X 3-3/4	
7	0641508	1	Bolt 5/16 X 1	
8	0641610	8	Bolt 3/8 X 1-1/4	
9	0641812	8	Bolt 1/2 X 1-1/2	
11	0840031	8	Boot, Terminal - "d" Shaped	
12	0840032	8	Boot, Terminal - "b" Shaped	
13	0682014	12	Bolt 5/8 X 1-3/4 Grade 8	
14	2780282	2	Drive Hub Assembly (See Separate Breakdown in this Section)	
17	3300426	18	Nut 5/8	
18	3300454	8	Nut 1/4	
19	3311401	4	Nut 1/4	
20	3311505	1	Nut 5/16	
21	4240084	1	Strap, Anti-Static	
22	4568114	2	Tube, Spacer	
23	4711400	14	Washer 1/4	
24	4711600	8	Washer 3/8	
25	4711800	8	Washer 1/2	
26	4751500	2	Washer 5/16	
27	4892000	12	Washer 5/8	
28	1001184854	2	Drive Motor and Brake Assembly	
28A	1001182550	2	Drive Motor Assembly (See Separate Breakdown in this Section)	
28B	1001184852	2	Drive Brake Assembly	
28B	70005415	2	O-Ring Between Brake and Motor (1 Per Assembly) (Not Shown)	
28C	4031707	8	Capscrew M6 x 16	
28D	1001109892	8	Washer M6	
29	1001178405	1	Chassis to Turntable Harness (See Separate Breakdown in ELECTRICAL Section)	
30	1001178629	1	Traction Harness (See Separate Breakdown in ELECTRICAL Section)	
31	1001219722	2	Adapter, Motor	
32	1001179060	1	Electrical Plate Assembly - LH (See Separate Breakdown in this Section)	
33	1001179061	1	Electrical Plate Assembly - RH (See Separate Breakdown in this Section)	
34	1001220271	2	Seal	
35	1001182960	2	Seal	
36	0641408	2	Bolt 1/4-20 x 1	
38	3520035	1	Cap-Plug	
39	4240175	1	Tie-Strap Clamp	
40	1001219601	1	Sensor	
40	See Note	1	Receptacle, Female - 4 Position (Note: Not Available for Purchase)	
40	1001196589	4	Terminal	
41	1001188528	1	Steer/Brake Harness (See Separate Breakdown in ELECTRICAL Section)	
42	0100020	AR	Sealant	

SECTION 1 - FRAME

ITEM	PART NUMBER	QTY	DESCRIPTION	REV
100	1001190088	1	Battery Cable Kit (See Separate Breakdown in ELECTRICAL Section)	

SECTION 1 - FRAME

FIGURE 1-5. DRIVE INSTALLATION - UL SPECS



ART_1001212453

SECTION 1 - FRAME

FIGURE 1-5. DRIVE INSTALLATION - UL SPECS

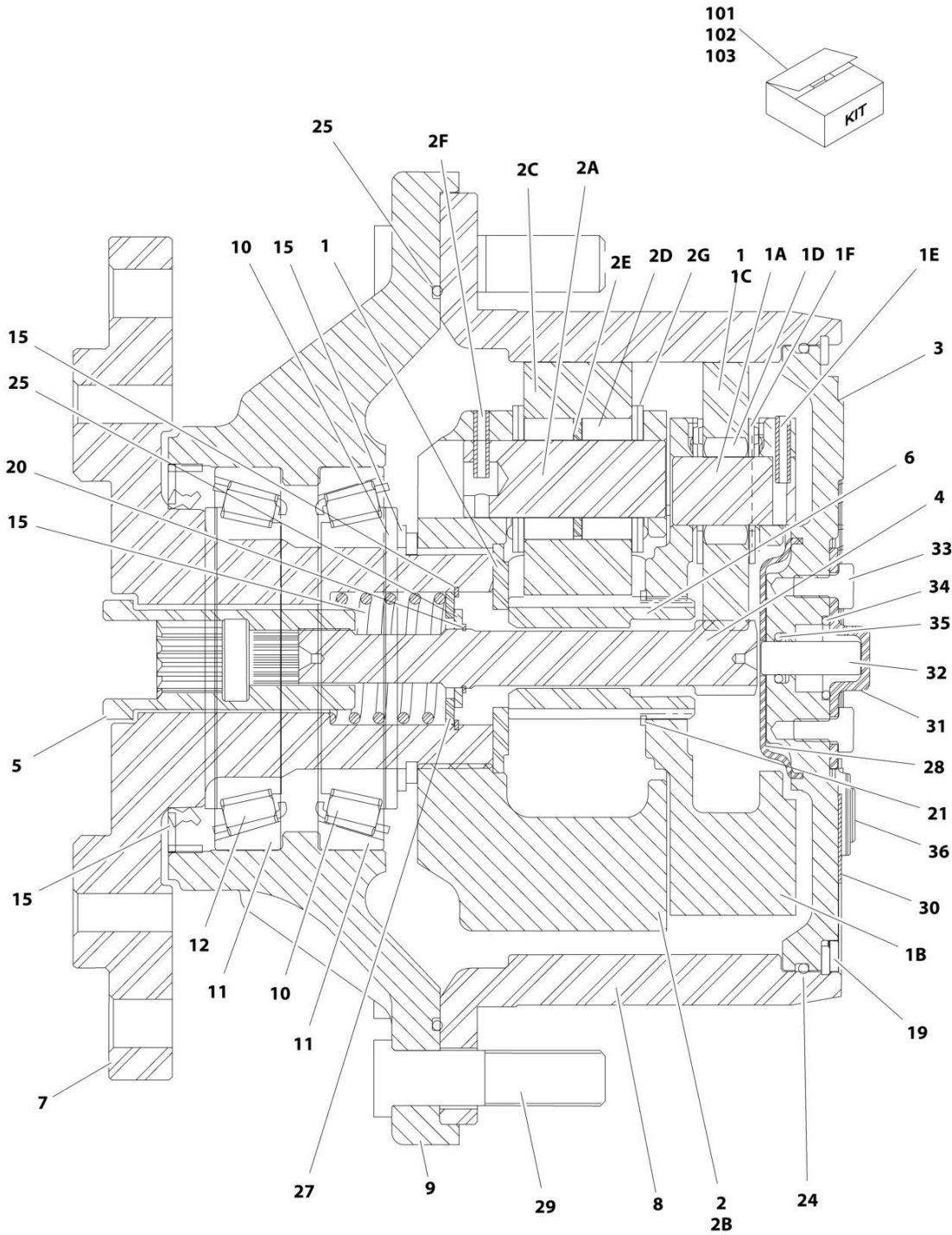
ITEM	PART NUMBER	QTY	DESCRIPTION	REV
	1001212453	Ref	DRIVE INSTALLATION	F
1	0100011	AR	Compound, Locking	
3	0100048	AR	Compound, Silicone	
5	0641406	8	Bolt 1/4 x 3/4	
6	0641408	2	Bolt 1/4 x 1	
7	0641430	2	Bolt 1/4 x 3-3/4	
8	0641508	1	Bolt 5/16 x 1	
9	0641610	8	Bolt 3/8 x 1-1/4	
11	0641812	8	Bolt 1/2 x 1-1/2	
12	0682014	12	Bolt 5/8 x 1-3/4 Grade 8	
13	0721006	4	Bolt #10 x 3/4	
14	0840031	8	Boot, Terminal - "d" Shaped	
15	0840032	8	Boot, Terminal - "b" Shaped	
16	0861375	1	Box	
17	2400044	1	Block, Fuse	
18	2540037	2	Grommet	
19	2780282	2	Drive Hub Assembly (See Separate Breakdown in this Section)	
22	3300426	18	Nut 5/8	
23	3300454	8	Nut 1/4	
24	3311001	6	Nut #10	
25	3311401	4	Nut 1/4	
26	3311505	1	Nut 5/16	
27	3520035	1	Cap-Plug	
28	4240084	1	Strap, Anti-Static	
29	4568114	2	Tube, Spacer	
30	4711400	14	Washer 1/4	
31	4711600	8	Washer 3/8	
32	4711800	8	Washer 1/2	
33	4751000	10	Washer, 10	
34	4751500	2	Washer 5/16	
35	4892000	12	Washer 5/8	
36	1001170365	1	Fuse 400 Amp	
38	1001178405	1	Chassis to Turntable Harness (See Separate Breakdown in ELECTRICAL Section)	
39	1001178629	1	Traction Harness (See Separate Breakdown in ELECTRICAL Section)	
40	1001219722	2	Adapter, Motor	
41	1001219601	1	Sensor	
41	See Note	1	Receptacle, Female - 4 Position (Note: Not Available for Purchase)	
41	1001196589	4	Terminal	
42	1001220271	2	Seal	
43	1001182960	2	Seal	
44	1001184854	2	Drive Motor and Brake Assembly	
44A	1001182550	2	Drive Motor Assembly (See Separate Breakdown in this Section)	
44B	1001184852	2	Drive Brake Assembly	
44B	70005415	2	O-Ring Between Brake and Motor (1 Per Assembly) (Not Shown)	
44C	4031707	8	Capscrew M6 x 16	
44D	1001109892	8	Washer M6	

SECTION 1 - FRAME

ITEM	PART NUMBER	QTY	DESCRIPTION	REV
45	1001188528	1	Steer/Brake Harness (See Separate Breakdown in ELECTRICAL Section)	
46	1001212456	1	Electrical Plate Assembly - RH (See Separate Breakdown in this Section)	
47	1001213626	1	Decal - 400 Amp Fuse	
48	1001214668	1	Electrical Plate Assembly - LH (See Separate Breakdown in this Section)	
49	4240175	1	Tie-Strap Clamp	
50	0100020	AR	Sealant	
100	1001212454	1	Battery Cable Kit (See Separate Breakdown in ELECTRICAL Section)	

SECTION 1 - FRAME

FIGURE 1-6. DRIVE HUB ASSEMBLY



ART_2780282

SECTION 1 - FRAME

FIGURE 1-6. DRIVE HUB ASSEMBLY

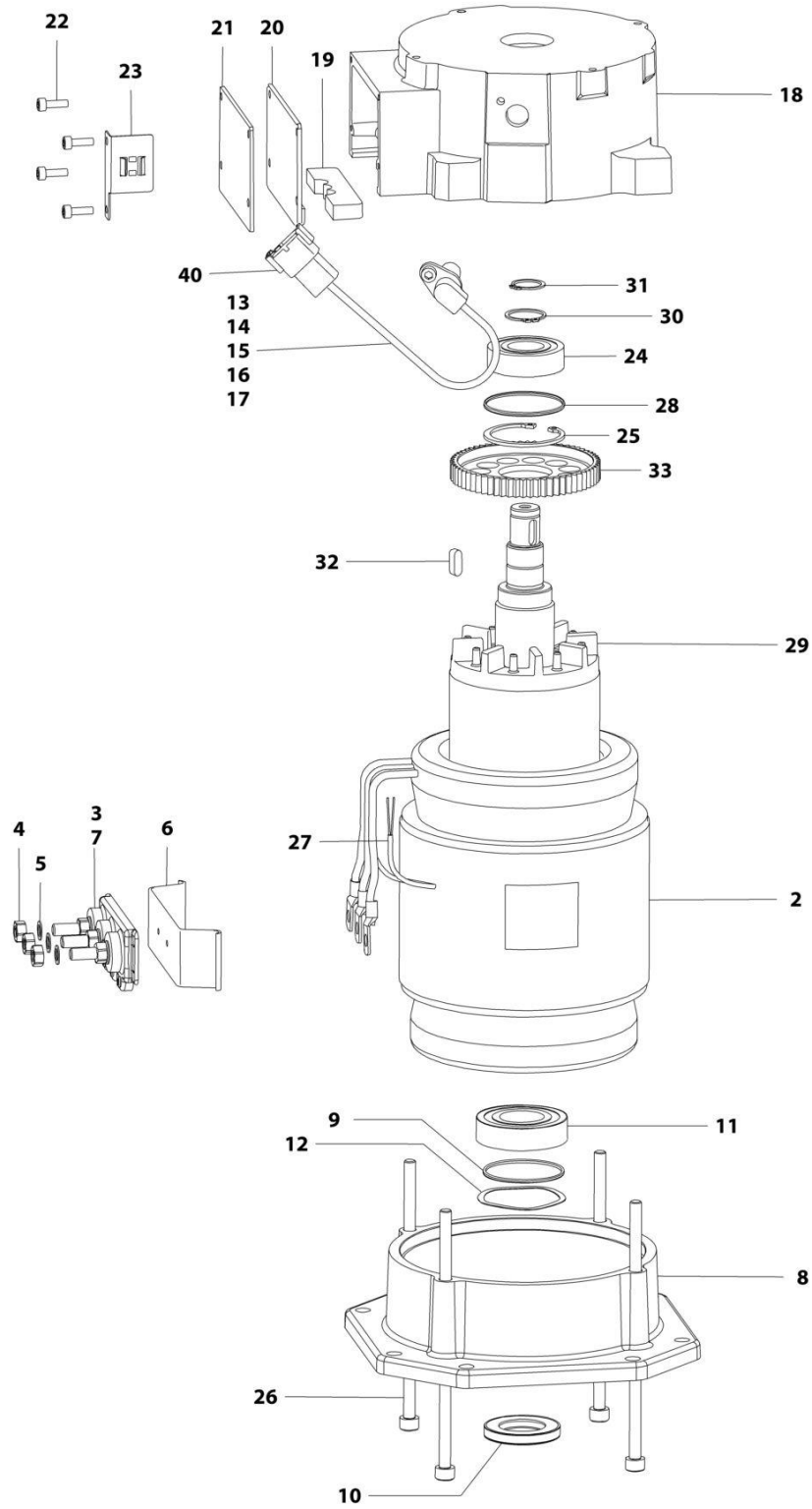
ITEM	PART NUMBER	QTY	DESCRIPTION	REV
	2780282	Ref	DRIVE HUB ASSEMBLY	D
1	70001366	1	Carrier Sub Assembly	
1A	See Note	NSS	Shaft, Planet (Note: Use Item 1)	
1B	See Note	NSS	Carrier (Note: Use Item 1)	
1C	See Note	NSS	Gear, Planet (Note: Use Item 1)	
1D	See Note	NSS	Bearing, Needle (Note: Use Item 1)	
1E	See Note	NSS	Rollpin (Note: Use Item 1)	
1F	See Note	NSS	Thrustwasher (Note: Use Item 1)	
2	70001367	1	Carrier, Input	
2A	See Note	NSS	Shaft, Planet (Note: Use Item 2)	
2B	See Note	NSS	Carrier (Note: Use Item 2)	
2C	See Note	NSS	Gear, Planet (Note: Use Item 2)	
2D	See Note	NSS	Bearing, Needle (Note: Use Item 2)	
2E	See Note	NSS	Spacer, Thrust (Note: Use Item 2)	
2F	See Note	NSS	Rollpin (Note: Use Item 2)	
2G	See Note	NSS	Thrustwasher (Note: Use Item 2)	
2H	See Note	NSS	Thrustwasher (Note: Use Item 2)	
3	See Note	NSS	Cover (Note: Use Item 103)	
4	70001369	1	Shaft, Input	
5	70001370	1	Coupling	
6	70001371	1	Shaft, Sun Gear	
7	70001372	1	Spindle	
8	70001373	1	Gear, Ring	
9	See Note	NSS	Housing (Note: Not Available - Purchase Complete Assembly)	
10	See Note	NSS	Cone, Bearing (Note: Use Item 101)	
11	See Note	NSS	Cup, Bearing (Note: Use Item 101)	
12	See Note	NSS	Cone, Bearing (Note: Use Item 101)	
13	7017009	1	Thrustwasher	
15	See Note	NSS	Seal, Lip (Note: Use Item 102)	
16	70001374	1	Spring	
17	70001375	1	Ring, Retaining (Internal)	
18	See Note	NSS	Ring, Retaining (Note: Use Item 102)	
19	7024738	1	Ring, Retaining (Note: Use Item 102)	
20	70001376	1	Ring, Retaining (External)	
21	70001377	1	Ring, Retaining (External)	
22	7000281	4	Screw (Not Shown - ID Plate Screws)	
23	7017022	3	Screw (Not Shown - Located on Front of Hub)	
24	See Note	NSS	O-Ring (Note: Use Item 102)	
25	See Note	NSS	O-Ring (Note: Use Item 102)	
26	70001378	1	Spacer, Thrust	
27	70001379	1	Thrustwasher	
28	7024741	1	Spacer, Thrust	
29	7007640	9	Stud, Wheel	
30	See Note	NSS	Flange, Plate (Note: Use Item 103)	
31	See Note	NSS	Cap, Disengage (Note: Use Item 103)	
32	See Note	NSS	Pin, Dowel (Note: Use Item 103)	
33	See Note	NSS	Bolt (Note: Use Item 103)	
34	See Note	NSS	O-Ring (Note: Use Item 103)	
35	See Note	NSS	O-Ring (Note: Use Item 103)	
36	See Note	NSS	O-Ring (Note: Use Item 103)	

SECTION 1 - FRAME

ITEM	PART NUMBER	QTY	DESCRIPTION	REV
101	7017007	1	Planet Gear Bearing Kit (Includes Items 10-12)	
102	70001380	1	Planet Gear Seal Kit (Includes Items 15, 18, 24 & 25)	
103	70001368	1	Cover/Cap/Disengage Kit (Includes Items 3 & 30-36)	

SECTION 1 - FRAME

FIGURE 1-7. DRIVE MOTOR ASSEMBLY



ART_1001182550

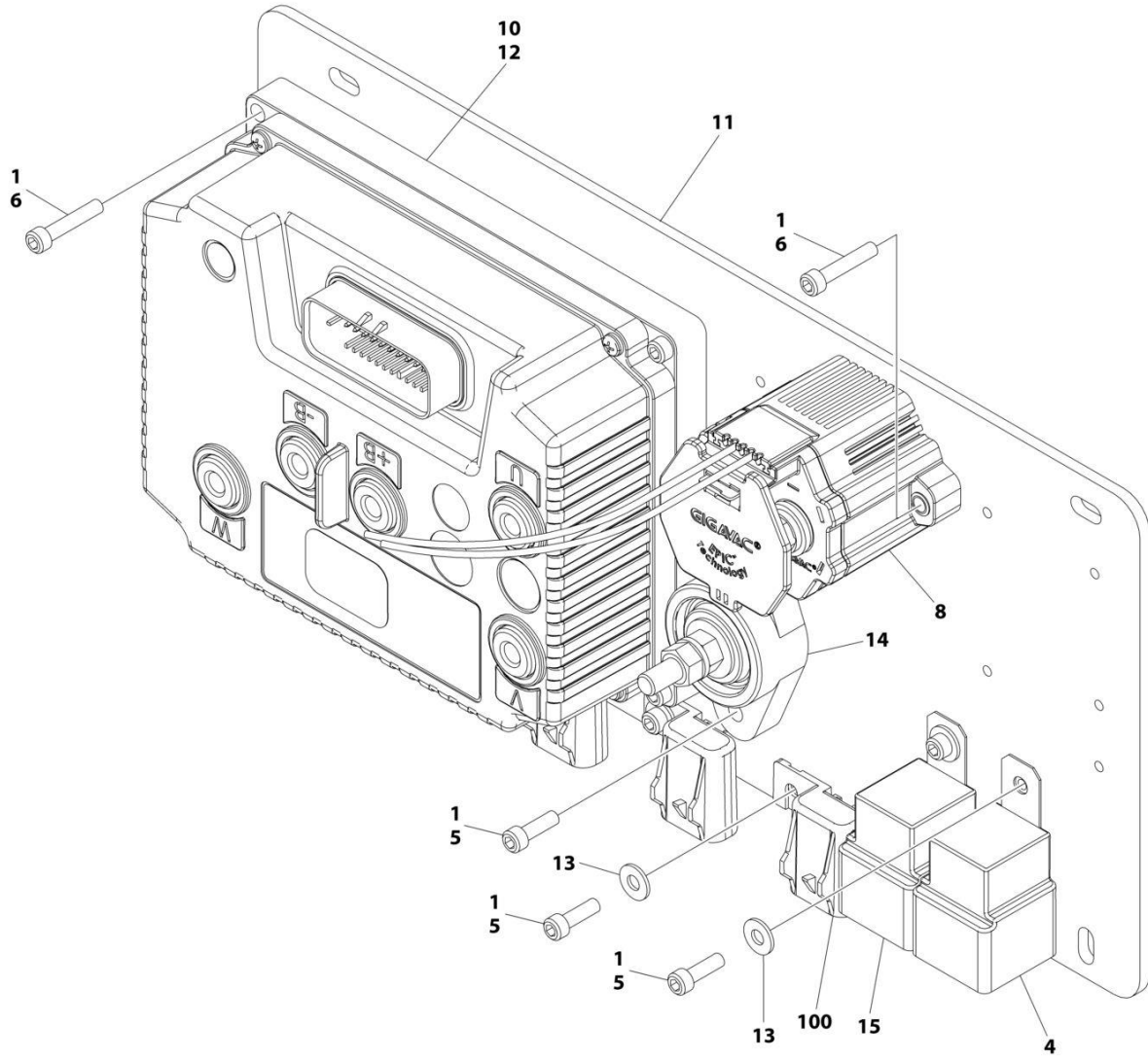
SECTION 1 - FRAME

FIGURE 1-7. DRIVE MOTOR ASSEMBLY

ITEM	PART NUMBER	QTY	DESCRIPTION	REV
	1001182550	Ref	DRIVE MOTOR ASSEMBLY	F
2	70005385	1	Stator	
3	70005386	1	Board, Terminal	
4	70005387	3	Nut M8	
5	70005388	3	Washer M8	
6	70005389	1	Base, Terminal	
7	70005390	2	Screw M5 x 14	
8	70005391	1	Plate, Drive End	
9	70004811	1	O-Ring	
10	70005392	1	Seal, Shaft	
11	70004809	1	Bearing	
12	70005393	1	Washer, Wavy	
13	70005394	1	Sensor (Includes Items 14-17)	
14	70005395	1	Screw M8 x 16	
15	70005396	1	Wedge	
16	70005397	1	Connector	
17	4460516	4	Pin, Male	
18	70005398	1	Shield, End	
19	70005399	1	Seal	
20	70005400	1	Seal	
21	70005401	1	Cover	
22	70005402	4	Screw M5 x 16	
23	70005403	1	Plate, Retaining	
24	70005404	1	Bearing	
25	70005405	1	Clip, Retainer	
26	70005406	4	Screw M8 x 180	
27	70005407	1	Temperature, Sensor	
28	70005408	1	O-Ring	
29	70005409	1	Rotor	
30	70004820	1	Clip, Retainer	
31	70005410	1	Clip, Retainer	
32	70005411	1	Key	
33	70005412	1	Gear	
40	1001190577	1	Connector - 8 Position	
40	4460516	8	Pin	

SECTION 1 - FRAME

FIGURE 1-8. ELECTRICAL PLATE ASSEMBLY - LH



ART_1001179060_I

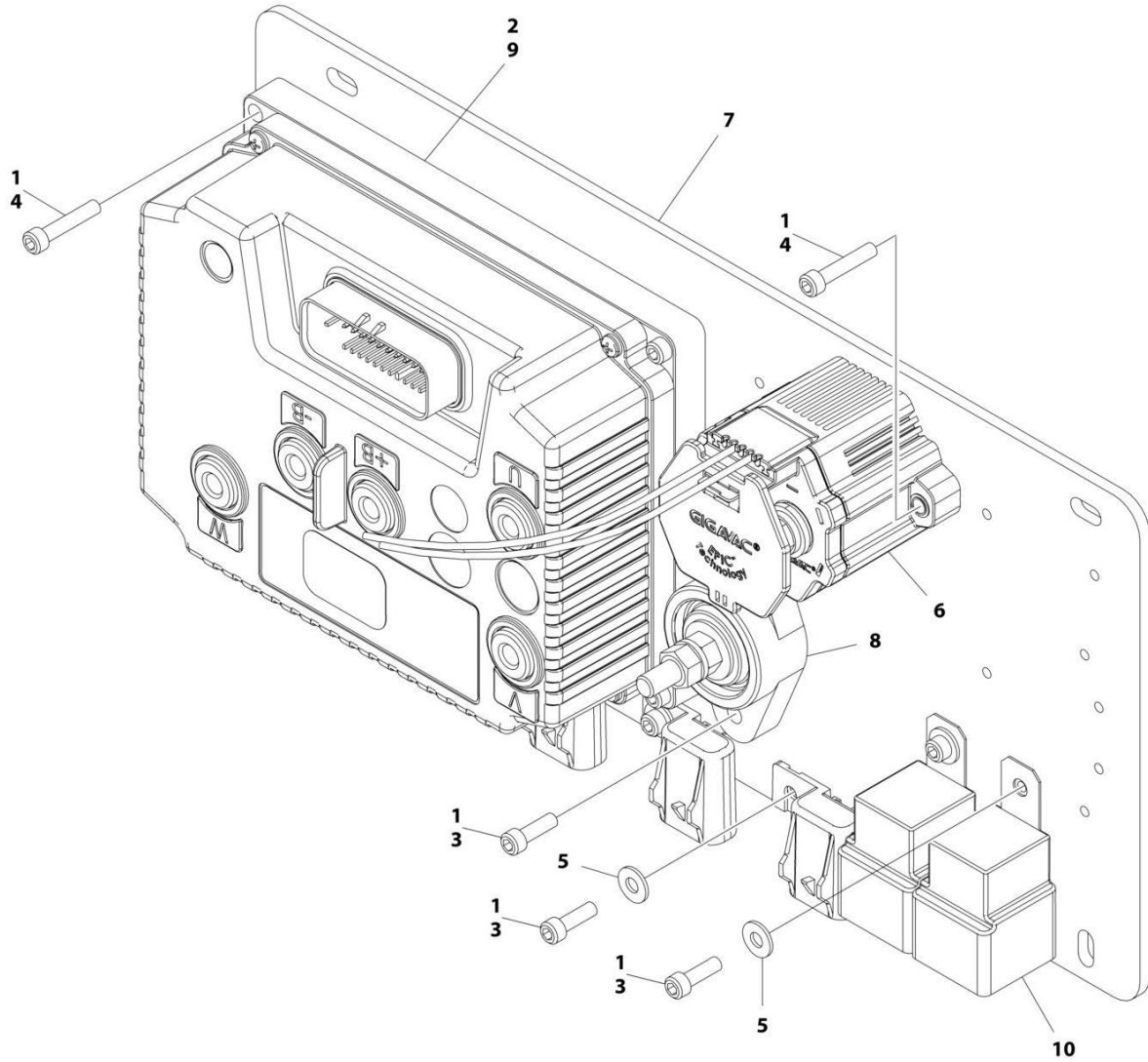
SECTION 1 - FRAME

FIGURE 1-8. ELECTRICAL PLATE ASSEMBLY - LH

ITEM	PART NUMBER	QTY	DESCRIPTION	REV
	1001179060	Ref	ELECTRICAL PLATE ASSEMBLY	I
1	0100035	AR	Compound, Locking	
4	3740080	1	Relay	
5	3931010	8	Capscrew #10 x 5/8	
6	3931016	6	Capscrew #10 x 1	
8	1001272006	1	Relay, Contacter	
8	1001153612	1	Receptacle, Female - 2 Position	
10	1001192212	1	Module, Drive	
11	1001179064	1	Plate	
12	0100083	AR	Grease, Heat Transfer	
13	4711000	6	Washer #10	
14	1001186860	1	Stud, Power Distribution	
15	1001214667	1	Relay	
100	1001217842	4	Fuseholder	

SECTION 1 - FRAME

FIGURE 1-9. ELECTRICAL PLATE ASSEMBLY - LH - UL SPECS



ART_1001214668

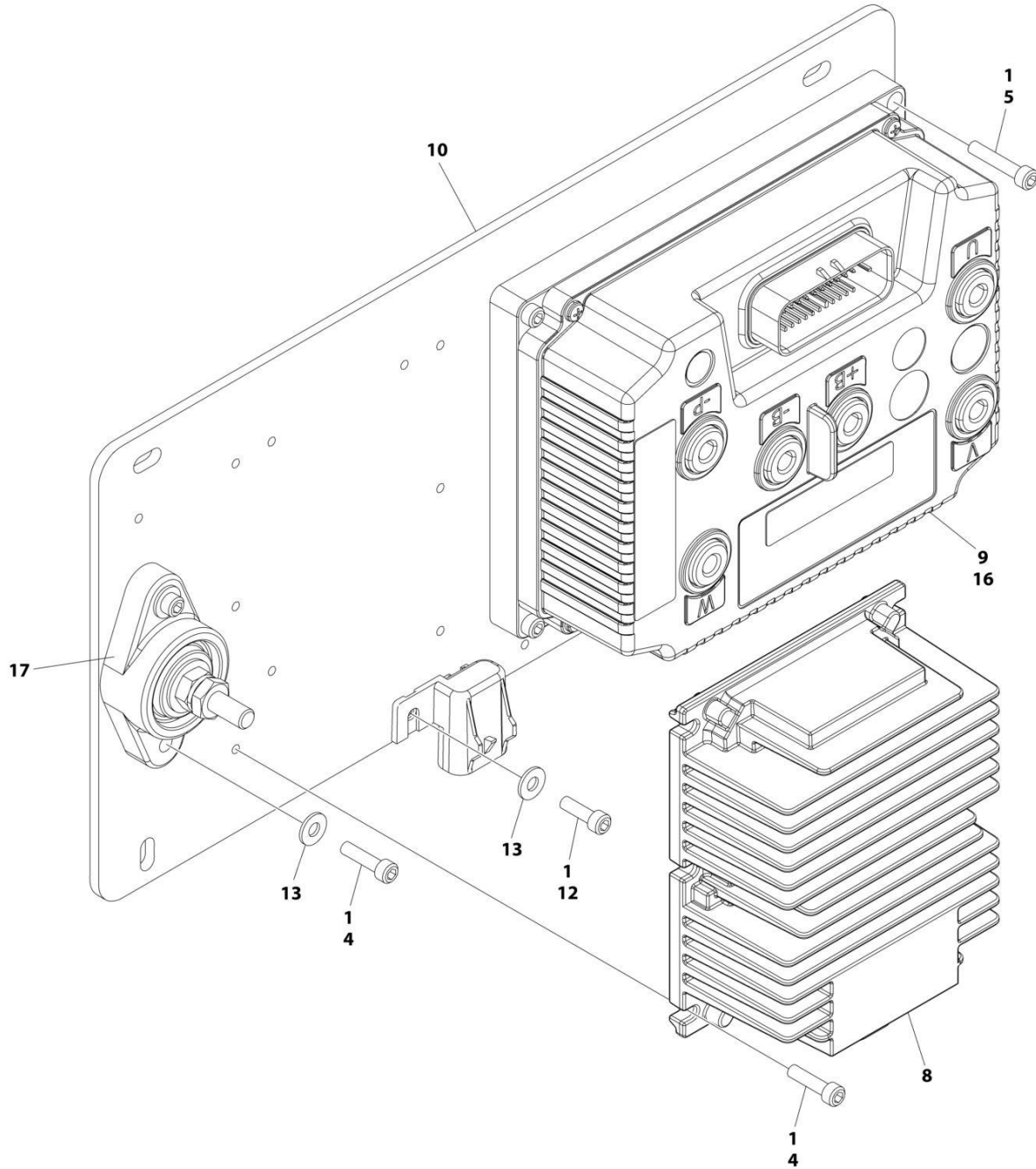
SECTION 1 - FRAME

FIGURE 1-9. ELECTRICAL PLATE ASSEMBLY - LH - UL SPECS

ITEM	PART NUMBER	QTY	DESCRIPTION	REV
	1001214668	Ref	ELECTRICAL PLATE ASSEMBLY - LH	B
1	0100035	AR	Compound, Locking	
2	0100083	AR	Grease, Heat Transfer	
3	3931010	8	Capscrew #10 x 5/8	
4	3931016	6	Capscrew #10 x 1	
5	4711000	6	Washer #10	
6	1001272006	1	Relay, Contactor	
6	1001153612	1	Receptacle, Female - 2 Position	
7	1001179064	1	Plate	
8	1001186860	1	Stud, Power Distribution	
9	1001192212	1	Module, Drive	
10	1001214667	2	Relay	

SECTION 1 - FRAME

FIGURE 1-10. ELECTRICAL PLATE ASSEMBLY - RH



ART_1001179061

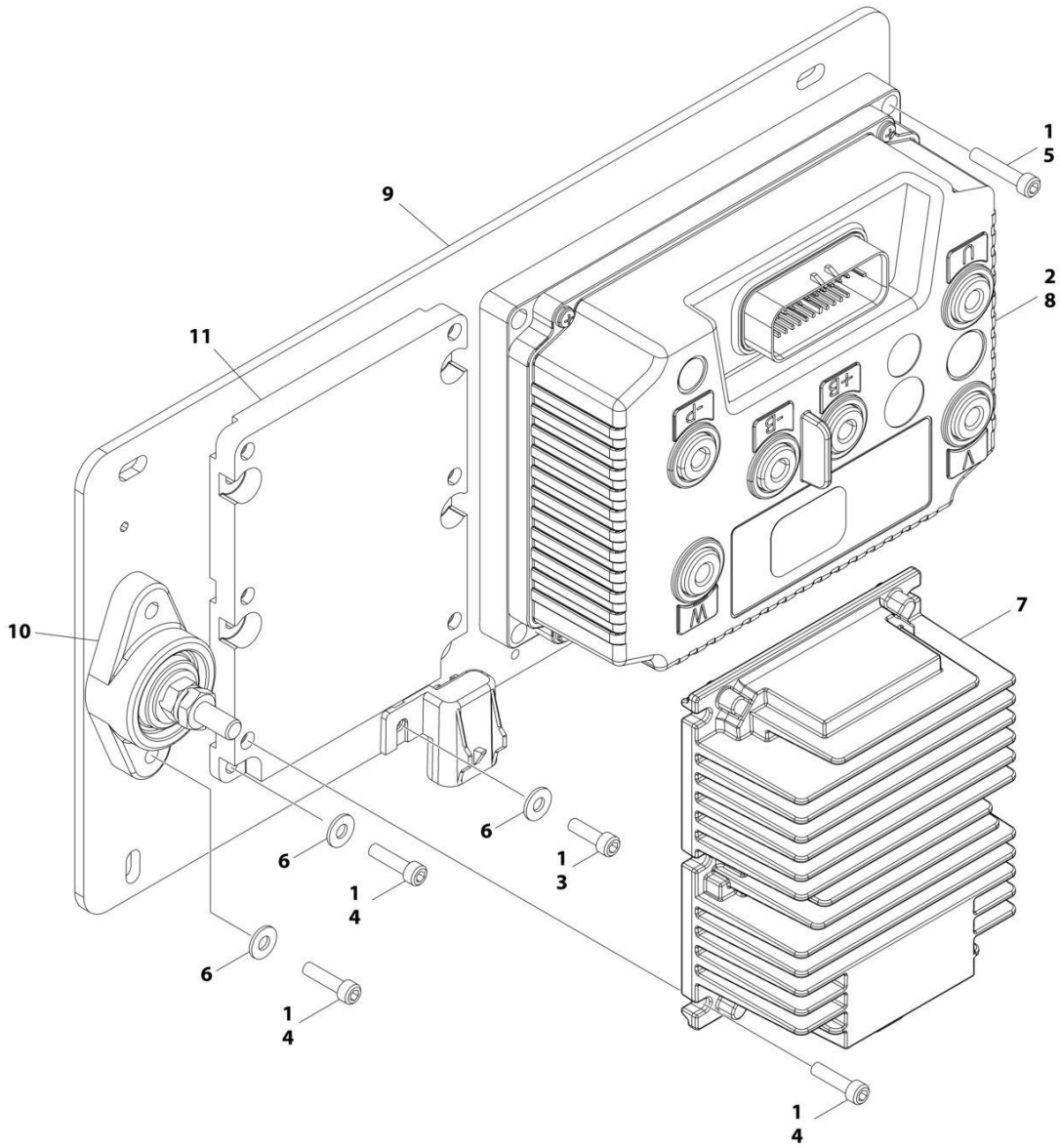
SECTION 1 - FRAME

FIGURE 1-10. ELECTRICAL PLATE ASSEMBLY - RH

ITEM	PART NUMBER	QTY	DESCRIPTION	REV
	1001179061	Ref	ELECTRICAL PLATE ASSEMBLY - RH	F
1	0100035	AR	Compound, Locking	
4	3931012	8	Capscrew #10 X 3/4	
5	3931016	4	Capscrew #10 X 1	
8	1001174447	1	Converter	
9	1001178339	1	Module, Drive	
10	1001179064	1	Plate	
12	3931010	1	Capscrew #10 X 5/8	
13	4711000	3	Washer #10	
16	0100083	AR	Grease, Heat Transfer	
17	1001212359	1	Stud, Power Distribution	

SECTION 1 - FRAME

FIGURE 1-11. ELECTRICAL PLATE ASSEMBLY - RH - UL SPECS



ART_1001212456

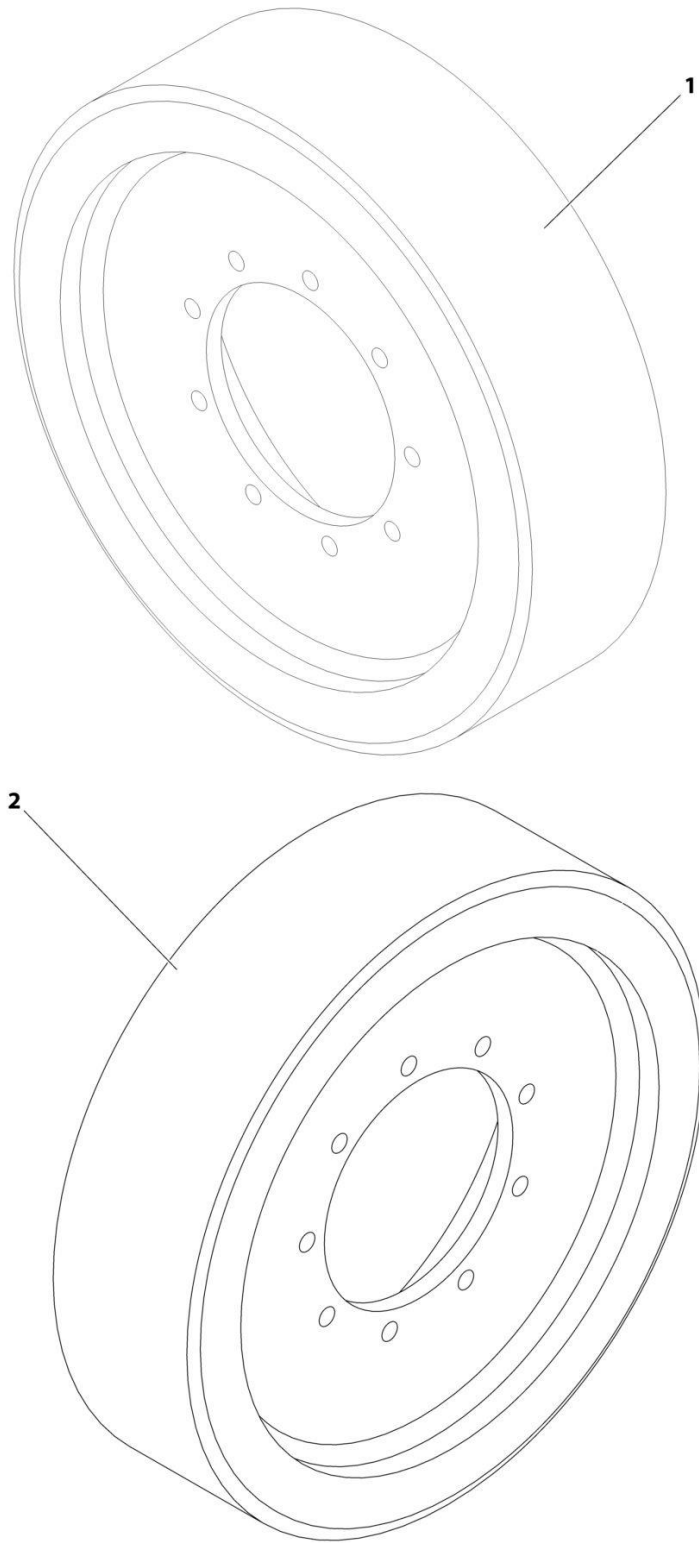
SECTION 1 - FRAME

FIGURE 1-11. ELECTRICAL PLATE ASSEMBLY - RH - UL SPECS

ITEM	PART NUMBER	QTY	DESCRIPTION	REV
	1001212456	Ref	ELECTRICAL PLATE ASSEMBLY - RH	A
1	0100035	AR	Compound, Locking	
2	0100083	AR	Grease, Heat Transfer	
3	3931010	1	Capscrew #10 X 5/8	
4	3931012	14	Capscrew #10 X 3/4	
5	3931016	4	Capscrew #10 X 1	
6	4711000	9	Washer #10	
7	1001174447	1	Converter	
8	1001178339	1	Module, Drive	
9	1001179064	1	Plate	
10	1001212359	1	Stud	
11	1001212450	1	Insulate	

SECTION 1 - FRAME

FIGURE 1-12. TIRE/WHEEL - SOLID NON-MARKING



ART_0270028

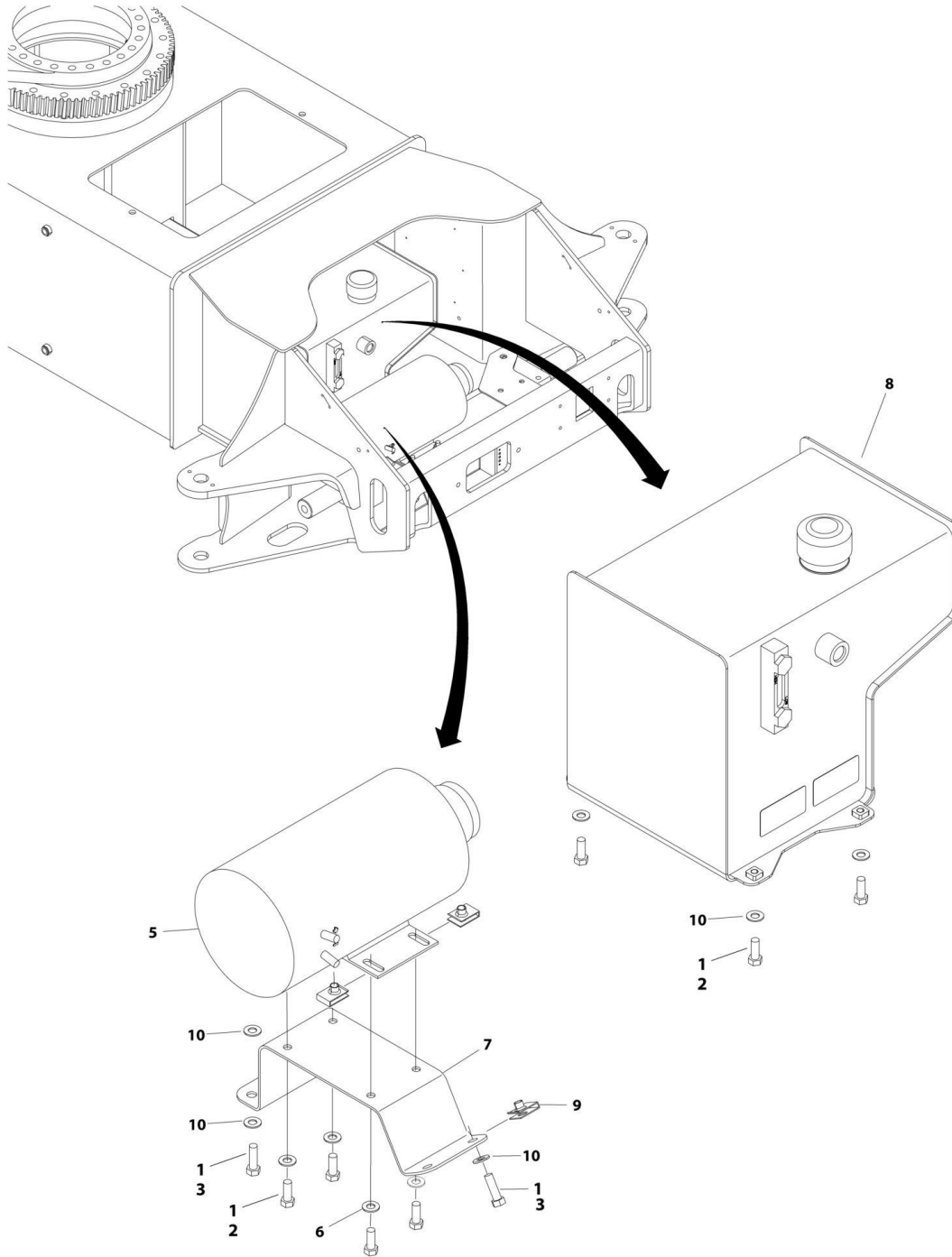
SECTION 1 - FRAME

FIGURE 1-12. TIRE/WHEEL - SOLID NON-MARKING

ITEM	PART NUMBER	QTY	DESCRIPTION	REV
	0270028	Ref	TIRE/WHEEL INSTALLATION - NON MARKING	C
		Ref	E400Anarrow/E400AJPnarrow Machines Only	
		Ref	Note: Must replace Tire and Wheel Assemblies in pairs per axle.	
1	1001110772	2	25 x 7 x 16 - Solideal Tire and Wheel (Drive Axle Tire)	
2	1001110774	2	22 x 6 x 17.75 - Solideal Tire and Wheel (Steer Axle Tire)	

SECTION 1 - FRAME

FIGURE 1-13. MOTOR/PUMP/TANK - NON-UL SPECS



ART_1001166417

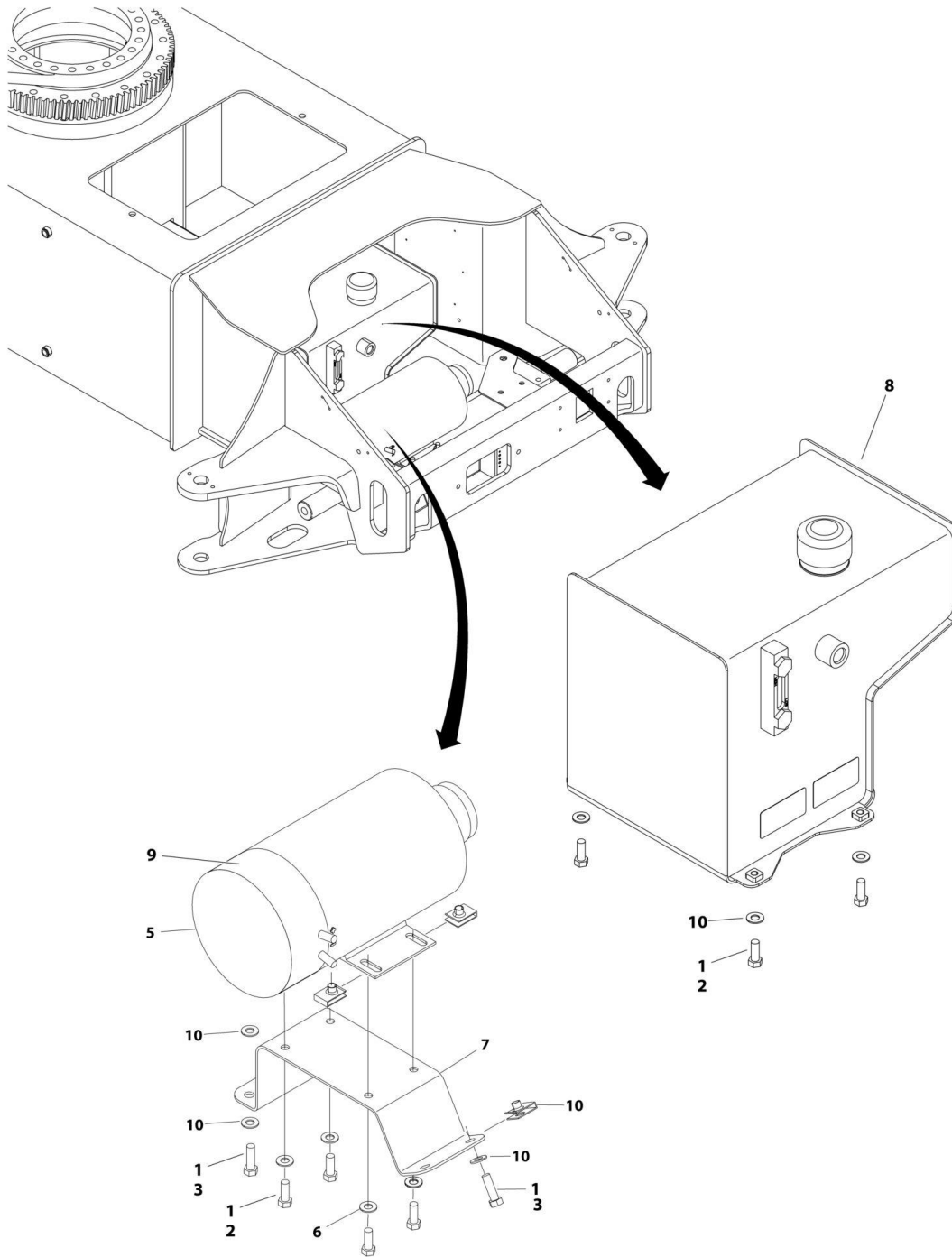
SECTION 1 - FRAME

FIGURE 1-13. MOTOR/PUMP/TANK - NON-UL SPECS

ITEM	PART NUMBER	QTY	DESCRIPTION	REV
	1001166417	Ref	MOTOR/PUMP/TANK INSTALLATION	F
1	0100011	AR	Compound, Locking	
2	0641608	8	Bolt 3/8 x 1	
3	0641610	4	Bolt 3/8 x 1-1/4	
5	3600289	1	Motor/Pump Assembly (See Separate Breakdown in this Section)	
6	4711600	4	Washer 3/8	
7	1001166419	1	Plate, Mounting	
8	1001171213	1	Tank, Hydraulic (See Separate Breakdown in this Section)	
9	88662523	8	Nut, Tinnerman	
10	4891600	8	Washer 3/8 Hardened	

SECTION 1 - FRAME

FIGURE 1-14. MOTOR/PUMP/TANK INSTALLATION - UL SPECS



ART_1001167487

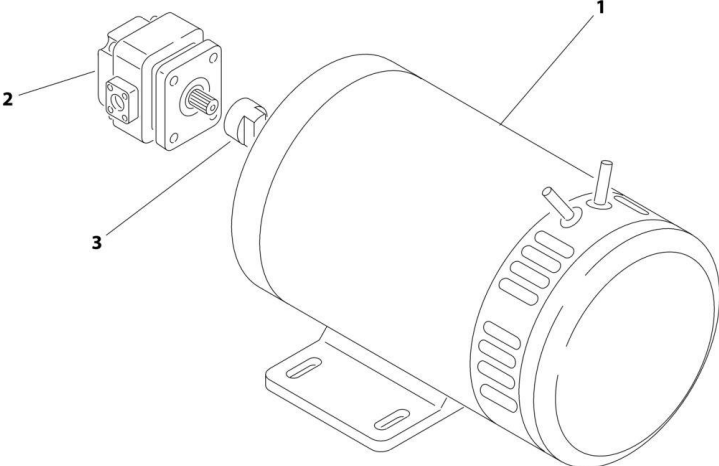
SECTION 1 - FRAME

FIGURE 1-14. MOTOR/PUMP/TANK INSTALLATION - UL SPECS

ITEM	PART NUMBER	QTY	DESCRIPTION	REV
	1001167487	Ref	MOTOR/PUMP/TANK INSTALLATION	F
1	0100011	AR	Compound, Locking	
2	0641608	8	Bolt 3/8 x 1	
3	0641610	4	Bolt 3/8 x 1-1/4	
5	3600289	1	Motor/Pump Assembly (See Separate Breakdown in this Section)	
6	4751600	4	Washer 3/8	
7	1001166419	1	Plate, Mounting	
8	1001171213	1	Tank Hydraulic (See Separate Breakdown in this Section)	
9	0340048	1	Band, Motor	
10	88662523	8	Nut, Tinnerman	
11	4891600	8	Washer, 3/8 Hardened	

SECTION 1 - FRAME

FIGURE 1-15. MOTOR/PUMP ASSEMBLY



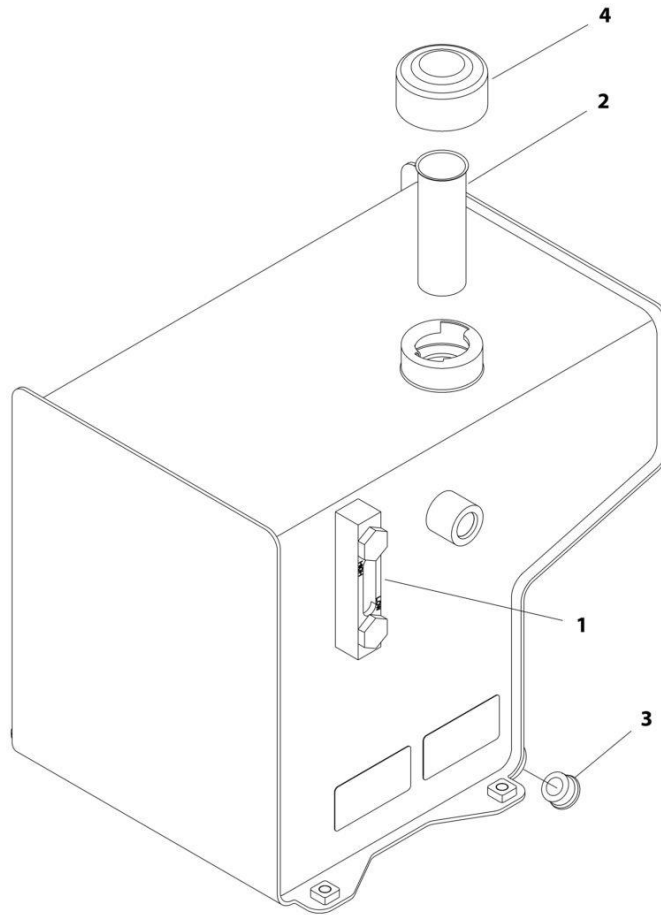
ART_3600289

FIGURE 1-15. MOTOR/PUMP ASSEMBLY

ITEM	PART NUMBER	QTY	DESCRIPTION	REV
	3600289	Ref	MOTOR/PUMP ASSEMBLY	A
1	7021318	1	Motor Assembly	
1	7021361	1	Brush Kit	
1	70003171	1	Spring, Brush	
1	70001961	1	Seal, Oil	
2	7021319	1	Pump Assembly	
2	7021377	1	Seal Kit	
3	70002523	1	Coupling	

SECTION 1 - FRAME

FIGURE 1-16. HYDRAULIC TANK ASSEMBLY



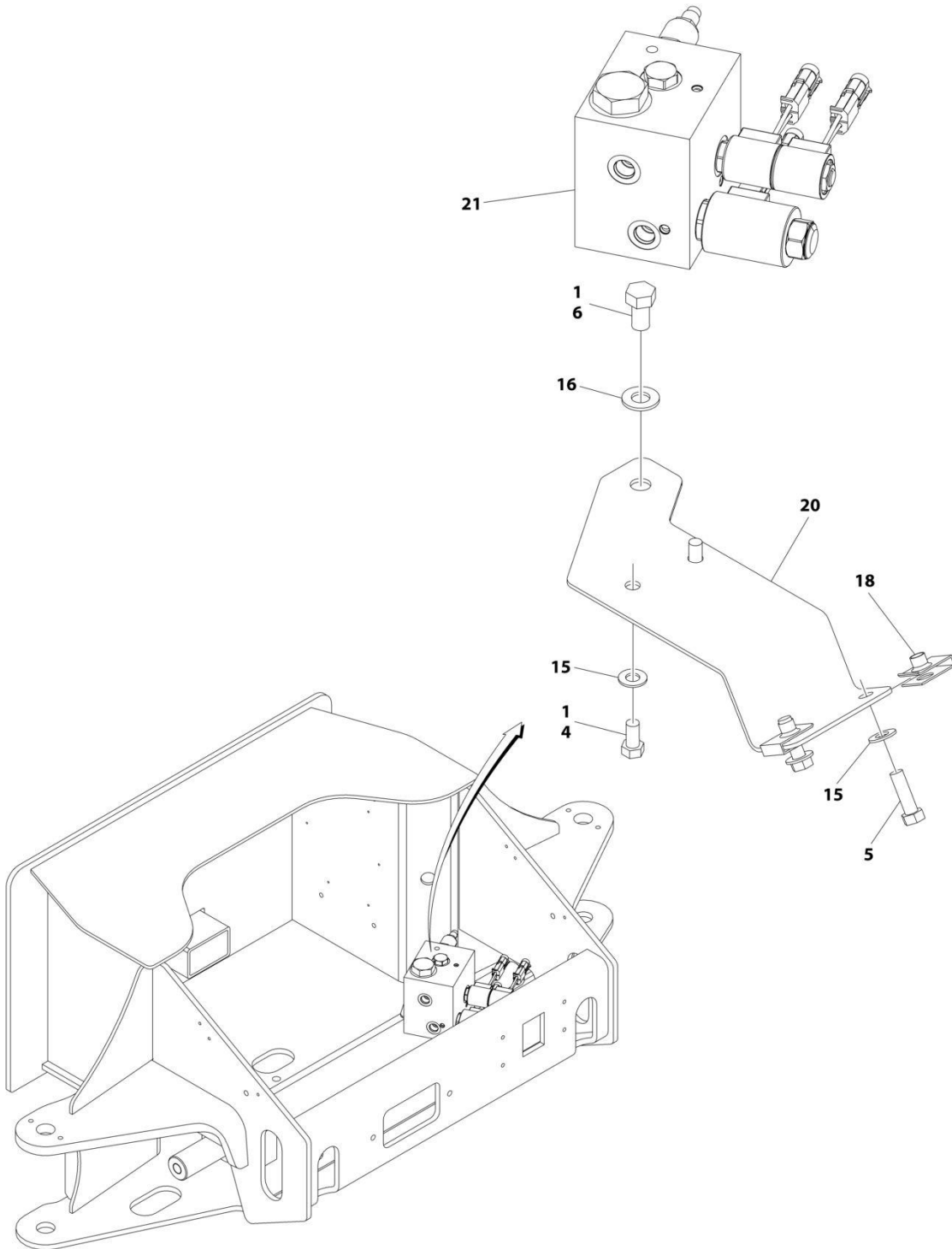
ART_1001171213

FIGURE 1-16. HYDRAULIC TANK ASSEMBLY

ITEM	PART NUMBER	QTY	DESCRIPTION	REV
	1001171213	Ref	HYDRAULIC TANK ASSEMBLY	A
1	70005101	1	Gauge, Sight	
2	7024445	1	Strainer	
3	70002112	1	Plug, Drain	
4	7024444	1	Cap, Filler	

SECTION 1 - FRAME

FIGURE 1-17. VALVE INSTALLATION - FRAME MOUNTED - E400ANARROW



ART_1001180930_10F2

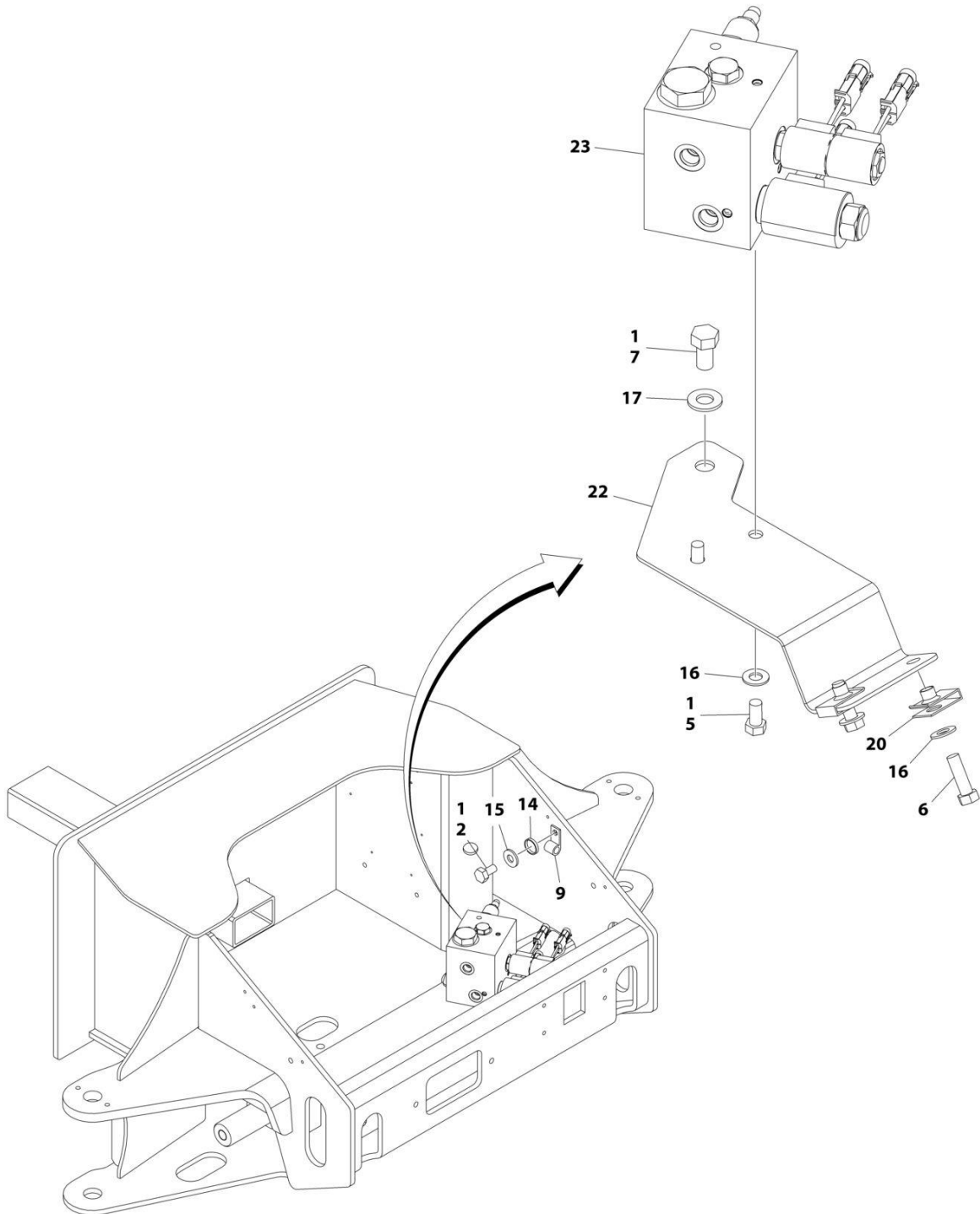
SECTION 1 - FRAME

FIGURE 1-17. VALVE INSTALLATION - FRAME MOUNTED - E400ANARROW

ITEM	PART NUMBER	QTY	DESCRIPTION	REV
	1001180930	Ref	VALVE INSTALLATION - FRAME MOUNTED	B
1	0100011	AR	Compound, Locking	
4	0641606	2	Bolt 3/8 X 3/4	
5	0641610	2	Bolt 3/8 X 1-1/4	
6	0641807	1	Bolt 1/2 X 7/8	
15	4711600	4	Washer 3/8	
16	4711800	1	Washer 1/2	
18	88662523	2	Nut, Tinnerman	
20	1001166420	1	Bracket, Mounting	
21	1001177364	1	Steer/Brake Valve Assembly (See Separate Breakdown in this Section)	

SECTION 1 - FRAME

FIGURE 1-18. VALVE INSTALLATION - FRAME MOUNTED - E400AJPNARROW



ART_1001218367_10F2

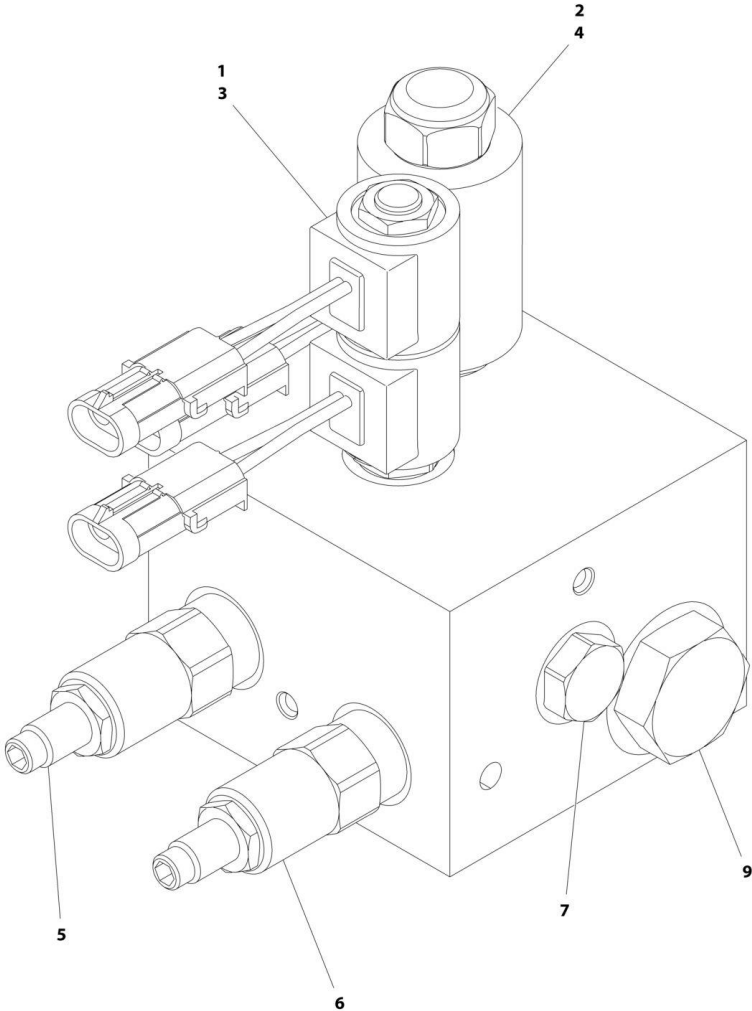
SECTION 1 - FRAME

FIGURE 1-18. VALVE INSTALLATION - FRAME MOUNTED - E400AJPNARROW

ITEM	PART NUMBER	QTY	DESCRIPTION	REV
	1001218367	Ref	VALVE INSTALLATION - FRAME MOUNTED - E400AJPnarrow	A
1	0100011	AR	Compound, Locking	
2	0641404	1	Bolt, 1/4 x 1/2	
5	0641606	2	Bolt, 3/8 X 3/4	
6	0641610	2	Bolt, 3/8 X 1-1/4	
7	0641807	1	Bolt, 1/2 X 7/8	
9	1320040	1	Clamp	
14	4240032	1	Tie, Strap	
15	4711400	1	Washer, 1/4	
16	4711600	6	Washer, 3/8	
17	4711800	1	Washer, 1/2	
20	88662523	2	Nut, Tinnerman	
22	1001166420	1	Bracket, Mounting	
23	1001177364	1	Steer/Brake Valve Assembly (See Separate Breakdown in this Section)	

SECTION 1 - FRAME

FIGURE 1-19. BRAKE/STEER VALVE ASSEMBLY



ART_1001177364

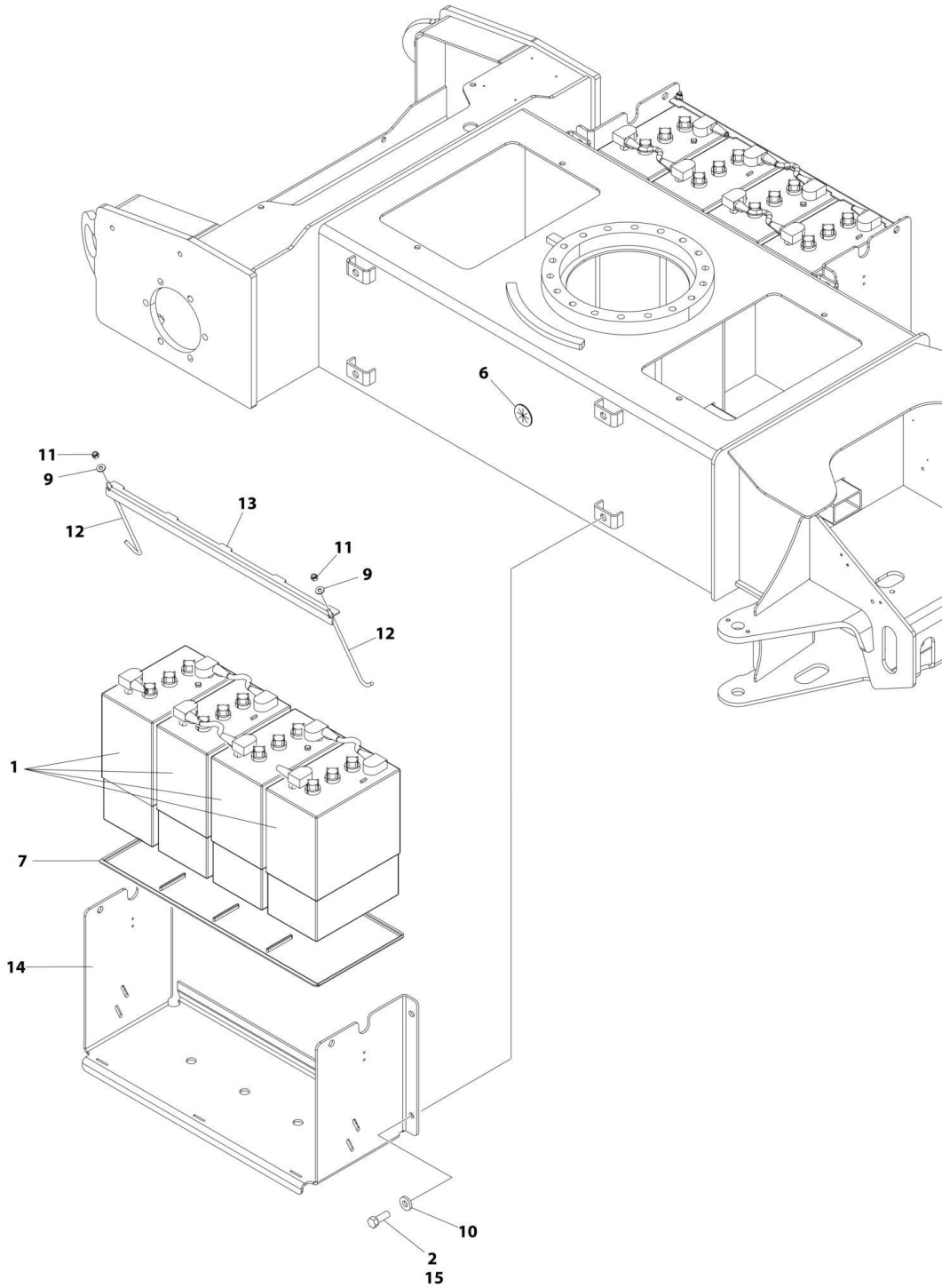
SECTION 1 - FRAME

FIGURE 1-19. BRAKE/STEER VALVE ASSEMBLY

ITEM	PART NUMBER	QTY	DESCRIPTION	REV
	1001177364	Ref	BRAKE/STEER VALVE ASSEMBLY	G
1	7017433	1	Cartridge, without Coil (Steer)	
1	7017402	1	Seal Kit - 7017433 Cartridge	
2	7021611	1	Cartridge, Proportional without Coil (Flow Control)	
2	7012518	1	Seal Kit - 7021611 Cartridge	
3	7021609	2	Coil	
4	7021618	1	Coil	
5	7021659	1	Cartridge, Relief (Main)	
5	7012972	1	Seal Kit - 7021659	
6	7017488	1	Cartridge, Relief (Steer)	
6	7012998	1	Seal Kit - 7017488 Cartridge	
7	10837580	1	Cartridge, Load Shuttle	
7	7010543	1	Seal Kit - 7012941 Cartridge	
9	7021616	1	Cartridge, Filter	

SECTION 1 - FRAME

FIGURE 1-20. BATTERY BOX INSTALLATION - STANDARD



ART_1001168670

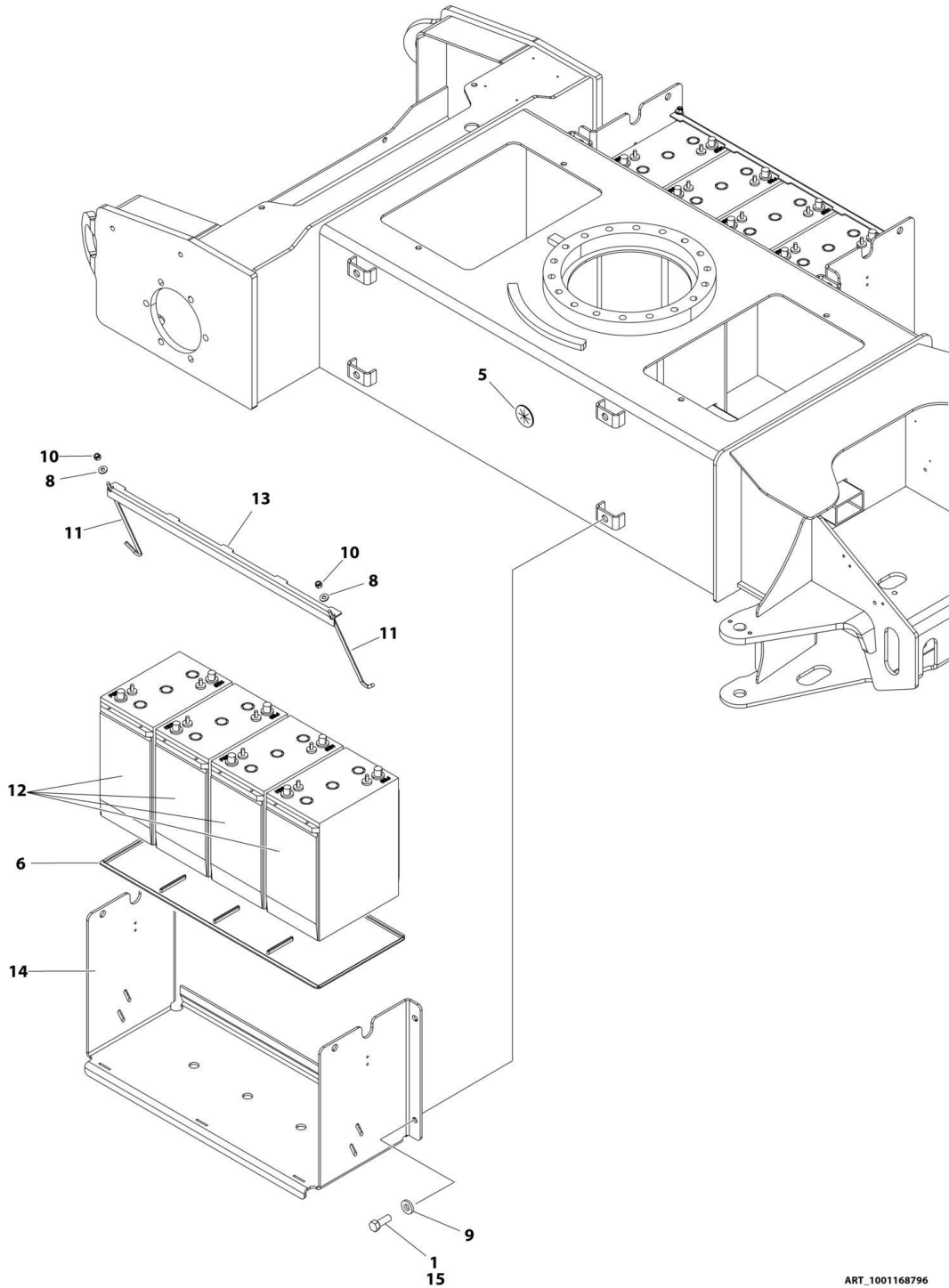
SECTION 1 - FRAME

FIGURE 1-20. BATTERY BOX INSTALLATION - STANDARD

ITEM	PART NUMBER	QTY	DESCRIPTION	REV
	1001168670	Ref	BATTERY BOX INSTALLATION	C
1	0400055	8	Battery (Wet)	
1	7016177	8	Battery (Dry)	
2	0641811	8	Bolt 1/2 X 1-3/8	
6	2540045	2	Grommet	
7	3000003	2	Liner, Battery Box	
9	4751500	4	Washer 5/16	
10	4891800	8	Washer 1/2 Hardened	
11	88521205	4	Nut 5/16	
12	1001093382	4	Bolt, J-Bolt	
13	1001166496	2	Battery Hold Down	
14	1001168800	2	Tray, Battery	
15	0100011	AR	Compound, Locking	

SECTION 1 - FRAME

FIGURE 1-21. BATTERY BOX INSTALLATION - AGM BATTERIES



ART_1001168796

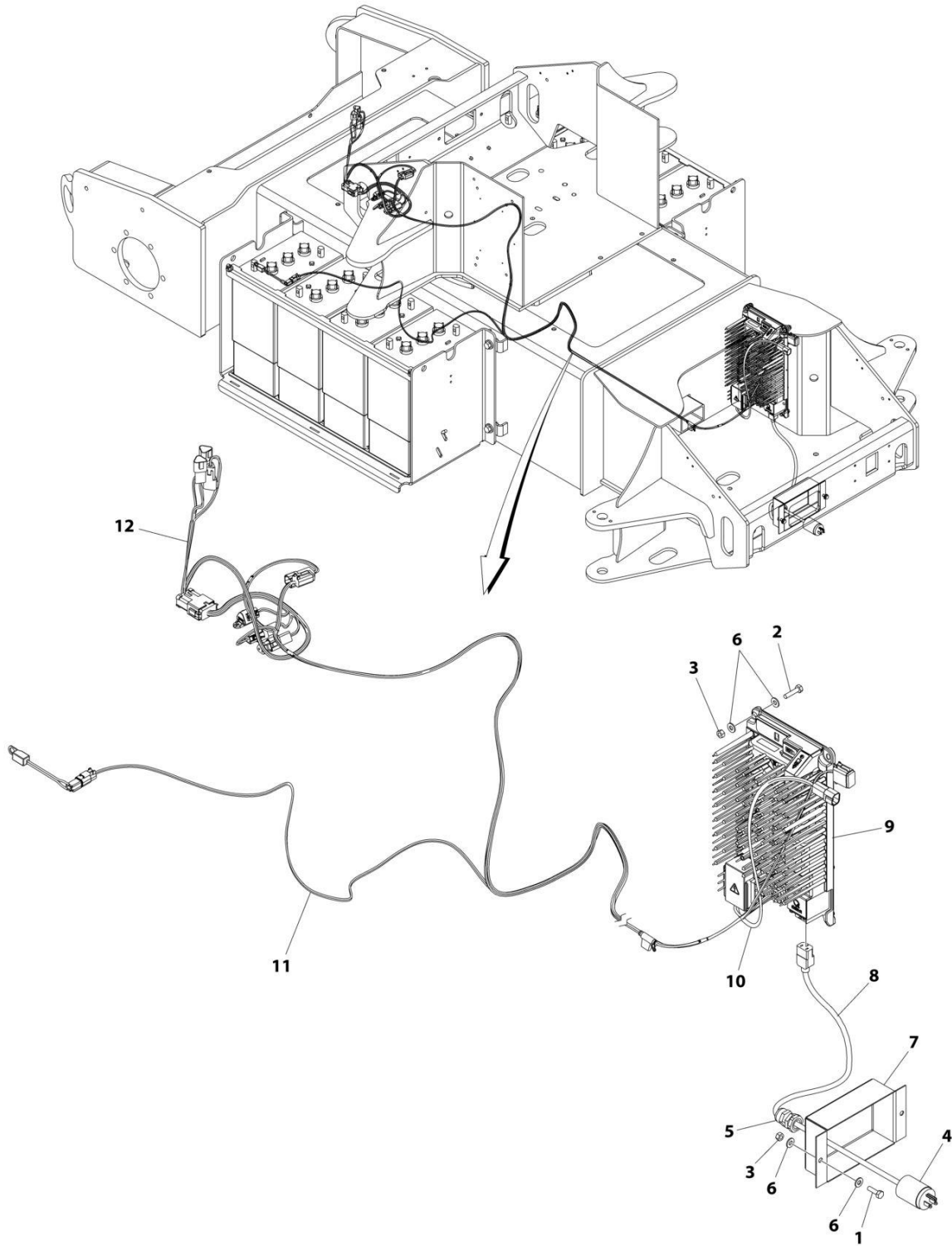
SECTION 1 - FRAME

FIGURE 1-21. BATTERY BOX INSTALLATION - AGM BATTERIES

ITEM	PART NUMBER	QTY	DESCRIPTION	REV
	1001168796	Ref	BATTERY BOX INSTALLATION - AGM BATTERIES	C
1	0641811	8	Bolt 1/2 X 1-3/8	
5	2540045	2	Grommet	
6	3000003	2	Liner, Battery Box	
8	4751500	4	Washer 5/16	
9	4751800	8	Washer 1/2	
10	88521205	4	Nut 5/16	
11	1001093382	4	Bolt, J-Bolt	
12	1001114782	8	Battery	
13	1001166496	2	Battery Hold Down	
14	1001168800	2	Tray, Battery	
15	0100011	AR	Compound, Locking	

SECTION 1 - FRAME

FIGURE 1-22. BATTERY CHARGER INSTALLATION (ALL SPECS EXCEPT AUSTRALIAN, CE & UK CA SPECS)



ART_1001251471

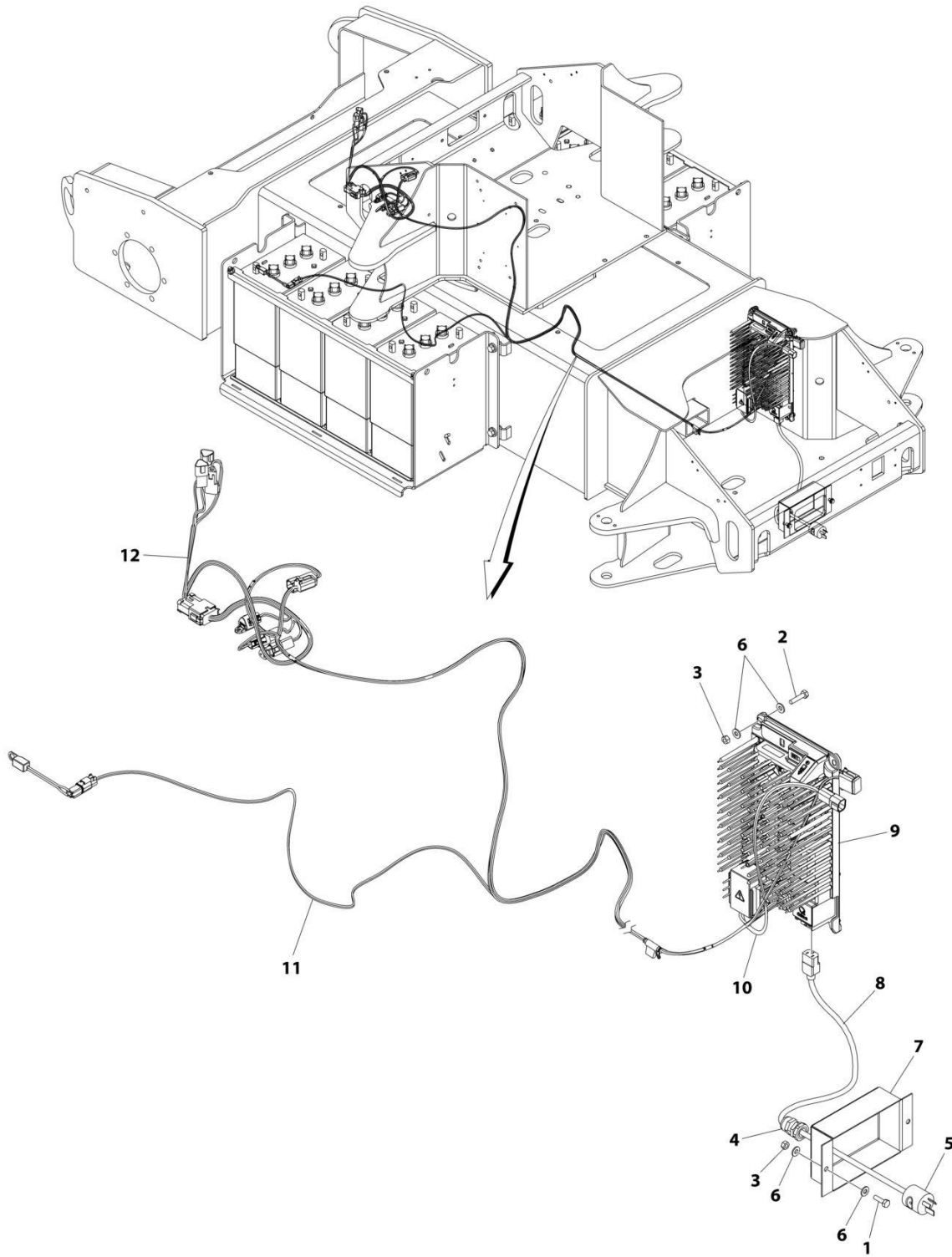
SECTION 1 - FRAME

FIGURE 1-22. BATTERY CHARGER INSTALLATION (ALL SPECS EXCEPT AUSTRALIAN, CE & UK CA SPECS)

ITEM	PART NUMBER	QTY	DESCRIPTION	REV
	1001251471	Ref	BATTERY CHARGER INSTALLATION	B
1	0641407	2	Bolt 1/4 x 7/8	
2	0641409	4	Bolt 1/4 x 1-1/8	
3	3311405	6	Nut 1/4	
4	4460138	1	Plug, AC	
5	4460428	1	Connector, Strain Relief	
6	4711400	12	Washer 1/4	
7	1001191212	1	Panel, Cable	
8	1001207970	1	AC Cord	
9	1001251382	1	Battery Charger Assembly	
10	1001260408	1	Harness, Charger DC Connection (See Separate Breakdown in ELECTRICAL Section)	
11	1001260531	1	Harness, Charger (See Separate Breakdown in ELECTRICAL Section)	
12	1001260532	1	Harness, EBOOM (See Separate Breakdown in ELECTRICAL Section)	

SECTION 1 - FRAME

FIGURE 1-23. BATTERY CHARGER INSTALLATION - E400AJPNARROW (AUSTRALIAN SPEC)



ART_1001251472

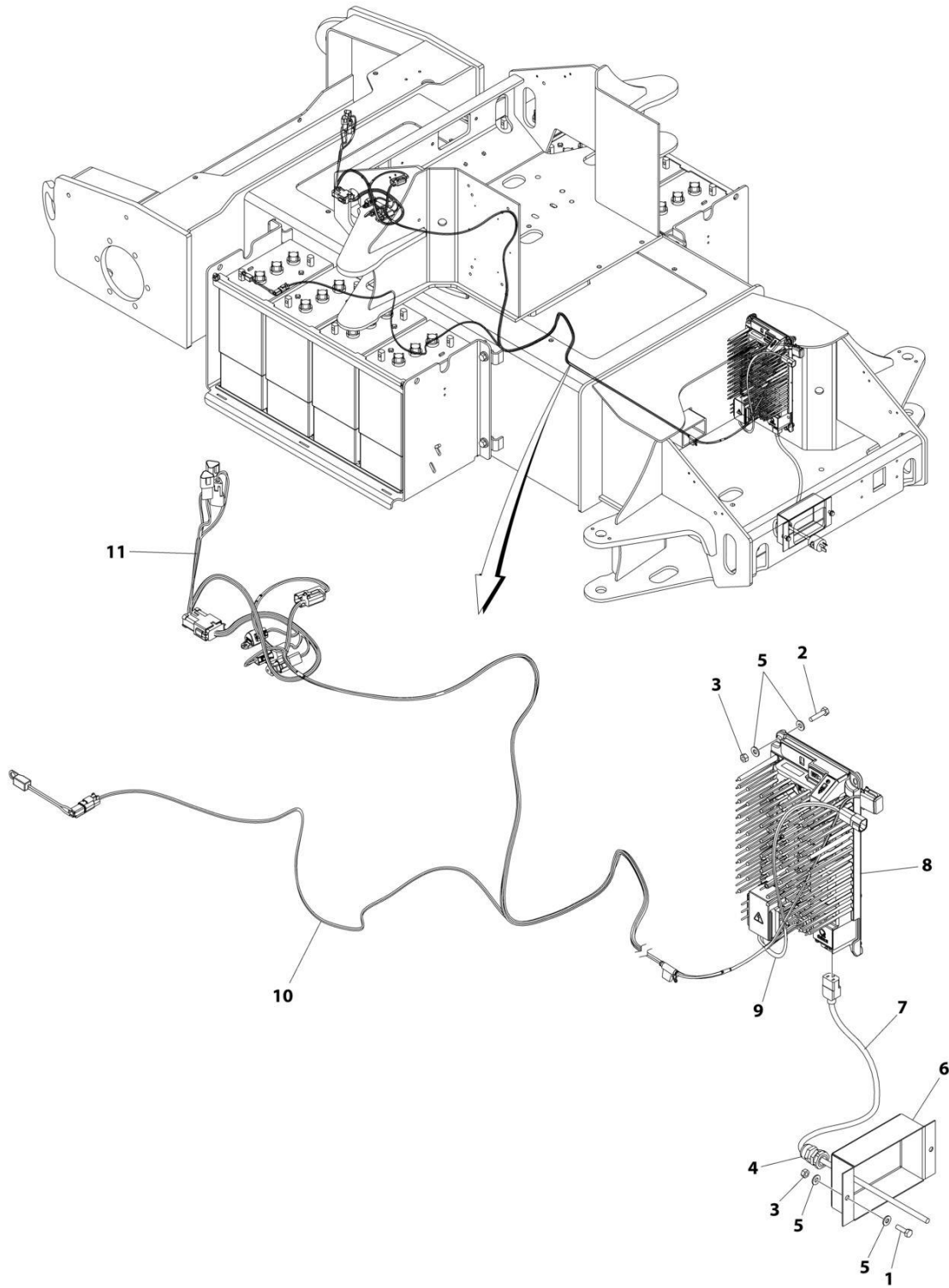
SECTION 1 - FRAME

FIGURE 1-23. BATTERY CHARGER INSTALLATION - E400AJPNARROW (AUSTRALIAN SPEC)

ITEM	PART NUMBER	QTY	DESCRIPTION	REV
	1001251472	Ref	BATTERY CHARGER INSTALLATION	B
1	0641407	2	Bolt 1/4 x 7/8	
2	0641409	4	Bolt 1/4 x 1-1/8	
3	3311405	6	Nut 1/4	
4	4460428	1	Connector, Strain Relief	
5	4460805	1	Plug	
6	4711400	12	Washer 1/4	
7	1001191212	1	Panel, Cable	
8	1001207974	1	AC Cord	
9	1001251382	1	Battery Charger Assembly	
10	1001260408	1	Harness, Charger DC Connection (See Separate Breakdown in ELECTRICAL Section)	
11	1001260531	1	Harness, Charger (See Separate Breakdown in ELECTRICAL Section)	
12	1001260532	1	Harness, EBOOM (See Separate Breakdown in ELECTRICAL Section)	

SECTION 1 - FRAME

FIGURE 1-24. BATTERY CHARGER INSTALLATION (ANSI EXPORT, CE, CHINA & UK CA SPECS)



ART_1001251470

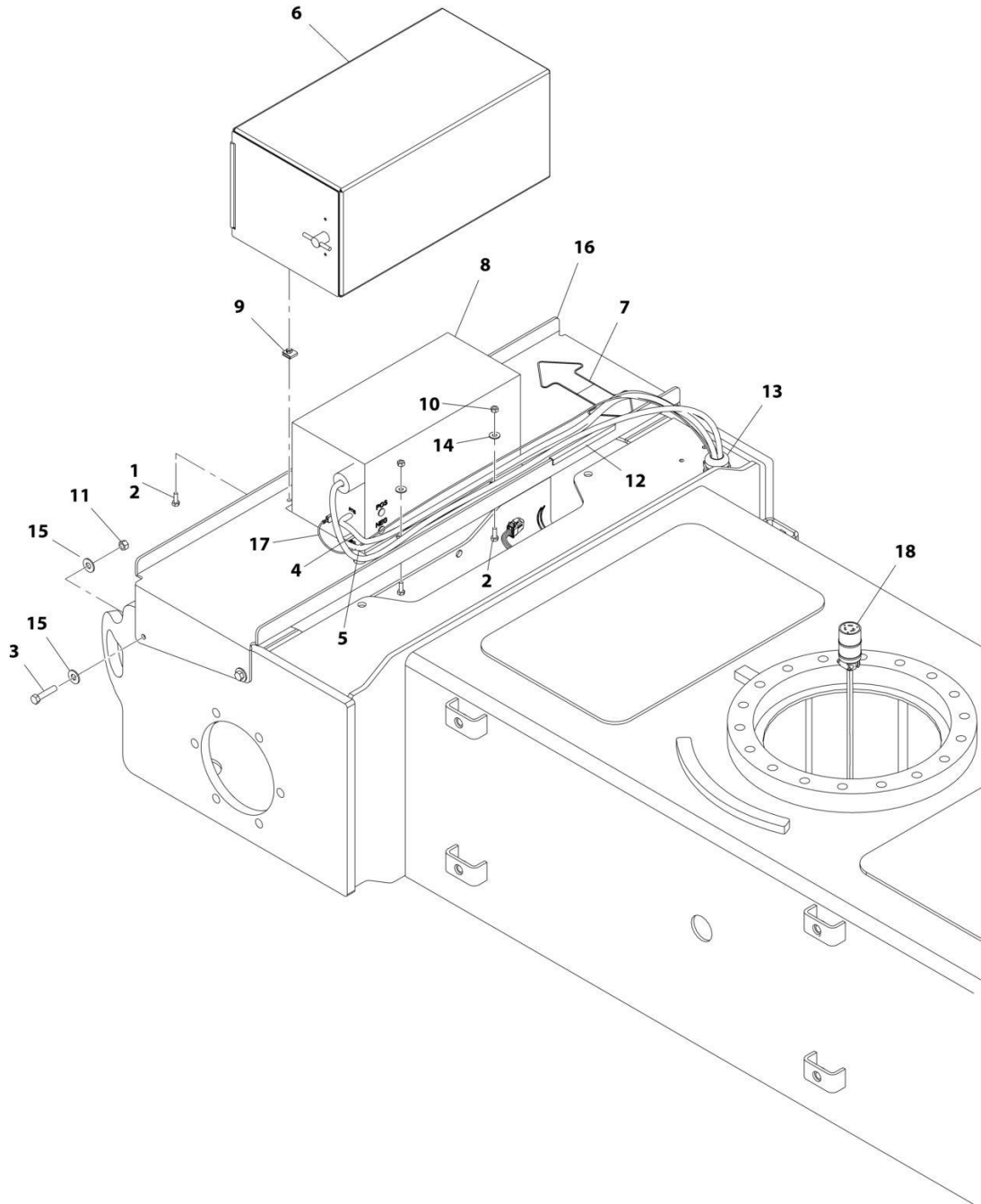
SECTION 1 - FRAME

FIGURE 1-24. BATTERY CHARGER INSTALLATION (ANSI EXPORT, CE, CHINA & UK CA SPECS)

ITEM	PART NUMBER	QTY	DESCRIPTION	REV
	1001251470	Ref	BATTERY CHARGER INSTALLATION	B
1	0641407	2	Bolt 1/4 x 7/8	
2	0641409	4	Bolt 1/4 x 1-1/8	
3	3311405	6	Nut 1/4	
4	4460428	1	Connector, Strain Relief	
5	4711400	12	Washer 1/4	
6	1001191212	1	Panel, Cable	
7	1001207974	1	AC Cord	
8	1001251382	1	Battery Charger Assembly	
9	1001260408	1	Harness, Charger DC Connection (See Separate Breakdown in ELECTRICAL Section)	
10	1001260531	1	Harness, Charger (See Separate Breakdown in ELECTRICAL Section)	
11	1001260532	1	Harness, EBOOM (See Separate Breakdown in ELECTRICAL Section)	

SECTION 1 - FRAME

FIGURE 1-25. INVERTER INSTALLATION



ART_1001192501

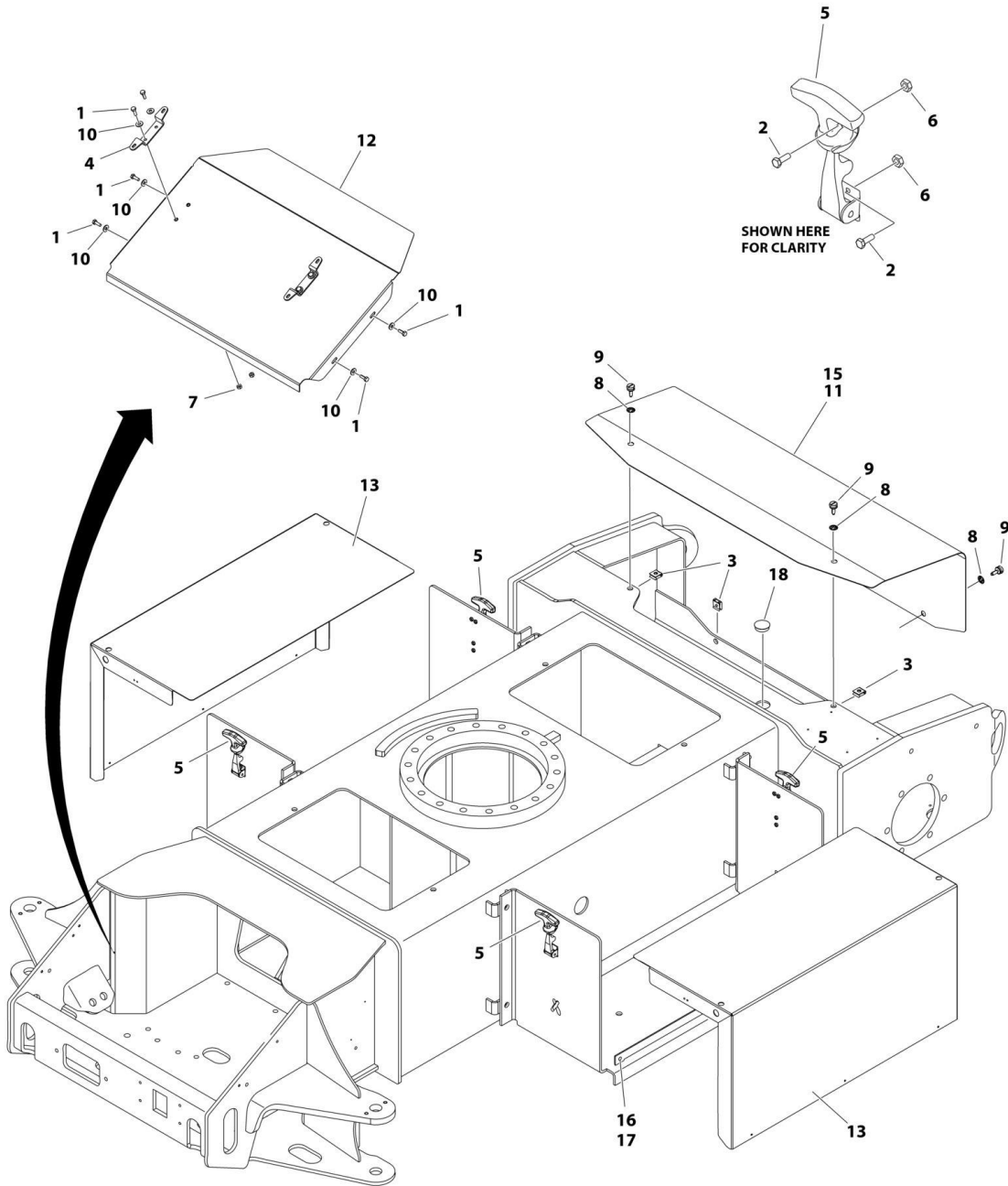
SECTION 1 - FRAME

FIGURE 1-25. INVERTER INSTALLATION

ITEM	PART NUMBER	QTY	DESCRIPTION	REV
	1001192501	Ref	INVERTER INSTALLATION	A
1	0100011	AR	Compound, Locking	
2	0641406	8	Bolt 1/4 X 3/4	
3	0641614	4	Bolt 3/8 X 1-3/4	
4	1060801	1	Cable, Battery	
5	1060802	1	Cable, Ground	
6	1670953	1	Cover	
7	1701642	1	Decal - Arrow	
8	2460037	1	Inverter	
9	3300353	4	Nut, Tinnerman	
10	3311405	4	Nut 1/4	
11	3311605	4	Nut 3/8	
12	4060805	6 in /150mm	Shield, Flex Trim	
13	4460426	1	Connector, Strain Relief	
14	4751400	4	Washer 1/4	
15	4751600	8	Washer 3/8	
16	1001167013	1	Bracket	
17	1001192293	1	Inverter Ignition Harness (See Separate Breakdown in ELECTRICAL SECTION)	
18	1001182296	1	Inverter Harness (See Separate Breakdown in ELECTRICAL SECTION)	

SECTION 1 - FRAME

FIGURE 1-26. FRAME COVER INSTALLATION



ART_1001166312

SECTION 1 - FRAME

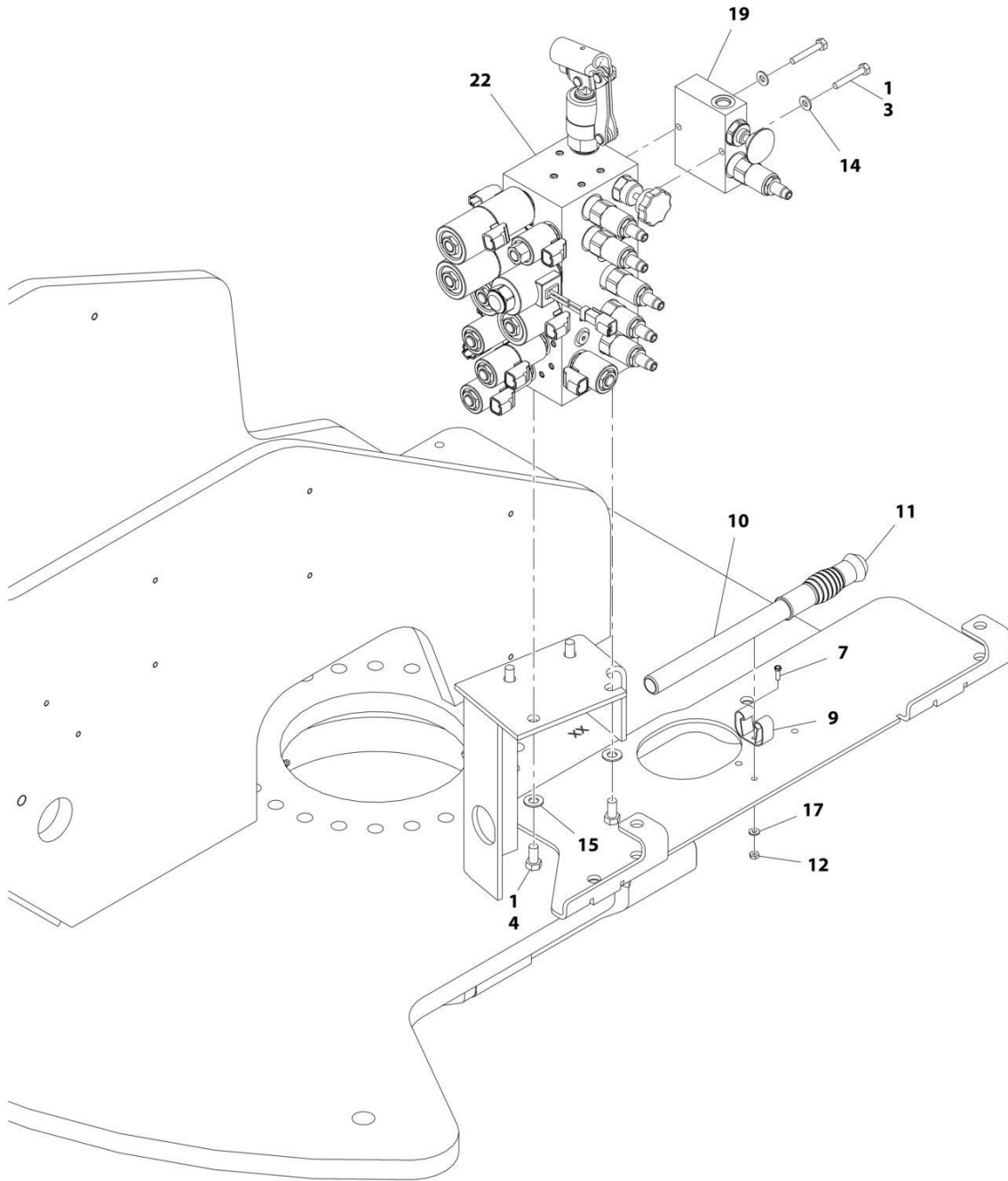
FIGURE 1-26. FRAME COVER INSTALLATION

ITEM	PART NUMBER	QTY	DESCRIPTION	REV
	1001166312	Ref	FRAME COVER INSTALLATION	D
1	0641406	8	Bolt, 1/4 X 3/4	
2	0721004	16	Bolt, #10 X .500	
3	1380138	4	Clip, Receptacle	
4	2700093	2	Hook	
5	2940095	4	Latch	
6	3311005	16	Nut #10	
7	3311405	5	Nut 1/4	
8	3760308	4	Retainer	
9	3900174	4	Screw, Special	
10	4751400	8	Washer 1/4	
11	1001166296	1	Axle Cover	
12	1001166321	1	Cover	
13	1001166493	2	Battery Cover	
15	3960447	9.5 ft /2.9m	Seal	
16	3820019	6	Rivet	
17	1001175025	2	Brace, Battery Tray	
18	3520035	1	Plug, Cap	

SECTION 2 - TURNTABLE

SECTION 2 - TURNTABLE

FIGURE 2-1. VALVE INSTALLATION- TURNTABLE MOUNTED - E400ANARROW



ART_1001180930_20F2

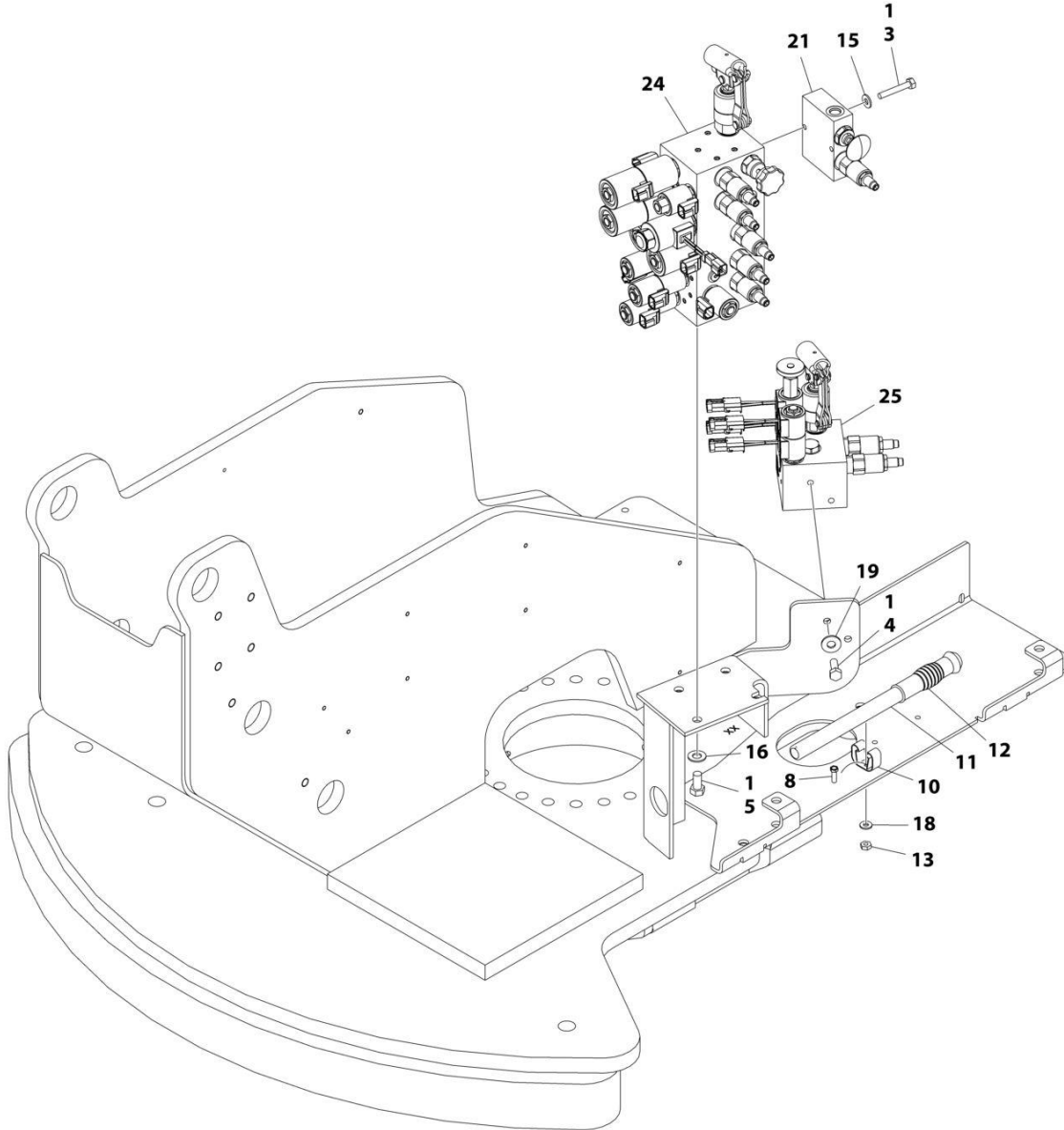
SECTION 2 - TURNTABLE

FIGURE 2-1. VALVE INSTALLATION- TURNTABLE MOUNTED - E400ANARROW

ITEM	PART NUMBER	QTY	DESCRIPTION	REV
	1001180930	Ref	VALVE INSTALLATION- TURNTABLE MOUNTED	B
1	0100011	AR	Compound, Locking	
3	0641413	2	Bolt 1/4 X 1-5/8	
4	0641606	4	Bolt 3/8 X 3/4	
7	0720804	1	Bolt #8 X .500	
9	1380136	1	Clip, Gripper	
10	2560122	1	Handle	
11	2560123	1	Handle, Grip	
12	3310805	1	Nut #8	
14	4711400	2	Washer 1/4	
15	4711600	4	Washer 3/8	
17	4750800	1	Washer #8	
19	1001097777	1	Releveling Valve Assembly (See Separate Breakdown in this Section)	
22	1001180554	1	Main Control Valve Assembly (See Separate Breakdown in this Section)	

SECTION 2 - TURNTABLE

FIGURE 2-2. VALVE INSTALLATION - TURNTABLE MOUNTED - E400AJPNARROW



ART_1001218367_20F2

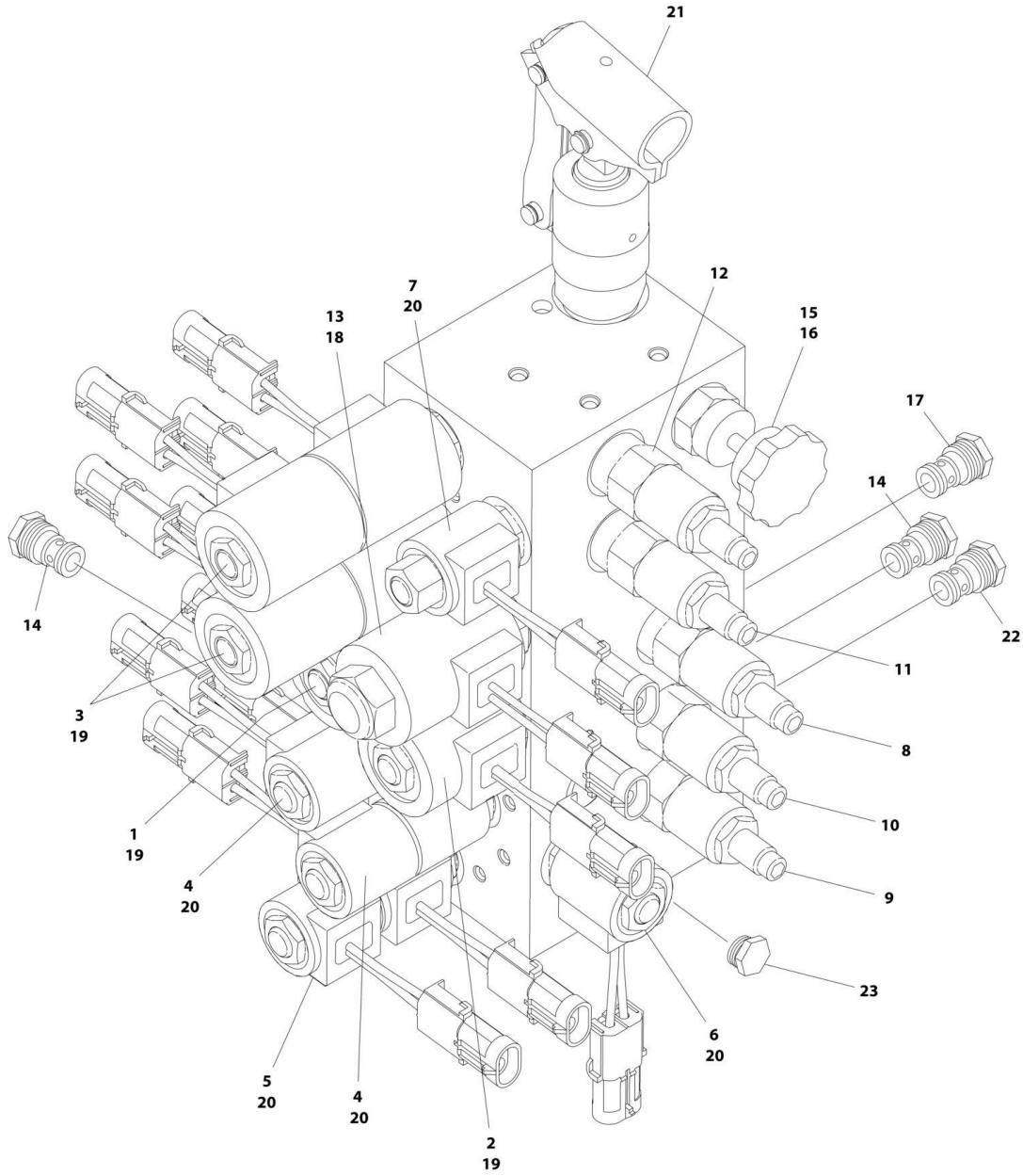
SECTION 2 - TURNTABLE

FIGURE 2-2. VALVE INSTALLATION - TURNTABLE MOUNTED - E400AJPNARROW

ITEM	PART NUMBER	QTY	DESCRIPTION	REV
	1001218367	Ref	VALVE INSTALLATION - TURNTABLE MOUNTED	A
1	0100011	AR	Compound, Locking	
3	0641413	2	Bolt 1/4 X 1-5/8	
4	0641507	2	Bolt 5/16 X 7/8	
5	0641606	4	Bolt 3/8 X 3/4	
8	0720804	1	Bolt #8 X .500	
10	1380136	1	Clip, Gripper	
11	2560122	1	Handle	
12	2560123	1	Handle, Grip	
13	3310805	1	Nut #8	
15	4711400	2	Washer 1/4	
16	4711600	2	Washer 3/8	
18	4750800	1	Washer #8	
19	4751500	2	Washer 5/16	
21	1001097777	1	Releveling Valve Assembly (See Separate Breakdown in this Section)	
24	1001180554	1	Main Control Valve Assembly (See Separate Breakdown in this Section)	
25	1001216921	1	Jib Valve Assembly (See Separate Breakdown in this Section)	

SECTION 2 - TURNTABLE

FIGURE 2-3. MAIN CONTROL VALVE ASSEMBLY



ART_1001180554

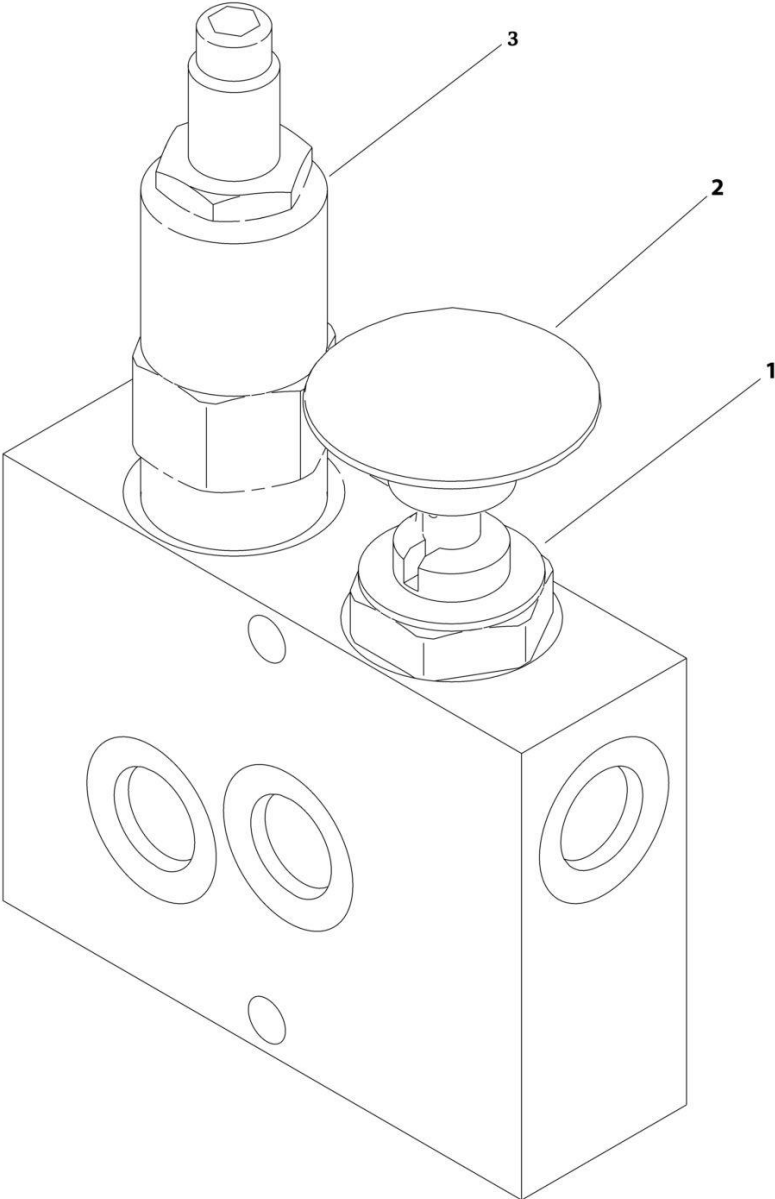
SECTION 2 - TURNTABLE

FIGURE 2-3. MAIN CONTROL VALVE ASSEMBLY

ITEM	PART NUMBER	QTY	DESCRIPTION	REV
	1001180554	Ref	MAIN CONTROL VALVE ASSEMBLY	F
1	7022394	1	Cartridge without Coil (Telescope In)	
1	7012518	1	Seal Kit - 7022394 Cartridge	
2	7012995	1	Cartridge without Coil (Telescope Out)	
2	7012518	1	Seal Kit - 7012995 Cartridge	
3	7021603	2	Cartridge without Coil (Lower and Upper Lift)	
3	7012903	2	Seal Kit - 7021603 Cartridge	
4	7017452	2	Cartridge without Coil (Platform Level)	
4	7017402	2	Seal Kit - 7017452 Cartridge	
5	7017433	1	Cartridge without Coil (Swing)	
5	7017402	1	Seal Kit - 7017433 Cartridge	
6	7021604	1	Cartridge without Coil (Swing Arrest)	
6	7012953	1	Seal Kit - 7021604 Cartridge	
7	7017410	1	Cartridge without Coil (Bypass Unloading)	
7	7012967	1	Seal Kit - 7017410 Cartridge	
8	7017418	1	Cartridge (Telescope)	
8	7012998	1	Seal Kit - 7017418 Cartridge	
9	7017421	1	Cartridge (Platform Level Backward Piston End)	
9	7012998	1	Seal Kit - 7017421 Cartridge	
10	7017418	1	Cartridge (Platform Level Forward Rod End)	
10	7012998	1	Seal Kit - 7017418 Cartridge	
11	70001876	1	Cartridge (Lower Lift Down)	
11	7012998	1	Seal Kit - 70001876 Cartridge	
12	70002806	1	Cartridge (Upper Lift Down)	
12	7012998	1	Seal Kit - 70002806 Cartridge	
13	7021611	1	Cartridge without Coil (Flow Regulator)	
13	7012518	1	Seal Kit - 7021611 Cartridge	
14	7012914	2	Cartridge (Platform Level)	
14	7012918	2	Seal Kit - 7012914 Cartridge	
15	7012947	1	Cartridge (Emergency Descent)	
15	7012518	1	Seal Kit - 7012947 Cartridge	
16	7012961	1	Knob	
17	10837580	1	Cartridge (Telescope)	
17	7010543	1	Seal Kit - 10837580 Cartridge	
18	70005210	1	Coil	
19	7024883	6	Coil	
20	7024885	8	Coil	
21	70004019	1	Pump, Manual	
21	2900756	1	Seal Kit - 70004019 Pump	
21	2560122	1	Handle (Not Shown)	
21	1001114761	1	Handle, Grip (Red) (Not Shown)	
21	2560123	1	Handle, Grip (Black) (Not Shown)	
22	7012975	1	Cartridge (Check)	
22	7012540	1	Seal Kit - 7012975 Cartridge	
23	70000381	1	Plug, Cartridge	
24	70005091	1	Orifice (Swing) (Not Shown)	
25	70004884	1	Orifice (Platform) (Not Shown)	

SECTION 2 - TURNTABLE

FIGURE 2-4. RELEVELING VALVE ASSEMBLY



ART_100109777

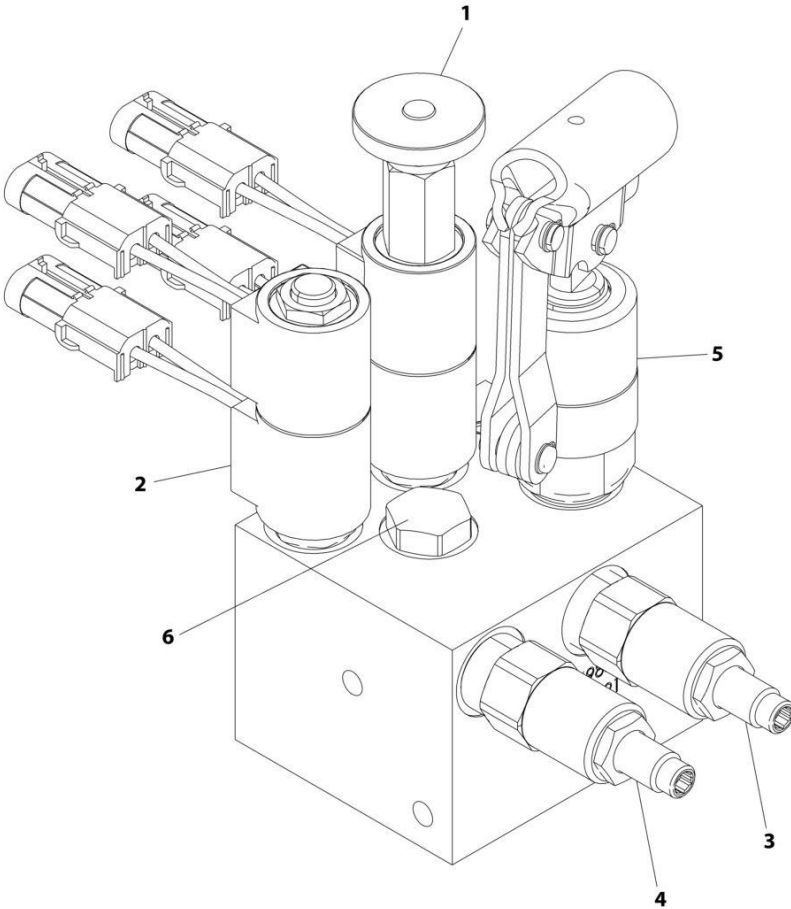
SECTION 2 - TURNTABLE

FIGURE 2-4. RELEVELING VALVE ASSEMBLY

ITEM	PART NUMBER	QTY	DESCRIPTION	REV
	1001097777	Ref	RELEVELING VALVE ASSEMBLY	C
1	7017466	1	Cartridge	
1	7017496	1	Seal Kit - 7017466 Cartridge	
2	7012959	1	Knob	
3	7024891	1	Cartridge	
3	7012953	1	Seal Kit - 7024891 Cartridge	

SECTION 2 - TURNTABLE

FIGURE 2-5. JIB VALVE ASSEMBLY



ART_1001216921

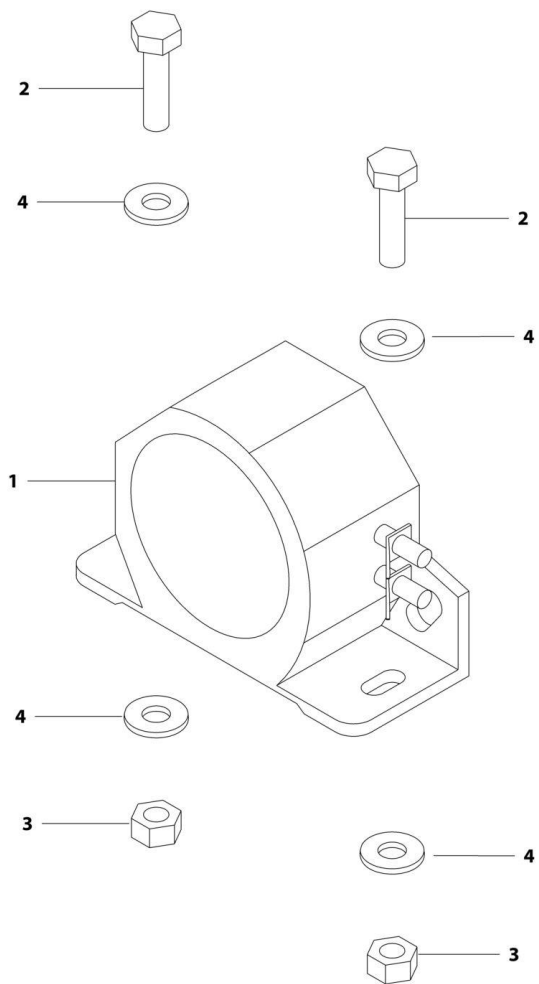
SECTION 2 - TURNTABLE

FIGURE 2-5. JIB VALVE ASSEMBLY

ITEM	PART NUMBER	QTY	DESCRIPTION	REV
	1001216921	Ref	JIB VALVE ASSEMBLY	B
1	70006346	1	Cartridge (Manual Override)	
1	7017402	1	Seal Kit - 70006346 Cartridge	
1	70006348	1	Coil Spacer	
1	7021609	1	Coil	
1	70006347	1	Coil Nut	
2	7017452	1	Cartridge	
2	7017402	1	Seal Kit - 7017452 Cartridge	
2	70006348	1	Coil Spacer	
2	7021609	1	Coil	
2	7022390	1	Coil Nut	
3	70006349	1	Cartridge	
3	7021653	1	Seal Kit - 70006349 Cartridge	
4	70002808	1	Cartridge	
4	7021653	1	Seal Kit - 70002808 Cartridge	
5	70005722	1	Cartridge	
5	7017496	1	Seal Kit - 70005722 Cartridge	
5	2560122	1	Handle	
5	1001114761	1	Grip, Handle (Red)	
5	2560123	1	Grip, Handle (Black)	
6	7024887	1	Cartridge	
6	7012998	1	Seal Kit - 7024887 Cartridge	

SECTION 2 - TURNTABLE

FIGURE 2-6. MOTION ALARM INSTALLATION



ART_1001183367

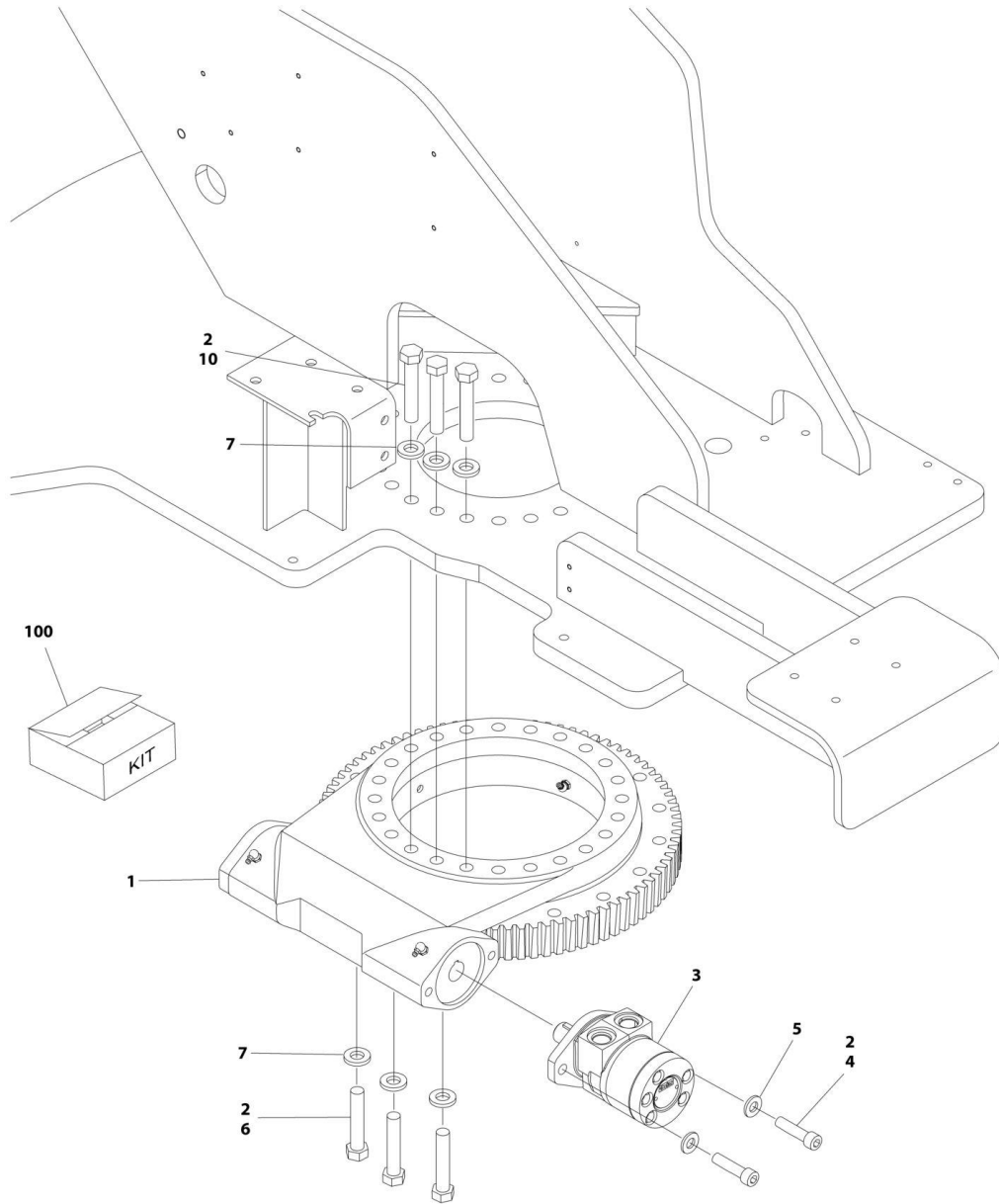
SECTION 2 - TURNTABLE

FIGURE 2-6. MOTION ALARM INSTALLATION

ITEM	PART NUMBER	QTY	DESCRIPTION	REV
	1001183367	Ref	MOTION ALARM INSTALLATION	A
1	0140043	1	Alarm, Motion	
2	0641406	2	Bolt 1/4 X 3/4	
3	3311405	2	Nut 1/4-20	
4	4711400	2	Washer 1/4	

SECTION 2 - TURNTABLE

FIGURE 2-7. TURNTABLE BEARING AND SWING DRIVE INSTALLATION



ART_1001166395

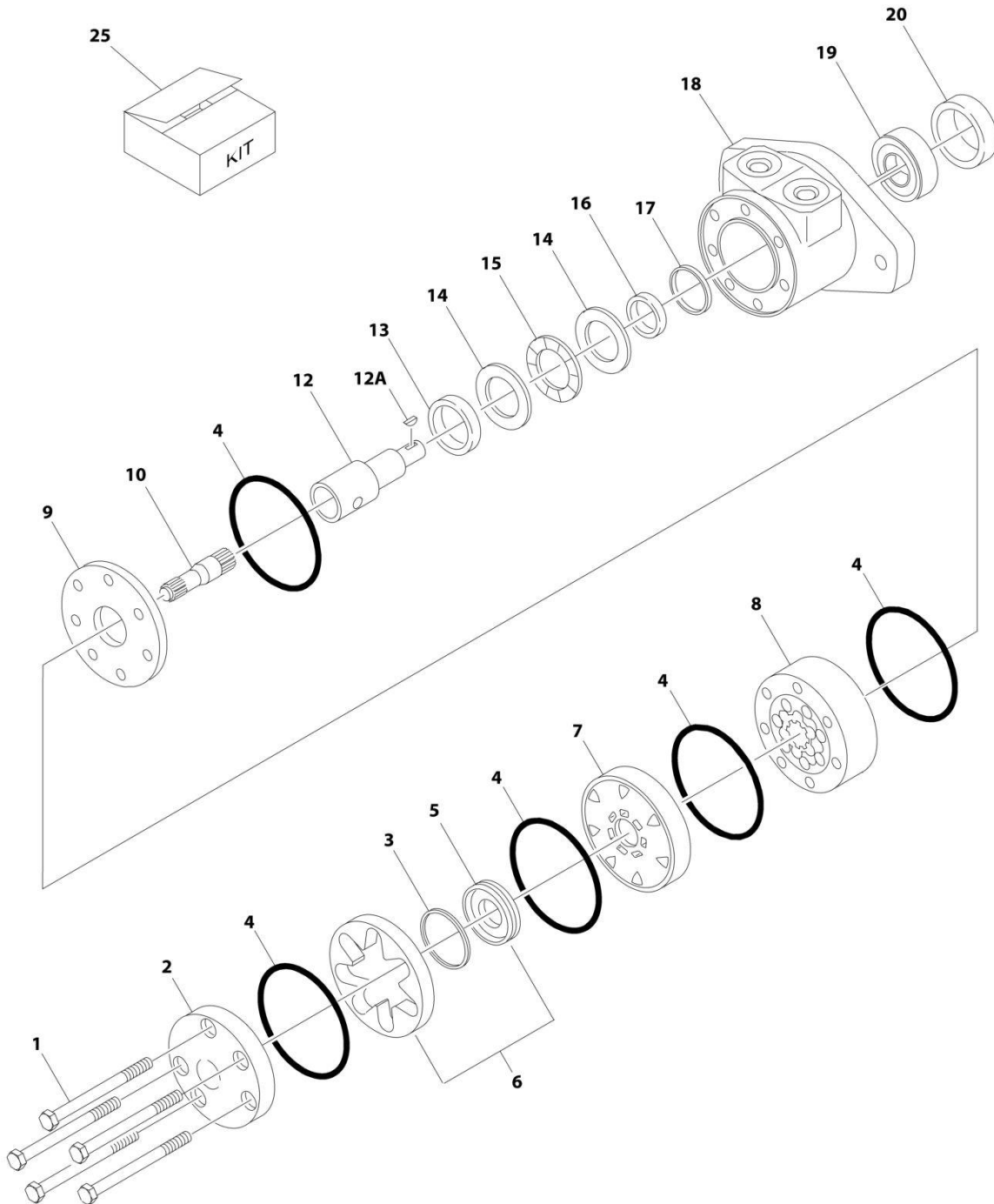
SECTION 2 - TURNTABLE

FIGURE 2-7. TURNTABLE BEARING AND SWING DRIVE INSTALLATION

ITEM	PART NUMBER	QTY	DESCRIPTION	REV
	1001166395	Ref	TURNTABLE BEARING AND SWING DRIVE INSTALLATION	C
1	1001153017	1	Turntable Bearing and Worm Gear Assembly (See Separate Breakdown in this Section)	
2	0100019	AR	Compound, Locking	
3	1001104850	1	Swing Motor Assembly (See Separate Breakdown in this Section)	
4	3931832	2	Bolt 1/2 X 2	
5	4740171	2	Washer	
6	0682026	18	Bolt 5/8 X 3-1/4, Grade 8	
7	4892000	41	Washer 5/8	
10	0682028	23	Bolt 5/8 X 3-1/2, Grade 8	
100	1001160527	1	Turntable Bearing Replacement Kit (Includes Items 1, 4, 5, 6, 7 & 10)	

SECTION 2 - TURNTABLE

FIGURE 2-8. SWING MOTOR ASSEMBLY



ART_1001104850

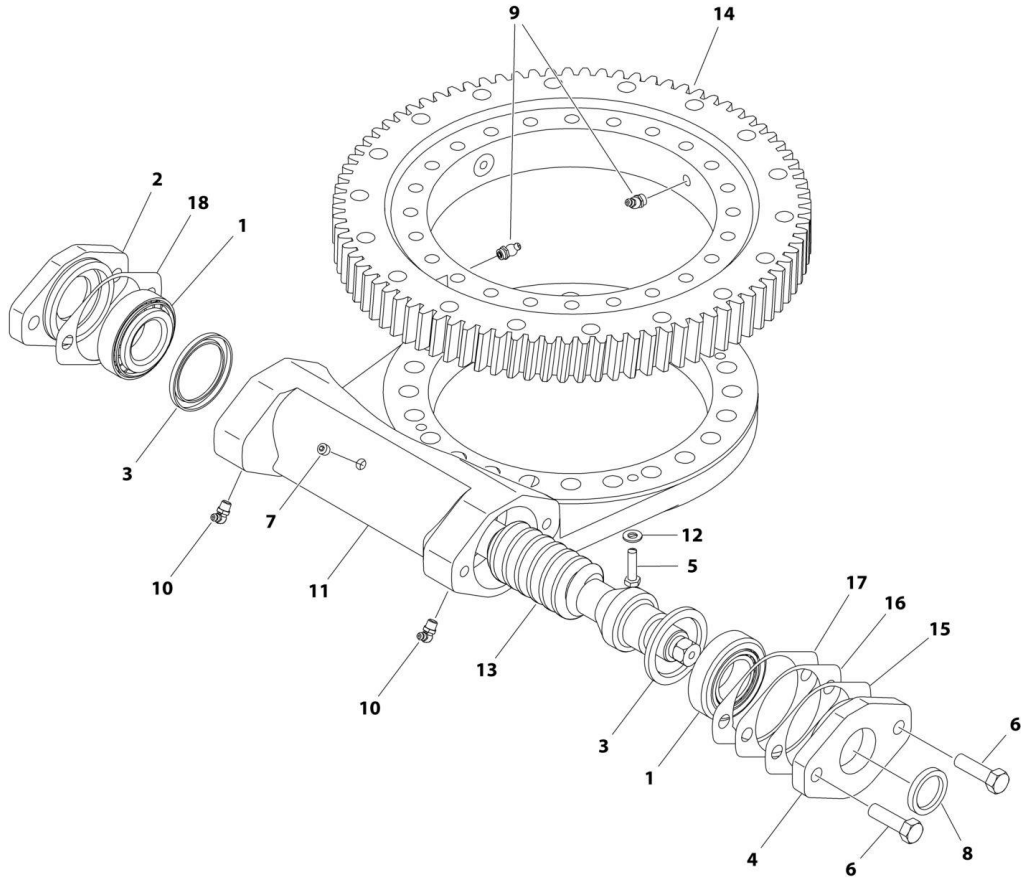
SECTION 2 - TURNTABLE

FIGURE 2-8. SWING MOTOR ASSEMBLY

ITEM	PART NUMBER	QTY	DESCRIPTION	REV
	1001104850	Ref	SWING MOTOR ASSEMBLY	A
1	See Note	5	Bolt (Note: Not Available for Purchase)	
2	7004035	1	Cover, End	
3	7023318	1	Seal, Commutator	
4	7004036	5	O-Ring	
5	See Note	NSS	Commutator (Note: Use Item 6)	
6	7024453	1	Commutator and Ring Assembly (Includes Item 5)	
7	7024379	1	Manifold	
8	70002206	1	Rotor Set	
9	7024380	1	Plate, Wear	
10	70002207	1	Link, Drive	
12	70000088	1	Shaft, Coupling	
12A	70000089	1	Key	
13	7024381	1	Bushing, Inner	
14	7004043	1	Thrustwasher	
15	7004044	1	Bearing, Thrust	
16	7004049	1	Seal, Inner Shaft	
17	7004045	1	Ring, Back-up	
18	See Note	NSS	Housing (Note: Not Available - Purchase Complete Motor)	
19	7024390	1	Bearing	
20	7004047	1	Seal, Outer Shaft	
25	7024389	1	Seal Kit (Includes Items 3, 4, 16, 17 & 20)	

SECTION 2 - TURNTABLE

FIGURE 2-9. SWING BEARING ASSEMBLY



ART_1001153017

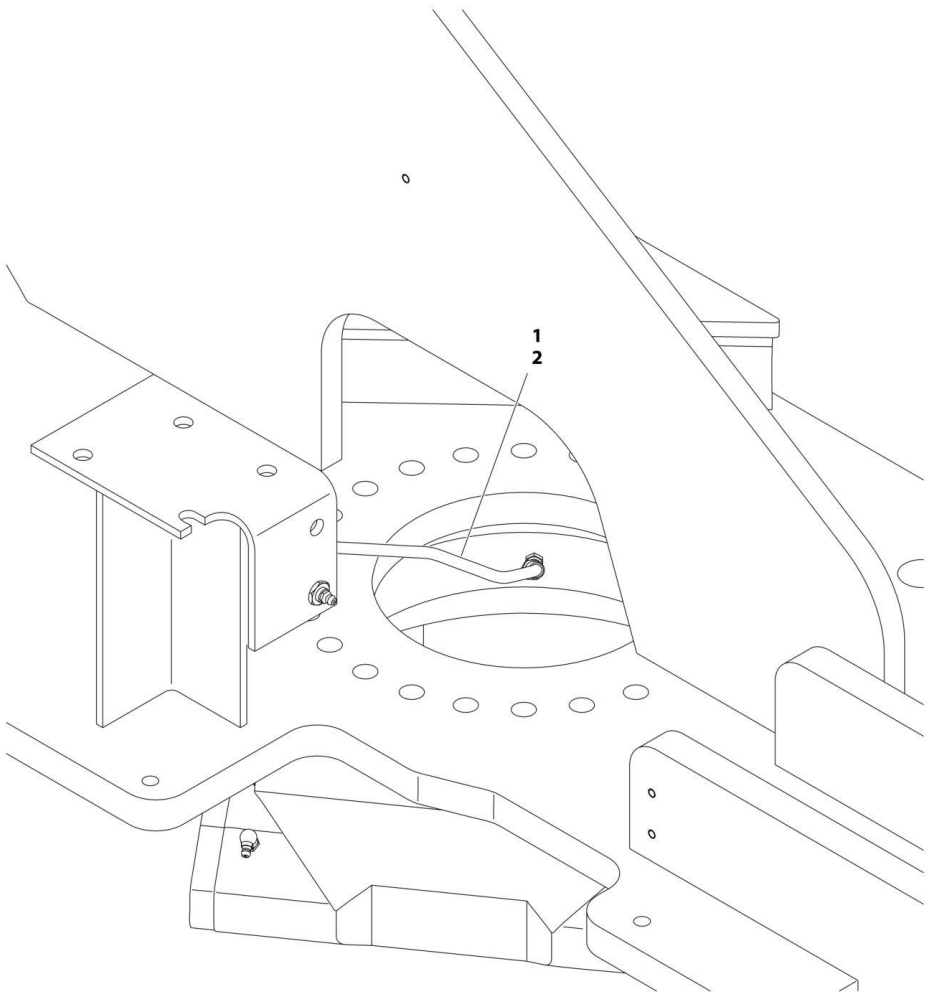
SECTION 2 - TURNTABLE

FIGURE 2-9. SWING BEARING ASSEMBLY

ITEM	PART NUMBER	QTY	DESCRIPTION	REV
	1001153017	Ref	SWING BEARING ASSEMBLY	B
1	7026042	2	Bearing, Cup	
1	7026043	2	Bearing, Cone	
2	7027356	1	Adapter, Motor	
3	7027361	2	Seal	
4	7027354	1	Cap, End	
5	0641510	2	Bolt 5/16 x 1-1/4	
6	0641812	2	Bolt 1/2 x 1-1/2	
7	70000865	1	Plug	
8	7027360	1	Seal	
9	2160003	2	Fitting, Grease - 45	
10	7027358	2	Fitting, Grease - 90	
11	See Note	NSS	Housing (Note: Not Sold Separate - Use 1001153017)	
12	4891500	1	Washer 5/16	
13	7027363	1	Gear, Worm	
14	70004159	1	Ring Gear	
15	7027352	AR	Gasket (.010 - Brown)	
16	7027351	AR	Gasket (.0075 - Clear)	
17	7027350	AR	Gasket (.005 - Blue)	
18	7027353	1	Gasket (.020 - Yellow)	

SECTION 2 - TURNTABLE

FIGURE 2-10. REMOTE BEARING LUBE INSTALLATION - OPTIONAL



ART_1001166341

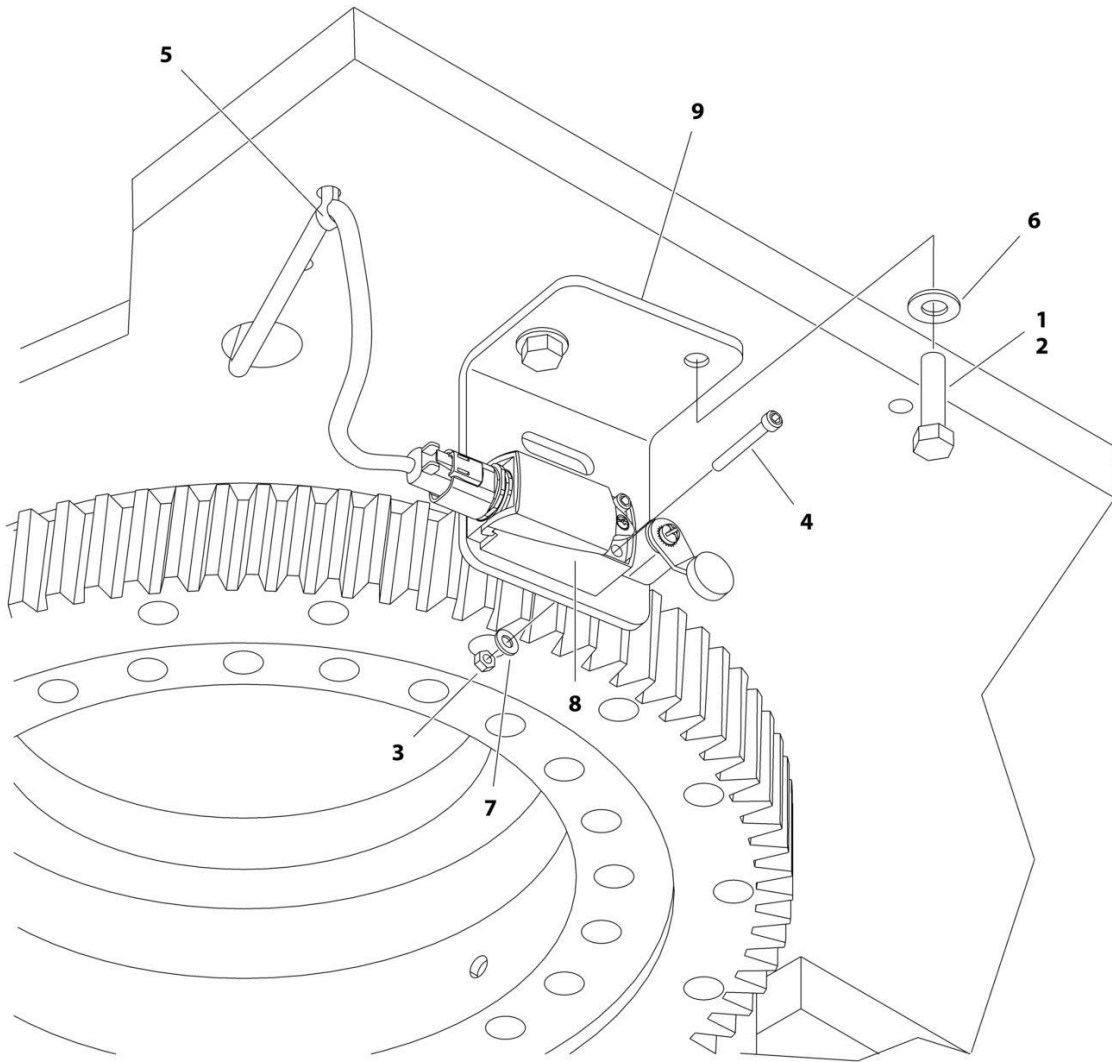
SECTION 2 - TURNTABLE

FIGURE 2-10. REMOTE BEARING LUBE INSTALLATION - OPTIONAL

ITEM	PART NUMBER	QTY	DESCRIPTION	REV
	1001166341	Ref	REMOTE BEARING LUBE INSTALLATION - OPTIONAL	B
1	1001157058	1	Hose, Remote Grease Line	
2	0100011	AR	Compound, Locking	

SECTION 2 - TURNTABLE

FIGURE 2-11. DRIVE ORIENTATION INSTALLATION



ART_1001187790

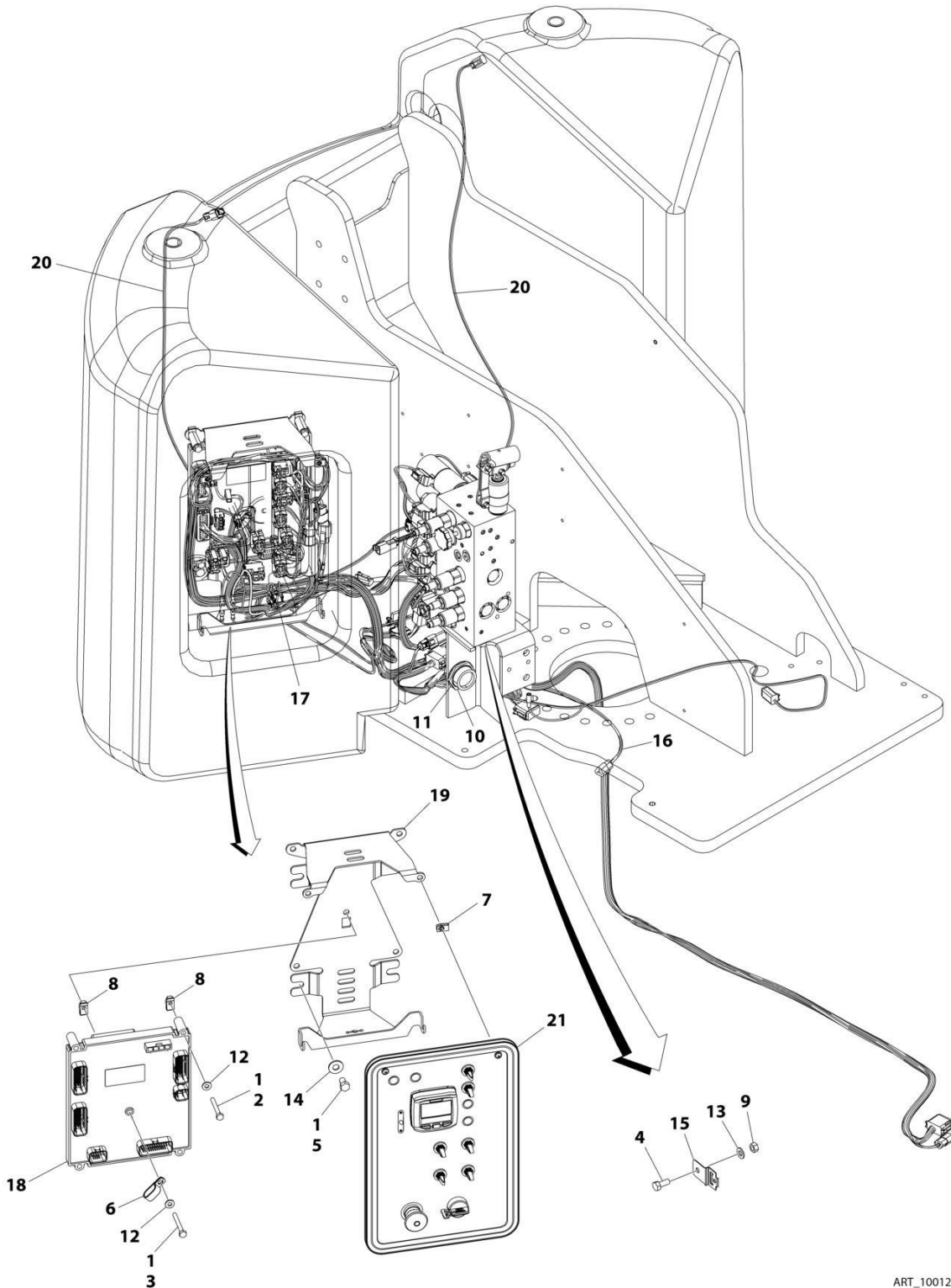
SECTION 2 - TURNTABLE

FIGURE 2-11. DRIVE ORIENTATION INSTALLATION

ITEM	PART NUMBER	QTY	DESCRIPTION	REV
	1001187790	Ref	DRIVE ORIENTATION INSTALLATION	B
1	0100011	AR	Compound, Locking	
2	0641608	2	Bolt 3/8 X 1	
3	3310805	2	Nut #8	
4	3930824	2	Bolt #8 X 1-1/2	
5	4240175	1	Tie, Strap	
6	4711600	2	Washer 3/8	
7	4750800	2	Washer #8	
8	1001116232	1	Switch, Limit	
9	1001171298	1	Bracket, Mounting	

SECTION 2 - TURNTABLE

FIGURE 2-12. GROUND CONTROL BOX INSTALLATION - E400ANARROW (ALL SPECS EXCEPT AUSTRALIAN, CE & UK CA SPECS) (SN 03000291042 to Present, Except SN 03000291042 through 03000291052)



ART_1001249175_B

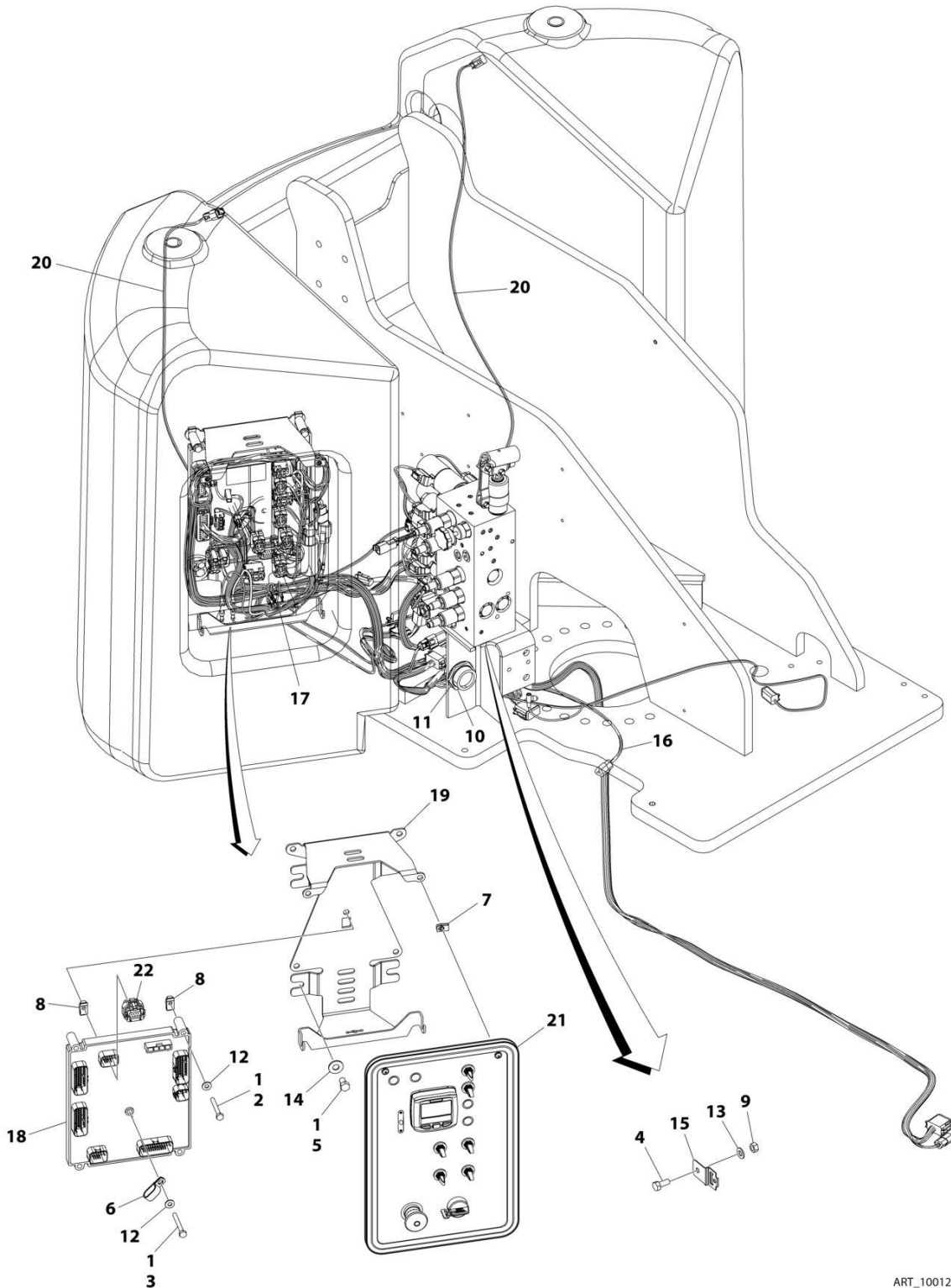
SECTION 2 - TURNTABLE

FIGURE 2-12. GROUND CONTROL BOX INSTALLATION - E400ANARROW (ALL SPECS EXCEPT AUSTRALIAN, CE & UK CA SPECS) (SN 03000291042 to Present, Except SN 03000291042 through 03000291052)

ITEM	PART NUMBER	QTY	DESCRIPTION	REV
	1001249175	Ref	GROUND CONTROL BOX INSTALLATION	B
1	0100011	AR	Compound, Locking	
2	0641416	4	Bolt 1/4 X 2	
3	0641418	1	Bolt 1/4 X 2-1/4	
4	0641506	1	Bolt 5/16 X 3/4	
5	0641605	4	Bolt 3/8 X 5/8	
6	1321385	1	Clamp	
7	3300365	2	Nut, Special	
8	3300454	5	Nut 1/4	
9	3311505	1	Nut 5/16	
10	4460470	1	Nut	
11	4460471	1	Washer	
12	4711400	5	Washer 1/4	
13	4711500	1	Washer 5/16	
14	4751600	4	Washer 3/8	
15	1001153749	1	Clip	
16	1001178794	1	Harness, Valve (See Separate Breakdown in ELECTRICAL Section)	
17	1001179991	1	Harness, Ground Panel (See Separate Breakdown in ELECTRICAL Section)	
18	1001182700	1	Module, Ground Control (Note: Re-calibration Required when Replaced)	
19	1001188065	1	Bracket	
20	1001245677	1	Harness, Turntable (See Separate Breakdown in ELECTRICAL Section)	
21	1001266304	1	Ground Control Box Electrical Assembly (See Separate Breakdown in this Section)	

SECTION 2 - TURNTABLE

FIGURE 2-13. GROUND CONTROL BOX INSTALLATION - E400ANARROW (ALL SPECS EXCEPT AUSTRALIAN, CE & UK CA SPECS) (SN 0300291252 to Present, SN 0300291042 through 0300291052)



ART_1001249175_C

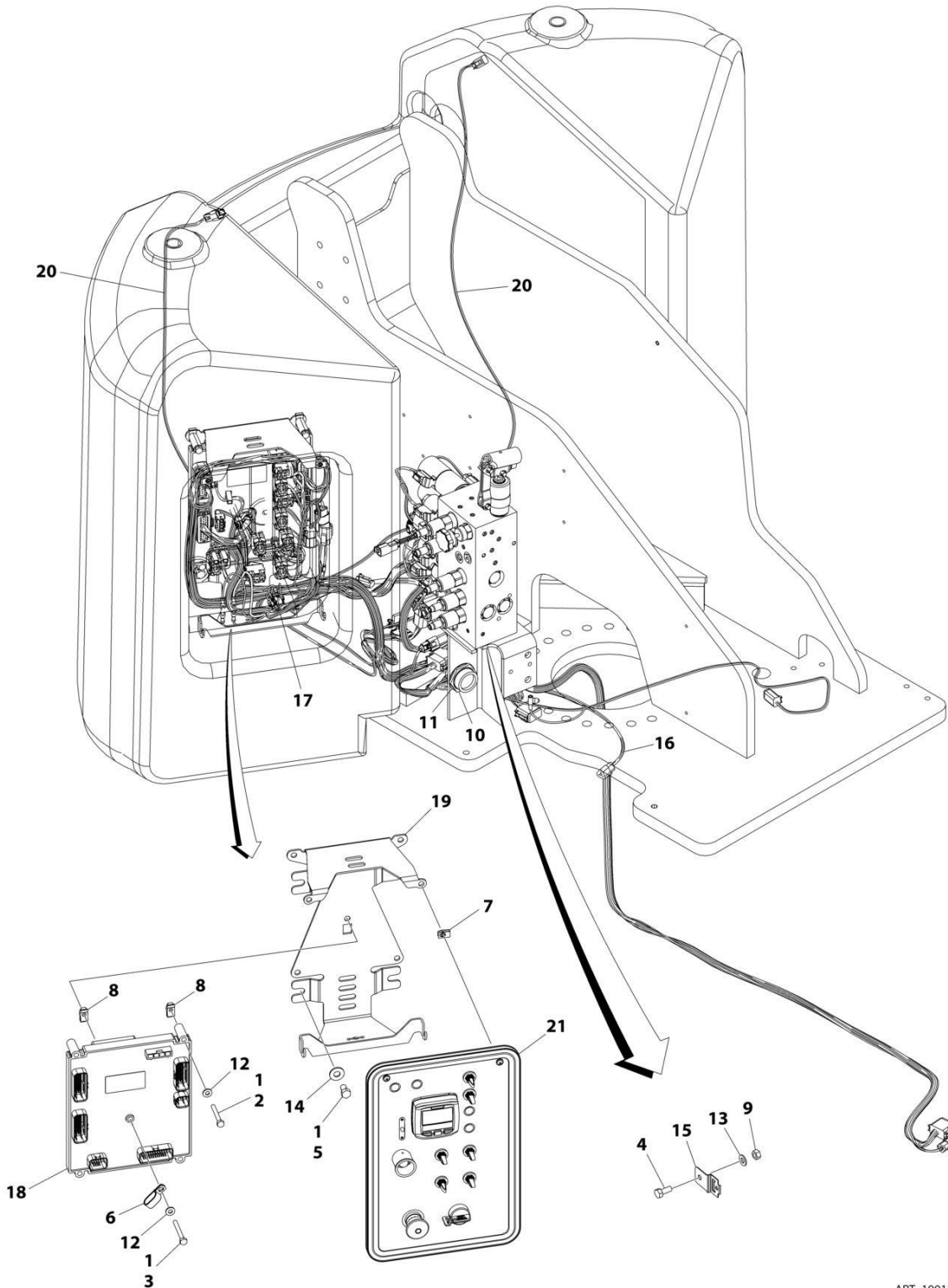
SECTION 2 - TURNTABLE

FIGURE 2-13. GROUND CONTROL BOX INSTALLATION - E400ANARROW (ALL SPECS EXCEPT AUSTRALIAN, CE & UK CA SPECS) (SN 0300291252 to Present, SN 0300291042 through 0300291052)

ITEM	PART NUMBER	QTY	DESCRIPTION	REV
	1001249175	Ref	GROUND CONTROL BOX INSTALLATION	C
1	0100011	AR	Compound, Locking	
2	0641416	4	Bolt 1/4 X 2	
3	0641418	1	Bolt 1/4 X 2-1/4	
4	0641506	1	Bolt 5/16 X 3/4	
5	0641605	4	Bolt 3/8 X 5/8	
6	1321385	1	Clamp	
7	3300365	2	Nut, Special	
8	3300454	5	Nut 1/4	
9	3311505	1	Nut 5/16	
10	4460470	1	Nut	
11	4460471	1	Washer	
12	4711400	5	Washer 1/4	
13	4711500	1	Washer 5/16	
14	4751600	4	Washer 3/8	
15	1001153749	1	Clip	
16	1001178794	1	Harness, Valve (See Separate Breakdown in ELECTRICAL Section)	
17	1001179991	1	Harness, Ground Panel (See Separate Breakdown in ELECTRICAL Section)	
18	1001283300	1	Module, Ground Control (Note: Re-calibration Required when Replaced)	
19	1001188065	1	Bracket	
20	1001245677	1	Harness, Turntable (See Separate Breakdown in ELECTRICAL Section)	
21	1001266304	1	Ground Control Box Electrical Assembly (See Separate Breakdown in this Section)	
22	1001246859	1	Connector	

SECTION 2 - TURNTABLE

FIGURE 2-14. GROUND CONTROL BOX INSTALLATION - E400ANARROW (CE & UK CA SPEC) (SN 03000291042 to Present, Except SN 03000291042 through 03000291052)



ART_1001249177_B

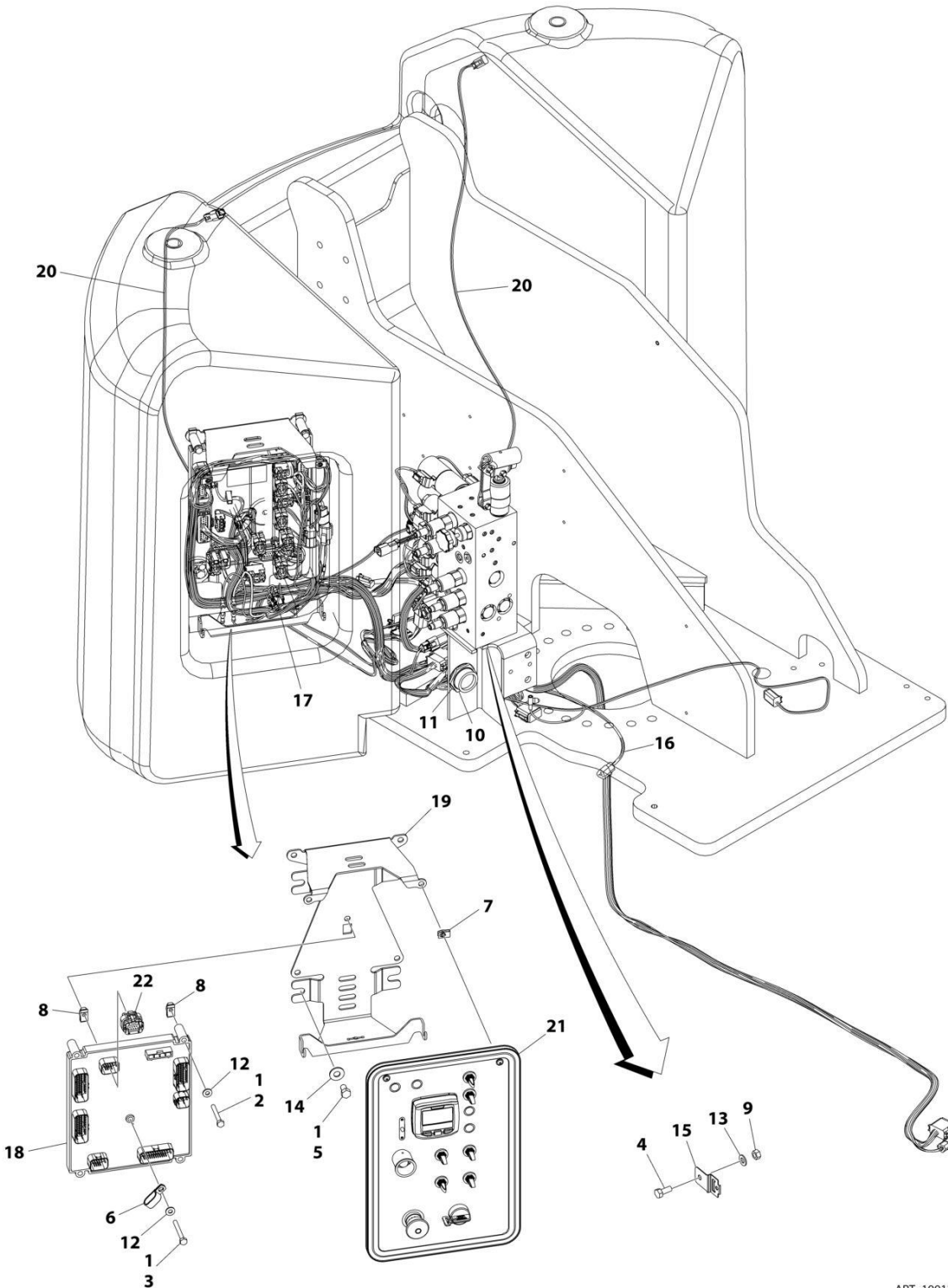
SECTION 2 - TURNTABLE

FIGURE 2-14. GROUND CONTROL BOX INSTALLATION - E400ANARROW (CE & UK CA SPEC) (SN 03000291042 to Present, Except SN 03000291042 through 03000291052)

ITEM	PART NUMBER	QTY	DESCRIPTION	REV
	1001249177	Ref	GROUND CONTROL BOX INSTALLATION	B
1	0100011	AR	Compound, Locking	
2	0641416	4	Bolt 1/4 X 2	
3	0641418	1	Bolt 1/4 X 2-1/4	
4	0641506	1	Bolt 5/16 X 3/4	
5	0641605	4	Bolt 3/8 X 5/8	
6	1321385	1	Clamp	
7	3300365	2	Nut, Special	
8	3300454	5	Nut 1/4	
9	3311505	1	Nut 5/16	
10	4460470	1	Nut	
11	4460471	1	Washer	
12	4711400	5	Washer 1/4	
13	4711500	1	Washer 5/16	
14	4751600	4	Washer 3/8	
15	1001153749	1	Clip	
16	1001178794	1	Harness, Valve (See Separate Breakdown in ELECTRICAL Section)	
17	1001179991	1	Harness, Ground Control Panel (See Separate Breakdown in ELECTRICAL Section)	
18	1001182700	1	Module, Ground Control (Note: Re-calibration Required when Replaced)	
19	1001188065	1	Bracket	
20	1001245677	1	Harness, Turntable (See Separate Breakdown in ELECTRICAL Section)	
21	1001266305	1	Ground Control Box Electrical Assembly (See Separate Breakdown in this Section)	

SECTION 2 - TURNTABLE

FIGURE 2-15. GROUND CONTROL BOX INSTALLATION - E400ANARROW (CE & UK CA SPEC) (SN 0300291252 to Present, SN 0300291042 through 0300291052)



ART_1001249177_C

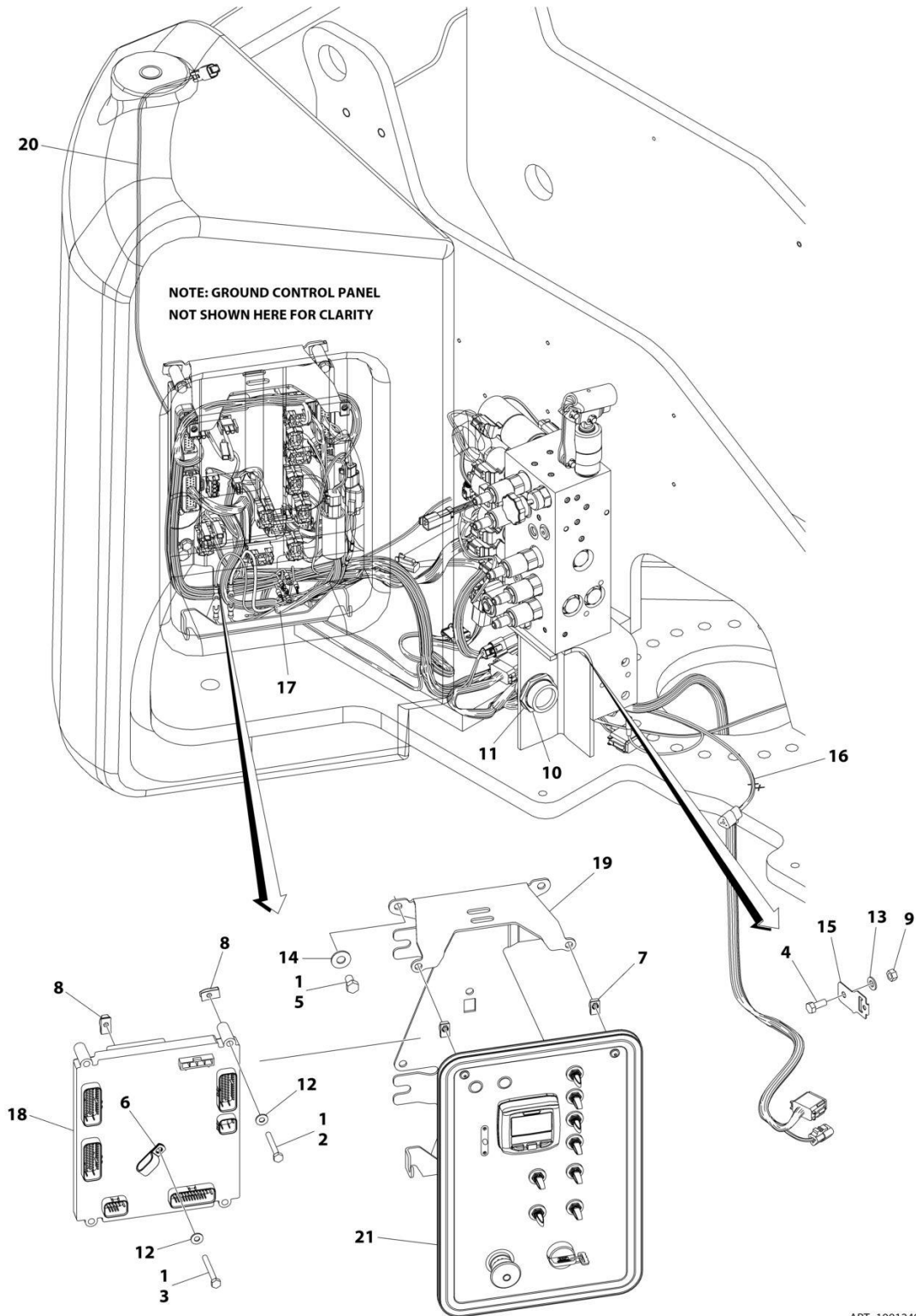
SECTION 2 - TURNTABLE

FIGURE 2-15. GROUND CONTROL BOX INSTALLATION - E400ANARROW (CE & UK CA SPEC) (SN 0300291252 to Present, SN 0300291042 through 0300291052)

ITEM	PART NUMBER	QTY	DESCRIPTION	REV
	1001249177	Ref	GROUND CONTROL BOX INSTALLATION	C
1	0100011	AR	Compound, Locking	
2	0641416	4	Bolt 1/4 X 2	
3	0641418	1	Bolt 1/4 X 2-1/4	
4	0641506	1	Bolt 5/16 X 3/4	
5	0641605	4	Bolt 3/8 X 5/8	
6	1321385	1	Clamp	
7	3300365	2	Nut, Special	
8	3300454	5	Nut 1/4	
9	3311505	1	Nut 5/16	
10	4460470	1	Nut	
11	4460471	1	Washer	
12	4711400	5	Washer 1/4	
13	4711500	1	Washer 5/16	
14	4751600	4	Washer 3/8	
15	1001153749	1	Clip	
16	1001178794	1	Harness, Valve (See Separate Breakdown in ELECTRICAL Section)	
17	1001179991	1	Harness, Ground Control Panel (See Separate Breakdown in ELECTRICAL Section)	
18	1001283300	1	Module, Ground Control (Note: Re-calibration Required when Replaced)	
19	1001188065	1	Bracket	
20	1001245677	1	Harness, Turntable (See Separate Breakdown in ELECTRICAL Section)	
21	1001266305	1	Ground Control Box Electrical Assembly (See Separate Breakdown in this Section)	
22	1001246859	1	Connector	

SECTION 2 - TURNTABLE

FIGURE 2-16. GROUND CONTROL BOX INSTALLATION - E400AJPNARROW (ALL SPECS EXCEPT CE & UK CA SPEC) (SN 03000291042 to Present, Except SN 03000291042 through 03000291052)



ART_1001249163_B

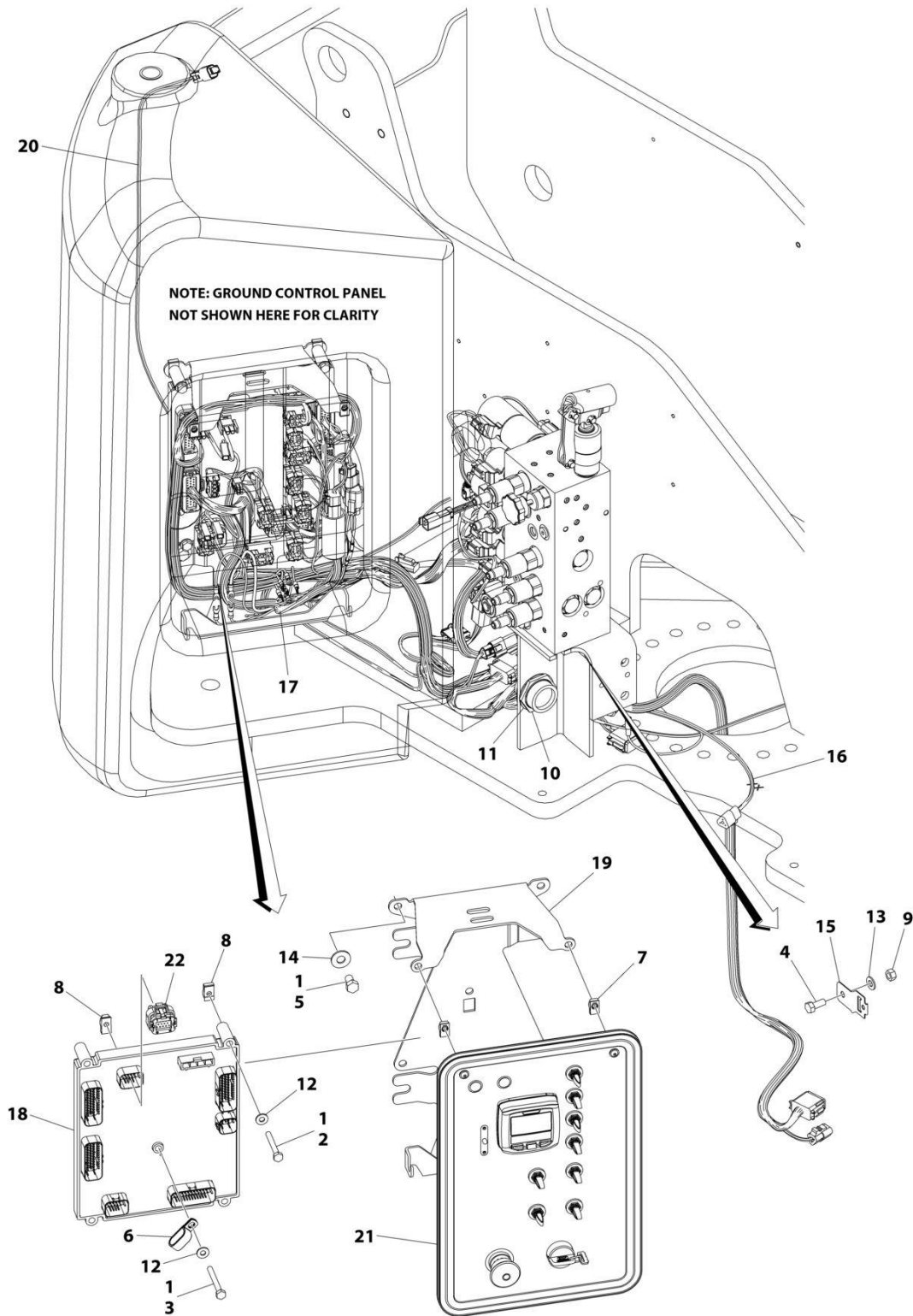
SECTION 2 - TURNTABLE

FIGURE 2-16. GROUND CONTROL BOX INSTALLATION - E400AJPNARROW (ALL SPECS EXCEPT CE & UK CA SPEC) (SN 03000291042 to Present, Except SN 03000291042 through 03000291052)

ITEM	PART NUMBER	QTY	DESCRIPTION	REV
	1001249163	Ref	GROUND CONTROL BOX INSTALLATION	B
1	0100011	AR	Compound, Locking	
2	0641416	4	Bolt 1/4 X 2	
3	0641418	1	Bolt 1/4 X 2-1/4	
4	0641506	1	Bolt 5/16 X 3/4	
5	0641605	4	Bolt 3/8 X 5/8	
6	1321385	1	Clamp	
7	3300365	2	Nut, Special	
8	3300454	5	Nut, 1/4-20	
9	3311505	1	Nut 5/16	
10	4460470	1	Nut, Terminal	
11	4460471	1	Washer, Lock	
12	4711400	5	Washer 1/4	
13	4711500	1	Washer 5/16	
14	4751600	4	Washer 3/8	
15	1001153749	1	Clip	
16	1001178794	1	Harness, Valve (See Separate Breakdown in ELECTRICAL Section)	
17	1001179991	1	Harness, Ground Panel (See Separate Breakdown in ELECTRICAL Section)	
18	1001182700	1	Module, Ground Control (Note: Re-calibration Required when Replaced)	
19	1001188065	1	Bracket	
20	1001245677	1	Harness, Turntable (See Separate Breakdown in ELECTRICAL Section)	
21	1001266302	1	Ground Control Box Electrical Assembly (See Separate Breakdown in this Section)	

SECTION 2 - TURNTABLE

FIGURE 2-17. GROUND CONTROL BOX INSTALLATION - E400AJPNARROW (ALL SPECS EXCEPT CE & UK CA SPEC) (SN 0300291252 to Present, SN 0300291042 through 0300291052)



ART_1001249163_C

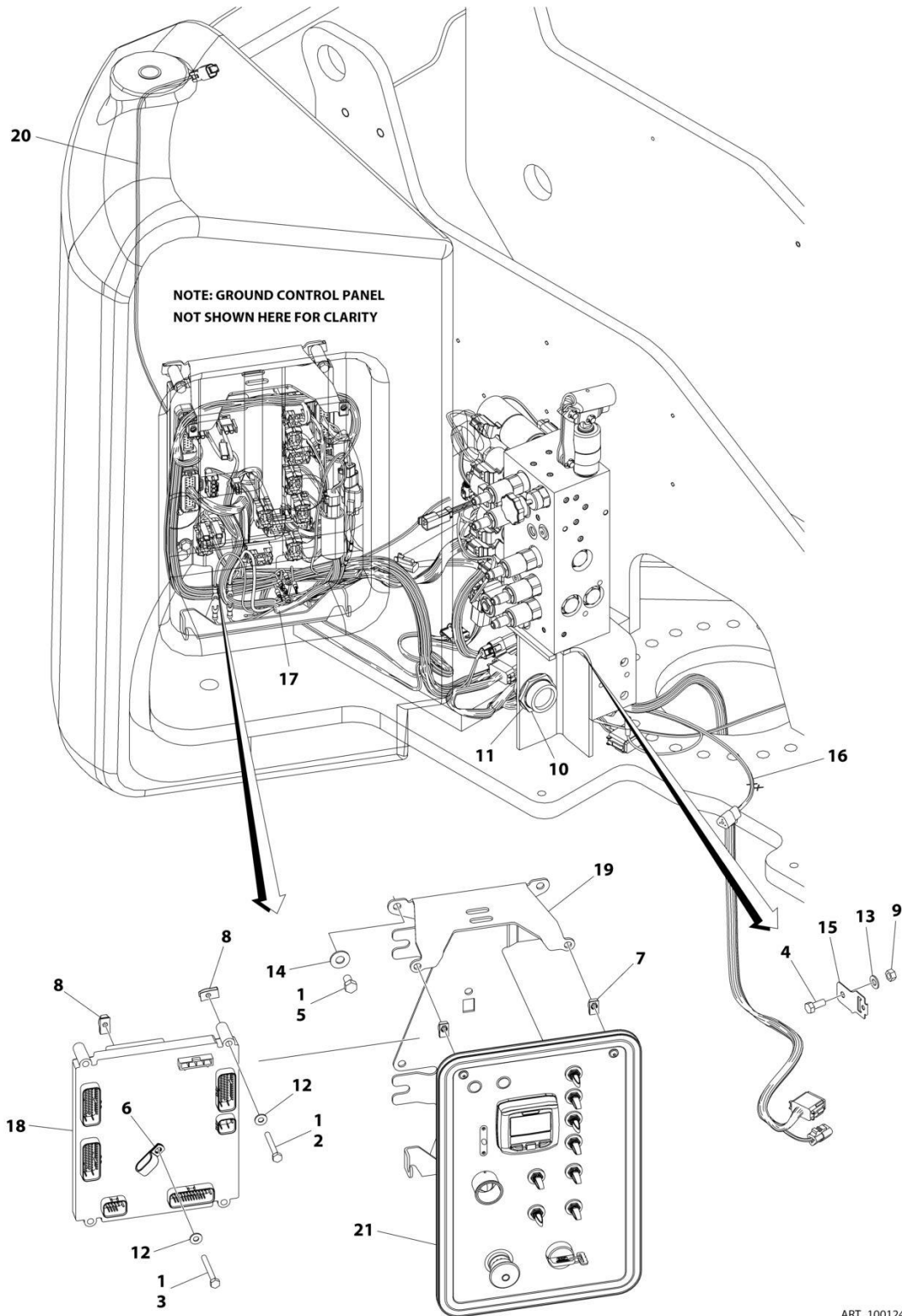
SECTION 2 - TURNTABLE

FIGURE 2-17. GROUND CONTROL BOX INSTALLATION - E400AJPNARROW (ALL SPECS EXCEPT CE & UK CA SPEC) (SN 0300291252 to Present, SN 0300291042 through 0300291052)

ITEM	PART NUMBER	QTY	DESCRIPTION	REV
	1001249163	Ref	GROUND CONTROL BOX INSTALLATION	C
1	0100011	AR	Compound, Locking	
2	0641416	4	Bolt 1/4 X 2	
3	0641418	1	Bolt 1/4 X 2-1/4	
4	0641506	1	Bolt 5/16 X 3/4	
5	0641605	4	Bolt 3/8 X 5/8	
6	1321385	1	Clamp	
7	3300365	2	Nut, Special	
8	3300454	5	Nut, 1/4-20	
9	3311505	1	Nut 5/16	
10	4460470	1	Nut, Terminal	
11	4460471	1	Washer, Lock	
12	4711400	5	Washer 1/4	
13	4711500	1	Washer 5/16	
14	4751600	4	Washer 3/8	
15	1001153749	1	Clip	
16	1001178794	1	Harness, Valve (See Separate Breakdown in ELECTRICAL Section)	
17	1001179991	1	Harness, Ground Panel (See Separate Breakdown in ELECTRICAL Section)	
18	1001283300	1	Module, Ground Control (Note: Re-calibration Required when Replaced)	
19	1001188065	1	Bracket	
20	1001245677	1	Harness, Turntable (See Separate Breakdown in ELECTRICAL Section)	
21	1001266302	1	Ground Control Box Electrical Assembly (See Separate Breakdown in this Section)	
22	1001246859	1	Connector	

SECTION 2 - TURNTABLE

FIGURE 2-18. GROUND CONTROL BOX INSTALLATION - E400AJPNARROW (CE & UK CA SPEC)
(SN 03000291042 to Present, Except SN 03000291042 through 03000291052)



ART_1001249168_B

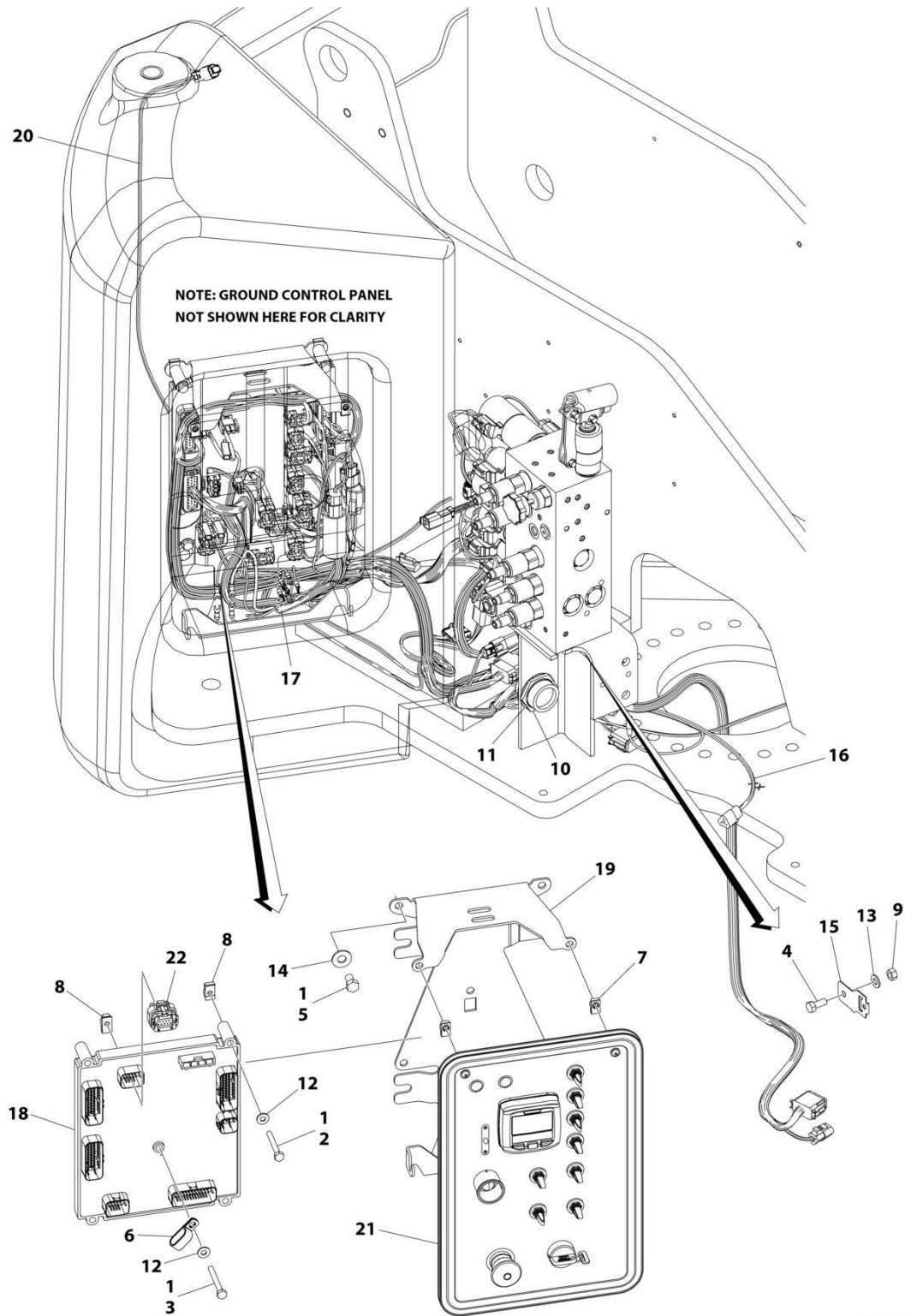
SECTION 2 - TURNTABLE

**FIGURE 2-18. GROUND CONTROL BOX INSTALLATION - E400AJPNARROW (CE & UK CA SPEC)
(SN 03000291042 to Present, Except SN 03000291042 through 03000291052)**

ITEM	PART NUMBER	QTY	DESCRIPTION	REV
	1001249168	Ref	GROUND CONTROL BOX INSTALLATION	B
1	0100011	AR	Compound, Locking	
2	0641416	4	Bolt 1/4 X 2	
3	0641418	1	Bolt 1/4 X 2-1/4	
4	0641506	1	Bolt 5/16 X 3/4	
5	0641605	4	Bolt 3/8 X 5/8	
6	1321385	1	Clamp	
7	3300365	2	Nut, Special	
8	3300454	5	Nut, 1/4-20	
9	3311505	1	Nut 5/16	
10	4460470	1	Nut, Terminal	
11	4460471	1	Washer, Lock	
12	4711400	5	Washer 1/4	
13	4711500	1	Washer 5/16	
14	4751600	4	Washer 3/8	
15	1001153749	1	Clip	
16	1001178794	1	Harness, Valve (See Separate Breakdown in ELECTRICAL Section)	
17	1001179991	1	Harness, Ground Panel (See Separate Breakdown in ELECTRICAL Section)	
18	1001182700	1	Module, Ground Control (Note: Re-calibration Required when Replaced)	
19	1001188065	1	Bracket	
20	1001245677	1	Harness, Turntable (See Separate Breakdown in ELECTRICAL Section)	
21	1001266303	1	Ground Control Box Electrical Assembly (See Separate Breakdown in this Section)	

SECTION 2 - TURNTABLE

FIGURE 2-19. GROUND CONTROL BOX INSTALLATION - E400AJPNARROW (CE & UK CA SPEC)
(SN 0300291252 to Present, SN 0300291042 through 0300291052)



ART_1001249168_C

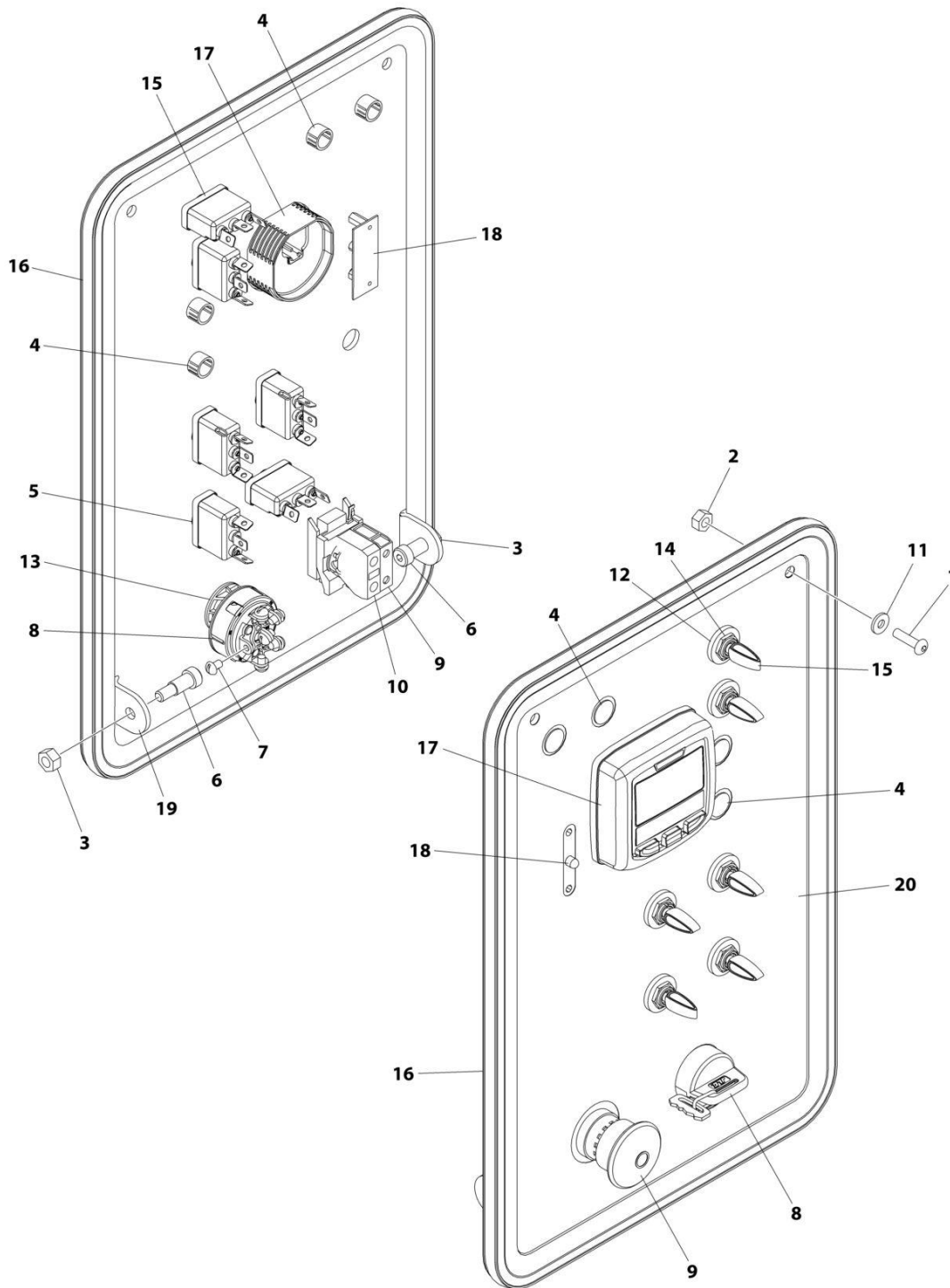
SECTION 2 - TURNTABLE

**FIGURE 2-19. GROUND CONTROL BOX INSTALLATION - E400AJPNARROW (CE & UK CA SPEC)
(SN 0300291252 to Present, SN 0300291042 through 0300291052)**

ITEM	PART NUMBER	QTY	DESCRIPTION	REV
	1001249168	Ref	GROUND CONTROL BOX INSTALLATION	C
1	0100011	AR	Compound, Locking	
2	0641416	4	Bolt 1/4 X 2	
3	0641418	1	Bolt 1/4 X 2-1/4	
4	0641506	1	Bolt 5/16 X 3/4	
5	0641605	4	Bolt 3/8 X 5/8	
6	1321385	1	Clamp	
7	3300365	2	Nut, Special	
8	3300454	5	Nut, 1/4-20	
9	3311505	1	Nut 5/16	
10	4460470	1	Nut, Terminal	
11	4460471	1	Washer, Lock	
12	4711400	5	Washer 1/4	
13	4711500	1	Washer 5/16	
14	4751600	4	Washer 3/8	
15	1001153749	1	Clip	
16	1001178794	1	Harness, Valve (See Separate Breakdown in ELECTRICAL Section)	
17	1001179991	1	Harness, Ground Panel (See Separate Breakdown in ELECTRICAL Section)	
18	1001283300	1	Module, Ground Control (Note: Re-calibration Required when Replaced)	
19	1001188065	1	Bracket	
20	1001245677	1	Harness, Turntable (See Separate Breakdown in ELECTRICAL Section)	
21	1001266303	1	Ground Control Box Electrical Assembly (See Separate Breakdown in this Section)	
22	1001246859	1	Connector	

SECTION 2 - TURNTABLE

FIGURE 2-20. GROUND CONTROL BOX ELECTRICAL ASSEMBLY - DISPLAY WITH BUTTONS - E400ANARROW (ALL SPECS EXCEPT AUSTRALIAN, CE & UK CA SPECS)



ART_1001266304

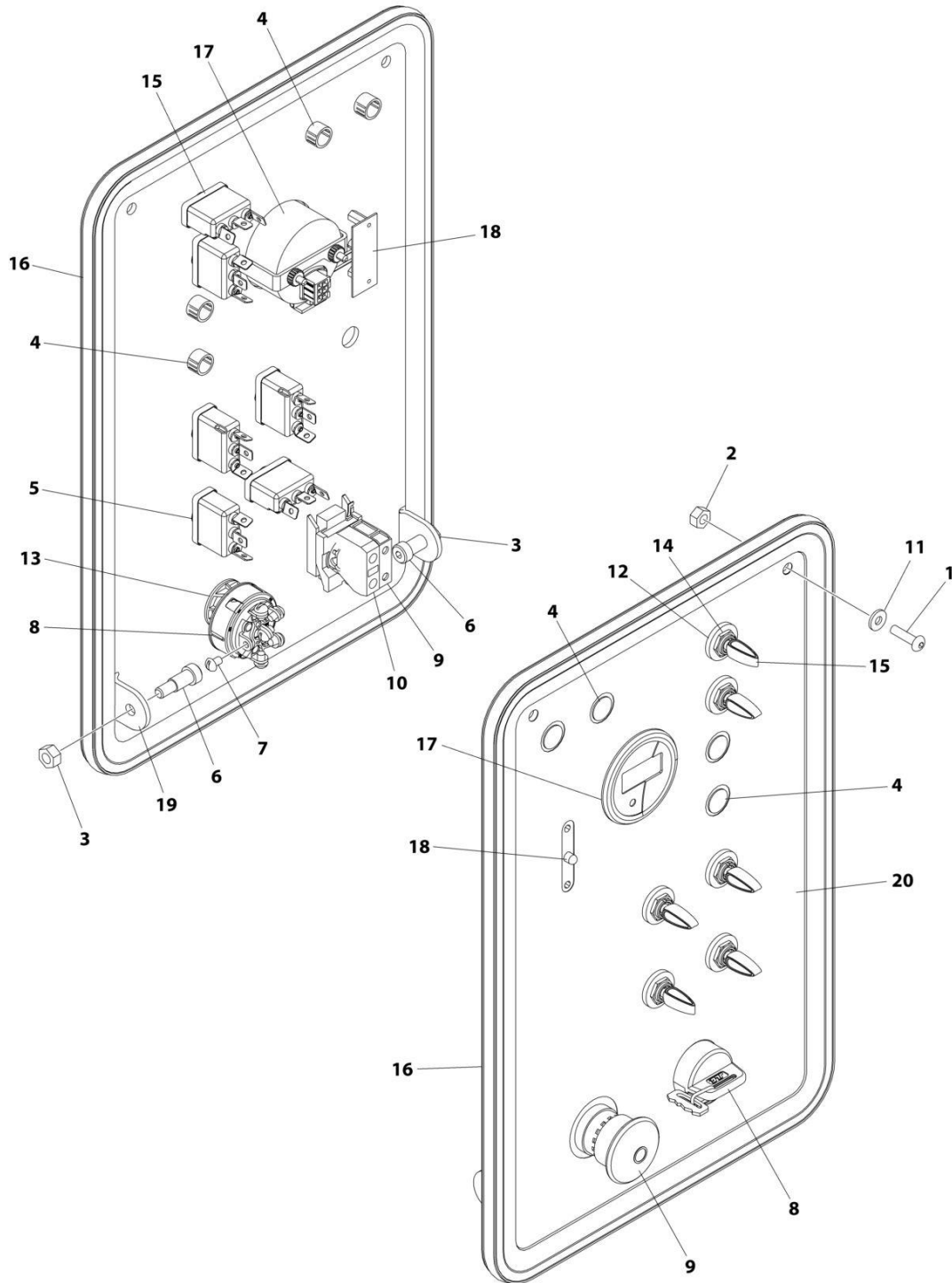
SECTION 2 - TURNTABLE

FIGURE 2-20. GROUND CONTROL BOX ELECTRICAL ASSEMBLY - DISPLAY WITH BUTTONS - E400ANARROW (ALL SPECS EXCEPT AUSTRALIAN, CE & UK CA SPECS)

ITEM	PART NUMBER	QTY	DESCRIPTION	REV
	1001266304	Ref	GROUND CONTROL BOX ELECTRICAL ASSEMBLY	A
1	0630518	2	Bolt #10 x 3/4	
2	3311011	2	Nut	
3	3311405	2	Nut 1/4	
4	3520028	4	Plug, Hole 1/2	
5	3790012	6	O-Ring	
6	3900187	2	Screw	
7	3910804	6	Screw #8 x 1/4	
8	4360469	1	Keyswitch	
8	2860030	1	Key, Replacement (Set of 2)	
9	4360475	1	Switch, Emergency Stop	
9	7020175	1	Cap, Mushroom Head	
9	7020176	1	Block, Contact	
10	4360476	1	Block, Contact	
11	4740120	2	Washer	
12	4740397	6	Spacer	
13	1001151393	1	Shim, .063	
14	1001155044	6	Nut 15/32	
15	1001155045	6	Switch, Toggle	
16	1001166394	4 ft/1.2m	Seal	
17	1001171482	1	Display	
18	1001259489	1	P/C Board, Battery Charger	
19	1001266308	1	Panel, Ground Control	
20	1001266309	1	Decal - Ground Control	

SECTION 2 - TURNTABLE

FIGURE 2-21. GROUND CONTROL BOX ELECTRICAL ASSEMBLY - DISPLAY WITHOUT BUTTONS - E400ANARROW (ALL SPECS EXCEPT AUSTRALIAN, CE & UK CA SPECS)



ART_1001266304_B

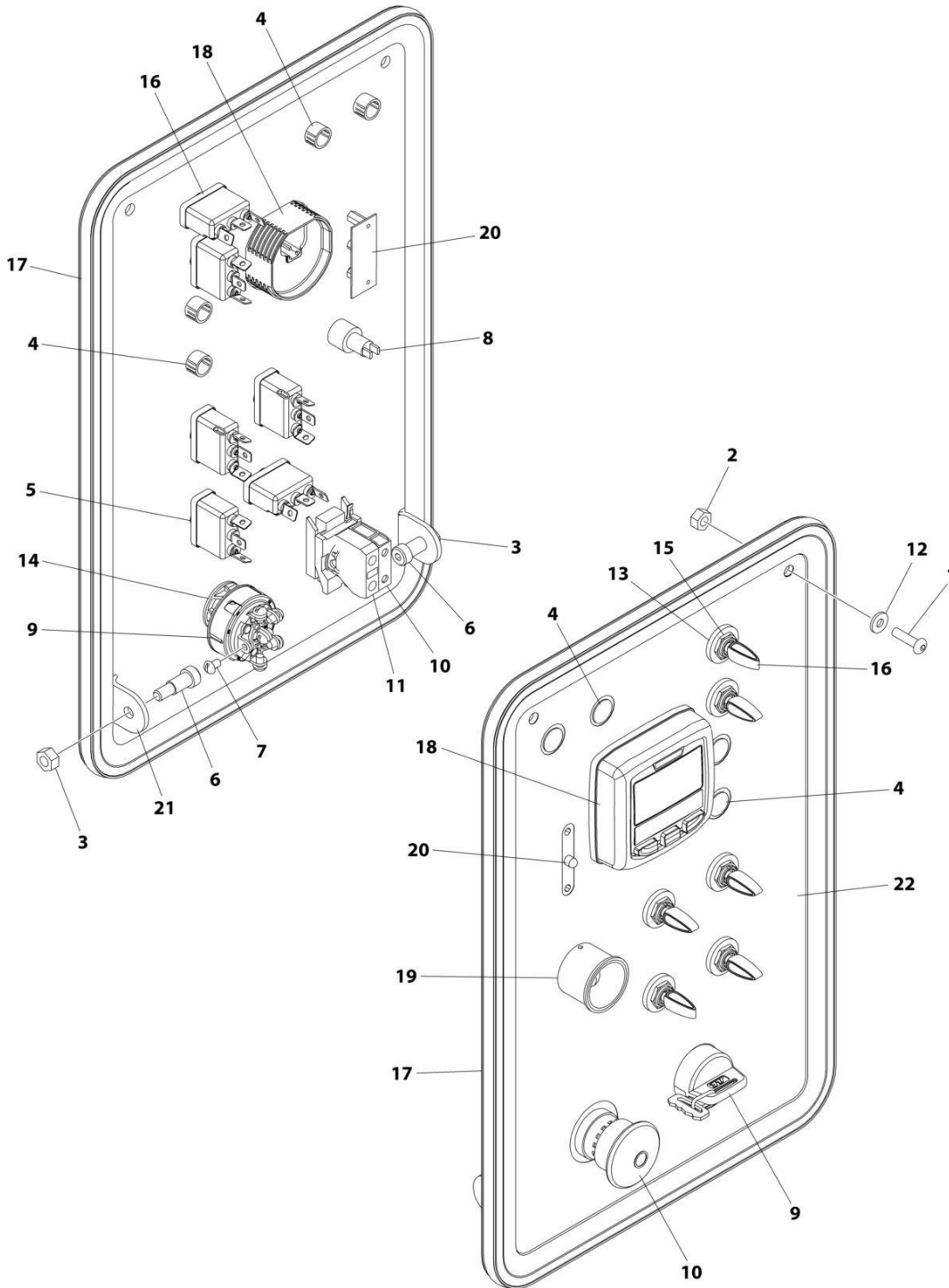
SECTION 2 - TURNTABLE

FIGURE 2-21. GROUND CONTROL BOX ELECTRICAL ASSEMBLY - DISPLAY WITHOUT BUTTONS - E400ANARROW (ALL SPECS EXCEPT AUSTRALIAN, CE & UK CA SPECS)

ITEM	PART NUMBER	QTY	DESCRIPTION	REV
	1001266304	Ref	GROUND CONTROL BOX ELECTRICAL ASSEMBLY	B
1	0630518	2	Bolt #10 x 3/4	
2	3311011	2	Nut	
3	3311405	2	Nut 1/4	
4	3520028	4	Plug, Hole 1/2	
5	3790012	6	O-Ring	
6	3900187	2	Screw	
7	3910804	6	Screw #8 x 1/4	
8	4360469	1	Keyswitch	
8	2860030	1	Key, Replacement (Set of 2)	
9	4360475	1	Switch, Emergency Stop	
9	7020175	1	Cap, Mushroom Head	
9	7020176	1	Block, Contact	
10	4360476	1	Block, Contact	
11	4740120	2	Washer	
12	4740397	6	Spacer	
13	1001151393	1	Shim, .063	
14	1001155044	6	Nut 15/32	
15	1001155045	6	Switch, Toggle	
16	1001166394	4 ft/1.2m	Seal	
17	1001109503	1	Display	
18	1001259489	1	P/C Board, Battery Charger	
19	1001280407	1	Panel, Ground Control	
20	1001266309	1	Decal - Ground Control	

SECTION 2 - TURNTABLE

FIGURE 2-22. GROUND CONTROL BOX ELECTRICAL ASSEMBLY - DISPLAY WITH BUTTONS - E400ANARROW (CE & UK CA SPECS)



ART_1001266305

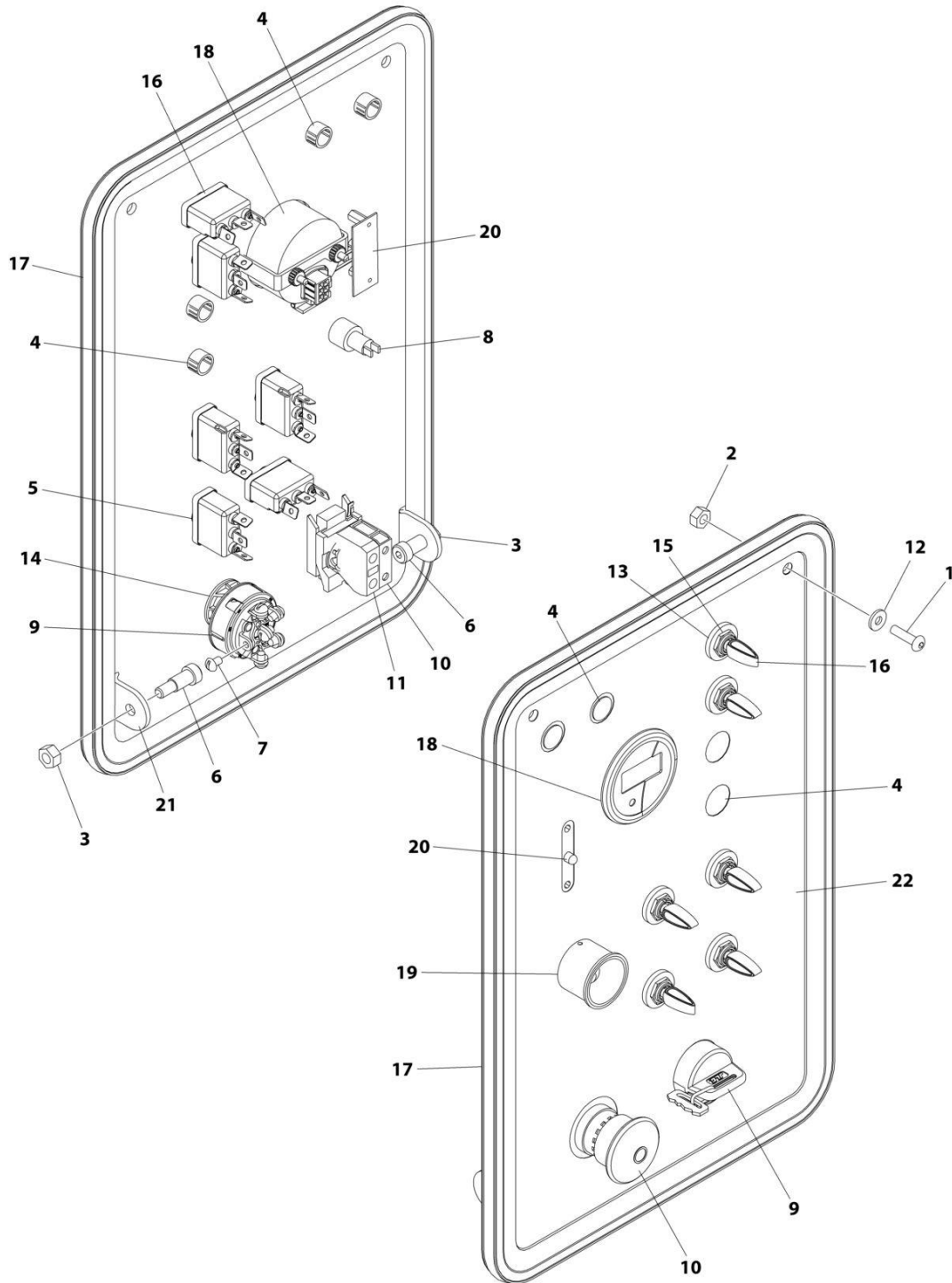
SECTION 2 - TURNTABLE

FIGURE 2-22. GROUND CONTROL BOX ELECTRICAL ASSEMBLY - DISPLAY WITH BUTTONS - E400ANARROW (CE & UK CA SPECS)

ITEM	PART NUMBER	QTY	DESCRIPTION	REV
	1001266305	Ref	GROUND CONTROL BOX ELECTRICAL ASSEMBLY	A
1	0630518	2	Bolt #10 x 3/4	
2	3311011	2	Nut	
3	3311405	2	Nut 1/4	
4	3520028	4	Plug, Hole 1/2	
5	3790012	6	O-Ring	
6	3900187	2	Screw	
7	3910804	6	Screw #8 x 1/4	
8	4360387	1	Switch, Push Button	
9	4360469	1	Keyswitch	
9	2860030	1	Key, Replacement (Set of 2)	
10	4360475	1	Switch, Emergency Stop	
10	7020175	1	Cap, Mushroom Head	
10	7020176	1	Block, Contact	
11	4360476	1	Block, Contact	
12	4740120	2	Washer	
13	4740397	6	Spacer	
14	1001151393	1	Shim, .063	
15	1001155044	6	Nut 15/32	
16	1001155045	6	Switch, Toggle	
17	1001166394	4 ft/1.2m	Seal	
18	1001171482	1	Display	
19	1001176469	1	Shroud	
20	1001259489	1	P/C Board, Battery Charger	
21	1001266308	1	Panel, Ground Control	
22	1001266310	1	Decal - Ground Control	

SECTION 2 - TURNTABLE

FIGURE 2-23. GROUND CONTROL BOX ELECTRICAL ASSEMBLY - DISPLAY WITHOUT BUTTONS - E400ANARROW (CE & UK CA SPECS)



ART_1001266305_B

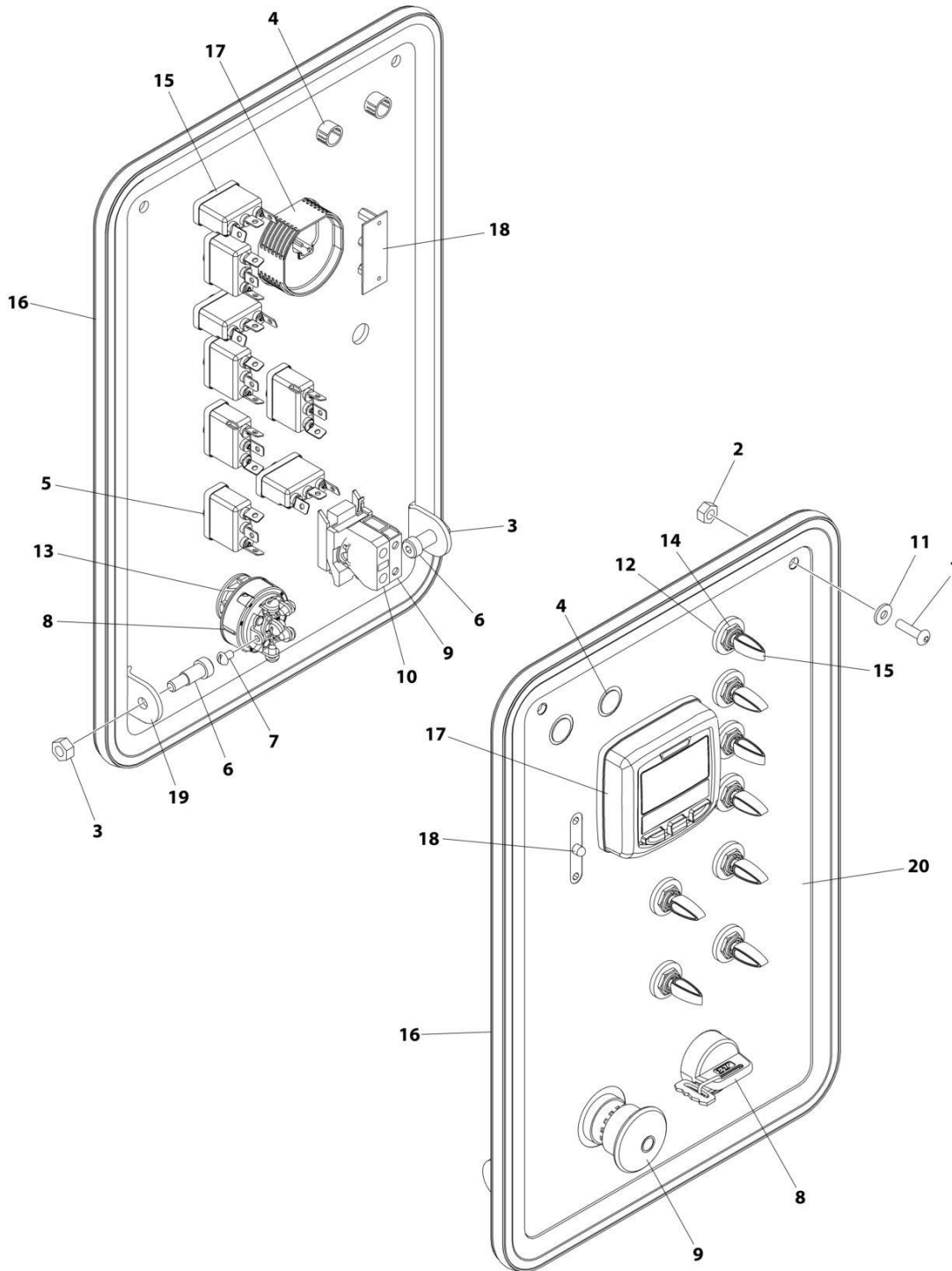
SECTION 2 - TURNTABLE

FIGURE 2-23. GROUND CONTROL BOX ELECTRICAL ASSEMBLY - DISPLAY WITHOUT BUTTONS - E400ANARROW (CE & UK CA SPECS)

ITEM	PART NUMBER	QTY	DESCRIPTION	REV
	1001266305	Ref	GROUND CONTROL BOX ELECTRICAL ASSEMBLY	B
1	0630518	2	Bolt #10 x 3/4	
2	3311011	2	Nut	
3	3311405	2	Nut 1/4	
4	3520028	4	Plug, Hole 1/2	
5	3790012	6	O-Ring	
6	3900187	2	Screw	
7	3910804	6	Screw #8 x 1/4	
8	4360387	1	Switch, Push Button	
9	4360469	1	Keyswitch	
9	2860030	1	Key, Replacement (Set of 2)	
10	4360475	1	Switch, Emergency Stop	
10	7020175	1	Cap, Mushroom Head	
10	7020176	1	Block, Contact	
11	4360476	1	Block, Contact	
12	4740120	2	Washer	
13	4740397	6	Spacer	
14	1001151393	1	Shim, .063	
15	1001155044	6	Nut 15/32	
16	1001155045	6	Switch, Toggle	
17	1001166394	4 ft/1.2m	Seal	
18	1001109503	1	Display	
19	1001176469	1	Shroud	
20	1001259489	1	P/C Board, Battery Charger	
21	1001280407	1	Panel, Ground Control	
22	1001266310	1	Decal - Ground Control	

SECTION 2 - TURNTABLE

FIGURE 2-24. GROUND CONTROL BOX ELECTRICAL ASSEMBLY - DISPLAY WITH BUTTONS - E400AJPNARROW (ALL SPECS EXCEPT CE & UK CA SPECS)



ART_1001266302

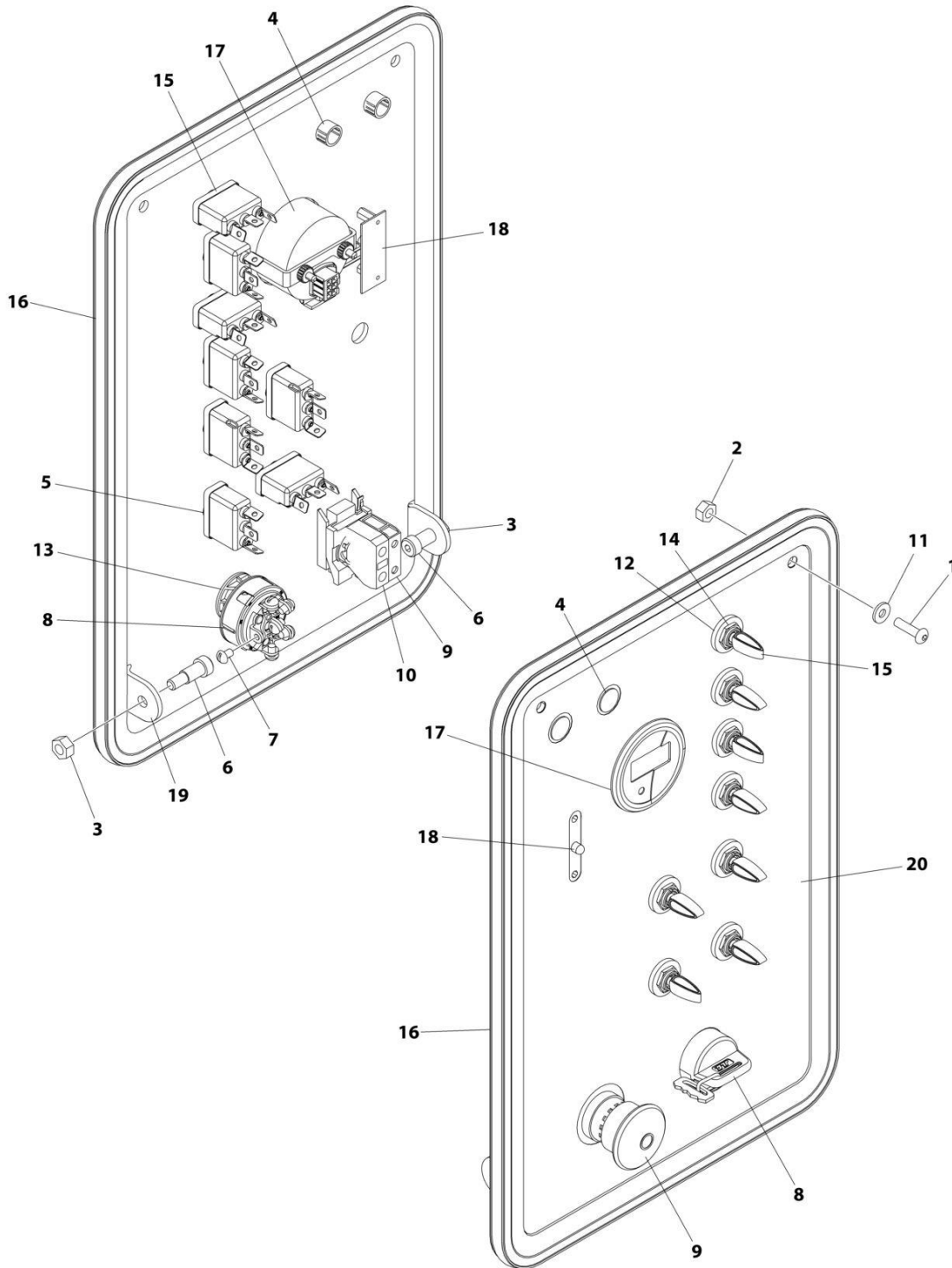
SECTION 2 - TURNTABLE

FIGURE 2-24. GROUND CONTROL BOX ELECTRICAL ASSEMBLY - DISPLAY WITH BUTTONS - E400AJPNARROW (ALL SPECS EXCEPT CE & UK CA SPECS)

ITEM	PART NUMBER	QTY	DESCRIPTION	REV
	1001266302	Ref	GROUND CONTROL BOX ELECTRICAL ASSEMBLY	A
1	0630518	2	Bolt #10 x 3/4	
2	3311011	2	Nut	
3	3311405	2	Nut 1/4	
4	3520028	2	Plug, Hole 1/2	
5	3790012	8	O-Ring	
6	3900187	2	Screw	
7	3910804	6	Screw #8 x 1/4	
8	4360469	1	Keyswitch	
8	2860030	1	Key, Replacement (Set of 2)	
9	4360475	1	Switch, Emergency Stop	
9	7020175	1	Cap, Mushroom Head	
9	7020176	1	Block, Contact	
10	4360476	1	Block, Contact	
11	4740120	2	Washer	
12	4740397	8	Spacer	
13	1001151393	1	Shim, .063	
14	1001155044	8	Nut 15/32	
15	1001155045	8	Switch, Toggle	
16	1001166394	4 ft/1.2m	Seal	
17	1001171482	1	Display	
18	1001259489	1	P/C Board, Battery Charger	
19	1001266308	1	Panel, Ground Control	
20	1001266309	1	Decal - Ground Control	

SECTION 2 - TURNTABLE

FIGURE 2-25. GROUND CONTROL BOX ELECTRICAL ASSEMBLY - DISPLAY WITHOUT BUTTONS - E400AJPNARROW (ALL SPECS EXCEPT CE & UK CA SPECS)



ART_1001266302_B

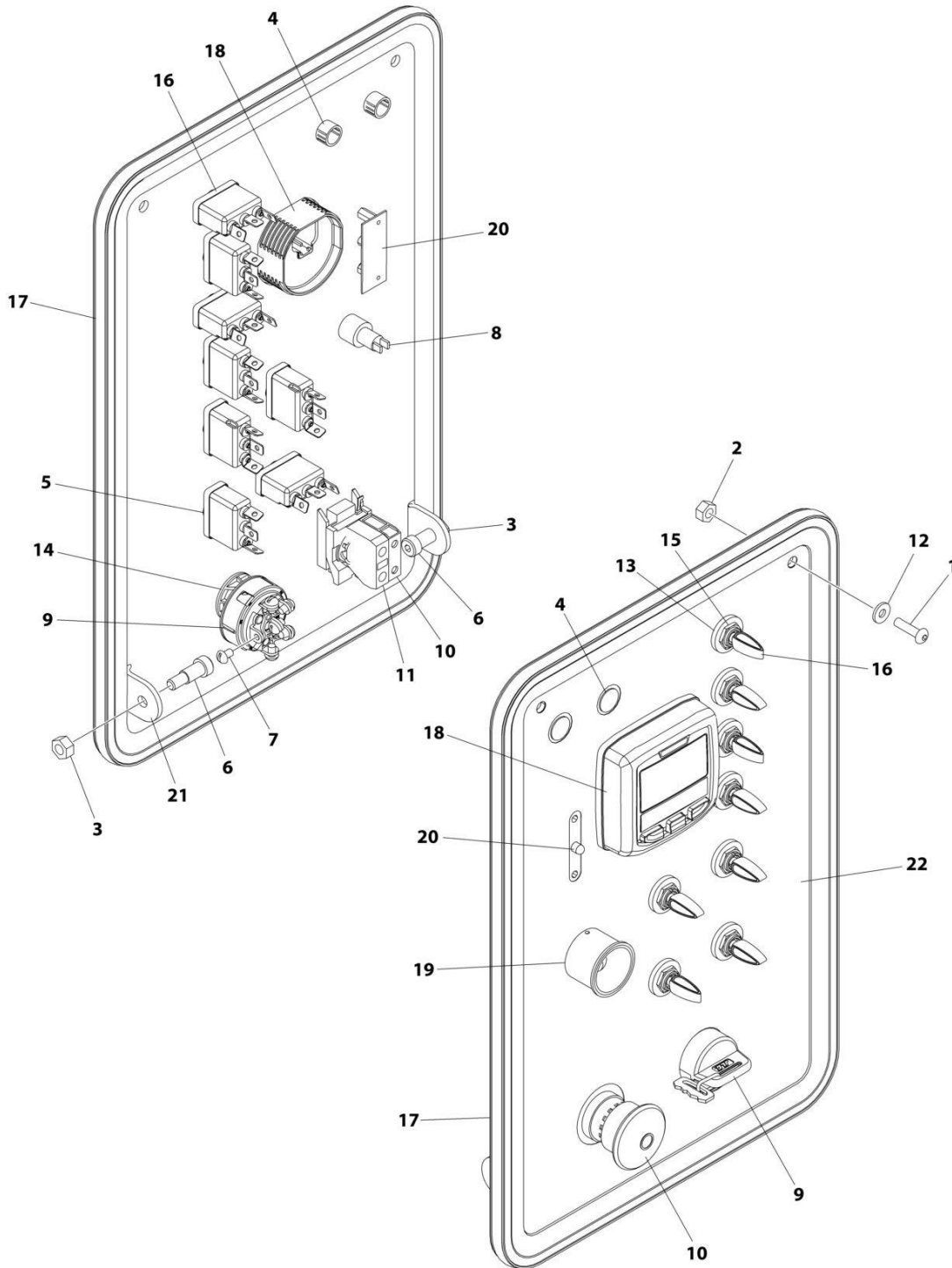
SECTION 2 - TURNTABLE

FIGURE 2-25. GROUND CONTROL BOX ELECTRICAL ASSEMBLY - DISPLAY WITHOUT BUTTONS - E400AJPNARROW (ALL SPECS EXCEPT CE & UK CA SPECS)

ITEM	PART NUMBER	QTY	DESCRIPTION	REV
	1001266302	Ref	GROUND CONTROL BOX ELECTRICAL ASSEMBLY	B
1	0630518	2	Bolt #10 x 3/4	
2	3311011	2	Nut	
3	3311405	2	Nut 1/4	
4	3520028	2	Plug, Hole 1/2	
5	3790012	8	O-Ring	
6	3900187	2	Screw	
7	3910804	6	Screw #8 x 1/4	
8	4360469	1	Keyswitch	
8	2860030	1	Key, Replacement (Set of 2)	
9	4360475	1	Switch, Emergency Stop	
9	7020175	1	Cap, Mushroom Head	
9	7020176	1	Block, Contact	
10	4360476	1	Block, Contact	
11	4740120	2	Washer	
12	4740397	8	Spacer	
13	1001151393	1	Shim, .063	
14	1001155044	8	Nut 15/32	
15	1001155045	8	Switch, Toggle	
16	1001166394	4 ft/1.2m	Seal	
17	1001109503	1	Display	
18	1001259489	1	P/C Board, Battery Charger	
19	1001280407	1	Panel, Ground Control	
20	1001266309	1	Decal - Ground Control	

SECTION 2 - TURNTABLE

FIGURE 2-26. GROUND CONTROL BOX ELECTRICAL ASSEMBLY - DISPLAY WITH BUTTONS - E400AJPNARROW (CE & UK CA SPECS)



ART_1001266303

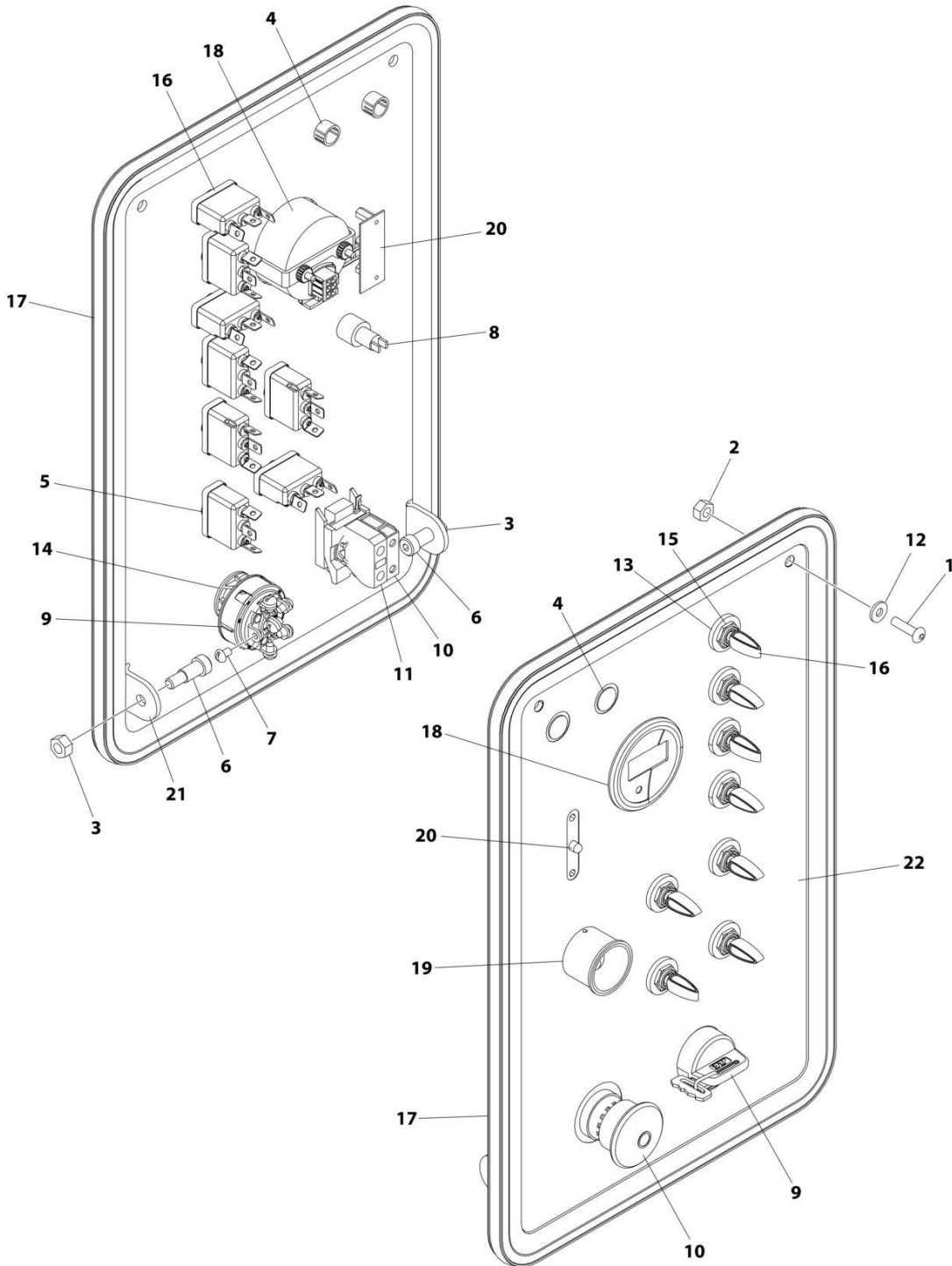
SECTION 2 - TURNTABLE

FIGURE 2-26. GROUND CONTROL BOX ELECTRICAL ASSEMBLY - DISPLAY WITH BUTTONS - E400AJPNARROW (CE & UK CA SPECS)

ITEM	PART NUMBER	QTY	DESCRIPTION	REV
	1001266303	Ref	GROUND CONTROL BOX ELECTRICAL ASSEMBLY	A
1	0630518	2	Bolt #10 x 3/4	
2	3311011	2	Nut	
3	3311405	2	Nut 1/4	
4	3520028	2	Plug, Hole 1/2	
5	3790012	8	O-Ring	
6	3900187	2	Screw	
7	3910804	6	Screw #8 x 1/4	
8	4360387	1	Switch, Push Button	
9	4360469	1	Keyswitch	
9	2860030	1	Key, Replacement (Set of 2)	
10	4360475	1	Switch, Emergency Stop	
10	7020175	1	Cap, Mushroom Head	
10	7020176	1	Block, Contact	
11	4360476	1	Block, Contact	
12	4740120	2	Washer	
13	4740397	8	Spacer	
14	1001151393	1	Shim, .063	
15	1001155044	8	Nut 15/32	
16	1001155045	8	Switch, Toggle	
17	1001166394	4 ft/1.2m	Seal	
18	1001171482	1	Display	
19	1001176469	1	Shroud	
20	1001259489	1	P/C Board, Battery Charger	
21	1001266308	1	Panel, Ground Control	
22	1001266310	1	Decal - Ground Control	

SECTION 2 - TURNTABLE

FIGURE 2-27. GROUND CONTROL BOX ELECTRICAL ASSEMBLY - DISPLAY WITHOUT BUTTONS - E400AJPNARROW (CE & UK CA SPECS)



ART_1001266303_B

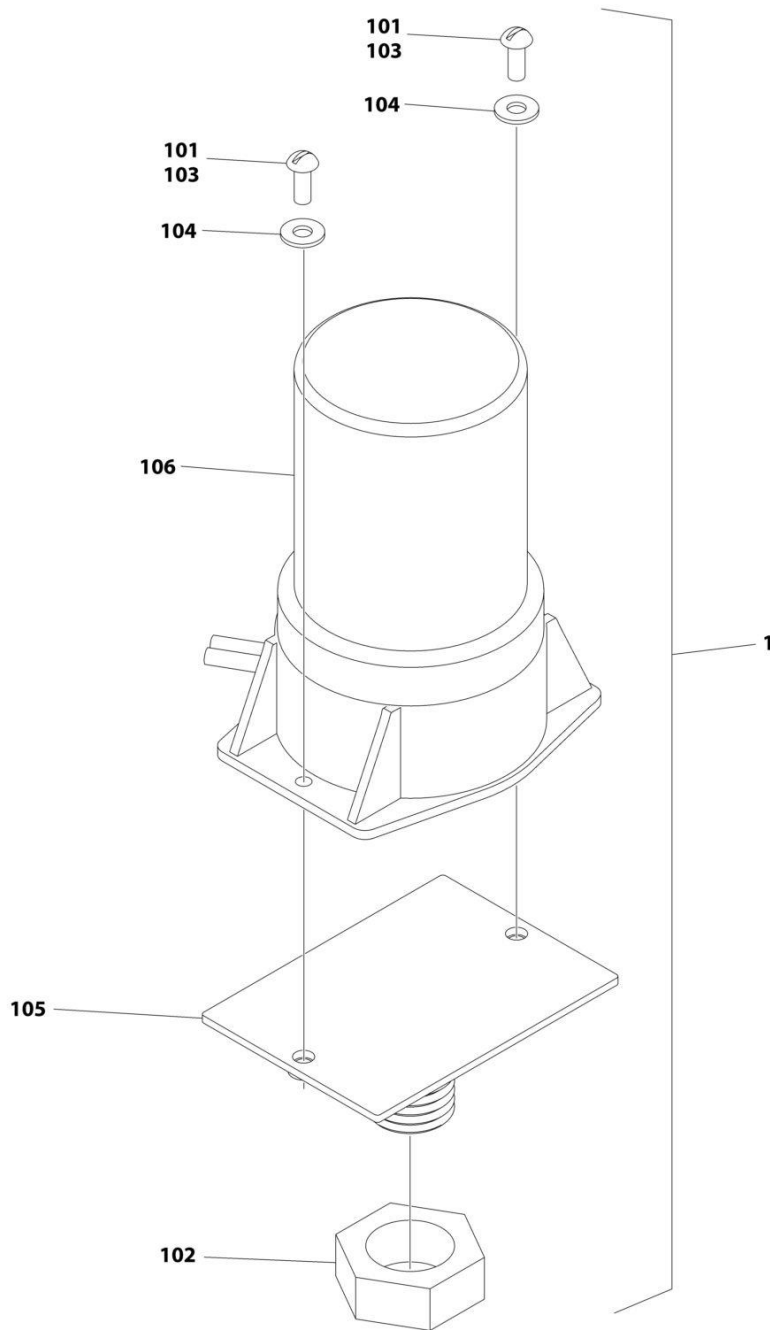
SECTION 2 - TURNTABLE

FIGURE 2-27. GROUND CONTROL BOX ELECTRICAL ASSEMBLY - DISPLAY WITHOUT BUTTONS - E400AJPNARROW (CE & UK CA SPECS)

ITEM	PART NUMBER	QTY	DESCRIPTION	REV
	1001266303	Ref	GROUND CONTROL BOX ELECTRICAL ASSEMBLY	B
1	0630518	2	Bolt #10 x 3/4	
2	3311011	2	Nut	
3	3311405	2	Nut 1/4	
4	3520028	2	Plug, Hole 1/2	
5	3790012	8	O-Ring	
6	3900187	2	Screw	
7	3910804	6	Screw #8 x 1/4	
8	4360387	1	Switch, Push Button	
9	4360469	1	Keyswitch	
9	2860030	1	Key, Replacement (Set of 2)	
10	4360475	1	Switch, Emergency Stop	
10	7020175	1	Cap, Mushroom Head	
10	7020176	1	Block, Contact	
11	4360476	1	Block, Contact	
12	4740120	2	Washer	
13	4740397	8	Spacer	
14	1001151393	1	Shim, .063	
15	1001155044	8	Nut 15/32	
16	1001155045	8	Switch, Toggle	
17	1001166394	4 ft/1.2m	Seal	
18	1001109503	1	Display	
19	1001176469	1	Shroud	
20	1001259489	1	P/C Board, Battery Charger	
21	1001280407	1	Panel, Ground Control	
22	1001266310	1	Decal - Ground Control	

SECTION 2 - TURNTABLE

FIGURE 2-28. STROBE LIGHT INSTALLATION - AMBER



ART_1001191142

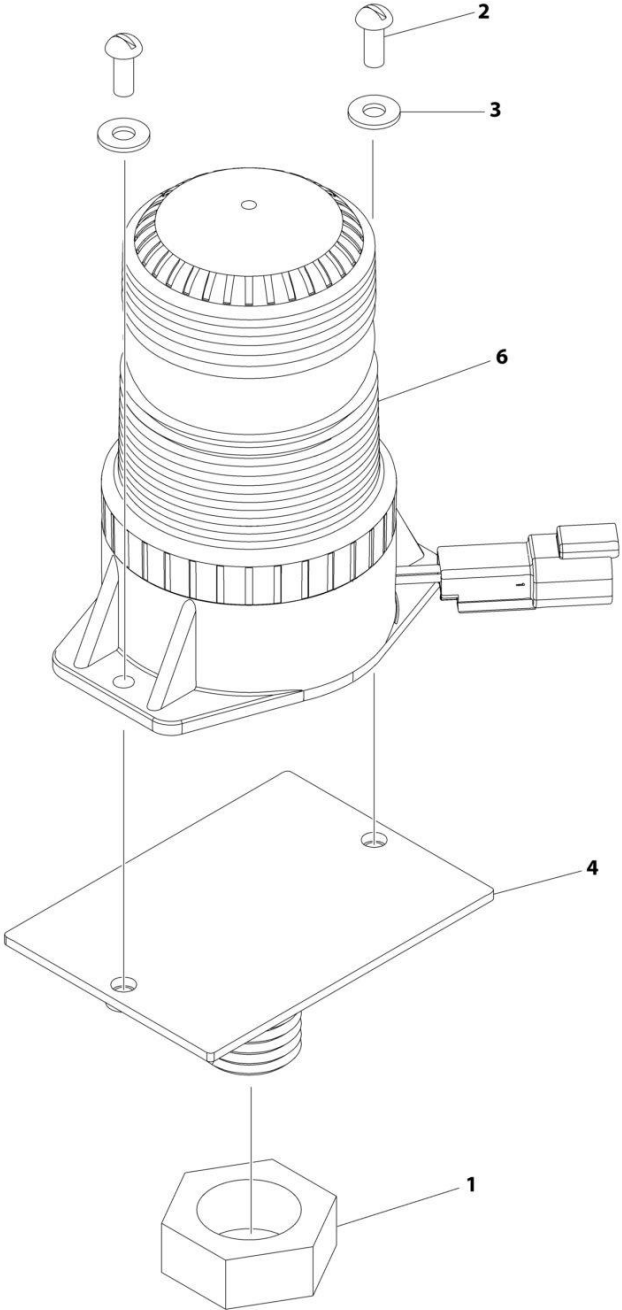
SECTION 2 - TURNTABLE

FIGURE 2-28. STROBE LIGHT INSTALLATION - AMBER

ITEM	PART NUMBER	QTY	DESCRIPTION	REV
	1001191142	Ref	STROBE LIGHT INSTALLATION - AMBER	A
1	1001191140	1	Strobe Light Assembly	A
101	0100035	AR	Compound, Locking	
102	3312602	1	Nut, Jam 1	
103	3900085	2	Screw #10 x 1/2	
104	4751000	2	Washer #10	
105	1001149994	1	Plate, Mount	
106	1001191139	1	Strobe Light/Harness Assembly	
106	4460891	1	Connector - 2 Position	
106	4460465	2	Socket, Female	

SECTION 2 - TURNTABLE

FIGURE 2-29. BEACON LIGHT INSTALLATION - BLUE



ART_1001238557

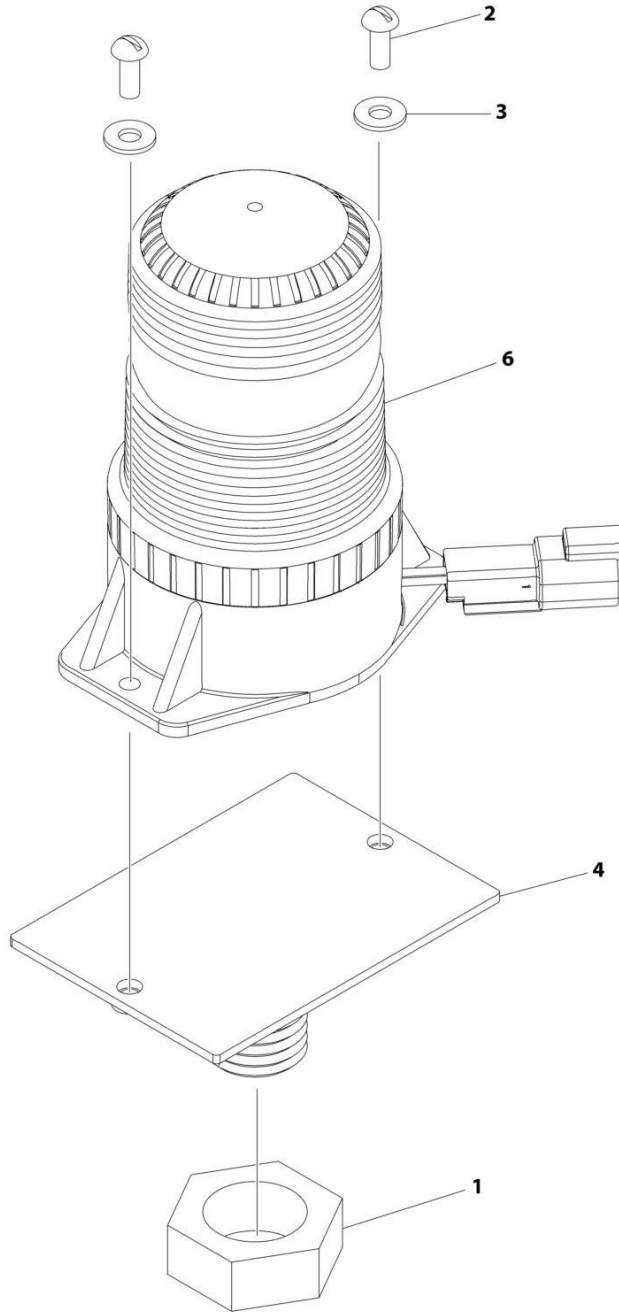
SECTION 2 - TURNTABLE

FIGURE 2-29. BEACON LIGHT INSTALLATION - BLUE

ITEM	PART NUMBER	QTY	DESCRIPTION	REV
	1001238557	Ref	BEACON LIGHT INSTALLATION – BLUE	A
	1001217005	Ref	BEACON LIGHT KIT - BLUE	B
1	3312602	1	Nut, Jam 1	
2	3900085	2	Screw #10 x 1/2	
3	4751000	2	Washer #10	
4	1001149994	1	Plate, Mount	
6	1001200910	1	Light, Beacon	
6	4460897	1	Connector - 2 Position	
6	4460943	2	Pin, Male	

SECTION 2 - TURNTABLE

FIGURE 2-30. BEACON LIGHT INSTALLATION - RED



ART_1001238558

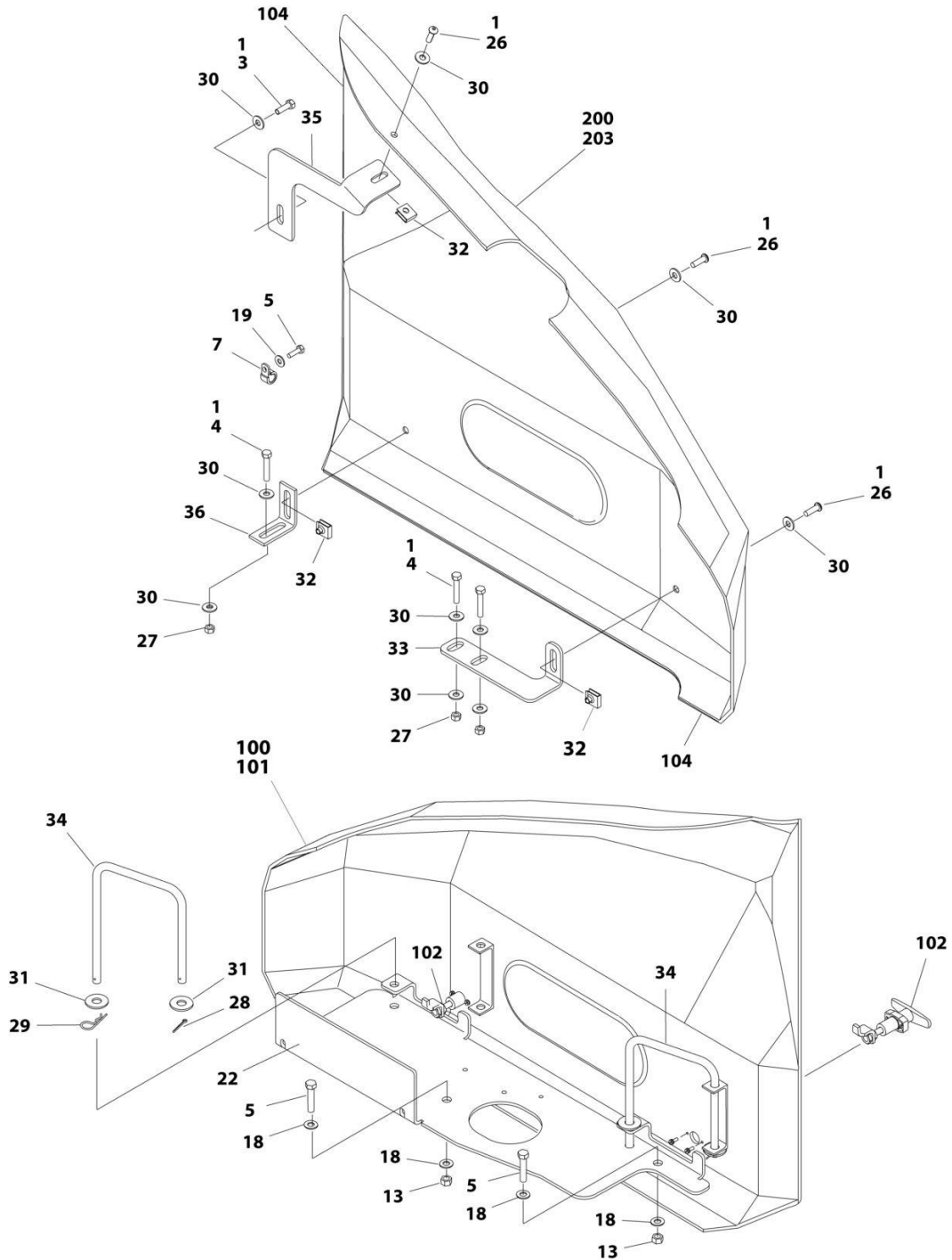
SECTION 2 - TURNTABLE

FIGURE 2-30. BEACON LIGHT INSTALLATION - RED

ITEM	PART NUMBER	QTY	DESCRIPTION	REV
	1001238558	Ref	BEACON LIGHT INSTALLATION – RED	A
1	3312602	1	Nut, Jam 1	
2	3900085	2	Screw #10 x 1/2	
3	4751000	2	Washer #10	
4	1001149994	1	Plate, Mount	
6	1001207004	1	Light, Beacon	
6	4460897	1	Connector - 2 Position	
6	4460943	2	Pin, Male	

SECTION 2 - TURNTABLE

FIGURE 2-31. HOOD INSTALLATION



ART_1001166738

SECTION 2 - TURNTABLE

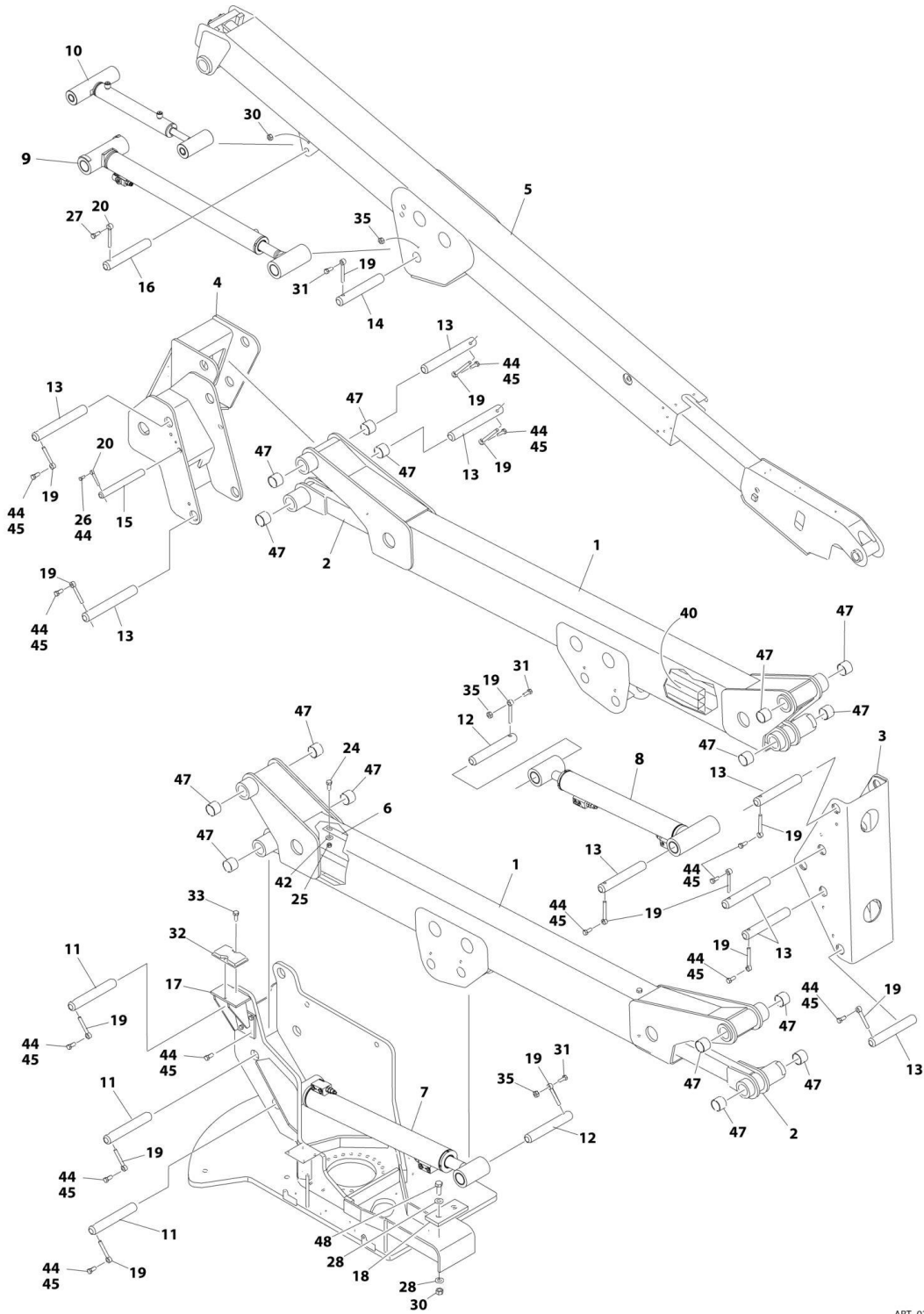
FIGURE 2-31. HOOD INSTALLATION

ITEM	PART NUMBER	QTY	DESCRIPTION	REV
	1001166738	Ref	HOOD INSTALLATION	E
1	0100011	AR	Compound, Locking	
3	0641508	1	Bolt 5/16 X 1	
4	0641514	3	Bolt 5/16 X 1-3/4	
5	0641613	2	Bolt 3/8 X 1-5/8	
7	1320041	1	Clamp	
13	3311602	2	Nut 3/8	
15	0641407	1	Bolt 1/4 X 7/8	
18	4711600	4	Washer 3/8	
19	4751400	1	Washer 1/4	
22	1001165963	1	Plate, Tray	
26	88261024	3	Screw 5/16 x 1	
27	3311501	3	Nut 5/16	
28	3420156	2	Pin, Cotter	
29	3450304	2	Pin, Cotter	
30	4751500	10	Washer 5/16	
31	4751800	2	Washer 1/2	
32	88662530	3	Nut, Tinnerman	
33	1001165981	1	Mount, Hood - Lower	
34	1001165985	2	Mount, Hood Swing	
35	1001182725	1	Mount, Hood	
36	1001183212	1	Bracket, Hood Mount	
100	1001176417	1	LH Side Hood Kit (Includes Items 101-104)	B
	See Note	Ref	Note: Replacement Decals Must be Ordered Separately - See DECAL SECTION.	
101	See Note	1	Hood, LH (Note: Use Item 100)	
102	2940071	2	Latch	
104	3960453	AR	Seal, Door	
200	1001176441	1	RH Side Hood Kit (Includes Items 203 & 205)	C
	See Note	Ref	Note: Replacement Decals Must be Ordered Separately - See DECAL SECTION.	
203	See Note	1	Hood, RH (Use Item 200)	
205	3960453	AR	Seal, Door	

SECTION 3 - BOOM

SECTION 3 - BOOM

FIGURE 3-1. BOOM AND CYLINDERS INSTALLATION - E400ANARROW



ART_0270724

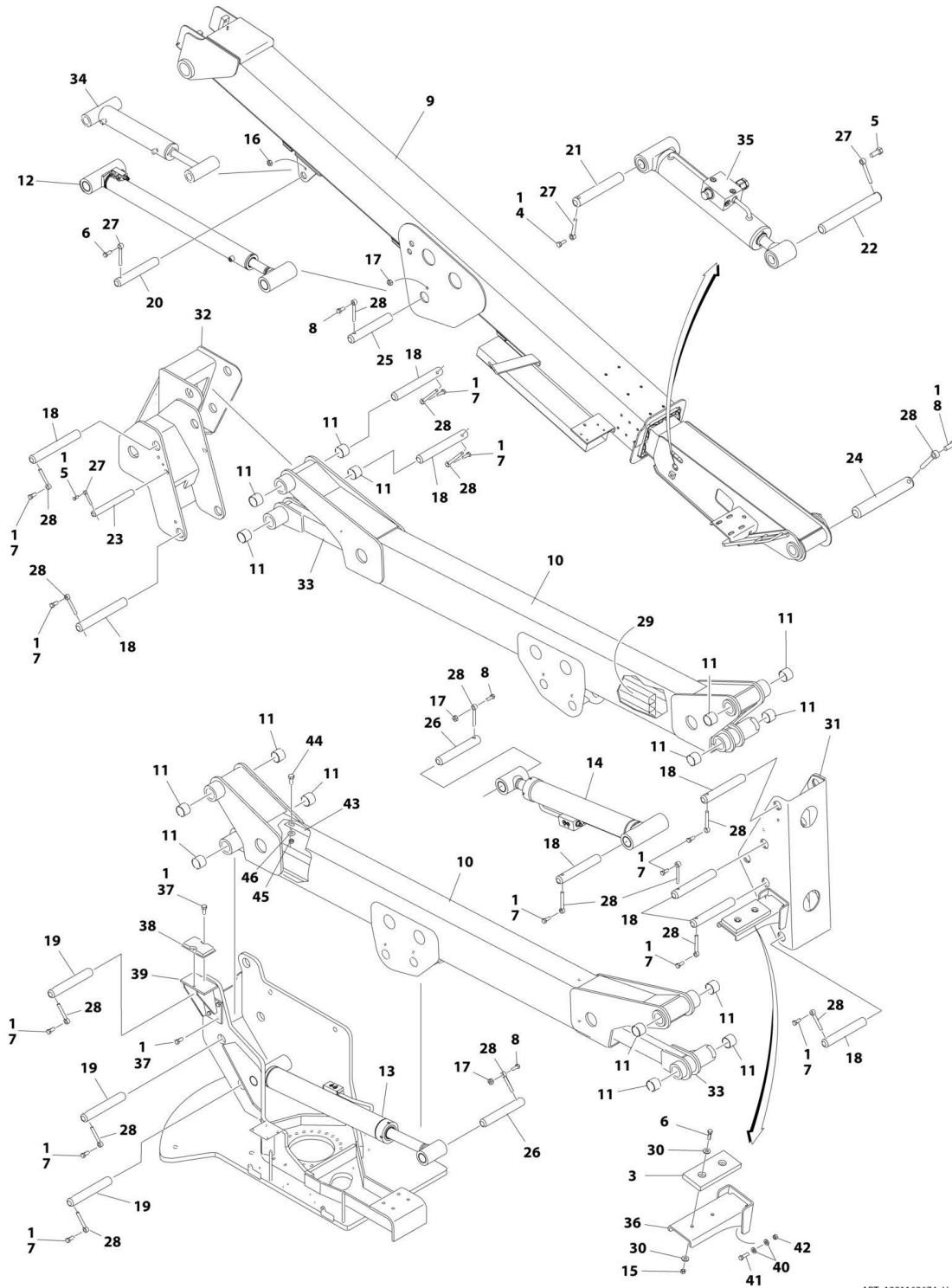
SECTION 3 - BOOM

FIGURE 3-1. BOOM AND CYLINDERS INSTALLATION - E400ANARROW

ITEM	PART NUMBER	QTY	DESCRIPTION	REV
	0270724	Ref	BOOM AND CYLINDERS INSTALLATION	K
1	0801262	2	Boom Assembly - Tower	
2	4846209	2	Level Link	
3	4844303	1	Upright Weldment - Lower	
4	4844304	1	Upright Weldment - Upper	
5	0270725	1	Boom Assembly - Main (See Separate Breakdown in this Section)	
6	3536491	1	Plate	
7	1001228037	1	Lift Cylinder Assembly - Lower (See Separate Breakdown in CYLINDER SECTION)	
8	1001228038	1	Lift Cylinder Assembly - Mid (See Separate Breakdown in CYLINDER SECTION)	
9	1001251018	1	Lift Cylinder Assembly - Upper (See Separate Breakdown in CYLINDER SECTION)	
10	1001140597	1	Master Cylinder Assembly (See Separate Breakdown in CYLINDER SECTION)	
11	3422175	3	Pin	
12	3422176	2	Pin	
13	3422177	9	Pin	
14	3422178	1	Pin	
15	3422179	1	Pin	
16	3422180	1	Pin	
17	4844467	1	Boom Rest Weldment	
18	0561076	1	Block, Boom Rest	
19	3841203	15	Keeper, Pin - 1/2	
20	3841143	2	Keeper, Pin - 3/8	
24	0641506	4	Bolt 5/16 x 3/4	
25	3311505	4	Nut 5/16	
26	0641608	1	Bolt 3/8 x 1	
27	0641610	1	Bolt 3/8 x 1-1/4	
28	4751600	4	Washer 3/8	
30	3311605	3	Nut 3/8	
31	0641812	3	Bolt 1/2 x 1-1/2	
32	0940048	1	Bumper	
33	0641806	2	Bolt 1/2 x 3/4	
35	3311805	3	Nut 1/2	
40	4566427	1	Tube	
42	4751500	4	Washer 5/16	
44	0100011	AR	Compound, Locking	
45	0641810	15	Bolt 1/2 x 1-1/4	
47	0961950	16	Bushing	
48	0641614	2	Bolt 3/8 x 1-3/4	

SECTION 3 - BOOM

FIGURE 3-2. BOOM AND CYLINDERS INSTALLATION - E400AJPNARROW



ART_1001168674_H

SECTION 3 - BOOM

FIGURE 3-2. BOOM AND CYLINDERS INSTALLATION - E400AJPNARROW

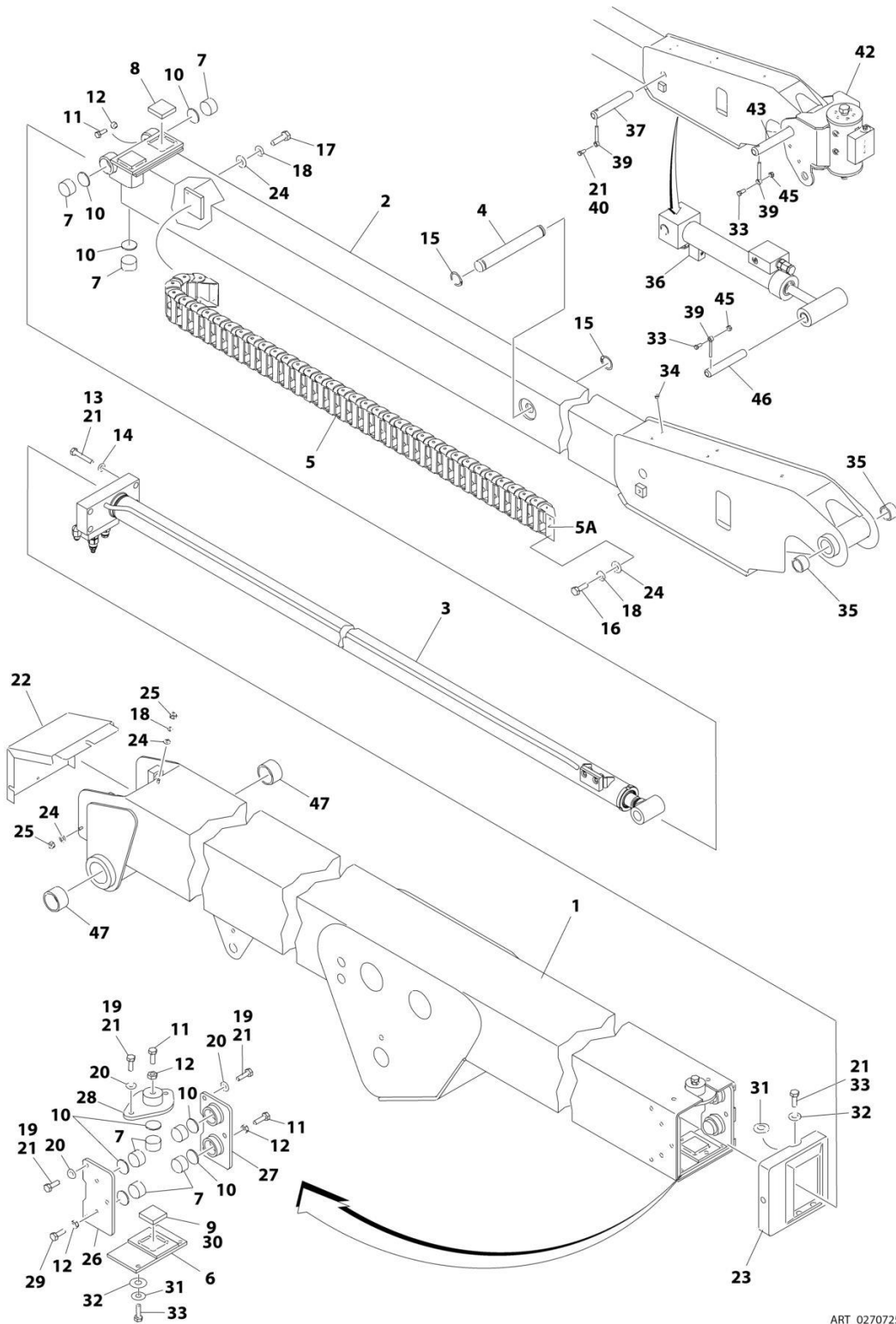
ITEM	PART NUMBER	QTY	DESCRIPTION	REV
	1001168674	Ref	BOOM AND CYLINDERS INSTALLATION	H
1	0100011	AR	Compound, Locking	
2	0271649	1	Jib Installation (Not Shown - See Separate Breakdown in this Section)	
3	0561076	1	Block, Boom Rest	
4	0641607	1	Bolt 3/8 x 7/8	
5	0641608	2	Bolt 3/8 x 1	
6	0641610	3	Bolt 3/8 x 1-1/4	
7	0641808	12	Bolt 1/2 x 1	
8	0641810	13	Bolt 1/2 x 1-1/4	
9	0801225	1	Boom Assembly - Main (See Separate Breakdown in this Section)	
10	0801227	1	Boom Assembly - Tower	
11	0961950	16	Bushing	
12	1001251016	1	Lift Cylinder Assembly - Upper (See Separate Breakdown in CYLINDER SECTION)	
13	1001228035	1	Lift Cylinder Assembly - Lower (See Separate Breakdown in CYLINDER SECTION)	
14	1001228036	1	Lift Cylinder Assembly - Mid (See Separate Breakdown in CYLINDER SECTION)	
15	3311601	2	Nut 3/8	
16	3311605	1	Nut 3/8	
17	3311805	3	Nut 1/2	
18	3422480	9	Pin	
19	3422481	3	Pin	
20	3422582	1	Pin	
21	3422669	1	Pin	
22	3422792	1	Pin	
23	3422806	1	Pin	
24	3422814	1	Pin	
25	3422844	1	Pin	
26	3422845	2	Pin	
27	3841143	4	Keeper, 3/8	
28	3841203	16	Keeper, 1/2	
29	4566427	1	Tube	
30	4751600	4	Washer 3/8	
31	4844427	1	Upright Weldment - Lower	
32	4846026	1	Upright Weldment - Upper	
33	4846209	2	Level Link	
34	1001140278	1	Master Cylinder Assembly (See Separate Breakdown in CYLINDER SECTION)	
35	1001140279	1	Platform Level Cylinder (See Separate Breakdown in CYLINDER SECTION)	
36	1001177483	1	Support, Boom Rest	
37	0641806	5	Bolt 1/2 x 3/4	
38	0940048	1	Bumper	
39	4844467	1	Boom Rest Weldment	
40	4891600	8	Washer 3/8	
41	0681610	4	Bolt 3/8 x 1-1/4, Grd 8	
42	3271605	4	Nut 3/8 Grd 8	
43	3536491	1	Plate	
44	0641506	4	Bolt 5/16 x 3/4	

SECTION 3 - BOOM

ITEM	PART NUMBER	QTY	DESCRIPTION	REV
45	3311505	4	Nut 5/16	
46	4751500	4	Washer 5/16	

SECTION 3 - BOOM

FIGURE 3-3. MAIN BOOM ASSEMBLY - E400ANARROW



ART_0270725_F

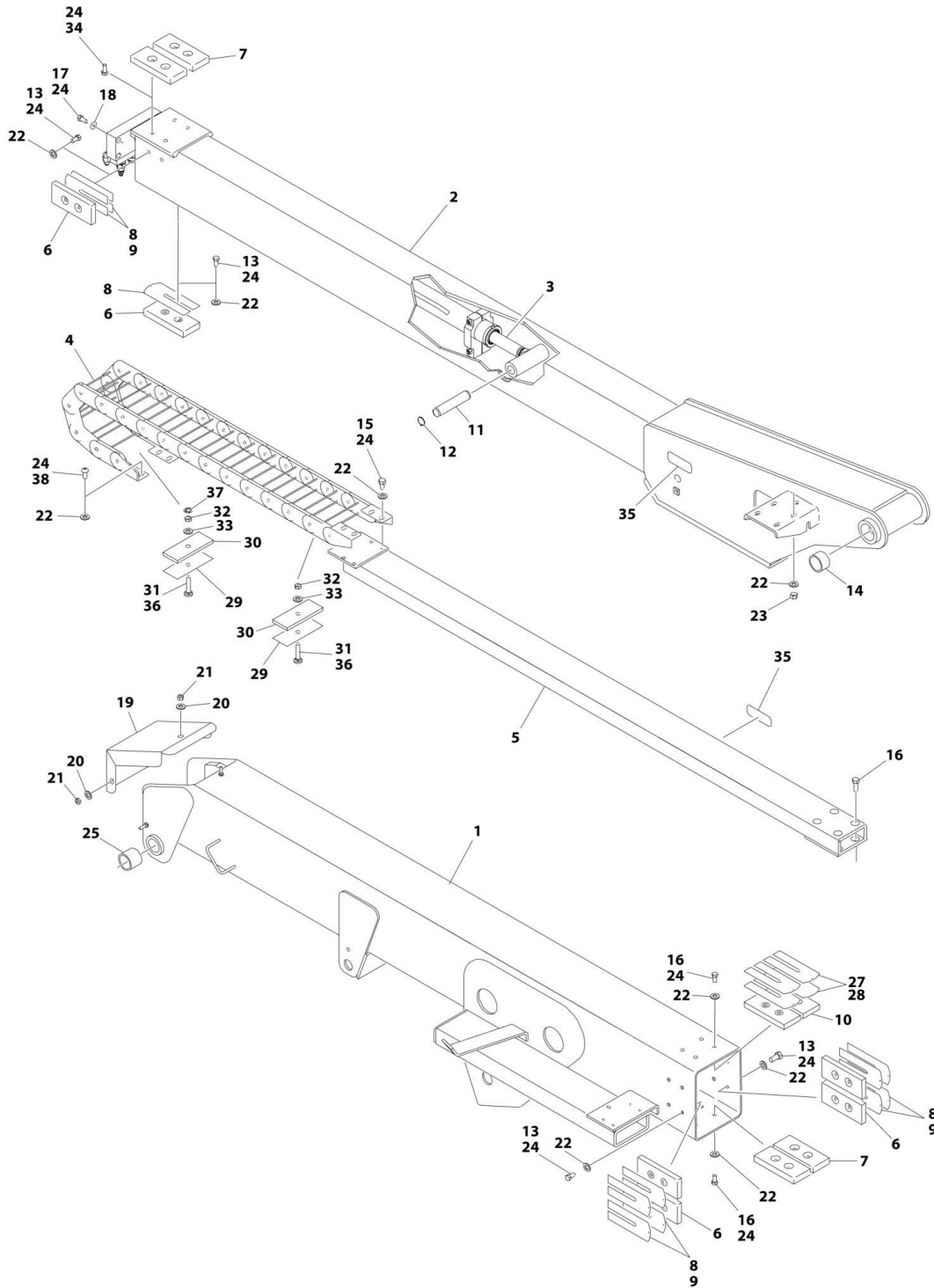
SECTION 3 - BOOM

FIGURE 3-3. MAIN BOOM ASSEMBLY - E400ANARROW

ITEM	PART NUMBER	QTY	DESCRIPTION	REV
	0270725	Ref	MAIN BOOM ASSEMBLY - E400Anarrow	F
1	0801263	1	Base, Weldment	
2	0801267	1	Fly, Weldment	
3	1001251063	1	Telescope Cylinder Assembly (See Separate Breakdown in CYLINDER Section)	
4	3422901	1	Pin	
5	1180302	1	Powertrack Assembly	
5	7019698	1	Link, Repair	
5A	7019699	1	Feet, Mounting	
6	4844579	1	Holder, Wear Pad	
7	3340663	8	Pad, Wear (Base Front Top and Sides/Fly Rear Sides and Bottom)	
8	3340820	2	Pad, Wear (Fly Rear Top)	
9	3340682	1	Pad, Wear (Base Front Bottom)	
10	1760160	8	Disc	
11	0630487	6	Bolt 3/8 x 1-3/8	
12	3311602	8	Nut 3/8	
13	0641818	4	Bolt 1/2 x 2-1/4	
14	4761800	4	Washer 1/2	
15	3760115	2	Ring, Snap	
16	0641405	2	Bolt 1/4 x 5/8	
17	0641404	2	Bolt 1/4 x 1/2	
18	4761400	7	Washer 1/4	
19	0641606	7	Bolt 3/8 x 3/4	
20	4761600	7	Washer 3/8	
21	0100011	AR	Compound, Locking	
22	1670679	1	Cover, boom	
23	1670698	1	Cover, Boom	
24	4751400	7	Washer 1/4	
25	3311401	3	Nut 1/4	
26	1220038	1	Holder, Wear Pad (Base Front Left Side)	
27	1220039	1	Holder, Wear Pad (Base Front Right Side)	
28	1220040	1	Holder, Wear Pad (Base Front Top)	
29	0630399	2	Bolt 3/8 x 2-1/4	
30	0100009	AR	Silicone	
31	4740413	5	Washer, Spacer	
32	4751600	5	Washer 3/8	
33	0641608	7	Bolt 3/8 x 1	
34	3520034	4	Plug, Hole	
35	0961951	2	Bearing	
36	1001140598	1	Platform Level Cylinder Assembly (See Separate Breakdown in CYLINDER Section)	
37	3422181	1	Shaft, Pin	
39	3841143	3	Keeper	
40	0641607	1	Bolt 3/8 x 7/8	
42	0060052	1	Rotator Assembly (See Separate Breakdown in this Section)	
43	3422709	1	Shaft, Pin	
45	3311605	2	Nut 3/8-16	
46	3422180	1	Shaft, Pin	
47	0961950	2	Bearing	

SECTION 3 - BOOM

FIGURE 3-4. MAIN BOOM ASSEMBLY - E400AJPNARROW



ART_0801225

SECTION 3 - BOOM

FIGURE 3-4. MAIN BOOM ASSEMBLY - E400AJPNARROW

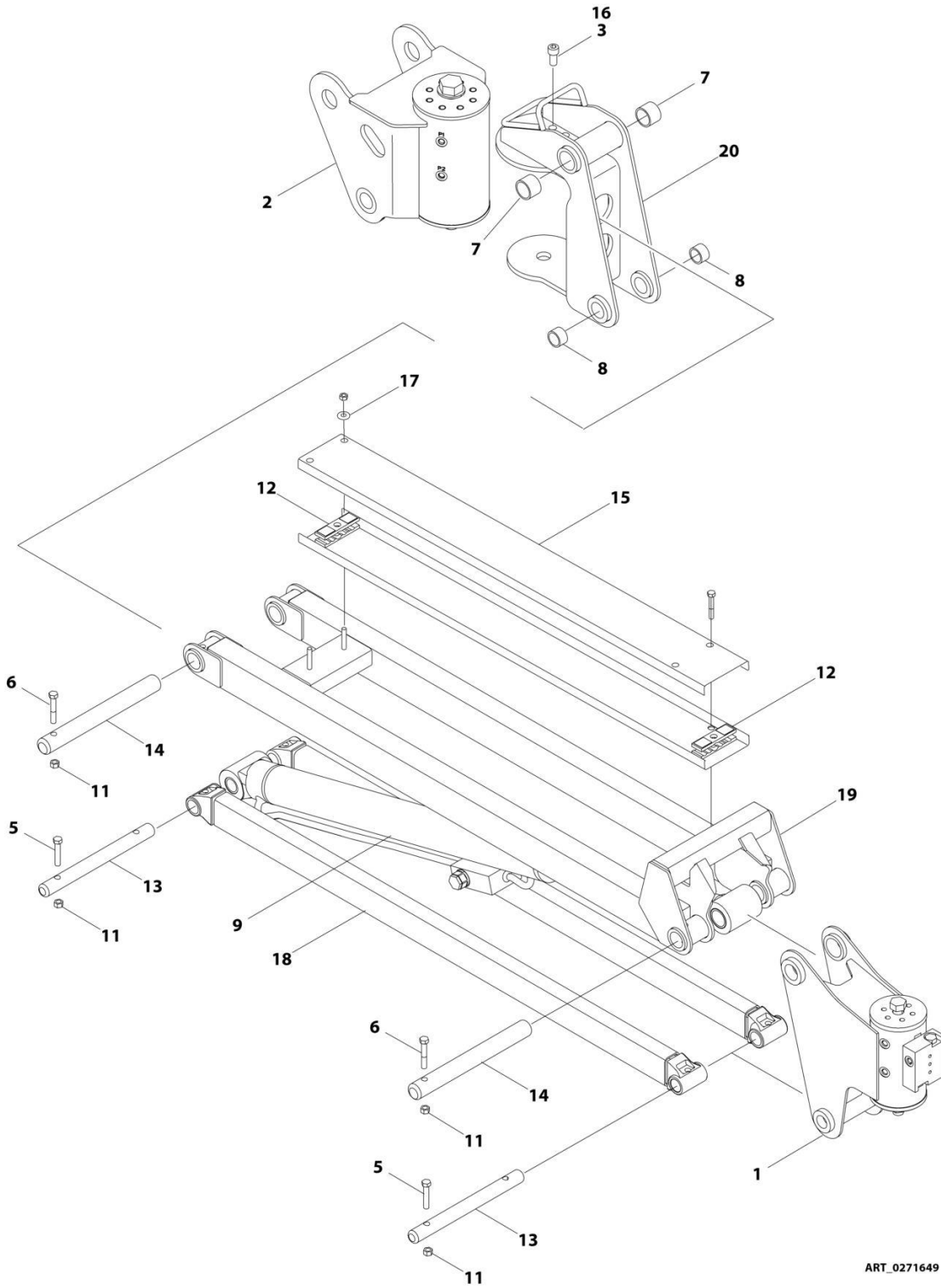
ITEM	PART NUMBER	QTY	DESCRIPTION	REV
	0801225	Ref	MAIN BOOM ASSEMBLY	M
1	0801224	1	Base Weldment	
2	0801226	1	Weldment, Fly Boom	
3	1001251015	1	Cylinder, Telescope (See Separate Breakdown in CYLINDER SECTION)	
4	1001224891	1	Powertrack	
4	70001996	1	2ft Repair Section (Used on p/n 1001099834) (Includes 4 links, 10 pins, 10 washers, 10 snap rings, 2 Rod Carriers and 4 self-tapping screws)	
4	70001998	1	Bracket Kit (Used on p/n 1001099834) (Includes 2 Left and 2 Right Mounting Feet, 4 center pins, 4 center pin snap rings, 8 pins for bracket lockout, 8 washers and 8 snap rings)	
4	70006269	1	2ft Repair Section (Used on p/n 1001224891) (Includes 4 links, 10 pins, 10 washers, 10 snap rings, 2 Rod Carriers and 4 self-tapping screws)	
4	70006280	1	Bracket Kit (Used on p/n 1001224891) (Includes 2 Left and 2 Right Mounting Feet, 4 center pins, 4 center pin snap rings, 8 pins for bracket lockout, 8 washers and 8 snap rings)	
5	4846180	1	Weldment, Push Tube	
6	3340878	10	Pad, Wear	
7	3340884	4	Pad, Wear	
8	4070864	12	Shim 18 Gauge	
9	4070863	8	Shim 11 Gauge	
10	3340886	2	Pad, Wear	
11	3422804	1	Pin	
12	3760115	2	Ring, Retaining	
13	0641606	30	Bolt 3/8 x 3/4	
13	0641607	30	Bolt 3/8 x 7/8	
14	0961948	2	Bearing	
15	0641605	4	Bolt 3/8 x 5/8	
16	0641608	16	Bolt 3/8 x 1	
17	0641818	4	Bolt 1/2 x 2-1/4	
18	4761800	4	Washer 1/2	
19	1670959	1	Cover	
20	4761400	3	Washer 1/4	
21	3311401	3	Nut 1/4	
22	4711600	54	Washer 3/8	
23	3311605	4	Nut 3/8	
24	0100011	AR	Compound, Locking	
25	0961950	2	Bearing	
27	4070997	2	Shim 16 Gauge	
28	4070998	2	Shim 18 Gauge	
29	1001106757	2	Plate, Clamp	
30	3340939	4	Pad, Rubber	
31	0630401	2	Bolt 5/16 x 2	
32	3311505	2	Nut 5/16/18	
33	4711500	2	Washer 5/16	
34	0741606	6	Screw, Countersunk, 3/8 x 3/4	
35	4060804	16 in /41cm	Flex-Trim	
36	0100081	AR	Adhesive	
37	1001119228	1	Nut M8	

SECTION 3 - BOOM

ITEM	PART NUMBER	QTY	DESCRIPTION	REV
38	0641605	4	Bolt 3/8 x 5/8	
38	88261026	4	Bolt 3/8 x 5/8	

SECTION 3 - BOOM

FIGURE 3-5. JIB INSTALLATION



ART_0271649

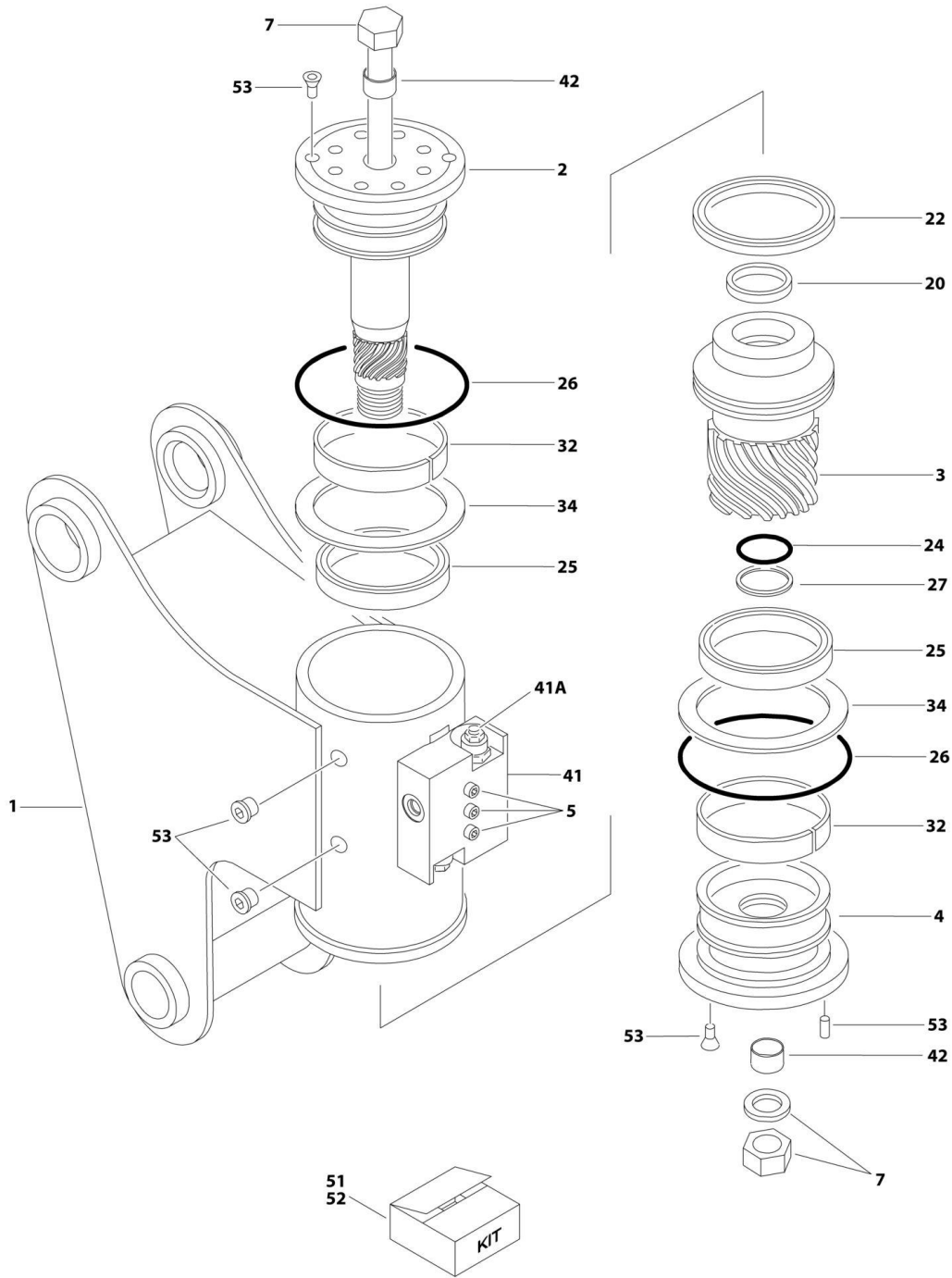
SECTION 3 - BOOM

FIGURE 3-5. JIB INSTALLATION

ITEM	PART NUMBER	QTY	DESCRIPTION	REV
	0271649	Ref	JIB INSTALLATION	D
1	0060044	1	Rotator Assembly - Jib to Platform Support (See Separate Breakdown in this Section)	
2	0060065	1	Rotator Assembly - Main Boom to Jib (See Separate Breakdown in this Section)	
3	0100011	AR	Compound, Locking	
4	0641516	2	Bolt 5/16 x 2	
5	0641616	4	Bolt 3/8 x 2	
6	0641618	2	Bolt 3/8 x 2-1/4	
7	0962292	2	Bushing	
8	0961951	2	Bushing	
9	1001140280	1	Jib Cylinder Assembly (See Separate Breakdown in CYLINDER SECTION)	
10	3311501	4	Nut 5/16	
11	3311605	6	Nut 3/8	
12	3340860	4	Clamp, Block	
13	3422791	2	Pin	
14	3422794	2	Pin	
15	3572551	2	Plate, Jib Cover	
16	3931816	8	Bolt 1/2 x 1	
17	4751500	4	Washer 5/16	
18	1001094670	2	Link, Lower	
19	4846278	1	Link, Upper	
20	4846502	1	Pivot	

SECTION 3 - BOOM

FIGURE 3-6. ROTATOR ASSEMBLY - E400ANARROW



ART_0060052

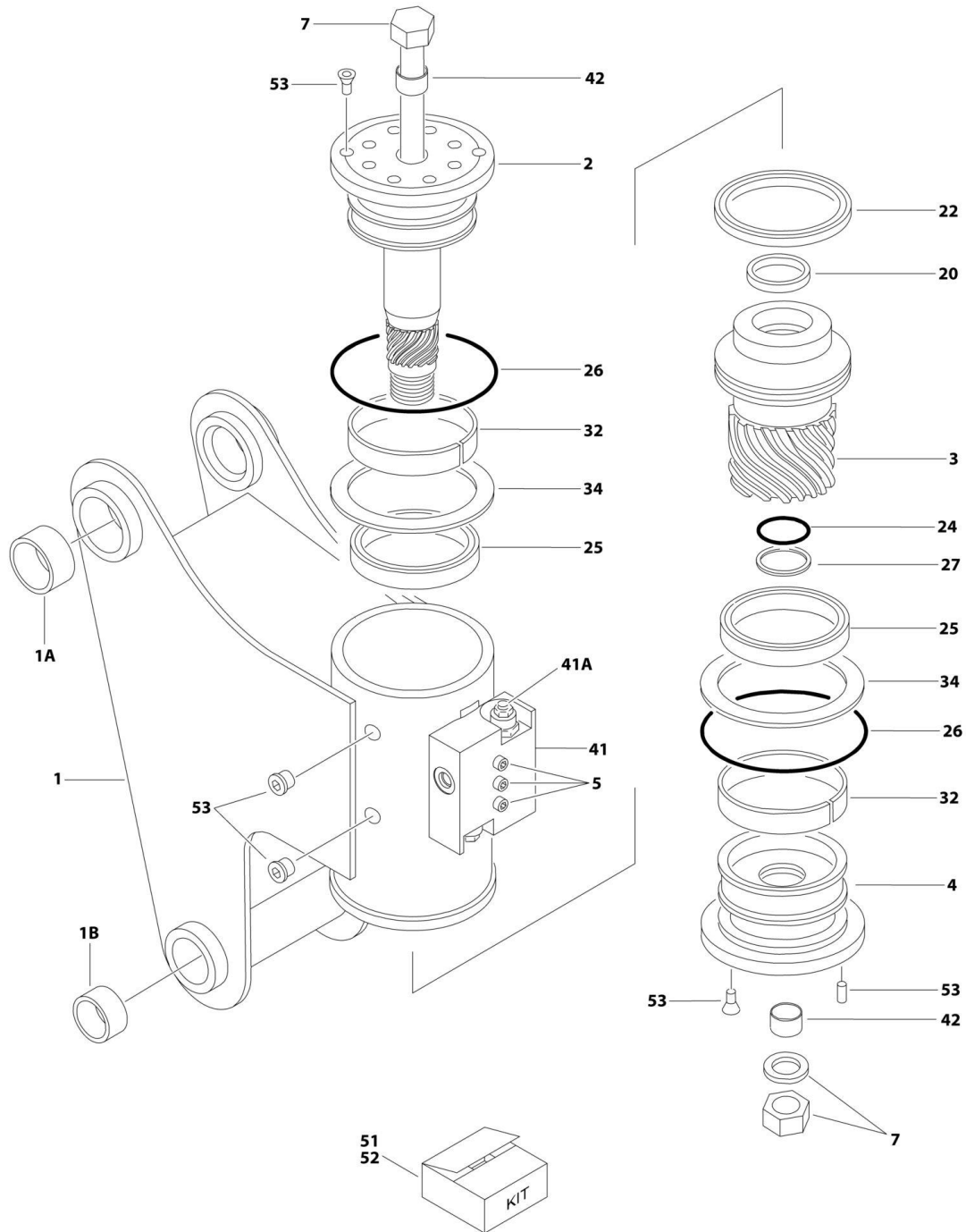
SECTION 3 - BOOM

FIGURE 3-6. ROTATOR ASSEMBLY - E400ANARROW

ITEM	PART NUMBER	QTY	DESCRIPTION	REV
	0060052	Ref	ROTATOR ASSEMBLY	F
1	See Note	1	Case/Bracket Weldment (Note: Not Available - Purchase Complete Assembly)	
2	7017120	1	Shaft (Rotator with Helac Control #26409)	
2	7017196	1	Shaft (Rotator with Helac Control #26966)	
3	7017121	1	Piston Sleeve (Rotator with Helac Control #26409)	
3	7027900	1	Piston Sleeve (Rotator with Helac Control #26966)	
4	7017153	1	Cap, End (Rotator with Helac Control #26409)	
4	7027901	1	Cap, End (Rotator with Helac Control #26966)	
5	See Note	3	Capscrew 1/4 x 1-1/2, Grade 8 (Note: Not Available - Purchase Locally)	
7	7017126	1	Tie Rod Assembly	
20	See Note	NSS	Seal, Rod (Note: Use Items 52)	
22	See Note	NSS	Seal, Piston (Note: Use Item 52)	
24	See Note	NSS	Seal, Cap (Note: Use Item 52)	
25	See Note	NSS	Packing, Bearing (Note: Use Item 52)	
26	See Note	NSS	Seal (Note: Use Item 52)	
27	See Note	NSS	Ring, Back-Up Cap (Note: Use Item 52)	
32	See Note	NSS	Bearing, Shaft (Note: Use Item 51)	
34	See Note	2	Washer, Thrust (Note: Use Item 51)	
41	7017172	1	Counterbalance Valve Assembly (Helac p/n 24327, 26553 or 26554 Stamped Beside Mounting Screws)	
41A	7011323	2	Valve, Cartridge (Helac p/n 24327 Valve)	
41A	2900770	2	Seal Kit - 7011323 Cartridge (1 Per Assembly)	
41A	7017192	2	Valve Cartridge (Helac p/n 26553 or 26554) (No Seal Kit Available)	
42	See Note	2	Bushing, Shaft (Note: Not Available for Purchase)	
51	7017122	1	Bearing Kit (Includes Items 32-34)	
52	7017127	1	Seal Kit - Standard (Includes Items 20,22,24,25,26 & 27)	
52	70000341	1	Seal Kit - Low Temperature (Includes Items 20,22,24,25,26 & 27)	
53	7017123	1	Hardware Kit	

SECTION 3 - BOOM

FIGURE 3-7. ROTATOR ASSEMBLY - PLATFORM SUPPORT TO JIB - E400AJPNARROW



ART_0060044

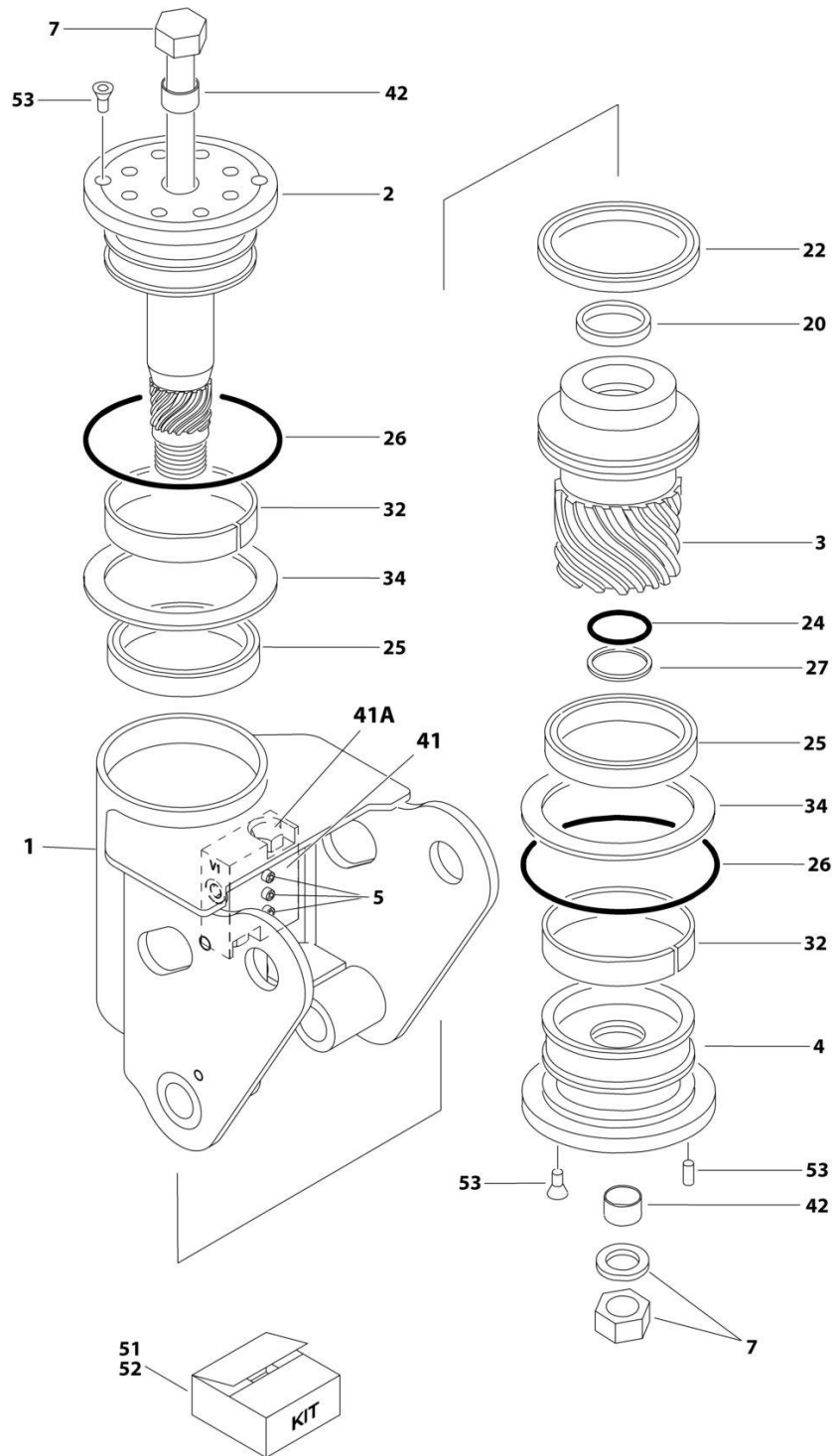
SECTION 3 - BOOM

FIGURE 3-7. ROTATOR ASSEMBLY - PLATFORM SUPPORT TO JIB - E400AJPNARROW

ITEM	PART NUMBER	QTY	DESCRIPTION	REV
	0060044	Ref	ROTATOR ASSEMBLY	D
1	See Note	1	Case/Bracket Weldment (Note: Not Available - Purchase Complete Assembly)	
1A	0962257	2	Bushing	
1B	0961947	2	Bushing	
2	7017120	1	Shaft (Rotator with Helac Control #25928)	
2	7017196	1	Shaft (Rotator with Helac Control #26962)	
3	7017121	1	Piston Sleeve (Rotator with Helac Control #25928)	
3	7027900	1	Piston Sleeve (Rotator with Helac Control #26962)	
4	See Note	1	Cap, End (Rotator with Helac Control #25928) (Note: Use p/n 0060044)	
4	7027901	1	Cap, End (Rotator with Helac Control #26962)	
5	See Note	3	Capscrew 1/4 x 1-1/2, Grade 8 (Note: Not Available - Purchase Locally)	
7	7017126	1	Tie Rod Assembly	
20	See Note	NSS	Seal, Rod (Note: Use Item 52)	
22	See Note	NSS	Seal, Piston (Note: Use Item 52)	
24	See Note	NSS	Seal, Cap (Note: Use Item 52)	
25	See Note	NSS	Packing, Bearing (Note: Use Item 52)	
26	See Note	NSS	Seal (Note: Use Item 52)	
27	See Note	NSS	Ring, Back-Up Cap (Note: Use Item 52)	
32	See Note	NSS	Bearing, Shaft (Note: Use Item 51)	
34	See Note	2	Washer, Thrust (Note: Use Item 51)	
41	7017172	1	Counterbalance Valve Assembly (Helac p/n 24327, 26553 or 26554 Stamped Beside Mounting Screws)	
41A	7011323	2	Valve, Cartridge (Helac p/n 24327 Valve)	
41A	2900770	2	Seal Kit - 7011323 Cartridge (1 Per Assembly)	
41A	7017192	2	Valve Cartridge (Helac p/n 26553 or 26554) (No Seal Kit Available)	
42	70004323	1	Bushing, Shaft	
51	7017122	1	Bearing Kit (Includes Items 32-34)	
52	7017127	1	Seal Kit - Standard (Includes Items 20,22,24,25,26 & 27)	
52	70000341	1	Seal Kit - Low Temperature (Includes Items 20,22,24,25,26 & 27)	
53	7017123	1	Hardware Kit	

SECTION 3 - BOOM

FIGURE 3-8. ROTATOR ASSEMBLY - MAIN BOOM TO JIB - E400AJPNARROW



ART_0060065

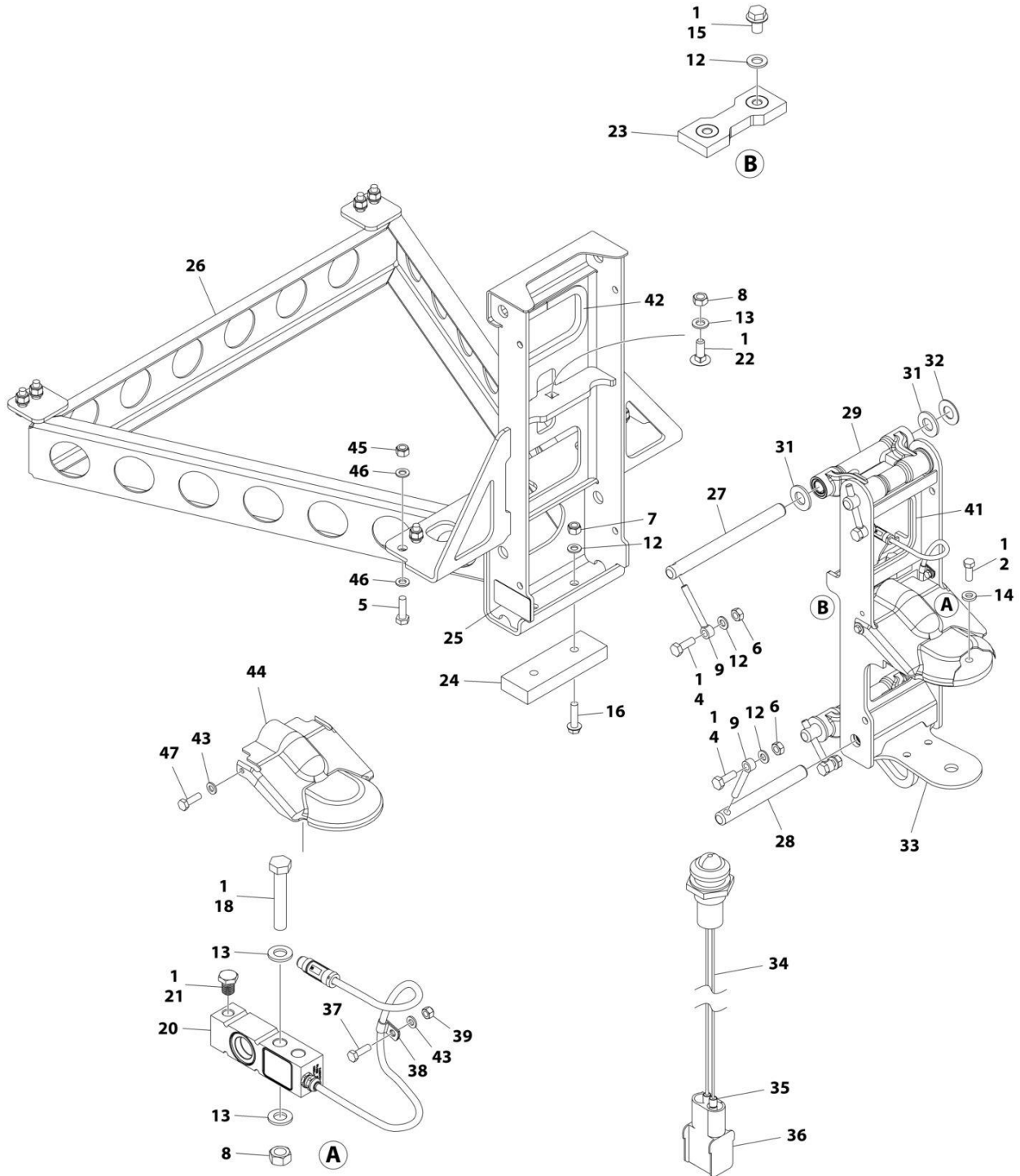
SECTION 3 - BOOM

FIGURE 3-8. ROTATOR ASSEMBLY - MAIN BOOM TO JIB - E400AJPNARROW

ITEM	PART NUMBER	QTY	DESCRIPTION	REV
	0060065	Ref	ROTATOR ASSEMBLY - MAIN BOOM TO JIB	C
1	See Note	1	Case/Bracket Weldment (Note: Not Available - Purchase Complete Assembly)	
2	7017167	1	Shaft	
3	7017168	1	Piston Sleeve	
4	7017169	1	Cap, End	
5	See Note	3	Capscrew 1/4, Grade 8 (Note: Not Available - Purchase Locally)	
7	7017173	1	Tie Rod Assembly	
20	See Note	1	Seal, Rod (Note: Use Item 52)	
22	See Note	1	Seal, Piston (Note: Use Item 52)	
24	See Note	1	Seal, Cap (Note: Use Item 52)	
25	See Note	2	Packing, Bearing (Note: Use Item 52)	
26	See Note	2	Seal (Note: Use Item 52)	
27	See Note	1	Ring, Back-up (Note: Use Item 52)	
32	See Note	2	Bearing, Shaft (Note: Use Item 51)	
34	See Note	2	Washer, Thrust (Note: Use Item 51)	
41	7017172	1	Counterbalance Valve Assembly	
41A	7017192	2	Valve, Cartridge (No Seal Kit Available)	
42	See Note	2	Bushing, Shaft (Note: Not Available for Purchase)	
51	7017178	1	Bearing Kit (Includes Items 32-34)	
52	7017165	1	Seal Kit - Standard (Includes Items 20, 22 & 24-27,	
52	70000340	1	Seal Kit - Low Temperature (Includes Items 20,22 & 24-27)	
53	7017179	1	Hardware Kit	

SECTION 3 - BOOM

FIGURE 3-9. PLATFORM SUPPORT INSTALLATION



ART_1001219016_F

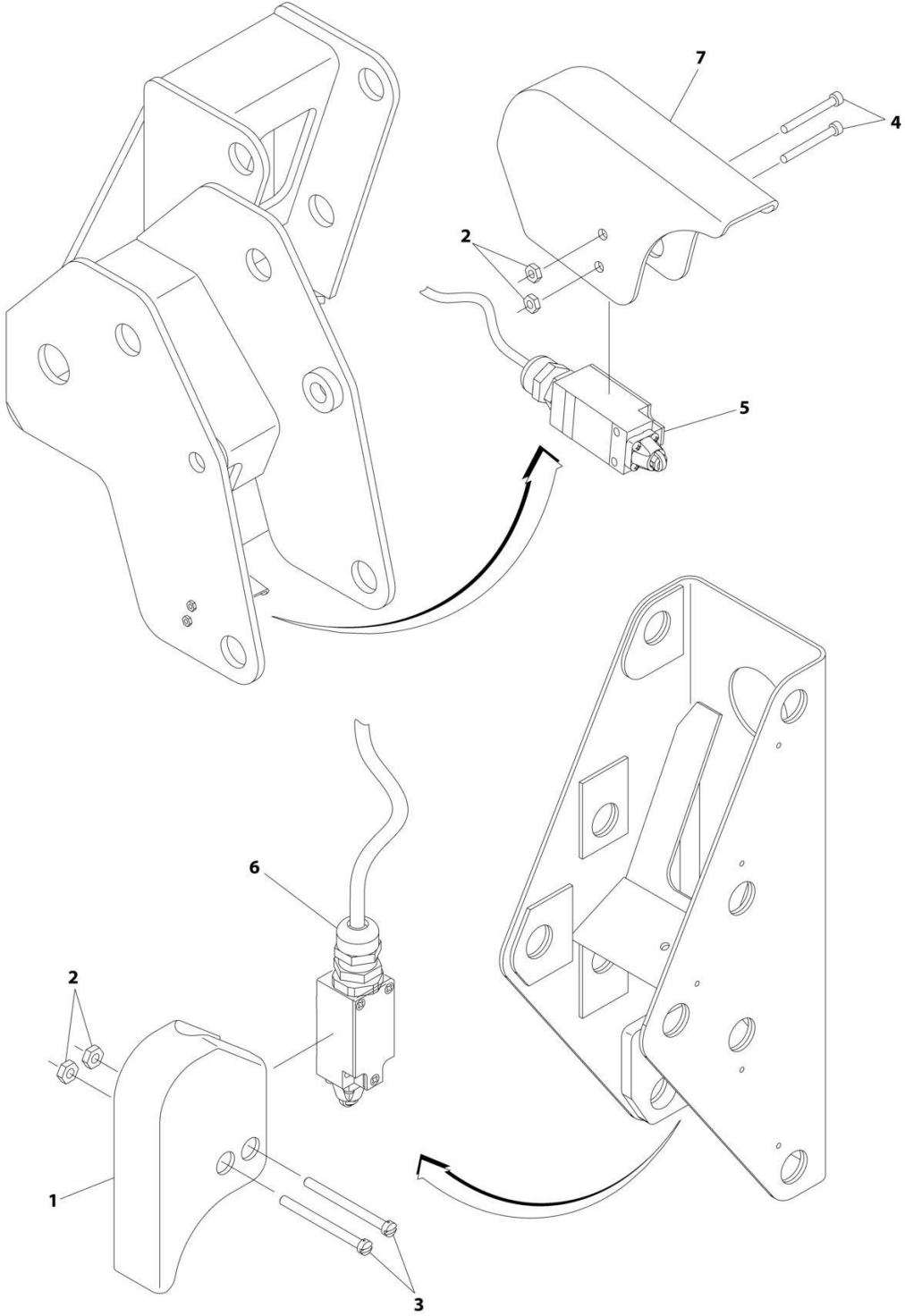
SECTION 3 - BOOM

FIGURE 3-9. PLATFORM SUPPORT INSTALLATION

ITEM	PART NUMBER	QTY	DESCRIPTION	REV
	1001219016	Ref	PLATFORM SUPPORT INSTALLATION	F
1	0100011	AR	Compound, Locking	
2	0681608	6	Bolt 3/8 x 1	
4	0761014	4	Bolt M10 x 30	
5	0761215	8	Bolt M12 x 35	
6	3291001	4	Nut M10	
7	3291005	2	Nut M10	
8	3291201	3	Nut M12	
9	3841143	4	Keeper	
12	4812000	8	Washer M10	
13	4812100	5	Washer M12	
14	4891600	6	Washer 3/8	
15	5251008	2	Bolt M10 x 16	
16	5251016	2	Bolt M10 x 40	
18	1001098828	2	Bolt M12 x 70 Grade 10.9	
20	1001247468	1	Sensor, Load Cell	
21	1001188622	1	Screw M12	
22	1001188844	1	Bolt M12 x 35	
23	1001190985	1	Pad, Wear	
24	1001200491	1	Plate	
25	1001216630	2	Decal - Tie Down/No Lift	
26	1001217228	1	Platform Support	
27	1001217242	2	Pin	
28	1001217243	2	Pin	
29	1001217244	2	Link, LSS Assembly	
29	1001217413	4	Bearing	
29	1001217249	1	Seal	
31	1001217253	8	Bearing	
32	1001217254	4	Bearing	
33	1001217267	1	Support, Rotary	
34	2920151	1	Light	
35	4460226	2	Socket, Female	
36	4460424	1	Connector - 2 Position	
37	0760610	1	Bolt M6 x 20	
38	1320136	1	Clamp	
39	3290605	1	Nut	
41	4060804	1.5 ft/ 0.5m	Flex-Trim	
42	4060805	1.5 ft/ 0.5m	Flex-Trim	
43	4811702	3	Washer M6	
44	1001228627	1	Cover, Platform Support and LSS	
45	3291205	8	Nut M12	
46	5241200	16	Washer M12	
47	0760606	2	Bolt M6 x 12	

SECTION 3 - BOOM

FIGURE 3-10. BOOM LIMIT SWITCHES INSTALLATION



ART_1001187788

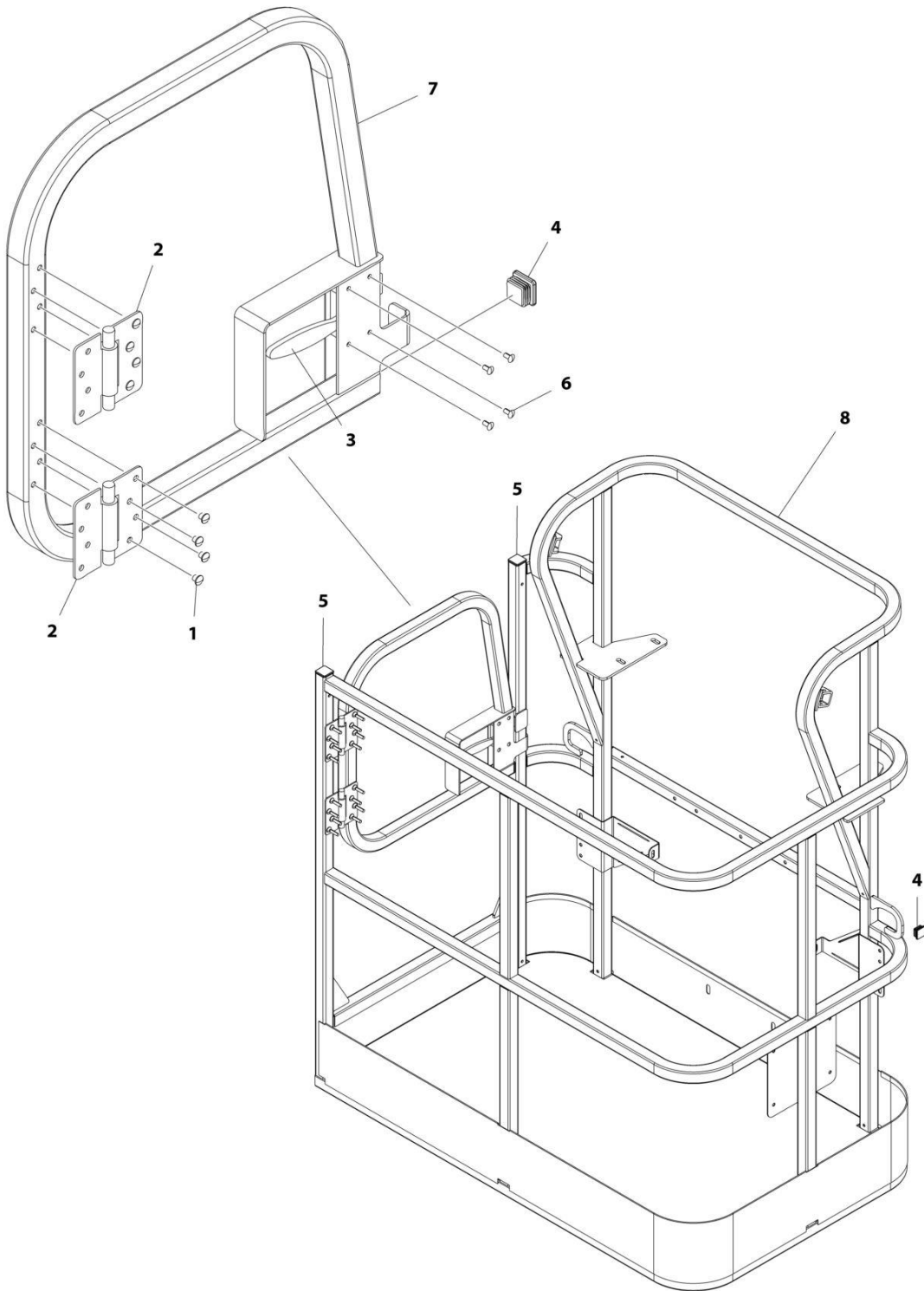
FIGURE 3-10. BOOM LIMIT SWITCHES INSTALLATION

ITEM	PART NUMBER	QTY	DESCRIPTION	REV
	1001187788	Ref	BOOM LIMIT SWITCHES INSTALLATION	F
1	1670832	1	Cover, Switch - Lower	
2	3311005	AR	Nut #10	
2	3310805	AR	Nut #8	
3	3900104	AR	Screw #10 x 2-1/4	
3	3930828	AR	Screw #8 x 1-3/4	
4	3931028	2	Screw #10 x 1-3/4	
4	3930836	2	Screw #8 x 2-1/4	
5	1001187775	1	Limit Switch Harness - Upper (Includes Limit Switch) (See Separate Breakdown in ELECTRICAL SECTION)	
6	1001187776	1	Limit Switch Harness - Lower (Includes Limit Switch) (See Separate Breakdown in ELECTRICAL SECTION)	
7	1670833	1	Cover, Switch	
8	3310805	AR	Nut #8	

SECTION 4 - PLATFORM

SECTION 4 - PLATFORM

FIGURE 4-1. PLATFORM ASSEMBLY - 4FT/1.22M - SIDE GATE ENTRY



ART_1001186387

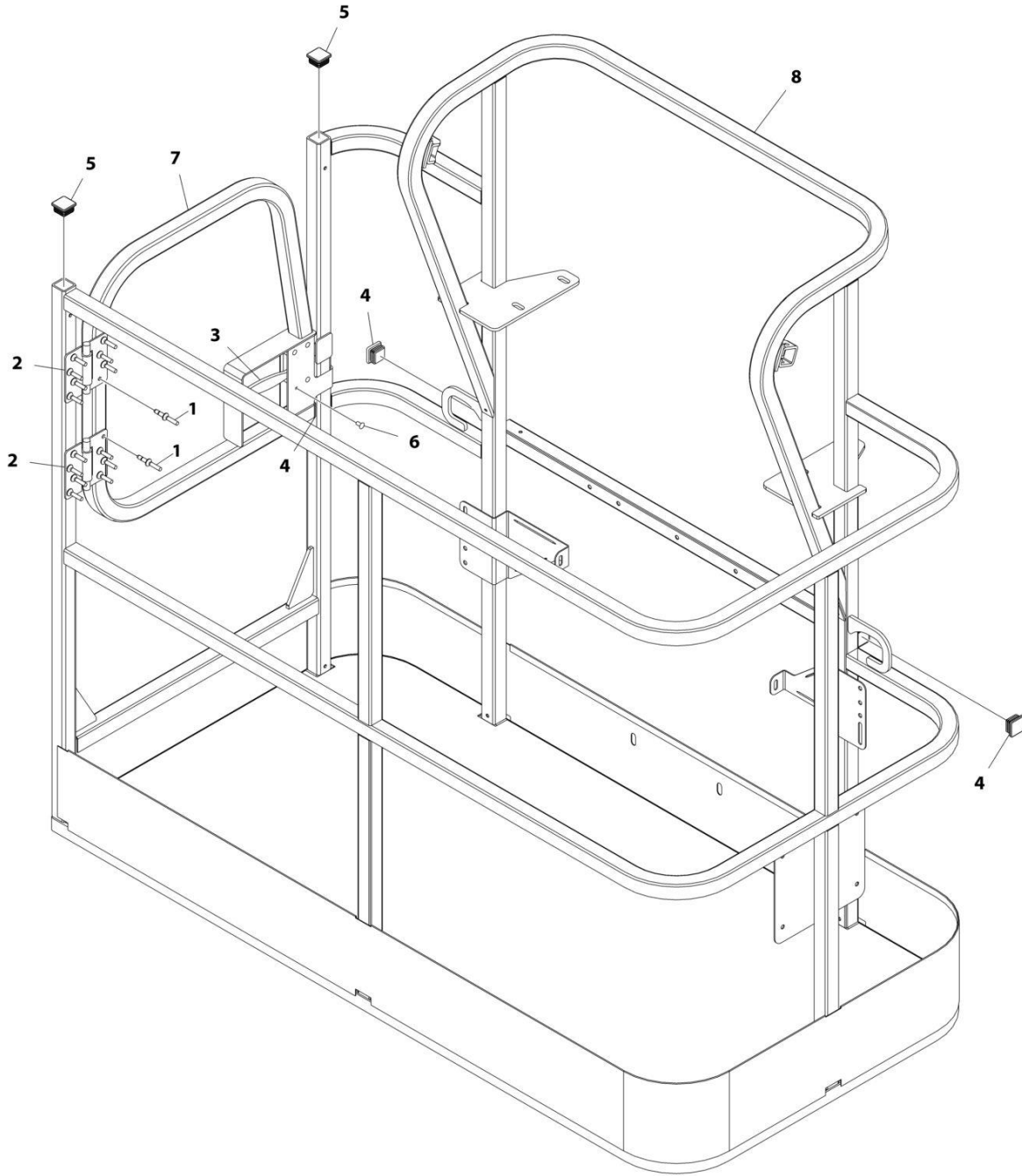
SECTION 4 - PLATFORM

FIGURE 4-1. PLATFORM ASSEMBLY - 4FT/1.22M - SIDE GATE ENTRY

ITEM	PART NUMBER	QTY	DESCRIPTION	REV
	1001186387	Ref	PLATFORM ASSEMBLY	C
		Ref	Note: Platform and Mesh must be ordered separately for Platforms with Mesh. See SPECIAL OPTIONS SECTION for Mesh Installations.	
		Ref	Note: Replacement Decals Must be Ordered Separately - See DECALS SECTION.	
1	2080040	16	Fastener, Huck	
2	2600281	2	Hinge, Self-Closing	
3	2940074	1	Latch	
4	3520072	3	Plug	
5	3520198	2	Plug	
6	3820020	4	Rivet	
7	1001144629	1	Gate	
8	See Note	1	Platform (Note: Not Available - Purchase Platform Assembly)	

SECTION 4 - PLATFORM

FIGURE 4-2. PLATFORM ASSEMBLY - 5FT/1.52M - SIDE GATE ENTRY



ART_1001186386

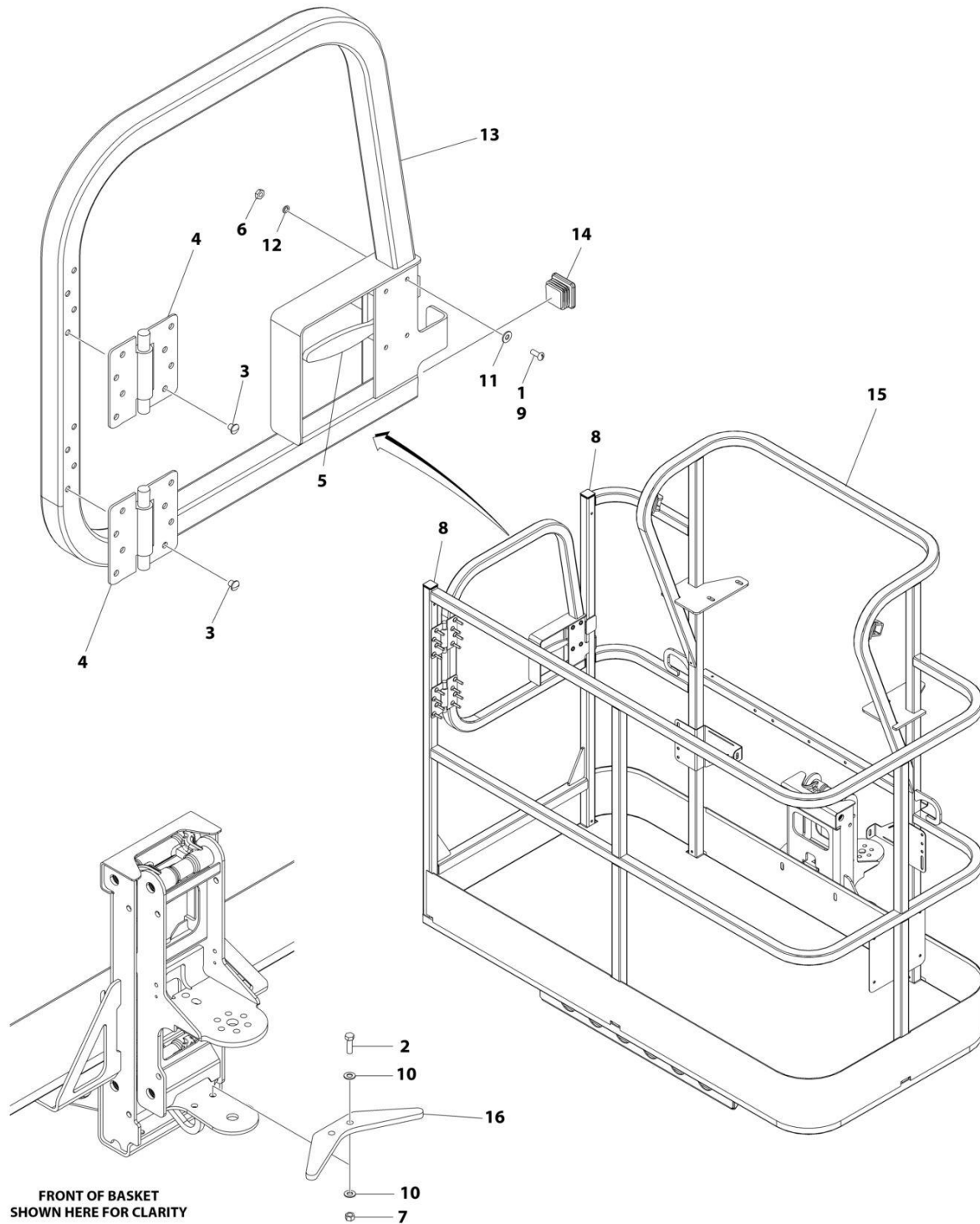
SECTION 4 - PLATFORM

FIGURE 4-2. PLATFORM ASSEMBLY - 5FT/1.52M - SIDE GATE ENTRY

ITEM	PART NUMBER	QTY	DESCRIPTION	REV
	1001186386	Ref	PLATFORM ASSEMBLY	C
		Ref	Note: Platform and Mesh must be ordered separately for Platforms with Mesh. See SPECIAL OPTIONS SECTION for Mesh Installations.	
		Ref	Note: Replacement Decals Must be Ordered Separately - See DECALS SECTION.	
1	2080040	16	Fastener, Huck	
2	2600281	2	Hinge, Self-Closing	
3	2940074	1	Latch	
4	3520072	3	Plug	
5	3520198	2	Plug	
6	3820020	4	Rivet	
7	1001144629	1	Gate	
8	See Note	NSS	Platform (Note: Not Available - Purchase Platform Assembly)	

SECTION 4 - PLATFORM

FIGURE 4-3. PLATFORM ASSEMBLY - 5FT/1.52M - SIDE GATE ENTRY - W/STOP AND 1 CELL LSS



ART_1001222685

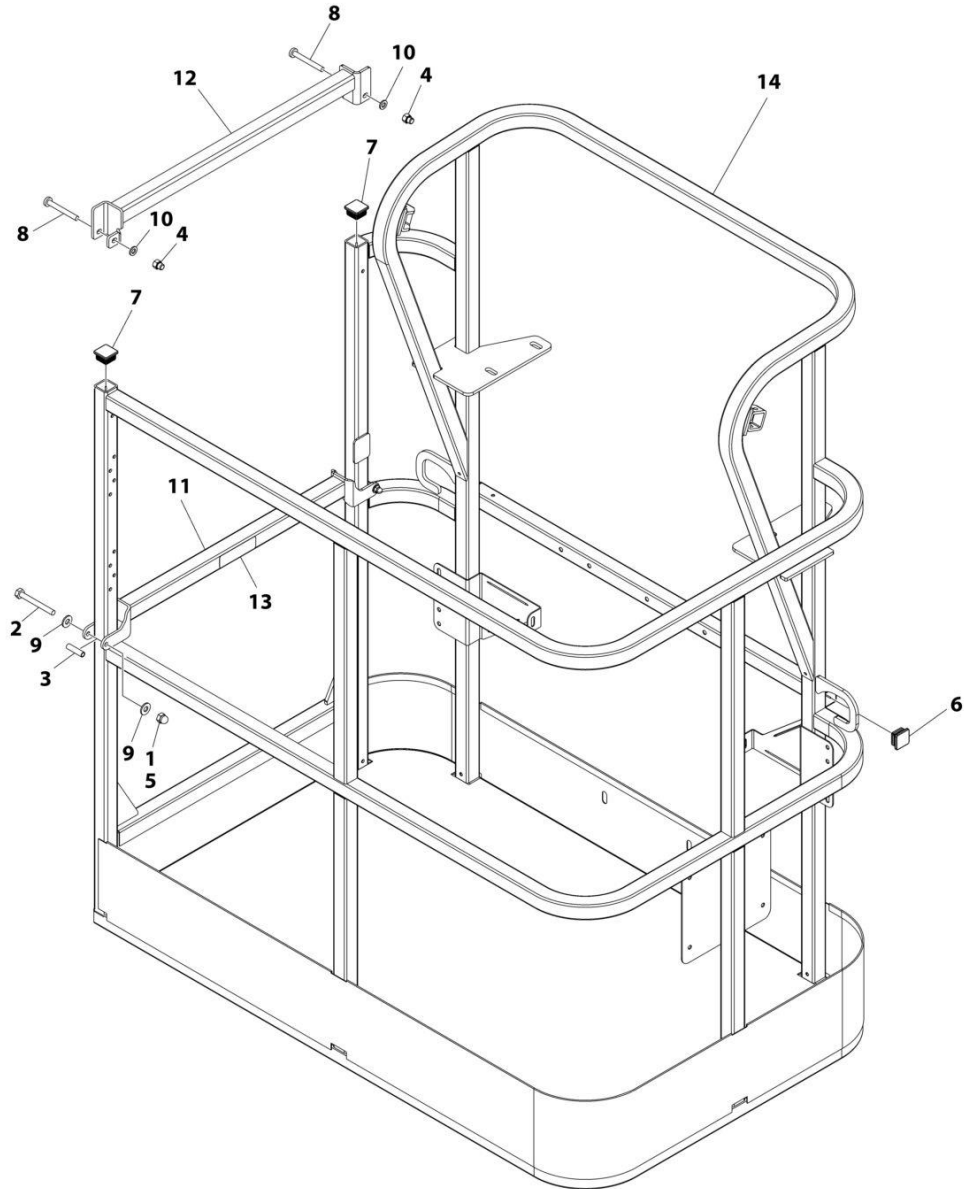
SECTION 4 - PLATFORM

FIGURE 4-3. PLATFORM ASSEMBLY - 5FT/1.52M - SIDE GATE ENTRY - W/STOP AND 1 CELL LSS

ITEM	PART NUMBER	QTY	DESCRIPTION	REV
	1001222685	Ref	PLATFORM ASSEMBLY - 5ft/1.52m - SIDE GATE ENTRY - W/STOP AND 1 CELL LSS	A
		Ref	Note: Platform and Mesh must be ordered separately for Platforms with Mesh. See SPECTIAL OPTIONS SECTION for Mesh Installations.	
		Ref	Note: Replacement Decals Must be Ordered Separately - See DECAL SECTION.	
1	0100011	AR	Compound, Locking	
2	0641610	2	Bolt 3/8 x 1-1/4	
3	2080040	16	Fastener, Huck	
4	2600281	2	Hinge, Self-Closing	
5	2940074	1	Latch	
6	3311001	4	Nut #10	
7	3311605	2	Nut 3/8	
8	3520198	2	Cap-Plug	
9	3911008	4	Screw #10 x 1	
10	4711600	4	Washer 3/8	
11	4751000	4	Washer #10	
12	4761000	4	Washer #10	
13	1001144629	1	Gate Weldment	
14	1001144630	1	Cap-Plug	
15	See Note	1	Platform Weldment (Note: Not Available - Purchase Platform Assembly)	
16	1001217598	1	Stop	

SECTION 4 - PLATFORM

FIGURE 4-4. PLATFORM ASSEMBLY - 4FT/1.22M - DROP BAR ENTRY



ART_1001186375

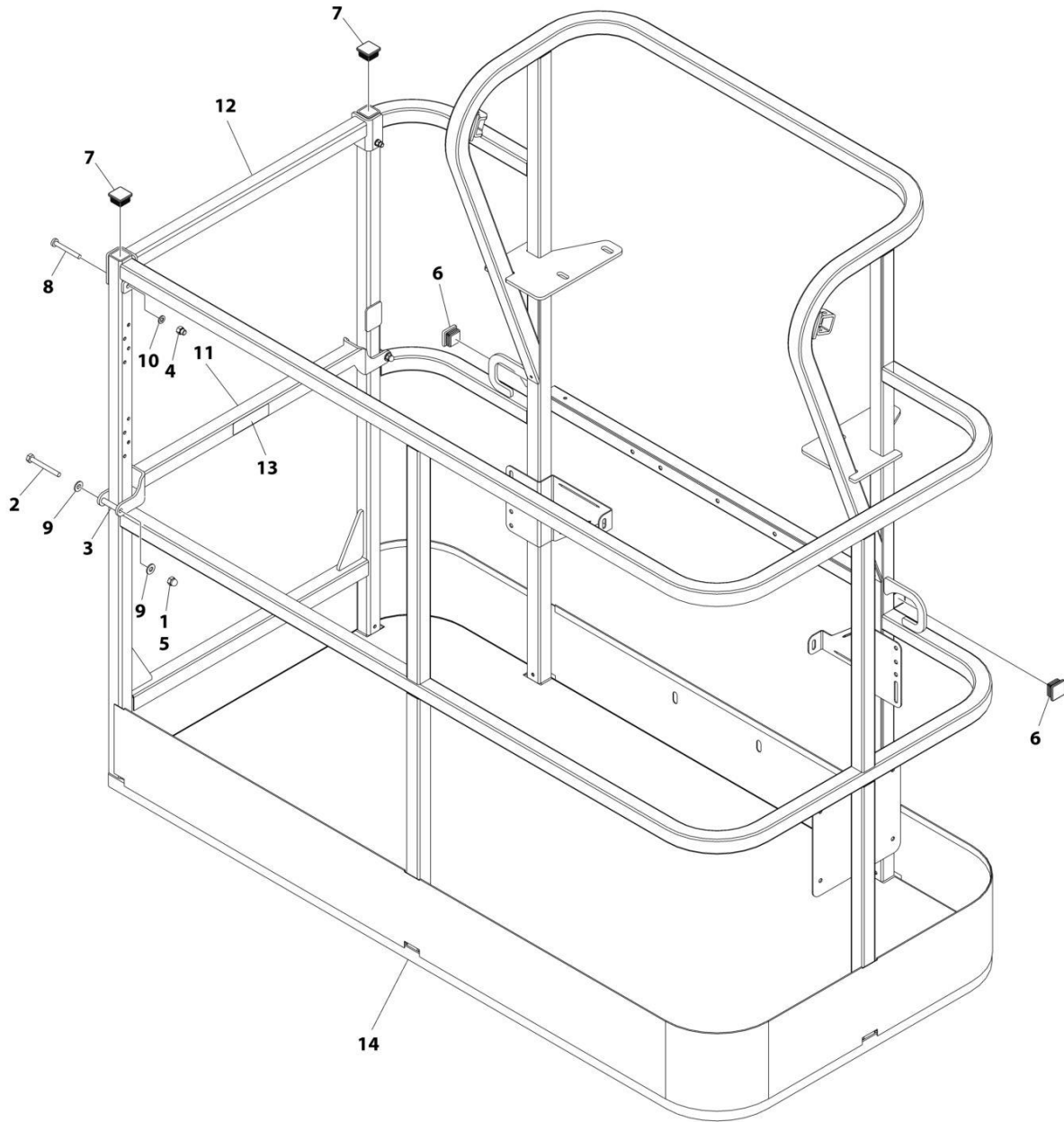
SECTION 4 - PLATFORM

FIGURE 4-4. PLATFORM ASSEMBLY - 4FT/1.22M - DROP BAR ENTRY

ITEM	PART NUMBER	QTY	DESCRIPTION	REV
	1001186375	Ref	PLATFORM ASSEMBLY	B
		Ref	Note: Platform and Mesh must be ordered separately for Platforms with Mesh. See SPECIAL OPTIONS SECTION for Mesh Installations.	
		Ref	Note: Replacement Decals Must be Ordered Separately - See DECALS SECTION.	
1	0100011	AR	Compound, Locking	
2	0641418	2	Bolt 1/4 x 2-1/4	
3	0961845	2	Bushing	
4	3290606	2	Nut M6	
5	3300151	2	Nut 1/4	
6	3520072	2	Plug	
7	3520198	2	Plug	
8	4010618	2	Screw M6 x 50	
9	4711400	4	Washer 1/4	
10	4811700	2	Washer M6	
11	1001138494	1	Bar, Drop	
12	1001138514	1	Rail - Top	
13	1001140429	1	Decal - Drop Bar	
14	See Note	1	Platform (Note: Not Available - Purchase Platform Assembly)	

SECTION 4 - PLATFORM

FIGURE 4-5. PLATFORM ASSEMBLY - 5FT/1.52M - DROP BAR ENTRY



ART_1001186377

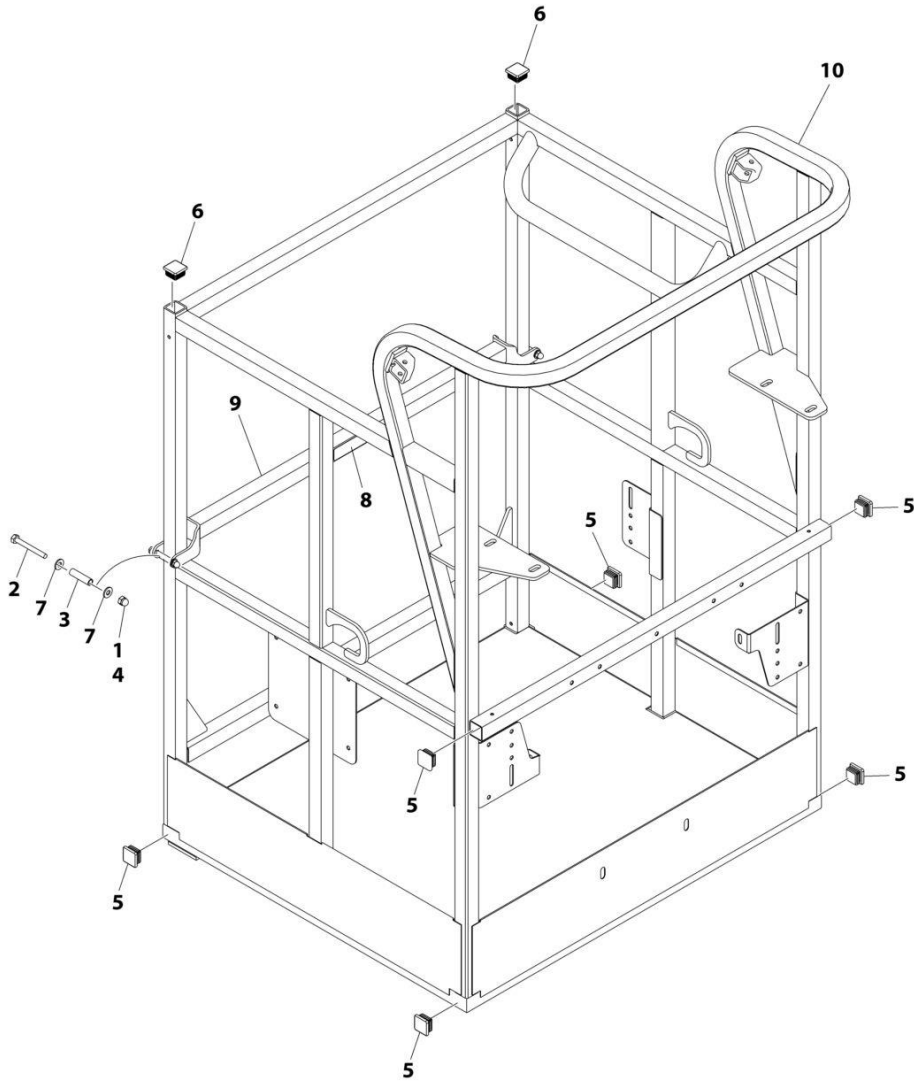
SECTION 4 - PLATFORM

FIGURE 4-5. PLATFORM ASSEMBLY - 5FT/1.52M - DROP BAR ENTRY

ITEM	PART NUMBER	QTY	DESCRIPTION	REV
	1001186377	Ref	PLATFORM ASSEMBLY	C
		Ref	Note: Platform and Mesh must be ordered separately for Platforms with Mesh. See SPECIAL OPTIONS SECTION for Mesh Installations.	
		Ref	Note: Replacement Decals Must be Ordered Separately - See DECALS SECTION.	
1	0100011	AR	Compound, Locking	
2	0641420	2	Bolt 1/4 x 2-1/2	
3	0961845	2	Bushing	
4	3290606	2	Nut M6	
5	3300151	2	Nut 1/4	
6	3520072	2	Plug	
7	3520198	2	Plug	
8	4010618	2	Screw M6 x 50	
9	4711400	4	Washer 1/4	
10	4811700	2	Washer M6	
11	1001138494	1	Bar, Drop	
12	1001138514	1	Rail (Top)	
13	1001140429	1	Decal - Drop Bar	
14	See Note	NSS	Platform (Note: Not Available - Purchase Platform Assembly)	

SECTION 4 - PLATFORM

FIGURE 4-6. PLATFORM ASSEMBLY - 5FT/1.52M - DROP BAR ENTRY



ART_1001228215

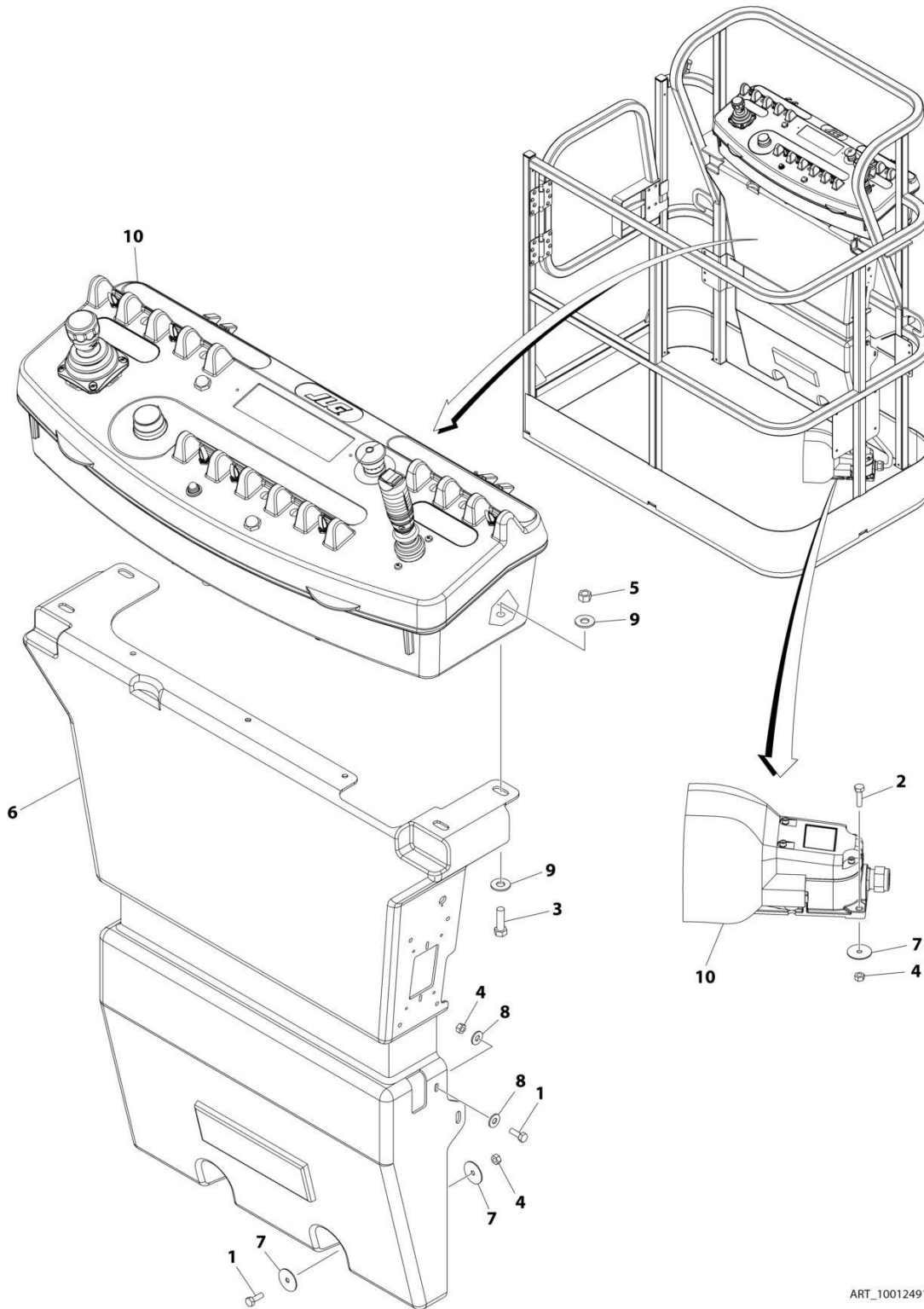
SECTION 4 - PLATFORM

FIGURE 4-6. PLATFORM ASSEMBLY - 5FT/1.52M - DROP BAR ENTRY

ITEM	PART NUMBER	QTY	DESCRIPTION	REV
	1001228215	Ref	PLATFORM ASSEMBLY	A
	See Note	Ref	Note: Platform and Mesh must be ordered separately for Platforms with Mesh. See SPECIAL OPTIONS SECTION for Mesh Installations.	
	See Note	Ref	Note: Replacement Decals Must be Ordered Separately - See DECAL SECTION.	
1	0100011	AR	Compound, Locking	
2	0641418	2	Bolt 1/4 x 2-1/4	
3	0961845	2	Bushing	
4	3300151	2	Nut 1/4	
5	3520072	6	Cap, Plug	
6	3520198	2	Cap, Plug	
7	4711400	4	Washer 1/4	
8	1001140429	1	Decal - Drop Bar	
9	1001226872	1	Bar, Drop	
10	See Note	NSS	Platform (Note: Not Available - Purchase Platform Assembly)	

SECTION 4 - PLATFORM

FIGURE 4-7. PLATFORM CONSOLE AND FOOTSWITCH INSTALLATION - E400ANARROW - NON-UL LISTED (ALL SPEC EXCEPT AUSTRALIAN AND UL SPECS)



ART_1001249159

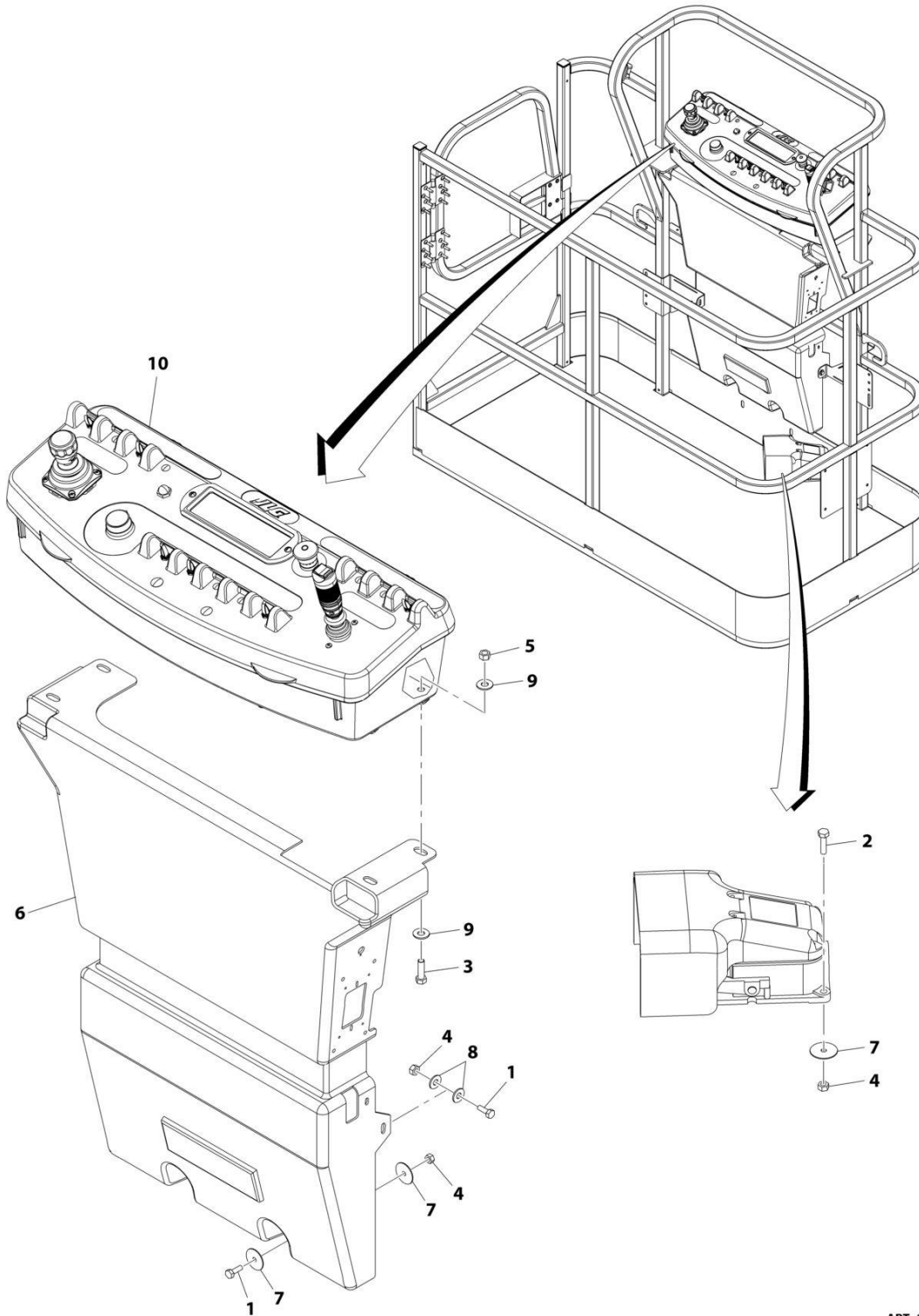
SECTION 4 - PLATFORM

FIGURE 4-7. PLATFORM CONSOLE AND FOOTSWITCH INSTALLATION - E400ANARROW - NON-UL LISTED (ALL SPEC EXCEPT AUSTRALIAN AND UL SPECS)

ITEM	PART NUMBER	QTY	DESCRIPTION	REV
	1001249159	Ref	PLATFORM CONSOLE AND FOOTSWITCH INSTALLATION	A
1	0641406	4	Bolt 1/4 x 3/4	
2	0641408	3	Bolt 1/4 x 1	
3	0641610	4	Bolt 3/8 x 1	
4	3311405	7	Nut 1/4	
5	3311605	4	Nut 3/8	
6	3380434	1	Panel, Pedestal	
7	4740362	7	Washer 1/4	
8	4751400	4	Washer 1/4	
9	4751600	8	Washer 3/8	
10	1001249162	1	Platform Console Assembly (See Separate Breakdown in this Section)	

SECTION 4 - PLATFORM

FIGURE 4-8. PLATFORM CONSOLE AND FOOTSWITCH INSTALLATION - E400ANARROW - UL LISTED (ALL SPECS EXCEPTED AUSTRALIAN, CE, JAPANESE & UK CA SPECS)



ART_1001249153

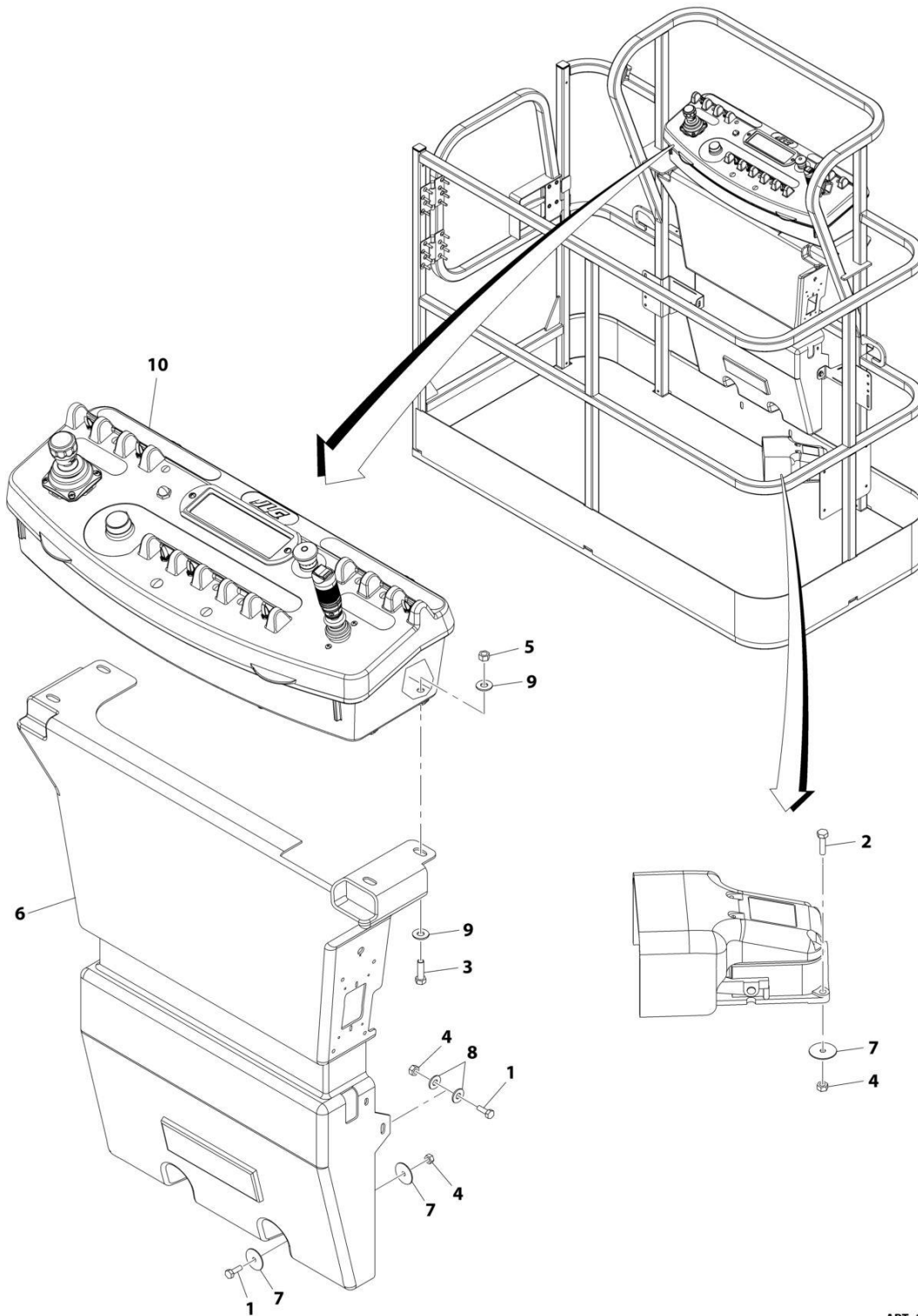
SECTION 4 - PLATFORM

FIGURE 4-8. PLATFORM CONSOLE AND FOOTSWITCH INSTALLATION - E400ANARROW - UL LISTED (ALL SPECS EXCEPTED AUSTRALIAN, CE, JAPANESE & UK CA SPECS)

ITEM	PART NUMBER	QTY	DESCRIPTION	REV
	1001249153	Ref	PLATFORM CONSOLE AND FOOTSWITCH INSTALLATION	A
1	0641406	4	Bolt 1/4 X 3/4	
2	0641408	3	Bolt 1/4 X 1	
3	0641610	4	Bolt 3/8 X 1-1/4	
4	3311405	7	Nut 1/4	
5	3311605	4	Nut, 3/8	
6	3380434	1	Panel, Pedestal	
7	4740362	7	Washer 1/4	
8	4751400	4	Washer 1/4	
9	4751600	8	Washer 3/8	
10	1001249154	1	Platform Console Assembly (See Separate Breakdown in this Section)	

SECTION 4 - PLATFORM

FIGURE 4-9. PLATFORM CONSOLE AND FOOTSWITCH INSTALLATION - E400AJPNARROW - NON-UL LISTED (ALL SPECS EXCEPT UL SPECS)



ART_1001249157

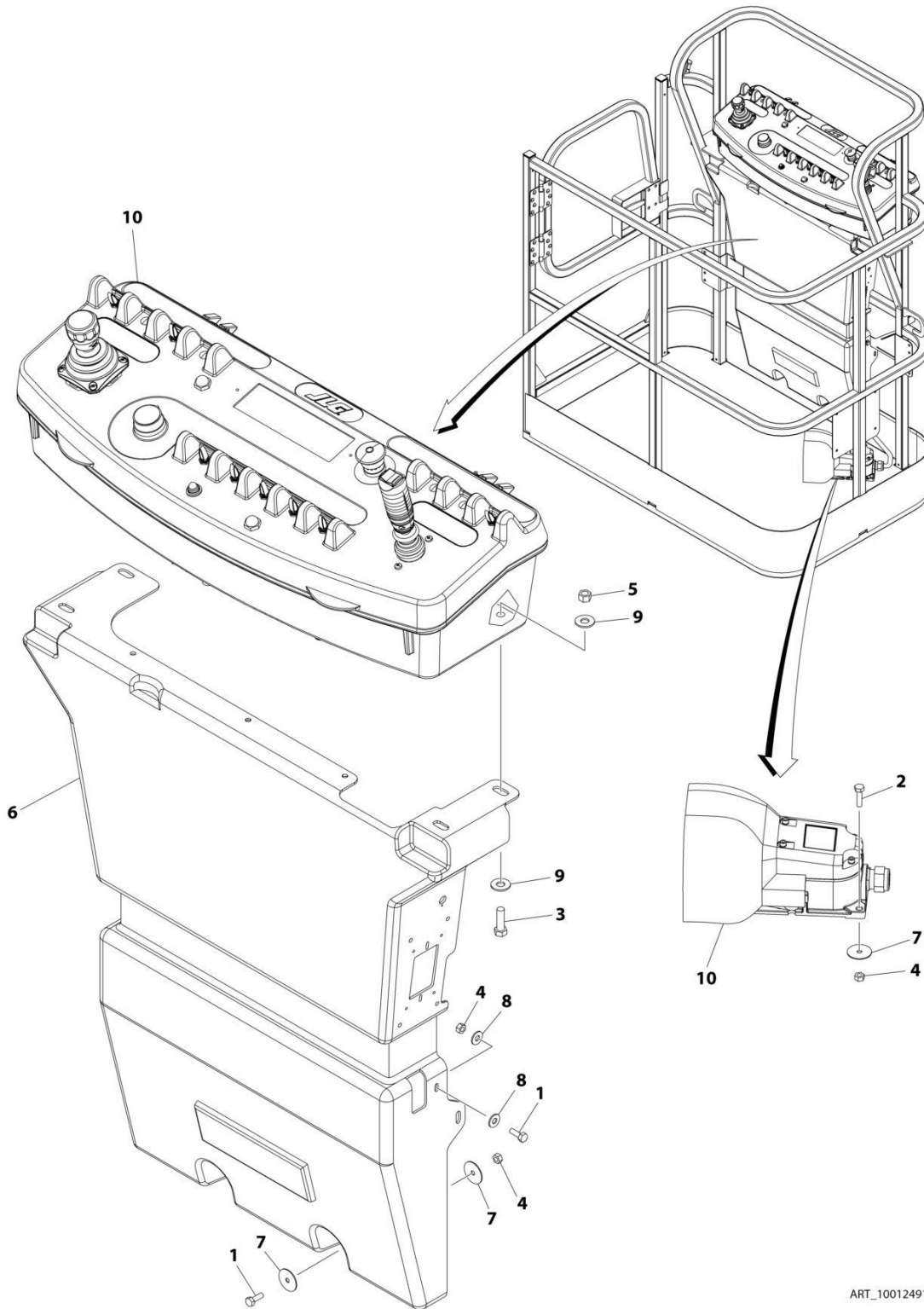
SECTION 4 - PLATFORM

FIGURE 4-9. PLATFORM CONSOLE AND FOOTSWITCH INSTALLATION - E400AJPNARROW - NON-UL LISTED (ALL SPECS EXCEPT UL SPECS)

ITEM	PART NUMBER	QTY	DESCRIPTION	REV
	1001249157	Ref	PLATFORM CONSOLE AND FOOTSWITCH INSTALLATION	A
1	0641406	4	Bolt 1/4 X 3/4	
2	0641408	3	Bolt 1/4 X 1	
3	0641610	4	Bolt 3/8 X 1-1/4	
4	3311405	7	Nut 1/4	
5	3311605	4	Nut, 3/8	
6	3380434	1	Panel, Pedestal	
7	4740362	7	Washer 1/4	
8	4751400	4	Washer 1/4	
9	4751600	8	Washer 3/8	
10	1001249158	1	Platform Console Assembly (See Separate Breakdown in this Section)	

SECTION 4 - PLATFORM

FIGURE 4-10. PLATFORM CONSOLE AND FOOTSWITCH INSTALLATION - E400AJPNARROW - UL LISTED (ALL SPECS EXCEPTED AUSTRALIAN, CE, JAPANESE & UK CA SPECS)



ART_1001249155

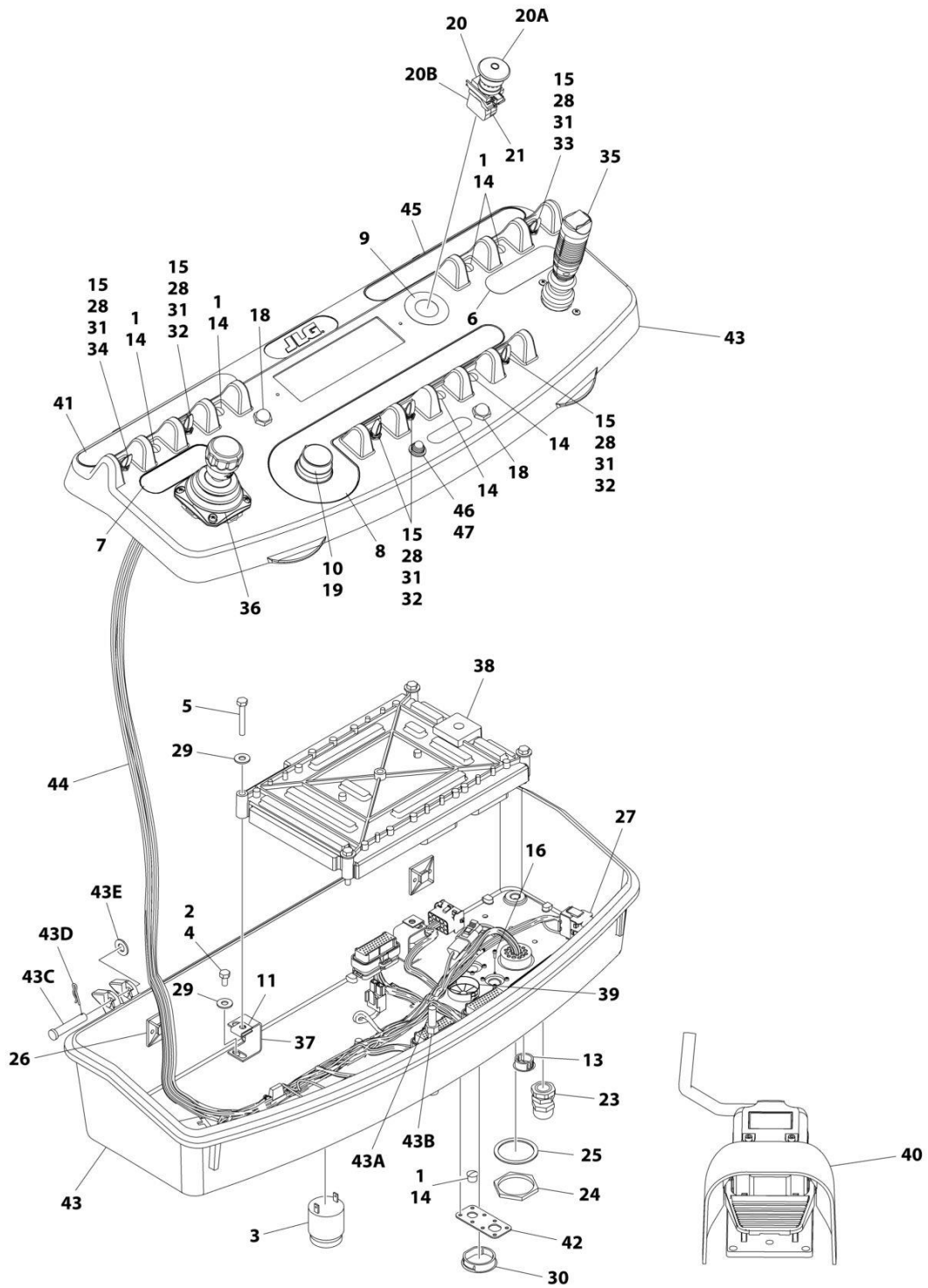
SECTION 4 - PLATFORM

FIGURE 4-10. PLATFORM CONSOLE AND FOOTSWITCH INSTALLATION - E400AJPNARROW - UL LISTED (ALL SPECS EXCEPTED AUSTRALIAN, CE, JAPANESE & UK CA SPECS)

ITEM	PART NUMBER	QTY	DESCRIPTION	REV
	1001249155	Ref	PLATFORM CONSOLE AND FOOTSWITCH INSTALLATION	B
1	0641406	4	Bolt 1/4 X 3/4	
2	0641408	3	Bolt 1/4 X 1	
3	0641610	4	Bolt 3/8 X 1-1/4	
4	3311405	7	Nut 1/4	
5	3311605	4	Nut 3/8	
6	3380434	1	Panel, Pedestal	
7	4740362	7	Washer 1/4	
8	4751400	4	Washer 1/4	
9	4751600	8	Washer 3/8	
10	1001249154	1	Platform Console Assembly (See Separate Breakdown in this Section)	

SECTION 4 - PLATFORM

FIGURE 4-11. PLATFORM CONSOLE ASSEMBLY - E400ANARROW - NON-UL LISTED (ALL SPECS EXCEPT AUSTRALIAN AND UL SPECS)



ART_1001249162

SECTION 4 - PLATFORM

FIGURE 4-11. PLATFORM CONSOLE ASSEMBLY - E400ANARROW - NON-UL LISTED (ALL SPECS EXCEPT AUSTRALIAN AND UL SPECS)

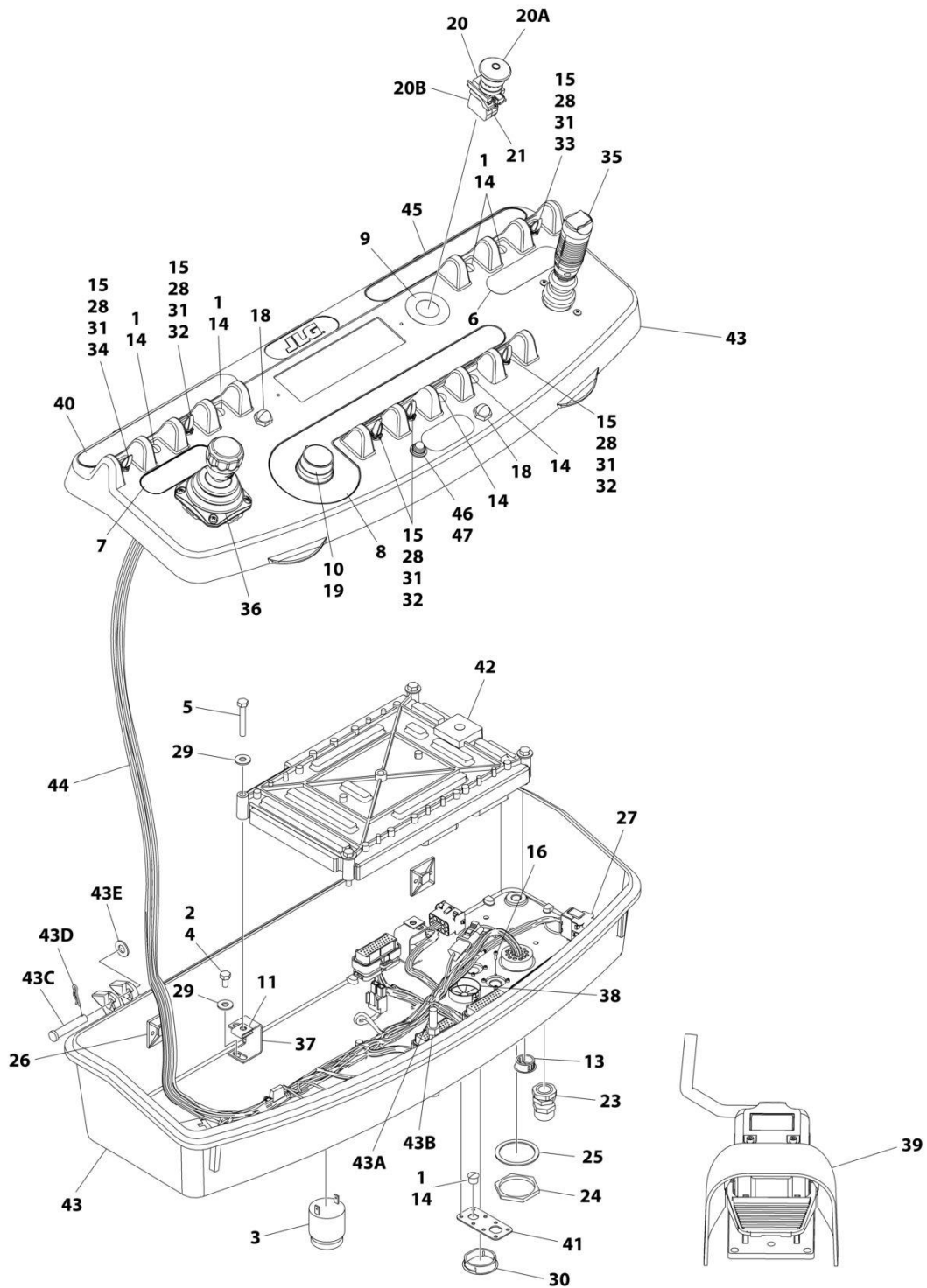
ITEM	PART NUMBER	QTY	DESCRIPTION	REV
	1001249162	Ref	PLATFORM CONSOLE ASSEMBLY	B
1	0100009	AR	Sealant	
2	0100035	AR	Compound, Locking	
3	0140011	1	Alarm	
4	0641404	4	Bolt 1/4 x 1/2	
5	0641414	4	Bolt 1/4 x 1-3/4	
6	1702565	1	Decal - Drive and Steer	
7	1702566	1	Decal - Lift and Swing	
8	1702567	1	Decal - Function Speed	
9	1704260	1	Decal - EMS	
10	2560136	1	Handle, Knob	
11	3300353	4	Nut, Tinnerman	
13	3520030	1	Plug, Hole	
14	3520054	7	Plug, Hole	
15	3790012	6	O-Ring	
16	3900349	8	Screw M2.5	
17	4240032	AR	Tie-Strap (Not Shown)	
18	4360387	2	Switch, Push Button	
19	4360407	1	Switch, Potentiometer	
20	4360475	1	Switch, Emergency Stop	
20A	7020175	1	Cap, Mushroom with Sealing Ring	
20B	7020176	1	Block, Contact	
21	4360476	1	Block, Contact	
22	4460234	4	Mount, Tie-Strap (Not Shown)	
23	4460428	1	Connector, Strain Relief	
24	4460470	1	Nut, Terminal	
25	4460471	1	Washer, Lock Terminal	
26	4460488	3	Base, Terminal Mounting	
27	4460708	1	Connector - 15 Position	
28	4740397	6	Spacer	
29	4751400	8	Washer 1/4	
30	1001110434	1	Plug, D-Shaped	
31	1001155044	6	Nut 15/32	
32	1001155045	4	Switch, Toggle	
33	1001159256	1	Switch, Toggle	
34	1001161710	1	Switch, Toggle	
35	1001166538	NLA	Controller Assembly - Drive and Steer (Use p/n 1001212415) (See Separate Breakdown in this Section)	
36	1001166539	NLA	Controller Assembly - Lift and Swing (Use p/n 1001129555) (See Separate Breakdown in this Section)	
37	1001172760	4	Bracket, Module	
38	1001182724	1	Module, PC (Note: Re-calibration Required when Replaced)	
39	1001185281	1	Plug, Bushing	
40	1001189039	1	Footswitch Assembly (See Separate Breakdown in this Section)	
41	1001193987	1	Decal - Horn and Drive Select	
42	1001213882	1	Mount, Connector	
43	1001215228	1	Console Box Assembly	
43A	0630568	1	Capscrew 3/8 x 4-1/2	
43B	3311601	1	Nut 3/8	

SECTION 4 - PLATFORM

ITEM	PART NUMBER	QTY	DESCRIPTION	REV
43C	3430616	2	Pin, Clevis	
43D	3470003	2	Pin, Cotter	
43E	4711600	2	Washer 3/8	
44	1001245673	1	Platform Console Box Harness (See Separate Breakdown in ELECTRICAL SECTION)	
45	1001247538	1	Decal - Stop - Generator	
46	2920028	1	Light, Indicator	
47	2920029	1	Lamp, Bulb	

SECTION 4 - PLATFORM

**FIGURE 4-12. PLATFORM CONSOLE ASSEMBLY - E400ANARROW/E400AJPNARROW - UL LISTED
(ALL SPECS EXCEPTED AUSTRALIAN, CE, JAPANESE & UK CA SPECS)**



ART_1001249154_C

SECTION 4 - PLATFORM

**FIGURE 4-12. PLATFORM CONSOLE ASSEMBLY - E400ANARROW/E400AJPNARROW - UL LISTED
(ALL SPECS EXCEPTED AUSTRALIAN, CE, JAPANESE & UK CA SPECS)**

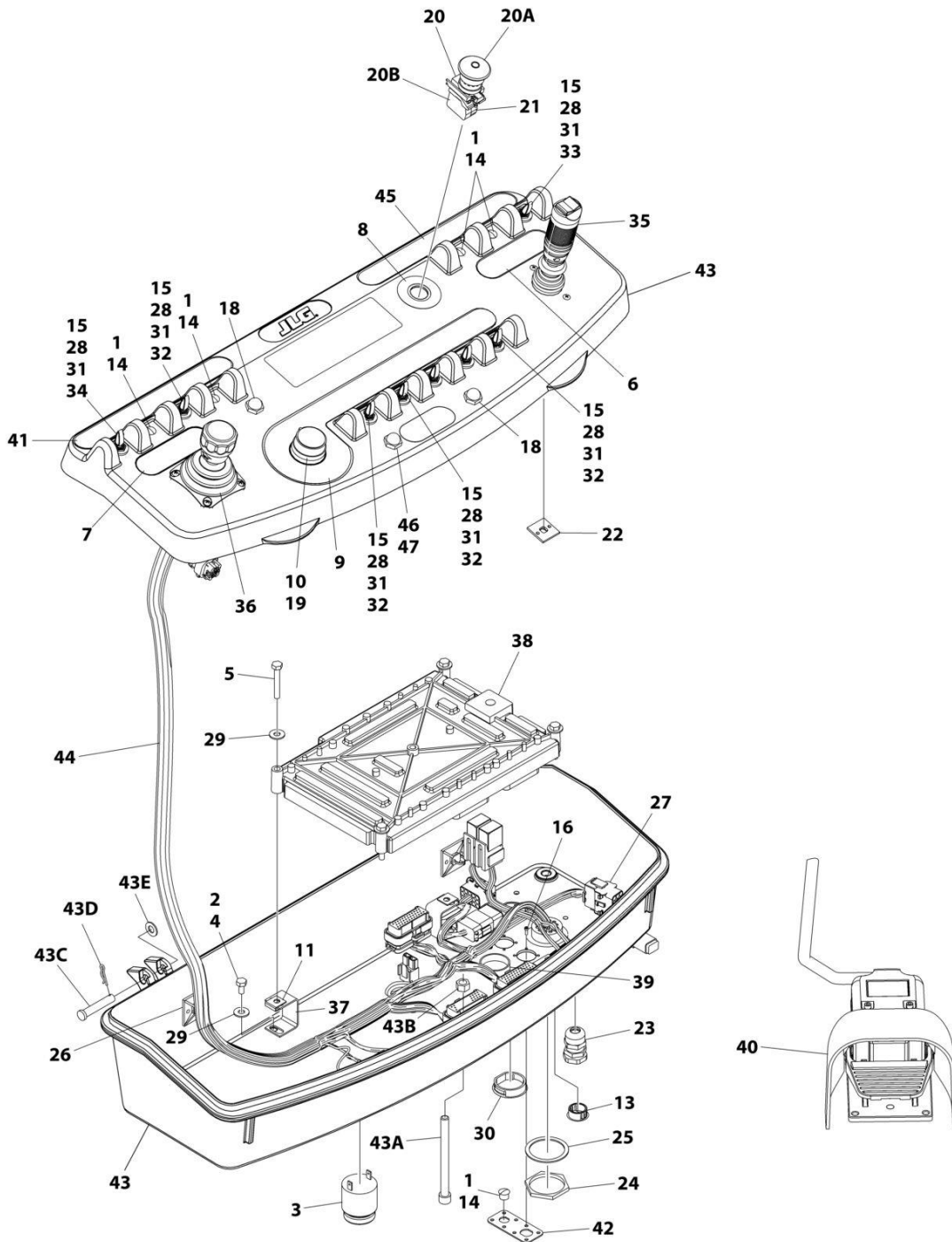
ITEM	PART NUMBER	QTY	DESCRIPTION	REV
	1001249154	Ref	PLATFORM CONSOLE ASSEMBLY	C
1	0100009	AR	Sealant	
2	0100035	AR	Compound, Locking	
3	0140011	1	Alarm	
4	0641404	4	Bolt 1/4 x 1/2	
5	0641414	4	Bolt 1/4 x 1-3/4	
6	1702565	1	Decal - Drive and Steer	
7	1702566	1	Decal - Lift and Swing	
8	1702567	1	Decal - Function Speed	
9	1704260	1	Decal - EMS	
10	2560136	1	Handle, Knob	
11	3300353	4	Nut	
13	3520030	1	Plug, Hole	
14	3520054	5	Plug, Hole	
15	3790012	8	O-Ring	
16	3900349	8	Screw M2.5	
17	4240032	AR	Tie-Strap (Not Shown)	
18	4360387	2	Switch, Push Button	
19	4360407	1	Switch, Potentiometer	
20	4360475	1	Switch, Emergency Stop	
20A	7020175	1	Cap, Mushroom with Sealing Ring	
20B	7020176	1	Block, Contact	
21	4360476	1	Block, Contact	
22	4460234	4	Mount, Tie-Strap (Not Shown)	
23	4460428	1	Connector, Strain Relief	
24	4460470	1	Nut	
25	4460471	1	Washer, Lock Terminal	
26	4460488	2	Base, Terminal Mounting	
27	4460708	1	Connector - 15 Position	
28	4740397	8	Spacer	
29	4751400	8	Washer 1/4	
30	1001110434	1	Plug, D-Shaped	
31	1001155044	8	Nut 15/32	
32	1001155045	6	Switch, Toggle	
33	1001159256	1	Switch, Toggle	
34	1001161710	1	Switch, Toggle	
35	1001166538	NLA	Controller Assembly - Drive and Steer (Use p/n 1001212415) (See Separate Breakdown in this Section)	
36	1001166539	NLA	Controller Assembly - Lift and Swing (Use p/n 1001129555) (See Separate Breakdown in this Section)	
37	1001172760	4	Bracket, Module	
38	1001185281	1	Plug, Bushing	
39	1001189039	1	Footswitch Assembly (See Separate Breakdown in this Section)	
40	1001193987	1	Decal - Horn and Drive Select	
41	1001213882	1	Mount, Connector	
42	1001215835	1	Module, PC (Note: Re-calibration Required when Replaced)	
43	1001215228	1	Console Box Assembly	
43A	0630568	1	Capscrew 3/8 x 4-1/2	
43B	3311601	1	Nut 3/8	

SECTION 4 - PLATFORM

ITEM	PART NUMBER	QTY	DESCRIPTION	REV
43C	3430616	2	Pin, Clevis	
43D	3470003	2	Pin, Cotter	
43E	4711600	2	Washer 3/8	
44	1001272279	1	Harness, Platform Console Box (With 1 Cell LSS) (See Separate Breakdown in ELECTRICAL Section)	
45	1001247538	1	Decal - Stop - Generator	
46	2920028	1	Light, Indicator	
47	2920029	1	Lamp, Bulb	

SECTION 4 - PLATFORM

FIGURE 4-13. PLATFORM CONSOLE ASSEMBLY - E400AJPNARROW - NON-UL LISTED (ALL SPECS EXCEPT UL SPECS)



ART_1001249158

SECTION 4 - PLATFORM

FIGURE 4-13. PLATFORM CONSOLE ASSEMBLY - E400AJPNARROW - NON-UL LISTED (ALL SPECS EXCEPT UL SPECS)

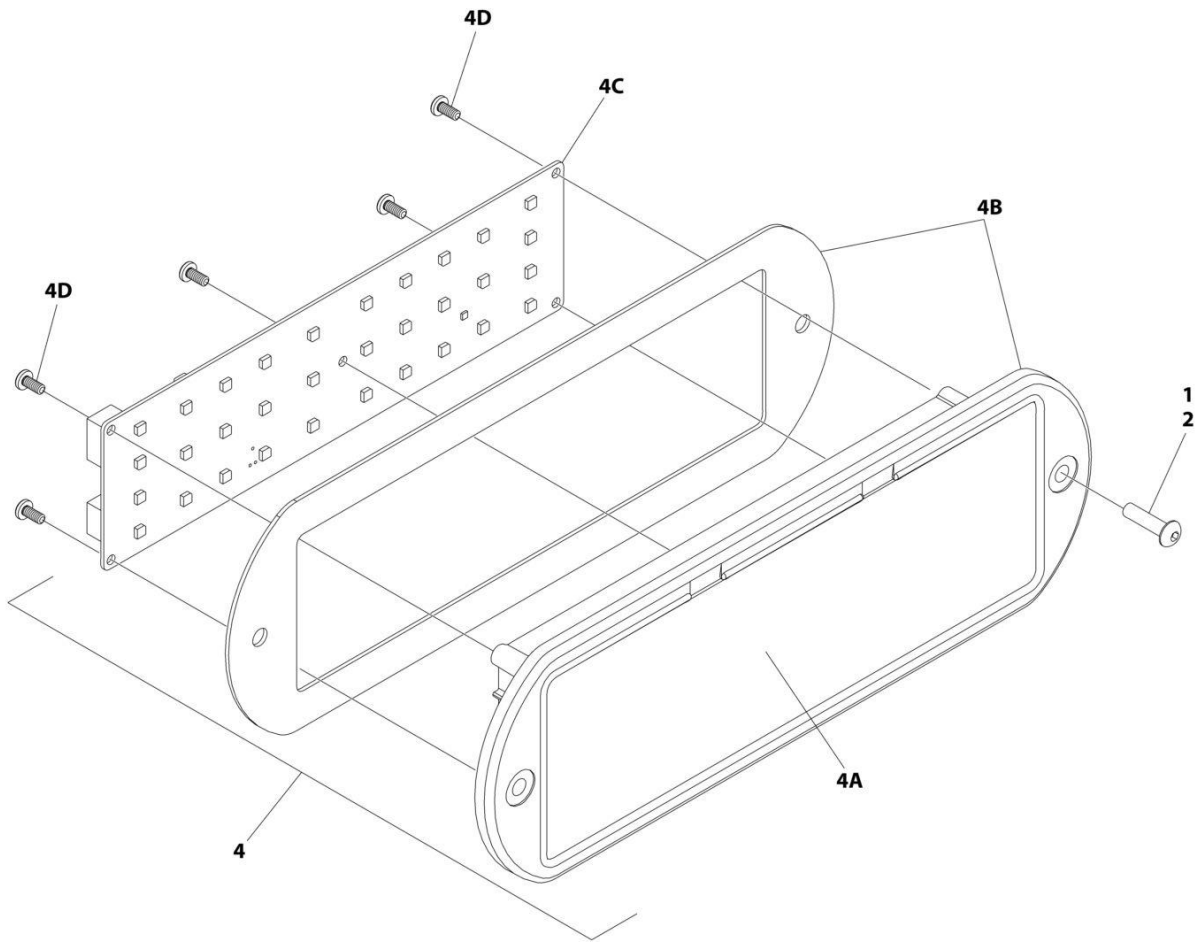
ITEM	PART NUMBER	QTY	DESCRIPTION	REV
	1001249158	Ref	PLATFORM CONSOLE ASSEMBLY	B
1	0100009	AR	Sealant	
2	0100035	AR	Compound, Locking	
3	0140011	1	Alarm	
4	0641404	4	Bolt 1/4 x 1/2	
5	0641414	4	Bolt 1/4 x 1-3/4	
6	1702565	1	Decal - Drive and Steer	
7	1702566	1	Decal - Lift and Swing	
8	1704260	1	Decal - EMS	
9	1704422	1	Decal - Function Speed	
10	2560136	1	Handle, Knob	
11	3300353	4	Nut, Tinnerman	
13	3520030	1	Plug, Hole	
14	3520054	5	Plug, Hole	
15	3790012	8	O-Ring	
16	3900349	8	Screw M2.5	
17	4240032	AR	Tie-Strap (Not Shown)	
18	4360387	2	Switch, Push Button	
19	4360407	1	Switch, Potentiometer	
20	4360475	1	Switch, Emergency Stop	
20A	7020175	1	Cap, Mushroom with Sealing Ring	
20B	7020176	1	Block, Contact	
21	4360476	1	Block, Contact	
22	4460234	4	Mount, Tie-Strap (Not Shown)	
23	4460428	1	Connector, Strain Relief	
24	4460470	1	Nut, Terminal	
25	4460471	1	Washer, Lock Terminal	
26	4460488	2	Base, Terminal Mounting	
27	4460708	1	Connector - 15 Position	
28	4740397	8	Spacer	
29	4751400	8	Washer 1/4	
30	1001110434	1	Plug, D-Shaped	
31	1001155044	8	Nut 15/32	
32	1001155045	6	Switch, Toggle	
33	1001159256	1	Switch, Toggle	
34	1001161710	1	Switch, Toggle	
35	1001166538	NLA	Controller Assembly - Drive and Steer (Use p/n 1001212415) (See Separate Breakdown in this Section)	
36	1001166539	NLA	Controller Assembly - Lift and Swing (Use p/n 1001129555) (See Separate Breakdown in this Section)	
37	1001172760	4	Bracket, Module	
38	1001182724	1	Module, PC (Note: Re-calibration Required when Replaced)	
39	1001185281	1	Plug, Bushing	
40	1001189039	1	Footswitch Assembly (See Separate Breakdown in this Section)	
41	1001193987	1	Decal - Horn and Drive Select	
42	1001213882	1	Mount, Connector	
43	1001215228	1	Console Box Assembly	
43A	0630568	1	Capscrew 3/8 x 4-1/2	
43B	3311601	1	Nut 3/8	

SECTION 4 - PLATFORM

ITEM	PART NUMBER	QTY	DESCRIPTION	REV
43C	3430616	2	Pin, Clevis	
43D	3470003	2	Pin, Cotter	
43E	4711600	2	Washer 3/8	
44	1001245673	1	Harness, Platform Console Box (With 1 Cell LSS) (See Separate Breakdown in ELECTRICAL SECTION)	
45	1001247538	1	Decal - Stop - Generator	
46	2920028	1	Light, Indicator	
47	2920029	1	Lamp, Bulb	

SECTION 4 - PLATFORM

FIGURE 4-14. LIGHT PANEL INSTALLATION



ART_1001245179

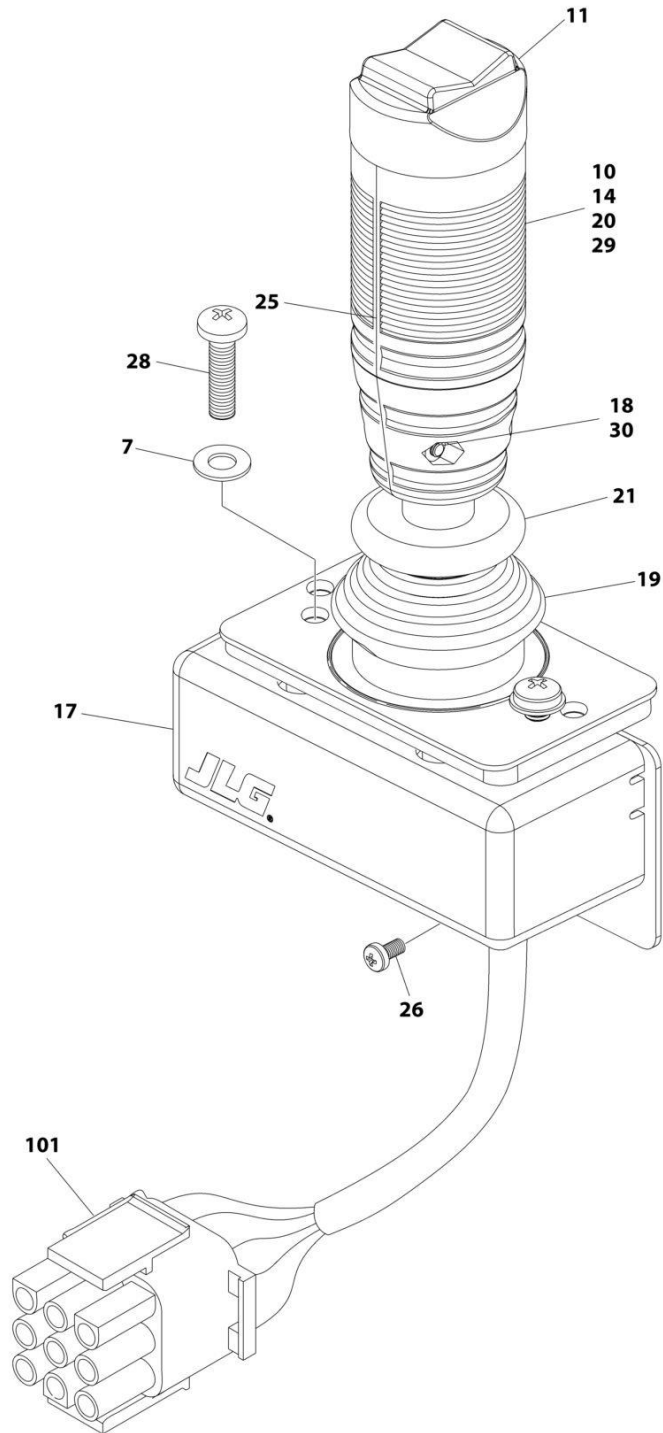
SECTION 4 - PLATFORM

FIGURE 4-14. LIGHT PANEL INSTALLATION

ITEM	PART NUMBER	QTY	DESCRIPTION	REV
	1001245179	Ref	LIGHT PANEL INSTALLATION	B
1	0100035	AR	Compound, Locking	
2	3911010	2	Screw #10 x 5/8	
4	1001245210	1	Light Panel Assembly	
4A	1001245164	1	Lens, I-Con	
4B	1001245173	1	Bezel (Includes Gasket)	
4C	1001238732	1	Panel, LED Light	
4D		Ref	Screw	

SECTION 4 - PLATFORM

FIGURE 4-15. CONTROLLER ASSEMBLY - DRIVE AND STEER



ART_1001166538

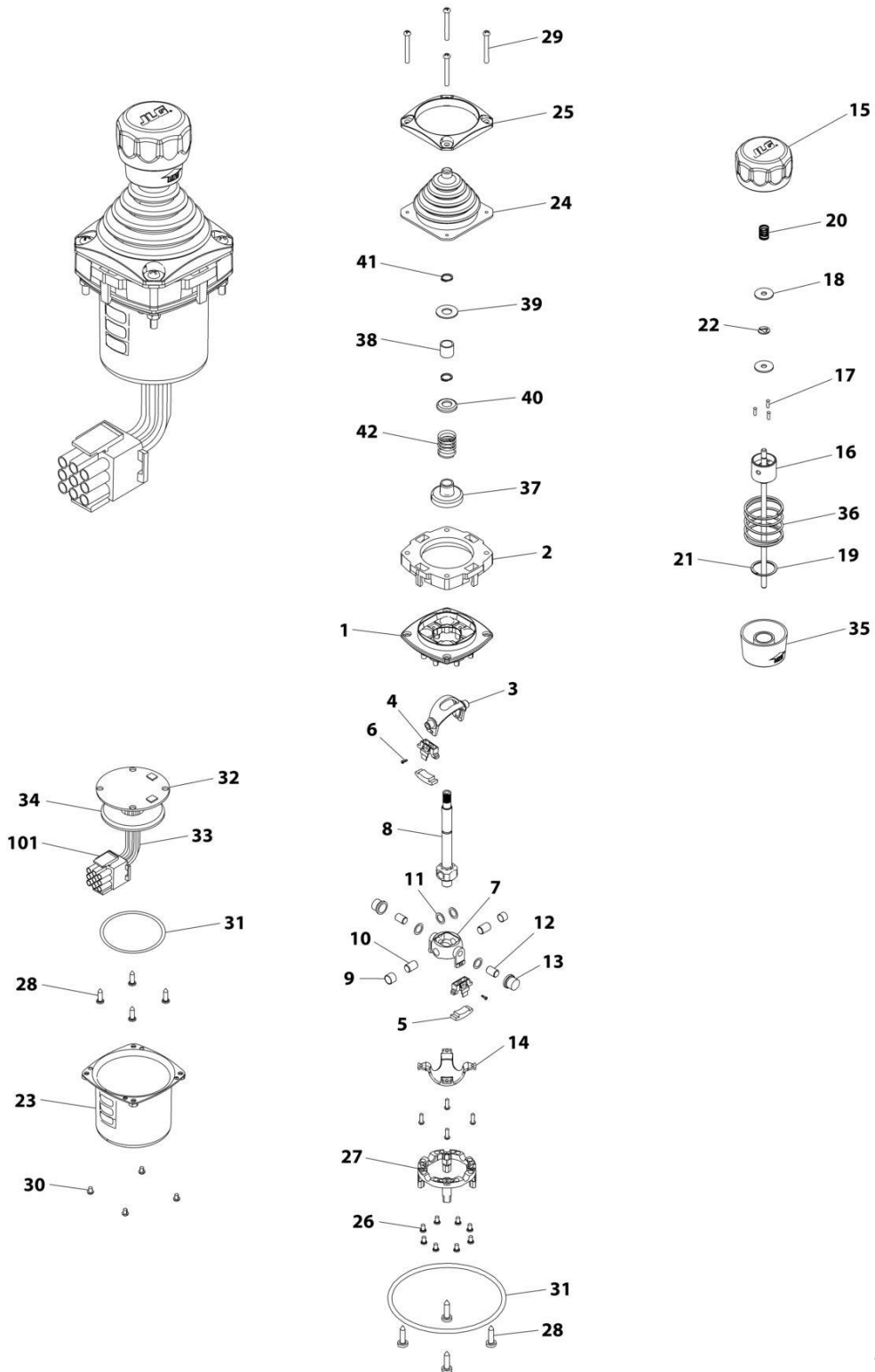
SECTION 4 - PLATFORM

FIGURE 4-15. CONTROLLER ASSEMBLY - DRIVE AND STEER

ITEM	PART NUMBER	QTY	DESCRIPTION	REV
	1001166538	Ref	CONTROLLER ASSEMBLY - DRIVE AND STEER	G
		Ref	Note: For Replacement, Use p/n 1001212415.	
7	70004738	2	Washer	
10	70004739	1	Roller	
11	70004740	1	Boot, Switch	
14	70004741	2	Half, Handle	
17	70004742	1	Enclosure	
18	70004743	4	Nut	
19	70004744	NLA	Boot, Controller (Use p/n 70005230 Boot/Base Assembly)	
20	70004745	NLA	Tube, Locking (Use p/n 70005230 Boot/Base Assembly)	
21	70004746	NLA	Disc, Locking (Use p/n 70005230 Boot/Base Assembly)	
25	70004747	2	Seal, Rope	
26	70004748	1	Screw M3 x 6	
28	70004749	2	Screw M5 x 20	
29	70004750	1	Pin, Dowel	
30	70004751	4	Screw M3 x 16	
101	4460265	1	Connector - 9 Position	
101	4460226	7	Socket, Female	

SECTION 4 - PLATFORM

FIGURE 4-16. CONTROLLER ASSEMBLY - LIFT AND SWING



ART_1001166539

SECTION 4 - PLATFORM

FIGURE 4-16. CONTROLLER ASSEMBLY - LIFT AND SWING

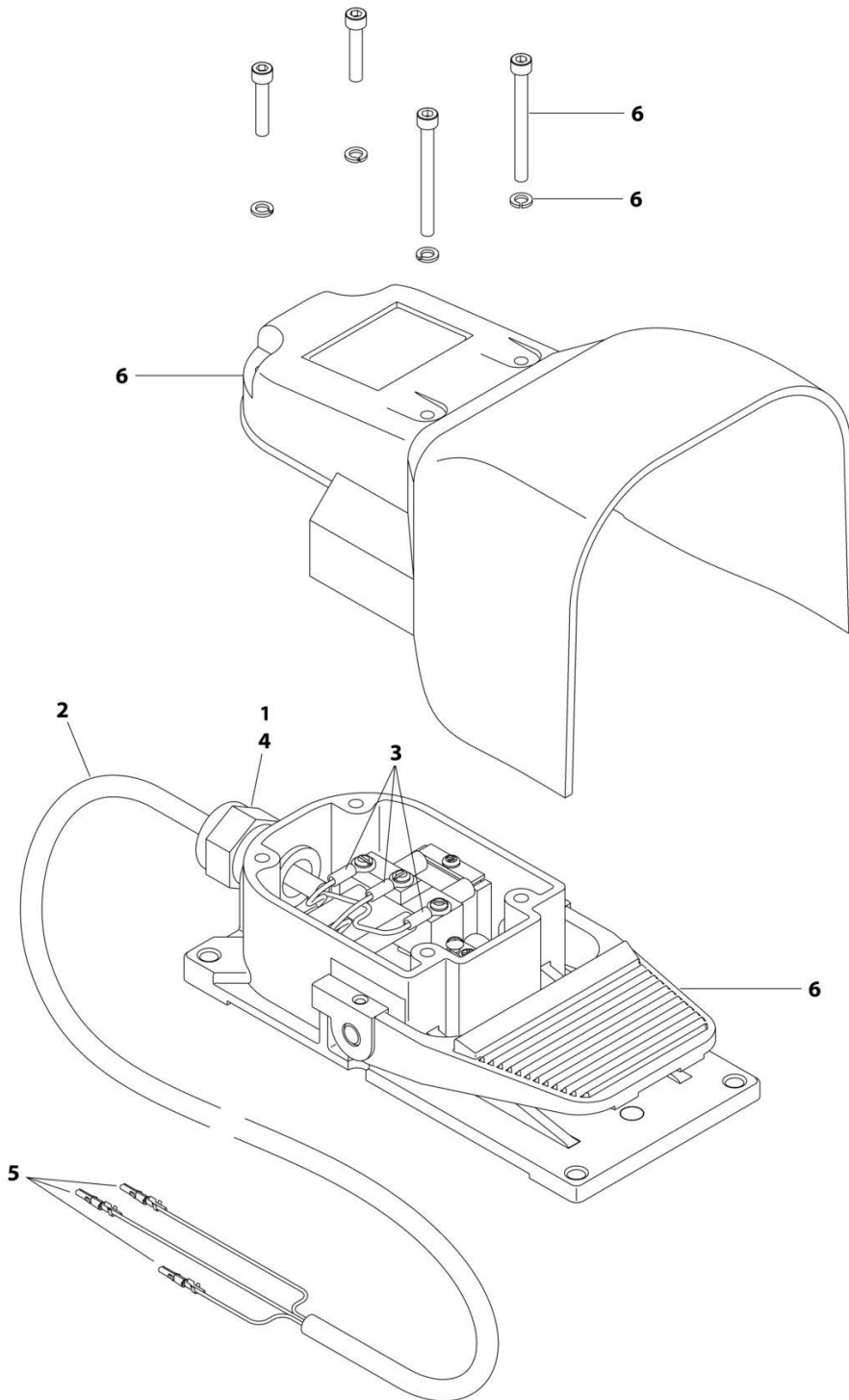
ITEM	PART NUMBER	QTY	DESCRIPTION	REV
	1001166539	Ref	CONTROLLER ASSEMBLY	E
		Ref	Note: Original Equipment Controller May Have Been Replaced with Service Replacement Controller. Visually Identify Controller Before Ordering Parts.	
		Ref	Note: For Replacement, Use p/n 1001129555	
1	See Note	NSS	Main Cast Body (Note: Not Available - Purchase Complete Assembly)	
2	70004752	1	Adapter	
3	See Note	NSS	Pivot Arm, Plastic (Note: Not Available - Purchase Complete Assembly)	
4	See Note	NSS	Holder, Magnet (Note: Not Available - Purchase Complete Assembly)	
5	See Note	NSS	Arc, Magnet (Note: Not Available - Purchase Complete Assembly)	
6	See Note	NSS	Screw (Note: Not Available for Purchase)	
7	See Note	NSS	Pivot Arm, Cast (Note: Not Available - Purchase Complete Assembly)	
8	See Note	NSS	Shaft, Main (Note: Not Available - Purchase Complete Assembly)	
9	See Note	NSS	Bearing (Note: Not Available - Purchase Complete Assembly)	
10	See Note	NSS	Pin (Note: Not Available - Purchase Complete Assembly)	
11	See Note	NSS	Shim (Note: Not Available - Purchase Complete Assembly)	
12	See Note	NSS	Pin (Note: Not Available - Purchase Complete Assembly)	
13	See Note	NSS	Bearing (Note: Not Available - Purchase Complete Assembly)	
14	See Note	NSS	Dome, Centering (Note: Not Available - Purchase Complete Assembly)	
15	70004753	1	Cap	
16	70004754	1	Insert, Cap	
17	70004755	3	Pin	
18	70004756	2	Washer	
19	70004757	1	Pin, Centering	
20	70004758	1	Spring	
21	70004759	1	Ring, Retaining	
22	70004760	1	E-Ring	
23	70004761	1	Can, Enclosure	
24	70004762	1	Boot	
25	70004763	1	Bezel	
26	See Note	NSS	Screw (Note: Not Available for Purchase)	
27	See Note	NSS	Base Mounting (Note: Not Available - Purchase Complete Assembly)	
28	See Note	NSS	Screw (Note: Not Available for Purchase)	
29	70004764	4	Screw	
30	70004765	4	Screw	
31	70004766	1	O-Ring	
32	See Note	NSS	Plate (Note: Not Available - Purchase Complete Assembly)	
33	See Note	NSS	Harness (Note: Not Available - Purchase Complete Assembly)	
34	70004767	1	Grommet, Rubber	
35	70004768	1	Housing	
36	70004769	1	Spring	
37	70004770	1	Stopper	
38	70004771	1	Spacer	
39	70004772	1	Washer	
40	70004773	1	Disc	

SECTION 4 - PLATFORM

ITEM	PART NUMBER	QTY	DESCRIPTION	REV
41	70004774	2	Ring, Retaining	
42	70004775	1	Spring	
101	4460265	1	Connector - 9 Position	
101	4460226	6	Socket, Female	

SECTION 4 - PLATFORM

FIGURE 4-17. FOOTSWITCH ASSEMBLY



ART_1001189039

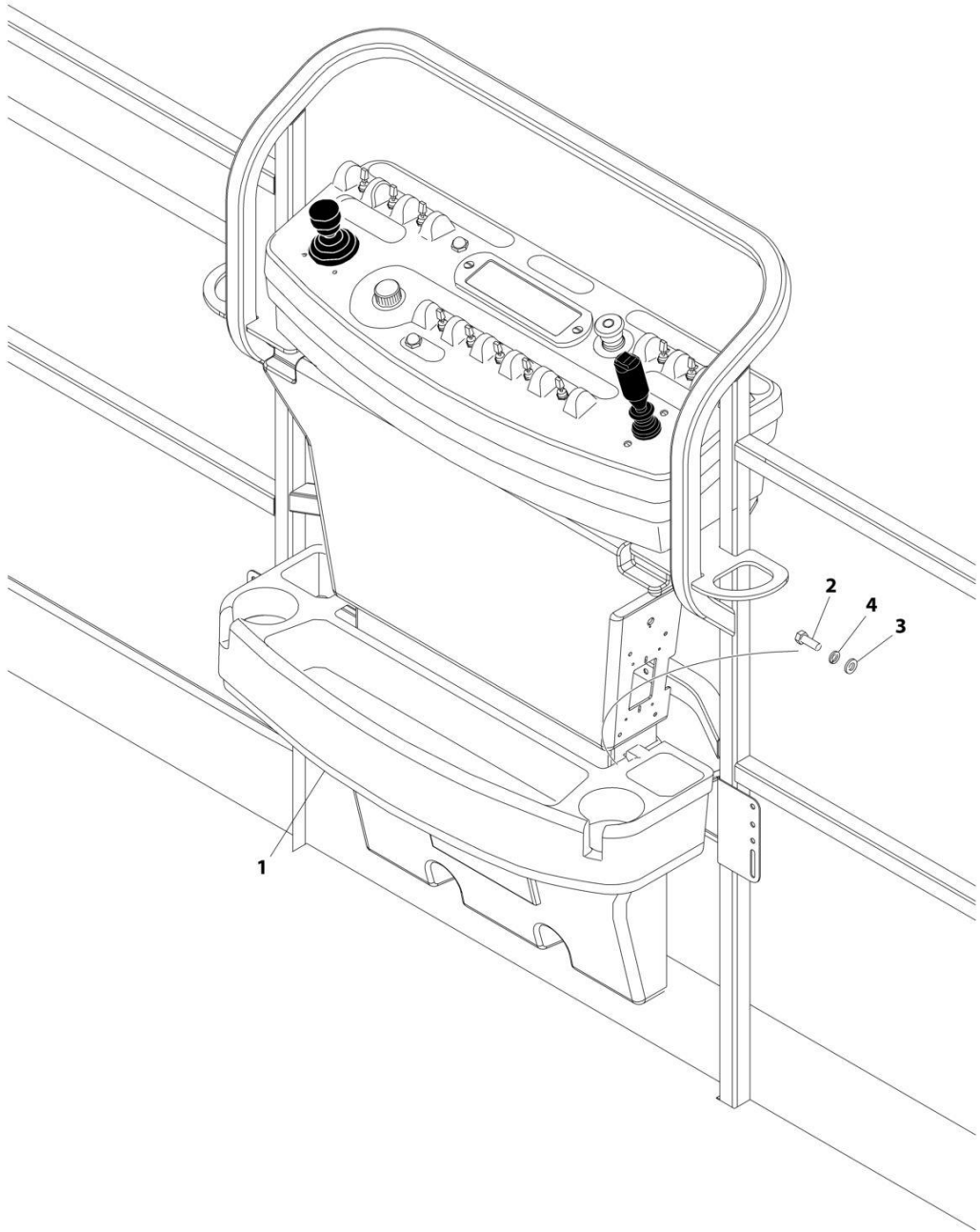
SECTION 4 - PLATFORM

FIGURE 4-17. FOOTSWITCH ASSEMBLY

ITEM	PART NUMBER	QTY	DESCRIPTION	REV
	1001189039	Ref	FOOTSWITCH ASSEMBLY	A
1	0100020	AR	Sealant	
2	1060330	6 ft /1.8m	Cable, Electrical - 16/3	
3	4460042	3	Terminal	
4	4460071	1	Connector, Strain Relief	
5	4460226	3	Socket, Female	
6	1001117172	1	Footswitch	
6	70002902	1	Switch, 20Amp	
6	70002903	1	Gasket	
6	70002905	1	Cover	
6	70002904	1	Kit, Replacement Bolt	

SECTION 4 - PLATFORM

FIGURE 4-18. TRAY ASSEMBLY



ART_1580012

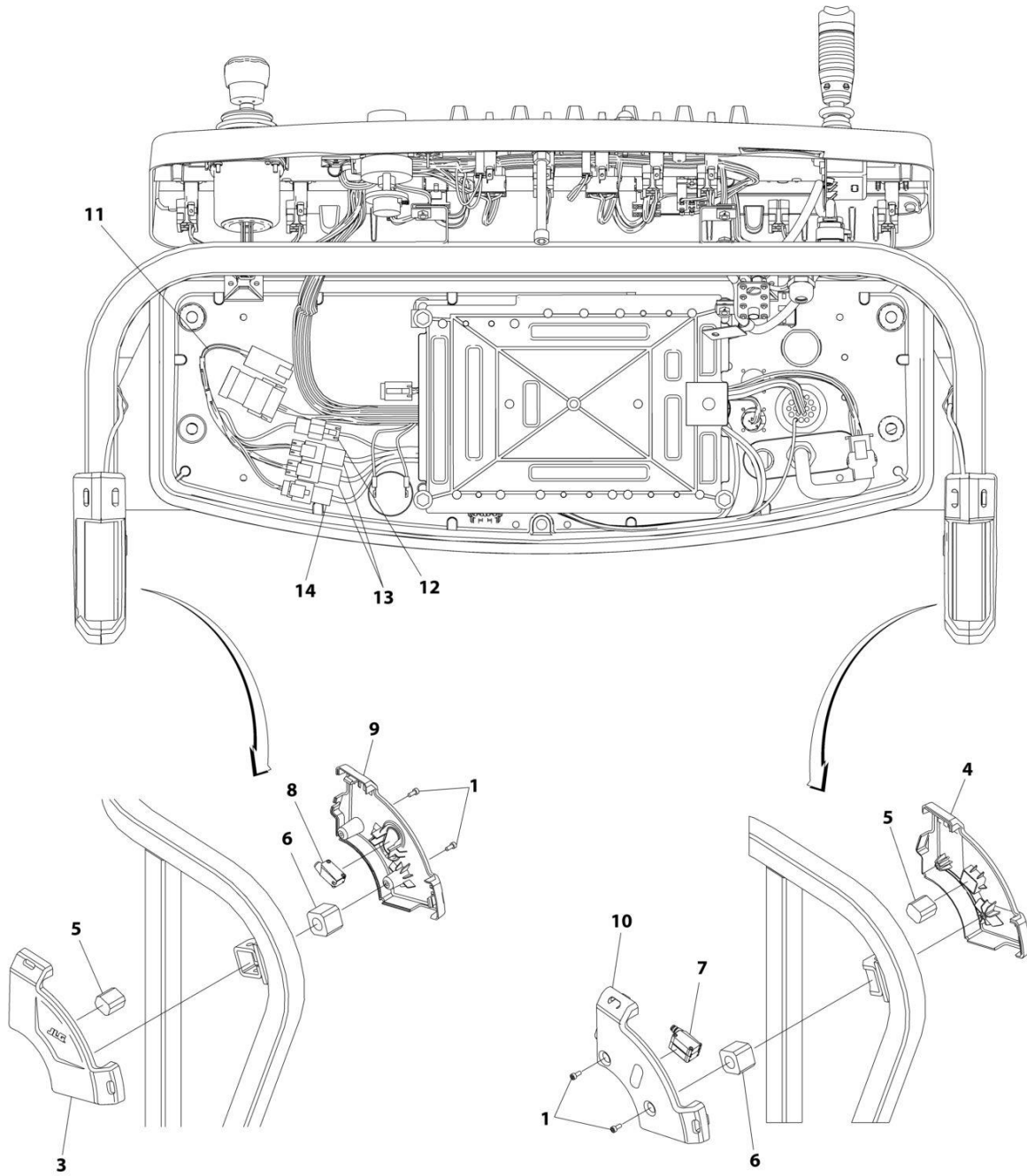
SECTION 4 - PLATFORM

FIGURE 4-18. TRAY ASSEMBLY

ITEM	PART NUMBER	QTY	DESCRIPTION	REV
	1580012	Ref	TRAY ASSEMBLY	C
1	See Note	NSS	Tray, Storage (Center) (Note: Purchase p/n 1580012)	
2	0641406	2	Bolt 1/4 x 3/4	
3	4751400	2	Washer 1/4	
4	4761400	2	Washer 1/4	

SECTION 4 - PLATFORM

FIGURE 4-19. SKYEYE INSTALLATION



ART_1001229341

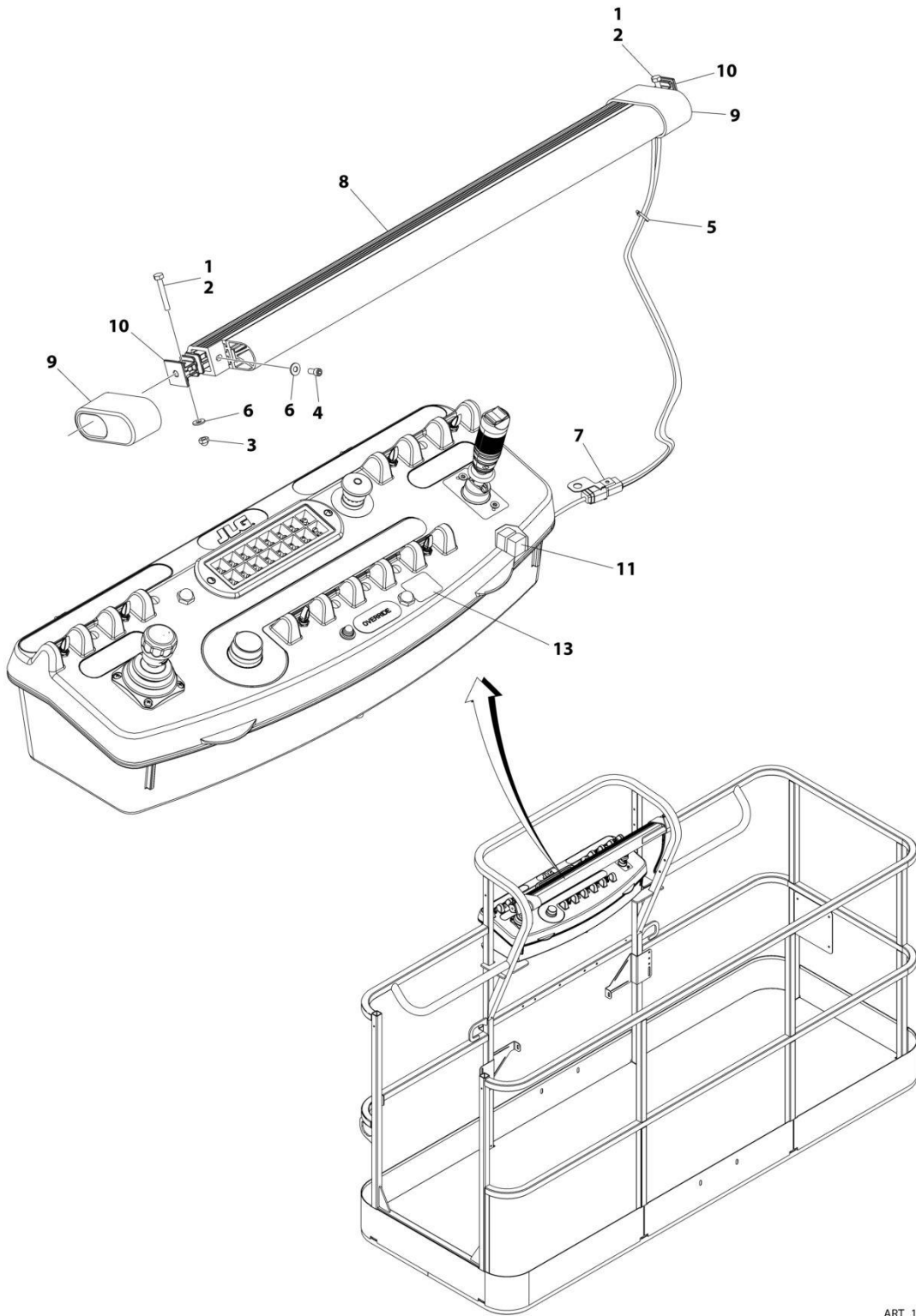
SECTION 4 - PLATFORM

FIGURE 4-19. SKYEYE INSTALLATION

ITEM	PART NUMBER	QTY	DESCRIPTION	REV
	1001229341	Ref	SKYEYE INSTALLATION	B
1	4031505	4	Bolt M4 x 10	
2	4240033	AR	Tie-Strap (Not Shown)	
3	1001227633	1	Housing, LH Outer	
4	1001227634	1	Housing, RH Outer	
5	1001227985	2	Shim	
6	1001227987	2	Shim	
7	1001228224	2	Sensor, Receiver	
8	1001228225	1	Sensor, Emitter	
9	1001232164	1	Housing, LH Inner	
10	1001232165	1	Housing, RH Inner	
11	1001237865	1	Harness, Skyeeye Intermediate (See Separate Breakdown in ELECTRICAL Section)	
12	1001238319	NLA	Harness, Skyeeye Drain Jumper	
12	1001187674	1	Plug, Male - 2 Position	
12	4460942	1	Terminal	
12	4460466	1	Plug, Terminal	
12	4460508	1	Pin, Male	
13	1001237863	2	Harness, Skyeeye Receiver (See Separate Breakdown in ELECTRICAL Section)	
14	1001237864	1	Harness, Skyeeye Emitter (See Separate Breakdown in ELECTRICAL Section)	

SECTION 4 - PLATFORM

FIGURE 4-20. SKYGUARD BAR INSTALLATION



ART_1001238495

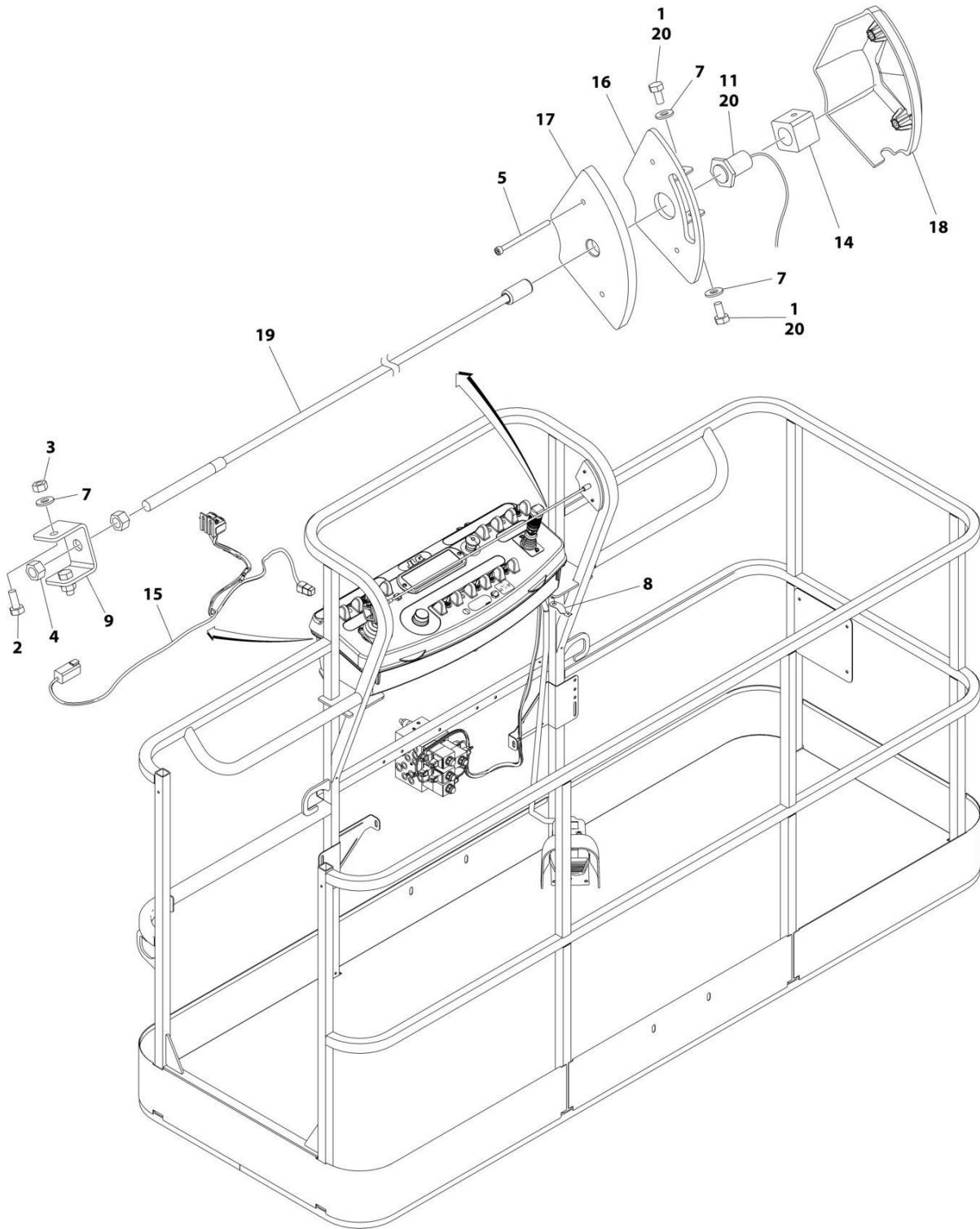
SECTION 4 - PLATFORM

FIGURE 4-20. SKYGUARD BAR INSTALLATION

ITEM	PART NUMBER	QTY	DESCRIPTION	REV
	1001238495	Ref	SKYGUARD BAR INSTALLATION	A
1	0100011	AR	Compound, Locking	
2	0641414	2	Bolt 1/4 x 1-3/4	
3	3300430	2	Nut 1/4	
4	3931408	2	Capscrew 1/4 x 1/2	
5	4240033	8	Tie-Strap	
6	4711400	6	Washer 1/4	
7	1001120328	1	Mount	
8	1001137673	1	SkyGuard Switch Assembly	
9	1001186517	2	Cover, Platform Sensor	
10	1001209664	2	Support, Block	
11	1001186431	2	Relay	
12	1001225580	1	Interface Harness Assembly (Not Shown - Located Inside Console Box) (See Separate Breakdown in ELECTRICAL Section)	
13	1001144433	1	Decal - No Weight SkyGuard	

SECTION 4 - PLATFORM

FIGURE 4-21. SKYLINE INSTALLATION



ART_1001238559_D

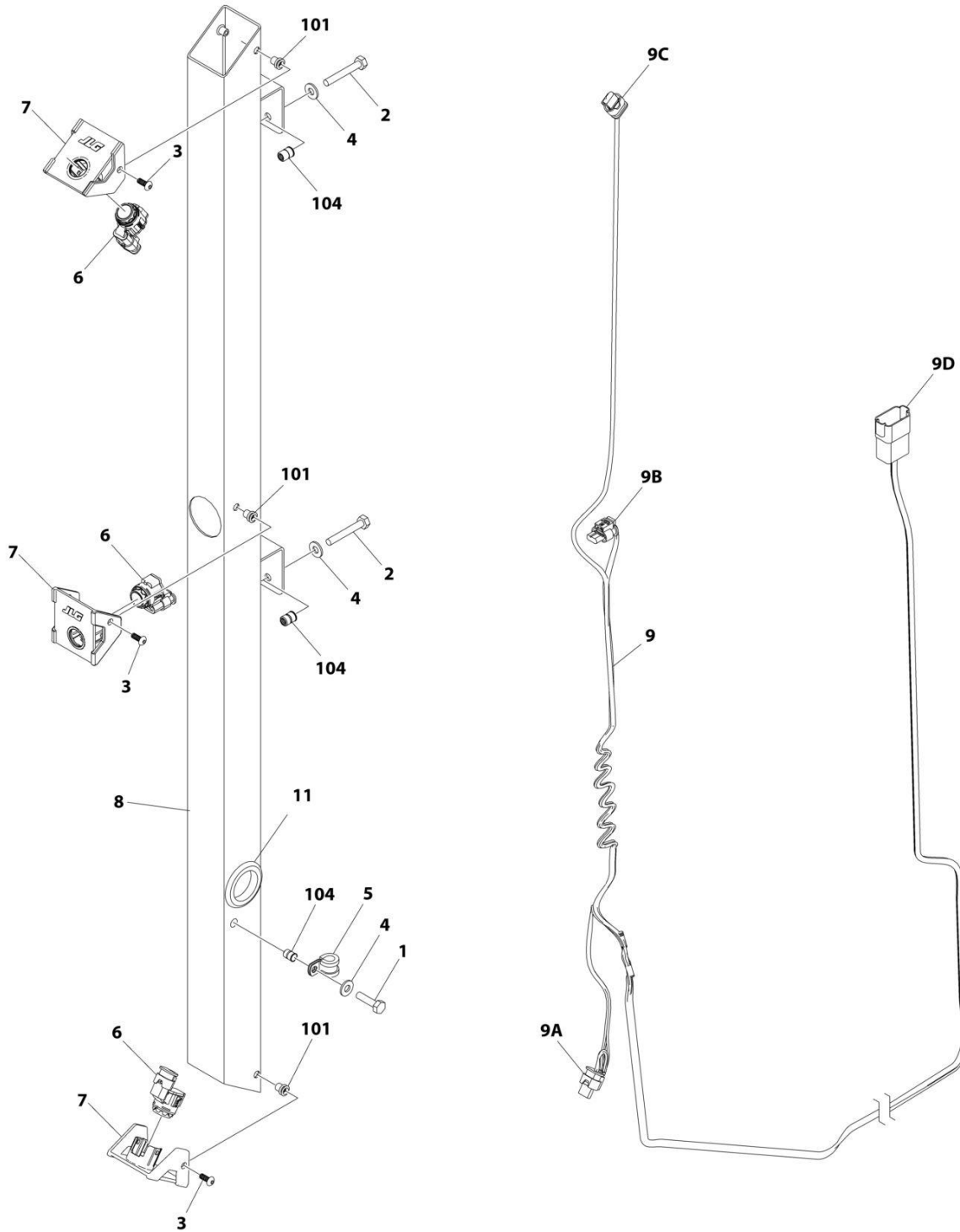
SECTION 4 - PLATFORM

FIGURE 4-21. SKYLINE INSTALLATION

ITEM	PART NUMBER	QTY	DESCRIPTION	REV
	1001238559	Ref	SKYLINE INSTALLATION	D
1	0641404	2	Bolt 1/4 x 1/2	
2	0641405	2	Bolt 1/4 x 5/8	
3	3311405	2	Nut 1/4	
4	3311601	2	Nut 3/8	
5	4031516	2	Capscrew M4 x 60	
6	4240033	AR	Tie-Strap (Not Shown)	
7	4711400	4	Washer 1/4	
8	1001120328	1	Mount	
9	1001232642	1	Bracket	
11	1001232667	1	Sensor, Proximity	
14	1001236552	1	Block	
15	1001238418	1	Harness, Skyline (See Separate Breakdown in ELECTRICAL Section)	
16	1001238472	1	Mount	
17	1001254473	1	Housing, LH	
18	1001241965	1	Housing, RH	
19	1001254472	1	Rod	
20	0100011	AR	Compound, Locking	

SECTION 4 - PLATFORM

FIGURE 4-22. SKYSENSE MID TUBE SENSOR ASSEMBLY



ART_1001243205

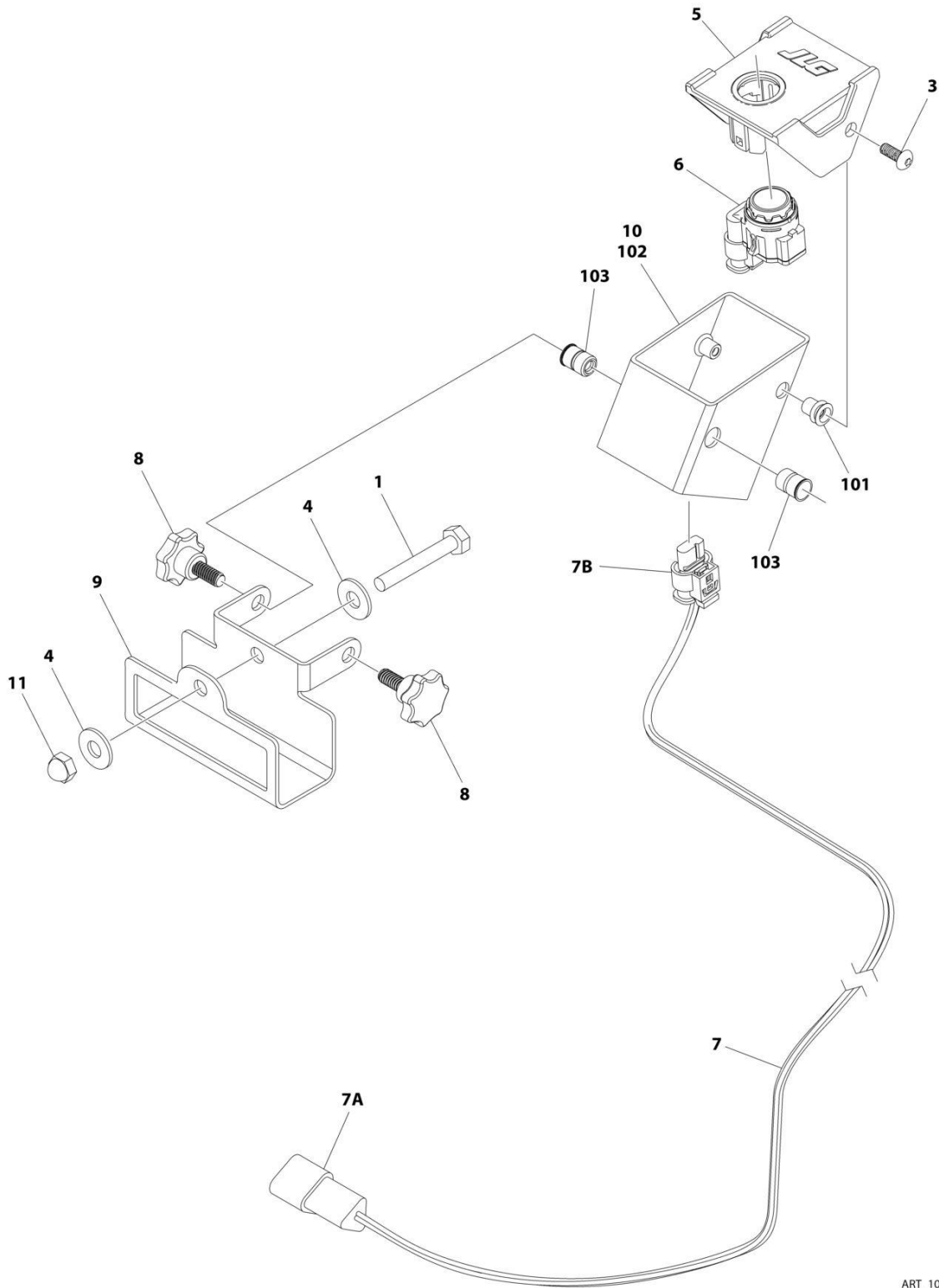
SECTION 4 - PLATFORM

FIGURE 4-22. SKYSENSE MID TUBE SENSOR ASSEMBLY

ITEM	PART NUMBER	QTY	DESCRIPTION	REV
	1001243205	Ref	SKYSENSE MID TUBE SENSOR ASSEMBLY	C
1	0641408	1	Bolt 1/4 x 1	
2	0641414	2	Bolt 1/4 x 1-3/4	
3	1001260525	6	Screw #10 x 1/2	
4	4711400	3	Washer 1/4	
5	1001260524	1	Clamp	
6	1001237902	3	Sensor, SkySense	
7	1001241162	3	Mount, Sensor	
8	1001243092	1	Tube Assembly (Includes items 101 through 104)	C
9	1001244336	1	Harness, SkySense Mid Tube	D
9A	1001237898	1	Connector	
9A	1001237888	3	Terminal	
9B	1001237898	1	Connector	
9B	1001237888	3	Terminal	
9C	1001237898	1	Connector	
9C	1001237888	3	Terminal	
9D	4460931	1	Connector	
9D	4460943	7	Pin	
9D	4460466	1	Plug	
10	1001246389	1	Decal (Not Shown)	
11	1001247252	1	Grommet	
101	2080069	6	Fastener	
104	1001258730	3	Rivnut	

SECTION 4 - PLATFORM

FIGURE 4-23. SKYSENSE OVERHEAD SENSOR ASSEMBLY



ART_1001244733

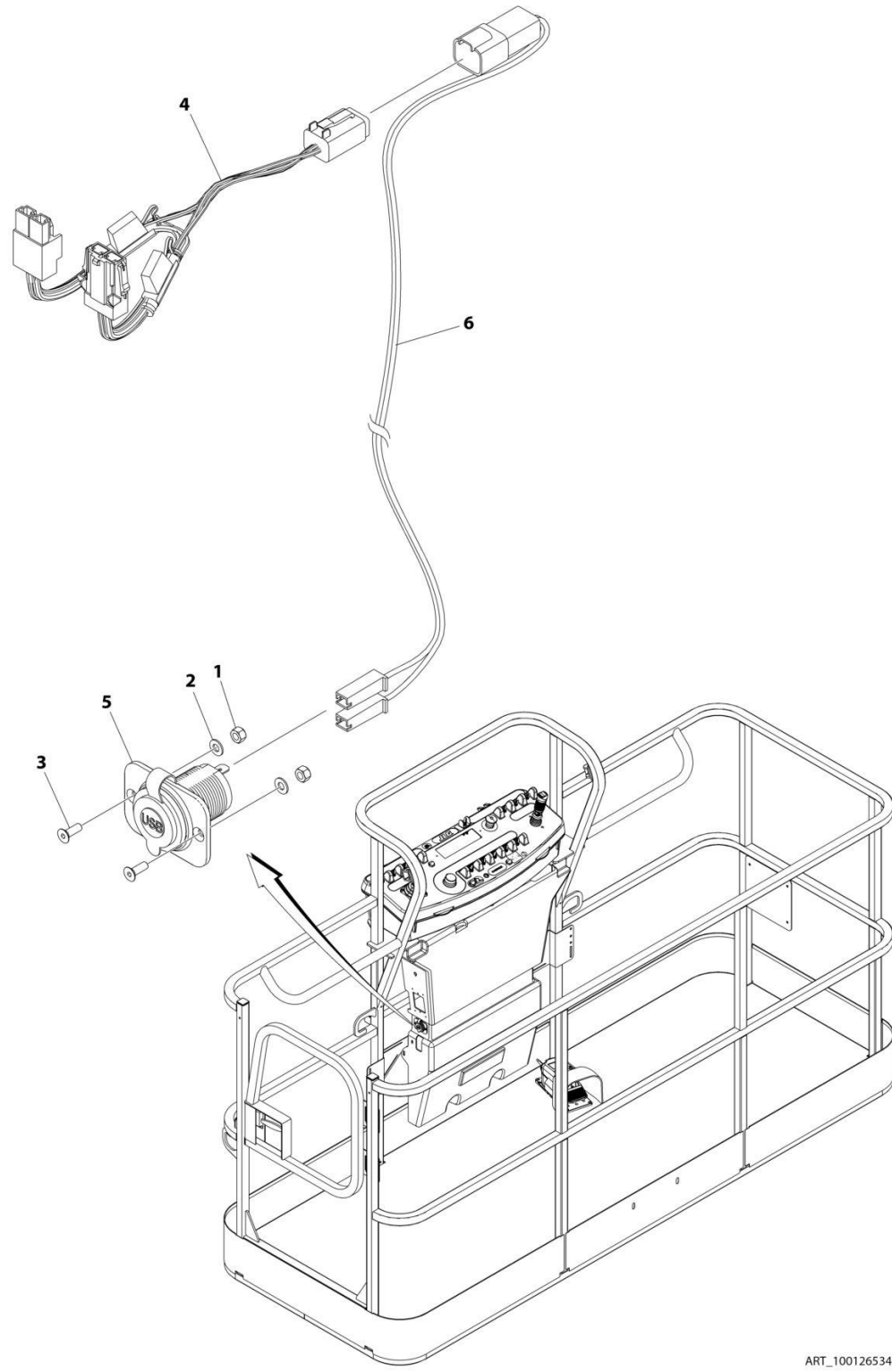
SECTION 4 - PLATFORM

FIGURE 4-23. SKYSENSE OVERHEAD SENSOR ASSEMBLY

ITEM	PART NUMBER	QTY	DESCRIPTION	REV
	1001244733	Ref	SKYSENSE OVERHEAD SENSOR ASSEMBLY	D
1	0641414	1	Bolt 1/4 x 1-3/4	
3	1001260525	2	Screw #10 x 1/2	
4	4751400	2	Washer 1/4	
5	1001237891	1	Mount, Sensor	
6	1001237902	1	Sensor, SkySense	
7	1001244335	1	Harness, SkySense Overhead	D
7A	4460536	1	Connector	
7A	4460943	3	Pin	
7B	1001237898	1	Connector	
7B	1001237888	1	Terminal	
8	1001244671	2	Knob	
9	1001244709	1	Bracket, Mounting	
10	1001244732	1	Housing Assembly (Includes items 101 through 103)	B
11	3300430	1	Nut	
101	2080069	2	Fastener	
102	1001244710	1	Housing, Sensor	
103	1001258730	2	Rivnut	

SECTION 4 - PLATFORM

FIGURE 4-24. USB CHARGER INSTALLATION



ART_1001265342

SECTION 4 - PLATFORM

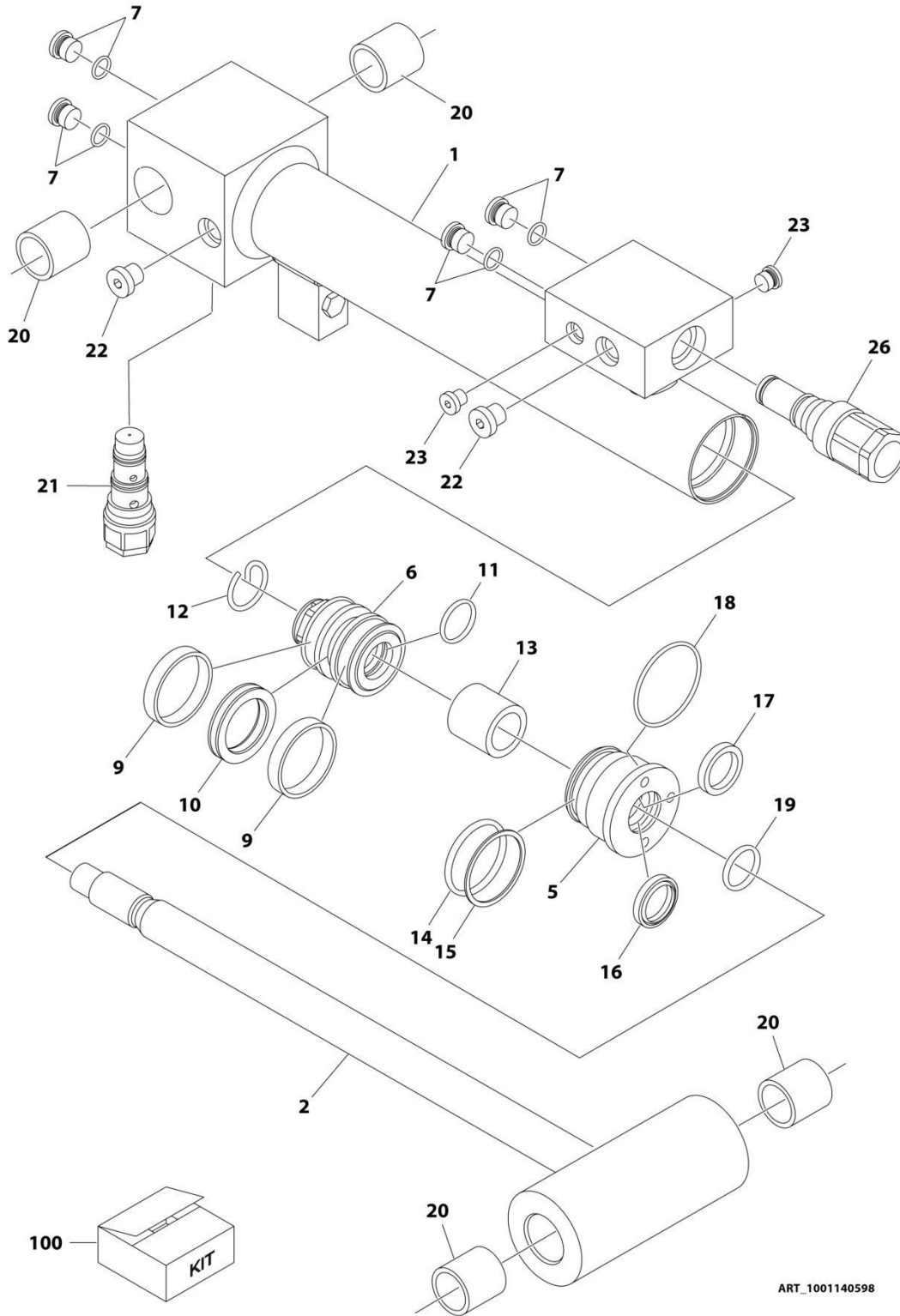
FIGURE 4-24. USB CHARGER INSTALLATION

ITEM	PART NUMBER	QTY	DESCRIPTION	REV
	1001265342	Ref	USB CHARGER INSTALLATION	A
1	3290405	2	Nut M4	
2	4811400	2	Washer M4	
3	1001097244	2	Screw M4 x 12	
4	1001120484	1	Harness, Work Lights	
4	4460879	1	Plug, Male - 2 Position	
4	4460887	2	Terminal	
4	2400060	2	Fuseholder Includes Cover	
4	8229249	2	Fuse, 3 Amp	
4	4460884	1	Connector - 4 Position	
4	4460465	4	Socket, Female	
4	1001120471	1	Connector - 2 Position	
4	1001120477	2	Terminal	
5	1001210636	1	Receptacle, USB	
6	1001265163	1	Harness, USB	A
6	4460260	2	Cover, Terminal	
6	4460259	2	Terminal	
6	4460932	1	Receptacle, Bussbar - 4 Position	
6	4460464	2	Pin, Male	
6	4460466	2	Plug, Terminal	

SECTION 5 - CYLINDER

SECTION 5 - CYLINDER

FIGURE 5-1. LEVEL (PLATFORM SLAVE) CYLINDER ASSEMBLY - E400ANARROW



ART_1001140598

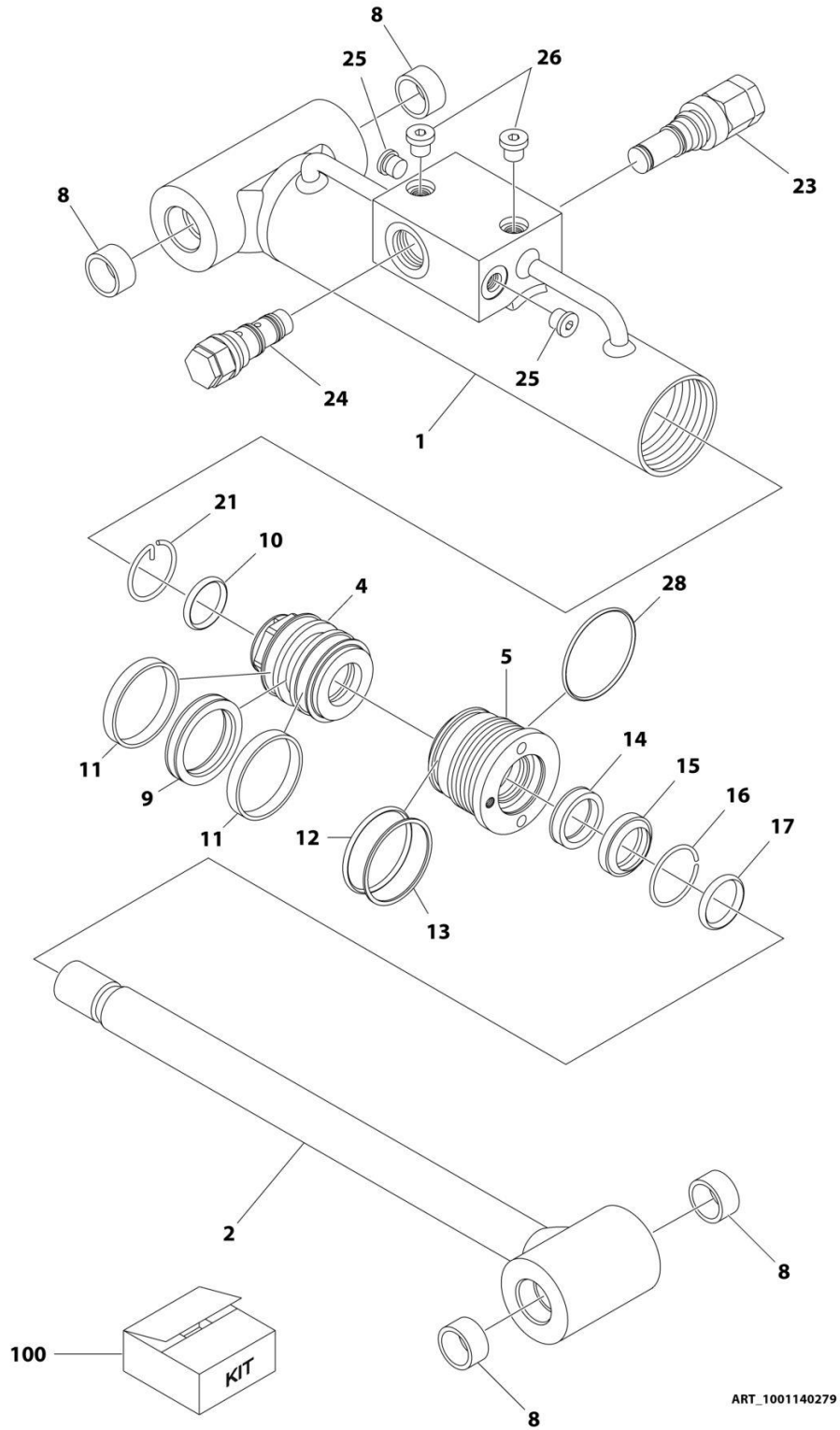
SECTION 5 - CYLINDER

FIGURE 5-1. LEVEL (PLATFORM SLAVE) CYLINDER ASSEMBLY - E400ANARROW

ITEM	PART NUMBER	QTY	DESCRIPTION	REV
	1001140598	Ref	LEVEL (PLATFORM SLAVE) CYLINDER ASSEMBLY	B
		Ref	Note: Original Cylinder May Have Been Replaced with Service Replacement. Identify PN Stamped on Cylinder Before Ordering Parts.	
1	70004146	1	Barrel	
2	70004147	1	Rod	
5	70000739	1	Head	
6	70004141	1	Piston	
7	See Note	4	Plug (Note: Not Available for Purchase)	
9	See Note	NSS	Ring, Wear (Note: Use p/n 70004131)	
10	See Note	NSS	Seal, Piston (Note: Use p/n 70004131)	
11	70023094	NSS	O-Ring (Note: Use p/n 70004131)	
12	70004142	1	Retainer	
13	70004143	1	Spacer	
14	See Note	NSS	O-Ring (Note: Use p/n 70004131)	
15	See Note	NSS	Ring, Back-Up (Note: Use p/n 70004131)	
16	See Note	NSS	Wiper, Rod (Note: Use p/n 70004131)	
17	See Note	NSS	Seal, Rod (Note: Use p/n 70004131)	
18	See Note	NSS	O-Ring (Note: Use p/n 70004131)	
19	70000740	1	O-Ring	
20	0962356	4	Bushing	
21	4640509	1	Cartridge, Counterbalance Valve	
21	2900792	1	Seal Kit - 4640509 Valve	
22	70024262	2	Plug	
23	See Note	2	Plug (Note: Not Available for Purchase)	
26	4640932	1	Cartridge, Counterbalance Valve	
26	7011112	1	Seal Kit - 4640932 Valve	
100	70004131	1	Seal Kit (Includes Items 9-11 & 14-18)	

SECTION 5 - CYLINDER

FIGURE 5-2. LEVEL (PLATFORM SLAVE) CYLINDER ASSEMBLY - E400AJPNARROW



ART_1001140279

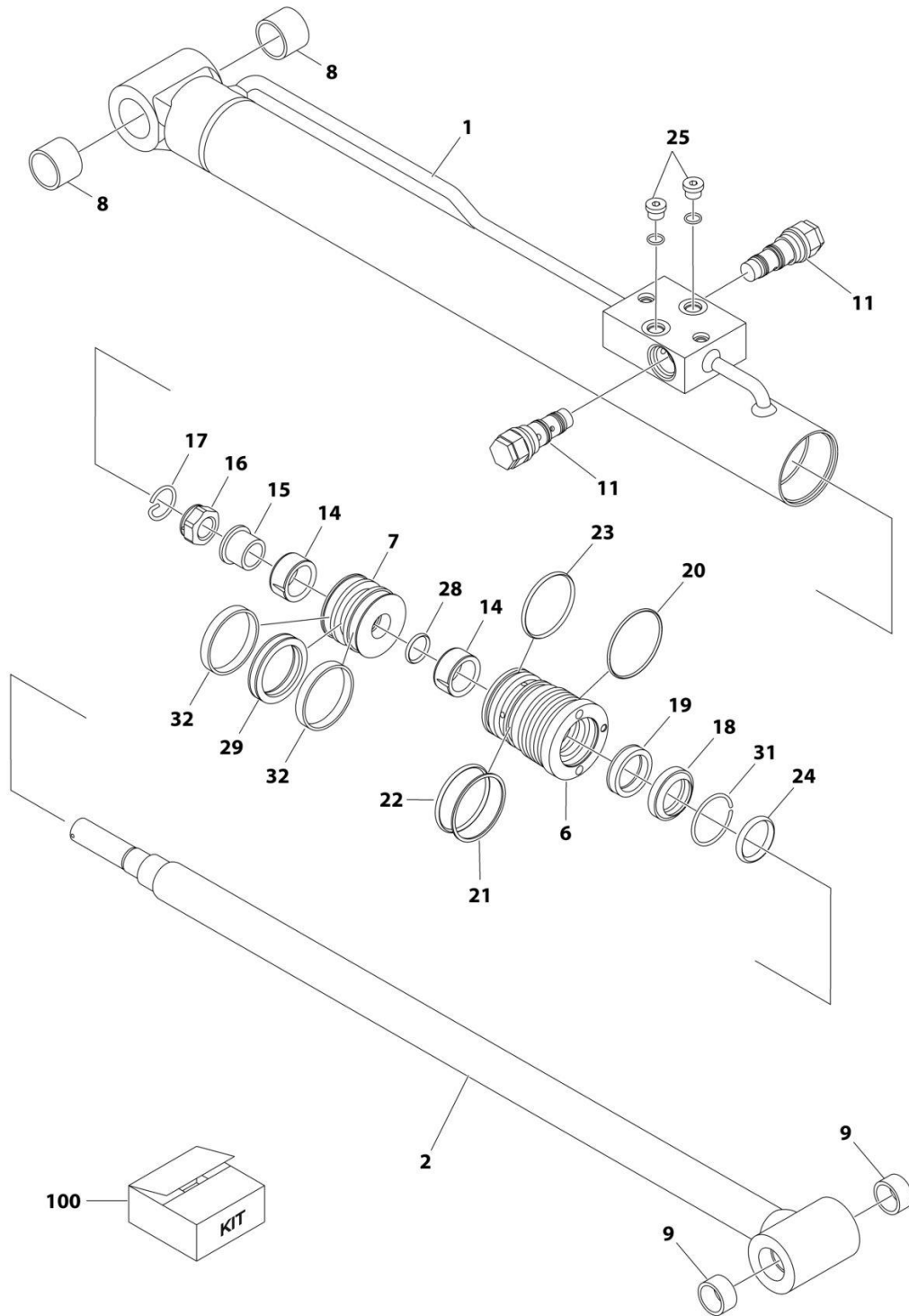
SECTION 5 - CYLINDER

FIGURE 5-2. LEVEL (PLATFORM SLAVE) CYLINDER ASSEMBLY - E400AJPNARROW

ITEM	PART NUMBER	QTY	DESCRIPTION	REV
	1001140279	Ref	LEVEL (PLATFORM SLAVE) CYLINDER ASSEMBLY	B
		Ref	Note: Original Cylinder may have been replaced with Service Replacement. Identify PN Stamped on Cylinder Before Ordering Parts.	
1	70003846	1	Barrel	
2	70003847	1	Rod	
4	70003819	1	Piston	
5	7026082	1	Head	
8	0961951	4	Bushing	
9	See Note	NSS	Seal, Piston (Note: Use p/n 70003845)	
10	See Note	NSS	O-Ring (Note: Use p/n 70003845)	
11	See Note	NSS	Ring, Wear (Note: Use p/n 70003845)	
12	See Note	NSS	O-Ring (Note: Use p/n 70003845)	
13	See Note	NSS	Ring, Back-Up (Note: Use p/n 70003845)	
14	See Note	NSS	Seal, Rod (Note: Use p/n 70003845)	
15	See Note	NSS	Wiper, Rod (Note: Use p/n 70003845)	
16	70002217	1	Ring, Retaining	
17	7026084	1	O-Ring	
21	70002216	1	Retainer	
23	4640932	1	Cartridge, Counterbalance Valve	
23	7011112	1	Seal Kit - 4640932 Valve	
24	4641086	1	Cartridge, Counterbalance Valve	
24	2900792	1	Seal Kit - 4641086 Valve	
25	7024844	2	Plug	
26	See Note	2	Plug (Note: Not Available for Purchase)	
28	See Note	NSS	O-Ring (Note: Use p/n 70003845)	
100	70003845	1	Seal Kit (Includes Items 9-15 & 28)	

SECTION 5 - CYLINDER

FIGURE 5-3. LIFT CYLINDER ASSEMBLY - JIB - E400AJPNARROW



ART_1001140280_A

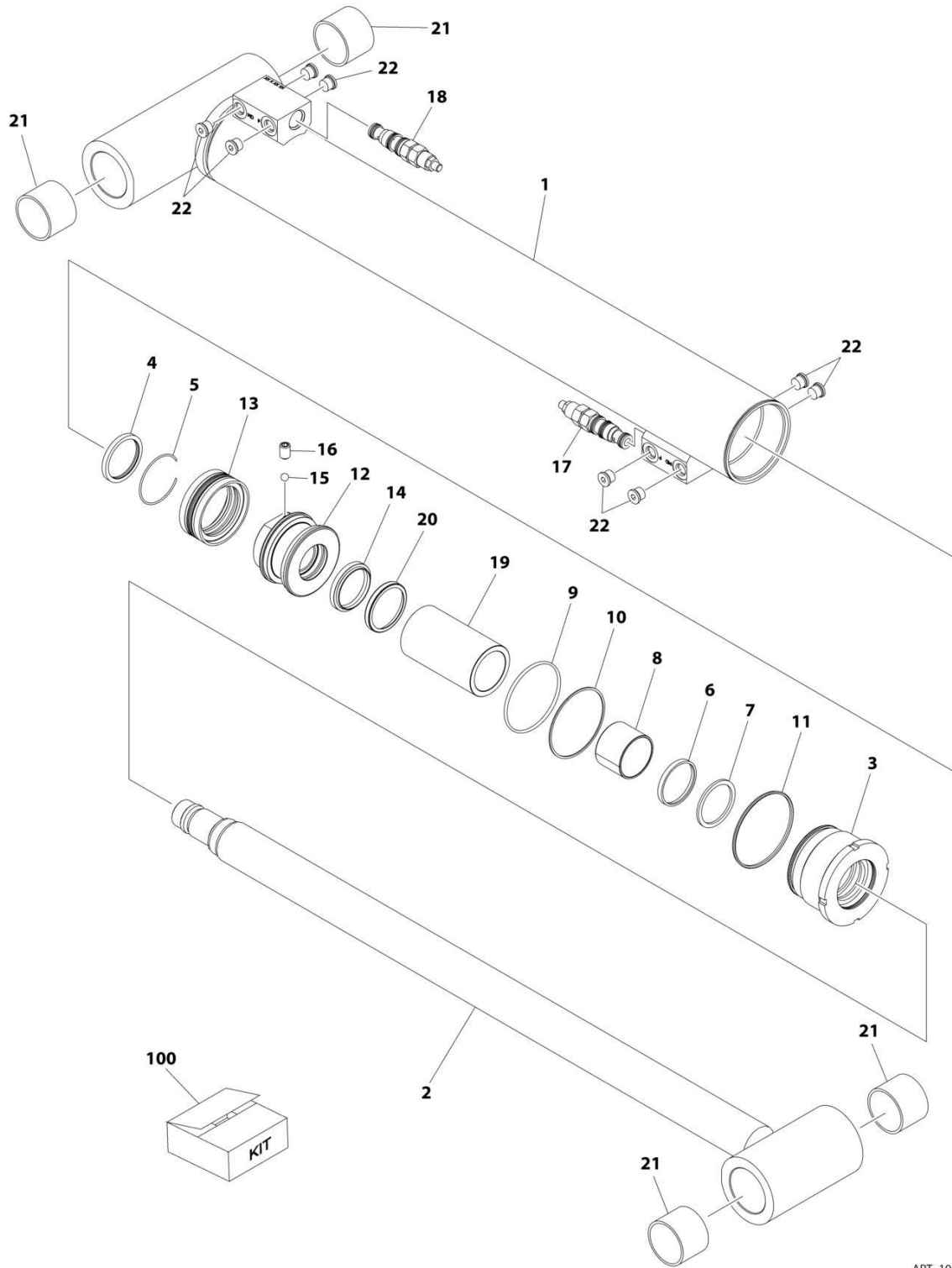
SECTION 5 - CYLINDER

FIGURE 5-3. LIFT CYLINDER ASSEMBLY - JIB - E400AJPNARROW

ITEM	PART NUMBER	QTY	DESCRIPTION	REV
	1001140280	Ref	LIFT CYLINDER ASSEMBLY - JIB	A
		Ref	Note: Original Cylinder May Have Been Replaced with Service Replacement. Identify PN Stamped on Cylinder Before Ordering Parts.	
		Ref	Note: For Jib Cylinder with Manual Descent Valve see SPECIAL OPTIONS.	
1	70003863	1	Barrel	
2	70003864	1	Rod	
6	7026088	1	Head	
7	70003833	1	Piston	
8	0961951	2	Bushing	
9	0961947	2	Bushing	
11	4640509	2	Cartridge, Counterbalance Valve	
11	2900792	2	Seal Kit - 4640509	
14	7026090	2	Bushing	
15	7026091	1	Sleeve	
16	7026092	1	Nut	
17	70002223	1	Retainer	
18	See Note	NSS	Wiper, Rod (Note: Use p/n 70003836)	
19	See Note	NSS	Seal, Rod (Note: Use p/n 70003836)	
20	See Note	NSS	O-Ring (Note: Use p/n 70003836)	
21	See Note	NSS	Ring, Back-Up (Note: Use p/n 70003836)	
22	See Note	NSS	O-Ring (Note: Use p/n 70003836)	
23	See Note	1	O-Ring (Note: Use p/n 70003836)	
24	7026068	1	O-Ring	
25	7024844	2	Plug	
28	See Note	NSS	O-Ring (Note: Use p/n 70003836)	
29	See Note	NSS	Seal, Piston (Note: Use p/n 70003836)	
31	70002220	1	Ring, Retaining	
32	See Note	NSS	Ring, Wear (Note: Use p/n 70003836)	
100	70003836	1	Seal Kit (Includes Items 18-23, 28, 29 & 32)	

SECTION 5 - CYLINDER

FIGURE 5-4. LIFT CYLINDER ASSEMBLY - LOWER - E400ANARROW



ART_1001228037

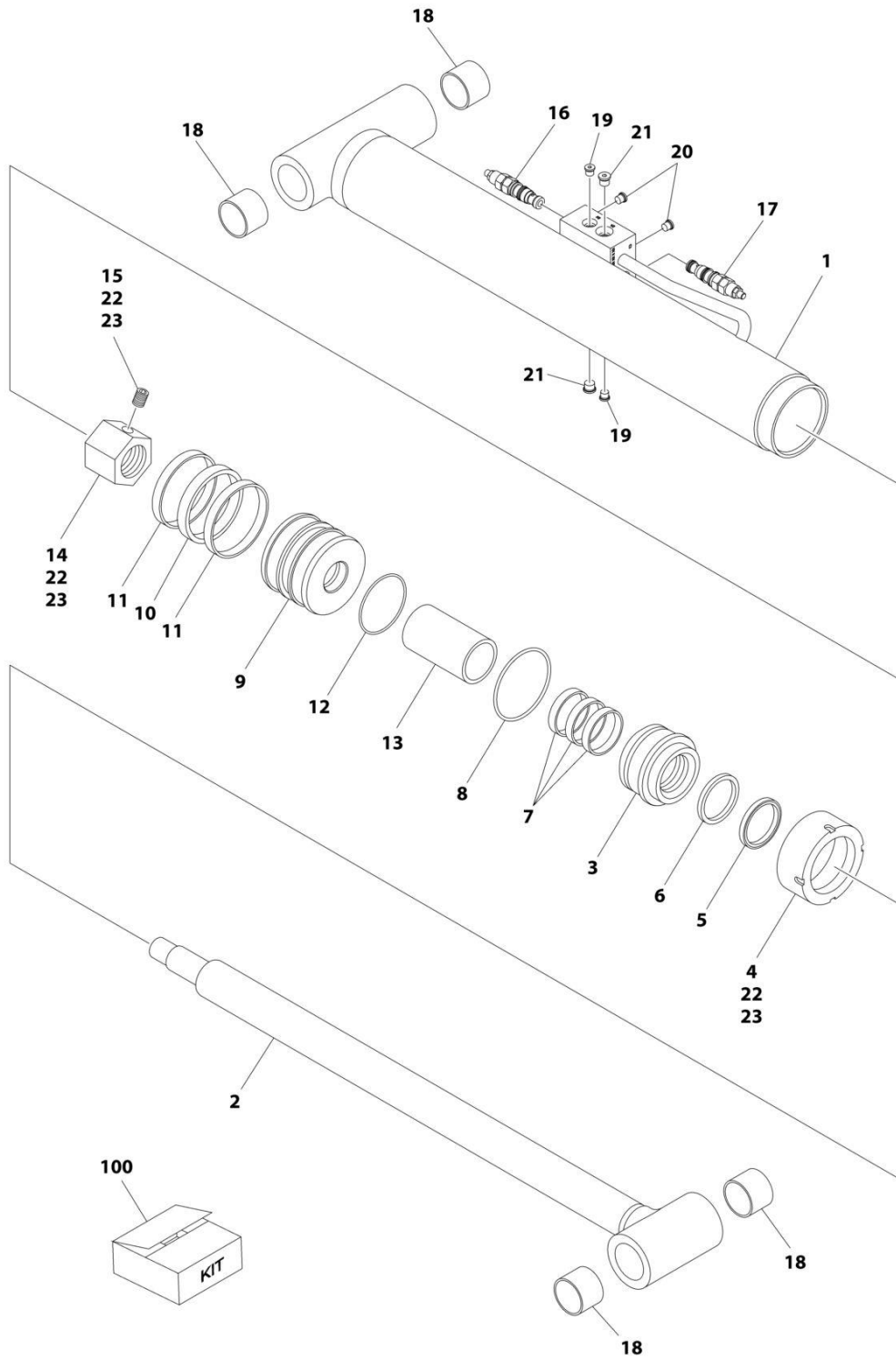
SECTION 5 - CYLINDER

FIGURE 5-4. LIFT CYLINDER ASSEMBLY - LOWER - E400ANARROW

ITEM	PART NUMBER	QTY	DESCRIPTION	REV
	1001228037	Ref	LIFT CYLINDER ASSEMBLY - LOWER	A
		Ref	Note: Original Cylinder may have been replaced with Service Replacement. Identify PN Stamped on Cylinder Before Ordering Parts.	
1	See Note	NSS	Barrel (Note: Not Available for Purchase)	
2	70006593	1	Rod	
3	70006592	1	Head	
4	See Note	NSS	Wiper (Note: Use Item 100)	
5	70002412	1	Retainer	
6	See Note	NSS	Seal, Rod (Note: Use Item 100)	
7	See Note	NSS	Ring, Back-up (Note: Use Item 100)	
8	70006591	1	Bearing	
9	See Note	NSS	O-Ring (Note: Use Item 100)	
10	See Note	NSS	Ring, Back-up (Note: Use Item 100)	
11	70050801	1	O-Ring	
12	70006590	1	Piston	
13	See Note	NSS	Seal (Note: Use Item 100)	
14	See Note	NSS	O-Ring (Note: Use Item 100)	
15	70022564	1	Ball, Steel	
16	70006601	1	Setscrew	
17	4640634	1	Cartridge, Holding Valve	
17	2900770	1	Seal Kit - 4640634 Valve	
18	4641386	1	Cartridge, Holding Valve	
18	7011376	1	Seal Kit - 4641386 Valve	
19	70006589	1	Spacer	
20	70006588	1	O-Ring	
21	0961950	4	Bushing	
22	2220883	8	Plug, O-Ring	
100	70006587	1	Seal Kit (Includes Items 4, 6, 7, 9, 10, 13 & 14)	

SECTION 5 - CYLINDER

FIGURE 5-5. CYLINDER ASSEMBLY - LOWER - E400AJPNARROW



ART_1001228035

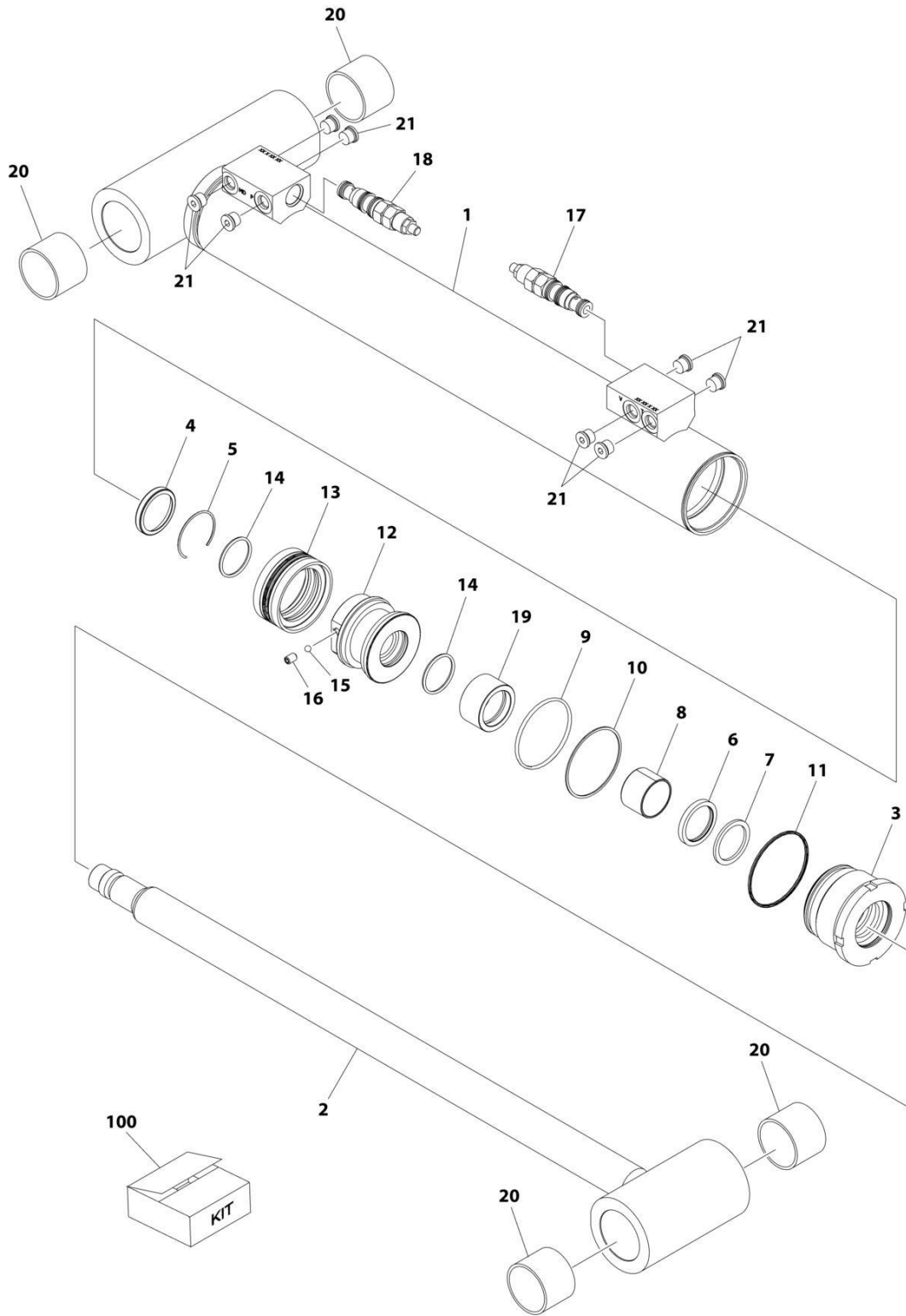
SECTION 5 - CYLINDER

FIGURE 5-5. CYLINDER ASSEMBLY - LOWER - E400AJPNARROW

ITEM	PART NUMBER	QTY	DESCRIPTION	REV
	1001228035	Ref	LIFT CYLINDER ASSEMBLY - LOWER	C
		Ref	Note: Original Cylinder may have been replaced with Service Replacement. Identify PN Stamped on Cylinder Before Ordering Parts.	
1	See Note	NSS	Barrel Weldment (Note: Not Available for Purchase)	
2	70006535	1	Rod Weldment	
3	70006533	1	Head	
4	70006533	1	Retainer	
5	See Note	NSS	Wiper (Note: Use Item 100)	
6	See Note	NSS	Seal, Rod (Note: Use Item 100)	
7	See Note	NSS	Ring, Wear (Note: Use Item 100)	
8	See Note	NSS	O-Ring (Note: Use Item 100)	
9	70006532	1	Piston	
10	See Note	NSS	Seal (Note: Use Item 100)	
11	See Note	NSS	Ring, Wear (Note: Use Item 100)	
12	See Note	NSS	O-Ring (Note: Use Item 100)	
13	70006531	1	Spacer	
14	3300281	1	Nut	
15	3900170	1	Setscrew	
16	4640634	1	Cartridge, Holding Valve	
16	2900770	1	Seal Kit - 4640634 Valve	
17	4641386	1	Cartridge, Holding Valve	
17	7011376	1	Seal Kit - 4641386 Valve	
18	0961950	4	Bushing	
19	2220883	2	Plug, O-Ring	
20	2220883	2	Plug, O-Ring	
21	2220885	2	Plug, O-Ring	
22	0100011	AR	Compound, Locking	
23	0100038	AR	Primer, Locking	
100	2901806	1	Seal Kit (Includes Items 5-8 & 10-12)	

SECTION 5 - CYLINDER

FIGURE 5-6. LIFT CYLINDER ASSEMBLY - MID - E400ANARROW



ART_1001228038

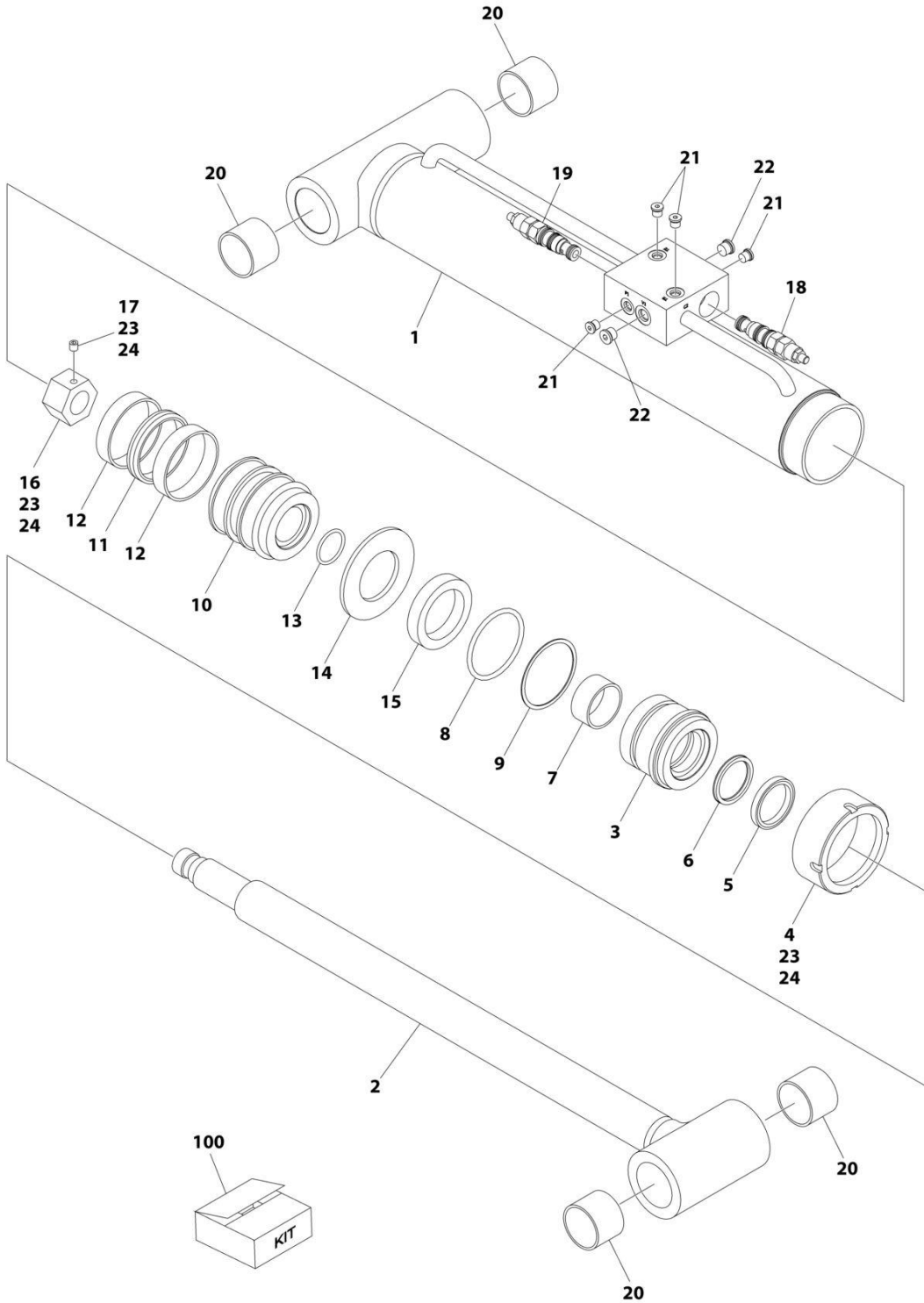
SECTION 5 - CYLINDER

FIGURE 5-6. LIFT CYLINDER ASSEMBLY - MID - E400ANARROW

ITEM	PART NUMBER	QTY	DESCRIPTION	REV
	1001228038	Ref	LIFT CYLINDER ASSEMBLY - MID	A
		Ref	Note: Original Cylinder may have been replaced with Service Replacement. Identify PN Stamped on Cylinder Before Ordering Parts.	
1	See Note	NSS	Barrel Weldment (Note: Not Available for Purchase)	
2	70006600	1	Rod Weldment	
3	70006599	1	Head	
4	See Note	1	Wiper (Note: Use Item 100)	
5	70002373	1	Retainer	
6	See Note	NSS	Seal, Rod (Note: Use Item 100)	
7	See Note	NSS	Ring, Back-up (Note: Use Item 100)	
8	70005143	1	Bearing	
9	See Note	NSS	O-Ring (Note: Use Item 100)	
10	See Note	NSS	Ring, Back-up (Note: Use Item 100)	
11	70006598	1	O-Ring	
12	70006597	1	Piston	
13	See Note	NSS	Seal (Note: Use Item 100)	
14	See Note	NSS	O-Ring (Note: Use Item 100)	
15	70022564	1	Ball, Steel	
16	70006596	1	Setscrew	
17	4640634	1	Cartridge, Holding Valve	
17	2900770	1	Seal Kit - 4640634 Valve	
18	4641386	1	Cartridge, Holding Valve	
18	7011376	1	Seal Kit - 4641386 Valve	
19	70006595	1	Spacer	
20	0961950	4	Bushing	
21	2220885	8	Plug, O-Ring	
100	70006594	1	Seal Kit (Includes 4, 6, 7, 9, 10, 13 & 14)	

SECTION 5 - CYLINDER

FIGURE 5-7. LIFT CYLINDER ASSEMBLY - MID - E400AJPNARROW



ART_1001228036

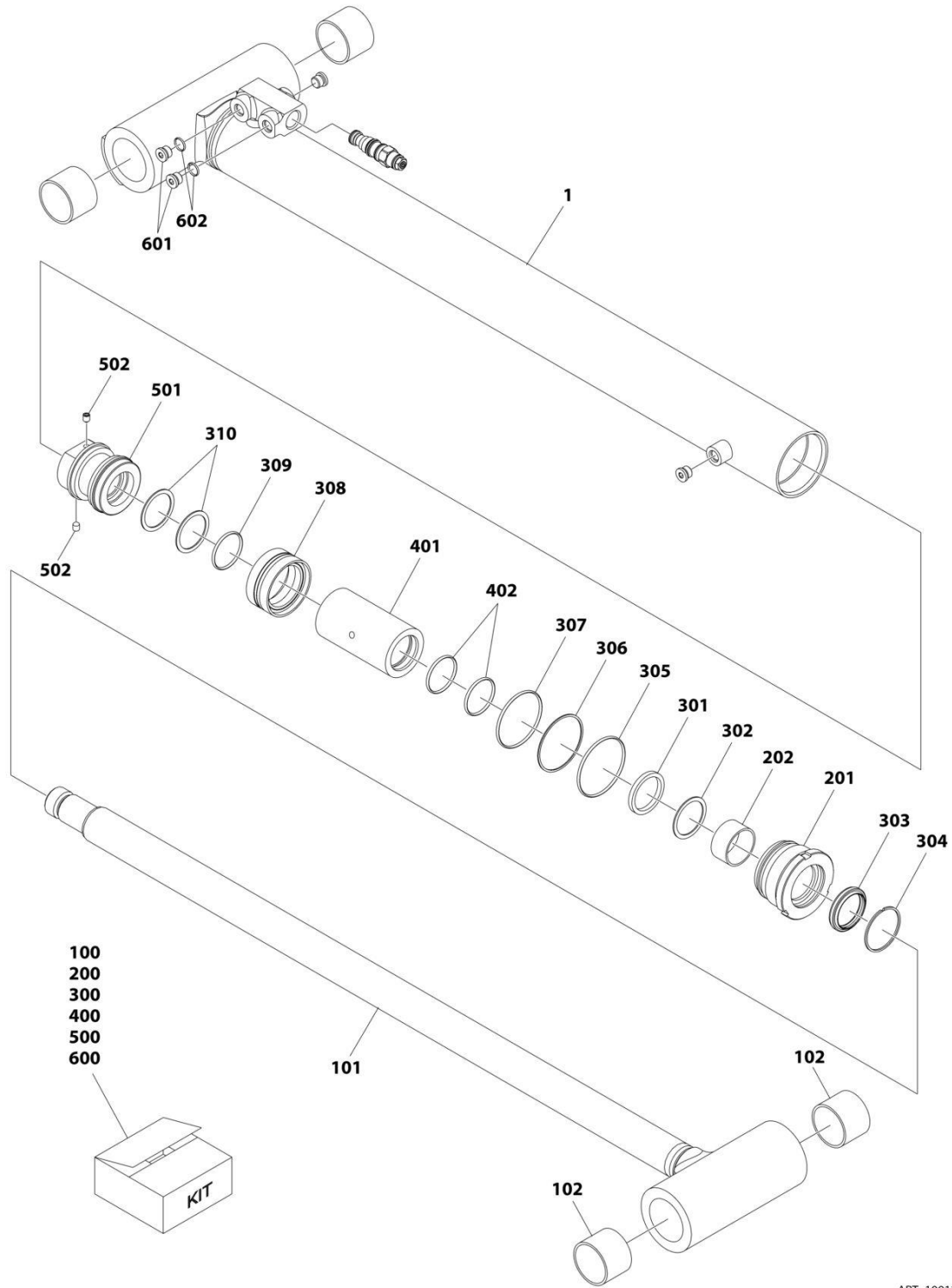
SECTION 5 - CYLINDER

FIGURE 5-7. LIFT CYLINDER ASSEMBLY - MID - E400AJPNARROW

ITEM	PART NUMBER	QTY	DESCRIPTION	REV
	1001228036	Ref	LIFT CYLINDER ASSEMBLY - MID	F
		Ref	Note: Original Cylinder may have been replaced with Service Replacement. Identify PN Stamped on Cylinder Before Ordering Parts.	
1	See Note	NSS	Barrel Weldment (Note: Not Available for Purchase)	
2	70006543	1	Rod Weldment	
3	70006542	1	Head	
4	70006533	1	Retainer	
5	See Note	NSS	Wiper (Note: Use Item 100)	
6	See Note	NSS	Seal, Rod (Note: Use Item 100)	
7	See Note	NSS	Ring, Wear (Note: Use Item 100)	
8	See Note	NSS	O-Ring (Note: Use Item 100)	
9	See Note	NSS	Ring, Back-up (Note: Use Item 100)	
10	70006532	1	Piston	
11	See Note	NSS	Seal (Note: Use Item 100)	
12	See Note	NSS	Ring, Wear (Note: Use Item 100)	
13	See Note	NSS	O-Ring (Note: Use Item 100)	
14	4740207	1	Washer	
15	70006539	1	Spacer	
16	3300281	1	Nut	
17	3900170	1	Setscrew	
18	4640634	1	Cartridge, Holding Valve	
18	2900770	1	Seal Kit - 4640634 Valve	
19	4641386	1	Cartridge, Holding Valve	
19	7011376	1	Seal Kit - 4641386 Valve	
20	0961950	4	Bushing	
21	2220883	4	Plug, O-Ring	
22	2220885	2	Plug, O-Ring	
23	0100011	AR	Compound, Locking	
24	0100038	AR	Primer, Locking	
100	2901805	1	Seal Kit (Includes Items 5-9 & 11-13)	

SECTION 5 - CYLINDER

FIGURE 5-8. LIFT CYLINDER - UPPER - E400ANARROW



ART_1001251018

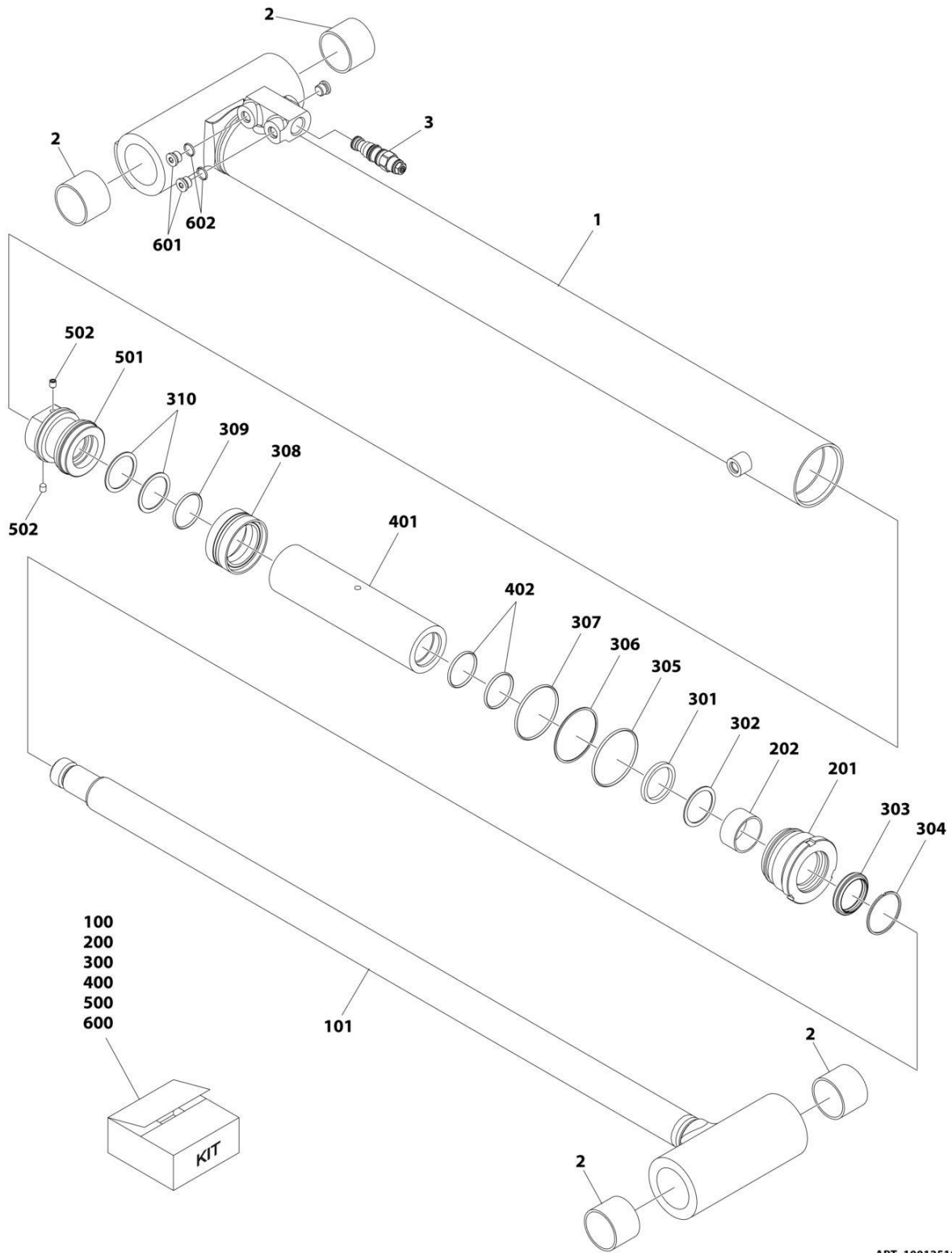
SECTION 5 - CYLINDER

FIGURE 5-8. LIFT CYLINDER - UPPER - E400ANARROW

ITEM	PART NUMBER	QTY	DESCRIPTION	REV
	1001251018	Ref	LIFT CYLINDER ASSEMBLY - UPPER	B
		Ref	Note: Original Cylinder may have been replaced with Service Replacement. Identify PN Stamped on Cylinder Before Ordering Parts.	
1	See Note	NSS	Barrel (Note: Not Available for Purchase)	
100	70007367	1	Rod Assembly Kit (Includes Item 101)	
101	See Note	NSS	Rod Assembly (Note: Use p/n 70007367)	
102	See Note	NSS	Bushing (Note: Use p/n 70007367)	
200	70007368	1	Head Kit (Includes Items 201-202)	
201	See Note	NSS	Head (Note: Use p/n 70007368)	
202	See Note	NSS	Bushing (Note: Use p/n 70007368)	
300	70007369	1	Seal Kit (Includes Items 301-310)	
301	See Note	NSS	U-Packing (Note: Use Item 70007369)	
302	See Note	NSS	Ring, Back-up (Note: Use Item 7007369)	
303	See Note	NSS	Wiper, Rod (Note: Use Item 7007369)	
304	See Note	NSS	Ring, Retaining (Note: Use Item 7007369)	
305	See Note	NSS	O-Ring (Note: Use Item 7007369)	
306	See Note	NSS	Ring, Back-up (Note: Use Item 7007369)	
307	See Note	NSS	O-Ring (Note: Use Item 7007369)	
308	See Note	NSS	Seal, Compact (Note: Use Item 7007369)	
309	See Note	NSS	O-Ring (Note: Use Item 7007369)	
310	See Note	NSS	Ring, Back-up (Note: Use Item 7007369)	
400	70007370	1	Spacer Kit (Includes Items 401-402)	
401	See Note	NSS	Spacer (Note: Use p/n 70007370)	
402	See Note	NSS	O-Ring (Note: Use p/n 70007370)	
500	70007371	1	Piston Kit (Includes Items 501-502)	
501	See Note	NSS	Piston (Note: Use Item 7007371)	
502	See Note	NSS	Set Screw (Note: Use Item 7007371)	
600	70007372	1	Plug Kit (Includes Items 601-602)	
601	See Note	NSS	Plug (Note: Use Item 7007372)	
602	See Note	NSS	O-Ring (Note: Use Item 7007372)	

SECTION 5 - CYLINDER

FIGURE 5-9. LIFT CYLINDER - UPPER - E400AJPNARROW



ART_1001251016

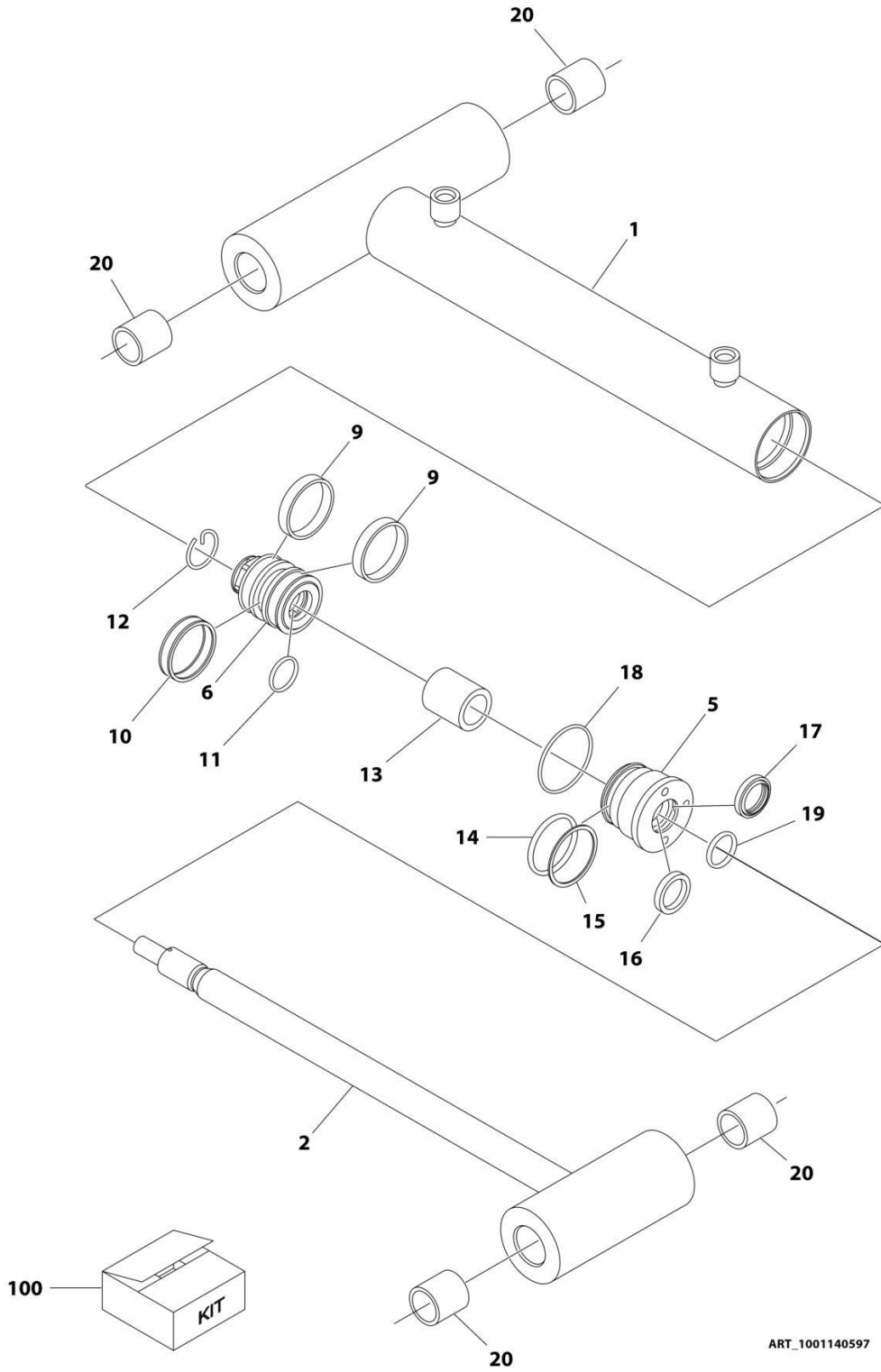
SECTION 5 - CYLINDER

FIGURE 5-9. LIFT CYLINDER - UPPER - E400AJPNARROW

ITEM	PART NUMBER	QTY	DESCRIPTION	REV
	1001251016	Ref	LIFT CYLINDER ASSEMBLY - UPPER	B
		Ref	Note: Original Cylinder may have been replaced with Service Replacement. Identify PN Stamped on Cylinder Before Ordering Parts.	
1	See Note	NSS	Barrel Weldment (Note: Not Available for Purchase)	
2	0961950	4	Bushing	
3	4640936	1	Valve, Counterbalance	
3	2900770	1	Seal Kit - 4640936 Valve	
100	70007373	1	Rod Assembly Kit (Includes Item 101)	
101	See Note	NSS	Rod Assembly (Note: Use p/n 70007373)	
200	70007368	1	Head Kit (Includes Items 201-202)	
201	See Note	NSS	Head (Note: Use p/n 70007368)	
202	See Note	NSS	Bushing (Note: Use p/n 70007368)	
300	70007369	1	Seal Kit (Includes Items 301-310)	
301	See Note	NSS	U-Packing (Note: Use Item 70007369)	
302	See Note	NSS	Ring, Back-up (Note: Use Item 7007369)	
303	See Note	NSS	Wiper, Rod (Note: Use Item 7007369)	
304	See Note	NSS	Ring, Retaining (Note: Use Item 7007369)	
305	See Note	NSS	O-Ring (Note: Use Item 7007369)	
306	See Note	NSS	Ring, Back-up (Note: Use Item 7007369)	
307	See Note	NSS	O-Ring (Note: Use Item 7007369)	
308	See Note	NSS	Seal, Compact (Note: Use Item 7007369)	
309	See Note	NSS	O-Ring (Note: Use Item 7007369)	
310	See Note	NSS	Ring, Back-up (Note: Use Item 7007369)	
400	70007374	1	Spacer Kit (Includes Items 401-402)	
401	See Note	NSS	Spacer (Note: Use Item 7007374)	
402	See Note	NSS	O-Ring (Note: Use Item 7007374)	
500	70007371	1	Piston Kit (Includes Items 501-502)	
501	See Note	NSS	Piston (Note: Use Item 7007371)	
502	See Note	NSS	Set Screw (Note: Use Item 7007371)	
600	70007372	1	Plug Kit (Includes Items 601-602)	
601	See Note	NSS	Plug (Note: Use Item 7007372)	
602	See Note	NSS	O-Ring (Note: Use Item 7007372)	

SECTION 5 - CYLINDER

FIGURE 5-10. MASTER CYLINDER ASSEMBLY - E400ANARROW



ART_1001140597

SECTION 5 - CYLINDER

FIGURE 5-10. MASTER CYLINDER ASSEMBLY - E400ANARROW

ITEM	PART NUMBER	QTY	DESCRIPTION	REV
	1001140597	Ref	MASTER CYLINDER ASSEMBLY	A
		Ref	Note: Original Cylinder May Have Been Replaced with Service Replacement. Identify PN Stamped on Cylinder Before Ordering Parts.	
1	70004144	1	Barrel	
2	70004145	1	Rod	
5	70000739	1	Head	
6	70004141	1	Piston	
9	See Note	NSS	Ring, Wear (Note: Use p/n 70004130)	
10	See Note	NSS	Seal, Piston (Note: Use p/n 70004130)	
11	70023094	1	O-Ring	
12	70004142	1	Retainer	
13	70004143	1	Spacer	
14	See Note	NSS	O-Ring (Note: Use p/n 70004130)	
15	See Note	NSS	Ring, Back-Up (Note: Use p/n 70004130)	
16	See Note	NSS	Seal, Rod (Note: Use p/n 70004130)	
17	See Note	NSS	Wiper, Rod (Note: Use p/n 70004130)	
18	See Note	NSS	O-Ring (Note: Use p/n 70004130)	
19	See Note	NSS	O-Ring (Note: Use p/n 70004130)	
20	0962356	4	Bushing	
100	70004130	1	Seal Kit (Includes Items 9-11 & 14-18)	

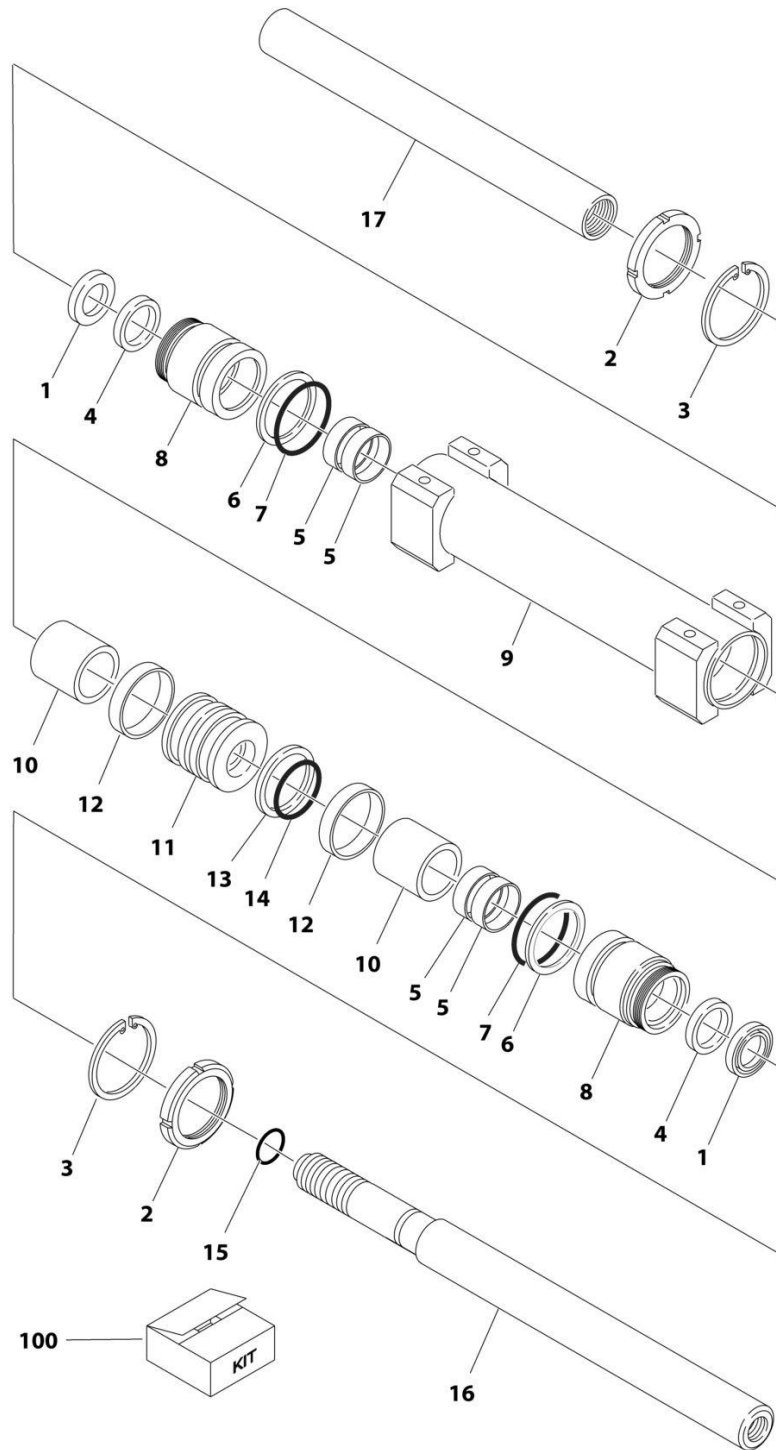
SECTION 5 - CYLINDER

FIGURE 5-11. MASTER CYLINDER ASSEMBLY - E400AJPNARROW

ITEM	PART NUMBER	QTY	DESCRIPTION	REV
	1001140278	Ref	MASTER CYLINDER ASSEMBLY	A
		Ref	Note: Original Cylinder may have been replaced with Service Replacement. Identify PN Stamped on Cylinder Before Ordering Parts.	
1	70003843	1	Barrel	
2	70003844	1	Rod	
4	70003819	1	Piston	
5	0961951	4	Bushing	
8	7026084	1	O-Ring	
9	70002217	1	Ring, Retaining	
10	See Note	NSS	Wiper, Rod (Note: Use p/n 70003845)	
11	See Note	NSS	O-Ring (Note: Use p/n 70003845)	
12	See Note	NSS	Seal, Rod (Note: Use p/n 70003845)	
13	See Note	NSS	Ring, Back-Up (Note: Use p/n 70003845)	
14	See Note	NSS	O-Ring (Note: Use p/n 70003845)	
15	See Note	NSS	O-Ring (Note: Use p/n 70003845)	
16	See Note	NSS	Ring, Wear (Note: Use p/n 70003845)	
17	See Note	NSS	Seal, Piston (Note: Use p/n 70003845)	
18	70002216	1	Retainer	
23	7026082	1	Head	
100	70003845	1	Seal Kit (Includes Items 10-17)	

SECTION 5 - CYLINDER

FIGURE 5-12. STEER CYLINDER ASSEMBLY



ART_1683591

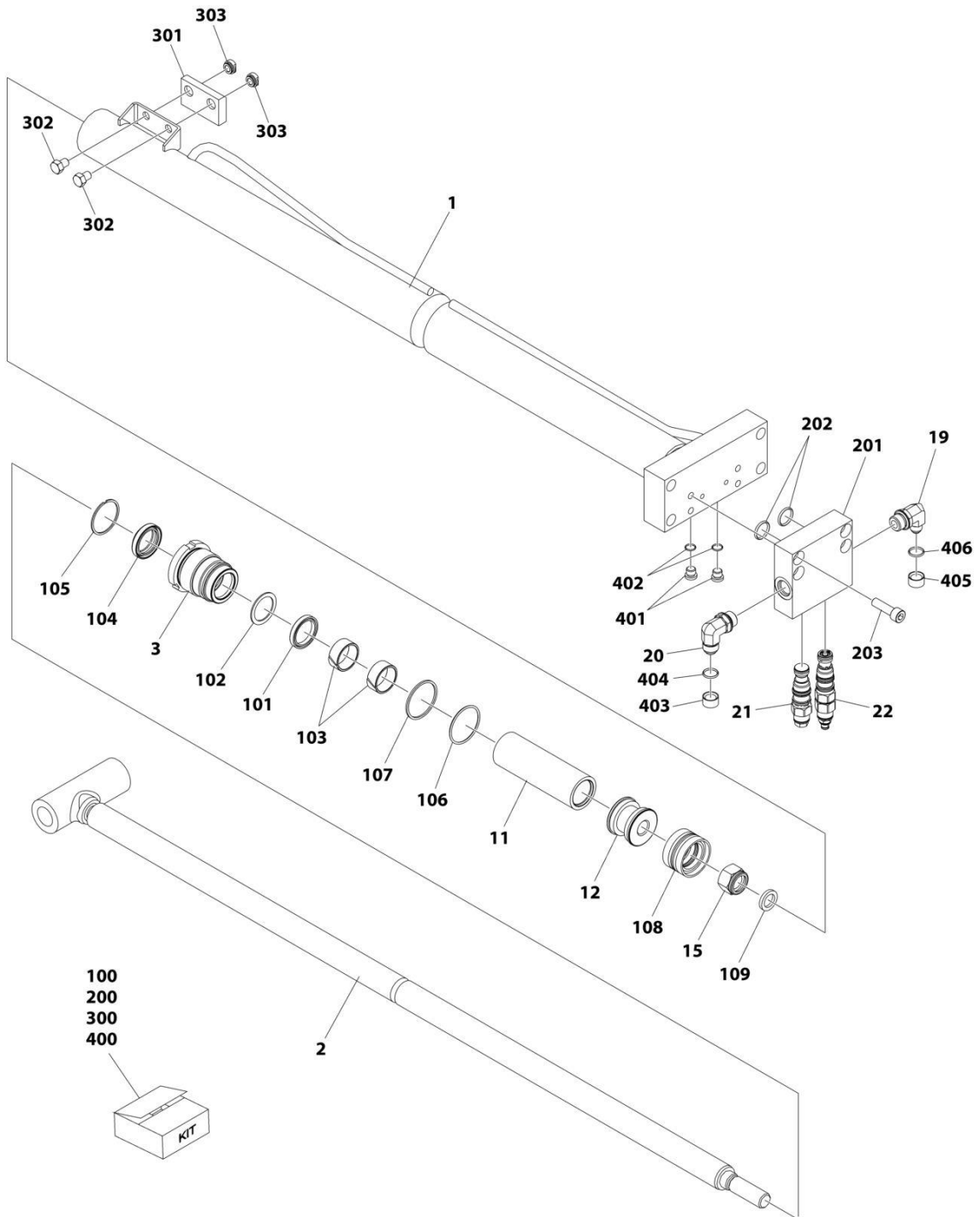
SECTION 5 - CYLINDER

FIGURE 5-12. STEER CYLINDER ASSEMBLY

ITEM	PART NUMBER	QTY	DESCRIPTION	REV
	1683591	Ref	STEER CYLINDER ASSEMBLY	B
		Ref	Note: Original Cylinder May Have Been Replaced with Service Replacement. Identify PN Stamped on Cylinder Before Ordering Parts.	
1	See Note	2	Wiper (Note: Use p/n 7017246)	
2	7001630	2	Nut, Spanner	
3	7017247	2	Ring, Retaining	
4	See Note	2	Seal, Lip (Note: Use p/n 7017246)	
5	See Note	4	Ring, Wear (Note: Use p/n 7017246)	
6	See Note	2	Ring, Back-Up (Note: Use p/n 7017246)	
7	See Note	2	O-Ring (Note: Use p/n 7017246)	
8	7017248	2	Guide	
9	70003341	1	Barrel	
10	7017249	2	Tube	
11	7017250	1	Piston	
12	See Note	2	Ring, Wear (Note: Use p/n 7017246)	
13	See Note	1	Seal (Note: Use p/n 7017246)	
14	See Note	1	O-Ring (Note: Use p/n 7017246)	
15	See Note	1	O-Ring (Note: Use p/n 7017246)	
16	7017251	1	Rod - Male End	
17	7017252	1	Rod - Female End	
100	7017246	1	Seal Kit (Includes Items 1,4-7 & 12-15)	

SECTION 5 - CYLINDER

FIGURE 5-13. TELESCOPE CYLINDER ASSEMBLY - E400ANARROW



ART_1001251063

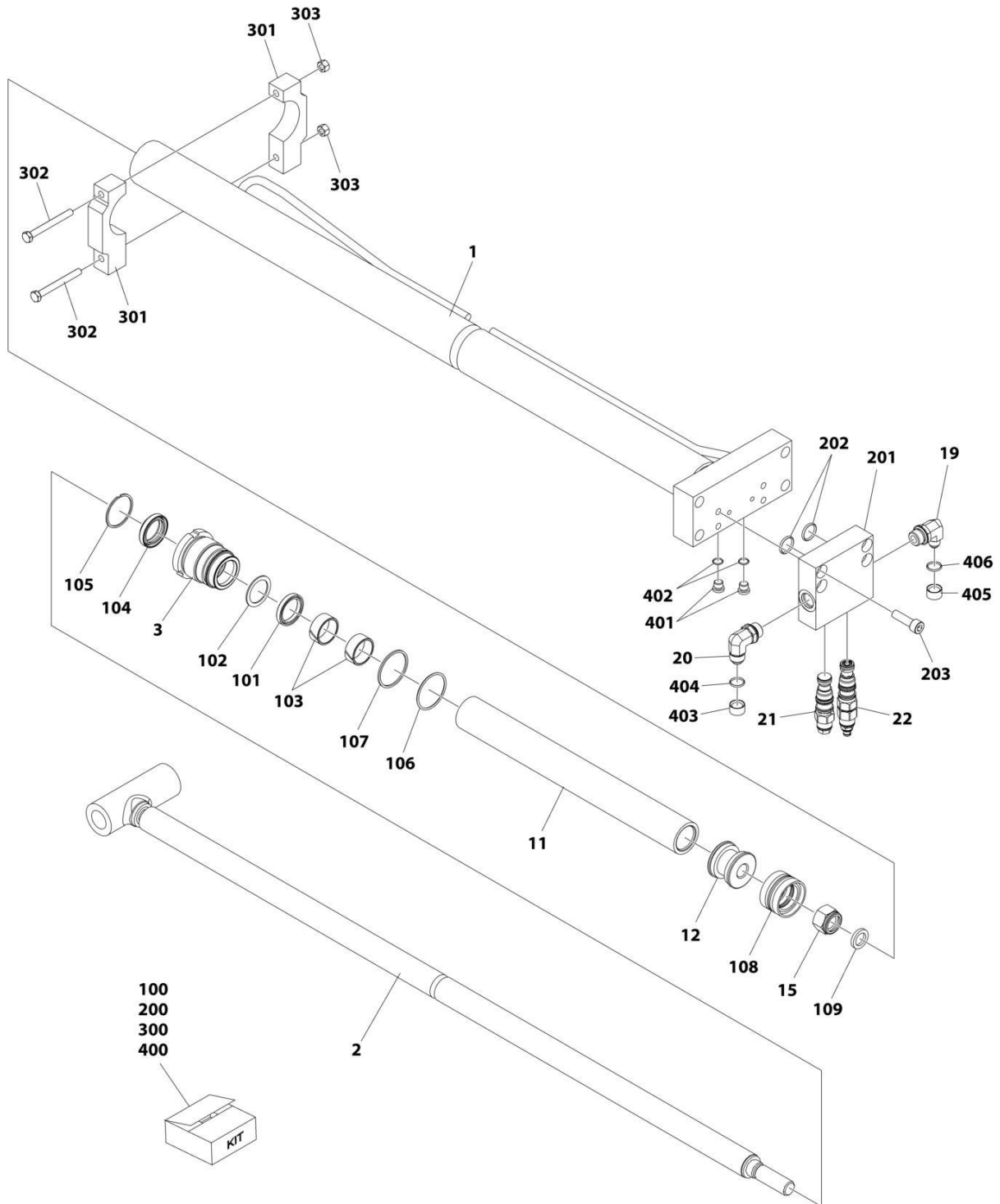
SECTION 5 - CYLINDER

FIGURE 5-13. TELESCOPE CYLINDER ASSEMBLY - E400ANARROW

ITEM	PART NUMBER	QTY	DESCRIPTION	REV
	1001251063	Ref	TELESCOPE CYLINDER ASSEMBLY	B
		Ref	Note: Original Cylinder may have been replaced with Service Replacement. Identify PN Stamped on Cylinder Before Ordering Parts.	
1	See Note	NSS	Barrel (Note: Not Available for Purchase)	
2	70007378	1	Rod Assembly	
3	70007357	1	Rod Cover	
11	70007358	1	Spacer	
12	70007359	1	Piston	
15	70007360	1	Nut	
19	70007361	1	Port	
20	70007362	1	Port	
21	4640709	1	Cartridge	
22	4640495	1	Cartridge	
100	70007363	1	Seal Kit (Includes Items 100-109)	
101	See Note	NSS	U-Packing (Note: Use p/n 70007363)	
102	See Note	NSS	Ring, Back-up (Note: Use p/n 70007363)	
103	See Note	NSS	Ring, Wear (Note: Use p/n 70007363)	
104	See Note	NSS	Wiper, Dust (Note: Use p/n 70007363)	
105	See Note	NSS	Ring, Retaining (Note: Use p/n 70007363)	
106	See Note	NSS	O-Ring (Note: Use p/n 70007363)	
107	See Note	NSS	Ring, Back-up (Note: Use p/n 70007363)	
108	See Note	NSS	Seal, Compact (Note: Use p/n 70007363)	
109	See Note	NSS	O-Ring (Note: Use p/n 70007363)	
200	70007364	1	Block Kit (Includes Items 201-203)	
201	See Note	NSS	Block (Note: Use p/n 70007364)	
202	See Note	NSS	O-Ring (Note: Use p/n 70007364)	
203	See Note	NSS	Bolt (Note: Use p/n 70007364)	
300	70007365	1	Wear Pad Kit (Includes Items 301-303)	
301	See Note	NSS	Guide (Note: Use p/n 70007365)	
302	See Note	NSS	Bolt (Note: Use p/n 70007365)	
303	See Note	NSS	Nut (Note: Use p/n 70007365)	
400	70007366	1	Plug Kit (Includes Items 401-406)	
401	See Note	NSS	Plug (Note: Use p/n 70007366)	
402	See Note	NSS	O-Ring (Note: Use p/n 70007366)	
403	See Note	NSS	Dust Cap (Note: Use p/n 70007366)	
404	See Note	NSS	O-Ring (Note: Use p/n 70007366)	
405	See Note	NSS	Dust Cap (Note: Use p/n 70007366)	
406	See Note	NSS	O-Ring (Note: Use p/n 70007366)	

SECTION 5 - CYLINDER

FIGURE 5-14. TELESCOPE CYLINDER ASSEMBLY - E400AJPNARROW



ART_1001251015

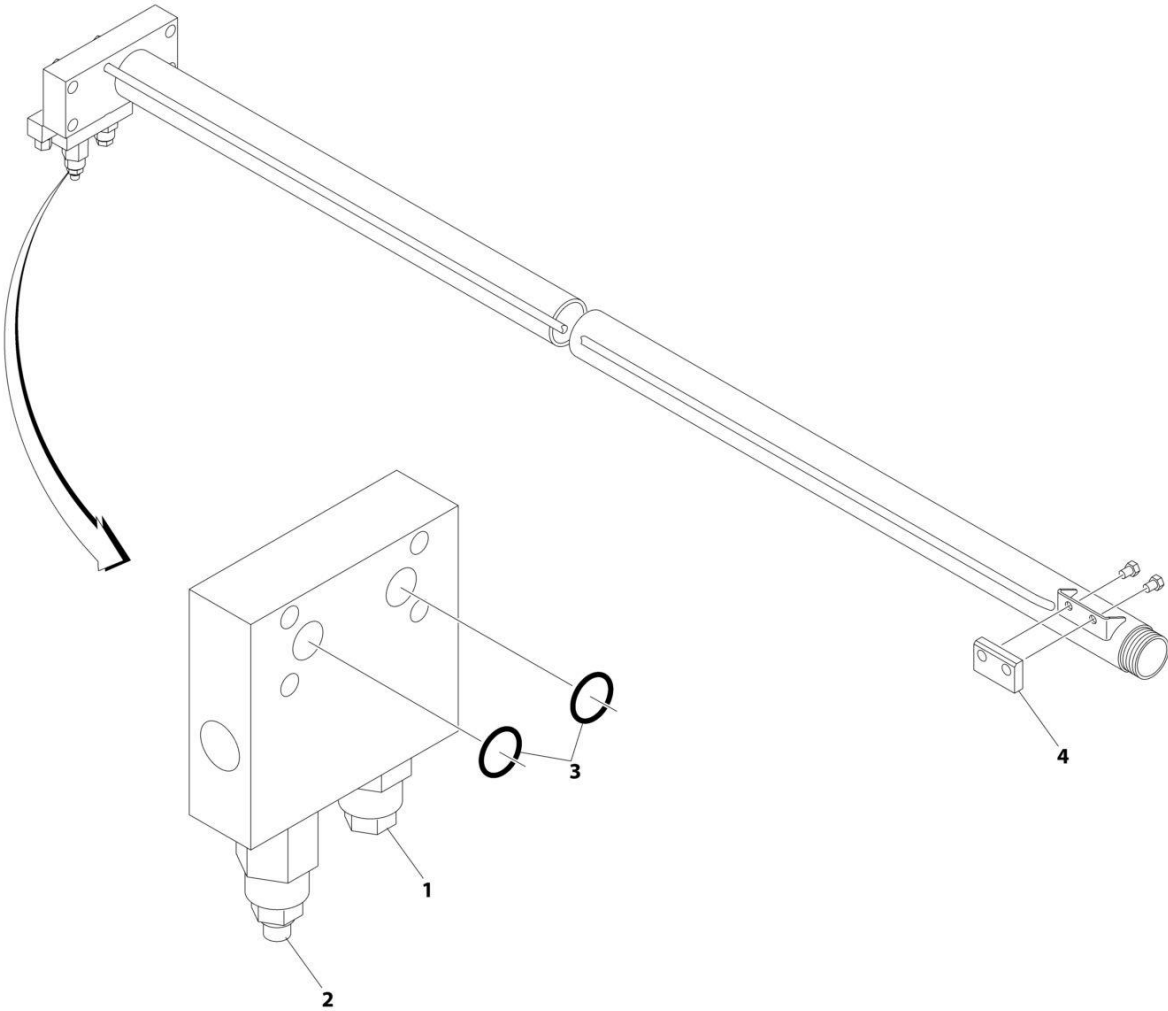
SECTION 5 - CYLINDER

FIGURE 5-14. TELESCOPE CYLINDER ASSEMBLY - E400AJPNARROW

ITEM	PART NUMBER	QTY	DESCRIPTION	REV
	1001251015	Ref	TELESCOPE CYLINDER ASSEMBLY	B
		Ref	Note: Original Cylinder may have been replaced with Service Replacement. Identify PN Stamped on Cylinder Before Ordering Parts.	
1	See Note	NSS	Barrel Weldment (Note: Not Available for Purchase)	
2	70007379	1	Rod	
3	70007357	1	Head	
11	70007381	1	Spacer	
12	70007359	1	Piston	
15	70007360	2	Nut	
19	70007361	1	Fitting, 90 JIC/ORB	
20	70007362	1	Fitting, 90 JIC/ORB	
100	70007363	1	Seal Kit (Includes Items 101-109)	
101	See Note	NSS	U-Packing (Note: Use p/n 70007363)	
102	See Note	NSS	Ring, Back-up (Note: Use p/n 70007363)	
103	See Note	NSS	Ring, Wear (Note: Use p/n 70007363)	
104	See Note	NSS	Wiper, Rod (Note: Use p/n 70007363)	
105	See Note	NSS	Ring, Retaining (Note: Use p/n 70007363)	
106	See Note	NSS	O-Ring (Note: Use p/n 70007363)	
107	See Note	NSS	Ring, Back-up (Note: Use p/n 70007363)	
108	See Note	NSS	Seal, Compact (Note: Use p/n 70007363)	
109	See Note	NSS	O-Ring (Note: Use p/n 70007363)	
200	70007364	1	Block Kit (Includes Items 201-203)	
201	See Note	NSS	Block (Note: Use p/n 70007364)	
202	See Note	NSS	O-Ring (Note: Use p/n 70007364)	
203	See Note	NSS	Bolt (Note: Use p/n 70007364)	
300	70007380	1	Wear Pad Kit (Includes Items 301-303)	
301	See Note	NSS	Bracket (Note: Use p/n 70007380)	
302	See Note	NSS	Bolt (Note: Use p/n 70007380)	
303	See Note	NSS	Nut (Note: (Use p/n 70007380)	
400	70007366	1	Plug Kit (Includes Items 401-406)	
401	See Note	NSS	Plug (Note: Use p/n 70007366)	
402	See Note	NSS	O-Ring (Note: Use p/n 70007366)	
403	See Note	NSS	Dust Cap (Note: Use p/n 70007366)	
404	See Note	NSS	O-Ring (Note: Use p/n 70007366)	
405	See Note	NSS	Dust Cap (Note: Use p/n 70007366)	
406	See Note	NSS	O-Ring (Note: Use p/n 70007366)	

SECTION 5 - CYLINDER

FIGURE 5-15. COUNTERBALANCE VALVE ASSEMBLY



ART_4640807

SECTION 5 - CYLINDER

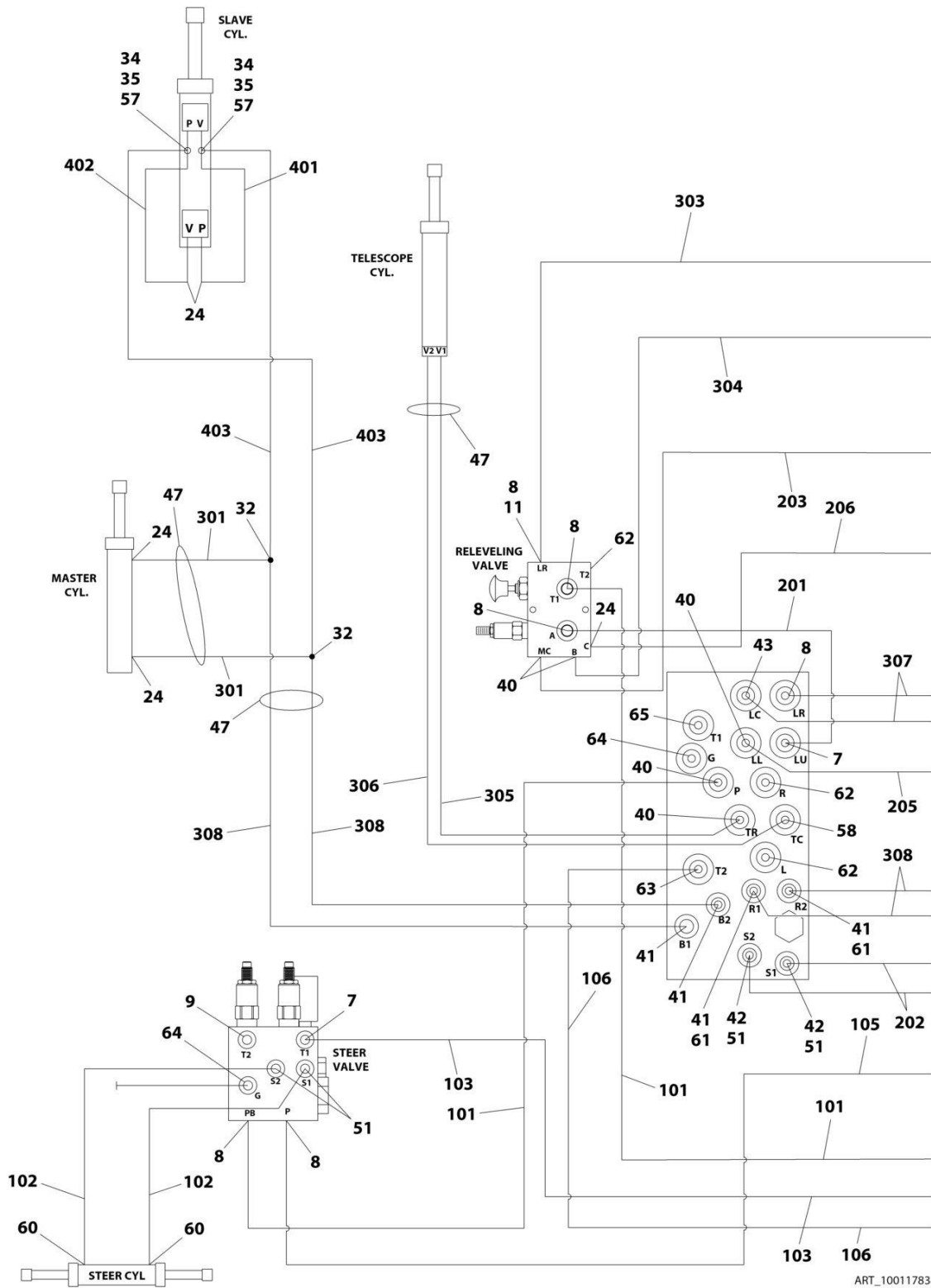
FIGURE 5-15. COUNTERBALANCE VALVE ASSEMBLY

ITEM	PART NUMBER	QTY	DESCRIPTION	REV
	4640807	Ref	COUNTERBALANCE VALVE ASSEMBLY	D
1	4640771	1	Cartridge, Counterbalance	
1	2900770	1	Seal Kit - 4640771 Cartridge	
2	4640709	1	Cartridge, Vented Counterbalance	
2	2900770	1	Seal Kit - 4640709 Cartridge	
3	3790113	2	O-Ring (Between Valve and Cylinder Block)	

SECTION 6 - HYDRAULIC

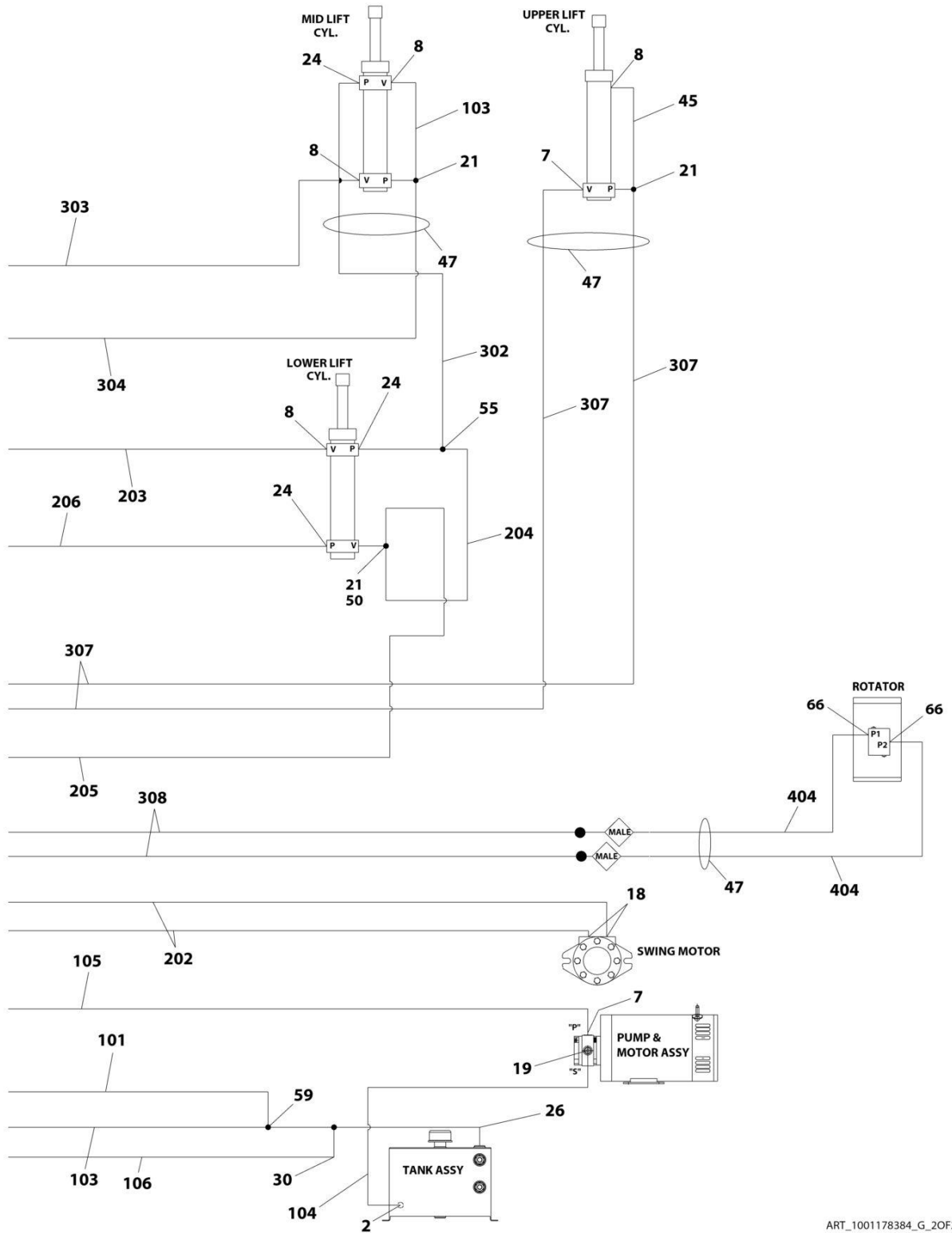
SECTION 6 - HYDRAULIC

FIGURE 6-1. HYDRAULIC DIAGRAM - E400ANARROW



ART_1001178384_G_10F2

SECTION 6 - HYDRAULIC



ART_1001178384_G_2OF2

SECTION 6 - HYDRAULIC

FIGURE 6-1. HYDRAULIC DIAGRAM - E400ANARROW

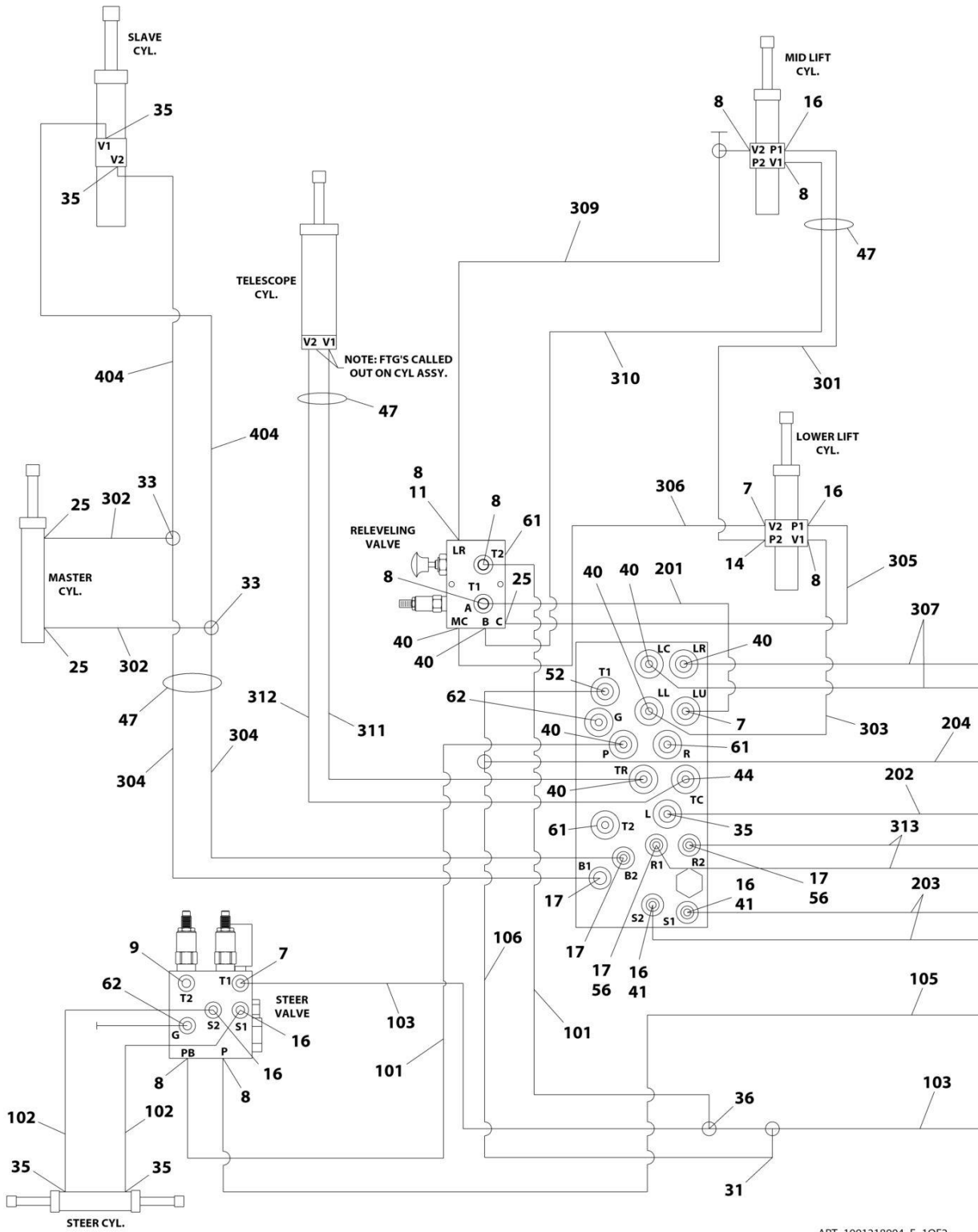
ITEM	PART NUMBER	QTY	DESCRIPTION	REV
	1001178384	Ref	HYDRAULIC DIAGRAM - E400AN	G
2	2220498	1	Fitting, 45 JIC/ORB	
7	2220371	4	Fitting, Straight, JIC/ORB	
8	2220473	10	Fitting, 90 JIC/ORB	
9	2220885	1	Plug	
11	2220507	1	Fitting, 90 JIC/JIC	
18	2221033	2	Fitting, Straight JIC/ORB	
19	2220593	1	Fitting, Straight JIC/ORB	
21	2220899	3	Fitting, Tee JIC/ORB/JIC	
24	2220472	8	Fitting, 90 JIC/ORB	
26	2220999	1	Fitting, Tee JIC/ORB/JIC	
30	2220386	1	Fitting, 90 JIC/JIC	
32	2220504	2	Fitting, Tee JIC/JIC/JIC	
34	2220727	2	Fitting, Reducer ORB	
35	2220684	2	Fitting, Tee NPT/JIC/JIC	
40	2220501	5	Fitting, 45 JIC/ORB	
41	2220502	4	Fitting, 45 JIC/ORB	
42	2220677	2	Fitting, 45 JIC/JIC	
43	2221147	1	Fitting, 90 JIC/ORB	
45	4566188	1	Tube	
47	4100026	13.7 ft /4.2m	Nylon, Sleeve	
49	1702124	1	Hose, Tag (Not Shown)	
50	2220609	1	Fitting, Straight JIC/JIC	
51	2220415	4	Fitting, Straight JIC/ORB	
55	2220605	1	Fitting, Tee JIC/JIC/JIC	
57	0100020	AR	Sealant	
58	2220600	1	Fitting, Straight JIC/ORB	
59	2221054	1	Fitting, Tee JIC/JIC/JIC	
60	2220582	2	Fitting, Straight JIC/ORB	
61	2220909	2	Fitting, Restrictor	
62	2220237	3	Plug, ORB	
63	1001136881	1	Fitting, 45 JIC/ORB	
64	2221086	2	Fitting, Nipple	
65	2220239	1	Plug, ORB	
66	2220940	2	Fitting, 90 JIC/ORB	
100	1001269310	1	Hose Kit - Frame (Not Shown)	
101	2750915	2	Hose	
102	2752453	2	Hose	
103	2752467	2	Hose	
104	2753973	1	Hose	
105	1001152635	1	Hose	
106	1001177666	1	Hose	
200	1001269311	1	Hose Kit - Turntable (Not Shown)	
201	2750910	1	Hose	
202	2752459	2	Hose	
203	2752475	1	Hose	
204	2752581	1	Hose	
205	2752620	1	Hose	
206	2752983	1	Hose	

SECTION 6 - HYDRAULIC

ITEM	PART NUMBER	QTY	DESCRIPTION	REV
300	1001269312	1	Hose Kit - Boom (Lower) (Not Shown)	
301	2752437	2	Hose	
302	2752440	1	Hose	
303	2753334	1	Hose	
304	2753335	1	Hose	
305	2753474	1	Hose	
306	2753475	1	Hose	
307	2753519	2	Hose	
308	2753520	4	Hose	
400	1001269313	1	Hose Kit - Boom (Upper) (Not Shown)	
401	2752435	1	Hose	
402	2752573	1	Hose	
403	2753535	2	Hose	
404	1001185828	2	Hose	

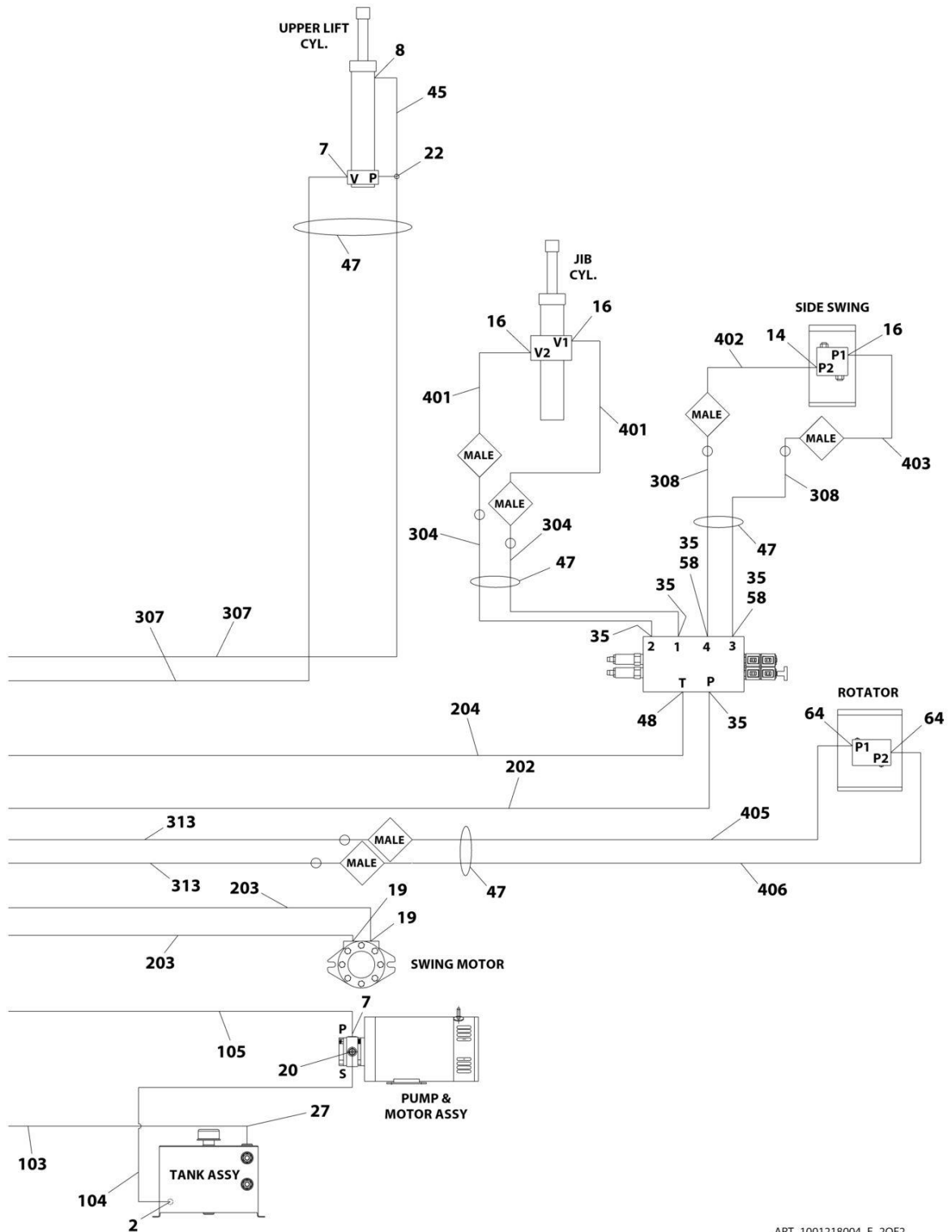
SECTION 6 - HYDRAULIC

FIGURE 6-2. HYDRAULIC DIAGRAM - E400AJPNARROW



ART_1001218004_E_10F2

SECTION 6 - HYDRAULIC



ART_1001218004_E_2OF2

SECTION 6 - HYDRAULIC

FIGURE 6-2. HYDRAULIC DIAGRAM - E400AJPNARROW

ITEM	PART NUMBER	QTY	DESCRIPTION	REV
	1001218004	Ref	HYDRAULIC DIAGRAM - E400AJP/E400AJPnarrow	E
2	2220498	1	Fitting, 45 JIC/ORB	
7	2220371	4	Fitting, Straight JIC/ORB	
8	2220473	9	Fitting, 90 JIC/ORB	
9	2220885	1	Plug	
11	2220507	1	Fitting, 90 JIC/JIC	
14	2220466	2	Fitting, 90 JIC/ORB	
16	2220415	9	Fitting, Straight JIC/ORB	
17	2220502	4	Fitting, 45 JIC/ORB	
19	2221033	2	Fitting, Straight JIC/ORB	
20	2220593	1	Fitting, Straight JIC/ORB	
22	2220899	1	Fitting, Tee JIC/ORB/JIC	
25	2220472	3	Fitting, 90 JIC/ORB	
27	2220999	1	Fitting, Tee JIC/ORB/JIC	
31	2220386	1	Fitting, 90 JIC/JIC	
33	2220504	2	Fitting, Tee JIC/JIC/JIC	
35	2220582	11	Fitting, Straight JIC/ORB	
36	2221054	1	Fitting, Tee JIC/JIC/JIC	
40	2220501	7	Fitting, 45 JIC/ORB	
41	2220677	2	Fitting, 45 JIC/JIC	
44	2220600	1	Fitting, Straight JIC/ORB	
45	4567946	1	Tube	
47	4100026	17.2 ft/ 5.2m	Nylon, Sleeve	
48	2220373	1	Fitting, Straight JIC/ORB	
49	1702124	1	Hose, Tag (Not Shown)	
52	8760554	1	Fitting, Tee JIC/JIC/ ORB	
56	2220909	2	Fitting, Restrictor	
58	2221039	2	Fitting, Orifice	
61	2220237	3	Plug, ORB	
62	2221086	2	Fitting, Nipple	
64	2220940	2	Fitting, 90 JIC/ORB	
100	1001269314	1	Hose Kit - Frame (Not Shown)	
101	2750915	2	Hose	
102	2752453	2	Hose	
103	2752467	1	Hose	
104	2753973	1	Hose	
105	1001152635	1	Hose	
106	1001177666	1	Hose	
200	1001269315	1	Hose Kit - Turntable (Not Shown)	
201	2750910	1	Hose	
202	2752442	1	Hose	
203	2752459	2	Hose	
204	2752493	1	Hose	
300	1001269316	1	Hose Kit - Boom (Lower) (Not Shown)	
301	2751890	1	Hose	
302	2752437	2	Hose	
303	2752466	1	Hose	
304	2752571	4	Hose	
305	2752600	1	Hose	

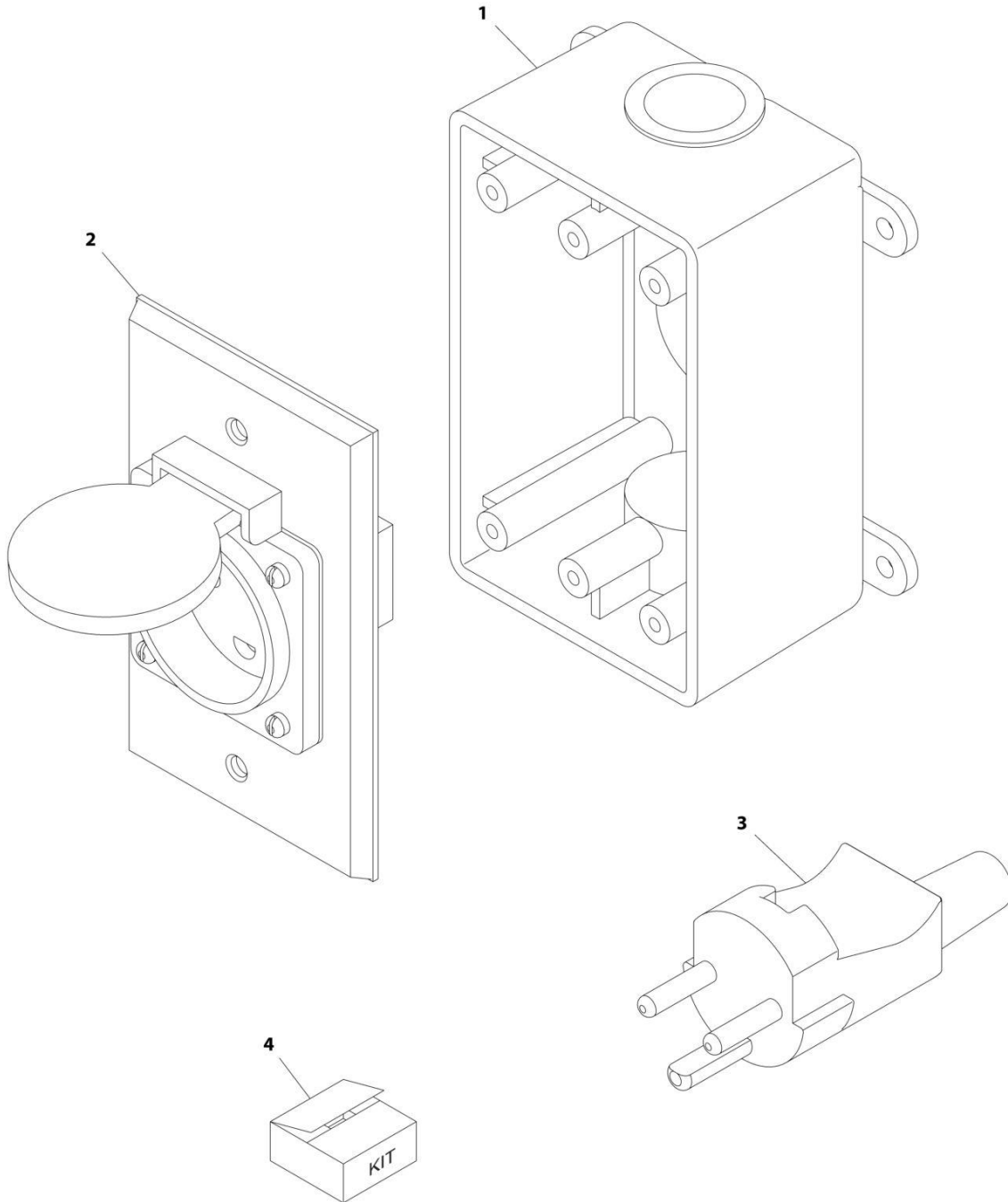
SECTION 6 - HYDRAULIC

ITEM	PART NUMBER	QTY	DESCRIPTION	REV
306	2752611	1	Hose	
307	2752619	2	Hose	
308	2753332	2	Hose	
309	2753334	1	Hose	
310	2753335	1	Hose	
311	2753474	1	Hose	
312	2753475	1	Hose	
313	2753520	2	Hose	
400	1001269317	1	Hose Kit - Boom (Upper) (Not Shown)	
401	2753329	2	Hose	
402	2753330	1	Hose	
403	2753331	1	Hose	
404	2753333	2	Hose	
405	1001185828	1	Hose	
406	1001185829	1	Hose	

SECTION 7 - ELECTRICAL

SECTION 7 - ELECTRICAL

FIGURE 7-1. AC PLUGS AND SOCKETS INSTALLATION - AFSINT 107-2-01 KEYED GROUND - 2 X 4 BOX (CE & UK CA SPEC)



ART_0275454

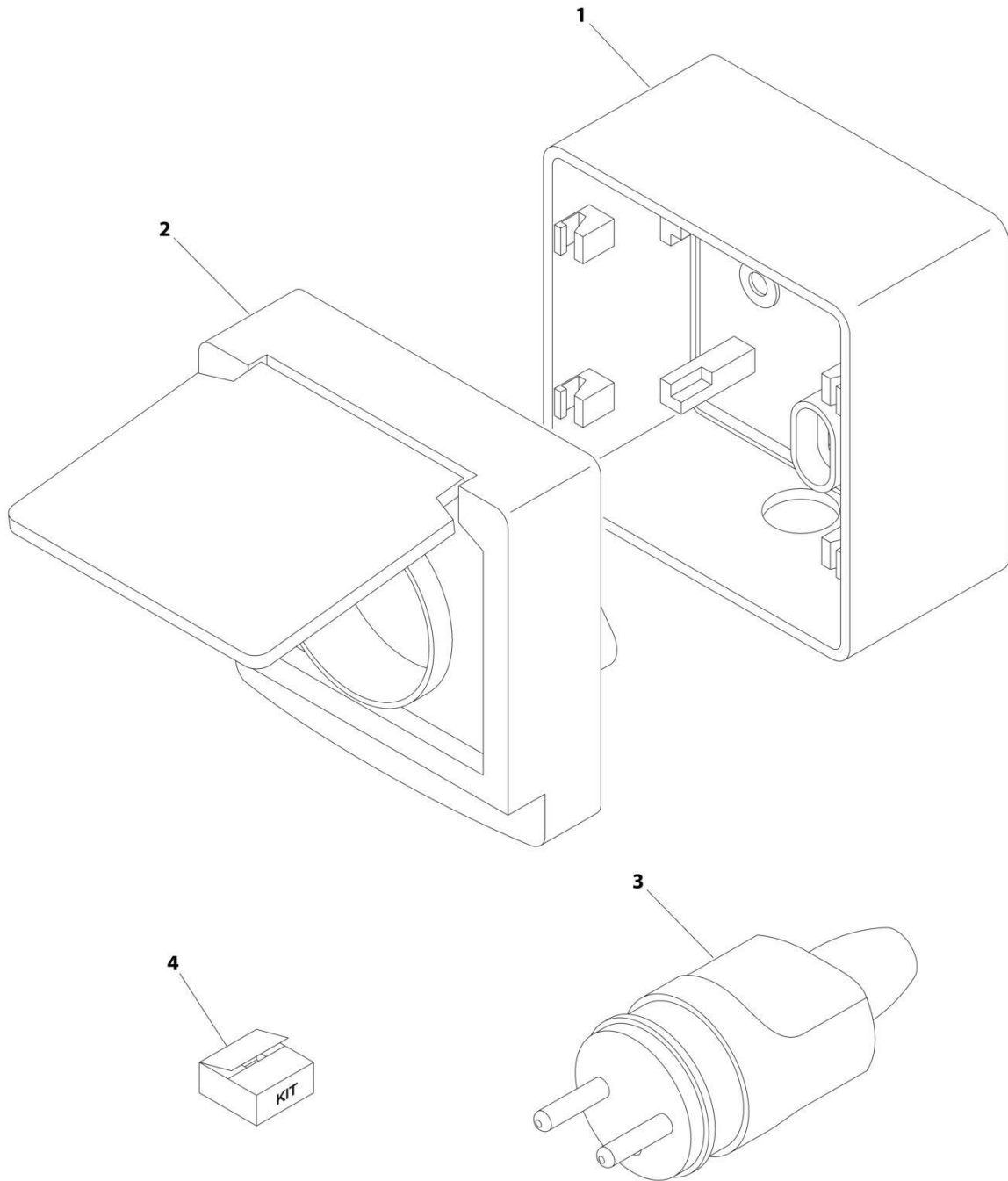
SECTION 7 - ELECTRICAL

FIGURE 7-1. AC PLUGS AND SOCKETS INSTALLATION - AFSINT 107-2-01 KEYED GROUND - 2 X 4 BOX (CE & UK CA SPEC)

ITEM	PART NUMBER	QTY	DESCRIPTION	REV
	0275454	Ref	RECEPTACLE BOX KIT - 220V AFSINT 107	B
1	0861731	1	Box, Switch	
2	4461246	1	Receptacle	
3	4461249	1	Plug, Male	
4	1001100346	1	Plug and Socket Kit (Includes Items 1-3 and Female Plug p/n 4461250)	

SECTION 7 - ELECTRICAL

FIGURE 7-2. AC PLUGS AND SOCKETS INSTALLATION - CEE7 POST GROUND (CE & UK CA SPEC)



ART_0275218_C

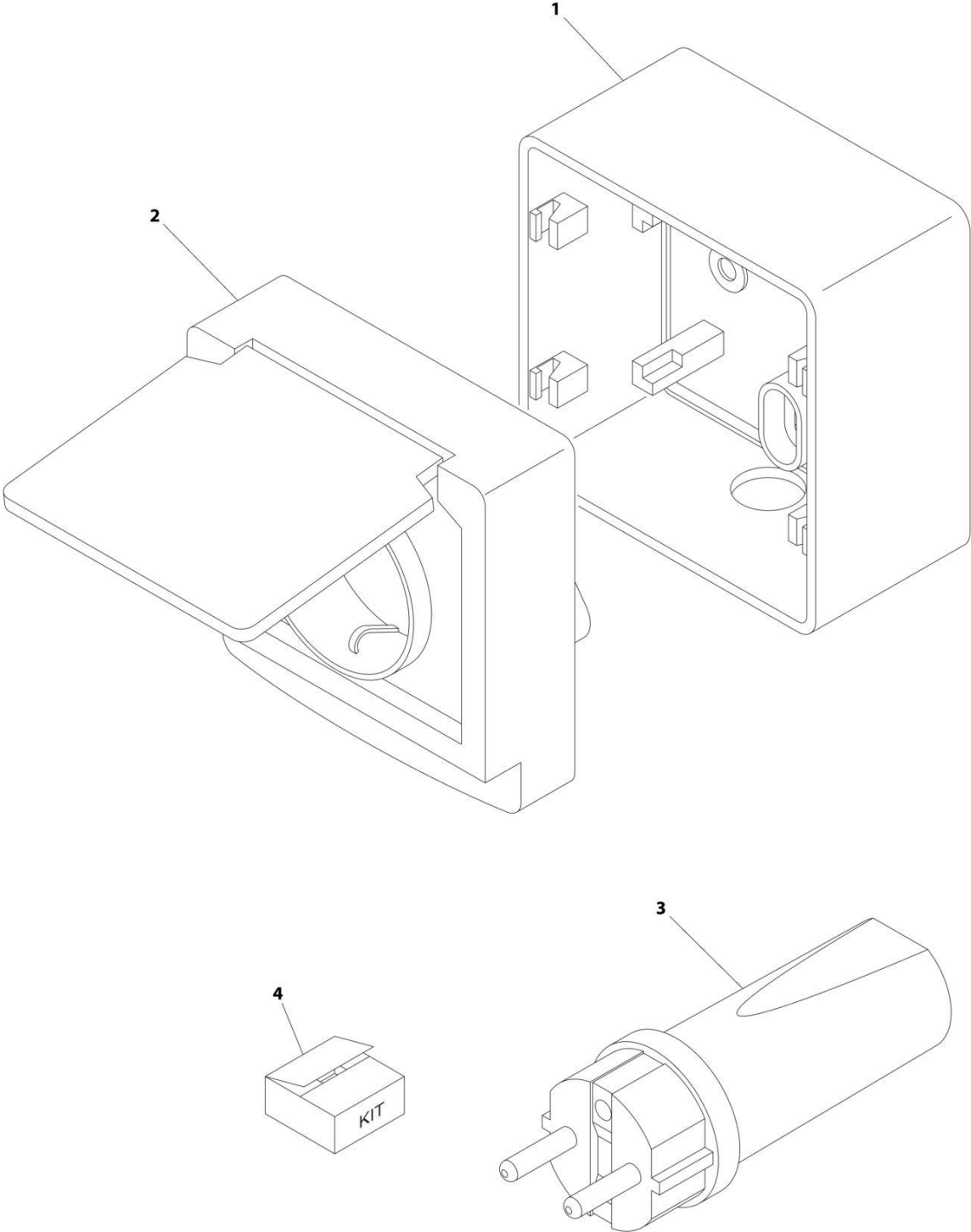
SECTION 7 - ELECTRICAL

FIGURE 7-2. AC PLUGS AND SOCKETS INSTALLATION - CEE7 POST GROUND (CE & UK CA SPEC)

ITEM	PART NUMBER	QTY	DESCRIPTION	REV
	0275218	Ref	RECEPTACLE BOX KIT - 220V CEE7 POST GROUND 70MM X 70MM BOX	C
1	1001141967	1	Box, Switch	
2	1001141968	1	Receptacle	
3	4461205	1	Plug, Male	
4	1001141971	1	Plug and Socket Kit (Includes Items 1-3 and Female Plug p/n 4461206)	

SECTION 7 - ELECTRICAL

FIGURE 7-3. AC PLUGS AND SOCKETS INSTALLATION - CEE 7 SIDE GROUND (CE & UK CA SPEC)



ART_0275219

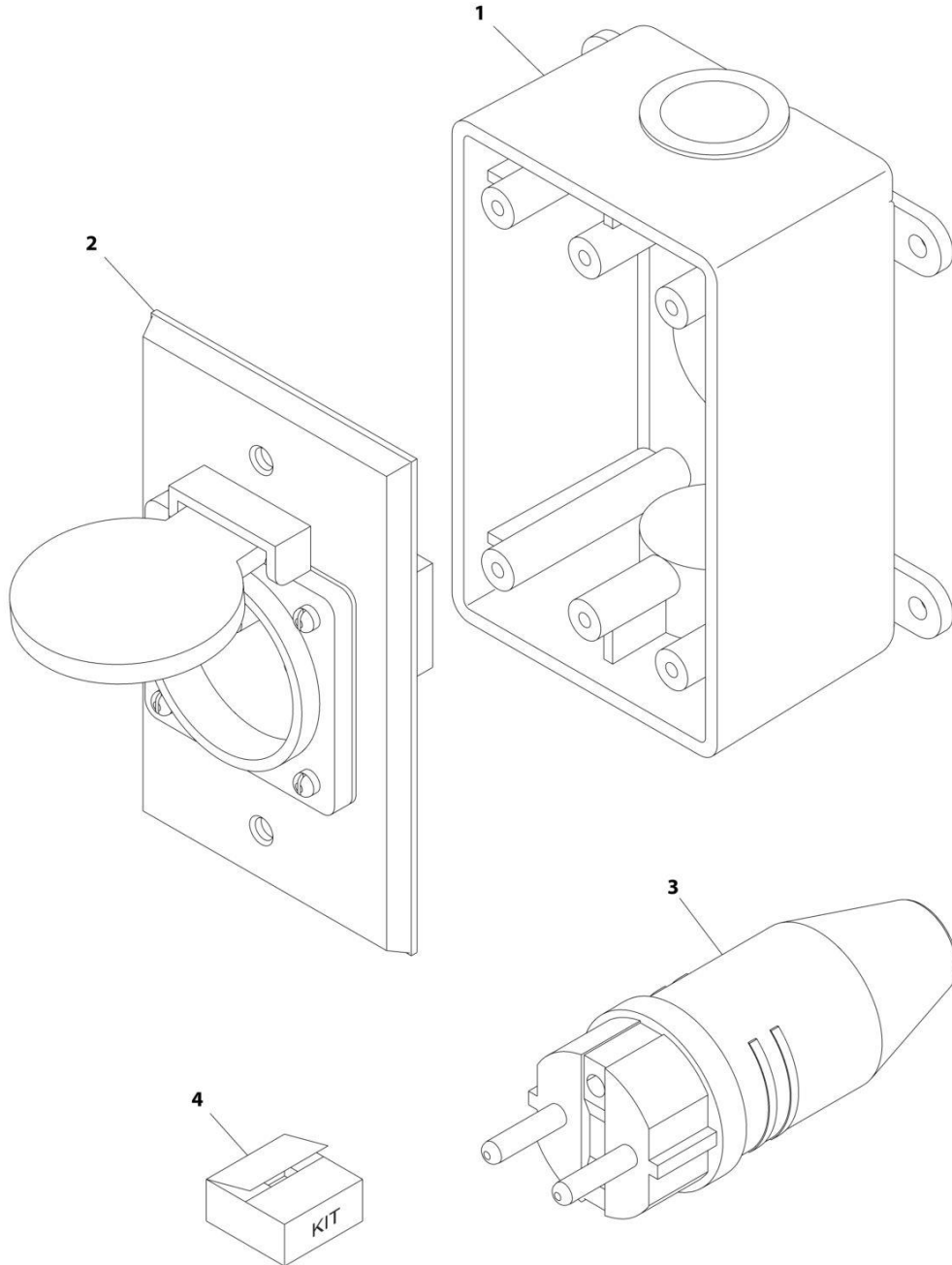
SECTION 7 - ELECTRICAL

FIGURE 7-3. AC PLUGS AND SOCKETS INSTALLATION - CEE 7 SIDE GROUND (CE & UK CA SPEC)

ITEM	PART NUMBER	QTY	DESCRIPTION	REV
	0275219	Ref	RECEPTACLE BOX KIT - 220V CEE7 SIDE GROUND 70MM X 70MM BOX	B
1	1001141967	1	Box, Switch	
2	1001141969	1	Receptacle	
3	4461205	1	Plug, Male	
4	1001141970	1	Plug and Socket Kit (Includes Items 1-3 and Female Plug p/n 4461206)	

SECTION 7 - ELECTRICAL

FIGURE 7-4. AC PLUGS AND SOCKETS INSTALLATION - CEE7 POST GROUND - 2 X 4 BOX (CE & UK CA SPEC)



ART_0275452-C

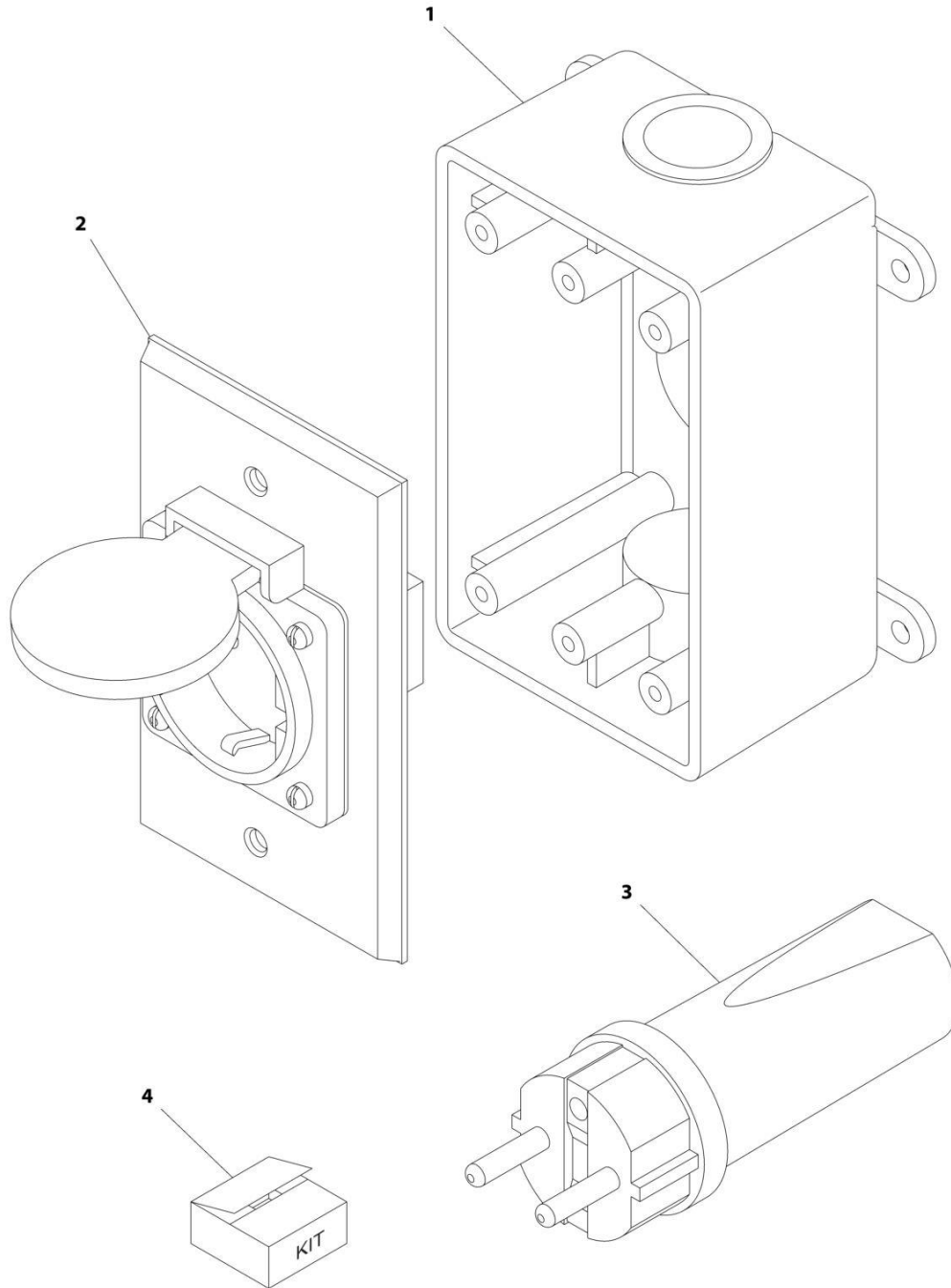
SECTION 7 - ELECTRICAL

FIGURE 7-4. AC PLUGS AND SOCKETS INSTALLATION - CEE7 POST GROUND - 2 X 4 BOX (CE & UK CA SPEC)

ITEM	PART NUMBER	QTY	DESCRIPTION	REV
	0275452	Ref	RECEPTACLE BOX KIT - 220V CEE7 POST GROUND 2IN X 4IN BOX	C
1	0861731	1	Box, Switch	
2	4461244	1	Receptacle	
3	4461205	1	Plug, Male	
4	1001100345	1	Plug and Socket Kit (Includes Items 1-3 and Female Plug p/n 4461203)	

SECTION 7 - ELECTRICAL

FIGURE 7-5. AC PLUGS AND SOCKETS INSTALLATION - CEE7 SIDE GROUND - 2 X 4 BOX (CE & UK CA SPEC)



ART_0275453

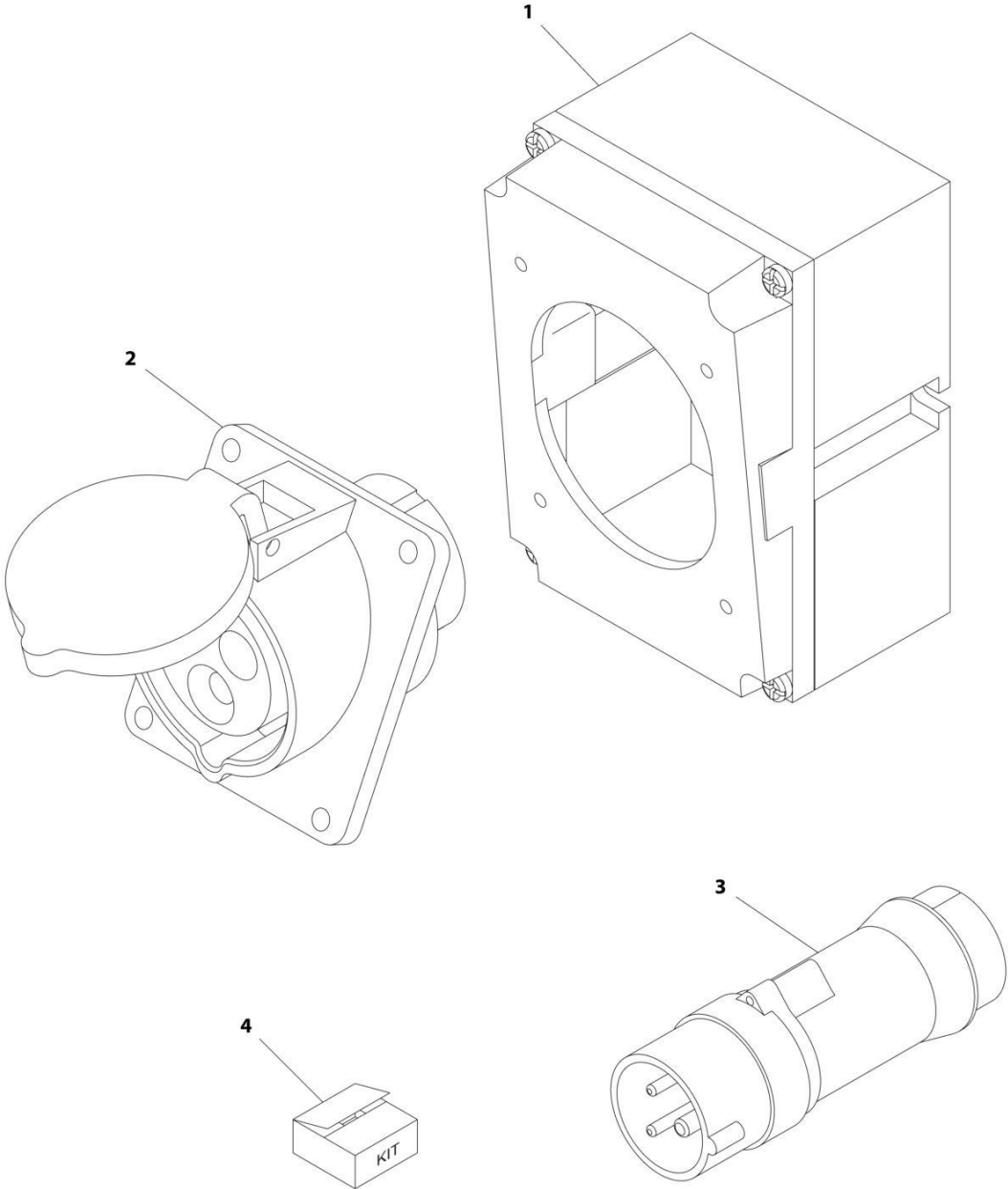
SECTION 7 - ELECTRICAL

FIGURE 7-5. AC PLUGS AND SOCKETS INSTALLATION - CEE7 SIDE GROUND - 2 X 4 BOX (CE & UK CA SPEC)

ITEM	PART NUMBER	QTY	DESCRIPTION	REV
	0275453	Ref	RECEPTACLE BOX KIT - 220V CEE7 SIDE GROUND	B
1	0861731	1	Box, Switch	
2	4461245	1	Receptacle	
3	4461205	1	Plug, Male	
4	1001100347	1	Plug and Socket Kit (Includes Items 1-3 and Female Plug p/n 4461206)	

SECTION 7 - ELECTRICAL

FIGURE 7-6. AC PLUGS AND SOCKETS INSTALLATION - IEC 60309 BLUE (CE & UK CA SPEC)



ART_0275217

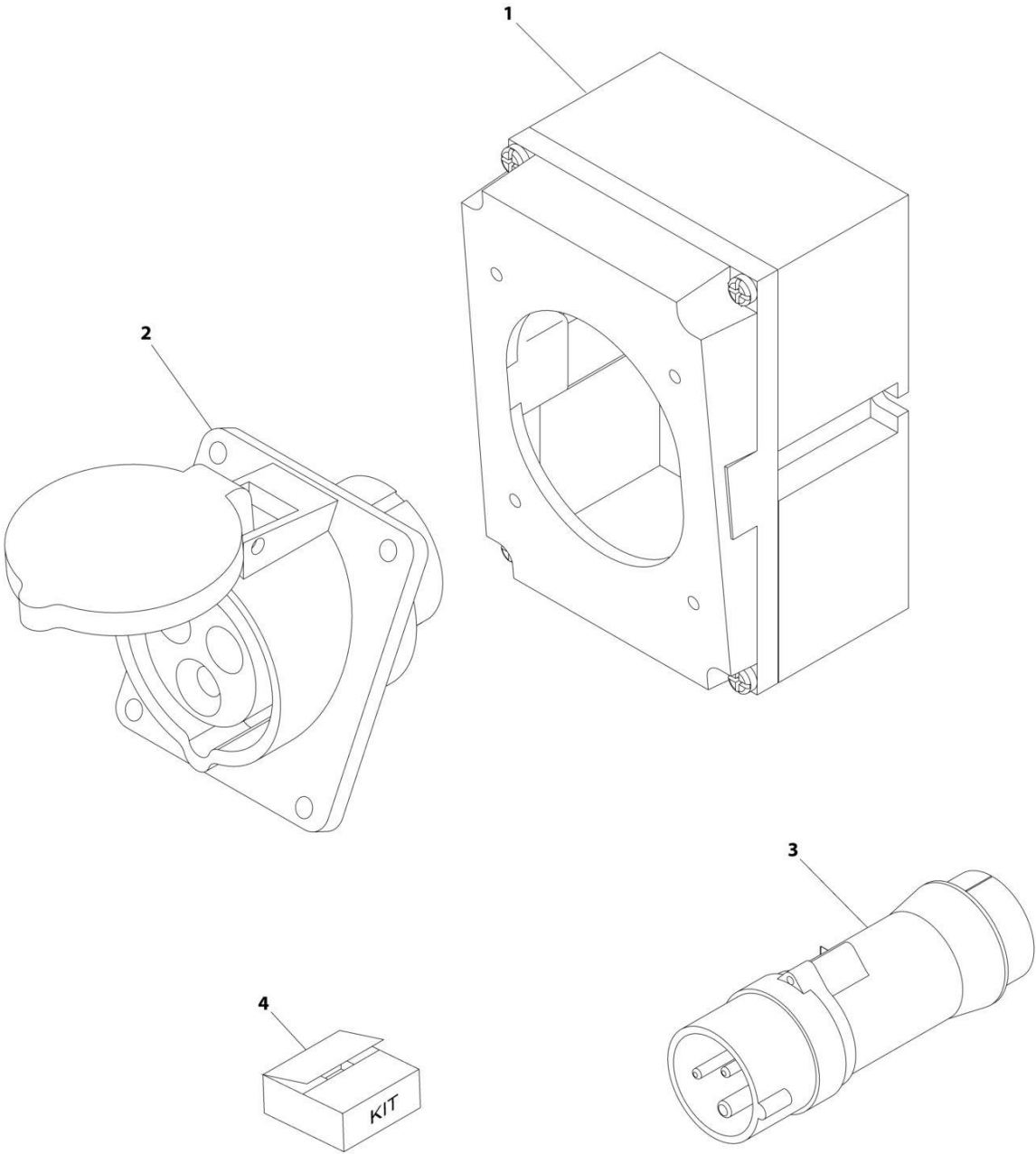
SECTION 7 - ELECTRICAL

FIGURE 7-6. AC PLUGS AND SOCKETS INSTALLATION - IEC 60309 BLUE (CE & UK CA SPEC)

ITEM	PART NUMBER	QTY	DESCRIPTION	REV
	0275217	Ref	RECEPTACLE BOX KIT - 220V IEC BLUE	B
1	0861781	1	Box, Switch	
2	4461201	1	Receptacle	
3	4461199	1	Plug, Male	
4	1001100342	1	Plug and Socket Kit (Includes Items 1-3 and Female Plug p/n 4461200)	

SECTION 7 - ELECTRICAL

FIGURE 7-7. AC PLUGS AND SOCKETS INSTALLATION - IEC 60309 YELLOW (CE & UK CA SPEC)



ART_0275216

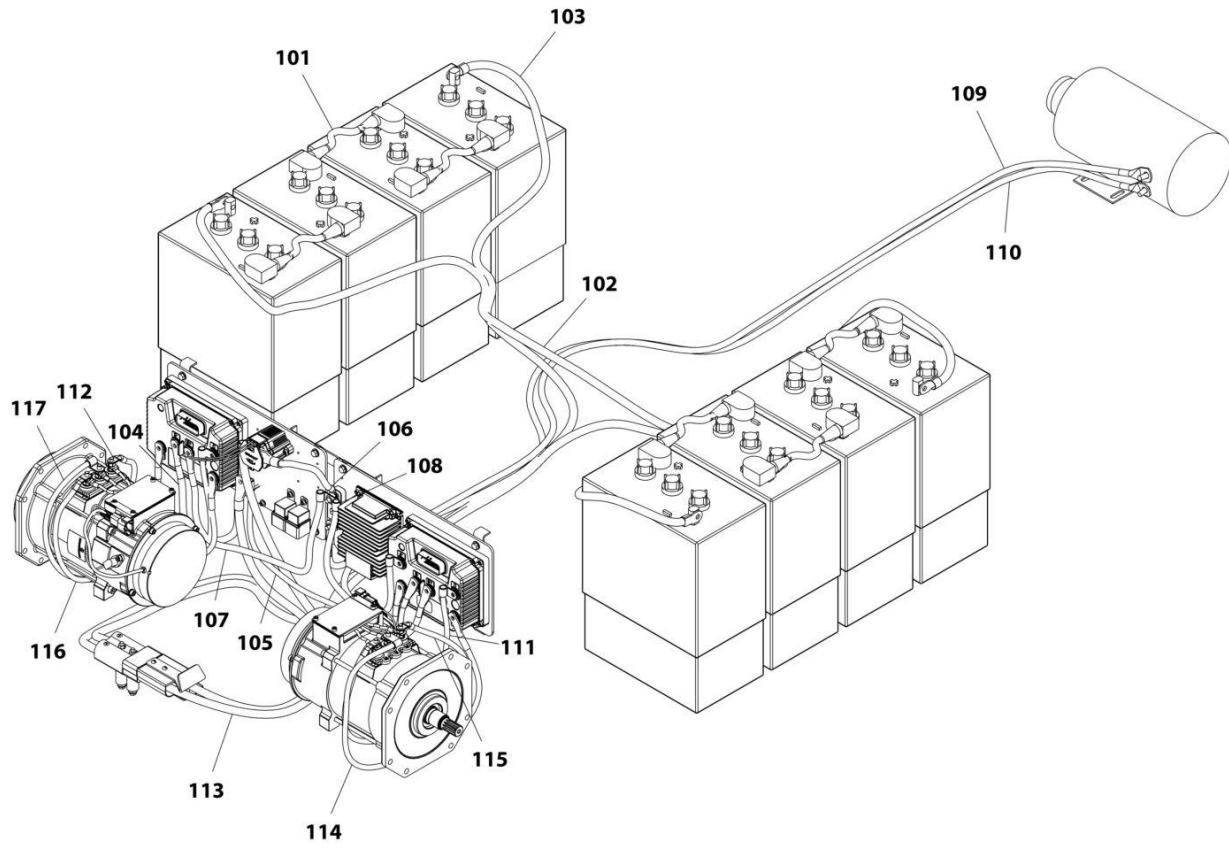
SECTION 7 - ELECTRICAL

FIGURE 7-7. AC PLUGS AND SOCKETS INSTALLATION - IEC 60309 YELLOW (CE & UK CA SPEC)

ITEM	PART NUMBER	QTY	DESCRIPTION	REV
	0275216	Ref	RECEPTACLE BOX KIT - 110V IEC YELLOW	B
1	0861781	1	Box, Switch	
2	4461198	1	Receptacle	
3	4461196	1	Plug, Male	
4	1001100341	1	Plug and Socket Kit (Includes Items 1-3 and Female Plug p/n 4461197)	

SECTION 7 - ELECTRICAL

FIGURE 7-8. BATTERY CABLE KIT - E400ANARROW AND E400AJPNARROW



ART_1001190088

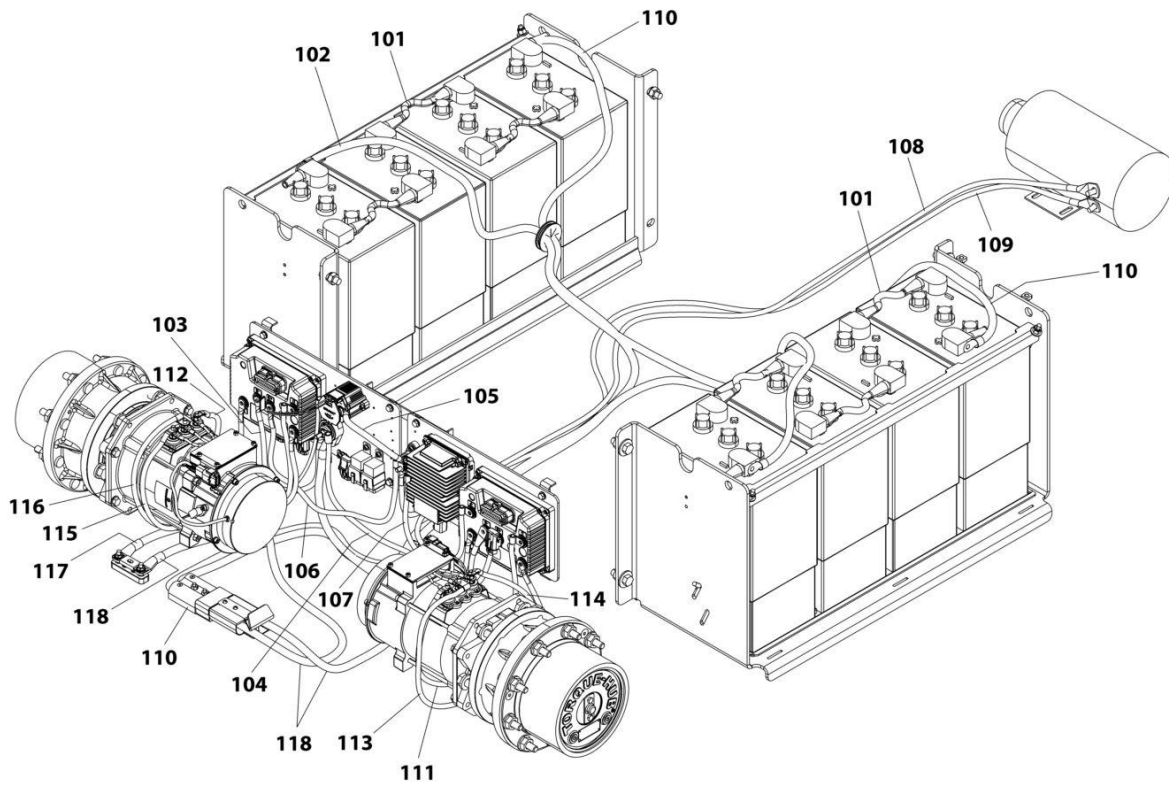
SECTION 7 - ELECTRICAL

FIGURE 7-8. BATTERY CABLE KIT - E400ANARROW AND E400AJPNARROW

ITEM	PART NUMBER	QTY	DESCRIPTION	REV
	1001190088	Ref	BATTERY CABLE KIT	K
101	1001109833	6	Cable, Battery	
102	1001177245	1	Cable, Interconnect	
103	1001177246	1	Cable, Battery	
104	1001178394	1	Cable, Negative to LH Module	
105	1001178395	1	Cable, Negative to RH Module	
106	1001178396	1	Cable, Positive to Pump Motor Fuse	
107	1001178398	1	Cable, Positive to LH Module	
108	1001178399	1	Cable, Positive to RH Module	
109	1001178400	1	Cable, Pump Motor Positive	
110	1001178401	1	Cable, Pump Motor Negative	
111	1001178402	1	Cable, Motor R U	
112	1001178403	1	Cable, Motor L U	
113	1001178660	1	Cable, Battery	
114	1001189027	1	Cable, Motor R V	
115	1001189030	1	Cable, Motor R W	
116	1001189031	1	Cable, Motor L W	
117	1001189032	1	Cable, Motor L V	

SECTION 7 - ELECTRICAL

FIGURE 7-9. BATTERY CABLE KIT - E400ANARROW AND E400AJPNARROW - UL SPECS



ART_1001212454

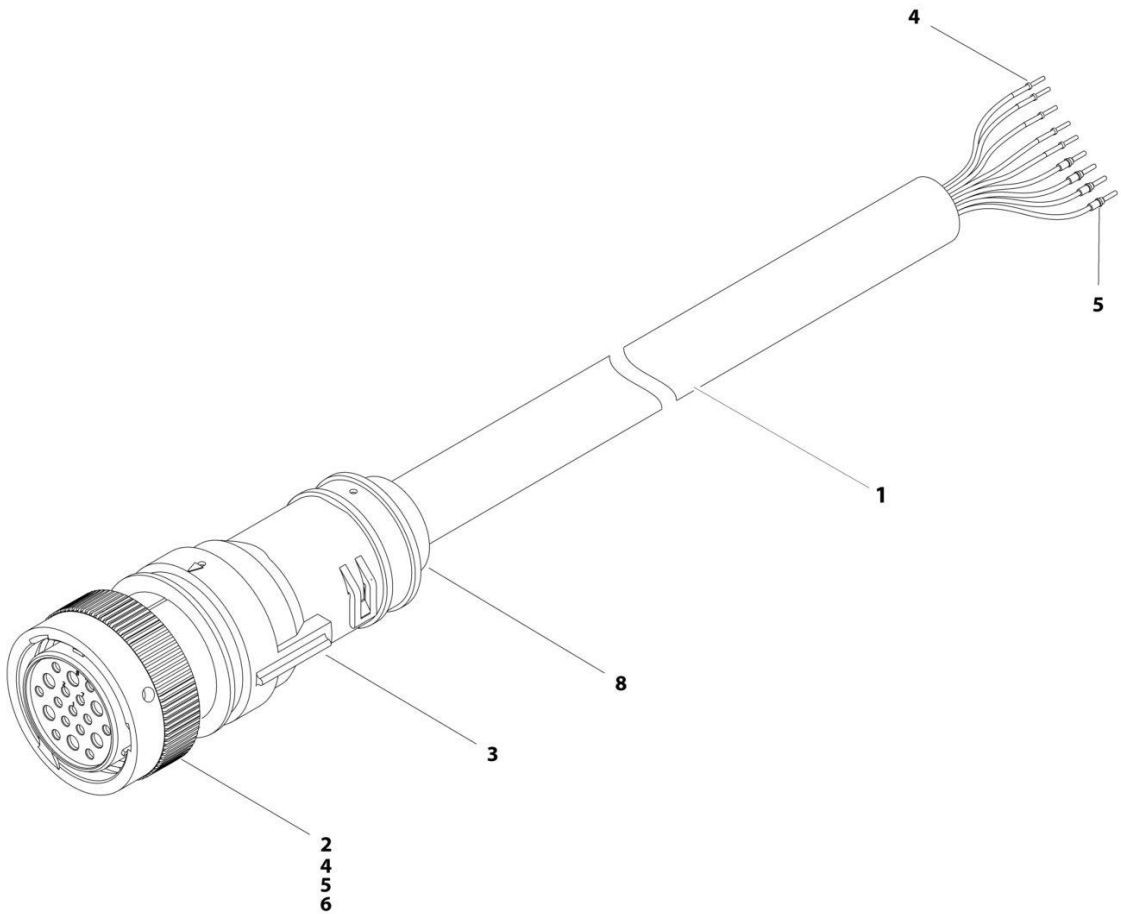
SECTION 7 - ELECTRICAL

FIGURE 7-9. BATTERY CABLE KIT - E400ANARROW AND E400AJPNARROW - UL SPECS

ITEM	PART NUMBER	QTY	DESCRIPTION	REV
	1001212454	Ref	BATTERY CABLE KIT	F
101	1001109833	6	Cable, Battery	
102	1001177245	1	Cable, Interconnect	
103	1001178394	1	Cable, Negative to LH Module	
104	1001178395	1	Cable, Negative to RH Module	
105	1001178396	1	Cable, Positive to Pump Motor Fuse	
106	1001178398	1	Cable, Positive to LH Module	
107	1001178399	1	Cable, Positive to RH Module	
108	1001178400	1	Cable, Pump Motor Positive	
109	1001178401	1	Cable, Pump Motor Negative	
110	1001177246	1	Cable, Battery	
111	1001178402	1	Cable, Motor R U	
112	1001178403	1	Cable, Motor L U	
113	1001189027	1	Cable, Motor R V	
114	1001189030	1	Cable, Motor R W	
115	1001189031	1	Cable, Motor L W	
116	1001189032	1	Cable, Motor L V	
117	1001212455	1	Cable, Drive Jumper	
118	1001212480	1	Cable, Battery	

SECTION 7 - ELECTRICAL

FIGURE 7-10. BOOM CABLE - LOWER



ART_1001183868

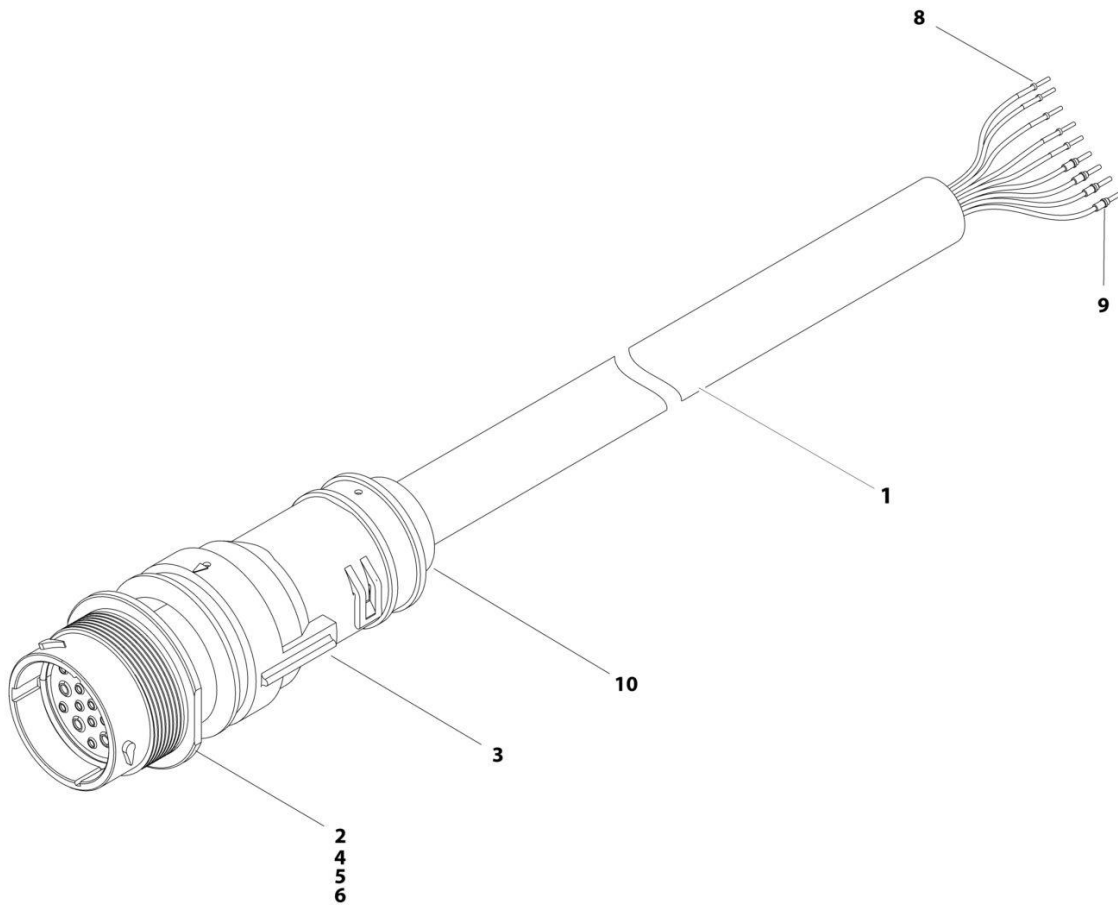
SECTION 7 - ELECTRICAL

FIGURE 7-10. BOOM CABLE - LOWER

ITEM	PART NUMBER	QTY	DESCRIPTION	REV
1	1001183868 1060896	Ref 32 ft /9.8m	BOOM CABLE - LOWER Cable, Electrical	C
2	1001188292	1	Connector - 19 Position	
3	1001188291	1	Connector, Backshell	
4	4460465	22	Socket, Female	
5	4460509	8	Socket, Female	
6	4460466	4	Plug, Seal	
7	2820118	6 in /15.3 cm	Insulator, Tubing (Not Shown)	
8	1001188354	1	Grommet	
9	4240033	2	Tie-Strap (Not Shown)	

SECTION 7 - ELECTRICAL

FIGURE 7-11. BOOM CABLE - UPPER



ART_1001183867

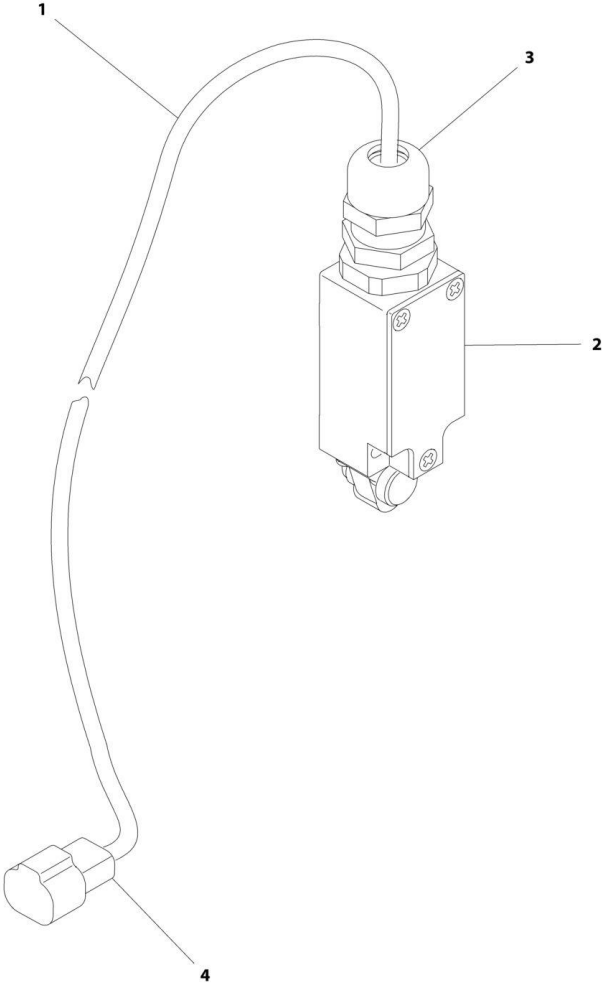
SECTION 7 - ELECTRICAL

FIGURE 7-11. BOOM CABLE - UPPER

ITEM	PART NUMBER	QTY	DESCRIPTION	REV
1	1001183867	Ref	BOOM CABLE - UPPER	D
	1060896	25.5 ft /7.8m	Cable, Electrical	
2	1001188293	1	Connector - 19 Position	
3	1001188291	1	Connector, Backshell	
4	4460465	11	Socket, Female	
5	4460509	4	Socket, Female	
6	4460466	4	Plug, Seal	
7	2820118	6 in /15.3 cm	Insulator, Tubing (Not Shown)	
8	4460464	11	Pin, Male	
9	4460508	4	Pin, Male	
10	1001188354	1	Grommet	
11	4240033	2	Tie-Strap (Not Shown)	

SECTION 7 - ELECTRICAL

FIGURE 7-12. BOOM LIMIT SWITCH HARNESS - LOWER



ART_100118776

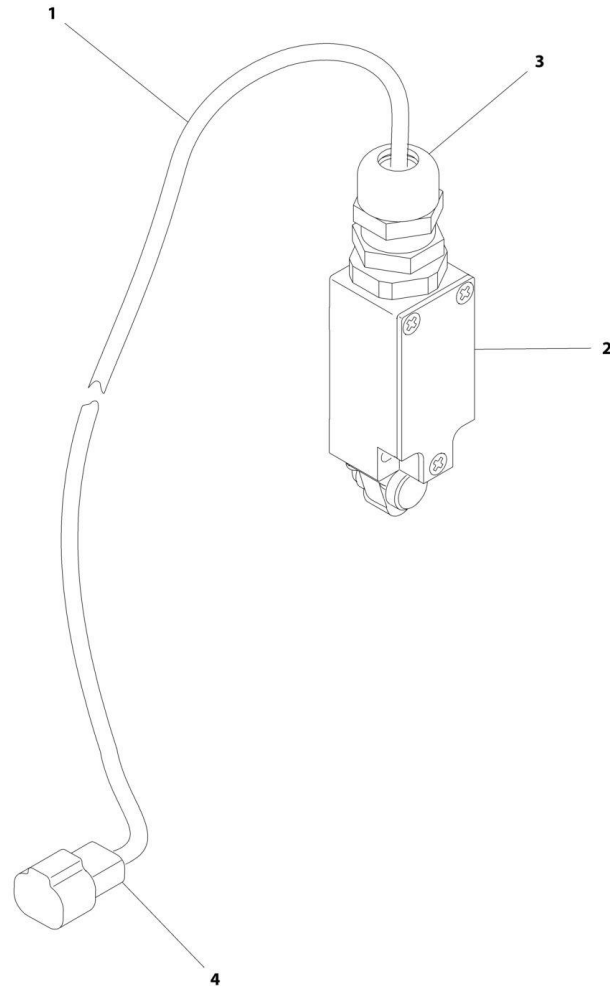
SECTION 7 - ELECTRICAL

FIGURE 7-12. BOOM LIMIT SWITCH HARNESS - LOWER

ITEM	PART NUMBER	QTY	DESCRIPTION	REV
	1001187776	Ref	BOOM LIMIT SWITCH HARNESS - LOWER	D
1	1060341	14 ft /4.3m	Cable, Electrical - 16/2	
2	4360548	1	Switch, Limit	
3	4460968	1	Connector, Strain Relief	
4	4460897	1	Connector- 2 Position	
4	4460464	2	Pin, Male	

SECTION 7 - ELECTRICAL

FIGURE 7-13. BOOM LIMIT SWITCH HARNESS - UPPER



ART_100118775

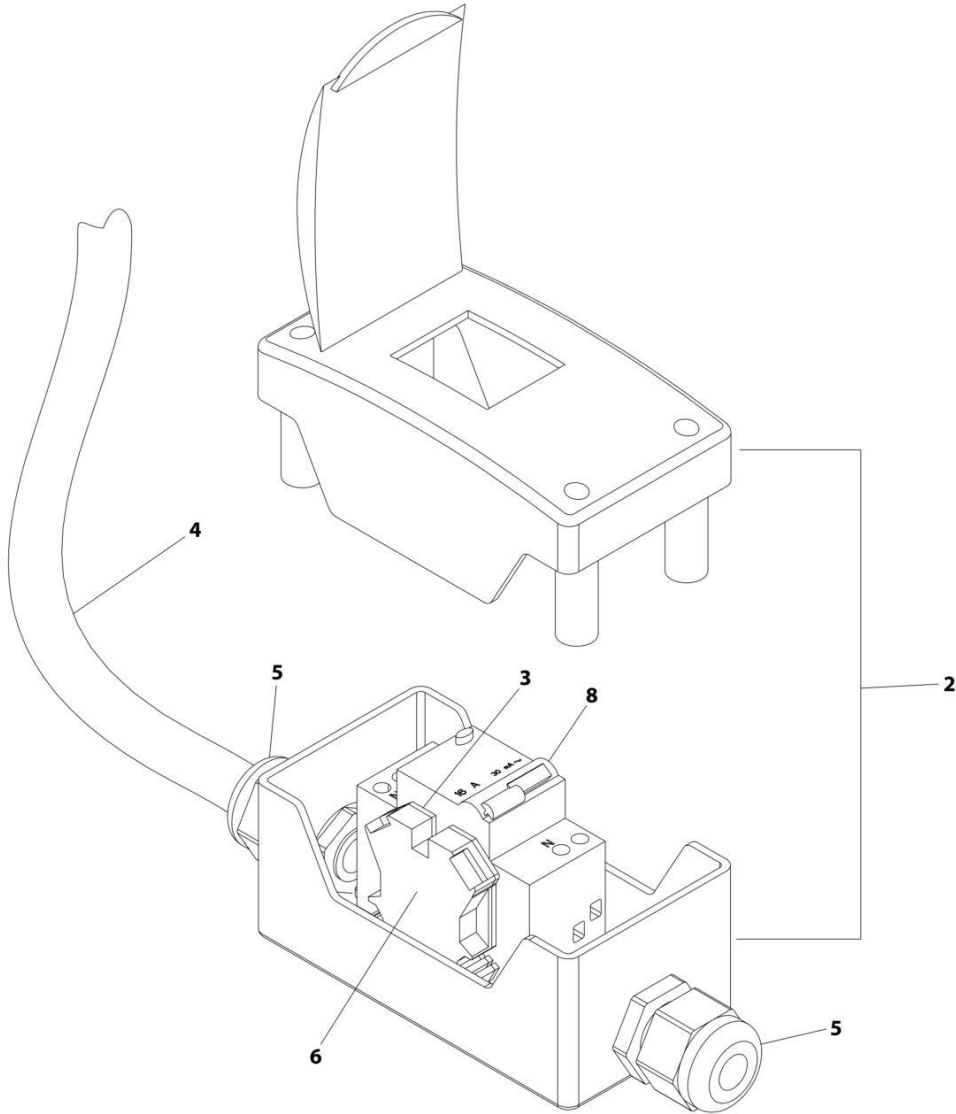
SECTION 7 - ELECTRICAL

FIGURE 7-13. BOOM LIMIT SWITCH HARNESS - UPPER

ITEM	PART NUMBER	QTY	DESCRIPTION	REV
	1001187775	Ref	BOOM LIMIT SWITCH HARNESS - UPPER	C
1	1060341	27 ft /8.23m	Cable, Electrical - 16/2	
2	4360548	1	Switch, Limit	
3	4460968	1	Connector, Strain Relief	
4	4460897	1	Connector - 2 Position	
4	4460464	2	Pin, Male	

SECTION 7 - ELECTRICAL

FIGURE 7-14. BREAKER BOX KIT WITH ONE BREAKERS - CE & UK CA SPEC



ART_2902549_F

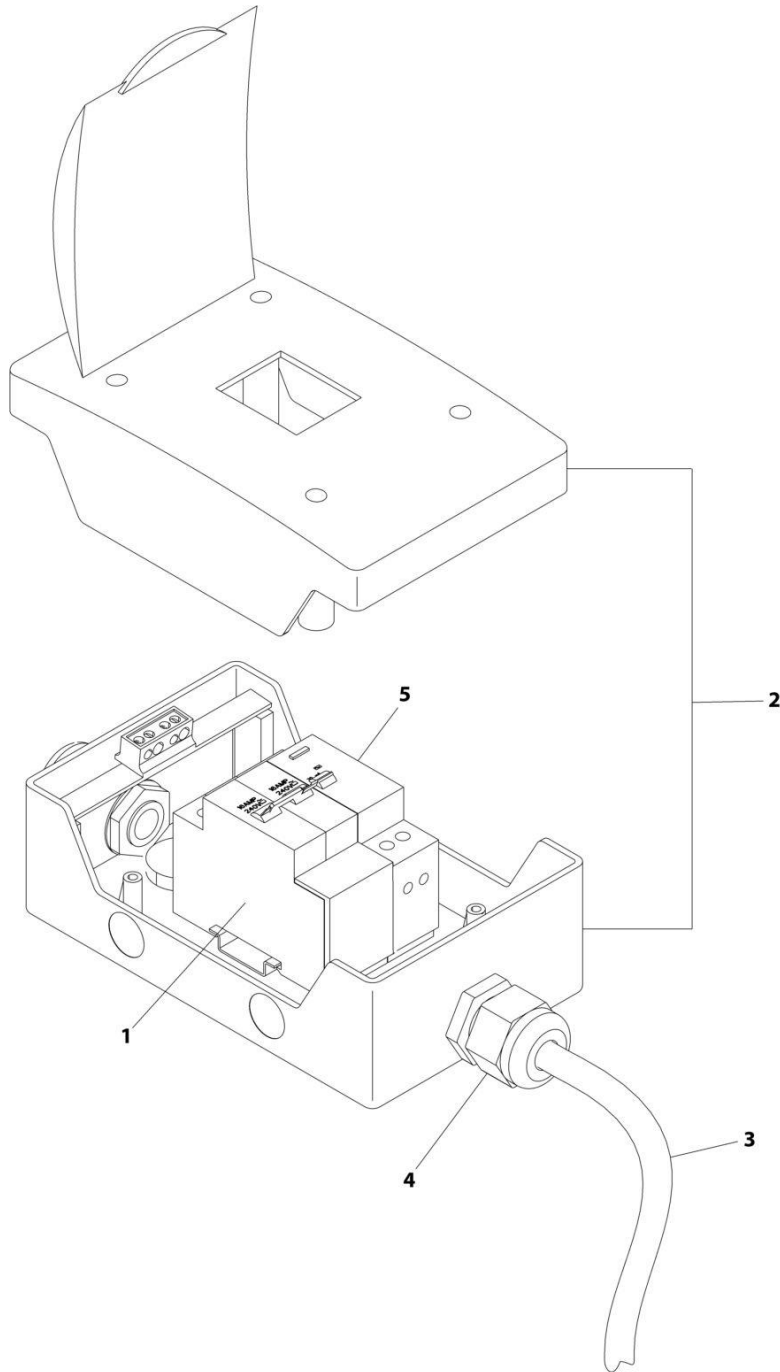
SECTION 7 - ELECTRICAL

FIGURE 7-14. BREAKER BOX KIT WITH ONE BREAKERS - CE & UK CA SPEC

ITEM	PART NUMBER	QTY	DESCRIPTION	REV
	2902549	Ref	BREAKER BOX KIT	F
2	0861880	1	Box	
3	4460956	1	Barrier, Terminal	
4	1060908	6 ft/1.8m	Cable, 12/3	
5	1001097150	2	Connector, Strain Relief	
6	4460957	1	Block, Terminal	
8	1001181045	1	Breaker, 16Amp	

SECTION 7 - ELECTRICAL

FIGURE 7-15. BREAKER BOX KIT WITH TWO BREAKERS - CE & UK CA SPEC



ART_1001152485_F

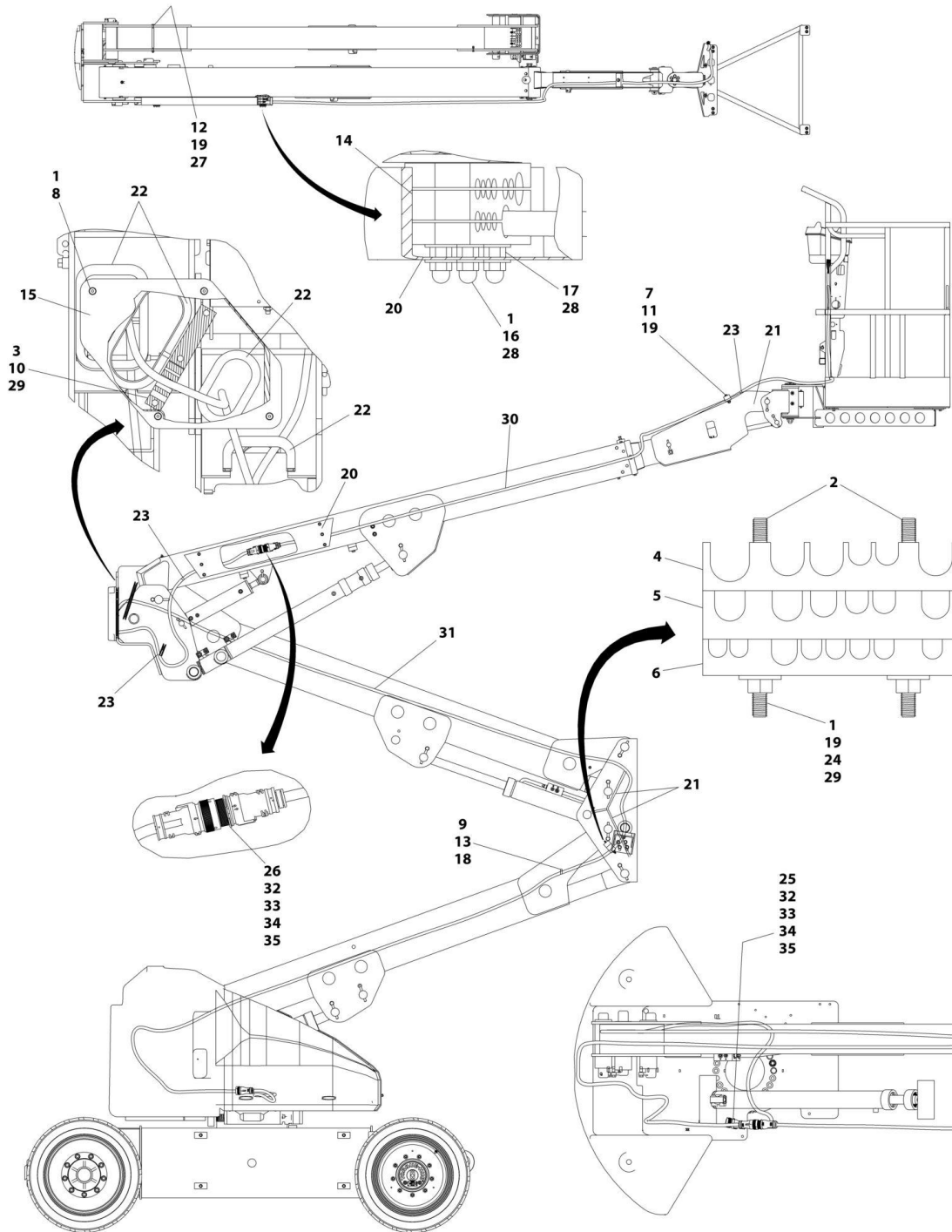
SECTION 7 - ELECTRICAL

FIGURE 7-15. BREAKER BOX KIT WITH TWO BREAKERS - CE & UK CA SPEC

ITEM	PART NUMBER	QTY	DESCRIPTION	REV
	1001152485	Ref	BREAKER BOX KIT WITH TWO BREAKERS	F
1	1001189172	1	Breaker 16Amp Double	
2	1001152483	1	Box	
3	1060908	6 ft/1.8m	Cable, 12/3	
4	1001097150	2	Connector, Strain Relief	
5	1001189171	1	Breaker, 30mA	

SECTION 7 - ELECTRICAL

FIGURE 7-16. CABLES AND CLAMPS INSTALLATION - E400ANARROW



ART_1001183521

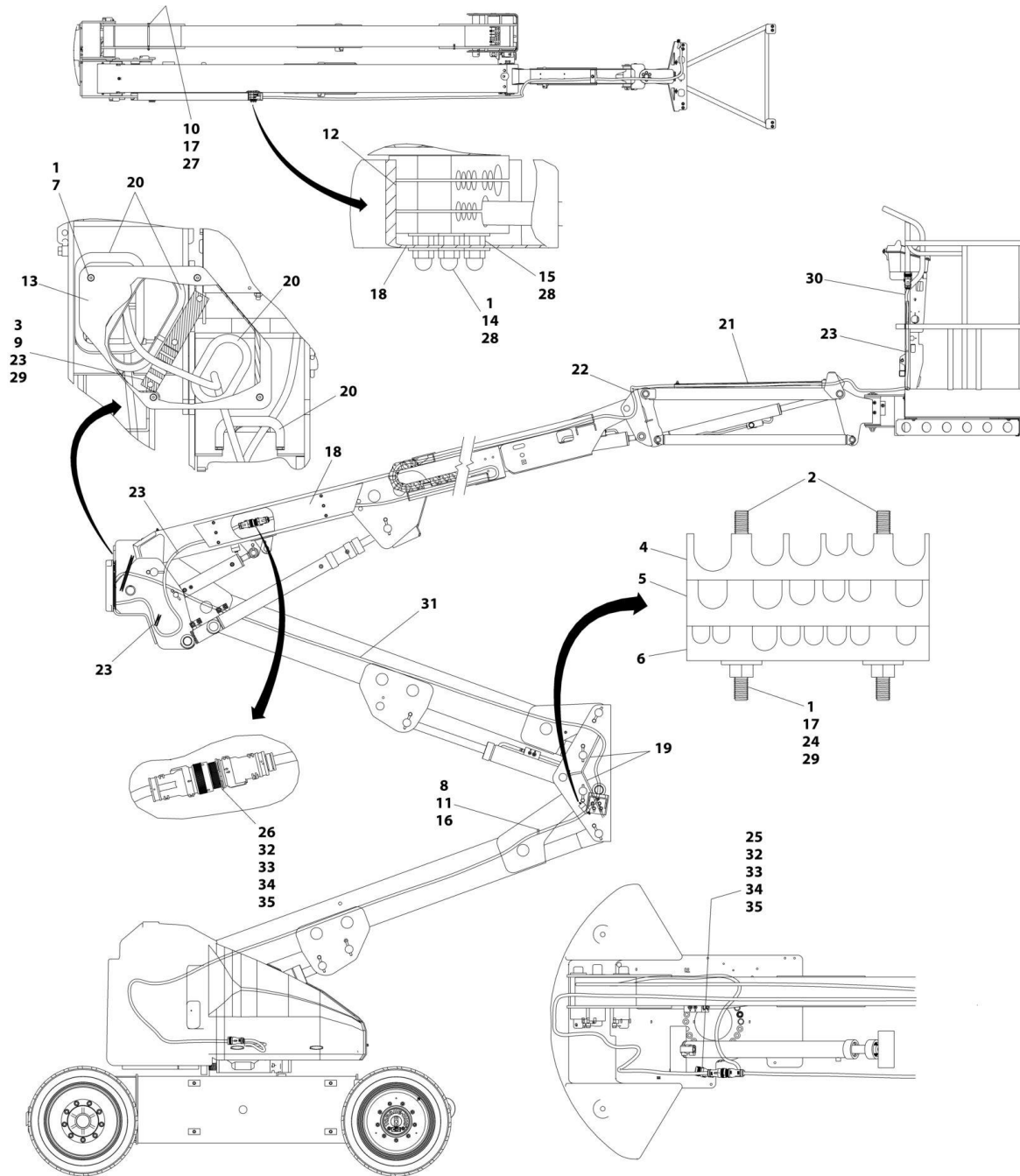
SECTION 7 - ELECTRICAL

FIGURE 7-16. CABLES AND CLAMPS INSTALLATION - E400ANARROW

ITEM	PART NUMBER	QTY	DESCRIPTION	REV
	1001183521	Ref	CABLES AND CLAMPS INSTALLATION	C
1	0100011	AR	Compound, Locking	
2	0100019	AR	Compound, Locking	
3	0561317	1	Block, Hose Clamp	
4	0561384	1	Block, Hose Clamp	
5	0561385	1	Block, Hose Clamp	
6	0561386	1	Block, Hose Clamp	
7	0561424	1	Block, Hose Clamp	
8	0630467	4	Capscrew, Button 5-16 x 1/2	
9	0641410	1	Bolt 1/4 x 1-1/4	
10	0641514	3	Bolt 5/16 x 1-3/4	
11	0641516	1	Bolt 5/16 x 2	
12	0641560	1	Bolt 5/16 x 7-1/2	
13	1320043	1	Clamp, Cable	
14	1320260	2	Block, Hose Clamp	
15	1670697	1	Cover, Hose	
16	3300151	6	Nut 1/4	
17	3311401	6	Nut 1/4	
18	3311405	1	Nut 1/4	
19	3311505	4	Nut 5/16	
20	3536999	1	Shield	
21	4060805	2 ft /0.61m	Trim, Flex	
22	4060808	6 ft /1.83m	Trim, Flex	
23	4240099	AR	Tie, Strap	
24	4300140	2	Stud 5/16 x 3-5/8	
25	1001188292	1	Connector - 19 Position	
26	1001188293	1	Connector - 19 Position	
27	4566243	1	Roller	
28	4751400	12	Washer 1/4	
29	4751500	8	Washer 5/16	
30	1001183867	1	Harness Assembly - Upper Boom (See Separate Breakdown in this Section)	
31	1001183868	1	Harness Assembly - Lower Boom (See Separate Breakdown in this Section)	
32	4240033	AR	Tie-Strap	
33	4460466	8	Terminal	
34	1001188291	2	Connector, Backshell	
35	1001188354	2	Grommet	

SECTION 7 - ELECTRICAL

FIGURE 7-17. CABLES AND CLAMPS INSTALLATION - E400AJPNARROW



ART_1001183520

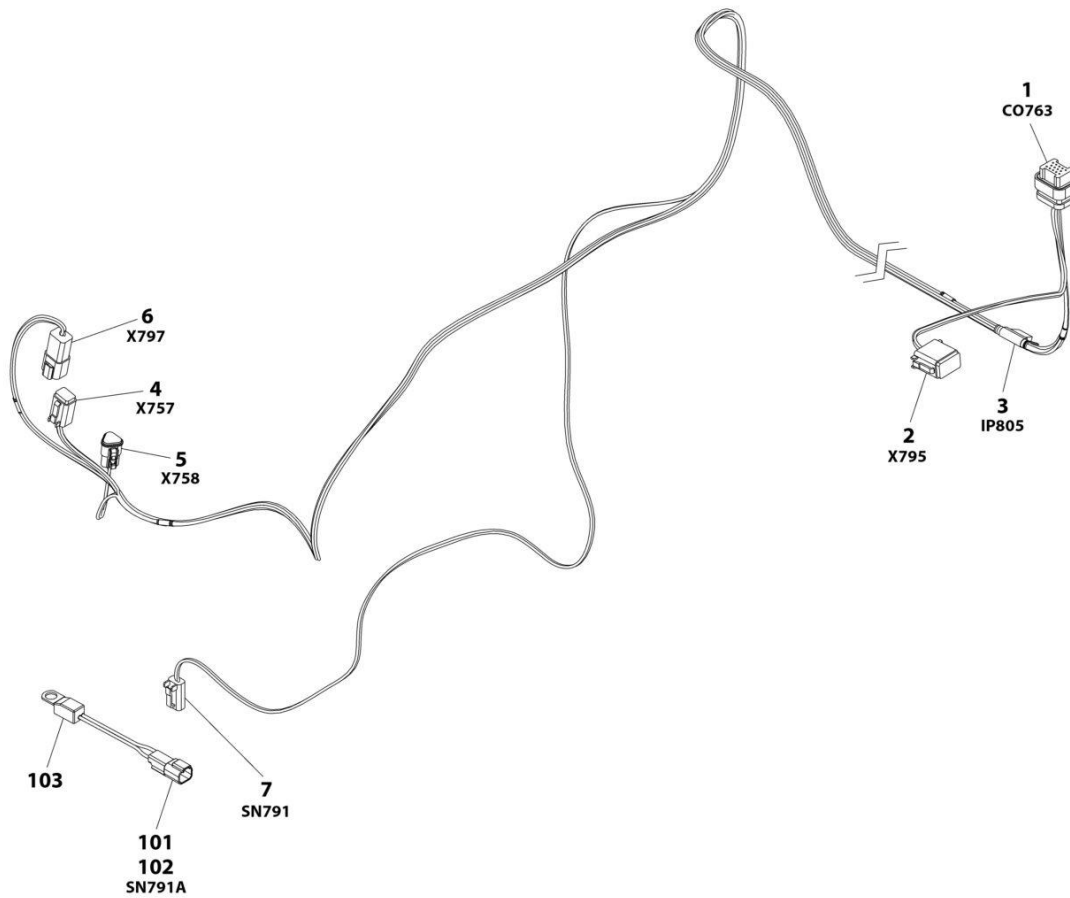
SECTION 7 - ELECTRICAL

FIGURE 7-17. CABLES AND CLAMPS INSTALLATION - E400AJPNARROW

ITEM	PART NUMBER	QTY	DESCRIPTION	REV
	1001183520	Ref	CABLES AND CLAMPS INSTALLATION	C
1	0100011	AR	Compound, Locking	
2	0100019	AR	Compound, Locking	
3	0561317	1	Block, Hose Clamp	
4	0561384	1	Block, Hose Clamp	
5	0561385	1	Block, Hose Clamp	
6	0561386	1	Block, Hose Clamp	
7	0630467	4	Capscrew, Button 5-16 x 1/2	
8	0641410	1	Bolt 1/4 x 1-1/4	
9	0641514	3	Bolt 5/16 x 1-3/4	
10	0641560	1	Bolt 5/16 x 7-1/2	
11	1320043	1	Clamp, Cable	
12	1320260	2	Block, Hose Clamp	
13	1670697	1	Cover, Hose	
14	3300151	6	Nut 1/4	
15	3311401	6	Nut 1/4	
16	3311405	1	Nut 1/4	
17	3311505	3	Nut 5/16	
18	3571462	1	Shield	
19	4060805	1.5 ft /0.46m	Trim, Flex	
20	4060808	6 ft /1.83m	Trim, Flex	
21	4100065	1	Sleeve, Hose	
22	4100067	AR	Sleeve, Hose	
23	4240099	AR	Tie, Strap	
24	4300140	2	Stud 5/16 x 3-5/8	
25	1001188292	1	Connector - 19 Position	
26	1001188293	1	Connector - 19 Position	
27	4566243	1	Roller	
28	4751400	12	Washer 1/4	
29	4751500	5	Washer 5/16	
30	1001183867	1	Harness Assembly - Upper Boom (See Separate Breakdown in this Section)	
31	1001183868	1	Harness Assembly - Lower Boom (See Separate Breakdown in this Section)	
32	4240033	AR	Tie-Strap	
33	4460466	8	Terminal	
34	1001188291	2	Connector, Backshell	
35	1001188354	2	Grommet	

SECTION 7 - ELECTRICAL

FIGURE 7-18. CHARGER HARNESS



ART_1001260531

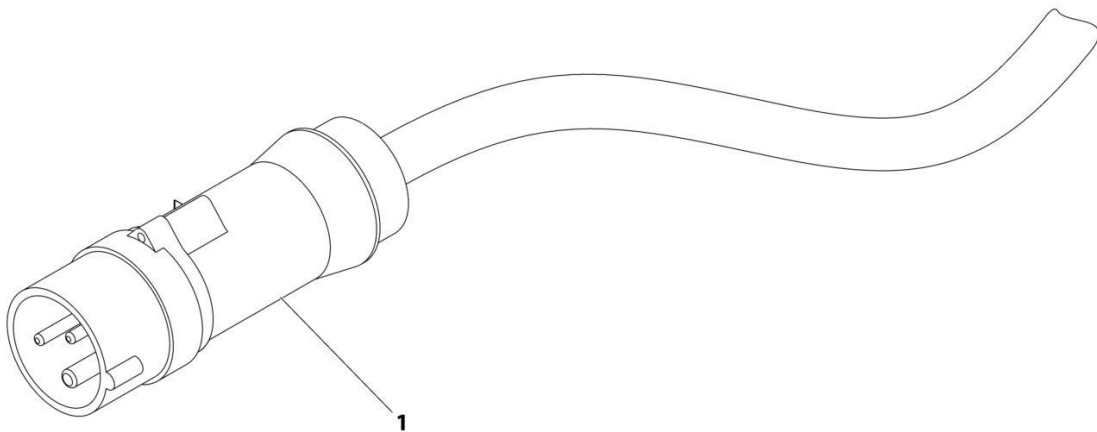
SECTION 7 - ELECTRICAL

FIGURE 7-18. CHARGER HARNESS

ITEM	PART NUMBER	QTY	DESCRIPTION	REV
	1001260531	Ref	CHARGER HARNESS	A
1	4460872	1	Connector	
1	4460905	5	Plug	
1	4460871	9	Socket	
2	4460930	1	Connector	
2	4460465	3	Socket	
2	4460466	5	Plug	
3	2400060	1	Fuse Holder	
3	1001196634	1	Fuse, 2AMP	
4	4460884	1	Connector	
4	4460465	3	Socket	
5	1001116812	1	Connector	
5	4460944	2	Socket	
5	4460466	1	Plug	
6	4460932	1	Connector	
6	4460464	4	Pin	
7	4460891	1	Connector	
7	4460465	3	Socket	
101	4460464	2	Pin	
102	4460897	1	Connector	
103	1001102771	1	Sensor, Temperature	

SECTION 7 - ELECTRICAL

FIGURE 7-19. CHARGER CORD PLUG INSTALLATION - 110V - IEC 60309 - YELLOW (CE & UK CA SPEC)



ART_0275666

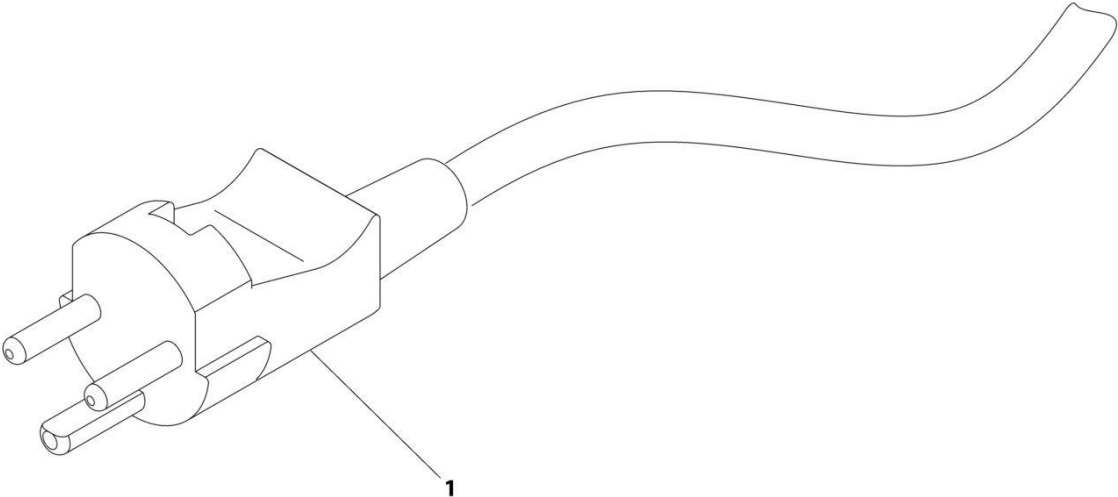
SECTION 7 - ELECTRICAL

FIGURE 7-19. CHARGER CORD PLUG INSTALLATION - 110V - IEC 60309 - YELLOW (CE & UK CA SPEC)

ITEM	PART NUMBER	QTY	DESCRIPTION	REV
	0275666	Ref	CHARGER CORD PLUG INSTALLATION - 110V IEC YELLOW PLUG	B
1	4461196	1	Plug	

SECTION 7 - ELECTRICAL

FIGURE 7-20. CHARGER CORD PLUG INSTALLATION - 220V - AFSINT 107 KEYED GROUND (CE & UK CA SPEC)



ART_0275665

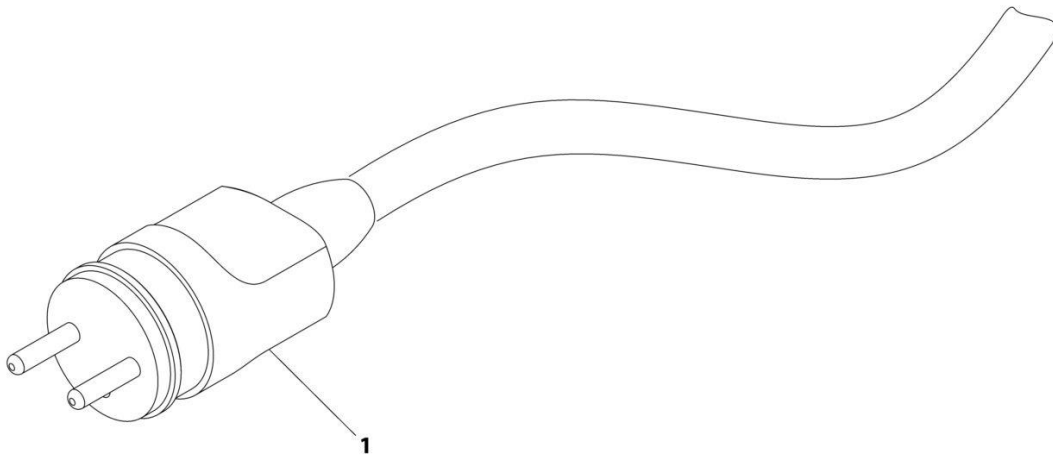
SECTION 7 - ELECTRICAL

FIGURE 7-20. CHARGER CORD PLUG INSTALLATION - 220V - AFSINT 107 KEYED GROUND (CE & UK CA SPEC)

ITEM	PART NUMBER	QTY	DESCRIPTION	REV
	0275665	Ref	CHARGER CORD PLUG INSTALLATION - 220V AFSINT 107 KEYED GROUND	B
1	4461249	1	Plug	

SECTION 7 - ELECTRICAL

FIGURE 7-21. CHARGER CORD PLUG INSTALLATION - 220V - CEE7 POST GROUND (CE & UK CA SPEC)



ART_0275663-C

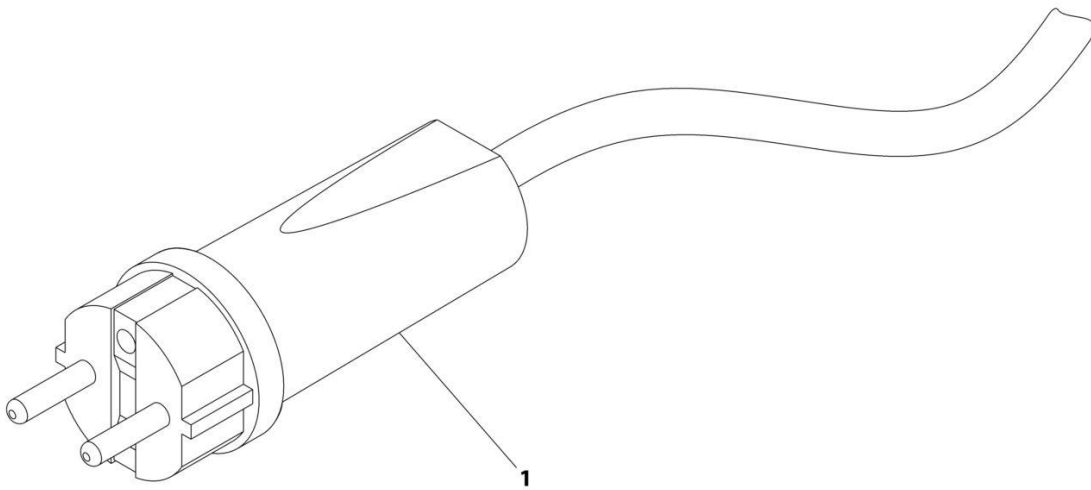
SECTION 7 - ELECTRICAL

FIGURE 7-21. CHARGER CORD PLUG INSTALLATION - 220V - CEE7 POST GROUND (CE & UK CA SPEC)

ITEM	PART NUMBER	QTY	DESCRIPTION	REV
1	0275663 4461205	Ref 1	CHARGER CORD PLUG INSTALLATION - 220V POST GROUND Plug	C

SECTION 7 - ELECTRICAL

FIGURE 7-22. CHARGER CORD PLUG INSTALLATION - 220V - CEE7 SIDE GROUND (CE & UK CA SPEC)



ART_0275664

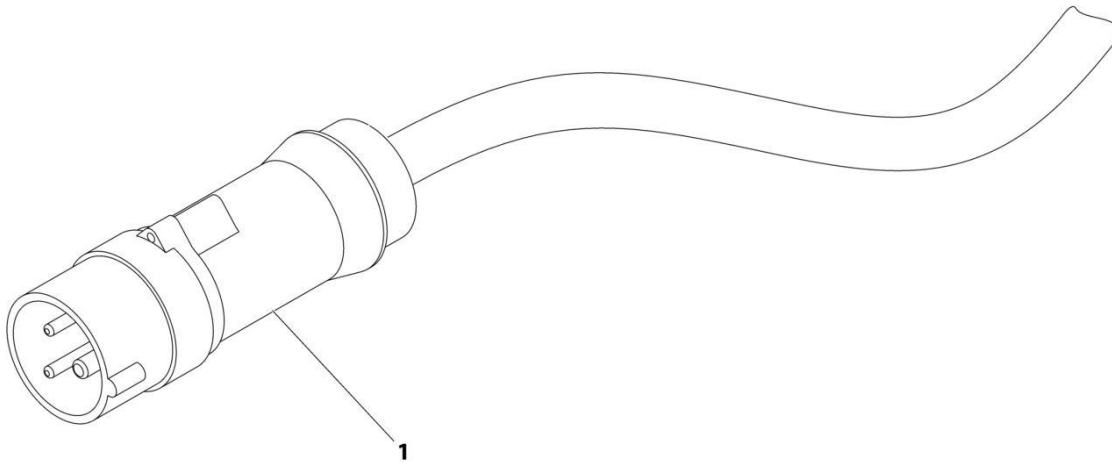
SECTION 7 - ELECTRICAL

FIGURE 7-22. CHARGER CORD PLUG INSTALLATION - 220V - CEE7 SIDE GROUND (CE & UK CA SPEC)

ITEM	PART NUMBER	QTY	DESCRIPTION	REV
	0275664	Ref	CHARGER CORD PLUG INSTALLATION - 220V CEE7 SIDE GROUND	A
1	4461205	1	Plug	

SECTION 7 - ELECTRICAL

FIGURE 7-23. CHARGER CORD PLUG INSTALLATION - 220V - IEC 60309 - BLUE (CE & UK CA SPEC)



ART_0275667

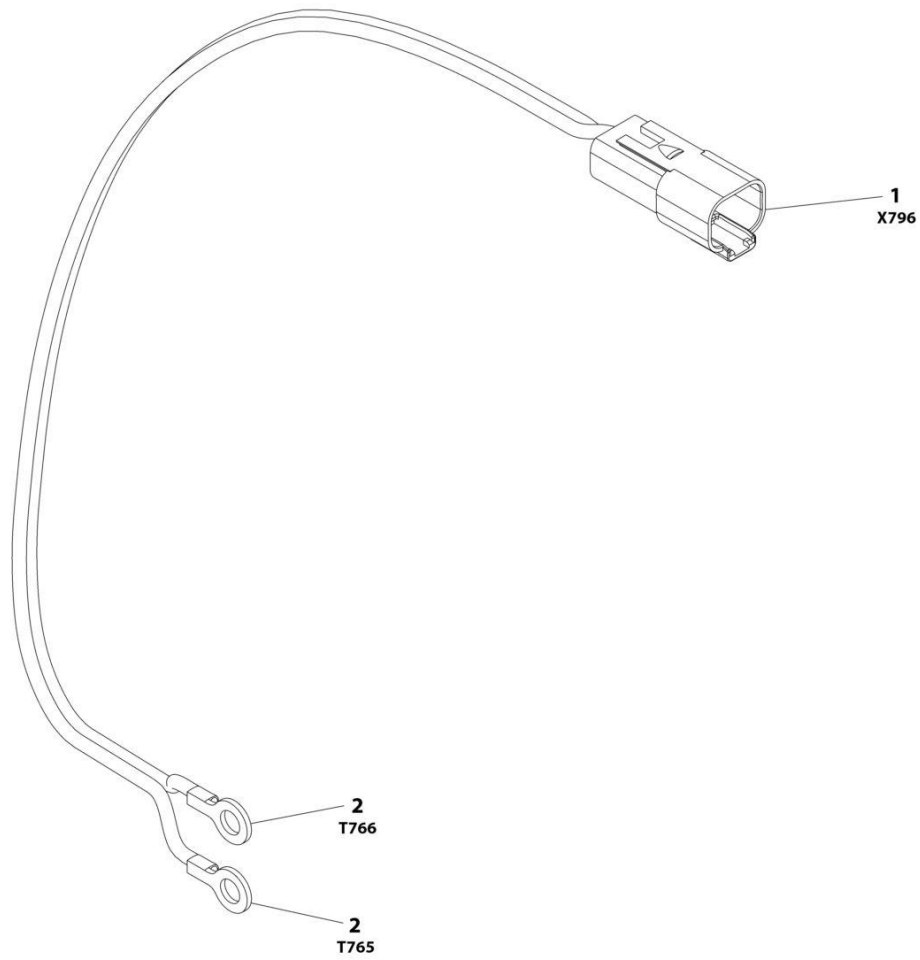
SECTION 7 - ELECTRICAL

FIGURE 7-23. CHARGER CORD PLUG INSTALLATION - 220V - IEC 60309 - BLUE (CE & UK CA SPEC)

ITEM	PART NUMBER	QTY	DESCRIPTION	REV
1	0275667 4461199	Ref 1	CHARGER CORD PLUG INSTALLATION - 220V IEC BLUE PLUG Plug	B

SECTION 7 - ELECTRICAL

FIGURE 7-24. CHARGER DC CONNECTION HARNESS



ART_1001260408

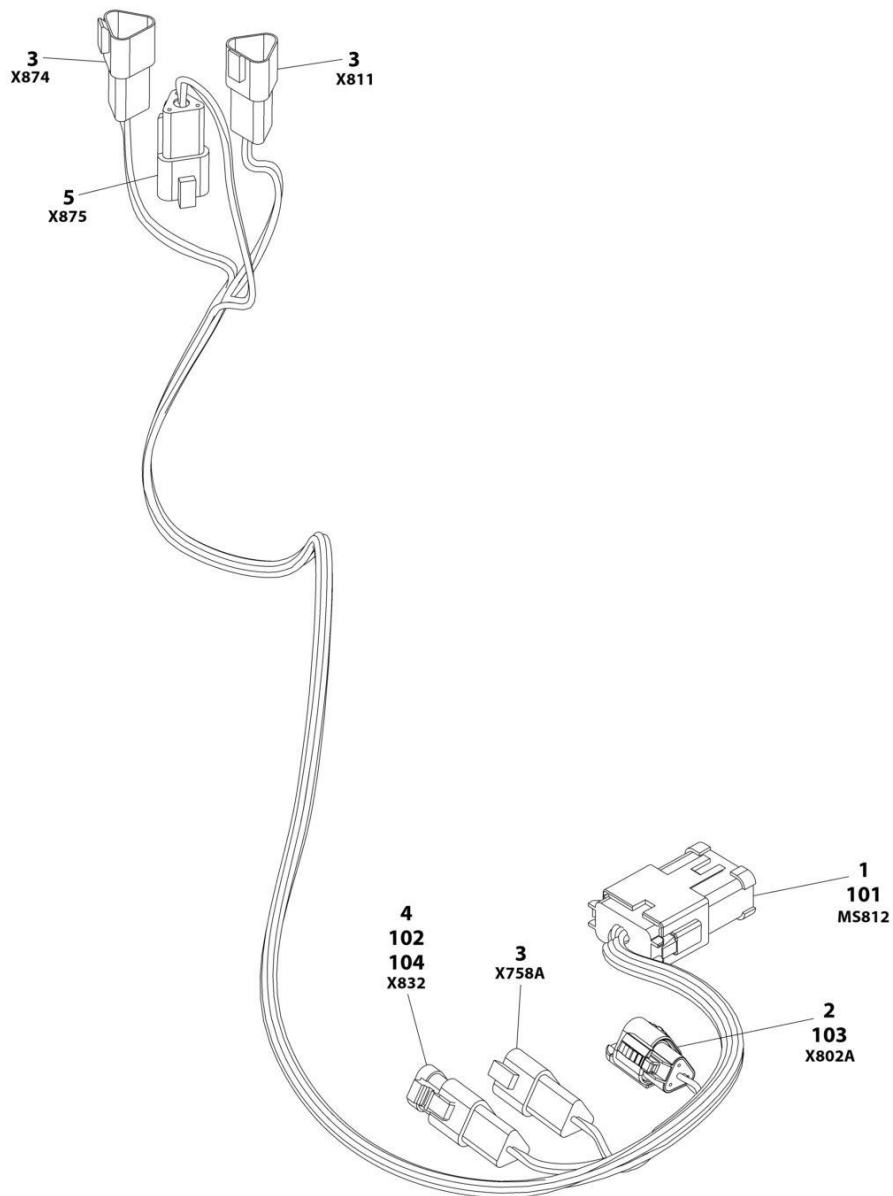
SECTION 7 - ELECTRICAL

FIGURE 7-24. CHARGER DC CONNECTION HARNESS

ITEM	PART NUMBER	QTY	DESCRIPTION	REV
	1001260408	Ref	CHARGER DC CONNECTION HARNESS	A
1	1001116811	1	Connector	
1	4460508	2	Pin	
1	4460466	2	Plug	
2	4460312	2	Terminal Ring	

SECTION 7 - ELECTRICAL

FIGURE 7-25. CHARGER EBOOM HARNESS



ART_1001260532

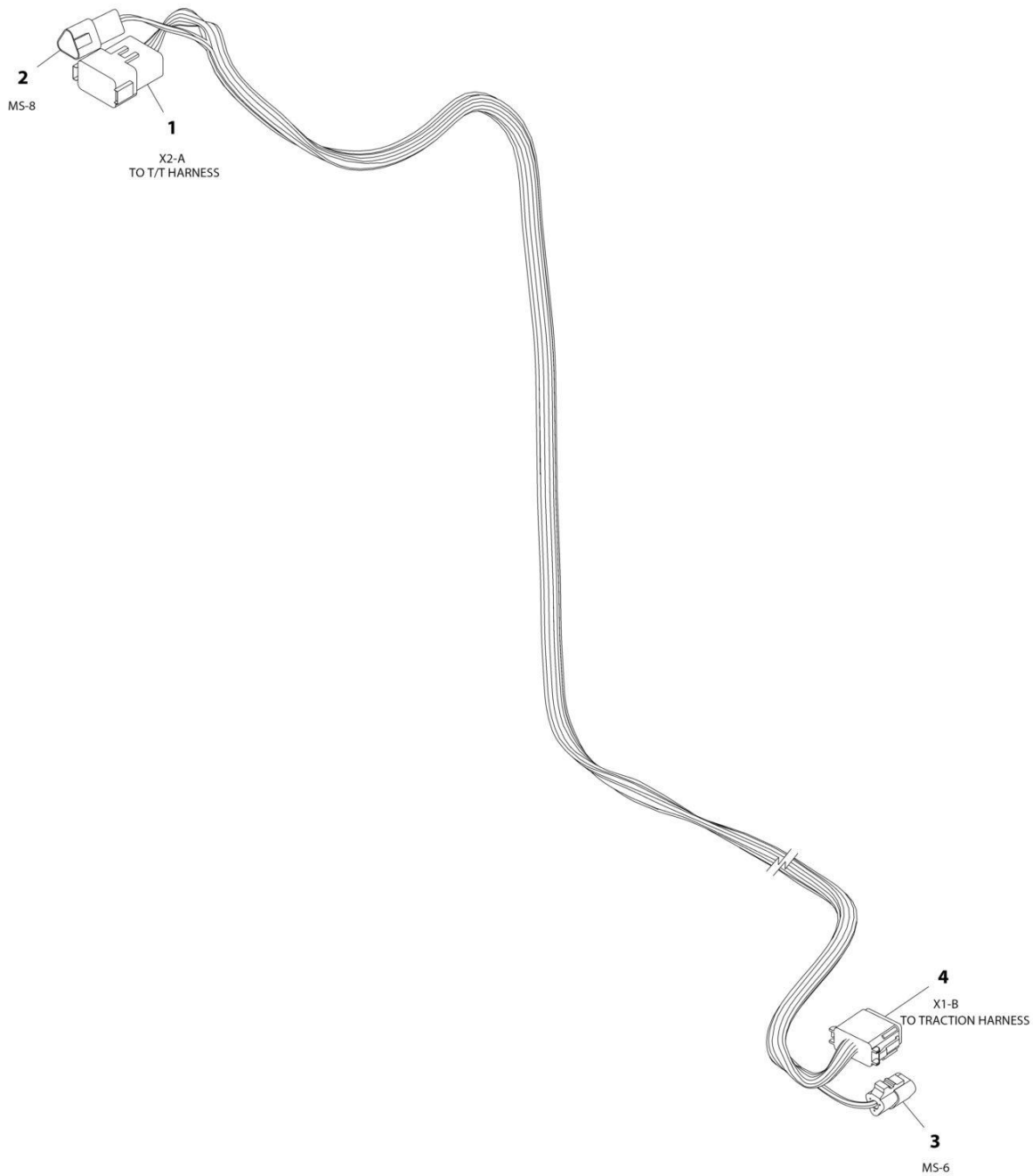
SECTION 7 - ELECTRICAL

FIGURE 7-25. CHARGER EBOOM HARNESS

ITEM	PART NUMBER	QTY	DESCRIPTION	REV
	1001260532	Ref	CHARGER EBOOM HARNESS	B
1	4460933	1	Connector	
1	4460465	12	Socket	
2	1001116812	1	Connector	
2	4460944	2	Socket	
2	4460466	1	Plug	
3	1001144147	3	Connector	
3	4460943	6	Pin	
3	4460466	3	Plug	
4	1001144147	1	Connector	
4	4460943	2	Pin	
4	4460466	1	Plug	
5	4460536	1	Connector	
5	4460943	2	Pin	
5	4460466	1	Plug	
101	1001125677	1	Connector, Buss Bar	
102	1001116812	1	Connector	
103	1001144296	1	Dust Cap	
104	4460466	3	Plug	

SECTION 7 - ELECTRICAL

FIGURE 7-26. CHASSIS TO TURNTABLE HARNESS



ART_1001178405

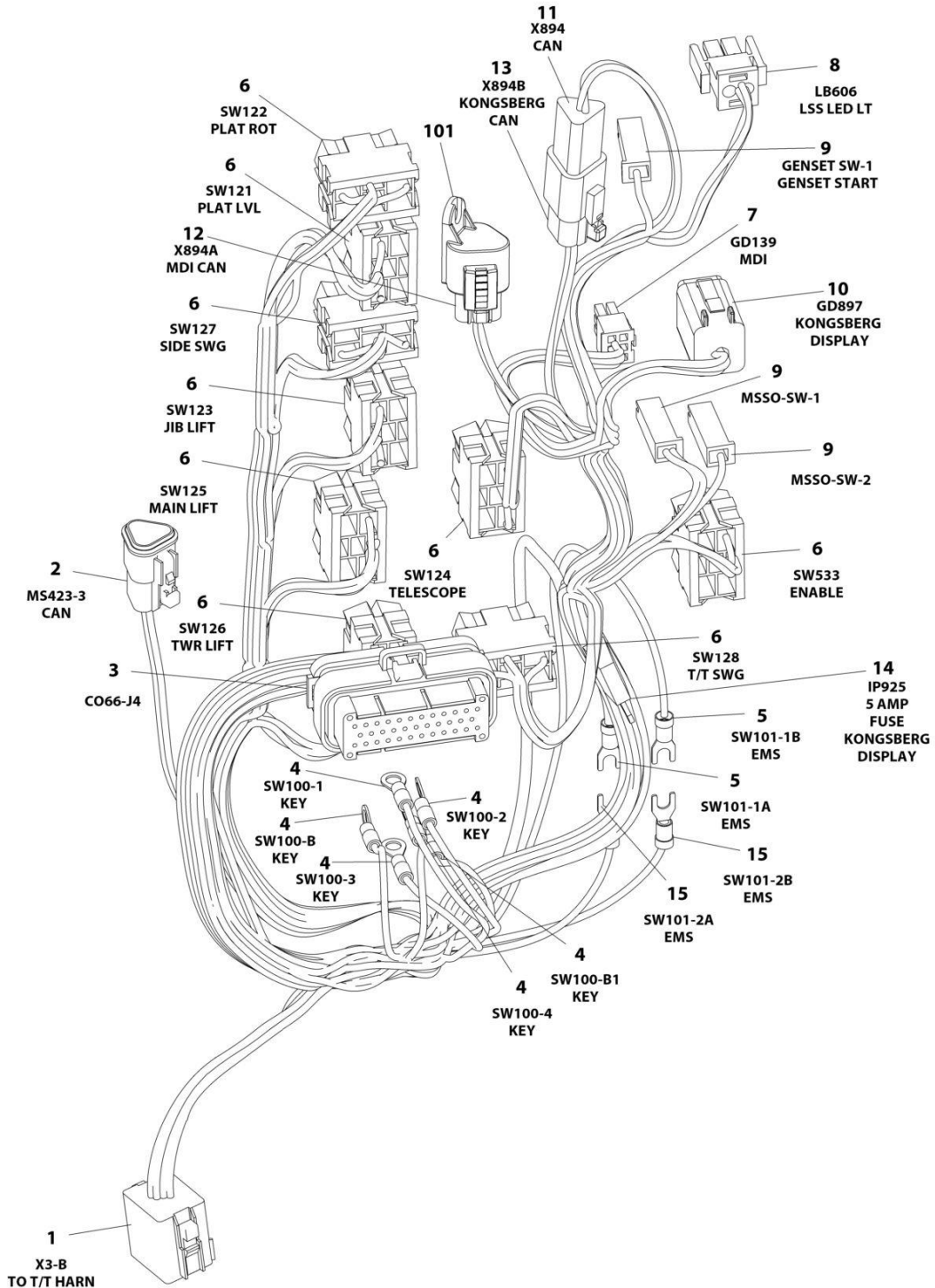
SECTION 7 - ELECTRICAL

FIGURE 7-26. CHASSIS TO TURNTABLE HARNESS

ITEM	PART NUMBER	QTY	DESCRIPTION	REV
	1001178405	Ref	CHASSIS TO TURNTABLE HARNESS	G
1	4460950	1	Connector - 12 Position	
1	1001157891	4	Terminal	
1	4460464	5	Pin, Male	
1	4460941	1	Terminal	
1	4460943	2	Pin, Male	
2	1001144147	1	Receptacle, Female - 3 Position	
2	4460943	3	Pin, Male	
3	4460539	1	Plug, Male - 3 Position	
3	4460944	3	Socket, Female	
4	4460836	1	Connector - 12 Position	
4	1001157890	4	Terminal	
4	4460465	5	Socket, Female	
4	4460942	1	Terminal	
4	4460944	2	Socket, Female	

SECTION 7 - ELECTRICAL

FIGURE 7-27. GROUND CONTROL PANEL HARNESS



ART_1001179991

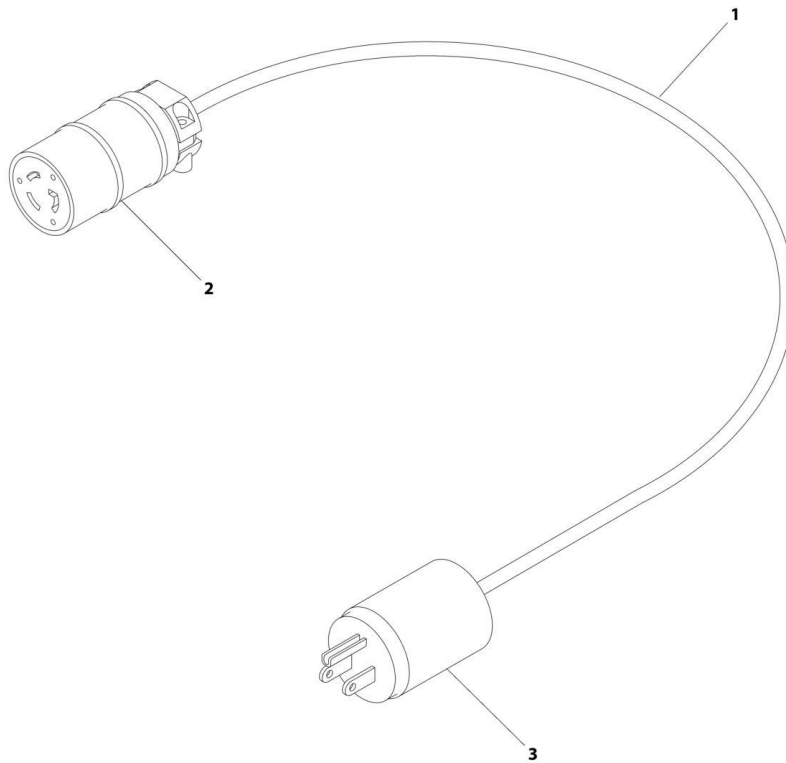
SECTION 7 - ELECTRICAL

FIGURE 7-27. GROUND CONTROL PANEL HARNESS

ITEM	PART NUMBER	QTY	DESCRIPTION	REV
	1001179991	Ref	GROUND CONTROL PANEL HARNESS	L
1	4460851	1	Connector - 8 Position	
2	1001157890	1	Socket, Female	
4	1001116692	1	Socket, Female	
1	4460465	1	Socket, Female	
1	4460466	1	Plug, Terminal	
2	1001116812	1	Plug, Male - 3 Position	
2	4460944	2	Socket, Female	
2	4460466	1	Plug, Terminal	
3	4460876	1	Connector - 35 Position	
3	4460871	23	Socket, Female	
3	4460905	12	Plug, Terminal	
4	4460313	6	Terminal, Ring	
5	4460806	2	Terminal, Fork	
6	4460418	9	Connector - 6 Position	
6	4460419	18	Terminal	
6	1001159186	17	Terminal	
7	4460868	1	Plug, Male - 6 Position	
7	4460877	4	Terminal	
8	4460320	1	Plug, Male - 2 Position	
8	4460227	2	Pin, Male	
9	4460260	3	Housing, Terminal	
9	4460259	3	Terminal	
10	4460894	1	Connector	
10	4460465	4	Socket, Female	
10	4460466	2	Plug, Terminal	
11	1001144147	1	Connector	
11	4460943	2	Pin, Male	
11	4460466	1	Plug, Terminal	
12	1001116812	1	Connector	
12	4460944	2	Socket, Female	
12	4460466	1	Plug, Terminal	
13	1001116812	1	Connector	
13	4460944	2	Socket, Female	
13	4460466	1	Plug, Terminal	
14	2400060	1	Fuseholder (Includes Cover) (PVC 2201 to Present)	
14	8229242	1	Fuse 5A (PVC 2201 to Present)	
15	4460183	2	Terminal, Fork	
101	1001144296	1	Dust Cap	

SECTION 7 - ELECTRICAL

FIGURE 7-28. INVERTER HARNESS



ART_1001182296

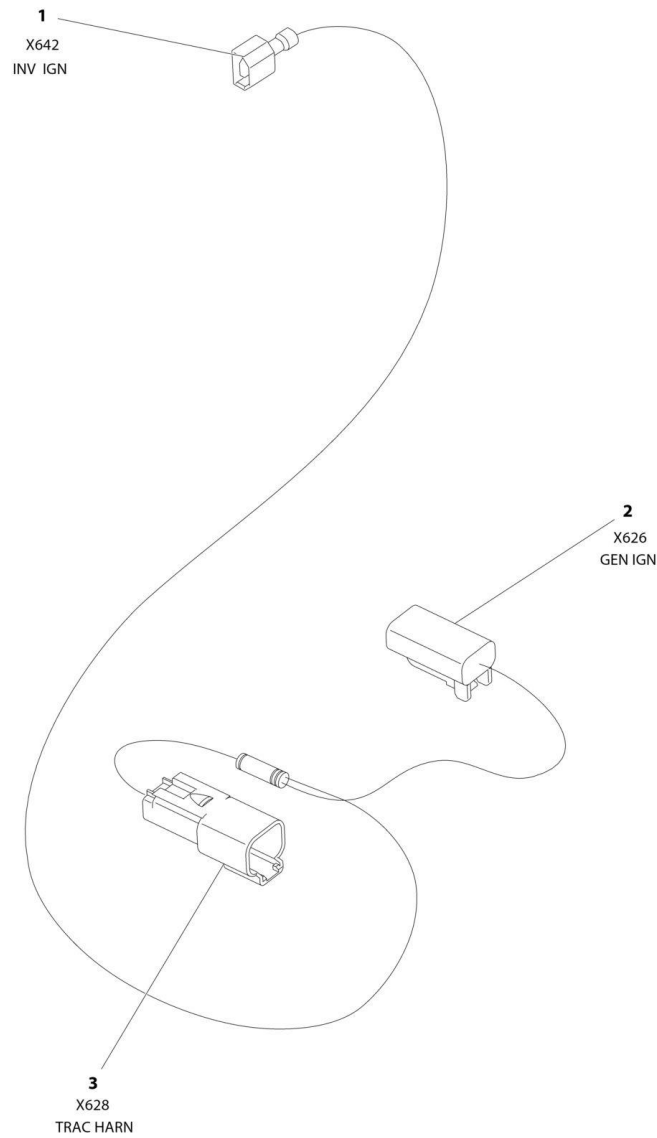
SECTION 7 - ELECTRICAL

FIGURE 7-28. INVERTER HARNESS

ITEM	PART NUMBER	QTY	DESCRIPTION	REV
1	1001182296 1060494	Ref 115 in /292cm	INVERTER HARNESS Cable, Electrical 12/3	A
2	4460134	1	Connector, Female	
3	4460138	1	Plug, Connector	

SECTION 7 - ELECTRICAL

FIGURE 7-29. INVERTER IGNITION HARNESS



ART_1001192293

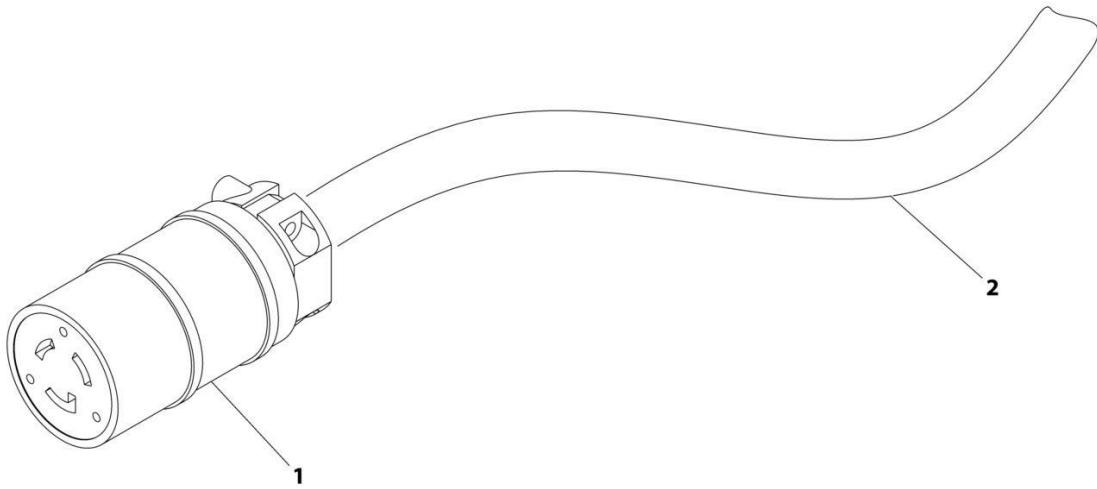
SECTION 7 - ELECTRICAL

FIGURE 7-29. INVERTER IGNITION HARNESS

ITEM	PART NUMBER	QTY	DESCRIPTION	REV
	1001192293	Ref	INVERTER IGNITION HARNESS	C
1	1001193545	1	Terminal	
2	4460891	1	Plug, Male - 2 Position	
2	4460465	1	Socket, Female	
2	4460466	1	Plug, Terminal	
3	4460897	1	Receptacle, Female - 2 Position	
3	4460464	1	Pin, Male	
3	4460466	1	Plug, Seal	

SECTION 7 - ELECTRICAL

FIGURE 7-30. LOWER BOOM 110V HARNESS ASSEMBLY



ART_4922611

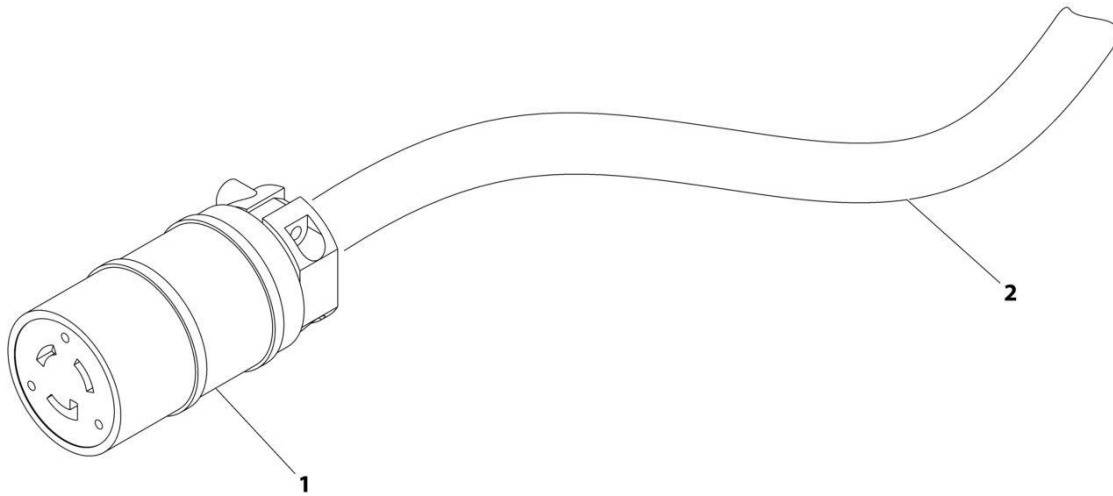
SECTION 7 - ELECTRICAL

FIGURE 7-30. LOWER BOOM 110V HARNESS ASSEMBLY

ITEM	PART NUMBER	QTY	DESCRIPTION	REV
	4922611	Ref	LOWER BOOM 110V HARNESS ASSEMBLY	1
1	4460134	1	Connector, Female	
2	1060494	32.5 ft /9.9m	Electrical Cable, 12/3	

SECTION 7 - ELECTRICAL

FIGURE 7-31. LOWER BOOM 220V HARNESS ASSEMBLY - CE & UK CA SPEC



ART_4922609

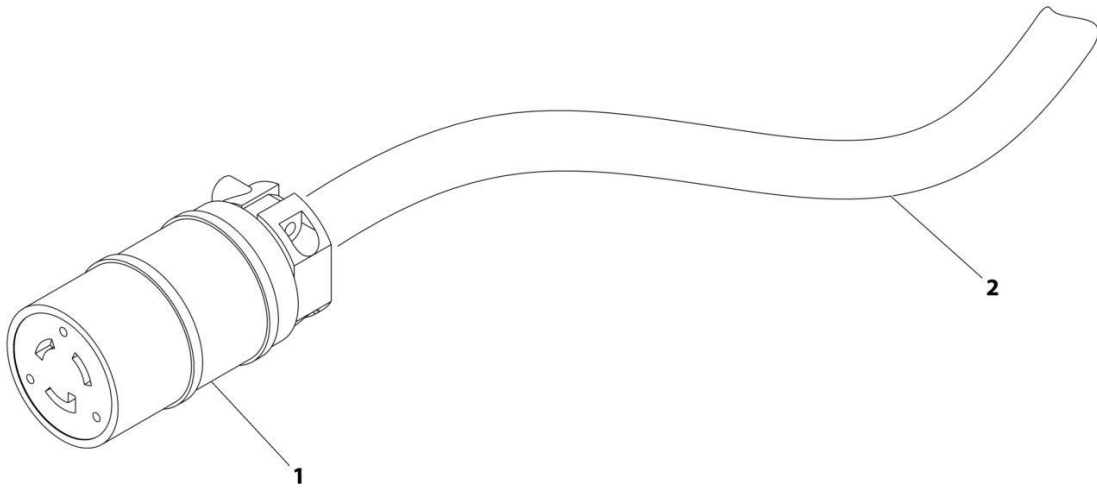
SECTION 7 - ELECTRICAL

FIGURE 7-31. LOWER BOOM 220V HARNESS ASSEMBLY - CE & UK CA SPEC

ITEM	PART NUMBER	QTY	DESCRIPTION	REV
	4922609	Ref	LOWER BOOM 220V HARNESS ASSEMBLY - CE SPEC	1
1	4460710	1	Connector, Female	
2	1060461	37 ft /11.3m	Electrical Cable, 12/3	

SECTION 7 - ELECTRICAL

FIGURE 7-32. LOWER BOOM 220V HARNESS ASSEMBLY - CE & UK CA SPEC



ART_4922612

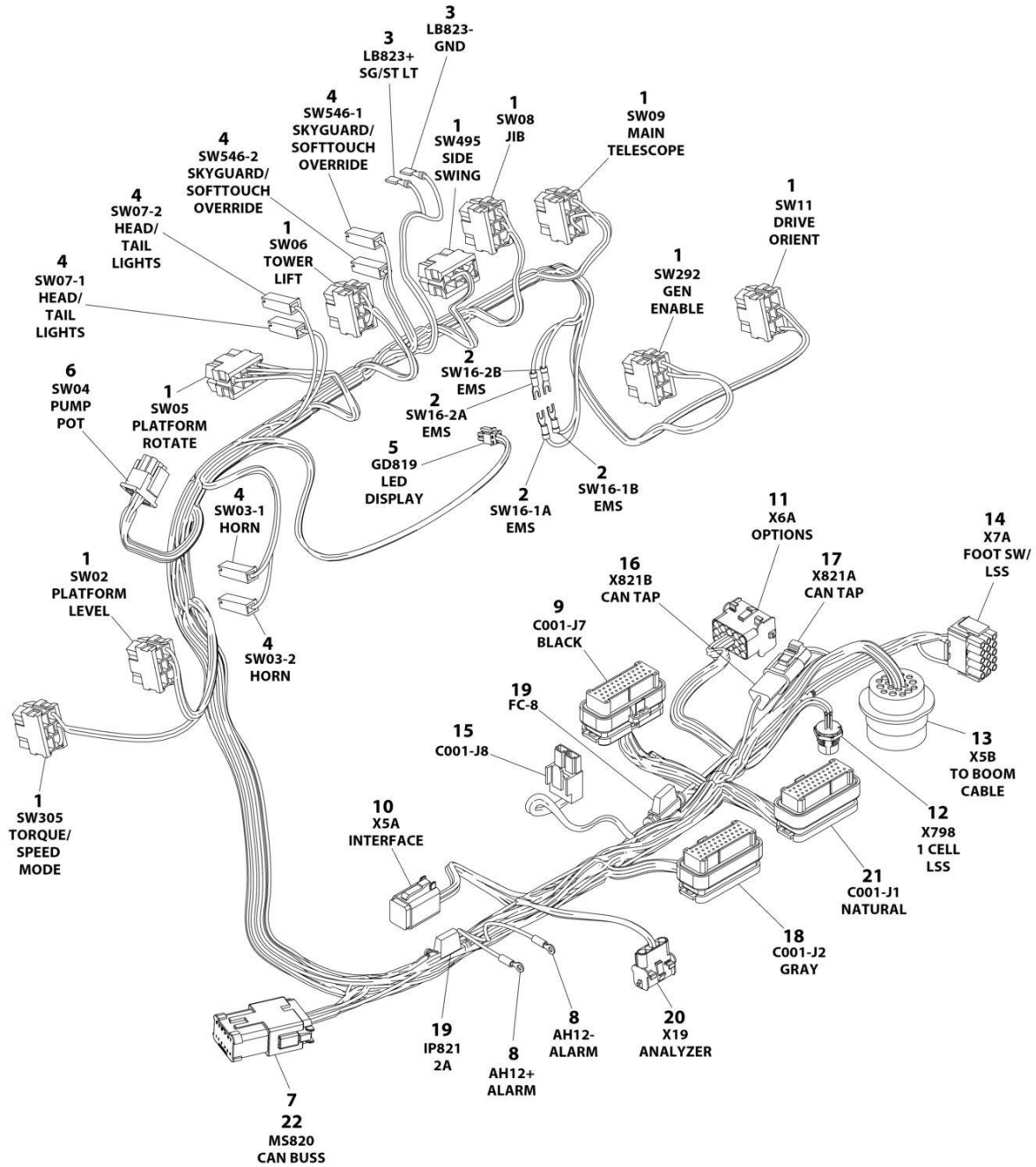
SECTION 7 - ELECTRICAL

FIGURE 7-32. LOWER BOOM 220V HARNESS ASSEMBLY - CE & UK CA SPEC

ITEM	PART NUMBER	QTY	DESCRIPTION	REV
	4922612	Ref	LOWER BOOM 220V HARNESS ASSEMBLY	2
1	4460710	1	Connector, Female	
2	1060461	32.5 ft /9.9m	Electrical Cable, 12/3	

SECTION 7 - ELECTRICAL

FIGURE 7-33. PLATFORM CONSOLE HARNESS (NON-UL SPECS)



ART_1001245673_D

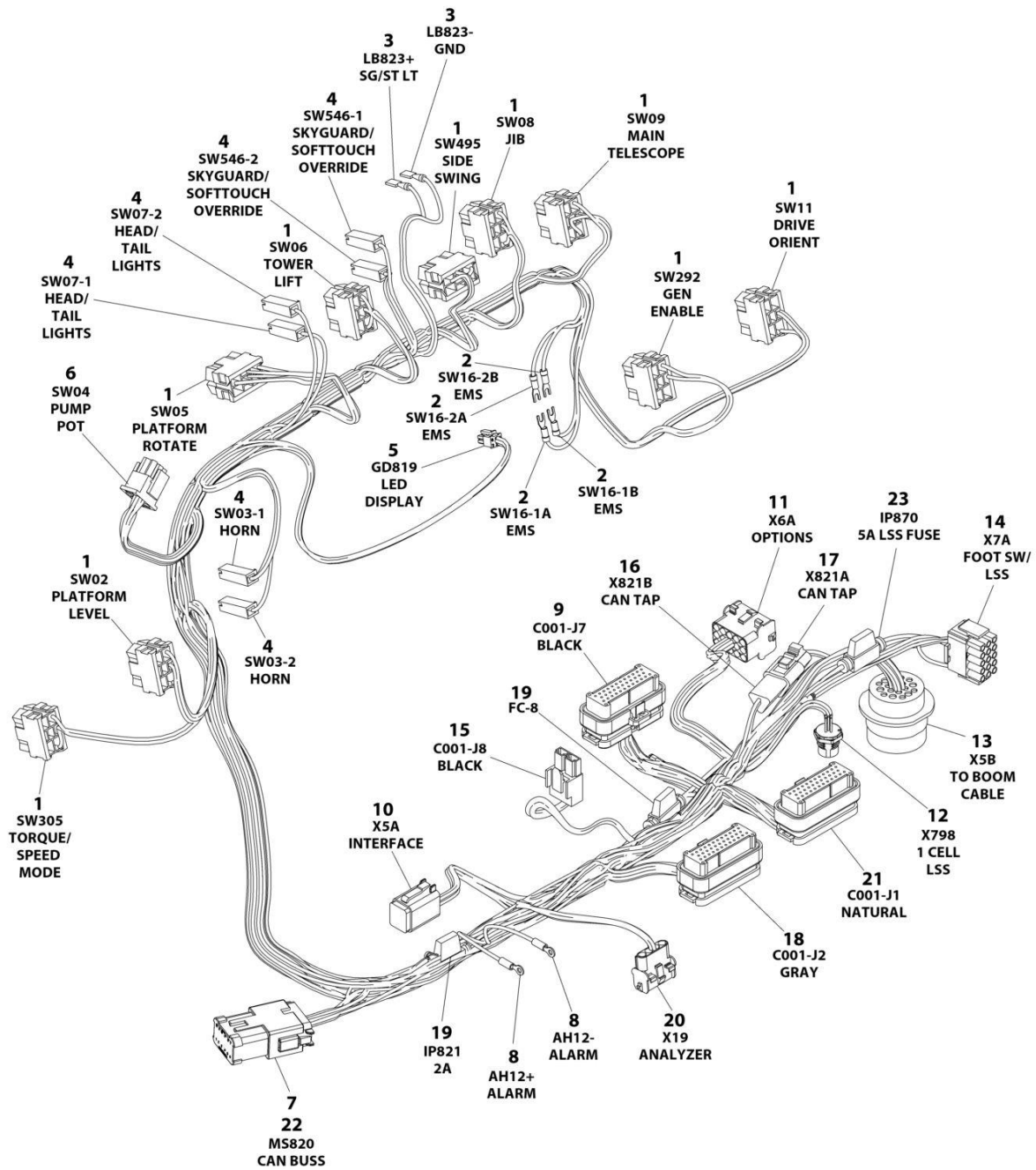
SECTION 7 - ELECTRICAL

FIGURE 7-33. PLATFORM CONSOLE HARNESS (NON-UL SPECS)

ITEM	PART NUMBER	QTY	DESCRIPTION	REV
	1001245673	Ref	PLATFORM CONSOLE HARNESS	D
1	4460418	9	Connector - 6 Position	
1	4460419	14	Terminal	
1	1001159186	18	Terminal	
2	4460888	4	Terminal, Fork	
3	4460016	2	Terminal	
4	4460260	6	Housing, Terminal	
4	4460259	8	Terminal	
5	1001237667	1	Connector - 6 Position	
5	1001237668	4	Terminal	
6	4460225	1	Connector - 6 Position	
6	4460267	7	Socket, Female	
7	4460933	1	Plug, Male - 12 Position	
7	4460465	10	Socket, Female	
7	4460466	2	Plug, Terminal	
8	1001098122	2	Terminal, Ring	
9	4460873	1	Connector - 35 Position	
9	4460871	21	Socket, Female	
9	4460905	14	Plug, Terminal	
10	4460894	1	Plug, Male - 6 Position	
10	4460465	6	Socket, Female	
11	4460708	1	Connector - 15 Position	
11	4460268	10	Socket, Female	
12	1001213447	1	Connector, Female - 5 Position	
13	4460866	1	Connector - 19 Position	
13	4460466	7	Plug, Terminal	
13	4460464	10	Pin, Male	
13	4460508	2	Pin, Male	
14	4460434	1	Plug, Male - 15 Position	
14	4460294	9	Pin, Male	
15	4460879	1	Plug, Male - 2 Position	
15	4460887	2	Terminal	
16	4460536	1	Receptacle, Female - 3 Position	
16	4460464	2	Pin, Male	
16	4460466	1	Plug, Terminal	
17	4460539	1	Plug, Male - 3 Position	
17	4460465	2	Socket, Female	
17	4460466	1	Plug, Terminal	
18	4460875	1	Connector - 35 Position	
18	4460905	24	Plug, Terminal	
18	4460871	11	Socket, Female	
19	2400060	2	Holder, Fuse	
19	8229242	1	Fuse - 5Amp	
19	See Note	1	Fuse - 2Amp (Note: Purchase Locally)	
20	4460761	1	Receptacle, Female - 4 Position	
20	4460294	4	Pin, Male	
21	4460874	1	Connector - 35 Position	
21	4460871	24	Socket, Female	
21	4460905	11	Plug, Terminal	
22	1001125677	1	Connector, Bussbar	

SECTION 7 - ELECTRICAL

FIGURE 7-34. PLATFORM CONSOLE HARNESS (UL SPECS)



ART_1001272279

SECTION 7 - ELECTRICAL

FIGURE 7-34. PLATFORM CONSOLE HARNESS (UL SPECS)

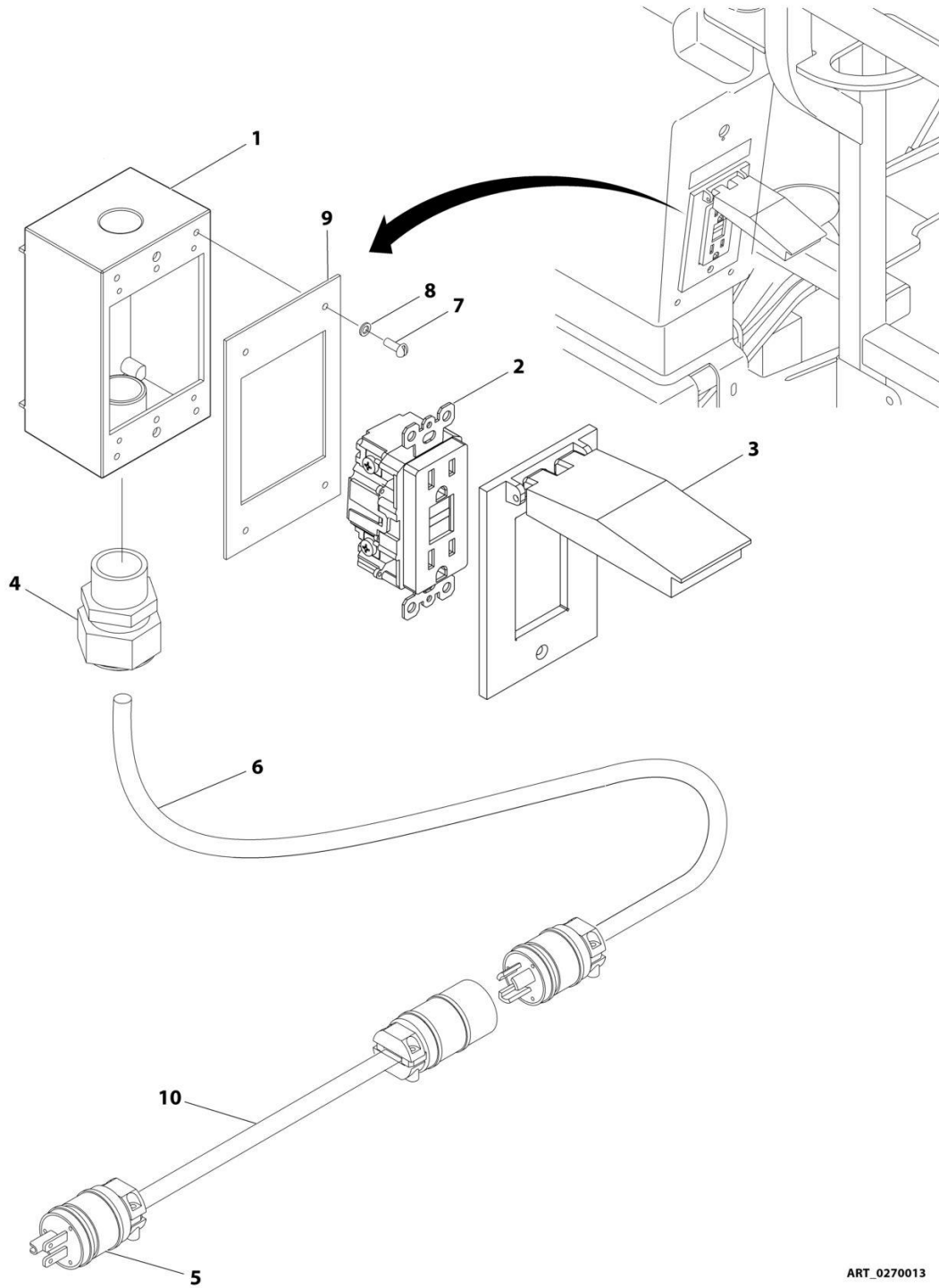
ITEM	PART NUMBER	QTY	DESCRIPTION	REV
	1001272279	Ref	PLATFORM CONSOLE HARNESS (UL SPECS)	B
1	4460418	9	Connector - 6 Position	
1	4460419	14	Terminal	
1	1001159186	17	Terminal	
2	4460888	4	Terminal, Fork	
3	4460016	2	Terminal	
4	4460260	6	Housing, Terminal	
4	4460259	8	Terminal	
5	1001237667	1	Connector - 6 Position	
5	1001237668	4	Terminal	
6	4460225	1	Connector - 6 Position	
6	4460267	7	Socket, Female	
7	4460933	1	Plug, Male - 12 Position	
7	4460465	10	Socket, Female	
7	4460466	2	Plug, Terminal	
8	1001098122	2	Terminal, Ring	
9	4460873	1	Connector - 35 Position	
9	4460871	21	Socket, Female	
9	4460905	14	Plug, Terminal	
10	4460894	1	Plug, Male - 6 Position	
10	4460465	6	Socket, Female	
11	4460708	1	Connector - 15 Position	
11	4460268	10	Socket, Female	
12	1001213447	1	Connector, Female - 5 Position	
13	4460866	1	Connector - 19 Position	
13	4460466	7	Plug, Terminal	
13	4460464	10	Pin, Male	
13	4460508	2	Pin, Male	
14	4460434	1	Plug, Male - 15 Position	
14	4460294	9	Pin, Male	
15	4460879	1	Plug, Male - 2 Position	
15	4460887	2	Terminal	
16	4460536	1	Receptacle, Female - 3 Position	
16	4460464	2	Pin, Male	
16	4460466	1	Plug, Terminal	
17	4460539	1	Plug, Male - 3 Position	
17	4460465	2	Socket, Female	
17	4460466	1	Plug, Terminal	
18	4460875	1	Connector - 35 Position	
18	4460905	24	Plug, Terminal	
18	4460871	11	Socket, Female	
19	2400060	2	Holder, Fuse	
19	8229242	1	Fuse - 5Amp	
19	See Note	1	Fuse - 2Amp (Note: Purchase Locally)	
20	4460761	1	Receptacle, Female - 4 Position	
20	4460294	4	Pin, Male	
21	4460874	1	Connector - 35 Position	
21	4460871	24	Socket, Female	
21	4460905	11	Plug, Terminal	
22	1001125677	1	Connector, Bussbar	

SECTION 7 - ELECTRICAL

ITEM	PART NUMBER	QTY	DESCRIPTION	REV
23	2400060	1	Fuse Holder	
23	8229242	1	Fuse, 5A	

SECTION 7 - ELECTRICAL

FIGURE 7-35. PLUG AND RECEPTACLE INSTALLATION - 110V



ART_0270013

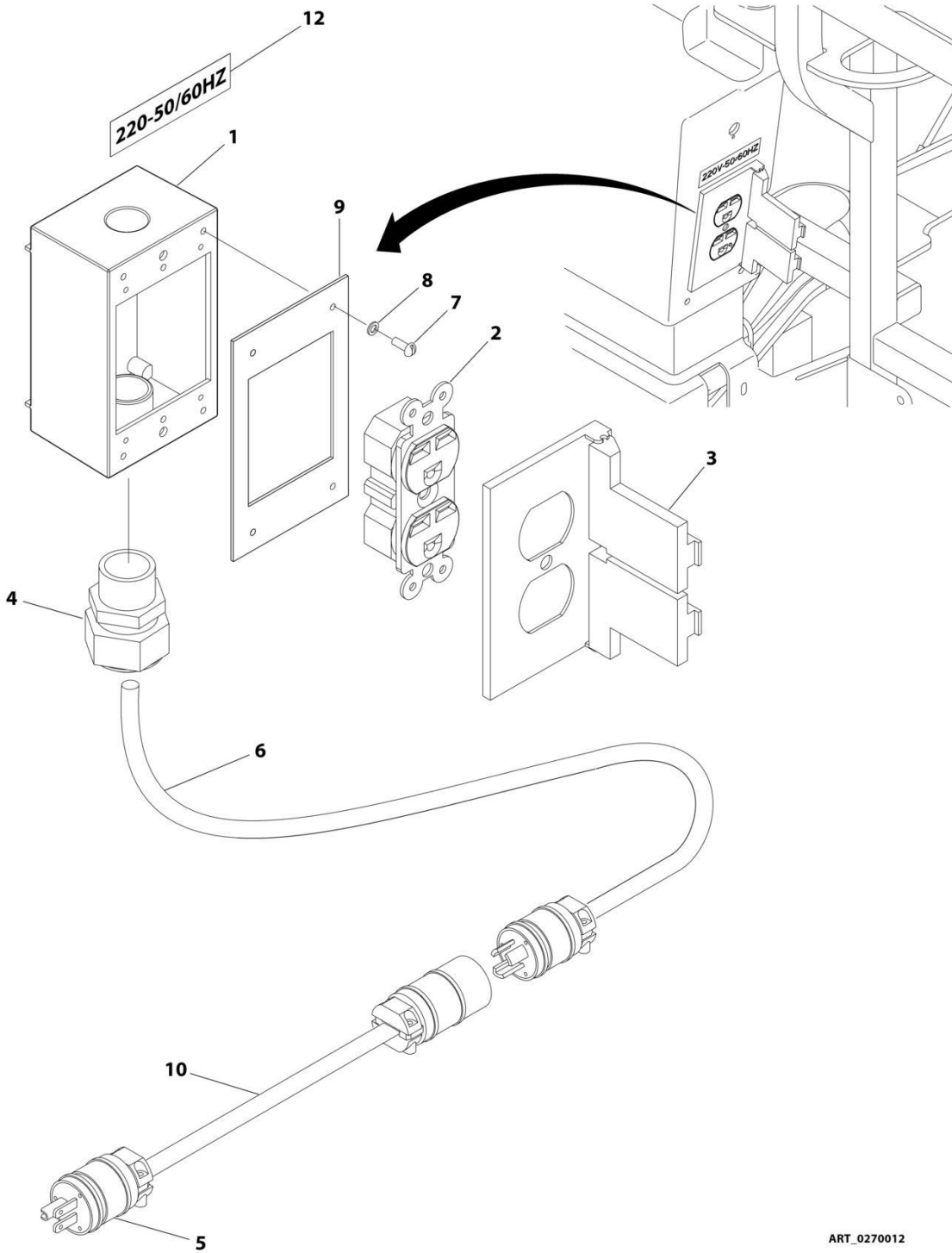
SECTION 7 - ELECTRICAL

FIGURE 7-35. PLUG AND RECEPTACLE INSTALLATION - 110V

ITEM	PART NUMBER	QTY	DESCRIPTION	REV
	0270013	Ref	PLUG AND RECEPTACLE INSTALLATION - 110V	5
1	0860038	1	Box, Switch	
2	4460346	1	Receptacle	
3	1001110873	1	Shield, Cover	
4	4460071	1	Connector, Strain Relief	
5	4460205	1	Plug, Male	
6	4922608	1	Main Boom 110V Harness Assembly (See Separate Breakdown in this Section)	
7	3910610	4	Screw, Self-tapping, #6 x 5/8	
8	4760600	4	Washer #6	
9	3960422	1	Gasket	
10	4922611	1	Lower Boom 110V Harness Assembly (See Separate Breakdown in this Section)	

SECTION 7 - ELECTRICAL

FIGURE 7-36. PLUG AND RECEPTACLE INSTALLATION - 220V



ART_0270012

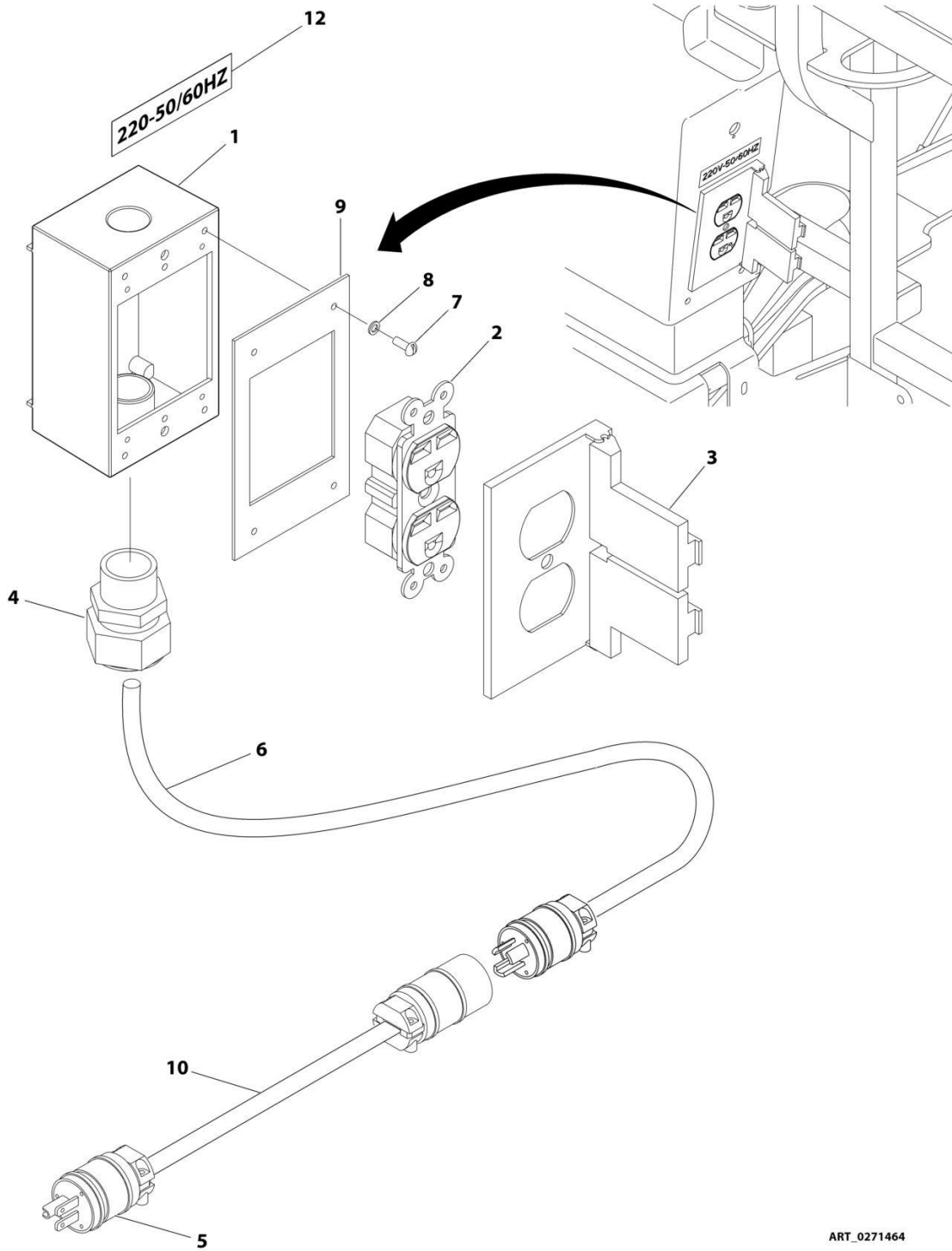
SECTION 7 - ELECTRICAL

FIGURE 7-36. PLUG AND RECEPTACLE INSTALLATION - 220V

ITEM	PART NUMBER	QTY	DESCRIPTION	REV
	0270012	Ref	PLUG AND RECEPTACLE INSTALLATION - 220V	4
1	0860038	1	Box, Switch	
2	4460125	1	Receptacle	
3	4060092	1	Shield, Cover	
4	4460071	1	Connector, Strain Relief	
5	4460233	1	Plug, Male	
6	4922608	1	Main Boom 110V Harness Assembly (See Separate Breakdown in this Section)	
7	3910610	4	Screw, Self-tapping, #6 x 5/8	
8	4760600	4	Washer #6	
9	3960422	1	Gasket	
10	4922611	1	Lower Boom 110V Harness Assembly (See Separate Breakdown in this Section)	
12	3252507	1	Decal - 220V-50/60 Hz	

SECTION 7 - ELECTRICAL

FIGURE 7-37. PLUG AND RECEPTACLE INSTALLATION - SUPPLIED LOCALLY



ART_0271464

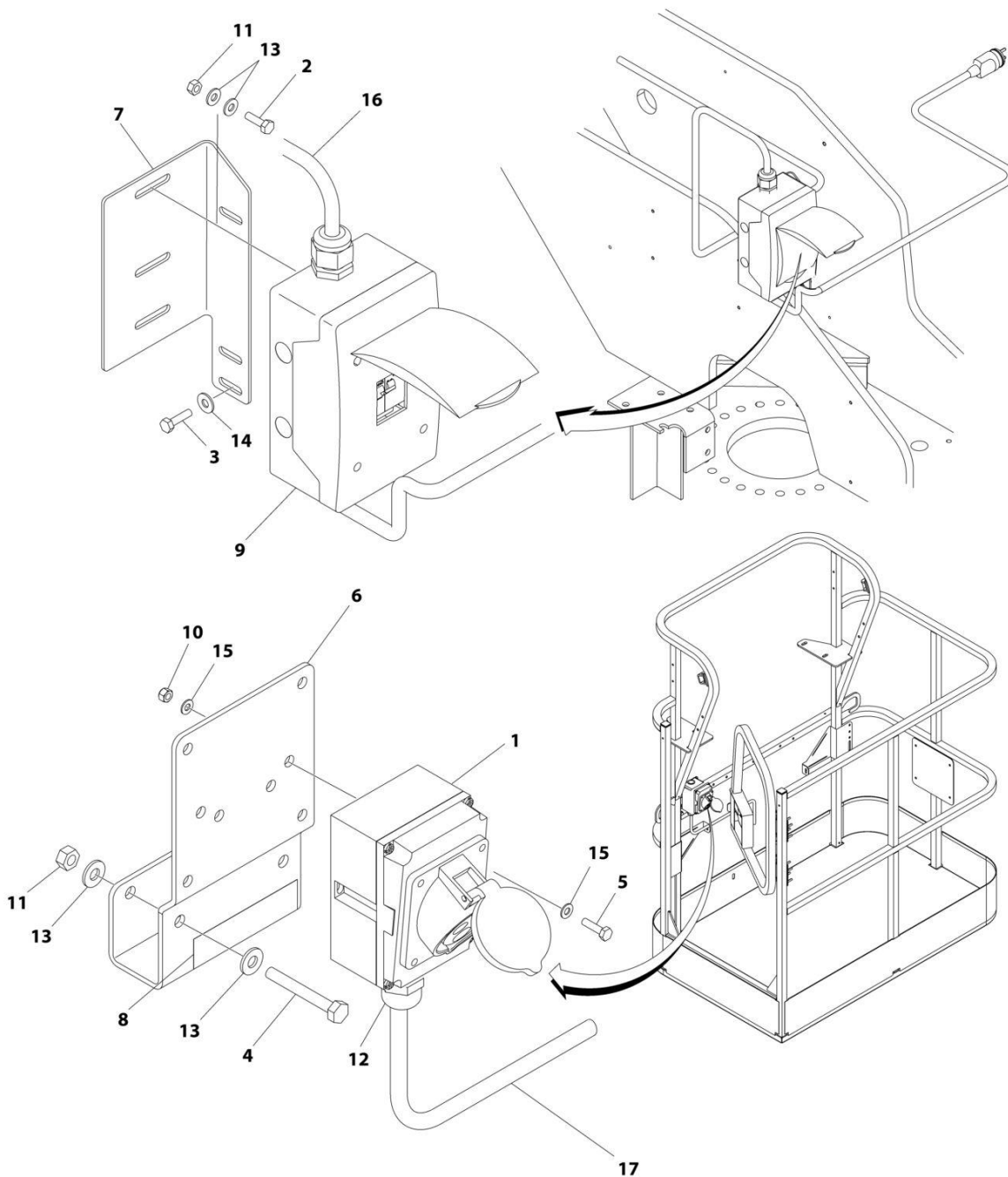
SECTION 7 - ELECTRICAL

FIGURE 7-37. PLUG AND RECEPTACLE INSTALLATION - SUPPLIED LOCALLY

ITEM	PART NUMBER	QTY	DESCRIPTION	REV
	0271464	Ref	PLUG AND RECEPTACLE INSTALLATION - SUPPLIED LOCALLY	2
1	See Note	1	Box, Switch (Note: Supplied Locally)	
2	See Note	1	Receptacle (Note: Supplied Locally)	
3	See Note	1	Shield, Cover (Note: Supplied Locally)	
4	See Note	1	Connector, Strain Relief (Note: Supplied Locally)	
5	See Note	1	Plug, Male (Note: Supplied Locally)	
6	4922610	1	Main Boom 220V Harness Assembly - CE Spec (See Separate Breakdown in this Section)	
7	See Note	4	Screw, Self-tapping, #6 x 5/8 (Note: Supplied Locally)	
8	See Note	4	Washer #6 (Note: Supplied Locally)	
9	See Note	1	Gasket (Note: Supplied Locally)	
10	4922612	1	Lower Boom 220V Harness Assembly - CE Spec (See Separate Breakdown in this Section)	
12	See Note	1	Decal - 220V-50/60Hz (Note: Supplied Locally)	

SECTION 7 - ELECTRICAL

FIGURE 7-38. PLUG AND RECEPTACLE 110V INSTALLATION - IEC 60309 - YELLOW (CE & UK CA SPEC)



ART_1001166263

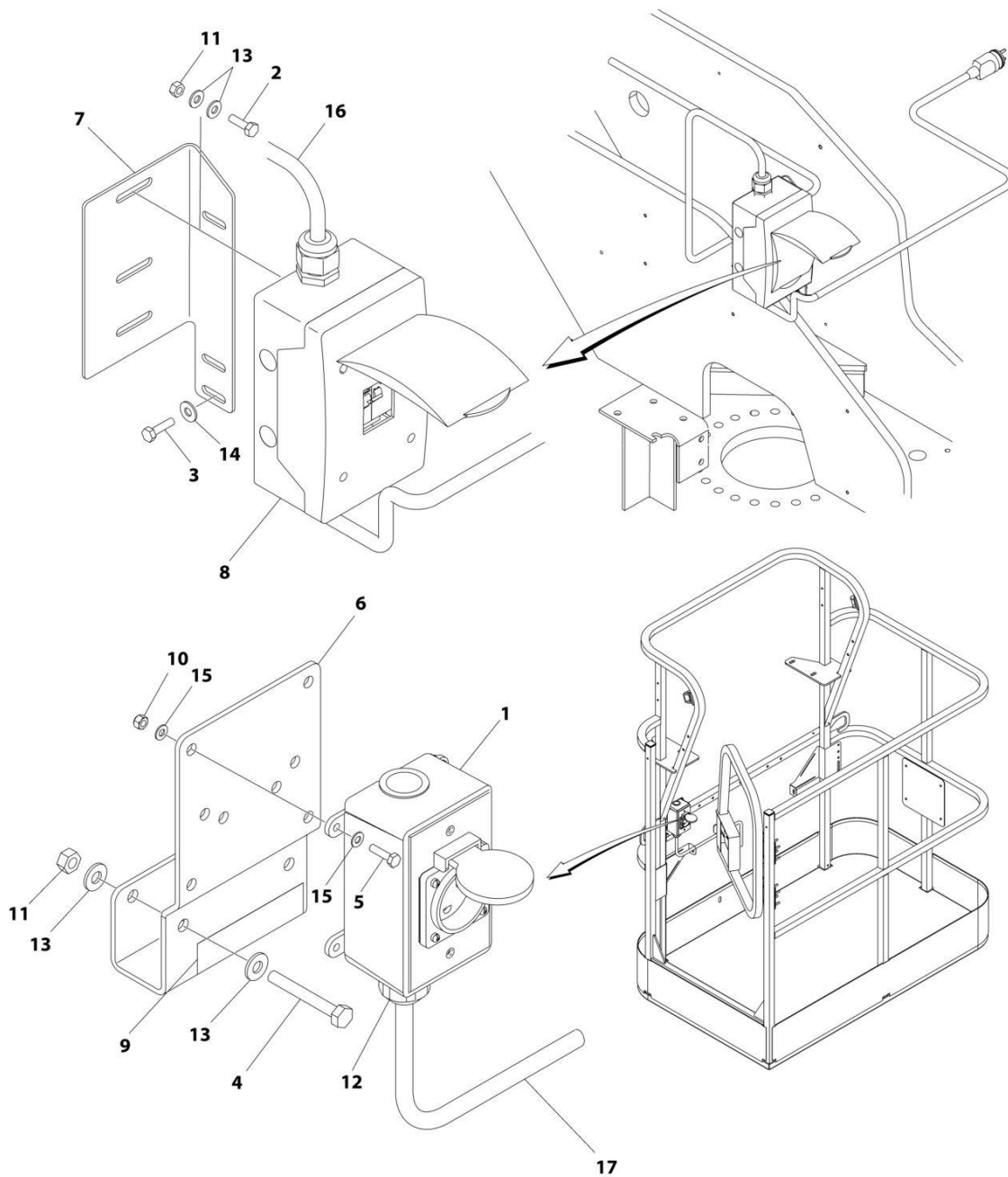
SECTION 7 - ELECTRICAL

FIGURE 7-38. PLUG AND RECEPTACLE 110V INSTALLATION - IEC 60309 - YELLOW (CE & UK CA SPEC)

ITEM	PART NUMBER	QTY	DESCRIPTION	REV
	1001166263	Ref	PLUG AND RECEPTACLE 110V INSTALLATION - IEC 60309 - YELLOW	C
1	0275216	1	AC Plugs and Sockets Installation (See Separate Breakdown in this Section)	
2	0641407	2	Bolt 1/4 x 7/8	
3	0641408	2	Bolt 1/4 x 1	
4	0641416	2	Bolt 1/4 x 2	
5	0700408	2	Bolt M4 x 16	
6	1001193018	1	Bracket	
7	1001178491	1	Bracket	
8	1705325	2	Decal - 120V - 50 Hz	
9	2902549	1	Breaker Box Kit with Two Breakers (See Separate Breakdown in this Section)	
10	3290405	2	Nut M4	
11	3311405	4	Nut 1/4	
12	4460968	1	Connector, Strain Relief	
13	4711400	8	Washer 1/4	
14	4751400	2	Washer 1/4	
15	4811400	4	Washer M4	
16	4922609	1	Lower Boom 220V Harness Assembly (See Separate Breakdown in this Section)	
17	4922610	1	Main Boom 220V Harness Assembly (See Separate Breakdown in this Section)	

SECTION 7 - ELECTRICAL

FIGURE 7-39. PLUG AND RECEPTACLE 220V INSTALLATION - AFSINT 107 KEYED GROUND - 2 X 4 BOX (CE & UK CA SPEC)



ART_1001166259

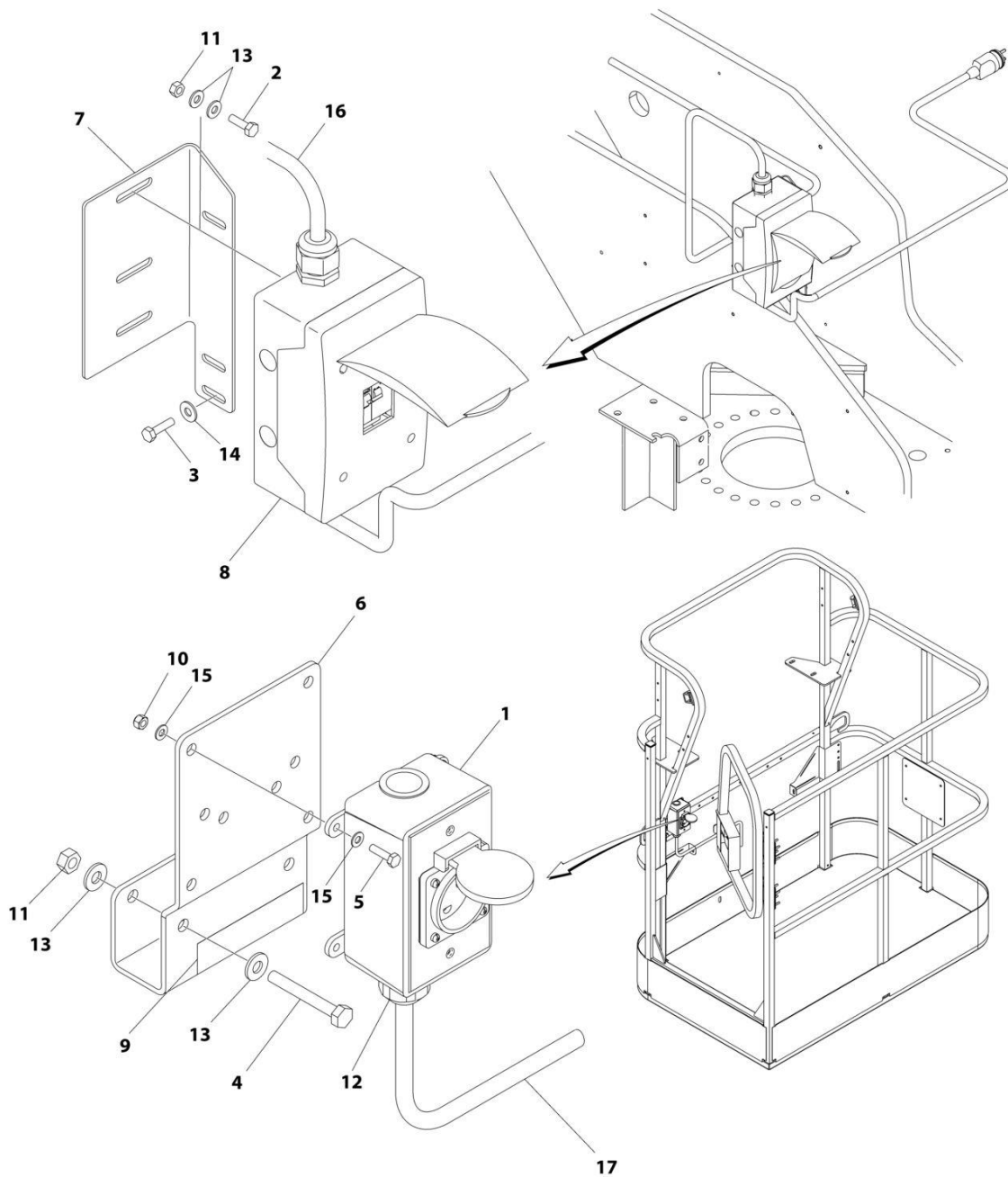
SECTION 7 - ELECTRICAL

FIGURE 7-39. PLUG AND RECEPTACLE 220V INSTALLATION - AFSINT 107 KEYED GROUND - 2 X 4 BOX (CE & UK CA SPEC)

ITEM	PART NUMBER	QTY	DESCRIPTION	REV
	1001166259	Ref	PLUG AND RECEPTACLE 220V INSTALLATION - AFSINT 107 KEYED GROUND - 2 X 4 BOX	C
1	0275454	1	AC Plugs and Sockets Installation (See Separate Breakdown in this Section)	
2	0641407	2	Bolt 1/4 x 7/8	
3	0641408	2	Bolt 1/4 x 1	
4	0641416	2	Bolt 1/4 x 2	
5	0700408	4	Bolt M4 x 16	
6	1001193018	1	Bracket	
7	1001178491	1	Bracket	
8	2902549	1	Breaker Box Kit with Two Breakers (See Separate Breakdown in this Section)	
9	3252507	2	Decal - 220V - 50/60 Hz	
10	3290405	4	Nut M4	
11	3311405	4	Nut 1/4	
12	4460662	1	Connector, Strain Relief	
13	4711400	8	Washer 1/4	
14	4751400	2	Washer 1/4	
15	4811400	8	Washer M4	
16	4922609	1	Lower Boom 220V Harness Assembly (See Separate Breakdown in this Section)	
17	4922610	1	Main Boom 220V Harness Assembly (See Separate Breakdown in this Section)	

SECTION 7 - ELECTRICAL

FIGURE 7-40. PLUG AND RECEPTACLE 220V INSTALLATION - CEE7 POST GROUND - 2 X 4 BOX
(CE & UK CA SPEC)



ART_1001166251

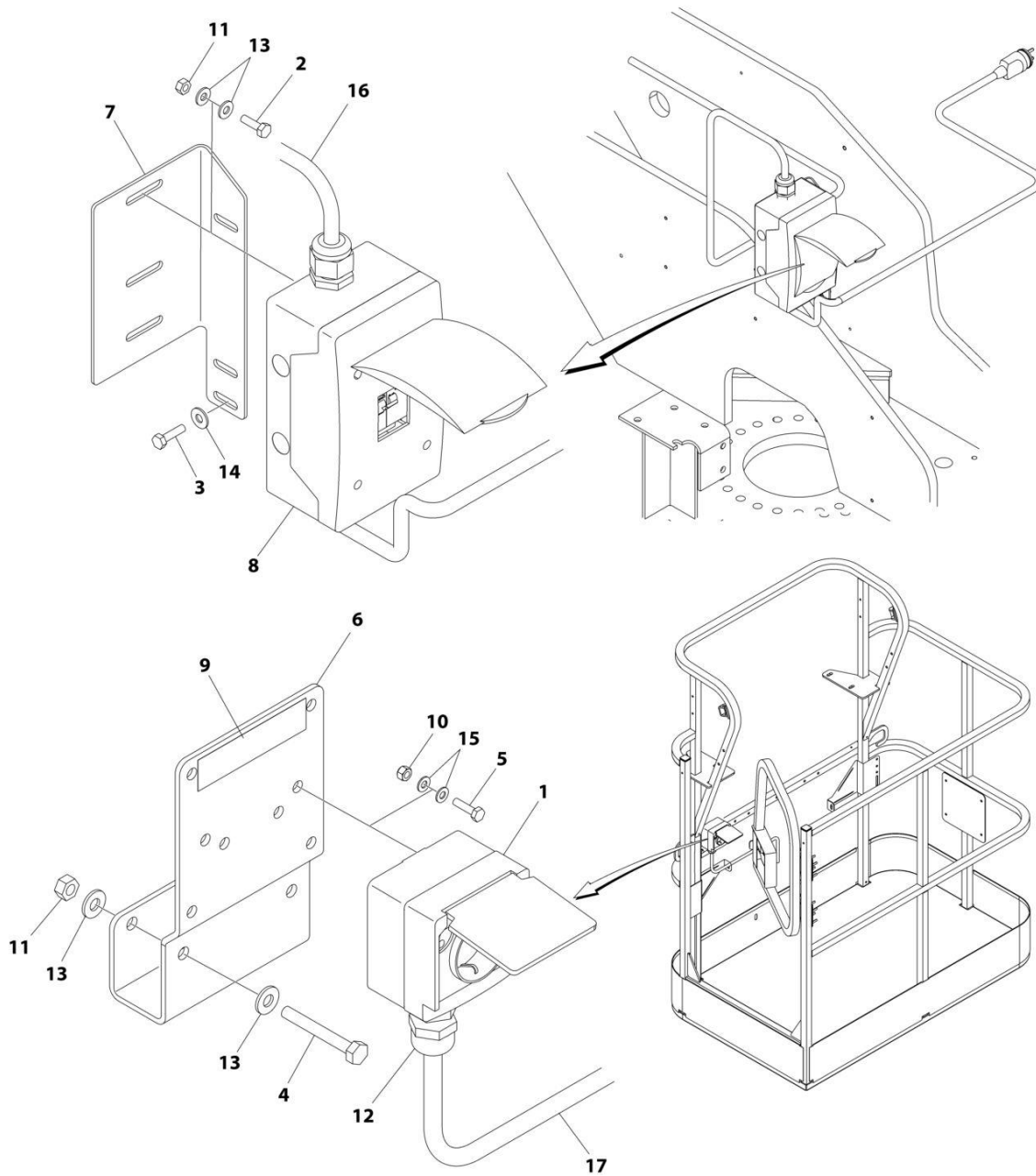
SECTION 7 - ELECTRICAL

**FIGURE 7-40. PLUG AND RECEPTACLE 220V INSTALLATION - CEE7 POST GROUND - 2 X 4 BOX
(CE & UK CA SPEC)**

ITEM	PART NUMBER	QTY	DESCRIPTION	REV
	1001166251	Ref	PLUG AND RECEPTACLE 220V INSTALLATION - CEE7 POST GROUND - 2 X 4 BOX	C
1	0275452	1	AC Plugs and Sockets Installation (See Separate Breakdown in this Section)	
2	0641407	2	Bolt 1/4 x 7/8	
3	0641408	2	Bolt 1/4 x 1	
4	0641416	2	Bolt 1/4 x 2	
5	0700408	4	Bolt M4 x 16	
6	1001193018	1	Bracket	
7	1001178491	1	Bracket	
8	2902549	1	Breaker Box Kit with Two Breakers (See Separate Breakdown in this Section)	
9	3252507	2	Decal - 220V - 50/60Hz	
10	3290405	4	Nut M4	
11	3311405	4	Nut 1/4	
12	4460662	1	Connector, Strain Relief	
13	4711400	8	Washer 1/4	
14	4751400	2	Washer 1/4	
15	4811400	8	Washer M4	
16	4922609	1	Lower Boom 220V Harness Assembly (See Separate Breakdown in this Section)	
17	4922610	1	Main Boom 220V Harness Assembly (See Separate Breakdown in this Section)	

SECTION 7 - ELECTRICAL

FIGURE 7-41. PLUG AND RECEPTACLE 220V INSTALLATION - CEE7 POST GROUND - 70MM X 70MM BOX (CE & UK CA SPEC)



ART_1001166261

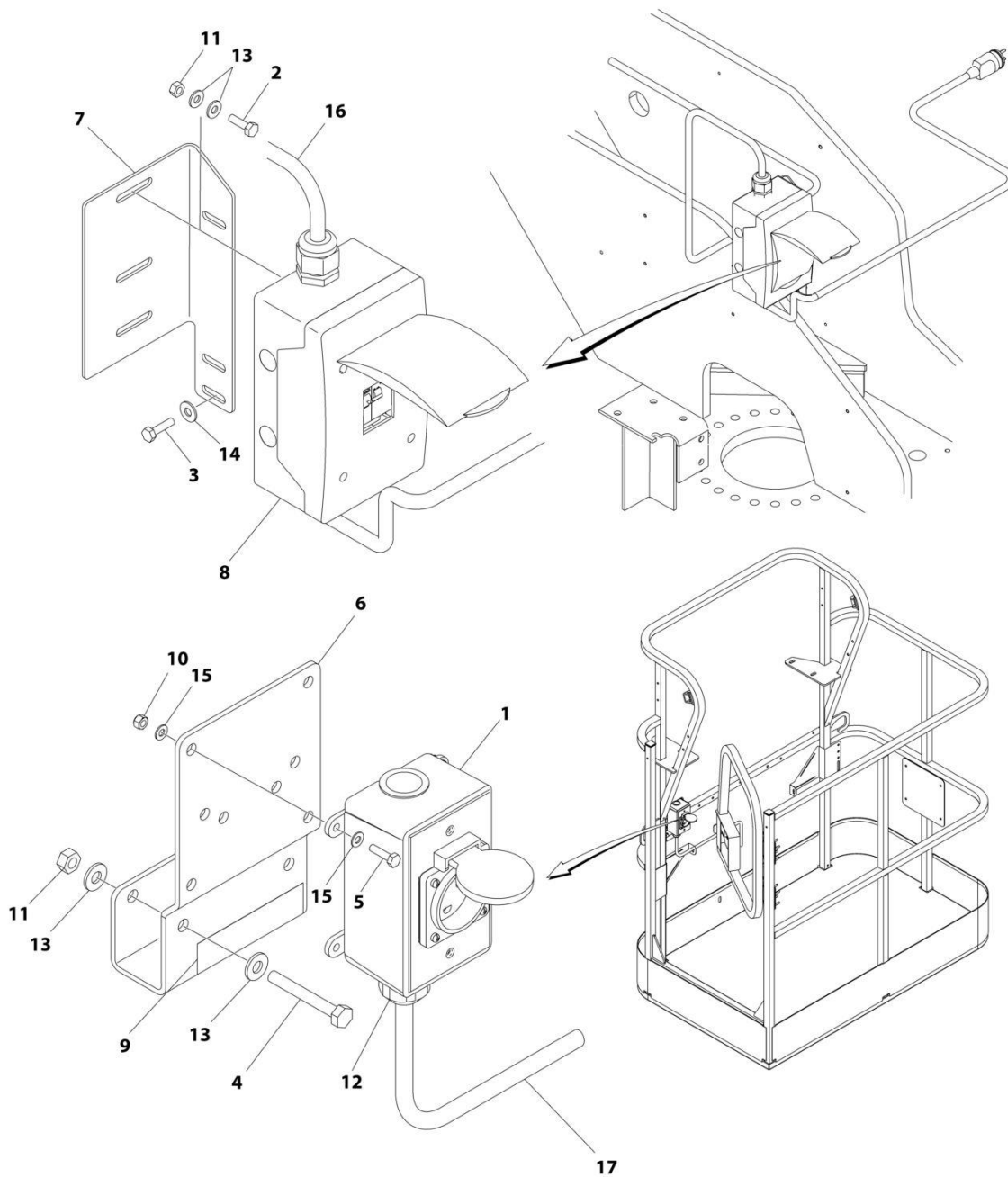
SECTION 7 - ELECTRICAL

FIGURE 7-41. PLUG AND RECEPTACLE 220V INSTALLATION - CEE7 POST GROUND - 70MM X 70MM BOX (CE & UK CA SPEC)

ITEM	PART NUMBER	QTY	DESCRIPTION	REV
	1001166261	Ref	PLUG AND RECEPTACLE 220V INSTALLATION - CEE7 POST GROUND - 70MM X 70MM BOX	C
1	0275218	1	AC Plugs and Sockets Installation (See Separate Breakdown in this Section)	
2	0641407	2	Bolt 1/4 x 7/8	
3	0641408	2	Bolt 1/4 x 1	
4	0641416	2	Bolt 1/4 x 2	
5	0700408	2	Bolt M4 x 16	
6	1001193018	1	Bracket	
7	1001178491	1	Bracket	
8	2902549	1	Breaker Box Kit with Two Breakers (See Separate Breakdown in this Section)	
9	3252507	2	Decal - 220V - 50/60 Hz	
10	3290405	2	Nut M4	
11	3311405	4	Nut 1/4	
12	4460968	1	Connector, Strain Relief	
13	4711400	8	Washer 1/4	
14	4751400	2	Washer 1/4	
15	4811400	4	Washer 4mm	
16	4922609	1	Lower Boom 220V Harness Assembly (See Separate Breakdown in this Section)	
17	4922610	1	Main Boom 220V Harness Assembly (See Separate Breakdown in this Section)	

SECTION 7 - ELECTRICAL

FIGURE 7-42. PLUG AND RECEPTACLE 220 INSTALLATION - CEE7 SIDE GROUND - 2 X 4 BOX (CE & UK CA SPEC)



ART_1001166258

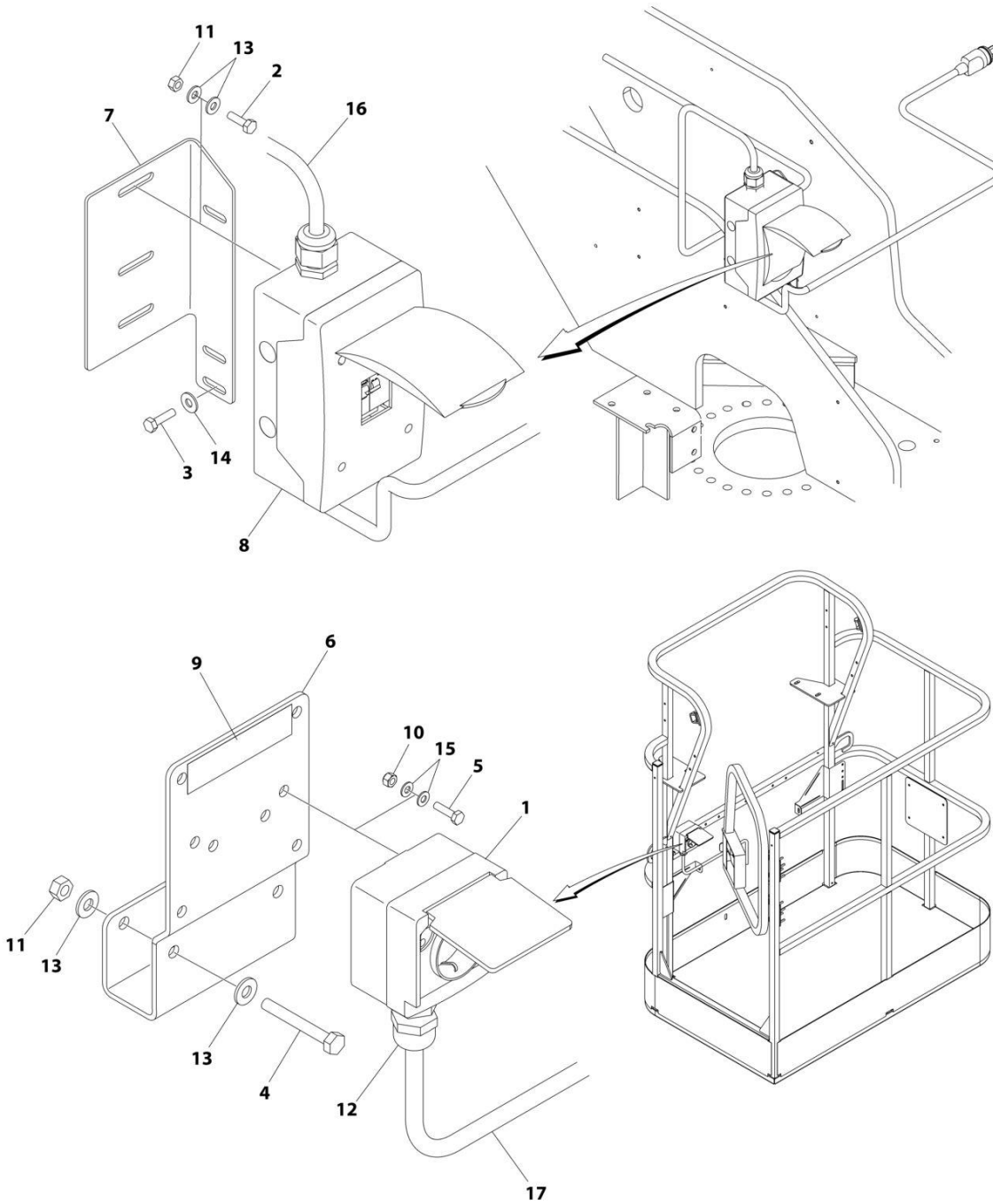
SECTION 7 - ELECTRICAL

FIGURE 7-42. PLUG AND RECEPTACLE 220 INSTALLATION - CEE7 SIDE GROUND - 2 X 4 BOX (CE & UK CA SPEC)

ITEM	PART NUMBER	QTY	DESCRIPTION	REV
	1001166258	Ref	PLUG AND RECEPTACLE 220 INSTALLATION - CEE7 SIDE GROUND - 2 X 4 BOX	D
1	0275453	1	AC Plugs and Sockets Installation (See Separate Breakdown in this Section)	
2	0641407	2	Bolt 1/4 x 7/8	
3	0641408	2	Bolt 1/4 x 1	
4	0641416	2	Bolt 1/4 x 2	
5	0700408	4	Bolt M4 x 16	
6	1001193018	1	Bracket	
7	1001178491	1	Bracket	
8	1001152485	1	Breaker Box Kit with Three Breakers (See Separate Breakdown in this Section)	
9	3252507	2	Decal - 220V - 50/60 Hz	
10	3290405	4	Nut M4	
11	3311405	4	Nut 1/4	
12	4460662	1	Connector, Strain Relief	
13	4711400	8	Washer 1/4	
14	4751400	2	Washer 1/4	
15	4811400	8	Washer M4	
16	4922609	1	Lower Boom 220V Harness Assembly (See Separate Breakdown in this Section)	
17	4922610	1	Main Boom 220V Harness Assembly (See Separate Breakdown in this Section)	

SECTION 7 - ELECTRICAL

FIGURE 7-43. PLUG AND RECEPTACLE 220V INSTALLATION - CEE7 SIDE GROUND - 70MM X 70MM BOX (CE & UK CA SPEC)



ART_1001166262

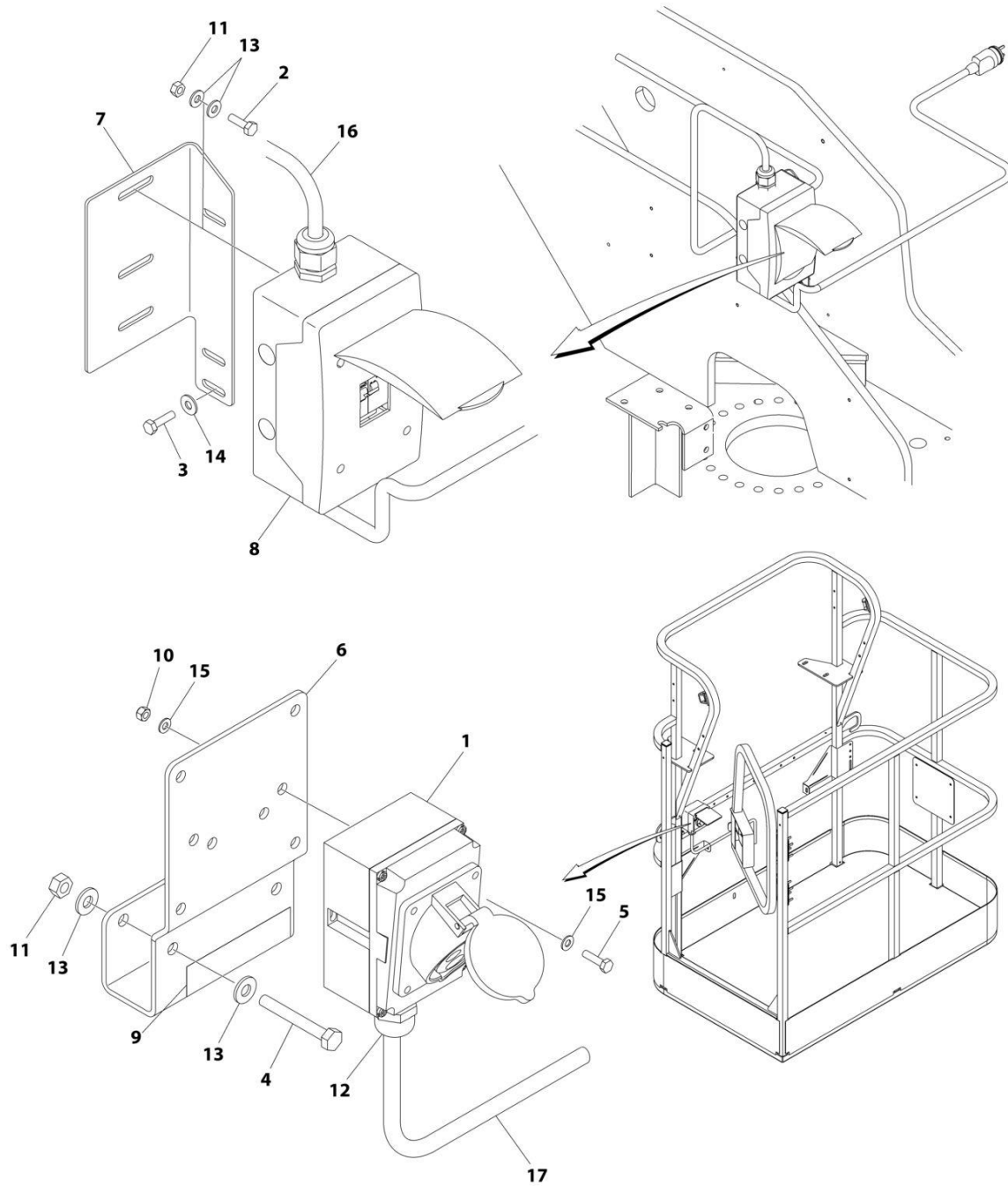
SECTION 7 - ELECTRICAL

FIGURE 7-43. PLUG AND RECEPTACLE 220V INSTALLATION - CEE7 SIDE GROUND - 70MM X 70MM BOX (CE & UK CA SPEC)

ITEM	PART NUMBER	QTY	DESCRIPTION	REV
	1001166262	Ref	PLUG AND RECEPTACLE 220V INSTALLATION - CEE7 SIDE GROUND - 70MM X 70MM BOX	C
1	0275219	1	AC Plugs and Sockets Installation (See Separate Breakdown in this Section)	
2	0641407	2	Bolt 1/4 x 7/8	
3	0641408	2	Bolt 1/4 x 1	
4	0641416	2	Bolt 1/4 x 2	
5	0700408	2	Bolt M4 x 16	
6	1001193018	1	Bracket	
7	1001178491	1	Bracket	
8	1001152485	1	Breaker Box Kit with Three Breakers (See Separate Breakdown in this Section)	
9	3252507	2	Decal - 220V - 50/60 Hz	
10	3290405	2	Nut M4	
11	3311405	4	Nut M4	
12	4460968	1	Connector, Strain Relief	
13	4711400	8	Washer 1/4	
14	4751400	2	Washer 1/4	
15	4811400	4	Washer M4	
16	4922609	1	Lower Boom 220V Harness Assembly (See Separate Breakdown in this Section)	
17	4922610	1	Main Boom 220V Harness Assembly (See Separate Breakdown in this Section)	

SECTION 7 - ELECTRICAL

FIGURE 7-44. PLUG AND RECEPTACLE 220VINSTALLATION - IEC 60309 - BLUE (CE & UK CA SPEC)



ART_1001166260

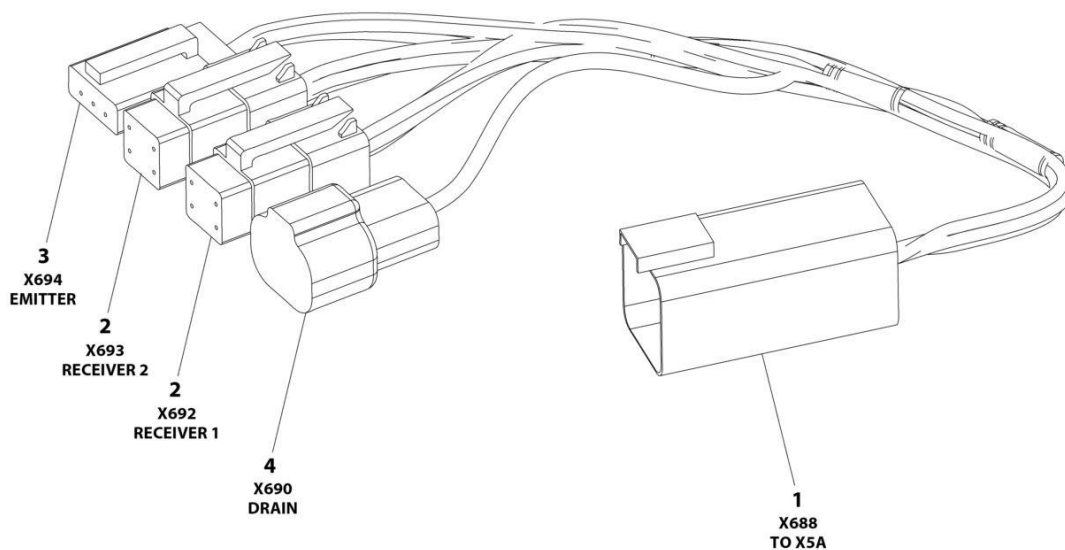
SECTION 7 - ELECTRICAL

FIGURE 7-44. PLUG AND RECEPTACLE 220V INSTALLATION - IEC 60309 - BLUE (CE & UK CA SPEC)

ITEM	PART NUMBER	QTY	DESCRIPTION	REV
	1001166260	Ref	PLUG AND RECEPTACLE 220V INSTALLATION - IEC 60309 - BLUE	C
1	0275217	1	AC Plugs and Sockets Installation (See Separate Breakdown in this Section)	
2	0641407	2	Bolt 1/4 x 7/8	
3	0641408	2	Bolt 1/4 x 1	
4	0641416	2	Bolt 1/4 x 2	
5	0700408	2	Bolt M4 x 16	
6	1001193018	1	Bracket	
7	1001178491	1	Bracket	
8	2902549	1	Breaker Box Kit with One Breakers (See Separate Breakdown in this Section)	
9	3252507	2	Decal - 220V - 50/60 Hz	
10	3290405	2	Nut M4	
11	3311405	4	Nut M4	
12	4460968	1	Connector, Strain Relief	
13	4711400	8	Washer 1/4	
14	4751400	2	Washer 1/4	
15	4811400	4	Washer M4	
16	4922609	1	Lower Boom 220V Harness Assembly (See Separate Breakdown in this Section)	
17	4922610	1	Main Boom 220V Harness Assembly (See Separate Breakdown in this Section)	

SECTION 7 - ELECTRICAL

FIGURE 7-45. SKYEYE INTERMEDIATE HARNESS



ART_1001237865

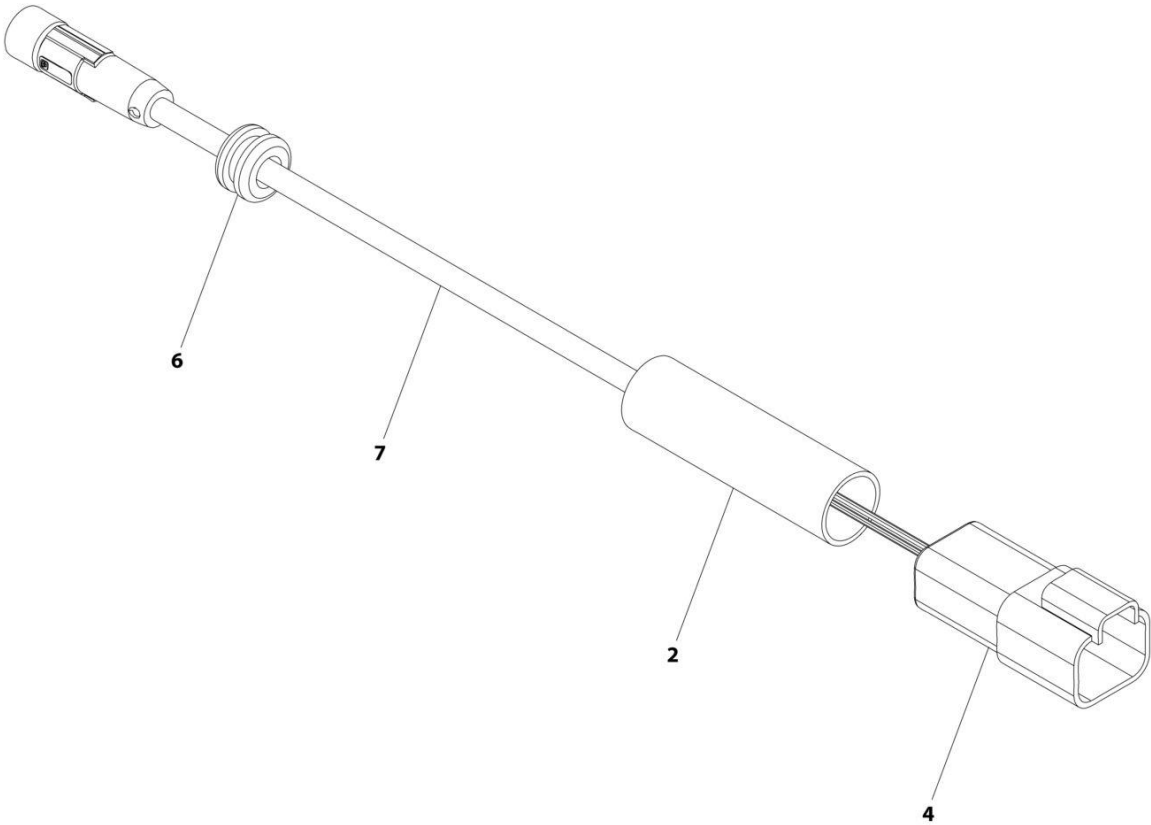
SECTION 7 - ELECTRICAL

FIGURE 7-45. SKYEYE INTERMEDIATE HARNESS

ITEM	PART NUMBER	QTY	DESCRIPTION	REV
	1001237865	Ref	SKYEYE INTERMEDIATE HARNESS	A
1	4460899	1	Connector - 6 Position	
1	4460943	4	Pin, Male	
1	4460466	2	Plug, Terminal	
2	4461077	2	Connector - 4 Position	
2	1001119619	8	Socket, Female	
3	4460911	1	Connector - 3 Position	
3	1001119619	3	Socket, Female	
4	1001187681	1	Connector - 2 Position	
4	4460941	1	Pin, Male	
4	4460466	1	Plug, Terminal	

SECTION 7 - ELECTRICAL

FIGURE 7-46. SKYEYE RECEIVER HARNESS



ART_1001237863

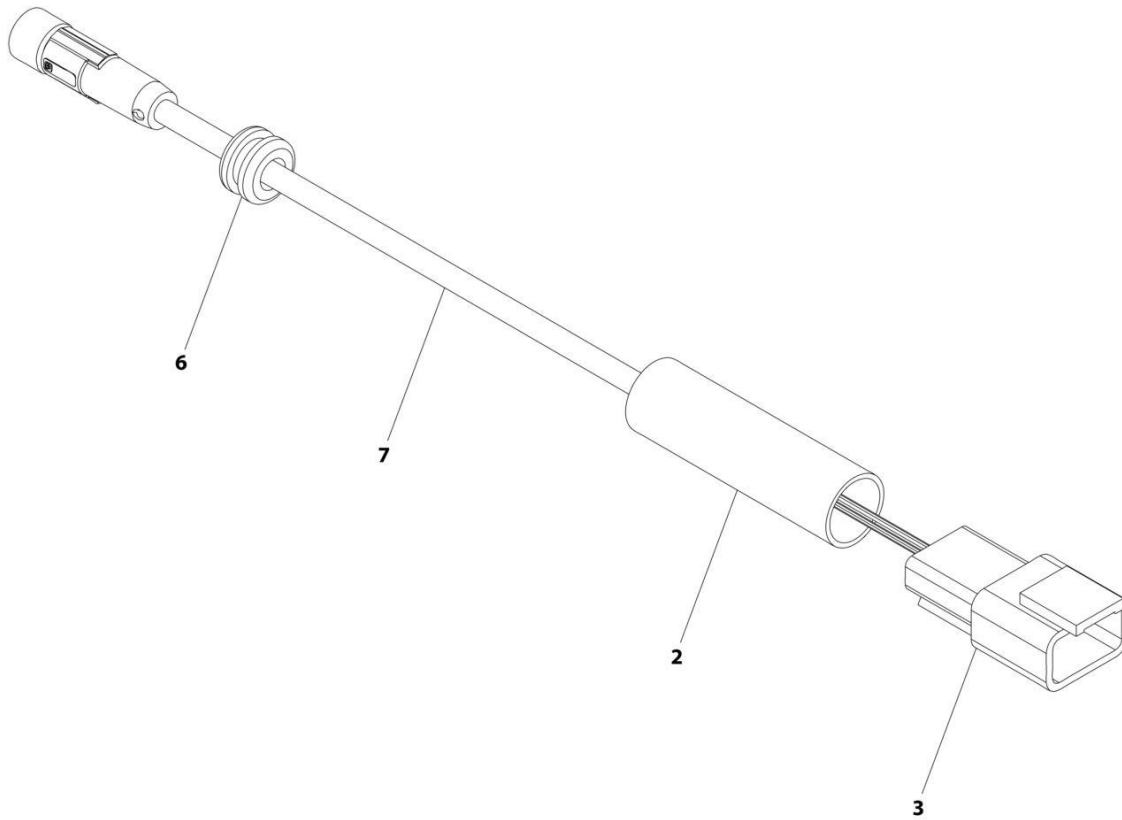
SECTION 7 - ELECTRICAL

FIGURE 7-46. SKYEYE RECEIVER HARNESS

ITEM	PART NUMBER	QTY	DESCRIPTION	REV
	1001237863	Ref	SKYEYE RECEIVER HARNESS	A
2	2820247	AR	Tubing, Heat Shrink	
4	1001097051	1	Connector - 4 Position	
4	1001119620	4	Pin, Male	
6	1001227996	1	Grommet	
7	1001237862	1	Cable, M8 Female Cordset	

SECTION 7 - ELECTRICAL

FIGURE 7-47. SKYEYE EMITTER HARNESS



ART_1001237864

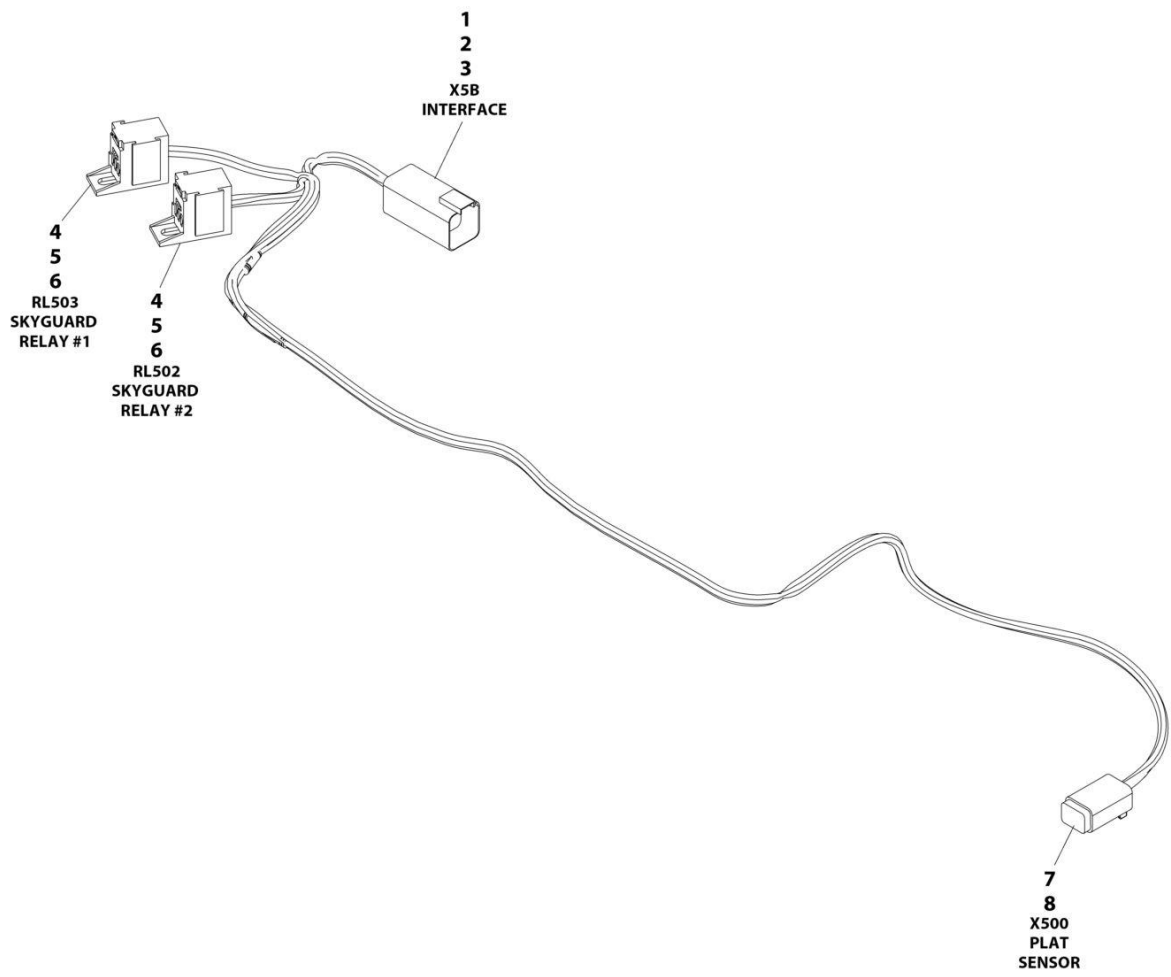
SECTION 7 - ELECTRICAL

FIGURE 7-47. SKYEYE EMITTER HARNESS

ITEM	PART NUMBER	QTY	DESCRIPTION	REV
	1001237864	Ref	SKYEYE EMITTER HARNESS	A
2	2820247	AR	Tubing, Heat Shrink	
3	4460910	1	Connector - 3 Position	
3	1001119620	3	Pin, Male	
6	1001227996	1	Grommet	
7	1001237862	1	Cable, M8 Female Cordset	

SECTION 7 - ELECTRICAL

FIGURE 7-48. SKYGUARD HARNESS - WITH 1 CELL LSS



ART_1001225580

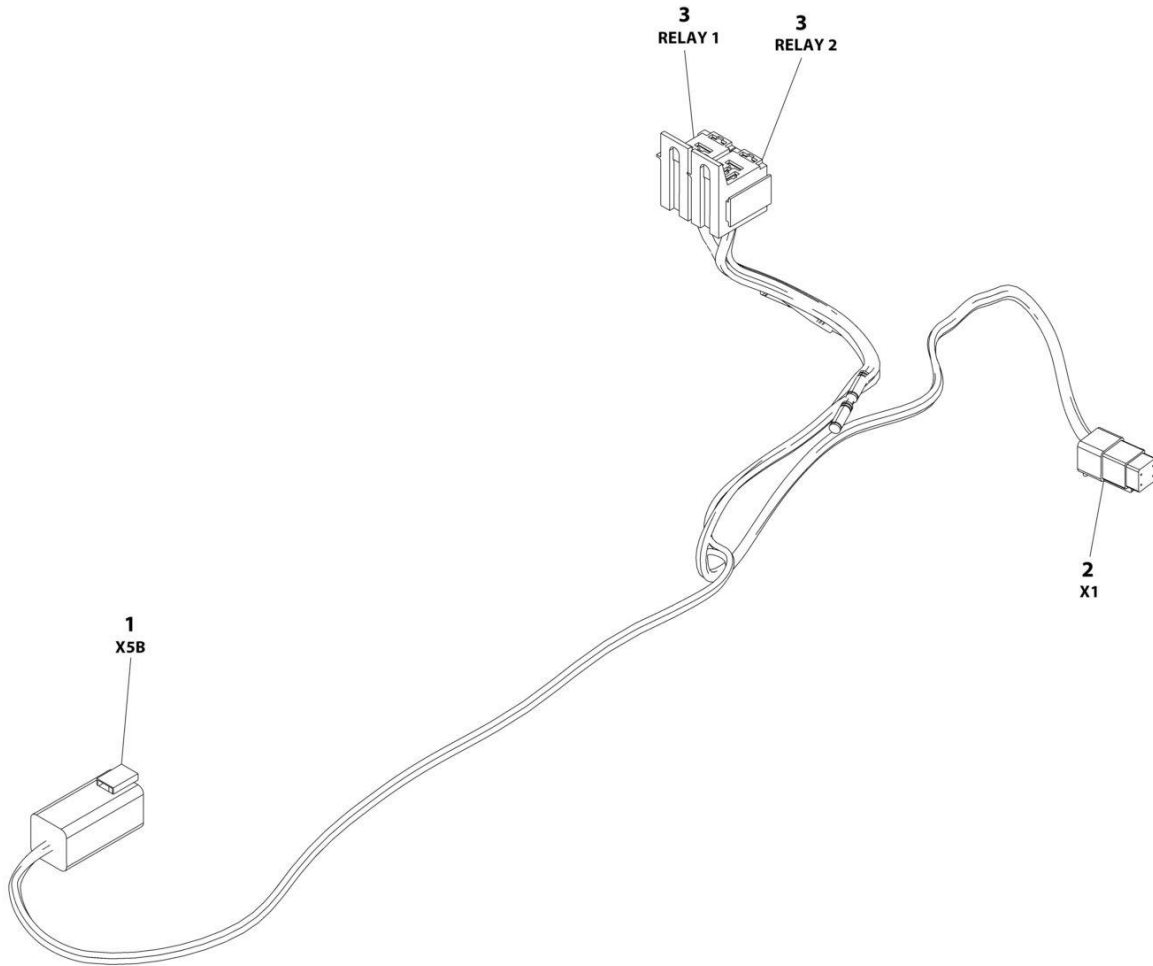
SECTION 7 - ELECTRICAL

FIGURE 7-48. SKYGUARD HARNESS - WITH 1 CELL LSS

ITEM	PART NUMBER	QTY	DESCRIPTION	REV
	1001225580	Ref	INTERFACE HARNESS - WITH 1 CELL LSS	D
1	4460899	1	Connector	
2	4460464	4	Terminal	
3	4460466	2	Plug	
4	1001186432	2	Connector	
5	1001116720	4	Terminal	
6	1001118388	4	Terminal	
7	4460884	1	Connector	
8	4460465	4	Terminal	

SECTION 7 - ELECTRICAL

FIGURE 7-49. SKYLINE HARNESS



ART_1001238418

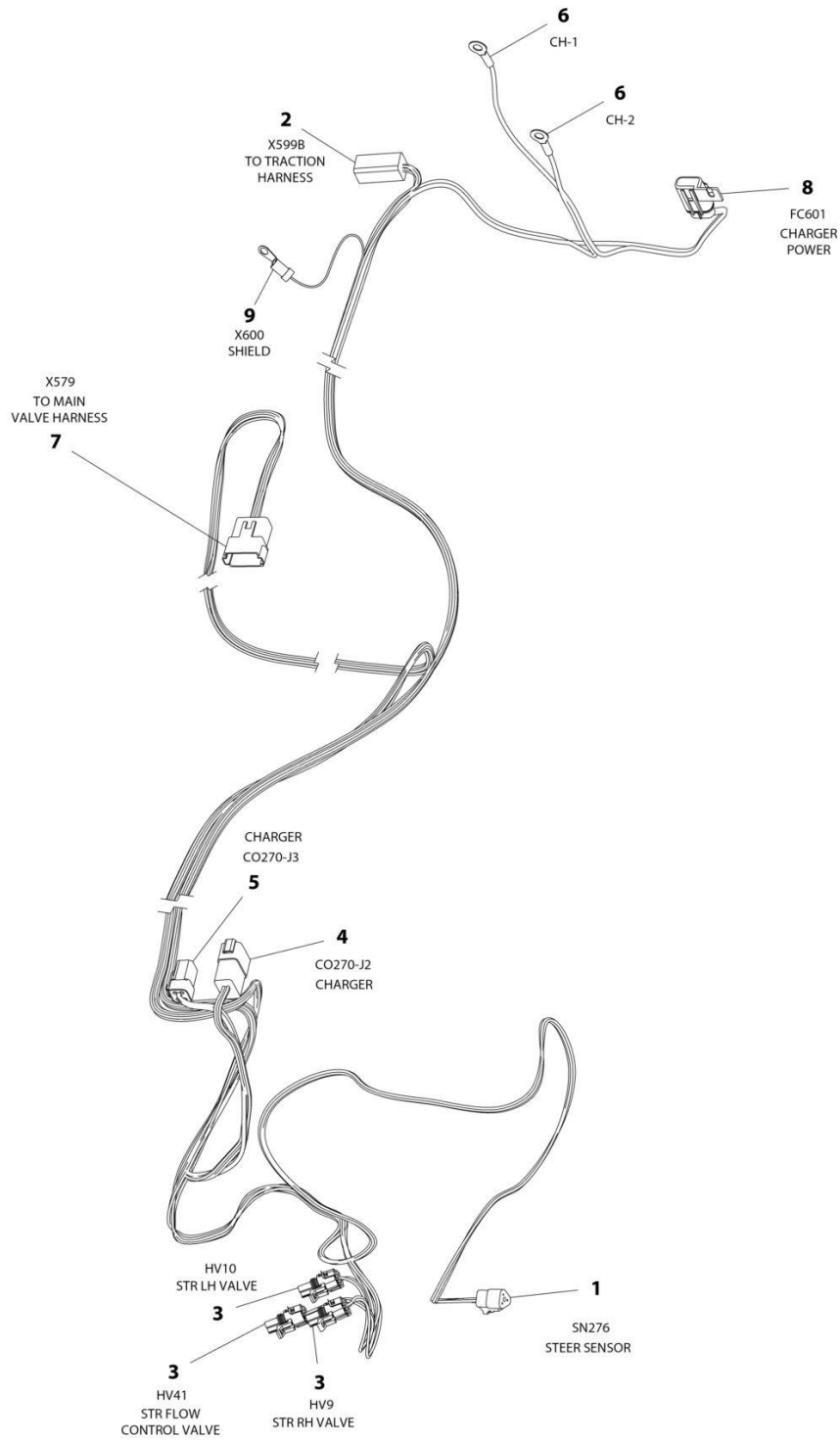
SECTION 7 - ELECTRICAL

FIGURE 7-49. SKYLINE HARNESS

ITEM	PART NUMBER	QTY	DESCRIPTION	REV
	1001238418	Ref	SKYLINE HARNESS	B
1	4460899	1	Connector - 6 Position	
1	4460464	4	Pin, Male	
1	4460466	2	Plug, Terminal	
2	4461077	1	Connector - 4 Position	
2	1001126009	4	Socket, Female	
3	1001186432	2	Plug, Relay	
3	1001118388	5	Terminal	
3	1001118384	3	Terminal	
3	3740086	2	Relay	

SECTION 7 - ELECTRICAL

FIGURE 7-50. STEER/BRAKE HARNESS



ART_1001188528

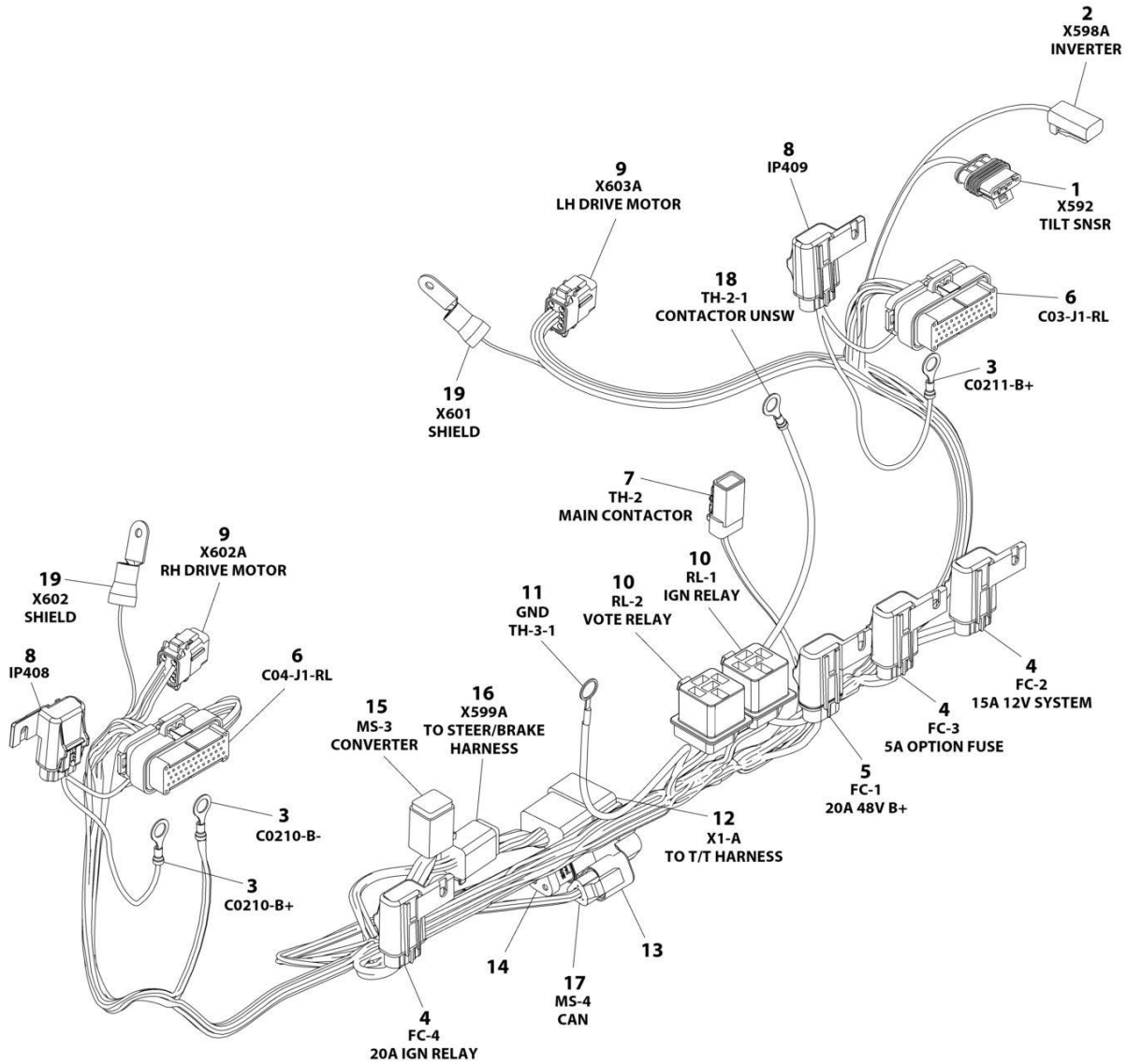
SECTION 7 - ELECTRICAL

FIGURE 7-50. STEER/BRAKE HARNESS

ITEM	PART NUMBER	QTY	DESCRIPTION	REV
	1001188528	Ref	STEER/BRAKE HARNESS	1
1	4460539	1	Plug, Male - 4 Position	
1	4460465	3	Socket, Female	
2	4460899	1	Receptacle, Female - 6 Position	
2	4460464	5	Pin, Male	
2	4460466	1	Plug, Terminal	
3	4460742	3	Plug, Male - 2 Position	
3	4460743	6	Socket, Female	
4	4460931	1	Receptacle, Female - 8 Position	
4	4460464	6	Pin, Male	
4	4460466	2	Plug, Terminal	
5	1001116810	1	Plug, Male - 4 Position	
5	4460509	2	Terminal	
5	4460466	2	Plug, Terminal	
6	8220045	2	Ring, Terminal	
7	4460970	1	Receptacle, Female - 12 Position	
7	4460464	9	Pin, Male	
7	4460466	3	Plug, Terminal	
8	1001217844	1	Fuseholder	
8	1001217842	1	Cover	
8	8229236	1	Fuse - 30Amp	
8	1001170762	1	Fuse - 30Amp	
8	1001116734	2	Terminal, Female	
9	4460142	1	Terminal, Ring	

SECTION 7 - ELECTRICAL

FIGURE 7-51. TRACTION HARNESS



ART_1001178629

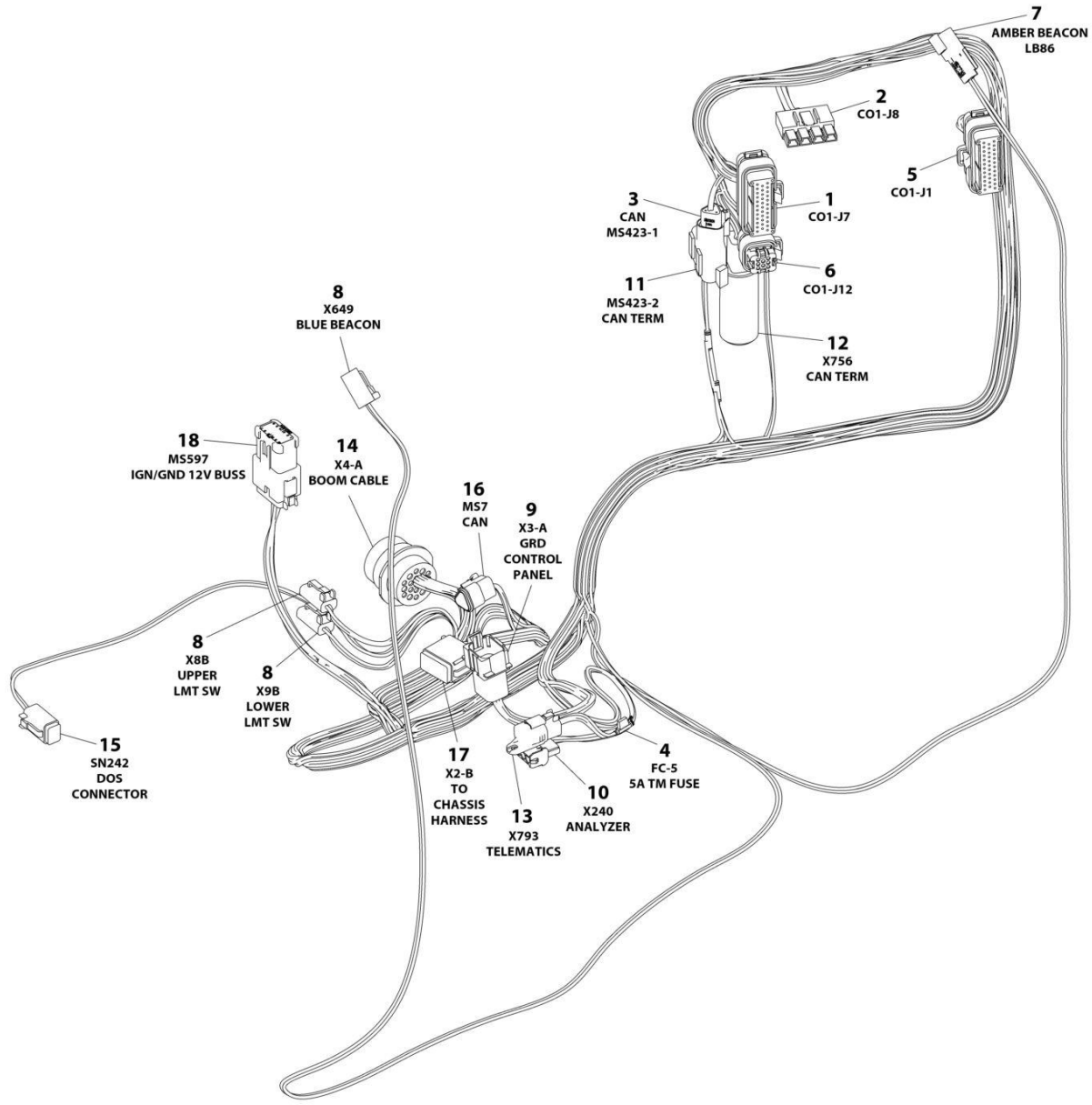
SECTION 7 - ELECTRICAL

FIGURE 7-51. TRACTION HARNESS

ITEM	PART NUMBER	QTY	DESCRIPTION	REV
	1001178629	Ref	TRACTION HARNESS	N
1	1001103012	1	Connector - 4 Position	
1	1001107854	4	Socket, Female	
2	4460891	1	Plug, Male - 2 Position	
2	4460465	1	Socket, Female	
2	4460466	1	Plug, Terminal	
3	4460670	3	Terminal, Ring	
4	1001217844	3	Fuseholder	
4	1001217842	3	Cover	
4	8229261	1	Fuse - 5Amp	
4	8229237	1	Fuse - 15Amp	
4	8229235	1	Fuse - 20Amp	
4	1001170761	1	Fuse - 20Amp	
4	1001116734	6	Terminal, Female	
5	1001217844	1	Fuseholder	
5	1001217842	1	Cover	
5	8229235	1	Fuse - 20Amp	
5	1001116734	2	Terminal, Female	
6	4460873	1	Connector - 35 Position	
6	4460871	11	Terminal, Female	
6	4460905	24	Seal, Terminal	
7	1001126245	1	Connector - 2 Position	
7	1001126008	2	Terminal	
8	1001217843	2	Fuseholder	
8	1001217842	2	Cover	
8	8229234	2	Fuse - 10Amp	
8	1001116733	4	Terminal	
9	1001190577	2	Plug, Male - 8 Position	
9	1001126008	16	Terminal	
10	1001203734	2	Plug, Relay	
10	1001116732	8	Terminal	
11	4460019	1	Terminal, Ring	
12	4460950	1	Connector - 12 Position	
12	1001157891	4	Terminal	
12	1001116693	4	Pin, Male	
12	4460464	2	Pin, Male	
12	4460943	2	Pin, Male	
13	4460945	1	Receptacle, 3 Way	
14	1001116815	1	Resistor, 3 Position	
15	4460894	1	Plug, Male - 6 Position	
15	1001157890	5	Terminal	
15	1001116692	1	Socket, Female	
16	4460894	1	Plug, Male - 6 Position	
16	4460465	4	Socket, Female	
16	4460466	2	Plug, Terminal	
17	1001116812	1	Plug, Male - 3 Position	
17	4460944	3	Socket, Female	
18	4460738	1	Terminal, Ring	
19	1001260275	2	Terminal, Ring	

SECTION 7 - ELECTRICAL

FIGURE 7-52. TURNTABLE HARNESS



ART_1001245677

SECTION 7 - ELECTRICAL

FIGURE 7-52. TURNTABLE HARNESS

ITEM	PART NUMBER	QTY	DESCRIPTION	REV
	1001245677	Ref	TURNTABLE HARNESS	A
1	4460873	1	Connector - 35 Position	
1	4460871	16	Socket, Female	
1	4460905	19	Plug, Terminal	
2	4460878	1	Connector - 4 Position	
2	4460887	4	Terminal	
3	1001116812	1	Plug, Male -3 Position	
3	4460944	2	Socket, Female	
3	4460466	1	Plug, Terminal	
3	4460945	1	Receptacle, 3 Way	
4	2400060	1	Fuseholder with Cover	
4	8229242	1	Fuse - 5Amp	
5	4460874	1	Connector - 35 Position	
5	4460871	9	Socket, Female	
5	4460905	26	Plug, Terminal	
6	1001113961	1	Plug, Male - 8 Position	
6	4460871	3	Socket, Female	
6	4460905	5	Plug, Terminal	
7	4460897	1	Receptacle, Female - 2 Position	
7	4460464	2	Pin, Male	
8	4460891	3	Plug, Male - 2 Position	
8	4460465	6	Socket, Female	
9	1001116813	1	Receptacle, Female - 8 Position	
9	1001116693	5	Pin, Male	
9	1001157891	2	Terminal	
9	4460466	1	Plug, Terminal	
10	4460761	1	Connector - 4 Position	
10	4460227	4	Pin, Male	
11	4460539	1	Plug, Male - 3 Position	
11	4460944	2	Socket, Female	
11	4460466	1	Plug, Terminal	
12	4460884	1	Plug, Male - 4 Position	
12	4460465	4	Socket, Female	
12	1001186231	1	Connector, Fuse/Diode Can	
13	4460884	1	Plug, Male - 4 Position	
13	4460465	3	Socket, Female	
13	4460942	1	Socket, Female	
13	1001192401	1	Connector, Dust Cap	
14	4460866	1	Connector - 19 Position	
14	4460943	2	Pin, Male	
14	4460508	4	Pin, Male	
14	4460464	7	Pin, Male	
14	4460466	6	Plug, Terminal	
15	4460884	1	Connector - 4 Position	
15	4460465	2	Socket, Female	
15	4460466	2	Plug, Terminal	
16	1001116812	1	Plug, Male -3 Position	
16	4460944	3	Socket, Female	
17	4460836	1	Plug, Male - 12 Position	
17	1001157890	5	Socket, Female	

SECTION 7 - ELECTRICAL

ITEM	PART NUMBER	QTY	DESCRIPTION	REV
17	4460944	2	Socket, Female	
17	1001116692	5	Socket, Female	
18	4460933	1	Plug, Male - 12 Position	
18	4460942	4	Socket, Female	
18	4460465	2	Socket, Female	
18	4460466	6	Plug, Terminal	
18	1001125677	1	Buss Bar	

SECTION 7 - ELECTRICAL

FIGURE 7-53. UPPER BOOM 110V HARNESS ASSEMBLY



ART_4922608

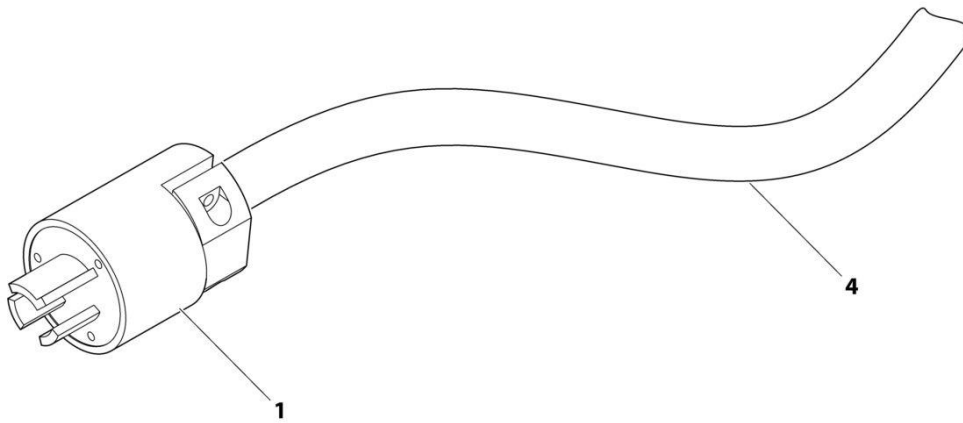
SECTION 7 - ELECTRICAL

FIGURE 7-53. UPPER BOOM 110V HARNESS ASSEMBLY

ITEM	PART NUMBER	QTY	DESCRIPTION	REV
	4922608	Ref	UPPER BOOM 110V HARNESS ASSEMBLY	2
1	4460205	1	Plug, Male	
4	1060494	27.2 ft /8.3m	Electrical Cable, 12/3	

SECTION 7 - ELECTRICAL

FIGURE 7-54. UPPER BOOM 220V HARNESS ASSEMBLY - CE & UK CA SPEC



ART_4922610

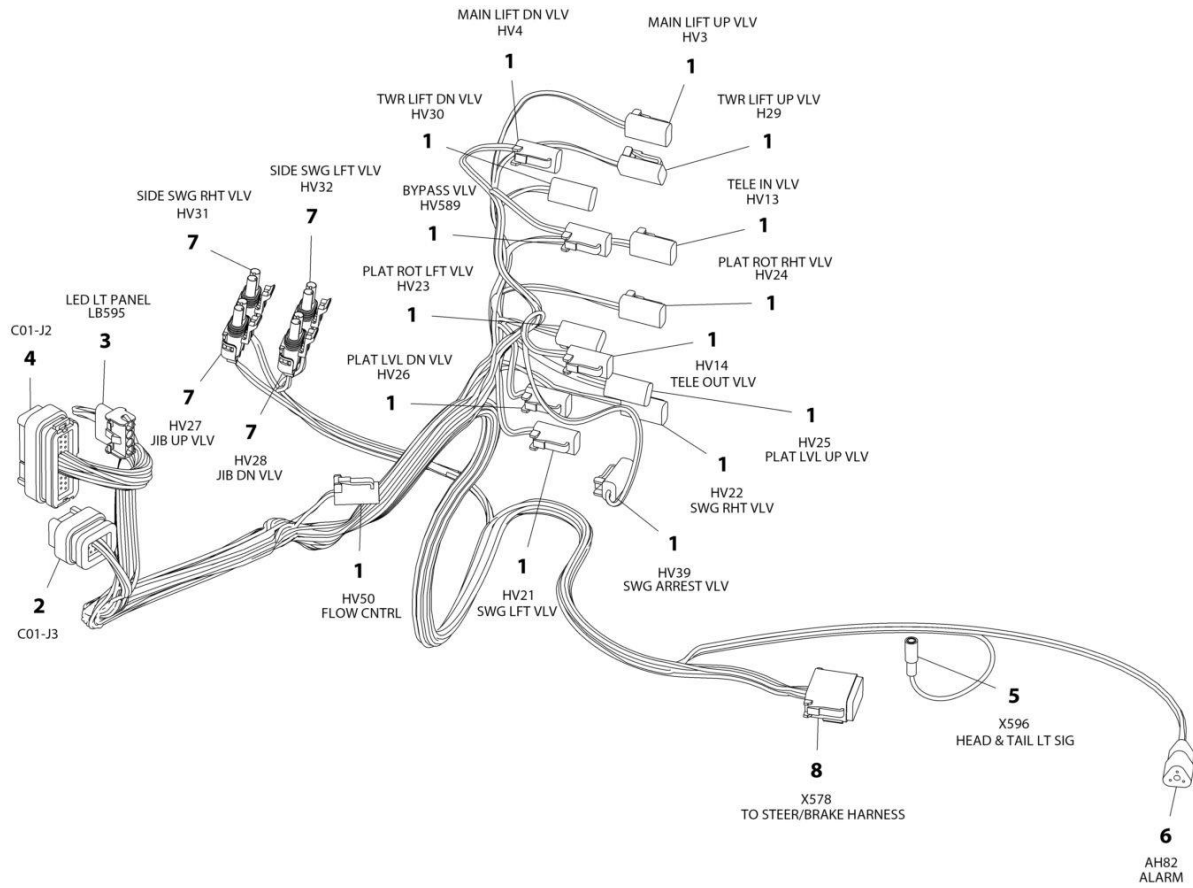
SECTION 7 - ELECTRICAL

FIGURE 7-54. UPPER BOOM 220V HARNESS ASSEMBLY - CE & UK CA SPEC

ITEM	PART NUMBER	QTY	DESCRIPTION	REV
	4922610	Ref	BOOM 220V HARNESS ASSEMBLY - CE SPEC	1
1	4460709	1	Plug, Male	
4	1060461	28 ft/8.5m	Electrical Cable, 12/3	

SECTION 7 - ELECTRICAL

FIGURE 7-55. VALVE HARNESS



ART_1001178794

SECTION 7 - ELECTRICAL

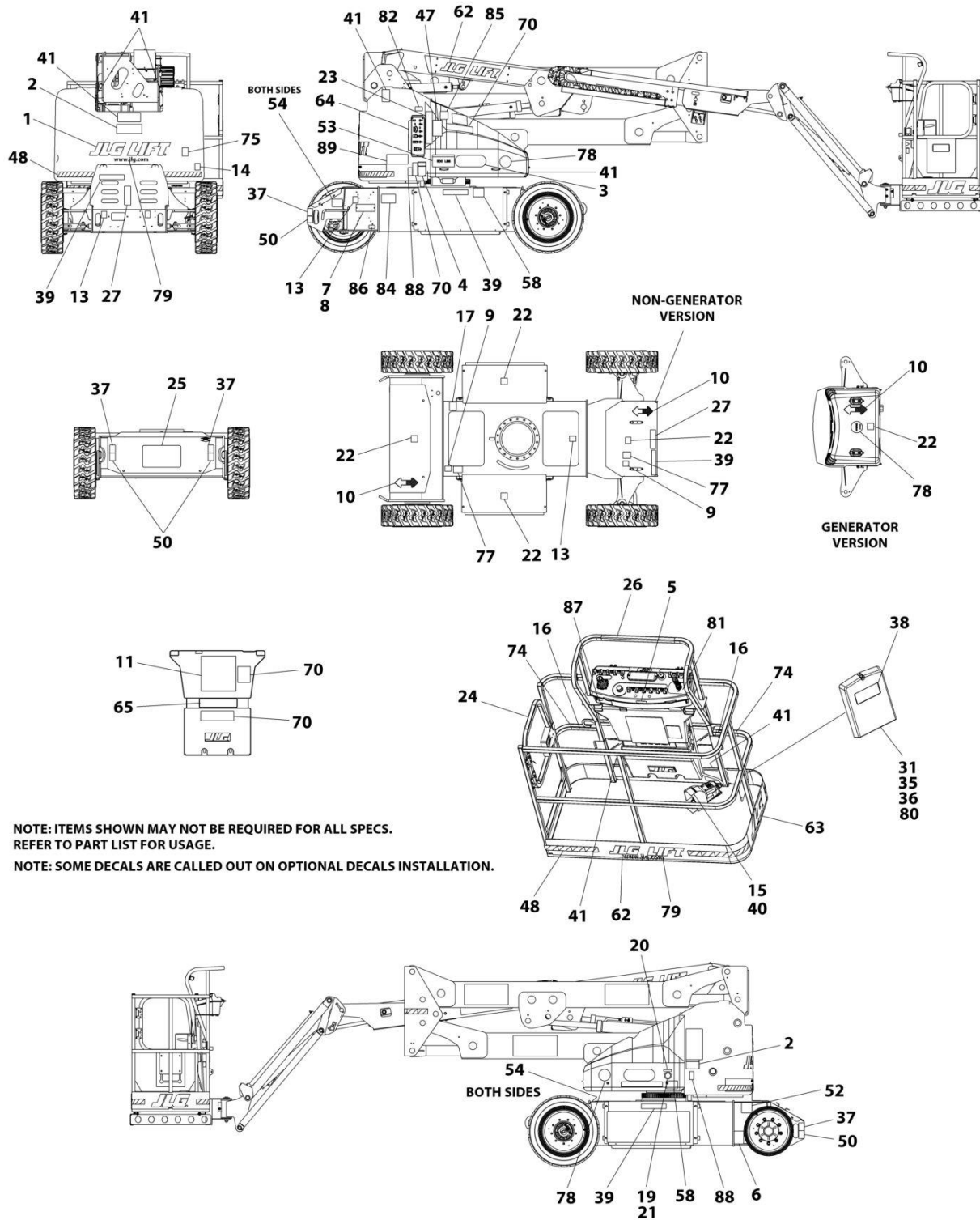
FIGURE 7-55. VALVE HARNESS

ITEM	PART NUMBER	QTY	DESCRIPTION	REV
	1001178794	Ref	VALVE HARNESS	1
1	4460891	15	Plug, Male - 2 Position	
1	4460465	30	Socket, Female	
2	4460872	1	Connector - 14 Position	
2	4460871	6	Socket, Female	
2	4460905	8	Plug, Terminal	
3	4460761	1	Connector - 4 Position	
3	4460226	4	Socket, Female	
4	4460875	1	Connector - 35 Position	
4	4460871	30	Socket, Female	
4	4460905	5	Plug, Terminal	
5	8220068	1	Connector - 1 Position	
6	4460539	1	Plug, Male - 3 Position	
6	4460465	3	Socket, Female	
7	4460742	4	Plug, Male - 2 Position	
7	4460743	8	Socket, Female	
7	4460458	8	Seal, Terminal	
8	4460933	1	Plug, Male - 12 Position	
8	1001116692	9	Socket, Female	
8	4460466	3	Plug, Terminal	

SECTION 8 - DECALS

SECTION 8 - DECALS

FIGURE 8-1. DECAL INSTALLATION - ANSI SPEC



NOTE: ITEMS SHOWN MAY NOT BE REQUIRED FOR ALL SPECS.
REFER TO PART LIST FOR USAGE.
NOTE: SOME DECALS ARE CALLED OUT ON OPTIONAL DECALS INSTALLATION.

ART_1001249184

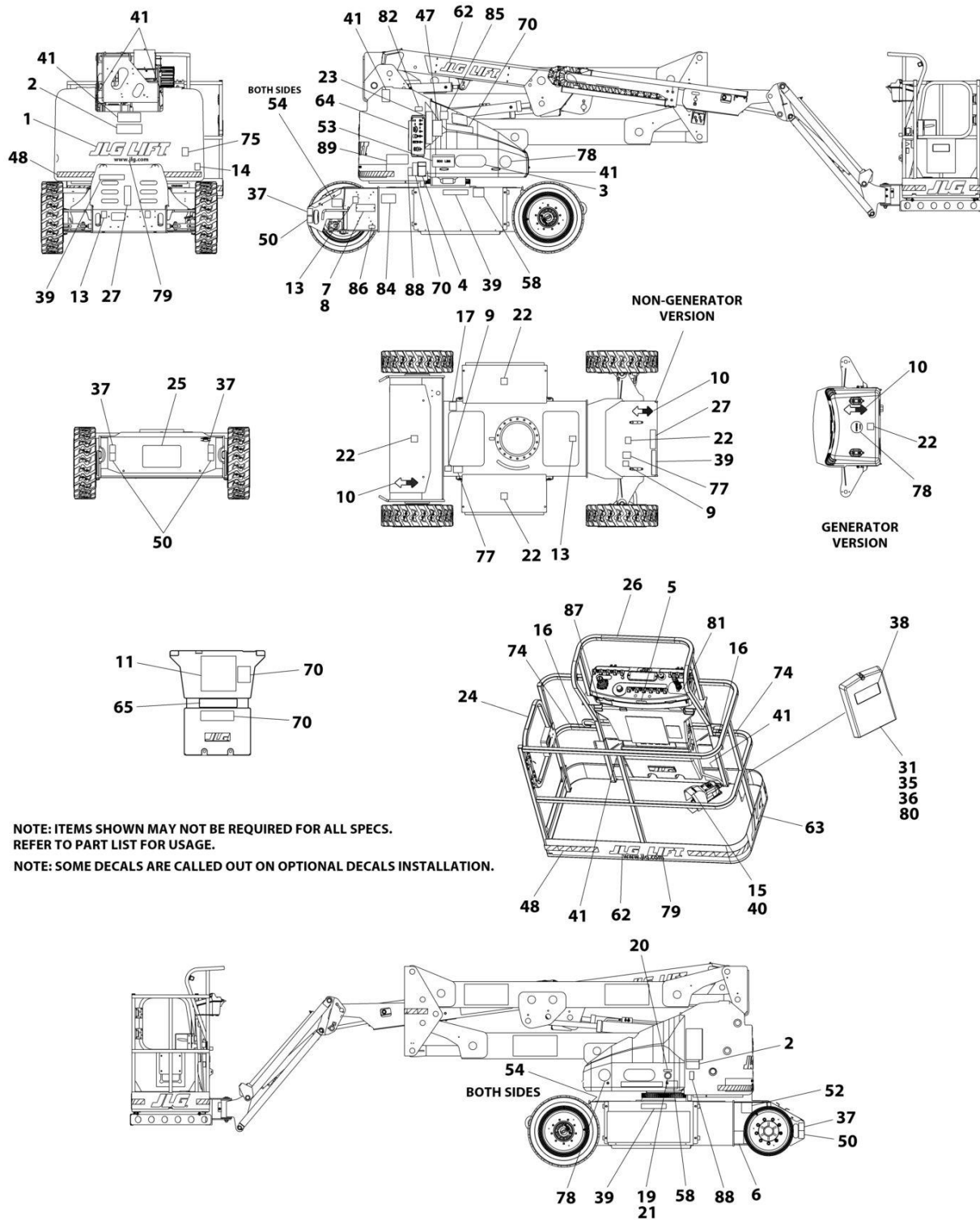
SECTION 8 - DECALS

FIGURE 8-1. DECAL INSTALLATION - ANSI SPEC

ITEM	PART NUMBER	QTY	DESCRIPTION	REV
	1001248659	Ref	DECAL INSTALLATION - REFERENCE CHART	E
	1001249184	Ref	DECAL INSTALLATION	C
2	1703805	2	Decal - Electrocution	
4	1703798	1	Decal - Crushing	
6	1001131269	1	Decal - Patent	
8	3820001	2	Rivet	
9	1701504	1	Decal - Hydraulic Oil	
10	1701642	2	Decal - Arrow	
11	1703797	1	Decal - Caution/Danger	
13	1701644	2	Decal - Charger	
16	1704277	2	Decal - Attach Lanyard	
19	0961127	1	Bushing, Snap	
20	3251243	1	Nameplate 120V-60Hz	
21	0100010	AR	Adhesive	
22	1701691	4	Decal - No Step	
23	1001104864	1	Decal - Manual Descent	
24	1702868	2	Decal - No Hands	
25	1001193949	1	Decal - Cable Routing	
27	1704446	1	Decal - Charger	
31	0860520	1	Box, Manual Storage	
35	4751400	4	Washer 1/4	
36	3311405	4	Nut 1/4	
37	1701500	4	Decal - Lift	
38	1701509	1	Decal - Manual	
39	1703813	3	Decal - Danger	
40	3252347	1	Nameplate - Footswitch	
41	1703804	6	Decal - Crushing Hazard	
47	1702265	1	Decal - Boom Sequence	
50	1702300	4	Decal - Tie Down	
52	See Note	1	Decal - Bar Code (Note: Not Available for Purchase)	
53	1001253921	1	Decal - 500 LBS Max Capacity	
65	1001253920	1	Decal - 500 LBS Max Capacity	
77	1704412	1	Decal - Oil Type	
79	1704885	2	Decal - Website	
80	0641406	4	Bolt 1/4 x 3/4	
81	1705351	1	Decal - Drive/Steer Instruction	
84	1001223055	1	Decal - Yearly Inspection	
85	1001222801	1	Decal - Manual Jib Pump	
86	1001228370	1	Decal - CSA ICES	
87	1001231801	1	Decal - Prop 65 Warning	

SECTION 8 - DECALS

FIGURE 8-2. DECAL INSTALLATION - AUSTRALIAN SPEC



NOTE: ITEMS SHOWN MAY NOT BE REQUIRED FOR ALL SPECS.
REFER TO PART LIST FOR USAGE.
NOTE: SOME DECALS ARE CALLED OUT ON OPTIONAL DECALS INSTALLATION.

ART_1001178378

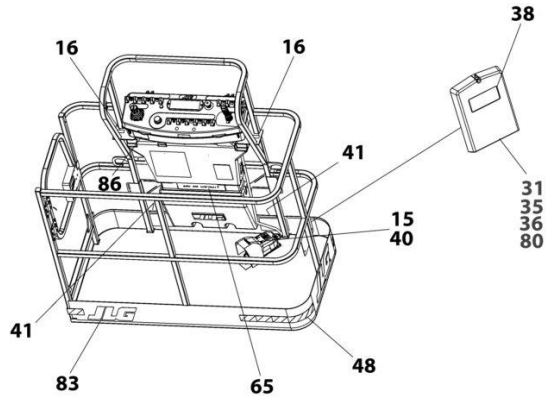
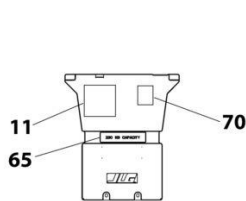
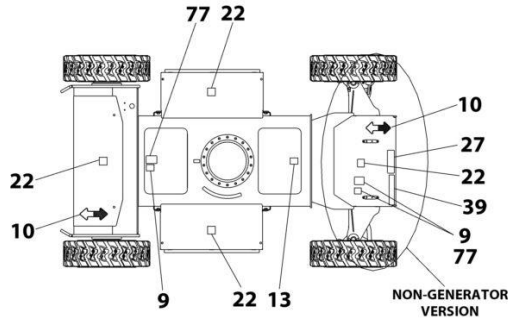
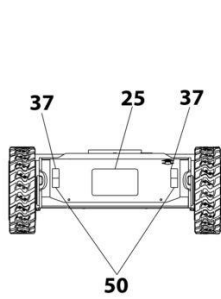
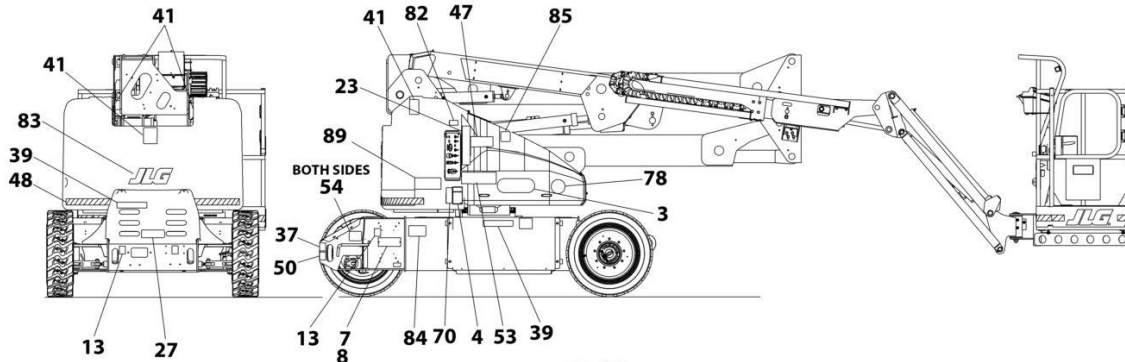
SECTION 8 - DECALS

FIGURE 8-2. DECAL INSTALLATION - AUSTRALIAN SPEC

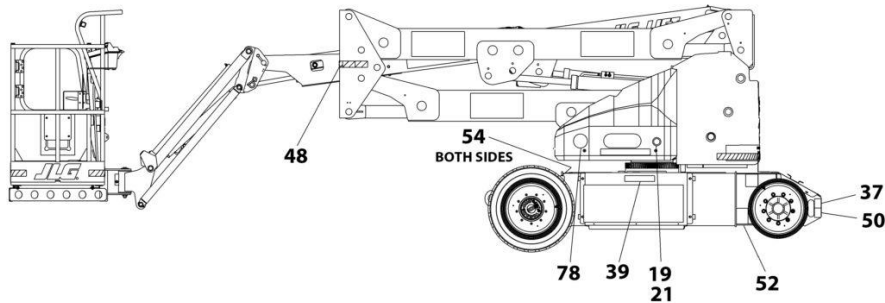
ITEM	PART NUMBER	QTY	DESCRIPTION	REV
	1001248659	Ref	DECAL INSTALLATION - REFERENCE CHART	E
	1001178378	Ref	DECAL INSTALLATION	I
4	1705822	1	Decal - Danger/Caution	
8	3820001	2	Rivet	
9	1701504	1	Decal - Hydraulic Oil	
10	1701642	2	Decal - Arrow	
11	1705921	1	Decal - Danger/Caution	
13	1701644	2	Decal - Charger	
15	1705828	1	Decal - Footswitch	
16	1704277	2	Decal - Attach Lanyard	
19	0961127	1	Bushing, Snap	
21	0100010	AR	Adhesive	
22	1701691	4	Decal - No Step	
23	1001104864	1	Decal - Manual Descent	
25	1001193949	1	Decal - Cable Routing	
27	1706378	1	Decal - Charging Instructions	
31	0860520	1	Box, Manual Storage	
35	4751400	4	Washer 1/4	
36	3311405	4	Nut 1/4	
37	1703811	4	Decal - Lift	
38	1701509	1	Decal - Manual	
39	1705670	AR	Decal - Explosion Warning	
41	1701518	6	Decal - Crushing Hazard	
47	1705977	1	Decal - Upright Level Over-Ride	
50	1703814	4	Decal - Tie Down	
52	See Note	1	Decal - Bar Code (Note: Not Available for Purchase)	
53	1705978	1	Decal - Capacity	
65	1705978	1	Decal - Capacity	
77	1704412	1	Decal - Oil Type	
79	1704885	2	Decal - Website	
80	0641406	4	Bolt 1/4 x 3/4	
85	1001222801	1	Decal - Manual Jib Pump	

SECTION 8 - DECALS

FIGURE 8-3. DECAL INSTALLATION - CE & UK CA SPEC



NOTE: ITEMS SHOWN MAY NOT BE REQUIRED FOR ALL SPECS.
REFER TO PART LIST FOR USAGE.
NOTE: SOME DECALS ARE CALLED OUT ON OPTIONAL DECALS INSTALLATION.



ART_1001190003

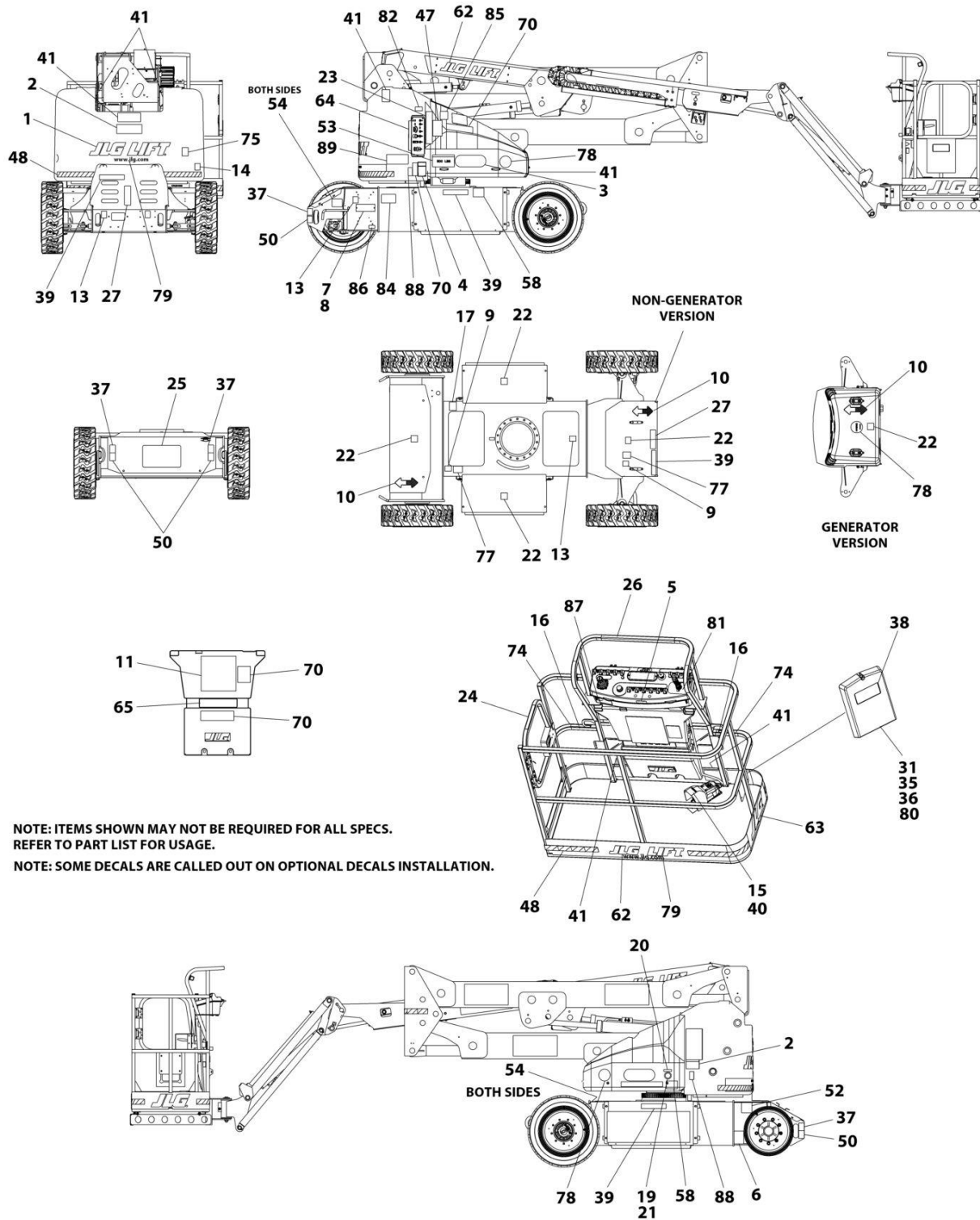
SECTION 8 - DECALS

FIGURE 8-3. DECAL INSTALLATION - CE & UK CA SPEC

ITEM	PART NUMBER	QTY	DESCRIPTION	REV
	1001217465	Ref	DECAL INSTALLATION - REFERENCE CHART	F
	1001190003	Ref	DECAL INSTALLATION	H
4	1705822	1	Decal - Danger/Caution	
8	3820001	2	Rivet	
9	1701504	1	Decal - Hydraulic Oil	
10	1701642	2	Decal - Arrow	
11	1705921	1	Decal - Danger/Caution	
13	1701644	2	Decal - Charger	
15	1705828	1	Decal - Footswitch	
16	1704277	2	Decal - Attach Lanyard	
19	0961127	1	Bushing, Snap	
21	0100010	AR	Adhesive	
22	1701691	4	Decal - No Step	
23	1001104864	1	Decal - Manual Descent	
25	1001193949	1	Decal - Cable Routing	
27	1706378	1	Decal - Charging Instructions	
31	0860520	1	Box, Manual Storage	
35	4751400	4	Washer 1/4	
36	3311405	4	Nut 1/4	
37	1703811	4	Decal - Lift	
38	1701509	1	Decal - Manual	
39	1705670	3	Decal - Explosion Warning	
41	1701518	6	Decal - Crushing Hazard	
47	1705977	1	Decal - Upright Level Over-Ride	
50	1703814	4	Decal - Tie Down	
52	See Note	1	Decal - Bar Code (Note: Not Available for Purchase)	
53	1705978	1	Decal - Capacity	
65	1705978	1	Decal - Capacity	
77	1704412	1	Decal - Oil Type	
80	0641406	4	Bolt 1/4 x 3/4	
83	1702773	1	Decal - JLG 5in	
85	1001222801	1	Decal - Manual Jib Pump	

SECTION 8 - DECALS

FIGURE 8-4. DECAL INSTALLATION - CHINESE/ENGLISH



NOTE: ITEMS SHOWN MAY NOT BE REQUIRED FOR ALL SPECS.
REFER TO PART LIST FOR USAGE.
NOTE: SOME DECALS ARE CALLED OUT ON OPTIONAL DECALS INSTALLATION.

ART_1001254179

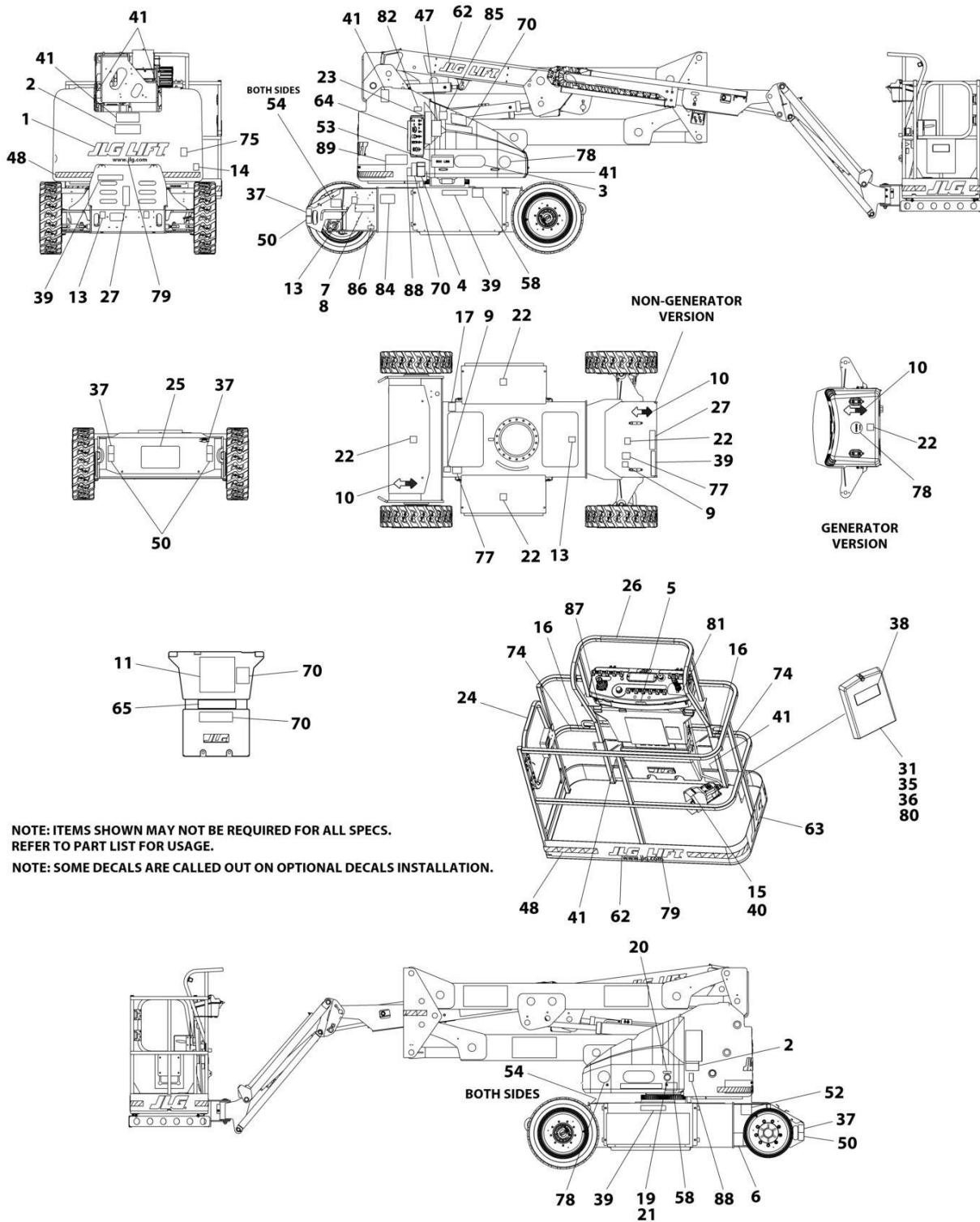
SECTION 8 - DECALS

FIGURE 8-4. DECAL INSTALLATION - CHINESE/ENGLISH

ITEM	PART NUMBER	QTY	DESCRIPTION	REV
	1001248659	Ref	DECAL INSTALLATION - REFERENCE CHART	E
	1001254179	Ref	DECAL INSTALLATION - CHINESE/ENGLISH	B
2	1703937	2	Decal - Electrocution	
4	1703931	1	Decal - Danger/Caution	
8	3820001	2	Rivet	
9	1701504	1	Decal - Hydraulic Oil	
10	1701642	2	Decal - Arrow	
11	1703925	1	Decal - Caution/Danger	
13	1701644	2	Decal - Charger	
15	1703982	1	Decal - Footswitch	
16	1704277	2	Decal - Attach Lanyard	
19	0961127	1	Bushing, Snap	
21	0100010	AR	Adhesive	
22	1701691	4	Decal - No Step	
23	1001104864	1	Decal - Manual Descent	
25	1001193949	1	Decal - Cable Routing	
27	1704419	1	Decal - Charger	
31	0860520	1	Box, Manual Storage	
35	4751400	4	Washer 1/4	
36	3311405	4	Nut 1/4	
37	1701500	4	Decal - Lift	
38	1701509	1	Decal - Manual	
39	1704344	3	Decal - Explosion Warning	
41	1703949	6	Decal - Crushing Hazard	
47	1703988	1	Decal - Upright Level Override	
50	1702300	4	Decal - Tie Down	
52	See Note	1	Decal - Bar Code (Note: Not Available for Purchase)	
53	1001253927	1	Decal - 500 LBS. Max Capacity	
65	1001253926	2	Decal - 500 LBS. Max Capacity	
77	1704412	1	Decal - Oil Type	
79	1704885	2	Decal - Website	
80	0641406	4	Bolt 1/4 x 3/4	
81	1705430	1	Decal - Drive/Steer Instruction	
84	1001224050	1	Decal - Yearly Inspection	
85	1001222801	1	Decal - Manual Jib Pump	

SECTION 8 - DECALS

FIGURE 8-5. DECAL INSTALLATION - FRENCH/ENGLISH SPECS



ART_1001249186

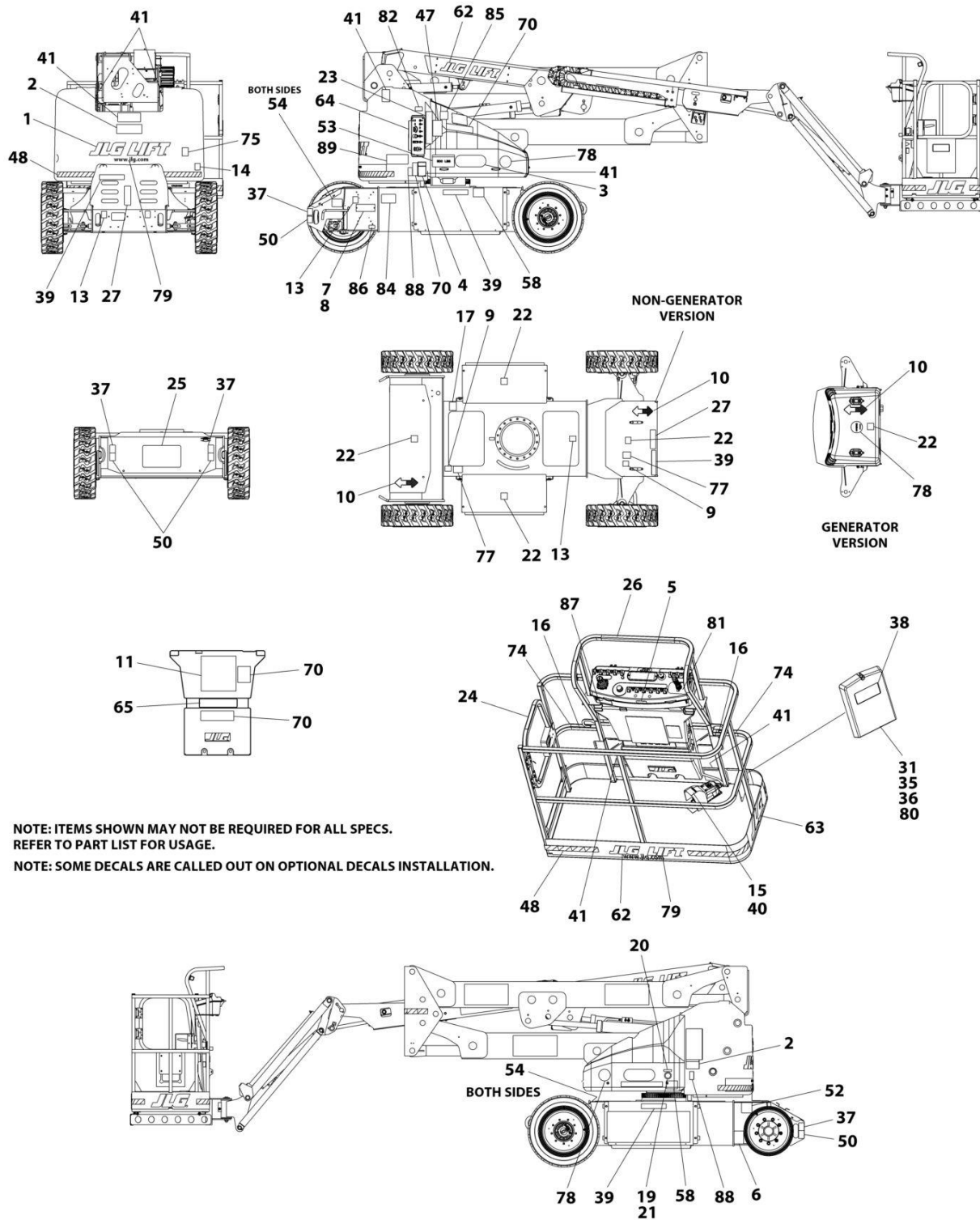
SECTION 8 - DECALS

FIGURE 8-5. DECAL INSTALLATION - FRENCH/ENGLISH SPECS

ITEM	PART NUMBER	QTY	DESCRIPTION	REV
	1001248659	Ref	DECAL INSTALLATION - REFERENCE CHART	E
	1001249186	Ref	DECAL INSTALLATION	C
2	1703936	2	Decal - Electrocutation	
4	1703930	1	Decal - Danger/Caution	
6	1700584	1	Decal - Patent	
8	3820001	2	Rivet	
9	1701504	1	Decal - Hydraulic Oil	
10	1701642	2	Decal - Arrow	
11	1703924	1	Decal - Caution/Danger	
13	1701644	2	Decal - Charger	
15	1703984	1	Decal - Footswitch	
16	1704277	2	Decal - Attach Lanyard	
19	0961127	1	Bushing, Snap	
20	3251243	1	Nameplate - 120V/60HZ	
21	0100010	AR	Adhesive	
22	1701691	4	Decal - No Step	
23	1001104864	1	Decal - Manual Descent	
24	1704000	2	Decal - No Hands	
25	1001193949	1	Decal - Cable Routing	
27	1704452	1	Decal - Charger	
31	0860520	1	Box, Manual Storage	
35	4751400	4	Washer 1/4	
36	3311405	4	Nut 1/4	
37	1701500	4	Decal - Lift	
38	1701509	1	Decal - Manual	
39	1704340	3	Decal - Explosion Warning	
41	1703948	6	Decal - Crushing Hazard	
47	1702265	1	Decal - Boom Sequence	
50	1702300	4	Decal - Tie Down	
52	See Note	1	Decal - Bar Code (Note: Not Available for Purchase)	
53	1001253923	1	Decal - 500 LBS. Max Capacity	
65	1001253922	1	Decal - 500 LBS. Max Capacity	
77	1704412	1	Decal - Oil Type	
79	1704885	2	Decal - Website	
80	0641406	4	Bolt 1/4 x 3/4	
81	1705429	1	Decal - Drive/Steer Instruction	
84	1001223971	1	Decal - Yearly Inspection	
85	1001222801	1	Decal - Manual Jib Pump	
86	1001228370	1	Decal - CSA ICES	

SECTION 8 - DECALS

FIGURE 8-6. DECAL INSTALLATION - JAPANESE SPEC



NOTE: ITEMS SHOWN MAY NOT BE REQUIRED FOR ALL SPECS.
REFER TO PART LIST FOR USAGE.
NOTE: SOME DECALS ARE CALLED OUT ON OPTIONAL DECALS INSTALLATION.

ART_1001249187

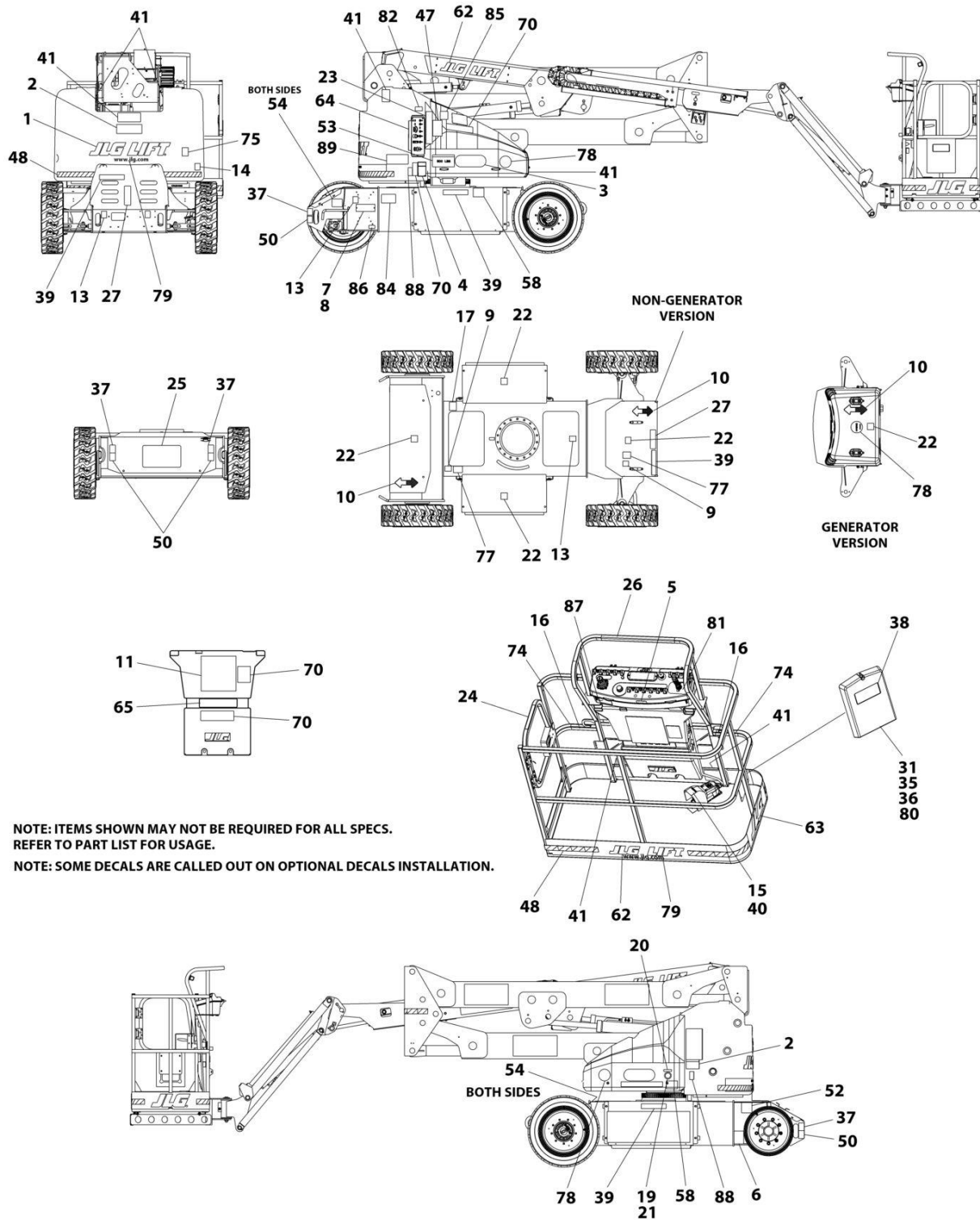
SECTION 8 - DECALS

FIGURE 8-6. DECAL INSTALLATION - JAPANESE SPEC

ITEM	PART NUMBER	QTY	DESCRIPTION	REV
	1001248659	Ref	DECAL INSTALLATION - REFERENCE CHART	E
	1001249187	Ref	DECAL INSTALLATION	D
2	1703938	2	Decal - Electrocution	
4	1703932	1	Decal - Danger/Caution	
8	3820001	2	Rivet	
9	1701504	1	Decal - Hydraulic Oil	
10	1701642	2	Decal - Arrow	
11	1703926	1	Decal - Caution/Danger	
13	1701644	2	Decal - Charger	
15	1703980	1	Decal - Footswitch	
16	1704277	2	Decal - Attach Lanyard	
19	0961127	1	Bushing, Snap	
21	0100010	AR	Adhesive	
22	1701691	4	Decal - No Step	
23	1001104864	1	Decal - Manual Descent	
25	1001193949	1	Decal - Cable Routing	
27	1704417	1	Decal - Charger	
31	0860520	1	Box, Manual Storage	
35	4751400	4	Washer 1/4	
36	3311405	4	Nut 1/4	
37	1701500	4	Decal - Lift	
38	1701509	1	Decal - Manual	
39	1704342	3	Decal - Explosion Warning	
41	1703950	6	Decal - Crushing Hazard	
47	1702271	1	Decal	
50	1702300	4	Decal - Tie Down	
52	See Note	1	Decal - Bar Code (Note: Not Available for Purchase)	
53	1001253933	1	Decal - 500 LBS. Max Capacity	
65	1001253932	2	Decal - 500 LBS. Max Capacity	
77	1704412	1	Decal - Oil Type	
79	1704885	2	Decal - Website	
80	0641406	4	Bolt 1/4 x 3/4	
81	1705426	1	Decal - Drive/Steer Instruction	
84	1001224053	1	Decal - Yearly Inspection	
85	1001222801	1	Decal - Manual Jib Pump	

SECTION 8 - DECALS

FIGURE 8-7. DECAL INSTALLATION - KOREAN SPEC



NOTE: ITEMS SHOWN MAY NOT BE REQUIRED FOR ALL SPECS.
REFER TO PART LIST FOR USAGE.
NOTE: SOME DECALS ARE CALLED OUT ON OPTIONAL DECALS INSTALLATION.

ART_1001254178

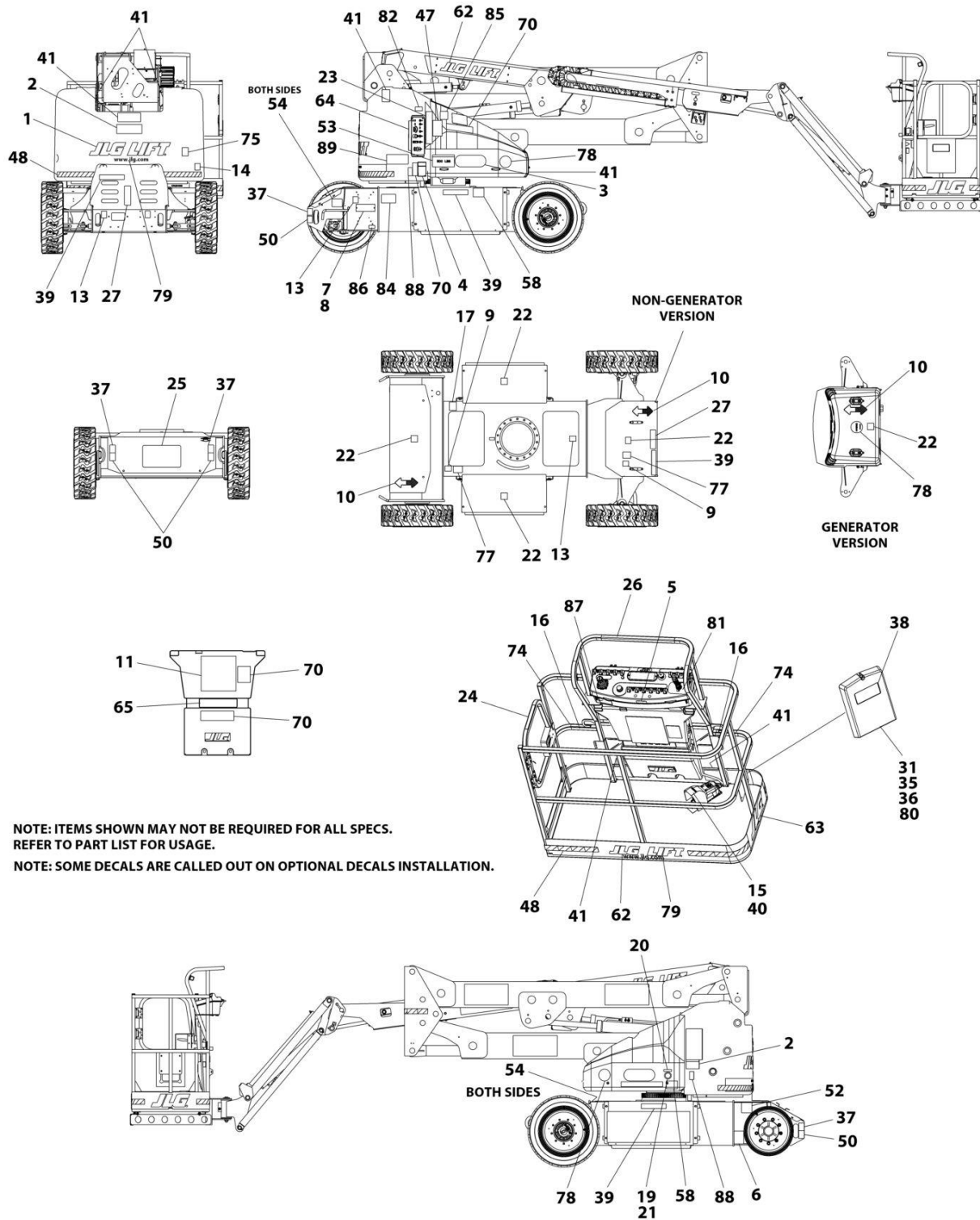
SECTION 8 - DECALS

FIGURE 8-7. DECAL INSTALLATION - KOREAN SPEC

ITEM	PART NUMBER	QTY	DESCRIPTION	REV
	1001248659	Ref	DECAL INSTALLATION - REFERENCE CHART	E
	1001254178	Ref	DECAL INSTALLATION - KOREAN SPEC	B
2	1703939	2	Decal - Electrocution	
4	1703933	1	Decal - Danger/Caution	
8	3820001	2	Rivet	
9	1701504	1	Decal - Hydraulic Oil	
10	1701642	2	Decal - Arrow	
11	1703927	1	Decal - Caution/Danger	
13	1701644	2	Decal - Charger	
15	1703981	1	Decal - Footswitch	
16	1704277	2	Decal - Attach Lanyard	
19	0961127	1	Bushing, Snap	
21	0100010	AR	Adhesive	
22	1701691	4	Decal - No Step	
23	1001104864	1	Decal - Manual Descent	
25	1001193949	1	Decal - Cable Routing	
27	1704418	1	Decal - Charger	
31	0860520	1	Box, Manual Storage	
35	4751400	4	Washer 1/4	
36	3311405	4	Nut 1/4	
37	1701500	4	Decal - Lift	
38	1701509	1	Decal - Manual	
39	1704343	3	Decal - Explosion Warning	
41	1703951	6	Decal - Crushing Hazard	
47	1703987	1	Decal - Upright Level Override	
50	1702300	4	Decal - Tie Down	
52	See Note	1	Decal - Bar Code (Note: Not Available for Purchase)	
53	1001253925	1	Decal - 500 LBS. Max Capacity	
65	1001253924	1	Decal - 500 LBS. Max Capacity	
77	1704412	1	Decal - Oil Type	
79	1704885	2	Decal - Website	
80	0641406	4	Bolt 1/4 x 3/4	
81	1705427	1	Decal - Drive/Steer Instruction	
84	1001224048	1	Decal - Yearly Inspection	
85	1001222801	1	Decal - Manual Jib Pump	

SECTION 8 - DECALS

FIGURE 8-8. DECAL INSTALLATION - SPANISH/ENGLISH SPECS



NOTE: ITEMS SHOWN MAY NOT BE REQUIRED FOR ALL SPECS.
REFER TO PART LIST FOR USAGE.
NOTE: SOME DECALS ARE CALLED OUT ON OPTIONAL DECALS INSTALLATION.

ART_1001249189

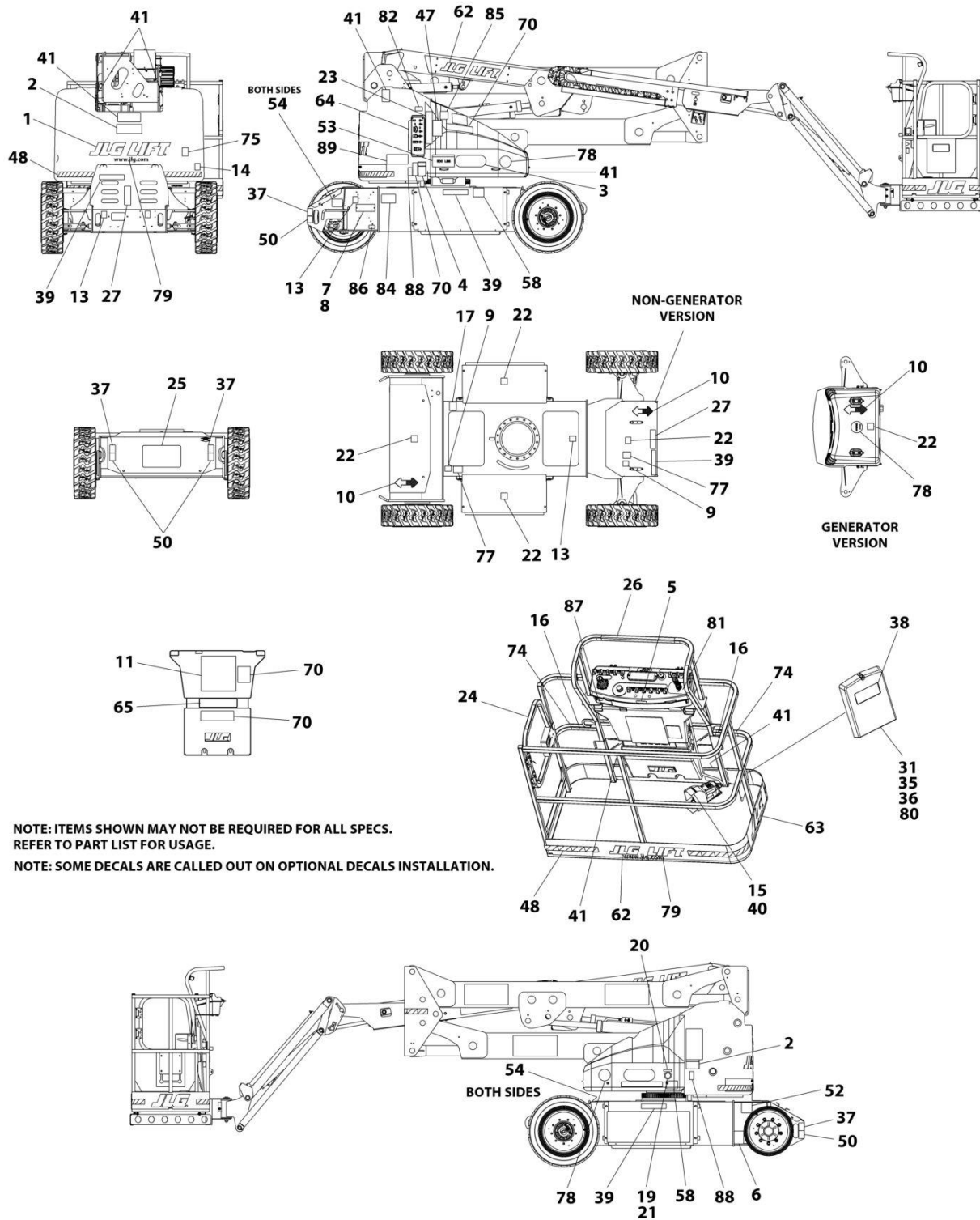
SECTION 8 - DECALS

FIGURE 8-8. DECAL INSTALLATION - SPANISH/ENGLISH SPECS

ITEM	PART NUMBER	QTY	DESCRIPTION	REV
	1001248659	Ref	DECAL INSTALLATION - REFERENCE CHART	E
	1001249189	Ref	DECAL INSTALLATION	C
2	1703935	2	Decal - Electrocution	
4	1703929	1	Decal - Danger/Caution	
8	3820001	2	Rivet	
9	1701504	1	Decal - Hydraulic Oil	
10	1701642	2	Decal - Arrow	
11	1703923	1	Decal - Caution/Danger	
13	1701644	2	Decal - Charger	
15	1703983	1	Decal - Footswitch	
16	1704277	2	Decal - Attach Lanyard	
19	0961127	1	Bushing, Snap	
20	3251243	1	Nameplate - 120V/60HZ	
21	0100010	AR	Adhesive	
22	1701691	4	Decal - No Step	
23	1001104864	1	Decal - Manual Descent	
24	1704001	2	Decal - No Hands	
25	1001193949	1	Decal - Cable Routing	
27	1704454	1	Decal - Charger	
31	0860520	1	Box, Manual Storage	
35	4751400	4	Washer 1/4	
36	3311405	4	Nut 1/4	
37	1701500	4	Decal - Lift	
38	1701509	1	Decal - Manual	
39	1704339	3	Decal - Explosion Warning	
41	1703947	6	Decal - Crushing Hazard	
47	1702265	1	Decal - Boom Sequence	
50	1702300	4	Decal - Tie Down	
52	See Note	1	Decal - Bar Code (Note: Not Available for Purchase)	
53	1001253931	1	Decal - 500 LBS. Max Capacity	
65	1001253930	2	Decal - 500 LBS. Max Capacity	
77	1704412	1	Decal - Oil Type	
79	1704885	2	Decal - Website	
80	0641406	4	Bolt 1/4 x 3/4	
81	1705910	1	Decal - Drive/Steer Instruction	
84	1001224049	1	Decal - Yearly Inspection	
85	1001222801	1	Decal - Manual Jib Pump	

SECTION 8 - DECALS

FIGURE 8-9. DECAL INSTALLATION - SPANISH/PORTUGUESE SPECS



NOTE: ITEMS SHOWN MAY NOT BE REQUIRED FOR ALL SPECS.
REFER TO PART LIST FOR USAGE.

NOTE: SOME DECALS ARE CALLED OUT ON OPTIONAL DECALS INSTALLATION.

ART_1001248655

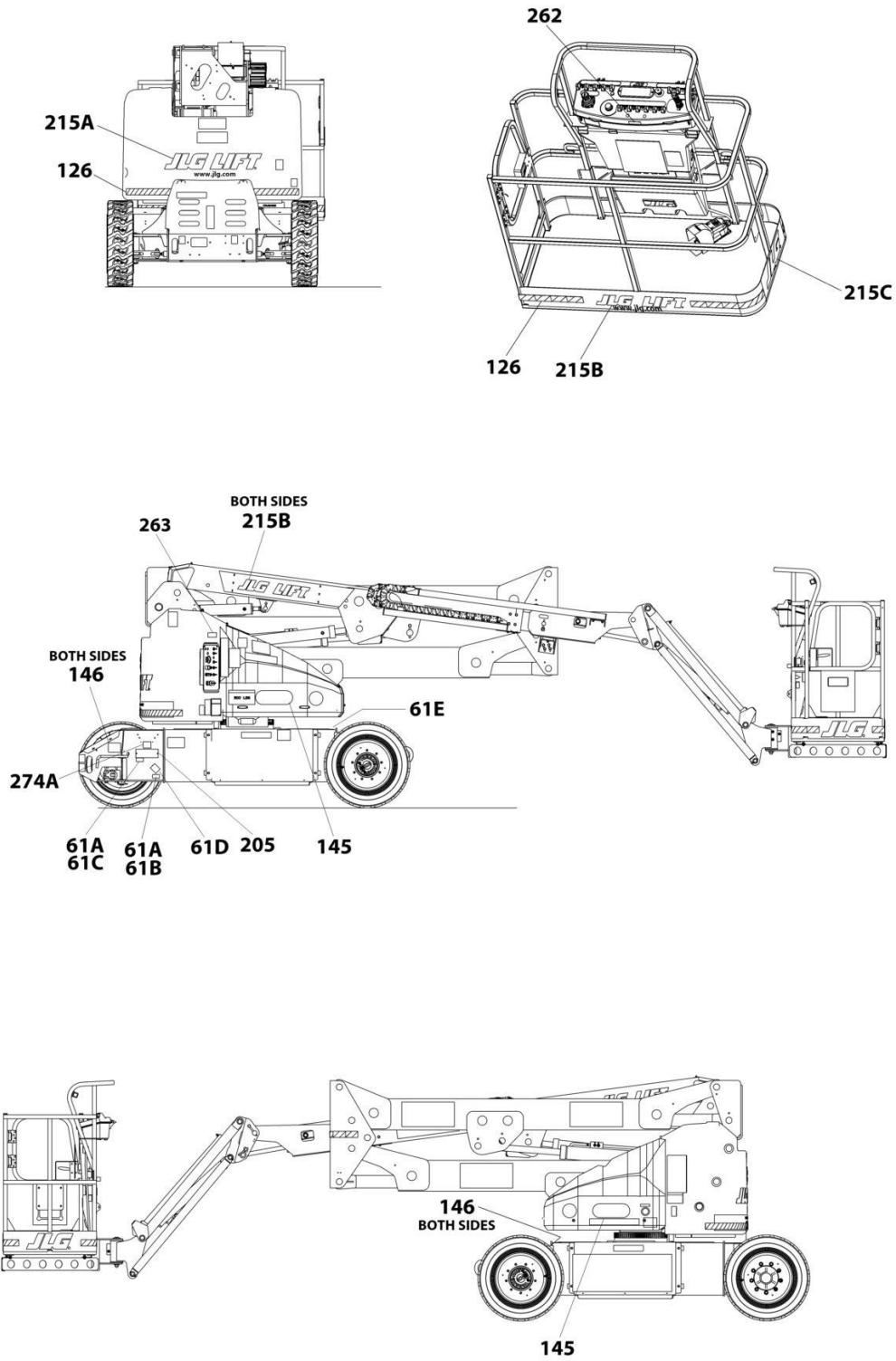
SECTION 8 - DECALS

FIGURE 8-9. DECAL INSTALLATION - SPANISH/PORTUGUESE SPECS

ITEM	PART NUMBER	QTY	DESCRIPTION	REV
	1001248659	Ref	DECAL INSTALLATION - REFERENCE CHART	E
	1001248655	Ref	DECAL INSTALLATION	E
2	1703940	2	Decal - Electrocution	
4	1703934	1	Decal - Danger/Caution	
8	3820001	2	Rivet	
9	1701504	1	Decal - Hydraulic Oil	
10	1701642	1	Decal - Arrow	
11	1703928	1	Decal - Caution/Danger	
13	1701644	2	Decal - Charger	
15	1703985	1	Decal - Footswitch	
16	1704277	2	Decal - Footswitch	
19	0961127	1	Bushing, Snap	
20	3251243	1	Nameplate - 120V/60HZ	
21	0100010	AR	Adhesive	
22	1701691	4	Decal - No Step	
23	1001104864	1	Decal - Manual Descent	
24	1704002	2	Decal - No Hands	
25	1001193949	1	Decal - Cable Routing	
27	1704453	1	Decal - Charger	
31	0860520	1	Box, Manual Storage	
35	4751400	4	Washer 1/4	
36	3311405	4	Nut 1/4	
37	1701500	4	Decal - Lift	
38	1701509	1	Decal - Manual	
39	1704341	3	Decal - Explosion Warning	
41	1703952	6	Decal - Crushing Hazard	
47	1703991	1	Decal - Boom Sequence	
50	1702300	4	Decal - Tie Down	
52	See Note	1	Decal - Bar Code (Note: Not Available for Purchase)	
53	1001253929	1	Decal - 500 LBS. Max Capacity	
65	1001253928	2	Decal - 500 LBS. Max Capacity	
77	1704412	1	Decal - Oil Type	
79	1704885	2	Decal - Website	
80	0641406	4	Bolt 1/4 x 3/4	
81	1001113680	1	Decal - Drive/Steer Instruction	
84	1001224052	1	Decal - Yearly Inspection	
85	1001222801	1	Decal - Manual Jib Pump	

SECTION 8 - DECALS

FIGURE 8-10. DECAL INSTALLATION - OPTIONS



ART_DECAL_OPTIONS

SECTION 8 - DECALS

FIGURE 8-10. DECAL INSTALLATION - OPTIONS

ITEM	PART NUMBER	QTY	DESCRIPTION	REV
	1001247556	Ref	DECAL INSTALLATION - REFERENCE CHART	M
	1001248659	Ref	DECAL INSTALLATION - OPTIONS	D
61	0270433	Ref	Decal Installation - UL Tags	B
61A	3820001	8	Rivet	
61B	3252331	1	Nameplate, Battery Information	
61C	3252780	1	Nameplate, UL Certification	
61D	1702251	2	Nameplate, EE	
61E	1001213625	1	Decal - Replacement Fuse 400 Amp	
126	0259550	Ref	Warning Strip Installation (Not Shown)	2
126	4420051	17.5 ft/ 5.33m	Tape, Safety	
145	1001272054	2	Decal - Model Designation (E400Anarrow)	
145	1001272053	2	Decal - Model Designation (E400AJPnarrow)	
146	1001262663	4	Decal - Tire Load	
205	See Note	1	Nameplate - Serial Number (Note: Not Available for Purchase)	
215	0270273	Ref	Decal Installation - JLG Logo (E400Anarrow) (Not Shown)	C
215	0270274	Ref	Decal Installation - JLG Logo (E400AJPnarrow) (Not Shown)	C
215A	1702860	1	Decal - JLG Lift	
215B	1702774	3	Decal - JLG Lift	
215C	1702773	1	Decal - JLG (E400Anarrow)	
215C	1704200	1	Decal - Jib Plus (E400AJPnarrow)	
262	1001141300	1	Decal - Platform Sensor Override	
263	1001189882	1	Decal - MSSO Instructions	
274	1001214031	Ref	Decal - EAC Installation (CIS and Russia Specs)	
274A	1001173703	1	Decal - EAC	

SECTION 9 - RECOMMENDED SERVICE PARTS STOCK

SECTION 9 - RECOMMENDED SERVICE PARTS STOCK

SECTION 9 - RECOMMENDED SERVICE PARTS STOCK

FIGURE 9-1. RECOMMENDED SERVICE PARTS STOCK

ITEM	PART NUMBER	QTY	DESCRIPTION	REV
		Ref	Note: The following list will service one machine (built to current production per date on the front cover) with emergency repair parts which can be installed in the field. Parts from the list should be replaced when inventory is depleted to keep service parts stock supplied. For further information, contact your JLG dealer or the JLG Industries Parts Department.	
	1001181045	1	Breaker, 16Amp (CE Specs)	
	1001189172	1	Breaker 16Amp Double (CE Specs)	
	1001189171	1	Breaker, 30mA (CE Specs)	
	7021609	1	Coil (Brake/Steer & Jib Valves)	
	7021618	1	Coil (Brake/Steer Valve)	
	70005210	1	Coil (Main Valve)	
	7024883	1	Coil (Main Valve)	
	7024885	1	Coil (Main Valve)	
	1001212415	1	Controller Assembly - Drive and Steer	
	1001129555	1	Controller Assembly - Lift and Swing	
	7021616	1	Filter, Cartridge (Main Valve)	
	1001189039	1	Footswitch Assembly	
	1001170365	2	Fuse 400 Amp (UL Specs) (Drive)	
	8229249	2	Fuse, 3 Amp (USB Charger)	
	1001196635	2	Fuse, 3 Amp (Bluetooth Module)	
	1001196634	2	Fuse 2Amp (Charger Harness)	
	8229242	2	Fuse 5Amp (Console Harness)	
	8229236	2	Fuse - 30Amp (Steer/Barke Harness)	
	1001170762	2	Fuse - 30Amp (Steer/Barke Harness)	
	8229261	2	Fuse - 5Amp (Traction Harness)	
	8229237	2	Fuse - 15Amp (Traction Harness)	
	8229235	2	Fuse - 20Amp (Traction Harness)	
	1001170761	2	Fuse - 20Amp (Traction Harness)	
	8229234	2	Fuse 10 Amp (Traction Harness)	
	2860030	1	Key, Replacement	
	2940074	1	Latch (Platforms with Side Entry Gates)	
	1001192212	1	Module, Drive (LH)	
	1001178339	1	Module, Drive (RH)	
	1001182700	1	Module, Ground Control (Prior to SN 03000291252, Except SN 03000291042 through 0300291052)	
	1001283300	1	Module, Ground Control (SN 03000291252 to Present, SN 03000291042 through 0300291052)	
	1001182724	1	Module, PC (Non-UL Listed Machines)	
	1001215835	1	Module, PC (UL Listed Machines)	
	1001245293	1	Module, Bluetooth Control	
	3740080	1	Relay	
	1001214667	1	Relay	
	1001272006	1	Relay, Contactor	
	1001186431	1	Relay (SkyGuard)	
	3740086	1	Relay (SkyLine)	
	1001161117	1	Switch, Angle Sensor (Steer)	
	1001116232	1	Switch (Drive Orientation)	
	4360469	1	Keypad (Ground Controls)	
	4360475	1	Switch, Emergency Stop (Ground Controls & Console Box)	

SECTION 9 - RECOMMENDED SERVICE PARTS STOCK

ITEM	PART NUMBER	QTY	DESCRIPTION	REV
	4360476	1	Switch, Contact Block (Ground Controls & Console Box)	
	1001155045	1	Switch, Toggle (Ground Controls & Console Box)	
	4360387	1	Switch, Push Button (Console Box)	
	4360407	1	Switch, Potentiometer (Console Box)	
	1001159256	1	Switch, Toggle (Console Box)	
	1001161710	1	Switch, Toggle (Console Box)	
	1001137673	1	Switch, Bar (SkyGuard)	
	4460548	1	Switch, Limit (Boom Harness)	
	1001219601	1	Sensor (Drive)	
	70005394	1	Sensor (Drive Motor)	
	70005407	1	Sensor, Temperature (Drive Motor)	
	1001247468	1	Sensor, Load Cell (Platform)	
	1001228224	1	Sensor, Receiver (SkyEye)	
	1001228225	1	Sensor, Emitter (SkyEye)	
	1001232667	1	Sensor, Proximity (SkyLine)	
	1001237902	1	Sensor (SkySense)	
	1001102771	1	Sensor, Temperature (Charger Harness)	

SECTION 10 - SPECIAL OPTIONS/ACCESSORIES/KITS

SECTION 10 - SPECIAL OPTIONS/ACCESSORIES/KITS

SECTION 10 - SPECIAL OPTIONS/ACCESSORIES/KITS

FIGURE 10-1. SPECIAL OPTIONS/ACCESSORIES/KITS

ITEM	PART NUMBER	QTY	DESCRIPTION	REV
		Ref	SPECIAL OPTIONS/ACCESSORIES/KITS	
		Ref	Note: This list is to accommodate machines ordered with special equipment. Options may not be applicable to all models. For more specific parts information contact JLG Parts Department.	
	0271801	Ref	Airline Installation - 1/2in (E400Anarrow Model)	
	1001218503	Ref	Alert Beacon Kit (Red)	
	1001269900	Ref	Battery Charger Add-on Kit (Smart Charger) (Dealer installed)	
	1001270715	Ref	Battery Charger Add-on Kit with Disconnect (Dealer installed)	
	1001268351	Ref	Battery Isolator Add-on Kit (Dealer Installed)	
		Ref	ClearSky (Telematics) Add-on Kits (Dealer Installed)	
	1001243575	Ref	ClearSky (Telematics) Access Control Add-on (Dealer Installed) (ANSI, ANSI Export, CE, CSA & UK CA Specs)	
	1001250537	Ref	ClearSky (Telematics) Canbus Added-on Kit (Dealer Installed) (ANSI and CSA Specs)	
	1001247426	Ref	ClearSky (Telematics) Canbus Added-on Kit (Dealer Installed) (Australian Specs)	
	1001254285	Ref	ClearSky (Telematics) Canbus Added-on Kit (Dealer Installed) (CE & UK CA Specs)	
	1001247427	Ref	ClearSky (Telematics) Canbus Added-on Kit (Dealer Installed) (Chinese Specs)	
	1001230504	Ref	ClearSky Telematics 3 Wire Connection Add-on Kit (Dealer Installed) (ANSI Specs)	
	1001234102	Ref	ClearSky Telematics 3 Wire Connection Add-on Kit (Dealer Installed) (ANSI Export & CE & UK CA Specs)	
	1001276923	Ref	ClearSky Telematics 3 Wire Connection GT1030 Add-on Kit (Dealer Installed)	
	1001265360	Ref	ClearSky Telematics Canbus Add-on Kit (Dealer Installed) (ANSI Specs)	
	1001237110	Ref	ClearSky Telematics Canbus Add-on Kit (Dealer Installed) (ANSI Export, CE & UK CA Specs)	
		Ref	ClearSky Telematics (Factory Installed)	
	1001276610	Ref	ClearSky Telematics Installation - 3 Wire Connection (Factory Installed)	
	1001235649	Ref	ClearSky Telematics Installation - Canbus (Factory Installed) (All Specs Except China)	
	1001246541	Ref	ClearSky Telematics Installation - Canbus (Factory Installed) (Australian Specs)	
	1001236535	Ref	ClearSky Telematics Installation - Canbus (Factory Installed) (ANSI Export, CE & UK CA Specs)	
	1001246542	Ref	ClearSky Telematics Installation - Canbus (Factory Installed) (China Specs)	
	1001195304	Ref	Console Cover	
	1001276007	Ref	Controller Service Kit - Drive/Steer	
	1001276008	Ref	Controller Service Kit - Lift/Swing	
		Ref	Cylinder Bellows Installations	
	0259397	Ref	Cylinder Bellows Installations (E400Anarrow)	
	0271251	Ref	Cylinder Bellows Installations (E400AJNarrow)	
		Ref	Decal Installations	
	1001229690	Ref	Decal - ClearSky Installation (ANSI, ANSI Export, Australian, CE, China, CSA & UK CA Specs Only)	
	1702868	Ref	Decal - No Hands (English) (ANSI Spec) (Used with Platform Padding or Mesh to Top Rail)	

SECTION 10 - SPECIAL OPTIONS/ACCESSORIES/KITS

ITEM	PART NUMBER	QTY	DESCRIPTION	REV
	1704000	Ref	Decal - No Hands (English and French) (CSA Spec) (Used with Platform Padding or Mesh to Top Rail)	
	1001108727	Ref	Decal Kit - Platform	
	1001223824	Ref	Decal Kit - Platform Console	
	1001152523	Ref	Fire Extinguisher Installation (Platform Mounted)	
	1001191314	Ref	Headlight and Taillights Installation	
	1001251369	Ref	Hood Kit	
		Ref	Hose Kits:	
	1001269312	Ref	Hose Kit - Boom (Lower & Mid) (E400Anarrow)	
	1001269316	Ref	Hose Kit - Boom (Lower & Mid) (E400AJPnarrow)	
	1001269313	Ref	Hose Kit - Boom (Upper) (E400Anarrow)	
	1001269317	Ref	Hose Kit - Boom (Upper) (E400AJPnarrow)	
	1001269310	Ref	Hose Kit - Frame (E400Anarrow)	
	1001269314	Ref	Hose Kit - Frame (E400AJPnarrow)	
	1001269311	Ref	Hose Kit - Turntable (E400Anarrow)	
	1001269315	Ref	Hose Kit - Turntable (E400AJPnarrow)	
	1001151286	Ref	Jib Cylinder with Manual Descent Valve Kit	
	1001237443	Ref	Mid Lift Cylinder Service Kit (E400Anarrow Only)	
	1001148971	Ref	Lanyard Add-on Kit - Bolt-on (Dealer Installed)	
	1001272166	Ref	Pipe Rack Add-on Kit (Dealer Installed)	
		Ref	Platform Entry Kits	
	1001142504	Ref	Drop Bar (Replacing Swing Gate with Drop Bar)	
	1001142505	Ref	Swing Gate (Replacing Drop Bar with Swing Gate)	
	1001274833	Ref	Platform Floormat Add-on Kit - 30x48 Platform (Dealer Installed)	
	1001274832	Ref	Platform Floormat Add-on Kit - 30x60 Platform (Dealer Installed)	
		Ref	Platform Mesh To Mid Rail Add-on Kits	
	1001214478	Ref	30in X 4ft (76cm x 1.22m)	
	1001214515	Ref	30in X 5ft (76cm x 1.52m)	
		Ref	Platform Mesh To Mid Rail Installations	
	1001272274	Ref	30in x 4ft (76cm x 1.22m)	
	1001272178	Ref	30in x 5ft (76cm x 1.52m)	
		Ref	Platform Plastic Mesh To Mid Rail Installations	
	1001266969	Ref	30in x 4ft (76cm x 1.22m)	
	1001266799	Ref	30in x 5ft (76cm x 1.52m)	
		Ref	Platform Mesh Top Rail Add-on Kits	
	1001214552	Ref	30in X 4ft (76cm x 1.22m)	
	1001214559	Ref	30in X 5ft (76cm x 1.52m)	
		Ref	Platform Mesh Top Rail Installations	
	1001272182	Ref	30in x 4ft (76cm x 1.22m)	
	1001271888	Ref	30in x 5ft (76cm x 1.52m)	
		Ref	Platform Plastic Mesh Top Rail Installations	
	1001266807	Ref	30in x 4ft (76cm x 1.22m)	
	1001266801	Ref	30in x 5ft (76cm x 1.52m)	
	1001103617	Ref	Platform Rail Extension Installation - 30x48 Platform	
	1001103558	Ref	Platform Rail Extension Installation - 30x60 Platform	
	1001250035	Ref	Platform Sensor Retrofit Kit	
	1001239570	Ref	Platform Valve Service Kit E400AJPnarrow	
	1001120466	Ref	Platform Worklights Installation	
	1001209059	Ref	Platform Work Surface Installation	
	1001212202	Ref	Rotator Actuator Protection Kit	
	1001269762	Ref	Rotator (Jib Side Swing) Service Kit	
	1001190896	Ref	Service Tools/Kits	

T

SECTION 10 - SPECIAL OPTIONS/ACCESSORIES/KITS

ITEM	PART NUMBER	QTY	DESCRIPTION	REV
	1001241547	Ref	SkyEye Housing Kit - LH Side	
	1001241548	Ref	SkyEye Housing Kit - RH Side	
	1001247073	Ref	SkyEye Retrofit Kit	
	1001218502	Ref	SkyGuard with Beacon (Blue)	
	1001218499	Ref	SkyGuard without Beacon	
	1001250959	Ref	SkyGuard 6-Pin Retrofit Installation Kit	
	1001249052	Ref	SkyGuard Retrofit Kit	
	1001262016	Ref	SkyLine Add-on Kit	
	1001252033	Ref	SkySense Enhanced Detection System (EDS) Level 1 (2-Bar) Add-on Kit (Dealer Installed)	
	1001252034	Ref	SkySense Enhanced Detection System (EDS) Level 2 (3-Bar) Add-on Kit (Dealer Installed)	
	1001250465	Ref	SkySense Enhanced Detection System (EDS) Level 1 (2-Bar) Installation (Factory Installed)	
	1001250466	Ref	SkySense Enhanced Detection System (EDS) Level 2 (3-Bar) Installation (Factory Installed)	
	1001191144	Ref	Strobe Light Installation (Amber) Platform Mounted	
	1001243183	Ref	Telematics Access Control Canbus Add-on Kit (ANSI & CSA Specs)	
	1001243184	Ref	Telematics Access Control Canbus Add-on Kit (CE & UK CA Specs)	
		Ref	Tools for Service	
	1001249695	Ref	Analyzer and Cable Kit	
	1001249941	Ref	Analyzer and Cable Kit (Battery Powered)	
	2915230	Ref	Battery Charger Reprogram Controller Kit	
	1001137005	Ref	Software Cable Kit	
	7002828	Ref	Stripper, Wire	
	7002821	Ref	Crimper, Wire	
	7002823	Ref	Pin Extractor - Universal (For Electrical Connectors with Pins and Sockets)	
	4460467	Ref	Extractor - 16-18 Gauge (For Removal of Pin/Sockets from Deutsch Connectors)	
	4460510	Ref	Extractor - 12-14 Gauge (For Removal of Pin/Sockets from Deutsch Connectors)	
	7004275	Ref	Seal Tool 1in (For Cylinders)	
	7004276	Ref	Seal Tool 1-1/2in (For Cylinders)	
	7016654	Ref	Screwdriver, Magnetic	
	70004185	Ref	Torque Multiplier	
	7016655	Ref	Wire Rope Sheave Gauge	
	1001160527	Ref	Turntable Bearing Replacement Kit	
	1001277843	Ref	UGM2 Retrofit Kit	
	1001274249	Ref	USB Charger Add-on Kit (Dealer Installed)	
	1001239568	Ref	Upper Powertrack Service Kit E400 Narrow	
	1001198659	Ref	Upper Powertrack Service Kit E400AJnarrow	
	1001239569	Ref	Upper Powertrack Service Kit E400AJPnarrow	
	1001262959	Ref	Voltage Relocation Kit	
	1001241268	Ref	Wear Pad Kit E400Anarrow	
	1001241269	Ref	Wear Pad Kit E400AJPnarrow	
	1001235847	Ref	White Noise Alarm (Dealer Installed)	
	1001231804	Ref	White Noise Alarm (Factory Installed)	
	1001235848	Ref	White Noise Ambient Alarm (Dealer Installed)	
	1001231870	Ref	White Noise Ambient Alarm (Factory Installed)	

SECTION 10 - SPECIAL OPTIONS/ACCESSORIES/KITS

PART NUMBER INDEX

SECTION 10 - SPECIAL OPTIONS/ACCESSORIES/KITS

0060044.....	149, 153	0630518 ...	111, 113, 115, 117, 119, 121, 123, 125	0682014	19, 23	1001104864.....	379, 381, 383, 385, 387, 389, 391, 393, 395
0060052.....	143, 151	0630568 ...	183, 187, 191	0682026	85	1001106757.....	145
0060065.....	149, 155	0641404	53, 143, 183, 187, 191, 211	0682028	85	1001107854.....	365
0100009....	143, 183, 187, 191	0641405	143, 211	0700408 ...	339, 341, 343, 345, 347, 349, 351	1001108727.....	405
0100010....	379, 381, 383, 385, 387, 389, 391, 393, 395	0641406 ...	19, 23, 67, 69, 83, 175, 177, 179, 181, 205, 379, 381, 383, 385, 387, 389, 391, 393, 395	0720804	73, 75	1001109503.....	113, 117, 121, 125
0100011....	13, 19, 23, 43, 45, 51, 53, 57, 59, 67, 73, 75, 91, 93, 95, 97, 99, 101, 103, 105, 107, 109, 133, 137, 139, 143, 145, 149, 157, 167, 169, 171, 173, 209, 211, 229, 233, 293, 295	0641407 .	61, 63, 65, 133, 339, 341, 343, 345, 347, 349, 351	0721004	69	1001109833.....	277, 279
0100019.....	85, 293, 295	0641408 19, 23, 175, 177,	179, 181, 213, 339, 341, 343, 345, 347, 349, 351	0741606	145	1001109892.....	19, 23
0100020. 19, 24, 203, 254		0641409	61, 63, 65	0760606	157	1001110434.....	183, 187, 191
0100035....	33, 35, 37, 39, 127, 183, 187, 191, 195	0641410	293, 295	0761014	157	1001110772.....	41
0100038.....	229, 233	0641413	73, 75	0761215	157	1001110774.....	41
0100048.....	19, 23	0641414 ...	183, 187, 191, 209, 213, 215	0801224	145	1001110873.....	333
0100081.....	145	0641416 .	95, 97, 99, 101, 103, 105, 107, 109, 339, 341, 343, 345, 347, 349, 351	0801226	145	1001113680.....	395
0100083....	33, 35, 37, 39	0641418 .	95, 97, 99, 101, 103, 105, 107, 109, 169, 173	0801227	139	1001113961.....	367
0140011....	183, 187, 191	0641420	171	0801262	137	1001114761.....	77, 81
0140043.....	83	0641430	19, 23	0801263	143	1001114782.....	59
0259397.....	404	0641506 .	95, 97, 99, 101, 103, 105, 107, 109, 137, 139	0801267	143	1001116232.....	93, 400
0259550.....	397	0641507	75	0840031	19, 23	1001116692.....	315, 365, 368, 375
0270012.....	335	0641508	19, 23, 133	0840032	19, 23	1001116693.....	365, 367
0270013.....	333	0641510	89	0860038	333, 335	1001116720.....	359
0270028.....	41	0641514	133, 293, 295	0860520 ...	379, 381, 383, 385, 387, 389, 391, 393, 395	1001116732.....	365
0270273.....	397	0641516	149, 293	0861375	23	1001116733.....	365
0270274.....	397	0641560	293, 295	0861731	263, 269, 271	1001116734.....	363, 365
0270433.....	397	0641605 .	95, 97, 99, 101, 103, 105, 107, 109, 145, 146	0861781	273, 275	1001116810.....	363
0270724.....	137	0641606 ...	13, 51, 53, 73, 75, 143, 145	0861880	289	1001116811.....	309
0270725.....	137, 143	0641607 ...	139, 143, 145	0940048	137, 139	1001116812.....	297, 311, 315, 365, 367
0271251.....	404	0641608 .	43, 45, 93, 137, 139, 143, 145	0961127 ...	379, 381, 383, 385, 387, 389, 391, 393, 395	1001116813.....	367
0271464.....	337	0641610 ...	19, 23, 43, 45, 51, 53, 137, 139, 167, 175, 177, 179, 181	0961845	169, 171, 173	1001116815.....	365
0271649.....	139, 149	0641613	133	0961947	153, 225	1001117172.....	203
0271801.....	404	0641614	67, 137	0961948	145	1001118384.....	361
0275216.....	275, 339	0641616	149	0961950 ...	137, 139, 143, 145, 227, 229, 231, 233, 237	1001118388.....	359, 361
0275217.....	273, 351	0641618	149	0961951 15, 17, 143, 149,	223, 225, 241	1001119228.....	145
0275218.....	265, 345	0641806	137, 139	0962140	15, 17	1001119619.....	353
0275219.....	267, 349	0641807	51, 53	0962257	153	1001119620.....	355, 357
0275452.....	269, 343	0641808	139	0962292	149	1001120328.....	209, 211
0275453.....	271, 347	0641810	137, 139	0962356	221, 239	1001120466.....	405
0275454.....	263, 341	0641811	57, 59	1001093382	57, 59	1001120471.....	217
0275663.....	303	0641812 ...	19, 23, 89, 137	1001094670	149	1001120477.....	217
0275664.....	305	0641818	143, 145	1001097051	355	1001120484.....	217
0275665.....	301	0681608	157	1001097150	289, 291	1001125677.....	311, 327, 329, 368
0275666.....	299	0681610	139	1001097244	217	1001126008.....	365
0275667.....	307	0681810	13	1001097777 ...	73, 75, 79	1001126009.....	361
0340048.....	45			1001098122	327, 329	1001126245.....	365
0400055.....	57			1001098828	157	1001129555.....	400
0561076.....	137, 139			1001100341	275	1001131269.....	379
0561317.....	293, 295			1001100342	273	1001136881.....	254
0561384.....	293, 295			1001100345	269	1001137005.....	406
0561385.....	293, 295			1001100346	263	1001137673.....	209, 401
0561386.....	293, 295			1001100347	271	1001138494.....	169, 171
0561424.....	293			1001102771	297, 401	1001138514.....	169, 171
0630399.....	143			1001103012	365	1001140278.....	139, 241
0630401.....	145			1001103558	405	1001140279.....	139, 223
0630467.....	293, 295			1001103617	405	1001140280.....	149, 225
0630487.....	143			1001104850	85, 87	1001140429.....	169, 171, 173
0630490.....	17					1001140597.....	137, 239

SECTION 10 - SPECIAL OPTIONS/ACCESSORIES/KITS

1001141969..... 267	1001166394..... 111, 113, 115, 117, 119, 121, 123, 125	1001179991.....95, 97, 99, 101, 103, 105, 107, 109, 315	1001189882..... 397
1001141970..... 267	1001166395..... 85	1001180554.....73, 75, 77	1001190003..... 383
1001141971..... 265	1001166417..... 43	1001180835..... 13	1001190088..... 20, 277
1001142504..... 405	1001166419..... 43, 45	1001180838..... 13, 17	1001190577..... 31, 365
1001142505..... 405	1001166420..... 51, 53	1001180840..... 13	1001190896..... 405
1001144147..... 311, 313, 315	1001166493..... 69	1001180930..... 51, 73	1001190985..... 157
1001144296..... 311, 315	1001166496..... 57, 59	1001181045..... 289, 400	1001191139..... 127
1001144433..... 209	1001166538..... 183, 187, 191, 197	1001182296..... 67, 317	1001191140..... 127
1001144629..... 163, 165, 167	1001166539..... 183, 187, 191, 199	1001182550..... 19, 23, 31	1001191142..... 127
1001144630..... 167	1001166738..... 133	1001182700..... 95, 99, 103, 107, 400	1001191144..... 406
1001148971..... 405	1001167013..... 67	1001182724..... 183, 191, 400	1001191212..... 61, 63, 65
1001149994..... 127, 129, 131	1001167487..... 45	1001182725..... 133	1001191314..... 405
1001151286..... 405	1001168670..... 57	1001182960..... 19, 23	1001192212..... 33, 35, 400
1001151393..... 111, 113, 115, 117, 119, 121, 123, 125	1001168674..... 139	1001183212..... 133	1001192293..... 67, 319
1001151395..... 13	1001168796..... 59	1001183367..... 83	1001192401..... 367
1001151428..... 13	1001168800..... 57, 59	1001183520..... 295	1001192501..... 67
1001152483..... 291	1001169423..... 13	1001183521..... 293	1001193018..... 339, 341, 343, 345, 347, 349, 351
1001152485..... 291, 347, 349	1001170365..... 23, 400	1001183867..... 283, 293, 295	1001193047..... 13
1001152523..... 405	1001170761..... 365, 400	1001183868..... 281, 293, 295	1001193545..... 319
1001152635..... 254, 258	1001171213..... 43, 45, 49	1001184852..... 19, 23	1001193949..... 379, 381, 383, 385, 387, 389, 391, 393, 395
1001153017..... 85, 89	1001171298..... 93	1001184854..... 19, 23	1001193987..... 183, 187, 191
1001153023..... 13	1001171482..... 111, 115, 119, 123	1001185281..... 183, 187, 191	1001195304..... 404
1001153612..... 33, 35	1001172760..... 183, 187, 191	1001185828..... 255, 259	1001196589..... 19, 23
1001153749..... 13, 95, 97, 99, 101, 103, 105, 107, 109	1001173703..... 397	1001185829..... 259	1001196634..... 297, 400
1001155044..... 111, 113, 115, 117, 119, 121, 123, 125, 183, 187, 191	1001174447..... 37, 39	1001186231..... 367	1001196635..... 400
1001155045..... 111, 113, 115, 117, 119, 121, 123, 125, 183, 187, 191, 401	1001175025..... 69	1001186375..... 169	1001198659..... 406
1001157058..... 91	1001176417..... 133	1001186377..... 171	1001200491..... 157
1001157890..... 313, 315, 365, 367	1001176441..... 133	1001186386..... 165	1001200910..... 129
1001157891..... 313, 365, 367	1001176469..... 115, 117, 123, 125	1001186387..... 163	1001203734..... 365
1001159186..... 315, 327, 329	1001177245..... 277, 279	1001186431..... 209, 400	1001207004..... 131
1001159256..... 183, 187, 191, 401	1001177246..... 277, 279	1001186432..... 359, 361	1001207970..... 61
1001160527..... 85, 406	1001177364..... 51, 53, 55	1001186517..... 209	1001207974..... 63, 65
1001161117..... 13, 400	1001177483..... 139	1001186860..... 33, 35	1001209059..... 405
1001161710..... 183, 187, 191, 401	1001177483..... 139	1001186867..... 207	1001209664..... 209
1001165963..... 133	1001177666..... 254, 258	1001187681..... 353	1001210636..... 217
1001165981..... 133	1001178339..... 37, 39, 400	1001187775..... 159, 287	1001212202..... 405
1001165985..... 133	1001178378..... 381	1001187776..... 159, 285	1001212359..... 37, 39
1001166251..... 343	1001178384..... 254	1001187788..... 159	1001212415..... 400
1001166258..... 347	1001178394..... 277, 279	1001187790..... 93	1001212450..... 39
1001166259..... 341	1001178395..... 277, 279	1001188065..... 95, 97, 99, 101, 103, 105, 107, 109	1001212453..... 23
1001166260..... 351	1001178396..... 277, 279	1001188065..... 95, 97, 99, 101, 103, 105, 107, 109	1001212454..... 24, 279
1001166261..... 345	1001178398..... 277, 279	1001188291..... 281, 283, 293, 295	1001212455..... 279
1001166262..... 349	1001178399..... 277, 279	1001188292..... 281, 293, 295	1001212456..... 24, 39
1001166263..... 339	1001178400..... 277, 279	1001188293..... 283, 293, 295	1001212480..... 279
1001166296..... 69	1001178401..... 277, 279	1001188354..... 281, 283, 293, 295	1001213447..... 327, 329
1001166312..... 69	1001178402..... 277, 279	1001188528..... 19, 24, 363	1001213625..... 397
1001166321..... 69	1001178403..... 277, 279	1001188622..... 157	1001213626..... 24
1001166341..... 91	1001178405..... 19, 23, 313	1001188844..... 157	1001213882..... 183, 187, 191
	1001178491..... 339, 341, 343, 345, 347, 349, 351	1001189027..... 277, 279	1001214031..... 397
	1001178629..... 19, 23, 365	1001189030..... 277, 279	1001214478..... 405
	1001178660..... 277	1001189031..... 277, 279	1001214515..... 405
	1001178794..... 95, 97, 99, 101, 103, 105, 107, 109, 375	1001189032..... 277, 279	1001214552..... 405
	1001179060..... 19, 33	1001189039..... 183, 187, 191, 203, 400	1001214559..... 405
	1001179061..... 19, 37	1001189171..... 291, 400	1001214667..... 33, 35, 400
	1001179064..... 33, 35, 37, 39	1001189172..... 291, 400	1001214668..... 24, 35
	1001179134..... 19		1001215228..... 183, 187, 191
			1001215835..... 187, 400
			1001216630..... 157
			1001216921..... 75, 81
			1001217005..... 129
			1001217228..... 157

SECTION 10 - SPECIAL OPTIONS/ACCESSORIES/KITS

1001217242..... 157	1001236552 211	1001248659 379, 381, 385, 387, 389, 391, 393, 395, 397	1001260531.... 61, 63, 65, 297
1001217243..... 157	1001237110 404	1001249052 406	1001260532.... 61, 63, 65, 311
1001217244..... 157	1001237443 405	1001249153 177	1001262016..... 406
1001217249..... 157	1001237667 327, 329	1001249154 177, 181, 187	1001262663..... 397
1001217253..... 157	1001237668 327, 329	1001249155 181	1001262959..... 406
1001217254..... 157	1001237862 355, 357	1001249157 179	1001265163..... 217
1001217267..... 157	1001237863 207, 355	1001249158 179, 191	1001265342..... 217
1001217413..... 157	1001237864 207, 357	1001249159 175	1001265360..... 404
1001217465..... 383	1001237865 207, 353	1001249162 175, 183	1001266302..... 103, 105, 119, 121
1001217598..... 167	1001237888 213, 215	1001249163 103, 105	1001266303..... 107, 109, 123, 125
1001217842. 33, 363, 365	1001237891 215	1001249168 107, 109	1001266304.. 95, 97, 111, 113
1001217843..... 365	1001237898 213, 215	1001249175 95, 97	1001266305 99, 101, 115, 117
1001217844..... 363, 365	1001237902 213, 215, 401	1001249177 99, 101	1001266308..... 111, 115, 119, 123
1001218004..... 258	1001238319 207	1001249184 379	1001266309..... 111, 113, 119, 121
1001218367..... 53, 75	1001238418 211, 361	1001249186 387	1001266310..... 115, 117, 123, 125
1001218499..... 406	1001238472 211	1001249187 389	1001266799..... 405
1001218502..... 406	1001238495 209	1001249189 393	1001266801..... 405
1001218503..... 404	1001238557 129	1001249695 406	1001266807..... 405
1001219016..... 157	1001238558 131	1001249941 406	1001266969..... 405
1001219601 ... 19, 23, 401	1001238559 211	1001250035 405	1001268351..... 404
1001219722 19, 23	1001238732 195	1001250465 406	1001269310..... 254, 405
1001220271 19, 23	1001239568 406	1001250466 406	1001269311..... 254, 405
1001222685 167	1001239569 406	1001250537 404	1001269312..... 255, 405
1001222801..... 379, 381, 383, 385, 387, 389, 391, 393, 395	1001239570 405	1001250959 406	1001269313..... 255, 405
1001223055..... 379	1001241162 213	1001251015 145, 247	1001269314..... 258, 405
1001223824..... 405	1001241268 406	1001251016 139, 237	1001269315..... 258, 405
1001223971 387	1001241269 406	1001251018 137, 235	1001269316..... 258, 405
1001224048 391	1001241547 406	1001251063 143, 245	1001269317..... 259, 405
1001224049 393	1001241548 406	1001251369 405	1001269762..... 405
1001224050 385	1001241965 211	1001251382 ... 61, 63, 65	1001269900..... 404
1001224052 395	1001243092 213	1001251470 65	1001270715..... 404
1001224053 389	1001243183 406	1001251471 61	1001271888..... 405
1001224891 145	1001243184 406	1001251472 63	1001272006... 33, 35, 400
1001225580..... 209, 359	1001243205 213	1001252033 406	1001272053..... 397
1001226872 173	1001243575 404	1001252034 406	1001272054..... 397
1001226873 207	1001244335 215	1001253920 379	1001272166..... 405
1001227633 207	1001244336 213	1001253921 379	1001272178..... 405
1001227634 207	1001244671 215	1001253922 387	1001272182..... 405
1001227985 207	1001244709 215	1001253923 387	1001272274..... 405
1001227987 207	1001244710 215	1001253924 391	1001272279..... 188, 329
1001227996 355, 357	1001244732 215	1001253925 391	1001274249..... 406
1001228035 139, 229	1001244733 215	1001253926 385	1001274832..... 405
1001228036 139, 233	1001245164 195	1001253927 385	1001274833..... 405
1001228037 137, 227	1001245173 195	1001253928 395	1001276007..... 404
1001228038 137, 231	1001245179 195	1001253929 395	1001276008..... 404
1001228215 173	1001245210 195	1001253930 393	1001276610..... 404
1001228224 207, 401	1001245293 400	1001253931 393	1001276923..... 404
1001228225 207, 401	1001245673 184, 192, 327	1001253932 389	1001277843..... 406
1001228370 379, 387	1001245677 ... 95, 97, 99, 101, 103, 105, 107, 109, 367	1001253933 389	1001280407..... 113, 117, 121, 125
1001228627 157	1001246389 213	1001254178 391	1001283300 97, 101, 105, 109, 400
1001229341 207	1001246541 404	1001254179 385	1060330..... 203
1001229690 404	1001246542 404	1001254285 404	1060341..... 285, 287
1001230504 404	1001246542 404	1001254472 211	1060461..... 323, 325, 373
1001231801 379	1001246859 97, 101, 105, 109	1001254473 211	1060494..... 317, 321, 371
1001231804 406	1001247073 406	1001258730 213, 215	1060801..... 67
1001231870 406	1001247252 213	1001259489 111, 113, 115, 117, 119, 121, 123, 125	1060802..... 67
1001232164 207	1001247426 404	1001260275 365	
1001232165 207	1001247427 404	1001260408 ... 61, 63, 65, 309	
1001232204 13	1001247468 157, 401	1001260524 213	
1001232642 211	1001247538 184, 188, 192	1001260525 213, 215	
1001232667 211, 401	1001247703 406		
1001234102 404	1001247756 397		
1001235649 404	1001248655 395		
1001235847 406			
1001235848 406			
1001236535 404			

SECTION 10 - SPECIAL OPTIONS/ACCESSORIES/KITS

1060896	281, 283	1703925	385	1705910.....	393	2752493.....	258
1060908	289, 291	1703926	389	1705921.....	381, 383	2752571.....	258
10837580	55, 77	1703927	391	1705977.....	381, 383	2752573.....	255
1180302	143	1703928	395	1705978.....	381, 383	2752581.....	254
1220038	143	1703929	393	1706378.....	381, 383	2752600.....	258
1220039	143	1703930	387	1760160.....	143	2752611.....	259
1220040	143	1703931	385	2080040.....	163, 165, 167	2752619.....	259
1320040	53	1703932	389	2080069.....	213, 215	2752620.....	254
1320041	13, 133	1703933	391	2160003.....	89	2752983.....	254
1320043	293, 295	1703934	395	2220237.....	254, 258	2753329.....	259
1320136	157	1703935	393	2220239.....	254	2753330.....	259
1320260	293, 295	1703936	387	2220371.....	254, 258	2753331.....	259
1320263	13	1703937	385	2220373.....	258	2753332.....	259
1321385	95, 97, 99, 101, 103, 105, 107, 109	1703938	389	2220386.....	254, 258	2753333.....	259
1380136	73, 75	1703939	391	2220415.....	254, 258	2753334.....	255, 259
1380138	69	1703940	395	2220466.....	258	2753335.....	255, 259
1580012	205	1703947	393	2220472.....	254, 258	2753474.....	255, 259
1670679	143	1703948	387	2220473.....	254, 258	2753475.....	255, 259
1670697	293, 295	1703949	385	2220498.....	254, 258	2753519.....	255
1670698	143	1703950	389	2220501.....	254, 258	2753520.....	255, 259
1670832	159	1703951	391	2220502.....	254, 258	2753535.....	255
1670833	159	1703952	395	2220504.....	254, 258	2753973.....	254, 258
1670953	67	1703980	389	2220507.....	254, 258	2780251.....	13, 15
1670959	145	1703981	391	2220582.....	254, 258	2780282.....	19, 23, 27
1683591	13, 243	1703982	385	2220593.....	254, 258	2820118.....	281, 283
1700584	387	1703983	393	2220600.....	254, 258	2820247.....	355, 357
1701500 ...	379, 385, 387, 389, 391, 393, 395	1703984	387	2220605.....	254	2860030 ...	111, 113, 115, 117, 119, 121, 123, 125, 400
1701504 ...	379, 381, 383, 385, 387, 389, 391, 393, 395	1703985	395	2220609.....	254	2900756.....	77
1701509 ...	379, 381, 383, 385, 387, 389, 391, 393, 395	1703987	391	2220677.....	254, 258	2900770 ...	151, 153, 227, 229, 231, 233, 237, 249
1701518	381, 383	1703988	385	2220684.....	254	2900792 ...	221, 223, 225
1701642	67, 379, 381, 383, 385, 387, 389, 391, 393, 395	1703991	395	2220883.....	227, 229, 233	2901805.....	233
1701644 ...	379, 381, 383, 385, 387, 389, 391, 393, 395	1704000	387, 405	2220885.....	229, 231, 233, 254, 258	2901806.....	229
1701691 ...	379, 381, 383, 385, 387, 389, 391, 393, 395	1704001	393	2220899.....	254, 258	2902549 ...	289, 339, 341, 343, 345, 351
1702124	254, 258	1704002	395	2220909.....	254, 258	2915230.....	406
1702251	397	1704200	397	2220940.....	254, 258	2920028	184, 188, 192
1702265	379, 387, 393	1704260	183, 187, 191	2220999.....	254, 258	2920029	184, 188, 192
1702271	389	1704277 ...	379, 381, 383, 385, 387, 389, 391, 393, 395	2221033.....	254, 258	2920151.....	157
1702300 ...	379, 385, 387, 389, 391, 393, 395	1704339	393	2221039.....	258	2940071.....	133
1702565	183, 187, 191	1704340	387	2221054.....	254, 258	2940074 ...	163, 165, 167, 400
1702566	183, 187, 191	1704341	395	2221086.....	254, 258	2940095.....	69
1702567	183, 187	1704342	389	2221147.....	254	3000003.....	57, 59
1702773	383, 397	1704343	391	2400044.....	23	3251243 ...	379, 387, 393, 395
1702774	397	1704344	385	2400060.....	217, 297, 315, 327, 329, 330, 367	3252331.....	397
1702860	397	1704412 ...	379, 381, 383, 385, 387, 389, 391, 393, 395	2460037.....	67	3252347.....	379
1702868	379, 404	1704417	389	2540037.....	23	3252507 ...	335, 341, 343, 345, 347, 349, 351
1703797	379	1704418	391	2540038.....	13	3252780.....	397
1703798	379	1704419	385	2540045.....	57, 59	3271605.....	139
1703804	379	1704422	191	2560122.....	73, 75, 77, 81	3290405 ...	217, 339, 341, 343, 345, 347, 349, 351
1703805	379	1704446	379	2560123.....	73, 75, 77, 81	3290605.....	157
1703811	381, 383	1704452	387	2560136.....	183, 187, 191	3290606.....	169, 171
1703813	379	1704452	387	2600281.....	163, 165, 167	3291001.....	157
1703814	381, 383	1704453	395	2700093.....	69	3291005.....	157
1703923	393	1704454	393	2750910.....	254, 258	3291201.....	157
1703924	387	1704454	393	2750915.....	254, 258	3291205.....	157
		1704885 ...	379, 381, 385, 387, 389, 391, 393, 395	2751890.....	258	3300151 ...	169, 171, 173, 293, 295
		1705325	339	2752435.....	255	3300281.....	229, 233
		1705351	379	2752437.....	255, 258	3300353.....	67, 183, 187, 191
		1705426	389	2752440.....	255		
		1705427	391	2752442.....	258		
		1705429	387	2752453.....	254, 258		
		1705430	385	2752459.....	254, 258		
		1705670	381, 383	2752466.....	258		
		1705822	381, 383	2752467.....	254, 258		
		1705828	381, 383	2752475.....	254		

SECTION 10 - SPECIAL OPTIONS/ACCESSORIES/KITS

3300365...95, 97, 99, 101, 103, 105, 107, 109	3422806 139	3960453 133	4460346.....333
3300426..... 13, 17, 19, 23	3422814 139	4010618 169, 171	4460418.....315, 327, 329
3300430.....209, 215	3422844 139	4031505 207	4460419.....315, 327, 329
3300454.... 19, 23, 95, 97, 99, 101, 103, 105, 107, 109	3422845 139	4031516 211	4460424.....157
3310805...73, 75, 93, 159	3422901 143	4031707 19, 23	4460426.....67
3311001.....23, 167	3430616 184, 188, 192	4060092 335	4460428..61, 63, 65, 183, 187, 191
3311005.....69, 159	3450304 133	4060804 145, 157	4460434.....327, 329
3311011.... 111, 113, 115, 117, 119, 121, 123, 125	3450810 13	4060805 67, 157, 293, 295	4460458.....375
3311401 19, 23, 143, 145, 293, 295	3520028 ... 111, 113, 115, 117, 119, 121, 123, 125	4060808 293, 295	4460464..... 13, 217, 283, 285, 287, 297, 313, 319, 327, 329, 359, 361, 363, 365, 367
3311405.... 13, 61, 63, 65, 67, 69, 83, 111, 113, 115, 117, 119, 121, 123, 125, 175, 177, 179, 181, 211, 293, 295, 339, 341, 343, 345, 347, 349, 351, 379, 381, 383, 385, 387, 389, 391, 393, 395	3520030 183, 187, 191	4070863 145	4460465.... 127, 217, 281, 283, 297, 311, 313, 315, 319, 327, 329, 359, 363, 365, 367, 368, 375
3311501.....133, 149	3520034 143	4070864 145	4460466....207, 213, 217, 281, 283, 293, 295, 297, 309, 311, 315, 319, 327, 329, 353, 359, 361, 363, 365, 367, 368, 375
3311505.... 19, 23, 95, 97, 99, 101, 103, 105, 107, 109, 137, 140, 145, 293, 295	3520035 19, 23, 69	4070997 145	4460467.....406
3311601.... 139, 183, 187, 191, 211	3520054 183, 187, 191	4070998 145	4460470..95, 97, 99, 101, 103, 105, 107, 109, 183, 187, 191
3311602.....133, 143	3520072 ... 163, 165, 169, 171, 173	4100026 254, 258	4460471..95, 97, 99, 101, 103, 105, 107, 109, 183, 187, 191
3311605.....67, 137, 139, 143, 145, 149, 167, 175, 177, 179, 181	3520198 ... 163, 165, 167, 169, 171, 173	4100065 295	4460488..... 183, 187, 191
3311805.....137, 139	3536491 137, 139	4100067 295	4460508....207, 283, 309, 327, 329, 367
3312008.....13	3536999 293	4240032 53, 183, 187, 191	4460509.....281, 283, 363
3312602.... 127, 129, 131	3571462 295	4240033 ... 207, 209, 211, 281, 283, 293, 295	4460510.....406
3322202.....13	3572551 149	4240084 19, 23	4460516.....31
3323003.....13	3600289 43, 45, 47	4240099 293, 295	4460536..... 13, 215, 311, 327, 329
3340663.....143	3740080 33, 400	4240175 13, 19, 24, 93	4460539....313, 327, 329, 363, 367, 375
3340682.....143	3740086 361, 400	4300140 293, 295	4460548.....401
3340820.....143	3760115 143, 145	4360387 ... 115, 117, 123, 125, 183, 187, 191, 401	4460662.... 341, 343, 347
3340860.....149	3760308 69	4360407 ... 183, 187, 191, 401	4460670.....365
3340878.....145	3790012... 111, 113, 115, 117, 119, 121, 123, 125, 183, 187, 191	4360469 ... 111, 113, 115, 117, 119, 121, 123, 125, 400	4460708.... 183, 187, 191, 327, 329
3340884.....145	3790113 249	4360475 ... 111, 113, 115, 117, 119, 121, 123, 125, 183, 187, 191, 400	4460709.....373
3340886.....145	3820001 ... 379, 381, 383, 385, 387, 389, 391, 393, 395, 397	4360476 ... 111, 113, 115, 117, 119, 121, 123, 125, 183, 187, 191, 401	4460710.....323, 325
3340939.....145	3820019 69	4360548 285, 287	4460738.....365
3380434.... 175, 177, 179, 181	3820020 163, 165	4420051 397	4460742.....363, 375
3420156.....133	3841143 ... 137, 139, 143, 157	4460016 327, 329	4460743.....363, 375
3422175.....137	3841203 137, 139	4460019 365	4460761.... 327, 329, 367, 375
3422176.....137	3841517 13	4460042 203	4460805.....63
3422177.....137	3900085 127, 129, 131	4460071 203, 333, 335	4460806.....315
3422178.....137	3900104 159	4460125 335	4460836.....313, 367
3422179.....137	3900109 13	4460134 317, 321	4460851.....315
3422180..... 137, 143	3900170 229, 233	4460138 61, 317	4460866.... 327, 329, 367
3422181.....143	3900174 69	4460142 363	4460868.....315
3422480.....139	3900187 ... 111, 113, 115, 117, 119, 121, 123, 125	4460183 315	4460871....297, 315, 327, 329, 365, 367, 375
3422481.....139	3900349 183, 187, 191	4460205 333, 371	4460872.....297, 375
3422582.....139	3910610 333, 335	4460225 327, 329	4460873.... 327, 329, 365, 367
3422669.....139	3910804... 111, 113, 115, 117, 119, 121, 123, 125	4460226 ... 157, 197, 200, 203, 375	4460874.... 327, 329, 367
3422692..... 13	3911008 167	4460227 315, 367	4460875.... 327, 329, 375
3422709.....143	3911010 195	4460233 335	4460876.....315
3422791.....149	3930824 93	4460234 183, 187, 191	
3422792.....139	3930828 159	4460259 ... 217, 315, 327, 329	
3422794.....149	3930836 159	4460260 ... 217, 315, 327, 329	
3422804.....145	3931010 33, 35, 37, 39	4460265 197, 200	
	3931012 37, 39	4460267 327, 329	
	3931016 33, 35, 37, 39	4460268 327, 329	
	3931028 159	4460294 327, 329	
	3931408 13, 209	4460312 309	
	3931416 13	4460313 315	
	3931816 149	4460320 315	
	3931832 85		
	3960422 333, 335		
	3960447 69		

SECTION 10 - SPECIAL OPTIONS/ACCESSORIES/KITS

4460877	315	4641386 ...	227, 229, 231, 233	4891500.....	89	70003846.....	223
4460878	367	4711000	33, 35, 37, 39	4891600.43, 45, 139, 157		70003847	223
4460879	217, 327, 329	4711400 ...	13, 19, 23, 53, 61, 63, 65, 73, 75, 83, 95, 97, 99, 101, 103, 105, 107, 109, 169, 171, 173, 209, 211, 213, 339, 341, 343, 345, 347, 349, 351	4891800.....	13, 57	70003863.....	225
4460884 ...	217, 297, 359, 367	4711500 .	95, 97, 99, 101, 103, 105, 107, 109, 145	4892000.....	19, 23, 85	70003864.....	225
4460887 ...	217, 327, 329, 367	4711600 ...	19, 23, 43, 51, 53, 73, 75, 93, 133, 145, 167, 184, 188, 192	4922608.....	333, 335, 371	70004019.....	77
4460888	327, 329	4711800	19, 23, 51, 53	4922609....	323, 339, 341, 343, 345, 347, 349, 351	70004130.....	239
4460891 ...	127, 297, 319, 365, 367, 375	4740120 ...	111, 113, 115, 117, 119, 121, 123, 125	4922610....	337, 339, 341, 343, 345, 347, 349, 351, 373	70004131.....	221
4460894 ...	315, 327, 329, 365	4740156	13	4922611.....	321, 333, 335	70004141.....	221, 239
4460897 ...	129, 131, 285, 287, 297, 319, 367	4740171	85	4922612.....	325, 337	70004142.....	221, 239
4460899 ...	353, 359, 361, 363	4740207	233	5241200.....	157	70004143.....	221, 239
4460905 ...	297, 315, 327, 329, 365, 367, 375	4740362 ...	175, 177, 179, 181	5251008.....	157	70004144.....	239
4460910	357	4740397 ...	111, 113, 115, 117, 119, 121, 123, 125, 183, 187, 191	5251016.....	157	70004145.....	239
4460911	353	4740413	143	7000088.....	87	70004146.....	221
4460930	297	4750800	73, 75, 93	7000089.....	87	70004147.....	221
4460931	213, 363	4751000	23, 127, 129, 131, 167	70000340.....	155	70004159.....	89
4460932	217, 297	475140067, 69, 133, 143, 175, 177, 179, 181, 183, 187, 191, 205, 215, 293, 295, 339, 341, 343, 345, 347, 349, 351, 379, 381, 383, 385, 387, 389, 391, 393, 395		70000341.....	151, 153	70004185.....	406
4460933 ...	311, 327, 329, 368, 375	4751500 ...	19, 23, 57, 59, 75, 133, 137, 140, 149, 293, 295	70000381.....	77	70004323.....	153
4460941	313, 353	4751600 ...	45, 67, 95, 97, 99, 101, 103, 105, 107, 109, 137, 139, 143, 175, 177, 179, 181	70000739.....	221, 239	70004738.....	197
4460942 ...	207, 313, 367, 368	4760600	333, 335	70000740.....	221	70004739.....	197
4460943 ...	129, 131, 213, 215, 311, 313, 315, 353, 365, 367	4761000	167	70000741.....	221	70004740.....	197
4460944 ...	297, 311, 313, 315, 365, 367, 368	4761600	143	70000742.....	197	70004741.....	197
4460945	365, 367	4761800	143, 145	70000743.....	197	70004742.....	197
4460950	313, 365	4811400 ...	217, 339, 341, 343, 345, 347, 349, 351, 379, 381, 383, 385, 387, 389, 391, 393, 395	70000865.....	89	70004743.....	197
4460956	289	4811700	169, 171	70001366.....	27	70004744.....	197
4460957	289	4811702	157	70001367.....	27	70004745.....	197
4460968 ...	285, 287, 339, 345, 349, 351	4812000	157	70001368.....	28	70004746.....	197
4460970	363	4812100	157	70001369.....	27	70004747.....	197
4461077	353, 361	4844303	137	70001370.....	27	70004748.....	197
4461196	275, 299	4844304	137	70001371.....	27	70004749.....	197
4461198	275	4844427	139	70001372.....	27	70004750.....	197
4461199	273, 307	4844467	137, 139	70001373.....	27	70004751.....	197
4461201	273	4844579	143	70001374.....	27	70004752.....	199
4461205 ...	265, 267, 269, 271, 303, 305	4846026	139	70001375.....	27	70004753.....	199
4461244	269	4846180	145	70001376.....	27	70004754.....	199
4461245	271	4846209	137, 139	70001377.....	27	70004755.....	199
4461246	263	4846278	149	70001378.....	27	70004756.....	199
4461249	263, 301	4846502	149	70001379.....	27	70004757.....	199
4566188	254			70001380.....	28	70004758.....	199
4566243	293, 295			70001876.....	77	70004759.....	199
4566427	137, 139			70001961.....	47	70004760.....	199
4567946	258			70001996.....	145	70004761.....	199
4568114	19, 23			70001998.....	145	70004762.....	199
4640495	245			70002112.....	49	70004763.....	199
4640509	221, 225			70002206.....	87	70004764.....	199
4640634 ...	227, 229, 231, 233			70002207.....	87	70004765.....	199
4640709	245, 249			70002216.....	223, 241	70004766.....	199
4640771	249			70002217.....	223, 241	70004767.....	199
4640807	249			70002220.....	225	70004768.....	199
4640932	221, 223			70002223.....	225	70004769.....	199
4640936	237			70002373.....	231	70004770.....	199
4641086	223			70002412.....	227	70004771.....	199
				70002523.....	47	70004772.....	199
				70002806.....	77	70004773.....	199
				70002808.....	81	70004774.....	200
				7000281.....	27	70004775.....	200
				70002902.....	203	70004809.....	31
				70002903.....	203	70004811.....	31
				70002904.....	203	70004820.....	31
				70002905.....	203	70004884.....	77
				70003171.....	47	70005091.....	77
				70003341.....	243	70005101.....	49
				70003819.....	223, 241	70005143.....	231
				70003833.....	225	70005210.....	77, 400
				70003836.....	225	70005214.....	17
				70003843.....	241	70005215.....	17
				70003844.....	241	70005385.....	31
				70003845.....	223, 241	70005386.....	31

SECTION 10 - SPECIAL OPTIONS/ACCESSORIES/KITS

70005387.....	31	70007362.....	245, 247	7017121.....	151, 153	7021618.....	55, 400	
70005388.....	31	70007363.....	245, 247	7017122.....	151, 153	7021653.....	81	
70005389.....	31	70007364.....	245, 247	7017123.....	151, 153	7021659.....	55	
70005390.....	31	70007365.....	245	7017126.....	151, 153	7022390.....	81	
70005391.....	31	70007366.....	245, 247	7017127.....	151, 153	7022394.....	77	
70005392.....	31	70007367.....	235	7017153.....	151	7023217.....	15	
70005393.....	31	70007368.....	235, 237	7017165.....	155	7023318.....	87	
70005394.....	31, 401	70007369.....	235, 237	7017167.....	155	7024379.....	87	
70005395.....	31	70007370.....	235	7017168.....	155	7024380.....	87	
70005396.....	31	70007371.....	235, 237	7017169.....	155	7024381.....	87	
70005397.....	31	70007372.....	235, 237	7017172 ...	151, 153, 155	7024389.....	87	
70005398.....	31	70007373.....	237	7017173.....	155	7024390.....	87	
70005399.....	31	70007374.....	237	7017178.....	155	7024444.....	49	
70005400.....	31	70007378.....	245	7017179.....	155	7024445.....	49	
70005401.....	31	70007379.....	247	7017192 ...	151, 153, 155	7024453.....	87	
70005402.....	31	70007380.....	247	7017196.....	151, 153	7024738.....	27	
70005403.....	31	70007381.....	247	7017246.....	243	7024741.....	27	
70005404.....	31	7001630.....	243	7017247.....	243	7024844.....	223, 225	
70005405.....	31	70022564.....	227, 231	7017248.....	243	7024883.....	77, 400	
70005406.....	31	70023094.....	221, 239	7017249.....	243	7024885.....	77, 400	
70005407.....	31, 401	70024262.....	221	7017250.....	243	7024887.....	81	
70005408.....	31	7002821.....	406	7017251.....	243	7024891.....	79	
70005409.....	31	7002823.....	406	7017252.....	243	7026042.....	89	
70005410.....	31	7002828.....	406	7017402.....	55, 77, 81	7026043.....	89	
70005411.....	31	7004035.....	87	7017410.....	77	7026068.....	225	
70005412.....	31	7004036.....	87	7017418.....	77	7026082.....	223, 241	
70005415.....	19, 23	7004043.....	87	7017421.....	77	7026084.....	223, 241	
70005722.....	81	7004044.....	87	7017433.....	55, 77	7026088.....	225	
70006269.....	145	7004045.....	87	7017452.....	77, 81	7026090.....	225	
70006280.....	145	7004047.....	87	7017466.....	79	7026091.....	225	
70006346.....	81	7004049.....	87	7017488.....	55	7026092.....	225	
70006347.....	81	7004275.....	406	7017496.....	79, 81	7027350.....	89	
70006348.....	81	7004276.....	406	7019698.....	143	7027351.....	89	
70006349.....	81	70050801.....	227	7019699.....	143	7027352.....	89	
70006531.....	229	7007640.....	27	7020035.....	15	7027353.....	89	
70006532.....	229, 233	7010543.....	55, 77	7020036.....	15	7027354.....	89	
70006533.....	229, 233	7011112.....	221, 223	7020037.....	15, 17	7027356.....	89	
70006535.....	229	7011323.....	151, 153	7020038.....	15	7027358.....	89	
70006539.....	233	7011376 ...	227, 229, 231, 233	7020039.....	15, 17	7027360.....	89	
70006542.....	233	7012518.....	55, 77	7020040.....	15, 17	7027361.....	89	
70006543.....	233	7012540.....	77	7020041.....	15	7027363.....	89	
70006587.....	227	7012903.....	77	7020042.....	15	7027900.....	151, 153	
70006588.....	227	7012914.....	77	7020054.....	15, 17	7027901.....	151, 153	
70006589.....	227	7012918.....	77	7020055.....	15, 17	8220045.....	363	
70006590.....	227	7012947.....	77	7020137.....	15, 17	8220068.....	375	
70006591.....	227	7012953.....	77, 79	7020140.....	15, 17	8229234.....	365, 400	
70006592.....	227	7012959.....	79	7020175 ...	111, 113, 115, 117, 119, 121, 123, 125, 183, 187, 191	8229235.....	365, 400	
70006593.....	227	7012961.....	77	7020176 ...	111, 113, 115, 117, 119, 121, 123, 125, 183, 187, 191	8229236.....	363, 400	
70006594.....	231	7012967.....	77	7021318.....	47	8229237.....	365, 400	
70006595.....	231	7012972.....	55	7021319.....	47	8229242... 315, 327, 329, 330, 367, 400	8229249.....	217, 400
70006596.....	231	7012975.....	77	7021361.....	47	8229261.....	365, 400	
70006597.....	231	7012995.....	77	7021377.....	47	8760554.....	258	
70006598.....	231	7012998.....	55, 77, 81	7021603.....	77	88261024.....	133	
70006599.....	231	7016177.....	57	7021604.....	77	88261026.....	146	
70006600.....	231	7016654.....	406	7021609.....	55, 81, 400	88521205.....	57, 59	
70006601.....	227	7016655.....	406	7021611.....	55, 77	88662523... 43, 45, 51, 53	88662530.....	133
70007357.....	245, 247	7017007.....	28	7021616.....	55, 400			
70007358.....	245	7017009.....	27					
70007359.....	245, 247	7017022.....	27					
70007360.....	245, 247	7017120.....	151, 153					
70007361.....	245, 247							



**Corporate Office
JLG Industries, Inc.
1 JLG Drive
McConnellsburg, PA 17233-9533 USA
☎ (717) 485-5161 (Corporate)
☎ (877) 554-5438 (Customer Support)
📠 (717) 485-6417**

**Visit our website for JLG Worldwide Locations.
www.jlg.com**



OSHKOSH™