



Illustrated Parts Manual

Models
T350
T500J

PVC
2201

P/N
31221323

January 9, 2023 - Rev B

ANSI

CE



AS/NZS



An Oshkosh Corporation Company

REVISION LOG

May 27, 2022 - A - Original Issue of Manual (Edited to 0010612 Rev AI)

January 9, 2023 - B - Revised Manual (Edited to 0010612 Rev AJ)

GENERAL INFORMATION

SECTION 6 CYLINDER

FIGURE 6-3. LIFT CYLINDER ASSEMBLY

PG# Model Designation Manual #

SECTION 6 CYLINDER

FIGURE 6-3. LIFT CYLINDER ASSEMBLY

ITEM #	PART NUMBER	QTY	DESCRIPTION	REV
	1001140104	Ref	LIFT CYLINDER ASSEMBLY	B
1	0100011	AR	Compound, Locking	
2	0630305	3	Capscrew 1/4-20 x 1-1/8	
3	0791003	1	Screw #10-24 x 3/8	
4	0961897	1	Bushing, Tapered	
5	1320136	1	Clamp, Cable	
6	1683063	1	Head	
7	2220683	1	Plug, O-Ring	
8	2220685	2	Plug, O-Ring	
9	2220686	1	Plug, O-Ring	
10	3020039	AR	Lubricant	
11	3480282	1	Piston	
12	3760371	1	Ring, Washer	
13	3931420	8	Capscrew 1/4-20 x 1-1/4	
14	3931824	8	Capscrew 1/2-13 x 1-1/2	
15	3951003	1	Setscrew #10-24 x 3/8	
16	4100099	1	Spacer	
17	4640999	1	Cartridge, Holding Valve (Non Vented)	
17	2900792	1	Kit, Seal - 4640999 Cartridge Valve	
18	4641248	1	Cartridge, Countebalance Valve (Non Vented)	
18	70004186	1	Kit, Seal - 4641248 Cartridge Valve	
19	100117991	1	Sensor, Cylinder Length	
20	1001118070	1	Cap, Retainer	
21	1001119084	1	Barrel	
21A	0961950	2	Bushing	
22	1001118086	1	Rod	
22A	0961950	2	Bushing	
100	1001139996	1	Kit, Seal (Includes Items 101-109)	
101	See Note	2	Ring, Wear (Note: Use p/n 1001139996)	
102	See Note	1	Ring, Back-Up (Note: Use p/n 1001139996)	
103	See Note	2	Ring, Lock (Note: Use p/n 1001139996)	
104	See Note	2	Ring, Back-Up (Note: Use p/n 1001139996)	
105	See Note	2	O-Ring (Note: Use p/n 1001139996)	
106	See Note	1	O-Ring (Note: Use p/n 1001139996)	
107	See Note	1	Seal (Note: Use p/n 1001139996)	
108	See Note	1	Wiper, Rod (Note: Use p/n 1001139996)	
109	See Note	2	Seal (Note: Use p/n 1001139996)	
200	1001119105	1	Kit, Sensor Magnet (Includes Items 201-203)	
201	See Note		Sleeve, Spacer (Note: Use p/n 1001119105)	
202	1001118066		Magnet, Sensor	
203	1001118069	1	Ring, Internal Retaining	

Manual # Model Designation PG#

1) MACHINE IDENTIFICATION

Machines are identified by model and in some cases a combination of models, serial number (SN) or regional standard (i.e ANSI, CE, CSA). Components may also be identified by SN or manufacturer. Common components that may be identified by these characteristics are engines and hydraulic components.

2) PARTS MANUAL ORGANIZATION

Product information in this manual is organized under section titles. Frame, Cylinder, Hydraulic and Electrical are a few examples. Each section is organized by figure and page number. The information within the Figure is then organized by item number, part number, description and corresponding illustration (s).

3) TABLE OF CONTENTS (NOT SHOWN)

A table of contents is found toward the beginning of the manual. Figure number, description and page number are provided for quick reference to the page containing the related information.

4) RECOMMENDED SPARE PARTS (NOT SHOWN)

The Recommended Spare Parts List, located near the end of the manual, reference most frequently used maintenance parts.

5) PART NUMBER INDEX (NOT SHOWN)

A numerical index listing all part numbers and the corresponding page number(s) appears at the back of the manual.

GENERAL INFORMATION

6) NON-SERVICED PARTS

In some instances, it is necessary to display non-serviced parts, assemblies or installations. In the case of assemblies and installations there will be a Ref in the Qty. column. In case of parts that are not available for service within assemblies or components, there will be a NSS (Not Sold Separately) or NLA (No Longer Available) listed in the Qty. column of the manual.

7) PARTS LIST ITEM NUMBERS

Numbers shown in the item# column correspond to numbers used in the associated illustration (s). Item numbers which are missing from the sequence in the parts list are not used on that page.

8) INDENTED PARTS DESCRIPTION

An indented part description is included in the item under which it is indented.

9) ABBREVIATION AND SYMBOLS

AC.....	Alternating Current	L.....	Liter
ADE.....	Advanced Design Electronics	LB(LBS).....	Pounds
AG.....	Agricultural	LCD.....	Liquid Crystal Display
ANSI.....	American National Standards Institute	LED.....	Light Emitting Diodes
AR.....	As Required	LH.....	Left Hand
ASSY.....	Assembly	LRC.....	Low Rated Countries
AUS.....	Australia	LSS.....	Load Sensing System
AUX.....	Auxiliary	M(m).....	Metric/Meter
AWG.....	American Wire Gauge	MM(mm).....	Milimeter
B/M.....	Bill of Material	mA.....	Miliamps
CAC.....	Charge Air Cooler	NLA.....	No Longer Available
CE.....	European Conformity	NPT.....	National Pipe Threads
CCW.....	Counter Clockwise	NSS.....	Not Sold Separately
CM.....	Centimeter	OD.....	Outside Diameter
CW.....	Clockwise	ORB.....	O-Ring Boss
CSA.....	Canadian Standards Association	ORFS.....	O-Ring Face Seal
CYL.....	Cylinder	OZ (oz).....	Ounces
DIA.....	Diameter	PG.....	Page
DC.....	Direct Current	PN.....	Part Number
DEF.....	Diesel Exhaust Fluid	QT(qt.).....	Quarts
EMS.....	Emergency Stop	QTY.....	Quantity
ENG.....	Engine	REF.....	Reference
FT(ft).....	Feet	REV.....	Revision Level
GA(Ga).....	Gauge	RH.....	Right Hand
HRC.....	High Rated Countries	SAE.....	Society of Automotive Engineers
HVAC.....	Heating, Ventilating, and Air Conditioning	SN.....	Serial Number
HYD.....	Hydraulic	SPEC(S).....	Specifications
Hz.....	Hertz	T/T.....	Turntable
ID.....	Inside Diameter	UGM.....	Universal Ground Module
IN.....	inches	V.....	Volts
ISO.....	International Organization for Standards	W.....	Watts
JIC.....	Joint Industry Council	#.....	Number
KG.....	Kilogram		

10) ILLUSTRATION REFERENCE LETTERS

When necessary, illustrations may contain reference letters that are intended to track information (i. e. hoses, harnesses) from one point to another or to track visual enlargement of components to show details that may be located in another area on the illustration.

Note: Due to continuous product improvements, JLG Industries, Inc. reserves the right to make specification changes without prior notification. Contact JLG Industries, Inc. for updated information.

TABLE OF CONTENTS

SECTION 1 - FRAME.....	13
FIGURE 1-1. TONGUE JACK INSTALLATIONS (T350)	14
FIGURE 1-2. TONGUE JACK INSTALLATIONS (T500J WITH BALL HITCH) (ANSI, ANSI EXPORT AND CSA SPECS)	16
FIGURE 1-3. TONGUE JACK INSTALLATIONS (T500J WITH BALL HITCH) (AUSTRALIAN AND SOUTH AFRICAN SPECS) .	18
FIGURE 1-4. TONGUE JACK INSTALLATIONS (T500J WITH COMBINATION HITCH)	20
FIGURE 1-5. AXLE AND TONGUE INSTALLATION WITH ELECTRIC BRAKES (T350).....	22
FIGURE 1-6. AXLE AND TONGUE INSTALLATION WITH ELECTRIC BRAKES (T500J WITH 2IN BALL).....	24
FIGURE 1-7. AXLE AND TONGUE INSTALLATION WITH ELECTRIC BRAKES (T500J WITH 50MM BALL)	26
FIGURE 1-8. AXLE AND TONGUE INSTALLATION WITH HYDRAULIC BRAKES (T350 WITH 2IN BALL)	28
FIGURE 1-9. AXLE AND TONGUE INSTALLATION WITH HYDRAULIC BRAKES (T350 WITH 2IN BALL AND COLLAR).....	30
FIGURE 1-10. AXLE AND TONGUE INSTALLATION WITH HYDRAULIC BRAKES (T500J WITH 2IN BALL).....	32
FIGURE 1-11. AXLE AND TONGUE INSTALLATION WITH HYDRAULIC BRAKES (T500J WITH 2IN BALL AND COLLAR)	34
FIGURE 1-12. AXLE AND TONGUE INSTALLATION WITH HYDRAULIC BRAKES (T350 WITH 50MM BALL)	36
FIGURE 1-13. AXLE AND TONGUE INSTALLATION WITH MECHANICAL BRAKES (T350 WITH 50MM BALL)	40
FIGURE 1-14. AXLE AND TONGUE INSTALLATION WITH MECHANICAL BRAKES (T500J WITH 50MM BALL).....	42
FIGURE 1-15. HYDRAULIC BRAKE COUPLER ASSEMBLY (T350 AND T500J WITH 2 IN BALL)	44
FIGURE 1-16. HYDRAULIC BRAKE COUPLER ASSEMBLY (T500J WITH 50MM BALL).....	46
FIGURE 1-17. HYDRAULIC BRAKE COUPLER ASSEMBLY (T350 AND T500J WITH 2 INCH BALL AND COLLAR)	48
FIGURE 1-18. HYDRAULIC BRAKE COUPLER ASSEMBLY (T350 WITH 50MM BALL)	50
FIGURE 1-19. TRANSPORT LOCK ASSEMBLY (T350)	52
FIGURE 1-20. TRANSPORT LOCK ASSEMBLY (T500J).....	54
FIGURE 1-21. AXLE INSTALLATION (T350 WITH ELECTRIC BRAKES).....	56
FIGURE 1-22. AXLE INSTALLATION (T500J WITH ELECTRIC BRAKES).....	58
FIGURE 1-23. AXLE INSTALLATION (T350 WITH HYDRAULIC BRAKES).....	60
FIGURE 1-24. AXLE INSTALLATION (T350 WITH HYDRAULIC BRAKES) (SN 0030016291 to Present)	62
FIGURE 1-25. AXLE INSTALLATION (T500J WITH HYDRAULIC BRAKES).....	64
FIGURE 1-26. AXLE INSTALLATION (T500J WITH HYDRAULIC BRAKES) (SN 0030016331 to Present)	66
FIGURE 1-27. AXLE INSTALLATION (T350 WITH MECHANICAL BRAKES).....	68
FIGURE 1-28. AXLE INSTALLATION (T500J WITH MECHANICAL BRAKES)	70
FIGURE 1-29. ELECTRIC BRAKE AND AXLE ASSEMBLY (T350).....	72
FIGURE 1-30. ELECTRIC BRAKE AND AXLE ASSEMBLY (T500J).....	76
FIGURE 1-31. HYDRAULIC BRAKE AND AXLE ASSEMBLY (T350).....	80
FIGURE 1-32. HYDRAULIC BRAKE AND AXLE ASSEMBLY (T500J).....	84
FIGURE 1-33. MECHANICAL BRAKE ASSEMBLY (T350).....	88
FIGURE 1-34. MECHANICAL BRAKE ASSEMBLY (T500J).....	90
FIGURE 1-35. TIRE AND WHEEL INSTALLATION - 185R14C (T350)	92
FIGURE 1-36. TIRE AND WHEEL INSTALLATION - 215-75-R14 (T350).....	94
FIGURE 1-37. TIRE AND WHEEL INSTALLATION - 225-75-R15 (T500J).....	96
FIGURE 1-38. TIRE AND WHEEL INSTALLATION - 225-75-R16 (T500J).....	98
FIGURE 1-39. CHASSIS DRIVE INSTALLATION (OPTIONAL) (T350 ALL SPECS EXCEPT SOUTH AFRICA SPECS).....	100
FIGURE 1-40. CHASSIS DRIVE INSTALLATION (OPTIONAL) (T350 SOUTH AFRICAN SPECS).....	104
FIGURE 1-41. CHASSIS DRIVE INSTALLATION (OPTIONAL) (T500J ALL SPECS EXCEPT SOUTH AFRICAN SPECS)	108
FIGURE 1-42. CHASSIS DRIVE INSTALLATION (OPTIONAL) (T500J SOUTH AFRICAN SPECS)	112
FIGURE 1-43. DRIVE ENABLE VALVE ASSEMBLY (USED WITH DRIVE OPTION ONLY)	116

TABLE OF CONTENTS

FIGURE 1-44. DRIVE DIRECTIONAL VALVE ASSEMBLY (USED WITH DRIVE OPTION ONLY)	118
FIGURE 1-45. DRIVE MOTOR ASSEMBLY (USED WITH DRIVE OPTION ONLY)	120
FIGURE 1-46. CONTROL VALVES INSTALLATION (T350 ELECTRIC POWERED)	122
FIGURE 1-47. CONTROL VALVES INSTALLATION (T350 GAS POWERED)	124
FIGURE 1-48. CONTROL VALVES INSTALLATION (T500J ELECTRIC POWERED)	126
FIGURE 1-49. CONTROL VALVES INSTALLATION (T500J GAS POWERED)	128
FIGURE 1-50. CONTROL VALVE ASSEMBLY (T350 ELECTRIC POWERED MACHINES).....	130
FIGURE 1-51. CONTROL VALVE ASSEMBLY (T350 GAS POWERED MACHINES).....	134
FIGURE 1-52. CONTROL VALVE ASSEMBLY (T500J ELECTRIC POWERED MACHINES).....	138
FIGURE 1-53. CONTROL VALVE ASSEMBLY (T500J GAS POWERED MACHINES)	142
FIGURE 1-54. CONTROL MODULE INSTALLATION (ELECTRIC POWERED MACHINES)	146
FIGURE 1-55. CONTROL MODULE INSTALLATION (ELECTRIC POWERED MACHINES) (SN 0030016956 to Present, SN 0030016975 to Present).....	148
FIGURE 1-56. CONTROL MODULE INSTALLATION (GAS MACHINES).....	150
FIGURE 1-57. CONTROL MODULE INSTALLATION (GAS MACHINES) (SN 0030016956 to Present, SN 0030016975 to Present).....	152
FIGURE 1-58. ENGINE INSTALLATION (T350 GAS POWERED MACHINES)	154
FIGURE 1-59. ENGINE INSTALLATION (T500J GAS POWERED MACHINES)	156
FIGURE 1-60. ENGINE ASSEMBLY (GAS POWERED MACHINES)	158
FIGURE 1-61. ENGINE COMPONENTS (GAS POWERED MACHINES) (Prior to SN 0030013888, Except SN 0030013877 through 0030013878, Excluding 0030013884).....	160
FIGURE 1-62. ENGINE COMPONENTS (GAS POWERED MACHINES).....	164
FIGURE 1-63. BATTERIES INSTALLATION (ELECTRIC POWERED MACHINES) (STANDARD BATTERIES)	166
FIGURE 1-64. BATTERIES INSTALLATION (ELECTRIC POWERED MACHINES) (AGM BATTERIES).....	168
FIGURE 1-65. BATTERY CHARGER INSTALLATION-DELTA-Q (ELECTRIC POWERED MACHINES) (ANSI, ANSI EXPORT AND CSA SPECS).....	170
FIGURE 1-66. BATTERY CHARGER INSTALLATION-DELTA-Q (ELECTRIC POWERED MACHINES) (ANSI EXPORT, AUSTRALIAN AND SOUTH AFRICAN SPECS).....	172
FIGURE 1-67. BATTERY CHARGER INSTALLATION - PRO CHARGING (ELECTRIC POWERED MACHINES) (ANSI, ANSI EXPORT AND CSA SPECS)	174
FIGURE 1-68. TAILLIGHTS AND MARKERS INSTALLATION (T350) (ANSI, ANSI EXPORT AND CSA SPECS)	176
FIGURE 1-69. TAILLIGHTS AND MARKERS INSTALLATION (T350) (AUSTRALIAN AND SOUTH AFRICA SPECS)	178
FIGURE 1-70. TAILLIGHTS AND MARKERS INSTALLATION (T500J) (ANSI, ANSI EXPORT AND CSA SPECS).....	180
FIGURE 1-71. TAILLIGHTS AND MARKERS INSTALLATION (T500J) (AUSTRALIAN AND SOUTH AFRICA SPECS)	182
FIGURE 1-72. OUTRIGGERS INSTALLATION (T350) (ALL SPECS EXCEPT AUSTRALIAN SPECS)	184
FIGURE 1-73. OUTRIGGERS INSTALLATION (T350) (AUSTRALIAN SPECS).....	186
FIGURE 1-74. OUTRIGGERS INSTALLATION (T500J) (ALL SPECS EXCEPT AUSTRALIAN SPECS)	188
FIGURE 1-75. OUTRIGGERS INSTALLATION (T500J) (AUSTRALIAN SPECS).....	190
FIGURE 1-76. OUTRIGGER (NON-MARKING) PADS AND STORAGE TRAY INSTALLATION (OPTIONAL).....	192
FIGURE 1-77. FENDERS INSTALLATION (T350 WITHOUT MUDFLAPS)	194
FIGURE 1-78. FENDERS INSTALLATION (T350 WITH MUDFLAPS).....	196
FIGURE 1-79. FENDERS INSTALLATION (T500J WITHOUT MUDFLAPS).....	198
FIGURE 1-80. FENDERS INSTALLATION (T500J WITH MUDFLAPS)	200
FIGURE 1-81. FRAME COVERS INSTALLATION (T350 ELECTRIC POWERED MACHINES)	202
FIGURE 1-82. FRAME COVERS INSTALLATION (T350 GAS POWERED MACHINES)	204
FIGURE 1-83. FRAME COVERS INSTALLATION (T500J ELECTRIC POWERED MACHINES)	206
FIGURE 1-84. FRAME COVERS INSTALLATION (T500J GAS POWERED MACHINES)	208

TABLE OF CONTENTS

FIGURE 1-85. SPARE TIRE INSTALLATION (185R14C TIRE) (OPTIONAL)	210
FIGURE 1-86. SPARE TIRE INSTALLATION (215-75R14 TIRE) (OPTIONAL).....	212
FIGURE 1-87. SPARE TIRE INSTALLATION (225-75R15 TIRE) (OPTIONAL).....	214
FIGURE 1-88. SPARE TIRE INSTALLATION (225-75R16C TIRE) (OPTIONAL)	216
FIGURE 1-89. SPARE TIRE INSTALLATION (T350) (CARRIER ONLY OPTIONAL).....	218
FIGURE 1-90. SPARE TIRE INSTALLATION (T500J) (CARRIER ONLY OPTIONAL).....	220
FIGURE 1-91. WHEEL CHOCK INSTALLATION WITH SPARE TIRE (OPTIONAL)	222
FIGURE 1-92. WHEEL CHOCK INSTALLATION WITHOUT SPARE TIRE (OPTIONAL).....	224
FIGURE 1-93. SIDE GUARDS INSTALLATION (T350) (OPTIONAL)	226
FIGURE 1-94. SIDE GUARDS INSTALLATION (T500J) (OPTIONAL)	228
SECTION 2 - TURNTABLE	231
FIGURE 2-1. SWING DRIVE AND TURNTABLE BEARING INSTALLATION (T350 WITH DOHI BEARING)	232
FIGURE 2-2. SWING DRIVE AND TURNTABLE BEARING INSTALLATION (T350 WITH JING WEI BEARING/ WITH PARKER MOTOR)	234
FIGURE 2-3. TURNTABLE BEARING INSTALLATION (T350 WITH JING WEI BEARING/ WITH ZHENJIANG MOTOR)	236
FIGURE 2-4. SWING DRIVE AND TURNTABLE BEARING INSTALLATION (T500J WITH DOHI BEARING)	238
FIGURE 2-5. SWING DRIVE AND TURNTABLE BEARING INSTALLATION (T500J WITH JING WEI BEARING/ WITH PARKER MOTOR)	240
FIGURE 2-6. TURNTABLE BEARING INSTALLATION (T500J WITH JING WEI BEARING/ WITH ZHENJIANG MOTOR)	242
FIGURE 2-7. TURNTABLE BEARING ASSEMBLY - DOHI (T350).....	244
FIGURE 2-8. TURNTABLE BEARING ASSEMBLY - JING WEI (T350).....	246
FIGURE 2-9. TURNTABLE BEARING ASSEMBLY - DOHI (T500J).....	248
FIGURE 2-10. TURNTABLE BEARING ASSEMBLY - JING WEI (T500J).....	250
FIGURE 2-11. SWING DRIVE MOTOR ASSEMBLY (PARKER)	252
FIGURE 2-12. SWING DRIVE MOTOR ASSEMBLY (ZHENJIANG).....	254
FIGURE 2-13. GROUND CONTROL INSTALLATION (T350 ELECTRIC POWERED MACHINES) (ALL SPECS EXCEPT AUSTRALIAN SPECS).....	256
FIGURE 2-14. GROUND CONTROL INSTALLATION (T350 ELECTRIC POWERED MACHINES) (AUSTRALIAN SPECS).....	258
FIGURE 2-15. GROUND CONTROL INSTALLATION (T350 ENGINE POWERED MACHINES) (ALL SPECS EXCEPT AUSTRALIAN SPECS).....	260
FIGURE 2-16. GROUND CONTROL INSTALLATION (T350 ENGINE POWERED MACHINES) (AUSTRALIAN SPECS).....	262
FIGURE 2-17. GROUND CONTROL INSTALLATION (T500J ELECTRIC POWERED MACHINES) (ALL SPECS EXCEPT AUSTRALIAN SPECS).....	264
FIGURE 2-18. GROUND CONTROL INSTALLATION (T500J ELECTRIC POWERED MACHINES) (AUSTRALIAN SPECS) ...	266
FIGURE 2-19. GROUND CONTROL INSTALLATION (T500J ENGINE POWERED MACHINES) (ALL SPECS EXCEPT AUSTRALIAN SPECS).....	268
FIGURE 2-20. GROUND CONTROL INSTALLATION (T500J ENGINE POWERED MACHINES) (AUSTRALIAN SPECS)	270
FIGURE 2-21. GROUND CONTROL BOX ASSEMBLY	272
FIGURE 2-22. MOTION ALARM INSTALLATION (OPTIONAL)	274
FIGURE 2-23. ALARM AND STROBE LIGHT INSTALLATION (OPTIONAL)	276
FIGURE 2-24. STROBE LIGHT INSTALLATION (OPTIONAL).....	278
FIGURE 2-25. ACCESSORY TRAY INSTALLATION (OPTIONAL)	280
FIGURE 2-26. 3000W GENERATOR INSTALLATION (OPTIONAL)	282
SECTION 3 - BOOM	285
FIGURE 3-1. BOOM ASSEMBLY AND INSTALLATION (T350 ANSI, ANSI EXPORT AND CSA SPECS)	286
FIGURE 3-2. BOOM ASSEMBLY AND INSTALLATION (T350 AUSTRALIAN AND SOUTH AFRICAN SPECS)	290

TABLE OF CONTENTS

FIGURE 3-3. BOOM ASSEMBLY AND INSTALLATION WITH AIR AND SINGLE WATER LINE (T500J ANSI, ANSI EXPORT AND CSA SPECS).....	294
FIGURE 3-4. BOOM ASSEMBLY AND INSTALLATION WITH AIR AND DUAL WATER LINE (T500J ANSI, ANSI EXPORT AND CSA SPECS)	298
FIGURE 3-5. BOOM ASSEMBLY AND INSTALLATION WITH AIR AND SINGLE WATER LINE (T500J AUSTRALIAN AND SOUTH AFRICAN SPECS).....	302
FIGURE 3-6. MAIN BOOM ASSEMBLY (T350) (PVC2001)	306
FIGURE 3-7. MAIN BOOM ASSEMBLY (T350) (PVC2007)	308
FIGURE 3-8. MAIN BOOM ASSEMBLY (T500J WITH SINGLE WATER LINE) (PVC2001)	310
FIGURE 3-9. MAIN BOOM ASSEMBLY (T500J WITH SINGLE WATER LINE) (PVC2007)	312
FIGURE 3-10. MAIN BOOM ASSEMBLY (T500J WITH DUAL WATER LINES)	314
FIGURE 3-11. MATERIAL HOOK INSTALLATION (OPTIONAL)	316
SECTION 4 - PLATFORM	319
FIGURE 4-1. PLATFORM ASSEMBLY.....	320
FIGURE 4-2. PLATFORM MOUNT INSTALLATION (WITHOUT ROTATOR)	322
FIGURE 4-3. PLATFORM MOUNT INSTALLATION (WITHOUT ROTATOR) (RENTAL SPEC)	324
FIGURE 4-4. PLATFORM MOUNT INSTALLATION (WITH ROTATOR).....	326
FIGURE 4-5. PLATFORM MOUNT INSTALLATION (WITH ROTATOR) (RENTAL SPEC)	328
FIGURE 4-6. PLATFORM ROTATOR ASSEMBLY (OPTIONAL).....	330
FIGURE 4-7. CONSOLE BOX INSTALLATION (ELECTRIC POWERED MACHINES WITHOUT DRIVE-OPTION)	332
FIGURE 4-8. CONSOLE BOX INSTALLATION (ELECTRIC POWERED MACHINES WITH DRIVE OPTION)	334
FIGURE 4-9. CONSOLE BOX INSTALLATION (ENGINE POWERED MACHINES WITHOUT DRIVE OPTION)	336
FIGURE 4-10. CONSOLE BOX INSTALLATION (ENGINE POWERED MACHINES WITH DRIVE OPTION)	338
FIGURE 4-11. CONSOLE BOX ASSEMBLY (ELECTRIC POWERED MACHINES WITHOUT DRIVE OPTION).....	340
FIGURE 4-12. CONSOLE BOX ASSEMBLY (ELECTRIC POWERED MACHINES WITH DRIVE OPTION)	342
FIGURE 4-13. CONSOLE BOX ASSEMBLY (ENGINE POWERED MACHINES WITHOUT DRIVE OPTION).....	344
FIGURE 4-14. CONSOLE BOX ASSEMBLY (ENGINE POWERED MACHINES WITH DRIVE OPTION)	346
SECTION 5 - CYLINDER.....	349
FIGURE 5-1. BRAKE RELEASE CYLINDER ASSEMBLY.....	350
FIGURE 5-2. DRIVE ENGAGE CYLINDER ASSEMBLY (T350)	352
FIGURE 5-3. DRIVE ENGAGE CYLINDER ASSEMBLY (T500J).....	354
FIGURE 5-4. JIB CYLINDER ASSEMBLY (T500J ONLY).....	356
FIGURE 5-5. PLATFORM LEVEL (SLAVE) CYLINDER ASSEMBLY (T350)	358
FIGURE 5-6. PLATFORM LEVEL (SLAVE) CYLINDER ASSEMBLY (T500J)	360
FIGURE 5-7. LIFT CYLINDER ASSEMBLY (T350)	362
FIGURE 5-8. LIFT CYLINDER ASSEMBLY (T500J).....	364
FIGURE 5-9. MASTER CYLINDER ASSEMBLY (T350).....	366
FIGURE 5-10. MASTER CYLINDER ASSEMBLY (T500J)	368
FIGURE 5-11. OUTRIGGER CYLINDER ASSEMBLY (T350)	370
FIGURE 5-12. OUTRIGGER CYLINDER ASSEMBLY (T500J)	372
FIGURE 5-13. TELESCOPE CYLINDER ASSEMBLY (T350)	374
FIGURE 5-14. TELESCOPE CYLINDER ASSEMBLY (T500J)	376
SECTION 6 - HYDRAULIC	379
FIGURE 6-1. HYDRAULIC DIAGRAM - BOOM (T350).....	380

TABLE OF CONTENTS

FIGURE 6-2. HYDRAULIC DIAGRAM - BOOM (T500J)	382
FIGURE 6-3. HYDRAULIC DIAGRAM - CHASSIS (T350 ELECTRIC POWERED MACHINES)	384
FIGURE 6-4. HYDRAULIC DIAGRAM - BOOM AND CHASSIS (T350 ENGINE POWERED MACHINES)	386
FIGURE 6-5. HYDRAULIC DIAGRAM - CHASSIS (T500J ELECTRIC POWERED MACHINES) (ANSI, ANSI EXPORT AND CSA SPECS)	388
FIGURE 6-6. HYDRAULIC DIAGRAM - CHASSIS (T500J ELECTRIC POWERED MACHINES) (AUSTRALIAN AND SOUTH AFRICAN SPECS).....	390
FIGURE 6-7. HYDRAULIC DIAGRAM - CHASSIS (T500J ENGINE POWERED MACHINES) (ANSI, ANSI EXPORT AND CSA SPECS)	392
FIGURE 6-8. HYDRAULIC DIAGRAM - CHASSIS (T500J ENGINE POWERED MACHINES) (AUSTRALIAN AND SOUTH AFRICAN SPECS).....	394
FIGURE 6-9. HYDRAULIC DIAGRAM - DRIVE AND SET (T350 ELECTRIC POWERED MACHINES).....	396
FIGURE 6-10. HYDRAULIC DIAGRAM - DRIVE AND SET (T350 ENGINE POWERED MACHINES).....	400
FIGURE 6-11. HYDRAULIC DIAGRAM - DRIVE AND SET (T500J ELECTRIC POWERED MACHINES).....	404
FIGURE 6-12. HYDRAULIC DIAGRAM - DRIVE AND SET (T500J ENGINE POWERED MACHINES).....	408
SECTION 7 - ELECTRICAL	411
FIGURE 7-1. ELECTRICAL COMPONENTS INSTALLATION - ELECTRIC POWERED MACHINES.....	412
FIGURE 7-2. ELECTRICAL COMPONENTS INSTALLATION - ENGINE POWERED MACHINES.....	416
FIGURE 7-3. AC BOX AT PLATFORM INSTALLATION - 110V GFI.....	420
FIGURE 7-4. AC BOX AT PLATFORM INSTALLATION - LOCALLY SUPPLIED COMPONENTS	422
FIGURE 7-5. BATTERY CABLE KIT (ELECTRIC POWERED MACHINES).....	424
FIGURE 7-6. BOOM CABLE, HARNESS (T350).....	426
FIGURE 7-7. BOOM CABLE, HARNESS (T500J).....	428
FIGURE 7-8. DRIVE OPTION HARNESS	430
FIGURE 7-9. ENGINE HARNESS (GAS POWERED MACHINES).....	432
FIGURE 7-10. FRAME HARNESS - ELECTRICAL POWERED MACHINES.....	434
FIGURE 7-11. FRAME HARNESS - GAS POWERED MACHINES	436
FIGURE 7-12. ADD ON HARNESS (SN 0030016956 to Present, SN 0030016975 to Present)	438
FIGURE 7-13. GROUND CONTROL BOX HARNESS (ELECTRIC POWERED MACHINES).....	440
FIGURE 7-14. GROUND CONTROL BOX HARNESS (ENGINE POWERED MACHINES)	442
FIGURE 7-15. HOOK HARNESS	444
FIGURE 7-16. LIFT DOWN PROP VALVE, HARNESS (T350).....	446
FIGURE 7-17. LIFT DOWN PROP VALVE, HARNESS (T500J)	448
FIGURE 7-18. LIGHTS HARNESS (T350) (ANSI, ANSI EXPORT AND CSA SPECS).....	450
FIGURE 7-19. LIGHTS HARNESS (T500J) (ANSI, ANSI EXPORT AND CSA SPECS).....	452
FIGURE 7-20. LIGHT HARNESS - CENTER BRAKE LIGHT (T350) (ANSI, ANSI EXPORT AND CSA SPECS)	454
FIGURE 7-21. LIGHT HARNESS - CENTER BRAKE LIGHT (T350) (AUSTRALIAN AND SOUTH AFRICAN SPECS).....	456
FIGURE 7-22. LIGHT HARNESS - CENTER BRAKE LIGHT (T500J) (ANSI, ANSI EXPORT AND CSA SPECS).....	458
FIGURE 7-23. LIGHT HARNESS - CENTER BRAKE LIGHT (T500J) (AUSTRALIAN AND SOUTH AFRICAN SPECS).....	460
FIGURE 7-24. MAIN CONTROL VALVE HARNESS.....	462
FIGURE 7-25. OUTRIGGER JACK & VALVE HARNESS	464
FIGURE 7-26. PLATFORM BOX HARNESS (ELECTRIC POWERED MACHINES WITHOUT DRIVE OPTION)	466
FIGURE 7-27. PLATFORM BOX HARNESS (ELECTRIC POWERED MACHINES WITH DRIVE OPTION).....	468
FIGURE 7-28. PLATFORM BOX HARNESS (ENGINE POWERED MACHINES WITHOUT DRIVE OPTION)	470
FIGURE 7-29. PLATFORM BOX HARNESS (ENGINE POWERED MACHINES WITH DRIVE OPTION).....	472
FIGURE 7-30. STROBE LIGHT AND ALARM HARNESS.....	474

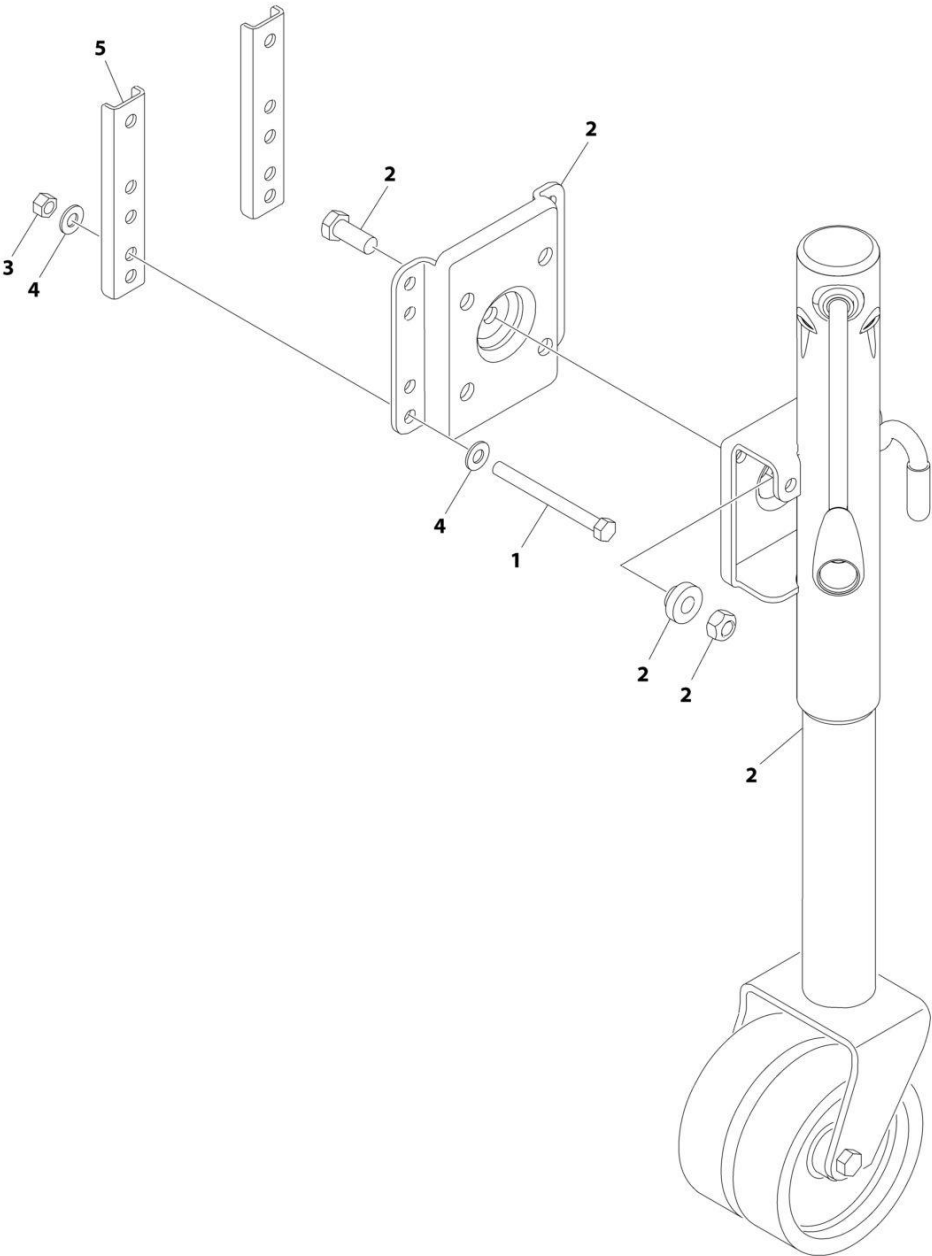
TABLE OF CONTENTS

FIGURE 7-31. TELESCOPE LIMIT SWITCH HARNESS (T350)	476
FIGURE 7-32. TELESCOPE LIMIT SWITCH HARNESS (T500J)	478
FIGURE 7-33. TRANSPORT LIMIT SWITCH HARNESS (T350).....	480
FIGURE 7-34. TRANSPORT LIMIT SWITCH HARNESS (T500J).....	482
SECTION 8 - DECALS	485
FIGURE 8-1. DECAL INSTALLATION (ANSI SPEC) (ENGLISH LANGUAGE).....	486
FIGURE 8-2. DECAL INSTALLATION (AUSTRALIAN SPEC) (ENGLISH LANGUAGE).....	488
FIGURE 8-3. DECAL INSTALLATION (BRAZIL SPECS) (SPANISH/ENGLISH LANGUAGES)	490
FIGURE 8-4. DECAL INSTALLATION (BRAZIL SPECS) (SPANISH/ENGLISH LANGUAGES)	494
FIGURE 8-5. DECAL INSTALLATION (CSA SPECS) (FRENCH/ENGLISH LANGUAGES)	498
FIGURE 8-6. DECAL INSTALLATION (LATIN AMERICAN SPECS) (SPANISH/ENGLISH LANGUAGES).....	502
FIGURE 8-7. DECAL INSTALLATION (SOUTH AFRICAN SPECS).....	504
FIGURE 8-8. DECAL INSTALLATION - OPTIONS.....	506
FIGURE 8-9. DECAL MOUNTING PLATE INSTALLATION	510
FIGURE 8-10. DECAL TAGS INSTALLATION (T350).....	512
FIGURE 8-11. DECAL TAGS INSTALLATION (T500J)	514
SECTION 9 - RECOMMENDED SERVICE PARTS STOCK.....	517
FIGURE 9-1. RECOMMENDED SERVICE PARTS STOCK.....	518
SECTION 10 - SPECIAL OPTIONS	521
FIGURE 10-1. SPECIAL OPTIONS	522
PART NUMBER INDEX.....	525

SECTION 1 - FRAME

SECTION 1 - FRAME

FIGURE 1-1. TONGUE JACK INSTALLATIONS (T350)



ART_0274306

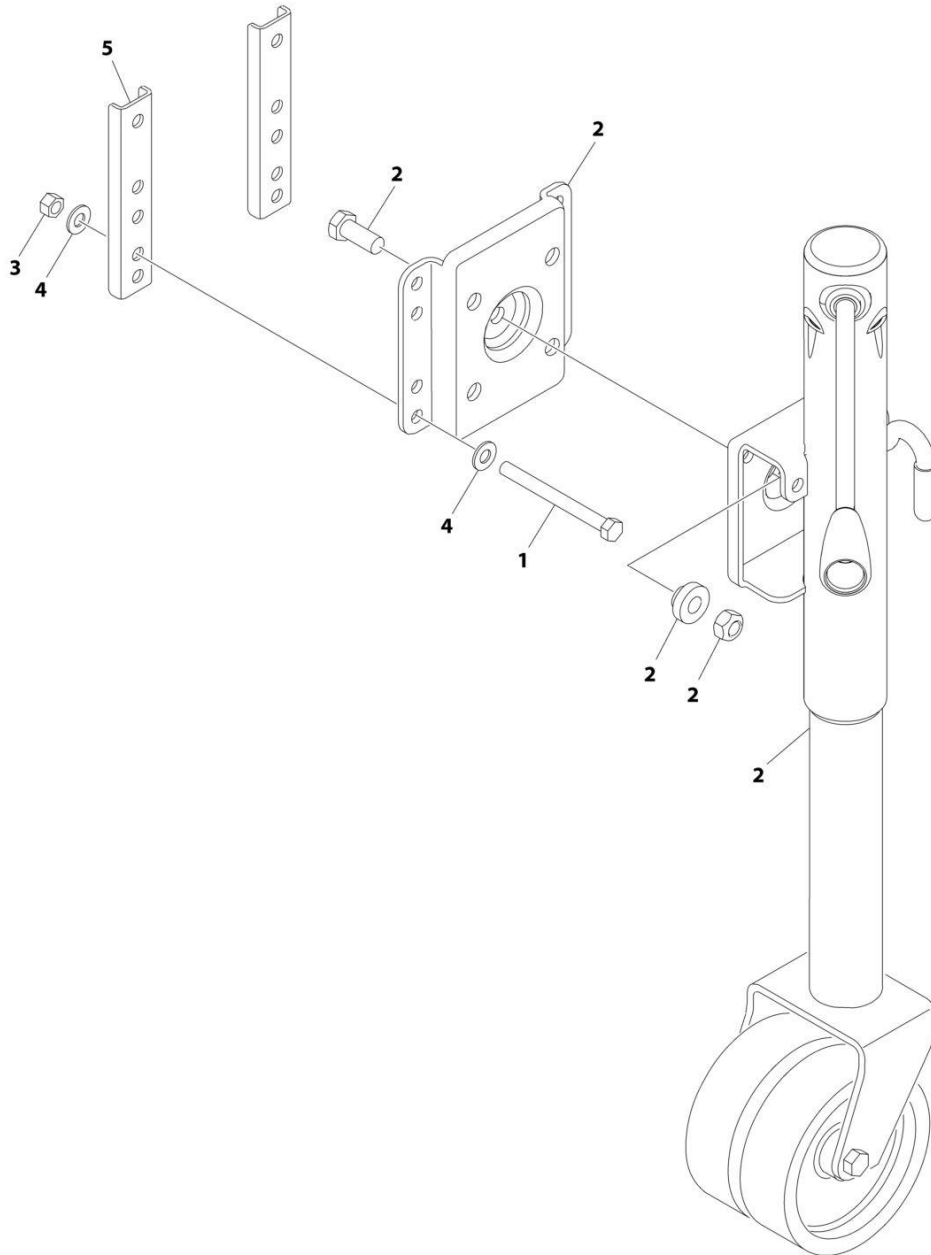
SECTION 1 - FRAME

FIGURE 1-1. TONGUE JACK INSTALLATIONS (T350)

ITEM	PART NUMBER	QTY	DESCRIPTION	REV
	0274306	Ref	JACK INSTALLATION	C
1	0641632	4	Bolt 3/8 x 4	
1	0641630	4	Bolt 3/8 x 3-3/4	
1	0641638	4	Bolt 3/8 x 4-3/4	
2	2840026	1	Jack Assembly (No Service Parts Available Due to the Variety of Jacks Used by either JLG or Supplier. Replace Complete Assembly)	
3	3311605	4	Nut 3/8	
4	4751600	8	Washer 3/8	
5	7027727	2	Strap, Mounting	

SECTION 1 - FRAME

FIGURE 1-2. TONGUE JACK INSTALLATIONS (T500J WITH BALL HITCH) (ANSI, ANSI EXPORT AND CSA SPECS)



ART_0274308

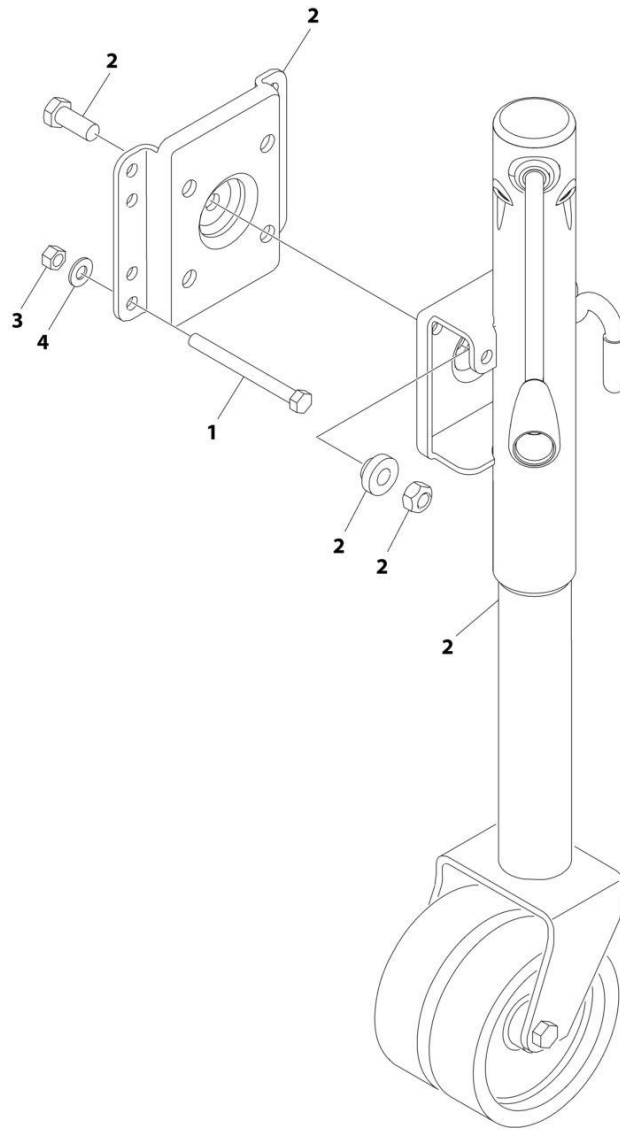
SECTION 1 - FRAME

FIGURE 1-2. TONGUE JACK INSTALLATIONS (T500J WITH BALL HITCH) (ANSI, ANSI EXPORT AND CSA SPECS)

ITEM	PART NUMBER	QTY	DESCRIPTION	REV
	0274308	Ref	JACK INSTALLATION	B
1	0641632	4	Bolt 3/8 x 4	
1	0641630	4	Bolt 3/8 x 3-3/4	
1	0641638	4	Bolt 3/8 x 4-3/4	
2	2840026	1	Jack Assembly (No Service Parts Available Due to the Variety of Jacks Used by either JLG or Supplier. Replace Complete Assembly)	
3	3311605	4	Nut 3/8	
4	4751600	8	Washer 3/8	
5	7027727	2	Strap, Mounting	

SECTION 1 - FRAME

FIGURE 1-3. TONGUE JACK INSTALLATIONS (T500J WITH BALL HITCH) (AUSTRALIAN AND SOUTH AFRICAN SPECS)



ART_0274486

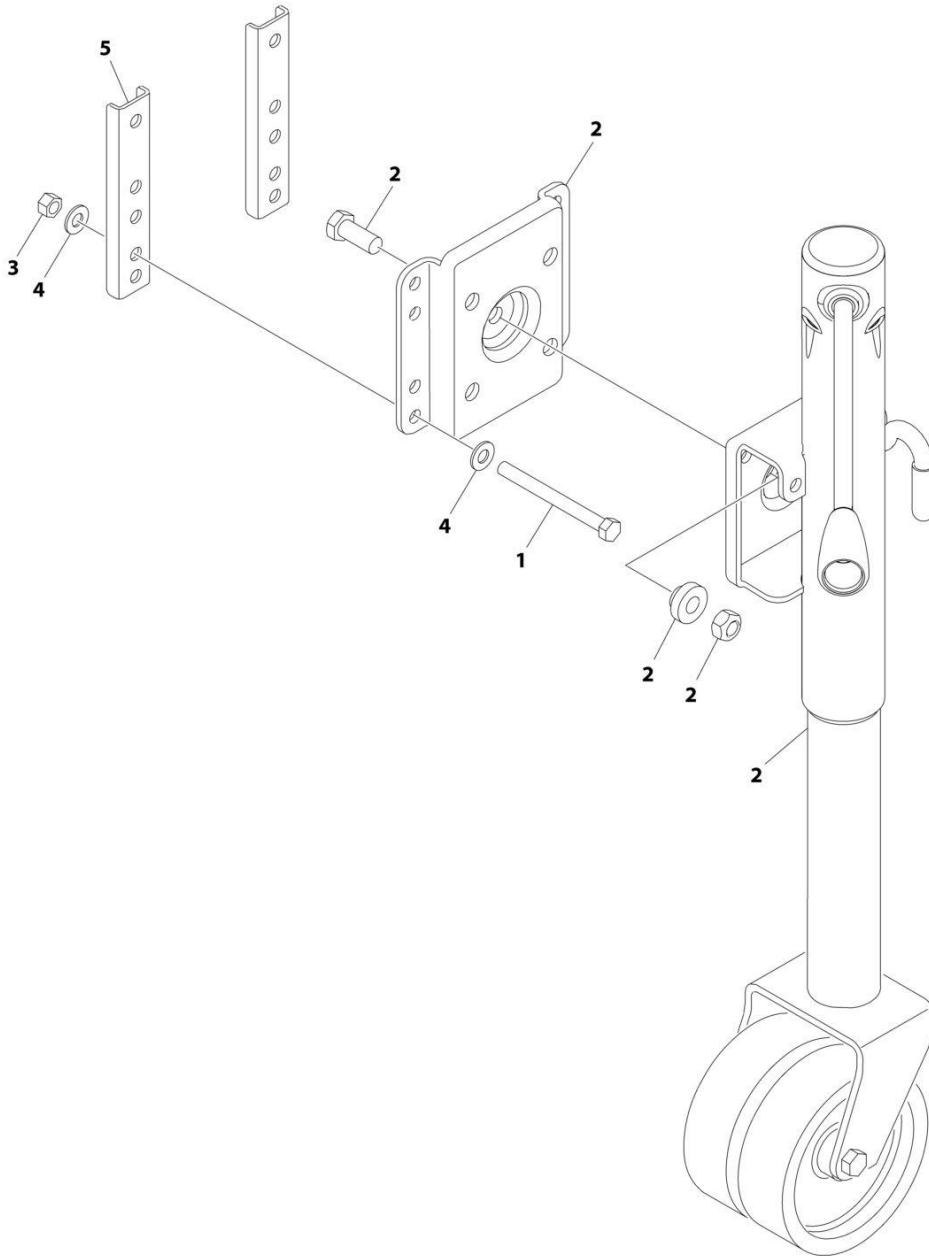
SECTION 1 - FRAME

FIGURE 1-3. TONGUE JACK INSTALLATIONS (T500J WITH BALL HITCH) (AUSTRALIAN AND SOUTH AFRICAN SPECS)

ITEM	PART NUMBER	QTY	DESCRIPTION	REV
	0274486	Ref	JACK INSTALLATION	B
1	0641640	4	Bolt 3/8 x 5	
2	2840026	1	Jack Assembly (No Service Parts Available Due to the Variety of Jacks Used by either JLG or Supplier. Replace Complete Assembly)	
3	3311605	4	Nut 3/8	
4	4751600	4	Washer 3/8	

SECTION 1 - FRAME

FIGURE 1-4. TONGUE JACK INSTALLATIONS (T500J WITH COMBINATION HITCH)



ART_0274453

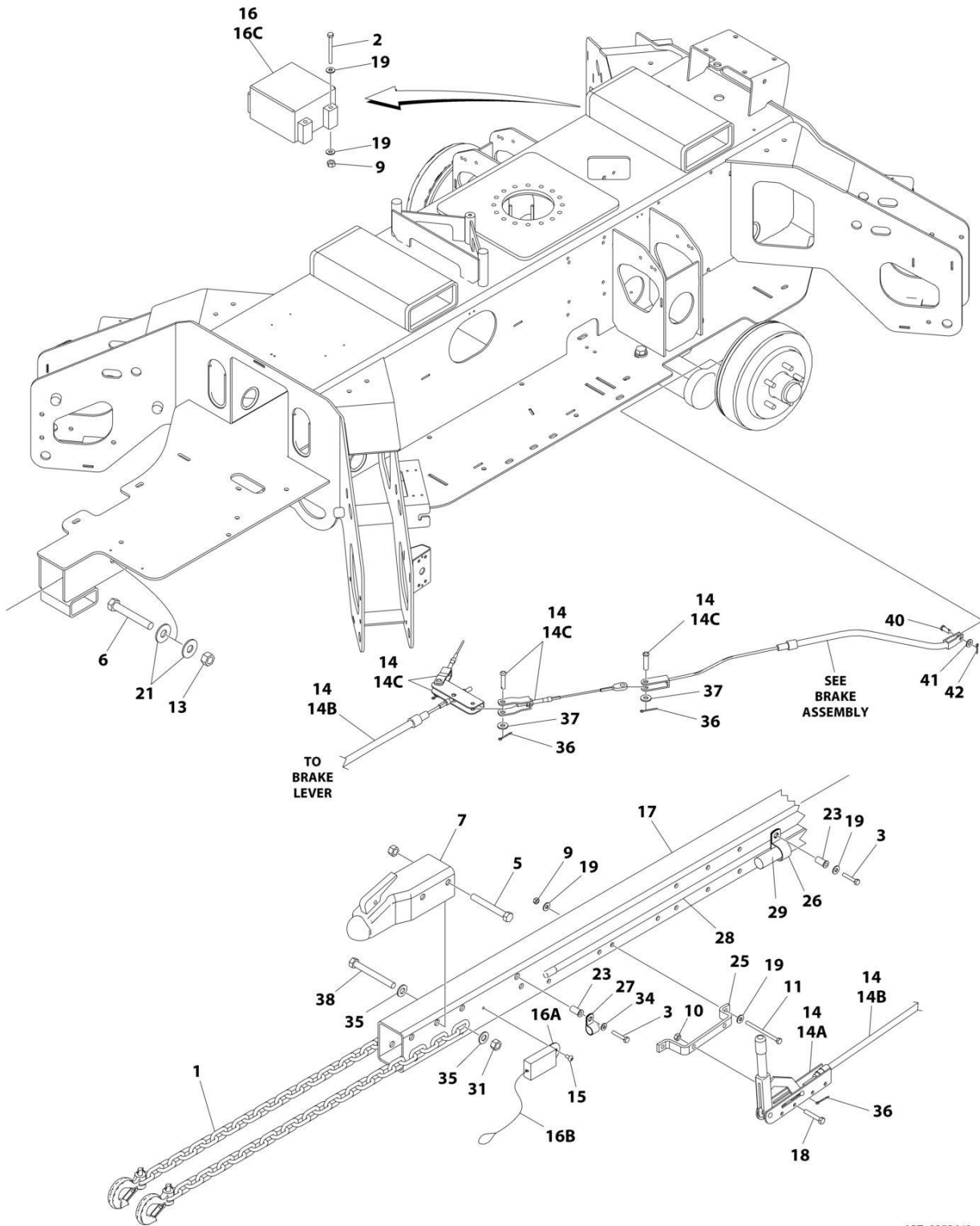
SECTION 1 - FRAME

FIGURE 1-4. TONGUE JACK INSTALLATIONS (T500J WITH COMBINATION HITCH)

ITEM	PART NUMBER	QTY	DESCRIPTION	REV
	0274453	Ref	JACK INSTALLATION	C
1	0641632	4	Bolt 3/8 x 4	
1	0641630	4	Bolt 3/8 x 3-3/4	
1	0641638	4	Bolt 3/8 x 4-3/4	
2	2840026	1	Jack Assembly (No Service Parts Available Due to the Variety of Jacks Used by either JLG or Supplier. Replace Complete Assembly)	
3	3311605	4	Nut 3/8	
4	4751600	8	Washer 3/8	
5	7027727	2	Strap, Mounting	

SECTION 1 - FRAME

FIGURE 1-5. AXLE AND TONGUE INSTALLATION WITH ELECTRIC BRAKES (T350)



ART_0273648

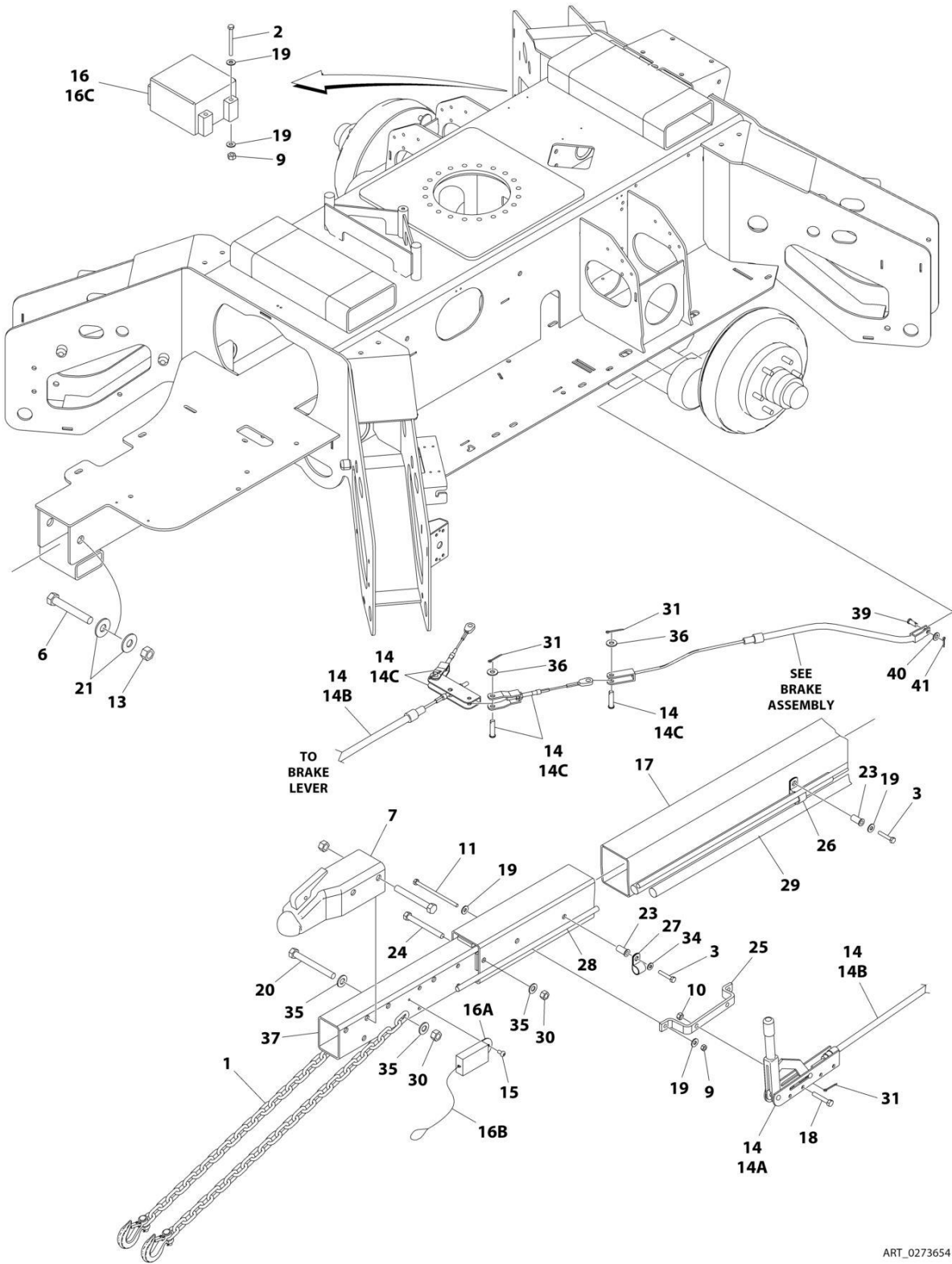
SECTION 1 - FRAME

FIGURE 1-5. AXLE AND TONGUE INSTALLATION WITH ELECTRIC BRAKES (T350)

ITEM	PART NUMBER	QTY	DESCRIPTION	REV
	0273648	Ref	ELECTRIC BRAKE AND TONGUE INSTALLATION	I
1	70212	2	Chain, Safety with Hook	
2	0641422	4	Bolt 1/4 x 2-3/4	
3	0641412	3	Bolt 1/4 x 1-1/2	
5	0641832	2	Bolt 1/2 x 4	
6	0642240	2	Bolt 3/4 x 5	
7	1660273	1	Coupler Assembly - Electric Brake (No Repair Parts Available)	
9	3311405	6	Nut 1/4	
10	3311505	2	Nut 5/16	
11	0641430	2	Bolt 1/4 x 3-3/4	
13	3312205	2	Nut 3/4	
14	3890043	1	Parking Brake Cable Assembly	
14A	2980123	1	Handle Assembly (Serviced as Assembly Only)	
14B	3890045	1	Cable, Brake (Handle to Splitter)	
14C	3890049	1	Brake, Cable Assembly (Splitter to Drum Brake) (Includes Splitter, Hardware and RH & LH Cables. Does NOT Include Cables Entering Drums - See Brake Assembly)	
15	4191706	1	Screw M6 x 12	
16	4360570	1	Breakaway Switch Kit	
16A	71820	1	Switch, Replacement Breakaway	
16B	71820-1	1	Replacement Switch Pin and Cable	
16C	See Note	NSS	Charger, Replacement Battery (Note: Not Available - Purchase Complete Kit p/n 4360570)	
17	4569512	1	Tongue	
18	0641514	2	Bolt 5/16 x 1-3/4	
19	4751400	14	Washer 1/4	
21	4752200	4	Washer 3/4	
23	8580420	3	Wellnut 1/4	
25	0903108	1	Bracket, Parking Brake	
26	1320060	2	Clamp	
27	1320061	1	Clamp	
28	1560016	1	Conduit	
29	1560017	1	Conduit	
31	3311805	1	Nut 1/2	
32	4240032	AR	Tie-Strap (Not Shown)	
33	4240033	AR	Tie-Strap (Not Shown)	
34	4711400	1	Washer 1/4	
35	4711800	2	Washer 1/2	
36	3450304	5	Pin, Cotter	
37	4751500	4	Washer 5/16	
38	0641836	1	Bolt 1/2 x 4-1/2	
39	4923202	1	Trailer Plug Harness (6 Way) (Not Shown)	
40	3430506	2	Pin, Clevis	
41	4711500	2	Washer 5/16	
42	3450302	2	Pin, Cotter	

SECTION 1 - FRAME

FIGURE 1-6. AXLE AND TONGUE INSTALLATION WITH ELECTRIC BRAKES (T500J WITH 2IN BALL)



ART_0273654

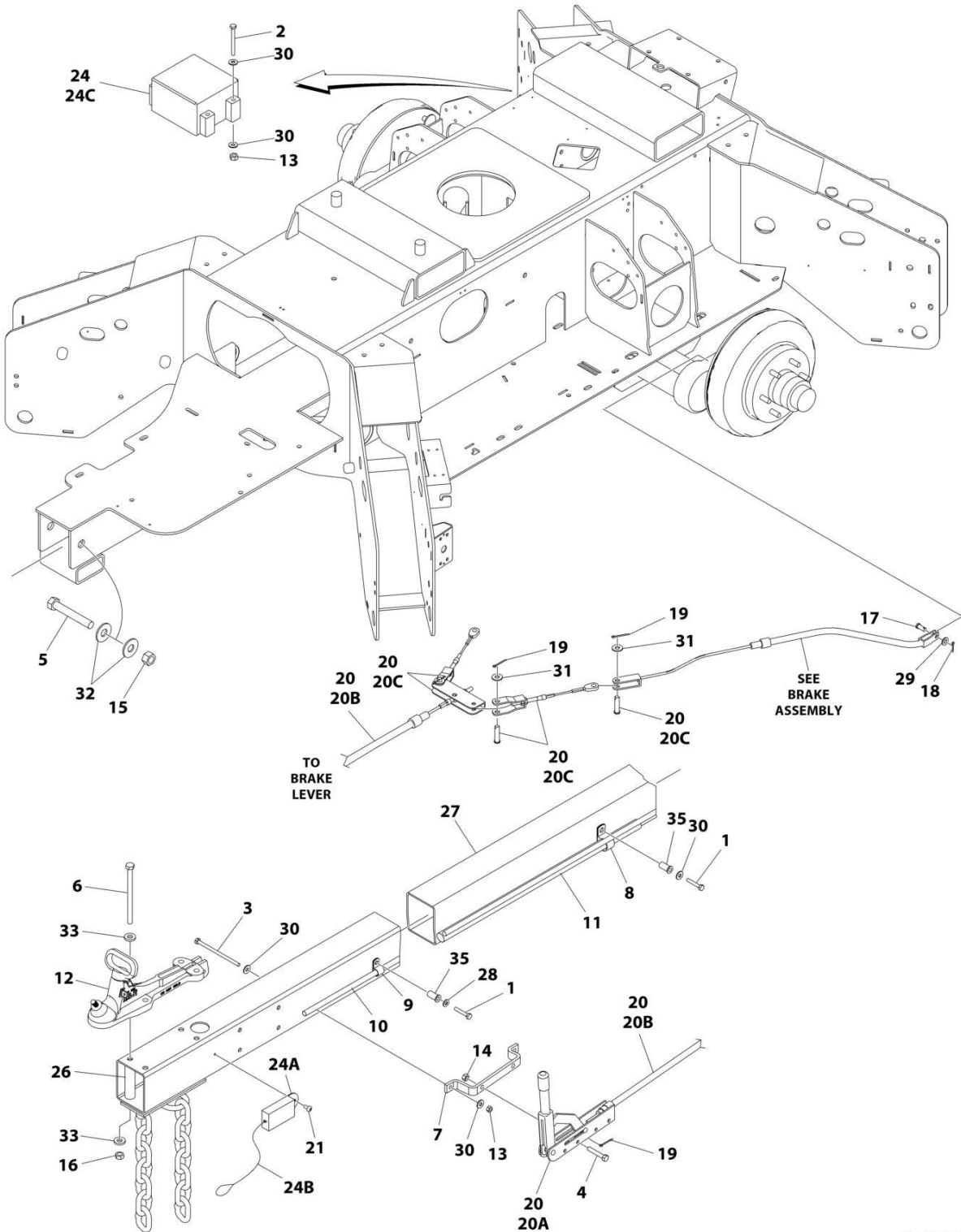
SECTION 1 - FRAME

FIGURE 1-6. AXLE AND TONGUE INSTALLATION WITH ELECTRIC BRAKES (T500J WITH 2IN BALL)

ITEM	PART NUMBER	QTY	DESCRIPTION	REV
	0273654	Ref	ELECTRIC BRAKE AND TONGUE INSTALLATION	I
1	70212	2	Chain, Safety with Hook	
2	0641422	4	Bolt 1/4 x 2-3/4	
3	0641412	4	Bolt 1/4 x 1-1/2	
6	0642240	2	Bolt 3/4 x 5	
7	1660273	1	Coupler Assembly - Electric Brake (No Repair Parts Available)	
9	3311405	6	Nut 1/4	
10	3311505	2	Nut 5/16	
11	0641438	2	Bolt 1/4 x 4-3/4	
13	3312205	2	Nut 3/4	
14	3890044	1	Parking Brake Cable Assembly	
14A	2980123	1	Handle Assembly (Serviced as Assembly Only)	
14B	3890046	1	Cable, Brake (Handle to Splitter)	
14C	3890050	1	Brake, Cable Assembly (Splitter to Drum Brake) (Includes Splitter, Hardware and RH & LH Cables. Does NOT Include Cables Entering Drums - See Brake Assembly)	
15	4191706	1	Screw M6 x 12	
16	4360570	1	Breakaway Switch Kit	
16A	71820	1	Switch, Replacement Breakaway	
16B	71820-1	1	Replacement Switch Pin and Cable	
16C	See Note	NSS	Charger, Replacement Battery (Note: Not Available - Purchase Complete Kit p/n 4360570)	
17	4568986	1	Tongue	
18	0641514	2	Bolt 5/16 x 1-3/4	
19	4751400	15	Washer 1/4	
20	0641836	1	Bolt 1/2 x 4-1/2	
21	4752200	4	Washer 3/4	
23	8580420	4	Wellnut 1/4	
24	0641838	2	Bolt 1/2 x 4-3/4	
25	0903108	1	Bracket, Parking Brake	
26	1320060	3	Clamp	
27	1320061	1	Clamp	
28	1560016	1	Conduit	
29	1560017	2	Conduit	
30	3311805	3	Nut 1/2	
31	3450304	5	Pin, Cotter	
32	4240032	AR	Tie-Strap (Not Shown)	
33	4240033	AR	Tie-Strap (Not Shown)	
34	4711400	1	Washer 1/4	
35	4711800	4	Washer 1/2	
36	4751500	4	Washer 5/16	
37	0080291	1	Adapter, Tongue	
38	4923203	1	Trailer Plug Harness (6 Way) (Not Shown)	
39	3430506	2	Pin, Clevis	
40	4711500	2	Washer 5/16	
41	3450302	2	Pin, Cotter	

SECTION 1 - FRAME

FIGURE 1-7. AXLE AND TONGUE INSTALLATION WITH ELECTRIC BRAKES (T500J WITH 50MM BALL)



ART_0274767

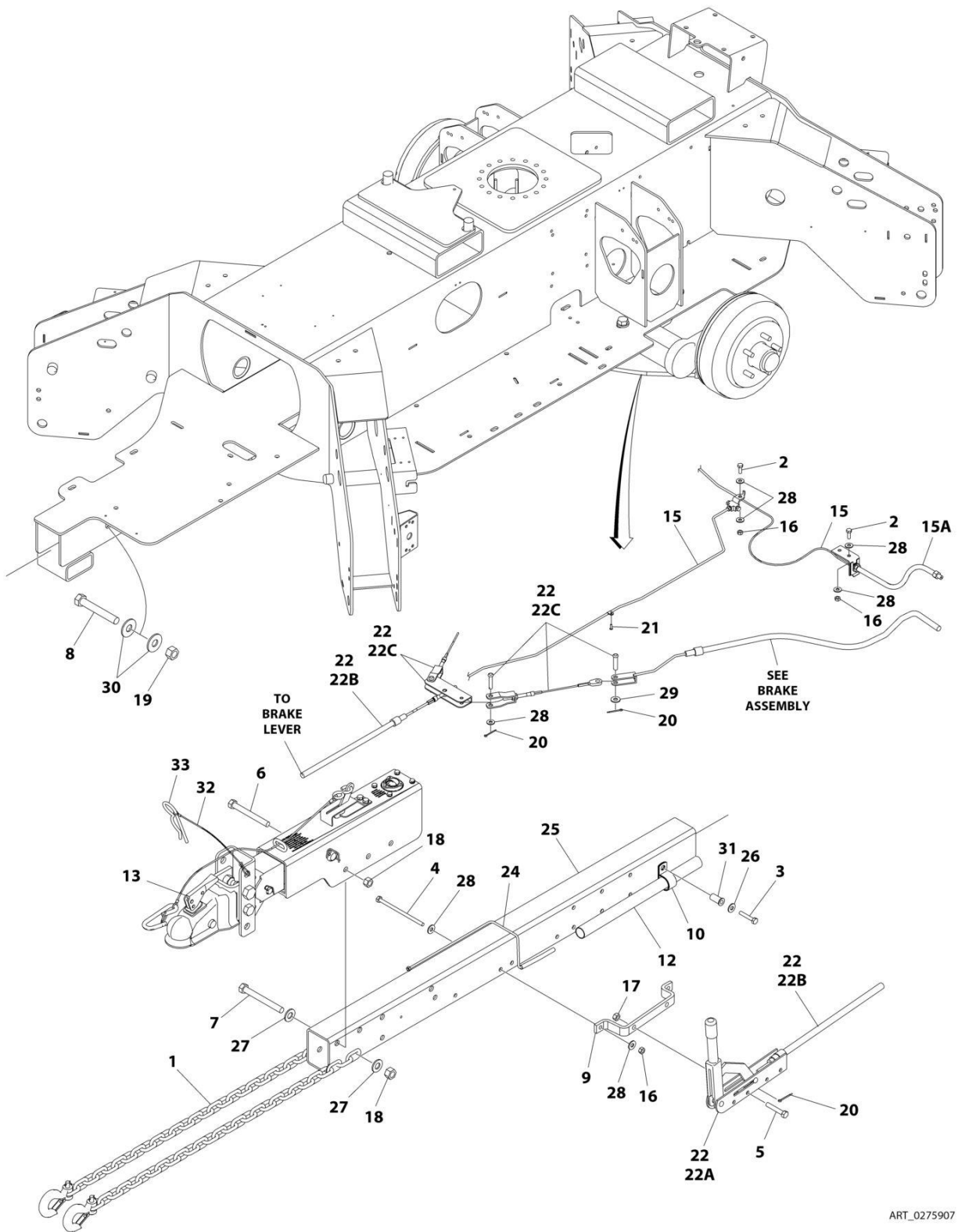
SECTION 1 - FRAME

FIGURE 1-7. AXLE AND TONGUE INSTALLATION WITH ELECTRIC BRAKES (T500J WITH 50MM BALL)

ITEM	PART NUMBER	QTY	DESCRIPTION	REV
	0274767	Ref	ELECTRIC BRAKE AND TONGUE INSTALLATION	E
1	0641412	4	Bolt 1/4 x 1-1/2	
2	0641422	4	Bolt 1/4 x 2-3/4	
3	0641438	2	Bolt 1/4 x 4-3/4	
4	0641514	2	Bolt 5/16 x 1-3/4	
5	0642246	2	Bolt 3/4 x 5-3/4	
6	0711234	4	Bolt M12 x 170	
7	0903108	1	Bracket, Parking Brake	
8	1320060	3	Clamp	
9	1320061	1	Clamp	
10	1560016	1	Conduit	
11	1560017	2	Conduit	
12	1660297	1	Coupler Assembly - Electric Brake (No Repair Parts Available)	
13	3311405	6	Nut 1/4	
14	3311505	2	Nut 5/16	
15	3312205	2	Nut 3/4	
16	3331211	4	Nut M12	
17	3430506	2	Pin, Clevis	
18	3450302	2	Pin, Cotter	
19	3450304	3	Pin, Cotter	
20	3890044	1	Parking Brake Cable Assembly	
20A	2980123	1	Handle Assembly (Serviced as Assembly Only)	
20B	3890046	1	Cable, Brake (Handle to Splitter)	
20C	3890050	1	Brake, Cable Assembly (Splitter to Drum Brake) (Includes Splitter, Hardware and RH & LH Cable. Does not Include Cable Entering Drums - See Brake Assembly)	
21	4191706	1	Screw M6 x 12	
22	4240032	AR	Tie-Strap (Not Shown)	
23	4240033	AR	Tie-Strap (Not Shown)	
24	4360570	1	Breakaway Switch Kit	
24A	71820	1	Switch, Replacement Breakaway	
24B	71820-1	1	Replacement Switch Pin and Cable	
24C	See Note	1	Charger, Replacement Battery (Note: Not Available - Purchase Complete Kit p/n 4360570)	
26	4569438	4	Spacer	
27	4569445	1	Tongue	
28	4711400	1	Washer 1/4	
29	4711500	2	Washer 5/16	
30	4751400	15	Washer 1/4	
31	4751500	2	Washer 5/16	
32	4752200	4	Washer 3/4	
33	4891800	8	Washer 1/2	
34	4923318	1	Trailer Plug Harness (Not Shown)	
35	8580420	4	Wellnut 1/2	

SECTION 1 - FRAME

FIGURE 1-8. AXLE AND TONGUE INSTALLATION WITH HYDRAULIC BRAKES (T350 WITH 2IN BALL)



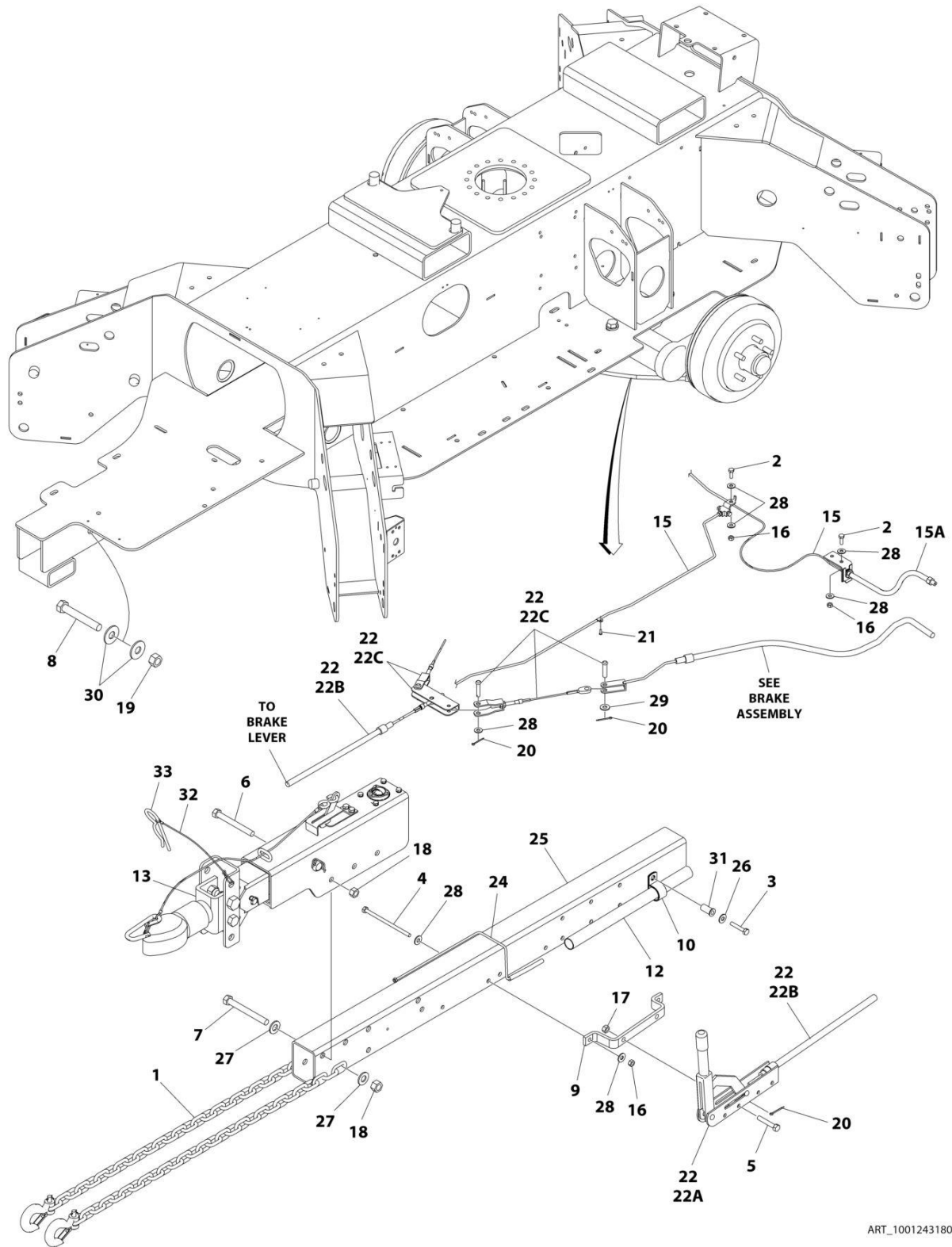
SECTION 1 - FRAME

FIGURE 1-8. AXLE AND TONGUE INSTALLATION WITH HYDRAULIC BRAKES (T350 WITH 2IN BALL)

ITEM	PART NUMBER	QTY	DESCRIPTION	REV
	0275907	Ref	HYDRAULIC BRAKE AND TONGUE INSTALLATIONS	E
1	70212	2	Chain, Safety with Hook	
2	0641406	5	Bolt 1/4 x 3/4	
3	0641412	2	Bolt 1/4 x 1-1/2	
4	0641430	2	Bolt 1/4 x 3-3/4	
5	0641514	2	Bolt 5/16 x 1-3/4	
6	0641836	3	Bolt 1/2 x 4-1/2	
7	0641838	1	Bolt 1/2 x 4-3/4	
8	0642240	2	Bolt 3/4 x 5	
9	0903108	1	Bracket, Parking Brake	
10	1320060	2	Clamp	
12	1560017	1	Conduit	
13	1001116350	1	Coupler Assembly (See Separate Breakdown in this Section)	
14	2300006	AR	Fluid, Brake - DOT3 (Not Shown)	
15	2902349	1	Brake Line Kit (Includes qty 2 of these items: 12in Steel Lines with Fittings, 18in Hoses, Mounting Angles and Clamps. Also, Includes qty 1 Tee Fitting with Mounting Bracket)	
15A	7027890	2	Replacement Hose Only	
16	3311405	7	Nut 1/4	
17	3311505	2	Nut 5/16	
18	3311805	4	Nut 1/2	
19	3312205	2	Nut 3/4	
20	3450304	5	Pin, Cotter	
21	3820017	2	Rivet	
22	3890041	1	Parking Brake Cable Assembly	
22A	2980123	1	Handle Assembly (Serviced as Assembly Only)	
22B	3890045	1	Cable, Brake (Handle to Splitter)	
22C	3890047	1	Brake, Cable Assembly (Splitter to Drum Brake) (Includes Splitter, Hardware and RH & LH Cables. Does NOT Include Cables Entering Drums - See Brake Assembly)	
23	4240032	AR	Tie-Strap (Not Shown)	
24	4569096	1	Brake Line	
25	4569512	1	Tongue	
26	4711400	2	Washer 1/4	
27	4711800	2	Washer 1/2	
28	4751400	16	Washer 1/4	
29	4751500	2	Washer 5/16	
30	4752200	4	Washer 3/4	
31	8580420	2	Wellnut 1/2	
32	1060799	1	Lanyard	
33	3420592	1	Hairpin	

SECTION 1 - FRAME

FIGURE 1-9. AXLE AND TONGUE INSTALLATION WITH HYDRAULIC BRAKES (T350 WITH 2IN BALL AND COLLAR)



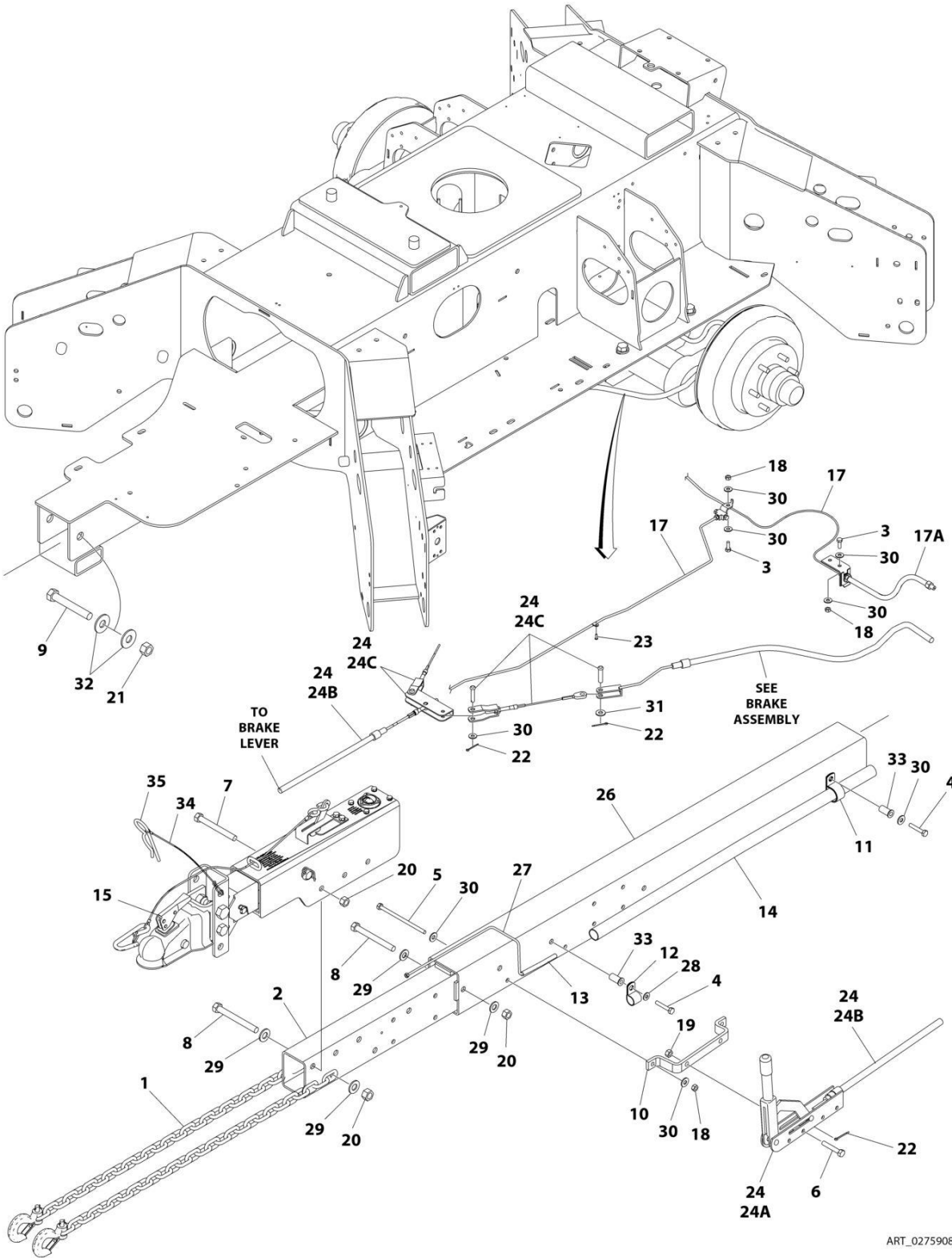
SECTION 1 - FRAME

FIGURE 1-9. AXLE AND TONGUE INSTALLATION WITH HYDRAULIC BRAKES (T350 WITH 2IN BALL AND COLLAR)

ITEM	PART NUMBER	QTY	DESCRIPTION	REV
	1001243180	Ref	HYDRAULIC BRAKE AND TONGUE INSTALLATIONS	A
1	70212	2	Chain, Safety with Hook	
2	0641406	5	Bolt 1/4 x 3/4	
3	0641412	2	Bolt 1/4 x 1-1/2	
4	0641430	2	Bolt 1/4 x 3-3/4	
5	0641514	2	Bolt 5/16 x 1-3/4	
6	0641836	3	Bolt 1/2 x 4-1/2	
7	0641838	1	Bolt 1/2 x 4-3/4	
8	0642240	2	Bolt 3/4 x 5	
9	0903108	1	Bracket, Parking Brake	
10	1320060	2	Clamp	
12	1560017	1	Conduit	
13	1001243182	1	Coupler Assembly (See Separate Breakdown in this Section)	
14	2300006	AR	Fluid, Brake - DOT3 (Not Shown)	
15	2902349	1	Brake Line Kit (Includes qty 2 of these items: 12in Steel Lines with Fittings, 18in Hoses, Mounting Angles and Clamps. Also, Includes qty 1 Tee Fitting with Mounting Bracket)	
15A	7027890	2	Replacement Hose Only	
16	3311405	7	Nut 1/4	
17	3311505	2	Nut 5/16	
18	3311805	4	Nut 1/2	
19	3312205	2	Nut 3/4	
20	3450304	5	Pin, Cotter	
21	3820017	2	Rivet	
22	3890041	1	Parking Brake Cable Assembly	
22A	2980123	1	Handle Assembly (Serviced as Assembly Only)	
22B	3890045	1	Cable, Brake (Handle to Splitter)	
22C	3890047	1	Brake, Cable Assembly (Splitter to Drum Brake) (Includes Splitter, Hardware and RH & LH Cables. Does NOT Includes Cables Entering Drums - See Brake Assembly)	
23	4240032	AR	Tie-Strap (Not Shown)	
24	4569096	1	Brake Line	
25	4569512	1	Tongue	
26	4711400	2	Washer 1/4	
27	4711800	2	Washer 1/2	
28	4751400	16	Washer 1/4	
29	4751500	2	Washer 5/16	
30	4752200	4	Washer 3/4	
31	8580420	2	Wellnut 1/4	
32	1060799	1	Lanyard	
33	3420592	1	Hairpin	

SECTION 1 - FRAME

FIGURE 1-10. AXLE AND TONGUE INSTALLATION WITH HYDRAULIC BRAKES (T500J WITH 2IN BALL)



ART_0275908

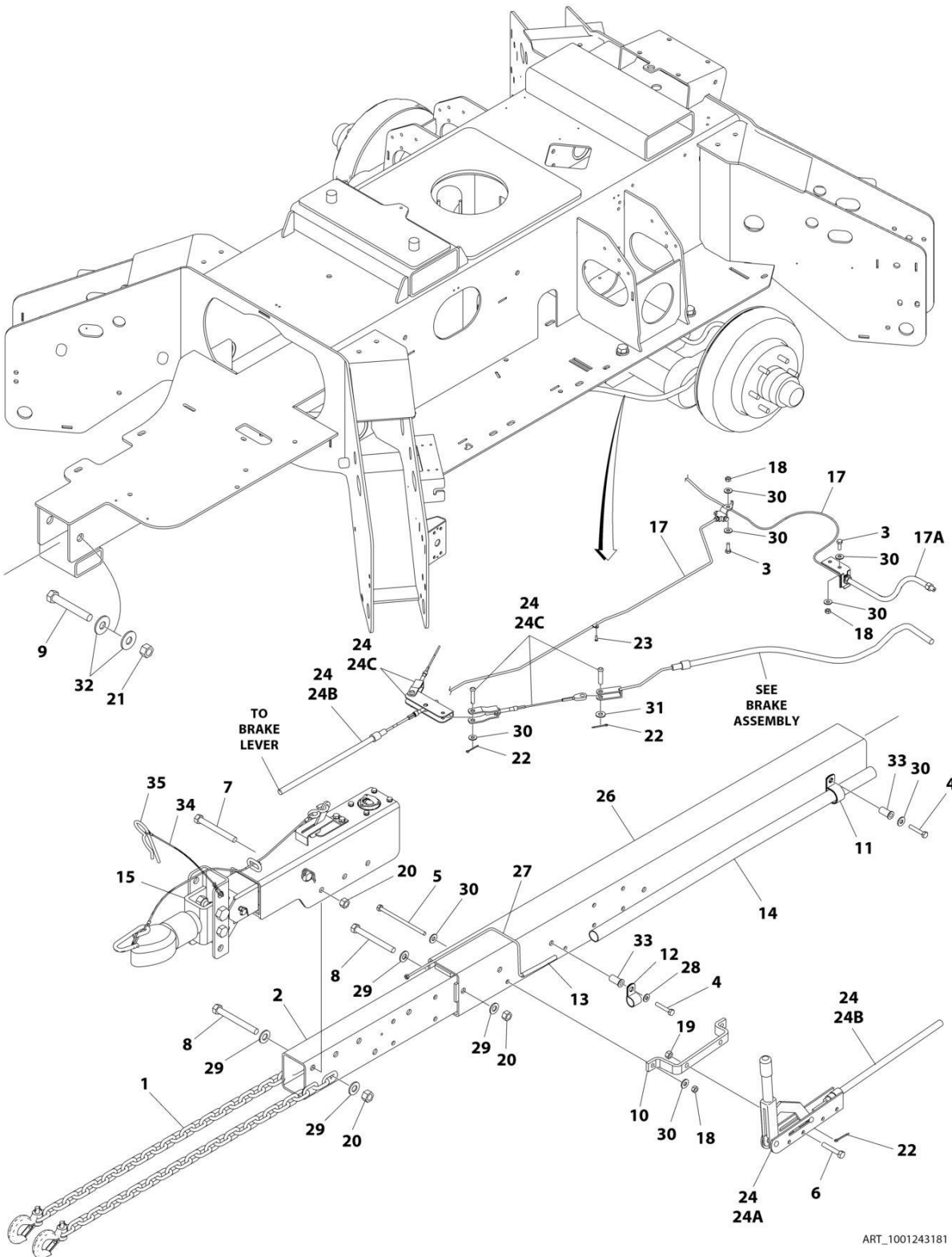
SECTION 1 - FRAME

FIGURE 1-10. AXLE AND TONGUE INSTALLATION WITH HYDRAULIC BRAKES (T500J WITH 2IN BALL)

ITEM	PART NUMBER	QTY	DESCRIPTION	REV
	0275908	Ref	HYDRAULIC BRAKE AND TONGUE INSTALLATIONS	E
1	70212	2	Chain, Safety with Hook	
2	0080291	1	Adapter, Tongue	
3	0641406	5	Bolt 1/4 x 3/4	
4	0641412	4	Bolt 1/4 x 1-1/2	
5	0641438	2	Bolt 1/4 x 4-3/4	
6	0641514	2	Bolt 5/16 x 1-3/4	
7	0641836	3	Bolt 1/2 x 4-1/2	
8	0641838	3	Bolt 1/2 x 4-3/4	
9	0642244	2	Bolt 3/4 x 5-1/2	
10	0903108	1	Bracket, Parking Brake	
11	1320060	3	Clamp	
12	1320061	1	Clamp	
13	1560016	1	Conduit	
14	1560017	2	Conduit	
15	1001116350	1	Coupler Assembly	
16	2300006	AR	Fluid, Brake - DOT3 (Not Shown)	
17	2902349	1	Brake Line Kit (Includes qty 2 of these items: 12in Steel Lines with Fittings, 18in Hoses, Mounting Angles and Clamps. Also, Includes qty 1 Tee Fitting with Mounting Bracket)	
17A	7027890	2	Replacement Hose Only	
18	3311405	7	Nut 1/4	
19	3311505	2	Nut 5/16	
20	3311805	6	Nut 1/2	
21	3312205	2	Nut 3/4	
22	3450304	5	Pin, Cotter	
23	3820017	2	Rivet	
24	3890042	1	Parking Brake Cable Assembly	
24A	2980123	1	Handle Assembly (Serviced as Assembly Only)	
24B	3890046	1	Cable, Brake (Handle to Splitter)	
24C	3890048	1	Brake, Cable Assembly (Splitter to Drum Brake) (Includes Splitter, Hardware and RH & LH Cable. Does NOT Includes Cables Entering Drums - See Brake Assembly)	
25	4240032	1	Tie-Strap (Not Shown)	
26	4568986	1	Tongue	
27	4569097	1	Brake Line	
28	4711400	1	Washer 1/4	
29	4711800	6	Washer 1/2	
30	4751400	19	Washer 1/4	
31	4751500	2	Washer 5/16	
32	4752200	4	Washer 3/4	
33	8580420	4	Wellnut 1/4	
34	1060799	1	Lanyard	
35	3420592	1	Hairpin	

SECTION 1 - FRAME

FIGURE 1-11. AXLE AND TONGUE INSTALLATION WITH HYDRAULIC BRAKES (T500J WITH 2IN BALL AND COLLAR)



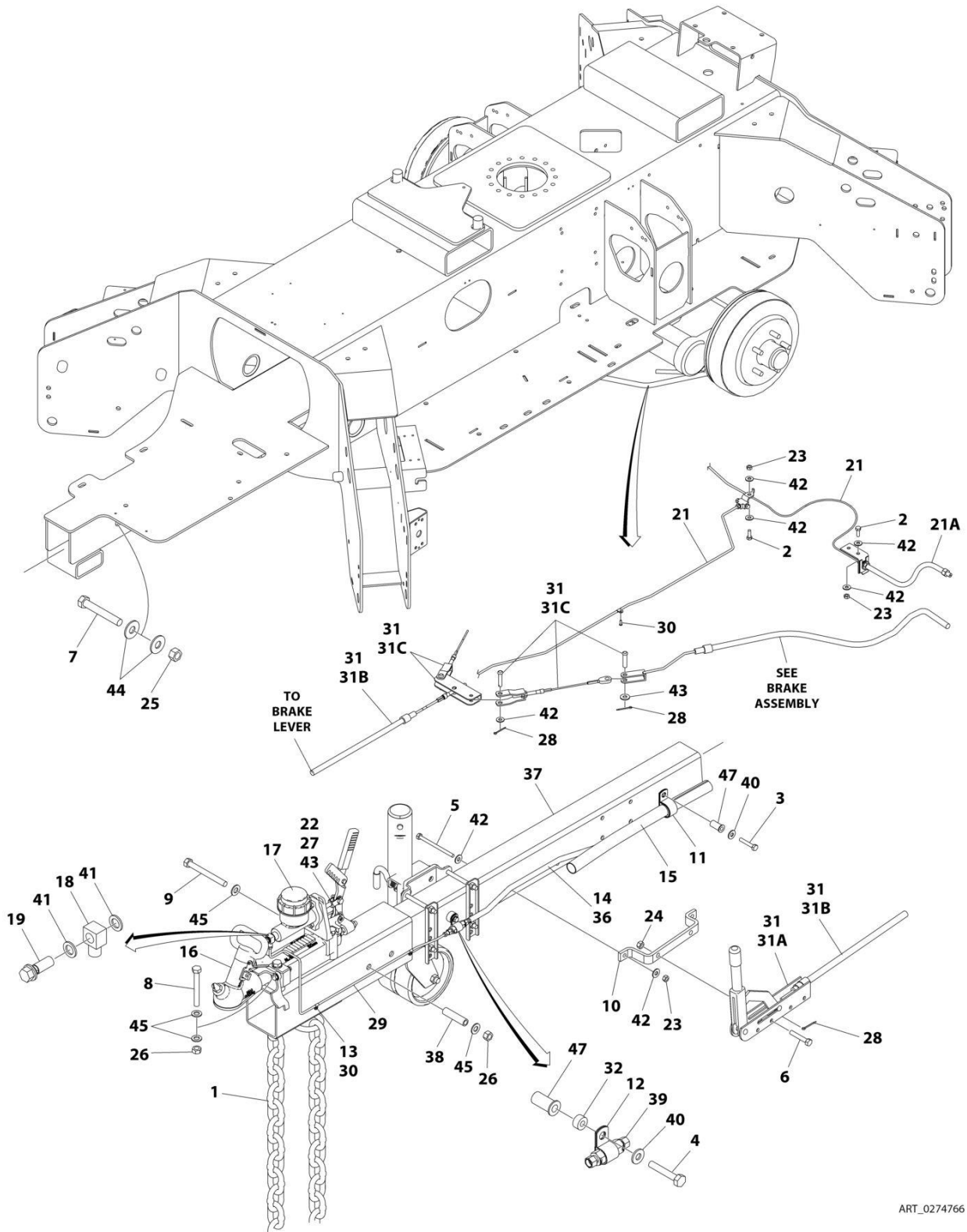
SECTION 1 - FRAME

FIGURE 1-11. AXLE AND TONGUE INSTALLATION WITH HYDRAULIC BRAKES (T500J WITH 2IN BALL AND COLLAR)

ITEM	PART NUMBER	QTY	DESCRIPTION	REV
	1001243181	Ref	HYDRAULIC BRAKE AND TONGUE INSTALLATIONS	A
1	70212	2	Chain, Safety with Hook	
2	0080291	1	Adapter, Tongue	
3	0641406	5	Bolt 1/4 x 3/4	
4	0641412	4	Bolt 1/4 x 1-1/2	
5	0641438	2	Bolt 1/4 x 4-3/4	
6	0641514	2	Bolt 5/16 x 1-3/4	
7	0641836	3	Bolt 1/2 x 4-1/2	
8	0641838	3	Bolt 1/2 x 4-3/4	
9	0642244	2	Bolt 3/4 x 5-1/2	
10	0903108	1	Bracket, Parking Brake	
11	1320060	3	Clamp	
12	1320061	1	Clamp	
13	1560016	1	Conduit	
14	1560017	2	Conduit	
15	1001243182	1	Coupler Assembly (See Separate Breakdown in this Section)	
16	2300006	AR	Fluid, Brake - DOT3 (Not Shown)	
17	2902349	1	Brake Line Kit (Includes qty 2 of these items: 12in Steel Lines with Fittings, 18in Hoses, Mounting Angles and Clamps. Also, Includes qty 1 Tee Fitting with Mounting Bracket)	
17A	7027890	1	Replacement Hose Only	
18	3311405	7	Nut 1/4	
19	3311505	2	Nut 5/16	
20	3311805	6	Nut 1/2	
21	3312205	2	Nut 3/4	
22	3450304	5	Pin, Cotter	
23	3820017	2	Rivet	
24	3890042	1	Parking Brake Cable Assembly	
24A	2980123	1	Handle Assembly (Serviced as Assembly Only)	
24B	3890046	1	Cable, Brake (Handle to Splitter)	
24C	3890048	1	Brake, Cable Assembly (Splitter to Drum Brake) (Includes Splitter, Hardware and RH & LH Cable. Does NOT Includes Cables Entering Drums - See Brake Assembly)	
25	4240032	1	Tie-Strap (Not Shown)	
26	4568986	1	Tongue	
27	4569097	1	Brake Line	
28	4711400	1	Washer 1/4	
29	4711800	6	Washer 1/2	
30	4751400	19	Washer 1/4	
31	4751500	2	Washer 5/16	
32	4752200	4	Washer 3/4	
33	8580420	4	Wellnut 1/4	
34	1060799	1	Lanyard	
35	3420592	1	Hairpin	

SECTION 1 - FRAME

FIGURE 1-12. AXLE AND TONGUE INSTALLATION WITH HYDRAULIC BRAKES (T350 WITH 50MM BALL)



ART_0274766

SECTION 1 - FRAME

FIGURE 1-12. AXLE AND TONGUE INSTALLATION WITH HYDRAULIC BRAKES (T350 WITH 50MM BALL)

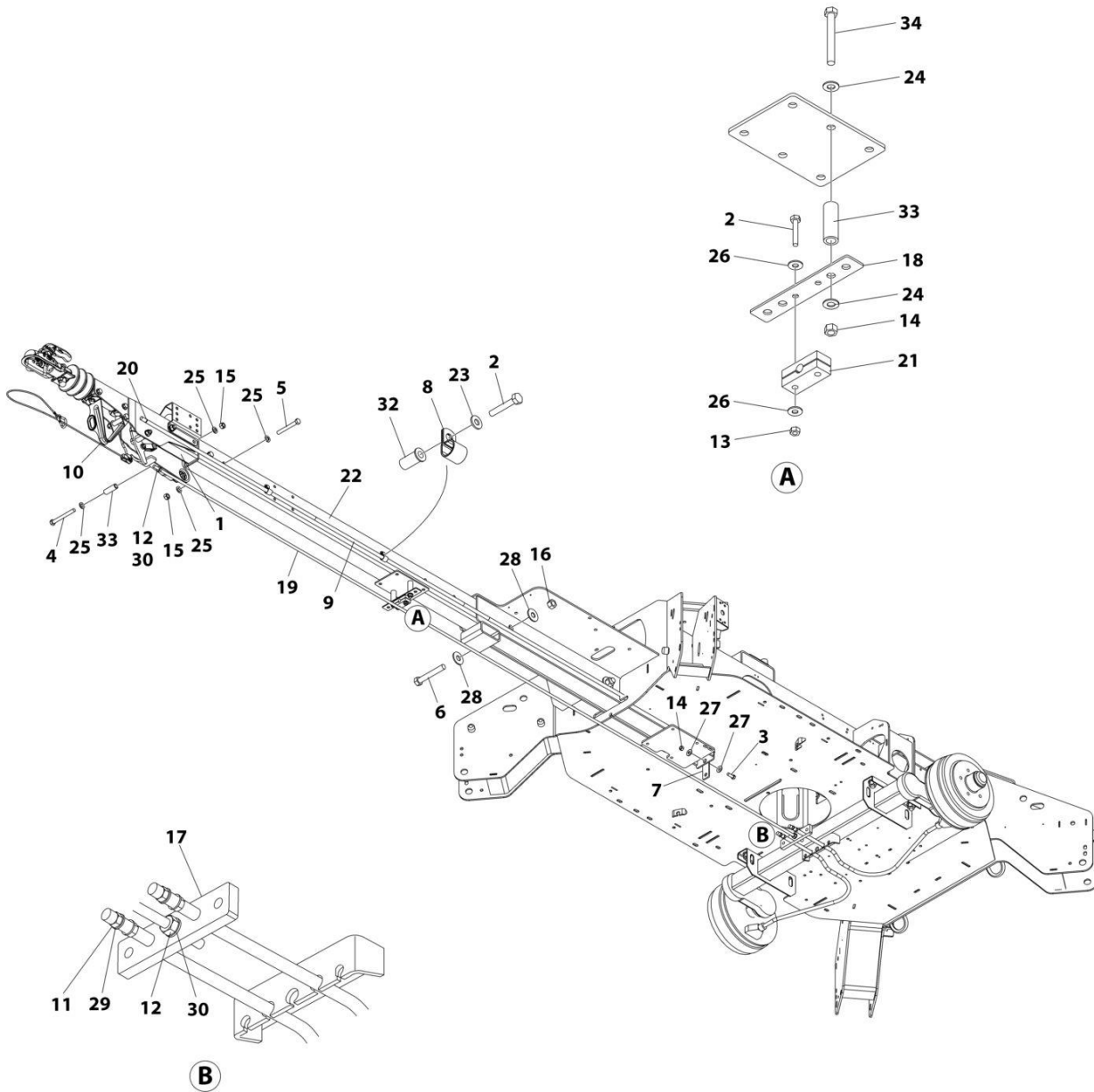
ITEM	PART NUMBER	QTY	DESCRIPTION	REV
	0274766	Ref	HYDRAULIC BRAKE AND TONGUE INSTALLATIONS	F
1	0080282	1	Adapter, Tongue	
2	0641406	5	Bolt 1/4 x 3/4	
3	0641412	2	Bolt 1/4 x 1-1/2	
4	0641416	1	Bolt 1/4 x 2	
5	0641430	2	Bolt 1/4 x 3-3/4	
6	0641514	2	Bolt 5/16 x 1-3/4	
7	0642240	2	Bolt 3/4 x 5	
8	0711227	4	Bolt M12 x 100	
9	0711229	2	Bolt M12 x 120	
10	0903108	1	Bracket, Parking Brake	
11	1320060	2	Clamp	
12	1320061	1	Clamp	
13	1321676	2	Clamp	
14	1560016	1	Conduit	
15	1560017	1	Conduit	
16	1660298	1	Coupler Assembly (Note: No Service Parts Available. Purchase Complete Assembly)	
17	1684524	1	Cylinder Assembly - Master Brake (Note: No Service Parts Available. Purchase Complete Assembly)	
18	2221272	1	Fitting	
19	2221273	1	Fitting	
20	2300006	AR	Fluid, Brake - DOT3 (Not Shown)	
21	2902349	1	Brake Line Kit (Includes qty 2 of these items: 12in Steel Lines with Fittings, 18in Hoses, Mounting Angles and Clamps. Also, Includes qty 1 Tee Fitting with Mounting Bracket)	
21A	7027890	2	Replacement Hose Only	
22	2980130	1	Lever, Pivot	
23	3311405	7	Nut 1/4	
24	3311505	2	Nut 5/16	
25	3312205	2	Nut 3/4	
26	3331211	6	Nut M12	
27	3371910	1	Pin, Roll	
28	3450304	5	Pin, Cotter	
29	3460557	1	Pipe, Brake Line Assembly	
30	3820017	4	Rivet, Pop	
31	3890041	1	Parking Brake Cable Assembly	
31A	2980123	1	Handle Assembly (Serviced as Assembly Only)	
31B	3890045	1	Cable, Brake (Handle to Splitter)	
31C	3890047	1	Brake, Cable Assembly (Splitter to Drum Brake) (Includes Splitter, Hardware and RH & LH Cable. Does NOT Includes Cables Entering Drums - See Brake Assembly)	
32	4071122	1	Shim, Spacer	
33	4240032	AR	Tie-Strap (Not Shown)	
34	4240033	AR	Tie-Strap (Not Shown)	
35	4460121	6	Terminal, Wire Cap (Not Shown)	
36	4569096	1	Tube, Hydraulic Brake	
37	4569447	1	Tongue	
38	4569450	2	Tube, Spacer	
39	4641496	1	Valve, 10lb. Residual Pressure	

SECTION 1 - FRAME

ITEM	PART NUMBER	QTY	DESCRIPTION	REV
40	4711400	3	Washer 1/4	
41	4740571	2	Washer, Copper Brake	
42	4751400	16	Washer 1/4	
43	4751500	4	Washer 5/16	
44	4752200	4	Washer 3/4	
45	4812100	10	Washer M12	
46	4923317	1	Trailer Plug Harness (Not Shown)	
47	8580420	3	Wellnut	

SECTION 1 - FRAME

FIGURE 1-13. AXLE AND TONGUE INSTALLATION WITH MECHANICAL BRAKES (T350 WITH 50MM BALL)



ART_0273651

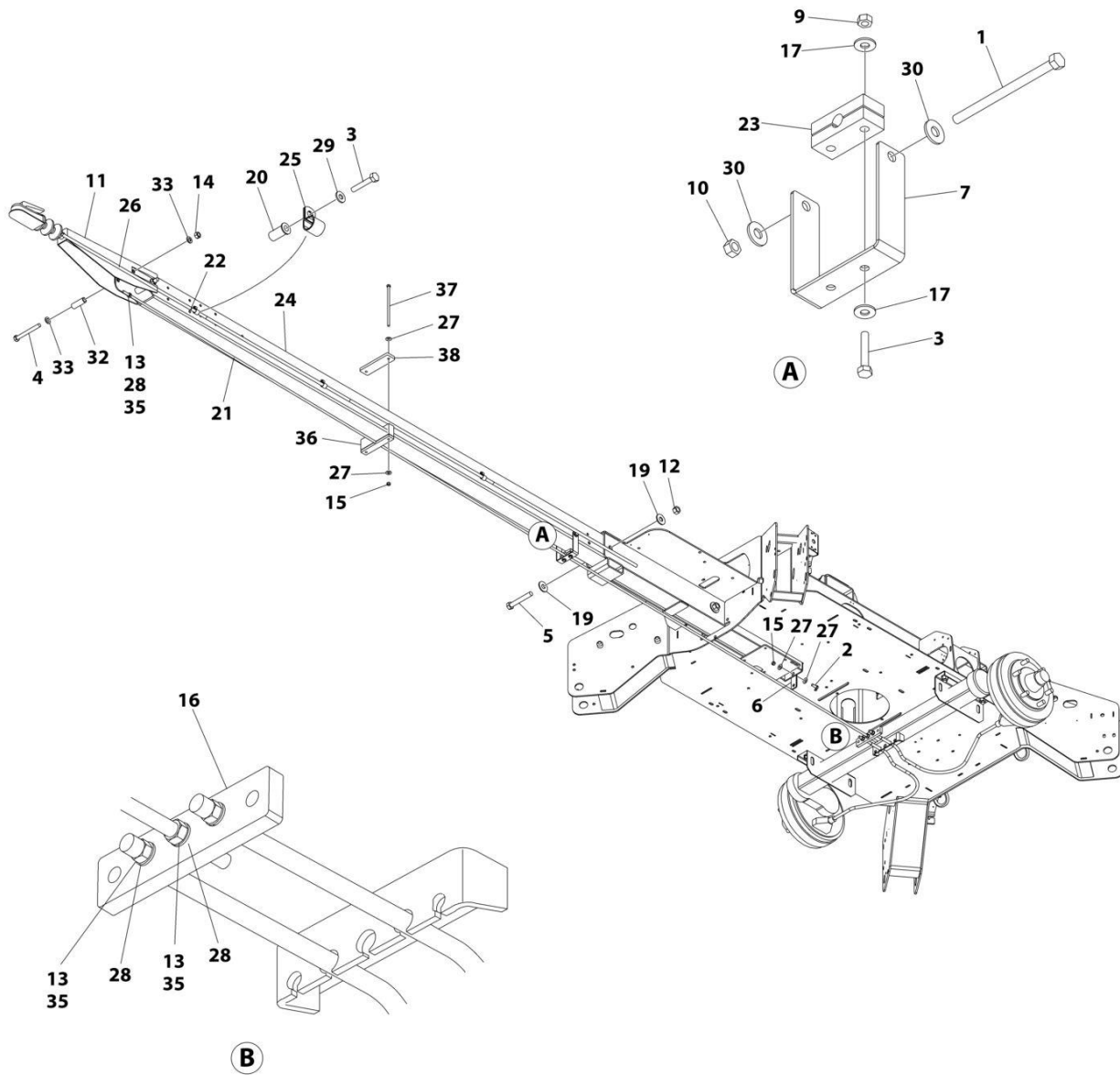
SECTION 1 - FRAME

FIGURE 1-13. AXLE AND TONGUE INSTALLATION WITH MECHANICAL BRAKES (T350 WITH 50MM BALL)

ITEM	PART NUMBER	QTY	DESCRIPTION	REV
	0273651	Ref	MECHANICAL BRAKE AND TONGUE INSTALLATIONS	H
1	1001227795	1	Adapter, Hitch	
2	0641412	4	Bolt 1/4 x 1-1/2	
3	0641608	1	Bolt 3/8 x 1	
4	0711228	2	Bolt M12 x 110	
5	0711227	2	Bolt M12 x 100	
6	0642240	2	Bolt 3/4 x 5	
7	0903215	1	Bracket, Brake Rod Support (Without Drive Option Only)	
8	1320061	2	Clamp	
9	1560016	3	Conduit	
10	1001214168	1	Coupler Assembly - Hydraulic Brake (See Separate Breakdown in this Section)	
11	3290801	4	Nut M8	
12	3291001	3	Nut M10	
13	3311405	2	Nut 1/4	
14	3311605	3	Nut 3/8	
15	3331217	4	Nut M12	
16	3312205	2	Nut 3/4	
17	3575853	1	Plate, Equalizer (Parking Brake) (Without Drive Option Only)	
18	3575869	1	Plate, Support (Parking Brake)	
19	3841696	1	Rod (Without Drive Option Only)	
20	4240032	AR	Tie-Strap (Not Shown)	
21	4341040	1	Support, Brake Rod	
22	4569182	1	Tube, Tongue	
23	4711400	2	Washer 1/4	
24	4711600	4	Washer 3/8	
25	4812100	8	Washer M12	
26	4751400	4	Washer 1/4	
27	4751600	2	Washer 3/8	
28	4752200	4	Washer 3/4	
29	4811900	4	Washer M8	
30	4812000	3	Washer M10	
31	1001155254	1	Harness, Trailer to Tow Vehicle (Not Shown)	
32	8580420	2	Wellnut 1/4	
33	4220259	4	Stop, Hitch	
34	0641624	2	Bolt 3/8 x 3	

SECTION 1 - FRAME

FIGURE 1-14. AXLE AND TONGUE INSTALLATION WITH MECHANICAL BRAKES (T500J WITH 50MM BALL)



ART_0273657

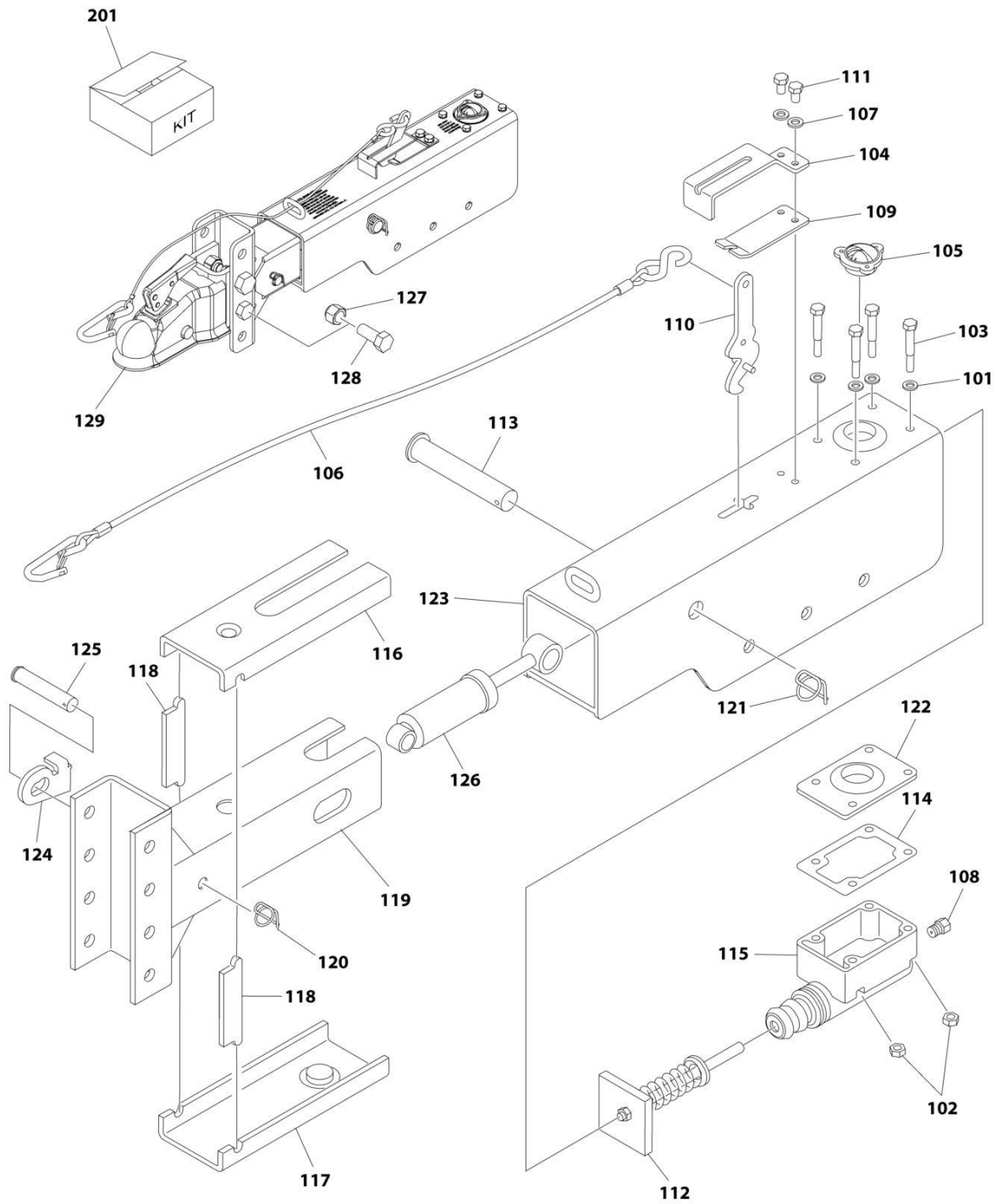
SECTION 1 - FRAME

FIGURE 1-14. AXLE AND TONGUE INSTALLATION WITH MECHANICAL BRAKES (T500J WITH 50MM BALL)

ITEM	PART NUMBER	QTY	DESCRIPTION	REV
	0273657	Ref	MECHANICAL BRAKE AND TONGUE INSTALLATIONS	G
1	0641538	1	Bolt 5/16 x 4-3/4	
2	0641608	1	Bolt 3/8 x 1	
3	0641412	5	Bolt 1/4 x 1-1/2	
4	0711631	2	Bolt M16 x 140	
5	0642244	2	Bolt 3/4 x 5-1/2	
6	0903215	1	Bracket, Brake Rod Support (Without Drive Option Only)	
7	0903216	1	Bracket, Support	
9	3311405	2	Nut 1/4	
10	3311505	1	Nut 5/16	
11	1660283	1	Coupler Assembly - Hydraulic Brake (See Separate Breakdown in this Section)	
12	3312205	2	Nut 3/4	
13	3291001	7	Nut M10	
14	3291601	2	Nut M16	
15	3311605	3	Nut 3/8	
16	3575853	1	Plate, Brake Equalizer	
17	4751400	4	Washer 1/4	
19	4752200	4	Washer 3/4	
20	8580420	3	Wellnut 1/4	
21	3841697	1	Rod (Without Drive Option Only)	
22	4240032	AR	Tie-Strap (Not Shown)	
23	4341040	1	Support, Brake Rod	
24	4569220	1	Tube, Tongue	
25	1320061	3	Clamp	
26	1560016	4	Conduit	
27	4751600	6	Washer 3/8	
28	4812000	7	Washer M10	
29	4711400	3	Washer 1/4	
30	4751500	2	Washer 5/16	
31	1001165365	1	Harness, Trailer to Tow Vehicle (Not Shown)	
32	4220260	2	Stop, Hitch	
33	4812300	4	Washer M16	
35	0100011	AR	Compound, Locking	
36	1001186711	1	Support, Brake Rod	
37	0641668	2	Bolt 3/8 x 8-1/2	
38	3575786	1	Bar, Tube Mount	

SECTION 1 - FRAME

FIGURE 1-15. HYDRAULIC BRAKE COUPLER ASSEMBLY (T350 AND T500J WITH 2 IN BALL)



ART_1001116350

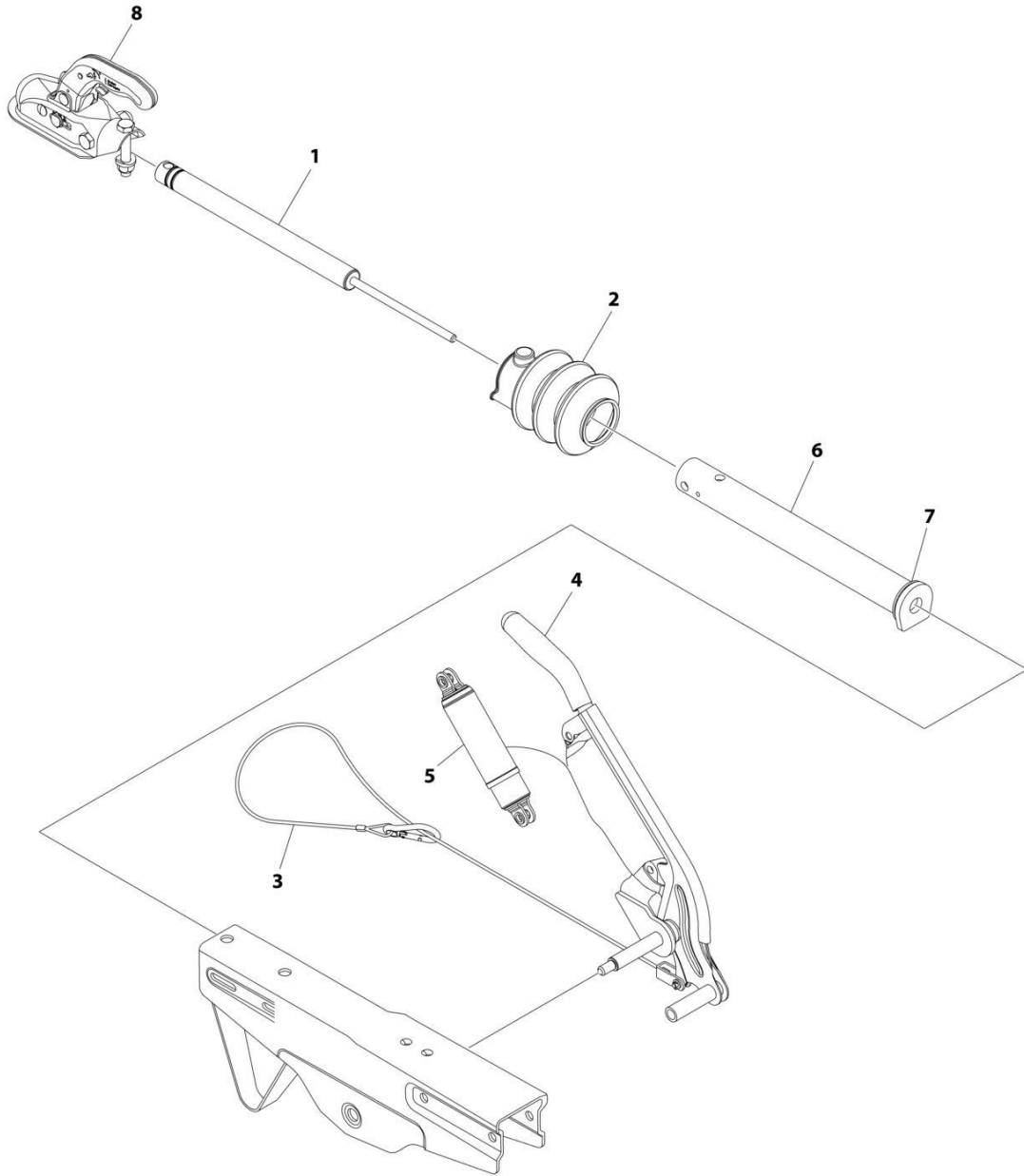
SECTION 1 - FRAME

FIGURE 1-15. HYDRAULIC BRAKE COUPLER ASSEMBLY (T350 AND T500J WITH 2 IN BALL)

ITEM	PART NUMBER	QTY	DESCRIPTION	REV
	1001116350	Ref	HYDRAULIC BRAKE COUPLER ASSEMBLY	B
101	4761400	4	Washer 1/4	
102	3311401	4	Nut 1/4	
103	0641416	4	Bolt 1/4 x 2	
104	7026372	1	Guide, Emergency Lever	
105	19616	1	Cap, Master Cylinder (Includes Diaphragm and O-Ring)	
106	19613	1	Cable with Hooks	
107	70002632	2	Lockwasher 5/16in	
108	7026355	1	Fitting with Orifice	
109	70002633	1	Plate, Emergency Lever Spring	
110	70002634	1	Lever, Emergency	
111	0641505	2	Bolt 5/16 x 5/8	
112	70002635	1	Push Rod (Master Cylinder)	
113	7026367	1	Pin	
114	7026370	1	Gasket (Master Cylinder)	
115	19611	1	Reservoir (Master Cylinder)	
116	7026358	1	Slider, Upper	
117	7026359	1	Slider, Lower	
118	7026360	2	Spacer, Side	
119	70002636	1	Slider, Channel Centered	
120	70002637	1	Ring Lock, Cotter	
121	70002638	1	Ring Lock, Cotter	
122	70002639	1	Cover (Master Cylinder)	
123	70002631	1	Case, Outer	
124	70002640	1	Lever, Lock Out	
125	70002641	1	Pin	
126	7026353	1	Shock, Damper	
127	70002628	4	Nut 5/8	
128	70002629	4	Bolt 5/8 x 1-1/2	
129	70002630	1	2in Coupler	
201	70002722	1	Actuator Replacement Kit (Includes Items 116, 117 & 118)	

SECTION 1 - FRAME

FIGURE 1-16. HYDRAULIC BRAKE COUPLER ASSEMBLY (T500J WITH 50MM BALL)



ART_1660283

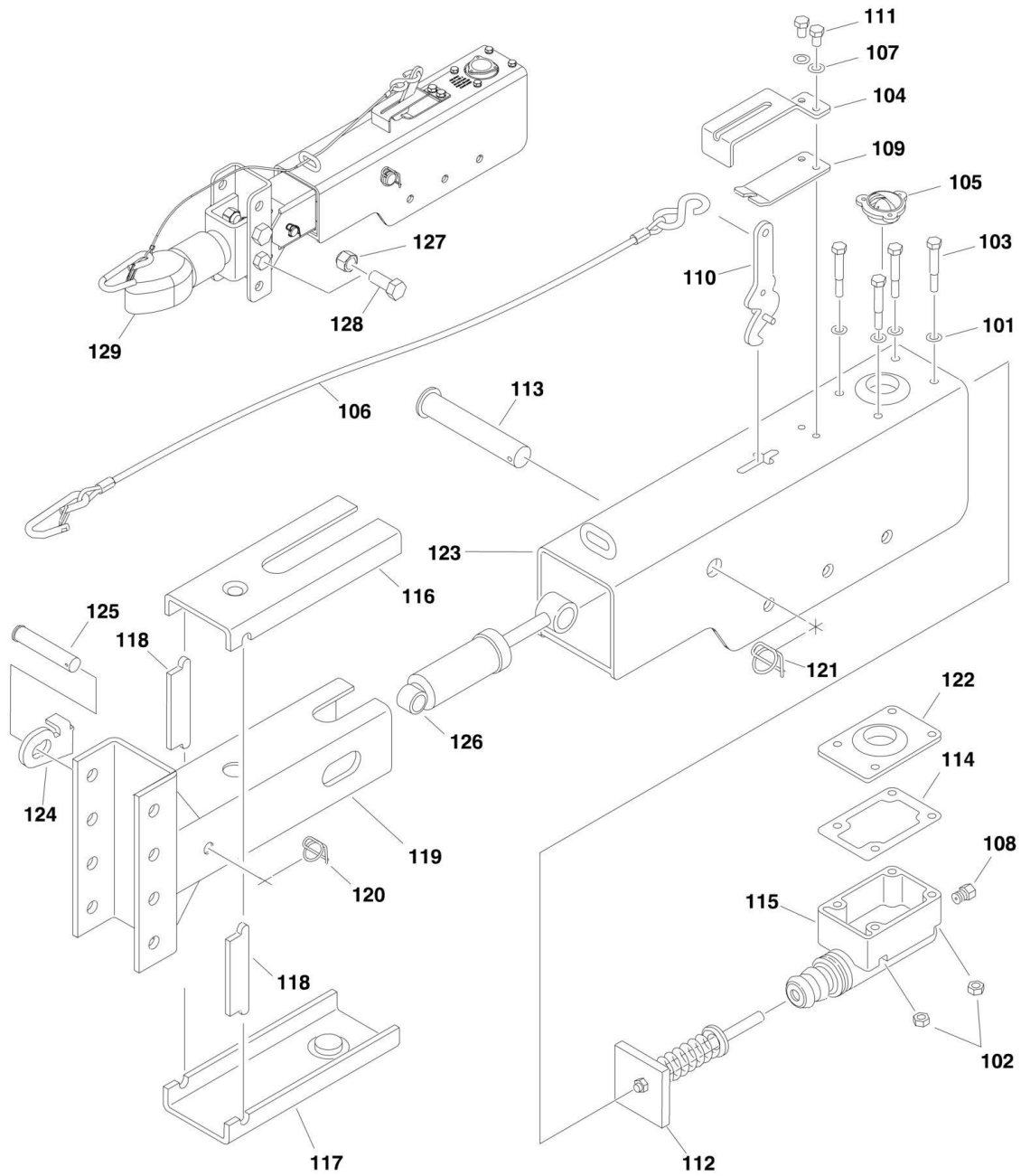
SECTION 1 - FRAME

FIGURE 1-16. HYDRAULIC BRAKE COUPLER ASSEMBLY (T500J WITH 50MM BALL)

ITEM	PART NUMBER	QTY	DESCRIPTION	REV
	1660283	Ref	COUPLER ASSEMBLY - HYDRAULIC BRAKE	B
1	70000037	1	Spring, Gas	
2	70000030	1	Boot	
3	70000031	1	Cable, Breakaway	
4	70000032	1	Brake Lever Assembly	
5	70000038	1	Brake Cylinder Assembly	
6	70000039	1	Tube, Draw (Includes Item 7)	
7	70000035	1	Stop-Ring (Use p/n 70004697)	
8	70000040	1	Coupling Head	

SECTION 1 - FRAME

FIGURE 1-17. HYDRAULIC BRAKE COUPLER ASSEMBLY (T350 AND T500J WITH 2 INCH BALL AND COLLAR)



ART_1001243182

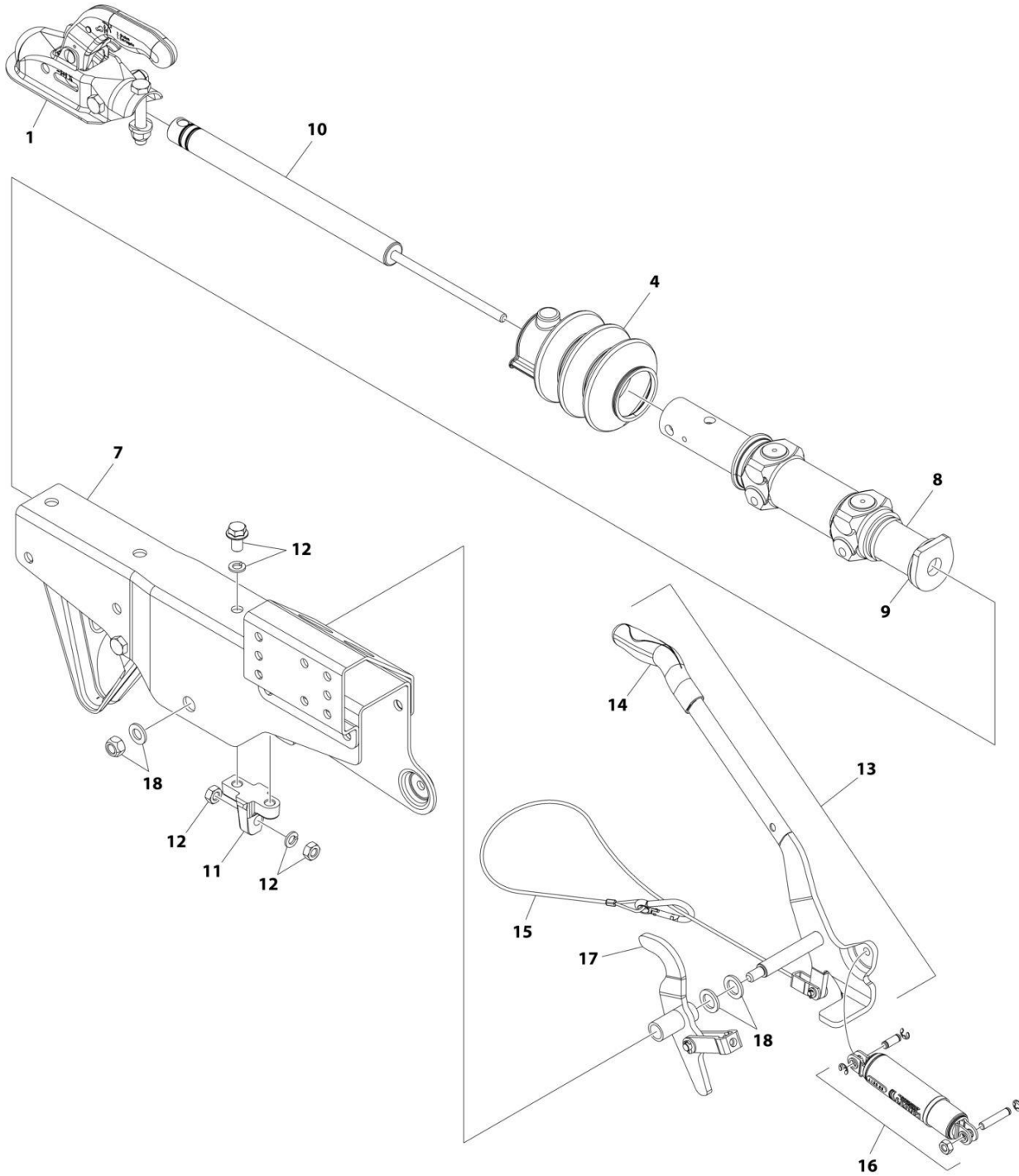
SECTION 1 - FRAME

FIGURE 1-17. HYDRAULIC BRAKE COUPLER ASSEMBLY (T350 AND T500J WITH 2 INCH BALL AND COLLAR)

ITEM	PART NUMBER	QTY	DESCRIPTION	REV
	1001243182	Ref	HYDRAULIC BRAKE COUPLER WITH 2 INCH BALL AND COLLAR ASSEMBLY	B
101	4761400	4	Washer 1/4	
102	3311401	4	Nut 1/4	
103	0641416	4	Bolt 1/4 x 2	
104	7026372	1	Guide, Emergency Lever	
105	19616	1	Cap, Master Cylinder (Includes Diaphragm and O-Ring)	
106	19613	1	Cable with Hooks	
107	70002632	2	Lockwasher 5/16in	
108	7026355	1	Fitting with Orifice	
109	70002633	1	Plate, Emergency Lever Spring	
110	70002634	1	Lever, Emergency	
111	0641505	2	Bolt 5/16 x 5/8	
112	70002635	1	Push Rod (Master Cylinder)	
113	7026367	1	Pin	
114	7026370	1	Gasket (Master Cylinder)	
115	19611	1	Reservoir (Master Cylinder)	
116	7026358	1	Slider, Upper	
117	7026359	1	Slider, Lower	
118	7026360	2	Spacer, Side	
119	70002636	1	Slider, Channel Centered	
120	70002637	1	Ring Lock, Cotter	
121	70002638	1	Ring Lock, Cotter	
122	70002639	1	Cover (Master Cylinder)	
123	70002631	1	Case, Outer	
124	70002640	1	Lever, Lock Out	
125	70002641	1	Pin	
126	7026353	1	Shock, Damper	
127	70002628	4	Nut 5/8	
128	70002629	4	Bolt 5/8 x 1-1/2	
129	70006984	1	2in Coupler	

SECTION 1 - FRAME

FIGURE 1-18. HYDRAULIC BRAKE COUPLER ASSEMBLY (T350 WITH 50MM BALL)



ART_1001214168

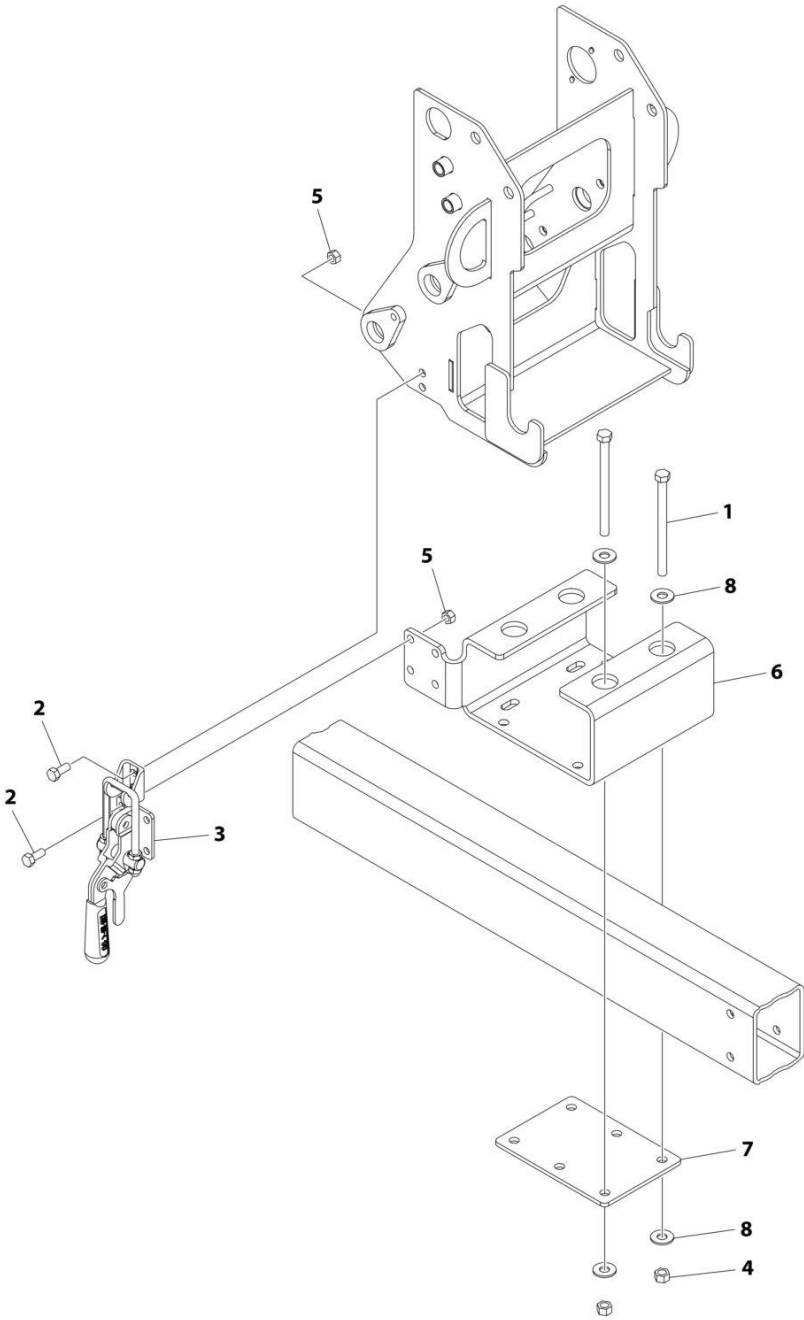
SECTION 1 - FRAME

FIGURE 1-18. HYDRAULIC BRAKE COUPLER ASSEMBLY (T350 WITH 50MM BALL)

ITEM	PART NUMBER	QTY	DESCRIPTION	REV
	1001214168	Ref	HYDRAULIC BRAKE COUPLER WITH 50MM BALL ASSEMBLY	A
1	70005987	1	Coupling Head	
2	70005988	2	Bolt (Not Shown)	
2	70005989	1	Caliper (Not Shown)	
2	70004713	2	Locknut (Not Shown)	
2	70005990	1	Protective Cap (Not Shown)	
3	70005991	1	Support (Not Shown)	
4	70000030	1	Bellow	
5	See Note	NSS	Ribbon Cable (Not Shown) (Note: Not Available for Purchase)	
6	70005992	1	Guide Bearing (Not Shown)	
7	See Note	NSS	Housing (Note: Not Available for Purchase)	
8	70000034	1	Tube, Draw	
9	70000035	1	Stop-Ring	
10	70004703	1	Spring, Gas	
11	70004705	1	Spring, Gas Mounting	
12	70004708	1	Bolt	
12	70004711	1	Spring, Ring	
12	70004709	2	Nut	
12	70004710	1	Spring, Ring	
13	70005993	1	Lever, Handbrake	
14	70005994	1	Handle	
15	70000031	1	Cable	
16	70005995	1	Sleeve, Spring	
17	70004701	1	Lever, Transmission	
18	70005996	1	Washer	
18	70005997	1	Washer	
18	70005998	1	Washer	
18	70004713	1	Locknut	

SECTION 1 - FRAME

FIGURE 1-19. TRANSPORT LOCK ASSEMBLY (T350)



ART_0273627

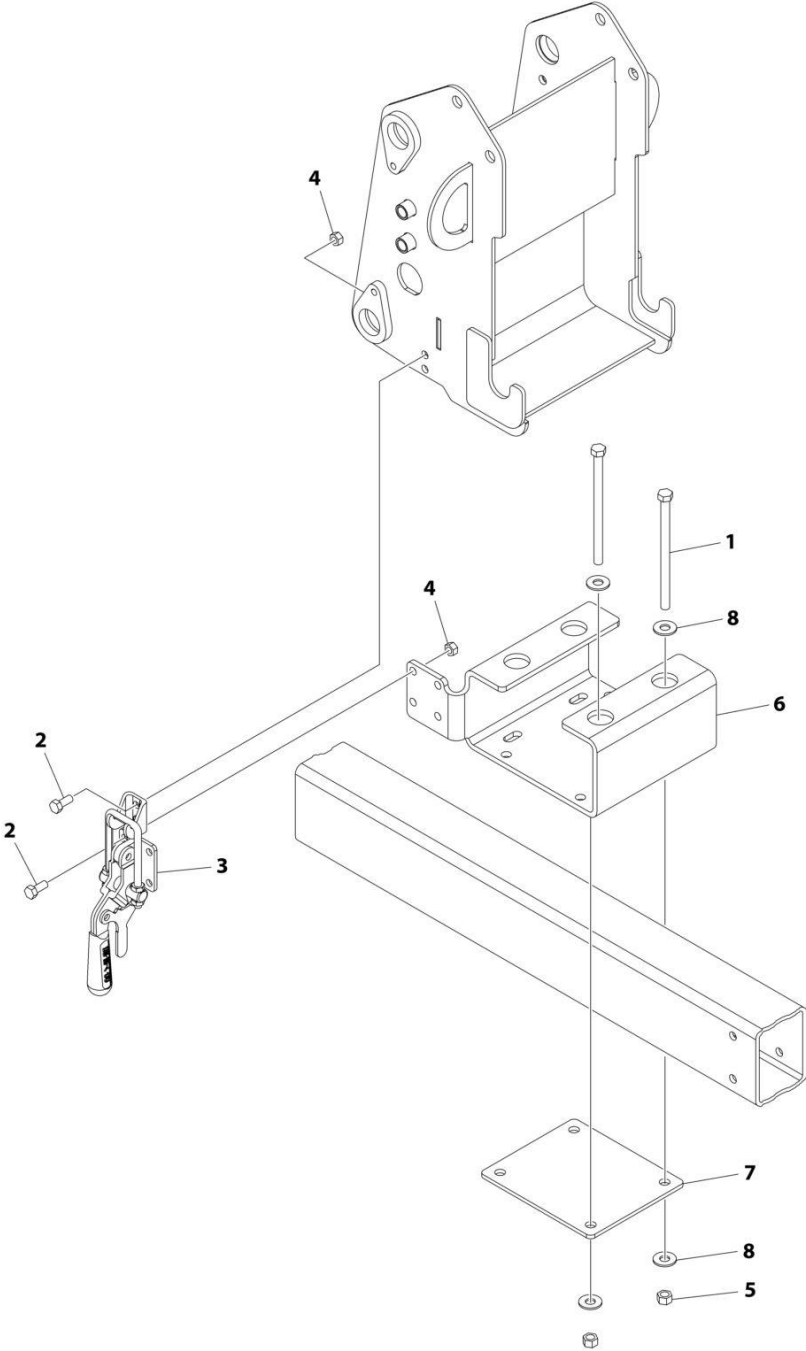
SECTION 1 - FRAME

FIGURE 1-19. TRANSPORT LOCK ASSEMBLY (T350)

ITEM	PART NUMBER	QTY	DESCRIPTION	REV
	0273627	Ref	TRANSPORT LOCK ASSEMBLY	E
1	0641640	4	Bolt 3/8 x 5	
2	0681506	6	Bolt 5/16 x 3/4	
3	2940159	1	Latch, Manual Clamp	
4	3311605	4	Nut 3/8	
5	3271505	6	Nut 5/16	
6	3575420	1	Plate, Transport Lock	
7	3575719	1	Plate, Mounting	
8	4751600	8	Washer 3/8	

SECTION 1 - FRAME

FIGURE 1-20. TRANSPORT LOCK ASSEMBLY (T500J)



ART_0274395

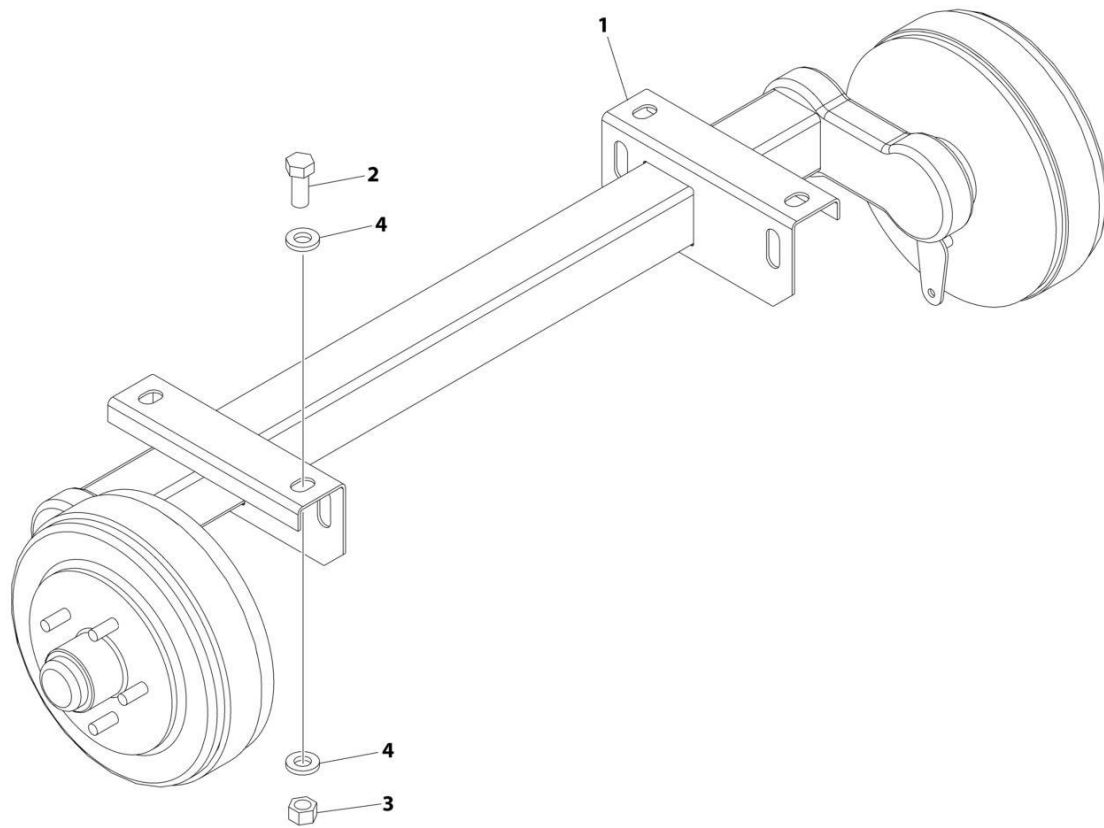
SECTION 1 - FRAME

FIGURE 1-20. TRANSPORT LOCK ASSEMBLY (T500J)

ITEM	PART NUMBER	QTY	DESCRIPTION	REV
	0274395	Ref	TRANSPORT LOCK ASSEMBLY	B
1	0641646	4	Bolt 3/8 x 5-3/4	
2	0681506	6	Bolt 5/16 x 3/4	
3	2940159	1	Latch, Manual Clamp	
4	3271505	6	Nut 5/16	
5	3311605	4	Nut 3/8	
6	3575420	1	Plate, Transport Lock	
7	3575783	1	Plate, Mounting	
8	4751600	8	Washer 3/8	

SECTION 1 - FRAME

FIGURE 1-21. AXLE INSTALLATION (T350 WITH ELECTRIC BRAKES)



ART_0273699

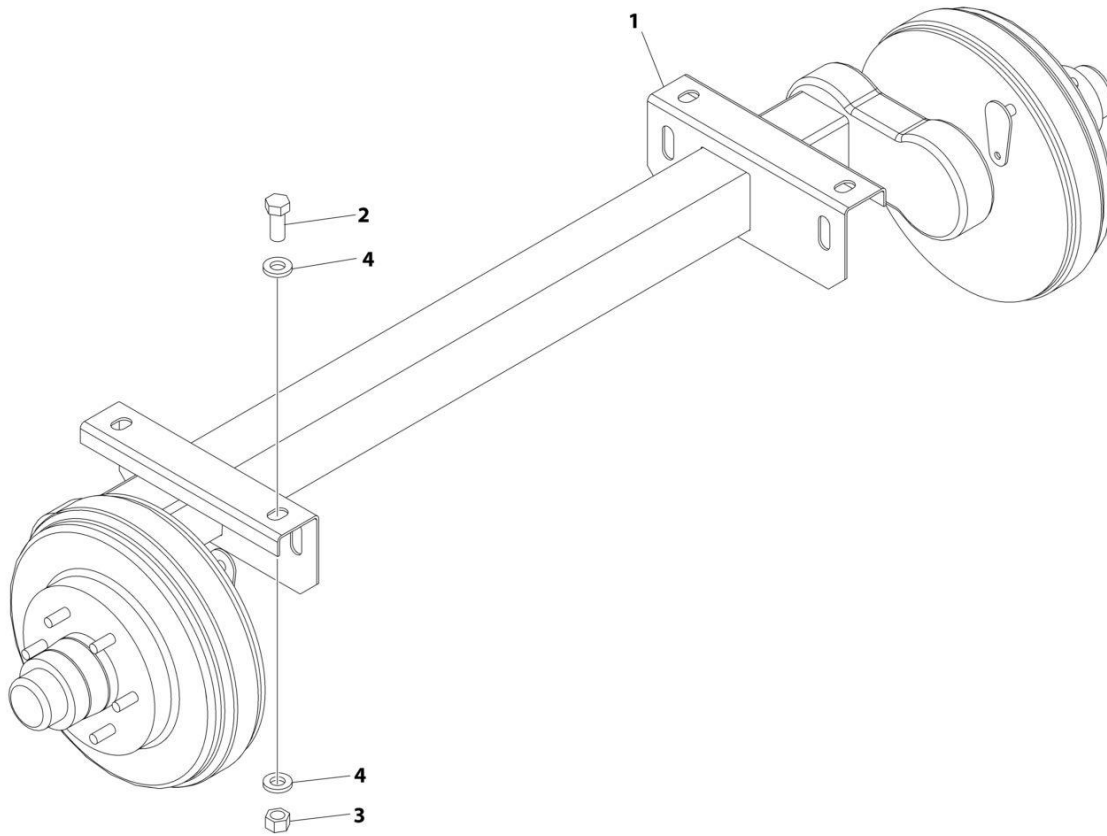
SECTION 1 - FRAME

FIGURE 1-21. AXLE INSTALLATION (T350 WITH ELECTRIC BRAKES)

ITEM	PART NUMBER	QTY	DESCRIPTION	REV
	0273699	Ref	AXLE INSTALLATION	B
1	0280158	1	Axle Assembly - Electric Brake (See Separate Breakdown in this Section)	
2	0642012	4	Bolt 5/8 x 1-1/2	
3	3312005	4	Nut 5/8	
4	4892000	8	Washer 5/8	

SECTION 1 - FRAME

FIGURE 1-22. AXLE INSTALLATION (T500J WITH ELECTRIC BRAKES)



ART_0273700

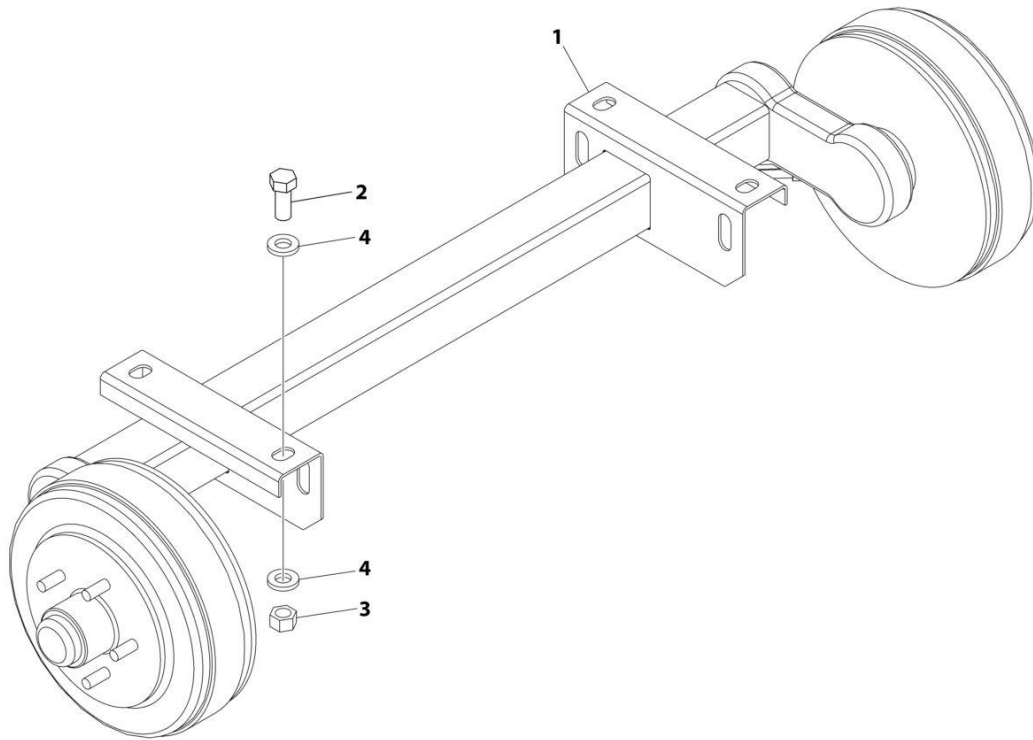
SECTION 1 - FRAME

FIGURE 1-22. AXLE INSTALLATION (T500J WITH ELECTRIC BRAKES)

ITEM	PART NUMBER	QTY	DESCRIPTION	REV
	0273700	Ref	AXLE INSTALLATION	B
1	0280159	1	Axle Assembly - Electric Brake (See Separate Breakdown in this Section)	
2	0642012	4	Bolt 5/8 x 1-1/2	
3	3312005	4	Nut 5/8	
4	4892000	8	Washer 5/8	

SECTION 1 - FRAME

FIGURE 1-23. AXLE INSTALLATION (T350 WITH HYDRAULIC BRAKES)



ART_0273608

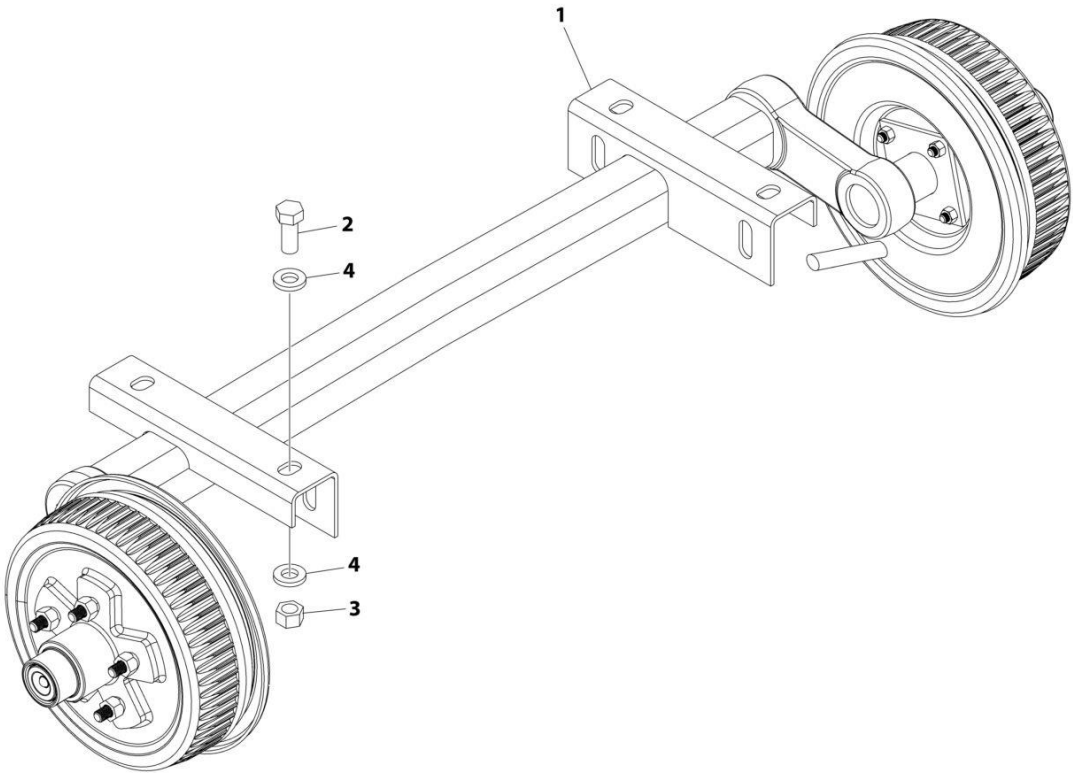
SECTION 1 - FRAME

FIGURE 1-23. AXLE INSTALLATION (T350 WITH HYDRAULIC BRAKES)

ITEM	PART NUMBER	QTY	DESCRIPTION	REV
	0273608	Ref	AXLE INSTALLATION	B
1	0280154	1	Axle Assembly - Hydraulic Brakes (See Separate Breakdown in this Section)	
2	0642012	4	Bolt 5/8 x 1-1/2	
3	3312005	4	Nut 5/8	
4	4892000	8	Washer 5/8	

SECTION 1 - FRAME

FIGURE 1-24. AXLE INSTALLATION (T350 WITH HYDRAULIC BRAKES) (SN 0030016291 to Present)



ART_0273608_C

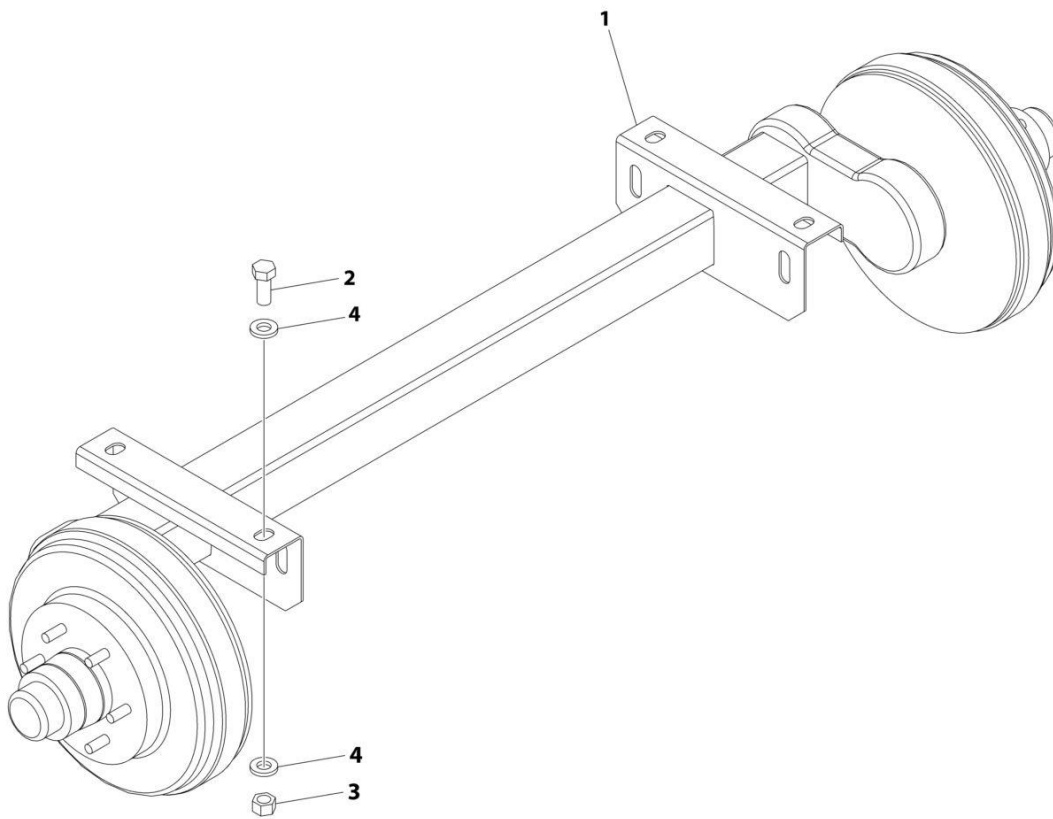
SECTION 1 - FRAME

FIGURE 1-24. AXLE INSTALLATION (T350 WITH HYDRAULIC BRAKES) (SN 0030016291 to Present)

ITEM	PART NUMBER	QTY	DESCRIPTION	REV
	0273608	Ref	AXLE INSTALLATION	C
1	1001302764	1	Axle Assembly - Hydraulic Brakes (See Separate Breakdown in this Section)	
2	0642012	4	Bolt 5/8 x 1-1/2	
3	3312005	4	Nut 5/8	
4	4892000	8	Washer 5/8	

SECTION 1 - FRAME

FIGURE 1-25. AXLE INSTALLATION (T500J WITH HYDRAULIC BRAKES)



ART_0273609

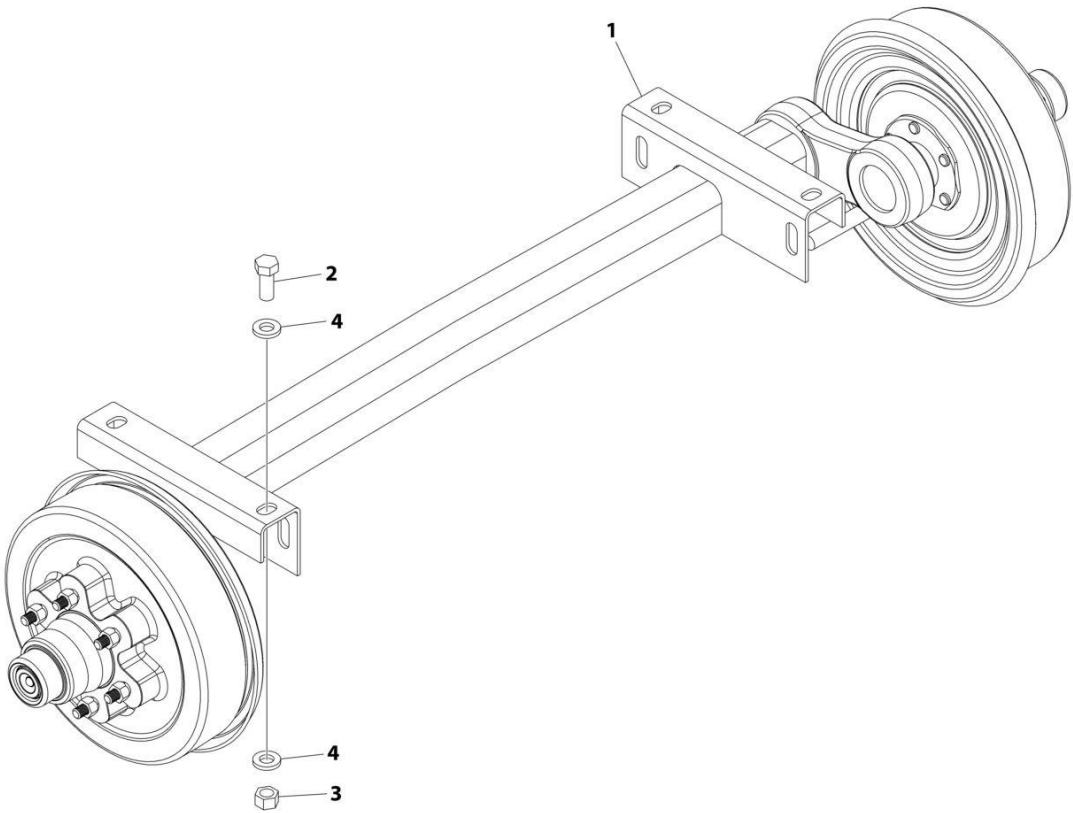
SECTION 1 - FRAME

FIGURE 1-25. AXLE INSTALLATION (T500J WITH HYDRAULIC BRAKES)

ITEM	PART NUMBER	QTY	DESCRIPTION	REV
	0273609	Ref	AXLE INSTALLATION	B
1	0280155	1	Axle Assembly - Hydraulic Brakes (See Separate Breakdown in this Section)	
2	0642012	4	Bolt 5/8 x 1-1/2	
3	3312005	4	Nut 5/8	
4	4892000	8	Washer 5/8	

SECTION 1 - FRAME

FIGURE 1-26. AXLE INSTALLATION (T500J WITH HYDRAULIC BRAKES) (SN 0030016331 to Present)



ART_0273609_C

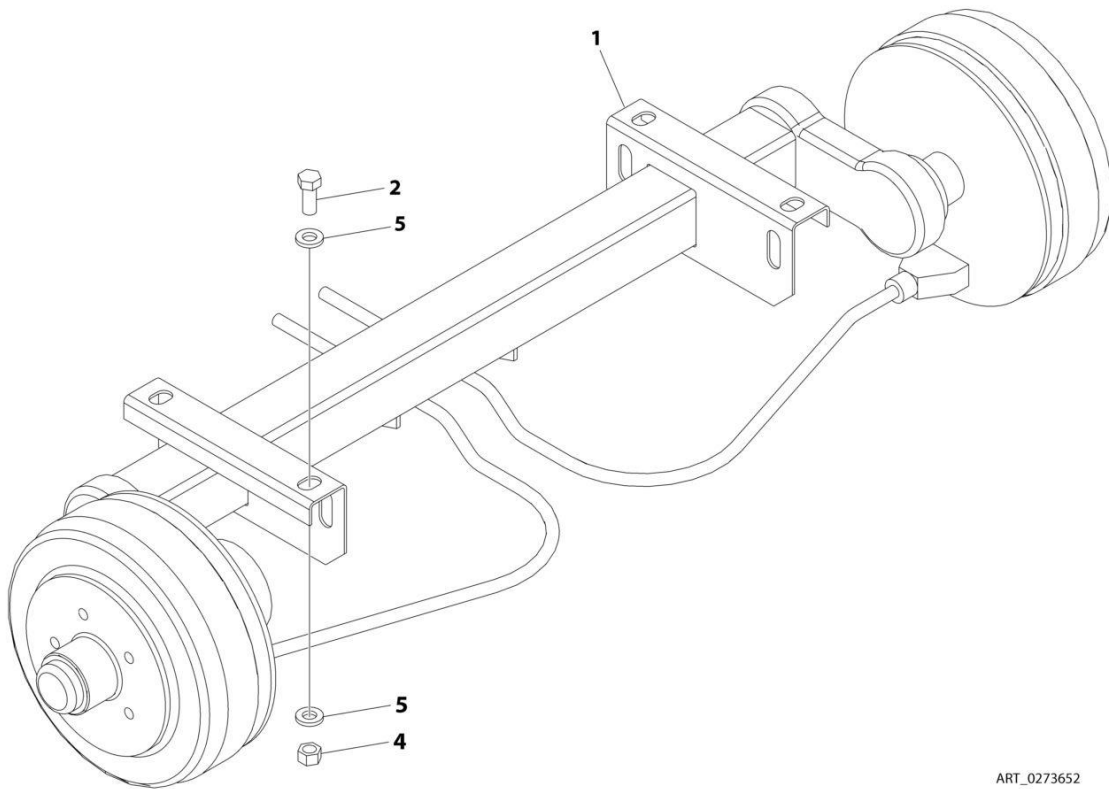
SECTION 1 - FRAME

FIGURE 1-26. AXLE INSTALLATION (T500J WITH HYDRAULIC BRAKES) (SN 0030016331 to Present)

ITEM	PART NUMBER	QTY	DESCRIPTION	REV
	0273609	Ref	AXLE INSTALLATION	C
1	1001302765	1	Axle Assembly - Hydraulic Brakes	
1	70008481	1	Brake Assembly (LH) (Note: Sold as Assembly)	
1	70008482	1	Brake Assembly (RH) (Note: Sold as Assembly)	
1	7010645	12	Lugnut	
2	0642012	4	Bolt 5/8 x 1-1/2	
3	3312005	4	Nut 5/8	
4	4892000	8	Washer 5/8	

SECTION 1 - FRAME

FIGURE 1-27. AXLE INSTALLATION (T350 WITH MECHANICAL BRAKES)



ART_0273652

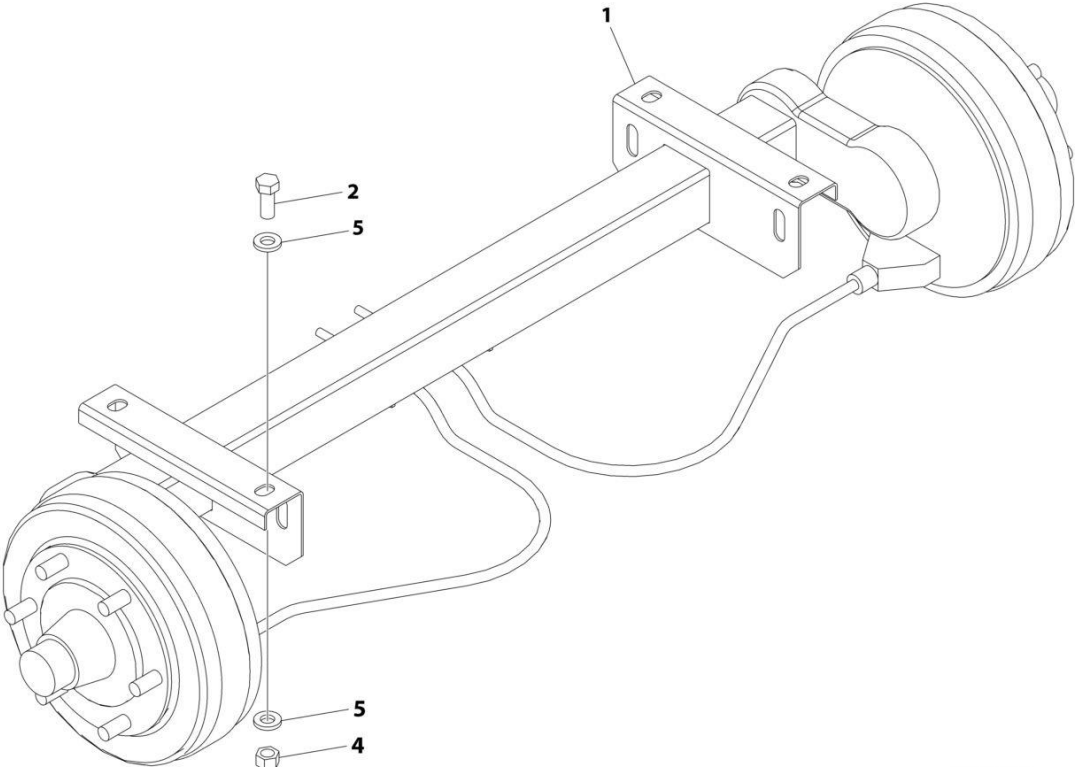
SECTION 1 - FRAME

FIGURE 1-27. AXLE INSTALLATION (T350 WITH MECHANICAL BRAKES)

ITEM	PART NUMBER	QTY	DESCRIPTION	REV
	0273652	Ref	AXLE INSTALLATION	D
1	0280186	1	Axle Assembly - Mechanical Brakes (See Separate Breakdown in this Section)	
2	0642012	4	Bolt 5/8 x 1-1/2	
3	3312005	4	Nut 5/8	
4	4892000	8	Washer 5/8	

SECTION 1 - FRAME

FIGURE 1-28. AXLE INSTALLATION (T500J WITH MECHANICAL BRAKES)



ART_0273656

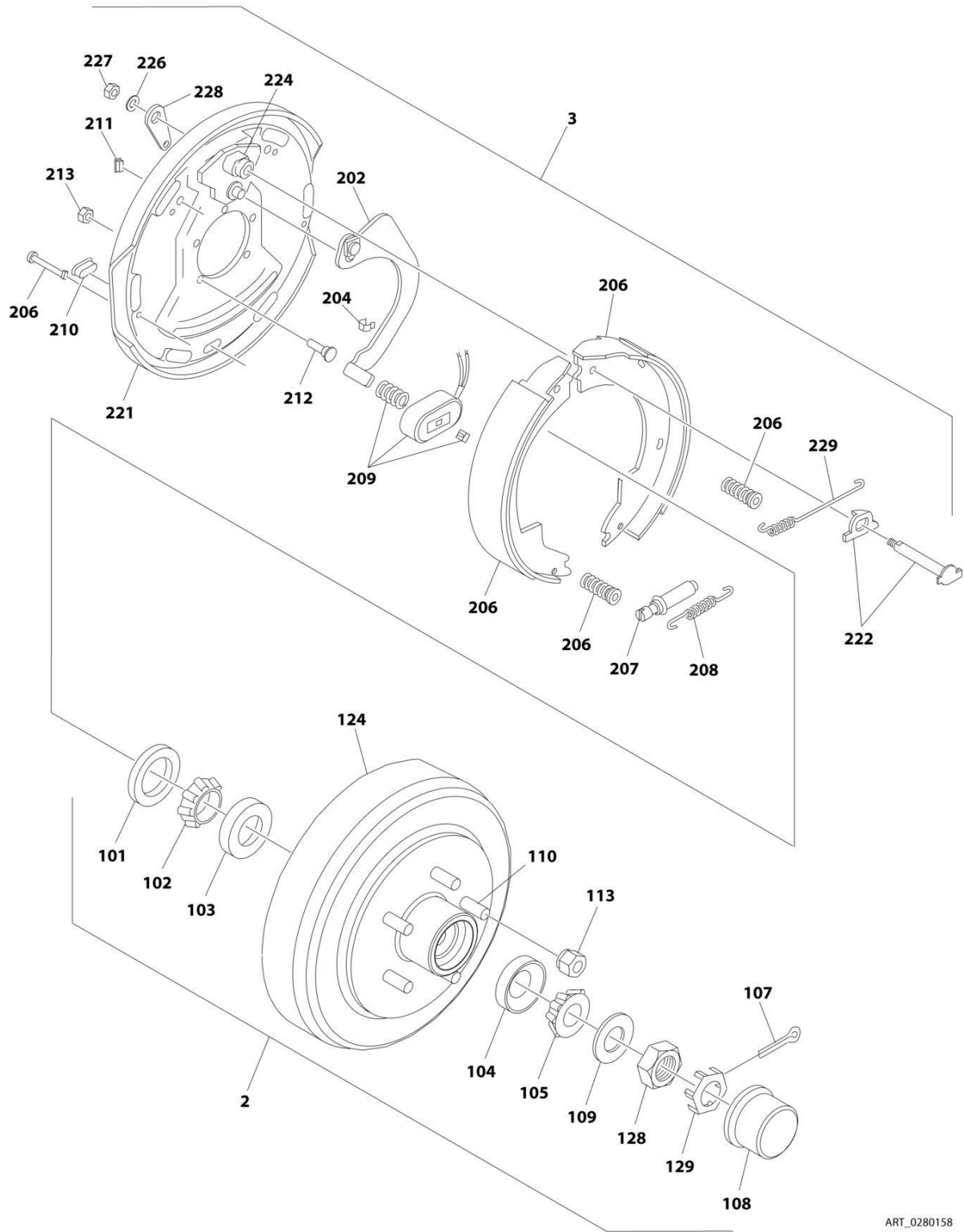
SECTION 1 - FRAME

FIGURE 1-28. AXLE INSTALLATION (T500J WITH MECHANICAL BRAKES)

ITEM	PART NUMBER	QTY	DESCRIPTION	REV
	0273656	Ref	AXLE INSTALLATION	D
1	0280187	1	Axle Assembly - Mechanical Brakes (See Separate Breakdown in this Section)	
2	0642012	4	Bolt 5/8 x 1-1/2	
3	3312005	4	Nut 5/8	
4	4892000	8	Washer 5/8	

SECTION 1 - FRAME

FIGURE 1-29. ELECTRIC BRAKE AND AXLE ASSEMBLY (T350)



ART_0280158

SECTION 1 - FRAME

FIGURE 1-29. ELECTRIC BRAKE AND AXLE ASSEMBLY (T350)

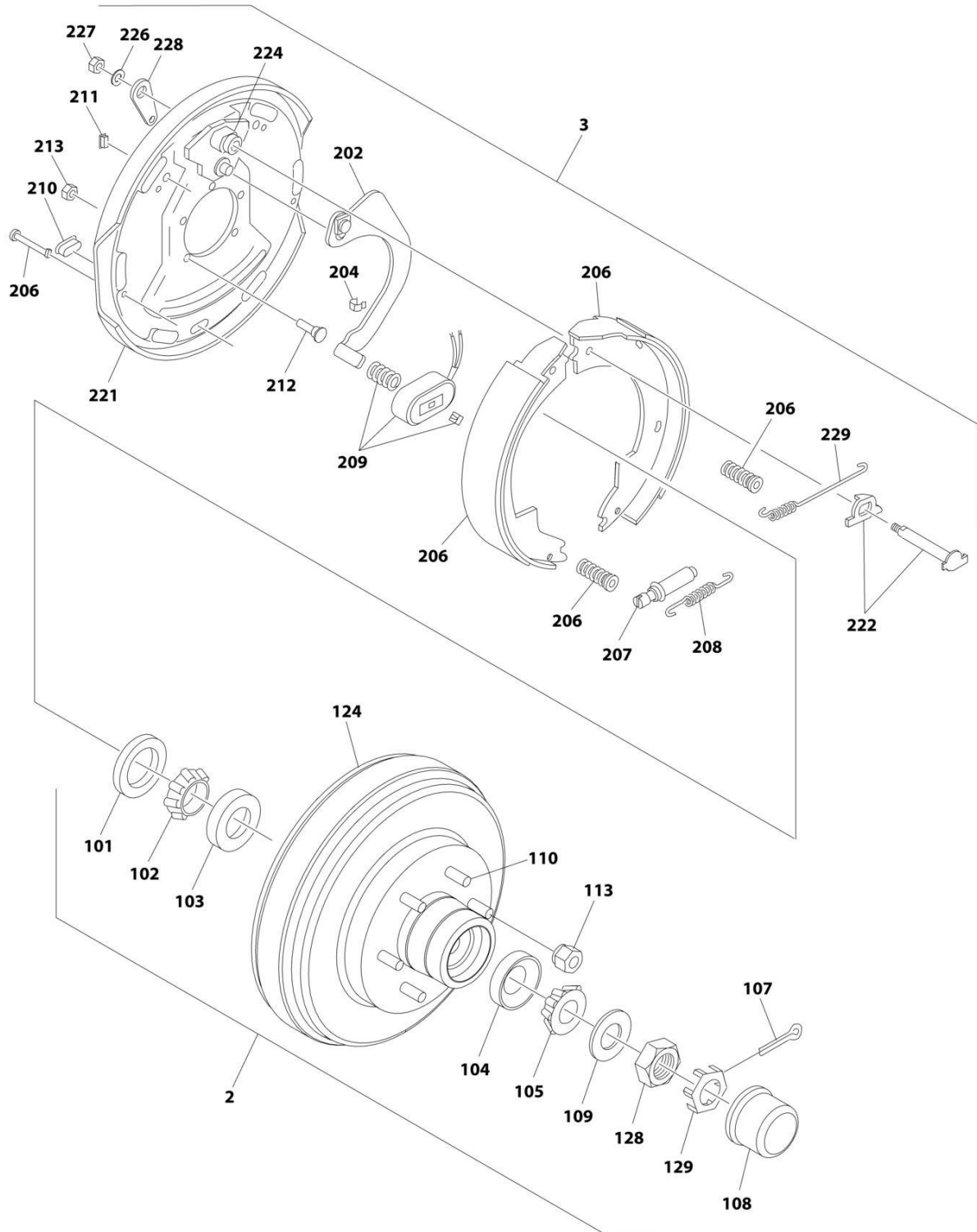
ITEM	PART NUMBER	QTY	DESCRIPTION	REV
	0280158	Ref	AXLE ASSEMBLY	C
		Ref	Note: Front/Rear and Left/Right are determined by facing the Tow Vehicle.	
1	See Note	1	Axle (Not Shown) (Note: Not Available - Purchase Complete Axle Assembly)	
2	70001003	2	Drum Assembly (Includes Item 101-129)	
3		Ref	Electric Brake Assembly (Includes Item 202-229)	
3	7027665	1	Electric Brake Assembly Left Side	
3	7027666	1	Electric Brake Assembly Right Side	
		Ref	DRUM ASSEMBLY	
101	7027647	1	Seal (1 Per Assembly)	
102	7027648	1	Cone, Inner (1 Per Assembly)	
103	7027649	1	Cup, Inner (1 Per Assembly)	
104	7027650	1	Cup, Outer (1 Per Assembly)	
105	7027651	1	Cone, Outer (1 Per Assembly)	
107	80317	2	Pin, Cotter (1 Per Assembly)	
108	7027652	1	Cap (1 Per Assembly)	
109	See Note	2	Washer, Spindle (1 Per Assembly) (Note: Not available for purchase)	
110		Ref	Stud, Wheel Options:	
		Ref	Note: Please verify the length of your original stud before ordering.	
110	7026390	10	2in Stud (5 Per Assembly)	
110	70003756	10	2-5/8in Stud (5 Per Assembly)	
113	7026313	10	Lugnut (5 Per Assembly)	
		Ref	Note: See SPECIAL OPTIONS SECTION for Security Wheel Locks.	
124	7027653	2	Hub and Drum (1 Per Assembly)	
128	7027692	2	Nut, Spindle (1 Per Assembly)	
129	7027693	2	Retainer, Nut Spindle (1 Per Assembly)	
		Ref	ELECTRIC BRAKE ASSEMBLIES	
	7027665	1	Electric Brake Assemblies Left Side	
	7027666	1	Electric Brake Assemblies Right Side	
		Ref	Note: Front/Rear and Left/Right are determined by facing the Tow Vehicle.	
202		Ref	Lever, Actuating Options:	
202	7027667	1	Lever, Actuating Left Side	
202	7027668	1	Lever, Actuating Right Side	
204	7026393	1	Clip, Wire	
206	7027669	1	Brake Shoe Assembly (Includes 1 Primary & 1 Secondary Brake Shoe with Lining, 2 Pins, 2 Springs & 2 Cups)	
207	7026395	1	Adjuster Assembly	
208	7026396	1	Spring, Adjuster	
209	7027671	1	Magnet Assembly (Includes 1 each of Magnet, Spring and Clip)	
210	See Note	1	Plug, Adjuster Slot (Note: Not Available - Purchase Locally)	
211	See Note	1	Grommet (Note: Not Available - Purchase Locally)	
212	See Note	4	Bolt, Mounting (Note: Not Available - Purchase Locally)	
213	See Note	4	Nut	
221	See Note	1	Plate, Backing (Note: Not Available - Purchase Complete Assy)	
222		Ref	Actuating Cam and Pin Options:	
222	7027672	1	Left Side	

SECTION 1 - FRAME

ITEM	PART NUMBER	QTY	DESCRIPTION	REV
222	7027673	1	Right Side	
224	See Note	1	Anchor Post and Nut (Note: Not Available - Purchase Complete Assy)	
226	See Note	1	Washer, Anchor (Note: Not Available - Purchase Locally)	
227	See Note	1	Locknut (Note: Not Available - Purchase Locally)	
228	7027678	1	Lever, Parking Brake	
229	7027674	2	Spring, Retractor	

SECTION 1 - FRAME

FIGURE 1-30. ELECTRIC BRAKE AND AXLE ASSEMBLY (T500J)



ART_0280159

SECTION 1 - FRAME

FIGURE 1-30. ELECTRIC BRAKE AND AXLE ASSEMBLY (T500J)

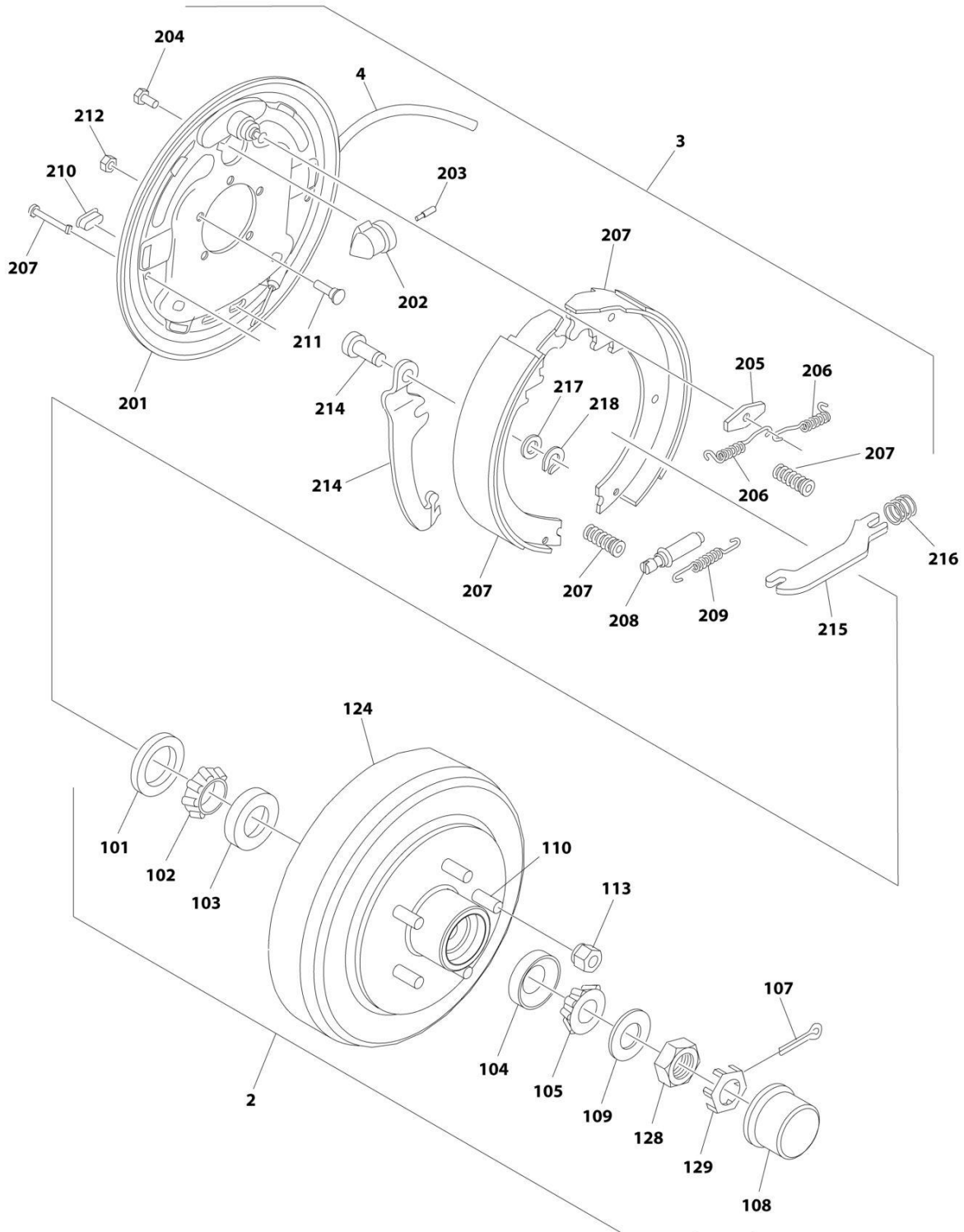
ITEM	PART NUMBER	QTY	DESCRIPTION	REV
	0280159	Ref	AXLE ASSEMBLY	B
		Ref	Note: Front/Rear and Left/Right are determined by facing the Tow Vehicle.	
1	See Note	1	Axle (Not Shown) (Note: Not Available - Purchase Complete Axle Assembly)	
2	See Note	2	Drum Assembly (Note: Not Available - Purchase individual parts)	
3		Ref	Electric Brake Assembly (Includes Item 202-229)	
3	7027675	1	Electric Brake Assembly Left Side	
3	7027676	1	Electric Brake Assembly Right Side	
		Ref	DRUM ASSEMBLY	
101	7027654	1	Seal (1 Per Assembly)	
102	7026384	1	Cone, Inner (1 Per Assembly)	
103	7026385	1	Cup, Inner (1 Per Assembly)	
104	7027655	1	Cup, Outer (1 Per Assembly)	
105	7027656	1	Cone, Outer (1 Per Assembly)	
107	80317	2	Pin, Cotter (1 Per Assembly)	
108	7027511	2	Cap (1 Per Assembly)	
109	See Note	1	Washer, Spindle (1 Per Assembly) (Note: Not available for purchase)	
110		Ref	Stud, Wheel Options:	
		Ref	Note: Please verify the length of your original stud before ordering.	
110	7026390	12	2in Stud (6 Per Assembly)	
110	70003756	12	2-5/8in Stud (6 Per Assembly)	
113	7026313	12	Lugnut (6 Per Assembly)	
		Ref	Note: See SPECIAL OPTIONS SECTION for Security Wheel Locks.	
124	7027657	2	Hub and Drum (1 Per Assembly)	
128	7027692	2	Nut, Spindle (1 Per Assembly)	
129	7027693	2	Retainer, Nut Spindle (1 Per Assembly)	
		Ref	ELECTRIC BRAKE ASSEMBLIES	
	7027675	1	Electric Brake Assemblies Left Side	
	7027676	1	Electric Brake Assemblies Right Side	
		Ref	Note: Front/Rear and Left/Right are determined by facing the Tow Vehicle.	
202		Ref	Lever, Actuating Options:	
202	7026391	1	Lever, Actuating Left Side	
202	7026392	1	Lever, Actuating Right Side	
204	7026393	2	Clip, Wire	
206	70132	1	Brake Shoe Assembly (Includes 1 Primary & 1 Secondary Brake Shoe with Lining, 2 Pins, 2 Springs & 2 Cups)	
207	7026395	1	Adjuster Assembly	
208	7026396	1	Spring, Adjuster	
209	7027677	1	Magnet Assembly (Includes 1 each of Magnet, Spring and Clip)	
210	See Note	1	Plug, Adjuster Slot (Note: Not Available - Purchase Locally)	
211	See Note	1	Grommet (Note: Not Available - Purchase Locally)	
212	See Note	4	Bolt, Mounting (Note: Not Available - Purchase Locally)	
213	See Note	4	Nut	
221	See Note	1	Plate, Backing (Note: Not Available - Purchase Complete Assy)	
222		Ref	Actuating Cam and Pin Options:	
222	7027672	1	Left Side	

SECTION 1 - FRAME

ITEM	PART NUMBER	QTY	DESCRIPTION	REV
222	7027673	1	Right Side	
224	See Note	1	Anchor Post and Nut (Note: Not Available - Purchase Complete Assy)	
226	See Note	1	Washer, Anchor (Note: Not Available - Purchase Locally)	
227	See Note	1	Locknut (Note: Not Available - Purchase Locally)	
228	7027678	1	Lever, Parking Brake	
229	7027679	2	Spring, Retractor	

SECTION 1 - FRAME

FIGURE 1-31. HYDRAULIC BRAKE AND AXLE ASSEMBLY (T350)



ART_0280154

SECTION 1 - FRAME

FIGURE 1-31. HYDRAULIC BRAKE AND AXLE ASSEMBLY (T350)

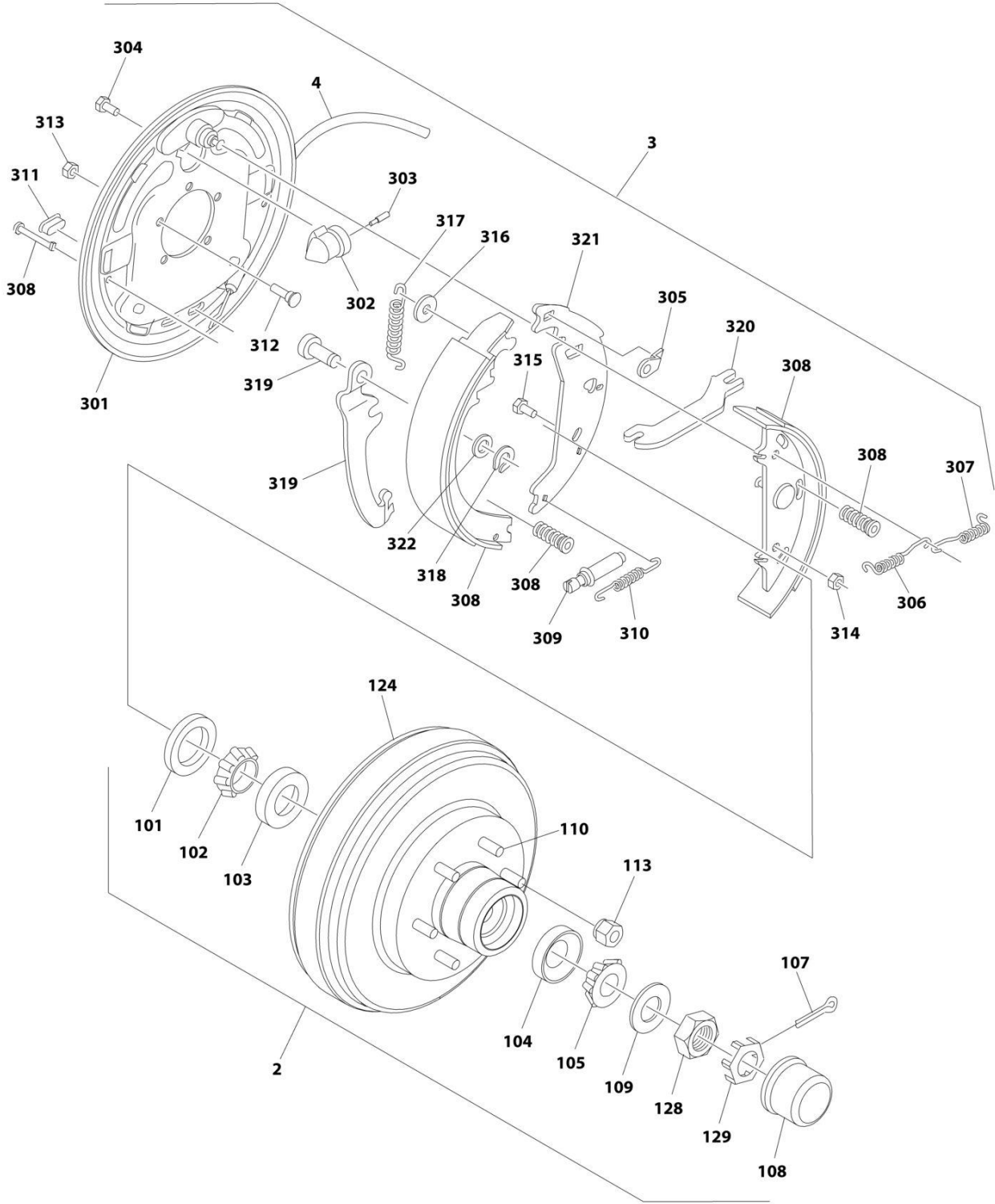
ITEM	PART NUMBER	QTY	DESCRIPTION	REV
	0280154	Ref	HYDRAULIC BRAKE ASSEMBLY	C
		Ref	Note: Front/Rear and Left/Right are determined by facing the Tow Vehicle.	
1	See Note	1	Axle (Not Shown) (Note: Not Available - Purchase Complete Assembly)	
2	See Note	2	Drum Assembly (Includes Item 101-129) (Note: Not Available - Purchase individual parts)	
3		Ref	Hydraulic Brake Assembly	
3	7027640	1	Hydraulic Brake Assembly Left Side (Includes Item 201-218)	
3	7027641	1	Hydraulic Brake Assembly Right Side (Includes Item 201-218)	
4	70000015	2	Cable, Parking Brake	
		Ref	DRUM ASSEMBLY	
101	7027647	1	Seal (1 Per Assembly)	
102	7027648	1	Cone, Inner (1 Per Assembly)	
103	7027649	1	Cup, Inner (1 Per Assembly)	
104	7027650	1	Cup, Outer (1 Per Assembly)	
105	7027651	1	Cone, Outer (1 Per Assembly)	
107	80317	2	Pin, Cotter (1 Per Assembly)	
108	7027652	1	Cap (1 Per Assembly)	
109	70000131	1	Washer, Spindle (1 Per Assembly)	
110		Ref	Stud, Wheel Options:	
		Ref	Note: Please verify the length of your original stud before ordering.	
110	7026390	10	2in Stud (5 Per Assembly)	
110	70003756	10	2-5/8in Stud (5 Per Assembly)	
113	7026313	10	Lugnut (5 Per Assembly)	
		Ref	Note: See DECAL SECTION for Security Wheel Locks.	
124	7027653	1	Hub and Drum (1 Per Assembly)	
128	7027692	2	Nut, Spindle (1 Per Assembly)	
129	7027693	2	Retainer, Nut Spindle (1 Per Assembly)	
	7027640	1	HYDRAULIC BRAKE ASSEMBLIES	
		Ref	Note: Front/Rear and Left/Right are determined by facing the Tow Vehicle.	
201	See Note	1	Plate, Backing (Note: Not Available - Purchase Complete Assy)	
202		Ref	Cylinder, Uni-Servo Wheel Options:	
202	70145	1	Left Side	
202	70144	1	Right Side	
203	7026399	1	Pin, Push	
204	See Note	1	Screw and Washer (Note: Not Available - Purchase Locally)	
205	See Note	1	Washer, Anchor (Note: Not Available - Purchase Locally)	
206	7026394	2	Spring, Retractor	
207	7027642	1	Brake Shoe Assembly (Includes 1 Primary & 1 Secondary Brake Shoe with Lining, 2 Pins, 2 Springs & 2 Cups)	
208	7026395	1	Adjuster Assembly	
209	7026396	1	Spring, Adjuster	
210	See Note	1	Plug, Adjuster Slot (Note: Not Available - Purchase Locally)	
211	See Note	4	Bolt, Mounting (Note: Not Available - Purchase Locally)	
212	See Note	4	Nut (Note: Not Available - Purchase Locally)	
214		Ref	Lever, Parking Brake Actuating Options:	
214	7027643	1	Left Side	
214	7027644	1	Right Side	

SECTION 1 - FRAME

ITEM	PART NUMBER	QTY	DESCRIPTION	REV
215	7027645	1	Strut	
216	7027646	1	Spring, Strut	
217	70001658	1	Washer	
218	70001659	1	Retainer	

SECTION 1 - FRAME

FIGURE 1-32. HYDRAULIC BRAKE AND AXLE ASSEMBLY (T500J)



ART_0280155

SECTION 1 - FRAME

FIGURE 1-32. HYDRAULIC BRAKE AND AXLE ASSEMBLY (T500J)

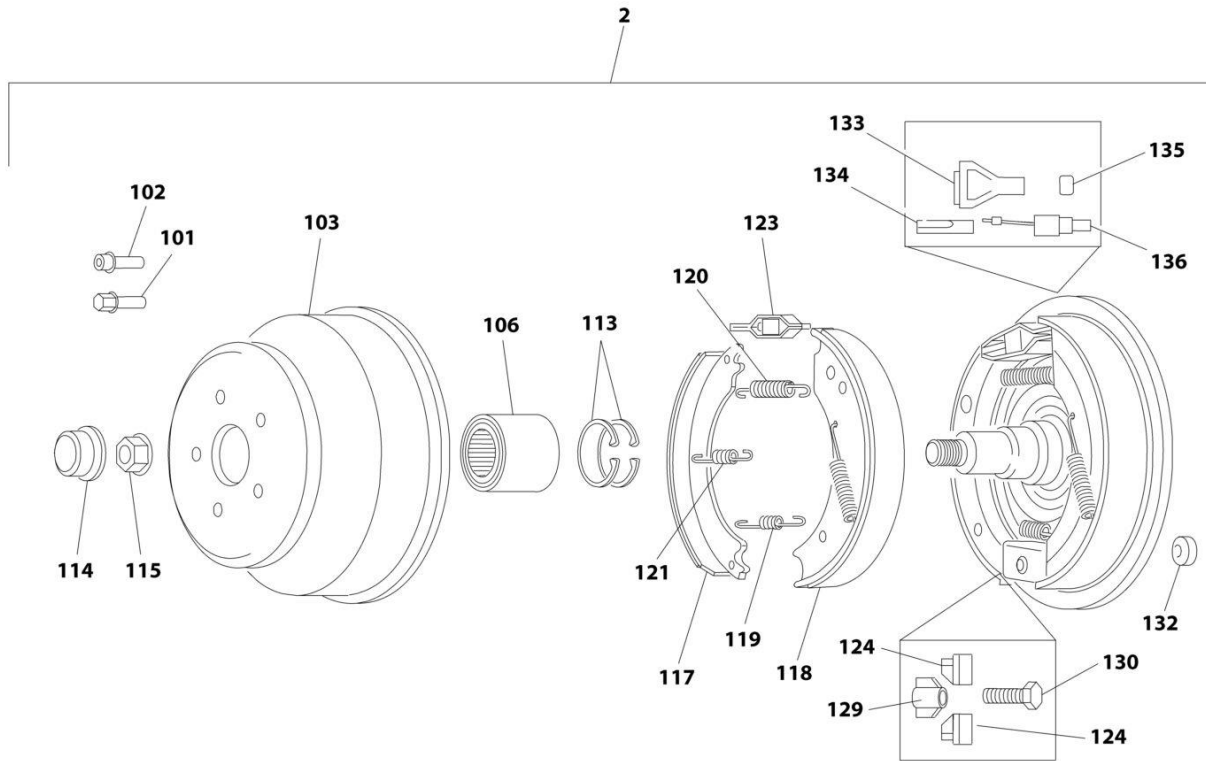
ITEM	PART NUMBER	QTY	DESCRIPTION	REV
	0280155	Ref	HYDRAULIC BRAKE ASSEMBLY	C
		Ref	Note: Front/Rear and Left/Right are determined by facing the Tow Vehicle.	
1	See Note	1	Axle (Not Shown) (Note: Not Available - Purchase Complete Assembly)	
2	See Note	2	Drum Assembly (Includes Item 101-129) (Note: Not Available - Purchase individual parts)	
3		Ref	Hydraulic Brake Assembly	
3	70001005	1	Hydraulic Brake Assembly Left Side (Includes Item 301-322)	
3	70001006	1	Hydraulic Brake Assembly Right Side (Includes Item 301-322)	
4	70000016	2	Cable, Parking Brake	
		Ref	DRUM ASSEMBLY	
101	7027654	1	Seal (1 Per Assembly)	
102	7026384	1	Cone, Inner (1 Per Assembly)	
103	7026385	1	Cup, Inner (1 Per Assembly)	
104	7027655	1	Cup, Outer (1 Per Assembly)	
105	7027656	1	Cone, Outer (1 Per Assembly)	
107	80317	2	Pin, Cotter (1 Per Assembly)	
108	7027511	1	Cap (1 Per Assembly)	
109	70000131	1	Washer, Spindle (1 Per Assembly)	
110		Ref	Stud, Wheel Options:	
		Ref	Note: Please verify the length of your original stud before ordering.	
110	7026390	12	2in Stud (6 Per Assembly)	
110	70003756	12	2-5/8in Stud (6 Per Assembly)	
113	7026313	12	Lugnut (6 Per Assembly)	
		Ref	Note: See DECAL SECTION for Security Wheel Locks.	
124	7027657	1	Hub and Drum (1 Per Assembly)	
128	7027692	2	Nut, Spindle (1 Per Assembly)	
129	7027693	2	Retainer, Nut Spindle (1 Per Assembly)	
		Ref	HYDRAULIC BRAKE ASSEMBLIES	
	70001005	1	Hydraulic Brake Assemblies Left Side	
	70001006	1	Hydraulic Brake Assemblies Right Side	
		Ref	Note: Front/Rear and Left/Right are determined by facing the Tow Vehicle.	
301	See Note	1	Plate, Backing (Note: Not Available - Purchase Complete Assy)	
302		Ref	Cylinder, Uni-Servo Wheel Options:	
302	70145	1	Left Side	
302	70144	1	Right Side	
303	7026399	1	Pin, Push	
304	See Note	1	Screw and Washer (Note: Not Available - Purchase Locally)	
305	7027500	1	Link, Travel	
306	7027501	1	Spring, Retractor	
307	7027502	1	Spring, Lever Return	
308		Ref	Brake Shoe Assembly Options (Includes 1 Primary & 1 Secondary Brake Shoe with Lining, 2 Pins, 2 Springs & 2 Cups):	
308	7027503	1	Left Side	
308	7027504	1	Right Side	
309	7027505	1	Adjuster Assembly	
310	7027506	1	Spring, Adjuster	
311	See Note	1	Plug, Adjuster Slot (Note: Not Available - Purchase Locally)	

SECTION 1 - FRAME

ITEM	PART NUMBER	QTY	DESCRIPTION	REV
312	See Note	4	Bolt, Mounting (Note: Not Available - Purchase Locally)	
313	See Note	4	Nut (Note: Not Available - Purchase Locally)	
314	See Note	1	Locknut (Note: Not Available - Purchase Locally)	
315	See Note	1	Bolt (Note: Not Available - Purchase Locally)	
316	See Note	1	Washer (Note: Not Available - Purchase Locally)	
317	7027508	1	Spring, Primary Shoe Return	
318	70001659	1	Retainer	
319		Ref	Lever, Parking Brake Actuating Options:	
319	7027662	1	Left Side	
319	7027663	1	Right Side	
320	70001007	1	Strut	
321	7027507	1	Lever, Shoe	
322	70001658	1	Washer	

SECTION 1 - FRAME

FIGURE 1-33. MECHANICAL BRAKE ASSEMBLY (T350)



ART_0280186

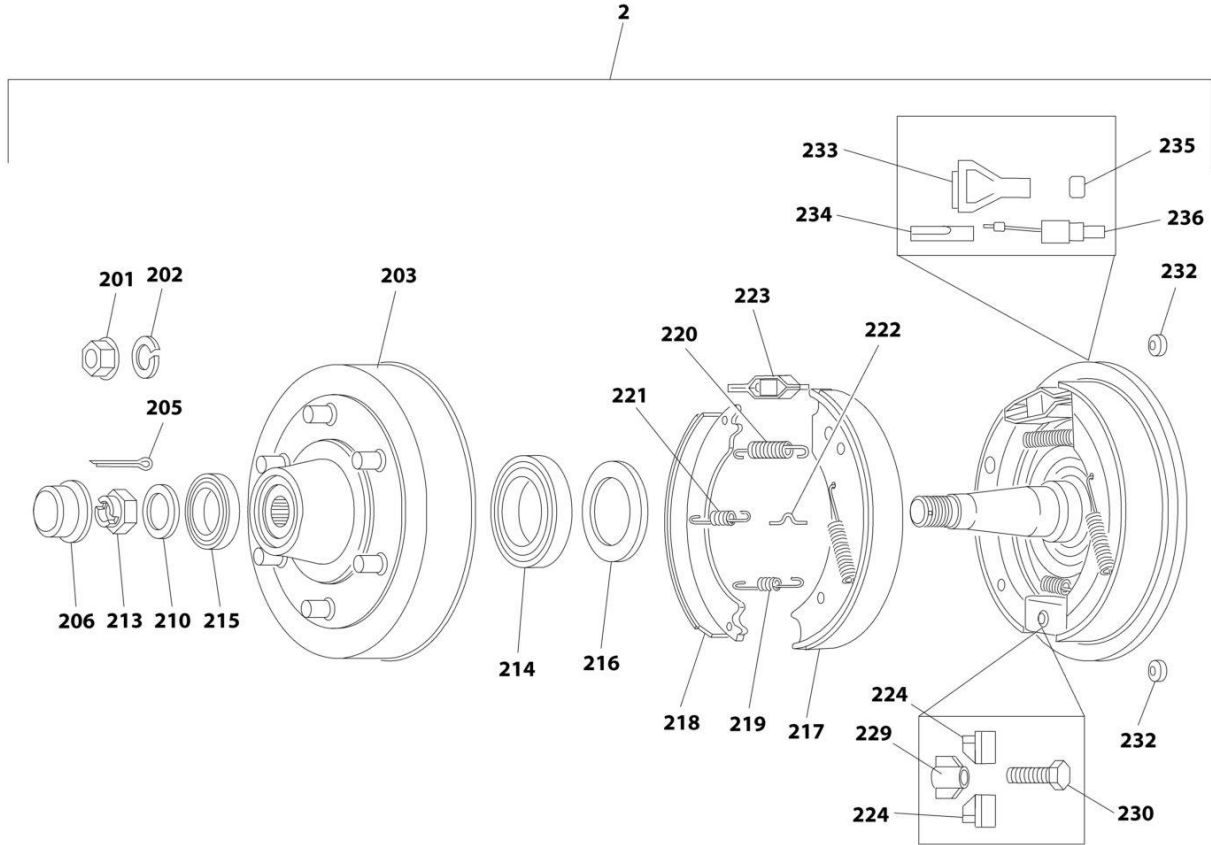
SECTION 1 - FRAME

FIGURE 1-33. MECHANICAL BRAKE ASSEMBLY (T350)

ITEM	PART NUMBER	QTY	DESCRIPTION	REV
	0280186	Ref	AXLE ASSEMBLY	D
		Ref	Note: Front/Rear and Left/Right are determined by facing the Tow Vehicle.	
1	See Note	1	Axle (Not Shown) (Note: Not Available - Purchase Complete Assembly)	
2		Ref	Mechanical Brake Assembly Options:	
2	7027885	1	Mechanical Brake Assembly Right Side (Includes Item 101-136)	
2	0277886	1	Mechanical Brake Assembly Left Side (Includes Item 101-136)	
		Ref	MECHANICAL BRAKE ASSEMBLY	
	7027885	1	Mechanical Brake Assembly Right Side	
	7027886	1	Mechanical Brake Assembly Left Side	
		Ref	Note: Front/Rear and Left/Right are determined by facing the Tow Vehicle.	
101	7027801	5	Screw, Spherical Flanged	
102	7027802	5	Screw, Conical Flanged	
103	7027821	1	Hub/Drum Assembly	
106	7027805	1	Bearing	
113	7027806	2	Circle Clip	
114	7027803	1	Cap, Dust	
115	70005478	1	Nut, Flanged	
117	7027807	1	Shoe, Brake (Smaller of the 2 Shoes)	
118	7027808	1	Shoe, Brake (Larger of the 2 Shoes)	
119	7027809	1	Spring, Tension (Top)	
120	7027810	1	Spring, Tension (Bottom)	
121	7027811	1	Spring, Compression (Center)	
123	7027812	1	Spreader, Compression Spring	
124	7027813	2	Key, Adjusting	
129	7027814	1	Bolt, Adjusting	
130	7027815	1	Bolt	
132	7027816	2	Plug, Adjustment Hole	
133	7027817	1	Shield, Protective	
134	7027818	1	Drawbar Eye	
135	7027819	1	Sleeve, Protective	
136	7027820	1	Cable, Brake	

SECTION 1 - FRAME

FIGURE 1-34. MECHANICAL BRAKE ASSEMBLY (T500J)



ART_0280187

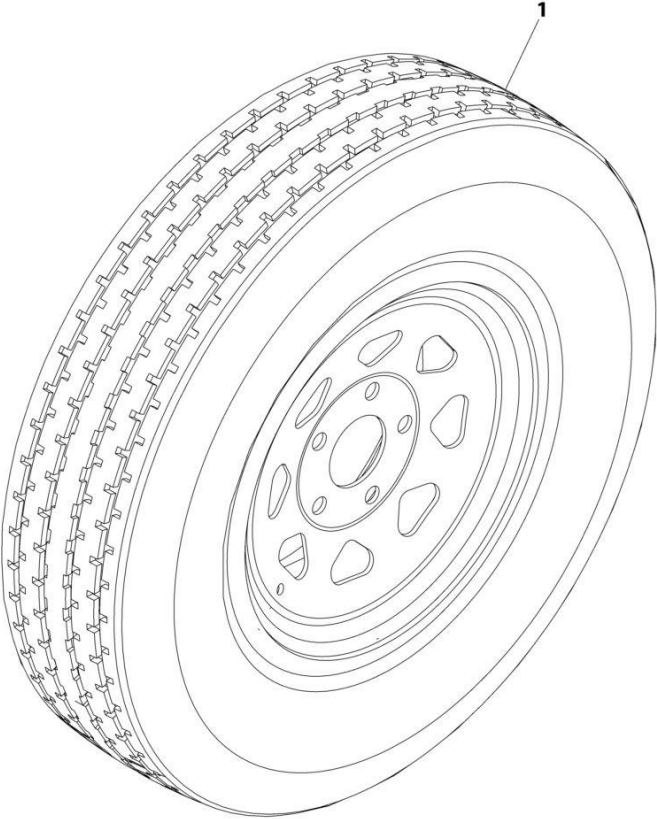
SECTION 1 - FRAME

FIGURE 1-34. MECHANICAL BRAKE ASSEMBLY (T500J)

ITEM	PART NUMBER	QTY	DESCRIPTION	REV
	0280187	Ref	AXLE ASSEMBLY	C
		Ref	Note: Front/Rear and Left/Right are determined by facing the Tow Vehicle.	
1	See Note	1	Axle (Not Shown) (Note: Not Available - Purchase Complete Assembly)	
2		Ref	Mechanical Brake Assembly Options:	
2	7027883	1	Mechanical Brake Assembly Right Side (Includes Item 201-236)	
2	7027884	1	Mechanical Brake Assembly Left Side (Includes Item 201-236)	
		Ref	MECHANICAL BRAKE ASSEMBLY	
	7027883	1	Mechanical Brake Assembly Right Side	
	7027884	1	Mechanical Brake Assembly Left Side	
		Ref	Note: Front/Rear and Left/Right are determined by facing the Tow Vehicle.	
201	7027822	6	Nut, Flanged	
202	7027823	6	Lockwasher	
203	7027826	1	Hub/Drum Assembly	
205	7027824	1	Pin, Cotter	
206	7027825	1	Cap, Dust	
210	7027827	1	Washer	
213	7027828	1	Nut, Castle	
214	7027829	1	Bearing (Inner)	
215	7027830	1	Bearing (Outer)	
216	7027831	1	Washer	
217	70003038	1	Shoe, Brake (Larger of the 2 Shoes) (was p/n 7027832)	
218	70003038	1	Shoe, Brake (Smaller of the 2 Shoes) (was p/n 7027833)	
219	7027834	1	Spring, Tension (Bottom)	
220	7027835	1	Spring, Tension (Top)	
221	7027836	1	Spring, Compression (Center)	
222	7027837	1	Clip, Spring	
223	7027838	1	Spreader, Compression Spring	
224	7027839	2	Key, Adjusting	
229	7027840	1	Bolt, Adjusting	
230	7027841	1	Bolt	
232	7027842	2	Plug, Adjustment Hole	
233	7027843	1	Shield, Protective	
234	7027844	1	Drawbar Eye	
235	7027845	1	Sleeve, Protective	
236	7027846	1	Cable, Brake	

SECTION 1 - FRAME

FIGURE 1-35. TIRE AND WHEEL INSTALLATION - 185R14C (T350)



ART_0274351

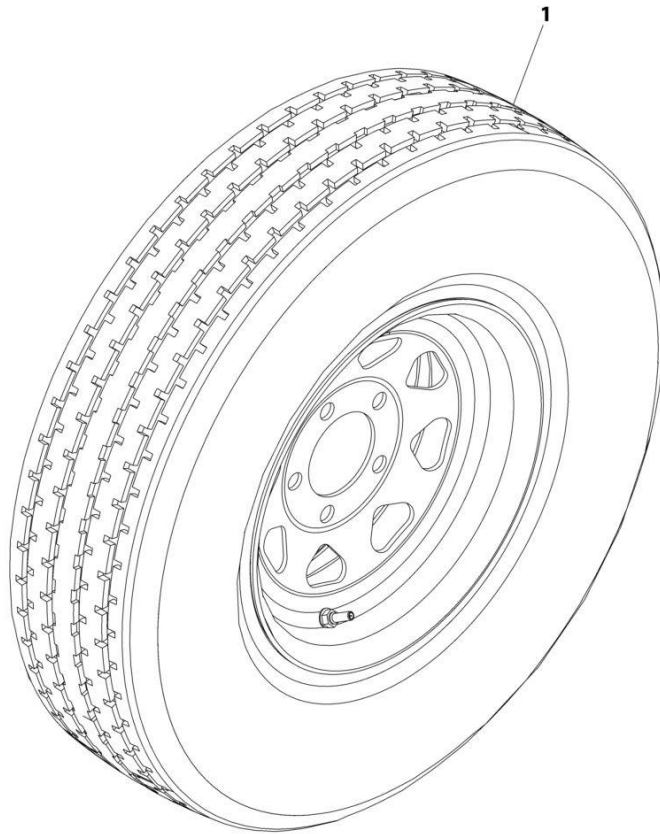
SECTION 1 - FRAME

FIGURE 1-35. TIRE AND WHEEL INSTALLATION - 185R14C (T350)

ITEM	PART NUMBER	QTY	DESCRIPTION	REV
	0274351	Ref	TIRE AND WHEEL INSTALLATION	D
1	4520377	2	Tire and Wheel Assembly - 185R14C (Serviced as an Assembly Only)	
2	1706705	2	Decal - Tire Pressure (Not Shown Located on Frame Below VIN Plate)	

SECTION 1 - FRAME

FIGURE 1-36. TIRE AND WHEEL INSTALLATION - 215-75-R14 (T350)



ART_0275210

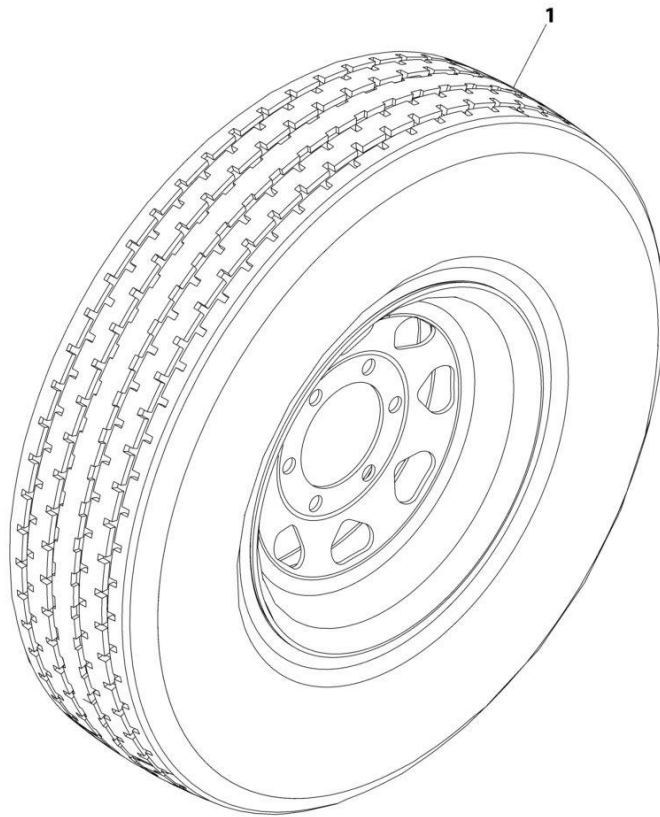
SECTION 1 - FRAME

FIGURE 1-36. TIRE AND WHEEL INSTALLATION - 215-75-R14 (T350)

ITEM	PART NUMBER	QTY	DESCRIPTION	REV
	0275210	Ref	TIRE AND WHEEL INSTALLATION	C
1	1001109586	2	Tire and Wheel Assembly	
1	70002204	2	Tire, Replacement (215-75-R14)	
1	70002205	2	Wheel, Replacement (14 x 6)	

SECTION 1 - FRAME

FIGURE 1-37. TIRE AND WHEEL INSTALLATION - 225-75-R15 (T500J)



ART_0275211

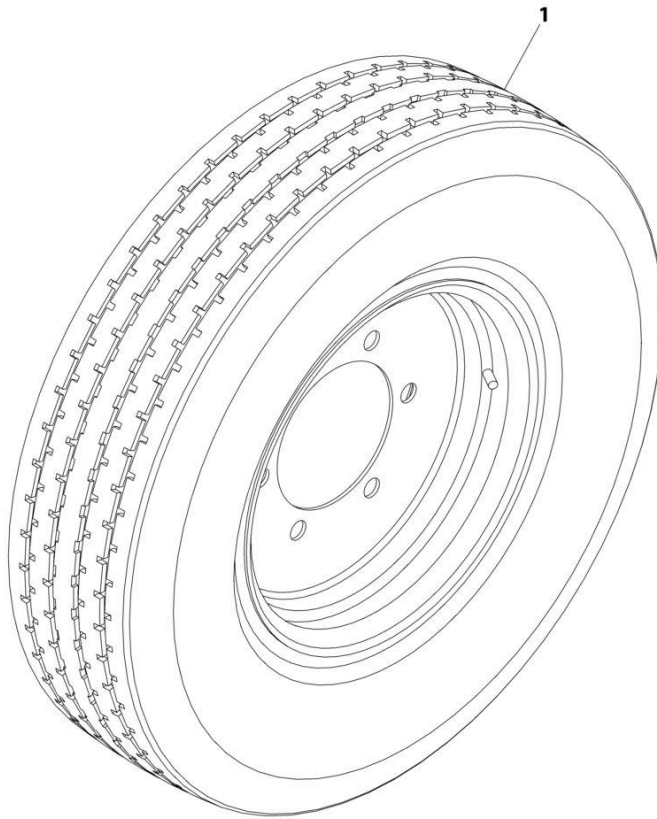
SECTION 1 - FRAME

FIGURE 1-37. TIRE AND WHEEL INSTALLATION - 225-75-R15 (T500J)

ITEM	PART NUMBER	QTY	DESCRIPTION	REV
1	0275211 4520614	Ref 2	TIRE AND WHEEL INSTALLATION Tire and Wheel Assembly (225-75-R15) (Serviced as an assembly Only)	B

SECTION 1 - FRAME

FIGURE 1-38. TIRE AND WHEEL INSTALLATION - 225-75-R16 (T500J)



ART_0274352

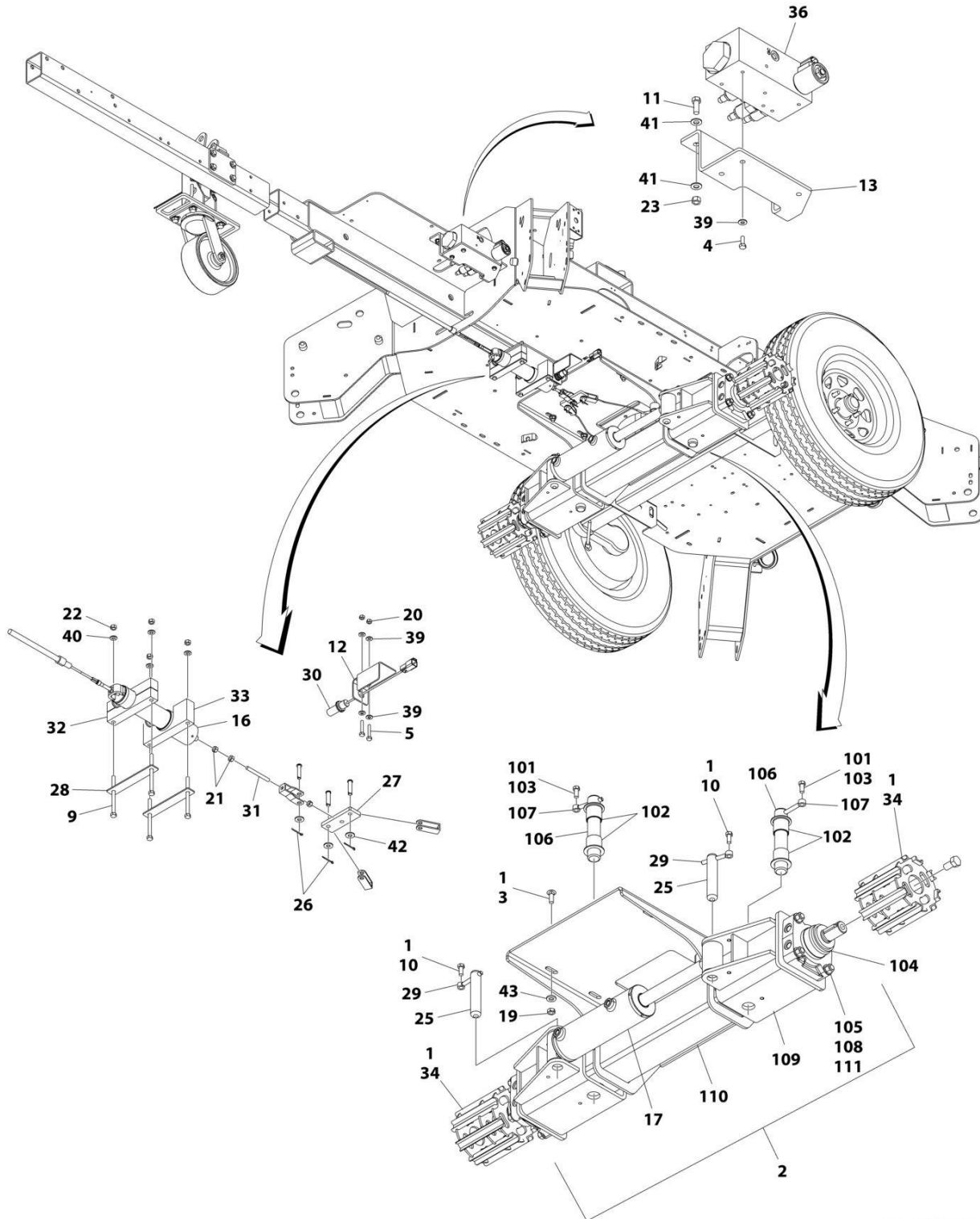
SECTION 1 - FRAME

FIGURE 1-38. TIRE AND WHEEL INSTALLATION - 225-75-R16 (T500J)

ITEM	PART NUMBER	QTY	DESCRIPTION	REV
	0274352	Ref	TIRE AND WHEEL INSTALLATION	E
1	4520378	2	Tire and Wheel Assembly - 225-R16C (Serviced as an Assembly Only)	
2	1706706	2	Decal - Tire Pressure (Not Shown Located on Frame Below VIN Plate)	

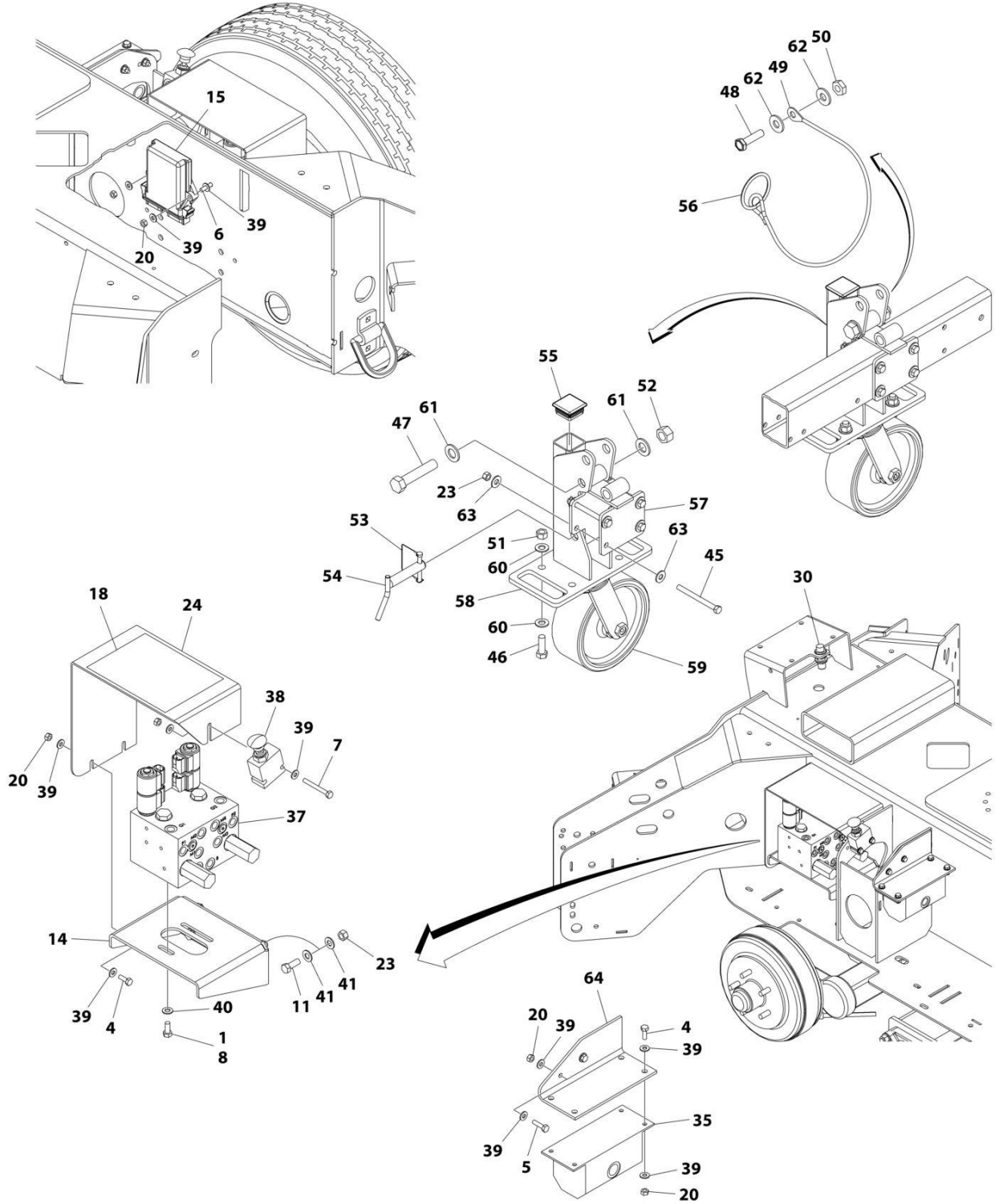
SECTION 1 - FRAME

FIGURE 1-39. CHASSIS DRIVE INSTALLATION (OPTIONAL) (T350 ALL SPECS EXCEPT SOUTH AFRICA SPECS)



ART_0274679_10F2

SECTION 1 - FRAME



ART_0274679_20F2

SECTION 1 - FRAME

FIGURE 1-39. CHASSIS DRIVE INSTALLATION (OPTIONAL) (T350 ALL SPECS EXCEPT SOUTH AFRICA SPECS)

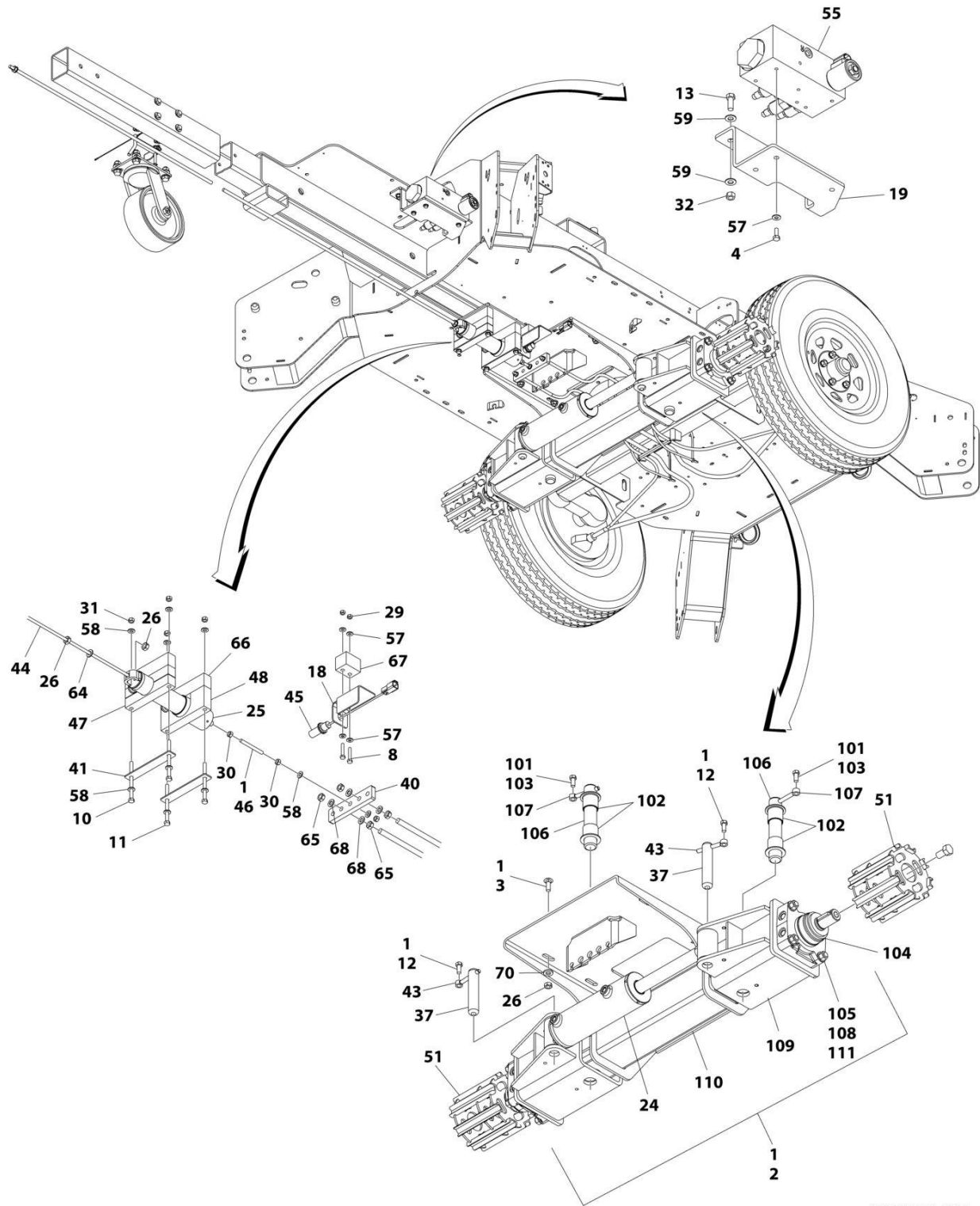
ITEM	PART NUMBER	QTY	DESCRIPTION	REV
	0274679	Ref	CHASSIS DRIVE INSTALLATION (OPTIONAL)	H
1	0100011	AR	Compound, Locking	
2	0274806	1	Drive Assembly (See Items 101-111 for Breakdown)	
3	0630613	6	Bolt M10 x 30	
4	0641406	9	Bolt 1/4 x 3/4	
5	0641408	4	Bolt 1/4 x 1	
6	0641410	2	Bolt 1/4 x 1-1/4	
7	0641418	2	Bolt 1/4 x 2-1/4	
8	0641506	3	Bolt 5/16 x 3/4	
9	0641526	4	Bolt 5/16 x 3-1/4	
10	0641607	2	Bolt 3/8 x 7/8	
11	0641608	6	Bolt 3/8 x 1	
12	0903284	1	Bracket, Switch Mounting	
13	0903298	1	Bracket, Valve Mounting	
14	0903299	1	Bracket, Drive Valve Mounting	
15	1600392	1	Module, Drive Propulsion	
16	1001193948	1	Brake Release Cylinder Assembly (See Separate Breakdown in CYLINDER Section)	
17	1684467	1	Drive Engage Cylinder Assembly (See Separate Breakdown in CYLINDER Section)	
18	1706701	1	Decal - Drive Set	
19	3291001	6	Nut M10	
20	3311405	14	Nut 1/4	
21	3311501	3	Nut 5/16	
22	3311505	4	Nut 5/16	
23	3311605	10	Nut 3/8	
24	3380624	1	Cover	
25	3422351	2	Pin, Steer	
26	3450304	3	Pin, Cotter 3/32 x 1	
27	3576092	1	Plate, Equalizer	
28	3576136	2	Plate, Strap	
29	3841143	2	Keeper, Pin	
30	4000008	2	Sensor, Proximity	
31	4300115	1	Stud	
32	4341097	1	Support, Cylinder Slide	
33	4341116	1	Support, Cylinder Slide	
34	4520338	2	Disc, Friction Drive	
35	4641418	1	Valve Assembly - Flow Divider	
36	4641419	1	Valve Assembly - Drive Enable (See Separate Breakdown in this Section)	
37	4641420	1	Valve Assembly - Drive Directional (See Separate Breakdown in this Section)	
38	4640866	1	Valve Assembly - Manual Pull	
38	7017466	1	Cartridge	
38	2900708	1	Seal Kit - 7017466 Cartridge	
38	7012959	1	Knob	
39	4711400	31	Washer 1/4	
40	4711500	7	Washer 5/16	
41	4711600	12	Washer 3/8	
42	4751500	3	Washer 5/16	

SECTION 1 - FRAME

ITEM	PART NUMBER	QTY	DESCRIPTION	REV
43	4891700	6	Washer 7/16	
44	4923340	1	Harness, Drive and Set (Not Shown - See Separate Breakdown in ELECTRICAL Section)	
45	0641634	4	Bolt 3/8 x 4-1/2	
46	0641812	4	Bolt 1/2 x 1-1/2	
47	0642230	1	Bolt 3/4 x 3-3/4	
48	0721006	1	Screw #10 x 3/4	
49	1060584	1	Cable, Lanyard	
50	3311005	1	Nut #10	
51	3311805	4	Nut 1/2	
52	3312205	1	Nut 3/4	
53	3421565	1	Snap-Pin	
54	3423249	1	Pin, Drive Motor Pivot	
55	3520071	1	Cap-Plug	
56	3760170	1	Ring, Split	
57	4341148	1	Mount, Wheel Drive Pivot	
58	4341149	1	Mount, Wheel Drive	
59	4520591	1	Wheel, Drive	
60	4711800	8	Washer 1/2	
61	4712200	2	Washer 3/4	
62	4751000	2	Washer #10	
63	4751600	8	Washer 3/8	
64	0903356	1	Bracket, Mounting	
	0274806		DRIVE ASSEMBLY	D
101	0100011	1	Compound, Locking	
102	0440321	4	Bearing, Flanged	
103	0641607	2	Bolt 3/8 x 7/8	
104	3160327	2	Drive Motor Assembly (See Separate Breakdown in this Section)	
105	3311805	8	Nut 1/2	
106	3422709	2	Pin, Slider	
107	3841143	2	Keeper, Pin	
108	3931840	8	Capscrew 1/2 x 2-1/2	
109	4130417	2	Spindle, Drive/Set	
110	4341092	1	Mount, Motor	
111	4711800	8	Washer 1/2	

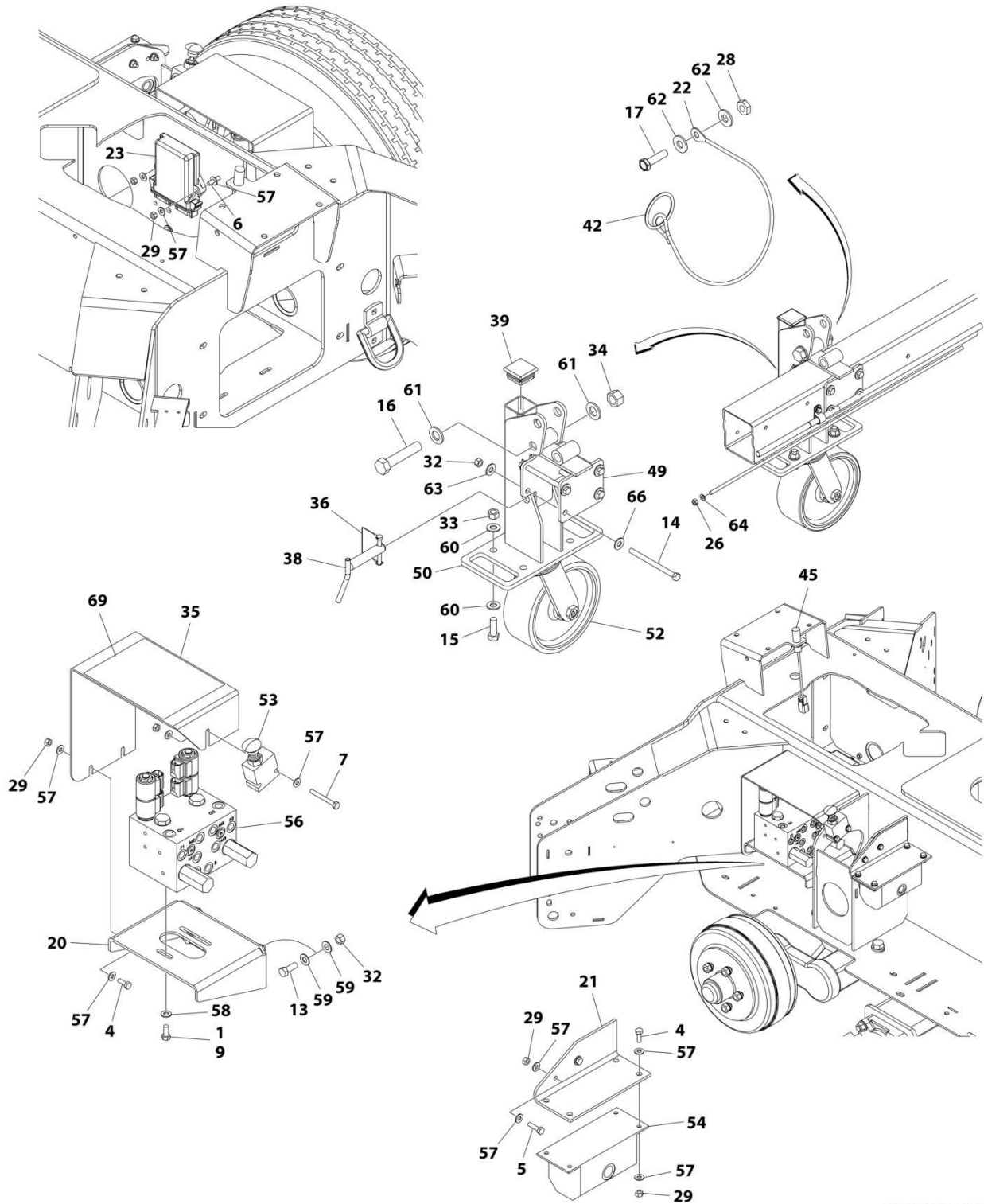
SECTION 1 - FRAME

FIGURE 1-40. CHASSIS DRIVE INSTALLATION (OPTIONAL) (T350 SOUTH AFRICAN SPECS)



ART_0275380_10F2

SECTION 1 - FRAME



ART_0275380_20F2

SECTION 1 - FRAME

FIGURE 1-40. CHASSIS DRIVE INSTALLATION (OPTIONAL) (T350 SOUTH AFRICAN SPECS)

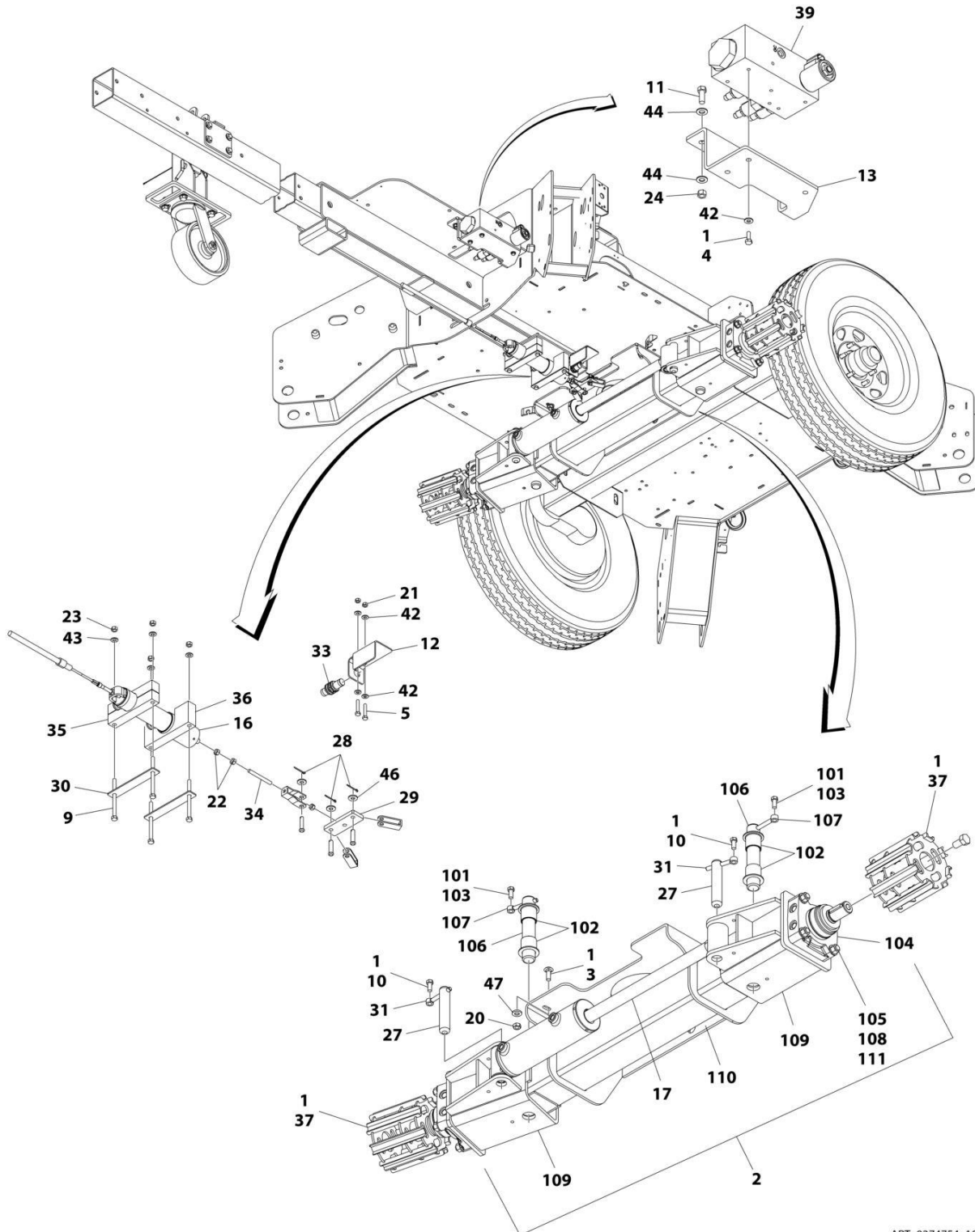
ITEM	PART NUMBER	QTY	DESCRIPTION	REV
	0275380	Ref	CHASSIS DRIVE INSTALLATION (OPTIONAL)	G
1	0100011	AR	Compound, Locking	
2	0275391	1	Drive Assembly (See Items 101-111 for Breakdown)	
3	0630613	6	Bolt M10 x 30	
4	0641406	9	Bolt 1/4 x 3/4	
5	0641408	2	Bolt 1/4 x 1	
6	0641410	2	Bolt 1/4 x 1-1/4	
7	0641418	2	Bolt 1/4 x 2-1/4	
8	0641420	2	Bolt 1/4 x 2-1/2	
9	0641506	3	Bolt 5/16 x 3/4	
10	0641538	2	Bolt 5/16 x 4-3/4	
11	0641540	2	Bolt 5/16 x 5	
12	0641607	2	Bolt 3/8 x 7/8	
13	0641608	6	Bolt 3/8 x 1	
14	0641634	4	Bolt 3/8 x 1/2	
15	0641812	4	Bolt 1/2 x 1-1/2	
16	0642230	1	Bolt 3/4 x 3-3/4	
17	0721006	1	Screw #10 x 3/4	
18	0903284	1	Bracket, Switch Mounting	
19	0903298	1	Bracket, Valve Mounting	
20	0903299	1	Bracket, Drive Valve Mounting	
21	0903356	1	Bracket, Mounting	
22	1060584	1	Cable, Lanyard	
23	1600392	1	Module, Drive Propulsion	
24	1684467	1	Drive Engage Cylinder Assembly (See Separate Breakdown in CYLINDER Section)	
25	1001193948	1	Brake Release Cylinder Assembly (See Separate Breakdown in CYLINDER Section)	
26	3291001	AR	Nut M10	
28	3311005	1	Nut M10	
29	3311405	14	Nut 1/4	
30	3311501	3	Nut 5/16	
31	3311505	4	Nut 5/16	
32	3311605	10	Nut 3/8	
33	3311805	4	Nut 1/2	
34	3312205	1	Nut 3/4	
35	3380624	1	Cover	
36	3421565	1	Snap-Pin	
37	3422351	2	Pin, Steer	
38	3423249	1	Pin, Drive Motor Pivot	
39	3520071	1	Cap-Plug	
40	3575853	1	Plate, Equalizer	
41	3576136	2	Plate, Strap	
42	3760170	1	Ring, Split	
43	3841143	2	Keeper, Pin	
44	3841740	1	Brake Rod/Cable	
45	4000008	2	Sensor, Proximity	
46	4300115	1	Stud	
47	4341097	1	Support, Cylinder Slide	
48	4341116	1	Support, Cylinder Slide	

SECTION 1 - FRAME

ITEM	PART NUMBER	QTY	DESCRIPTION	REV
49	4341148	1	Mount, Wheel Drive Pivot	
50	4341149	1	Mount, Wheel Drive	
51	4520338	2	Disc, Friction Drive	
52	4520591	1	Wheel, Drive	
53	4640866	1	Valve Assembly - Manual Pull	
53	7017466	1	Cartridge	
53	2900708	1	Seal Kit - 7017466 Cartridge	
53	7012959	1	Knob	
54	4641418	1	Valve Assembly - Flow Divider	
55	4641419	1	Valve Assembly - Drive Enable (See Separate Breakdown in this Section)	
56	4641420	1	Valve Assembly - Drive Directional (See Separate Breakdown in this Section)	
57	4711400	31	Washer 1/4	
58	4711500	13	Washer 5/16	
59	4711600	12	Washer 3/8	
60	4711800	8	Washer 1/2	
61	4712200	2	Washer 3/4	
62	4751000	2	Washer #10	
63	4751600	8	Washer 3/8	
64	4812000	2	Washer M10	
65	3290801	4	Nut M8	
66	4220304	2	Spacer, Brake Cylinder Pad	
67	4220305	1	Spacer, Switch Mounting	
68	4811900	2	Washer M8	
69	1706701	1	Decal - Drive Set	
70	4891700	6	Washer 7/16	
71	4240127	1	Tie-Strap (Not Shown)	
72	4060804	AR	Flex-Trim (Not Shown - Located on Frame)	
	0275391	Ref	DRIVE ASSEMBLY	C
101	0100011	AR	Compound, Locking	
102	0440321	4	Bearing, Flanged	
103	0641607	2	Bolt 3/8 x 7/8	
104	3160327	2	Drive Motor Assembly (See Separate Breakdown in this Section)	
105	3311805	8	Nut 1/2	
106	3422709	2	Pin, Slider	
107	3841143	2	Keeper, Pin	
108	3931840	8	Capscrew 1/2 x 2-1/2	
109	4130417	2	Spindle, Drive/Set	
110	4341267	1	Mount, Motor	
111	4711800	8	Washer 1/2	

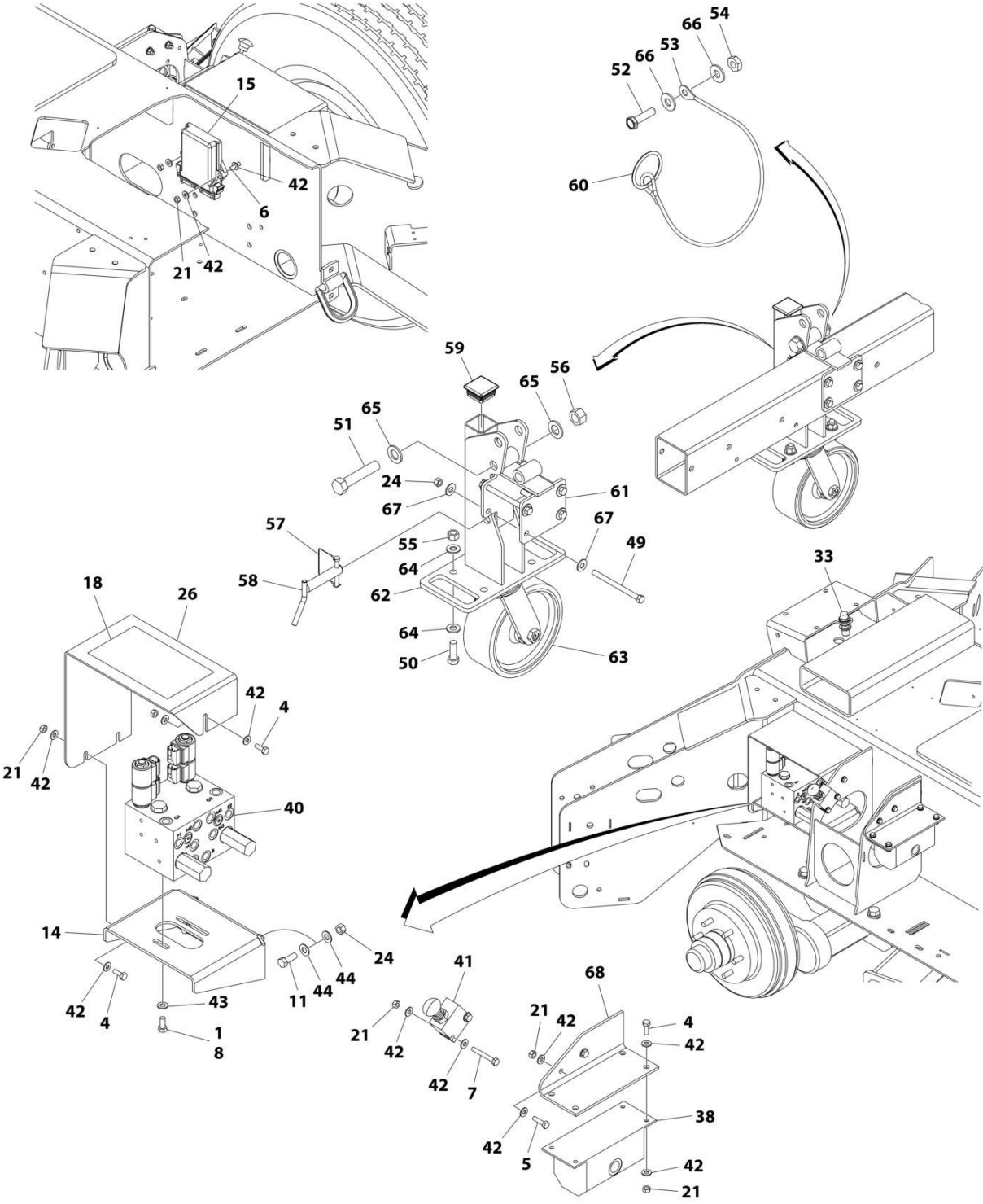
SECTION 1 - FRAME

FIGURE 1-41. CHASSIS DRIVE INSTALLATION (OPTIONAL) (T500J ALL SPECS EXCEPT SOUTH AFRICAN SPECS)



ART_0274754_10F2

SECTION 1 - FRAME



ART_0274754_20F2

SECTION 1 - FRAME

FIGURE 1-41. CHASSIS DRIVE INSTALLATION (OPTIONAL) (T500J ALL SPECS EXCEPT SOUTH AFRICAN SPECS)

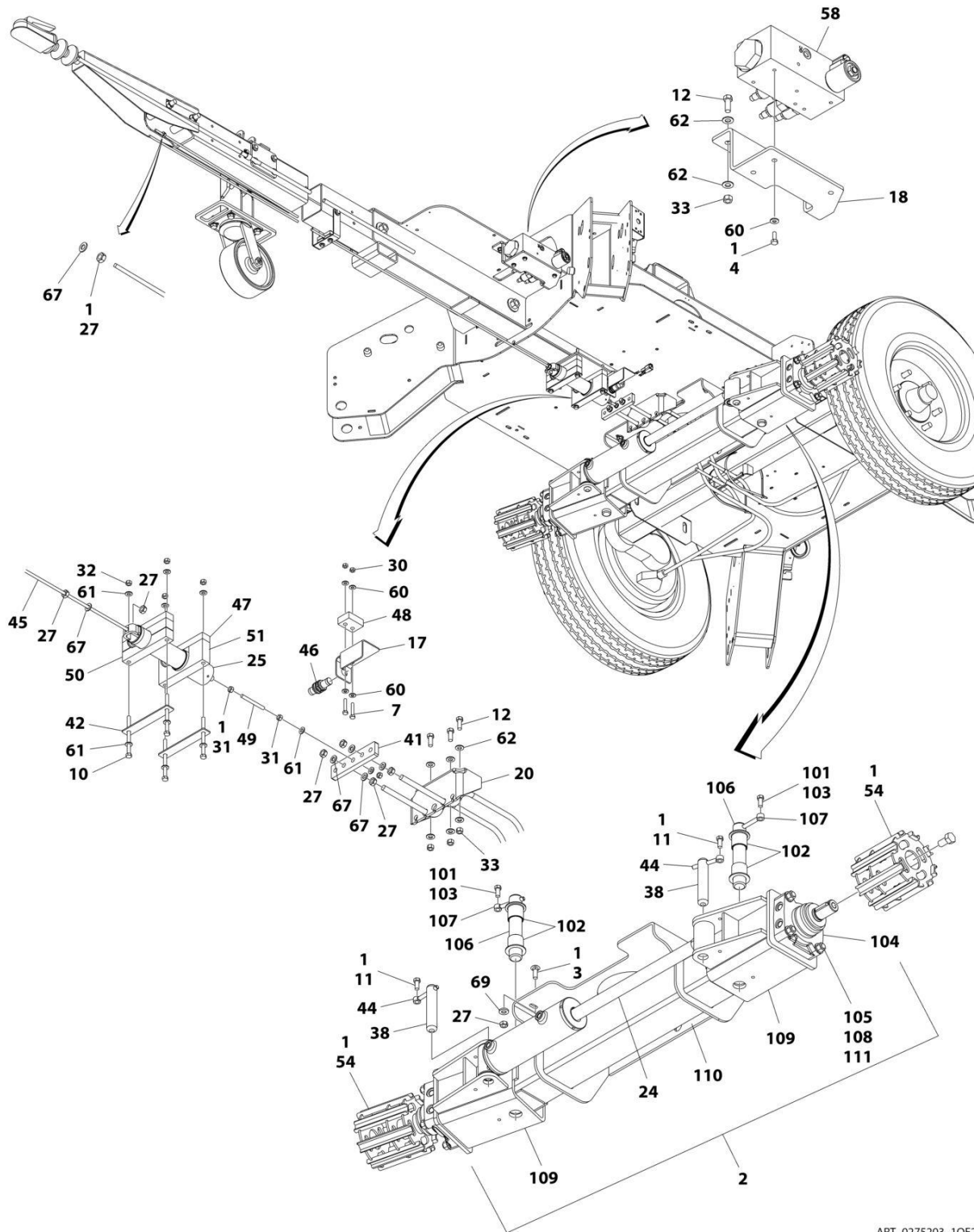
ITEM	PART NUMBER	QTY	DESCRIPTION	REV
	0274754	Ref	CHASSIS DRIVE INSTALLATION (OPTIONAL)	H
1	0100011	AR	Compound, Locking	
2	0274803	1	Drive Assembly (See Items 101-111 for Breakdown)	
3	0630613	4	Bolt M10 x 30	
4	0641406	10	Bolt 1/4 x 3/4	
5	0641408	4	Bolt 1/4 x 1	
6	0641410	2	Bolt 1/4 x 1-1/4	
7	0641418	2	Bolt 1/4 x 2-1/4	
8	0641506	3	Bolt 5/16 x 3/4	
9	0641526	4	Bolt 5/16 x 3-1/4	
10	0641607	2	Bolt 3/8 x 7/8	
11	0641608	6	Bolt 3/8 x 1	
12	0903284	1	Bracket, Switch Mounting	
13	0903298	1	Bracket, Valve Mounting	
14	0903299	1	Bracket, Drive Valve Mounting	
15	1600392	1	Module, Drive Propulsion	
16	1001193948	1	Brake Release Cylinder Assembly (See Separate Breakdown in CYLINDER Section)	
17	1684468	1	Drive Engage Cylinder Assembly (See Separate Breakdown in CYLINDER Section)	
18	1706701	1	Decal - Drive Set	
20	3291001	4	Nut M10	
21	3311405	15	Nut 1/4	
22	3311501	3	Nut 5/16	
23	3311505	4	Nut 5/16	
24	3311605	10	Nut 3/8	
26	3380624	1	Cover	
27	3422351	2	Pin, Steer	
28	3450304	3	Pin, Cotter 3/32 x 1	
29	3576092	1	Plate, Equalizer	
30	3576136	2	Plate, Strap	
31	3841143	2	Keeper, Pin	
33	4000008	2	Sensor, Proximity	
34	4300115	1	Stud	
35	4341097	1	Support, Cylinder Slide	
36	4341116	1	Support, Cylinder Slide	
37	4520338	2	Disc, Friction Drive	
38	4641418	1	Valve Assembly - Flow Divider	
39	4641419	1	Valve Assembly - Drive Enable (See Separate Breakdown in this Section)	
40	4641420	1	Valve Assembly - Drive Directional (See Separate Breakdown in this Section)	
41	4640866	1	Valve Assembly - Manual Pull	
41	7017466	1	Cartridge	
41	2900708	1	Seal Kit - 7017466 Cartridge	
41	7012959	1	Knob	
42	4711400	33	Washer 1/4	
43	4711500	7	Washer 5/16	
44	4711600	12	Washer 3/8	
46	4751500	3	Washer 5/16	

SECTION 1 - FRAME

ITEM	PART NUMBER	QTY	DESCRIPTION	REV
47	4891700	4	Washer 7/16	
48	4923340	1	Harness, Drive and Set (Not Shown - See Separate Breakdown in ELECTRICAL Section)	
49	0641640	4	Bolt 3/8 x 4	
50	0641812	4	Bolt 1/2 x 1-1/2	
51	0642230	1	Bolt 3/4 x 3-3/4	
52	0721006	1	Screw #10 x 3/4	
53	1060584	1	Cable, Lanyard	
54	3311005	1	Nut #10	
55	3311805	4	Nut 1/2	
56	3312205	1	Nut 3/4	
57	3421565	1	Snap-Pin	
58	3423249	1	Pin, Drive Motor Pivot	
59	3520071	1	Cap-Plug	
60	3760170	1	Ring, Split	
61	4341150	1	Mount, Wheel Drive Pivot	
62	4341151	1	Mount, Wheel Drive	
63	4520591	1	Wheel, Drive	
64	4711800	8	Washer 1/2	
65	4712200	2	Washer 3/4	
66	4751000	2	Washer #10	
67	4751600	8	Washer 3/8	
68	0903356	1	Bracket, Mounting	
	0274803	Ref	DRIVE ASSEMBLY	D
101	0100011	1	Compound, Locking	
102	0440321	4	Bearing, Flanged	
103	0641607	2	Bolt 3/8 x 7/8	
104	3160327	2	Drive Motor Assembly (See Separate Breakdown in this Section)	
105	3311805	8	Nut 1/2	
106	3422709	2	Pin, Slider	
107	3841143	2	Keeper, Pin	
108	3931840	8	Capscrew 1/2 x 2-1/2	
109	4130417	2	Spindle, Drive/Set	
110	4341113	1	Mount, Motor	
111	4711800	8	Washer 1/2	

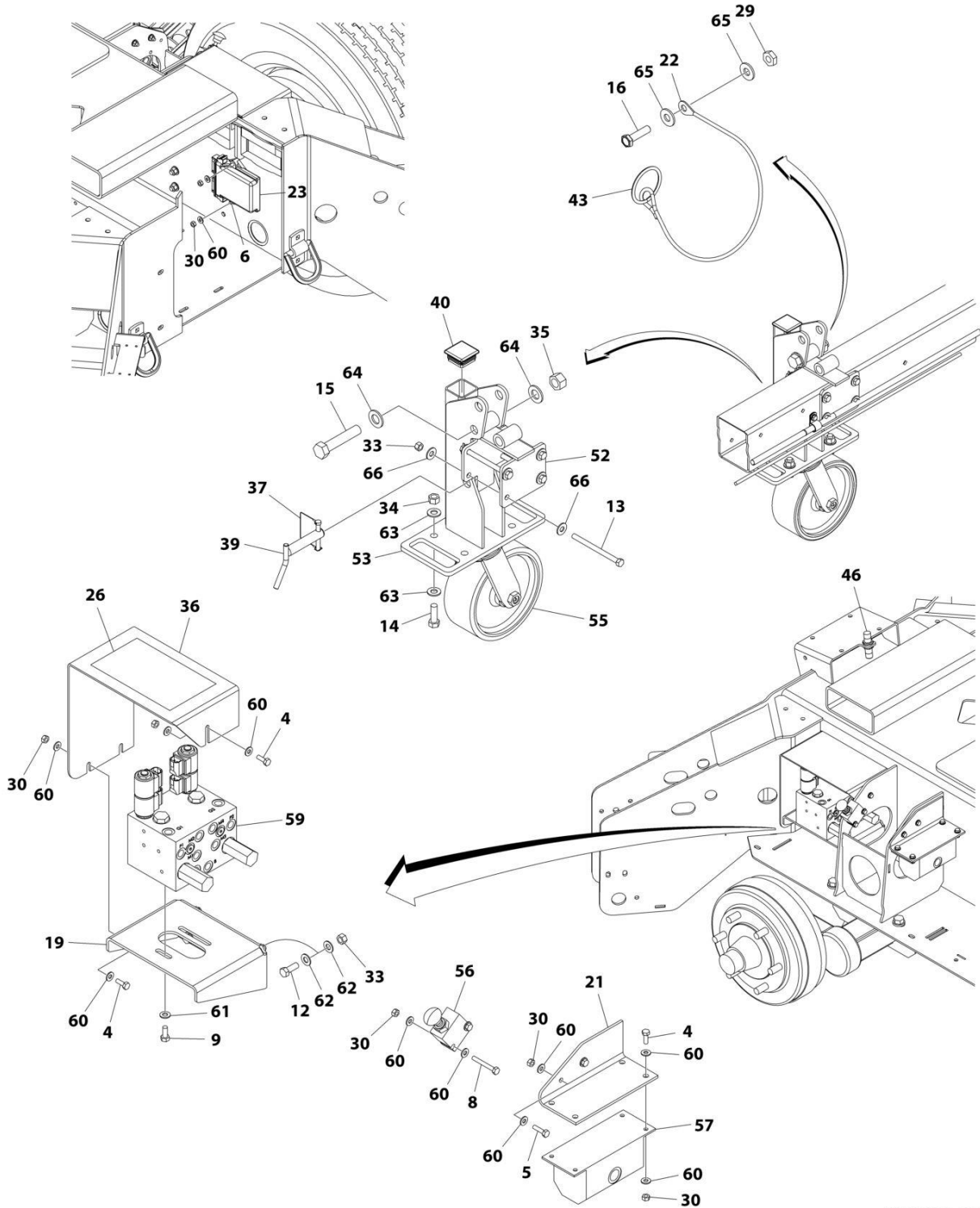
SECTION 1 - FRAME

FIGURE 1-42. CHASSIS DRIVE INSTALLATION (OPTIONAL) (T500J SOUTH AFRICAN SPECS)



ART_0275203_10F2

SECTION 1 - FRAME



ART_0275203_20F2

SECTION 1 - FRAME

FIGURE 1-42. CHASSIS DRIVE INSTALLATION (OPTIONAL) (T500J SOUTH AFRICAN SPECS)

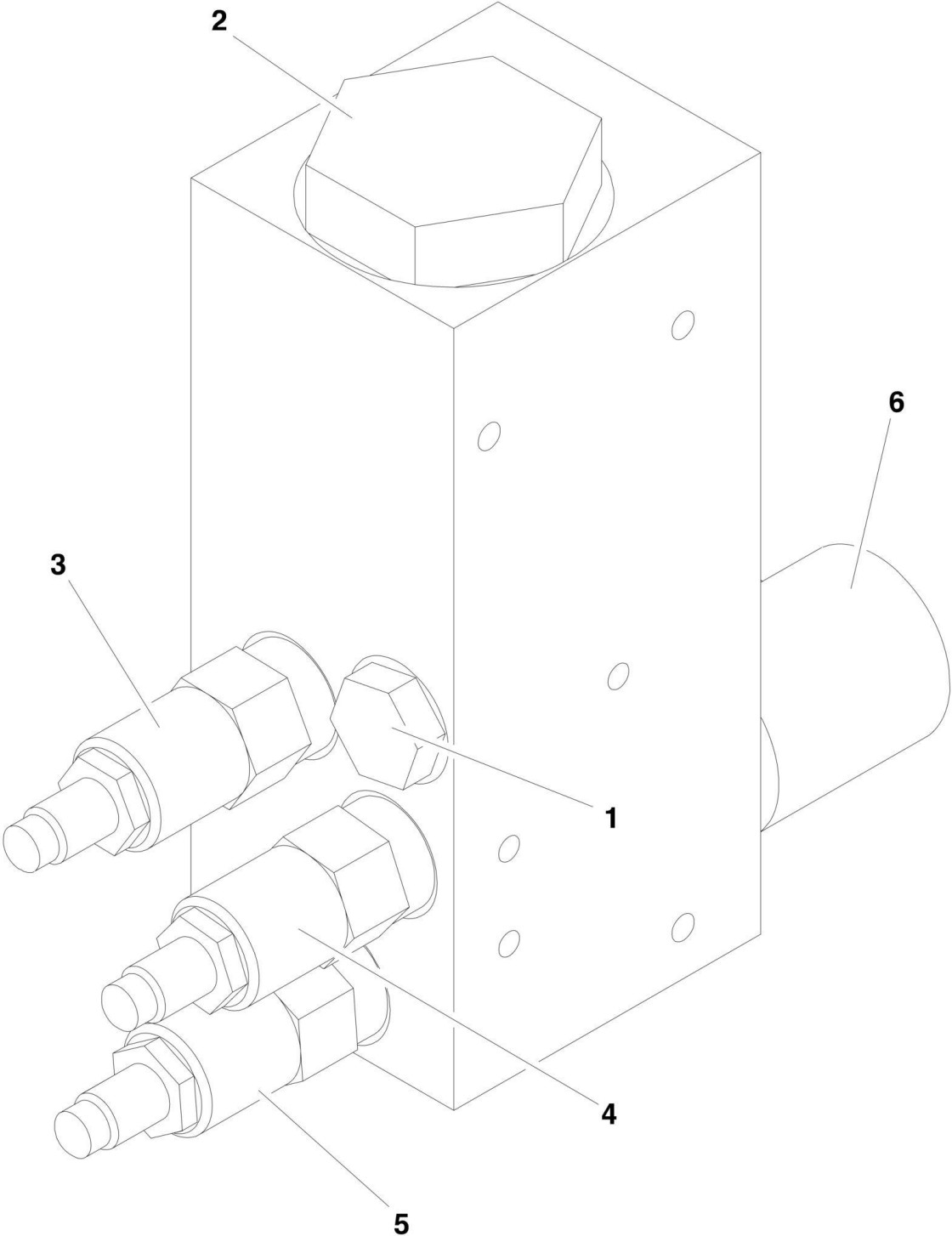
ITEM	PART NUMBER	QTY	DESCRIPTION	REV
	0275203	Ref	CHASSIS DRIVE INSTALLATION (OPTIONAL)	E
1	0100011	AR	Compound, Locking	
2	0274803	1	Drive Assembly (See Items 101-111 for Breakdown)	
3	0630613	4	Bolt M10 x 30	
4	0641406	10	Bolt 1/4 x 3/4	
5	0641408	4	Bolt 1/4 x 1	
6	0641410	2	Bolt 1/4 x 1-1/4	
7	0641412	2	Bolt 1/4 x 1-1/2	
8	0641416	2	Bolt 1/4 x 2	
9	0641506	3	Bolt 5/16 x 3/4	
10	0641536	4	Bolt 5/16 x 4-1/4	
11	0641607	2	Bolt 3/8 x 7/8	
12	0641608	6	Bolt 3/8 x 1	
13	0641640	4	Bolt 3/8 x 5	
14	0641812	4	Bolt 1/2 x 1-1/2	
15	0642230	1	Bolt 3/4 x 3-3/4	
16	0721006	1	Screw #10 x 3/4	
17	0903284	1	Bracket, Switch Mounting	
18	0903298	1	Bracket, Valve Mounting	
19	0903299	1	Bracket, Drive Valve Mounting	
20	0903331	1	Bracket, Cable	
21	0903356	1	Bracket, Mounting	
22	1060584	1	Cable, Lanyard	
23	1600392	1	Module, Drive Propulsion	
24	1684468	1	Drive Engage Cylinder Assembly (See Separate Breakdown in CYLINDER Section)	
25	1001193948	1	Brake Release Cylinder Assembly (See Separate Breakdown in CYLINDER Section)	
26	1706701	1	Decal - Drive Set	
27	3291001	11	Nut M10	
28	3311005	1	Nut #10	
30	3311405	16	Nut 1/4	
31	3311501	3	Nut 5/16	
32	3311505	4	Nut 5/16	
33	3311605	10	Nut 3/8	
34	3311805	4	Nut 1/2	
35	3312205	1	Nut 3/4	
36	3380624	1	Cover	
37	3421565	1	Snap-Pin	
38	3422351	2	Pin, Steer	
39	3423249	1	Pin, Drive Motor Pivot	
40	3520071	1	Cap-Plug	
41	3575853	1	Plate, Equalizer	
42	3576136	2	Plate, Strap	
43	3760170	1	Ring, Split	
44	3841143	4	Keeper, Pin	
45	3841730	1	Brake Rod/Cable	
46	4000008	2	Sensor, Proximity	
47	4220296	2	Spacer, Brake Cylinder Pad	
48	4220297	1	Spacer, Switch Mounting	

SECTION 1 - FRAME

ITEM	PART NUMBER	QTY	DESCRIPTION	REV
49	4300115	1	Stud	
50	4341097	1	Support, Cylinder Slide	
51	4341116	1	Support, Cylinder Slide	
52	4341150	1	Mount, Wheel Drive Pivot	
53	4341151	1	Mount, Wheel Drive	
54	4520338	2	Disc, Friction Drive	
55	4520591	1	Wheel, Drive	
56	4640866	1	Valve Assembly - Manual Pull	
56	7017466	1	Cartridge	
56	2900708	1	Seal Kit - 7017466 Cartridge	
56	7012959	1	Knob	
57	4641418	1	Valve Assembly - Flow Divider	
58	4641419	1	Valve Assembly - Drive Enable (See Separate Breakdown in this Section)	
59	4641420	1	Valve Assembly - Drive Directional (See Separate Breakdown in this Section)	
60	4711400	33	Washer 1/4	
61	4711500	13	Washer 5/16	
62	4711600	18	Washer 3/8	
63	4711800	8	Washer 1/2	
64	4712200	2	Washer 3/4	
65	4751000	2	Washer #10	
66	4751600	8	Washer 3/8	
67	4812000	6	Washer M10	
68	4923340	1	Harness, Drive and Set (Not Shown - See Separate Breakdown in ELECTRICAL Section)	
69	4891700	4	Washer 7/16	
70	4240127	2	Tie-Strap (Not Shown)	
71	4060804	AR	Flex-Trim (Not Shown - Located on Frame)	
	0274803	Ref	DRIVE ASSEMBLY	D
101	0100011	AR	Compound, Locking	
102	0440321	4	Bearing, Flanged	
103	0641607	2	Bolt 3/8 x 7/8	
104	3160327	2	Drive Motor Assembly (See Separate Breakdown in this Section)	
105	3311805	8	Nut 1/2	
106	3422709	2	Pin, Slider	
107	3841143	2	Keeper, Pin	
108	3931840	8	Capscrew 1/2 x 2-1/2	
109	4130417	2	Spindle, Drive/Set	
110	4341113	1	Mount, Motor	
111	4711800	8	Washer 1/2	

SECTION 1 - FRAME

FIGURE 1-43. DRIVE ENABLE VALVE ASSEMBLY (USED WITH DRIVE OPTION ONLY)



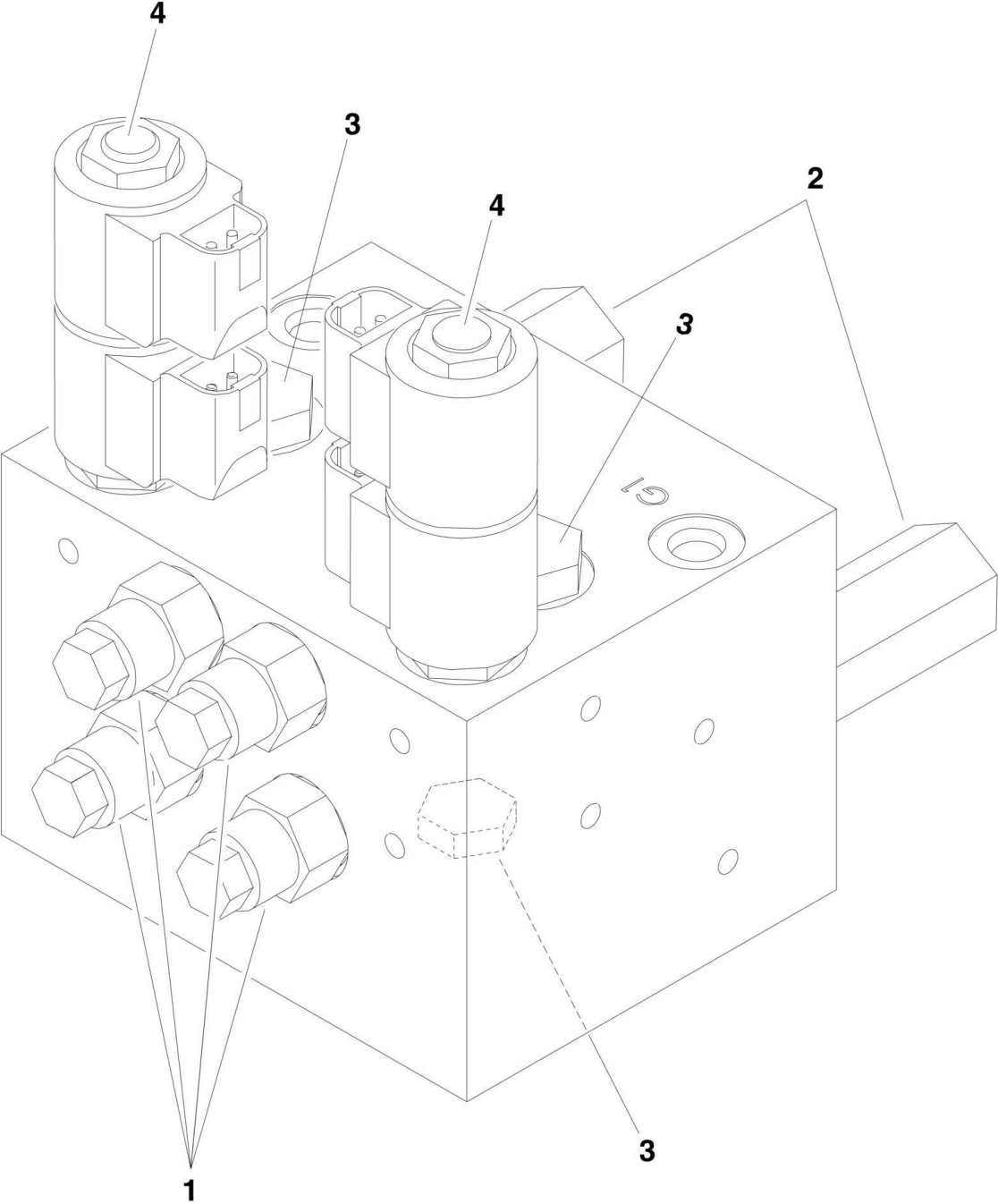
SECTION 1 - FRAME

FIGURE 1-43. DRIVE ENABLE VALVE ASSEMBLY (USED WITH DRIVE OPTION ONLY)

ITEM	PART NUMBER	QTY	DESCRIPTION	REV
	4641419	Ref	DRIVE ENABLE VALVE ASSEMBLY	B
1	4641129	1	Cartridge, Check Valve	
1	7012998	1	Seal Kit - 4641129 Cartridge	
2	2915194	1	Element, Filter (Includes p/n 70000065 O-Ring) (was p/n 7027634)	
2	See Note	1	Adapter (Note: Not Available - Purchase p/n 2915194)	
2	See Note	1	Retainer (Note: Not Available - Purchase p/n 2915194)	
2	See Note	1	Plug (Note: Not Available - Purchase p/n 2915194)	
3	7024893	1	Cartridge, Pressure Relief Valve	
3	7021653	1	Seal Kit - 7024893 Cartridge	
4	7024894	1	Cartridge, Relief Valve	
4	7012998	1	Seal Kit - 7024894 Cartridge	
5	7017418	1	Cartridge, Relief Valve	
5	7012998	1	Seal Kit - 7017418 Cartridge	
6	8036580	1	Cartridge, Solenoid Cartridge	
6	7012903	1	Seal Kit - 8036580 Cartridge	
6	7024883	1	Coil	

SECTION 1 - FRAME

FIGURE 1-44. DRIVE DIRECTIONAL VALVE ASSEMBLY (USED WITH DRIVE OPTION ONLY)



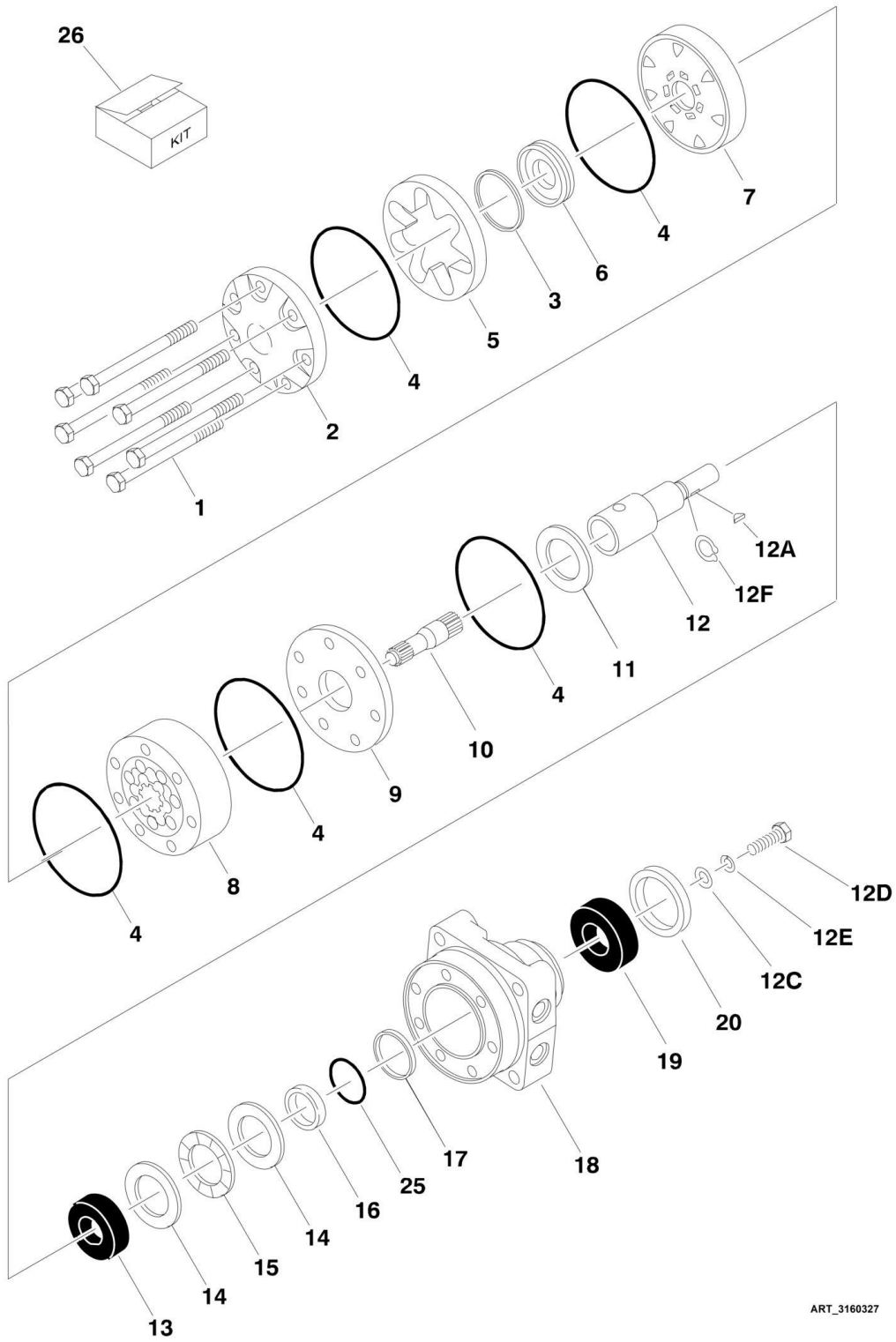
SECTION 1 - FRAME

FIGURE 1-44. DRIVE DIRECTIONAL VALVE ASSEMBLY (USED WITH DRIVE OPTION ONLY)

ITEM	PART NUMBER	QTY	DESCRIPTION	REV
	4641420	Ref	DRIVE DIRECTIONAL VALVE ASSEMBLY	B
1	70002815	4	Cartridge, Counterbalance Valve	
1	Not Required	0	Seal Kit - Cartridge	
2	7024898	2	Cartridge, Valve	
2	7012518	2	Seal Kit - 7024898 Cartridge	
3	7010542	3	Cartridge, Load Sensing Valve	
3	7010543	3	Seal Kit - 7010542 Cartridge	
4	7024899	2	Cartridge, Solenoid Cartridge	
4	7017402	2	Seal Kit - Cartridge	
4	7024885	4	Coil	
5	See Note	2	Orifice (.40) (Not Shown) (Note: Not available for purchase)	

SECTION 1 - FRAME

FIGURE 1-45. DRIVE MOTOR ASSEMBLY (USED WITH DRIVE OPTION ONLY)



ART_3160327

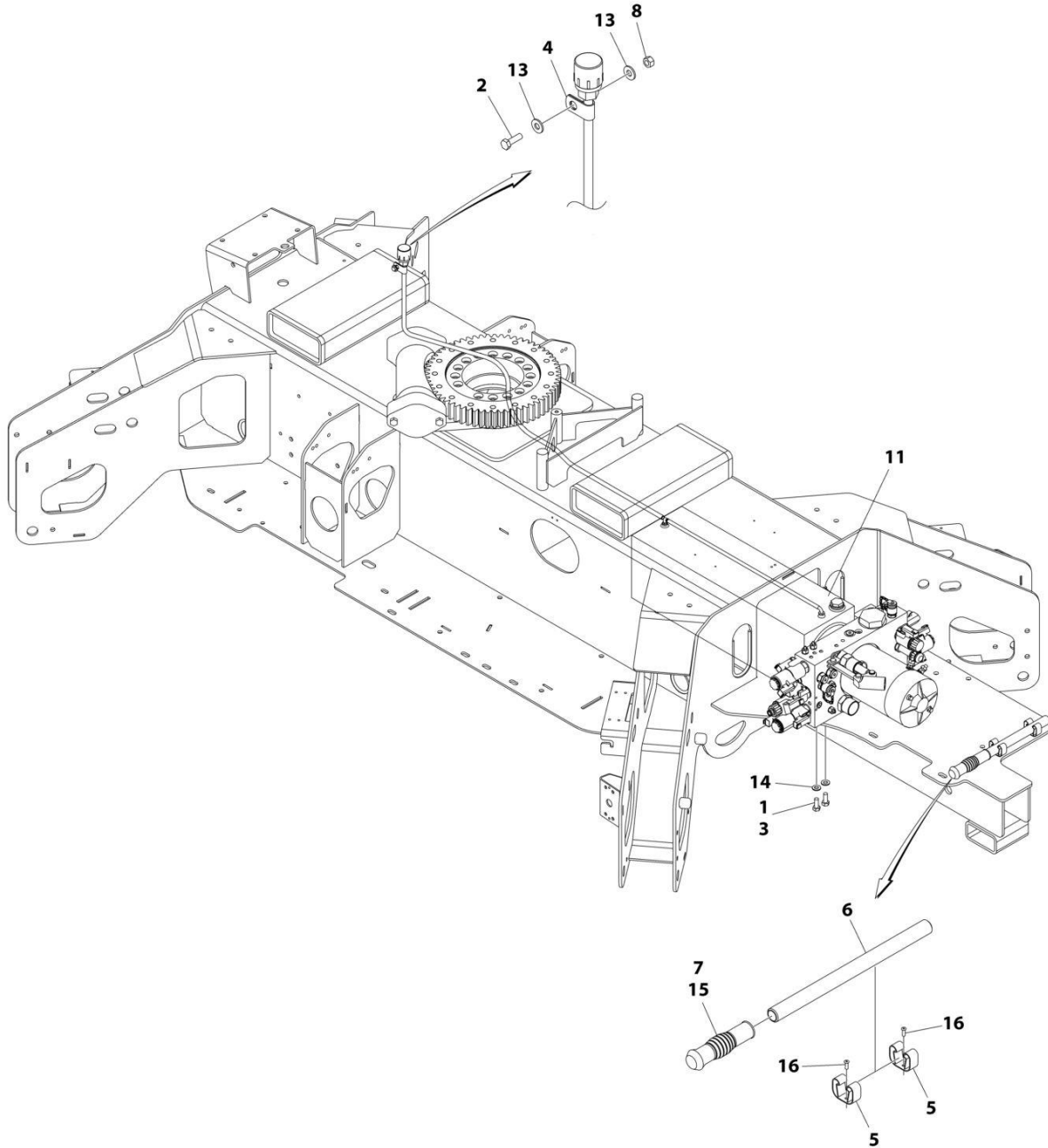
SECTION 1 - FRAME

FIGURE 1-45. DRIVE MOTOR ASSEMBLY (USED WITH DRIVE OPTION ONLY)

ITEM	PART NUMBER	QTY	DESCRIPTION	REV
	3160327	Ref	DRIVE MOTOR ASSEMBLY	B
1	70000287	7	Bolt	
2	7023328	1	Cover	
3	7023412	1	Seal, Commutator	
4	7023412	5	Ring, Seal	
5	7023315	1	Commutator (Includes Item 6)	
6	7023315	1	Ring, Commutator (Includes Item 5)	
7	70000277	1	Manifold	
8	70000288	1	Rotor Set	
9	7023311	1	Plate, Wear	
10	See Note	1	Link, Drive (Note: Not Available - Purchase Complete Drive Motor p/n 3160327)	
11	7023308	1	Bearing, Thrust	
12	70000281	1	Shaft	
12A	70000282	1	Key, Shaft	
12C	70000283	1	Washer, Shaft	
12D	70000284	1	Bolt, Shaft	
12E	70000285	1	Lockwasher, Shaft	
12F	70000286	1	Ring, Shaft Retaining	
13	7023405	1	Bearing, Inner	
14	7023406	2	Thrustwasher	
15	7023407	1	Bearing, Thrust	
16	7023412	1	Seal	
17	7023412	1	Washer, Backup	
18	70000280	1	Housing	
19	7023408	1	Bearing, Outer	
20	7023412	1	Seal, Dirt and Water	
25	7023412	1	Washer, Backup	
26	7023412	1	Seal Kit (Includes Items 3, 4 16, 17 & 25)	

SECTION 1 - FRAME

FIGURE 1-46. CONTROL VALVES INSTALLATION (T350 ELECTRIC POWERED)



ART_0273616

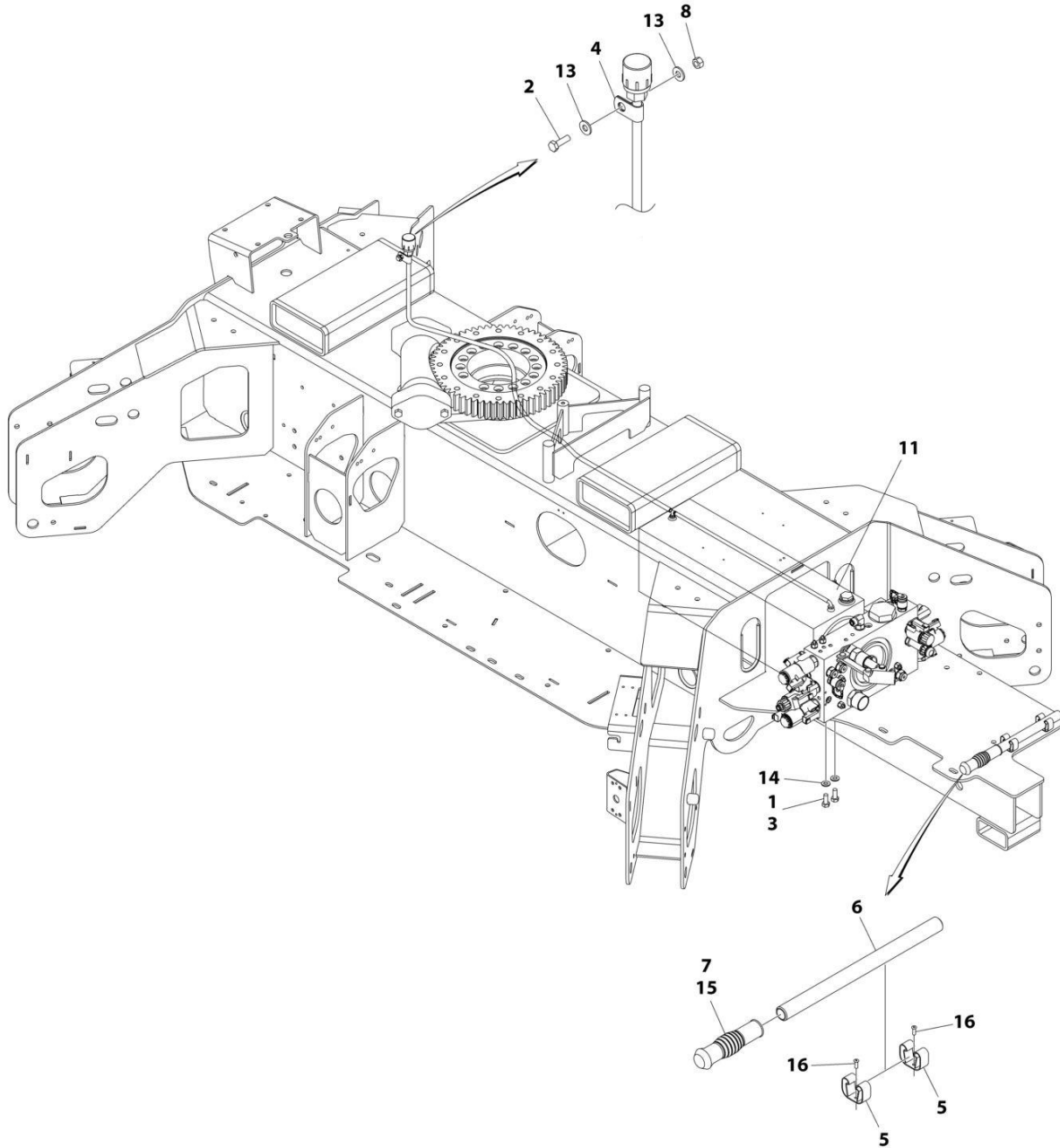
SECTION 1 - FRAME

FIGURE 1-46. CONTROL VALVES INSTALLATION (T350 ELECTRIC POWERED)

ITEM	PART NUMBER	QTY	DESCRIPTION	REV
	0273616	Ref	CONTROL VALVE INSTALLATION	F
1	0100011	AR	Compound, Locking	
2	0700610	1	Bolt M6 x 20	
3	0760810	3	Bolt M8 x 20	
4	8406110	1	Clamp	
5	1380136	2	Clip, Gripper	
6	2560122	1	Handle	
7	2560123	1	Grip, Handle	
8	3290605	1	Nut M6	
11	4641342	1	Control Valve Assembly (See Separate Breakdown in this Section)	
13	4711400	2	Washer 1/4	
14	4811900	3	Washer M8	
15	0100081	AR	Adhesive	
16	3820017	2	Rivet	

SECTION 1 - FRAME

FIGURE 1-47. CONTROL VALVES INSTALLATION (T350 GAS POWERED)



ART_0273618

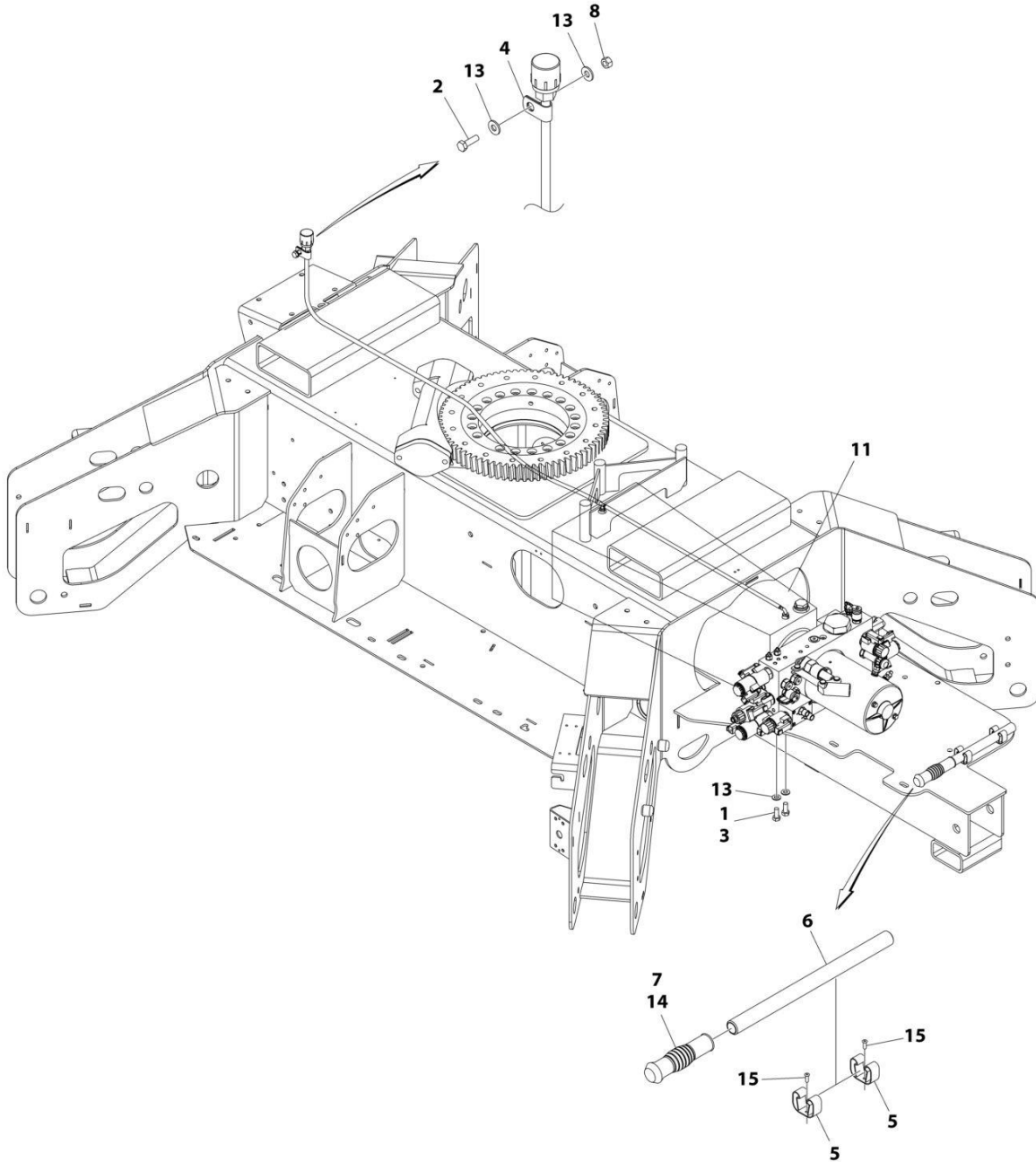
SECTION 1 - FRAME

FIGURE 1-47. CONTROL VALVES INSTALLATION (T350 GAS POWERED)

ITEM	PART NUMBER	QTY	DESCRIPTION	REV
	0273618	Ref	CONTROL VALVE INSTALLATION	E
1	0100011	AR	Compound, Locking	
2	0700610	1	Bolt M6 x 20	
3	0760810	3	Bolt M8 x 20	
4	1320263	1	Clamp	
5	1380136	2	Clip, Gripper	
6	2560122	1	Handle	
7	2560123	1	Grip, Handle	
8	3290605	1	Nut M6	
11	4641344	1	Control Valve Assembly (See Separate Breakdown in this Section)	
13	4711400	2	Washer 1/4	
14	4811900	3	Washer M8	
15	0100081	AR	Adhesive	
16	3820017	2	Rivet	

SECTION 1 - FRAME

FIGURE 1-48. CONTROL VALVES INSTALLATION (T500J ELECTRIC POWERED)



ART_0273617

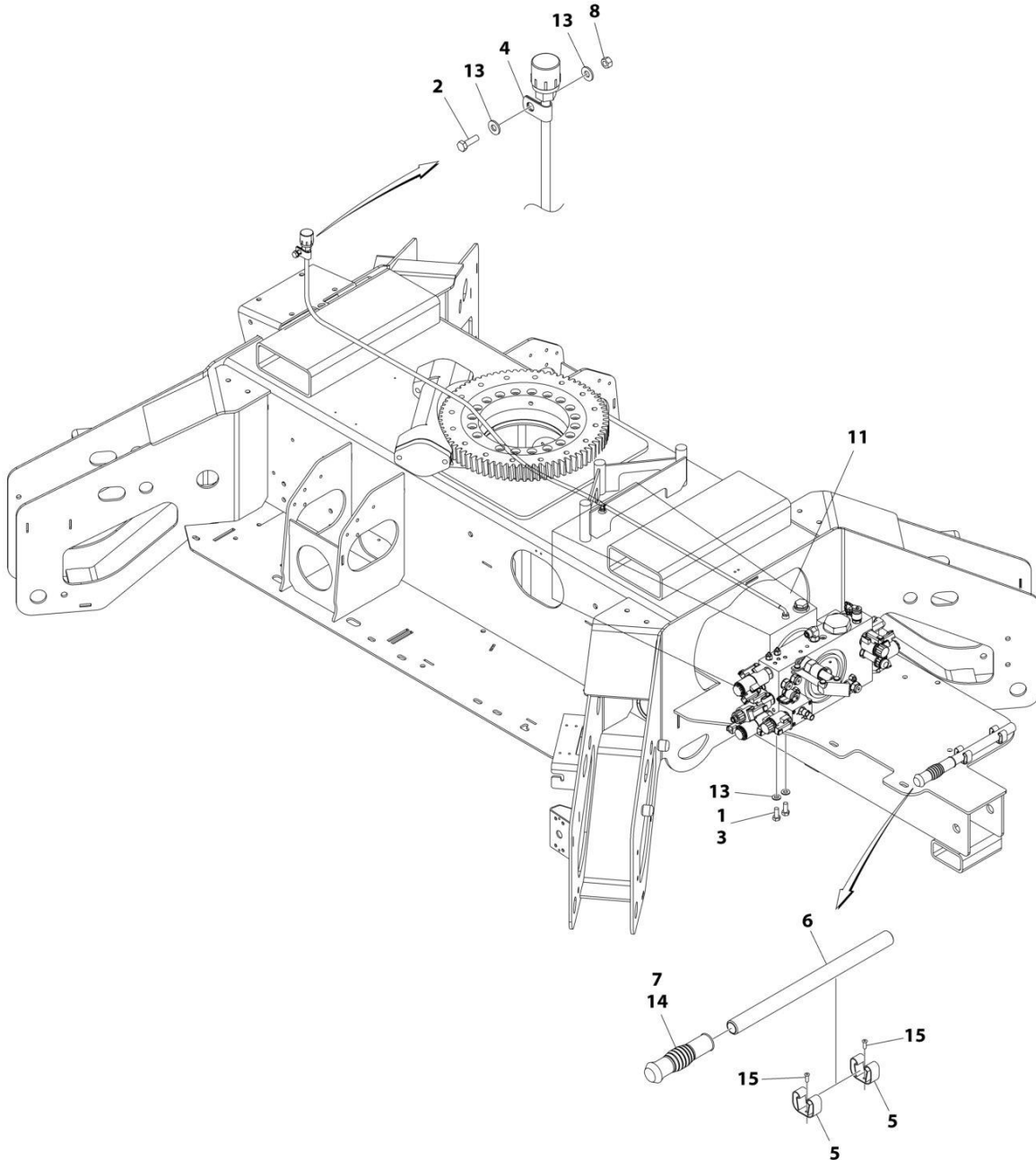
SECTION 1 - FRAME

FIGURE 1-48. CONTROL VALVES INSTALLATION (T500J ELECTRIC POWERED)

ITEM	PART NUMBER	QTY	DESCRIPTION	REV
	0273617	Ref	CONTROL VALVE INSTALLATION	F
1	0100011	AR	Compound, Locking	
2	0700812	1	Bolt M8 x 25	
3	0760810	3	Bolt M8 x 20	
4	8406110	1	Clamp	
5	1380136	2	Clip, Gripper	
6	2560122	1	Handle	
7	2560123	1	Grip, Handle	
8	3290805	1	Nut M8	
11	4641343	1	Control Valve Assembly (See Separate Breakdown in this Section)	
13	4811900	5	Washer M8	
14	0100081	AR	Adhesive	
15	3820017	2	Rivet	

SECTION 1 - FRAME

FIGURE 1-49. CONTROL VALVES INSTALLATION (T500J GAS POWERED)



ART_0273619

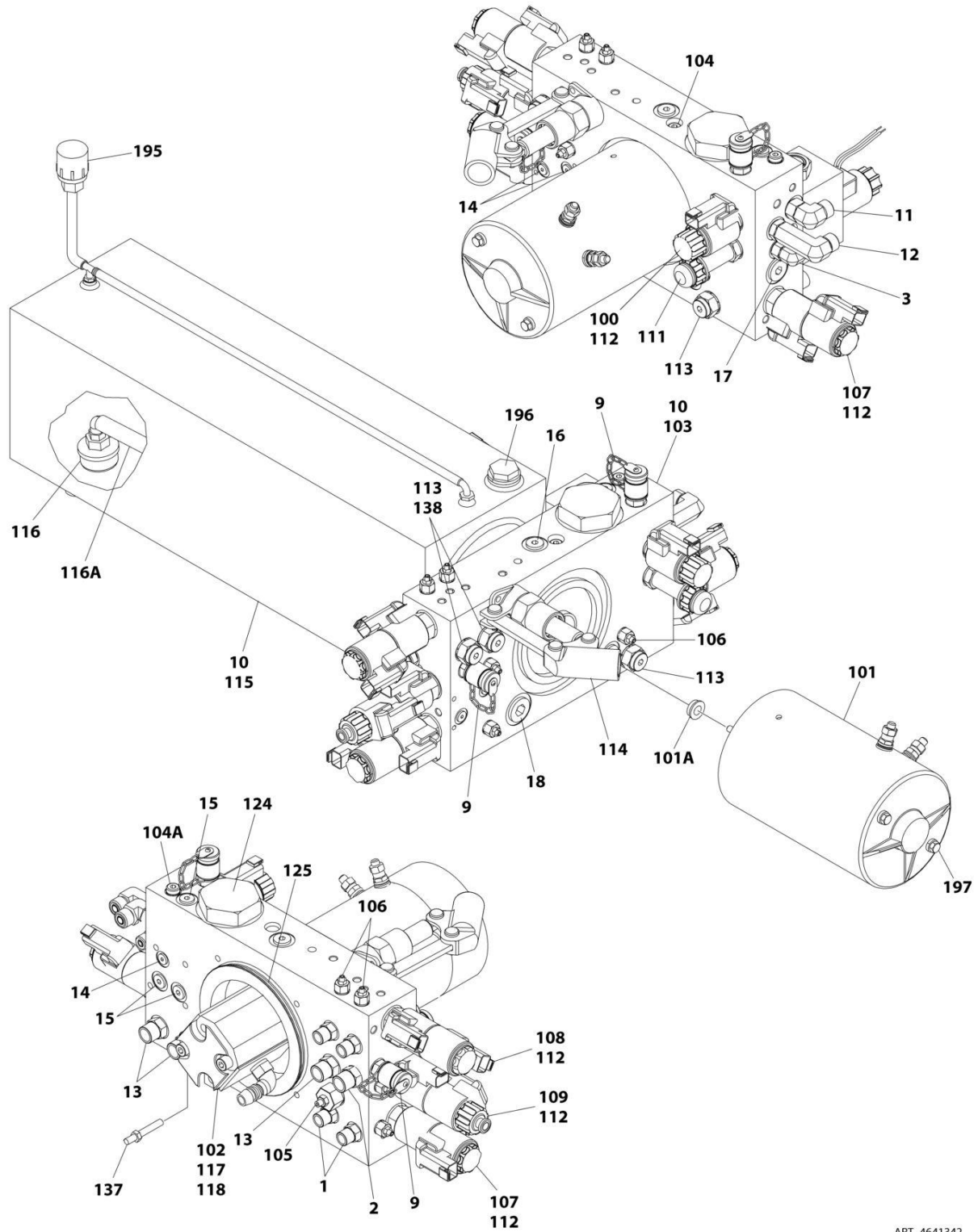
SECTION 1 - FRAME

FIGURE 1-49. CONTROL VALVES INSTALLATION (T500J GAS POWERED)

ITEM	PART NUMBER	QTY	DESCRIPTION	REV
	0273619	Ref	CONTROL VALVE INSTALLATION	E
1	0100011	AR	Compound, Locking	
2	0700812	1	Bolt M8 x 25	
3	0760810	3	Bolt M8 x 20	
4	1320263	1	Clamp	
5	1380136	2	Clip, Gripper	
6	2560122	1	Handle	
7	2560123	1	Grip, Handle	
8	3290805	1	Nut M8	
11	4641345	1	Control Valve Assembly (See Separate Breakdown in this Section)	
13	4811900	5	Washer M8	
14	0100081	AR	Adhesive	
15	3820017	2	Rivet	

SECTION 1 - FRAME

FIGURE 1-50. CONTROL VALVE ASSEMBLY (T350 ELECTRIC POWERED MACHINES)



ART_4641342

SECTION 1 - FRAME

FIGURE 1-50. CONTROL VALVE ASSEMBLY (T350 ELECTRIC POWERED MACHINES)

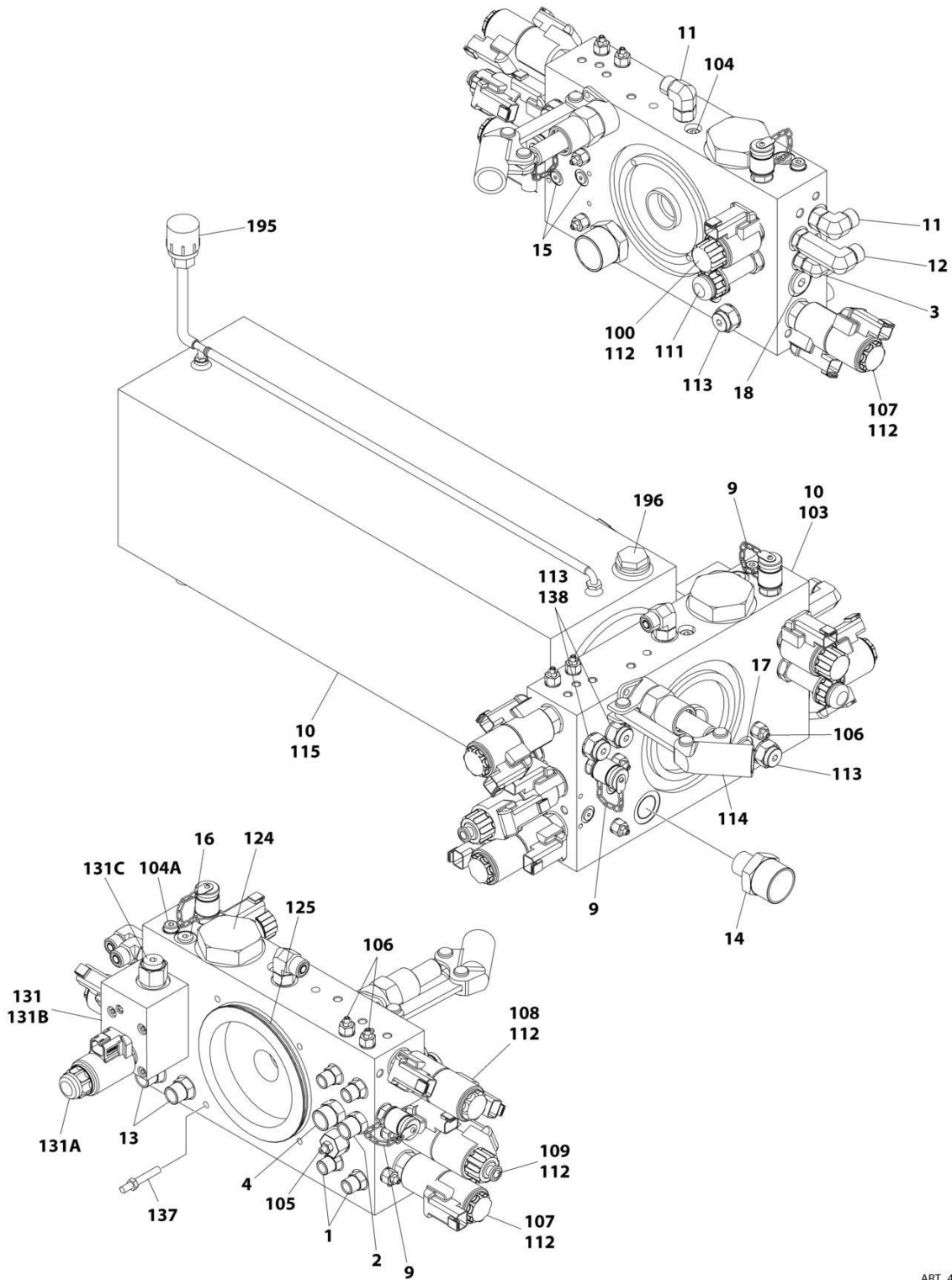
ITEM	PART NUMBER	QTY	DESCRIPTION	REV
	4641342	Ref	VALVE AND FITTINGS SUBASSEMBLY	E
1	2110404	4	Fitting, Straight	
2	2110604	1	Fitting, Straight	
3	2130404	1	Fitting, Elbow	
9	2221086	3	Fitting, Test Port	
10	4641325	1	Valve Assembly Less Fittings (Includes Items 101-197)	
11	2130606	1	Fitting, Elbow	
12	2170206	1	Fitting, Long Elbow	
13	2110606	3	Fitting, Straight	
14	2220881	3	Plug	
15	2220883	3	Plug	
16	2220885	2	Plug	
17	2220886	1	Plug	
18	2220887	1	Plug	
100	4641325	NSS	Control Valve Assembly (Note: Use p/n 4641342 When replacing complete Assembly)	D
101	7027617	1	Motor Assembly	
101	See Note	1	Brush Kit (Note: Not Available - Purchase Complete Motor Assembly p/n 7027617)	
101A	7027618	1	Coupling	
102	7027619	1	Pump	
102	See Note	1	Seal Kit - Pump (Note: Not Available - Purchase Pump p/n 7027619)	
103	See Note	1	Block, Valve (Note: Not Available - Purchase Complete Valve Assembly)	
104	7027620	1	Cartridge, Relief Valve	
104	See Note	1	Seal Kit (Note: Not Available - Purchase Relief Valve Cartridge p/n 7027620)	
104A	7027621	1	Cartridge, Relief Valve	
104A	See Note	1	Seal Kit (Note: Not Available - Purchase Relief Valve Cartridge p/n 7027621)	
105	7027622	1	Cartridge, Valve	
105	See Note	1	Seal Kit (Note: Not Available - Purchase Cartridge Valve p/n 7027622)	
106	7027623	7	Cartridge, Valve	
106	See Note	7	Seal Kit (Note: Not Available - Purchase Cartridge Valve p/n 7027623)	
107	7027624	2	Cartridge, Solenoid Less Coil (Swing and Leveling Jacks)	
107	70002227	2	Nut, Coil	
107	70000100	2	Seal Kit	
108	7027625	1	Cartridge, Solenoid Less Coil (Level)	
108	70002227	1	Nut, Coil	
108	70000100	1	Seal Kit	
109	7027626	1	Cartridge, Solenoid Less Coil (Tele)	
109	70002228	1	Nut, Coil	
109	70000100	1	Seal Kit	
110	7024500	1	Cartridge, Solenoid Less Coil (Lift Up)	
110	70002230	1	Nut, Coil	
110	7024505	1	Seal Kit	
111	7027627	1	Cartridge (Manual Descent)	
111	70002229	1	Nut, Coil	

SECTION 1 - FRAME

ITEM	PART NUMBER	QTY	DESCRIPTION	REV
111	7024505	1	Seal Kit	
112	7027628	9	Coil	
113	7027629	3	Cartridge, Valve	
113	7024505	3	Seal Kit	
114	7027630	1	Cartridge, Manual Hand Pump Valve (Manual Descent)	
114	See Note	1	Seal Kit (Note: Not Available - Purchase Manual Pump Valve Cartridge p/n 7027630)	
115		Ref	Tank Options:	
115	7027631	1	Tank T350	
115	7027639	1	Tank T500J	
116	7027632	1	Filter, Hydraulic (Suction)	
116A	7027633	1	Tube, Suction	
117	See Note	2	Capscrew 8mm x 90mm (for Pump) (Note: Not available for purchase)	
118	See Note	1	Ring, Seal (Note: Not available for purchase)	
124	2915194	1	Element, Filter (Includes p/n 7000065 O-Ring) (Was p/n 7027634)	
124	See Note	1	Adapter (Note: Not Available - Purchase Filter Element p/n 2915194)	
124	70002282	1	Fitting, Plug	
124	70003615	1	Retainer, Filter Element Contamination	
125	7027635	1	O-Ring	
137	70000894	4	Nut	
137	70000895	4	Stud	
138	7027636	2	Orifice	
195	7027638	1	Breather	
196	70000378	1	Dipstick	
197	See Note	1	Bolt M6 x 200 (Note: Not available for purchase)	

SECTION 1 - FRAME

FIGURE 1-51. CONTROL VALVE ASSEMBLY (T350 GAS POWERED MACHINES)



ART_4641344

SECTION 1 - FRAME

FIGURE 1-51. CONTROL VALVE ASSEMBLY (T350 GAS POWERED MACHINES)

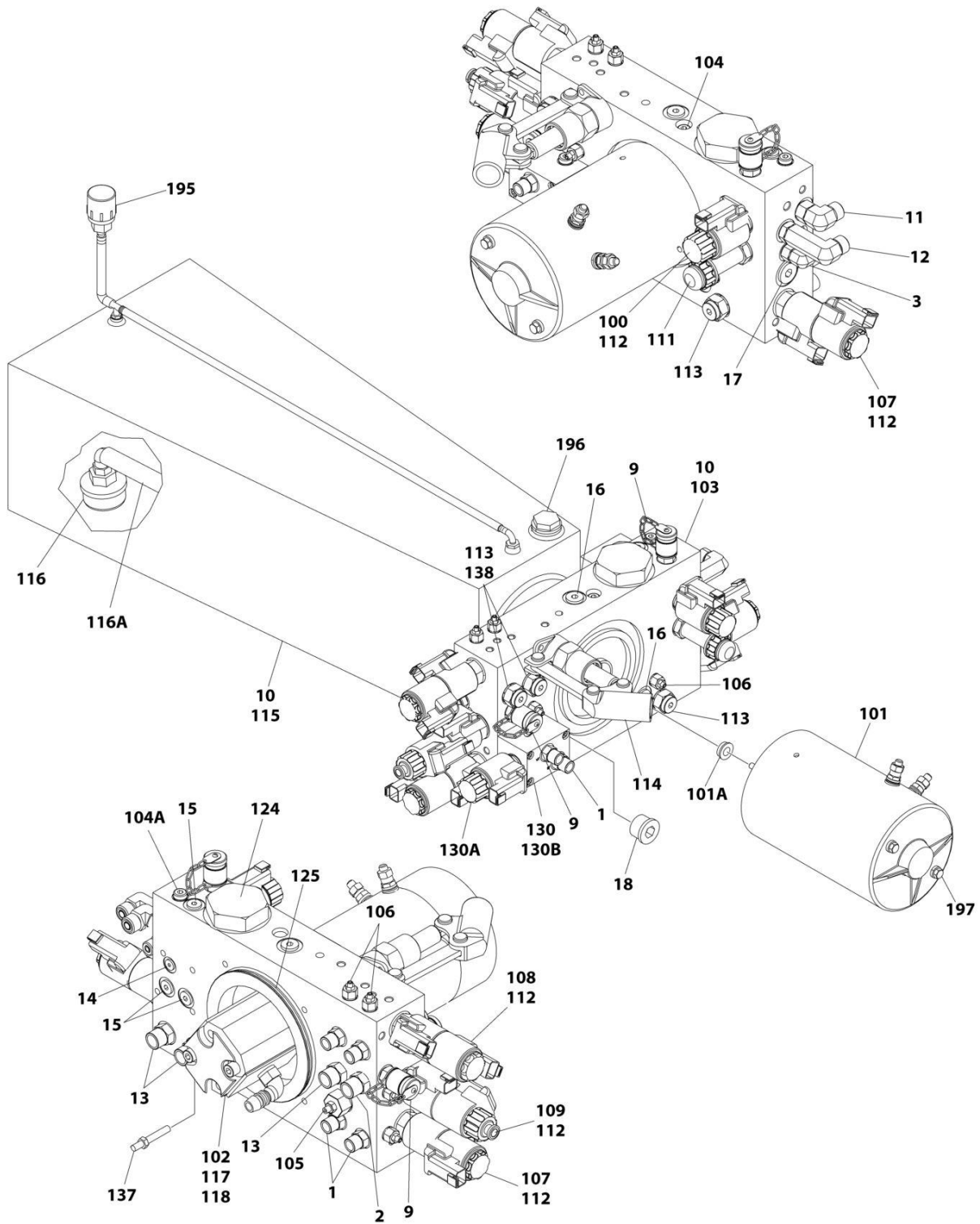
ITEM	PART NUMBER	QTY	DESCRIPTION	REV
	4641344	Ref	VALVE AND FITTINGS SUBASSEMBLY	H
1	2110404	4	Fitting, Straight	
2	2110604	1	Fitting, Straight	
3	2130404	1	Fitting, Elbow	
4	2110806	1	Fitting, Straight	
9	2221086	3	Fitting, Test Port	
10		Ref	Valve Assembly Less Fittings (Includes Items 103-196)	
10	1001228194	Ref	Valve Assembly Less Fittings	
10	1001228195	Ref	Valve Assembly Less Fittings	
11	2130606	2	Fitting, Elbow	
12	2170206	1	Fitting, Long Elbow	
13	2110606	2	Fitting, Straight	
14	2111610	1	Fitting, Straight	
15	2220881	2	Plug	
16	2220883	1	Plug	
17	2220885	1	Plug	
18	2220886	1	Plug	
100	4641327	NSS	Control Valve Assembly (Note: Use p/n 4641344 When replacing complete Assembly)	E
103	See Note	1	Block, Valve (Note: Not Available - Purchase Complete Valve Assembly)	
104	7027620	1	Cartridge, Relief Valve	
104	See Note	1	Seal Kit (Note: Not Available - Purchase Relief Valve Cartridge p/n 7027620)	
104A	7027621	1	Cartridge, Relief Valve	
104A	See Note	1	Seal Kit (Note: Not Available - Purchase Relief Valve Cartridge p/n 7027621)	
105	7027622	1	Cartridge, Valve	
105	See Note	1	Seal Kit (Note: Not Available - Purchase Cartridge Valve p/n 7027622)	
106	7027623	7	Cartridge, Valve	
106	See Note	7	Seal Kit (Note: Not Available - Purchase Cartridge Valve p/n 7027623)	
107	7027624	2	Cartridge, Solenoid Less Coil (Swing and Leveling Jacks)	
107	70002227	2	Nut, Coil	
107	70000100	2	Seal Kit	
108	7027625	1	Cartridge, Solenoid Less Coil (Level)	
108	70002227	1	Nut, Coil	
108	70000100	1	Seal Kit	
109	7027626	1	Cartridge, Solenoid Less Coil (Tele)	
109	70002228	1	Nut, Coil	
109	70000100	1	Seal Kit	
110	7024500	1	Cartridge, Solenoid Less Coil (Lift Up)	
110	70002230	1	Nut, Coil	
110	7024505	1	Seal Kit	
111	7027627	1	Cartridge (Manual Descent)	
111	70002229	1	Nut, Coil	
111	7024505	1	Seal Kit	
112	7027628	9	Coil	
113	7027629	3	Cartridge, Valve	
113	7024505	3	Seal Kit	

SECTION 1 - FRAME

ITEM	PART NUMBER	QTY	DESCRIPTION	REV
114	7027630	1	Cartridge, Manual Hand Pump Valve (Manual Descent)	
114	See Note	1	Seal Kit (Note: Not Available - Purchase Manual Pump Valve Cartridge p/n 7027630)	
115		Ref	Tank Options:	
115	7027631	1	Tank T350	
115	7027639	1	Tank T500J	
124	2915194	1	Element, Filter (Includes p/n 70000065 O-Ring) (Was p/n 7027634)	
124	See Note	1	Adapter (Note: Not Available - Purchase Filter Element p/n 2915194)	
124	70003615	1	Retainer, Filter Element Contamination	
125	7027635	1	O-Ring	
131	7027691	1	Valve Block Assembly (Proportional)	
131A	70000025	1	Cartridge, Solenoid Less Coil	
131A	7026623	1	Seal Kit	
131A	70000026	1	Coil	
131B	70000028	1	Cartridge, Valve (Check)	
131B	See Note	1	Seal Kit (Note: Not Available - Purchase Cartridge Valve p/n 70000028)	
131C	70000027	1	Compensator	
137	70000894	4	Nut	
137	70000895	4	Stud	
138	7027636	2	Orifice	
195	7027638	1	Breather	
196	70000378	1	Dipstick	

SECTION 1 - FRAME

FIGURE 1-52. CONTROL VALVE ASSEMBLY (T500J ELECTRIC POWERED MACHINES)



ART_4641343

SECTION 1 - FRAME

FIGURE 1-52. CONTROL VALVE ASSEMBLY (T500J ELECTRIC POWERED MACHINES)

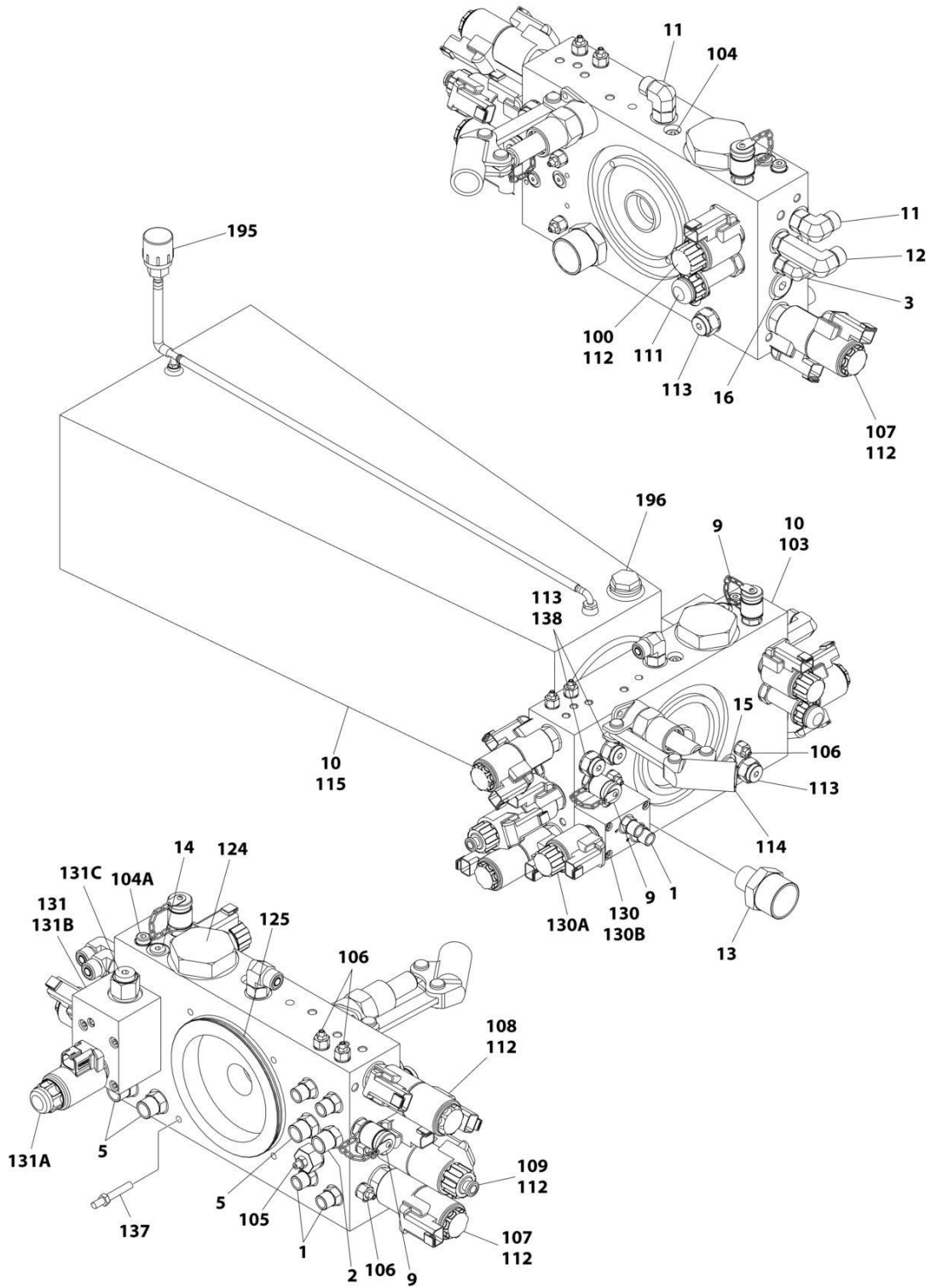
ITEM	PART NUMBER	QTY	DESCRIPTION	REV
	4641343	Ref	VALVE AND FITTINGS SUBASSEMBLY	E
1	2110404	6	Fitting, Straight	
2	2110604	1	Fitting, Straight	
3	2130404	1	Fitting, Elbow	
9	2221086	3	Fitting, Test Port	
10	4641326	1	Valve Assembly Less Fittings (Includes Items 101-197)	
11	2130606	1	Fitting, Elbow	
12	2170206	1	Fitting, Long Elbow	
13	2110606	3	Fitting, Straight	
14	2220881	1	Plug	
15	2220883	3	Plug	
16	2220885	2	Plug	
17	2220886	1	Plug	
18	2220887	1	Plug	
100	4641326	NSS	Control Valve Assembly (Note: Use p/n 4641343 When replacing complete Assembly)	D
101	7027617	1	Motor Assembly	
101	See Note	1	Brush Kit (Note: Not Available - Purchase Complete Motor Assembly p/n 7027617)	
101A	7027618	1	Coupling	
102	7027619	1	Pump	
102	See Note	1	Seal Kit - Pump (Note: Not Available - Purchase Pump p/n 7027619)	
103	See Note	1	Block, Valve (Note: Not Available - Purchase Complete Valve Assembly)	
104	7027620	1	Cartridge, Relief Valve	
104	See Note	1	Seal Kit (Note: Not Available - Purchase Relief Valve Cartridge p/n 7027620)	
104A	7027621	1	Cartridge, Relief Valve	
104A	See Note	1	Seal Kit (Note: Not Available - Purchase Relief Valve Cartridge p/n 7027621)	
105	7027622	1	Cartridge, Valve	
105	See Note	1	Seal Kit (Note: Not Available - Purchase Cartridge Valve p/n 7027622)	
106	7027623	7	Cartridge, Valve	
106	See Note	7	Seal Kit (Note: Not Available - Purchase Cartridge Valve p/n 7027623)	
107	7027624	2	Cartridge, Solenoid Less Coil (Swing and Leveling Jacks)	
107	70002227	2	Nut, Coil	
107	70000100	2	Seal Kit	
108	7027625	1	Cartridge, Solenoid Less Coil (Level)	
108	70002227	1	Nut, Coil	
108	70000100	1	Seal Kit	
109	7027626	1	Cartridge, Solenoid Less Coil (Tele)	
109	70002228	1	Nut, Coil	
109	70000100	1	Seal Kit	
110	7024500	1	Cartridge, Solenoid Less Coil (Lift Up)	
110	70002230	1	Nut, Coil	
110	7024505	1	Seal Kit	
111	7027627	1	Cartridge (Manual Descent)	
111	70002229	1	Nut, Coil	

SECTION 1 - FRAME

ITEM	PART NUMBER	QTY	DESCRIPTION	REV
111	7024505	1	Seal Kit	
112	7027628	9	Coil	
113	7027629	3	Cartridge, Valve	
113	7024505	3	Seal Kit	
114	7027630	1	Cartridge, Manual Hand Pump Valve (Manual Descent)	
114	See Note	1	Seal Kit (Note: Not Available - Purchase Manual Pump Valve Cartridge p/n 7027630)	
115		Ref	Tank Options:	
115	7027631	1	Tank T350	
115	7027639	1	Tank T500J	
116	7027632	1	Filter, Hydraulic (Suction)	
116A	7027633	1	Tube, Suction	
117	See Note	2	Capscrew 8mm x 90mm (for Pump) (Note: Not available for purchase)	
118	See Note	1	Ring, Seal (Note: Not available for purchase)	
124	2915194	1	Element, Filter (Includes p/n 70000065 O-Ring) (Was p/n 7027634)	
124	See Note	1	Adapter (Note: Not Available - Purchase Filter Element p/n 2915194)	
124	70002282	1	Fitting, Plug	
124	70003615	1	Retainer, Filter Element Contamination	
125	7027635	1	O-Ring	
130	7027690	1	Valve Block Assembly (Jib)	
30A	7024500	1	Cartridge, Solenoid Less Coil	
30A	70002230	1	Nut, Coil	
30A	7024505	1	Seal Kit	
30A	7027628	1	Coil	
30B	See Note	1	Cartridge, Valve (Note: Not Available - Purchase Complete Valve Block Assembly p/n 7027690)	
30B	See Note	1	Seal Kit (Note: Not Available - Purchase Complete Valve Block Assembly p/n 7027690)	
137	70000894	4	Nut	
137	70000895	4	Stud	
138	7027636	2	Orifice	
195	7027638	1	Breather	
196	70000378	1	Dipstick	
197	See Note	1	Bolt M6 x 200 (Note: Not available for purchase)	

SECTION 1 - FRAME

FIGURE 1-53. CONTROL VALVE ASSEMBLY (T500J GAS POWERED MACHINES)



ART_4641345

SECTION 1 - FRAME

FIGURE 1-53. CONTROL VALVE ASSEMBLY (T500J GAS POWERED MACHINES)

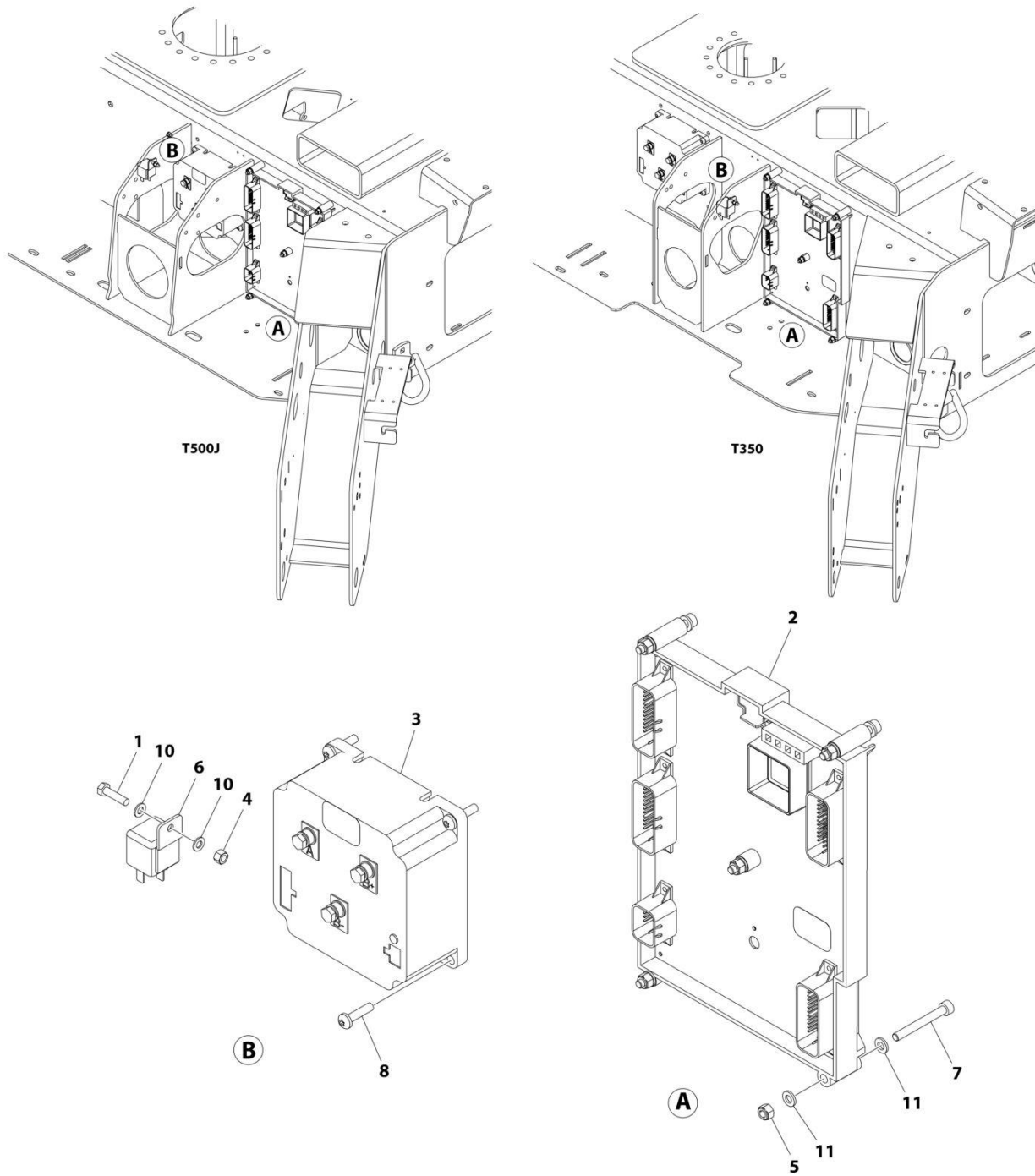
ITEM	PART NUMBER	QTY	DESCRIPTION	REV
	4641345	Ref	VALVE AND FITTINGS SUBASSEMBLY	H
1	2110404	6	Fitting, Straight	
2	2110604	1	Fitting, Straight	
3	2130404	1	Fitting, Elbow	
5	2110606	3	Fitting, Straight	
9	2221086	3	Fitting, Test Port	
10	1001228195	1	Valve Assembly Less Fittings	
11	2130606	2	Fitting, Elbow	
12	2170206	1	Fitting, Long Elbow	
13	2111610	1	Fitting, Straight	
14	2220883	1	Plug	
15	2220885	1	Plug	
16	2220886	1	Plug	
100	4641328	NSS	Control Valve Assembly (Note: Use p/n 4641345 When replacing complete Assembly)	E
103	See Note	1	Block, Valve (Note: Not Available - Purchase Complete Valve Assembly)	
104	7027620	1	Cartridge, Relief Valve	
104	See Note	1	Seal Kit (Note: Not Available - Purchase Relief Valve Cartridge p/n 7027620)	
104A	7027621	1	Cartridge, Relief Valve	
104A	See Note	1	Seal Kit (Note: Not Available - Purchase Relief Valve Cartridge p/n 7027621)	
105	7027622	1	Cartridge, Valve	
105	See Note	1	Seal Kit (Note: Not Available - Purchase Cartridge Valve p/n 7027622)	
106	7027623	7	Cartridge, Valve	
106	See Note	7	Seal Kit (Note: Not Available - Purchase Cartridge Valve p/n 7027623)	
107	7027624	2	Cartridge, Solenoid Less Coil (Swing and Leveling Jacks)	
107	70002227	2	Nut, Coil	
107	70000100	2	Seal Kit	
108	7027625	1	Cartridge, Solenoid Less Coil (Level)	
108	70002227	1	Nut, Coil	
108	70000100	1	Seal Kit	
109	7027626	1	Cartridge, Solenoid Less Coil (Tele)	
109	70002228	1	Nut, Coil	
109	70000100	1	Seal Kit	
110	7024500	1	Cartridge, Solenoid Less Coil (Lift Up)	
110	70002230	1	Nut, Coil	
110	7024505	1	Seal Kit	
111	7027627	1	Cartridge (Manual Descent)	
111	70002229	1	Nut, Coil	
111	7024505	1	Seal Kit	
112	7027628	9	Coil	
113	7027629	3	Cartridge, Valve	
113	7024505	3	Seal Kit	
114	7027630	1	Cartridge, Manual Hand Pump Valve (Manual Descent)	
114	See Note	1	Seal Kit (Note: Not Available - Purchase Manual Pump Valve Cartridge p/n 7027630)	
115		Ref	Tank Options:	

SECTION 1 - FRAME

ITEM	PART NUMBER	QTY	DESCRIPTION	REV
115	7027631	1	Tank T350	
115	7027639	1	Tank T500J	
124	2915194	1	Element, Filter (Includes p/n 7000065 O-Ring) (Was p/n 7027634)	
124	See Note	1	Adapter (Note: Not Available - Purchase Filter Element p/n 2915194)	
124	70003615	1	Retainer, Filter Element Contamination	
125	7027635	1	O-Ring	
130	7027690	1	Valve Block Assembly (Jib)	
130A	7024500	1	Cartridge, Solenoid Less Coil	
130A	70002230	1	Nut, Coil	
130A	7024505	1	Seal Kit	
130A	7027628	1	Coil	
130B	See Note	1	Cartridge, Valve (Note: Not Available - Purchase Complete Valve Block Assembly p/n 7027690)	
130B	See Note	1	Seal Kit (Note: Not Available - Purchase Complete Valve Block Assembly p/n 7027690)	
131	7027691	1	Valve Block Assembly (Proportional)	
131A	70000025	1	Cartridge, Solenoid Less Coil	
131A	7026623	1	Seal Kit	
131A	70000026	1	Coil	
131B	70000028	1	Cartridge, Valve (Check)	
131B	See Note	1	Seal Kit (Note: Not Available - Purchase Cartridge Valve p/n 70000028)	
131C	70000027	1	Compensator	
137	70000894	4	Nut	
137	70000895	4	Stud	
138	7027636	2	Orifice	
195	7027638	1	Breather	
196	70000378	1	Dipstick	

SECTION 1 - FRAME

FIGURE 1-54. CONTROL MODULE INSTALLATION (ELECTRIC POWERED MACHINES)



ART_0275776

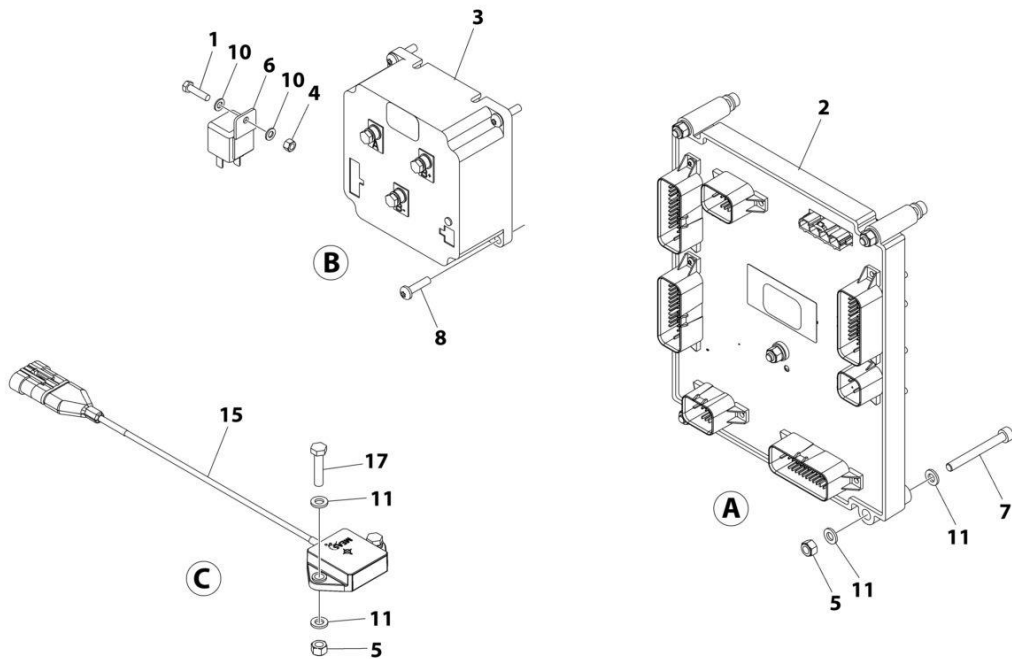
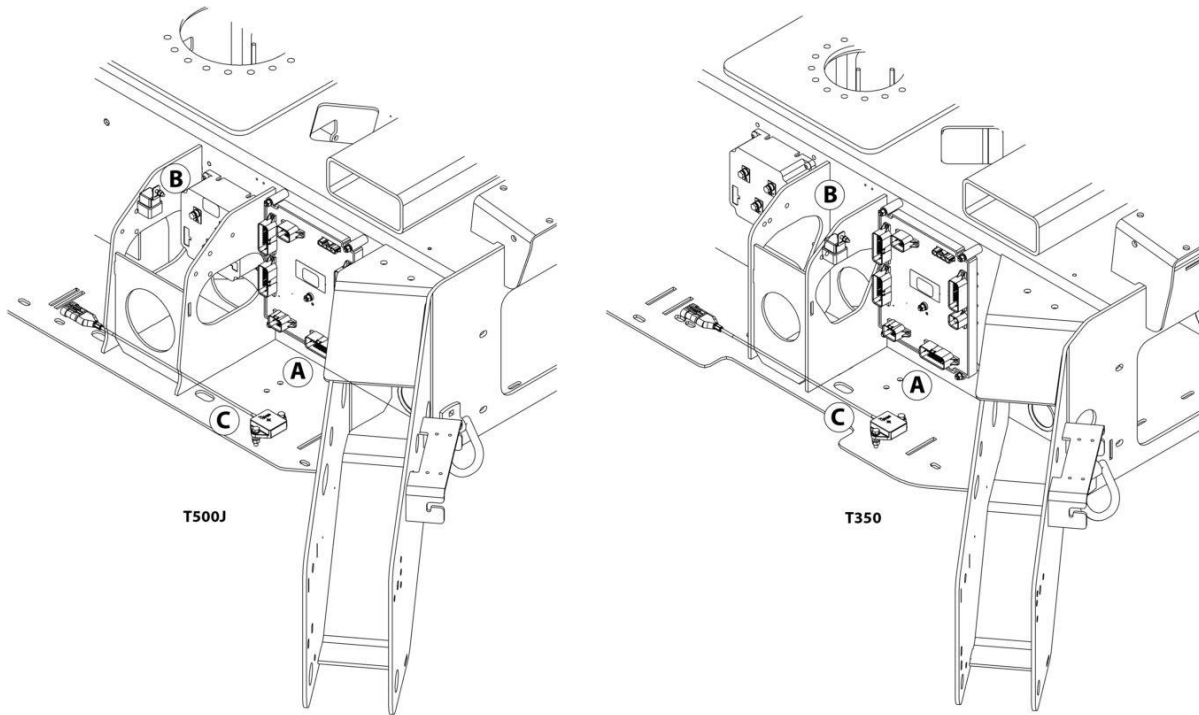
SECTION 1 - FRAME

FIGURE 1-54. CONTROL MODULE INSTALLATION (ELECTRIC POWERED MACHINES)

ITEM	PART NUMBER	QTY	DESCRIPTION	REV
	0275776	Ref	CONTROL MODULE INSTALLATION	F
1	0700510	1	Bolt M5 x 20	
2	1600370	1	Module, Ground Control (Note: Control System must be recalibrated when Module is replaced)	
3	1600412	1	Controller, Sevcon (Note: Control System must be recalibrated when Module is replaced)	
4	3290507	1	Nut M5	
5	3290605	5	Nut M6	
6	3740145	1	Relay	
7	4031714	5	Capscrew M6 x 50	
8	4191709	4	Capscrew M6 x 25	
10	4811600	2	Washer M5	
11	4811700	10	Washer M10	
12	4923041	1	Harness, Jack and Valve (Not Shown - See Separate Breakdown in ELECTRICAL Section)	
13	4923109	1	Harness, Main Valve (Not Shown - See Separate Breakdown in ELECTRICAL Section)	
14	4923427	1	Harness, Frame (Not Shown - See Separate Breakdown in ELECTRICAL Section)	

SECTION 1 - FRAME

FIGURE 1-55. CONTROL MODULE INSTALLATION (ELECTRIC POWERED MACHINES) (SN 0030016956 to Present, SN 0030016975 to Present)



ART_0275776_G

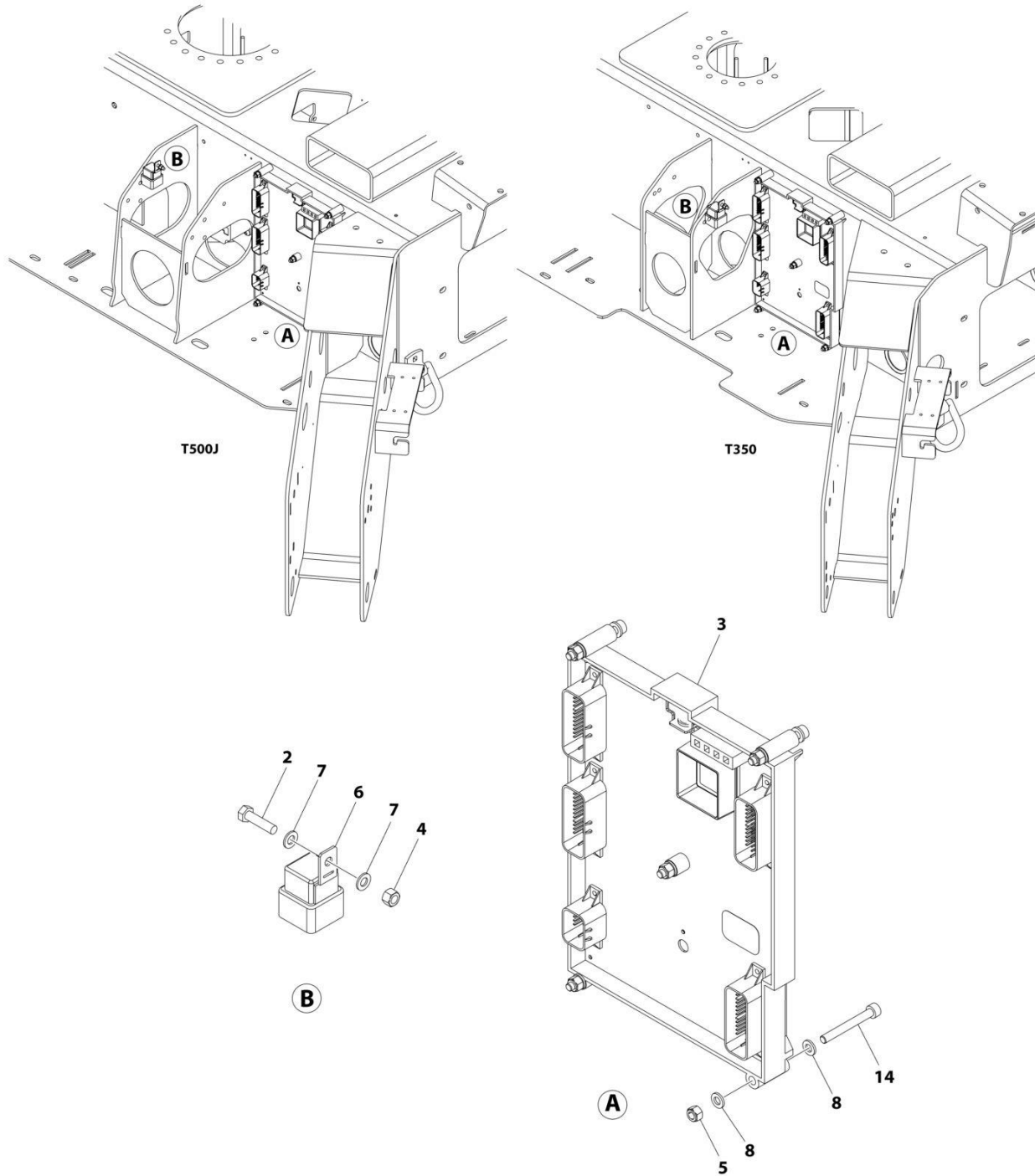
SECTION 1 - FRAME

FIGURE 1-55. CONTROL MODULE INSTALLATION (ELECTRIC POWERED MACHINES) (SN 0030016956 to Present, SN 0030016975 to Present)

ITEM	PART NUMBER	QTY	DESCRIPTION	REV
	0275776	Ref	CONTROL MODULE INSTALLATION	G
1	0700510	1	Bolt M5 x 20	
2	1001289291	1	Module, Ground Control (Note: Control System must be recalibrated when Module is replaced)	
3	1600412	1	Controller, Sevcon (Note: Control System must be recalibrated when Module is replaced)	
4	3290507	1	Nut M5	
5	3290605	7	Nut M6	
6	3740145	1	Relay	
7	1001118878	5	Capscrew M6 x 55	
8	4191709	4	Capscrew M6 x 25	
10	4811600	2	Washer M5	
11	4811700	14	Washer M10	
12	4923041	1	Harness, Jack and Valve (Not Shown - See Separate Breakdown in ELECTRICAL Section)	
13	4923109	1	Harness, Main Valve (Not Shown - See Separate Breakdown in ELECTRICAL Section)	
14	4923427	1	Harness, Frame (Not Shown - See Separate Breakdown in ELECTRICAL Section)	
15	1001219601	1	Sensor, Tilt Dual Axis	
16	1001297192	1	Harness, Add On (Not Shown - See Separate Breakdown in ELECTRICAL Section)	
17	0760613	2	Bolt M6 x 28	

SECTION 1 - FRAME

FIGURE 1-56. CONTROL MODULE INSTALLATION (GAS MACHINES)



ART_0273794

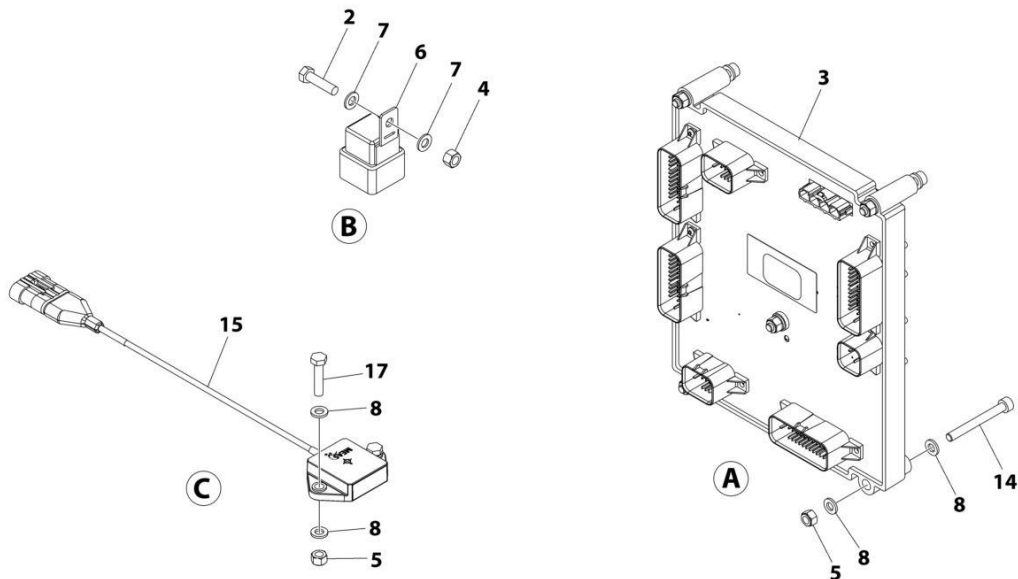
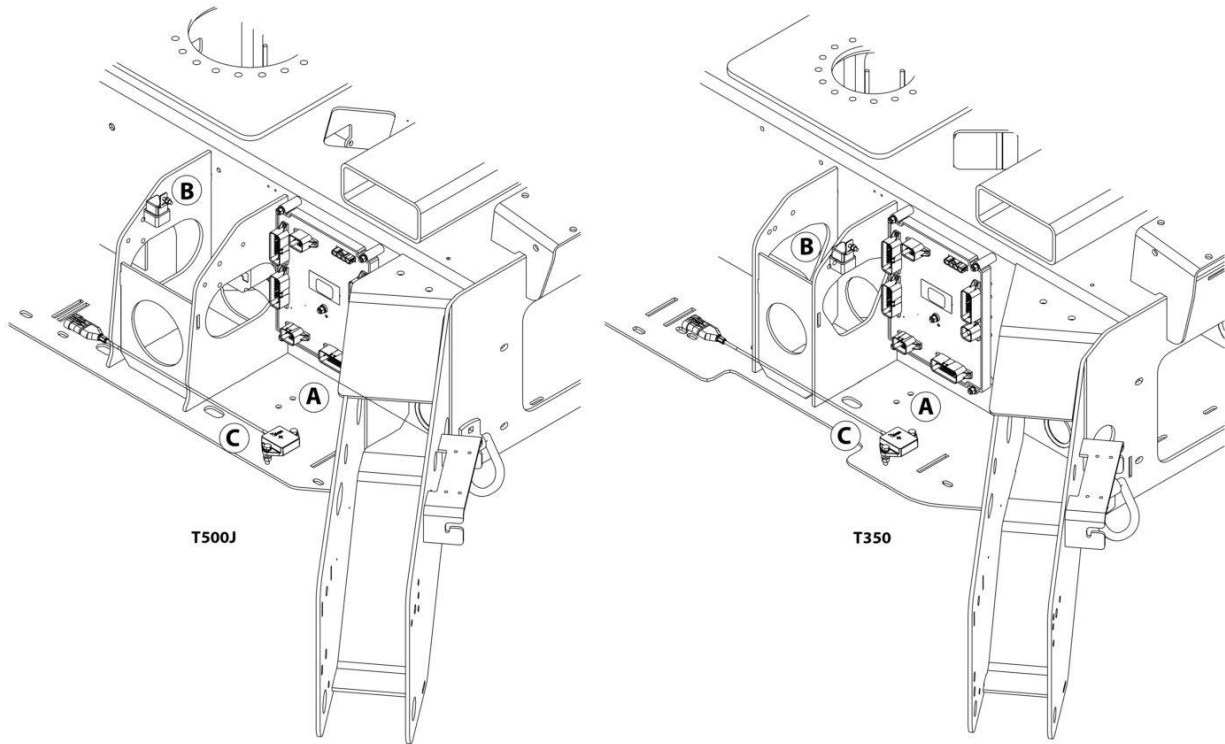
SECTION 1 - FRAME

FIGURE 1-56. CONTROL MODULE INSTALLATION (GAS MACHINES)

ITEM	PART NUMBER	QTY	DESCRIPTION	REV
	0273794	Ref	CONTROL MODULE INSTALLATION	F
2	0700510	1	Bolt M5 x 20	
3	1600370	1	Module, Ground Control (Note: Control System must be recalibrated when Module is replaced)	
4	3290507	1	Nut M5	
5	3290605	5	Nut M6	
6	3740049	1	Relay	
7	4811600	2	Washer M5	
8	4811700	10	Washer M6	
9	4923041	1	Harness, Jack and Valve (Not Shown - See Separate Breakdown in ELECTRICAL Section)	
11	4923109	1	Harness, Main Valve (Not Shown - See Separate Breakdown in ELECTRICAL Section)	
12	4923130	1	Harness, Frame (Not Shown - See Separate Breakdown in ELECTRICAL Section)	
14	4031714	5	Capscrew M6 x 50	

SECTION 1 - FRAME

FIGURE 1-57. CONTROL MODULE INSTALLATION (GAS MACHINES) (SN 0030016956 to Present, SN 0030016975 to Present)



ART_0273794_G

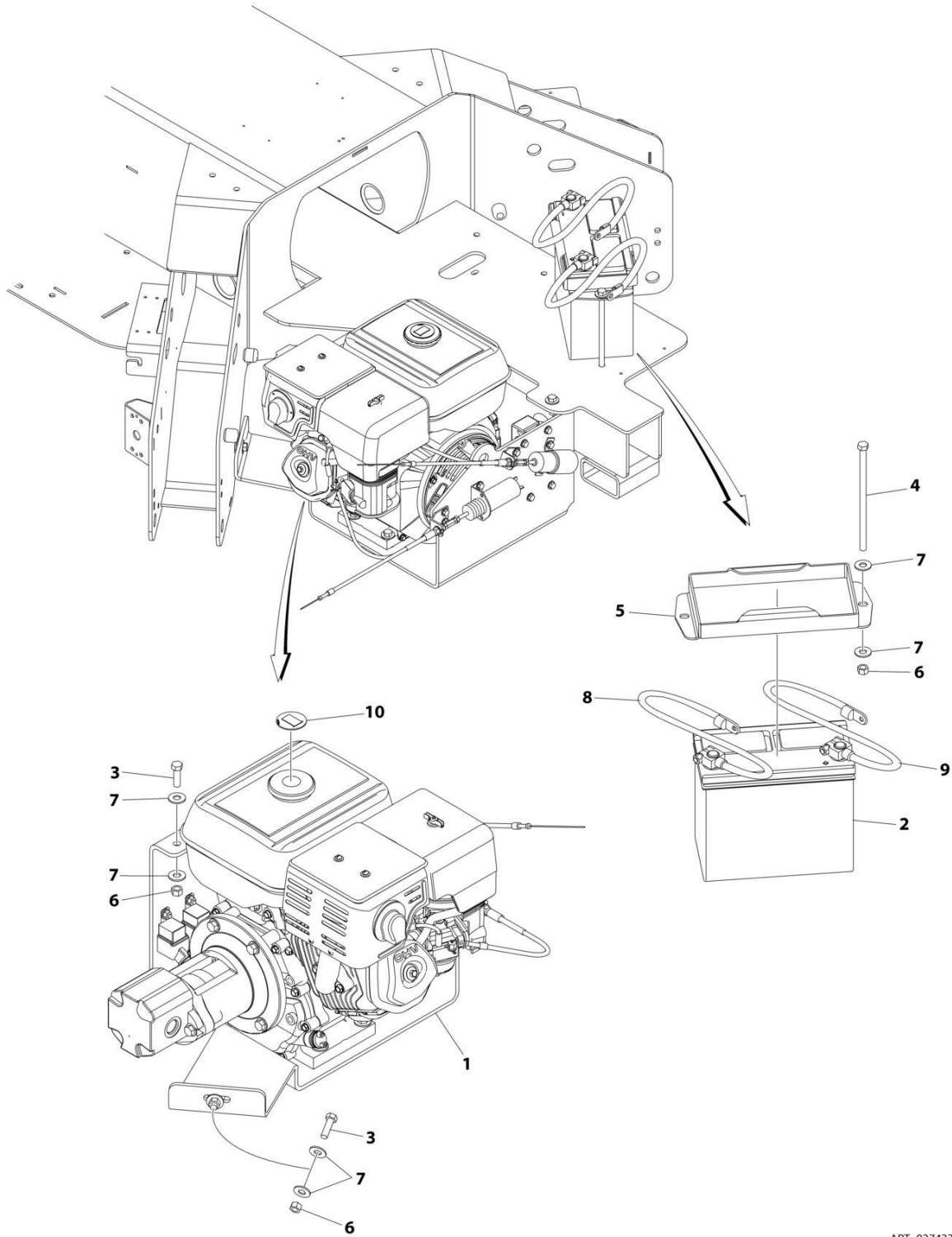
SECTION 1 - FRAME

FIGURE 1-57. CONTROL MODULE INSTALLATION (GAS MACHINES) (SN 0030016956 to Present, SN 0030016975 to Present)

ITEM	PART NUMBER	QTY	DESCRIPTION	REV
	0273794	Ref	CONTROL MODULE INSTALLATION	G
2	0700510	1	Bolt M5 x 20	
3	1001289291	1	Module, Ground Control (Note: Control System must be recalibrated when Module is replaced)	
4	3290507	1	Nut M5	
5	3290605	7	Nut M6	
6	3740049	1	Relay	
7	4811600	2	Washer M5	
8	4811700	14	Washer M6	
9	4923041	1	Harness, Jack and Valve (Not Shown - See Separate Breakdown in ELECTRICAL Section)	
11	4923109	1	Harness, Main Valve (Not Shown - See Separate Breakdown in ELECTRICAL Section)	
12	4923130	1	Harness, Frame (Not Shown - See Separate Breakdown in ELECTRICAL Section)	
14	1001118878	5	Capscrew M6 x 55	
15	1001219601	1	Sensor, Tilt Dual Axis	
16	1001297192	1	Harness, Add On (Not Shown - See Separate Breakdown in ELECTRICAL Section)	
17	0760613	2	Bolt M6 x 28	

SECTION 1 - FRAME

FIGURE 1-58. ENGINE INSTALLATION (T350 GAS POWERED MACHINES)



ART_0274336

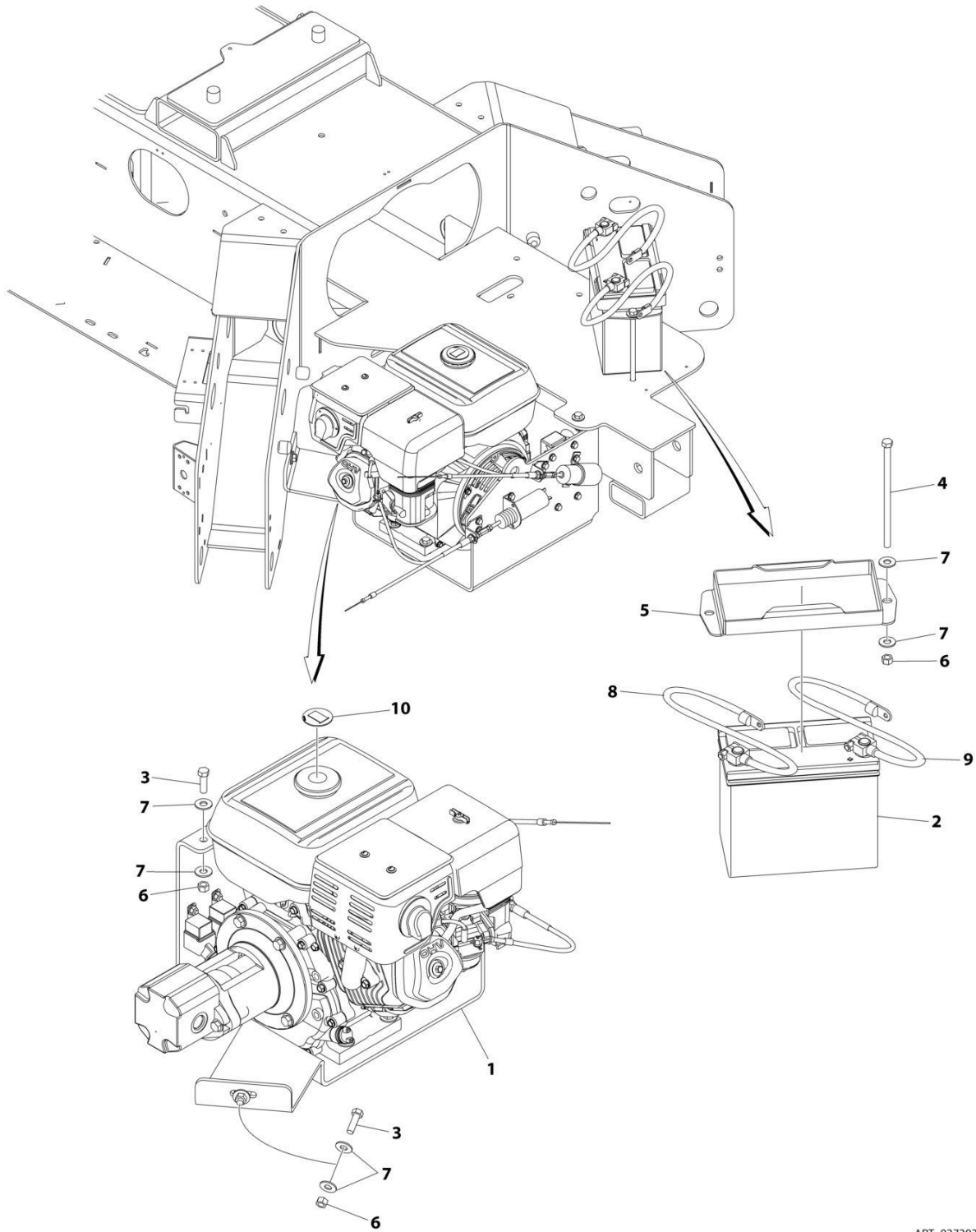
SECTION 1 - FRAME

FIGURE 1-58. ENGINE INSTALLATION (T350 GAS POWERED MACHINES)

ITEM	PART NUMBER	QTY	DESCRIPTION	REV
	0274336	Ref	ENGINE INSTALLATION	H
1	0273763	1	Engine Assembly (See Separate Breakdown in this Section)	
2	0400201	1	Battery	
3	0641610	3	Bolt 3/8 x 1-1/4	
4	0641660	2	Bolt 3/8 x 7-1/2	
5	0902659	1	Bracket, Battery Hold-Down	
6	3311605	5	Nut 3/8	
7	4751600	13	Washer 3/8	
8	4923153	1	Cable, Battery Ground	
9	4923154	1	Cable, Battery Power	
10	1706260	1	Decal - Fuel	
12	1001128929	1	Engine Harness (Not Shown - See Separate Breakdown in ELECTRICAL Section)	

SECTION 1 - FRAME

FIGURE 1-59. ENGINE INSTALLATION (T500J GAS POWERED MACHINES)



ART_0273939

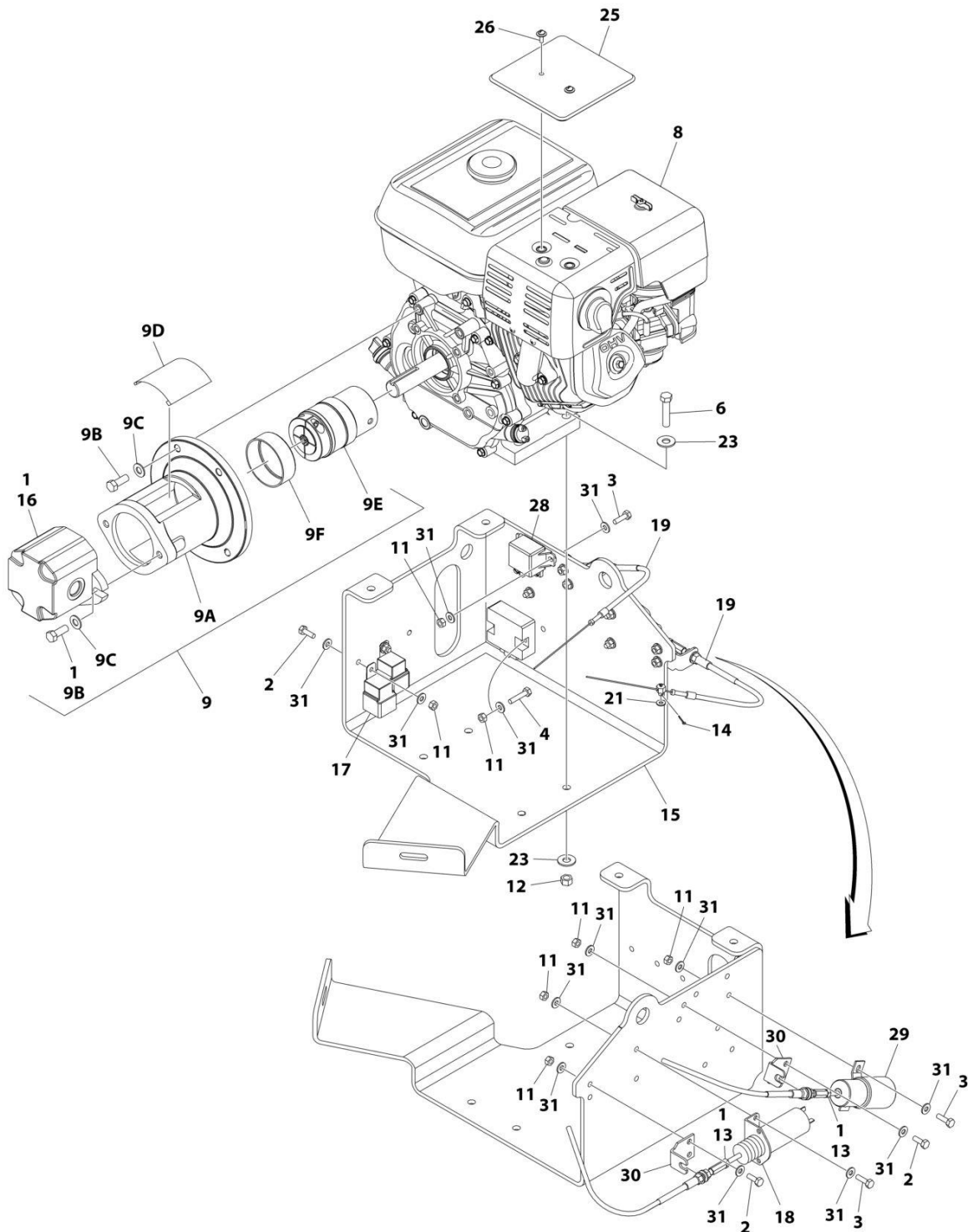
SECTION 1 - FRAME

FIGURE 1-59. ENGINE INSTALLATION (T500J GAS POWERED MACHINES)

ITEM	PART NUMBER	QTY	DESCRIPTION	REV
	0273939	Ref	ENGINE INSTALLATION	K
1	0273763	1	Engine Assembly (See Separate Breakdown in this Section)	
2	0400201	1	Battery	
3	0641610	3	Bolt 3/8 x 1-1/4	
4	0641660	2	Bolt 3/8 x 7-1/2	
5	0902659	1	Bracket, Battery Hold-Down	
6	3311605	5	Nut 3/8	
7	4751600	10	Washer 3/8	
8	4923153	1	Cable, Battery Ground	
9	4923154	1	Cable, Battery Power	
10	1706260	1	Decal - Fuel	
11	1001128929	1	Engine Harness (Not Shown - See Separate Breakdown in ELECTRICAL Section)	

SECTION 1 - FRAME

FIGURE 1-60. ENGINE ASSEMBLY (GAS POWERED MACHINES)



ART_0273763

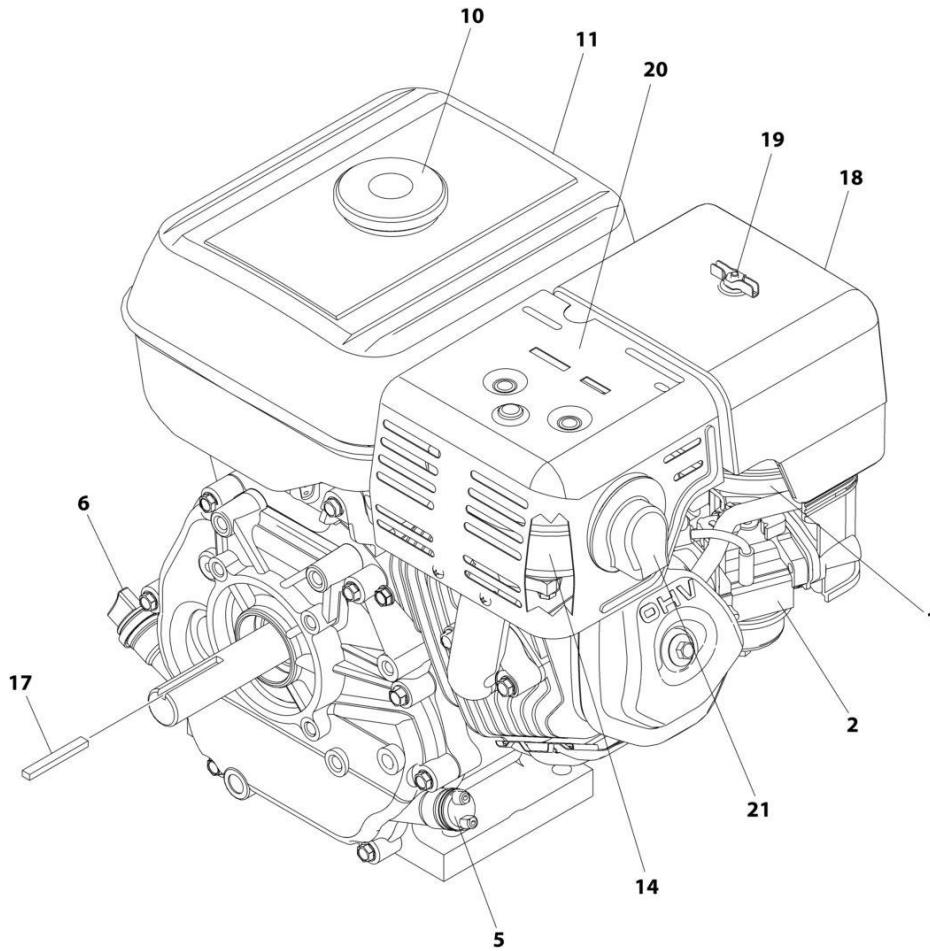
SECTION 1 - FRAME

FIGURE 1-60. ENGINE ASSEMBLY (GAS POWERED MACHINES)

ITEM	PART NUMBER	QTY	DESCRIPTION	REV
	0273763	Ref	HONDA ENGINE ASSEMBLY	L
1	0100011	AR	Compound, Locking	
2	0641406	AR	Bolt 1/4 x 3/4	
3	0641407	2	Bolt 1/4 x 7/8	
4	0641410	2	Bolt 1/4 x 1-1/4	
6	0641614	4	Bolt 3/8 x 1-3/4	
8	1001288458	1	Engine Components (GX390)	
8	1001127719	1	Engine Components (GX270)	
9	2902333	1	Pump Coupling Kit	
9A	7027326	1	Housing and Bolt Kit	
9B	0641608	6	Bolt 3/8 x 1	
9C	4711600	6	Washer 3/8	
9D	70001008	1	Cover	
9E	7027327	1	Coupling	
9F	7027328	1	Neoprene with Metal Ring	
11	3311405	AR	Nut 1/4	
12	3311605	4	Nut 3/8	
13	3321401	2	Nut 1/4	
14	3450202	1	Pin, Cotter	
15	1001287768	1	Plate, Motor Mounting	
16	3600403	1	Gear Pump Assembly (No Serviceable Parts - Replace Complete Part)	
17	3740080	2	Relay	
18	3740144	1	Actuator, Solenoid (Choke)	
19	3890065	2	Cable, Throttle	
21	4751200	1	Washer #12	
23	4751600	8	Washer 3/8	
25	2820179	1	Shield, Heat (Top)	
26	3900184	2	Screw #10-24NC x 5/8in	
28	3740112	1	Relay	
29	3740148	1	Actuator, Solenoid (Throttle)	
30	0903597	2	Bracket, Cable Mount	
31	4711400	4	Washer 1/4	

SECTION 1 - FRAME

FIGURE 1-61. ENGINE COMPONENTS (GAS POWERED MACHINES) (Prior to SN 0030013888, Except SN 0030013877 through 0030013878, Excluding 0030013884)



ART_1001127719

SECTION 1 - FRAME

FIGURE 1-61. ENGINE COMPONENTS (GAS POWERED MACHINES) (Prior to SN 0030013888, Except SN 0030013877 through 0030013878, Excluding 0030013884)

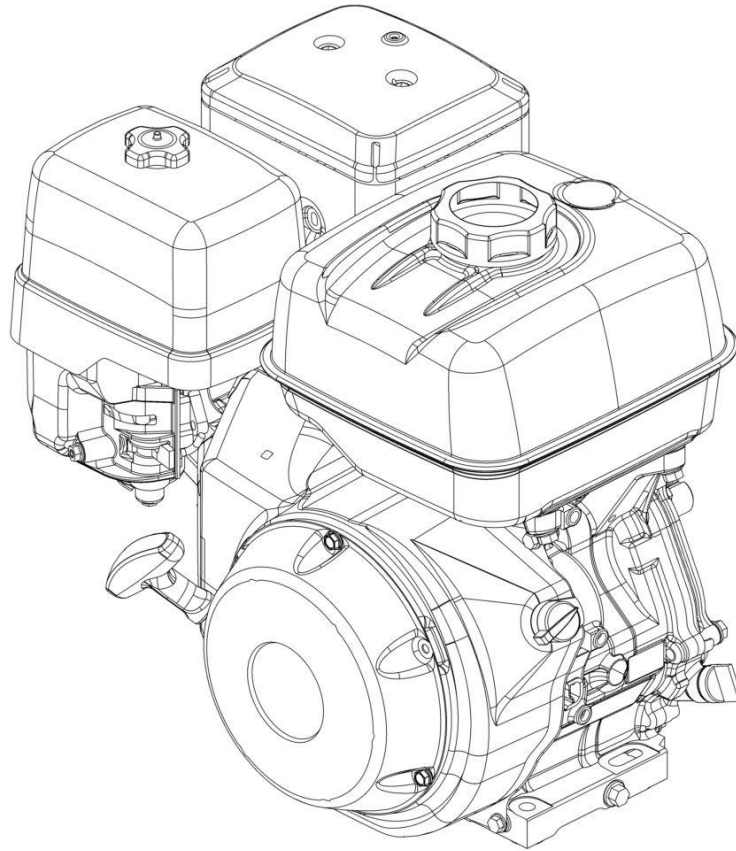
ITEM	PART NUMBER	QTY	DESCRIPTION	REV
	1001127719	Ref	ENGINE COMPONENTS	A
1	70001453	1	Filter Assembly, Inner Air	
1	7027372	1	Filter Assembly, Outer Air	
2	70003493	1	Carburetor, Replacement (See Service and Maintenance Manual for Instructions when Replacing Complete Assembly)	
2	7027373	1	Gasket Set - Carburetor	
2	7027374	1	Valve Set - Carburetor	
2	70003549	1	Float Set - Carburetor	
2	70003495	1	Gasket, Carburetor to Insulator	
2	70003496	1	Gasket, Insulator to Block	
2	70003494	1	Spacer, Carburetor	
2	7027379	1	Cup, Fuel Strainer	
2	See Note	NSS	Remote Choke Assembly (Note: Use p/n 70003493)	
2	7027381	1	Rod, Governor	
2	7027382	1	Spring, Governor	
2	7027383	1	Spring, Throttle Return (Long)	
2	7023519	1	Control, Throttle (Mechanical)	
2	7027385	1	Spring, Return (Short) (Part of Throttle Control)	
5	70003488	1	Plug, Oil Fill	
6	70003489	1	Dipstick	
7	70003487	1	Switch, Oil Pressure Options (Not Shown)	
8		Ref	Plug, Spark Options (Not Shown):	
8	7027391	1	Denso Brand	
8	70002770	1	NGK Brand	
9	70003512	1	Flywheel (Not Shown)	
9	7027392	1	Key, Flywheel (Not Shown)	
9	70003511	1	Fan, Cooling (Not Shown)	
10	70003508	1	Cap, Fuel	
10	70003506	1	Gasket, Fuel Cap (Part of 70003508 Cap)	
10	70003509	1	Strainer/Filter, Fuel Cap	
11	70003510	1	Tank, Fuel	
11	70003505	1	Fitting, Fuel Tank Outlet	
11	70003507	1	O-Ring (Used at Fuel Tank Outlet)	
12	7027396	1	Coil, Charging (Not Shown)	
12	70003516	1	Coil, Ignition (Not Shown)	
12	70003514	1	Suppressor, Noise (Not Shown)	
12	70003517	1	Wiring Harness (Not Shown)	
13	70003531	1	Decal - Caution (Not Shown - Located Near Exhaust Outlet)	
13	70003529	1	Decal - Choke (Not Shown)	
13	70003530	1	Decal - Throttle Indication (Not Shown)	
13	70003532	1	Decal - Operator Caution (Not Shown)	
14	70003500	1	Muffler	
14	70003503	1	Gasket, Exhaust Pipe to Block	
14	7027603	1	Gasket, Exhaust Pipe to Muffler	
14	70003504	1	Arrester, Spark	
15	70003490	1	Pull Start Assembly (Includes Case Cover, Pulley, Recoil, Pull Cord, Starter Ratchet, Ratchet Springs and Spring Retainer) (Not Shown)	
15	70003492	1	Rope, Recoil	

SECTION 1 - FRAME

ITEM	PART NUMBER	QTY	DESCRIPTION	REV
16	70003518	1	Starter, Electrical (Not Shown)	
16	7027606	1	Contactor Assembly	
17	See Note	NSS	Key, Shaft (Note: Not available for purchase)	
18	See Note	NSS	Cover, Air Cleaner/Carburetor (1001127719 Engine) (Note: Not available for purchase)	
18	70001453	1	Element, Air Cleaner (Includes Element, Outside Band Filter and Grommet)	
18	7027372	1	Filter, Outer Band (Part of p/n 70001453)	
18	70003497	1	Gasket, Air Cleaner to Carburetor	
19	70003498	1	Nut Housing/Cover	
19	70003499	1	Nut, Filter	
20	70003501	1	Shield, Muffler Cover	
21	70003502	1	Cap, Muffler Cover	
22	70003521	1	Key Switch (Not Shown)	
22	70003522	1	Fuse 5A (Not Shown)	
22	70003550	1	Key (Not Shown)	
22	70003520	1	Rectifier (Not Shown)	

SECTION 1 - FRAME

FIGURE 1-62. ENGINE COMPONENTS (GAS POWERED MACHINES)



ART_1001288458

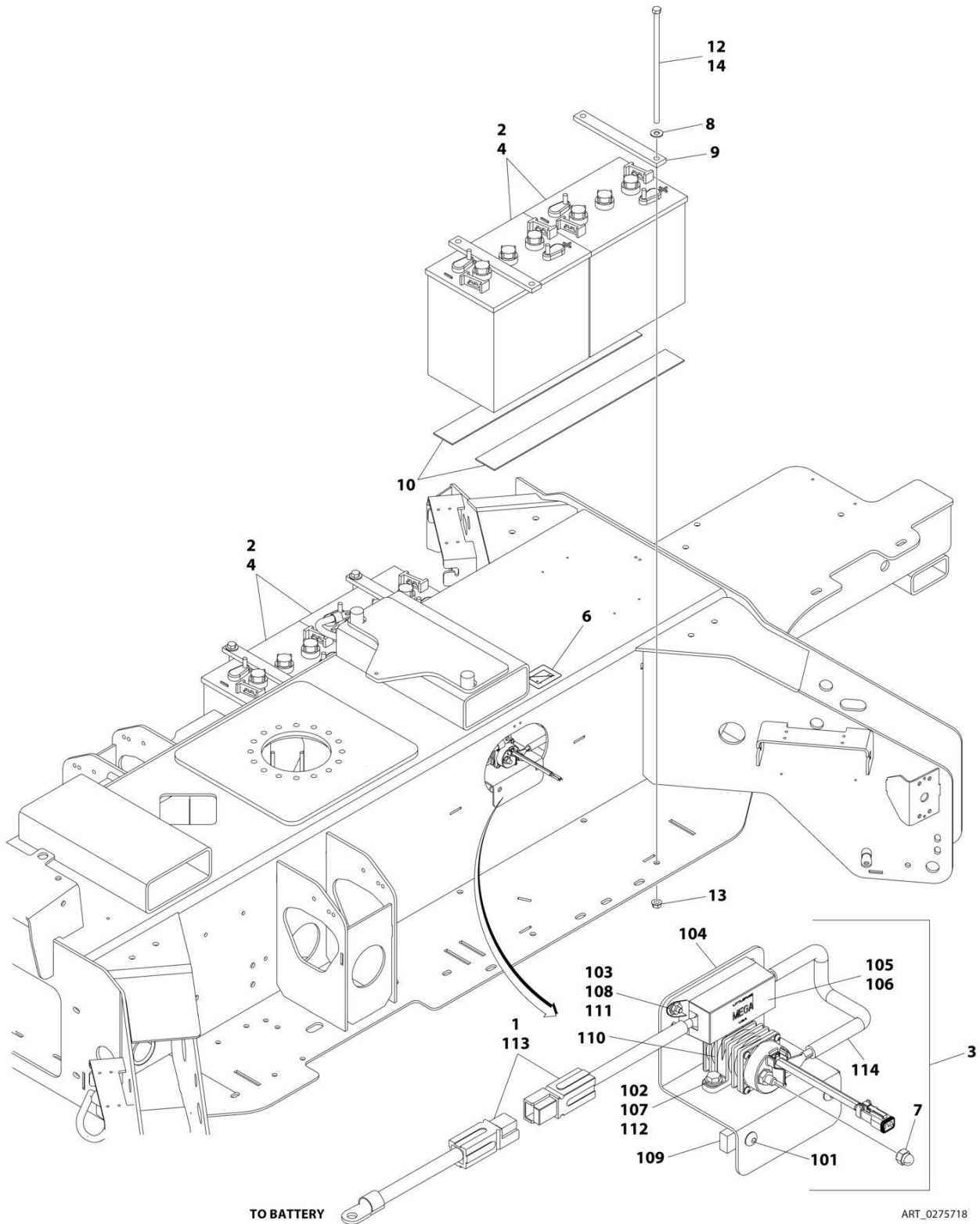
SECTION 1 - FRAME

FIGURE 1-62. ENGINE COMPONENTS (GAS POWERED MACHINES)

ITEM	PART NUMBER	QTY	DESCRIPTION	REV
	1001288458	Ref Ref	ENGINE ASSEMBLY Note: No Service Parts Available at Time of Printing	A

SECTION 1 - FRAME

FIGURE 1-63. BATTERIES INSTALLATION (ELECTRIC POWERED MACHINES) (STANDARD BATTERIES)



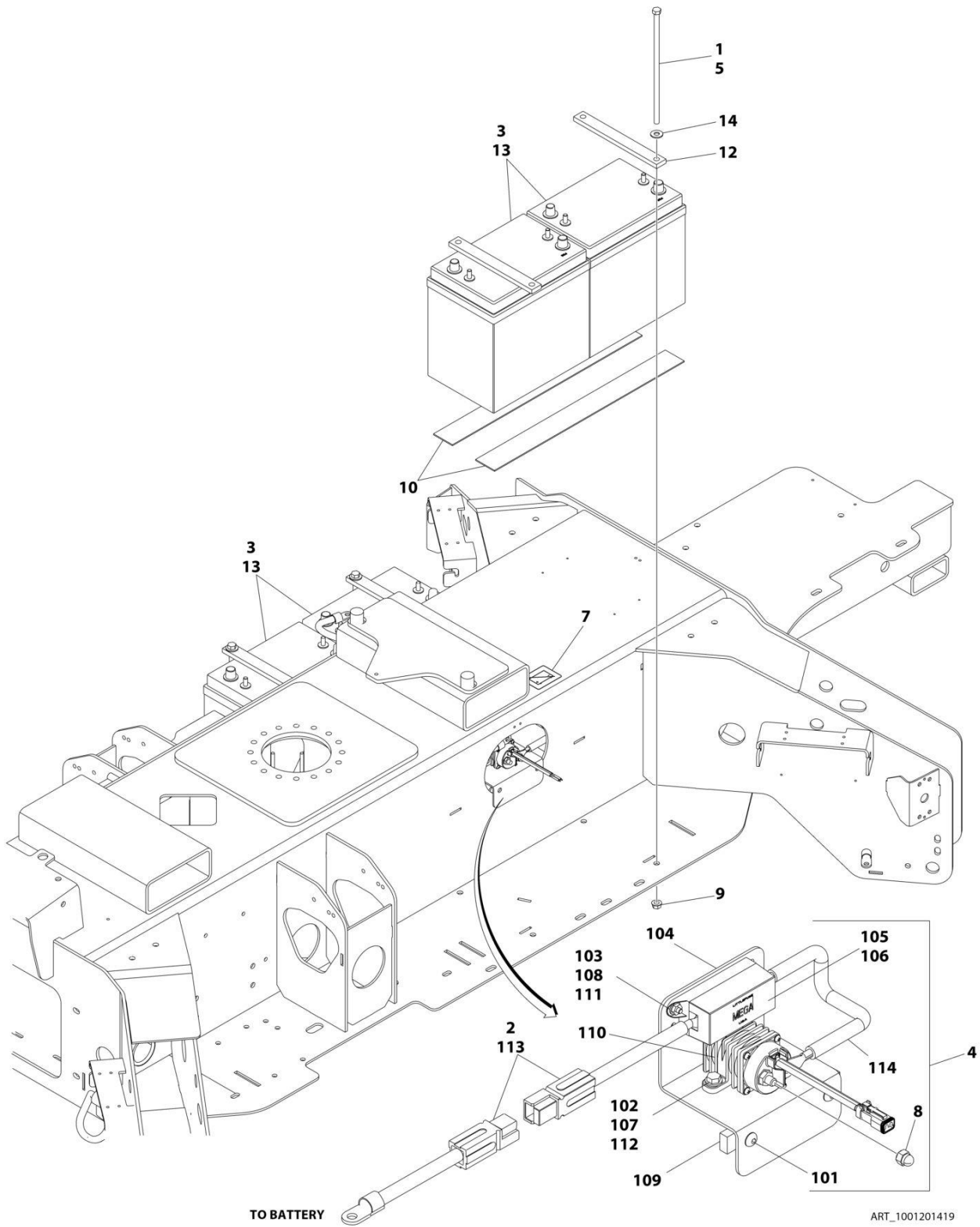
SECTION 1 - FRAME

FIGURE 1-63. BATTERIES INSTALLATION (ELECTRIC POWERED MACHINES) (STANDARD BATTERIES)

ITEM	PART NUMBER	QTY	DESCRIPTION	REV
	0275718	Ref	BATTERIES INSTALLATION	F
1	0100048	AR	Grease, Dielectric (Not Shown)	
2	0100051	AR	Grease, Battery Terminal	
3	0275439	1	Contactator Assembly (Includes Item 101-114)	
4	0400215	4	Battery, 6 Volt /220 Amp	
5	1701644	1	Decal - Battery Charger (Not Shown)	
6	1702155	1	Decal - Battery Disconnect	
7	3300506	2	Nut 5/16	
8	4751600	8	Washer 3/8	
9	1001104509	4	Plate, Hold-Down	
10	4420038	80 in/2m	Tape, Rubber	
11	4923428	1	Battery Cables Kit (Not Shown - See Separate Breakdown in ELECTRICAL Section)	
12	0641688	1	Bolt 3/8 x 11	
13	3311608	8	Nut 3/8	
14	0100011	AR	Compound, Locking	
	0275439	Ref	CONTACTOR ASSEMBLY	C
101	0630468	2	Screw 5/16 x 1	
102	0641407	2	Bolt 1/4 x 7/8	
103	0721004	2	Screw #10 x 1/2	
104	0903560	1	Bracket	
105	2400087	1	Fuse - 300 Amp	
106	2400088	1	Fuseholder	
107	3311405	2	Nut 1/4	
108	3311005	2	Nut #10	
109	3576773	1	Bar, Clamping	
110	3740150	1	Relay	
111	4711000	2	Washer #10	
112	4711400	2	Washer 1/4	
113	4923545	1	Cable, Electrical (Fuse to Battery B+)	
114	4923570	1	Cable, Electrical	

SECTION 1 - FRAME

FIGURE 1-64. BATTERIES INSTALLATION (ELECTRIC POWERED MACHINES) (AGM BATTERIES)



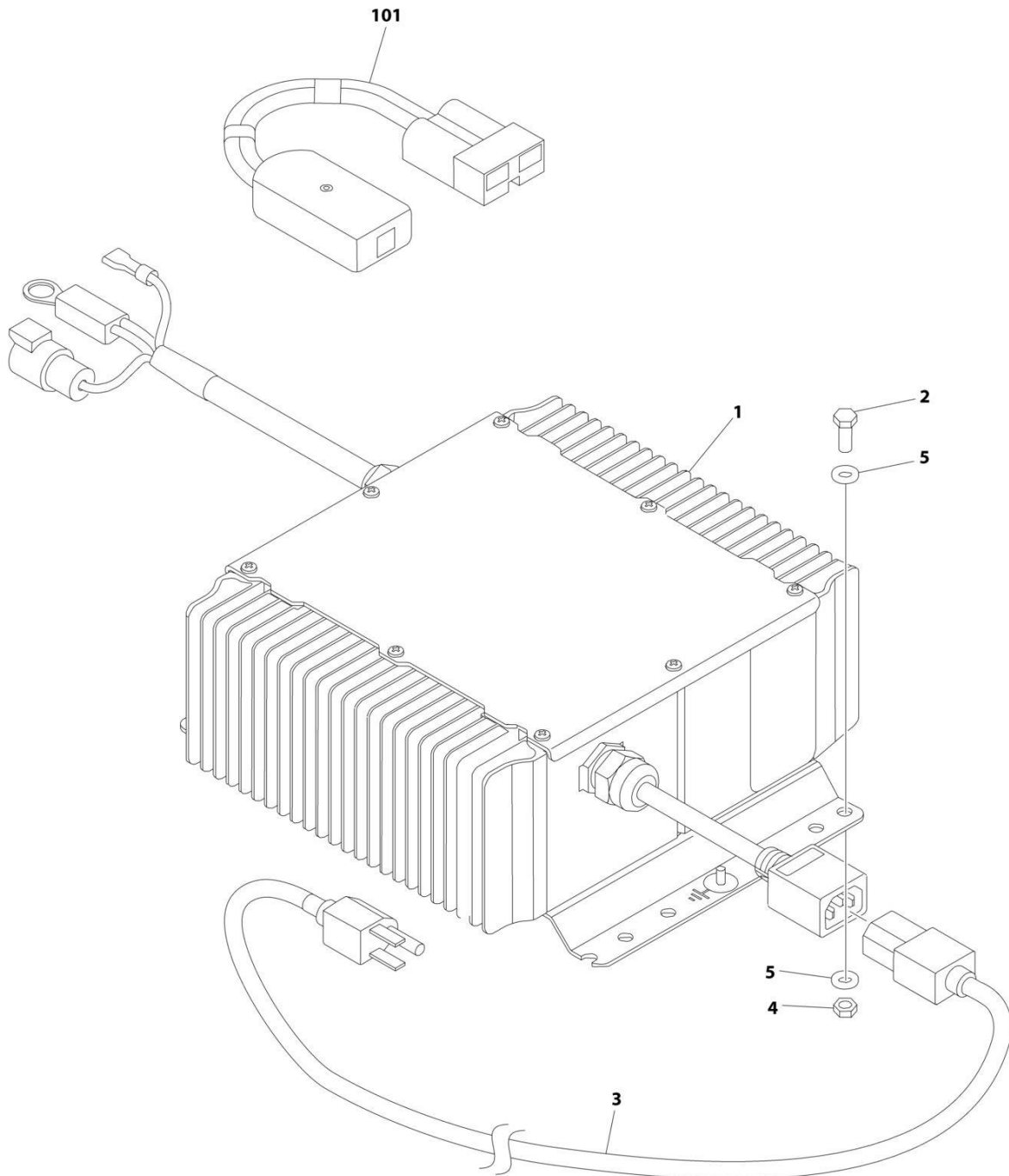
SECTION 1 - FRAME

FIGURE 1-64. BATTERIES INSTALLATION (ELECTRIC POWERED MACHINES) (AGM BATTERIES)

ITEM	PART NUMBER	QTY	DESCRIPTION	REV
	1001201419	Ref	BATTERIES INSTALLATION	B
1	0100011	AR	Compound, Locking	
2	0100048	AR	Grease, Dielectric	
3	0100051	AR	Grease, Battery Terminal	
4	0275439	1	Contractor Assembly (See Item 101-114)	
5	0641692	8	Bolt 3/8 x 11-1/2	
6	1701644	1	Decal - Battery Charger (Not Shown)	
7	1702155	1	Decal - Battery Disconnect	
8	3300506	2	Nut 5/16	
9	3311608	8	Nut 3/8	
10	4420038	80 in/2m	Tape, Rubber	
11	4923428	1	Battery Cables Kit (Not Shown - See Separate Breakdown in ELECTRICAL Section)	
12	1001104509	4	Plate, Hold-Down	
13	1001112112	4	Battery - AGM - 6V/220Amp	
14	4751600	8	Washer 3/8	
	0275439	Ref	CONTACTOR ASSEMBLY	C
101	0630468	2	Screw 5/16 x 1	
102	0641407	2	Bolt 1/4 x 7/8	
103	0721004	2	Screw #10 x 1/2	
104	0903560	1	Bracket	
105	2400087	1	Fuse - 300 Amp	
106	2400088	1	Fuseholder	
107	3311405	2	Nut 1/4	
108	3311005	2	Nut #10	
109	3576773	1	Bar, Clamping	
110	3740150	1	Relay	
111	4711000	2	Washer #10	
112	4711400	2	Washer 1/4	
113	4923545	1	Cable, Electrical (Fuse to Battery B+)	
114	4923570	1	Cable, Electrical	

SECTION 1 - FRAME

FIGURE 1-65. BATTERY CHARGER INSTALLATION-DELTA-Q (ELECTRIC POWERED MACHINES)
(ANSI, ANSI EXPORT AND CSA SPECS)



ART_0274380

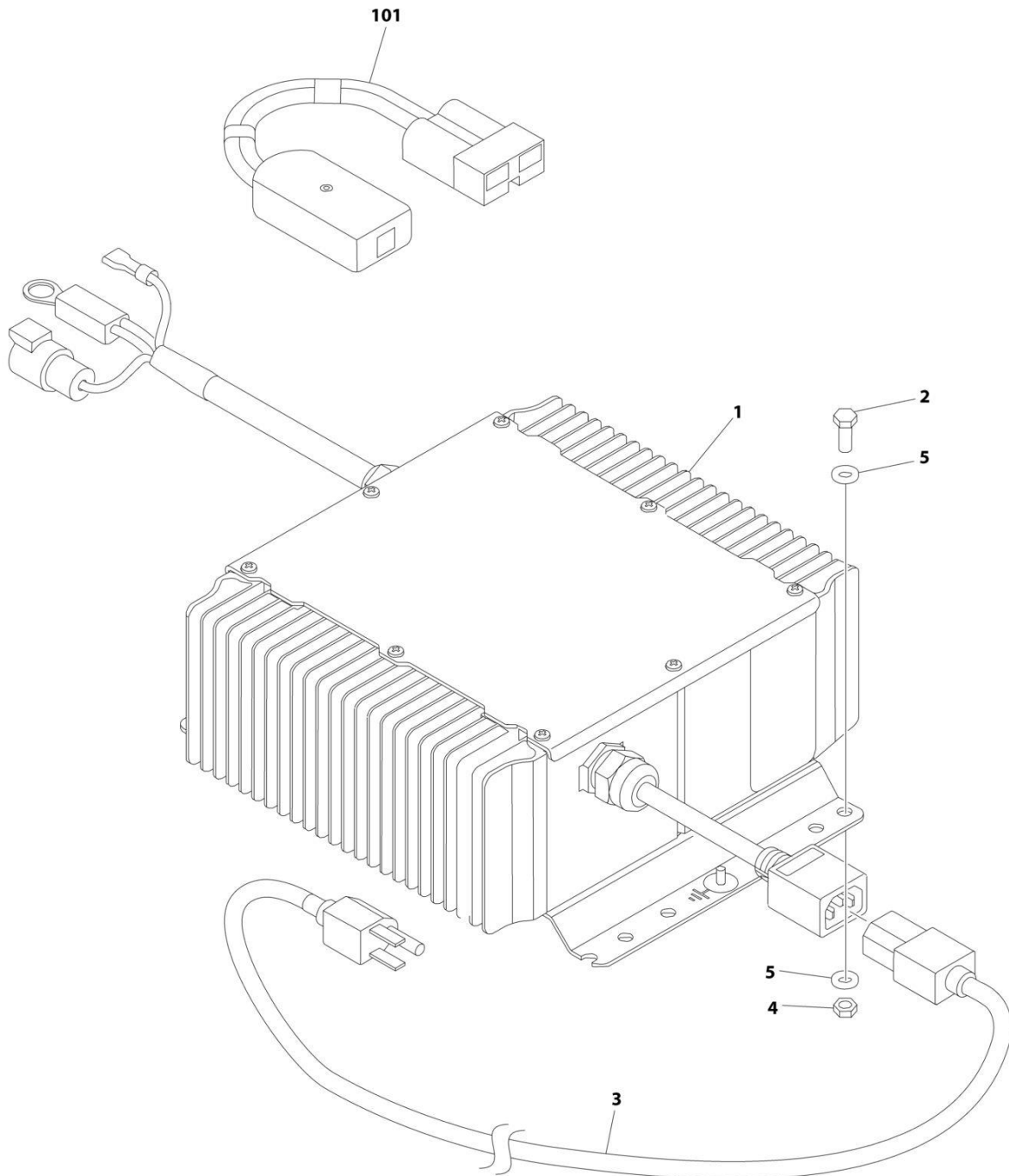
SECTION 1 - FRAME

**FIGURE 1-65. BATTERY CHARGER INSTALLATION-DELTA-Q (ELECTRIC POWERED MACHINES)
(ANSI, ANSI EXPORT AND CSA SPECS)**

ITEM	PART NUMBER	QTY	DESCRIPTION	REV
	0274380	Ref	BATTERY CHARGER INSTALLATION	B
1	0400236	1	Battery Charger Assembly (No Serviceable Parts Available)	
2	0641406	4	Bolt 1/4 x 3/4	
3	1060688	1	AC Extension Cord	
4	3311405	4	Nut 1/4	
5	4711400	8	Washer 1/4	
101	1600466	1	BATTERY CHARGER REPROGRAM CONTROLLER (USE P/N 2915230)	

SECTION 1 - FRAME

FIGURE 1-66. BATTERY CHARGER INSTALLATION-DELTA-Q (ELECTRIC POWERED MACHINES)
(ANSI EXPORT, AUSTRALIAN AND SOUTH AFRICAN SPECS)



ART_0274731

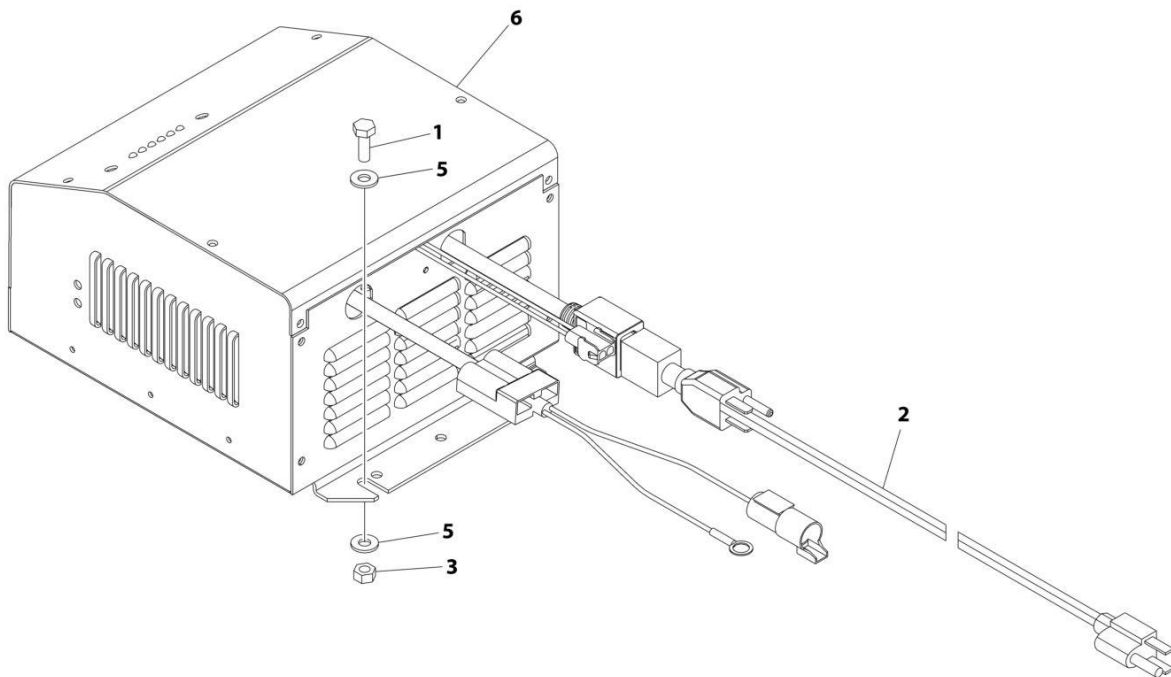
SECTION 1 - FRAME

**FIGURE 1-66. BATTERY CHARGER INSTALLATION-DELTA-Q (ELECTRIC POWERED MACHINES)
(ANSI EXPORT, AUSTRALIAN AND SOUTH AFRICAN SPECS)**

ITEM	PART NUMBER	QTY	DESCRIPTION	REV
	0274731	Ref	BATTERY CHARGER INSTALLATION	B
1	0400236	1	Battery Charger Assembly (No Serviceable Parts Available)	
2	0641406	4	Bolt 1/4 x 3/4	
3	1060689	1	AC Extension Cord	
4	3311405	4	Nut 1/4	
5	4711400	8	Washer 1/4	
101	1600466	1	BATTERY CHARGER REPROGRAM CONTROLLER (USE P/N 2915230)	

SECTION 1 - FRAME

FIGURE 1-67. BATTERY CHARGER INSTALLATION - PRO CHARGING (ELECTRIC POWERED MACHINES) (ANSI, ANSI EXPORT AND CSA SPECS)



ART_1001131393

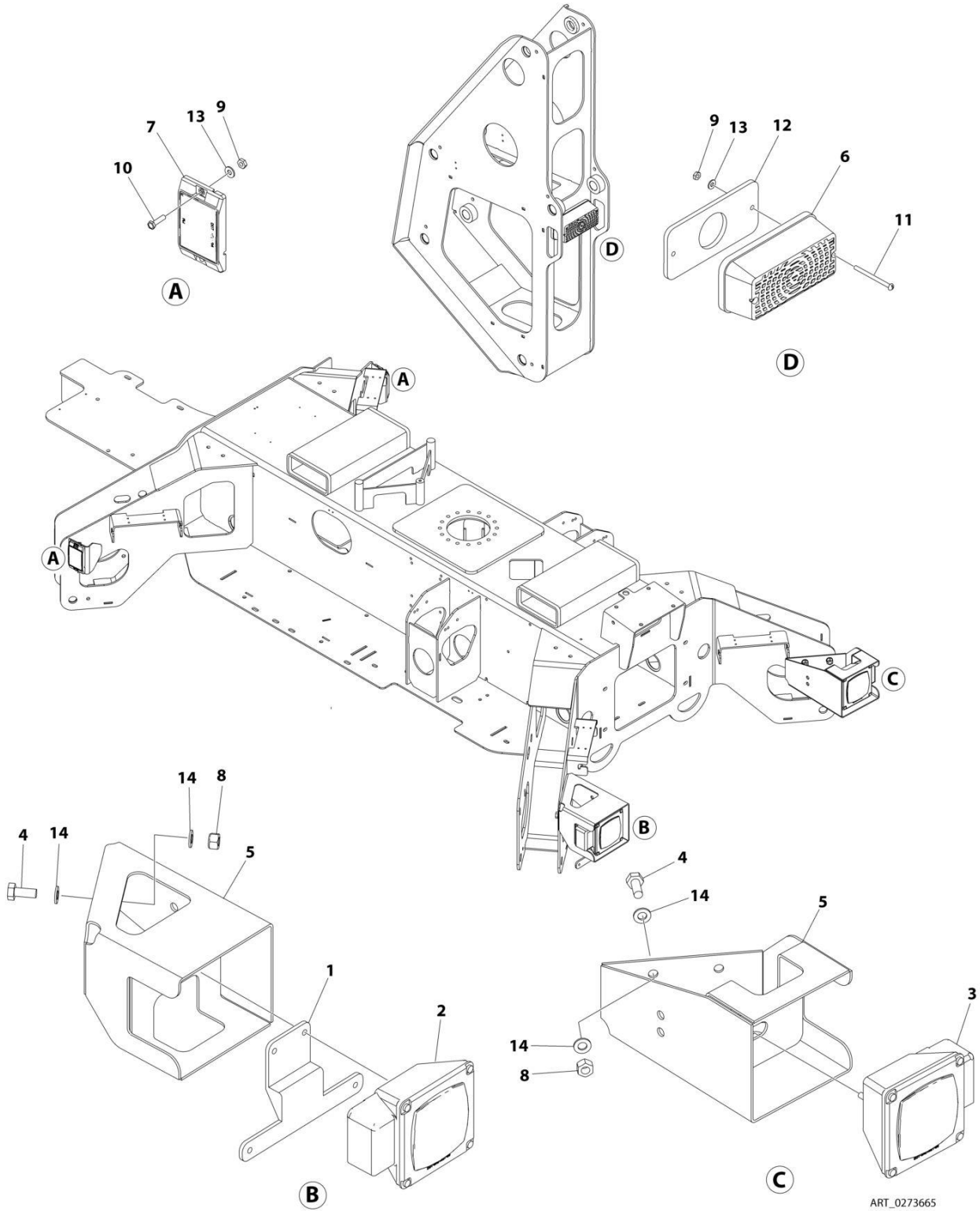
SECTION 1 - FRAME

FIGURE 1-67. BATTERY CHARGER INSTALLATION - PRO CHARGING (ELECTRIC POWERED MACHINES) (ANSI, ANSI EXPORT AND CSA SPECS)

ITEM	PART NUMBER	QTY	DESCRIPTION	REV
	1001131393	Ref	BATTERY CHARGER INSTALLATION	A
1	0641406	4	Bolt 1/4 x 3/4	
2	1060688	1	AC Extension Cord	
3	3311405	4	Nut 1/4	
4	4240033	AR	Tie-Strap (Not Shown)	
5	4711400	8	Washer 1/4	
6	1001133506	NLA	Battery Charger Assembly (No Serviceable Parts Available) (Use P/N 1001134313)	

SECTION 1 - FRAME

FIGURE 1-68. TAILLIGHTS AND MARKERS INSTALLATION (T350) (ANSI, ANSI EXPORT AND CSA SPECS)



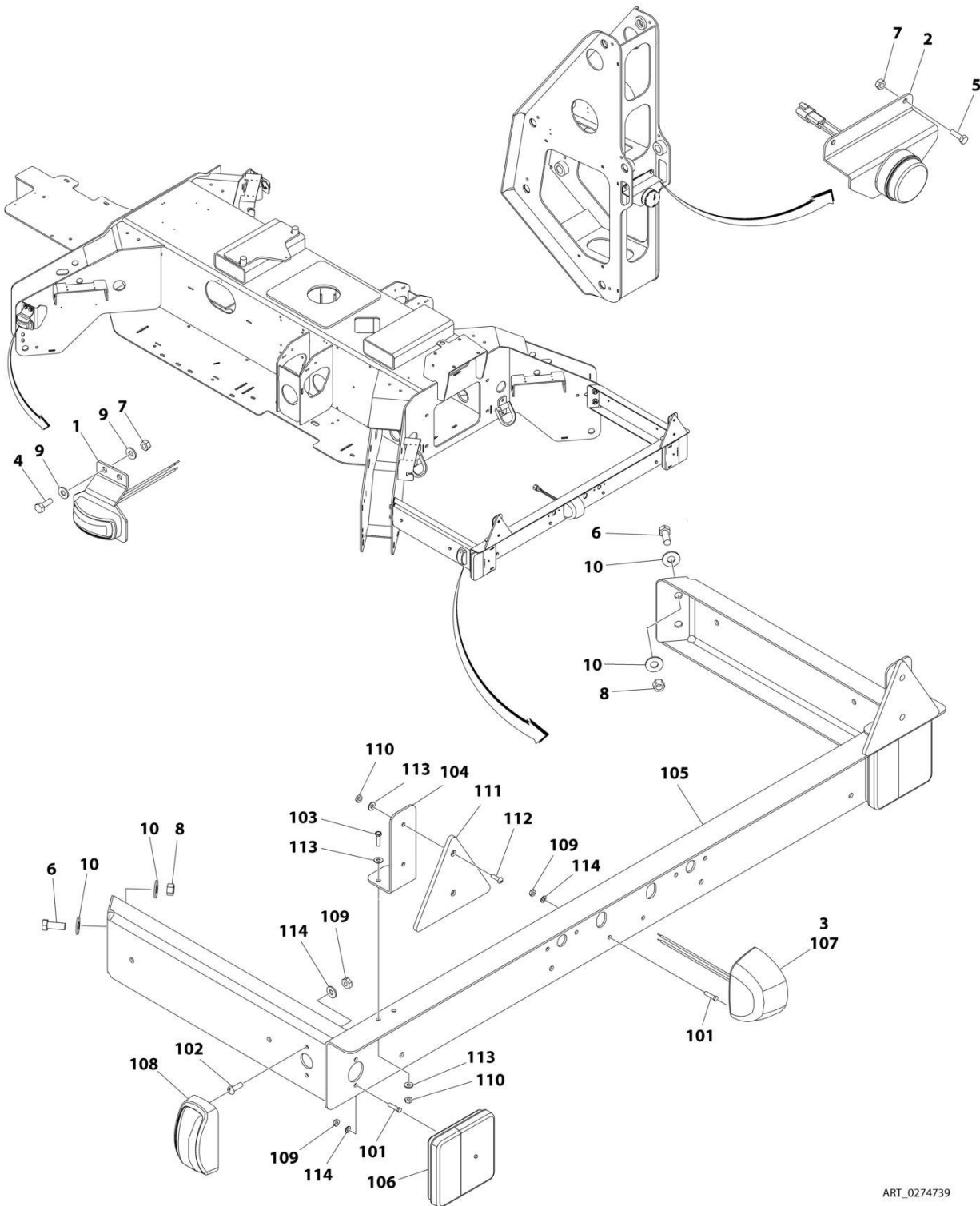
SECTION 1 - FRAME

FIGURE 1-68. TAILLIGHTS AND MARKERS INSTALLATION (T350) (ANSI, ANSI EXPORT AND CSA SPECS)

ITEM	PART NUMBER	QTY	DESCRIPTION	REV
	0273665	Ref	TAILLIGHTS AND MARKERS INSTALLATION	E
1	71101	1	Bracket, License Plate	
2	71906	1	Taillight Assembly with License Plate Light (Road Side)	
2	7026341	1	Bulb, Stop/Turn/Taillight	
2	7026342	1	Bulb, Side Marker Light	
2	7026343	1	Lens, Red Taillight	
2	7026340	1	Lens, Red Side Marker	
3	71907	1	Taillight Assembly without License Plate Light (Curb Side)	
3	7026341	1	Bulb, Stop/Turn/Taillight	
3	7026342	1	Bulb, Side Marker Light	
3	7026343	1	Lens, Red Taillight	
3	7026340	1	Lens, Red Side Marker	
4	0761012	4	Screw M10 x 25	
5	0903107	2	Bracket, Taillight	
6	2920113	1	Taillight, Boom	
7	2920179	2	Side Marker Light/Reflector Assembly	
7	7027717	2	Bulb (1 Per Assembly)	
8	3291005	4	Nut M10	
9	3311005	6	Nut#10	
10	0721006	4	Screw #10 x 3/4	
11	3911040	2	Screw #10 x 2-1/2	
12	3960461	1	Seal, Gasket	
13	4751000	6	Washer #10	
14	4812000	8	Washer M10	
15	4923148	1	Harness, Lights (Not Shown - See Separate Breakdown in ELECTRICAL Section)	

SECTION 1 - FRAME

FIGURE 1-69. TAILLIGHTS AND MARKERS INSTALLATION (T350) (AUSTRALIAN AND SOUTH AFRICA SPECS)



ART_0274739

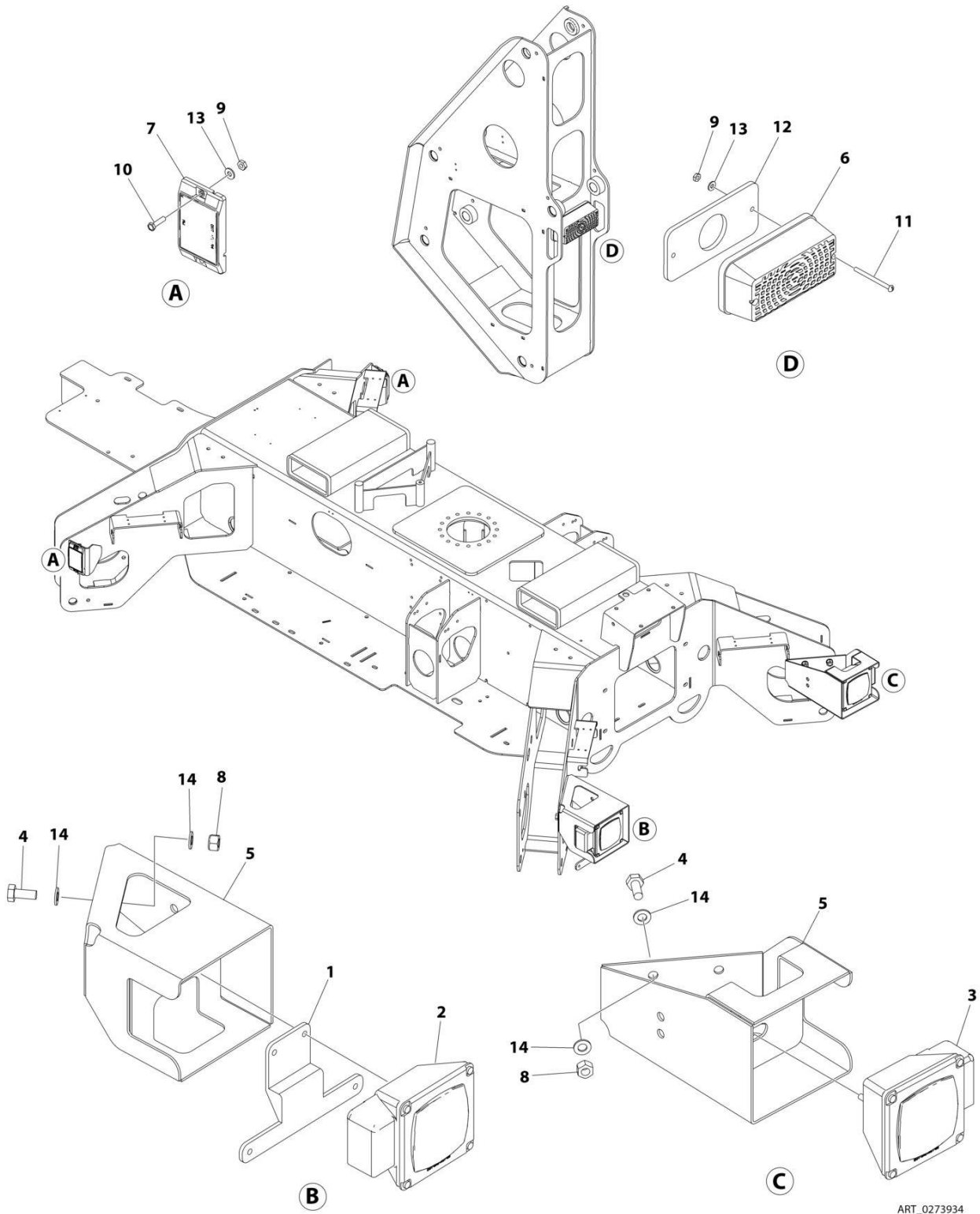
SECTION 1 - FRAME

FIGURE 1-69. TAILLIGHTS AND MARKERS INSTALLATION (T350) (AUSTRALIAN AND SOUTH AFRICA SPECS)

ITEM	PART NUMBER	QTY	DESCRIPTION	REV
	0274739	Ref	TAILLIGHTS AND MARKERS INSTALLATION	C
1	0274539	2	Side Marker Light Assembly	
1	1001228138	2	Lamp Only (1 Per Assembly)	
1	70000095	2	Bulb (1 Per Assembly)	
2	0274638	1	Light Assembly, Rear	
2	1001228139	1	Lamp Only (1 Per Assembly)	
2	70000098	1	Bulb (1 Per Assembly)	
3	0274741	1	Rear Light Bracket Assembly (See Items 101-115 for Breakdown)	
4	0641406	4	Bolt 1/4 x 3/4	
5	0641407	2	Bolt 1/4 x 7/8	
6	0641608	4	Bolt 3/8 x 1	
7	3311405	6	Nut 1/4	
8	3311605	4	Nut 3/8	
9	4711400	8	Washer 1/4	
10	4751600	8	Washer 3/8	
	0274741	Ref	REAR LIGHT BRACKET ASSEMBLY	C
101	0700408	6	Bolt M4 x 16	
102	0700410	4	Bolt M4 x 20	
103	0721006	4	Screw #10 x 3/4	
104	0903177	2	Plate, Reflector Mounting	
105	0940136	1	Bar, Light	
106	2920180	2	Taillight	
106	70000092	2	Bulb (Double Contact) (1 Per Assembly)	
106	70000093	2	Bulb (Single Contact) (1 Per Assembly)	
107	2920183	1	License Plate Light	
107	70000096	1	Bulb (1 Per Assembly)	
108	2920184	2	Side Marker Light	
108	70000097	2	Bulb (1 Per Assembly)	
109	3290405	10	Nut M4	
110	3311005	8	Nut #10	
111	3700012	2	Reflector, Red Triangle	
112	3911010	4	Screw #10 x 5/8	
113	4751000	12	Washer #10	
114	4811400	14	Washer M4	
115	1001224595	1	Harness, Trailer Light (Not Shown)	

SECTION 1 - FRAME

FIGURE 1-70. TAILLIGHTS AND MARKERS INSTALLATION (T500J) (ANSI, ANSI EXPORT AND CSA SPECS)



SECTION 1 - FRAME

FIGURE 1-70. TAILLIGHTS AND MARKERS INSTALLATION (T500J) (ANSI, ANSI EXPORT AND CSA SPECS)

ITEM	PART NUMBER	QTY	DESCRIPTION	REV
	0273934	Ref	TAILLIGHTS AND MARKERS INSTALLATION	E
1	71101	1	Bracket, License Plate	
2	71906	1	Taillight Assembly with License Plate Light (Road Side)	
2	7026341	1	Bulb, Stop/Turn/Taillight	
2	7026342	1	Bulb, Side Marker Light	
2	7026343	1	Lens, Red Taillight	
2	7026340	1	Lens, Red Side Marker	
3	71907	1	Taillight Assembly without License Plate Light (Curb Side)	
3	7026341	1	Bulb, Stop/Turn/Taillight	
3	7026342	1	Bulb, Side Marker Light	
3	7026343	1	Lens, Red Taillight	
3	7026340	1	Lens, Red Side Marker	
4	0761012	4	Screw M10 x 25	
5	0903107	2	Bracket, Taillight	
6	2920113	1	Taillight, Boom	
7	2920179	2	Side Marker Light/Reflector Assembly	
7	7027717	2	Bulb (1 Per Assembly)	
8	3291005	4	Nut M10	
9	3311005	6	Nut #10	
10	0721006	4	Screw #10 x 3/4	
11	3911040	2	Screw #10 x 2-1/2	
12	3960461	1	Seal, Gasket	
13	4751000	6	Washer #10	
14	4812000	8	Washer M10	
15	4923149	1	Harness, Lights (Not Shown - See Separate Breakdown in ELECTRICAL Section)	

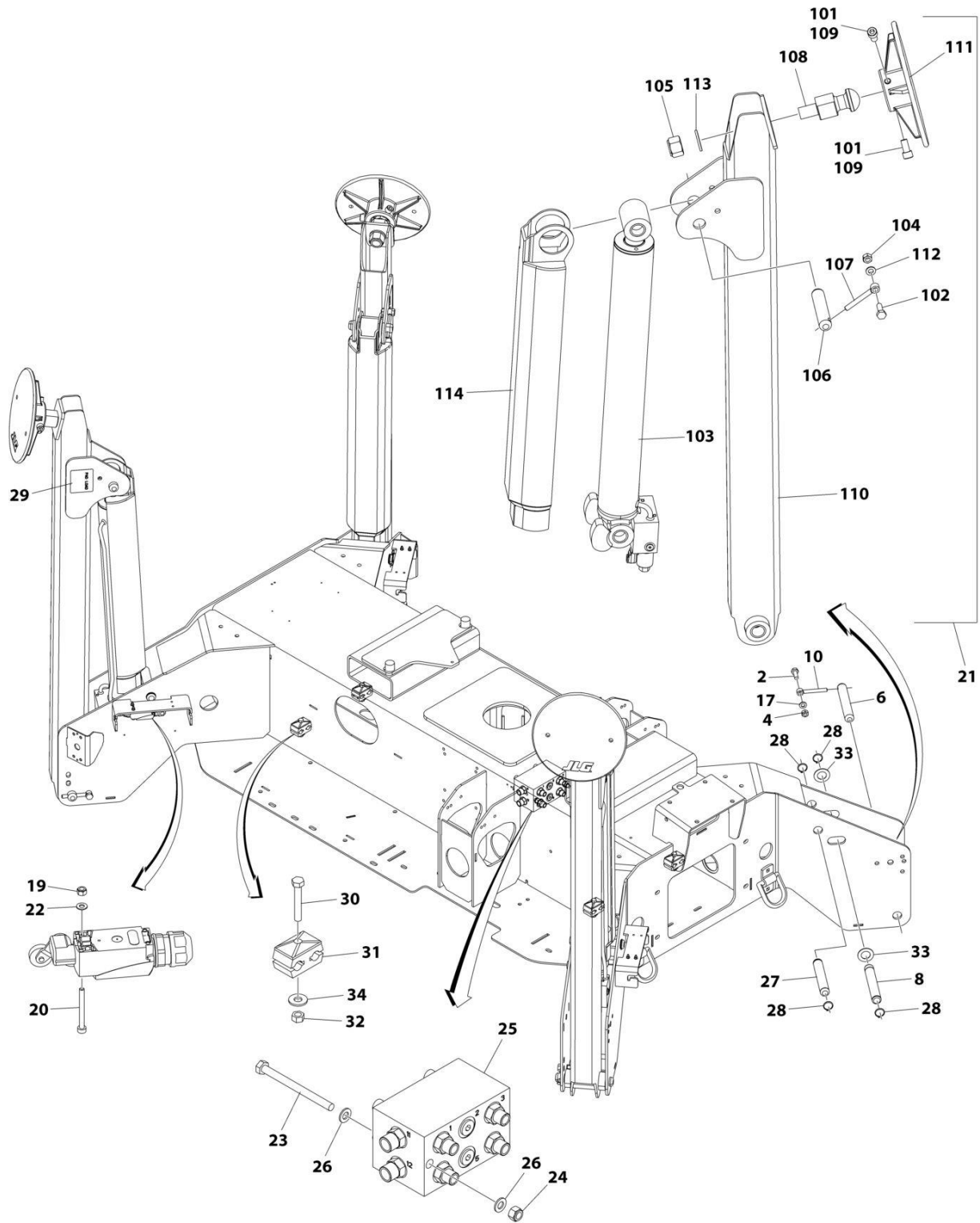
SECTION 1 - FRAME

FIGURE 1-71. TAILLIGHTS AND MARKERS INSTALLATION (T500J) (AUSTRALIAN AND SOUTH AFRICA SPECS)

ITEM	PART NUMBER	QTY	DESCRIPTION	REV
	0274740	Ref	TAILLIGHTS AND MARKERS INSTALLATION	C
1	0274539	2	Side Marker Light Assembly	
1	1001228138	2	Lamp Only (1 Per Assembly)	
1	70000095	2	Bulb (1 Per Assembly)	
2	0274741	1	Rear Light Bracket Assembly (See Items 101-115 for Breakdown)	
3	0641406	4	Bolt 1/4 x 3/4	
4	0641407	2	Bolt 1/4 x 7/8	
5	0641608	4	Bolt 3/8 x 1	
6	3311005	4	Nut #10	
7	3311405	6	Nut 1/4	
8	3311605	4	Nut 3/8	
9	3700014	2	Reflector (White)	
10	3911010	2	Screw #10 x 5/8	
11	4711400	8	Washer 1/4	
12	4751000	2	Washer #10	
13	4751600	6	Washer 3/8	
14	0274638	1	Light Assembly, Rear	
14	1001228139	1	Lamp Only (1 Per Assembly)	
14	70000098	1	Bulb (1 Per Assembly)	
	0274741	Ref	REAR LIGHT BRACKET ASSEMBLY	C
101	0700408	6	Bolt M4 x 16	
102	0700410	4	Bolt M4 x 20	
103	0721006	4	Screw #10 x 3/4	
104	0903177	2	Plate, Reflector Mounting	
105	0940136	1	Bar, Light	
106	2920180	2	Taillight	
106	70000092	2	Bulb (Double Contact) (1 Per Assembly)	
106	70000093	2	Bulb (Single Contact) (1 Per Assembly)	
107	2920183	1	License Plate Light	
107	70000096	1	Bulb (1 Per Assembly)	
108	2920184	2	Side Marker Light	
108	70000097	2	Bulb (1 Per Assembly)	
109	3290405	10	Nut M4	
110	3311005	8	Locknut #10-24NC	
111	3700012	2	Reflector, Red Triangle	
112	3911010	4	Screw #10 x 5/8	
113	4751000	12	Washer #10	
114	4811400	14	Washer M4	
115	1001224595	1	Harness, Trailer Light (Not Shown)	

SECTION 1 - FRAME

FIGURE 1-72. OUTRIGGERS INSTALLATION (T350) (ALL SPECS EXCEPT AUSTRALIAN SPECS)



ART_0273712

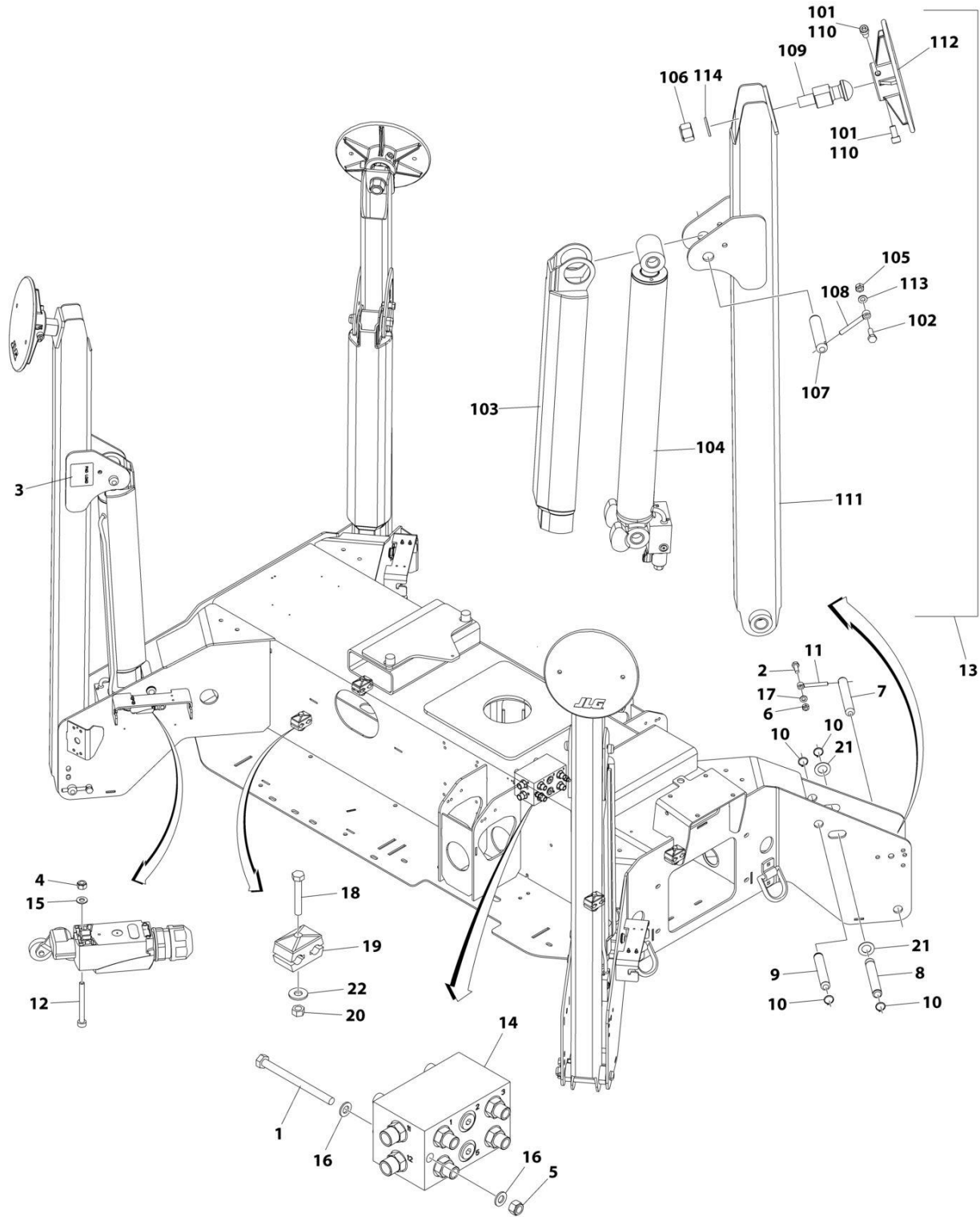
SECTION 1 - FRAME

FIGURE 1-72. OUTRIGGERS INSTALLATION (T350) (ALL SPECS EXCEPT AUSTRALIAN SPECS)

ITEM	PART NUMBER	QTY	DESCRIPTION	REV
	0273712	Ref	OUTRIGGER INSTALLATION	G
2	0701014	4	Bolt M10 x 30	
4	3291007	4	Nut M10	
6	3422426	4	Pin	
8	3423148	4	Pin	
10	3841143	4	Keeper, Pin	
17	4812000	4	Washer M10	
19	3290405	8	Nut M4	
20	4031512	8	Capscrew M4 x 40	
21	4210012	4	Outrigger Sub-Assembly (See Items 101-114 for Breakdown)	
22	4811400	8	Washer M4	
23	0700827	2	Bolt M8 x 100	
24	3290805	2	Nut M8	
25	4641380	1	Valve Assembly - Outrigger	
25	2220885	4	Plug	
25	2110406	6	Fitting, Straight	
25	2110606	2	Fitting, Straight	
26	4811900	4	Washer M8	
27	3423185	4	Pin	
28	3760115	16	Ring, Retaining	
29	1706121	4	Decal - Pad Load	
30	0641516	4	Bolt 5/16 x 2	
31	1320159	4	Clamp	
32	3311505	4	Nut 5/16	
33	4740446	8	Thrustwasher	
34	4751500	4	Washer	
	4210012	Ref	OUTRIGGER SUB-ASSEMBLY	G
		Ref	Note: Qtys shown are for one sub-assembly. Four sub-assemblies required per machine.	
101	0100011	AR	Compound, Locking	
102	0701014	1	Bolt M10 x 30	
103	1684442	1	Cylinder Assembly - Outrigger (See Separate Breakdown in CYLINDER Section)	
104	3291007	1	Nut M10	
105	3292405	1	Nut M24	
106	3422429	1	Pin	
107	3841143	1	Keeper, Pin	
108	3841655	1	Rod	
109	3931816	3	Capscrew 1/2 x 1	
110	4210006	1	Stabilizer	
111	4220207	1	Pad, Outrigger	
112	4812000	1	Washer M10	
113	4812700	1	Washer M24	
114	1671172	1	Cover	

SECTION 1 - FRAME

FIGURE 1-73. OUTRIGGERS INSTALLATION (T350) (AUSTRALIAN SPECS)



ART_0274375

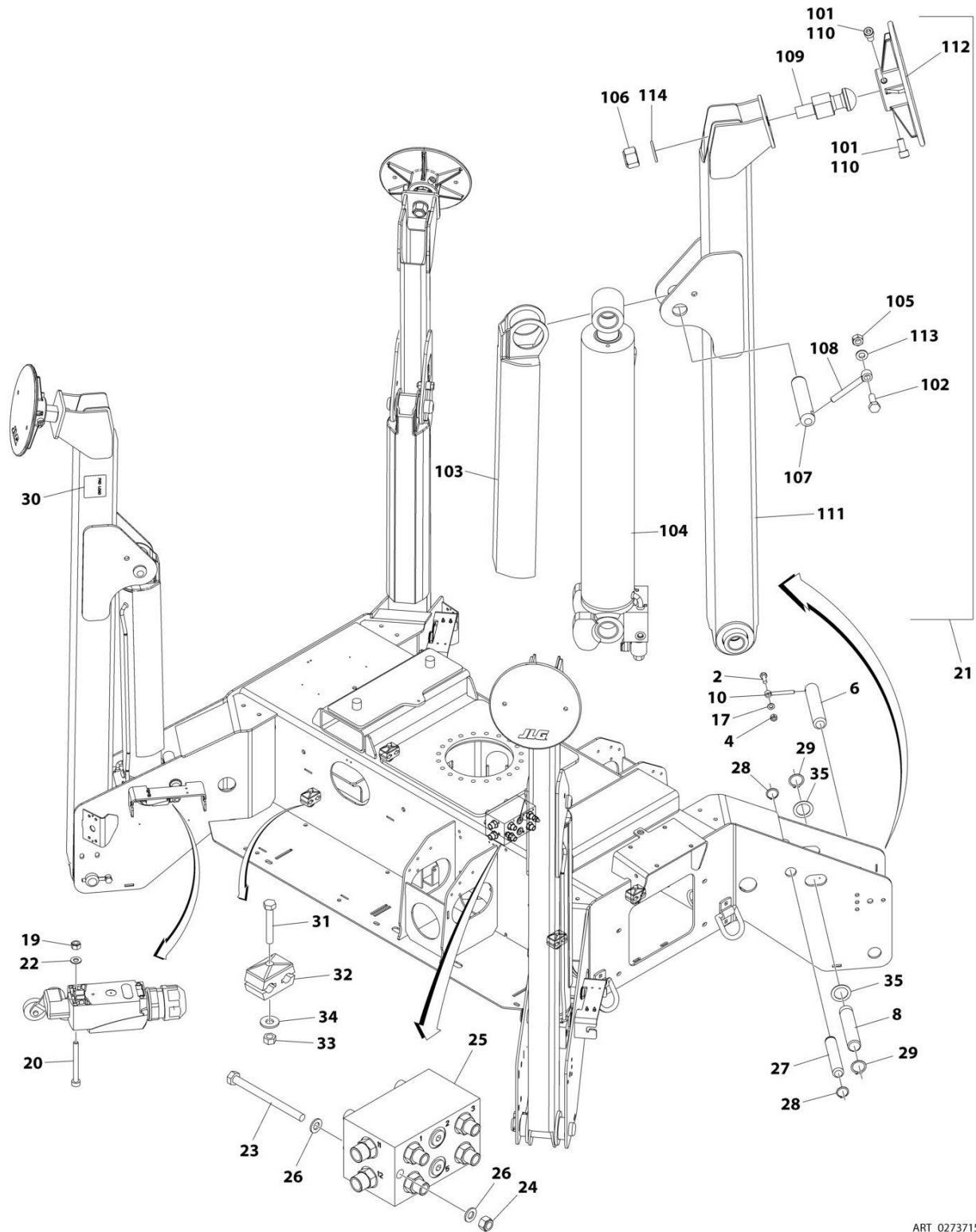
SECTION 1 - FRAME

FIGURE 1-73. OUTRIGGERS INSTALLATION (T350) (AUSTRALIAN SPECS)

ITEM	PART NUMBER	QTY	DESCRIPTION	REV
	0274375	Ref	OUTRIGGER INSTALLATION	B
1	0700827	2	Bolt M8 x 100	
2	0701014	4	Bolt M10 x 30	
3	1706121	4	Decal - Pad Load	
4	3290405	8	Nut M4	
5	3290805	2	Nut M8	
6	3291007	4	Nut M10	
7	3422426	4	Pin	
8	3423148	4	Pin	
9	3423185	4	Pin	
10	3760115	16	Ring, Retaining	
11	3841143	4	Keeper, Pin	
12	4031512	8	Capscrew M4 x 40	
13	4210019	4	Outrigger Sub-Assembly (See Items 101-114 for Breakdown)	
14	4641380	1	Valve Assembly - Outrigger	
14	2220885	4	Plug	
14	2110406	6	Fitting, Straight	
14	2110606	2	Fitting, Straight	
15	4811400	8	Washer M4	
16	4811900	4	Washer M8	
17	4812000	4	Washer M10	
18	0641516	4	Bolt 5/16 x 2	
19	1320159	4	Clamp	
20	3311505	4	Nut 5/16	
21	4740446	8	Thrustwasher	
22	4751500	4	Washer 5/16	
	4210019	Ref	OUTRIGGER SUB-ASSEMBLY	F
		Ref	Note: Qtys shown are for one sub-assembly. Four sub-assemblies required per machine.	
101	0100011	AR	Compound, Locking	
102	0701014	1	Bolt M10 x 30	
103	1671172	1	Cover	
104	1684442	1	Cylinder Assembly - Outrigger (See Separate Breakdown in CYLINDER Section)	
105	3291007	1	Nut M10	
106	3292405	1	Nut M24	
107	3422429	1	Pin	
108	3841143	1	Keeper, Pin	
109	3841655	1	Rod	
110	3931816	3	Capscrew 1/2 x 1	
111	4210018	1	Stabilizer	
112	4220207	1	Pad, Outrigger	
113	4812000	1	Washer M10	
114	4812700	1	Washer M24	

SECTION 1 - FRAME

FIGURE 1-74. OUTRIGGERS INSTALLATION (T500J) (ALL SPECS EXCEPT AUSTRALIAN SPECS)



ART_0273715

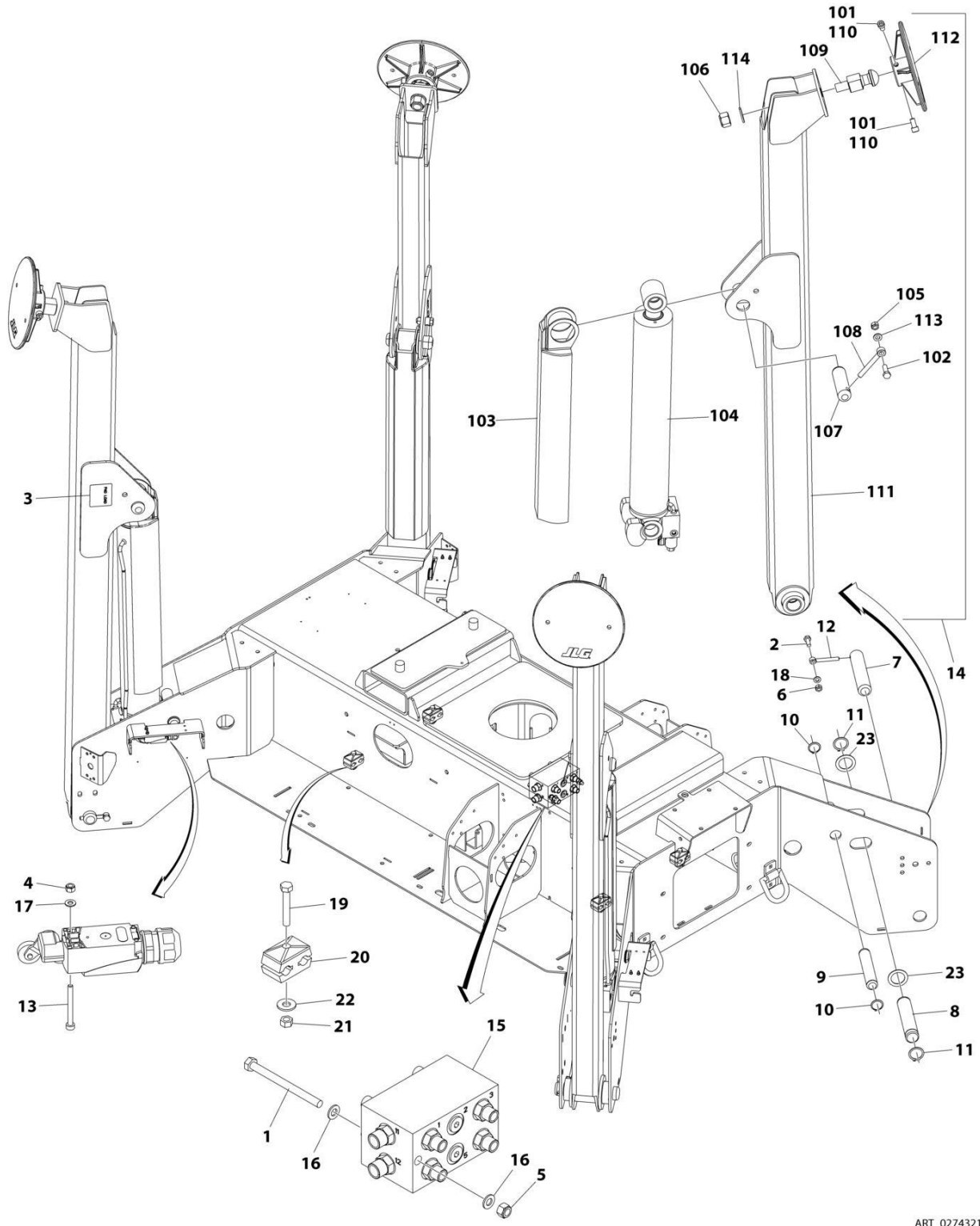
SECTION 1 - FRAME

FIGURE 1-74. OUTRIGGERS INSTALLATION (T500J) (ALL SPECS EXCEPT AUSTRALIAN SPECS)

ITEM	PART NUMBER	QTY	DESCRIPTION	REV
	0273715	Ref	OUTRIGGER INSTALLATION	I
2	0701014	4	Bolt M10 x 30	
4	3291007	4	Nut M10	
6	3421986	4	Pin	
8	3423147	4	Pin	
10	3841143	4	Keeper, Pin	
17	4812000	4	Washer M10	
19	3290405	8	Nut M4	
20	4031512	8	Capscrew M4 x 40	
21	4210025	4	Outrigger Sub-Assembly (See Items 101-114 for Breakdown)	
22	4811400	8	Washer M4	
23	0700827	2	Bolt M8 x 100	
24	3290805	2	Nut M8	
25	4641380	1	Valve Assembly - Outrigger	
25	2220885	4	Plug	
25	2110406	6	Fitting, Straight	
25	2110606	2	Fitting, Straight	
26	4711400	4	Washer 1/4	
27	3423186	4	Pin	
28	3760133	8	Ring, Retaining	
29	3760237	8	Ring, Retaining	
30	1706264	4	Decal - Pad Load	
31	0641516	4	Bolt 5/16 x 2	
32	1320159	4	Clamp	
33	3311505	4	Nut 5/16	
34	4751500	4	Washer	
35	4740333	8	Thrustwasher	
	4210025	Ref	OUTRIGGER SUB-ASSEMBLY	C
		Ref	Note: Qtys shown are for one sub-assembly. Four sub-assemblies required per machine.	
101	0100011	AR	Compound, Locking	
102	0701216	1	Bolt M12 x 40	
103	1671171	1	Cover	
104	1684443	1	Cylinder Assembly - Outrigger (See Separate Breakdown in CYLINDER Section)	
105	3291207	1	Nut M12	
106	3292405	1	Nut M24	
107	3423146	1	Pin	
108	3841203	1	Keeper, Pin	
109	3841655	1	Rod	
110	3931816	3	Capscrew 1/2 x 1	
111	4210024	1	Stabilizer	
112	4220207	1	Pad, Outrigger	
113	4812100	1	Washer M12	
114	4812700	1	Washer M24	

SECTION 1 - FRAME

FIGURE 1-75. OUTRIGGERS INSTALLATION (T500J) (AUSTRALIAN SPECS)



ART_0274321

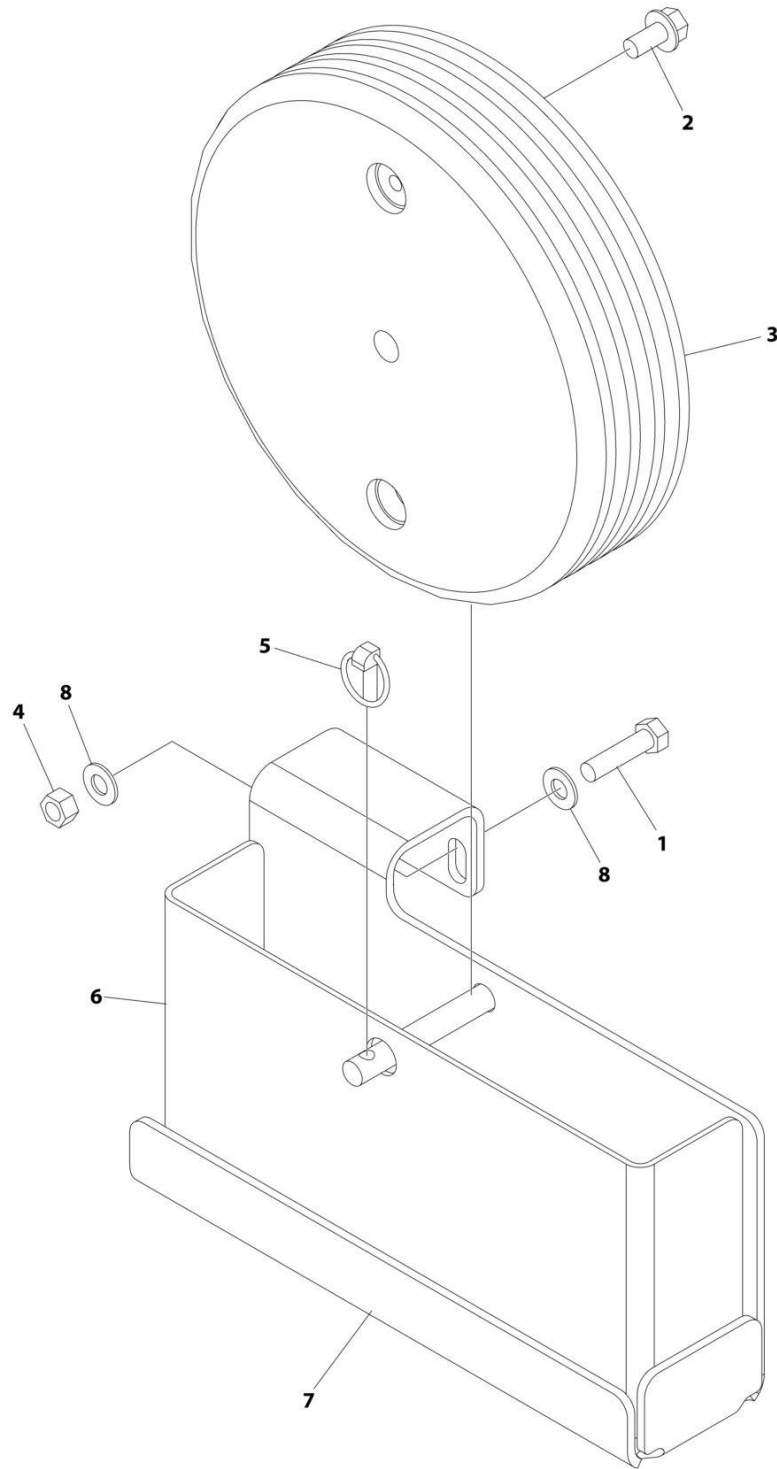
SECTION 1 - FRAME

FIGURE 1-75. OUTRIGGERS INSTALLATION (T500J) (AUSTRALIAN SPECS)

ITEM	PART NUMBER	QTY	DESCRIPTION	REV
	0274321	Ref	OUTRIGGER INSTALLATION	D
1	0700827	2	Bolt M8 x 100	
2	0701014	4	Bolt M10 x 30	
3	1706264	4	Decal - Pad Load	
4	3290405	8	Nut M4	
5	3290805	2	Nut M8	
6	3291007	4	Nut M10	
7	3421986	4	Pin	
8	3423147	4	Pin	
9	3423186	4	Pin	
10	3760133	8	Ring, Retaining	
11	3760237	8	Ring, Retaining	
12	3841143	4	Keeper, Pin	
13	4031512	8	Capscrew M4 x 40	
14	4210027	4	Outrigger Sub-Assembly (See Items 101-114 for Breakdown)	
15	4641380	1	Valve Assembly - Outrigger	
15	2220885	4	Plug	
15	2110406	6	Fitting, Straight	
15	2110606	2	Fitting, Straight	
16	4811400	8	Washer M4	
17	4711400	4	Washer 1/4	
18	4812000	4	Washer M10	
19	0641516	4	Bolt 5/16 x 2	
20	1320159	4	Clamp	
21	3311505	4	Nut 5/16	
22	4751500	4	Washer 5/16	
23	4740333	8	Thrustwasher	
	4210027	Ref	OUTRIGGER SUB-ASSEMBLY	D
		Ref	Note: Qtys shown are for one sub-assembly. Four sub-assemblies required per machine.	
101	0100011	AR	Compound, Locking	
102	0701216	1	Bolt M12 x 40	
103	1671171	1	Cover	
104	1684443	1	Cylinder Assembly Options (See Separate Breakdown in CYLINDER Section)	
105	3291207	1	Nut M12	
106	3292405	1	Nut M24	
107	3423146	1	Pin	
108	3841203	1	Keeper Pin	
109	3841655	1	Rod	
110	3931816	3	Capscrew 1/2 x 1	
111	4210026	1	Stabilizer	
112	4220207	1	Pad, Outrigger	
113	4812100	1	Washer M12	
114	4812700	1	Washer M24	

SECTION 1 - FRAME

FIGURE 1-76. OUTRIGGER (NON-MARKING) PADS AND STORAGE TRAY INSTALLATION (OPTIONAL)



ART_0274293

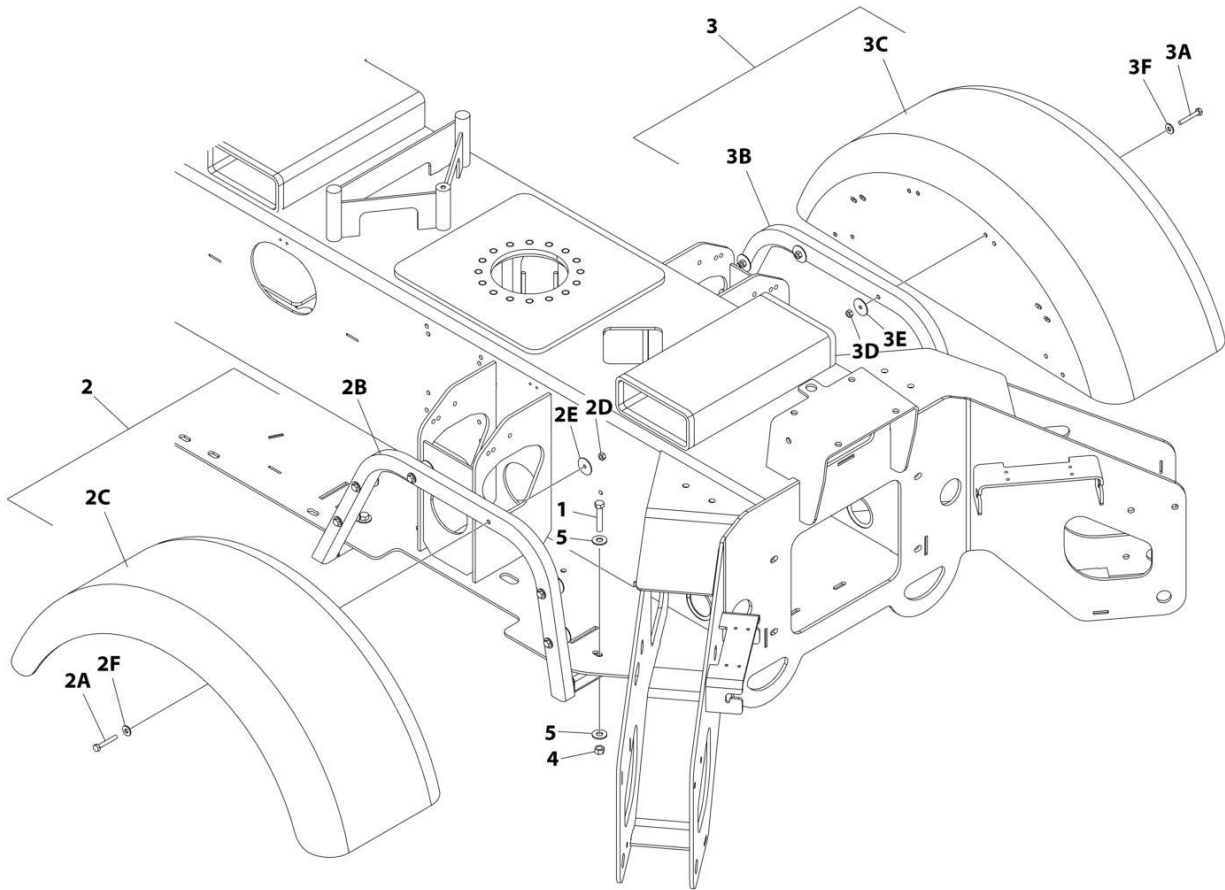
SECTION 1 - FRAME

FIGURE 1-76. OUTRIGGER (NON-MARKING) PADS AND STORAGE TRAY INSTALLATION (OPTIONAL)

ITEM	PART NUMBER	QTY	DESCRIPTION	REV
	0274293	Ref	NON-MARKING OUTRIGGER PAD INSTALLATION (OPTIONAL)	C
1	0641612	2	Bolt 3/8 x 1-1/2	
2	0811606	8	Screw 3/8 x 3/4	
3	1671185	4	Cover, Outrigger Pad	
4	3311605	2	Nut 3/8	
5	3421970	1	Snap-Pin	
6	3575790	1	Cover, Storage Box	
7	1001094614	1	Tray, Storage	
8	4711600	4	Washer 3/8	

SECTION 1 - FRAME

FIGURE 1-77. FENDERS INSTALLATION (T350 WITHOUT MUDFLAPS)



ART_0273625

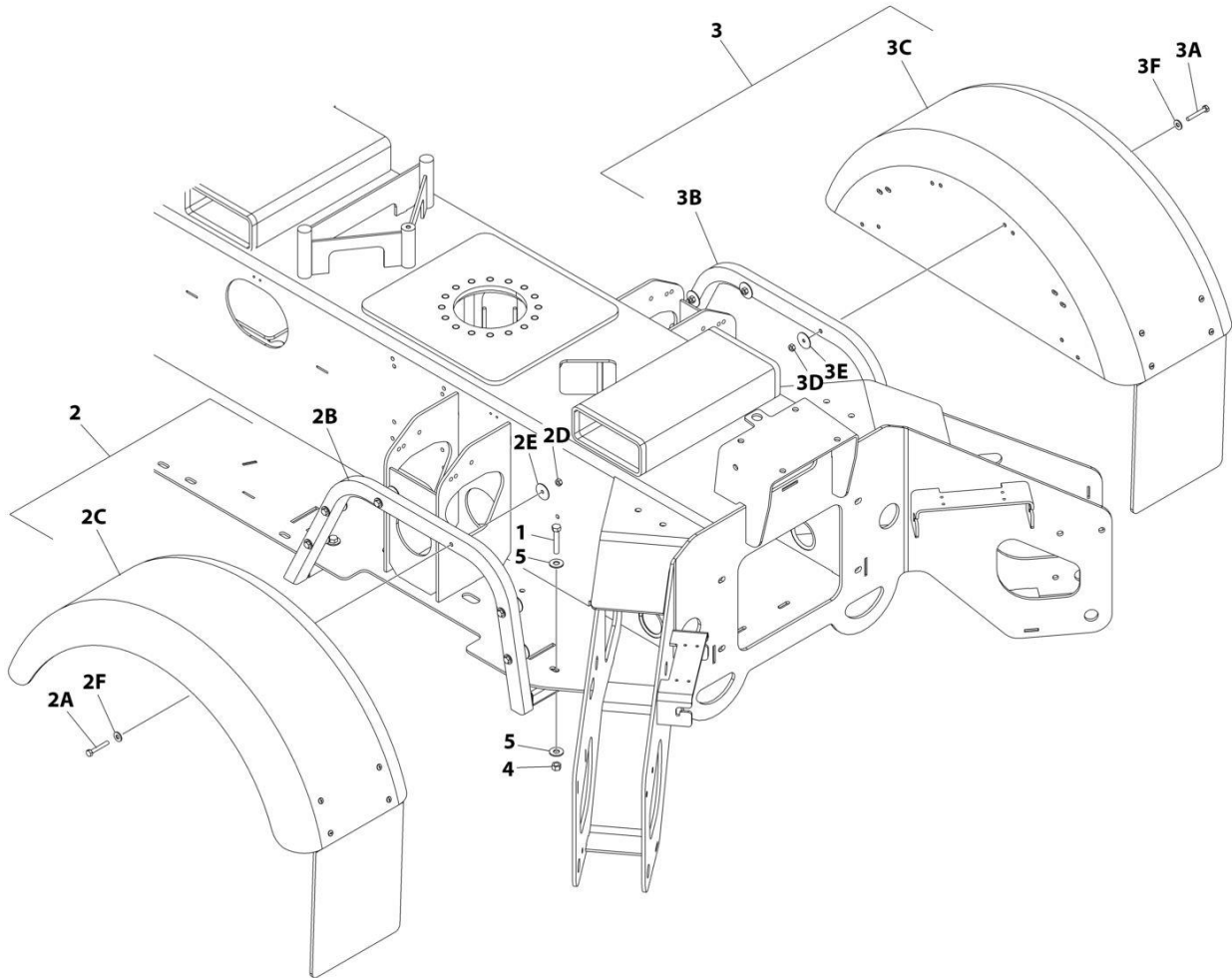
SECTION 1 - FRAME

FIGURE 1-77. FENDERS INSTALLATION (T350 WITHOUT MUDFLAPS)

ITEM	PART NUMBER	QTY	DESCRIPTION	REV
	0273625	Ref	FENDERS INSTALLATION	E
		Ref	Note: Front/Rear and Left/Right are determined by facing the Tow Vehicle.	
1	0641616	4	Bolt 3/8 x 2	
2	2090052	1	Fender Assembly (LH Side)	
2A	0641414	6	Bolt 1/4 x 1-3/4	
2B	0903111	1	Bracket, Fender	
2C	2090043	1	Fender (LH)	
2D	3311405	6	Nut 1/4	
2E	4740362	6	Washer 1/4	
2F	4751400	6	Washer 1/4	
3	2090053	1	Fender Assembly (RH Side)	
3A	0641414	6	Bolt 1/4 x 1-3/4	
3B	0903112	1	Bracket, Fender	
3C	2090043	1	Fender (RH)	
3D	3311405	6	Nut 1/4	
3E	4740362	6	Washer 1/4	
3F	4751400	6	Washer 1/4	
4	3311605	4	Nut 3/8	
5	4751600	8	Washer 3/8	

SECTION 1 - FRAME

FIGURE 1-78. FENDERS INSTALLATION (T350 WITH MUDFLAPS)



ART_0274433

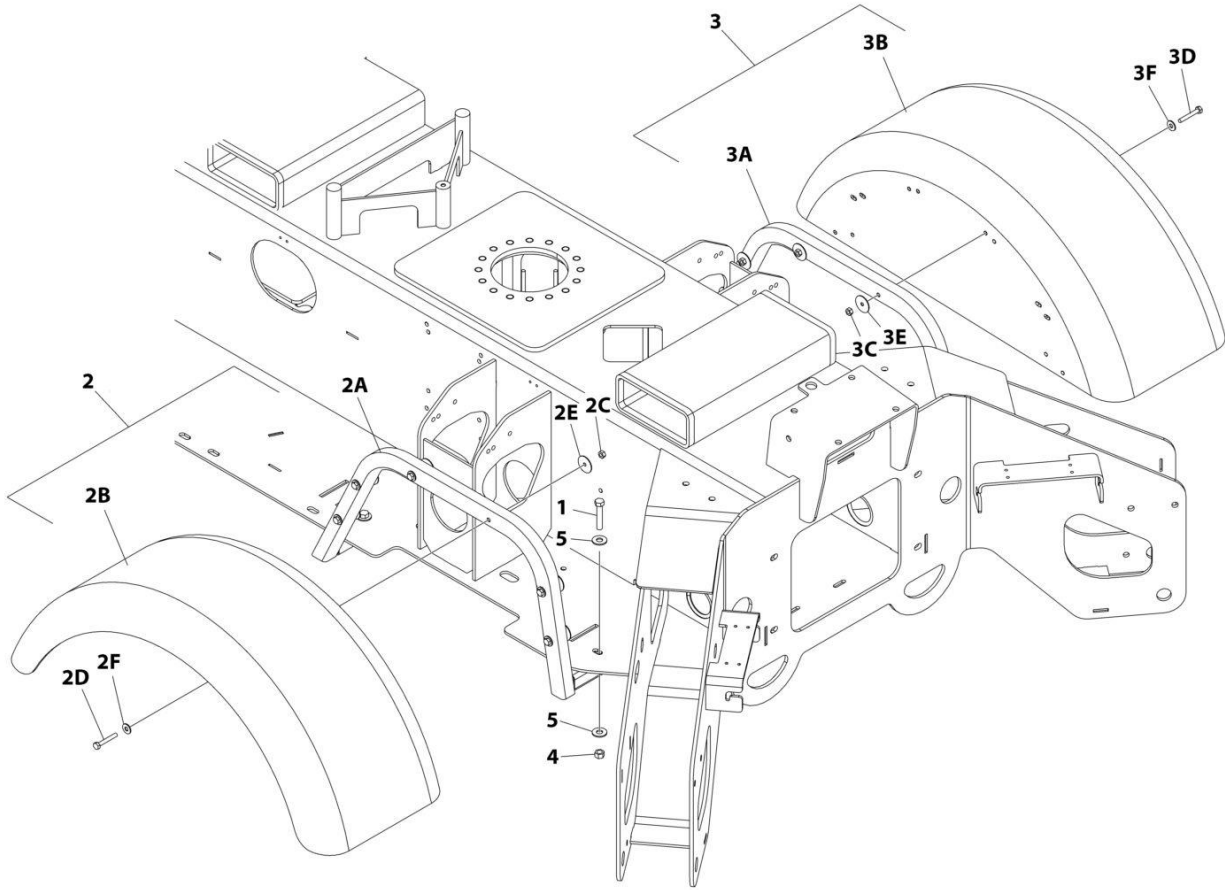
SECTION 1 - FRAME

FIGURE 1-78. FENDERS INSTALLATION (T350 WITH MUDFLAPS)

ITEM	PART NUMBER	QTY	DESCRIPTION	REV
	0274433	Ref	FENDERS INSTALLATION	B
		Ref	Note: Front/Rear and Left/Right are determined by facing the Tow Vehicle.	
1	0641616	4	Bolt 3/8 x 2	
2	2090058	1	Fender Assembly (LH Side)	
2A	0641414	6	Bolt 1/4 x 1-3/4	
2B	0903111	1	Bracket, Fender	
2C	2090054	1	Fender (LH)	
2D	3311405	6	Nut 1/4	
2E	4740362	6	Washer 1/4	
2F	4751400	6	Washer 1/4	
3	2090059	1	Fender Assembly (RH Side)	
3A	0641414	6	Bolt 1/4 x 1-3/4	
3B	0903112	1	Bracket, Fender	
3C	2090055	1	Fender (RH)	
3D	3311405	6	Nut 1/4	
3E	4740362	6	Washer 1/4	
3F	4751400	6	Washer 1/4	
4	3311605	4	Nut 3/8	
5	4751600	8	Washer 3/8	

SECTION 1 - FRAME

FIGURE 1-79. FENDERS INSTALLATION (T500J WITHOUT MUDFLAPS)



ART_0273946

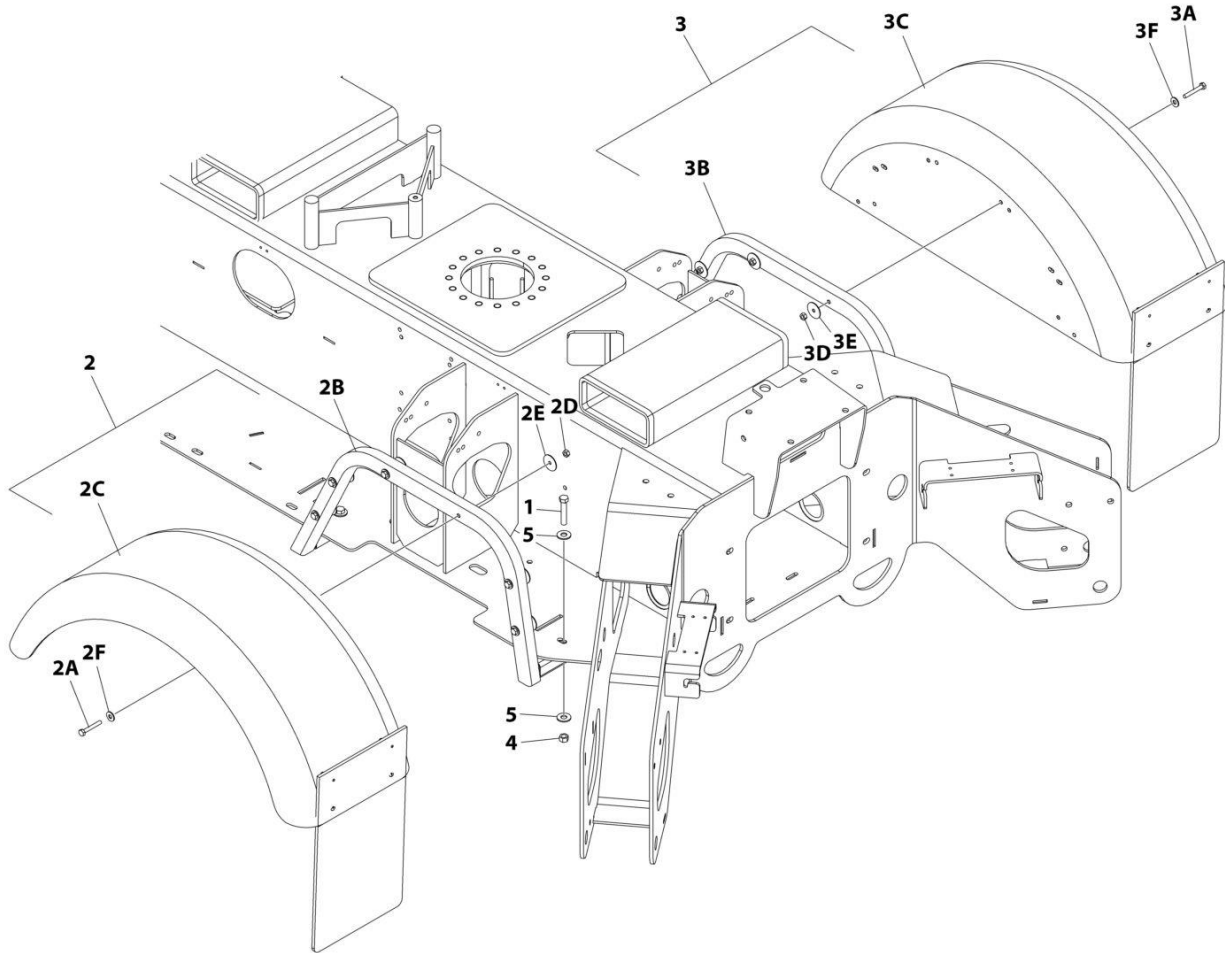
SECTION 1 - FRAME

FIGURE 1-79. FENDERS INSTALLATION (T500J WITHOUT MUDFLAPS)

ITEM	PART NUMBER	QTY	DESCRIPTION	REV
	0273946	Ref	FENDERS INSTALLATION	D
		Ref	Note: Front/Rear and Left/Right are determined by facing the Tow Vehicle.	
1	0641616	4	Bolt 3/8 x 2	
2	2090050	1	Fender Assembly (LH Side)	
2A	0903111	1	Bracket, Fender	
2B	2090043	1	Fender (LH)	
2C	3311405	6	Nut 1/4	
2D	0641414	6	Bolt 1/4 x 1-3/4	
2E	4740362	6	Washer 1/4	
2F	4751400	6	Washer 1/4	
3	2090051	1	Fender Assembly (RH Side)	
3A	0903112	1	Bracket, Fender	
3B	2090043	1	Fender (RH)	
3C	3311405	6	Nut 1/4	
3D	0641414	6	Bolt 1/4 x 1-3/4	
3E	4740362	6	Washer 1/4	
3F	4751400	6	Washer 1/4	
4	3311605	4	Nut 3/8	
5	4751600	8	Washer 3/8	

SECTION 1 - FRAME

FIGURE 1-80. FENDERS INSTALLATION (T500J WITH MUDFLAPS)



ART_0274434

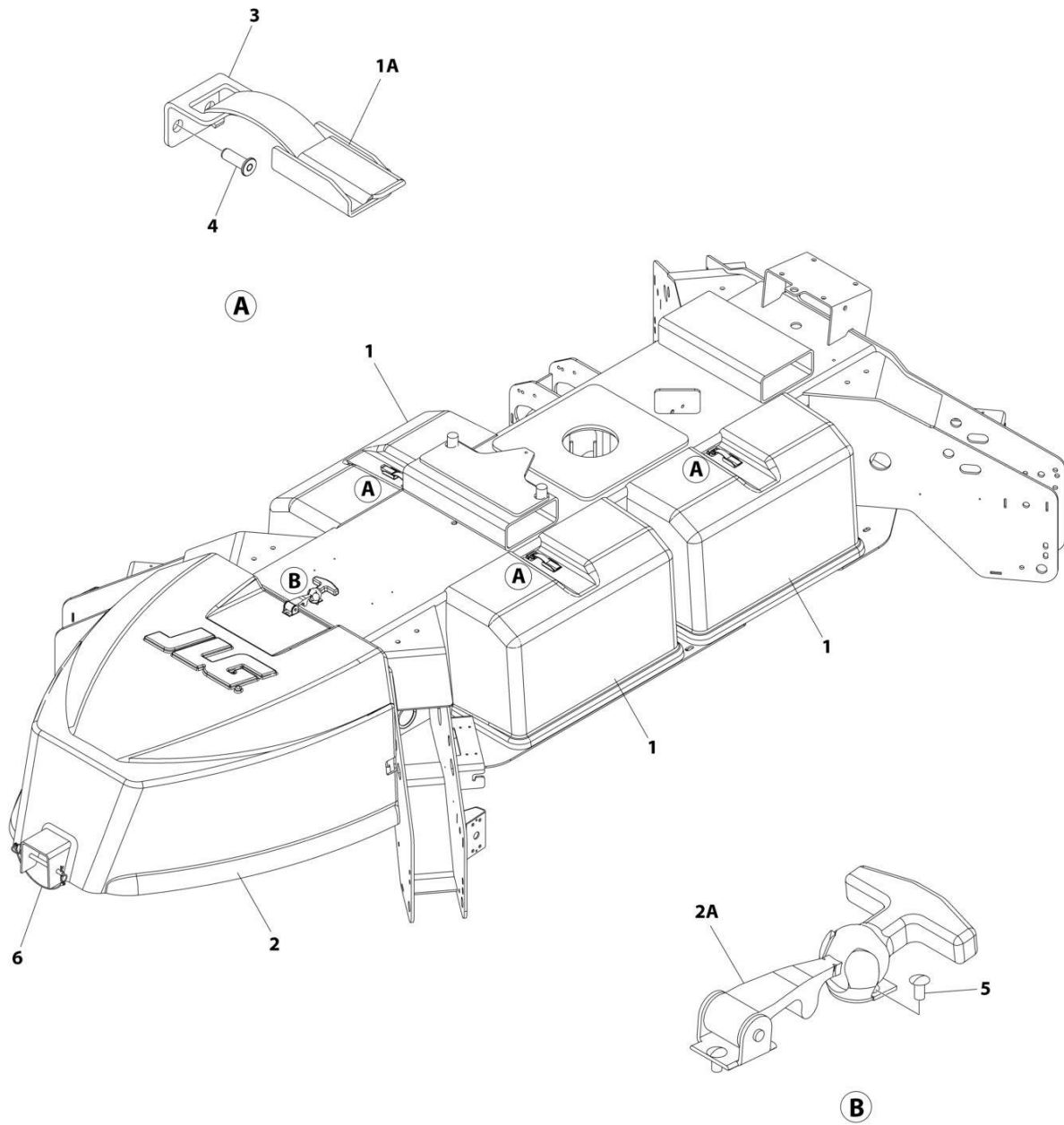
SECTION 1 - FRAME

FIGURE 1-80. FENDERS INSTALLATION (T500J WITH MUDFLAPS)

ITEM	PART NUMBER	QTY	DESCRIPTION	REV
	0274434	Ref	FENDERS INSTALLATION	B
		Ref	Note: Front/Rear and Left/Right are determined by facing the Tow Vehicle.	
1	0641616	4	Bolt 3/8 x 2	
2	2090056	1	Fender Assembly (LH Side)	
2A	0641414	6	Bolt 1/4 x 1-3/4	
2B	0903111	1	Bracket, Fender	
2C	2090054	1	Fender (LH)	
2D	3311405	6	Nut 1/4	
2E	4740362	6	Washer 1/4	
2F	4751400	6	Washer 1/4	
3	2090057	1	Fender Assembly (RH Side)	
3A	0641414	6	Bolt 1/4 x 1-3/4	
3B	0903112	1	Bracket, Fender	
3C	2090055	1	Fender (RH)	
3D	3311405	6	Nut 1/4	
3E	4740362	6	Washer 1/4	
3F	4751400	6	Washer 1/4	
4	3311605	4	Nut 3/8	
5	4751600	8	Washer 3/8	

SECTION 1 - FRAME

FIGURE 1-81. FRAME COVERS INSTALLATION (T350 ELECTRIC POWERED MACHINES)



ART_0273606

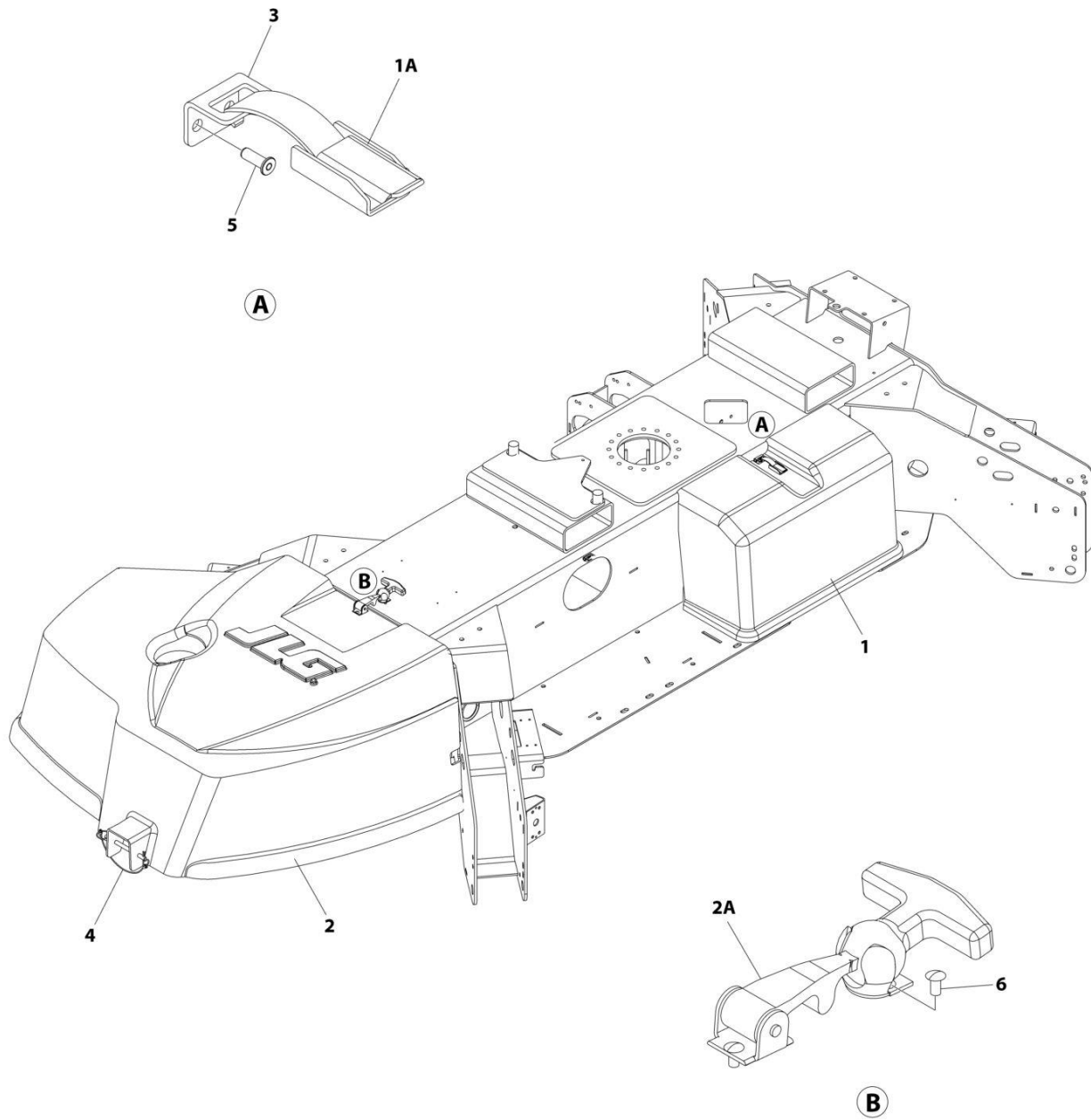
SECTION 1 - FRAME

FIGURE 1-81. FRAME COVERS INSTALLATION (T350 ELECTRIC POWERED MACHINES)

ITEM	PART NUMBER	QTY	DESCRIPTION	REV
	0273606	Ref	FRAME COVERS INSTALLATION	D
1	1671211	3	Module/Battery Cover Assembly	
1A	2940157	3	Latch (1 Per Assembly)	
2	1671148	1	Pump Cover Assembly	
2A	2940095	1	Latch	
3	2940178	3	Latch Keeper	
4	3820017	6	Rivet	
5	3820020	2	Rivet	
6	3423159	1	Pin, Hitch (Includes Cotter Pin)	

SECTION 1 - FRAME

FIGURE 1-82. FRAME COVERS INSTALLATION (T350 GAS POWERED MACHINES)



ART_0273607

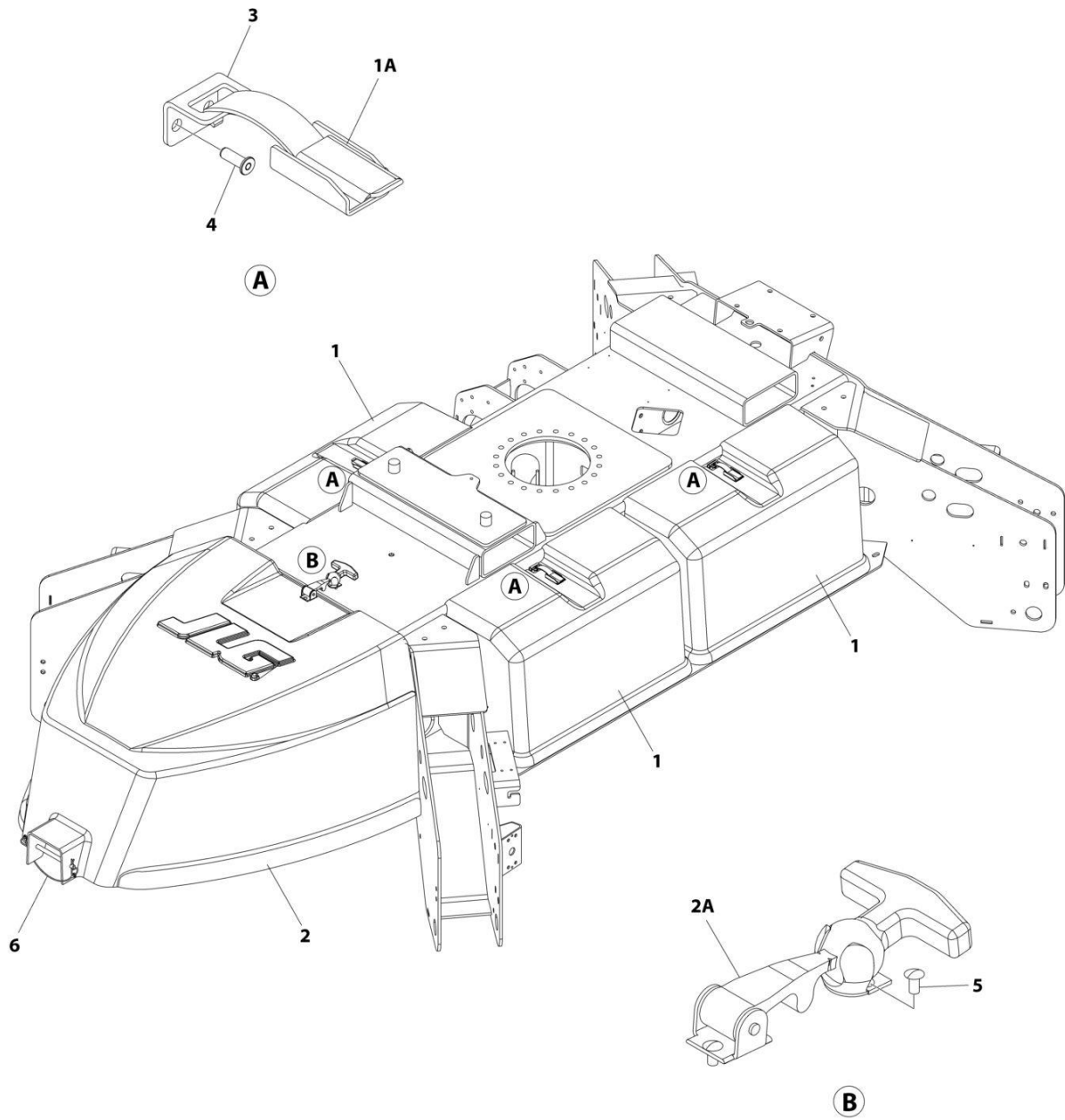
SECTION 1 - FRAME

FIGURE 1-82. FRAME COVERS INSTALLATION (T350 GAS POWERED MACHINES)

ITEM	PART NUMBER	QTY	DESCRIPTION	REV
	0273607	Ref	FRAME COVERS INSTALLATION	C
1	1671221	1	Module/Battery Cover Assembly	
1A	2940157	1	Latch (1 Per Assembly)	
2	1671160	1	Pump Cover Assembly	
2A	2940095	1	Latch	
3	2940178	1	Latch Keeper	
4	3423159	1	Pin, Hitch (Includes Cotter Pin)	
5	3820017	2	Rivet	
6	3820020	2	Rivet	

SECTION 1 - FRAME

FIGURE 1-83. FRAME COVERS INSTALLATION (T500J ELECTRIC POWERED MACHINES)



ART_0274338

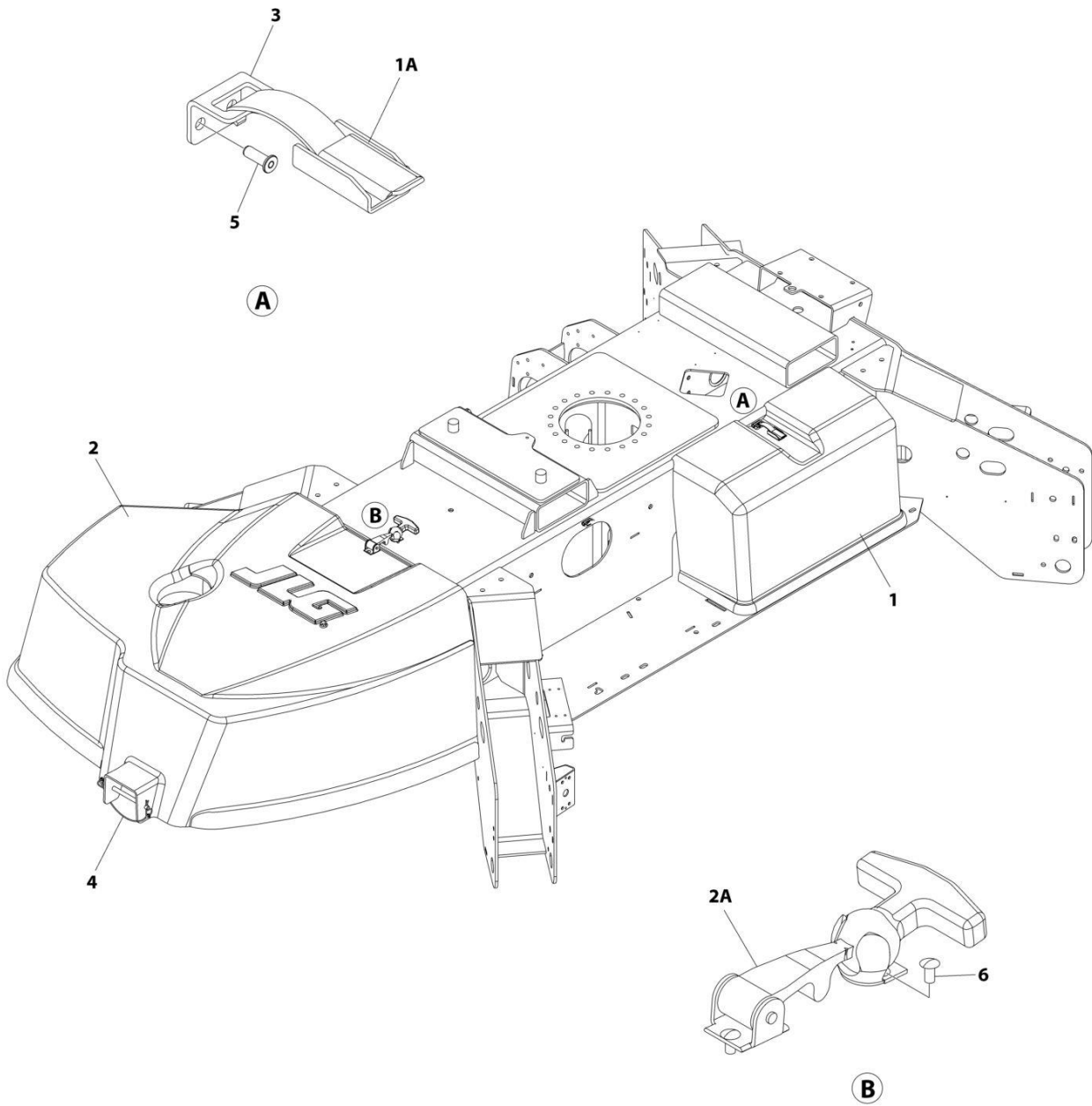
SECTION 1 - FRAME

FIGURE 1-83. FRAME COVERS INSTALLATION (T500J ELECTRIC POWERED MACHINES)

ITEM	PART NUMBER	QTY	DESCRIPTION	REV
	0274338	Ref	FRAME COVERS INSTALLATION	B
1	1671211	3	Module/Battery Cover Assembly	
1A	2940157	3	Latch (1 Per Assembly)	
2	1671187	1	Pump Cover Assembly	
2A	2940095	1	Latch	
3	2940178	3	Latch Keeper	
4	3820017	6	Rivet	
5	3820020	2	Rivet	
6	3423159	1	Pin, Hitch (Includes Cotter Pin)	

SECTION 1 - FRAME

FIGURE 1-84. FRAME COVERS INSTALLATION (T500J GAS POWERED MACHINES)



ART_0274339

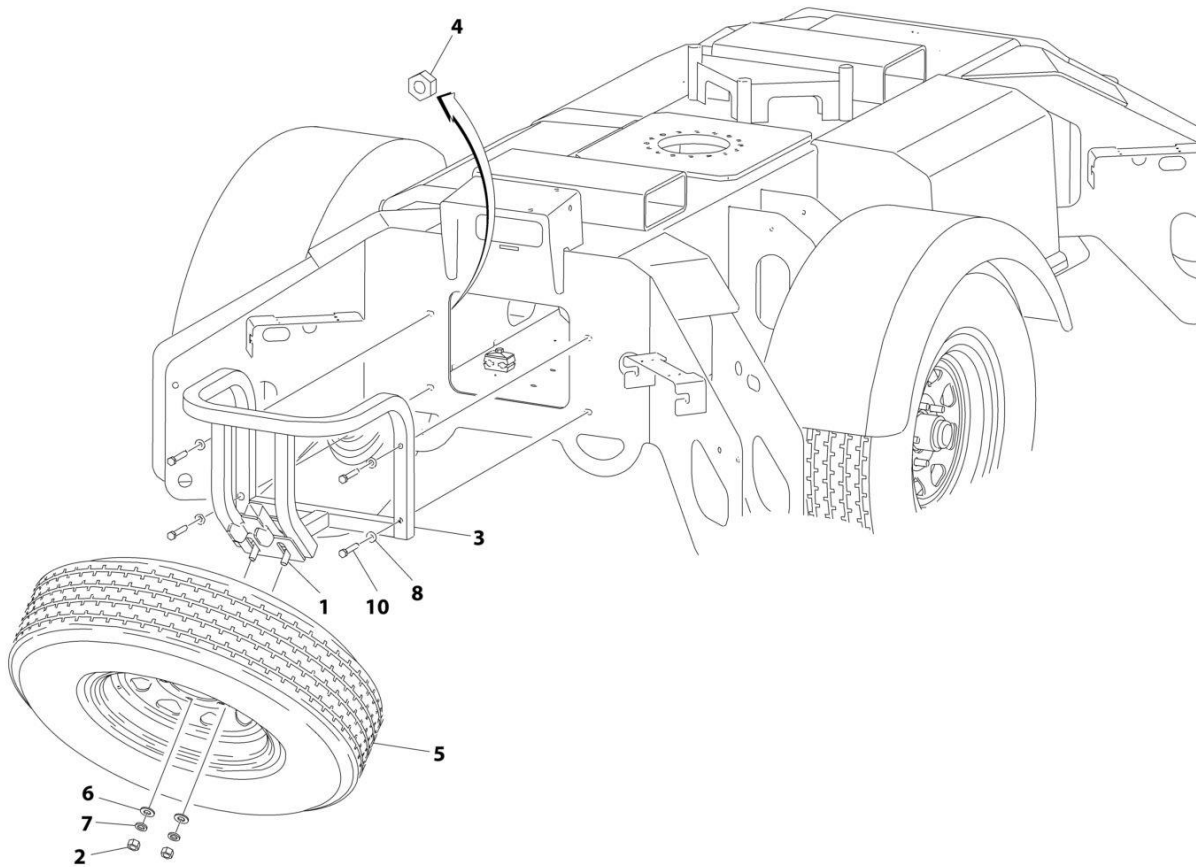
SECTION 1 - FRAME

FIGURE 1-84. FRAME COVERS INSTALLATION (T500J GAS POWERED MACHINES)

ITEM	PART NUMBER	QTY	DESCRIPTION	REV
	0274339	Ref	FRAME COVERS INSTALLATION	B
1	1671221	1	Module/Battery Cover Assembly	
1A	2940157	1	Latch (1 Per Assembly)	
2	1671189	1	Pump Cover Assembly	
2A	2940095	1	Latch	
3	2940178	1	Latch Keeper	
4	3423159	1	Pin, Hitch (Includes Cotter Pin)	
5	3820017	2	Rivet	
6	3820020	2	Rivet	

SECTION 1 - FRAME

FIGURE 1-85. SPARE TIRE INSTALLATION (185R14C TIRE) (OPTIONAL)



ART_0274329

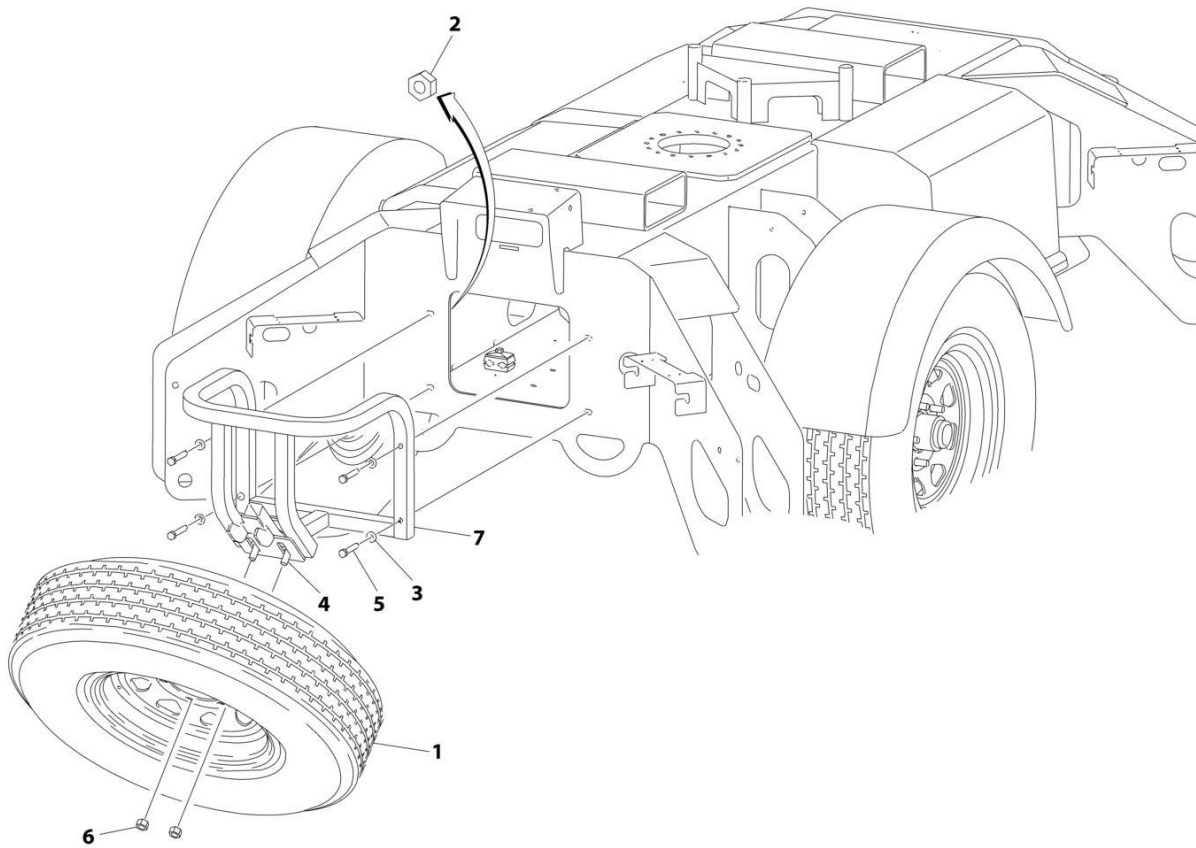
SECTION 1 - FRAME

FIGURE 1-85. SPARE TIRE INSTALLATION (185R14C TIRE) (OPTIONAL)

ITEM	PART NUMBER	QTY	DESCRIPTION	REV
	0274329	Ref	SPARE TIRE INSTALLATION (OPTIONAL)	C
1	0630607	2	Bolt 1/2 x 4	
2	3321801	2	Nut 1/2	
3	4341181	1	Bracket, Spare Tire Mounting	
4	3311605	4	Nut 3/8	
5	4520377	1	Tire and Wheel Assembly	
6	4711800	2	Washer 1/2	
7	4761800	2	Washer 1/2	
8	4711600	8	Washer 3/8	
10	0641617	4	Bolt 3/8 x 2-1/2	

SECTION 1 - FRAME

FIGURE 1-86. SPARE TIRE INSTALLATION (215-75R14 TIRE) (OPTIONAL)



ART_0275632

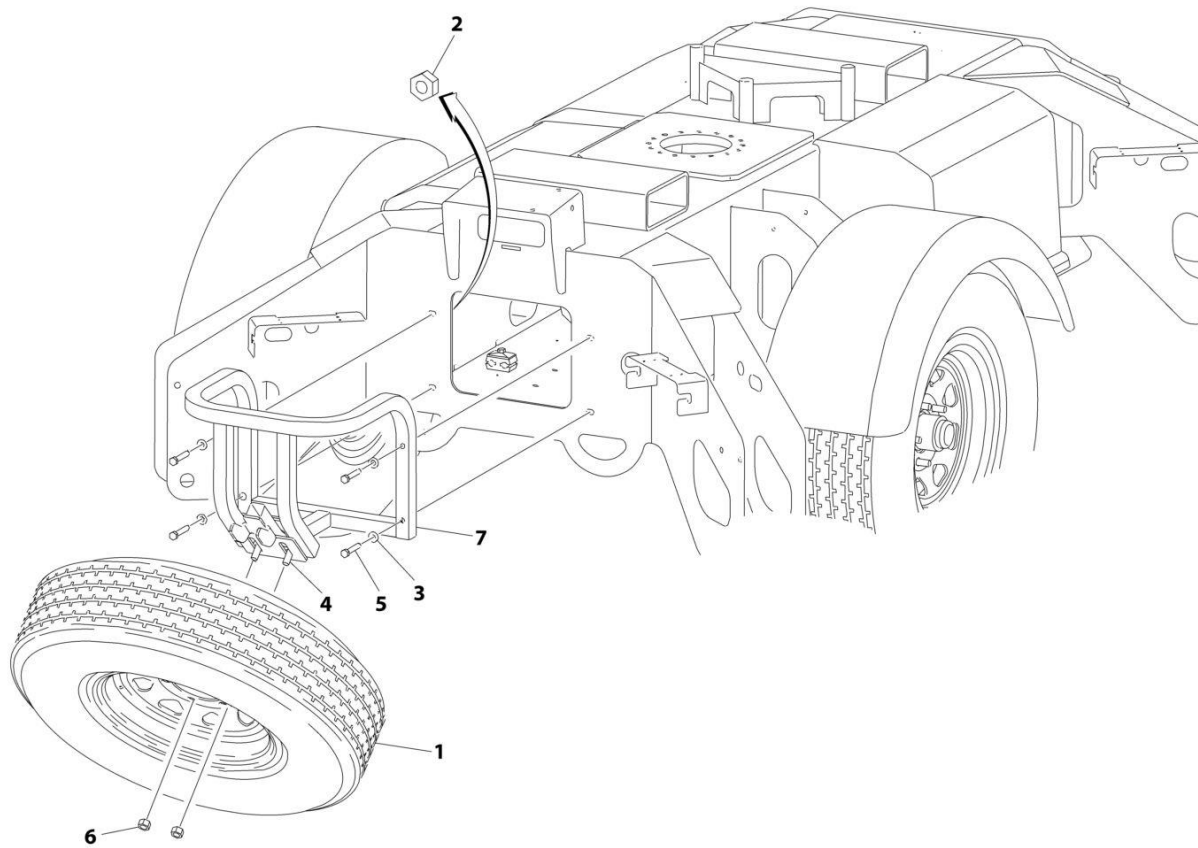
SECTION 1 - FRAME

FIGURE 1-86. SPARE TIRE INSTALLATION (215-75R14 TIRE) (OPTIONAL)

ITEM	PART NUMBER	QTY	DESCRIPTION	REV
	0275632	Ref	SPARE TIRE INSTALLATION (OPTIONAL)	C
1	1001109586	1	Tire and Wheel Assembly	
2	3311605	4	Nut 3/8	
3	4711600	8	Washer 3/8	
4	0630607	2	Bolt 1/2 x 4	
5	0641617	4	Bolt 3/8 x 2-1/2	
6	3300407	2	Lugnut	
7	4341181	1	Bracket, Spare Tire Mounting	

SECTION 1 - FRAME

FIGURE 1-87. SPARE TIRE INSTALLATION (225-75R15 TIRE) (OPTIONAL)



ART_0275633

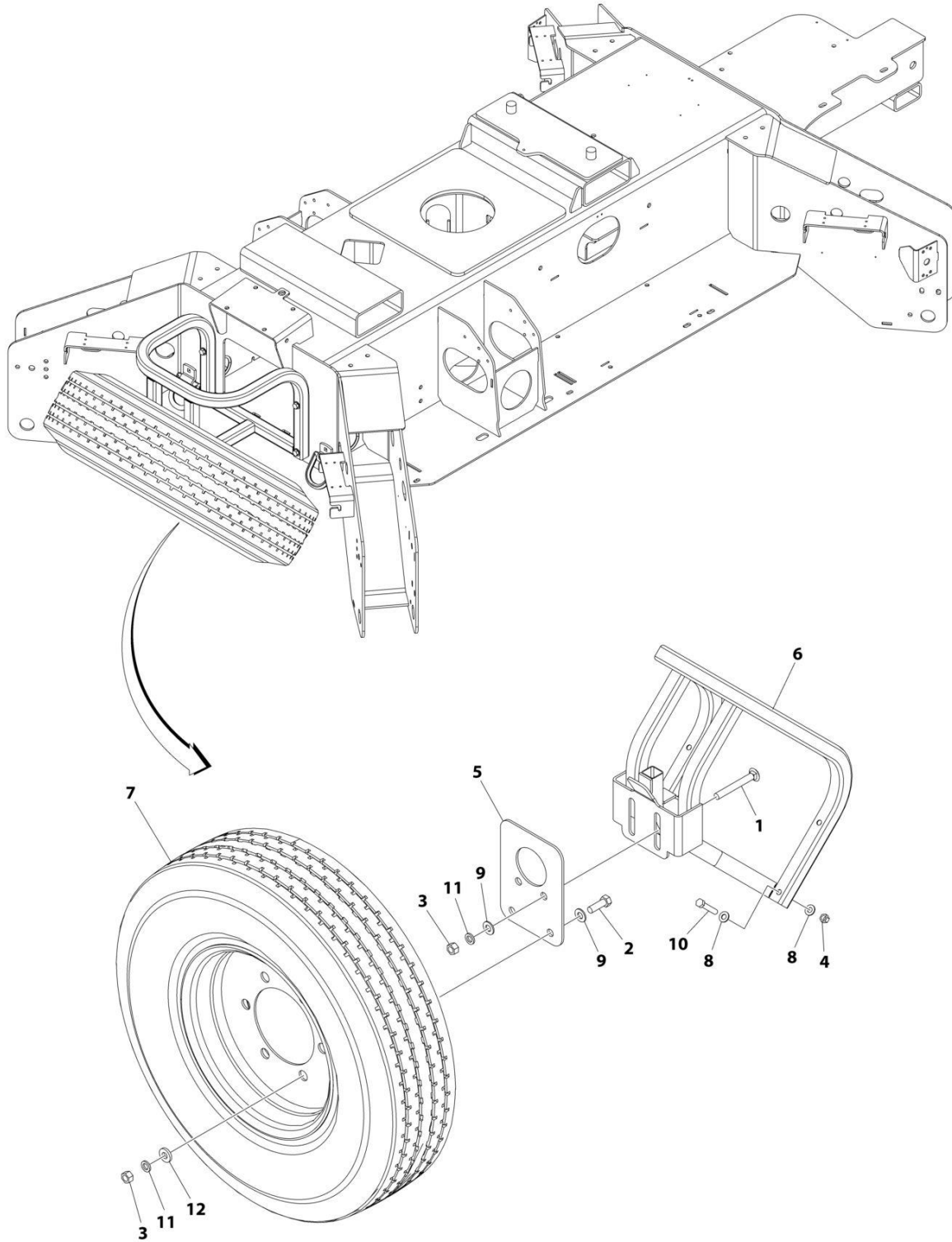
SECTION 1 - FRAME

FIGURE 1-87. SPARE TIRE INSTALLATION (225-75R15 TIRE) (OPTIONAL)

ITEM	PART NUMBER	QTY	DESCRIPTION	REV
	0275633	Ref	SPARE TIRE INSTALLATION (OPTIONAL)	C
1	4520614	1	Tire and Wheel Assembly	
2	3311605	4	Nut 3/8	
3	4711600	8	Washer 3/8	
4	0630607	2	Bolt 1/2 x 4	
5	0641617	4	Bolt 3/8 x 2-1/2	
6	3300407	2	Lugnut	
7	4341181	1	Bracket, Spare Tire Mounting	

SECTION 1 - FRAME

FIGURE 1-88. SPARE TIRE INSTALLATION (225-75R16C TIRE) (OPTIONAL)



ART_0274330

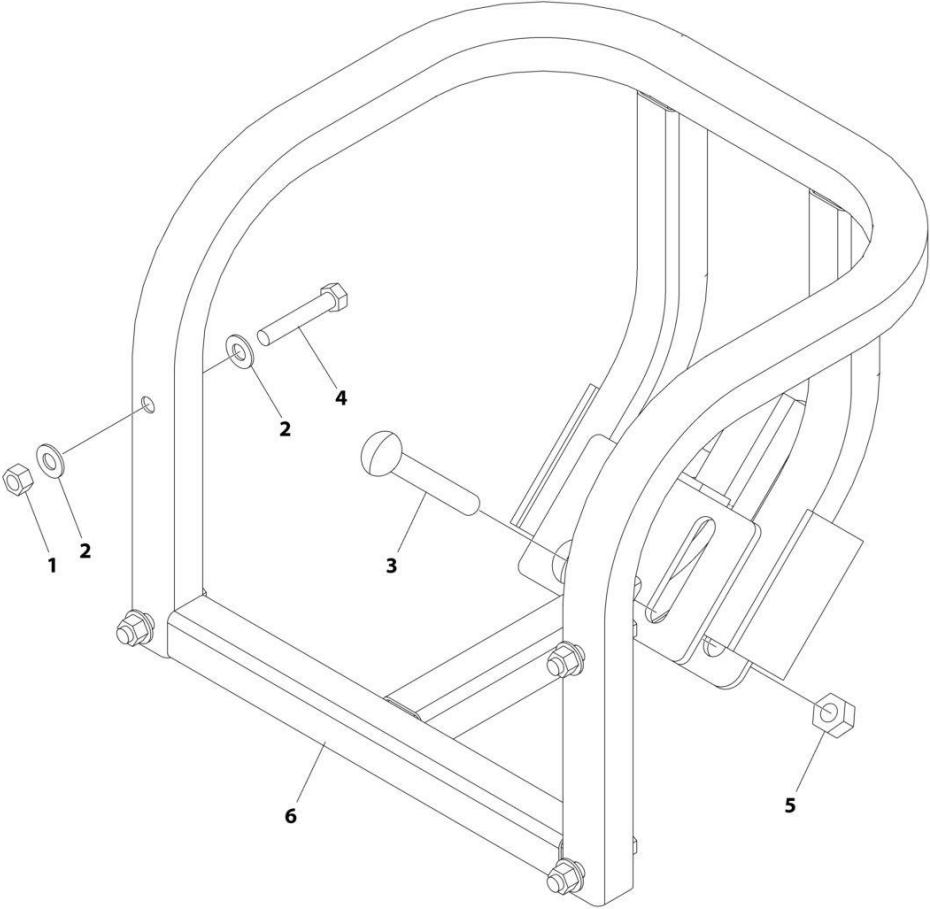
SECTION 1 - FRAME

FIGURE 1-88. SPARE TIRE INSTALLATION (225-75R16C TIRE) (OPTIONAL)

ITEM	PART NUMBER	QTY	DESCRIPTION	REV
	0274330	Ref	SPARE TIRE INSTALLATION (OPTIONAL)	E
1	0630607	2	Bolt 1/2 x 4	
2	0651812	2	Bolt 1/2 x 1- 1/2	
3	3321801	4	Nut 1/2-20	
4	3311605	4	Nut 3/8	
5	3576437	1	Plate, Wheel Adapter	
6	4341181	1	Bracket, Spare Tire Mounting	
7	4520378	1	Tire and Wheel Assembly	
8	4711600	8	Washer 3/8	
9	4711800	4	Washer 1/2	
10	0641617	4	Bolt 3/8 x 2-1/2	
11	4761800	4	Washer 1/2	
12	4891800	2	Washer 1/2	

SECTION 1 - FRAME

FIGURE 1-89. SPARE TIRE INSTALLATION (T350) (CARRIER ONLY OPTIONAL)



ART_0275627

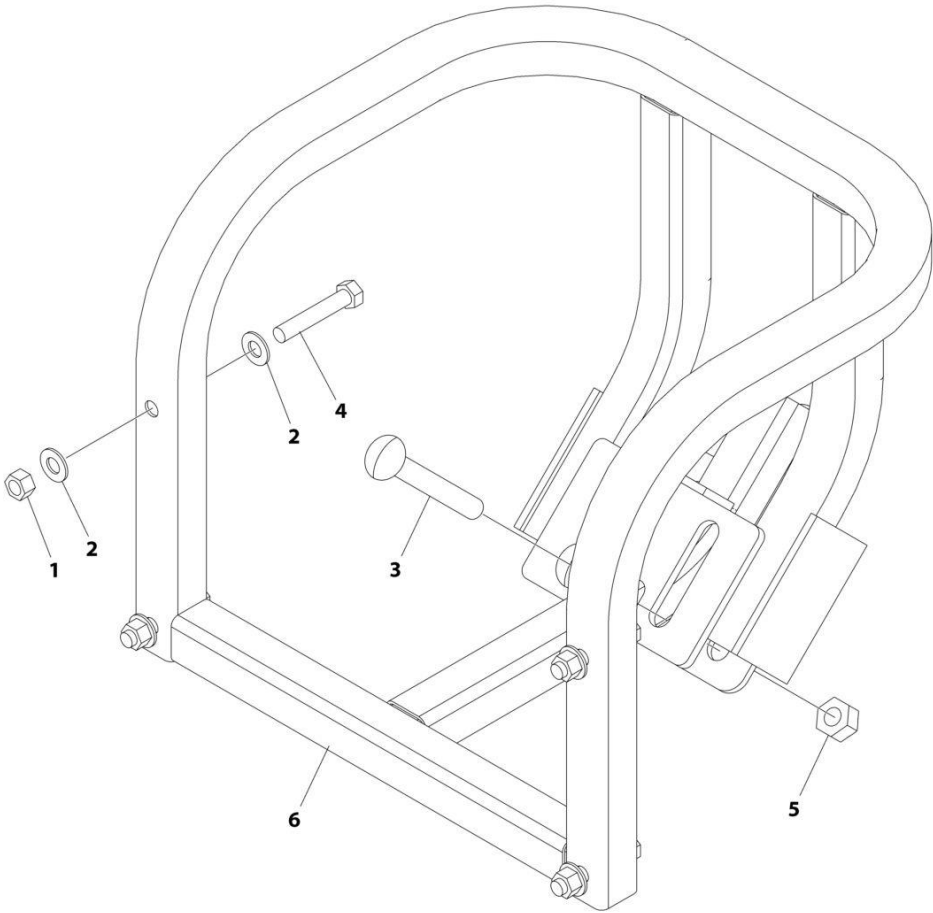
SECTION 1 - FRAME

FIGURE 1-89. SPARE TIRE INSTALLATION (T350) (CARRIER ONLY OPTIONAL)

ITEM	PART NUMBER	QTY	DESCRIPTION	REV
	0275627	Ref	SPARE TIRE INSTALLATION (CARRIER ONLY)	A
1	3311605	4	Nut 3/8	
2	4711600	8	Washer 3/8	
3	0630607	2	Bolt 1/2 x 4	
4	0641617	4	Bolt 3/8 x 2-1/8	
5	3300407	2	Lugnut	
6	4341181	1	Mount	

SECTION 1 - FRAME

FIGURE 1-90. SPARE TIRE INSTALLATION (T500J) (CARRIER ONLY OPTIONAL)



ART_0275628

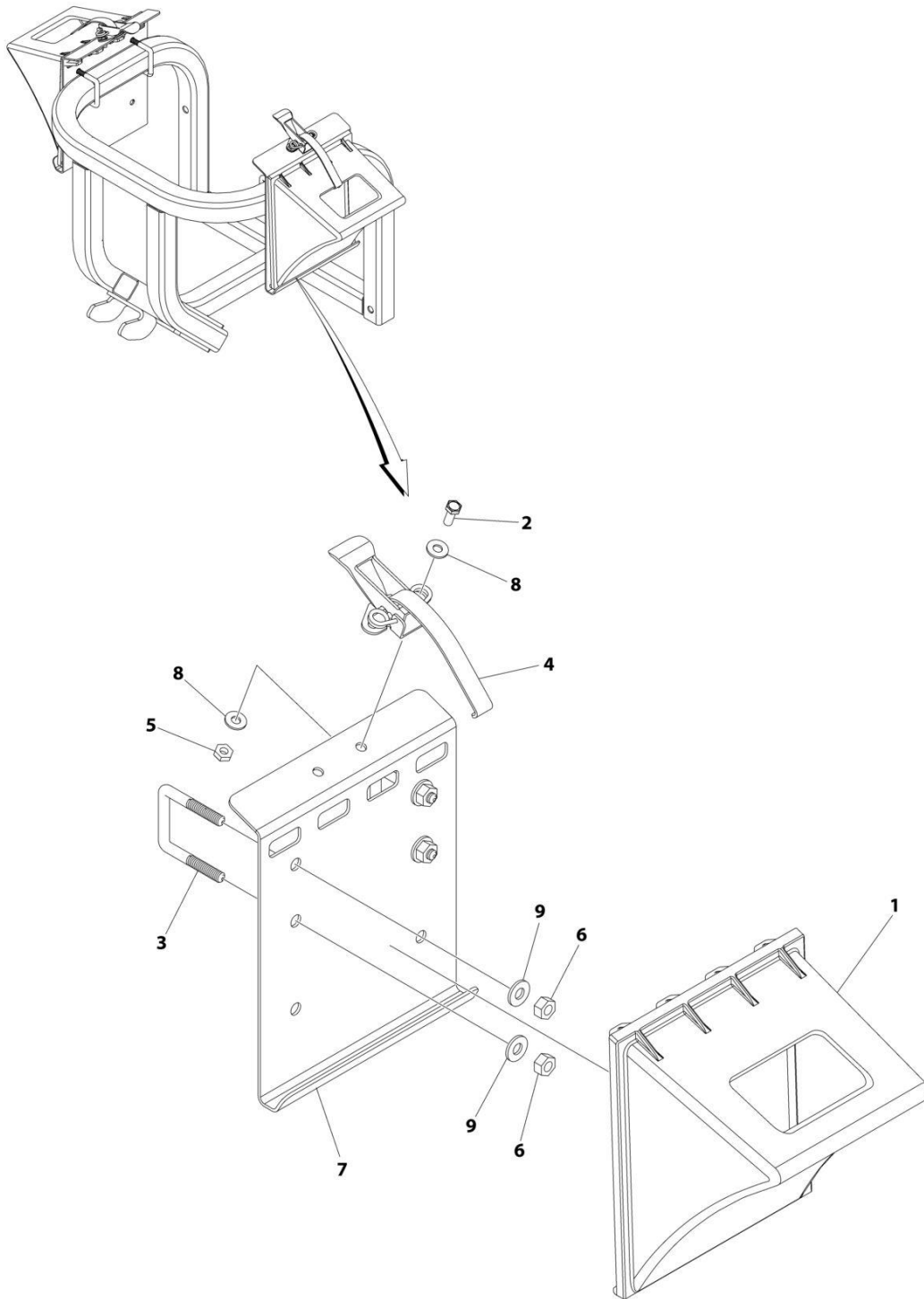
SECTION 1 - FRAME

FIGURE 1-90. SPARE TIRE INSTALLATION (T500J) (CARRIER ONLY OPTIONAL)

ITEM	PART NUMBER	QTY	DESCRIPTION	REV
	0275628	Ref	SPARE TIRE INSTALLATION (CARRIER ONLY)	A
1	3311605	4	Nut 3/8	
2	4711600	8	Washer 3/8	
3	0630607	2	Bolt 1/2 x 4	
4	0641617	4	Bolt 3/8 x 2-1/8	
5	3300407	2	Lugnut	
6	4341181	1	Mount	

SECTION 1 - FRAME

FIGURE 1-91. WHEEL CHOCK INSTALLATION WITH SPARE TIRE (OPTIONAL)



ART_0274520

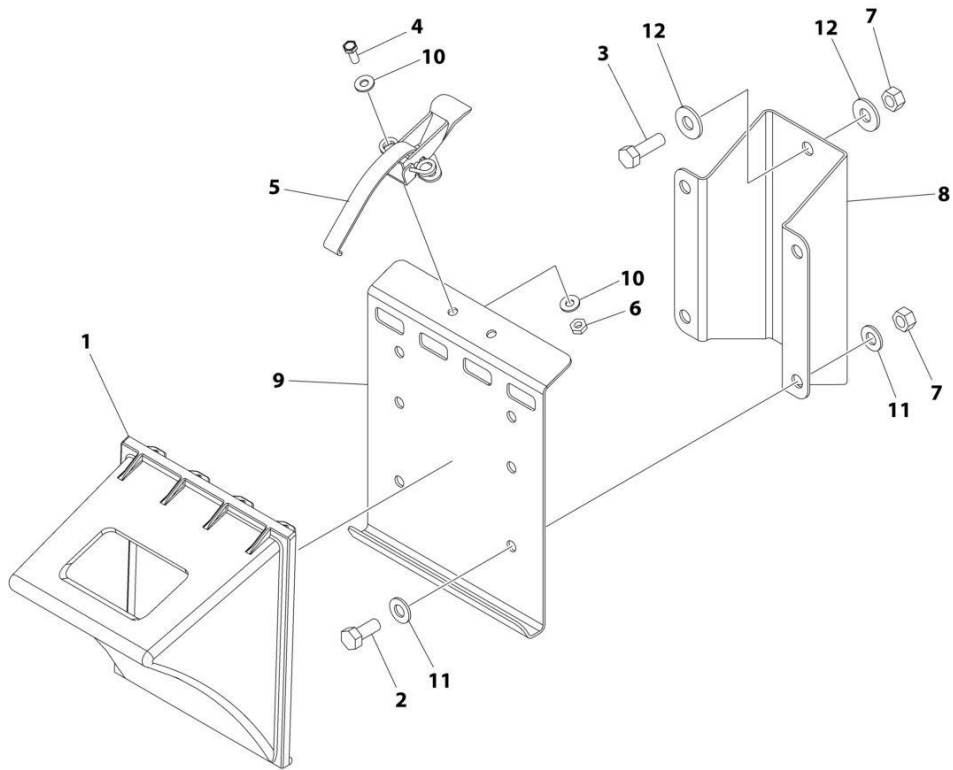
SECTION 1 - FRAME

FIGURE 1-91. WHEEL CHOCK INSTALLATION WITH SPARE TIRE (OPTIONAL)

ITEM	PART NUMBER	QTY	DESCRIPTION	REV
	0274520	Ref	WHEEL CHOCK INSTALLATION WITH SPARE TIRE (OPTIONAL)	B
1	0240116	2	Chock, Wheel	
2	0721004	4	Screw #10 x 1/2	
3	1320302	4	U-Clamp	
4	2940177	2	Latch, Draw	
5	3311005	4	Nut #10	
6	3311405	8	Nut 1/4	
7	4341054	2	Mount, Wheel Chock Stowage	
8	4711000	8	Washer #10	
9	4711400	8	Washer 1/4	

SECTION 1 - FRAME

FIGURE 1-92. WHEEL CHOCK INSTALLATION WITHOUT SPARE TIRE (OPTIONAL)



ART_0273624

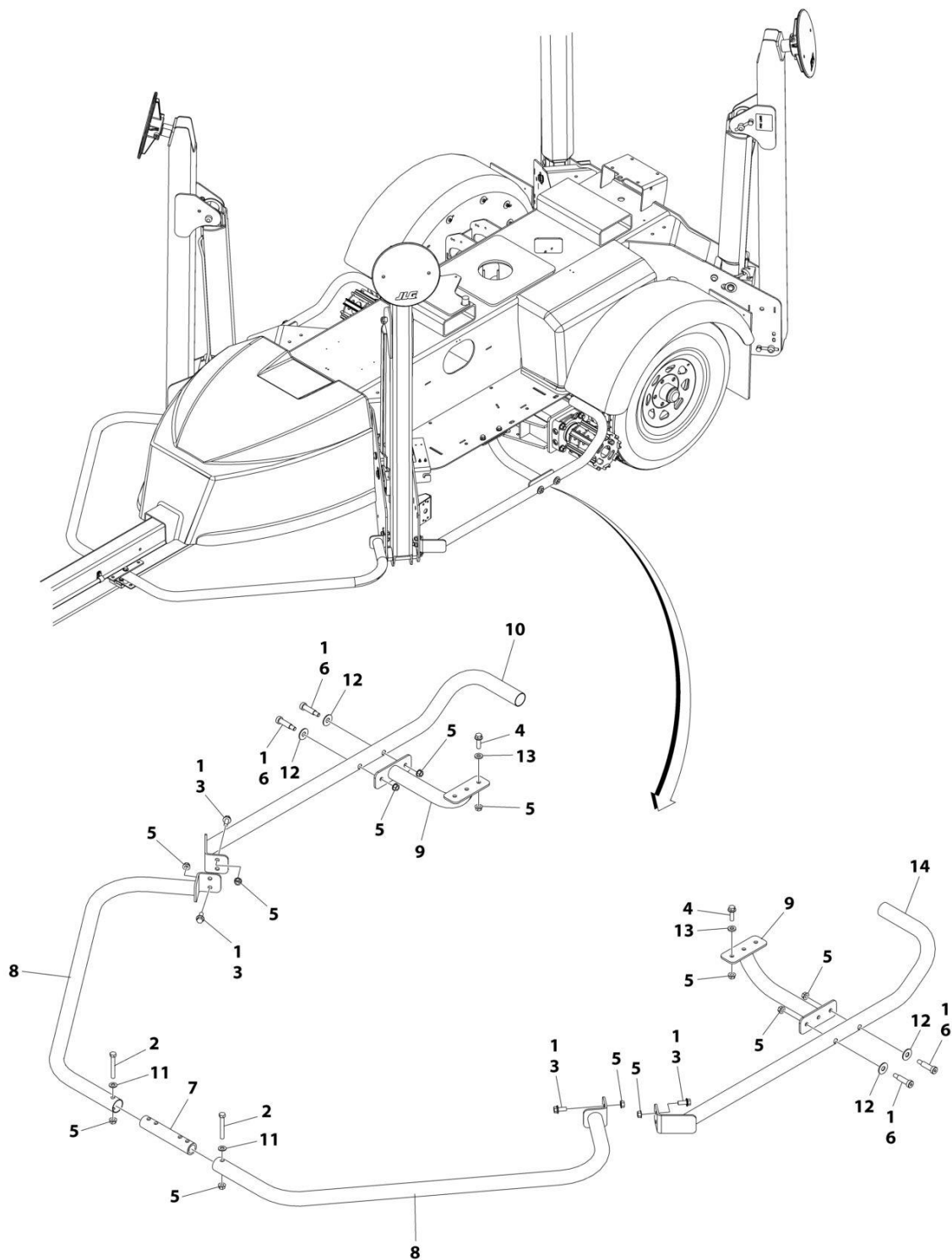
SECTION 1 - FRAME

FIGURE 1-92. WHEEL CHOCK INSTALLATION WITHOUT SPARE TIRE (OPTIONAL)

ITEM	PART NUMBER	QTY	DESCRIPTION	REV
	0273624	Ref	WHEEL CHOCK INSTALLATION WITHOUT SPARE TIRE (OPTIONAL)	A
1	0240116	2	Chock, Wheel	
2	0641506	8	Bolt 5/16 x 3/4	
3	0641508	4	Bolt 5/16 x 1	
4	0721004	4	Screw #10 x 1/2	
5	2940177	2	Latch, Draw	
6	3311005	4	Nut #10	
7	3311505	12	Nut 5/16	
8	4341053	2	Bracket, Mounting	
9	4341054	2	Mount, Wheel Chock Stowage	
10	4711000	8	Washer #10	
11	4711500	16	Washer 5/16	
12	4751500	8	Washer 5/16	

SECTION 1 - FRAME

FIGURE 1-93. SIDE GUARDS INSTALLATION (T350) (OPTIONAL)



ART_0273680

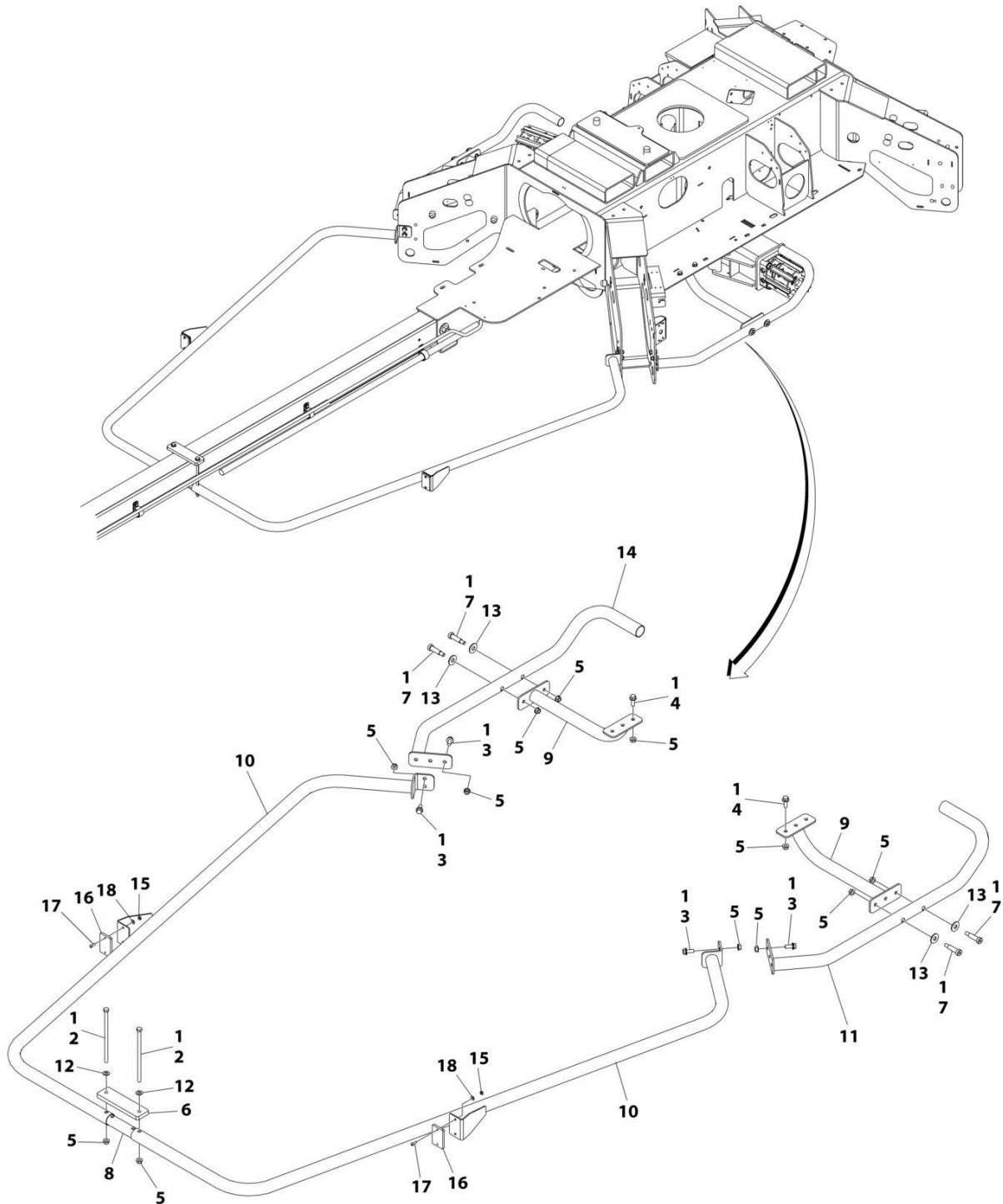
SECTION 1 - FRAME

FIGURE 1-93. SIDE GUARDS INSTALLATION (T350) (OPTIONAL)

ITEM	PART NUMBER	QTY	DESCRIPTION	REV
	0273680	Ref	SIDE GUARDS INSTALLATION	E
1	0100011	AR	Compound, Locking	
2	0681622	2	Bolt 3/8 x 2-3/4 Grd8	
3	0811607	8	Screw 3/8 x 7/8	
4	0811610	4	Screw 3/8 x 1-1/4	
5	3311608	18	Nut 3/8	
6	3900270	4	Bolt 1/2 x 1-1/2	
7	4341009	1	Mount, Tube	
8	4569188	2	Guard (Tongue to O/R)	
9	4569194	2	Support, Guard	
10	4569398	1	Guard (O/R to Fender)	
11	4711600	2	Washer 3/8	
12	4751700	4	Washer 7/16	
13	4891600	4	Washer 3/8	
14	4569400	1	Guard (O/R to Fender)	

SECTION 1 - FRAME

FIGURE 1-94. SIDE GUARDS INSTALLATION (T500J) (OPTIONAL)



ART_0274773

SECTION 1 - FRAME

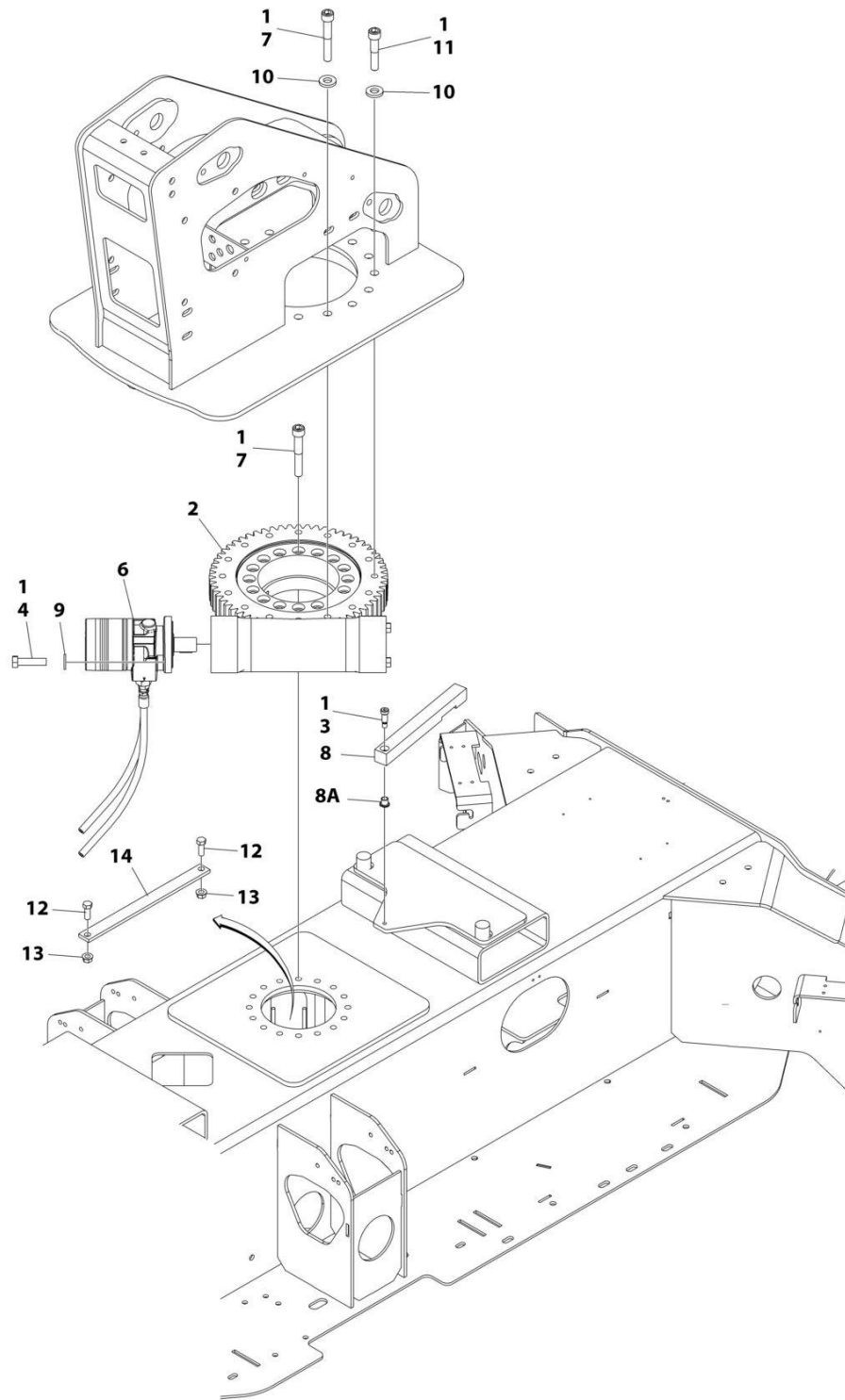
FIGURE 1-94. SIDE GUARDS INSTALLATION (T500J) (OPTIONAL)

ITEM	PART NUMBER	QTY	DESCRIPTION	REV
	0274773	Ref	SIDE GUARDS INSTALLATION	C
1	0100011	AR	Compound, Locking	
2	0681660	2	Bolt 3/8 x 7-1/2 Grd8	
3	0811607	8	Screw 3/8 x 7/8	
4	0811608	4	Screw 3/8 x 1	
5	3311608	18	Nut 3/8	
6	3575786	1	Bar	
7	3900270	4	Bolt 1/2 x 1-1/2	
8	4341009	1	Mount, Tube	
9	4569195	2	Support, Guard	
10	4569197	2	Guard (Tongue to O/R)	
11	4569405	AR	Guard (O/R to Fender)	
12	4711600	2	Washer 3/8	
13	4751700	4	Washer 7/16	
14	4569407	1	Guard (O/R to Fender)	
15	3311005	4	Nut #10	
16	3700014	2	Reflector	
17	3911010	4	Screw #10 x 5/8	
18	4751000	AR	Washer #10	

SECTION 2 - TURNTABLE

SECTION 2 - TURNTABLE

FIGURE 2-1. SWING DRIVE AND TURNTABLE BEARING INSTALLATION (T350 WITH DOHI BEARING)



ART_0273612

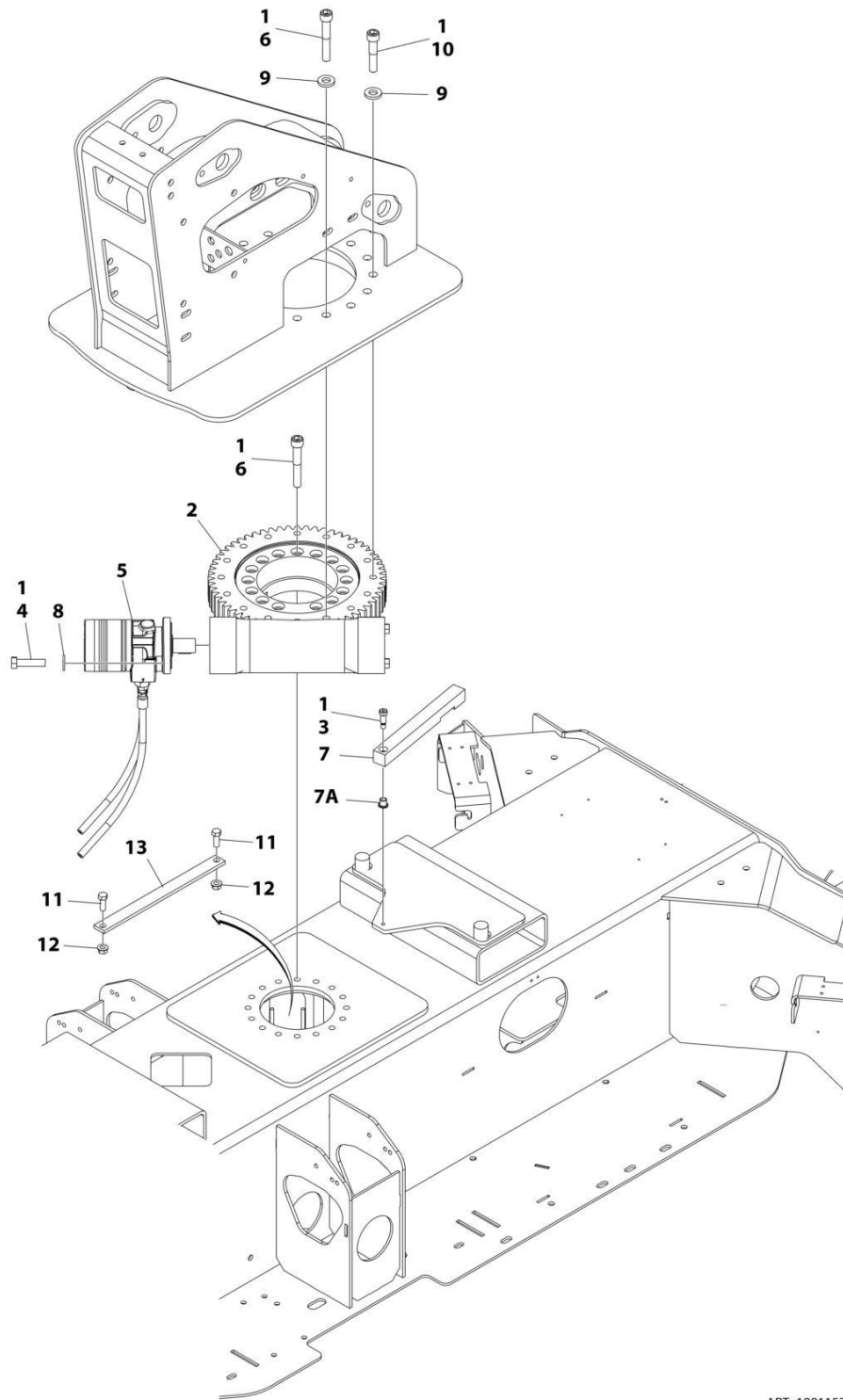
SECTION 2 - TURNTABLE

FIGURE 2-1. SWING DRIVE AND TURNTABLE BEARING INSTALLATION (T350 WITH DOHI BEARING)

ITEM	PART NUMBER	QTY	DESCRIPTION	REV
	0273612	Ref	SWING DRIVE AND TURNTABLE BEARING INSTALLATION	H
1	0100019	AR	Compound, Locking	
2	0440285	1	Turntable Bearing Assembly (See Separate Breakdown in this Section)	
		Ref	Note: Original Equipment Bearing p/n 0400285 may have been replaced with Service Replacement bearing Kit p/n 1001160525. Visually identify the p/n tag on bearing before ordering parts.	
3	0630183	1	Screw 3/8 x 1	
4	0681816	2	Bolt 1/2 x 2 Grade 8	
6	3160331	1	Swing Motor Assembly (See Separate Breakdown in this Section)	
7	3900360	29	Capscrew M14 x 90	
8	4220255	1	Stop, Swing	
8A	0962447	1	Bushing	
9	4740171	2	Washer	
10	4891900	16	Washer 9/16	
11	3900368	2	Capscrew M14 x 70	
12	0641608	2	Bolt 3/8 x 1	
13	3311608	2	Nut 3/8	
14	4240173	1	Strap, Hose	

SECTION 2 - TURNTABLE

FIGURE 2-2. SWING DRIVE AND TURNTABLE BEARING INSTALLATION (T350 WITH JING WEI BEARING/ WITH PARKER MOTOR)



ART_1001153360

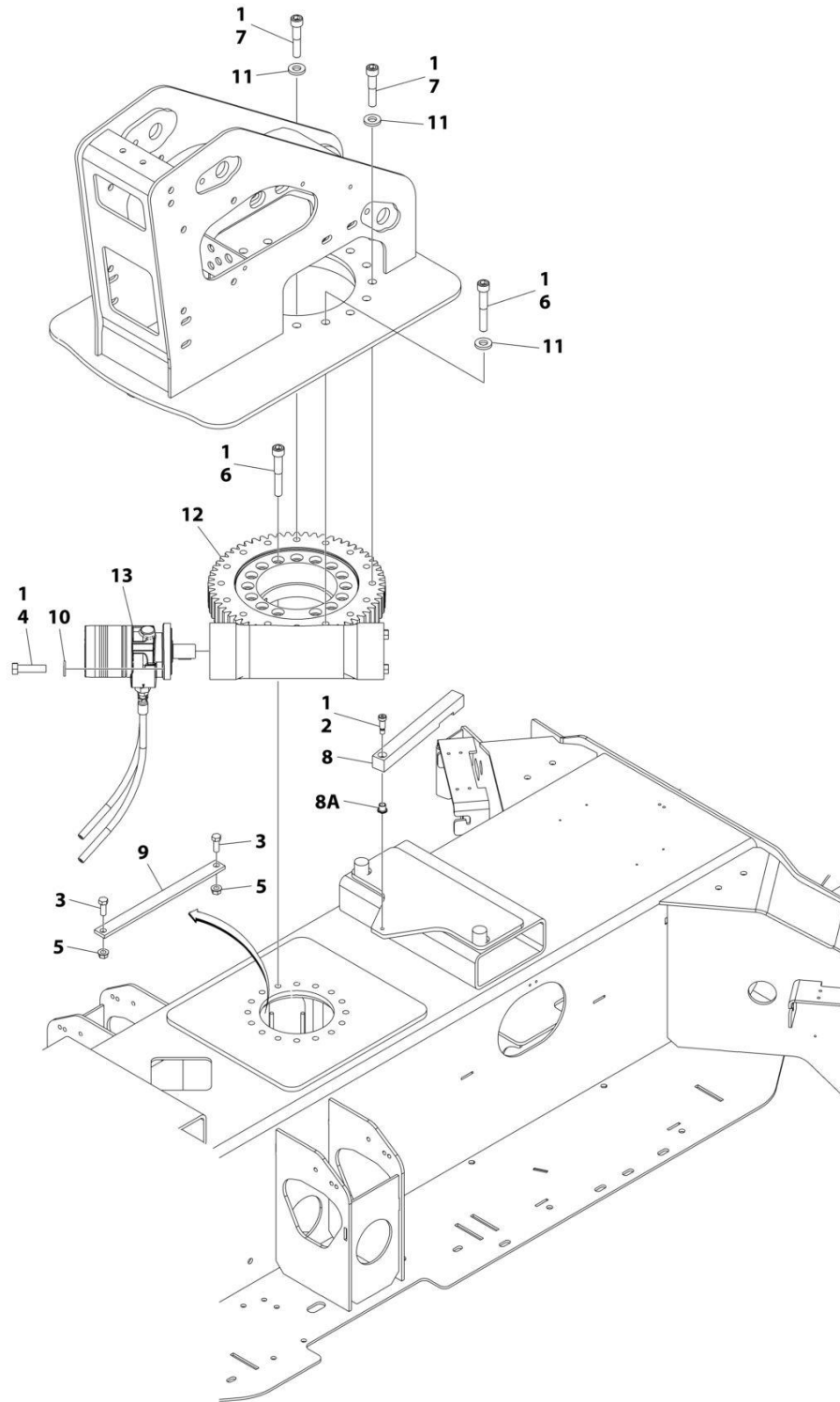
SECTION 2 - TURNTABLE

FIGURE 2-2. SWING DRIVE AND TURNTABLE BEARING INSTALLATION (T350 WITH JING WEI BEARING/ WITH PARKER MOTOR)

ITEM	PART NUMBER	QTY	DESCRIPTION	REV
	1001153360	Ref	SWING DRIVE AND TURNTABLE BEARING INSTALLATION	B
1	0100019	AR	Compound, Locking	
2	1001153011	1	Turntable Bearing Assembly (See Separate Breakdown in this Section)	
3	0630183	1	Screw 3/8 x 1	
4	0681816	2	Bolt 1/2 x 2 Grade 8	
5	3160331	1	Swing Motor Assembly (See Separate Breakdown in this Section)	
6	3600360	29	Capscrew M14 x 90	
7	4220255	1	Stop, Swing	
7A	0962447	1	Bushing	
8	4740171	2	Washer	
9	4891900	16	Washer 9/16	
10	3900368	2	Capscrew M14 x 70	
11	0641608	2	Bolt 3/8 x 1	
12	3311608	2	Nut 3/8	
13	4240173	1	Strap, Hose	

SECTION 2 - TURNTABLE

FIGURE 2-3. TURNTABLE BEARING INSTALLATION (T350 WITH JING WEI BEARING/ WITH ZHENJIANG MOTOR)



ART_1001294631

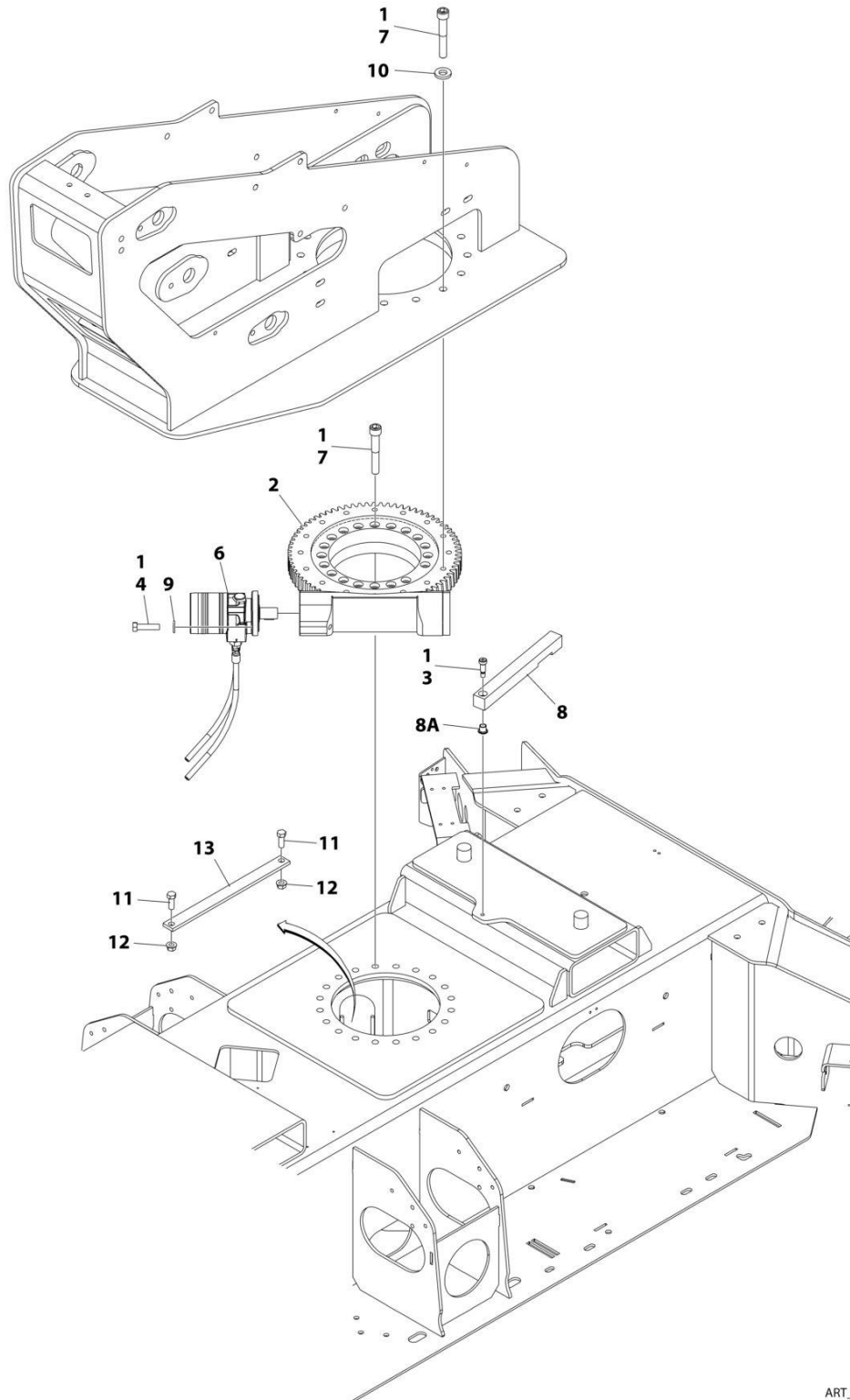
SECTION 2 - TURNTABLE

FIGURE 2-3. TURNTABLE BEARING INSTALLATION (T350 WITH JING WEI BEARING/ WITH ZHENJIANG MOTOR)

ITEM	PART NUMBER	QTY	DESCRIPTION	REV
	1001294631	Ref	TURNTABLE BEARING INSTALLATION	A
1	0100019	AR	Compound, Locking	
2	0630183	1	Capscrew 3/8 x 1	
3	0641608	2	Bolt 3/8 x 1	
4	0681816	2	Bolt 1/2 x 2	
5	3311608	2	Nut 3/8	
6	3900360	29	Capscrew M14 x 90 Class 12.9	
7	3900368	2	Capscrew M14 x 70	
8	4220255	1	Stop, Turntable Swing	
8A	0962447	1	Bushing	
9	4240173	1	Strap, Hose Containment	
10	4740171	2	Washer, Hardened 1/2	
11	4891900	16	Washer 9/16	
12	1001153011	1	Turntable Bearing Assembly (See Separate Breakdown in this Section)	
13	1001294629	1	Motor	

SECTION 2 - TURNTABLE

FIGURE 2-4. SWING DRIVE AND TURNTABLE BEARING INSTALLATION (T500J WITH DOHI BEARING)



ART_0273613

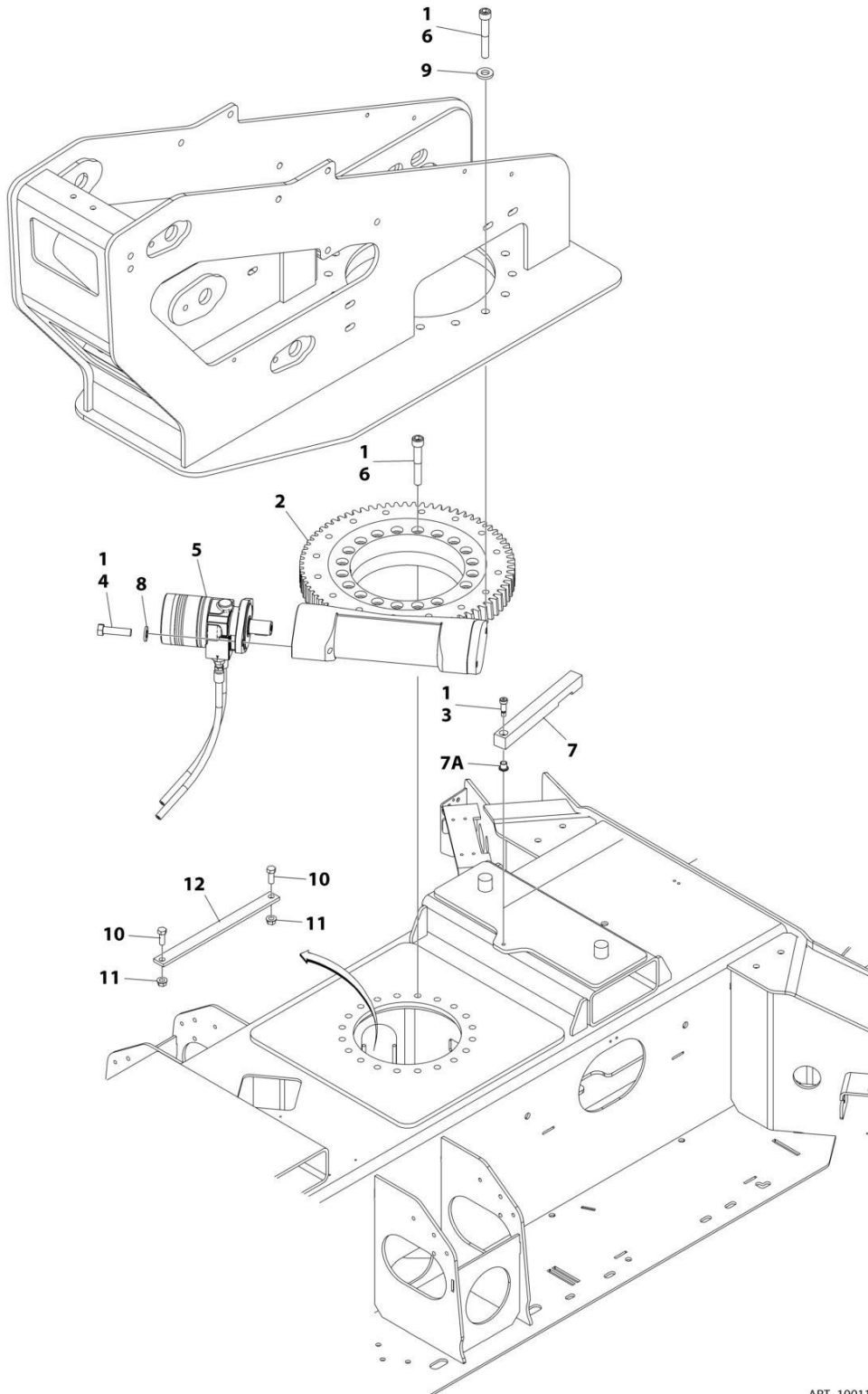
SECTION 2 - TURNTABLE

FIGURE 2-4. SWING DRIVE AND TURNTABLE BEARING INSTALLATION (T500J WITH DOHI BEARING)

ITEM	PART NUMBER	QTY	DESCRIPTION	REV
	0273613	Ref	SWING DRIVE AND TURNTABLE BEARING INSTALLATION	I
1	0100019	AR	Compound, Locking	
2	0440286	1	Turntable Bearing Assembly (See Separate Breakdown in this Section)	
		Ref	Note: Original Equipment Bearing p/n 0400286 may have been replaced with Service Replacement bearing Kit p/n 1001160526. Visually identify the p/n tag on bearing before ordering parts.	
3	0630183	1	Screw 3/8 x 1	
4	0681816	2	Bolt 1/2 x 2 Grade 8	
6	3160331	1	Swing Motor Assembly (See Separate Breakdown in this Section)	
7	3900360	35	Capscrew M14 x 90	
8	4220255	1	Stop, Swing	
8A	0962447	1	Bushing	
9	4740171	2	Washer	
10	4891900	16	Washer 9/16	
11	0641608	2	Bolt 3/8 x 1	
12	3311608	2	Nut 3/8	
13	4240173	1	Strap, Hose	

SECTION 2 - TURNTABLE

FIGURE 2-5. SWING DRIVE AND TURNTABLE BEARING INSTALLATION (T500J WITH JING WEI BEARING/ WITH PARKER MOTOR)



ART_1001153363

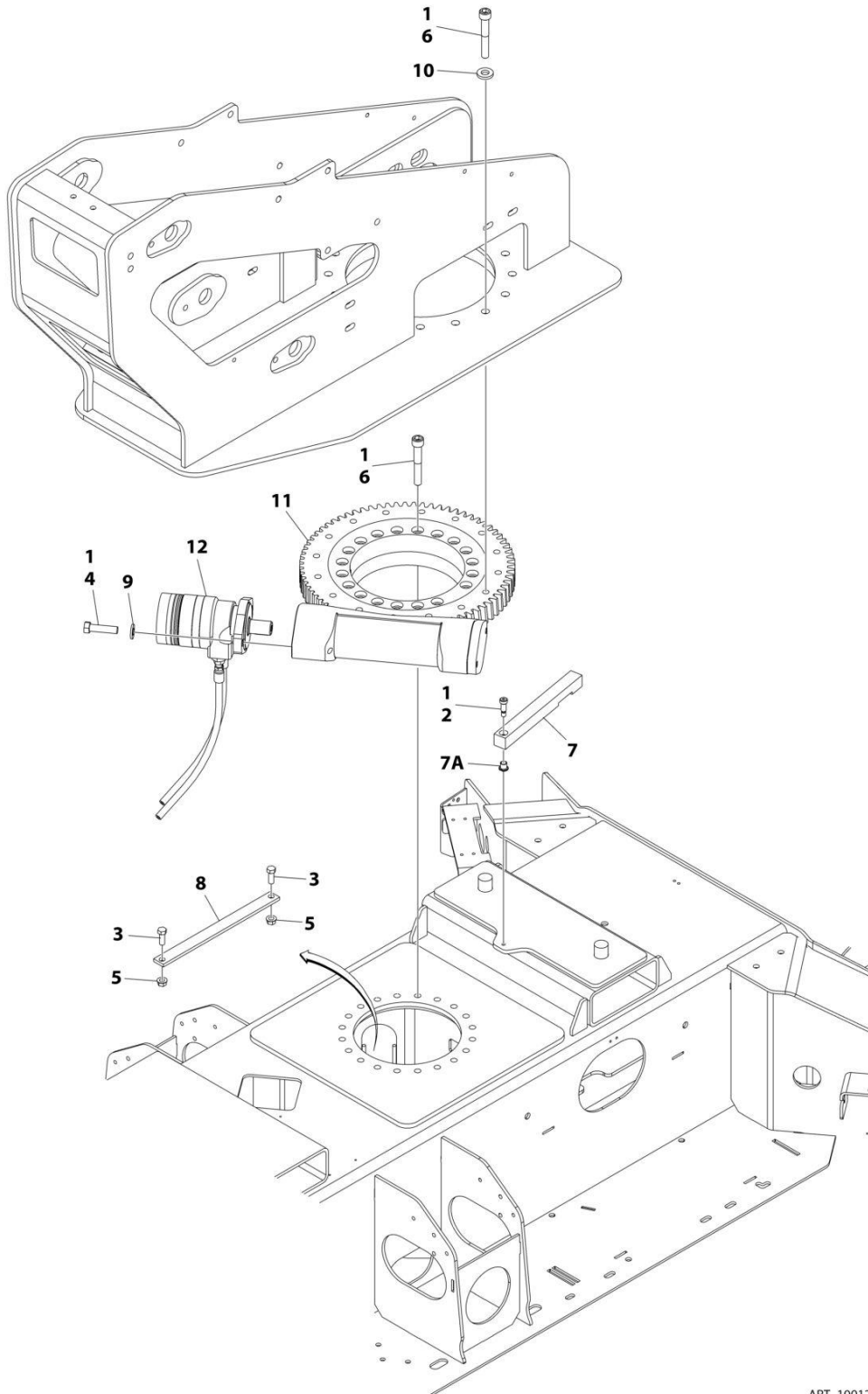
SECTION 2 - TURNTABLE

FIGURE 2-5. SWING DRIVE AND TURNTABLE BEARING INSTALLATION (T500J WITH JING WEI BEARING/ WITH PARKER MOTOR)

ITEM	PART NUMBER	QTY	DESCRIPTION	REV
	1001153363	Ref	SWING DRIVE AND TURNTABLE BEARING INSTALLATION	B
1	0100019	AR	Compound, Locking	
2	1001153014	1	Turntable Bearing Assembly (See Separate Breakdown in this Section)	
3	0630183	1	Screw 3/8 x 1	
4	0681816	2	Bolt 1/2 x 2 Grade 8	
5	3160331	1	Swing Motor Assembly (See Separate Breakdown in this Section)	
6	3900360	35	Capscrew M14 x 90	
7	4220255	1	Stop, Swing	
7A	0962447	1	Bushing	
8	4740171	2	Washer	
9	4891900	16	Washer 9/16	
10	0641608	2	Bolt 3/8 x 1	
11	3311608	2	Nut 3/8	
12	4240173	1	Strap, Hose	

SECTION 2 - TURNTABLE

FIGURE 2-6. TURNTABLE BEARING INSTALLATION (T500J WITH JING WEI BEARING/ WITH ZHENJIANG MOTOR)



ART_1001294630

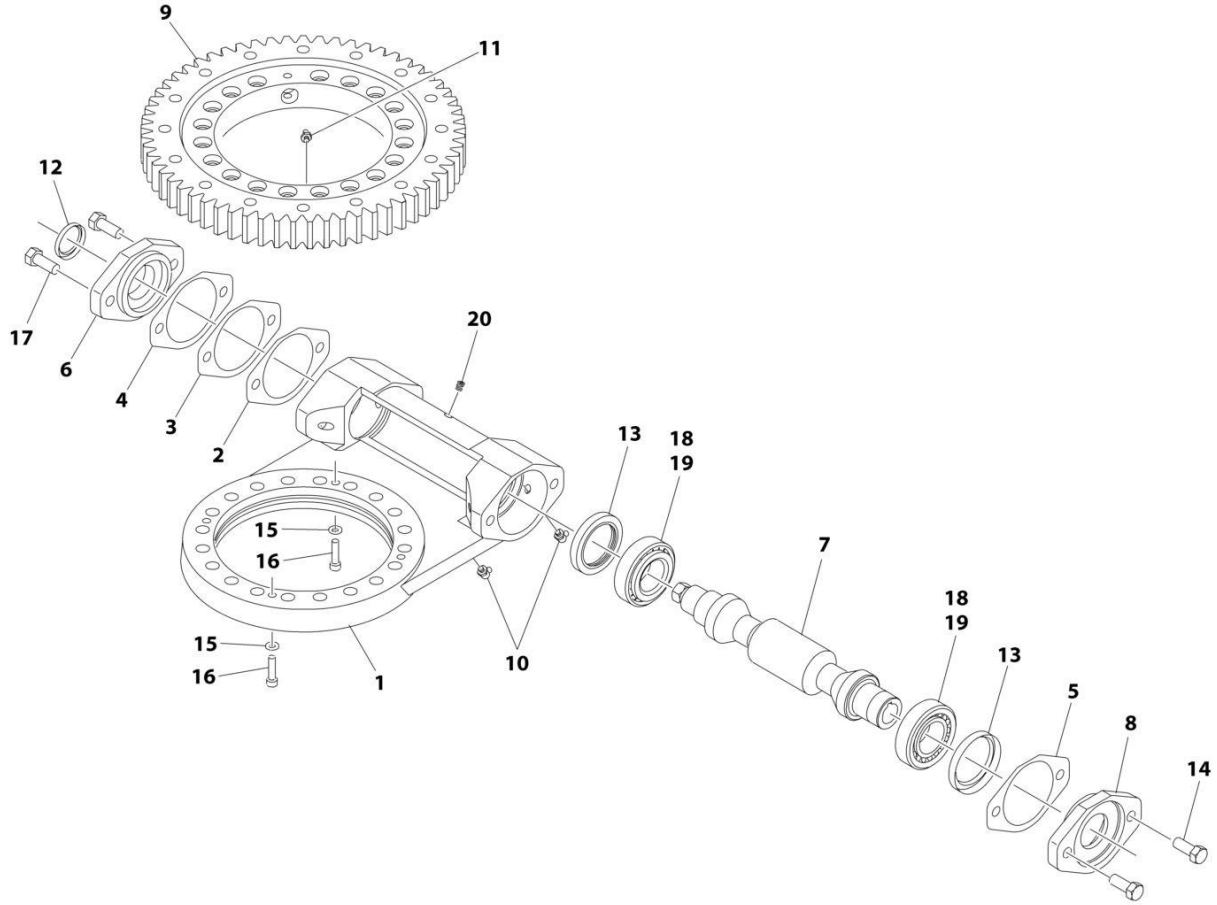
SECTION 2 - TURNTABLE

FIGURE 2-6. TURNTABLE BEARING INSTALLATION (T500J WITH JING WEI BEARING/ WITH ZHENJIANG MOTOR)

ITEM	PART NUMBER	QTY	DESCRIPTION	REV
	1001294630	Ref	TURNTABLE BEARING INSTALLATION	A
1	0100019	AR	Compound, Locking	
2	0630183	1	Capscrew 3/8 x 1	
3	0641608	2	Bolt 3/8 x 1	
4	0681816	2	Bolt 1/2 x 2	
5	3311608	2	Nut 3/8	
6	3900360	35	Capscrew M14 x 90 Class 12.9	
7	4220255	1	Stop, Turntable Swing	
7A	0962447	1	Bushing	
8	4240173	1	Strap, Hose Containment	
9	4740171	2	Washer, Hardened 1/2	
10	4891900	16	Washer 9/16	
11	1001153014	1	Turntable Bearing Assembly (See Separate Breakdown in this Section)	
12	1001294629	1	Motor	

SECTION 2 - TURNTABLE

FIGURE 2-7. TURNTABLE BEARING ASSEMBLY - DOHI (T350)



ART_0440285

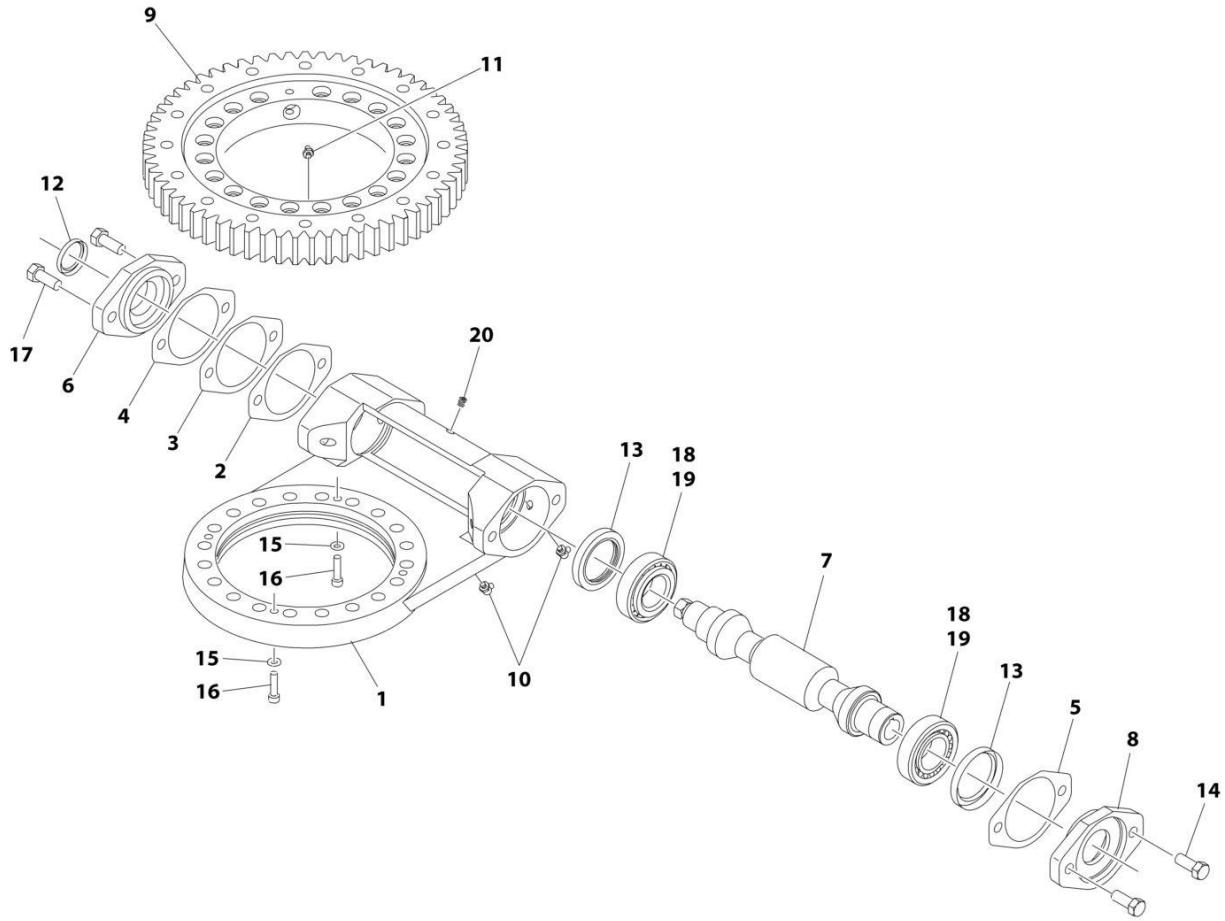
SECTION 2 - TURNTABLE

FIGURE 2-7. TURNTABLE BEARING ASSEMBLY - DOHI (T350)

ITEM	PART NUMBER	QTY	DESCRIPTION	REV
	0440285	Ref	TURNTABLE BEARING ASSEMBLY	J
1	See Note	1	Housing (Note: Not Available - Purchase Complete Bearing Assembly)	
2	7027350	AR	Gasket (Blue.005)	
3	7027351	AR	Gasket (Clear.0075)	
4	7027352	AR	Gasket (Brown.010)	
5	7027353	AR	Gasket (Yellow.020)	
6	7027354	1	Cap	
7	7027355	1	Shaft, Worm Drive	
8	7027356	1	Adapter, Motor	
9	7027357	1	Bearing, Slew	
10	7027358	3	Fitting, Grease - Elbow	
11	See Note	1	Fitting, Grease - Straight (Note: Not Available - Purchase Locally)	
12	7027360	1	Seal	
13	7027361	1	Seal	
14	0641808	2	Bolt 1/2 x 1	
15	4751500	2	Washer 5/16	
16	70000864	2	Capscrew 1/4 x 1-1/8	
17	0681812	2	Bolt 1/2 x 1-1/2 Grade 8	
18	7026042	2	Cup, Bearing	
19	7026043	2	Cone, Bearing	
20	See Note	1	Plug (Note: Not Available - Purchase Locally)	

SECTION 2 - TURNTABLE

FIGURE 2-8. TURNTABLE BEARING ASSEMBLY - JING WEI (T350)



ART_1001153011

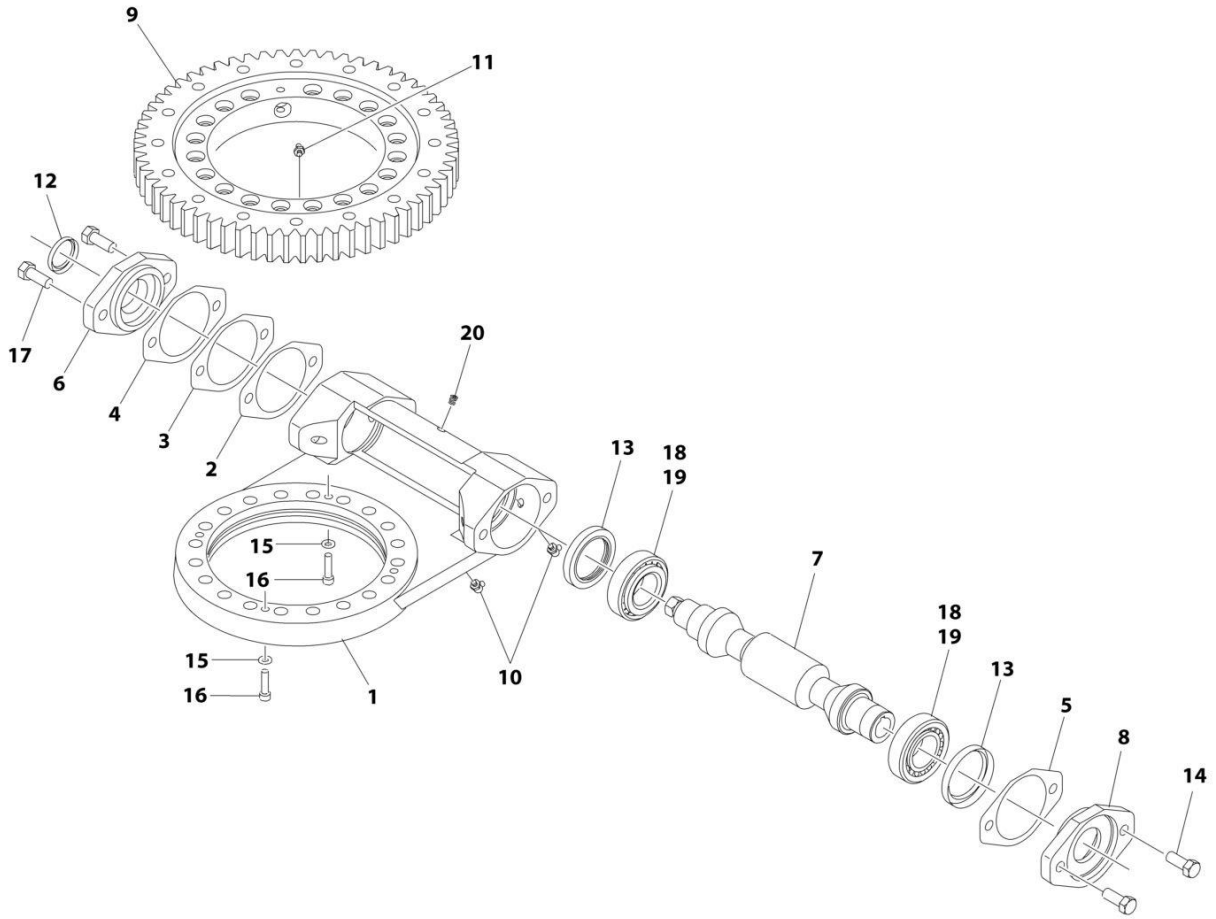
SECTION 2 - TURNTABLE

FIGURE 2-8. TURNTABLE BEARING ASSEMBLY - JING WEI (T350)

ITEM	PART NUMBER	QTY	DESCRIPTION	REV
	1001153011	Ref	TURNTABLE BEARING ASSEMBLY	C
1	See Note	1	Housing (Note: Not Available - Purchase Complete Bearing Assembly)	
2	7027350	AR	Gasket (Blue.005)	
3	7027351	AR	Gasket (Clear.0075)	
4	7027352	AR	Gasket (Brown.010)	
5	7027353	AR	Gasket (Yellow.020)	
6	7027354	1	Cap	
7	7027355	1	Shaft, Worm Drive	
8	7027356	1	Adapter, Motor	
9	70004156	1	Bearing, Slew	
10	7027358	3	Fitting, Grease - Elbow	
11	See Note	1	Fitting, Grease - Straight (Note: Not Available - Purchase Locally)	
12	7027360	1	Seal	
13	7027361	1	Seal	
14	0641808	2	Bolt 1/2 x 1	
15	4751500	2	Washer 5/16	
16	70000864	2	Capscrew 1/4 x 1-1/8	
17	0681812	2	Bolt 1/2 x 1-1/2 Grade 8	
18	7026042	2	Cup, Bearing	
19	7026043	2	Cone, Bearing	
20	See Note	1	Plug (Note: Not Available - Purchase Locally)	

SECTION 2 - TURNTABLE

FIGURE 2-9. TURNTABLE BEARING ASSEMBLY - DOHI (T500J)



ART_0440286

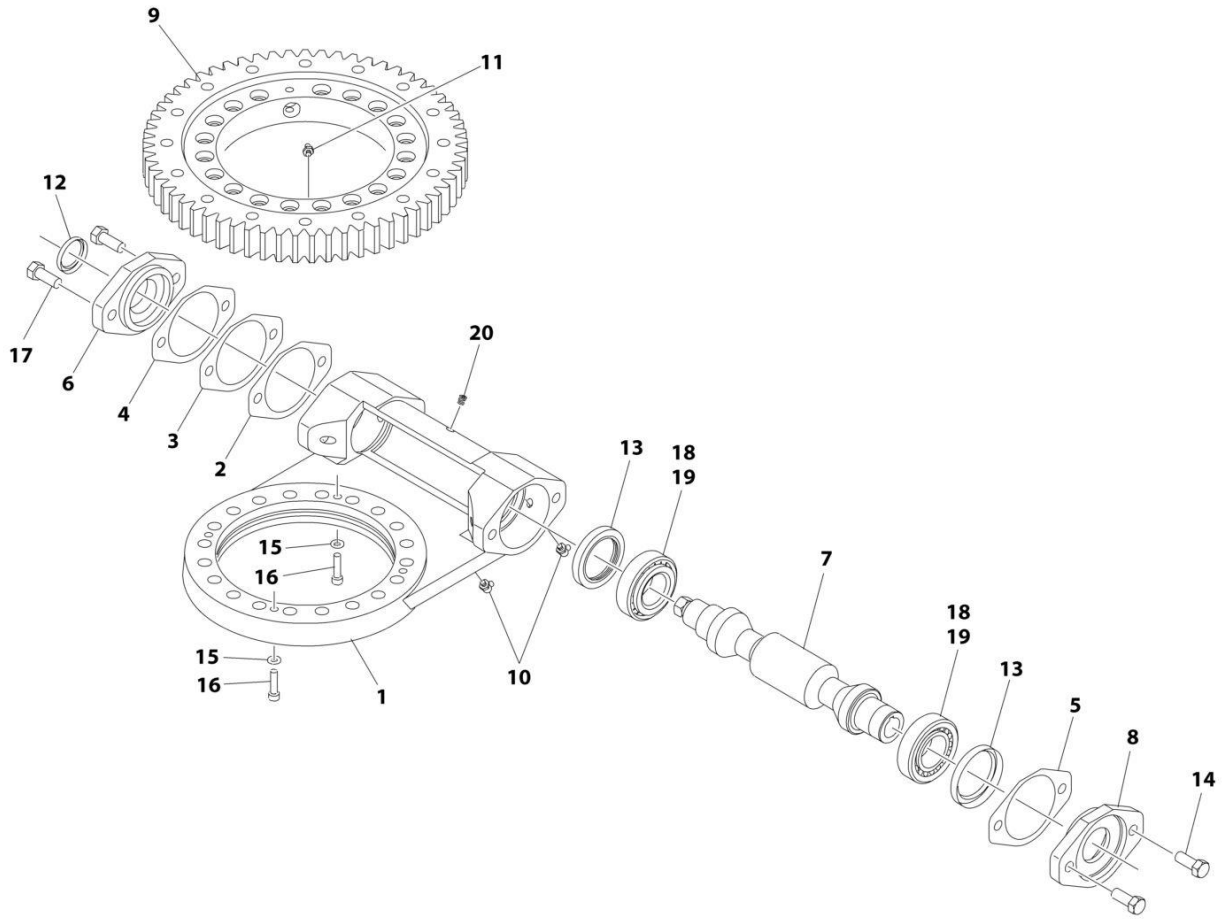
SECTION 2 - TURNTABLE

FIGURE 2-9. TURNTABLE BEARING ASSEMBLY - DOHI (T500J)

ITEM	PART NUMBER	QTY	DESCRIPTION	REV
	0440286	Ref	TURNTABLE BEARING ASSEMBLY	K
1	See Note	1	Housing (Note: Not Available - Purchase Complete Bearing Assembly)	
2	7027350	AR	Gasket (Blue.005)	
3	7027351	AR	Gasket (Clear.0075)	
4	7027352	AR	Gasket (Brown.010)	
5	7027353	AR	Gasket (Yellow.020)	
6	7027354	1	Cap	
7	7027363	1	Shaft, Worm Drive	
8	7027356	1	Adapter, Motor	
9	7027364	1	Bearing, Slew	
10	7027358	3	Fitting, Grease - Elbow	
11	See Note	1	Fitting, Grease - Straight (Note: Not Available - Purchase Locally)	
12	7027360	1	Seal	
13	7027361	1	Seal	
14	0641810	2	Bolt 1/2 x 1-1/4	
15	4751500	2	Washer 5/16	
16	88212228	2	Capscrew 5/16 x 1-1/4	
17	0681812	2	Bolt 1/2 x 1-1/2 Grade 8	
18	7026042	2	Cup, Bearing	
19	7026043	2	Cone, Bearing	
20	See Note	1	Plug (Note: Not Available - Purchase Locally)	

SECTION 2 - TURNTABLE

FIGURE 2-10. TURNTABLE BEARING ASSEMBLY - JING WEI (T500J)



ART_1001153014

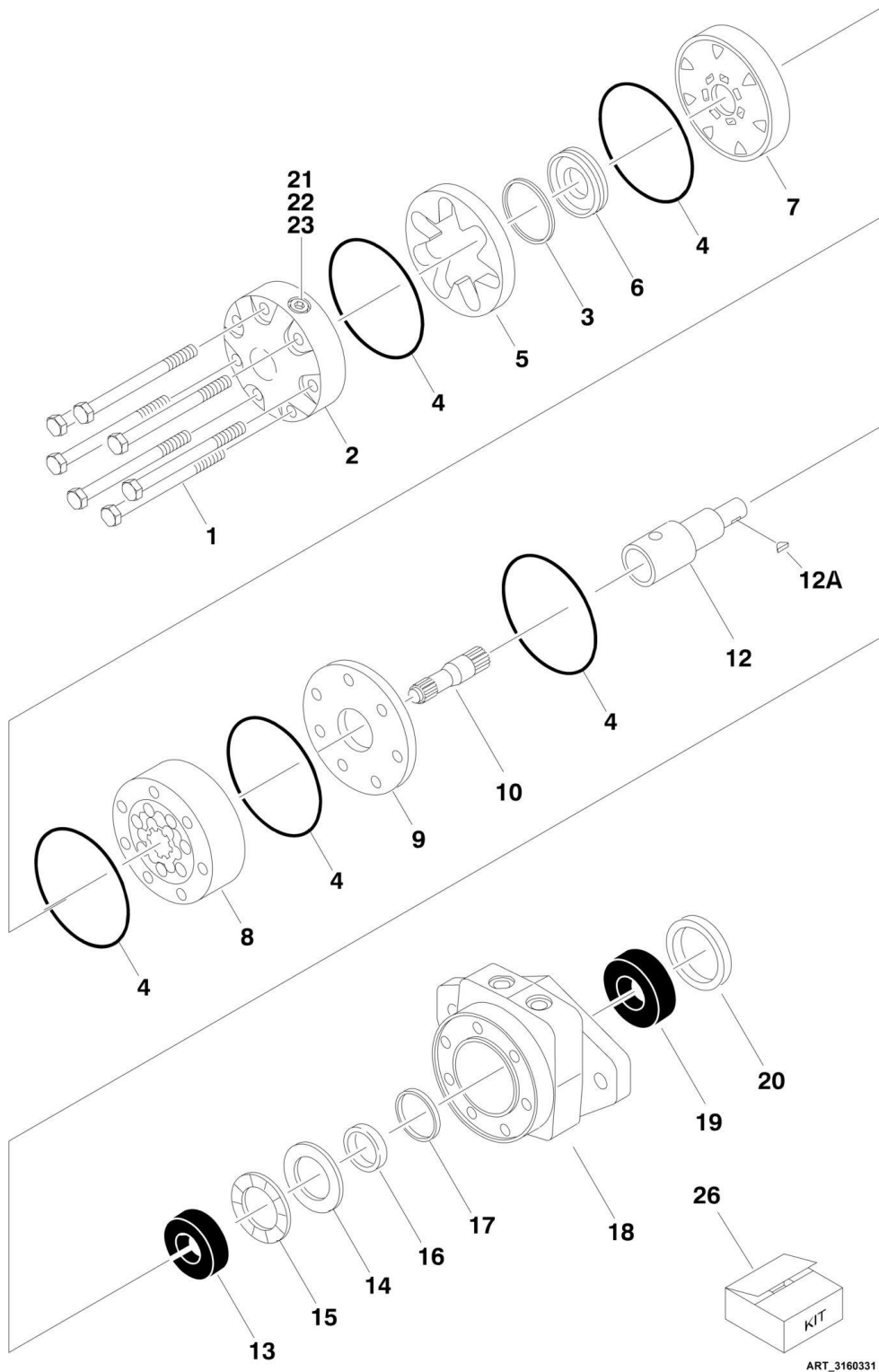
SECTION 2 - TURNTABLE

FIGURE 2-10. TURNTABLE BEARING ASSEMBLY - JING WEI (T500J)

ITEM	PART NUMBER	QTY	DESCRIPTION	REV
	1001153014	Ref	TURNTABLE BEARING ASSEMBLY	B
1	See Note	1	Housing (Note: Not Available - Purchase Complete Bearing Assembly)	
2	7027350	AR	Gasket (Blue.005)	
3	7027351	AR	Gasket (Clear.0075)	
4	7027352	AR	Gasket (Brown.010)	
5	7027353	AR	Gasket (Yellow.020)	
6	7027354	1	Cap	
7	7027363	1	Shaft, Worm Drive	
8	7027356	1	Adapter, Motor	
9	70004157	1	Bearing, Slew	
10	7027358	3	Fitting, Grease - Elbow	
11	See Note	1	Fitting, Grease - Straight (Note: Not Available - Purchase Locally)	
12	7027360	1	Seal	
13	7027361	1	Seal	
14	0641810	2	Bolt 1/2 x 1-1/4	
15	4751500	2	Washer 5/16	
16	88212228	2	Capscrew 5/16 x 1-1/4	
17	0681812	2	Bolt 1/2 x 1-1/2 Grade 8	
18	7026042	2	Cup, Bearing	
19	7026043	2	Cone, Bearing	
20	See Note	1	Plug (Note: Not Available - Purchase Locally)	

SECTION 2 - TURNTABLE

FIGURE 2-11. SWING DRIVE MOTOR ASSEMBLY (PARKER)



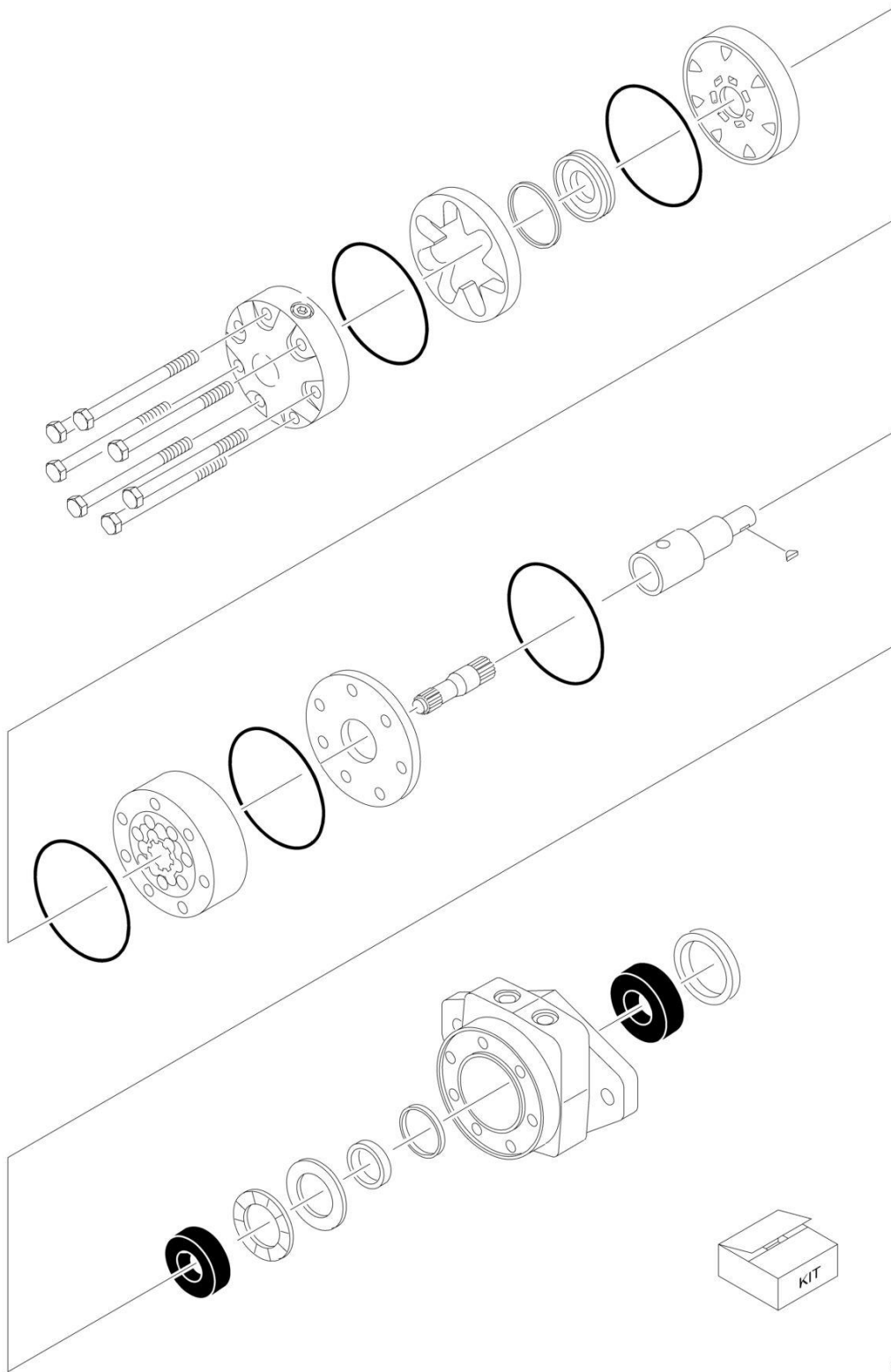
SECTION 2 - TURNTABLE

FIGURE 2-11. SWING DRIVE MOTOR ASSEMBLY (PARKER)

ITEM	PART NUMBER	QTY	DESCRIPTION	REV
	3160331	Ref	SWING DRIVE MOTOR ASSEMBLY	B
1	7024382	7	Bolt	
2	7004035	1	Cover	
3	7024396	1	Seal, Commutator	
4	7024396	5	Ring, Seal	
5	7024453	1	Commutator (Includes Item 6)	
6	7024453	1	Ring, Commutator (Includes Item 5)	
7	7024379	1	Manifold	
8	7024383	1	Rotor Set	
9	7024380	1	Plate, Wear	
10	7024384	1	Link, Drive	
12	70000088	1	Shaft	
12A	70000089	1	Key, Shaft	
13	7024381	1	Bearing, Inner	
14	7004043	1	Thrustwasher	
15	7004044	1	Bearing, Thrust	
16	7024396	1	Seal, Inner	
17	7024396	1	Washer, Backup	
18	80234299	1	Housing	
19	7024390	1	Bearing, Outer	
20	7024396		Seal, Dirt and Water	
21	7010795	2	Plug (Includes O-Ring)	
22	7024387	2	O-Ring	
23	7024388	2	Spring	
26	7024396	1	Seal Kit (Includes Items 3, 4, 16, 17 & 20)	

SECTION 2 - TURNTABLE

FIGURE 2-12. SWING DRIVE MOTOR ASSEMBLY (ZHENJIANG)



ART_1001294629

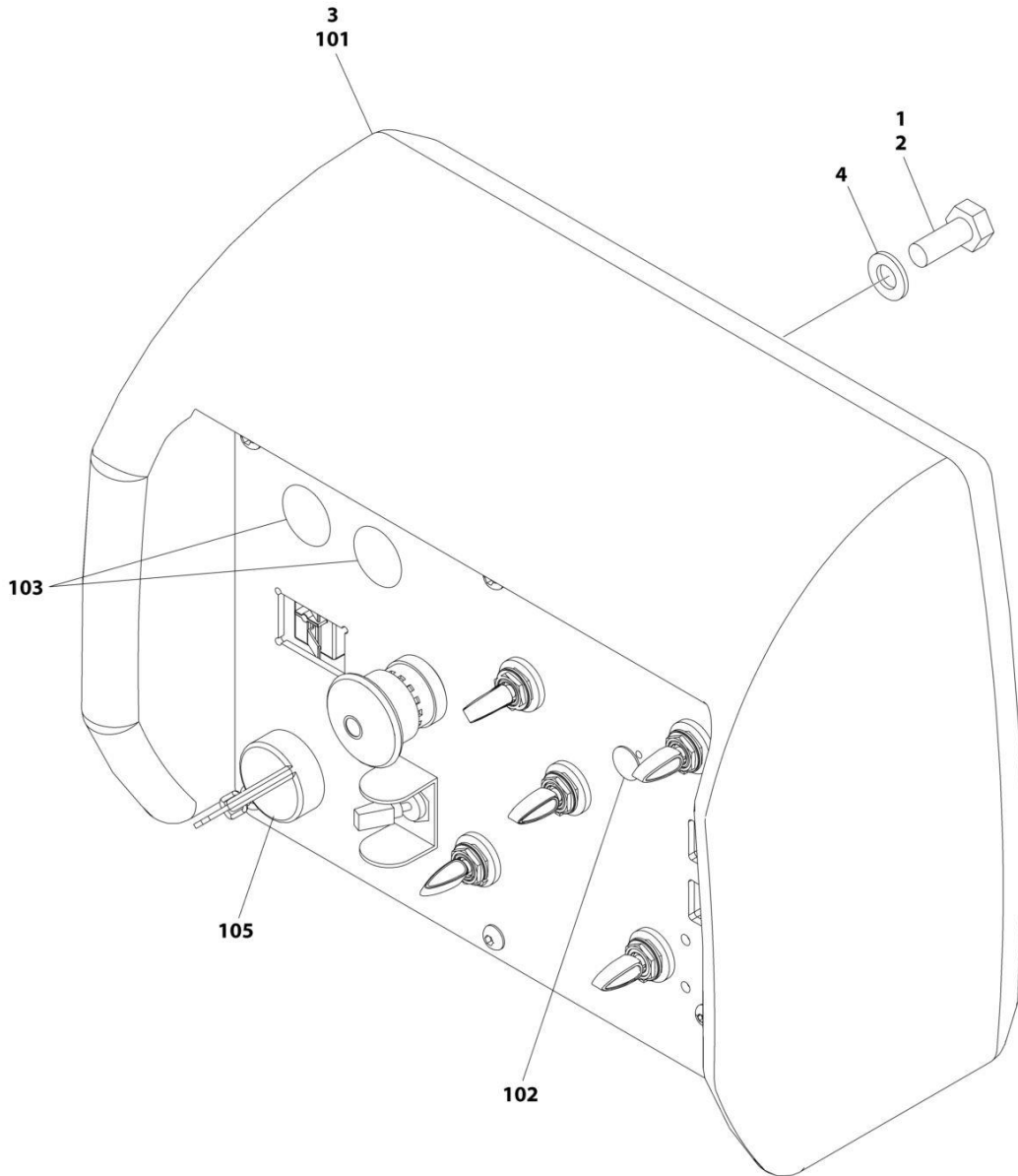
SECTION 2 - TURNTABLE

FIGURE 2-12. SWING DRIVE MOTOR ASSEMBLY (ZHENJIANG)

ITEM	PART NUMBER	QTY	DESCRIPTION	REV
	1001294629	Ref Ref	SWING DRIVE MOTOR ASSEMBLY Note: No Service Parts Available at Time of Printing	A

SECTION 2 - TURNTABLE

FIGURE 2-13. GROUND CONTROL INSTALLATION (T350 ELECTRIC POWERED MACHINES) (ALL SPECS EXCEPT AUSTRALIAN SPECS)



ART_0273615

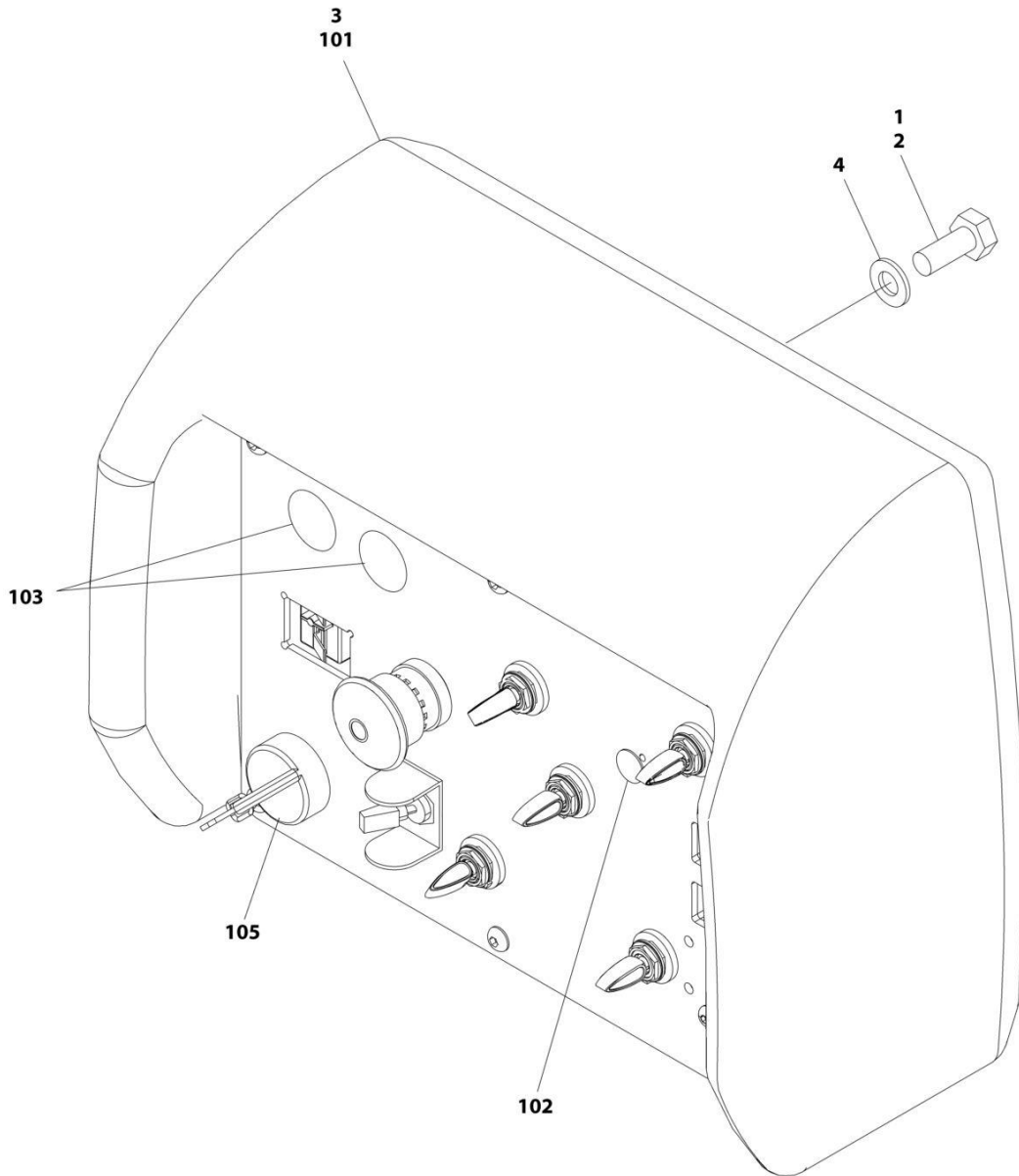
SECTION 2 - TURNTABLE

FIGURE 2-13. GROUND CONTROL INSTALLATION (T350 ELECTRIC POWERED MACHINES) (ALL SPECS EXCEPT AUSTRALIAN SPECS)

ITEM	PART NUMBER	QTY	DESCRIPTION	REV
	0273615	Ref	GROUND CONTROL BOX INSTALLATION	B
1	0100035	AR	Compound, Locking	
2	0761012	4	Bolt M10 x 25	
3	0861663	1	Ground Control Box Sub-Assembly (See Items 101-105)	
4	4812000	4	Washer M10	
5	4240175	1	Tie-Strap (Not Shown)	
	0861663	Ref	GROUND CONTROL BOX SUB-ASSEMBLY	K
101	0861648	1	Ground Control Box Assembly (See Separate Breakdown in this Section)	
102	3520028	1	Plug	
103	3520030	2	Plug	
104	4923118	1	Ground Control Box Harness (Not Shown - See Separate Breakdown in ELECTRICAL Section)	
105	4360469	1	Keyswitch	
105	2860030	1 Set	Key, Replacement	

SECTION 2 - TURNTABLE

FIGURE 2-14. GROUND CONTROL INSTALLATION (T350 ELECTRIC POWERED MACHINES)
(AUSTRALIAN SPECS)



ART_0274111

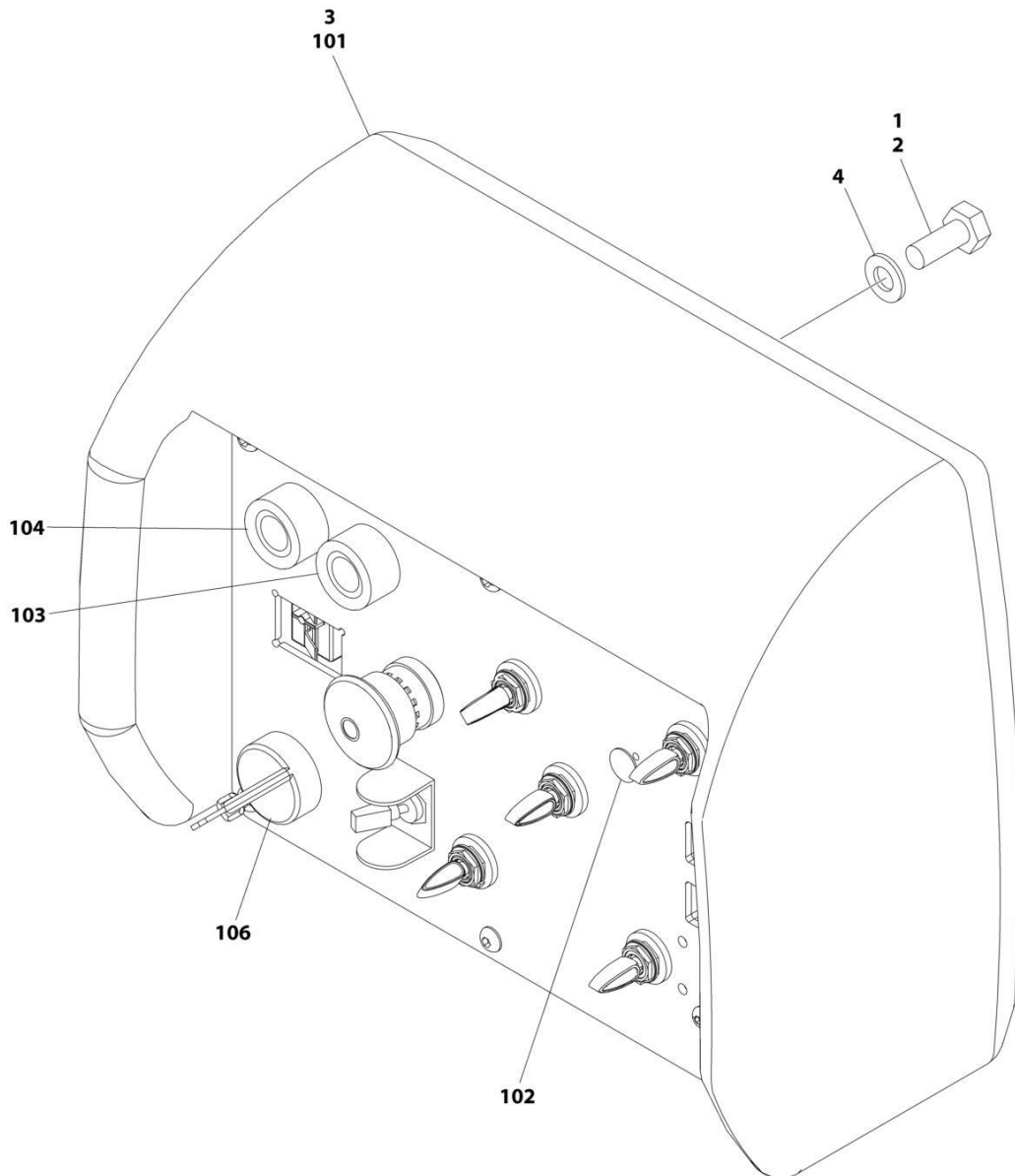
SECTION 2 - TURNTABLE

**FIGURE 2-14. GROUND CONTROL INSTALLATION (T350 ELECTRIC POWERED MACHINES)
(AUSTRALIAN SPECS)**

ITEM	PART NUMBER	QTY	DESCRIPTION	REV
	0274111	Ref	GROUND CONTROL BOX INSTALLATION	B
1	0100035	AR	Compound, Locking	
2	0761012	4	Bolt M10 x 25	
3	0861671	1	Ground Control Box Sub-Assembly (See Items 101-105)	
4	4812000	4	Washer M10	
5	4240175	1	Tie-Strap (Not Shown)	
	0861671	Ref	GROUND CONTROL BOX SUB-ASSEMBLY	H
101	0861648	1	Ground Control Box Assembly (See Separate Breakdown in this Section)	
102	3520028	1	Plug	
103	3520030	2	Plug	
104	4923118	1	Ground Control Box Harness (Not Shown - See Separate Breakdown in ELECTRICAL Section)	
105	4360470	1	Keyswitch	
105	2860030	1 Set	Key, Replacement	

SECTION 2 - TURNTABLE

FIGURE 2-15. GROUND CONTROL INSTALLATION (T350 ENGINE POWERED MACHINES) (ALL SPECS EXCEPT AUSTRALIAN SPECS)



ART_0273960

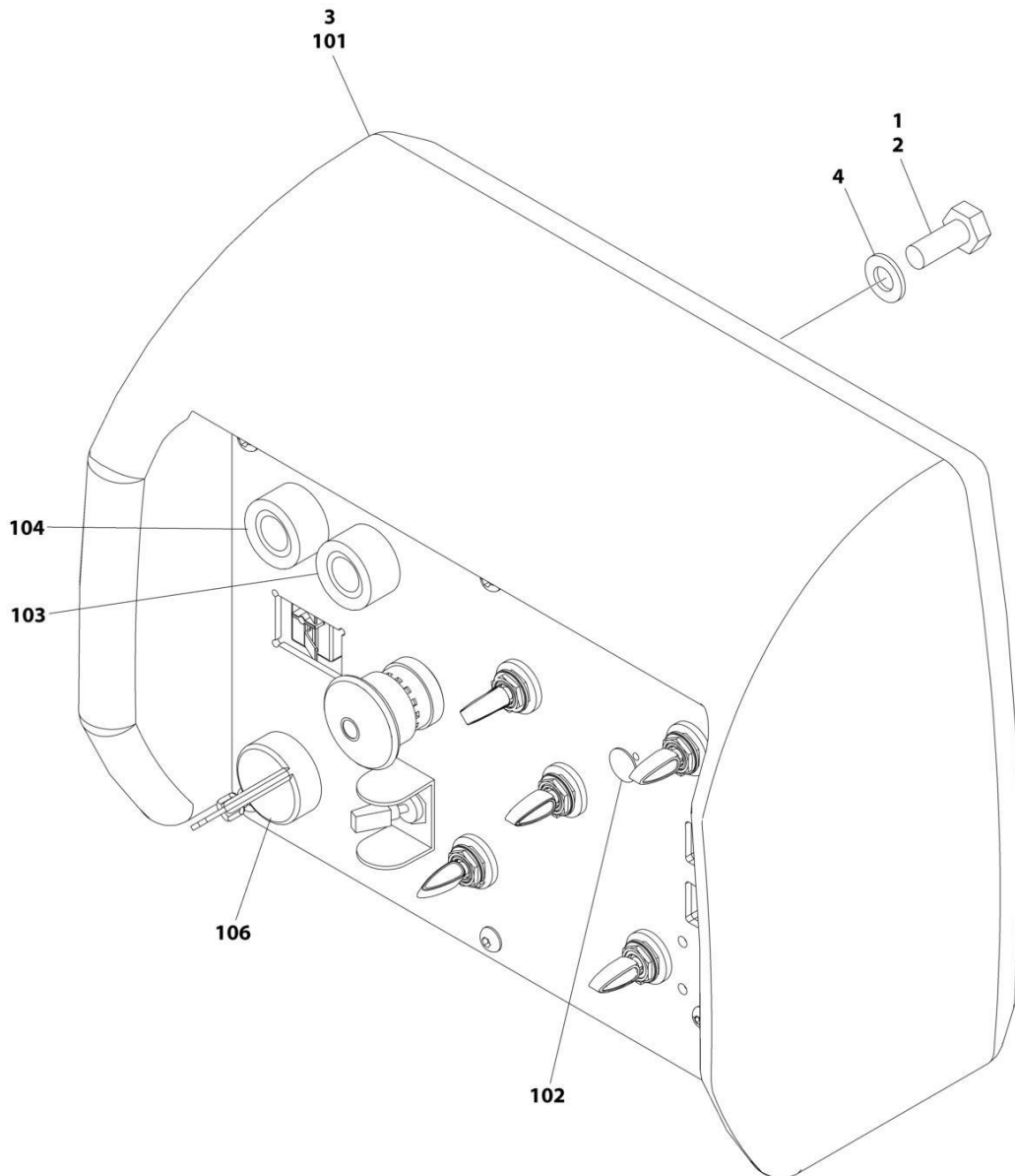
SECTION 2 - TURNTABLE

FIGURE 2-15. GROUND CONTROL INSTALLATION (T350 ENGINE POWERED MACHINES) (ALL SPECS EXCEPT AUSTRALIAN SPECS)

ITEM	PART NUMBER	QTY	DESCRIPTION	REV
	0273960	Ref	GROUND CONTROL BOX INSTALLATION	B
1	0100035	AR	Compound, Locking	
2	0761012	4	Bolt M10 x 25	
3	0861661	1	Ground Control Box Sub-Assembly (See Items 101-106)	
4	4812000	4	Washer M10	
5	4240175	1	Tie-Strap (Not Shown)	
	0861661	Ref	GROUND CONTROL BOX SUB-ASSEMBLY	K
101	0861648	1	Ground Control Box Assembly (See Separate Breakdown in this Section)	
102	3520028	1	Plug	
103	4360564	1	Switch, Push (Yellow)	
104	4360565	1	Switch, Push (Black)	
105	4923125	1	Ground Control Box Harness (Not Shown - See Separate Breakdown in ELECTRICAL Section)	
106	4360469	1	Keyswitch	
106	2860030	1 Set	Key, Replacement	

SECTION 2 - TURNTABLE

FIGURE 2-16. GROUND CONTROL INSTALLATION (T350 ENGINE POWERED MACHINES)
(AUSTRALIAN SPECS)



ART_0274112

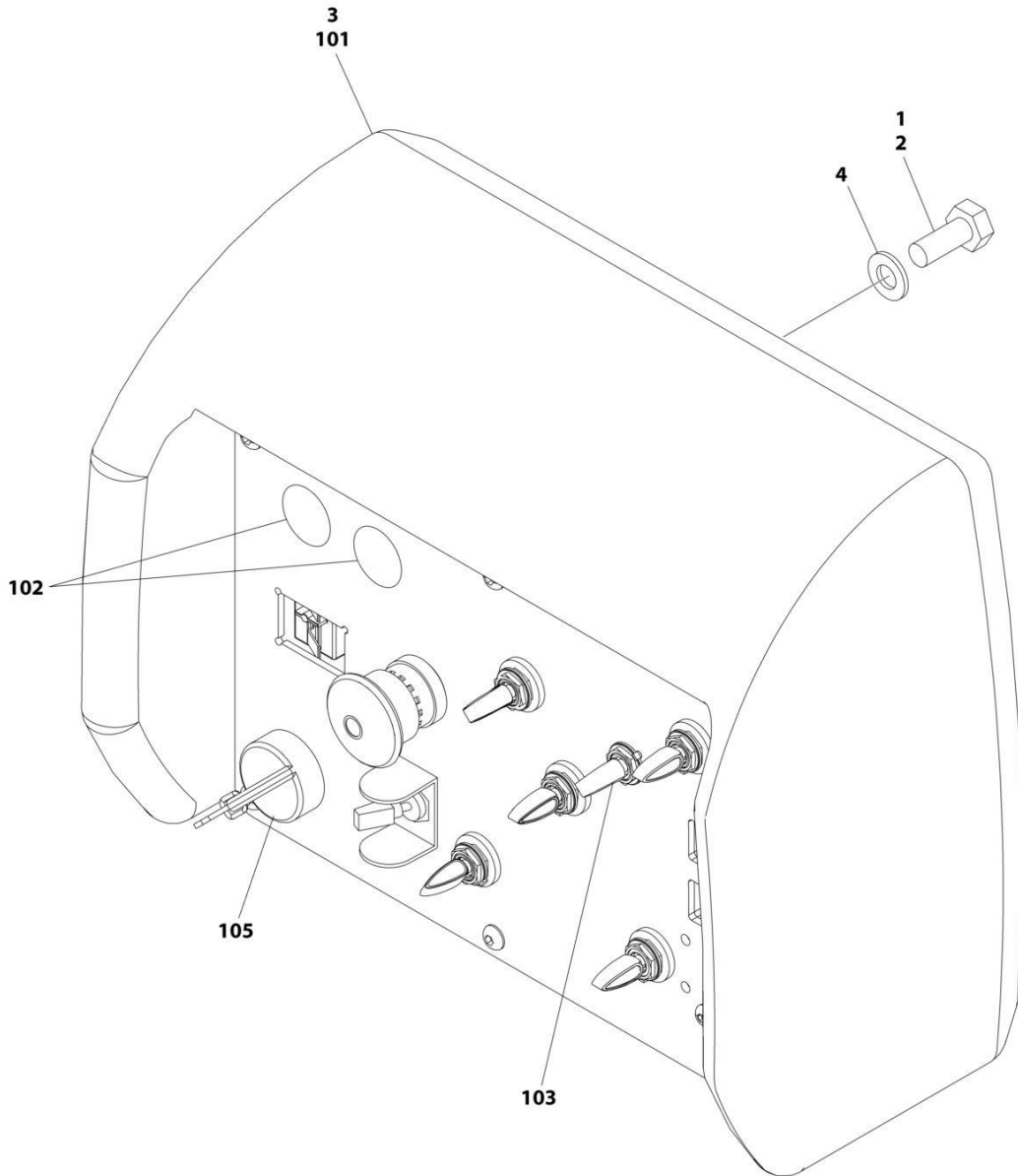
SECTION 2 - TURNTABLE

**FIGURE 2-16. GROUND CONTROL INSTALLATION (T350 ENGINE POWERED MACHINES)
(AUSTRALIAN SPECS)**

ITEM	PART NUMBER	QTY	DESCRIPTION	REV
	0274112	Ref	GROUND CONTROL BOX INSTALLATION	B
1	0100035	AR	Compound, Locking	
2	0761012	4	Bolt M10 x 25	
3	0861672	1	Ground Control Box Sub-Assembly (See Items 101-106)	
4	4812000	4	Washer M10	
5	4240175	1	Tie-Strap (Not Shown)	
	0861672	Ref	GROUND CONTROL BOX SUB-ASSEMBLY	H
101	0861648	1	Ground Control Box Assembly (See Separate Breakdown in this Section)	
102	3520028	1	Plug	
103	4360564	1	Switch, Push (Yellow)	
104	4360565	1	Switch, Push (Black)	
105	4923125	1	Ground Control Box Harness (Not Shown - See Separate Breakdown in ELECTRICAL Section)	
106	4360470	1	Keyswitch	
106	2860030	1 Set	Key, Replacement	

SECTION 2 - TURNTABLE

FIGURE 2-17. GROUND CONTROL INSTALLATION (T500J ELECTRIC POWERED MACHINES) (ALL SPECS EXCEPT AUSTRALIAN SPECS)



ART_0273961

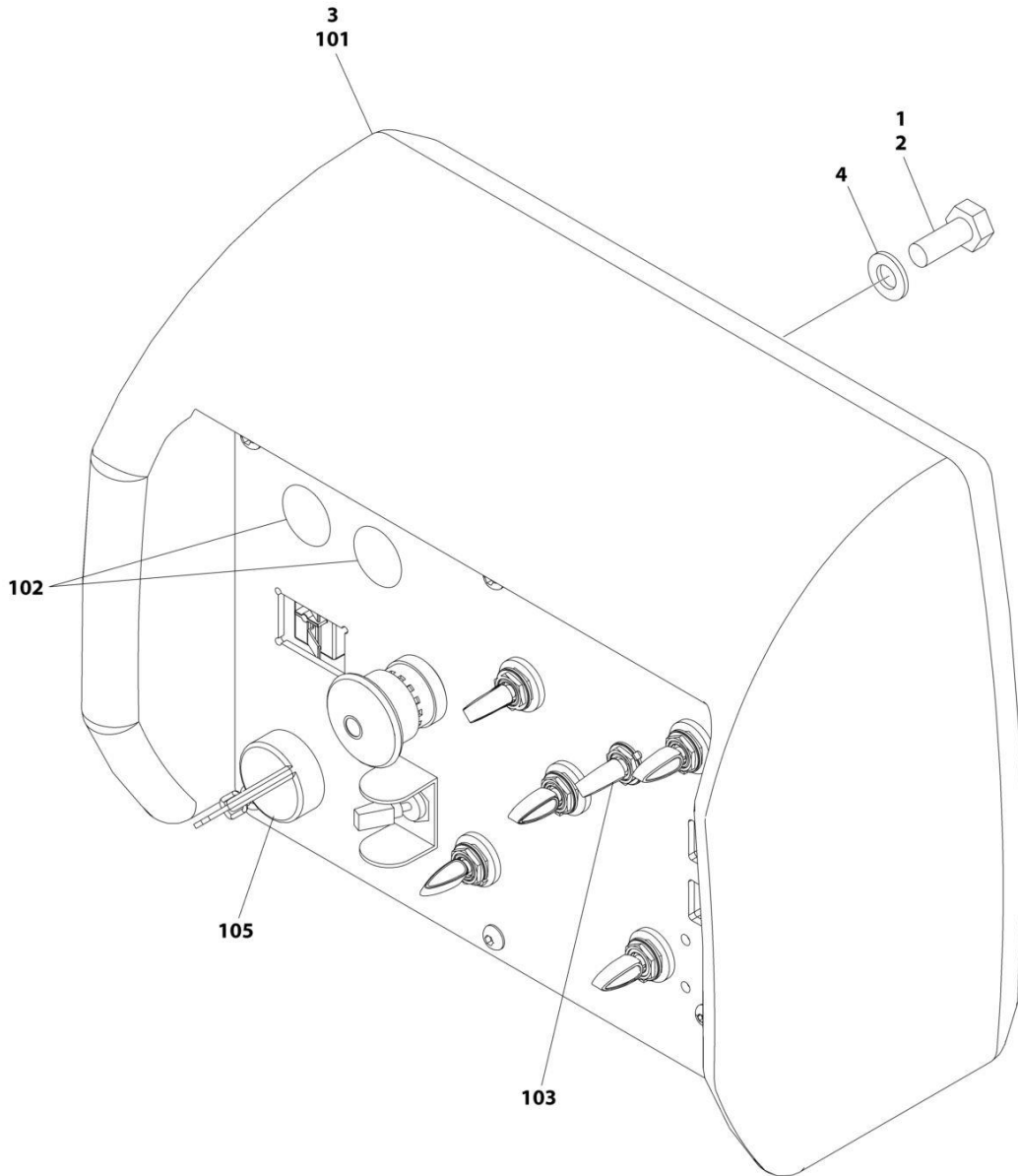
SECTION 2 - TURNTABLE

FIGURE 2-17. GROUND CONTROL INSTALLATION (T500J ELECTRIC POWERED MACHINES) (ALL SPECS EXCEPT AUSTRALIAN SPECS)

ITEM	PART NUMBER	QTY	DESCRIPTION	REV
	0273961	Ref	GROUND CONTROL BOX INSTALLATION	B
1	0100035	AR	Compound, Locking	
2	0761012	4	Bolt M10 x 25	
3	0861662	1	Ground Control Box Sub-Assembly (See Items 101-105)	
4	4812000	4	Washer M10	
5	4240175	1	Tie-Strap (Not Shown)	
	0861662	Ref	GROUND CONTROL BOX SUB-ASSEMBLY	K
101	0861648	1	Ground Control Box Assembly (See Separate Breakdown in this Section)	
102	3520030	2	Plug	
103	4360328	1	Switch, Toggle	
104	4923118	1	Ground Control Box Harness (Not Shown - See Separate Breakdown in ELECTRICAL Section)	
105	4360469	1	Keyswitch	
105	2860030	1 Set	Key, Replacement	

SECTION 2 - TURNTABLE

FIGURE 2-18. GROUND CONTROL INSTALLATION (T500J ELECTRIC POWERED MACHINES)
(AUSTRALIAN SPECS)



ART_0274113

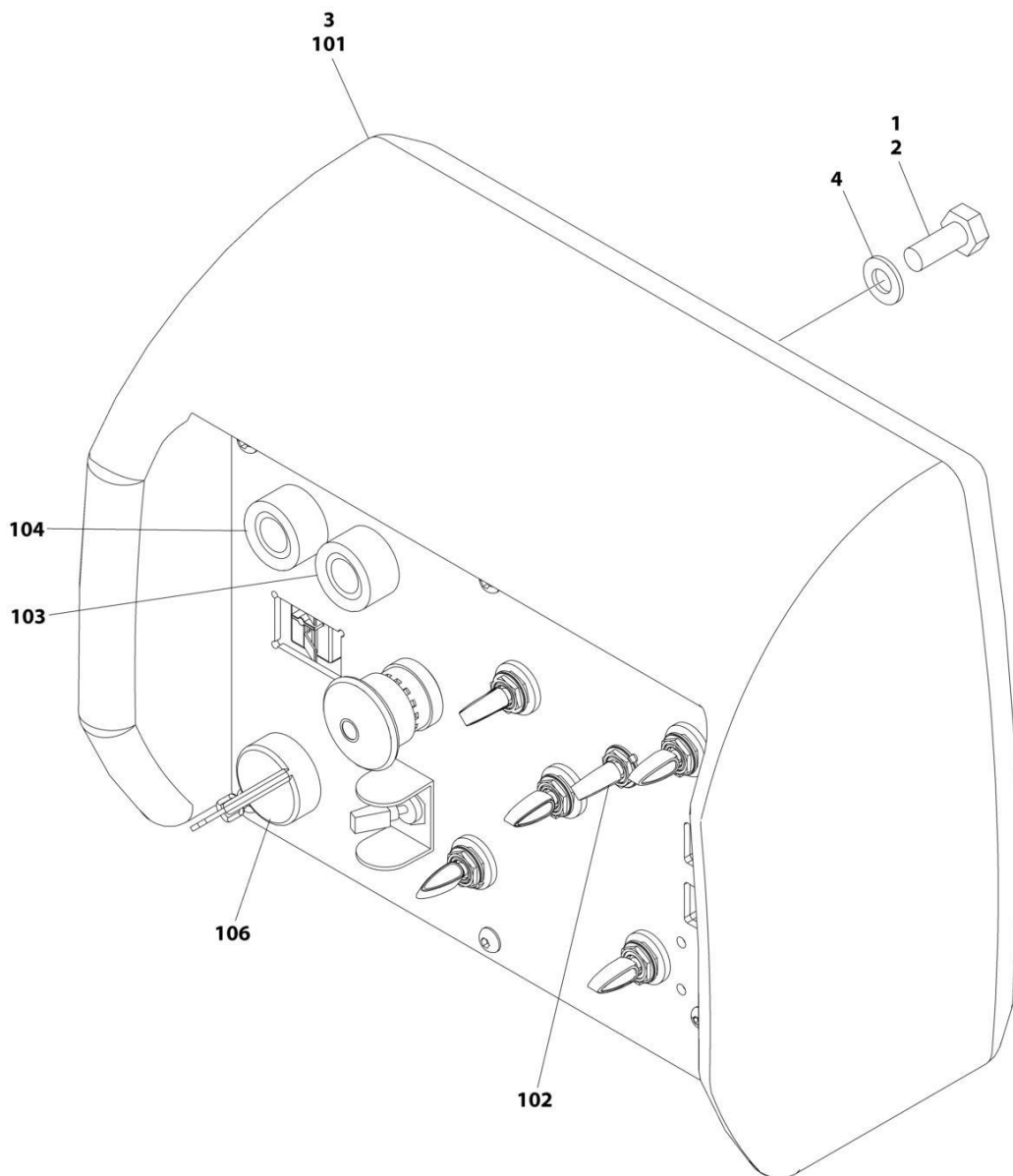
SECTION 2 - TURNTABLE

**FIGURE 2-18. GROUND CONTROL INSTALLATION (T500J ELECTRIC POWERED MACHINES)
(AUSTRALIAN SPECS)**

ITEM	PART NUMBER	QTY	DESCRIPTION	REV
	0274113	Ref	GROUND CONTROL BOX INSTALLATION	B
1	0100035	AR	Compound, Locking	
2	0761012	4	Bolt M10 x 25	
3	0861673	1	Ground Control Box Sub-Assembly (See Items 101-105)	
4	4812000	4	Washer M10	
5	4240175	1	Tie-Strap (Not Shown)	
	0861673	Ref	GROUND CONTROL BOX SUB-ASSEMBLY	H
101	0861648	1	Ground Control Box Assembly (See Separate Breakdown in this Section)	
102	3520030	2	Plug	
103	4360328	1	Switch, Toggle	
104	4923118	1	Ground Control Box Harness (Not Shown - See Separate Breakdown in ELECTRICAL Section)	
105	4360470	1	Keyswitch	
105	2860030	1 Set	Key, Replacement	

SECTION 2 - TURNTABLE

FIGURE 2-19. GROUND CONTROL INSTALLATION (T500J ENGINE POWERED MACHINES) (ALL SPECS EXCEPT AUSTRALIAN SPECS)



ART_0273962

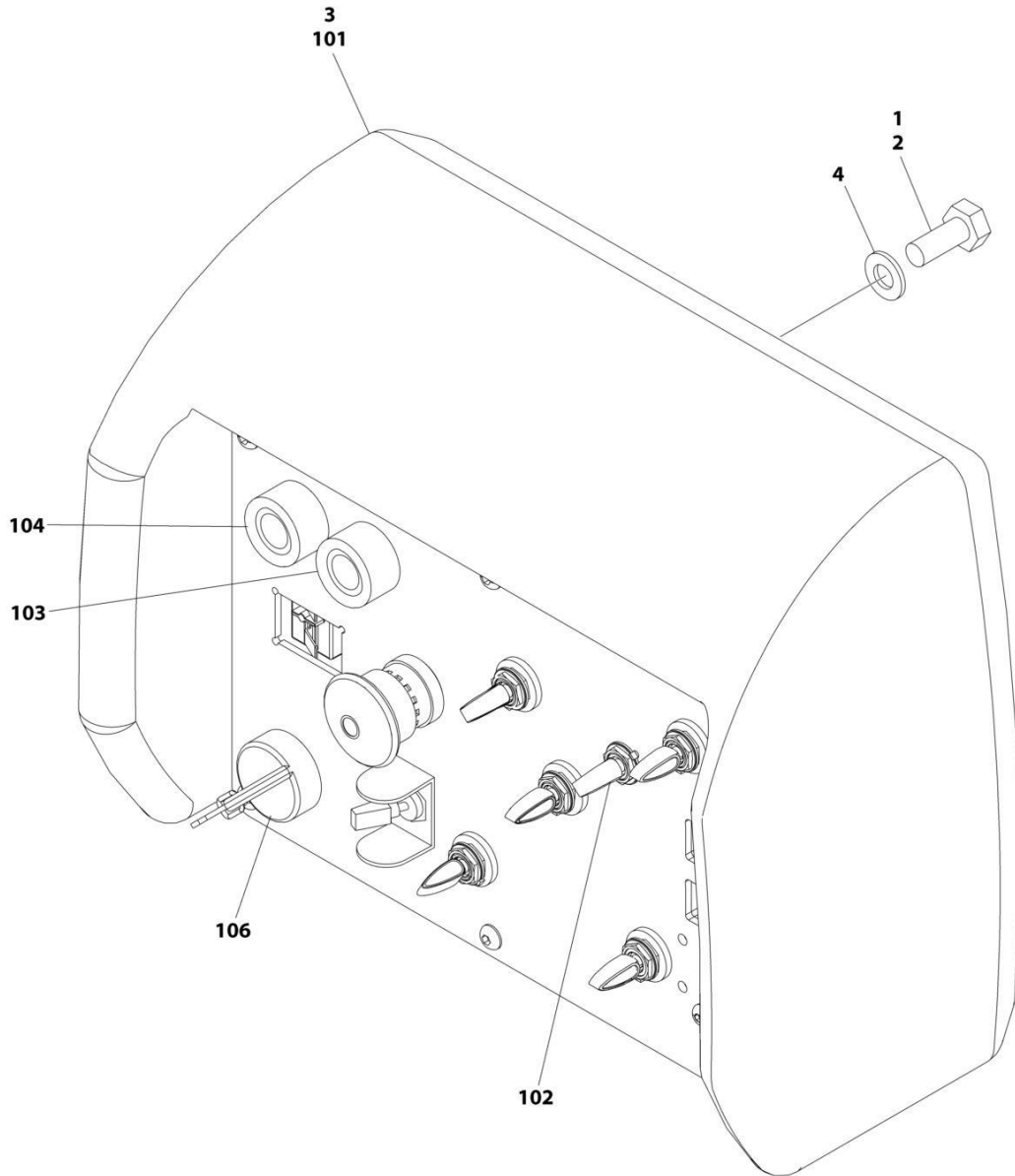
SECTION 2 - TURNTABLE

FIGURE 2-19. GROUND CONTROL INSTALLATION (T500J ENGINE POWERED MACHINES) (ALL SPECS EXCEPT AUSTRALIAN SPECS)

ITEM	PART NUMBER	QTY	DESCRIPTION	REV
	0273962	Ref	GROUND CONTROL BOX INSTALLATION	B
1	0100035	AR	Compound, Locking	
2	0761012	4	Bolt M10 x 25	
3	0861649	1	Ground Control Box Sub-Assembly (See Items 101-106)	
4	4812000	4	Washer M10	
5	4240175	1	Tie-Strap (Not Shown)	
	0861649	Ref	GROUND CONTROL BOX SUB-ASSEMBLY	K
101	0861648	1	Ground Control Box Assembly (See Separate Breakdown in this Section)	
102	4360328	1	Switch, Toggle	
103	4360564	1	Switch, Push (Yellow)	
104	4360565	1	Switch, Push (Black)	
105	4923125	1	Ground Control Box Harness (Not Shown - See Separate Breakdown in ELECTRICAL Section)	
106	4360469	1	Keyswitch	
106	2860030	1 Set	Key, Replacement	

SECTION 2 - TURNTABLE

FIGURE 2-20. GROUND CONTROL INSTALLATION (T500J ENGINE POWERED MACHINES)
(AUSTRALIAN SPECS)



ART_0274114

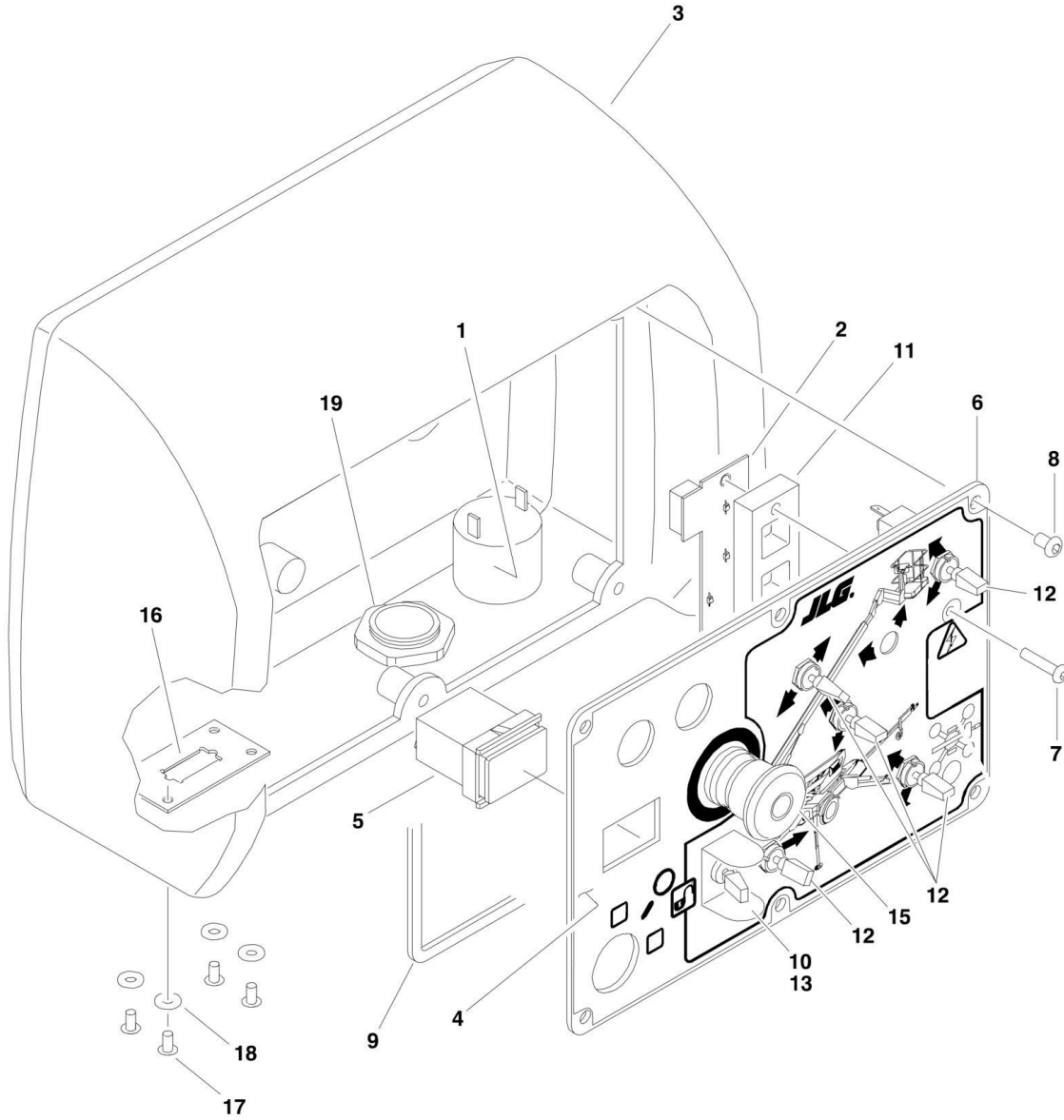
SECTION 2 - TURNTABLE

**FIGURE 2-20. GROUND CONTROL INSTALLATION (T500J ENGINE POWERED MACHINES)
(AUSTRALIAN SPECS)**

ITEM	PART NUMBER	QTY	DESCRIPTION	REV
	0274114	Ref	GROUND CONTROL BOX INSTALLATION	B
1	0100035	AR	Compound, Locking	
2	0761012	4	Bolt M10 x 25	
3	0861674	1	Ground Control Box Sub-Assembly (See Items 101-106)	
4	4812000	4	Washer M10	
5	4240175	1	Tie-Strap (Not Shown)	
	0861674	Ref	GROUND CONTROL BOX SUB-ASSEMBLY	H
101	0861648	1	Ground Control Box Assembly (See Separate Breakdown in this Section)	
102	4360328	1	Switch, Toggle	
103	4360564	1	Switch, Push (Yellow)	
104	4360565	1	Switch, Push (Black)	
105	4923125	1	Ground Control Box Harness (Not Shown - See Separate Breakdown in ELECTRICAL Section)	
106	4360470	1	Keyswitch	
106	2860030	1 Set	Key, Replacement	

SECTION 2 - TURNTABLE

FIGURE 2-21. GROUND CONTROL BOX ASSEMBLY



ART_0861648

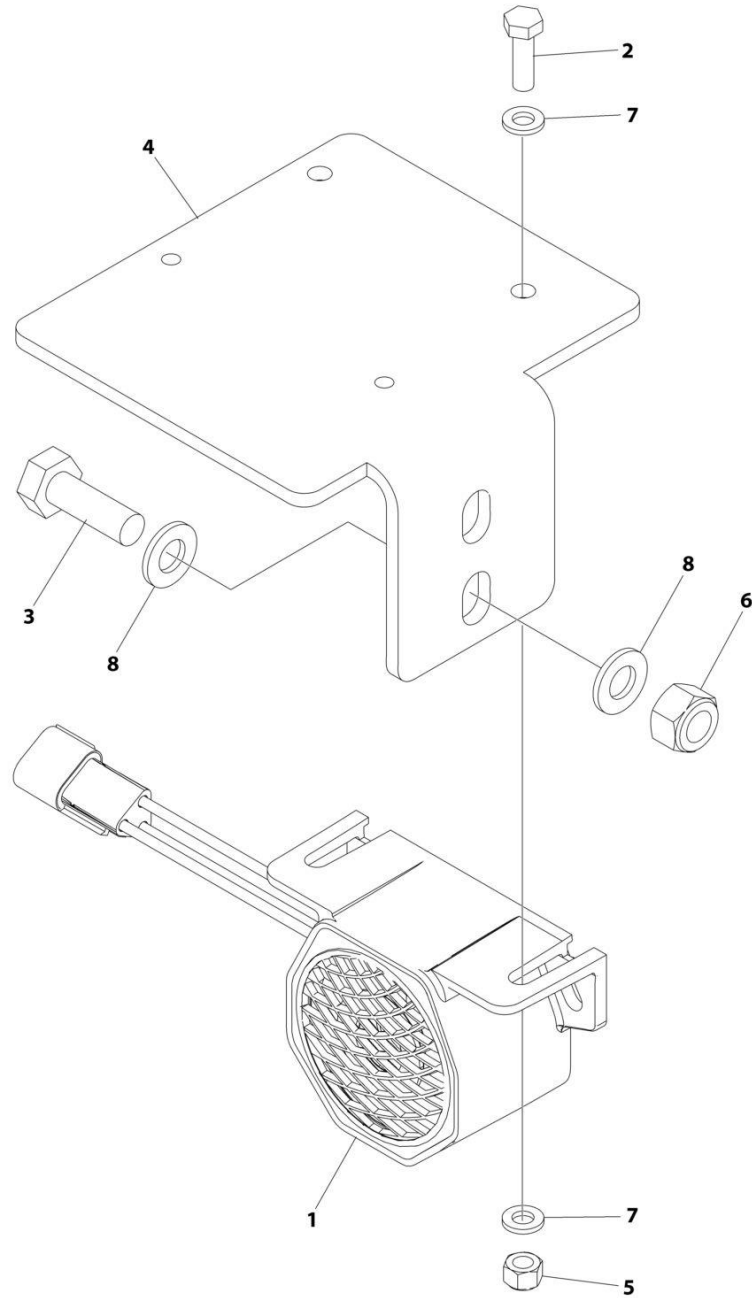
SECTION 2 - TURNTABLE

FIGURE 2-21. GROUND CONTROL BOX ASSEMBLY

ITEM	PART NUMBER	QTY	DESCRIPTION	REV
	0861648	Ref	GROUND CONTROL BOX ASSEMBLY	L
1	0140011	1	Alarm	
2	0610170	1	PC Board	
3	0861647	1	Box	
4	1705971	1	Decal	
5	2420172	1	Hourmeter	
6	3575358	1	Plate, Switch Mounting	
7	3900352	2	Screw M5 x 25	
8	3900358	6	Screw M6 x 10	
9	3960587	1	Seal	
10	4060906	1	Guard, Switch	
11	4220210	1	Block, PC Board Mounting	
12	4360328	5	Switch, Toggle	
13	4360330	1	Switch, Toggle	
15		Ref	Switch, Emergency Stop	
15	4360475	1	Cap, Replacement	
15	7020175	1	Block, Replacement Contact	
15	7020176	1	Plate, Plug Mounting	
16	3575623	1	Rivet	
17	3820020	4	Washer #10	
18	4711000	4	Connector, Strain Relief	
19	4460386	1	Connector, Strain Relief	

SECTION 2 - TURNTABLE

FIGURE 2-22. MOTION ALARM INSTALLATION (OPTIONAL)



ART_0275048

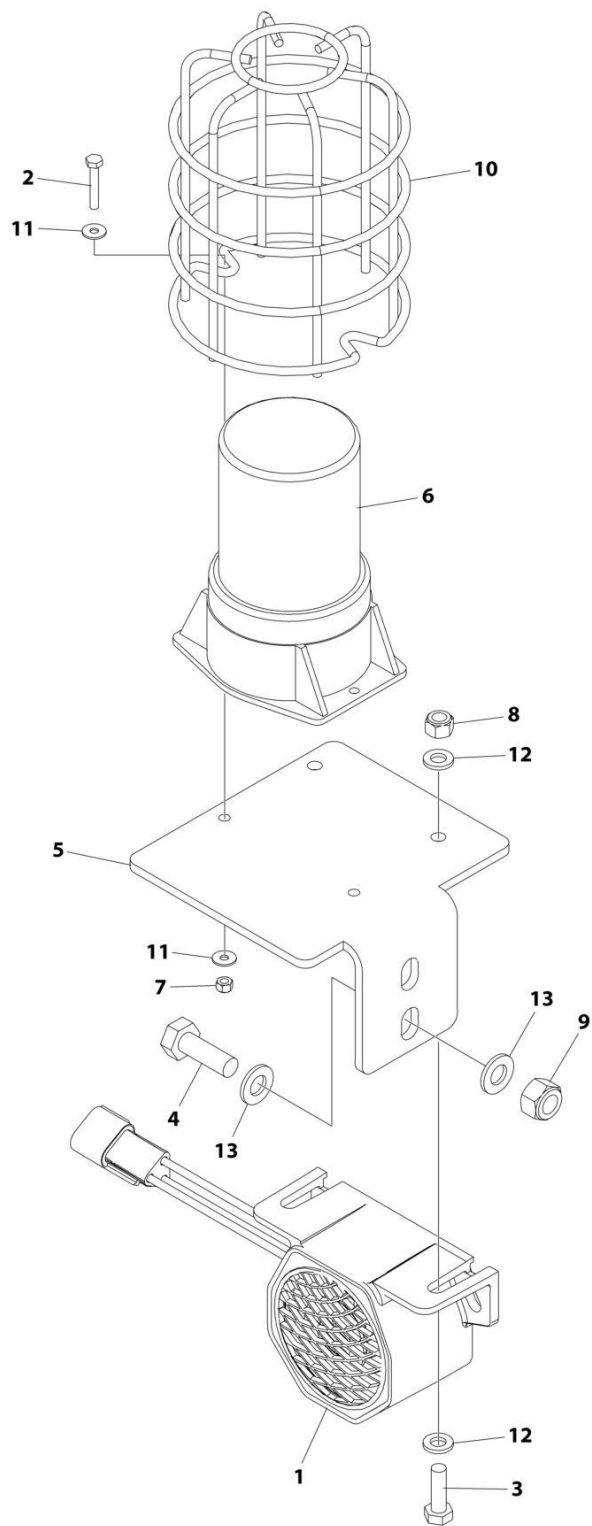
SECTION 2 - TURNTABLE

FIGURE 2-22. MOTION ALARM INSTALLATION (OPTIONAL)

ITEM	PART NUMBER	QTY	DESCRIPTION	REV
	0275048	Ref	MOTION ALARM INSTALLATION (OPTIONAL)	D
1	0140043	1	Alarm	
2	0700610	2	Bolt M6 x 20	
3	0701014	2	Bolt M10 x 30	
4	0903087	1	Bracket, Mounting	
5	3290605	2	Nut M6	
6	3291005	2	Nut M10	
7	4811700	4	Washer M6	
8	4812000	4	Washer M10	
9	4923128	1	Harness, Strobe/Alarm (Not Shown - See Separate Breakdown in ELECTRICAL Section)	

SECTION 2 - TURNTABLE

FIGURE 2-23. ALARM AND STROBE LIGHT INSTALLATION (OPTIONAL)



ART_0273669

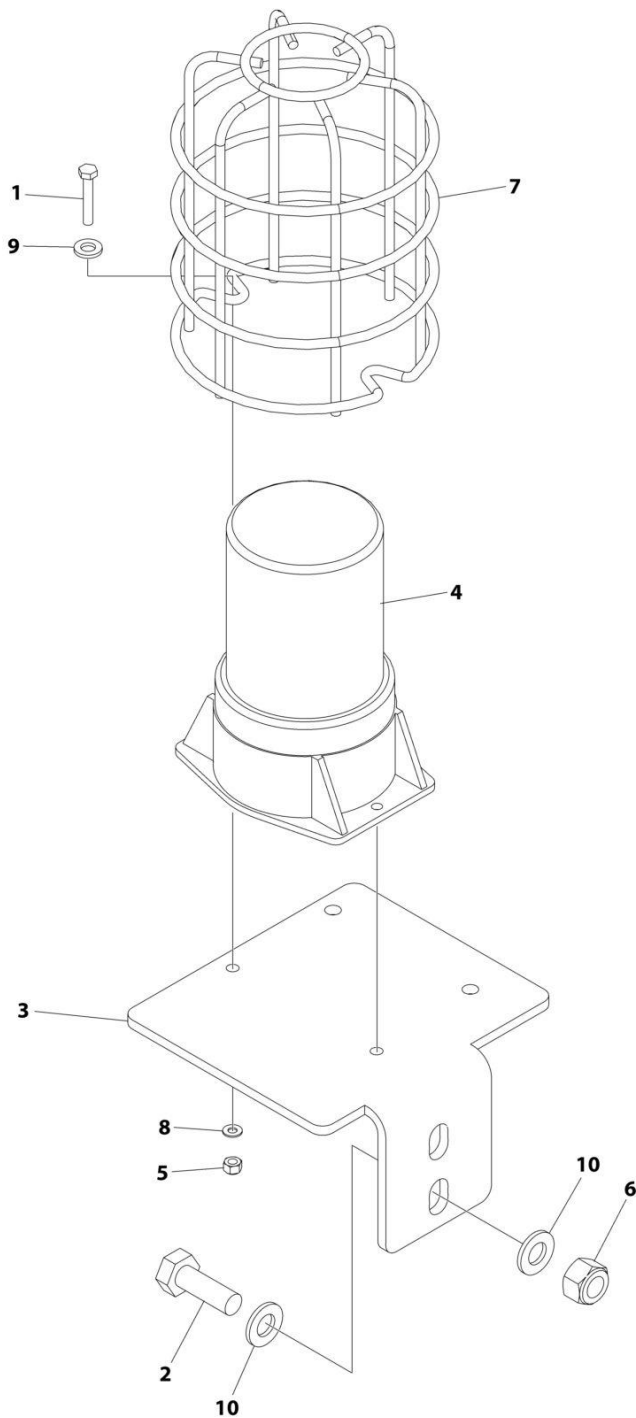
SECTION 2 - TURNTABLE

FIGURE 2-23. ALARM AND STROBE LIGHT INSTALLATION (OPTIONAL)

ITEM	PART NUMBER	QTY	DESCRIPTION	REV
	0273669	Ref	ALARM AND STROBE LIGHT INSTALLATION (OPTIONAL)	G
1	0140043	1	Alarm	
2	0700412	2	Bolt M4 x 25	
3	0700610	2	Bolt M6 x 20	
4	0701014	2	Bolt M10 x 30	
5	0903087	1	Bracket, Mounting	
6	2920161	1	Strobe Light Assembly	
6	7016319	1	Bulb	
6	7016372	1	Lens	
7	3290405	2	Nut M4	
8	3290605	2	Nut M6	
9	3291005	2	Nut M10	
10	4060865	1	Guard, Strobe	
11	4811400	2	Washer M4 (Regular)	
11	1001091102	4	Washer M4 (Large)	
12	4811700	AR	Washer M6	
13	4812000	4	Washer M10	
14	4923128	1	Harness, Strobe/Alarm (Not Shown - See Separate Breakdown in ELECTRICAL Section)	

SECTION 2 - TURNTABLE

FIGURE 2-24. STROBE LIGHT INSTALLATION (OPTIONAL)



ART_0275030

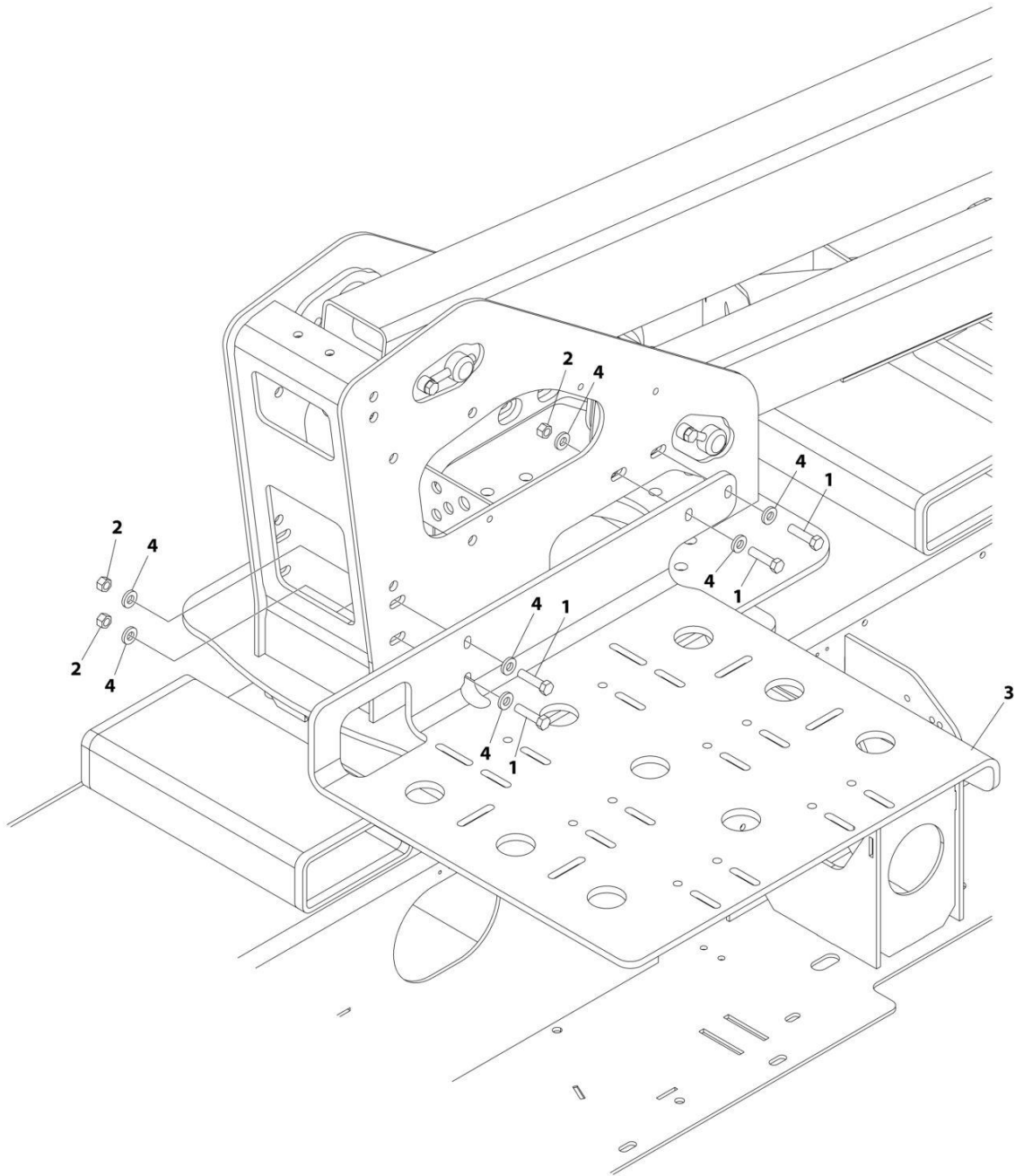
SECTION 2 - TURNTABLE

FIGURE 2-24. STROBE LIGHT INSTALLATION (OPTIONAL)

ITEM	PART NUMBER	QTY	DESCRIPTION	REV
	0275030	Ref	STROBE LIGHT INSTALLATION (OPTIONAL)	D
1	0700412	2	Bolt M4 x 25	
2	0701014	2	Bolt M10 x 30	
3	0903087	1	Bracket, Mounting	
4	2920161	1	Strobe Light Assembly	
4	7016319	1	Bulb	
4	7016372	1	Lens	
5	3290405	2	Nut M4	
6	3291005	2	Nut M10	
7	4060865	1	Guard, Strobe	
8	4811400	2	Washer M4	
9	4811700	2	Washer M6	
10	4812000	4	Washer M10	
11	4923128	1	Harness, Strobe/Alarm (Not Shown - See Separate Breakdown in ELECTRICAL Section)	
12	4460121	3	Cap, Terminal (Not Shown)	

SECTION 2 - TURNTABLE

FIGURE 2-25. ACCESSORY TRAY INSTALLATION (OPTIONAL)



ART_0274290

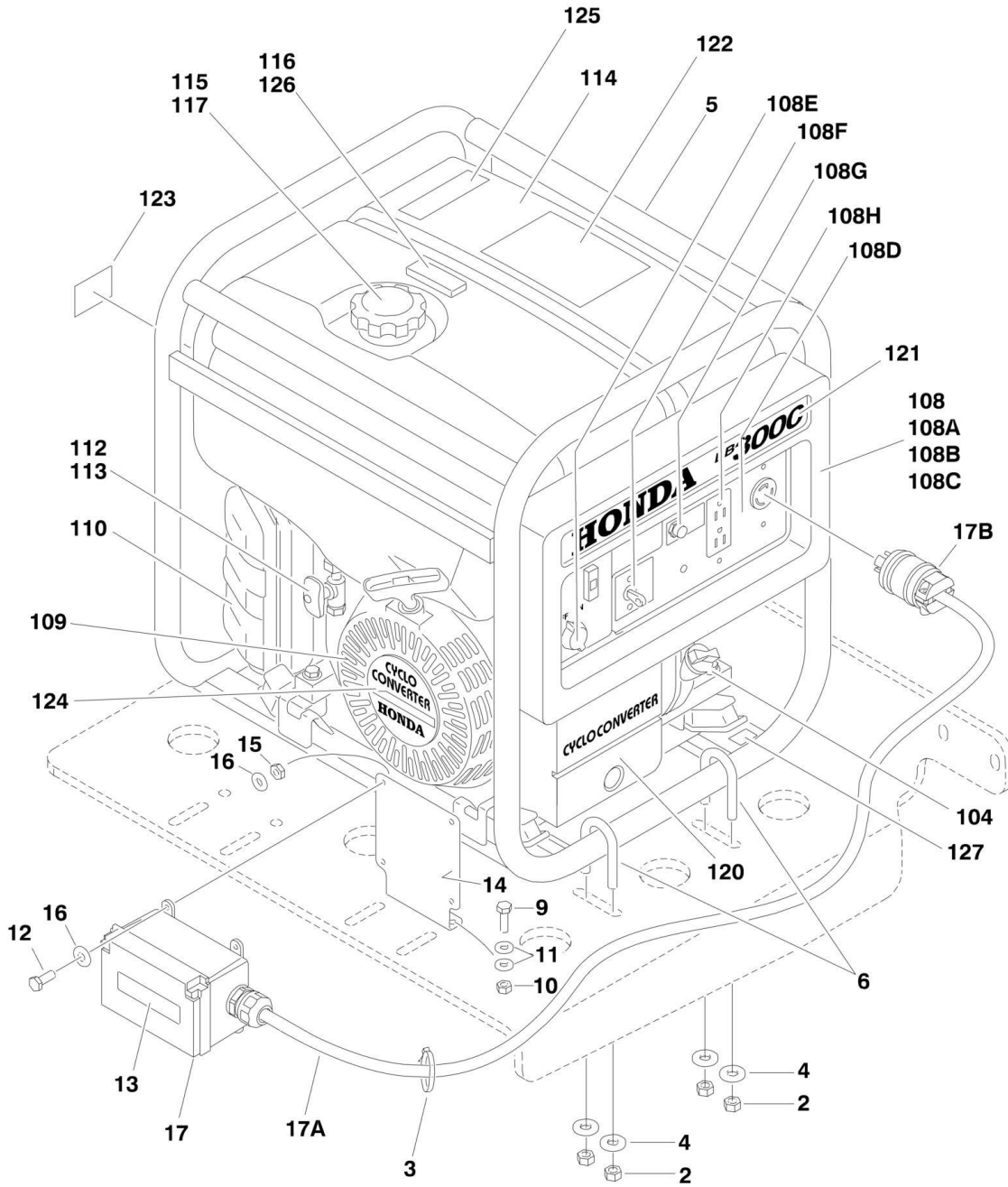
SECTION 2 - TURNTABLE

FIGURE 2-25. ACCESSORY TRAY INSTALLATION (OPTIONAL)

ITEM	PART NUMBER	QTY	DESCRIPTION	REV
	0274290	Ref	ACCESSORY TRAY INSTALLATION (OPTIONAL)	C
1	0641612	4	Bolt 3/8 x 1-1/2	
2	3311605	4	Nut 3/8	
3	4341400	1	Mount, Accessory Tray	
4	4891600	8	Washer 3/8	

SECTION 2 - TURNTABLE

FIGURE 2-26. 3000W GENERATOR INSTALLATION (OPTIONAL)



SECTION 2 - TURNTABLE

FIGURE 2-26. 3000W GENERATOR INSTALLATION (OPTIONAL)

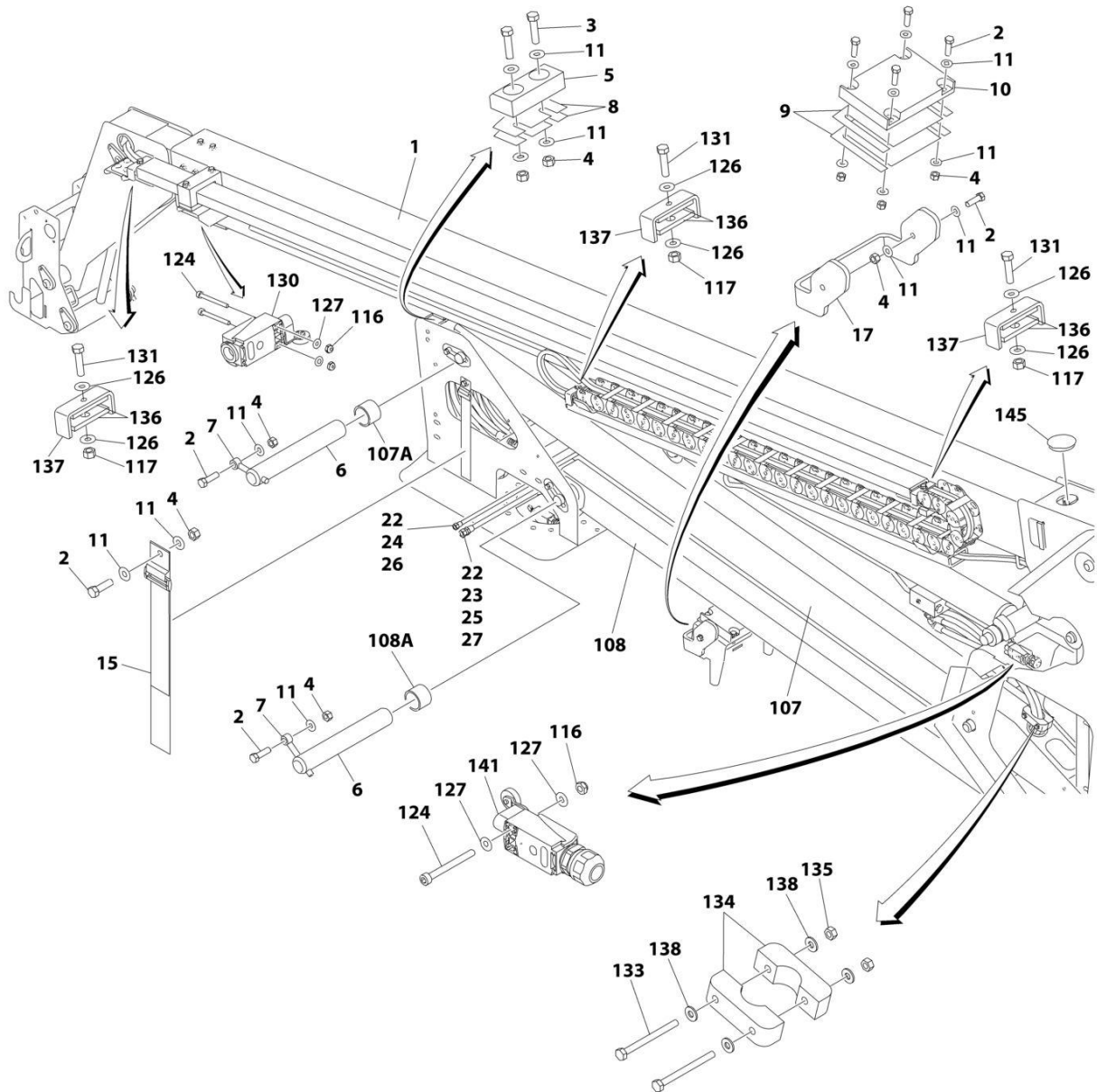
ITEM	PART NUMBER	QTY	DESCRIPTION	REV
	1001120260	Ref	GENERATOR INSTALLATION (ANSI, ANSI EXPORT AND CSA SPECS ONLY - NOT AVAILABLE IN CALIFORNIA)	D
2	3311505	8	Nut 5/16	
3	4240033	AR	Tie-Strap	
4	4751500	8	Washer 5/16	
5	1001130309	1	Generator Assembly - 3000W (See Items 101-127 for Breakdown)	
6	1001120264	4	U-Bolt 5/16 X 1	
9	0641407	2	Bolt 1/4 x 7/8	
10	3311405	2	Nut 1/4	
11	4711400	4	Washer 1/4	
12	0721004	4	Screw #10 x 1/2	
13	3252761	1	Decal - 120V	
14	1001131326	1	Plate, Mounting	
15	3311005	4	Nut #10	
16	4711000	4	Washer M10	
17	1001131595	1	Electrical Assembly	
17	0861731	1	Box, Receptacle	
17	1671207	1	Cover, Receptacle Box	
17	4460346	1	Receptacle, GFI	
17	4460662	1	Connector, Strain Relief	
17A	1060908	44 in/1.1m	Cable, 12/3	
17B	1001131740	1	Plug	
	1001130309	Ref	3000W GENERATOR ASSEMBLY	B
101		Ref	Gasket Options (Not Shown):	
101	70003558	1	Gasket, Cylinder Head	
101	70003559	1	Gasket, Cylinder Head Cover	
101	70003560	1	Gasket, Exhaust (Exhaust Pipe to Cylinder Head)	
102		Ref	Plug, Spark (Not Shown)	
102	7027391	1	Denso Brand	
102	70002770	1	NGK Brand	
103	70003561	1	Switch Assembly, Oil Level (Not Shown)	
103	70003507	1	O-Ring	
104	70002771	1	Cap, Oil Filler	
105	7027388	1	Cap, Secondary Oil Filler (Not Shown)	
106	70003565	1	Carburetor Assembly (Not Shown)	
106	70003562	1	Gasket Set - Carburetor	
106	70003563	1	Float Set - Carburetor	
106	70003564	1	Screw Set - Drain	
106	70003566	1	Insulator, Carburetor (Not Shown)	
106	70002776	1	Gasket, Insulator to Block (Not Shown)	
106	70003567	1	Spacer, Carburetor (Not Shown)	
106	70002777	1	Gasket, Carburetor to Insulator (Not Shown)	
107	70003568	1	Coil, Charging (Not Shown)	
107	7027398	1	Suppressor, Noise (Not Shown)	
108	70003572	1	Control Box Assembly	
108A	70003569	1	Module, Ignition	
108B	70003570	1	Harness, Wiring	
108C	70003571	1	Harness, Secondary Wiring	
108D	70003573	1	Decal - Control Panel	
108E	70002783	1	Switch, Engine Stop	

SECTION 2 - TURNTABLE

ITEM	PART NUMBER	QTY	DESCRIPTION	REV
108F	70003574	1	Breaker, Circuit (20A)	
108G	70003575	1	Protector, Circuit (20A)	
108H	70003576	1	Receptacle (20A-125V)	
109	70003577	1	Starter Assy (Recoil)	
109	70003578	1	Spring, Recoil Starter	
109	70003579	1	Handle, Recoil Starter Rope	
109	70002774	1	Rope, Recoil Starter	
110	70003582	1	Cover, Air Cleaner	
110	70003581	4	Spring, Air Cleaner Housing/Cover	
110	70003583	1	Seal, Air Cleaner Cover	
110	70003580	1	Element, Air Cleaner (Inner)	
110	70003584	1	Element, Air Cleaner (Outer)	
111	70003585	1	Muffler (Not Shown)	
111	70003588	1	Gasket, Exhaust Pipe to Block (Not Shown)	
111	70003589	1	Arrester, Spark (Not Shown)	
111	70003586		Shield, Muffler (Outer) (Not Shown)	
111	70003587		Shield, Muffler (Inner) (Not Shown)	
112	70003590	1	Assembly, Petcock	
113	70003591	1	Screen, Fuel Strainer	
114	70003592	1	Tank, Fuel	
115	70003593	1	Cap, Fuel Filler	
116	70003594	1	Gauge, Fuel	
117	7027395	1	Filter, Fuel Tank	
118	70003595	1	Cable, Ground (Frame) (Not Shown)	
119	70003596	1	Generator Assembly (Not Shown)	
119	70003597	1	Grommet, AC Cord (Not Shown)	
120	70003598	1	Cycloconverter, Unit	
121	70003599	1	Decal - Generator Model	
122	70003600	1	Decal - Operator Warning	
123	70003601	1	Decal - Choke	
124	70003602	1	Decal - Cycloconverter	
125	70003603	1	Decal - Exhaust Caution	
126	70003604	1	Decal - Fuel Indication	
127	70003605	1	Decal - Oil Caution	

SECTION 3 - BOOM

SECTION 3 - BOOM



ART_0274325_20F2

SECTION 3 - BOOM

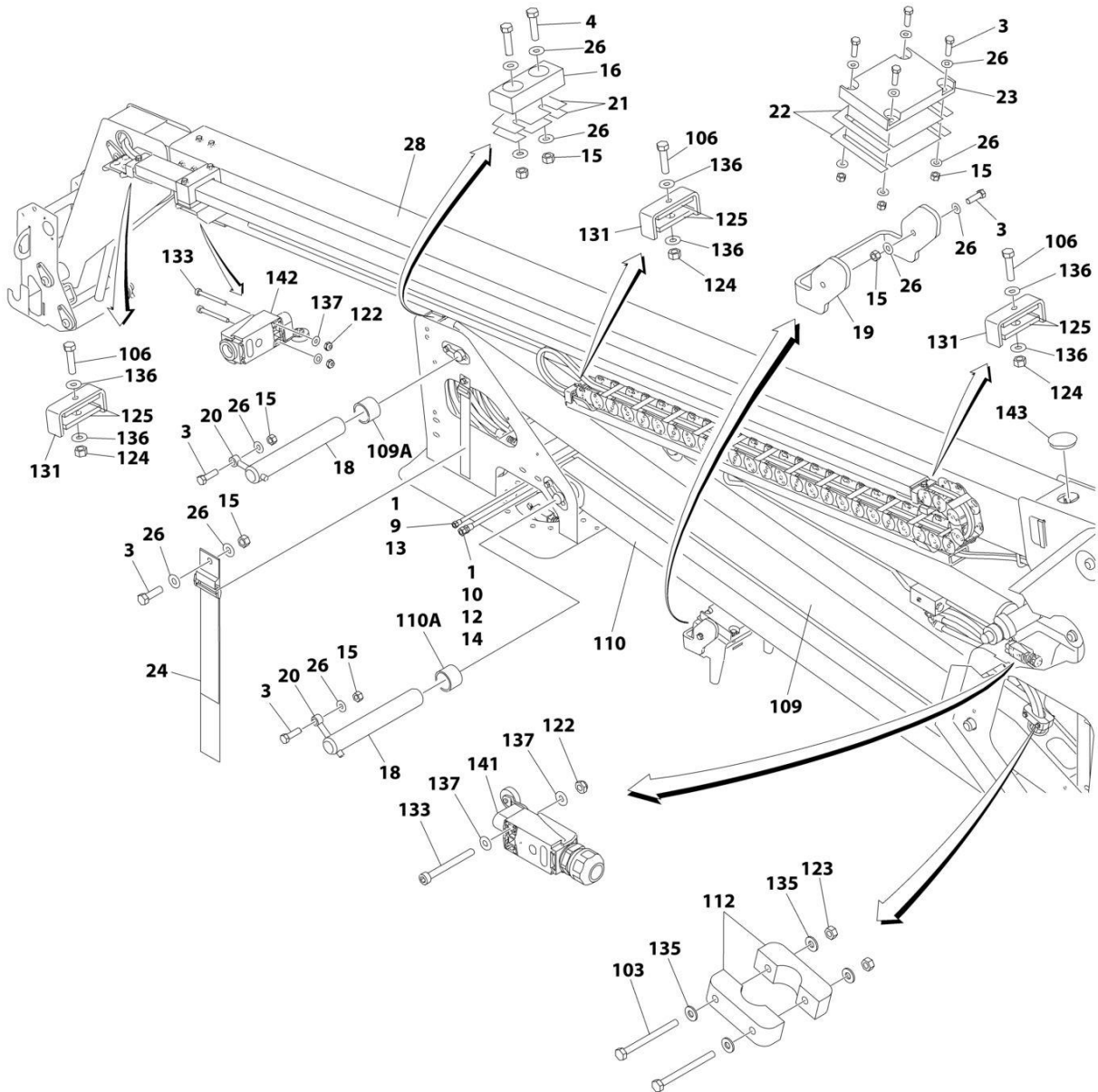
FIGURE 3-1. BOOM ASSEMBLY AND INSTALLATION (T350 ANSI, ANSI EXPORT AND CSA SPECS)

ITEM	PART NUMBER	QTY	DESCRIPTION	REV
	0274325	Ref	BOOM INSTALLATION	I
1	0274327	1	Boom Assembly (See Items 101-145 for Breakdown)	
2	0641610	9	Bolt 3/8 x 1-1/4	
3	0641612	2	Bolt 3/8 x 1-1/2	
4	3311605	11	Nut 3/8	
5	3340843	1	Pad, Wear	
6	3423201	2	Pin	
7	3841143	2	Keeper, Pin	
8	4071082	2	Shim	
9	4071083	2	Shim	
10	4220211	1	Pad, Boom Rest	
11	4711600	20	Washer 3/8	
13	1706261	1	Nameplate - Pressure Washer	
14	1706262	1	Nameplate - Air Compressor	
15	4240003	1	Strap, Cinch	
17	3575803	1	Plate, Boom Stop	
22	0100020	AR	Sealant, Pipe	
23	2221209	1	Fitting, Coupler	
24	2221212	1	Fitting, Nipple	
25	2221213	1	Fitting, Female Coupler	
26	1706625	1	Decal - Air	
27	1706626	1	Decal - Water	
28	2220003	1	Fitting, Swivel	
	0274327	Ref	BOOM ASSEMBLY	S
101	0100020	AR	Sealant, Pipe	
102	0100081	AR	Adhesive	
103	0641607	1	Bolt 3/8 x 7/8	
104	0641609	8	Bolt 3/8 x 1-1/8	
105	0641620	1	Bolt 3/8 x 2-1/2	
106	0801426	1	Main Boom Assembly (See Separate Breakdown in this Section)	
107	0801429	1	Tube, Tower (Top)	D
107A	0961951	4	Bushing	
108	0801516	1	Tube, Tower (Bottom)	
108A	0961951	4	Bushing	
109	1320289	1	Clamp	
110	1684415	1	Master Cylinder Assembly (See Separate Breakdown in this Section)	
111	1684433	1	Lift Cylinder Assembly (See Separate Breakdown in this Section)	
112	2754171	1	Hose, Air Line	
113	2754172	1	Hose, Water Line	
115	3010127	1	Link, Timing	C
115A	0961951	4	Bushing	
116	3290405	4	Nut M4	
117	3311605	13	Nut 3/8	
118	3340943	2	Pad, Rubber	
119	3422333	1	Pin	
120	3423200	5	Pin	
121	3423102	2	Pin	
122	3423103	1	Pin	
123	3841143	6	Keeper, Pin	

SECTION 3 - BOOM

ITEM	PART NUMBER	QTY	DESCRIPTION	REV
124	4031512	4	Capscrew M4 x 40	
125	4630001	1	Upright	
126	4711600	7	Washer 3/8	
127	4811400	6	Washer M4	
128	4923100	1	Harness, Lift Down Prop Valve (Not Shown - See Separate Breakdown in ELECTRICAL Section)	
129	4923185	1	Harness, Center Brake Light (Not Shown - See Separate Breakdown in ELECTRICAL Section)	
130	4923192	1	Harness, Telescope Limit Switch (Not Shown - See Separate Breakdown in ELECTRICAL Section)	
131	0641616	3	Bolt 3/8 x 2	
133	0641424	2	Bolt 1/4 x 3	
134	1321318	2	Clamp, Hose	
135	3311405	2	Nut 1/4	
136	3340941	6	Pad, Rubber	
137	3575021	3	Plate, Clamping	
138	4711400	4	Washer 1/4	
139	4923040	1	Harness, Boom Cable (Not Shown - See Separate Breakdown in ELECTRICAL Section)	
140	4923104	1	Harness, AC Cable (Not Shown)	
141	4923112	1	Harness, Transport Limit Switch (Not Shown - See Separate Breakdown in ELECTRICAL Section)	
142	2220364	1	Fitting, Coupler	
143	2221210	1	Fitting, Nipple	
144	2221211	1	Fitting, Female Coupler	
145	1001092012	1	Plug, Hole	

SECTION 3 - BOOM



ART_1001229944_20F2

SECTION 3 - BOOM

FIGURE 3-2. BOOM ASSEMBLY AND INSTALLATION (T350 AUSTRALIAN AND SOUTH AFRICAN SPECS)

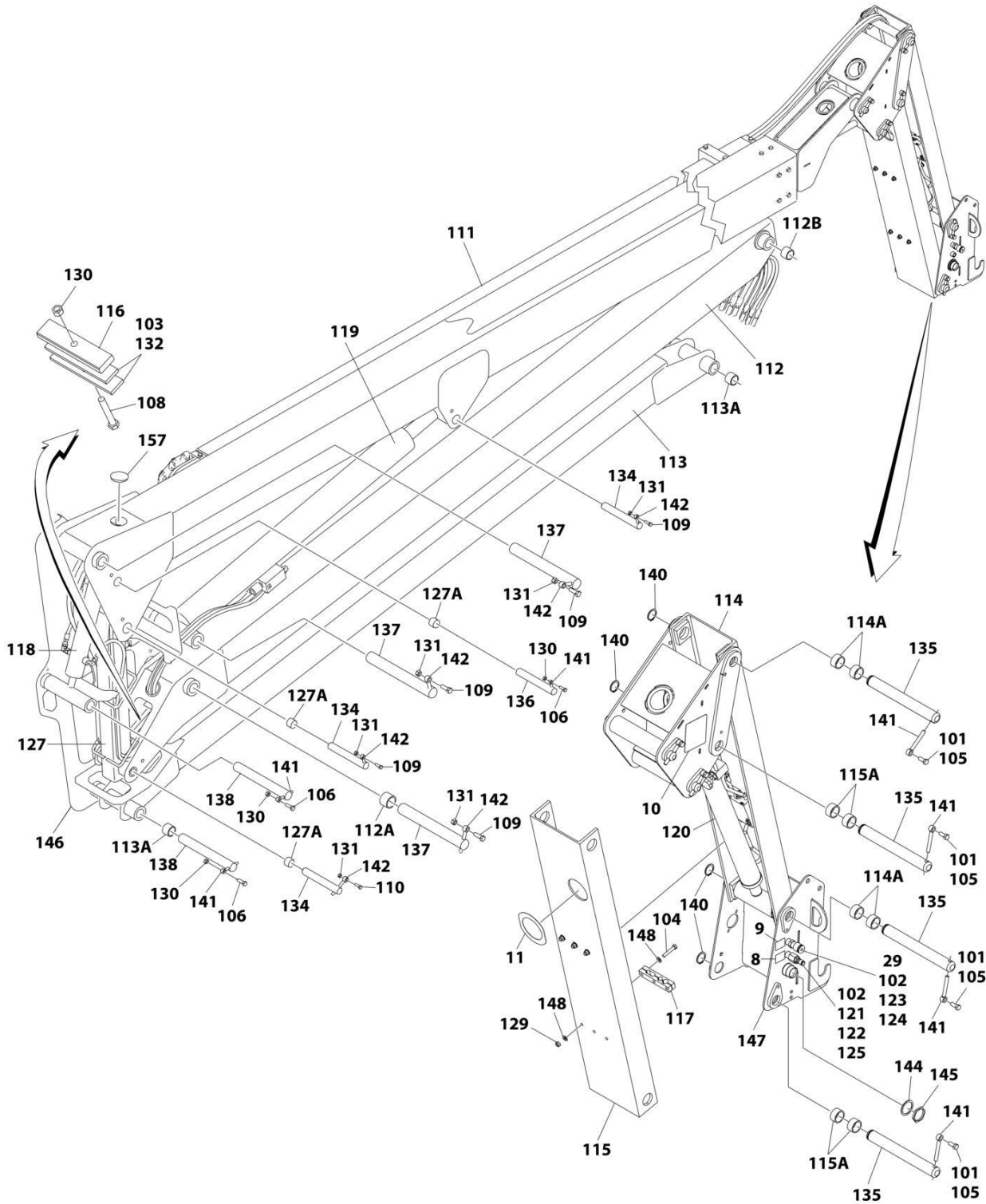
ITEM	PART NUMBER	QTY	DESCRIPTION	REV
	1001229944	Ref	BOOM INSTALLATION	B
1	0100020	AR	Sealant, Pipe	
3	0641610	9	Bolt 3/8 x 1-1/4	
4	0641612	2	Bolt 3/8 x 1-1/2	
7	1706261	1	Nameplate - Pressure Washer	
8	1706262	1	Nameplate - Air Compressor	
9	1706625	1	Decal - Air	
10	1706626	1	Decal - Water	
11	2220003	1	Fitting, Swivel	
12	2221209	1	Fitting, Coupler	
13	2221212	1	Fitting, Nipple	
14	2221213	1	Fitting, Female Coupler	
15	3311605	11	Nut 3/8	
16	3340843	1	Pad, Wear	
18	3423201	2	Pin	
19	3575803	1	Plate, Boom Stop	
20	3841143	2	Keeper, Pin	
21	4071082	2	Shim	
22	4071083	2	Shim	
23	4220211	1	Pad, Boom Rest	
24	4240003	1	Strap, Cinch	
26	4711600	20	Washer 3/8	
28	1001224911	1	Boom Assembly (See Items 101-144 for Breakdown)	
	1001224911	Ref	BOOM ASSEMBLY	A
101	0100020	AR	Sealant, Pipe	
102	0100081	AR	Adhesive	
103	0641424	2	Bolt 1/4 x 3	
104	0641607	1	Bolt 3/8 x 7/8	
105	0641609	8	Bolt 3/8 x 1-1/8	
106	0641616	3	Bolt 3/8 x 2	
107	0641620	1	Bolt 3/8 x 2-1/2	
108	0801426	1	Main Boom Assembly (See Separate Breakdown in this Section)	
109	0801429	1	Tube, Tower (Top)	D
109A	0961951	4	Bushing	
110	0801516	1	Tube, Tower (Bottom)	
110A	0961951	4	Bushing	
111	1320289	1	Clamp	
112	1321318	2	Clamp, Hose	
113	1684415	1	Master Cylinder Assembly (See Separate Breakdown in this Section)	
114	1684433	1	Lift Cylinder Assembly (See Separate Breakdown in this Section)	
115	2220364	1	Fitting, Coupler	
116	2221210	1	Fitting, Nipple	
117	2221211	1	Fitting, Female Coupler	
118	2754171	1	Hose, Air Line	
119	2754172	1	Hose, Water Line	
121	3010127	1	Link, Timing	C
121A	0961951	4	Bushing	
122	3290405	4	Nut M4	

SECTION 3 - BOOM

ITEM	PART NUMBER	QTY	DESCRIPTION	REV
123	3311405	2	Nut 1/4	
124	3311605	13	Nut 3/8	
125	3340941	6	Pad, Rubber	
126	3340943	2	Pad, Rubber	
127	3422333	1	Pin	
128	3423102	2	Pin	
129	3423103	1	Pin	
130	3423200	5	Pin	
131	3575021	3	Plate, Clamping	
132	3841143	6	Keeper, Pin	
133	4031512	4	Capscrew M4 x 40	
134	4630001	1	Upright	
135	4711400	4	Washer 1/4	
136	4711600	7	Washer 3/8	
137	4811400	6	Washer M4	
138	4923040	1	Harness, Boom Cable (Not Shown - See Separate Breakdown in ELECTRICAL Section)	
139	4923100	1	Harness, Lift Down Prop Valve (Not Shown - See Separate Breakdown in ELECTRICAL Section)	
140	4923104	1	Harness, AC Cable (Not Shown)	
141	4923112	1	Harness, Transport Limit Switch (Not Shown - See Separate Breakdown in ELECTRICAL Section)	
142	4923192	1	Harness, Telescope Limit Switch (Not Shown - See Separate Breakdown in ELECTRICAL Section)	
143	1001092012	1	Plug, Hole	
144	1001224593	1	Harness, Center Brake Light (Not Shown - See Separate Breakdown in ELECTRICAL Section)	

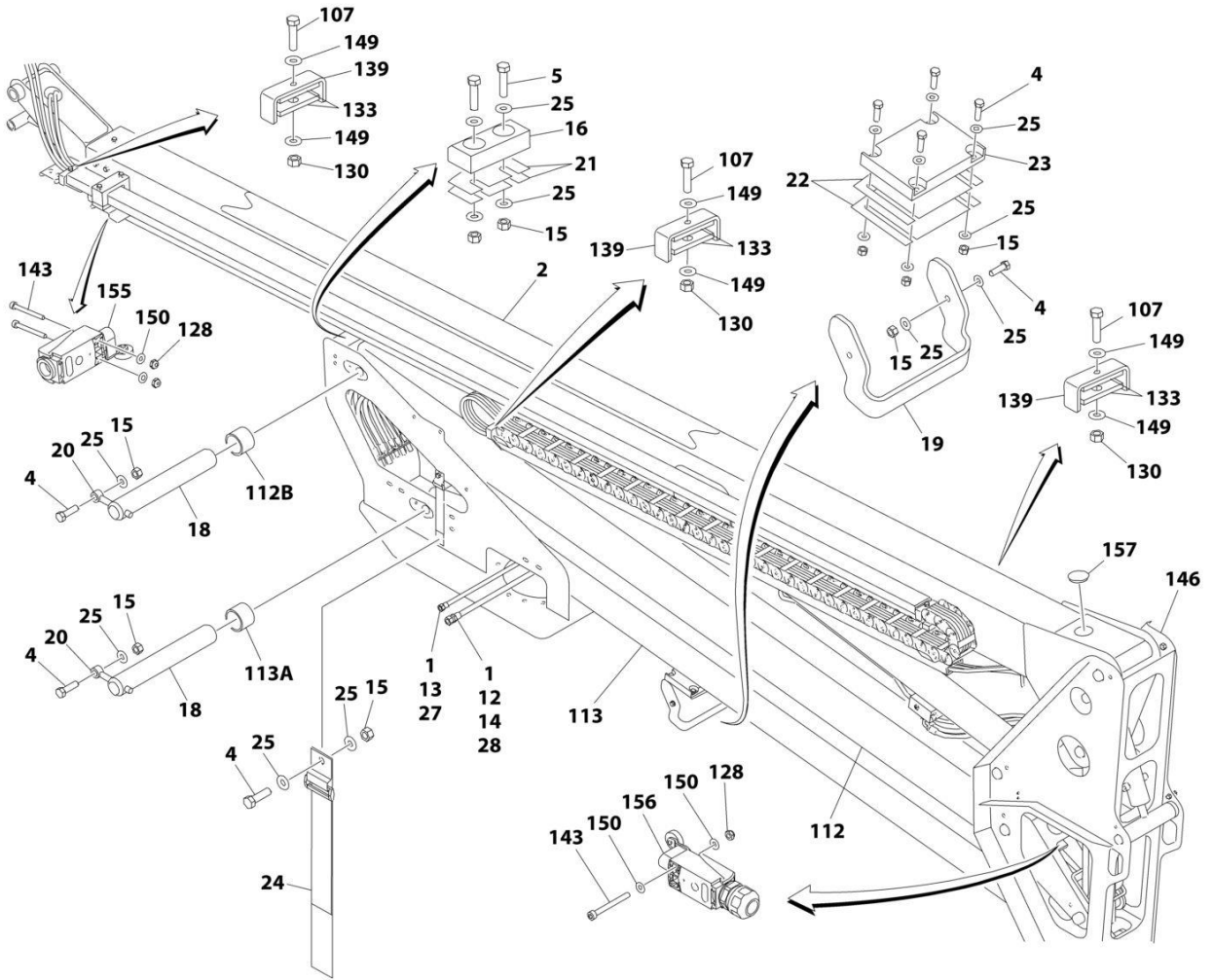
SECTION 3 - BOOM

FIGURE 3-3. BOOM ASSEMBLY AND INSTALLATION WITH AIR AND SINGLE WATER LINE (T500J ANSI, ANSI EXPORT AND CSA SPECS)



ART_0275009_10F2

SECTION 3 - BOOM



ART_0275009_20F2

SECTION 3 - BOOM

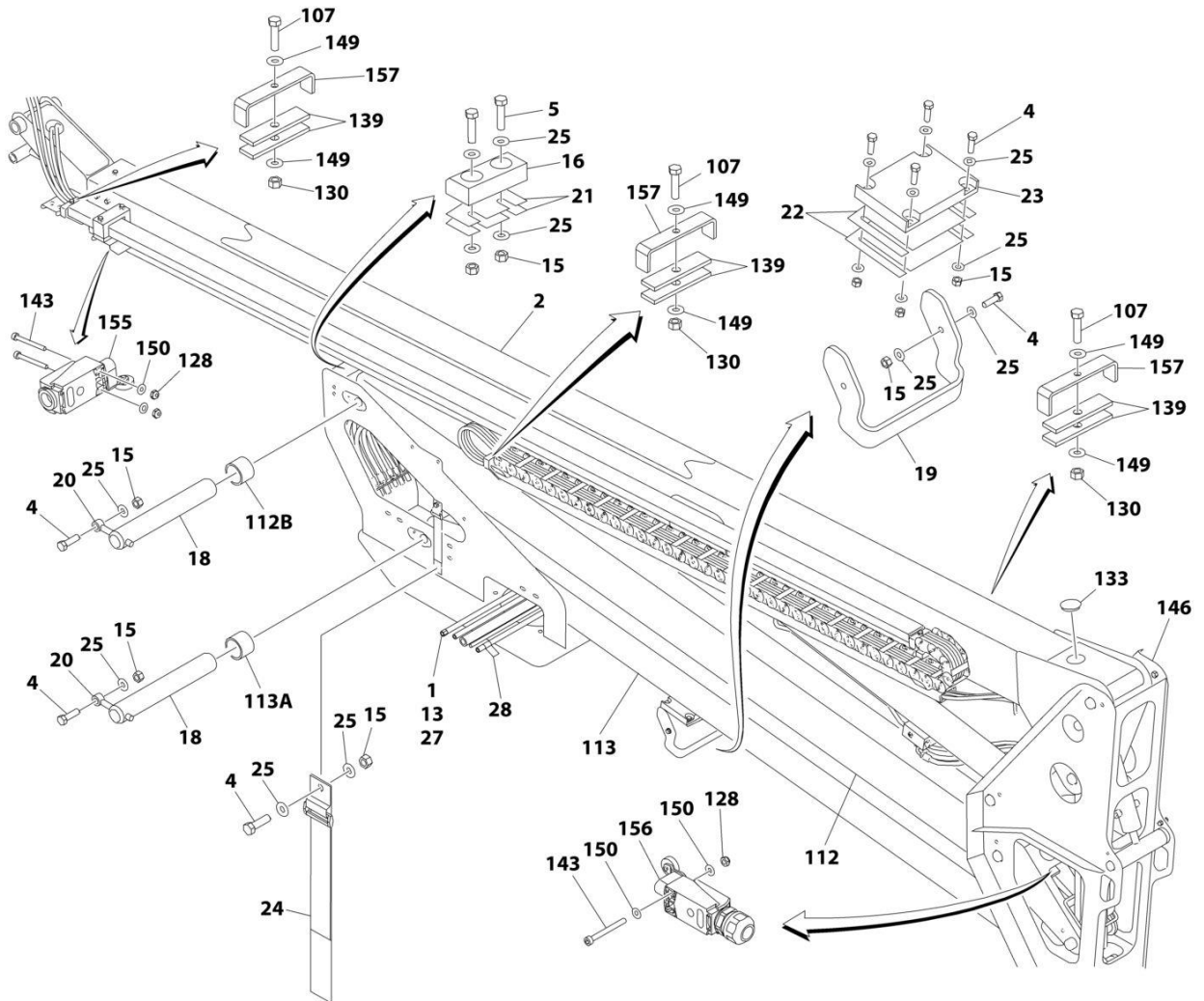
FIGURE 3-3. BOOM ASSEMBLY AND INSTALLATION WITH AIR AND SINGLE WATER LINE (T500J ANSI, ANSI EXPORT AND CSA SPECS)

ITEM	PART NUMBER	QTY	DESCRIPTION	REV
	0275009	Ref	BOOM INSTALLATION	E
1	0100020	AR	Sealant, Pipe	
2	0275008	1	Boom Assembly (See Items 101-157 for Breakdown)	
4	0641610	9	Bolt 3/8 x 1-1/4	
5	0641612	2	Bolt 3/8 x 1-1/2	
8	1706261	1	Nameplate - Pressure Washer	
9	1706262	1	Nameplate - Air Compressor	
10	1706337	1	Decal - Jib Manual Descent	
11	1706349	1	Decal - Manual Descent Arrows	
12	2221209	1	Fitting, Coupler	
13	2221212	1	Fitting, Nipple	
14	2221213	1	Fitting, Female Coupler	
15	3311605	11	Nut 3/8	
16	3340843	1	Pad, Wear	
18	3423203	2	Pin	
19	3575804	1	Plate, Boom Stop	
20	3841143	2	Keeper, Pin	
21	4071082	2	Shim	
22	4071083	2	Shim	
23	4220211	1	Pad, Boom Rest	
24	4240003	1	Strap, Cinch	
25	4711600	20	Washer 3/8	
27	1706625	1	Decal - Air	
28	1706626	1	Decal - Water	
29	2220003	1	Fitting, Swivel	
	0275008	Ref	BOOM ASSEMBLY	N
101	0100011	AR	Compound, Locking	
102	0100020	AR	Sealant, Pipe	
103	0100081	AR	Adhesive	
104	0641514	6	Bolt 5/16 x 1-3/4	
105	0641607	4	Bolt 3/8 x 7/8	
106	0641610	3	Bolt 3/8 x 1-1/4	
107	0641616	3	Bolt 3/8 x 2	
108	0641620	1	Bolt 3/8 x 2-1/2	
109	0641811	5	Bolt 1/2 x 1-3/8	
110	0641812	1	Bolt 1/2 x 1-1/2	
111	0801423	1	Main Boom Assembly (See Separate Breakdown in this Section)	
112	1001274196	1	Tube, Tower (Top)	A
112A	0961948	2	Bushing	
112B	0961951	2	Bushing	
113	0801451	1	Tube, Tower (Bottom)	E
113A	0961951	4	Bushing	
114	1271585	1	Channel, Jib (Top)	
114A	0962257	4	Bushing	
115	1271633	1	Channel, Jib (Bottom)	
115A	0962257	4	Bushing	
116	1320294	1	Bar, Clamp	
117	1321137	2	Block, Clamp	

SECTION 3 - BOOM

ITEM	PART NUMBER	QTY	DESCRIPTION	REV
118	1684398	1	Master Cylinder Assembly (See Separate Breakdown in CYLINDER Section)	C
119	1684434	1	Lift Cylinder Assembly (See Separate Breakdown in CYLINDER Section)	
120	1684494	1	Jib Cylinder Assembly (See Separate Breakdown in CYLINDER Section)	
121	2220364	1	Fitting, Coupler	
122	2221210	1	Fitting, Nipple	
123	2221211	1	Fitting, Female Coupler	
124	2754173	1	Hose, Air Line	
125	2754174	1	Hose, Water Line	
127	3010130	1	Link, Timing	
127A	0961948	4	Bushing	
128	3290405	4	Nut M4	
129	3311505	6	Nut 5/16	
130	3311605	7	Nut 3/8	
131	3311805	6	Nut 1/2	
132	3340942	2	Pad, Rubber	
133	3340943	6	Pad, Rubber	
134	3422796	3	Pin	
135	3423156	4	Pin	
136	3423201	1	Pin	
137	3423202	3	Pin	
138	3423204	2	Pin	
139	3575887	3	Plate, Clamping	
140	3760133	4	Ring, Retaining	
141	3841143	7	Keeper, Pin	
142	3841203	6	Keeper, Pin	
143	4031512	4	Capscrew M4 x 40	
144	4460496	1	Lockwasher, Terminal	
145	4460497	1	Nut, Terminal	
146	4630003	1	Upright	
147	4630005	1	Pivot	
148	4711500	12	Washer 5/16	
149	4711600	6	Washer 3/8	
150	4811400	6	Washer M4	
151	4923101	1	Harness, Lift Down Prop Valve (Not Shown - See Separate Breakdown in ELECTRICAL Section)	
152	4923102	1	Harness, Boom Cable (Not Shown - See Separate Breakdown in ELECTRICAL Section)	
153	4923111	1	Harness, AC Cable (Not Shown)	
154	4923184	1	Harness, Center Brake Light (Not Shown - See Separate Breakdown in ELECTRICAL Section)	
155	4923193	1	Harness, Telescope Limit Switch (Not Shown - See Separate Breakdown in ELECTRICAL Section)	
156	4923217	1	Harness, Transport Limit Switch (Not Shown - See Separate Breakdown in ELECTRICAL Section)	
157	1001092012	1	Plug, Hole	

SECTION 3 - BOOM



ART_1001114580_2OF2

SECTION 3 - BOOM

FIGURE 3-4. BOOM ASSEMBLY AND INSTALLATION WITH AIR AND DUAL WATER LINE (T500J ANSI, ANSI EXPORT AND CSA SPECS)

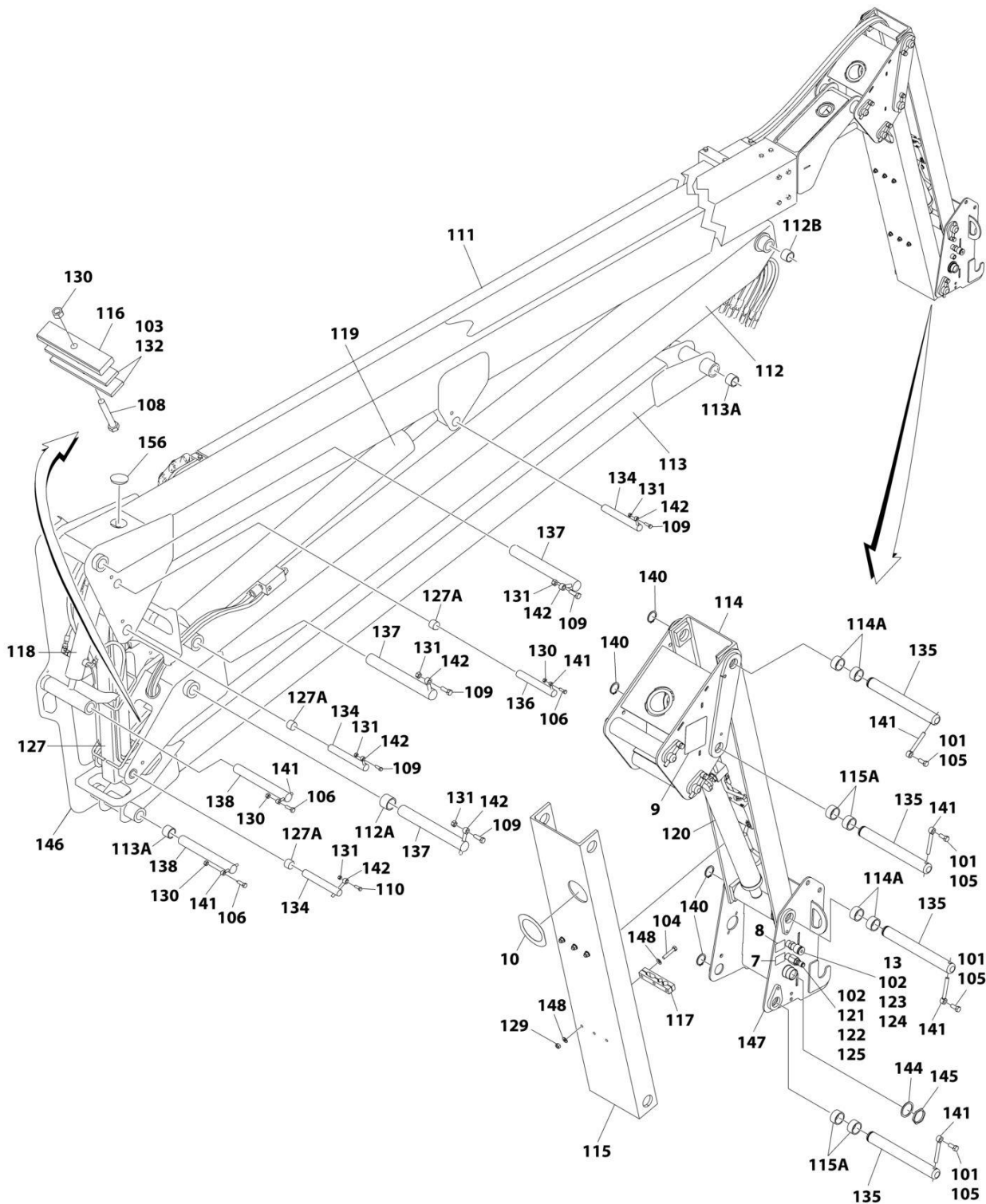
ITEM	PART NUMBER	QTY	DESCRIPTION	REV
	1001114580	Ref	BOOM INSTALLATION	C
1	0100020	AR	Sealant, Pipe	
2	1001114581	1	Boom Assembly (See Items 101-160 for Breakdown)	
4	0641610	9	Bolt 3/8 x 1-1/4	
5	0641612	2	Bolt 3/8 x 1-1/2	
8	1001115241	2	Decal - Capacity Reduction	
9	1706262	1	Nameplate - Air Compressor	
10	1706337	1	Decal - Jib Manual Descent	
11	1706349	1	Decal - Manual Descent Arrows	
13	2221212	1	Fitting, Nipple	
15	3311605	11	Nut 3/8	
16	3340843	1	Pad, Wear	
18	3423203	2	Pin	
19	3575804	2	Plate, Boom Stop	
20	3841143	2	Keeper, Pin	
21	4071082	2	Shim	
22	4071083	2	Shim	
23	4220211	1	Pad, Boom Rest	
24	4240003	1	Strap, Cinch	
25	4711600	20	Washer 3/8	
27	1706625	1	Decal - Air	
28	1706626	1	Decal - Water	
29	2220003	1	Fitting, Swivel	
	1001114581	Ref	BOOM ASSEMBLY	K
101	0100011	AR	Compound, Locking	
102	0100020	AR	Sealant, Pipe	
103	0100081	AR	Adhesive	
104	0641514	6	Bolt 5/16 x 1-3/4	
105	0641607	4	Bolt 3/8 x 7/8	
106	0641610	3	Bolt 3/8 x 1-1/4	
107	0641616	3	Bolt 3/8 x 2	
108	0641620	1	Bolt 3/8 x 2-1/2	
109	0641811	5	Bolt 1/2 x 1-3/8	
110	0641812	1	Bolt 1/2 x 1-1/2	
111	1001114582	1	Main Boom Assembly (See Separate Breakdown in this Section)	
112	1001274196	1	Tube, Tower (Top)	A
112A	0961948	2	Bushing	
112B	0961951	2	Bushing	
113	0801451	1	Tube, Tower (Bottom)	E
113A	0961951	4	Bushing	
114	1271585	1	Channel, Jib (Top)	A
114A	0962257	4	Bushing	
115	1271633	1	Channel, Jib (Bottom)	A
115A	0962257	4	Bushing	
116	1320294	1	Bar, Clamp	
117	1001115151	2	Block, Clamp (Boom with Air and Dual Water Lines to Platform)	
118	1684398	1	Master Cylinder Assembly (See Separate Breakdown in CYLINDER Section)	

SECTION 3 - BOOM

ITEM	PART NUMBER	QTY	DESCRIPTION	REV
119	1684434	1	Lift Cylinder Assembly (See Separate Breakdown in CYLINDER Section)	
120	1684494	1	Jib Cylinder Assembly (See Separate Breakdown in CYLINDER Section)	
121	0641618	2	Bolt 3/8 x 2-1/4	
122	1321137	2	Block, Clamp	
123	2221211	1	Fitting, Female Coupler	
124	2754173	1	Hose, Air Line	
127	3010130	1	Link, Timing	
127A	0961948	4	Bushing	
128	3290405	4	Nut M4	
129	3311505	6	Nut 5/16	
130	3311605	9	Nut 3/8	
131	3311805	6	Nut 1/2	
132	3340942	2	Pad, Rubber	
133	1001092012	1	Plug, Hole	
134	3422796	3	Pin	
135	3423156	4	Pin	
136	3423201	1	Pin	
137	3423202	3	Pin	
138	3423204	2	Pin	
139	1001114739	6	Pad, Rubber	
140	3760133	4	Ring, Retaining	
141	3841143	7	Keeper, Pin	
142	3841203	6	Keeper, Pin	
143	4031512	4	Capscrew M4 x 40	
144	4460496	1	Lockwasher, Terminal	
145	4460497	1	Nut, Terminal	
146	4630003	1	Upright	
147	4630005	1	Pivot	
148	4711500	12	Washer 5/16	
149	4711600	10	Washer 3/8	
150	4811400	6	Washer M4	
151	4923101	1	Harness, Lift Down Prop Valve (Not Shown - See Separate Breakdown in ELECTRICAL Section)	
152	4923102	1	Harness, Boom Cable (Not Shown - See Separate Breakdown in ELECTRICAL Section)	
153	4923111	1	Harness, AC Cable (Not Shown)	
154	4923184	1	Harness, Center Brake Light (Not Shown - See Separate Breakdown in ELECTRICAL Section)	
155	4923193	1	Harness, Telescope Limit Switch (See Separate Breakdown in ELECTRICAL Section)	
156	4923217	1	Harness, Transport Limit Switch (See Separate Breakdown in ELECTRICAL Section)	
157	1001114740	3	Plate, Clamping	
158	1001114583	1	Hose, Water Line 3/4	
159	1001114584	1	Hose, Water Line 3/8	
160	1001114585	1	Cable, Control	

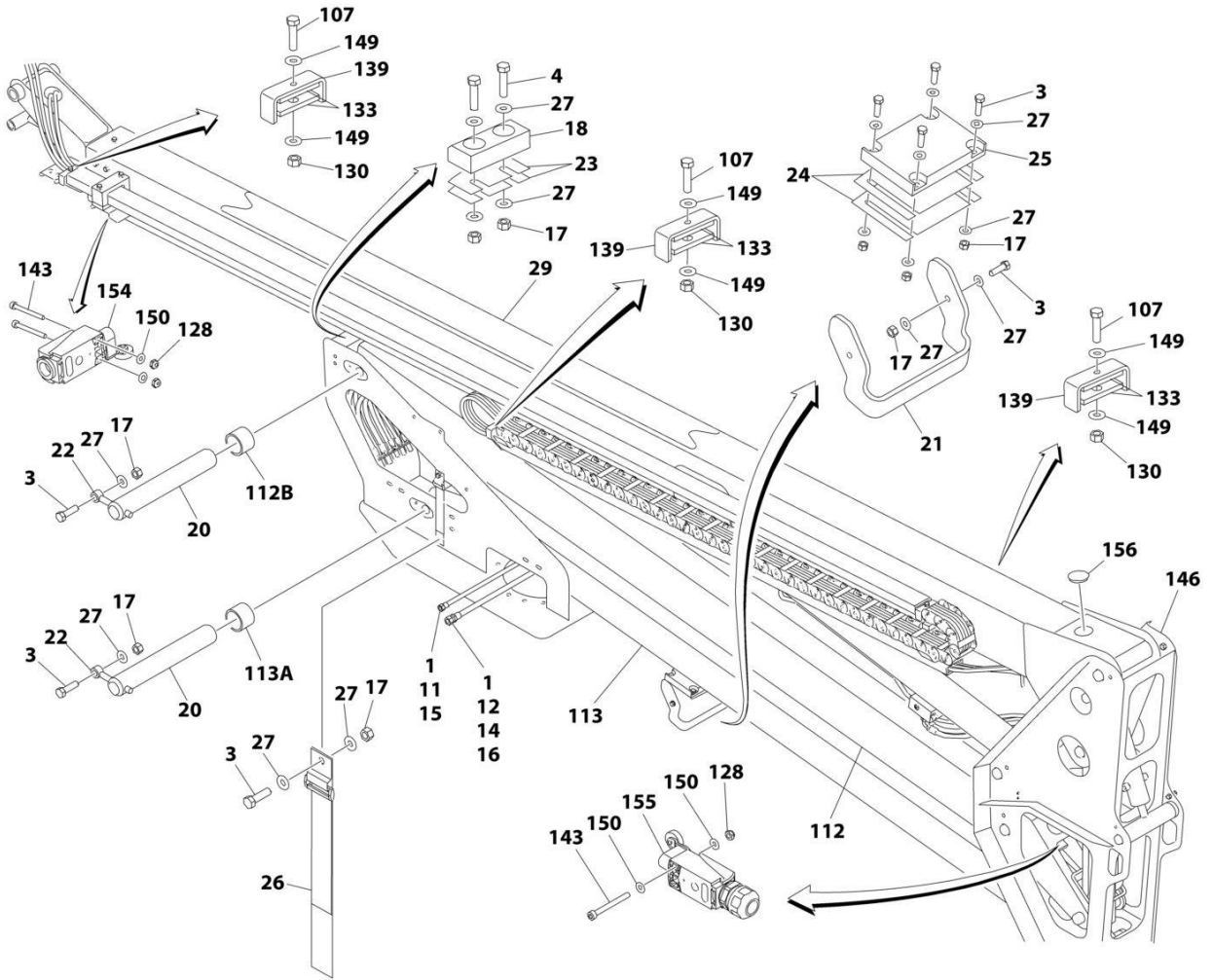
SECTION 3 - BOOM

FIGURE 3-5. BOOM ASSEMBLY AND INSTALLATION WITH AIR AND SINGLE WATER LINE (T500J AUSTRALIAN AND SOUTH AFRICAN SPECS)



ART_1001229945_10F2

SECTION 3 - BOOM



ART_1001229945_20F2

SECTION 3 - BOOM

FIGURE 3-5. BOOM ASSEMBLY AND INSTALLATION WITH AIR AND SINGLE WATER LINE (T500J AUSTRALIAN AND SOUTH AFRICAN SPECS)

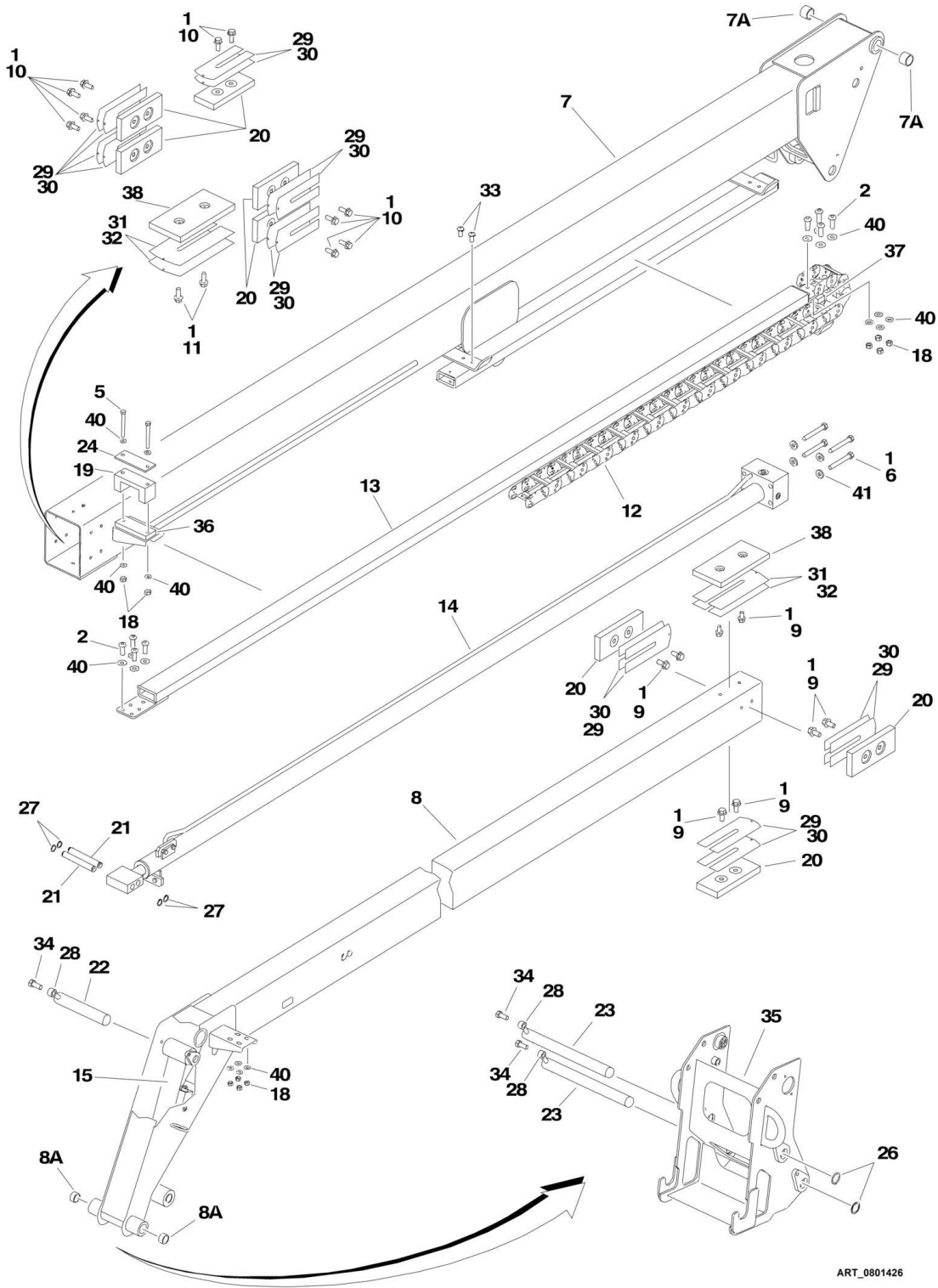
ITEM	PART NUMBER	QTY	DESCRIPTION	REV
	1001229945	Ref	BOOM INSTALLATION	B
1	0100020	AR	Sealant, Pipe	
3	0641610	9	Bolt 3/8 x 1-1/4	
4	0641612	2	Bolt 3/8 x 1-1/2	
7	1706261	1	Nameplate - Pressure Washer	
8	1706262	1	Nameplate - Air Compressor	
9	1706337	1	Decal - Jib Manual Descent	
10	1706349	1	Decal - Manual Descent Arrows	
11	1706625	1	Decal - Air	
12	1706626	1	Decal - Water	
13	2220003	1	Fitting, Swivel	
14	2221209	1	Fitting, Coupler	
15	2221212	1	Fitting, Nipple	
16	2221213	1	Fitting, Female Coupler	
17	3311605	11	Nut 3/8	
18	3340843	1	Pad, Wear	
20	3423203	2	Pin	
21	3575804	2	Plate, Boom Stop	
22	3841143	2	Keeper, Pin	
23	4071082	2	Shim	
24	4071083	2	Shim	
25	4220211	1	Pad, Boom Rest	
26	4240003	1	Strap, Cinch	
27	4711600	20	Washer 3/8	
29	1001224913	1	Boom Assembly (See Items 101-157 for Breakdown)	
	1001224913	Ref	BOOM ASSEMBLY	C
101	0100011	AR	Compound, Locking	
102	0100020	AR	Sealant, Pipe	
103	0100081	AR	Adhesive	
104	0641514	6	Bolt 5/16 x 1-3/4	
105	0641607	4	Bolt 3/8 x 7/8	
106	0641610	3	Bolt 3/8 x 1-1/4	
107	0641616	3	Bolt 3/8 x 2	
108	0641620	1	Bolt 3/8 x 2-1/2	
109	0641811	5	Bolt 1/2 x 1-3/8	
110	0641812	1	Bolt 1/2 x 1-1/2	
111	0801423	1	Main Boom Assembly (See Separate Breakdown in this Section)	
112	1001274196	1	Tube, Tower (Top)	A
112A	0961948	2	Bushing	
112B	0961951	2	Bushing	
113	0801451	1	Tube, Tower (Bottom)	E
113A	0961951	4	Bushing	
114	1271585	1	Channel, Jib (Top)	A
114A	0962257	4	Bushing	
115	1271633	1	Channel, Jib (Bottom)	A
115A	0962257	4	Bushing	
116	1320294	1	Bar, Clamp	
117	1321137	2	Block, Clamp	

SECTION 3 - BOOM

ITEM	PART NUMBER	QTY	DESCRIPTION	REV
118	1684398	1	Master Cylinder Assembly (See Separate Breakdown in CYLINDER Section)	C
119	1684434	1	Lift Cylinder Assembly (See Separate Breakdown in CYLINDER Section)	
120	1684494	1	Jib Cylinder Assembly (See Separate Breakdown in CYLINDER Section)	
121	2220364	1	Fitting, Coupler	
122	2221210	1	Fitting, Nipple	
123	2221211	1	Fitting, Female Coupler	
124	2754173	1	Hose, Air Line	
125	2754174	1	Hose, Water Line	
127	3010130	1	Link, Timing	
127A	0961948	4	Bushing	
128	3290405	4	Nut M4	
129	3311505	6	Nut 5/16	
130	3311605	7	Nut 3/8	
131	3311805	6	Nut 1/2	
132	3340942	2	Pad, Rubber	
133	3340943	6	Pad, Rubber	
134	3422796	3	Pin	
135	3423156	4	Pin	
136	3423201	1	Pin	
137	3423202	3	Pin	
138	3423204	2	Pin	
139	3575887	3	Plate, Clamping	
140	3760133	4	Ring, Retaining	
141	3841143	7	Keeper, Pin	
142	3841203	6	Keeper, Pin	
143	4031512	4	Capscrew M4 x 40	
144	4460496	1	Lockwasher, Terminal	
145	4460497	1	Nut, Terminal	
146	4630003	1	Upright	
147	4630005	1	Pivot	
148	4711500	12	Washer 5/16	
149	4711600	6	Washer 3/8	
150	4811400	6	Washer M4	
151	4923101	1	Harness, Lift Down Prop Valve (Not Shown - See Separate Breakdown in ELECTRICAL Section)	
152	4923102	1	Harness, Boom Cable (Not Shown - See Separate Breakdown in ELECTRICAL Section)	
153	4923111	1	Harness, AC Cable (Not Shown)	
154	4923193	1	Harness, Telescope Limit Switch (See Separate Breakdown in ELECTRICAL Section)	
155	4923217	1	Harness, Transport Limit Switch (See Separate Breakdown in ELECTRICAL Section)	
156	1001092012	1	Plug, Hole	
157	1001224594	1	Harness, Center Brake Light (Not Shown - See Separate Breakdown in ELECTRICAL Section)	

SECTION 3 - BOOM

FIGURE 3-6. MAIN BOOM ASSEMBLY (T350) (PVC2001)



ART_0801426

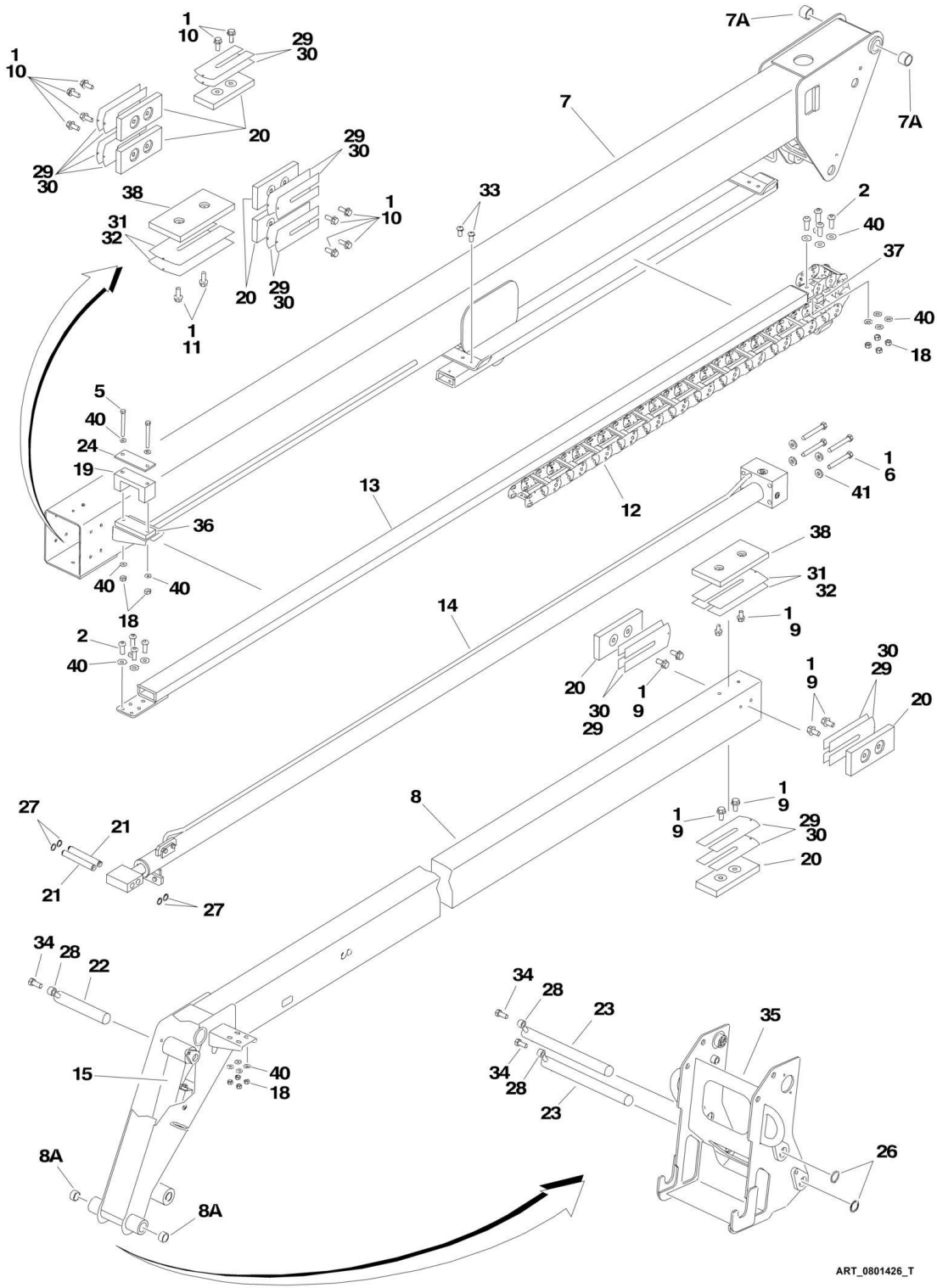
SECTION 3 - BOOM

FIGURE 3-6. MAIN BOOM ASSEMBLY (T350) (PVC2001)

ITEM	PART NUMBER	QTY	DESCRIPTION	REV
	0801426	Ref	BOOM ASSEMBLY	S
1	0100011	AR	Compound, Locking	
2	3900316	8	Screw 3/8 x 1	
5	0641628	2	Bolt 3/8 x 3-1/2	
6	0641830	4	Bolt 1/2 x 3-3/4	
7	0801427	1	Base, Boom	
7A	0961951	2	Bushing	
8	0801428	1	Fly, Boom	
8A	0961947	2	Bushing	
9	0811606	8	Screw 3/8 x 3/4	
10	0811607	10	Screw 3/8 x 7/8	
11	0811608	2	Screw 3/8 x 1	
12	1180391	1	Power Track	
12	70002233	AR	Repair Section - Power Track	
13	1180394	1	Tube, Push	
14	1684367	1	Telescope Cylinder Assembly (See Separate Breakdown in CYLINDER Section)	
15	1684373	1	Platform Level Cylinder Assembly (See Separate Breakdown in CYLINDER Section)	
18	3311605	10	Nut 3/8	
19	3340764	1	Pad	
20	3340881	8	Pad, Wear	
21	3423101	2	Pin	
22	3423104	1	Pin	
23	3423105	2	Pin	
24	3538758	1	Plate	
26	3760115	2	Ring, Retaining	
27	3760351	4	Ring, Retaining	
28	3841143	3	Keeper, Pin	
29	4070897	8	Shim #18 Gauge	
30	4070898	8	Shim #11 Gauge	
31	4071039	2	Shim 18 Gauge	
32	4071040	2	Shim #11 Gauge	
33	3900283	2	Screw 3/8 x 3/4	
34	0641607	3	Bolt 3/8 x 7/8	
35	4630002	1	Pivot	
36	4700017	1	Pad, Wear	
37	4700018	1	Pad, Wear	
38	4700019	2	Pad, Wear	
40	4711600	18	Washer 3/8	
41	4891800	4	Washer 1/2	
44	4460497	1	Nut, Terminal (Not Shown)	
45	4460496	1	Lockwasher, Terminal (Not Shown)	

SECTION 3 - BOOM

FIGURE 3-7. MAIN BOOM ASSEMBLY (T350) (PVC2007)



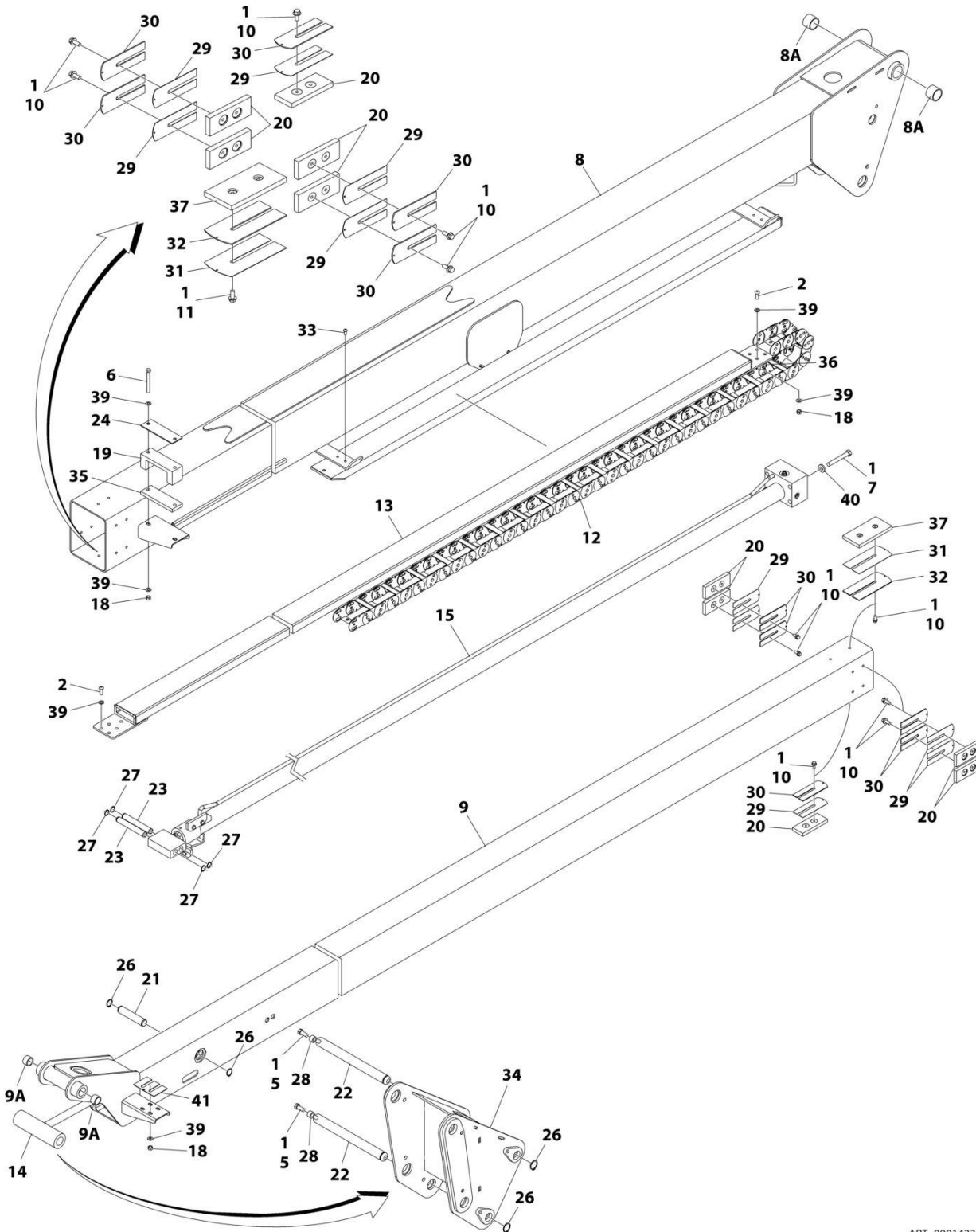
SECTION 3 - BOOM

FIGURE 3-7. MAIN BOOM ASSEMBLY (T350) (PVC2007)

ITEM	PART NUMBER	QTY	DESCRIPTION	REV
	0801426	Ref	BOOM ASSEMBLY	T
1	0100011	AR	Compound, Locking	
2	3900316	8	Screw 3/8 x 1	
5	0641628	2	Bolt 3/8 x 3-1/2	
6	0641830	4	Bolt 1/2 x 3-3/4	
7	0801427	1	Base, Boom	
7A	0961951	2	Bushing	
8	0801428	1	Fly, Boom	
8A	0961947	2	Bushing	
9	0811606	8	Screw 3/8 x 3/4	
10	0811607	10	Screw 3/8 x 7/8	
11	0811608	2	Screw 3/8 x 1	
12	1001255963	1	Power Track	
13	1180394	1	Tube, Push	
14	1684367	1	Telescope Cylinder Assembly (See Separate Breakdown in CYLINDER Section)	
15	1684373	1	Platform Level Cylinder Assembly (See Separate Breakdown in CYLINDER Section)	
18	3311605	10	Nut 3/8	
19	3340764	1	Pad	
20	3340881	8	Pad, Wear	
21	3423101	2	Pin	
22	3423104	1	Pin	
23	3423105	2	Pin	
24	3538758	1	Plate	
26	3760115	2	Ring, Retaining	
27	3760351	4	Ring, Retaining	
28	3841143	3	Keeper, Pin	
29	4070897	8	Shim #18 Gauge	
30	4070898	8	Shim #11 Gauge	
31	4071039	2	Shim 18 Gauge	
32	4071040	2	Shim #11 Gauge	
33	3900283	2	Screw 3/8 x 3/4	
34	0641607	3	Bolt 3/8 x 7/8	
35	4630002	1	Pivot	
36	4700017	1	Pad, Wear	
37	4700018	1	Pad, Wear	
38	4700019	2	Pad, Wear	
40	4711600	18	Washer 3/8	
41	4891800	4	Washer 1/2	
44	4460497	1	Nut, Terminal (Not Shown)	
45	4460496	1	Lockwasher, Terminal (Not Shown)	

SECTION 3 - BOOM

FIGURE 3-8. MAIN BOOM ASSEMBLY (T500J WITH SINGLE WATER LINE) (PVC2001)



ART_0801423

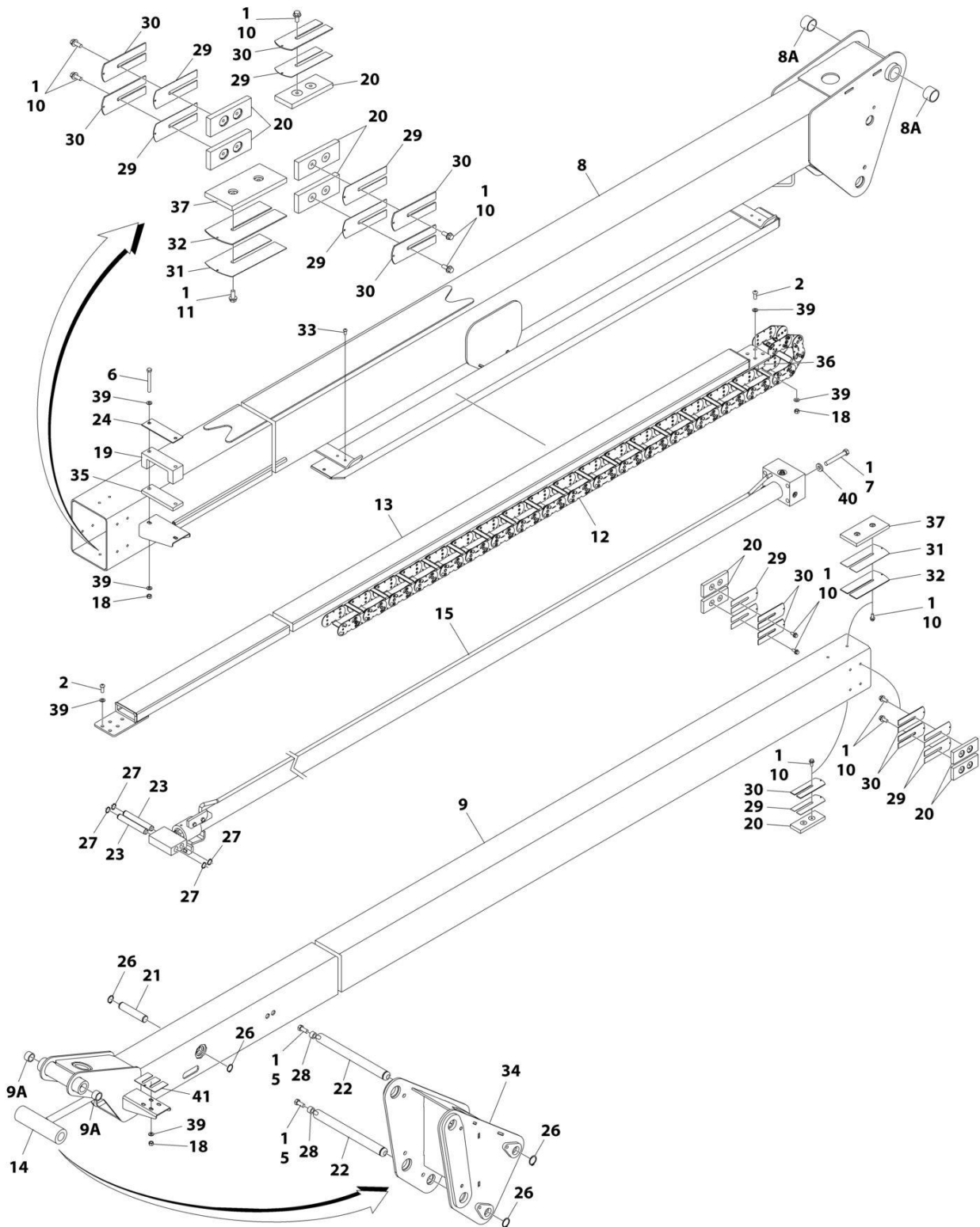
SECTION 3 - BOOM

FIGURE 3-8. MAIN BOOM ASSEMBLY (T500J WITH SINGLE WATER LINE) (PVC2001)

ITEM	PART NUMBER	QTY	DESCRIPTION	REV
	0801423	Ref	BOOM ASSEMBLY	O
1	0100011	AR	Compound, Locking	
2	3900316	8	Screw 3/8 x 1	
5	0641607	2	Bolt 3/8 x 7/8	
6	0641628	2	Bolt 3/8 x 3-1/2	
7	0641830	4	Bolt 1/2 x 3-3/4	
8	0801424	1	Base, Boom	
8A	0961948	2	Bushing	
9	0801425	1	Fly, Boom	
9A	0962292	2	Bushing	
10	0811607	22	Screw 3/8 x 7/8	
11	0811608	2	Screw 3/8 x 1	
12	1180393	1	Power Track	
12	70002233	AR	Repair Section	
13	1180398	1	Tube, Push	
14	1684397	1	Platform Level Cylinder Assembly (See Separate Breakdown in CYLINDER Section)	
15	1684402	1	Telescope Cylinder Assembly (See Separate Breakdown in CYLINDER Section)	
18	3311605	10	Nut 3/8	
19	4220254	1	Pad	
20	3340881	10	Pad, Wear	
21	3422745	1	Pin	
22	3423105	2	Pin	
23	3423161	2	Pin	
24	3575889	1	Plate	
26	3760115	4	Ring, Retaining	
27	3760351	4	Ring, Retaining	
28	3841143	2	Keeper, Pin	
29	4070897	10	Shim #18 Gauge	
30	4070898	10	Shim #11 Gauge	
31	4071039	2	Shim #18 Gauge	
32	4071040	2	Shim #11 Gauge	
33	3900283	2	Screw 3/8 x 3/4	
34	4630004	1	Pivot	
35	4700037	1	Pad, Wear	
36	4700018	1	Pad, Wear	
37	4700019	2	Pad, Wear	
39	4711600	18	Washer 3/8	
40	4891800	4	Washer 1/2	
41	4071117	1	Shim	

SECTION 3 - BOOM

FIGURE 3-9. MAIN BOOM ASSEMBLY (T500J WITH SINGLE WATER LINE) (PVC2007)



ART_0801423_P

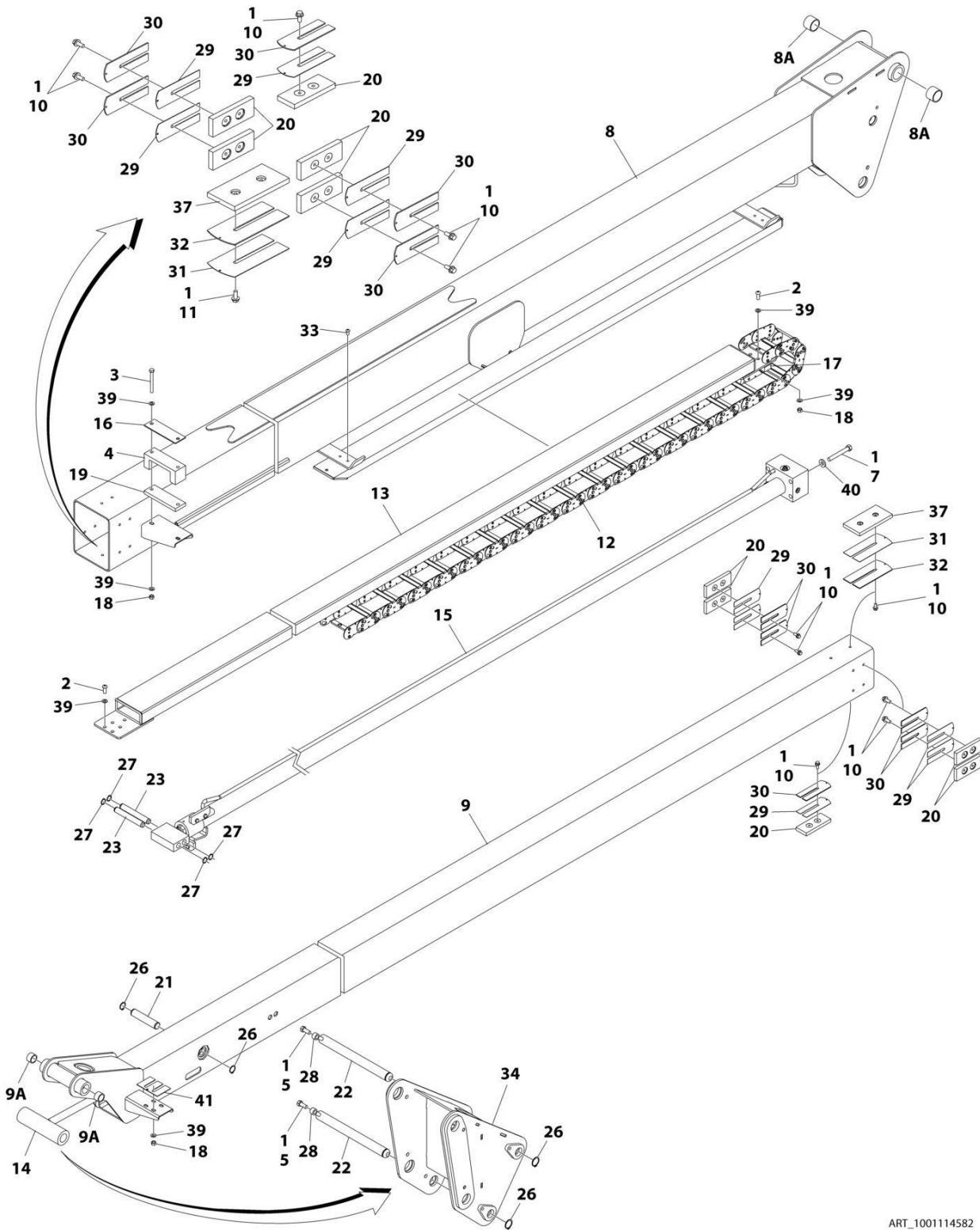
SECTION 3 - BOOM

FIGURE 3-9. MAIN BOOM ASSEMBLY (T500J WITH SINGLE WATER LINE) (PVC2007)

ITEM	PART NUMBER	QTY	DESCRIPTION	REV
	0801423	Ref	BOOM ASSEMBLY	P
1	0100011	AR	Compound, Locking	
2	3900316	8	Screw 3/8 x 1	
5	0641607	2	Bolt 3/8 x 7/8	
6	0641628	2	Bolt 3/8 x 3-1/2	
7	0641830	4	Bolt 1/2 x 3-3/4	
8	0801424	1	Base, Boom	
8A	0961948	2	Bushing	
9	0801425	1	Fly, Boom	
9A	0962292	2	Bushing	
10	0811607	22	Screw 3/8 x 7/8	
11	0811608	2	Screw 3/8 x 1	
12	1001255962	1	Power Track	
13	1180398	1	Tube, Push	
14	1684397	1	Platform Level Cylinder Assembly (See Separate Breakdown in CYLINDER Section)	
15	1684402	1	Telescope Cylinder Assembly (See Separate Breakdown in CYLINDER Section)	
18	3311605	10	Nut 3/8	
19	4220254	1	Pad	
20	3340881	10	Pad, Wear	
21	3422745	1	Pin	
22	3423105	2	Pin	
23	3423161	2	Pin	
24	3575889	1	Plate	
26	3760115	4	Ring, Retaining	
27	3760351	4	Ring, Retaining	
28	3841143	2	Keeper, Pin	
29	4070897	10	Shim #18 Gauge	
30	4070898	10	Shim #11 Gauge	
31	4071039	2	Shim #18 Gauge	
32	4071040	2	Shim #11 Gauge	
33	3900283	2	Screw 3/8 x 3/4	
34	4630004	1	Pivot	
35	4700037	1	Pad, Wear	
36	4700018	1	Pad, Wear	
37	4700019	2	Pad, Wear	
39	4711600	18	Washer 3/8	
40	4891800	4	Washer 1/2	
41	4071117	1	Shim	

SECTION 3 - BOOM

FIGURE 3-10. MAIN BOOM ASSEMBLY (T500J WITH DUAL WATER LINES)



ART_1001114582

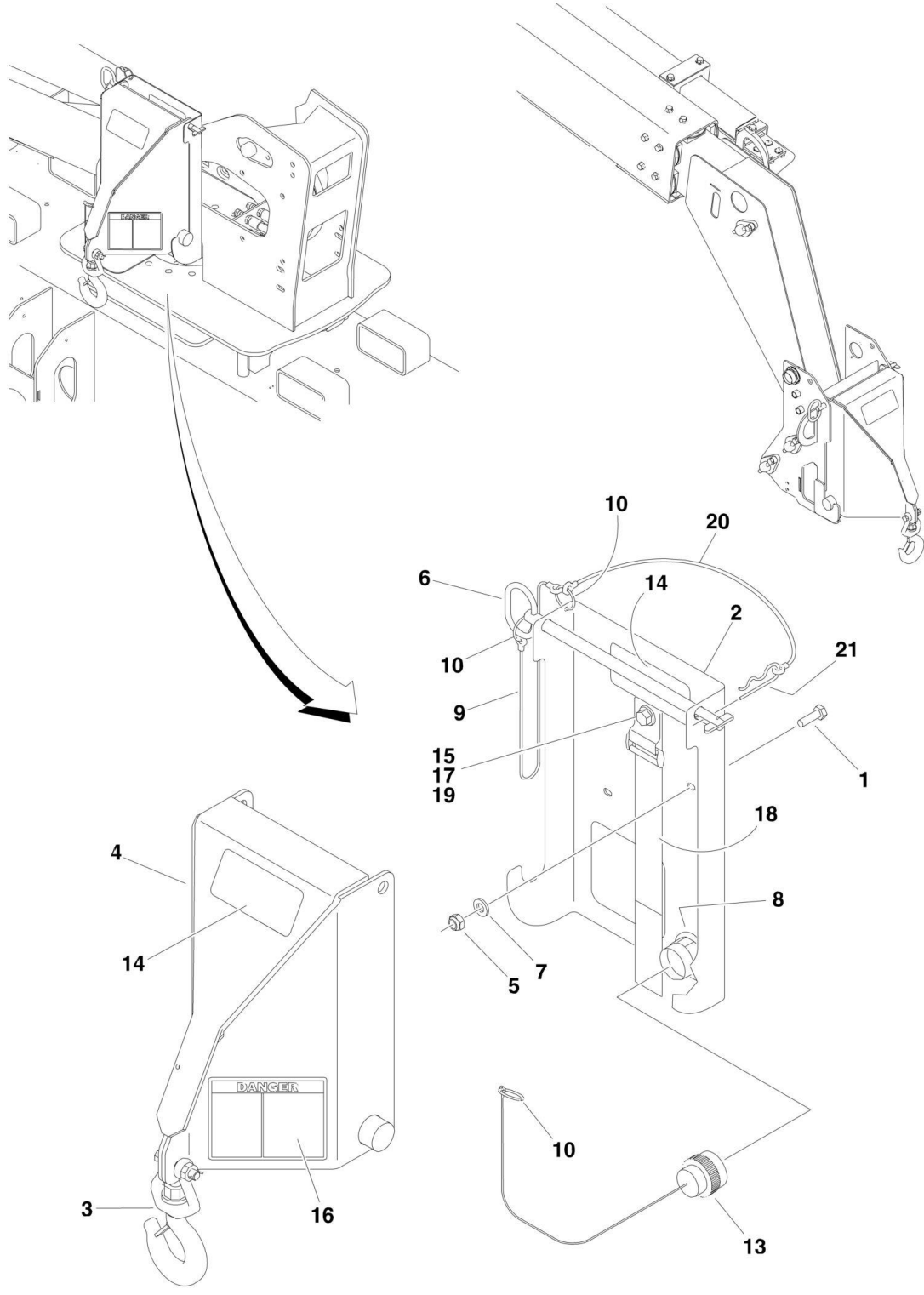
SECTION 3 - BOOM

FIGURE 3-10. MAIN BOOM ASSEMBLY (T500J WITH DUAL WATER LINES)

ITEM	PART NUMBER	QTY	DESCRIPTION	REV
	1001114582	Ref	BOOM ASSEMBLY	E
1	0100011	AR	Compound, Locking	
2	3900316	8	Screw 3/8 x 1	
3	0641634	4	Bolt 3/8 x 4-1/4	
4	1001114667	1	Pad, Push Tube	
5	0641607	2	Bolt 3/8 x 7/8	
7	0641830	4	Bolt 1/2 x 3-3/4	
8	1001114587	1	Base, Boom	
8A	0961948	2	Bushing	
9	1001114588	1	Fly, Boom	
9A	0962292	2	Bushing	
10	0811607	22	Screw 3/8 x 7/8	
11	0811608	2	Screw 3/8 x 1	
12	1001224893	1	Power Track	
12	70002532	AR	Repair Section	
13	1001114589	1	Tube, Push	
14	1684397	1	Platform Level Cylinder Assembly (See Separate Breakdown in CYLINDER Section)	
15	1684402	1	Telescope Cylinder Assembly (See Separate Breakdown in CYLINDER Section)	
16	1001114670	1	Plate	
17	1001114755	1	Pad, Wear	
18	3311605	10	Nut 3/8	
19	1001114756	1	Pad, Wear	
20	3340881	10	Pad, Wear	
21	3422745	1	Pin	
22	3423105	2	Pin	
23	3423161	2	Pin	
26	3760115	4	Ring, Retaining	
27	3760351	4	Ring, Retaining	
28	3841143	2	Keeper, Pin	
29	4070897	10	Shim #18 Gauge	
30	4070898	10	Shim #11 Gauge	
31	4071039	2	Shim #18 Gauge	
32	4071040	2	Shim #11 Gauge	
33	3900283	2	Screw 3/8 x 3/4	
34	4630004	1	Pivot	
37	4700019	2	Pad, Wear	
39	4711600	18	Washer 3/8	
40	4891800	4	Washer 1/2	
41	4071117	1	Shim	

SECTION 3 - BOOM

FIGURE 3-11. MATERIAL HOOK INSTALLATION (OPTIONAL)



SECTION 3 - BOOM

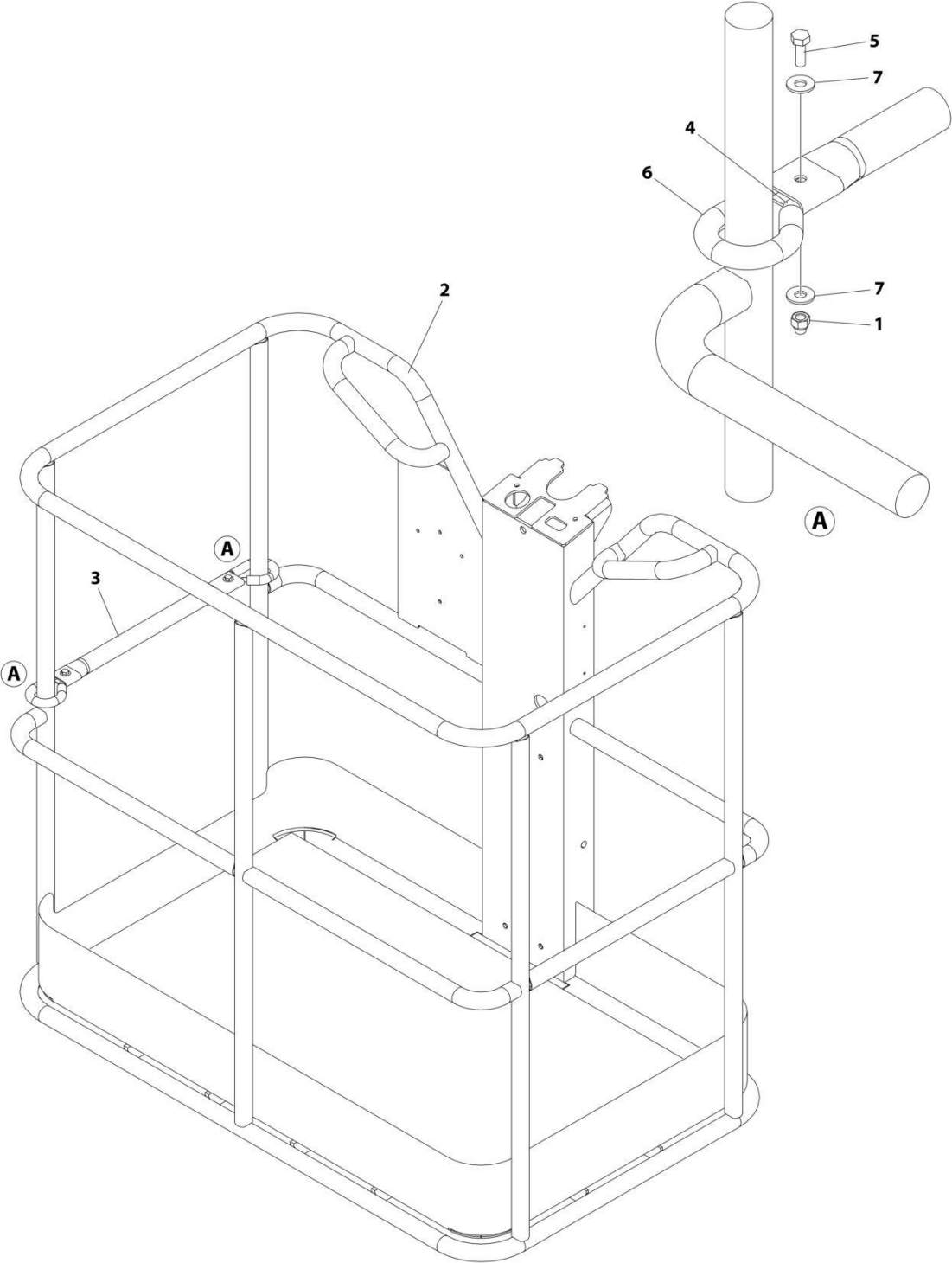
FIGURE 3-11. MATERIAL HOOK INSTALLATION (OPTIONAL)

ITEM	PART NUMBER	QTY	DESCRIPTION	REV
	0273678	Ref	MATERIAL HOOK INSTALLATION (OPTIONAL)	I
1	0700610	2	Bolt M6 x 20	
1	0641407	2	Bolt 1/4 x 7/8	
2	0903075	1	Bracket	
3	2700108	1	Hook, Swivel	
4	2700104	1	Attachment, Hook	
5	3290605	2	Nut M6	
5	3311405	2	Nut 1/4	
6	3423100	2	Pin, Gravity	
7	4811700	4	Washer M6	
7	4711400	4	Washer 1/4	
8	4923124	1	Harness, Hook Cable (See Separate Breakdown in ELECTRICAL Section)	
9	1060697	1	Lanyard	
10	3760170	3	Ring, Split	
13	4461065	1	Cap, Terminal Dust with Lanyard	
14	1706313	2	Decal - Hook Capacity	
15	0641606	1	Bolt 3/8 x 3/4	
16	1706128	1	Decal - Electrocution	
17	3311605	1	Nut 3/8	
18	4240003	1	Strap, Cinch	
19	4711600	2	Washer 3/8	
20	1060799	2	Lanyard	
21	8310264	2	Hairpin	

SECTION 4 - PLATFORM

SECTION 4 - PLATFORM

FIGURE 4-1. PLATFORM ASSEMBLY



ART_1001214179

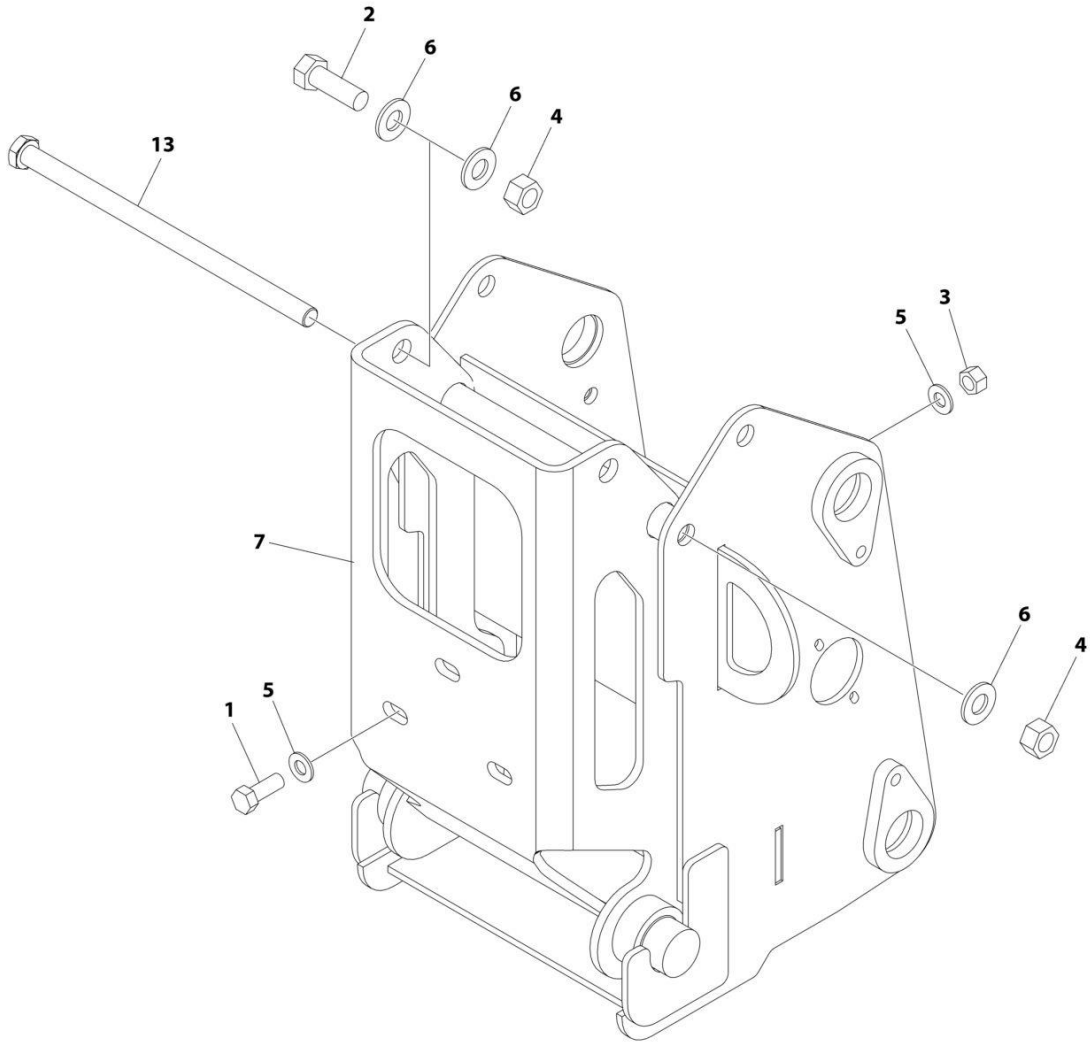
SECTION 4 - PLATFORM

FIGURE 4-1. PLATFORM ASSEMBLY

ITEM	PART NUMBER	QTY	DESCRIPTION	REV
	1001214179	Ref	PLATFORM ASSEMBLY	D
1	2080063	2	Nut 1/4	
2	See Note	NSS	Platform (Note: Not Available - Purchase Complete Platform Assembly)	
3	3641585	1	Tube, Gate	
4	3841692	2	Rod, Gate	
5	0641406	2	Bolt 1 /4	
6	1560010	14 in/ 36cm	Conduit	
7	4751400	4	Washer 1/4	

SECTION 4 - PLATFORM

FIGURE 4-2. PLATFORM MOUNT INSTALLATION (WITHOUT ROTATOR)



ART_1001091364_D

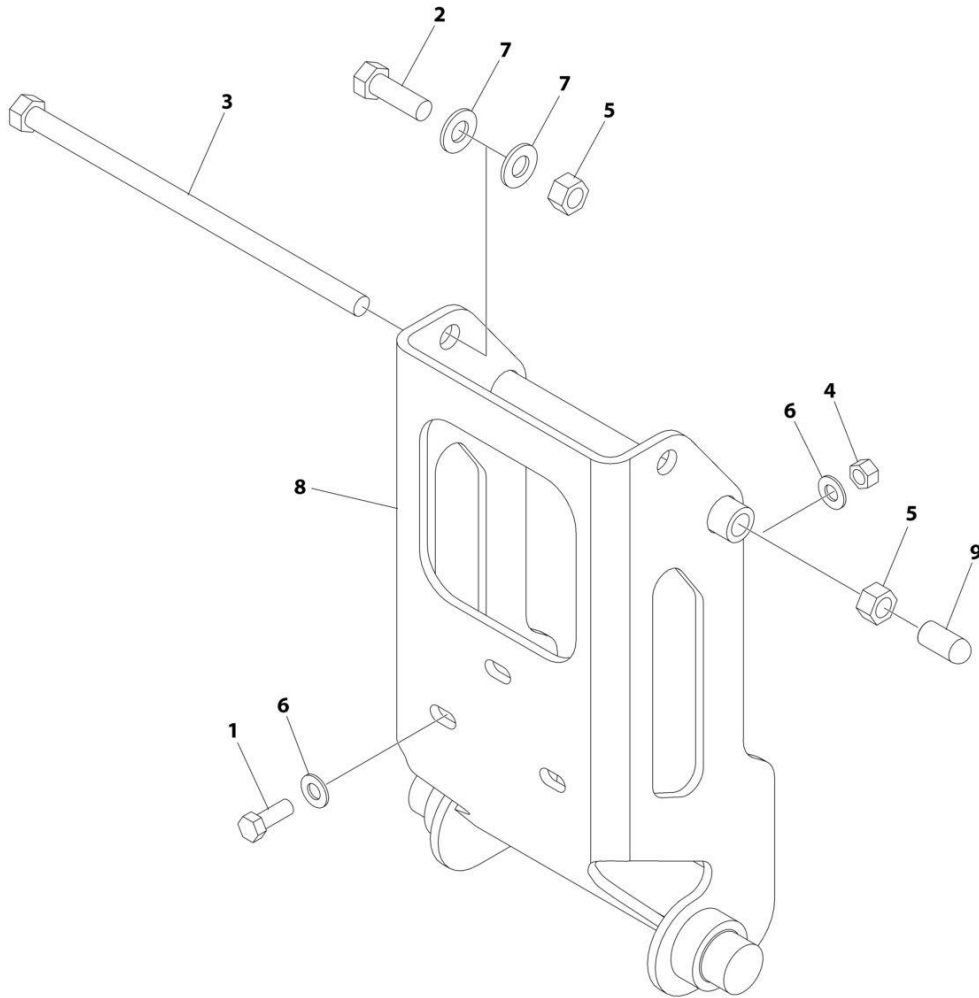
SECTION 4 - PLATFORM

FIGURE 4-2. PLATFORM MOUNT INSTALLATION (WITHOUT ROTATOR)

ITEM	PART NUMBER	QTY	DESCRIPTION	REV
	1001091364	Ref	PLATFORM MOUNT INSTALLATION	D
1	0641608	3	Bolt 3/8 x 1	
2	0641812	2	Bolt 1/2 x 1-1/2	
3	3311605	3	Nut 3/8	
4	3311805	3	Nut 1/2	
5	4711600	6	Washer 3/8	
6	4711800	3	Washer 1/2	
7	1001091500	1	Support, Platform	
13	1001266623	1	Bolt 1/2 x 9-1/2	

SECTION 4 - PLATFORM

FIGURE 4-3. PLATFORM MOUNT INSTALLATION (WITHOUT ROTATOR) (RENTAL SPEC)



ART_1001263541

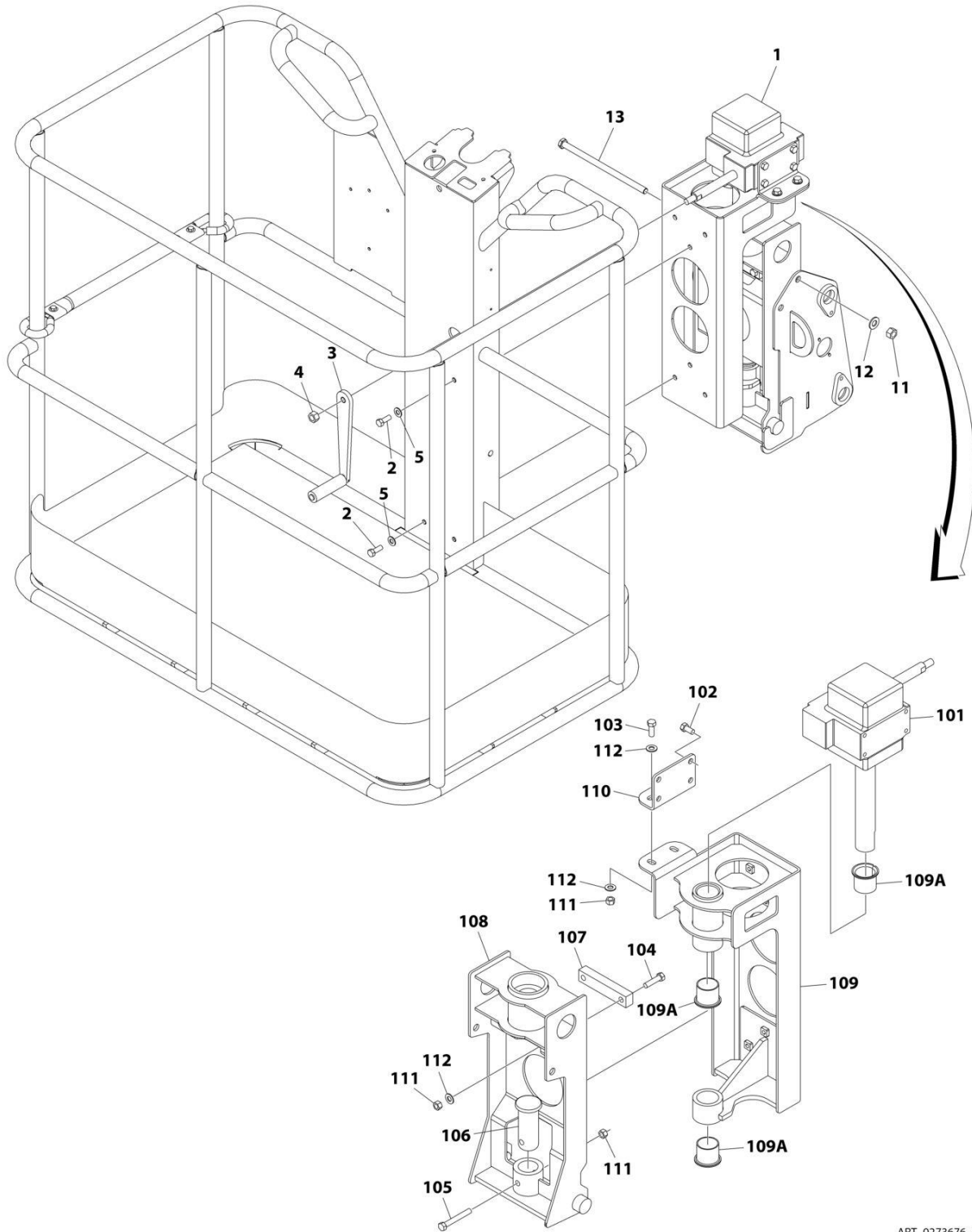
SECTION 4 - PLATFORM

FIGURE 4-3. PLATFORM MOUNT INSTALLATION (WITHOUT ROTATOR) (RENTAL SPEC)

ITEM	PART NUMBER	QTY	DESCRIPTION	REV
	1001263541	Ref	PLATFORM MOUNT INSTALLATION (WITHOUT ROTATOR)	B
1	0641608	3	Bolt 3/8 x 1	
2	0641812	2	Bolt 1/2 x 1-1/2	
3	1001266623	1	Bolt 1/2 - 13.9	
4	3311605	3	Nut 3/8	
5	3311805	3	Nut 1/2	
6	4711600	6	Washer 3/8	
7	4711800	5	Washer 1/2	
8	1001091500	1	Support, Platform	
9	1001263724	1	Cap	

SECTION 4 - PLATFORM

FIGURE 4-4. PLATFORM MOUNT INSTALLATION (WITH ROTATOR)



ART_0273676_D

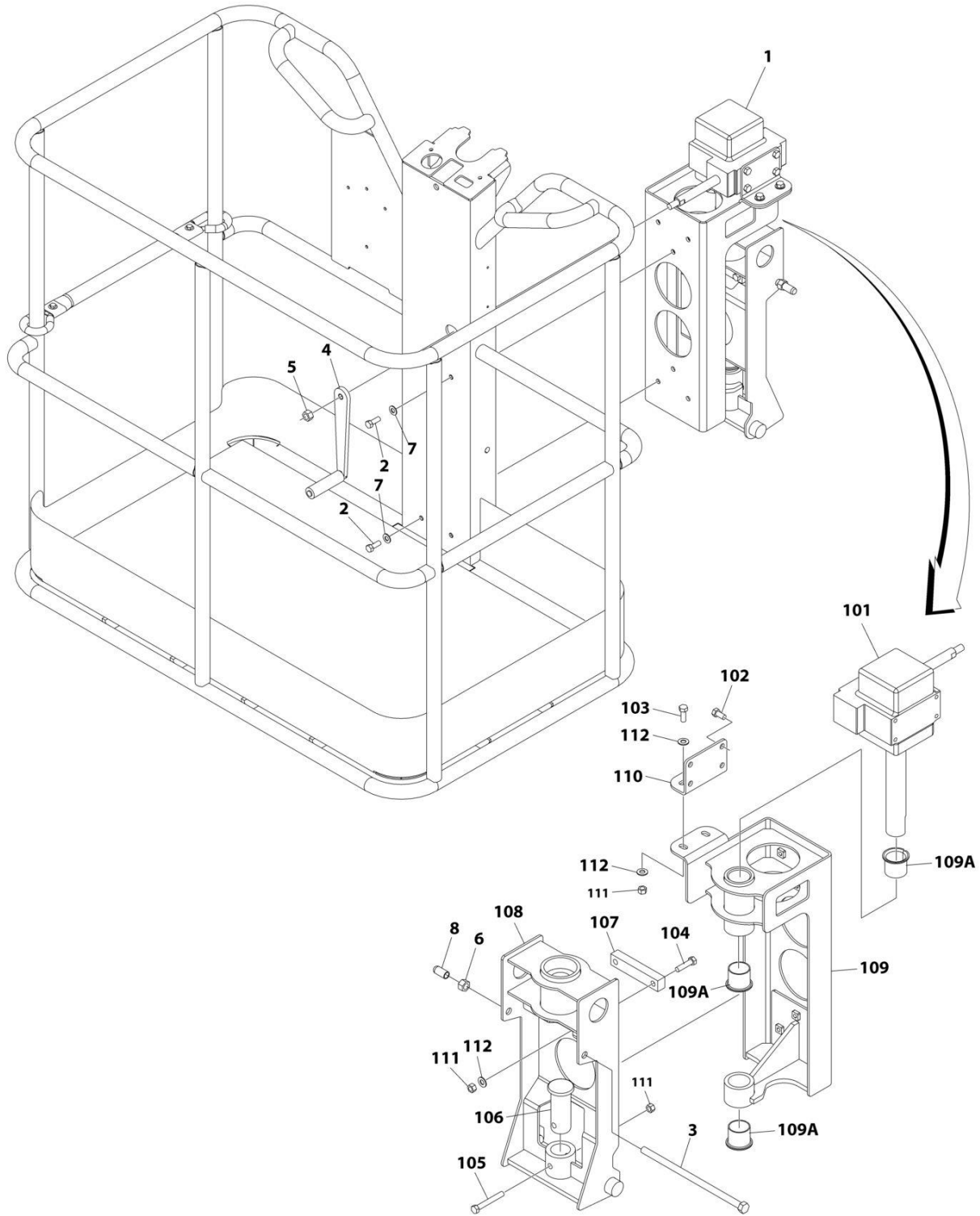
SECTION 4 - PLATFORM

FIGURE 4-4. PLATFORM MOUNT INSTALLATION (WITH ROTATOR)

ITEM	PART NUMBER	QTY	DESCRIPTION	REV
	0273676	Ref	PLATFORM MOUNT INSTALLATION	D
1	0060080	NLA	Rotator Sub-Assembly (Note: See Items 101-112). Not available as an assembly. Purchase individual Components.	
2	0641608	6	Bolt 3/8 x 1	
3	2560184	1	Handle	
4	3271805	1	Nut 1/2 GRD8	
5	4711600	6	Washer 3/8	
11	3311805	1	Nut 1/2	
12	4711800	1	Washer 1/2	
13	1001266623	1	Bolt 1/2 x 9-1/2	
	0060080	Ref	ROTATOR SUB-ASSEMBLY (OPTIONAL)	B
101	0060081	1	Rotator Assembly (See Separate Breakdown in this Section)	
102	0641606	4	Bolt 3/8 x 3/4	
103	0641608	2	Bolt 3/8 x 1	
104	0641612	2	Bolt 3/8 x 1-1/2	
105	0641622	1	Bolt 3/8 x 2-3/4	
106	3423106	1	Pin	
107	3575058	1	Bar, Stop	
108	4340799	1	Pivot (Boom to Rotator Sub-Assembly)	
109	4340800	1	Pivot (Rotator Sub-Assembly to Platform)	
109A	0440319	3	Bushing, Flanged	
110	0903199	1	Bracket	
111	3311605	5	Nut 3/8	
112	4711600	6	Washer 3/8	

SECTION 4 - PLATFORM

FIGURE 4-5. PLATFORM MOUNT INSTALLATION (WITH ROTATOR) (RENTAL SPEC)



ART_1001263540

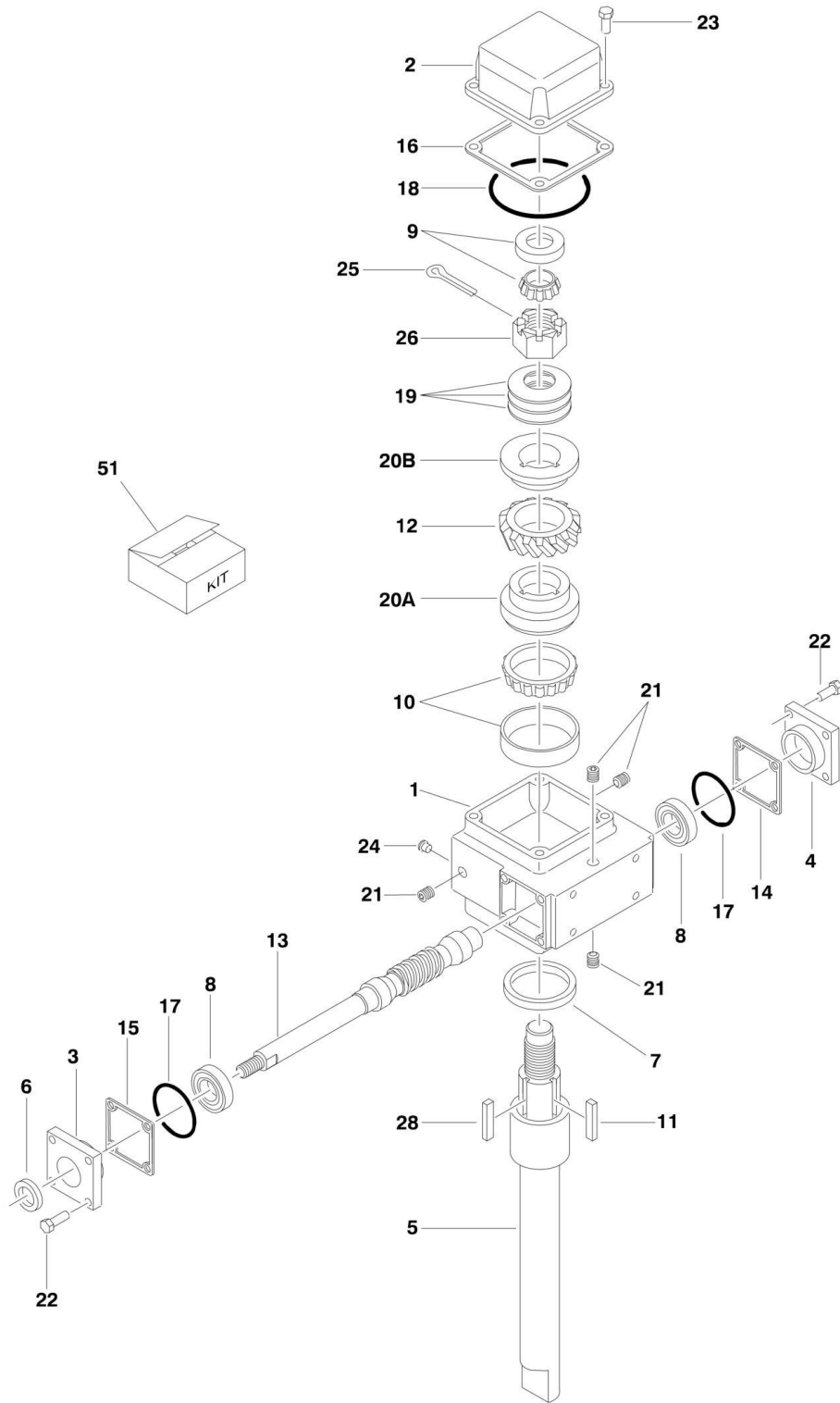
SECTION 4 - PLATFORM

FIGURE 4-5. PLATFORM MOUNT INSTALLATION (WITH ROTATOR) (RENTAL SPEC)

ITEM	PART NUMBER	QTY	DESCRIPTION	REV
	1001263540	Ref	PLATFORM MOUNT INSTALLATION (WITH ROTATOR)	B
1	0060080	1	Rotator Sub-Assembly (Note: See Items 101-112). Not available as an assembly. Purchase individual Components.	
2	0641608	6	Bolt 3/8 x 1	
3	1001266623	6	Bolt 3/8 x 1	
4	2560184	1	Handle	
5	3271805	1	Nut 1/2 GRD8	
6	3311805	1	Nut 1/2	
7	4711600	6	Washer 3/8	
8	1001263724	1	Cap	
9	4711800	1	Washer 1/2	
	0060080	1	ROTATOR SUB-ASSEMBLY (OPTIONAL)	B
101	0060081	1	Rotator Assembly (See Separate Breakdown in this Section)	
102	0641606	4	Bolt 3/8 x 3/4	
103	0641608	2	Bolt 3/8 x 1	
104	0641612	2	Bolt 3/8 x 1-1/2	
105	0641622	1	Bolt 3/8 x 2-3/4	
106	3423106	1	Pin	
107	3575058	1	Bar, Stop	
108	4340799	1	Pivot (Boom to Rotator Sub-Assembly)	
109	4340800	1	Pivot (Rotator Sub-Assembly to Platform)	
109A	0440319	3	Bushing, Flanged	
110	0903199	1	Bracket	
111	3311605	5	Nut 3/8	
112	4711600	6	Washer 3/8	

SECTION 4 - PLATFORM

FIGURE 4-6. PLATFORM ROTATOR ASSEMBLY (OPTIONAL)



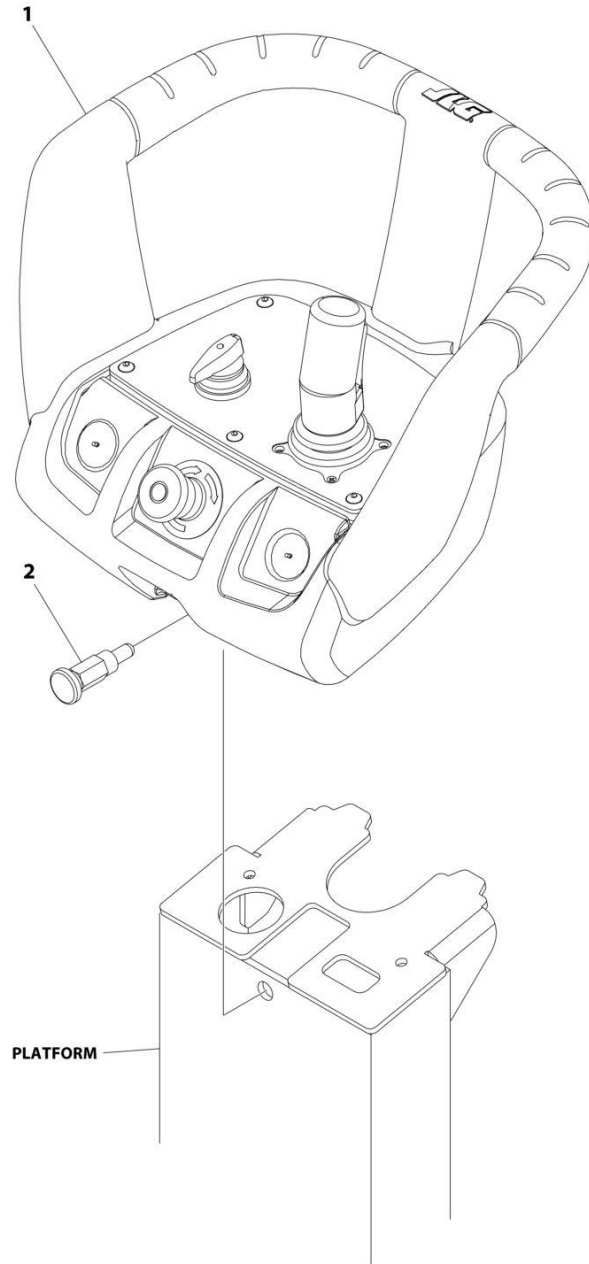
SECTION 4 - PLATFORM

FIGURE 4-6. PLATFORM ROTATOR ASSEMBLY (OPTIONAL)

ITEM	PART NUMBER	QTY	DESCRIPTION	REV
	0060081	Ref	PLATFORM ROTATOR ASSEMBLY	C
1	See Note	1	Housing (Note: Not Available - Purchase Complete Platform Rotator Assembly p/n 0060081)	
2	7027742	1	Cover (Slow Speed)	
3	7027743	1	Cap (High Speed Open)	
4	7027744	1	Cap (High Speed Closed)	
5	7027745	1	Shaft (Slow Speed)	
6	7027746	1	Seal (High Speed)	
7	7027747	1	Seal (Low Speed)	
8	7027748	2	Bearing (High Speed)	
9	7027749	1	Cup, Bearing (Slow Speed)	
9	7027750	1	Cone, Bearing (Slow Speed)	
10	7027751	1	Cup, Bearing (Slow Speed)	
10	7027752	1	Cone (Slow Speed)	
11	7027753	1	Key	
12	7027899	1	Worm Gear (Slow Speed)	
13	7027755	1	Shaft, Worm Gear (High Speed)	
14	7027756	1	Gasket (High Speed)	
15	7027756	1	Gasket (High Speed)	
16	7027757	2	Gasket (Slow Speed)	
17	7027758	2	O-Ring (High Speed)	
18	7027759	1	O-Ring (Slow Speed)	
19	7027760	3	Washer, Belleville	
20		Ref	Hub, Gear Options:	
20A	7027899	1	Exterior Side	
20B	7027899	1	Nut Side	
21	See Note	6	Plug (Note: Not Available - Purchase Locally)	
22	0641506	8	Bolt 5/16i x 3/4	
23	0941516	4	Bolt 5/16 x 2	
24	See Note	4	Plug, Button (Note: Not Available - Purchase Locally)	
25	See Note	1	Pin, Cotter (Note: Not Available - Purchase Locally)	
26	7027763	1	Nut 1 1/4	
27	7027897	AR	Grease, Mobile SHC007 with Borate (Not Shown)	
28	7027768	1	Key	
51	7027899	1	Gear and Hub Kit (Includes Items 11, 12, 20A, 20B & 28)	

SECTION 4 - PLATFORM

FIGURE 4-7. CONSOLE BOX INSTALLATION (ELECTRIC POWERED MACHINES WITHOUT DRIVE-OPTION)



ART_0273941

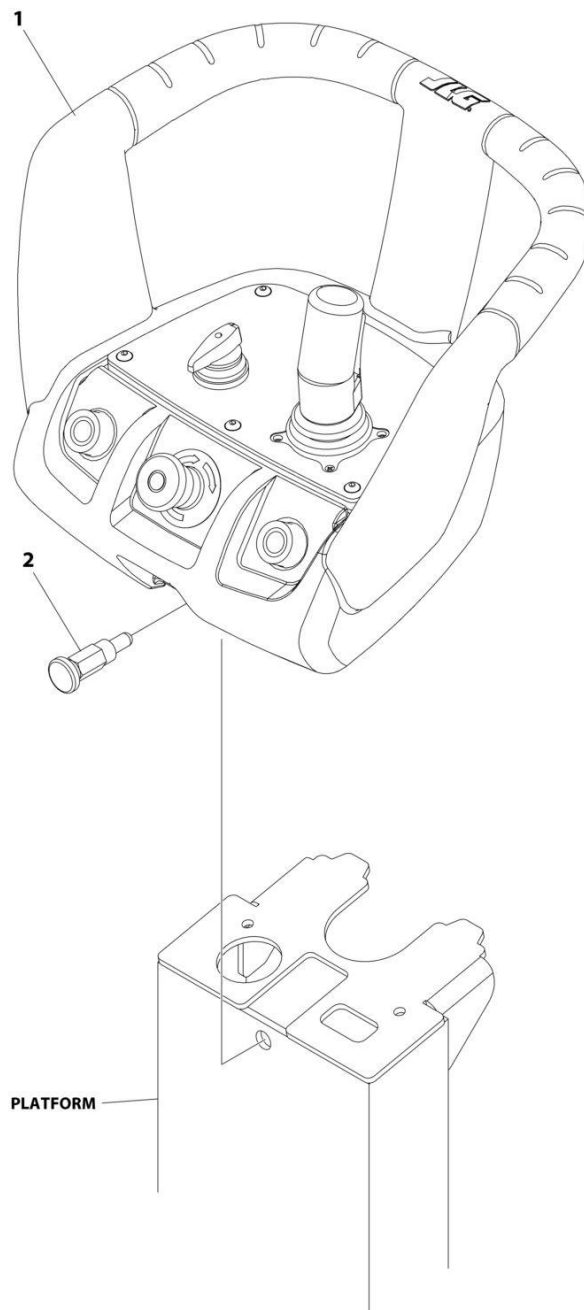
SECTION 4 - PLATFORM

FIGURE 4-7. CONSOLE BOX INSTALLATION (ELECTRIC POWERED MACHINES WITHOUT DRIVE-OPTION)

ITEM	PART NUMBER	QTY	DESCRIPTION	REV
	0273941	Ref	CONSOLE BOX INSTALLATION (ELECTRIC POWERED MACHINES WITHOUT DRIVE-OPTION)	B
1	0275413	1	Console Box Assembly (See Separate Breakdown in this Section)	
2	2940160	1	Latch	

SECTION 4 - PLATFORM

FIGURE 4-8. CONSOLE BOX INSTALLATION (ELECTRIC POWERED MACHINES WITH DRIVE OPTION)



ART_0274026

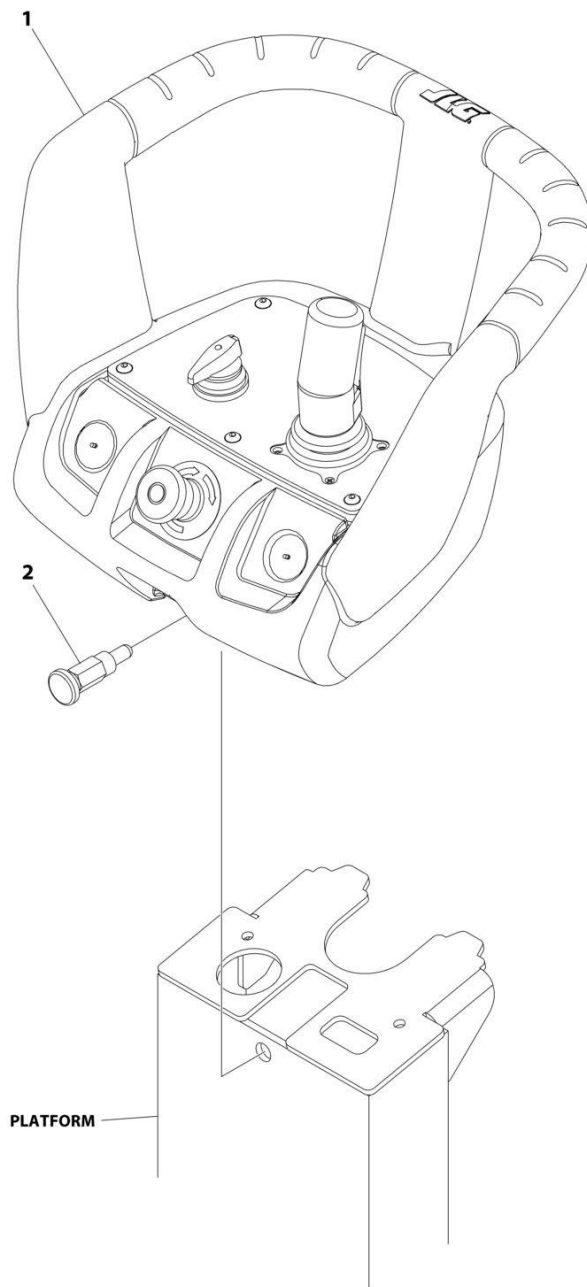
SECTION 4 - PLATFORM

FIGURE 4-8. CONSOLE BOX INSTALLATION (ELECTRIC POWERED MACHINES WITH DRIVE OPTION)

ITEM	PART NUMBER	QTY	DESCRIPTION	REV
	0274026	Ref	CONSOLE BOX INSTALLATION (ELECTRIC POWERED MACHINES WITH DRIVE OPTION)	B
1	0275414	1	Console Box Assembly (See Separate Breakdown in this Section)	
2	2940160	1	Latch	

SECTION 4 - PLATFORM

FIGURE 4-9. CONSOLE BOX INSTALLATION (ENGINE POWERED MACHINES WITHOUT DRIVE OPTION)



ART_0274030

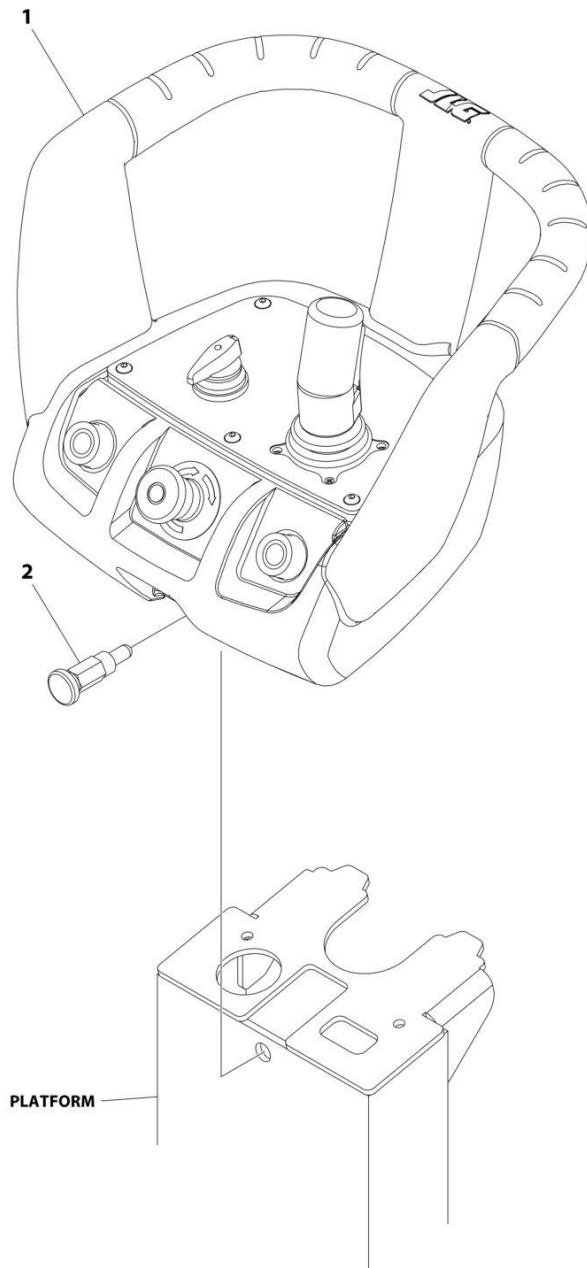
SECTION 4 - PLATFORM

FIGURE 4-9. CONSOLE BOX INSTALLATION (ENGINE POWERED MACHINES WITHOUT DRIVE OPTION)

ITEM	PART NUMBER	QTY	DESCRIPTION	REV
	0274030	Ref	CONSOLE BOX INSTALLATION (ENGINE POWERED MACHINES WITHOUT DRIVE OPTION)	B
1	0275414	1	Console Box Assembly (See Separate Breakdown in this Section)	
2	2940160	1	Latch	

SECTION 4 - PLATFORM

FIGURE 4-10. CONSOLE BOX INSTALLATION (ENGINE POWERED MACHINES WITH DRIVE OPTION)



ART_0274028

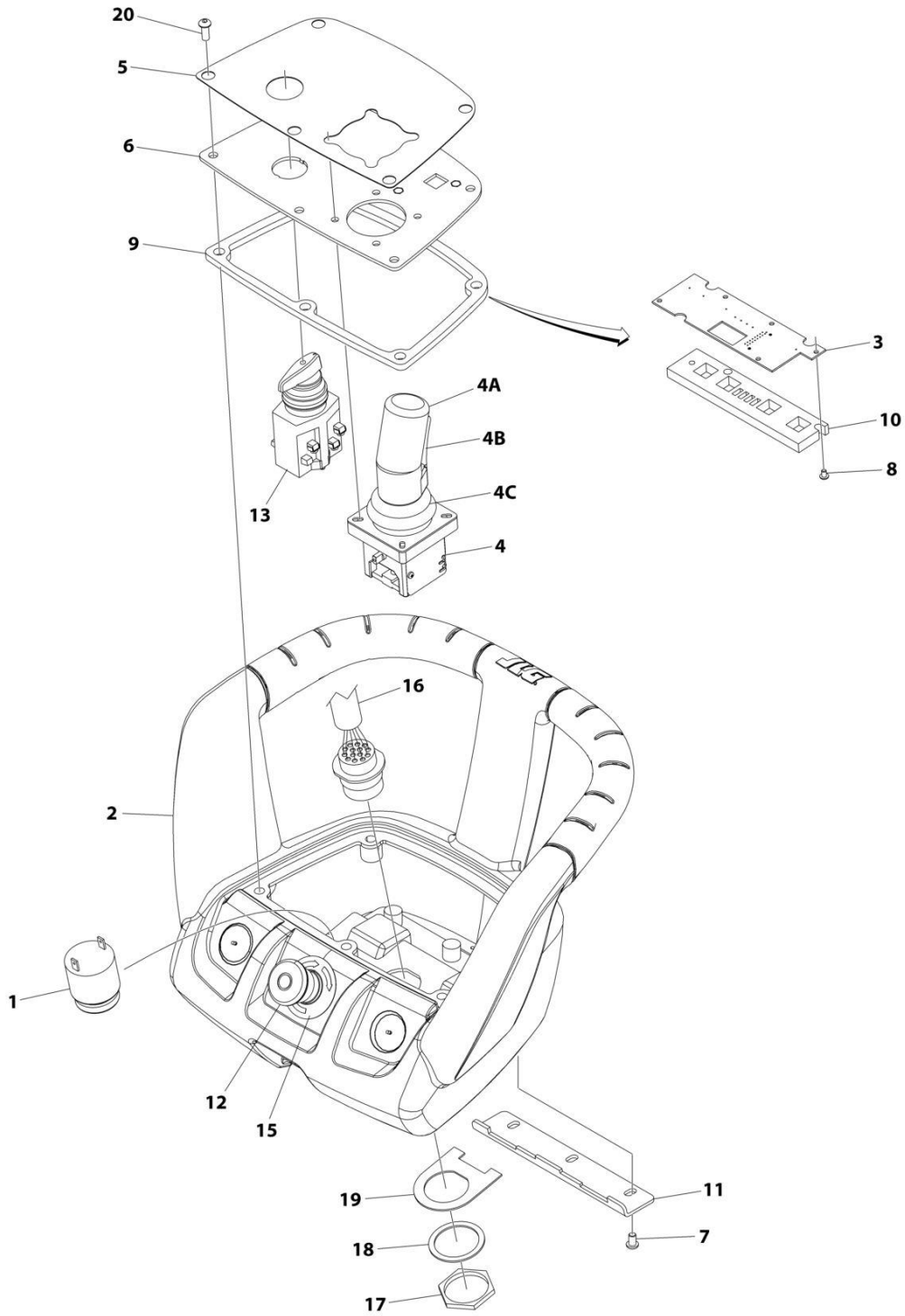
SECTION 4 - PLATFORM

FIGURE 4-10. CONSOLE BOX INSTALLATION (ENGINE POWERED MACHINES WITH DRIVE OPTION)

ITEM	PART NUMBER	QTY	DESCRIPTION	REV
	0274028	Ref	CONSOLE BOX INSTALLATION (ENGINE POWERED MACHINES WITH DRIVE OPTION)	B
1	0275416	1	Console Box Assembly (See Separate Breakdown in this Section)	
2	2940160	1	Latch	

SECTION 4 - PLATFORM

FIGURE 4-11. CONSOLE BOX ASSEMBLY (ELECTRIC POWERED MACHINES WITHOUT DRIVE OPTION)



ART_0275413

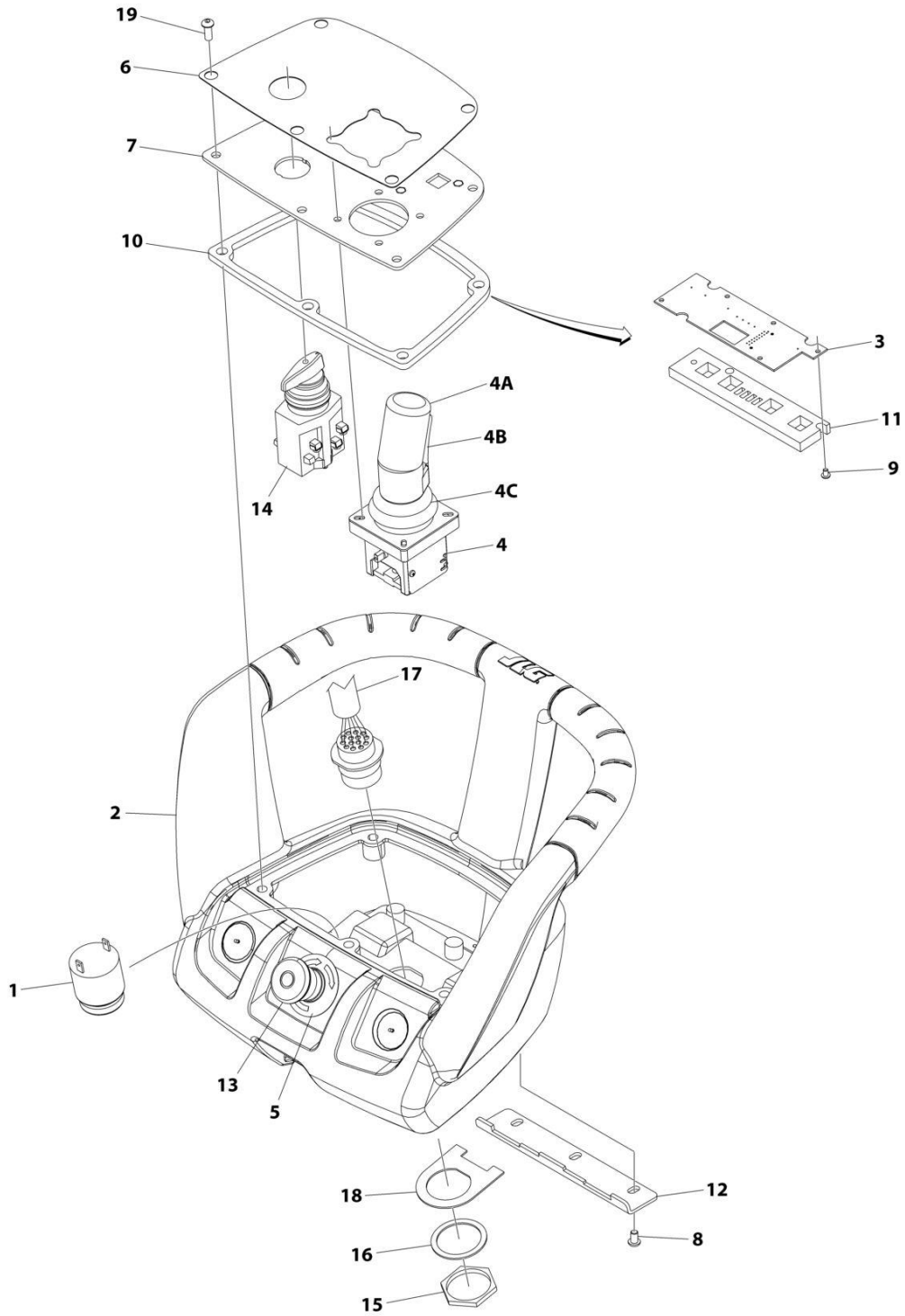
SECTION 4 - PLATFORM

FIGURE 4-11. CONSOLE BOX ASSEMBLY (ELECTRIC POWERED MACHINES WITHOUT DRIVE OPTION)

ITEM	PART NUMBER	QTY	DESCRIPTION	REV
	0275413	Ref	CONSOLE BOX ASSEMBLY	E
1	0140011	1	Alarm	
2	0861655	1	Box	
3	1600369	1	Module, PC Board	
4	1600452	1	Controller	
4A	7027371	1	Boot (Black)	
4A	7027766	1	Ring, Boot Retaining	
4B	7027367	1	Switch, Push Button (Enable)	
4B	7027765	1	Lever, Enable	
4C	70000682	1	Boot, Panel	
5	1705950	1	Decal - Faceplate	
6	3575304	1	Faceplate	
7	3900358	3	Screw M6 x 10	
8	3900359	3	Screw M4 x 6	
9	3960604	1	Seal, Adhesive Backed	
10	3960584	1	Seal, Foam Gasket	
11	4340871	1	Mount	
12	4360562	1	Switch, Emergency Stop	
13	4360612	1	Switch, Rotary	
15	1706898	1	Decal - Emergency Stop	
16	4923116	1	Harness, Platform Box (See Separate Breakdown in ELECTRICAL Section)	
17	4460497	1	Nut, Terminal	
18	4460496	1	Lockwasher, Terminal	
19	3575796	1	Plate with D Shaped Slot	
20	3900357	5	Screw M6 x 16	

SECTION 4 - PLATFORM

FIGURE 4-12. CONSOLE BOX ASSEMBLY (ELECTRIC POWERED MACHINES WITH DRIVE OPTION)



ART_0275417

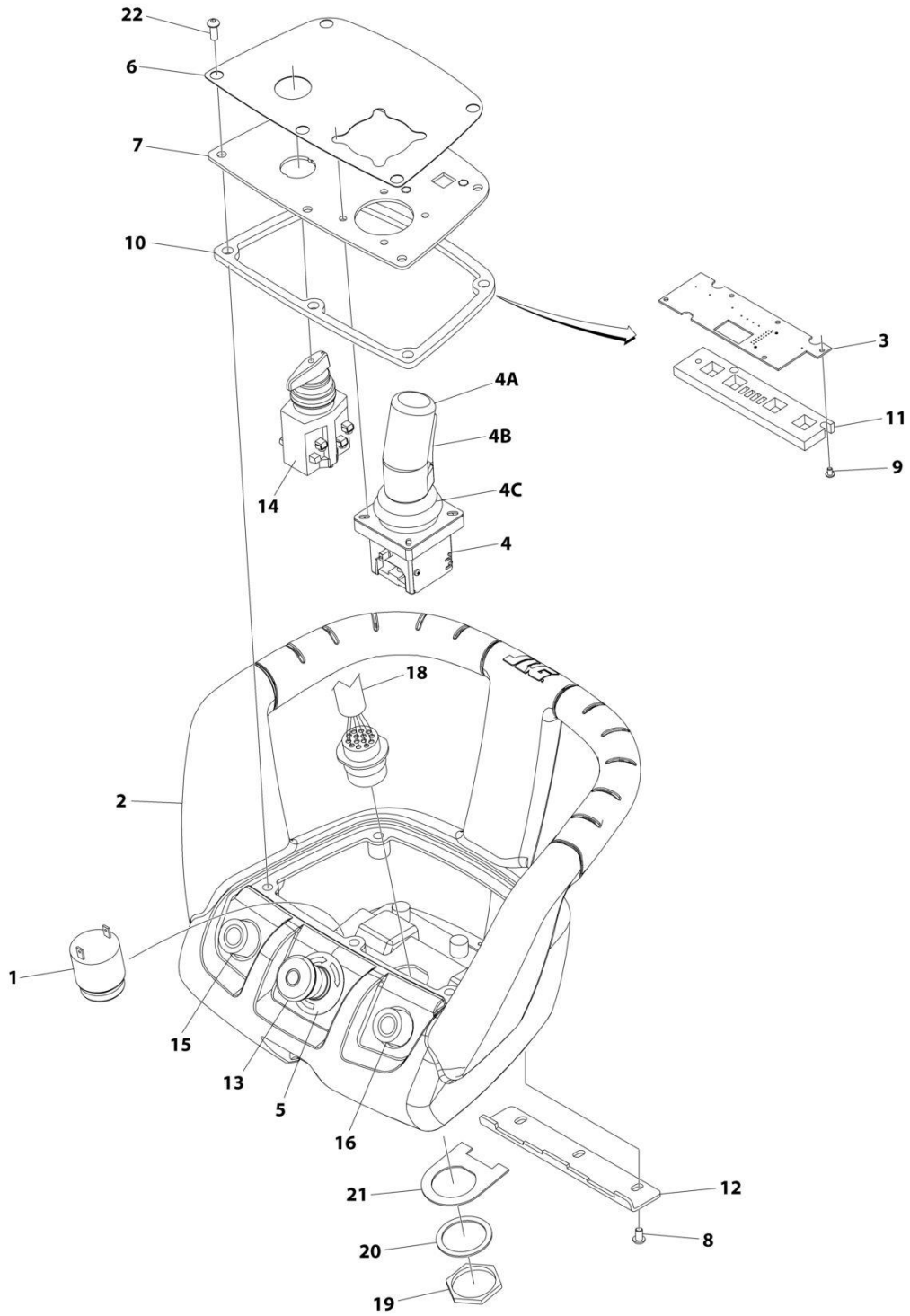
SECTION 4 - PLATFORM

FIGURE 4-12. CONSOLE BOX ASSEMBLY (ELECTRIC POWERED MACHINES WITH DRIVE OPTION)

ITEM	PART NUMBER	QTY	DESCRIPTION	REV
	0275417	Ref	CONSOLE BOX ASSEMBLY	D
1	0140011	1	Alarm	
2	0861655	1	Box	
3	1600369	1	Module, PC Board	
4	1600453	1	Controller	
4A	7027368	1	Boot (Green)	
4A	7027766	1	Ring, Boot Retaining	
4A	7027369	1	Switch, Push Button (Drive)	
4A	7027370	1	Actuator	
4B	7027765	1	Level, Enable	
4B	7027367	1	Switch, Push Button (Enable)	
4C	70000682	1	Boot, Panel	
5	1706898	1	Decal - Emergency Stop	
6	1706002	1	Decal - Faceplate	
7	3575304	1	Faceplate	
8	3900358	3	Screw M6 x 10	
9	3900359	3	Screw M4 x 6	
10	3960604	1	Seal, Adhesive Backed	
11	3960584	1	Seal, Foam Gasket	
12	4340871	1	Mount	
13	4360562	1	Switch, Emergency Stop	
14	4360620	1	Switch, Rotary	
15	4460497	1	Nut, Terminal	
16	4460496	1	Lockwasher, Terminal	
17	4923127	1	Harness, Platform Box (See Separate Breakdown in ELECTRICAL Section)	
18	3575796	1	Plate with D Shaped Slot	
19	3900357	5	Screw M6 x 16	

SECTION 4 - PLATFORM

FIGURE 4-13. CONSOLE BOX ASSEMBLY (ENGINE POWERED MACHINES WITHOUT DRIVE OPTION)



ART_0275414

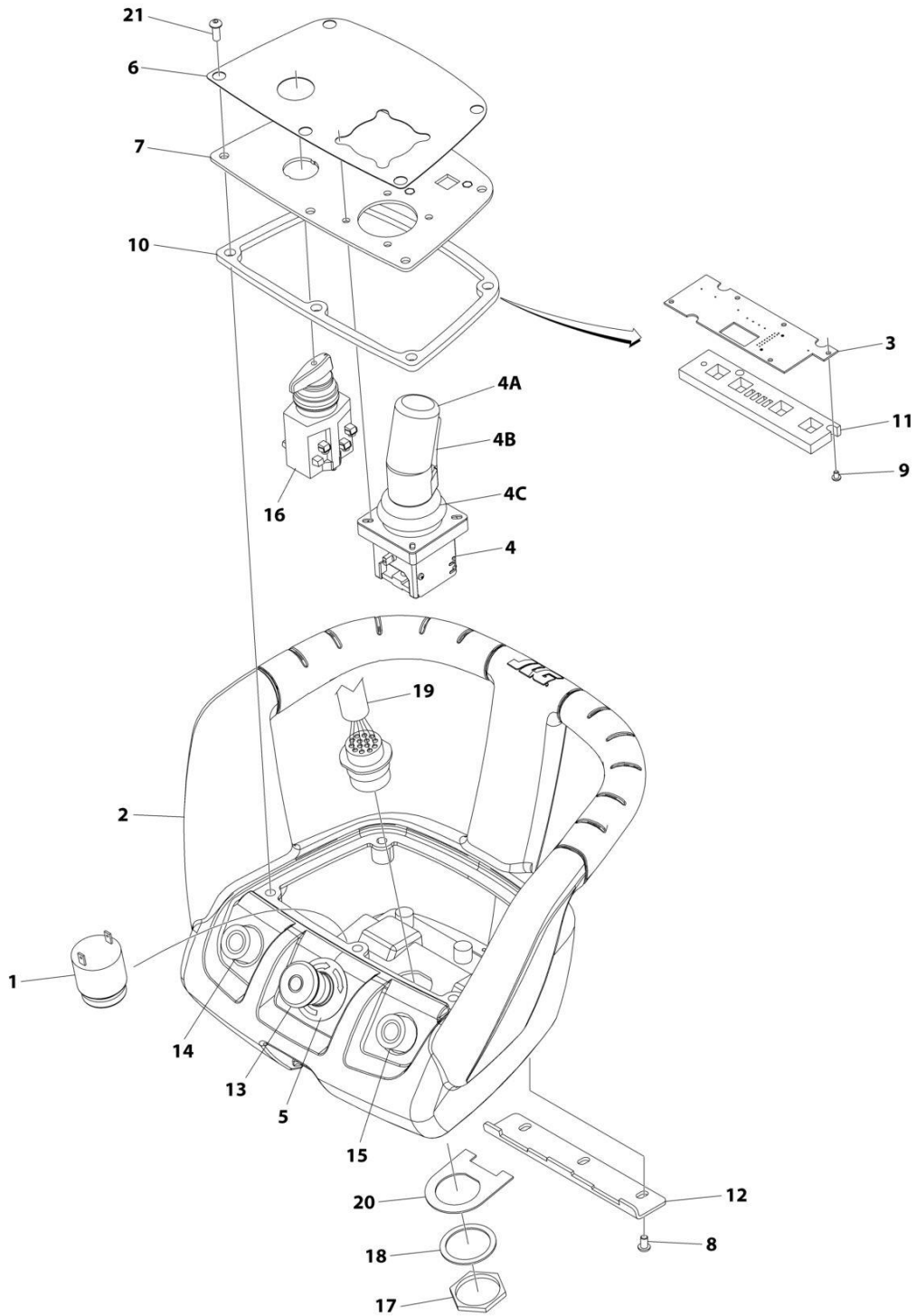
SECTION 4 - PLATFORM

FIGURE 4-13. CONSOLE BOX ASSEMBLY (ENGINE POWERED MACHINES WITHOUT DRIVE OPTION)

ITEM	PART NUMBER	QTY	DESCRIPTION	REV
	0275414	Ref	CONSOLE BOX ASSEMBLY	D
1	0140011	1	Alarm	
2	0861655	1	Box	
3	1600369	1	Module, PC Board	
4	1600452	1	Controller	
4A	7027371	1	Boot (Black)	
4A	7027766	1	Ring, Boot Retaining	
4B	7027367	1	Switch, Push Button (Enable)	
4B	7027765	1	Lever, Enable	
4C	70000682	1	Boot, Panel	
5	1706898	1	Decal - Emergency Stop	
6	1705950	1	Decal - Faceplate	
7	3575304	1	Faceplate	
8	3900358	3	Screw M6 x 10	
9	3900359	3	Screw M4 x 6	
10	3960604	1	Seal, Adhesive Backed	
11	3960584	1	Seal, Foam Gasket	
12	4340871	1	Mount	
13	4360562	1	Switch, Emergency Stop	
14	4360612	1	Switch, Rotary	
15	4360564	1	Switch, Push Button (Black)	
16	4360565	1	Switch, Push Button (Yellow)	
18	4923117	1	Harness, Platform Box (See Separate Breakdown in ELECTRICAL Section)	
19	4460497	1	Nut, Terminal	
20	4460496	1	Lockwasher, Terminal	
21	3575796	1	Plate with D Shaped Slot	
22	3900357	5	Screw M6 x 16	

SECTION 4 - PLATFORM

FIGURE 4-14. CONSOLE BOX ASSEMBLY (ENGINE POWERED MACHINES WITH DRIVE OPTION)



ART_0275416

SECTION 4 - PLATFORM

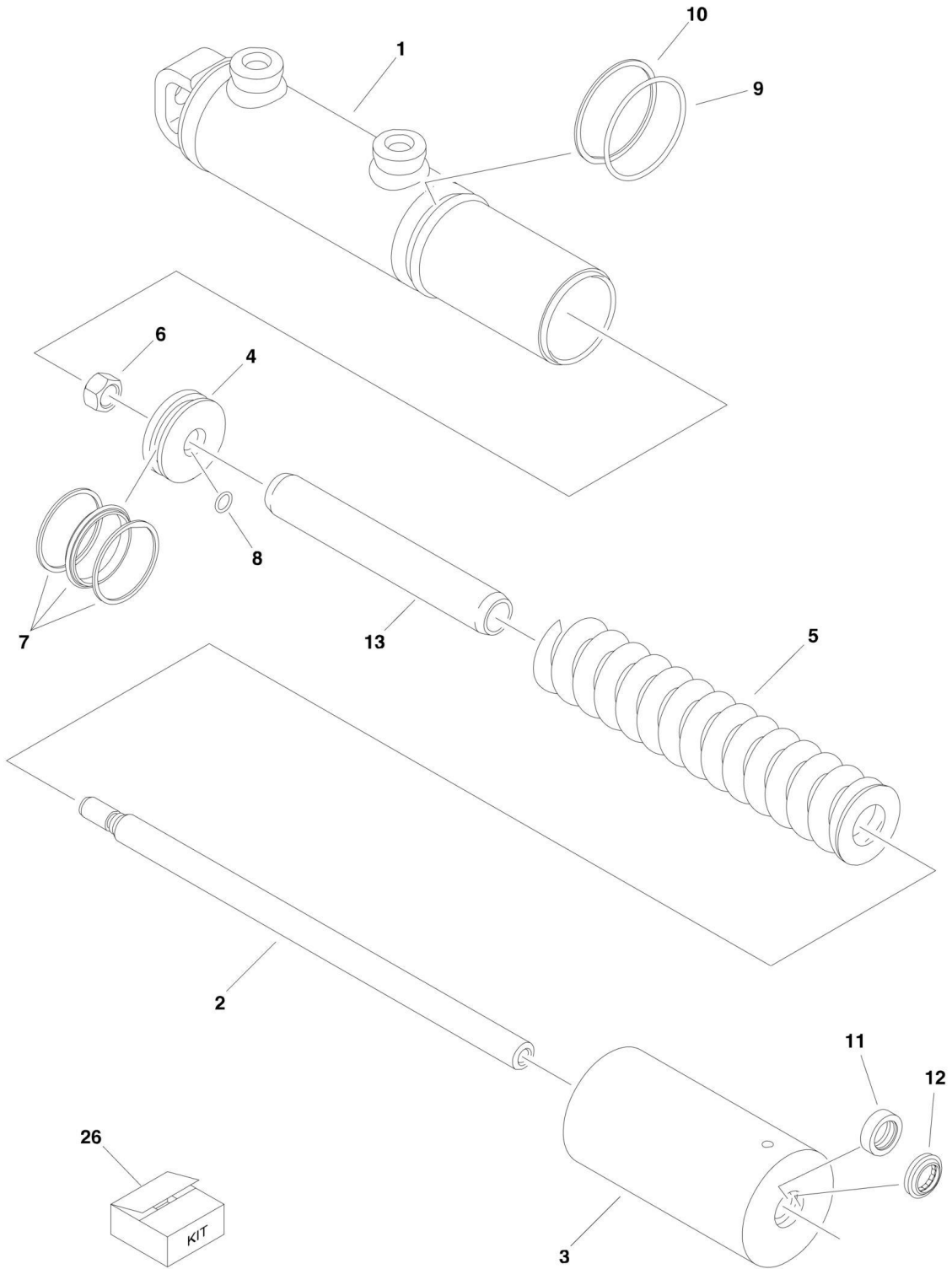
FIGURE 4-14. CONSOLE BOX ASSEMBLY (ENGINE POWERED MACHINES WITH DRIVE OPTION)

ITEM	PART NUMBER	QTY	DESCRIPTION	REV
	0275416	Ref	CONSOLE BOX ASSEMBLY	D
1	0140011	1	Alarm	
2	0861655	1	Box	
3	1600369	1	Module, PC Board	
4	1600453	1	Controller	
4A	7027368	1	Boot (Green)	
4A	7027766	1	Ring, Boot Retaining	
4A	7027369	1	Switch, Push Button (Drive)	
4A	7027370	1	Actuator	
4B	7027765	1	Lever, Enable	
4B	7027367	1	Switch, Push Button (Enable)	
4C	70000682	1	Boot, Panel	
5	1706898	1	Decal - Emergency Stop	
6	1706002	1	Decal - Faceplate	
7	3575304	1	Faceplate	
8	3900358	3	Screw M6 x 10	
9	3900359	3	Screw M4 x 6	
10	3960604	1	Seal, Adhesive Backed	
11	3960584	1	Seal, Foam Gasket	
12	4340871	1	Mount	
13	4360562	1	Switch, Emergency Stop	
14	4360564	1	Switch, Push Button (Black)	
15	4360565	1	Switch, Push Button (Yellow)	
16	4360620	1	Switch, Rotary	
17	4460497	1	Nut, Terminal	
18	4460496	1	Lockwasher, Terminal	
19	4923126	1	Harness, Platform Box (See Separate Breakdown in ELECTRICAL Section)	
20	3575796	1	Plate with D Shaped Slot	
21	3900357	5	Screw M6 x 16	

SECTION 5 - CYLINDER

SECTION 5 - CYLINDER

FIGURE 5-1. BRAKE RELEASE CYLINDER ASSEMBLY



ART_1001193948

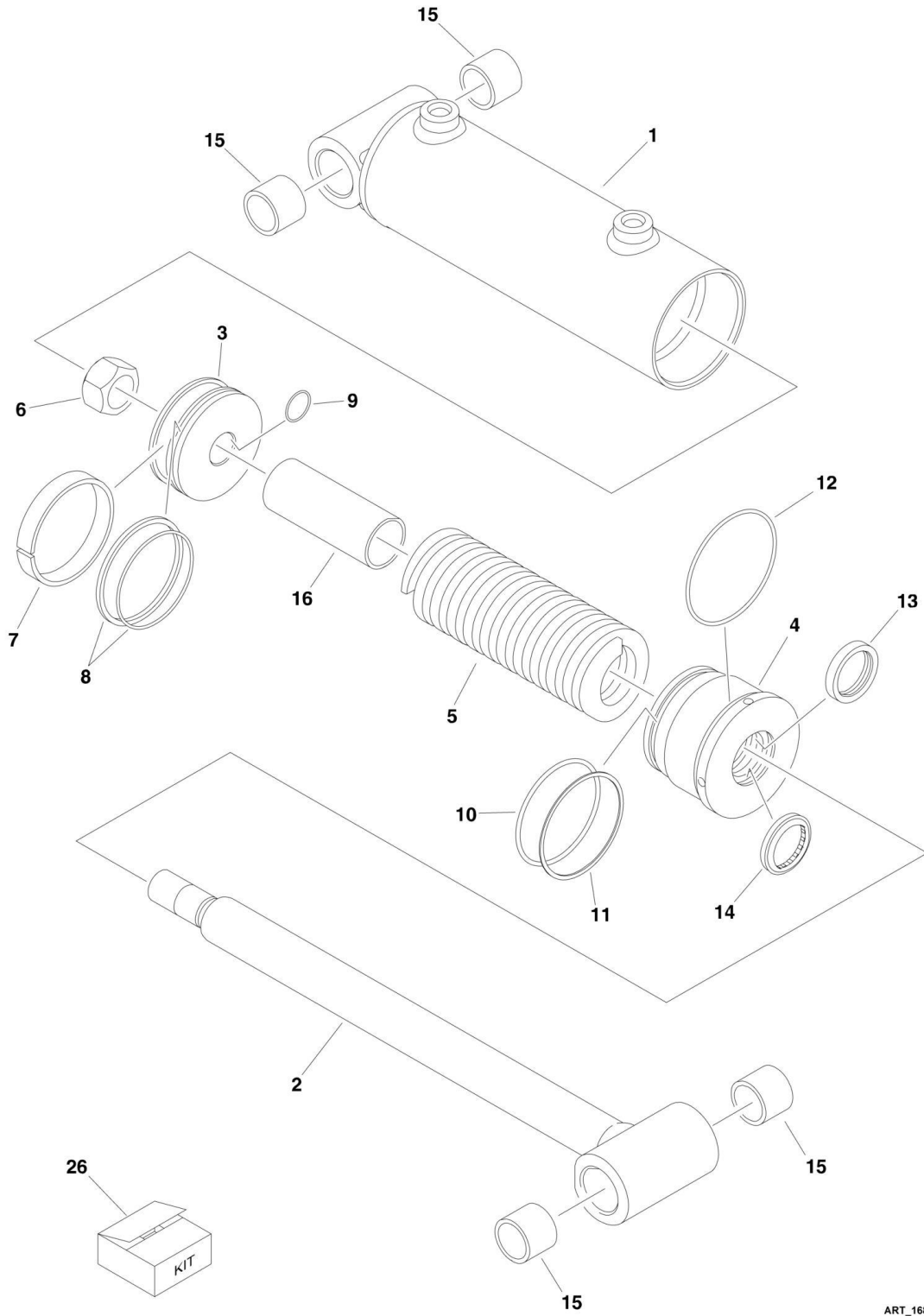
SECTION 5 - CYLINDER

FIGURE 5-1. BRAKE RELEASE CYLINDER ASSEMBLY

ITEM	PART NUMBER	QTY	DESCRIPTION	REV
	1001193948	Ref	BRAKE RELEASE CYLINDER ASSEMBLY	B
		Ref	Note: Original Cylinder May Have Been Replaced with Service Replacement. Identify PN Stamped on Cylinder Before Ordering Parts.	
1	70000112	1	Barrel	
2	70000115	1	Rod	
3	70000116	1	Head	
4	70000117	1	Piston	
5	70000114	1	Spring	
6	70000113	1	Nut	
7	70000111	1	O-Ring	
7	70000111	2	Ring, Back-up	
8	70000111	1	O-Ring	
9	70000111	1	O-Ring	
10	70000111	1	Ring, Back-up	
11	70000111	1	Seal, Rod	
12	70000111	1	Wiper	
13	70000118	1	Spacer	
26	70000111	1	Seal Kit - Cylinder (Includes Items 7-12)	

SECTION 5 - CYLINDER

FIGURE 5-2. DRIVE ENGAGE CYLINDER ASSEMBLY (T350)



ART_1684467

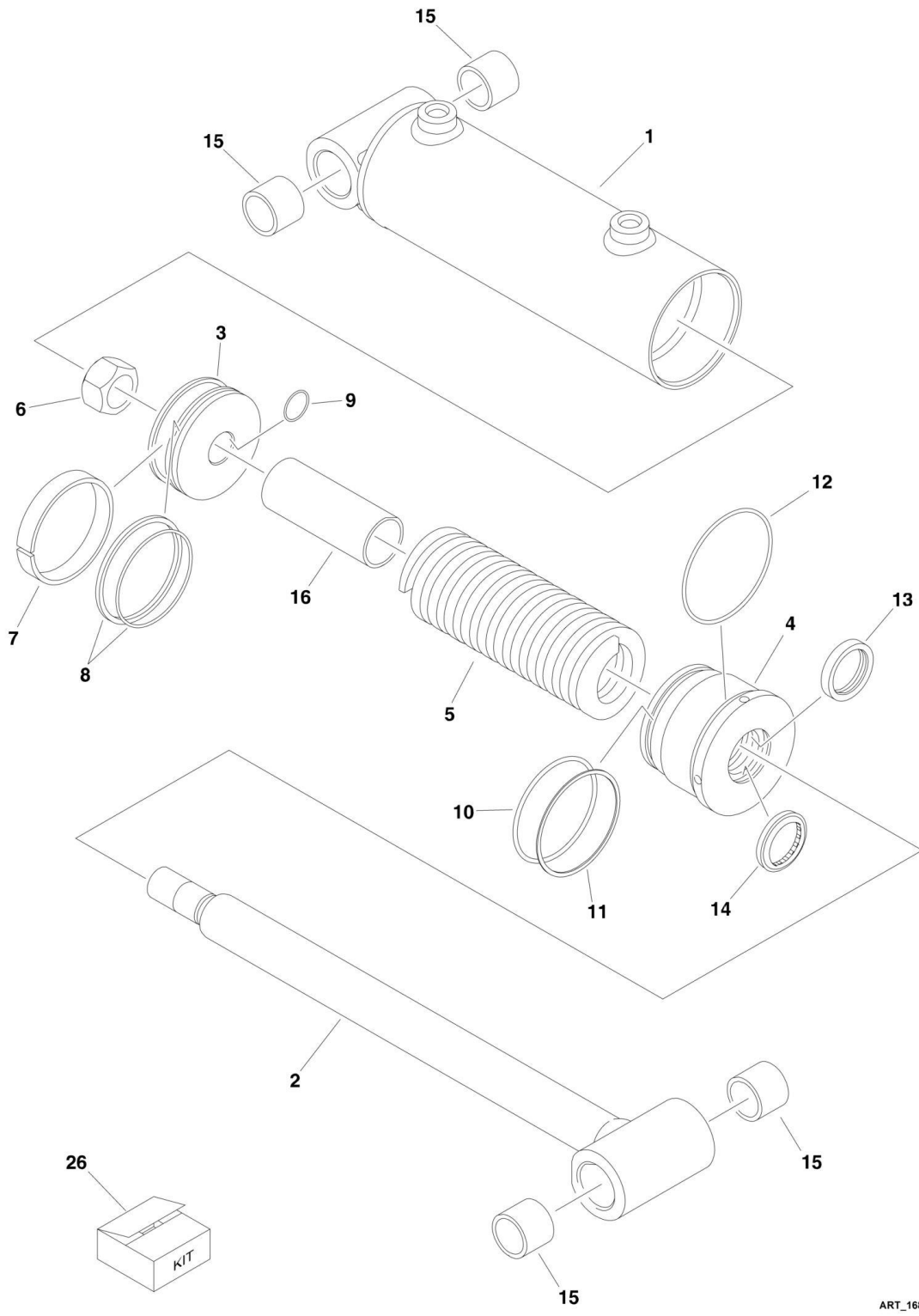
SECTION 5 - CYLINDER

FIGURE 5-2. DRIVE ENGAGE CYLINDER ASSEMBLY (T350)

ITEM	PART NUMBER	QTY	DESCRIPTION	REV
	1684467	Ref	DRIVE ENGAGE CYLINDER ASSEMBLY	A
		Ref	Note: Original Cylinder May Have Been Replaced with Service Replacement. Identify PN Stamped on Cylinder Before Ordering Parts.	
1	70000984	1	Barrel	
2	70000983	1	Rod	
3	70000981	1	Piston	
4	70000982	1	Head	
5	70000985	1	Spring	
6	7017335	1	Locknut	
7	70000979	1	Ring, Wear	
8	70000979	1	Seal, Piston	
9	70000979	1	O-Ring	
10	70000979	1	O-Ring	
11	70000979	1	Seal	
12	70000979	1	O-Ring	
13	70000979	1	Seal, Rod	
14	70000979	1	Wiper	
15	70000986	4	Bushing	
16	70000980	1	Spacer	
26	70000979	1	Seal Kit (Includes Items 7-14)	

SECTION 5 - CYLINDER

FIGURE 5-3. DRIVE ENGAGE CYLINDER ASSEMBLY (T500J)



ART_1684468

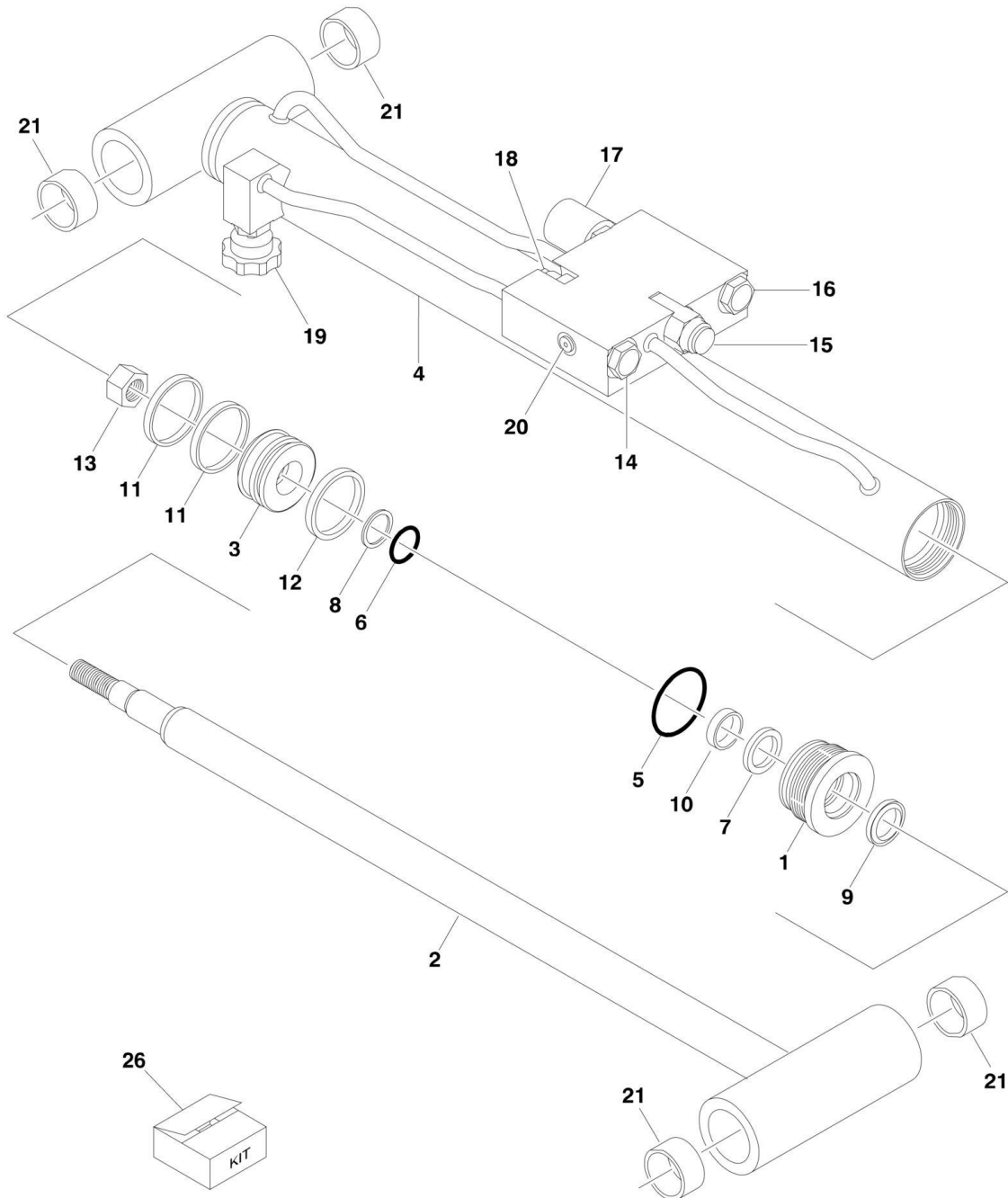
SECTION 5 - CYLINDER

FIGURE 5-3. DRIVE ENGAGE CYLINDER ASSEMBLY (T500J)

ITEM	PART NUMBER	QTY	DESCRIPTION	REV
	1684468	Ref	DRIVE ENGAGE CYLINDER ASSEMBLY	A
		Ref	Note: Original Cylinder May Have Been Replaced with Service Replacement. Identify PN Stamped on Cylinder Before Ordering Parts.	
1	70000984	1	Barrel	
2	70000987	1	Rod T500J	
3	70000981	1	Piston	
4	70000982	1	Head	
5	70000985	1	Spring	
6	7017335	1	Locknut	
7	70000979	1	Ring, Wear	
8	70000979	1	Seal, Piston	
9	70000979	1	O-Ring	
10	70000979	1	O-Ring	
11	70000979	1	Seal	
12	70000979	1	O-Ring	
13	70000979	1	Seal, Rod	
14	70000979	1	Wiper	
15	70000986	4	Bushing	
16	70000980	1	Spacer	
26	70000979	1	Seal Kit (Includes Items 7-14)	

SECTION 5 - CYLINDER

FIGURE 5-4. JIB CYLINDER ASSEMBLY (T500J ONLY)



ART_1684494

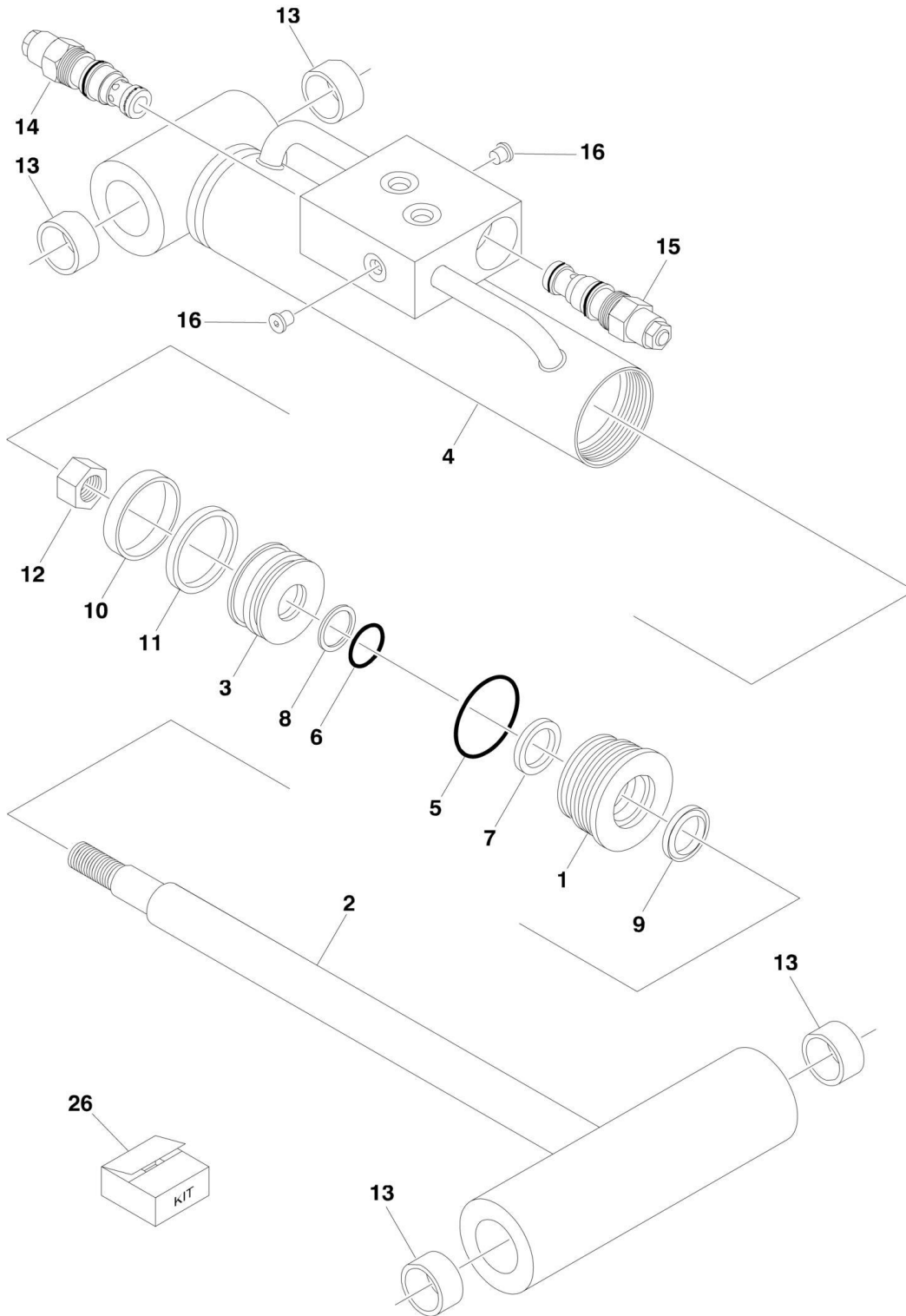
SECTION 5 - CYLINDER

FIGURE 5-4. JIB CYLINDER ASSEMBLY (T500J ONLY)

ITEM	PART NUMBER	QTY	DESCRIPTION	REV
	1684494	Ref	JIB CYLINDER ASSEMBLY	B
		Ref	Note: Original Cylinder May Have Been Replaced with Service Replacement. Identify PN Stamped on Cylinder Before Ordering Parts.	
1	7027342	1	Head	
2	7027708	1	Rod	
3	7027338	1	Piston	
4	70000190	1	Barrel	
5	7027711	1	O-Ring	
6	7027711	1	O-Ring	
7	7027711	1	Seal, Rod	
8	7027711	1	Ring, Back-up	
9	7027711	1	Wiper, Rod	
10	7027711	1	Ring, Wear	
11	7027711	2	Ring, Wear	
12	7027711	1	Seal, Piston	
13	7027710	1	Nut	
14	7012975	1	Cartridge, Check	
14	7012540	1	Seal Kit - 7012975 Cartridge	
15	7024888	1	Cartridge, Relief	
15	7012972	1	Seal Kit - 7024888 Cartridge	
16	7024887	1	Cartridge, Check	
16	7012998	1	Seal Kit - 7024887 Cartridge	
17	7024884	1	Cartridge, Solenoid Less Coil	
17	7012967	1	Seal Kit - 7024884 Cartridge	
17	7024885	1	Coil	
18	7011380	1	Cartridge, Counterbalance	
18	2900770	1	Seal Kit - 7011380 Cartridge	
19	4640902	1	Cartridge, Needle Valve	
19	7012953	1	Seal Kit - 4640902 Cartridge	
19	7012961	1	Knob	
20	2220881	4	Plug	
21	0962257	4	Bushing	
26	7027711	1	Seal Kit (Includes Items 5-12)	

SECTION 5 - CYLINDER

FIGURE 5-5. PLATFORM LEVEL (SLAVE) CYLINDER ASSEMBLY (T350)



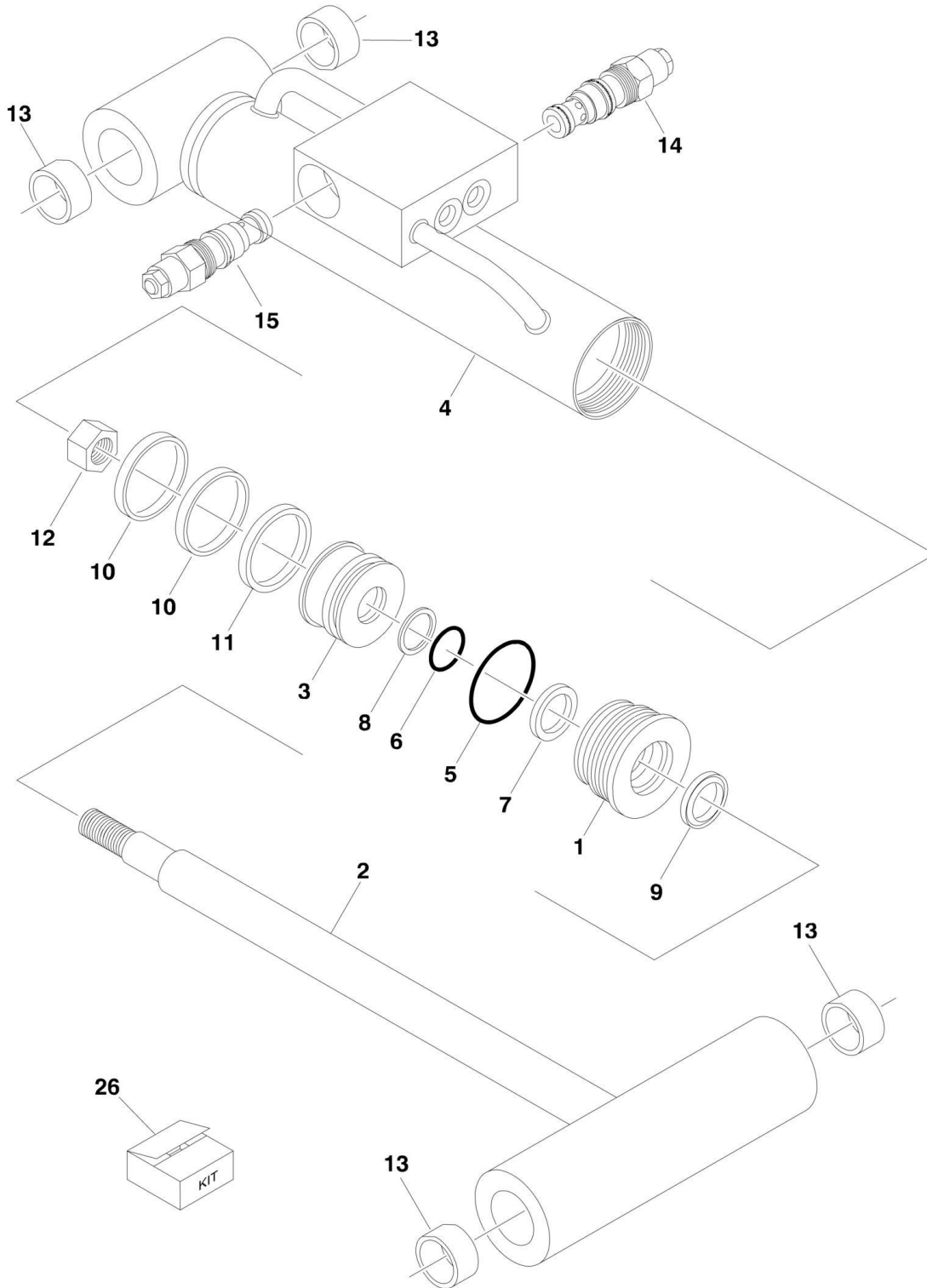
SECTION 5 - CYLINDER

FIGURE 5-5. PLATFORM LEVEL (SLAVE) CYLINDER ASSEMBLY (T350)

ITEM	PART NUMBER	QTY	DESCRIPTION	REV
	1684373	Ref	LEVEL (PLATFORM SLAVE) CYLINDER ASSEMBLY	D
		Ref	Note: Original Cylinder May Have Been Replaced with Service Replacement. Identify PN Stamped on Cylinder Before Ordering Parts.	
1	7027336	1	Head	
2	7027348	1	Rod	
3	7027338	1	Piston	
4	7027349	1	Barrel	
5	7027341	1	O-Ring	
6	7027341	1	O-Ring	
7	7027341	1	Seal, Rod	
8	7027341	1	Ring, Back-up	
9	7027341	1	Wiper	
10	7027341	1	Ring, Wear	
11	7027341	1	Seal, Piston	
12	7027340	1	Locknut	
13	0961947	4	Bushing	
14	7011377	1	Cartridge	
14	7011358	1	Seal Kit - 7011377 Cartridge	
15	7011378	1	Cartridge	
15	2900770	1	Seal Kit - 7011378 Cartridge	
16	2220881	2	Plug	
26	7027341	1	Seal Kit (Includes Items 5-11)	

SECTION 5 - CYLINDER

FIGURE 5-6. PLATFORM LEVEL (SLAVE) CYLINDER ASSEMBLY (T500J)



SECTION 5 - CYLINDER

FIGURE 5-6. PLATFORM LEVEL (SLAVE) CYLINDER ASSEMBLY (T500J)

ITEM	PART NUMBER	QTY	DESCRIPTION	REV
	1684397	Ref	LEVEL (PLATFORM SLAVE) CYLINDER ASSEMBLY	D
		Ref	Note: Original Cylinder May Have Been Replaced with Service Replacement. Identify PN Stamped on Cylinder Before Ordering Parts.	
1	7027694	1	Head	
2	7027695	1	Rod	
3	7027696	1	Piston	
4	7027697	1	Barrel	
5	7027698	1	O-Ring	
6	7027698	1	O-Ring	
7	7027698	1	Seal, Rod	
8	7027698	1	Ring, Back-up	
9	7027698	1	Wiper	
10	7027698	2	Ring, Wear	
11	7027698	1	Seal, Piston	
12	7027340	1	Locknut	
13	0961947	4	Bushing	
14	7011377	1	Cartridge	
14	7011358	1	Seal Kit - 7011377 Cartridge	
15	7011378	1	Cartridge	
15	2900770	1	Seal Kit - 7011378 Cartridge	
26	7027698	1	Seal Kit (Includes Items 5-11)	

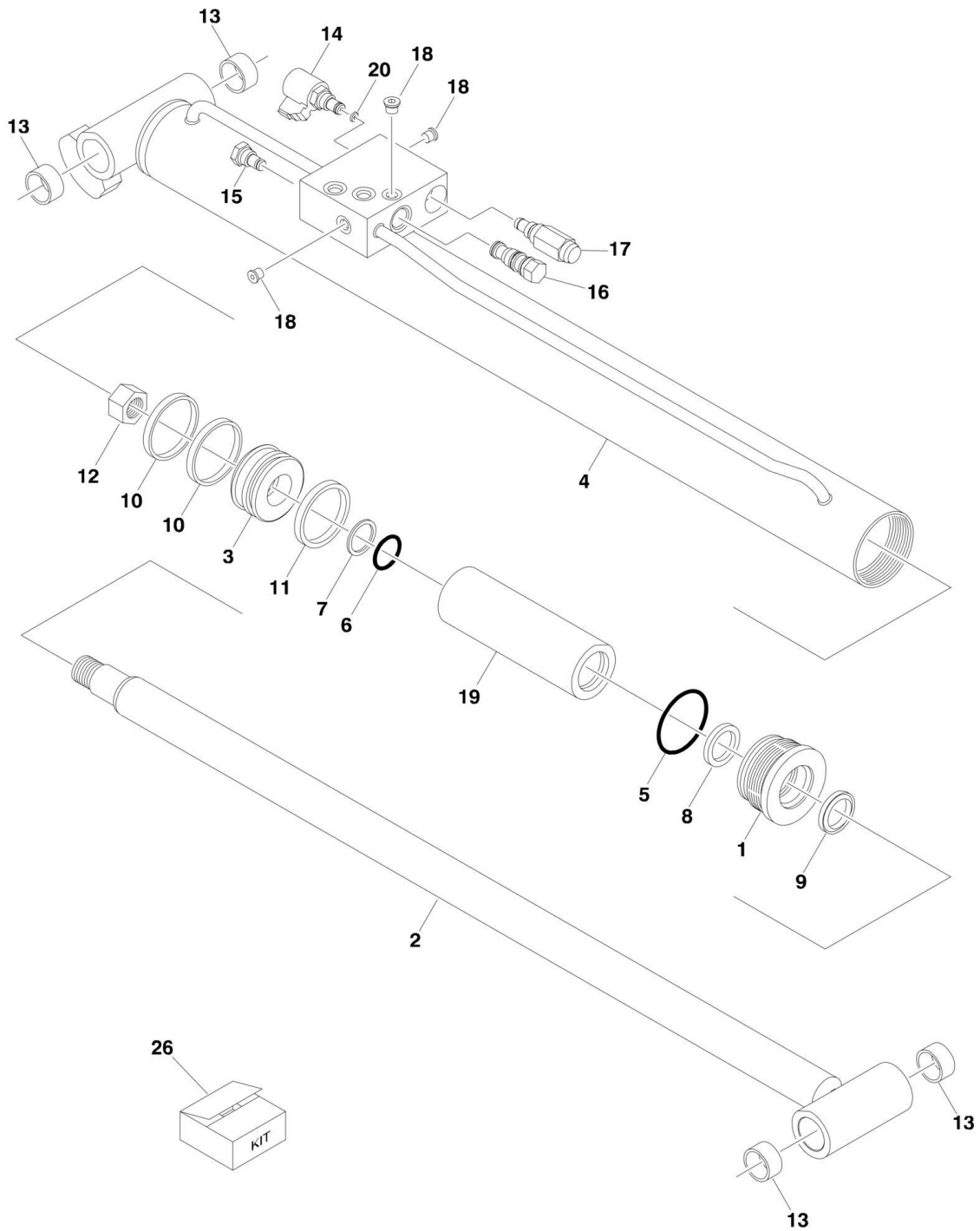
SECTION 5 - CYLINDER

FIGURE 5-7. LIFT CYLINDER ASSEMBLY (T350)

ITEM	PART NUMBER	QTY	DESCRIPTION	REV
	1684433	Ref	LIFT CYLINDER ASSEMBLY	F
		Ref	Note: Original Cylinder May Have Been Replaced with Service Replacement. Identify PN Stamped on Cylinder Before Ordering Parts.	
1	7027329	1	Head	
2	7027330	1	Rod	
3	7027331	1	Piston	
4	7027332	1	Barrel	
5	See Note	1	O-Ring (Note: Use Item 26)	
6	See Note	1	O-Ring (Note: Use Item 26)	
7	See Note	1	Ring, Back-up (Note: Use Item 26)	
8	See Note	1	Seal, Rod (Note: Use Item 26)	
9	See Note	1	Wiper (Note: Use Item 26)	
10	See Note	2	Ring, Wear (Note: Use Item 26)	
11	See Note	1	Seal, Piston (Note: Use Item 26)	
12	7027334	1	Locknut	
13	0962257	4	Bushing	
14	7024884	1	Cartridge Less Coil	
14	7012967	1	Seal Kit - 7024884 Cartridge	
14	7024885	1	Coil	
15	7012955	1	Cartridge, Check	
15	7012967	1	Seal Kit - 7012955 Cartridge	
16	4640438	1	Cartridge, Pilot Check	
16	2900770	1	Seal Kit - 4640438 Cartridge	
17	7024886	1	Cartridge, Relief	
17	7012972	1	Seal Kit - 7024886 Cartridge	
18	2220883	3	Plug	
19	See Note	1	Spacer (Note: Not available for purchase)	
20	70004315	1	Orifice	
26	7027335	1	Seal Kit (Includes Items 5-11)	

SECTION 5 - CYLINDER

FIGURE 5-8. LIFT CYLINDER ASSEMBLY (T500J)



ART_1684434

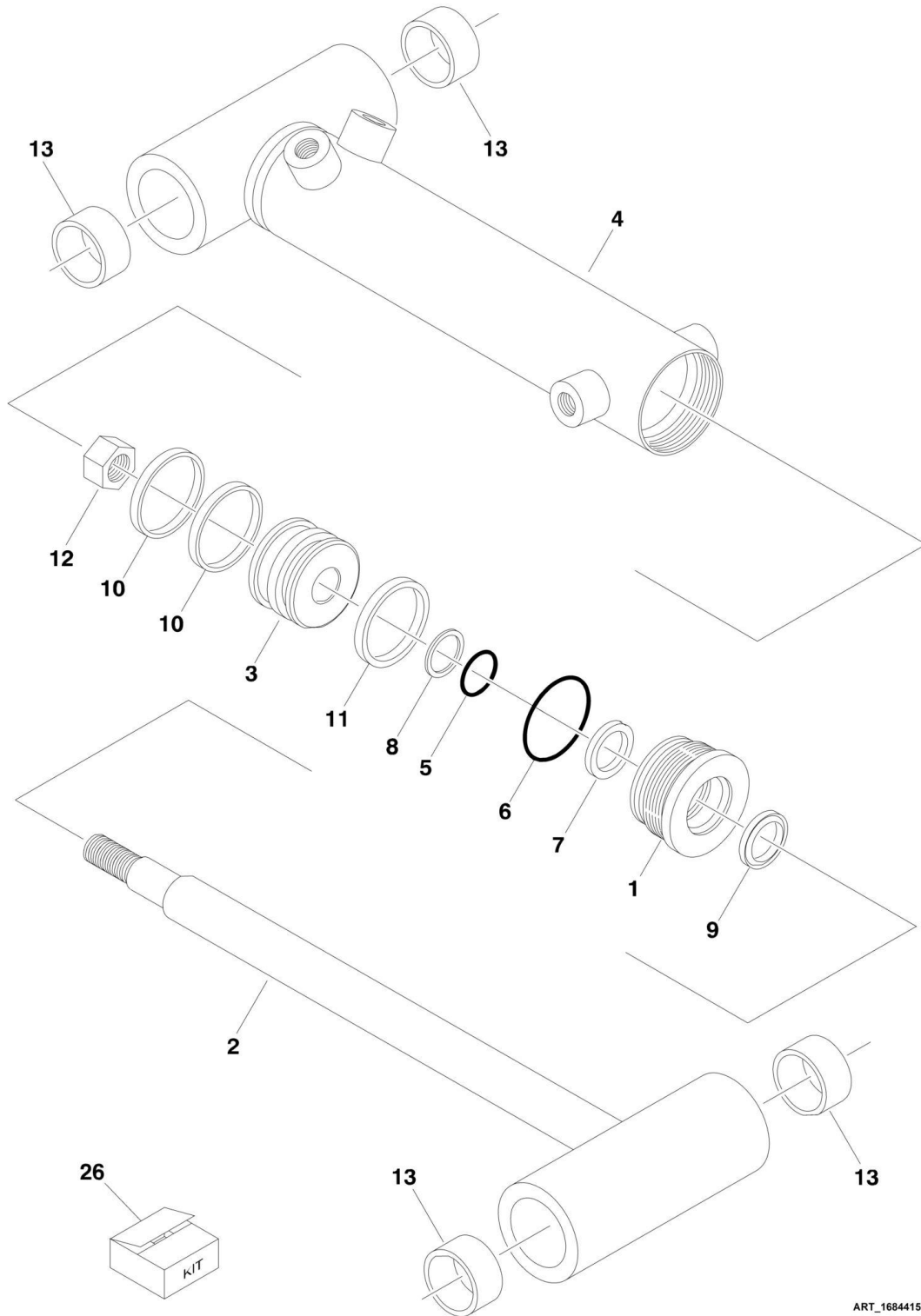
SECTION 5 - CYLINDER

FIGURE 5-8. LIFT CYLINDER ASSEMBLY (T500J)

ITEM	PART NUMBER	QTY	DESCRIPTION	REV
	1684434	Ref	LIFT CYLINDER ASSEMBLY	F
		Ref	Note: Original Cylinder May Have Been Replaced with Service Replacement. Identify PN Stamped on Cylinder Before Ordering Parts.	
1	7027712	1	Head	
2	7027713	1	Rod	
3	7027714	1	Piston	
4	7027715	1	Barrel	
5	See Note	1	O-Ring (Note: Use Item 26)	
6	See Note	1	O-Ring (Note: Use Item 26)	
7	See Note	1	Ring, Back-up (Note: Use Item 26)	
8	See Note	1	Seal, Rod (Note: Use Item 26)	
9	See Note	1	Wiper (Note: Use Item 26)	
10	See Note	2	Ring, Wear (Note: Use Item 26)	
11	See Note	1	Seal, Piston (Note: Use Item 26)	
12	7027334	1	Locknut	
13	0961948	4	Bushing	
14	7024884	1	Cartridge Less Coil	
14	7012967	1	Seal Kit - 7024884 Cartridge	
14	7024885	1	Coil	
15	7012955	1	Cartridge, Check	
15	7012967	1	Seal Kit - 7012955 Cartridge	
16	4640438	1	Cartridge, Pilot Check	
16	2900770	1	Seal Kit - 4640438 Cartridge	
17	7024886	1	Cartridge, Relief	
17	7012972	1	Seal Kit - 7024886 Cartridge	
18	2220883	3	Plug	
19	See Note	1	Spacer (Note: Not available for purchase)	
20	70004315	1	Orifice	
26	7027716	1	Seal Kit (Includes Items 5-11)	

SECTION 5 - CYLINDER

FIGURE 5-9. MASTER CYLINDER ASSEMBLY (T350)



ART_1684415

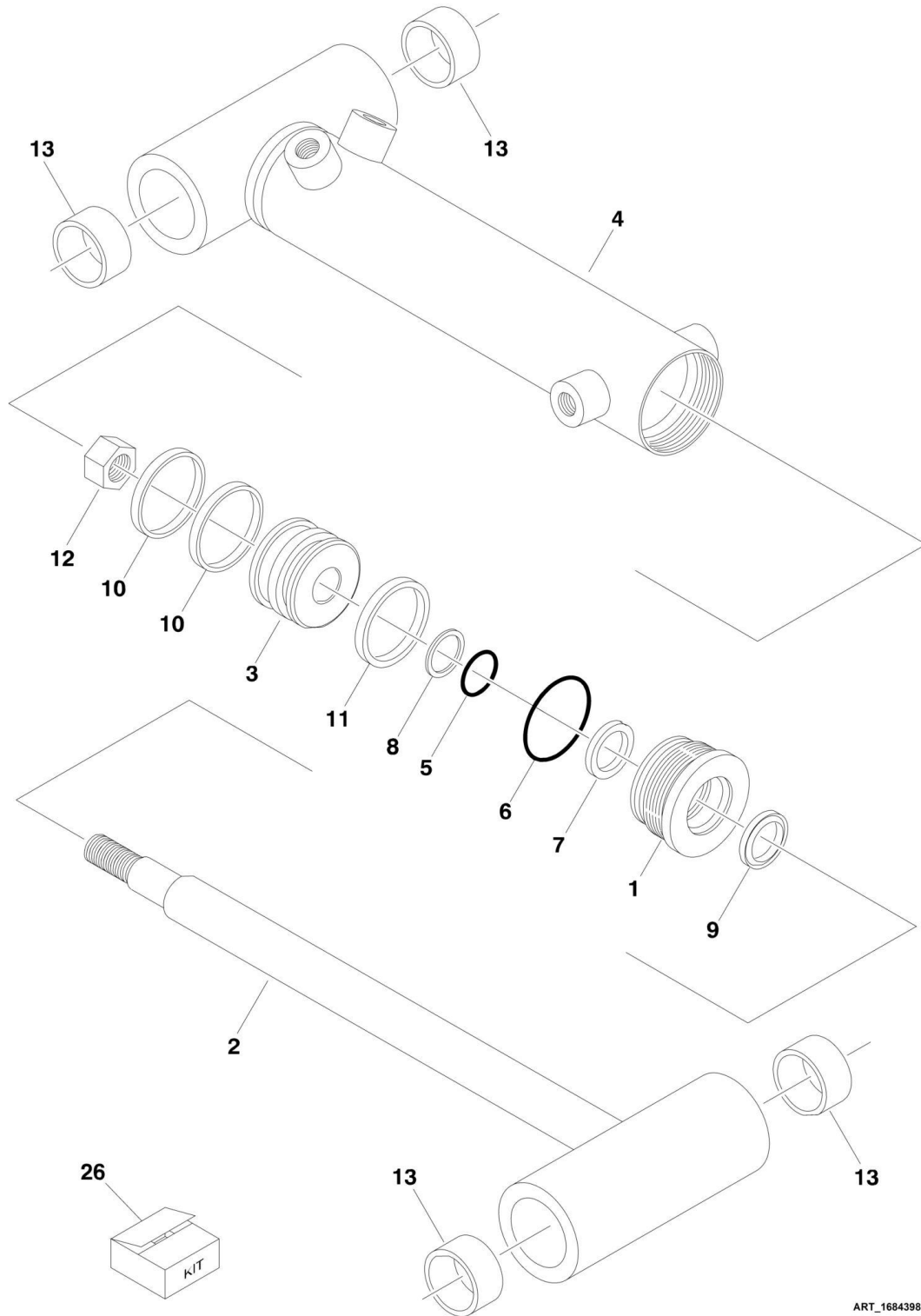
SECTION 5 - CYLINDER

FIGURE 5-9. MASTER CYLINDER ASSEMBLY (T350)

ITEM	PART NUMBER	QTY	DESCRIPTION	REV
	1684415	Ref	MASTER CYLINDER ASSEMBLY Note: Original Cylinder May Have Been Replaced with Service Replacement. Identify PN Stamped on Cylinder Before Ordering Parts.	C
		Ref		
1	7027336	1	Head	
2	7027337	1	Rod	
3	7027338	1	Piston	
4	7027339	1	Barrel	
5	See Note	1	O-Ring (Note: Use Item 26)	
6	See Note	1	O-Ring (Note: Use Item 26)	
7	See Note	1	Seal, Rod (Note: Use Item 26)	
8	See Note	1	Ring, Back-up (Note: Use Item 26)	
9	See Note	1	Wiper (Note: Use Item 26)	
10	See Note	1	Ring, Wear (Note: Use Item 26)	
11	See Note	1	Seal, Piston (Note: Use Item 26)	
12	7027340	1	Locknut	
13	0962257	4	Bushing	
26	7027341	1	Seal Kit (Includes Items 5-11)	

SECTION 5 - CYLINDER

FIGURE 5-10. MASTER CYLINDER ASSEMBLY (T500J)



ART_1684398

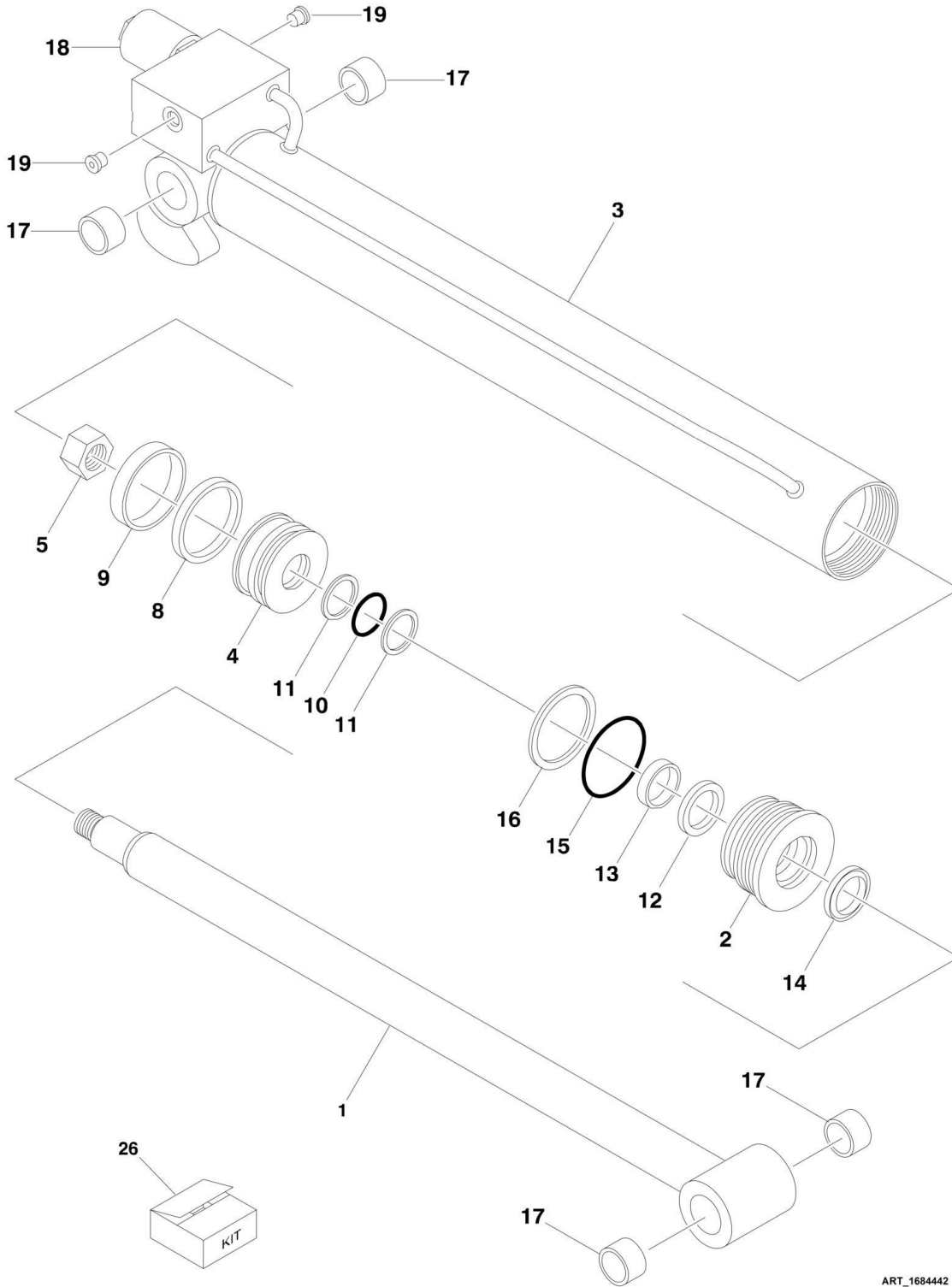
SECTION 5 - CYLINDER

FIGURE 5-10. MASTER CYLINDER ASSEMBLY (T500J)

ITEM	PART NUMBER	QTY	DESCRIPTION	REV
	1684398	Ref	MASTER CYLINDER ASSEMBLY	C
		Ref	Note: Original Cylinder May Have Been Replaced with Service Replacement. Identify PN Stamped on Cylinder Before Ordering Parts.	
1	7027694	1	Head	
2	7027699	1	Rod	
3	7027696	1	Piston	
4	7027700		Barrel	
5	See Note	1	O-Ring (Note: Use Item 26)	
6	See Note	1	O-Ring (Note: Use Item 26)	
7	See Note	1	Seal, Rod (Note: Use Item 26)	
8	See Note	1	Ring, Back-up (Note: Use Item 26)	
9	See Note	1	Wiper (Note: Use Item 26)	
10	See Note	2	Ring, Wear (Note: Use Item 26)	
11	See Note	1	Seal, Piston (Note: Use Item 26)	
12	7027340	1	Locknut	
13	0962257	4	Bushing	
26	7027698	1	Seal Kit (Includes Items 5-11)	

SECTION 5 - CYLINDER

FIGURE 5-11. OUTRIGGER CYLINDER ASSEMBLY (T350)



ART_1684442

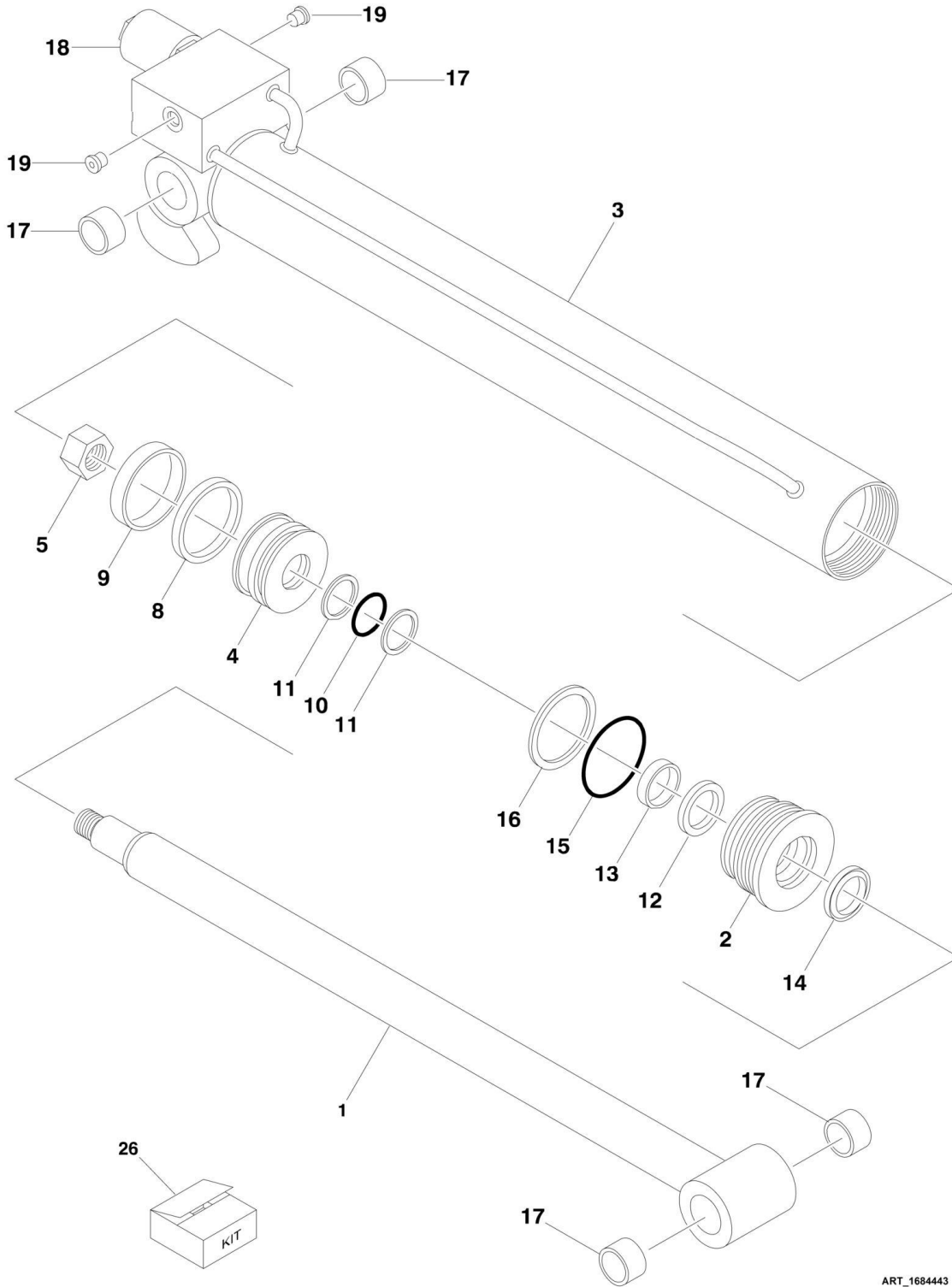
SECTION 5 - CYLINDER

FIGURE 5-11. OUTRIGGER CYLINDER ASSEMBLY (T350)

ITEM	PART NUMBER	QTY	DESCRIPTION	REV
	1684442	Ref	OUTRIGGER CYLINDER ASSEMBLY	E
		Ref	Note: Original Cylinder May Have Been Replaced with Service Replacement. Identify PN Stamped on Cylinder Before Ordering Parts.	
1	7027315	1	Rod	
2	7027316	1	Head	
3	7027317	1	Barrel	
4	7027318	1	Piston	
5	7023391	1	Locknut	
8	See Note	1	T-Seal (Note: Use Item 26)	
9	See Note	1	Ring, Wear (Note: Use Item 26)	
10	See Note	1	O-Ring (Note: Use Item 26)	
11	See Note	2	Ring, Back-up (Note: Use Item 26)	
12	See Note	1	Seal, Rod (Note: Use Item 26)	
13	See Note	1	Ring, Wear (Note: Use Item 26)	
14	See Note	1	Wiper (Note: Use Item 26)	
15	See Note	1	O-Ring (Note: Use Item 26)	
16	See Note	1	Ring, Back-up (Note: Use Item 26)	
17	0962292	4	Bushing	
18	7024882	1	Cartridge Less Coil	
18	7012953	1	Seal Kit - 7024882 Cartridge	
18	7024883	1	Coil (Note: Orient Electrical Connector Toward Center of Cams.)	
19	See Note	2	Plug (Note: Not available for purchase)	
26	7027319	1	Seal Kit (Includes Items 8-16)	

SECTION 5 - CYLINDER

FIGURE 5-12. OUTRIGGER CYLINDER ASSEMBLY (T500J)



ART_1684443

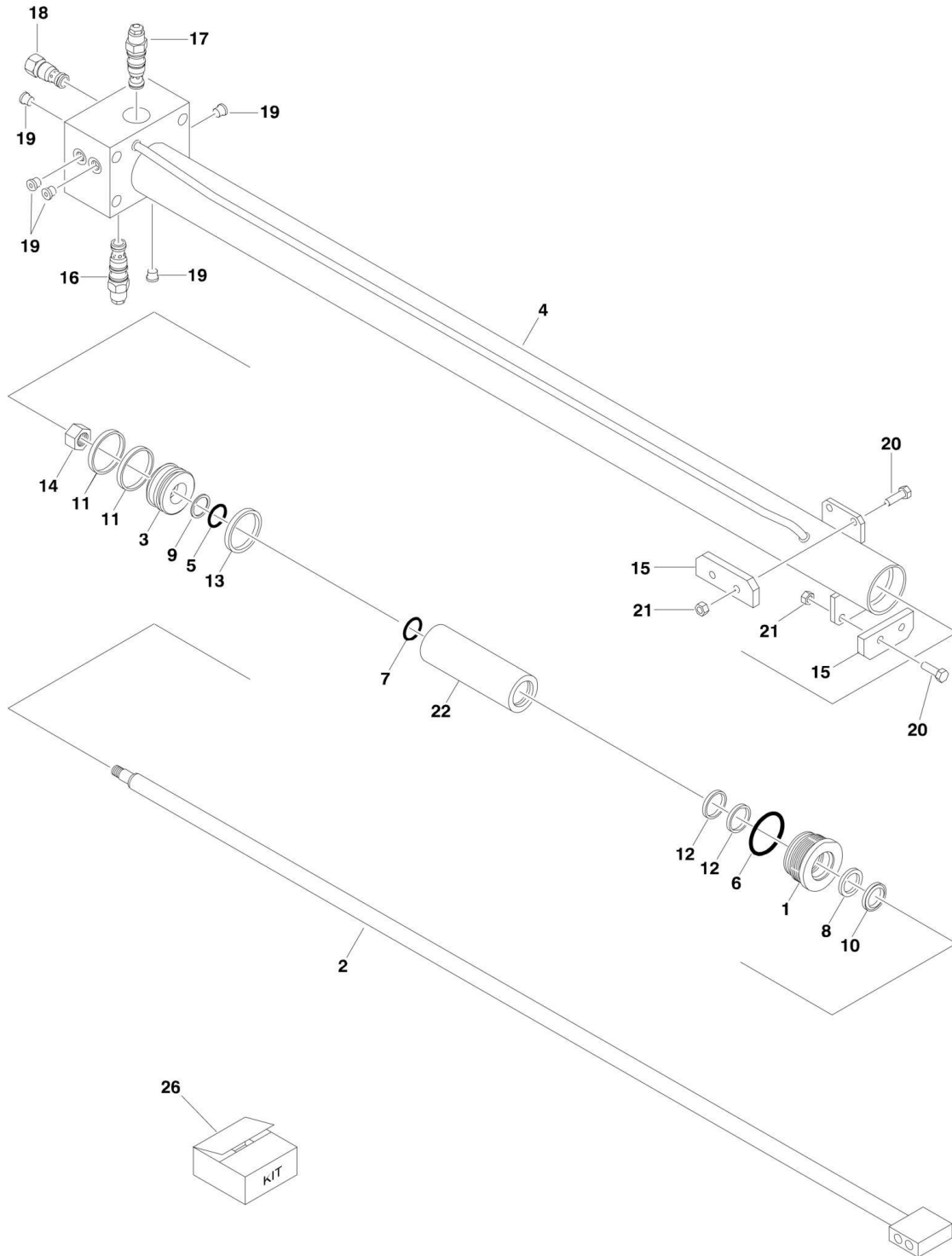
SECTION 5 - CYLINDER

FIGURE 5-12. OUTRIGGER CYLINDER ASSEMBLY (T500J)

ITEM	PART NUMBER	QTY	DESCRIPTION	REV
	1684443	Ref	OUTRIGGER CYLINDER ASSEMBLY	E
		Ref	Note: Original Cylinder May Have Been Replaced with Service Replacement. Identify PN Stamped on Cylinder Before Ordering Parts.	
1	7027320	1	Rod	
2	7027321	1	Head	
3	7027322	1	Barrel	
4	7027323	1	Piston	
5	7027324	1	Locknut	
8	See Note	1	T-Seal (Note: Use Item 26)	
9	See Note	1	Ring, Wear (Note: Use Item 26)	
10	See Note	1	O-Ring (Note: Use Item 26)	
11	See Note	2	Ring, Back-up (Note: Use Item 26)	
12	See Note	1	Seal, Rod (Note: Use Item 26)	
13	See Note	1	Ring, Wear (Note: Use Item 26)	
14	See Note	1	Wiper (Note: Use Item 26)	
15	See Note	1	O-Ring (Note: Use Item 26)	
16	See Note	1	Ring, Back-up (Note: Use Item 26)	
17	0961948	4	Bushing	
18	7024882	1	Cartridge Less Coil	
18	7012953	1	Seal Kit - 7024882 Cartridge	
18	7024883	1	Coil (Note: Orient Electrical Connector Toward Center of Cams.)	
19	See Note	2	Plug (Note: Not available for purchase)	
26	7027325	1	Seal Kit (Includes Items 8-16)	

SECTION 5 - CYLINDER

FIGURE 5-13. TELESCOPE CYLINDER ASSEMBLY (T350)



ART_1684367

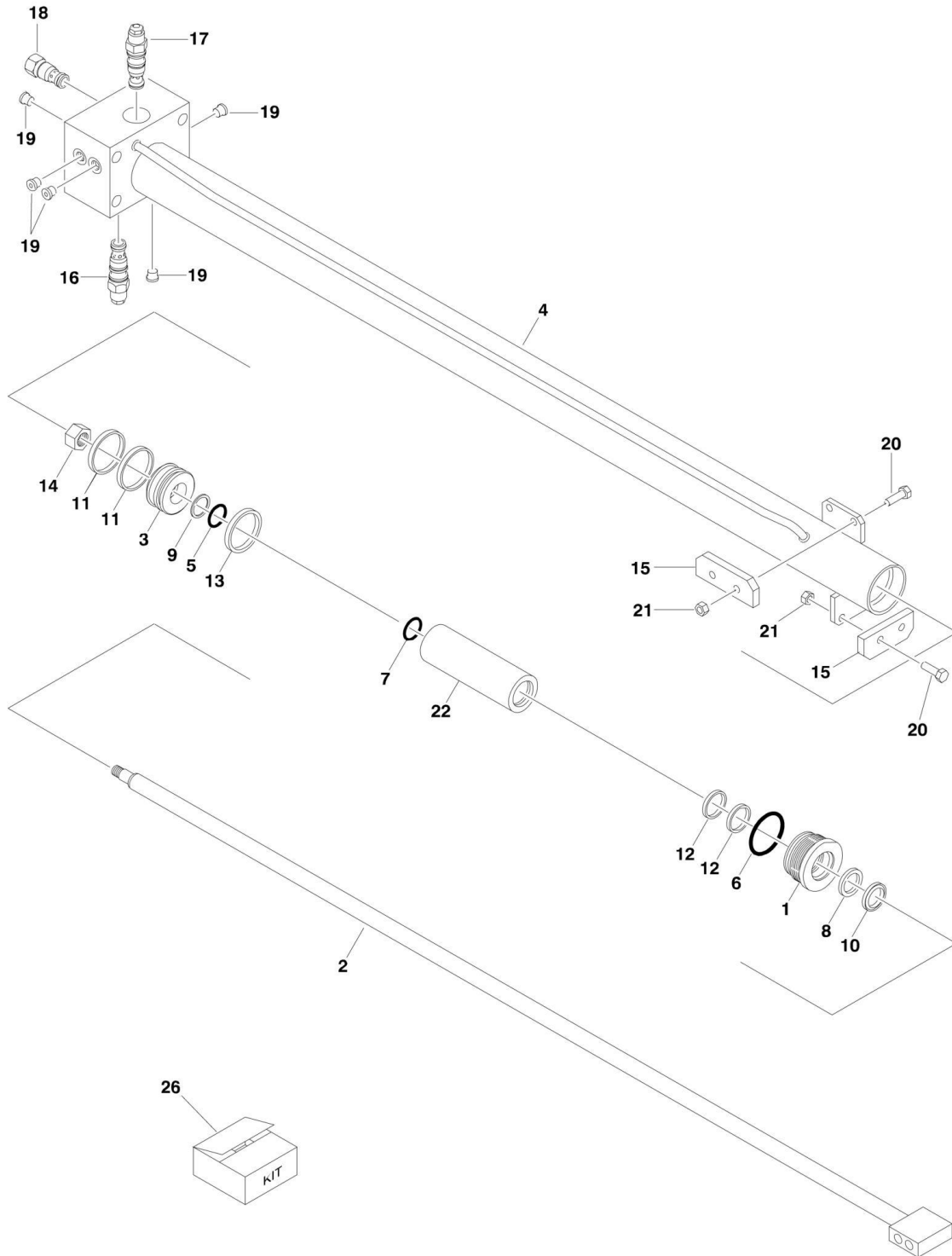
SECTION 5 - CYLINDER

FIGURE 5-13. TELESCOPE CYLINDER ASSEMBLY (T350)

ITEM	PART NUMBER	QTY	DESCRIPTION	REV
	1684367	Ref	TELESCOPE CYLINDER ASSEMBLY	E
		Ref	Note: Original Cylinder May Have Been Replaced with Service Replacement. Identify PN Stamped on Cylinder Before Ordering Parts.	
1	7027342	1	Head	
2	7027343	1	Rod	
3	7027344	1	Piston	
4	7027345	1	Barrel	
5	See Note	1	O-Ring (Note: Use Item 26)	
6	See Note	1	O-Ring (Note: Use Item 26)	
7	See Note	1	O-Ring (Note: Use Item 26)	
8	See Note	1	Seal, Rod (Note: Use Item 26)	
9	See Note	1	Ring, Back-up (Note: Use Item 26)	
10	See Note	1	Wiper (Note: Use Item 26)	
11	See Note	2	Ring, Wear (Note: Use Item 26)	
12	See Note	2	Ring, Wear (Note: Use Item 26)	
13	See Note	1	Seal, Piston (Note: Use Item 26)	
14	7027340	1	Locknut	
15	7027346	2	Pad, Wear	
16	7011377	2	Cartridge, Counterbalance	
16	7011358	2	Seal Kit - 7011377 Cartridge	
17	7011379	2	Cartridge, Counterbalance	
17	2900770	2	Seal Kit - 7011379 Cartridge	
18	4641285	1	Cartridge, Shuttle	
18	7011311	1	Seal Kit - 4641285 Cartridge	
19	2220883	5	Plug	
20	0641510	4	Bolt 5/16 x 1 1/4	
21	3311505	4	Nut 5/16	
22	See Note	1	Spacer (Note: Not available for purchase)	
26	7027347	1	Seal Kit (Includes Items 5-13)	

SECTION 5 - CYLINDER

FIGURE 5-14. TELESCOPE CYLINDER ASSEMBLY (T500J)



ART_1684402

SECTION 5 - CYLINDER

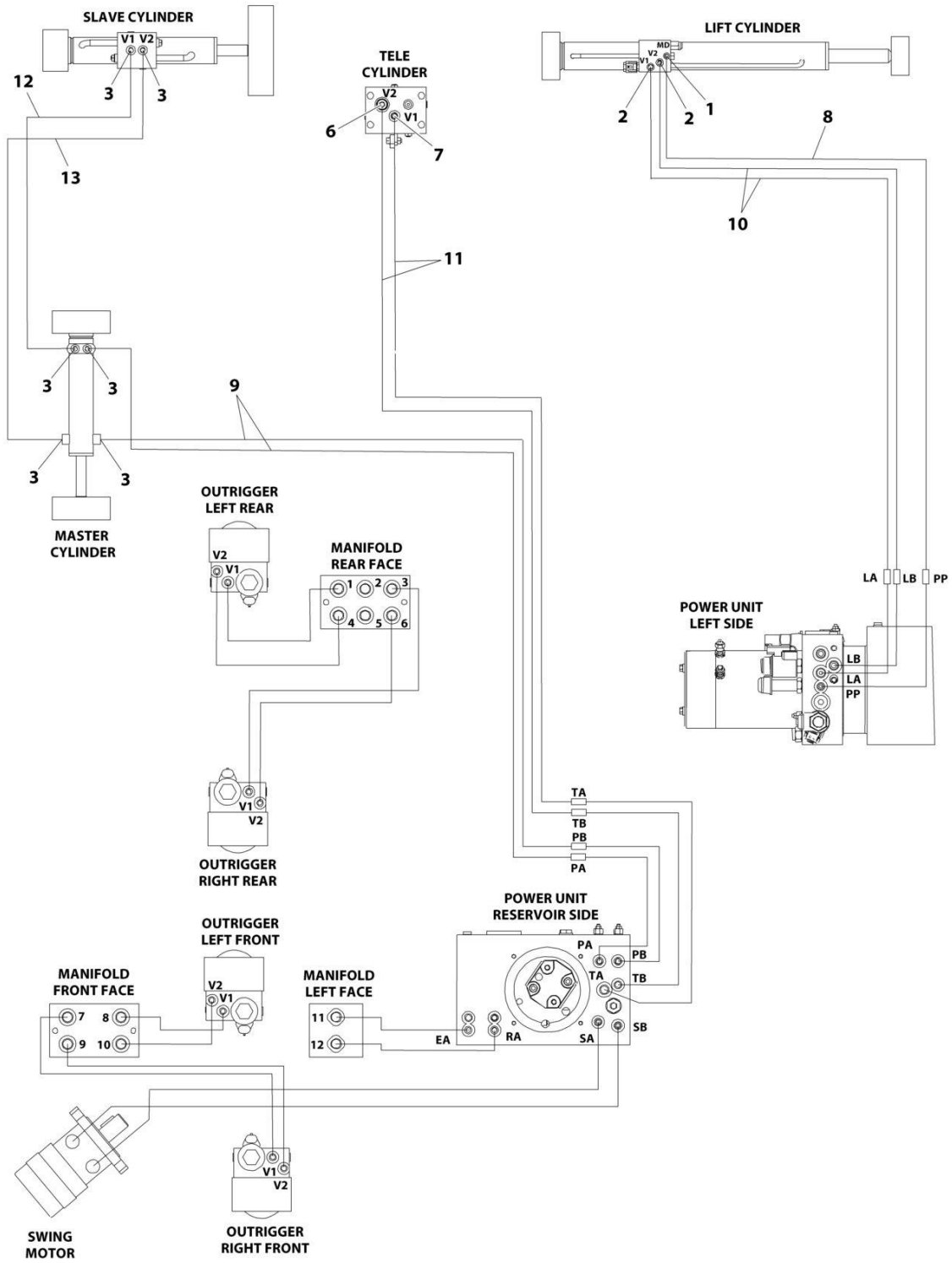
FIGURE 5-14. TELESCOPE CYLINDER ASSEMBLY (T500J)

ITEM	PART NUMBER	QTY	DESCRIPTION	REV
	1684402	Ref	TELESCOPE CYLINDER ASSEMBLY	F
		Ref	Note: Original Cylinder May Have Been Replaced with Service Replacement. Identify PN Stamped on Cylinder Before Ordering Parts.	
1	7027701	1	Head	
2	7027702	1	Rod	
3	7027703	1	Piston	
4	7027704	1	Barrel	
5	See Note	1	O-Ring (Note: Use Item 26)	
6	See Note	1	O-Ring (Note: Use Item 26)	
7	See Note	1	O-Ring (Note: Use Item 26)	
8	See Note	1	Seal, Rod (Note: Use Item 26)	
9	See Note	1	Ring, Back-up (Note: Use Item 26)	
10	See Note	1	Wiper (Note: Use Item 26)	
11	See Note	2	Ring, Wear (Note: Use Item 26)	
12	See Note	2	Ring, Wear (Note: Use Item 26)	
13	See Note	1	Seal, Piston (Note: Use Item 26)	
14	7027705	1	Locknut	
15	7027706	2	Pad, Wear	
16	7011377	2	Cartridge, Counterbalance	
16	7011358	2	Seal Kit - 7011377 Cartridge	
17	7011379	2	Cartridge, Counterbalance	
17	2900770	2	Seal Kit - 7011379 Cartridge	
18	4641285	1	Cartridge, Shuttle	
18	7011311	1	Seal Kit - 4641285 Cartridge	
19	2220883	5	Plug	
20	0641510	4	Bolt 5/16 x 1 1/4	
21	3311505	4	Nut 5/16	
22	See Note	1	Spacer (Note: Not available for purchase)	
26	7027707	1	Seal Kit (Includes Items 5-13)	

SECTION 6 - HYDRAULIC

SECTION 6 - HYDRAULIC

FIGURE 6-1. HYDRAULIC DIAGRAM - BOOM (T350)



ART_2792640

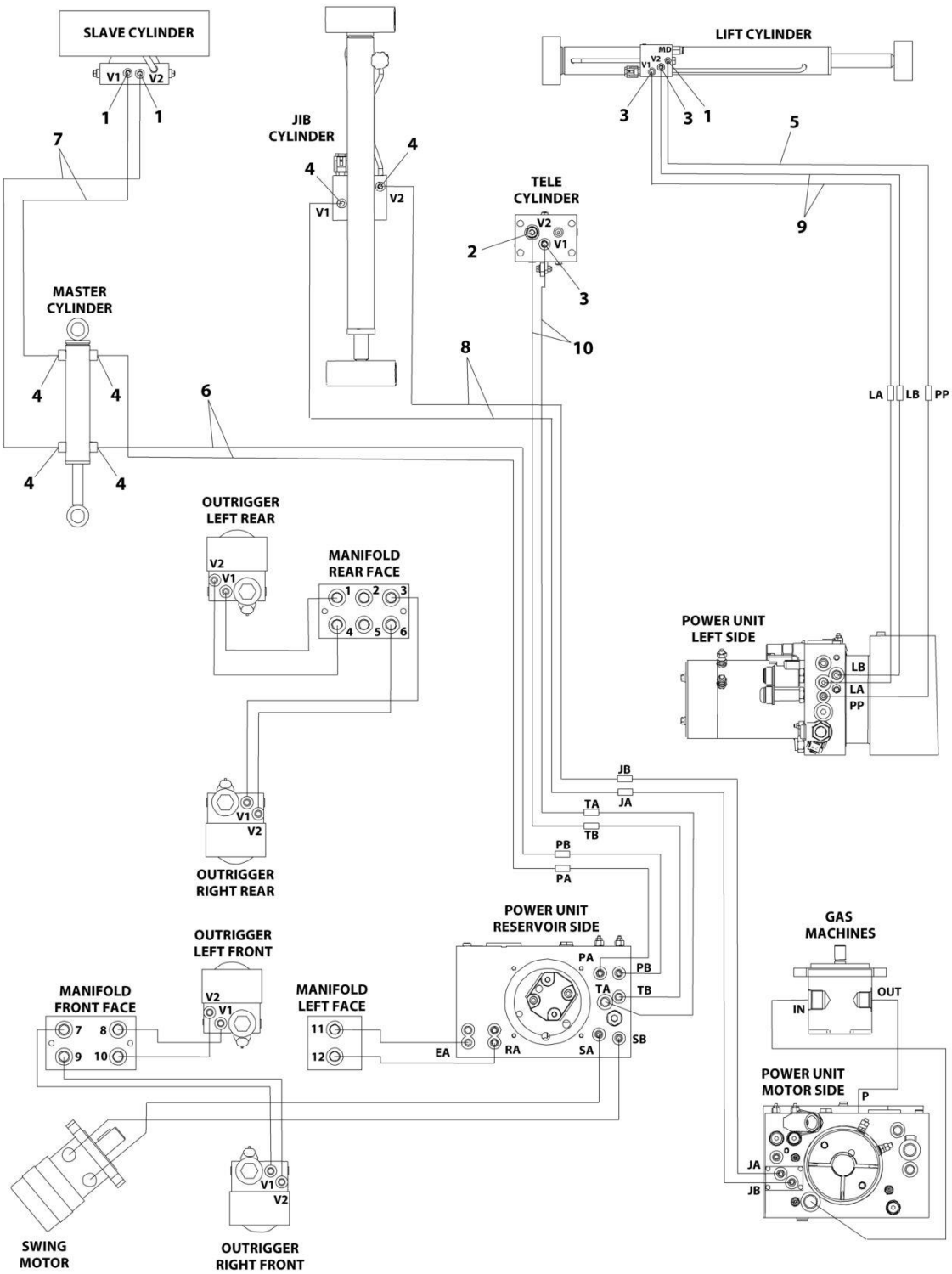
SECTION 6 - HYDRAULIC

FIGURE 6-1. HYDRAULIC DIAGRAM - BOOM (T350)

ITEM	PART NUMBER	QTY	DESCRIPTION	REV
	2792640	Ref	HYDRAULIC DIAGRAM - BOOM	1
	1283400	Ref	HYDRAULIC DIAGRAM - CHART DRAWING	E
1	2110404	1	Fitting, Straight ORFS/ORB	
2	2110606	2	Fitting, Straight ORFS/ORB	
3	2130404	6	Fitting, 90 ORFS/ORB	
6	2130604	1	Fitting, 90 ORFS/ORB	
7	2130606	1	Fitting, 90 ORFS/ORB	
8	2754209	1	Hose	
9	2754204	2	Hose	
10	2754213	2	Hose	
11	2754211	2	Hose	
12	2754205	1	Hose	
13	2754206	1	Hose	

SECTION 6 - HYDRAULIC

FIGURE 6-2. HYDRAULIC DIAGRAM - BOOM (T500J)



ART_2792641

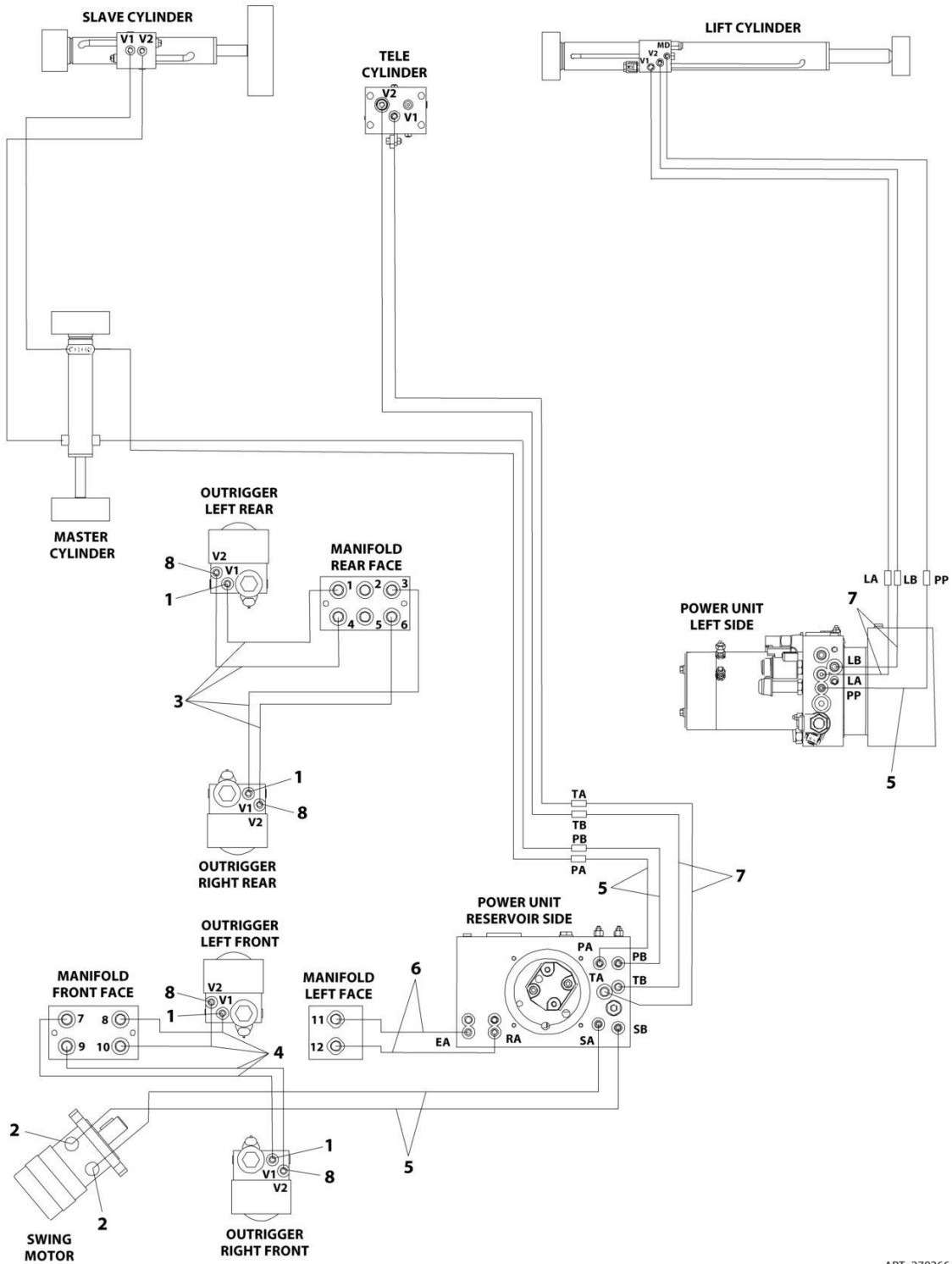
SECTION 6 - HYDRAULIC

FIGURE 6-2. HYDRAULIC DIAGRAM - BOOM (T500J)

ITEM	PART NUMBER	QTY	DESCRIPTION	REV
	2792641	Ref	HYDRAULIC DIAGRAM - BOOM	3
	1283401	Ref	HYDRAULIC DIAGRAM - CHART DRAWING	F
1	2110404	3	Fitting, Straight	
2	2110604	1	Fitting, Straight	
3	2110606	3	Fitting, Straight	
4	2130404	6	Fitting, 90	
5	2754210	1	Hose	
6	2754207	2	Hose	
7	2754264	2	Hose	
8	2754208	2	Hose	
9	2754214	2	Hose	
10	2754212	2	Hose	

SECTION 6 - HYDRAULIC

FIGURE 6-3. HYDRAULIC DIAGRAM - CHASSIS (T350 ELECTRIC POWERED MACHINES)



ART_2792664

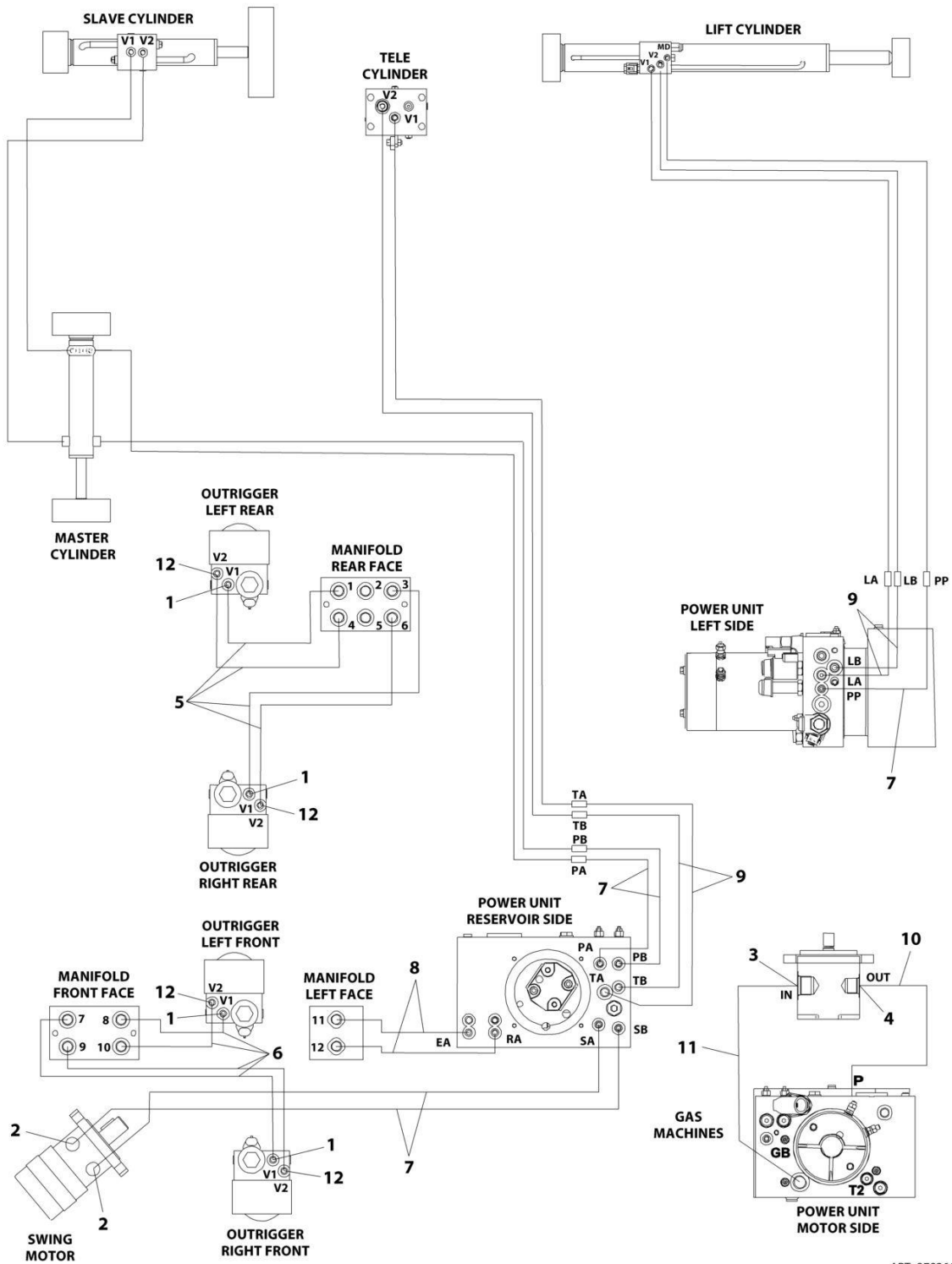
SECTION 6 - HYDRAULIC

FIGURE 6-3. HYDRAULIC DIAGRAM - CHASSIS (T350 ELECTRIC POWERED MACHINES)

ITEM	PART NUMBER	QTY	DESCRIPTION	REV
	2792664	Ref	HYDRAULIC DIAGRAM	2
	1283400	Ref	HYDRAULIC DIAGRAM - CHART DRAWING	E
1	2110404	4	Fitting, Straight	
2	2110410	2	Fitting, Straight	
3	2753555	4	Hose	
4	2753545	4	Hose	
5	2753550	5	Hose	
6	2753851	2	Hose	
7	2753563	4	Hose	
8	2150404	4	Fitting, Elbow	

SECTION 6 - HYDRAULIC

FIGURE 6-4. HYDRAULIC DIAGRAM - BOOM AND CHASSIS (T350 ENGINE POWERED MACHINES)



ART_2792665

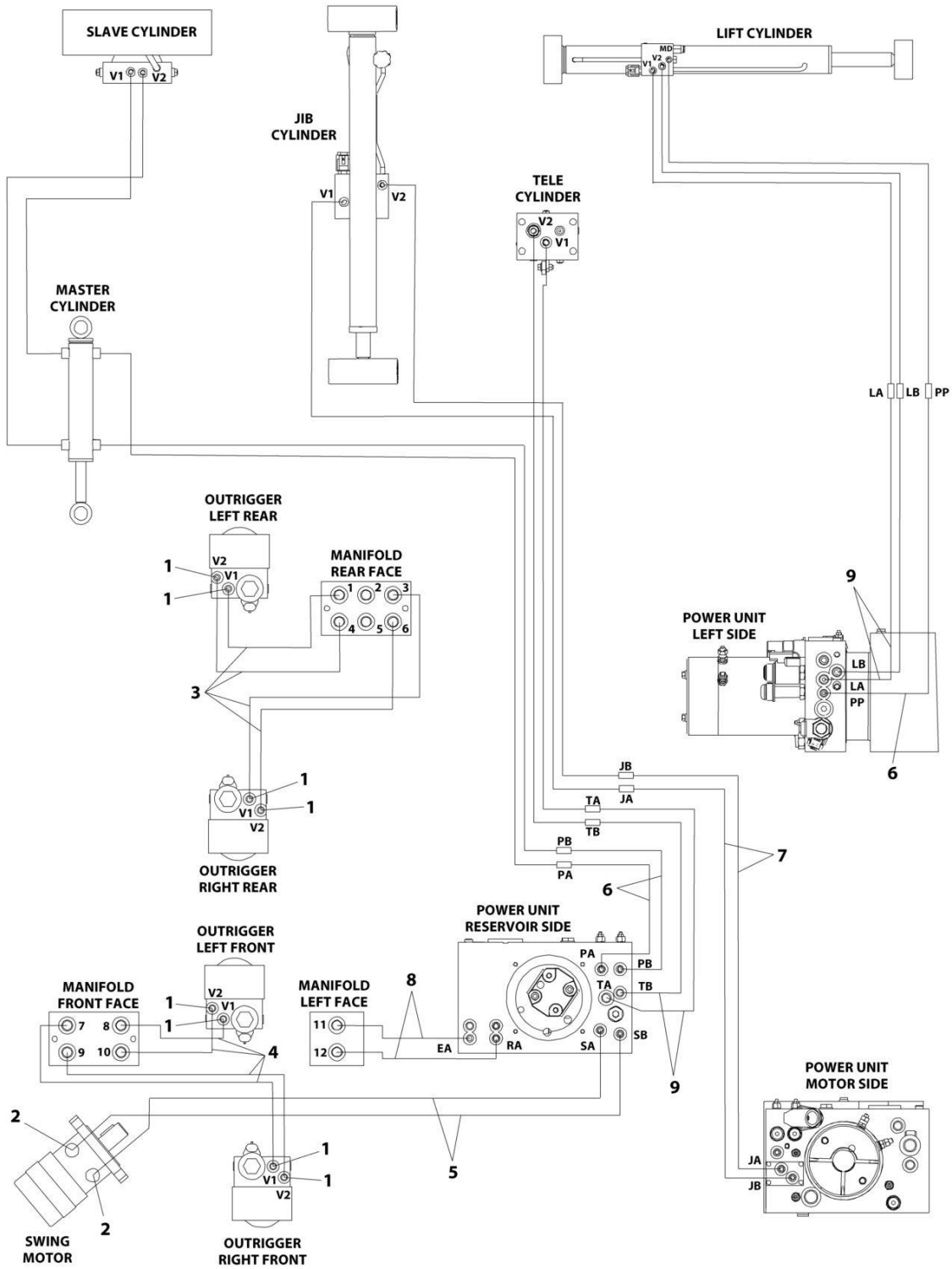
SECTION 6 - HYDRAULIC

FIGURE 6-4. HYDRAULIC DIAGRAM - BOOM AND CHASSIS (T350 ENGINE POWERED MACHINES)

ITEM	PART NUMBER	QTY	DESCRIPTION	REV
	2792665	Ref	HYDRAULIC DIAGRAM	4
	1283400	Ref	HYDRAULIC DIAGRAM - CHART DRAWING	E
1	2110404	4	Fitting, Straight	
2	2110410	2	Fitting, Straight	
3	2151612	1	Fitting, 45	
4	2130610	1	Fitting, 90	
5	2753555	4	Hose	
6	2753545	4	Hose	
7	2753550	5	Hose	
8	2753851	2	Hose	
9	2753563	4	Hose	
10	2753626	1	Hose	
11	1001110688	1	Hose	
12	2150404	4	Fitting, Elbow	

SECTION 6 - HYDRAULIC

FIGURE 6-5. HYDRAULIC DIAGRAM - CHASSIS (T500J ELECTRIC POWERED MACHINES) (ANSI, ANSI EXPORT AND CSA SPECS)



ART_2792668

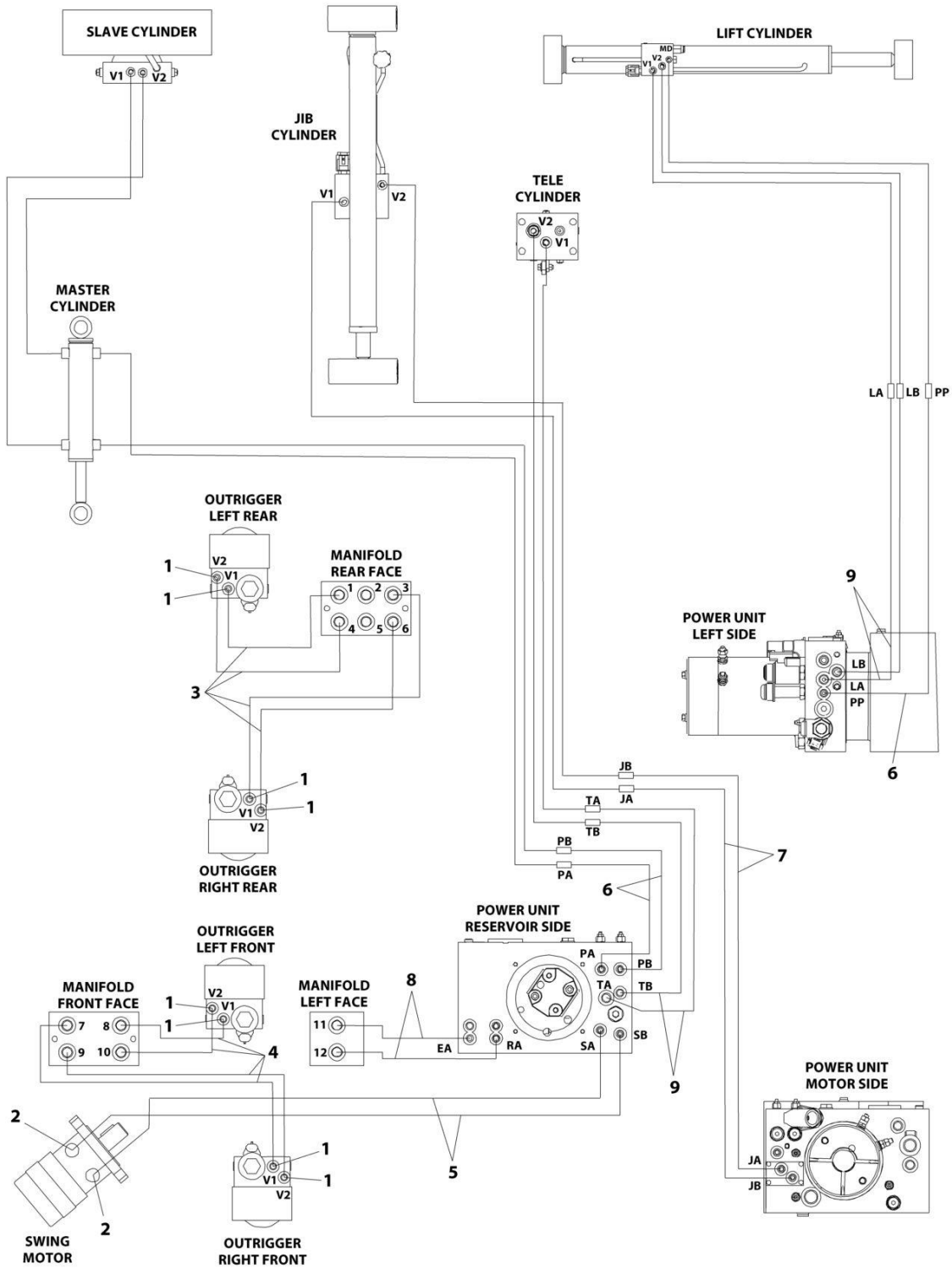
SECTION 6 - HYDRAULIC

FIGURE 6-5. HYDRAULIC DIAGRAM - CHASSIS (T500J ELECTRIC POWERED MACHINES) (ANSI, ANSI EXPORT AND CSA SPECS)

ITEM	PART NUMBER	QTY	DESCRIPTION	REV
	2792668	Ref	HYDRAULIC DIAGRAM - CHASSIS	2
	1283401	Ref	HYDRAULIC DIAGRAM - CHART DRAWING	F
1	2110404	8	Fitting, Straight	
2	2110410	2	Fitting, Straight	
3	2753540	4	Hose	
4	2753541	4	Hose	
5	2753622	2	Hose	
6	2753784	3	Hose	
7	2754263	2	Hose	
8	2754265	2	Hose	
9	2753727	4	Hose	

SECTION 6 - HYDRAULIC

**FIGURE 6-6. HYDRAULIC DIAGRAM - CHASSIS (T500J ELECTRIC POWERED MACHINES)
(AUSTRALIAN AND SOUTH AFRICAN SPECS)**



ART_2792672

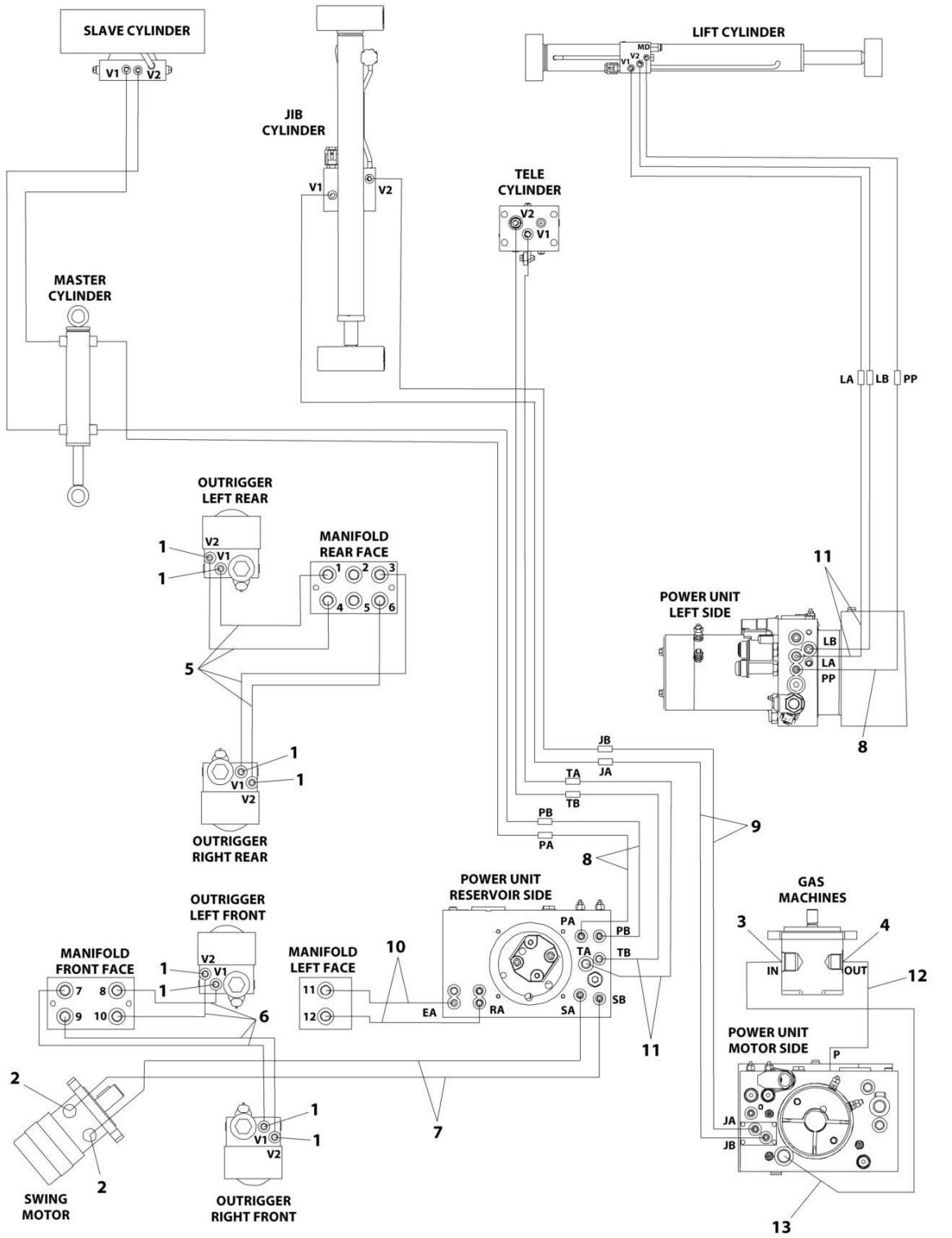
SECTION 6 - HYDRAULIC

**FIGURE 6-6. HYDRAULIC DIAGRAM - CHASSIS (T500J ELECTRIC POWERED MACHINES)
(AUSTRALIAN AND SOUTH AFRICAN SPECS)**

ITEM	PART NUMBER	QTY	DESCRIPTION	REV
	2792672	Ref	HYDRAULIC DIAGRAM - CHASSIS	B
	1283401	Ref	HYDRAULIC DIAGRAM - CHART DRAWING	F
1	2110404	8	Fitting, Straight	
2	2110410	2	Fitting, Straight	
3	2753540	4	Hose	
4	2754469	4	Hose	
5	2753550	2	Hose	
6	2753785	3	Hose	
7	2754470	2	Hose	
8	2754471	2	Hose	
9	2754472	4	Hose	

SECTION 6 - HYDRAULIC

FIGURE 6-7. HYDRAULIC DIAGRAM - CHASSIS (T500J ENGINE POWERED MACHINES) (ANSI, ANSI EXPORT AND CSA SPECS)



ART_2792669

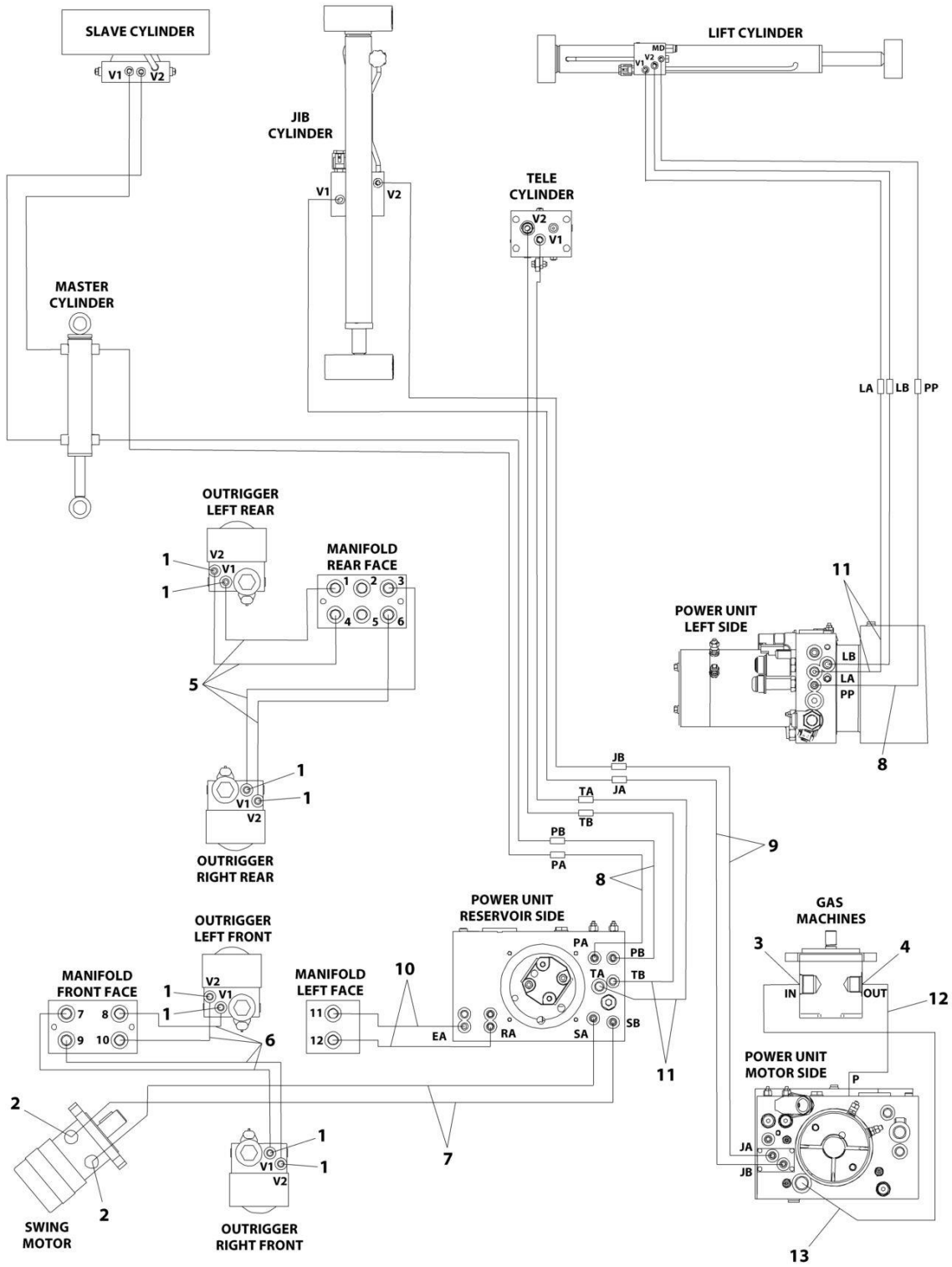
SECTION 6 - HYDRAULIC

FIGURE 6-7. HYDRAULIC DIAGRAM - CHASSIS (T500J ENGINE POWERED MACHINES) (ANSI, ANSI EXPORT AND CSA SPECS)

ITEM	PART NUMBER	QTY	DESCRIPTION	REV
	2792669	Ref	HYDRAULIC DIAGRAM - CHASSIS	4
	1283401	Ref	HYDRAULIC DIAGRAM - CHART DRAWING	F
1	2110404	8	Fitting, Straight	
2	2110410	2	Fitting, Straight	
3	2151612	1	Fitting, Straight	
4	2130610	1	Fitting, Straight	
5	2753540	4	Hose	
6	2753541	4	Hose	
7	2753622	2	Hose	
8	2753784	3	Hose	
9	2754263	2	Hose	
10	2754265	2	Hose	
11	2753727	4	Hose	
12	2753626	1	Hose	
13	1001110688	1	Hose	

SECTION 6 - HYDRAULIC

FIGURE 6-8. HYDRAULIC DIAGRAM - CHASSIS (T500J ENGINE POWERED MACHINES) (AUSTRALIAN AND SOUTH AFRICAN SPECS)



ART_2792673

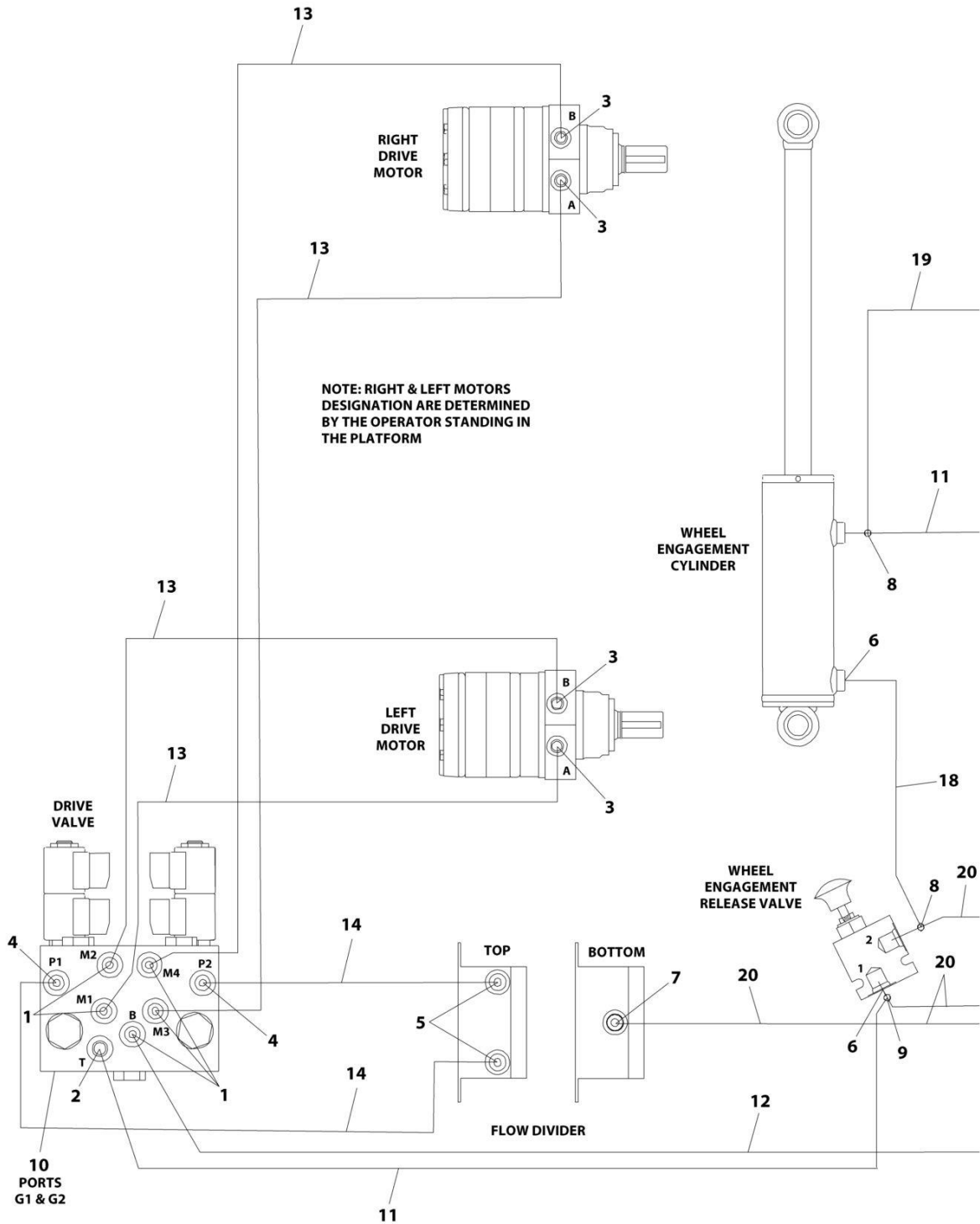
SECTION 6 - HYDRAULIC

**FIGURE 6-8. HYDRAULIC DIAGRAM - CHASSIS (T500J ENGINE POWERED MACHINES)
(AUSTRALIAN AND SOUTH AFRICAN SPECS)**

ITEM	PART NUMBER	QTY	DESCRIPTION	REV
	2792673	Ref	HYDRAULIC DIAGRAM - CHASSIS	B
	1283401	Ref	HYDRAULIC DIAGRAM - CHART DRAWING	F
1	2110404	8	Fitting, Straight	
2	2110410	2	Fitting, Straight	
3	2151612	1	Fitting, Straight	
4	2130610	1	Fitting, Straight	
5	2753540	4	Hose	
6	2754469	4	Hose	
7	2753550	2	Hose	
8	2753785	3	Hose	
9	2754470	2	Hose	
10	2754471	2	Hose	
11	2754472	4	Hose	
12	2753626	1	Hose	
13	2754339	1	Hose	

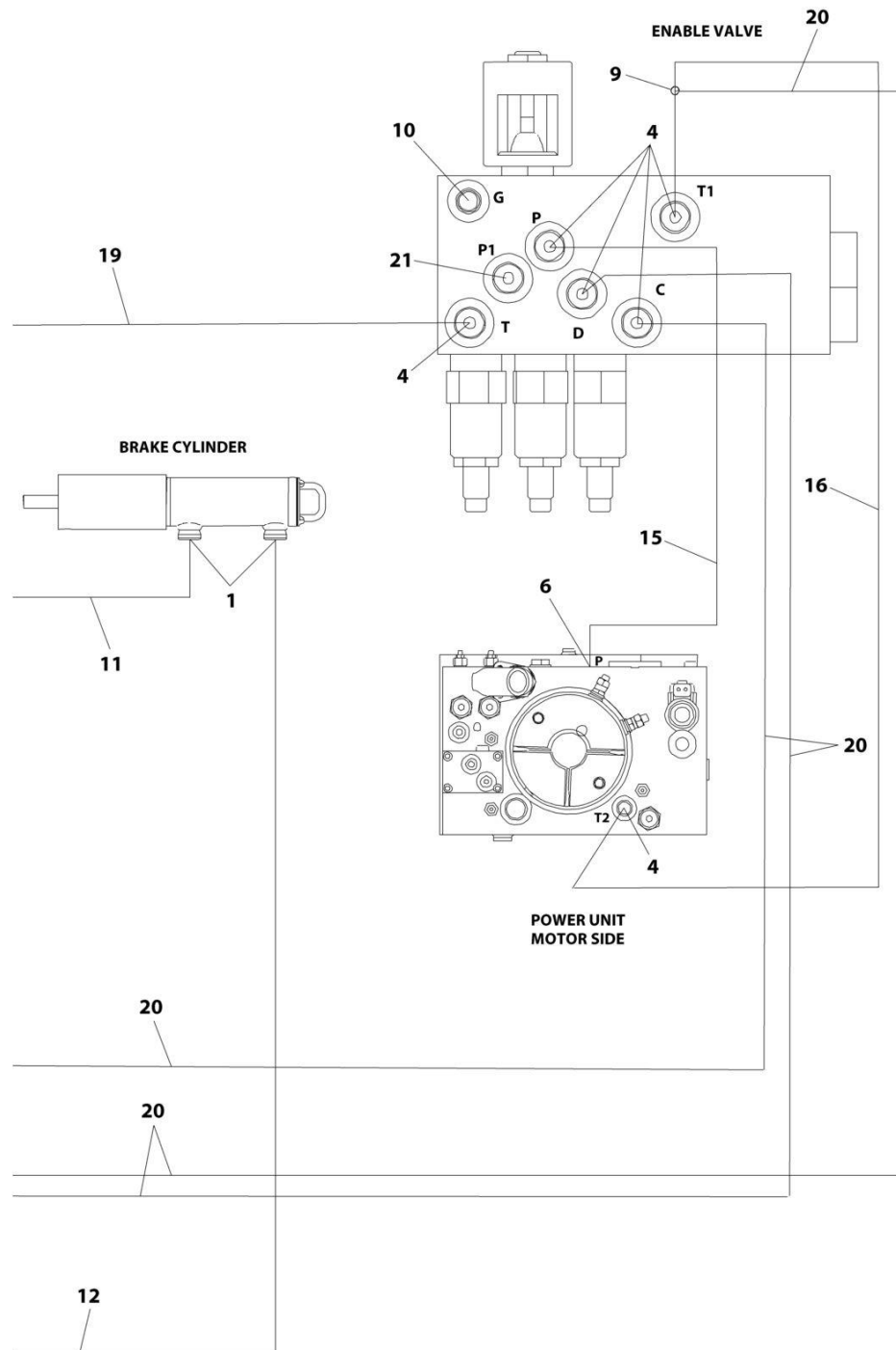
SECTION 6 - HYDRAULIC

FIGURE 6-9. HYDRAULIC DIAGRAM - DRIVE AND SET (T350 ELECTRIC POWERED MACHINES)



ART_2792674_10F2

SECTION 6 - HYDRAULIC



ART_2792674_20F2

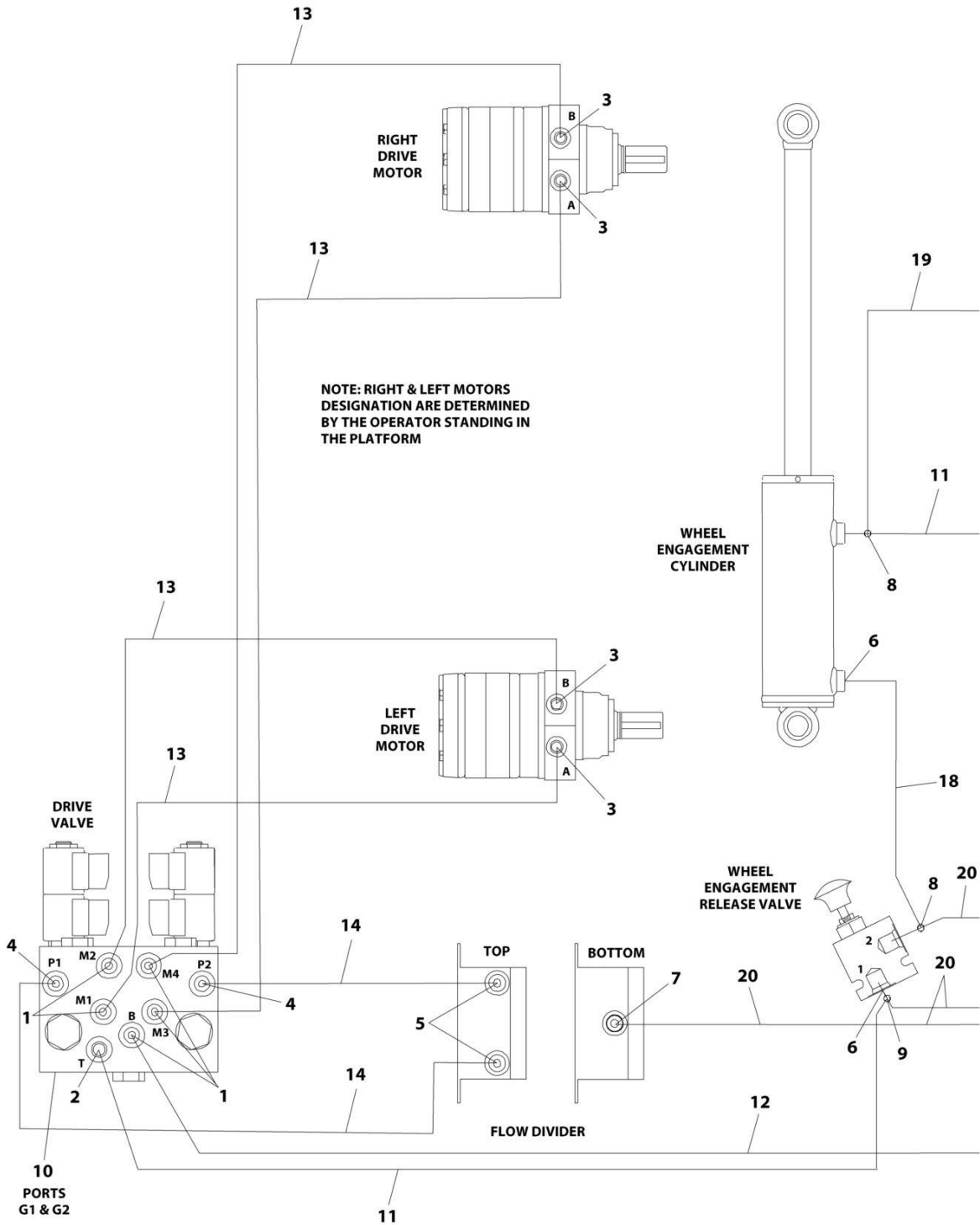
SECTION 6 - HYDRAULIC

FIGURE 6-9. HYDRAULIC DIAGRAM - DRIVE AND SET (T350 ELECTRIC POWERED MACHINES)

ITEM	PART NUMBER	QTY	DESCRIPTION	REV
	2792674	Ref	HYDRAULIC DIAGRAM - DRIVE AND SET	B
	1283400	Ref	HYDRAULIC DIAGRAM - CHART DRAWING	F
1	2110404	7	Fitting, Straight	
2	2110406	1	Fitting, Straight	
3	2110410	4	Fitting, Straight	
4	2110606	8	Fitting, Straight	
5	2110608	2	Fitting, Straight	
6	2130606	2	Fitting, Elbow	
7	2130608	1	Fitting, Elbow	
8	2170306	2	Fitting, Tee	
9	2170706	2	Fitting, Tee	
10	2221086	4	Fitting, Adapter	
11	2754676	2	Hose	
12	2753545	1	Hose	
13	2753622	4	Hose	
14	2754644	2	Hose	
15	2753625	1	Hose	
16	2753673	1	Hose	
18	2754265	1	Hose	
19	2753731	1	Hose	
20	2754645	3	Hose	
21	2220237	1	Fitting, Plug Adapter	

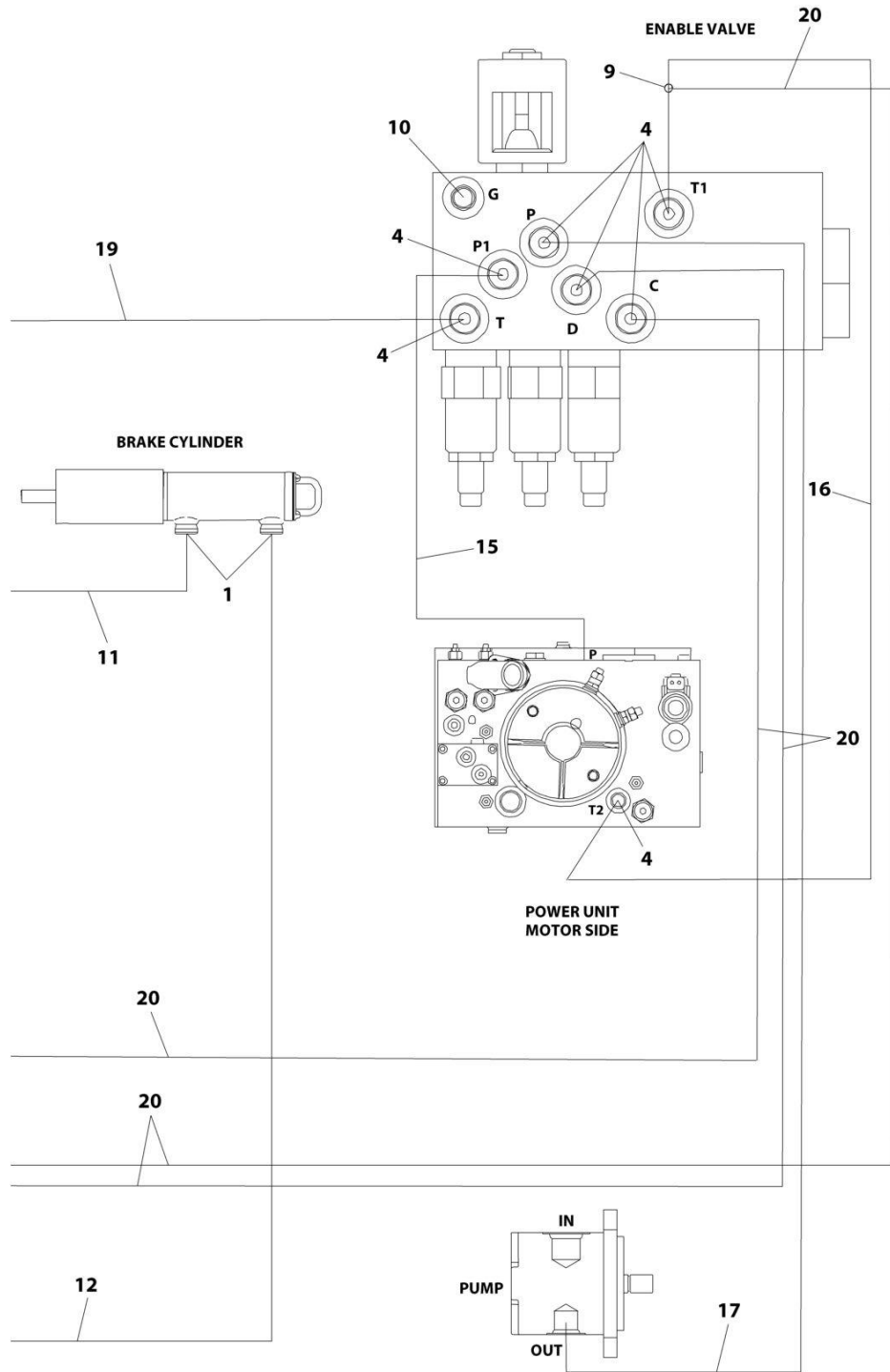
SECTION 6 - HYDRAULIC

FIGURE 6-10. HYDRAULIC DIAGRAM - DRIVE AND SET (T350 ENGINE POWERED MACHINES)



ART_2792675_10F2

SECTION 6 - HYDRAULIC



ART_2792675_2OF2

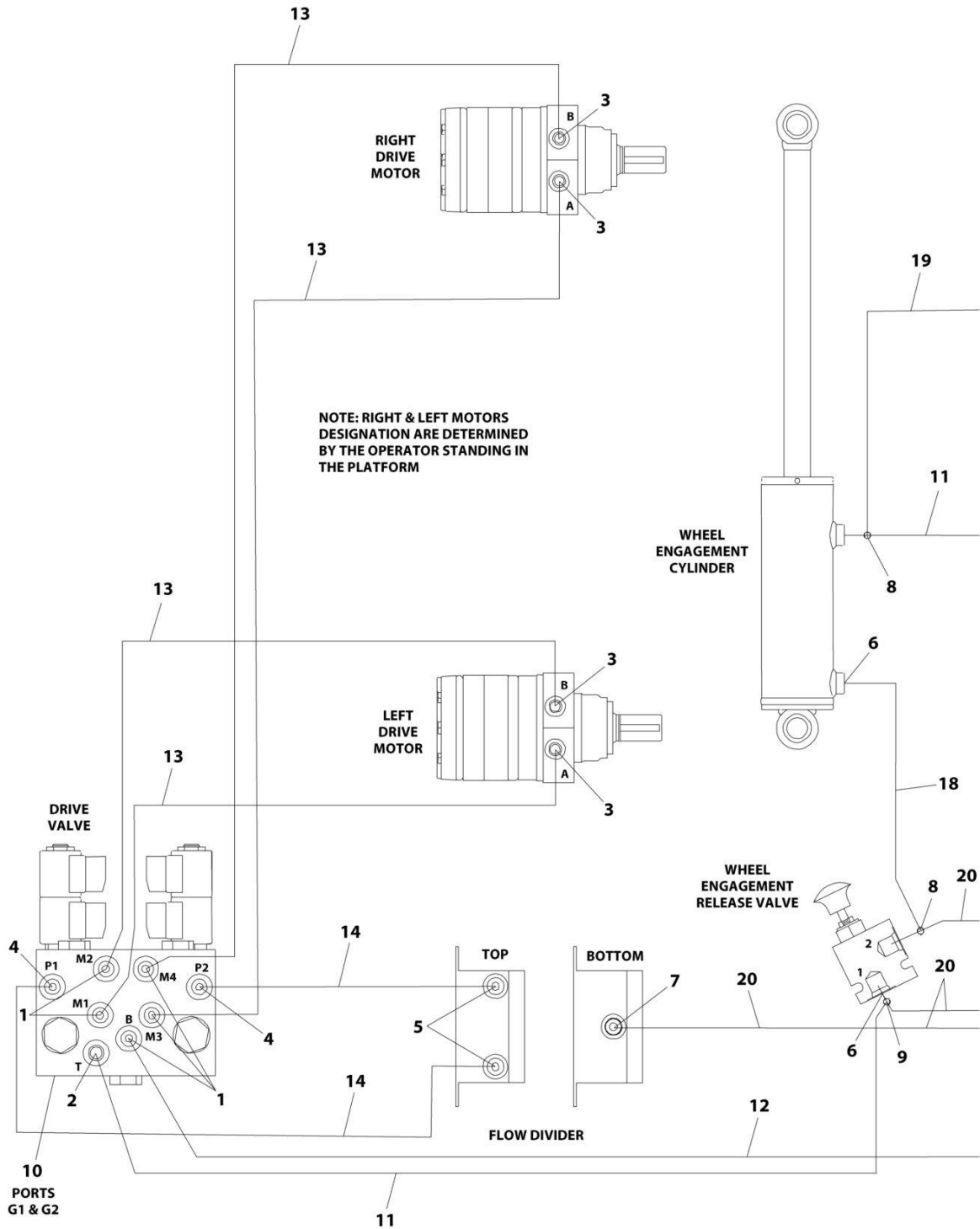
SECTION 6 - HYDRAULIC

FIGURE 6-10. HYDRAULIC DIAGRAM - DRIVE AND SET (T350 ENGINE POWERED MACHINES)

ITEM	PART NUMBER	QTY	DESCRIPTION	REV
	2792675	Ref	HYDRAULIC DIAGRAM - DRIVE AND SET	B
	1283400	Ref	HYDRAULIC DIAGRAM - CHART DRAWING	F
1	2110404	7	Fitting, Straight	
2	2110406	1	Fitting, Straight	
3	2110410	4	Fitting, Straight	
4	2110606	9	Fitting, Straight	
5	2110608	2	Fitting, Straight	
6	2130606	2	Fitting, Elbow	
7	2130608	2	Fitting, Elbow	
8	2170306	2	Fitting, Tee	
9	2170706	2	Fitting, Tee	
10	2221086	4	Fitting, Adapter	
11	2754676	2	Hose	
12	2753545	1	Hose	
13	2753622	4	Hose	
14	2754644	2	Hose	
15	2753625	1	Hose	
16	2753673	1	Hose	
17	2753730	1	Hose	
18	2754265	1	Hose	
19	2753731	1	Hose	
20	2754645	3	Hose	

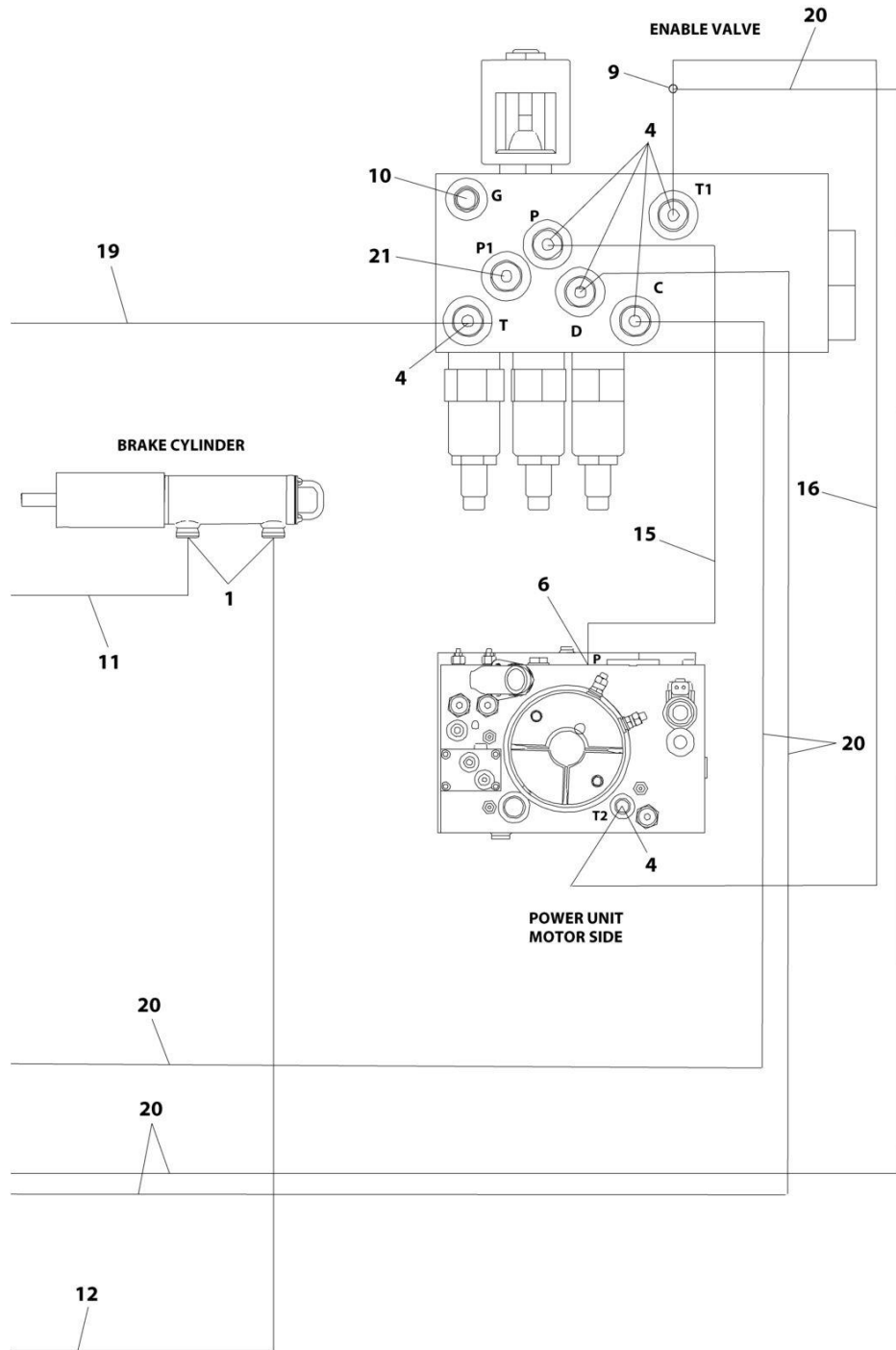
SECTION 6 - HYDRAULIC

FIGURE 6-11. HYDRAULIC DIAGRAM - DRIVE AND SET (T500J ELECTRIC POWERED MACHINES)



ART_2792676_10F2

SECTION 6 - HYDRAULIC



ART_2792676_20F2

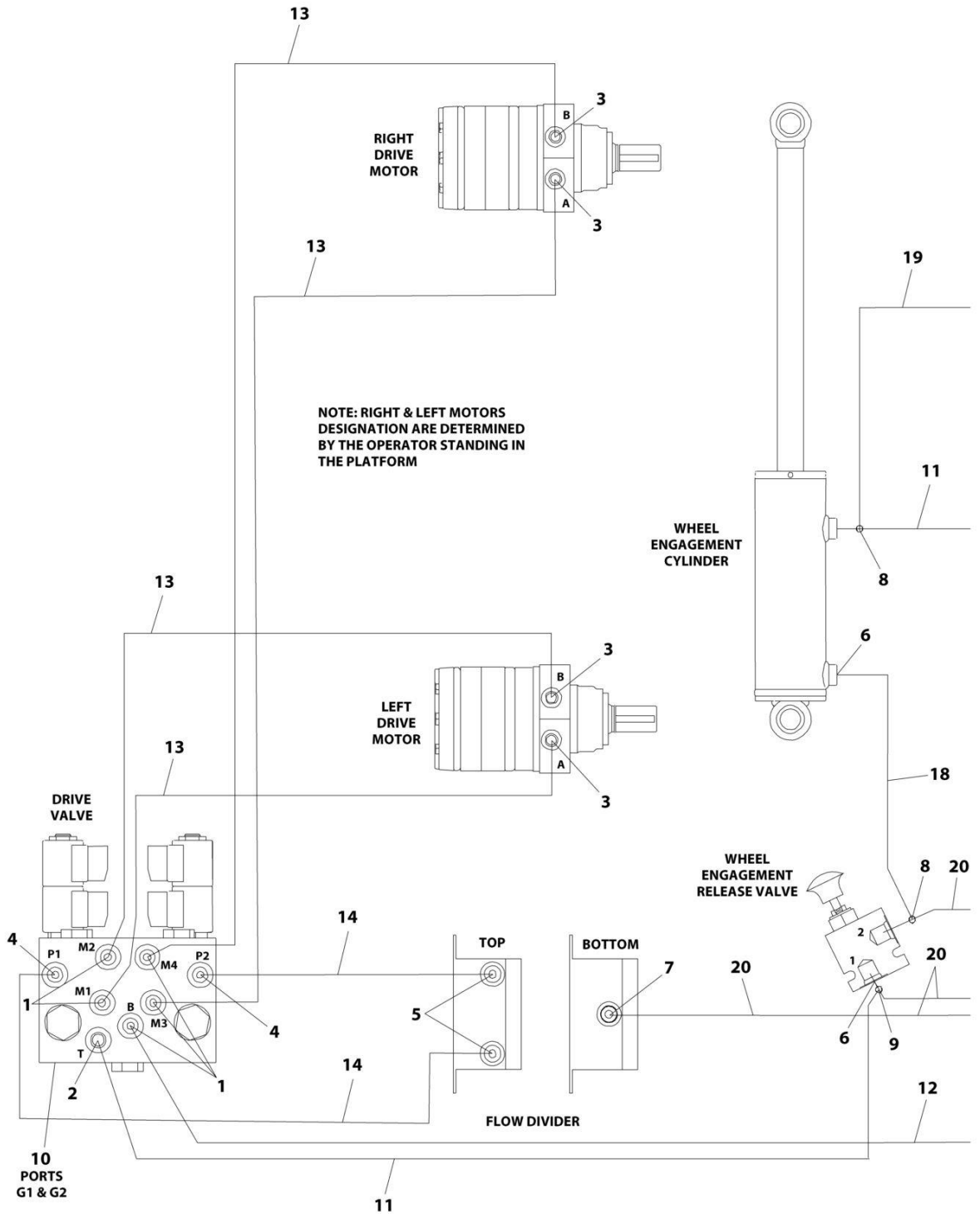
SECTION 6 - HYDRAULIC

FIGURE 6-11. HYDRAULIC DIAGRAM - DRIVE AND SET (T500J ELECTRIC POWERED MACHINES)

ITEM	PART NUMBER	QTY	DESCRIPTION	REV
	2792676	Ref	HYDRAULIC DIAGRAM - DRIVE AND SET	B
	1283401	Ref	HYDRAULIC DIAGRAM - CHART DRAWING	F
1	2110404	7	Fitting, Straight	
2	2110406	1	Fitting, Straight	
3	2110410	4	Fitting, Straight	
4	2110606	8	Fitting, Straight	
5	2110608	2	Fitting, Straight	
6	2130606	2	Fitting, Elbow	
7	2130608	2	Fitting, Elbow	
8	2170306	2	Fitting, Tee	
9	2170706	2	Fitting, Tee	
10	2221086	4	Fitting, Adapter	
11	2754643	2	Hose	
12	2753545	1	Hose	
13	2753622	4	Hose	
14	2754644	2	Hose	
15	2753625	1	Hose	
16	2753673	1	Hose	
18	2754265	1	Hose	
19	2753731	1	Hose	
20	2754645	3	Hose	
21	2220237	1	Fitting, Plug Adapter	

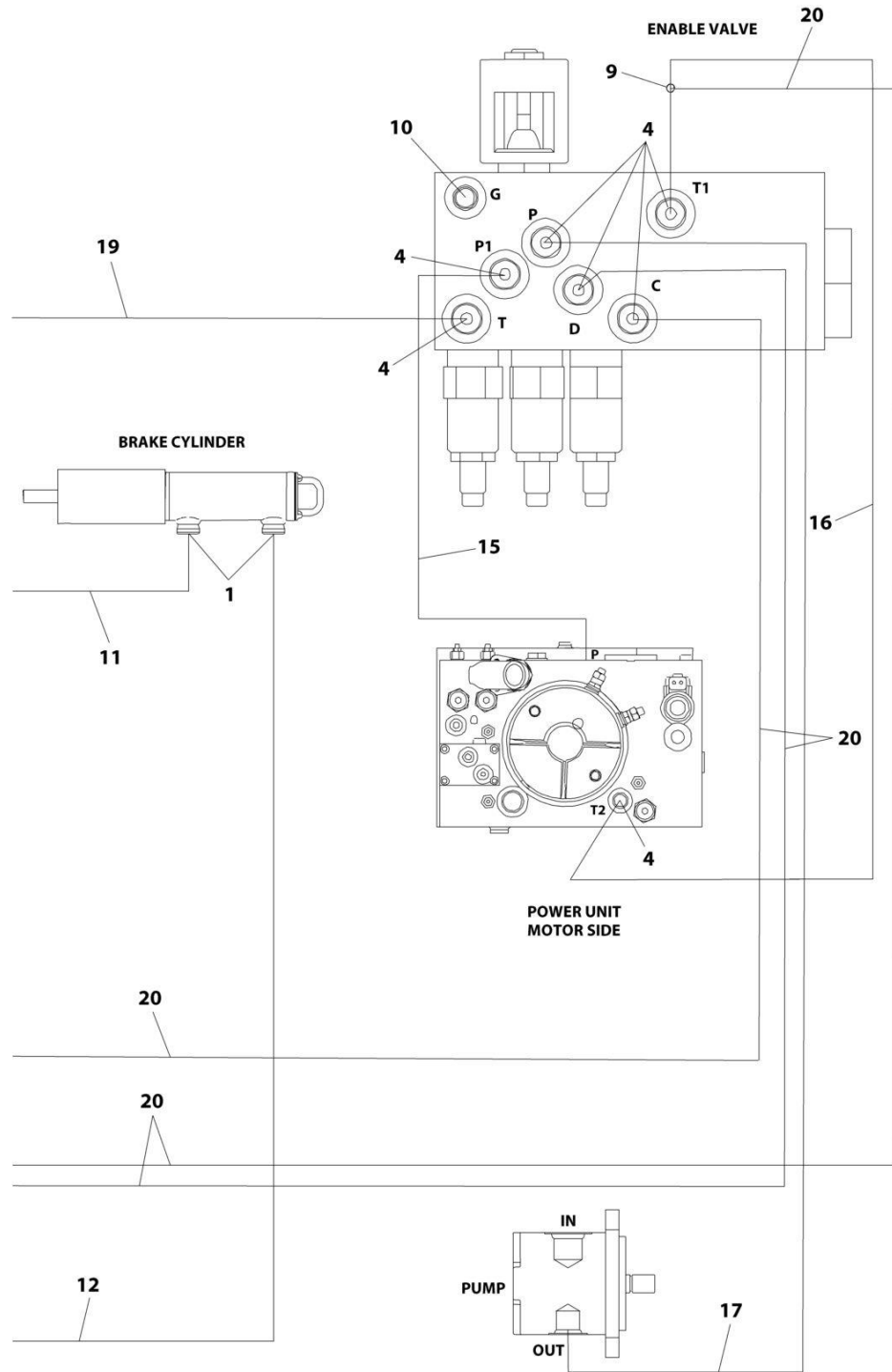
SECTION 6 - HYDRAULIC

FIGURE 6-12. HYDRAULIC DIAGRAM - DRIVE AND SET (T500J ENGINE POWERED MACHINES)



ART_2792677_10F2

SECTION 6 - HYDRAULIC



ART_2792677_20F2

SECTION 6 - HYDRAULIC

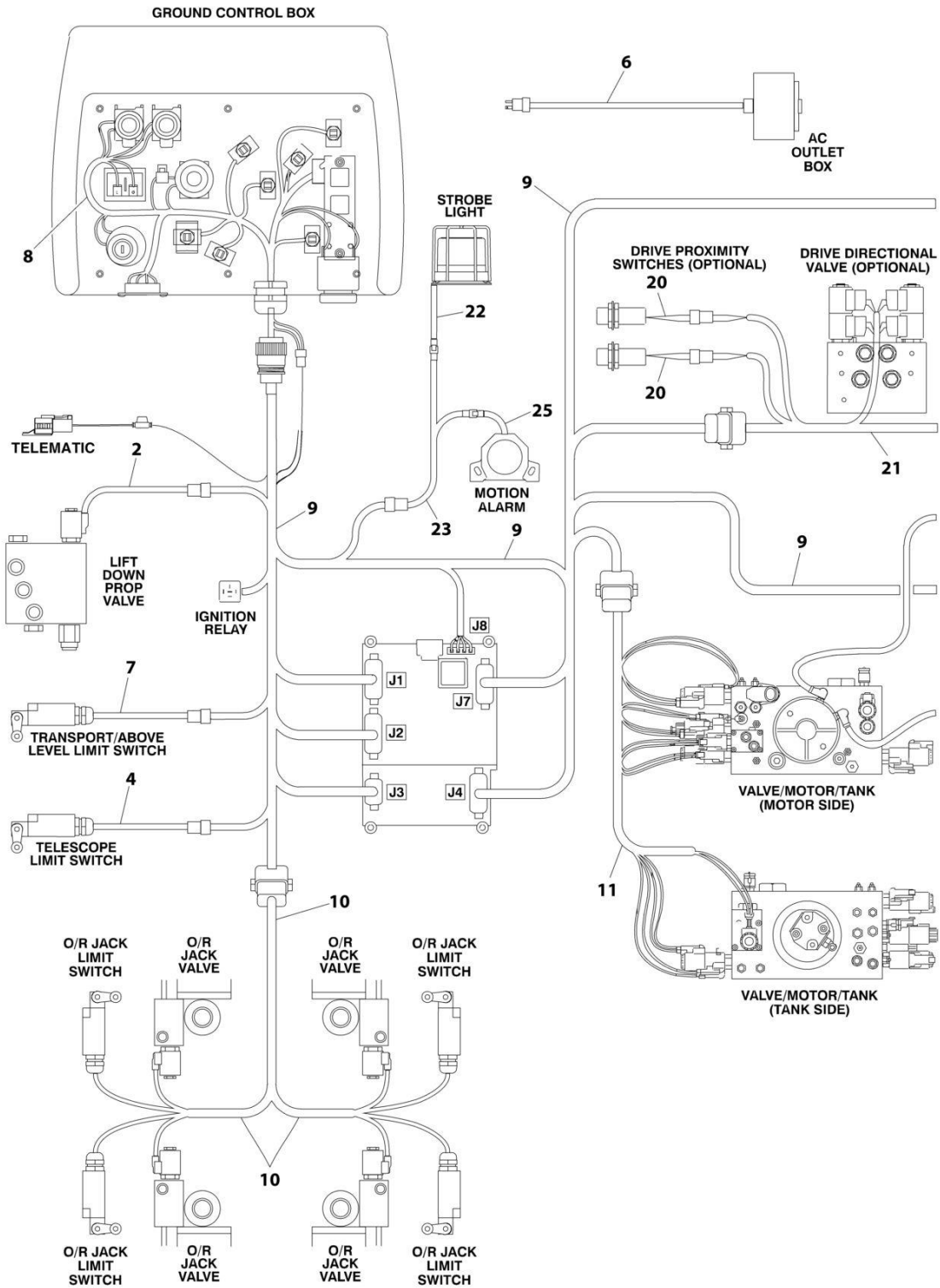
FIGURE 6-12. HYDRAULIC DIAGRAM - DRIVE AND SET (T500J ENGINE POWERED MACHINES)

ITEM	PART NUMBER	QTY	DESCRIPTION	REV
	2792677	Ref	HYDRAULIC DIAGRAM - DRIVE AND SET	B
	1283401	Ref	HYDRAULIC DIAGRAM - CHART DRAWING	F
1	2110404	7	Fitting, Straight	
2	2110406	1	Fitting, Straight	
3	2110410	4	Fitting, Straight	
4	2110606	9	Fitting, Straight	
5	2110608	2	Fitting, Straight	
6	2130606	2	Fitting, Elbow	
7	2130608	1	Fitting, Elbow	
8	2170306	2	Fitting, Tee	
9	2170706	2	Fitting, Tee	
10	2221086	4	Fitting, Adapter	
11	2754643	2	Hose	
12	2753545	1	Hose	
13	2753622	4	Hose	
14	2754644	2	Hose	
15	2753625	1	Hose	
16	2753673	1	Hose	
17	2753730	1	Hose	
18	2754265	1	Hose	
19	2753731	1	Hose	
20	2754645	3	Hose	

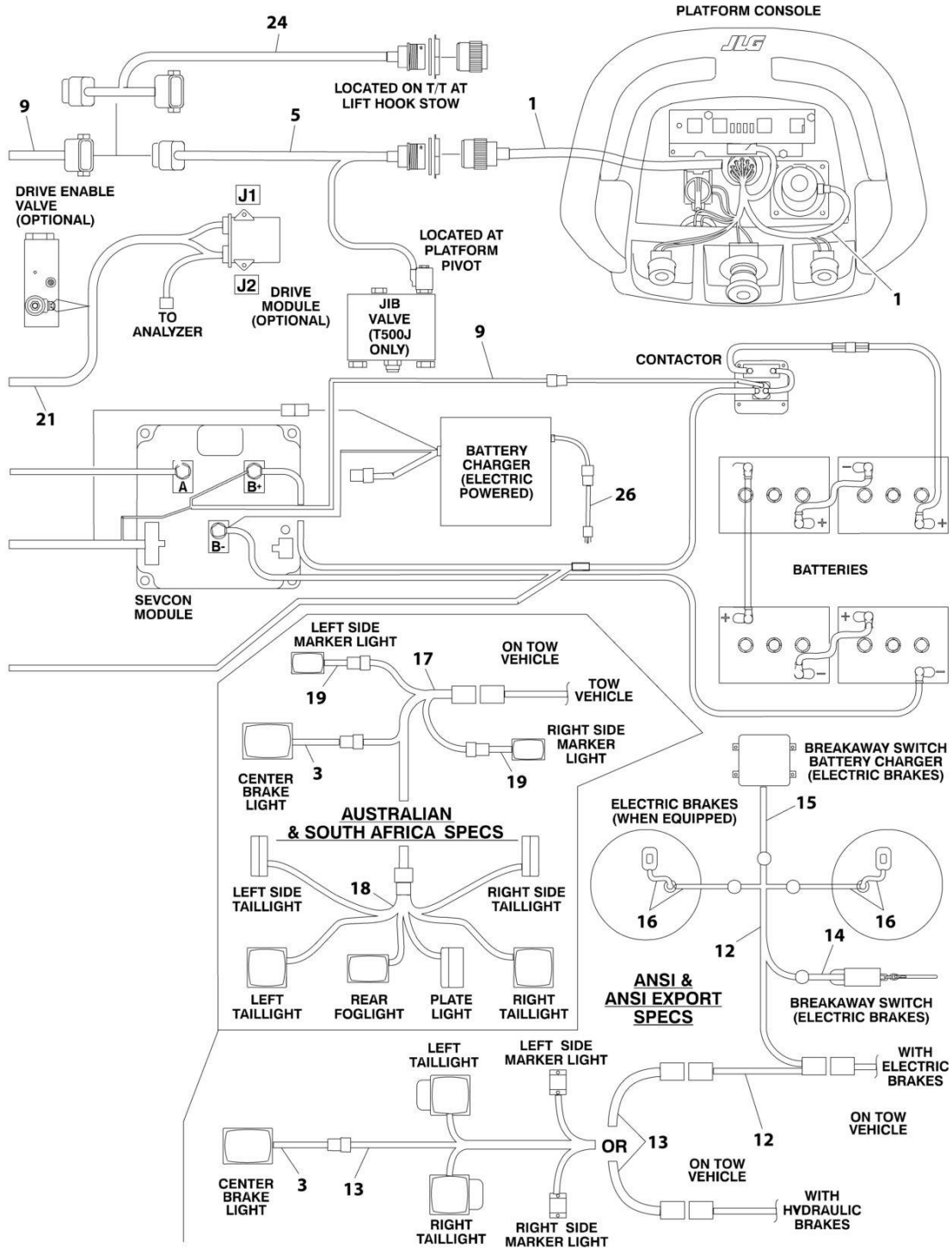
SECTION 7 - ELECTRICAL

SECTION 7 - ELECTRICAL

FIGURE 7-1. ELECTRICAL COMPONENTS INSTALLATION - ELECTRIC POWERED MACHINES



SECTION 7 - ELECTRICAL



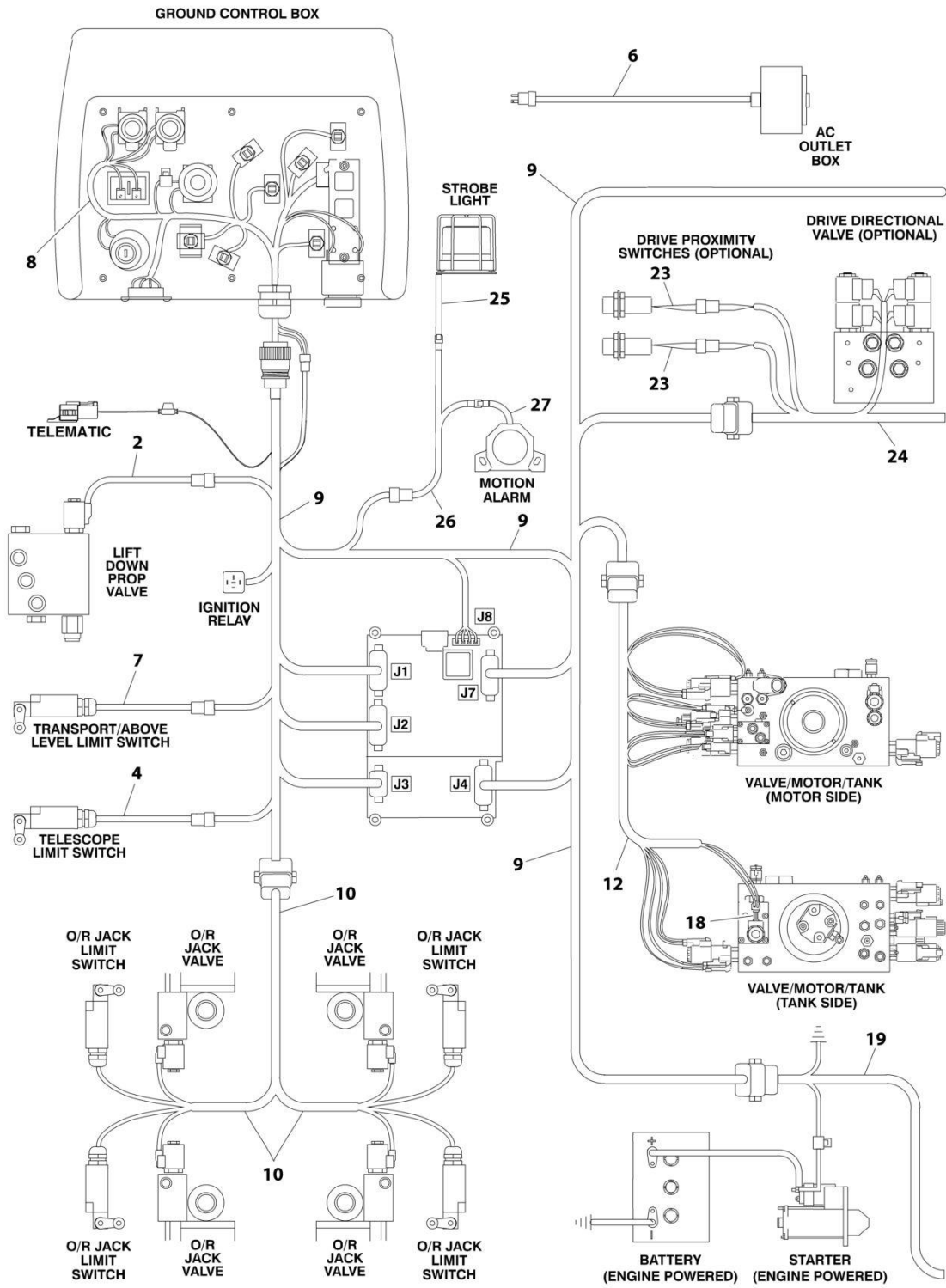
SECTION 7 - ELECTRICAL

FIGURE 7-1. ELECTRICAL COMPONENTS INSTALLATION - ELECTRIC POWERED MACHINES

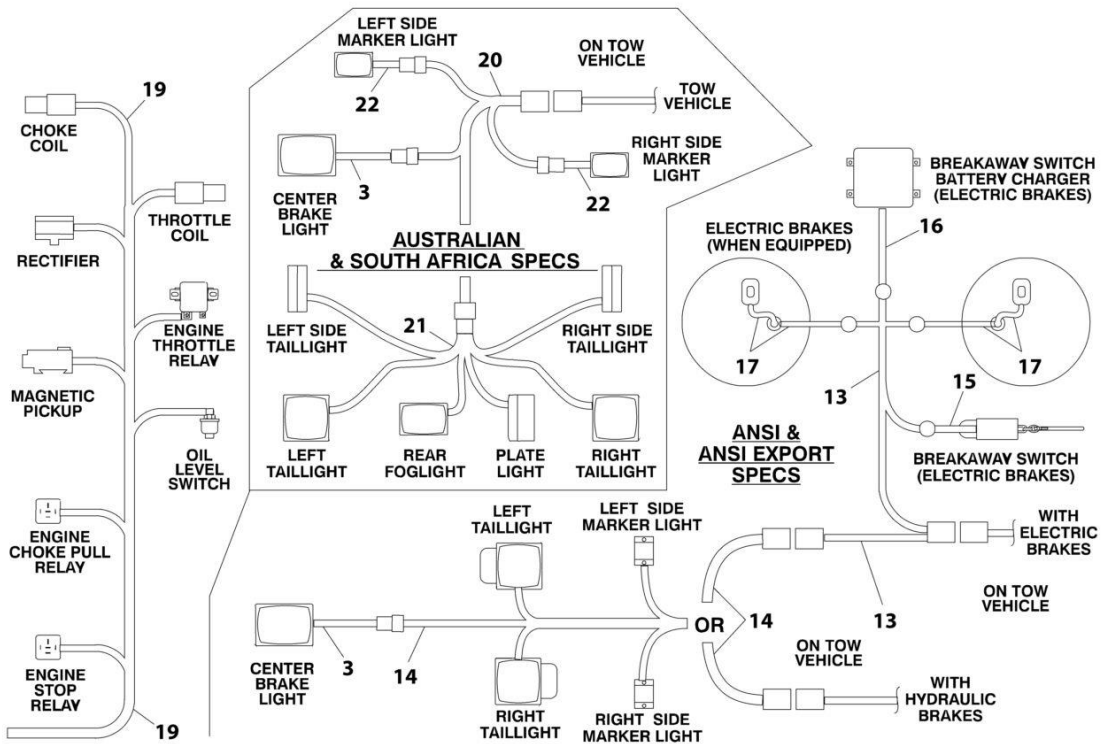
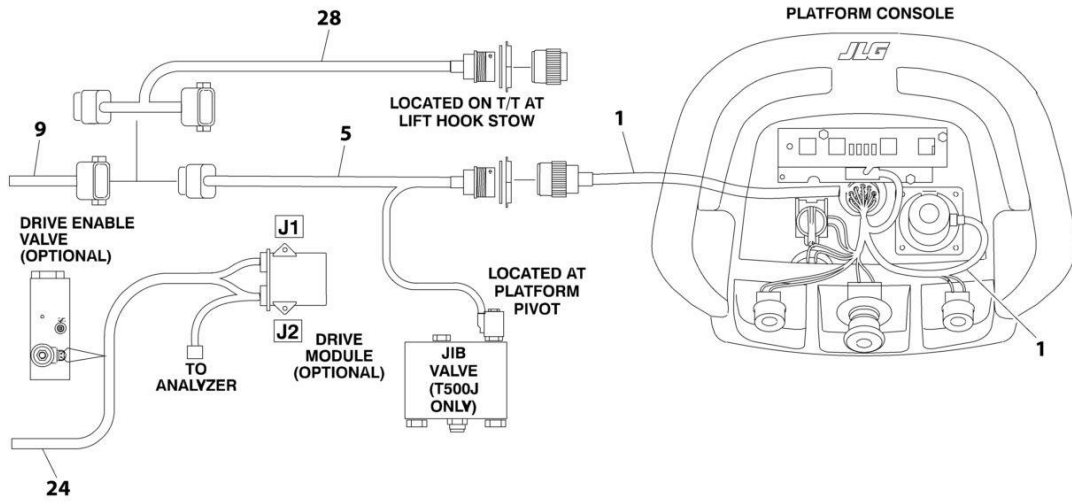
ITEM	PART NUMBER	QTY	DESCRIPTION	REV
1		Ref	Harness, Platform Console Box (Internal and Pig-Tail) (See Separate Breakdown in this Section)	
2	See Note	NSS	Harness, Lift Down Prop Valve (Note: Purchase Coil)	
3	See Note	NSS	Harness, Center Brake Light (Note:Purchase Complete Light)	
4		Ref	Harness, Telescope Limit Switch (See Separate Breakdown in this Section)	
5		Ref	Harness, Boom Cable (See Separate Breakdown in this Section)	
6		Ref	Harness, AC Cable (See Boom Section)	
7		Ref	Harness, Transport Limit Switch (See Separate Breakdown in this Section)	
8		Ref	Harness, Ground Control Box (See Separate Breakdown in this Section)	
9		Ref	Harness, Frame (See Separate Breakdown in this Section)	
10		Ref	Harness, Outrigger Jack and Valve (See Separate Breakdown in this Section)	
11		Ref	Harness, Main Valve (See Separate Breakdown in this Section)	
12	See Note	NSS	Harness, Trailer To Tow Vehicle (Machines with Electric Brakes) (Note: Not Available - Purchase Locally)	
13		Ref	Harness, Lights (See Separate Breakdown in this Section)	
14	See Note	NSS	Harness, Breakaway Switch (Machines with Electric Brakes) (Note: Not Available for Purchase)	
15	See Note	NSS	Harness, Breakaway Battery Charger (Machines with Electric Brakes) (Note: Not Available for Purchase)	
16	See Note	NSS	Harness, Brake Magnet (Machines with Electric Brakes) (Note: Not Available for Purchase)	
17		Ref	Harness, Trailer to Tow Vehicle (See Frame Section)	
18	See Note	NSS	Harness, Rear Lights (Note: Not Available for Purchase)	
19	See Note	NSS	Harness, Side Marker Lights (Note: Purchase Complete Light)	
20	See Note	NSS	Proximity Sensor Harness (Note: Not Available - Purchase Sensor)	
21		Ref	Drive Option Harness (See Separate Breakdown in this Section)	
22	See Note	NSS	Strobe Light Harness (Note: Part of Strobe Light)	
23		Ref	Strobe and Alarm Harness (See Separate Breakdown in this Section)	
24		Ref	Hook Harness (See Separate Breakdown in this Section)	
25	See Note	NSS	Alarm Harness (Note: Not Available - Purchase Alarm)	
26		Ref	AC Charger Extension COrd (See Frame Section)	

SECTION 7 - ELECTRICAL

FIGURE 7-2. ELECTRICAL COMPONENTS INSTALLATION - ENGINE POWERED MACHINES



SECTION 7 - ELECTRICAL



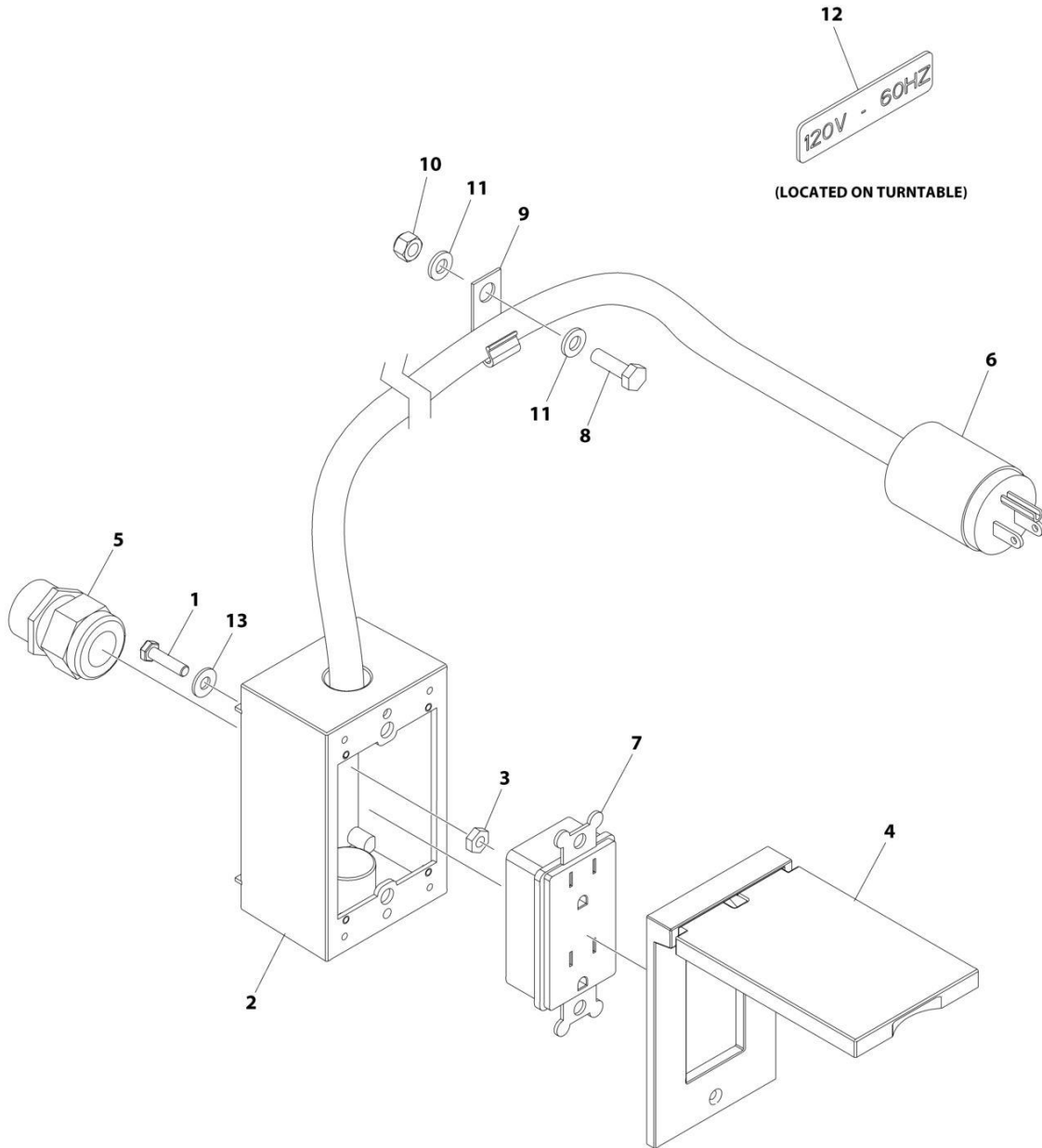
SECTION 7 - ELECTRICAL

FIGURE 7-2. ELECTRICAL COMPONENTS INSTALLATION - ENGINE POWERED MACHINES

ITEM	PART NUMBER	QTY	DESCRIPTION	REV
1		Ref	Harness, Console Box (Internal and Pig-Tail) (See Separate Breakdown in this Section)	
2	See Note	NSS	Harness, Lift Down Prop Valve (Note: Not Available - Purchase Coil)	
3	See Note	NSS	Harness, Center Brake Light (Note: Purchase Complete Light)	
4		Ref	Harness, Telescope Limit Switch (See Separate Breakdown in this Section)	
5		Ref	Harness, Boom Cable (See Separate Breakdown in this Section)	
6		Ref	Harness, AC Cable (See Boom Section)	
7		Ref	Harness, Transport Limit Switch (See Separate Breakdown in this Section)	
8		Ref	Harness, Ground Control Box (See Separate Breakdown in this Section)	
9		Ref	Harness, Frame (See Separate Breakdown in this Section)	
10		Ref	Harness, Outrigger Jack and Valve (See Separate Breakdown in this Section)	
12		Ref	Harness, Main Valve (See Separate Breakdown in this Section)	
13	See Note	NSS	Harness, Trailer To Tow Vehicle (Machines with Electric Brakes) (Note: Not Available - Purchase Locally)	
14		Ref	Harness, Lights (See Separate Breakdown in this Section)	
15	See Note	NSS	Harness, Breakaway Switch (Machines with Electric Brakes) (Note: Not Available for Purchase)	
16	See Note	NSS	Harness, Breakaway Battery Charger (Machines with Electric Brakes) (Note: Not Available for Purchase)	
17	See Note	NSS	Harness, Brake Magnet (Machines with Electric Brakes) (Note: Not Available for Purchase)	
18	See Note	NSS	Dump Valve Harness (Note: Not Available for Purchase)	
19		Ref	Harness, Engine (See Separate Breakdown in this Section)	
20		Ref	Harness, Trailer to Tow Vehicle (See Frame Section)	
21	See Note	NSS	Harness, Rear Lights (Note: Purchase Complete Light)	
22	See Note	NSS	Harness, Side Marker Lights (Note: Purchase Complete Light)	
23	See Note	NSS	Proximity Sensor Harness (Note: Purchase Complete Sensor)	
24		Ref	Drive Option Harness (See Separate Breakdown in this Section)	
25	See Note	NSS	Strobe Light Harness (Note: Not Available - Part of Strobe Light)	
26		Ref	Strobe and Alarm Harness (See Separate Breakdown in this Section)	
27	See Note	NSS	Alarm Harness (Note: Not Available - Purchase Alarm)	
28		Ref	Hook Harness (See Separate Breakdown in this Section)	

SECTION 7 - ELECTRICAL

FIGURE 7-3. AC BOX AT PLATFORM INSTALLATION - 110V GFI



ART_0273663

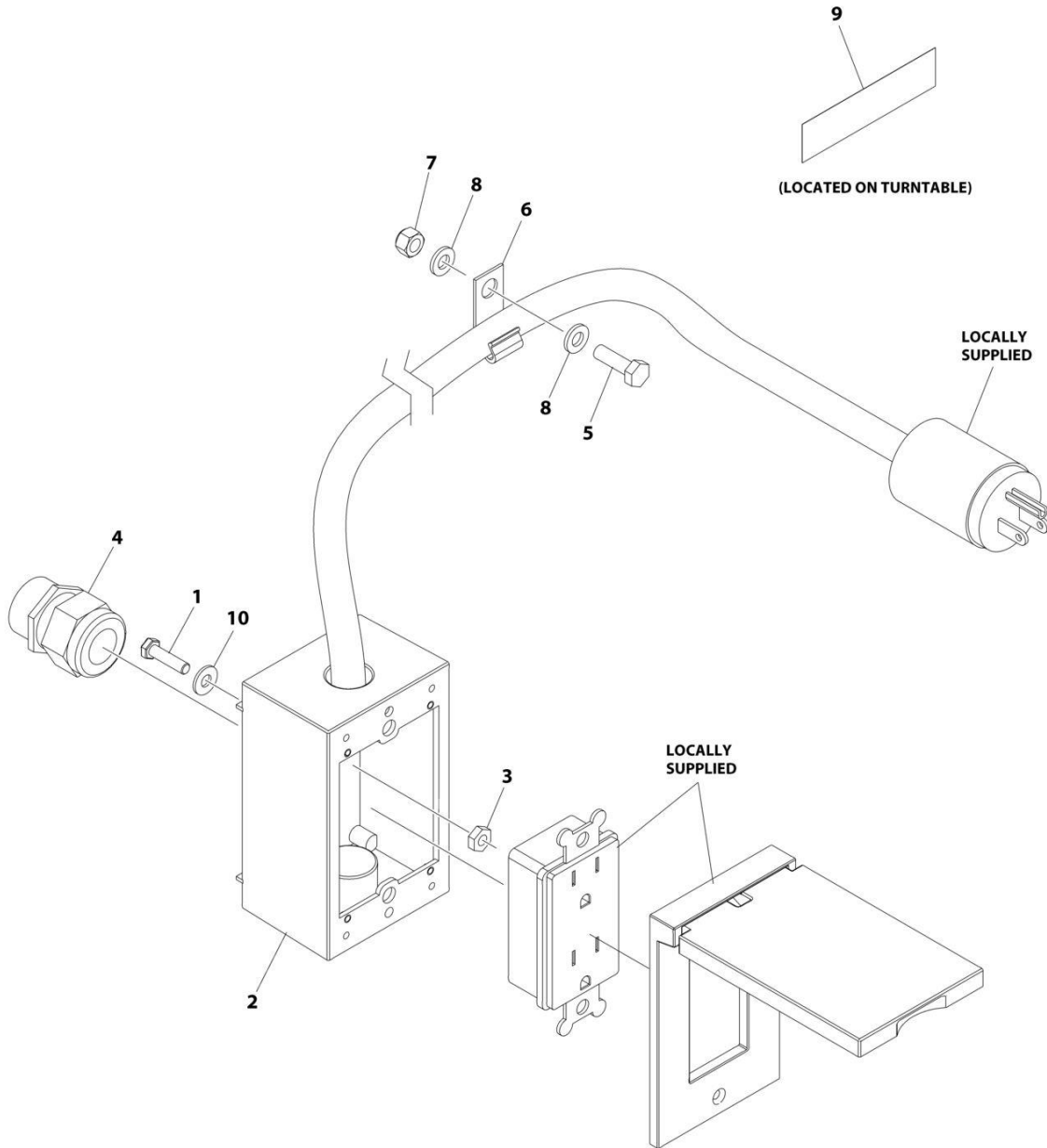
SECTION 7 - ELECTRICAL

FIGURE 7-3. AC BOX AT PLATFORM INSTALLATION - 110V GFI

ITEM	PART NUMBER	QTY	DESCRIPTION	REV
	0273663	Ref	AC BOX AT PLATFORM INSTALLATION	F
1	0721006	2	Screw #10 x 3/4	
2	0860038	1	Box, Switch	
3	3311005	2	Nut #10	
4	1001110873	1	Cover, Receptacle	
5	4460071	1	Connector, Strain Relief	
6	4460138	1	Plug	
7	4460346	1	Terminal, Receptacle (110V GFI)	
8	0700610	1	Bolt M6 x 20	
9	1320222	1	J-Clip	
10	3290605	1	Nut M6	
11	4811700	2	Washer M6	
12	3251243	1	Decal - 120V - 60HZ	
13	4711000	2	Washer #10	

SECTION 7 - ELECTRICAL

FIGURE 7-4. AC BOX AT PLATFORM INSTALLATION - LOCALLY SUPPLIED COMPONENTS



ART_0273664

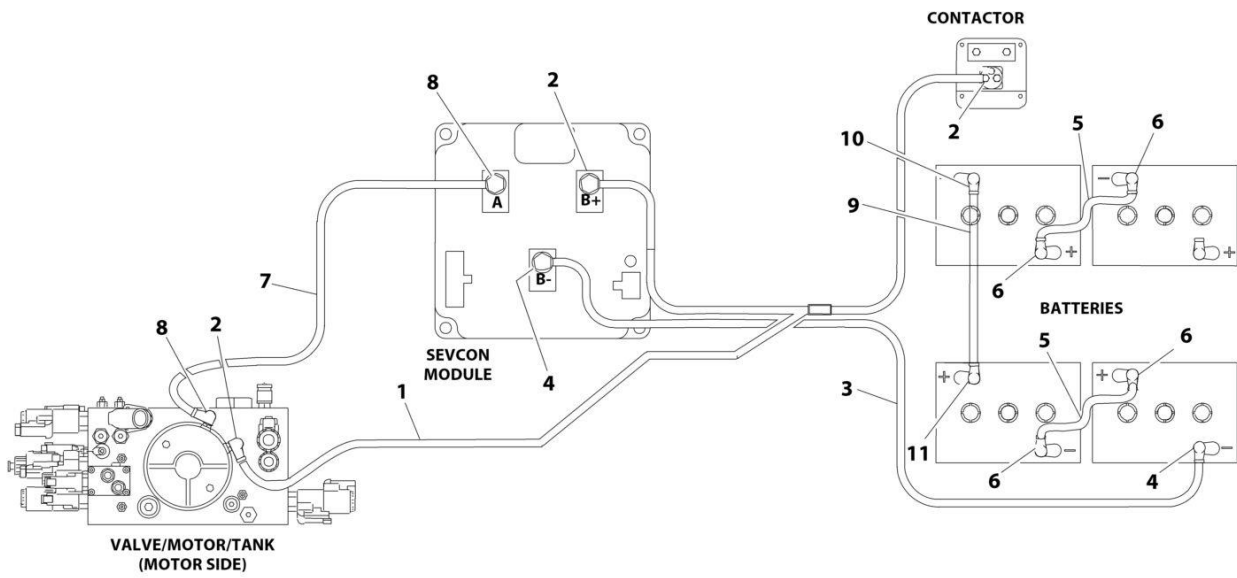
SECTION 7 - ELECTRICAL

FIGURE 7-4. AC BOX AT PLATFORM INSTALLATION - LOCALLY SUPPLIED COMPONENTS

ITEM	PART NUMBER	QTY	DESCRIPTION	REV
	0273664	Ref	AC BOX AT PLATFORM INSTALLATION	E
1	0721006	2	Screw #10 x 3/4	
2	0860038	1	Box, Switch	
3	3311005	2	Nut #10	
4	4460071	1	Connector, Strain Relief	
5	0700610	1	Bolt M6 x 20	
6	1320222	1	J-Clip	
7	3290605	1	Nut M6	
8	4811700	2	Washer M6	
9	3252507	1	Decal, 220V	
10	4711000	2	Washer #10	

SECTION 7 - ELECTRICAL

FIGURE 7-5. BATTERY CABLE KIT (ELECTRIC POWERED MACHINES)



ART_4923428

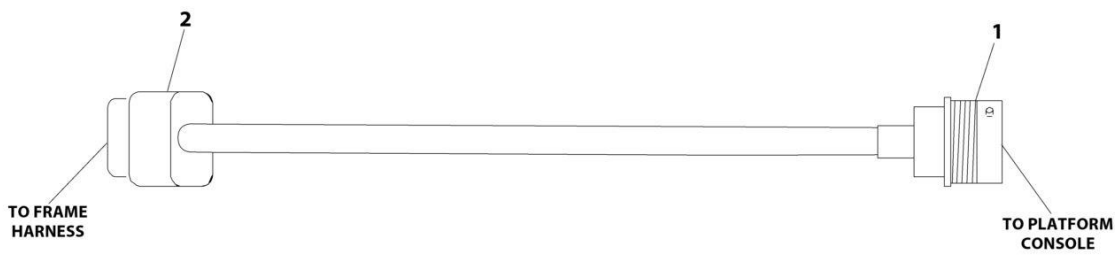
SECTION 7 - ELECTRICAL

FIGURE 7-5. BATTERY CABLE KIT (ELECTRIC POWERED MACHINES)

ITEM	PART NUMBER	QTY	DESCRIPTION	REV
	4923428	Ref	BATTERY CABLE KIT (ELECTRIC POWERED MACHINES)	D
1	See Note	1	Battery Cable - Contactor To Sevcon "B+" to Pump + (Note : Not Available for Purchase)	
2	70000235	3	Boot (Red)	
3	See Note	1	Battery Cable - Batteries to Sevcon Controller (Note : Not Available for Purchase)	
4	70000236	2	Boot (Black)	
5	See Note	2	Harness, Jumper (Note : Not Available for Purchase)	
6	70000235	4	Boot (Red)	
7	See Note	1	Cable, Electrical (Black) - Sevcon "A" to Pump - (Note : Not Available for Purchase)	
8	70000236	2	Boot (Black)	
9	See Note	1	Cable, Battery (Note : Not Available for Purchase)	
10	70000236	1	Boot (Black)	
11	70000235	1	Boot (Red)	

SECTION 7 - ELECTRICAL

FIGURE 7-6. BOOM CABLE, HARNESS (T350)



ART_4923040

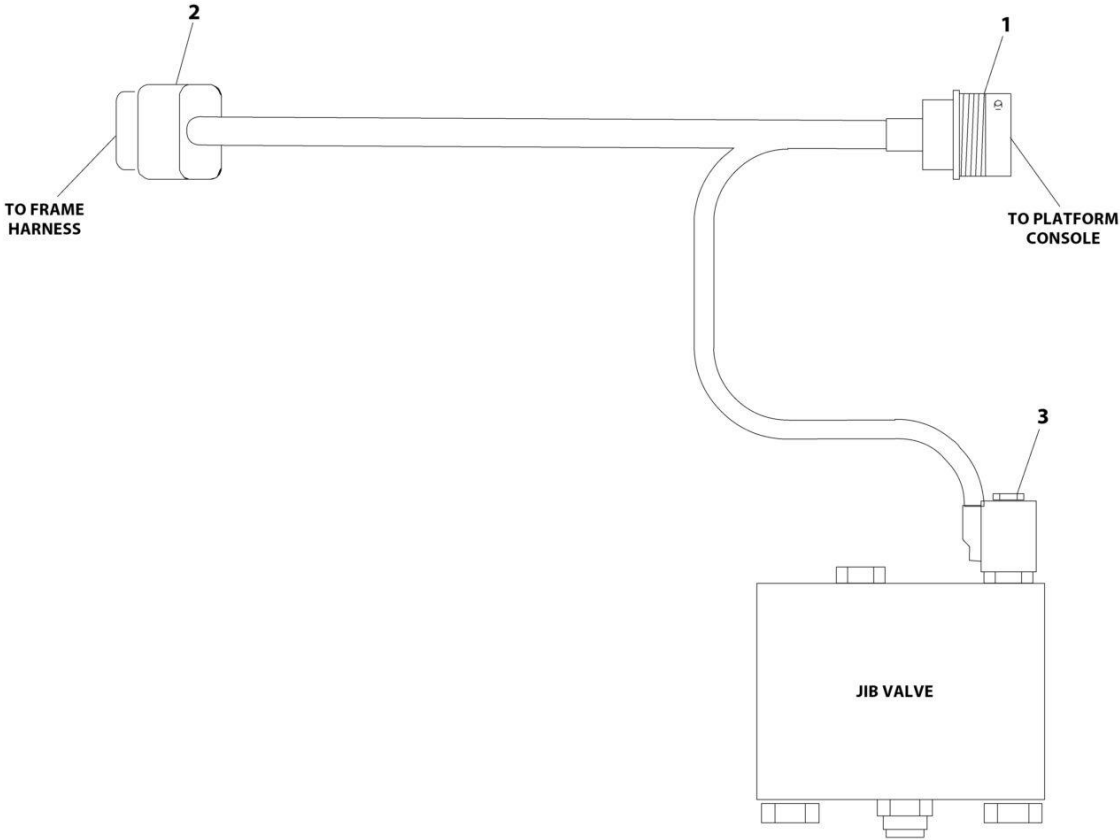
SECTION 7 - ELECTRICAL

FIGURE 7-6. BOOM CABLE, HARNESS (T350)

ITEM	PART NUMBER	QTY	DESCRIPTION	REV
	4923040	Ref	BOOM CABLE, HARNESS	D
1	4461016	1	Connector - 14 Position	
1	4460464	9	Pin, Male	
1	4460941	3	Pin, Gold Male	
1	3730119	1	Resistor	
2	4460933	1	Connector - 12 Position	
2	4460465	9	Socket, Female	
2	4460942	3	Socket, Gold Female	

SECTION 7 - ELECTRICAL

FIGURE 7-7. BOOM CABLE, HARNESS (T500J)



ART_4923102

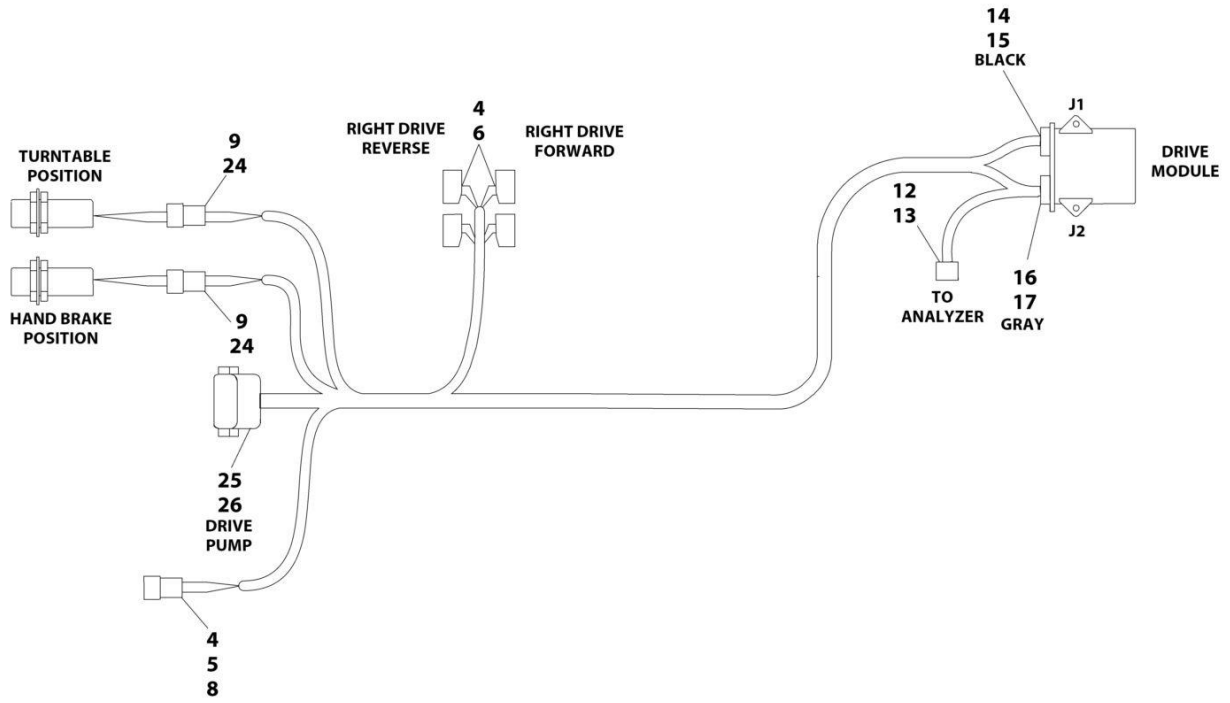
SECTION 7 - ELECTRICAL

FIGURE 7-7. BOOM CABLE, HARNESS (T500J)

ITEM	PART NUMBER	QTY	DESCRIPTION	REV
	4923102	Ref	BOOM CABLE, HARNESS	F
1	4461016	1	Connector - 14 Position	
1	4460464	9	Pin, Male	
1	4460941	3	Pin, Gold Male	
1	3730119	1	Resistor	
2	4460933	1	Connector - 12 Position	
2	4460465	9	Socket, Female	
2	4460942	3	Socket, Gold Female	
3	4460891	1	Connector - 2 Position	
3	4460465	2	Socket, Female	

SECTION 7 - ELECTRICAL

FIGURE 7-8. DRIVE OPTION HARNESS



ART_4923340

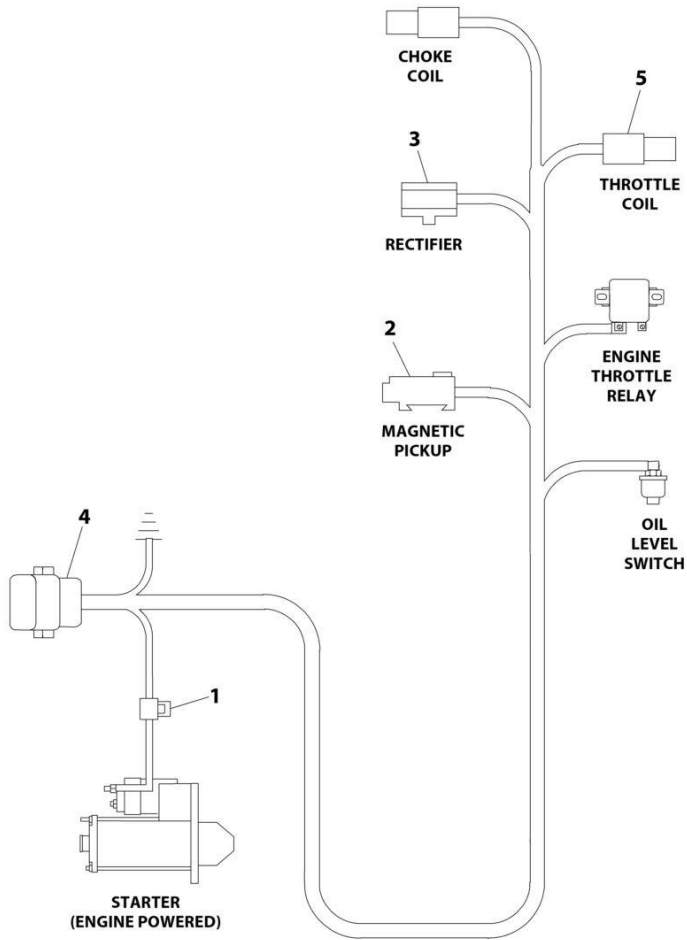
SECTION 7 - ELECTRICAL

FIGURE 7-8. DRIVE OPTION HARNESS

ITEM	PART NUMBER	QTY	DESCRIPTION	REV
	4923340	Ref	DRIVE OPTION HARNESS	D
4	4460465	12	Socket, Female	
5	4460944	3	Socket, Gold Female	
6	4460891	5	Plug, Male - 2 Position	
8	4460894	1	Connector - 6 Position	
9	4461077	2	Plug, Male - 4 Position	
12	4460227	4	Pin, Male	
13	4460761	1	Receptacle, Female - 4 Position	
14	4460909	1	Plug, Male - 12 Position (Black)	
15	4460928	11	Socket, Female	
16	4460908	1	Plug, Male - 12 Position (Gray)	
17	4460918	6	Socket, Female	
24	See Note	Ref	Deutsch, 20-16 Gold Socket	
25	3990013	1	Diode 1 Amp	
26	2820026	0.25 in	Insulator	

SECTION 7 - ELECTRICAL

FIGURE 7-9. ENGINE HARNESS (GAS POWERED MACHINES)



ART_1001128929

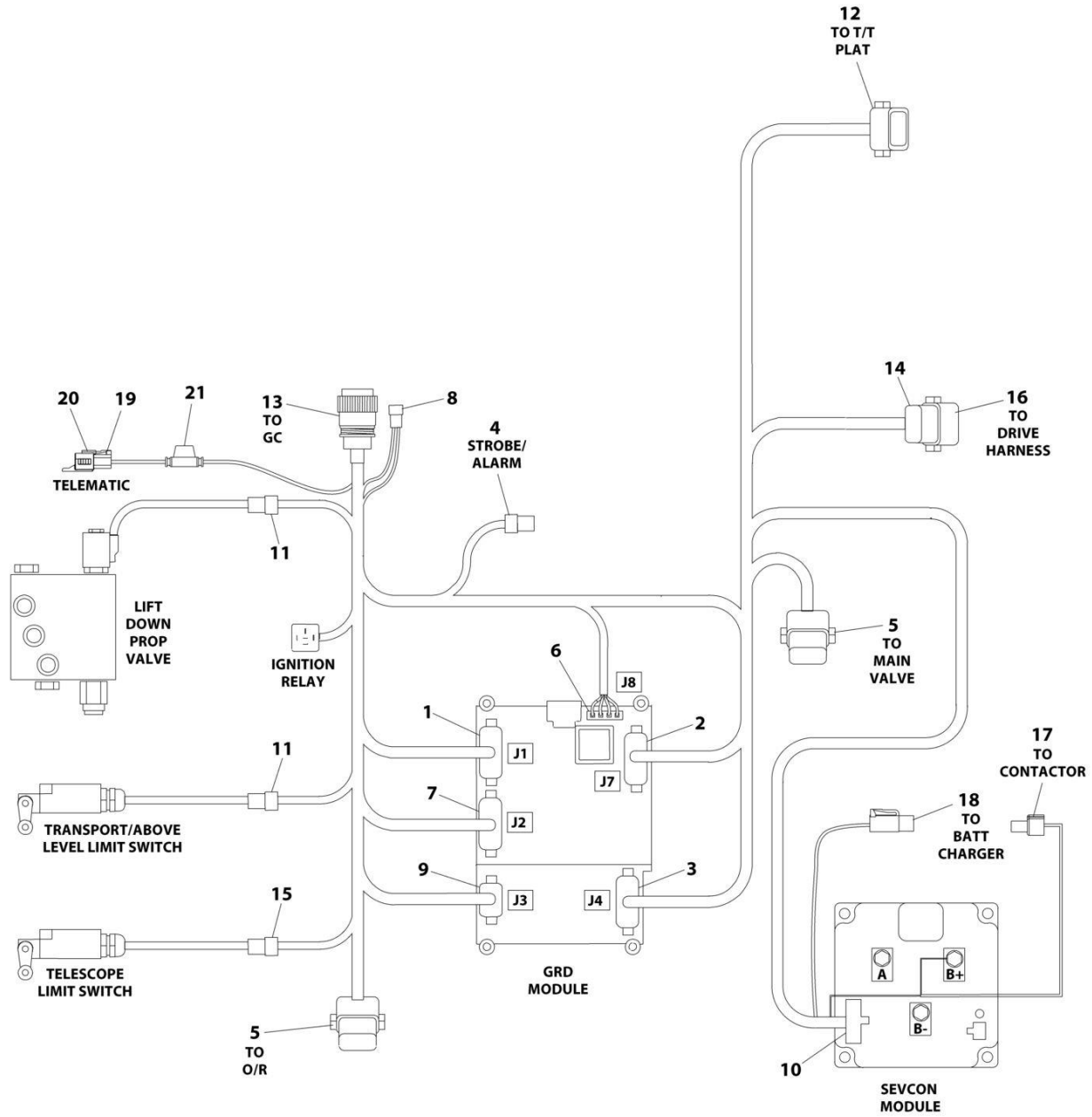
SECTION 7 - ELECTRICAL

FIGURE 7-9. ENGINE HARNESS (GAS POWERED MACHINES)

ITEM	PART NUMBER	QTY	DESCRIPTION	REV
	1001128929	Ref	ENGINE HARNESS	E
	3990010	2	Diode, 6Amp	
1	2400057	1	Fuse 15 Amp	
1	2400060	1	Fuseholder	
2	4461047	1	Plug, Male - 2 Position	
2	4461046	2	Terminal, Spade	
3	4461049	1	Receptacle, Female - 6 Position	
3	4461048	5	Terminal, Slip-On	
4	4460930	1	Connector - 8 Position	
4	4460965	7	Socket, Female	
5	4460959	1	Plug, Male - 3 Position	
5	4460457	3	Socket, Female	
5	4460458	3	Seal, Terminal	

SECTION 7 - ELECTRICAL

FIGURE 7-10. FRAME HARNESS - ELECTRICAL POWERED MACHINES



ART_4923427

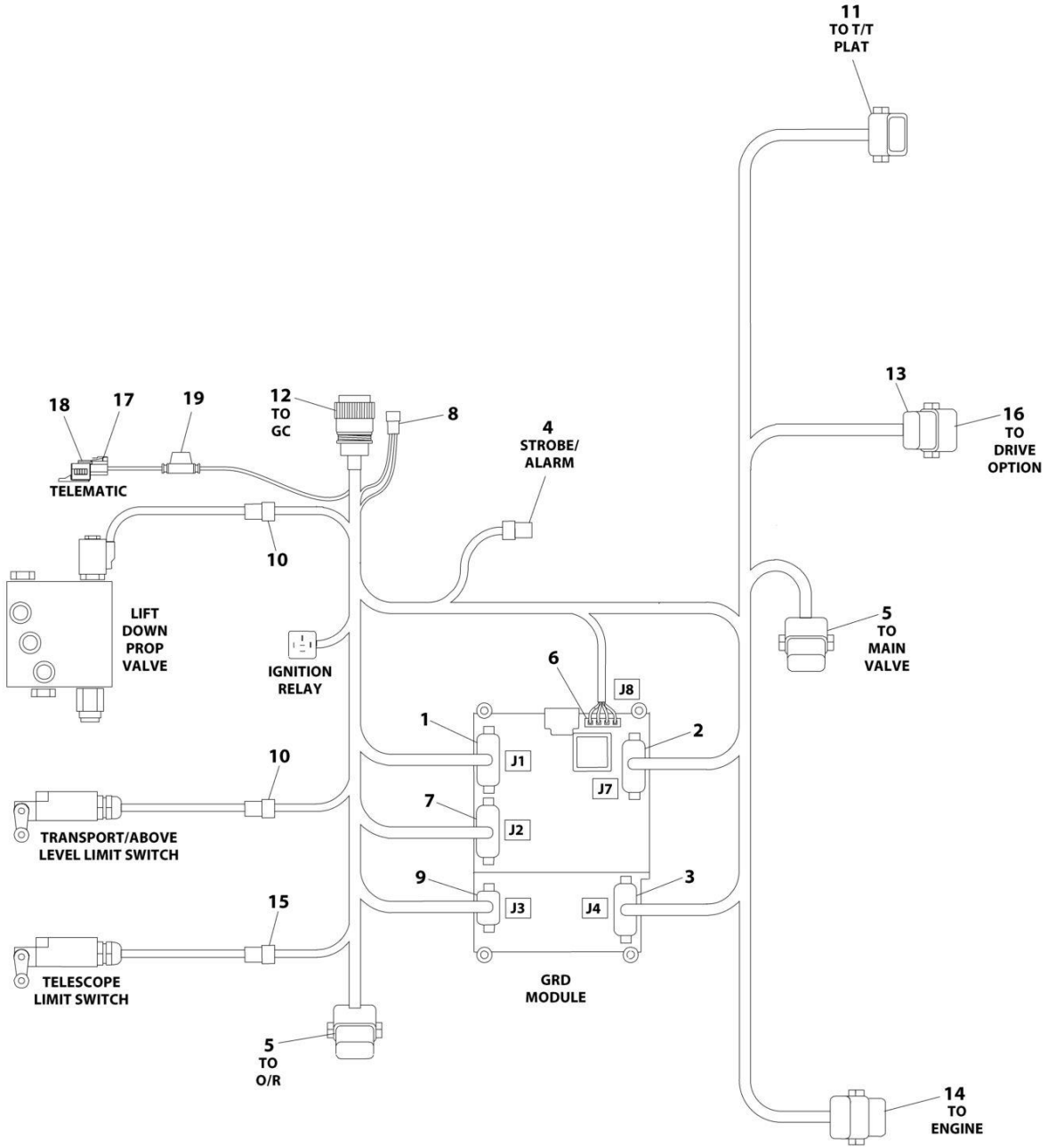
SECTION 7 - ELECTRICAL

FIGURE 7-10. FRAME HARNESS - ELECTRICAL POWERED MACHINES

ITEM	PART NUMBER	QTY	DESCRIPTION	REV
	4923427	Ref	FRAME HARNESS	G
	3990010	2	Diode, 6 Amp	
1	4460874	1	Connector - 35 Position (Natural)	
1	4460871	AR	Socket, Female	
2	4460873	1	Connector - 35 Position (Black)	
2	4460871	AR	Socket, Female	
3	4460876	1	Connector - 35 Position (Blue)	
3	4460871	AR	Socket, Female	
4	4460932	1	Connector - 4 Position	
4	4460464	4	Pin, Male	
5	4460970	2	Connector - 12 Position	
5	4460464	22	Pin, Male	
6	4460878	1	Plug, Male - 4 Position	
6	4460887	AR	Clip, Terminal	
6	4461271	2	Molex, Terminal	
6	3990112	1	Varistor	
7	4460875	1	Connector - 35 Position (Gray)	
7	4460871	21	Socket, Female	
8	4461018	1	Connector - 2 Position	
8	4460509	2	Socket, Female	
9	4460872	1	Connector - 14 Position (Black)	
9	4460871	AR	Socket, Female	
10	4461051	1	Connector - 12 Position	
10	4461023	3	Socket, Female	
11	4460897	2	Connector - 2 Position	
11	4460464	4	Pin, Male	
12	4460970	1	Connector - 12 Position	
12	4460464	8	Pin, Male	
12	4460943	3	Pin, Gold Male	
13	4461020	1	Connector - 31 Position	
13	4460465	AR	Socket, Female	
14	4460899	1	Connector - 6 Position	
14	4460464	2	Pin, Male	
14	4460841	3	Pin, Gold Male	
15	4460891	1	Connector - 2 Position	
15	4460465	2	Socket, Female	
16	4460894	1	Connector - 6 Position (Used when not Equipped with Drive Option)	
16	4460466	6	Seal, Plug	
17	4460897	1	Connector - 2 Position	
17	4460464	2	Pin, Male	
18	4461261	1	Connector, Male Deustch	
18	4460509	1	Socket, Female	
19	4460884	1	Pin, Male - 4 Position	
19	4460465	4	Socket, Female	
20	1001192401	1	Connector Dust Cap	
21	8229242	1	Fuse, 5 Amp	
21	2400060	1	Fuseholder	

SECTION 7 - ELECTRICAL

FIGURE 7-11. FRAME HARNESS - GAS POWERED MACHINES



ART_4923130

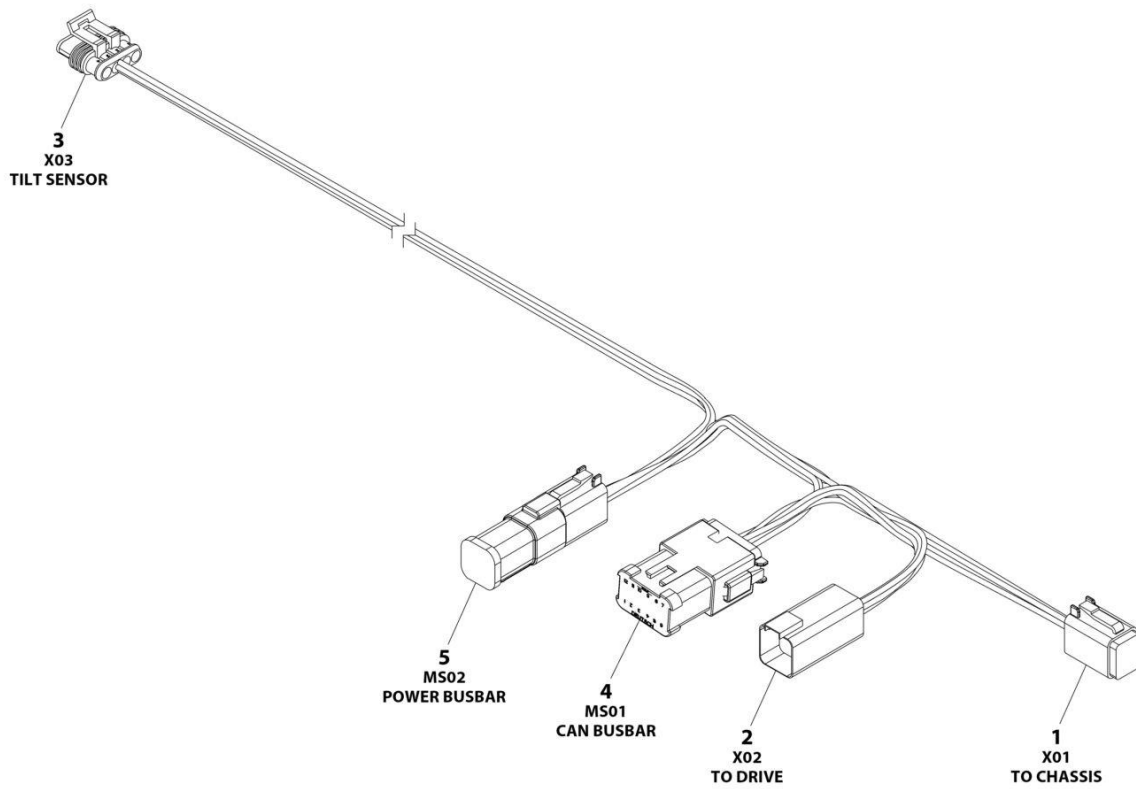
SECTION 7 - ELECTRICAL

FIGURE 7-11. FRAME HARNESS - GAS POWERED MACHINES

ITEM	PART NUMBER	QTY	DESCRIPTION	REV
	4923130	Ref	FRAME HARNESS	H
	3990010	2	Diode, 6 Amp	
1	4460874	1	Connector - 35 Position (Natural)	
1	4460871	AR	Socket, Female	
2	4460873	1	Connector - 35 Position (Black)	
2	4460871	AR	Socket, Female	
3	4460876	1	Connector - 35 Position (Blue)	
3	4460871	AR	Socket, Female	
4	4460932	1	Connector - 4 Position	
4	4460464	4	Pin, Male	
5	4460970	2	Connector - 12 Position	
5	4460464	22	Pin, Male	
6	4460878	1	Plug, Male - 4 Position	
6	4460887	AR	Clip, Terminal	
6	4461271	2	Molex, Terminal	
6	3990111	1	Varistor	
7	4460875	1	Connector - 35 Position (Gray)	
7	4460871	21	Socket, Female	
8	4461018	1	Connector - 2 Position	
8	4460509	2	Socket, Female	
9	4460872	1	Connector - 14 Position (Black)	
9	4460871	AR	Socket, Female	
10	4460897	2	Connector - 2 Position	
10	4460464	4	Pin, Male	
11	4460970	1	Connector - 12 Position	
11	4460464	8	Pin, Male	
11	4460943	3	Pin, Gold Male	
12	4461020	1	Connector - 31 Position	
12	4460465	AR	Socket, Female	
13	4460899	1	Connector - 6 Position	
13	4460464	2	Pin, Male	
13	4460841	3	Pin, Gold Male	
15	4460891	1	Connector - 2 Position	
14	4460931	1	Connector - 8 Position	
14	4460464	1	Pin, Male	
15	4460465	2	Socket, Female	
16	4460894	1	Connector - 6 Position (Used when not Equipped with Drive Option)	
16	4460466	6	Seal, Plug	
17	4460884	1	Pin, Male - 4 Position	
17	4460465	4	Socket, Female	
18	1001192401	1	Connector Dust Cap	
19	8229242	1	Fuse, 5 Amp	
19	2400060	1	Fuseholder	

SECTION 7 - ELECTRICAL

FIGURE 7-12. ADD ON HARNESS (SN 0030016956 to Present, SN 0030016975 to Present)



ART_1001297192

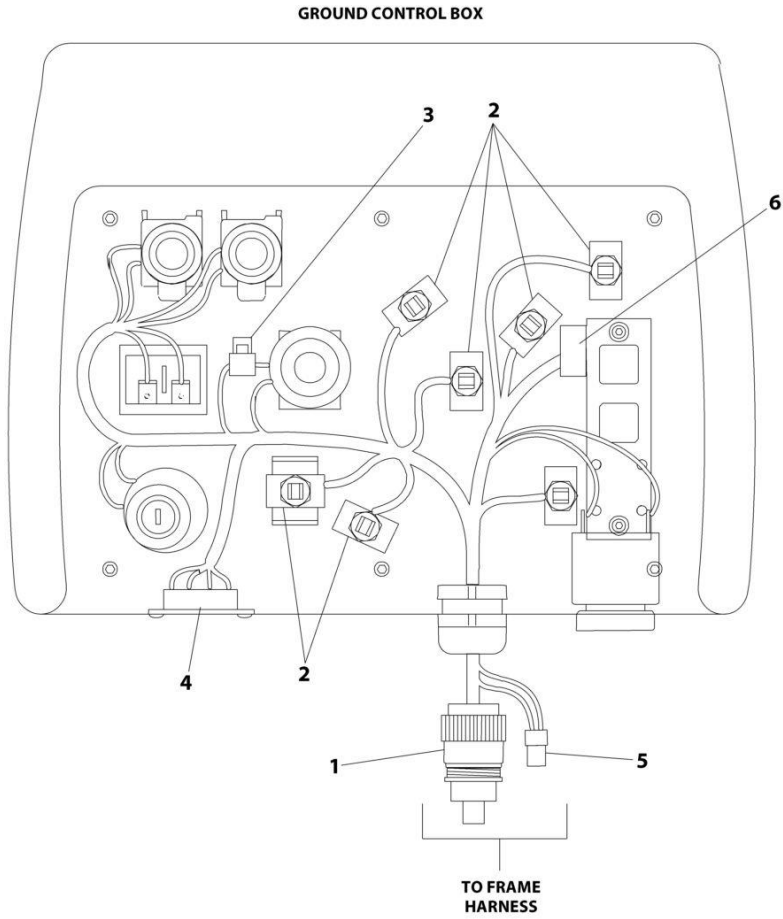
SECTION 7 - ELECTRICAL

FIGURE 7-12. ADD ON HARNESS (SN 0030016956 to Present, SN 0030016975 to Present)

ITEM	PART NUMBER	QTY	DESCRIPTION	REV
	1001297192	Ref	ADD ON HARNESS	A
1	4460894	1	Connector	
1	4460465	5	Socket	
1	4460466	1	Plug	
2	4460899	1	Connector	
2	4460464	5	Pin	
2	4460466	1	Plug	
3	1001103012	1	Connector	
3	1001107854	4	Socket	
4	4460933	1	Connector	
4	4460465	8	Socket	
4	4460466	4	Plug	
5	4460894	1	Connector	
5	4460465	6	Socket	

SECTION 7 - ELECTRICAL

FIGURE 7-13. GROUND CONTROL BOX HARNESS (ELECTRIC POWRED MACHINES)



ART_4923118

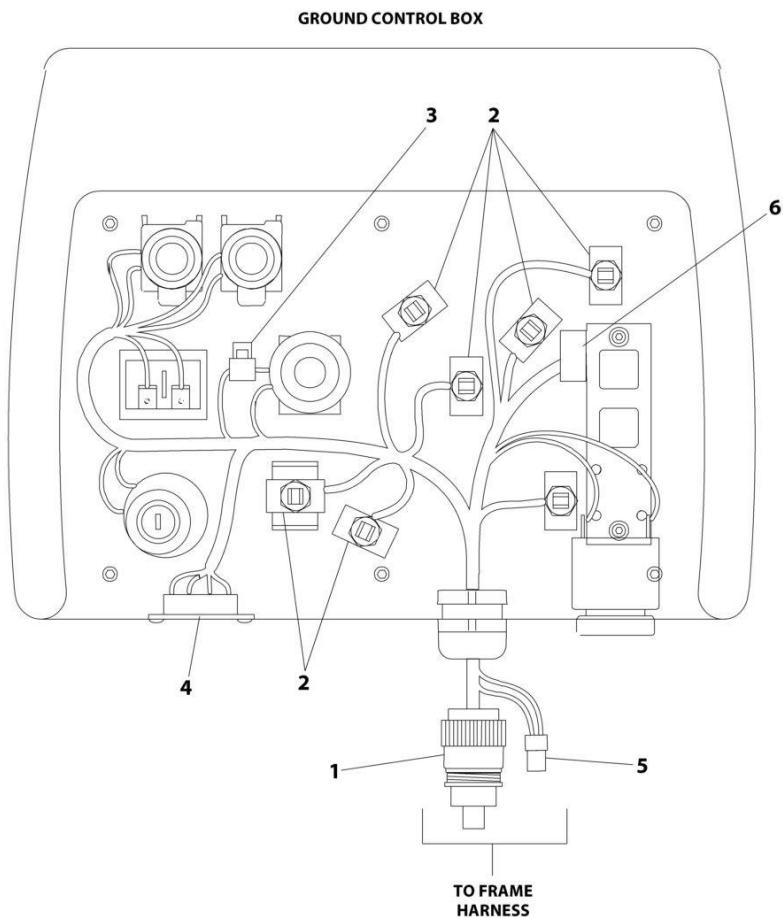
SECTION 7 - ELECTRICAL

FIGURE 7-13. GROUND CONTROL BOX HARNESS (ELECTRIC POWRED MACHINES)

ITEM	PART NUMBER	QTY	DESCRIPTION	REV
	4923118	Ref	GROUND CONTROL BOX HARNESS (ELECTRIC POWERED MACHINES)	C
1	4461019	1	Connector - 31 Position	
1	4460464	30	Pin, Male	
2	4460418	6	Connector, Terminal	
2	4460419	18	Terminal, Connector	
3	2400066	1	Fuseholder with Cover	
3	2400065	1	Fuse - 30 Amp	
4	4460761	1	Receptacle, Female - 4 Position	
4	4460227	4	Pin, Terminal	
5	4461017	1	Connector - 2 Position	
5	4460508	2	Terminal	
6	4461041	1	Connector - 8 Position	
6	4461023	7	Socket, Female	

SECTION 7 - ELECTRICAL

FIGURE 7-14. GROUND CONTROL BOX HARNESS (ENGINE POWERED MACHINES)



ART_4923125

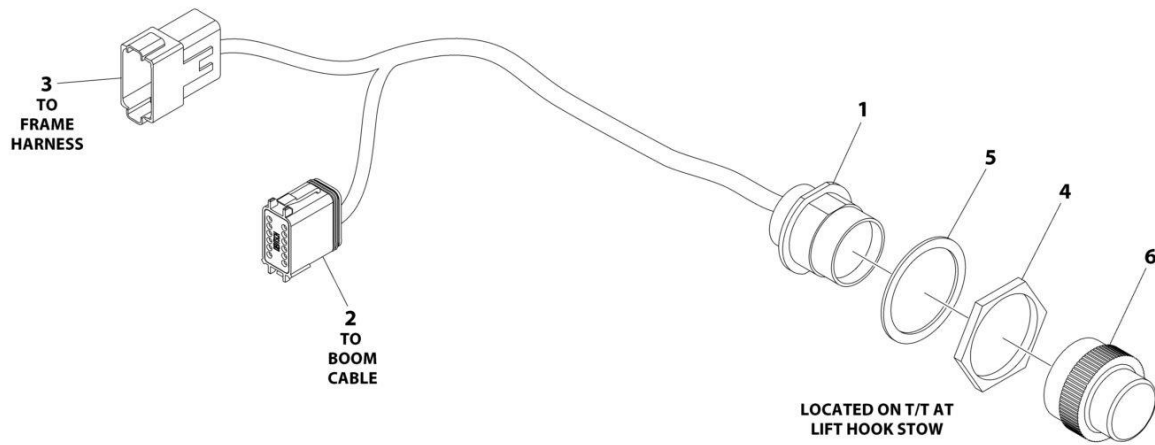
SECTION 7 - ELECTRICAL

FIGURE 7-14. GROUND CONTROL BOX HARNESS (ENGINE POWERED MACHINES)

ITEM	PART NUMBER	QTY	DESCRIPTION	REV
	4923125	Ref	GROUND CONTROL BOX HARNESS (ENGINE POWERED MACHINES)	C
1	4461019	1	Connector - 31 Position	
1	4460464	30	Pin, Male	
2	4460418	6	Connector, Terminal	
2	4460419	18	Terminal, Connector	
3	2400066	1	Fuseholder with Cover	
3	2400065	1	Fuse - 30 Amp	
4	4460761	1	Receptacle, Female - 4 Position	
4	4460227	4	Pin, Terminal	
5	4461017	1	Connector - 2 Position	
5	4460508	2	Terminal	
6	4461041	1	Connector - 8 Position	
6	4461023	7	Socket, Female	

SECTION 7 - ELECTRICAL

FIGURE 7-15. HOOK HARNESS



ART_4923124

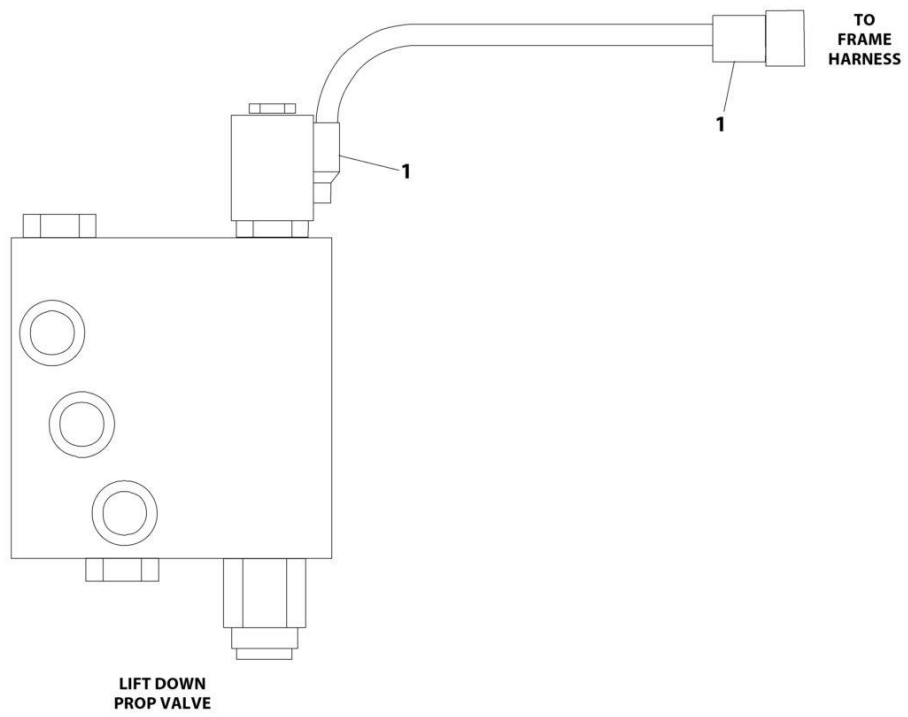
SECTION 7 - ELECTRICAL

FIGURE 7-15. HOOK HARNESS

ITEM	PART NUMBER	QTY	DESCRIPTION	REV
	4923124	Ref	HOOK HARNESS	E
1	4461016	1	Connector - 14 Position	
1	4460464	9	Pin, Male	
1	4460941	3	Pin, Gold Male	
2	4460970	1	Connector - 12 Position	
2	4460464	9	Pin, Male	
2	4460943	3	Pin, Gold Male	
3	4460933	1	Connector - 12 Position	
3	4460465	9	Socket, Female	
3	4460942	3	Socket, Gold Female	
4	4460470	1	Nut, Terminal	
5	4460471	1	Washer, Terminal	
6	4461065	1	Cap, Dust	

SECTION 7 - ELECTRICAL

FIGURE 7-16. LIFT DOWN PROP VALVE, HARNESS (T350)



ART_4923100

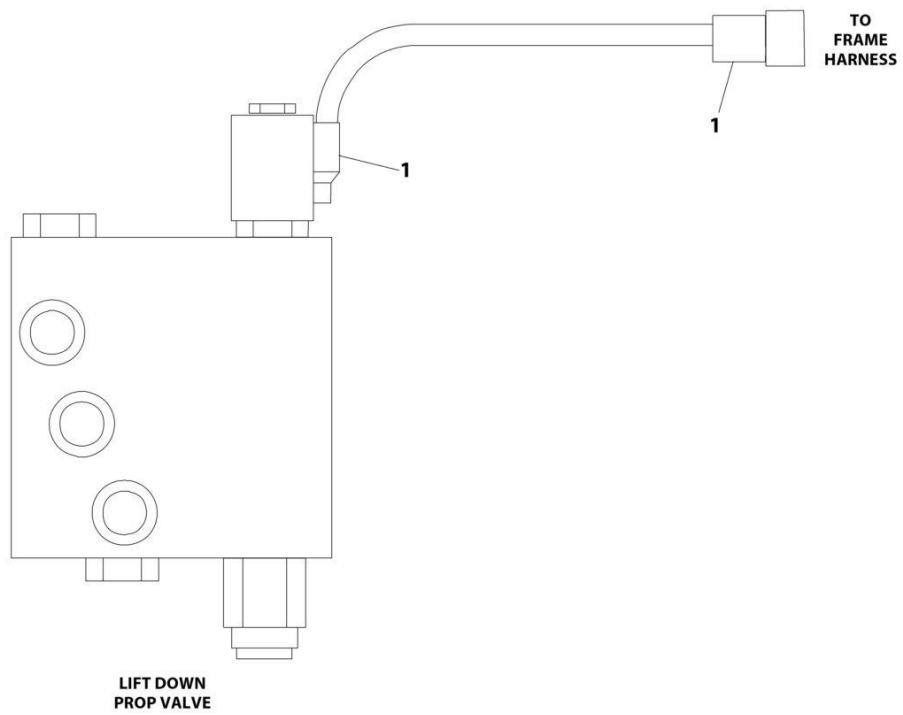
SECTION 7 - ELECTRICAL

FIGURE 7-16. LIFT DOWN PROP VALVE, HARNESS (T350)

ITEM	PART NUMBER	QTY	DESCRIPTION	REV
	4923100	Ref	LIFT DOWN PROP VALVE, HARNESS	C
1	4460891	2	Plug, Male - 2 Position	
1	4460465	4	Socket, Female	

SECTION 7 - ELECTRICAL

FIGURE 7-17. LIFT DOWN PROP VALVE, HARNESS (T500J)



ART_4923101

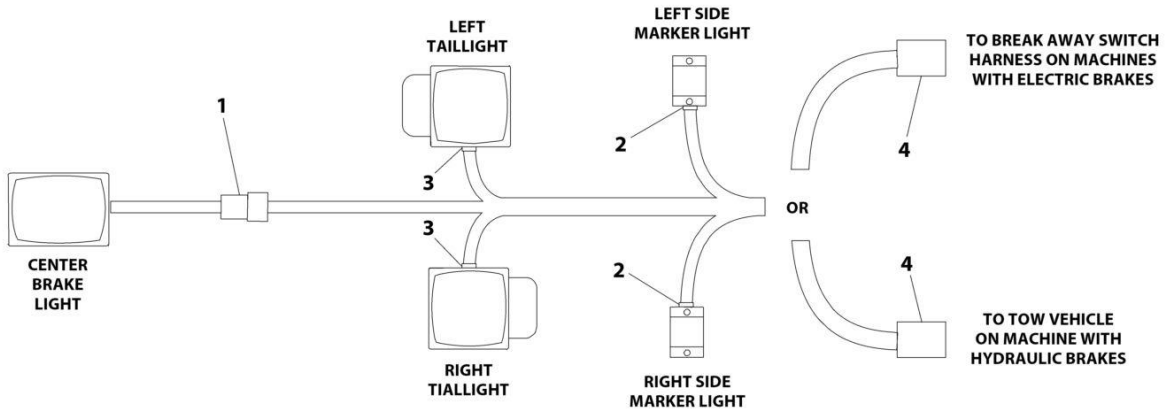
SECTION 7 - ELECTRICAL

FIGURE 7-17. LIFT DOWN PROP VALVE, HARNESS (T500J)

ITEM	PART NUMBER	QTY	DESCRIPTION	REV
	4923101	Ref	LIFT DOWN PROP VALVE, HARNESS	C
1	4460891	2	Plug, Male - 2 Position	
1	4460465	4	Socket, Female	

SECTION 7 - ELECTRICAL

FIGURE 7-18. LIGHTS HARNESS (T350) (ANSI, ANSI EXPORT AND CSA SPECS)



ART_4923148

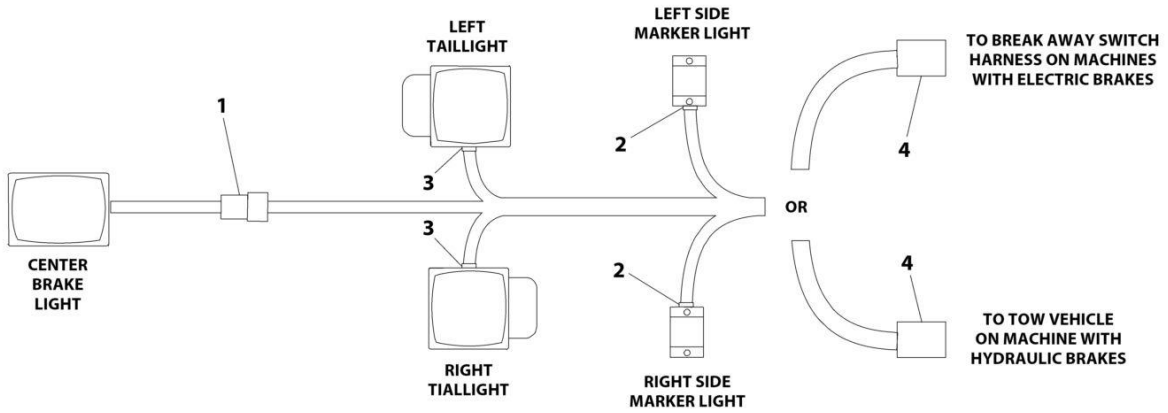
SECTION 7 - ELECTRICAL

FIGURE 7-18. LIGHTS HARNESS (T350) (ANSI, ANSI EXPORT AND CSA SPECS)

ITEM	PART NUMBER	QTY	DESCRIPTION	REV
	4923148	Ref	LIGHTS HARNESS	E
1	4460932	1	Receptacle, Female - 4 Position	
1	4460464	4	Pin, Male	
2	4460248	2	Connector, Butt Splice	
2	4460313	2	Ring, Terminal	
3	4460256	2	Ring, Terminal	
4	See Note	1	Receptacle, Female - Flat 4 Way (Note : Not available for purchase)	

SECTION 7 - ELECTRICAL

FIGURE 7-19. LIGHTS HARNESS (T500J) (ANSI, ANSI EXPORT AND CSA SPECS)



ART_4923149

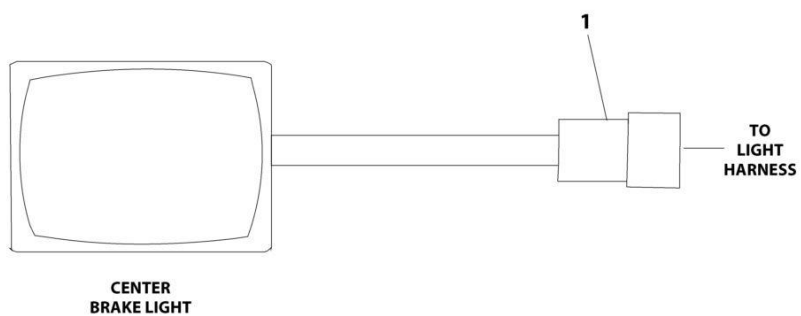
SECTION 7 - ELECTRICAL

FIGURE 7-19. LIGHTS HARNESS (T500J) (ANSI, ANSI EXPORT AND CSA SPECS)

ITEM	PART NUMBER	QTY	DESCRIPTION	REV
	4923149	Ref	LIGHTS HARNESS	F
1	4460932	1	Receptacle, Female - 4 Position	
1	4460464	4	Pin, Male	
2	4460248	2	Connector, Butt Splice	
2	4460313	2	Ring, Terminal	
3	4460256	2	Ring, Terminal	
4	See Note	1	Receptacle, Female - Flat 4 Way (Note : Not available for purchase)	

SECTION 7 - ELECTRICAL

FIGURE 7-20. LIGHT HARNESS - CENTER BRAKE LIGHT (T350) (ANSI, ANSI EXPORT AND CSA SPECS)



ART_4923185

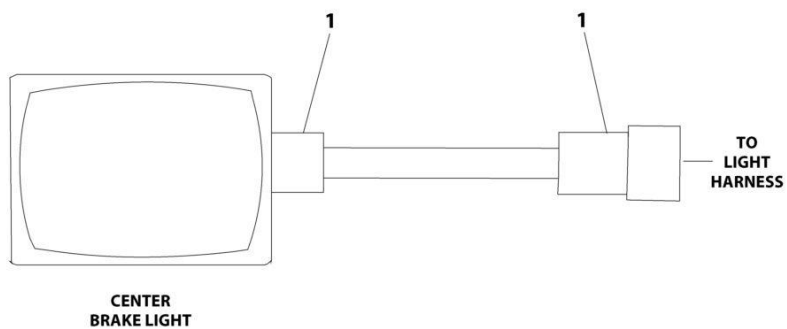
SECTION 7 - ELECTRICAL

FIGURE 7-20. LIGHT HARNESS - CENTER BRAKE LIGHT (T350) (ANSI, ANSI EXPORT AND CSA SPECS)

ITEM	PART NUMBER	QTY	DESCRIPTION	REV
	4923185	Ref	LIGHT HARNESS	C
1	4460884	1	Plug, Male - 4 Position	
1	4460465	4	Socket, Female	
5	1001253644	1	Controller, Logic Circuit (Not Shown)	

SECTION 7 - ELECTRICAL

FIGURE 7-21. LIGHT HARNESS - CENTER BRAKE LIGHT (T350) (AUSTRALIAN AND SOUTH AFRICAN SPECS)



ART_1001224593

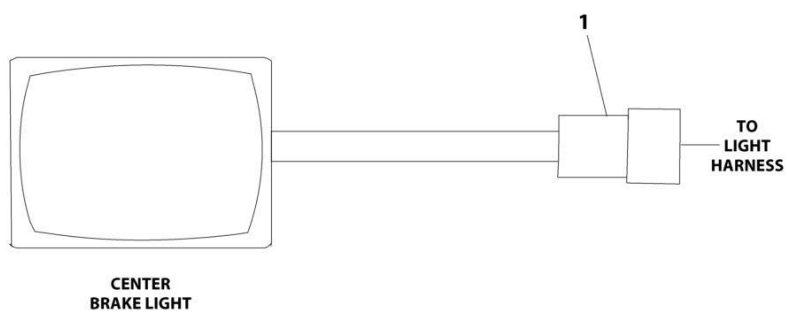
SECTION 7 - ELECTRICAL

FIGURE 7-21. LIGHT HARNESS - CENTER BRAKE LIGHT (T350) (AUSTRALIAN AND SOUTH AFRICAN SPECS)

ITEM	PART NUMBER	QTY	DESCRIPTION	REV
	1001224593	Ref	LIGHT HARNESS	C
1	4460539	2	Plug, Male - 3 Position	
1	4460465	6	Socket, Female	

SECTION 7 - ELECTRICAL

FIGURE 7-22. LIGHT HARNESS - CENTER BRAKE LIGHT (T500J) (ANSI, ANSI EXPORT AND CSA SPECS)



ART_4923184

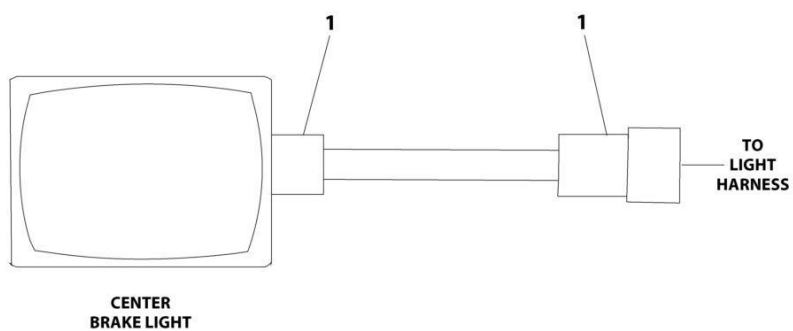
SECTION 7 - ELECTRICAL

FIGURE 7-22. LIGHT HARNESS - CENTER BRAKE LIGHT (T500J) (ANSI, ANSI EXPORT AND CSA SPECS)

ITEM	PART NUMBER	QTY	DESCRIPTION	REV
	4923184	Ref	LIGHT HARNESS	C
1	4460884	1	Plug, Male - 2 Position	
1	4460465	4	Socket, Female	
5	1001253644	1	Controller, Logic Circuit (Not Shown)	

SECTION 7 - ELECTRICAL

FIGURE 7-23. LIGHT HARNESS - CENTER BRAKE LIGHT (T500J) (AUSTRALIAN AND SOUTH AFRICAN SPECS)



ART_1001224594

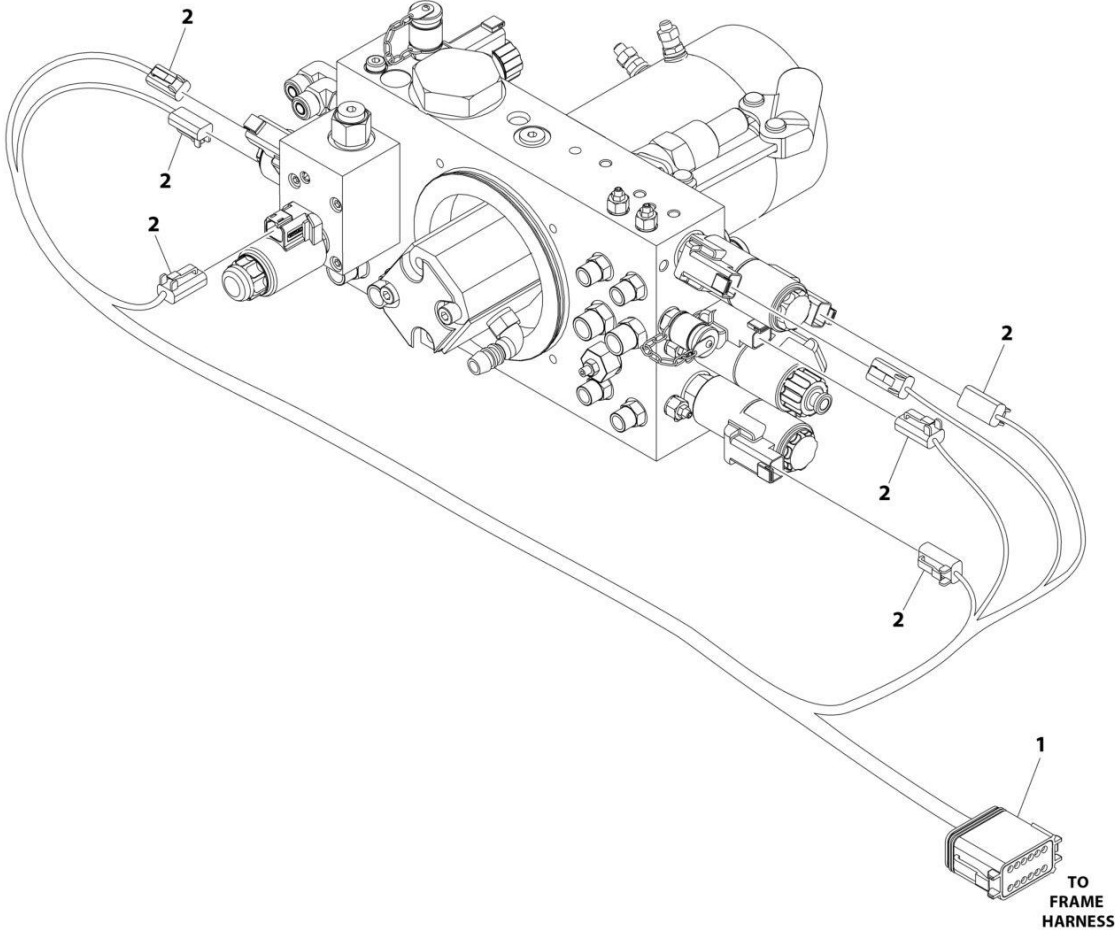
SECTION 7 - ELECTRICAL

FIGURE 7-23. LIGHT HARNESS - CENTER BRAKE LIGHT (T500J) (AUSTRALIAN AND SOUTH AFRICAN SPECS)

ITEM	PART NUMBER	QTY	DESCRIPTION	REV
	1001224594	Ref	LIGHT HARNESS	C
1	4460539	2	Plug, Male - 3 Position	
1	4460465	6	Socket, Female	

SECTION 7 - ELECTRICAL

FIGURE 7-24. MAIN CONTROL VALVE HARNESS



ART_4923109

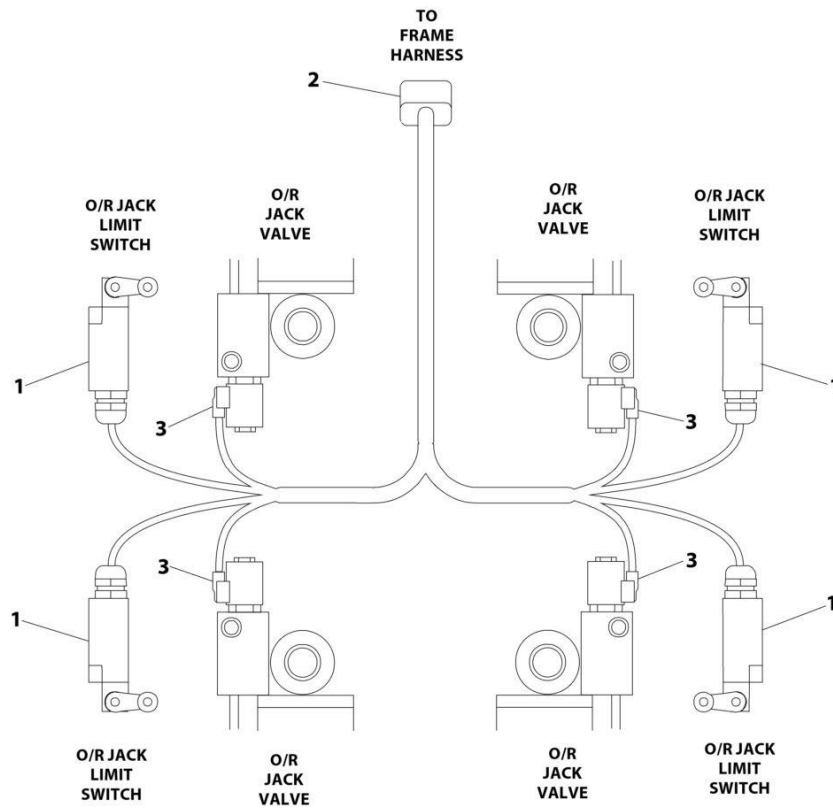
SECTION 7 - ELECTRICAL

FIGURE 7-24. MAIN CONTROL VALVE HARNESS

ITEM	PART NUMBER	QTY	DESCRIPTION	REV
	4923109	Ref	MAIN CONTROL VALVE HARNESS	C
1	4460933	1	Connector - 12 Position (Gray)	
1	4460465	12	Socket, Female	
2	4460891	11	Plug, Male - 2 Position	
2	4460465	22	Socket, Female	

SECTION 7 - ELECTRICAL

FIGURE 7-25. OUTRIGGER JACK & VALVE HARNESS



ART_4923041

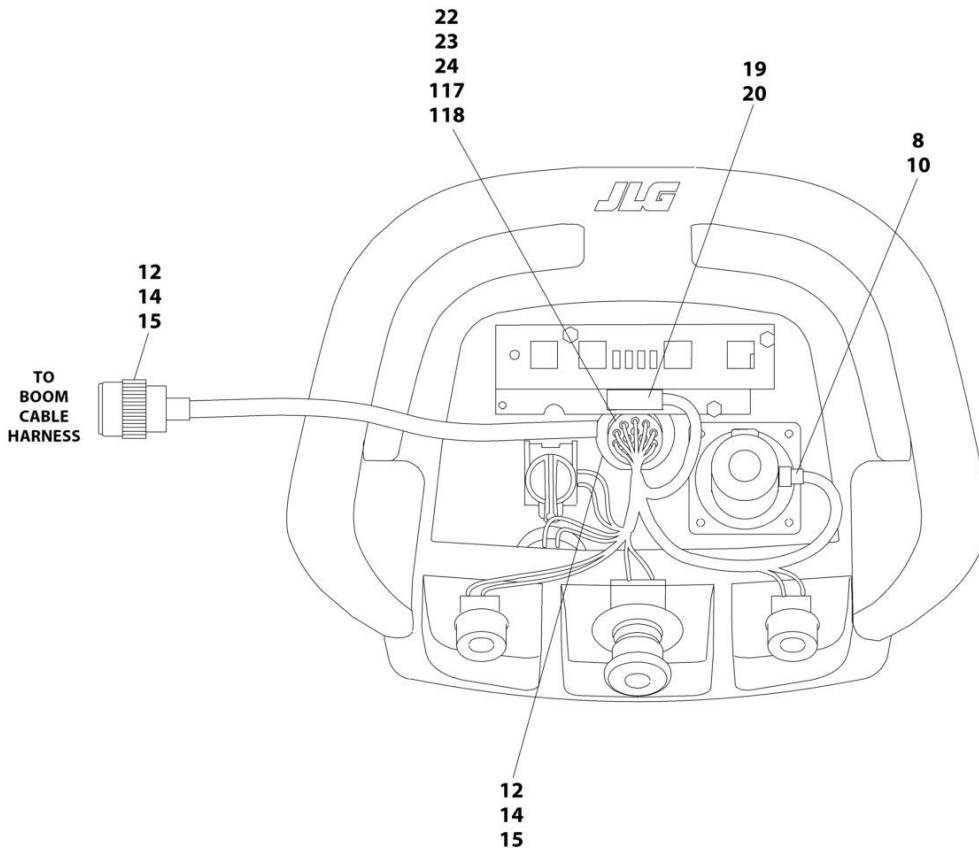
SECTION 7 - ELECTRICAL

FIGURE 7-25. OUTRIGGER JACK & VALVE HARNESS

ITEM	PART NUMBER	QTY	DESCRIPTION	REV
	4923041	Ref	OUTRIGGER HARNESS	D
1	4360577	4	Switch, Limit	
2	4460933	1	Connector - 12 Position (Gray)	
2	4460465	10	Socket, Female	
2	4460942	2	Socket, Gold Female	
3	4460891	4	Plug, Male - 2 Position	
3	4460465	8	Socket, Female	

SECTION 7 - ELECTRICAL

FIGURE 7-26. PLATFORM BOX HARNESS (ELECTRIC POWERED MACHINES WITHOUT DRIVE OPTION)



ART_4923116

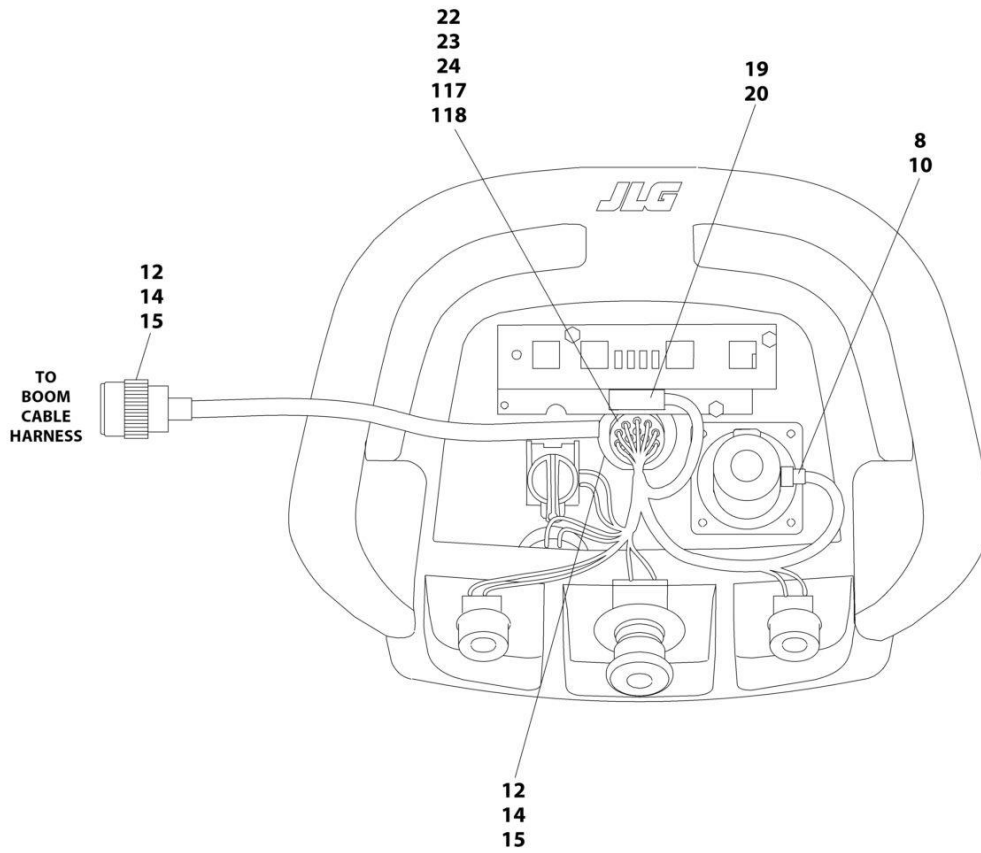
SECTION 7 - ELECTRICAL

FIGURE 7-26. PLATFORM BOX HARNESS (ELECTRIC POWERED MACHINES WITHOUT DRIVE OPTION)

ITEM	PART NUMBER	QTY	DESCRIPTION	REV
	4923116	Ref	PLATFORM BOX HARNESS	F
8	4461024	1	Connector - 10 Position	
10	4461025	6	Pin, Male	
12	4461015	2	Connector - 14 Position	
14	4460465	18	Socket, Female	
15	4460944	6	Socket, Female (Gold)	
19	4461057	1	Connector - 16 Position	
20	4461058	12	Socket, Female	
22	4461016	1	Connector - 14 Position	
23	4460464	6	Pin, Male	
24	4460943	2	Pin, Gold Male	
117	4460497	1	Nut, Terminal (Part of Console Box Assembly)	
118	4460496	1	Washer, Terminal (Part of Console Box Assembly)	

SECTION 7 - ELECTRICAL

FIGURE 7-27. PLATFORM BOX HARNESS (ELECTRIC POWERED MACHINES WITH DRIVE OPTION)



ART_4923127

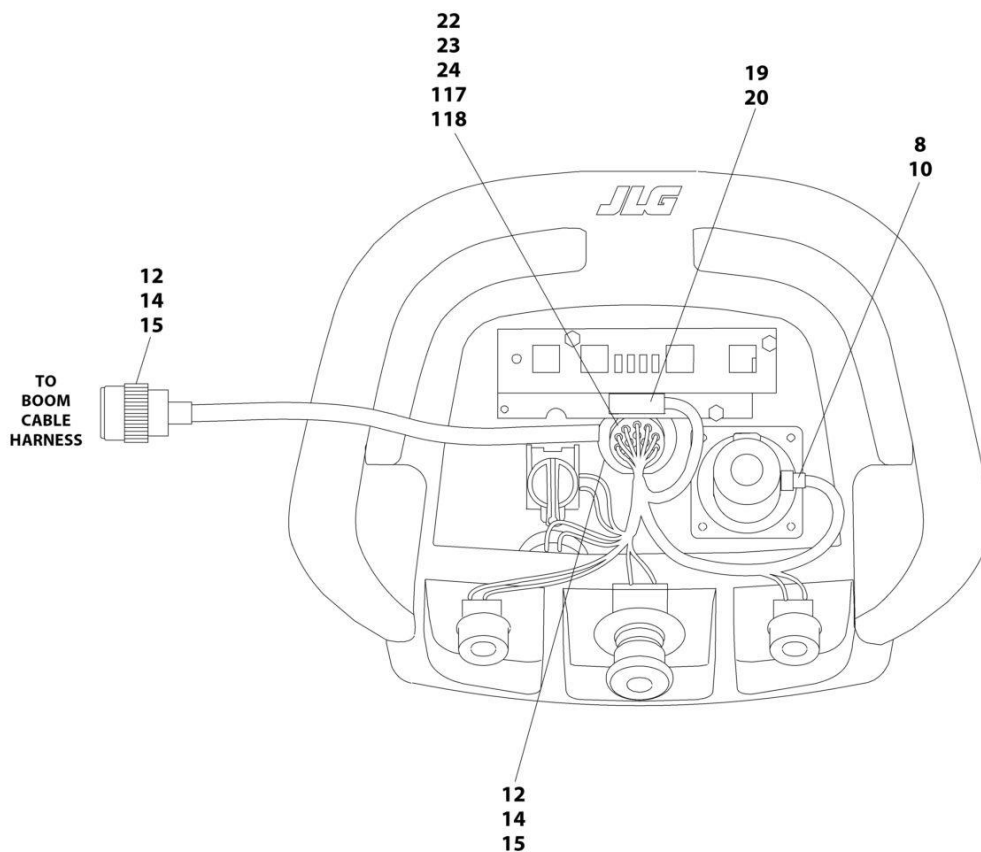
SECTION 7 - ELECTRICAL

FIGURE 7-27. PLATFORM BOX HARNESS (ELECTRIC POWERED MACHINES WITH DRIVE OPTION)

ITEM	PART NUMBER	QTY	DESCRIPTION	REV
	4923127	Ref	PLATFORM BOX HARNESS	E
8	4461024	1	Connector - 10 Position	
10	4461025	8	Pin, Male	
12	4461015	2	Connector - 10 Position	
14	4460465	18	Socket, Female	
15	4460944	6	Socket, Female (Gold)	
19	4461057	1	Connector - 16 Position	
20	4461058	13	Socket, Female	
22	4461016	1	Connector - 14 Position	
23	4460464	6	Pin, Male	
24	4460943	2	Pin, Gold Male	
117	4460497	1	Nut, Terminal (Part of Console Box Assembly)	
118	4460496	1	Washer, Terminal (Part of Console Box Assembly)	

SECTION 7 - ELECTRICAL

FIGURE 7-28. PLATFORM BOX HARNESS (ENGINE POWERED MACHINES WITHOUT DRIVE OPTION)



ART_4923117

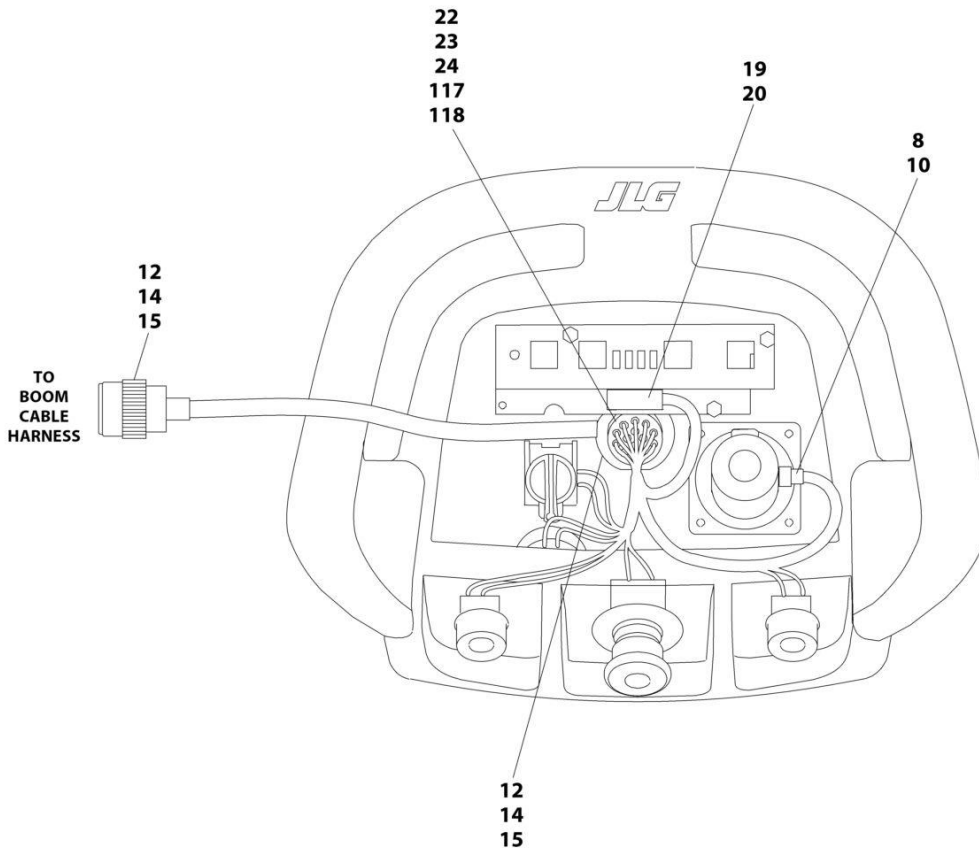
SECTION 7 - ELECTRICAL

FIGURE 7-28. PLATFORM BOX HARNESS (ENGINE POWERED MACHINES WITHOUT DRIVE OPTION)

ITEM	PART NUMBER	QTY	DESCRIPTION	REV
	4923117	Ref	PLATFORM BOX HARNESS	E
8	4461024	1	Connector - 10 Position	
10	4461025	6	Pin, Male	
12	4461015	2	Connector - 10 Position	
14	4460465	18	Socket, Female	
15	4460944	6	Socket, Female (Gold)	
19	4461057	1	Connector - 16 Position	
20	4461058	14	Socket, Female	
21	4461016	1	Connector - 14 Position	
22	4460464	6	Pin, Male	
23	4460943	2	Pin, Gold Male	
117	4460497	1	Nut, Terminal (Part of Console Box Assembly)	
118	4460496	1	Washer, Terminal (Part of Console Box Assembly)	

SECTION 7 - ELECTRICAL

FIGURE 7-29. PLATFORM BOX HARNESS (ENGINE POWERED MACHINES WITH DRIVE OPTION)



ART_4923126

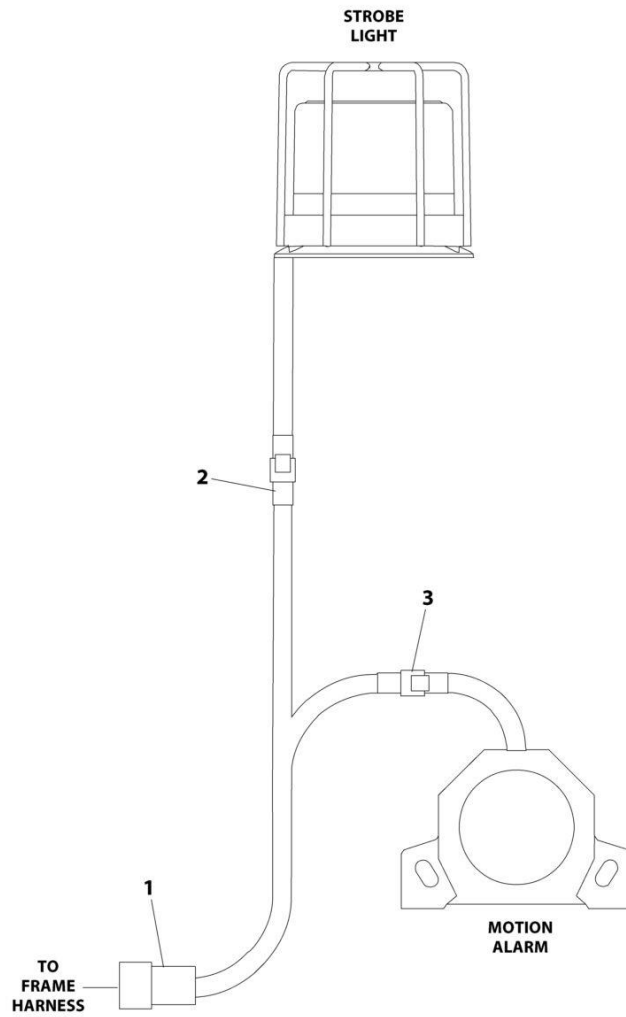
SECTION 7 - ELECTRICAL

FIGURE 7-29. PLATFORM BOX HARNESS (ENGINE POWERED MACHINES WITH DRIVE OPTION)

ITEM	PART NUMBER	QTY	DESCRIPTION	REV
	4923126	Ref	PLATFORM BOX HARNESS	E
8	4461024	1	Connector - 10 Position	
10	4461025	8	Pin, Male	
12	4461015	2	Connector - 10 Position	
14	4460465	18	Socket, Female	
15	4460944	6	Socket, Female (Gold)	
19	4461057	1	Connector - 16 Position	
20	4461058	15	Socket, Female	
21	4461016	1	Connector - 14 Position	
22	4460464	6	Pin, Male	
23	4460943	2	Pin, Gold Male	
117	4460497	1	Nut, Terminal (Part of Console Box Assembly)	
118	4460496	1	Washer, Terminal (Part of Console Box Assembly)	

SECTION 7 - ELECTRICAL

FIGURE 7-30. STROBE LIGHT AND ALARM HARNESS



ART_4923128

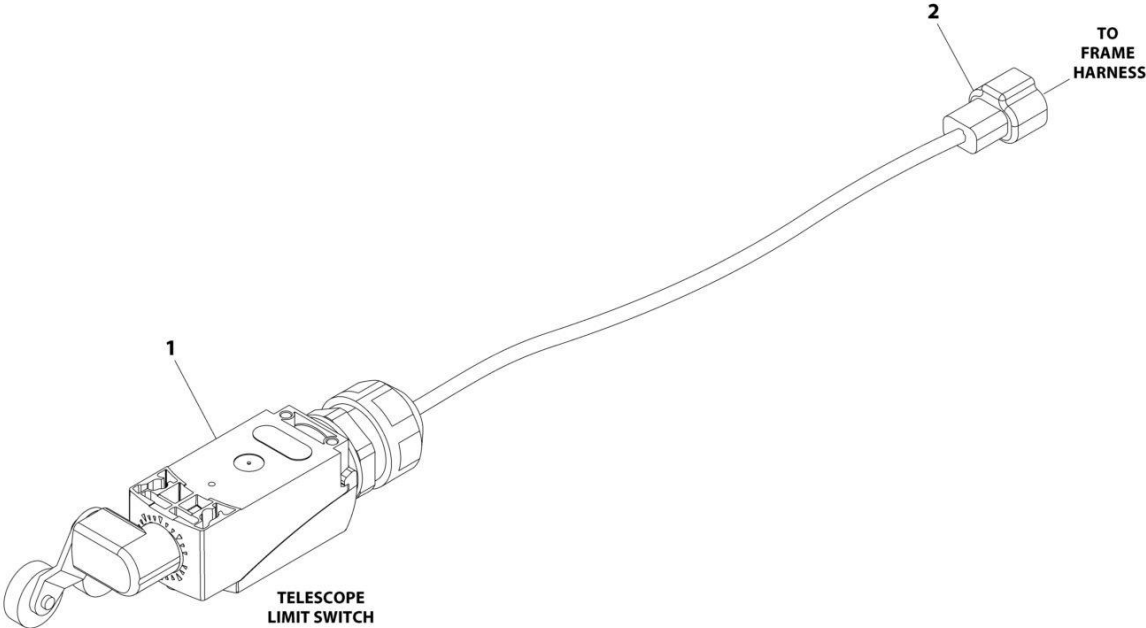
SECTION 7 - ELECTRICAL

FIGURE 7-30. STROBE LIGHT AND ALARM HARNESS

ITEM	PART NUMBER	QTY	DESCRIPTION	REV
	4923128	Ref	STROBE LIGHT AND ALARM HARNESS	B
1	4460884	1	Plug, Male - 2 Position	
1	4460465	4	Socket, Female	
2	4460897	1	Receptacle, Female - 2 Position	
2	4460464	4	Pin, Male	
3	4460539	1	Plug, Male - 3 Position	
3	4460465	3	Socket, Female	

SECTION 7 - ELECTRICAL

FIGURE 7-31. TELESCOPE LIMIT SWITCH HARNESS (T350)



ART_4923192

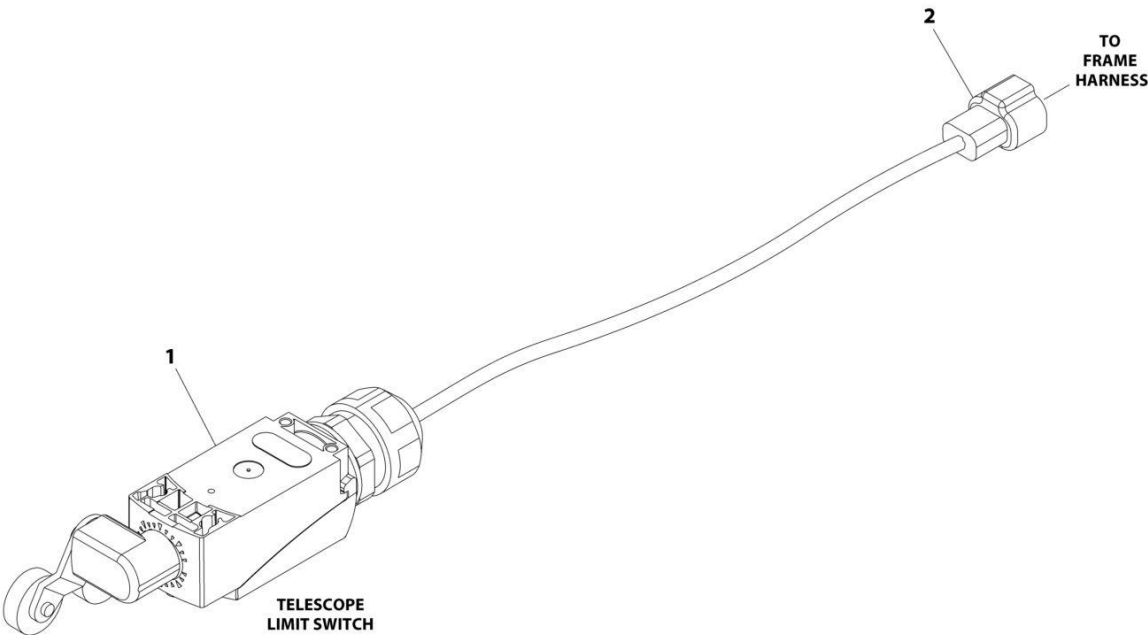
SECTION 7 - ELECTRICAL

FIGURE 7-31. TELESCOPE LIMIT SWITCH HARNESS (T350)

ITEM	PART NUMBER	QTY	DESCRIPTION	REV
	4923192	Ref	TELESCOPE LIMIT SWITCH HARNESS	A
1	4360577	1	Switch, Light	
2	4460897	1	Receptacle, Female - 2 Position	
2	4460464	2	Pin, Male	

SECTION 7 - ELECTRICAL

FIGURE 7-32. TELESCOPE LIMIT SWITCH HARNESS (T500J)



ART_4923193

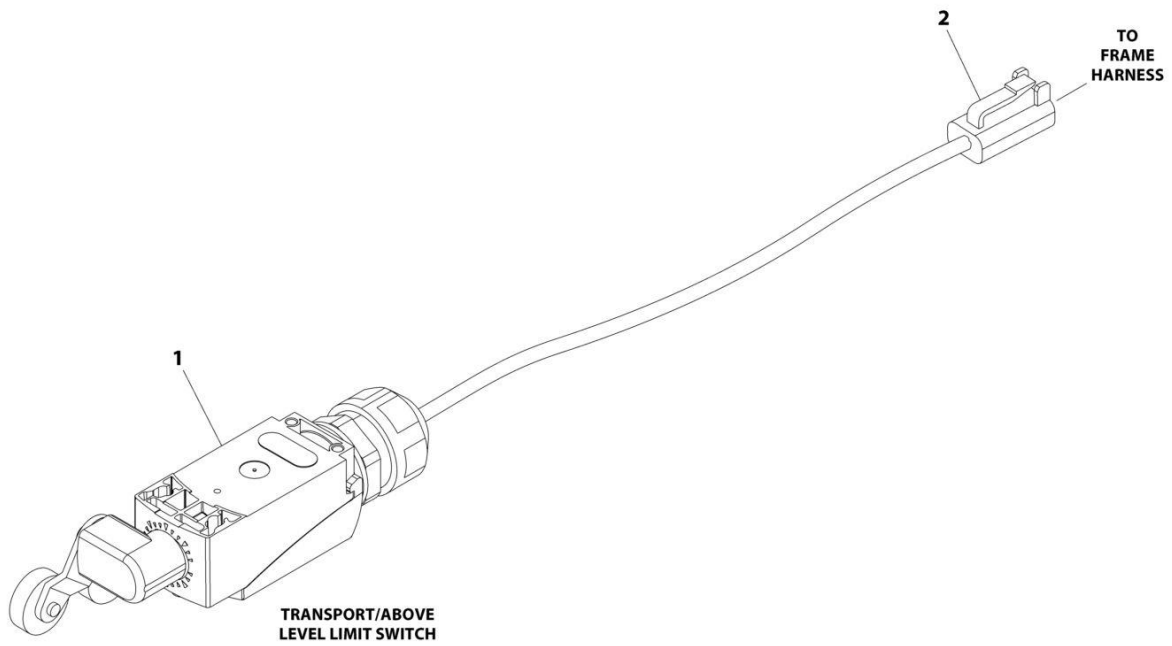
SECTION 7 - ELECTRICAL

FIGURE 7-32. TELESCOPE LIMIT SWITCH HARNESS (T500J)

ITEM	PART NUMBER	QTY	DESCRIPTION	REV
	4923193	Ref	TELESCOPE LIMIT SWITCH HARNESS	A
1	4360577	1	Switch, Light	
2	4460897	1	Receptacle, Female - 2 Position	
2	4460464	2	Pin, Male	

SECTION 7 - ELECTRICAL

FIGURE 7-33. TRANSPORT LIMIT SWITCH HARNESS (T350)



ART_4923112

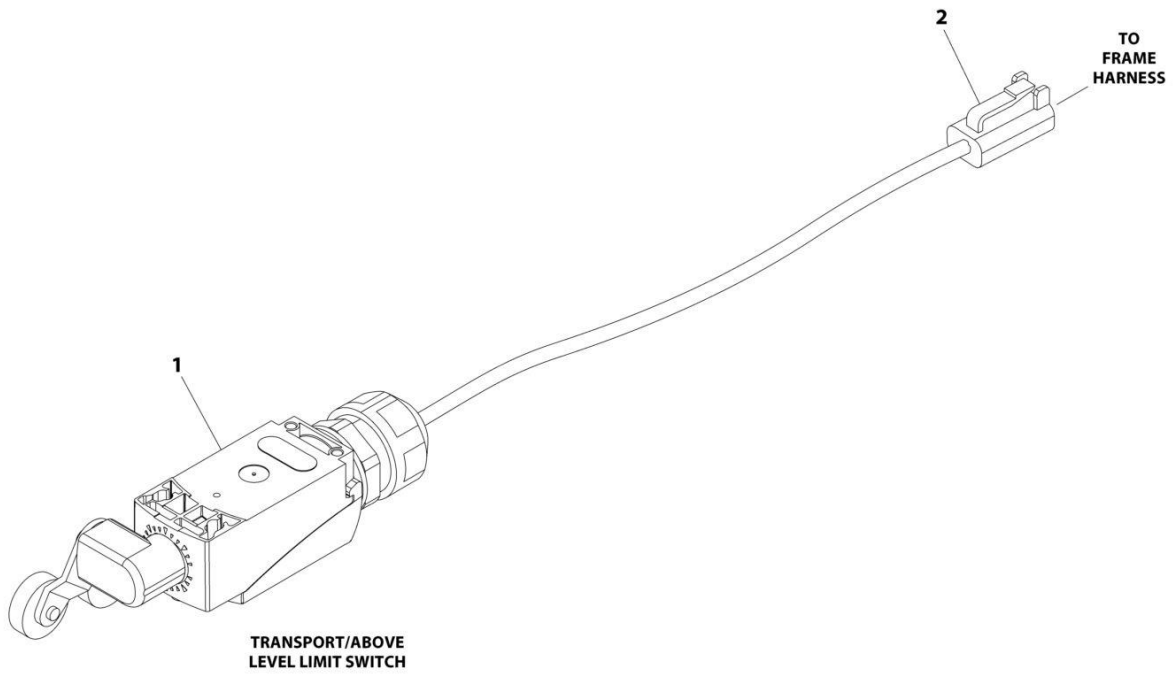
SECTION 7 - ELECTRICAL

FIGURE 7-33. TRANSPORT LIMIT SWITCH HARNESS (T350)

ITEM	PART NUMBER	QTY	DESCRIPTION	REV
	4923112	Ref	TRANSPORT LIMIT SWITCH HARNESS	E
1	4360577	1	Switch, Limit	
2	4460891	1	Connector - 2 Position	
2	4460465	2	Socket, Female	

SECTION 7 - ELECTRICAL

FIGURE 7-34. TRANSPORT LIMIT SWITCH HARNESS (T500J)



ART_4923217

SECTION 7 - ELECTRICAL

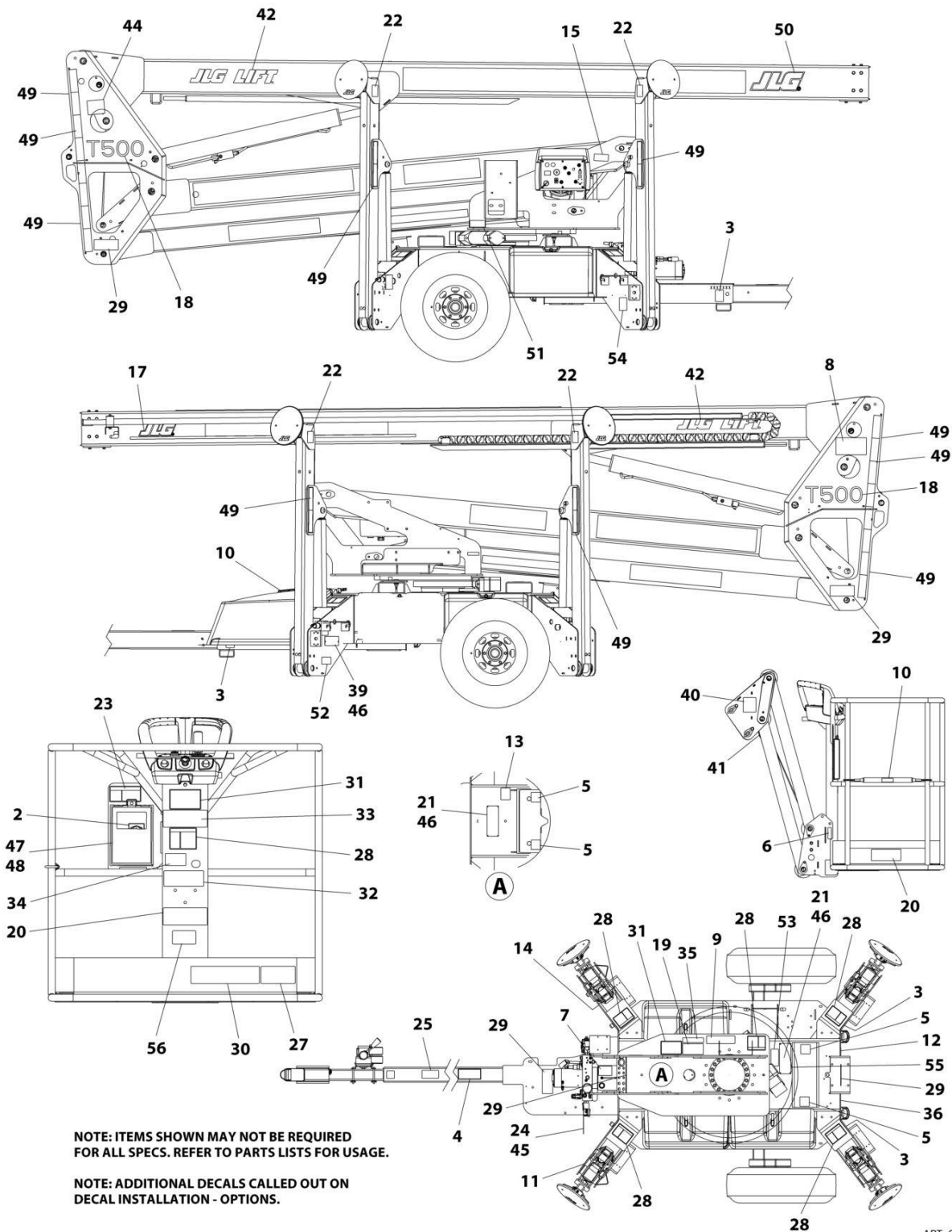
FIGURE 7-34. TRANSPORT LIMIT SWITCH HARNESS (T500J)

ITEM	PART NUMBER	QTY	DESCRIPTION	REV
	4923217	Ref	TRANSPORT LIMIT SWITCH HARNESS	B
1	4360577	1	Switch, Limit	
2	4460891	1	Connector - 2 Position	
2	4460465	2	Socket, Female	

SECTION 8 - DECALS

SECTION 8 - DECALS

FIGURE 8-1. DECAL INSTALLATION (ANSI SPEC) (ENGLISH LANGUAGE)



NOTE: ITEMS SHOWN MAY NOT BE REQUIRED FOR ALL SPECS. REFER TO PARTS LISTS FOR USAGE.

NOTE: ADDITIONAL DECALS CALLED OUT ON DECAL INSTALLATION - OPTIONS.

ART_0274522

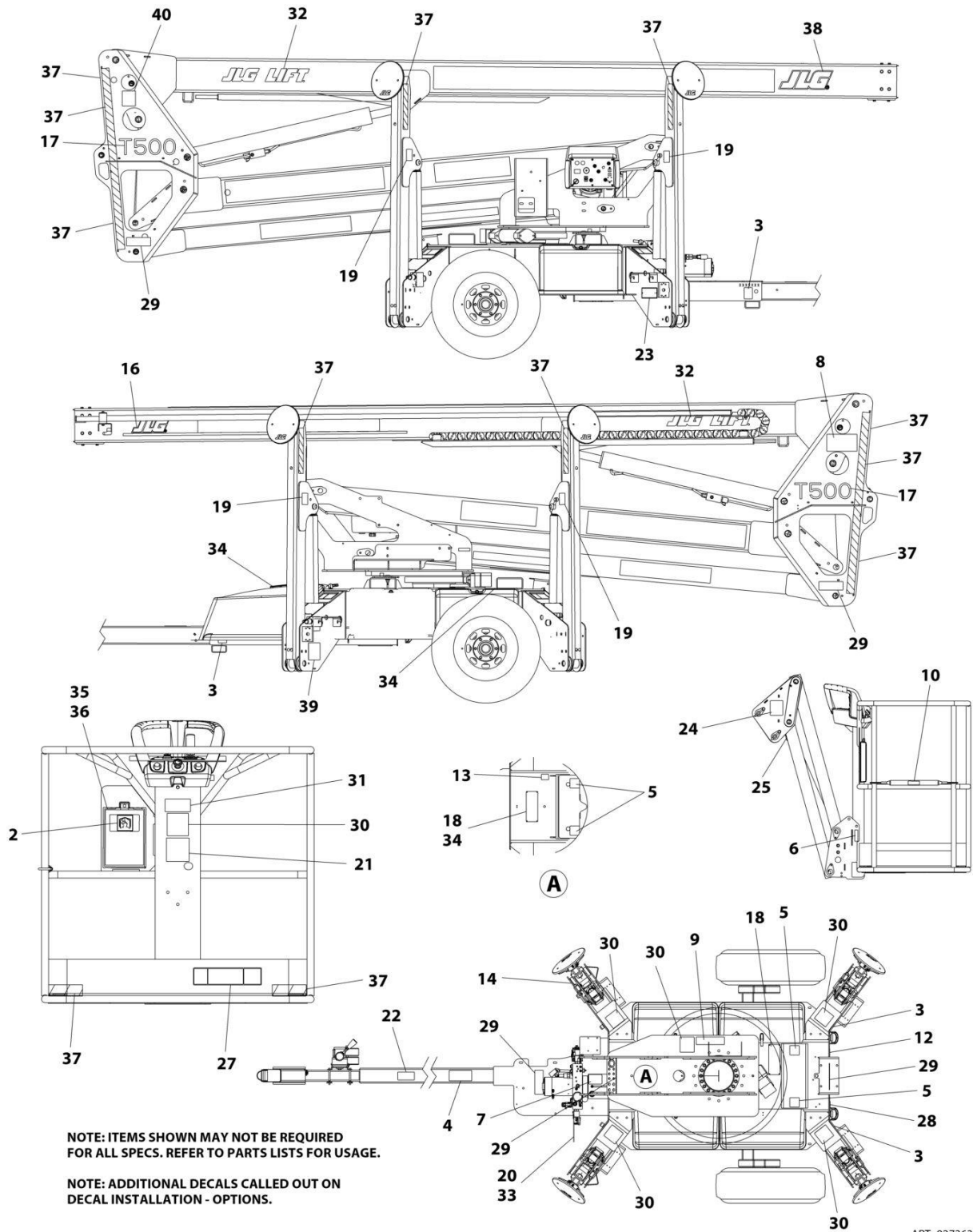
SECTION 8 - DECALS

FIGURE 8-1. DECAL INSTALLATION (ANSI SPEC) (ENGLISH LANGUAGE)

ITEM	PART NUMBER	QTY	DESCRIPTION	REV
	0274522	Ref	DECAL INSTALLATION	V
1	2902428	Ref	Decal Kit - Master (Not Shown)	
2	1701640	1	Decal - Manual	
3	1703814	4	Decal - Tie-Down	
4	1706384	1	Decal - Manual Descent Inside	
5	1704016	1	Decal - Forklift	
6	1704277	2	Decal - Lanyard Attach	
7	1704412	1	Decal - Hydraulic Oil	
8	1706629	1	Decal - Lift Diagram	
9	1706372	1	Decal - Platform Entry Instructions	
10	1706385	1	Decal - Drop Bar	
11	1001131269	1	Decal - Patent	
14	See Note	NSS	Decal- Barcode (Note: Not Available for Purchase)	
19	1706106	1	Decal - Capacity (Ground Control Location)	
20	1706107	2	Decal - Capacity (Platform Location)	
24	1706139	1	Decal - Manual Descent	
25	1001260244	1	Decal - Parking Brake	
26	2902430	Ref	Decal Kit - ANSI English (Not Shown)	
27	1706112	1	Decal - Speed Limit	
28	1706128	6	Decal - Electrocution	
29	1706099	5	Decal - Warning Crushing	
30	1706111	1	Decal - Warning Machine Operation	
31	1706135	2	Decal - Warning Inspection	
32	1706386	1	Decal - Fall Hazard	
33	1706387	1	Decal - Crushing	
34	1706108	1	Decal - Legend (Platform)	
35	1706109	1	Decal - Legend (Ground Control)	
36	1703813	1	Decal - Battery Ventilation (Electric Machines Only)	
44	3251813	1	Decal - USA	
45	3760170	1	Ring, Split	
46	3820001	6	Rivet	
47	3820032	4	Rivet	
48	8990147	1	Box, Manual Storage	
48	70003486	1	Clip, Manual Holder	
49	1705817	17 ft/ 2.5m	Tape, Reflective	
53	1001214673	1	Decal - Temperature	
54	1001289470	1	Decal - Yearly Inspection	

SECTION 8 - DECALS

FIGURE 8-2. DECAL INSTALLATION (AUSTRALIAN SPEC) (ENGLISH LANGUAGE)



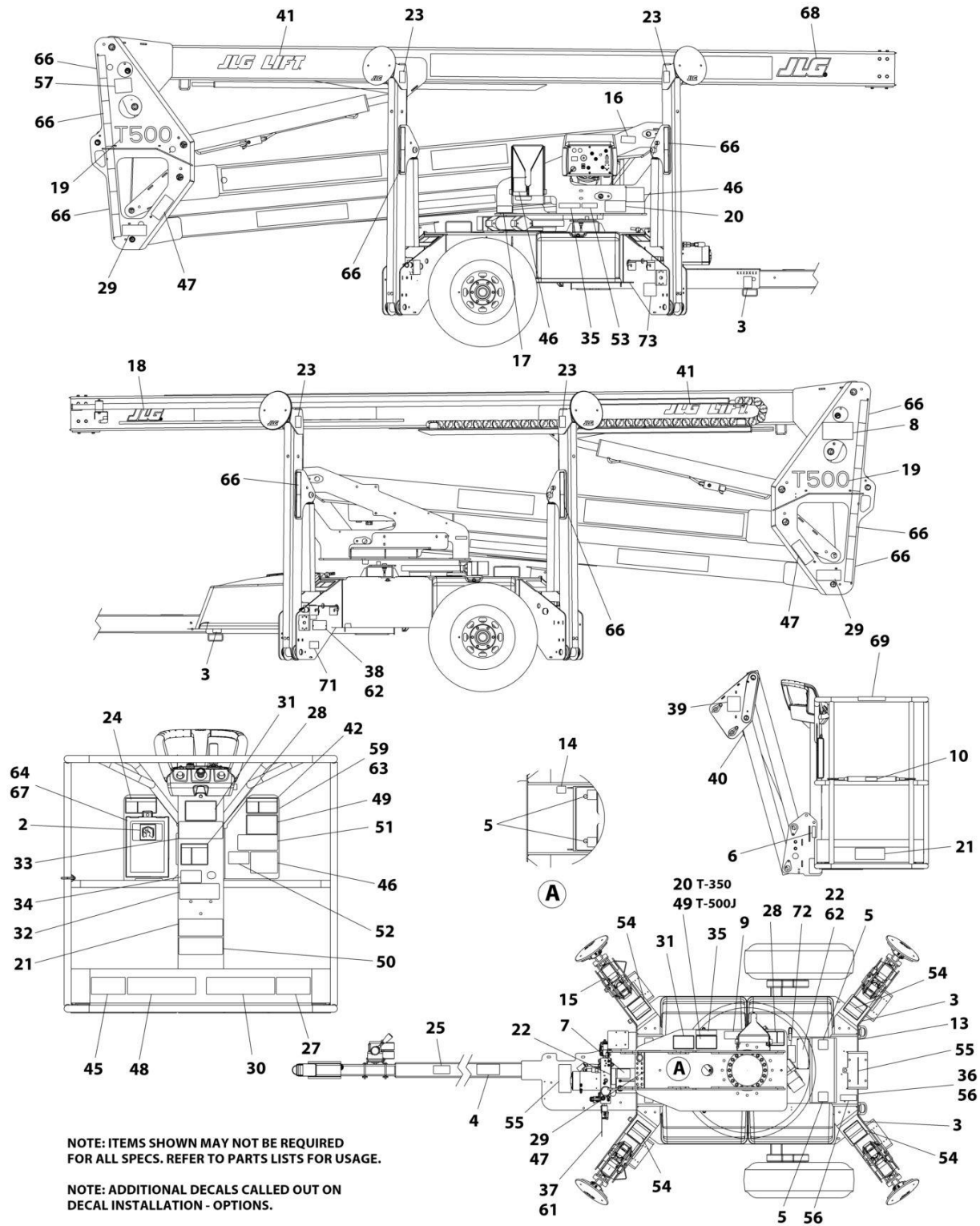
SECTION 8 - DECALS

FIGURE 8-2. DECAL INSTALLATION (AUSTRALIAN SPEC) (ENGLISH LANGUAGE)

ITEM	PART NUMBER	QTY	DESCRIPTION	REV
	0273631	Ref	DECAL INSTALLATION	K
1	2902428	Ref	Decal Kit - Master (Not Shown)	
2	1701640	1	Decal - Manual	
3	1703814	4	Decal - Tie-Down	
4	1706384	1	Decal - Manual Descent Inside	
5	1703817	4	Decal - Forklift	
6	1704277	2	Decal - Lanyard Attach	
7	1704412	1	Decal - Hydraulic Oil	
8	1706629	1	Decal - Lift Diagram	
9	1706372	1	Decal - Platform Entry Instructions	
10	1706493	1	Decal - Drop Bar	
14	See Note	NSS	Decal - Barcode (Note: Not Available for Purchase)	
20	1706139	1	Decal - Manual Descent	
21	1706314	1	Decal - Capacity (Platform Location)	
22	1001260244	1	Decal - Parking Brake	
26	2902411	Ref	Decal Kit - Australian English (Not Shown)	
27	1706320	1	Decal - Warning Machine Operation	
28	1705670	1	Decal - Fire Hazard (Electric Machines Only)	
29	1706315	5	Decal - Warning Crushing	
30	1706317	6	Decal - Electrocution	
31	1706497	1	Decal - Warning Crushing	
33	3760170	1	Ring, Split	
34	3820001	6	Rivet	
35	3820032	4	Rivet	
36	8990147	1	Box, Manual Storage	
36	70003486	2	Clip, Manual Holder	
37	4420051	12 ft/3.7m	Tape, Reflective	

SECTION 8 - DECALS

FIGURE 8-3. DECAL INSTALLATION (BRAZIL SPECS) (SPANISH/ENGLISH LANGUAGES)



ART_0273644

SECTION 8 - DECALS

FIGURE 8-3. DECAL INSTALLATION (BRAZIL SPECS) (SPANISH/ENGLISH LANGUAGES)

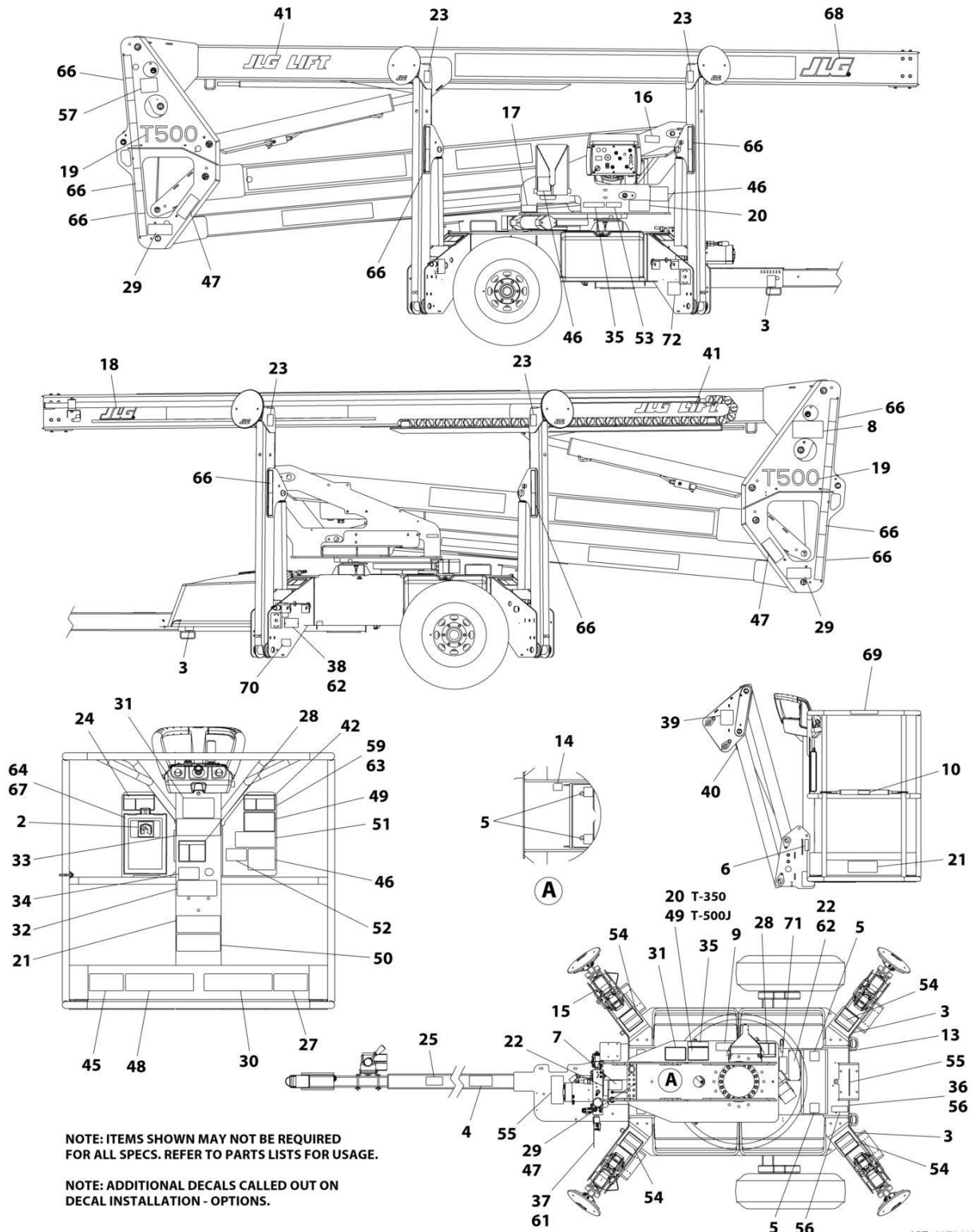
ITEM	PART NUMBER	QTY	DESCRIPTION	REV
	0273644	Ref	DECAL INSTALLATION	N
1	2902428	Ref	Decal Master Kit (Not Shown)	
2	1701640	1	Decal - Manual	
3	1703814	4	Decal - Tie Down	
4	1706384	1	Decal - Manual Descent Inside	
5	1703817	4	Decal - Forklift	
5	1704016	1	Decal - Forklift	
6	1704277	2	Decal - Lanyard Attach	
7	1704412	1	Decal - Hydraulic Oil	
8	1706629	1	Decal - Lift Diagram	
9	1706372	1	Decal - Platform Entry Instructions	
10	1706385	1	Decal - Drop Bar	
15	See Note	NSS	Decal - Bar Code (Note: Not Available for Purchase)	
20	1706106	1	Decal - Capacity (Ground Control)	
21	1706107	2	Decal - Capacity (Platform)	
25	1001260244	1	Decal - Parking Brake	
26	2902430	Ref	Decal Kit - Brazil English (Not Shown)	
27	1706112	1	Decal - Speed Limit	
28	1706128	2	Decal - Electrocution	
29	1706099	3	Decal - Warning Crushing	
30	1706111	1	Decal - Warning Machine Operation	
31	1706135	2	Decal - Warning Inspection	
32	1706386	1	Decal - Fall Hazard	
33	1706387	1	Decal - Crushing	
34	1706108	1	Decal - Legend (Platform)	
35	1706109	1	Decal - Legend (Ground Control)	
36	1703813	1	Decal - Warning Battery Ventilation	
37	1706139	1	Decal - Manual Descent	
44	2902447	Ref	Decal Kit - Brazil Portuguese (Not Shown)	
45	1706524	1	Decal - Speed Limit	
46	1706527	3	Decal - Electrocution	
47	1706528	3	Decal - Warning Crushing	
48	1706529	1	Decal - Warning Machine Operation	
49	1706530	2	Decal - Warning Inspection	
50	1706531	1	Decal - Fall Hazard	
51	1706532	1	Decal - Crushing	
52	1706533	1	Decal - Legend (Platform)	
53	1706534	1	Decal - Legend (Ground Control)	
54	1706657	4	Decal - Electrocution	
55	1706658	2	Decal - Warning Crushing	
56	1703832	1	Decal - Warning Battery Ventilation	
57	3251813	1	Decal - USA	
59	3576102	1	Mount - Decal	
61	3760170	1	Ring, Split	
62	3820001	6	Rivet	
63	3820021	2	Rivet	
64	3820032	4	Rivet	
66	1705817	17 ft/5.2m	Decal, Tape, Red-White Alternating	
67	8990147	1	Holder, Manual	
67	70003486	2	Clip, Manual Holder	

SECTION 8 - DECALS

ITEM	PART NUMBER	QTY	DESCRIPTION	REV
69	1706496	1	Decal - Drop Bar	
72	1001214673	1	Decal - Temperature	
73	1001290808	1	Decal - Yearly Inspection	

SECTION 8 - DECALS

FIGURE 8-4. DECAL INSTALLATION (BRAZIL SPECS) (SPANISH/ENGLISH LANGUAGES)



ART_0273640

SECTION 8 - DECALS

FIGURE 8-4. DECAL INSTALLATION (BRAZIL SPECS) (SPANISH/ENGLISH LANGUAGES)

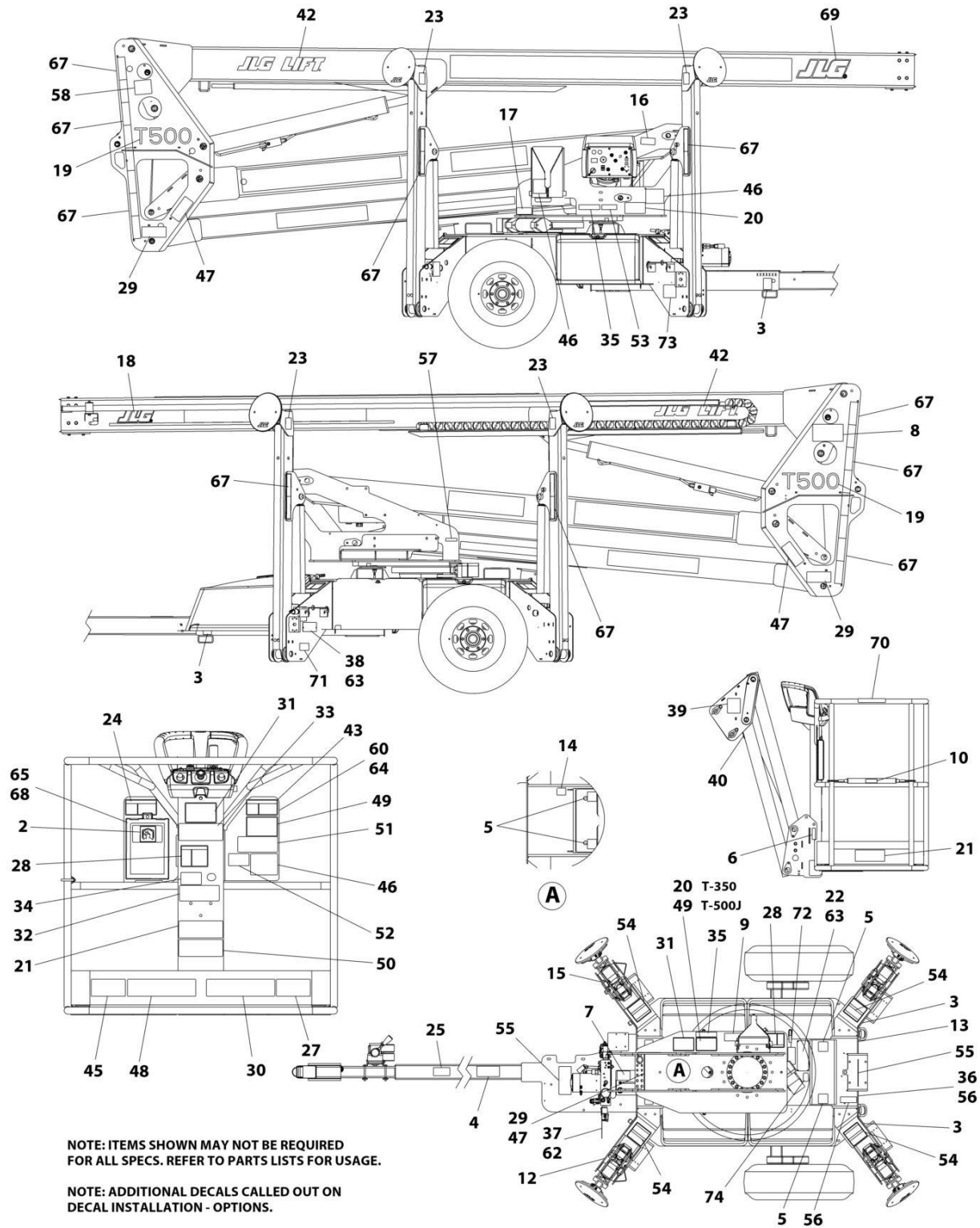
ITEM	PART NUMBER	QTY	DESCRIPTION	REV
	0273640	Ref	DECAL INSTALLATION	N
1	2902428	Ref	Decal Kit - Master (Not Shown)	
2	1701640	1	Decal - Manual	
3	1703814	4	Decal - Tie Down	
4	1706384	1	Decal - Manual Descent Inside	
5	1704016	1	Decal - Forklift	
6	1704277	2	Decal - Lanyard Attach	
7	1704412	1	Decal - Hydraulic Oil Chart	
8	1706629	1	Decal - Lift Diagram	
9	1706372	1	Decal - Platform Entry Instructions	
10	1706385	1	Decal - Drop Bar	
15	See Note	NSS	Decal - Bar Code (Note: Not Available for Purchase)	
20	1706106	1	Decal - Capacity (Ground Control)	
21	1706107	2	Decal - Capacity (Platform)	
25	1001260244	1	Decal - Parking Brake	
26	2902430	Ref	Decal Kit - Brazil English (Not Shown)	
27	1706112	1	Decal - Speed Limit	
28	1706128	2	Decal - Electrocution	
29	1706099	3	Decal - Warning Crushing	
30	1706111	1	Decal - Warning Machine Operation	
31	1706135	2	Decal - Warning Inspection	
32	1706386	1	Decal - Fall Hazard	
33	1706387	1	Decal - Crushing	
34	1706108	1	Decal - Legend (Platform)	
35	1706109	1	Decal - Legend (Ground Control)	
36	1703813	1	Decal - Warning Battery Ventilation	
37	1706139	1	Decal - Manual Descent	
44	2902454	Ref	Decal Kit - Brazil Portuguese (Not Shown)	
45	1706427	1	Decal - Speed Limit	
46	1706430	3	Decal - Electrocution	
47	1706431	3	Decal - Warning Crushing	
48	1706432	1	Decal - Warning Machine Operation	
49	1706433	2	Decal - Warning Inspection	
50	1706434	1	Decal - Fall Hazard	
51	1706435	1	Decal - Crushing	
52	1706436	1	Decal - Legend (Platform)	
53	1706437	1	Decal - Legend (Ground Control)	
54	1706664	4	Decal - Electrocution	
55	1706665	2	Decal - Warning Crushing	
56	1703840	1	Decal - Warning Battery Ventilation	
57	3251813	1	Decal - USA	
59	3576102	1	Mount - Decal	
61	3760170	1	Ring, Split	
62	3820001	6	Rivet	
63	3820021	2	Rivet	
64	3820032	4	Rivet	
66	1705817	17 ft/5.2m	Decal, Tape, Red-White Alternating	
67	8990147	1	Holder, Manual	
67	70003486	2	Clip, Manual Holder	
69	1706494	1	Decal - Drop Bar	

SECTION 8 - DECALS

ITEM	PART NUMBER	QTY	DESCRIPTION	REV
71	1001214673	1	Decal - Temperature	
72	1001290664	1	Decal - Yearly Inspection	

SECTION 8 - DECALS

FIGURE 8-5. DECAL INSTALLATION (CSA SPECS) (FRENCH/ENGLISH LANGUAGES)



NOTE: ITEMS SHOWN MAY NOT BE REQUIRED FOR ALL SPECS. REFER TO PARTS LISTS FOR USAGE.

NOTE: ADDITIONAL DECALS CALLED OUT ON DECAL INSTALLATION - OPTIONS.

ART_0273641

SECTION 8 - DECALS

FIGURE 8-5. DECAL INSTALLATION (CSA SPECS) (FRENCH/ENGLISH LANGUAGES)

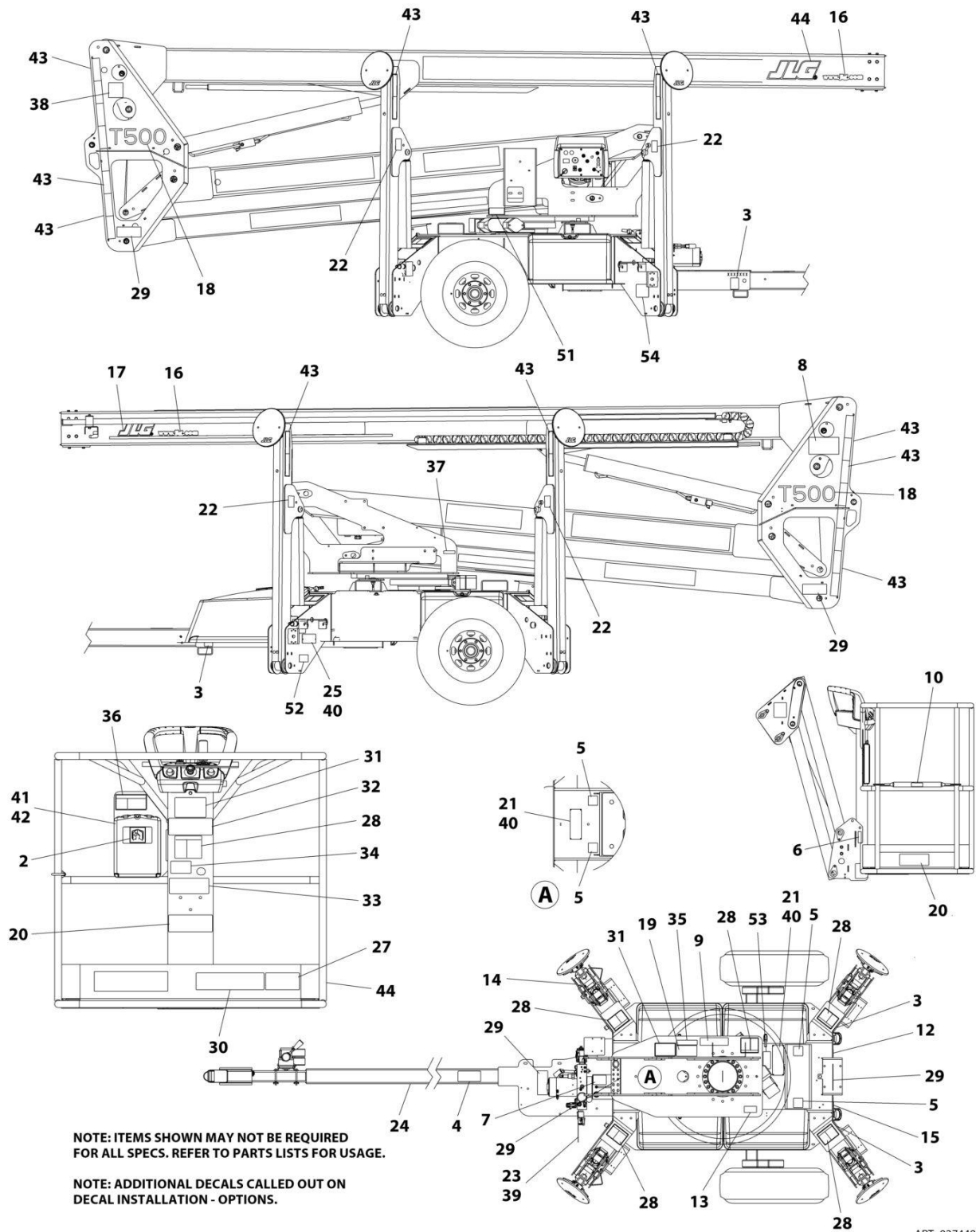
ITEM	PART NUMBER	QTY	DESCRIPTION	REV
	0273641	Ref	DECAL INSTALLATION	0
1	2902428	Ref	Decal Kit - Master (Not Shown)	
2	1701640	1	Decal - Manual	
3	1703814	4	Decal - Tie Down	
4	1706384	1	Decal - Manual Descent Inside	
5	1704016	1	Decal - Forklift	
6	1704277	2	Decal - Lanyard Attach	
7	1704412	1	Decal - Hydraulic Oil Chart	
8	1706629	1	Decal - Lift Diagram	
9	1706372	1	Decal - Platform Entry Instructions	
10	1706385	1	Decal - Drop Bar	
12	1001131269	1	Decal - Patent	
15	See Note	NSS	Decal - Bar Code (Note: Not Available for Purchase)	
20	1706106	1	Decal - Capacity (Ground Control)	
21	1706107	2	Decal - Capacity (Platform)	
25	1001260244	1	Decal - Parking Brake	
26	2902430	Ref	Decal Kit - Brazil English (Not Shwon)	
27	1706112	2	Decal - Speed Limit	
28	1706128	3	Decal - Electrocution	
29	1706099	1	Decal - Warning Crushing	
30	1706111	1	Decal - Warning Machine Operation	
31	1706135	2	Decal - Warning Inspection	
32	1706386	1	Decal - Fall Hazard	
33	1706387	1	Decal - Crushing	
34	1706108	1	Decal - Legend (Platform)	
35	1706109	1	Decal - Legend (Ground Control)	
36	1703813	1	Decal - Warning Battery Ventilation	
37	1706139	1	Decal - Manual Descent	
44	2902442	Ref	Decal Kit - Brazil Portuguese (Not Shown)	
45	1706513	1	Decal - Speed Limit	
46	1706516	3	Decal - Electrocution	
47	1706517	3	Decal - Warning Crushing	
48	1706518	1	Decal - Warning Machine Operation	
49	1706519	2	Decal - Warning Inspection	
50	1706520	1	Decal - Fall Hazard	
51	1706521	1	Decal - Crushing	
52	1706522	1	Decal - Legend (Platform)	
53	1706523	1	Decal - Legend (Ground Control)	
54	1706565	4	Decal - Electrocution	
55	1706569	2	Decal - Warning Crushing	
56	1703864	1	Decal - Warning Battery Ventilation	
58	3251813	1	Decal - USA	
60	3576102	1	Mount - Decal	
62	3760170	1	Ring, Split	
63	3820001	6	Rivet	
64	3820021	2	Rivet	
65	3820032	4	Rivet	
67	1705817	17 ft/ 5.2m	Decal, Tape, Red-White Alternating	
68	8990147	1	Holder, Manual	

SECTION 8 - DECALS

ITEM	PART NUMBER	QTY	DESCRIPTION	REV
68	70003486	2	Clip, Manual Holder	
70	1706495	1	Decal - Drop Bar	
72	1001214673	1	Decal - Temperature	
	1001290807	1	Decal - Yearly Inspection	

SECTION 8 - DECALS

FIGURE 8-6. DECAL INSTALLATION (LATIN AMERICAN SPECS) (SPANISH/ENGLISH LANGUAGES)



NOTE: ITEMS SHOWN MAY NOT BE REQUIRED FOR ALL SPECS. REFER TO PARTS LISTS FOR USAGE.

NOTE: ADDITIONAL DECALS CALLED OUT ON DECAL INSTALLATION - OPTIONS.

ART_0274482

SECTION 8 - DECALS

FIGURE 8-6. DECAL INSTALLATION (LATIN AMERICAN SPECS) (SPANISH/ENGLISH LANGUAGES)

ITEM	PART NUMBER	QTY	DESCRIPTION	REV
	0274482	Ref	DECAL INSTALLATION	K
1	2902428	Ref	Decal Kit - Master (Not Shown)	
2	1701640	1	Decal - Manual	
3	1703814	4	Decal - Tie Down	
4	1706384	1	Decal - Manual Descent Inside	
5	1703817	4	Decal - Forklift	
5	1704016	1	Decal - Forklift	
6	1704277	2	Decal - Lanyard Attach	
7	1704412	1	Decal - Hydraulic Oil Chart	
8	1706120	1	Decal - Lift Diagram	
9	1706372	1	Decal - Platform Entry Instruction	
10	1706494	1	Decal - Drop Bar	
14	See Note	1	Decal - Bar Code (Note: Not Available for Purchase)	
15	1703840	1	Decal - Warning Battery Ventilation	
19	1706106	1	Decal - Capacity (Ground Control)	
20	1706107	2	Decal - Capacity (Platform)	
23	1706139	1	Decal - Manual Descent	
24	1001260244	1	Decal - Parking Brake	
25	See Note	1	Decal - Vin Tag (Note: Not Available for Purchase)	
26	2902425	Ref	Decal Kit - Latin American Spanish (Not Shown)	
27	1706427	1	Decal - Speed Limit	
28	1706430	6	Decal - Electrocution	
29	1706431	5	Decal - Warning Crushing	
30	1706432	1	Decal - Warning Machine Operation	
31	1706433	2	Decal - Warning Inspection	
32	1706434	1	Decal - Fall Hazard	
33	1706435	1	Decal - Crushing	
34	1706436	1	Decal - Legend (Platform)	
35	1706437	1	Decal - Legend (Ground Control)	
37	3251243	1	Nameplate - 120V/60Hz	
38	3251813	1	Decal - USA	
39	3760170	1	Ring, Split	
40	3820001	6	Rivet	
41	3820032	4	Rivet	
42	8990147	1	Holder, Manual	
42	70003486	2	Clip, Manual Holder	
43	1705817	12 ft/3.7m	Tape, Safety	
53	1001214673	1	Decal - Temperature	
54	1001290664	1	Decal - Yearly Inspection	

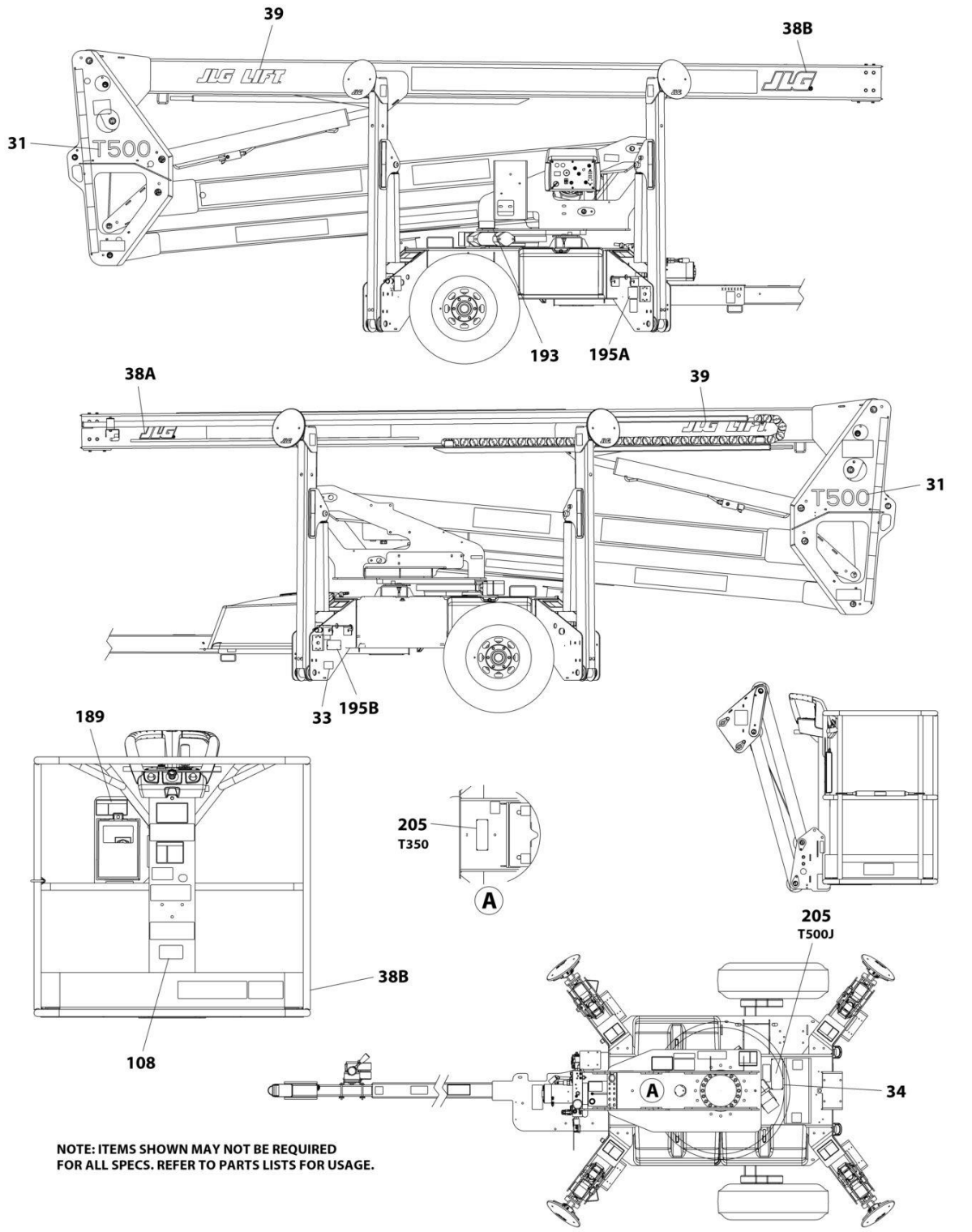
SECTION 8 - DECALS

FIGURE 8-7. DECAL INSTALLATION (SOUTH AFRICAN SPECS)

ITEM	PART NUMBER	QTY	DESCRIPTION	REV
	0274942	Ref	DECAL INSTALLATION	1
1	2902428	Ref	Decal Kit - Master (Not Shown)	
2	1701640	1	Decal - Manual	
3	1703814	4	Decal - Tie Down	
4	1706384	1	Decal - Manual Descent Inside	
5	1703817	4	Decal - Forklift	
6	1704277	2	Decal - Lanyard Attach	
7	1704412	1	Decal - Hydraulic Oil Chart	
8	1706629	1	Decal - Lift Diagram	
9	1706372	1	Decal - Platform Entry Instruction	
10	1706385	1	Decal - Drop Bar	
14	See Note	NSS	Decal - Bar Code (Note: Not Available for Purchase)	
15		Ref	Decal - Warning Prop	
16		Ref	Decal - Alternative Service	
19	1706106	1	Decal - Capacity (Ground Control)	
20	1706107	2	Decal - Capacity (Platform)	
24	1706139	1	Decal - Manual Descent	
25	1001260244	1	Decal - Parking Brake	
26	2902546	Ref	Decal Kit - South African (Not Shown)	
27	1706961	1	Decal - Speed Limit	
28	1706128	6	Decal - Electrocution	
29	1706099	5	Decal - Warning Crushing	
30	1706111	1	Decal - Warning Machine Operation	
31	1706135	2	Decal - Warning Inspection	
32	1706386	1	Decal - Fall Hazard	
33	1706387	1	Decal - Crushing	
34	1706108	1	Decal - Legend (Platform)	
35	1706109	1	Decal - Legend (Ground Control)	
36	1703813	1	Decal - Warning Battery Ventilation	
41	3760170	1	Ring, Split	
42	3820001	6	Rivet	
43	3820032	4	Rivet	
44	8990147	1	Holder, Manual	
44	70003486	2	Clip, Manual Holder	
47	1001214673	1	Decal - Temperature	

SECTION 8 - DECALS

FIGURE 8-8. DECAL INSTALLATION - OPTIONS



NOTE: ITEMS SHOWN MAY NOT BE REQUIRED FOR ALL SPECS. REFER TO PARTS LISTS FOR USAGE.

ART_DECAL_OPTIONS

SECTION 8 - DECALS

FIGURE 8-8. DECAL INSTALLATION - OPTIONS

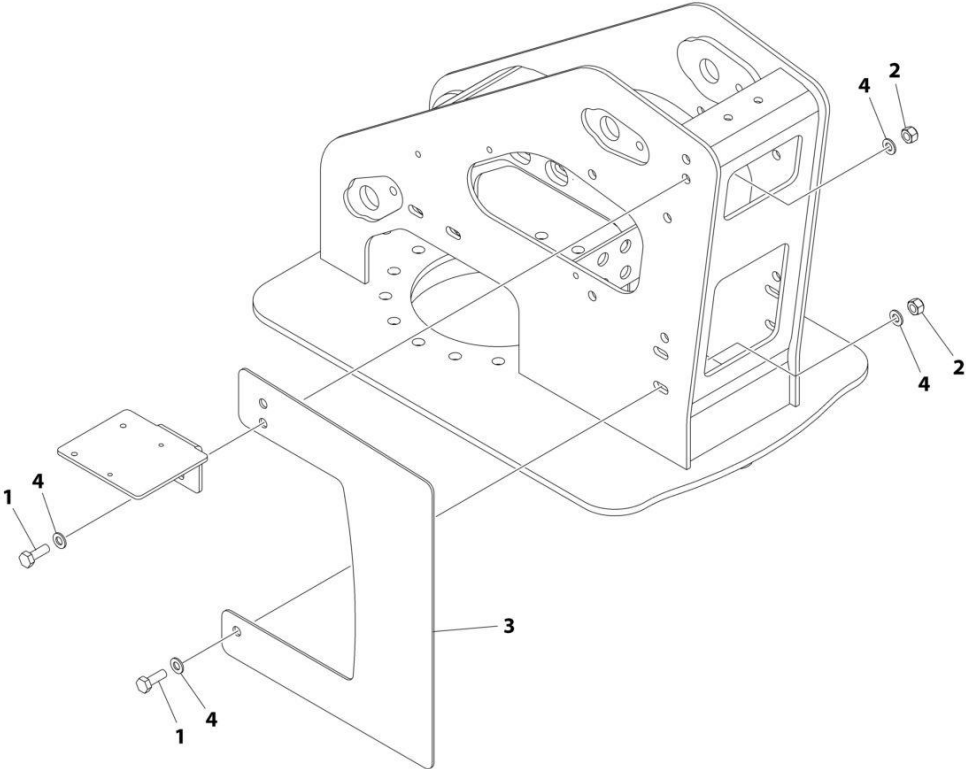
ITEM	PART NUMBER	QTY	DESCRIPTION	REV
31		Ref	DECAL INSTALLATION - OPTIONS	
31		Ref	Decal - Model Options:	
31	1001272056	2	Decal - Model (T350)	
31	1001272057	2	Decal - Model (T500J)	
33		Ref	Decal - Vehicle Placard Options (ANSI, ANSI Export & CSA Specs):	
33	1001112470	1	Decal - Vehicle Placard (T350)	
33	1001112471	1	Decal - Vehicle Placard (T500J)	
34		Ref	Decal - ICES Options (ANSI & CSA Specs):	
34	1001228370	1	Decal - ICES 001	
34	1001223453	1	Decal - ICES 002	
38	0273670	Ref	Decals Installation - JLG (Not Shown)	
38A	1705754	1	Decal - JLG	
38B	1702773	1	Decal - JLG	
39	1702774	2	Decal - JLG Lift	
108	1001231801	1	Decal - Prop 65	
189		Ref	Decal - Tip Over Options:	
189		Ref	Decal - Tip Over Options (Machines without Drive):	
189	1706127	1	Decal - Tip Over (ANSI & ANSI Export, South African Specs)(English Language)	
189	0274830	Ref	Decal - Tip Over (Brazil Specs) (Portuguese & English Languages)	
189	1706127	1	Decal - Tip Over (English Language)	
189	1706425	1	Decal - Tip Over (Portuguese Language)	
189	0274832	Ref	Decal - Tip Over (Brazil Specs) (Spanish & English Languages)	
189	1706127	1	Decal - Tip Over (English Language)	
189	1706428	1	Decal - Tip Over (Spanish Language)	
189	0274819	Ref	Decal - Tip Over (CSA Specs) (French & English Languages)	
189	1706127	1	Decal - Tip Over (English Language)	
189	1706514	1	Decal - Tip Over (French Language)	
189	1706428	1	Decal - Tip Over (Latin American Specs) (Spanish Language)	
189		Ref	Decal - Tip Over Options (Machines with Drive):	
189	1706133	1	Decal - Tip Over (ANSI & ANSI Export, South African Specs)(English Language)	
189	0274831	Ref	Decal - Tip Over (Brazil Specs) (Portuguese & English Languages)	
189	1706127	1	Decal - Tip Over (English Language)	
189	1706426	1	Decal - Tip Over (Portuguese Language)	
189	0274833	Ref	Decal - Tip Over (Brazil Specs) (Spanish & English Languages)	
189	1706133	1	Decal - Tip Over (French Language)	
189	1706429	1	Decal - Tip Over (Spanish Language)	
189	0274828	Ref	Decal - Tip Over (CSA Specs) (French & English Languages)	
189	1706133	1	Decal - Tip Over (English Language)	
189	1706515	1	Decal - Tip Over (French Language)	
189	1706429	1	Decal - Tip Over (Latin American Specs) (Spanish Language)	
193		Ref	Decal - Service Support Options (ABSI & CSA Specs):	
193	1705304	1	Decal - Service Support (8HR)	
193	1706922	1	Decal - Service Support (24HR)	
195		Ref	Nameplate - VIN Tag Options:	
195	See Note	NSS	Nameplate - VIN Tag (ANSI, ANSI Export & CSA Specs) (Note: Not Available for Purchase)	

SECTION 8 - DECALS

ITEM	PART NUMBER	QTY	DESCRIPTION	REV
195	0274915	Ref	Nameplate/Decals - VIN Tag (T350 Australian Specs)	
195A	See Note	NSS	Nameplate - VIN Tag (Australian Specs) (Note: Not Available for Purchase)	
195B	1001112110	1	Decal -Tire (T350 Australian Specs)	
195	0274921	Ref	Nameplate/Decals - VIN Tag (T500J Australian Specs)	
195A	See Note	NSS	Nameplate - VIN Tag (Australian Specs) (Note: Not Available for Purchase)	
195B	1706691	1	Decal - Tire (T500J Australian Specs)	
195	0275782	Ref	Nameplate/Decals - VIN Tag (T350 South African Specs)	
195A	See Note	NSS	Nameplate - VIN Tag (South African Specs) (Note: Not Available for Purchase)	
195B	1001112110	1	Decal -Tire (T350 South African Specs)	
195	0272783	Ref	Nameplate/Decals - VIN Tag (T500J South African Specs)	
195A	See Note	NSS	Nameplate - VIN Tag (South African Specs) (Note: Not Available for Purchase)	
195B	1706691	1	Decal - Tire (T500J South African Specs)	
205		Ref	Nameplate - Manufacturers Serial Number	

SECTION 8 - DECALS

FIGURE 8-9. DECAL MOUNTING PLATE INSTALLATION



ART_0275836

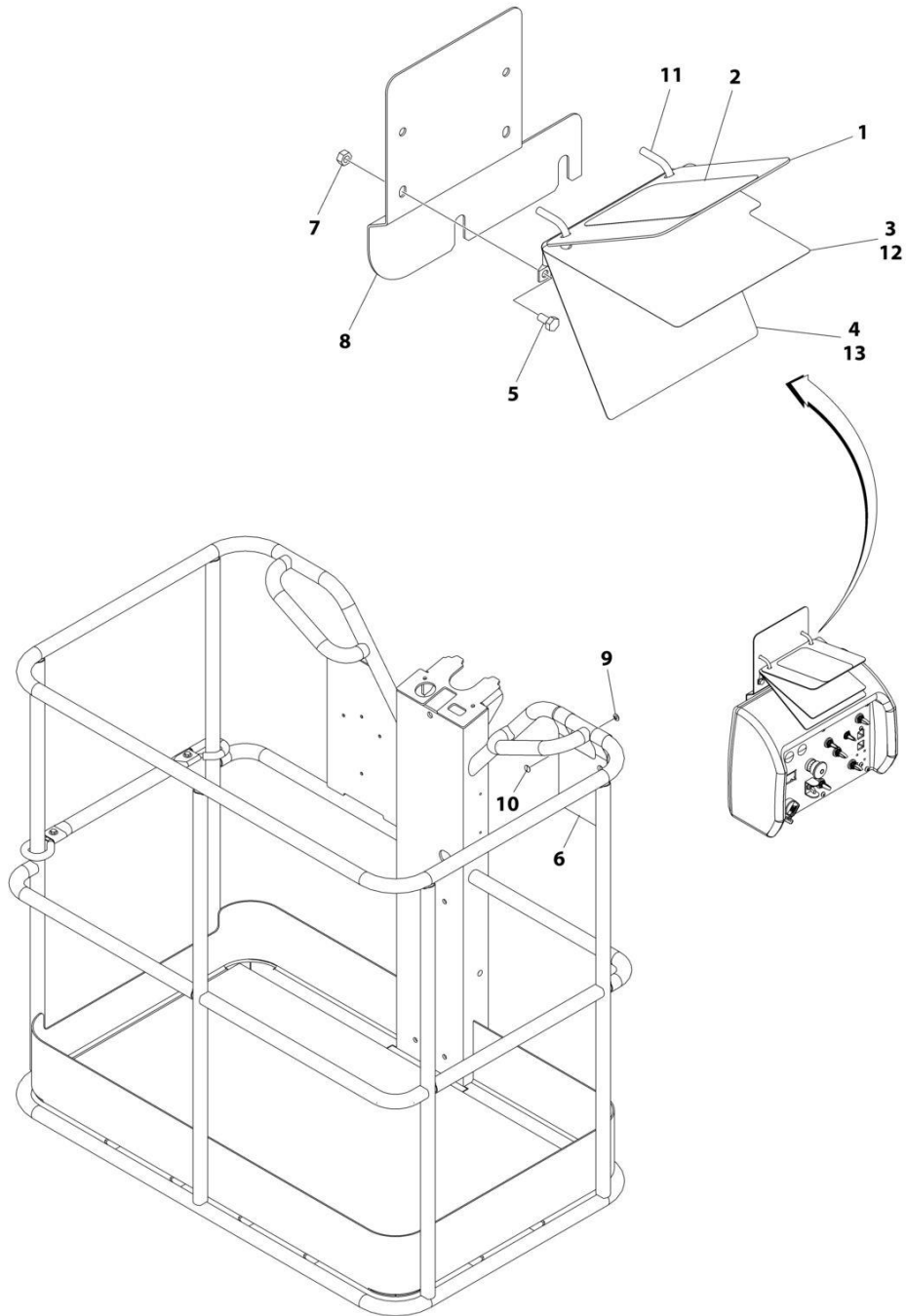
SECTION 8 - DECALS

FIGURE 8-9. DECAL MOUNTING PLATE INSTALLATION

ITEM	PART NUMBER	QTY	DESCRIPTION	REV
	0275836	Ref	DECAL MOUNTING PLATE INSTALLATION	A
1	0701014	3	Bolt M10 x 30	
2	3291005	3	Nut M10	
3	3576114	1	Plate, Decal Mounting	
4	4812000	6	Washer M10	

SECTION 8 - DECALS

FIGURE 8-10. DECAL TAGS INSTALLATION (T350)



ART_0275582_B

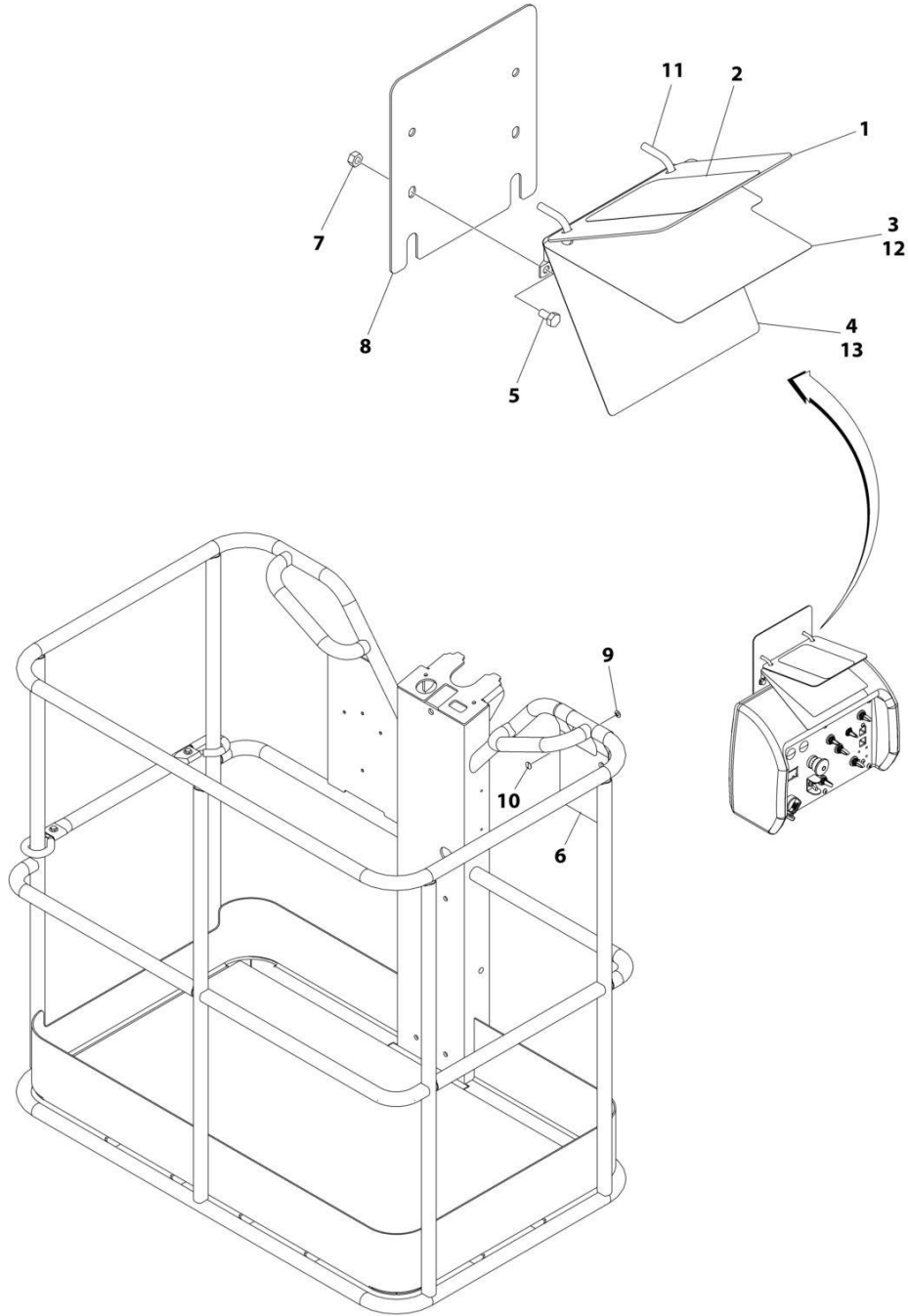
SECTION 8 - DECALS

FIGURE 8-10. DECAL TAGS INSTALLATION (T350)

ITEM	PART NUMBER	QTY	DESCRIPTION	REV
	0275582	Ref	DECAL TAGS INSTALLATION	B
1	3576892	1	Cover	
2	1706926	1	Decal - Flash Codes	
3	1001266160	1	Decal - Start Tag	
4	1001266161	1	Decal - Finish Tag	
5	0641404	2	Bolt 1/4 x 1/2	
6	1706897	1	Decal - Start Tag	
7	3311405	2	Nut 1/4	
8	3577000	1	Plate Mounting	
9	3820038	2	Rivet	
10	3820039	2	Rivet	
11	91163087	2	Bracket	
12	1001266072	1	Plate, Decal	
13	1001266077	1	Plate, Decal	

SECTION 8 - DECALS

FIGURE 8-11. DECAL TAGS INSTALLATION (T500J)



ART_0275642_B

SECTION 8 - DECALS

FIGURE 8-11. DECAL TAGS INSTALLATION (T500J)

ITEM	PART NUMBER	QTY	DESCRIPTION	REV
	0275642	Ref	DECAL TAGS INSTALLATION	B
1	3576892	1	Cover	
2	1706926	1	Decal - Flash Codes	
3	1001266160	1	Decal - Start Tag	
4	1001266161	1	Decal - Finish Tag	
5	0641404	2	Bolt 1/4 x 1/2	
6	1706897	1	Decal - Start Tag	
7	3311405	2	Nut 1/4	
8	3576891	1	Plate, Mounting	
9	3820038	2	Rivet	
10	3820039	2	Rivet	
11	91163087	2	Bracket	
12	1001266072	1	Plate, Decal	
13	1001266077	1	Plate, Decal	

SECTION 9 - RECOMMENDED SERVICE PARTS STOCK

SECTION 9 - RECOMMENDED SERVICE PARTS STOCK

SECTION 9 - RECOMMENDED SERVICE PARTS STOCK

FIGURE 9-1. RECOMMENDED SERVICE PARTS STOCK

ITEM	PART NUMBER	QTY	DESCRIPTION	REV
		Ref	Note: The following list will service one machine (built to current production per date on the front cover) with emergency repair parts which can be installed in the field. Parts from the list should be replaced when inventory is depleted to keep service parts stock supplied. For further information, contact your JLG dealer or the JLG Industries Parts Department.	
		Ref	STANDARD PARTS	
	3740145	1	Relay	
	2915194	1	Element, Filter	
	7024883	1	Coil	
	7024885	1	Coil	
	7027628	1	Coil	
	7027638	1	Breather	
	70000026	1	Coil	
	4360328	1	Switch, Toggle	
	4360330	1	Switch, Toggle	
	4360475	1	Switch, Emergency Stop	
	2860030	1 Set	Key, Replacement	
	7027367	1	Switch, Push Button	
	4360562	1	Switch, Emergency Stop	
	2400065	1	Fuse 30 Amp	
	3990010	1	Diode 6 Amp	
	2400057	1	Fuse 15 Amp	
		Ref	VARIABLE PARTS	
	71820	1	Switch, Breakaway (With Electric Brakes)	
	1600392	1	Module, Drive Propulsion (With Drive Option)	
	4000008	1	Sensor, Proximity (With Drive Option)	
	1600370	1	Module, Ground Control	
	1600371	1	Controller Sevcon (Electric Machines without Drive Option)	
	1600412	1	Controller Sevcon (Electric Machines with Drive Option)	
	3740080	1	Relay (Gas Machines)	
	3740112	1	Relay (Gas Machines)	
	3740144	1	Actuator, Solenoid (Gas Machines)	
	3740148	1	Actuator, Solenoid (Gas Machines)	
	70001453	1	Filter Assembly, Air Cleaner (Gas Machines)	
	70003516	1	Coil, Ignition (Gas Machines)	
	70003521	1	Switch, Key (Gas Machines)	
	70003550	1	Key, Replacement (Gas Machines)	
	70003522	2	Fuse (Gas Machines)	
	2400087	2	Fuse (Electric Machines)	
	3740150	1	Relay (Electric Machines)	
	0610170	1	PC Board (Ground Control)	
	4360564	1	Switch, Push Button (Gas Machines)	
	4360565	1	Switch, Push Button (Gas Machines)	
	4360469	1	Keyswitch (ANSI and ANSI Export Specs)	
	4360470	1	Keyswitch (CE and Australian Specs)	
	1600369	1	PC Board (Platform)	
	1600452	1	Controller without Drive Function	
	1600453	1	Controller with Drive Function	

SECTION 9 - RECOMMENDED SERVICE PARTS STOCK

ITEM	PART NUMBER	QTY	DESCRIPTION	REV
	7027369	1	Switch, Push Button (With Drive Function)	
	4360612	1	Switch, Rotary (Without Drive Option)	
	4360620	1	Switch, Rotary (With Drive Option)	
	4360577	1	Switch, Limit	

SECTION 10 - SPECIAL OPTIONS

SECTION 10 - SPECIAL OPTIONS

FIGURE 10-1. SPECIAL OPTIONS

ITEM	PART NUMBER	QTY	DESCRIPTION	REV
		Ref	Note: This list is to accommodate machines ordered with special equipment. Options may not be applicable to all models. For more specific parts information contact JLG Parts Department	
		Ref	MISCELLANEOUS SPECIAL OPTIONS	
		Ref	ClearSky Telematics Options:	
	1001230504	Ref	ClearSky Telematics Add-on Kit (Dealer Installed) - 3 Wire (ANSI and CSA Specs)	
	1001263543	Ref	ClearSky Telematics Installation (Factory Installed) - Canbus 4G (ANSI and CSA Specs)	
	1001265363	Ref	ClearSky Telematics Add-on Kit (Dealer Installed) - Canbus 4G (ANSI and CSA Specs)	
	1001229709	Ref	Decal - ClearSky (ANSI, ANSI Export, CSA and South Africa Specs)	
		Ref	Decal Kits	
	2902430	Ref	Decal Kit - Country Specs (ANSI Specs) (English Language)	
	2902411	Ref	Decal Kit - Country Spec (Australian Specs) (English Language)	
	2902447	Ref	Decal Kit - Country Spec (Brazil Specs) (Portuguese Language)	
	2902425	Ref	Decal Kit - Country Spec (Brazil Specs) (Spanish Language)	
	2902442	Ref	Decal Kit - Country Spec (CSA Specs) (French Language)	
	2902454	Ref	Decal Kit - Country Spec (Latin American Specs) (Spanish/English Dual Language)	
	2902546	Ref	Decal Kit - Country Spec (South African Specs) (English Language)	
	2902428	Ref	Decal Kit - Master	
		Ref	Electrical Connector Kits	
	1001148902	Ref	Amp/Tyco Electrical Connector Kit	
	1001148903	Ref	Deutsch DT Electrical Connector Kit	
	1001148904	Ref	Deutsch HD Electrical Connector Kit	
	1001148905	Ref	Packard Electrical Connector Kit	
	1001148906	Ref	Various Electrical Connectors Kit	
		Ref	Filter Kits:	
		Ref	Combined Filter Kit (Hydraulic/Air and Fuel)	
	1001091767	1	Electric Engines	
	1001091766	1	Honda Engines	
	3128958	Ref	Inspection Packet	
	0274748	Ref	Lifting Lugs Installation	
	0274480	Ref	Panel Tray Installation	
	1001267933	Ref	Platform Mount Kit (Dealer installed)	
	2902375	Ref	Security Kit	
		Ref	Customer Please Note: Make note of key # upon receipt of new locks. New keys can only be ordered if the customer has the actual key # printed on the key. Otherwise, the entire lock needs ordered. The only way to remove the locks without a key is have them serviced by a locksmith.	
	2940169	1	Lock, Hitch Ball	
	2940170	1	Lock, Wheel Bolt	
	1001213280	Ref	Security Kit (Compact Power/Home Depot)	
	1001213281	1	Latch, Trailer Coupler Lock	
	1001213282	1	Latch , Trailer Wheel Lock	
	1001268363	Ref	Service Kits & Tools	A
	0274573	Ref	Theft Recovery System (ANSI and CSA Specs Only)	

SECTION 10 - SPECIAL OPTIONS

ITEM	PART NUMBER	QTY	DESCRIPTION	REV
	1001101195	1	Transmitter	
	1001137282	Ref	Theft Recovery System Mounting Bracket Kit (Use p/n 1001157081)	
		Ref	Tools for Service	
	1001249695	1	Analyzer and Cable Kit	
	8896941	1	Wire Stripper	
	7002821	1	Wire Crimper (To install wire ends to wires)	
	7002823	1	Pin/Socket Extractor - Universal (To Remove Pins/Sockets from Connectors)	
	4460467	1	Extractor - 16-18 Gauge (For Removal of Pin/Sockets from Deutsch Connectors)	
	4460510	1	Extractor - 12-14 Gauge (For Removal of Pin/Sockets from Deutsch Connectors)	
	7002822	1	Screwdriver, Potentiometer (To Adjust Drive Controllers)	
	7016654	1	Screwdriver, Magnetic	
	7004275	1	Seal Installation Tool - 1in	
	7004276	1	Seal Installation Tool - 1-1/2in	
	7002826	1	Seal Installation Tool - 2in	
	2915205	1	Service Kit, Contactor	
	2915230	1	Delta-Q Charger Reprogram Controller Kit	
	4923341	1	Harness, Outrigger Manual Retract Service	
	1001137005	1	USB to RS232 Drive Installation (Service Kit)	
	31201317	Ref	Video	
	1001262959	Ref	Voltage Regulator Relocation Kit (ClearSky)	

PART NUMBER INDEX

SECTION 10 - SPECIAL OPTIONS

0060080.....	327, 329	0273939.....	157	0275203.....	114	0641438.....	25, 27, 33, 35
0060081.....	327, 329, 331	0273941.....	333	0275210.....	95	0641505.....	45, 49
0080282.....	37	0273946.....	199	0275211.....	97	0641506....	102, 106, 110, 114, 225, 331
0080291.....	25, 33, 35	0273960.....	261	0275380.....	106	0641508.....	225
0100011.....	43, 102, 103, 106, 107, 110, 111, 114, 115, 123, 125, 127, 129, 159, 167, 169, 185, 187, 189, 191, 227, 229, 296, 300, 304, 307, 309, 311, 313, 315	0273961.....	265	0275391.....	106, 107	0641510.....	375, 377
0100019....	233, 235, 237, 239, 241, 243	0273962.....	269	0275413.....	333, 341	0641514....	23, 25, 27, 29, 31, 33, 35, 37, 296, 300, 304
0100020....	288, 292, 296, 300, 304	0274026.....	335	0275414	335, 337, 345	0641516....	185, 187, 189, 191
0100035....	257, 259, 261, 263, 265, 267, 269, 271	0274028.....	339	0275416.....	339, 347	0641526.....	102, 110
0100048.....	167, 169	0274030.....	337	0275417.....	343	0641536.....	114
0100051.....	167, 169	0274111.....	259	0275439.....	167, 169	0641538.....	43, 106
0100081	123, 125, 127, 129, 288, 292, 296, 300, 304	0274112.....	263	0275582.....	513	0641540.....	106
0140011	273, 341, 343, 345, 347	0274113.....	267	0275627.....	219	0641606....	317, 327, 329
0140043.....	275, 277	0274114.....	271	0275628.....	221	0641607....	102, 103, 106, 107, 110, 111, 114, 115, 288, 292, 296, 300, 304, 307, 309, 311, 313, 315
0240116.....	223, 225	0274290.....	281	0275632.....	213	0641608 41,	43, 102, 106, 110, 114, 159, 179, 183, 233, 235, 237, 239, 241, 243, 323, 325, 327, 329
0272783.....	508	0274293.....	193	0275633.....	215	0641609.....	288, 292
0273606.....	203	0274299.....	15	0275642.....	515	0641610....	155, 157, 288, 292, 296, 300, 304
0273607.....	205	0274306.....	17	0275644.....	515	0641612....	193, 281, 288, 292, 296, 300, 304, 327, 329
0273608.....	61, 63	0274308.....	17	0275718.....	167	0641614.....	159
0273609.....	65, 67	0274321.....	191	0275776.....	147, 149	0641616....	195, 197, 199, 201, 289, 292, 296, 300, 304
0273612.....	233	0274325.....	288	0275782.....	508	0641617....	211, 213, 215, 217, 219, 221
0273613.....	239	0274327.....	288	0275836.....	511	0641618.....	301
0273615.....	257	0274329.....	211	0275907.....	29	0641620....	288, 292, 296, 300, 304
0273616.....	123	0274330.....	217	0275908.....	33	0641622.....	327, 329
0273617.....	127	0274336.....	155	0277886.....	89	0641624.....	41
0273618.....	125	0274338.....	207	0280154.....	61, 81	0641628....	307, 309, 311, 313
0273619.....	129	0274339.....	209	0280155.....	65, 85	0641630.....	15, 17, 21
0273624.....	225	0274351.....	93	0280158.....	57, 73	0641632.....	15, 17, 21
0273625.....	195	0274352.....	99	0280159.....	59, 77	0641634....	103, 106, 315
0273627.....	53	0274357.....	187	0280186.....	69, 89	0641638.....	15, 17, 21
0273631.....	489	0274380.....	171	0280187.....	71, 91	0641640. 19,	53, 111, 114
0273640.....	495	0274395.....	55	0400201.....	155, 157	0641646.....	55
0273641.....	499	0274433.....	197	0400215.....	167	0641660.....	155, 157
0273644.....	491	0274434.....	201	0400236.....	171, 173	0641668.....	43
0273648.....	23	0274453.....	21	0440285.....	233, 245	0641688.....	167
0273651.....	41	0274480.....	522	0440286.....	239, 249	0641692.....	169
0273652.....	69	0274482.....	503	0440319.....	327, 329	0641808.....	245, 247
0273654.....	25	0274486.....	19	0440321 ...	103, 107, 111, 115	0641810.....	249, 251
0273656.....	71	0274520.....	223	0610170.....	273, 518	0641811....	296, 300, 304
0273657.....	43	0274522.....	487	0630183 ...	233, 235, 237, 239, 241, 243	0641812....	103, 106, 111, 114, 296, 300, 304, 323, 325
0273663.....	421	0274539.....	179, 183	0630468.....	167, 169	0641830....	307, 309, 311, 313, 315
0273664.....	423	0274573.....	522	0630607 ...	211, 213, 215, 217, 219, 221	0641832.....	23
0273665.....	177	0274638.....	179, 183	0630613 ...	102, 106, 110, 114	0641836....	23, 25, 29, 31, 33, 35
0273669.....	277	0274679.....	102	0641404.....	513, 515		
0273670.....	507	0274731.....	173	0641406 ...	29, 31, 33, 35, 37, 102, 106, 110, 114, 159, 171, 173, 175, 179, 183, 321		
0273676.....	327	0274739.....	179	0641407 ...	159, 167, 169, 179, 183, 283, 317		
0273678.....	317	0274740.....	183	0641408 ...	102, 106, 110, 114		
0273680.....	227	0274741.....	179, 183	0641410 ...	102, 106, 110, 114, 159		
0273699.....	57	0274748.....	522	0641412 ...	23, 25, 27, 29, 31, 33, 35, 37, 41, 43, 114		
0273700.....	59	0274754.....	110	0641414 ...	195, 197, 199, 201		
0273712.....	185	0274766.....	37	0641416 ..	37, 45, 49, 114		
0273715.....	189	0274767.....	27	0641418	102, 106, 110		
0273763....	155, 157, 159	0274773.....	229	0641420.....	106		
0273794.....	151, 153	0274803 ...	110, 111, 114, 115	0641422.....	23, 25, 27		
0273934.....	181	0274806.....	102, 103	0641424.....	289, 292		
		0274819.....	507	0641430	23, 29, 31, 37		
		0274828.....	507				
		0274830.....	507				
		0274831.....	507				
		0274832.....	507				
		0274833.....	507				
		0274915.....	508				
		0274921.....	508				
		0274942.....	505				
		0275008.....	296				
		0275009.....	296				
		0275030.....	279				
		0275048.....	275				

SECTION 10 - SPECIAL OPTIONS

0641838 ... 25, 29, 31, 33, 35	0861648 ... 257, 259, 261, 263, 265, 267, 269, 271, 273	1001110688 387, 393	1001224594 305, 461
0642012 ... 57, 59, 61, 63, 65, 67, 69, 71	0861649 269	1001110873 421	1001224595 179, 183
0642230 ... 103, 106, 111, 114	0861655 ... 341, 343, 345, 347	1001112110 508	1001224893 315
0642240 ... 23, 25, 29, 31, 37, 41	0861661 261	1001112112 169	1001224911 292
0642244 33, 35, 43	0861662 265	1001112470 507	1001224913 304
0642246 27	0861663 257	1001112471 507	1001227795 41
0651812 217	0861671 259	1001114580 300	1001228138 179, 183
0681506 53, 55	0861672 263	1001114581 300	1001228139 179, 183
0681622 227	0861673 267	1001114582 300, 315	1001228194 135
0681660 229	0861674 271	1001114583 301	1001228195 135, 143
0681812 ... 245, 247, 249, 251	0861731 283	1001114584 301	1001228370 507
0681816 ... 233, 235, 237, 239, 241, 243	0902659 155, 157	1001114585 301	1001229709 522
0700408 179, 183	0903075 317	1001114587 315	1001229944 292
0700410 179, 183	0903087 ... 275, 277, 279	1001114588 315	1001229945 304
0700412 277, 279	0903107 177, 181	1001114589 315	1001230504 522
0700510 ... 147, 149, 151, 153	0903108 ... 23, 25, 27, 29, 31, 33, 35, 37	1001114670 315	1001231801 507
0700610 ... 123, 125, 275, 277, 317, 421, 423	0903111 ... 195, 197, 199, 201	1001114739 301	1001243180 31
0700812 127, 129	0903112 ... 195, 197, 199, 201	1001114740 301	1001243181 35
0700827 ... 185, 187, 189, 191	0903177 179, 183	1001114740 301	1001243182 ... 31, 35, 49
0701014 ... 185, 187, 189, 191, 275, 277, 279, 511	0903199 327, 329	1001114755 315	1001249695 523
0701216 189, 191	0903215 41, 43	1001114756 315	1001253644 455, 459
0711227 37, 41	0903216 43	1001115151 300	1001255962 313
0711228 41	0903284 ... 102, 106, 110, 114	1001115241 300	1001255963 309
0711229 37	0903298 ... 102, 106, 110, 114	1001116350 ... 29, 33, 45	1001260244 ... 487, 489, 491, 495, 499, 503, 505
0711234 27	0903299 ... 102, 106, 110, 114	1001118878 149, 153	1001262959 523
0711631 43	0903331 114	1001120260 283	1001263540 329
0721004 ... 167, 169, 223, 225, 283	0903356 ... 103, 106, 111, 114	1001120264 283	1001263541 325
0721006 ... 103, 106, 111, 114, 177, 179, 181, 183, 421, 423	0903560 167, 169	1001127719 159, 161	1001263543 522
0760613 149, 153	0903597 159	1001128929 ... 155, 157, 433	1001263724 325, 329
0760810 ... 123, 125, 127, 129	0940136 179, 183	1001130309 283	1001265363 522
0761012 ... 177, 181, 257, 259, 261, 263, 265, 267, 269, 271	0941516 331	1001131269 487, 499	1001266072 513, 515
0801423 ... 296, 304, 311, 313	0961947 ... 307, 309, 359, 361	1001131326 283	1001266077 513, 515
0801424 311, 313	0961948 ... 296, 297, 300, 301, 304, 305, 311, 313, 315, 365, 373	1001131393 175	1001266160 513, 515
0801425 311, 313	0961951 ... 288, 292, 296, 300, 304, 307, 309	1001131595 283	1001266161 513, 515
0801426 ... 288, 292, 307, 309	0962257 ... 296, 300, 304, 357, 363, 367, 369	1001131740 283	1001266623 ... 323, 325, 327, 329
0801427 307, 309	0962292 ... 311, 313, 315, 371	1001133506 175	1001267933 522
0801428 307, 309	0962447 ... 233, 235, 237, 239, 241, 243	1001137005 523	1001268363 522
0801429 288, 292	1001091102 277	1001137282 523	1001272056 507
0801451 ... 296, 300, 304	1001091364 323	1001148902 522	1001272057 507
0801516 288, 292	1001091500 323, 325	1001148903 522	1001274196 ... 296, 300, 304
0811606 ... 193, 307, 309	1001091766 522	1001148904 522	1001287768 159
0811607 ... 227, 229, 307, 309, 311, 313, 315	1001091767 522	1001148905 522	1001288458 159, 165
0811608 ... 229, 307, 309, 311, 313, 315	1001092012 289, 293, 297, 301, 305	1001148906 522	1001289291 149, 153
0811610 227	1001094614 193	1001153011 ... 235, 237, 247	1001289470 487
0860038 421, 423	1001101195 523	1001153014 ... 241, 243, 251	1001290664 496, 503
0861647 273	1001103012 439	1001153360 235	1001290807 500
	1001104509 167, 169	1001153363 241	1001290808 492
	1001107854 439	1001155254 41	1001294629 ... 237, 243, 255
	1001109586 95, 213	1001165365 43	1001294630 243
		1001186711 43	1001294631 237
		1001192401 435, 437	1001297192 ... 149, 153, 439
		1001193948 ... 102, 106, 110, 114, 351	1001302764 63
		1001201419 169	1001302765 67
		1001213280 522	1060584 ... 103, 106, 111, 114
		1001213281 522	1060688 171, 175
		1001213282 522	1060689 173
		1001214168 41, 51	1060697 317
		1001214179 321	1060799 ... 29, 31, 33, 35, 317
		1001214673 ... 487, 492, 496, 500, 503, 505	1060908 283
		1001219601 ... 149, 153	1180391 307
		1001223453 507	
		1001224593 ... 293, 457	

SECTION 10 - SPECIAL OPTIONS

1180393.....311	1684443 189, 191, 373	1706315 489	1706701.... 102, 107, 110, 114
1180394.....307, 309	1684467 102, 106, 353	1706317 489	1706705..... 93
1180398.....311, 313	1684468 110, 114, 355	1706320 489	1706706..... 99
1271585.....296, 300, 304	1684494 ... 297, 301, 305, 357	1706337 296, 300, 304	1706897.....513, 515
1271633.....296, 300, 304	1684524 37	1706349 296, 300, 304	1706898....341, 343, 345, 347
1283400....381, 385, 387, 398, 402	1701640 ... 487, 489, 491, 495, 499, 503, 505	1706372 ... 487, 489, 491, 495, 499, 503, 505	1706922..... 507
1283401....383, 389, 391, 393, 395, 406, 410	1701644 167, 169	1706384 ... 487, 489, 491, 495, 499, 503, 505	1706926.....513, 515
1320060....23, 25, 27, 29, 31, 33, 35, 37	1702155 167, 169	1706385 ... 487, 491, 495, 499, 505	1706961..... 505
1320061....23, 25, 27, 33, 35, 37, 41, 43	1702773 507	1706386 ... 487, 491, 495, 499, 505	19611..... 45, 49
1320159.... 185, 187, 189, 191	1702774 507	1706387 ... 487, 491, 495, 499, 505	19613..... 45, 49
1320222.....421, 423	1703813 ... 487, 491, 495, 499, 505	1706425 507	19616..... 45, 49
1320263.....125, 129	1703814 ... 487, 489, 491, 495, 499, 503, 505	1706426 507	2080063..... 321
1320289.....288, 292	1703817 ... 489, 491, 503, 505	1706427 495, 503	2090043..... 195, 199
1320294....296, 300, 304	1703832 491	1706428 507	2090050..... 199
1320302.....223	1703840 495, 503	1706429 507	2090051..... 199
1321137....296, 301, 304	1703864 499	1706430 495, 503	2090052..... 195
1321318.....289, 292	1704016 ... 487, 491, 495, 499, 503	1706431 495, 503	2090053..... 195
1321676..... 37	1704277 ... 487, 489, 491, 495, 499, 503, 505	1706432 495, 503	2090054..... 197, 201
1380136....123, 125, 127, 129	1704412 ... 487, 489, 491, 495, 499, 503, 505	1706433 495, 503	2090055..... 197, 201
1560010.....321	1705304 507	1706434 495, 503	2090056..... 201
1560016....23, 25, 27, 33, 35, 37, 41, 43	1705670 489	1706435 495, 503	2090057..... 201
1560017....23, 25, 27, 29, 31, 33, 35, 37	1705754 507	1706436 495, 503	2090058..... 197
1600369....341, 343, 345, 347, 518	1705817 ... 487, 491, 495, 499, 503	1706437 495, 503	2090059..... 197
1600370.... 147, 151, 518	1705950 341, 345	1706493 489	2110404.... 131, 135, 139, 143, 381, 383, 385, 387, 389, 391, 393, 395, 398, 402, 406, 410
1600371.....518	1705971 273	1706494 495, 503	2110406.... 185, 187, 189, 191, 398, 402, 406, 410
1600392.... 102, 106, 110, 114, 518	1706002 343, 347	1706495 500	2110410.... 385, 387, 389, 391, 393, 395, 398, 402, 406, 410
1600412.... 147, 149, 518	1706099 ... 487, 491, 495, 499, 505	1706496 492	2110604.... 131, 135, 139, 143, 383
1600452.... 141, 345, 518	1706106 ... 487, 491, 495, 499, 503, 505	1706497 489	2110606.... 131, 135, 139, 143, 185, 187, 189, 191, 381, 383, 398, 402, 406, 410
1600453.... 343, 347, 518	1706107 ... 487, 491, 495, 499, 503, 505	1706499 499	2110608.... 398, 402, 406, 410
1600466..... 171, 173	1706108 ... 487, 491, 495, 499, 505	1706513 499	2110806..... 135
1660273.....23, 25	1706109 ... 487, 491, 495, 499, 505	1706514 507	2111610..... 135, 143
1660283.....43, 47	1706111 ... 487, 491, 495, 499, 505	1706515 507	2130404.... 131, 135, 139, 143, 381, 383
1660297..... 27	1706112 ... 487, 491, 495, 499	1706516 499	2130604..... 381
1660298..... 37	1706120 503	1706517 499	2130606.... 131, 135, 139, 143, 381, 398, 402, 406, 410
1671148.....203	1706121 185, 187	1706518 499	2130608.... 398, 402, 406, 410
1671160.....205	1706127 507	1706519 499	2130610.... 387, 393, 395
1671171..... 189, 191	1706128 ... 317, 487, 491, 495, 499, 505	1706520 499	2150404..... 385, 387
1671172..... 185, 187	1706133 507	1706521 499	2151612.... 387, 393, 395
1671185..... 193	1706135 ... 487, 491, 495, 499, 505	1706522 499	2170206.... 131, 135, 139, 143
1671187.....207	1706139 ... 487, 489, 491, 495, 499, 503, 505	1706523 499	2170306.... 398, 402, 406, 410
1671189.....209	1706260 155, 157	1706524 491	2170706.... 398, 402, 406, 410
1671207.....283	1706261 ... 288, 292, 296, 304	1706527 491	2220003.... 288, 292, 296, 300, 304
1671211.....203, 207	1706262 ... 288, 292, 296, 300, 304	1706528 491	2220237..... 398, 406
1671221.....205, 209	1706264 189, 191	1706529 491	2220364.... 289, 292, 297, 305
1684367.... 307, 309, 375	1706313 317	1706530 491	
1684373.... 307, 309, 359	1706314 489	1706531 491	
1684397....311, 313, 315, 361		1706532 491	
1684398....297, 300, 305, 369		1706533 491	
1684402....311, 313, 315, 377		1706534 491	
1684415....288, 292, 367		1706565 499	
1684433....288, 292, 363		1706569 499	
1684434....297, 301, 305, 365		1706625 ... 288, 292, 296, 300, 304	
1684442.... 185, 187, 371		1706626 ... 288, 292, 296, 300, 304	
		1706629 ... 487, 489, 491, 495, 499, 505	
		1706657 491	
		1706658 491	
		1706664 495	
		1706665 495	
		1706691 508	

SECTION 10 - SPECIAL OPTIONS

2220881 ... 131, 135, 139, 357, 359	2754205 381	2920179..... 177, 181	159, 167, 169, 171,
2220883 ... 131, 135, 139, 143, 363, 365, 375, 377	2754206 381	2920180..... 179, 183	173, 175, 179, 183,
2220885 ... 131, 135, 139, 143, 185, 187, 189, 191	2754207 383	2920183..... 179, 183	195, 197, 199, 201,
2220886 ... 131, 135, 139, 143	2754208 383	2920184..... 179, 183	223, 283, 289, 293,
2220887 131, 139	2754209 381	2940095.... 203, 205, 207, 209	317, 513, 515
2221086 ... 131, 135, 139, 143, 398, 402, 406, 410	2754210 383	2940157.... 203, 205, 207, 209	3311501 ... 102, 106, 110, 114
2221209 ... 288, 292, 296, 304	2754211 381	2940159..... 53, 55	3311505 ... 23, 25, 27, 29, 31, 33, 35, 37, 43, 102, 106, 110, 114, 185, 187, 189, 191, 225, 283, 297, 301, 305, 375, 377
2221210 ... 289, 292, 297, 305	2754212 383	2940160.... 333, 335, 337, 339	3311605 ... 15, 17, 19, 21, 41, 43, 53, 55, 102, 106, 110, 114, 155, 157, 159, 179, 183, 193, 195, 197, 199, 201, 211, 213, 215, 217, 219, 221, 281, 288, 292, 293, 296, 297, 300, 301, 304, 305, 307, 309, 311, 313, 315, 317, 323, 325, 327, 329
2221211 ... 289, 292, 297, 301, 305	2754213 381	2940169..... 522	3311608 ... 167, 169, 227, 229, 233, 235, 237, 239, 241, 243
2221212 ... 288, 292, 296, 300, 304	2754214 383	2940170..... 522	3311805 ... 23, 25, 29, 31, 33, 35, 103, 106, 107, 111, 114, 115, 297, 301, 305, 323, 325, 327, 329
2221213 ... 288, 292, 296, 304	2754263 389, 393	2940177..... 223, 225	3312005 ... 57, 59, 61, 63, 65, 67, 69, 71
2221272 37	2754264 383	2940178.... 203, 205, 207, 209	3312205 ... 23, 25, 27, 29, 31, 33, 35, 37, 41, 43, 103, 106, 111, 114
2221273 37	2754265 ... 389, 393, 398, 402, 406, 410	2980123.... 23, 25, 27, 29, 31, 33, 35, 37	3321401 159
2300006 ... 29, 31, 33, 35, 37	2754339 395	2980130..... 37	3321801 211, 217
2400057 433, 518	2754469 391, 395	3010127..... 288, 292	3331211 27, 37
2400060 ... 433, 435, 437	2754470 391, 395	3010130.... 297, 301, 305	3331217 41
2400065 ... 441, 443, 518	2754471 391, 395	31201317..... 523	3340764 307, 309
2400066 441, 443	2754472 391, 395	3128958..... 522	3340843 ... 288, 292, 296, 300, 304
2400087 ... 167, 169, 518	2754643 406, 410	3160327.... 103, 107, 111, 115, 121	3340881 ... 307, 309, 311, 313, 315
2400088 167, 169	2754644 ... 398, 402, 406, 410	3160331.... 233, 235, 239, 241, 253	3340941 289, 293
2420172 273	2754676 398, 402	3251243..... 421, 503	3340942 297, 301, 305
2560122 ... 123, 125, 127, 129	2792640 381	3251813.... 487, 491, 495, 499, 503	3340943 ... 288, 293, 297, 305
2560123 ... 123, 125, 127, 129	2792641 383	3252507..... 423	3371910 37
2560184 327, 329	2792664 385	3252761..... 283	3380624 ... 102, 106, 110, 114
2700104 317	2792665 387	3271505..... 53, 55	3420592 29, 31, 33, 35
2700108 317	2792668 389	3271805..... 327, 329	3421565 ... 103, 106, 111, 114
2753540 ... 389, 391, 393, 395	2792669 393	3271805..... 327, 329	3421970 193
2753541 389, 393	2792672 391	3290405.... 179, 183, 185, 187, 189, 191, 277, 279, 288, 292, 297, 301, 305	3421986 189, 191
2753545 ... 385, 387, 398, 402, 406, 410	2792673 395	3290507.... 147, 149, 151, 153	3422333 288, 293
2753550 ... 385, 387, 391, 395	2792674 398	3290605.... 123, 125, 147, 149, 151, 153, 275, 277, 317, 421, 423	3422351 ... 102, 106, 110, 114
2753555 385, 387	2792675 402	3290801..... 41, 107	3422426 185, 187
2753563 385, 387	2792676 406	3290805.... 127, 129, 185, 187, 189, 191	3422429 185, 187
2753622 ... 389, 393, 398, 402, 406, 410	2792677 410	3291001 41, 43, 102, 106, 110, 114	3422709 ... 103, 107, 111, 115
2753625 ... 398, 402, 406, 410	2820026 431	3291005.... 177, 181, 275, 277, 279, 511	3422745 311, 313, 315
2753626 387, 393, 395	2820179 159	3291007.... 185, 187, 189, 191	
2753673 ... 398, 402, 406, 410	2840026 ... 15, 17, 19, 21	3291207..... 189, 191	
2753727 389, 393	2860030 ... 257, 259, 261, 263, 265, 267, 269, 271, 518	3291601..... 43	
2753730 402, 410	2900708 ... 102, 107, 110, 115	3292405.... 185, 187, 189, 191	
2753731 ... 398, 402, 406, 410	2900770 ... 357, 359, 361, 363, 365, 375, 377	3300407.... 213, 215, 219, 221	
2753784 389, 393	2902333 159	3300506..... 167, 169	
2753785 391, 395	2902349 ... 29, 31, 33, 35, 37	3311005.... 103, 106, 111, 114, 167, 169, 177, 179, 181, 183, 223, 225, 229, 283, 421, 423	
2753851 385, 387	2902375 522	3311401..... 45, 49	
2754171 288, 292	2902411 489, 522	3311405.... 23, 25, 27, 29, 31, 33, 35, 37, 41, 43, 102, 106, 110, 114,	
2754172 288, 292	2902425 503, 522		
2754173 297, 301, 305	2902428 ... 487, 489, 491, 495, 499, 503, 505, 522		
2754174 297, 305	2902430 ... 487, 491, 495, 499, 522		
2754204 381	2902442 499, 522		
	2902447 491, 522		
	2902454 495, 522		
	2902546 505, 522		
	2915194 ... 117, 132, 136, 140, 144, 518		
	2915205 523		
	2915230 523		
	2920113 177, 181		
	2920161 277, 279		

SECTION 10 - SPECIAL OPTIONS

3422796.....297, 301, 305	3577000 513	3900316 ... 307, 309, 311, 313, 315	4220211.....288, 292, 296, 300, 304
3423100.....317	3600360 235	3900352 273	4220254.....311, 313
3423101.....307, 309	3600403 159	3900357 ... 341, 343, 345, 347	4220255.....233, 235, 237, 239, 241, 243
3423102.....288, 293	3641585 321	3900358 ... 273, 341, 343, 345, 347	4220259.....41
3423103.....288, 293	3700012 179, 183	3900359 ... 341, 343, 345, 347	4220260.....43
3423104.....307, 309	3700014 183, 229	3900360 ... 233, 237, 239, 241, 243	4220296.....114
3423105....307, 309, 311, 313, 315	3730119 427, 429	3900368 233, 235, 237	4220297.....114
3423106.....327, 329	3740049 151, 153	3911010 179, 183, 229	4220304.....107
3423146.....189, 191	3740080 159, 518	3911040 177, 181	4220305.....107
3423147.....189, 191	3740112 159, 518	3931816 ... 185, 187, 189, 191	4240003.....288, 292, 296, 300, 304, 317
3423148.....185, 187	3740144 159, 518	3931840 ... 103, 107, 111, 115	4240032.....23, 25, 27, 29, 31, 33, 35, 37, 41, 43
3423156.....297, 301, 305	3740145 ... 147, 149, 518	3960461 177, 181	4240033.....23, 25, 27, 37, 175, 283
3423159....203, 205, 207, 209	3740148 159, 518	3960584 ... 341, 343, 345, 347	4240127.....107, 115
3423161.....311, 313, 315	3740150 ... 167, 169, 518	3960587 273	4240173.....233, 235, 237, 239, 241, 243
3423185.....185, 187	3760115 ... 185, 187, 307, 309, 311, 313, 315	3960604 ... 341, 343, 345, 347	4240175....257, 259, 261, 263, 265, 267, 269, 271
3423186.....189, 191	3760133... 189, 191, 297, 301, 305	3960604 ... 341, 343, 345, 347	4300115....102, 106, 110, 115
3423200.....288, 293	3760170 ... 103, 106, 111, 114, 317, 487, 489, 491, 495, 499, 503, 505	3990010 ... 433, 435, 437, 518	4340799.....327, 329
3423201....288, 292, 297, 301, 305	3760237 189, 191	3990013 431	4340800.....327, 329
3423202.....297, 301, 305	3760351 ... 307, 309, 311, 313, 315	3990111 437	4340871....341, 343, 345, 347
3423203.....296, 300, 304	3820001 ... 487, 489, 491, 495, 499, 503, 505	3990112 435	4341009.....227, 229
3423204.....297, 301, 305	3820017 ... 29, 31, 33, 35, 37, 123, 125, 127, 129, 203, 205, 207, 209	4000008 ... 102, 106, 110, 114, 518	4341040.....41, 43
3423249....103, 106, 111, 114	3820020 ... 203, 205, 207, 209, 273	4031512 ... 185, 187, 189, 191, 289, 293, 297, 301, 305	4341053.....225
3430506.....23, 25, 27	3820021 491, 495, 499	4031714 147, 151	4341054.....223, 225
3450202.....159	3820032 ... 487, 489, 491, 495, 499, 503, 505	4060804 107, 115	4341092.....103
3450302.....23, 25, 27	3820038 513, 515	4060865 277, 279	4341097....102, 106, 110, 115
3450304....23, 25, 27, 29, 31, 33, 35, 37, 102, 110	3820039 513, 515	4060906 273	4341113.....111, 115
3460557.....37	3841143 ... 102, 103, 106, 107, 110, 111, 114, 115, 185, 187, 189, 191, 288, 292, 293, 296, 297, 300, 301, 304, 305, 307, 309, 311, 313, 315	4070897 ... 307, 309, 311, 313, 315	4341116....102, 106, 110, 115
3520028....257, 259, 261, 263	3841203 ... 189, 191, 297, 301, 305	4070898 ... 307, 309, 311, 313, 315	4341148.....103, 107
3520030....257, 259, 265, 267	3841655 ... 185, 187, 189, 191	4071039 ... 307, 309, 311, 313, 315	4341149.....103, 107
3520071....103, 106, 111, 114	3841692 321	4071040 ... 307, 309, 311, 313, 315	4341150.....111, 115
3538758.....307, 309	3841696 41	4071082 ... 288, 292, 296, 300, 304	4341151.....111, 115
3575021.....289, 293	3841697 43	4071083 ... 288, 292, 296, 300, 304	4341181....211, 213, 215, 217, 219, 221
3575058.....327, 329	3841730 114	4071117 311, 313, 315	4341267.....107
3575304....341, 343, 345, 347	3841740 106	4071122 37	4341400.....281
3575358.....273	3890041 29, 31, 37	4130417 ... 103, 107, 111, 115	4360328....265, 267, 269, 271, 273, 518
3575420.....53, 55	3890042 33, 35	4191706 23, 25, 27	4360330.....273, 518
3575623.....273	3890043 23	4191709 147, 149	4360469....257, 261, 265, 269, 518
3575719.....53	3890044 25, 27	4210006 185	4360470....259, 263, 267, 271, 518
3575783.....55	3890045 23, 29, 31, 37	4210012 185	4360475.....273, 518
3575786.....43, 229	3890046 ... 25, 27, 33, 35	4210018 187	4360562....341, 343, 345, 347, 518
3575790.....193	3890047 29, 31, 37	4210019 187	4360564....261, 263, 269, 271, 345, 347, 518
3575796....341, 343, 345, 347	3890048 33, 35	4210024 189	4360565....261, 263, 269, 271, 345, 347, 518
3575803.....288, 292	3890049 23	4210025 189	4360570.....23, 25, 27
3575804....296, 300, 304	3890050 25, 27	4210026 191	4360577....465, 477, 479, 481, 483, 519
3575853.41, 43, 106, 114	3890065 159	4210027 191	4360612....341, 345, 519
3575869.....41	3900184 159	4220207 ... 185, 187, 189, 191	4360620....343, 347, 519
3575887.....297, 305	3900270 227, 229	4220210 273	4420038.....167, 169
3575889.....311, 313	3900283 ... 307, 309, 311, 313, 315		4420051.....489
3576092.....102, 110			
3576102....491, 495, 499			
3576114.....511			
3576136....102, 106, 110, 114			
3576437.....217			
3576773.....167, 169			
3576891.....515			
3576892.....513, 515			

SECTION 10 - SPECIAL OPTIONS

4460071	421, 423	4460932 ...	435, 437, 451, 453	4630002.....	307, 309	4751000 ...	103, 107, 111, 115, 177, 179, 181, 183, 229
4460121	37, 279	4460933 ...	427, 429, 439, 445, 463, 465	4630003.....	297, 301, 305	4751200	159
4460138	421	4460941 ...	427, 429, 445	4630004.....	311, 313, 315	4751400 ...	23, 25, 27, 29, 31, 33, 35, 38, 41, 43, 195, 197, 199, 201, 321
4460227 ...	431, 441, 443	4460942 ...	427, 429, 445, 465	4630005.....	297, 301, 305	4751500 ...	23, 25, 27, 29, 31, 33, 35, 38, 43, 102, 110, 185, 187, 189, 191, 225, 245, 247, 249, 251, 283
4460248	451, 453	4460943 ...	435, 437, 445, 467, 469, 471, 473	4640438.....	363, 365	4751600 ...	15, 17, 19, 21, 41, 43, 53, 55, 103, 107, 111, 115, 155, 157, 159, 167, 169, 179, 183, 195, 197, 199, 201
4460256	451, 453	4460944 ...	431, 467, 469, 471, 473	4640866.....	102, 107, 110, 115	4751700	227, 229
4460313	451, 453	4460959	433	4640902.....	357	4752200 ...	23, 25, 27, 29, 31, 33, 35, 38, 41, 43
4460346	283, 421	4460965	433	4641129.....	117	4761400	45, 49
4460386	273	4460970 ...	435, 437, 445	4641285.....	375, 377	4761800	211, 217
4460418	441, 443	4461015 ...	467, 469, 471, 473	4641325.....	131	4811400 ...	179, 183, 185, 187, 189, 191, 277, 279, 289, 293, 297, 301, 305
4460419	441, 443	4461016 ...	427, 429, 445, 467, 469, 471, 473	4641326.....	139	4811600 ...	147, 149, 151, 153
4460457	433	4461017	441, 443	4641327.....	135	4811700 ...	147, 149, 151, 153, 275, 277, 279, 317, 421, 423
4460458	433	4461018	435, 437	4641328.....	143	4811900	41, 107, 123, 125, 127, 129, 185, 187
4460464 ...	427, 429, 435, 437, 439, 441, 443, 445, 451, 453, 467, 469, 471, 473, 475, 477, 479	4461019	441, 443	4641342.....	123, 131	4812000	41, 43, 107, 115, 177, 181, 185, 187, 189, 191, 257, 259, 261, 263, 265, 267, 269, 271, 275, 277, 279, 511
4460465 ...	427, 429, 431, 435, 437, 439, 445, 447, 449, 455, 457, 459, 461, 463, 465, 467, 469, 471, 473, 475, 481, 483	4461020	435, 437	4641344.....	127, 139	4812100	38, 41, 189, 191
4460466 ...	435, 437, 439	4461023 ...	435, 441, 443	4641345.....	129, 143	4812300	43
4460467	523	4461024 ...	467, 469, 471, 473	4641380.....	185, 187, 189, 191	4812700 ...	185, 187, 189, 191
4460470	445	4461025 ...	467, 469, 471, 473	4641418 ...	102, 107, 110, 115	4891600	227, 281
4460471	445	4461041	441, 443	4641419 ...	102, 107, 110, 115, 117	4891700 ...	103, 107, 111, 115
4460496 ...	297, 301, 305, 307, 309, 341, 343, 345, 347, 467, 469, 471, 473	4461046	433	4641420 ...	102, 107, 110, 115, 119	4891800	27, 217, 307, 309, 311, 313, 315
4460497 ...	297, 301, 305, 307, 309, 341, 343, 345, 347, 467, 469, 471, 473	4461047	433	4641496.....	37	4891900 ...	233, 235, 237, 239, 241, 243
4460508	441, 443	4461048	433	4700017.....	307, 309	4892000 ...	57, 59, 61, 63, 65, 67, 69, 71
4460509	435, 437	4461049	433	4700018.....	307, 309, 311, 313	4923040 ...	289, 293, 427
4460510	523	4461051	435	4700019.....	307, 309, 311, 313, 315	4923041 ...	147, 149, 151, 153, 465
4460539 ...	457, 461, 475	4461057 ...	467, 469, 471, 473	4700037.....	311, 313	4923100	289, 293, 447
4460662	283	4461058 ...	467, 469, 471, 473	4711000.....	167, 169, 223, 225, 273, 283, 421, 423	4923101 ...	297, 301, 305, 449
4460761 ...	431, 441, 443	4461065	317, 445	4711400.....	23, 25, 27, 29, 31, 33, 35, 38, 41, 43, 102, 107, 110, 115, 159, 193, 211, 213, 215, 217, 219, 221, 227, 229, 288, 289, 292, 293, 296, 297, 300, 301, 304, 305, 307, 309, 311, 313, 315, 317, 323, 325, 327, 329	4923102 ...	297, 301, 305, 429
4460761 ...	431, 441, 443	4461077	431	4711500.....	23, 25, 27, 102, 107, 110, 115, 225, 297, 301, 305	4923104	289, 293
4460841	435, 437	4461261	435	4711600.....	41, 102, 107, 110, 115, 159, 193, 211, 213, 215, 217, 219, 221, 227, 229, 288, 289, 292, 293, 296, 297, 300, 301, 304, 305, 307, 309, 311, 313, 315, 317, 323, 325, 327, 329	4923109 ...	147, 149, 151, 153, 463
4460871	435, 437	4461271	435, 437	4711800.....	23, 25, 29, 31, 33, 35, 103, 107, 111, 115, 211, 217, 323, 325, 327, 329	4923111	297, 301, 305
4460872	435, 437	4520338 ...	102, 107, 110, 115	4740017 ...	233, 235, 237, 239, 241, 243	4923112	289, 293, 481
4460873	435, 437	4520377	93, 211	4740362.....	195, 197, 199, 201	4923116	341, 467
4460874	435, 437	4520378	99, 217	4740446.....	185, 187		
4460875	435, 437	4520591 ...	103, 107, 111, 115	4740571.....	38		
4460876	435, 437	4520614	97, 215				
4460878	435, 437	4568986	25, 33, 35				
4460884 ...	435, 437, 455, 459, 475	4569096	29, 31, 37				
4460887	435, 437	4569097	33, 35				
4460891 ...	429, 431, 435, 437, 447, 449, 463, 465, 481, 483	4569182	41				
4460894 ...	431, 435, 437, 439	4569188	227				
4460897 ...	435, 437, 475, 477, 479	4569194	227				
4460899 ...	435, 437, 439	4569195	229				
4460908	431	4569197	229				
4460909	431	4569220	43				
4460918	431	4569398	227				
4460928	431	4569400	227				
4460930	433	4569405	229				
4460931	437	4569407	229				
		4569438	27				
		4569445	27				
		4569447	37				
		4569450	37				
		4569512	23, 29, 31				
		4630001	289, 293				

SECTION 10 - SPECIAL OPTIONS

4923117.....345, 471	70000190..... 357	70002770 161, 283	70003577.....284
4923118....257, 259, 265, 267, 441	70000235 425	70002771 283	70003578.....284
4923124.....317, 445	70000236 425	70002774 284	70003579.....284
4923125....261, 263, 269, 271, 443	70000277 121	70002776 283	70003580.....284
4923126.....347, 473	70000280 121	70002777 283	70003581.....284
4923127.....343, 469	70000281 121	70002783 283	70003582.....284
4923128....275, 277, 279, 475	70000282 121	70002815 119	70003583.....284
4923130.... 151, 153, 437	70000283 121	70003038 91	70003584.....284
4923148..... 177, 451	70000284 121	70003486 . 487, 489, 491, 495, 500, 503, 505	70003585.....284
4923149..... 181, 453	70000285 121	70003487 161	70003586.....284
4923153..... 155, 157	70000286 121	70003488 161	70003587.....284
4923154..... 155, 157	70000287 121	70003489 161	70003588.....284
4923184....297, 301, 459	70000288 121	70003490 161	70003589.....284
4923185.....289, 455	70000378 . 132, 136, 140, 144	70003492 161	70003590.....284
4923192....289, 293, 477	70000682 . 341, 343, 345, 347	70003493 161	70003591.....284
4923193....297, 301, 305, 479	70000864 245, 247	70003494 161	70003592.....284
4923202.....23	70000894 . 132, 136, 140, 144	70003495 161	70003593.....284
4923203.....25	70000895 . 132, 136, 140, 144	70003496 161	70003594.....284
4923217....297, 301, 305, 483	70000979 353, 355	70003497 162	70003595.....284
4923317.....38	70000980 353, 355	70003498 162	70003596.....284
4923318.....27	70000981 353, 355	70003499 162	70003597.....284
4923340.... 103, 111, 115, 431	70000982 353, 355	70003500 161	70003598.....284
4923341.....523	70000983 353	70003501 162	70003599.....284
4923427.... 147, 149, 435	70000984 353, 355	70003502 162	70003600.....284
4923428.... 167, 169, 425	70000985 353, 355	70003503 161	70003601.....284
4923545..... 167, 169	70000986 353, 355	70003504 161	70003602.....284
4923570..... 167, 169	70000987 355	70003505 161	70003603.....284
70000015.....81	70001003 73	70003506 161	70003604.....284
70000016.....85	70001005 85	70003507 161, 283	70003605.....284
70000025..... 136, 144	70001006 85	70003508 161	70003615.. 132, 136, 140, 144
70000026... 136, 144, 518	70001007 86	70003509 161	70003756... 73, 77, 81, 85
70000027..... 136, 144	70001008 159	70003510 161	70004156.....247
70000028..... 136, 144	70001453 .. 161, 162, 518	70003511 161	70004157.....251
70000030.....47, 51	70001658 82, 86	70003512 161	70004315..... 363, 365
70000031.....47, 51	70001659 82, 86	70003514 161	70004701.....51
70000032.....47	70002204 95	70003516 161, 518	70004703.....51
70000034.....51	70002205 95	70003517 161	70004705.....51
70000035.....47, 51	70002227 . 131, 135, 139, 143	70003518 162	70004708.....51
70000037.....47	70002228 . 131, 135, 139, 143	70003520 162	70004709.....51
70000038.....47	70002229 . 131, 135, 139, 143	70003521 162, 518	70004710.....51
70000039.....47	70002230 . 131, 135, 139, 140, 143, 144	70003522 162, 518	70004711.....51
70000040.....47	70002233 307, 311	70003529 161	70004713.....51
70000088.....253	70002282 132, 140	70003530 161	70005478.....89
70000089.....253	70002532 315	70003531 161	70005987.....51
70000092..... 179, 183	70002628 45, 49	70003532 161	70005988.....51
70000093..... 179, 183	70002629 45, 49	70003549 161	70005989.....51
70000095..... 179, 183	70002630 45	70003550 162, 518	70005990.....51
70000096..... 179, 183	70002631 45, 49	70003558 283	70005991.....51
70000097..... 179, 183	70002632 45, 49	70003559 283	70005992.....51
70000098..... 179, 183	70002633 45, 49	70003560 283	70005993.....51
70000100.. 131, 135, 139, 143	70002634 45, 49	70003561 283	70005994.....51
70000111.....351	70002635 45, 49	70003562 283	70005995.....51
70000112.....351	70002636 45, 49	70003563 283	70005996.....51
70000113.....351	70002637 45, 49	70003564 283	70005997.....51
70000114.....351	70002638 45, 49	70003565 283	70005998.....51
70000115.....351	70002639 45, 49	70003566 283	70006984.....49
70000116.....351	70002640 45, 49	70003567 283	70008481.....67
70000117.....351	70002641 45, 49	70003568 283	70008482.....67
70000118.....351	70002722 45	70003569 283	7002821.....523
70000131.....81, 85		70003570 283	7002822.....523
		70003571 283	7002823.....523
		70003572 283	7002826.....523
		70003573 283	7004035.....253
		70003574 284	7004043.....253
		70003575 284	7004044.....253
		70003576 284	7004275.....523

SECTION 10 - SPECIAL OPTIONS

7004276	523	7024882	371, 373	7027341	359, 367	7027620 ...	131, 135, 139,
7010542	119	7024883 ...	117, 371, 373,	7027342	357, 375	143	
7010543	119	518		7027343	375	7027621 ...	131, 135, 139,
7010645	67	7024884 ...	357, 363, 365	7027344	375	143	
7010795	253	7024885 ...	119, 357, 363,	7027345	375	7027622 ...	131, 135, 139,
7011311	375, 377	365, 518		7027346	375	143	
7011358 ...	359, 361, 375,	7024886	363, 365	7027347	375	7027623 ...	131, 135, 139,
377		7024887	357	7027348	359	143	
7011377 ...	359, 361, 375,	7024888	357	7027349	359	7027624 ...	131, 135, 139,
377		7024893	117	7027350	245, 247, 249,	143	
7011378	359, 361	7024894	117	251		7027625 ...	131, 135, 139,
7011379	375, 377	7024898	119	7027351	245, 247, 249,	143	
7011380	357	7024899	119	251		7027626 ...	131, 135, 139,
7012518	119	7026042 ...	245, 247, 249,	7027352	245, 247, 249,	143	
7012540	357	251		251		7027627 ...	131, 135, 139,
7012903	117	7026043 ...	245, 247, 249,	7027353	245, 247, 249,	143	
7012953 ...	357, 371, 373	251		251		7027628 ...	132, 135, 140,
7012955	363, 365	7026313 ...	73, 77, 81, 85	7027354	245, 247, 249,	143, 144, 518	
7012959 ...	102, 107, 110,	7026340	177, 181	251		7027629 ...	132, 135, 140,
115		7026341	177, 181	7027355	245, 247	143	
7012961	357	7026342	177, 181	7027356	245, 247, 249,	7027630 ...	132, 136, 140,
7012967 ...	357, 363, 365	7026343	177, 181	251		143	
7012972 ...	357, 363, 365	7026353	45, 49	7027357	245	7027631 ...	132, 136, 140,
7012975	357	7026355	45, 49	7027358	245, 247, 249,	144	
7012998	117, 357	7026358	45, 49	251		7027632	132, 140
70132	77	7026359	45, 49	7027360	245, 247, 249,	7027633	132, 140
70144	81, 85	7026360	45, 49	251		7027635 ...	132, 136, 140,
70145	81, 85	7026367	45, 49	7027361	245, 247, 249,	144	
7016319	277, 279	7026370	45, 49	251		7027636 ...	132, 136, 140,
7016372	277, 279	7026372	45, 49	7027363	249, 251	144	
7016654	523	7026384	77, 85	7027364	249	7027638 ...	132, 136, 140,
7017335	353, 355	7026385	77, 85	7027367 ...	341, 343, 345,	144, 518	
7017402	119	7026390 ...	73, 77, 81, 85	347, 518		7027639 ...	132, 136, 140,
7017418	117	7026391	77	7027368	343, 347	144	
7017466 ...	102, 107, 110,	7026392	77	7027369	343, 347, 519	7027640	81
115		7026393	73, 77	7027370	343, 347	7027641	81
7020175	273	7026394	81	7027371	341, 345	7027642	81
7020176	273	7026395	73, 77, 81	7027372	161, 162	7027643	81
70212 . 23, 25, 29, 31, 33,		7026396	73, 77, 81	7027373	161	7027644	81
35		7026399	81, 85	7027374	161	7027645	82
7021653	117	7026623	136, 144	7027379	161	7027646	82
7023308	121	7027315	371	7027381	161	7027647	73, 81
7023311	121	7027316	371	7027382	161	7027648	73, 81
7023315	121	7027317	371	7027383	161	7027649	73, 81
7023328	121	7027318	371	7027385	161	7027650	73, 81
7023391	371	7027319	371	7027388	283	7027651	73, 81
7023405	121	7027320	373	7027391	161, 283	7027652	73, 81
7023406	121	7027321	373	7027392	161	7027653	73, 81
7023407	121	7027322	373	7027395	284	7027654	77, 85
7023408	121	7027323	373	7027396	161	7027655	77, 85
7023412	121	7027324	373	7027398	283	7027656	77, 85
7023519	161	7027325	373	7027500	85	7027657	77, 85
7024379	253	7027326	159	7027501	85	7027662	86
7024380	253	7027327	159	7027502	85	7027663	86
7024381	253	7027328	159	7027503	85	7027665	73
7024382	253	7027329	363	7027504	85	7027666	73
7024383	253	7027330	363	7027505	85	7027667	73
7024384	253	7027331	363	7027506	85	7027668	73
7024387	253	7027332	363	7027507	86	7027669	73
7024388	253	7027334	363, 365	7027508	86	7027671	73
7024390	253	7027335	363	7027511	77, 85	7027672	73, 77
7024396	253	7027336	359, 367	7027603	161	7027673	74, 78
7024453	253	7027337	367	7027606	162	7027674	74
7024500 ...	131, 135, 139,	7027338 ...	357, 359, 367	7027617	131, 139	7027675	77
140, 143, 144		7027339	367	7027618	131, 139	7027676	77
7024505 ...	131, 132, 135,	7027340 ...	359, 361, 367,	7027619	131, 139	7027677	77
139, 140, 143, 144		369, 375				7027678	74, 78

SECTION 10 - SPECIAL OPTIONS

7027679.....	78	7027744.....	331	7027811.....	89	7027844.....	91
7027690.....	140, 144	7027745.....	331	7027812.....	89	7027845.....	91
7027691.....	136, 144	7027746.....	331	7027813.....	89	7027846.....	91
7027692.....	73, 77, 81, 85	7027747.....	331	7027814.....	89	7027883.....	91
7027693.....	73, 77, 81, 85	7027748.....	331	7027815.....	89	7027884.....	91
7027694.....	361, 369	7027749.....	331	7027816.....	89	7027885.....	89
7027695.....	361	7027750.....	331	7027817.....	89	7027886.....	89
7027696.....	361, 369	7027751.....	331	7027818.....	89	7027890.....	29, 31, 33, 35, 37
7027697.....	361	7027752.....	331	7027819.....	89	7027897.....	331
7027698.....	361, 369	7027753.....	331	7027820.....	89	7027899.....	331
7027699.....	369	7027755.....	331	7027821.....	89	71101.....	177, 181
7027700.....	369	7027756.....	331	7027822.....	91	71820.....	23, 25, 27, 518
7027701.....	377	7027757.....	331	7027823.....	91	71820-1.....	23, 25, 27
7027702.....	377	7027758.....	331	7027824.....	91	71906.....	177, 181
7027703.....	377	7027759.....	331	7027825.....	91	71907.....	177, 181
7027704.....	377	7027760.....	331	7027826.....	91	80234299.....	253
7027705.....	377	7027763.....	331	7027827.....	91	80317.....	73, 77, 81, 85
7027706.....	377	7027765... 341, 343, 345, 347		7027828.....	91	8036580.....	117
7027707.....	377	7027766... 341, 343, 345, 347		7027829.....	91	8229242.....	435, 437
7027708.....	357	7027768.....	331	7027830.....	91	8310264.....	317
7027710.....	357	7027801.....	89	7027831.....	91	8406110.....	123, 127
7027711.....	357	7027802.....	89	7027834.....	91	8580420.....	23, 25, 27, 29, 31, 33, 35, 38, 41, 43
7027712.....	365	7027803.....	89	7027835.....	91	88212228.....	249, 251
7027713.....	365	7027805.....	89	7027836.....	91	8896941.....	523
7027714.....	365	7027806.....	89	7027837.....	91	8990147... 487, 489, 491, 495, 499, 503, 505	
7027715.....	365	7027807.....	89	7027838.....	91	91163087.....	513, 515
7027716.....	365	7027808.....	89	7027839.....	91		
7027717.....	177, 181	7027809.....	89	7027840.....	91		
7027727.....	15, 17, 21	7027810.....	89	7027841.....	91		
7027742.....	331			7027842.....	91		
7027743.....	331			7027843.....	91		



**Corporate Office
JLG Industries, Inc.
1 JLG Drive
McConnellsburg, PA 17233-9533 USA
☎ (717) 485-5161 (Corporate)
☎ (877) 554-5438 (Customer Support)
📠 (717) 485-6417**

**Visit our website for JLG Worldwide Locations.
www.jlg.com**



OSHKOSH™