



Illustrated Parts Manual

***Models
E400AN
E400AJPN***

**PVC
2001
2007**

**P/N
31215011**

January 11, 2021 - Rev C

ANSI

CE



AS/NZS



An Oshkosh Corporation Company

REVISION LOG

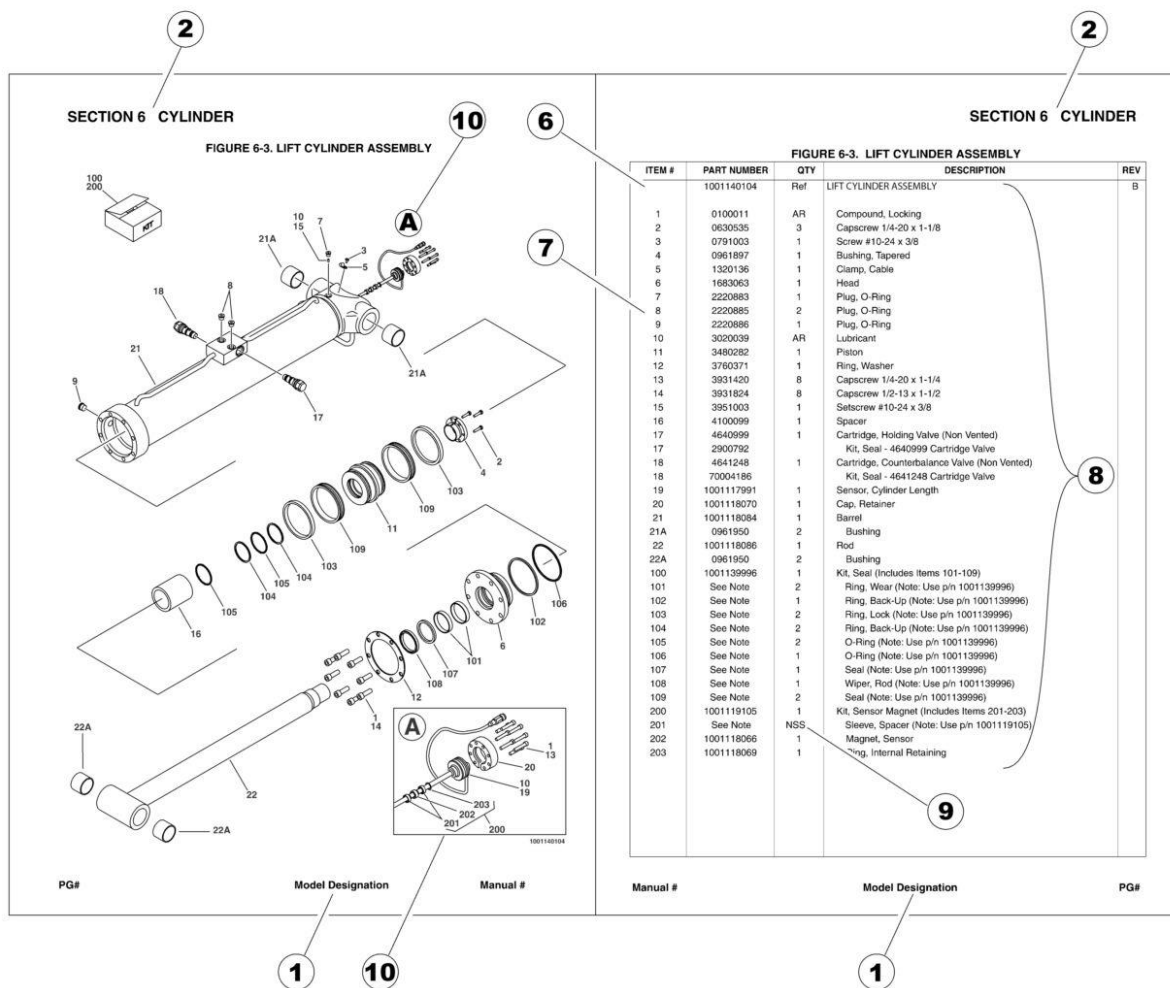
REVISION LOG:

November 1, 2019 - A - Original Issue of Manual (Edited to B/M 1001247556 Revision C)

June 15, 2020 - B - Revised Manual (Edited to B/M 1001247556 Revision E)

January 11, 2021 - C - Revised Manual (Edited to B/M 1001247556 Revision G)

GENERAL INFORMATION



1) MACHINE IDENTIFICATION

Machines are identified by model and in some cases a combination of models, serial number (SN) or regional standard (i.e ANSI, CE, CSA). Components may also be identified by SN or manufacturer. Common components that may be identified by these characteristics are engines and hydraulic components.

2) PARTS MANUAL ORGANIZATION

Product information in this manual is organized under section titles. Frame, Cylinder, Hydraulic and Electrical are a few examples. Each section is organized by figure and page number. The information within the Figure is then organized by item number, part number, description and corresponding illustration (s).

3) TABLE OF CONTENTS (NOT SHOWN)

A table of contents is found toward the beginning of the manual. Figure number, description and page number are provided for quick reference to the page containing the related information.

4) RECOMMENDED SPARE PARTS (NOT SHOWN)

The Recommended Spare Parts List, located near the end of the manual, reference most frequently used maintenance parts.

5) PART NUMBER INDEX (NOT SHOWN)

A numerical index listing all part numbers and the corresponding page number(s) appears at the back of the manual.

GENERAL INFORMATION

6) NON-SERVICED PARTS

In some instances, it is necessary to display non-serviced parts, assemblies or installations. In the case of assemblies and installations there will be a Ref in the Qty. column. In case of parts that are not available for service within assemblies or components, there will be a NSS (Not Sold Separately) or NLA (No Longer Available) listed in the Qty. column of the manual.

7) PARTS LIST ITEM NUMBERS

Numbers shown in the item# column correspond to numbers used in the associated illustration (s). Item numbers which are missing from the sequence in the parts list are not used on that page.

8) INDENTED PARTS DESCRIPTION

An indented part description is included in the item under which it is indented.

9) ABBREVIATION AND SYMBOLS

AC.....	Alternating Current	L.....	Liter
ADE.....	Advanced Design Electronics	LB(LBS).....	Pounds
AG.....	Agricultural	LCD.....	Liquid Crystal Display
ANSI.....	American National Standards Institute	LED.....	Light Emitting Diodes
AR.....	As Required	LH.....	Left Hand
ASSY.....	Assembly	LRC.....	Low Rated Countries
AUS.....	Australia	LSS.....	Load Sensing System
AUX.....	Auxiliary	M(m).....	Metric/Meter
AWG.....	American Wire Gauge	MM(mm).....	Milimeter
B/M.....	Bill of Material	mA.....	Miliamps
CAC.....	Charge Air Cooler	NLA.....	No Longer Available
CE.....	European Conformity	NPT.....	National Pipe Threads
CCW.....	Counter Clockwise	NSS.....	Not Sold Separately
CM.....	Centimeter	OD.....	Outside Diameter
CW.....	Clockwise	ORB.....	O-Ring Boss
CSA.....	Canadian Standards Association	ORFS.....	O-Ring Face Seal
CYL.....	Cylinder	OZ (oz).....	Ounces
DIA.....	Diameter	PG.....	Page
DC.....	Direct Current	PN.....	Part Number
DEF.....	Diesel Exhaust Fluid	QT(qt.).....	Quarts
EMS.....	Emergency Stop	QTY.....	Quantity
ENG.....	Engine	REF.....	Reference
FT(ft).....	Feet	REV.....	Revision Level
GA(Ga).....	Gauge	RH.....	Right Hand
HRC.....	High Rated Countries	SAE.....	Society of Automotive Engineers
HVAC.....	Heating, Ventilating, and Air Conditioning	SN.....	Serial Number
HYD.....	Hydraulic	SPEC(S).....	Specifications
Hz.....	Hertz	T/T.....	Turntable
ID.....	Inside Diameter	UGM.....	Universal Ground Module
IN.....	inches	V.....	Volts
ISO.....	International Organization for Standards	W.....	Watts
JIC.....	Joint Industry Council	#.....	Number
KG.....	Kilogram		

10) ILLUSTRATION REFERENCE LETTERS

When necessary, illustrations may contain reference letters that are intended to track information (i. e. hoses, harnesses) from one point to another or to track visual enlargement of components to show details that may be located in another area on the illustration.

Note: Due to continuous product improvements, JLG Industries, Inc. reserves the right to make specification changes without prior notification. Contact JLG Industries, Inc. for updated information.

TABLE OF CONTENTS

SECTION 1 - FRAME.....	11
FIGURE 1-1. STEERING INSTALLATION	12
FIGURE 1-2. HUB - SPINDLE ASSEMBLY - RH	14
FIGURE 1-3. HUB - SPINDLE ASSEMBLY - LH.....	16
FIGURE 1-4. DRIVE INSTALLATION - NON-UL SPECS.....	18
FIGURE 1-5. DRIVE INSTALLATION - UL SPECS.....	22
FIGURE 1-6. DRIVE HUB ASSEMBLY	26
FIGURE 1-7. DRIVE MOTOR ASSEMBLY	30
FIGURE 1-8. ELECTRICAL PLATE ASSEMBLY - LH.....	32
FIGURE 1-9. ELECTRICAL PLATE ASSEMBLY - LH - UL SPECS.....	34
FIGURE 1-10. ELECTRICAL PLATE ASSEMBLY - RH.....	36
FIGURE 1-11. ELECTRICAL PLATE ASSEMBLY - RH - UL SPECS	38
FIGURE 1-12. TIRE/WHEEL - SOLID NON-MARKING	40
FIGURE 1-13. MOTOR/PUMP/TANK - NON-UL SPECS.....	42
FIGURE 1-14. MOTOR/PUMP/TANK INSTALLATION - UL SPECS.....	44
FIGURE 1-15. MOTOR/PUMP ASSEMBLY	46
FIGURE 1-16. HYDRAULIC TANK ASSEMBLY.....	48
FIGURE 1-17. VALVE INSTALLATION - FRAME MOUNTED - E400AN.....	50
FIGURE 1-18. VALVE INSTALLATION - FRAME MOUNTED - E400AJPN.....	52
FIGURE 1-19. BRAKE/STEER VALVE ASSEMBLY	54
FIGURE 1-20. BATTERY BOX INSTALLATION - STANDARD (ALL SPECS EXCEPT AUSTRALIAN & CE SPECS).....	56
FIGURE 1-21. BATTERY BOX INSTALLATION - STANDARD (AUSTRALIAN & CE SPECS)	58
FIGURE 1-22. BATTERY BOX INSTALLATION - AGM BATTERIES (ALL SPECS EXCEPT AUSTRALIAN & CE SPECS)	60
FIGURE 1-23. BATTERY BOX INSTALLATION - AGM BATTERIES (AUSTRALIAN & CE SPECS)	62
FIGURE 1-24. BATTERY CHARGER INSTALLATION (ALL SPECS EXCEPT AUSTRALIAN & CE SPECS) (PVC 2001).....	64
FIGURE 1-25. BATTERY CHARGER INSTALLATION (ALL SPECS EXCEPT AUSTRALIAN & CE SPECS) (PVC 2007).....	66
FIGURE 1-26. BATTERY CHARGER INSTALLATION - E400AJPN (AUSTRALIAN SPEC) (PVC 2001)	68
FIGURE 1-27. BATTERY CHARGER INSTALLATION - E400AJPN (AUSTRALIAN SPEC) (PVC 2007)	70
FIGURE 1-28. BATTERY CHARGER INSTALLATION (ANSI EXPORT, CE AND CHINA SPECS) (PVC 2001)	72
FIGURE 1-29. BATTERY CHARGER INSTALLATION (ANSI EXPORT, CE AND CHINA SPECS) (PVC 2007)	74
FIGURE 1-30. BATTERY CHARGER ASSEMBLY	76
FIGURE 1-31. INVERTER INSTALLATION	78
FIGURE 1-32. FRAME COVER INSTALLATION	80
SECTION 2 - TURNTABLE.....	83
FIGURE 2-1. VALVE INSTALLATION- TURNTABLE MOUNTED - E400AN.....	84
FIGURE 2-2. VALVE INSTALLATION - TURNTABLE MOUNTED - E400AJPN.....	86
FIGURE 2-3. MAIN CONTROL VALVE ASSEMBLY.....	88
FIGURE 2-4. RELEVELING VALVE ASSEMBLY.....	90
FIGURE 2-5. JIB VALVE ASSEMBLY	92
FIGURE 2-6. MOTION ALARM INSTALLATION.....	94
FIGURE 2-7. TURNTABLE BEARING AND SWING DRIVE INSTALLATION.....	96
FIGURE 2-8. SWING MOTOR ASSEMBLY	98
FIGURE 2-9. SWING BEARING ASSEMBLY	100
FIGURE 2-10. REMOTE BEARING LUBE INSTALLATION - OPTIONAL.....	102
FIGURE 2-11. DRIVE ORIENTATION INSTALLATION	104
FIGURE 2-12. GROUND CONTROL BOX INSTALLATION - E400AN (ALL SPECS EXCEPT CE AND AUSTRALIAN SPECS).....	106
FIGURE 2-13. GROUND CONTROL BOX INSTALLATION - E400AN (CE SPEC).....	108
FIGURE 2-14. GROUND CONTROL BOX INSTALLATION - E400AJPN (ALL SPECS EXCEPT CE SPEC)	110
FIGURE 2-15. GROUND CONTROL BOX INSTALLATION - E400AJPN (CE SPEC).....	112
FIGURE 2-16. GROUND CONTROL BOX ELECTRICAL ASSEMBLY - E400AN (ALL SPECS EXCEPT CE AND AUSTRALIAN SPECS).....	114
FIGURE 2-17. GROUND CONTROL BOX ELECTRICAL ASSEMBLY - E400AN (CE SPEC)	116
FIGURE 2-18. GROUND CONTROL BOX ELECTRICAL ASSEMBLY - E400AJPN (ALL SPECS EXCEPT CE SPEC)	118
FIGURE 2-19. GROUND CONTROL BOX ELECTRICAL ASSEMBLY - E400AJPN (CE SPEC)	120
FIGURE 2-20. STROBE LIGHT INSTALLATION - AMBER	122
FIGURE 2-21. BEACON LIGHT INSTALLATION - BLUE	124
FIGURE 2-22. BEACON LIGHT INSTALLATION - RED	126
FIGURE 2-23. HOOD INSTALLATION.....	128
SECTION 3 - BOOM.....	131
FIGURE 3-1. BOOM AND CYLINDERS INSTALLATION - E400AN.....	132
FIGURE 3-2. BOOM AND CYLINDERS INSTALLATION - E400AJPN.....	134

TABLE OF CONTENTS

FIGURE 3-3. MAIN BOOM ASSEMBLY - E400AN.....	138
FIGURE 3-4. MAIN BOOM ASSEMBLY - E400AJPN.....	140
FIGURE 3-5. JIB INSTALLATION.....	144
FIGURE 3-6. ROTATOR ASSEMBLY - E400AN.....	146
FIGURE 3-7. ROTATOR ASSEMBLY - PLATFORM SUPPORT TO JIB - E400AJPN.....	148
FIGURE 3-8. ROTATOR ASSEMBLY - MAIN BOOM TO JIB - E400AJPN.....	150
FIGURE 3-9. PLATFORM SUPPORT INSTALLATION.....	152
FIGURE 3-10. BOOM LIMIT SWITCHES INSTALLATION.....	154
SECTION 4 - PLATFORM.....	157
FIGURE 4-1. PLATFORM ASSEMBLY - 4FT/1.22M - SIDE GATE ENTRY.....	158
FIGURE 4-2. PLATFORM ASSEMBLY - 5FT/1.52M - SIDE GATE ENTRY.....	160
FIGURE 4-3. PLATFORM ASSEMBLY - 5FT/1.52M - SIDE GATE ENTRY - W/STOP AND 1 CELL LSS.....	162
FIGURE 4-4. PLATFORM ASSEMBLY - 4FT/1.22M - DROP BAR ENTRY.....	164
FIGURE 4-5. PLATFORM ASSEMBLY - 5FT/1.52M - DROP BAR ENTRY.....	166
FIGURE 4-6. PLATFORM ASSEMBLY - 5FT/1.52M - DROP BAR ENTRY.....	168
FIGURE 4-7. PLATFORM CONSOLE AND FOOTSWITCH INSTALLATION – E400AN – NON-UL LISTED (ALL SPESC EXCEPT AUSTRALIAN AND UL SPECS).....	170
FIGURE 4-8. PLATFORM CONSOLE AND FOOTSWITCH INSTALLATION - E400AN - UL LISTED (ALL SPECS EXCEPTED AUSTRALIAN, CE AND JAPANESE SPECS).....	172
FIGURE 4-9. PLATFORM CONSOLE AND FOOTSWITCH INSTALLATION – E400AJPN – NON-UL LISTED (ALL SPECS EXCEPT UL SPECS).....	174
FIGURE 4-10. PLATFORM CONSOLE AND FOOTSWITCH INSTALLATION – E400AJPN – UL LISTED (ALL SPECS EXCEPTED AUSTRALIAN, CE AND JAPANESE SPECS).....	176
FIGURE 4-11. PLATFORM CONSOLE ASSEMBLY - E400AN - NON-UL LISTED (ALL SPESC EXCEPT AUSTRALIAN AND UL SPECS).....	178
FIGURE 4-12. PLATFORM CONSOLE ASSEMBLY - E400AN/E400AJPN - UL LISTED (ALL SPECS EXCEPTED AUSTRALIAN, CE AND JAPANESE SPECS).....	182
FIGURE 4-13. PLATFORM CONSOLE ASSEMBLY - E400AJPN - NON-UL LISTED (ALL SPESC EXCEPT UL SPECS).....	186
FIGURE 4-14. LIGHT PANEL INSTALLATION.....	190
FIGURE 4-15. CONTROLLER ASSEMBLY - DRIVE AND STEER.....	192
FIGURE 4-16. CONTROLLER ASSEMBLY - LIFT AND SWING.....	194
FIGURE 4-17. FOOTSWITCH ASSEMBLY.....	198
FIGURE 4-18. TRAY ASSEMBLY.....	200
FIGURE 4-19. SKYEYE INSTALLATION.....	202
FIGURE 4-20. SKYGUARD BAR INSTALLATION.....	204
FIGURE 4-21. SKYLINE INSTALLATION.....	206
FIGURE 4-22. PIPE RACK INSTALLATION.....	208
SECTION 5 - CYLINDER.....	211
FIGURE 5-1. LEVEL (PLATFORM SLAVE) CYLINDER ASSEMBLY - E400AN.....	212
FIGURE 5-2. LEVEL (PLATFORM SLAVE) CYLINDER ASSEMBLY - E400AJPN.....	214
FIGURE 5-3. LIFT CYLINDER ASSEMBLY - JIB - E400AJPN.....	216
FIGURE 5-4. LIFT CYLINDER ASSEMBLY - LOWER - E400AN.....	218
FIGURE 5-5. CYLINDER ASSEMBLY - LOWER - E400AJPN.....	220
FIGURE 5-6. LIFT CYLINDER ASSEMBLY - MID - E400AN.....	222
FIGURE 5-7. LIFT CYLINDER ASSEMBLY - MID - E400AJPN.....	224
FIGURE 5-8. LIFT CYLINDER - UPPER - E400AN.....	226
FIGURE 5-9. LIFT CYLINDER - UPPER - E400AJPN.....	228
FIGURE 5-10. MASTER CYLINDER ASSEMBLY - E400AN.....	230
FIGURE 5-11. MASTER CYLINDER ASSEMBLY - E400AJPN.....	232
FIGURE 5-12. STEER CYLINDER ASSEMBLY.....	234
FIGURE 5-13. TELESCOPE CYLINDER ASSEMBLY - E400AN.....	236
FIGURE 5-14. TELESCOPE CYLINDER ASSEMBLY - E400AJPN.....	238
FIGURE 5-15. COUNTERBALANCE VALVE ASSEMBLY.....	240
SECTION 6 - HYDRAULIC.....	243
FIGURE 6-1. HYDRAULIC DIAGRAM - E400AN.....	244
FIGURE 6-2. HYDRAULIC DIAGRAM - E400AJPN.....	248
SECTION 7 - ELECTRICAL.....	253
FIGURE 7-1. AC PLUGS AND SOCKETS INSTALLATION - AFSINT 107-2-01 KEYED GROUND - 2 X 4 BOX (CE SPEC).....	254
FIGURE 7-2. AC PLUGS AND SOCKETS INSTALLATION - CEE7 POST GROUND (CE SPEC).....	256

TABLE OF CONTENTS

FIGURE 7-3. AC PLUGS AND SOCKETS INSTALLATION - CEE 7 SIDE GROUND (CE SPEC)	258
FIGURE 7-4. AC PLUGS AND SOCKETS INSTALLATION - CEE7 POST GROUND - 2 X 4 BOX (CE SPEC)	260
FIGURE 7-5. AC PLUGS AND SOCKETS INSTALLATION - CEE7 SIDE GROUND - 2 X 4 BOX (CE SPEC)	262
FIGURE 7-6. AC PLUGS AND SOCKETS INSTALLATION - IEC 60309 BLUE (CE SPEC)	264
FIGURE 7-7. AC PLUGS AND SOCKETS INSTALLATION - IEC 60309 YELLOW (CE SPEC)	266
FIGURE 7-8. BATTERY CABLE KIT - E400AN AND E400AJPN	268
FIGURE 7-9. BATTERY CABLE KIT - E400AN AND E400AJPN - UL SPECS	270
FIGURE 7-10. BLUETOOTH MODULE INSTALLATION	272
FIGURE 7-11. BLUETOOTH MODULE HARNESS	274
FIGURE 7-12. BOOM CABLE - LOWER	276
FIGURE 7-13. BOOM CABLE - UPPER	278
FIGURE 7-14. BOOM LIMIT SWITCH HARNESS - LOWER	280
FIGURE 7-15. BOOM LIMIT SWITCH HARNESS - UPPER	282
FIGURE 7-16. BREAKER BOX KIT WITH ONE BREAKERS - CE SPEC	284
FIGURE 7-17. BREAKER BOX KIT WITH TWO BREAKERS - CE SPEC	286
FIGURE 7-18. CABLES AND CLAMPS INSTALLATION - E400AN	288
FIGURE 7-19. CABLES AND CLAMPS INSTALLATION - E400AJPN	290
FIGURE 7-20. CHARGER CORD PLUG INSTALLATION - 110V - IEC 60309 - YELLOW (CE SPEC)	292
FIGURE 7-21. CHARGER CORD PLUG INSTALLATION - 220V - AFSINT 107 KEYED GROUND (CE SPEC)	294
FIGURE 7-22. CHARGER CORD PLUG INSTALLATION - 220V - CEE7 POST GROUND (CE SPEC)	296
FIGURE 7-23. CHARGER CORD PLUG INSTALLATION - 220V - CEE7 SIDE GROUND (CE SPEC)	298
FIGURE 7-24. CHARGER CORD PLUG INSTALLATION - 220V - IEC 60309 - BLUE (CE SPEC)	300
FIGURE 7-25. CHASSIS TO TURNTABLE HARNESS	302
FIGURE 7-26. GROUND CONTROL PANEL HARNESS	304
FIGURE 7-27. INVERTER HARNESS	306
FIGURE 7-28. INVERTER IGNITION HARNESS	308
FIGURE 7-29. LOWER BOOM 110V HARNESS ASSEMBLY	310
FIGURE 7-30. LOWER BOOM 220V HARNESS ASSEMBLY - CE SPEC	312
FIGURE 7-31. LOWER BOOM 220V HARNESS ASSEMBLY - CE SPEC	314
FIGURE 7-32. PLATFORM CONSOLE HARNESS - WITH 1 CELL LSS	316
FIGURE 7-33. PLUG AND RECEPTACLE INSTALLATION - 110V	318
FIGURE 7-34. PLUG AND RECEPTACLE INSTALLATION - 220V	320
FIGURE 7-35. PLUG AND RECEPTACLE INSTALLATION - SUPPLIED LOCALLY	322
FIGURE 7-36. PLUG AND RECEPTACLE 110V INSTALLATION - IEC 60309 - YELLOW (CE SPEC)	324
FIGURE 7-37. PLUG AND RECEPTACLE 220V INSTALLATION - AFSINT 107 KEYED GROUND - 2 X 4 BOX (CE SPEC)	326
FIGURE 7-38. PLUG AND RECEPTACLE 220V INSTALLATION - CEE7 POST GROUND - 2 X 4 BOX (CE SPEC)	328
FIGURE 7-39. PLUG AND RECEPTACLE 220VINSTALLATION - CEE7 POST GROUND - 70MM X 70MM BOX (CE SPEC)	330
FIGURE 7-40. PLUG AND RECEPTACLE 220 INSTALLATION - CEE7 SIDE GROUND - 2 X 4 BOX (CE SPEC)	332
FIGURE 7-41. PLUG AND RECEPTACLE 220VINSTALLATION - CEE7 SIDE GROUND - 70MM X 70MM BOX (CE SPEC)	334
FIGURE 7-42. PLUG AND RECEPTACLE 220VINSTALLATION - IEC 60309 - BLUE (CE SPEC)	336
FIGURE 7-43. SKYEYE INTERMEDIATE HARNESS	338
FIGURE 7-44. SKYEYE RECEIVER HARNESS	340
FIGURE 7-45. SKYEYE EMITTER HARNESS	342
FIGURE 7-46. SKYGUARD HARNESS - WITH 1 CELL LSS	344
FIGURE 7-47. SKYLINE HARNESS	346
FIGURE 7-48. STEER/BRAKE HARNESS	348
FIGURE 7-49. TRACTION HARNESS	350
FIGURE 7-50. TURNTABLE HARNESS	352
FIGURE 7-51. UPPER BOOM 110V HARNESS ASSEMBLY	356
FIGURE 7-52. UPPER BOOM 220V HARNESS ASSEMBLY - CE SPEC	358
FIGURE 7-53. VALVE HARNESS	360
SECTION 8 - DECALS	363
FIGURE 8-1. DECAL INSTALLATION - ANSI AND CSA SPECS	364
FIGURE 8-2. DECAL INSTALLATION - AUSTRALIAN SPEC	366
FIGURE 8-3. DECAL INSTALLATION - CE SPEC	368
FIGURE 8-4. DECAL INSTALLATION - CHINESE/ENGLISH	370
FIGURE 8-5. DECAL INSTALLATION - FRENCH/ENGLISH SPECS	372
FIGURE 8-6. DECAL INSTALLATION - JAPANESE SPEC	374
FIGURE 8-7. DECAL INSTALLATION - KOREAN SPEC	376
FIGURE 8-8. DECAL INSTALLATION - SPANISH/ENGLISH SPECS	378
FIGURE 8-9. DECAL INSTALLATION - SPANISH/PORTUGUESE SPECS	380
FIGURE 8-10. DECAL INSTALLATION - OPTIONS	382
SECTION 9 - RECOMMENDED SERVICE PARTS STOCK	385

TABLE OF CONTENTS

FIGURE 9-1. RECOMMENDED SERVICE PARTS STOCK.....	386
SECTION 10 - SPECIAL OPTIONS	387
FIGURE 10-1. SPECIAL OPTIONS	388
PART NUMBER INDEX.....	391

SECTION 1 - FRAME

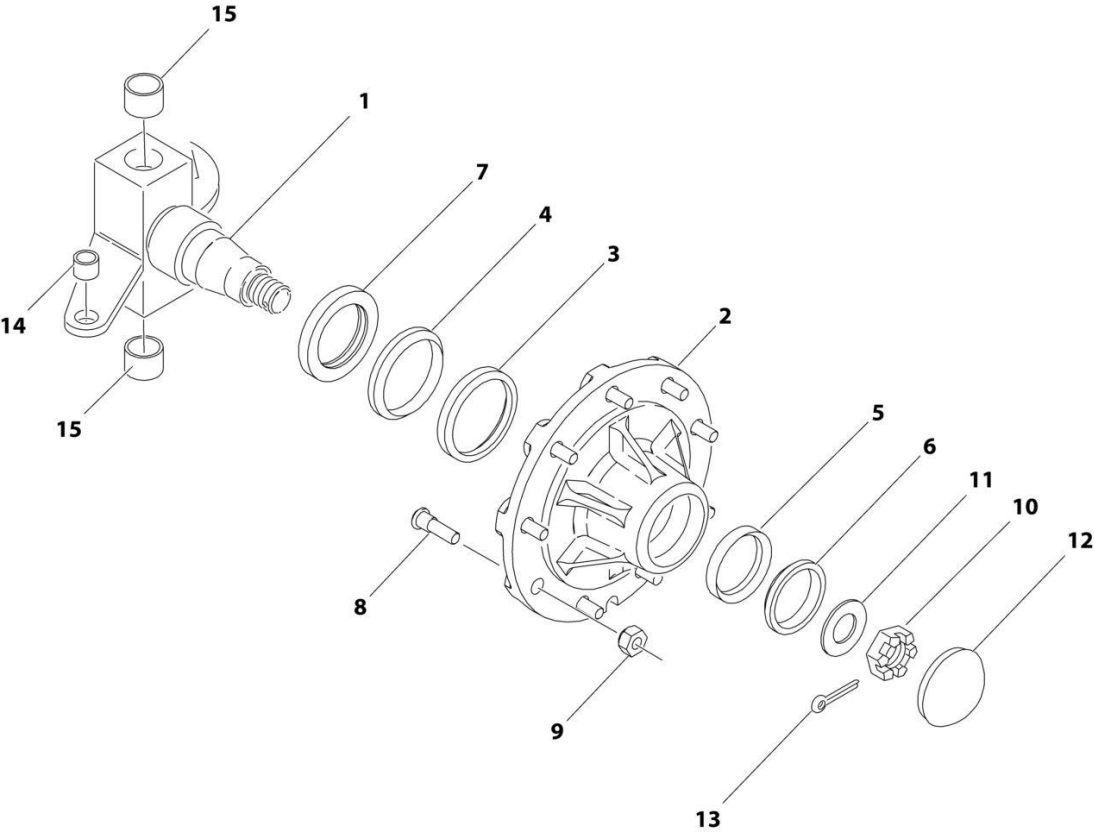
SECTION 1 - FRAME

FIGURE 1-1. STEERING INSTALLATION

ITEM	PART NUMBER	QTY	DESCRIPTION	REV
	1001232204	Ref	STEERING INSTALLATION	A
1	0100011	AR	Compound, Locking	
2	0641606	5	Bolt 3/8 X 3/4	
3	0681810	4	Bolt 1/2 X 1-1/4 Grade 8	
4	1320041	1	Clamp	
5	1320263	1	Clamp, Cable	
6	1683591	1	Steer Cylinder Assembly (See Separate Breakdown in CYLINDER SECTION)	
7	2540038	1	Grommet	
8	2780251	1	Hub - Spindle Assembly - RH (See Separate Breakdown in this Section)	
9	3300426	18	Nut 5/8	
10	3311405	1	Nut 1/4	
11	3312008	4	Nut 5/8	
12	3322202	2	Nut	
13	3323003	2	Nut 1-1/4	
14	3422692	2	Kingpin	
15	3450810	2	Pin, Cotter	
17	3841517	2	End, Tie-Rod	
18	3900109	3	Screw, Shoulder	
19	3931408	4	Capscrew 1/4 X 1/2	
20	3931416	1	Capscrew 1/4 x 1	
21	4240175	1	Tie-Strap	
22	4711400	1	Washer 1/4	
23	4740156	2	Washer	
24	4891800	4	Washer 1/2	
25	1001151395	1	Shim 18Ga	
26	1001151428	1	Shim 20Ga	
27	1001153023	1	Link	
28	1001153749	1	Clip, Connector	
29	1001161117	1	Switch, Angle Sensor	
29	4460536	1	Receptacle, Female - 3 Position	
29	4460464	3	Pin, Male	
30	1001169423	1	Cover	
31	1001180835	1	Pin	
32	1001180838	1	Hub - Spindle Assembly - LH (See Separate Breakdown in this Section)	
33	1001180840	1	Link	
34	1001193047	2	Bearing, Thrust	

SECTION 1 - FRAME

FIGURE 1-2. HUB - SPINDLE ASSEMBLY - RH



ART_2780251

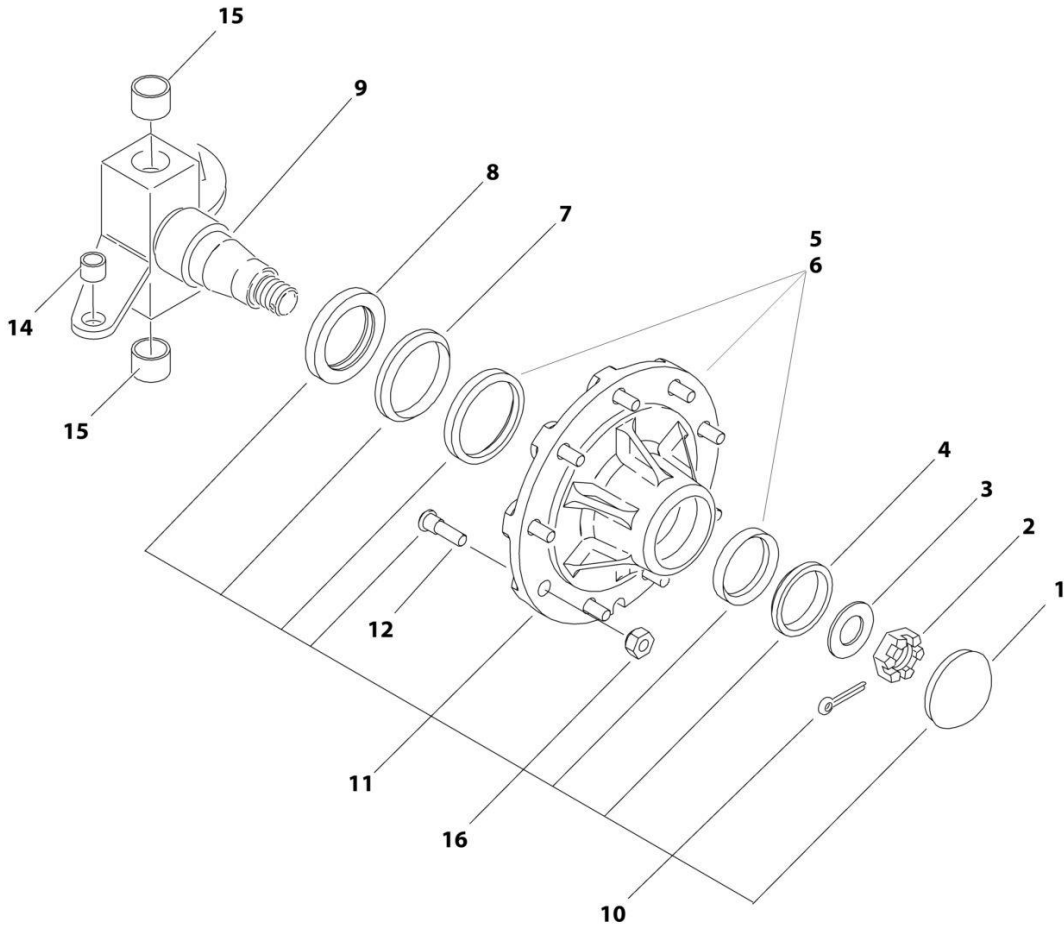
SECTION 1 - FRAME

FIGURE 1-2. HUB - SPINDLE ASSEMBLY - RH

ITEM	PART NUMBER	QTY	DESCRIPTION	REV
	2780251	Ref	HUB - SPINDLE ASSEMBLY, RH	C
1	7023217	1	Spindle, R.H.	
2	7020035	1	Hub	
3	7020036	1	Cup, Bearing - Inner	
4	7020037	1	Cone, Bearing - Inner	
5	7020038	1	Cup, Bearing - Outer	
6	7020039	1	Cone, Bearing - Outer	
7	7020040	1	Seal	
8	7020041	9	Stud, Wheel	
9	7020042	9	Lugnut	
10	7020054	1	Nut, Castle	
11	7020055	1	Washer, Spindle	
12	7020137	1	Dust Cap	
13	7020140	1	Pin, Cotter	
14	0962140	1	Bushing	
15	0961951	2	Bushing	

SECTION 1 - FRAME

FIGURE 1-3. HUB - SPINDLE ASSEMBLY - LH



ART_1001180838

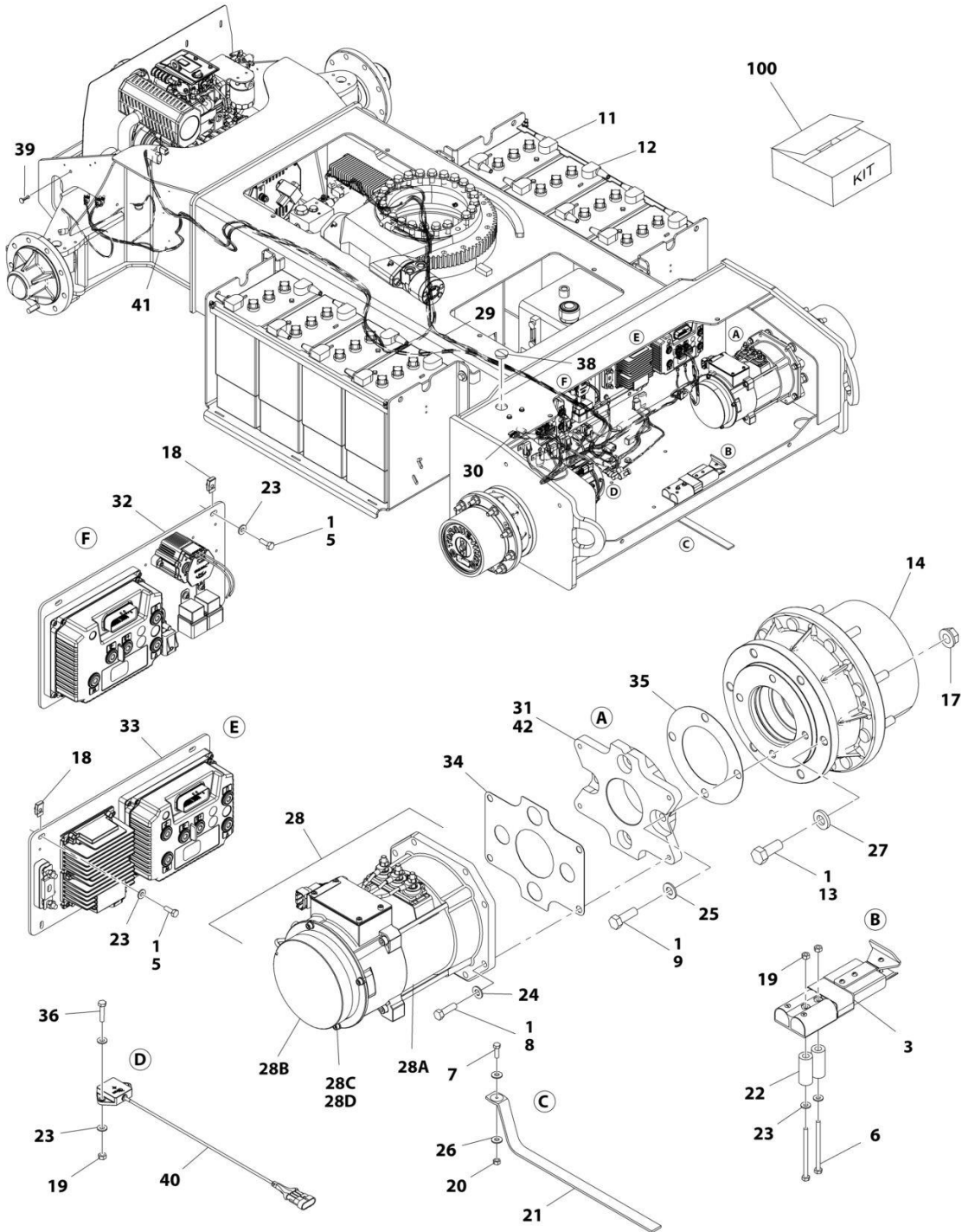
SECTION 1 - FRAME

FIGURE 1-3. HUB - SPINDLE ASSEMBLY - LH

ITEM	PART NUMBER	QTY	DESCRIPTION	REV
	1001180838	Ref	SPINDLE, HUB	B
1	7020137	1	Dust Cap	
2	7020054	1	Nut, Castle	
3	7020055	1	Washer, Spindle	
4	7020039	1	Cone, Bearing - Outer	
5	See Note	NLA	Hub (Note: Use Item 11)	
6	See Note	1	Grease, Lithium (Note: Purchase Locally)	
7	7020037	1	Cone, Bearing - Inner	
8	7020040	1	Seal	
9	70005214	1	Spindle	
10	7020140	1	Pin, Cotter	
11	70005215	1	Hub Assembly (Includes Items 1,4,5,7,8 & 12))	
12	0630490	9	Stud, Wheel	
14	0962140	1	Bearing	
15	0961951	2	Bearing	
16	3300426	9	Lugnut (Note: Must be Purchased Separately)	

SECTION 1 - FRAME

FIGURE 1-4. DRIVE INSTALLATION - NON-UL SPECS



ART_1001179134

SECTION 1 - FRAME

FIGURE 1-4. DRIVE INSTALLATION - NON-UL SPECS

ITEM	PART NUMBER	QTY	DESCRIPTION	REV
	1001179134	Ref	DRIVE INSTALLATION	K
1	0100011	AR	Compound, Locking	
3	0100048	AR	Compound, Silicone	
5	0641406	8	Bolt 1/4 X 3/4	
6	0641430	2	Bolt 1/4 X 3-3/4	
7	0641508	1	Bolt 5/16 X 1	
8	0641610	8	Bolt 3/8 X 1-1/4	
9	0641812	8	Bolt 1/2 X 1-1/2	
11	0840031	8	Boot, Terminal - "d" Shaped	
12	0840032	8	Boot, Terminal - "b" Shaped	
13	0682014	12	Bolt 5/8 X 1-3/4 Grade 8	
14	2780282	2	Drive Hub Assembly (See Separate Breakdown in this Section)	
17	3300426	18	Nut 5/8	
18	3300454	8	Nut 1/4	
19	3311401	4	Nut 1/4	
20	3311505	1	Nut 5/16	
21	4240084	1	Strap, Anti-Static	
22	4568114	2	Tube, Spacer	
23	4711400	14	Washer 1/4	
24	4711600	8	Washer 3/8	
25	4711800	8	Washer 1/2	
26	4751500	2	Washer 5/16	
27	4892000	12	Washer 5/8	
28	1001184854	2	Drive Motor and Brake Assembly	
28A	1001182550	2	Drive Motor Assembly (See Separate Breakdown in this Section)	
28B	1001184852	2	Drive Brake Assembly	
28B	70005415	2	O-Ring Between Brake and Motor (1 Per Assembly) (Not Shown)	
28C	4031707	8	Capscrew M6 x 16	
28D	1001109892	8	Washer M6	
29	1001178405	1	Chassis to Turntable Harness (See Separate Breakdown in ELECTRICAL Section)	
30	1001178629	1	Traction Harness (See Separate Breakdown in ELECTRICAL Section)	
31	1001219722	2	Adapter, Motor	
32	1001179060	1	Electrical Plate Assembly - LH (See Separate Breakdown in this Section)	
33	1001179061	1	Electrical Plate Assembly - RH (See Separate Breakdown in this Section)	
34	1001220271	2	Seal	
35	1001182960	2	Seal	
36	0641408	2	Bolt 1/4-20 x 1	
38	3520035	1	Cap-Plug	
39	4240175	1	Tie-Strap Clamp	
40	1001219601	1	Sensor	
40	See Note	1	Receptacle, Female - 4 Position (Note: Not Available for Purchase)	
40	1001196589	4	Terminal	
41	1001188528	1	Steer/Brake Harness (See Separate Breakdown in ELECTRICAL Section)	
42	0100020	AR	Sealant	

SECTION 1 - FRAME

ITEM	PART NUMBER	QTY	DESCRIPTION	REV
100	1001190088	1	Battery Cable Kit (See Separate Breakdown in ELECTRICAL Section)	

SECTION 1 - FRAME

FIGURE 1-5. DRIVE INSTALLATION - UL SPECS

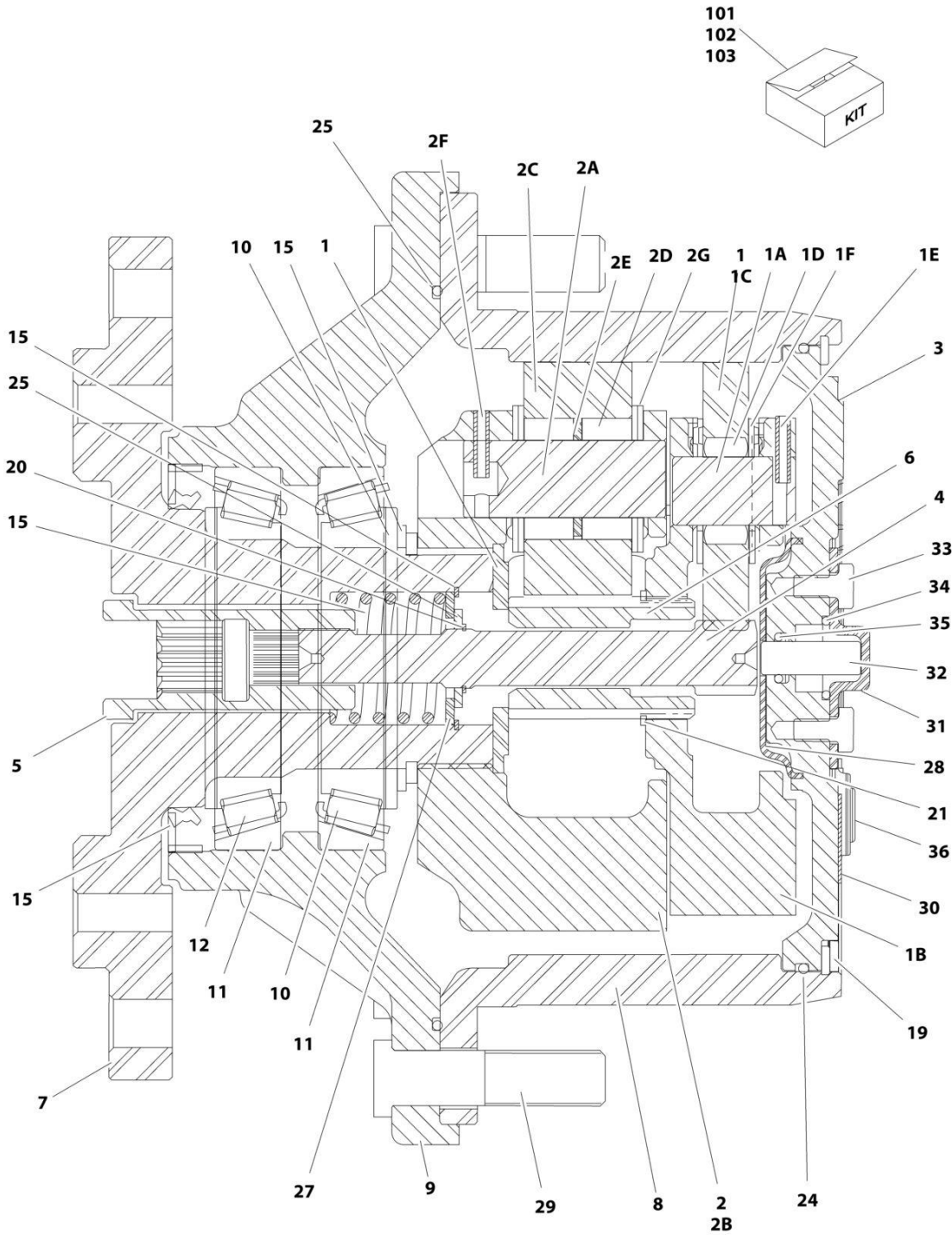
ITEM	PART NUMBER	QTY	DESCRIPTION	REV
	1001212453	Ref	DRIVE INSTALLATION	F
1	0100011	AR	Compound, Locking	
3	0100048	AR	Compound, Silicone	
5	0641406	8	Bolt 1/4 x 3/4	
6	0641408	2	Bolt 1/4 x 1	
7	0641430	2	Bolt 1/4 x 3-3/4	
8	0641508	1	Bolt 5/16 x 1	
9	0641610	8	Bolt 3/8 x 1-1/4	
11	0641812	8	Bolt 1/2 x 1-1/2	
12	0682014	12	Bolt 5/8 x 1-3/4 Grade 8	
13	0721006	4	Bolt #10 x 3/4	
14	0840031	8	Boot, Terminal - "d" Shaped	
15	0840032	8	Boot, Terminal - "b" Shaped	
16	0861375	1	Box	
17	2400044	1	Block, Fuse	
18	2540037	2	Grommet	
19	2780282	2	Drive Hub Assembly (See Separate Breakdown in this Section)	
22	3300426	18	Nut 5/8	
23	3300454	8	Nut 1/4	
24	3311001	6	Nut #10	
25	3311401	4	Nut 1/4	
26	3311505	1	Nut 5/16	
27	3520035	1	Cap-Plug	
28	4240084	1	Strap, Anti-Static	
29	4568114	2	Tube, Spacer	
30	4711400	14	Washer 1/4	
31	4711600	8	Washer 3/8	
32	4711800	8	Washer 1/2	
33	4751000	10	Washer, 10	
34	4751500	2	Washer 5/16	
35	4892000	12	Washer 5/8	
36	1001170365	1	Fuse 400 Amp	
38	1001178405	1	Chassis to Turntable Harness (See Separate Breakdown in ELECTRICAL Section)	
39	1001178629	1	Traction Harness (See Separate Breakdown in ELECTRICAL Section)	
40	1001219722	2	Adapter, Motor	
41	1001219601	1	Sensor	
41	See Note	1	Receptacle, Female - 4 Position (Note: Not Available for Purchase)	
41	1001196589	4	Terminal	
42	1001220271	2	Seal	
43	1001182960	2	Seal	
44	1001184854	2	Drive Motor and Brake Assembly	
44A	1001182550	2	Drive Motor Assembly (See Separate Breakdown in this Section)	
44B	1001184852	2	Drive Brake Assembly	
44B	70005415	2	O-Ring Between Brake and Motor (1 Per Assembly) (Not Shown)	
44C	4031707	8	Capscrew M6 x 16	
44D	1001109892	8	Washer M6	

SECTION 1 - FRAME

ITEM	PART NUMBER	QTY	DESCRIPTION	REV
45	1001188528	1	Steer/Brake Harness (See Separate Breakdown in ELECTRICAL Section)	
46	1001212456	1	Electrical Plate Assembly - RH (See Separate Breakdown in this Section)	
47	1001213626	1	Decal - 400 Amp Fuse	
48	1001214668	1	Electrical Plate Assembly - LH (See Separate Breakdown in this Section)	
49	4240175	1	Tie-Strap Clamp	
50	0100020	AR	Sealant	
100	1001212454	1	Battery Cable Kit (See Separate Breakdown in ELECTRICAL Section)	

SECTION 1 - FRAME

FIGURE 1-6. DRIVE HUB ASSEMBLY



ART_2780282

SECTION 1 - FRAME

FIGURE 1-6. DRIVE HUB ASSEMBLY

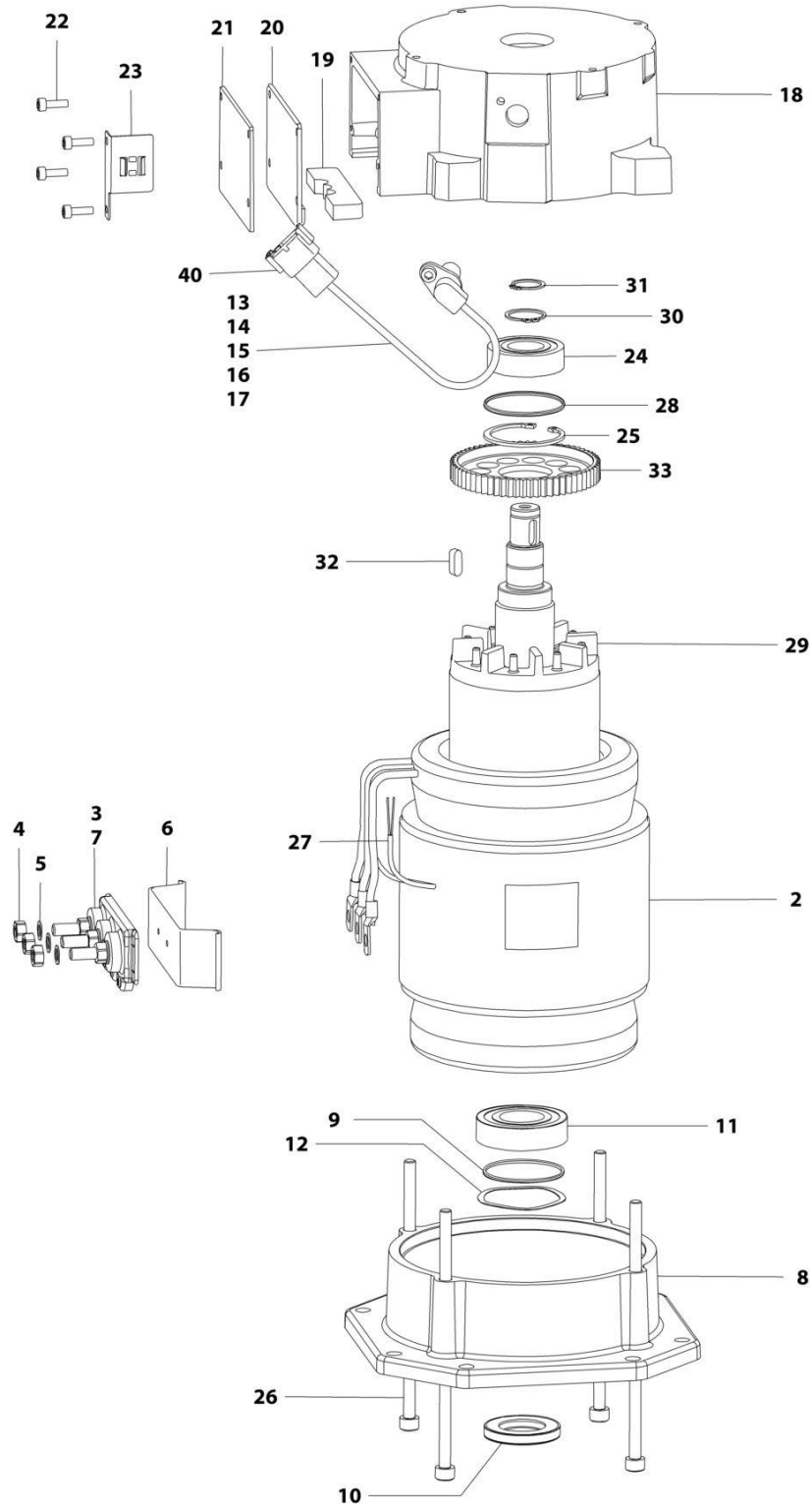
ITEM	PART NUMBER	QTY	DESCRIPTION	REV
	2780282	Ref	DRIVE HUB ASSEMBLY	D
1	70001366	1	Carrier Sub Assembly	
1A	See Note	NSS	Shaft, Planet (Note: Use Item 1)	
1B	See Note	NSS	Carrier (Note: Use Item 1)	
1C	See Note	NSS	Gear, Planet (Note: Use Item 1)	
1D	See Note	NSS	Bearing, Needle (Note: Use Item 1)	
1E	See Note	NSS	Rollpin (Note: Use Item 1)	
1F	See Note	NSS	Thrustwasher (Note: Use Item 1)	
2	70001367	1	Carrier, Input	
2A	See Note	NSS	Shaft, Planet (Note: Use Item 2)	
2B	See Note	NSS	Carrier (Note: Use Item 2)	
2C	See Note	NSS	Gear, Planet (Note: Use Item 2)	
2D	See Note	NSS	Bearing, Needle (Note: Use Item 2)	
2E	See Note	NSS	Spacer, Thrust (Note: Use Item 2)	
2F	See Note	NSS	Rollpin (Note: Use Item 2)	
2G	See Note	NSS	Thrustwasher (Note: Use Item 2)	
2H	See Note	NSS	Thrustwasher (Note: Use Item 2)	
3	See Note	NSS	Cover (Note: Use Item 103)	
4	70001369	1	Shaft, Input	
5	70001370	1	Coupling	
6	70001371	1	Shaft, Sun Gear	
7	70001372	1	Spindle	
8	70001373	1	Gear, Ring	
9	See Note	NSS	Housing (Note: Not Available - Purchase Complete Assembly)	
10	See Note	NSS	Cone, Bearing (Note: Use Item 101)	
11	See Note	NSS	Cup, Bearing (Note: Use Item 101)	
12	See Note	NSS	Cone, Bearing (Note: Use Item 101)	
13	7017009	1	Thrustwasher	
15	See Note	NSS	Seal, Lip (Note: Use Item 102)	
16	70001374	1	Spring	
17	70001375	1	Ring, Retaining (Internal)	
18	See Note	NSS	Ring, Retaining (Note: Use Item 102)	
19	7024738	1	Ring, Retaining (Note: Use Item 102)	
20	70001376	1	Ring, Retaining (External)	
21	70001377	1	Ring, Retaining (External)	
22	7000281	4	Screw (Not Shown - ID Plate Screws)	
23	7017022	3	Screw (Not Shown - Located on Front of Hub)	
24	See Note	NSS	O-Ring (Note: Use Item 102)	
25	See Note	NSS	O-Ring (Note: Use Item 102)	
26	70001378	1	Spacer, Thrust	
27	70001379	1	Thrustwasher	
28	7024741	1	Spacer, Thrust	
29	7007640	9	Stud, Wheel	
30	See Note	NSS	Flange, Plate (Note: Use Item 103)	
31	See Note	NSS	Cap, Disengage (Note: Use Item 103)	
32	See Note	NSS	Pin, Dowel (Note: Use Item 103)	
33	See Note	NSS	Bolt (Note: Use Item 103)	
34	See Note	NSS	O-Ring (Note: Use Item 103)	
35	See Note	NSS	O-Ring (Note: Use Item 103)	
36	See Note	NSS	O-Ring (Note: Use Item 103)	

SECTION 1 - FRAME

ITEM	PART NUMBER	QTY	DESCRIPTION	REV
101	7017007	1	Planet Gear Bearing Kit (Includes Items 10-12)	
102	70001380	1	Planet Gear Seal Kit (Includes Items 15, 18, 24 & 25)	
103	70001368	1	Cover/Cap/Disengage Kit (Includes Items 3 & 30-36)	

SECTION 1 - FRAME

FIGURE 1-7. DRIVE MOTOR ASSEMBLY



ART_1001182550

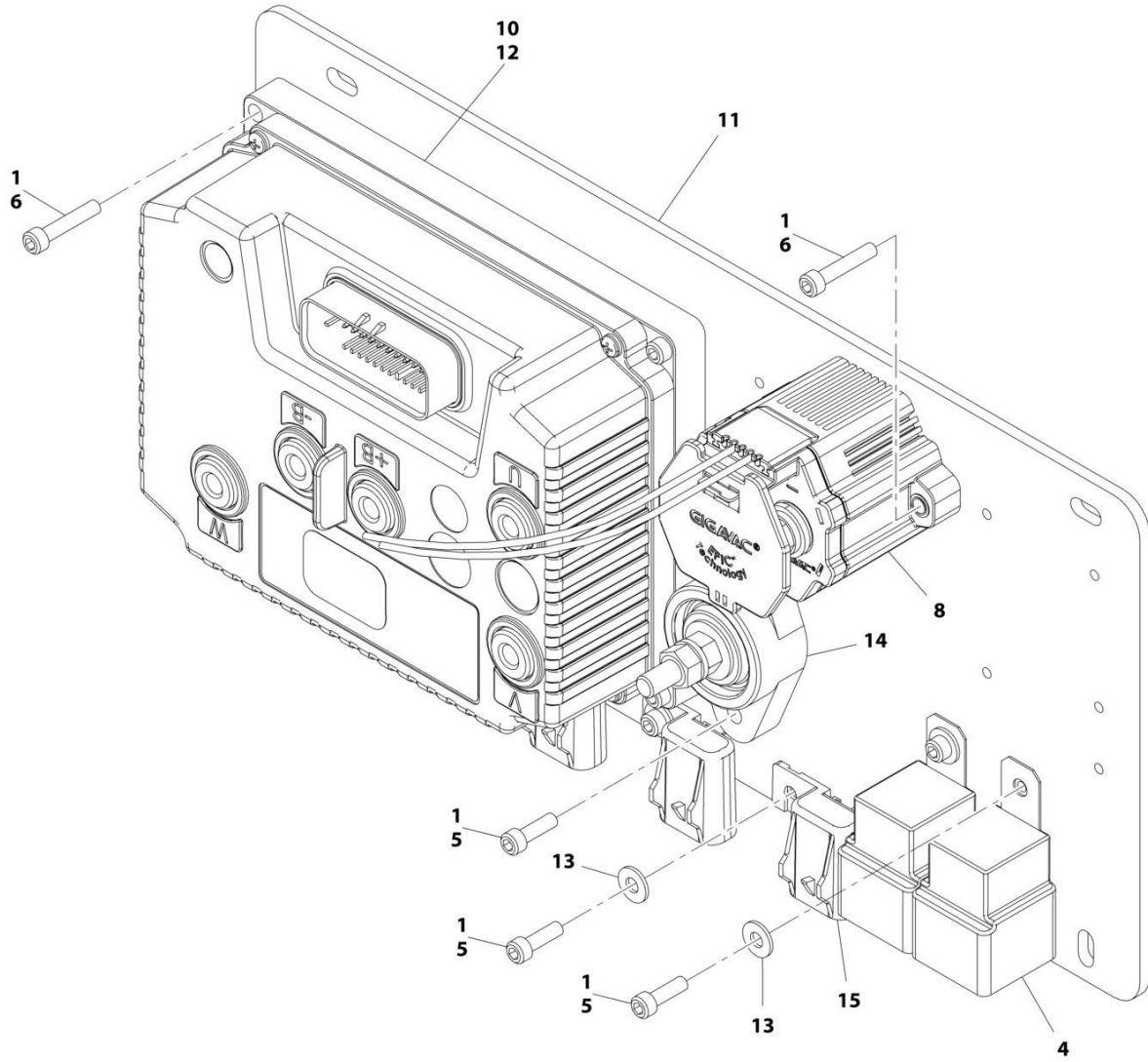
SECTION 1 - FRAME

FIGURE 1-7. DRIVE MOTOR ASSEMBLY

ITEM	PART NUMBER	QTY	DESCRIPTION	REV
	1001182550	Ref	DRIVE MOTOR ASSEMBLY	F
2	70005385	1	Stator	
3	70005386	1	Board, Terminal	
4	70005387	3	Nut M8	
5	70005388	3	Washer M8	
6	70005389	1	Base, Terminal	
7	70005390	2	Screw M5 x 14	
8	70005391	1	Plate, Drive End	
9	70004811	1	O-Ring	
10	70005392	1	Seal, Shaft	
11	70004809	1	Bearing	
12	70005393	1	Washer, Wavy	
13	70005394	1	Sensor (Includes Items 14-17)	
14	70005395	1	Screw M8 x 16	
15	70005396	1	Wedge	
16	70005397	1	Connector	
17	4460516	4	Pin, Male	
18	70005398	1	Shield, End	
19	70005399	1	Seal	
20	70005400	1	Seal	
21	70005401	1	Cover	
22	70005402	4	Screw M5 x 16	
23	70005403	1	Plate, Retaining	
24	70005404	1	Bearing	
25	70005405	1	Clip, Retainer	
26	70005406	4	Screw M8 x 180	
27	70005407	1	Temperature, Sensor	
28	70005408	1	O-Ring	
29	70005409	1	Rotor	
30	70004820	1	Clip, Retainer	
31	70005410	1	Clip, Retainer	
32	70005411	1	Key	
33	70005412	1	Gear	
40	1001190577	1	Connector - 8 Position	
40	4460516	8	Pin	

SECTION 1 - FRAME

FIGURE 1-8. ELECTRICAL PLATE ASSEMBLY - LH



ART_1001179060

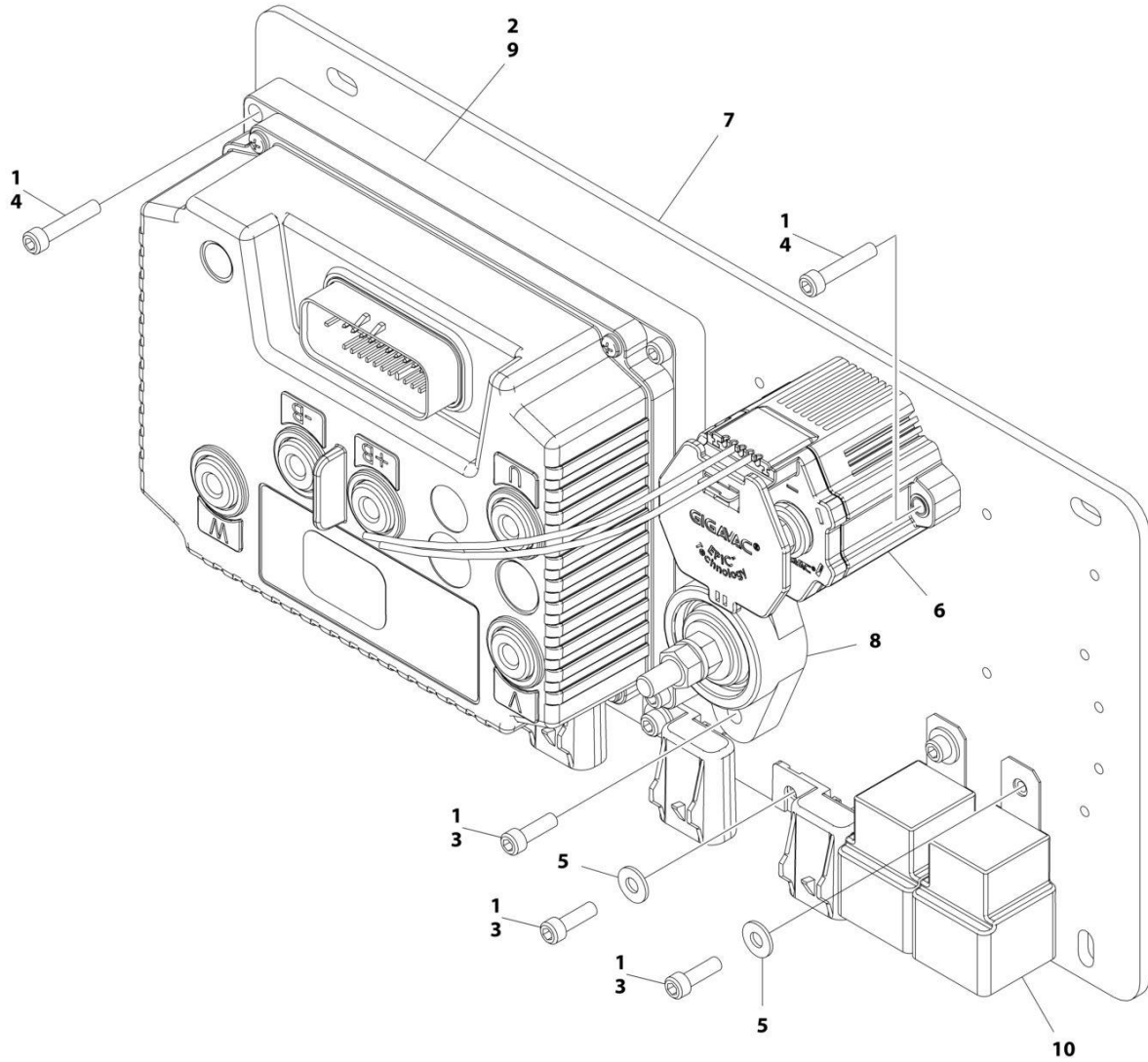
SECTION 1 - FRAME

FIGURE 1-8. ELECTRICAL PLATE ASSEMBLY - LH

ITEM	PART NUMBER	QTY	DESCRIPTION	REV
	1001179060	Ref	ELECTRICAL PLATE ASSEMBLY	G
1	0100035	AR	Compound, Locking	
4	3740080	2	Relay	
5	3931010	8	Capscrew #10 X 5/8	
6	3931016	6	Capscrew #10 X 1	
8	1001170367	1	Relay, Contacter	
8	70004827	1	Receptacle, Female - 2 Position	
10	1001192212	1	Module, Drive	
11	1001179064	1	Plate	
12	0100083	AR	Grease, Heat Transfer	
13	4711000	6	Washer #10	
14	1001186860	1	Stud, Power Distribution	
15	1001217842	4	Fuseholder	

SECTION 1 - FRAME

FIGURE 1-9. ELECTRICAL PLATE ASSEMBLY - LH - UL SPECS



ART_1001214668

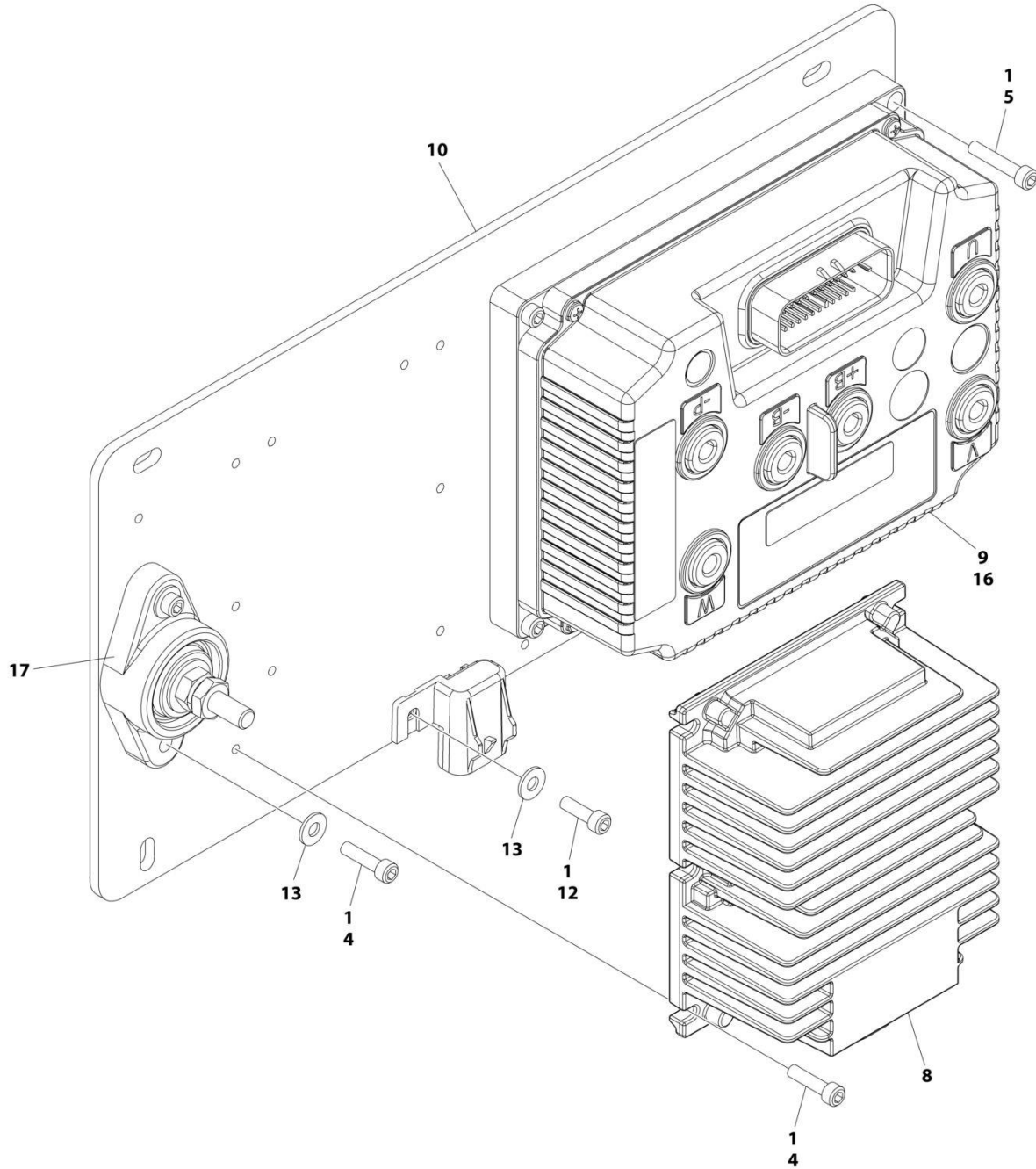
SECTION 1 - FRAME

FIGURE 1-9. ELECTRICAL PLATE ASSEMBLY - LH - UL SPECS

ITEM	PART NUMBER	QTY	DESCRIPTION	REV
	1001214668	Ref	ELECTRICAL PLATE ASSEMBLY - LH	B
1	0100035	AR	Compound, Locking	
2	0100083	AR	Grease, Heat Transfer	
3	3931010	8	Capscrew #10 x 5/8	
4	3931016	6	Capscrew #10 x 1	
5	4711000	6	Washer #10	
6	1001272006	1	Relay, Contactor	
6	1001153612	1	Receptacle, Female - 2 Position	
7	1001179064	1	Plate	
8	1001186860	1	Stud, Power Distribution	
9	1001192212	1	Module, Drive	
10	1001214667	2	Relay	

SECTION 1 - FRAME

FIGURE 1-10. ELECTRICAL PLATE ASSEMBLY - RH



ART_1001179061

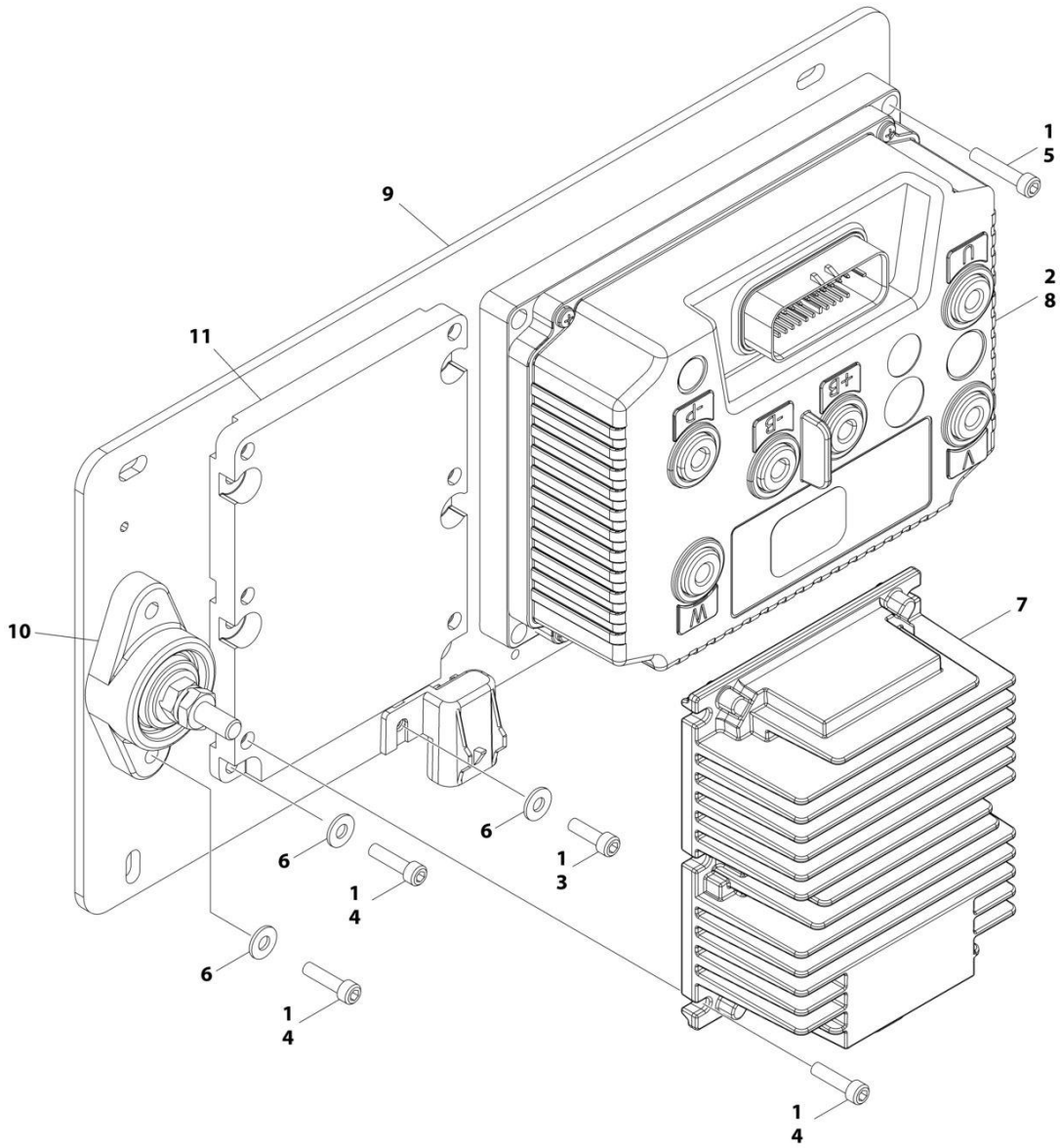
SECTION 1 - FRAME

FIGURE 1-10. ELECTRICAL PLATE ASSEMBLY - RH

ITEM	PART NUMBER	QTY	DESCRIPTION	REV
	1001179061	Ref	ELECTRICAL PLATE ASSEMBLY - RH	F
1	0100035	AR	Compound, Locking	
4	3931012	8	Capscrew #10 X 3/4	
5	3931016	4	Capscrew #10 X 1	
8	1001174447	1	Converter	
9	1001178339	1	Module, Drive	
10	1001179064	1	Plate	
12	3931010	1	Capscrew #10 X 5/8	
13	4711000	3	Washer #10	
16	0100083	AR	Grease, Heat Transfer	
17	1001212359	1	Stud, Power Distribution	

SECTION 1 - FRAME

FIGURE 1-11. ELECTRICAL PLATE ASSEMBLY - RH - UL SPECS



ART_1001212456

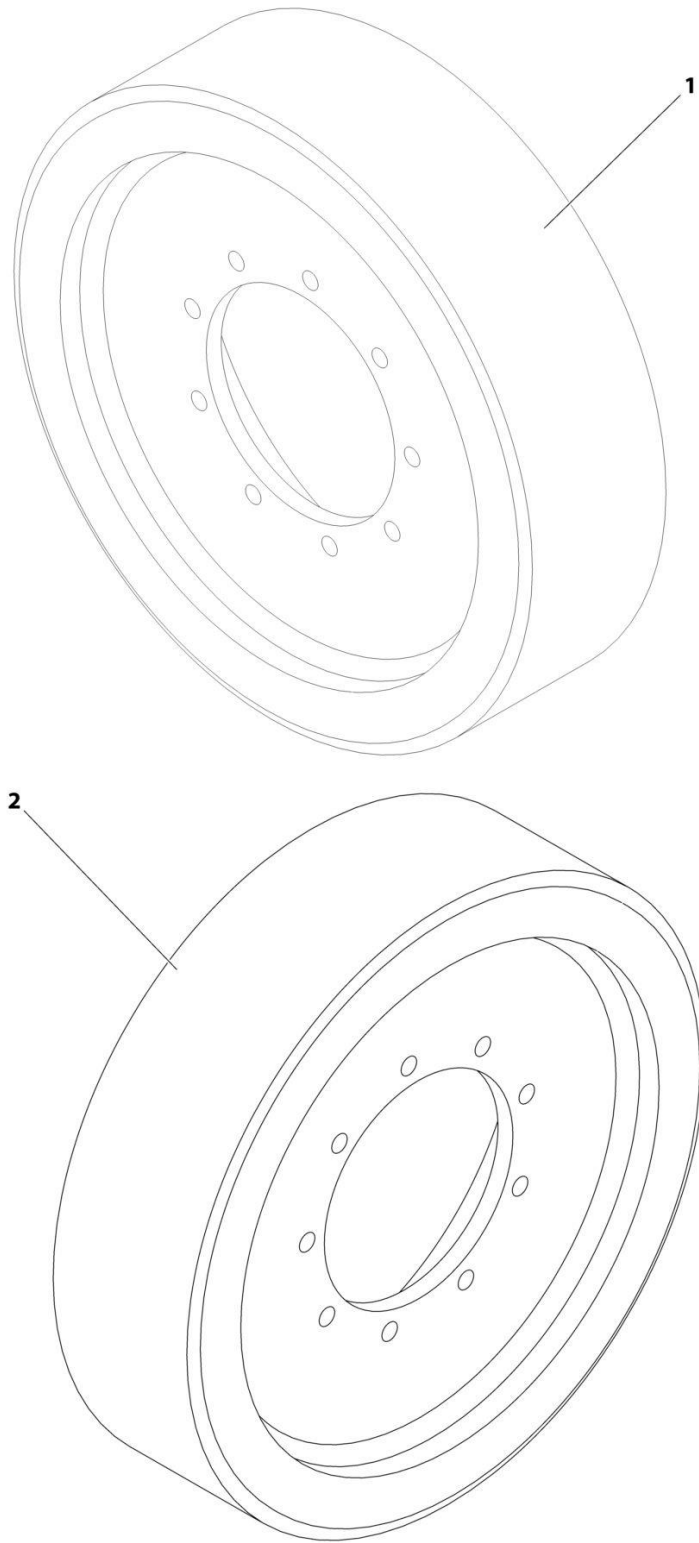
SECTION 1 - FRAME

FIGURE 1-11. ELECTRICAL PLATE ASSEMBLY - RH - UL SPECS

ITEM	PART NUMBER	QTY	DESCRIPTION	REV
	1001212456	Ref	ELECTRICAL PLATE ASSEMBLY - RH	A
1	0100035	AR	Compound, Locking	
2	0100083	AR	Grease, Heat Transfer	
3	3931010	1	Capscrew #10 X 5/8	
4	3931012	14	Capscrew #10 X 3/4	
5	3931016	4	Capscrew #10 X 1	
6	4711000	9	Washer #10	
7	1001174447	1	Converter	
8	1001178339	1	Module, Drive	
9	1001179064	1	Plate	
10	1001212359	1	Stud	
11	1001212450	1	Insulate	

SECTION 1 - FRAME

FIGURE 1-12. TIRE/WHEEL - SOLID NON-MARKING



ART_0270028

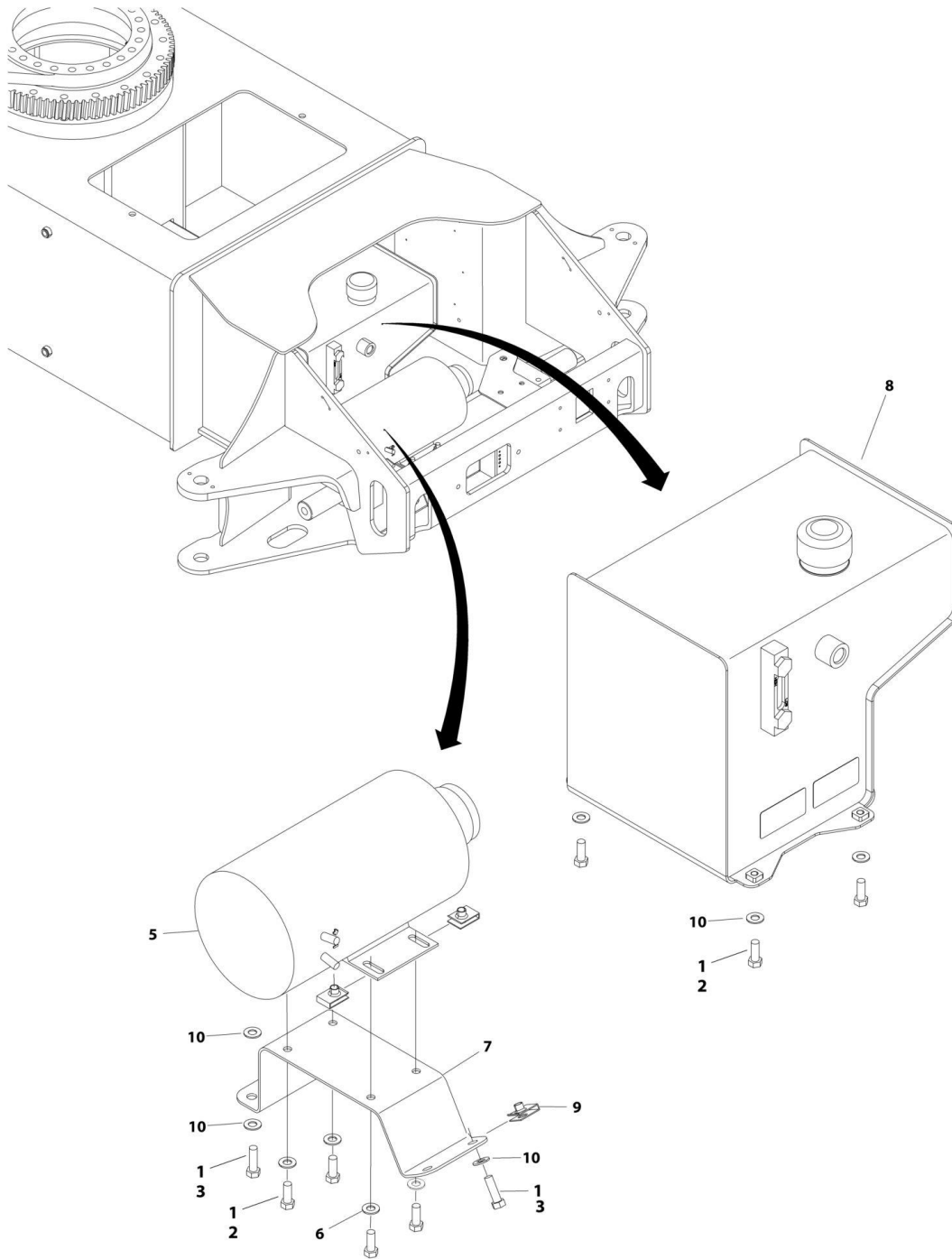
SECTION 1 - FRAME

FIGURE 1-12. TIRE/WHEEL - SOLID NON-MARKING

ITEM	PART NUMBER	QTY	DESCRIPTION	REV
	0270028	Ref	TIRE/WHEEL INSTALLATION - NON MARKING	C
		Ref	E400Anarrow/E400AJPnarrow Machines Only	
		Ref	Note: Must replace Tire and Wheel Assemblies in pairs per axle.	
1	1001110772	2	25 x 7 x 16 - Solideal Tire and Wheel (Drive Axle Tire)	
2	1001110774	2	22 x 6 x 17.75 - Solideal Tire and Wheel (Steer Axle Tire)	

SECTION 1 - FRAME

FIGURE 1-13. MOTOR/PUMP/TANK - NON-UL SPECS



ART_1001166417

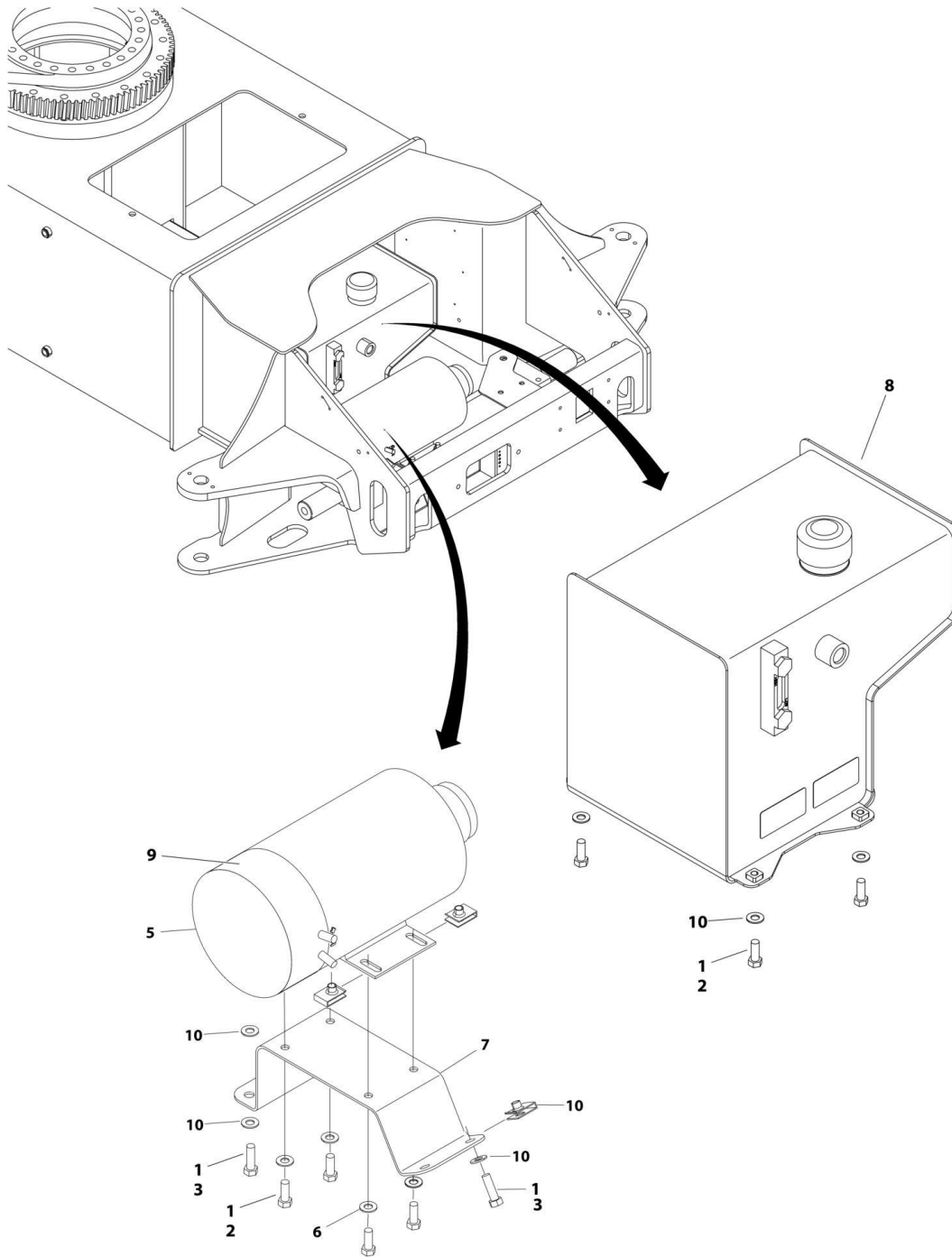
SECTION 1 - FRAME

FIGURE 1-13. MOTOR/PUMP/TANK - NON-UL SPECS

ITEM	PART NUMBER	QTY	DESCRIPTION	REV
	1001166417	Ref	MOTOR/PUMP/TANK INSTALLATION	F
1	0100011	AR	Compound, Locking	
2	0641608	8	Bolt 3/8 x 1	
3	0641610	4	Bolt 3/8 x 1-1/4	
5	3600289	1	Motor/Pump Assembly (See Separate Breakdown in this Section)	
6	4711600	4	Washer 3/8	
7	1001166419	1	Plate, Mounting	
8	1001171213	1	Tank, Hydraulic (See Separate Breakdown in this Section)	
9	88662523	8	Nut, Tinnerman	
10	4891600	8	Washer 3/8 Hardened	

SECTION 1 - FRAME

FIGURE 1-14. MOTOR/PUMP/TANK INSTALLATION - UL SPECS



ART_1001167487

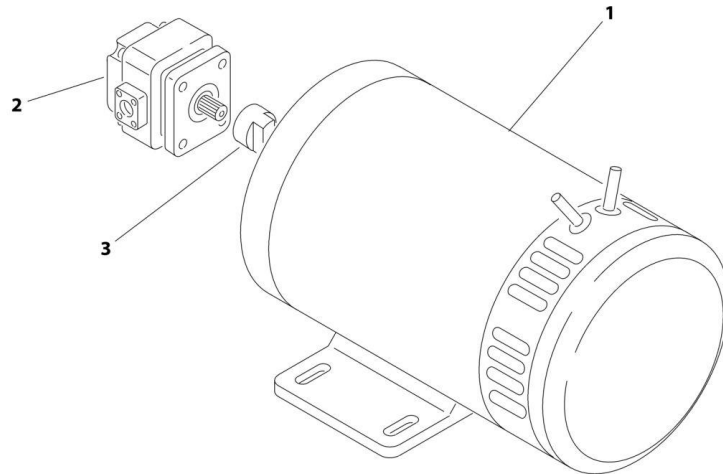
SECTION 1 - FRAME

FIGURE 1-14. MOTOR/PUMP/TANK INSTALLATION - UL SPECS

ITEM	PART NUMBER	QTY	DESCRIPTION	REV
	1001167487	Ref	MOTOR/PUMP/TANK INSTALLATION	F
1	0100011	AR	Compound, Locking	
2	0641608	8	Bolt 3/8 x 1	
3	0641610	4	Bolt 3/8 x 1-1/4	
5	3600289	1	Motor/Pump Assembly (See Separate Breakdown in this Section)	
6	4751600	4	Washer 3/8	
7	1001166419	1	Plate, Mounting	
8	1001171213	1	Tank Hydraulic (See Separate Breakdown in this Section)	
9	0340048	1	Band, Motor	
10	88662523	8	Nut, Tinnerman	
11	4891600	8	Washer, 3/8 Hardened	

SECTION 1 - FRAME

FIGURE 1-15. MOTOR/PUMP ASSEMBLY



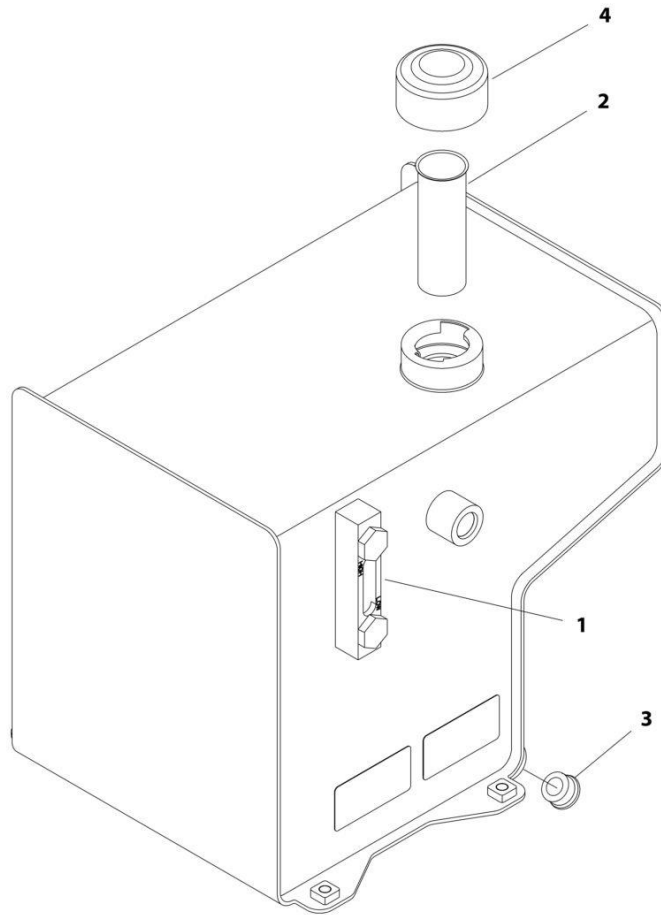
ART_3600289

FIGURE 1-15. MOTOR/PUMP ASSEMBLY

ITEM	PART NUMBER	QTY	DESCRIPTION	REV
	3600289	Ref	MOTOR/PUMP ASSEMBLY	A
1	7021318	1	Motor Assembly	
1	7021361	1	Brush Kit	
1	70003171	1	Spring, Brush	
1	70001961	1	Seal, Oil	
2	7021319	1	Pump Assembly	
2	7021377	1	Seal Kit	
3	70002523	1	Coupling	

SECTION 1 - FRAME

FIGURE 1-16. HYDRAULIC TANK ASSEMBLY



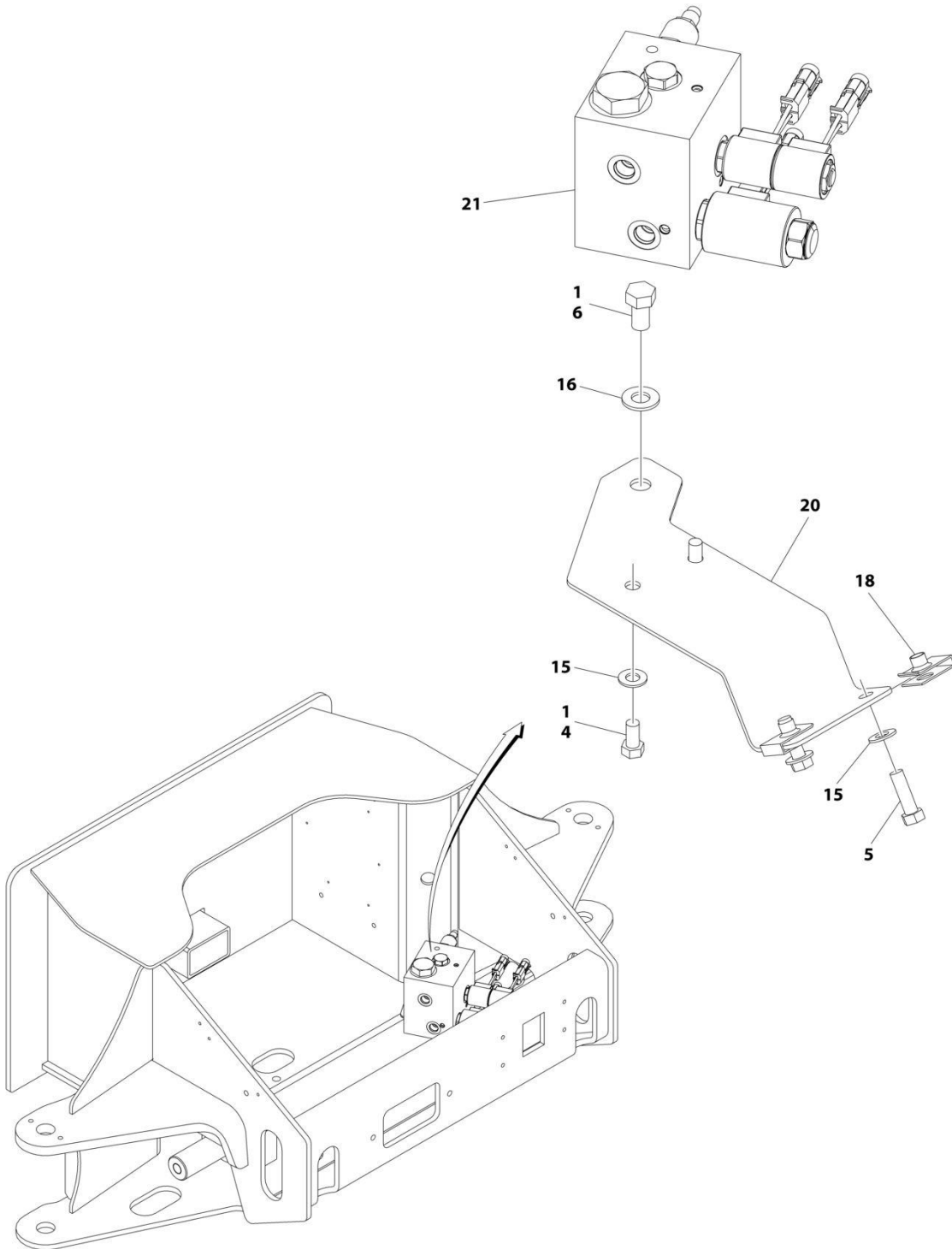
ART_1001171213

FIGURE 1-16. HYDRAULIC TANK ASSEMBLY

ITEM	PART NUMBER	QTY	DESCRIPTION	REV
	1001171213	Ref	HYDRAULIC TANK ASSEMBLY	A
1	70005101	1	Gauge, Sight	
2	7024445	1	Strainer	
3	70002112	1	Plug, Drain	
4	7024444	1	Cap, Filler	

SECTION 1 - FRAME

FIGURE 1-17. VALVE INSTALLATION - FRAME MOUNTED - E400AN



ART_1001180930_10F2

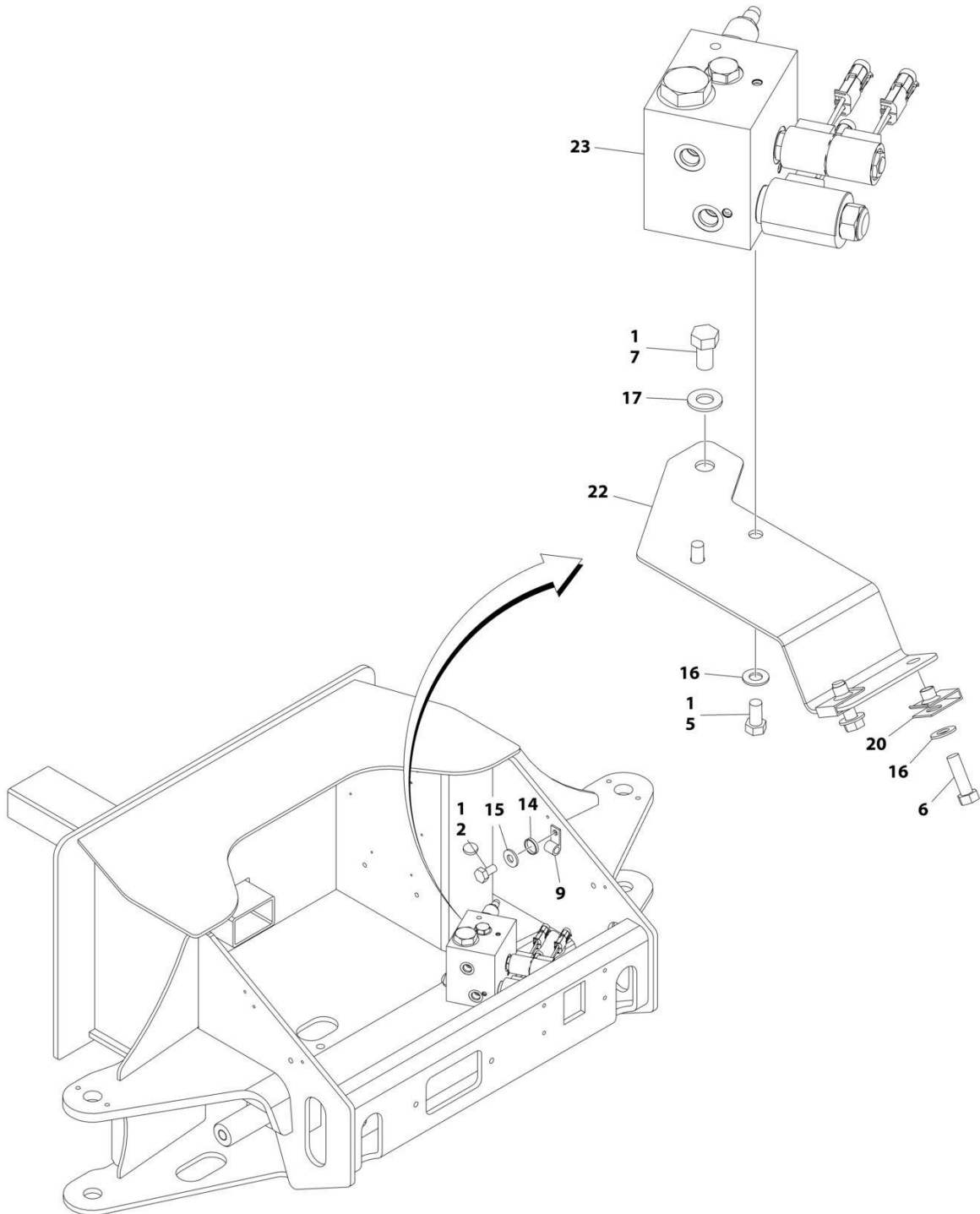
SECTION 1 - FRAME

FIGURE 1-17. VALVE INSTALLATION - FRAME MOUNTED - E400AN

ITEM	PART NUMBER	QTY	DESCRIPTION	REV
	1001180930	Ref	VALVE INSTALLATION - FRAME MOUNTED	B
1	0100011	AR	Compound, Locking	
4	0641606	2	Bolt 3/8 X 3/4	
5	0641610	2	Bolt 3/8 X 1-1/4	
6	0641807	1	Bolt 1/2 X 7/8	
15	4711600	4	Washer 3/8	
16	4711800	1	Washer 1/2	
18	88662523	2	Nut, Tinnerman	
20	1001166420	1	Bracket, Mounting	
21	1001177364	1	Steer/Brake Valve Assembly (See Separate Breakdown in this Section)	

SECTION 1 - FRAME

FIGURE 1-18. VALVE INSTALLATION - FRAME MOUNTED - E400AJPN



ART_1001218367_10F2

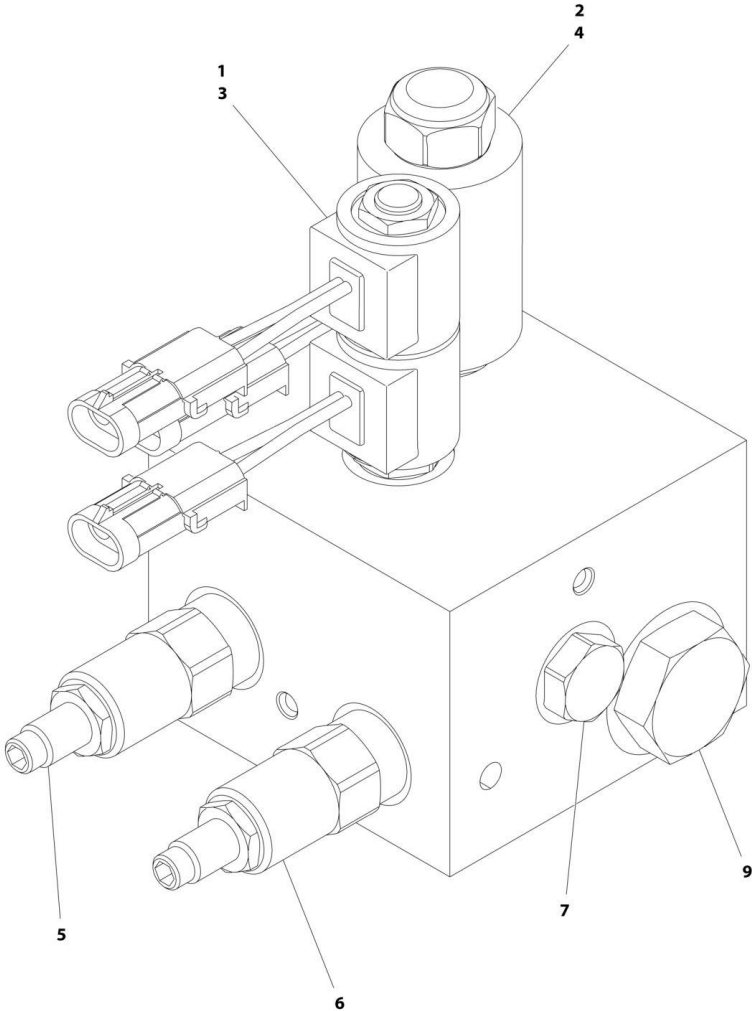
SECTION 1 - FRAME

FIGURE 1-18. VALVE INSTALLATION - FRAME MOUNTED - E400AJPN

ITEM	PART NUMBER	QTY	DESCRIPTION	REV
	1001218367	Ref	VALVE INSTALLATION - FRAME MOUNTED - E400AJPnarrow	A
1	0100011	AR	Compound, Locking	
2	0641404	1	Bolt, 1/4 x 1/2	
5	0641606	2	Bolt, 3/8 X 3/4	
6	0641610	2	Bolt, 3/8 X 1-1/4	
7	0641807	1	Bolt, 1/2 X 7/8	
9	1320040	1	Clamp	
14	4240032	1	Tie, Strap	
15	4711400	1	Washer, 1/4	
16	4711600	6	Washer, 3/8	
17	4711800	1	Washer, 1/2	
20	88662523	2	Nut, Tinnerman	
22	1001166420	1	Bracket, Mounting	
23	1001177364	1	Steer/Brake Valve Assembly (See Separate Breakdown in this Section)	

SECTION 1 - FRAME

FIGURE 1-19. BRAKE/STEER VALVE ASSEMBLY



ART_1001177364

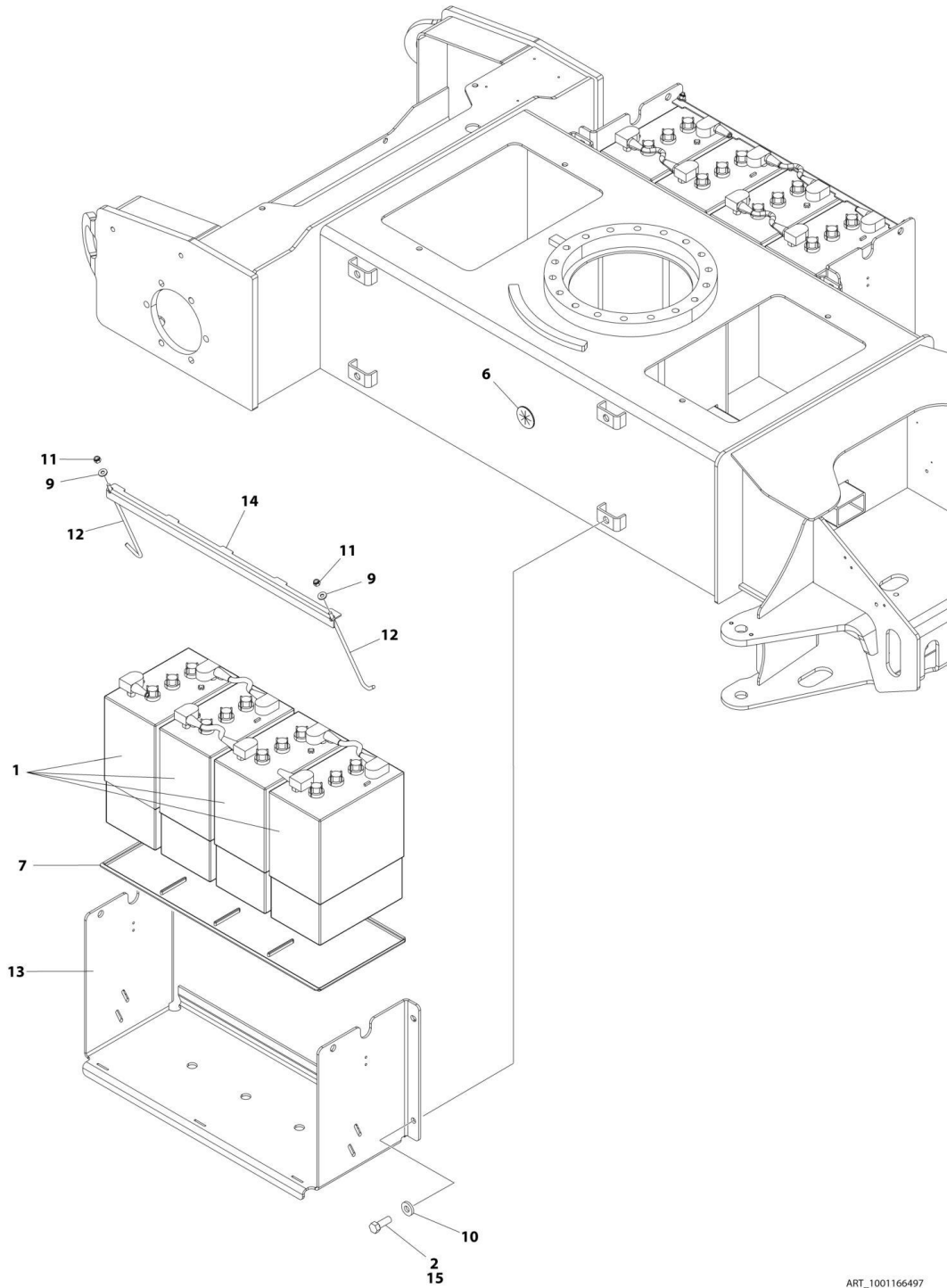
SECTION 1 - FRAME

FIGURE 1-19. BRAKE/STEER VALVE ASSEMBLY

ITEM	PART NUMBER	QTY	DESCRIPTION	REV
	1001177364	Ref	BRAKE/STEER VALVE ASSEMBLY	G
1	7017433	1	Cartridge, without Coil (Steer)	
1	7017402	1	Seal Kit - 7017433 Cartridge	
2	7021611	1	Cartridge, Proportional without Coil (Flow Control)	
2	7012518	1	Seal Kit - 7021611 Cartridge	
3	7021609	2	Coil	
4	7021618	1	Coil	
5	7021659	1	Cartridge, Relief (Main)	
5	7012972	1	Seal Kit - 7021659	
6	7017488	1	Cartridge, Relief (Steer)	
6	7012998	1	Seal Kit - 7017488 Cartridge	
7	10837580	1	Cartridge, Load Shuttle	
7	7010543	1	Seal Kit - 7012941 Cartridge	
9	7021616	1	Cartridge, Filter	

SECTION 1 - FRAME

FIGURE 1-20. BATTERY BOX INSTALLATION - STANDARD (ALL SPECS EXCEPT AUSTRALIAN & CE SPECS)



ART_1001166497

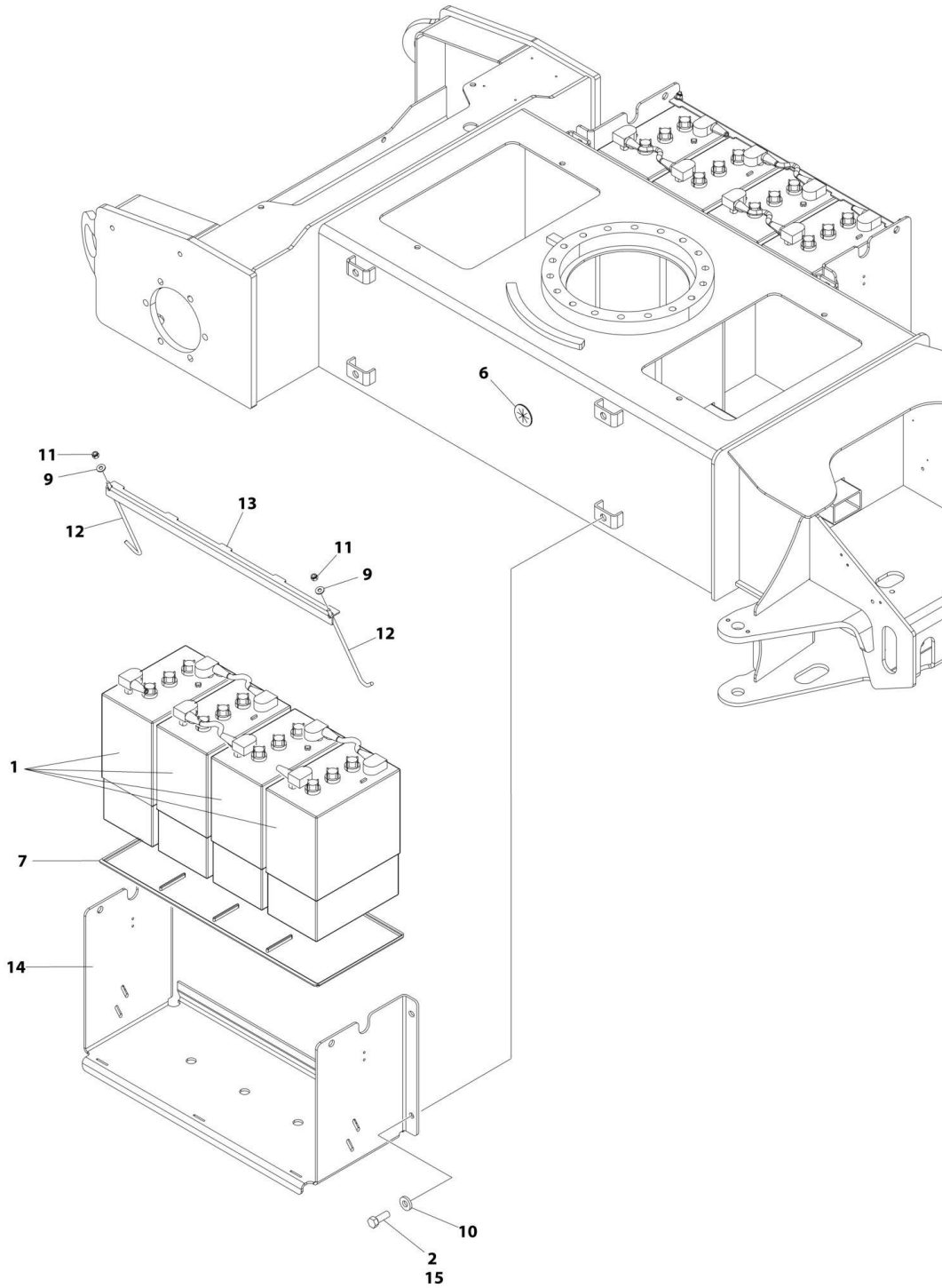
SECTION 1 - FRAME

FIGURE 1-20. BATTERY BOX INSTALLATION - STANDARD (ALL SPECS EXCEPT AUSTRALIAN & CE SPECS)

ITEM	PART NUMBER	QTY	DESCRIPTION	REV
	1001166497	Ref	BATTERY BOX INSTALLATION	C
1	0400055	8	Battery (Wet)	
1	7016177	8	Battery (Dry)	
2	0641811	8	Bolt 1/2 X 1-3/8	
6	2540045	2	Grommet	
7	3000003	2	Liner, Battery Box	
9	4751500	4	Washer 5/16	
10	4891800	8	Washer 1/2 Hardened	
11	88521205	4	Nut 5/16	
12	1001093382	4	Bolt, J-Bolt	
13	1001166495	2	Tray, Battery	
14	1001166496	2	Battery Hold Down	
15	0100011	AR	Compound, Locking	

SECTION 1 - FRAME

FIGURE 1-21. BATTERY BOX INSTALLATION - STANDARD (AUSTRALIAN & CE SPECS)



ART_1001168670

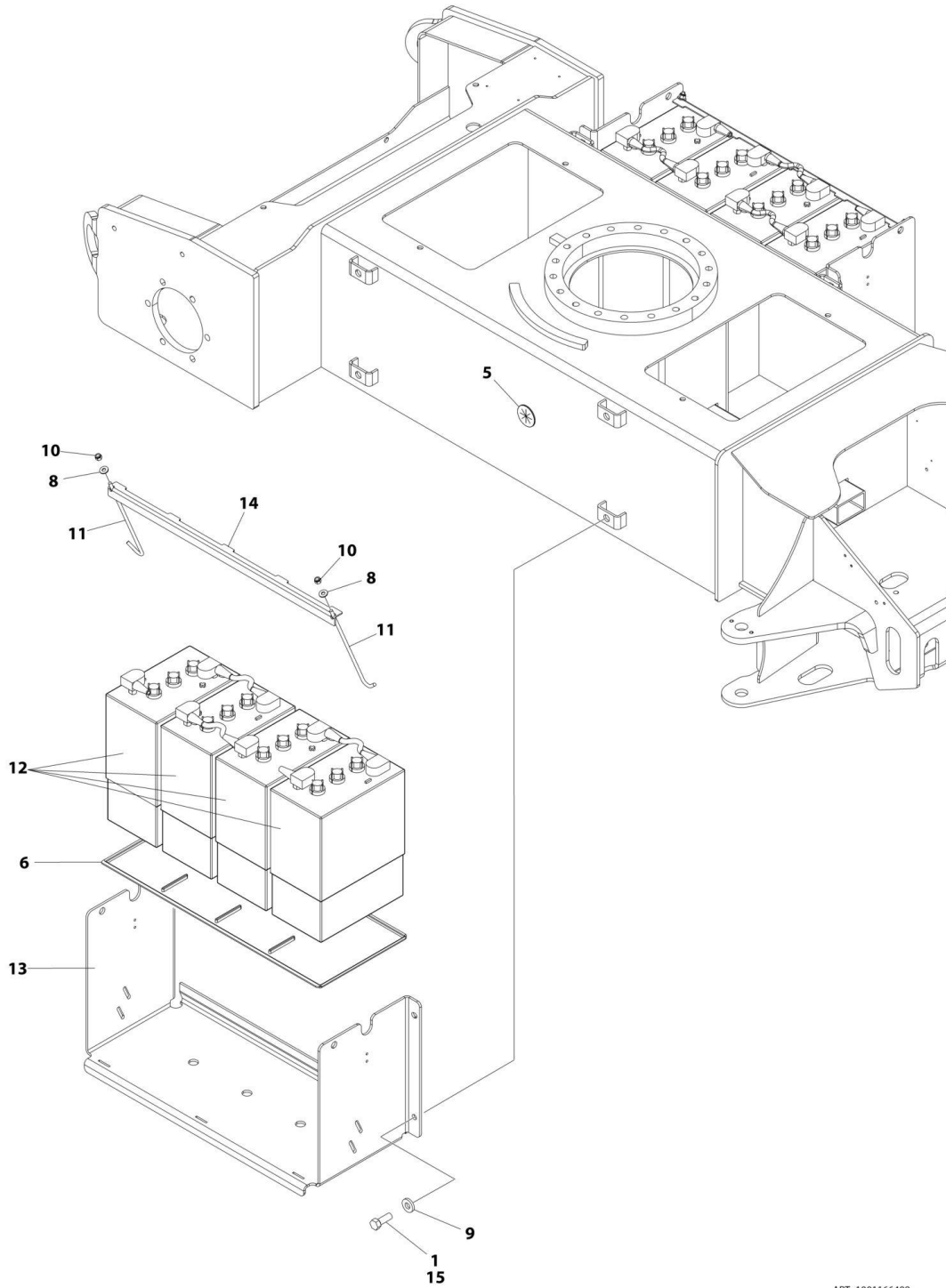
SECTION 1 - FRAME

FIGURE 1-21. BATTERY BOX INSTALLATION - STANDARD (AUSTRALIAN & CE SPECS)

ITEM	PART NUMBER	QTY	DESCRIPTION	REV
	1001168670	Ref	BATTERY BOX INSTALLATION	C
1	0400055	8	Battery (Wet)	
1	7016177	8	Battery (Dry)	
2	0641811	8	Bolt 1/2 X 1-3/8	
6	2540045	2	Grommet	
7	3000003	2	Liner, Battery Box	
9	4751500	4	Washer 5/16	
10	4891800	8	Washer 1/2 Hardened	
11	88521205	4	Nut 5/16	
12	1001093382	4	Bolt, J-Bolt	
13	1001166496	2	Battery Hold Down	
14	1001168800	2	Tray, Battery	
15	0100011	AR	Compound, Locking	

SECTION 1 - FRAME

FIGURE 1-22. BATTERY BOX INSTALLATION - AGM BATTERIES (ALL SPECS EXCEPT AUSTRALIAN & CE SPECS)



ART_1001166498

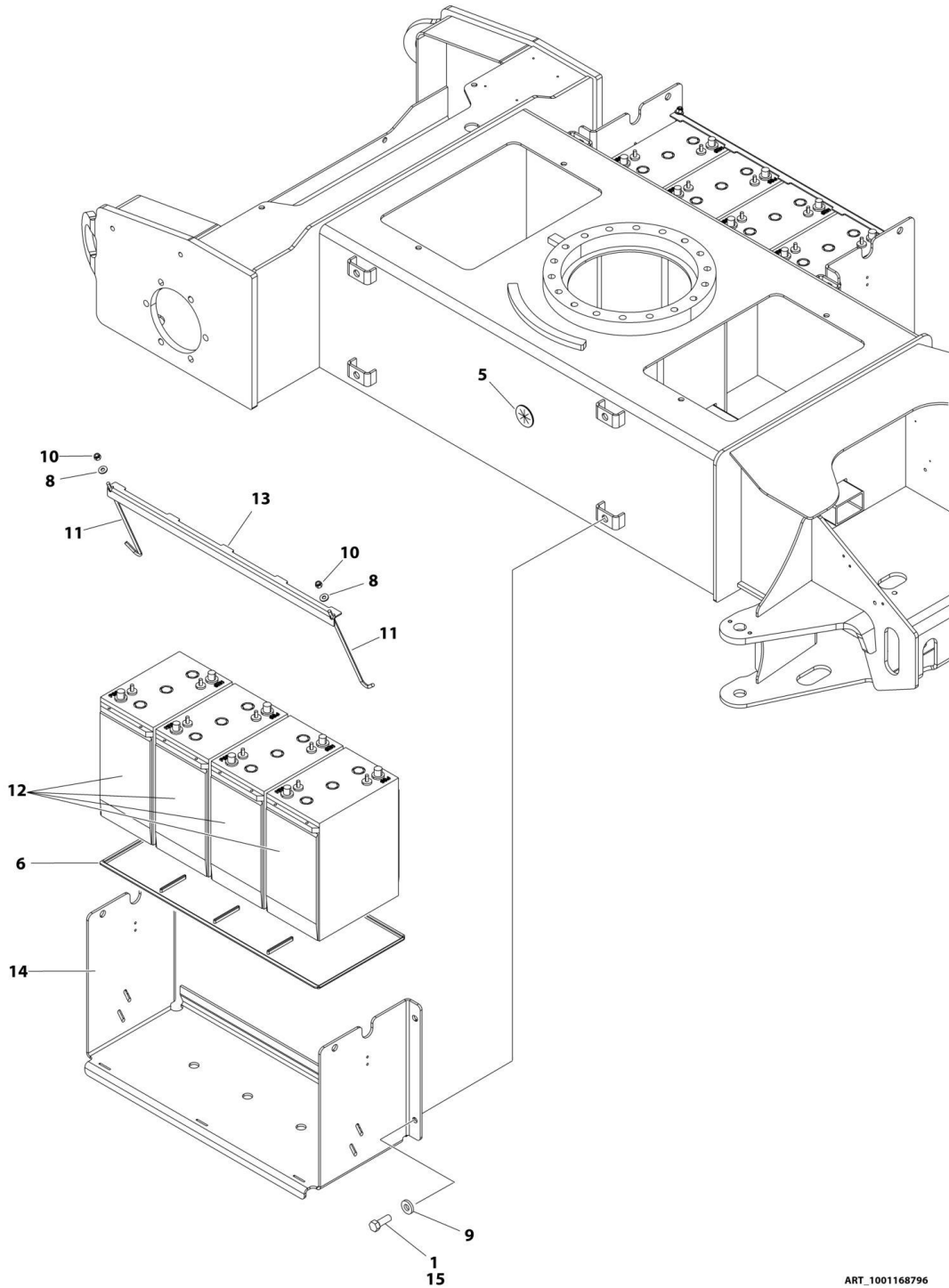
SECTION 1 - FRAME

FIGURE 1-22. BATTERY BOX INSTALLATION - AGM BATTERIES (ALL SPECS EXCEPT AUSTRALIAN & CE SPECS)

ITEM	PART NUMBER	QTY	DESCRIPTION	REV
	1001166498	Ref	BATTERY BOX INSTALLATION - AGM BATTERIES	C
1	0641811	8	Bolt 1/2 X 1-3/8	
5	2540045	2	Grommet	
6	3000003	2	Liner, Battery Box	
8	4751500	4	Washer 5/16	
9	4891800	8	Washer 1/2 Hardened	
10	88521205	4	Nut 5/16	
11	1001093382	4	Bolt, J-Bolt	
12	1001114782	8	Battery (Wet) (AGM Batteries)	
13	1001166495	2	Tray, Battery	
14	1001166496	2	Battery Hold Down	
15	0100011	AR	Compound, Locking	

SECTION 1 - FRAME

FIGURE 1-23. BATTERY BOX INSTALLATION - AGM BATTERIES (AUSTRALIAN & CE SPECS)



ART_1001168796

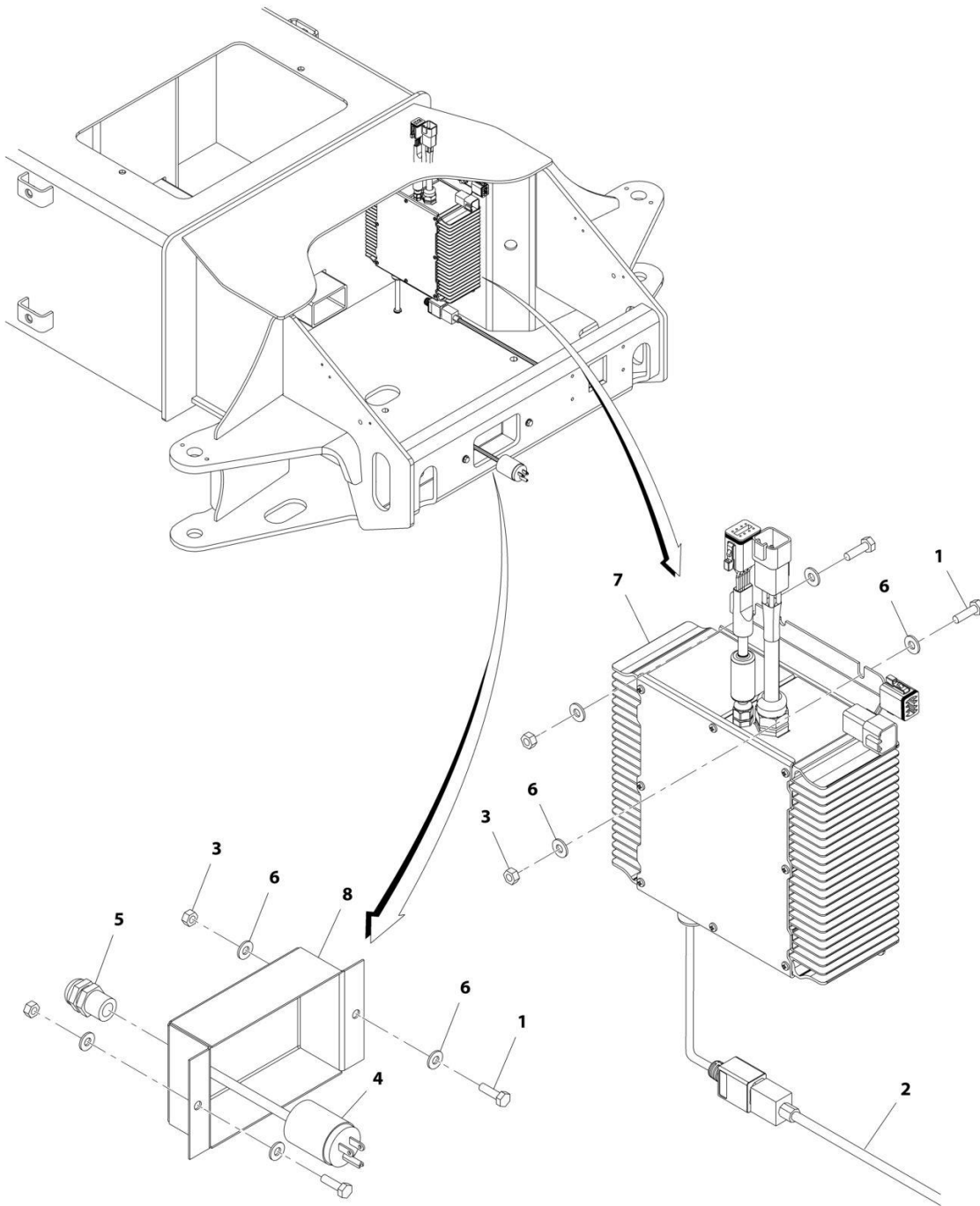
SECTION 1 - FRAME

FIGURE 1-23. BATTERY BOX INSTALLATION - AGM BATTERIES (AUSTRALIAN & CE SPECS)

ITEM	PART NUMBER	QTY	DESCRIPTION	REV
	1001168796	Ref	BATTERY BOX INSTALLATION - AGM BATTERIES	C
1	0641811	8	Bolt 1/2 X 1-3/8	
5	2540045	2	Grommet	
6	3000003	2	Liner, Battery Box	
8	4751500	4	Washer 5/16	
9	4751800	8	Washer 1/2	
10	88521205	4	Nut 5/16	
11	1001093382	4	Bolt, J-Bolt	
12	1001114782	8	Battery	
13	1001166496	2	Battery Hold Down	
14	1001168800	2	Tray, Battery	
15	0100011	AR	Compound, Locking	

SECTION 1 - FRAME

FIGURE 1-24. BATTERY CHARGER INSTALLATION (ALL SPECS EXCEPT AUSTRALIAN & CE SPECS) (PVC 2001)



ART_1001191204

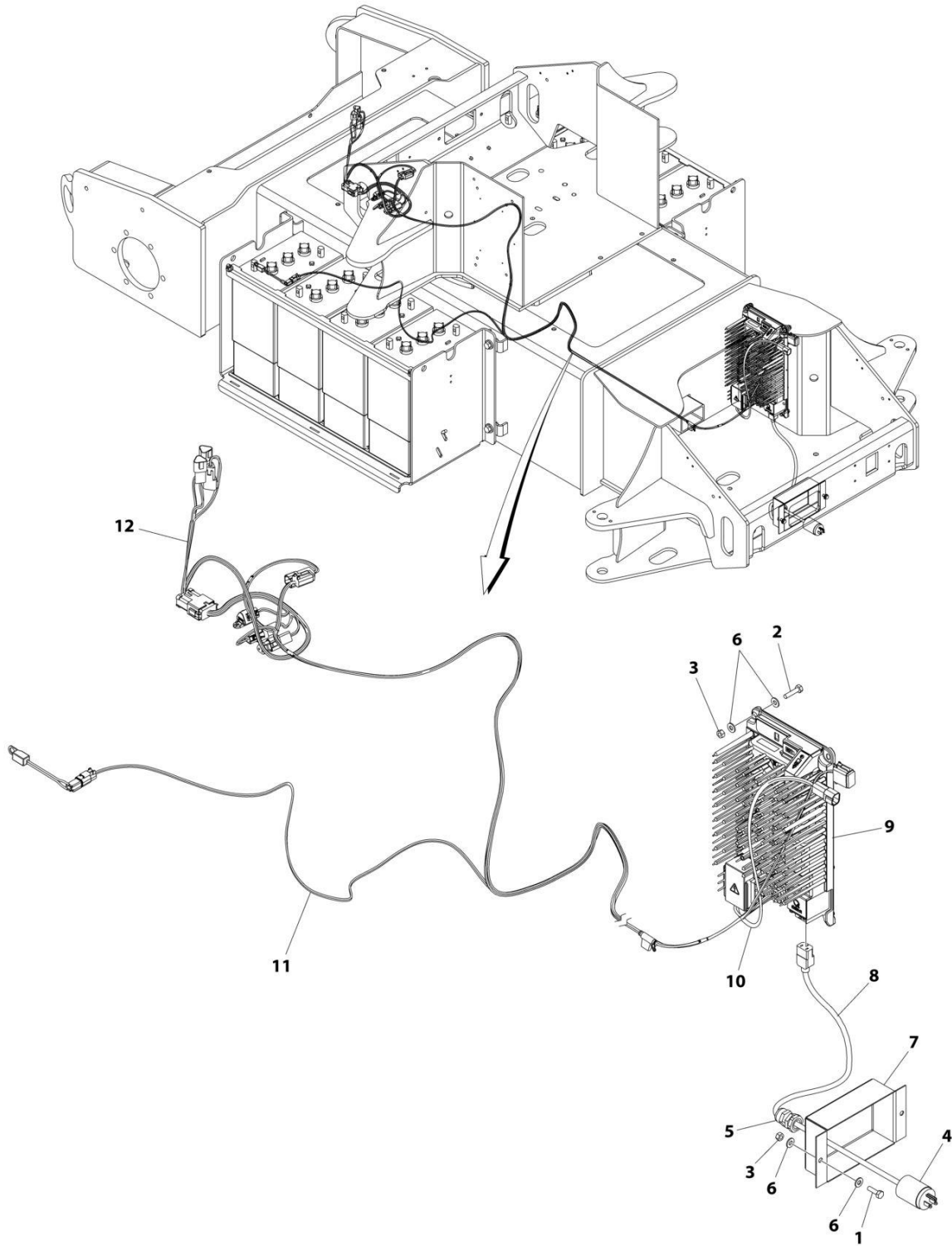
SECTION 1 - FRAME

FIGURE 1-24. BATTERY CHARGER INSTALLATION (ALL SPECS EXCEPT AUSTRALIAN & CE SPECS) (PVC 2001)

ITEM	PART NUMBER	QTY	DESCRIPTION	REV
	1001191204	Ref	BATTERY CHARGER INSTALLATION	B
1	0641407	6	Bolt 1/4 x 7/8	
2	1060689	1	AC Cord	
3	0641405	1	Bolt 1/4 x 5/8	
4	4460138	1	Plug, AC	
5	4460428	1	Connector, Strain Relief	
6	4711400	14	Washer 1/4	
7	1001103105	1	Battery Charger Assembly (See Separate Breakdown in this Section)	
8	1001191212	1	Panel, Cable	

SECTION 1 - FRAME

FIGURE 1-25. BATTERY CHARGER INSTALLATION (ALL SPECS EXCEPT AUSTRALIAN & CE SPECS) (PVC 2007)



ART_1001251471

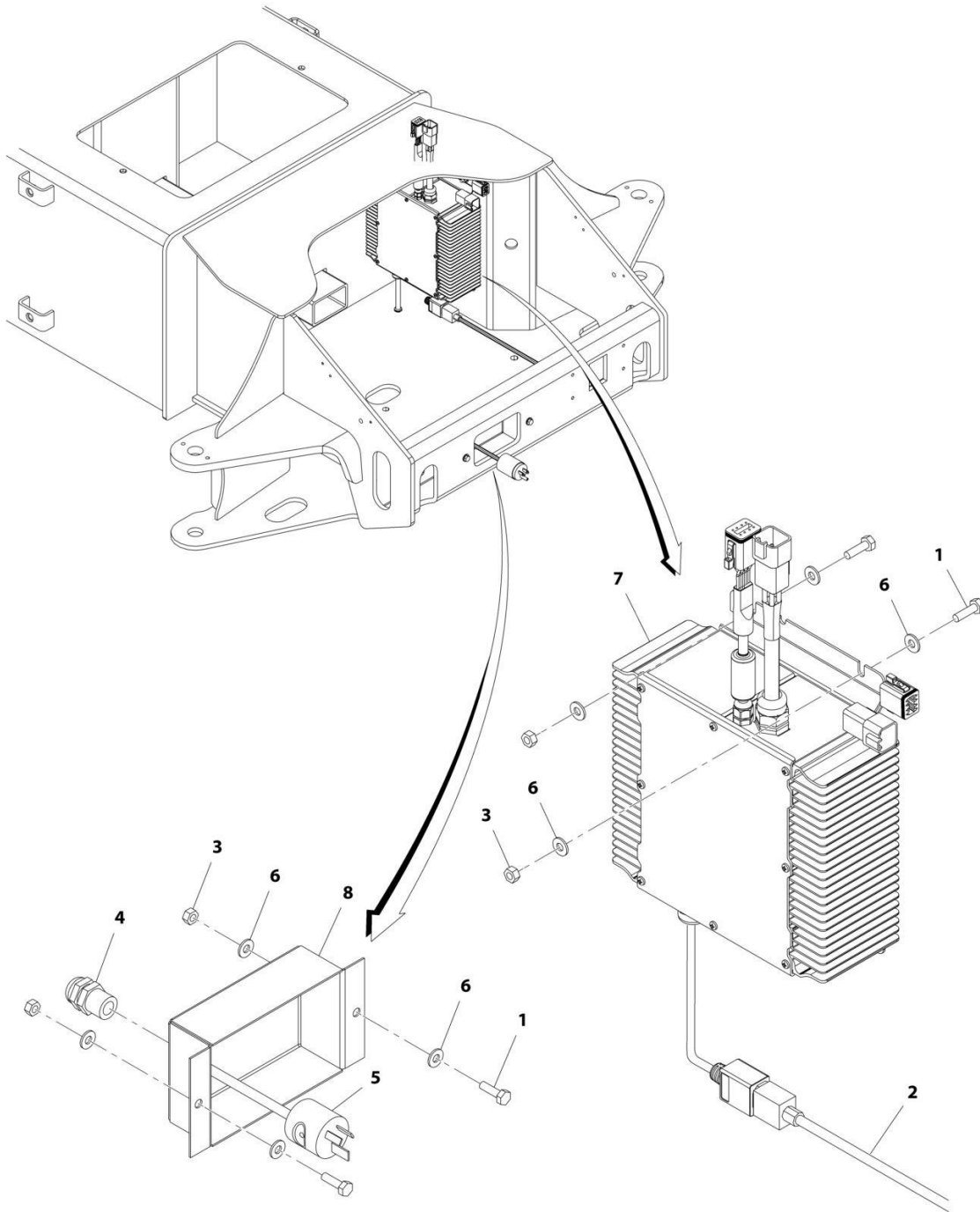
SECTION 1 - FRAME

FIGURE 1-25. BATTERY CHARGER INSTALLATION (ALL SPECS EXCEPT AUSTRALIAN & CE SPECS) (PVC 2007)

ITEM	PART NUMBER	QTY	DESCRIPTION	REV
	1001251471	Ref	BATTERY CHARGER INSTALLATION	B
1	0641407	2	Bolt 1/4 x 7/8	
2	0641409	4	Bolt 1/4 x 1-1/8	
3	3311405	6	Nut 1/4	
4	4460138	1	Plug, AC	
5	4460428	1	Connector, Strain Relief	
6	4711400	12	Washer 1/4	
7	1001191212	1	Panel, Cable	
8	1001207970	1	AC Cord	
9	1001251382	1	Battery Charger Assembly	
10	1001260408	1	Harness, Charger DC Connection (See Separate Breakdown in ELECTRICAL Section)	
11	1001260531	1	Harness, Charger (See Separate Breakdown in ELECTRICAL Section)	
12	1001260532	1	Harness, EBOOM (See Separate Breakdown in ELECTRICAL Section)	

SECTION 1 - FRAME

FIGURE 1-26. BATTERY CHARGER INSTALLATION - E400AJPN (AUSTRALIAN SPEC) (PVC 2001)



ART_1001191206

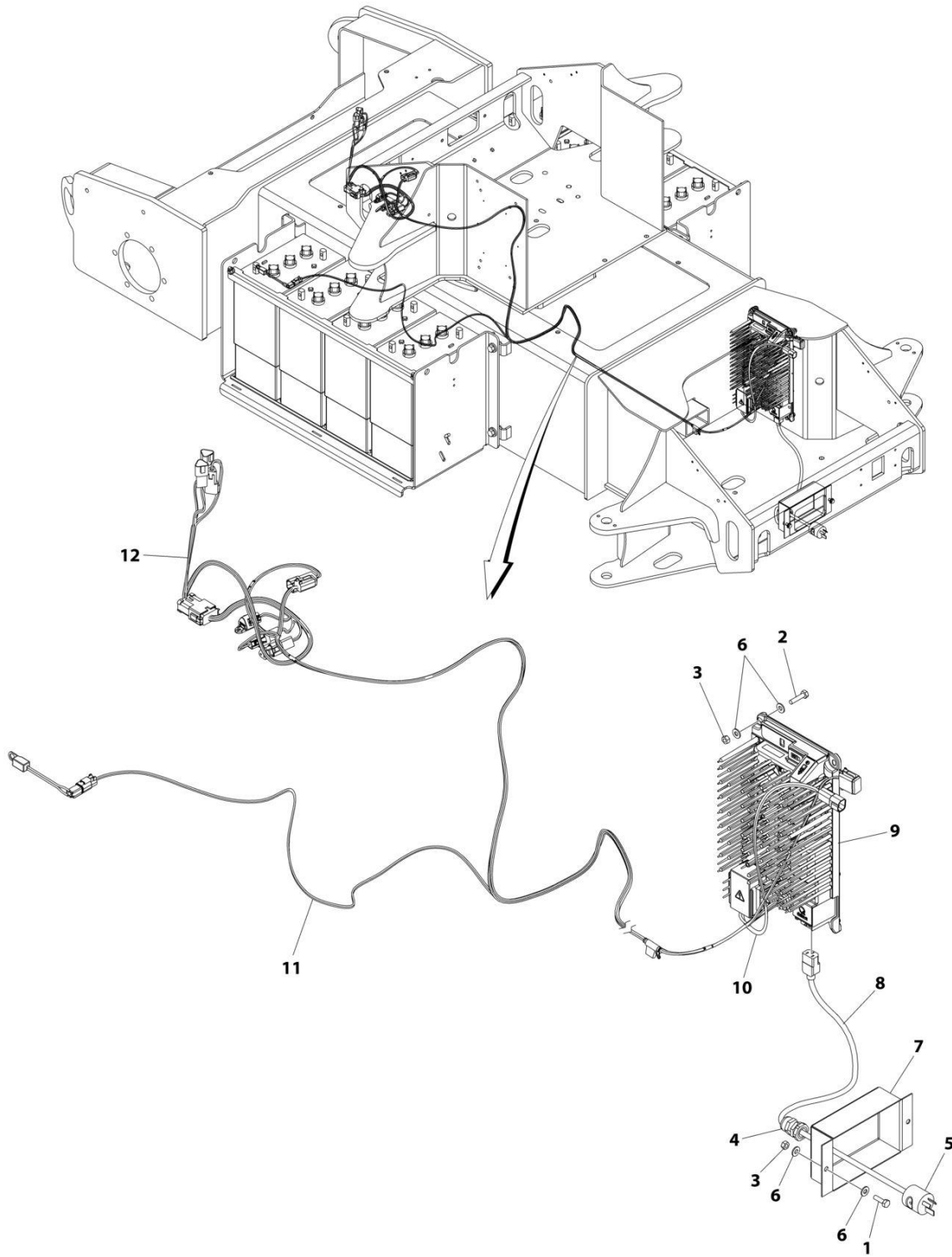
SECTION 1 - FRAME

FIGURE 1-26. BATTERY CHARGER INSTALLATION - E400AJPN (AUSTRALIAN SPEC) (PVC 2001)

ITEM	PART NUMBER	QTY	DESCRIPTION	REV
	1001191206	Ref	BATTERY CHARGER INSTALLATION	B
1	0641407	6	Bolt 1/4 x 7/8	
2	1060689	1	AC Cord	
3	0641405	1	Bolt 1/4 x 5/8	
4	4460428	1	Connector, Strain Relief	
5	4460805	1	Plug	
6	4711400	14	Washer 1/4	
7	1001103105	1	Battery Charger Assembly (See Separate Breakdown in this Section)	
8	1001191212	1	Panel, Cable	

SECTION 1 - FRAME

FIGURE 1-27. BATTERY CHARGER INSTALLATION - E400AJPN (AUSTRALIAN SPEC) (PVC 2007)



ART_1001251472

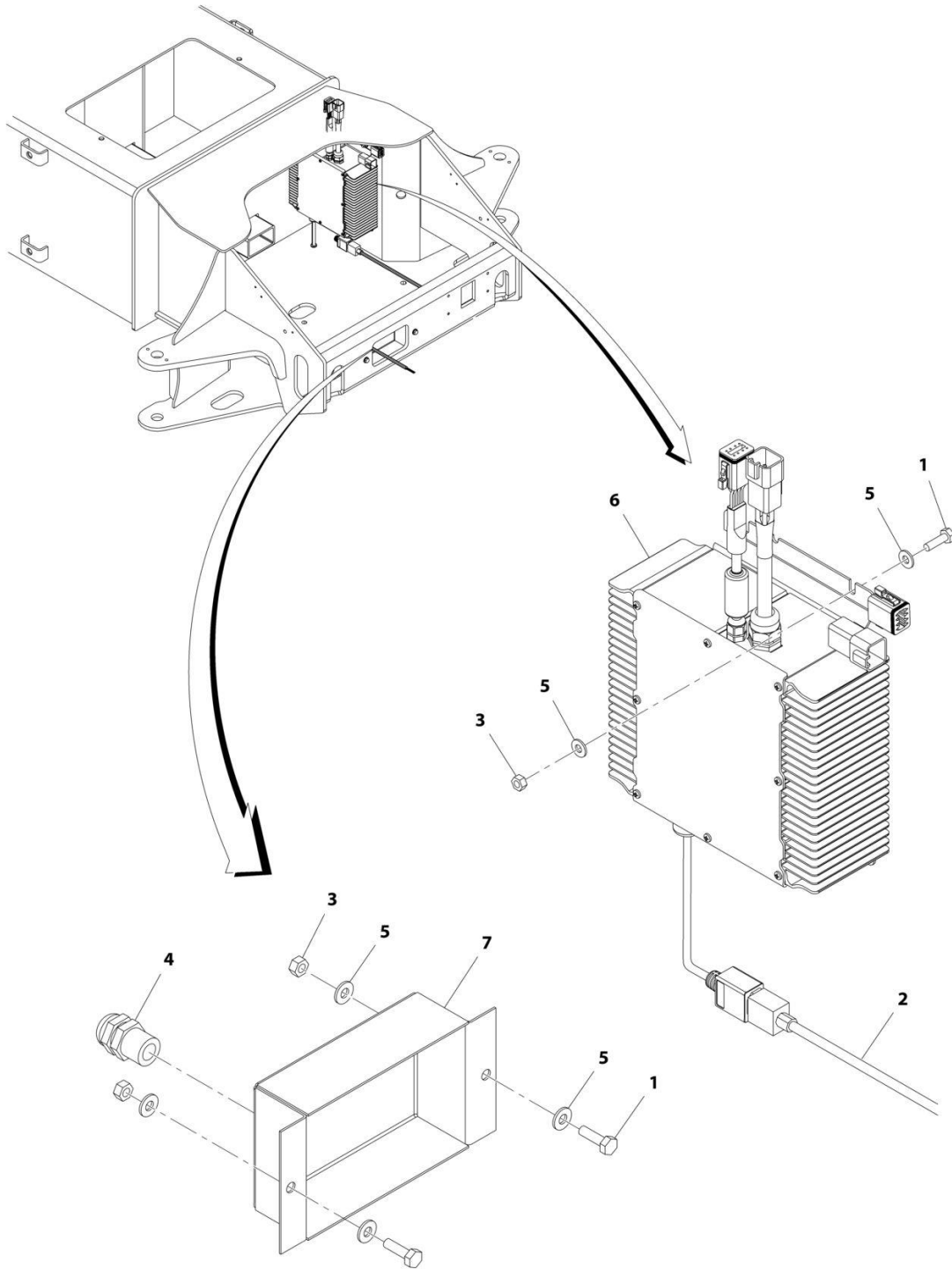
SECTION 1 - FRAME

FIGURE 1-27. BATTERY CHARGER INSTALLATION - E400AJPN (AUSTRALIAN SPEC) (PVC 2007)

ITEM	PART NUMBER	QTY	DESCRIPTION	REV
	1001251472	Ref	BATTERY CHARGER INSTALLATION	B
1	0641407	2	Bolt 1/4 x 7/8	
2	0641409	4	Bolt 1/4 x 1-1/8	
3	3311405	6	Nut 1/4	
4	4460428	1	Connector, Strain Relief	
5	4460805	1	Plug	
6	4711400	12	Washer 1/4	
7	1001191212	1	Panel, Cable	
8	1001207974	1	AC Cord	
9	1001251382	1	Battery Charger Assembly	
10	1001260408	1	Harness, Charger DC Connection (See Separate Breakdown in ELECTRICAL Section)	
11	1001260531	1	Harness, Charger (See Separate Breakdown in ELECTRICAL Section)	
12	1001260532	1	Harness, EBOOM (See Separate Breakdown in ELECTRICAL Section)	

SECTION 1 - FRAME

FIGURE 1-28. BATTERY CHARGER INSTALLATION (ANSI EXPORT, CE AND CHINA SPECS) (PVC 2001)



ART_1001191203

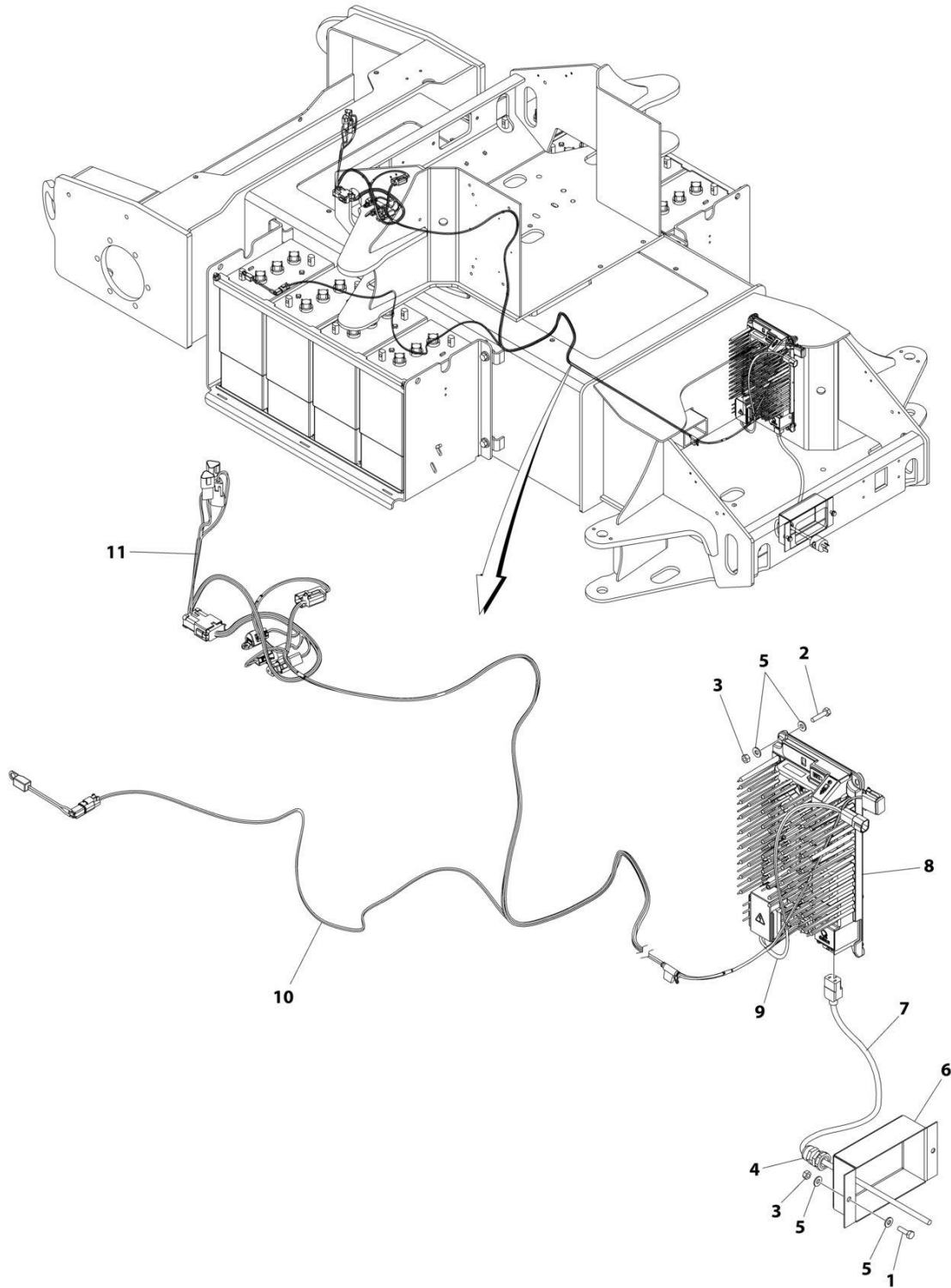
SECTION 1 - FRAME

FIGURE 1-28. BATTERY CHARGER INSTALLATION (ANSI EXPORT, CE AND CHINA SPECS) (PVC 2001)

ITEM	PART NUMBER	QTY	DESCRIPTION	REV
	1001191203	Ref	BATTERY CHARGER INSTALLATION	B
1	0641407	6	Bolt 1/4 x 7/8	
2	1060689	1	AC Cord	
3	0641405	1	Bolt 1/4 x 5/8	
4	4460428	1	Connector, Strain Relief	
5	4711400	14	Washer 1/4	
6	1001103105	1	Battery Charger Assembly (See Separate Breakdown in this Section)	
7	1001191212	1	Panel, Cable	

SECTION 1 - FRAME

FIGURE 1-29. BATTERY CHARGER INSTALLATION (ANSI EXPORT, CE AND CHINA SPECS) (PVC 2007)



ART_1001251470

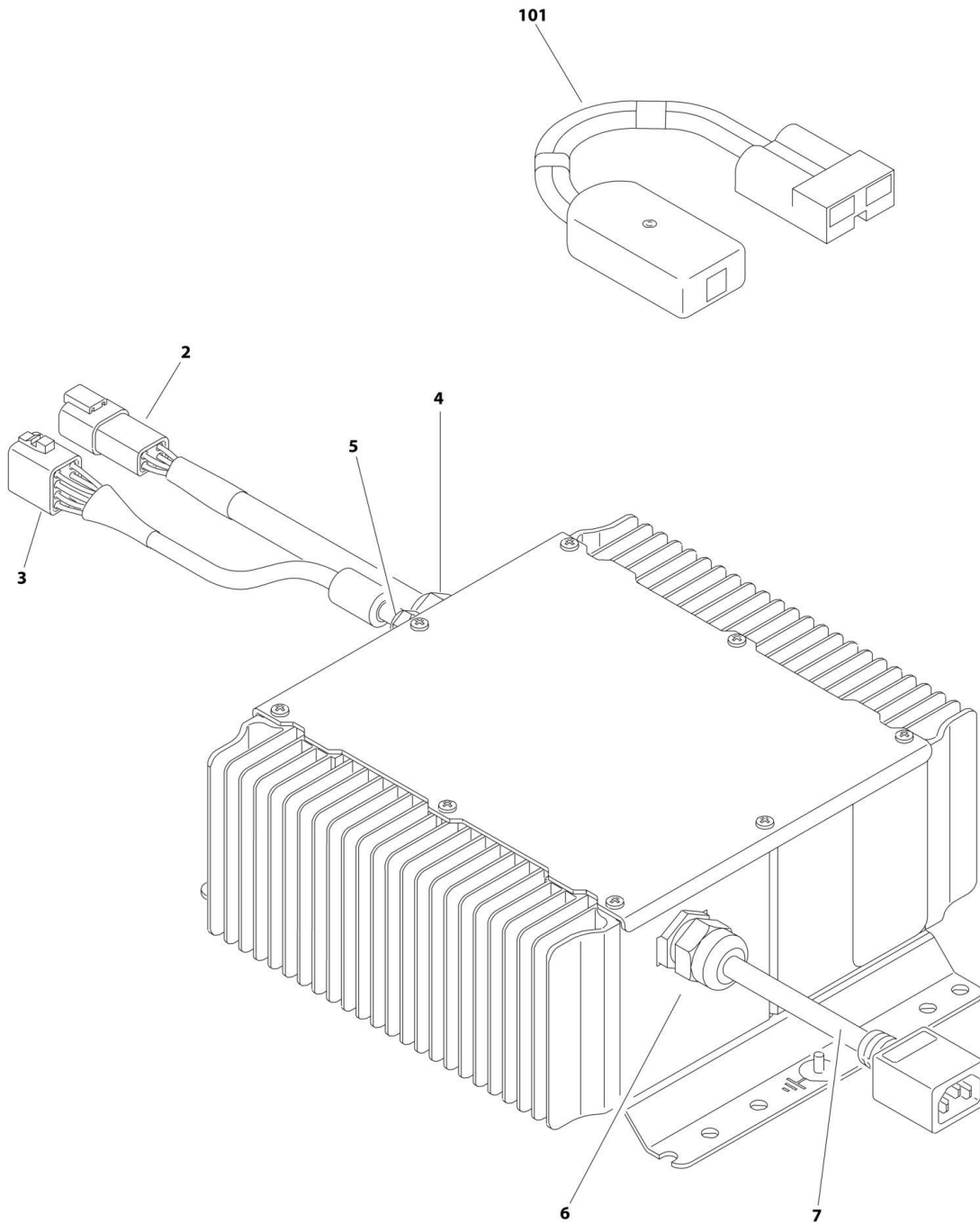
SECTION 1 - FRAME

FIGURE 1-29. BATTERY CHARGER INSTALLATION (ANSI EXPORT, CE AND CHINA SPECS) (PVC 2007)

ITEM	PART NUMBER	QTY	DESCRIPTION	REV
	1001251470	Ref	BATTERY CHARGER INSTALLATION	B
1	0641407	2	Bolt 1/4 x 7/8	
2	0641409	4	Bolt 1/4 x 1-1/8	
3	3311405	6	Nut 1/4	
4	4460428	1	Connector, Strain Relief	
5	4711400	12	Washer 1/4	
6	1001191212	1	Panel, Cable	
7	1001207974	1	AC Cord	
8	1001251382	1	Battery Charger Assembly	
9	1001260408	1	Harness, Charger DC Connection (See Separate Breakdown in ELECTRICAL Section)	
10	1001260531	1	Harness, Charger (See Separate Breakdown in ELECTRICAL Section)	
11	1001260532	1	Harness, EBOOM (See Separate Breakdown in ELECTRICAL Section)	

SECTION 1 - FRAME

FIGURE 1-30. BATTERY CHARGER ASSEMBLY



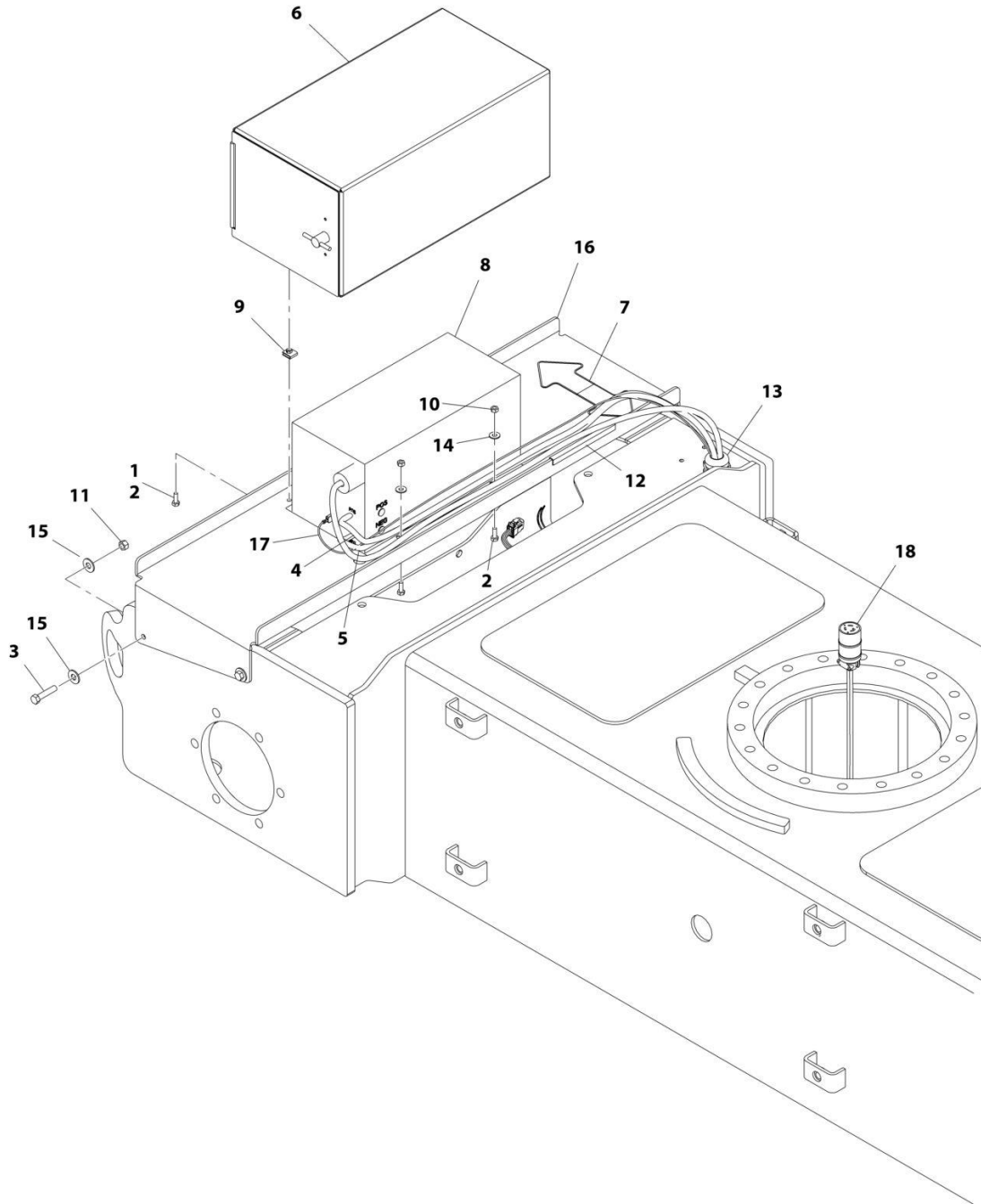
ART_1001103105

FIGURE 1-30. BATTERY CHARGER ASSEMBLY

ITEM	PART NUMBER	QTY	DESCRIPTION	REV
	1001103105	Ref	BATTERY CHARGER ASSEMBLY	D
2	See Note	1	Harness with Connector (Note: Not Available for Purchase)	
2	1001116811	1	Receptacle, Female - 4 Position	
2	4460508	4	Pin, Male	
3	See Note	1	Harness with Connector (Note: Not Available for Purchase)	
3	4460930	1	Plug, Male - 8 Position	
3	4460464	7	Socket, Female	
4	See Note	1	Connector, Strain Relief (Note: Not Available for Purchase)	
5	See Note	1	Connector, Strain Relief (Note: Not Available for Purchase)	
6	See Note	1	Connector, Strain Relief (Note: Not Available for Purchase)	
7	See Note	1	Harness with Connector (Note: Not Available for Purchase)	
101	1600466	NLA	Battery Charger Reprogram Controller (Use p/n 2915230)	

SECTION 1 - FRAME

FIGURE 1-31. INVERTER INSTALLATION



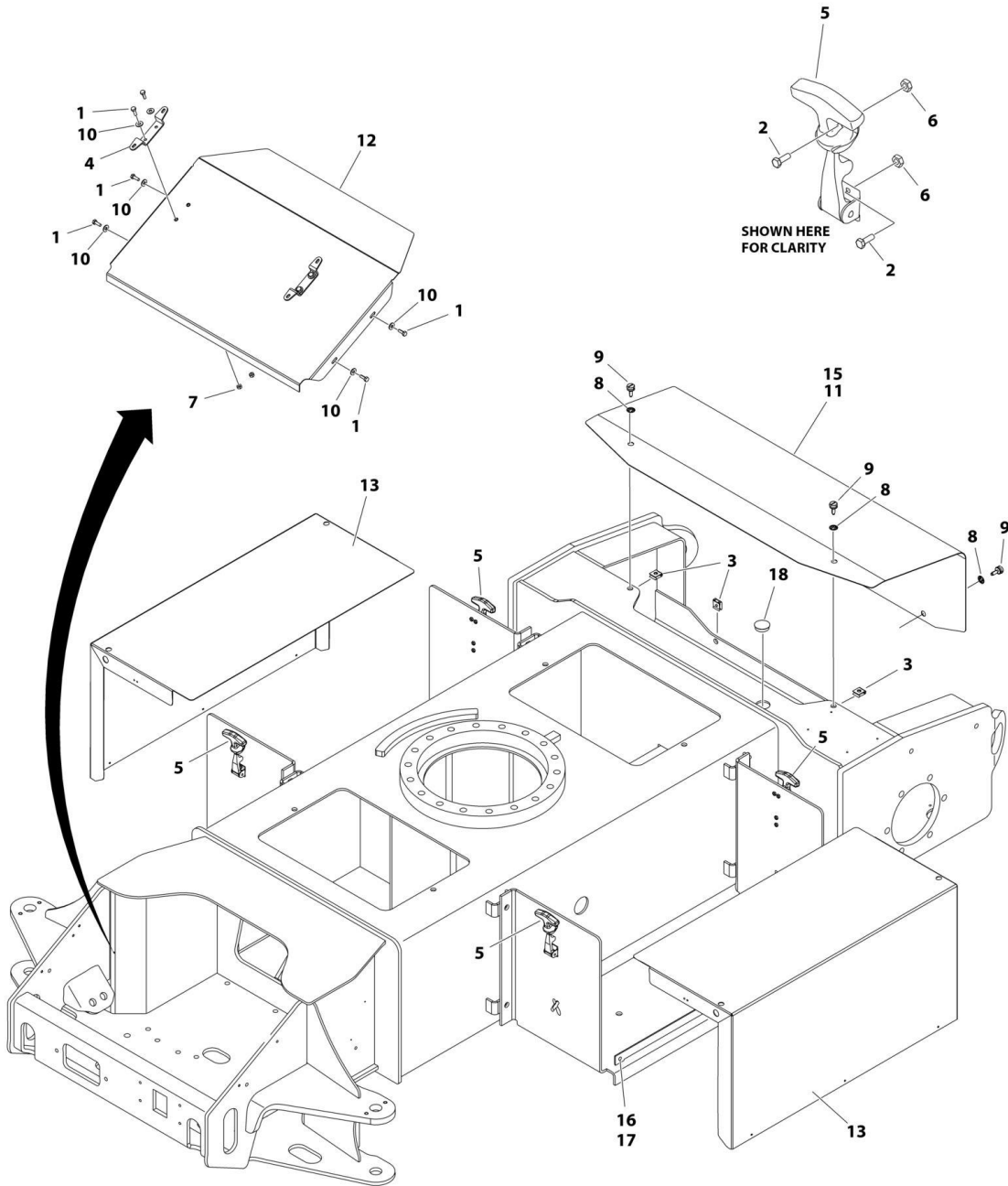
ART_1001192501

FIGURE 1-31. INVERTER INSTALLATION

ITEM	PART NUMBER	QTY	DESCRIPTION	REV
	1001192501	Ref	INVERTER INSTALLATION	A
1	0100011	AR	Compound, Locking	
2	0641406	8	Bolt 1/4 X 3/4	
3	0641614	4	Bolt 3/8 X 1-3/4	
4	1060801	1	Cable, Battery	
5	1060802	1	Cable, Ground	
6	1670953	1	Cover	
7	1701642	1	Decal - Arrow	
8	2460037	1	Inverter	
9	3300353	4	Nut, Tinnerman	
10	3311405	4	Nut 1/4	
11	3311605	4	Nut 3/8	
12	4060805	6 in /150mm	Shield, Flex Trim	
13	4460426	1	Connector, Strain Relief	
14	4751400	4	Washer 1/4	
15	4751600	8	Washer 3/8	
16	1001167013	1	Bracket	
17	1001192293	1	Inverter Ignition Harness (See Separate Breakdown in ELECTRICAL SECTION)	
18	1001182296	1	Inverter Harness (See Separate Breakdown in ELECTRICAL SECTION)	

SECTION 1 - FRAME

FIGURE 1-32. FRAME COVER INSTALLATION



ART_1001166312

SECTION 1 - FRAME

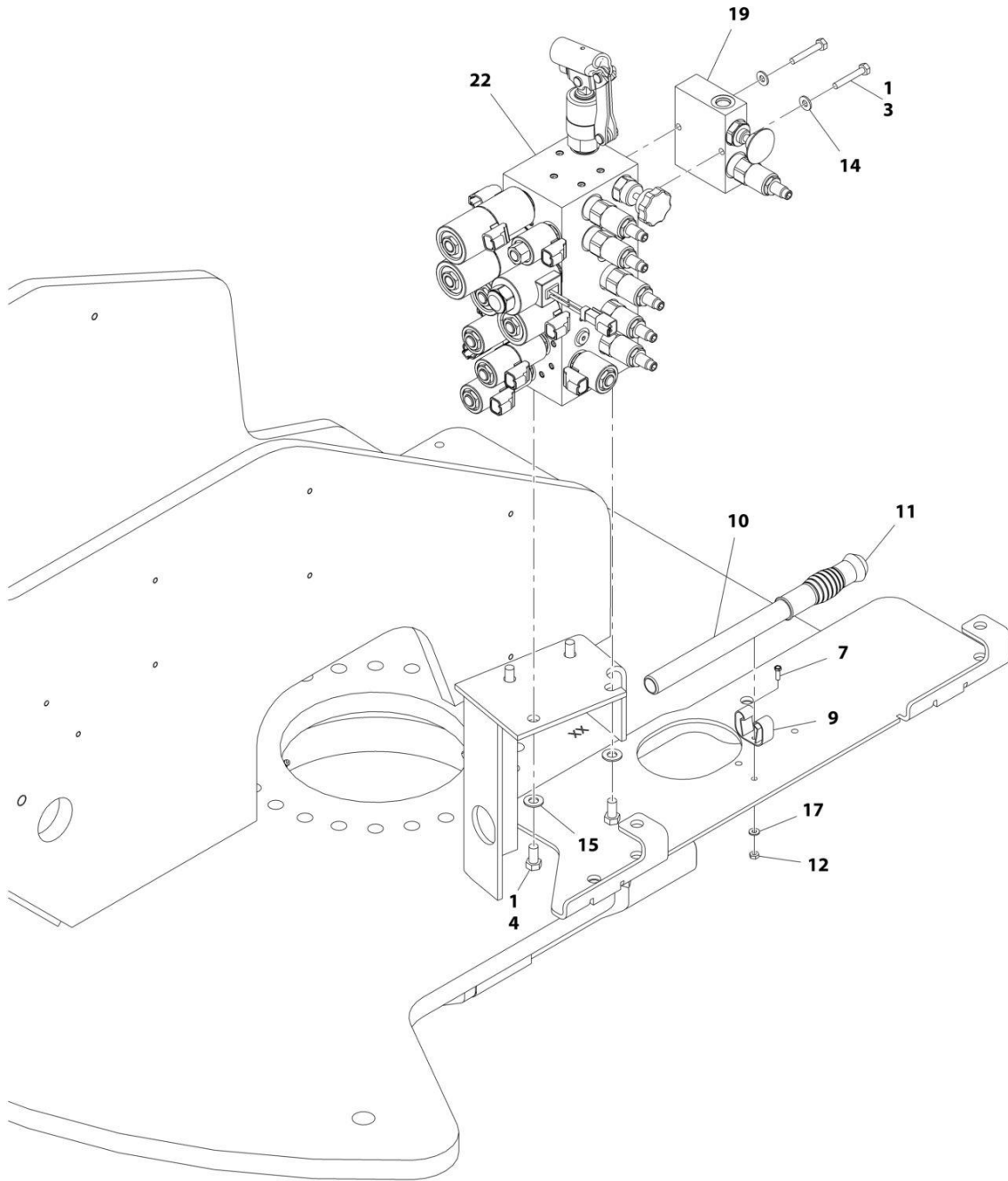
FIGURE 1-32. FRAME COVER INSTALLATION

ITEM	PART NUMBER	QTY	DESCRIPTION	REV
	1001166312	Ref	FRAME COVER INSTALLATION	D
1	0641406	8	Bolt, 1/4 X 3/4	
2	0721004	16	Bolt, #10 X .500	
3	1380138	4	Clip, Receptacle	
4	2700093	2	Hook	
5	2940095	4	Latch	
6	3311005	16	Nut #10	
7	3311405	5	Nut 1/4	
8	3760308	4	Retainer	
9	3900174	4	Screw, Special	
10	4751400	8	Washer 1/4	
11	1001166296	1	Axle Cover	
12	1001166321	1	Cover	
13	1001166493	2	Battery Cover	
15	3960447	9.5 ft /2.9m	Seal	
16	3820019	6	Rivet	
17	1001175025	2	Brace, Battery Tray	
18	3520035	1	Plug, Cap	

SECTION 2 - TURNTABLE

SECTION 2 - TURNTABLE

FIGURE 2-1. VALVE INSTALLATION- TURNTABLE MOUNTED - E400AN



ART_1001180930_20F2

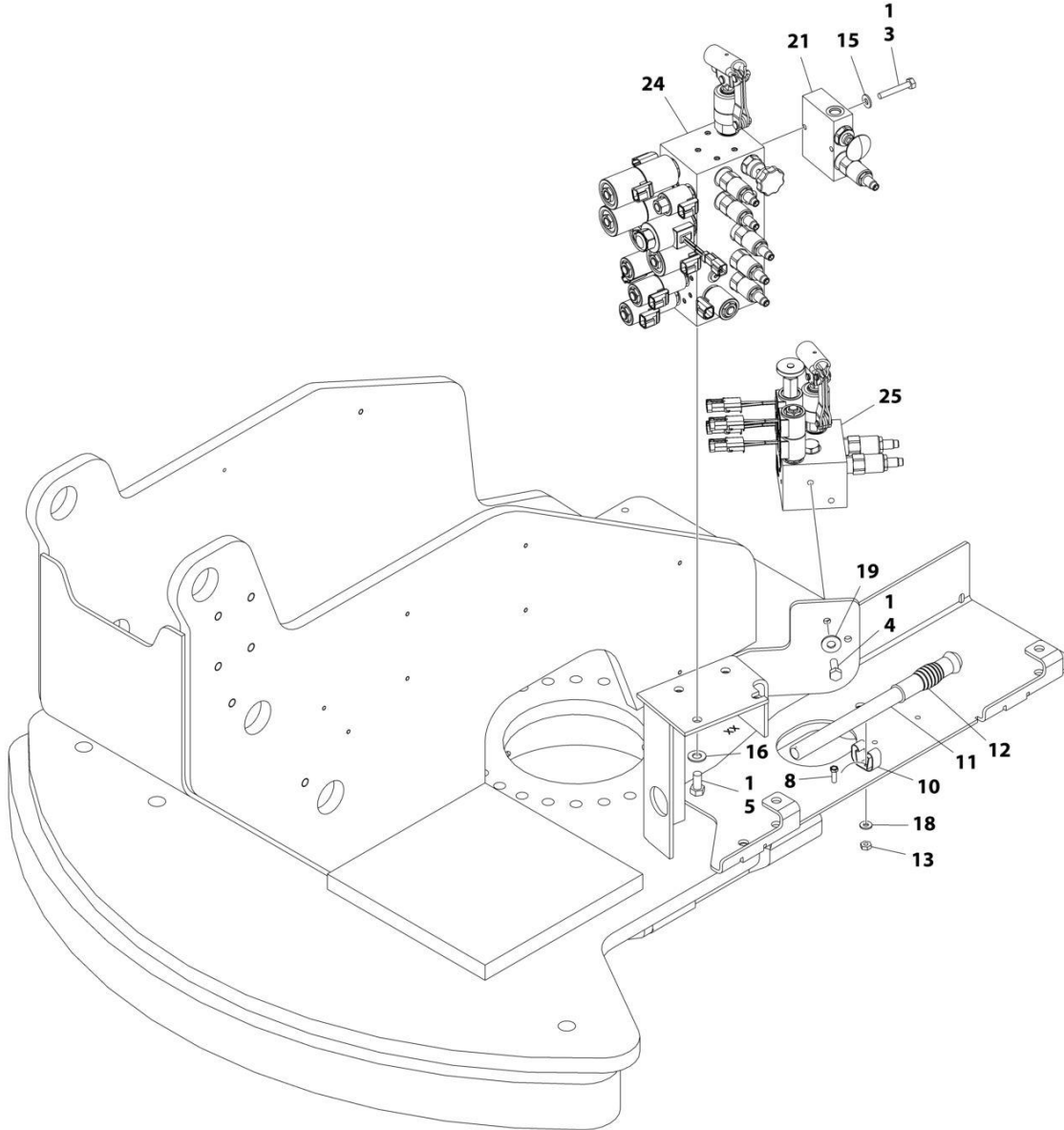
SECTION 2 - TURNTABLE

FIGURE 2-1. VALVE INSTALLATION- TURNTABLE MOUNTED - E400AN

ITEM	PART NUMBER	QTY	DESCRIPTION	REV
	1001180930	Ref	VALVE INSTALLATION- TURNTABLE MOUNTED	B
1	0100011	AR	Compound, Locking	
3	0641413	2	Bolt 1/4 X 1-5/8	
4	0641606	4	Bolt 3/8 X 3/4	
7	0720804	1	Bolt #8 X .500	
9	1380136	1	Clip, Gripper	
10	2560122	1	Handle	
11	2560123	1	Handle, Grip	
12	3310805	1	Nut #8	
14	4711400	2	Washer 1/4	
15	4711600	4	Washer 3/8	
17	4750800	1	Washer #8	
19	1001097777	1	Releveling Valve Assembly (See Separate Breakdown in this Section)	
22	1001180554	1	Main Control Valve Assembly (See Separate Breakdown in this Section)	

SECTION 2 - TURNTABLE

FIGURE 2-2. VALVE INSTALLATION - TURNTABLE MOUNTED - E400AJPN



ART_1001218367_20F2

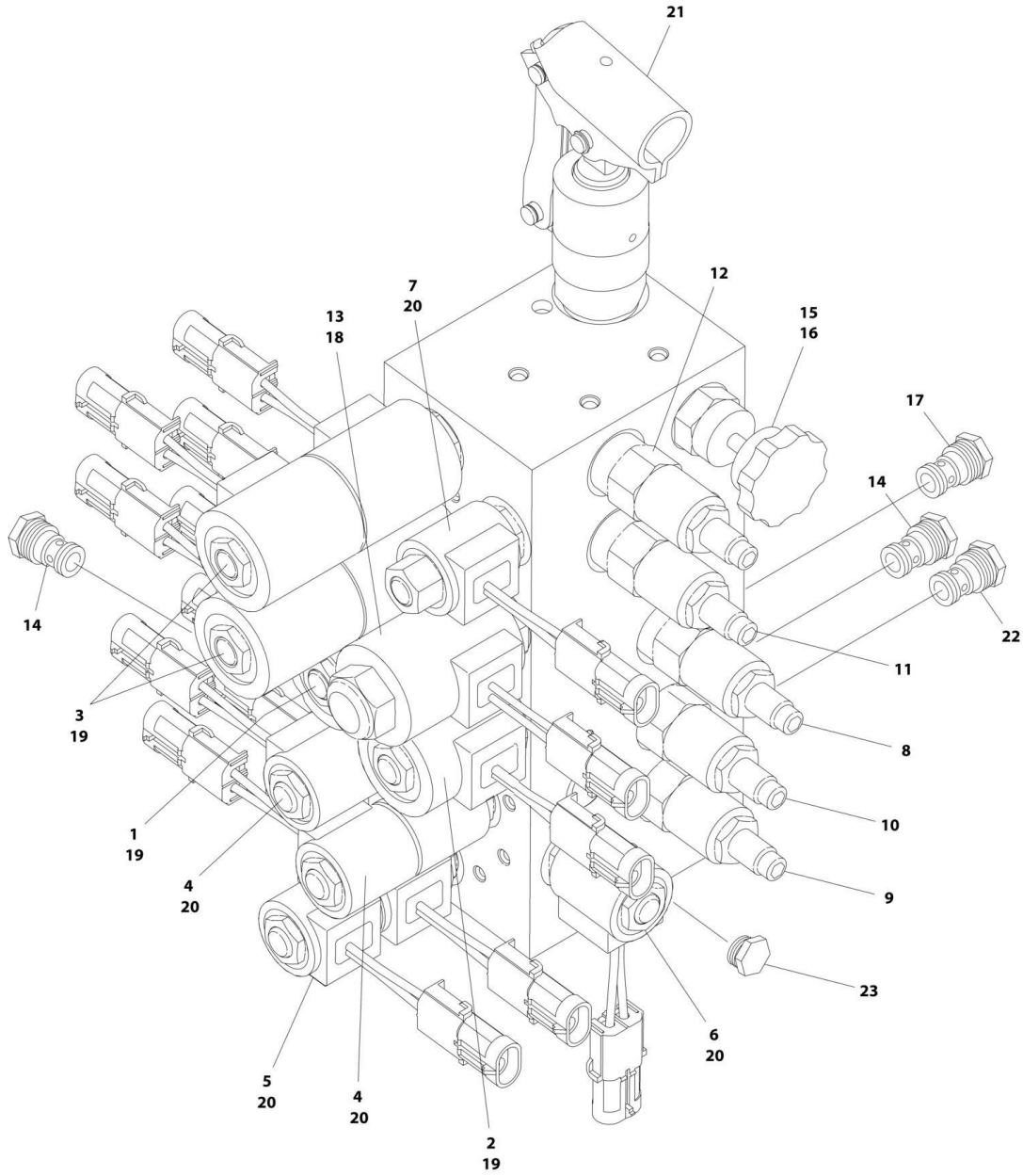
SECTION 2 - TURNTABLE

FIGURE 2-2. VALVE INSTALLATION - TURNTABLE MOUNTED - E400AJPN

ITEM	PART NUMBER	QTY	DESCRIPTION	REV
	1001218367	Ref	VALVE INSTALLATION - TURNTABLE MOUNTED	A
1	0100011	AR	Compound, Locking	
3	0641413	2	Bolt 1/4 X 1-5/8	
4	0641507	2	Bolt 5/16 X 7/8	
5	0641606	4	Bolt 3/8 X 3/4	
8	0720804	1	Bolt #8 X .500	
10	1380136	1	Clip, Gripper	
11	2560122	1	Handle	
12	2560123	1	Handle, Grip	
13	3310805	1	Nut #8	
15	4711400	2	Washer 1/4	
16	4711600	2	Washer 3/8	
18	4750800	1	Washer #8	
19	4751500	2	Washer 5/16	
21	1001097777	1	Releveling Valve Assembly (See Separate Breakdown in this Section)	
24	1001180554	1	Main Control Valve Assembly (See Separate Breakdown in this Section)	
25	1001216921	1	Jib Valve Assembly (See Separate Breakdown in this Section)	

SECTION 2 - TURNTABLE

FIGURE 2-3. MAIN CONTROL VALVE ASSEMBLY



ART_1001180554

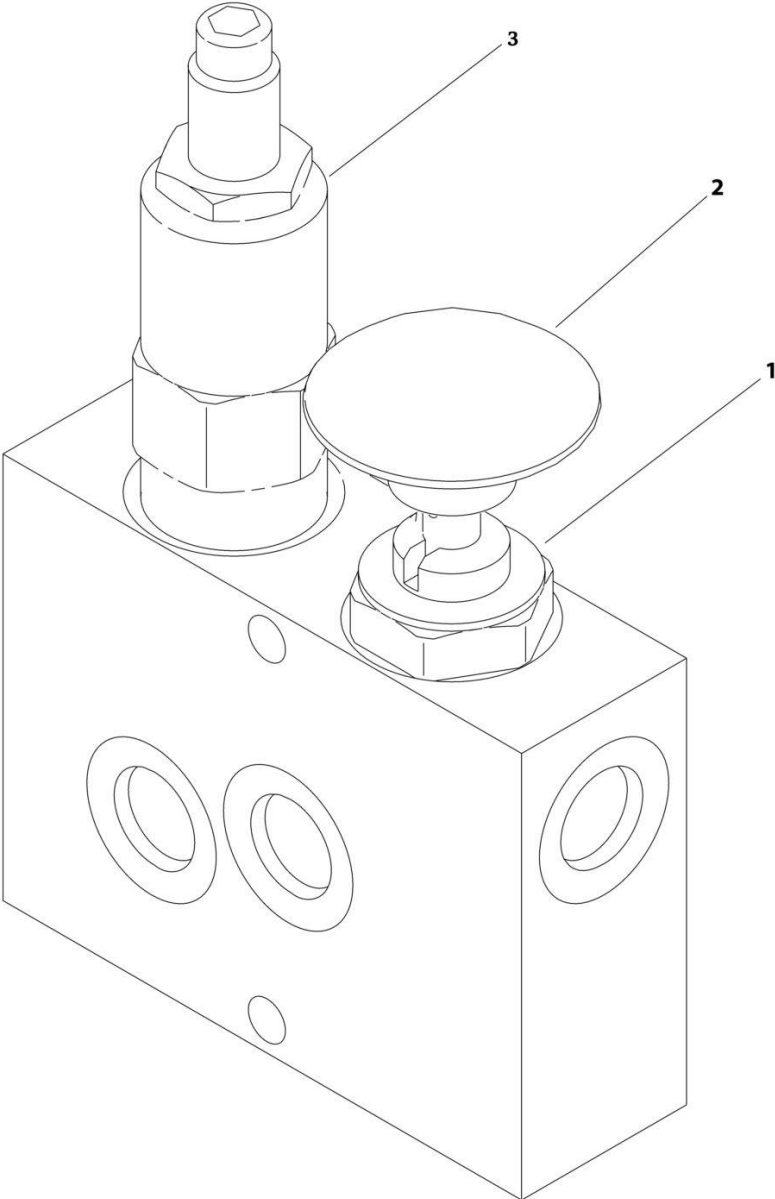
SECTION 2 - TURNTABLE

FIGURE 2-3. MAIN CONTROL VALVE ASSEMBLY

ITEM	PART NUMBER	QTY	DESCRIPTION	REV
	1001180554	Ref	MAIN CONTROL VALVE ASSEMBLY	F
1	7022394	1	Cartridge without Coil (Telescope In)	
1	7012518	1	Seal Kit - 7022394 Cartridge	
2	7012995	1	Cartridge without Coil (Telescope Out)	
2	7012518	1	Seal Kit - 7012995 Cartridge	
3	7021603	2	Cartridge without Coil (Lower and Upper Lift)	
3	7012903	2	Seal Kit - 7021603 Cartridge	
4	7017452	2	Cartridge without Coil (Platform Level)	
4	7017402	2	Seal Kit - 7017452 Cartridge	
5	7017433	1	Cartridge without Coil (Swing)	
5	7017402	1	Seal Kit - 7017433 Cartridge	
6	7021604	1	Cartridge without Coil (Swing Arrest)	
6	7012953	1	Seal Kit - 7021604 Cartridge	
7	7017410	1	Cartridge without Coil (Bypass Unloading)	
7	7012967	1	Seal Kit - 7017410 Cartridge	
8	7017418	1	Cartridge (Telescope)	
8	7012998	1	Seal Kit - 7017418 Cartridge	
9	7017421	1	Cartridge (Platform Level Backward Piston End)	
9	7012998	1	Seal Kit - 7017421 Cartridge	
10	7017418	1	Cartridge (Platform Level Forward Rod End)	
10	7012998	1	Seal Kit - 7017418 Cartridge	
11	70001876	1	Cartridge (Lower Lift Down)	
11	7012998	1	Seal Kit - 70001876 Cartridge	
12	70002806	1	Cartridge (Upper Lift Down)	
12	7012998	1	Seal Kit - 70002806 Cartridge	
13	7021611	1	Cartridge without Coil (Flow Regulator)	
13	7012518	1	Seal Kit - 7021611 Cartridge	
14	7012914	2	Cartridge (Platform Level)	
14	7012918	2	Seal Kit - 7012914 Cartridge	
15	7012947	1	Cartridge (Emergency Descent)	
15	7012518	1	Seal Kit - 7012947 Cartridge	
16	7012961	1	Knob	
17	10837580	1	Cartridge (Telescope)	
17	7010543	1	Seal Kit - 10837580 Cartridge	
18	70005210	1	Coil	
19	7024883	6	Coil	
20	7024885	8	Coil	
21	70004019	1	Pump, Manual	
21	2900756	1	Seal Kit - 70004019 Pump	
21	2560122	1	Handle (Not Shown)	
21	1001114761	1	Handle, Grip (Red) (Not Shown)	
21	2560123	1	Handle, Grip (Black) (Not Shown)	
22	7012975	1	Cartridge (Check)	
22	7012540	1	Seal Kit - 7012975 Cartridge	
23	70000381	1	Plug, Cartridge	
24	70005091	1	Orifice (Swing) (Not Shown)	
25	70004884	1	Orifice (Platform) (Not Shown)	

SECTION 2 - TURNTABLE

FIGURE 2-4. RELEVELING VALVE ASSEMBLY



ART_100109777

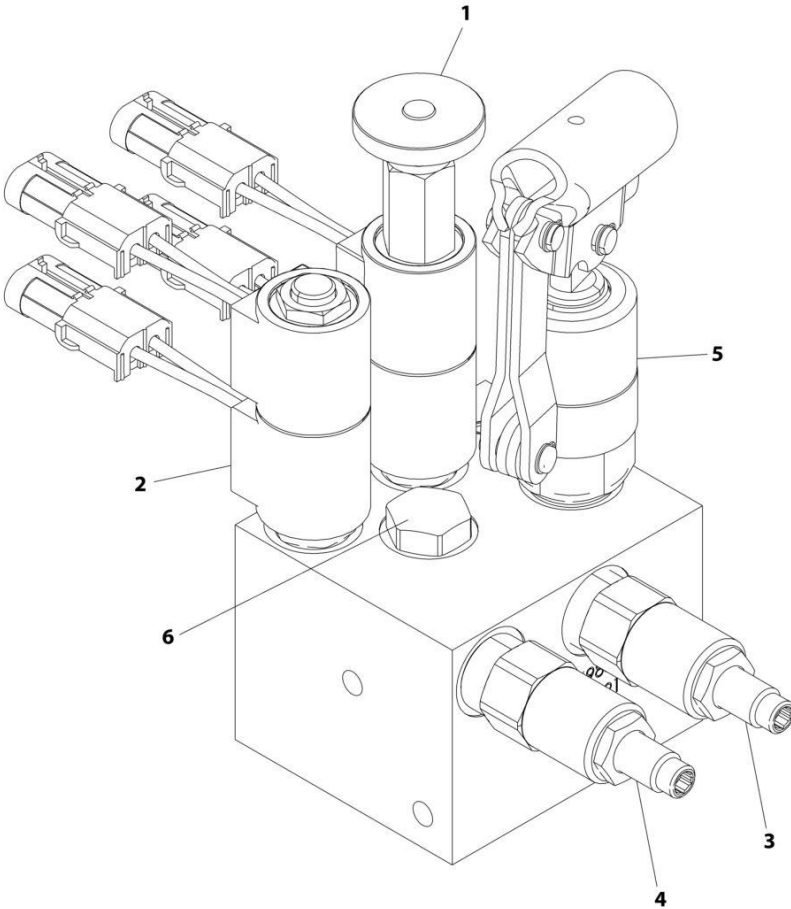
SECTION 2 - TURNTABLE

FIGURE 2-4. RELEVELING VALVE ASSEMBLY

ITEM	PART NUMBER	QTY	DESCRIPTION	REV
	1001097777	Ref	RELEVELING VALVE ASSEMBLY	C
1	7017466	1	Cartridge	
1	7017496	1	Seal Kit - 7017466 Cartridge	
2	7012959	1	Knob	
3	7024891	1	Cartridge	
3	7012953	1	Seal Kit - 7024891 Cartridge	

SECTION 2 - TURNTABLE

FIGURE 2-5. JIB VALVE ASSEMBLY



ART_1001216921

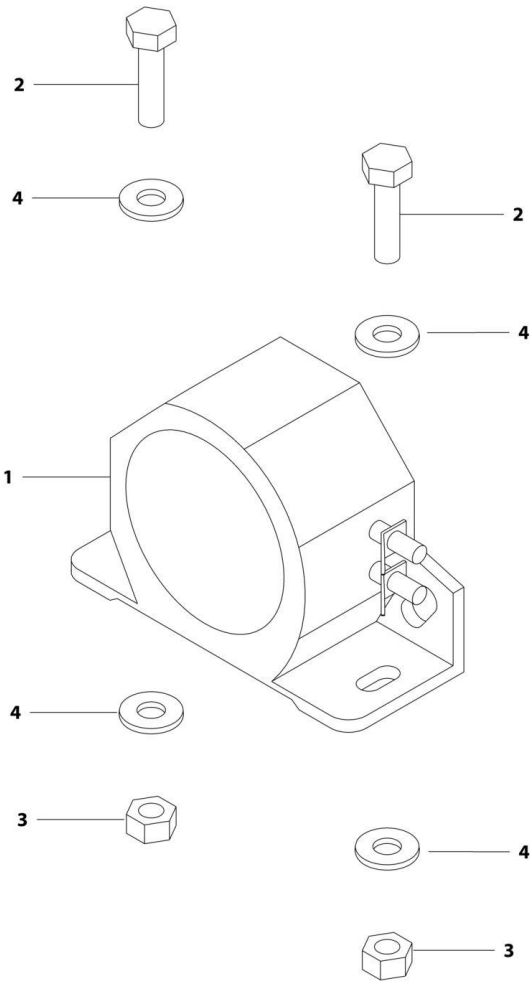
SECTION 2 - TURNTABLE

FIGURE 2-5. JIB VALVE ASSEMBLY

ITEM	PART NUMBER	QTY	DESCRIPTION	REV
	1001216921	Ref	JIB VALVE ASSEMBLY	B
1	70006346	1	Cartridge (Manual Override)	
1	7017402	1	Seal Kit - 70006346 Cartridge	
1	70006348	1	Coil Spacer	
1	7021609	1	Coil	
1	70006347	1	Coil Nut	
2	7017452	1	Cartridge	
2	7017402	1	Seal Kit - 7017452 Cartridge	
2	70006348	1	Coil Spacer	
2	7021609	1	Coil	
2	7022390	1	Coil Nut	
3	70006349	1	Cartridge	
3	7021653	1	Seal Kit - 70006349 Cartridge	
4	70002808	1	Cartridge	
4	7021653	1	Seal Kit - 70002808 Cartridge	
5	70005722	1	Cartridge	
5	7017496	1	Seal Kit - 70005722 Cartridge	
5	2560122	1	Handle	
5	1001114761	1	Grip, Handle (Red)	
5	2560123	1	Grip, Handle (Black)	
6	7024887	1	Cartridge	
6	7012998	1	Seal Kit - 7024887 Cartridge	

SECTION 2 - TURNTABLE

FIGURE 2-6. MOTION ALARM INSTALLATION



ART_1001183367

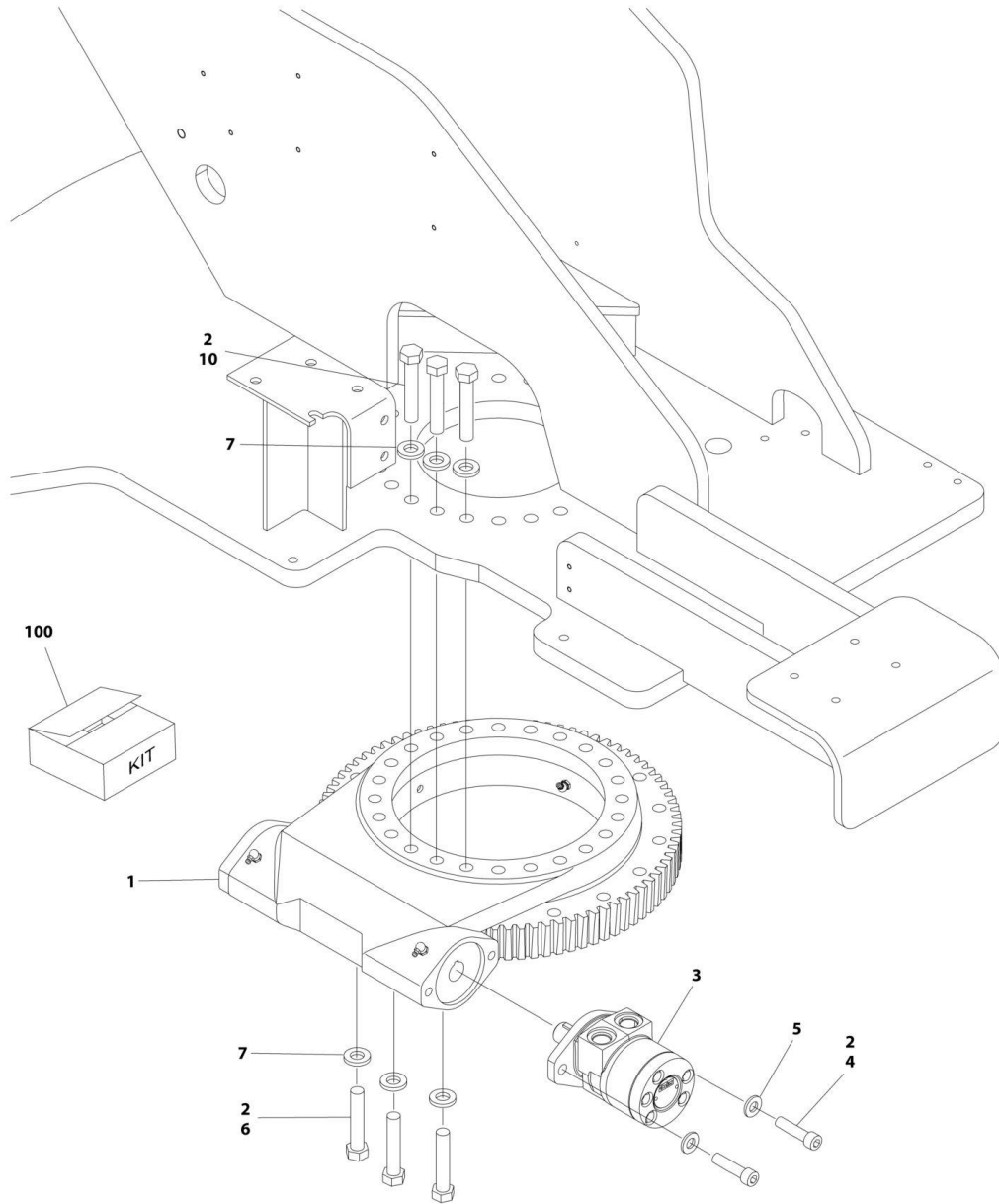
SECTION 2 - TURNTABLE

FIGURE 2-6. MOTION ALARM INSTALLATION

ITEM	PART NUMBER	QTY	DESCRIPTION	REV
	1001183367	Ref	MOTION ALARM INSTALLATION	A
1	0140043	1	Alarm, Motion	
2	0641406	2	Bolt 1/4 X 3/4	
3	3311405	2	Nut 1/4-20	
4	4711400	2	Washer 1/4	

SECTION 2 - TURNTABLE

FIGURE 2-7. TURNTABLE BEARING AND SWING DRIVE INSTALLATION



ART_1001166395

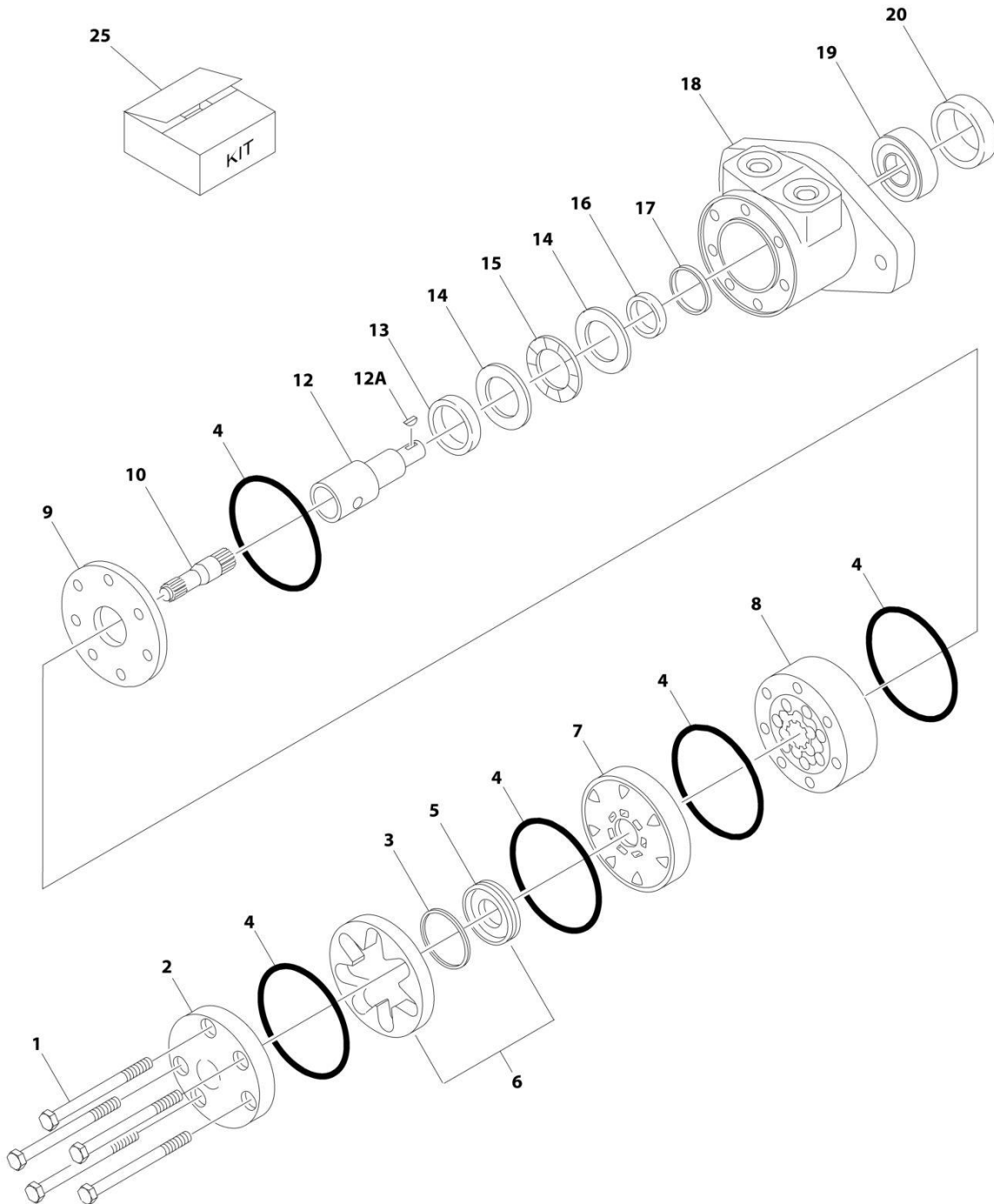
SECTION 2 - TURNTABLE

FIGURE 2-7. TURNTABLE BEARING AND SWING DRIVE INSTALLATION

ITEM	PART NUMBER	QTY	DESCRIPTION	REV
	1001166395	Ref	TURNTABLE BEARING AND SWING DRIVE INSTALLATION	C
1	1001153017	1	Turntable Bearing and Worm Gear Assembly (See Separate Breakdown in this Section)	
2	0100019	AR	Compound, Locking	
3	1001104850	1	Swing Motor Assembly (See Separate Breakdown in this Section)	
4	3931832	2	Bolt 1/2 X 2	
5	4740171	2	Washer	
6	0682026	18	Bolt 5/8 X 3-1/4, Grade 8	
7	4892000	41	Washer 5/8	
10	0682028	23	Bolt 5/8 X 3-1/2, Grade 8	
100	1001160527	1	Turntable Bearing Replacement Kit (Includes Items 1, 4, 5, 6, 7 & 10)	

SECTION 2 - TURNTABLE

FIGURE 2-8. SWING MOTOR ASSEMBLY



ART_1001104850

SECTION 2 - TURNTABLE

FIGURE 2-8. SWING MOTOR ASSEMBLY

ITEM	PART NUMBER	QTY	DESCRIPTION	REV
	1001104850	Ref	SWING MOTOR ASSEMBLY	A
1	See Note	5	Bolt (Note: Not Available for Purchase)	
2	7004035	1	Cover, End	
3	7023318	1	Seal, Commutator	
4	7004036	5	O-Ring	
5	See Note	NSS	Commutator (Note: Use Item 6)	
6	7024453	1	Commutator and Ring Assembly (Includes Item 5)	
7	7024379	1	Manifold	
8	70002206	1	Rotor Set	
9	7024380	1	Plate, Wear	
10	70002207	1	Link, Drive	
12	70000088	1	Shaft, Coupling	
12A	70000089	1	Key	
13	7024381	1	Bushing, Inner	
14	7004043	1	Thrustwasher	
15	7004044	1	Bearing, Thrust	
16	7004049	1	Seal, Inner Shaft	
17	7004045	1	Ring, Back-up	
18	See Note	NSS	Housing (Note: Not Available - Purchase Complete Motor)	
19	7024390	1	Bearing	
20	7004047	1	Seal, Outer Shaft	
25	7024389	1	Seal Kit (Includes Items 3, 4, 16, 17 & 20)	

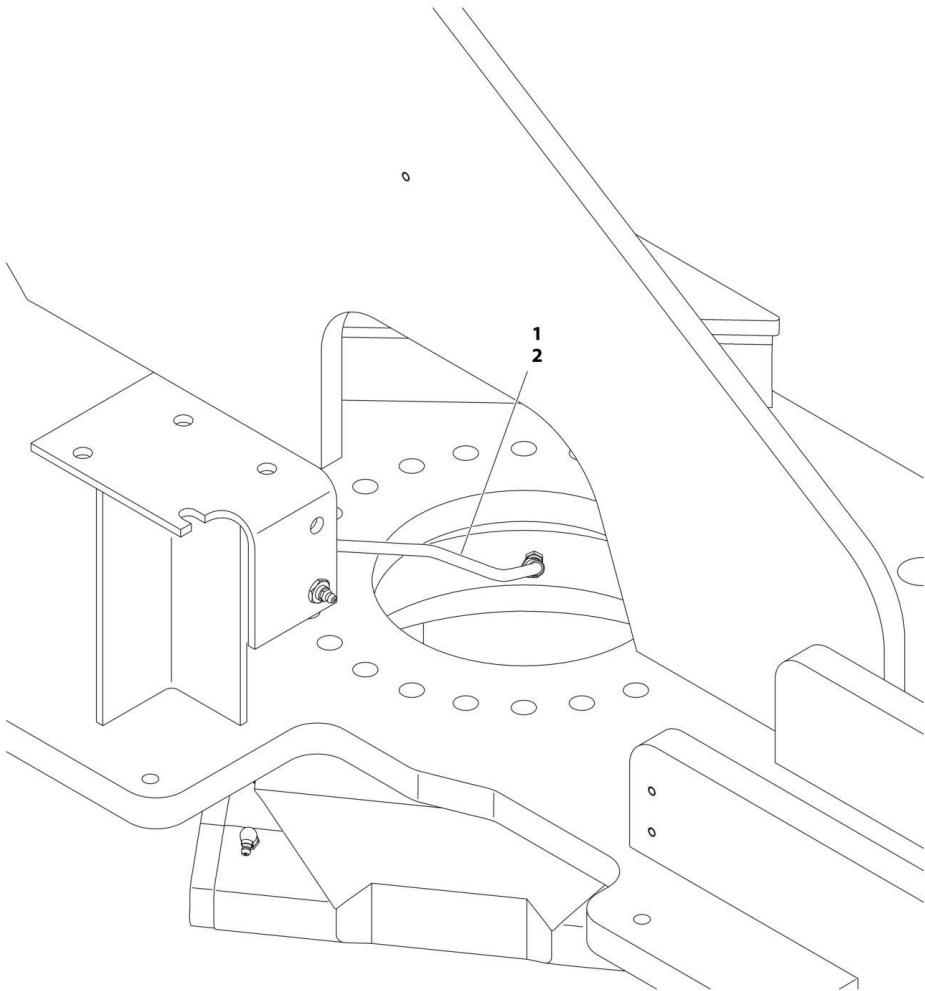
SECTION 2 - TURNTABLE

FIGURE 2-9. SWING BEARING ASSEMBLY

ITEM	PART NUMBER	QTY	DESCRIPTION	REV
	1001153017	Ref	SWING BEARING ASSEMBLY	B
1	7026042	2	Bearing, Cup	
1	7026043	2	Bearing, Cone	
2	7027356	1	Adapter, Motor	
3	7027361	2	Seal	
4	7027354	1	Cap, End	
5	0641510	2	Bolt 5/16 x 1-1/4	
6	0641812	2	Bolt 1/2 x 1-1/2	
7	70000865	1	Plug	
8	7027360	1	Seal	
9	2160003	2	Fitting, Grease - 45	
10	7027358	2	Fitting, Grease - 90	
11	See Note	NSS	Housing (Note: Not Sold Separate - Use 1001153017)	
12	4891500	1	Washer 5/16	
13	7027363	1	Gear, Worm	
14	70004159	1	Ring Gear	
15	7027352	AR	Gasket (.010 - Brown)	
16	7027351	AR	Gasket (.0075 - Clear)	
17	7027350	AR	Gasket (.005 - Blue)	
18	7027353	1	Gasket (.020 - Yellow)	

SECTION 2 - TURNTABLE

FIGURE 2-10. REMOTE BEARING LUBE INSTALLATION - OPTIONAL



ART_1001166341

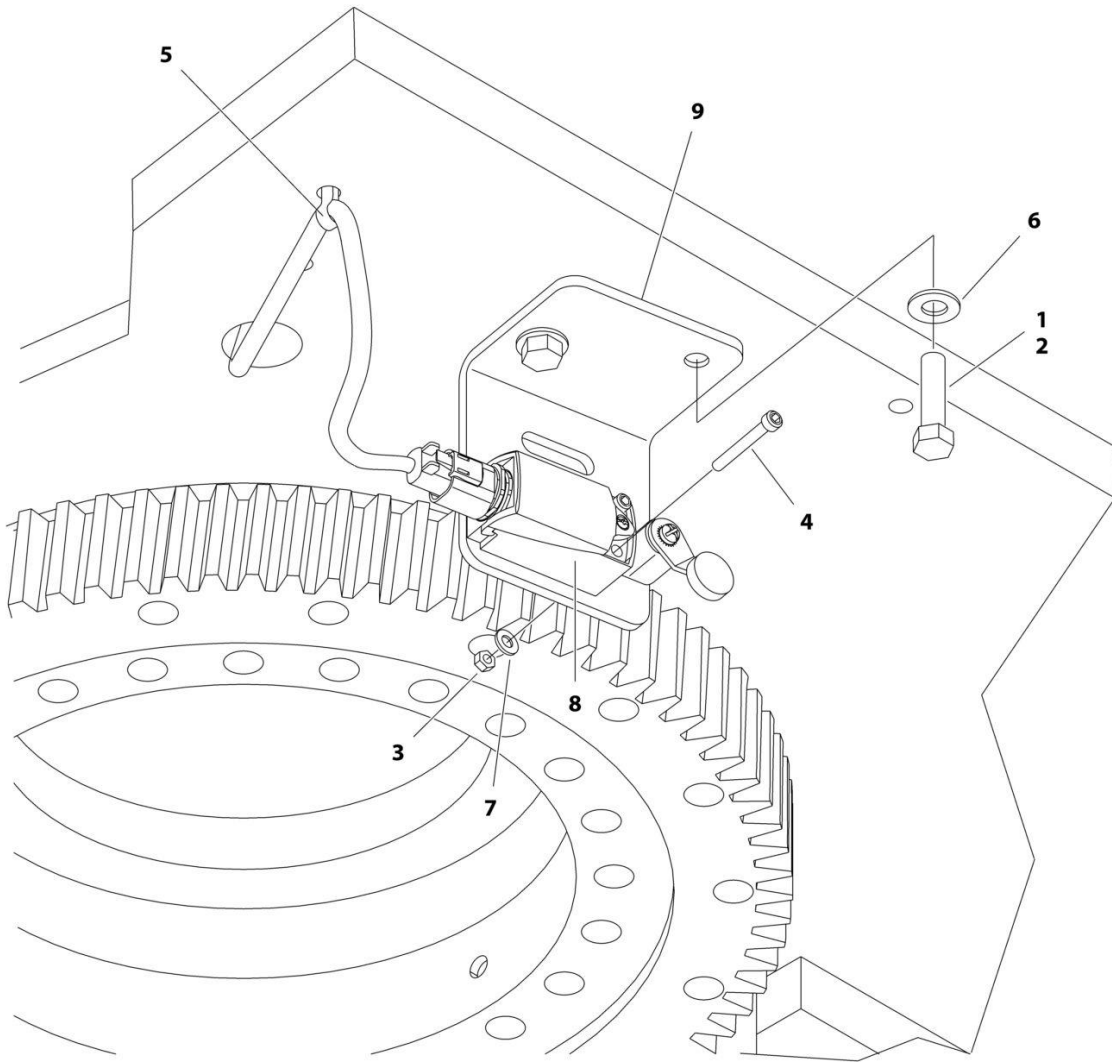
SECTION 2 - TURNTABLE

FIGURE 2-10. REMOTE BEARING LUBE INSTALLATION - OPTIONAL

ITEM	PART NUMBER	QTY	DESCRIPTION	REV
	1001166341	Ref	REMOTE BEARING LUBE INSTALLATION - OPTIONAL	B
1	1001157058	1	Hose, Remote Grease Line	
2	0100011	AR	Compound, Locking	

SECTION 2 - TURNTABLE

FIGURE 2-11. DRIVE ORIENTATION INSTALLATION



ART_1001187790

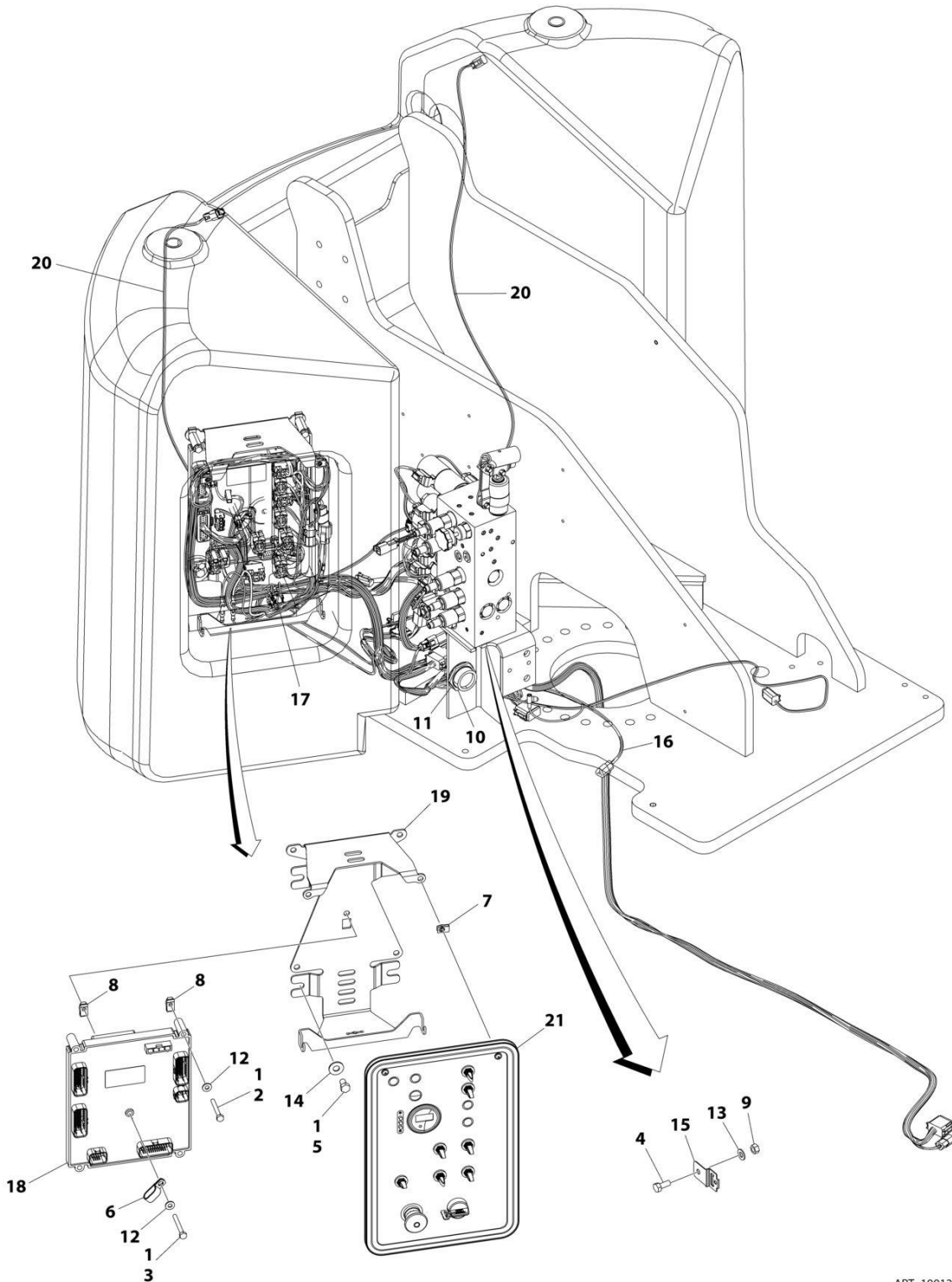
SECTION 2 - TURNTABLE

FIGURE 2-11. DRIVE ORIENTATION INSTALLATION

ITEM	PART NUMBER	QTY	DESCRIPTION	REV
	1001187790	Ref	DRIVE ORIENTATION INSTALLATION	B
1	0100011	AR	Compound, Locking	
2	0641608	2	Bolt 3/8 X 1	
3	3310805	2	Nut #8	
4	3930824	2	Bolt #8 X 1-1/2	
5	4240175	1	Tie, Strap	
6	4711600	2	Washer 3/8	
7	4750800	2	Washer #8	
8	1001116232	1	Switch, Limit	
9	1001171298	1	Bracket, Mounting	

SECTION 2 - TURNTABLE

FIGURE 2-12. GROUND CONTROL BOX INSTALLATION - E400AN (ALL SPECS EXCEPT CE AND AUSTRALIAN SPECS)



ART_1001249175

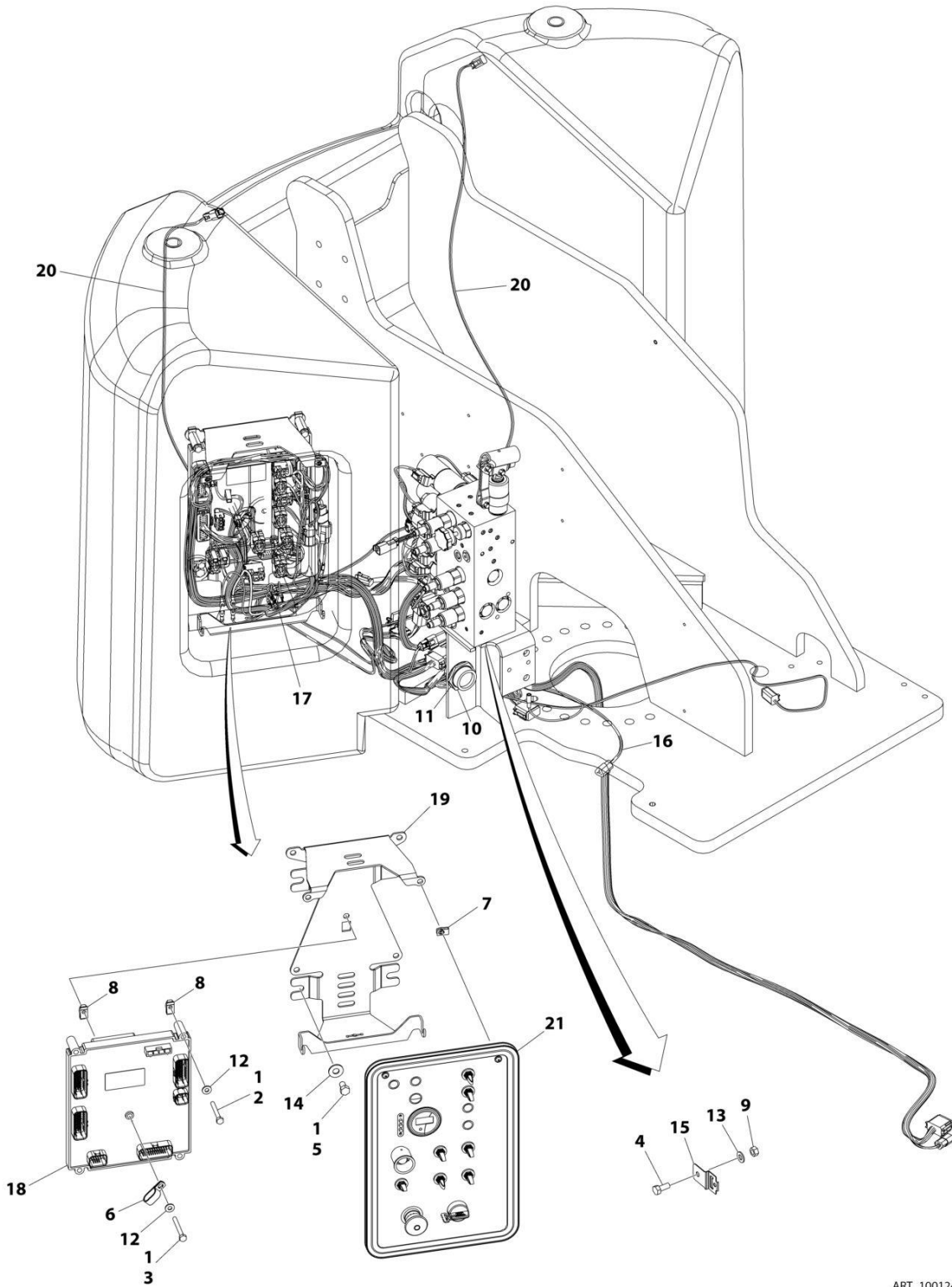
SECTION 2 - TURNTABLE

FIGURE 2-12. GROUND CONTROL BOX INSTALLATION - E400AN (ALL SPECS EXCEPT CE AND AUSTRALIAN SPECS)

ITEM	PART NUMBER	QTY	DESCRIPTION	REV
	1001249175	Ref	GROUND CONTROL BOX INSTALLATION	A
1	0100011	AR	Compound, Locking	
2	0641416	4	Bolt 1/4 X 2	
3	0641418	1	Bolt 1/4 X 2-1/4	
4	0641506	1	Bolt 5/16 X 3/4	
5	0641605	4	Bolt 3/8 X 5/8	
6	1321385	1	Clamp	
7	3300365	2	Nut, Special	
8	3300454	5	Nut 1/4	
9	3311505	1	Nut 5/16	
10	4460470	1	Nut	
11	4460471	1	Washer	
12	4711400	5	Washer 1/4	
13	4711500	1	Washer 5/16	
14	4751600	4	Washer 3/8	
15	1001153749	1	Clip	
16	1001178794	1	Harness, Valve (See Separate Breakdown in ELECTRICAL SECTION)	
17	1001179991	1	Harness, Ground Panel (See Separate Breakdown in ELECTRICAL SECTION)	
18	1001182700	1	Module, Ground Control (Note: Re-calibration Required when Replaced)	
19	1001188065	1	Bracket	
20	1001245677	1	Harness, Turntable (See Separate Breakdown in ELECTRICAL SECTION)	
21	1001249176	1	Ground Control Box Electrical Assembly (See Separate Breakdown in this Section)	

SECTION 2 - TURNTABLE

FIGURE 2-13. GROUND CONTROL BOX INSTALLATION - E400AN (CE SPEC)



ART_1001249177

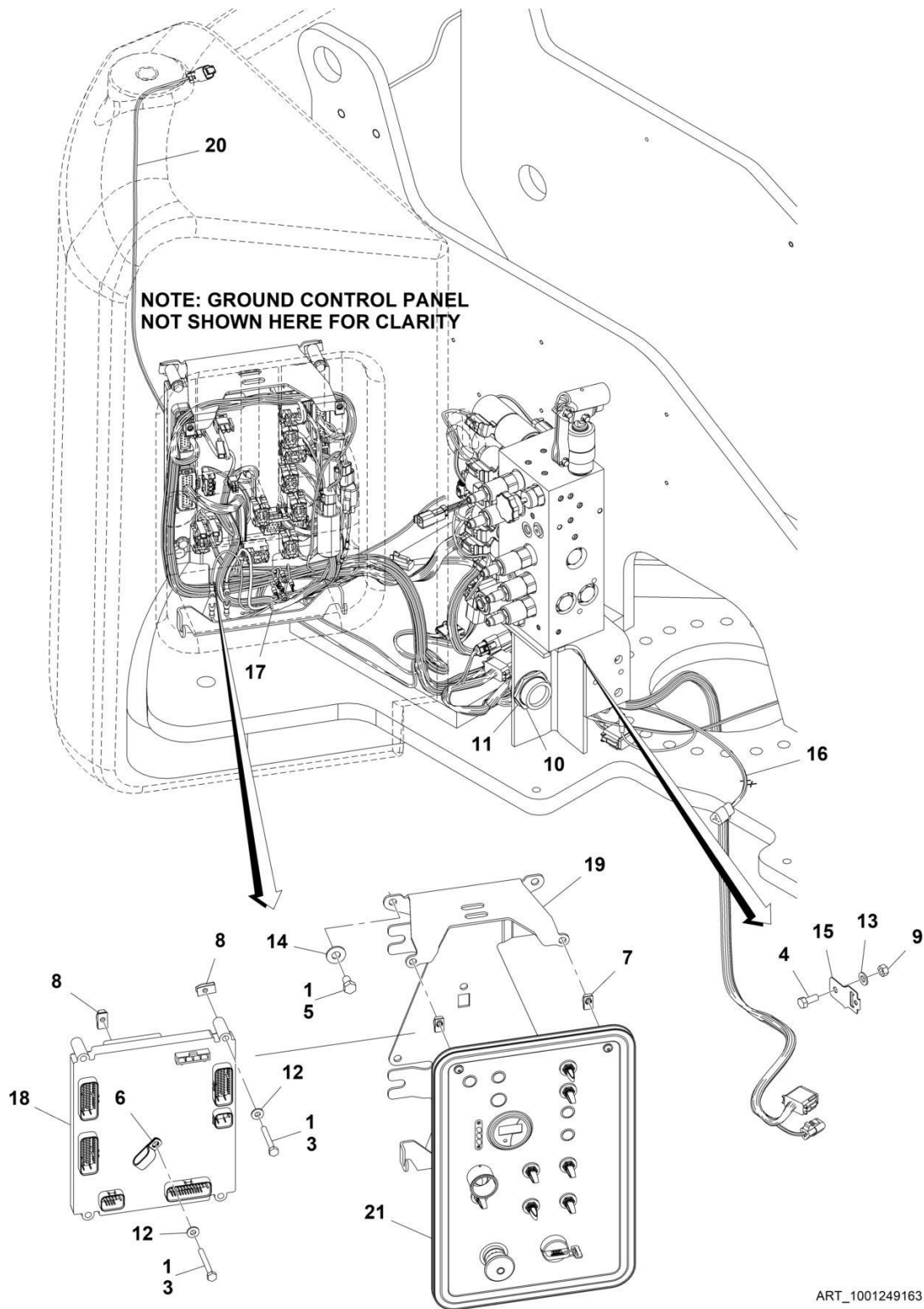
SECTION 2 - TURNTABLE

FIGURE 2-13. GROUND CONTROL BOX INSTALLATION - E400AN (CE SPEC)

ITEM	PART NUMBER	QTY	DESCRIPTION	REV
	1001249177	Ref	GROUND CONTROL BOX INSTALLATION	A
1	0100011	AR	Compound, Locking	
2	0641416	4	Bolt 1/4 X 2	
3	0641418	1	Bolt 1/4 X 2-1/4	
4	0641506	1	Bolt 5/16 X 3/4	
5	0641605	4	Bolt 3/8 X 5/8	
6	1321385	1	Clamp	
7	3300365	2	Nut, Special	
8	3300454	5	Nut 1/4	
9	3311505	1	Nut 5/16	
10	4460470	1	Nut	
11	4460471	1	Washer	
12	4711400	5	Washer 1/4	
13	4711500	1	Washer 5/16	
14	4751600	4	Washer 3/8	
15	1001153749	1	Clip	
16	1001178794	1	Harness, Valve (See Separate Breakdown in ELECTRICAL SECTION)	
17	1001179991	1	Harness, Ground Control Panel (See Separate Breakdown in ELECTRICAL SECTION)	
18	1001182700	1	Module, Ground Control (Note: Re-calibration Required when Replaced)	
19	1001188065	1	Bracket	
20	1001245677	1	Harness, Turntable (See Separate Breakdown in ELECTRICAL SECTION)	
21	1001249182	1	Ground Control Box Electrical Assembly (See Separate Breakdown in this Section)	

SECTION 2 - TURNTABLE

FIGURE 2-14. GROUND CONTROL BOX INSTALLATION - E400AJPN (ALL SPECS EXCEPT CE SPEC)



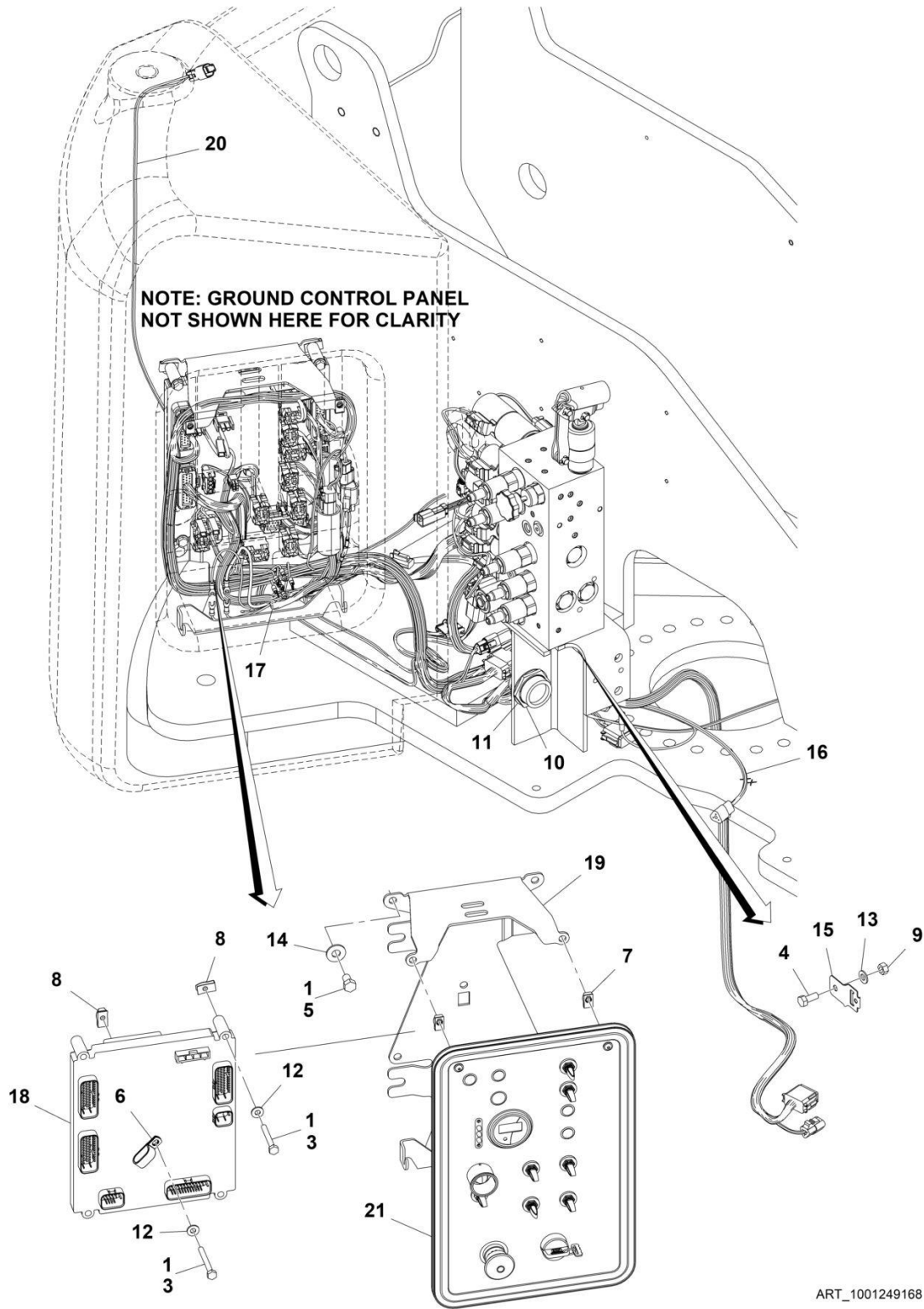
SECTION 2 - TURNTABLE

FIGURE 2-14. GROUND CONTROL BOX INSTALLATION - E400AJPN (ALL SPECS EXCEPT CE SPEC)

ITEM	PART NUMBER	QTY	DESCRIPTION	REV
	1001249163	Ref	GROUND CONTROL BOX INSTALLATION	A
1	0100011	AR	Compound, Locking	
2	0641416	4	Bolt 1/4 X 2	
3	0641418	1	Bolt 1/4 X 2-1/4	
4	0641506	1	Bolt 5/16 X 3/4	
5	0641605	4	Bolt 3/8 X 5/8	
6	1321385	1	Clamp	
7	3300365	2	Nut, Special	
8	3300454	5	Nut, 1/4-20	
9	3311505	1	Nut 5/16	
10	4460470	1	Nut, Terminal	
11	4460471	1	Washer, Lock	
12	4711400	5	Washer 1/4	
13	4711500	1	Washer 5/16	
14	4751600	4	Washer 3/8	
15	1001153749	1	Clip	
16	1001178794	1	Harness, Valve (See Separate Breakdown in ELECTRICAL SECTION)	
17	1001179991	1	Harness, Ground Panel (See Separate Breakdown in ELECTRICAL SECTION)	
18	1001182700	1	Module, Ground Control (Note: Re-calibration Required when Replaced)	
19	1001188065	1	Bracket	
20	1001245677	1	Harness, Turntable (See Separate Breakdown in ELECTRICAL SECTION)	
21	1001249165	1	GROUND CONTROL BOX ELECTRICAL ASSEMBLY (See Separate Breakdown in this Section)	

SECTION 2 - TURNTABLE

FIGURE 2-15. GROUND CONTROL BOX INSTALLATION - E400AJPN (CE SPEC)



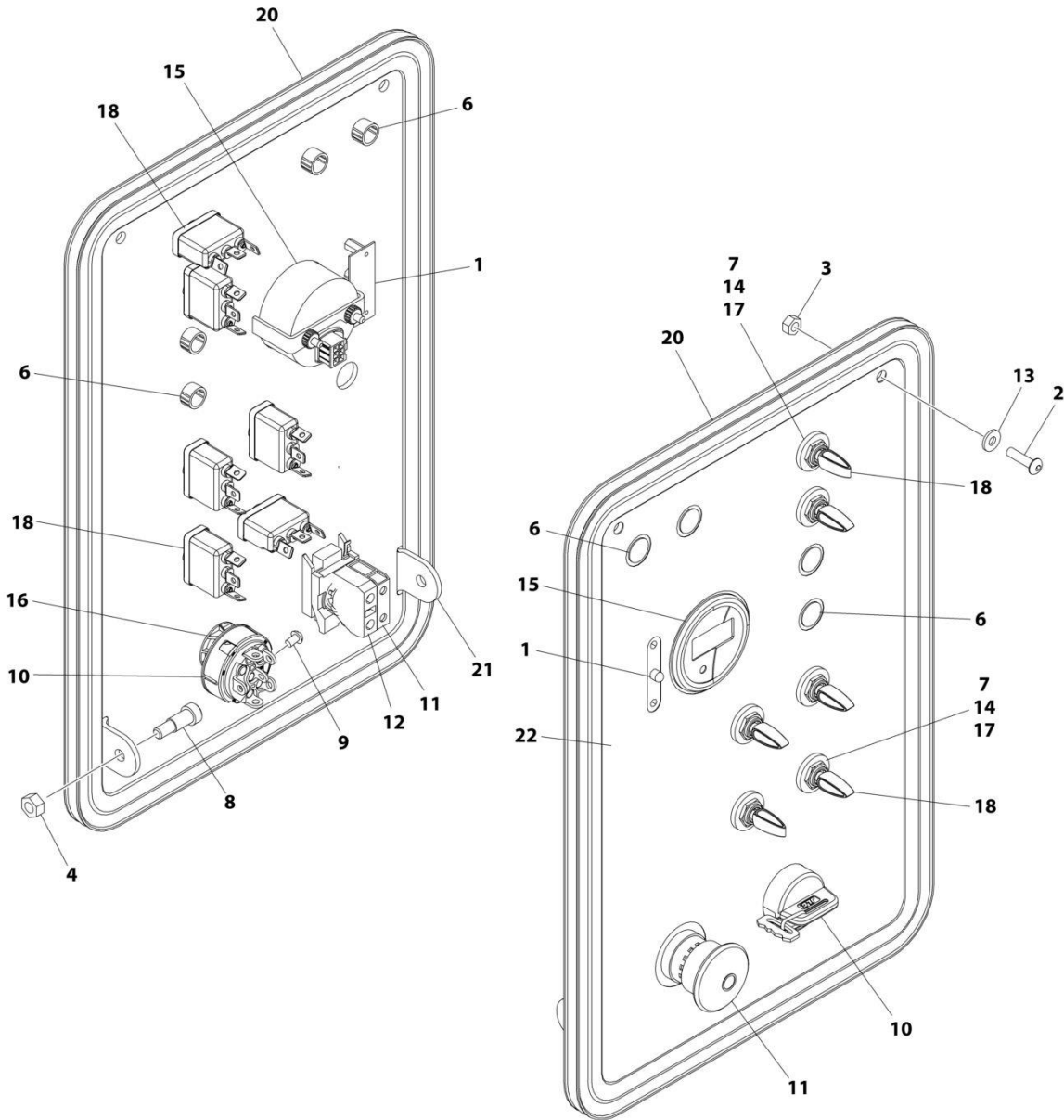
SECTION 2 - TURNTABLE

FIGURE 2-15. GROUND CONTROL BOX INSTALLATION - E400AJPN (CE SPEC)

ITEM	PART NUMBER	QTY	DESCRIPTION	REV
	1001249168	Ref	GROUND CONTROL BOX INSTALLATION	A
1	0100011	AR	Compound, Locking	
2	0641416	4	Bolt 1/4 X 2	
3	0641418	1	Bolt 1/4 X 2-1/4	
4	0641506	1	Bolt 5/16 X 3/4	
5	0641605	4	Bolt 3/8 X 5/8	
6	1321385	1	Clamp	
7	3300365	2	Nut, Special	
8	3300454	5	Nut, 1/4-20	
9	3311505	1	Nut 5/16	
10	4460470	1	Nut, Terminal	
11	4460471	1	Washer, Lock	
12	4711400	5	Washer 1/4	
13	4711500	1	Washer 5/16	
14	4751600	4	Washer 3/8	
15	1001153749	1	Clip	
16	1001178794	1	Harness, Valve (See Separate Breakdown in ELECTRICAL SECTION)	
17	1001179991	1	Harness, Ground Panel (See Separate Breakdown in ELECTRICAL SECTION)	
18	1001182700	1	Module, Ground Control (Note: Re-calibration Required when Replaced)	
19	1001188065	1	Bracket	
20	1001245677	1	Harness, Turntable (See Separate Breakdown in ELECTRICAL SECTION)	
21	1001249174	1	GROUND CONTROL BOX ELECTRICAL ASSEMBLY (See Separate Breakdown in this Section)	

SECTION 2 - TURNTABLE

FIGURE 2-16. GROUND CONTROL BOX ELECTRICAL ASSEMBLY - E400AN (ALL SPECS EXCEPT CE AND AUSTRALIAN SPECS)



ART_1001249176

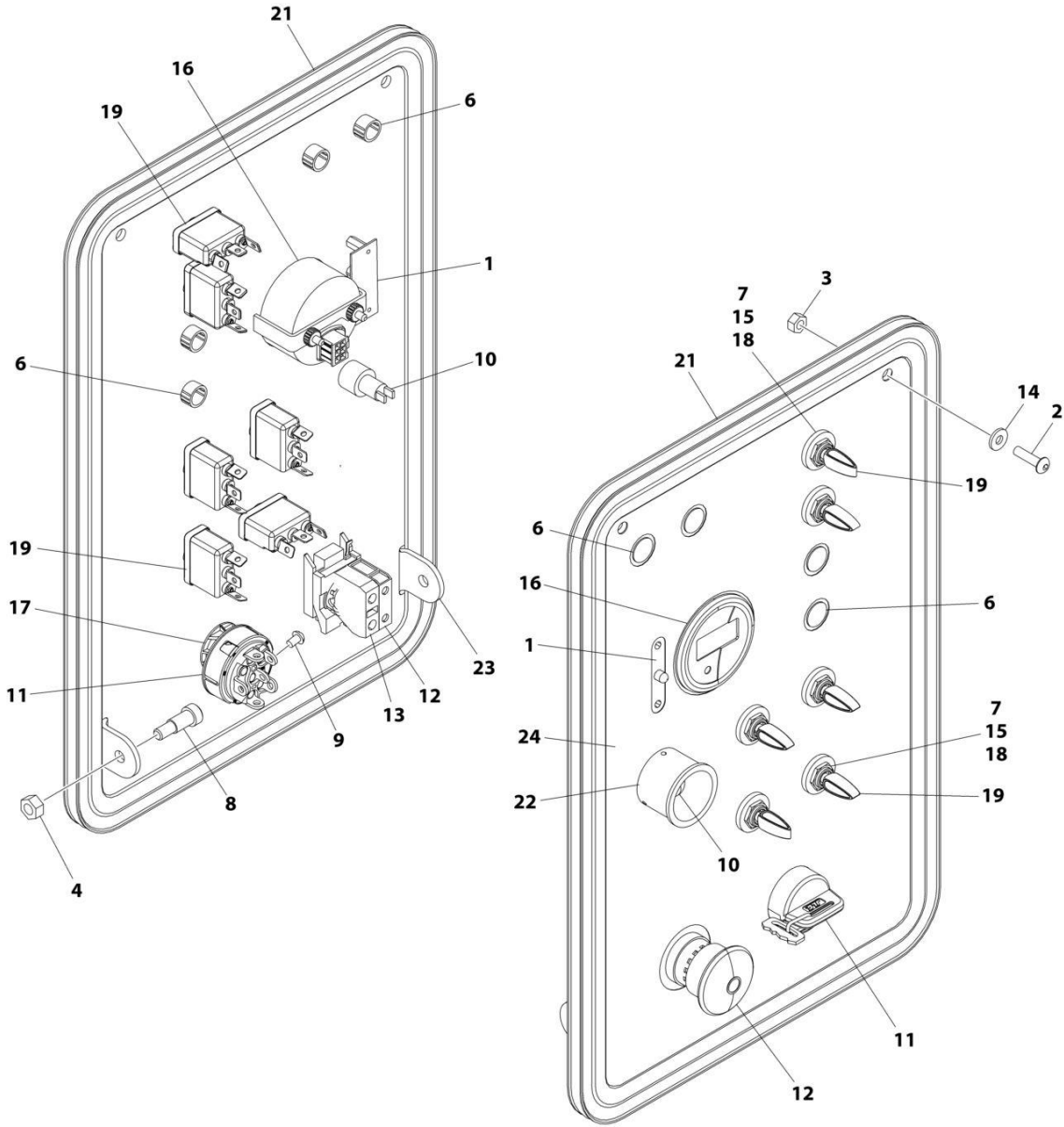
SECTION 2 - TURNTABLE

FIGURE 2-16. GROUND CONTROL BOX ELECTRICAL ASSEMBLY - E400AN (ALL SPECS EXCEPT CE AND AUSTRALIAN SPECS)

ITEM	PART NUMBER	QTY	DESCRIPTION	REV
	1001249176	Ref	GROUND CONTROL BOX ELECTRICAL ASSEMBLY	C
1	1001259489	1	P/C Board, Battery Charger	
2	0630518	2	Bolt #10 x 3/4	
3	3311011	2	Nut	
4	3311405	2	Nut 1/4	
6	3520028	4	Plug, Hole 1/2	
7	3790012	6	O-Ring	
8	3900187	2	Screw	
9	3910804	6	Screw #8 x 1/4	
10	4360469	1	Keyswitch	
10	2860030	1	Key, Replacement (Set of 2)	
11	4360475	1	Switch, Emergency Stop	
11	7020175	1	Cap, Mushroom Head	
11	7020176	1	Block, Contact	
12	4360476	1	Block, Contact	
13	4740120	2	Washer	
14	4740397	6	Spacer	
15	1001109503	1	Gauge, Indicator	
16	1001151393	1	Shim, .063	
17	1001155044	6	Nut 15/32	
18	1001155045	6	Switch, Toggle	
20	1001166394	4 ft /1.2m	Seal	
21	1001188066	1	Panel, Ground Control	
22	1001221451	1	Decal - Ground Control Lid	

SECTION 2 - TURNTABLE

FIGURE 2-17. GROUND CONTROL BOX ELECTRICAL ASSEMBLY - E400AN (CE SPEC)



ART_1001249182

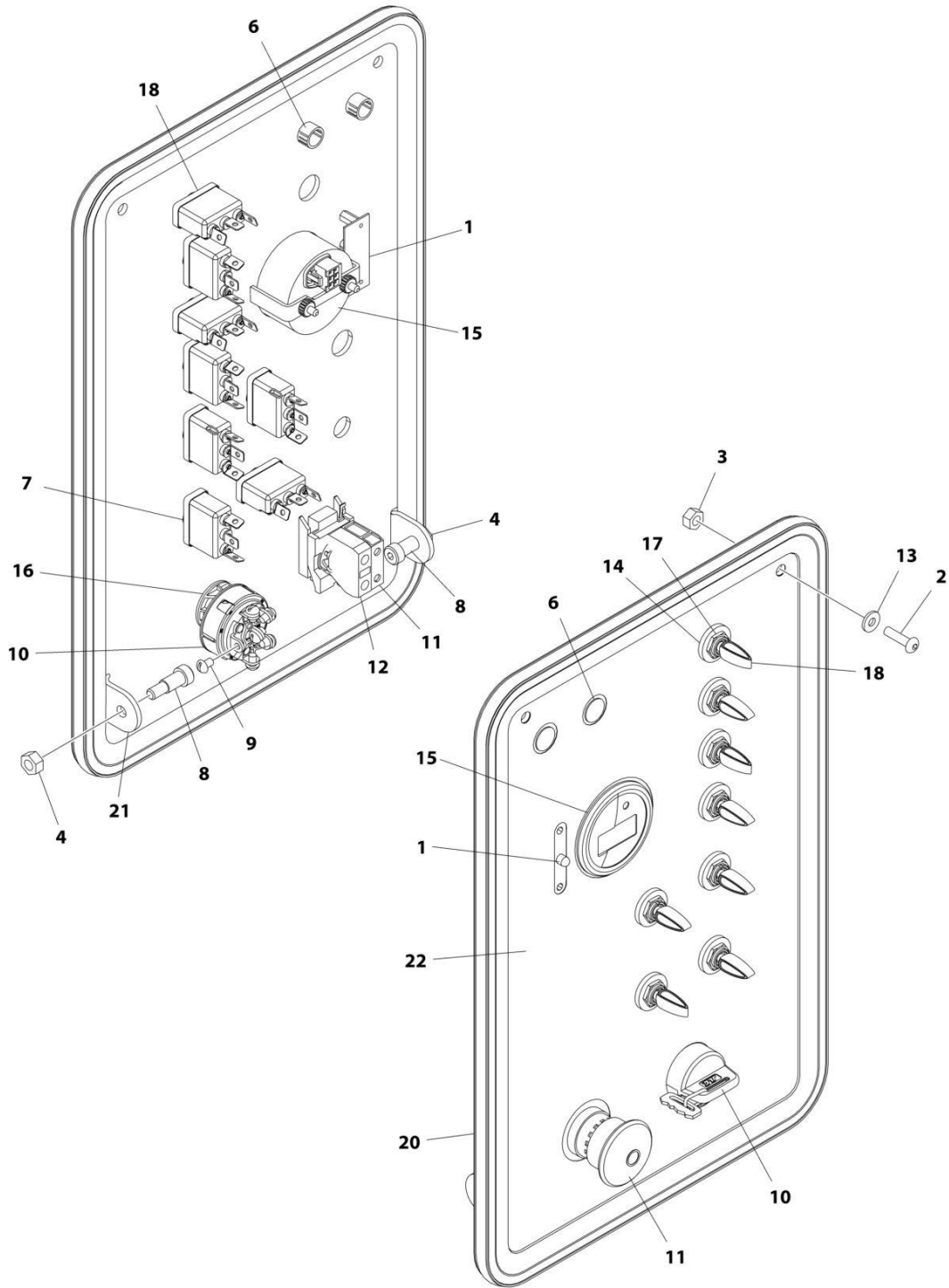
SECTION 2 - TURNTABLE

FIGURE 2-17. GROUND CONTROL BOX ELECTRICAL ASSEMBLY - E400AN (CE SPEC)

ITEM	PART NUMBER	QTY	DESCRIPTION	REV
	1001249182	Ref	GROUND CONTROL BOX ELECTRICAL ASSEMBLY	C
1	1001259489	1	P/C Board, Battery Charger	
2	0630518	2	Bolt #10 x 3/4	
3	3311011	2	Nut	
4	3311405	2	Nut 1/4	
6	3520028	4	Plug, Hole 1/2	
7	3790012	6	O-Ring	
8	3900187	2	Screw	
9	3910804	6	Screw #8 x 1/4	
10	4360387	1	Switch, Push Button	
11	4360469	1	Keyswitch	
11	2860030	1	Key, Replacement (Set of 2)	
12	4360475	1	Switch, Emergency Stop	
12	7020175	1	Cap, Mushroom Head	
12	7020176	1	Block, Contact	
13	4360476	1	Block, Contact	
14	4740120	2	Washer	
15	4740397	6	Spacer	
16	1001109503	1	Gauge, Indicator	
17	1001151393	1	Shim, .063	
18	1001155044	6	Nut 15/32	
19	1001155045	6	Switch, Toggle	
21	1001166394	4 ft /1.2m	Seal	
22	1001176469	1	Shroud	
23	1001188066	1	Panel, Ground Control	
24	1001221452	1	Decal - Ground Control Lid	

SECTION 2 - TURNTABLE

FIGURE 2-18. GROUND CONTROL BOX ELECTRICAL ASSEMBLY - E400AJPN (ALL SPECS EXCEPT CE SPEC)



ART_1001249165

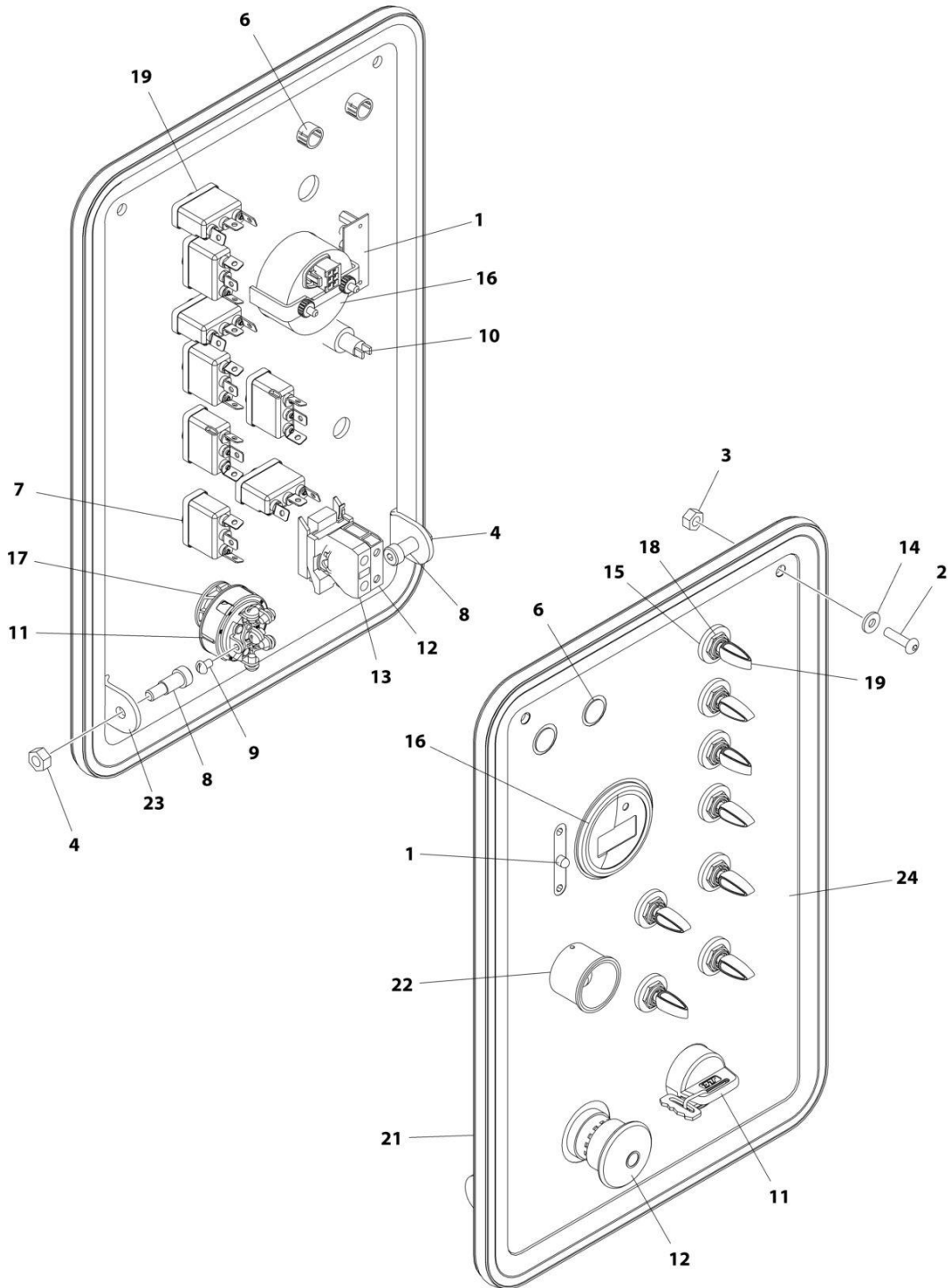
SECTION 2 - TURNTABLE

FIGURE 2-18. GROUND CONTROL BOX ELECTRICAL ASSEMBLY - E400AJPN (ALL SPECS EXCEPT CE SPEC)

ITEM	PART NUMBER	QTY	DESCRIPTION	REV
	1001249165	Ref	GROUND CONTROL BOX ELECTRICAL ASSEMBLY	C
1	1001259489	1	P/C Board, Battery Charger	
2	0630518	2	Bolt #10 x 3/4	
3	3311011	2	Nut	
4	3311405	2	Nut 1/4	
6	3520028	2	Plug, Hole 1/2	
7	3790012	8	O-Ring	
8	3900187	2	Screw	
9	3910804	6	Screw #8 x 1/4	
10	4360469	1	Keyswitch	
10	2860030	1	Key, Replacement (Set of 2)	
11	4360475	1	Switch, Emergency Stop	
11	7020175	1	Cap, Mushroom Head	
11	7020176	1	Block, Contact	
12	4360476	1	Block, Contact	
13	4740120	2	Washer	
14	4740397	8	Spacer	
15	1001109503	1	Gauge, Indicator	
16	1001151393	1	Shim, .063	
17	1001155044	8	Nut 15/32	
18	1001155045	8	Switch, Toggle	
20	1001166394	4 ft/1.2m	Seal	
21	1001188066	1	Panel, Ground Control	
22	1001221451	1	Decal - Ground Control Lid	

SECTION 2 - TURNTABLE

FIGURE 2-19. GROUND CONTROL BOX ELECTRICAL ASSEMBLY - E400AJPN (CE SPEC)



ART_1001249174

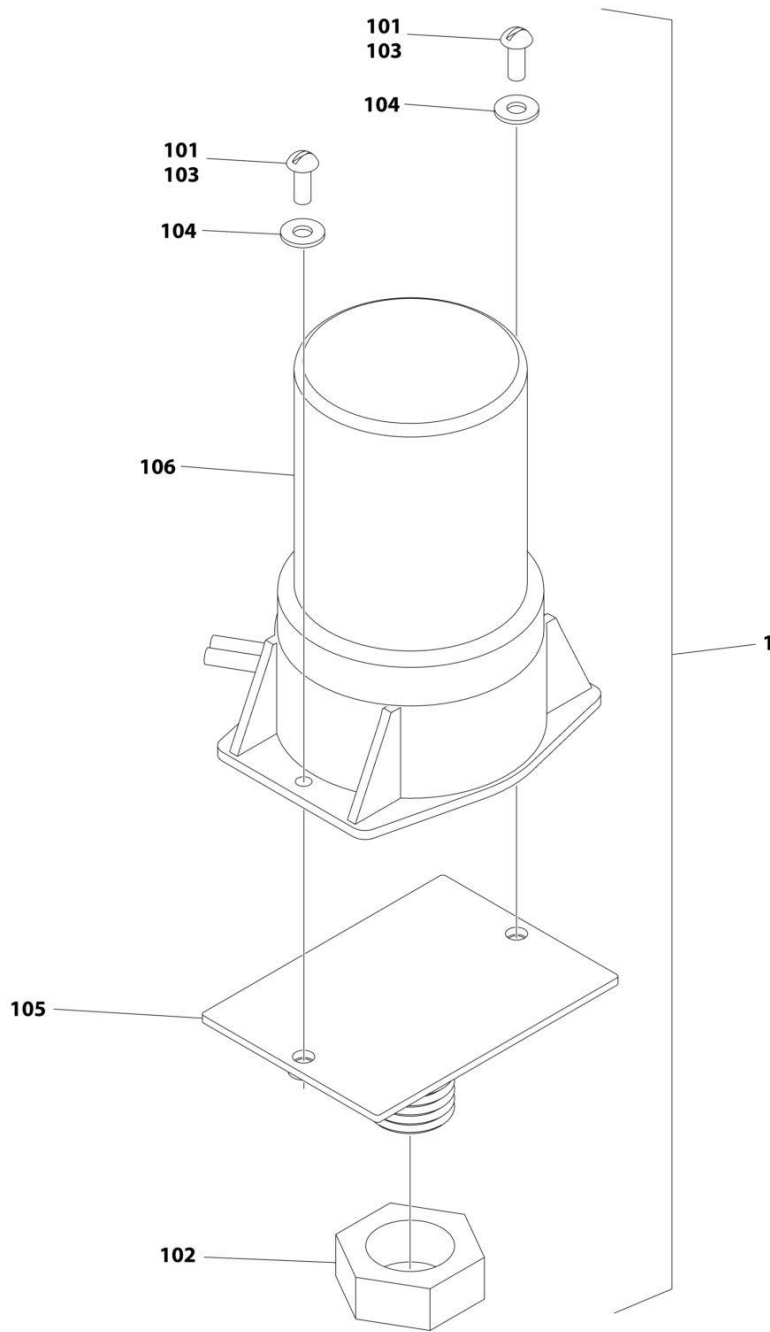
SECTION 2 - TURNTABLE

FIGURE 2-19. GROUND CONTROL BOX ELECTRICAL ASSEMBLY - E400AJPN (CE SPEC)

ITEM	PART NUMBER	QTY	DESCRIPTION	REV
	1001249174	Ref	GROUND CONTROL BOX ELECTRICAL ASSEMBLY	C
1	1001259489	1	P/C Board, Battery Charger	
2	0630518	2	Bolt #10 x 3/4	
3	3311011	2	Nut	
4	3311405	2	Nut 1/4	
6	3520028	2	Plug, Hole 1/2	
7	3790012	8	O-Ring	
8	3900187	2	Screw	
9	3910804	6	Screw #8 x 1/4	
10	4360387	1	Switch, Push Button	
11	4360469	1	Keyswitch	
11	2860030	1	Key, Replacement (Set of 2)	
12	4360475	1	Switch, Emergency Stop	
12	7020175	1	Cap, Mushroom Head	
12	7020176	1	Block, Contact	
13	4360476	1	Block, Contact	
14	4740120	2	Washer	
15	4740397	8	Spacer	
16	1001109503	1	Gauge, Indicator	
17	1001151393	1	Shim, .063	
18	1001155044	8	Nut 15/32	
19	1001155045	8	Switch, Toggle	
21	1001166394	4 ft/1.2m	Seal	
22	1001176469	1	Shroud	
23	1001188066	1	Panel, Ground Control	
24	1001221451	1	Decal - Ground Control Lid	

SECTION 2 - TURNTABLE

FIGURE 2-20. STROBE LIGHT INSTALLATION - AMBER



ART_1001191142

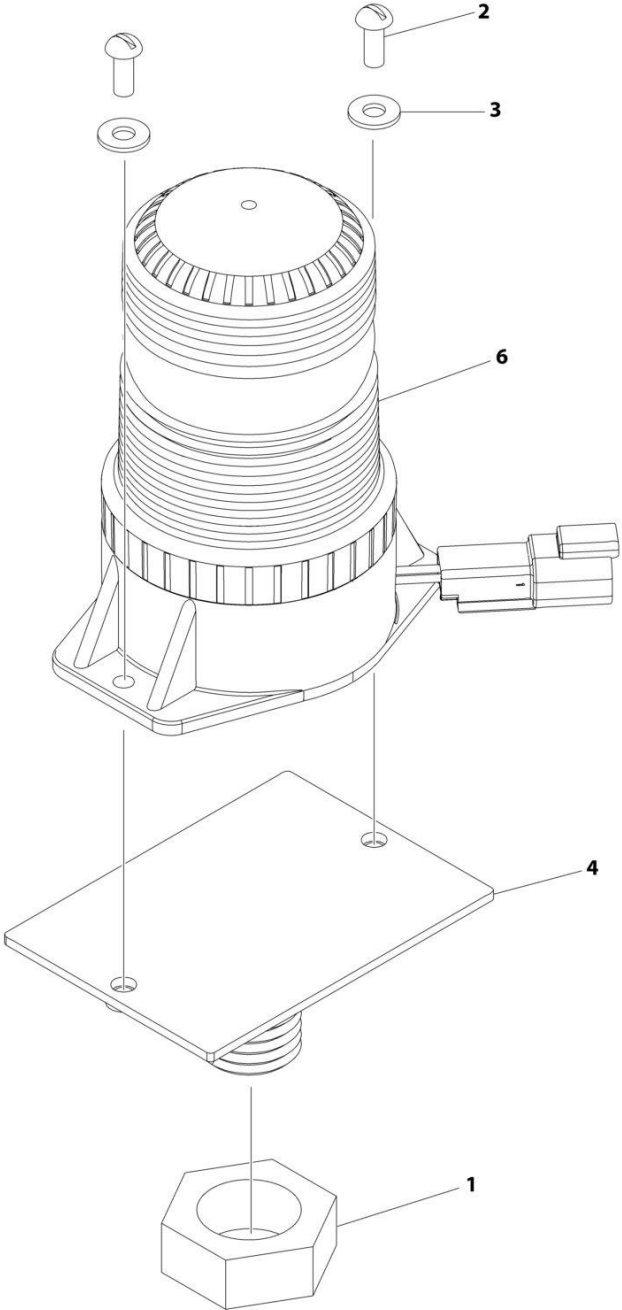
SECTION 2 - TURNTABLE

FIGURE 2-20. STROBE LIGHT INSTALLATION - AMBER

ITEM	PART NUMBER	QTY	DESCRIPTION	REV
	1001191142	Ref	STROBE LIGHT INSTALLATION - AMBER	A
1	1001191140	1	Strobe Light Assembly	A
101	0100035	AR	Compound, Locking	
102	3312602	1	Nut, Jam 1	
103	3900085	2	Screw #10 x 1/2	
104	4751000	2	Washer #10	
105	1001149994	1	Plate, Mount	
106	1001191139	1	Strobe Light/Harness Assembly	
106	4460891	1	Connector - 2 Position	
106	4460465	2	Socket, Female	

SECTION 2 - TURNTABLE

FIGURE 2-21. BEACON LIGHT INSTALLATION - BLUE



ART_1001238557

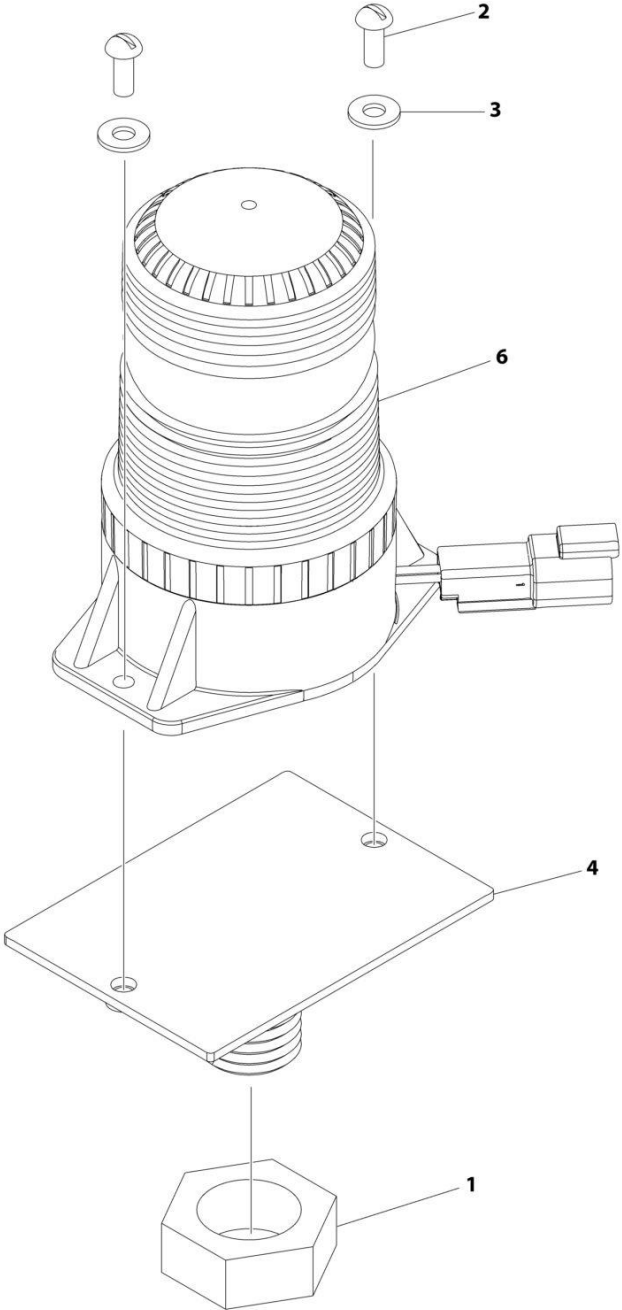
SECTION 2 - TURNTABLE

FIGURE 2-21. BEACON LIGHT INSTALLATION - BLUE

ITEM	PART NUMBER	QTY	DESCRIPTION	REV
	1001238557	Ref	BEACON LIGHT INSTALLATION – BLUE	A
	1001217005	Ref	BEACON LIGHT KIT - BLUE	B
1	3312602	1	Nut, Jam 1	
2	3900085	2	Screw #10 x 1/2	
3	4751000	2	Washer #10	
4	1001149994	1	Plate, Mount	
6	1001200910	1	Light, Beacon	
6	4460897	1	Connector - 2 Position	
6	4460943	2	Pin, Male	

SECTION 2 - TURNTABLE

FIGURE 2-22. BEACON LIGHT INSTALLATION - RED



ART_1001238558

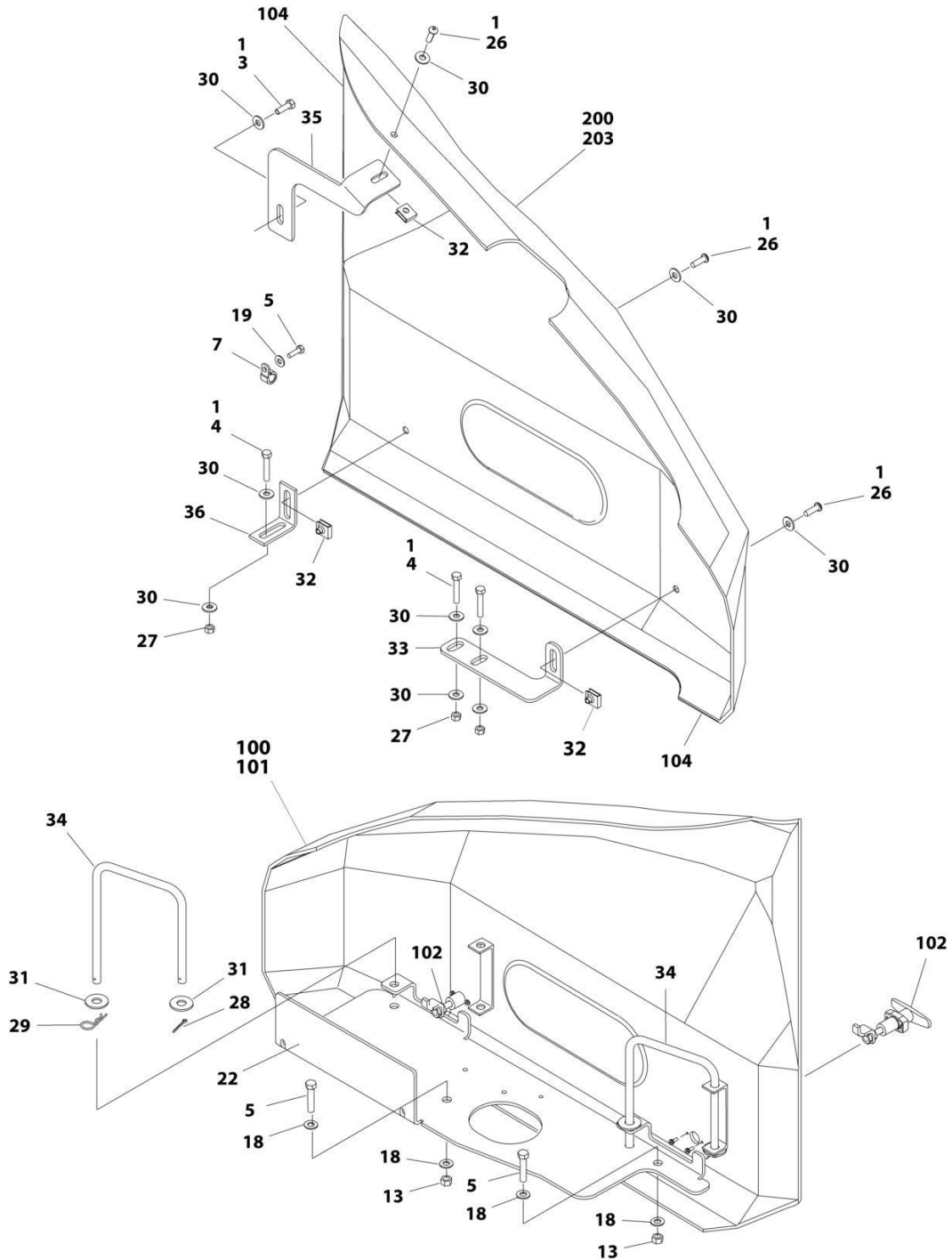
SECTION 2 - TURNTABLE

FIGURE 2-22. BEACON LIGHT INSTALLATION - RED

ITEM	PART NUMBER	QTY	DESCRIPTION	REV
	1001238558	Ref	BEACON LIGHT INSTALLATION – RED	A
1	3312602	1	Nut, Jam 1	
2	3900085	2	Screw #10 x 1/2	
3	4751000	2	Washer #10	
4	1001149994	1	Plate, Mount	
6	1001207004	1	Light, Beacon	
6	4460897	1	Connector - 2 Position	
6	4460943	2	Pin, Male	

SECTION 2 - TURNTABLE

FIGURE 2-23. HOOD INSTALLATION



ART_1001166738

SECTION 2 - TURNTABLE

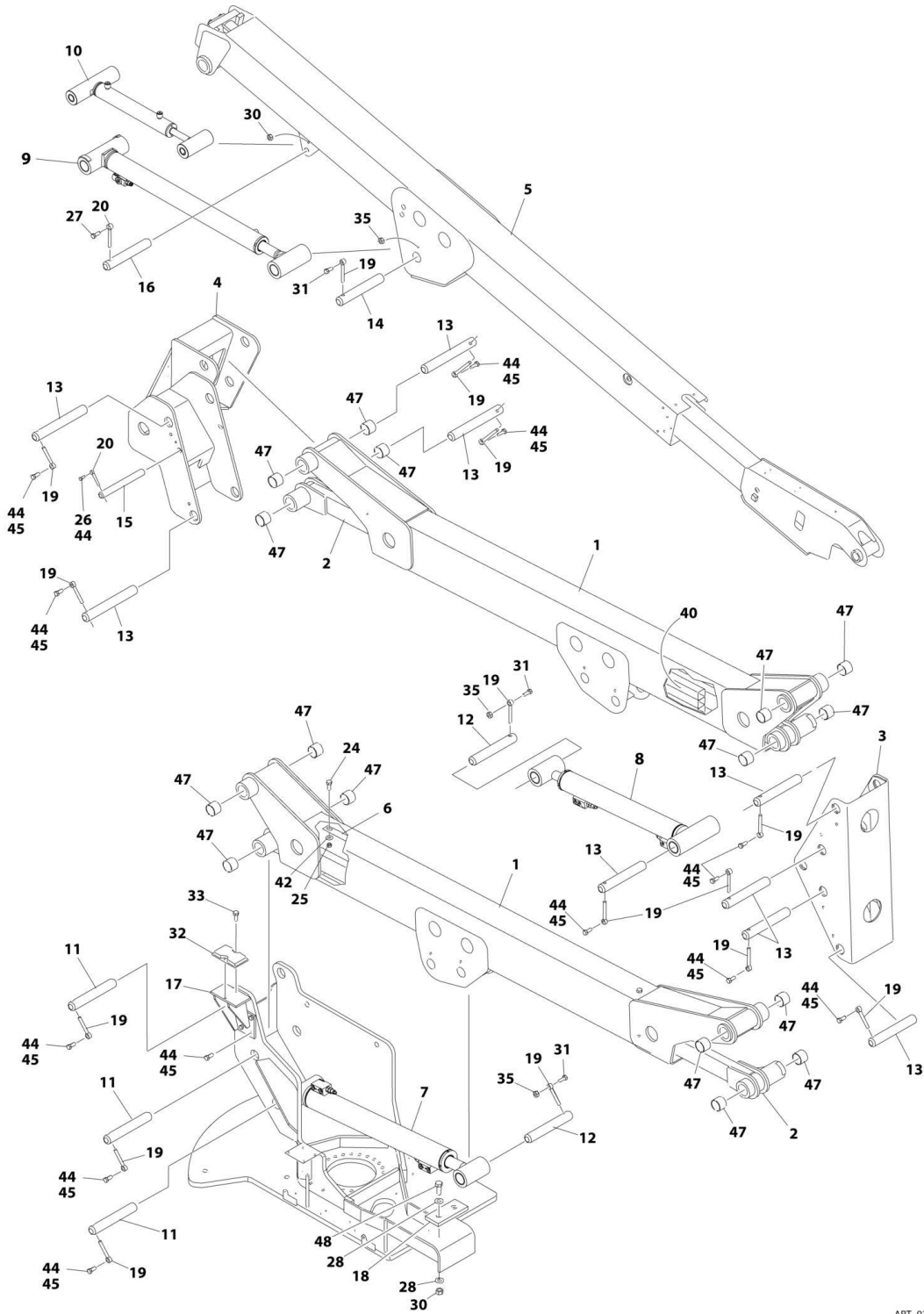
FIGURE 2-23. HOOD INSTALLATION

ITEM	PART NUMBER	QTY	DESCRIPTION	REV
	1001166738	Ref	HOOD INSTALLATION	E
1	0100011	AR	Compound, Locking	
3	0641508	1	Bolt 5/16 X 1	
4	0641514	3	Bolt 5/16 X 1-3/4	
5	0641613	2	Bolt 3/8 X 1-5/8	
7	1320041	1	Clamp	
13	3311602	2	Nut 3/8	
15	0641407	1	Bolt 1/4 X 7/8	
18	4711600	4	Washer 3/8	
19	4751400	1	Washer 1/4	
22	1001165963	1	Plate, Tray	
26	88261024	3	Screw 5/16 x 1	
27	3311501	3	Nut 5/16	
28	3420156	2	Pin, Cotter	
29	3450304	2	Pin, Cotter	
30	4751500	10	Washer 5/16	
31	4751800	2	Washer 1/2	
32	88662530	3	Nut, Tinnerman	
33	1001165981	1	Mount, Hood - Lower	
34	1001165985	2	Mount, Hood Swing	
35	1001182725	1	Mount, Hood	
36	1001183212	1	Bracket, Hood Mount	
100	1001176417	1	LH Side Hood Kit (Includes Items 101-104)	B
	See Note	Ref	Note: Replacement Decals Must be Ordered Separately - See DECAL SECTION.	
101	See Note	1	Hood, LH (Note: Use Item 100)	
102	2940071	2	Latch	
104	3960453	AR	Seal, Door	
200	1001176441	1	RH Side Hood Kit (Includes Items 203 & 205)	C
	See Note	Ref	Note: Replacement Decals Must be Ordered Separately - See DECAL SECTION.	
203	See Note	1	Hood, RH (Use Item 200)	
205	3960453	AR	Seal, Door	

SECTION 3 - BOOM

SECTION 3 - BOOM

FIGURE 3-1. BOOM AND CYLINDERS INSTALLATION - E400AN



ART_0270724

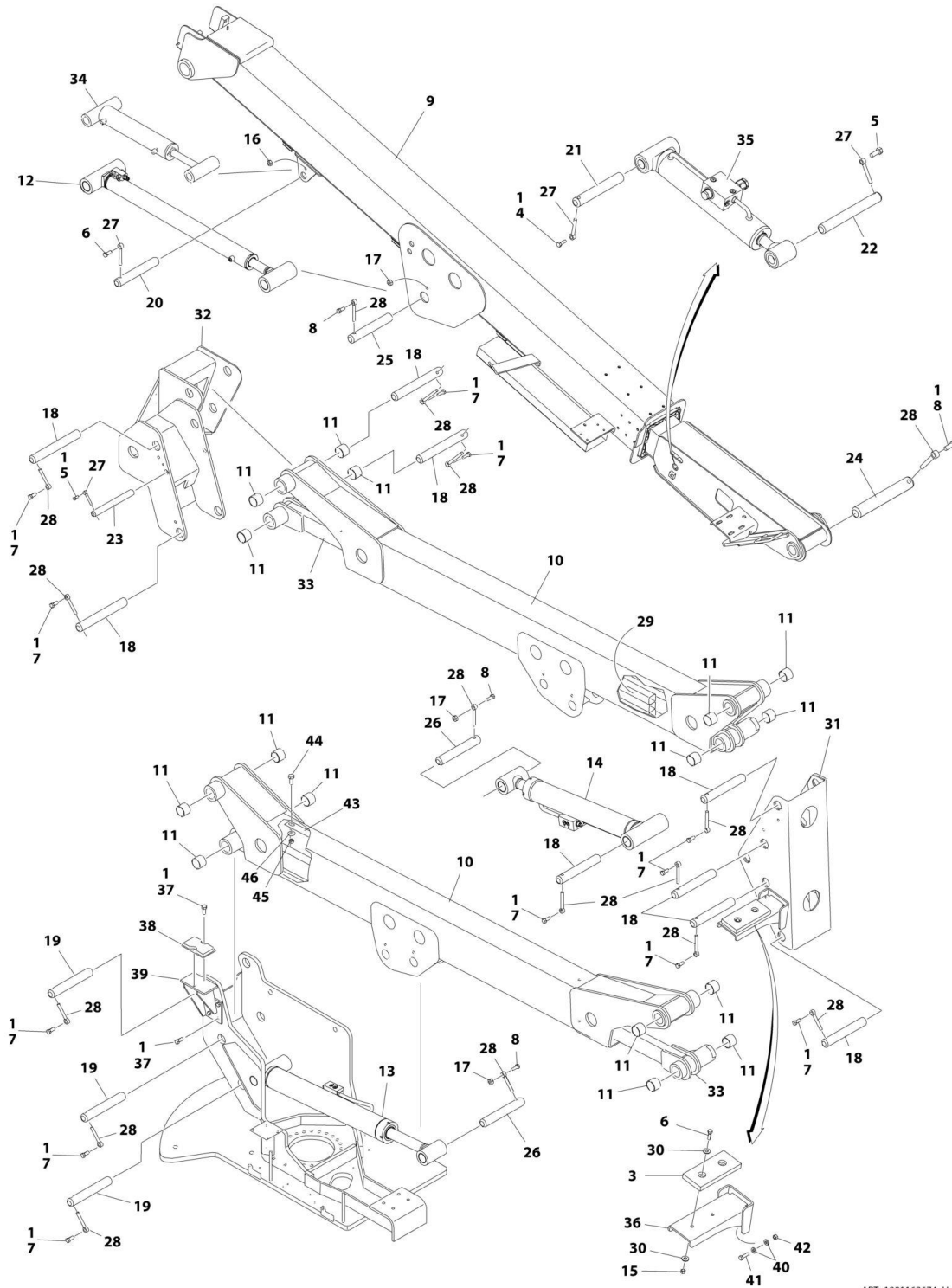
SECTION 3 - BOOM

FIGURE 3-1. BOOM AND CYLINDERS INSTALLATION - E400AN

ITEM	PART NUMBER	QTY	DESCRIPTION	REV
	0270724	Ref	BOOM AND CYLINDERS INSTALLATION	K
1	0801262	2	Boom Assembly - Tower	
2	4846209	2	Level Link	
3	4844303	1	Upright Weldment - Lower	
4	4844304	1	Upright Weldment - Upper	
5	0270725	1	Boom Assembly - Main (See Separate Breakdown in this Section)	
6	3536491	1	Plate	
7	1001228037	1	Lift Cylinder Assembly - Lower (See Separate Breakdown in CYLINDER SECTION)	
8	1001228038	1	Lift Cylinder Assembly - Mid (See Separate Breakdown in CYLINDER SECTION)	
9	1001251018	1	Lift Cylinder Assembly - Upper (See Separate Breakdown in CYLINDER SECTION)	
10	1001140597	1	Master Cylinder Assembly (See Separate Breakdown in CYLINDER SECTION)	
11	3422175	3	Pin	
12	3422176	2	Pin	
13	3422177	9	Pin	
14	3422178	1	Pin	
15	3422179	1	Pin	
16	3422180	1	Pin	
17	4844467	1	Boom Rest Weldment	
18	0561076	1	Block, Boom Rest	
19	3841203	15	Keeper, Pin - 1/2	
20	3841143	2	Keeper, Pin - 3/8	
24	0641506	4	Bolt 5/16 x 3/4	
25	3311505	4	Nut 5/16	
26	0641608	1	Bolt 3/8 x 1	
27	0641610	1	Bolt 3/8 x 1-1/4	
28	4751600	4	Washer 3/8	
30	3311605	3	Nut 3/8	
31	0641812	3	Bolt 1/2 x 1-1/2	
32	0940048	1	Bumper	
33	0641806	2	Bolt 1/2 x 3/4	
35	3311805	3	Nut 1/2	
40	4566427	1	Tube	
42	4751500	4	Washer 5/16	
44	0100011	AR	Compound, Locking	
45	0641810	15	Bolt 1/2 x 1-1/4	
47	0961950	16	Bushing	
48	0641614	2	Bolt 3/8 x 1-3/4	

SECTION 3 - BOOM

FIGURE 3-2. BOOM AND CYLINDERS INSTALLATION - E400AJPN



ART_1001168674_H

SECTION 3 - BOOM

FIGURE 3-2. BOOM AND CYLINDERS INSTALLATION - E400AJPN

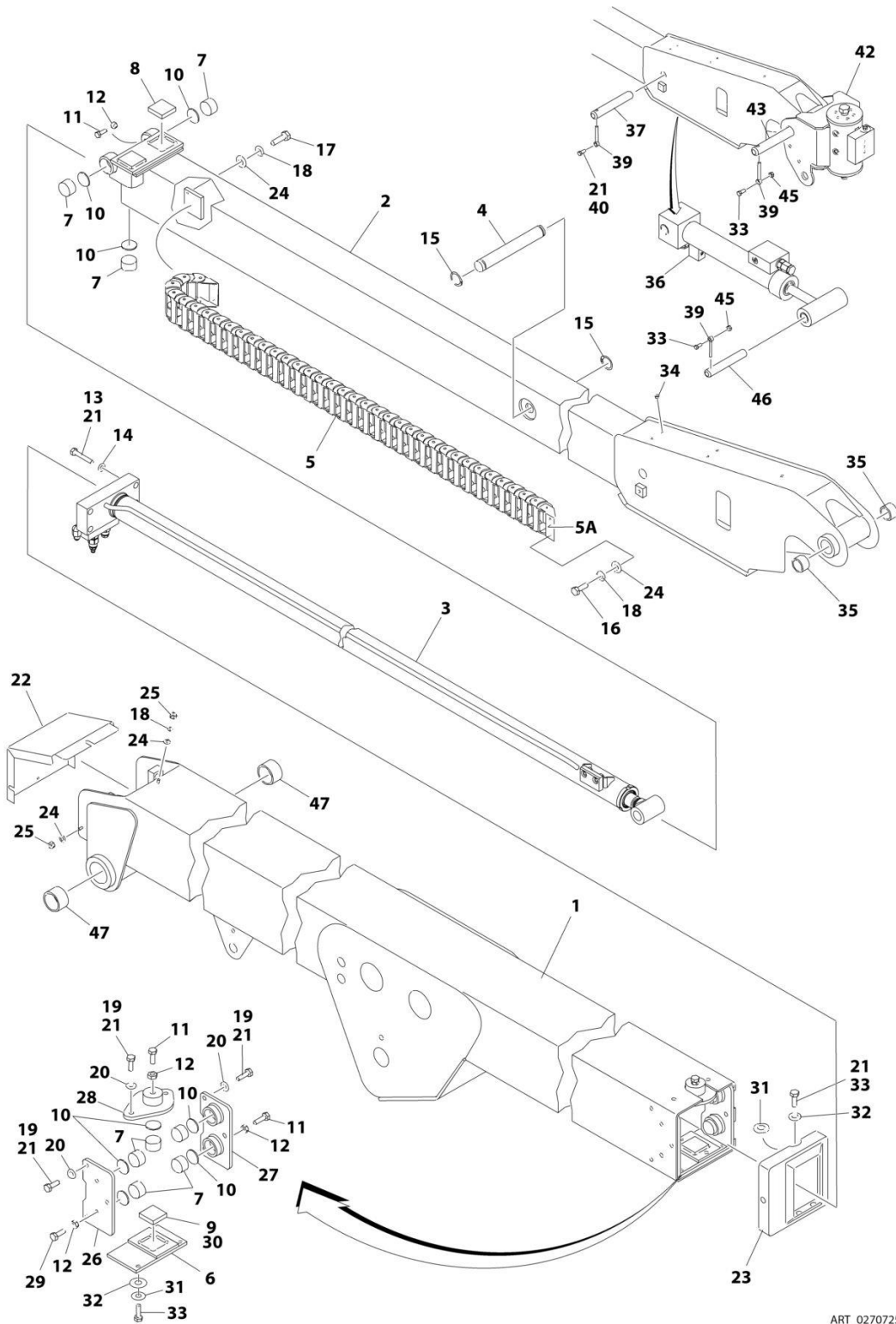
ITEM	PART NUMBER	QTY	DESCRIPTION	REV
	1001168674	Ref	BOOM AND CYLINDERS INSTALLATION	H
1	0100011	AR	Compound, Locking	
2	0271649	1	Jib Installation (Not Shown - See Separate Breakdown in this Section)	
3	0561076	1	Block, Boom Rest	
4	0641607	1	Bolt 3/8 x 7/8	
5	0641608	2	Bolt 3/8 x 1	
6	0641610	3	Bolt 3/8 x 1-1/4	
7	0641808	12	Bolt 1/2 x 1	
8	0641810	13	Bolt 1/2 x 1-1/4	
9	0801225	1	Boom Assembly - Main (See Separate Breakdown in this Section)	
10	0801227	1	Boom Assembly - Tower	
11	0961950	16	Bushing	
12	1001251016	1	Lift Cylinder Assembly - Upper (See Separate Breakdown in CYLINDER SECTION)	
13	1001228035	1	Lift Cylinder Assembly - Lower (See Separate Breakdown in CYLINDER SECTION)	
14	1001228036	1	Lift Cylinder Assembly - Mid (See Separate Breakdown in CYLINDER SECTION)	
15	3311601	2	Nut 3/8	
16	3311605	1	Nut 3/8	
17	3311805	3	Nut 1/2	
18	3422480	9	Pin	
19	3422481	3	Pin	
20	3422582	1	Pin	
21	3422669	1	Pin	
22	3422792	1	Pin	
23	3422806	1	Pin	
24	3422814	1	Pin	
25	3422844	1	Pin	
26	3422845	2	Pin	
27	3841143	4	Keeper, 3/8	
28	3841203	16	Keeper, 1/2	
29	4566427	1	Tube	
30	4751600	4	Washer 3/8	
31	4844427	1	Upright Weldment - Lower	
32	4846026	1	Upright Weldment - Upper	
33	4846209	2	Level Link	
34	1001140278	1	Master Cylinder Assembly (See Separate Breakdown in CYLINDER SECTION)	
35	1001140279	1	Platform Level Cylinder (See Separate Breakdown in CYLINDER SECTION)	
36	1001177483	1	Support, Boom Rest	
37	0641806	5	Bolt 1/2 x 3/4	
38	0940048	1	Bumper	
39	4844467	1	Boom Rest Weldment	
40	4891600	8	Washer 3/8	
41	0681610	4	Bolt 3/8 x 1-1/4, Grd 8	
42	3271605	4	Nut 3/8 Grd 8	
43	3536491	1	Plate	
44	0641506	4	Bolt 5/16 x 3/4	

SECTION 3 - BOOM

ITEM	PART NUMBER	QTY	DESCRIPTION	REV
45	3311505	4	Nut 5/16	
46	4751500	4	Washer 5/16	

SECTION 3 - BOOM

FIGURE 3-3. MAIN BOOM ASSEMBLY - E400AN



ART_0270725_F

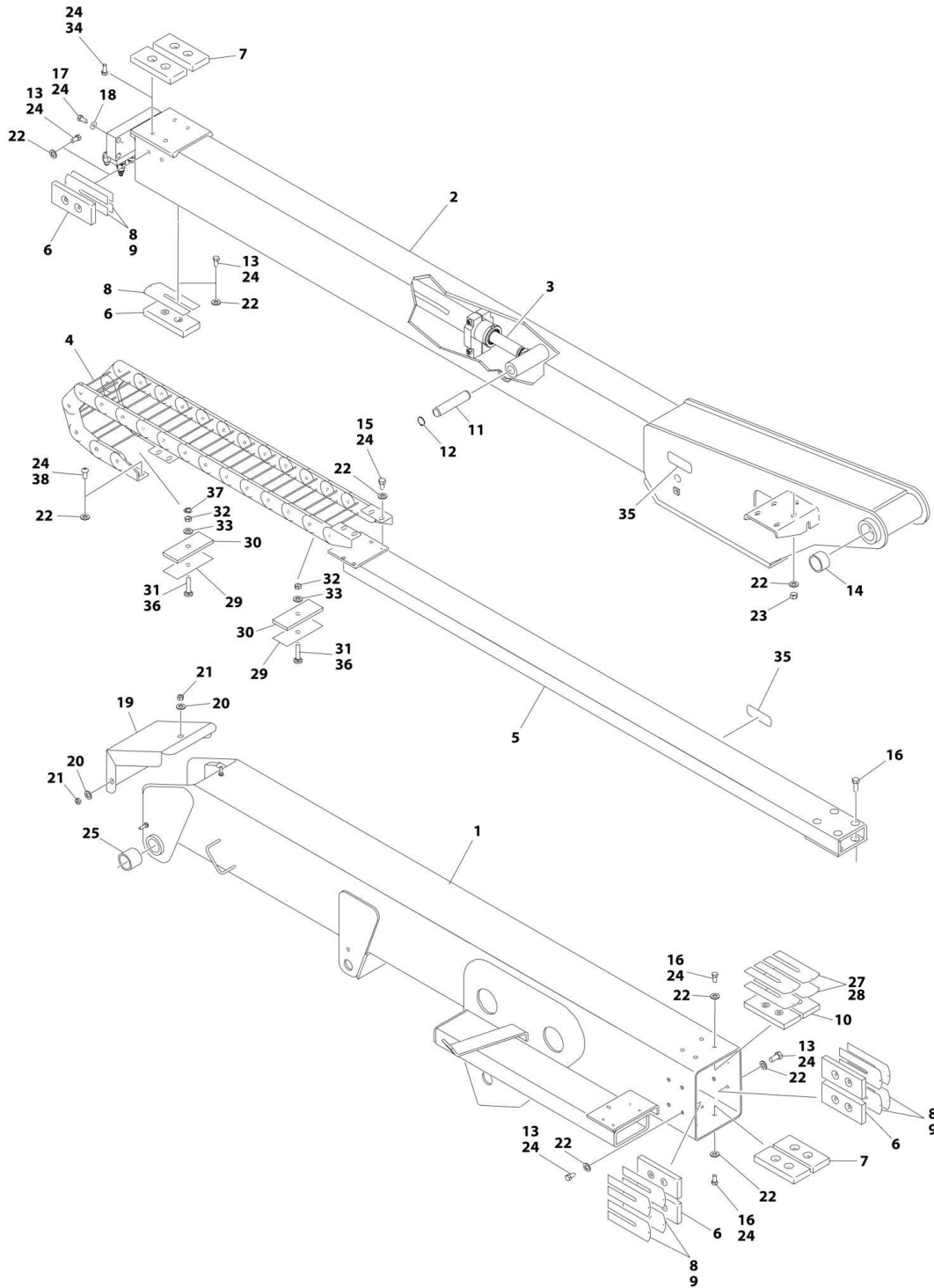
SECTION 3 - BOOM

FIGURE 3-3. MAIN BOOM ASSEMBLY - E400AN

ITEM	PART NUMBER	QTY	DESCRIPTION	REV
	0270725	Ref	MAIN BOOM ASSEMBLY - E400Anarrow	F
1	0801263	1	Base, Weldment	
2	0801267	1	Fly, Weldment	
3	1001251063	1	Telescope Cylinder Assembly (See Separate Breakdown in CYLINDER Section)	
4	3422901	1	Pin	
5	1180302	1	Powertrack Assembly	
5	7019698	1	Link, Repair	
5A	7019699	1	Feet, Mounting	
6	4844579	1	Holder, Wear Pad	
7	3340663	8	Pad, Wear (Base Front Top and Sides/Fly Rear Sides and Bottom)	
8	3340820	2	Pad, Wear (Fly Rear Top)	
9	3340682	1	Pad, Wear (Base Front Bottom)	
10	1760160	8	Disc	
11	0630487	6	Bolt 3/8 x 1-3/8	
12	3311602	8	Nut 3/8	
13	0641818	4	Bolt 1/2 x 2-1/4	
14	4761800	4	Washer 1/2	
15	3760115	2	Ring, Snap	
16	0641405	2	Bolt 1/4 x 5/8	
17	0641404	2	Bolt 1/4 x 1/2	
18	4761400	7	Washer 1/4	
19	0641606	7	Bolt 3/8 x 3/4	
20	4761600	7	Washer 3/8	
21	0100011	AR	Compound, Locking	
22	1670679	1	Cover, boom	
23	1670698	1	Cover, Boom	
24	4751400	7	Washer 1/4	
25	3311401	3	Nut 1/4	
26	1220038	1	Holder, Wear Pad (Base Front Left Side)	
27	1220039	1	Holder, Wear Pad (Base Front Right Side)	
28	1220040	1	Holder, Wear Pad (Base Front Top)	
29	0630399	2	Bolt 3/8 x 2-1/4	
30	0100009	AR	Silicone	
31	4740413	5	Washer, Spacer	
32	4751600	5	Washer 3/8	
33	0641608	7	Bolt 3/8 x 1	
34	3520034	4	Plug, Hole	
35	0961951	2	Bearing	
36	1001140598	1	Platform Level Cylinder Assembly (See Separate Breakdown in CYLINDER Section)	
37	3422181	1	Shaft, Pin	
39	3841143	3	Keeper	
40	0641607	1	Bolt 3/8 x 7/8	
42	0060052	1	Rotator Assembly (See Separate Breakdown in this Section)	
43	3422709	1	Shaft, Pin	
45	3311605	2	Nut 3/8-16	
46	3422180	1	Shaft, Pin	
47	0961950	2	Bearing	

SECTION 3 - BOOM

FIGURE 3-4. MAIN BOOM ASSEMBLY - E400AJPN



ART_0801225

SECTION 3 - BOOM

FIGURE 3-4. MAIN BOOM ASSEMBLY - E400AJPN

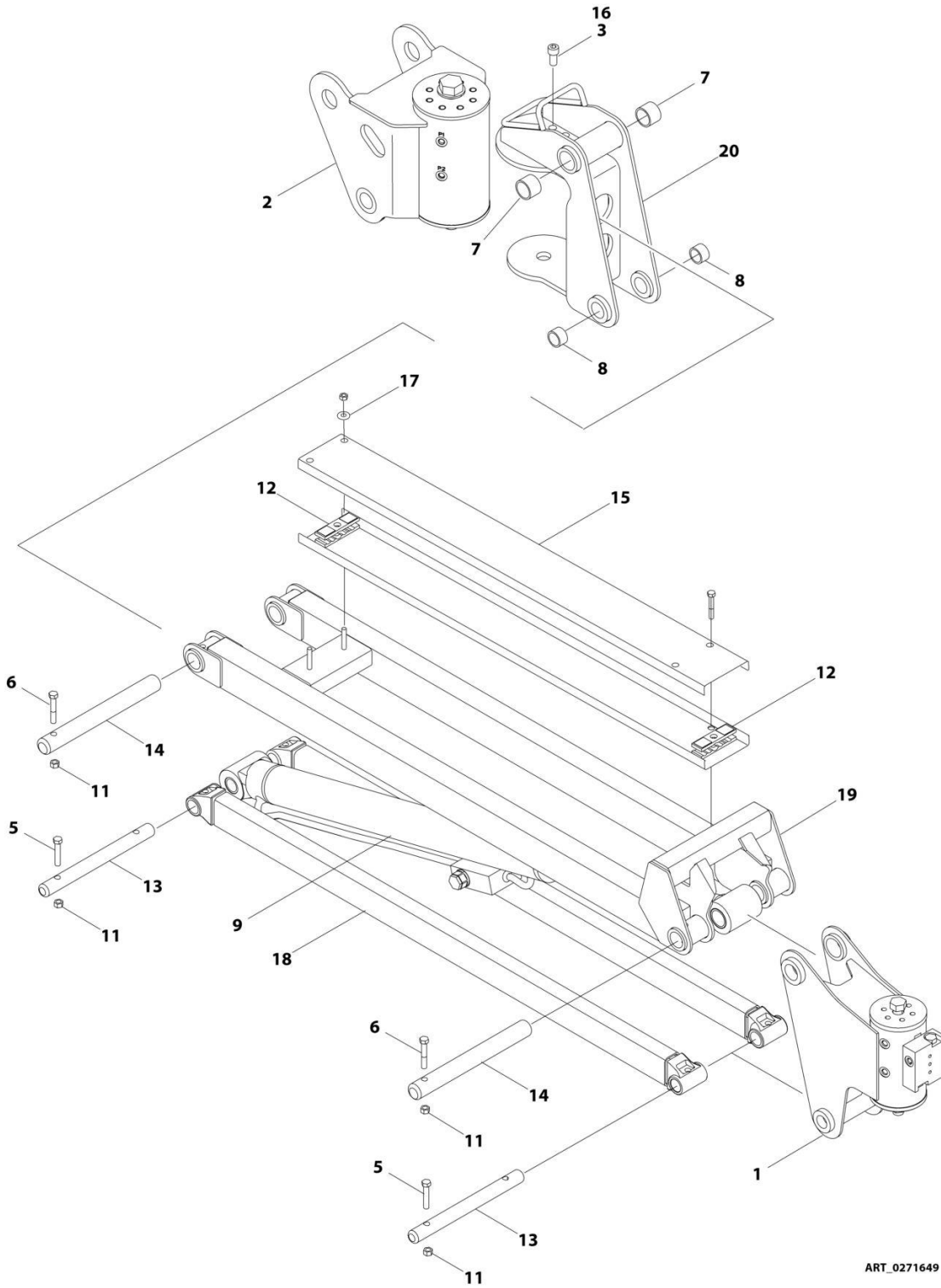
ITEM	PART NUMBER	QTY	DESCRIPTION	REV
	0801225	Ref	MAIN BOOM ASSEMBLY	M
1	0801224	1	Base Weldment	
2	0801226	1	Weldment, Fly Boom	
3	1001251015	1	Cylinder, Telescope (See Separate Breakdown in CYLINDER SECTION)	
4	1001224891	1	Powertrack	
4	70001996	1	2ft Repair Section (Used on p/n 1001099834) (Includes 4 links, 10 pins, 10 washers, 10 snap rings, 2 Rod Carriers and 4 self-tapping screws)	
4	70001998	1	Bracket Kit (Used on p/n 1001099834) (Includes 2 Left and 2 Right Mounting Feet, 4 center pins, 4 center pin snap rings, 8 pins for bracket lockout, 8 washers and 8 snap rings)	
4	70006269	1	2ft Repair Section (Used on p/n 1001224891) (Includes 4 links, 10 pins, 10 washers, 10 snap rings, 2 Rod Carriers and 4 self-tapping screws)	
4	70006280	1	Bracket Kit (Used on p/n 1001224891) (Includes 2 Left and 2 Right Mounting Feet, 4 center pins, 4 center pin snap rings, 8 pins for bracket lockout, 8 washers and 8 snap rings)	
5	4846180	1	Weldment, Push Tube	
6	3340878	10	Pad, Wear	
7	3340884	4	Pad, Wear	
8	4070864	12	Shim 18 Gauge	
9	4070863	8	Shim 11 Gauge	
10	3340886	2	Pad, Wear	
11	3422804	1	Pin	
12	3760115	2	Ring, Retaining	
13	0641606	30	Bolt 3/8 x 3/4	
13	0641607	30	Bolt 3/8 x 7/8	
14	0961948	2	Bearing	
15	0641605	4	Bolt 3/8 x 5/8	
16	0641608	16	Bolt 3/8 x 1	
17	0641818	4	Bolt 1/2 x 2-1/4	
18	4761800	4	Washer 1/2	
19	1670959	1	Cover	
20	4761400	3	Washer 1/4	
21	3311401	3	Nut 1/4	
22	4711600	54	Washer 3/8	
23	3311605	4	Nut 3/8	
24	0100011	AR	Compound, Locking	
25	0961950	2	Bearing	
27	4070997	2	Shim 16 Gauge	
28	4070998	2	Shim 18 Gauge	
29	1001106757	2	Plate, Clamp	
30	3340939	4	Pad, Rubber	
31	0630401	2	Bolt 5/16 x 2	
32	3311505	2	Nut 5/16/18	
33	4711500	2	Washer 5/16	
34	0741606	6	Screw, Countersunk, 3/8 x 3/4	
35	4060804	16 in /41cm	Flex-Trim	
36	0100081	AR	Adhesive	
37	1001119228	1	Nut M8	

SECTION 3 - BOOM

ITEM	PART NUMBER	QTY	DESCRIPTION	REV
38	0641605	4	Bolt 3/8 x 5/8	
38	88261026	4	Bolt 3/8 x 5/8	

SECTION 3 - BOOM

FIGURE 3-5. JIB INSTALLATION



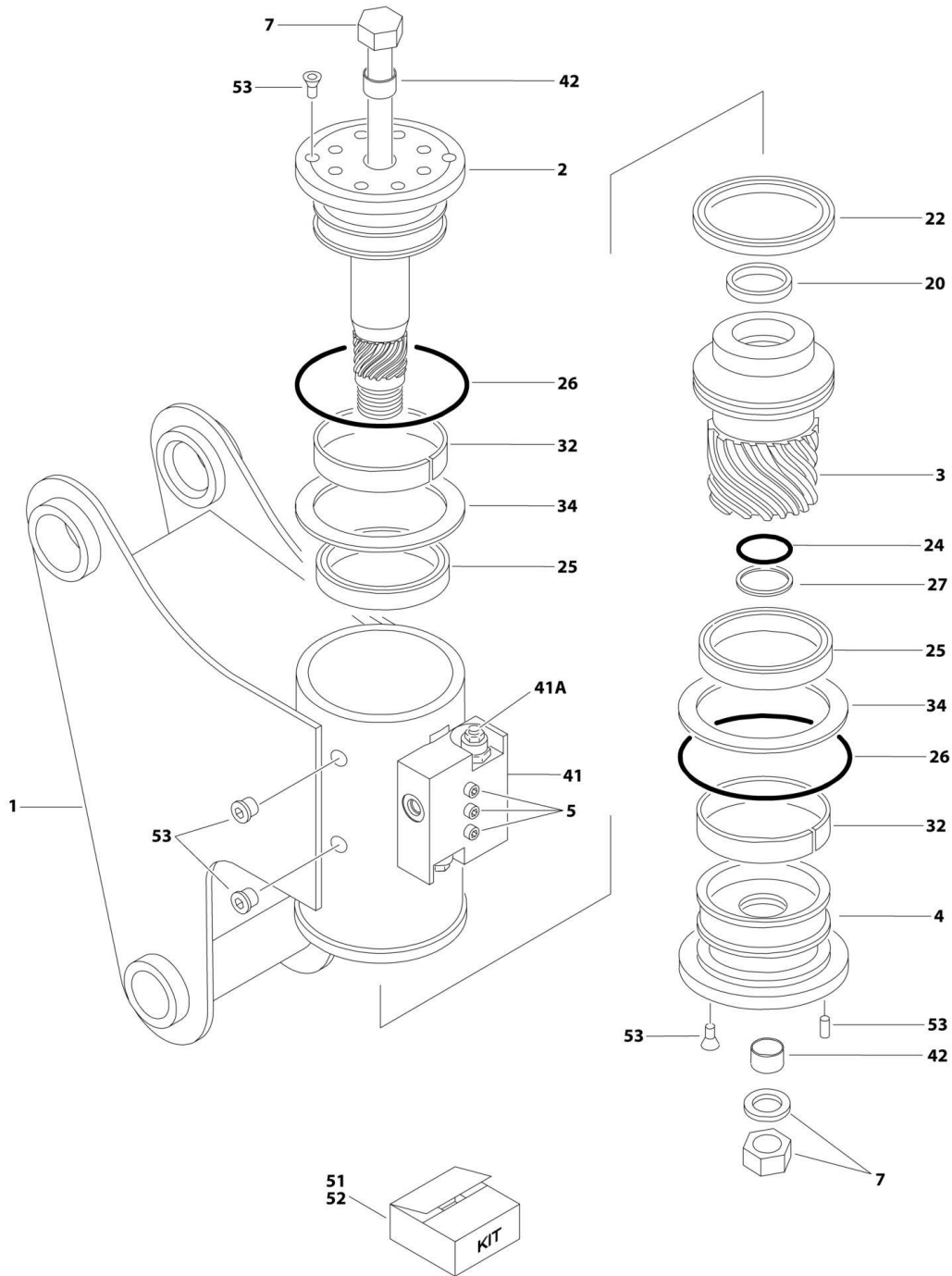
ART_0271649

FIGURE 3-5. JIB INSTALLATION

ITEM	PART NUMBER	QTY	DESCRIPTION	REV
	0271649	Ref	JIB INSTALLATION	D
1	0060044	1	Rotator Assembly - Jib to Platform Support (See Separate Breakdown in this Section)	
2	0060065	1	Rotator Assembly - Main Boom to Jib (See Separate Breakdown in this Section)	
3	0100011	AR	Compound, Locking	
4	0641516	2	Bolt 5/16 x 2	
5	0641616	4	Bolt 3/8 x 2	
6	0641618	2	Bolt 3/8 x 2-1/4	
7	0962292	2	Bushing	
8	0961951	2	Bushing	
9	1001140280	1	Jib Cylinder Assembly (See Separate Breakdown in CYLINDER SECTION)	
10	3311501	4	Nut 5/16	
11	3311605	6	Nut 3/8	
12	3340860	4	Clamp, Block	
13	3422791	2	Pin	
14	3422794	2	Pin	
15	3572551	2	Plate, Jib Cover	
16	3931816	8	Bolt 1/2 x 1	
17	4751500	4	Washer 5/16	
18	1001094670	2	Link, Lower	
19	4846278	1	Link, Upper	
20	4846502	1	Pivot	

SECTION 3 - BOOM

FIGURE 3-6. ROTATOR ASSEMBLY - E400AN



ART_0060052

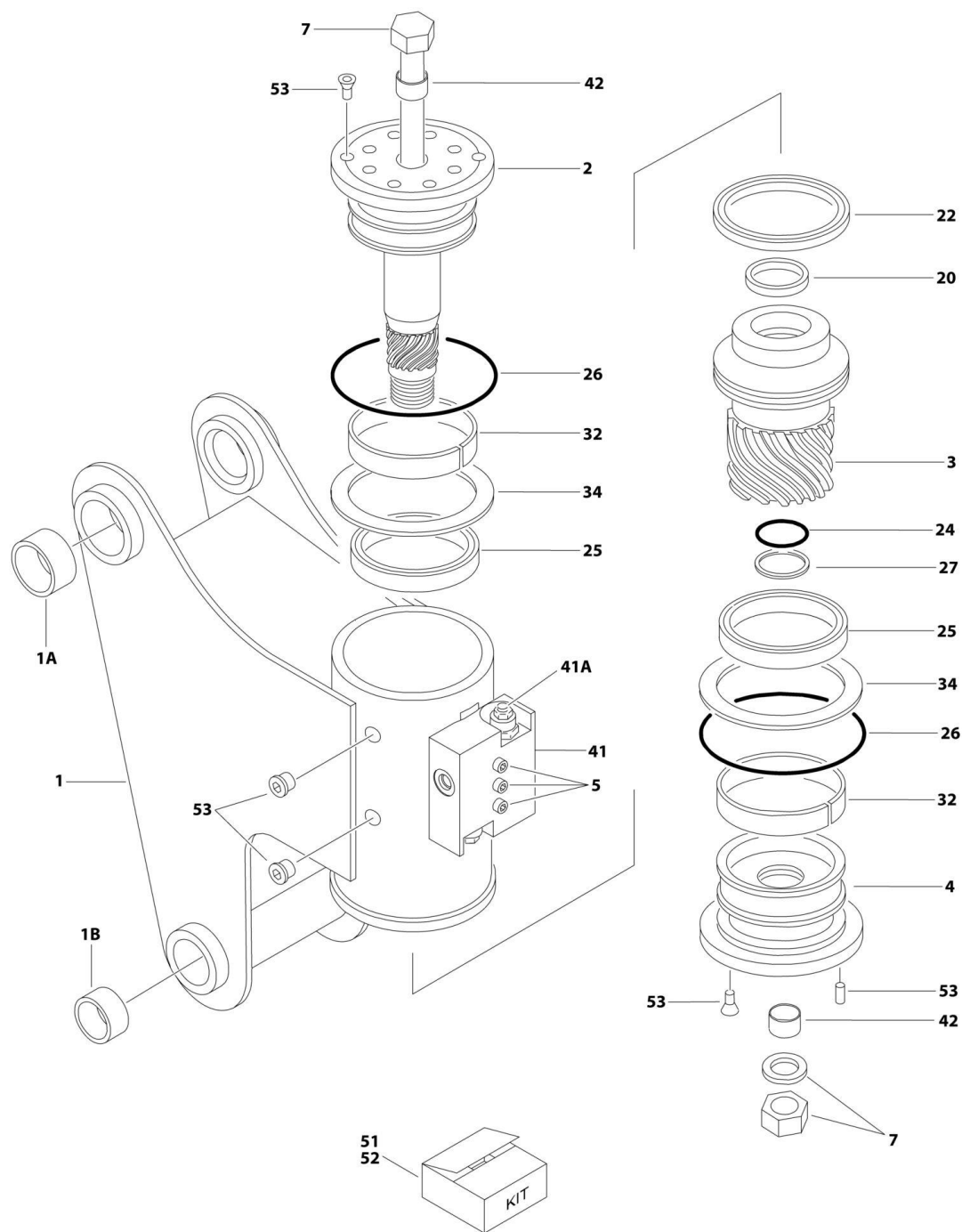
SECTION 3 - BOOM

FIGURE 3-6. ROTATOR ASSEMBLY - E400AN

ITEM	PART NUMBER	QTY	DESCRIPTION	REV
	0060052	Ref	ROTATOR ASSEMBLY	F
1	See Note	1	Case/Bracket Weldment (Note: Not Available - Purchase Complete Assembly)	
2	7017120	1	Shaft (Rotator with Helac Control #26409)	
2	7017196	1	Shaft (Rotator with Helac Control #26966)	
3	7017121	1	Piston Sleeve (Rotator with Helac Control #26409)	
3	7027900	1	Piston Sleeve (Rotator with Helac Control #26966)	
4	7017153	1	Cap, End (Rotator with Helac Control #26409)	
4	7027901	1	Cap, End (Rotator with Helac Control #26966)	
5	See Note	3	Capscrew 1/4 x 1-1/2, Grade 8 (Note: Not Available - Purchase Locally)	
7	7017126	1	Tie Rod Assembly	
20	See Note	NSS	Seal, Rod (Note: Use Items 52)	
22	See Note	NSS	Seal, Piston (Note: Use Item 52)	
24	See Note	NSS	Seal, Cap (Note: Use Item 52)	
25	See Note	NSS	Packing, Bearing (Note: Use Item 52)	
26	See Note	NSS	Seal (Note: Use Item 52)	
27	See Note	NSS	Ring, Back-Up Cap (Note: Use Item 52)	
32	See Note	NSS	Bearing, Shaft (Note: Use Item 51)	
34	See Note	2	Washer, Thrust (Note: Use Item 51)	
41	7017172	1	Counterbalance Valve Assembly (Helac p/n 24327, 26553 or 26554 Stamped Beside Mounting Screws)	
41A	7011323	2	Valve, Cartridge (Helac p/n 24327 Valve)	
41A	2900770	2	Seal Kit - 7011323 Cartridge (1 Per Assembly)	
41A	7017192	2	Valve Cartridge (Helac p/n 26553 or 26554) (No Seal Kit Available)	
42	See Note	2	Bushing, Shaft (Note: Not Available for Purchase)	
51	7017122	1	Bearing Kit (Includes Items 32-34)	
52	7017127	1	Seal Kit - Standard (Includes Items 20,22,24,25,26 & 27)	
52	70000341	1	Seal Kit - Low Temperature (Includes Items 20,22,24,25,26 & 27)	
53	7017123	1	Hardware Kit	

SECTION 3 - BOOM

FIGURE 3-7. ROTATOR ASSEMBLY - PLATFORM SUPPORT TO JIB - E400AJPN



ART_0060044

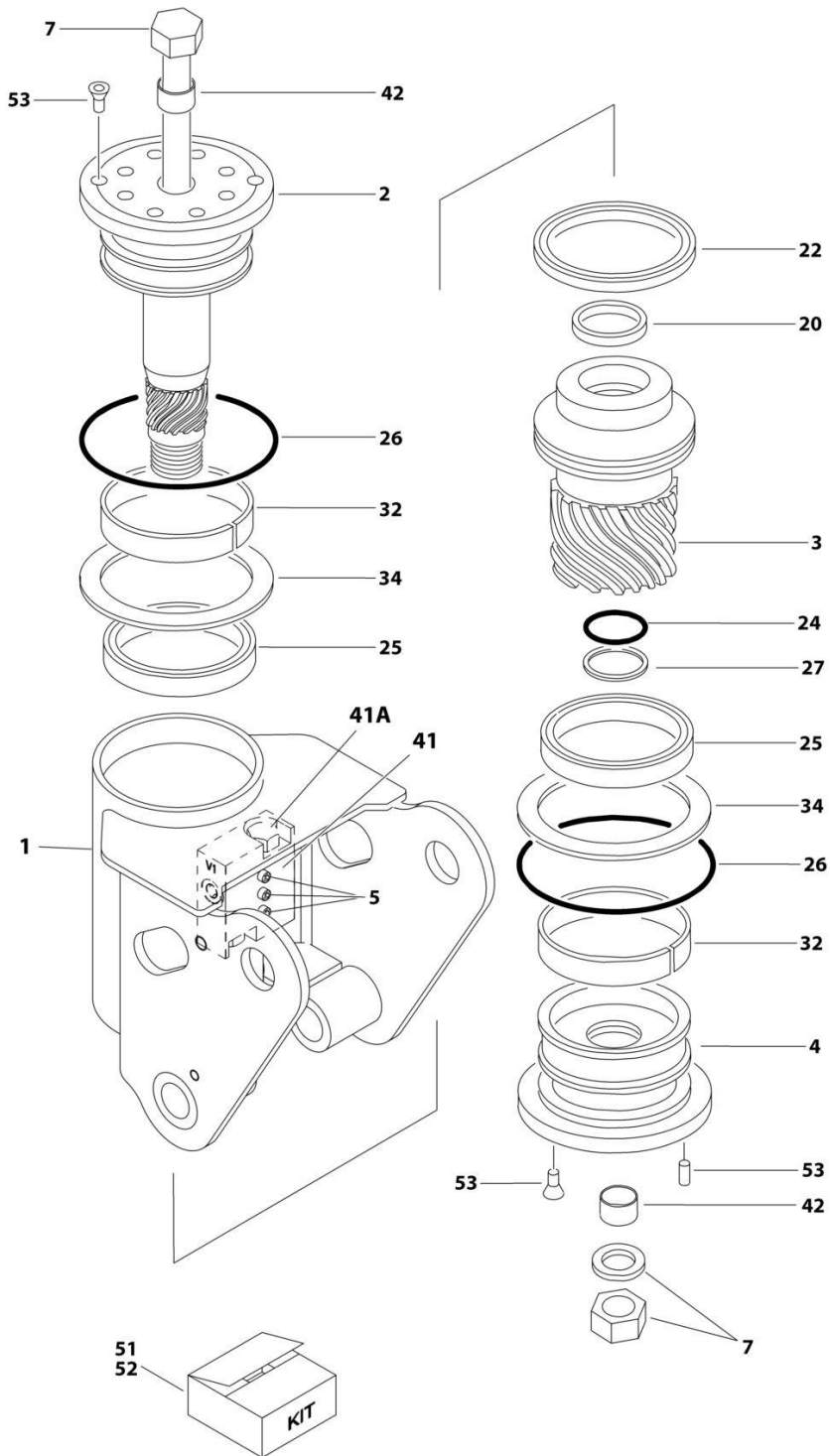
SECTION 3 - BOOM

FIGURE 3-7. ROTATOR ASSEMBLY - PLATFORM SUPPORT TO JIB - E400AJPN

ITEM	PART NUMBER	QTY	DESCRIPTION	REV
	0060044	Ref	ROTATOR ASSEMBLY	D
1	See Note	1	Case/Bracket Weldment (Note: Not Available - Purchase Complete Assembly)	
1A	0962257	2	Bushing	
1B	0961947	2	Bushing	
2	7017120	1	Shaft (Rotator with Helac Control #25928)	
2	7017196	1	Shaft (Rotator with Helac Control #26962)	
3	7017121	1	Piston Sleeve (Rotator with Helac Control #25928)	
3	7027900	1	Piston Sleeve (Rotator with Helac Control #26962)	
4	See Note	1	Cap, End (Rotator with Helac Control #25928) (Note: Use p/n 0060044)	
4	7027901	1	Cap, End (Rotator with Helac Control #26962)	
5	See Note	3	Capscrew 1/4 x 1-1/2, Grade 8 (Note: Not Available - Purchase Locally)	
7	7017126	1	Tie Rod Assembly	
20	See Note	NSS	Seal, Rod (Note: Use Item 52)	
22	See Note	NSS	Seal, Piston (Note: Use Item 52)	
24	See Note	NSS	Seal, Cap (Note: Use Item 52)	
25	See Note	NSS	Packing, Bearing (Note: Use Item 52)	
26	See Note	NSS	Seal (Note: Use Item 52)	
27	See Note	NSS	Ring, Back-Up Cap (Note: Use Item 52)	
32	See Note	NSS	Bearing, Shaft (Note: Use Item 51)	
34	See Note	2	Washer, Thrust (Note: Use Item 51)	
41	7017172	1	Counterbalance Valve Assembly (Helac p/n 24327, 26553 or 26554 Stamped Beside Mounting Screws)	
41A	7011323	2	Valve, Cartridge (Helac p/n 24327 Valve)	
41A	2900770	2	Seal Kit - 7011323 Cartridge (1 Per Assembly)	
41A	7017192	2	Valve Cartridge (Helac p/n 26553 or 26554) (No Seal Kit Available)	
42	70004323	1	Bushing, Shaft	
51	7017122	1	Bearing Kit (Includes Items 32-34)	
52	7017127	1	Seal Kit - Standard (Includes Items 20,22,24,25,26 & 27)	
52	70000341	1	Seal Kit - Low Temperature (Includes Items 20,22,24,25,26 & 27)	
53	7017123	1	Hardware Kit	

SECTION 3 - BOOM

FIGURE 3-8. ROTATOR ASSEMBLY - MAIN BOOM TO JIB - E400AJPN



ART_0060065

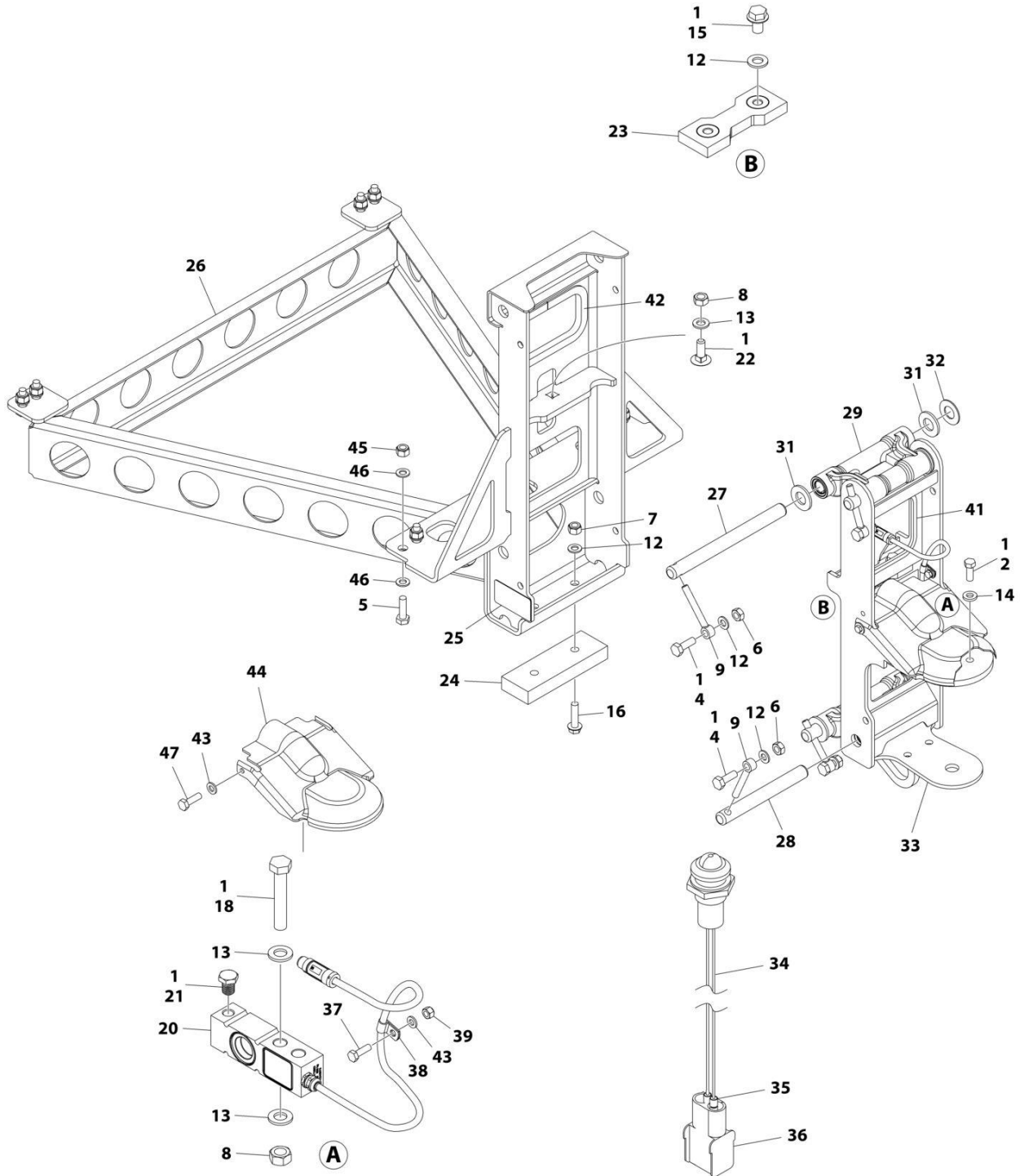
SECTION 3 - BOOM

FIGURE 3-8. ROTATOR ASSEMBLY - MAIN BOOM TO JIB - E400AJPN

ITEM	PART NUMBER	QTY	DESCRIPTION	REV
	0060065	Ref	ROTATOR ASSEMBLY - MAIN BOOM TO JIB	C
1	See Note	1	Case/Bracket Weldment (Note: Not Available - Purchase Complete Assembly)	
2	7017167	1	Shaft	
3	7017168	1	Piston Sleeve	
4	7017169	1	Cap, End	
5	See Note	3	Capscrew 1/4, Grade 8 (Note: Not Available - Purchase Locally)	
7	7017173	1	Tie Rod Assembly	
20	See Note	1	Seal, Rod (Note: Use Item 52)	
22	See Note	1	Seal, Piston (Note: Use Item 52)	
24	See Note	1	Seal, Cap (Note: Use Item 52)	
25	See Note	2	Packing, Bearing (Note: Use Item 52)	
26	See Note	2	Seal (Note: Use Item 52)	
27	See Note	1	Ring, Back-up (Note: Use Item 52)	
32	See Note	2	Bearing, Shaft (Note: Use Item 51)	
34	See Note	2	Washer, Thrust (Note: Use Item 51)	
41	7017172	1	Counterbalance Valve Assembly	
41A	7017192	2	Valve, Cartridge (No Seal Kit Available)	
42	See Note	2	Bushing, Shaft (Note: Not Available for Purchase)	
51	7017178	1	Bearing Kit (Includes Items 32-34)	
52	7017165	1	Seal Kit - Standard (Includes Items 20, 22 & 24-27,	
52	70000340	1	Seal Kit - Low Temperature (Includes Items 20,22 & 24-27)	
53	7017179	1	Hardware Kit	

SECTION 3 - BOOM

FIGURE 3-9. PLATFORM SUPPORT INSTALLATION



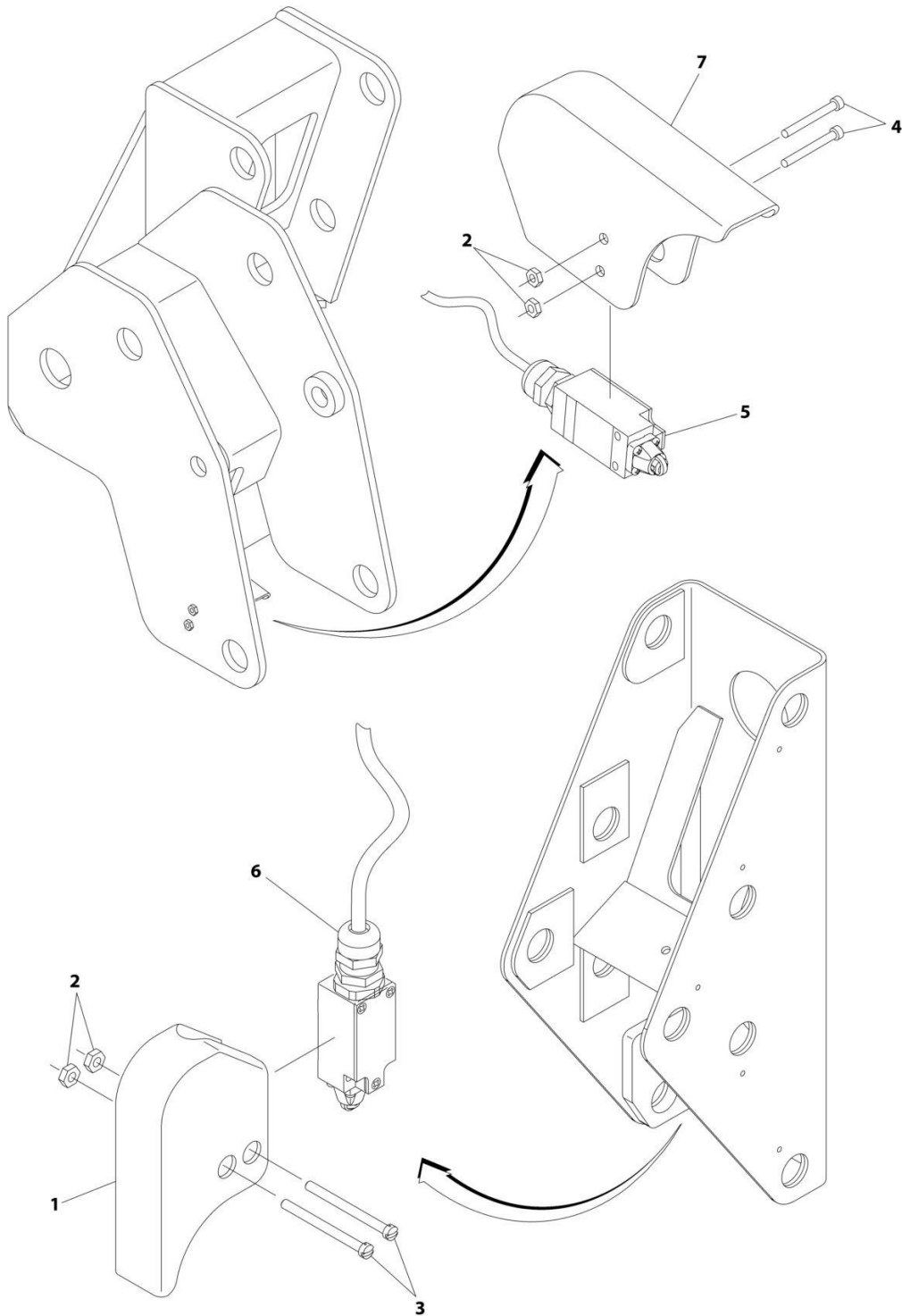
ART_1001219016_F

FIGURE 3-9. PLATFORM SUPPORT INSTALLATION

ITEM	PART NUMBER	QTY	DESCRIPTION	REV
	1001219016	Ref	PLATFORM SUPPORT INSTALLATION	F
1	0100011	AR	Compound, Locking	
2	0681608	6	Bolt 3/8 x 1	
4	0761014	4	Bolt M10 x 30	
5	0761215	8	Bolt M12 x 35	
6	3291001	4	Nut M10	
7	3291005	2	Nut M10	
8	3291201	3	Nut M12	
9	3841143	4	Keeper	
12	4812000	8	Washer M10	
13	4812100	5	Washer M12	
14	4891600	6	Washer 3/8	
15	5251008	2	Bolt M10 x 16	
16	5251016	2	Bolt M10 x 40	
18	1001098828	2	Bolt M12 x 70 Grade 10.9	
20	1001247468	1	Sensor, Load Cell	
21	1001188622	1	Screw M12	
22	1001188844	1	Bolt M12 x 35	
23	1001190985	1	Pad, Wear	
24	1001200491	1	Plate	
25	1001216630	2	Decal - Tie Down/No Lift	
26	1001217228	1	Platform Support	
27	1001217242	2	Pin	
28	1001217243	2	Pin	
29	1001217244	2	Link, LSS Assembly	
29	1001217413	4	Bearing	
29	1001217249	1	Seal	
31	1001217253	8	Bearing	
32	1001217254	4	Bearing	
33	1001217267	1	Support, Rotary	
34	2920151	1	Light	
35	4460226	2	Socket, Female	
36	4460424	1	Connector - 2 Position	
37	0760610	1	Bolt M6 x 20	
38	1320136	1	Clamp	
39	3290605	1	Nut	
41	4060804	1.5 ft/ 0.5m	Flex-Trim	
42	4060805	1.5 ft/ 0.5m	Flex-Trim	
43	4811702	3	Washer M6	
44	1001228627	1	Cover, Platform Support and LSS	
45	3291205	8	Nut M12	
46	5241200	16	Washer M12	
47	0760606	2	Bolt M6 x 12	

SECTION 3 - BOOM

FIGURE 3-10. BOOM LIMIT SWITCHES INSTALLATION



ART_1001187788

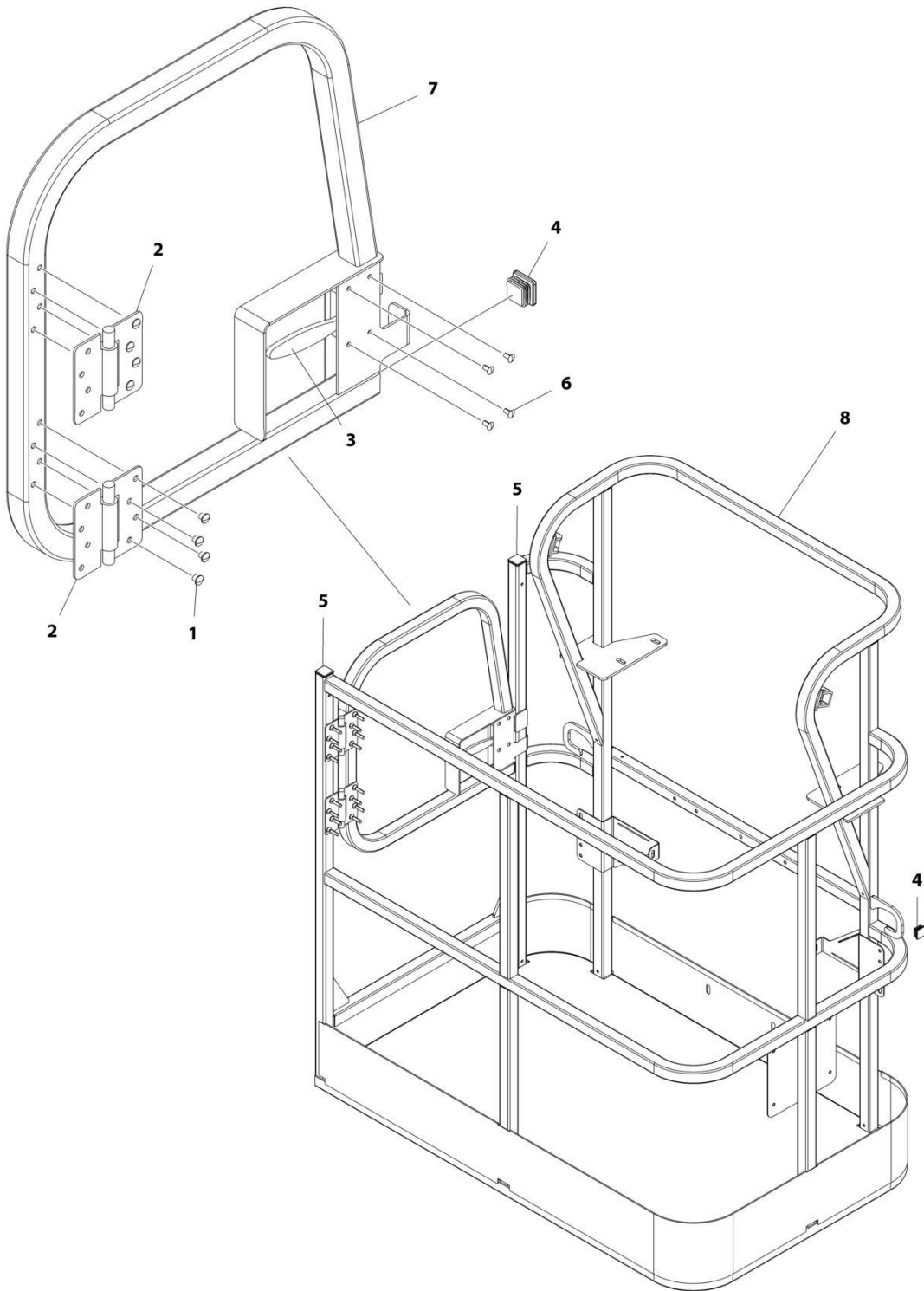
FIGURE 3-10. BOOM LIMIT SWITCHES INSTALLATION

ITEM	PART NUMBER	QTY	DESCRIPTION	REV
	1001187788	Ref	BOOM LIMIT SWITCHES INSTALLATION	F
1	1670832	1	Cover, Switch - Lower	
2	3311005	AR	Nut #10	
2	3310805	AR	Nut #8	
3	3900104	AR	Screw #10 x 2-1/4	
3	3930828	AR	Screw #8 x 1-3/4	
4	3931028	2	Screw #10 x 1-3/4	
4	3930836	2	Screw #8 x 2-1/4	
5	1001187775	1	Limit Switch Harness - Upper (Includes Limit Switch) (See Separate Breakdown in ELECTRICAL SECTION)	
6	1001187776	1	Limit Switch Harness - Lower (Includes Limit Switch) (See Separate Breakdown in ELECTRICAL SECTION)	
7	1670833	1	Cover, Switch	
8	3310805	AR	Nut #8	

SECTION 4 - PLATFORM

SECTION 4 - PLATFORM

FIGURE 4-1. PLATFORM ASSEMBLY - 4FT/1.22M - SIDE GATE ENTRY



ART_1001186387

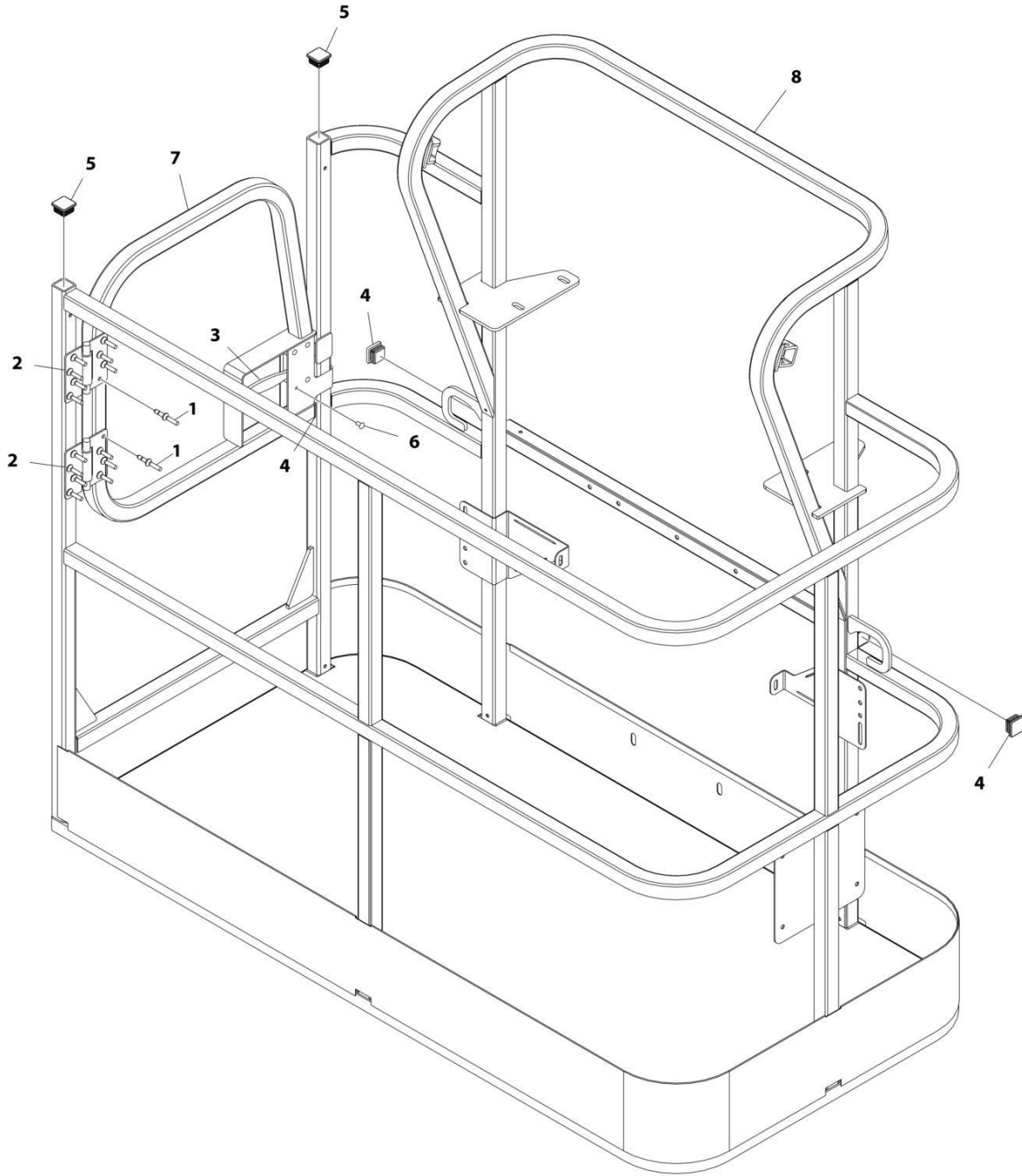
SECTION 4 - PLATFORM

FIGURE 4-1. PLATFORM ASSEMBLY - 4FT/1.22M - SIDE GATE ENTRY

ITEM	PART NUMBER	QTY	DESCRIPTION	REV
	1001186387	Ref	PLATFORM ASSEMBLY	C
		Ref	Note: Platform and Mesh must be ordered separately for Platforms with Mesh. See SPECIAL OPTIONS SECTION for Mesh Installations.	
		Ref	Note: Replacement Decals Must be Ordered Separately - See DECALS SECTION.	
1	2080040	16	Fastener, Huck	
2	2600281	2	Hinge, Self-Closing	
3	2940074	1	Latch	
4	3520072	3	Plug	
5	3520198	2	Plug	
6	3820020	4	Rivet	
7	1001144629	1	Gate	
8	See Note	1	Platform (Note: Not Available - Purchase Platform Assembly)	

SECTION 4 - PLATFORM

FIGURE 4-2. PLATFORM ASSEMBLY - 5FT/1.52M - SIDE GATE ENTRY



ART_1001186386

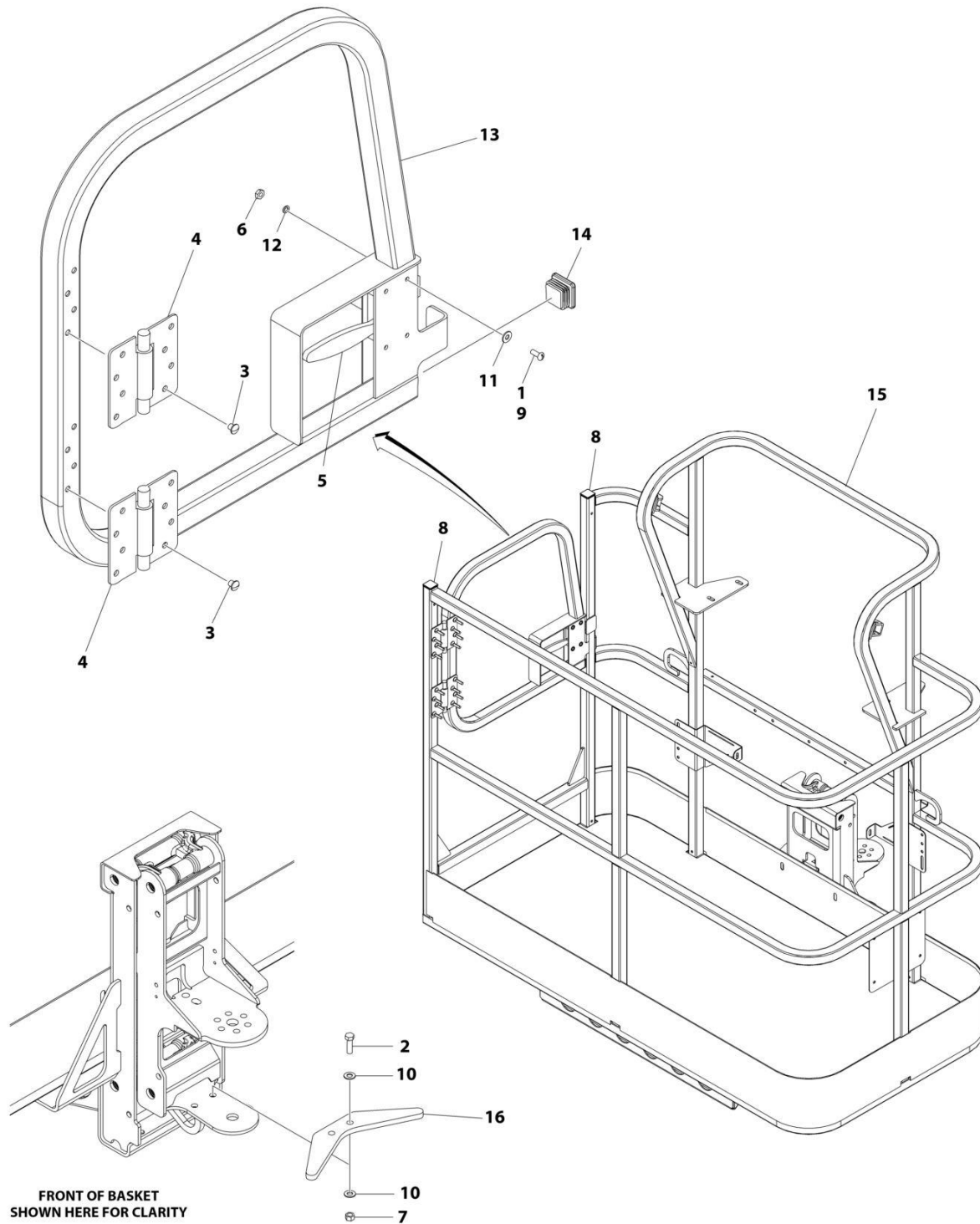
SECTION 4 - PLATFORM

FIGURE 4-2. PLATFORM ASSEMBLY - 5FT/1.52M - SIDE GATE ENTRY

ITEM	PART NUMBER	QTY	DESCRIPTION	REV
	1001186386	Ref	PLATFORM ASSEMBLY	C
		Ref	Note: Platform and Mesh must be ordered separately for Platforms with Mesh. See SPECIAL OPTIONS SECTION for Mesh Installations.	
		Ref	Note: Replacement Decals Must be Ordered Separately - See DECALS SECTION.	
1	2080040	16	Fastener, Huck	
2	2600281	2	Hinge, Self-Closing	
3	2940074	1	Latch	
4	3520072	3	Plug	
5	3520198	2	Plug	
6	3820020	4	Rivet	
7	1001144629	1	Gate	
8	See Note	NSS	Platform (Note: Not Available - Purchase Platform Assembly)	

SECTION 4 - PLATFORM

FIGURE 4-3. PLATFORM ASSEMBLY - 5FT/1.52M - SIDE GATE ENTRY - W/STOP AND 1 CELL LSS



ART_1001222685

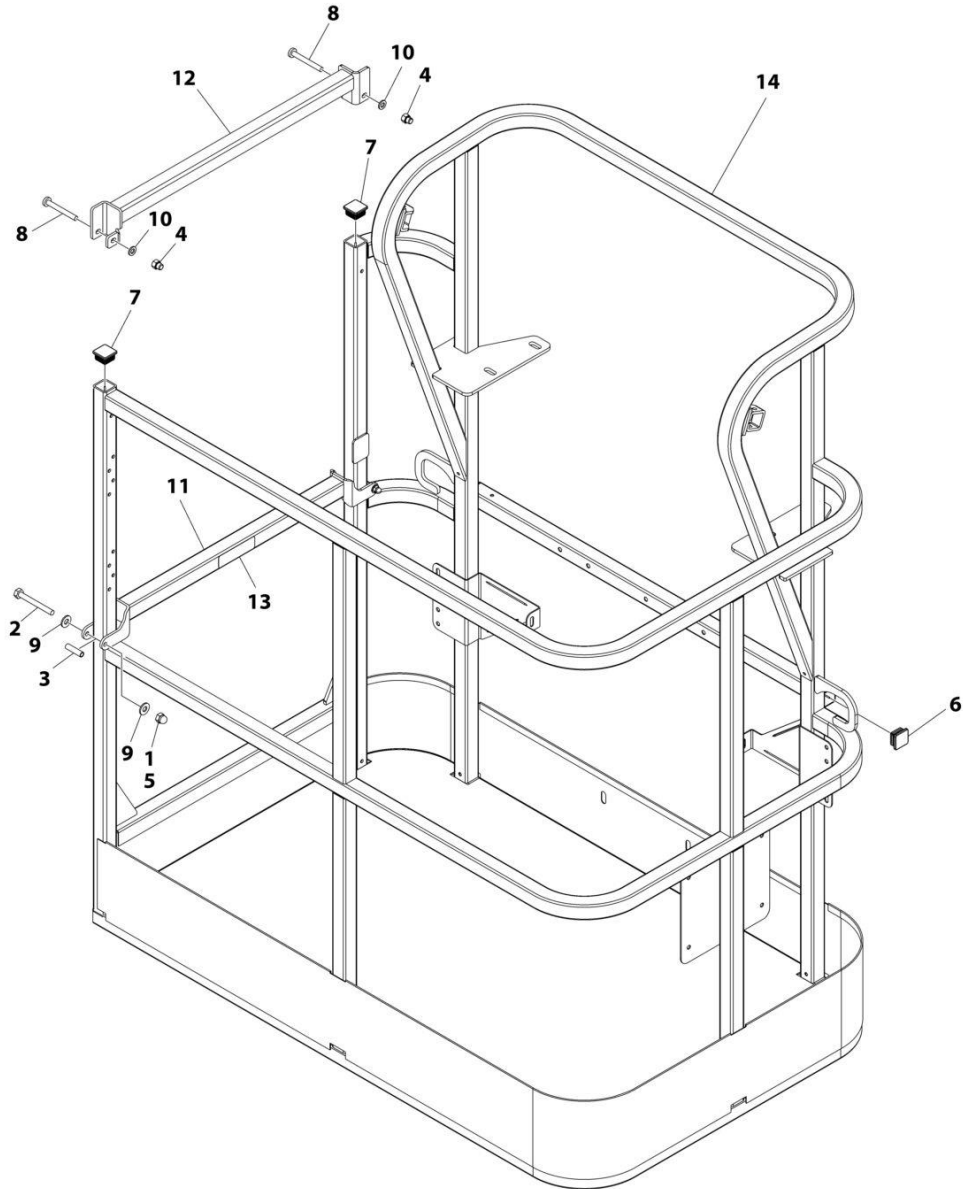
SECTION 4 - PLATFORM

FIGURE 4-3. PLATFORM ASSEMBLY - 5FT/1.52M - SIDE GATE ENTRY - W/STOP AND 1 CELL LSS

ITEM	PART NUMBER	QTY	DESCRIPTION	REV
	1001222685	Ref	PLATFORM ASSEMBLY - 5ft/1.52m - SIDE GATE ENTRY - W/STOP AND 1 CELL LSS	A
		Ref	Note: Platform and Mesh must be ordered separately for Platforms with Mesh. See SPECTIAL OPTIONS SECTION for Mesh Installations.	
		Ref	Note: Replacement Decals Must be Ordered Separately - See DECAL SECTION.	
1	0100011	AR	Compound, Locking	
2	0641610	2	Bolt 3/8 x 1-1/4	
3	2080040	16	Fastener, Huck	
4	2600281	2	Hinge, Self-Closing	
5	2940074	1	Latch	
6	3311001	4	Nut #10	
7	3311605	2	Nut 3/8	
8	3520198	2	Cap-Plug	
9	3911008	4	Screw #10 x 1	
10	4711600	4	Washer 3/8	
11	4751000	4	Washer #10	
12	4761000	4	Washer #10	
13	1001144629	1	Gate Weldment	
14	1001144630	1	Cap-Plug	
15	See Note	1	Platform Weldment (Note: Not Available - Purchase Platform Assembly)	
16	1001217598	1	Stop	

SECTION 4 - PLATFORM

FIGURE 4-4. PLATFORM ASSEMBLY - 4FT/1.22M - DROP BAR ENTRY



ART_1001186375

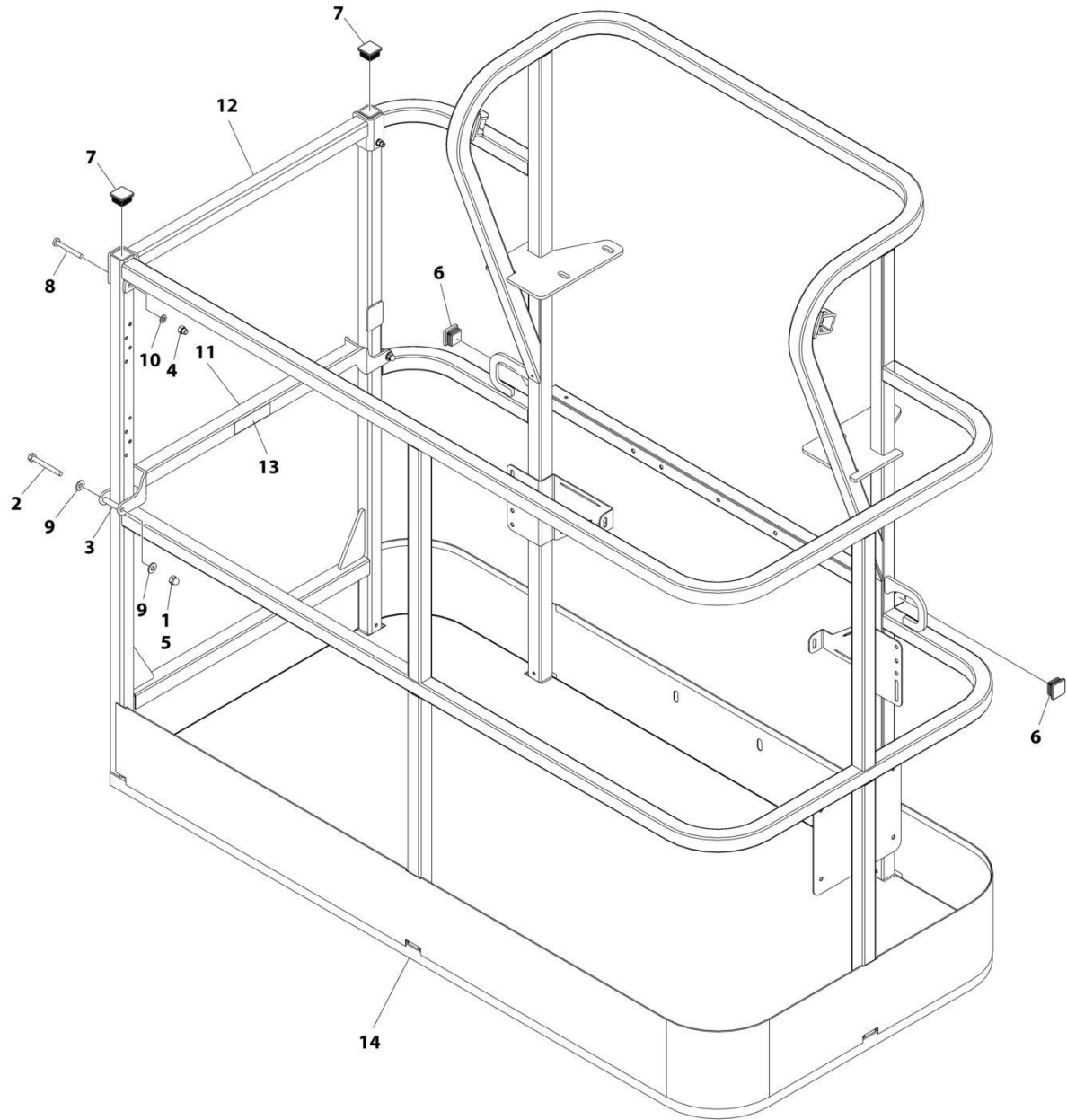
SECTION 4 - PLATFORM

FIGURE 4-4. PLATFORM ASSEMBLY - 4FT/1.22M - DROP BAR ENTRY

ITEM	PART NUMBER	QTY	DESCRIPTION	REV
	1001186375	Ref	PLATFORM ASSEMBLY	B
		Ref	Note: Platform and Mesh must be ordered separately for Platforms with Mesh. See SPECIAL OPTIONS SECTION for Mesh Installations.	
		Ref	Note: Replacement Decals Must be Ordered Separately - See DECALS SECTION.	
1	0100011	AR	Compound, Locking	
2	0641418	2	Bolt 1/4 x 2-1/4	
3	0961845	2	Bushing	
4	3290606	2	Nut M6	
5	3300151	2	Nut 1/4	
6	3520072	2	Plug	
7	3520198	2	Plug	
8	4010618	2	Screw M6 x 50	
9	4711400	4	Washer 1/4	
10	4811700	2	Washer M6	
11	1001138494	1	Bar, Drop	
12	1001138514	1	Rail - Top	
13	1001140429	1	Decal - Drop Bar	
14	See Note	1	Platform (Note: Not Available - Purchase Platform Assembly)	

SECTION 4 - PLATFORM

FIGURE 4-5. PLATFORM ASSEMBLY - 5FT/1.52M - DROP BAR ENTRY



ART_1001186377

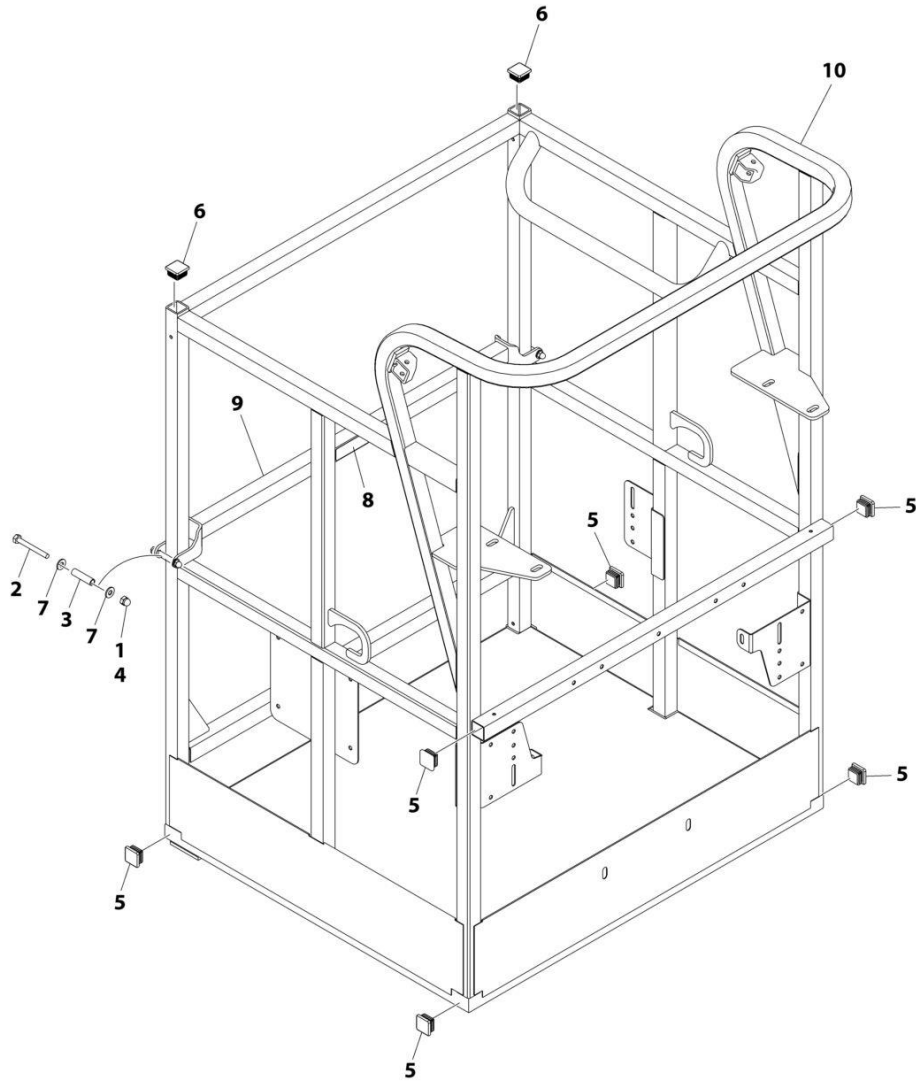
SECTION 4 - PLATFORM

FIGURE 4-5. PLATFORM ASSEMBLY - 5FT/1.52M - DROP BAR ENTRY

ITEM	PART NUMBER	QTY	DESCRIPTION	REV
	1001186377	Ref	PLATFORM ASSEMBLY	C
		Ref	Note: Platform and Mesh must be ordered separately for Platforms with Mesh. See SPECIAL OPTIONS SECTION for Mesh Installations.	
		Ref	Note: Replacement Decals Must be Ordered Separately - See DECALS SECTION.	
1	0100011	AR	Compound, Locking	
2	0641420	2	Bolt 1/4 x 2-1/2	
3	0961845	2	Bushing	
4	3290606	2	Nut M6	
5	3300151	2	Nut 1/4	
6	3520072	2	Plug	
7	3520198	2	Plug	
8	4010618	2	Screw M6 x 50	
9	4711400	4	Washer 1/4	
10	4811700	2	Washer M6	
11	1001138494	1	Bar, Drop	
12	1001138514	1	Rail (Top)	
13	1001140429	1	Decal - Drop Bar	
14	See Note	NSS	Platform (Note: Not Available - Purchase Platform Assembly)	

SECTION 4 - PLATFORM

FIGURE 4-6. PLATFORM ASSEMBLY - 5FT/1.52M - DROP BAR ENTRY



ART_1001228215

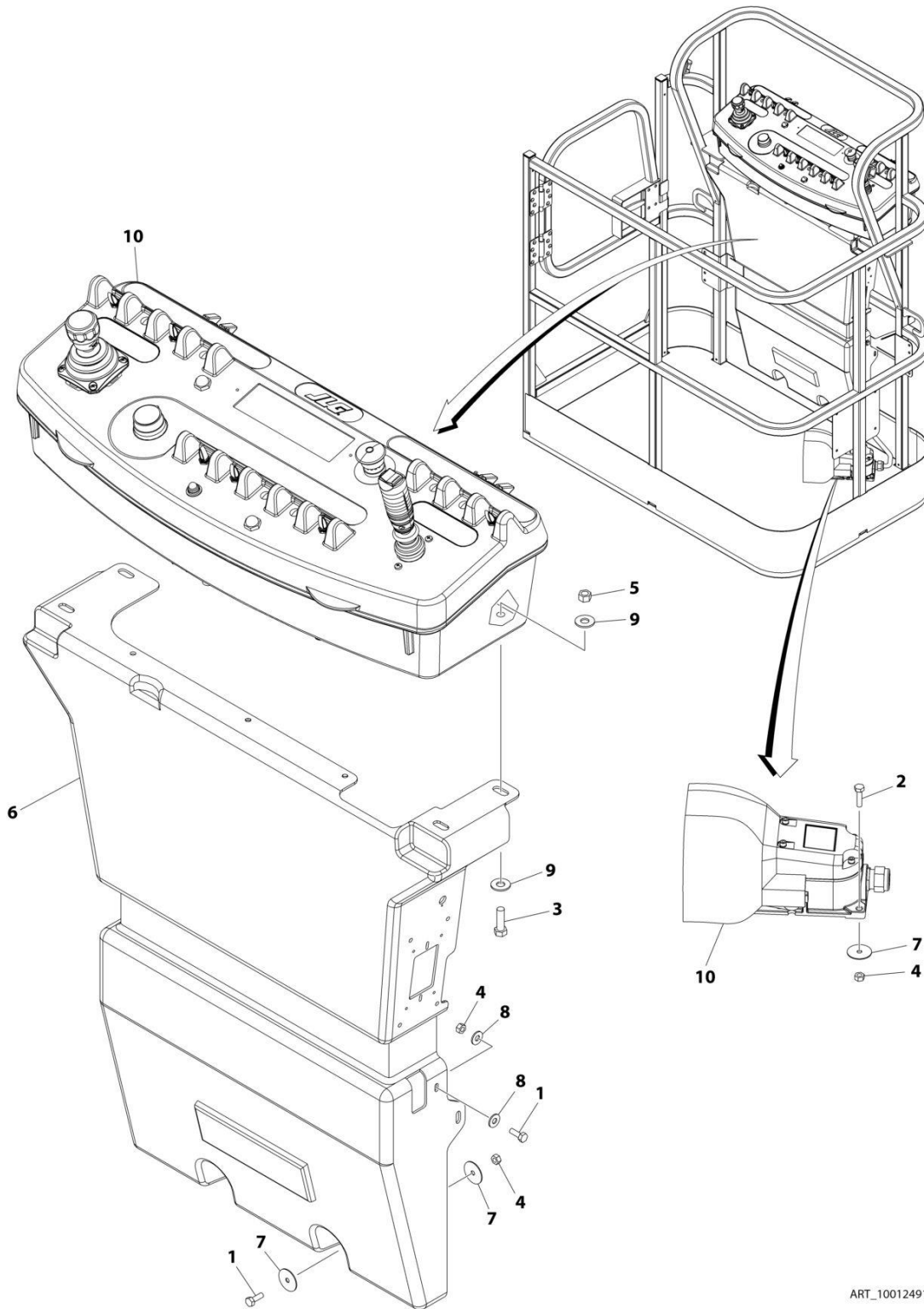
SECTION 4 - PLATFORM

FIGURE 4-6. PLATFORM ASSEMBLY - 5FT/1.52M - DROP BAR ENTRY

ITEM	PART NUMBER	QTY	DESCRIPTION	REV
	1001228215	Ref	PLATFORM ASSEMBLY	A
	See Note	Ref	Note: Platform and Mesh must be ordered separately for Platforms with Mesh. See SPECIAL OPTIONS SECTION for Mesh Installations.	
	See Note	Ref	Note: Replacement Decals Must be Ordered Separately - See DECAL SECTION.	
1	0100011	AR	Compound, Locking	
2	0641418	2	Bolt 1/4 x 2-1/4	
3	0961845	2	Bushing	
4	3300151	2	Nut 1/4	
5	3520072	6	Cap, Plug	
6	3520198	2	Cap, Plug	
7	4711400	4	Washer 1/4	
8	1001140429	1	Decal - Drop Bar	
9	1001226872	1	Bar, Drop	
10	See Note	NSS	Platform (Note: Not Available - Purchase Platform Assembly)	

SECTION 4 - PLATFORM

FIGURE 4-7. PLATFORM CONSOLE AND FOOTSWITCH INSTALLATION – E400AN – NON-UL LISTED
(ALL SPEC EXCEPT AUSTRALIAN AND UL SPECS)



ART_1001249159

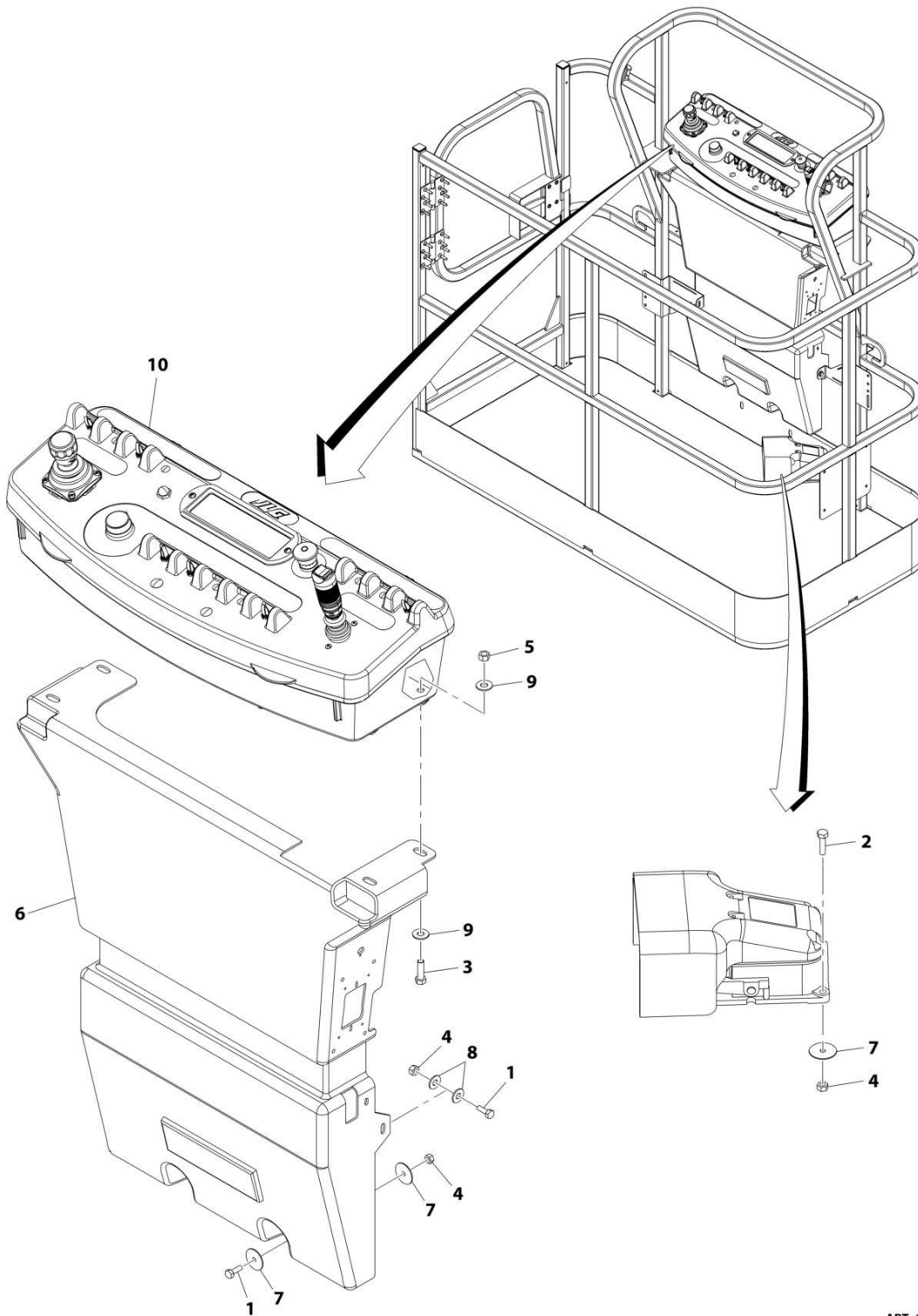
SECTION 4 - PLATFORM

**FIGURE 4-7. PLATFORM CONSOLE AND FOOTSWITCH INSTALLATION – E400AN – NON-UL LISTED
(ALL SPESC EXCEPT AUSTRALIAN AND UL SPECS)**

ITEM	PART NUMBER	QTY	DESCRIPTION	REV
	1001249159	Ref	PLATFORM CONSOLE AND FOOTSWITCH INSTALLATION	A
1	0641406	4	Bolt 1/4 x 3/4	
2	0641408	3	Bolt 1/4 x 1	
3	0641610	4	Bolt 3/8 x 1	
4	3311405	7	Nut 1/4	
5	3311605	4	Nut 3/8	
6	3380434	1	Panel, Pedestal	
7	4740362	7	Washer 1/4	
8	4751400	4	Washer 1/4	
9	4751600	8	Washer 3/8	
10	1001249162	1	Platform Console Assembly (See Separate Breakdown in this Section)	

SECTION 4 - PLATFORM

FIGURE 4-8. PLATFORM CONSOLE AND FOOTSWITCH INSTALLATION - E400AN - UL LISTED (ALL SPECS EXCEPTED AUSTRALIAN, CE AND JAPANESE SPECS)



ART_1001249153

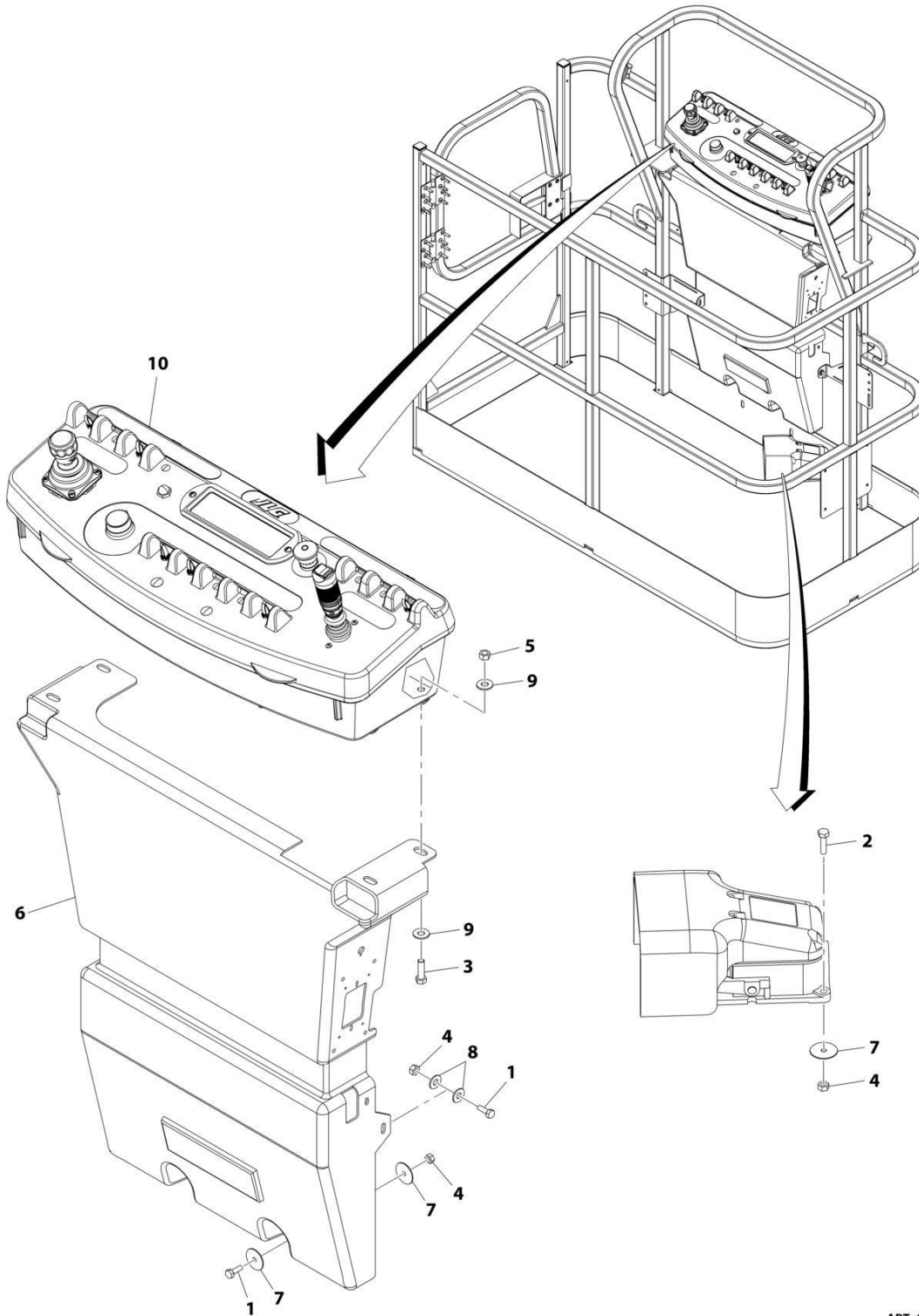
SECTION 4 - PLATFORM

FIGURE 4-8. PLATFORM CONSOLE AND FOOTSWITCH INSTALLATION - E400AN - UL LISTED (ALL SPECS EXCEPTED AUSTRALIAN, CE AND JAPANESE SPECS)

ITEM	PART NUMBER	QTY	DESCRIPTION	REV
	1001249153	Ref	PLATFORM CONSOLE AND FOOTSWITCH INSTALLATION	A
1	0641406	4	Bolt 1/4 X 3/4	
2	0641408	3	Bolt 1/4 X 1	
3	0641610	4	Bolt 3/8 X 1-1/4	
4	3311405	7	Nut 1/4	
5	3311605	4	Nut, 3/8	
6	3380434	1	Panel, Pedestal	
7	4740362	7	Washer 1/4	
8	4751400	4	Washer 1/4	
9	4751600	8	Washer 3/8	
10	1001249154	1	Platform Console Assembly (See Separate Breakdown in this Section)	

SECTION 4 - PLATFORM

FIGURE 4-9. PLATFORM CONSOLE AND FOOTSWITCH INSTALLATION – E400AJPN – NON-UL LISTED (ALL SPECS EXCEPT UL SPECS)



ART_1001249157

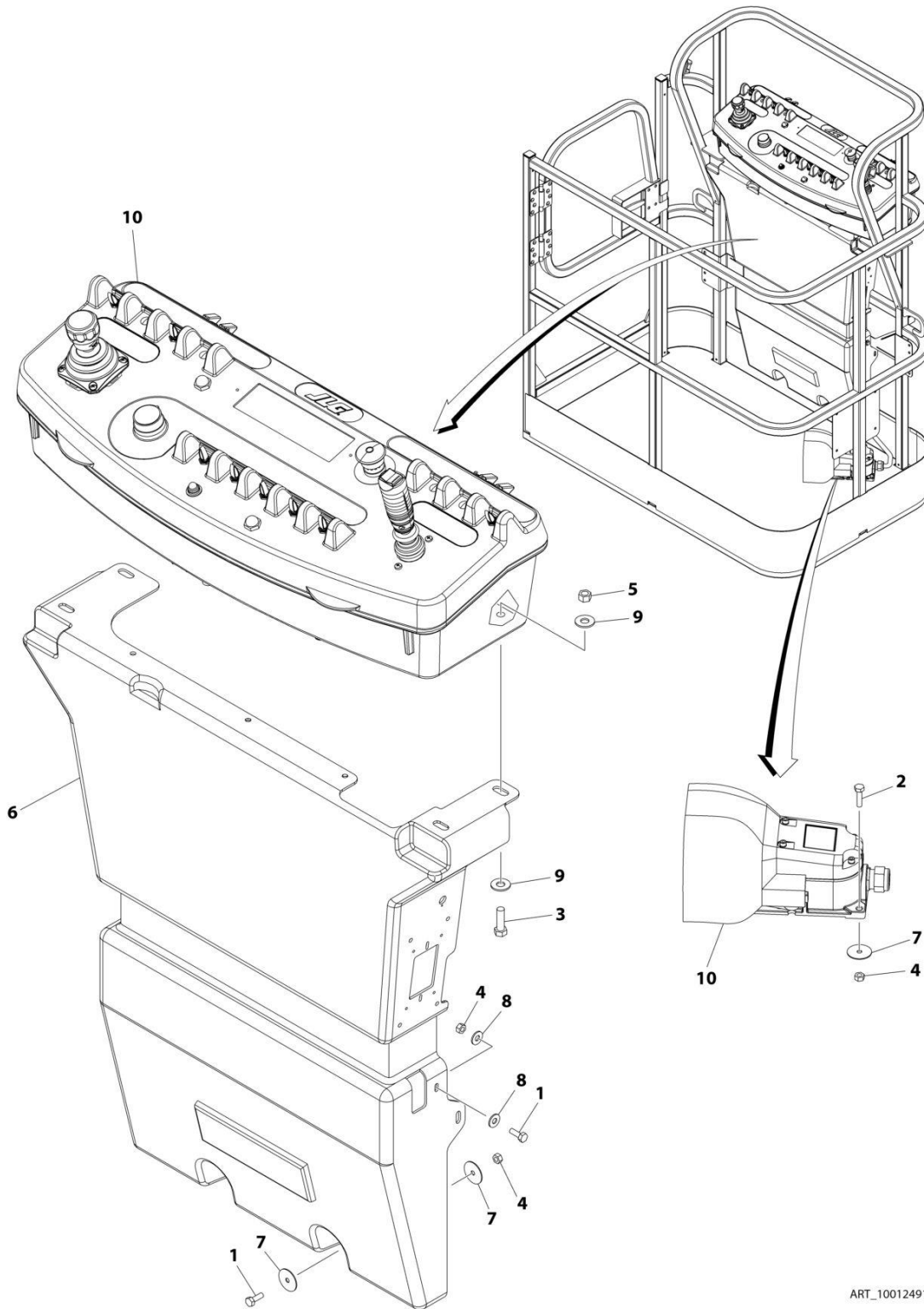
SECTION 4 - PLATFORM

FIGURE 4-9. PLATFORM CONSOLE AND FOOTSWITCH INSTALLATION – E400AJPN – NON-UL LISTED (ALL SPECS EXCEPT UL SPECS)

ITEM	PART NUMBER	QTY	DESCRIPTION	REV
	1001249157	Ref	PLATFORM CONSOLE AND FOOTSWITCH INSTALLATION	A
1	0641406	4	Bolt 1/4 X 3/4	
2	0641408	3	Bolt 1/4 X 1	
3	0641610	4	Bolt 3/8 X 1-1/4	
4	3311405	7	Nut 1/4	
5	3311605	4	Nut, 3/8	
6	3380434	1	Panel, Pedestal	
7	4740362	7	Washer 1/4	
8	4751400	4	Washer 1/4	
9	4751600	8	Washer 3/8	
10	1001249158	1	Platform Console Assembly (See Separate Breakdown in this Section)	

SECTION 4 - PLATFORM

FIGURE 4-10. PLATFORM CONSOLE AND FOOTSWITCH INSTALLATION – E400AJPN – UL LISTED
(ALL SPECS EXCEPTED AUSTRALIAN, CE AND JAPANESE SPECS)



ART_1001249155

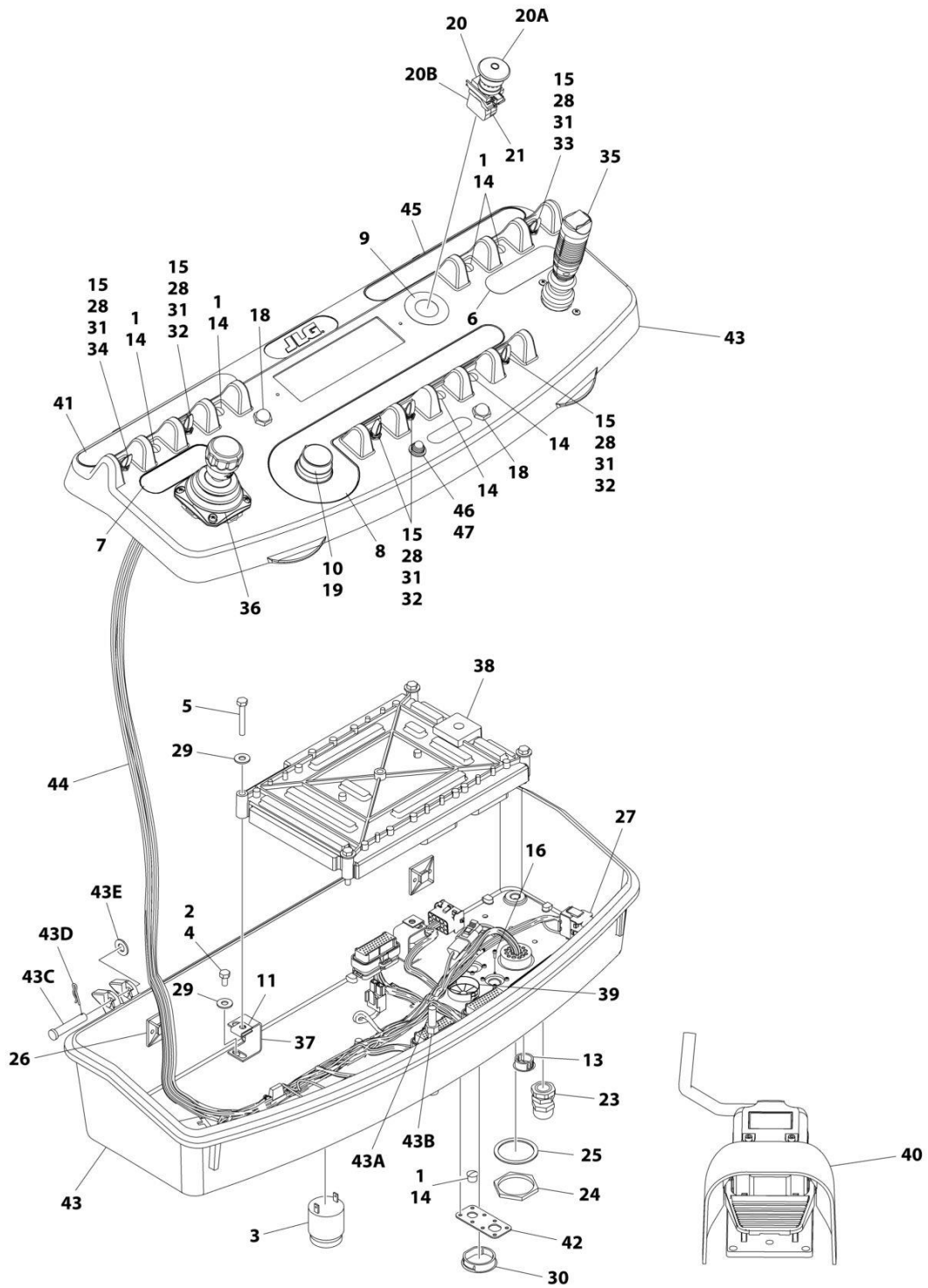
SECTION 4 - PLATFORM

**FIGURE 4-10. PLATFORM CONSOLE AND FOOTSWITCH INSTALLATION – E400AJPN – UL LISTED
(ALL SPECS EXCEPTED AUSTRALIAN, CE AND JAPANESE SPECS)**

ITEM	PART NUMBER	QTY	DESCRIPTION	REV
	1001249155	Ref	PLATFORM CONSOLE AND FOOTSWITCH INSTALLATION	B
1	0641406	4	Bolt 1/4 X 3/4	
2	0641408	3	Bolt 1/4 X 1	
3	0641610	4	Bolt 3/8 X 1-1/4	
4	3311405	7	Nut 1/4	
5	3311605	4	Nut 3/8	
6	3380434	1	Panel, Pedestal	
7	4740362	7	Washer 1/4	
8	4751400	4	Washer 1/4	
9	4751600	8	Washer 3/8	
10	1001249154	1	Platform Console Assembly (See Separate Breakdown in this Section)	

SECTION 4 - PLATFORM

FIGURE 4-11. PLATFORM CONSOLE ASSEMBLY - E400AN - NON-UL LISTED (ALL SPESC EXCEPT AUSTRALIAN AND UL SPECS)



ART_1001249162

SECTION 4 - PLATFORM

FIGURE 4-11. PLATFORM CONSOLE ASSEMBLY - E400AN - NON-UL LISTED (ALL SPESC EXCEPT AUSTRALIAN AND UL SPECS)

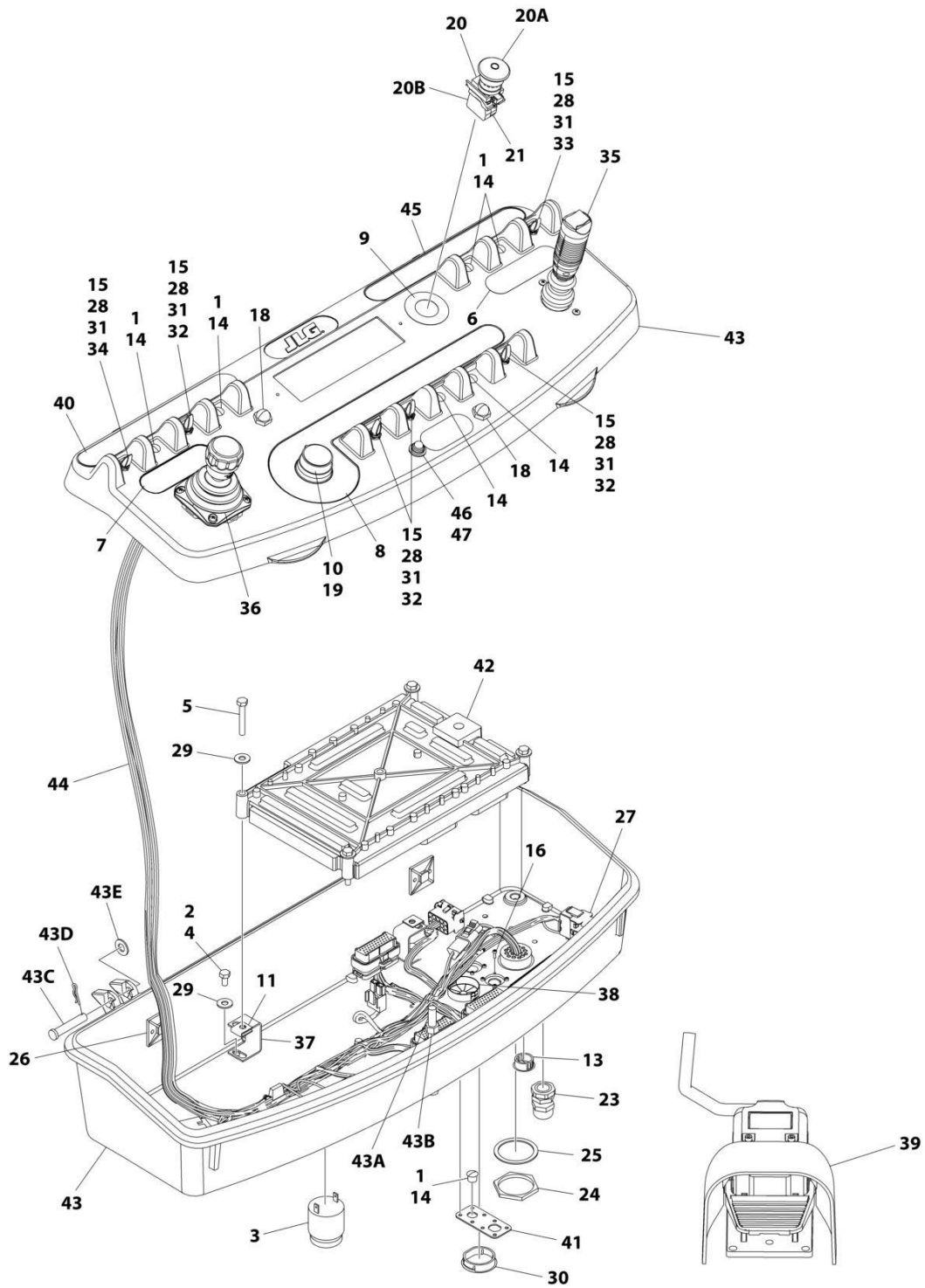
ITEM	PART NUMBER	QTY	DESCRIPTION	REV
	1001249162	Ref	PLATFORM CONSOLE ASSEMBLY	B
1	0100009	AR	Sealant	
2	0100035	AR	Compound, Locking	
3	0140011	1	Alarm	
4	0641404	4	Bolt 1/4 x 1/2	
5	0641414	4	Bolt 1/4 x 1-3/4	
6	1702565	1	Decal - Drive and Steer	
7	1702566	1	Decal - Lift and Swing	
8	1702567	1	Decal - Function Speed	
9	1704260	1	Decal - EMS	
10	2560136	1	Handle, Knob	
11	3300353	4	Nut, Tinnerman	
13	3520030	1	Plug, Hole	
14	3520054	7	Plug, Hole	
15	3790012	6	O-Ring	
16	3900349	8	Screw M2.5	
17	4240032	AR	Tie-Strap (Not Shown)	
18	4360387	2	Switch, Push Button	
19	4360407	1	Switch, Potentiometer	
20	4360475	1	Switch, Emergency Stop	
20A	7020175	1	Cap, Mushroom with Sealing Ring	
20B	7020176	1	Block, Contact	
21	4360476	1	Block, Contact	
22	4460234	4	Mount, Tie-Strap (Not Shown)	
23	4460428	1	Connector, Strain Relief	
24	4460470	1	Nut, Terminal	
25	4460471	1	Washer, Lock Terminal	
26	4460488	3	Base, Terminal Mounting	
27	4460708	1	Connector - 15 Position	
28	4740397	6	Spacer	
29	4751400	8	Washer 1/4	
30	1001110434	1	Plug, D-Shaped	
31	1001155044	6	Nut 15/32	
32	1001155045	4	Switch, Toggle	
33	1001159256	1	Switch, Toggle	
34	1001161710	1	Switch, Toggle	
35	1001166538	NLA	Controller Assembly - Drive and Steer (Use p/n 1001212415) (See Separate Breakdown in this Section)	
36	1001166539	NLA	Controller Assembly - Lift and Swing (Use p/n 1001129555) (See Separate Breakdown in this Section)	
37	1001172760	4	Bracket, Module	
38	1001182724	1	Module, PC (Note: Re-calibration Required when Replaced)	
39	1001185281	1	Plug, Bushing	
40	1001189039	1	Footswitch Assembly (See Separate Breakdown in this Section)	
41	1001193987	1	Decal - Horn and Drive Select	
42	1001213882	1	Mount, Connector	
43	1001215228	1	Console Box Assembly	
43A	0630568	1	Capscrew 3/8 x 4-1/2	
43B	3311601	1	Nut 3/8	

SECTION 4 - PLATFORM

ITEM	PART NUMBER	QTY	DESCRIPTION	REV
43C	3430616	2	Pin, Clevis	
43D	3470003	2	Pin, Cotter	
43E	4711600	2	Washer 3/8	
44	1001245673	1	Platform Console Box Harness (See Separate Breakdown in ELECTRICAL SECTION)	
45	1001247538	1	Decal - Stop - Generator	
46	2920028	1	Light, Indicator	
47	2920029	1	Lamp, Bulb	

SECTION 4 - PLATFORM

FIGURE 4-12. PLATFORM CONSOLE ASSEMBLY - E400AN/E400AJPN - UL LISTED (ALL SPECS EXCEPTED AUSTRALIAN, CE AND JAPANESE SPECS)



ART_1001249154

SECTION 4 - PLATFORM

FIGURE 4-12. PLATFORM CONSOLE ASSEMBLY - E400AN/E400AJPN - UL LISTED (ALL SPECS EXCEPTED AUSTRALIAN, CE AND JAPANESE SPECS)

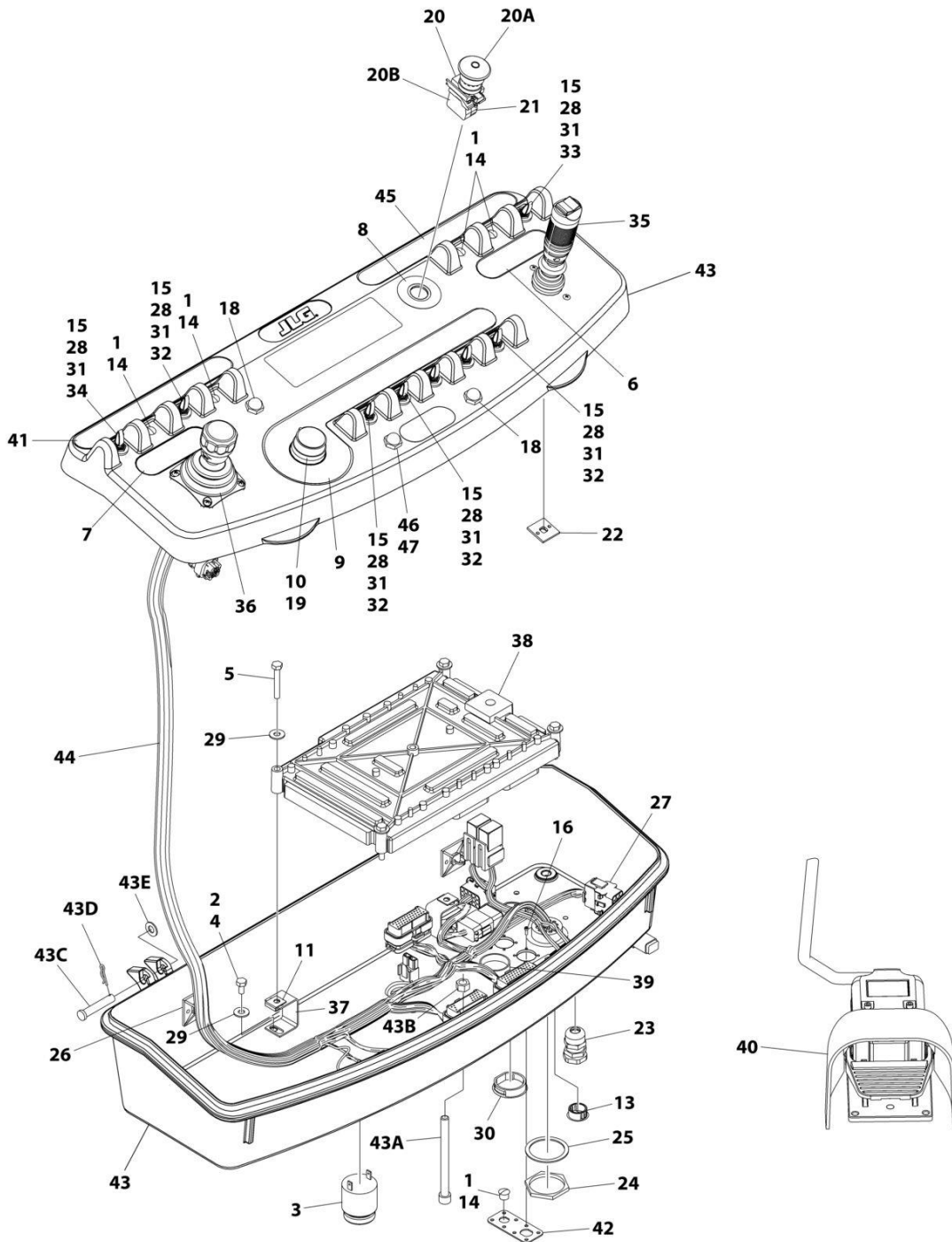
ITEM	PART NUMBER	QTY	DESCRIPTION	REV
	1001249154	Ref	PLATFORM CONSOLE ASSEMBLY	B
1	0100009	AR	Sealant	
2	0100035	AR	Compound, Locking	
3	0140011	1	Alarm	
4	0641404	4	Bolt 1/4 x 1/2	
5	0641414	4	Bolt 1/4 x 1-3/4	
6	1702565	1	Decal - Drive and Steer	
7	1702566	1	Decal - Lift and Swing	
8	1702567	1	Decal - Function Speed	
9	1704260	1	Decal - EMS	
10	2560136	1	Handle, Knob	
11	3300353	4	Nut	
13	3520030	1	Plug, Hole	
14	3520054	5	Plug, Hole	
15	3790012	8	O-Ring	
16	3900349	8	Screw M2.5	
17	4240032	AR	Tie-Strap (Not Shown)	
18	4360387	2	Switch, Push Button	
19	4360407	1	Switch, Potentiometer	
20	4360475	1	Switch, Emergency Stop	
20A	7020175	1	Cap, Mushroom with Sealing Ring	
20B	7020176	1	Block, Contact	
21	4360476	1	Block, Contact	
22	4460234	4	Mount, Tie-Strap (Not Shown)	
23	4460428	1	Connector, Strain Relief	
24	4460470	1	Nut	
25	4460471	1	Washer, Lock Terminal	
26	4460488	2	Base, Terminal Mounting	
27	4460708	1	Connector - 15 Position	
28	4740397	8	Spacer	
29	4751400	8	Washer 1/4	
30	1001110434	1	Plug, D-Shaped	
31	1001155044	8	Nut 15/32	
32	1001155045	6	Switch, Toggle	
33	1001159256	1	Switch, Toggle	
34	1001161710	1	Switch, Toggle	
35	1001166538	NLA	Controller Assembly - Drive and Steer (Use p/n 1001212415) (See Separate Breakdown in this Section)	
36	1001166539	NLA	Controller Assembly - Lift and Swing (Use p/n 1001129555) (See Separate Breakdown in this Section)	
37	1001172760	4	Bracket, Module	
38	1001185281	1	Plug, Bushing	
39	1001189039	1	Footswitch Assembly (See Separate Breakdown in this Section)	
40	1001193987	1	Decal - Horn and Drive Select	
41	1001213882	1	Mount, Connector	
42	1001215835	1	Module, PC (Note: Re-calibration Required when Replaced)	
43	1001215228	1	Console Box Assembly	
43A	0630568	1	Capscrew 3/8 x 4-1/2	
43B	3311601	1	Nut 3/8	

SECTION 4 - PLATFORM

ITEM	PART NUMBER	QTY	DESCRIPTION	REV
43C	3430616	2	Pin, Clevis	
43D	3470003	2	Pin, Cotter	
43E	4711600	2	Washer 3/8	
44	1001245673	1	Harness, Platform Console Box (With 1 Cell LSS) (See Separate Breakdown in ELECTRICAL SECTION)	
45	1001247538	1	Decal - Stop - Generator	
46	2920028	1	Light, Indicator	
47	2920029	1	Lamp, Bulb	

SECTION 4 - PLATFORM

FIGURE 4-13. PLATFORM CONSOLE ASSEMBLY - E400AJPN - NON-UL LISTED (ALL SPESC EXCEPT UL SPECS)



ART_1001249158

SECTION 4 - PLATFORM

FIGURE 4-13. PLATFORM CONSOLE ASSEMBLY - E400AJPN - NON-UL LISTED (ALL SPESC EXCEPT UL SPECS)

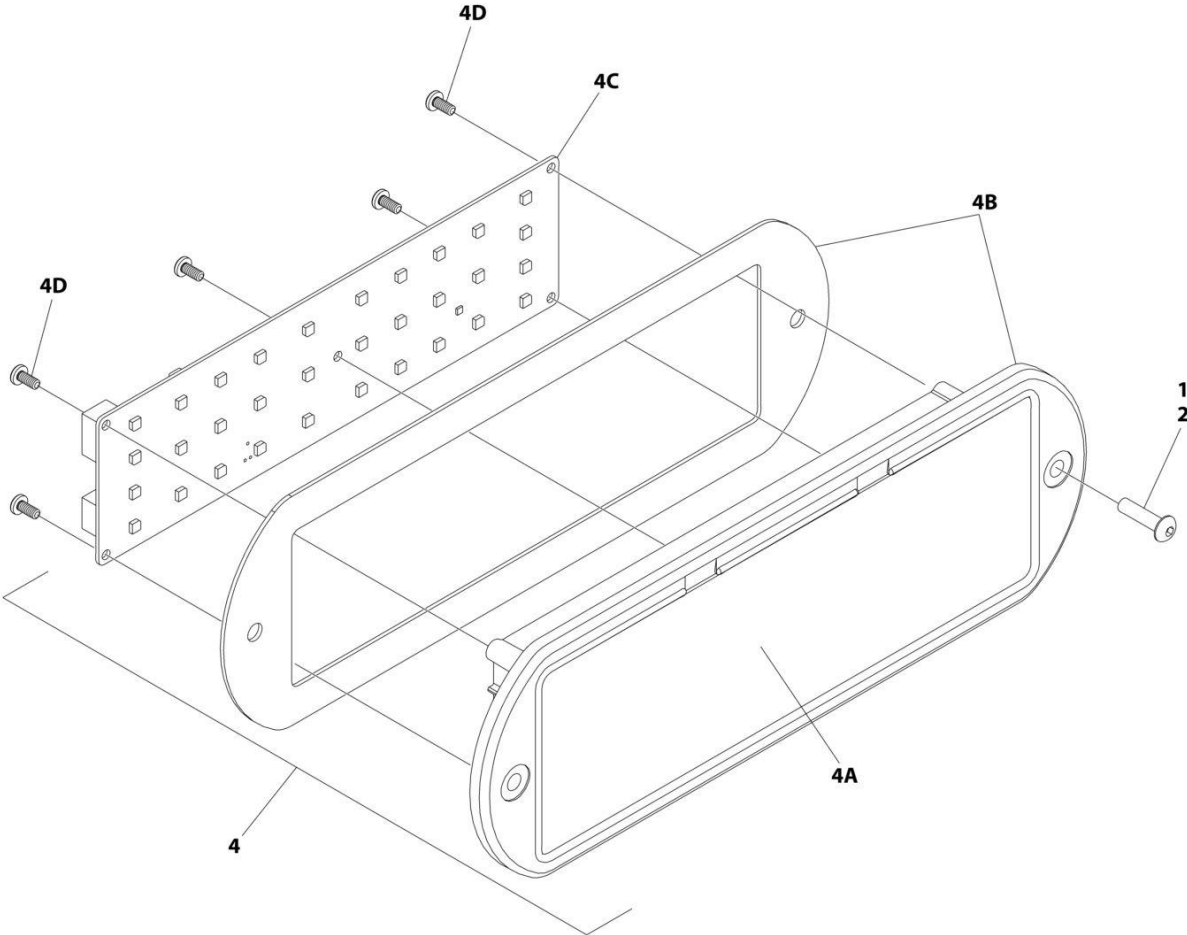
ITEM	PART NUMBER	QTY	DESCRIPTION	REV
	1001249158	Ref	PLATFORM CONSOLE ASSEMBLY	B
1	0100009	AR	Sealant	
2	0100035	AR	Compound, Locking	
3	0140011	1	Alarm	
4	0641404	4	Bolt 1/4 x 1/2	
5	0641414	4	Bolt 1/4 x 1-3/4	
6	1702565	1	Decal - Drive and Steer	
7	1702566	1	Decal - Lift and Swing	
8	1704260	1	Decal - EMS	
9	1704422	1	Decal - Function Speed	
10	2560136	1	Handle, Knob	
11	3300353	4	Nut, Tinnerman	
13	3520030	1	Plug, Hole	
14	3520054	5	Plug, Hole	
15	3790012	8	O-Ring	
16	3900349	8	Screw M2.5	
17	4240032	AR	Tie-Strap (Not Shown)	
18	4360387	2	Switch, Push Button	
19	4360407	1	Switch, Potentiometer	
20	4360475	1	Switch, Emergency Stop	
20A	7020175	1	Cap, Mushroom with Sealing Ring	
20B	7020176	1	Block, Contact	
21	4360476	1	Block, Contact	
22	4460234	4	Mount, Tie-Strap (Not Shown)	
23	4460428	1	Connector, Strain Relief	
24	4460470	1	Nut, Terminal	
25	4460471	1	Washer, Lock Terminal	
26	4460488	2	Base, Terminal Mounting	
27	4460708	1	Connector - 15 Position	
28	4740397	8	Spacer	
29	4751400	8	Washer 1/4	
30	1001110434	1	Plug, D-Shaped	
31	1001155044	8	Nut 15/32	
32	1001155045	6	Switch, Toggle	
33	1001159256	1	Switch, Toggle	
34	1001161710	1	Switch, Toggle	
35	1001166538	NLA	Controller Assembly - Drive and Steer (Use p/n 1001212415) (See Separate Breakdown in this Section)	
36	1001166539	NLA	Controller Assembly - Lift and Swing (Use p/n 1001129555) (See Separate Breakdown in this Section)	
37	1001172760	4	Bracket, Module	
38	1001182724	1	Module, PC (Note: Re-calibration Required when Replaced)	
39	1001185281	1	Plug, Bushing	
40	1001189039	1	Footswitch Assembly (See Separate Breakdown in this Section)	
41	1001193987	1	Decal - Horn and Drive Select	
42	1001213882	1	Mount, Connector	
43	1001215228	1	Console Box Assembly	
43A	0630568	1	Capscrew 3/8 x 4-1/2	
43B	3311601	1	Nut 3/8	

SECTION 4 - PLATFORM

ITEM	PART NUMBER	QTY	DESCRIPTION	REV
43C	3430616	2	Pin, Clevis	
43D	3470003	2	Pin, Cotter	
43E	4711600	2	Washer 3/8	
44	1001245673	1	Harness, Platform Console Box (With 1 Cell LSS) (See Separate Breakdown in ELECTRICAL SECTION)	
45	1001247538	1	Decal - Stop - Generator	
46	2920028	1	Light, Indicator	
47	2920029	1	Lamp, Bulb	

SECTION 4 - PLATFORM

FIGURE 4-14. LIGHT PANEL INSTALLATION



ART_1001245179

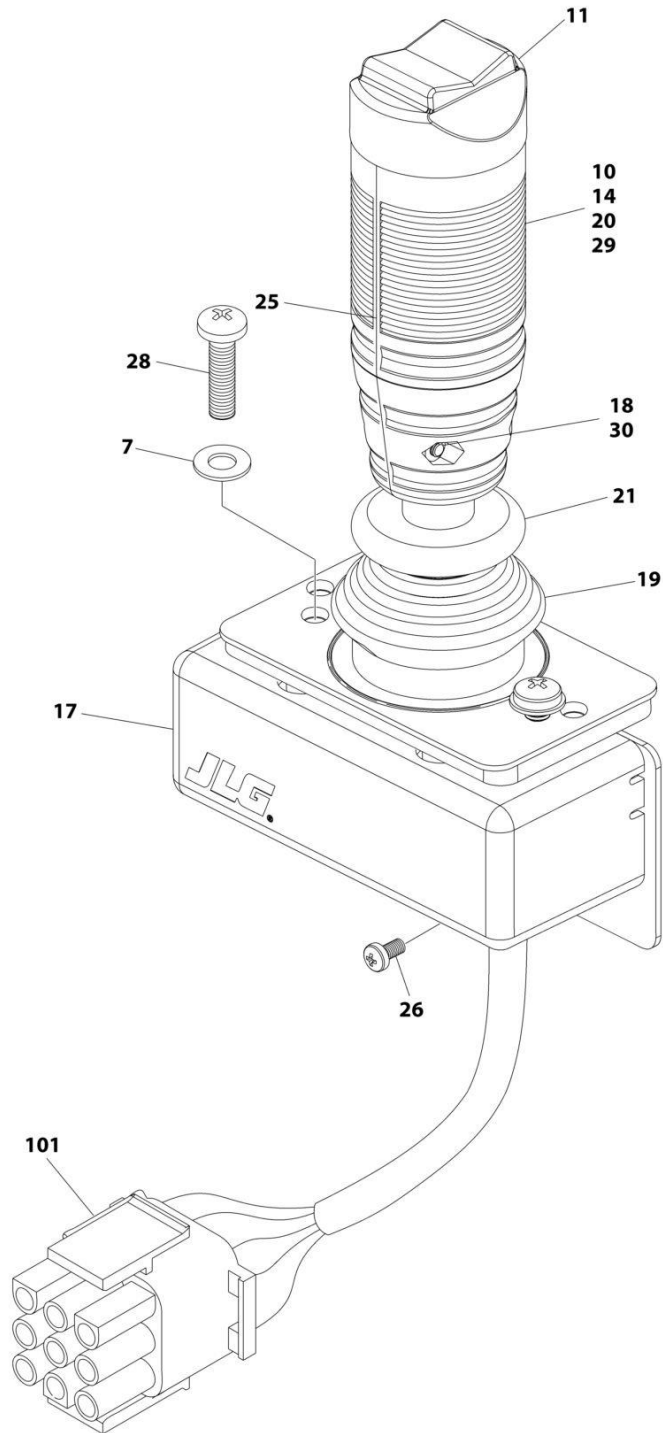
SECTION 4 - PLATFORM

FIGURE 4-14. LIGHT PANEL INSTALLATION

ITEM	PART NUMBER	QTY	DESCRIPTION	REV
	1001245179	Ref	LIGHT PANEL INSTALLATION	B
1	0100035	AR	Compound, Locking	
2	3911010	2	Screw #10 x 5/8	
4	1001245210	1	Light Panel Assembly	
4A	1001245164	1	Lens, I-Con	
4B	1001245173	1	Bezel (Includes Gasket)	
4C	1001238732	1	Panel, LED Light	
4D		Ref	Screw	

SECTION 4 - PLATFORM

FIGURE 4-15. CONTROLLER ASSEMBLY - DRIVE AND STEER



ART_1001166538

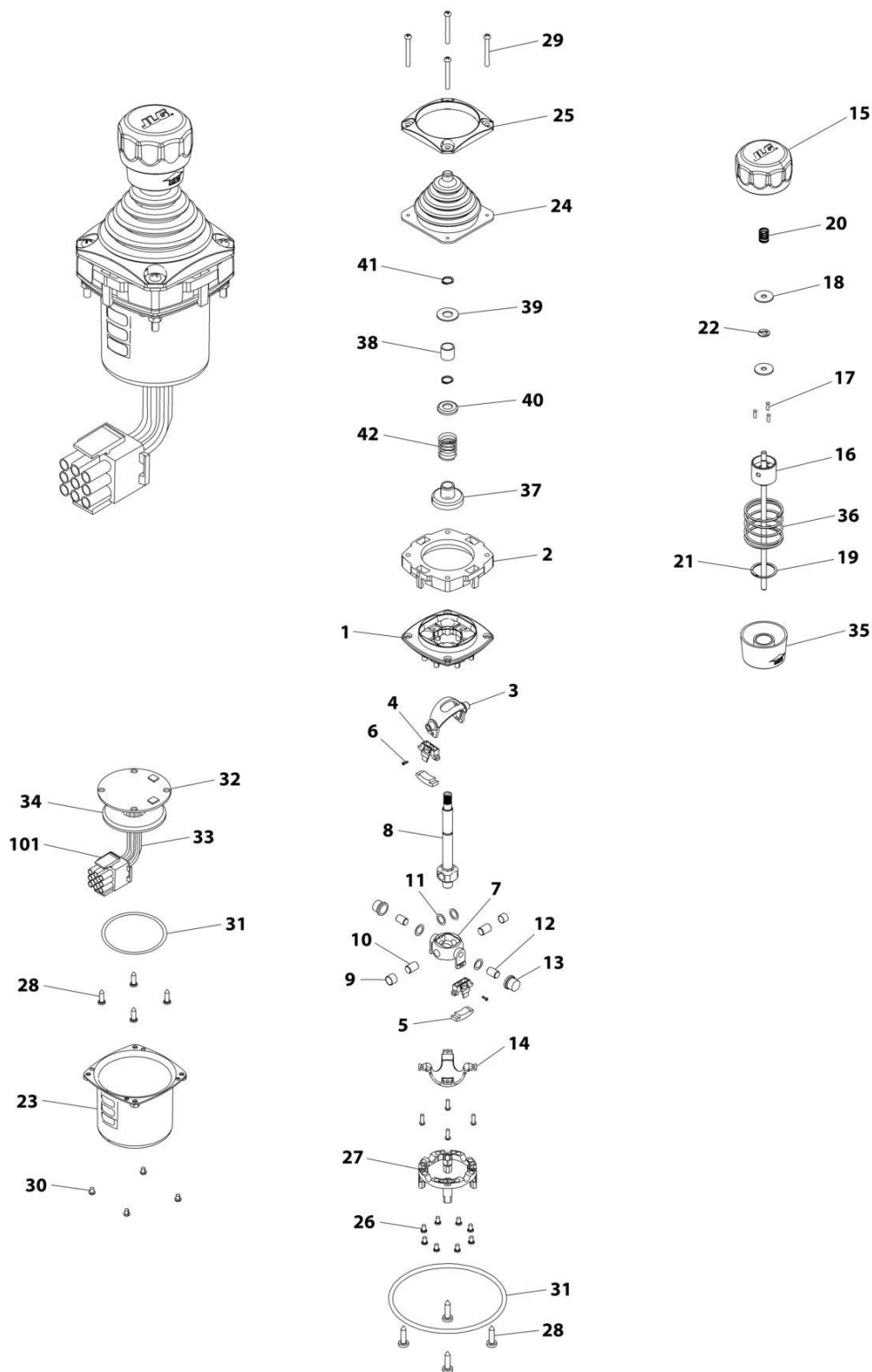
SECTION 4 - PLATFORM

FIGURE 4-15. CONTROLLER ASSEMBLY - DRIVE AND STEER

ITEM	PART NUMBER	QTY	DESCRIPTION	REV
	1001166538	Ref	CONTROLLER ASSEMBLY - DRIVE AND STEER	G
		Ref	Note: For Replacement, Use p/n 1001212415.	
7	70004738	2	Washer	
10	70004739	1	Roller	
11	70004740	1	Boot, Switch	
14	70004741	2	Half, Handle	
17	70004742	1	Enclosure	
18	70004743	4	Nut	
19	70004744	NLA	Boot, Controller (Use p/n 70005230 Boot/Base Assembly)	
20	70004745	NLA	Tube, Locking (Use p/n 70005230 Boot/Base Assembly)	
21	70004746	NLA	Disc, Locking (Use p/n 70005230 Boot/Base Assembly)	
25	70004747	2	Seal, Rope	
26	70004748	1	Screw M3 x 6	
28	70004749	2	Screw M5 x 20	
29	70004750	1	Pin, Dowel	
30	70004751	4	Screw M3 x 16	
101	4460265	1	Connector - 9 Position	
101	4460226	7	Socket, Female	

SECTION 4 - PLATFORM

FIGURE 4-16. CONTROLLER ASSEMBLY - LIFT AND SWING



ART_1001166539

SECTION 4 - PLATFORM

FIGURE 4-16. CONTROLLER ASSEMBLY - LIFT AND SWING

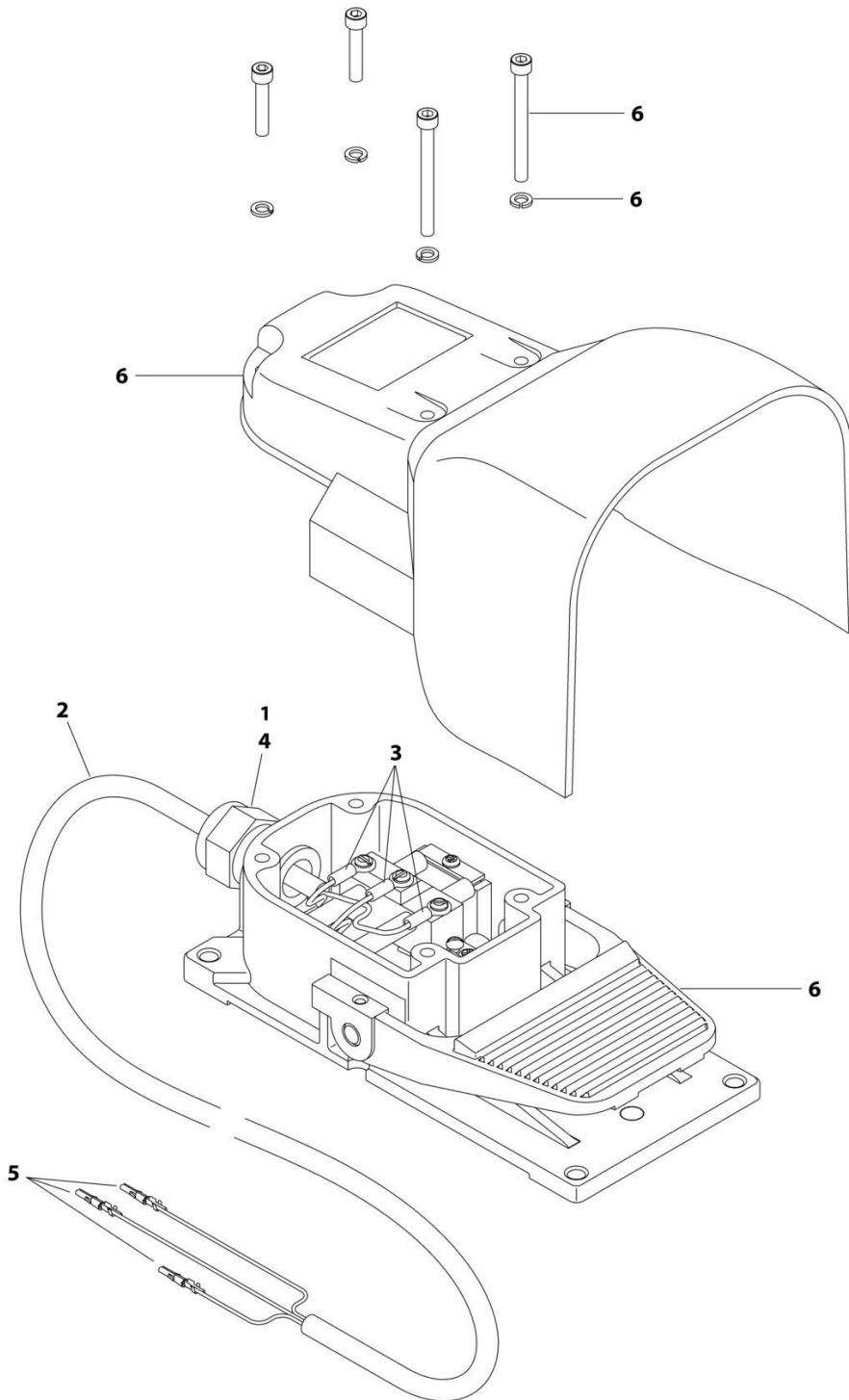
ITEM	PART NUMBER	QTY	DESCRIPTION	REV
	1001166539	Ref	CONTROLLER ASSEMBLY	E
		Ref	Note: Original Equipment Controller May Have Been Replaced with Service Replacement Controller. Visually Identify Controller Before Ordering Parts.	
		Ref	Note: For Replacement, Use p/n 1001129555	
1	See Note	NSS	Main Cast Body (Note: Not Available - Purchase Complete Assembly)	
2	70004752	1	Adapter	
3	See Note	NSS	Pivot Arm, Plastic (Note: Not Available - Purchase Complete Assembly)	
4	See Note	NSS	Holder, Magnet (Note: Not Available - Purchase Complete Assembly)	
5	See Note	NSS	Arc, Magnet (Note: Not Available - Purchase Complete Assembly)	
6	See Note	NSS	Screw (Note: Not Available for Purchase)	
7	See Note	NSS	Pivot Arm, Cast (Note: Not Available - Purchase Complete Assembly)	
8	See Note	NSS	Shaft, Main (Note: Not Available - Purchase Complete Assembly)	
9	See Note	NSS	Bearing (Note: Not Available - Purchase Complete Assembly)	
10	See Note	NSS	Pin (Note: Not Available - Purchase Complete Assembly)	
11	See Note	NSS	Shim (Note: Not Available - Purchase Complete Assembly)	
12	See Note	NSS	Pin (Note: Not Available - Purchase Complete Assembly)	
13	See Note	NSS	Bearing (Note: Not Available - Purchase Complete Assembly)	
14	See Note	NSS	Dome, Centering (Note: Not Available - Purchase Complete Assembly)	
15	70004753	1	Cap	
16	70004754	1	Insert, Cap	
17	70004755	3	Pin	
18	70004756	2	Washer	
19	70004757	1	Pin, Centering	
20	70004758	1	Spring	
21	70004759	1	Ring, Retaining	
22	70004760	1	E-Ring	
23	70004761	1	Can, Enclosure	
24	70004762	1	Boot	
25	70004763	1	Bezel	
26	See Note	NSS	Screw (Note: Not Available for Purchase)	
27	See Note	NSS	Base Mounting (Note: Not Available - Purchase Complete Assembly)	
28	See Note	NSS	Screw (Note: Not Available for Purchase)	
29	70004764	4	Screw	
30	70004765	4	Screw	
31	70004766	1	O-Ring	
32	See Note	NSS	Plate (Note: Not Available - Purchase Complete Assembly)	
33	See Note	NSS	Harness (Note: Not Available - Purchase Complete Assembly)	
34	70004767	1	Grommet, Rubber	
35	70004768	1	Housing	
36	70004769	1	Spring	
37	70004770	1	Stopper	
38	70004771	1	Spacer	
39	70004772	1	Washer	
40	70004773	1	Disc	

SECTION 4 - PLATFORM

ITEM	PART NUMBER	QTY	DESCRIPTION	REV
41	70004774	2	Ring, Retaining	
42	70004775	1	Spring	
101	4460265	1	Connector - 9 Position	
101	4460226	6	Socket, Female	

SECTION 4 - PLATFORM

FIGURE 4-17. FOOTSWITCH ASSEMBLY



ART_1001189039

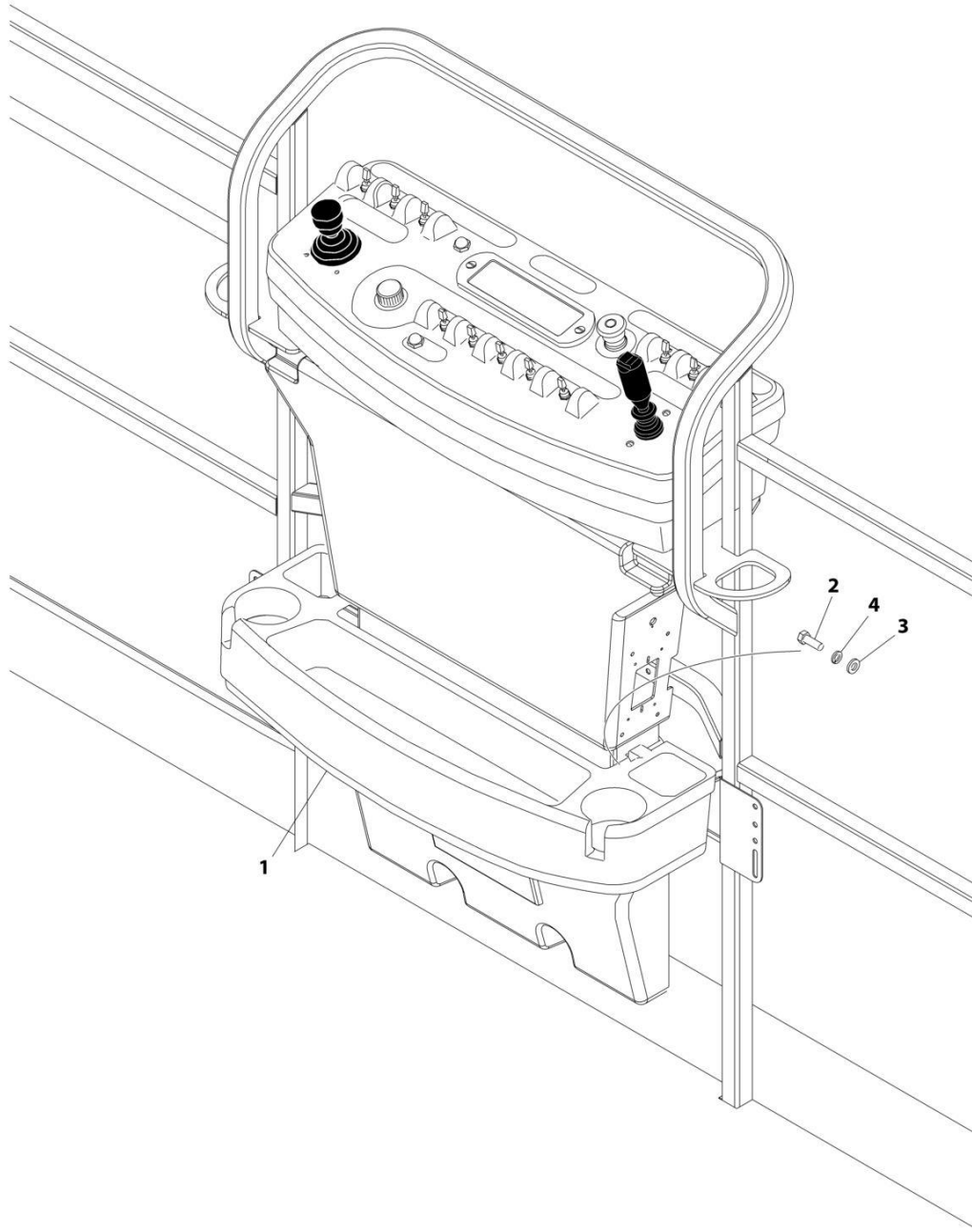
SECTION 4 - PLATFORM

FIGURE 4-17. FOOTSWITCH ASSEMBLY

ITEM	PART NUMBER	QTY	DESCRIPTION	REV
	1001189039	Ref	FOOTSWITCH ASSEMBLY	A
1	0100020	AR	Sealant	
2	1060330	6 ft /1.8m	Cable, Electrical - 16/3	
3	4460042	3	Terminal	
4	4460071	1	Connector, Strain Relief	
5	4460226	3	Socket, Female	
6	1001117172	1	Footswitch	
6	70002902	1	Switch, 20Amp	
6	70002903	1	Gasket	
6	70002905	1	Cover	
6	70002904	1	Kit, Replacement Bolt	

SECTION 4 - PLATFORM

FIGURE 4-18. TRAY ASSEMBLY



ART_1580012

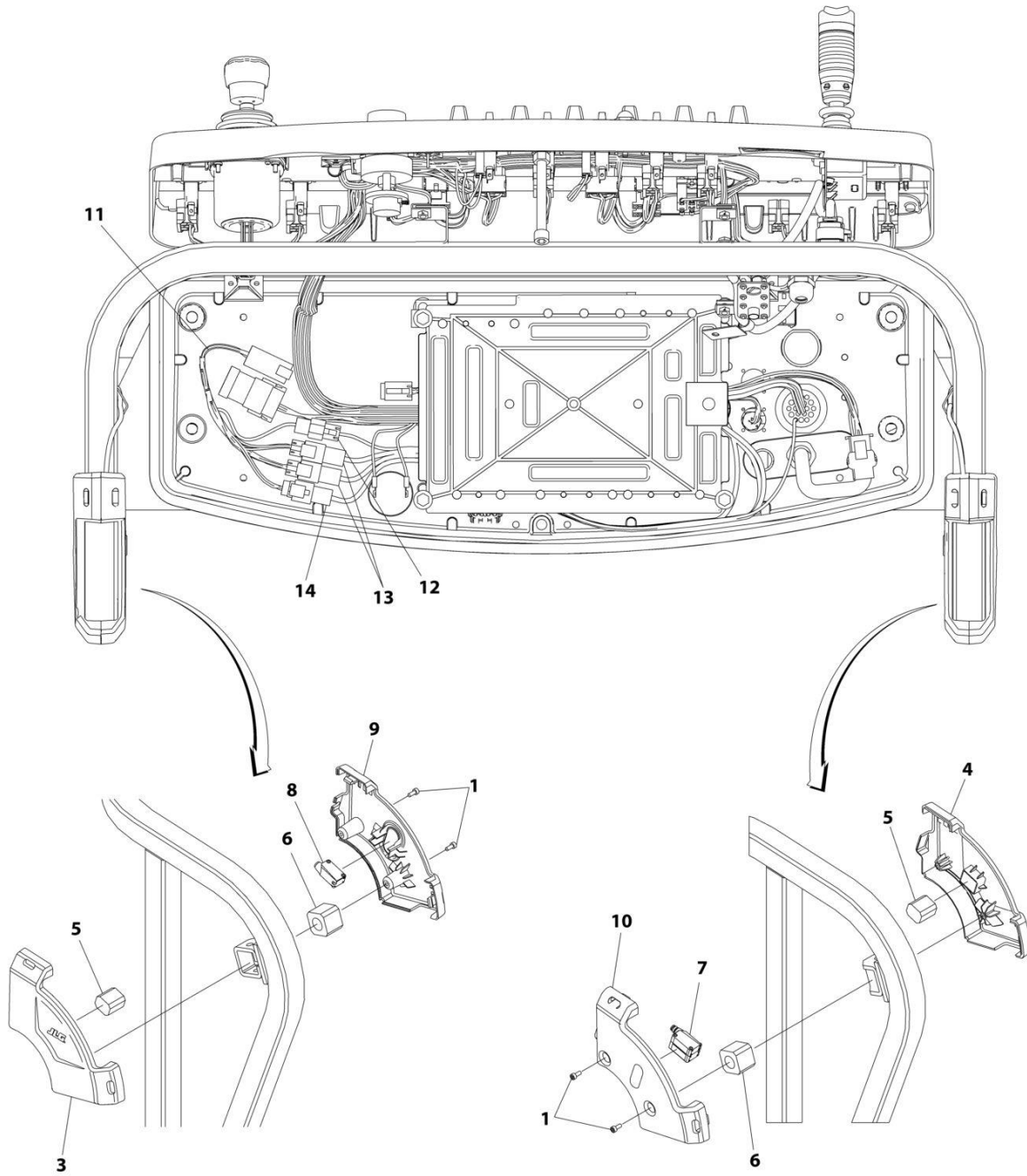
SECTION 4 - PLATFORM

FIGURE 4-18. TRAY ASSEMBLY

ITEM	PART NUMBER	QTY	DESCRIPTION	REV
	1580012	Ref	TRAY ASSEMBLY	C
1	See Note	NSS	Tray, Storage (Center) (Note: Purchase p/n 1580012)	
2	0641406	2	Bolt 1/4 x 3/4	
3	4751400	2	Washer 1/4	
4	4761400	2	Washer 1/4	

SECTION 4 - PLATFORM

FIGURE 4-19. SKYEYE INSTALLATION



ART_1001229341

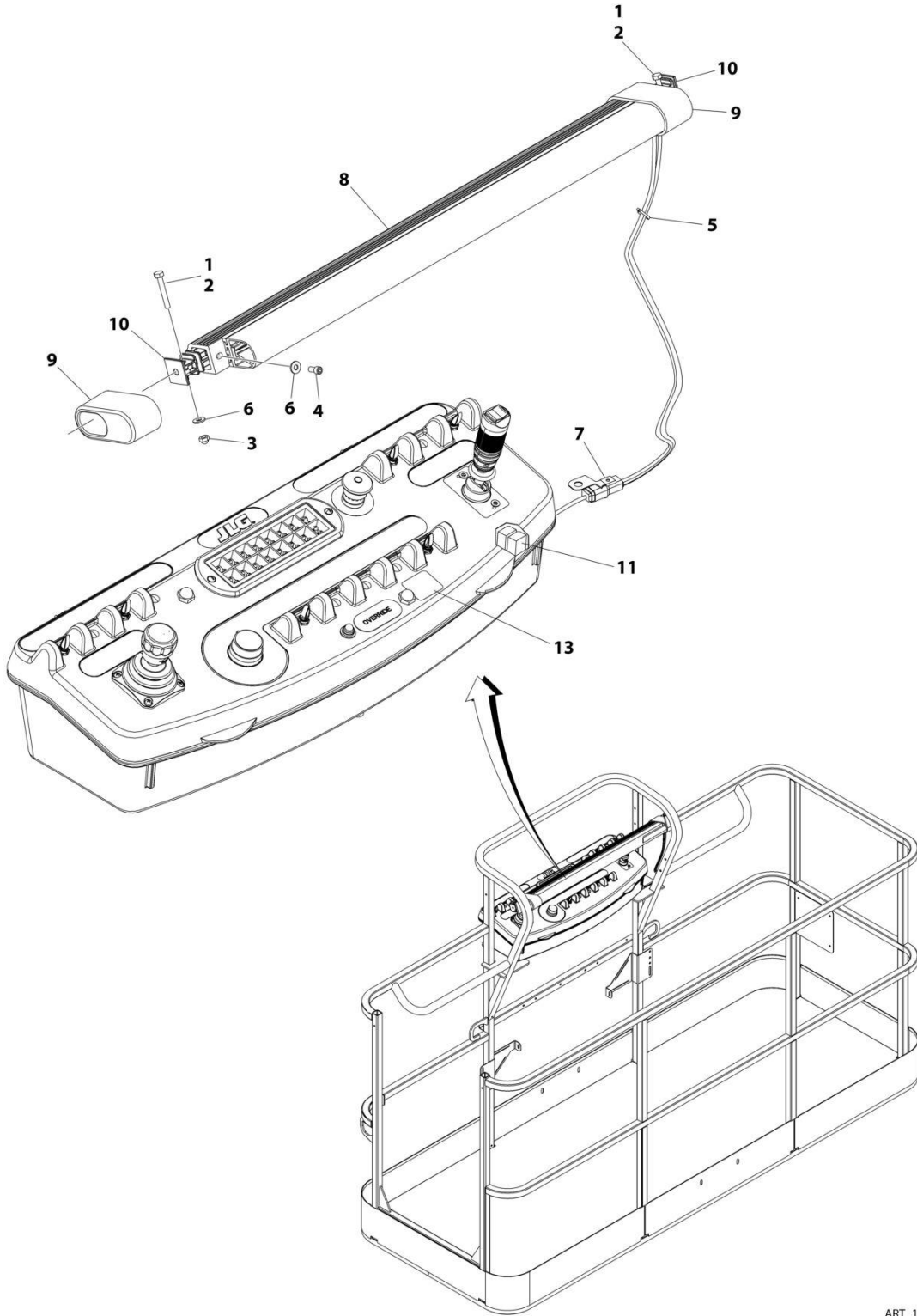
SECTION 4 - PLATFORM

FIGURE 4-19. SKYEYE INSTALLATION

ITEM	PART NUMBER	QTY	DESCRIPTION	REV
	1001229341	Ref	SKYEYE INSTALLATION	B
1	4031505	4	Bolt M4 x 10	
2	4240033	AR	Tie-Strap (Not Shown)	
3	1001227633	1	Housing, LH Outer	
4	1001227634	1	Housing, RH Outer	
5	1001227985	2	Shim	
6	1001227987	2	Shim	
7	1001228224	2	Sensor, Receiver	
8	1001228225	1	Sensor, Emitter	
9	1001232164	1	Housing, LH Inner	
10	1001232165	1	Housing, RH Inner	
11	1001237865	1	Harness, Skyeeye Intermediate (See Separate Breakdown in ELECTRICAL Section)	
12	1001238319	NLA	Harness, Skyeeye Drain Jumper	
12	1001187674	1	Plug, Male - 2 Position	
12	4460942	1	Terminal	
12	4460466	1	Plug, Terminal	
12	4460508	1	Pin, Male	
13	1001237863	2	Harness, Skyeeye Receiver (See Separate Breakdown in ELECTRICAL Section)	
14	1001237864	1	Harness, Skyeeye Emitter (See Separate Breakdown in ELECTRICAL Section)	

SECTION 4 - PLATFORM

FIGURE 4-20. SKYGUARD BAR INSTALLATION



ART_1001238495

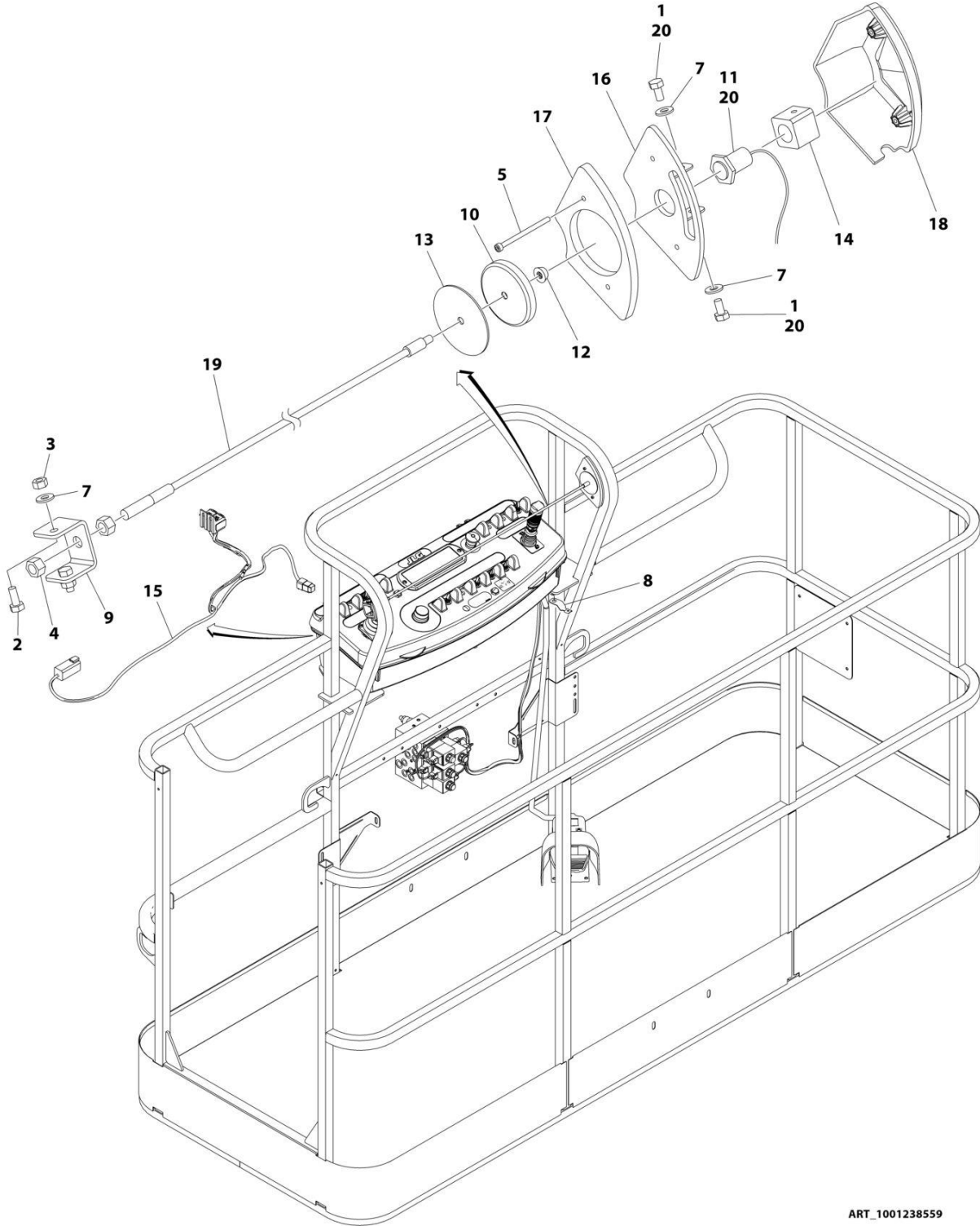
SECTION 4 - PLATFORM

FIGURE 4-20. SKYGUARD BAR INSTALLATION

ITEM	PART NUMBER	QTY	DESCRIPTION	REV
	1001238495	Ref	SKYGUARD BAR INSTALLATION	A
1	0100011	AR	Compound, Locking	
2	0641414	2	Bolt 1/4 x 1-3/4	
3	3300430	2	Nut 1/4	
4	3931408	2	Capscrew 1/4 x 1/2	
5	4240033	8	Tie-Strap	
6	4711400	6	Washer 1/4	
7	1001120328	1	Mount	
8	1001137673	1	SkyGuard Switch Assembly	
9	1001186517	2	Cover, Platform Sensor	
10	1001209664	2	Support, Block	
11	1001186431	2	Relay	
12	1001225580	1	Interface Harness Assembly (Not Shown - Located Inside Console Box) (See Separate Breakdown in ELECTRICAL Section)	
13	1001144433	1	Decal - No Weight SkyGuard	

SECTION 4 - PLATFORM

FIGURE 4-21. SKYLINE INSTALLATION



ART_1001238559

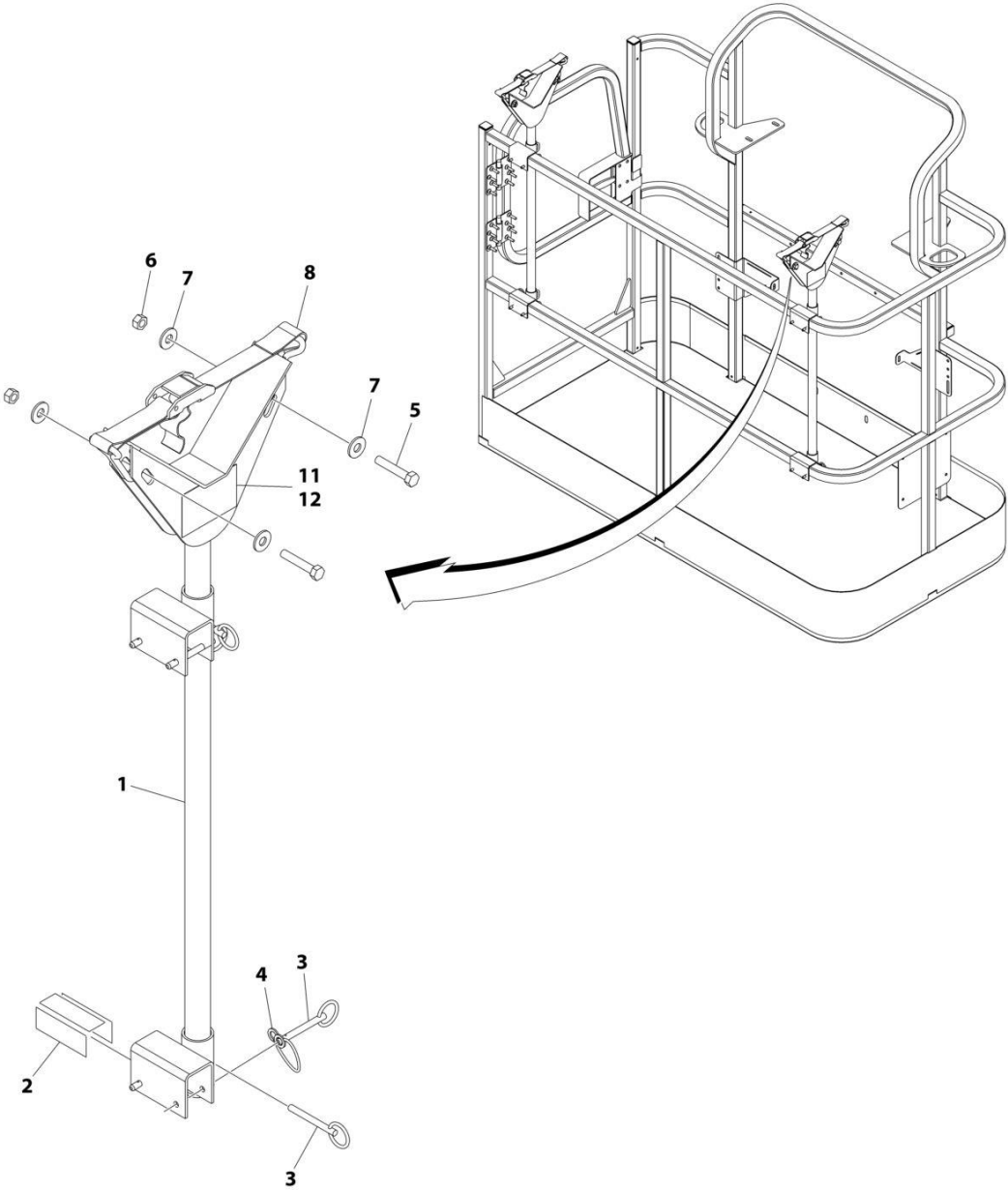
SECTION 4 - PLATFORM

FIGURE 4-21. SKYLINE INSTALLATION

ITEM	PART NUMBER	QTY	DESCRIPTION	REV
	1001238559	Ref	SKYLINE INSTALLATION	B
1	0641404	2	Bolt 1/4 x 1/2	
2	0641405	2	Bolt 1/4 x 5/8	
3	3311405	2	Nut 1/4	
4	3311601	2	Nut 3/8	
5	4031516	2	Capscrew M4 x 60	
6	4240033	AR	Tie-Strap (Not Shown)	
7	4711400	4	Washer 1/4	
8	1001120328	1	Mount	
9	1001232642	1	Bracket	
10	1001232650	1	Magnet	
11	1001232667	1	Sensor, Proximity	
12	1001235011	1	Nut	
13	1001235013	1	Washer	
14	1001236552	1	Block	
15	1001238418	1	Harness, Skyline (See Separate Breakdown in ELECTRICAL Section)	
16	1001238472	1	Mount	
17	1001238477	1	Housing, LH	
18	1001241965	1	Housing, RH	
19	1001238824	1	Rope	
20	0100011	AR	Compound, Locking	

SECTION 4 - PLATFORM

FIGURE 4-22. PIPE RACK INSTALLATION



ART_0257728_E

SECTION 4 - PLATFORM

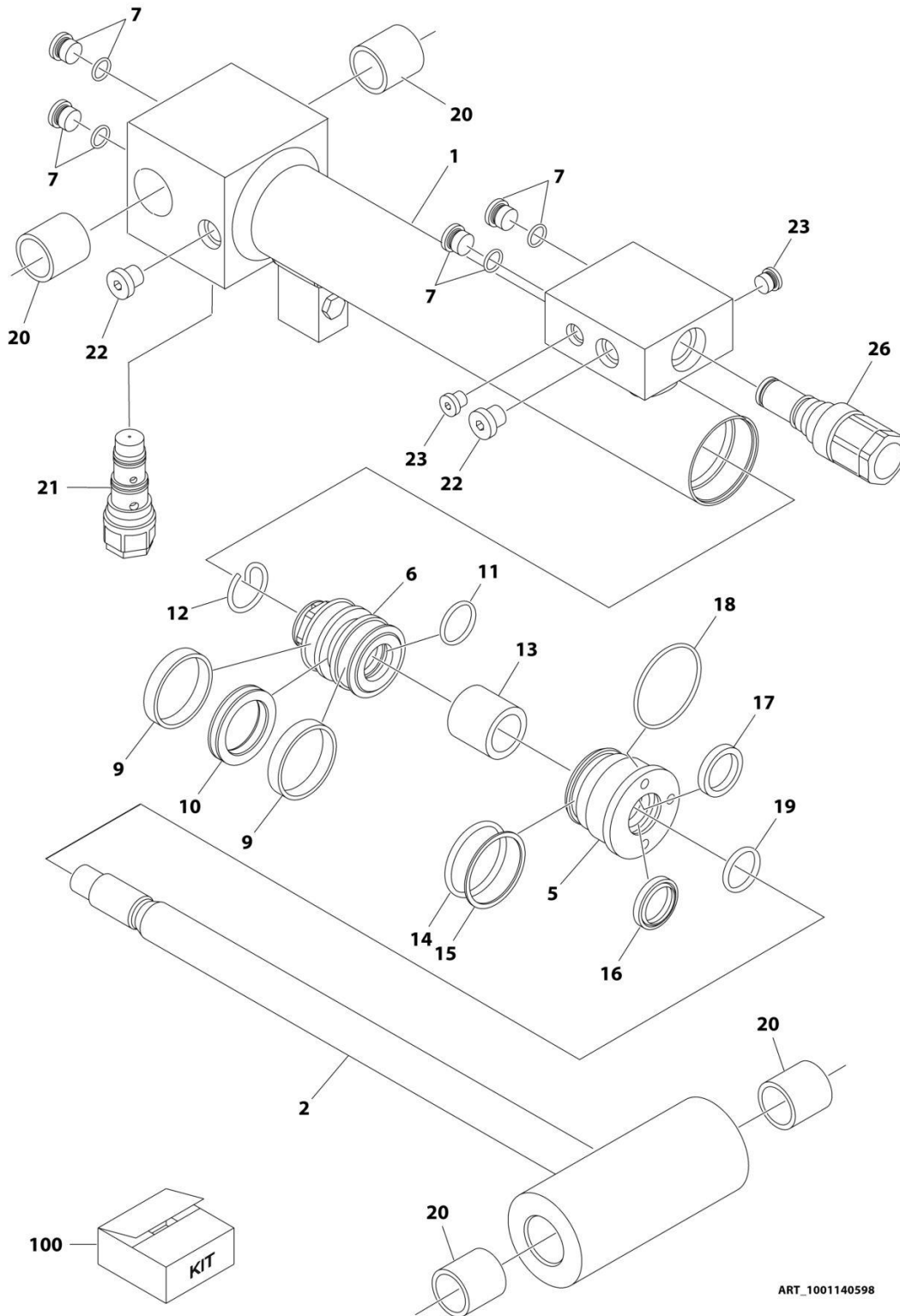
FIGURE 4-22. PIPE RACK INSTALLATION

ITEM	PART NUMBER	QTY	DESCRIPTION	REV
	0257728	Ref	PIPE RACK INSTALLATION	E
1	4845582	2	Rack, Pipe	
2	4420062	AR	Tape	
3	3422661	10	Pin	
4	1060379	4	Lanyard	
5	0641514	4	Bolt 5/16 x 1-3/4	
6	3311505	4	Nut 5/16	
7	4751500	8	Washer 5/16	
8	0480100	2	Tie-Down	
11	1001252946	2	Decal - Capacity (500-600LBS/2227-272KG Zones)	
12	1001252947	2	Decal - Capacity (660-1000LBS/299-454KG Zones)	

SECTION 5 - CYLINDER

SECTION 5 - CYLINDER

FIGURE 5-1. LEVEL (PLATFORM SLAVE) CYLINDER ASSEMBLY - E400AN



ART_1001140598

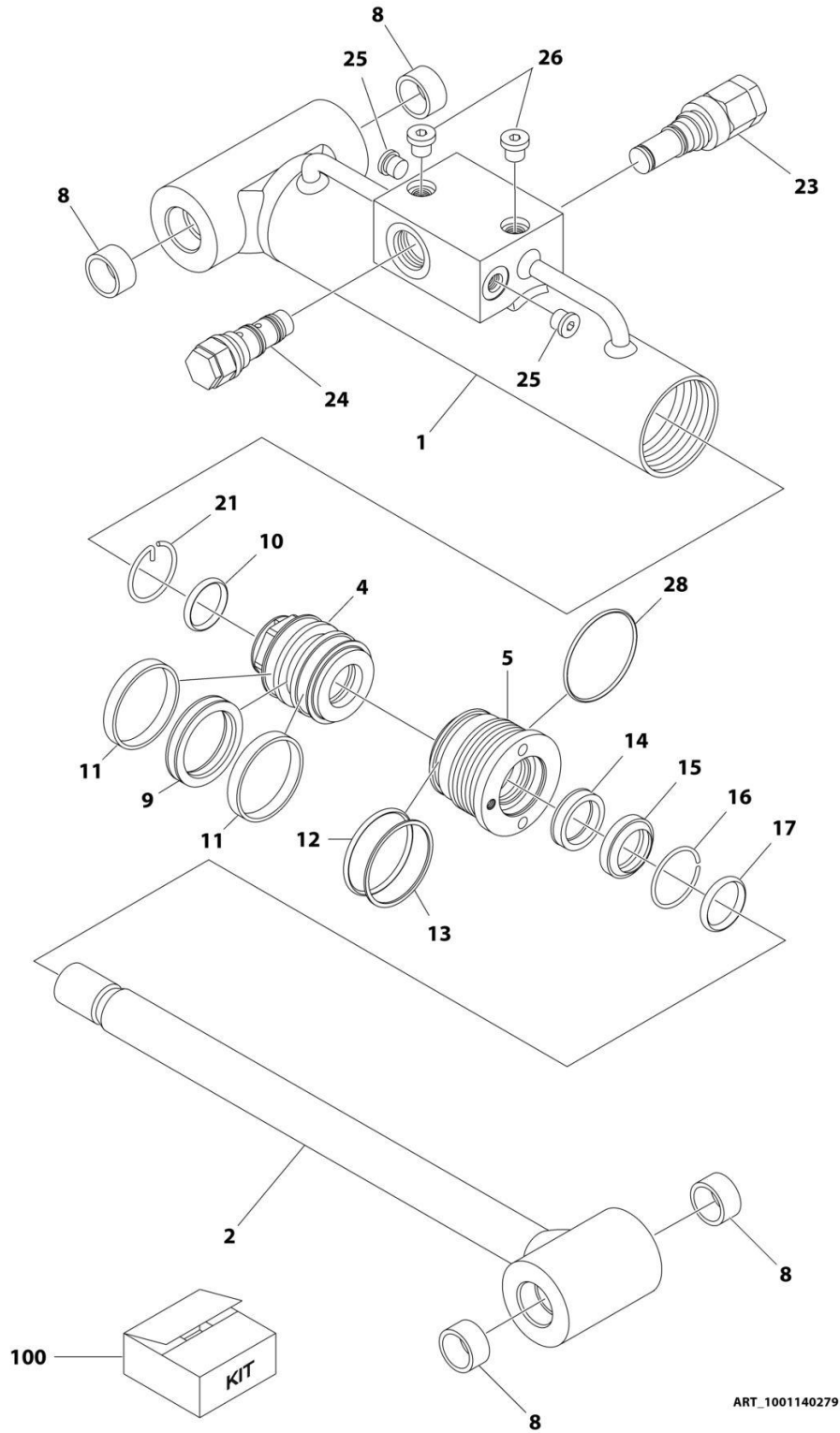
SECTION 5 - CYLINDER

FIGURE 5-1. LEVEL (PLATFORM SLAVE) CYLINDER ASSEMBLY - E400AN

ITEM	PART NUMBER	QTY	DESCRIPTION	REV
	1001140598	Ref	LEVEL (PLATFORM SLAVE) CYLINDER ASSEMBLY	B
		Ref	Note: Original Cylinder May Have Been Replaced with Service Replacement. Identify PN Stamped on Cylinder Before Ordering Parts.	
1	70004146	1	Barrel	
2	70004147	1	Rod	
5	70000739	1	Head	
6	70004141	1	Piston	
7	See Note	4	Plug (Note: Not Available for Purchase)	
9	See Note	NSS	Ring, Wear (Note: Use p/n 70004131)	
10	See Note	NSS	Seal, Piston (Note: Use p/n 70004131)	
11	70023094	NSS	O-Ring (Note: Use p/n 70004131)	
12	70004142	1	Retainer	
13	70004143	1	Spacer	
14	See Note	NSS	O-Ring (Note: Use p/n 70004131)	
15	See Note	NSS	Ring, Back-Up (Note: Use p/n 70004131)	
16	See Note	NSS	Wiper, Rod (Note: Use p/n 70004131)	
17	See Note	NSS	Seal, Rod (Note: Use p/n 70004131)	
18	See Note	NSS	O-Ring (Note: Use p/n 70004131)	
19	70000740	1	O-Ring	
20	0962356	4	Bushing	
21	4640509	1	Cartridge, Counterbalance Valve	
21	2900792	1	Seal Kit - 4640509 Valve	
22	70024262	2	Plug	
23	See Note	2	Plug (Note: Not Available for Purchase)	
26	4640932	1	Cartridge, Counterbalance Valve	
26	7011112	1	Seal Kit - 4640932 Valve	
100	70004131	1	Seal Kit (Includes Items 9-11 & 14-18)	

SECTION 5 - CYLINDER

FIGURE 5-2. LEVEL (PLATFORM SLAVE) CYLINDER ASSEMBLY - E400AJPN



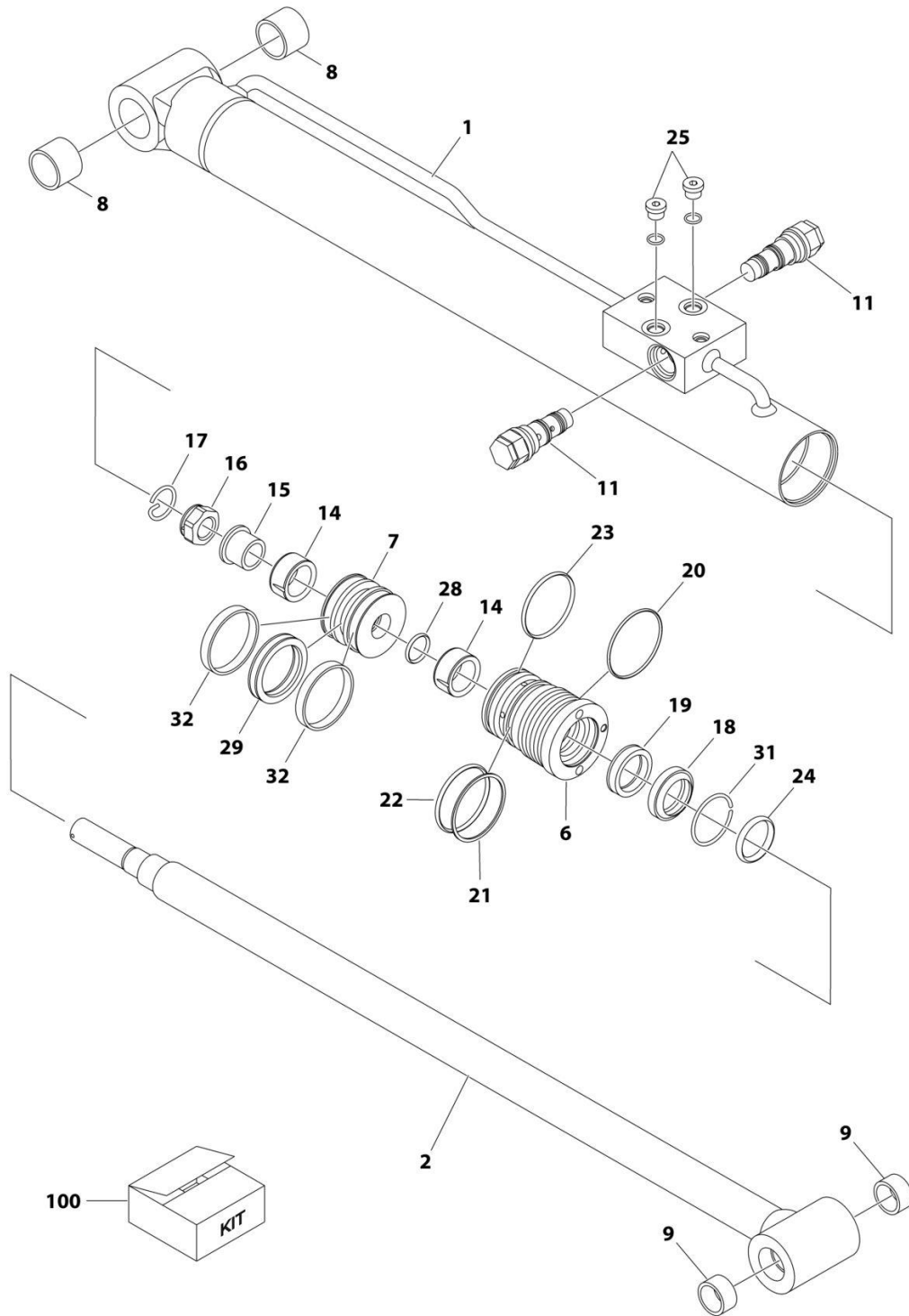
SECTION 5 - CYLINDER

FIGURE 5-2. LEVEL (PLATFORM SLAVE) CYLINDER ASSEMBLY - E400AJPN

ITEM	PART NUMBER	QTY	DESCRIPTION	REV
	1001140279	Ref	LEVEL (PLATFORM SLAVE) CYLINDER ASSEMBLY	B
		Ref	Note: Original Cylinder may have been replaced with Service Replacement. Identify PN Stamped on Cylinder Before Ordering Parts.	
1	70003846	1	Barrel	
2	70003847	1	Rod	
4	70003819	1	Piston	
5	7026082	1	Head	
8	0961951	4	Bushing	
9	See Note	NSS	Seal, Piston (Note: Use p/n 70003845)	
10	See Note	NSS	O-Ring (Note: Use p/n 70003845)	
11	See Note	NSS	Ring, Wear (Note: Use p/n 70003845)	
12	See Note	NSS	O-Ring (Note: Use p/n 70003845)	
13	See Note	NSS	Ring, Back-Up (Note: Use p/n 70003845)	
14	See Note	NSS	Seal, Rod (Note: Use p/n 70003845)	
15	See Note	NSS	Wiper, Rod (Note: Use p/n 70003845)	
16	70002217	1	Ring, Retaining	
17	7026084	1	O-Ring	
21	70002216	1	Retainer	
23	4640932	1	Cartridge, Counterbalance Valve	
23	7011112	1	Seal Kit - 4640932 Valve	
24	4641086	1	Cartridge, Counterbalance Valve	
24	2900792	1	Seal Kit - 4641086 Valve	
25	7024844	2	Plug	
26	See Note	2	Plug (Note: Not Available for Purchase)	
28	See Note	NSS	O-Ring (Note: Use p/n 70003845)	
100	70003845	1	Seal Kit (Includes Items 9-15 & 28)	

SECTION 5 - CYLINDER

FIGURE 5-3. LIFT CYLINDER ASSEMBLY - JIB - E400AJPN



ART_1001140280_A

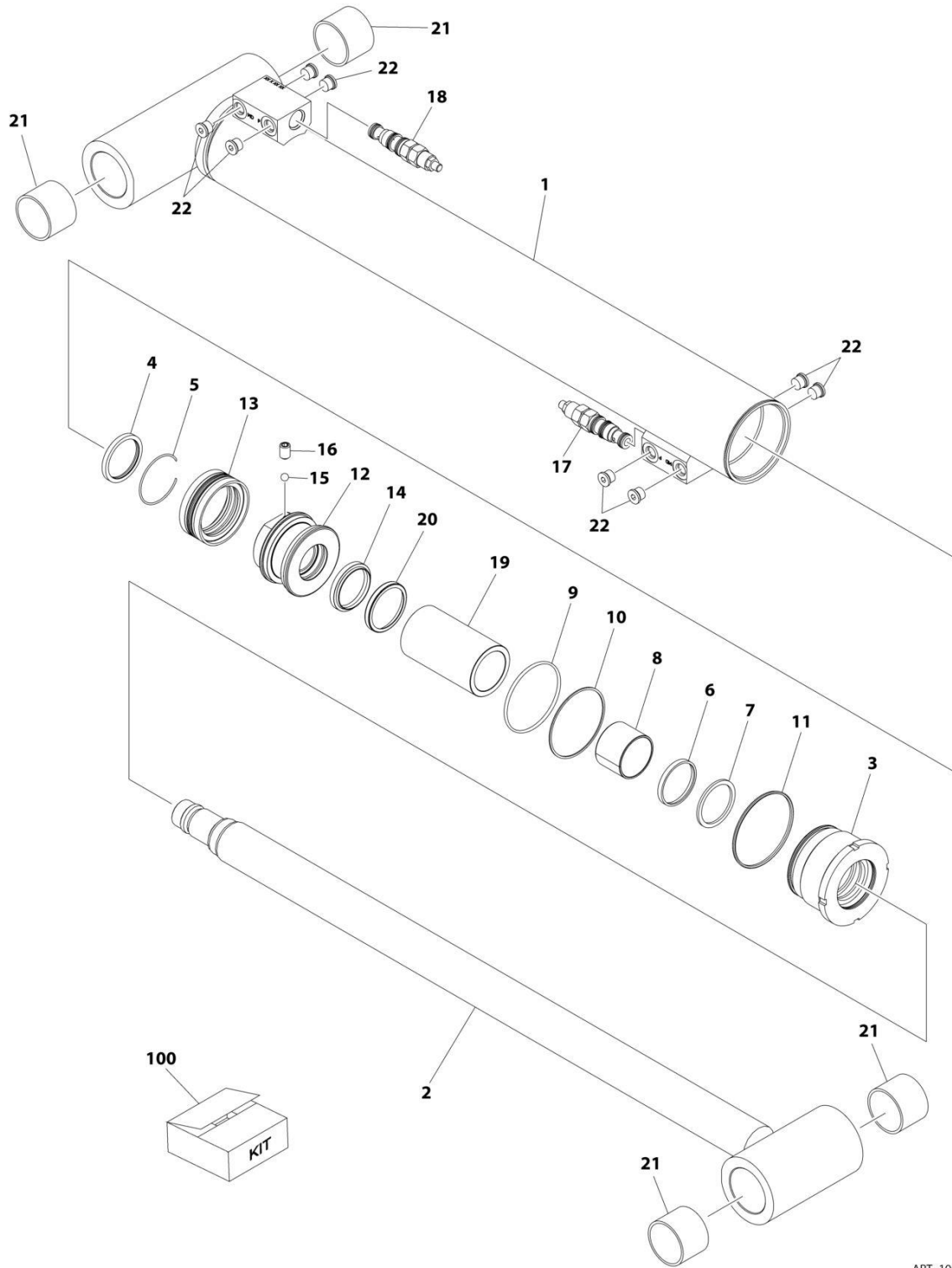
SECTION 5 - CYLINDER

FIGURE 5-3. LIFT CYLINDER ASSEMBLY - JIB - E400AJPN

ITEM	PART NUMBER	QTY	DESCRIPTION	REV
	1001140280	Ref	LIFT CYLINDER ASSEMBLY - JIB	A
		Ref	Note: Original Cylinder May Have Been Replaced with Service Replacement. Identify PN Stamped on Cylinder Before Ordering Parts.	
		Ref	Note: For Jib Cylinder with Manual Descent Valve see SPECIAL OPTIONS.	
1	70003863	1	Barrel	
2	70003864	1	Rod	
6	7026088	1	Head	
7	70003833	1	Piston	
8	0961951	2	Bushing	
9	0961947	2	Bushing	
11	4640509	2	Cartridge, Counterbalance Valve	
11	2900792	2	Seal Kit - 4640509	
14	7026090	2	Bushing	
15	7026091	1	Sleeve	
16	7026092	1	Nut	
17	70002223	1	Retainer	
18	See Note	NSS	Wiper, Rod (Note: Use p/n 70003836)	
19	See Note	NSS	Seal, Rod (Note: Use p/n 70003836)	
20	See Note	NSS	O-Ring (Note: Use p/n 70003836)	
21	See Note	NSS	Ring, Back-Up (Note: Use p/n 70003836)	
22	See Note	NSS	O-Ring (Note: Use p/n 70003836)	
23	See Note	1	O-Ring (Note: Use p/n 70003836)	
24	7026068	1	O-Ring	
25	7024844	2	Plug	
28	See Note	NSS	O-Ring (Note: Use p/n 70003836)	
29	See Note	NSS	Seal, Piston (Note: Use p/n 70003836)	
31	70002220	1	Ring, Retaining	
32	See Note	NSS	Ring, Wear (Note: Use p/n 70003836)	
100	70003836	1	Seal Kit (Includes Items 18-23, 28, 29 & 32)	

SECTION 5 - CYLINDER

FIGURE 5-4. LIFT CYLINDER ASSEMBLY - LOWER - E400AN



ART_1001228037

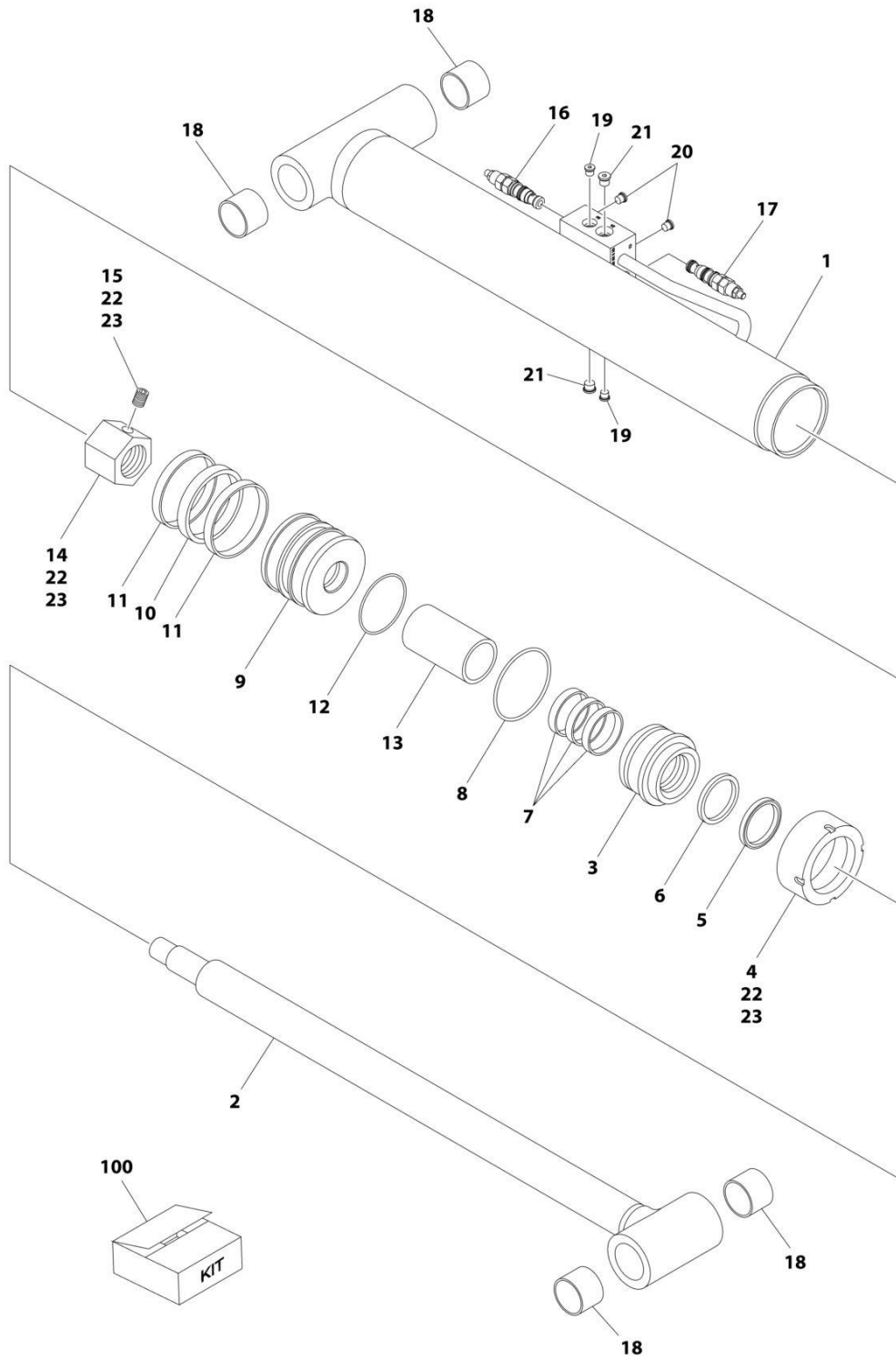
SECTION 5 - CYLINDER

FIGURE 5-4. LIFT CYLINDER ASSEMBLY - LOWER - E400AN

ITEM	PART NUMBER	QTY	DESCRIPTION	REV
	1001228037	Ref	LIFT CYLINDER ASSEMBLY - LOWER	A
		Ref	Note: Original Cylinder may have been replaced with Service Replacement. Identify PN Stamped on Cylinder Before Ordering Parts.	
1	See Note	NSS	Barrel (Note: Not Available for Purchase)	
2	70006593	1	Rod	
3	70006592	1	Head	
4	See Note	NSS	Wiper (Note: Use Item 100)	
5	70002412	1	Retainer	
6	See Note	NSS	Seal, Rod (Note: Use Item 100)	
7	See Note	NSS	Ring, Back-up (Note: Use Item 100)	
8	70006591	1	Bearing	
9	See Note	NSS	O-Ring (Note: Use Item 100)	
10	See Note	NSS	Ring, Back-up (Note: Use Item 100)	
11	70050801	1	O-Ring	
12	70006590	1	Piston	
13	See Note	NSS	Seal (Note: Use Item 100)	
14	See Note	NSS	O-Ring (Note: Use Item 100)	
15	70022564	1	Ball, Steel	
16	70006601	1	Setscrew	
17	4640634	1	Cartridge, Holding Valve	
17	2900770	1	Seal Kit - 4640634 Valve	
18	4641386	1	Cartridge, Holding Valve	
18	7011376	1	Seal Kit - 4641386 Valve	
19	70006589	1	Spacer	
20	70006588	1	O-Ring	
21	0961950	4	Bushing	
22	2220883	8	Plug, O-Ring	
100	70006587	1	Seal Kit (Includes Items 4, 6, 7, 9, 10, 13 & 14)	

SECTION 5 - CYLINDER

FIGURE 5-5. CYLINDER ASSEMBLY - LOWER - E400AJPN



ART_1001228035

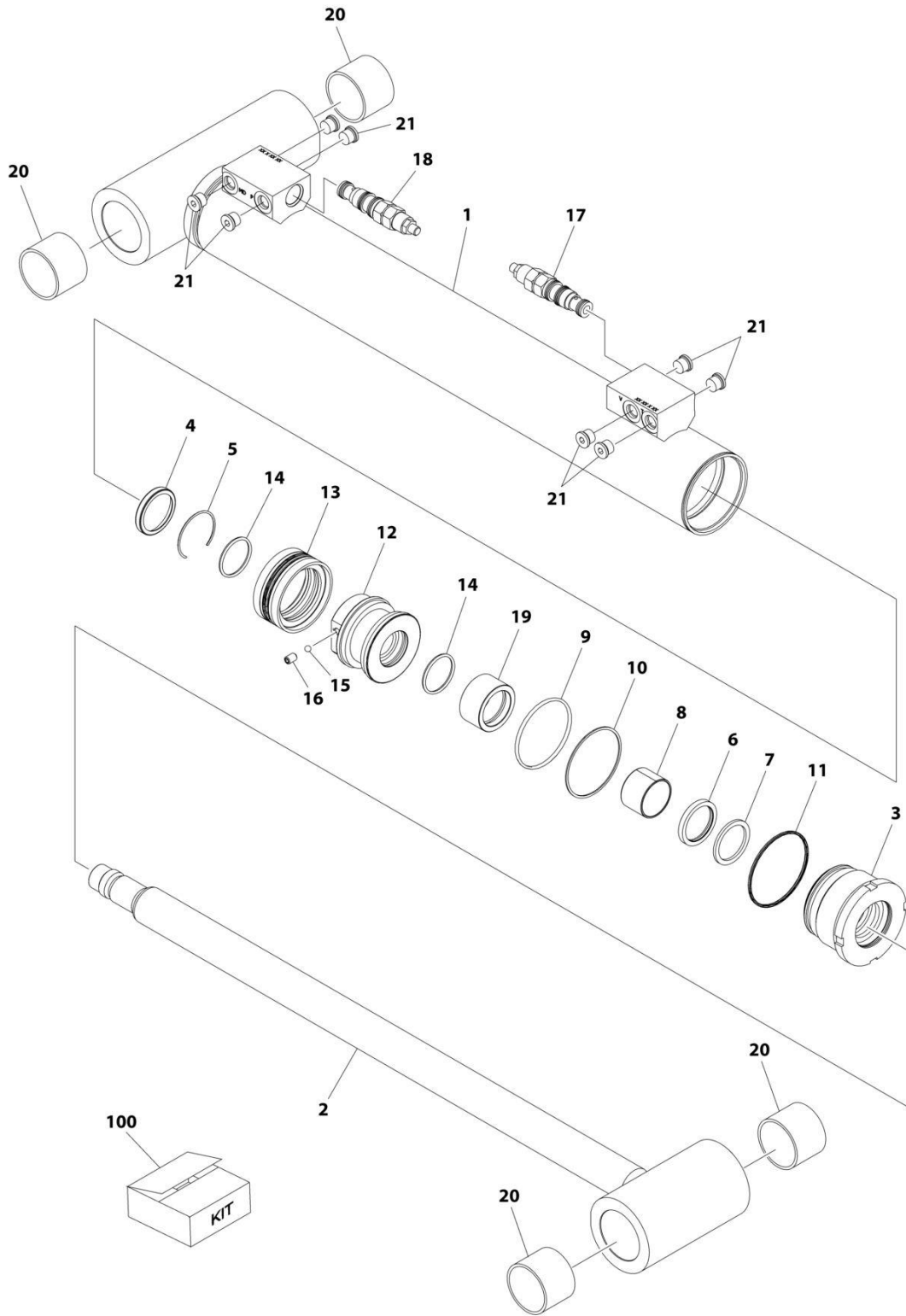
SECTION 5 - CYLINDER

FIGURE 5-5. CYLINDER ASSEMBLY - LOWER - E400AJPN

ITEM	PART NUMBER	QTY	DESCRIPTION	REV
	1001228035	Ref	LIFT CYLINDER ASSEMBLY - LOWER	C
		Ref	Note: Original Cylinder may have been replaced with Service Replacement. Identify PN Stamped on Cylinder Before Ordering Parts.	
1	See Note	NSS	Barrel Weldment (Note: Not Available for Purchase)	
2	70006535	1	Rod Weldment	
3	70006533	1	Head	
4	70006533	1	Retainer	
5	See Note	NSS	Wiper (Note: Use Item 100)	
6	See Note	NSS	Seal, Rod (Note: Use Item 100)	
7	See Note	NSS	Ring, Wear (Note: Use Item 100)	
8	See Note	NSS	O-Ring (Note: Use Item 100)	
9	70006532	1	Piston	
10	See Note	NSS	Seal (Note: Use Item 100)	
11	See Note	NSS	Ring, Wear (Note: Use Item 100)	
12	See Note	NSS	O-Ring (Note: Use Item 100)	
13	70006531	1	Spacer	
14	3300281	1	Nut	
15	3900170	1	Setscrew	
16	4640634	1	Cartridge, Holding Valve	
16	2900770	1	Seal Kit - 4640634 Valve	
17	4641386	1	Cartridge, Holding Valve	
17	7011376	1	Seal Kit - 4641386 Valve	
18	0961950	4	Bushing	
19	2220883	2	Plug, O-Ring	
20	2220883	2	Plug, O-Ring	
21	2220885	2	Plug, O-Ring	
22	0100011	AR	Compound, Locking	
23	0100038	AR	Primer, Locking	
100	2901806	1	Seal Kit (Includes Items 5-8 & 10-12)	

SECTION 5 - CYLINDER

FIGURE 5-6. LIFT CYLINDER ASSEMBLY - MID - E400AN



ART_1001228038

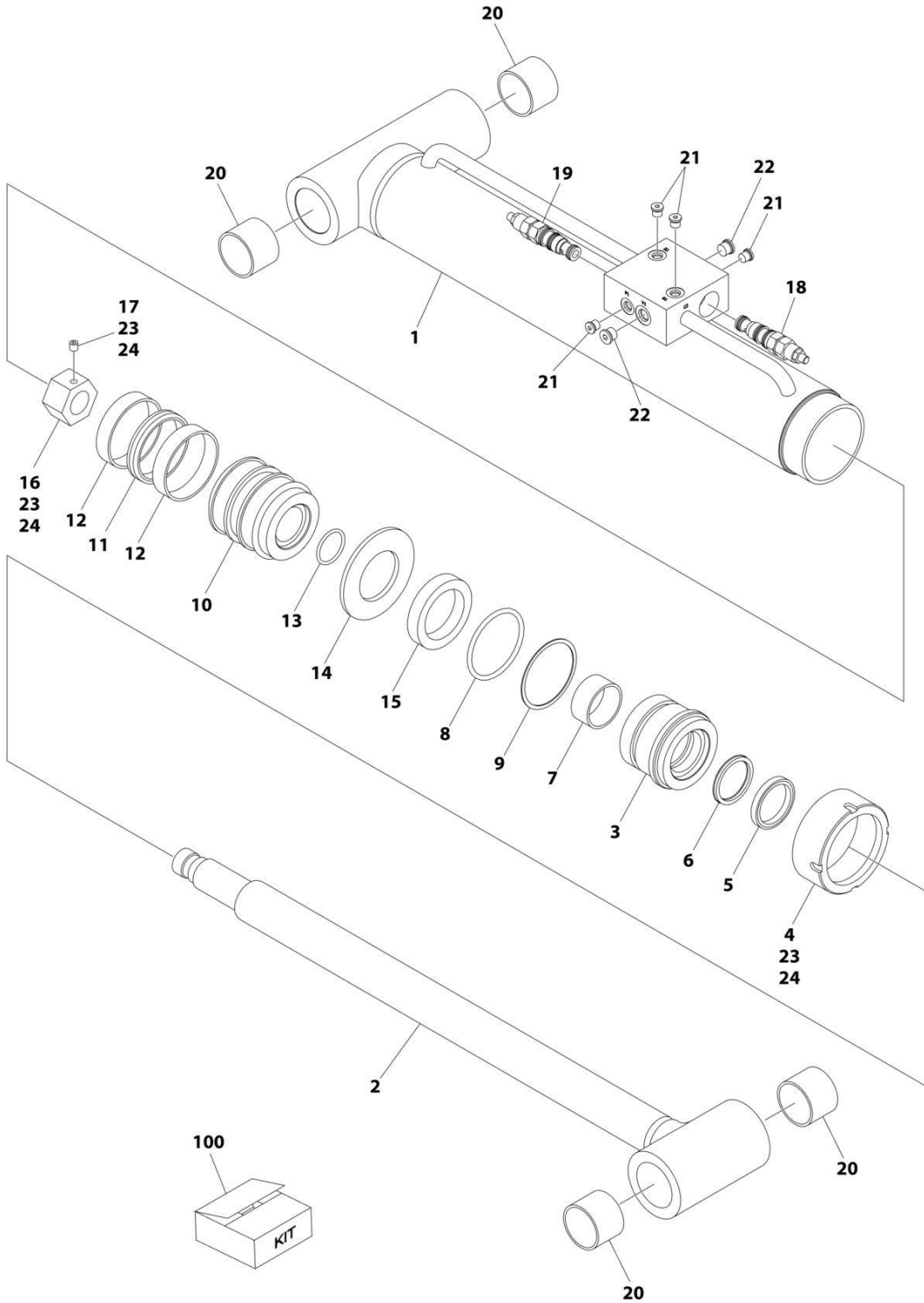
SECTION 5 - CYLINDER

FIGURE 5-6. LIFT CYLINDER ASSEMBLY - MID - E400AN

ITEM	PART NUMBER	QTY	DESCRIPTION	REV
	1001228038	Ref	LIFT CYLINDER ASSEMBLY - MID	A
		Ref	Note: Original Cylinder may have been replaced with Service Replacement. Identify PN Stamped on Cylinder Before Ordering Parts.	
1	See Note	NSS	Barrel Weldment (Note: Not Available for Purchase)	
2	70006600	1	Rod Weldment	
3	70006599	1	Head	
4	See Note	1	Wiper (Note: Use Item 100)	
5	70002373	1	Retainer	
6	See Note	NSS	Seal, Rod (Note: Use Item 100)	
7	See Note	NSS	Ring, Back-up (Note: Use Item 100)	
8	70005143	1	Bearing	
9	See Note	NSS	O-Ring (Note: Use Item 100)	
10	See Note	NSS	Ring, Back-up (Note: Use Item 100)	
11	70006598	1	O-Ring	
12	70006597	1	Piston	
13	See Note	NSS	Seal (Note: Use Item 100)	
14	See Note	NSS	O-Ring (Note: Use Item 100)	
15	70022564	1	Ball, Steel	
16	70006596	1	Setscrew	
17	4640634	1	Cartridge, Holding Valve	
17	2900770	1	Seal Kit - 4640634 Valve	
18	4641386	1	Cartridge, Holding Valve	
18	7011376	1	Seal Kit - 4641386 Valve	
19	70006595	1	Spacer	
20	0961950	4	Bushing	
21	2220885	8	Plug, O-Ring	
100	70006594	1	Seal Kit (Includes 4, 6, 7, 9, 10, 13 & 14)	

SECTION 5 - CYLINDER

FIGURE 5-7. LIFT CYLINDER ASSEMBLY - MID - E400AJPN



ART_1001228036

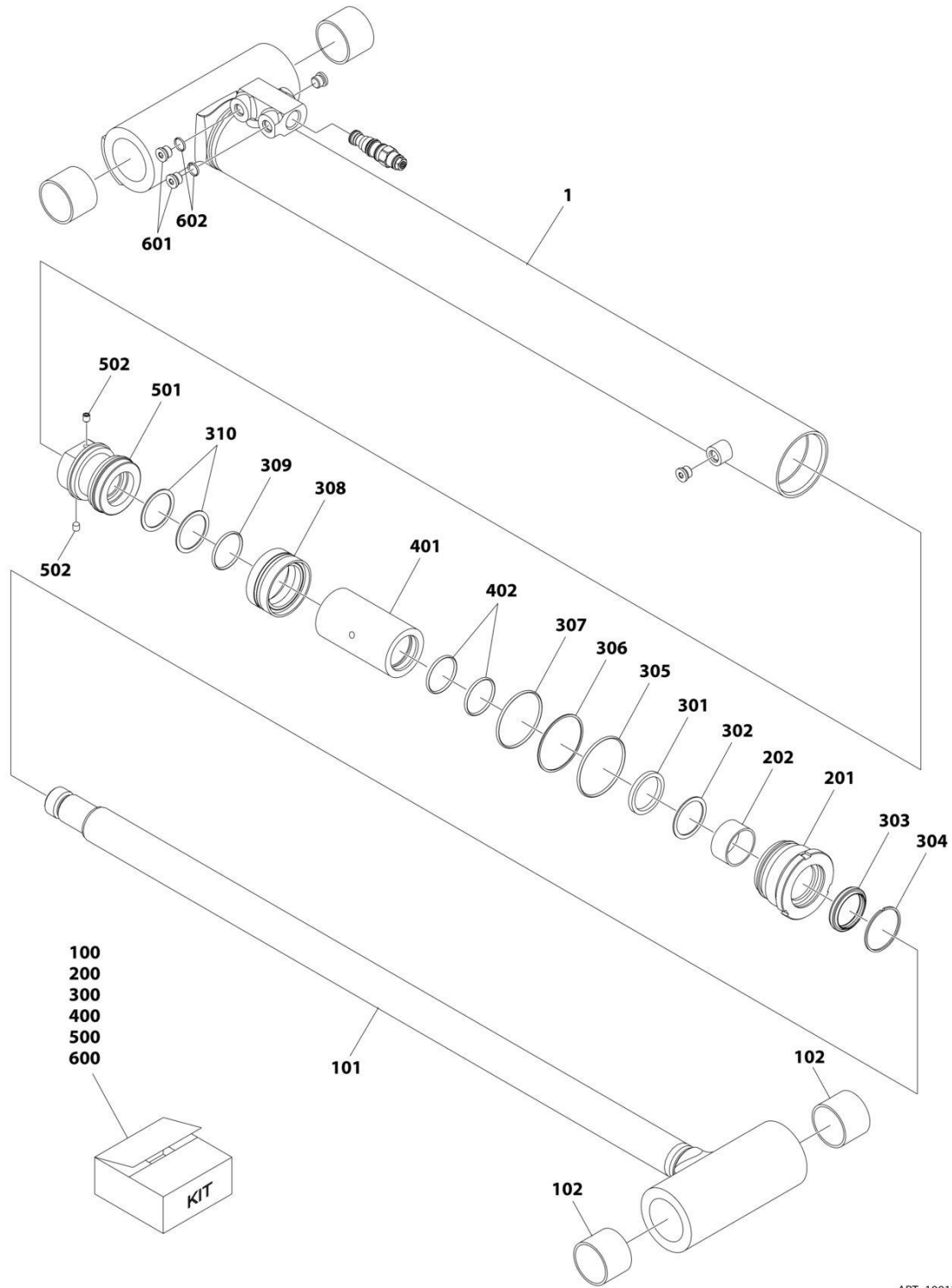
SECTION 5 - CYLINDER

FIGURE 5-7. LIFT CYLINDER ASSEMBLY - MID - E400AJPN

ITEM	PART NUMBER	QTY	DESCRIPTION	REV
	1001228036	Ref	LIFT CYLINDER ASSEMBLY - MID	F
		Ref	Note: Original Cylinder may have been replaced with Service Replacement. Identify PN Stamped on Cylinder Before Ordering Parts.	
1	See Note	NSS	Barrel Weldment (Note: Not Available for Purchase)	
2	70006543	1	Rod Weldment	
3	70006542	1	Head	
4	70006533	1	Retainer	
5	See Note	NSS	Wiper (Note: Use Item 100)	
6	See Note	NSS	Seal, Rod (Note: Use Item 100)	
7	See Note	NSS	Ring, Wear (Note: Use Item 100)	
8	See Note	NSS	O-Ring (Note: Use Item 100)	
9	See Note	NSS	Ring, Back-up (Note: Use Item 100)	
10	70006532	1	Piston	
11	See Note	NSS	Seal (Note: Use Item 100)	
12	See Note	NSS	Ring, Wear (Note: Use Item 100)	
13	See Note	NSS	O-Ring (Note: Use Item 100)	
14	4740207	1	Washer	
15	70006539	1	Spacer	
16	3300281	1	Nut	
17	3900170	1	Setscrew	
18	4640634	1	Cartridge, Holding Valve	
18	2900770	1	Seal Kit - 4640634 Valve	
19	4641386	1	Cartridge, Holding Valve	
19	7011376	1	Seal Kit - 4641386 Valve	
20	0961950	4	Bushing	
21	2220883	4	Plug, O-Ring	
22	2220885	2	Plug, O-Ring	
23	0100011	AR	Compound, Locking	
24	0100038	AR	Primer, Locking	
100	2901805	1	Seal Kit (Includes Items 5-9 & 11-13)	

SECTION 5 - CYLINDER

FIGURE 5-8. LIFT CYLINDER - UPPER - E400AN



ART_1001251018

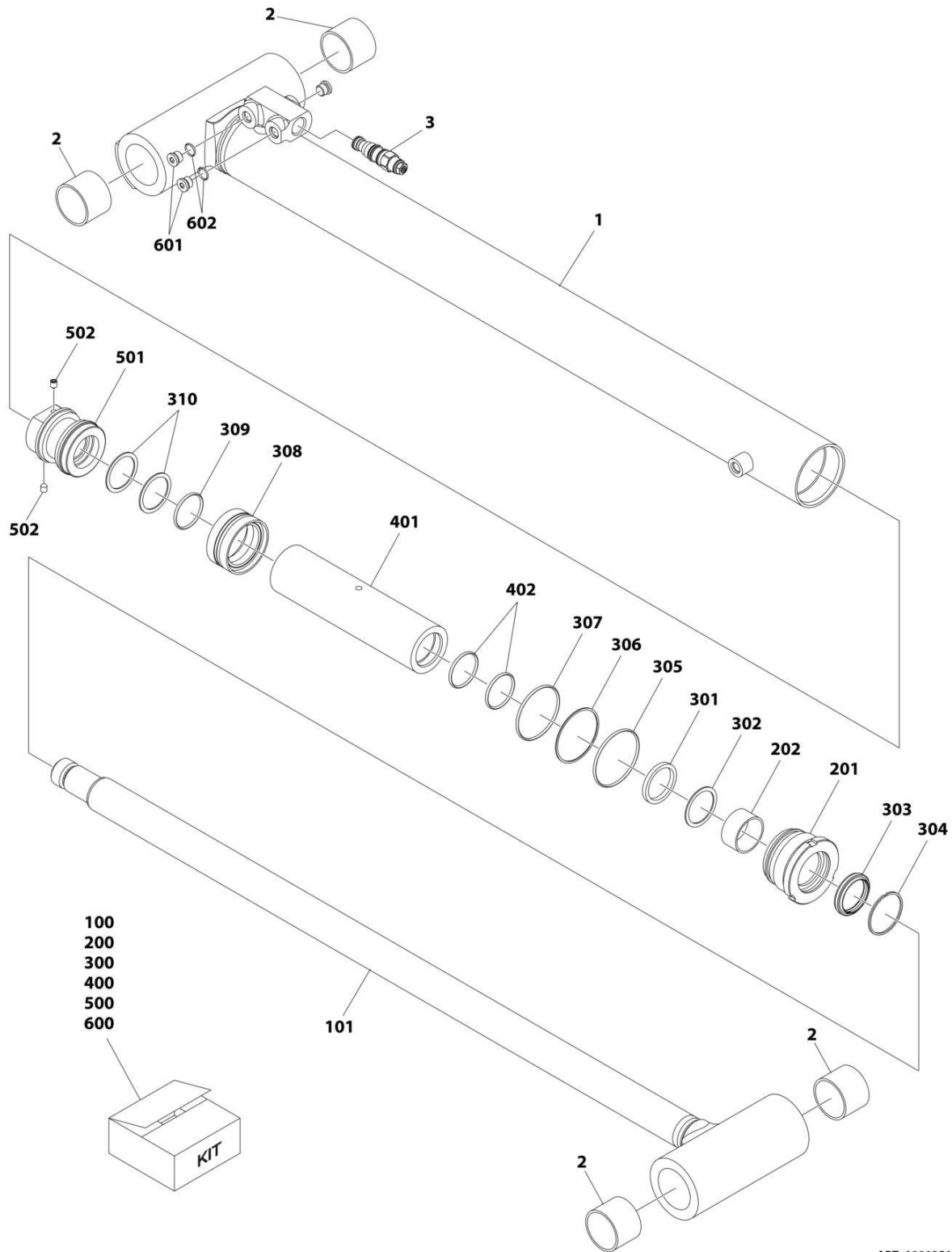
SECTION 5 - CYLINDER

FIGURE 5-8. LIFT CYLINDER - UPPER - E400AN

ITEM	PART NUMBER	QTY	DESCRIPTION	REV
	1001251018	Ref	LIFT CYLINDER ASSEMBLY - UPPER	B
		Ref	Note: Original Cylinder may have been replaced with Service Replacement. Identify PN Stamped on Cylinder Before Ordering Parts.	
1	See Note	NSS	Barrel (Note: Not Available for Purchase)	
100	70007367	1	Rod Assembly Kit (Includes Item 101)	
101	See Note	NSS	Rod Assembly (Note: Use p/n 70007367)	
102	See Note	NSS	Bushing (Note: Use p/n 70007367)	
200	70007368	1	Head Kit (Includes Items 201-202)	
201	See Note	NSS	Head (Note: Use p/n 70007368)	
202	See Note	NSS	Bushing (Note: Use p/n 70007368)	
300	70007369	1	Seal Kit (Includes Items 301-310)	
301	See Note	NSS	U-Packing (Note: Use Item 70007369)	
302	See Note	NSS	Ring, Back-up (Note: Use Item 7007369)	
303	See Note	NSS	Wiper, Rod (Note: Use Item 7007369)	
304	See Note	NSS	Ring, Retaining (Note: Use Item 7007369)	
305	See Note	NSS	O-Ring (Note: Use Item 7007369)	
306	See Note	NSS	Ring, Back-up (Note: Use Item 7007369)	
307	See Note	NSS	O-Ring (Note: Use Item 7007369)	
308	See Note	NSS	Seal, Compact (Note: Use Item 7007369)	
309	See Note	NSS	O-Ring (Note: Use Item 7007369)	
310	See Note	NSS	Ring, Back-up (Note: Use Item 7007369)	
400	70007370	1	Spacer Kit (Includes Items 401-402)	
401	See Note	NSS	Spacer (Note: Use p/n 70007370)	
402	See Note	NSS	O-Ring (Note: Use p/n 70007370)	
500	70007371	1	Piston Kit (Includes Items 501-502)	
501	See Note	NSS	Piston (Note: Use Item 7007371)	
502	See Note	NSS	Set Screw (Note: Use Item 7007371)	
600	70007372	1	Plug Kit (Includes Items 601-602)	
601	See Note	NSS	Plug (Note: Use Item 7007372)	
602	See Note	NSS	O-Ring (Note: Use Item 7007372)	

SECTION 5 - CYLINDER

FIGURE 5-9. LIFT CYLINDER - UPPER - E400AJPN



ART_1001251016

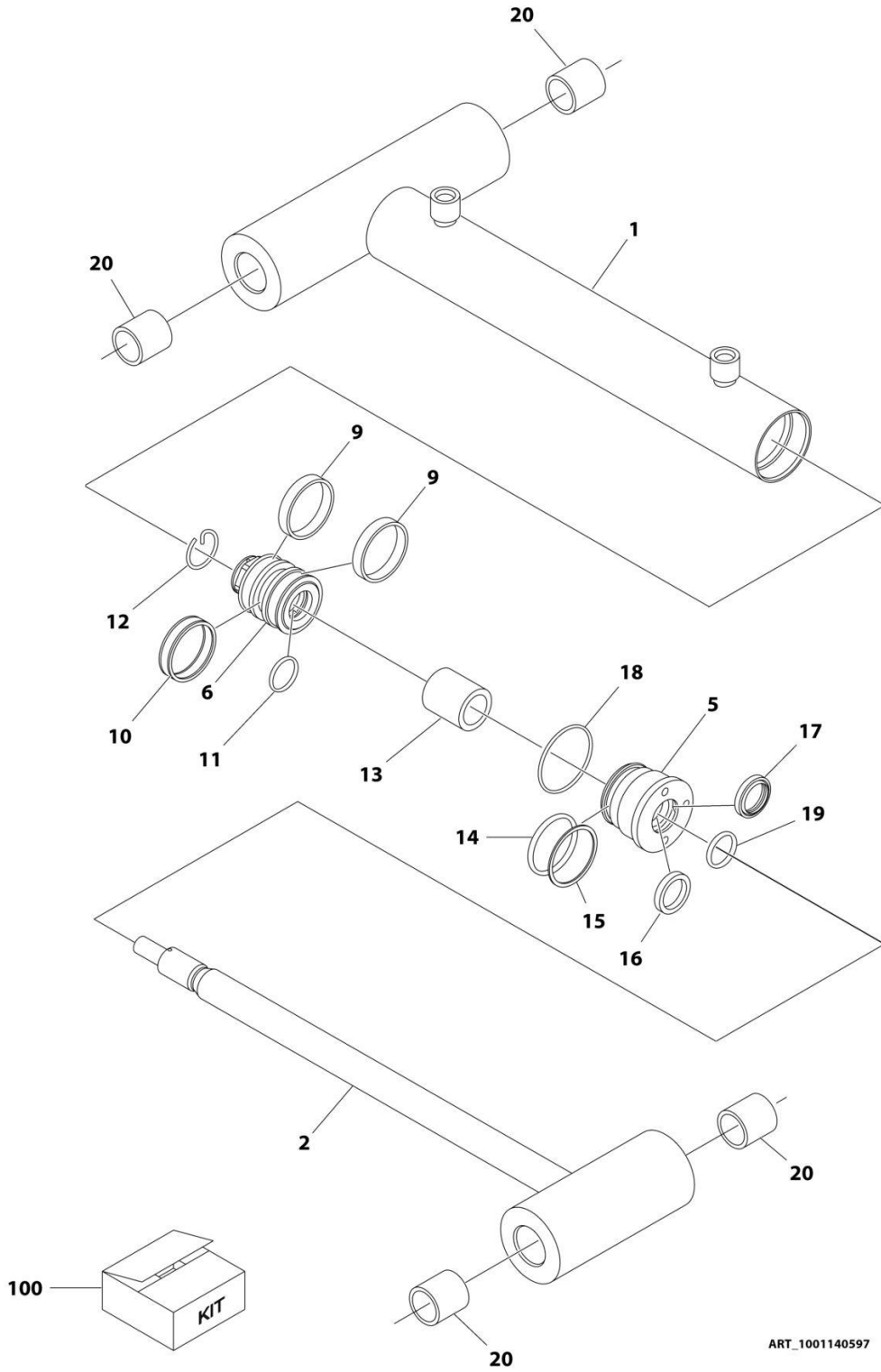
SECTION 5 - CYLINDER

FIGURE 5-9. LIFT CYLINDER - UPPER - E400AJPN

ITEM	PART NUMBER	QTY	DESCRIPTION	REV
	1001251016	Ref	LIFT CYLINDER ASSEMBLY - UPPER	B
		Ref	Note: Original Cylinder may have been replaced with Service Replacement. Identify PN Stamped on Cylinder Before Ordering Parts.	
1	See Note	NSS	Barrel Weldment (Note: Not Available for Purchase)	
2	0961950	4	Bushing	
3	4640936	1	Valve, Counterbalance	
3	2900770	1	Seal Kit - 4640936 Valve	
100	70007373	1	Rod Assembly Kit (Includes Item 101)	
101	See Note	NSS	Rod Assembly (Note: Use p/n 70007373)	
200	70007368	1	Head Kit (Includes Items 201-202)	
201	See Note	NSS	Head (Note: Use p/n 70007368)	
202	See Note	NSS	Bushing (Note: Use p/n 70007368)	
300	70007369	1	Seal Kit (Includes Items 301-310)	
301	See Note	NSS	U-Packing (Note: Use Item 70007369)	
302	See Note	NSS	Ring, Back-up (Note: Use Item 7007369)	
303	See Note	NSS	Wiper, Rod (Note: Use Item 7007369)	
304	See Note	NSS	Ring, Retaining (Note: Use Item 7007369)	
305	See Note	NSS	O-Ring (Note: Use Item 7007369)	
306	See Note	NSS	Ring, Back-up (Note: Use Item 7007369)	
307	See Note	NSS	O-Ring (Note: Use Item 7007369)	
308	See Note	NSS	Seal, Compact (Note: Use Item 7007369)	
309	See Note	NSS	O-Ring (Note: Use Item 7007369)	
310	See Note	NSS	Ring, Back-up (Note: Use Item 7007369)	
400	70007374	1	Spacer Kit (Includes Items 401-402)	
401	See Note	NSS	Spacer (Note: Use Item 7007374)	
402	See Note	NSS	O-Ring (Note: Use Item 7007374)	
500	70007371	1	Piston Kit (Includes Items 501-502)	
501	See Note	NSS	Piston (Note: Use Item 7007371)	
502	See Note	NSS	Set Screw (Note: Use Item 7007371)	
600	70007372	1	Plug Kit (Includes Items 601-602)	
601	See Note	NSS	Plug (Note: Use Item 7007372)	
602	See Note	NSS	O-Ring (Note: Use Item 7007372)	

SECTION 5 - CYLINDER

FIGURE 5-10. MASTER CYLINDER ASSEMBLY - E400AN



ART_1001140597

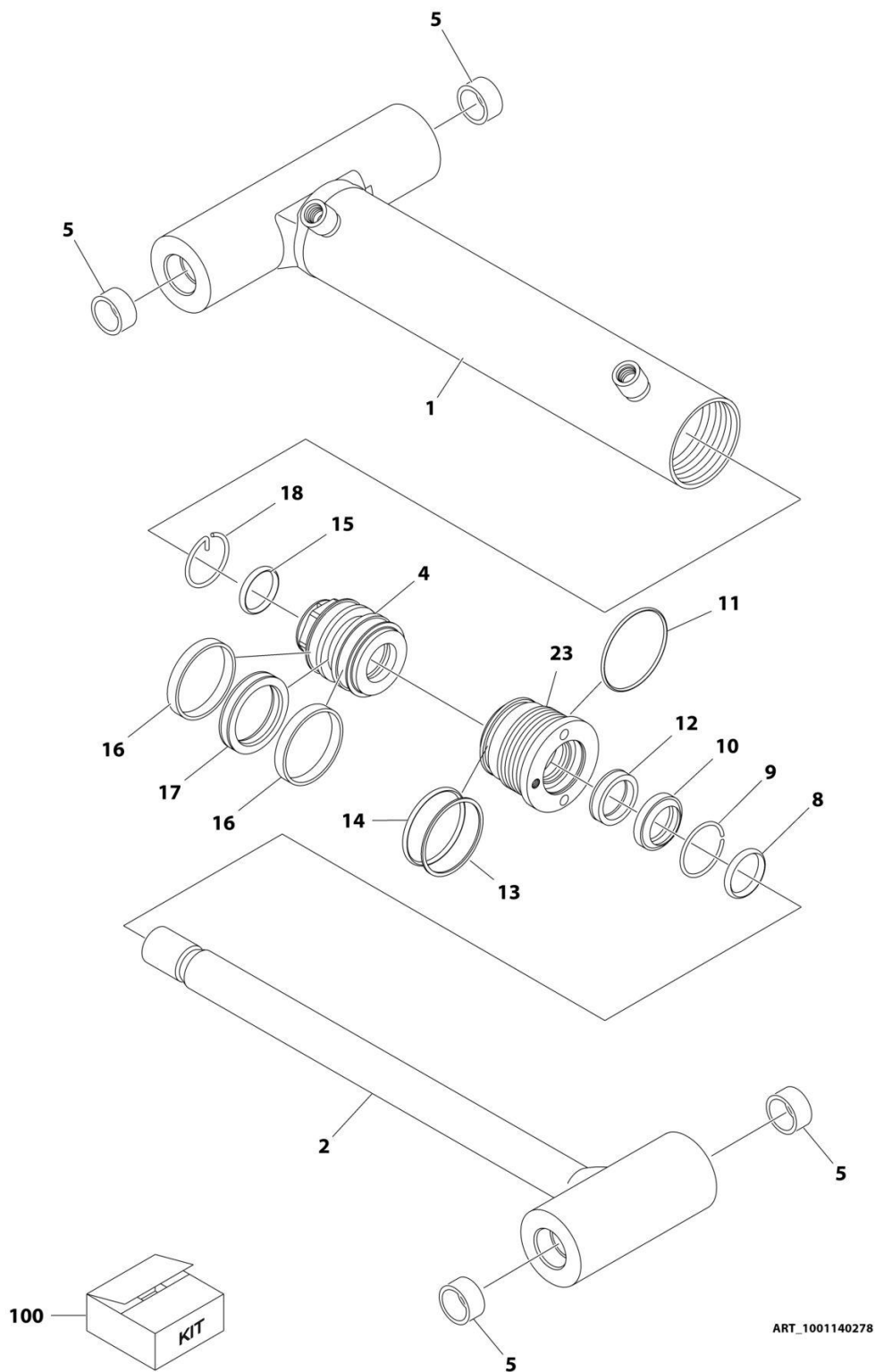
SECTION 5 - CYLINDER

FIGURE 5-10. MASTER CYLINDER ASSEMBLY - E400AN

ITEM	PART NUMBER	QTY	DESCRIPTION	REV
	1001140597	Ref	MASTER CYLINDER ASSEMBLY	A
		Ref	Note: Original Cylinder May Have Been Replaced with Service Replacement. Identify PN Stamped on Cylinder Before Ordering Parts.	
1	70004144	1	Barrel	
2	70004145	1	Rod	
5	70000739	1	Head	
6	70004141	1	Piston	
9	See Note	NSS	Ring, Wear (Note: Use p/n 70004130)	
10	See Note	NSS	Seal, Piston (Note: Use p/n 70004130)	
11	70023094	1	O-Ring	
12	70004142	1	Retainer	
13	70004143	1	Spacer	
14	See Note	NSS	O-Ring (Note: Use p/n 70004130)	
15	See Note	NSS	Ring, Back-Up (Note: Use p/n 70004130)	
16	See Note	NSS	Seal, Rod (Note: Use p/n 70004130)	
17	See Note	NSS	Wiper, Rod (Note: Use p/n 70004130)	
18	See Note	NSS	O-Ring (Note: Use p/n 70004130)	
19	See Note	NSS	O-Ring (Note: Use p/n 70004130)	
20	0962356	4	Bushing	
100	70004130	1	Seal Kit (Includes Items 9-11 & 14-18)	

SECTION 5 - CYLINDER

FIGURE 5-11. MASTER CYLINDER ASSEMBLY - E400AJPN



ART_1001140278

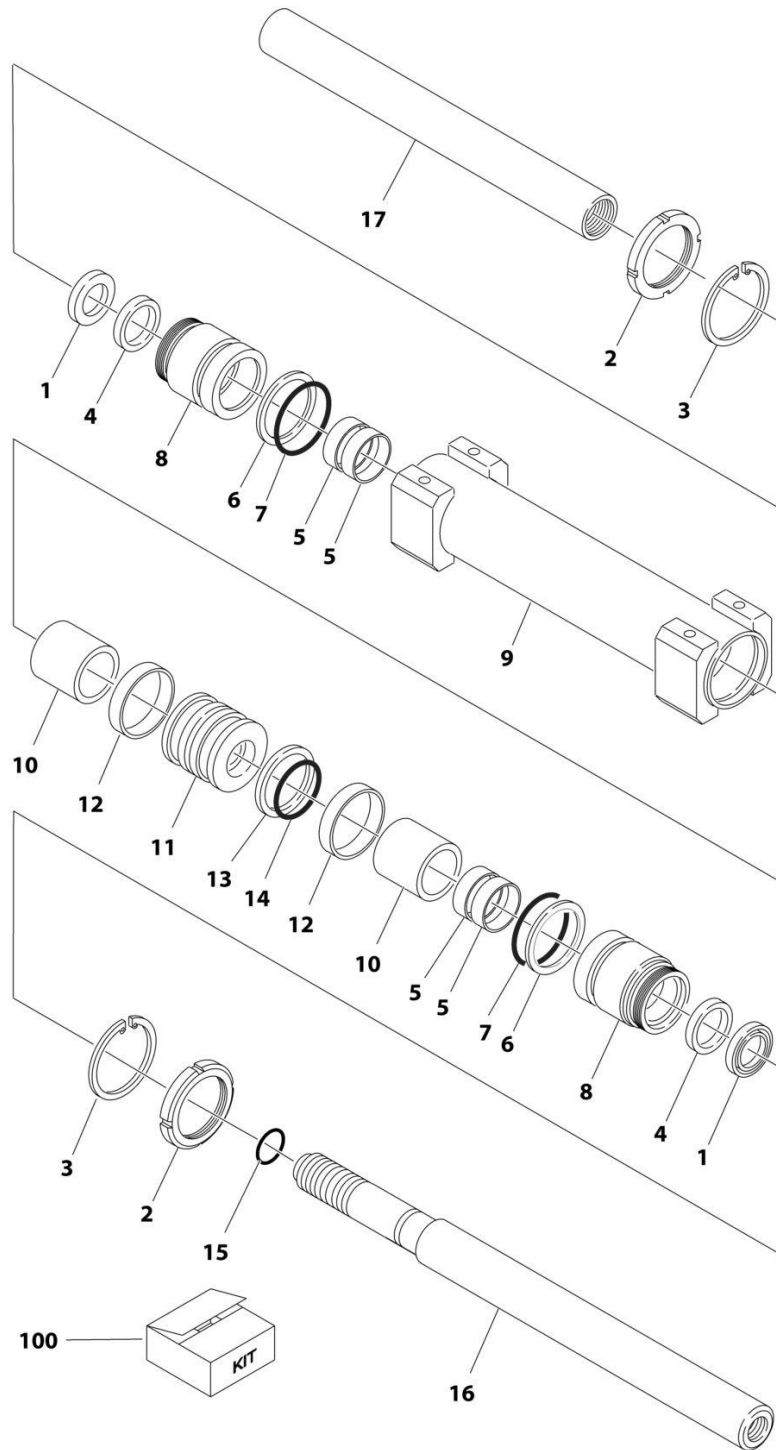
SECTION 5 - CYLINDER

FIGURE 5-11. MASTER CYLINDER ASSEMBLY - E400AJPN

ITEM	PART NUMBER	QTY	DESCRIPTION	REV
	1001140278	Ref	MASTER CYLINDER ASSEMBLY	A
		Ref	Note: Original Cylinder may have been replaced with Service Replacement. Identify PN Stamped on Cylinder Before Ordering Parts.	
1	70003843	1	Barrel	
2	70003844	1	Rod	
4	70003819	1	Piston	
5	0961951	4	Bushing	
8	7026084	1	O-Ring	
9	70002217	1	Ring, Retaining	
10	See Note	NSS	Wiper, Rod (Note: Use p/n 70003845)	
11	See Note	NSS	O-Ring (Note: Use p/n 70003845)	
12	See Note	NSS	Seal, Rod (Note: Use p/n 70003845)	
13	See Note	NSS	Ring, Back-Up (Note: Use p/n 70003845)	
14	See Note	NSS	O-Ring (Note: Use p/n 70003845)	
15	See Note	NSS	O-Ring (Note: Use p/n 70003845)	
16	See Note	NSS	Ring, Wear (Note: Use p/n 70003845)	
17	See Note	NSS	Seal, Piston (Note: Use p/n 70003845)	
18	70002216	1	Retainer	
23	7026082	1	Head	
100	70003845	1	Seal Kit (Includes Items 10-17)	

SECTION 5 - CYLINDER

FIGURE 5-12. STEER CYLINDER ASSEMBLY



ART_1683591

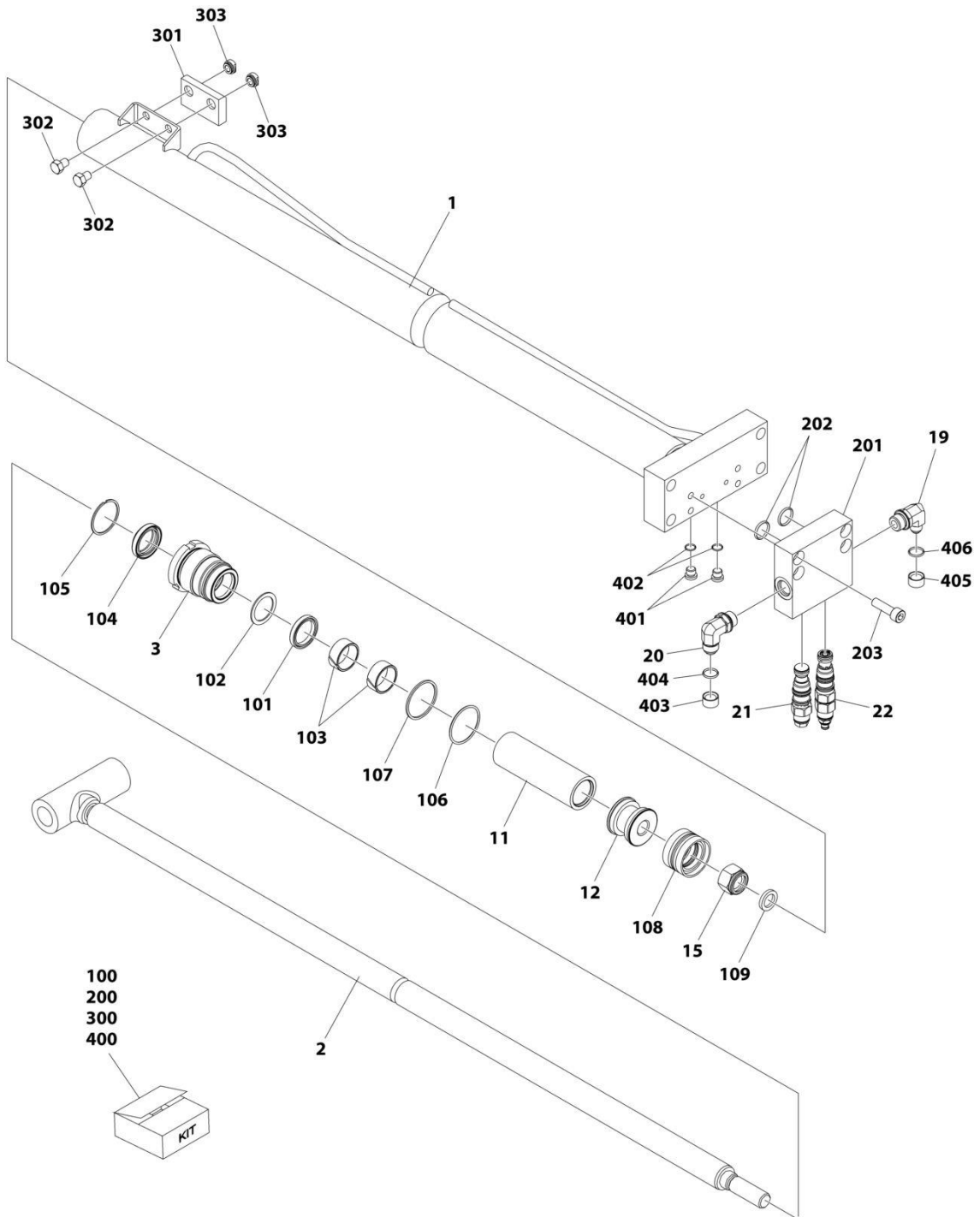
SECTION 5 - CYLINDER

FIGURE 5-12. STEER CYLINDER ASSEMBLY

ITEM	PART NUMBER	QTY	DESCRIPTION	REV
	1683591	Ref	STEER CYLINDER ASSEMBLY	B
		Ref	Note: Original Cylinder May Have Been Replaced with Service Replacement. Identify PN Stamped on Cylinder Before Ordering Parts.	
1	See Note	2	Wiper (Note: Use p/n 7017246)	
2	7001630	2	Nut, Spanner	
3	7017247	2	Ring, Retaining	
4	See Note	2	Seal, Lip (Note: Use p/n 7017246)	
5	See Note	4	Ring, Wear (Note: Use p/n 7017246)	
6	See Note	2	Ring, Back-Up (Note: Use p/n 7017246)	
7	See Note	2	O-Ring (Note: Use p/n 7017246)	
8	7017248	2	Guide	
9	70003341	1	Barrel	
10	7017249	2	Tube	
11	7017250	1	Piston	
12	See Note	2	Ring, Wear (Note: Use p/n 7017246)	
13	See Note	1	Seal (Note: Use p/n 7017246)	
14	See Note	1	O-Ring (Note: Use p/n 7017246)	
15	See Note	1	O-Ring (Note: Use p/n 7017246)	
16	7017251	1	Rod - Male End	
17	7017252	1	Rod - Female End	
100	7017246	1	Seal Kit (Includes Items 1,4-7 & 12-15)	

SECTION 5 - CYLINDER

FIGURE 5-13. TELESCOPE CYLINDER ASSEMBLY - E400AN



ART_1001251063

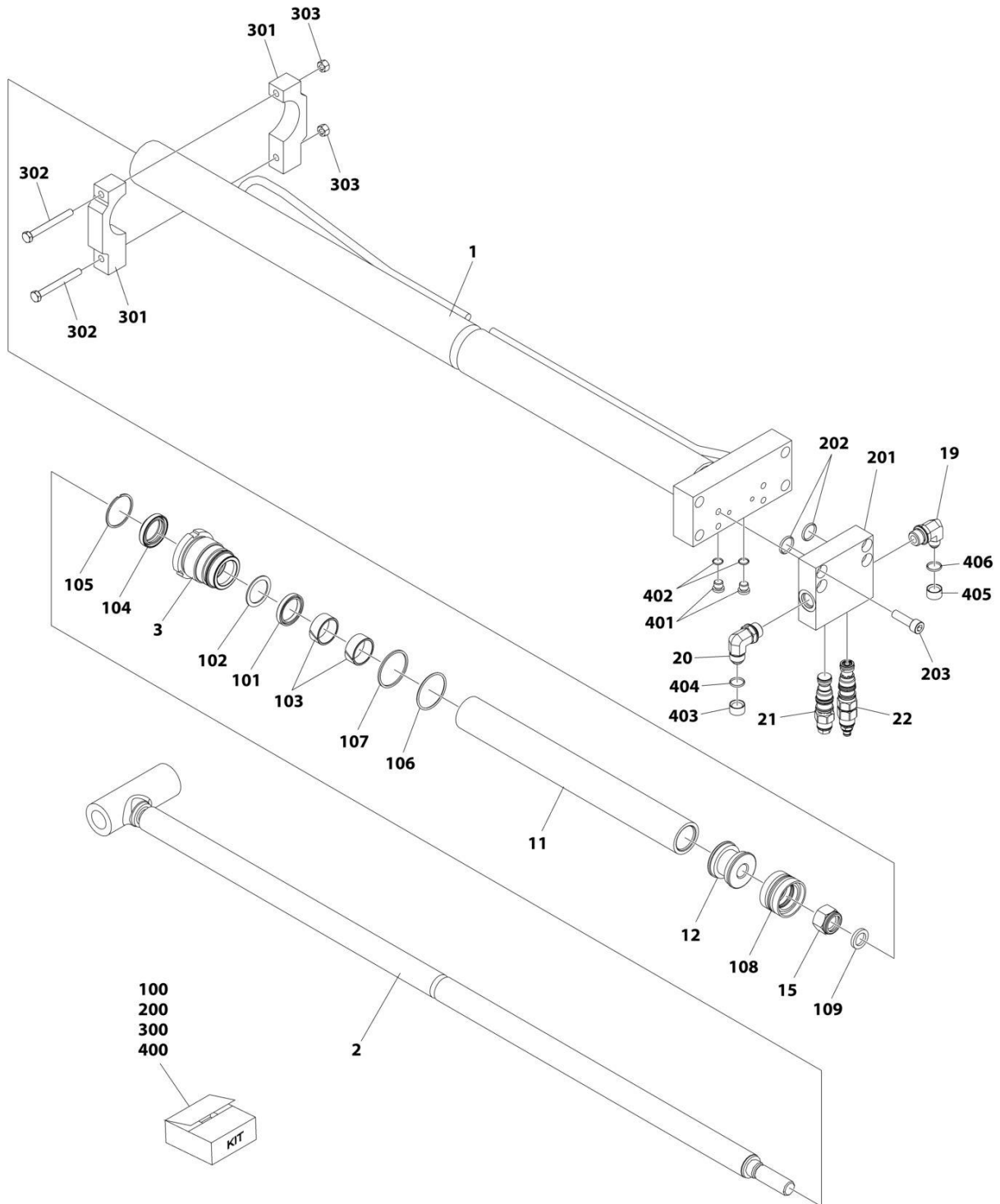
SECTION 5 - CYLINDER

FIGURE 5-13. TELESCOPE CYLINDER ASSEMBLY - E400AN

ITEM	PART NUMBER	QTY	DESCRIPTION	REV
	1001251063	Ref	TELESCOPE CYLINDER ASSEMBLY	B
		Ref	Note: Original Cylinder may have been replaced with Service Replacement. Identify PN Stamped on Cylinder Before Ordering Parts.	
1	See Note	NSS	Barrel (Note: Not Available for Purchase)	
2	70007378	1	Rod Assembly	
3	70007357	1	Rod Cover	
11	70007358	1	Spacer	
12	70007359	1	Piston	
15	70007360	1	Nut	
19	70007361	1	Port	
20	70007362	1	Port	
21	4640709	1	Cartridge	
22	4640495	1	Cartridge	
100	70007363	1	Seal Kit (Includes Items 100-109)	
101	See Note	NSS	U-Packing (Note: Use p/n 70007363)	
102	See Note	NSS	Ring, Back-up (Note: Use p/n 70007363)	
103	See Note	NSS	Ring, Wear (Note: Use p/n 70007363)	
104	See Note	NSS	Wiper, Dust (Note: Use p/n 70007363)	
105	See Note	NSS	Ring, Retaining (Note: Use p/n 70007363)	
106	See Note	NSS	O-Ring (Note: Use p/n 70007363)	
107	See Note	NSS	Ring, Back-up (Note: Use p/n 70007363)	
108	See Note	NSS	Seal, Compact (Note: Use p/n 70007363)	
109	See Note	NSS	O-Ring (Note: Use p/n 70007363)	
200	70007364	1	Block Kit (Includes Items 201-203)	
201	See Note	NSS	Block (Note: Use p/n 70007364)	
202	See Note	NSS	O-Ring (Note: Use p/n 70007364)	
203	See Note	NSS	Bolt (Note: Use p/n 70007364)	
300	70007365	1	Wear Pad Kit (Includes Items 301-303)	
301	See Note	NSS	Guide (Note: Use p/n 70007365)	
302	See Note	NSS	Bolt (Note: Use p/n 70007365)	
303	See Note	NSS	Nut (Note: Use p/n 70007365)	
400	70007366	1	Plug Kit (Includes Items 401-406)	
401	See Note	NSS	Plug (Note: Use p/n 70007366)	
402	See Note	NSS	O-Ring (Note: Use p/n 70007366)	
403	See Note	NSS	Dust Cap (Note: Use p/n 70007366)	
404	See Note	NSS	O-Ring (Note: Use p/n 70007366)	
405	See Note	NSS	Dust Cap (Note: Use p/n 70007366)	
406	See Note	NSS	O-Ring (Note: Use p/n 70007366)	

SECTION 5 - CYLINDER

FIGURE 5-14. TELESCOPE CYLINDER ASSEMBLY - E400AJPN



ART_1001251015

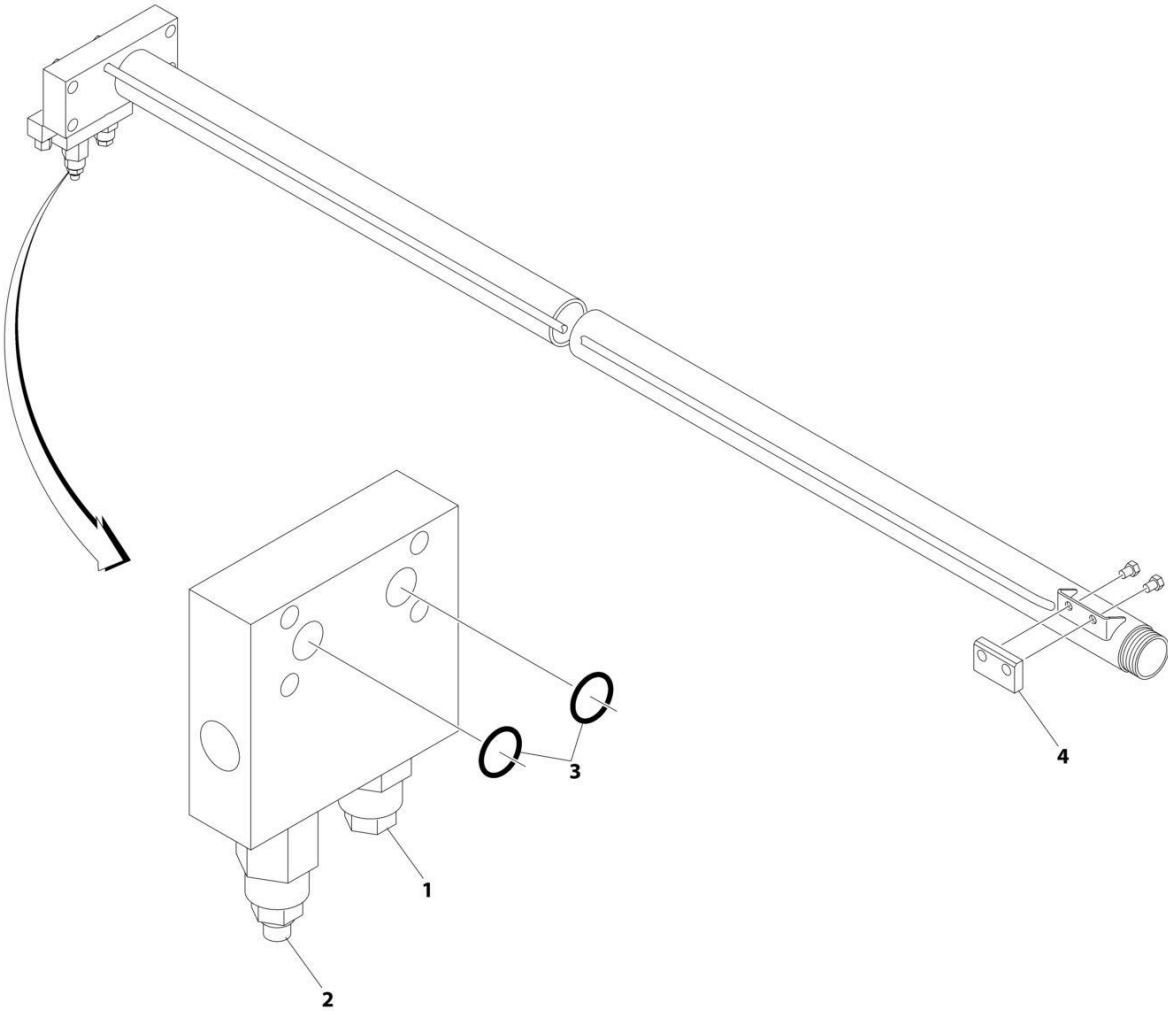
SECTION 5 - CYLINDER

FIGURE 5-14. TELESCOPE CYLINDER ASSEMBLY - E400AJPN

ITEM	PART NUMBER	QTY	DESCRIPTION	REV
	1001251015	Ref	TELESCOPE CYLINDER ASSEMBLY	B
		Ref	Note: Original Cylinder may have been replaced with Service Replacement. Identify PN Stamped on Cylinder Before Ordering Parts.	
1	See Note	NSS	Barrel Weldment (Note: Not Available for Purchase)	
2	70007379	1	Rod	
3	70007357	1	Head	
11	70007381	1	Spacer	
12	70007359	1	Piston	
15	70007360	2	Nut	
19	70007361	1	Fitting, 90 JIC/ORB	
20	70007362	1	Fitting, 90 JIC/ORB	
100	70007363	1	Seal Kit (Includes Items 101-109)	
101	See Note	NSS	U-Packing (Note: Use p/n 70007363)	
102	See Note	NSS	Ring, Back-up (Note: Use p/n 70007363)	
103	See Note	NSS	Ring, Wear (Note: Use p/n 70007363)	
104	See Note	NSS	Wiper, Rod (Note: Use p/n 70007363)	
105	See Note	NSS	Ring, Retaining (Note: Use p/n 70007363)	
106	See Note	NSS	O-Ring (Note: Use p/n 70007363)	
107	See Note	NSS	Ring, Back-up (Note: Use p/n 70007363)	
108	See Note	NSS	Seal, Compact (Note: Use p/n 70007363)	
109	See Note	NSS	O-Ring (Note: Use p/n 70007363)	
200	70007364	1	Block Kit (Includes Items 201-203)	
201	See Note	NSS	Block (Note: Use p/n 70007364)	
202	See Note	NSS	O-Ring (Note: Use p/n 70007364)	
203	See Note	NSS	Bolt (Note: Use p/n 70007364)	
300	70007380	1	Wear Pad Kit (Includes Items 301-303)	
301	See Note	NSS	Bracket (Note: Use p/n 70007380)	
302	See Note	NSS	Bolt (Note: Use p/n 70007380)	
303	See Note	NSS	Nut (Note: (Use p/n 70007380)	
400	70007366	1	Plug Kit (Includes Items 401-406)	
401	See Note	NSS	Plug (Note: Use p/n 70007366)	
402	See Note	NSS	O-Ring (Note: Use p/n 70007366)	
403	See Note	NSS	Dust Cap (Note: Use p/n 70007366)	
404	See Note	NSS	O-Ring (Note: Use p/n 70007366)	
405	See Note	NSS	Dust Cap (Note: Use p/n 70007366)	
406	See Note	NSS	O-Ring (Note: Use p/n 70007366)	

SECTION 5 - CYLINDER

FIGURE 5-15. COUNTERBALANCE VALVE ASSEMBLY



ART_4640807

SECTION 5 - CYLINDER

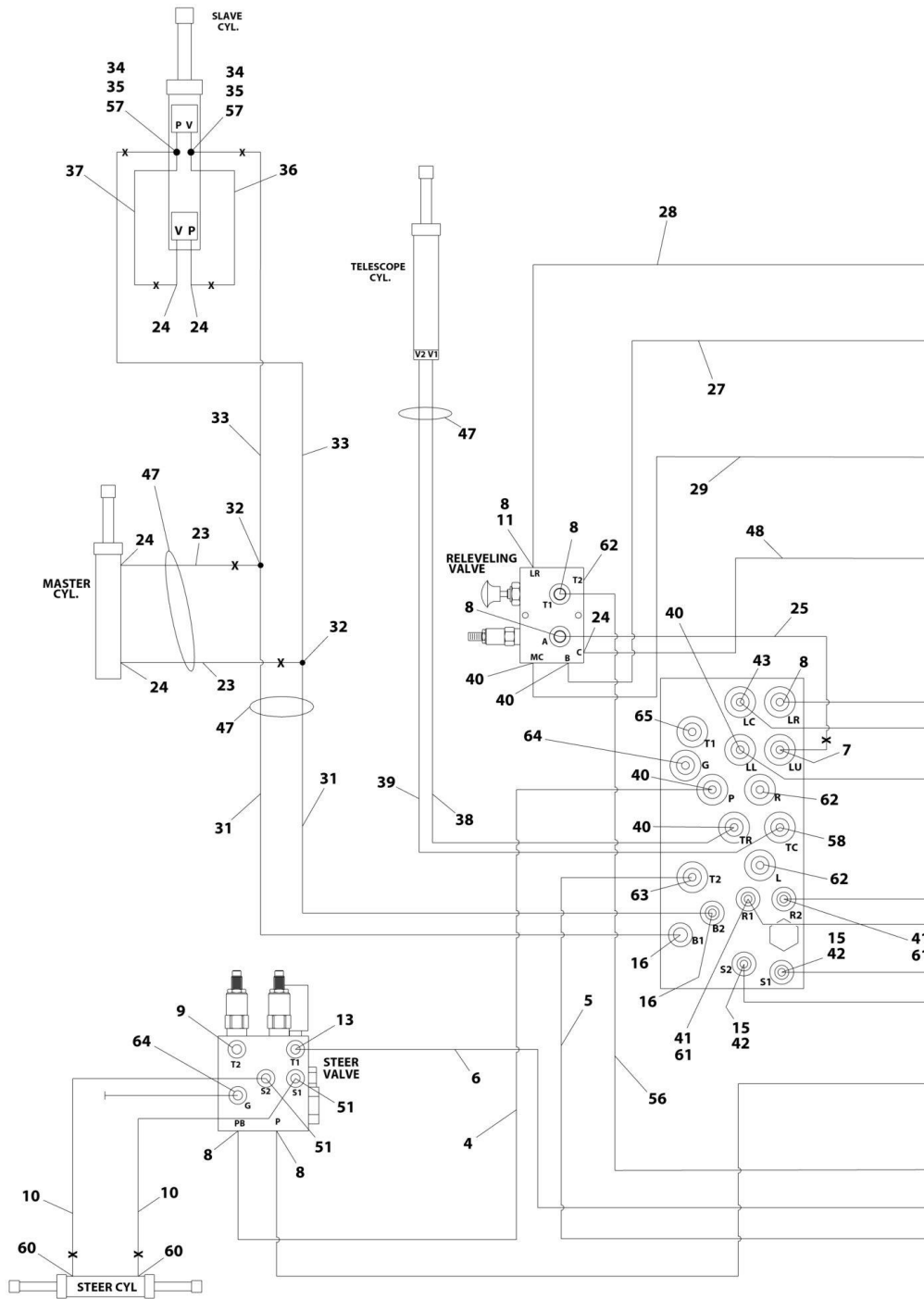
FIGURE 5-15. COUNTERBALANCE VALVE ASSEMBLY

ITEM	PART NUMBER	QTY	DESCRIPTION	REV
	4640807	Ref	COUNTERBALANCE VALVE ASSEMBLY	D
1	4640771	1	Cartridge, Counterbalance	
1	2900770	1	Seal Kit - 4640771 Cartridge	
2	4640709	1	Cartridge, Vented Counterbalance	
2	2900770	1	Seal Kit - 4640709 Cartridge	
3	3790113	2	O-Ring (Between Valve and Cylinder Block)	

SECTION 6 - HYDRAULIC

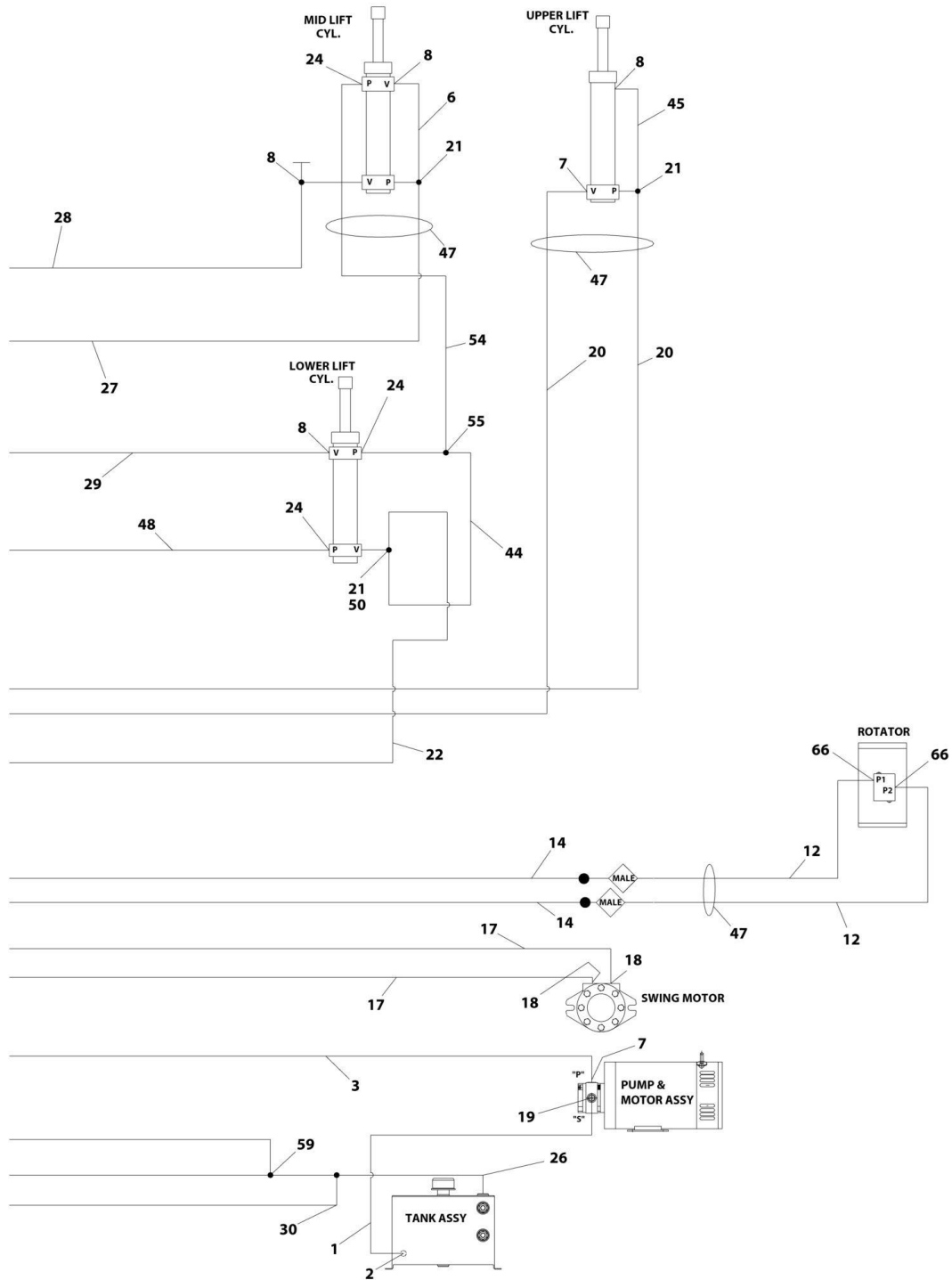
SECTION 6 - HYDRAULIC

FIGURE 6-1. HYDRAULIC DIAGRAM - E400AN



ART_1001178384_10F2

SECTION 6 - HYDRAULIC



ART_1001178382_20F2

SECTION 6 - HYDRAULIC

FIGURE 6-1. HYDRAULIC DIAGRAM - E400AN

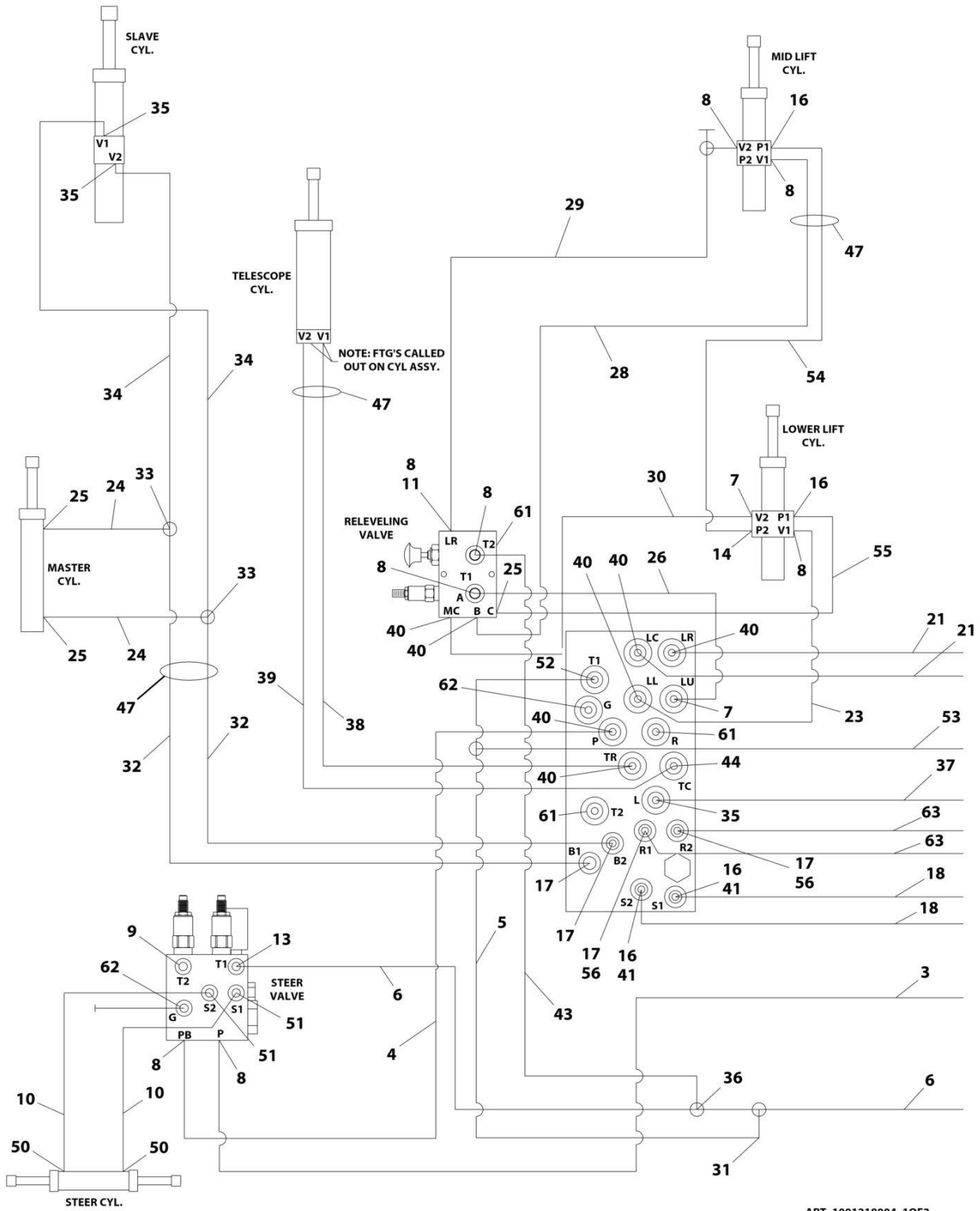
ITEM	PART NUMBER	QTY	DESCRIPTION	REV
	1001178384	Ref	HYDRAULIC DIAGRAM	F
1	2753973	1	Hose	
2	2220498	1	Fitting, 45 JIC/ORB	
3	1001152635	1	Hose	
4	2750915	1	Hose	
5	1001177666	1	Hose	
6	2752467	2	Hose	
7	2220371	3	Fitting, Straight, JIC/ORB	
8	2220473	10	Fitting, 90 JIC/ORB	
9	2220885	1	Plug	
10	2752453	2	Hose	
11	2220507	1	Fitting, 90 JIC/JIC	
12	1001185828	2	Hose	
13	2220371	1	Fitting, Straight, JIC/ORB	
14	2753520	2	Hose	
15	2220415	2	Fitting, Straight JIC/ORB	
16	2220502	2	Fitting, 45 JIC/ORB	
17	2752459	2	Hose	
18	2221033	2	Fitting, Straight JIC/ORB	
19	2220593	1	Fitting, Straight JIC/ORB	
20	2753519	2	Hose	
21	2220899	3	Fitting, Tee JIC/ORB/JIC	
22	2752620	1	Hose	
23	2752437	2	Hose	
24	2220472	8	Fitting, 90 JIC/ORB	
25	2750910	1	Hose	
26	2220999	1	Fitting, Tee JIC/ORB/JIC	
27	2753335	1	Hose	
28	2753334	1	Hose	
29	2752475	1	Hose	
30	2220386	1	Fitting, 90 JIC/JIC	
31	2753520	2	Hose	
32	2220504	2	Fitting, Tee JIC/JIC/JIC	
33	2753535	2	Hose	
34	2220727	2	Fitting, Reducer ORB	
35	2220684	2	Fitting, Tee NPT/JIC/JIC	
36	2752435	1	Hose	
37	2752573	1	Hose	
38	2753474	1	Hose	
39	2753475	1	Hose	
40	2220501	5	Fitting, 45 JIC/ORB	
41	2220502	2	Fitting, 45 JIC/ORB	
42	2220677	2	Fitting, 45 JIC/JIC	
43	2221147	1	Fitting, 90 JIC/ORB	
44	2752581	1	Hose	
45	4566188	1	Tube	
47	4100026	13.7 ft /4.2m	Nylon, Sleeve	
48	2752983	1	Hose	
49	1702124	1	Hose, Tag (Not Shown)	

SECTION 6 - HYDRAULIC

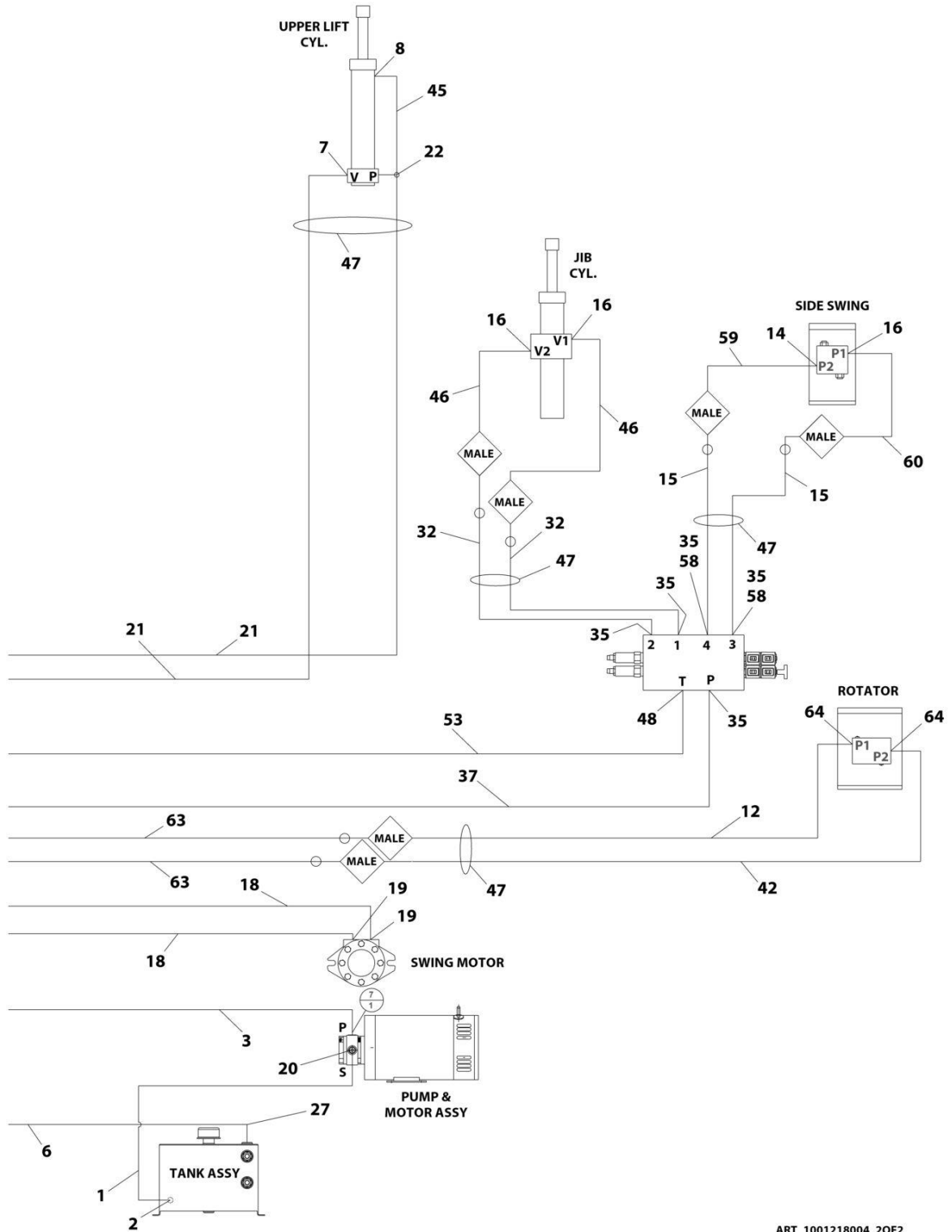
ITEM	PART NUMBER	QTY	DESCRIPTION	REV
50	2220609	1	Fitting, Straight JIC/JIC	
51	2220415	2	Fitting, Straight JIC/ORB	
54	2752440	1	Hose	
55	2220605	1	Fitting, Tee JIC/JIC/JIC	
56	2750915	1	Hose	
57	0100020	AR	Sealant	
58	2220600	1	Fitting, Straight JIC/ORB	
59	2221054	1	Fitting, Tee JIC/JIC/JIC	
60	2220582	2	Fitting, Straight JIC/ORB	
61	2220909	2	Fitting, Restrictor	
62	2220237	3	Plug, ORB	
63	1001136881	1	Fitting, 45 JIC/ORB	
64	2221086	2	Fitting, Nipple	
65	2220239	1	Plug, ORB	
66	2220940	2	Fitting, 90 JIC/ORB	

SECTION 6 - HYDRAULIC

FIGURE 6-2. HYDRAULIC DIAGRAM - E400AJPN



SECTION 6 - HYDRAULIC



ART_1001218004_20F2

SECTION 6 - HYDRAULIC

FIGURE 6-2. HYDRAULIC DIAGRAM - E400AJPN

ITEM	PART NUMBER	QTY	DESCRIPTION	REV
	1001218004	Ref	HYDRAULIC DIAGRAM - E400AJP/E400AJPN	D
1	2753973	1	Hose	
2	2220498	1	Fitting, 45 JIC/ORB	
3	1001152635	1	Hose	
4	2750915	1	Hose	
5	1001177666	1	Hose	
6	2752467	1	Hose	
7	2220371	4	Fitting, Straight JIC/ORB	
8	2220473	9	Fitting, 90 JIC/ORB	
9	2220885	1	Plug	
10	2752453	2	Hose	
11	2220507	1	Fitting, 90 JIC/JIC	
12	1001185828	1	Hose	
13	2220371	1	Fitting, Straight JIC/ORB	
14	2220466	2	Fitting, 90 JIC/ORB	
15	2753332	2	Hose	
16	2220415	7	Fitting, Straight JIC/ORB	
17	2220502	4	Fitting, 45 JIC/ORB	
18	2752459	2	Hose	
19	2221033	2	Fitting, Straight JIC/ORB	
20	2220593	1	Fitting, Straight JIC/ORB	
21	2752619	2	Hose	
22	2220899	1	Fitting, Tee JIC/ORB/JIC	
23	2752466	1	Hose	
24	2752437	2	Hose	
25	2220472	3	Fitting, 90 JIC/ORB	
26	2750910	1	Hose	
27	2220999	1	Fitting, Tee JIC/ORB/JIC	
28	2753335	1	Hose	
29	2753334	1	Hose	
30	2752611	1	Hose	
31	2220386	1	Fitting, 90 JIC/JIC	
32	2752571	4	Hose	
33	2220504	2	Fitting, Tee JIC/JIC/JIC	
34	2753333	2	Hose	
35	2220582	9	Fitting, Straight JIC/ORB	
36	2221054	1	Fitting, Tee JIC/JIC/JIC	
37	2752442	1	Hose	
38	2753474	1	Hose	
39	2753475	1	Hose	
40	2220501	7	Fitting, 45 JIC/ORB	
41	2220677	2	Fitting, 45 JIC/JIC	
42	1001185829	1	Hose	
43	2750915	1	Hose	
44	2220600	1	Fitting, Straight JIC/ORB	
45	4567946	1	Tube	
46	2753329	2	Hose	
47	4100026	17.2 ft/ 5.2m	Nylon, Sleeve	
48	2220373	1	Fitting, Straight JIC/ORB	

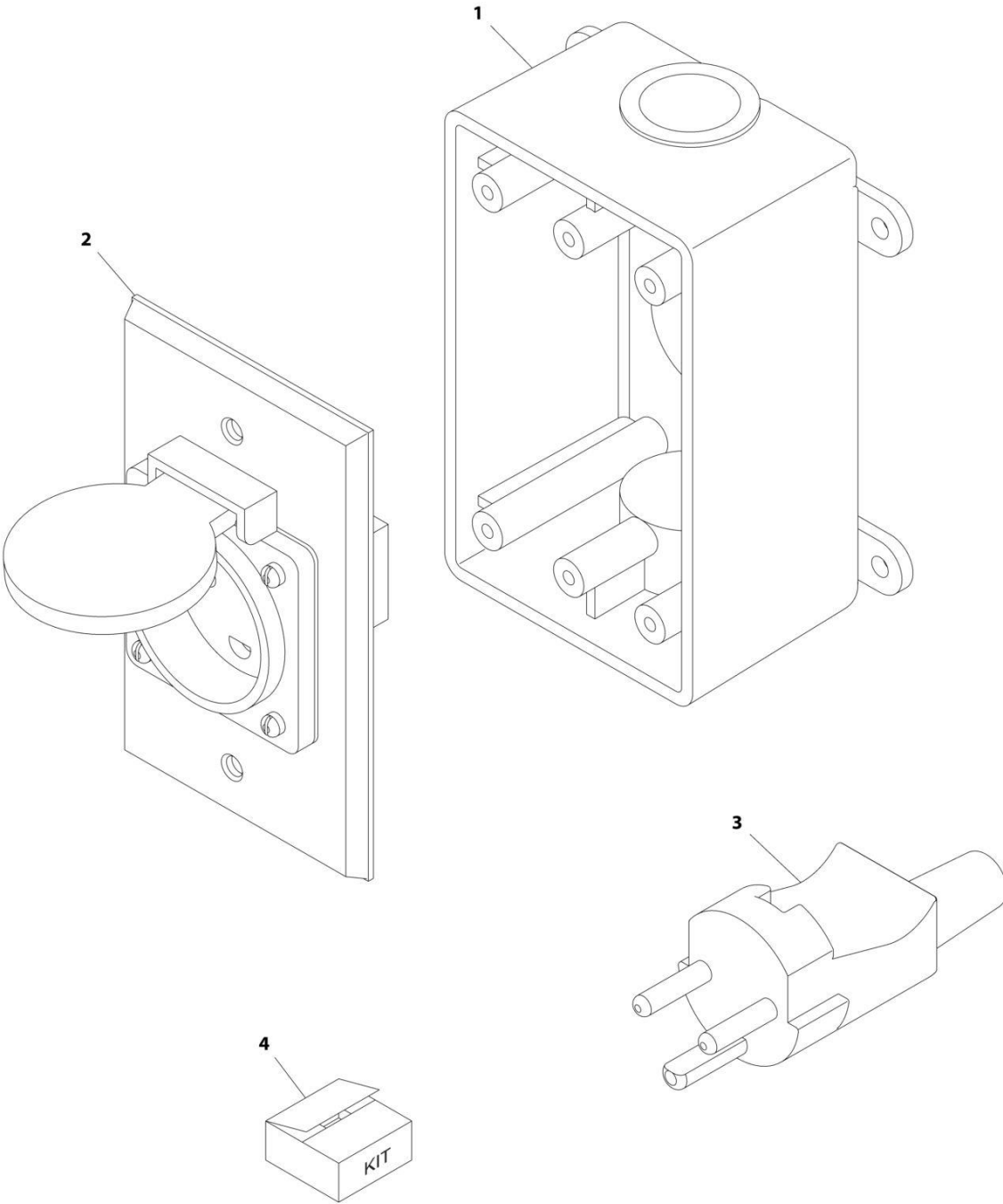
SECTION 6 - HYDRAULIC

ITEM	PART NUMBER	QTY	DESCRIPTION	REV
49	1702124	1	Hose, Tag (Not Shown)	
50	2220582	2	Fitting, Straight JIC/ORB	
51	2220415	2	Fitting, Straight JIC/ORB	
52	8760554	1	Fitting, Tee JIC/JIC/ ORB	
53	2752493	1	Hose	
54	2751890	1	Hose	
55	2752600	1	Hose	
56	2220909	2	Fitting, Restrictor	
58	2221039	2	Fitting, Orifice	
59	2753330	1	Hose	
60	2753331	1	Hose	
61	2220237	3	Plug, ORB	
62	2221086	2	Fitting, Nipple	
63	2753520	2	Hose	
64	2220940	2	Fitting, 90 JIC/ORB	

SECTION 7 - ELECTRICAL

SECTION 7 - ELECTRICAL

FIGURE 7-1. AC PLUGS AND SOCKETS INSTALLATION - AFSINT 107-2-01 KEYED GROUND - 2 X 4 BOX (CE SPEC)



ART_0275454

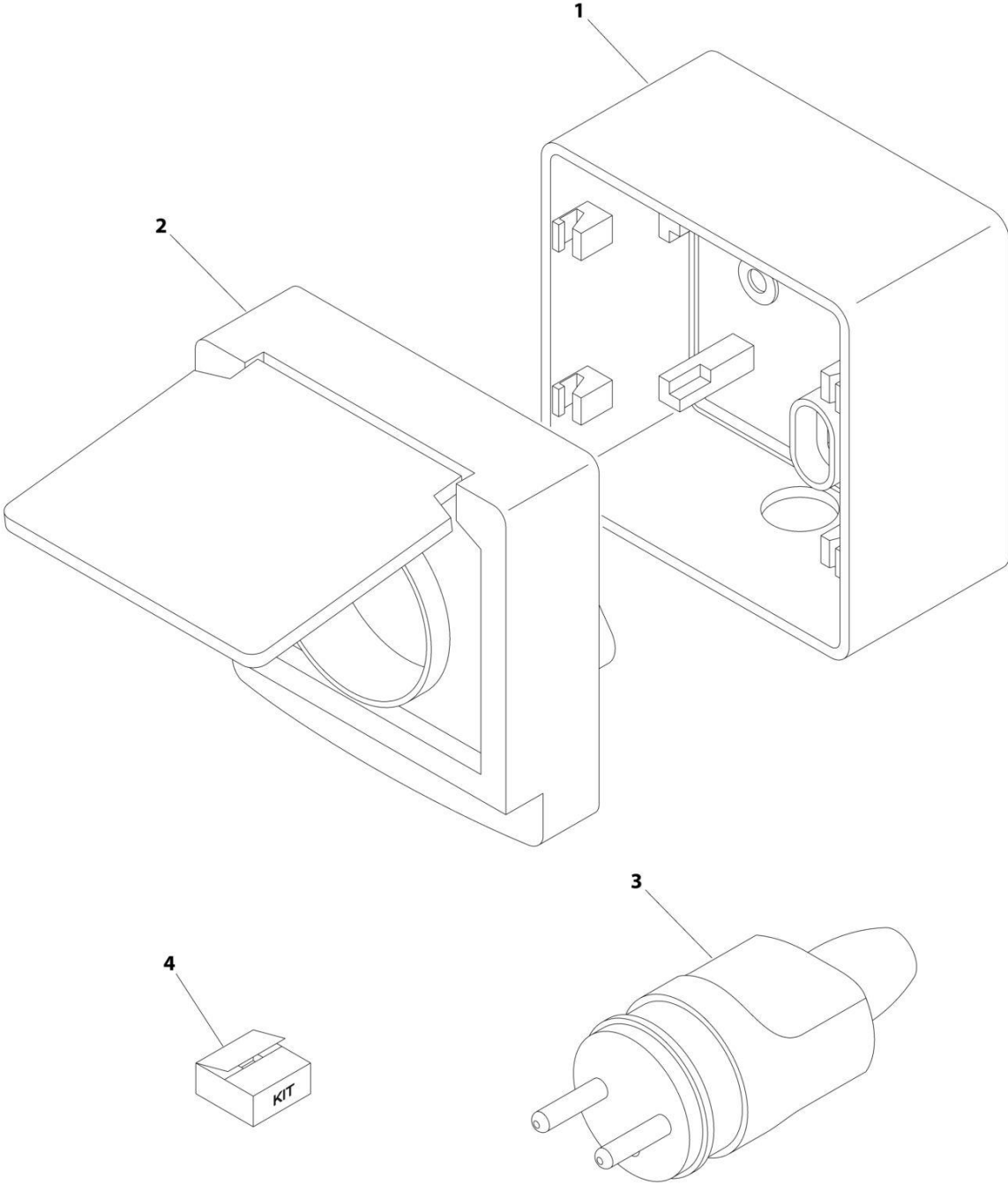
SECTION 7 - ELECTRICAL

FIGURE 7-1. AC PLUGS AND SOCKETS INSTALLATION - AFSINT 107-2-01 KEYED GROUND - 2 X 4 BOX (CE SPEC)

ITEM	PART NUMBER	QTY	DESCRIPTION	REV
	0275454	Ref	RECEPTACLE BOX KIT - 220V AFSINT 107	B
1	0861731	1	Box, Switch	
2	4461246	1	Receptacle	
3	4461249	1	Plug, Male	
4	1001100346	1	Plug and Socket Kit (Includes Items 1-3 and Female Plug p/n 4461250)	

SECTION 7 - ELECTRICAL

FIGURE 7-2. AC PLUGS AND SOCKETS INSTALLATION - CEE7 POST GROUND (CE SPEC)



ART_0275218_C

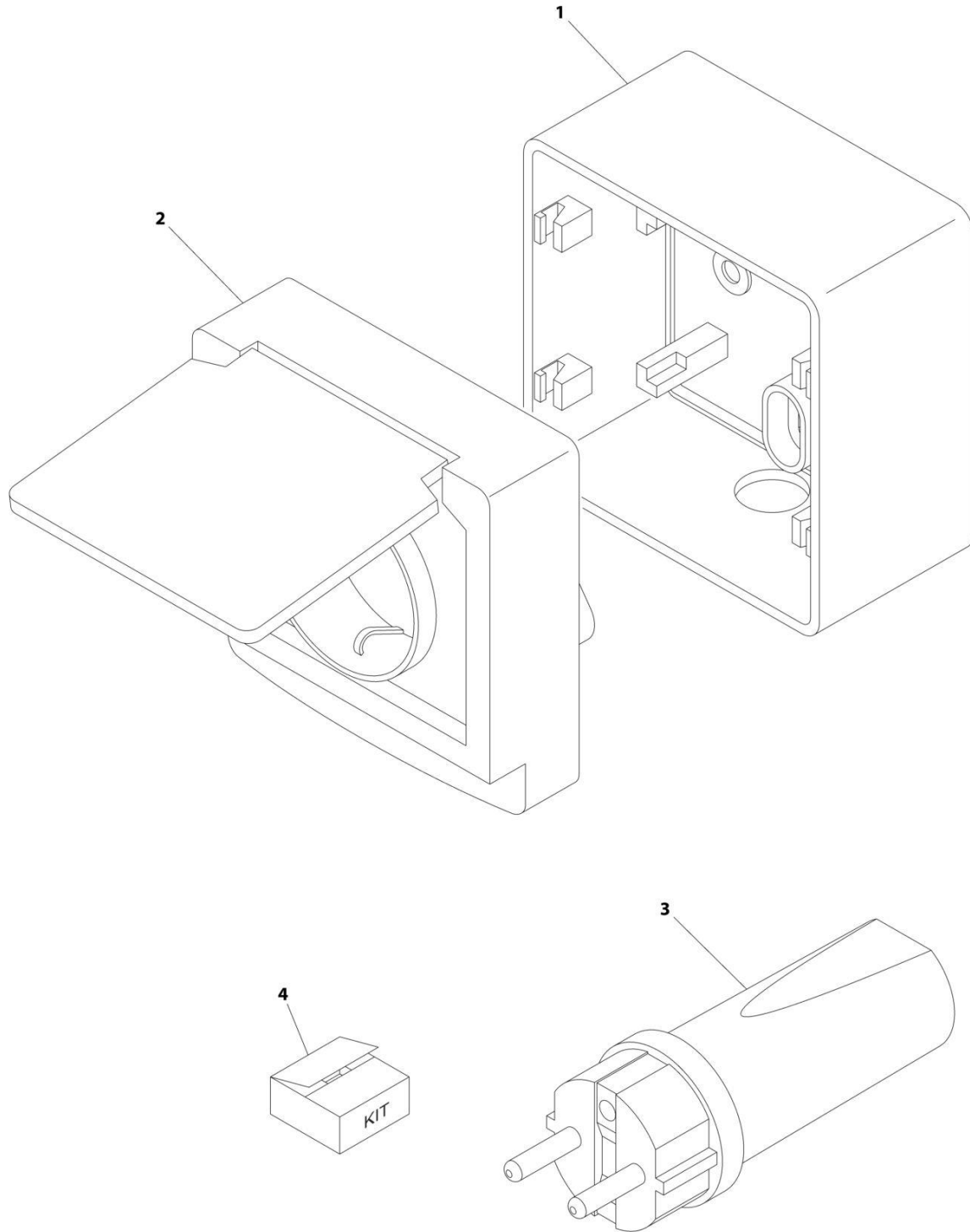
SECTION 7 - ELECTRICAL

FIGURE 7-2. AC PLUGS AND SOCKETS INSTALLATION - CEE7 POST GROUND (CE SPEC)

ITEM	PART NUMBER	QTY	DESCRIPTION	REV
	0275218	Ref	RECEPTACLE BOX KIT - 220V CEE7 POST GROUND 70MM X 70MM BOX	C
1	1001141967	1	Box, Switch	
2	1001141968	1	Receptacle	
3	4461205	1	Plug, Male	
4	1001141971	1	Plug and Socket Kit (Includes Items 1-3 and Female Plug p/n 4461206)	

SECTION 7 - ELECTRICAL

FIGURE 7-3. AC PLUGS AND SOCKETS INSTALLATION - CEE 7 SIDE GROUND (CE SPEC)



ART_0275219

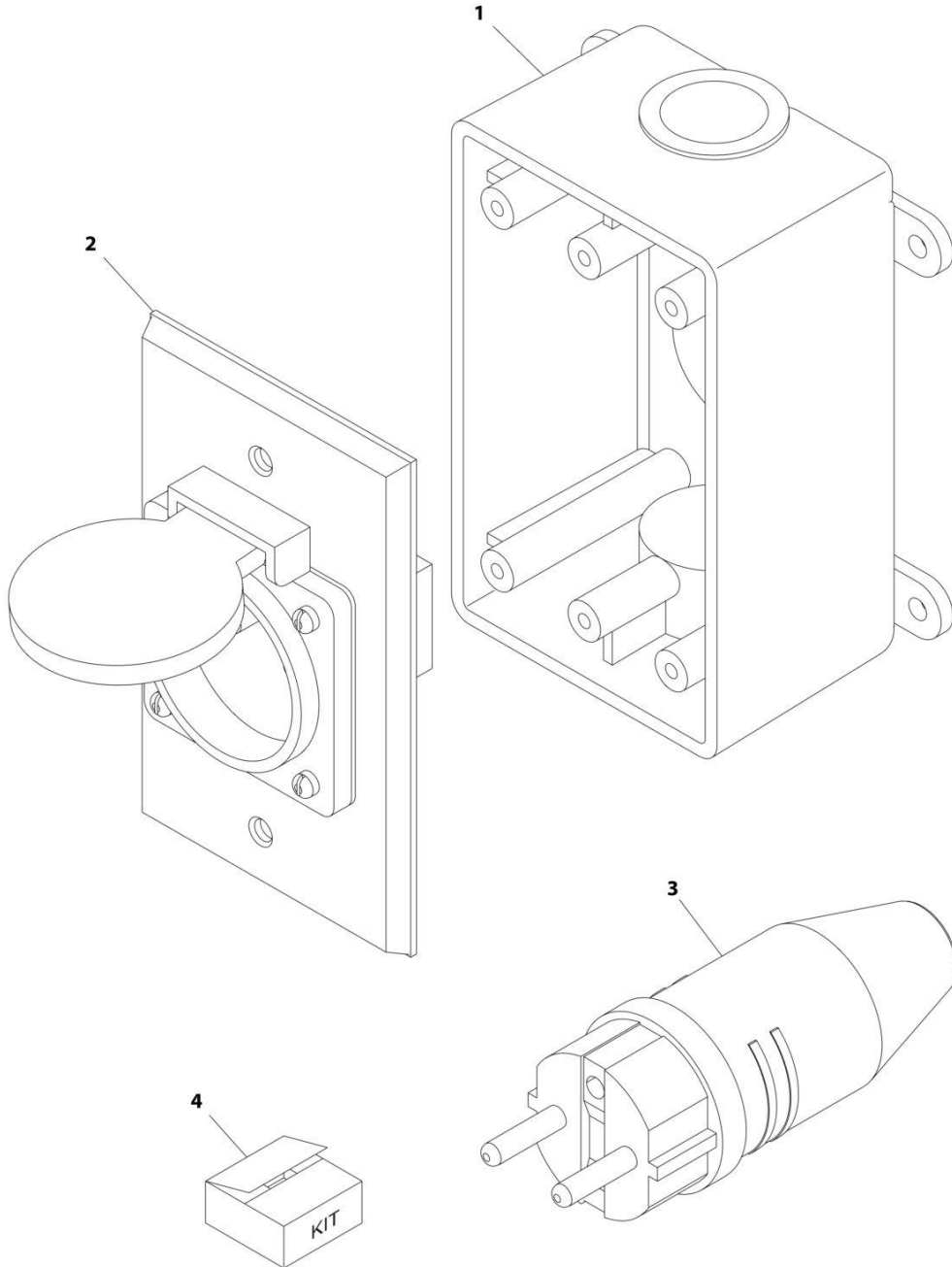
SECTION 7 - ELECTRICAL

FIGURE 7-3. AC PLUGS AND SOCKETS INSTALLATION - CEE 7 SIDE GROUND (CE SPEC)

ITEM	PART NUMBER	QTY	DESCRIPTION	REV
	0275219	Ref	RECEPTACLE BOX KIT - 220V CEE7 SIDE GROUND 70MM X 70MM BOX	B
1	1001141967	1	Box, Switch	
2	1001141969	1	Receptacle	
3	4461205	1	Plug, Male	
4	1001141970	1	Plug and Socket Kit (Includes Items 1-3 and Female Plug p/n 4461206)	

SECTION 7 - ELECTRICAL

FIGURE 7-4. AC PLUGS AND SOCKETS INSTALLATION - CEE7 POST GROUND - 2 X 4 BOX (CE SPEC)



ART_0275452-C

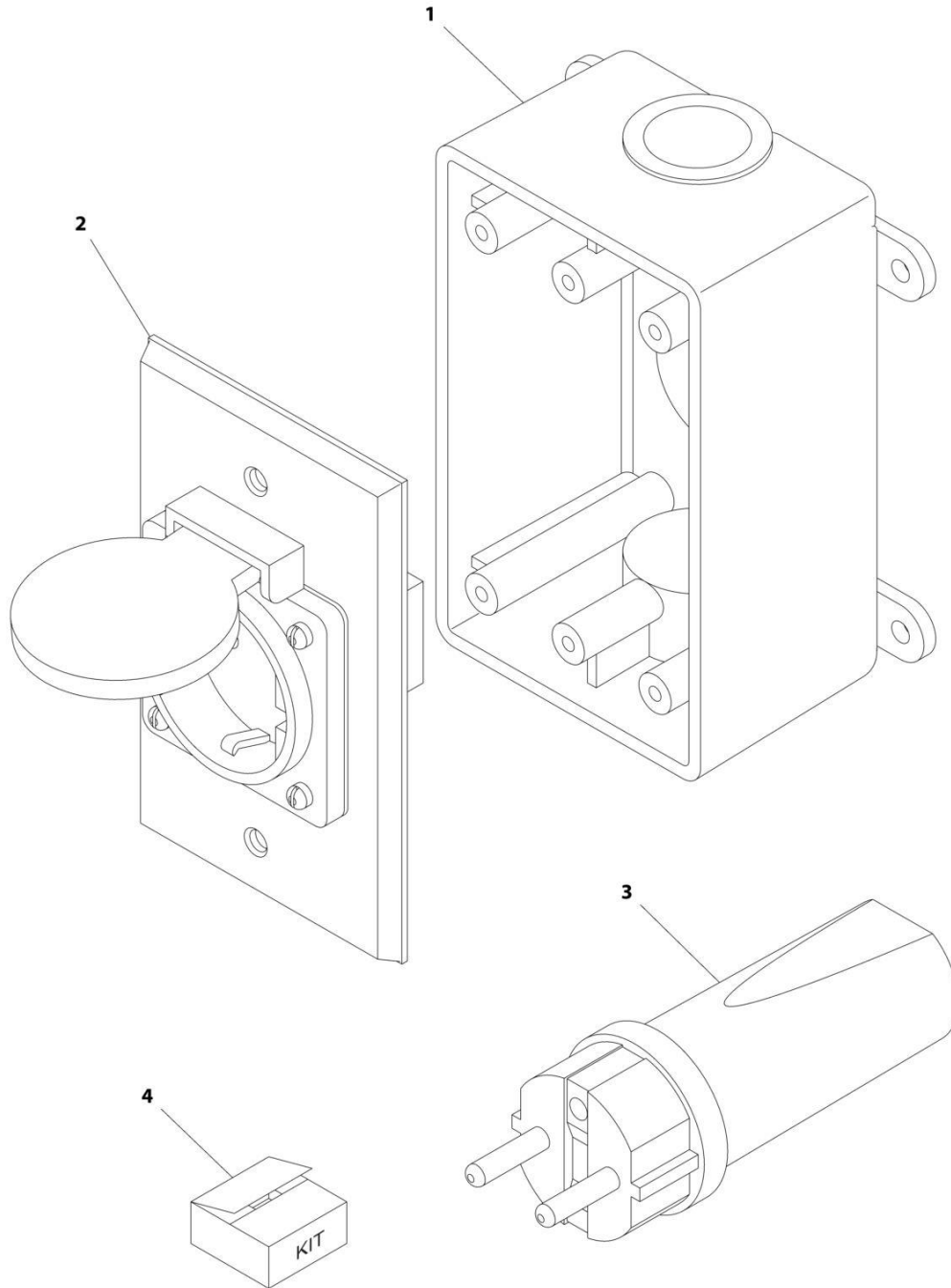
SECTION 7 - ELECTRICAL

FIGURE 7-4. AC PLUGS AND SOCKETS INSTALLATION - CEE7 POST GROUND - 2 X 4 BOX (CE SPEC)

ITEM	PART NUMBER	QTY	DESCRIPTION	REV
	0275452	Ref	RECEPTACLE BOX KIT - 220V CEE7 POST GROUND 2IN X 4IN BOX	C
1	0861731	1	Box, Switch	
2	4461244	1	Receptacle	
3	4461205	1	Plug, Male	
4	1001100345	1	Plug and Socket Kit (Includes Items 1-3 and Female Plug p/n 4461203)	

SECTION 7 - ELECTRICAL

FIGURE 7-5. AC PLUGS AND SOCKETS INSTALLATION - CEE7 SIDE GROUND - 2 X 4 BOX (CE SPEC)



ART_0275453

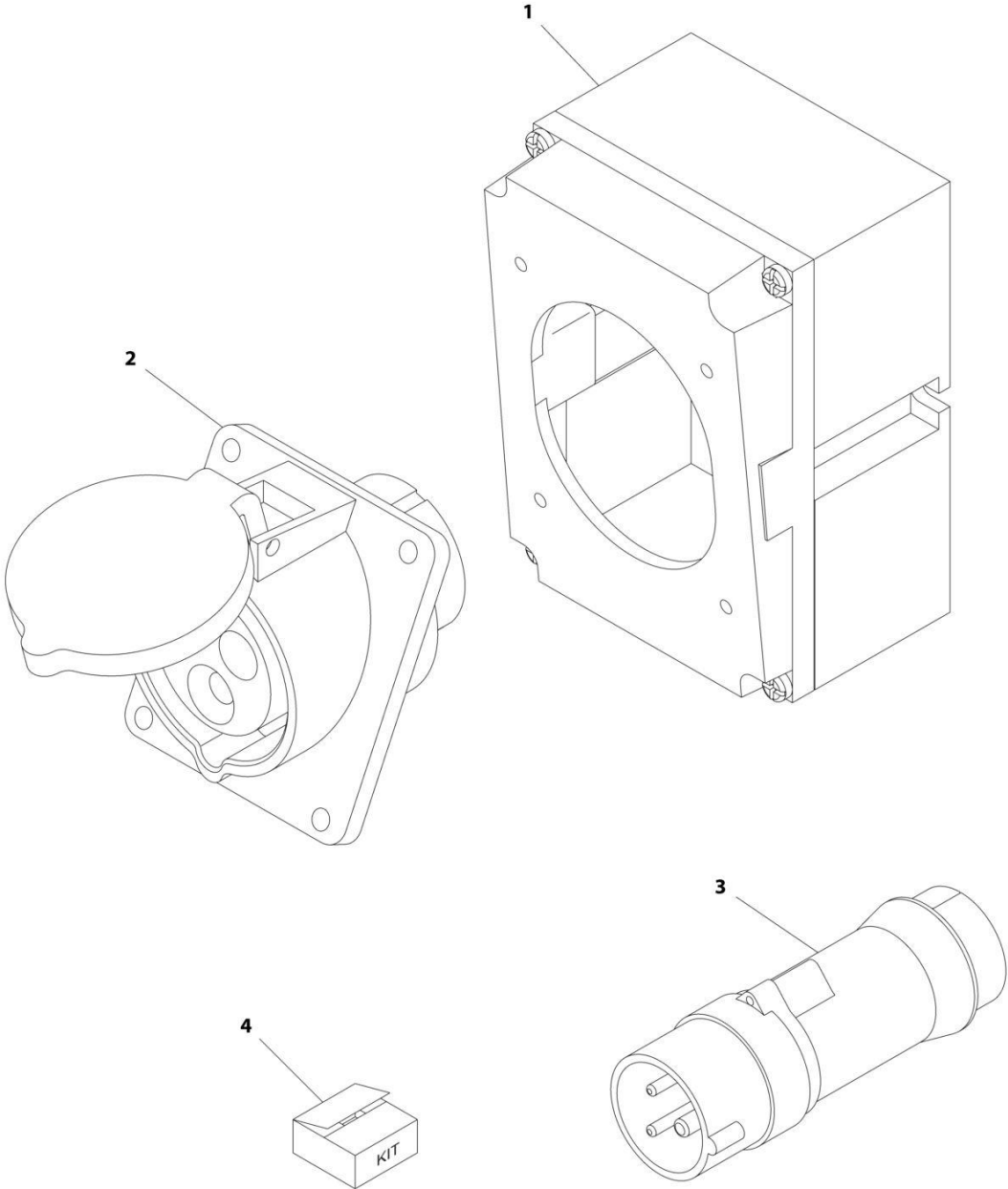
SECTION 7 - ELECTRICAL

FIGURE 7-5. AC PLUGS AND SOCKETS INSTALLATION - CEE7 SIDE GROUND - 2 X 4 BOX (CE SPEC)

ITEM	PART NUMBER	QTY	DESCRIPTION	REV
	0275453	Ref	RECEPTACLE BOX KIT - 220V CEE7 SIDE GROUND	B
1	0861731	1	Box, Switch	
2	4461245	1	Receptacle	
3	4461205	1	Plug, Male	
4	1001100347	1	Plug and Socket Kit (Includes Items 1-3 and Female Plug p/n 4461206)	

SECTION 7 - ELECTRICAL

FIGURE 7-6. AC PLUGS AND SOCKETS INSTALLATION - IEC 60309 BLUE (CE SPEC)



ART_0275217

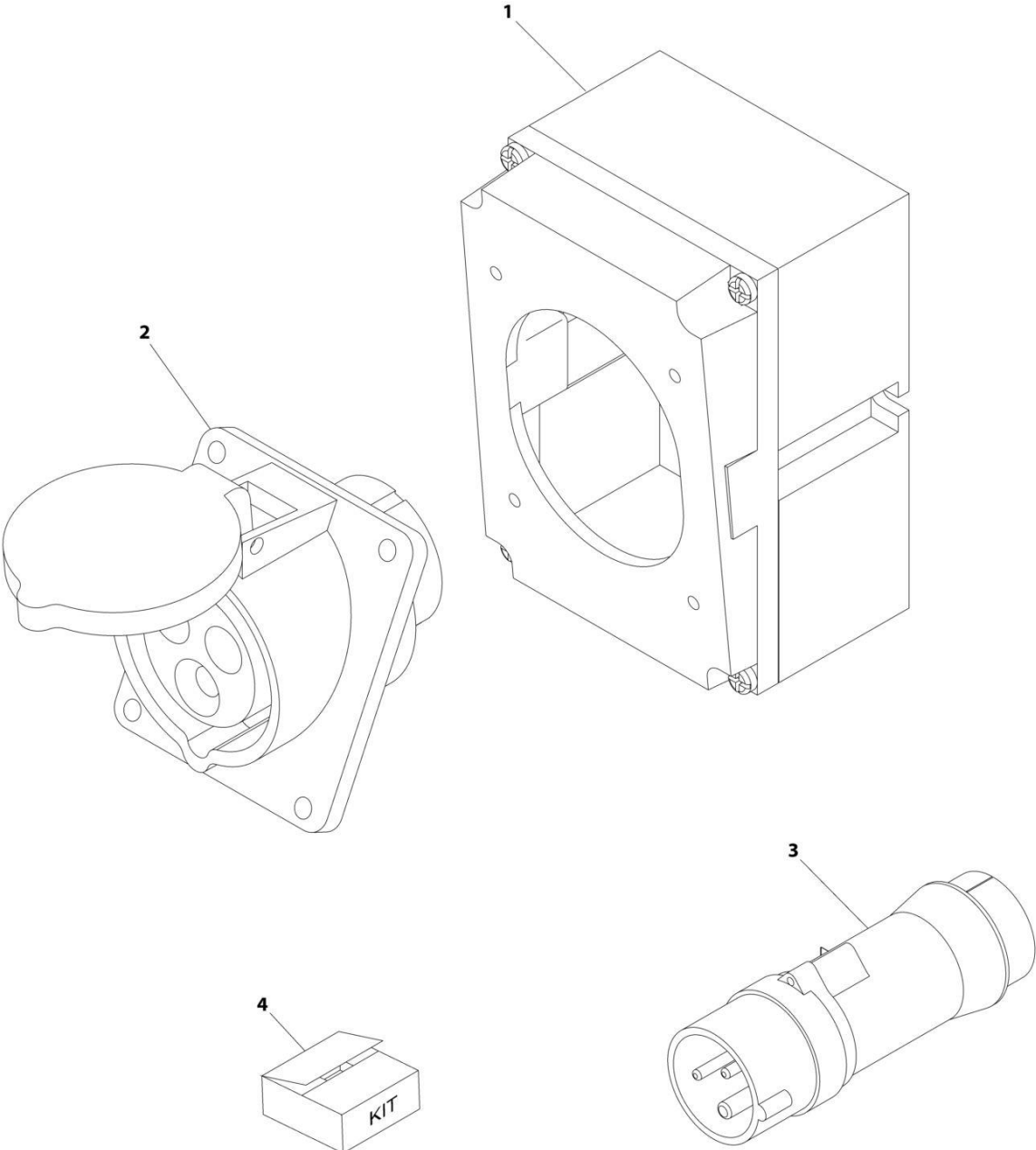
SECTION 7 - ELECTRICAL

FIGURE 7-6. AC PLUGS AND SOCKETS INSTALLATION - IEC 60309 BLUE (CE SPEC)

ITEM	PART NUMBER	QTY	DESCRIPTION	REV
	0275217	Ref	RECEPTACLE BOX KIT - 220V IEC BLUE	B
1	0861781	1	Box, Switch	
2	4461201	1	Receptacle	
3	4461199	1	Plug, Male	
4	1001100342	1	Plug and Socket Kit (Includes Items 1-3 and Female Plug p/n 4461200)	

SECTION 7 - ELECTRICAL

FIGURE 7-7. AC PLUGS AND SOCKETS INSTALLATION - IEC 60309 YELLOW (CE SPEC)



ART_0275216

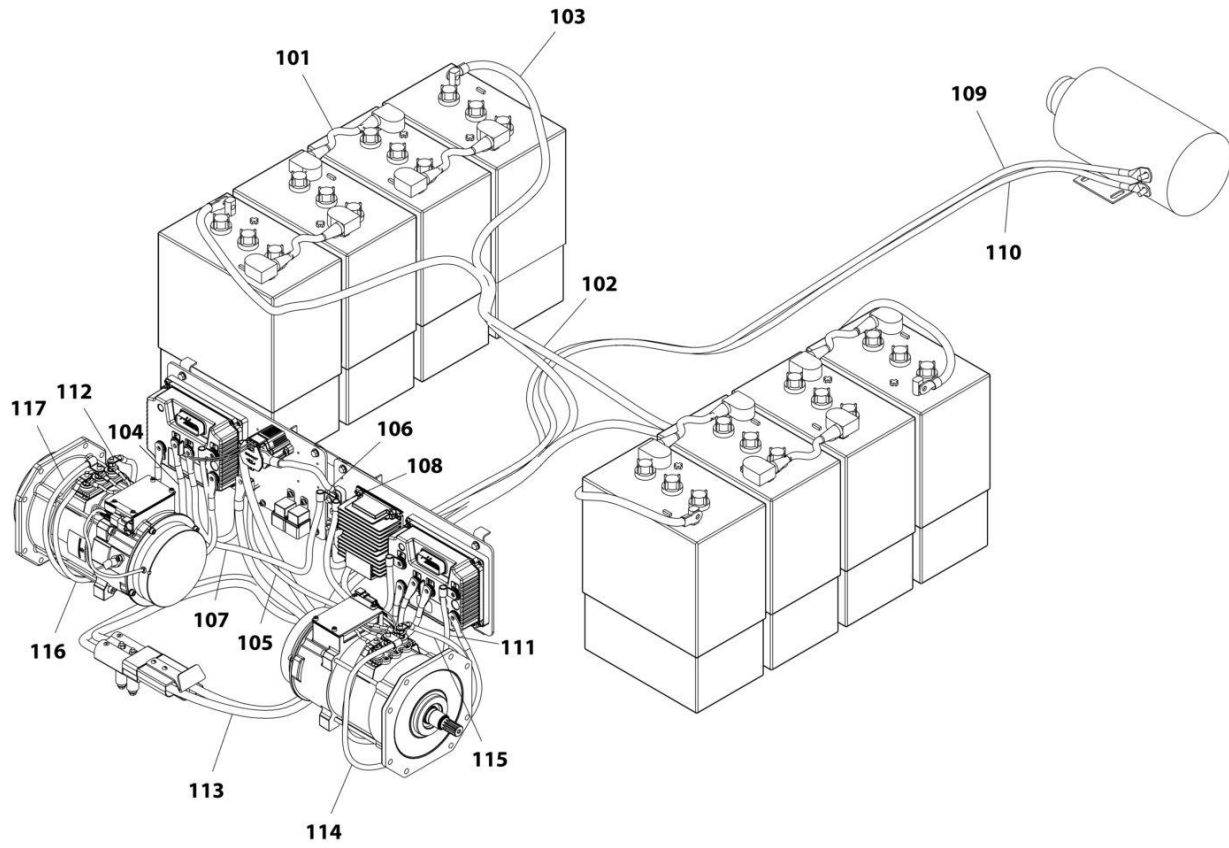
SECTION 7 - ELECTRICAL

FIGURE 7-7. AC PLUGS AND SOCKETS INSTALLATION - IEC 60309 YELLOW (CE SPEC)

ITEM	PART NUMBER	QTY	DESCRIPTION	REV
	0275216	Ref	RECEPTACLE BOX KIT - 110V IEC YELLOW	B
1	0861781	1	Box, Switch	
2	4461198	1	Receptacle	
3	4461196	1	Plug, Male	
4	1001100341	1	Plug and Socket Kit (Includes Items 1-3 and Female Plug p/n 4461197)	

SECTION 7 - ELECTRICAL

FIGURE 7-8. BATTERY CABLE KIT - E400AN AND E400AJPN



ART_1001190088

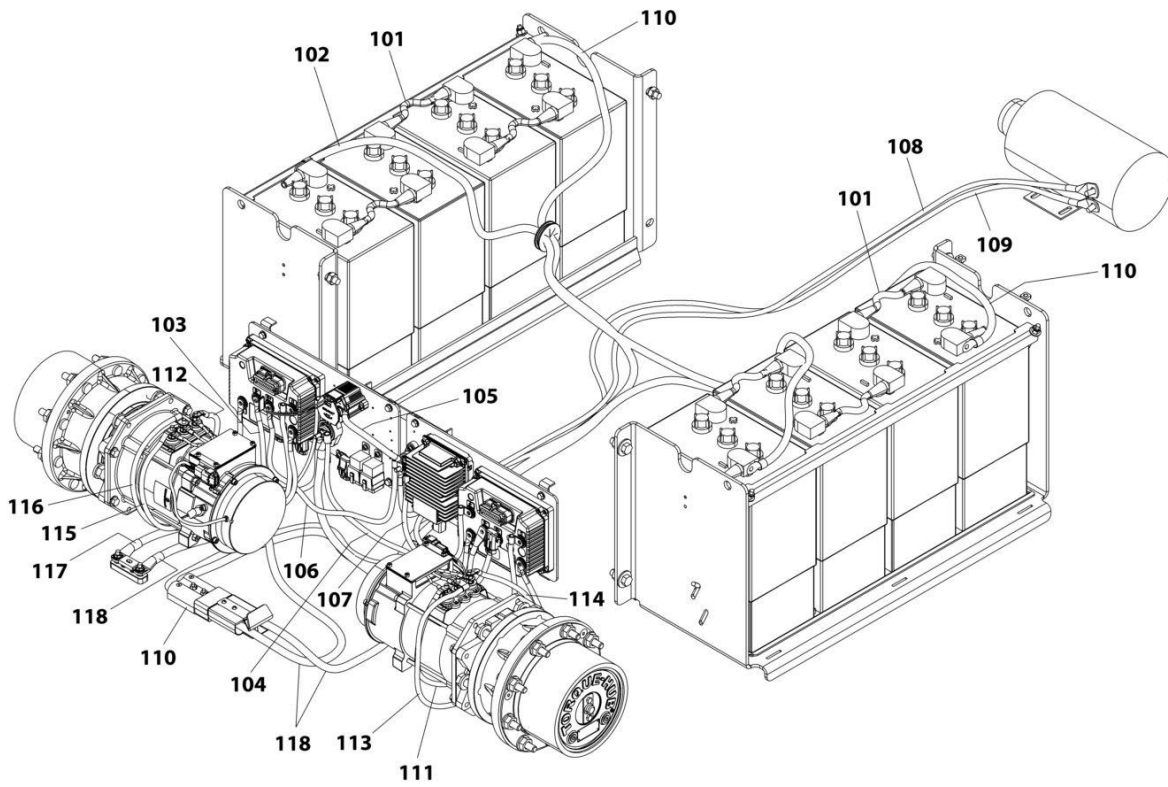
SECTION 7 - ELECTRICAL

FIGURE 7-8. BATTERY CABLE KIT - E400AN AND E400AJPN

ITEM	PART NUMBER	QTY	DESCRIPTION	REV
	1001190088	Ref	BATTERY CABLE KIT	K
101	1001109833	6	Cable, Battery	
102	1001177245	1	Cable, Interconnect	
103	1001177246	1	Cable, Battery	
104	1001178394	1	Cable, Negative to LH Module	
105	1001178395	1	Cable, Negative to RH Module	
106	1001178396	1	Cable, Positive to Pump Motor Fuse	
107	1001178398	1	Cable, Positive to LH Module	
108	1001178399	1	Cable, Positive to RH Module	
109	1001178400	1	Cable, Pump Motor Positive	
110	1001178401	1	Cable, Pump Motor Negative	
111	1001178402	1	Cable, Motor R U	
112	1001178403	1	Cable, Motor L U	
113	1001178660	1	Cable, Battery	
114	1001189027	1	Cable, Motor R V	
115	1001189030	1	Cable, Motor R W	
116	1001189031	1	Cable, Motor L W	
117	1001189032	1	Cable, Motor L V	

SECTION 7 - ELECTRICAL

FIGURE 7-9. BATTERY CABLE KIT - E400AN AND E400AJPN - UL SPECS



ART_1001212454

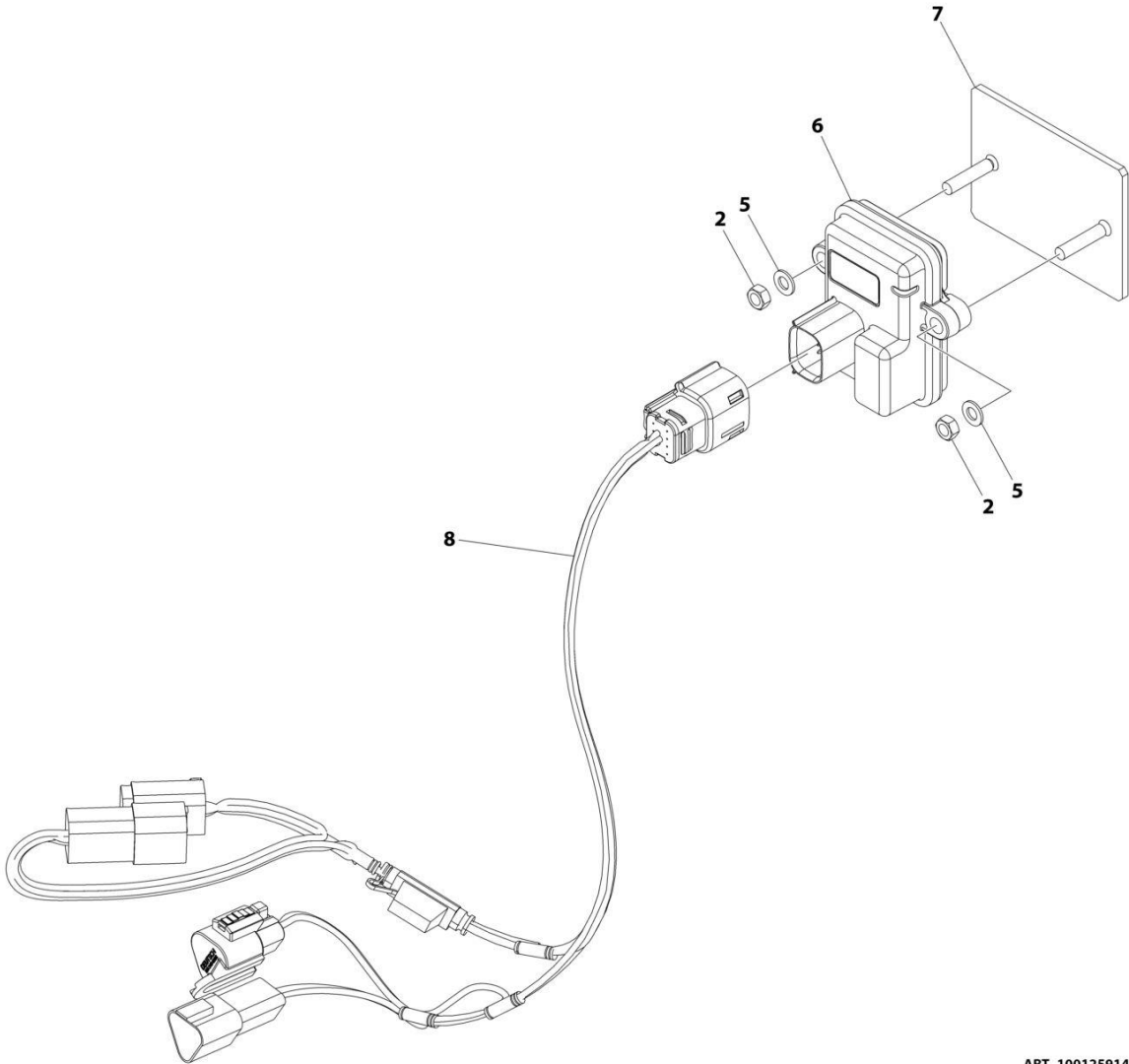
SECTION 7 - ELECTRICAL

FIGURE 7-9. BATTERY CABLE KIT - E400AN AND E400AJPN - UL SPECS

ITEM	PART NUMBER	QTY	DESCRIPTION	REV
	1001212454	Ref	BATTERY CABLE KIT	F
101	1001109833	6	Cable, Battery	
102	1001177245	1	Cable, Interconnect	
103	1001178394	1	Cable, Negative to LH Module	
104	1001178395	1	Cable, Negative to RH Module	
105	1001178396	1	Cable, Positive to Pump Motor Fuse	
106	1001178398	1	Cable, Positive to LH Module	
107	1001178399	1	Cable, Positive to RH Module	
108	1001178400	1	Cable, Pump Motor Positive	
109	1001178401	1	Cable, Pump Motor Negative	
110	1001177246	1	Cable, Battery	
111	1001178402	1	Cable, Motor R U	
112	1001178403	1	Cable, Motor L U	
113	1001189027	1	Cable, Motor R V	
114	1001189030	1	Cable, Motor R W	
115	1001189031	1	Cable, Motor L W	
116	1001189032	1	Cable, Motor L V	
117	1001212455	1	Cable, Drive Jumper	
118	1001212480	1	Cable, Battery	

SECTION 7 - ELECTRICAL

FIGURE 7-10. BLUETOOTH MODULE INSTALLATION



ART_1001259149

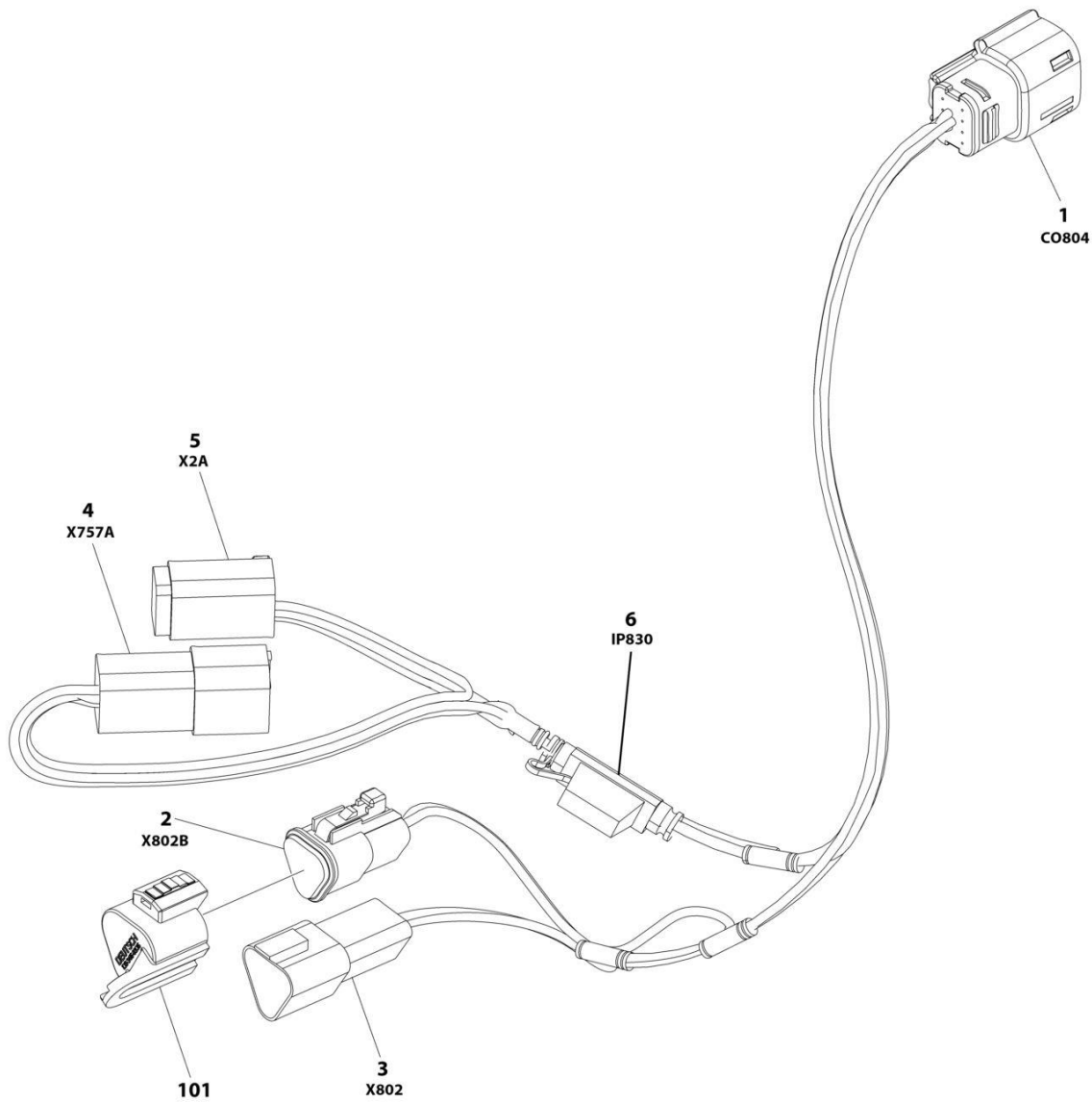
SECTION 7 - ELECTRICAL

FIGURE 7-10. BLUETOOTH MODULE INSTALLATION

ITEM	PART NUMBER	QTY	DESCRIPTION	REV
	1001259149	Ref	BLUETOOTH MODULE INSTALLATION	B
2	3290501	2	Nut M5	
5	4811600	2	Washer 5mm	
6	1001245293	1	Module, Bluetooth Control	
7	1001259155	1	Bracket, Module Mounting	
8	1001260414	1	Harness, Bluetooth Module (See Separate Breakdown in this Section)	

SECTION 7 - ELECTRICAL

FIGURE 7-11. BLUETOOTH MODULE HARNESS



ART_1001260414

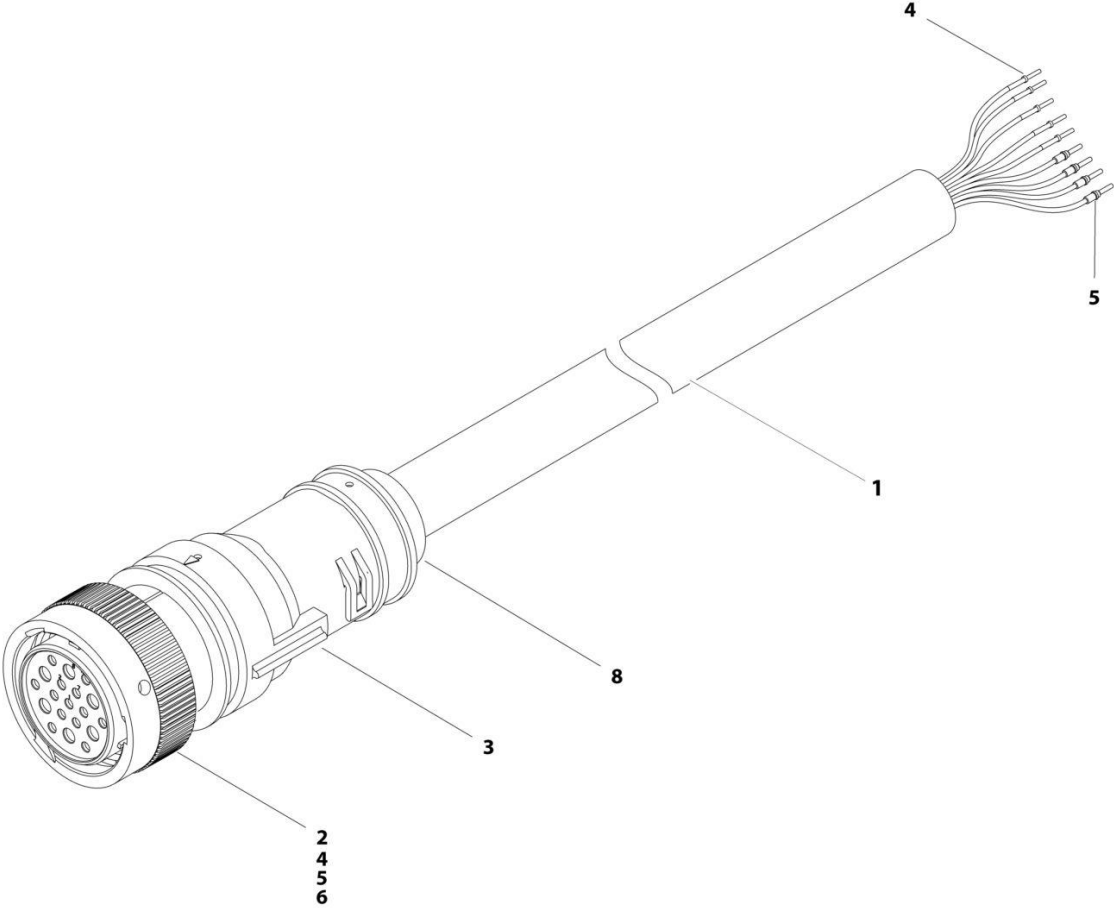
SECTION 7 - ELECTRICAL

FIGURE 7-11. BLUETOOTH MODULE HARNESS

ITEM	PART NUMBER	QTY	DESCRIPTION	REV
	1001260414	Ref	BLUETOOTH MODULE HARNESS	B
1	1001205409	1	Connector	
1	1001162887	4	Terminal	
1	1001163340	4	Plug	
2	1001116812	1	Connector	
2	4460944	2	Socket	
2	4460466	1	Plug	
3	1001144147	1	Connector	
3	4460943	2	Pin	
3	4460466	1	Plug	
4	4460932	1	Connector	
4	4460464	4	Pin	
5	4460884	1	Connector	
5	4460465	4	Socket	
6	2400060	1	Fuse Holder	
6	1001196635	1	Fuse, 3 Amp	
101	1001144296	1	Dust Cap	

SECTION 7 - ELECTRICAL

FIGURE 7-12. BOOM CABLE - LOWER



ART_1001183868

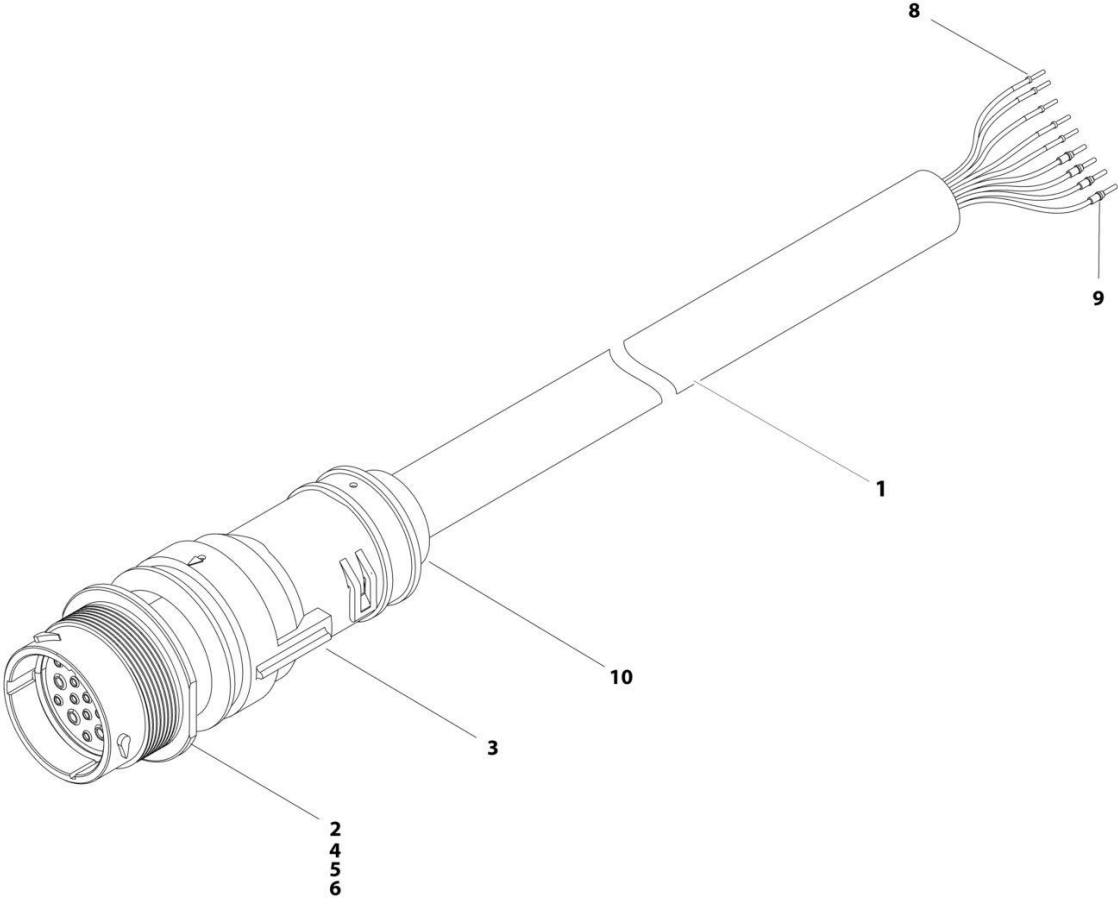
SECTION 7 - ELECTRICAL

FIGURE 7-12. BOOM CABLE - LOWER

ITEM	PART NUMBER	QTY	DESCRIPTION	REV
1	1001183868	Ref	BOOM CABLE - LOWER	C
	1060896	32 ft /9.8m	Cable, Electrical	
2	1001188292	1	Connector - 19 Position	
3	1001188291	1	Connector, Backshell	
4	4460465	22	Socket, Female	
5	4460509	8	Socket, Female	
6	4460466	4	Plug, Seal	
7	2820118	6 in /15.3 cm	Insulator, Tubing (Not Shown)	
8	1001188354	1	Grommet	
9	4240033	2	Tie-Strap (Not Shown)	

SECTION 7 - ELECTRICAL

FIGURE 7-13. BOOM CABLE - UPPER



ART_1001183867

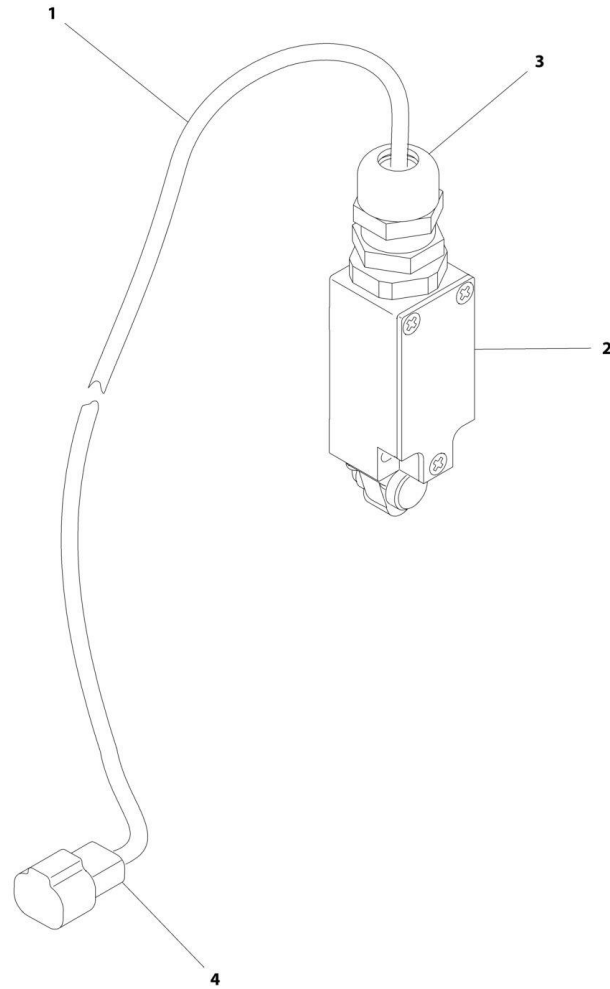
SECTION 7 - ELECTRICAL

FIGURE 7-13. BOOM CABLE - UPPER

ITEM	PART NUMBER	QTY	DESCRIPTION	REV
	1001183867	Ref	BOOM CABLE - UPPER	D
1	1060896	25.5 ft /7.8m	Cable, Electrical	
2	1001188293	1	Connector - 19 Position	
3	1001188291	1	Connector, Backshell	
4	4460465	11	Socket, Female	
5	4460509	4	Socket, Female	
6	4460466	4	Plug, Seal	
7	2820118	6 in /15.3 cm	Insulator, Tubing (Not Shown)	
8	4460464	11	Pin, Male	
9	4460508	4	Pin, Male	
10	1001188354	1	Grommet	
11	4240033	2	Tie-Strap (Not Shown)	

SECTION 7 - ELECTRICAL

FIGURE 7-14. BOOM LIMIT SWITCH HARNESS - LOWER



ART_1001187776

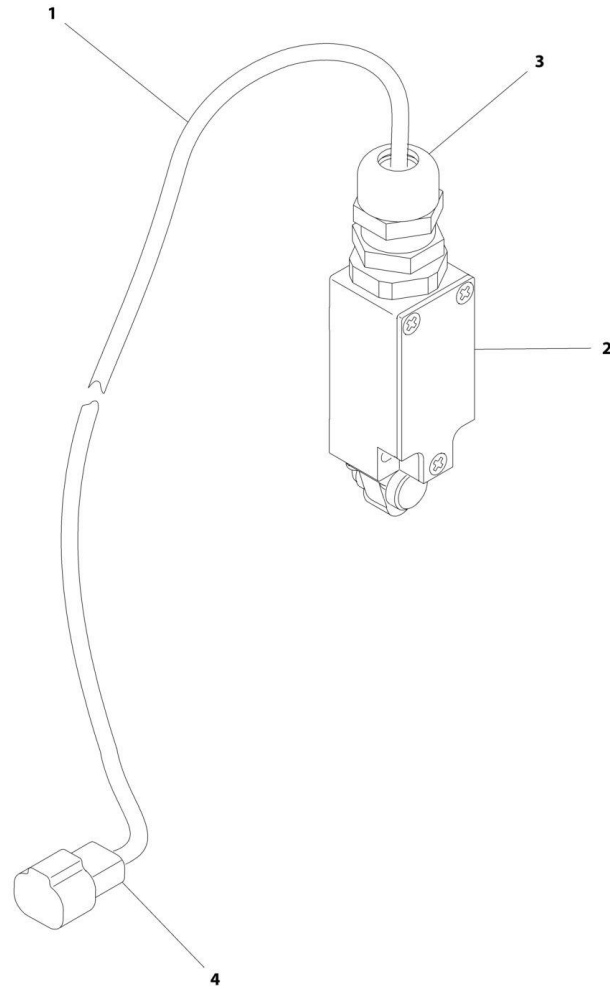
SECTION 7 - ELECTRICAL

FIGURE 7-14. BOOM LIMIT SWITCH HARNESS - LOWER

ITEM	PART NUMBER	QTY	DESCRIPTION	REV
	1001187776	Ref	BOOM LIMIT SWITCH HARNESS - LOWER	D
1	1060341	14 ft /4.3m	Cable, Electrical - 16/2	
2	4360548	1	Switch, Limit	
3	4460968	1	Connector, Strain Relief	
4	4460897	1	Connector- 2 Position	
4	4460464	2	Pin, Male	

SECTION 7 - ELECTRICAL

FIGURE 7-15. BOOM LIMIT SWITCH HARNESS - UPPER



ART_100118775

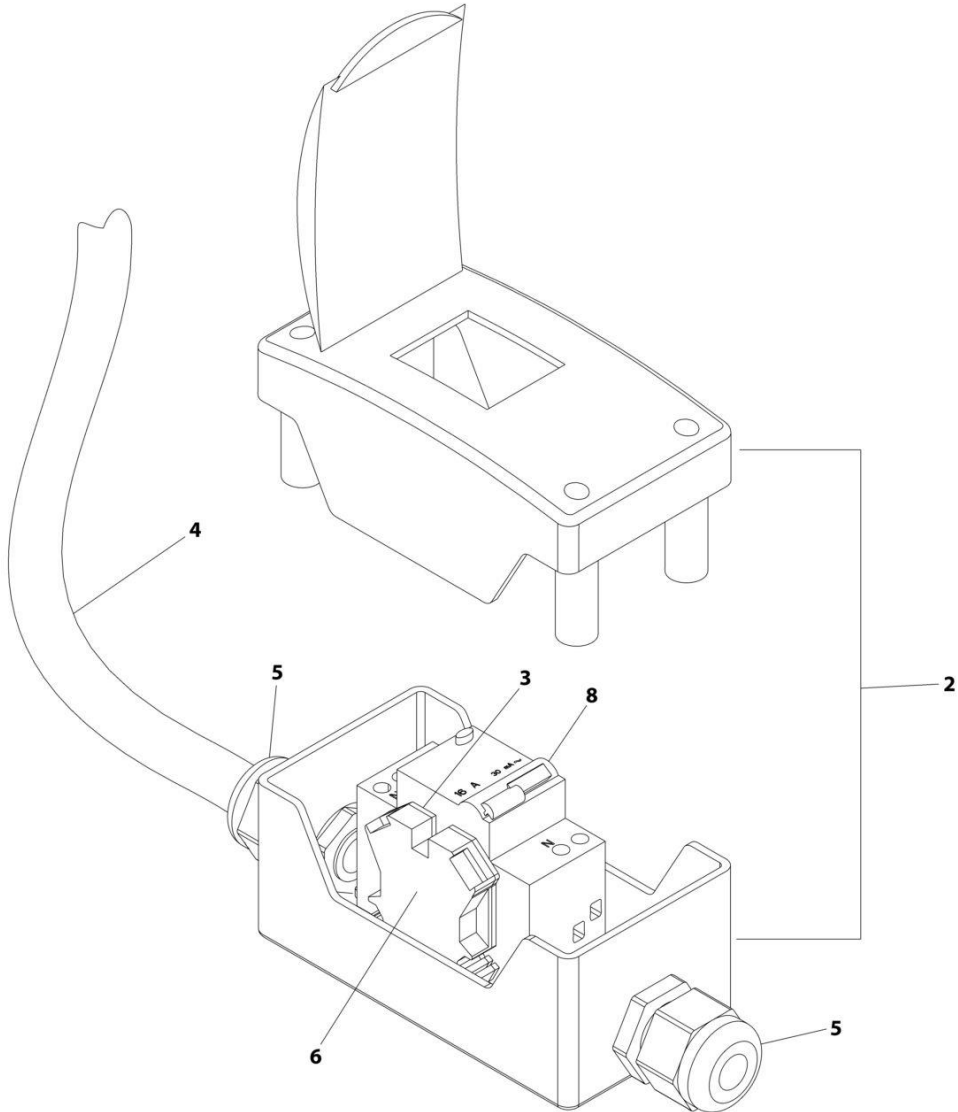
SECTION 7 - ELECTRICAL

FIGURE 7-15. BOOM LIMIT SWITCH HARNESS - UPPER

ITEM	PART NUMBER	QTY	DESCRIPTION	REV
	1001187775	Ref	BOOM LIMIT SWITCH HARNESS - UPPER	C
1	1060341	27 ft /8.23m	Cable, Electrical - 16/2	
2	4360548	1	Switch, Limit	
3	4460968	1	Connector, Strain Relief	
4	4460897	1	Connector - 2 Position	
4	4460464	2	Pin, Male	

SECTION 7 - ELECTRICAL

FIGURE 7-16. BREAKER BOX KIT WITH ONE BREAKERS - CE SPEC



ART_2902549_F

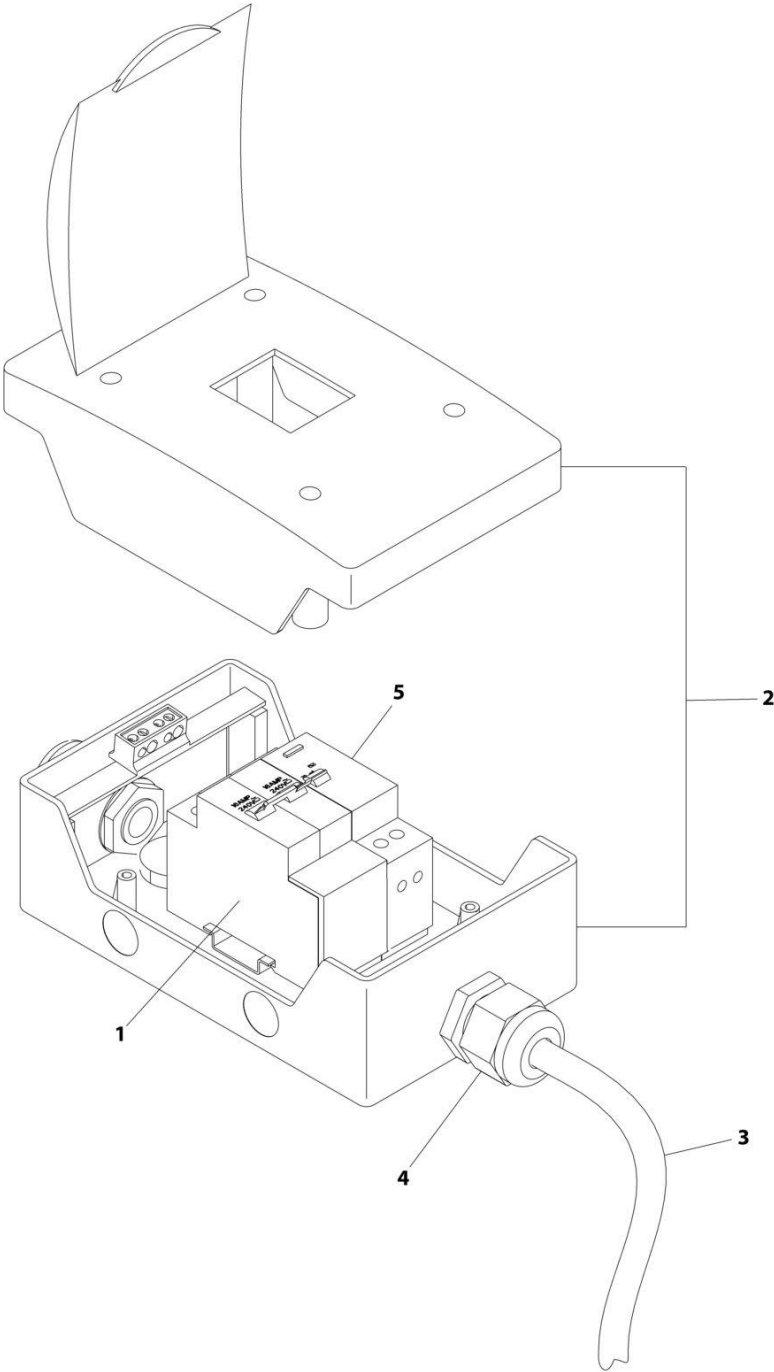
SECTION 7 - ELECTRICAL

FIGURE 7-16. BREAKER BOX KIT WITH ONE BREAKERS - CE SPEC

ITEM	PART NUMBER	QTY	DESCRIPTION	REV
	2902549	Ref	BREAKER BOX KIT	F
2	0861880	1	Box	
3	4460956	1	Barrier, Terminal	
4	1060908	6 ft/1.8m	Cable, 12/3	
5	1001097150	2	Connector, Strain Relief	
6	4460957	1	Block, Terminal	
8	1001181045	1	Breaker, 16Amp	

SECTION 7 - ELECTRICAL

FIGURE 7-17. BREAKER BOX KIT WITH TWO BREAKERS - CE SPEC



ART_1001152485_F

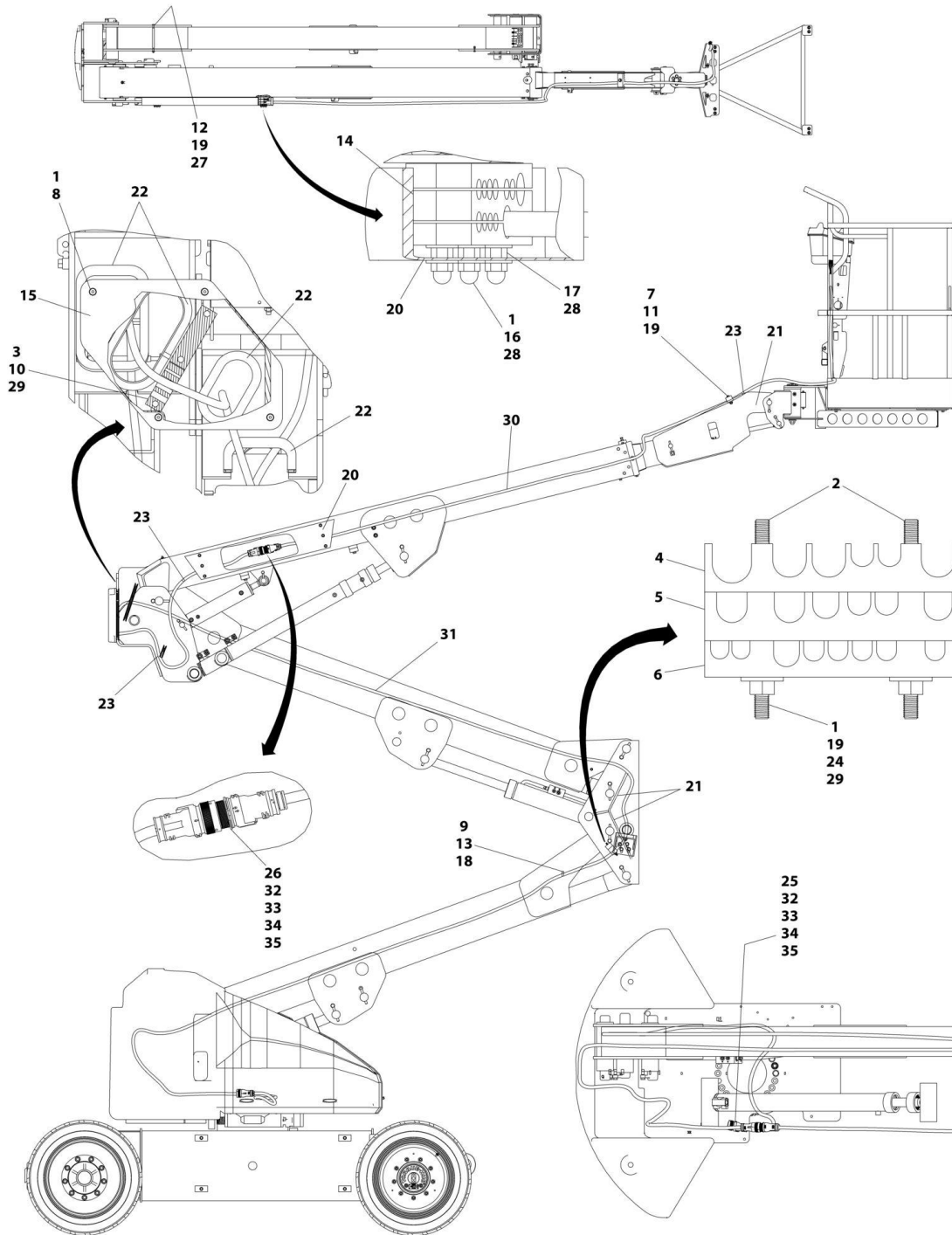
SECTION 7 - ELECTRICAL

FIGURE 7-17. BREAKER BOX KIT WITH TWO BREAKERS - CE SPEC

ITEM	PART NUMBER	QTY	DESCRIPTION	REV
	1001152485	Ref	BREAKER BOX KIT WITH TWO BREAKERS	F
1	1001189172	1	Breaker 16Amp Double	
2	1001152483	1	Box	
3	1060908	6 ft/1.8m	Cable, 12/3	
4	1001097150	2	Connector, Strain Relief	
5	1001189171	1	Breaker, 30mA	

SECTION 7 - ELECTRICAL

FIGURE 7-18. CABLES AND CLAMPS INSTALLATION - E400AN



ART_1001183521

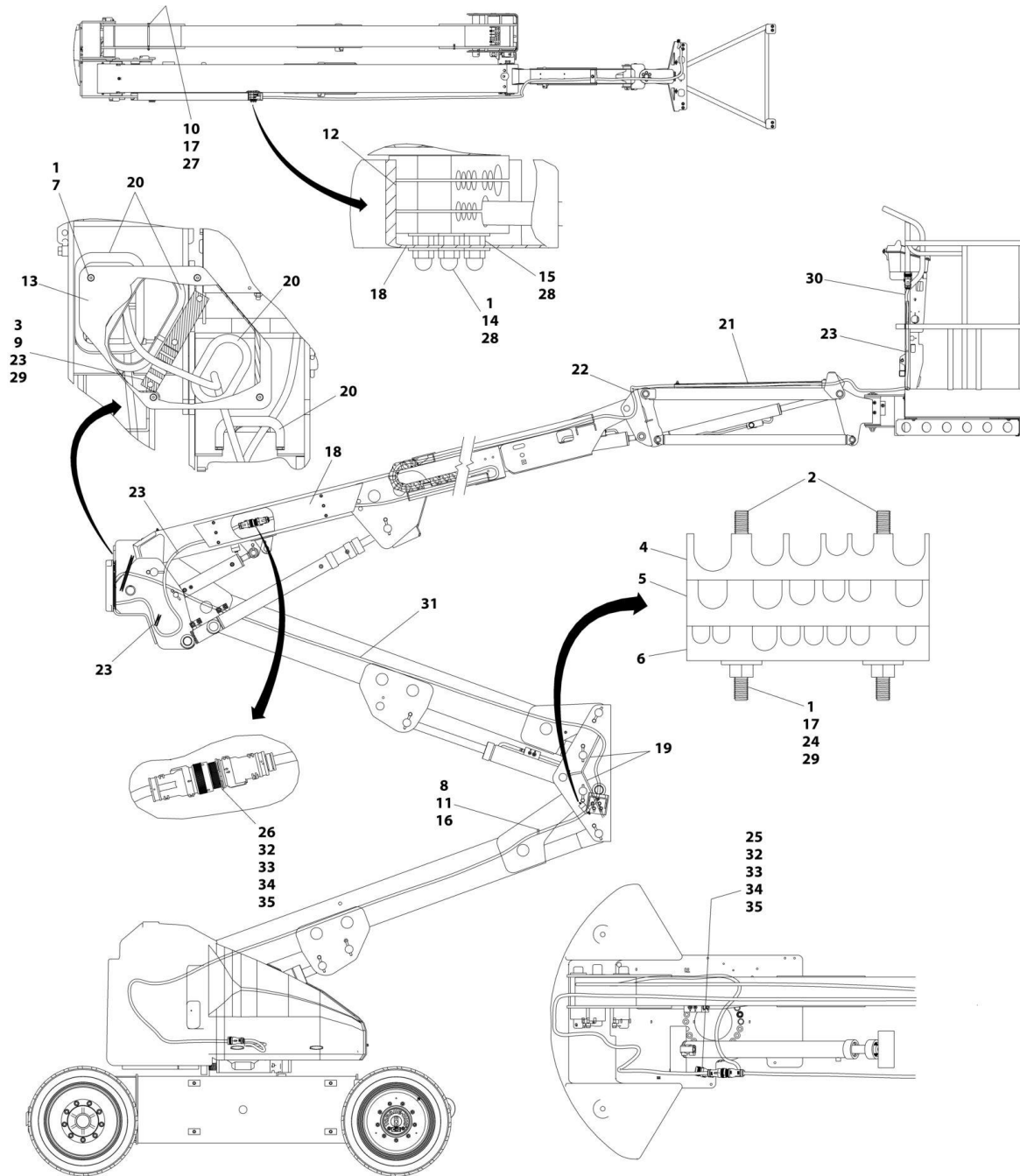
SECTION 7 - ELECTRICAL

FIGURE 7-18. CABLES AND CLAMPS INSTALLATION - E400AN

ITEM	PART NUMBER	QTY	DESCRIPTION	REV
	1001183521	Ref	CABLES AND CLAMPS INSTALLATION	C
1	0100011	AR	Compound, Locking	
2	0100019	AR	Compound, Locking	
3	0561317	1	Block, Hose Clamp	
4	0561384	1	Block, Hose Clamp	
5	0561385	1	Block, Hose Clamp	
6	0561386	1	Block, Hose Clamp	
7	0561424	1	Block, Hose Clamp	
8	0630467	4	Capscrew, Button 5-16 x 1/2	
9	0641410	1	Bolt 1/4 x 1-1/4	
10	0641514	3	Bolt 5/16 x 1-3/4	
11	0641516	1	Bolt 5/16 x 2	
12	0641560	1	Bolt 5/16 x 7-1/2	
13	1320043	1	Clamp, Cable	
14	1320260	2	Block, Hose Clamp	
15	1670697	1	Cover, Hose	
16	3300151	6	Nut 1/4	
17	3311401	6	Nut 1/4	
18	3311405	1	Nut 1/4	
19	3311505	4	Nut 5/16	
20	3536999	1	Shield	
21	4060805	2 ft /0.61m	Trim, Flex	
22	4060808	6 ft /1.83m	Trim, Flex	
23	4240099	AR	Tie, Strap	
24	4300140	2	Stud 5/16 x 3-5/8	
25	1001188292	1	Connector - 19 Position	
26	1001188293	1	Connector - 19 Position	
27	4566243	1	Roller	
28	4751400	12	Washer 1/4	
29	4751500	8	Washer 5/16	
30	1001183867	1	Harness Assembly - Upper Boom (See Separate Breakdown in this Section)	
31	1001183868	1	Harness Assembly - Lower Boom (See Separate Breakdown in this Section)	
32	4240033	AR	Tie-Strap	
33	4460466	8	Terminal	
34	1001188291	2	Connector, Backshell	
35	1001188354	2	Grommet	

SECTION 7 - ELECTRICAL

FIGURE 7-19. CABLES AND CLAMPS INSTALLATION - E400AJPN



ART_1001183520

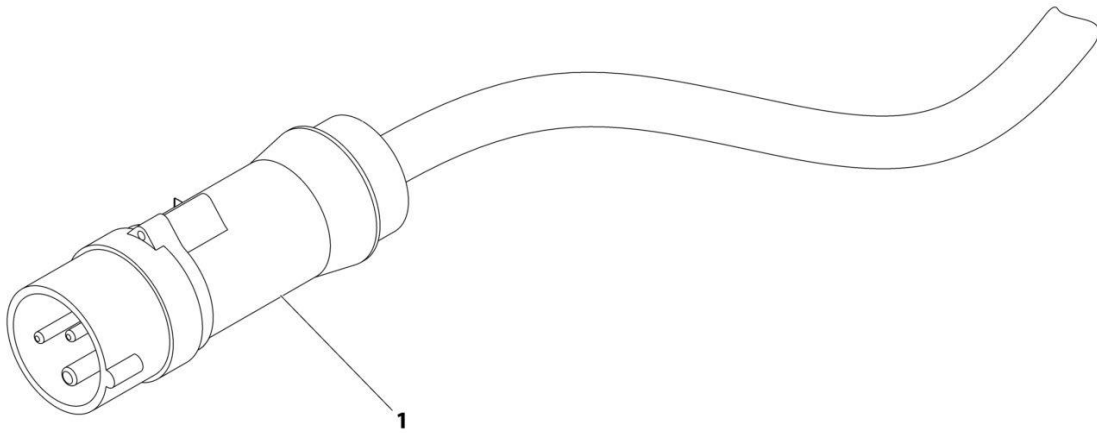
SECTION 7 - ELECTRICAL

FIGURE 7-19. CABLES AND CLAMPS INSTALLATION - E400AJPN

ITEM	PART NUMBER	QTY	DESCRIPTION	REV
	1001183520	Ref	CABLES AND CLAMPS INSTALLATION	C
1	0100011	AR	Compound, Locking	
2	0100019	AR	Compound, Locking	
3	0561317	1	Block, Hose Clamp	
4	0561384	1	Block, Hose Clamp	
5	0561385	1	Block, Hose Clamp	
6	0561386	1	Block, Hose Clamp	
7	0630467	4	Capscrew, Button 5-16 x 1/2	
8	0641410	1	Bolt 1/4 x 1-1/4	
9	0641514	3	Bolt 5/16 x 1-3/4	
10	0641560	1	Bolt 5/16 x 7-1/2	
11	1320043	1	Clamp, Cable	
12	1320260	2	Block, Hose Clamp	
13	1670697	1	Cover, Hose	
14	3300151	6	Nut 1/4	
15	3311401	6	Nut 1/4	
16	3311405	1	Nut 1/4	
17	3311505	3	Nut 5/16	
18	3571462	1	Shield	
19	4060805	1.5 ft /0.46m	Trim, Flex	
20	4060808	6 ft /1.83m	Trim, Flex	
21	4100065	1	Sleeve, Hose	
22	4100067	AR	Sleeve, Hose	
23	4240099	AR	Tie, Strap	
24	4300140	2	Stud 5/16 x 3-5/8	
25	1001188292	1	Connector - 19 Position	
26	1001188293	1	Connector - 19 Position	
27	4566243	1	Roller	
28	4751400	12	Washer 1/4	
29	4751500	5	Washer 5/16	
30	1001183867	1	Harness Assembly - Upper Boom (See Separate Breakdown in this Section)	
31	1001183868	1	Harness Assembly - Lower Boom (See Separate Breakdown in this Section)	
32	4240033	AR	Tie-Strap	
33	4460466	8	Terminal	
34	1001188291	2	Connector, Backshell	
35	1001188354	2	Grommet	

SECTION 7 - ELECTRICAL

FIGURE 7-20. CHARGER CORD PLUG INSTALLATION - 110V - IEC 60309 - YELLOW (CE SPEC)



ART_0275666

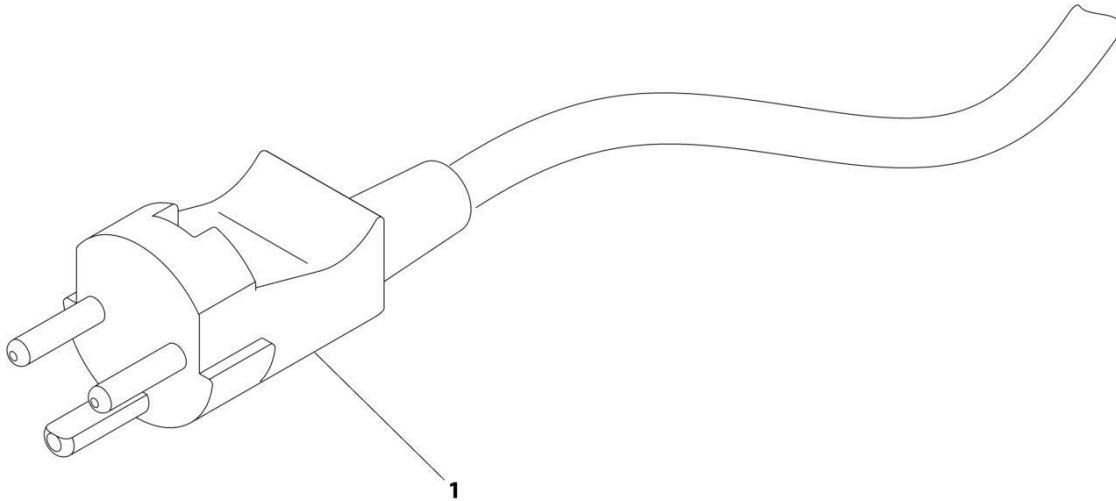
SECTION 7 - ELECTRICAL

FIGURE 7-20. CHARGER CORD PLUG INSTALLATION - 110V - IEC 60309 - YELLOW (CE SPEC)

ITEM	PART NUMBER	QTY	DESCRIPTION	REV
	0275666	Ref	CHARGER CORD PLUG INSTALLATION - 110V IEC YELLOW	B
1	4461196	1	PLUG Plug	

SECTION 7 - ELECTRICAL

FIGURE 7-21. CHARGER CORD PLUG INSTALLATION - 220V - AFSINT 107 KEYED GROUND (CE SPEC)



ART_0275665

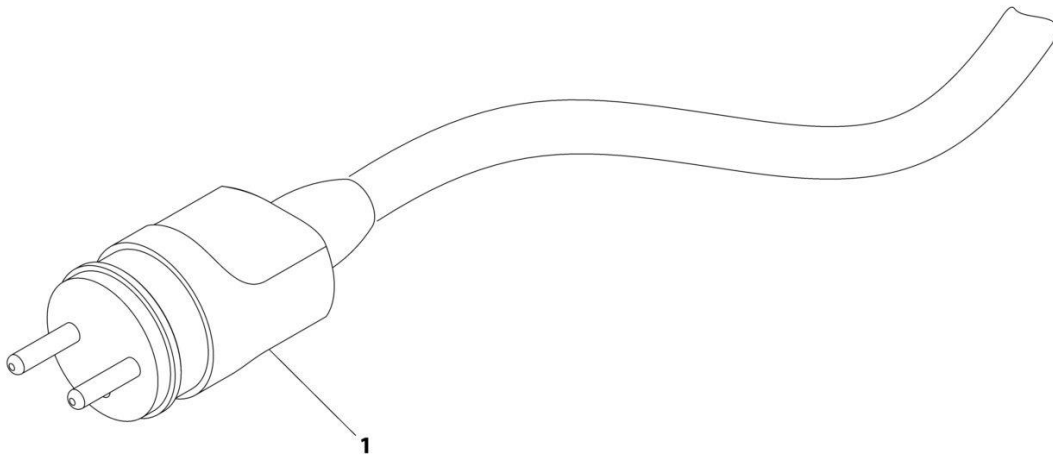
SECTION 7 - ELECTRICAL

FIGURE 7-21. CHARGER CORD PLUG INSTALLATION - 220V - AFSINT 107 KEYED GROUND (CE SPEC)

ITEM	PART NUMBER	QTY	DESCRIPTION	REV
	0275665	Ref	CHARGER CORD PLUG INSTALLATION - 220V AFSINT 107 KEYED GROUND	B
1	4461249	1	Plug	

SECTION 7 - ELECTRICAL

FIGURE 7-22. CHARGER CORD PLUG INSTALLATION - 220V - CEE7 POST GROUND (CE SPEC)



ART_0275663-C

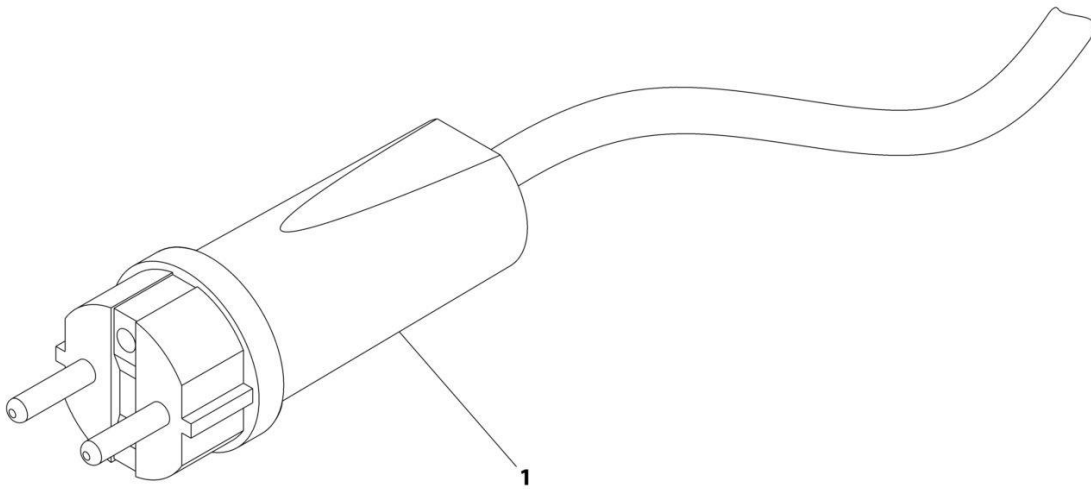
SECTION 7 - ELECTRICAL

FIGURE 7-22. CHARGER CORD PLUG INSTALLATION - 220V - CEE7 POST GROUND (CE SPEC)

ITEM	PART NUMBER	QTY	DESCRIPTION	REV
1	0275663 4461205	Ref 1	CHARGER CORD PLUG INSTALLATION - 220V POST GROUND Plug	C

SECTION 7 - ELECTRICAL

FIGURE 7-23. CHARGER CORD PLUG INSTALLATION - 220V - CEE7 SIDE GROUND (CE SPEC)



ART_0275664

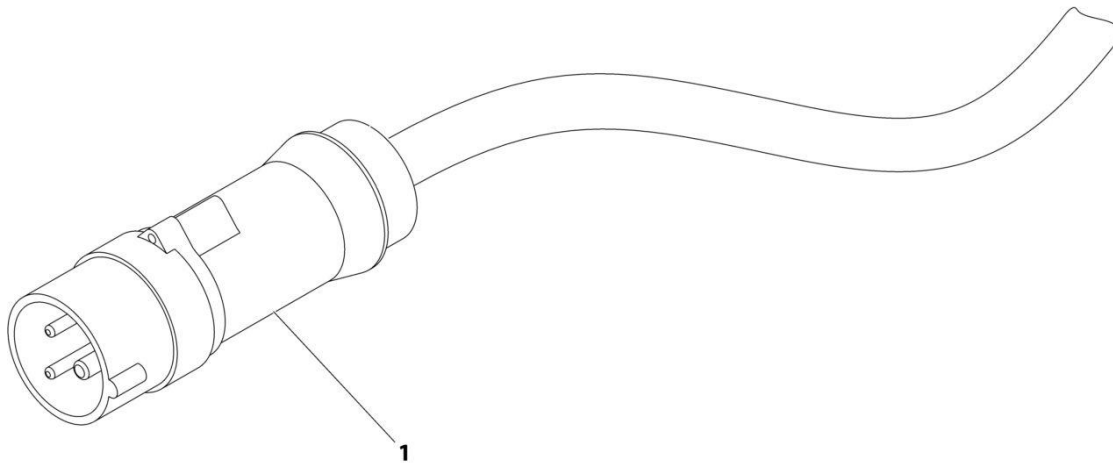
SECTION 7 - ELECTRICAL

FIGURE 7-23. CHARGER CORD PLUG INSTALLATION - 220V - CEE7 SIDE GROUND (CE SPEC)

ITEM	PART NUMBER	QTY	DESCRIPTION	REV
	0275664	Ref	CHARGER CORD PLUG INSTALLATION - 220V CEE7 SIDE GROUND	A
1	4461205	1	Plug	

SECTION 7 - ELECTRICAL

FIGURE 7-24. CHARGER CORD PLUG INSTALLATION - 220V - IEC 60309 - BLUE (CE SPEC)



ART_0275667

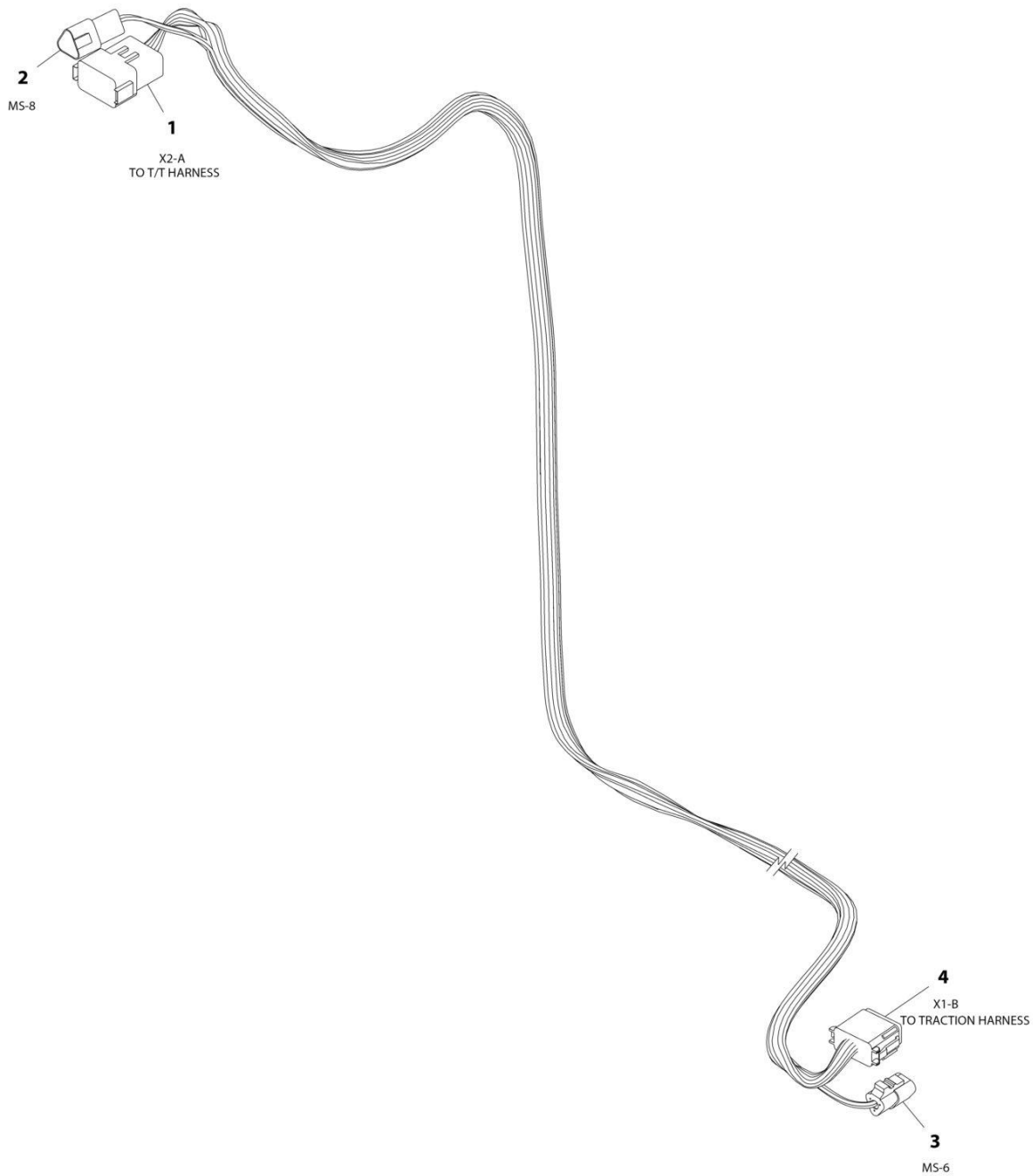
SECTION 7 - ELECTRICAL

FIGURE 7-24. CHARGER CORD PLUG INSTALLATION - 220V - IEC 60309 - BLUE (CE SPEC)

ITEM	PART NUMBER	QTY	DESCRIPTION	REV
1	0275667 4461199	Ref 1	CHARGER CORD PLUG INSTALLATION - 220V IEC BLUE PLUG Plug	B

SECTION 7 - ELECTRICAL

FIGURE 7-25. CHASSIS TO TURNTABLE HARNESS



ART_1001178405

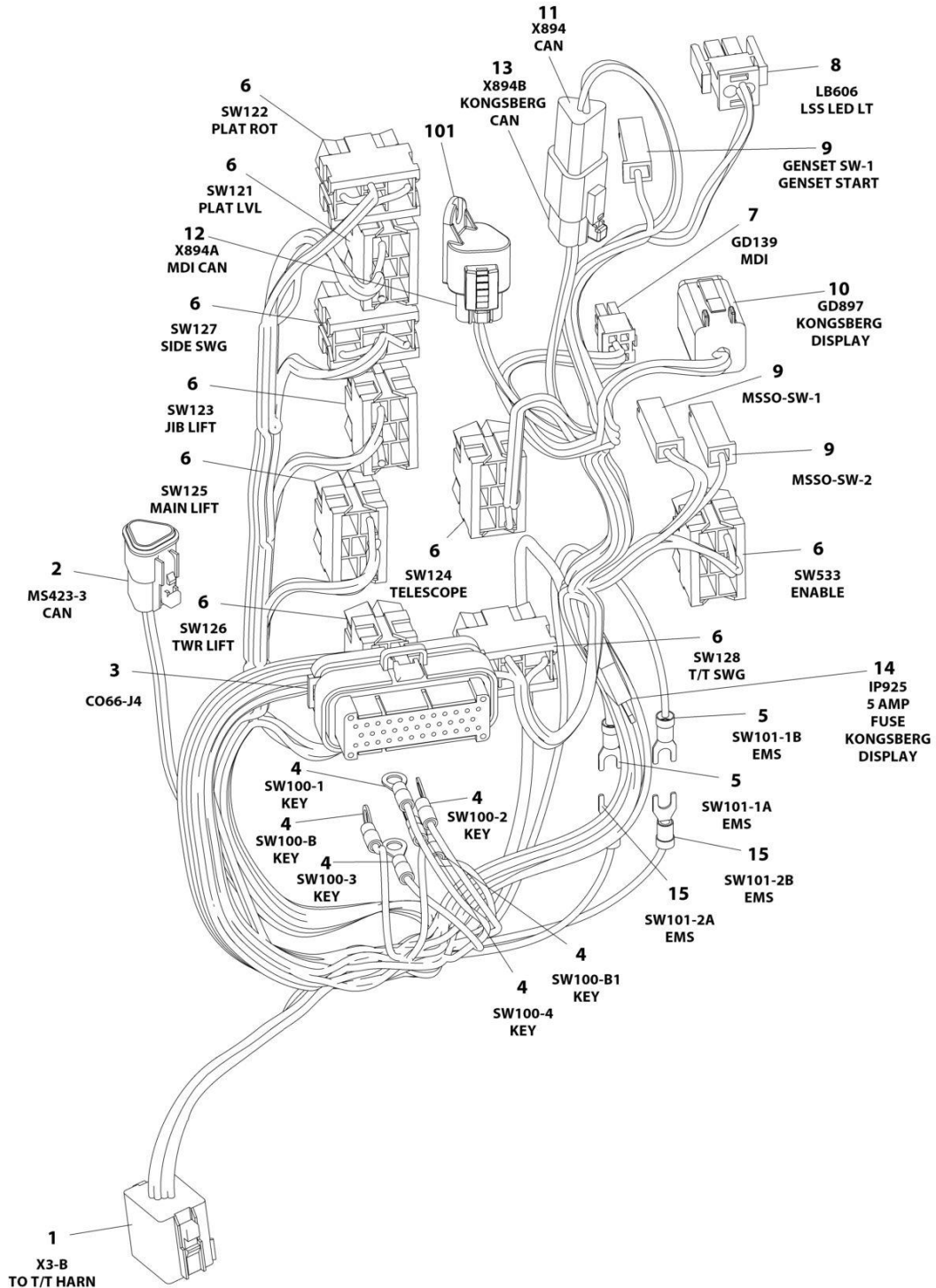
SECTION 7 - ELECTRICAL

FIGURE 7-25. CHASSIS TO TURNTABLE HARNESS

ITEM	PART NUMBER	QTY	DESCRIPTION	REV
	1001178405	Ref	CHASSIS TO TURNTABLE HARNESS	G
1	4460950	1	Connector - 12 Position	
1	1001157891	4	Terminal	
1	4460464	5	Pin, Male	
1	4460941	1	Terminal	
1	4460943	2	Pin, Male	
2	1001144147	1	Receptacle, Female - 3 Position	
2	4460943	3	Pin, Male	
3	4460539	1	Plug, Male - 3 Position	
3	4460944	3	Socket, Female	
4	4460836	1	Connector - 12 Position	
4	1001157890	4	Terminal	
4	4460465	5	Socket, Female	
4	4460942	1	Terminal	
4	4460944	2	Socket, Female	

SECTION 7 - ELECTRICAL

FIGURE 7-26. GROUND CONTROL PANEL HARNESS



ART_1001179991

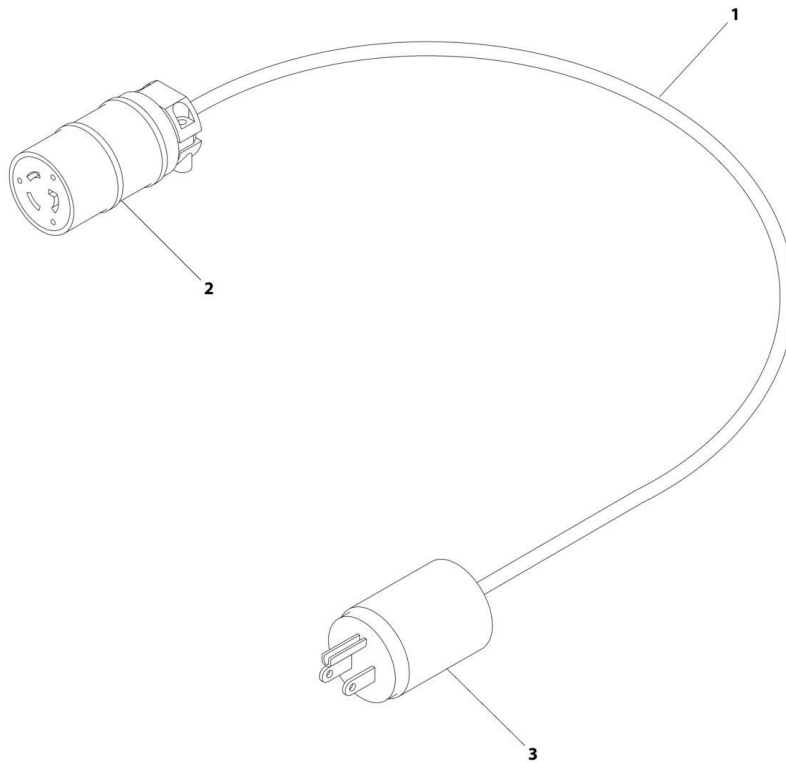
SECTION 7 - ELECTRICAL

FIGURE 7-26. GROUND CONTROL PANEL HARNESS

ITEM	PART NUMBER	QTY	DESCRIPTION	REV
	1001179991	Ref	GROUND CONTROL PANEL HARNESS	L
1	4460851	1	Connector - 8 Position	
2	1001157890	1	Socket, Female	
4	1001116692	1	Socket, Female	
1	4460465	1	Socket, Female	
1	4460466	1	Plug, Terminal	
2	1001116812	1	Plug, Male - 3 Position	
2	4460944	2	Socket, Female	
2	4460466	1	Plug, Terminal	
3	4460876	1	Connector - 35 Position	
3	4460871	23	Socket, Female	
3	4460905	12	Plug, Terminal	
4	4460313	6	Terminal, Ring	
5	4460806	2	Terminal, Fork	
6	4460418	9	Connector - 6 Position	
6	4460419	18	Terminal	
6	1001159186	17	Terminal	
7	4460868	1	Plug, Male - 6 Position	
7	4460877	4	Terminal	
8	4460320	1	Plug, Male - 2 Position	
8	4460227	2	Pin, Male	
9	4460260	3	Housing, Terminal	
9	4460259	3	Terminal	
10	4460894	1	Connector	
10	4460465	4	Socket, Female	
10	4460466	2	Plug, Terminal	
11	1001144147	1	Connector	
11	4460943	2	Pin, Male	
11	4460466	1	Plug, Terminal	
12	1001116812	1	Connector	
12	4460944	2	Socket, Female	
12	4460466	1	Plug, Terminal	
13	1001116812	1	Connector	
13	4460944	2	Socket, Female	
13	4460466	1	Plug, Terminal	
14	2400060	1	Fuseholder (Includes Cover) (PVC 2201 to Present)	
14	8229242	1	Fuse 5A (PVC 2201 to Present)	
15	4460183	2	Terminal, Fork	
101	1001144296	1	Dust Cap	

SECTION 7 - ELECTRICAL

FIGURE 7-27. INVERTER HARNESS



ART_1001182296

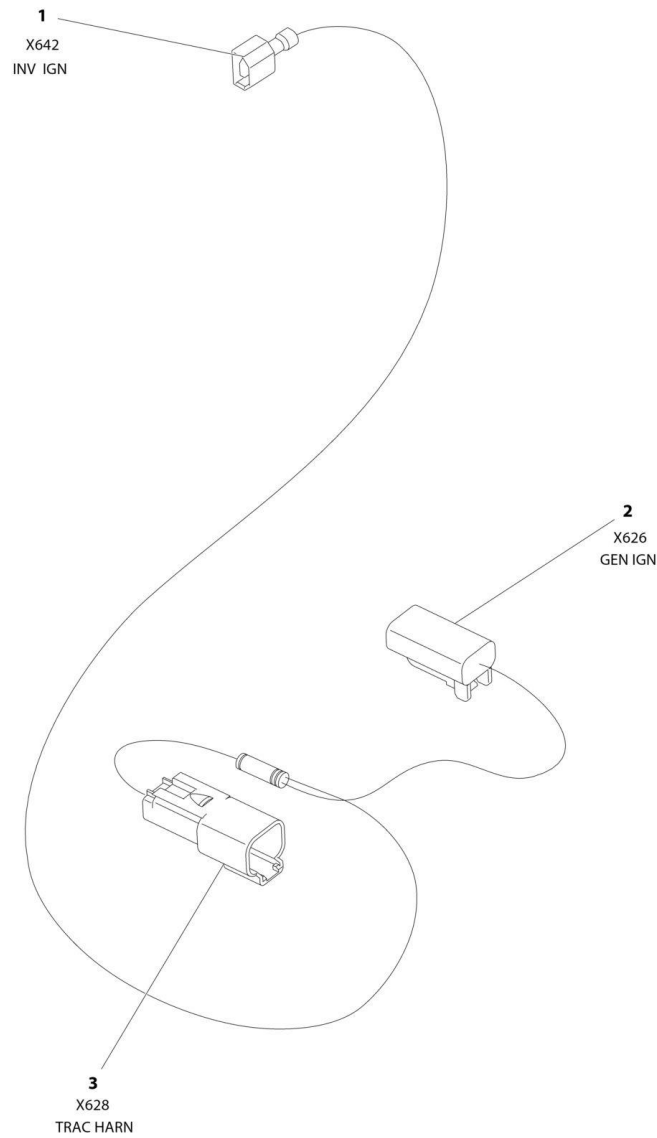
SECTION 7 - ELECTRICAL

FIGURE 7-27. INVERTER HARNESS

ITEM	PART NUMBER	QTY	DESCRIPTION	REV
1	1001182296 1060494	Ref 115 in /292cm	INVERTER HARNESS Cable, Electrical 12/3	A
2	4460134	1	Connector, Female	
3	4460138	1	Plug, Connector	

SECTION 7 - ELECTRICAL

FIGURE 7-28. INVERTER IGNITION HARNESS



ART_1001192293

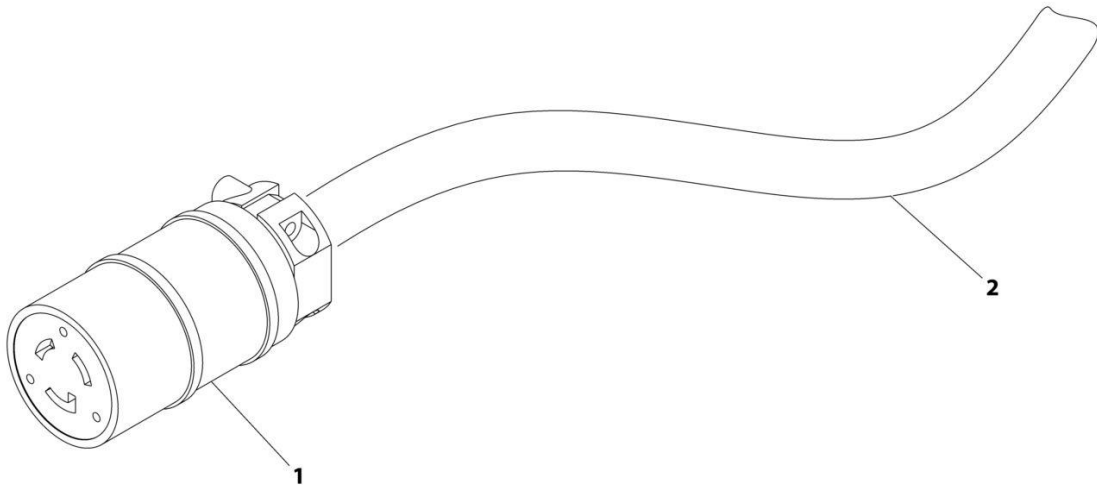
SECTION 7 - ELECTRICAL

FIGURE 7-28. INVERTER IGNITION HARNESS

ITEM	PART NUMBER	QTY	DESCRIPTION	REV
	1001192293	Ref	INVERTER IGNITION HARNESS	C
1	1001193545	1	Terminal	
2	4460891	1	Plug, Male - 2 Position	
2	4460465	1	Socket, Female	
2	4460466	1	Plug, Terminal	
3	4460897	1	Receptacle, Female - 2 Position	
3	4460464	1	Pin, Male	
3	4460466	1	Plug, Seal	

SECTION 7 - ELECTRICAL

FIGURE 7-29. LOWER BOOM 110V HARNESS ASSEMBLY



ART_4922611

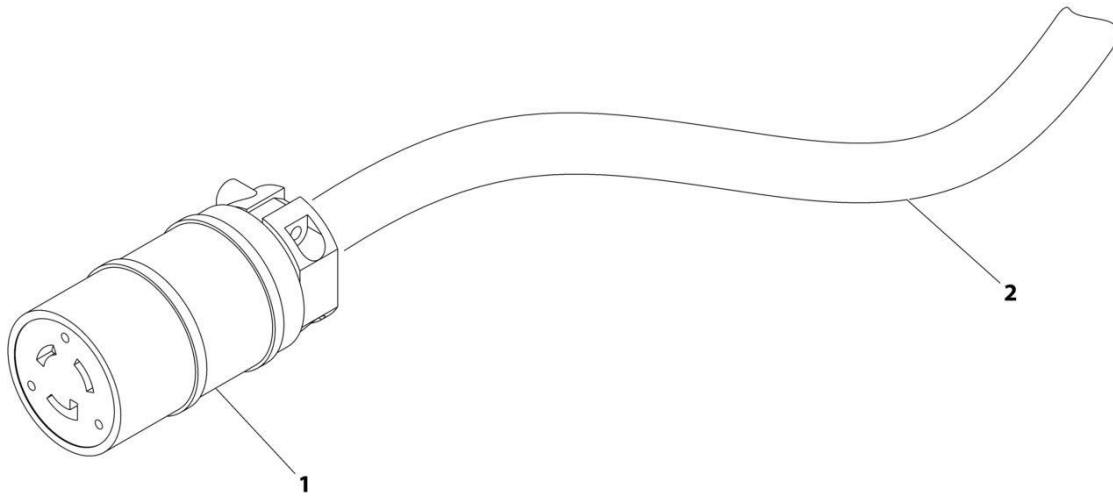
SECTION 7 - ELECTRICAL

FIGURE 7-29. LOWER BOOM 110V HARNESS ASSEMBLY

ITEM	PART NUMBER	QTY	DESCRIPTION	REV
	4922611	Ref	LOWER BOOM 110V HARNESS ASSEMBLY	1
1	4460134	1	Connector, Female	
2	1060494	32.5 ft /9.9m	Electrical Cable, 12/3	

SECTION 7 - ELECTRICAL

FIGURE 7-30. LOWER BOOM 220V HARNESS ASSEMBLY - CE SPEC



ART_4922609

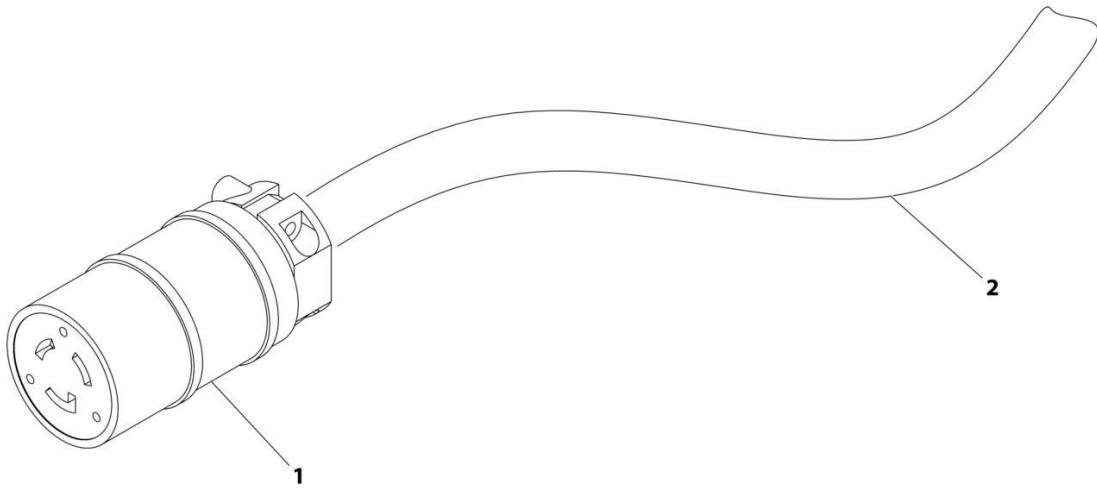
SECTION 7 - ELECTRICAL

FIGURE 7-30. LOWER BOOM 220V HARNESS ASSEMBLY - CE SPEC

ITEM	PART NUMBER	QTY	DESCRIPTION	REV
	4922609	Ref	LOWER BOOM 220V HARNESS ASSEMBLY - CE SPEC	1
1	4460710	1	Connector, Female	
2	1060461	37 ft /11.3m	Electrical Cable, 12/3	

SECTION 7 - ELECTRICAL

FIGURE 7-31. LOWER BOOM 220V HARNESS ASSEMBLY - CE SPEC



ART_4922612

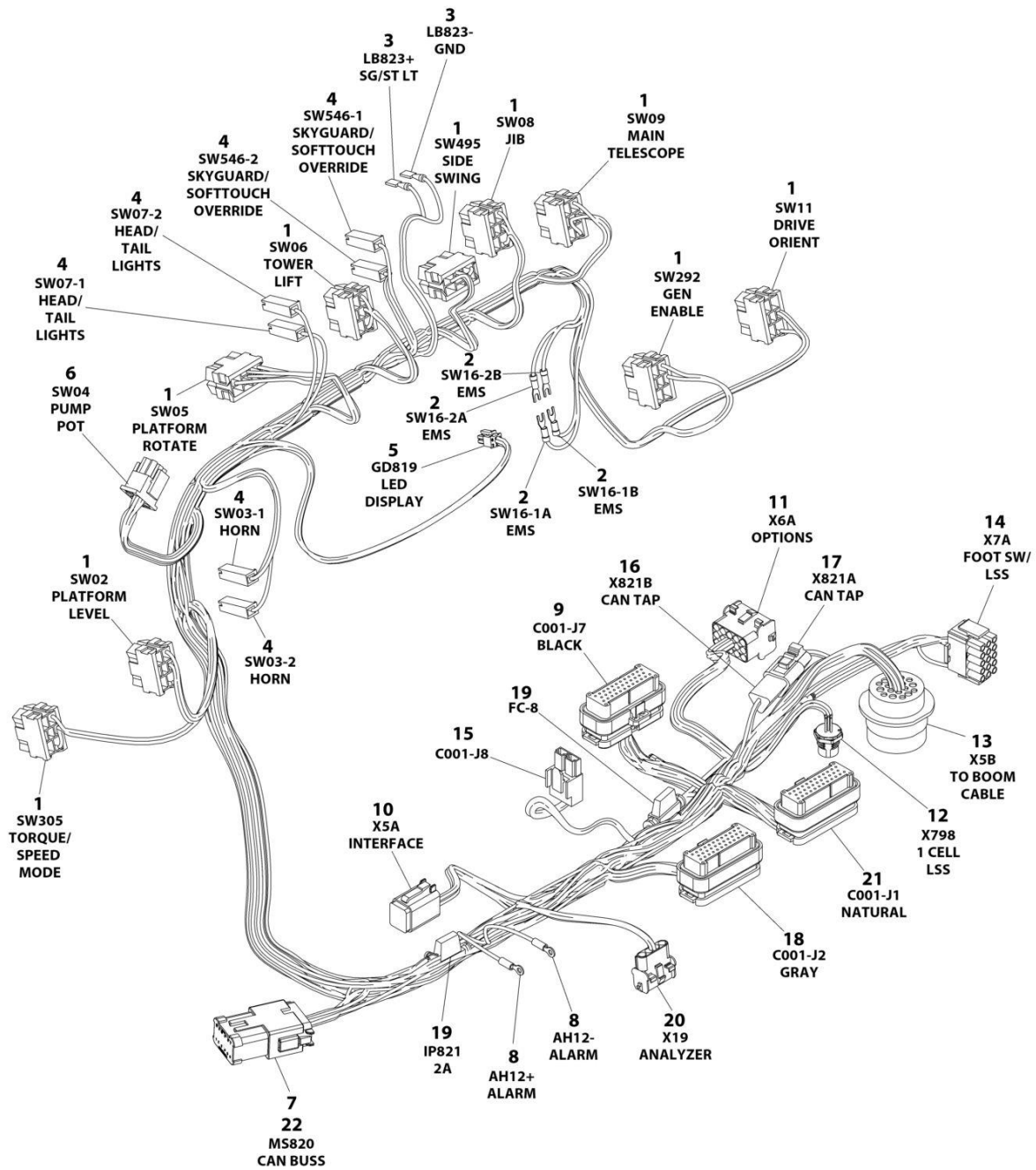
SECTION 7 - ELECTRICAL

FIGURE 7-31. LOWER BOOM 220V HARNESS ASSEMBLY - CE SPEC

ITEM	PART NUMBER	QTY	DESCRIPTION	REV
	4922612	Ref	LOWER BOOM 220V HARNESS ASSEMBLY	2
1	4460710	1	Connector, Female	
2	1060461	32.5 ft /9.9m	Electrical Cable, 12/3	

SECTION 7 - ELECTRICAL

FIGURE 7-32. PLATFORM CONSOLE HARNESS - WITH 1 CELL LSS



ART_1001245673

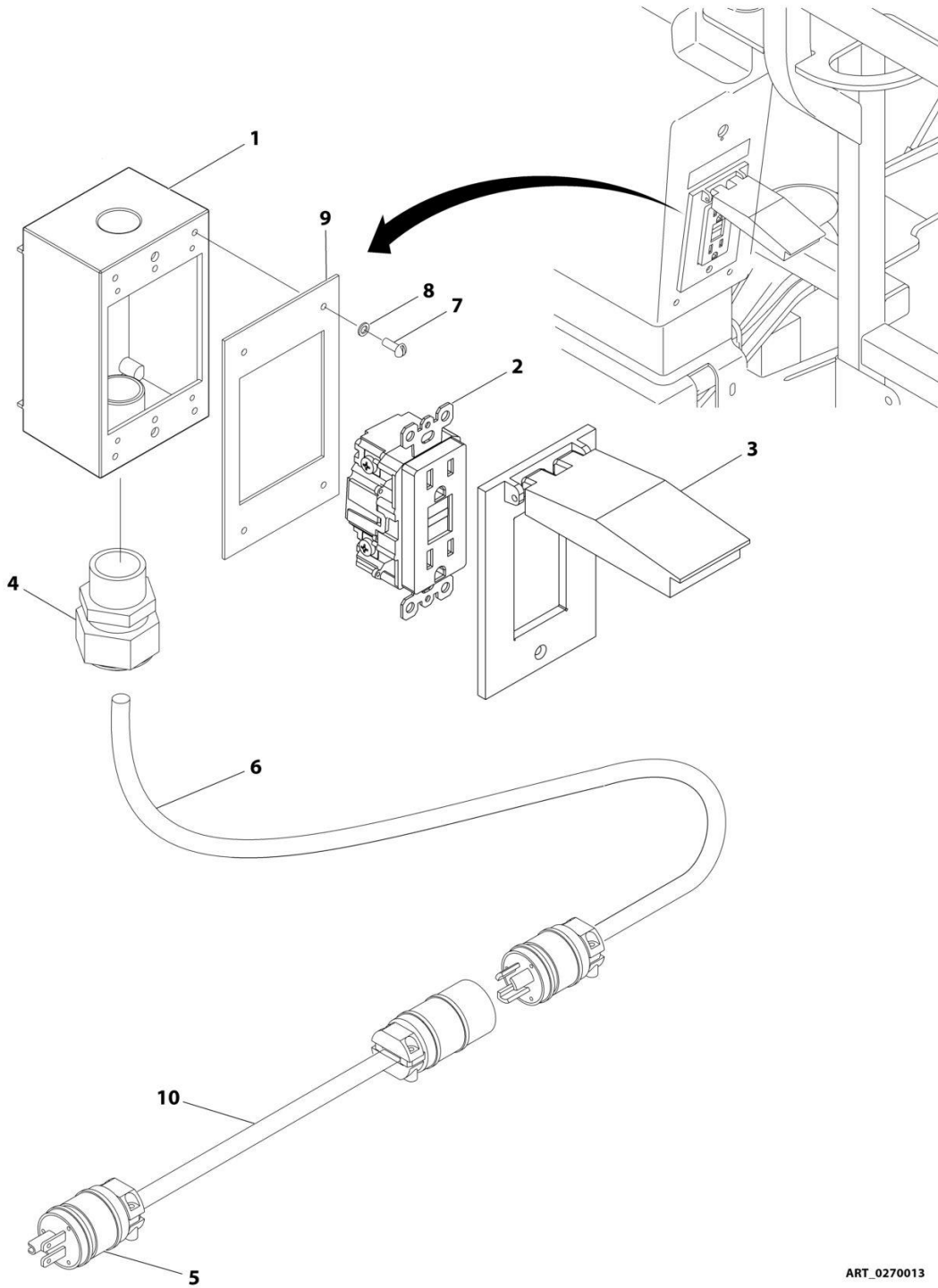
SECTION 7 - ELECTRICAL

FIGURE 7-32. PLATFORM CONSOLE HARNESS - WITH 1 CELL LSS

ITEM	PART NUMBER	QTY	DESCRIPTION	REV
	1001245673	Ref	PLATFORM CONSOLE HARNESS	D
1	4460418	9	Connector - 6 Position	
1	4460419	14	Terminal	
1	1001159186	18	Terminal	
2	4460888	4	Terminal, Fork	
3	4460016	2	Terminal	
4	4460260	6	Housing, Terminal	
4	4460259	8	Terminal	
5	1001237667	1	Connector - 6 Position	
5	1001237668	4	Terminal	
6	4460225	1	Connector - 6 Position	
6	4460267	7	Socket, Female	
7	4460933	1	Plug, Male - 12 Position	
7	4460465	10	Socket, Female	
7	4460466	2	Plug, Terminal	
8	1001098122	2	Terminal, Ring	
9	4460873	1	Connector - 35 Position	
9	4460871	21	Socket, Female	
9	4460905	14	Plug, Terminal	
10	4460894	1	Plug, Male - 6 Position	
10	4460465	6	Socket, Female	
11	4460708	1	Connector - 15 Position	
11	4460226	12	Socket, Female	
12	1001213447	1	Connector, Female - 5 Position	
13	4460866	1	Connector - 19 Position	
13	4460466	7	Plug, Terminal	
13	4460464	10	Pin, Male	
13	4460508	2	Pin, Male	
14	4460434	1	Plug, Male - 15 Position	
14	4460227	9	Pin, Male	
15	4460879	1	Plug, Male - 2 Position	
15	4460887	2	Terminal	
16	4460536	1	Receptacle, Female - 3 Position	
16	4460464	2	Pin, Male	
16	4460466	1	Plug, Terminal	
17	4460539	1	Plug, Male - 3 Position	
17	4460465	2	Socket, Female	
17	4460466	1	Plug, Terminal	
18	4460875	1	Connector - 35 Position	
18	4460905	24	Plug, Terminal	
18	4460871	11	Socket, Female	
19	2400060	2	Holder, Fuse	
19	8229242	1	Fuse - 5Amp	
19	See Note	1	Fuse - 2Amp (Note: Purchase Locally)	
20	4460761	1	Receptacle, Female - 4 Position	
20	4460227	4	Pin, Male	
21	4460874	1	Connector - 35 Position	
21	4460871	24	Socket, Female	
21	4460905	11	Plug, Terminal	
22	1001125677	1	Connector, Bussbar	

SECTION 7 - ELECTRICAL

FIGURE 7-33. PLUG AND RECEPTACLE INSTALLATION - 110V



ART_0270013

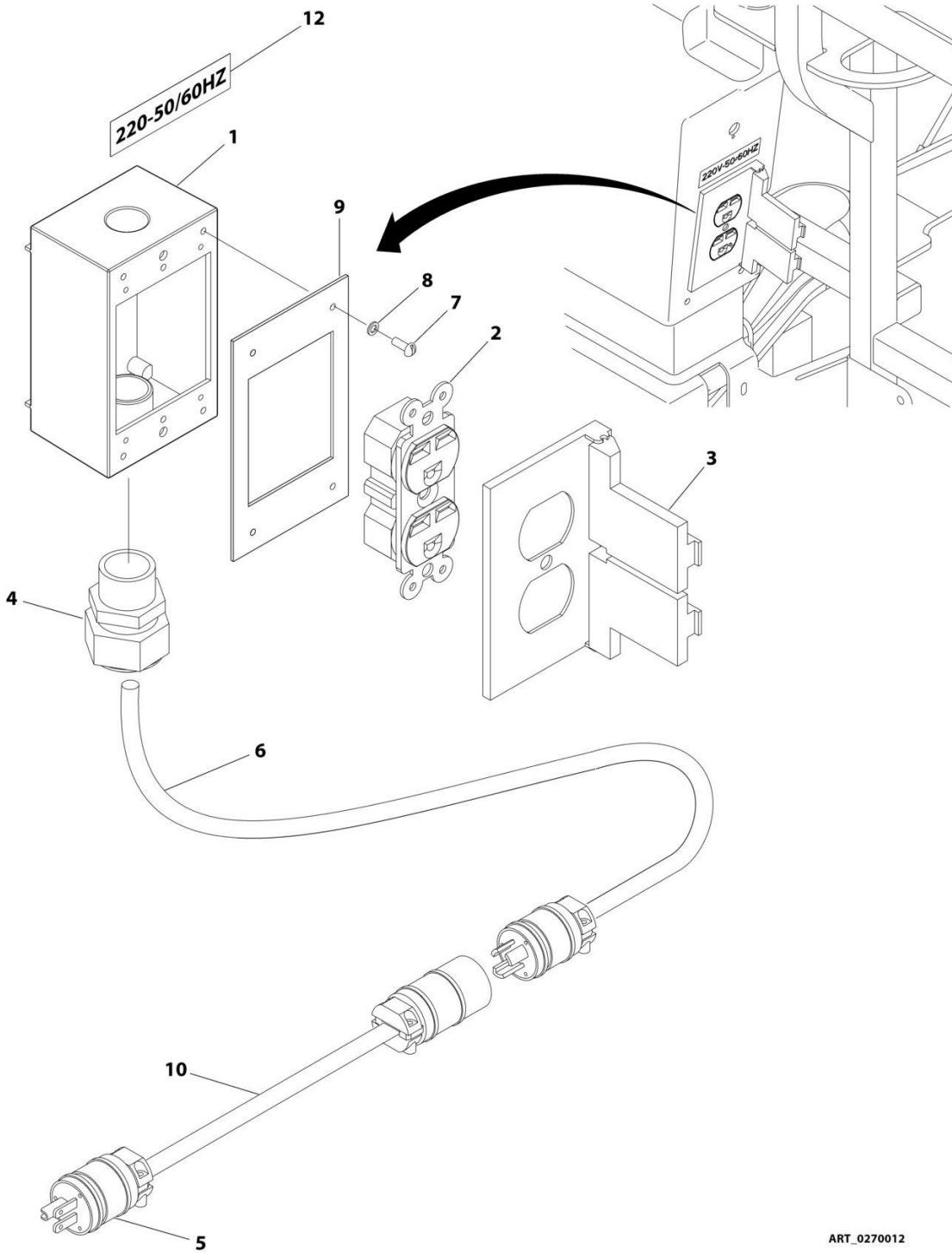
SECTION 7 - ELECTRICAL

FIGURE 7-33. PLUG AND RECEPTACLE INSTALLATION - 110V

ITEM	PART NUMBER	QTY	DESCRIPTION	REV
	0270013	Ref	PLUG AND RECEPTACLE INSTALLATION - 110V	5
1	0860038	1	Box, Switch	
2	4460346	1	Receptacle	
3	1001110873	1	Shield, Cover	
4	4460071	1	Connector, Strain Relief	
5	4460205	1	Plug, Male	
6	4922608	1	Main Boom 110V Harness Assembly (See Separate Breakdown in this Section)	
7	3910610	4	Screw, Self-tapping, #6 x 5/8	
8	4760600	4	Washer #6	
9	3960422	1	Gasket	
10	4922611	1	Lower Boom 110V Harness Assembly (See Separate Breakdown in this Section)	

SECTION 7 - ELECTRICAL

FIGURE 7-34. PLUG AND RECEPTACLE INSTALLATION - 220V



ART_0270012

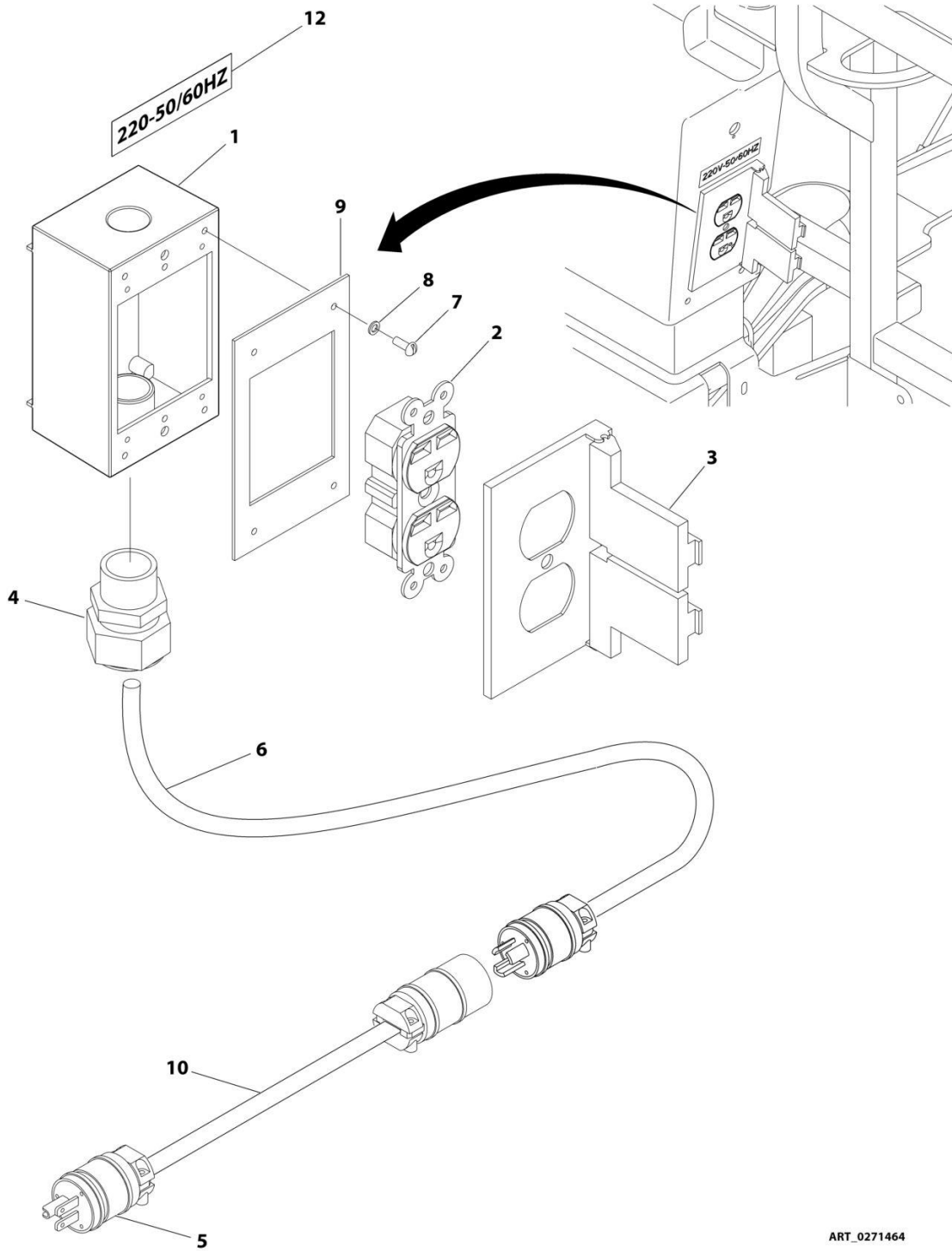
SECTION 7 - ELECTRICAL

FIGURE 7-34. PLUG AND RECEPTACLE INSTALLATION - 220V

ITEM	PART NUMBER	QTY	DESCRIPTION	REV
	0270012	Ref	PLUG AND RECEPTACLE INSTALLATION - 220V	4
1	0860038	1	Box, Switch	
2	4460125	1	Receptacle	
3	4060092	1	Shield, Cover	
4	4460071	1	Connector, Strain Relief	
5	4460233	1	Plug, Male	
6	4922608	1	Main Boom 110V Harness Assembly (See Separate Breakdown in this Section)	
7	3910610	4	Screw, Self-tapping, #6 x 5/8	
8	4760600	4	Washer #6	
9	3960422	1	Gasket	
10	4922611	1	Lower Boom 110V Harness Assembly (See Separate Breakdown in this Section)	
12	3252507	1	Decal - 220V-50/60 Hz	

SECTION 7 - ELECTRICAL

FIGURE 7-35. PLUG AND RECEPTACLE INSTALLATION - SUPPLIED LOCALLY



ART_0271464

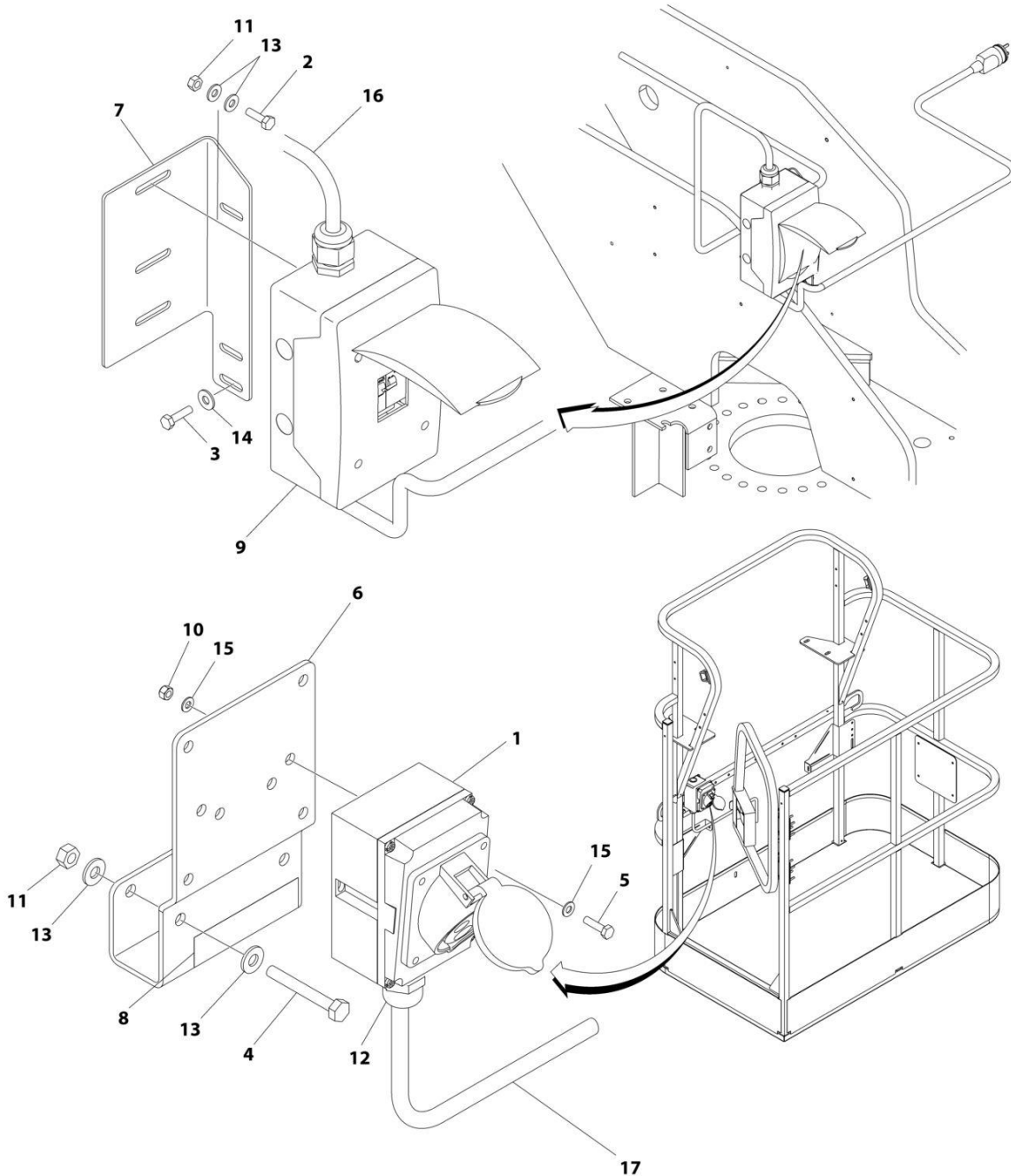
SECTION 7 - ELECTRICAL

FIGURE 7-35. PLUG AND RECEPTACLE INSTALLATION - SUPPLIED LOCALLY

ITEM	PART NUMBER	QTY	DESCRIPTION	REV
	0271464	Ref	PLUG AND RECEPTACLE INSTALLATION - SUPPLIED LOCALLY	2
1	See Note	1	Box, Switch (Note: Supplied Locally)	
2	See Note	1	Receptacle (Note: Supplied Locally)	
3	See Note	1	Shield, Cover (Note: Supplied Locally)	
4	See Note	1	Connector, Strain Relief (Note: Supplied Locally)	
5	See Note	1	Plug, Male (Note: Supplied Locally)	
6	4922610	1	Main Boom 220V Harness Assembly - CE Spec (See Separate Breakdown in this Section)	
7	See Note	4	Screw, Self-tapping, #6 x 5/8 (Note: Supplied Locally)	
8	See Note	4	Washer #6 (Note: Supplied Locally)	
9	See Note	1	Gasket (Note: Supplied Locally)	
10	4922612	1	Lower Boom 220V Harness Assembly - CE Spec (See Separate Breakdown in this Section)	
12	See Note	1	Decal - 220V-50/60Hz (Note: Supplied Locally)	

SECTION 7 - ELECTRICAL

FIGURE 7-36. PLUG AND RECEPTACLE 110V INSTALLATION - IEC 60309 - YELLOW (CE SPEC)



ART_1001166263

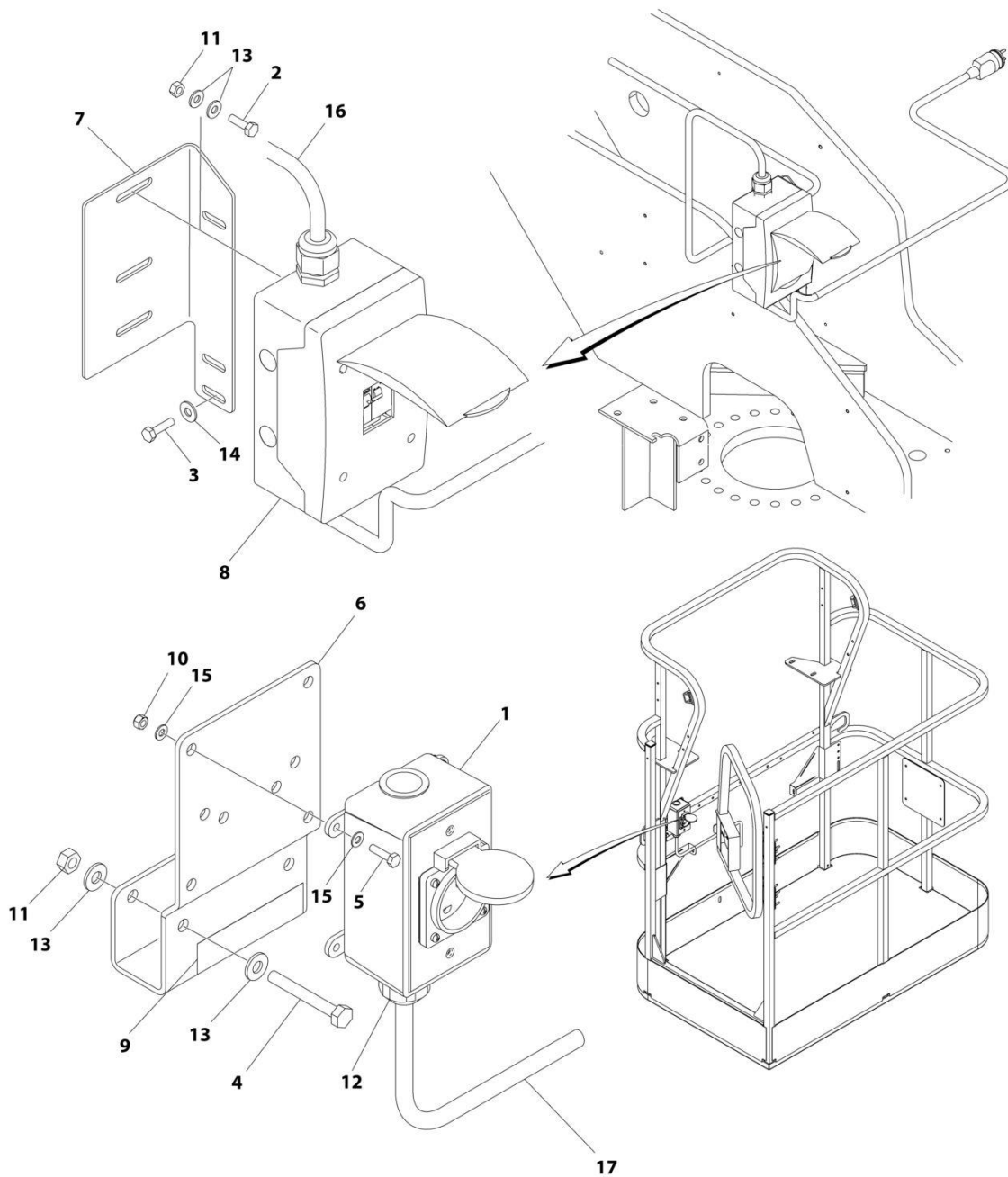
SECTION 7 - ELECTRICAL

FIGURE 7-36. PLUG AND RECEPTACLE 110V INSTALLATION - IEC 60309 - YELLOW (CE SPEC)

ITEM	PART NUMBER	QTY	DESCRIPTION	REV
	1001166263	Ref	PLUG AND RECEPTACLE 110V INSTALLATION - IEC 60309 - YELLOW	C
1	0275216	1	AC Plugs and Sockets Installation (See Separate Breakdown in this Section)	
2	0641407	2	Bolt 1/4 x 7/8	
3	0641408	2	Bolt 1/4 x 1	
4	0641416	2	Bolt 1/4 x 2	
5	0700408	2	Bolt M4 x 16	
6	1001193018	1	Bracket	
7	1001178491	1	Bracket	
8	1705325	2	Decal - 120V - 50 Hz	
9	2902549	1	Breaker Box Kit with Two Breakers (See Separate Breakdown in this Section)	
10	3290405	2	Nut M4	
11	3311405	4	Nut 1/4	
12	4460968	1	Connector, Strain Relief	
13	4711400	8	Washer 1/4	
14	4751400	2	Washer 1/4	
15	4811400	4	Washer M4	
16	4922609	1	Lower Boom 220V Harness Assembly (See Separate Breakdown in this Section)	
17	4922610	1	Main Boom 220V Harness Assembly (See Separate Breakdown in this Section)	

SECTION 7 - ELECTRICAL

FIGURE 7-37. PLUG AND RECEPTACLE 220V INSTALLATION - AFSINT 107 KEYED GROUND - 2 X 4 BOX (CE SPEC)



ART_1001166259

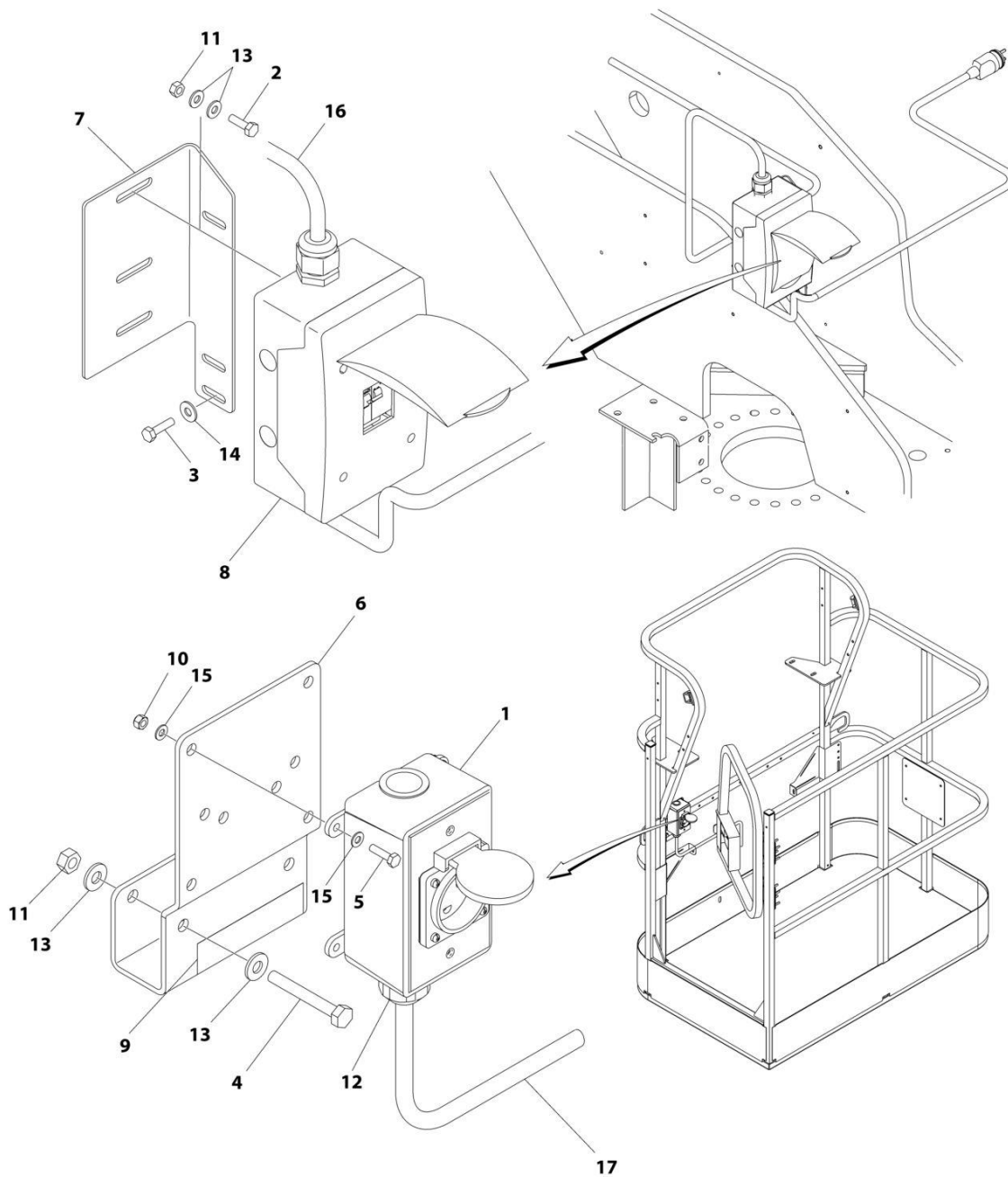
SECTION 7 - ELECTRICAL

FIGURE 7-37. PLUG AND RECEPTACLE 220V INSTALLATION - AFSINT 107 KEYED GROUND - 2 X 4 BOX (CE SPEC)

ITEM	PART NUMBER	QTY	DESCRIPTION	REV
	1001166259	Ref	PLUG AND RECEPTACLE 220V INSTALLATION - AFSINT 107 KEYED GROUND - 2 X 4 BOX	C
1	0275454	1	AC Plugs and Sockets Installation (See Separate Breakdown in this Section)	
2	0641407	2	Bolt 1/4 x 7/8	
3	0641408	2	Bolt 1/4 x 1	
4	0641416	2	Bolt 1/4 x 2	
5	0700408	4	Bolt M4 x 16	
6	1001193018	1	Bracket	
7	1001178491	1	Bracket	
8	2902549	1	Breaker Box Kit with Two Breakers (See Separate Breakdown in this Section)	
9	3252507	2	Decal - 220V - 50/60 Hz	
10	3290405	4	Nut M4	
11	3311405	4	Nut 1/4	
12	4460662	1	Connector, Strain Relief	
13	4711400	8	Washer 1/4	
14	4751400	2	Washer 1/4	
15	4811400	8	Washer M4	
16	4922609	1	Lower Boom 220V Harness Assembly (See Separate Breakdown in this Section)	
17	4922610	1	Main Boom 220V Harness Assembly (See Separate Breakdown in this Section)	

SECTION 7 - ELECTRICAL

FIGURE 7-38. PLUG AND RECEPTACLE 220V INSTALLATION - CEE7 POST GROUND - 2 X 4 BOX (CE SPEC)



ART_1001166251

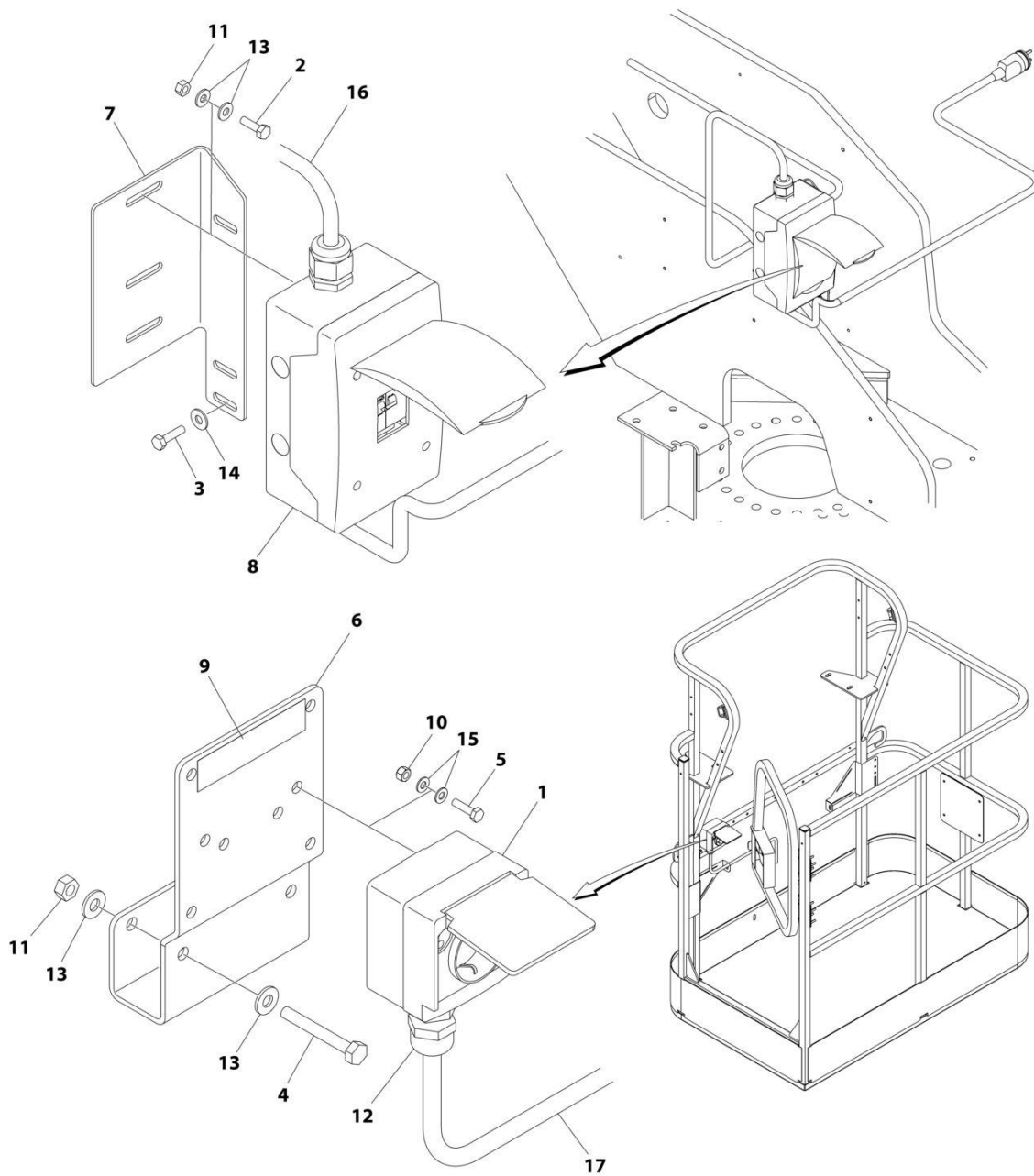
SECTION 7 - ELECTRICAL

**FIGURE 7-38. PLUG AND RECEPTACLE 220V INSTALLATION - CEE7 POST GROUND - 2 X 4 BOX
(CE SPEC)**

ITEM	PART NUMBER	QTY	DESCRIPTION	REV
	1001166251	Ref	PLUG AND RECEPTACLE 220V INSTALLATION - CEE7 POST GROUND - 2 X 4 BOX	C
1	0275452	1	AC Plugs and Sockets Installation (See Separate Breakdown in this Section)	
2	0641407	2	Bolt 1/4 x 7/8	
3	0641408	2	Bolt 1/4 x 1	
4	0641416	2	Bolt 1/4 x 2	
5	0700408	4	Bolt M4 x 16	
6	1001193018	1	Bracket	
7	1001178491	1	Bracket	
8	2902549	1	Breaker Box Kit with Two Breakers (See Separate Breakdown in this Section)	
9	3252507	2	Decal - 220V - 50/60Hz	
10	3290405	4	Nut M4	
11	3311405	4	Nut 1/4	
12	4460662	1	Connector, Strain Relief	
13	4711400	8	Washer 1/4	
14	4751400	2	Washer 1/4	
15	4811400	8	Washer M4	
16	4922609	1	Lower Boom 220V Harness Assembly (See Separate Breakdown in this Section)	
17	4922610	1	Main Boom 220V Harness Assembly (See Separate Breakdown in this Section)	

SECTION 7 - ELECTRICAL

FIGURE 7-39. PLUG AND RECEPTACLE 220V INSTALLATION - CEE7 POST GROUND - 70MM X 70MM BOX (CE SPEC)



ART_1001166261

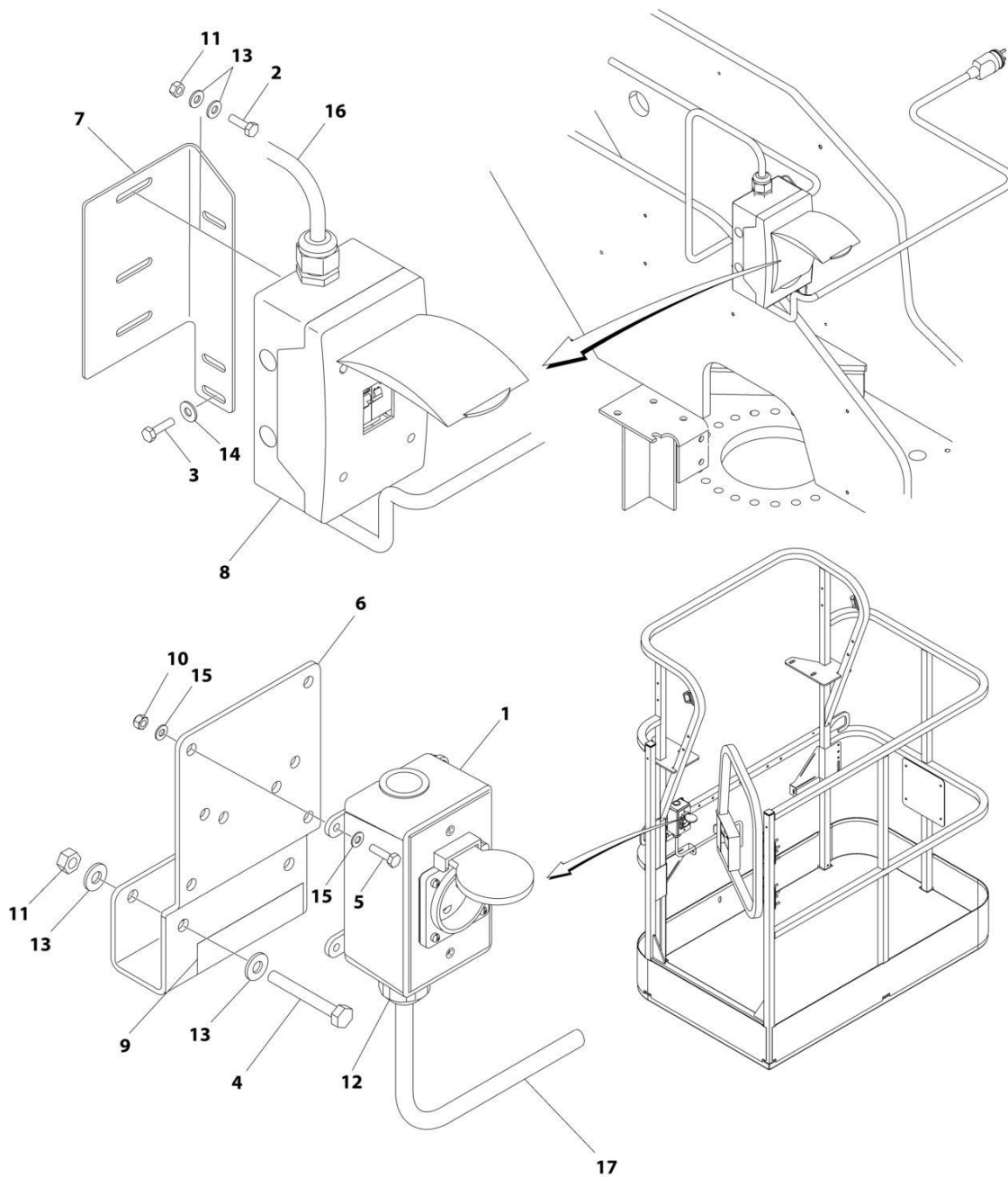
SECTION 7 - ELECTRICAL

FIGURE 7-39. PLUG AND RECEPTACLE 220V INSTALLATION - CEE7 POST GROUND - 70MM X 70MM BOX (CE SPEC)

ITEM	PART NUMBER	QTY	DESCRIPTION	REV
	1001166261	Ref	PLUG AND RECEPTACLE 220V INSTALLATION - CEE7 POST GROUND - 70MM X 70MM BOX	C
1	0275218	1	AC Plugs and Sockets Installation (See Separate Breakdown in this Section)	
2	0641407	2	Bolt 1/4 x 7/8	
3	0641408	2	Bolt 1/4 x 1	
4	0641416	2	Bolt 1/4 x 2	
5	0700408	2	Bolt M4 x 16	
6	1001193018	1	Bracket	
7	1001178491	1	Bracket	
8	2902549	1	Breaker Box Kit with Two Breakers (See Separate Breakdown in this Section)	
9	3252507	2	Decal - 220V - 50/60 Hz	
10	3290405	2	Nut M4	
11	3311405	4	Nut 1/4	
12	4460968	1	Connector, Strain Relief	
13	4711400	8	Washer 1/4	
14	4751400	2	Washer 1/4	
15	4811400	4	Washer 4mm	
16	4922609	1	Lower Boom 220V Harness Assembly (See Separate Breakdown in this Section)	
17	4922610	1	Main Boom 220V Harness Assembly (See Separate Breakdown in this Section)	

SECTION 7 - ELECTRICAL

FIGURE 7-40. PLUG AND RECEPTACLE 220 INSTALLATION - CEE7 SIDE GROUND - 2 X 4 BOX (CE SPEC)



ART_1001166258

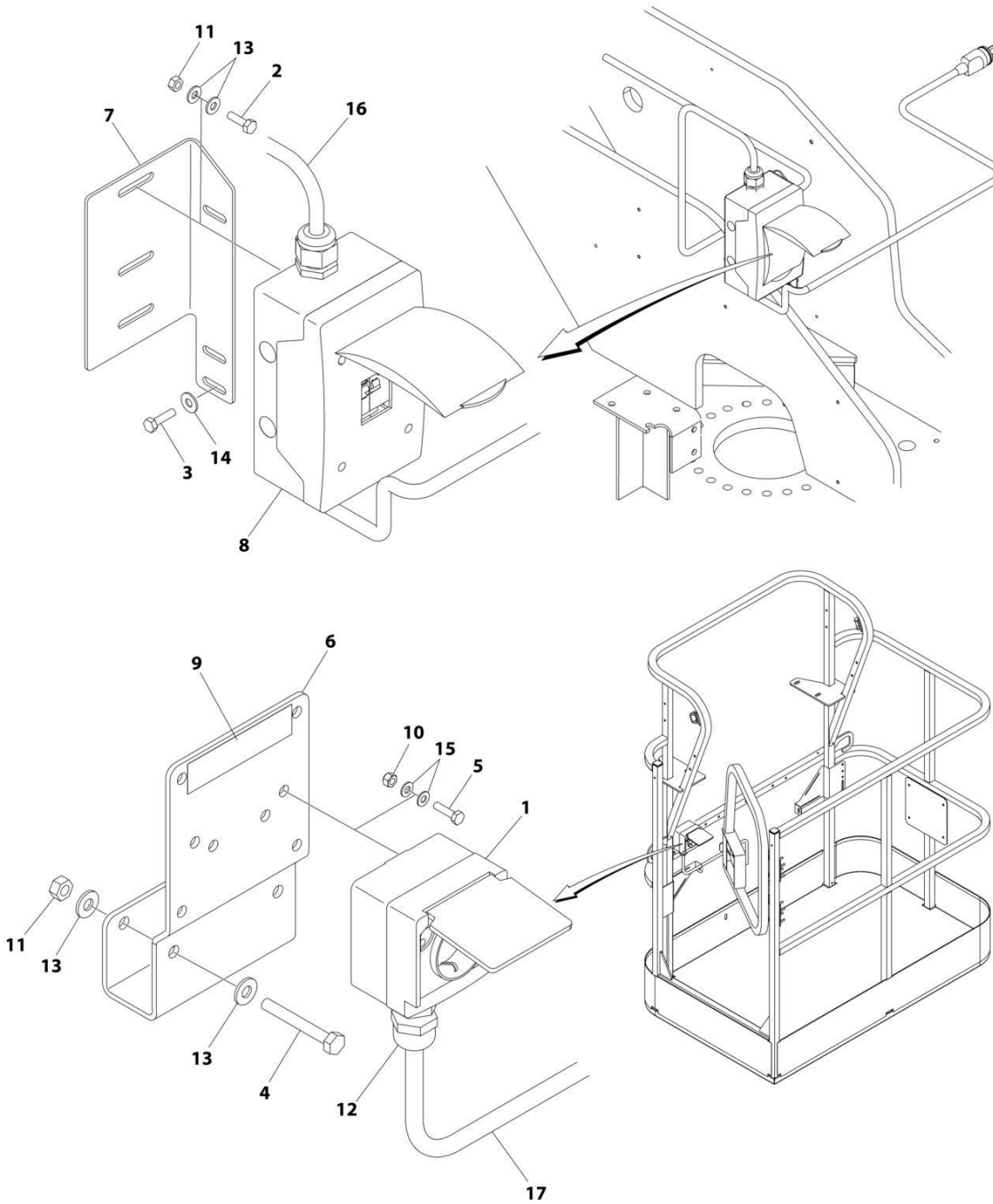
SECTION 7 - ELECTRICAL

FIGURE 7-40. PLUG AND RECEPTACLE 220 INSTALLATION - CEE7 SIDE GROUND - 2 X 4 BOX (CE SPEC)

ITEM	PART NUMBER	QTY	DESCRIPTION	REV
	1001166258	Ref	PLUG AND RECEPTACLE 220 INSTALLATION - CEE7 SIDE GROUND - 2 X 4 BOX	D
1	0275453	1	AC Plugs and Sockets Installation (See Separate Breakdown in this Section)	
2	0641407	2	Bolt 1/4 x 7/8	
3	0641408	2	Bolt 1/4 x 1	
4	0641416	2	Bolt 1/4 x 2	
5	0700408	4	Bolt M4 x 16	
6	1001193018	1	Bracket	
7	1001178491	1	Bracket	
8	1001152485	1	Breaker Box Kit with Three Breakers (See Separate Breakdown in this Section)	
9	3252507	2	Decal - 220V - 50/60 Hz	
10	3290405	4	Nut M4	
11	3311405	4	Nut 1/4	
12	4460662	1	Connector, Strain Relief	
13	4711400	8	Washer 1/4	
14	4751400	2	Washer 1/4	
15	4811400	8	Washer M4	
16	4922609	1	Lower Boom 220V Harness Assembly (See Separate Breakdown in this Section)	
17	4922610	1	Main Boom 220V Harness Assembly (See Separate Breakdown in this Section)	

SECTION 7 - ELECTRICAL

FIGURE 7-41. PLUG AND RECEPTACLE 220V INSTALLATION - CEE7 SIDE GROUND - 70MM X 70MM BOX (CE SPEC)



ART_1001166262

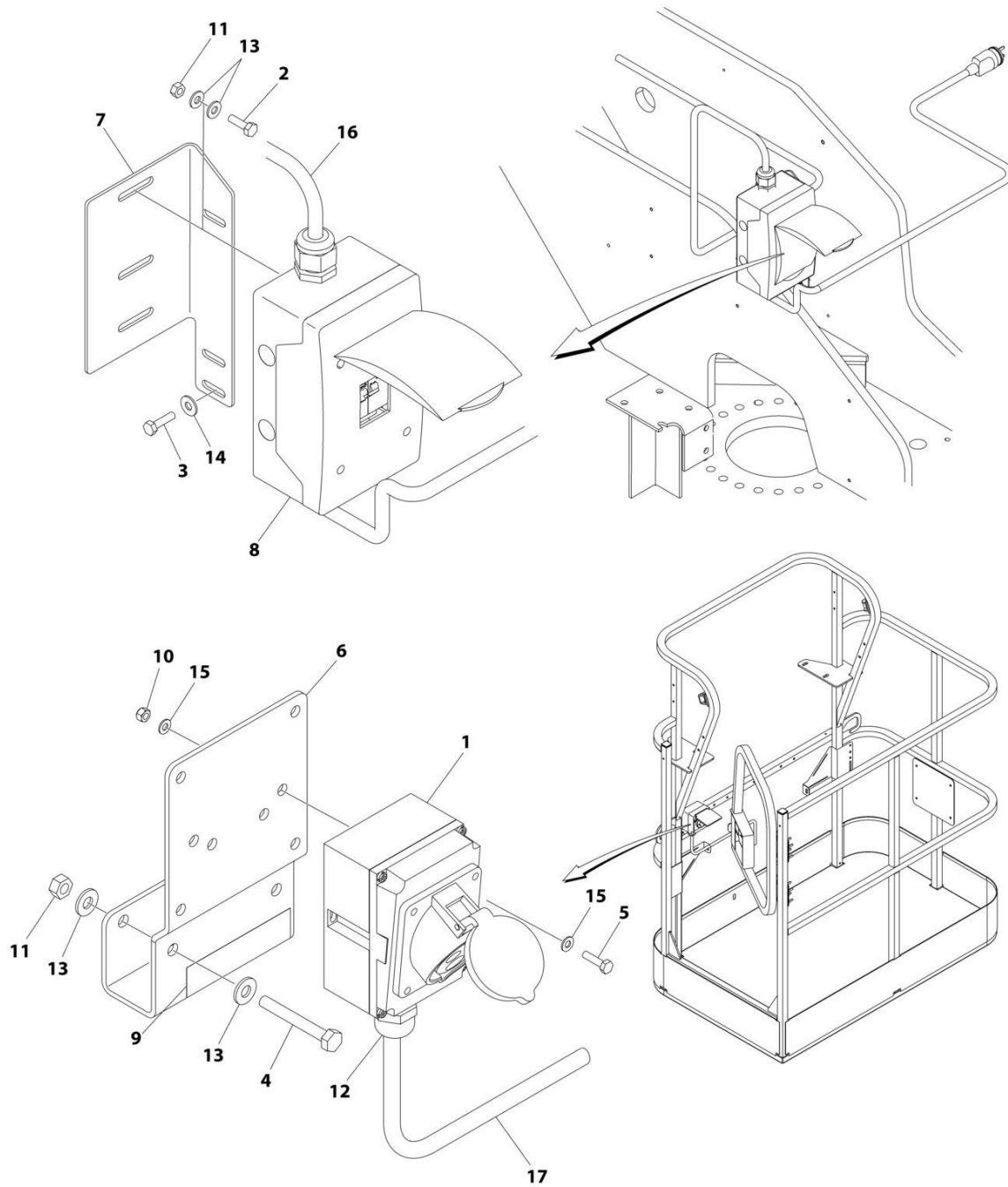
SECTION 7 - ELECTRICAL

FIGURE 7-41. PLUG AND RECEPTACLE 220V INSTALLATION - CEE7 SIDE GROUND - 70MM X 70MM BOX (CE SPEC)

ITEM	PART NUMBER	QTY	DESCRIPTION	REV
	1001166262	Ref	PLUG AND RECEPTACLE 220V INSTALLATION - CEE7 SIDE GROUND - 70MM X 70MM BOX	C
1	0275219	1	AC Plugs and Sockets Installation (See Separate Breakdown in this Section)	
2	0641407	2	Bolt 1/4 x 7/8	
3	0641408	2	Bolt 1/4 x 1	
4	0641416	2	Bolt 1/4 x 2	
5	0700408	2	Bolt M4 x 16	
6	1001193018	1	Bracket	
7	1001178491	1	Bracket	
8	1001152485	1	Breaker Box Kit with Three Breakers (See Separate Breakdown in this Section)	
9	3252507	2	Decal - 220V - 50/60 Hz	
10	3290405	2	Nut M4	
11	3311405	4	Nut M4	
12	4460968	1	Connector, Strain Relief	
13	4711400	8	Washer 1/4	
14	4751400	2	Washer 1/4	
15	4811400	4	Washer M4	
16	4922609	1	Lower Boom 220V Harness Assembly (See Separate Breakdown in this Section)	
17	4922610	1	Main Boom 220V Harness Assembly (See Separate Breakdown in this Section)	

SECTION 7 - ELECTRICAL

FIGURE 7-42. PLUG AND RECEPTACLE 220V INSTALLATION - IEC 60309 - BLUE (CE SPEC)



ART_1001166260

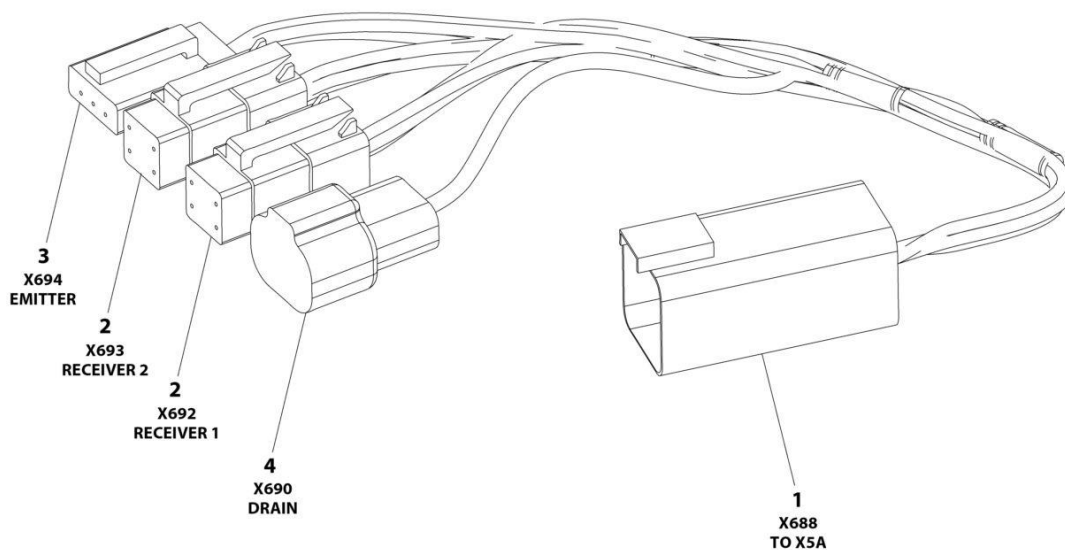
SECTION 7 - ELECTRICAL

FIGURE 7-42. PLUG AND RECEPTACLE 220V INSTALLATION - IEC 60309 - BLUE (CE SPEC)

ITEM	PART NUMBER	QTY	DESCRIPTION	REV
	1001166260	Ref	PLUG AND RECEPTACLE 220V INSTALLATION - IEC 60309 - BLUE	C
1	0275217	1	AC Plugs and Sockets Installation (See Separate Breakdown in this Section)	
2	0641407	2	Bolt 1/4 x 7/8	
3	0641408	2	Bolt 1/4 x 1	
4	0641416	2	Bolt 1/4 x 2	
5	0700408	2	Bolt M4 x 16	
6	1001193018	1	Bracket	
7	1001178491	1	Bracket	
8	2902549	1	Breaker Box Kit with One Breakers (See Separate Breakdown in this Section)	
9	3252507	2	Decal - 220V - 50/60 Hz	
10	3290405	2	Nut M4	
11	3311405	4	Nut M4	
12	4460968	1	Connector, Strain Relief	
13	4711400	8	Washer 1/4	
14	4751400	2	Washer 1/4	
15	4811400	4	Washer M4	
16	4922609	1	Lower Boom 220V Harness Assembly (See Separate Breakdown in this Section)	
17	4922610	1	Main Boom 220V Harness Assembly (See Separate Breakdown in this Section)	

SECTION 7 - ELECTRICAL

FIGURE 7-43. SKYEYE INTERMEDIATE HARNESS



ART_1001237865

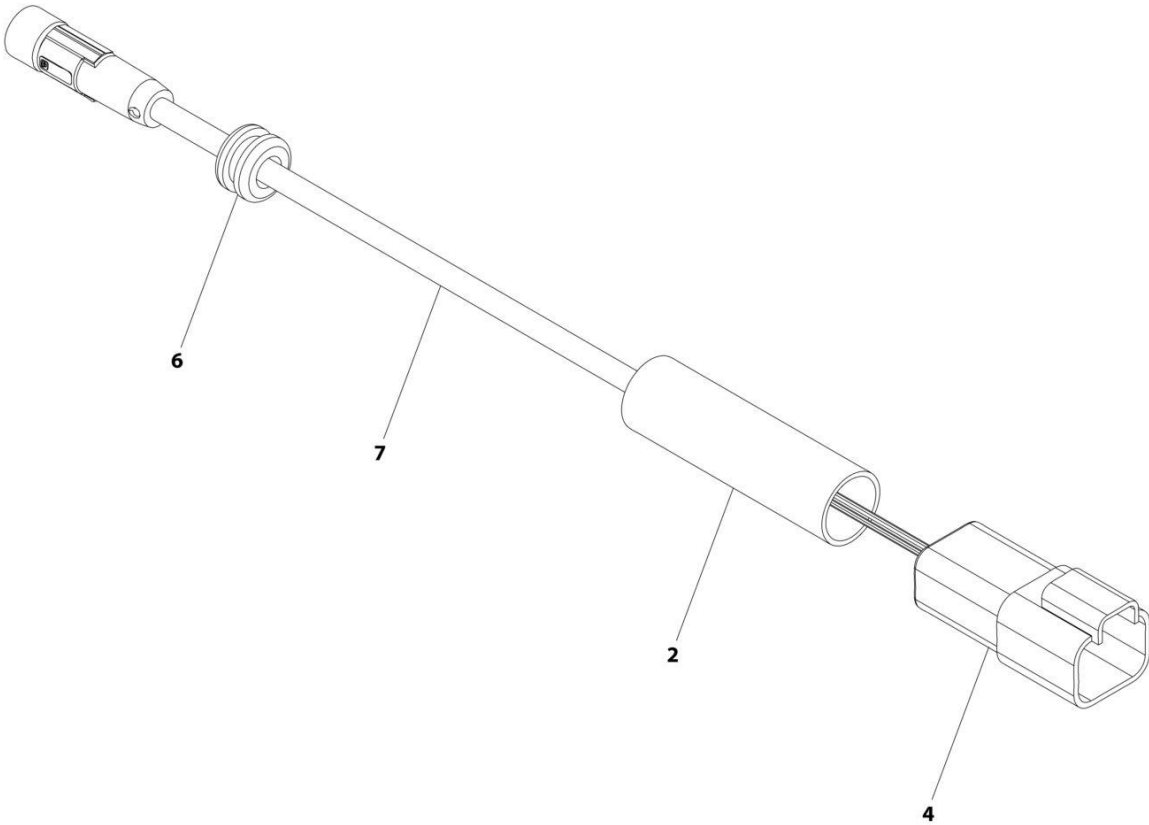
SECTION 7 - ELECTRICAL

FIGURE 7-43. SKYEYE INTERMEDIATE HARNESS

ITEM	PART NUMBER	QTY	DESCRIPTION	REV
	1001237865	Ref	SKYEYE INTERMEDIATE HARNESS	A
1	4460899	1	Connector - 6 Position	
1	4460943	4	Pin, Male	
1	4460466	2	Plug, Terminal	
2	4461077	2	Connector - 4 Position	
2	1001119619	8	Socket, Female	
3	4460911	1	Connector - 3 Position	
3	1001119619	3	Socket, Female	
4	1001187681	1	Connector - 2 Position	
4	4460941	1	Pin, Male	
4	4460466	1	Plug, Terminal	

SECTION 7 - ELECTRICAL

FIGURE 7-44. SKYEYE RECEIVER HARNESS



ART_1001237863

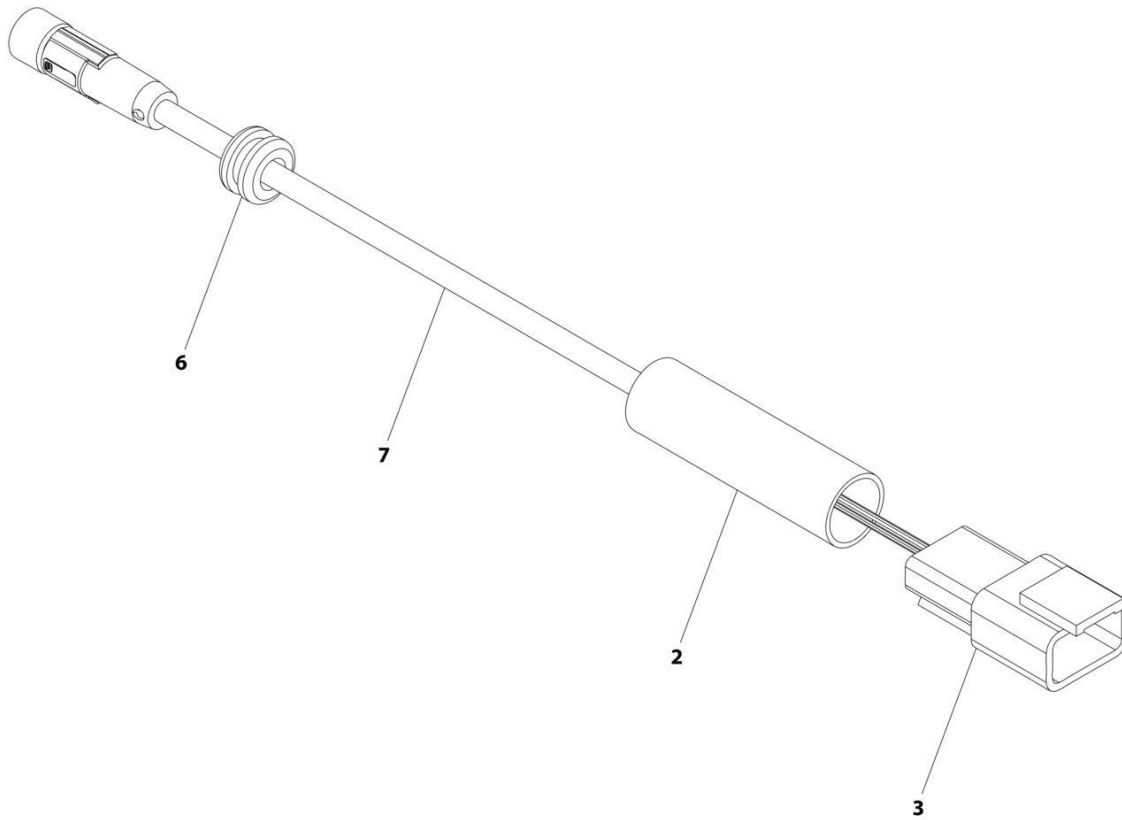
SECTION 7 - ELECTRICAL

FIGURE 7-44. SKYEYE RECEIVER HARNESS

ITEM	PART NUMBER	QTY	DESCRIPTION	REV
	1001237863	Ref	SKYEYE RECEIVER HARNESS	A
2	2820247	AR	Tubing, Heat Shrink	
4	1001097051	1	Connector - 4 Position	
4	1001119620	4	Pin, Male	
6	1001227996	1	Grommet	
7	1001237862	1	Cable, M8 Female Cordset	

SECTION 7 - ELECTRICAL

FIGURE 7-45. SKYEYE EMITTER HARNESS



ART_1001237864

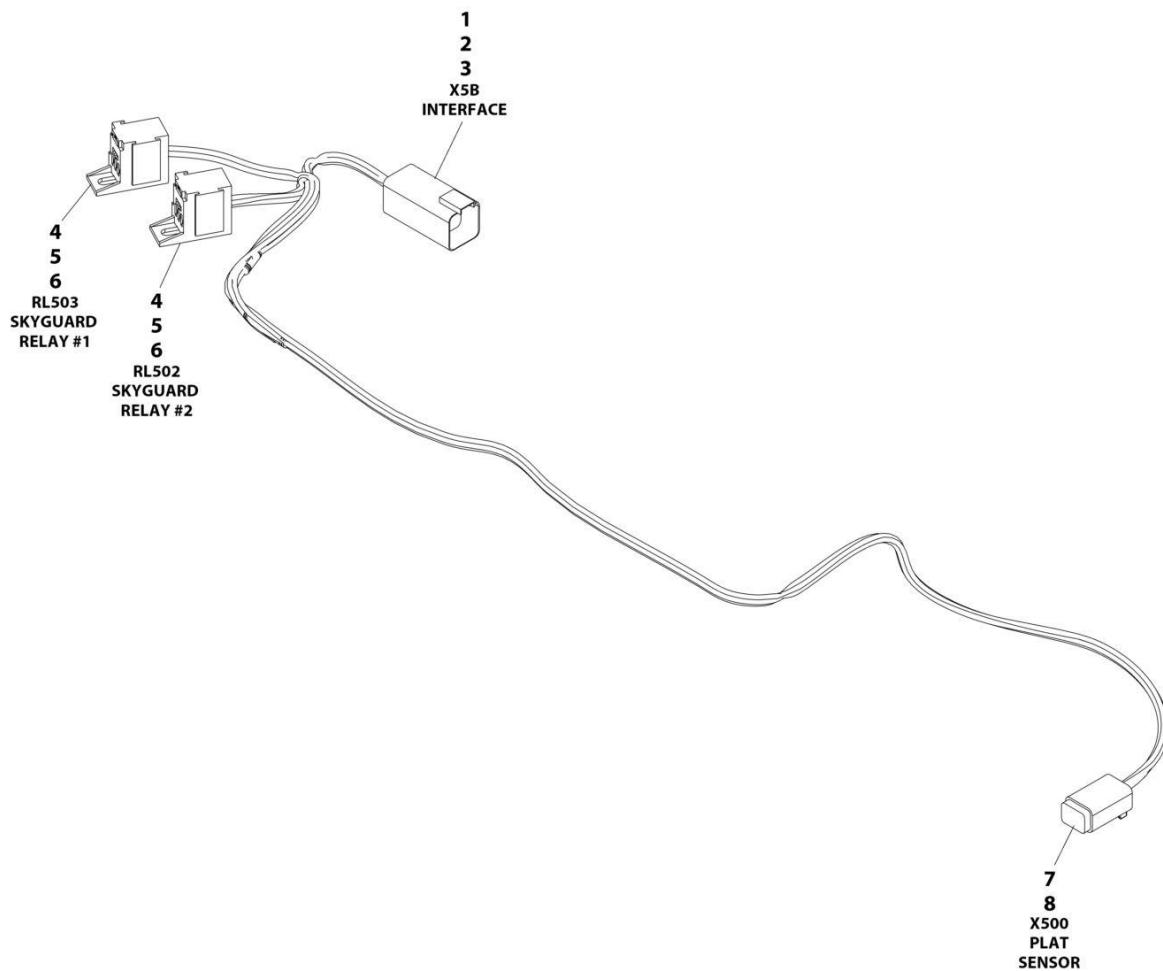
SECTION 7 - ELECTRICAL

FIGURE 7-45. SKYEYE EMITTER HARNESS

ITEM	PART NUMBER	QTY	DESCRIPTION	REV
	1001237864	Ref	SKYEYE EMITTER HARNESS	A
2	2820247	AR	Tubing, Heat Shrink	
3	4460910	1	Connector - 3 Position	
3	1001119620	3	Pin, Male	
6	1001227996	1	Grommet	
7	1001237862	1	Cable, M8 Female Cordset	

SECTION 7 - ELECTRICAL

FIGURE 7-46. SKYGUARD HARNESS - WITH 1 CELL LSS



ART_1001225580

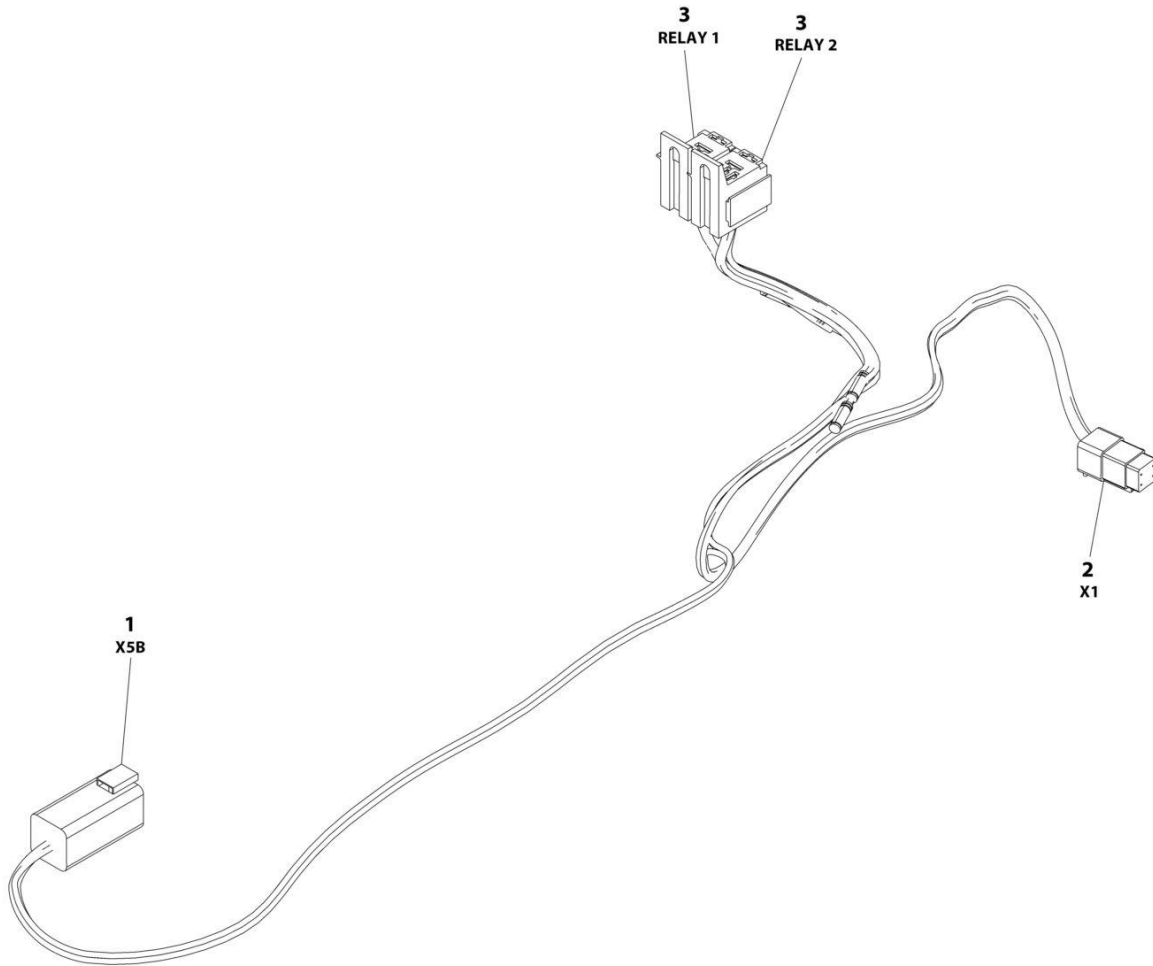
SECTION 7 - ELECTRICAL

FIGURE 7-46. SKYGUARD HARNESS - WITH 1 CELL LSS

ITEM	PART NUMBER	QTY	DESCRIPTION	REV
	1001225580	Ref	INTERFACE HARNESS - WITH 1 CELL LSS	D
1	4460899	1	Connector	
2	4460464	4	Terminal	
3	4460466	2	Plug	
4	1001186432	2	Connector	
5	1001116720	4	Terminal	
6	1001118388	4	Terminal	
7	4460884	1	Connector	
8	4460465	4	Terminal	

SECTION 7 - ELECTRICAL

FIGURE 7-47. SKYLINE HARNESS



ART_1001238418

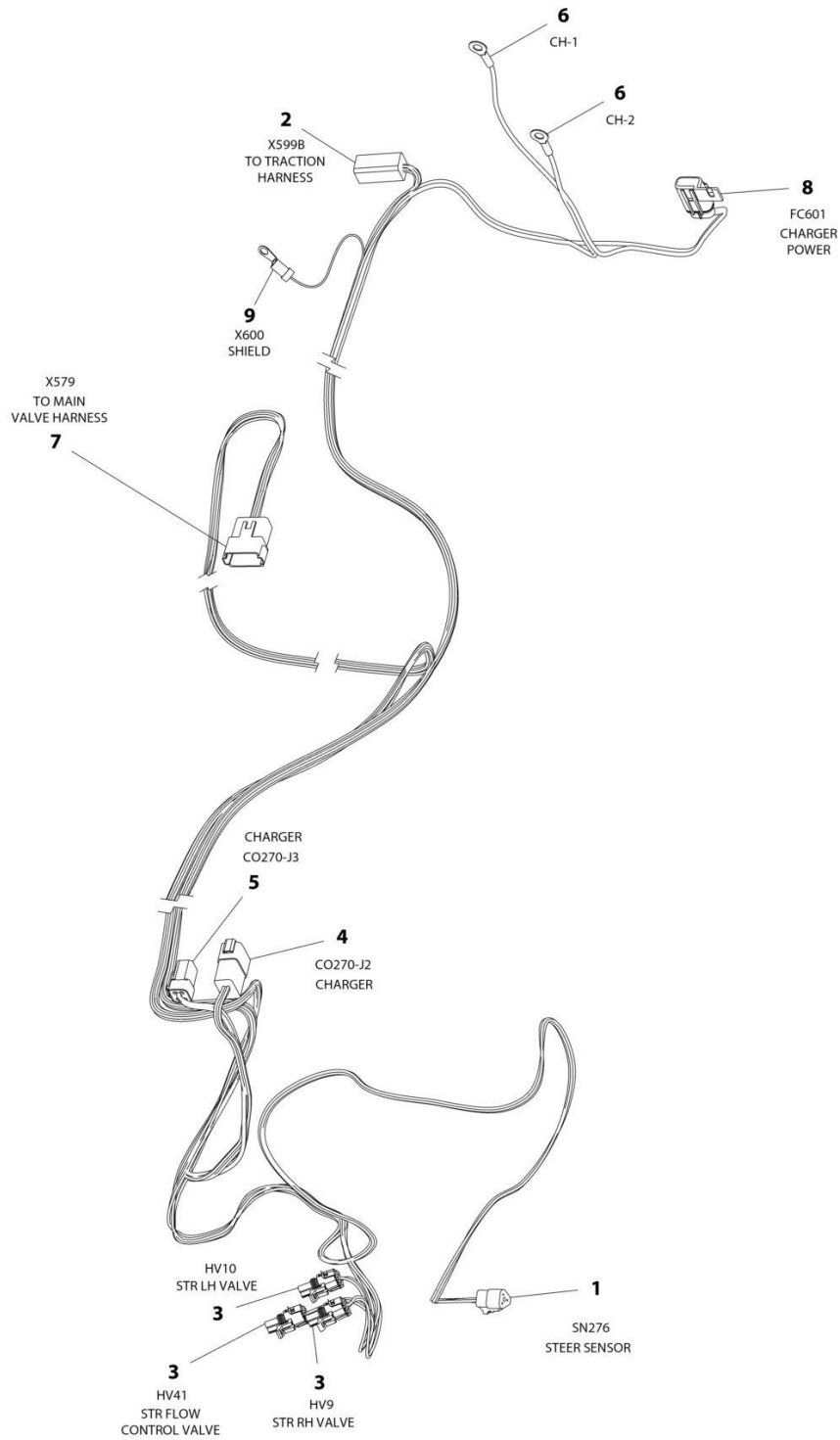
SECTION 7 - ELECTRICAL

FIGURE 7-47. SKYLINE HARNESS

ITEM	PART NUMBER	QTY	DESCRIPTION	REV
	1001238418	Ref	SKYLINE HARNESS	B
1	4460899	1	Connector - 6 Position	
1	4460464	4	Pin, Male	
1	4460466	2	Plug, Terminal	
2	4461077	1	Connector - 4 Position	
2	1001126009	4	Socket, Female	
3	1001186432	2	Plug, Relay	
3	1001118388	5	Terminal	
3	1001118384	3	Terminal	
3	3740086	2	Relay	

SECTION 7 - ELECTRICAL

FIGURE 7-48. STEER/BRAKE HARNESS



ART_1001188528

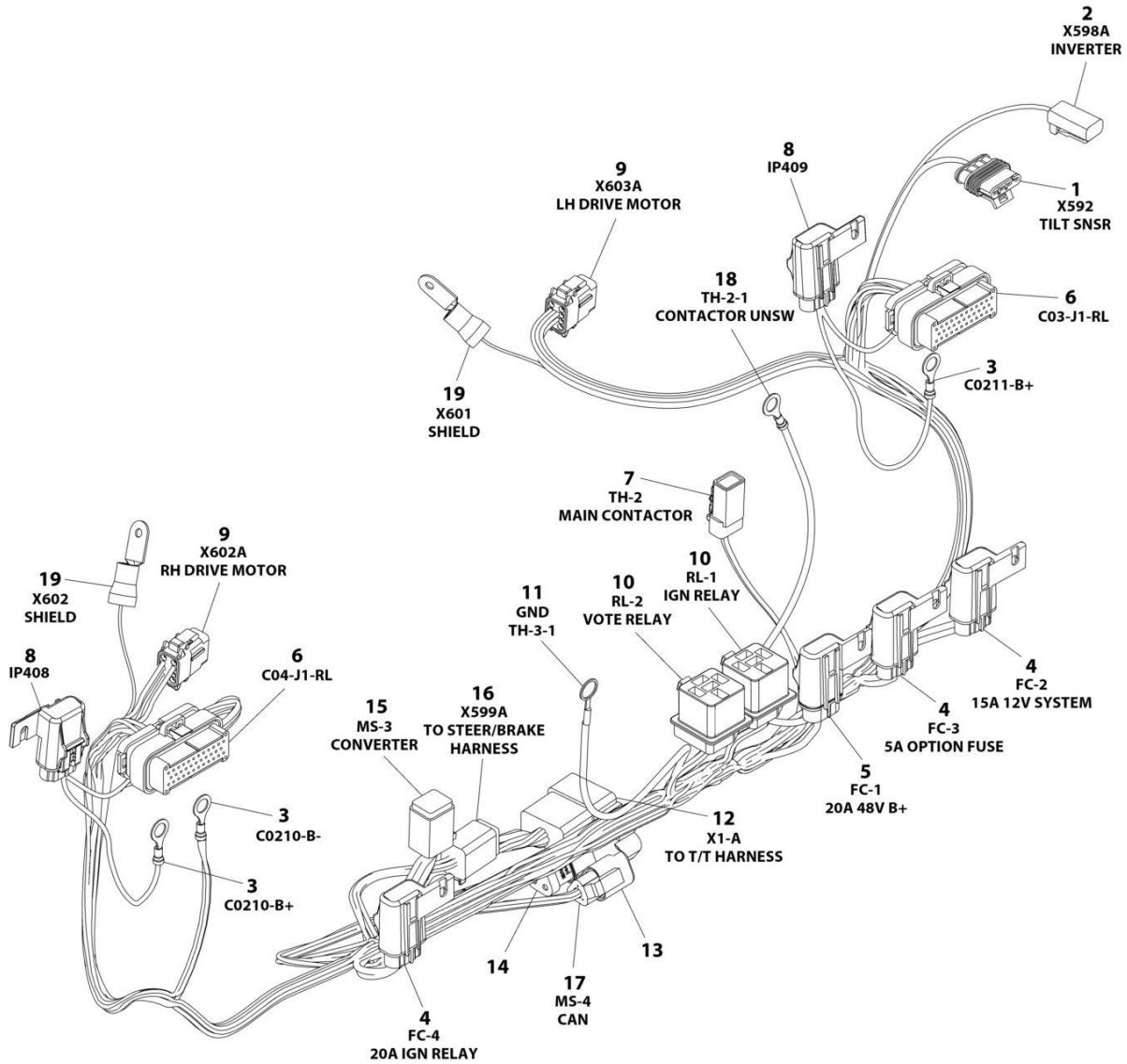
SECTION 7 - ELECTRICAL

FIGURE 7-48. STEER/BRAKE HARNESS

ITEM	PART NUMBER	QTY	DESCRIPTION	REV
	1001188528	Ref	STEER/BRAKE HARNESS	1
1	4460539	1	Plug, Male - 4 Position	
1	4460465	3	Socket, Female	
2	4460899	1	Receptacle, Female - 6 Position	
2	4460464	5	Pin, Male	
2	4460466	1	Plug, Terminal	
3	4460742	3	Plug, Male - 2 Position	
3	4460743	6	Socket, Female	
4	4460931	1	Receptacle, Female - 8 Position	
4	4460464	6	Pin, Male	
4	4460466	2	Plug, Terminal	
5	1001116810	1	Plug, Male - 4 Position	
5	4460509	2	Terminal	
5	4460466	2	Plug, Terminal	
6	8220045	2	Ring, Terminal	
7	4460970	1	Receptacle, Female - 12 Position	
7	4460464	9	Pin, Male	
7	4460466	3	Plug, Terminal	
8	1001217844	1	Fuseholder	
8	1001217842	1	Cover	
8	8229236	1	Fuse - 30Amp	
8	1001170762	1	Fuse - 30Amp	
8	1001116734	2	Terminal, Female	
9	4460142	1	Terminal, Ring	

SECTION 7 - ELECTRICAL

FIGURE 7-49. TRACTION HARNESS



ART_1001178629

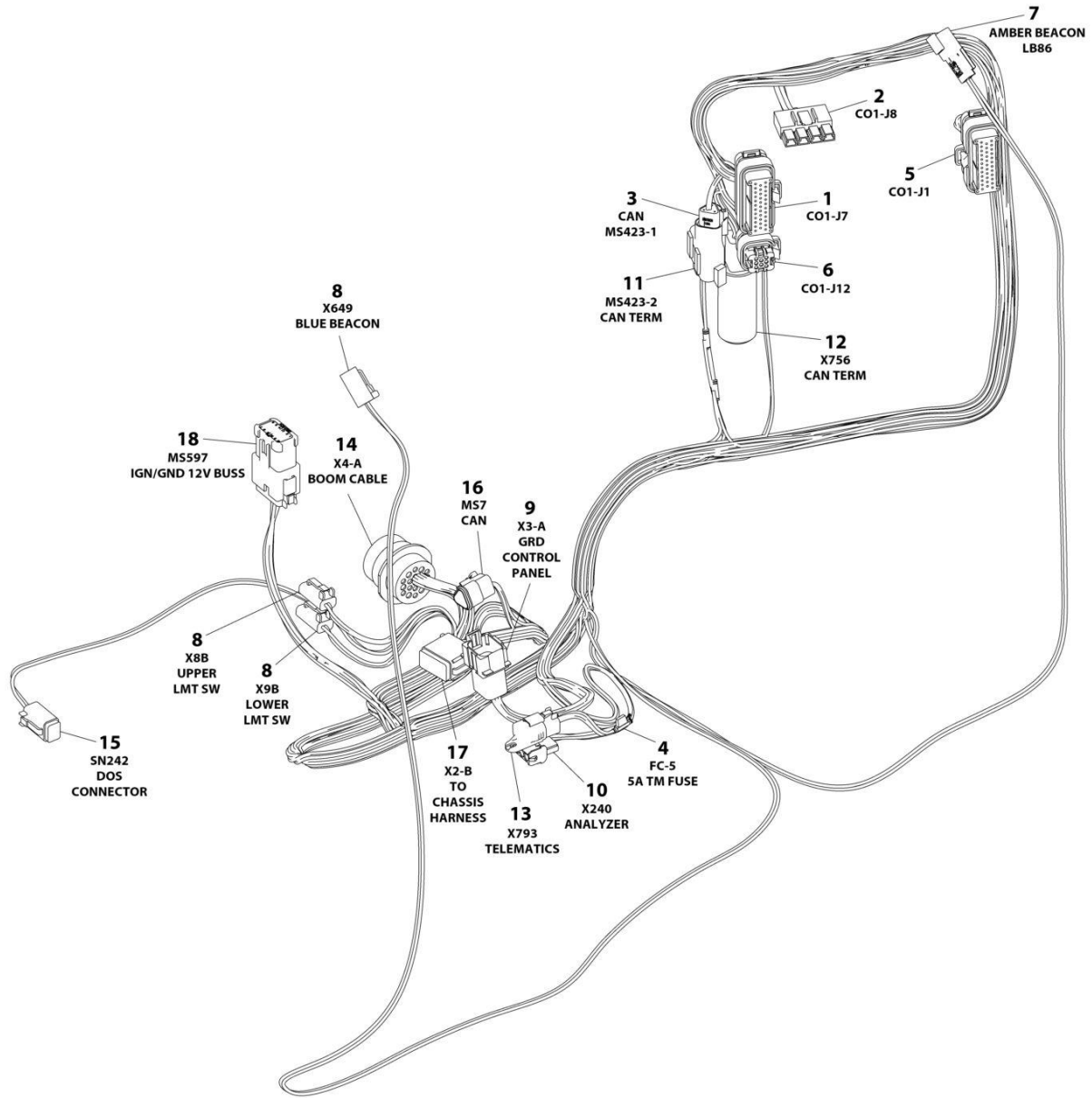
SECTION 7 - ELECTRICAL

FIGURE 7-49. TRACTION HARNESS

ITEM	PART NUMBER	QTY	DESCRIPTION	REV
	1001178629	Ref	TRACTION HARNESS	N
1	1001103012	1	Connector - 4 Position	
1	1001107854	4	Socket, Female	
2	4460891	1	Plug, Male - 2 Position	
2	4460465	1	Socket, Female	
2	4460466	1	Plug, Terminal	
3	4460670	3	Terminal, Ring	
4	1001217844	3	Fuseholder	
4	1001217842	3	Cover	
4	8229261	1	Fuse - 5Amp	
4	8229237	1	Fuse - 15Amp	
4	8229235	1	Fuse - 20Amp	
4	1001170761	1	Fuse - 20Amp	
4	1001116734	6	Terminal, Female	
5	1001217844	1	Fuseholder	
5	1001217842	1	Cover	
5	8229235	1	Fuse - 20Amp	
5	1001116734	2	Terminal, Female	
6	4460873	1	Connector - 35 Position	
6	4460871	11	Terminal, Female	
6	4460905	24	Seal, Terminal	
7	1001126245	1	Connector - 2 Position	
7	1001126008	2	Terminal	
8	1001217843	2	Fuseholder	
8	1001217842	2	Cover	
8	8229234	2	Fuse - 10Amp	
8	1001116733	4	Terminal	
9	1001190577	2	Plug, Male - 8 Position	
9	1001126008	16	Terminal	
10	1001203734	2	Plug, Relay	
10	1001116732	8	Terminal	
11	4460019	1	Terminal, Ring	
12	4460950	1	Connector - 12 Position	
12	1001157891	4	Terminal	
12	1001116693	4	Pin, Male	
12	4460464	2	Pin, Male	
12	4460943	2	Pin, Male	
13	4460945	1	Receptacle, 3 Way	
14	1001116815	1	Resistor, 3 Position	
15	4460894	1	Plug, Male - 6 Position	
15	1001157890	5	Terminal	
15	1001116692	1	Socket, Female	
16	4460894	1	Plug, Male - 6 Position	
16	4460465	4	Socket, Female	
16	4460466	2	Plug, Terminal	
17	1001116812	1	Plug, Male - 3 Position	
17	4460944	3	Socket, Female	
18	4460738	1	Terminal, Ring	
19	1001260275	2	Terminal, Ring	

SECTION 7 - ELECTRICAL

FIGURE 7-50. TURNTABLE HARNESS



ART_1001245677

SECTION 7 - ELECTRICAL

FIGURE 7-50. TURNTABLE HARNESS

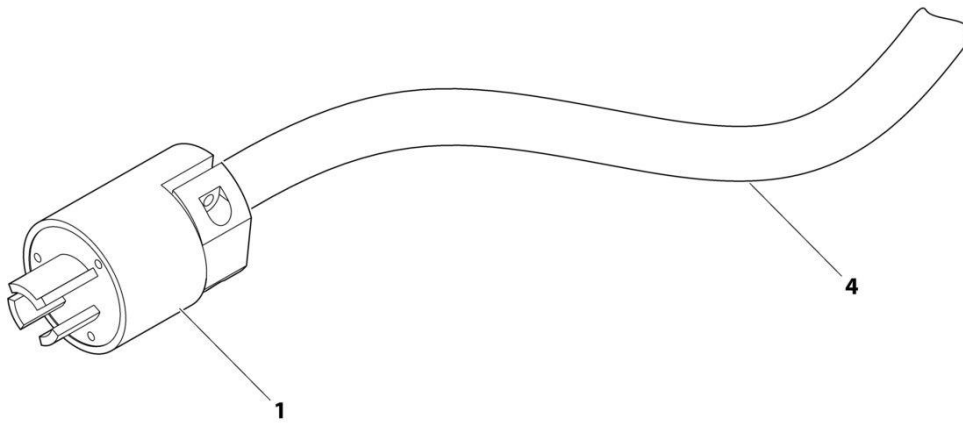
ITEM	PART NUMBER	QTY	DESCRIPTION	REV
	1001245677	Ref	TURNTABLE HARNESS	A
1	4460873	1	Connector - 35 Position	
1	4460871	16	Socket, Female	
1	4460905	19	Plug, Terminal	
2	4460878	1	Connector - 4 Position	
2	4460887	4	Terminal	
3	1001116812	1	Plug, Male -3 Position	
3	4460944	2	Socket, Female	
3	4460466	1	Plug, Terminal	
3	4460945	1	Receptacle, 3 Way	
4	2400060	1	Fuseholder with Cover	
4	8229242	1	Fuse - 5Amp	
5	4460874	1	Connector - 35 Position	
5	4460871	9	Socket, Female	
5	4460905	26	Plug, Terminal	
6	1001113961	1	Plug, Male - 8 Position	
6	4460871	3	Socket, Female	
6	4460905	5	Plug, Terminal	
7	4460897	1	Receptacle, Female - 2 Position	
7	4460464	2	Pin, Male	
8	4460891	3	Plug, Male - 2 Position	
8	4460465	6	Socket, Female	
9	1001116813	1	Receptacle, Female - 8 Position	
9	1001116693	5	Pin, Male	
9	1001157891	2	Terminal	
9	4460466	1	Plug, Terminal	
10	4460761	1	Connector - 4 Position	
10	4460227	4	Pin, Male	
11	4460539	1	Plug, Male - 3 Position	
11	4460944	2	Socket, Female	
11	4460466	1	Plug, Terminal	
12	4460884	1	Plug, Male - 4 Position	
12	4460465	4	Socket, Female	
12	1001186231	1	Connector, Fuse/Diode Can	
13	4460884	1	Plug, Male - 4 Position	
13	4460465	3	Socket, Female	
13	4460942	1	Socket, Female	
13	1001192401	1	Connector, Dust Cap	
14	4460866	1	Connector - 19 Position	
14	4460943	2	Pin, Male	
14	4460508	4	Pin, Male	
14	4460464	7	Pin, Male	
14	4460466	6	Plug, Terminal	
15	4460884	1	Connector - 4 Position	
15	4460465	2	Socket, Female	
15	4460466	2	Plug, Terminal	
16	1001116812	1	Plug, Male -3 Position	
16	4460944	3	Socket, Female	
17	4460836	1	Plug, Male - 12 Position	
17	1001157890	5	Socket, Female	

SECTION 7 - ELECTRICAL

ITEM	PART NUMBER	QTY	DESCRIPTION	REV
17	4460944	2	Socket, Female	
17	1001116692	5	Socket, Female	
18	4460933	1	Plug, Male - 12 Position	
18	4460942	4	Socket, Female	
18	4460465	2	Socket, Female	
18	4460466	6	Plug, Terminal	
18	1001125677	1	Buss Bar	

SECTION 7 - ELECTRICAL

FIGURE 7-51. UPPER BOOM 110V HARNESS ASSEMBLY



ART_4922608

SECTION 7 - ELECTRICAL

FIGURE 7-51. UPPER BOOM 110V HARNESS ASSEMBLY

ITEM	PART NUMBER	QTY	DESCRIPTION	REV
	4922608	Ref	UPPER BOOM 110V HARNESS ASSEMBLY	2
1	4460205	1	Plug, Male	
4	1060494	27.2 ft /8.3m	Electrical Cable, 12/3	

SECTION 7 - ELECTRICAL

FIGURE 7-52. UPPER BOOM 220V HARNESS ASSEMBLY - CE SPEC



ART_4922610

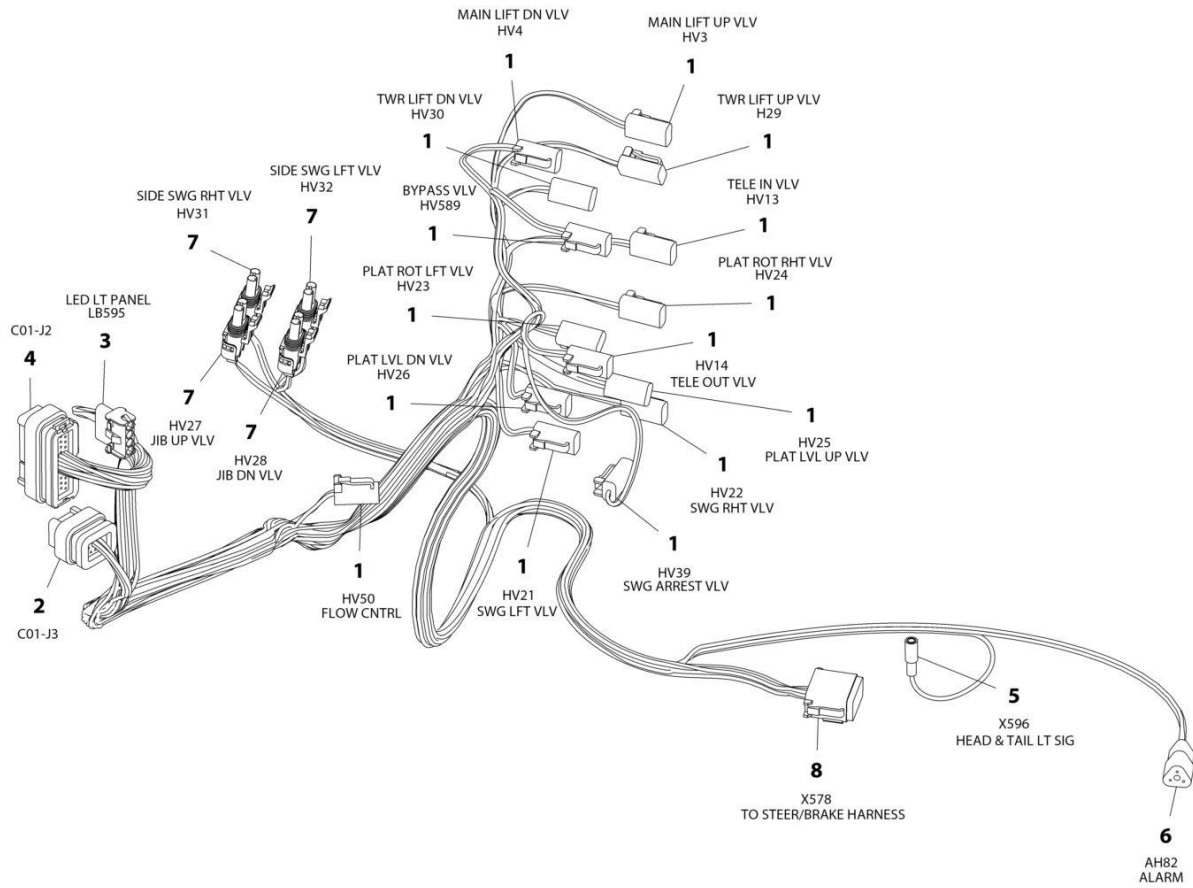
SECTION 7 - ELECTRICAL

FIGURE 7-52. UPPER BOOM 220V HARNESS ASSEMBLY - CE SPEC

ITEM	PART NUMBER	QTY	DESCRIPTION	REV
	4922610	Ref	BOOM 220V HARNESS ASSEMBLY - CE SPEC	1
1	4460709	1	Plug, Male	
4	1060461	28 ft/8.5m	Electrical Cable, 12/3	

SECTION 7 - ELECTRICAL

FIGURE 7-53. VALVE HARNESS



ART_1001178794

SECTION 7 - ELECTRICAL

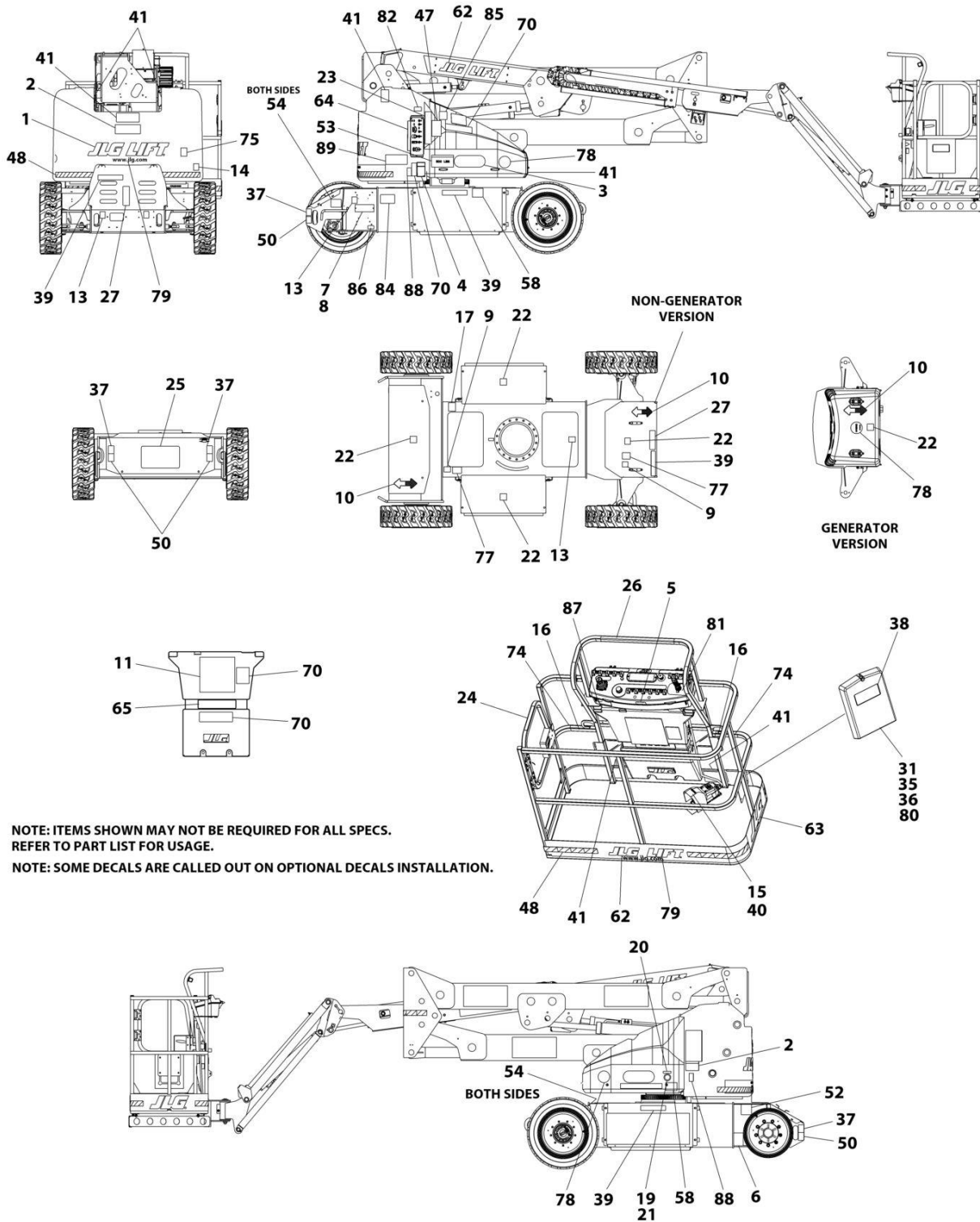
FIGURE 7-53. VALVE HARNESS

ITEM	PART NUMBER	QTY	DESCRIPTION	REV
	1001178794	Ref	VALVE HARNESS	1
1	4460891	15	Plug, Male - 2 Position	
1	4460465	30	Socket, Female	
2	4460872	1	Connector - 14 Position	
2	4460871	6	Socket, Female	
2	4460905	8	Plug, Terminal	
3	4460761	1	Connector - 4 Position	
3	4460226	4	Socket, Female	
4	4460875	1	Connector - 35 Position	
4	4460871	30	Socket, Female	
4	4460905	5	Plug, Terminal	
5	8220068	1	Connector - 1 Position	
6	4460539	1	Plug, Male - 3 Position	
6	4460465	3	Socket, Female	
7	4460742	4	Plug, Male - 2 Position	
7	4460743	8	Socket, Female	
7	4460458	8	Seal, Terminal	
8	4460933	1	Plug, Male - 12 Position	
8	1001116692	9	Socket, Female	
8	4460466	3	Plug, Terminal	

SECTION 8 - DECALS

SECTION 8 - DECALS

FIGURE 8-1. DECAL INSTALLATION - ANSI AND CSA SPECS



NOTE: ITEMS SHOWN MAY NOT BE REQUIRED FOR ALL SPECS.
REFER TO PART LIST FOR USAGE.
NOTE: SOME DECALS ARE CALLED OUT ON OPTIONAL DECALS INSTALLATION.

ART_1001249184

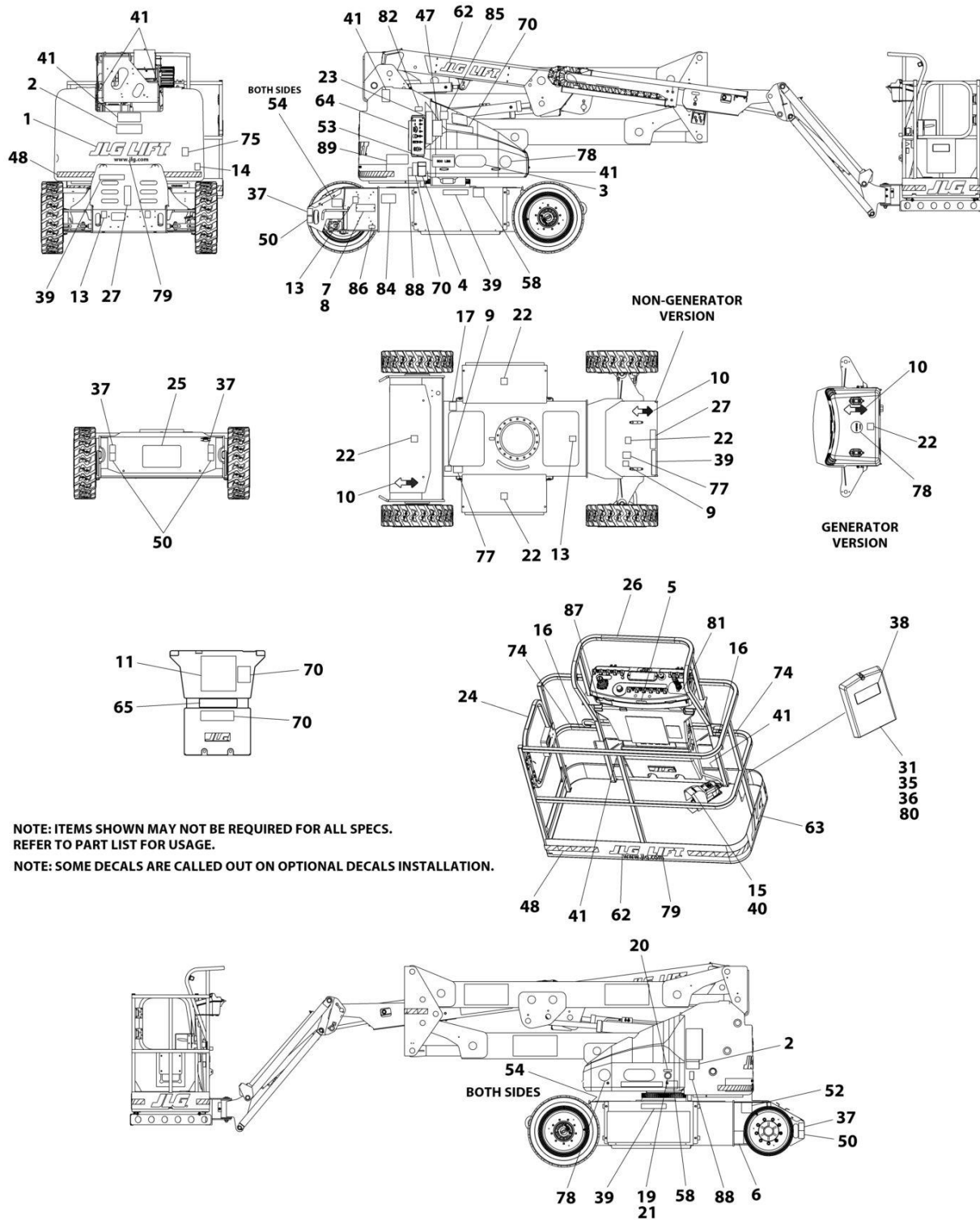
SECTION 8 - DECALS

FIGURE 8-1. DECAL INSTALLATION - ANSI AND CSA SPECS

ITEM	PART NUMBER	QTY	DESCRIPTION	REV
	1001248659	Ref	DECAL INSTALLATION - REFERENCE CHART	E
	1001249184	Ref	DECAL INSTALLATION	C
2	1703805	2	Decal - Electrocution	
4	1703798	1	Decal - Crushing	
6	1001131269	1	Decal - Patent	
8	3820001	2	Rivet	
9	1701504	1	Decal - Hydraulic Oil	
10	1701642	2	Decal - Arrow	
11	1703797	1	Decal - Caution/Danger	
13	1701644	2	Decal - Charger	
16	1704277	2	Decal - Attach Lanyard	
19	0961127	1	Bushing, Snap	
20	3251243	1	Nameplate 120V-60Hz	
21	0100010	AR	Adhesive	
22	1701691	4	Decal - No Step	
23	1001104864	1	Decal - Manual Descent	
24	1702868	2	Decal - No Hands	
25	1001193949	1	Decal - Cable Routing	
27	1704446	1	Decal - Charger	
31	0860520	1	Box, Manual Storage	
35	4751400	4	Washer 1/4	
36	3311405	4	Nut 1/4	
37	1701500	4	Decal - Lift	
38	1701509	1	Decal - Manual	
39	1703813	3	Decal - Danger	
40	3252347	1	Nameplate - Footswitch	
41	1703804	6	Decal - Crushing Hazard	
47	1702265	1	Decal - Boom Sequence	
50	1702300	4	Decal - Tie Down	
52	See Note	1	Decal - Bar Code (Note: Not Available for Purchase)	
53	1001253921	1	Decal - 500 LBS Max Capacity	
65	1001253920	1	Decal - 500 LBS Max Capacity	
77	1704412	1	Decal - Oil Type	
79	1704885	2	Decal - Website	
80	0641406	4	Bolt 1/4 x 3/4	
81	1705351	1	Decal - Drive/Steer Instruction	
84	1001223055	1	Decal - Yearly Inspection	
85	1001222801	1	Decal - Manual Jib Pump	
86	1001228370	1	Decal - CSA ICES	
87	1001231801	1	Decal - Prop 65 Warning	

SECTION 8 - DECALS

FIGURE 8-2. DECAL INSTALLATION - AUSTRALIAN SPEC



ART_1001178378

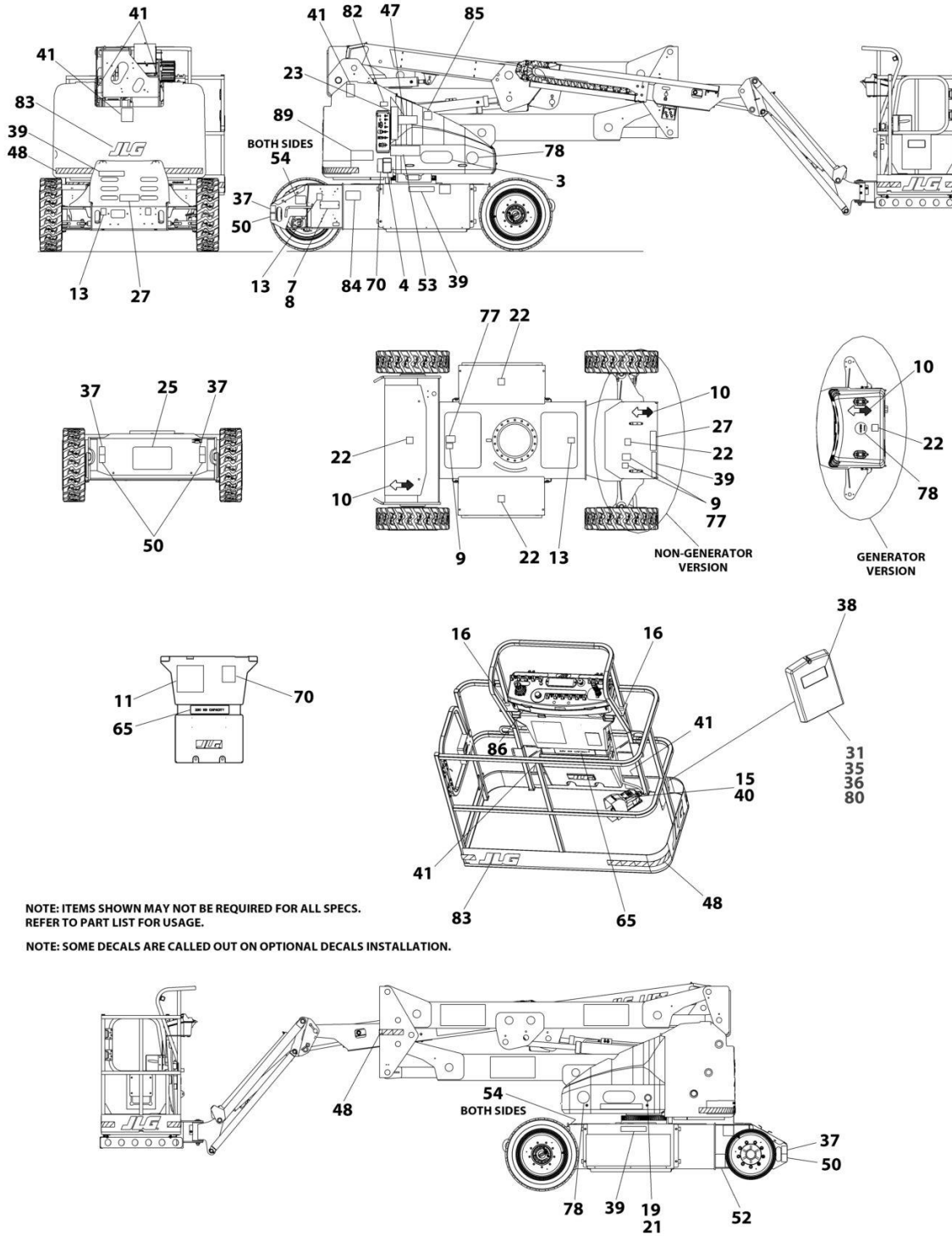
SECTION 8 - DECALS

FIGURE 8-2. DECAL INSTALLATION - AUSTRALIAN SPEC

ITEM	PART NUMBER	QTY	DESCRIPTION	REV
	1001248659	Ref	DECAL INSTALLATION - REFERENCE CHART	E
	1001178378	Ref	DECAL INSTALLATION	I
4	1705822	1	Decal - Danger/Caution	
8	3820001	2	Rivet	
9	1701504	1	Decal - Hydraulic Oil	
10	1701642	2	Decal - Arrow	
11	1705921	1	Decal - Danger/Caution	
13	1701644	2	Decal - Charger	
15	1705828	1	Decal - Footswitch	
16	1704277	2	Decal - Attach Lanyard	
19	0961127	1	Bushing, Snap	
21	0100010	AR	Adhesive	
22	1701691	4	Decal - No Step	
23	1001104864	1	Decal - Manual Descent	
25	1001193949	1	Decal - Cable Routing	
27	1706378	1	Decal - Charging Instructions	
31	0860520	1	Box, Manual Storage	
35	4751400	4	Washer 1/4	
36	3311405	4	Nut 1/4	
37	1703811	4	Decal - Lift	
38	1701509	1	Decal - Manual	
39	1705670	AR	Decal - Explosion Warning	
41	1701518	6	Decal - Crushing Hazard	
47	1705977	1	Decal - Upright Level Over-Ride	
50	1703814	4	Decal - Tie Down	
52	See Note	1	Decal - Bar Code (Note: Not Available for Purchase)	
53	1705978	1	Decal - Capacity	
65	1705978	1	Decal - Capacity	
77	1704412	1	Decal - Oil Type	
79	1704885	2	Decal - Website	
80	0641406	4	Bolt 1/4 x 3/4	
85	1001222801	1	Decal - Manual Jib Pump	

SECTION 8 - DECALS

FIGURE 8-3. DECAL INSTALLATION - CE SPEC



NOTE: ITEMS SHOWN MAY NOT BE REQUIRED FOR ALL SPECS.
REFER TO PART LIST FOR USAGE.

NOTE: SOME DECALS ARE CALLED OUT ON OPTIONAL DECALS INSTALLATION.

ART_1001190003

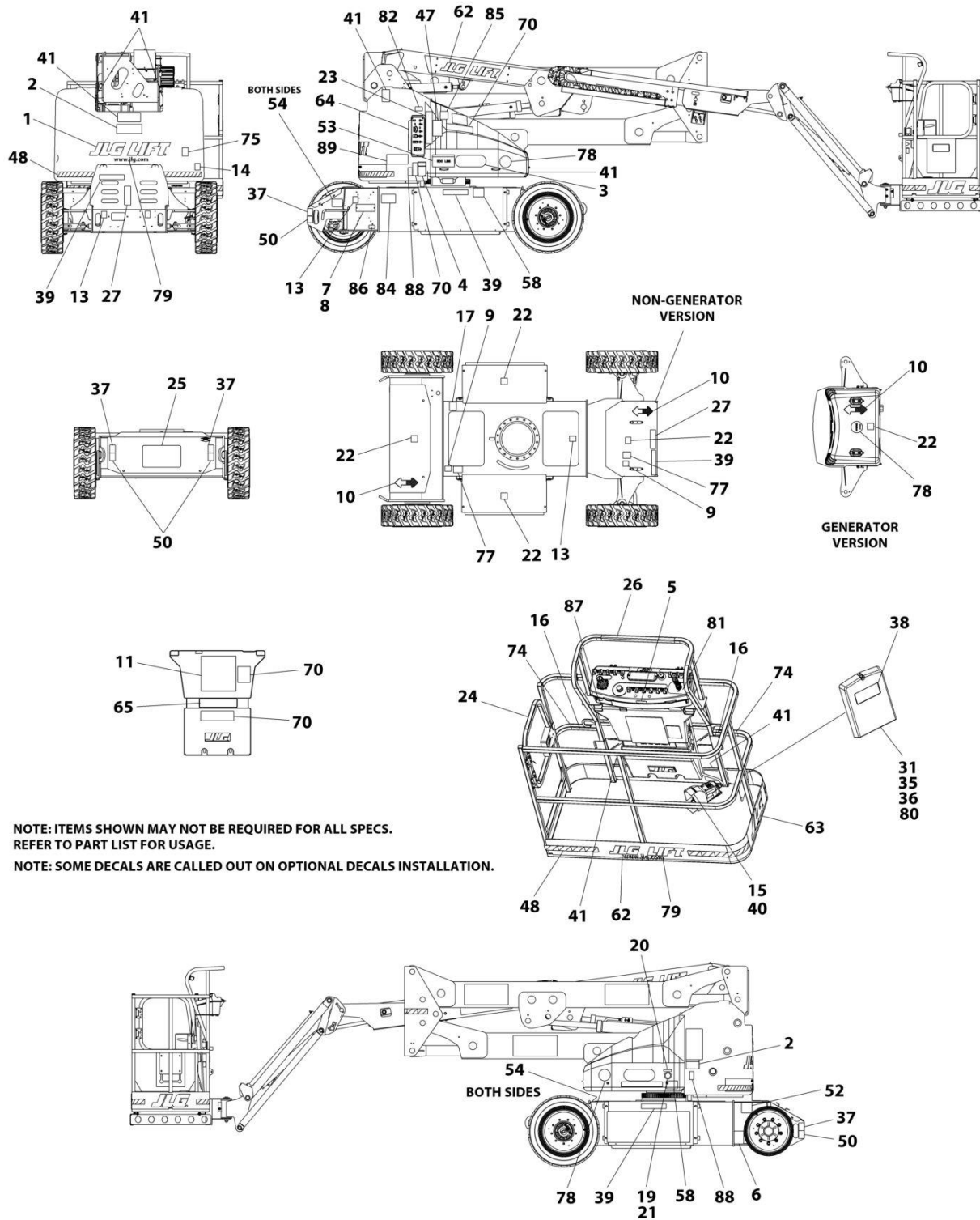
SECTION 8 - DECALS

FIGURE 8-3. DECAL INSTALLATION - CE SPEC

ITEM	PART NUMBER	QTY	DESCRIPTION	REV
	1001217465	Ref	DECAL INSTALLATION - REFERENCE CHART	F
	1001190003	Ref	DECAL INSTALLATION	H
4	1705822	1	Decal - Danger/Caution	
8	3820001	2	Rivet	
9	1701504	1	Decal - Hydraulic Oil	
10	1701642	2	Decal - Arrow	
11	1705921	1	Decal - Danger/Caution	
13	1701644	2	Decal - Charger	
15	1705828	1	Decal - Footswitch	
16	1704277	2	Decal - Attach Lanyard	
19	0961127	1	Bushing, Snap	
21	0100010	AR	Adhesive	
22	1701691	4	Decal - No Step	
23	1001104864	1	Decal - Manual Descent	
25	1001193949	1	Decal - Cable Routing	
27	1706378	1	Decal - Charging Instructions	
31	0860520	1	Box, Manual Storage	
35	4751400	4	Washer 1/4	
36	3311405	4	Nut 1/4	
37	1703811	4	Decal - Lift	
38	1701509	1	Decal - Manual	
39	1705670	3	Decal - Explosion Warning	
41	1701518	6	Decal - Crushing Hazard	
47	1705977	1	Decal - Upright Level Over-Ride	
50	1703814	4	Decal - Tie Down	
52	See Note	1	Decal - Bar Code (Note: Not Available for Purchase)	
53	1705978	1	Decal - Capacity	
65	1705978	1	Decal - Capacity	
77	1704412	1	Decal - Oil Type	
80	0641406	4	Bolt 1/4 x 3/4	
83	1702773	1	Decal - JLG 5in	
85	1001222801	1	Decal - Manual Jib Pump	

SECTION 8 - DECALS

FIGURE 8-4. DECAL INSTALLATION - CHINESE/ENGLISH



NOTE: ITEMS SHOWN MAY NOT BE REQUIRED FOR ALL SPECS.
REFER TO PART LIST FOR USAGE.
NOTE: SOME DECALS ARE CALLED OUT ON OPTIONAL DECALS INSTALLATION.

ART_1001254179

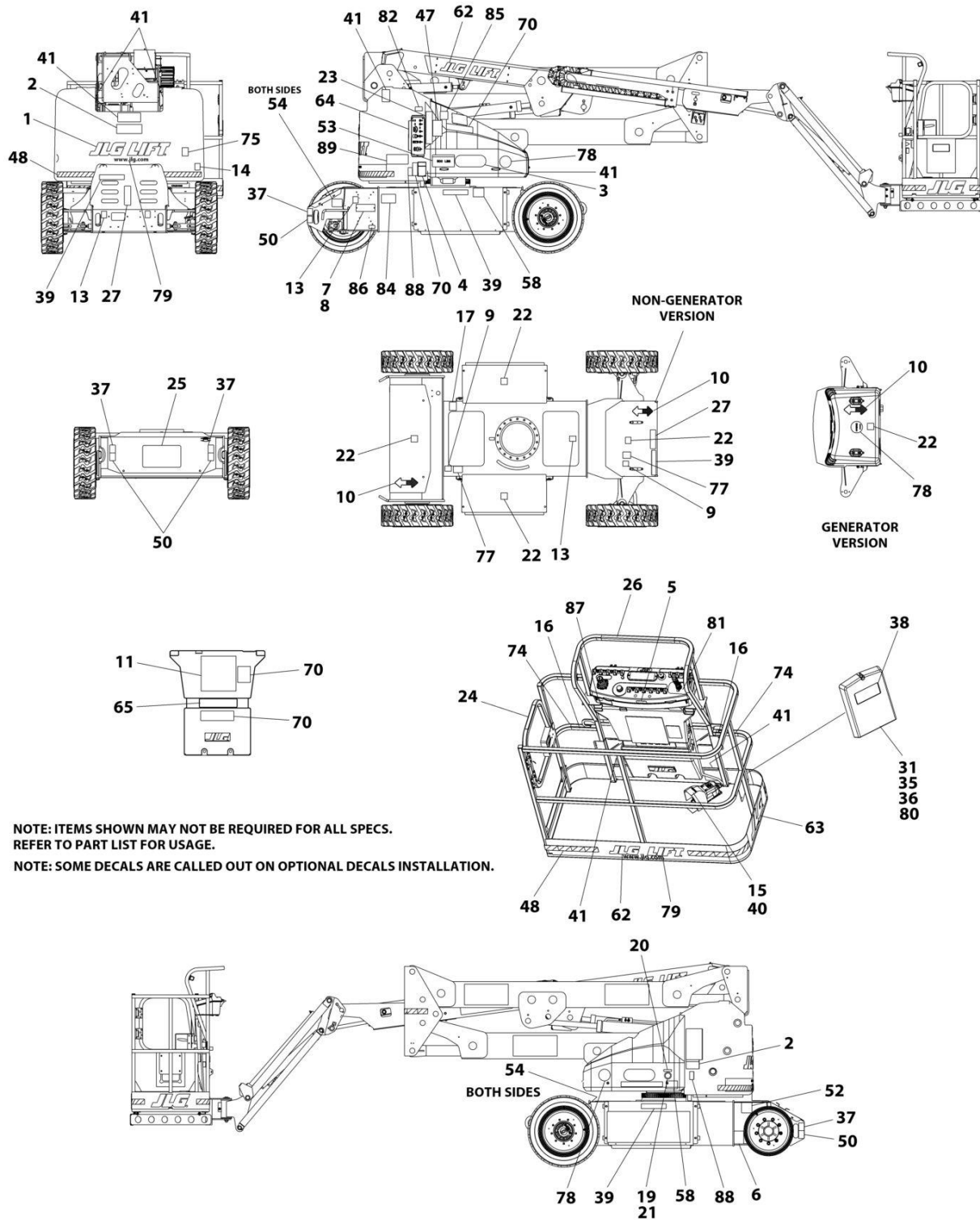
SECTION 8 - DECALS

FIGURE 8-4. DECAL INSTALLATION - CHINESE/ENGLISH

ITEM	PART NUMBER	QTY	DESCRIPTION	REV
	1001248659	Ref	DECAL INSTALLATION - REFERENCE CHART	E
	1001254179	Ref	DECAL INSTALLATION - CHINESE/ENGLISH	B
2	1703937	2	Decal - Electrocution	
4	1703931	1	Decal - Danger/Caution	
8	3820001	2	Rivet	
9	1701504	1	Decal - Hydraulic Oil	
10	1701642	2	Decal - Arrow	
11	1703925	1	Decal - Caution/Danger	
13	1701644	2	Decal - Charger	
15	1703982	1	Decal - Footswitch	
16	1704277	2	Decal - Attach Lanyard	
19	0961127	1	Bushing, Snap	
21	0100010	AR	Adhesive	
22	1701691	4	Decal - No Step	
23	1001104864	1	Decal - Manual Descent	
25	1001193949	1	Decal - Cable Routing	
27	1704419	1	Decal - Charger	
31	0860520	1	Box, Manual Storage	
35	4751400	4	Washer 1/4	
36	3311405	4	Nut 1/4	
37	1701500	4	Decal - Lift	
38	1701509	1	Decal - Manual	
39	1704344	3	Decal - Explosion Warning	
41	1703949	6	Decal - Crushing Hazard	
47	1703988	1	Decal - Upright Level Override	
50	1702300	4	Decal - Tie Down	
52	See Note	1	Decal - Bar Code (Note: Not Available for Purchase)	
53	1001253927	1	Decal - 500 LBS. Max Capacity	
65	1001253926	2	Decal - 500 LBS. Max Capacity	
77	1704412	1	Decal - Oil Type	
79	1704885	2	Decal - Website	
80	0641406	4	Bolt 1/4 x 3/4	
81	1705430	1	Decal - Drive/Steer Instruction	
84	1001224050	1	Decal - Yearly Inspection	
85	1001222801	1	Decal - Manual Jib Pump	

SECTION 8 - DECALS

FIGURE 8-5. DECAL INSTALLATION - FRENCH/ENGLISH SPECS



ART_1001249186

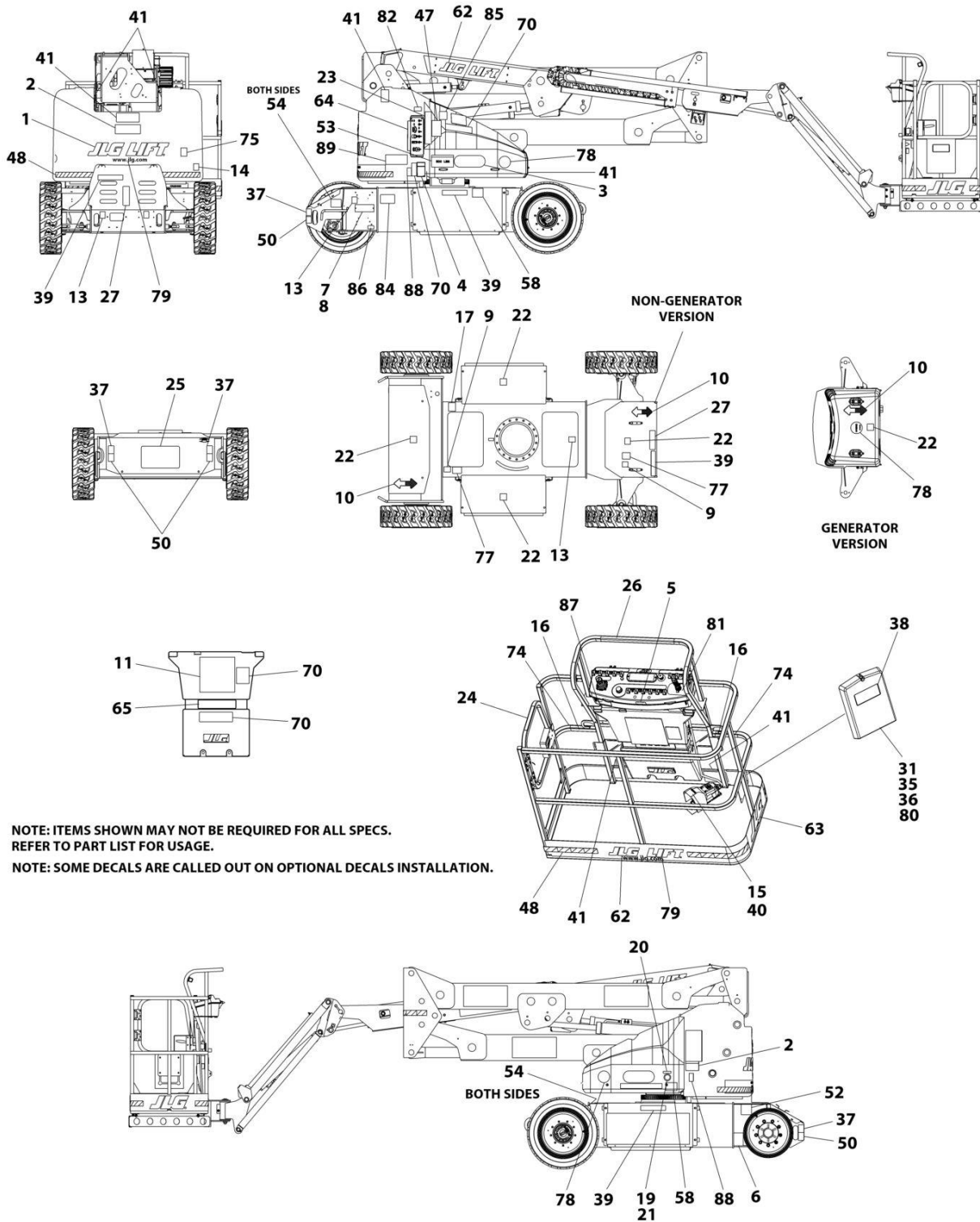
SECTION 8 - DECALS

FIGURE 8-5. DECAL INSTALLATION - FRENCH/ENGLISH SPECS

ITEM	PART NUMBER	QTY	DESCRIPTION	REV
	1001248659	Ref	DECAL INSTALLATION - REFERENCE CHART	E
	1001249186	Ref	DECAL INSTALLATION	C
2	1703936	2	Decal - Electrocution	
4	1703930	1	Decal - Danger/Caution	
6	1700584	1	Decal - Patent	
8	3820001	2	Rivet	
9	1701504	1	Decal - Hydraulic Oil	
10	1701642	2	Decal - Arrow	
11	1703924	1	Decal - Caution/Danger	
13	1701644	2	Decal - Charger	
15	1703984	1	Decal - Footswitch	
16	1704277	2	Decal - Attach Lanyard	
19	0961127	1	Bushing, Snap	
20	3251243	1	Nameplate - 120V/60HZ	
21	0100010	AR	Adhesive	
22	1701691	4	Decal - No Step	
23	1001104864	1	Decal - Manual Descent	
24	1704000	2	Decal - No Hands	
25	1001193949	1	Decal - Cable Routing	
27	1704452	1	Decal - Charger	
31	0860520	1	Box, Manual Storage	
35	4751400	4	Washer 1/4	
36	3311405	4	Nut 1/4	
37	1701500	4	Decal - Lift	
38	1701509	1	Decal - Manual	
39	1704340	3	Decal - Explosion Warning	
41	1703948	6	Decal - Crushing Hazard	
47	1702265	1	Decal - Boom Sequence	
50	1702300	4	Decal - Tie Down	
52	See Note	1	Decal - Bar Code (Note: Not Available for Purchase)	
53	1001253923	1	Decal - 500 LBS. Max Capacity	
65	1001253922	1	Decal - 500 LBS. Max Capacity	
77	1704412	1	Decal - Oil Type	
79	1704885	2	Decal - Website	
80	0641406	4	Bolt 1/4 x 3/4	
81	1705429	1	Decal - Drive/Steer Instruction	
84	1001223971	1	Decal - Yearly Inspection	
85	1001222801	1	Decal - Manual Jib Pump	
86	1001228370	1	Decal - CSA ICES	

SECTION 8 - DECALS

FIGURE 8-6. DECAL INSTALLATION - JAPANESE SPEC



NOTE: ITEMS SHOWN MAY NOT BE REQUIRED FOR ALL SPECS.
REFER TO PART LIST FOR USAGE.
NOTE: SOME DECALS ARE CALLED OUT ON OPTIONAL DECALS INSTALLATION.

ART_1001249187

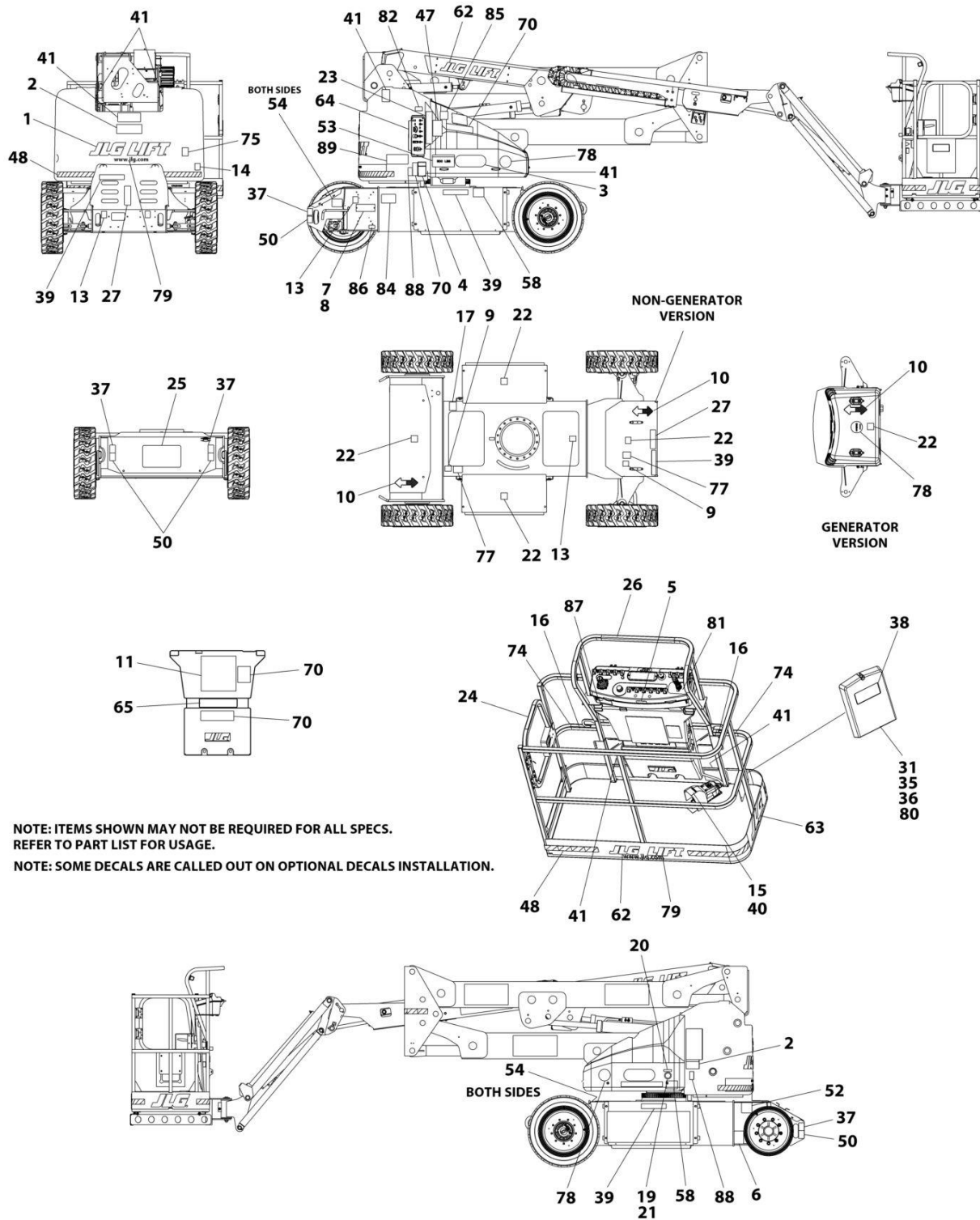
SECTION 8 - DECALS

FIGURE 8-6. DECAL INSTALLATION - JAPANESE SPEC

ITEM	PART NUMBER	QTY	DESCRIPTION	REV
	1001248659	Ref	DECAL INSTALLATION - REFERENCE CHART	E
	1001249187	Ref	DECAL INSTALLATION	D
2	1703938	2	Decal - Electrocution	
4	1703932	1	Decal - Danger/Caution	
8	3820001	2	Rivet	
9	1701504	1	Decal - Hydraulic Oil	
10	1701642	2	Decal - Arrow	
11	1703926	1	Decal - Caution/Danger	
13	1701644	2	Decal - Charger	
15	1703980	1	Decal - Footswitch	
16	1704277	2	Decal - Attach Lanyard	
19	0961127	1	Bushing, Snap	
21	0100010	AR	Adhesive	
22	1701691	4	Decal - No Step	
23	1001104864	1	Decal - Manual Descent	
25	1001193949	1	Decal - Cable Routing	
27	1704417	1	Decal - Charger	
31	0860520	1	Box, Manual Storage	
35	4751400	4	Washer 1/4	
36	3311405	4	Nut 1/4	
37	1701500	4	Decal - Lift	
38	1701509	1	Decal - Manual	
39	1704342	3	Decal - Explosion Warning	
41	1703950	6	Decal - Crushing Hazard	
47	1702271	1	Decal	
50	1702300	4	Decal - Tie Down	
52	See Note	1	Decal - Bar Code (Note: Not Available for Purchase)	
53	1001253933	1	Decal - 500 LBS. Max Capacity	
65	1001253932	2	Decal - 500 LBS. Max Capacity	
77	1704412	1	Decal - Oil Type	
79	1704885	2	Decal - Website	
80	0641406	4	Bolt 1/4 x 3/4	
81	1705426	1	Decal - Drive/Steer Instruction	
84	1001224053	1	Decal - Yearly Inspection	
85	1001222801	1	Decal - Manual Jib Pump	

SECTION 8 - DECALS

FIGURE 8-7. DECAL INSTALLATION - KOREAN SPEC



NOTE: ITEMS SHOWN MAY NOT BE REQUIRED FOR ALL SPECS.
REFER TO PART LIST FOR USAGE.
NOTE: SOME DECALS ARE CALLED OUT ON OPTIONAL DECALS INSTALLATION.

ART_1001254178

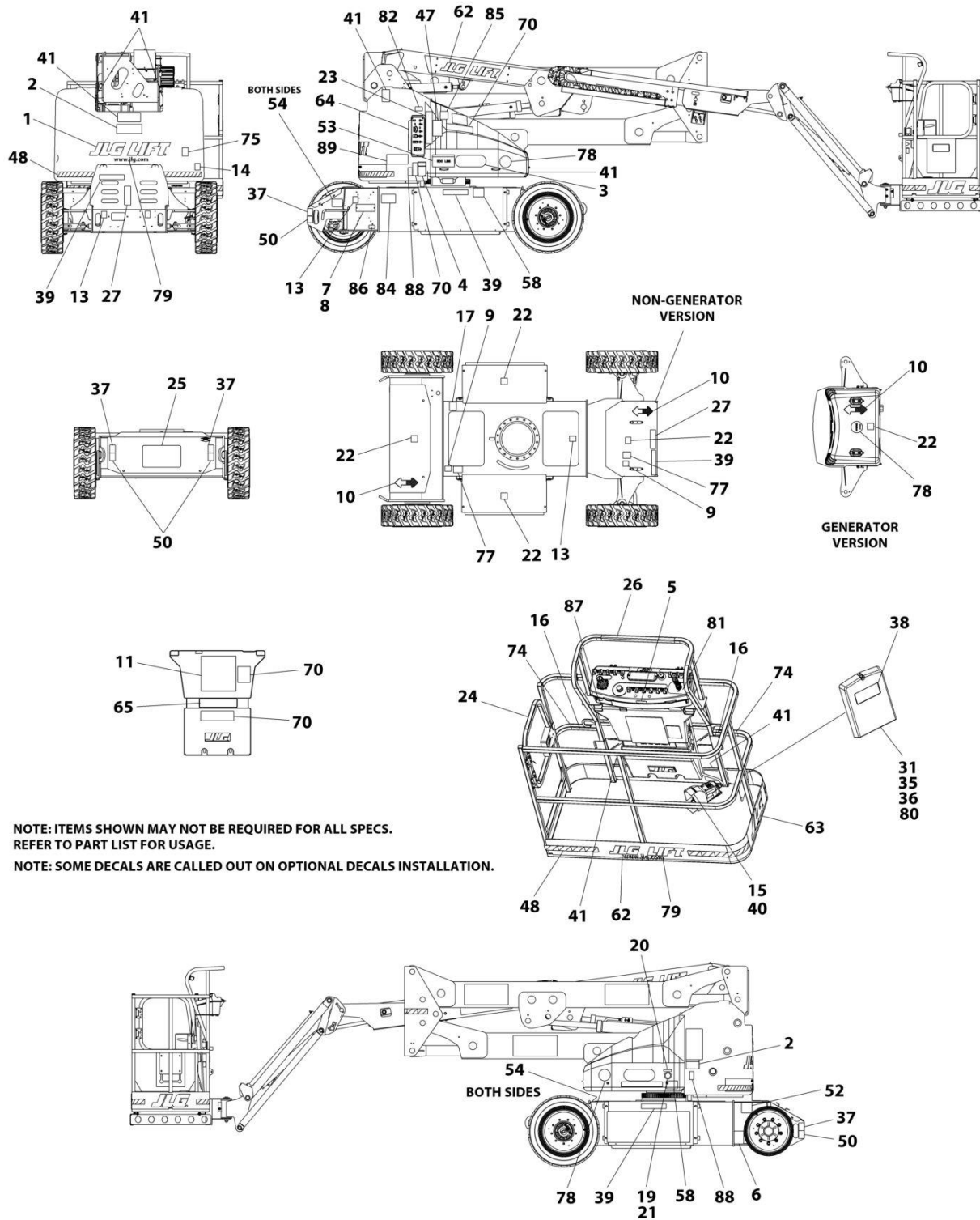
SECTION 8 - DECALS

FIGURE 8-7. DECAL INSTALLATION - KOREAN SPEC

ITEM	PART NUMBER	QTY	DESCRIPTION	REV
	1001248659	Ref	DECAL INSTALLATION - REFERENCE CHART	E
	1001254178	Ref	DECAL INSTALLATION - KOREAN SPEC	B
2	1703939	2	Decal - Electrocution	
4	1703933	1	Decal - Danger/Caution	
8	3820001	2	Rivet	
9	1701504	1	Decal - Hydraulic Oil	
10	1701642	2	Decal - Arrow	
11	1703927	1	Decal - Caution/Danger	
13	1701644	2	Decal - Charger	
15	1703981	1	Decal - Footswitch	
16	1704277	2	Decal - Attach Lanyard	
19	0961127	1	Bushing, Snap	
21	0100010	AR	Adhesive	
22	1701691	4	Decal - No Step	
23	1001104864	1	Decal - Manual Descent	
25	1001193949	1	Decal - Cable Routing	
27	1704418	1	Decal - Charger	
31	0860520	1	Box, Manual Storage	
35	4751400	4	Washer 1/4	
36	3311405	4	Nut 1/4	
37	1701500	4	Decal - Lift	
38	1701509	1	Decal - Manual	
39	1704343	3	Decal - Explosion Warning	
41	1703951	6	Decal - Crushing Hazard	
47	1703987	1	Decal - Upright Level Override	
50	1702300	4	Decal - Tie Down	
52	See Note	1	Decal - Bar Code (Note: Not Available for Purchase)	
53	1001253925	1	Decal - 500 LBS. Max Capacity	
65	1001253924	1	Decal - 500 LBS. Max Capacity	
77	1704412	1	Decal - Oil Type	
79	1704885	2	Decal - Website	
80	0641406	4	Bolt 1/4 x 3/4	
81	1705427	1	Decal - Drive/Steer Instruction	
84	1001224048	1	Decal - Yearly Inspection	
85	1001222801	1	Decal - Manual Jib Pump	

SECTION 8 - DECALS

FIGURE 8-8. DECAL INSTALLATION - SPANISH/ENGLISH SPECS



NOTE: ITEMS SHOWN MAY NOT BE REQUIRED FOR ALL SPECS.
REFER TO PART LIST FOR USAGE.
NOTE: SOME DECALS ARE CALLED OUT ON OPTIONAL DECALS INSTALLATION.

ART_1001249189

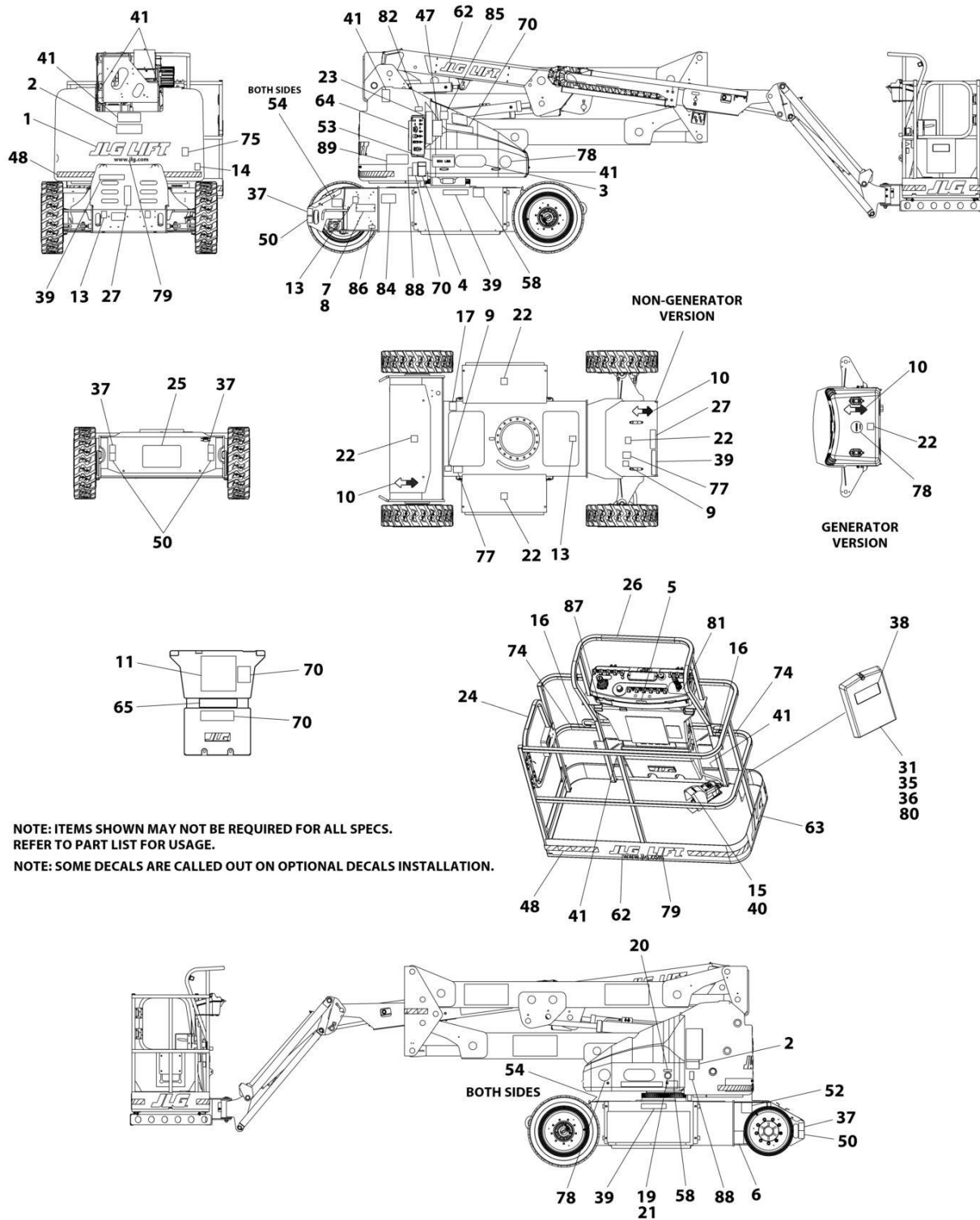
SECTION 8 - DECALS

FIGURE 8-8. DECAL INSTALLATION - SPANISH/ENGLISH SPECS

ITEM	PART NUMBER	QTY	DESCRIPTION	REV
	1001248659	Ref	DECAL INSTALLATION - REFERENCE CHART	E
	1001249189	Ref	DECAL INSTALLATION	C
2	1703935	2	Decal - Electrocution	
4	1703929	1	Decal - Danger/Caution	
8	3820001	2	Rivet	
9	1701504	1	Decal - Hydraulic Oil	
10	1701642	2	Decal - Arrow	
11	1703923	1	Decal - Caution/Danger	
13	1701644	2	Decal - Charger	
15	1703983	1	Decal - Footswitch	
16	1704277	2	Decal - Attach Lanyard	
19	0961127	1	Bushing, Snap	
20	3251243	1	Nameplate - 120V/60HZ	
21	0100010	AR	Adhesive	
22	1701691	4	Decal - No Step	
23	1001104864	1	Decal - Manual Descent	
24	1704001	2	Decal - No Hands	
25	1001193949	1	Decal - Cable Routing	
27	1704454	1	Decal - Charger	
31	0860520	1	Box, Manual Storage	
35	4751400	4	Washer 1/4	
36	3311405	4	Nut 1/4	
37	1701500	4	Decal - Lift	
38	1701509	1	Decal - Manual	
39	1704339	3	Decal - Explosion Warning	
41	1703947	6	Decal - Crushing Hazard	
47	1702265	1	Decal - Boom Sequence	
50	1702300	4	Decal - Tie Down	
52	See Note	1	Decal - Bar Code (Note: Not Available for Purchase)	
53	1001253931	1	Decal - 500 LBS. Max Capacity	
65	1001253930	2	Decal - 500 LBS. Max Capacity	
77	1704412	1	Decal - Oil Type	
79	1704885	2	Decal - Website	
80	0641406	4	Bolt 1/4 x 3/4	
81	1705910	1	Decal - Drive/Steer Instruction	
84	1001224049	1	Decal - Yearly Inspection	
85	1001222801	1	Decal - Manual Jib Pump	

SECTION 8 - DECALS

FIGURE 8-9. DECAL INSTALLATION - SPANISH/PORTUGUESE SPECS



NOTE: ITEMS SHOWN MAY NOT BE REQUIRED FOR ALL SPECS.
REFER TO PART LIST FOR USAGE.
NOTE: SOME DECALS ARE CALLED OUT ON OPTIONAL DECALS INSTALLATION.

ART_1001248655

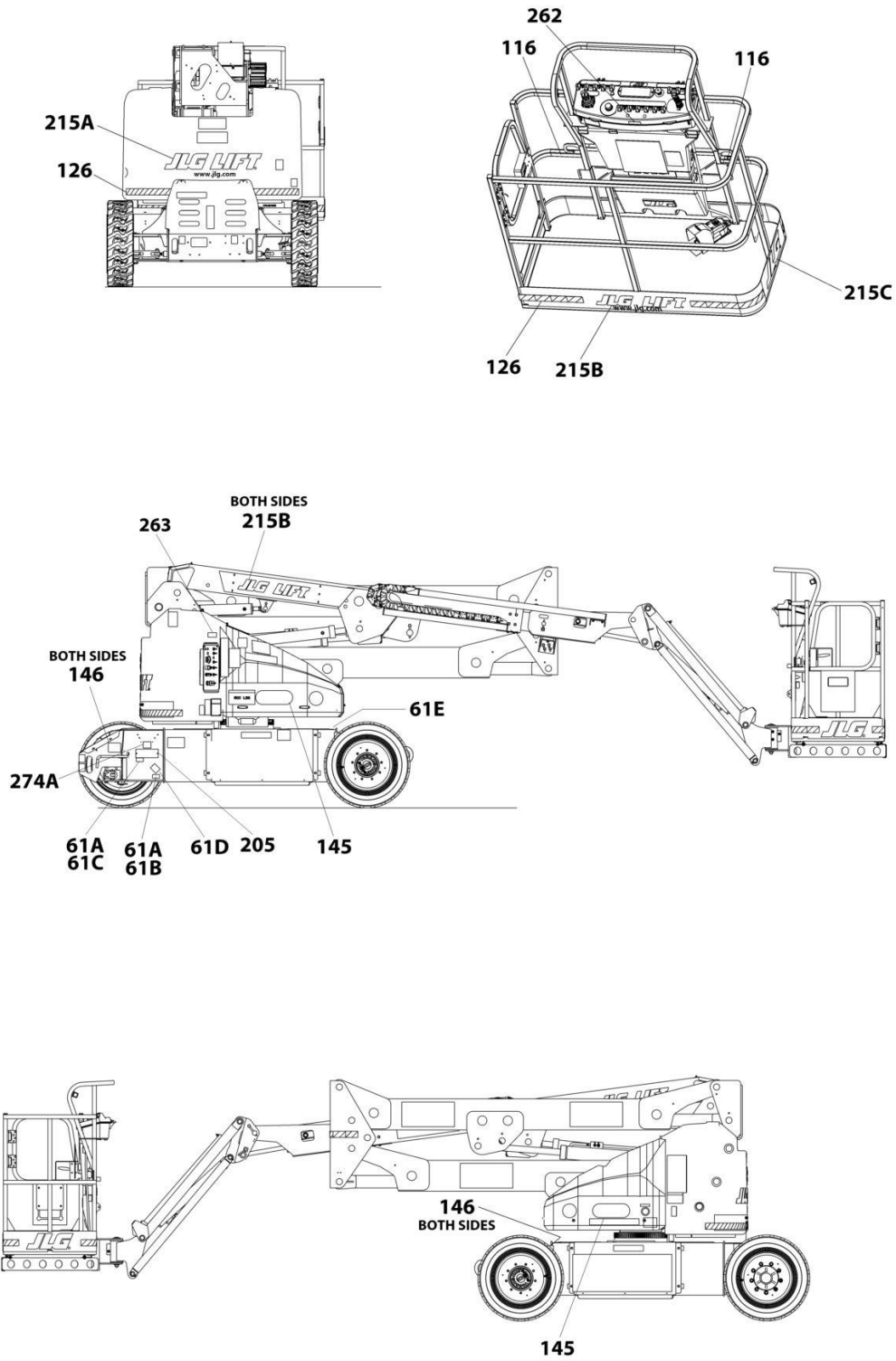
SECTION 8 - DECALS

FIGURE 8-9. DECAL INSTALLATION - SPANISH/PORTUGUESE SPECS

ITEM	PART NUMBER	QTY	DESCRIPTION	REV
	1001248659	Ref	DECAL INSTALLATION - REFERENCE CHART	E
	1001248655	Ref	DECAL INSTALLATION	E
2	1703940	2	Decal - Electrocution	
4	1703934	1	Decal - Danger/Caution	
8	3820001	2	Rivet	
9	1701504	1	Decal - Hydraulic Oil	
10	1701642	1	Decal - Arrow	
11	1703928	1	Decal - Caution/Danger	
13	1701644	2	Decal - Charger	
15	1703985	1	Decal - Footswitch	
16	1704277	2	Decal - Footswitch	
19	0961127	1	Bushing, Snap	
20	3251243	1	Nameplate - 120V/60HZ	
21	0100010	AR	Adhesive	
22	1701691	4	Decal - No Step	
23	1001104864	1	Decal - Manual Descent	
24	1704002	2	Decal - No Hands	
25	1001193949	1	Decal - Cable Routing	
27	1704453	1	Decal - Charger	
31	0860520	1	Box, Manual Storage	
35	4751400	4	Washer 1/4	
36	3311405	4	Nut 1/4	
37	1701500	4	Decal - Lift	
38	1701509	1	Decal - Manual	
39	1704341	3	Decal - Explosion Warning	
41	1703952	6	Decal - Crushing Hazard	
47	1703991	1	Decal - Boom Sequence	
50	1702300	4	Decal - Tie Down	
52	See Note	1	Decal - Bar Code (Note: Not Available for Purchase)	
53	1001253929	1	Decal - 500 LBS. Max Capacity	
65	1001253928	2	Decal - 500 LBS. Max Capacity	
77	1704412	1	Decal - Oil Type	
79	1704885	2	Decal - Website	
80	0641406	4	Bolt 1/4 x 3/4	
81	1001113680	1	Decal - Drive/Steer Instruction	
84	1001224052	1	Decal - Yearly Inspection	
85	1001222801	1	Decal - Manual Jib Pump	

SECTION 8 - DECALS

FIGURE 8-10. DECAL INSTALLATION - OPTIONS



ART_DECAL_OPTIONS

SECTION 8 - DECALS

FIGURE 8-10. DECAL INSTALLATION - OPTIONS

ITEM	PART NUMBER	QTY	DESCRIPTION	REV
	1001247556	Ref	DECAL INSTALLATION - REFERENCE CHART	A
	1001248659	Ref	DECAL INSTALLATION - OPTIONS	B
61	0270433	Ref	Decal Installation - UL Tags	B
61A	3820001	8	Rivet	
61B	3252331	1	Nameplate, Battery Information	
61C	3252780	1	Nameplate, UL Certification	
61D	1702251	2	Nameplate, EE	
61E	1001213625	1	Decal - Replacement Fuse 400 Amp	
116	1703175	2	Decal - Lanyard Attach (GM K-1 Spec)	
126	0259550	Ref	Warning Strip Installation (Not Shown)	2
126	4420051	17.5 ft/ 5.33m	Tape, Safety	
145	1704900	2	Decal - Model Designation (E400An)	
145	1704792	2	Decal - Model Designation (E400AJPn)	
146	1001262663	4	Decal - Tire Load	
205	See Note	1	Nameplate - Serial Number (Note: Not Available for Purchase)	
215	0270273	Ref	Decal Installation - JLG Logo (E400An) (Not Shown)	C
215	0270274	Ref	Decal Installation - JLG Logo (E400AJP/E400AJPn/M400AJP/M400AJPn) (Not Shown)	C
215A	1702860	1	Decal - JLG Lift	
215B	1702774	3	Decal - JLG Lift	
215C	1702773	1	Decal - JLG (E400An)	
215C	1704200	1	Decal - Jib Plus (E400AJPn)	
262	1001141300	1	Decal - Platform Sensor Override	
263	1001189882	1	Decal - MSSO Instructions	
274	1001214031	Ref	Decal - EAC Installation (CIS and Russia Specs)	
274A	1001173703	1	Decal - EAC	

SECTION 9 - RECOMMENDED SERVICE PARTS STOCK

SECTION 9 - RECOMMENDED SERVICE PARTS STOCK

SECTION 9 - RECOMMENDED SERVICE PARTS STOCK

FIGURE 9-1. RECOMMENDED SERVICE PARTS STOCK

ITEM	PART NUMBER	QTY	DESCRIPTION	REV
		Ref	Note: The following list will service one machine (built to current production per date on the front cover) with emergency repair parts which can be installed in the field. Parts from the list should be replaced when inventory is depleted to keep service parts stock supplied. For further information, contact your JLG dealer or the JLG Industries Parts Department.	
		Ref	STANDARD PARTS	
	7021618	1	Coil	
	7021609	1	Coil	
	70005210	1	Coil	
	7024883	1	Coil	
	7024885	1	Coil	
	1001212415	1	Controller Assembly (Drive and Steer)	
	1001129555	1	Controller Assembly (Lift and Swing)	
	4360476	1	Contact, Switch	
	7021616	4	Filter Cartridge	
	8229242	1	Fuse - 5 Amp	
	8229261	1	Fuse - 5 Amp	
	8229234	1	Fuse - 10 Amp	
	8229237	1	Fuse - 15 Amp	
	8229235	1	Fuse - 20 Amp	
	8229236	1	Fuse - 30 Amp	
	1001170365	1	Fuse - 400 Amp	
	2860030	1	Key Replacement	
	2940074	1	Latch	
	1001155045	1	Switch, Toggle	
	1001159256	1	Switch, Toggle	
	4360475	1	Switch, Emergency	
	4360469	1	Switch, Key	
	4360387	1	Switch, Push Button	
	1001161710	1	Switch, Toggle	
		Ref	VARIABLE PARTS	
	1001181045	1	Breaker 30mA (CE Spec)	
	1001189172	1	Breaker 16Amp (CE Spec)	
	1001189171	1	Breaker 30mA (CE Spec)	
	1001192212	1	Module (Drive - LH)	
	1001178339	1	Module (Drive - RH)	
	1001182700	1	Module (Ground Control)	
	1001182724	1	Module (Platform Control)	
	7019698	1	Power Track - 1 Link	
	70001996	1	Power Track - 2ft. Section	
	70001998	1	Power Track - Bracket Kit	
	4360548	1	Switch, Limit	
	1001116232	1	Switch, Limit	

SECTION 10 - SPECIAL OPTIONS

SECTION 10 - SPECIAL OPTIONS

FIGURE 10-1. SPECIAL OPTIONS

ITEM	PART NUMBER	QTY	DESCRIPTION	REV
		Ref	MISCELLANEOUS SPECIAL OPTIONS	
		Ref	Note: This list is to accommodate machines ordered with special equipment. Options may not be applicable to all models. For more specific parts information contact JLG Parts Department.	
	0271801	Ref	Airline Installation - 1/2in (E400An Model)	
	1001218503	Ref	Alert Beacon Kit (Red)	
	1001249695	Ref	Analyzer and Cable Kit	
	1001249941	Ref	Analyzer and Cable Kit (Battery Powered)	
	1001148971	Ref	Bolt-On Lanyard Kit	
	1001261338	Ref	Bolt-On Fall Arrest - 30in X 4ft (76cm x 1.22m)	
	1001257275	Ref	Bolt-On Fall Arrest - 30in x 5ft (76cm x 1.52m)	
		Ref	ClearSky (Telematics) Installations (Dealer Installed)	
	1001243575	Ref	ClearSky (Telematics) Access Control Installation Kit (Dealer Installed) (ANSI, ANSI Export, CE and CSA Specs)	
	1001250537	Ref	ClearSky (Telematics) Added-on Kit (Dealer Installed) (ANSI and CSA Specs)	
	1001247426	Ref	ClearSky (Telematics) Added-on Kit (Dealer Installed) (Australian Specs)	
	1001254285	Ref	ClearSky (Telematics) Added-on Kit (Dealer Installed) (CE Specs)	
	1001230504	Ref	ClearSky Telematics Installation - 3 Wire Connection (Dealer Installed) (ANSI Specs)	
	1001234102	Ref	ClearSky Telematics Installation - 3 Wire Connection (Dealer Installed) (ANSI Export & CE Specs)	
	1001236405	Ref	ClearSky Telematics Installation - Canbus (Dealer Installed) (ANSI Specs)	
	1001237110	Ref	ClearSky Telematics Installation - Canbus (Dealer Installed) (ANSI Export & CE Specs)	
		Ref	ClearSky Telematics (Factory Installed)	
	1001229107	Ref	ClearSky Telematics Installation - 3 Wire Connection (Factory Installed) (ANSI and CSA Specs Only)	
	1001233237	Ref	ClearSky Telematics Installation - 3 Wire Connection (Factory Installed) (ANSI Export and CE Specs Only)	
	1001235649	Ref	ClearSky Telematics Installation - Canbus (Factory Installed) (All Specs Except China)	
	1001246541	Ref	ClearSky Telematics Installation - Canbus (Factory Installed) (Australian Specs)	
	1001236535	Ref	ClearSky Telematics Installation - Canbus (Factory Installed) (ANSI Export & CE Specs)	
	1001246542	Ref	ClearSky Telematics Installation - Canbus (Factory Installed) (China Specs)	
	1001195304	Ref	Console Cover	
		Ref	Cylinder Bellows Installations	
	0259397	Ref	Cylinder Bellows Installations (E400An)	
	0271251	Ref	Cylinder Bellows Installations (E400AJPN)	
		Ref	Decal Installations	
	1001229690	Ref	Decal - ClearSky Installation (ANSI, ANSI Export, Australian, CE, China and CSA Specs Only)	
	1702868	Ref	Decal - No Hands (English) (ANSI Spec) (Used with Platform Padding or Mesh to Top Rail)	
	1704000	Ref	Decal - No Hands (English and French) (CSA Spec) (Used with Platform Padding or Mesh to Top Rail)	

SECTION 10 - SPECIAL OPTIONS

ITEM	PART NUMBER	QTY	DESCRIPTION	REV
	1001108727	Ref	Decal Kit - Platform	
	1001223824	Ref	Decal Kit - Platform Console	
		Ref	Electrical Connector Kits	
	1001148902	Ref	Amp Connector Kit	
	1001148903	Ref	Deutsch DT Connector Kit	
	1001148904	Ref	Deutsch HD Connector Kit	
	1001148905	Ref	Packard Connector Kit	
	1001148906	Ref	Various Connector Kit	
	1001152523	Ref	Fire Extinguisher Installation (Platform Mounted)	
	1001191314	Ref	Headlight and Tail Lights Installation	
	1001251369	Ref	Hood Kit	
	1001198658	Ref	Hose Kit - Boom (E400An)	
	1001198657	Ref	Hose Kit - Boom (E400AJPN)	
	1001151286	Ref	Jib Cylinder with Manual Descent Valve Kit	
	1001237443	Ref	Mid Lift Cylinder Service Kit (E400AN Only)	
	1001259112	Ref	Operator Access Control	
		Ref	Platform Mesh To Mid Rail Add-on Kits	
	1001214478	Ref	30in X 4ft (76cm x 1.22m)	
	1001214515	Ref	30in X 5ft (76cm x 1.52m)	
		Ref	Platform Mesh To Mid Rail Installations	
	1001140318	Ref	30in x 4ft (76cm x 1.22m)	
	1001140315	Ref	30in x 5ft (76cm x 1.52m)	
		Ref	Platform Mesh Top Rail Add-on Kits	
	1001214552	Ref	30in X 4ft (76cm x 1.22m)	
	1001214559	Ref	30in X 5ft (76cm x 1.52m)	
		Ref	Platform Mesh Top Rail Installations	
	0273146	Ref	30in x 5ft (76cm x 1.52m)	
	0273147	Ref	30in x 4ft (76cm x 1.22m)	
	1001250035	Ref	Platform Sensor Retrofit Kit	
	1001120466	Ref	Platform Worklights Installation	
	1001209059	Ref	Platform Work Surface Installation	
	1001212202	Ref	Rotator Actuator Protection Kit	
	1001241547	Ref	SkyEye Housing Kit - LH Side	
	1001241548	Ref	SkyEye Housing Kit - RH Side	
	1001247073	Ref	SkyEye Retrofit Kit	
	1001210033	Ref	SkyGuard Complete Add-on Kit (Red)	
	1001218502	Ref	SkyGuard with Beacon (Blue)	
	1001218499	Ref	SkyGuard without Beacon	
	1001249052	Ref	SkyGuard Retrofit Kit	
	1001232643	Ref	SkyLine Add-on Kit	
		Ref	Strobe Light Installations (Amber) Options:	
	1001191144	Ref	Strobe Light Installation (Amber) Platform Mounted	
	1001191145	Ref	Strobe Light Installation (Amber) Platform/Ground Mounted	
	1001243183	Ref	Telematics Access Control Canbus Add-on Kit (ANSI & CSA Specs)	
	1001243184	Ref	Telematics Access Control Canbus Add-on Kit (CE Specs)	
	1001239568	Ref	Upper Powertrack Service Kit E400 Narrow	
	1001241268	Ref	Wear Pad Kit E400A	
	1001241269	Ref	Wear Pad Kit E400AJP	
	1001235847	Ref	White Noise Alarm	
	1001235848	Ref	White Noise Ambient Alarm (Dealer Installed)	
	1001231870	Ref	White Noise Ambient Alarm (Factory Installed)	

SECTION 10 - SPECIAL OPTIONS

ITEM	PART NUMBER	QTY	DESCRIPTION	REV
	1001231804	Ref	White Noise Alarm	

PART NUMBER INDEX

SECTION 10 - SPECIAL OPTIONS

0060044.....145, 149	0630401 141	0681810 13	1001104864.....365, 367,
0060052.....139, 147	0630467 289, 291	0682014 19, 23	369, 371, 373, 375,
0060065.....145, 151	0630487 139	0682026 97	377, 379, 381
0100009....139, 179, 183,	0630490 17	0682028 97	1001106757.....141
187	0630518... 115, 117, 119,	0700408 ... 325, 327, 329,	1001107854.....351
0100010....365, 367, 369,	121	331, 333, 335, 337	1001108727.....389
371, 373, 375, 377,	0630568 179, 183, 187	0720804 85, 87	1001109503.....115, 117,
379, 381	0641404 53, 139, 179,	0721004 81	119, 121
0100011....13, 19, 23, 43,	183, 187, 207	0721006 23	1001109833.....269, 271
45, 51, 53, 57, 59, 61,	0641405 . 65, 69, 73, 139,	0741606 141	1001109892.....19, 23
63, 79, 85, 87, 103,	207	0760606 153	1001110434.....179, 183,
105, 107, 109, 111,	0641406... 19, 23, 79, 81,	0760610 153	187
113, 129, 133, 135,	95, 171, 173, 175, 177,	0761014 153	1001110772.....41
139, 141, 145, 153,	201, 365, 367, 369,	0761215 153	1001110774.....41
163, 165, 167, 169,	371, 373, 375, 377,	0801224 141	1001110873.....319
205, 207, 221, 225,	379, 381	0801225 135, 141	1001113680.....381
289, 291	0641407... 65, 67, 69, 71,	0801226 141	1001113961.....353
0100019.....97, 289, 291	73, 75, 129, 325, 327,	0801227 135	1001114761.....89, 93
0100020.19, 24, 199, 247	329, 331, 333, 335, 337	0801262 133	1001114782.....61, 63
0100035....33, 35, 37, 39,	0641408 19, 23, 171, 173,	0801263 139	1001116232.....105, 386
123, 179, 183, 187, 191	175, 177, 325, 327,	0801267 139	1001116692.....305, 351,
0100038.....221, 225	329, 331, 333, 335, 337	0840031 19, 23	354, 361
0100048.....19, 23	0641409 67, 71, 75	0840032 19, 23	1001116693.....351, 353
0100081 141	0641410 289, 291	0860038 319, 321	1001116720.....345
0100083.....33, 35, 37, 39	0641413 85, 87	0860520 ... 365, 367, 369,	1001116732.....351
0140011 179, 183, 187	0641414 ... 179, 183, 187,	371, 373, 375, 377,	1001116733.....351
0140043.....95	205	379, 381	1001116734.....349, 351
0257728.....209	0641416 ... 107, 109, 111,	0861375 23	1001116810.....349
0259397.....388	113, 325, 327, 329,	0861731 255, 261, 263	1001116811.....77
0259550.....383	331, 333, 335, 337	0861781 265, 267	1001116812.....275, 305,
0270012.....321	0641418 ... 107, 109, 111,	0861880 285	351, 353
0270013.....319	113, 165, 169	0940048 133, 135	1001116813.....353
0270028.....41	0641420 167	0961127 ... 365, 367, 369,	1001116815.....351
0270273.....383	0641430 19, 23	371, 373, 375, 377,	1001117172.....199
0270274.....383	0641506 ... 107, 109, 111,	379, 381	1001118384.....347
0270433.....383	113, 133, 135	0961845 165, 167, 169	1001118388.....345, 347
0270724.....133	0641507 87	0961947 149, 217	1001119228.....141
0270725.....133, 139	0641508 19, 23, 129	0961948 141	1001119619.....339
0271251.....388	0641510 101	0961950 ... 133, 135, 139,	1001119620.....341, 343
0271464.....323	0641514 ... 129, 209, 289,	141, 219, 221, 223,	1001120328.....205, 207
0271649.....135, 145	291	225, 229	1001120466.....389
0271801.....388	0641516 145, 289	0961951 15, 17, 139, 145,	1001125677.....317, 354
0273146.....389	0641560 289, 291	215, 217, 233	1001126008.....351
0273147.....389	0641605 ... 107, 109, 111,	0962140 15, 17	1001126009.....347
0275216.....267, 325	113, 141, 142	0962257 149	1001126245.....351
0275217.....265, 337	0641606 ... 13, 51, 53, 85,	0962292 145	1001129555.....386
0275218.....257, 331	87, 139, 141	0962356 213, 231	1001131269.....365
0275219.....259, 335	0641607 135, 139, 141	1001093382 ... 57, 59, 61,	1001136881.....247
0275452.....261, 329	0641608 43, 45, 105, 133,	63	1001137673.....205
0275453.....263, 333	135, 139, 141	1001094670 145	1001138494.....165, 167
0275454.....255, 327	0641610 ... 19, 23, 43, 45,	1001097051 341	1001138514.....165, 167
0275663.....297	51, 53, 133, 135, 163,	1001097150 285, 287	1001140278.....135, 233
0275664.....299	171, 173, 175, 177	1001097777 85, 87, 91	1001140279.....135, 215
0275665.....295	0641613 129	1001098122 317	1001140280.....145, 217
0275666.....293	0641614 79, 133	1001098828 153	1001140315.....389
0275667.....301	0641616 145	1001100341 267	1001140318.....389
0340048.....45	0641618 145	1001100342 265	1001140429.....165, 167,
0400055.....57, 59	0641806 133, 135	1001100345 261	169
0480100.....209	0641807 51, 53	1001100346 255	1001140597.....133, 231
0561076.....133, 135	0641808 135	1001100347 263	1001140598.....139, 213
0561317.....289, 291	0641810 133, 135	1001103012 351	1001141300.....383
0561384.....289, 291	0641811 ... 57, 59, 61, 63	1001103105 ... 65, 69, 73,	1001141967.....257, 259
0561385.....289, 291	0641812.19, 23, 101, 133	77	1001141968.....257
0561386.....289, 291	0641818 139, 141	1001104850 97, 99	1001141969.....259
0561424.....289	0681608 153		1001141970.....259
0630399.....139	0681610 135		1001141971.....257

SECTION 10 - SPECIAL OPTIONS

1001144147 275, 303, 305	1001166419..... 43, 45	1001180838..... 13, 17	1001190577 31, 351
1001144296 275, 305	1001166420..... 51, 53	1001180840..... 13	1001190985 153
1001144433 205	1001166493..... 81	1001180930..... 51, 85	1001191139 123
1001144629 159, 161, 163	1001166495..... 57, 61	1001181045..... 285, 386	1001191140 123
1001144630 163	1001166496..... 57, 59, 61, 63	1001182296..... 79, 307	1001191142 123
1001148902 389	1001166497..... 57	1001182550..... 19, 23, 31	1001191144 389
1001148903 389	1001166498..... 61	1001182700..... 107, 109, 111, 113, 386	1001191145 389
1001148904 389	1001166538..... 179, 183, 187, 193	1001182724..... 179, 187, 386	1001191203 73
1001148905 389	1001166539..... 179, 183, 187, 195	1001182725..... 129	1001191204 65
1001148906 389	1001166738..... 129	1001182960..... 19, 23	1001191206 69
1001148971 388	1001167013..... 79	1001183212..... 129	1001191212 ... 65, 67, 69, 71, 73, 75
1001149994 123, 125, 127	1001167487..... 45	1001183367..... 95	1001191314 389
1001151286 389	1001168670..... 59	1001183520..... 291	1001192212 .. 33, 35, 386
1001151393 115, 117, 119, 121	1001168674..... 135	1001183521..... 289	1001192293 79, 309
1001151395 13	1001168796..... 63	1001183867..... 279, 289, 291	1001192401 353
1001151428 13	1001168800..... 59, 63	1001183868..... 277, 289, 291	1001192501 79
1001152483 287	1001169423..... 13	1001184852..... 19, 23	1001193018 325, 327, 329, 331, 333, 335, 337
1001152485 287, 333, 335	1001170365..... 23, 386	1001184854..... 19, 23	1001193047 13
1001152523 389	1001170367..... 33	1001185281..... 179, 183, 187	1001193545 309
1001152635 246, 250	1001170761..... 351	1001185828..... 246, 250	1001193949 365, 367, 369, 371, 373, 375, 377, 379, 381
1001153017 97, 101	1001170762..... 349	1001185829..... 250	1001193987 179, 183, 187
1001153023 13	1001171213..... 43, 45, 49	1001186231..... 353	1001195304 388
1001153612 35	1001171298..... 105	1001186375..... 165	1001196589 19, 23
1001153749 13, 107, 109, 111, 113	1001172760..... 179, 183, 187	1001186377..... 167	1001196635 275
1001155044 115, 117, 119, 121, 179, 183, 187	1001173703..... 383	1001186386..... 161	1001196657 389
1001155045 115, 117, 119, 121, 179, 183, 187, 386	1001174447..... 37, 39	1001186387..... 159	1001198658 389
1001157058 103	1001175025..... 81	1001186431..... 205	1001200491 153
1001157890 303, 305, 351, 353	1001176417..... 129	1001186432..... 345, 347	1001200910 125
1001157891 303, 351, 353	1001176441..... 129	1001186517..... 205	1001203734 351
1001159186 305, 317	1001176469..... 117, 121	1001186860..... 33, 35	1001205409 275
1001159256 179, 183, 187, 386	1001177245..... 269, 271	1001187674..... 203	1001207004 127
1001160527 97	1001177246..... 269, 271	1001187681..... 339	1001207970 67
1001161117 13	1001177364..... 51, 53, 55	1001187775..... 155, 283	1001207974 71, 75
1001161710 179, 183, 187, 386	1001177483..... 135	1001187776..... 155, 281	1001209059 389
1001162887 275	1001177666..... 246, 250	1001187788..... 155	1001209664 205
1001163340 275	1001178339... 37, 39, 386	1001187790..... 105	1001210033 389
1001165963 129	1001178378..... 367	1001188065..... 107, 109, 111, 113	1001212202 389
1001165981 129	1001178384..... 246	1001188066..... 115, 117, 119, 121	1001212359 37, 39
1001165985 129	1001178394..... 269, 271	1001188291 277, 279, 289, 291	1001212415 386
1001166251 329	1001178395..... 269, 271	1001188292..... 277, 289, 291	1001212450 39
1001166258 333	1001178396..... 269, 271	1001188293..... 279, 289, 291	1001212453 23
1001166259 327	1001178398..... 269, 271	1001188354..... 277, 279, 289, 291	1001212454 24, 271
1001166260 337	1001178399..... 269, 271	1001188528... 19, 24, 349	1001212455 271
1001166261 331	1001178400..... 269, 271	1001188622..... 153	1001212456 24, 39
1001166262 335	1001178401..... 269, 271	1001188844..... 153	1001212480 271
1001166263 325	1001178402..... 269, 271	1001189027..... 269, 271	1001213447 317
1001166296 81	1001178403..... 269, 271	1001189030..... 269, 271	1001213625 383
1001166312 81	1001178405... 19, 23, 303	1001189031..... 269, 271	1001213626 24
1001166321 81	1001178491..... 325, 327, 329, 331, 333, 335, 337	1001189032..... 269, 271	1001213882 179, 183, 187
1001166341 103	1001178629... 19, 23, 351	1001189039..... 179, 183, 187, 199	1001214031 383
1001166394 115, 117, 119, 121	1001178660..... 269	1001189171 287, 386	1001214478 389
1001166395 97	1001178794..... 107, 109, 111, 113, 361	1001189172..... 287, 386	1001214515 389
1001166417 43	1001179060..... 19, 33	1001189882..... 383	1001214552 389
	1001179061..... 19, 37	1001190003..... 369	1001214559 389
	1001179064..... 33, 35, 37, 39	1001190088..... 20, 269	1001214667 35
	1001179134..... 19		1001214668 24, 35
	1001179991..... 107, 109, 111, 113, 305		1001215228 179, 183, 187
	1001180554..... 85, 87, 89		1001215835 183
	1001180835..... 13		1001216630 153
			1001216921 87, 93

SECTION 10 - SPECIAL OPTIONS

1001217005.....125	1001232643.....389	1001249158.....175, 187	1060801.....79
1001217228.....153	1001232650.....207	1001249159.....171	1060802.....79
1001217242.....153	1001232667.....207	1001249162.....171, 179	1060896.....277, 279
1001217243.....153	1001233237.....388	1001249163.....111	1060908.....285, 287
1001217244.....153	1001234102.....388	1001249165.....111, 119	10837580.....55, 89
1001217249.....153	1001235011.....207	1001249168.....113	1180302.....139
1001217253.....153	1001235013.....207	1001249174.....113, 121	1220038.....139
1001217254.....153	1001235649.....388	1001249175.....107	1220039.....139
1001217267.....153	1001235847.....389	1001249176.....107, 115	1220040.....139
1001217413.....153	1001235848.....389	1001249177.....109	1320040.....53
1001217465.....369	1001236405.....388	1001249182.....109, 117	1320041.....13, 129
1001217598.....163	1001236535.....388	1001249184.....365	1320043.....289, 291
1001217842.....33, 349, 351	1001236552.....207	1001249186.....373	1320136.....153
1001217843.....351	1001237110.....388	1001249187.....375	1320260.....289, 291
1001217844.....349, 351	1001237443.....389	1001249189.....379	1320263.....13
1001218004.....250	1001237667.....317	1001249695.....388	1321385.....107, 109, 111, 113
1001218367.....53, 87	1001237668.....317	1001249941.....388	1380136.....85, 87
1001218499.....389	1001237862.....341, 343	1001250035.....389	1380138.....81
1001218502.....389	1001237863.....203, 341	1001250537.....388	1580012.....201
1001218503.....388	1001237864.....203, 343	1001251015.....141, 239	1600466.....77
1001219016.....153	1001237865.....203, 339	1001251016.....135, 229	1670679.....139
1001219601.....19, 23	1001238319.....203	1001251018.....133, 227	1670697.....289, 291
1001219722.....19, 23	1001238418.....207, 347	1001251063.....139, 237	1670698.....139
1001220271.....19, 23	1001238472.....207	1001251369.....389	1670832.....155
1001221451.....115, 119, 121	1001238477.....207	1001251382.....67, 71, 75	1670833.....155
1001221452.....117	1001238495.....205	1001251470.....75	1670953.....79
1001222685.....163	1001238557.....125	1001251471.....67	1670959.....141
1001222801.....365, 367, 369, 371, 373, 375, 377, 379, 381	1001238558.....127	1001251472.....71	1683591.....13, 235
1001223055.....365	1001238559.....207	1001252946.....209	1700584.....373
1001223824.....389	1001238732.....191	1001252947.....209	1701500.....365, 371, 373, 375, 377, 379, 381
1001223971.....373	1001238824.....207	1001253920.....365	1701504.....365, 367, 369, 371, 373, 375, 377, 379, 381
1001224048.....377	1001239568.....389	1001253921.....365	1701509.....365, 367, 369, 371, 373, 375, 377, 379, 381
1001224049.....379	1001241268.....389	1001253922.....373	1701518.....367, 369
1001224050.....371	1001241269.....389	1001253923.....373	1701642.....79, 365, 367, 369, 371, 373, 375, 377, 379, 381
1001224052.....381	1001241547.....389	1001253924.....377	1701644.....365, 367, 369, 371, 373, 375, 377, 379, 381
1001224053.....375	1001241548.....389	1001253925.....377	1701691.....365, 367, 369, 371, 373, 375, 377, 379, 381
1001224891.....141	1001241965.....207	1001253926.....371	1702124.....246, 251
1001225580.....205, 345	1001243183.....389	1001253927.....371	1702251.....383
1001226872.....169	1001243184.....389	1001253928.....381	1702265.....365, 373, 379
1001227633.....203	1001243575.....388	1001253929.....381	1702271.....375
1001227634.....203	1001245164.....191	1001253930.....379	1702300.....365, 371, 373, 375, 377, 379, 381
1001227985.....203	1001245173.....191	1001253931.....379	1702565.....179, 183, 187
1001227987.....203	1001245179.....191	1001253932.....375	1702566.....179, 183, 187
1001227996.....341, 343	1001245210.....191	1001253933.....375	1702567.....179, 183
1001228035.....135, 221	1001245293.....273	1001254178.....377	1702773.....369, 383
1001228036.....135, 225	1001245673.....180, 184, 188, 317	1001254179.....371	1702774.....383
1001228037.....133, 219	1001245677.....107, 109, 111, 113, 353	1001254285.....388	1702860.....383
1001228038.....133, 223	1001246541.....388	1001257275.....388	1702868.....365, 388
1001228215.....169	1001246542.....388	1001259112.....389	1703175.....383
1001228224.....203	1001246542.....388	1001259149.....273	1703797.....365
1001228225.....203	1001247073.....389	1001259155.....273	1703798.....365
1001228370.....365, 373	1001247426.....388	1001259489.....115, 117, 119, 121	1703804.....365
1001228627.....153	1001247468.....153	1001260275.....351	1703805.....365
1001229107.....388	1001247538.....180, 184, 188	1001260408.....67, 71, 75	1703811.....367, 369
1001229341.....203	1001247538.....180, 184, 188	1001260414.....273, 275	
1001229690.....388	1001247556.....383	1001260531.....67, 71, 75	
1001230504.....388	1001248655.....381	1001260532.....67, 71, 75	
1001231801.....365	1001248659.....365, 367, 371, 373, 375, 377, 379, 381, 383	1001261338.....388	
1001231804.....390	1001249052.....389	1001262663.....383	
1001231870.....389	1001249153.....173	1001272006.....35	
1001232164.....203	1001249154.....173, 177, 183	1060330.....199	
1001232165.....203	1001249155.....177	1060341.....281, 283	
1001232204.....13	1001249157.....175	1060379.....209	
1001232642.....207		1060461.....313, 315, 359	
		1060494.....307, 311, 357	
		1060689.....65, 69, 73	

SECTION 10 - SPECIAL OPTIONS

1703813	365	1705427	377	2752442.....	250	3300151 ...	165, 167, 169, 289, 291
1703814	367, 369	1705429	373	2752453.....	246, 250	3300281	221, 225
1703923	379	1705430	371	2752459.....	246, 250	3300353.....	79, 179, 183, 187
1703924	373	1705670	367, 369	2752466.....	250	3300365 ...	107, 109, 111, 113
1703925	371	1705822	367, 369	2752467.....	246, 250	3300426	13, 17, 19, 23
1703926	375	1705828	367, 369	2752475.....	246	3300430	205
1703927	377	1705910	379	2752493.....	251	3300454 19, 23,	107, 109, 111, 113
1703928	381	1705921	367, 369	2752571.....	250	3310805 .85, 87,	105, 155
1703929	379	1705977	367, 369	2752573.....	246	3311001	23, 163
1703930	373	1705978	367, 369	2752581.....	246	3311005	81, 155
1703931	371	1706378	367, 369	2752600.....	251	3311011 ...	115, 117, 119, 121
1703932	375	1760160	139	2752611.....	250	3311401 19, 23,	139, 141, 289, 291
1703933	377	2080040	159, 161, 163	2752619.....	250	3311405 ...	13, 67, 71, 75, 79, 81, 95, 115, 117, 119, 121, 171, 173, 175, 177, 207, 289, 291, 325, 327, 329, 331, 333, 335, 337, 365, 367, 369, 371, 373, 375, 377, 379, 381
1703934	381	2160003	101	2752620.....	246	3311501	129, 145
1703935	379	2220237	247, 251	2752983.....	246	3311505 19, 23,	107, 109, 111, 113, 133, 136, 141, 209, 289, 291
1703936	373	2220239	247	2753329.....	250	3311601 ...	135, 179, 183, 187, 207
1703937	371	2220371	246, 250	2753330.....	251	3311602	129, 139
1703938	375	2220373	250	2753331.....	251	3311605	79, 133, 135, 139, 141, 145, 163, 171, 173, 175, 177
1703939	377	2220386	246, 250	2753332.....	250	3311805	133, 135
1703940	381	2220415 ...	246, 247, 250, 251	2753333.....	250	3312008	13
1703947	379	2220466	250	2753334.....	246, 250	3312602	123, 125, 127
1703948	373	2220472	246, 250	2753335.....	246, 250	3322202	13
1703949	371	2220473	246, 250	2753474.....	246, 250	3323003	13
1703950	375	2220498	246, 250	2753475.....	246, 250	3340663	139
1703951	377	2220501	246, 250	2753519.....	246	3340682	139
1703952	381	2220502	246, 250	2753520.....	246, 251	3340820	139
1703980	375	2220504	246, 250	2753535.....	246	3340860	145
1703981	377	2220507	246, 250	2753973.....	246, 250	3340878	141
1703982	371	2220582 ...	247, 250, 251	2780251.....	13, 15	3340884	141
1703983	379	2220593	246, 250	2780282.....	19, 23, 27	3340886	141
1703984	373	2220600	247, 250	2820118.....	277, 279	3340939	141
1703985	381	2220605	247	2820247	341, 343	3380434 ...	171, 173, 175, 177
1703987	377	2220609	247	2860030....	115, 117, 119, 121, 386	3420156	129
1703988	371	2220677	246, 250	2900756.....	89	3422175	133
1703991	381	2220684	246	2900770....	147, 149, 219, 221, 223, 225, 229, 241	3422176	133
1704000	373, 388	2220727	246	2900792....	213, 215, 217	3422177	133
1704001	379	2220883 ...	219, 221, 225	2901805.....	225	3422178	133
1704002	381	2220885 ...	221, 223, 225, 246, 250	2901806.....	221	3422179	133
1704200	383	2220899	246, 250	2902549....	285, 325, 327, 329, 331, 337	3422180	133, 139
1704260 ...	179, 183, 187	2220909	247, 251	2920028....	180, 184, 188	3422181	139
1704277 ...	365, 367, 369, 371, 373, 375, 377, 379, 381	2220940	247, 251	2920029....	180, 184, 188	3422480	135
1704339	379	2220999	246, 250	2920151.....	153	3422481	135
1704340	373	2221033	246, 250	2940071.....	129	3422582	135
1704341	381	2221039	251	2940074....	159, 161, 163, 386	3422661	209
1704342	375	2221054	247, 250	2940095.....	81	3422669	135
1704343	377	2221086	247, 251	3000003....	57, 59, 61, 63	3422692	13
1704344	371	2221147	246	3251243....	365, 373, 379, 381	3422709	139
1704412 ...	365, 367, 369, 371, 373, 375, 377, 379, 381	2400044	23	3252331.....	383	3422791	145
1704417	375	2400060 ...	275, 305, 317, 353	3252347	365		
1704418	377	2460037	79	3252507 ...	321, 327, 329, 331, 333, 335, 337		
1704419	371	2540037	23	3252780.....	383		
1704422	187	2540038	13	3271605.....	135		
1704446	365	2540045 ...	57, 59, 61, 63	3290405....	325, 327, 329, 331, 333, 335, 337		
1704452	373	2560122 ...	85, 87, 89, 93	3290501.....	273		
1704453	381	2560123 ...	85, 87, 89, 93	3290605.....	153		
1704454	379	2560136 ...	179, 183, 187	3290606.....	165, 167		
1704792	383	2600281 ...	159, 161, 163	3291001.....	153		
1704885 ...	365, 367, 371, 373, 375, 377, 379, 381	2700093	81	3291005.....	153		
1704900	383	2750910	246, 250	3291201.....	153		
1705325	325	2750915 ...	246, 247, 250	3291205.....	153		
1705351	365	2751890	251				
1705426	375	2752435	246				
		2752437	246, 250				
		2752440	247				

SECTION 10 - SPECIAL OPTIONS

3422792.....135	3960422 319, 321	4460428 ... 65, 67, 69, 71, 73, 75, 179, 183, 187	4460910.....343
3422794.....145	3960447 81	4460434 317	4460911.....339
3422804.....141	3960453 129	4460458 361	4460930.....77
3422806.....135	4010618 165, 167	4460464 13, 77, 275, 279, 281, 283, 303, 309, 317, 345, 347, 349, 351, 353	4460931.....349
3422814.....135	4031505 203	4460465 ... 123, 275, 277, 279, 303, 305, 309, 317, 345, 349, 351, 353, 354, 361	4460932.....275
3422844.....135	4031516 207	4460466 ... 203, 275, 277, 279, 289, 291, 305, 309, 317, 339, 345, 347, 349, 351, 353, 354, 361	4460933.....317, 354, 361
3422845.....135	4031707 19, 23	4460470 ... 107, 109, 111, 113, 179, 183, 187	4460941.....303, 339
3422901.....139	4060092 321	4460471 ... 107, 109, 111, 113, 179, 183, 187	4460942.....203, 303, 353, 354
3430616.....180, 184, 188	4060804 141, 153	4460488 179, 183, 187	4460943.... 125, 127, 275, 303, 305, 339, 351, 353
3450304.....129	4060805 79, 153, 289, 291	4460508 77, 203, 279, 317, 353	4460944.... 275, 303, 305, 351, 353, 354
3450810.....13	4060808 289, 291	4460509 277, 279, 349	4460945.....351, 353
3470003.....180, 184, 188	4070863 141	4460516 31	4460950.....303, 351
3520028.... 115, 117, 119, 121	4070864 141	4460536 13, 317	4460956.....285
3520030.... 179, 183, 187	4070997 141	4460539 ... 303, 317, 349, 353, 361	4460957.....285
3520034.....139	4070998 141	4460662 327, 329, 333	4460968.... 281, 283, 325, 331, 335, 337
3520035.....19, 23, 81	4100026 246, 250	4460670 351	4460970.....349
3520054.... 179, 183, 187	4100065 291	4460708 ... 179, 183, 187, 317	4461077.....339, 347
3520072.... 159, 161, 165, 167, 169	4100067 291	4460709 359	4461078.....267, 293
3520198.... 159, 161, 163, 165, 167, 169	4240032 53, 179, 183, 187	4460710 313, 315	4461098.....267
3536491.....133, 135	4240033 ... 203, 205, 207, 277, 279, 289, 291	4460738 351	4461199.....265, 301
3536999.....289	4240084 19, 23	4460742 349, 361	4461201.....265
3571462.....291	4240099 289, 291	4460743 349, 361	4461205.... 257, 259, 261, 263, 297, 299
3572551.....145	4240175 ... 13, 19, 24, 105	4460761 317, 353, 361	4461244.....261
3600289.....43, 45, 47	4300140 289, 291	4460805 69, 71	4461245.....263
3740080.....33	4360387 ... 117, 121, 179, 183, 187, 386	4460806 305	4461246.....255
3740086.....347	4360407 ... 179, 183, 187	4460836 303, 353	4461249.....255, 295
3760115.....139, 141	4360469 ... 115, 117, 119, 121, 386	4460851 305	4566188.....246
3760308.....81	4360475 ... 115, 117, 119, 121, 179, 183, 187, 386	4460866 317, 353	4566243.....289, 291
3790012.... 115, 117, 119, 121, 179, 183, 187	4360476 ... 115, 117, 119, 121, 179, 183, 187, 386	4460868 305	4566427.....133, 135
3790113.....241	4360548 ... 281, 283, 386	4460871 ... 305, 317, 351, 353, 361	4567946.....250
3820001.... 365, 367, 369, 371, 373, 375, 377, 379, 381, 383	4420051 383	4460872 361	4568114.....19, 23
3820019.....81	4420062 209	4460873 ... 317, 351, 353	4640495.....237
3820020.....159, 161	4460016 317	4460874 317, 353	4640509.....213, 217
3841143.... 133, 135, 139, 153	4460019 351	4460875 317, 361	4640634.... 219, 221, 223, 225
3841203.....133, 135	4460042 199	4460876 305	4640709.....237, 241
3841517.....13	4460071 199, 319, 321	4460877 305	4640771.....241
3900085.... 123, 125, 127	4460125 321	4460878 353	4640807.....241
3900104.....155	4460134 307, 311	4460879 317	4640932.....213, 215
3900109.....13	4460138 65, 67, 307	4460884 275, 345, 353	4640936.....229
3900170.....221, 225	4460142 349	4460887 317, 353	4641086.....215
3900174.....81	4460183 305	4460888 317	4641386.... 219, 221, 223, 225
3900187.... 115, 117, 119, 121	4460205 319, 357	4460891 ... 123, 309, 351, 353, 361	4711000.... 33, 35, 37, 39
3900349.... 179, 183, 187	4460225 317	4460894 305, 317, 351	4711400.... 13, 19, 23, 53, 65, 67, 69, 71, 73, 75, 85, 87, 95, 107, 109, 111, 113, 165, 167, 169, 205, 207, 325, 327, 329, 331, 333, 335, 337
3910610.....319, 321	4460226 ... 153, 193, 196, 199, 317, 361	4460897 ... 125, 127, 281, 283, 309, 353	4711500.... 107, 109, 111, 113, 141
3910804.... 115, 117, 119, 121	4460227 ... 305, 317, 353	4460899 ... 339, 345, 347, 349	4711600.... 19, 23, 43, 51, 53, 85, 87, 105, 129, 141, 163, 180, 184, 188
3911008.....163	4460233 321	4460905 ... 305, 317, 351, 353, 361	4740120.... 115, 117, 119, 121
3911010.....191	4460234 179, 183, 187		4740156.....13
3930824.....105	4460259 305, 317		4740171.....97
3930828.....155	4460260 305, 317		4740207.....225
3930836.....155	4460265 193, 196		
3931010.... 33, 35, 37, 39	4460267 317		
3931012.... 37, 39	4460313 305		
3931016.... 33, 35, 37, 39	4460320 305		
3931028.....155	4460346 319		
3931408.....13, 205	4460418 305, 317		
3931416.....13	4460419 305, 317		
3931816.....145	4460424 153		
3931832.....97	4460426 79		

SECTION 10 - SPECIAL OPTIONS

4740362 ... 171, 173, 175, 177	70000740 213	70004743..... 193	70005408..... 31
4740397 ... 115, 117, 119, 121, 179, 183, 187	70000865 101	70004744..... 193	70005409..... 31
4740413 139	70001366 27	70004745..... 193	70005410..... 31
4750800 85, 87, 105	70001367 27	70004746..... 193	70005411..... 31
4751000 23, 123, 125, 127, 163	70001368 28	70004747..... 193	70005412..... 31
475140079, 81, 129, 139, 171, 173, 175, 177, 179, 183, 187, 201, 289, 291, 325, 327, 329, 331, 333, 335, 337, 365, 367, 369, 371, 373, 375, 377, 379, 381	70001369 27	70004748..... 193	70005415 19, 23
4751500 ... 19, 23, 57, 59, 61, 63, 87, 129, 133, 136, 145, 209, 289, 291	70001370 27	70004749..... 193	70005722 93
475160045, 79, 107, 109, 111, 113, 133, 135, 139, 171, 173, 175, 177	70001371 27	70004750..... 193	70006269 141
4751800 63, 129	70001372 27	70004751..... 193	70006280 141
4760600 319, 321	70001373 27	70004752..... 195	70006346 93
4761000 163	70001374 27	70004753..... 195	70006347 93
4761400 139, 141, 201	70001375 27	70004754..... 195	70006348 93
4761600 139	70001376 27	70004755..... 195	70006349 93
4761800 139, 141	70001377 27	70004756..... 195	70006531 221
4811400 ... 325, 327, 329, 331, 333, 335, 337	70001378 27	70004757..... 195	70006532 221, 225
4811600 273	70001379 27	70004758..... 195	70006533 221, 225
4811700 165, 167	70001380 28	70004759..... 195	70006535 221
4811702 153	70001876 89	70004760..... 195	70006539 225
4812000 153	70001961 47	70004761..... 195	70006542 225
4812100 153	70001996 141, 386	70004762..... 195	70006543 225
4844303 133	70001998 141, 386	70004763..... 195	70006587 219
4844304 133	70002112 49	70004764..... 195	70006588 219
4844427 135	70002206 99	70004765..... 195	70006589 219
4844467 133, 135	70002207 99	70004766..... 195	70006590 219
4844579 139	70002216 215, 233	70004767..... 195	70006591 219
4845582 209	70002217 215, 233	70004768..... 195	70006592 219
4846026 135	70002220 217	70004769..... 195	70006593 219
4846180 141	70002223 217	70004770..... 195	70006594 223
4846209 133, 135	70002373 223	70004771..... 195	70006595 223
4846278 145	70002412 219	70004772..... 195	70006596 223
4846502 145	70002523 47	70004773..... 195	70006597 223
4891500 101	70002806 89	70004774..... 196	70006598 223
4891600 43, 45, 135, 153	70002808 93	70004775..... 196	70006599 223
4891800 13, 57, 59, 61	7000281 27	70004809..... 31	70006600 223
4892000 19, 23, 97	70002902 199	70004811..... 31	70006601 219
4922608 319, 321, 357	70002903 199	70004820..... 31	70007357 237, 239
4922609 ... 313, 325, 327, 329, 331, 333, 335, 337	70002904 199	70004827 33	70007358 237
4922610 ... 323, 325, 327, 329, 331, 333, 335, 337, 359	70002905 199	70004884 89	70007359 237, 239
4922611 311, 319, 321	70003171 47	70005091..... 89	70007360 237, 239
4922612 315, 323	70003341 235	70005101..... 49	70007361 237, 239
5241200 153	70003819 215, 233	70005143..... 223	70007362 237, 239
5251008 153	70003833 217	70005210..... 89, 386	70007363 237, 239
5251016 153	70003836 217	70005214..... 17	70007364 237, 239
70000088 99	70003843 233	70005215..... 17	70007365 237
70000089 99	70003844 233	70005385..... 31	70007366 237, 239
70000340 151	70003845 215, 233	70005386..... 31	70007367 227
70000341 147, 149	70003846 215	70005387..... 31	70007368 227, 229
70000381 89	70003847 215	70005388..... 31	70007369 227, 229
70000739 213, 231	70003863 217	70005389..... 31	70007370 227
	70003864 217	70005390..... 31	70007371 227, 229
	70004019 89	70005391..... 31	70007372 227, 229
	70004130 231	70005392..... 31	70007373 229
	70004131 213	70005393..... 31	70007374 229
	70004141 213, 231	70005394..... 31	70007378 237
	70004142 213, 231	70005395..... 31	70007379 239
	70004143 213, 231	70005396..... 31	70007380 239
	70004144 231	70005397..... 31	70007381 239
	70004145 231	70005398..... 31	7001630 235
	70004146 213	70005399..... 31	70022564 219, 223
	70004147 213	70005400..... 31	70023094 213, 231
	70004159 101	70005401..... 31	70024262 213
	70004323 149	70005402..... 31	7004035 99
	70004738 193	70005403..... 31	7004036 99
	70004739 193	70005404..... 31	7004043 99
	70004740 193	70005405..... 31	7004044 99
	70004741 193	70005406..... 31	7004045 99
	70004742 193	70005407..... 31	7004047 99

SECTION 10 - SPECIAL OPTIONS

7004049.....	99	7017169.....	151	7020140.....	15, 17	7026042.....	101
70050801.....	219	7017172....	147, 149, 151	7020175 ...	115, 117, 119, 121, 179, 183, 187	7026043.....	101
7007640.....	27	7017173.....	151	7020176 ...	115, 117, 119, 121, 179, 183, 187	7026068.....	217
7010543.....	55, 89	7017178.....	151	7021318.....	47	7026082.....	215, 233
7011112.....	213, 215	7017179.....	151	7021319.....	47	7026084.....	215, 233
7011323.....	147, 149	7017192....	147, 149, 151	7021361.....	47	7026088.....	217
7011376....	219, 221, 223, 225	7017196.....	147, 149	7021377.....	47	7026090.....	217
7012518.....	55, 89	7017246.....	235	7021603.....	89	7026091.....	217
7012540.....	89	7017247.....	235	7021604.....	89	7026092.....	217
7012903.....	89	7017248.....	235	7021609.....	55, 93, 386	7027350.....	101
7012914.....	89	7017249.....	235	7021611.....	55, 89	7027351.....	101
7012918.....	89	7017250.....	235	7021616.....	55, 386	7027352.....	101
7012947.....	89	7017251.....	235	7021618.....	55, 386	7027353.....	101
7012953.....	89, 91	7017252.....	235	7021653.....	93	7027354.....	101
7012959.....	91	7017402.....	55, 89, 93	7021659.....	55	7027356.....	101
7012961.....	89	7017410.....	89	7022390.....	93	7027358.....	101
7012967.....	89	7017418.....	89	7022394.....	89	7027360.....	101
7012972.....	55	7017421.....	89	7023217.....	15	7027361.....	101
7012975.....	89	7017433.....	55, 89	7023318.....	99	7027363.....	101
7012995.....	89	7017452.....	89, 93	7024379.....	99	7027900.....	147, 149
7012998.....	55, 89, 93	7017466.....	91	7024380.....	99	7027901.....	147, 149
7016177.....	57, 59	7017488.....	55	7024381.....	99	8220045.....	349
7017007.....	28	7017496.....	91, 93	7024389.....	99	8220068.....	361
7017009.....	27	7019698.....	139, 386	7024390.....	99	8229234.....	351, 386
7017022.....	27	7019699.....	139	7024444.....	49	8229235.....	351, 386
7017120.....	147, 149	7020035.....	15	7024445.....	49	8229236.....	349, 386
7017121.....	147, 149	7020036.....	15	7024453.....	99	8229237.....	351, 386
7017122.....	147, 149	7020037.....	15, 17	7024738.....	27	8229242....	305, 317, 353, 386
7017123.....	147, 149	7020038.....	15	7024741.....	27	8229261.....	351, 386
7017126.....	147, 149	7020039.....	15, 17	7024844.....	215, 217	8760554.....	251
7017127.....	147, 149	7020040.....	15, 17	7024883.....	89, 386	88261024.....	129
7017153.....	147	7020041.....	15	7024885.....	89, 386	88261026.....	142
7017165.....	151	7020042.....	15	7024887.....	93	88521205... 57, 59, 61, 63	
7017167.....	151	7020054.....	15, 17	7024891.....	91	88662523... 43, 45, 51, 53	
7017168.....	151	7020055.....	15, 17			88662530.....	129
		7020137.....	15, 17				



**Corporate Office
JLG Industries, Inc.
1 JLG Drive
McConnellsburg, PA 17233-9533 USA
☎ (717) 485-5161 (Corporate)
☎ (877) 554-5438 (Customer Support)
📠 (717) 485-6417**

**Visit our website for JLG Worldwide Locations.
www.jlg.com**



OSHKOSH™